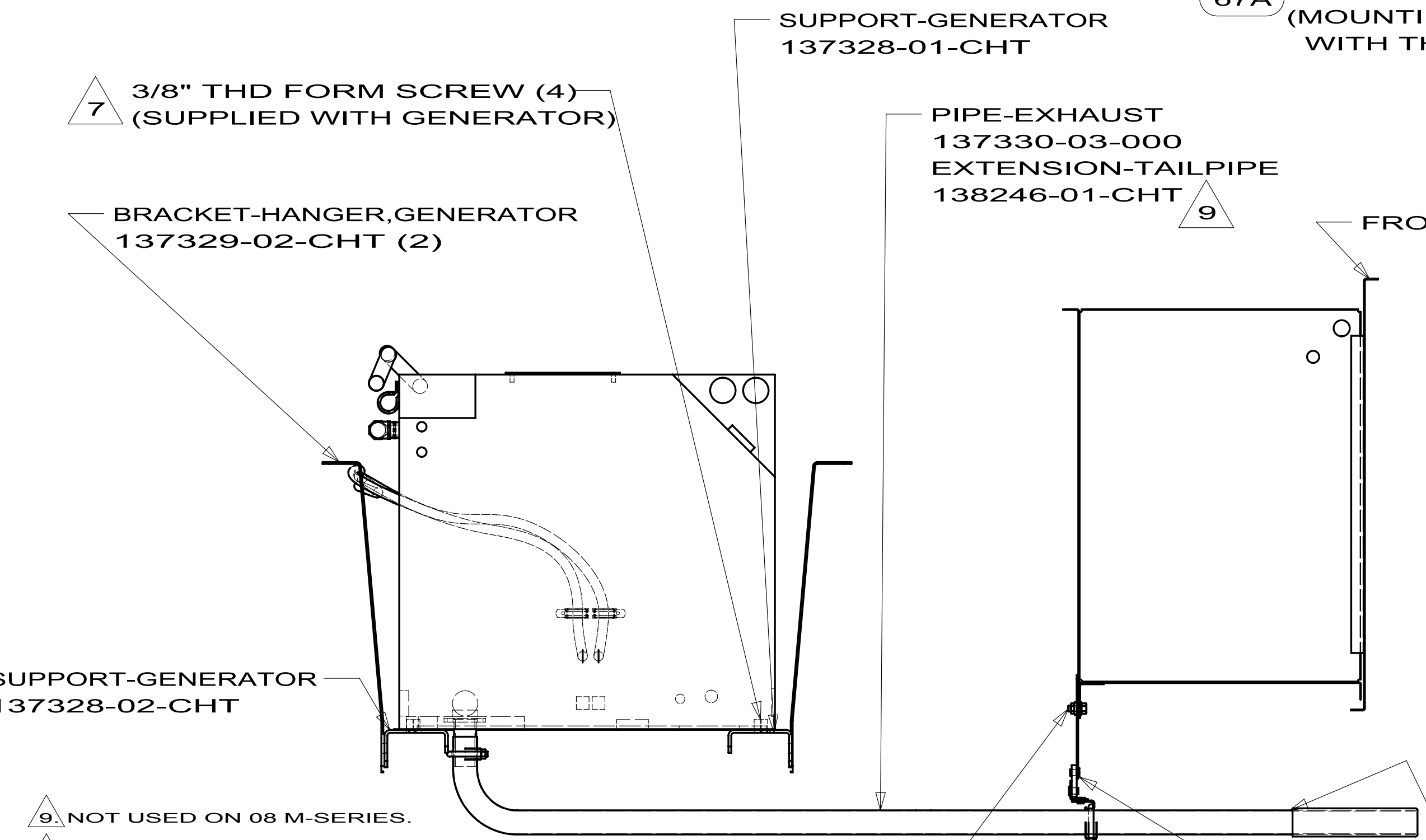
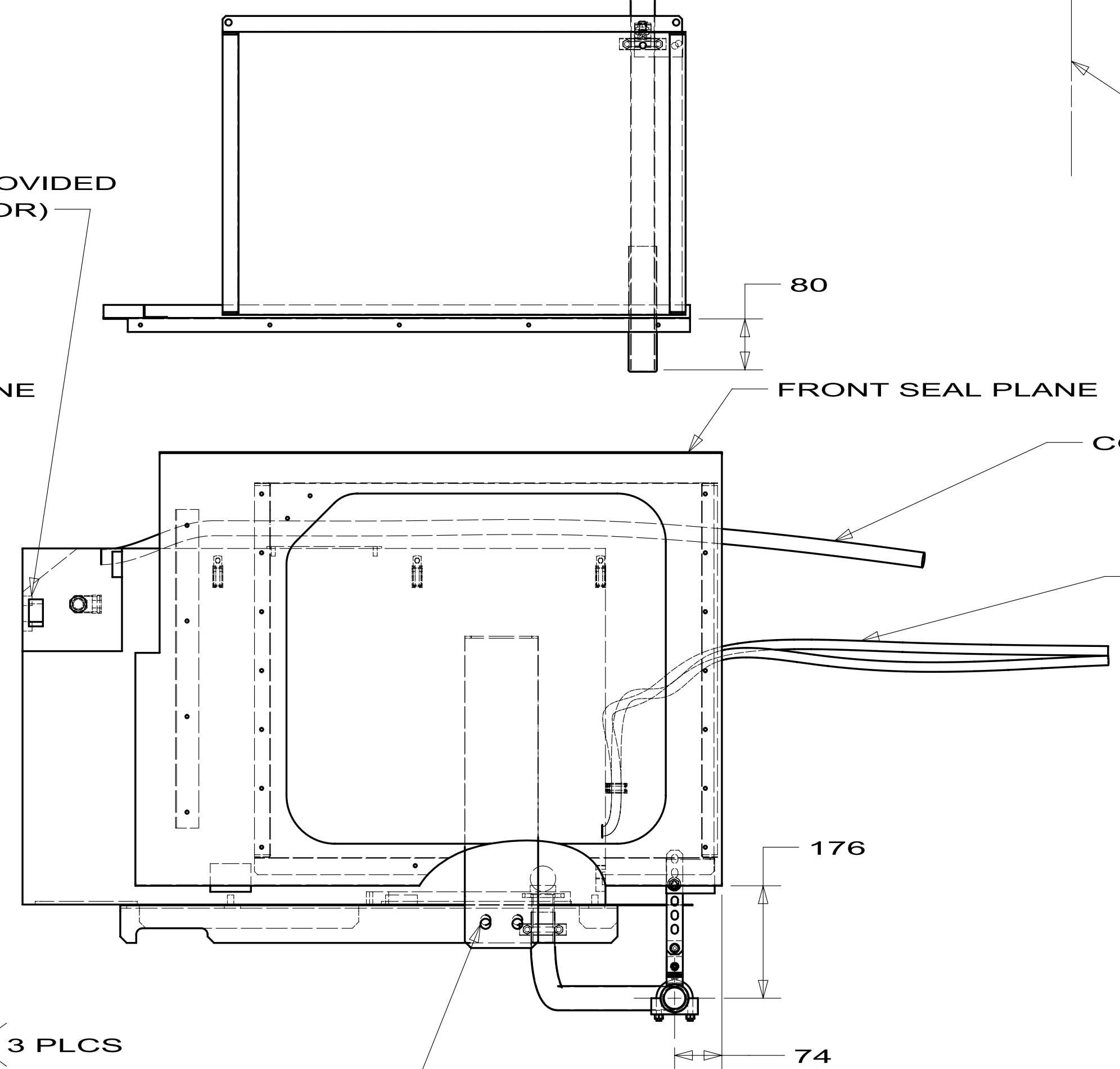


VIEW A-A



- 67H GENERATOR-DIESEL  
158258-01-000
- 67A 159850-01-000  
(MOUNTING BOLTS PROVIDED WITH THE GENERATOR)



- 67A GEN-6.0KW ONAN QUIET DIESEL
- 67H GEN-8.0KW ONAN QUIET DIESEL

- NOTES:
- 9. NOT USED ON 08 M-SERIES.
  - 8. NOT USED ON 07 P-SERIES.
  - 7. TORQUE TO 28 TO 42 FT-LBS.
  - 6. TORQUE CLAMP TO 14 TO 20 FT-LBS.
  - 5. CENTER GENERATOR BETWEEN FRAME RAILS.
  - 4. USE BOLTS IN COVER TO ATTACH CLAMPS.
  - 3. TORQUE BOLTS TO 70-85 Nm (52-62 FT-LBS).
  - 2. SEE WIRING INSTL-BODY FOR ADDITIONAL INFORMATION.
  - 1. SEE GENERATOR INSTALLATION INSTRUCTIONS.

<b>WINNEBAGO INDUSTRIES</b>		COPYRIGHT 2009 WINNEBAGO INDUSTRIES, INC.	
DTR	ORIG. DATE	ALL DIMENSIONS ARE IN MILLIMETERS	
CHKR		07 P-SERIES	
P.E.		UNSPECIFIED TOLERANCES ARE:	
M.E.	FIRST USED	WHOLE DIM (X)	: 3
DSNR		ONE-PLACE (X.X)	: 1
		TWO-PLACE (X.XX)	: 1
		ANGLE	: 1
THIRD ANGLE PROJECTION		MATERIAL:	
<b>DO NOT SCALE DRAWING</b>			
TITLE: <b>GENERATOR INSTL-DIESEL</b>			
SHEET 1 OF 1	PART NO	158916	REV
REF:	1		