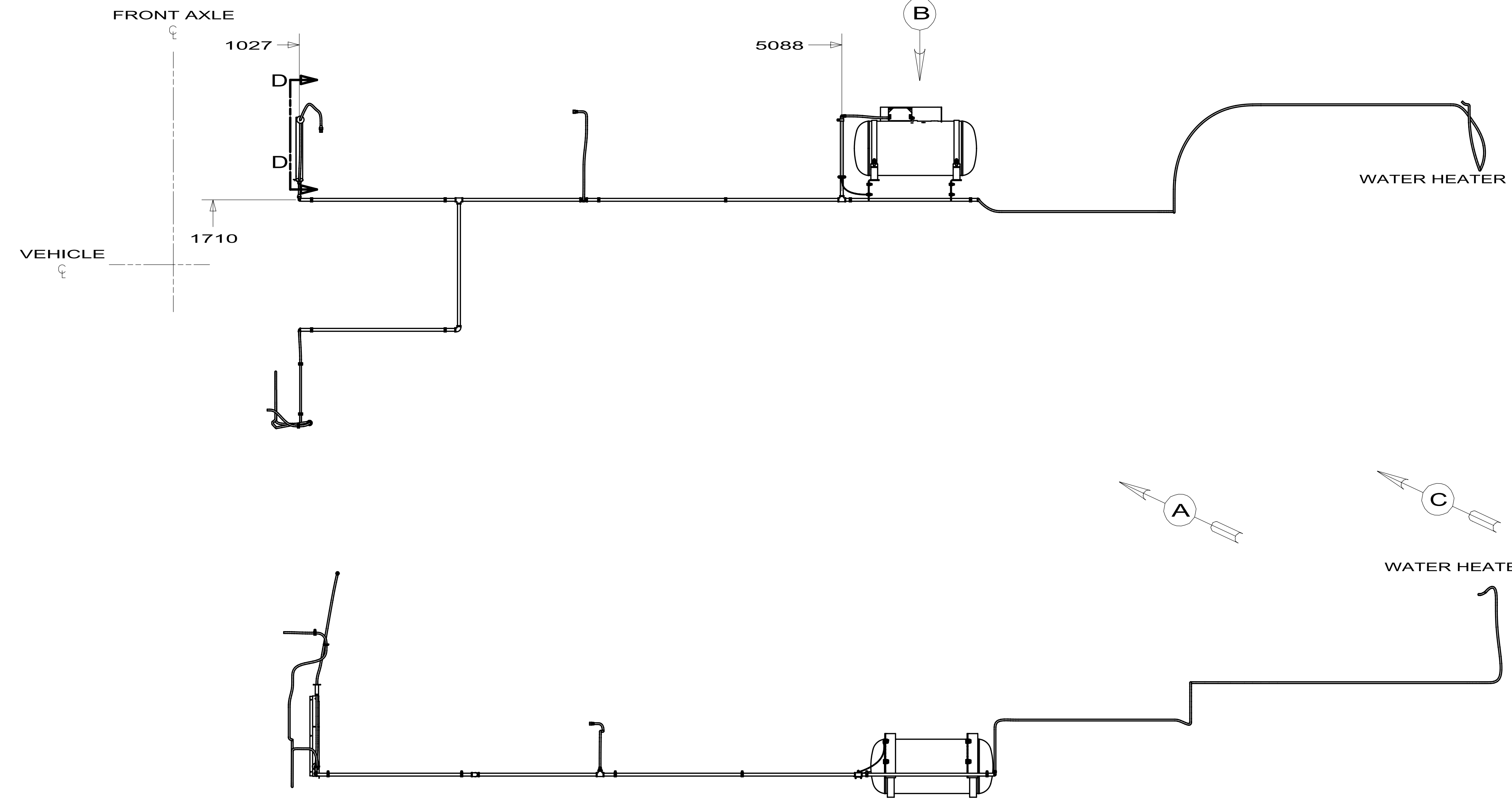


5	010644-03-000	PIPE-STL BLK 1/2" (SCH 80)
4	010473-01-000	TUBING-COPPER 3/8" OD
3	010474-01-000	TUBING-COPPER 1/2" OD
1	010644-01-000	PIPE-STL BLK 1/2" (SCH 40)
E-15	140638-01-000	ELBOW-BLK,STREET 1/2" X 45° ,FPTXMPT
E-14	010515-03-000	ELBOW-BLK 1/2" X 90° STL (SCH 80)
E-13	010251-02-000	ELBOW-BRASS-90° 3/8"F X 1/4"MPT
E-12	010251-01-000	ELBOW-BRASS-90° 3/8"F X 3/8"MPT
E-10	010271-01-000	ELBOW-BRASS-90° 1/2"F X 1/2"MPT
E-9	010252-01-000	ELBOW-BRASS-90° 3/8"F X 1/2"MPT
E-8	010265-01-000	ELBOW-BRASS-90° 3/8"F X 1/2"FPT
E-6	010270-01-000	ELBOW-BRASS-90° 1/2"F X 1/2"FPT
E-5	065318-02-000	ELBOW-90° 3/8"MPT TO 3/8"FPT
E-4	065318-01-000	ELBOW-90° 1/4"MPT TO 1/4"FPT
E-3	166513-01-000	ELBOW STL 1/2"F X 1/2" FEM FL SWVL
E-2	010515-01-000	ELBOW-BLK 1/2" X 90° STL
E-1	039497-01-000	ELBOW-BLK-ST 1/2" X 90° STL
CR-2	144485-01-000	COMPARTMENT-LP REGULATOR
CR-1	105658-01-000	COMPARTMENT-LP REGULATOR
CA-2	036522-02-000	CAP-BRASS 1/2" FL
CA-1	036522-01-000	CAP-BRASS 3/8" FL
C-14	010497-12-000	CLAMP-CLOSED 1/2" ID
C-13	010497-10-000	CLAMP-CLOSED
C-12	075148-02-000	CLAMP-GROUNDING, BRZE SCREWS
C-11	075148-01-000	CLAMP-CLOSED
C-10	010497-09-000	CLAMP-CLOSED 5/16" ID
C-9	010497-08-000	CLAMP-CLOSED
C-8	010497-07-000	CLAMP-CLOSED 3/8" ID
C-7	010497-06-000	CLAMP-CLOSED 11/16" ID
C-6	155498-01-CHT	CLAMP-CLOSED 7/8" ID
C-5	010497-04-000	CLAMP-CLOSED 1 5/8" ID
C-4	010497-03-000	CLAMP-CLOSED
C-3	010497-02-000	CLAMP-CLOSED 1 1/2" ID
C-2	010497-01-000	CLAMP-CLOSED 5/8" ID
C-1	010495-01-000	CLAMP-CABLE 9/16"
A-8	010326-01-000	ADAPTER-FLARE 3/8"FEM FL X 1/2"MAL
A-7	010340-01-000	ADAPTER-BRASS 1/2"F X 1/2"FPT
A-6	010323-02-000	ADAPTER-BRASS 3/8"F X 3/8"MPT
A-5	010323-01-000	ADAPTER-BRASS 3/8"F X 1/2"MPT
A-4	024250-01-000	ADAPTER-BRASS 3/8"F X 1/2"FPT
A-3	010329-01-000	ADAPTER-BRASS 1/2"F X 1/2"MPT
A-1	057042-01-000	ADAPTER-CROSS 1/2" PIPE
NO.	PART NUMBER	DESCRIPTION

T-3	010536-02-000	TEE-STL BLK 1/2" (SCH 80)
T-1	010536-01-000	TEE-STL BLK 1/2"
R-3	106150-06-000	REGULATOR-TWO STAGE
R-2	106150-05-000	REGULATOR-TWO STAGE
R-1	106150-01-000	REGULATOR-TWO STAGE
NP-3	010589-03-000	NIPPLE-PIPE,STL BLK 1/2" X 2 1/2"
NP-2	010589-02-000	NIPPLE-PIPE,STL BLK 3/8" X 2"
NP-1	010589-01-000	NIPPLE-PIPE,STL BLK 1/2" X 1 1/2"
H-17	045703-19-000	HOSE-ASM-LP 3/8" ID X 102"
H-16	045703-16-000	HOSE-ASM-LP 3/8" ID X 109" US & CAN
H-15	045703-14-000	HOSE-ASM-LP 3/8" ID X 158" US & CAN
H-14	129467-01-000	HOSE-ASM-LP 3/8" ID X 158" CAN
H-13	045703-15-000	HOSE-ASM-LP 3/8" ID X 142" US & CAN
H-12	045703-13-000	HOSE-ASM-LP 3/8" ID X 120"
N-5	117835-01-000	NIPPLE-PIPE,STL BLK 1 1/4" X 5"
N-4	010377-02-000	NUT-BRASS 3/8"F, FORGED
N-3	010377-01-000	NUT-BRASS 3/8"F
N-2	010380-02-000	NUT-BRASS 1/2"F, FORGED
N-1	010380-01-000	NUT-BRASS 1/2"F
H-11	045703-12-000	HOSE-ASM-LP 3/8" ID X 18" CAN
H-10	045703-11-000	HOSE-ASM-LP 3/8" ID X 36" US
H-8	045703-07-000	HOSE-ASM-LP 3/8" ID X 10" US
H-7	045703-09-000	HOSE-ASM-LP 3/8" ID X 24" US & CAN
H-6	045703-06-000	HOSE-ASM-LP 3/8" ID X 28" CAN
H-5	045703-05-000	HOSE-ASM-LP 3/8" ID X 28" US
H-3	045703-03-000	HOSE-ASM-LP 3/8" ID X 18" US
H-2	045703-02-000	HOSE-ASM-LP 3/8" ID X 24" CAN
H-1	045703-01-000	HOSE-ASM-LP 3/8" ID X 24" US
G-14	016188-11-000	GROMMET-GAS LINE 11/16" X 3.25 LONG
G-13	108505-02-000	GROMMET 1/2" ID
G-12	071015-26-000	GROMMET 1-1/2" ID
G-11	016188-10-000	GROMMET-GAS LINE 11/16" X 2.50" LONG
G-10	016188-09-000	GROMMET-GAS LINE 11/16" X 1.25" LONG
G-9	016188-08-000	GROMMET-GAS LINE 1/2" X 1.25" LONG
G-8	071015-22-000	GROMMET 5/8" ID
G-7	016188-07-000	GROMMET-GAS LINE 1/2" X 3.25" LONG
G-6	016188-06-000	GROMMET-GAS LINE 3/8" X 3.25" LONG
G-5	016188-05-000	GROMMET-GAS LINE 3/8" X 1.25" LONG
G-4	016188-04-000	GROMMET-GAS LINE 1/2" X 2.50" LONG
G-3	016188-03-000	GROMMET-GAS LINE 3/8" X 2.50" LONG
G-2	016188-01-000	GROMMET-GAS LINE 3/8" X 2.00" LONG
G-1	108505-01-000	GROMMET-3/8" ID
NO.	PART NUMBER	DESCRIPTION

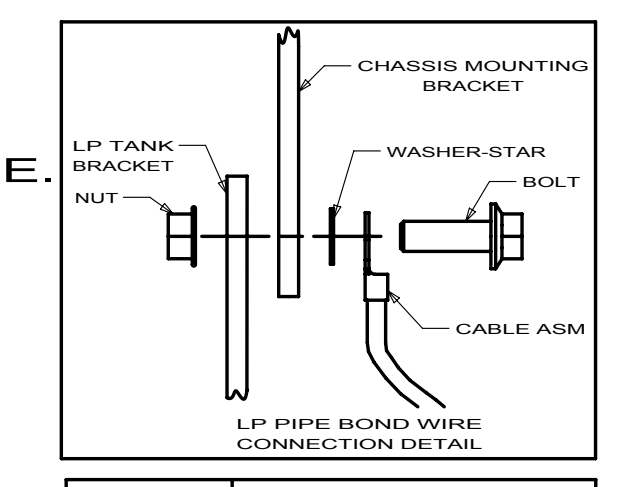
1. INACTIVE

		COPYRIGHT 2009 WINNEBAGO INDUSTRIES, INC.	
DTR	ORIG. DATE	ALL DIMENSIONS ARE IN MILLIMETERS	
CHKR			
P.E.			
M.E.	FIRST USED	95 MH'S	
DSNR			
UNSPECIFIED TOLERANCES ARE:		MATERIAL:	
WHOLE DIM (X)	: 3		
ONE-PLACE (X.X)	:		
TWO-PLACE (X.XX)	:		
ANGLE	:		
THIRD ANGLE PROJECTION			
DO NOT SCALE DRAWING			
TITLE: PART LISTING-LP SYSTEM			
SHEET 1 OF 1	PART NO	116228	REV
REF:	1		



9. THREAD ALL BLACK PIPE WITH STANDARD NATIONAL PIPE THREAD (NPT) ON BOTH ENDS.
8. GROMMET SUPPLIED WITH WATER HEATER.
7. MINIMUM BEND RADIUS ON COPPER TUBING TO BE 44 FOR 1/2" AND 28 FOR 3/8". HAND BENDS TO BE 76 RADIUS MINIMUM.
6. CUT CONVOLUTED TUBING BEFORE FLARE NUTS ARE ASSEMBLED.
5. GAS PIPING SYSTEM MATERIALS CONFORM WITH NFPA 1192.
4. REGULATOR TO BE POSITIONED WITH VENT POINTING DOWNWARD INSIDE OF 45°.
3. BLACK PIPE AND COPPER TUBING TO BE CLAMPED EVERY 1219 MAX WITH: SCREW G67-10-10B (WOOD SUPPORTS), SCREW G39-10-12T (METAL SUPPORTS).
2. STEEL PIPE AND FITTINGS TO BE ASSEMBLED WITH SEALANT 84456-01-000.
1. ALL COPPER TUBING BELOW FLOOR IS TO BE ENCASED IN CONDUIT 41953-05-000.

16. CLAMP LP LINE TO SIDEWALL, AWAY FROM BURNER BOX ON REFRIGERATOR.
15. DRILL \varnothing 25.40 HOLE THROUGH COMPARTMENT RIB FOR LP HOSE.
14. SEE LP PIPE BOND WIRE CONNECTION DETAIL FOR INSTALLATION LOCATION.
13. TORQUE TO 38 \pm 4 FT-LBS.
12. USE THREADLOCKING MATL 62917-02-000 (LOCTITE 271).
11. USE AS REQUIRED.
10. TORQUE TO 25 \pm 3 FT-LBS.



FOR LP CALLOUTS SEE DWG NO 116228-01-000

1B1 CODES/STANDARDS USA
265 CODES/STANDARDS-CSA/CMVSS

WINNEBAGO INDUSTRIES		COPYRIGHT 2010 WINNEBAGO INDUSTRIES, INC.	
DTR	ORIG. DATE	ALL DIMENSIONS ARE IN MILLIMETERS	
CHKR			
P.E.			
M.E.	FIRST USED	09 M39N	
DSNR			
UNSPECIFIED TOLERANCES ARE:		MATERIAL:	
WHOLE DIM (X)	: 3		
ONE-PLACE (X.X)	: 1.5		
TWO-PLACE (X.XX)	: 0.50		
ANGLE	: 1°		
THIRD ANGLE PROJECTION			
DO NOT SCALE DRAWING			
TITLE: LP SYSTEM INSTL			
SHEET 1 OF 3	PART NO	165060	REV
REF:	1		

- BRACKET ASM-LP TANK
151786-01-01A (2)
- BRACKET-STRAP, LP TANK
151786-02-01A (2)
- BOLT
143375-01-01A (8)
- NUT
143399-01-01A (8)
- SHIM-BODY MOUNT
128310-01-02B
- WASHER-STAR
156569-01-01A

- BOLT
C12-08-44B (4)
- WASHER
E13-22-00B (8)
- NUT
D36-08-00B (4)

- TANK-LP
151784-03-000
- DIAL TRANSMITTER
40440-03-000
- REGULATOR-TWO,STAGE
106150-05-000

- COMPARTMENT-LP REG HORZ
144485-01-000

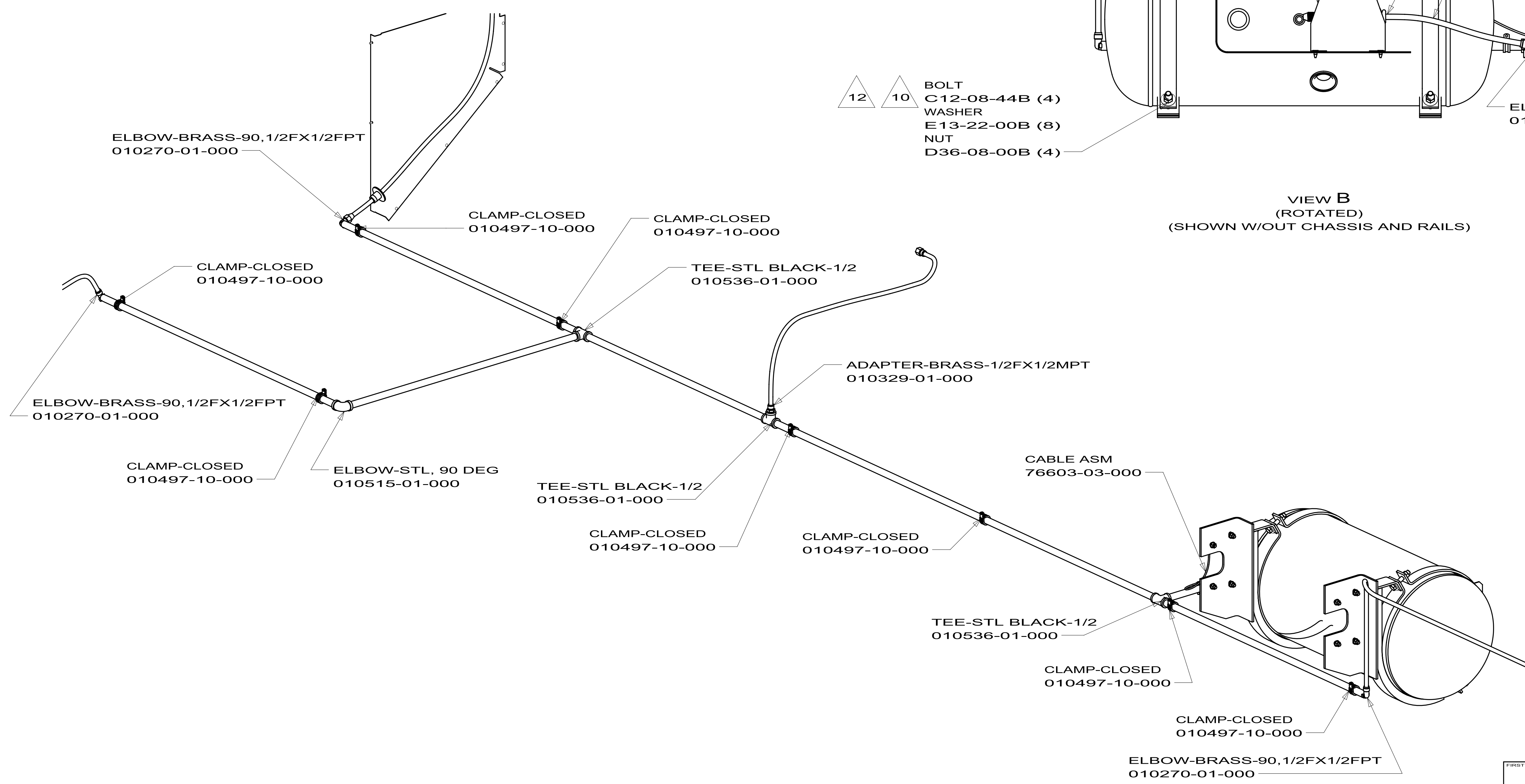
- HOSE ASM-LP 3/8IDX18 (1B1)
045703-03-000
- HOSE ASM-LP 3/8IDX18 (265)
045703-12-000

- CLAMP-GROUNDING,PIPE
075148-02-000

- CLAMP-CLOSED
155498-01-01A

- ELBOW-BRASS-90,1/2FX1/2FPT
010270-01-000

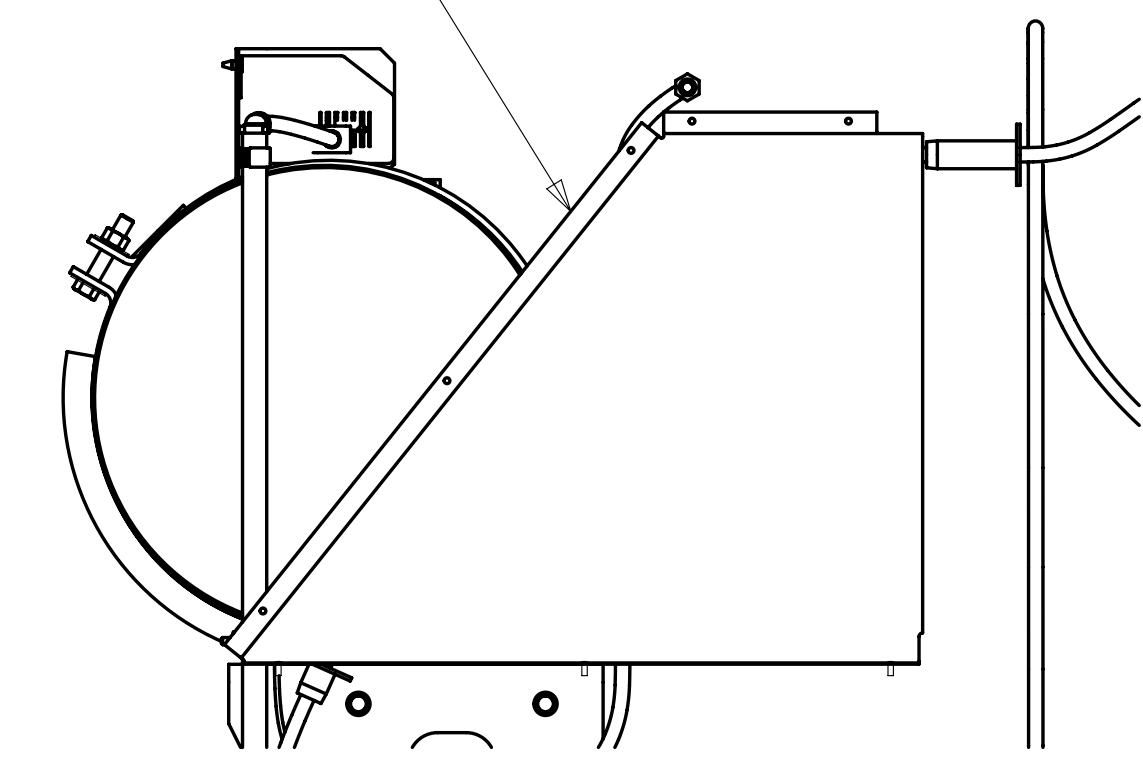
VIEW B
(ROTATED)
(SHOWN W/OUT CHASSIS AND RAILS)



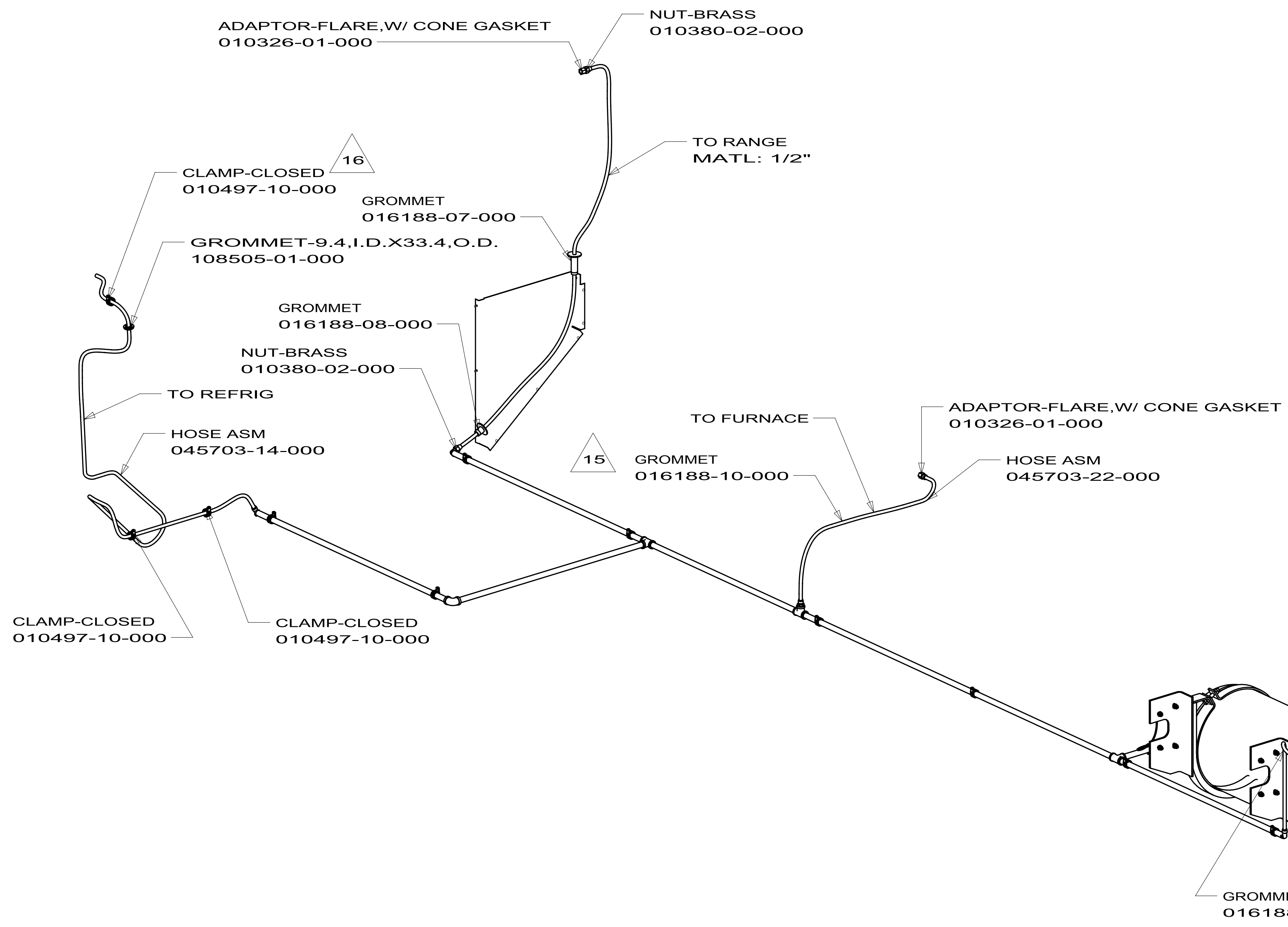
VIEW A
(SHOWN W/OUT CHASSIS AND RAILS)

FIRST USED		
09 M39N		
DO NOT SCALE DRAWING		
TITLE:		
LP SYSTEM INSTL		
SHEET 2	PART NO	REV
	165060	

PANEL-CLOSEOUT,LP
171141-01-02B
RIVET
113133-01-01A(8)



SECTION D-D



VIEW C
(SHOWN W/OUT CHASSIS AND RAILS)

TO WATER HEATER

FIRST USED	09 M39N		
TITLE:	DO NOT SCALE DRAWING		
	LP SYSTEM INSTL		
SHEET 3	PART NO	165060	REV

KEY	PART NUMBER	U/M	DESCRIPTION	151784-03-000	VENDOR NO.
	040421-01-700	EA	VALVE-LIQUID LEVEL, 20%		V20058/V21199/G1013
	040421-01-712	EA	VALVE-SERV. W/O VAPOR RELIEF		V20373/V21202
	040421-01-713	EA	VALVE-RELIEF 1' W/SPRING 7"		V12560/V21207
	088253-01-702	EA	FLOAT/SCREW IN-SNAP ON DIAL		G13063/SG16C0001442
	144116-01-701	EA	VALVE/FILL 80% W/YELLOW CAP		V13414