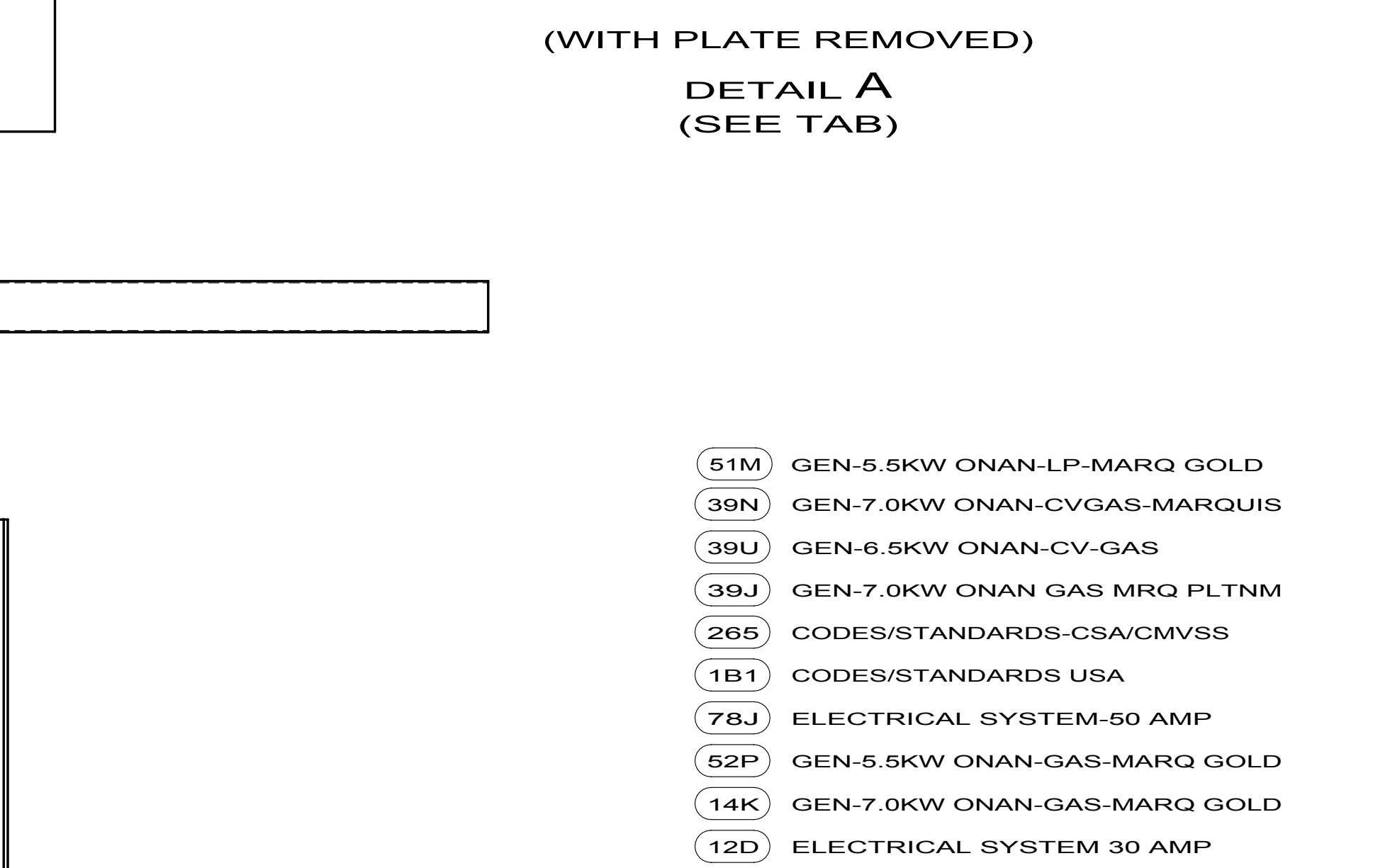
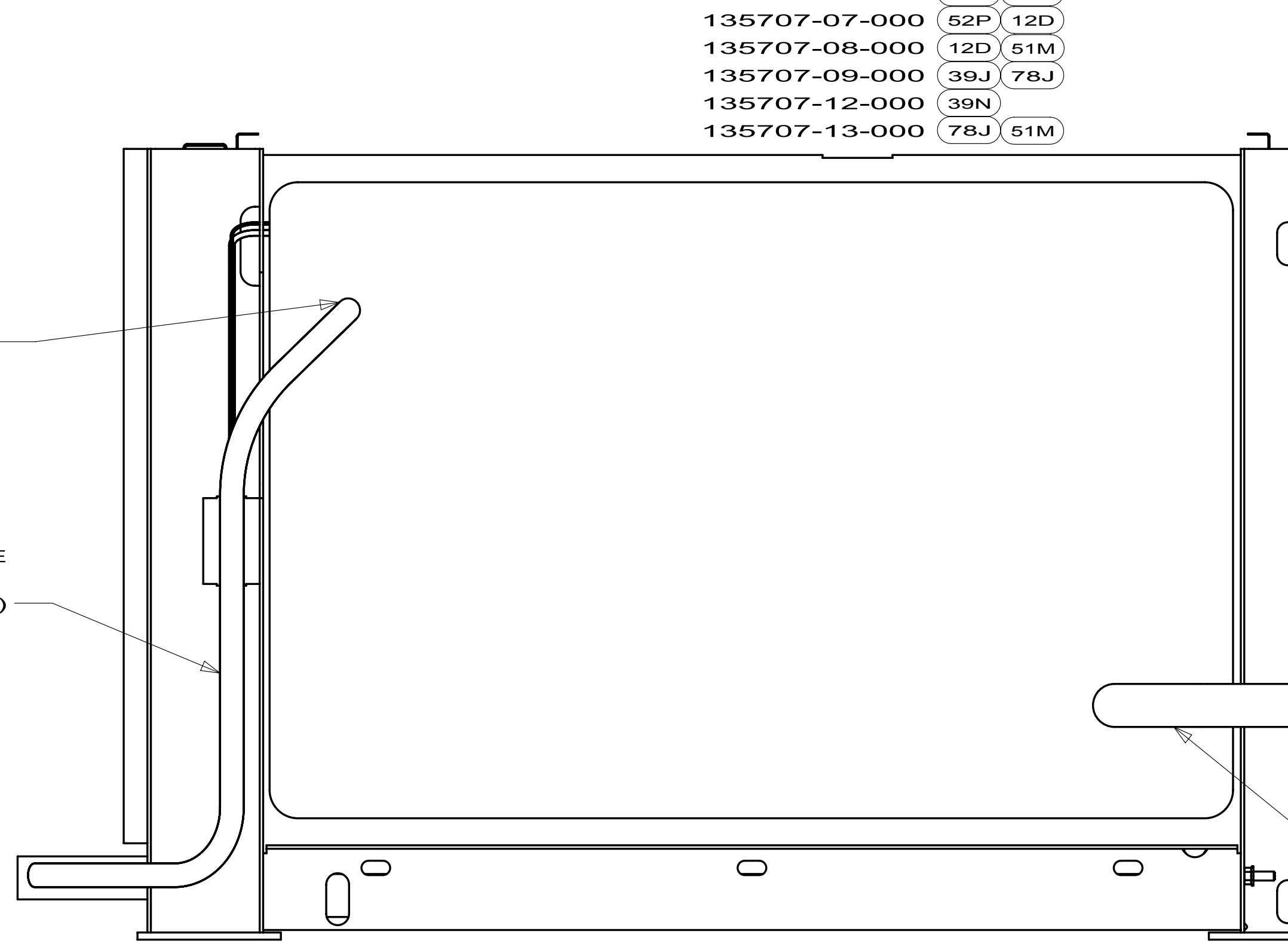
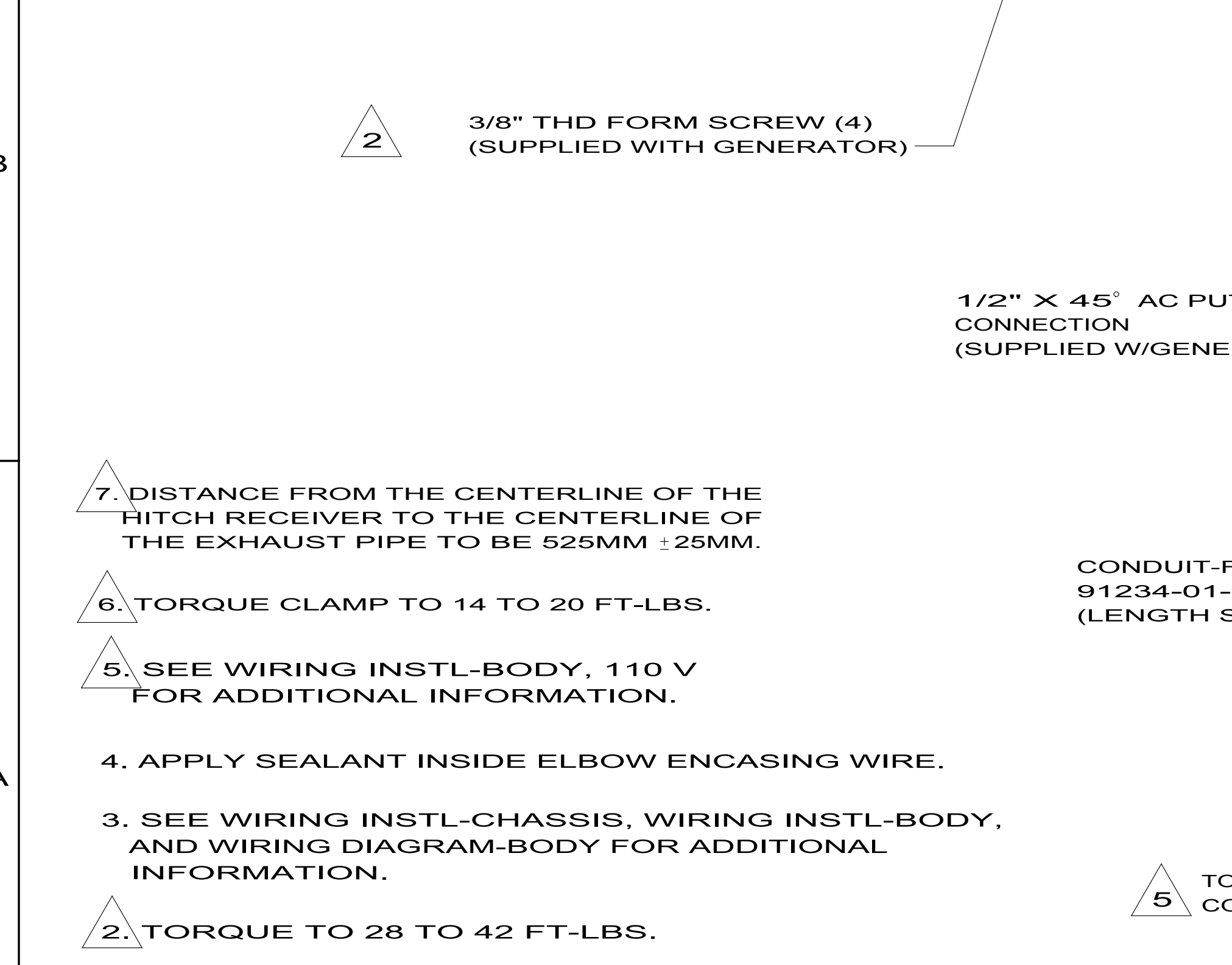
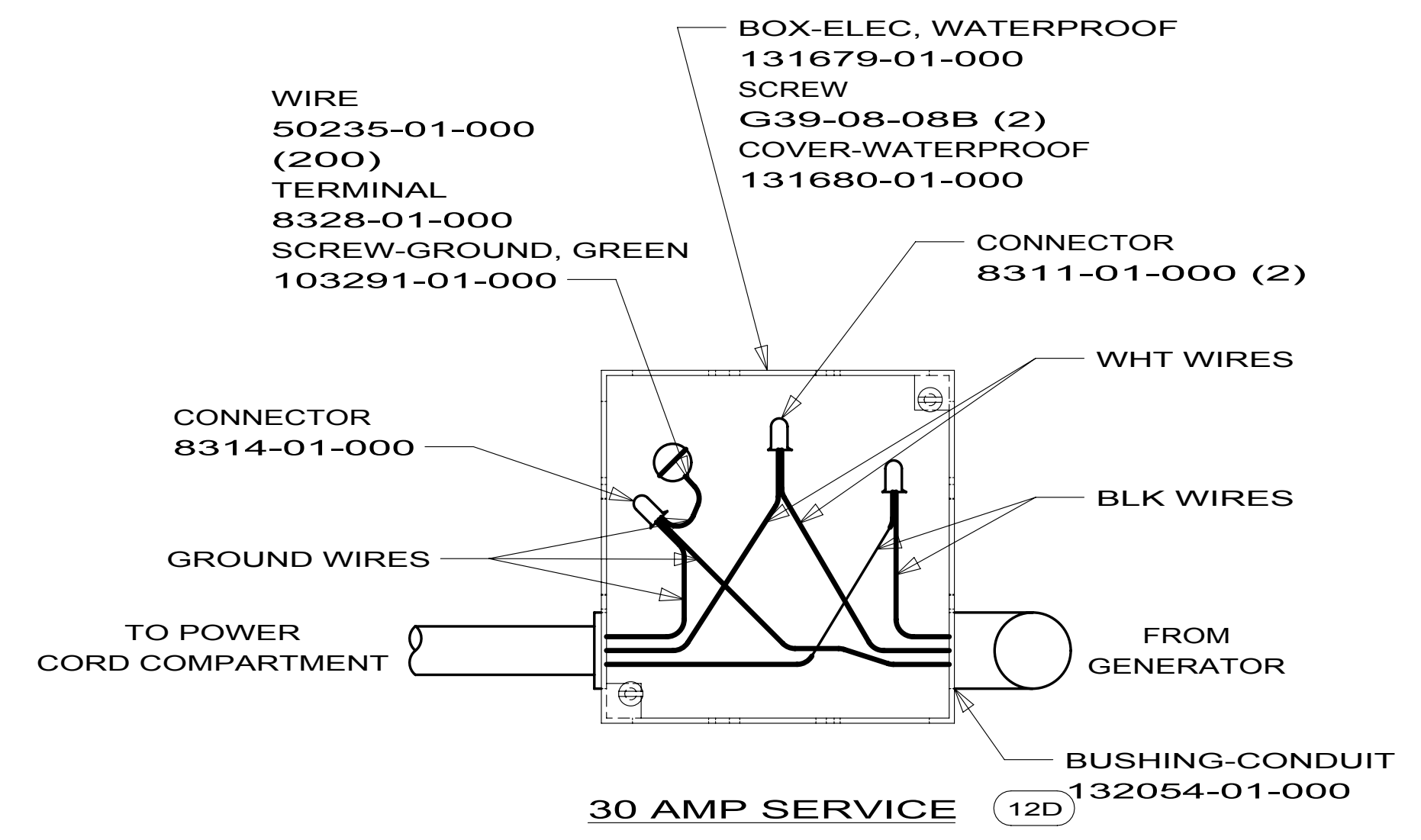
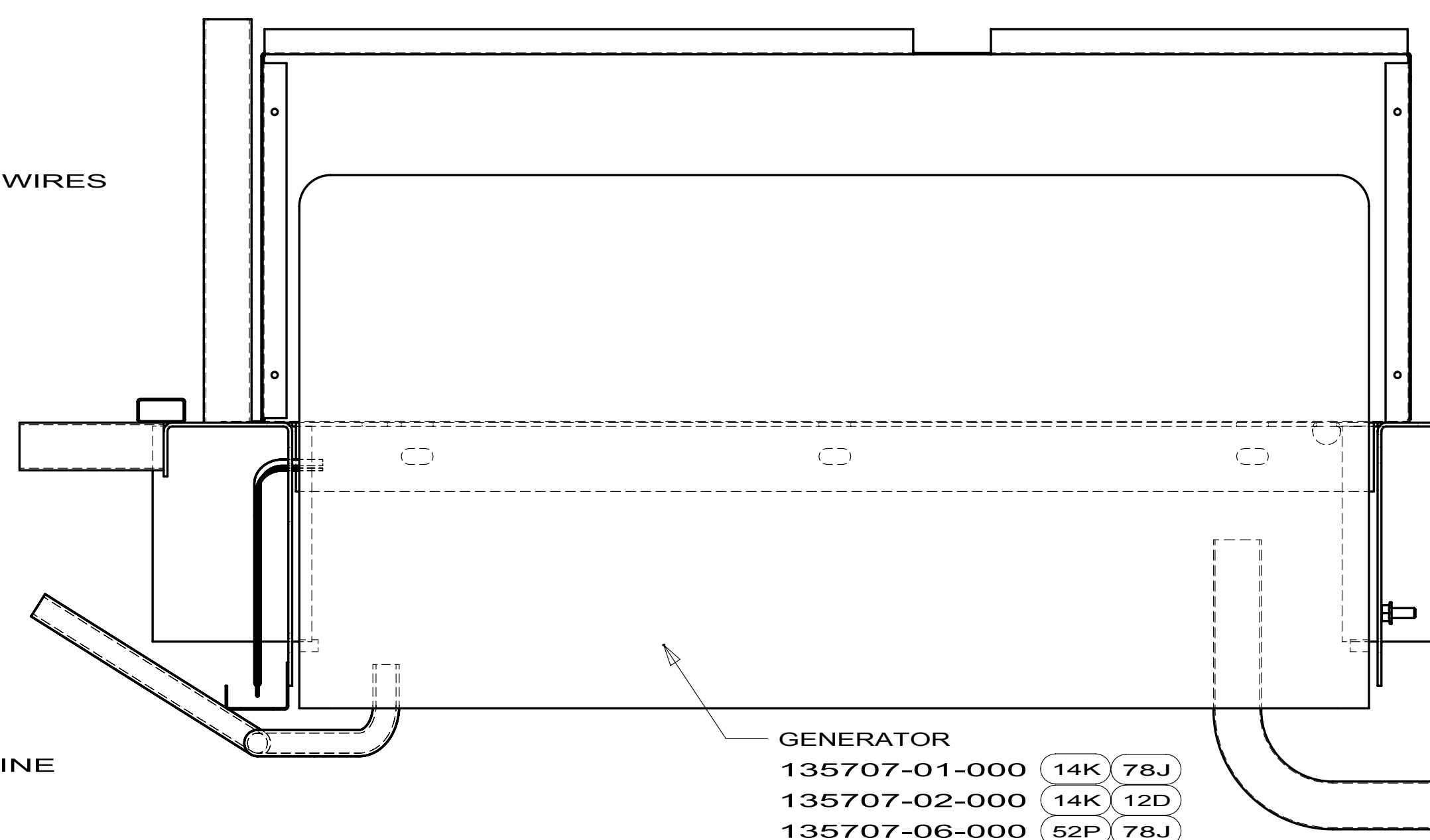
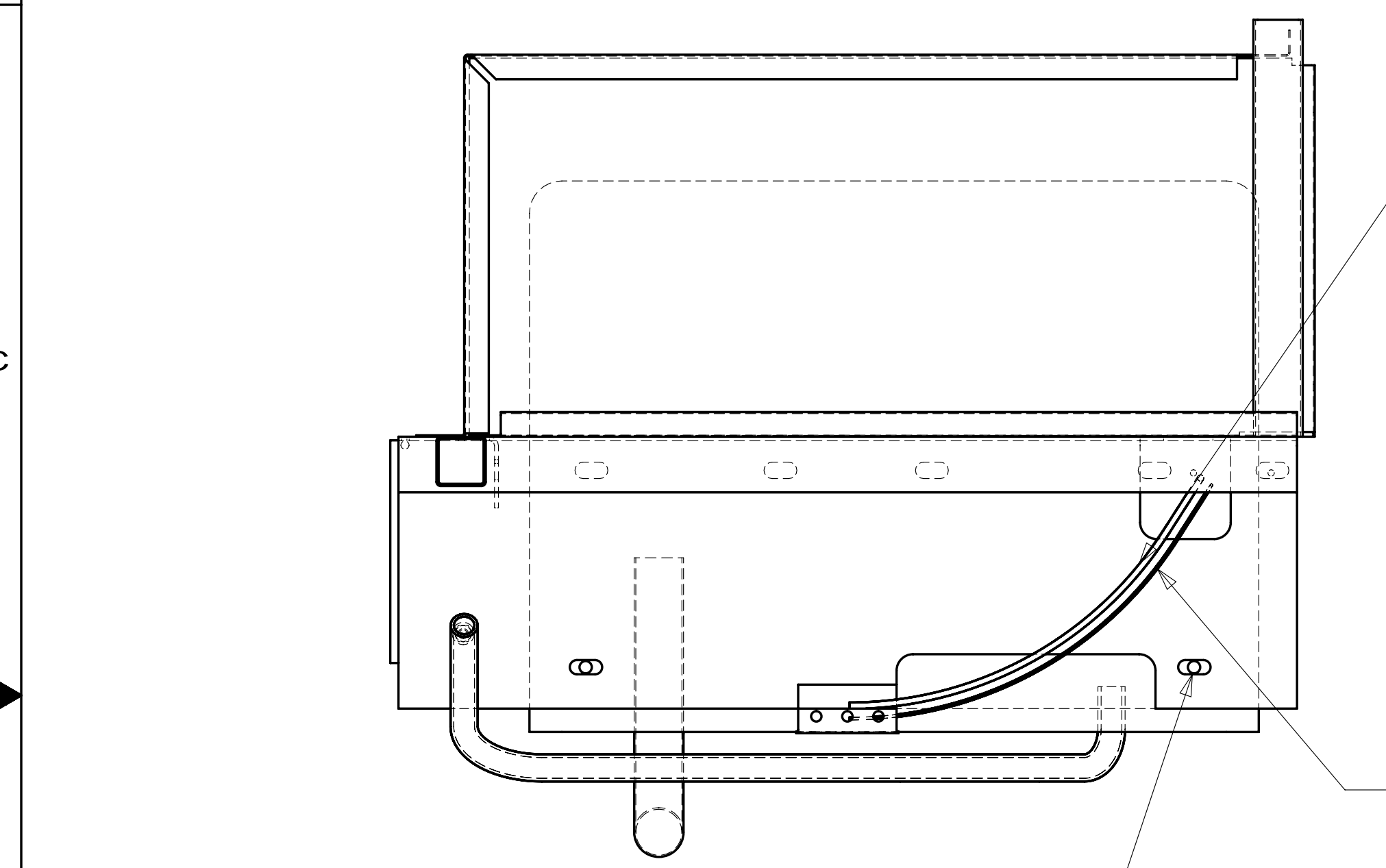


DWG NO	SHT	PIPE-EXHAUST	CONDUIT LENGTH	DETAIL A	B
146897-01	1	105958-28-000	800	YES	90°
146897-02	1	105958-25-000	900	YES	90°
146897-03	1	105958-27-000	800	YES	90°
146897-04	1	105958-28-000	1200	YES	90°
146897-05	NA	105958-10-000	1300	YES	90°
146897-06	1	105958-07-000	1400	NO	7
146897-07	1	105958-14-000	900	YES	90°
146897-08	1	105958-27-000	900	YES	90°
146897-09	NA	105958-17-000	900	YES	90°
146897-10	1	105958-30-000	900	NO	90°

DWG NO	SHT	PIPE-EXHAUST	CONDUIT LENGTH	DETAIL A	B
146897-11	1	105958-07-000	900	NO	90°
146897-12	1	105958-30-000	1300	NO	90°
146897-13	1	105958-07-000	1400	NO	61°
146897-14	2	105958-11-000	2700	NO	90°
146897-15	1	105958-40-000	1400	NO	7
146897-16	2	105958-02-000	1800	NO	270°
146897-17	2	105958-41-000	2700	NO	90°

REV	DATE	DWG NO
RELEASE	A	146897
REV ZONE	REVISION RECORD	DATE
		DFT-ORIG



- GENERATOR
- 135707-01-000 (14K 78J)
- 135707-02-000 (14K 12D)
- 135707-06-000 (52P 78J)
- 135707-07-000 (52P 12D)
- 135707-08-000 (12D 51M)
- 135707-09-000 (39J 78J)
- 135707-12-000 (39N)
- 135707-13-000 (78J 51M)

- (51M) GEN-5.5KW ONAN-LP-MARQ GOLD
- (39N) GEN-7.0KW ONAN-CVGAS-MARQUIS
- (39U) GEN-6.5KW ONAN-CV-GAS
- (39J) GEN-7.0KW ONAN GAS MRQ PLTNM
- (265) CODES/STANDARDS-CSA/CMVSS
- (1B1) CODES/STANDARDS USA
- (78J) ELECTRICAL SYSTEM-50 AMP
- (52P) GEN-5.5KW ONAN-GAS-MARQ GOLD
- (14K) GEN-7.0KW ONAN-GAS-MARQ GOLD
- (12D) ELECTRICAL SYSTEM 30 AMP

7. DISTANCE FROM THE CENTERLINE OF THE FITCH RECEIVER TO THE CENTERLINE OF THE EXHAUST PIPE TO BE 525MM ±25MM.
6. TORQUE CLAMP TO 14 TO 20 FT-LBS.
5. SEE WIRING INSTL-BODY, 110 V FOR ADDITIONAL INFORMATION.
4. APPLY SEALANT INSIDE ELBOW ENCASING WIRE.
3. SEE WIRING INSTL-CHASSIS, WIRING INSTL-BODY, AND WIRING DIAGRAM-BODY FOR ADDITIONAL INFORMATION.
2. TORQUE TO 28 TO 42 FT-LBS.
1. SEE GENERATOR INSTALLATION INSTRUCTIONS.

NOTES:

SEE CHART
FOR COLOR VARIATIONS OF THIS PART

WINNEBAGO INDUSTRIES

COPYRIGHT 2009 WINNEBAGO INDUSTRIES, INC.

DFT-ORIG	ORIG. DATE
CHKR	ALL DIMENSIONS ARE IN MILLIMETERS
P.E.	
M.E.	FIRST USED
DSNR	GEN MH'S

UNSPECIFIED TOLERANCES ARE:

WHOLE DIM (X)	: 1.5
ONE-PLACE (X.X)	:
TWO-PLACE (X.XX)	:
ANGLE	:

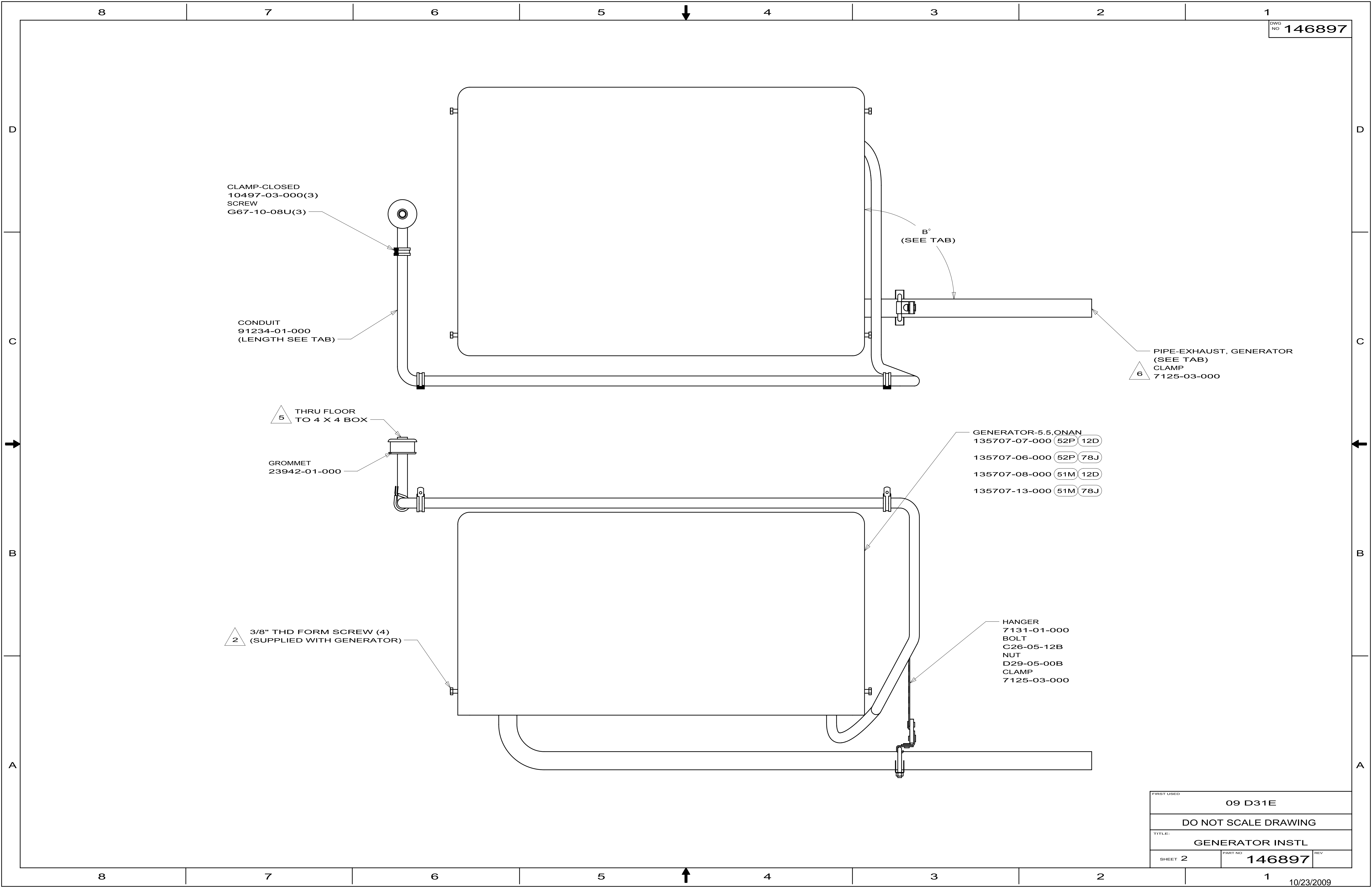
THIRD ANGLE PROJECTION

DO NOT SCALE DRAWING

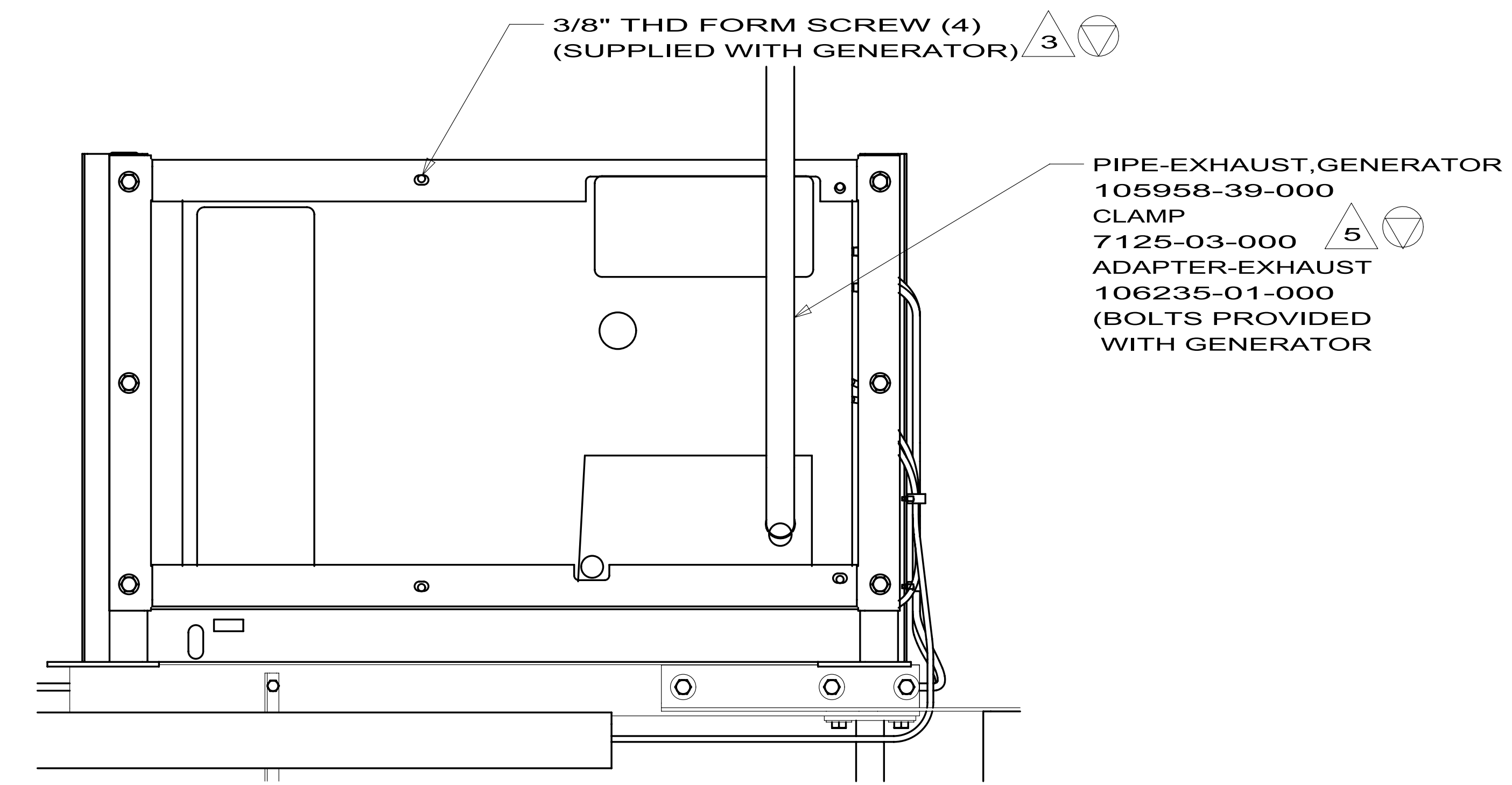
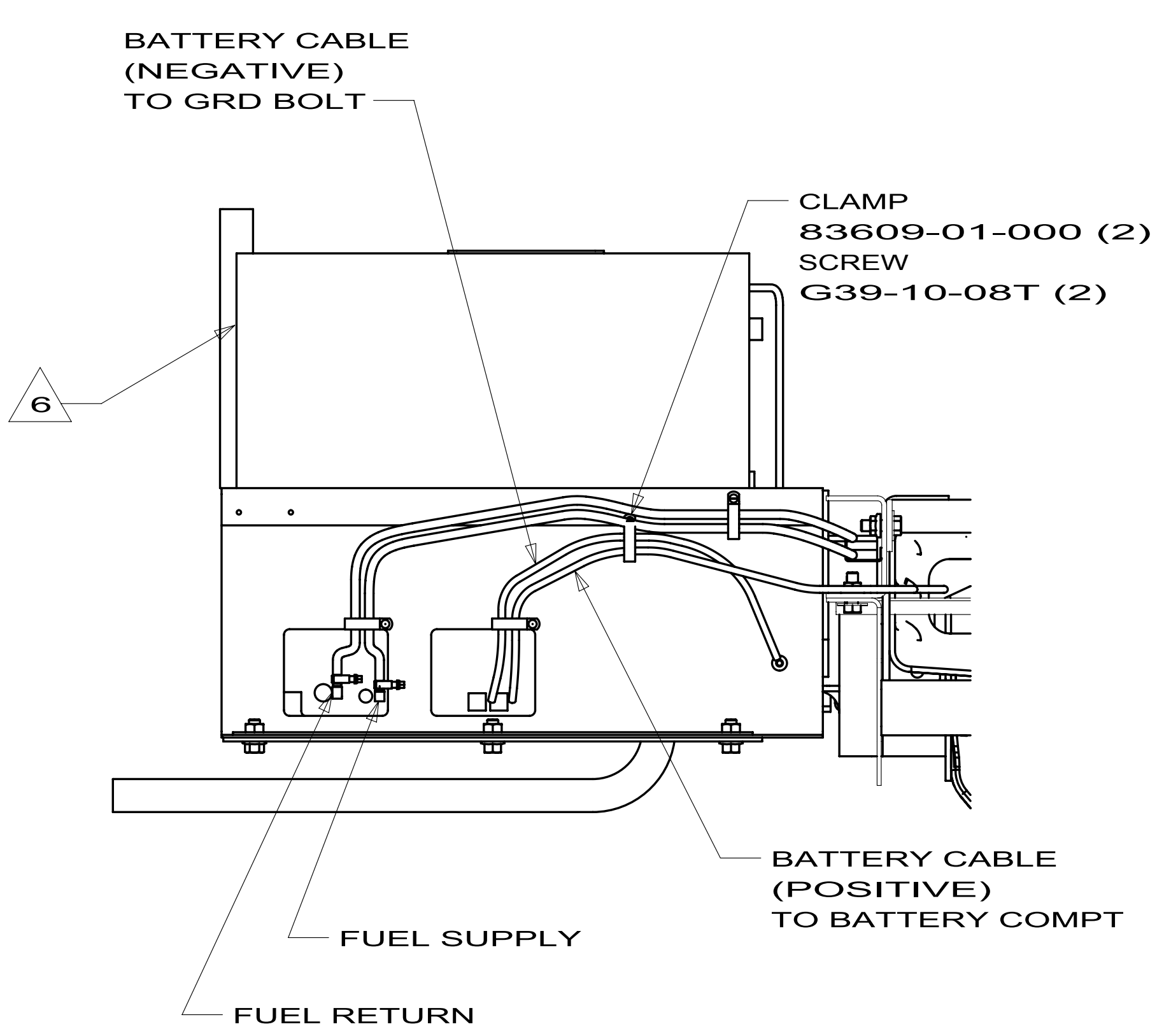
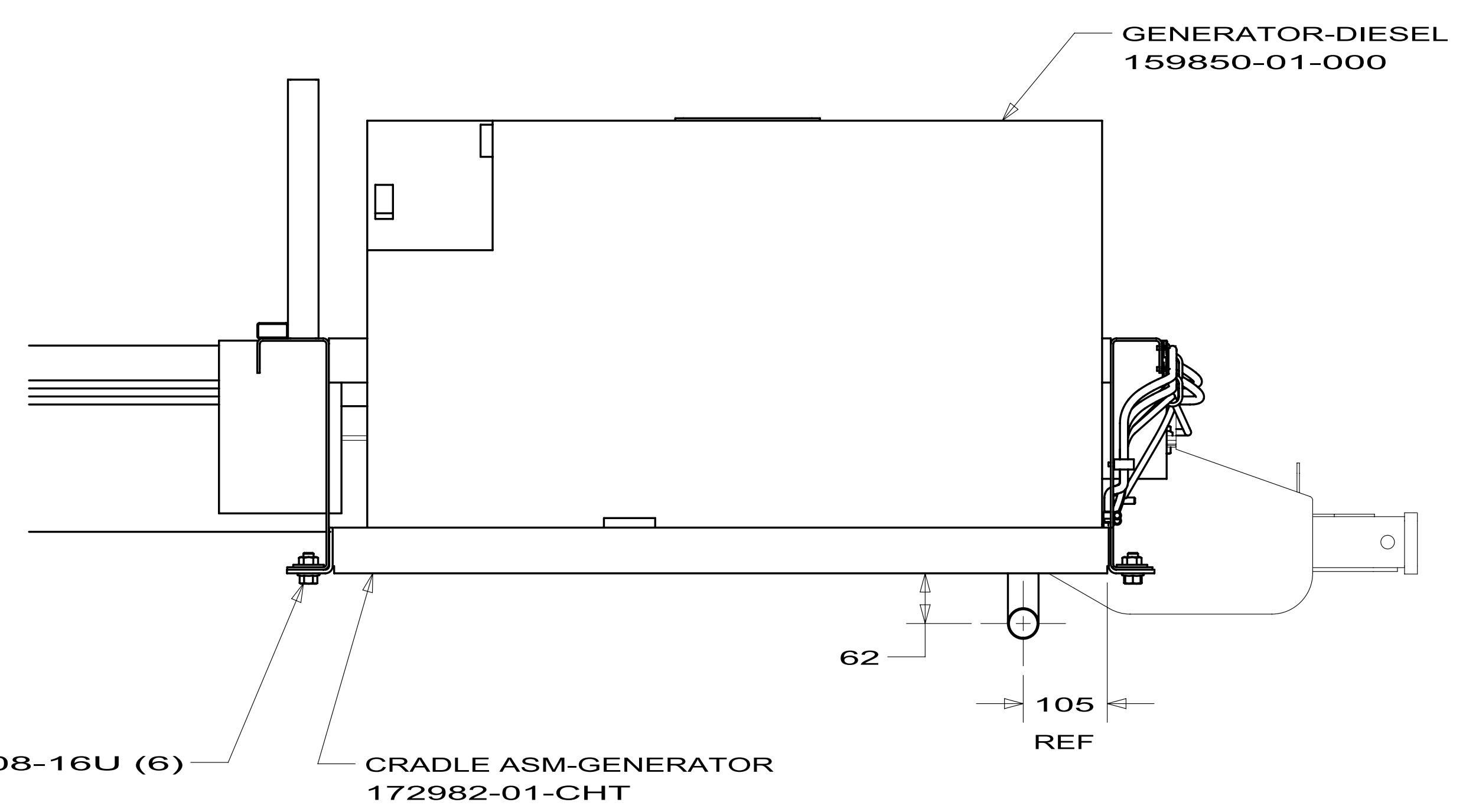
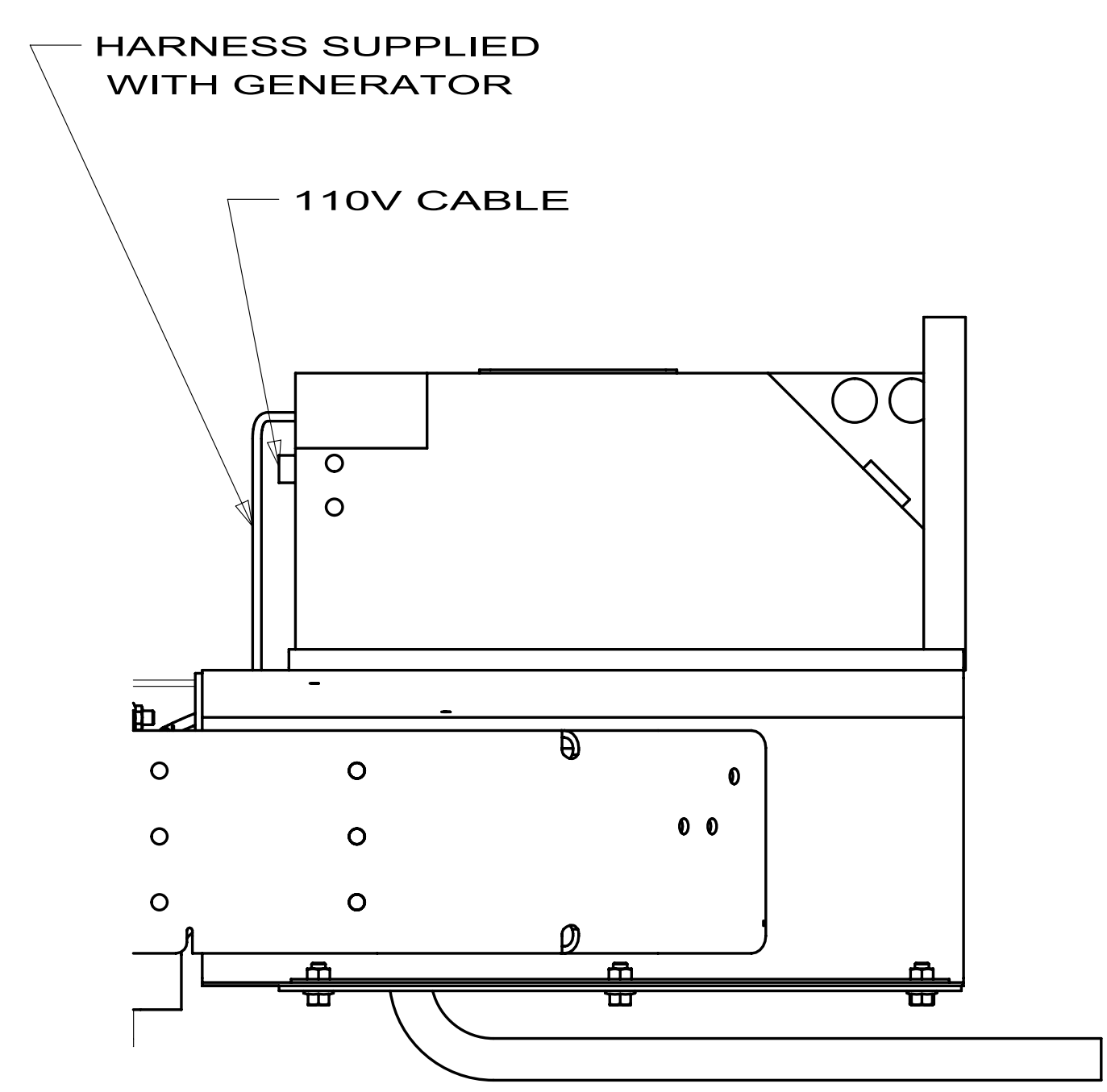
TITLE: **GENERATOR INSTL**

SHEET 1 OF 2 PART NO **146897** REV

REF: 1



FIRST USED		
09 D31E		
DO NOT SCALE DRAWING		
TITLE:		
GENERATOR INSTL		
SHEET 2	PART NO	REV
	146897	



6. INSTALL INSULATION TO THE INSIDE SURFACES OF GENERATOR COMPARTMENT IN THE FOLLOWING ORDER:
 TOP - 140425-65-000
 INBOARD SIDE - 140425-66-000
 FRONT - 140425-67-000
 REAR - 140425-67-000

- 5. TORQUE TO 14-20 FT-LBS.
- 4. TORQUE TO 55-60 FT-LBS.
- 3. TORQUE TO 28 -42 FT-LBS.

2. SEE WIRING INSTL-BODY FOR ADDITIONAL INFORMATION.
 1. SEE INSTALLATION INSTRUCTIONS SUPPLIED WITH GENERATOR.

NOTES:

INDICATES CRITICAL SAFETY PROCEDURE TO BE FOLLOWED

		COPYRIGHT 2009 WINNEBAGO INDUSTRIES, INC.	
DTR	ORIG. DATE	ALL DIMENSIONS ARE IN MILLIMETERS	
CHKR		10 J-SER, FL	
P.E.		UNSPECIFIED TOLERANCES ARE:	
M.E.	FIRST USED	WHOLE DIM (X)	: 3
DSNR		ONE-PLACE (X.X)	: 1.5
		TWO-PLACE (X.XX)	: 0.50
		ANGLE	: 1°
THIRD ANGLE PROJECTION		MATERIAL:	
DO NOT SCALE DRAWING			
TITLE: GENERATOR INSTL-DIESEL			
SHEET 1 OF 1	PART NO	169360	REV
REF:	1		