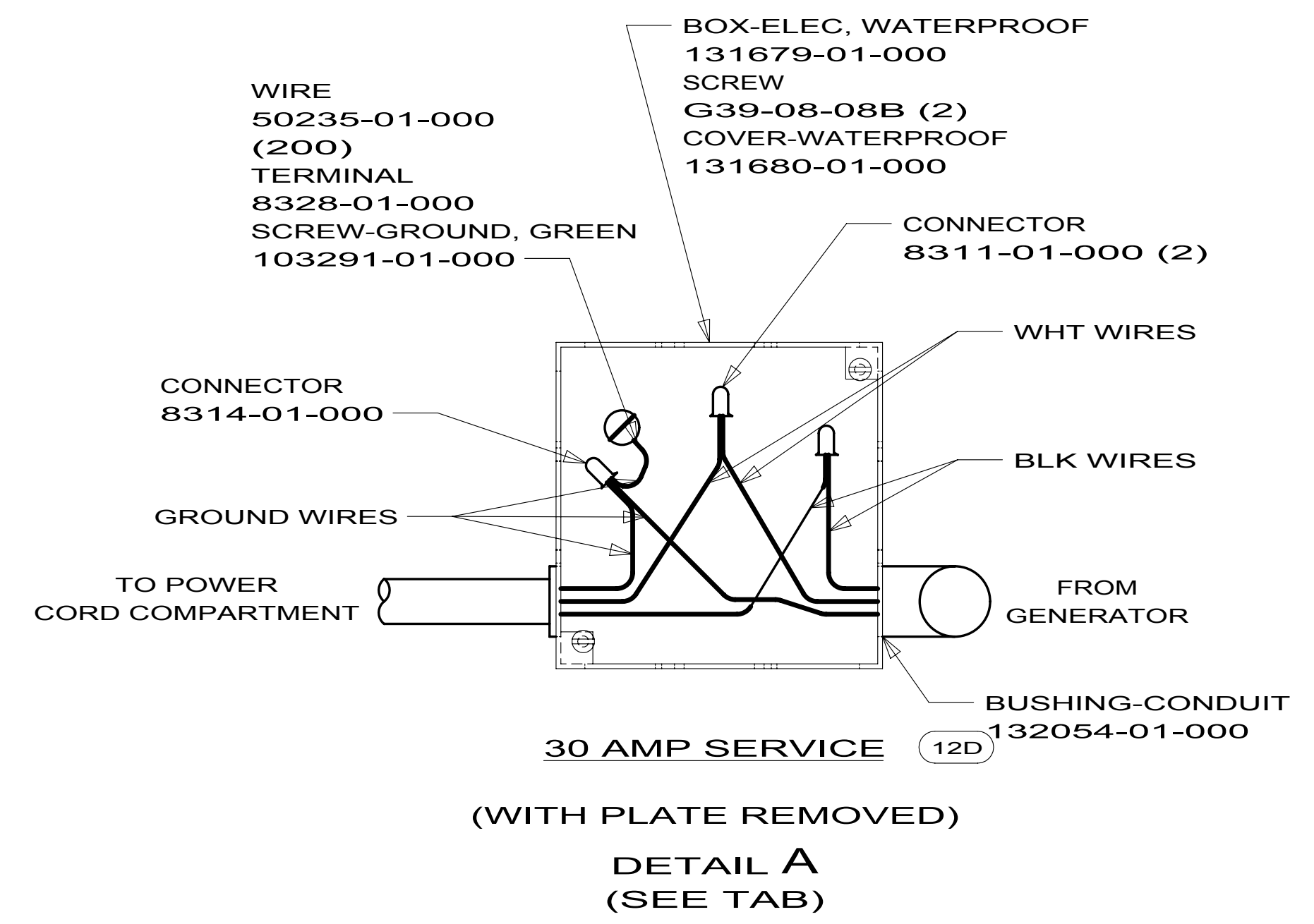
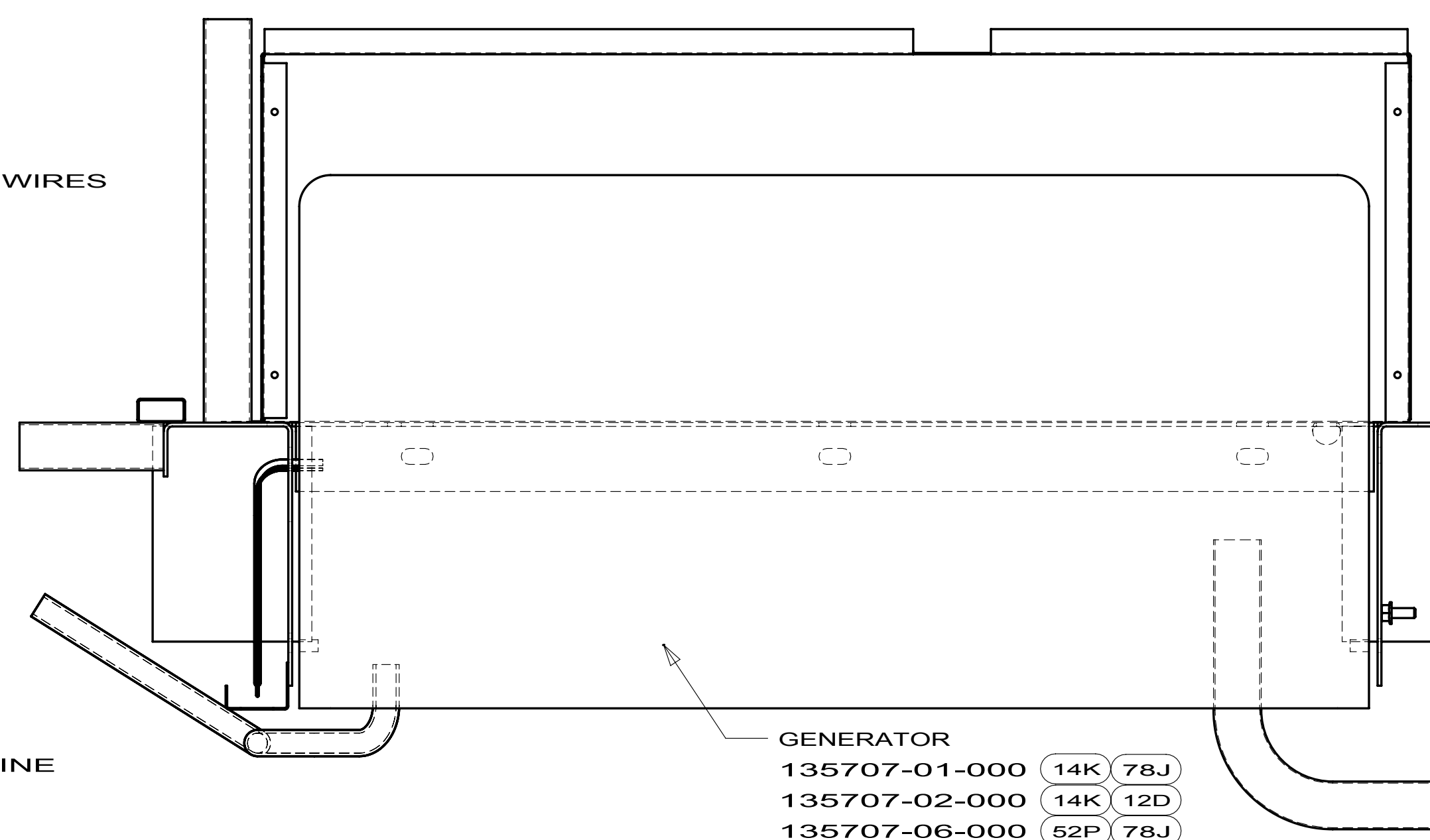
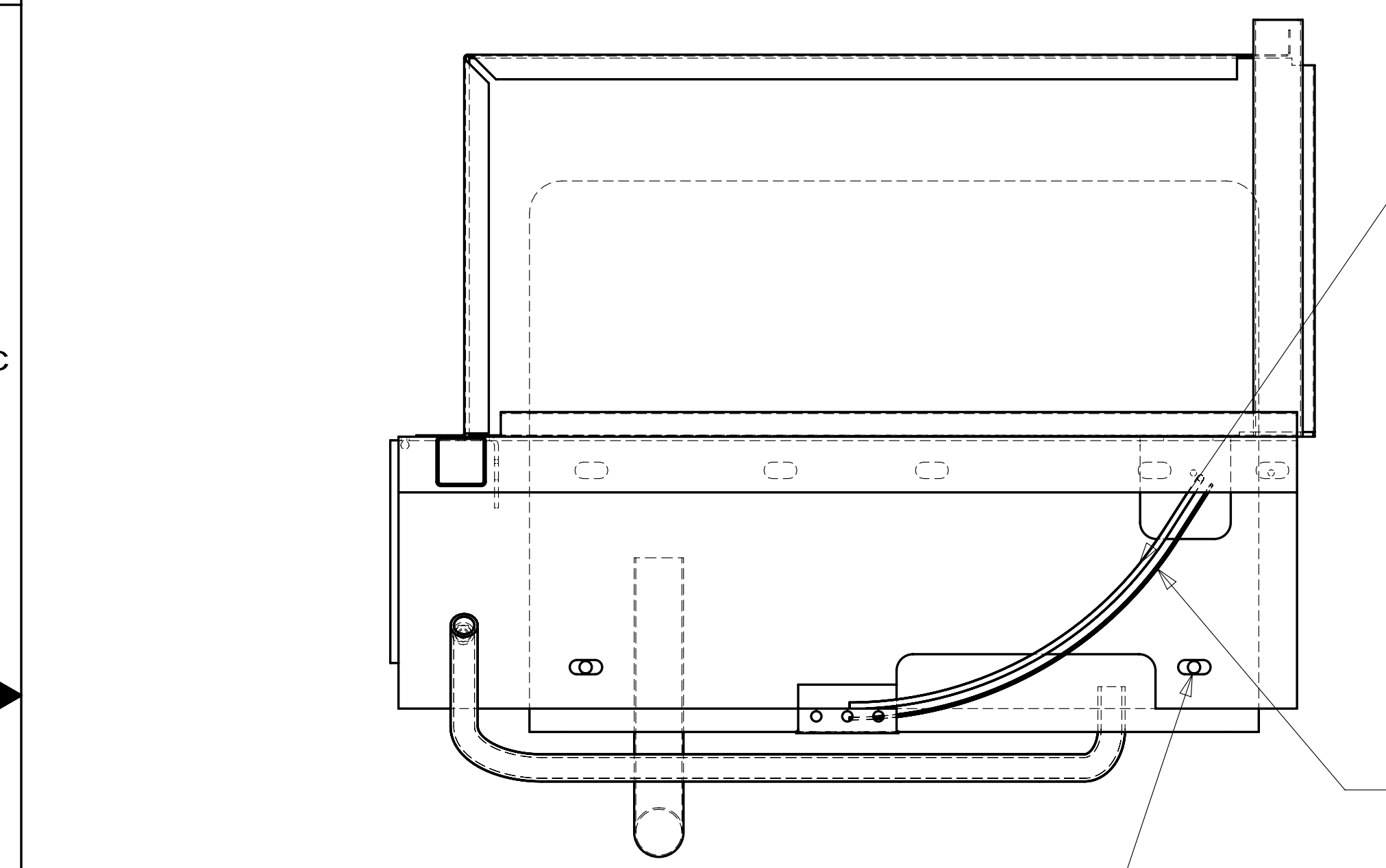


DWG NO	SHT	PIPE-EXHAUST	CONDUIT LENGTH	DETAIL A	B
146897-01	1	105958-28-000	800	YES	90°
146897-02	1	105958-25-000	900	YES	90°
146897-03	1	105958-27-000	800	YES	90°
146897-04	1	105958-28-000	1200	YES	90°
146897-05	2	105958-10-000	1300	YES	90°
146897-06	1	105958-07-000	1400	NO	7
146897-07	1	105958-14-000	900	YES	90°
146897-08	1	105958-27-000	900	YES	90°
146897-09	2	105958-17-000	900	YES	90°
146897-10	1	105958-30-000	900	NO	90°

DWG NO	SHT	PIPE-EXHAUST	CONDUIT LENGTH	DETAIL A	B
146897-11	1	105958-07-000	900	NO	90°
146897-12	1	105958-30-000	1300	NO	90°
146897-13	1	105958-07-000	1400	NO	61°
146897-14	3	105958-11-000	2700	NO	90°
146897-15	1	105958-40-000	1400	NO	7
146897-16	3	105958-02-000	1800	NO	270°
146897-17	3	105958-41-000	2700	NO	90°

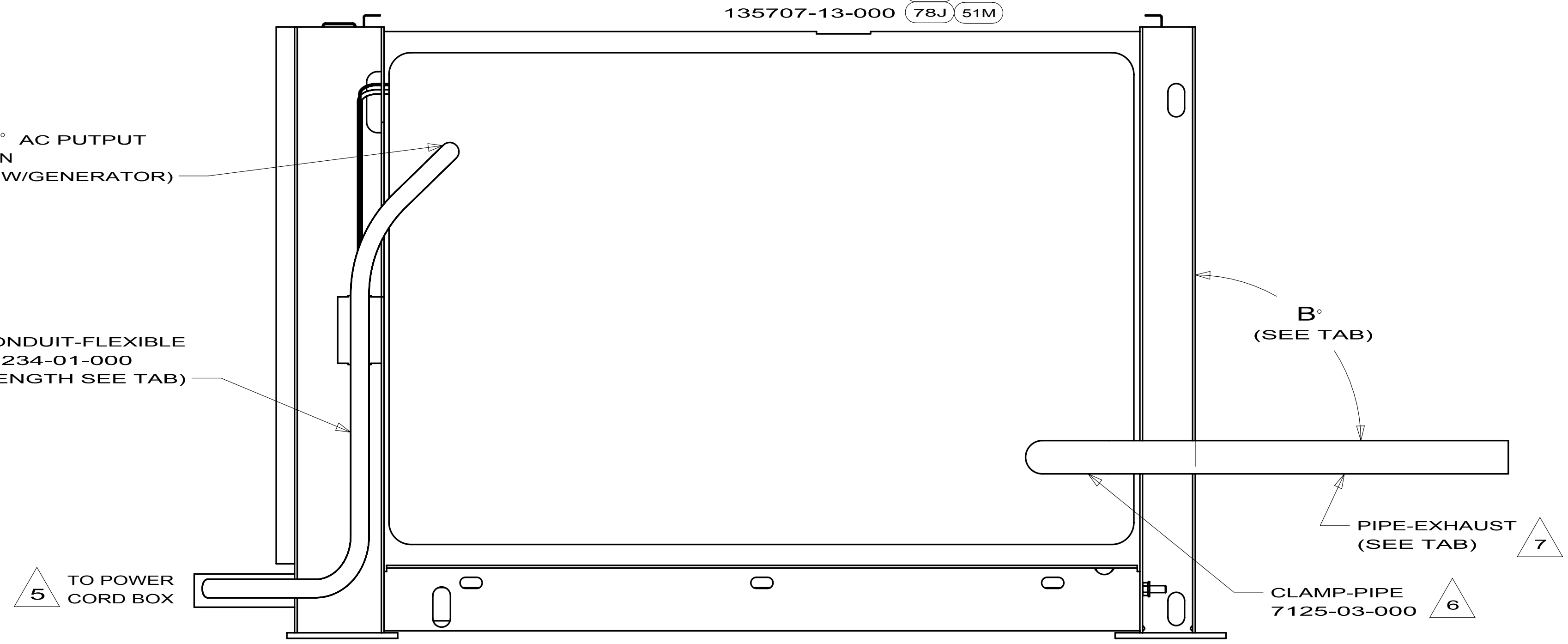
REV	DATE	DWG NO
RELEASE	A	146897
REV ZONE	REVISION RECORD	DATE
		DFT-ORIG



- 135707-01-000 (14K 78J)
- 135707-02-000 (14K 12D)
- 135707-06-000 (52P 78J)
- 135707-07-000 (52P 12D)
- 135707-08-000 (12D 51M)
- 135707-09-000 (39J 78J)
- 135707-12-000 (39N)
- 135707-13-000 (78J 51M)

- (51M) GEN-5.5KW ONAN-LP-MARQ GOLD
- (39N) GEN-7.0KW ONAN-CVGAS-MARQUIS
- (39U) GEN-6.5KW ONAN-CV-GAS
- (39J) GEN-7.0KW ONAN GAS MRQ PLTNM
- (265) CODES/STANDARDS-CSA/CMVSS
- (1B1) CODES/STANDARDS USA
- (78J) ELECTRICAL SYSTEM-50 AMP
- (52P) GEN-5.5KW ONAN-GAS-MARQ GOLD
- (14K) GEN-7.0KW ONAN-GAS-MARQ GOLD
- (12D) ELECTRICAL SYSTEM 30 AMP

7. DISTANCE FROM THE CENTERLINE OF THE FITCH RECEIVER TO THE CENTERLINE OF THE EXHAUST PIPE TO BE 525MM ±25MM.
6. TORQUE CLAMP TO 14 TO 20 FT-LBS.
5. SEE WIRING INSTL-BODY, 110 V FOR ADDITIONAL INFORMATION.
4. APPLY SEALANT INSIDE ELBOW ENCASING WIRE.
3. SEE WIRING INSTL-CHASSIS, WIRING INSTL-BODY, AND WIRING DIAGRAM-BODY FOR ADDITIONAL INFORMATION.
2. TORQUE TO 28 TO 42 FT-LBS.
1. SEE GENERATOR INSTALLATION INSTRUCTIONS.



SEE CHART
FOR COLOR VARIATIONS
OF THIS PART

WINNEBAGO INDUSTRIES

COPYRIGHT 2009
WINNEBAGO
INDUSTRIES, INC.

DFT-ORIG	ORIG. DATE
CHKR	ALL DIMENSIONS ARE IN MILLIMETERS
P.E.	
M.E.	FIRST USED
DSNR	GEN MH'S

UNSPECIFIED TOLERANCES ARE:

WHOLE DIM (X)	: 1.5
ONE-PLACE (X.X)	:
TWO-PLACE (X.XX)	:
ANGLE	:

THIRD ANGLE PROJECTION

DO NOT SCALE DRAWING

TITLE: **GENERATOR INSTL**

SHEET 1 OF 3 PART NO **146897** REV

REF: 1

8

7

6

5

4

3

2

1

D

D

C

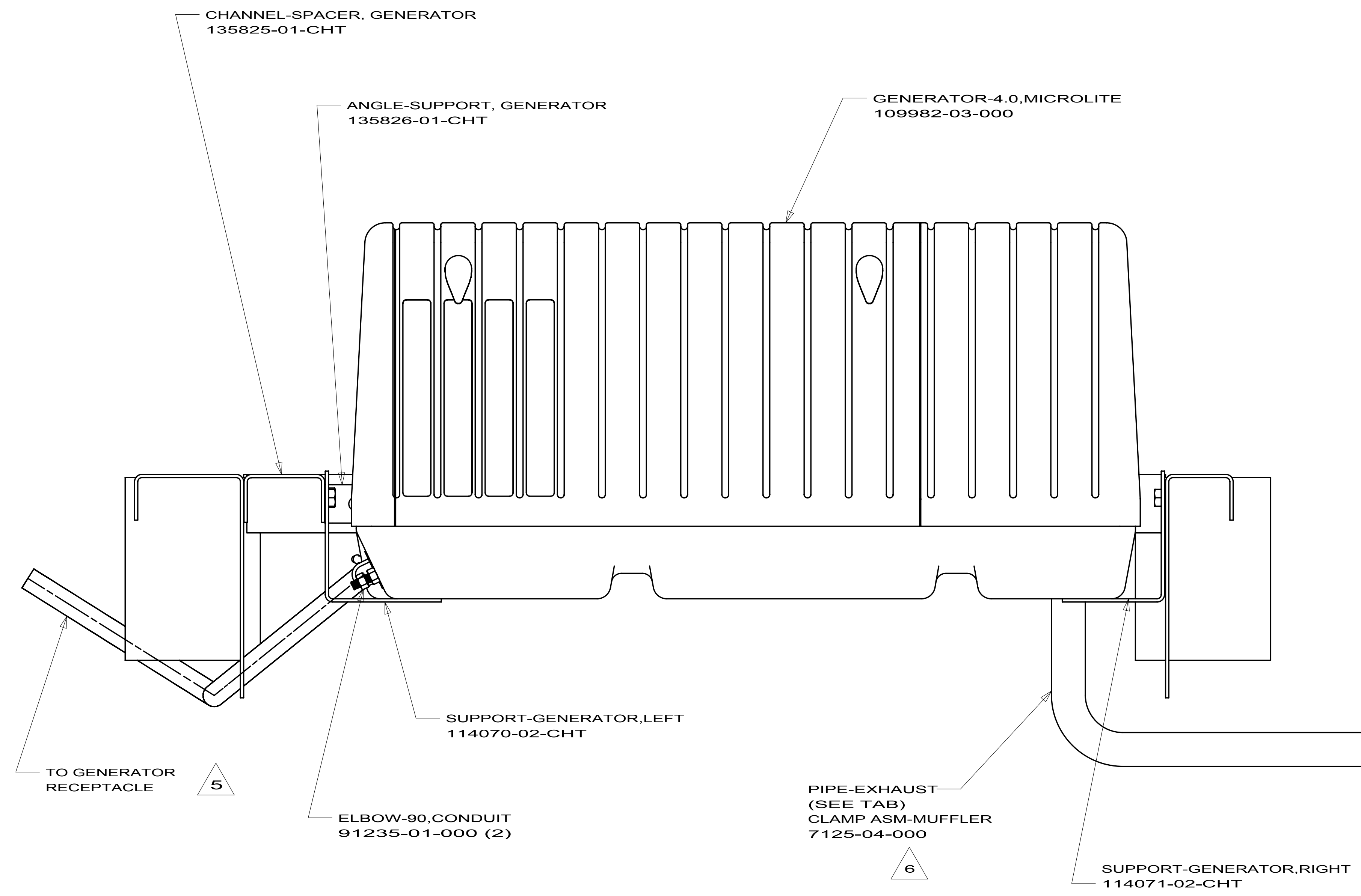
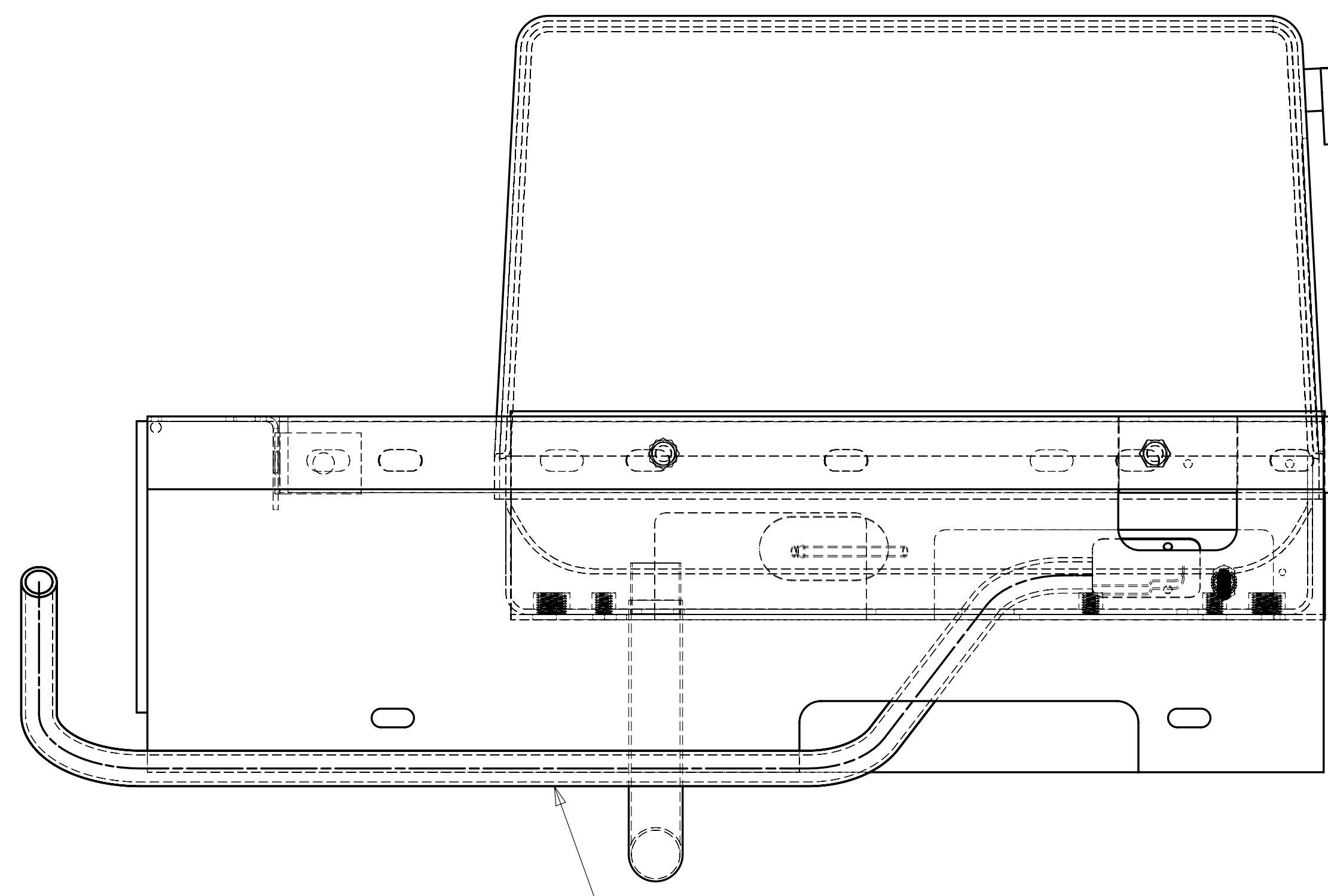
C

B

B

A

A



8

7

6

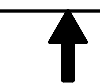
5

4

3

2

1



FIRST USED		GEN MH'S	
DO NOT SCALE DRAWING			
TITLE: GENERATOR INSTL			
SHEET 2	PART NO	146897	REV

CLAMP-CLOSED
10497-03-000(3)
SCREW
G67-10-08U(3)

CONDUIT
91234-01-000
(LENGTH SEE TAB)

5 THRU FLOOR
TO 4 X 4 BOX

GROMMET
23942-01-000

2 3/8" THD FORM SCREW (4)
(SUPPLIED WITH GENERATOR)

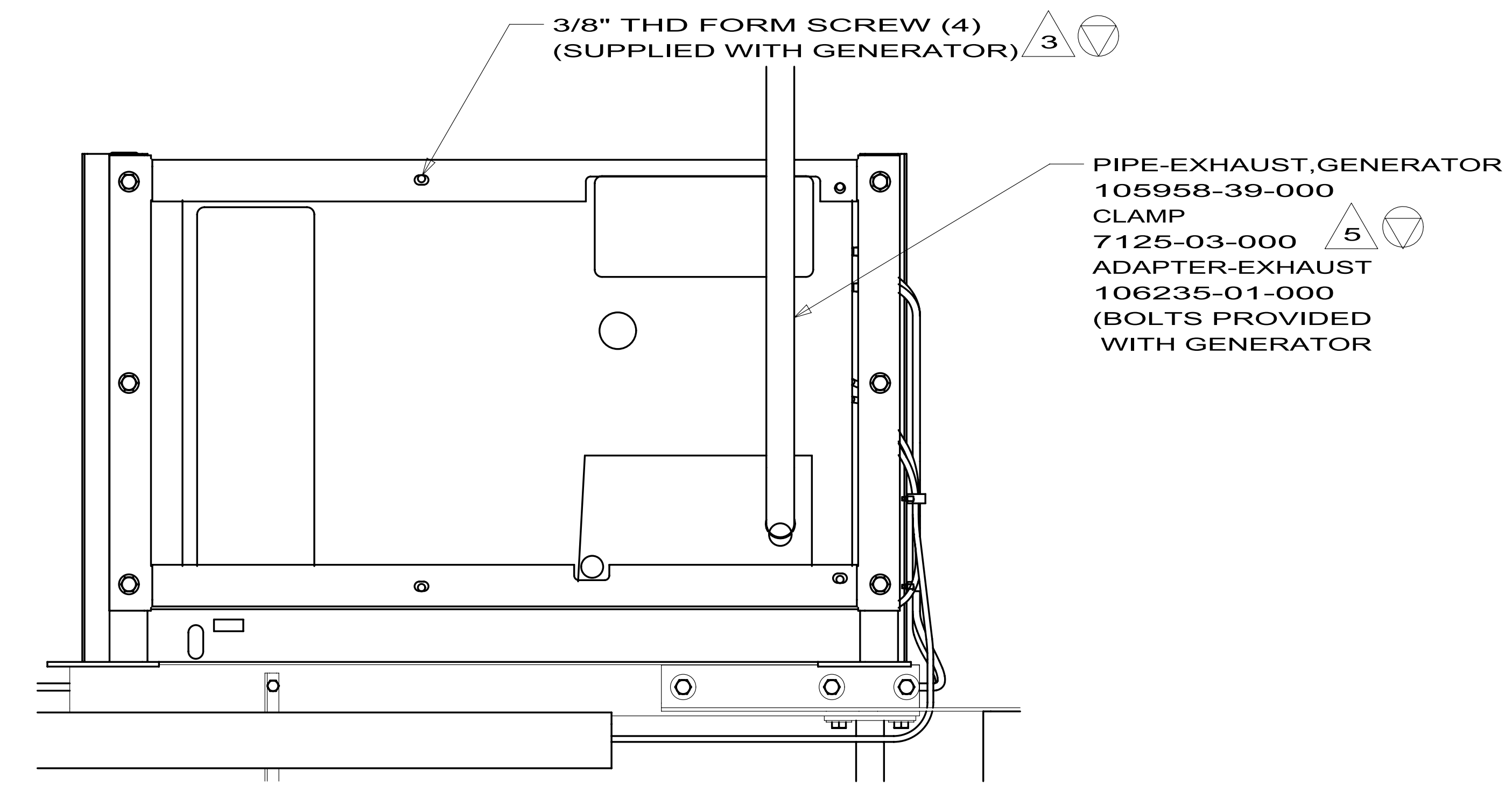
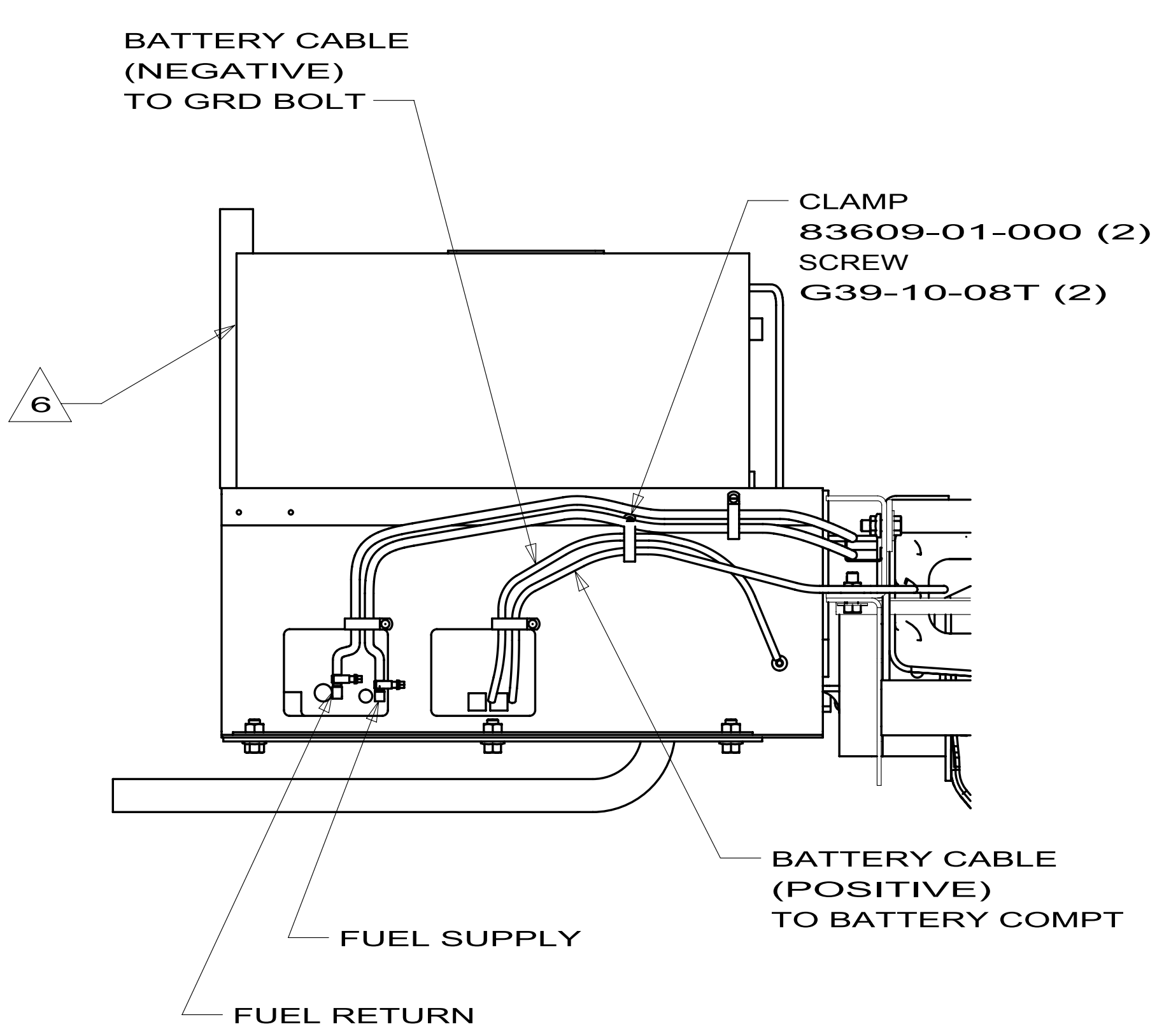
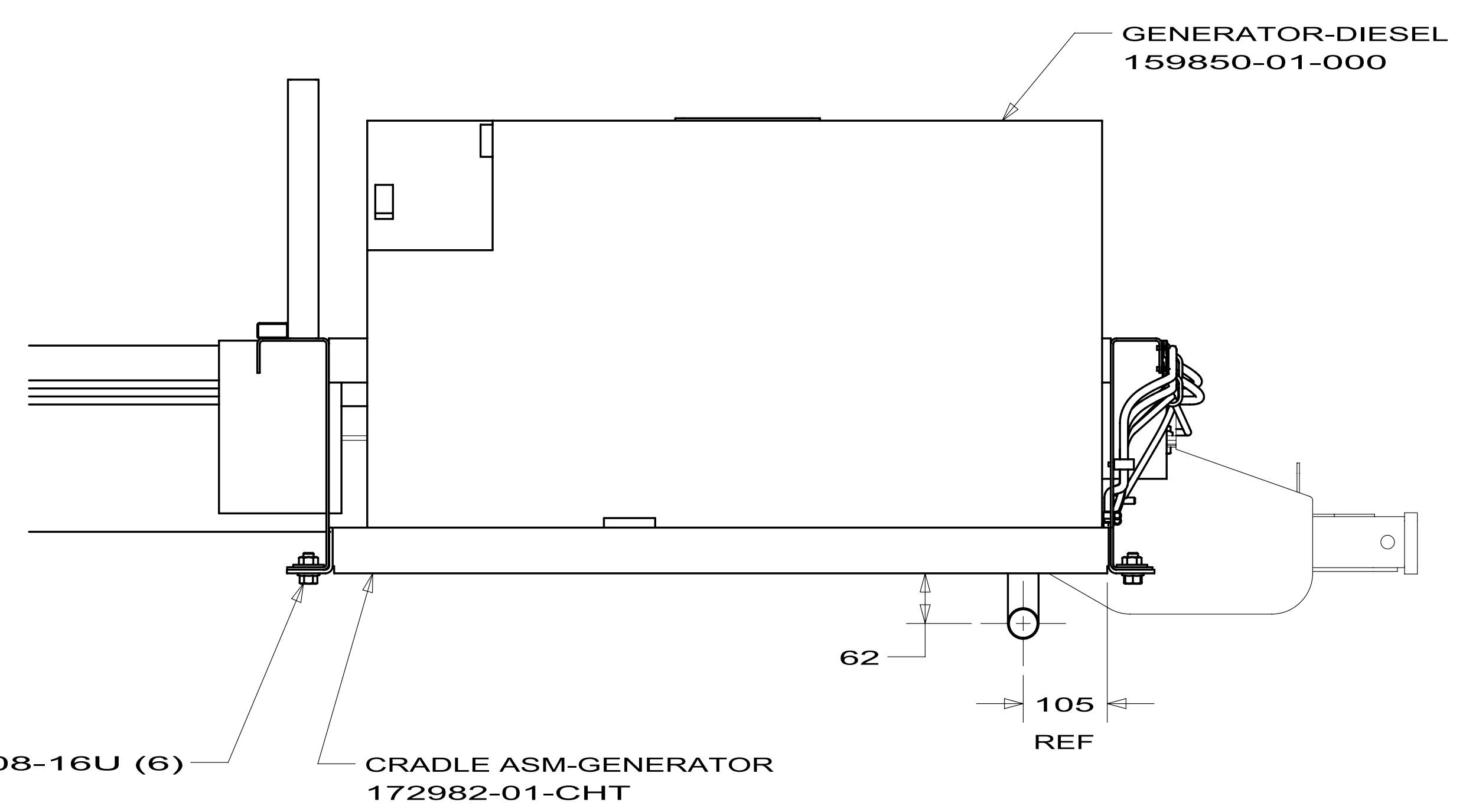
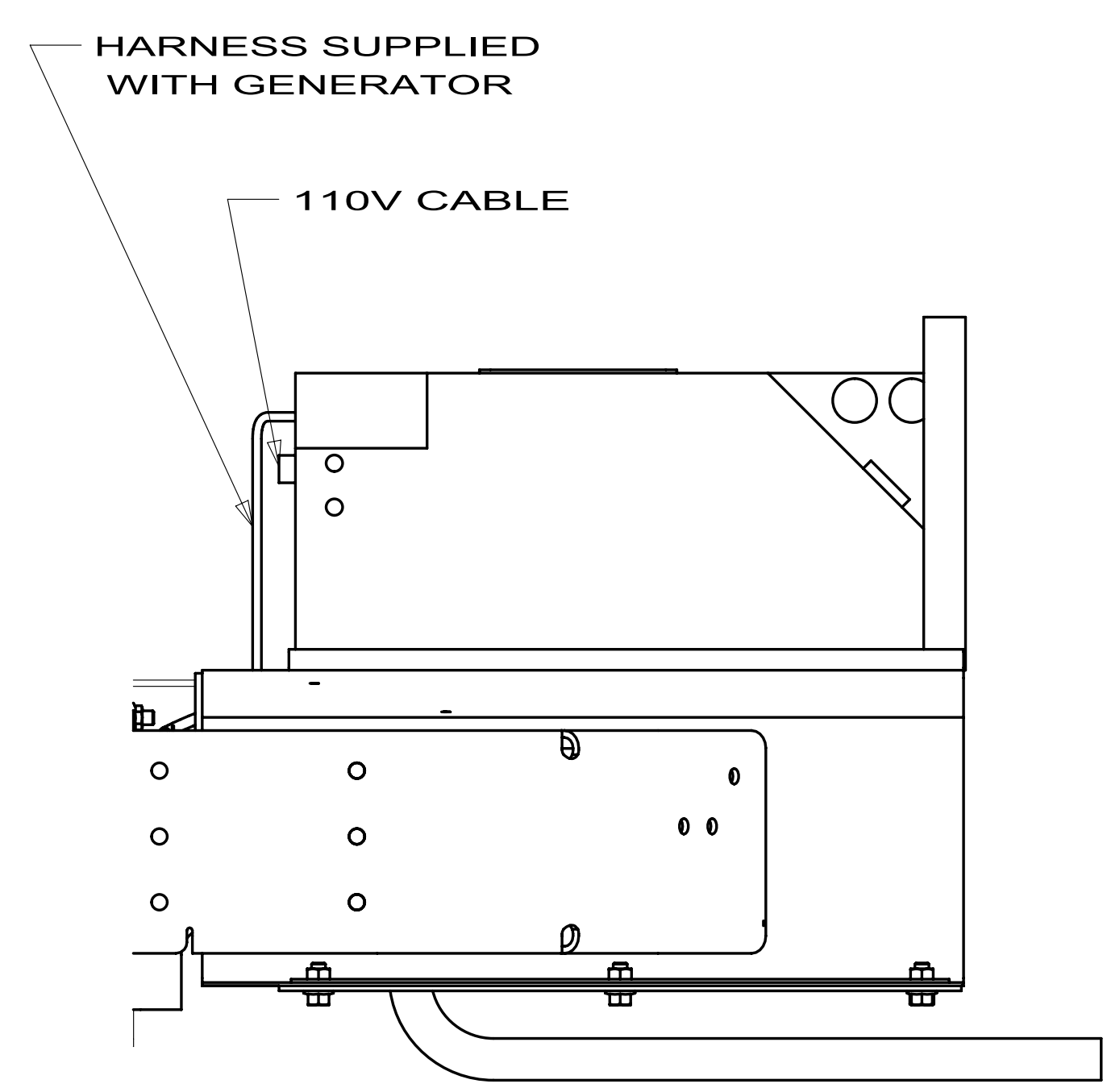
B°
(SEE TAB)

PIPE-EXHAUST, GENERATOR
(SEE TAB)
CLAMP
6 7125-03-000

GENERATOR-5.5, ONAN
135707-07-000 (52P) (12D)
135707-06-000 (52P) (78J)
135707-08-000 (51M) (12D)
135707-13-000 (51M) (78J)

HANGER
7131-01-000
BOLT
C26-05-12B
NUT
D29-05-00B
CLAMP
7125-03-000

FIRST USED		
09 D31E		
DO NOT SCALE DRAWING		
TITLE:		
GENERATOR INSTL		
SHEET 3	PART NO	REV
	146897	



6. INSTALL INSULATION TO THE INSIDE SURFACES OF GENERATOR COMPARTMENT IN THE FOLLOWING ORDER:
 TOP - 140425-65-000
 INBOARD SIDE - 140425-66-000
 FRONT - 140425-67-000
 REAR - 140425-67-000

- 5. TORQUE TO 14-20 FT-LBS.
- 4. TORQUE TO 55-60 FT-LBS.
- 3. TORQUE TO 28 -42 FT-LBS.

2. SEE WIRING INSTL-BODY FOR ADDITIONAL INFORMATION.
 1. SEE INSTALLATION INSTRUCTIONS SUPPLIED WITH GENERATOR.

NOTES:

INDICATES CRITICAL SAFETY PROCEDURE TO BE FOLLOWED

		COPYRIGHT 2009 WINNEBAGO INDUSTRIES, INC.
DTR	ORIG. DATE	
CHKR		ALL DIMENSIONS ARE IN MILLIMETERS
P.E.		
M.E.	FIRST USED	
DSNR		10 J-SER, FL
UNSPECIFIED TOLERANCES ARE: WHOLE DIM (X) : 3 ONE-PLACE (X.X) : 1.5 TWO-PLACE (X.XX) : 0.50 ANGLE : 1°		MATERIAL:
THIRD ANGLE PROJECTION		
DO NOT SCALE DRAWING		
TITLE: GENERATOR INSTL-DIESEL		
SHEET 1 OF 1	PART NO	169360
REF:		1