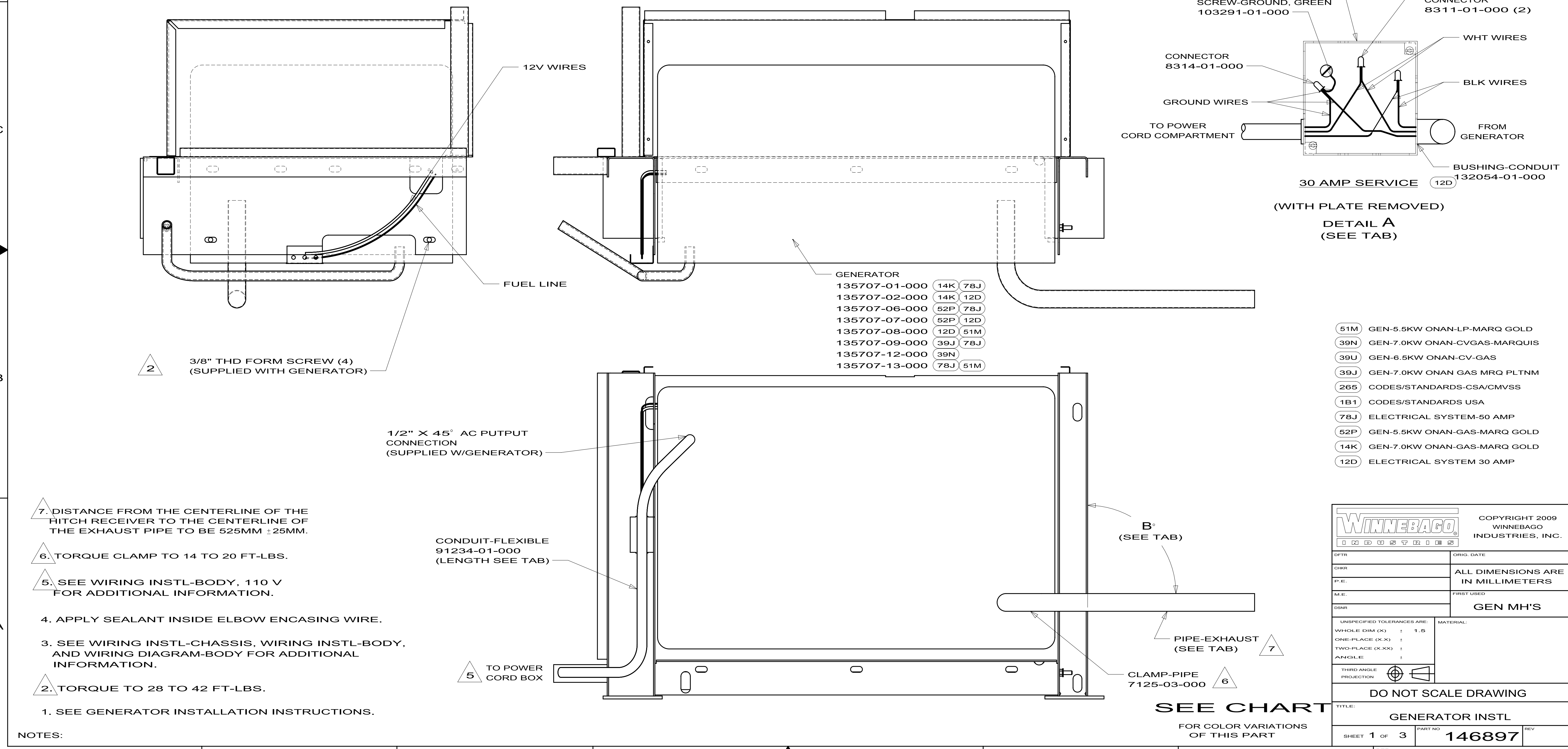


DWG NO	SHT	PIPE-EXHAUST	CONDUIT LENGTH	DETAIL A	B
146897-01	1	105958-28-000	800	YES	90°
146897-02	1	105958-25-000	900	YES	90°
146897-03	1	105958-27-000	800	YES	90°
146897-04	1	105958-28-000	1200	YES	90°
146897-05	2	105958-10-000	1300	YES	90°
146897-06	1	105958-07-000	1400	NO	7
146897-07	1	105958-14-000	900	YES	90°
146897-08	1	105958-27-000	900	YES	90°
146897-09	2	105958-17-000	900	YES	90°
146897-10	1	105958-30-000	900	NO	90°

DWG NO	SHT	PIPE-EXHAUST	CONDUIT LENGTH	DETAIL A	B
146897-11	1	105958-07-000	900	NO	90°
146897-12	1	105958-30-000	1300	NO	90°
146897-13	1	105958-07-000	1400	NO	61°
146897-14	3	105958-11-000	2700	NO	90°
146897-15	1	105958-40-000	1400	NO	7
146897-16	3	105958-02-000	1800	NO	270°
146897-17	3	105958-41-000	2700	NO	90°

REV	DATE	DWG NO
RELEASE	A	146897

REV	ZONE	REVISION RECORD	DATE	DTR-ORIG



- NOTES:
- SEE GENERATOR INSTALLATION INSTRUCTIONS.
 - TORQUE TO 28 TO 42 FT-LBS.
 - SEE WIRING INSTL-CHASSIS, WIRING INSTL-BODY, AND WIRING DIAGRAM-BODY FOR ADDITIONAL INFORMATION.
 - APPLY SEALANT INSIDE ELBOW ENCASING WIRE.
 - SEE WIRING INSTL-BODY, 110 V FOR ADDITIONAL INFORMATION.
 - TORQUE CLAMP TO 14 TO 20 FT-LBS.
 - DISTANCE FROM THE CENTERLINE OF THE FITCH RECEIVER TO THE CENTERLINE OF THE EXHAUST PIPE TO BE 525MM ±25MM.

- 14K 78J
- 14K 12D
- 52P 78J
- 52P 12D
- 12D 51M
- 39J 78J
- 39N
- 78J 51M

- 51M GEN-5.5KW ONAN-LP-MARQ GOLD
- 39N GEN-7.0KW ONAN-CVGAS-MARQUIS
- 39U GEN-6.5KW ONAN-CV-GAS
- 39J GEN-7.0KW ONAN GAS MRQ PLTNM
- 265 CODES/STANDARDS-CSA/CMVSS
- 1B1 CODES/STANDARDS USA
- 78J ELECTRICAL SYSTEM-50 AMP
- 52P GEN-5.5KW ONAN-GAS-MARQ GOLD
- 14K GEN-7.0KW ONAN-GAS-MARQ GOLD
- 12D ELECTRICAL SYSTEM 30 AMP

WINNEBAGO INDUSTRIES

COPYRIGHT 2009 WINNEBAGO INDUSTRIES, INC.

DTR	ORIG. DATE
CHKR	ALL DIMENSIONS ARE IN MILLIMETERS
P.E.	
M.E.	FIRST USED
DSNR	GEN MH'S

UNSPECIFIED TOLERANCES ARE:

WHOLE DIM (X)	: 1.5
ONE-PLACE (X.X)	:
TWO-PLACE (X.XX)	:
ANGLE	:

THIRD ANGLE PROJECTION

DO NOT SCALE DRAWING

TITLE: GENERATOR INSTL

SHEET 1 OF 3 PART NO 146897 REV

REF: 1

10/10/2009

SEE CHART FOR COLOR VARIATIONS OF THIS PART

8

7

6

5

4

3

2

1

D

D

C

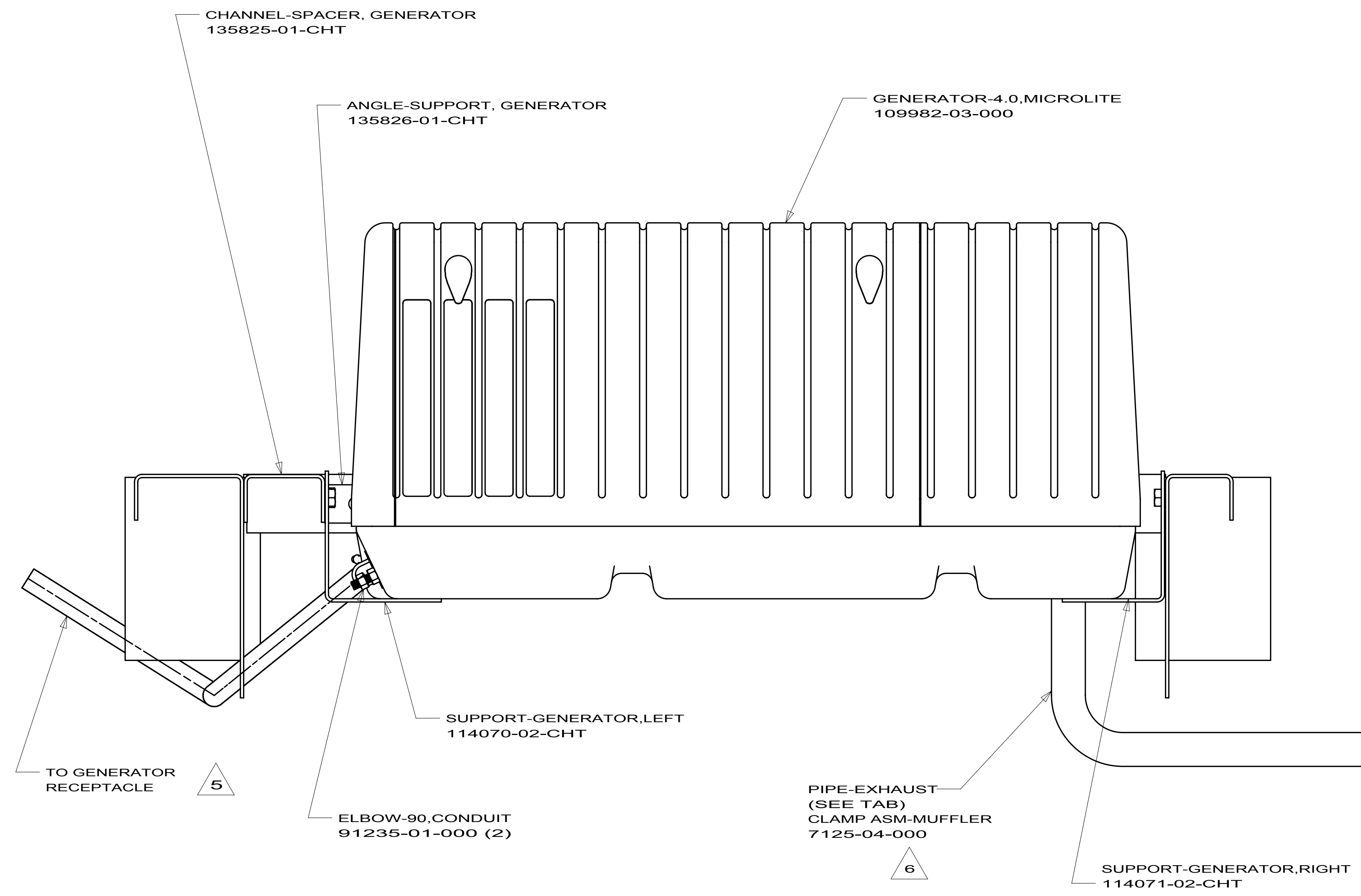
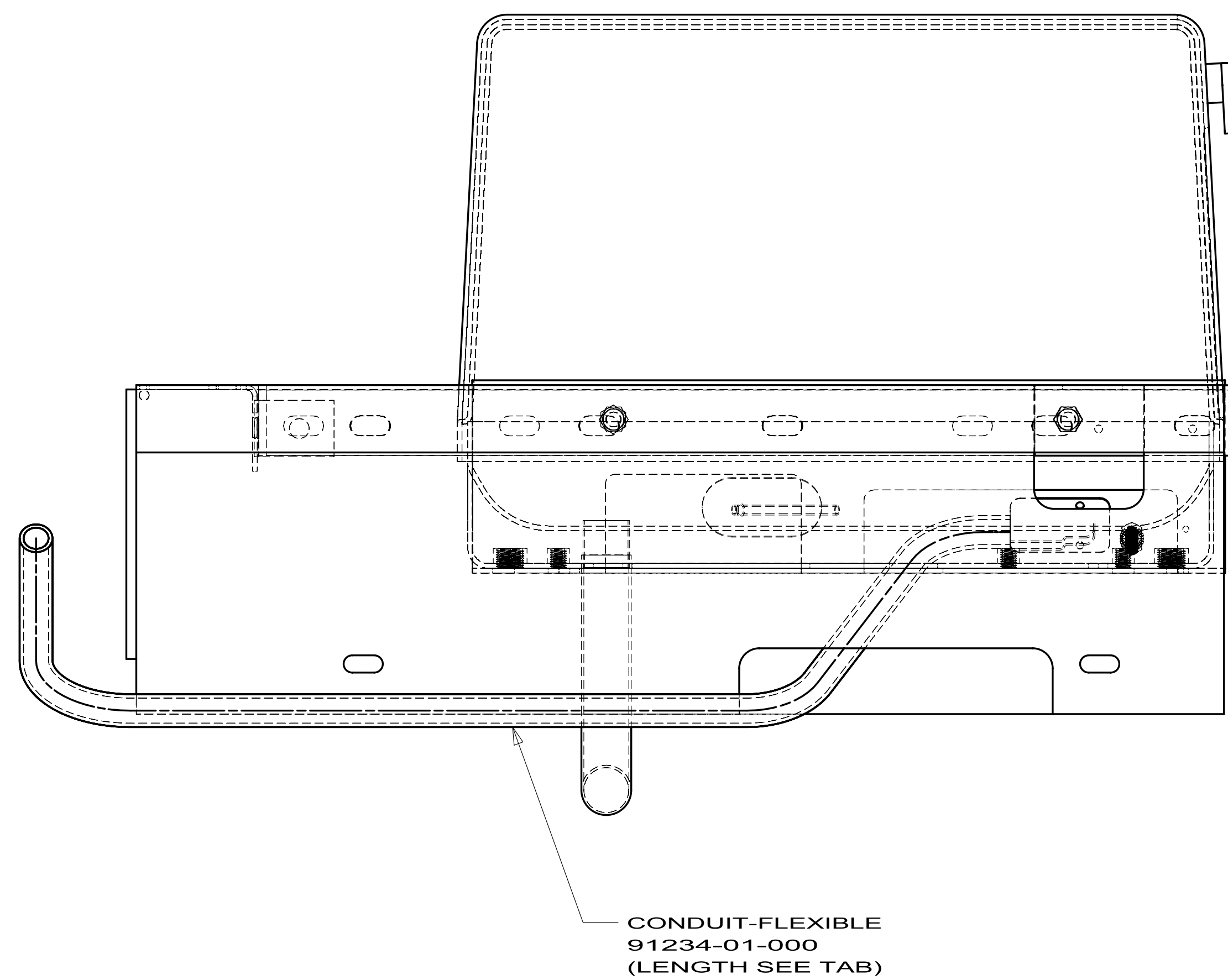
C

B

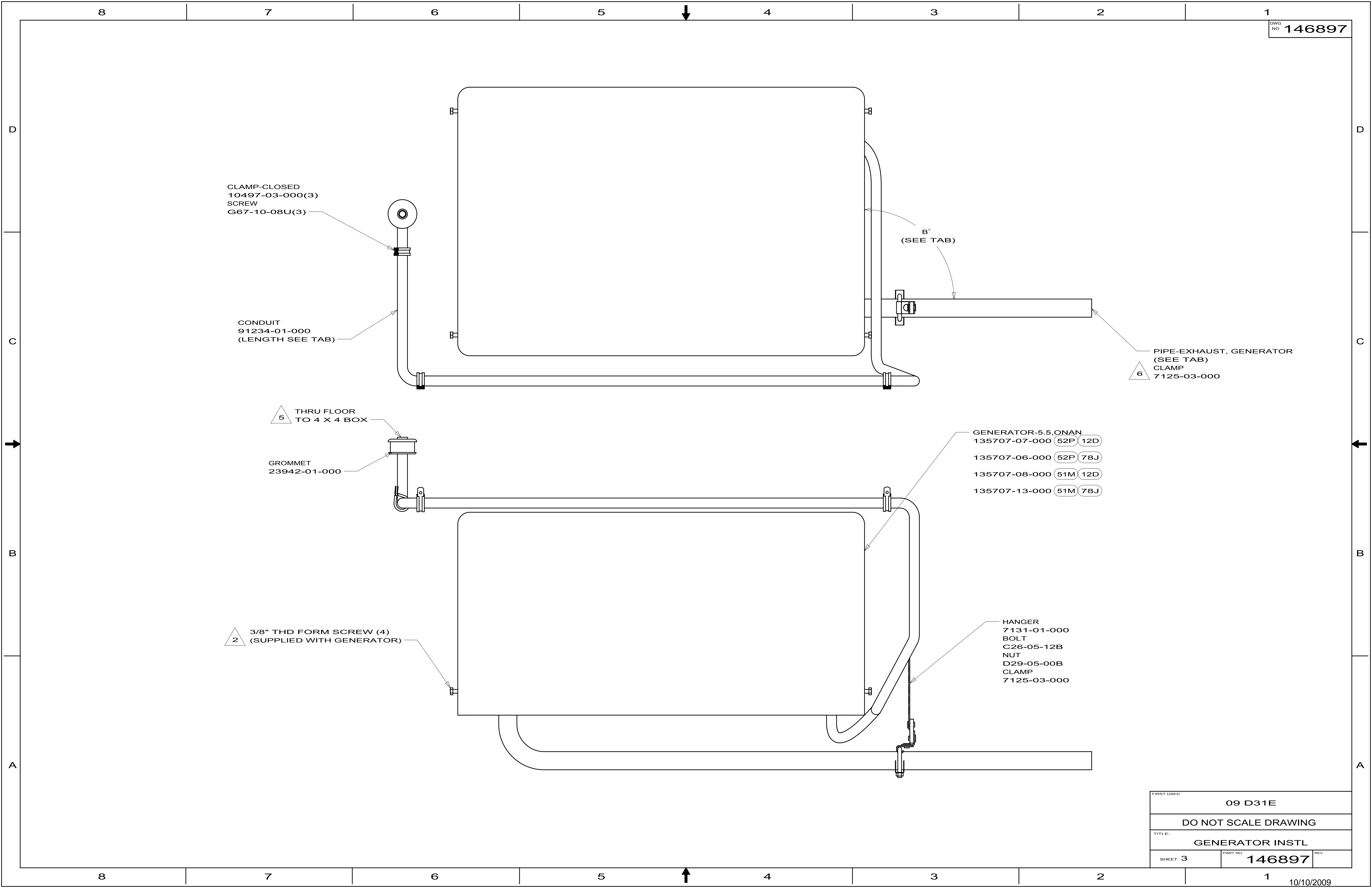
B

A

A



FIRST USED		GEN MH'S	
DO NOT SCALE DRAWING			
TITLE: GENERATOR INSTL			
SHEET 2	PART NO	146897	REV



CLAMP-CLOSED
10497-03-000(3)
SCREW
G67-10-08U(3)

CONDUIT
91234-01-000
(LENGTH SEE TAB)

B°
(SEE TAB)

PIPE-EXHAUST, GENERATOR
(SEE TAB)
CLAMP
6 7125-03-000

5 THRU FLOOR
TO 4 X 4 BOX

GROMMET
23942-01-000

GENERATOR-5.5, ONAN
135707-07-000 (52P) (12D)
135707-06-000 (52P) (78J)
135707-08-000 (51M) (12D)
135707-13-000 (51M) (78J)

2 3/8" THD FORM SCREW (4)
(SUPPLIED WITH GENERATOR)

HANGER
7131-01-000
BOLT
C26-05-12B
NUT
D29-05-00B
CLAMP
7125-03-000

FIRST USED		
09 D31E		
DO NOT SCALE DRAWING		
TITLE:		
GENERATOR INSTL		
SHEET 3	PART NO	REV
	146897	