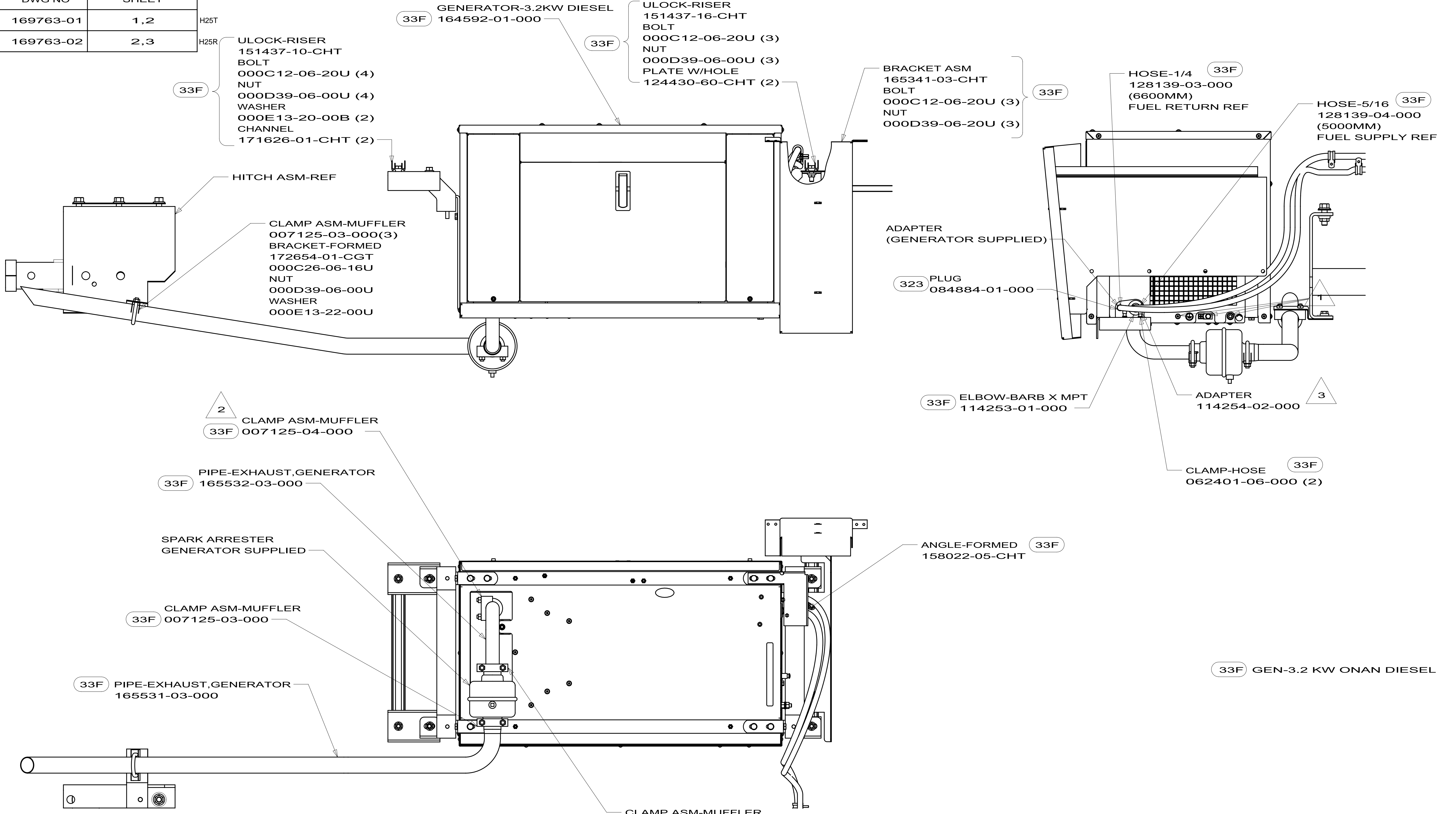


DWG NO	SHEET
169763-01	1,2
169763-02	2,3

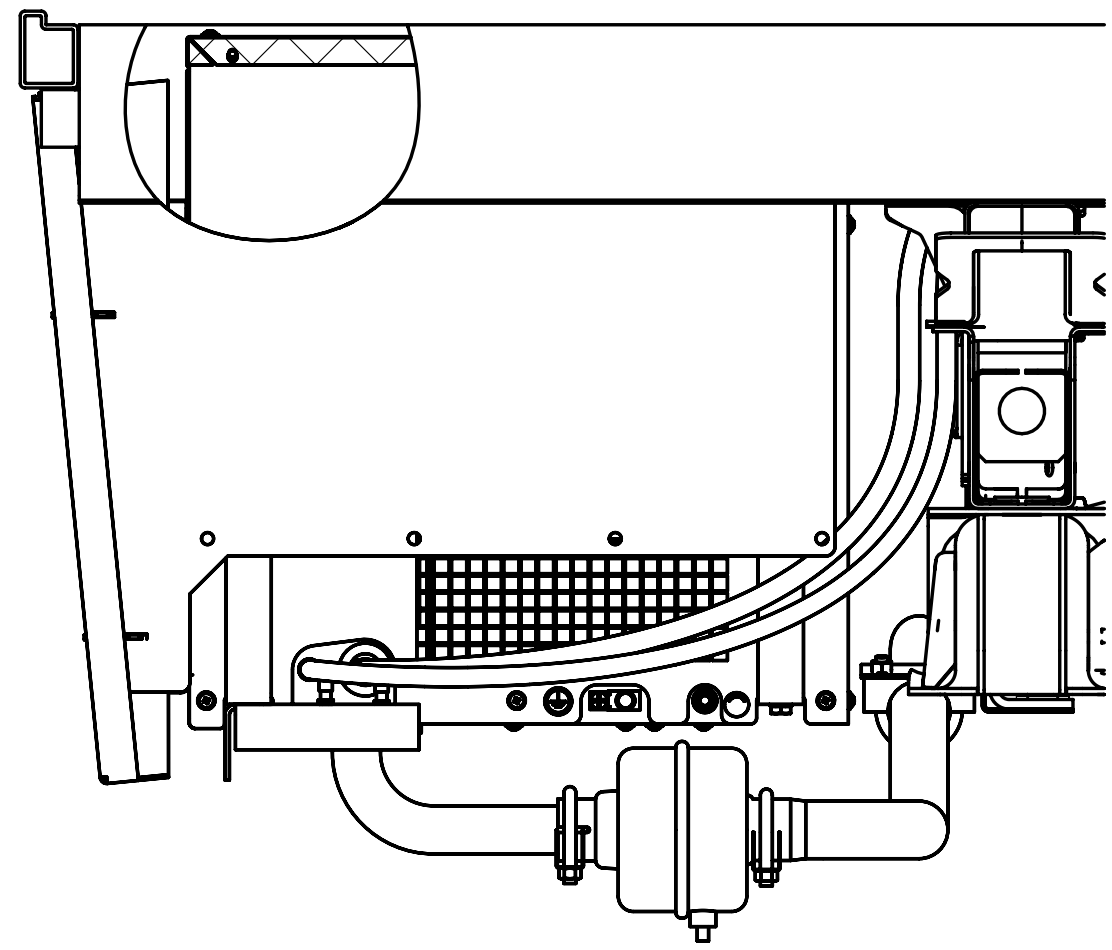
H25T  
H25R



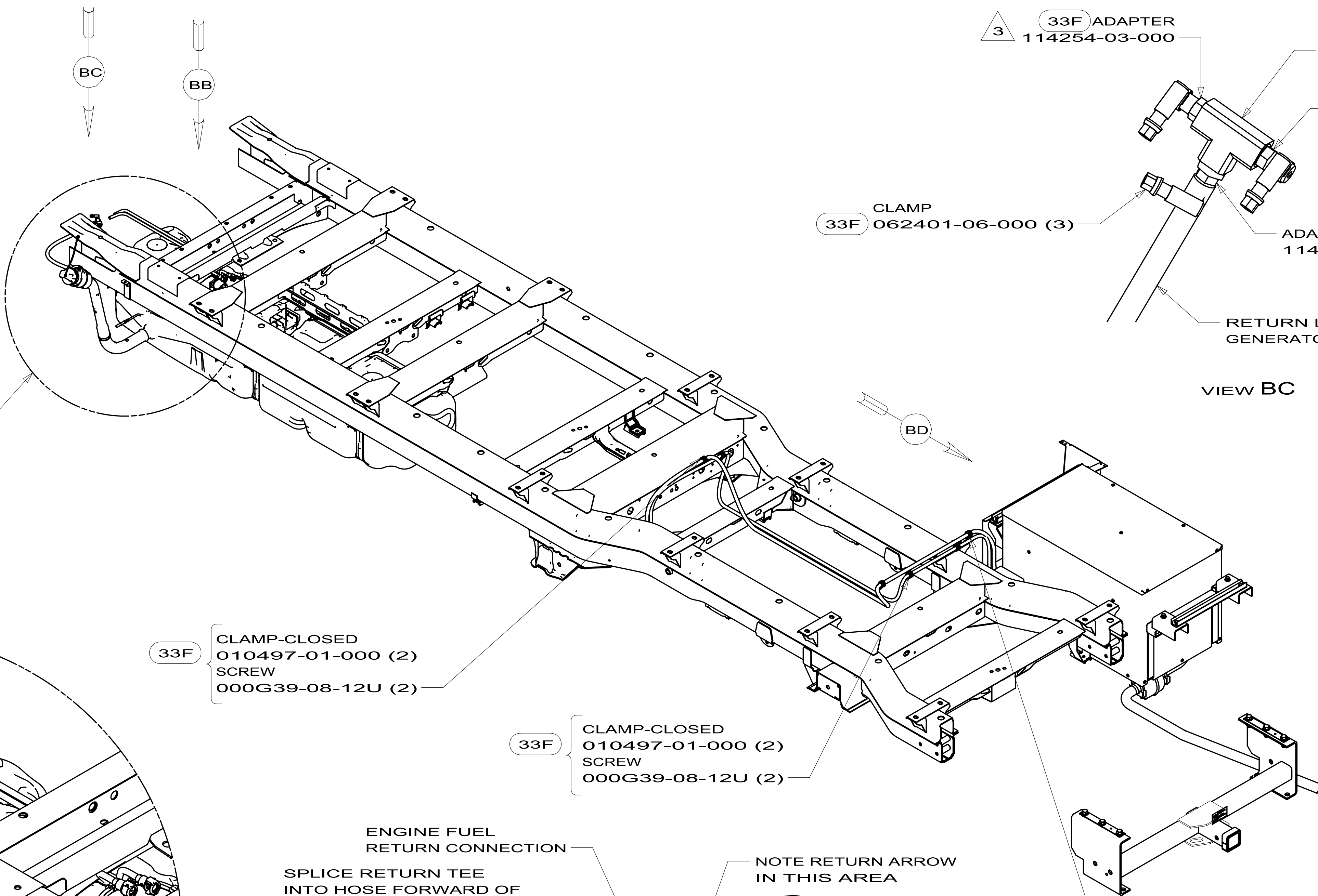
3. PIPE THREAD FITTINGS TO BE ASSEMBLED WITH SEALANT 084456-01-000.
2. TORQUE TO 150 IN-LBS.
1. SEE WIRING INSTL-CHASSIS, WIRING INSTL-BODY AND WIRING DIAGRAM FOR ADDITIONAL INFORMATION.

4. ALL WINNEBAGO PART NUMBERS HAVE A 6-2-3 DIGIT FORMAT (XXXXXX-XX-XXX). ADD THE APPROPRIATE NUMBER OF ZEROS TO THE FRONT OF THE NUMBER TO ADD UP TO SIX. (FOR EXAMPLE, G39-08-12U WOULD BE 000G39-08-12U).

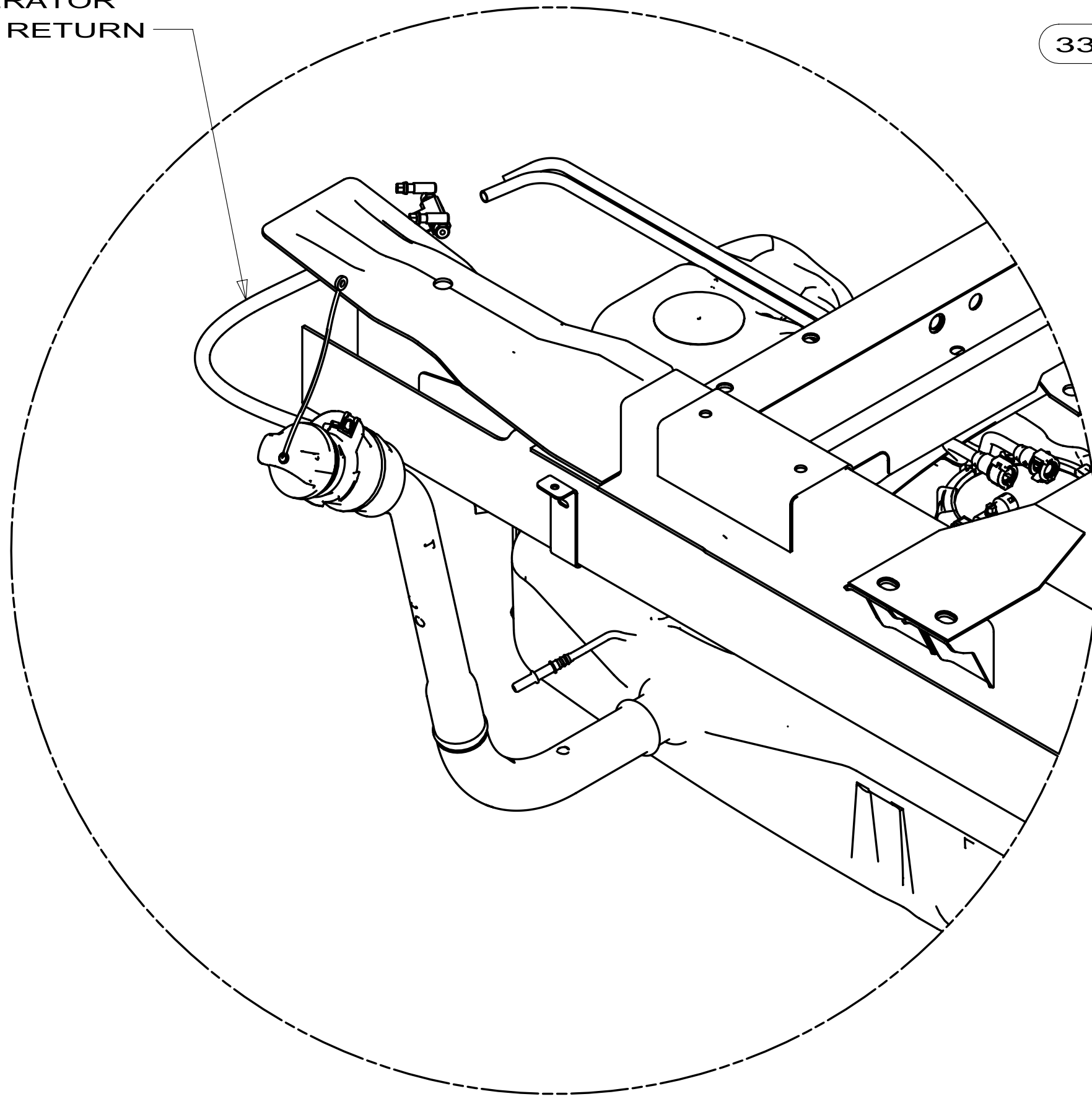
NOTES:



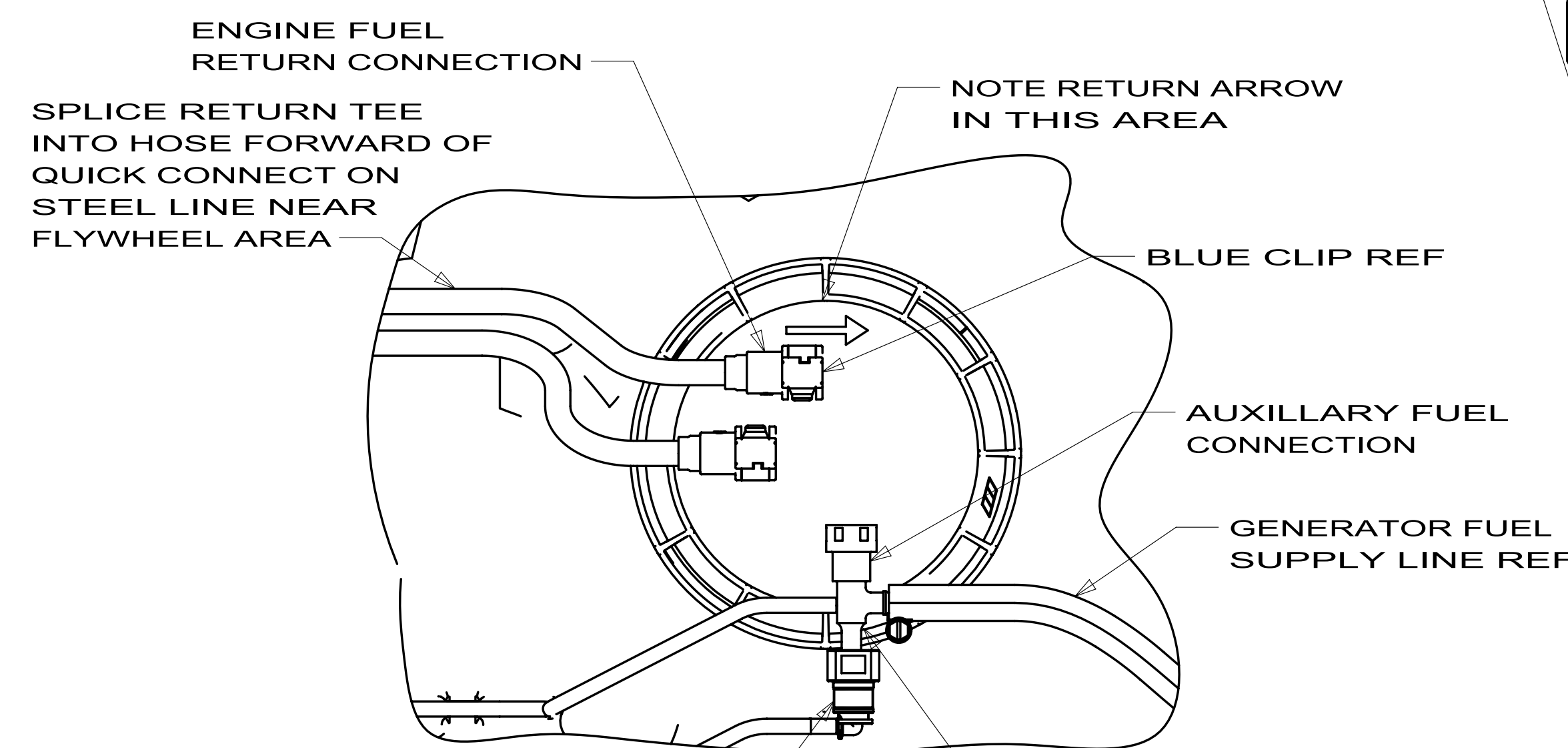
VIEW BD



VIEW BC



DETAIL BA



VIEW BB

(PUSH RETAINER TO UNLATCH) DISCONNECT THEN ADD THE TEE AND RECONNECT LINE TO END OF TEE

CLAMP-CLOSED 010497-01-000(2) SCREW 000G39-08-12U(2) 33F

FIRST USED	10 H25T
DO NOT SCALE DRAWING	
TITLE: GENERATOR INSTL	
SHEET 2	PART NO 169763 REV

ULOCK-RISER  
151437-16-CHT  
BOLT  
000C12-06-20U (4)  
NUT  
000D39-06-00U (4)  
WASHER  
000E13-20-00B (2)  
CHANNEL  
171626-01-CHT (2)

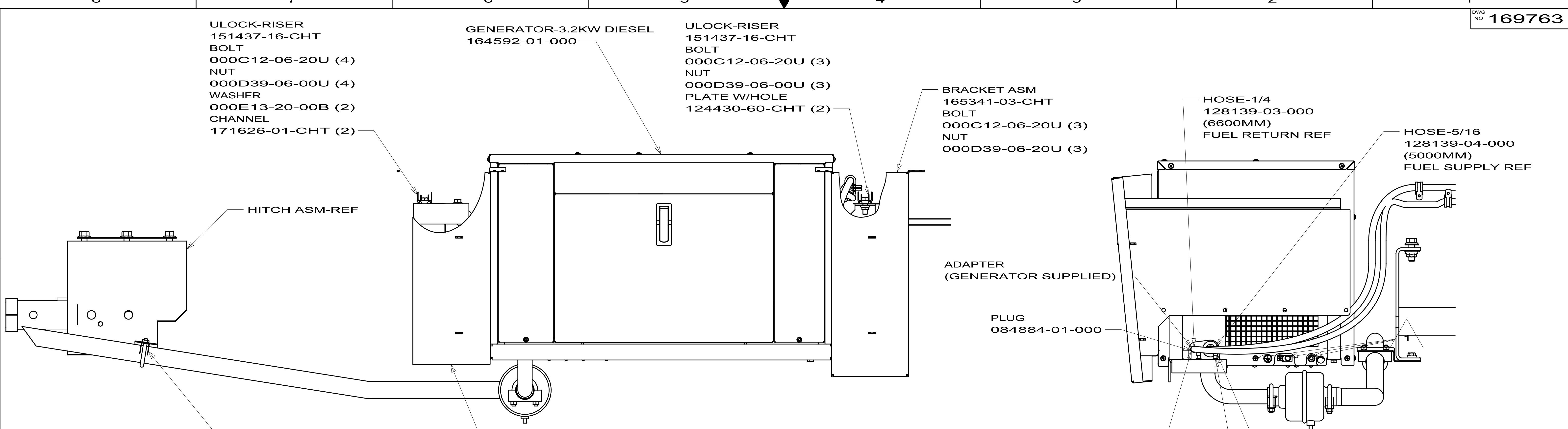
GENERATOR-3.2KW DIESEL  
164592-01-000

ULOCK-RISER  
151437-16-CHT  
BOLT  
000C12-06-20U (3)  
NUT  
000D39-06-00U (3)  
PLATE W/HOLE  
124430-60-CHT (2)

BRACKET ASM  
165341-03-CHT  
BOLT  
000C12-06-20U (3)  
NUT  
000D39-06-20U (3)

HOSE-1/4  
128139-03-000  
(6600MM)  
FUEL RETURN REF

HOSE-5/16  
128139-04-000  
(5000MM)  
FUEL SUPPLY REF



HITCH ASM-REF

ADAPTER  
(GENERATOR SUPPLIED)

PLUG  
084884-01-000

ELBOW-BARB X MPT  
114253-01-000

ADAPTER  
114254-02-000

CLAMP-HOSE  
062401-06-000 (2)

CLAMP ASM-MUFFLER  
007125-03-000(3)  
BRACKET-FORMED  
172654-01-CGT  
000C26-06-16U  
NUT  
000D39-06-00U  
WASHER  
000E13-22-00U

BRACKET ASM  
165341-06-CHT  
BOLT  
000C12-06-20U(2)  
NUT  
000D39-06-20U(2)

PIPE-EXHAUST,GENERATOR  
165532-03-000

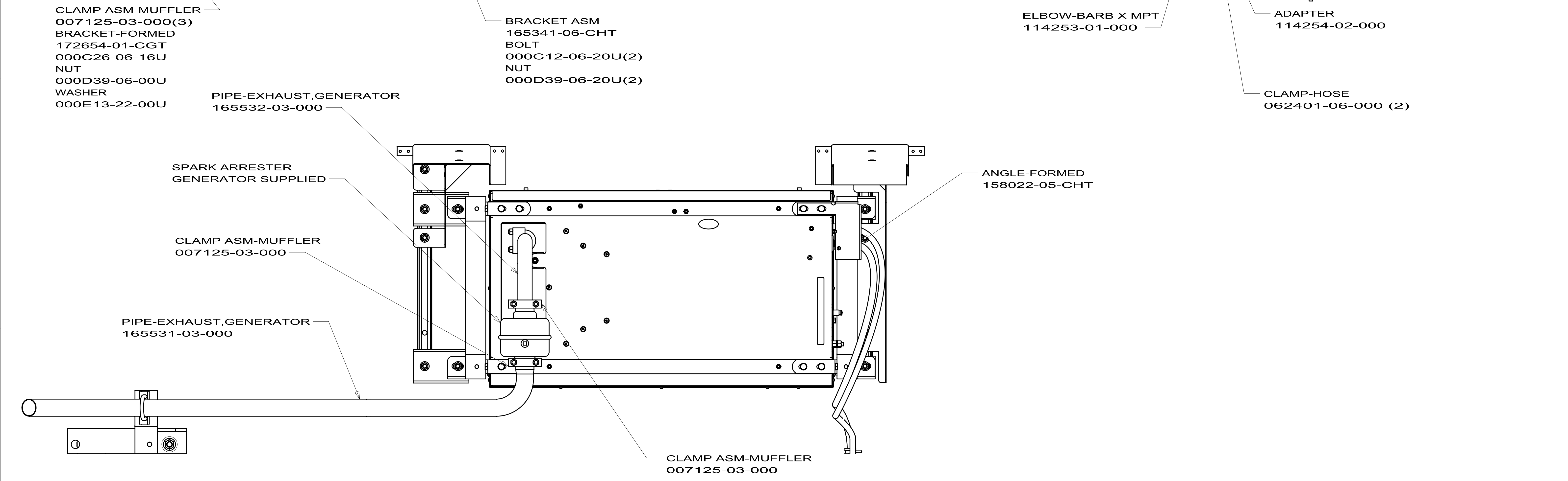
SPARK ARRESTER  
GENERATOR SUPPLIED

CLAMP ASM-MUFFLER  
007125-03-000

PIPE-EXHAUST,GENERATOR  
165531-03-000

ANGLE-FORMED  
158022-05-CHT

CLAMP ASM-MUFFLER  
007125-03-000



FIRST USED	10 H25T		
TITLE:	DO NOT SCALE DRAWING		
	GENERATOR INSTL		
SHEET 3	PART NO	169763	REV