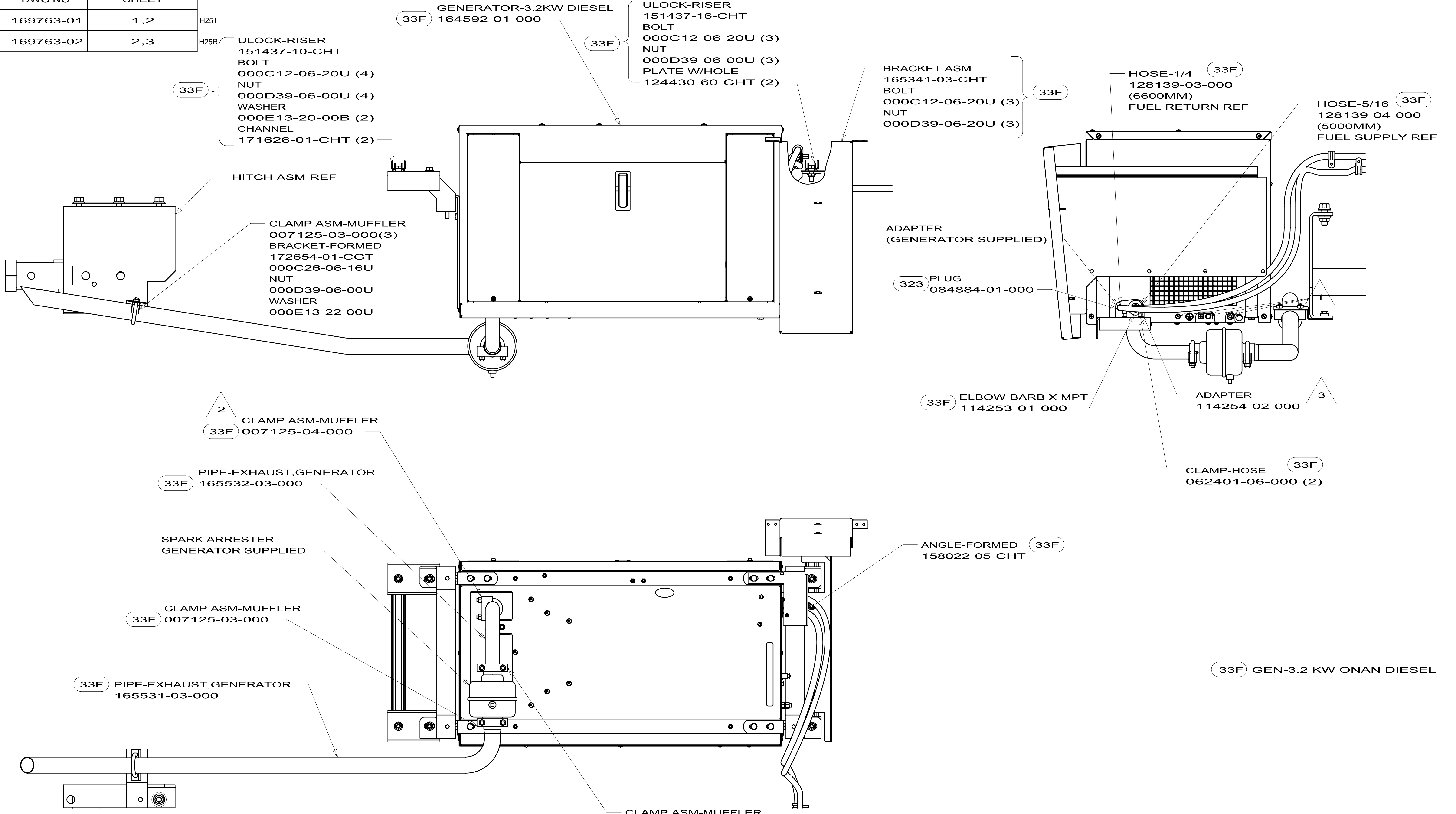


DWG NO	SHEET
169763-01	1,2
169763-02	2,3

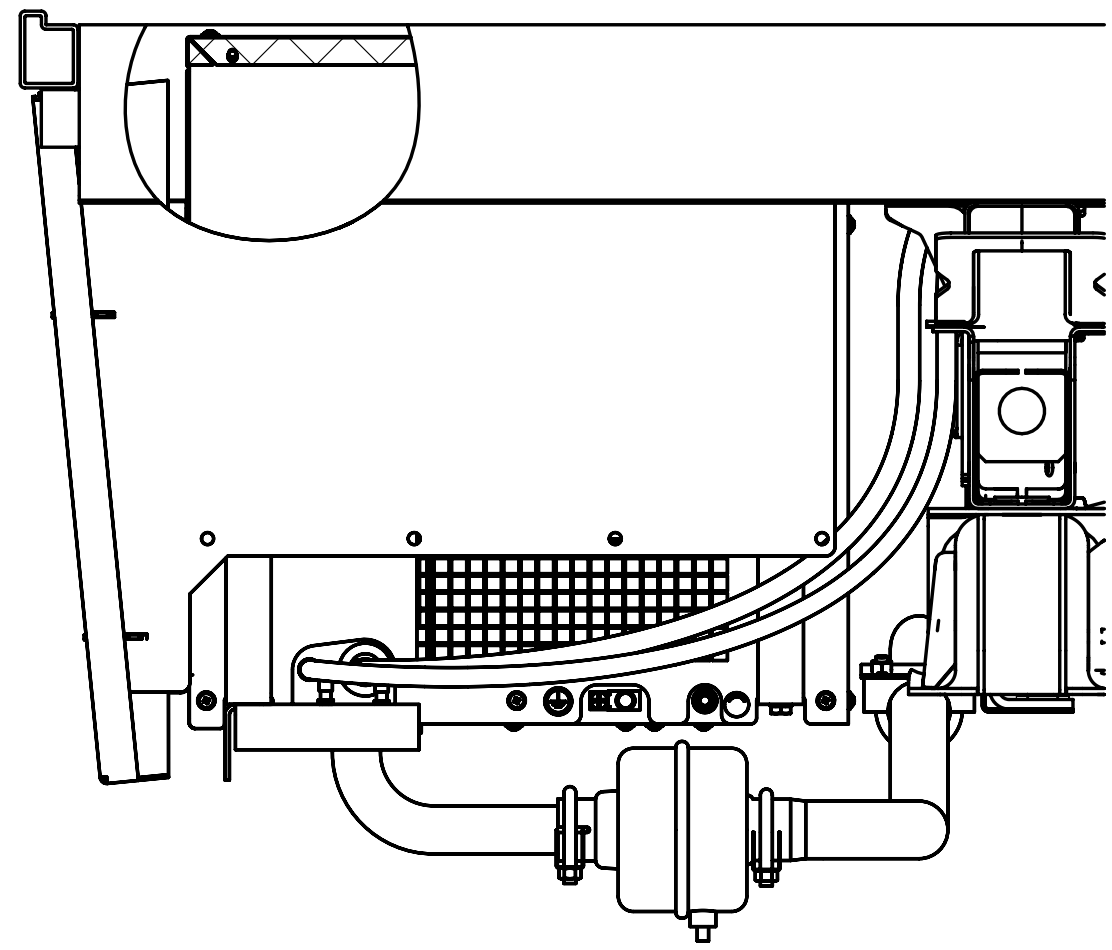
H25T
H25R



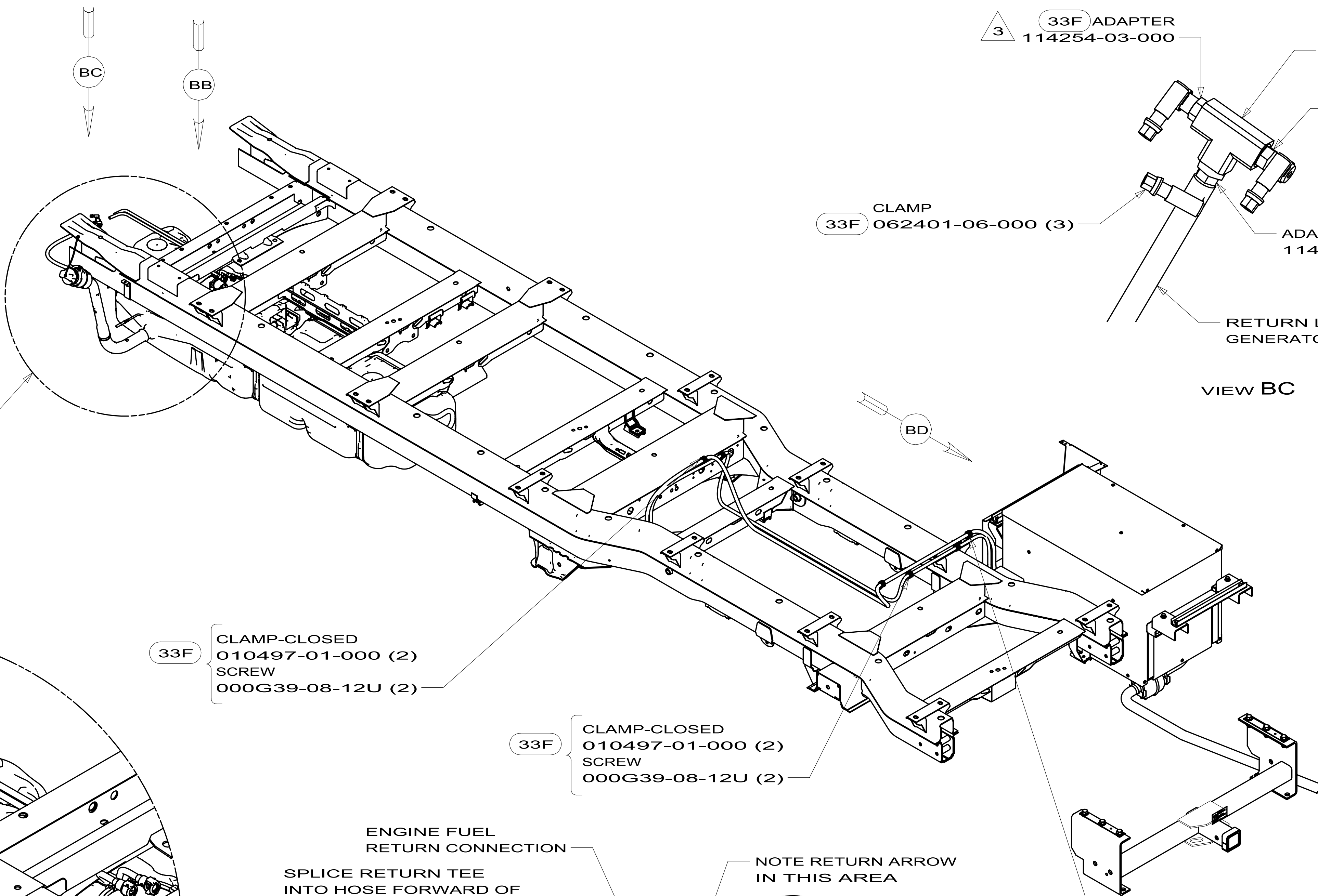
- 3. PIPE THREAD FITTINGS TO BE ASSEMBLED WITH SEALANT 084456-01-000.
- 2. TORQUE TO 150 IN-LBS.
- 1. SEE WIRING INSTL-CHASSIS, WIRING INSTL-BODY AND WIRING DIAGRAM FOR ADDITIONAL INFORMATION.

4. ALL WINNEBAGO PART NUMBERS HAVE A 6-2-3 DIGIT FORMAT (XXXXXX-XX-XXX). ADD THE APPROPRIATE NUMBER OF ZEROS TO THE FRONT OF THE NUMBER TO ADD UP TO SIX. (FOR EXAMPLE, G39-08-12U WOULD BE 000G39-08-12U).

NOTES:

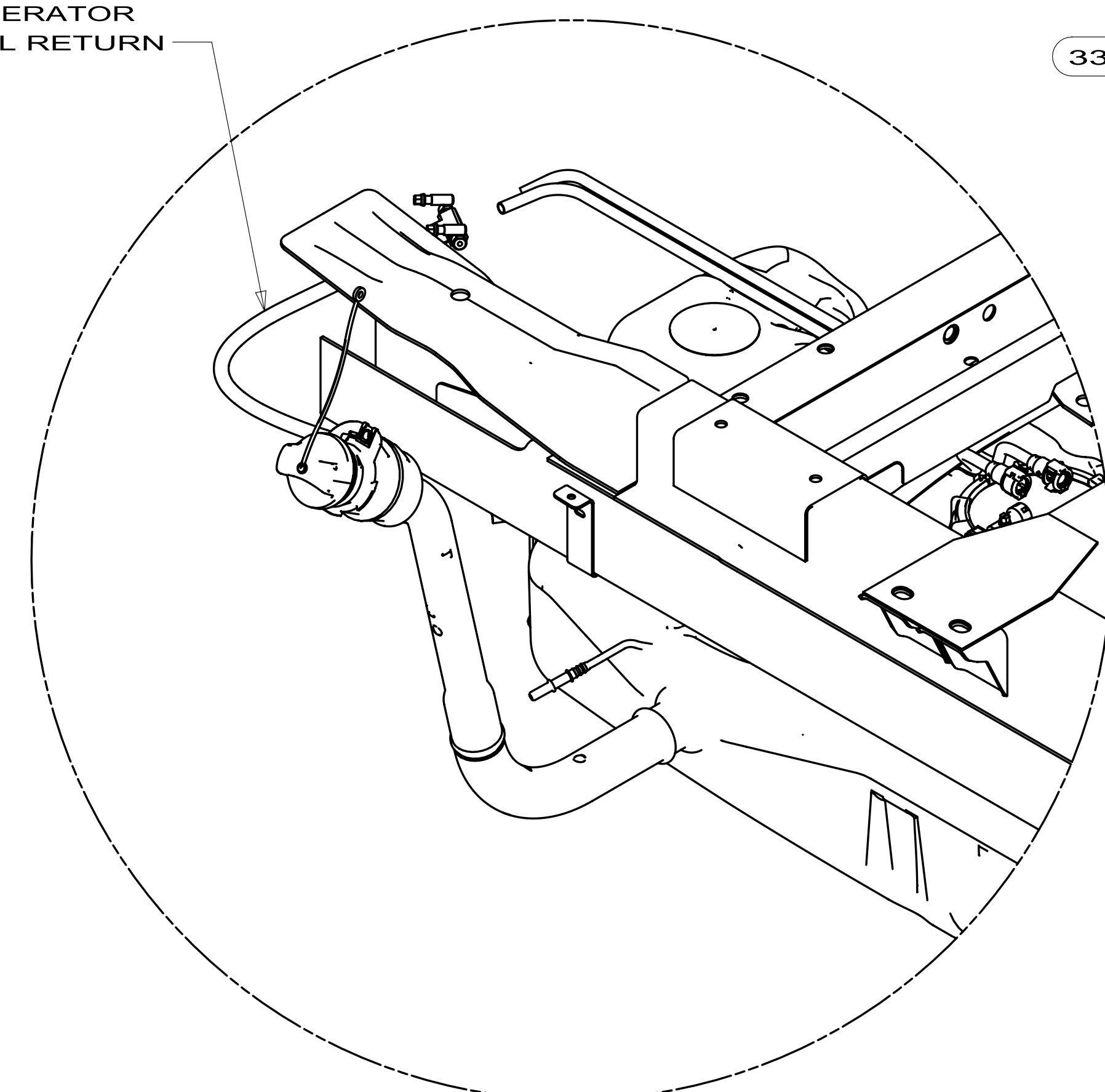


VIEW BD



VIEW BA

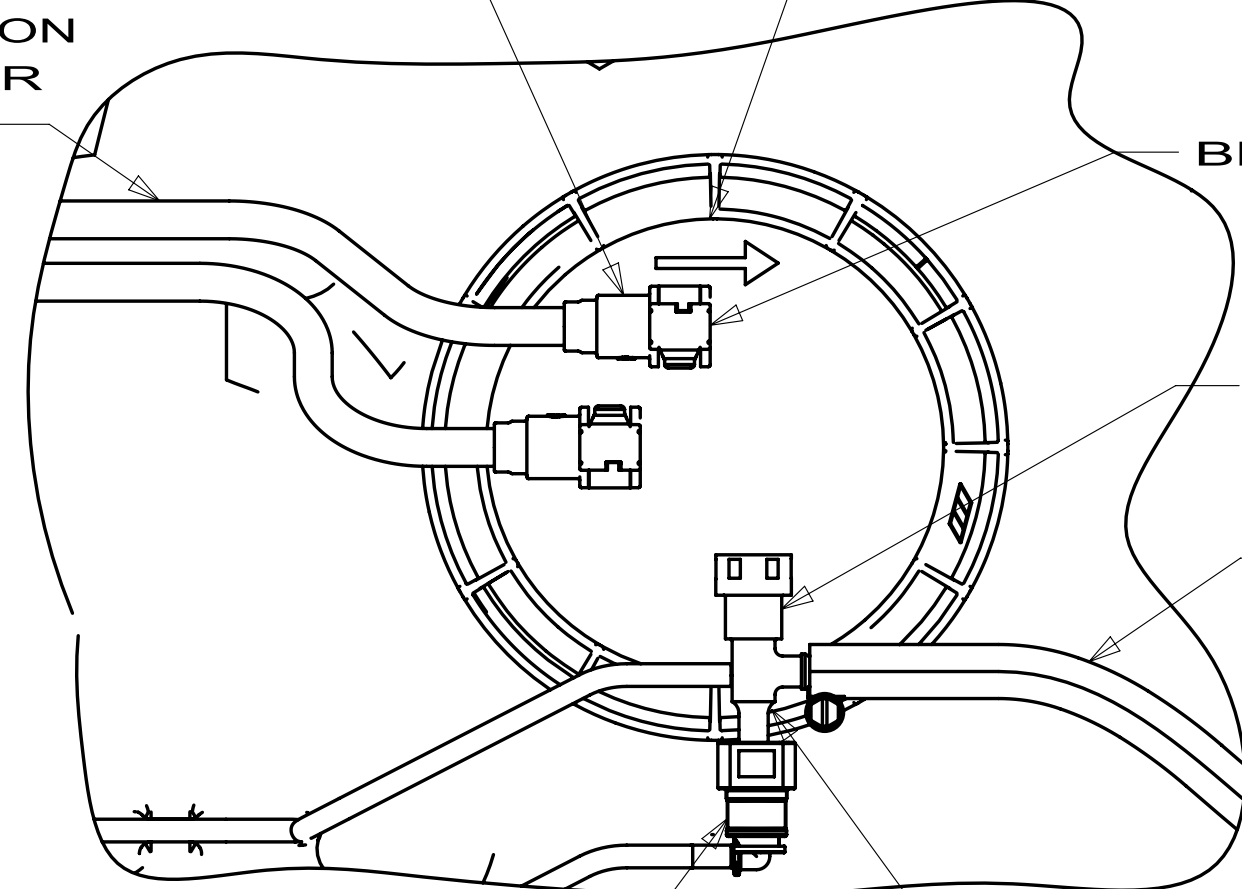
VIEW BC



DETAIL BA

ENGINE FUEL RETURN CONNECTION
SPLICE RETURN TEE INTO HOSE FORWARD OF QUICK CONNECT ON STEEL LINE NEAR FLYWHEEL AREA

NOTE RETURN ARROW IN THIS AREA



VIEW BB

(PUSH RETAINER TO UNLATCH) DISCONNECT THEN ADD THE TEE AND RECONNECT LINE TO END OF TEE

TEE-FUEL (PUSH ON TO "CLICK") 165342-01-000 33F
CLAMP 062401-06-000 33F

FIRST USED	10 H25T		
TITLE:	DO NOT SCALE DRAWING		
	GENERATOR INSTL		
SHEET 2	PART NO	169763	REV

ULOCK-RISER
151437-16-CHT
BOLT
000C12-06-20U (4)
NUT
000D39-06-00U (4)
WASHER
000E13-20-00B (2)
CHANNEL
171626-01-CHT (2)

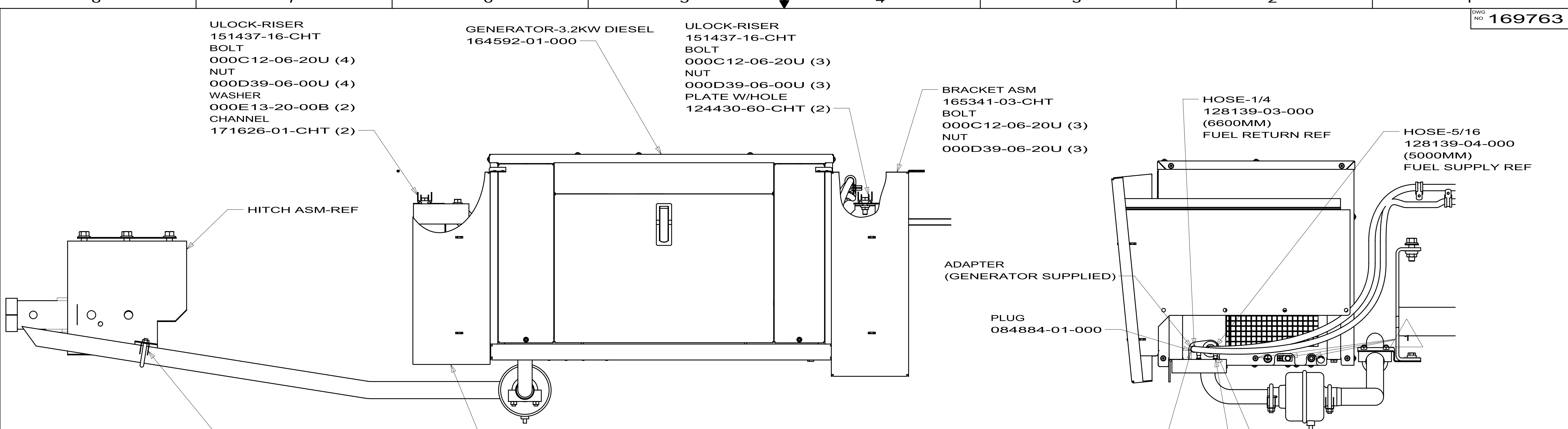
GENERATOR-3.2KW DIESEL
164592-01-000

ULOCK-RISER
151437-16-CHT
BOLT
000C12-06-20U (3)
NUT
000D39-06-00U (3)
PLATE W/HOLE
124430-60-CHT (2)

BRACKET ASM
165341-03-CHT
BOLT
000C12-06-20U (3)
NUT
000D39-06-20U (3)

HOSE-1/4
128139-03-000
(6600MM)
FUEL RETURN REF

HOSE-5/16
128139-04-000
(5000MM)
FUEL SUPPLY REF



HITCH ASM-REF

ADAPTER
(GENERATOR SUPPLIED)

PLUG
084884-01-000

ELBOW-BARB X MPT
114253-01-000

ADAPTER
114254-02-000

CLAMP-HOSE
062401-06-000 (2)

CLAMP ASM-MUFFLER
007125-03-000(3)
BRACKET-FORMED
172654-01-CGT
000C26-06-16U
NUT
000D39-06-00U
WASHER
000E13-22-00U

BRACKET ASM
165341-06-CHT
BOLT
000C12-06-20U(2)
NUT
000D39-06-20U(2)

PIPE-EXHAUST,GENERATOR
165532-03-000

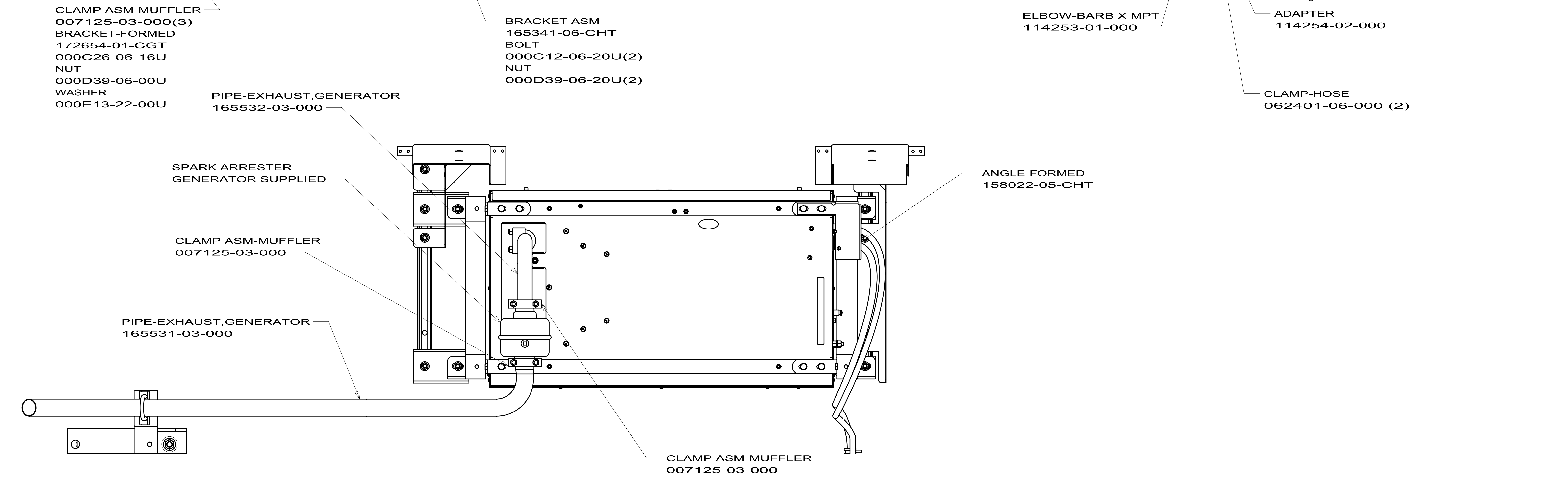
SPARK ARRESTER
GENERATOR SUPPLIED

CLAMP ASM-MUFFLER
007125-03-000

PIPE-EXHAUST,GENERATOR
165531-03-000

ANGLE-FORMED
158022-05-CHT

CLAMP ASM-MUFFLER
007125-03-000



FIRST USED	10 H25T		
TITLE:	DO NOT SCALE DRAWING		
	GENERATOR INSTL		
SHEET 3	PART NO	169763	REV