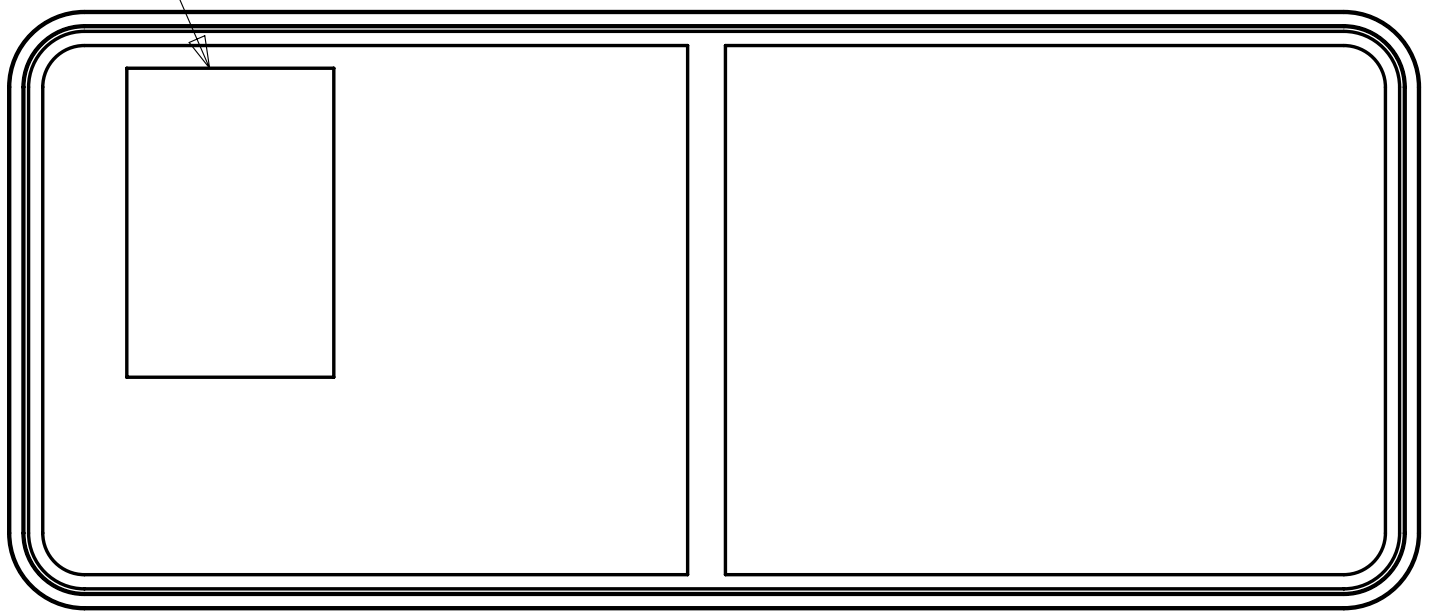
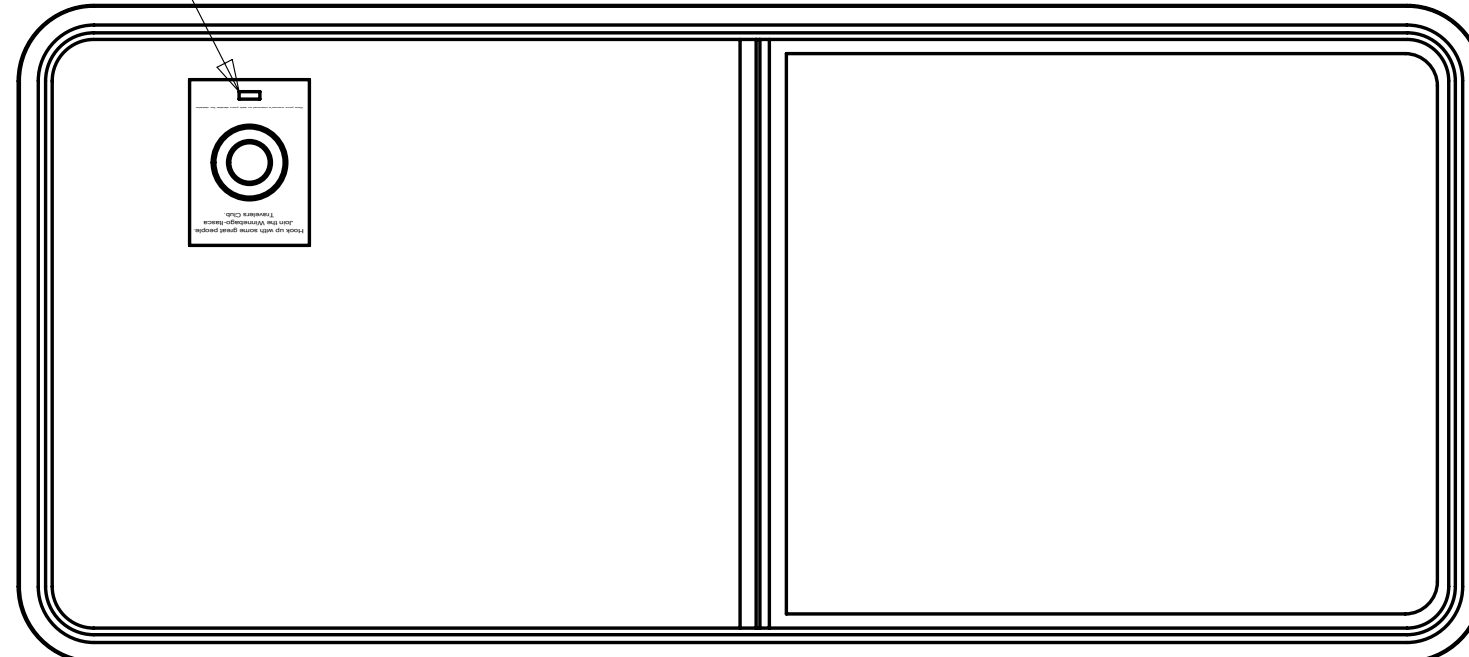


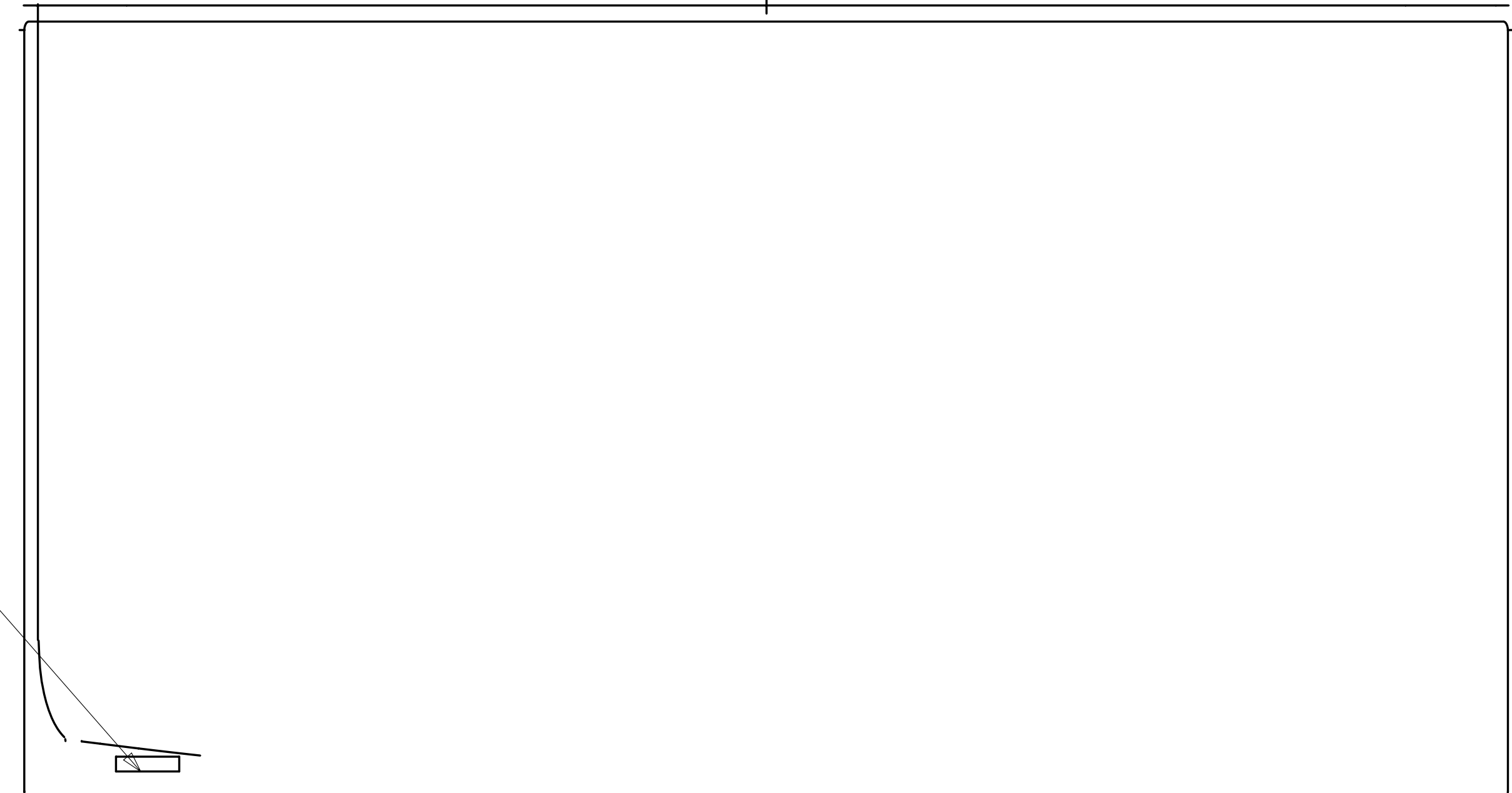
LABEL-WARNING-EXIT
039290-01-000



LABEL-RETAIL
088757-01-000
(PLACE ON WINDOW BEHIND
DRIVER'S SEAT)



STICKER-WDO,STATIC WIT
131272-01-000
(PLACE ON LARGEST
WINNDOW ON PASSENGER SIDE)



WINDSHIELD
(VIEW FROM OUTSIDE)

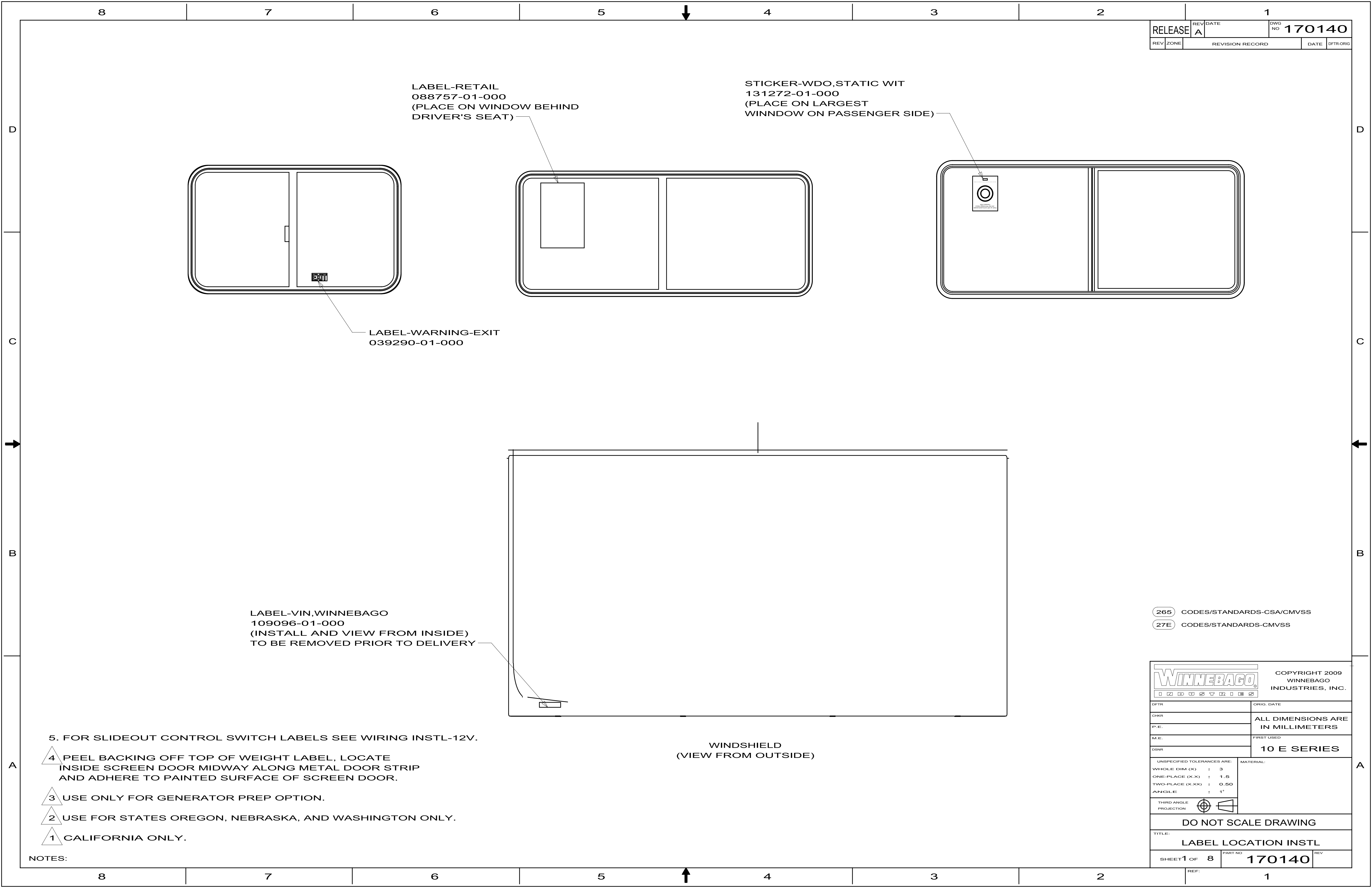
LABEL-VIN,WINNEBAGO
109096-01-000
(INSTALL AND VIEW FROM INSIDE)
TO BE REMOVED PRIOR TO DELIVERY

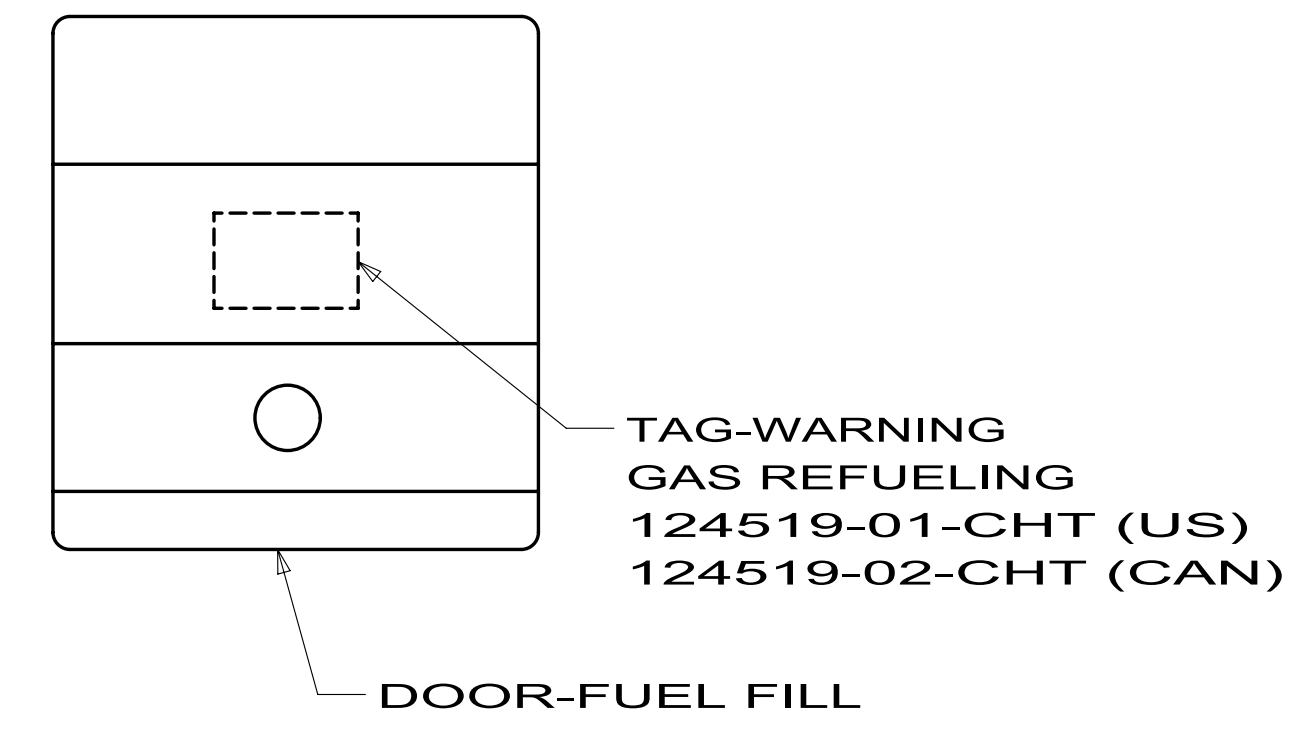
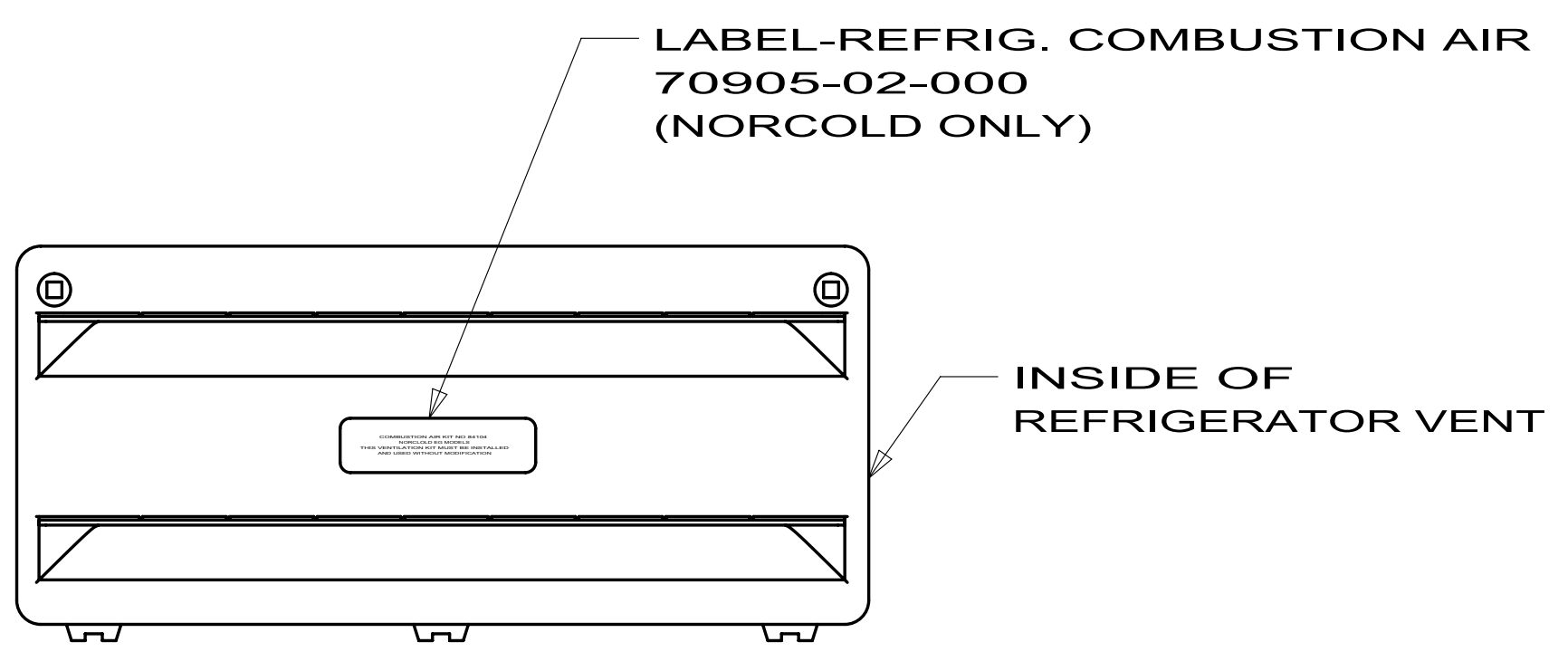
265 CODES/STANDARDS-CSA/CMVSS
27E CODES/STANDARDS-CMVSS

WINNEBAGO INDUSTRIES		COPYRIGHT 2009 WINNEBAGO INDUSTRIES, INC.	
DTR	ORIG. DATE	ALL DIMENSIONS ARE IN MILLIMETERS	
CHKR		10 E SERIES	
P.E.	FIRST USED	UNSPECIFIED TOLERANCES ARE:	
M.E.		WHOLE DIM (X) : 3	MATERIAL:
DSNR		ONE-PLACE (X.X) : 1.5	
		TWO-PLACE (X.XX) : 0.50	
		ANGLE : 1°	
THIRD ANGLE PROJECTION		DO NOT SCALE DRAWING	
TITLE: LABEL LOCATION INSTL			
SHEET 1 OF 8	PART NO	170140	REV
REF:	1		

5. FOR SLIDEOUT CONTROL SWITCH LABELS SEE WIRING INSTL-12V.
- 4 PEEL BACKING OFF TOP OF WEIGHT LABEL, LOCATE INSIDE SCREEN DOOR MIDWAY ALONG METAL DOOR STRIP AND ADHERE TO PAINTED SURFACE OF SCREEN DOOR.
 - 3 USE ONLY FOR GENERATOR PREP OPTION.
 - 2 USE FOR STATES OREGON, NEBRASKA, AND WASHINGTON ONLY.
 - 1 CALIFORNIA ONLY.

NOTES:





LABEL-CAUTION, BATTERY
065748-01-000

(1B1)
TAG-RVIA APPROVED
006019-01-000

2
STATE INSIGNIA

LABEL-CSA/CRVA, SET
160649-01-CHT

LABEL-WARNING, FLOOR COVERING
110273-01-000

LABEL-AWNING INSTL
099509-01-000

LABEL-OCCUPANT AND CCC
168454-01-CHT

LABEL-VIN, WINNEBAGO
109096-01-000

LABEL-MERCURY CONTENT
135869-01-CHT

LABEL-WARNING
ELECTRIC STEP
(VENDOR SUPPLIED)

SECTION A-A

INCOMPLETE VEHICLE MFG LABEL
(CHASSIS SUPPLIED)

LABEL-CERTIFICATION
087237-02-000 (US)
087237-05-000 (CAN)
PLATE-LABEL
143756-01-CHT

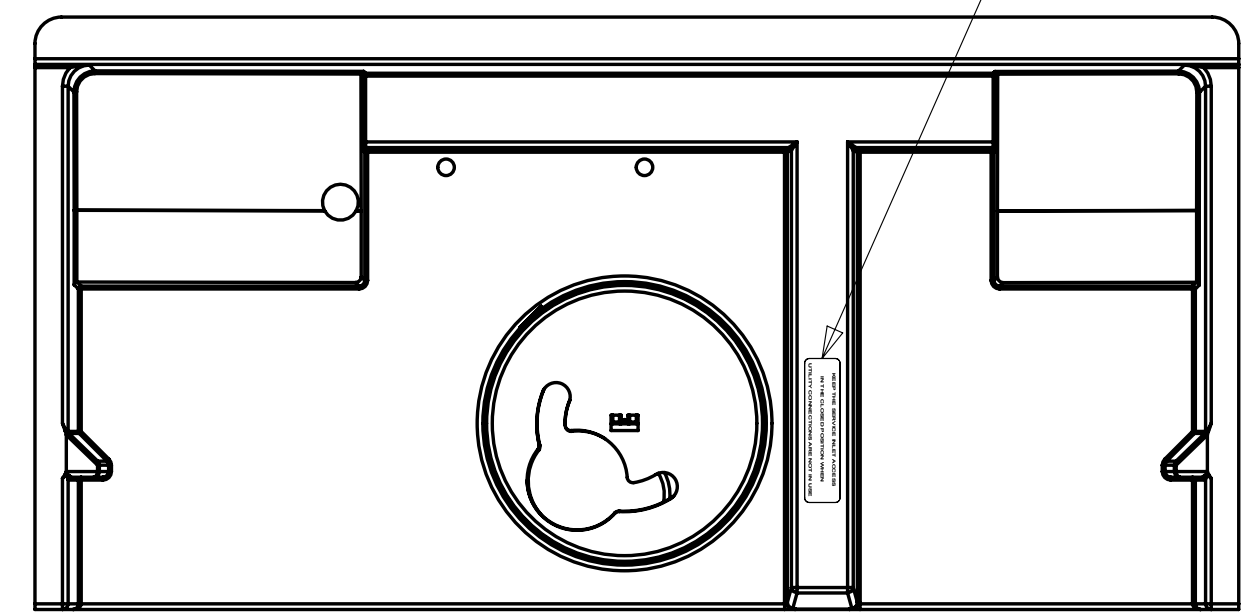
LABEL-OCCUPANT AND CCC
168454-01-CHT
PLATE-LABEL
143756-01-CHT

FIRST USED		
10 E SERIES		
DO NOT SCALE DRAWING		
TITLE: LABEL LOCATION INSTL		
SHEET 2	PART NO 170140	REV

LABEL-SERVICE/UTILITY ACCESS
123562-01-000



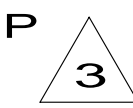
LABEL-SERVICE/UTILITY ACCESS
123562-01-000



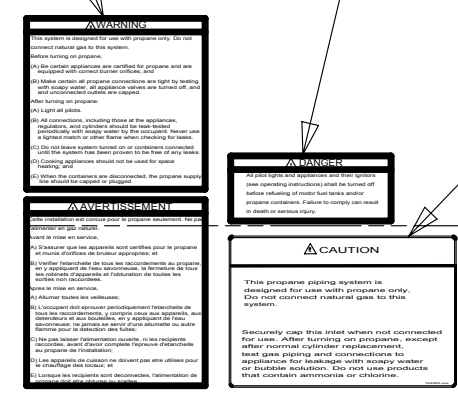
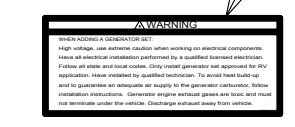
LABEL-WARNING-LPG CANADA
023769-01-000 (CAN)

LABEL-WARNING, REFUELING
124519-01-CHT (US)
124519-02-CHT (CAN)

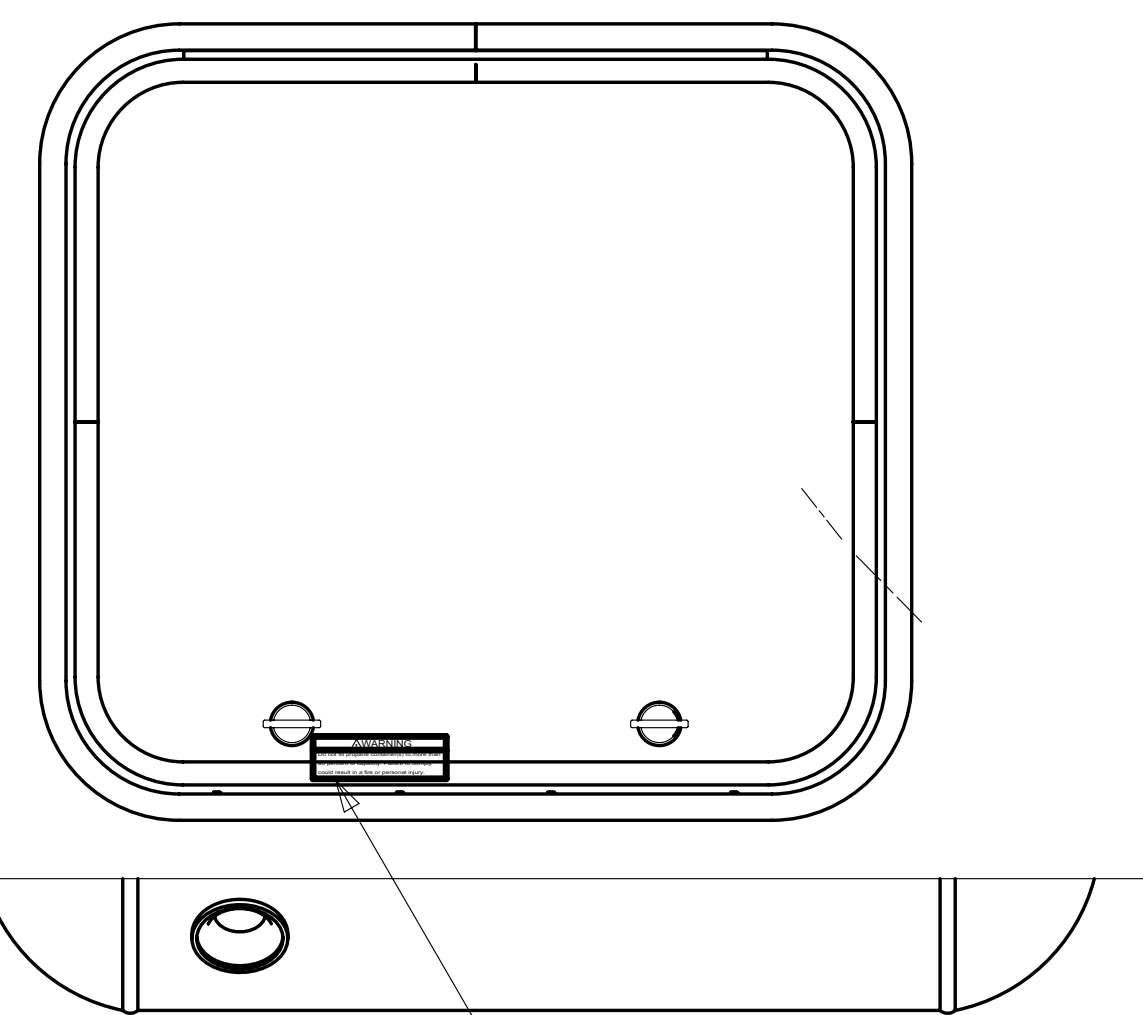
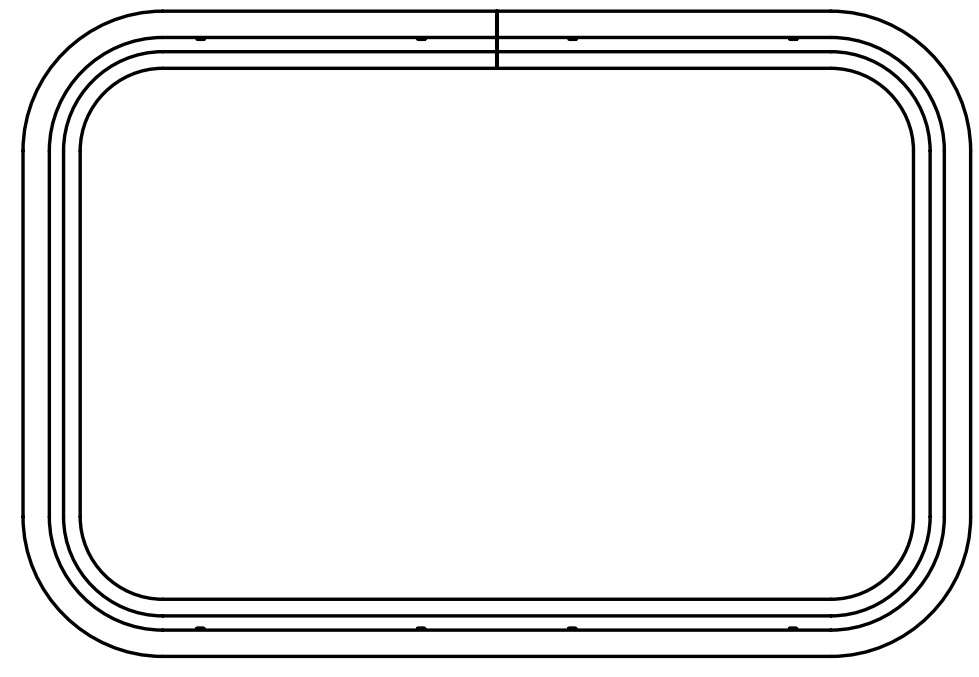
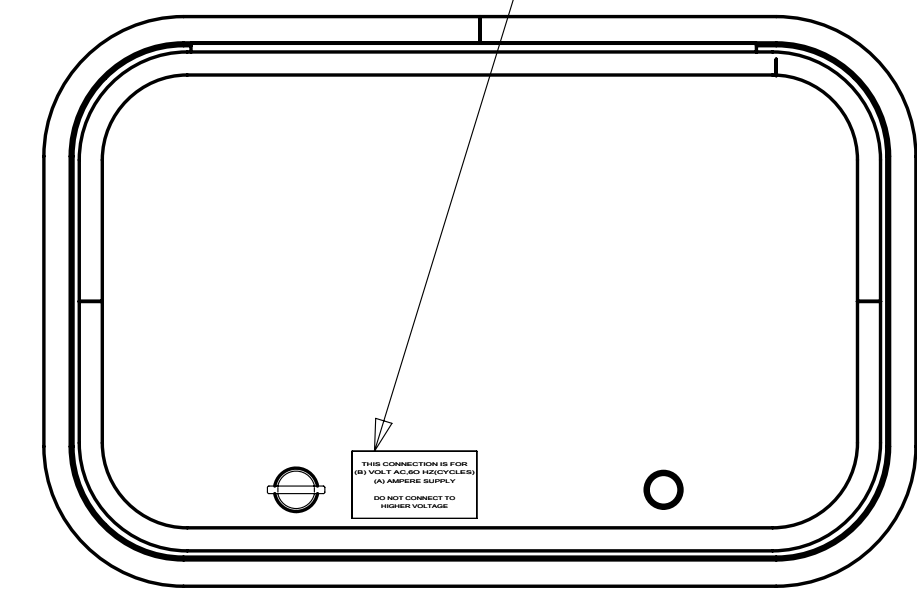
LABEL-GENERATOR-PREP
077510-01-000



LABEL-LP GAS ONLY
124520-01-CHT (US)

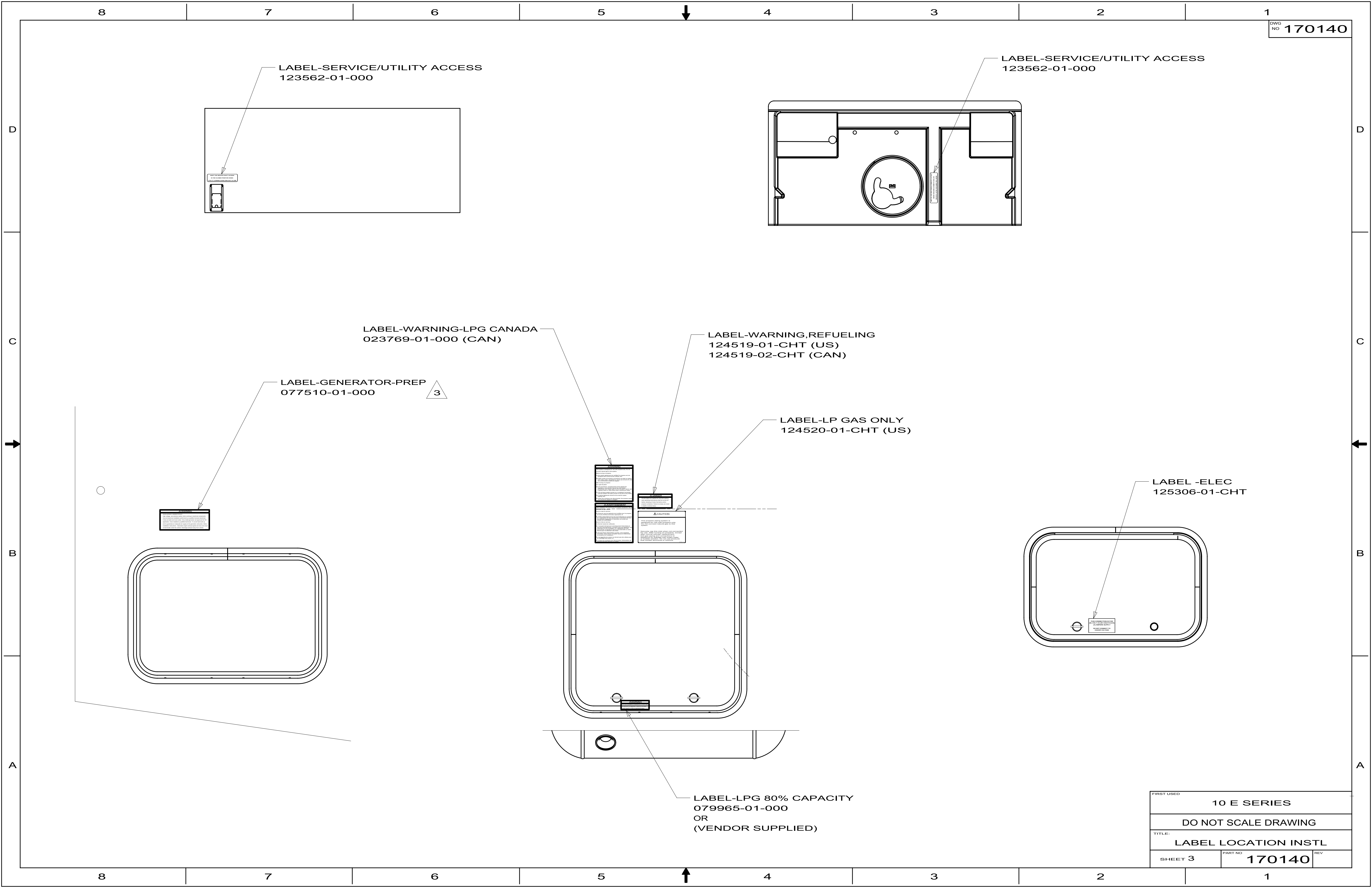


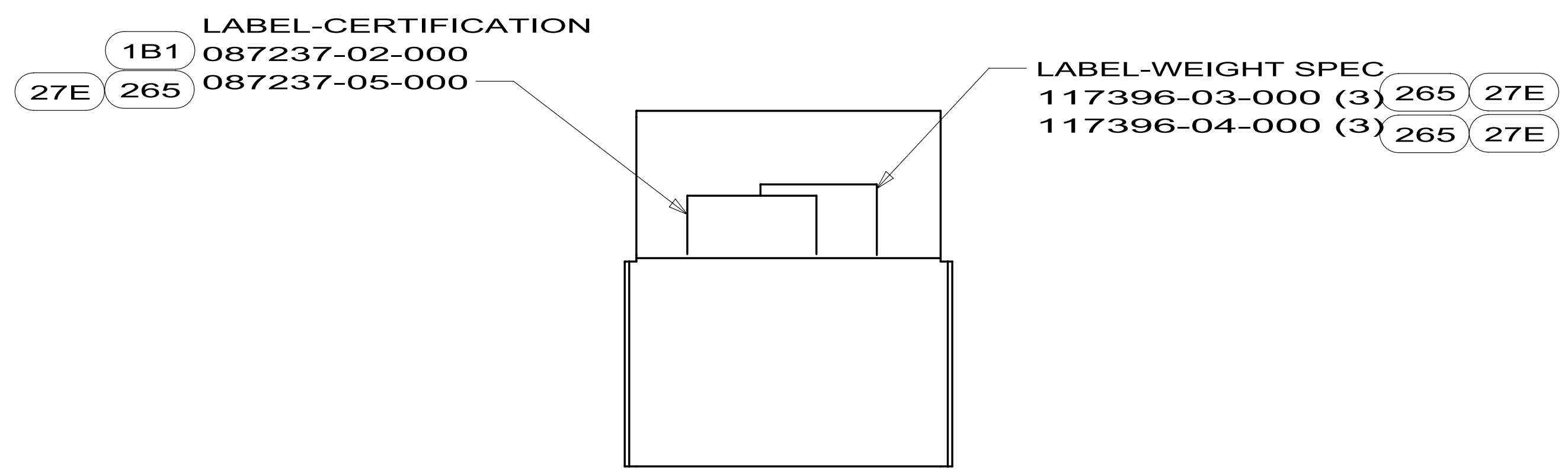
LABEL -ELEC
125306-01-CHT



LABEL-LPG 80% CAPACITY
079965-01-000
OR
(VENDOR SUPPLIED)

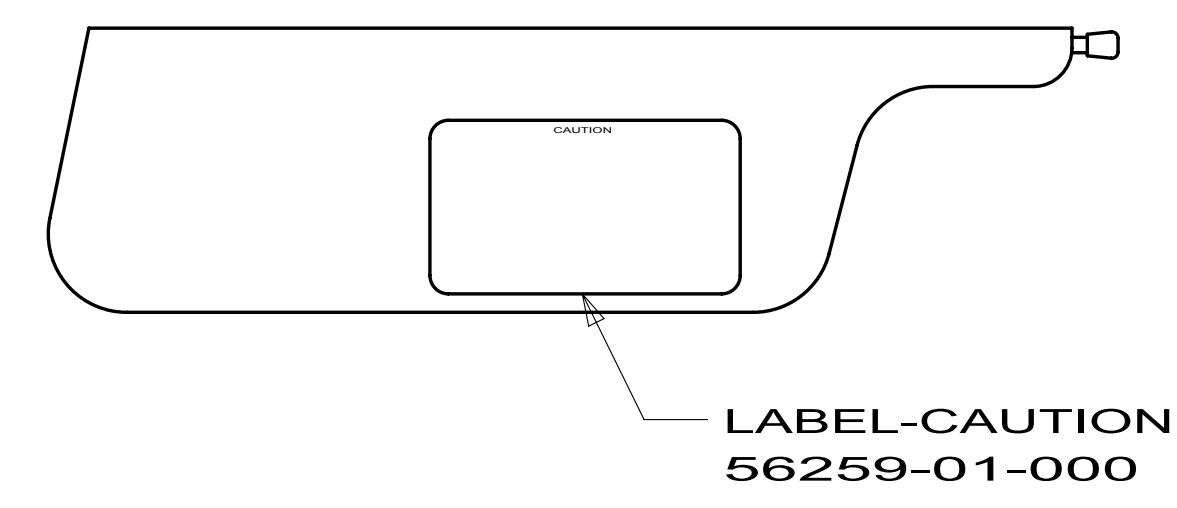
FIRST USED		
10 E SERIES		
DO NOT SCALE DRAWING		
TITLE: LABEL LOCATION INSTL		
SHEET 3	PART NO 170140	REV





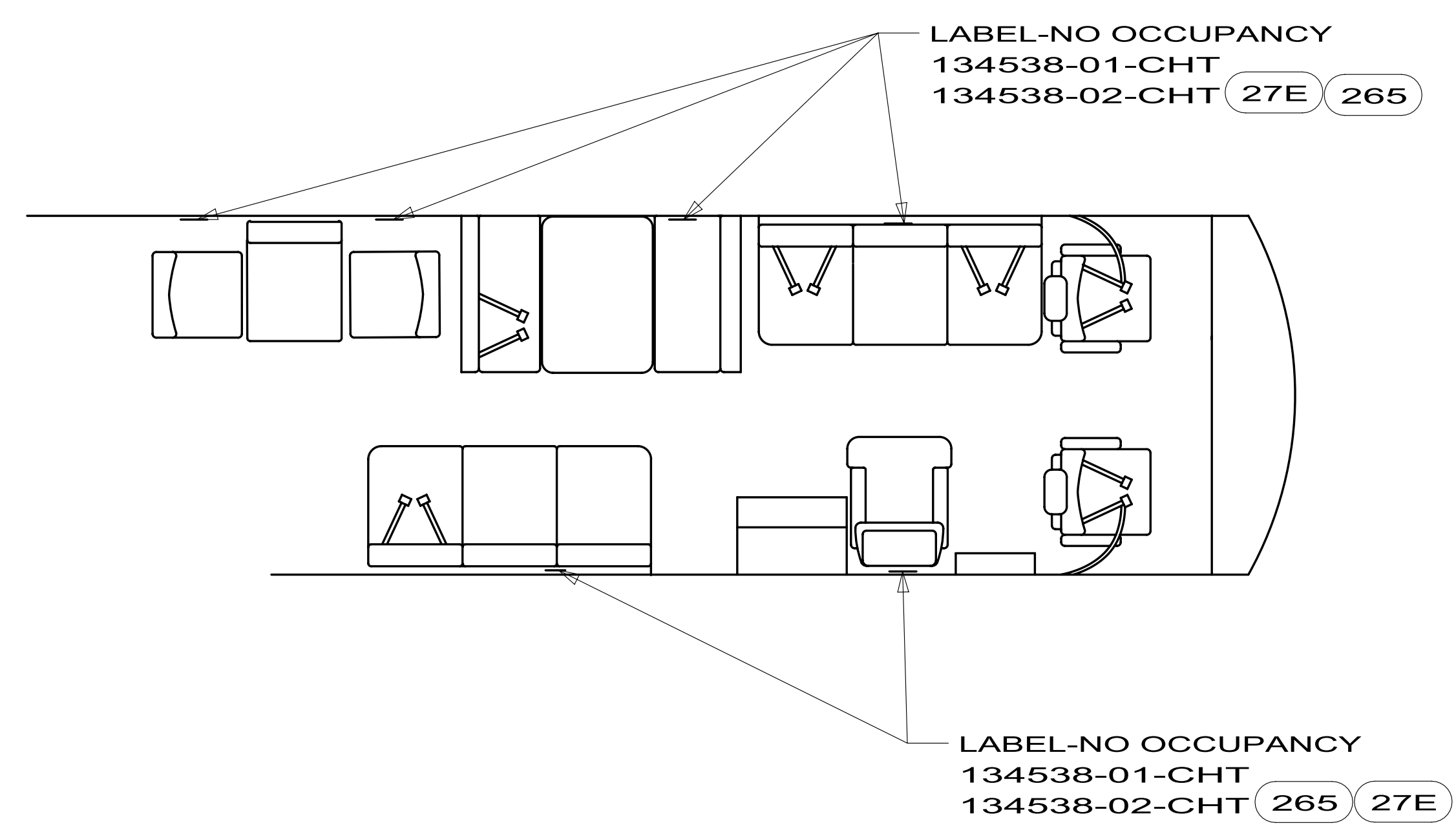
INFOCASE

*ONE WEIGHT SPEC SHEET TO GO IN OWNERS BAG
 ONE WEIGHT SPEC SHEET TO BE AFFIXED TO THE INSIDE OF THE WARDROBE OR SIMILAR DOOR.
 ONE WEIGHT SHEET OR 168454-01-CHT TO BE FILED WITH TRAVELER.



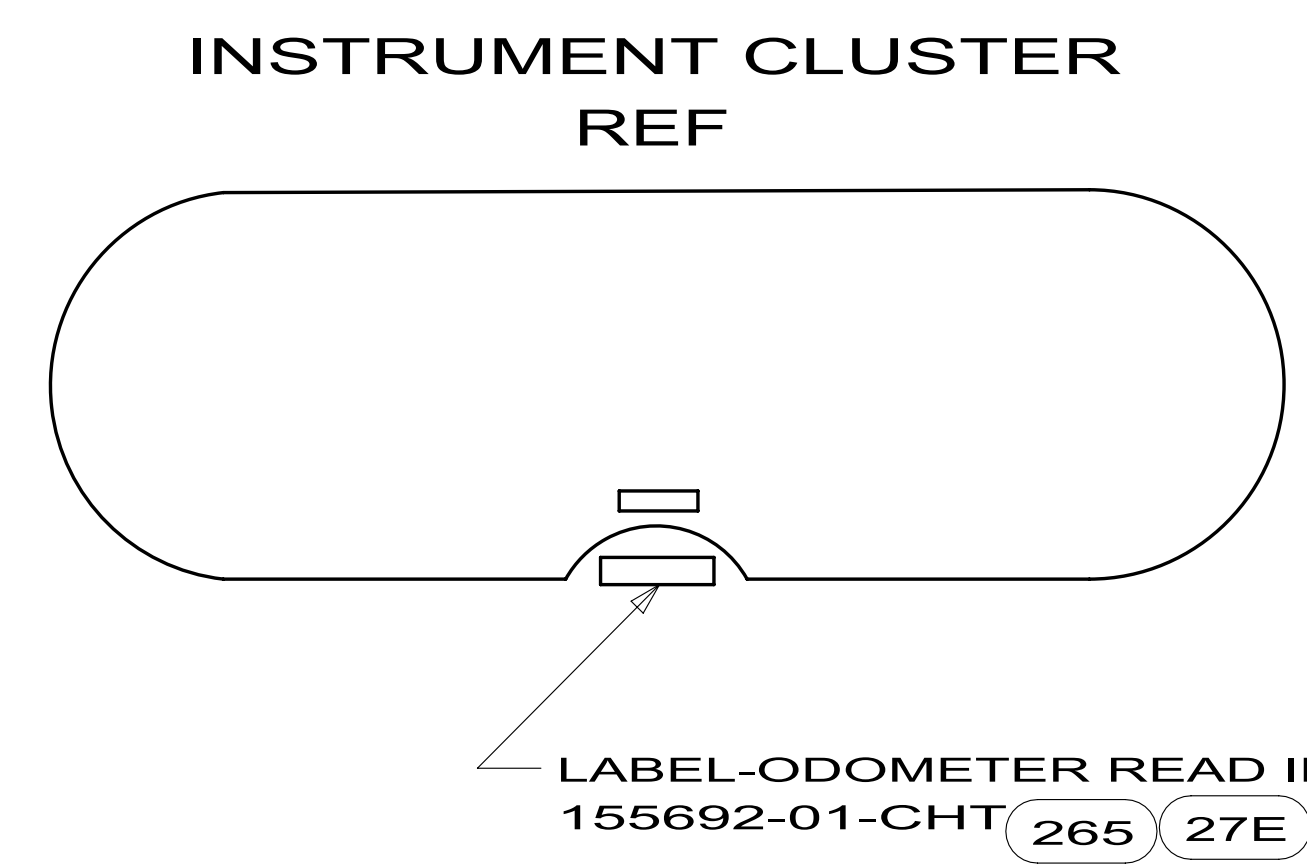
LABELS SHALL BE LOCATED ON OPPOSITE SIDE OF VISOR THAT THE AIR BAG LABEL IS INSTALLED ON

TYPICAL SEAT AND BELT CONFIGURATIONS



ATTACH LABEL ON OR NEXT TO:
 *ANY SINGLE CHAIR WITHOUT BELTS
 *ANY DINETTE SEAT WITHOUT BELTS
 *ANY COUCH WITHOUT BELTS OR ANY SEATING POSITION ON THAT COUCH

DO NOT ATTACH LABEL IF:
 *DINETTE SEAT HAS AT LEAST ONE SET OF BELTS INSTALLED.



265 CODES/STANDARDS-DS/CMVSS
 27E CODES/STANDARDS-CMVSS

FIRST USED	10 E SERIES		
TITLE:	DO NOT SCALE DRAWING		
	LABEL LOCATION INSTL		
SHEET 4	PART NO	170140	REV

8

7

6

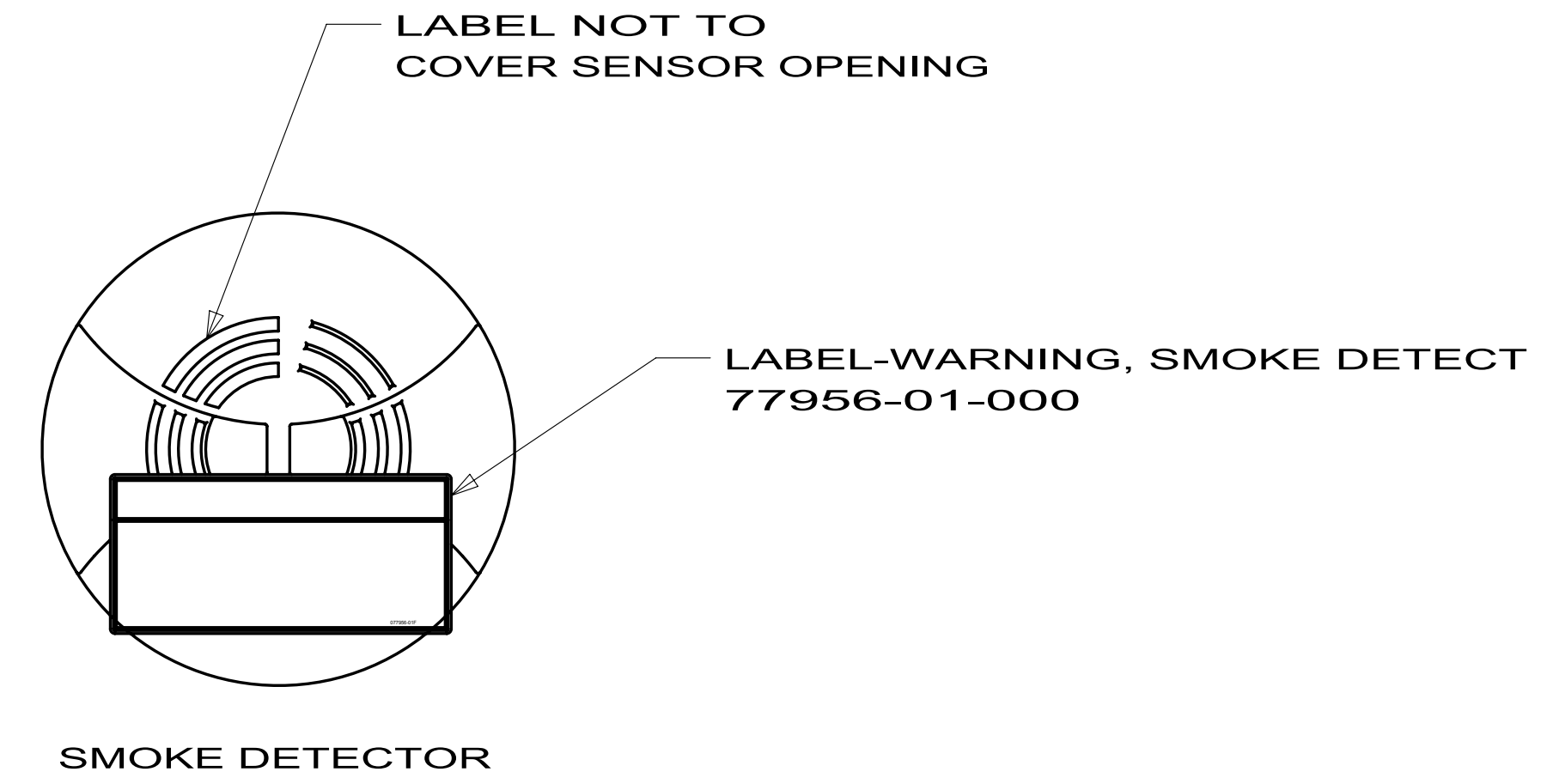
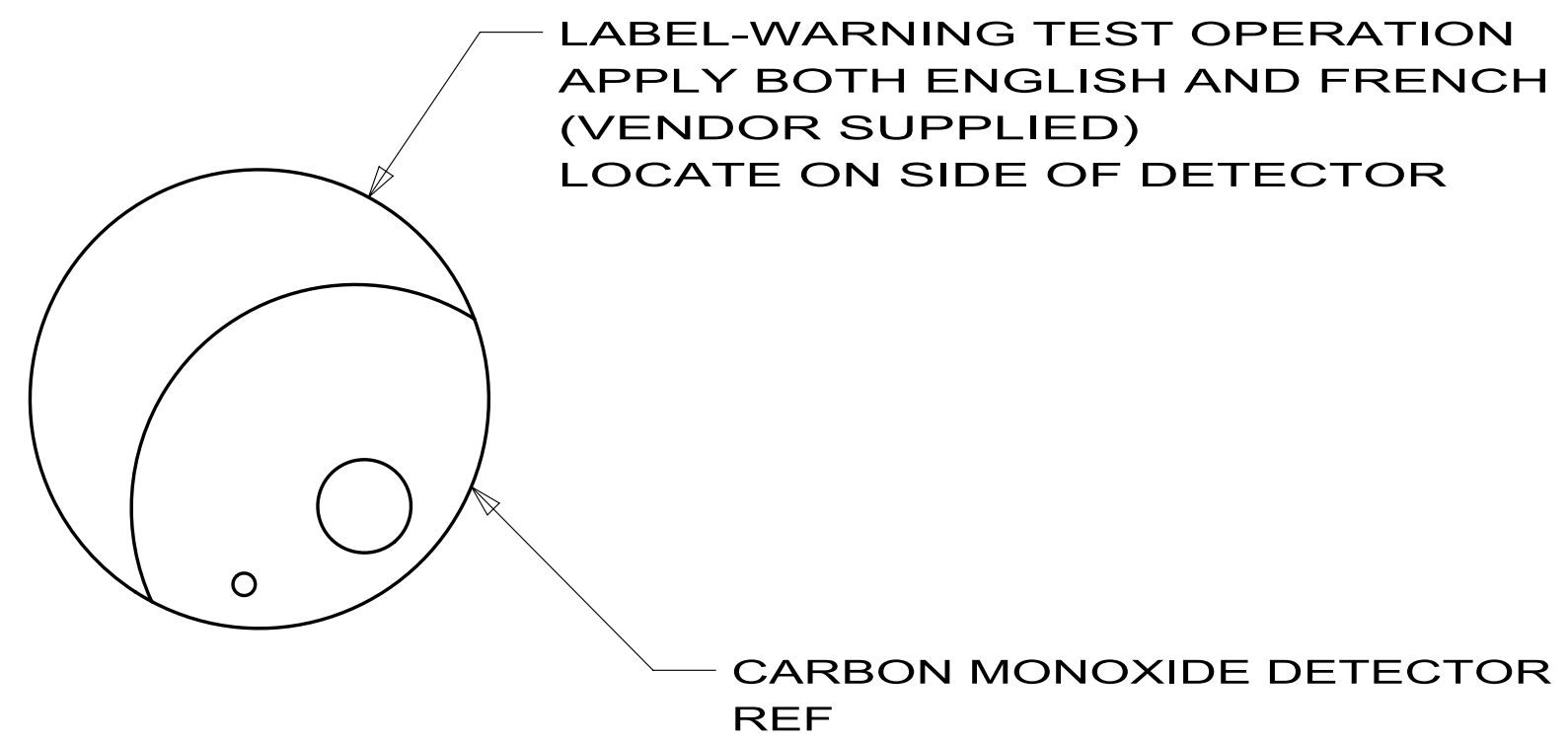
5

4

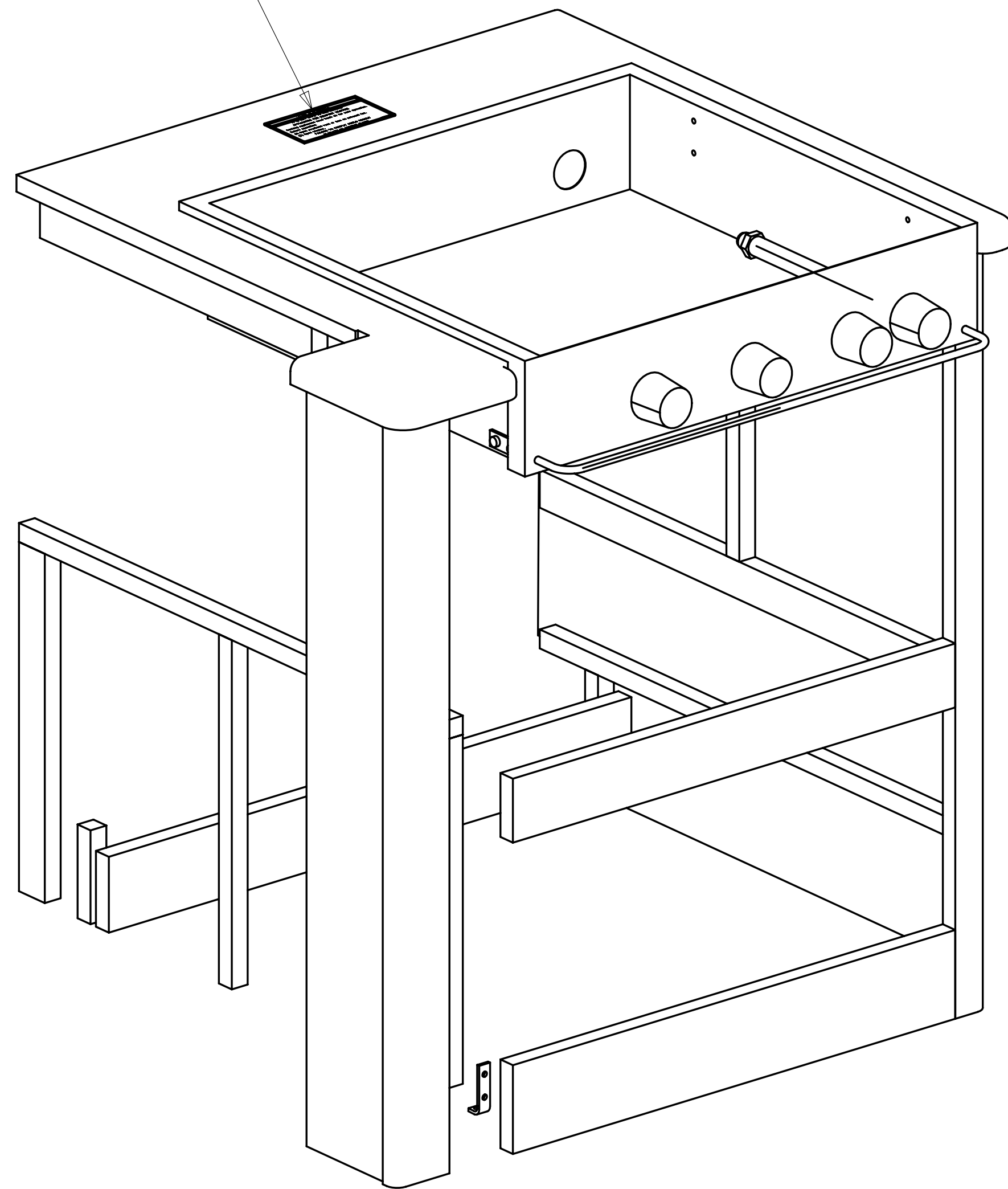
3

2

1

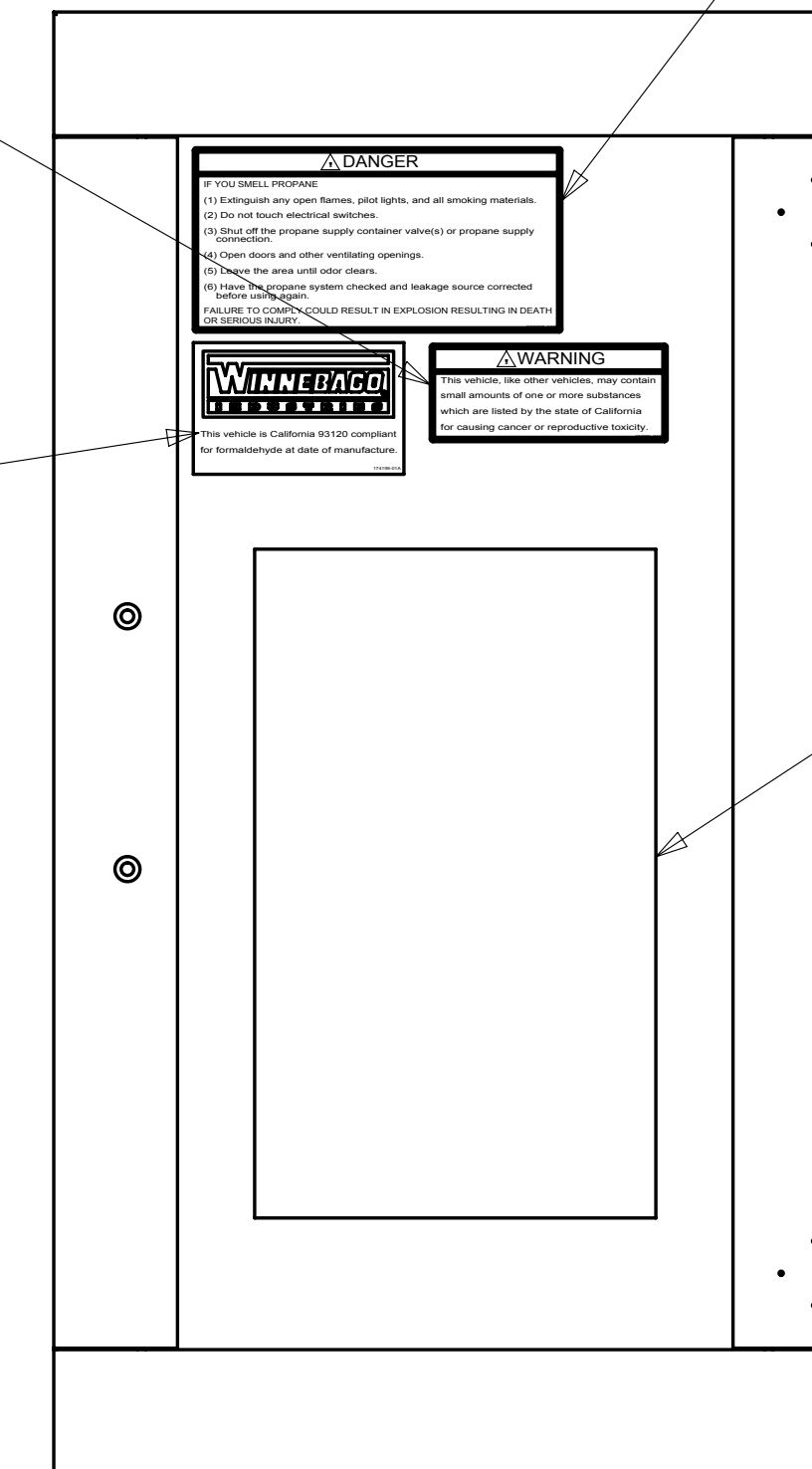


LABEL-WARNING,STOVE/HEATING
134539-01-CHT



1 LABEL-WARNING,CANCER/TOXICITY
099689-01-000

LABEL - FORMALDEHYDE
174199-01-CHT(AFTER 09-15-09)



LABEL-LPG ODOR WARNING
073998-01-000

LABEL-DATA PLATE
(STATE SUPPLIED)
160649-02-CHT (265)

INSIDE OF GALLEY CABINET DOOR
IF SIZE PERMITS. ELSE INSIDE OF
OVERHEAD GALLEY CABINET DOOR (REF)

FIRST USED	10 E SERIES		
TITLE:	DO NOT SCALE DRAWING		
SHEET 5	PART NO	170140	REV

8

7

6

5

4

3

2

1

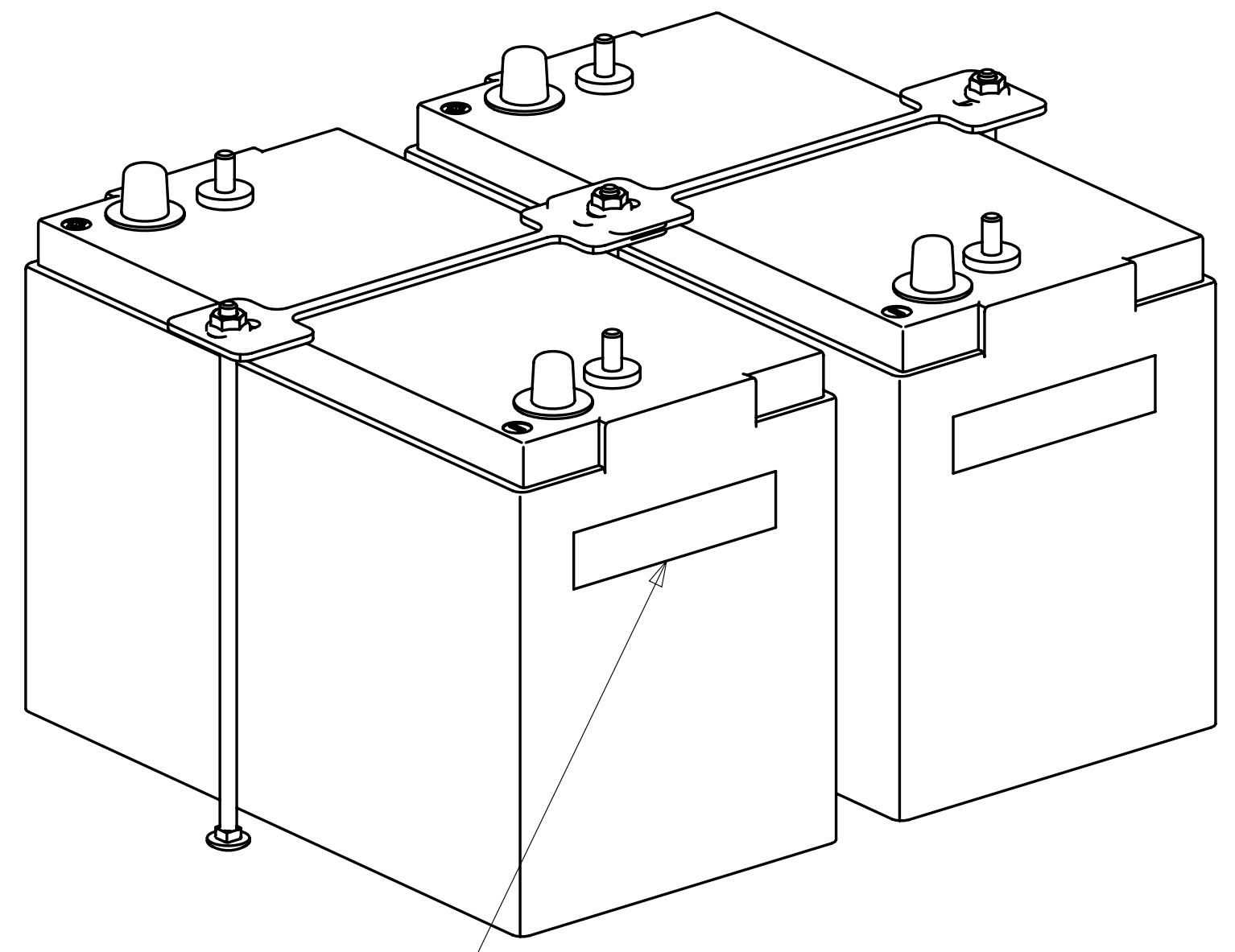
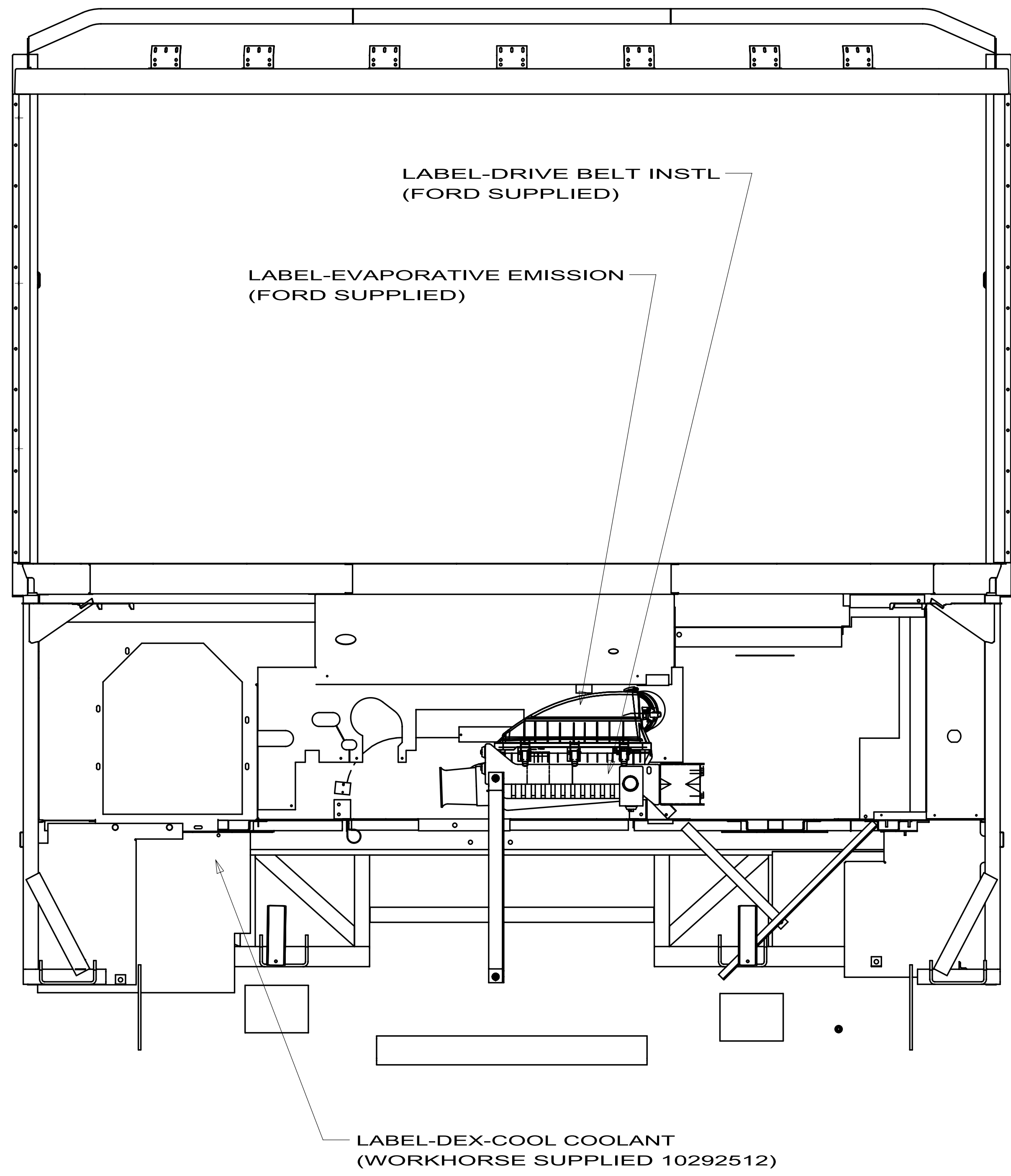
LABEL-LOCATION,COAX,SAT ANT
120431-01-000

279

LABEL-WARNING,ROOF SLIPPERY
163705-01-CHT

LABEL-HITCH/VEHICLE RATE
129669-02-CHT

FIRST USED	10 E SERIES	
TITLE:	DO NOT SCALE DRAWING	
	LABEL LOCATION INSTL	
SHEET 6	PART NO 170140	REV



FIRST USED	10 E SERIES	
TITLE:	DO NOT SCALE DRAWING	
	LABEL LOCATION INSTL	
SHEET 7	PART NO 170140	REV

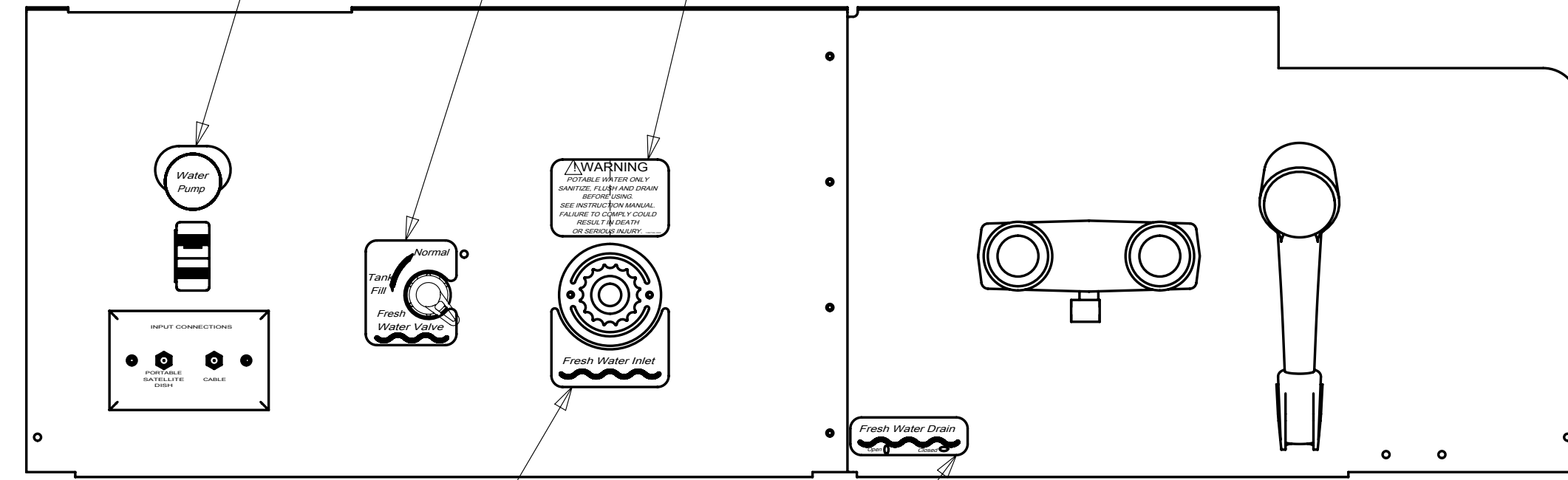
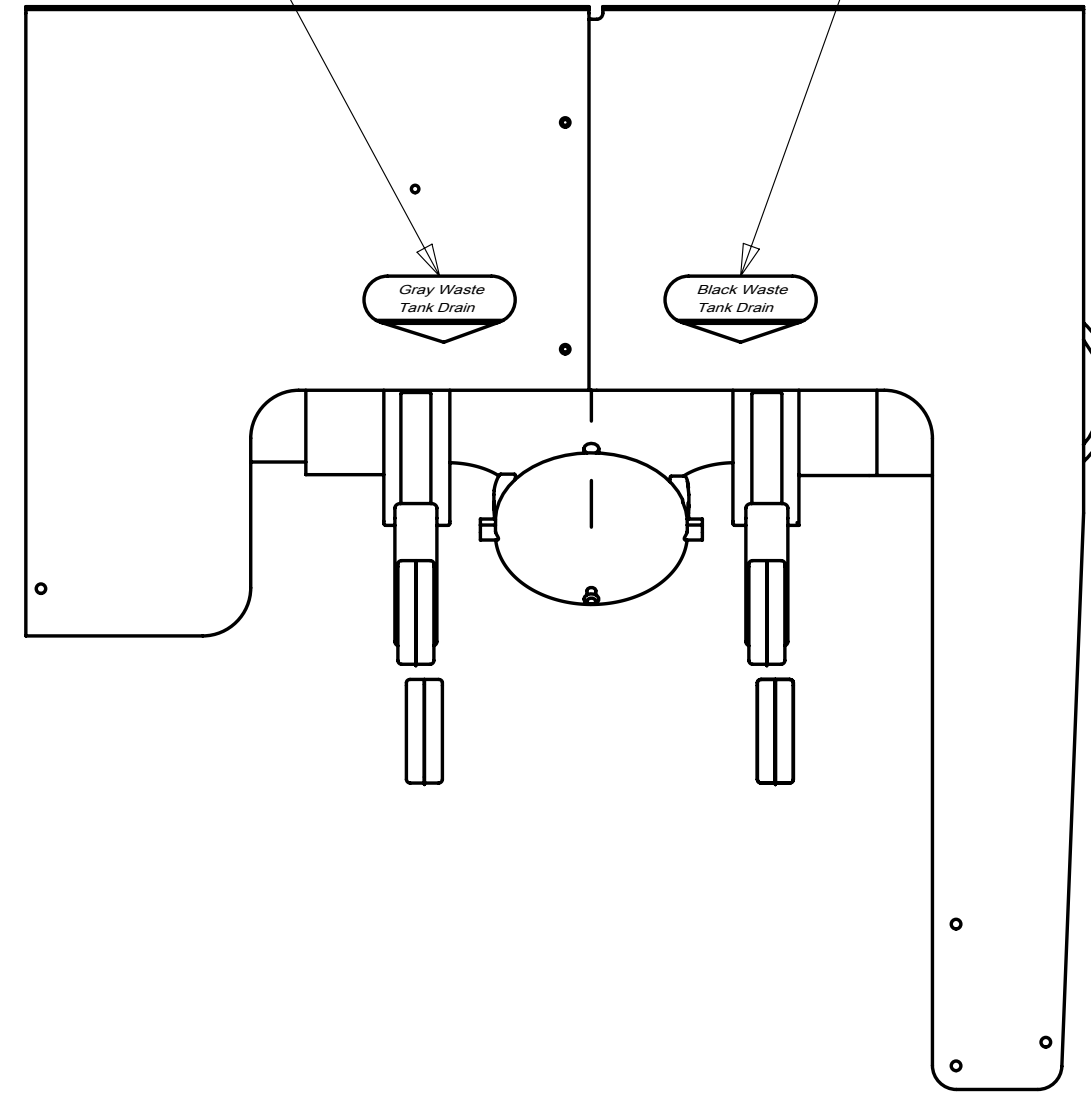
LABEL-GRAY WASTE
152541-03-CHT

LABEL-BLACK WASTE
152543-03-CHT

LABEL-SWITCHES
152544-03-CHT

LABEL-VALVE,FRESH
152548-03-CHT

LABEL-POTABLE WATER ONLY
128725-02-CHT



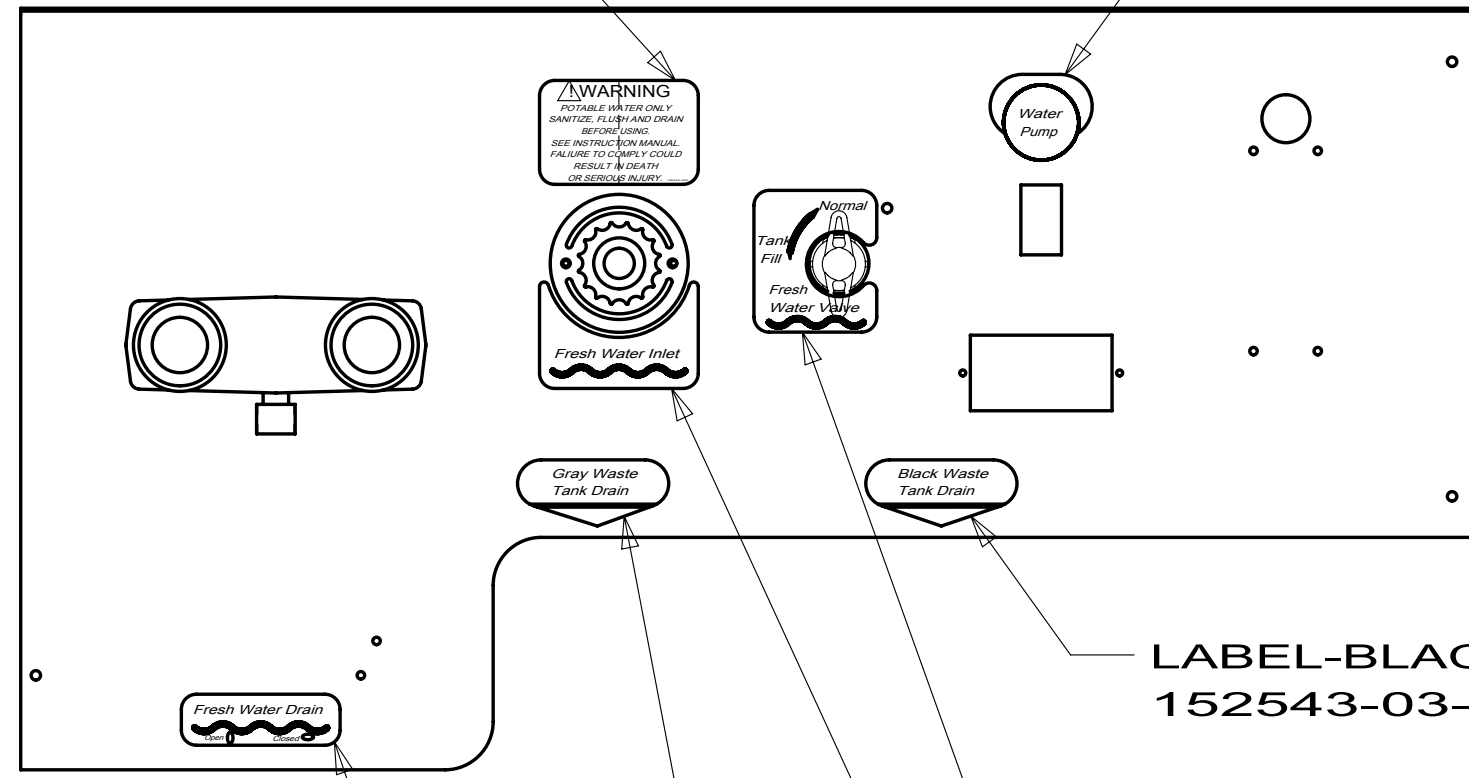
LABEL-FRESH WATER
152538-01-CHT

LABEL-FRESH WATER DRAIN
154302-01-CHT

E30W

LABEL-POTABLE WATER ONLY
128725-02-CHT

LABEL-SWITCHES
152544-03-CHT



LABEL-BLACK WASTE
152543-03-CHT

LABEL-FRESH WATER DRAIN
154302-01-CHT

LABEL-GRAY WASTE
152541-03-CHT

LABEL-FRESH WATER
152538-01-CHT

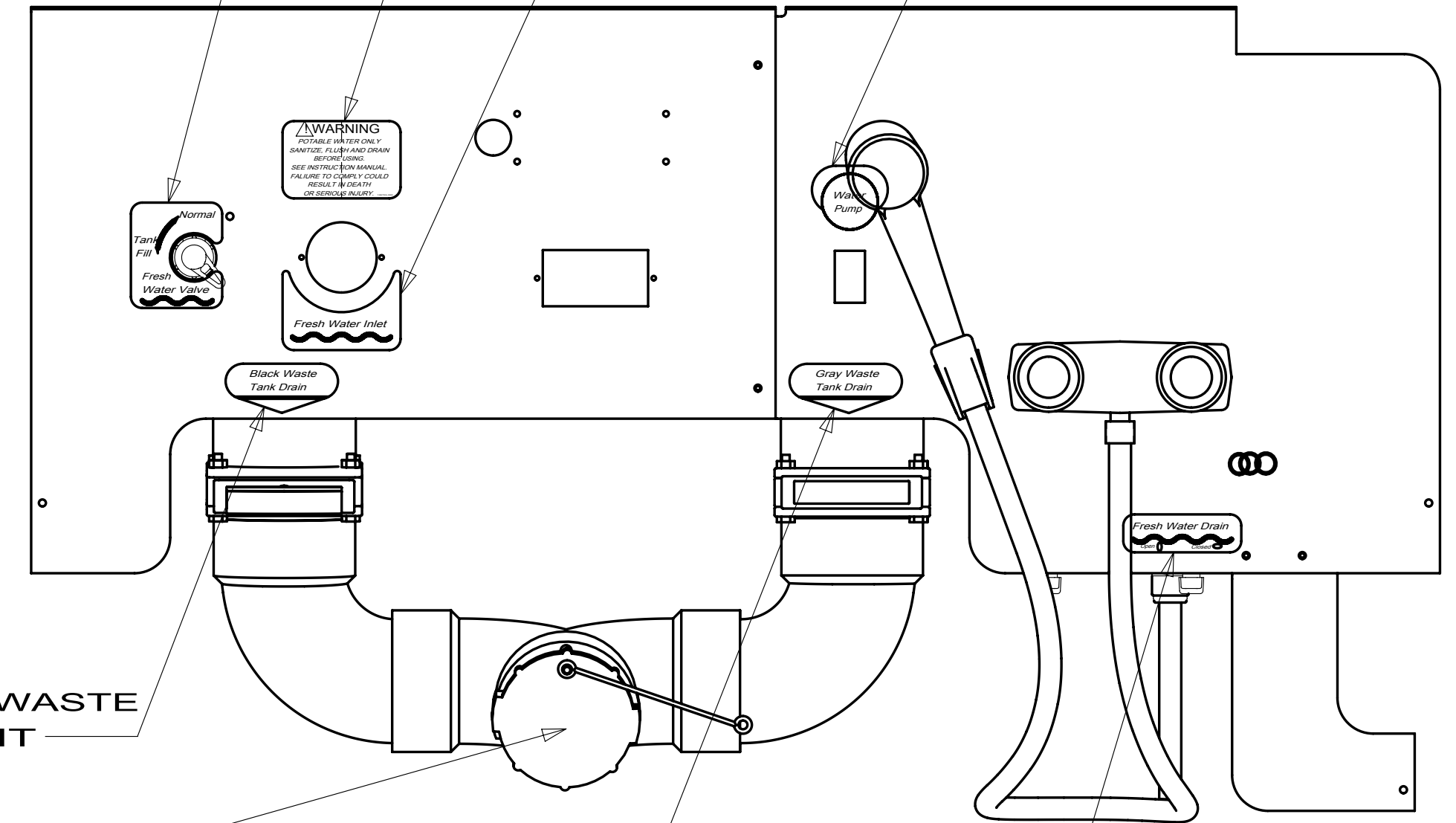
E32K

LABEL-VALVE,FRESH
152548-03-CHT

LABEL-POTABLE WATER ONLY
128725-02-CHT

LABEL-FRESH WATER
152538-01-CHT

LABEL-SWITCHES
152544-03-CHT



LABEL-BLACK WASTE
152543-03-CHT

SWIVEL OUTLET
144649-01-CHT

LABEL-GRAY WASTE
152541-03-CHT

LABEL-FRESH WATER DRAIN
154302-01-CHT

E26P

FIRST USED		
10 E SERIES		
DO NOT SCALE DRAWING		
TITLE: LABEL LOCATION INSTL		
SHEET 8	PART NO 170140	REV