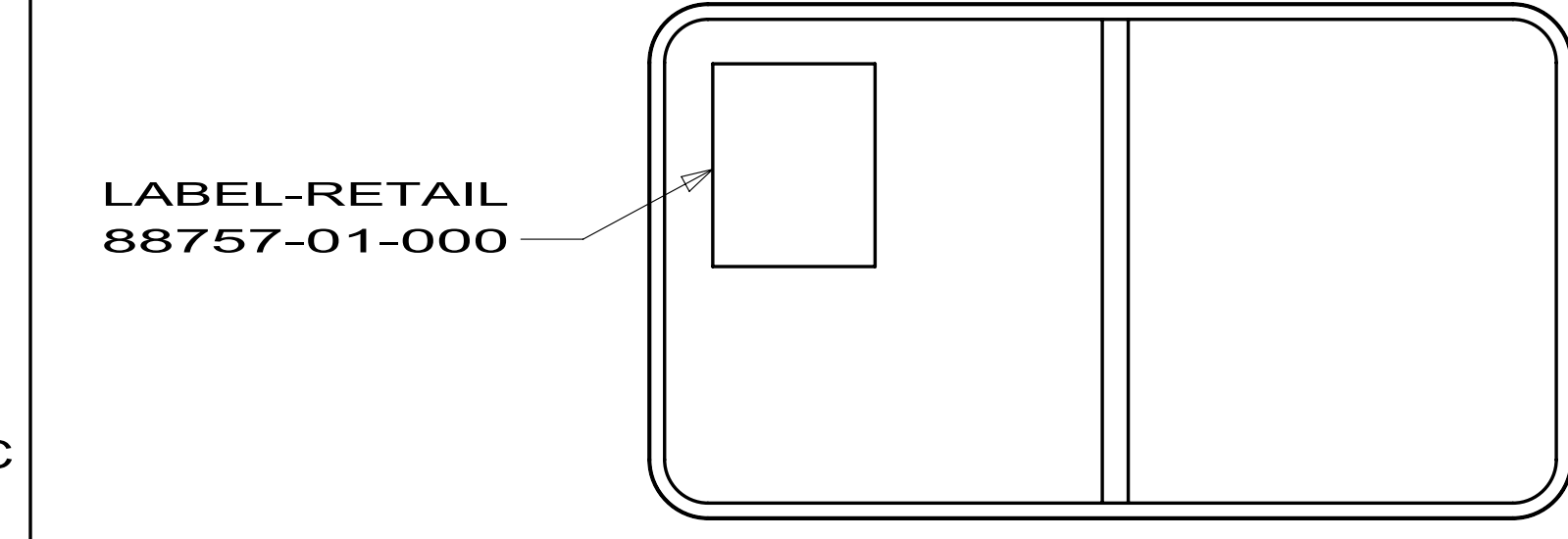
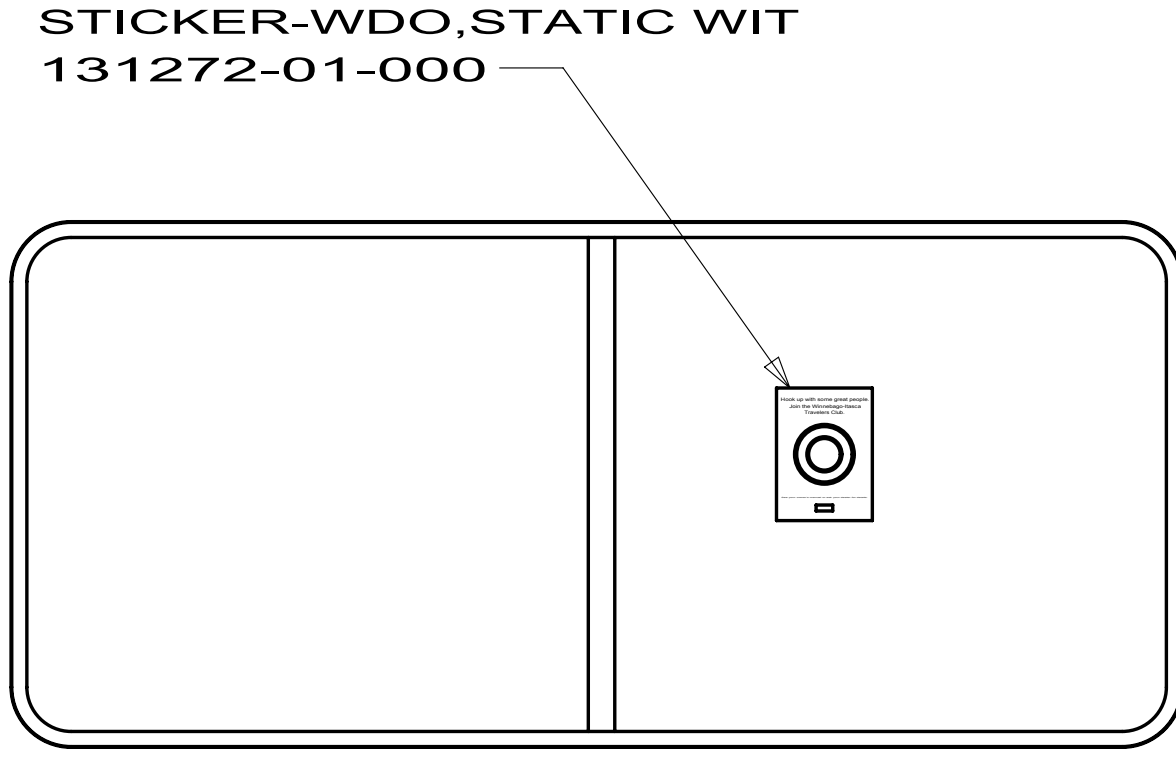


LOCATION	SHT
WINDOWS	1
DOORS	2
EXTEROR DOORS & COMPTS	3
INTERIOR CAB	4
INTERIOR COACH	5
EXTERIOR	6
MISC	7
WATER CENTER	8

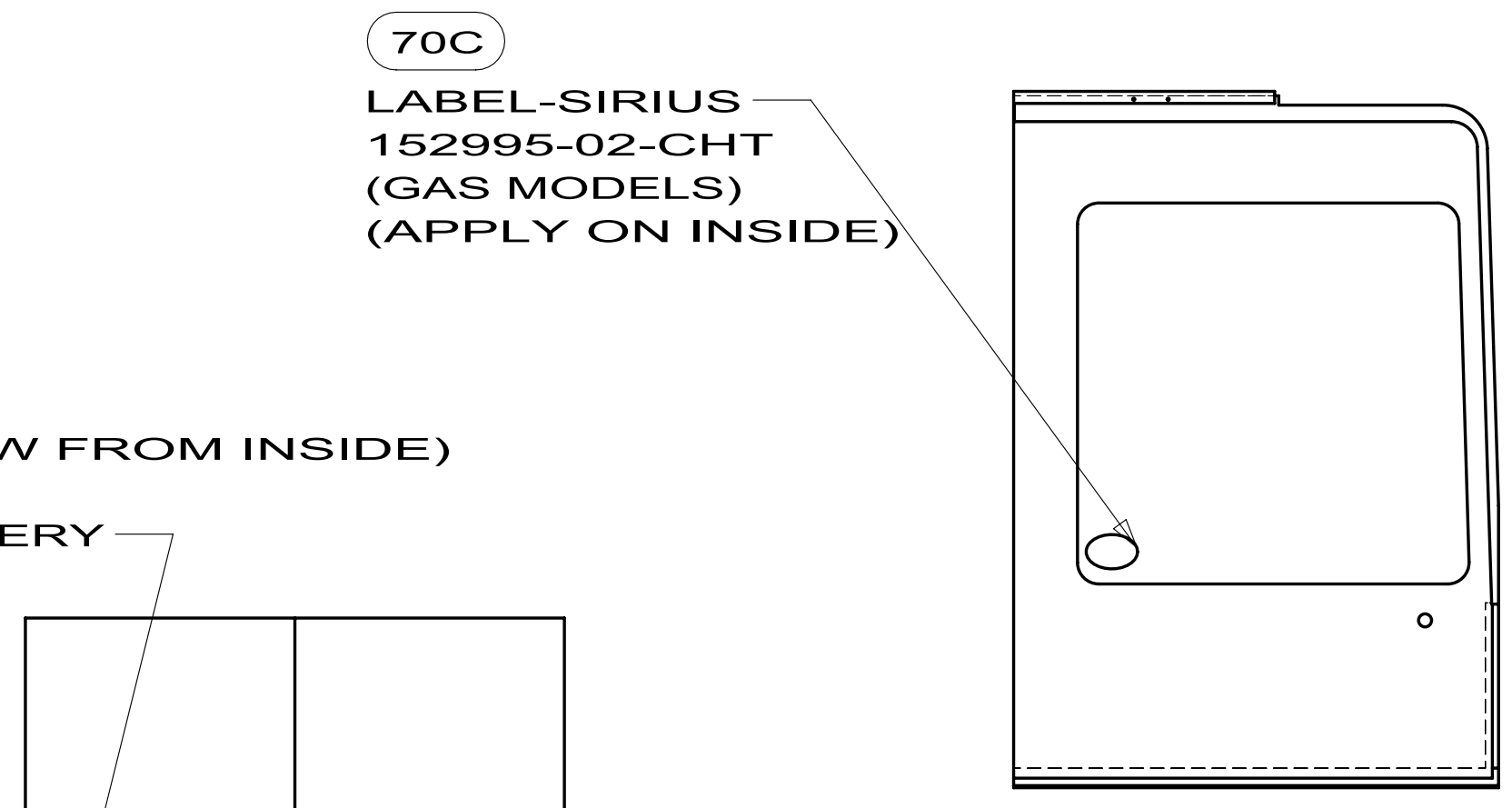
RELEASE	REV DATE	DWG NO	165259
REV ZONE	REVISION RECORD	DATE	DTR-ORIG



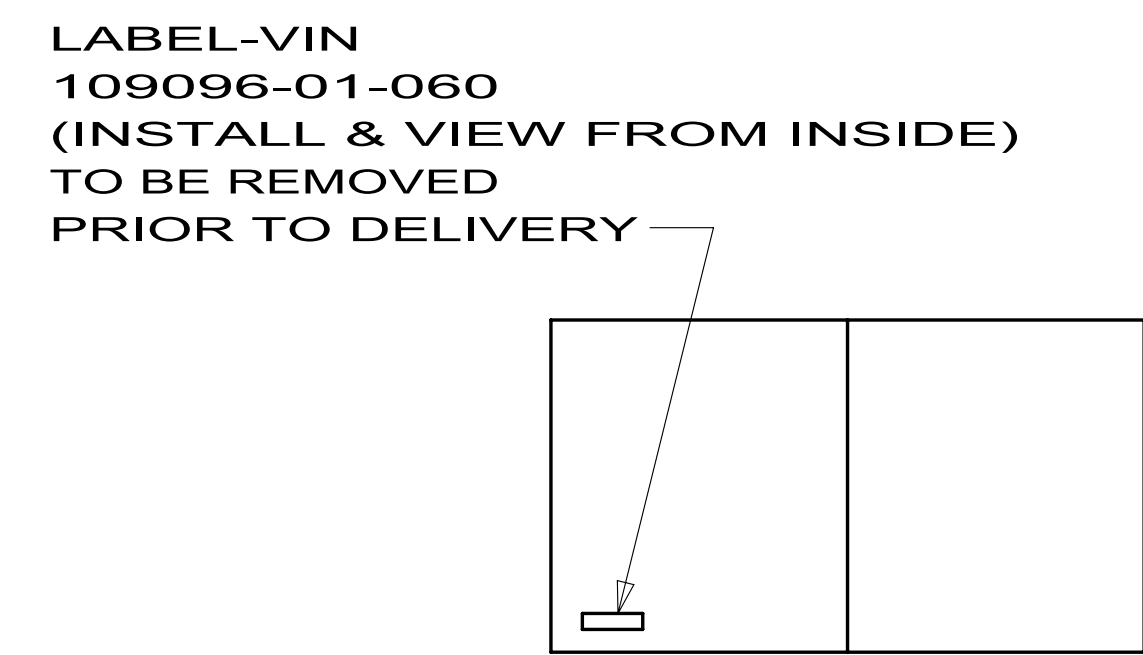
FRONT OF COACH →
WINDOW BEHIND DRIVER SEAT



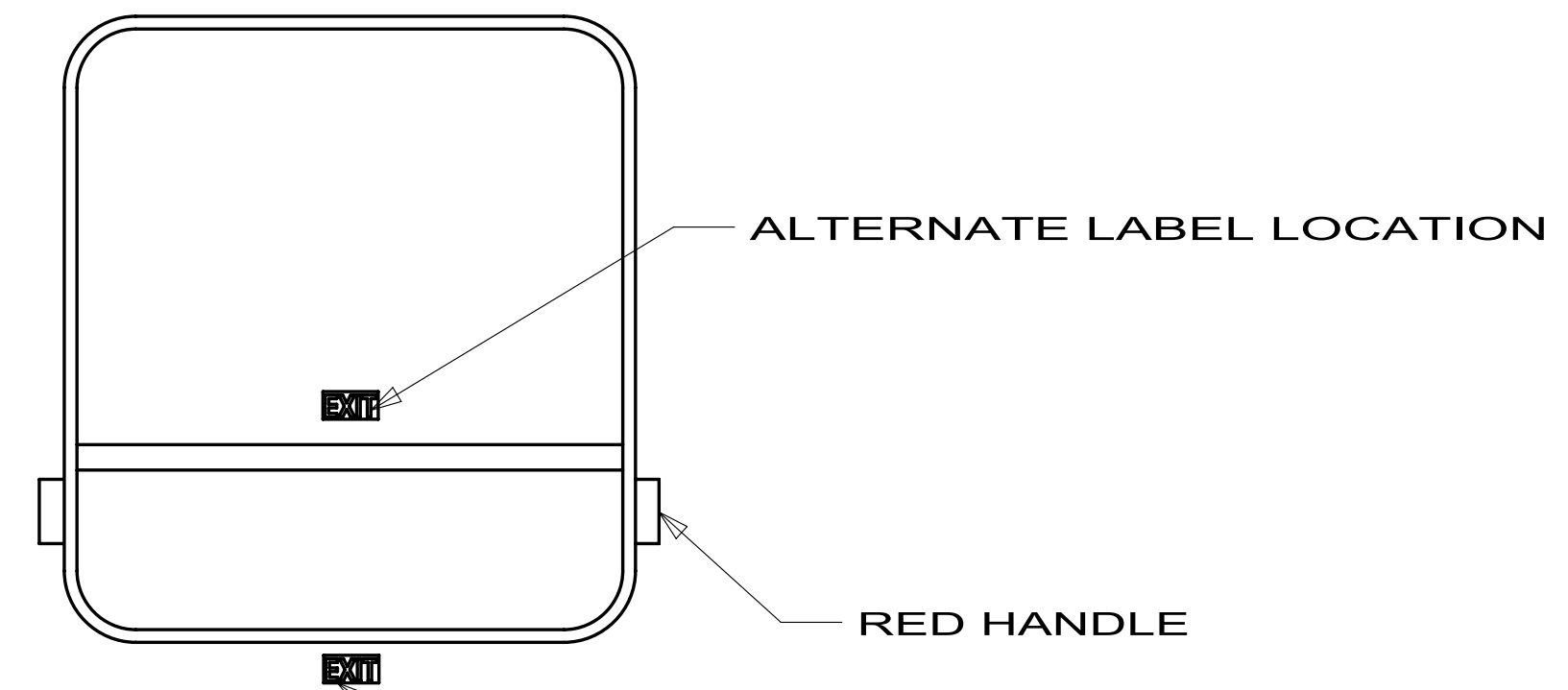
LARGEST WINDOW ON PASSENGER SIDE



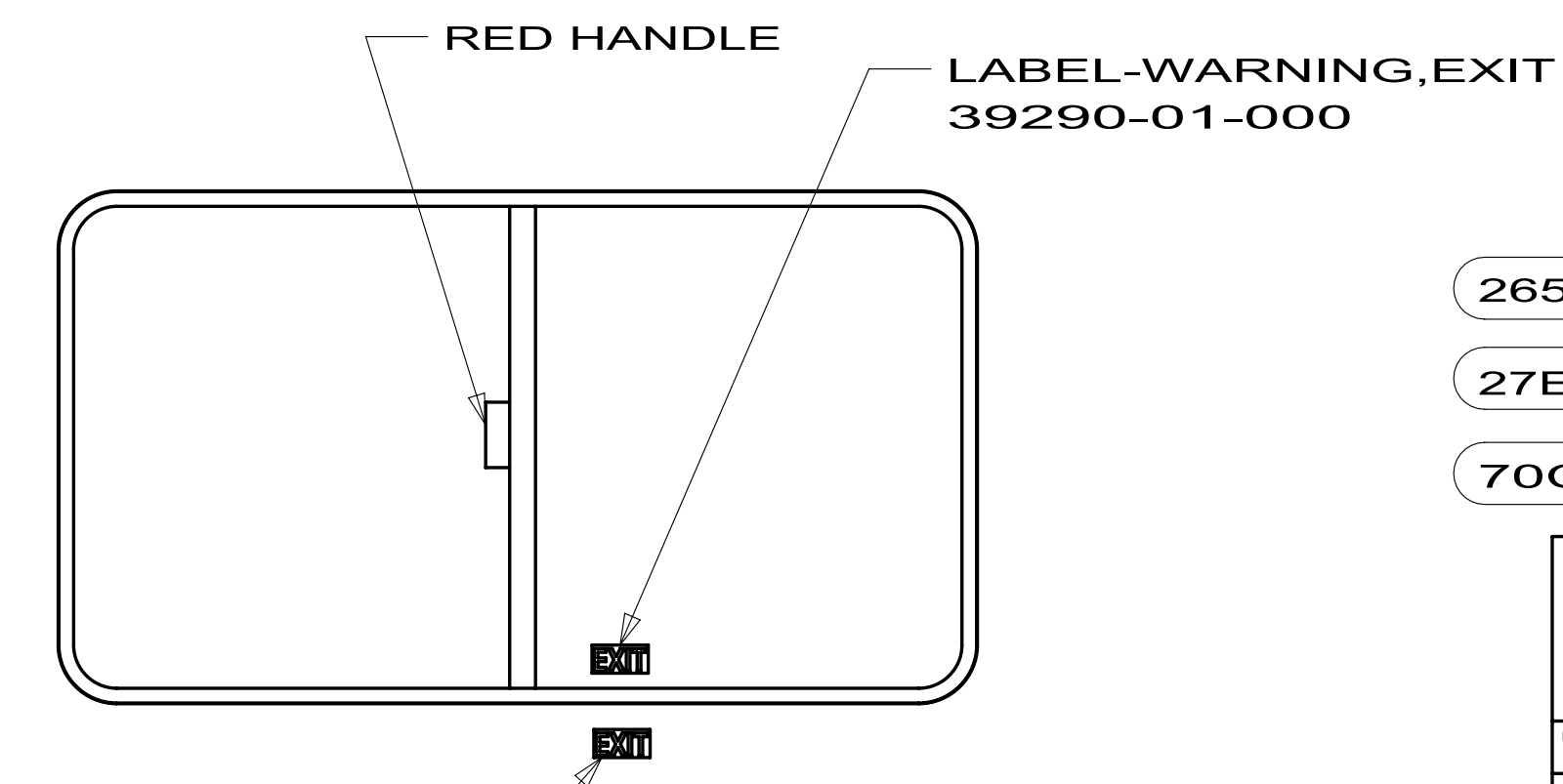
PASSENGER SIDE WINDOW



WINDSHIELD
(VIEW FROM OUTSIDE)



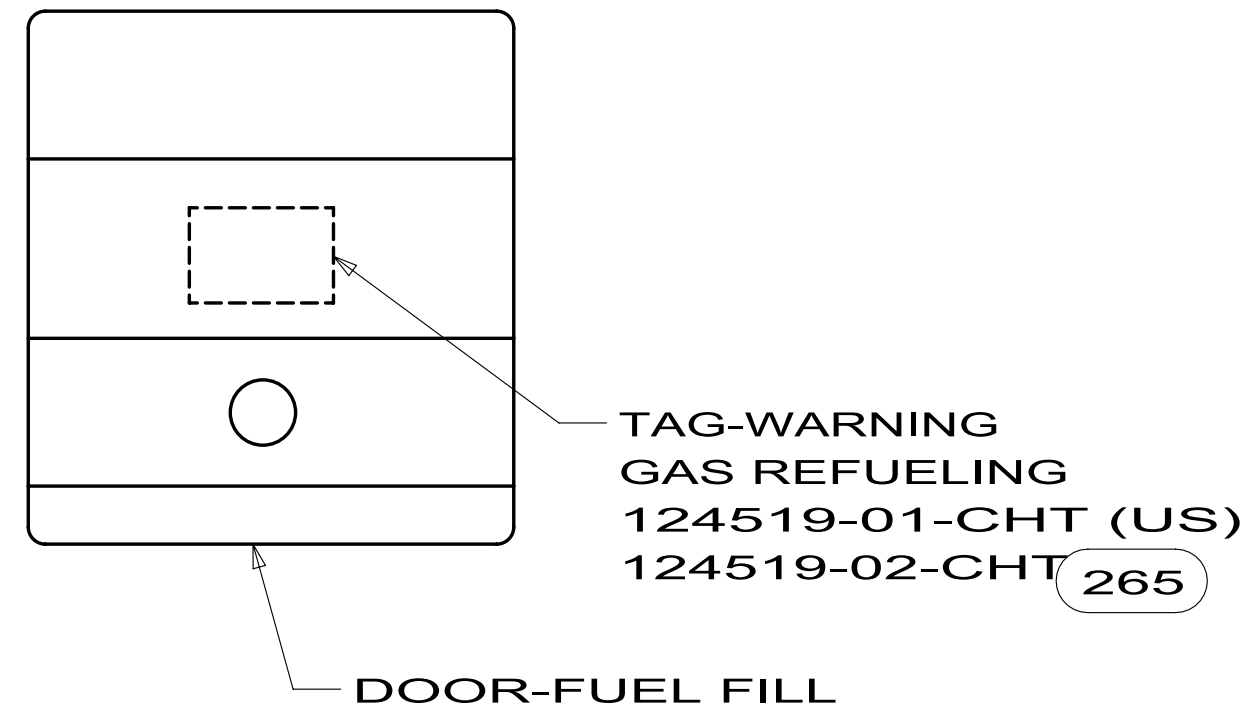
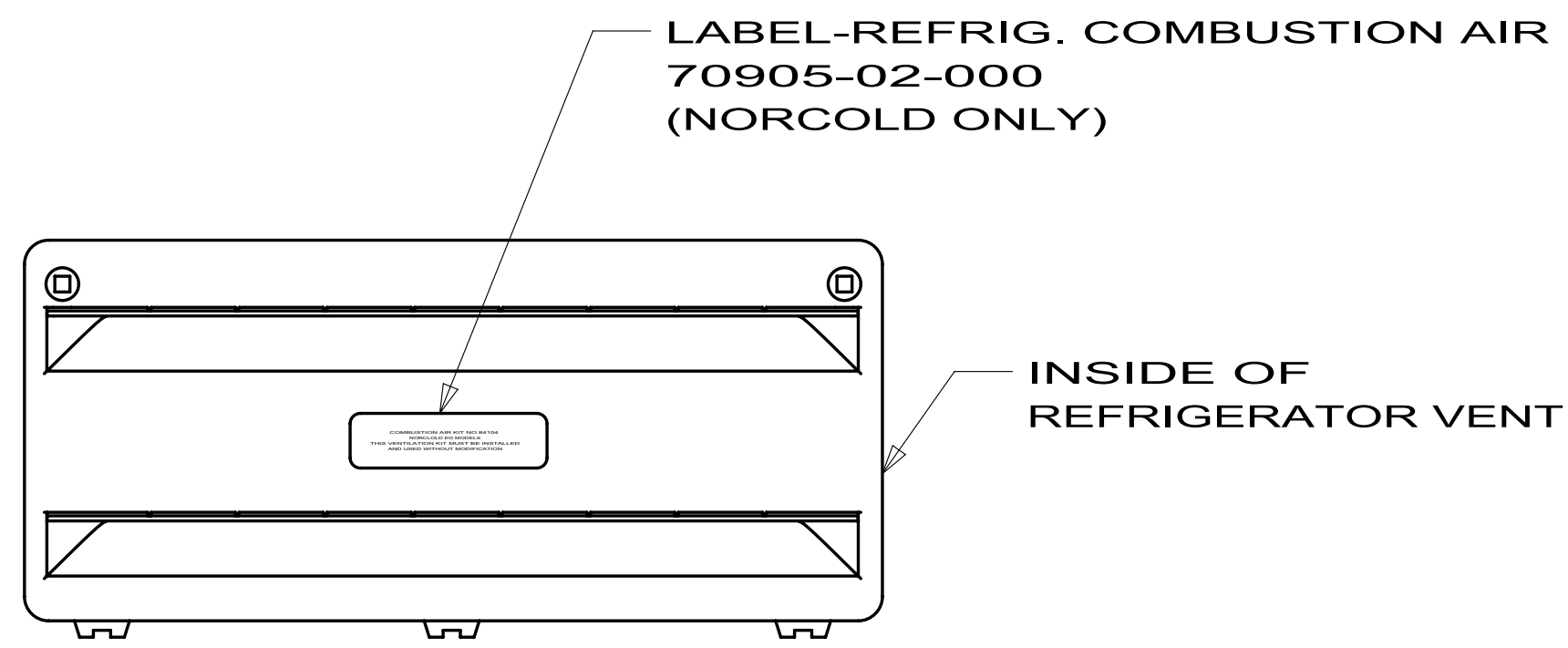
EXIT WINDOW
(HINGE STYLE)



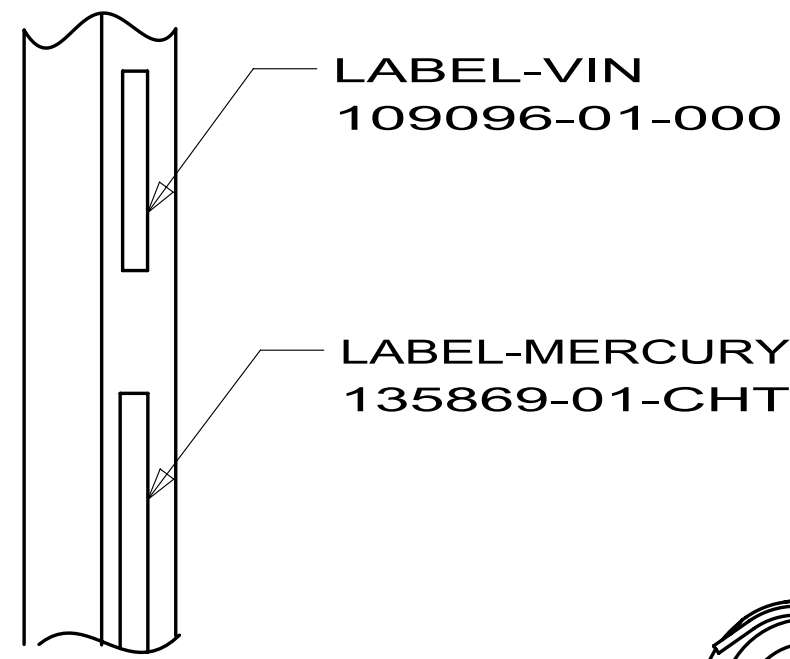
- 265 CODES/STANDARDS-DS/CMVSS
- 27E CODES/STANDARDS-CMVSS
- 70C RADIO-SATELLITE

5. FOR SLIDEOUT CONTROL SWITCH LABELS
SEE WIRING INSTL-12V.
- 4 PEEL BACKING OFF TOP OF WEIGHT LABEL,
LOCATE INSIDE SCREEN DOOR MIDWAY ALONG
METAL DOOR STRIP AND ADHERE TO PAINTED
SURFACE OF SCREEN DOOR.
 - 3 USE ONLY FOR GENERATOR PREP OPTION.
 - 2 USE FOR STATES OREGON, NEBRASKA, AND WASHINGTON ONLY.
 - 1 CALIFORNIA ONLY.

WINNEBAGO INDUSTRIES		COPYRIGHT 2009 WINNEBAGO INDUSTRIES, INC.	
DTR	ORIG. DATE	ALL DIMENSIONS ARE IN MILLIMETERS	
CHR		09 D-SERIES	
P.E.	FIRST USED	UNSPECIFIED TOLERANCES ARE:	
M.E.		WHOLE DIM (X)	: 3
DSNR		ONE-PLACE (X.X)	: 1.5
		TWO-PLACE (X.XX)	: 0.50
		ANGLE	: 1°
THIRD ANGLE PROJECTION		MATERIAL:	
DO NOT SCALE DRAWING			
TITLE: LABEL LOCATION INSTL			
SHEET 1 OF 8	PART NO	165259	REV
REF:	1		



LOCATE ON INSIDE OF FUEL FILL DOOR



VIEW A-A

LABEL-SIRIUS (70C)
152995-02-CHT
(DIESEL A-BODIES)
(APPLY ON INSIDE)

4 LABEL-OCCUPANT AND CCC
168454-01-CHT

(1B1) TAG-RVIA APPROVED
6019-01-000

2 STATE INSIGNIA

(265) CSA,CRVA
160649-01-CHT

LABEL-AWNING INSTL
99509-01-000

FEATURE STRIP

LABEL-WARNING,FLOOR COVERING
110273-01-000

LABEL-CAUTION, BATTERY
65748-01-000

ENTRANCE DOOR

INCOMPLETE VEHICLE MFG LABEL
(CHASSIS SUPPLIED)

LABEL-WARNING
(VENDOR SUPPLIED)

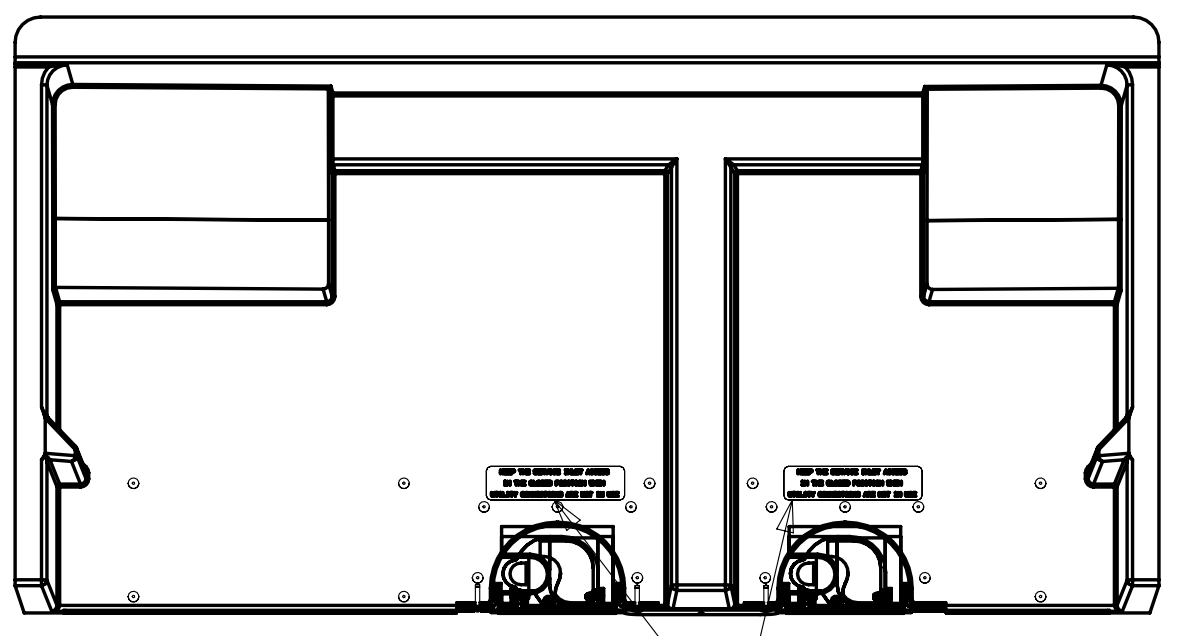
LABEL-OCCUPANT AND CCC
168454-01-CHT
PLATE-LABEL
143756-01-CHT

LABEL-VEHICLE CERTIFICATION
87237-02-000 (US)
87237-05-000 (CAN)
PLATE-LABEL
143756-01-CHT

DRIVERS WINDOW

(70C) RADIO-SATELLITE

FIRST USED		
09 D-SERIES		
DO NOT SCALE DRAWING		
TITLE: LABEL LOCATION INSTL		
SHEET 2	PART NO 165259	REV

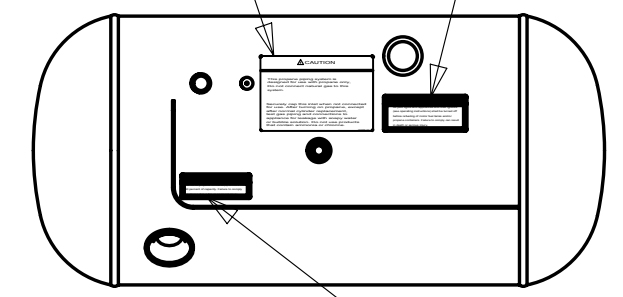


LABEL-SERVICE/UTILITY ACCESS
123562-01-000 (2)

TYPICAL WATER CENTER COMPARTMENTS

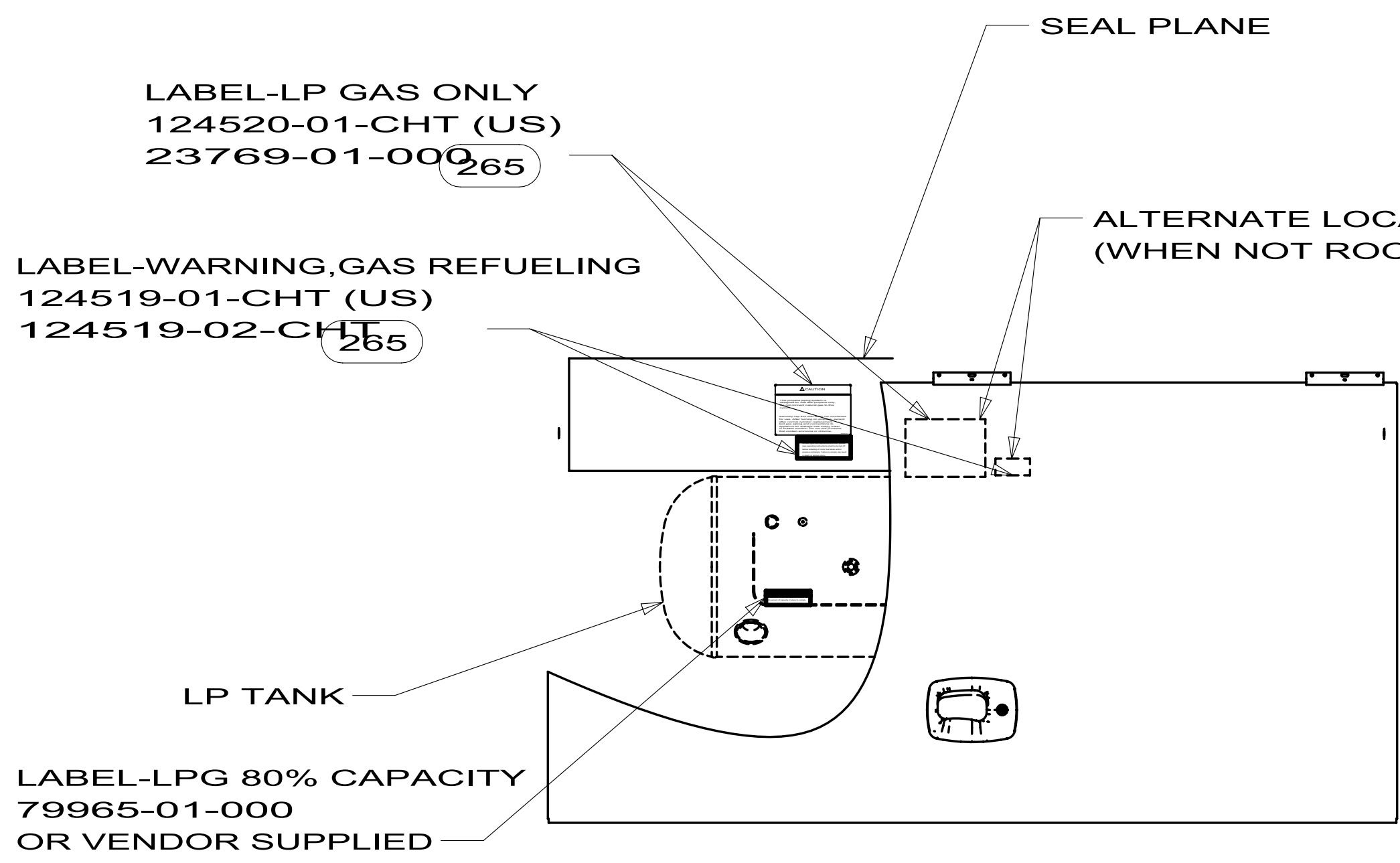
LABEL-WARNING, GAS REFUELING
124519-01-CHT (US)
124519-02-CHT (265)

LABEL-LP GAS ONLY
124520-01-CHT (US)
023769-01-000 (265)



LABEL-LPG 80% CAPACITY
79965-01-000
OR VENDOR SUPPLIED

D37L LP TANK



LABEL-LP GAS ONLY
124520-01-CHT (US)
23769-01-000 (265)

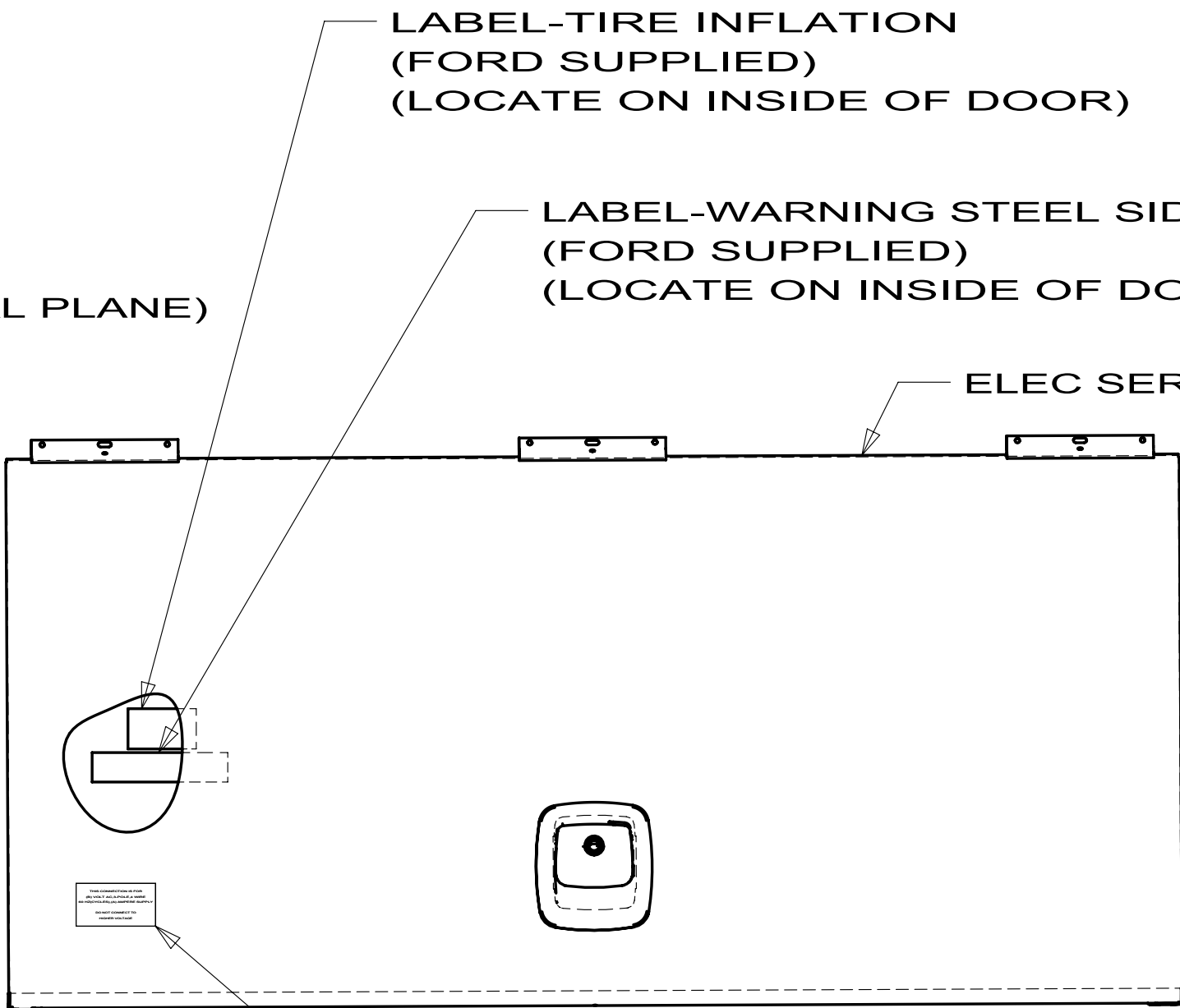
LABEL-WARNING, GAS REFUELING
124519-01-CHT (US)
124519-02-CHT (265)

SEAL PLANE

ALTERNATE LOCATION
(WHEN NOT ROOM ON SEAL PLANE)

LP TANK

LABEL-LPG 80% CAPACITY
79965-01-000
OR VENDOR SUPPLIED

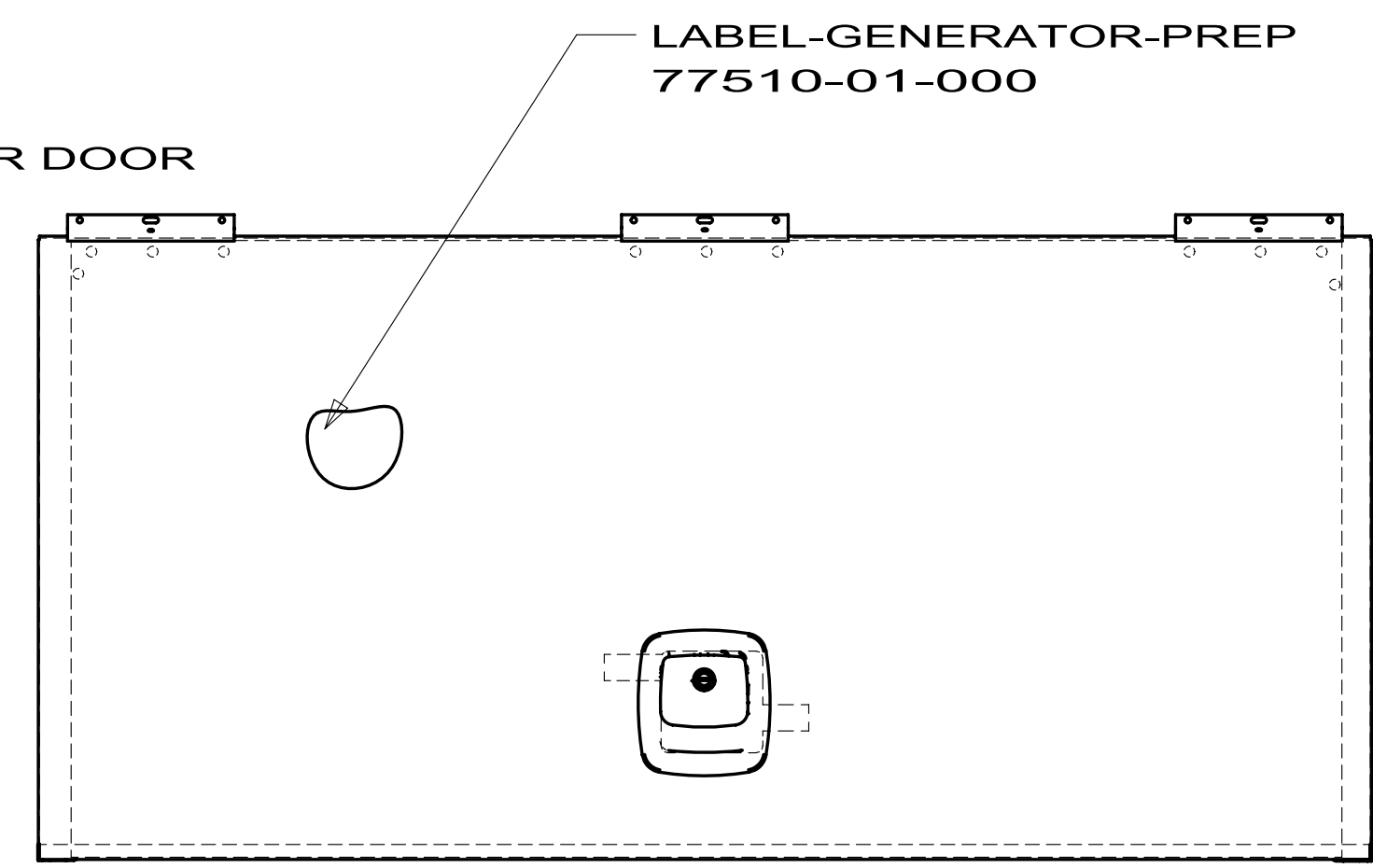


LABEL-TIRE INFLATION
(FORD SUPPLIED)
(LOCATE ON INSIDE OF DOOR)

LABEL-WARNING STEEL SIDEWALL TIRES
(FORD SUPPLIED)
(LOCATE ON INSIDE OF DOOR)

ELEC SERVICE CENTER DOOR

LABEL-ELEC connection
125306-01-CHT (30 AMP)
125306-04-CHT (50 AMP)



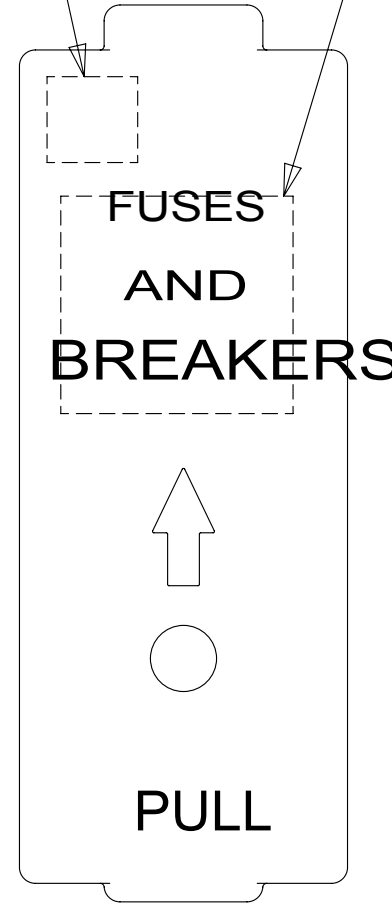
LABEL-GENERATOR-PREP
77510-01-000

321 GENERATOR PREP

FIRST USED		
09 D-SERIES		
DO NOT SCALE DRAWING		
TITLE:		
LABEL LOCATION INSTL		
SHEET 3	PART NO	REV
	165259	

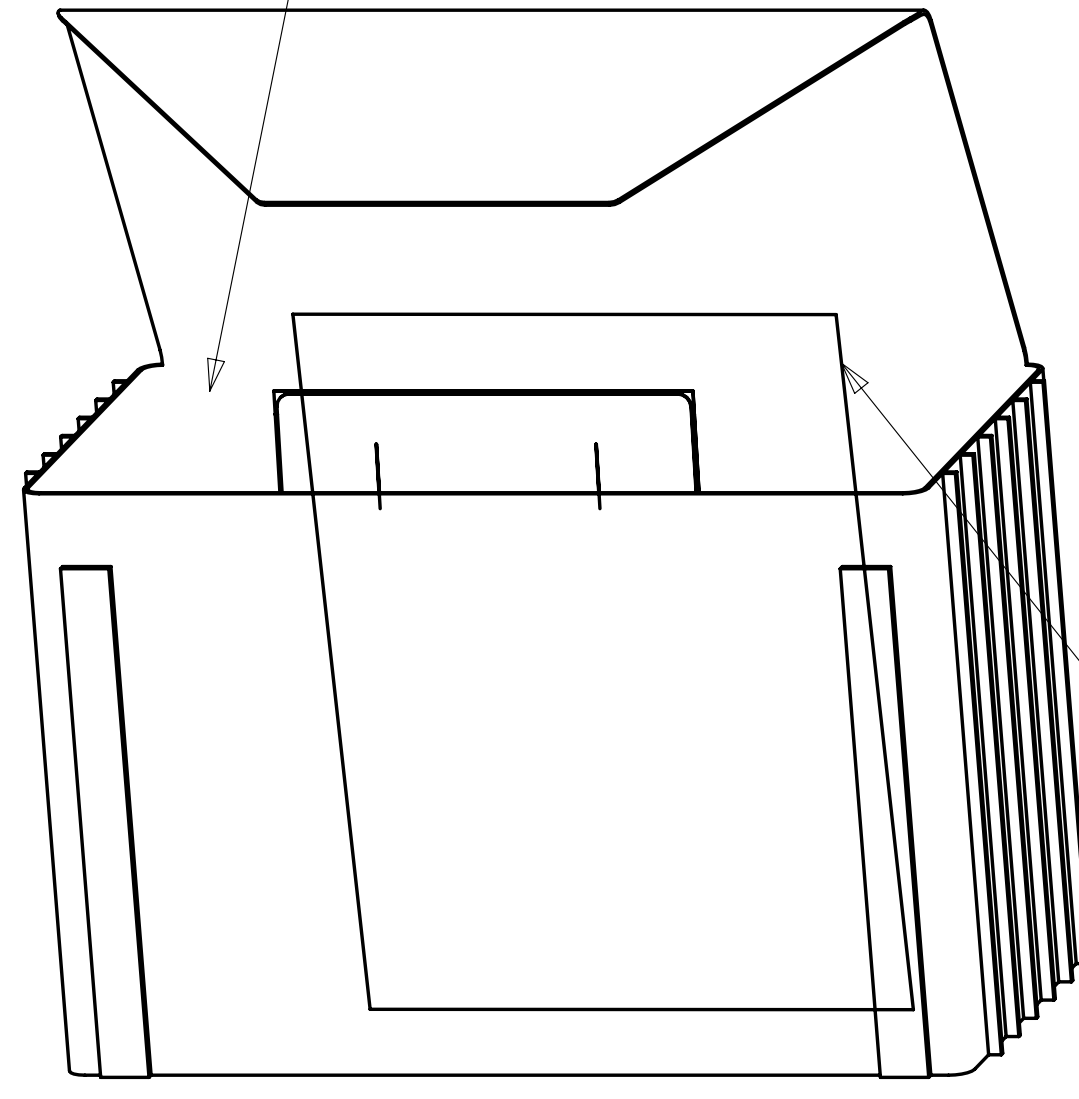
LABEL OF FUSES RELAY (1PN)
(WORKHORSE SUPPLIED W0009716)
(APPLY TO INSIDE)

LABEL-FUSE BLOCK (1PJ 1PJ 1PL)
(WORKHORSE SUPPLIED W0007638)
(APPLY TO INSIDE)



FUSE PANEL DOOR
(DRIVERS SIDE FLOOR)

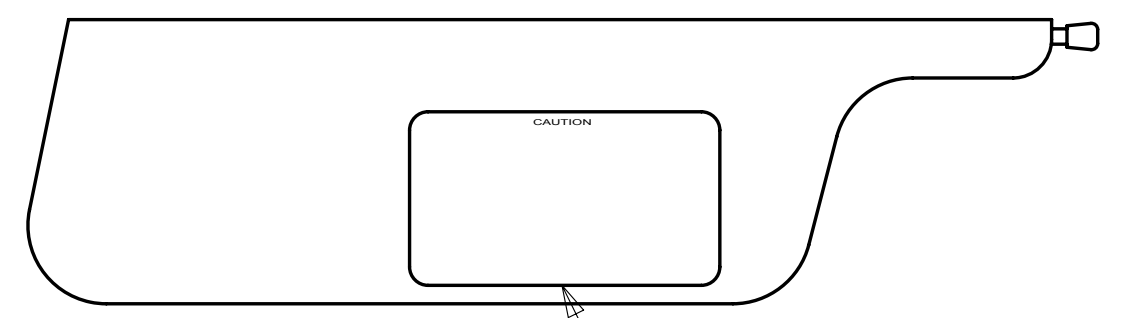
LABEL-CERTIFICATION
87237-02-000
87237-05-000 (27E) (265)



INFOCASE

LABEL-WEIGHT SPEC
*117396-02-000 (3)
*117396-03-000 (3) (265) (27E)
*117396-04-000 (3) (265) (27E)

*ONE WEIGHT SPEC SHEET TO GO IN OWNERS BAG.
ONE WEIGHT SPEC SHEET TO BE AFFIXED TO THE
INSIDE OF THE WARDROBE OR SIMILAR DOOR.
ONE WEIGHT SHEET OR 168545-01-CHT TO BE
FILED WITH TRAVELER.

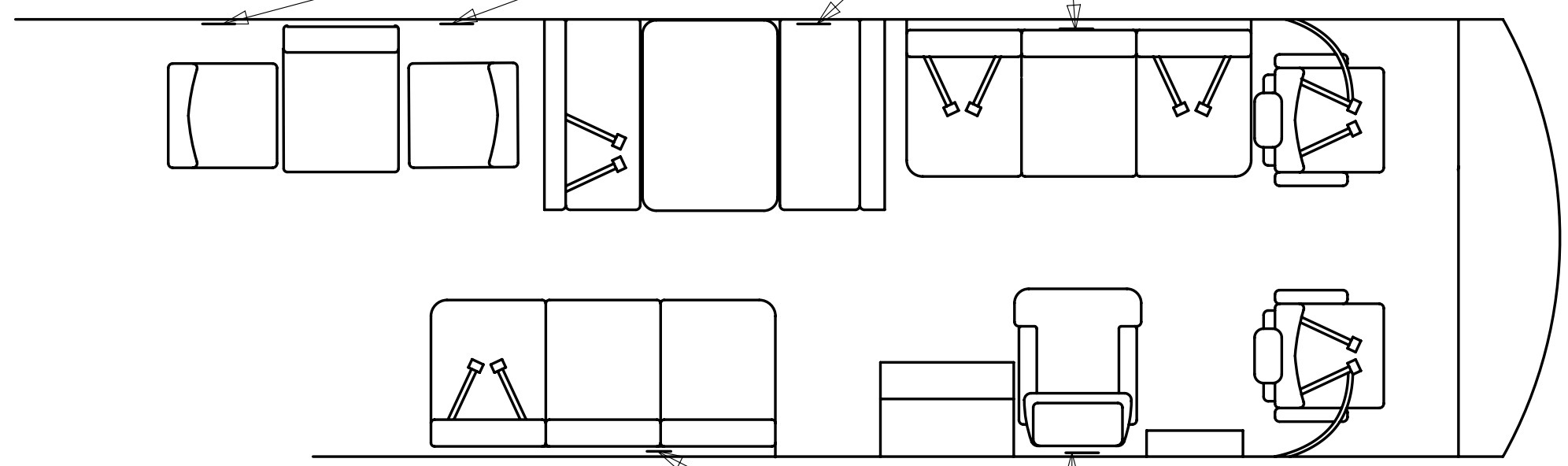


LABEL-CAUTION
56259-01-000

LABELS SHALL BE LOCATED ON OPPOSITE SIDE OF
VISOR THAT THE AIR BAG LABEL IS INSTALLED ON

TYPICAL SEAT AND BELT CONFIGURATIONS

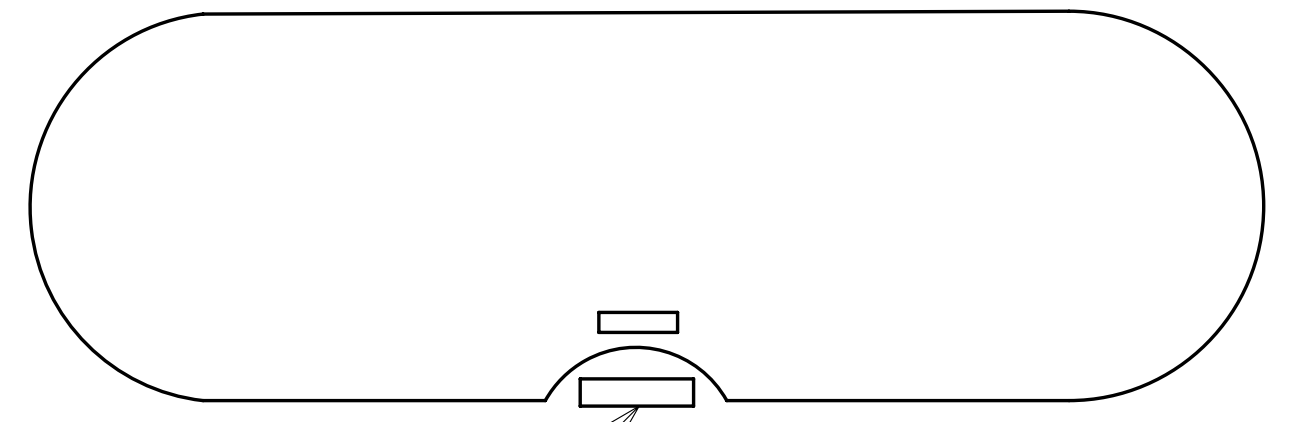
LABEL-NO OCCUPANCY
134538-01-CHT
134538-02-CHT (27E) (265)



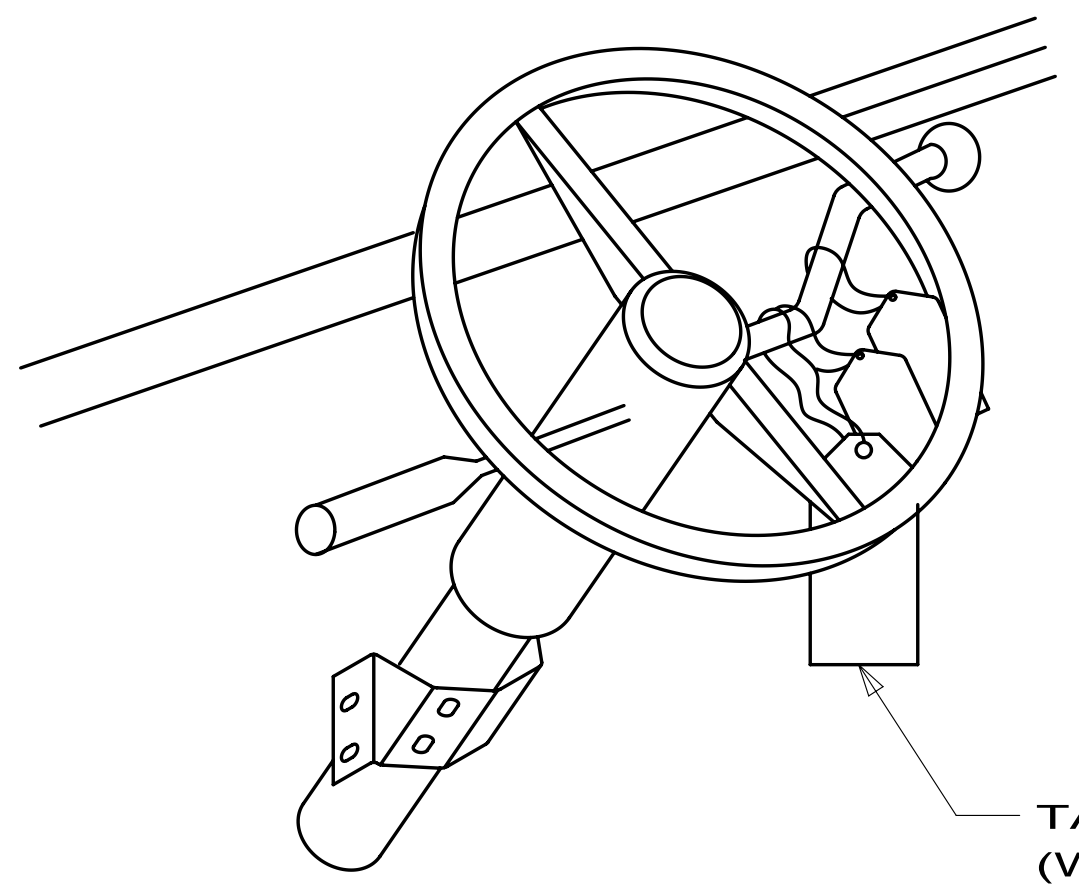
LABEL-NO OCCUPANCY
134538-01-CHT
134538-02-CHT (265) (27E)

ATTACH LABEL ON OR NEXT TO:
+ANY SINGLE CHAIR WITHOUT BELTS.
+ANY DINETTE SEAT WITHOUT BELTS.
+ANY COUCH WITHOUT BELTS OR ANY SEATING POSITION ON THAT COUCH.
DO NOT ATTACH LABEL IF:
+DINETTE SEAT HAS AT LEAST ONE SET OF BELTS INSTALLED.

INSTRUMENT CLUSTER
REF



LABEL-ODOMETER READ IN MILE
155692-01-CHT (265) (27E)



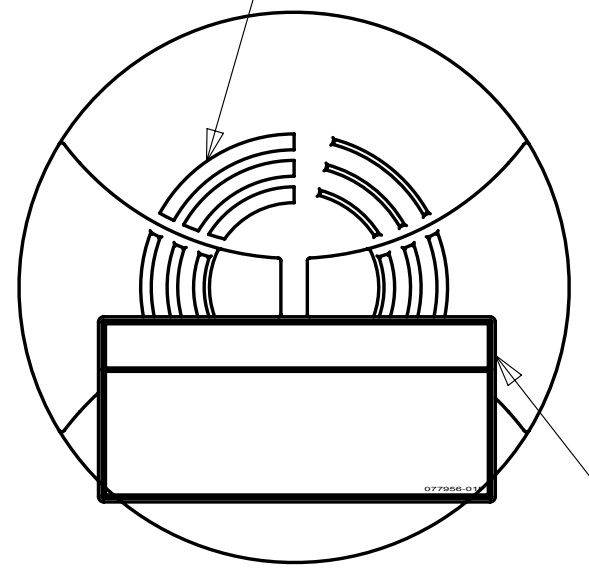
TAG-STEERING ALIGNMENT
(WORKHORSE SUPPLIED)

FOLDING CHAIRS

- (265) CODES/STANDARDS-DS/CMVSS
- (27E) CODES/STANDARDS-CMVSS
- (1PJ) WORKHORSE 16,000# GVWR (W18)
- (1PN) WORKHORSE 20,7000#
- (1PL) WORKHORSE 18,000# GVWR (P32)

FIRST USED	09 D-SERIES	
TITLE:	DO NOT SCALE DRAWING	
	LABEL LOCATION INSTL	
SHEET 4	PART NO 165259	REV

LABEL NOT TO COVER
SENSOR OPENING

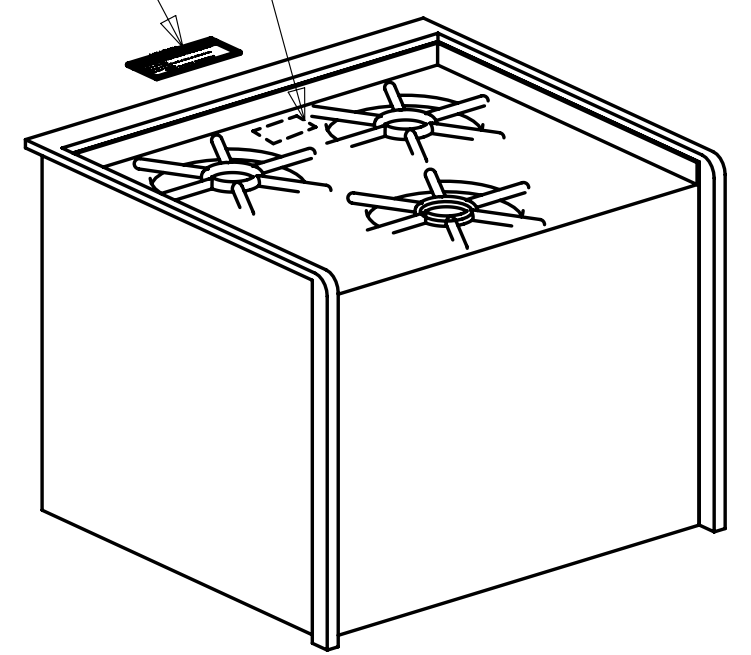


LABEL-WARNING, SMOKE DETECTOR
077956-01-000

SMOKE DETECTOR

LABEL-WARNING, STOVE/HEATING
134539-01-CHT
134540-01-CHT (265)

ALTERNATE LOCATION
RANGE-TOP COVER

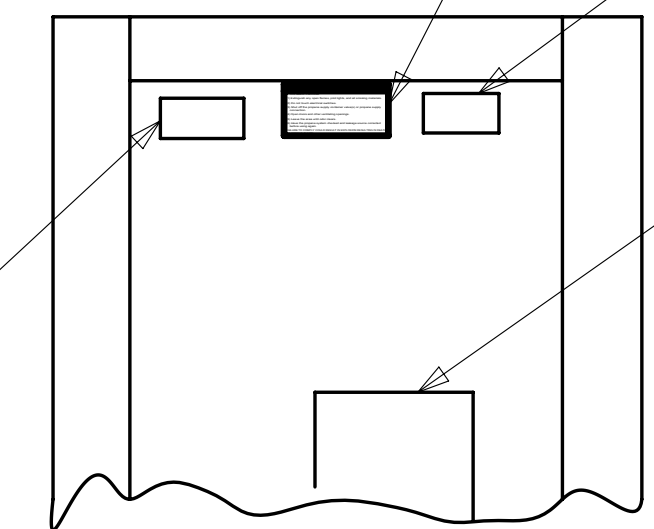


LABEL-CURTAIN
143911-02-000
(D37L ONLY)
(ABOVE BACKSPLASH)



LABEL-LPG ODOR WARNING
73998-01-000

LABEL-FORMALDEHYDE, CARB93120
174199-01-CHT (AFTER 09-15-09)
(LOCATE NEAR 073998-01-000)

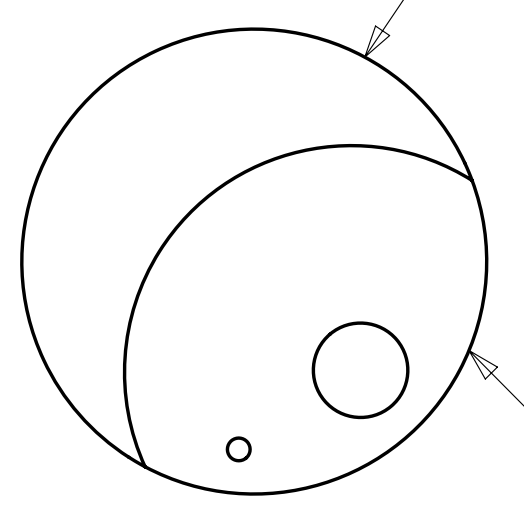


INSIDE OF GALLEY
CABINET DOOR
REF

1
LABEL-WARNING
CANCER/TOXICITY
099689-01-000

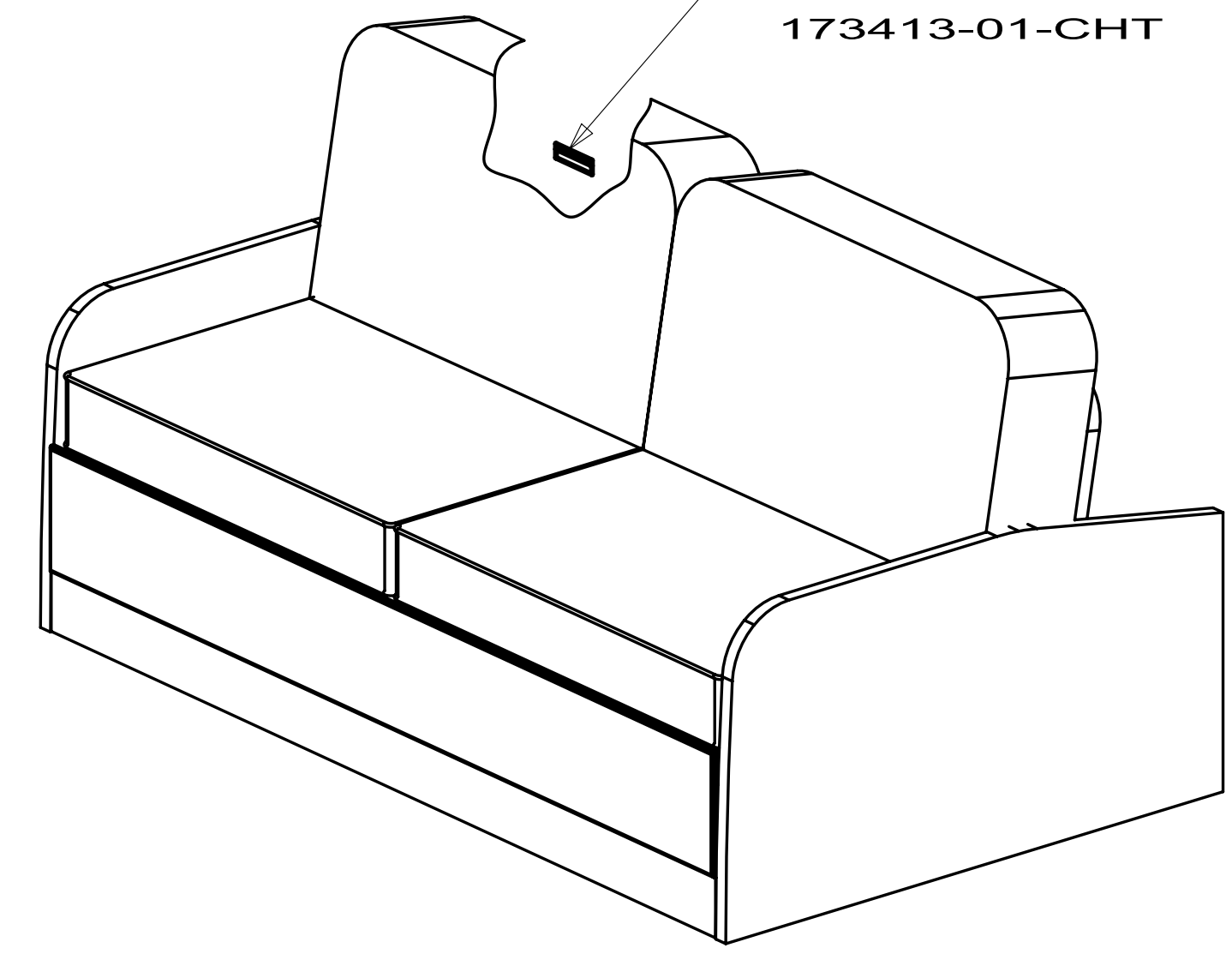
LABEL-DATA PLATE (265)
(STATE SUPPLIED)
160649-02-CHT

LABEL-WARNING TEST OPERATION
APPLY BOTH ENGLISH AND FRENCH
(VENDOR SUPPLIED)
LOCATE ON SIDE OF DETECTOR



CARBON MONOXIDE DETECTOR
REF

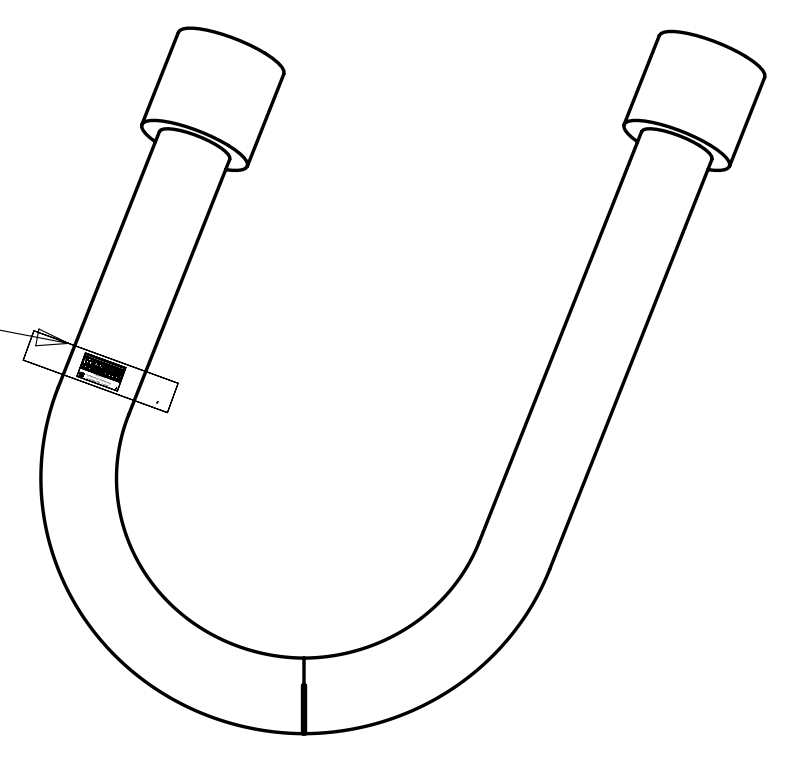
41R 41Q
LABEL-AIRBED INSTRUCTIONS
173413-01-CHT



LOCATE BEHIND SOFA ON SIDEWALL AND
LEVEL WITH TOP EDGE OF SOFA ARM

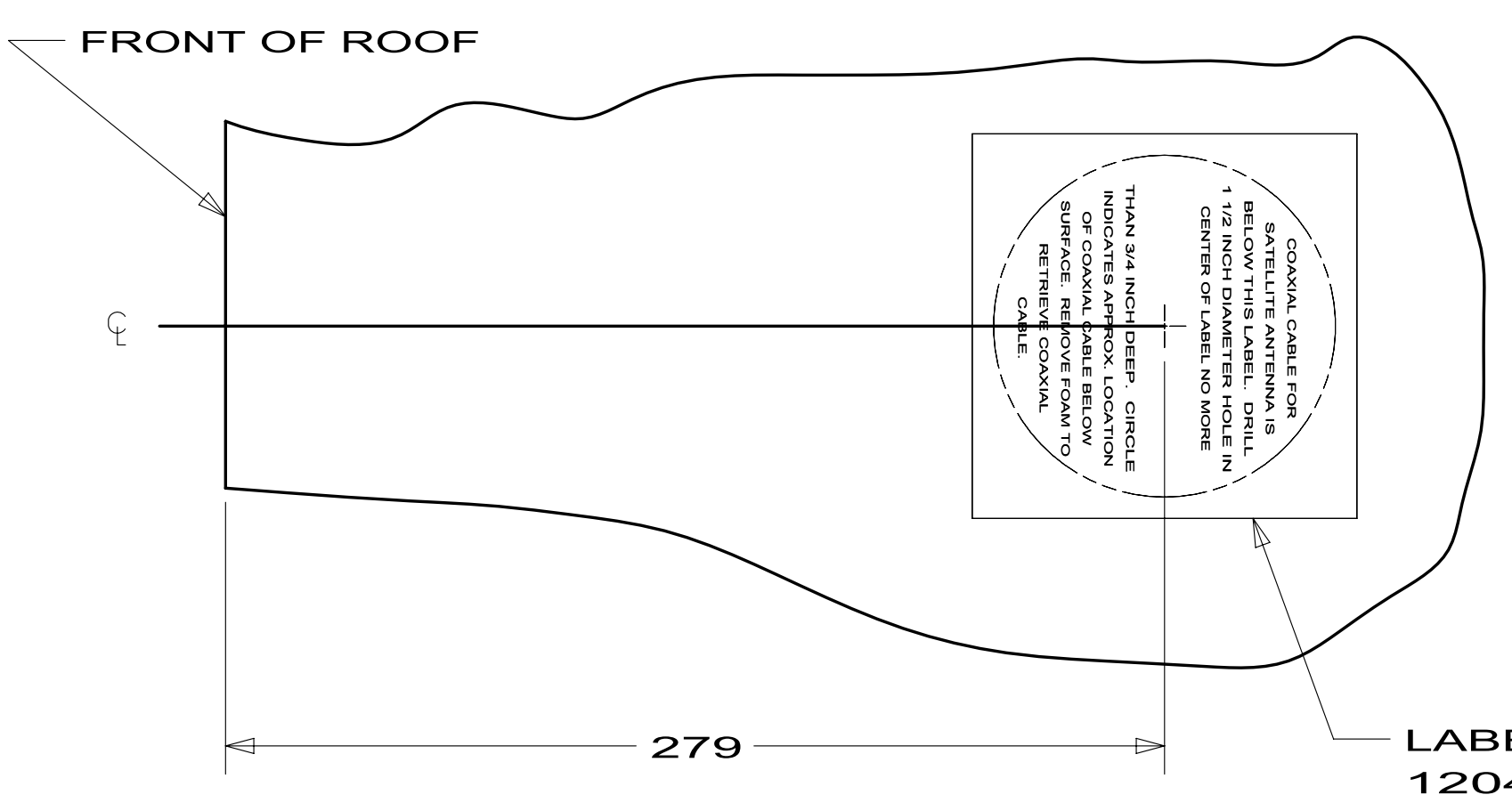
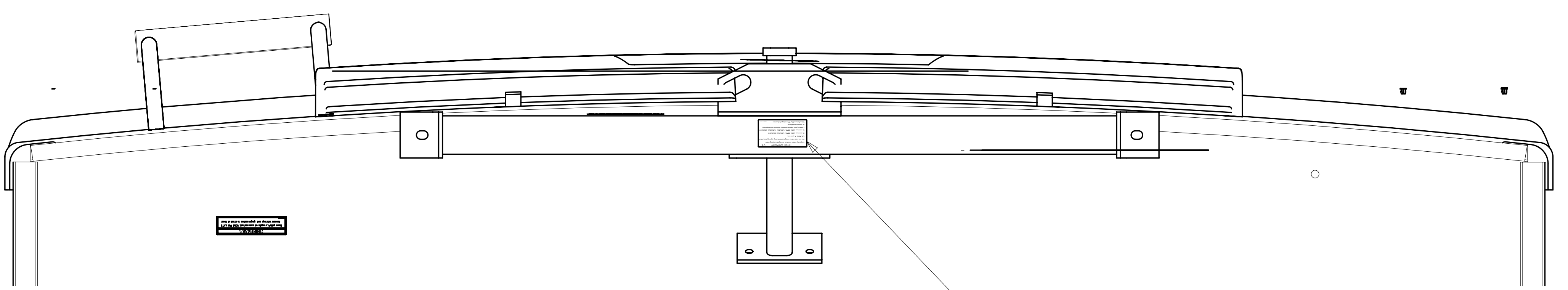
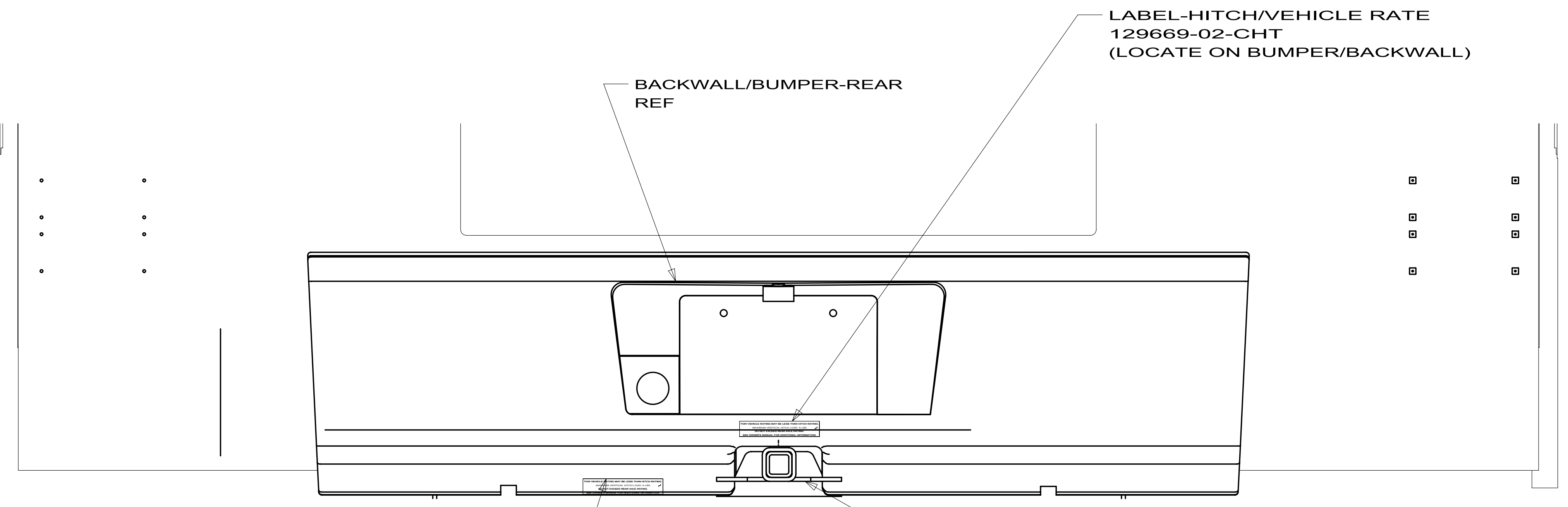
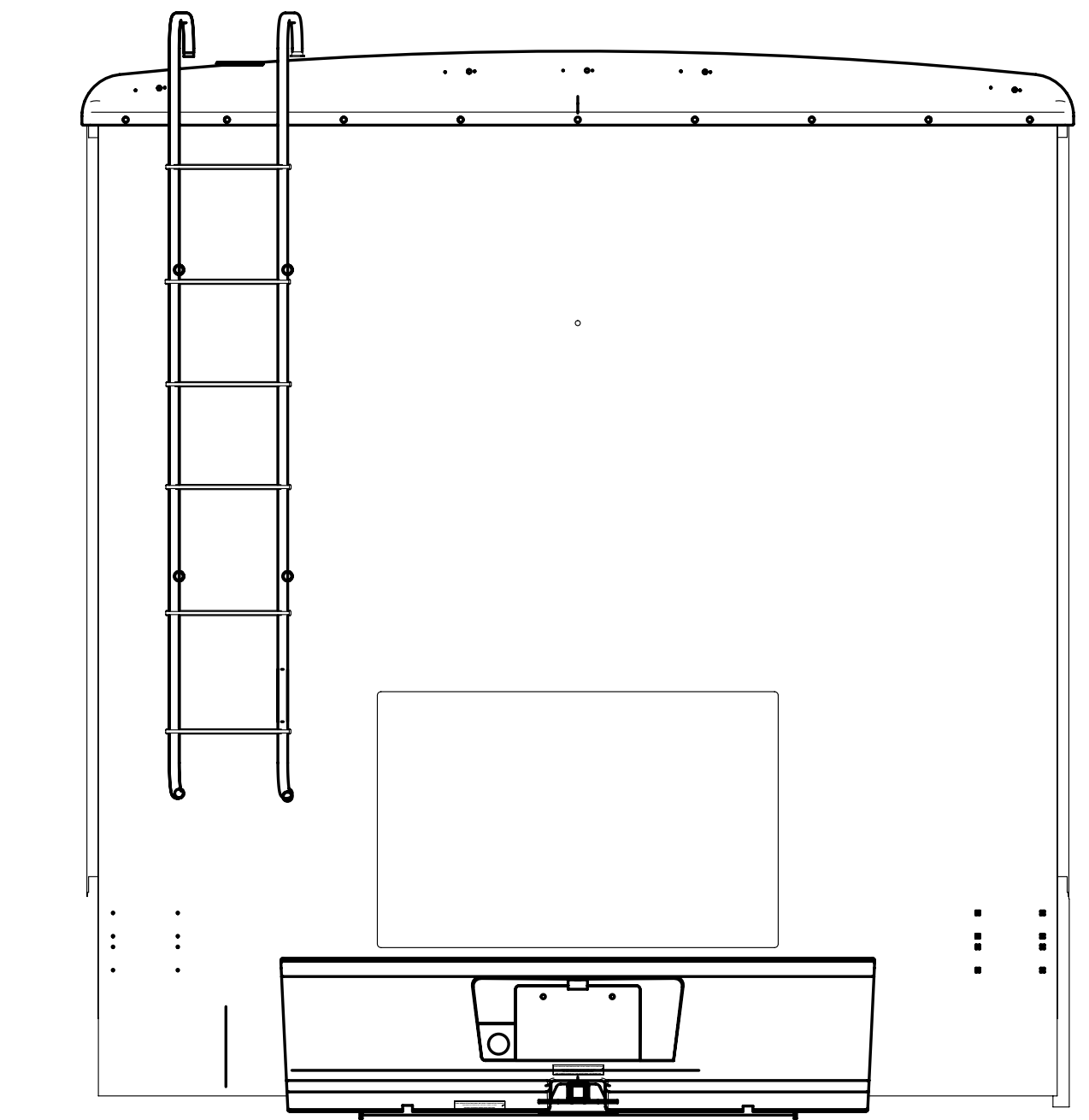
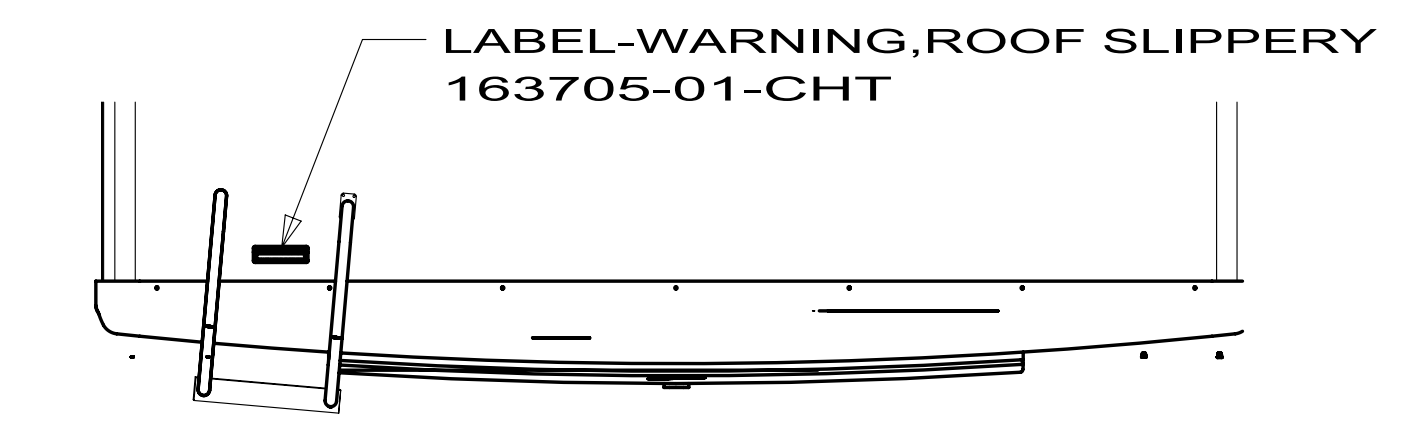
USE ONLY ON GALLEY SLIDEOUTS

LABEL-LISTING, DWV, FLEXIBLE
128107-01-000
(LABEL-WRAPPED
AROUND PIPE)



41Q SOFA/SLEEPER-ULTRALEATHER HP
41R SOFA/SLEEPER

FIRST USED		
09 D-SERIES		
DO NOT SCALE DRAWING		
TITLE:		
LABEL LOCATION INSTL		
SHEET 5	PART NO	REV
	165259	



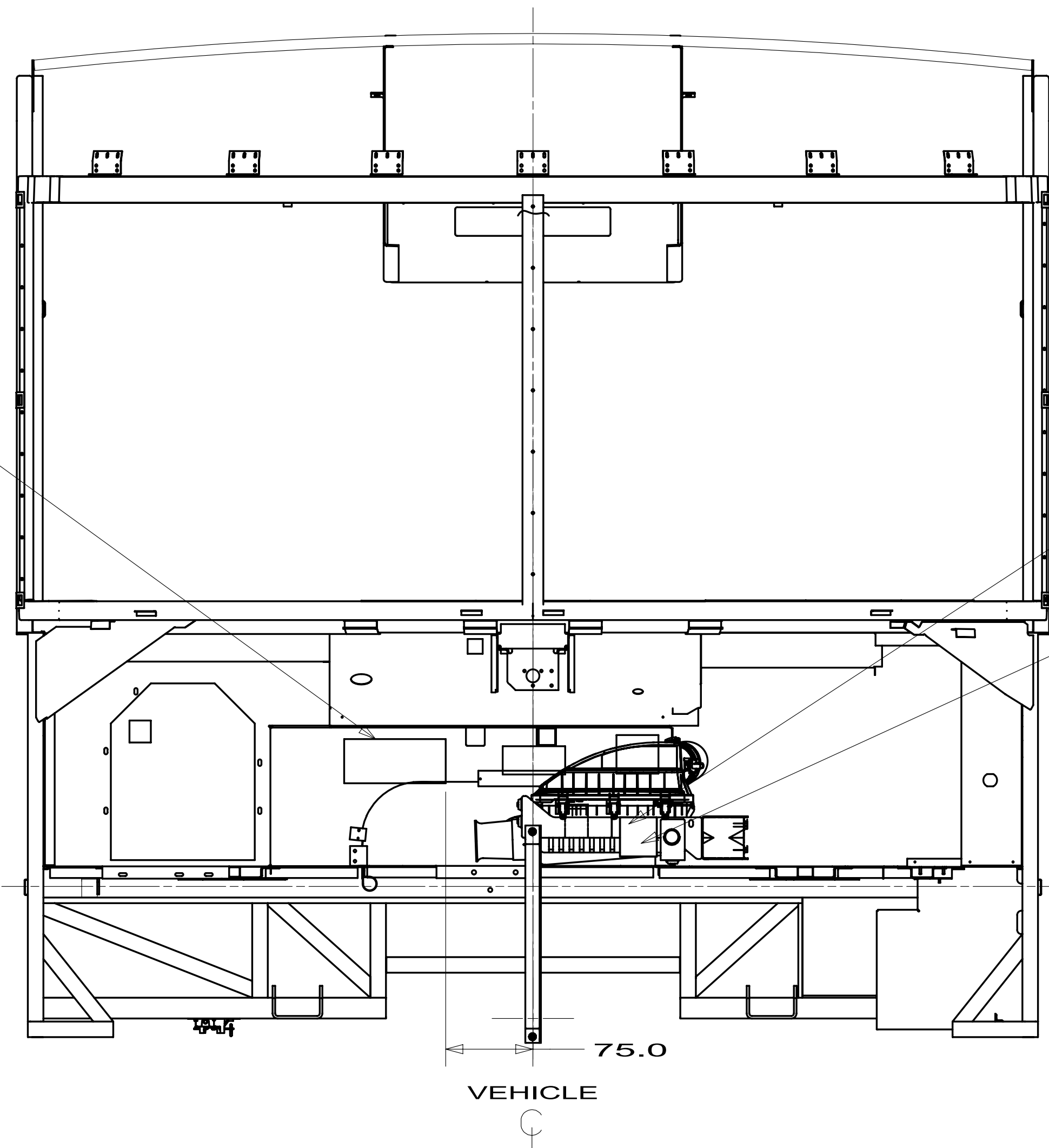
FIRST USED	09 D-SERIES		
TITLE:	DO NOT SCALE DRAWING		
TITLE:	LABEL LOCATION INSTL		
SHEET 6	PART NO	165259	REV

LABEL-VIN
109096-01-000
LABEL-OVERLAY
061606-02-000
(A/R)



SERVICE PARTS IDENTIFICATION LABEL
(SUPPLIED WITH WORKHORSE CHASSIS MATCH
VIN# ON LABEL TO VIN# OF CHASSIS)

CERTIFICATION/VACUUM HOSE ROUTING LABEL
(SUPPLIED WITH FORD CHASSIS)

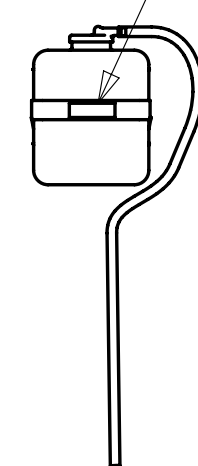


VIEW FROM FRONT

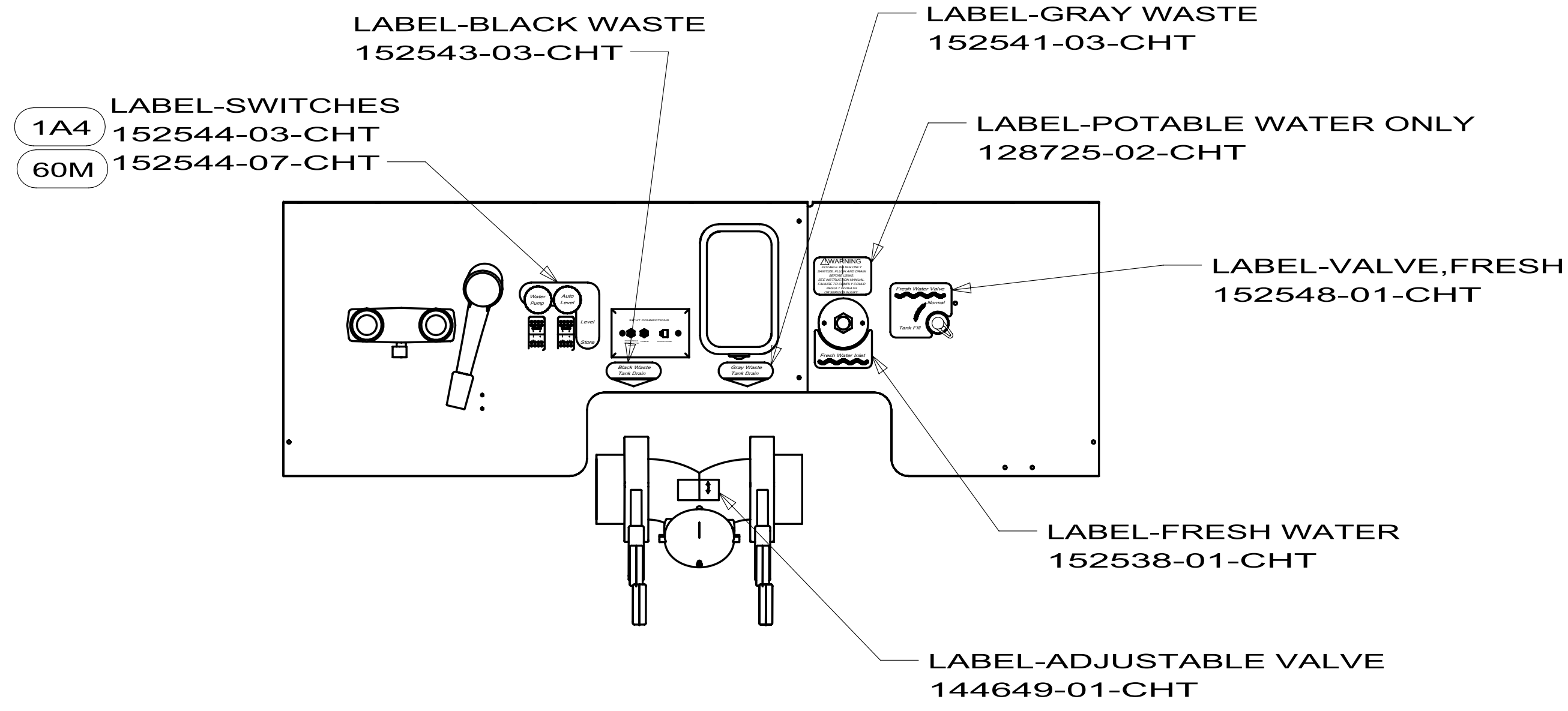
LABEL-VEHICLE EMISSION CONTROL
(FORD SUPPLIED)
(LOCATE ON AIR BOX)

LABEL-DRIVER BELT INSTALLATION
(FORD SUPPLIED)
(LOCATE ON AIR BOX)

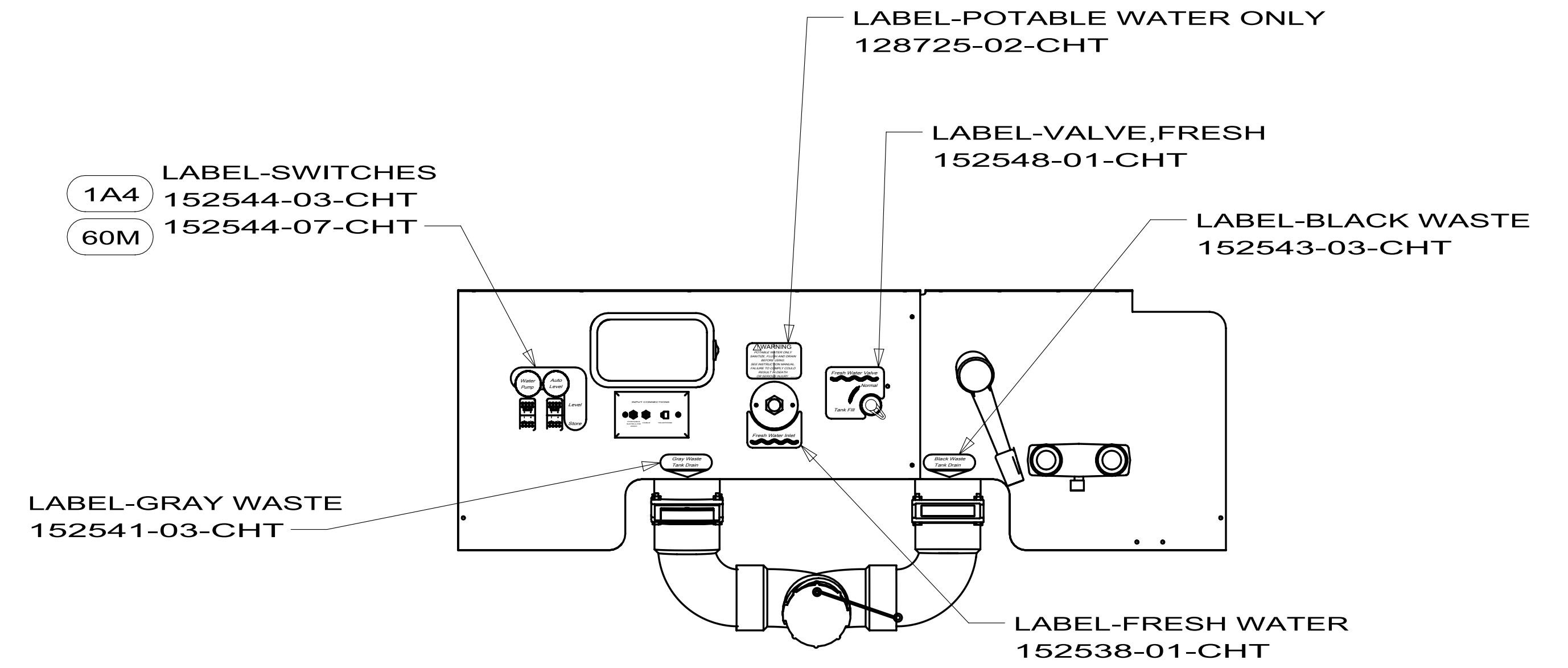
LABEL-DEX-COOL COOLANT
(WORKHORSE SUPPLIED 10292512)



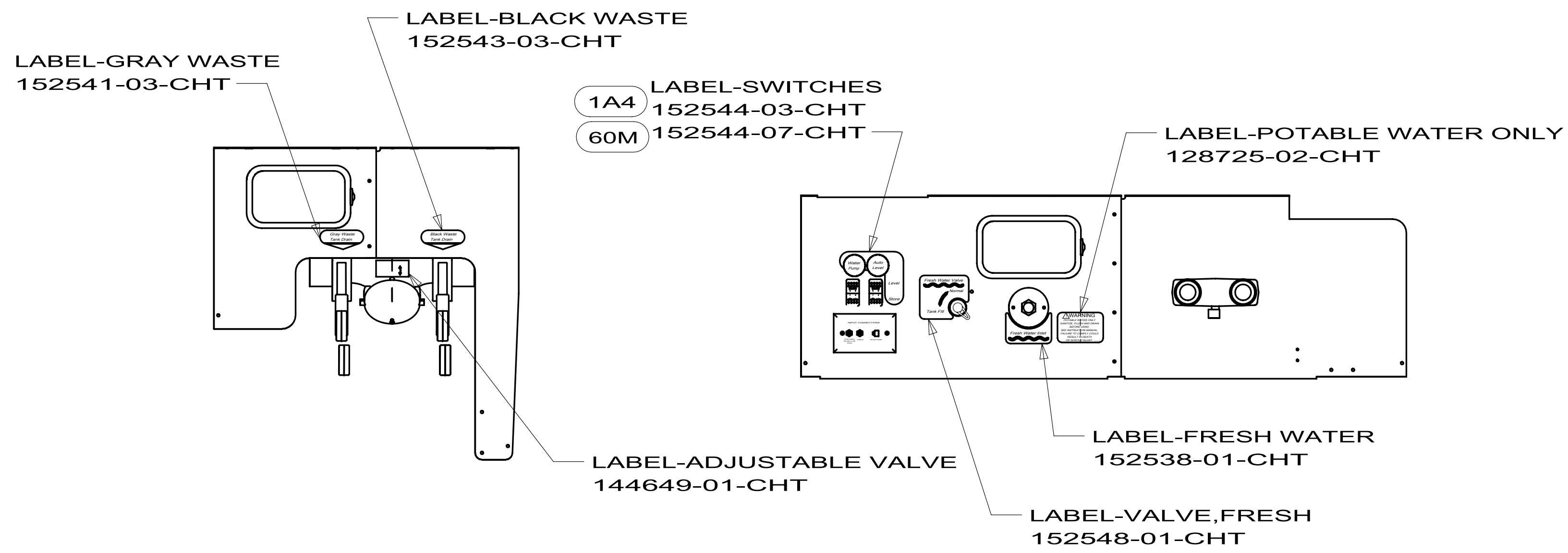
FIRST USED		
09 D-SERIES		
DO NOT SCALE DRAWING		
TITLE:		
LABEL LOCATION INSTL		
SHEET 7	PART NO	REV
	165259	



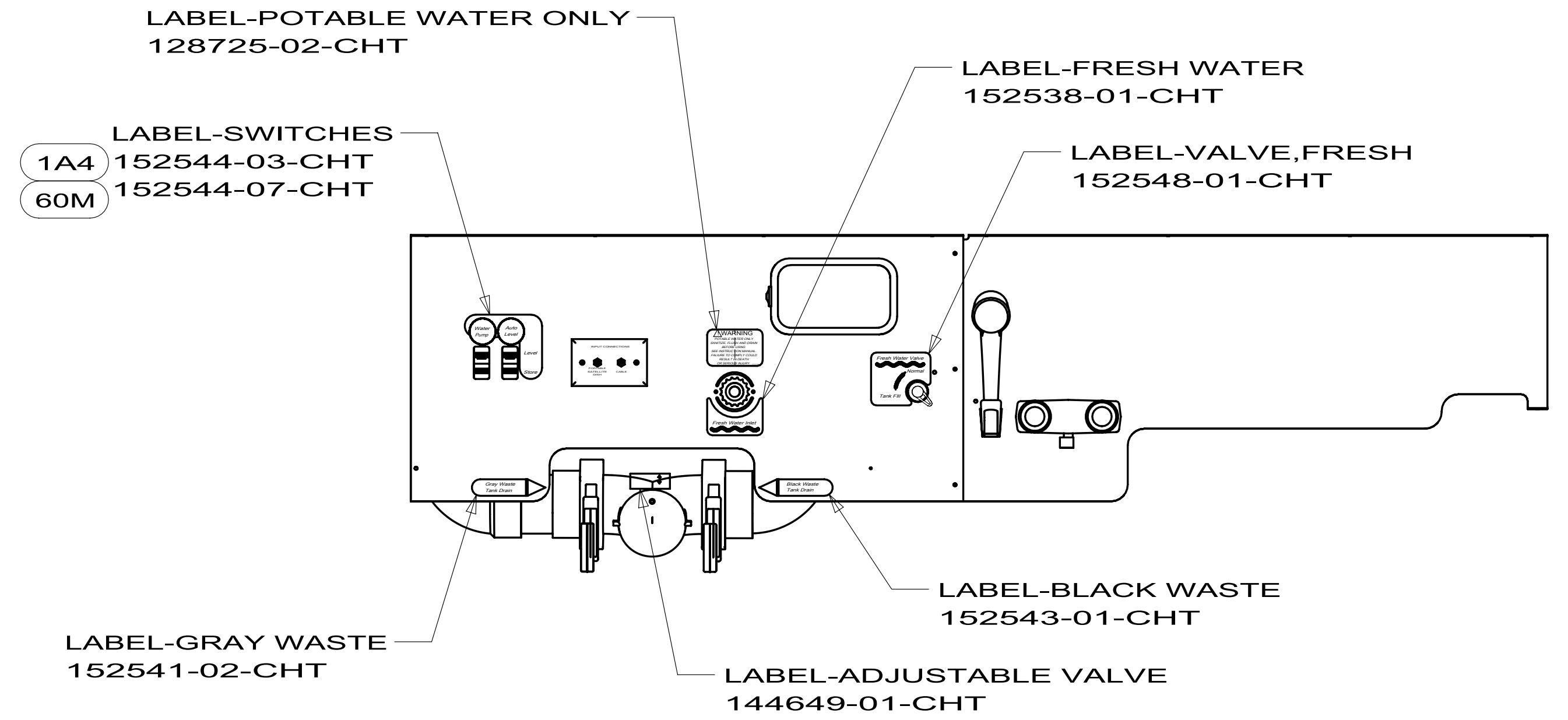
29R SERVICE PANEL



35J SERVICE PANEL



31E AND 33C SERVICE PANEL



D37L SERVICE PANEL

- (60M) HYDRAULIC LEVEL JACKS-AUTO
- (1A4) LEVELING JACK-WITHOUT

FIRST USED		
09 D-SERIES		
DO NOT SCALE DRAWING		
TITLE:		
LABEL LOCATION INSTL		
SHEET 8	PART NO	REV
	165259	