

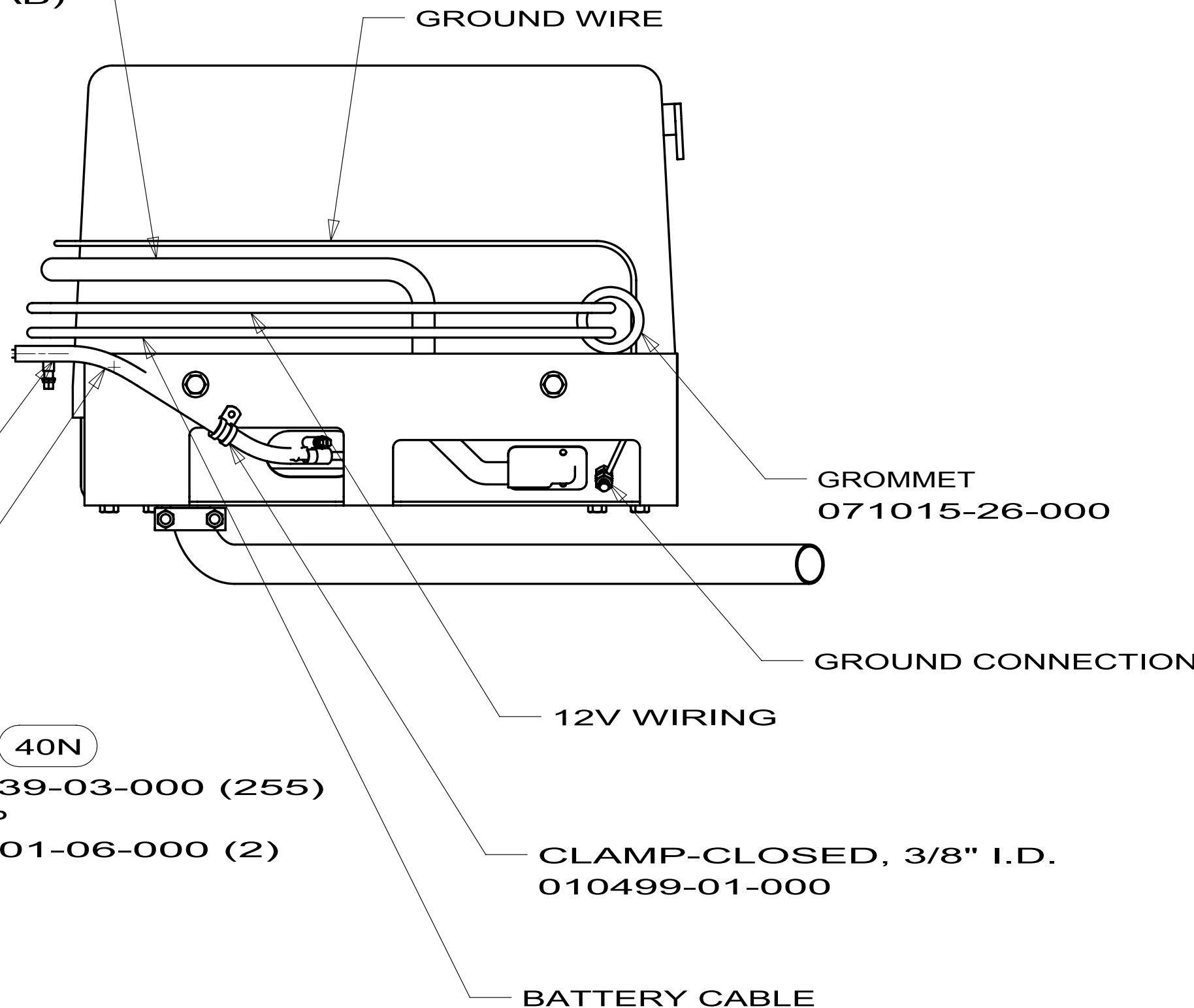
DWG NO	SHEET	CONDUIT LENGTH
162019-01	N/A	1200
162019-02	N/A	1200
162019-03	N/A	1200
162019-04	1,2	2100
162019-05	1,3	2800

728B
730C

RELEASE	REV DATE	DWG NO	162019
REV ZONE	REVISION RECORD	DATE	DTR-ORIG

3

110V WIRE
CONNECTOR-CONDUIT
093256-01-000
CONDUIT-FLEX
091234-01-000 (SEE TAB)

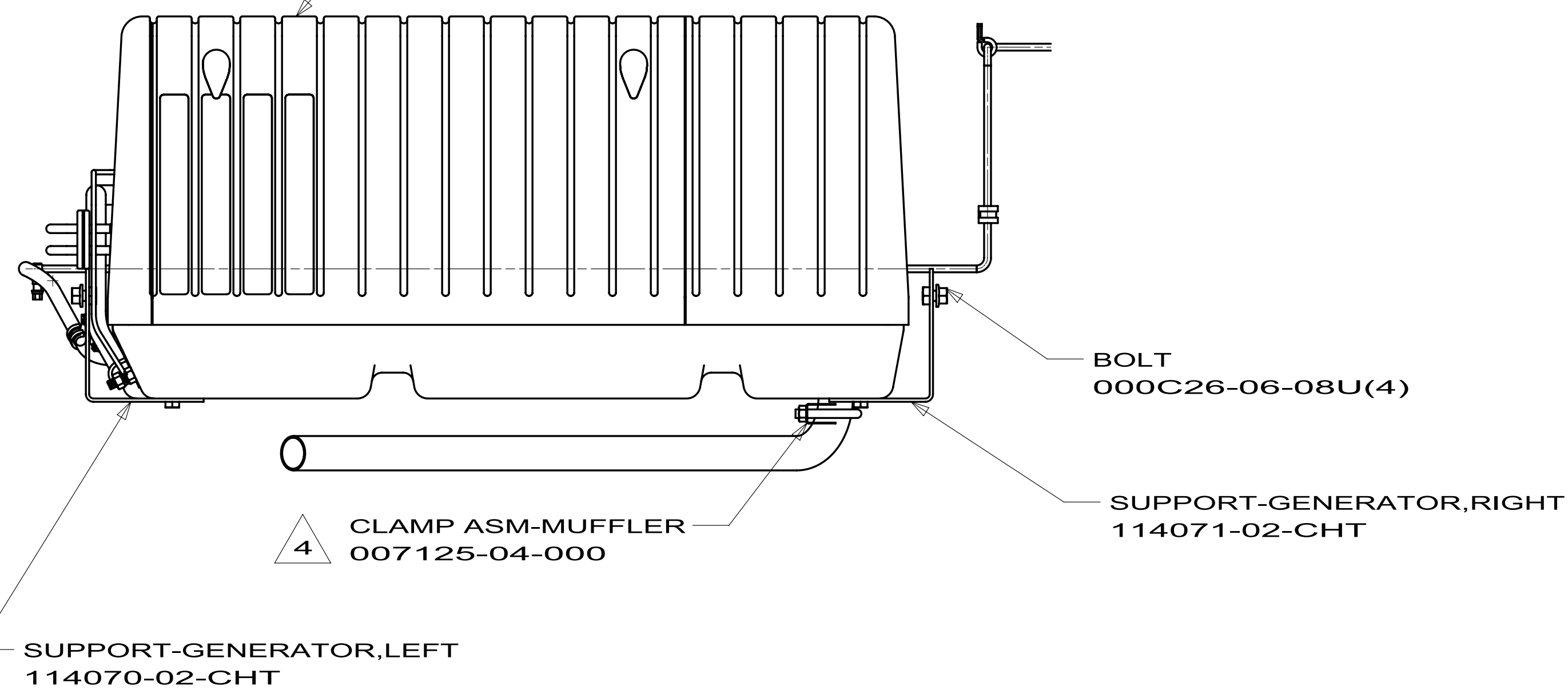


PLUG 1A3
084884-01-000

HOSE 40N
128139-03-000 (255)
CLAMP 40N
062401-06-000 (2)

CLAMP-CLOSED, 3/8" I.D.
010499-01-000

GENERATOR-4.0,MICROLITE
109982-03-000
BOLT
000C12-05-08B (4)



1A3 GENERATOR WITHOUT
40N GEN-4.0KW-ONANGAS-MICROQUIET

5. FUEL LINE TO BE COVERED WITH VINYL TUBING 8042-01-000. USE CLAMP-CLOSED 010497-10(4) TO SECURE TUBING TO HANGER STRAPS ON RIGHT SIDE FRAME EXTENSION.

4. TORQUE TO 150 IN-LBS.

3. SEE WIRING INSTL-CHASSIS, WIRING INSTL-BODY AND WIRING DIAGRAM FOR ADDITIONAL INFORMATION.

2. REMOVE PLUG FROM END OF TEE.

1. MINIMUM BEND OF FUEL LINE 64 R.

NOTES:

WINNEBAGO INDUSTRIES		COPYRIGHT 2009 WINNEBAGO INDUSTRIES, INC.	
DTR	ORIG. DATE	ALL DIMENSIONS ARE IN MILLIMETERS	
CHKR			
P.E.			
M.E.	FIRST USED		
DSNR	08 724D		
UNSPECIFIED TOLERANCES ARE:		MATERIAL:	
WHOLE DIM (X)	:		
ONE-PLACE (X.X)	:		
TWO-PLACE (X.XX)	:		
ANGLE	:		
THIRD ANGLE PROJECTION			
DO NOT SCALE DRAWING			
TITLE: GENERATOR INSTL			
SHEET 1 OF 3	PART NO	162019	REV
REF:		1	10/20/2009

8

7

6

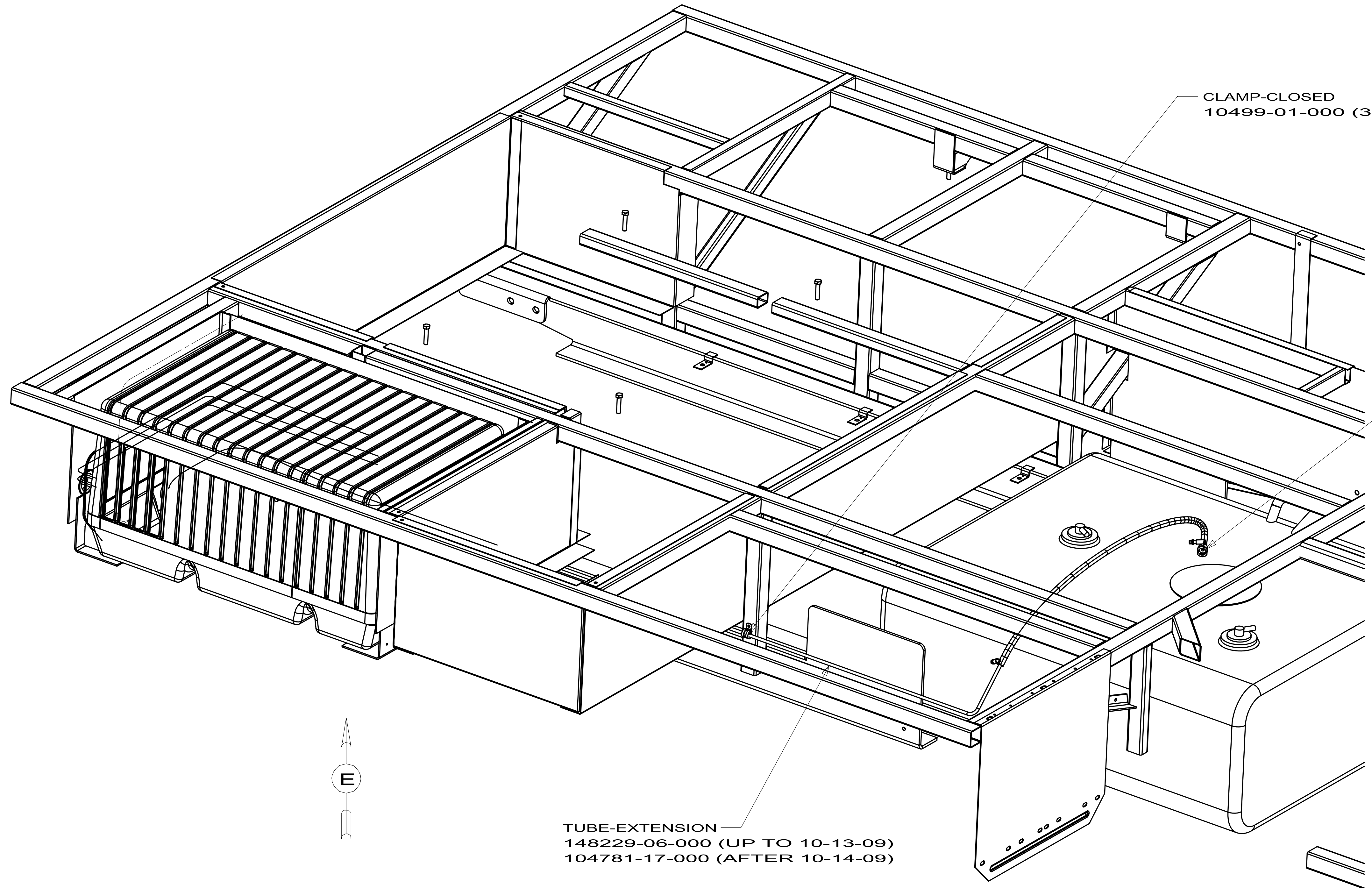
5

4

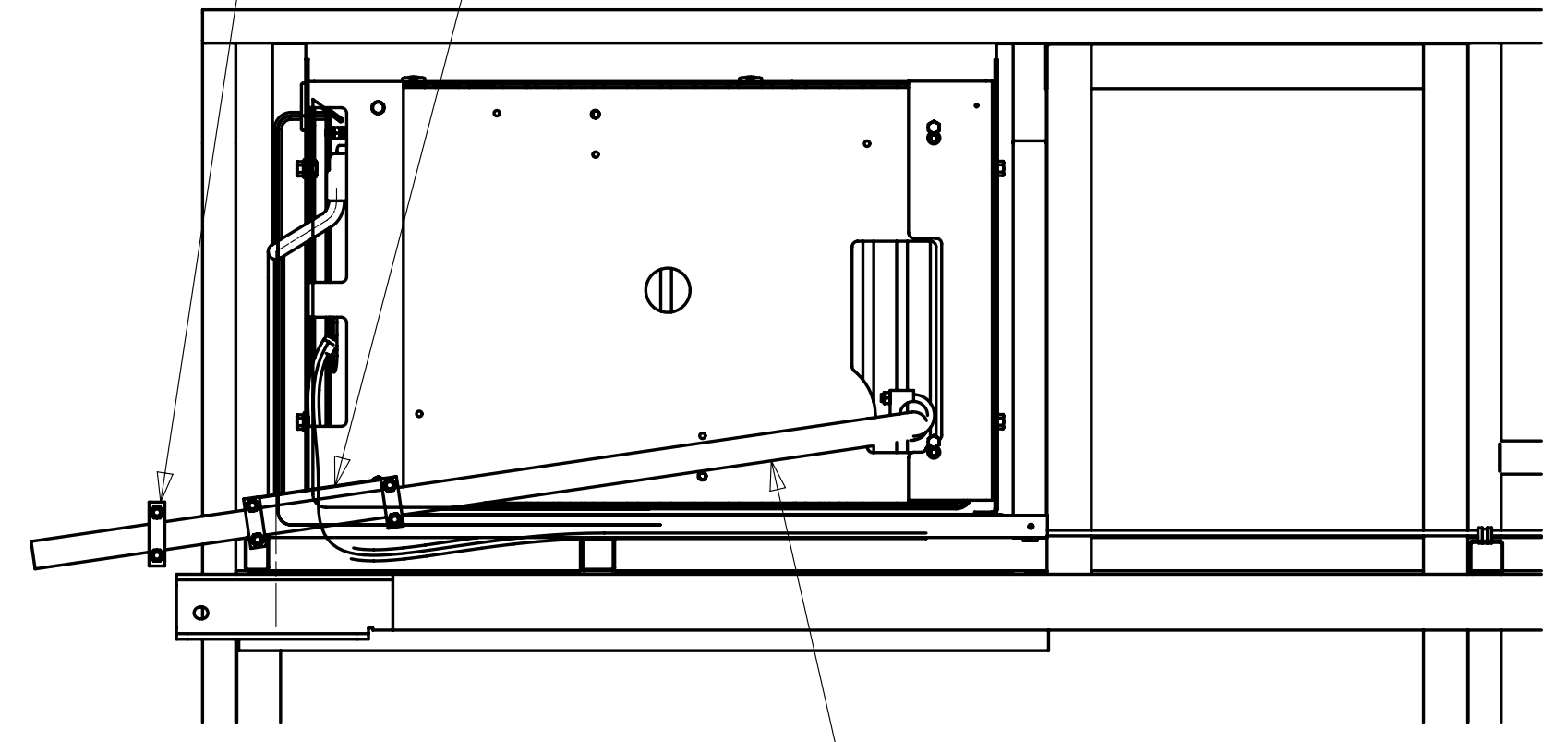
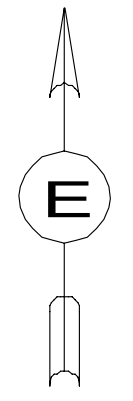
3

2

1



730C



VIEW E

FIRST USED	09 730C		
TITLE:	DO NOT SCALE DRAWING		
	GENERATOR INSTL		
SHEET 3	PART NO	162019	REV