

651 WINDOW ASM
164922-27-CHT
651 094 173186-15-CHT
SCREW
OG1108-12-400 (12)

094 WINDOW ASM
151075-03-CHT
117053-02-XXX
094 FRAME-WINDOW
117054-02-XXX
SCREW
OG1108-12-400 (12)

094 WINDOW ASM
164922-26-CHT
173186-02-CHT
SCREW
OG1108-12-400 (30)

VENT-ROOF,REFRIG,STYLED
149508-01-CHT
149508-02-CHT
SCREW
000G11-08-12U (24)

VENT ASM-ROOF
122882-02-CHT 1B1
122882-03-CHT 265 715
GARNISH
122882-07-CHT
SCREW
110460-04-CHT (4)
VENTILATOR-ROOF
123780-26-CHT
SCREW 48E
155618-01-CHT (4)
GEAR-ARM-ROOF VENT
00944001000
MOTOR-12V NONVENTED
04864801000
FAN-PLAS-6 IN 6 BLADED
04864901000

WINDOW-SKYLITE
152882-01-CHT
SCREW
000G39-08-129 (22)
FOAM-BUTYL
112864-02-000
(3658)

SKYLIGHT INSTL
080524-20-000

WINDOW ASM
104691-18-CHT
173189-01-CHT 094
SCREW
OG1108-12-400 (12)

VENT ASM-RANGE
147821-01-CHT
VENT ASM-RANGE, OUTER
147821-02-CHT
SCREW
000G11-08-12U (8)

651 WINDOW ASM
104691-18-CHT
651 094 173186-32-CHT
SCREW
OG1108-12-400 (12)

094 WINDOW ASM
164922-25-CHT
173186-14-CHT
SCREW
OG1108-12-400 (28)

WINDOW ASM
151075-03-CHT
094 173184-02-CHT
SCREW
OG1108-12-400 (12)

- 094 WINDOW DEVIATION
- 651 BUNK FRONT OVERHEAD-SINGLE
- 265 CODES/STANDARDS-CSA/CMVSS
- 1B1 CODES/STANDARDS USA
- 48E POWER VENTILATOR-BATH
- 715 VENT-POWER

WINNEBAGO INDUSTRIES		COPYRIGHT 2010 WINNEBAGO INDUSTRIES, INC.	
DTR	ORIG. DATE	ALL DIMENSIONS ARE IN MILLIMETERS	
CHKR		FIRST USED	
P.E.		10 524K	
M.E.			
DSNR			
UNSPECIFIED TOLERANCES ARE:		MATERIAL:	
WHOLE DIM (X)	: 3		
ONE-PLACE (X.X)	: 1.5		
TWO-PLACE (X.XX)	: 0.50		
ANGLE	: 1°		
THIRD ANGLE PROJECTION			
DO NOT SCALE DRAWING			
TITLE: BODY INSTL-WINDOWS & VENTS			
SHEET 1 OF 1	PART NO	169015	REV
REF:	1		

1. ESCAPE WINDOW

NOTES:

DWG NO	B	C	TRIM	QTY	TRIM	QTY	D	E	SHEET
080524-01	NOT USED	NOT USED	-----	---	-----	---	16	12	1
080524-02	NOT USED	NOT USED	-----	---	-----	---	12	10	1
080524-03	NOT USED	NOT USED	-----	---	-----	---	21	17	2
080524-04	NOT USED	NOT USED	-----	---	-----	---	22	11	N/A
080524-05	NOT USED	NOT USED	-----	---	-----	---	23	10	1
080524-06	NOT USED	NOT USED	-----	---	-----	---	12	10	1
080524-07	NOT USED	NOT USED	-----	---	-----	---	18	16	1
080524-08	138380-01-CHT	122191-01-CHT	138372-01-CHT	4	-----	---	12	16	1
080524-09	NOT USED	NOT USED	NOT USED	4	-----	---	12	16	1
080524-10	NOT USED	NOT USED	NOT USED	3	NOT USED	1	16	15	2
080524-11	138379-02-CHT	122193-02-CHT	138372-01-CHT	4	-----	---	16	16	1
080524-12	138379-02-CHT	122193-01-CHT	138372-01-CHT	4	-----	---	12	16	1
080524-13	NOT USED	-----	NOT USED	4	NOT USED	2	20	--	1
080524-14	149623-01-CHT	149624-01-CHT	138372-01-CHT	4	-----	---	12	14	1
080524-15	138379-03-CHT	156693-01-CHT	138372-01-CHT	4	-----	---	12	14	1
080524-16	138380-01-CHT	122191-02-CHT	138372-01-CHT	4	-----	---	12	16	1
080524-17	139411-01-CHT	122214-02-CHT	138372-01-CHT	3	130284-01-CHT	1	16	15	2
080524-18	170946-01-CHT	170929-01-CHT	138372-01-CHT	3	166914-01-CHT	3	15	15	2
080524-19	138380-01-CHT	170952-01-CHT	138372-01-CHT	4	-----	---	12	16	1
080524-20	149623-01-CHT	171120-01-CHT	138372-01-CHT	4	-----	---	12	14	1
080524-21	170946-02-CHT	170929-02-CHT	138372-01-CHT	3	166914-01-CHT	3	15	15	2

RELEASE	REV DATE	DWG NO	080524
REV ZONE	REVISION RECORD	DATE	DTR-ORIG

D35J

E26P

(UP TO 02-15-09 329B.331C)

524A,524DL,H25T

224V,229T,231C,231J

E32K

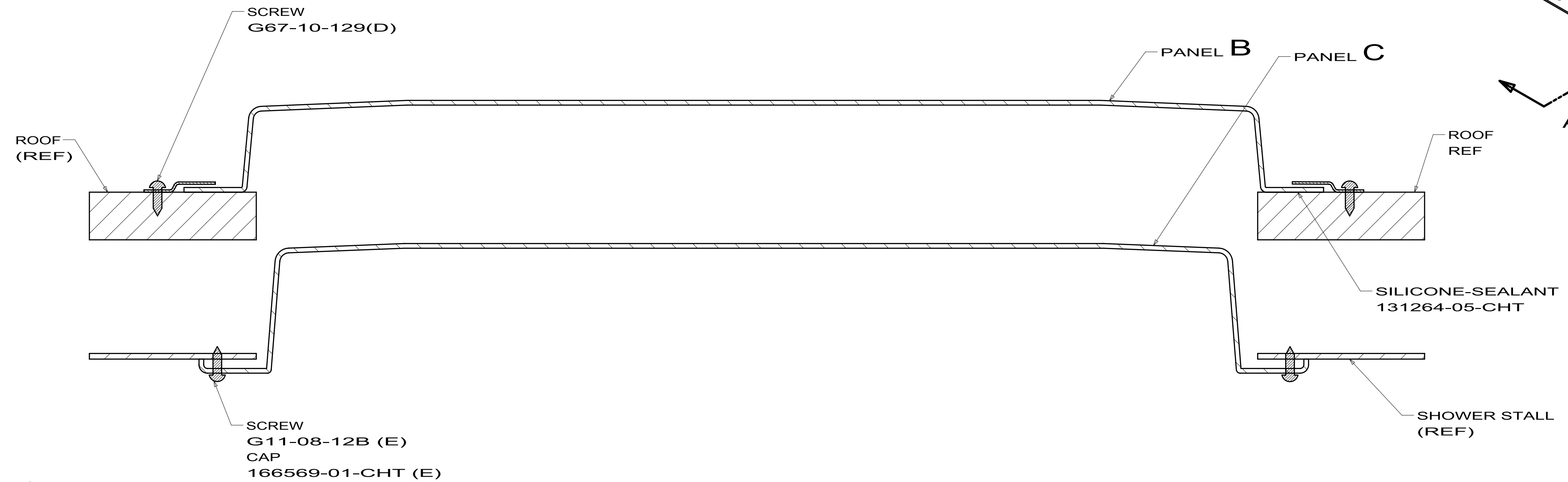
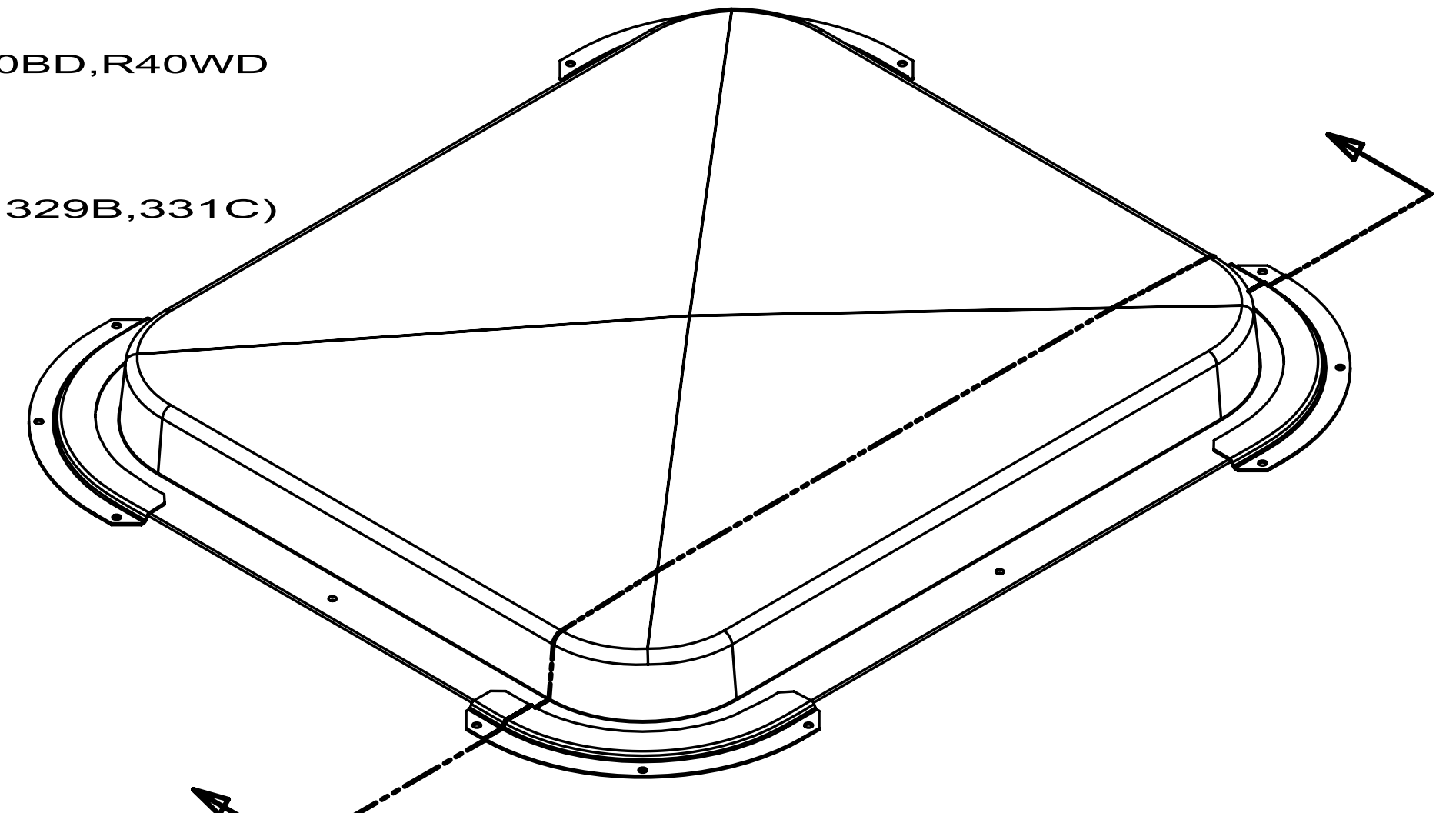
231N

730C,D31E,D37L,J35P,J35Z,J38N,P40L,R40BD,R40WD

D33C,R40CD

524K,524P,728B,J32H (AFTER 02-16-09 329B,331C)

R42AD

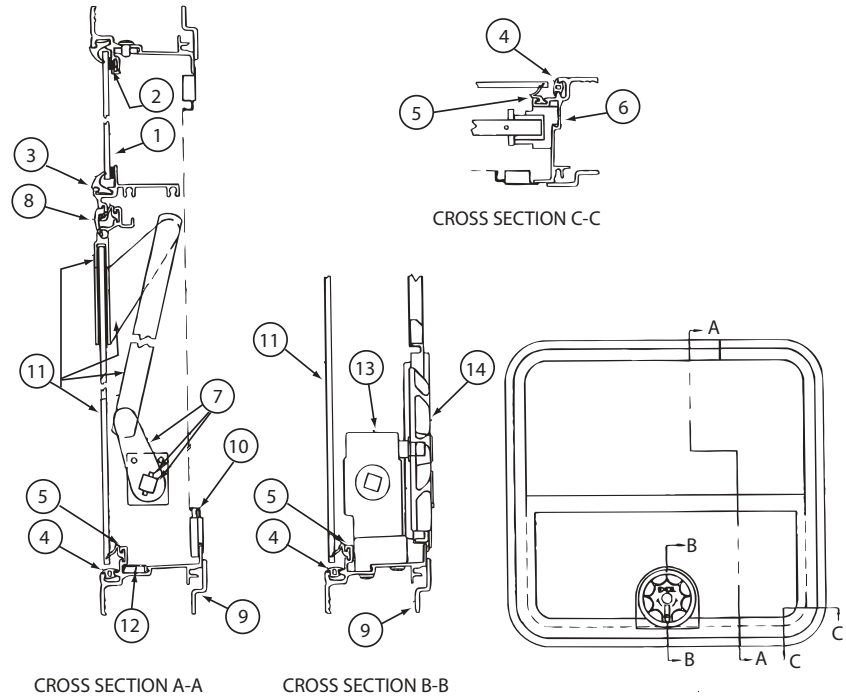


1. SEALANT APPLIED ALL AROUND CENTER OF FLANGE OR GROOVE.

SECTION A-A

WINNEBAGO INDUSTRIES		COPYRIGHT 2009 WINNEBAGO INDUSTRIES, INC.	
DTR	ORIG. DATE	ALL DIMENSIONS ARE IN MILLIMETERS	
CHKR		85 A&C BODY	
P.E.	FIRST USED	UNSPECIFIED TOLERANCES ARE:	
M.E.		WHOLE DIM (X)	:
DSNR		ONE-PLACE (X.X)	:
		TWO-PLACE (X.XX)	:
		ANGLE	:
THIRD ANGLE PROJECTION		MATERIAL:	
DO NOT SCALE DRAWING			
TITLE: SKYLITE INSTL			
SHEET 1 of 2	PART NO	080524	REV
REF:	REF:	1	

KEY	PART NUMBER	U/M	DESCRIPTION	VENDOR NO.
1	104691-18-700	EA	GLASS - STATIONARY	106-036333
2	100322-01-704	FT	TAPE-BUTYL	154-025932
3	100322-01-703	FT	VINYL-GLAZING, BUTYL	132-010723
4	116976-01-702	FT	FILLER PLUG	132-016065
5	100322-01-701	FT	SEAL-VENT	122-016071
6	112463-02-707	EA	SUPPORT - TORQUE BAR RH	132-015979
6	112463-02-708	EA	SUPPORT - TORQUE BAR LH	132-015978
7	104691-18-701	EA	OPERATOR & BAR ASSEMBLY	CH118-15
8	100322-01-702	EA	WEATHERSTRIP-HORIZ RAIL-148"	132-019631
9	104691-18-705	EA	RETAINER - TRIM - BLACK	CH118-59
10	104691-18-703	EA	SCREEN ASM - W/SEALS & CLIPS	410-036335
11	104691-18-704	EA	GLASS-TIPOUT - W/HINGE/RAIL	CH118G6
12	108919-01-706	EA	COVER - DRAIN SLOT	132-016064
13	112519-01-702	EA	OPERATOR/TRQ CTR SPRT-4 HOLE	410-016123
14	100322-01-718	EA	HANDLE-DIAL	410-016081



KEY	PART NUMBER	U/M	DESCRIPTION	VENDOR NO.
1	104691-18-700	EA	GLASS - STATIONARY	106-036333
2	100322-01-704	FT	TAPE-BUTYL	154-025932
3	100322-01-703	FT	VINYL-GLAZING, BUTYL	132-010723
4	116976-01-702	FT	FILLER PLUG	132-016065
5	100322-01-701	FT	SEAL-VENT	122-016071
6	112463-02-707	EA	SUPPORT - TORQUE BAR RH	132-015979
6	112463-02-708	EA	SUPPORT - TORQUE BAR LH	132-015978
7	104691-18-701	EA	OPERATOR & BAR ASSEMBLY	CH118-15
8	100322-01-702	EA	WEATHERSTRIP-HORIZ RAIL-148"	132-019631
9	104691-18-702	EA	RETAINER - TRIM - SILVER	CS118-59
10	104691-18-703	EA	SCREEN ASM - W/SEALS & CLIPS	410-036335
11	104691-18-704	EA	GLASS-TIPOUT - W/HINGE/RAIL	CH118G6
12	108919-01-706	EA	COVER - DRAIN SLOT	132-016064
13	112519-01-702	EA	OPERATOR/TRQ CTR SPRT-4 HOLE	410-016123
14	100322-01-718	EA	HANDLE-DIAL	410-016081

122882-01-01A

KEY	PART NUMBER	U/M	DESCRIPTION	VENDOR NO.
	064470-01-700	EA	COVER - VENT	J7291
	064470-01-701	EA	SLIDE BAR - VENT LID	JRP1291B
	122882-01-700	EA	HANDLE - CRANK - BLACK	90128
	122882-01-701	EA	SCREEN	JRP-1124-B
	122882-01-702	EA	HANDLE - CRANK - WHITE	JRP1031B
	122882-01-703	EA	SEAL - DOME - 48"	JRP2111B

122882-02-01A, 122882-03-01A

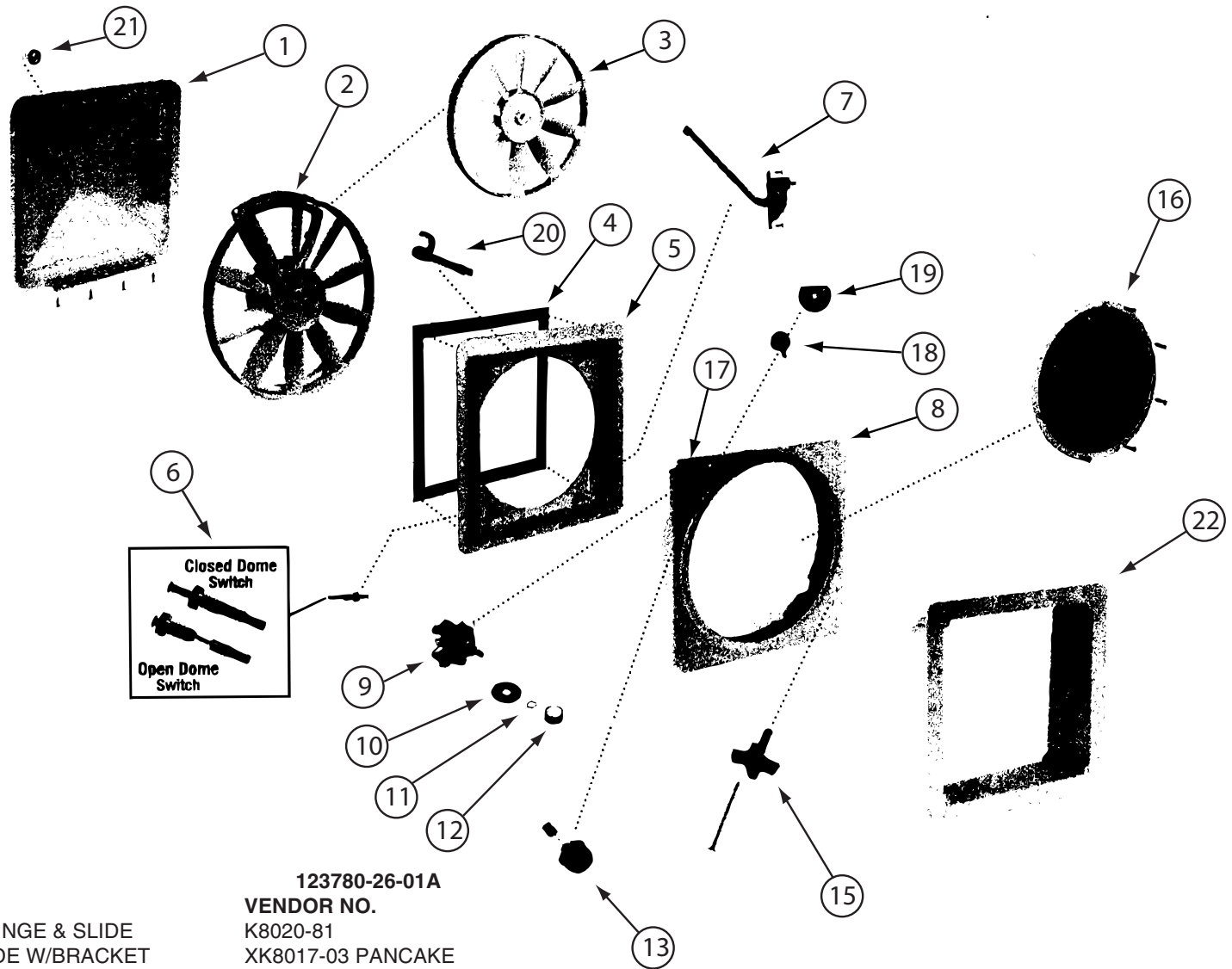
KEY	PART NUMBER	U/M	DESCRIPTION	VENDOR NO.
	064470-01-700	EA	COVER - VENT	J7291
	064470-01-701	EA	SLIDE BAR - VENT LID	JRP1291B
	110051-03-700	EA	SWITCH-BLACK/PUSH BUTTON	27-0164
	122882-01-700	EA	HANDLE - CRANK - BLACK	90128
	122882-01-701	EA	SCREEN	JRP-1124-B
	122882-01-702	EA	HANDLE - CRANK - WHITE	JRP1031B

122882-04-01A

KEY	PART NUMBER	U/M	DESCRIPTION	VENDOR NO.
	064469-03-708	EA	GEAR-DRIVE	RP-1024-.50 PC SIZE
	064470-01-700	EA	COVER - VENT	J7291
	064470-01-701	EA	SLIDE BAR - VENT LID	JRP1291B
	110051-07-701	EA	MOTOR-LIFT, W/BRKT-GEAR 3/16	JRP1099B
	122882-04-700	EA	SCREEN	J29-670-01A

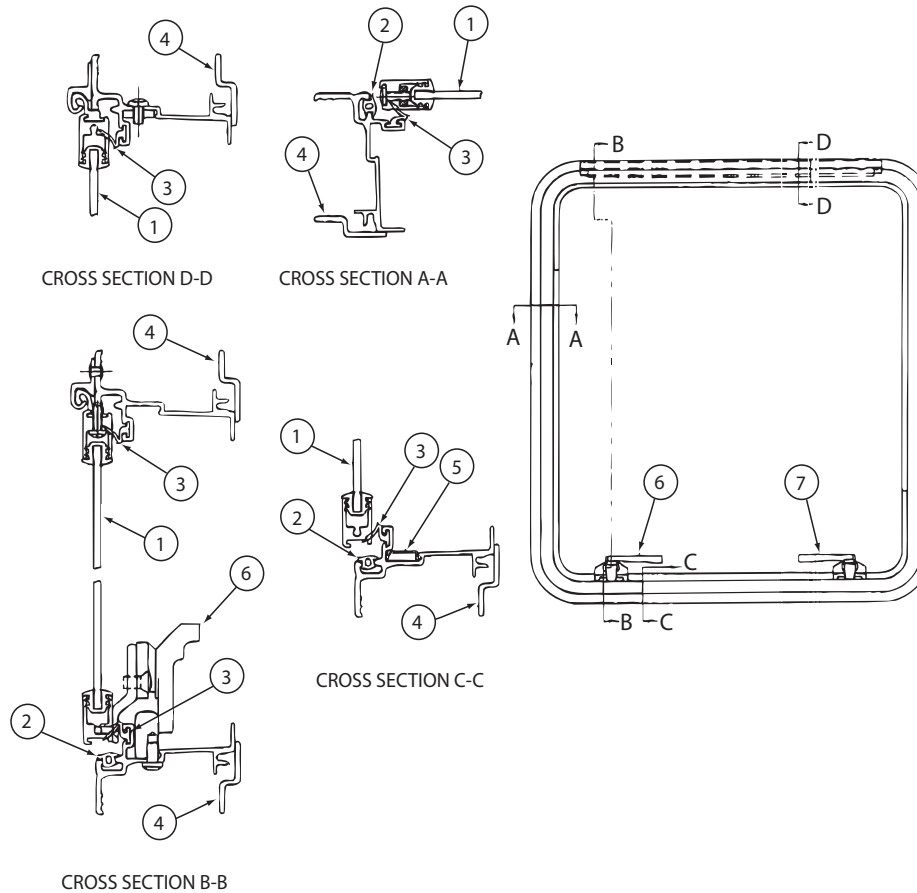
122882-05-01A

KEY	PART NUMBER	U/M	DESCRIPTION	VENDOR NO.
	064469-03-708	EA	GEAR-DRIVE	RP-1024-.50 PC SIZE
	064469-03-709	EA	GEAR-PINION F/LIFT MOTOR	RP-1025 - DIME SIZE
	064470-01-700	EA	COVER - VENT	J7291
	064470-01-701	EA	SLIDE BAR - VENT LID	JRP1291B
	110051-07-701	EA	MOTOR-LIFT, W/BRKT-GEAR 3/16	JRP1099B
	122882-04-700	EA	SCREEN	J29-670-01A



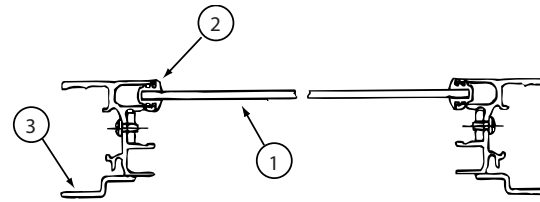
KEY	PART NUMBER	U/M	DESCRIPTION	123780-26-01A	VENDOR NO.
1	123780-22-700	EA	COVER - VENT W/HINGE & SLIDE		K8020-81
2	123780-26-700	EA	MOTOR & FAN BLADE W/BACKET		XK8017-03 PANCAKE
3	123780-26-701	EA	BLADE/FAN - 12" OPAQUE WHT		8138-81 - 7MM
4	123780-22-701	EA	SEAL/RUBBER-4 1/2' W/GLUE		K1144-09
5	123780-22-702	EA	BASE/MAIN - W/LOCK/SEAL/ARM		XK8010-81 CLAMP STY
6	084079-01-707	EA	SWITCH - SAFETY		1122-05
7	084079-01-702	EA	ARM LIFT ASSEMBLY, MANUAL		101105
9	084079-01-709	EA	SWITCH - MAIN - 3 SPEED		1031-05
13	123780-21-700	EA	FUSE HOLDER W/4AMP FUSE/KNOB		K9018-09 NEW STYLE
15	123780-16-700	EA	KNOB-BLK/AUTOMATIC LIFT MTR		K1140-09
16	123780-21-703	EA	SCREEN - POP N LOCK		2035-81
17	123780-22-704	EA	TRAVEL LOCK ASSEMBLY		4021-09
22	123780-22-705	EA	GARNISH-3 1/2"CLAMP STY-WHT		XK2040-81

CONTACT WINNEBAGO PART SALES FOR UNLISTED COMPONENT(S)

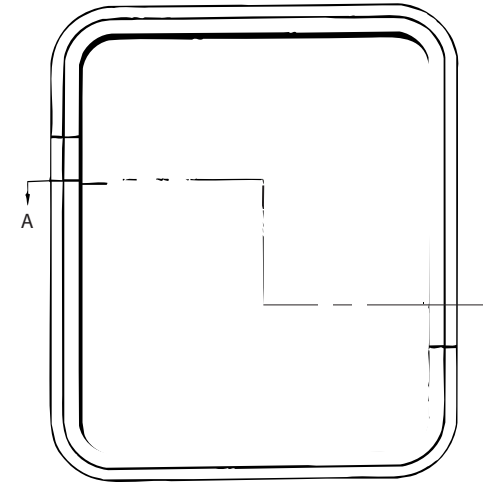


151075-02-01A

KEY	PART NUMBER	U/M	DESCRIPTION	VENDOR NO
1	151075-02-700	EA	GLASS-STATIONARY-SUB ASM	H955G9
2	116976-01-702	FT	FILLER PLUG	132-016065
3	100322-01-701	FT	SEAL-VENT	122-016071
4	151075-02-701	EA	RETAINER - TRIM	H955-53
5	108929-01-706	EA	COVER - DRAIN SLOT	132-016064
6	137867-05-707	EA	LOCK/CAM - LEFT	182-011294
7	137867-05-706	EA	LOCK/CAM - RIGHT	182-011293



CROSS SECTION A-A



KEY	PART NUMBER	U/M	DESCRIPTION
1	151075-03-700	EA	GLASS - STATIONARY
2	098644-01-705	FT	GLAZING - STRIP
3	1137331-10-701	EA	RETAINER-TRIM

151075-03-01A
VENDOR NO
 106-019887
 132-010231
 H416-66

KEY	PART NUMBER	U/M	DESCRIPTION
1	151075-03-700	EA	GLASS - STATIONARY
2	098644-01-705	FT	GLAZING - STRIP
3	151075-03-701	EA	RETAINER - TRIM

151075-03-02A
VENDOR NO
 106-019887
 132-010231
 S416-66

ART NOT YET AVAILABLE

KEY	PART NUMBER	U/M	DESCRIPTION
1	151075-04-702	EA	GLASS-STATIONARY-SUB ASM
2	116976-01-702	FT	FILLER PLUG
3	100322-01-701	FT	SEAL-VENT
4	151075-01-701	EA	RETAINER - TRIM
5	108929-01-706	EA	COVER - DRAIN SLOT
6	137867-05-707	EA	LOCK/CAM - LEFT
7	137867-05-706	EA	LOCK/CAM - RIGHT

151075-04-01A
VENDOR NO
 H956G8
 132-016065
 122-016071
 H956-53
 132-016064
 182-011294
 182-011293

KEY	PART NUMBER	U/M	DESCRIPTION
1	151075-04-700	EA	GLASS-STATIONARY-SUB ASM
2	116976-01-702	FT	FILLER PLUG
3	100322-01-701	FT	SEAL-VENT
4	151075-04-701	EA	RETAINER - TRIM
5	108929-01-706	EA	COVER - DRAIN SLOT
6	137867-05-707	EA	LOCK/CAM - LEFT
7	137867-05-706	EA	LOCK/CAM - RIGHT

151075-04-02A
VENDOR NO
 S956G9
 132-016065
 122-016071
 S956-53
 132-016064
 182-011294
 182-011293

ART NOT YET AVAILABLE

151075-06-01A

KEY	PART NUMBER	U/M	DESCRIPTION
1	151075-06-700	FT	GLASS - STATIONARY
2	098644-01-705	EA	GLAZING - STRIP
3	151075-06-701	EA	RETAINER - TRIM

VENDOR NO
106038016
132-010231
H116661

151075-08-01A

KEY	PART NUMBER	U/M	DESCRIPTION
	137867-05-706	EA	LOCK/CAM - RIGHT
	137867-05-707	EA	LOCK/CAM - LEFT
	151075-08-701	EA	RETAINER - TRIM

VENDOR NO
182-011293
182-011294
H117459

151075-10-01A

KEY	PART NUMBER	U/M	DESCRIPTION
1	151075-10-700	FT	GLASS - STATIONARY
2	098644-01-705	EA	GLAZING - STRIP
3	151075-10-701	EA	RETAINER - TRIM

VENDOR NO
096037950
132-010231
H111061

151075-11-01A

KEY	PART NUMBER	U/M	DESCRIPTION
1	151075-11-700	EA	GLASS - STATIONARY
2	098644-01-705	FT	GLAZING - STRIP
3	151075-11-701	EA	RETAINER - TRIM

VENDOR NO
096038365
132-010231
H124161

151075-12-01A

KEY	PART NUMBER	U/M	DESCRIPTION
1	151075-12-700	FT	GLASS - STATIONARY
2	098644-01-705	EA	GLAZING - STRIP
3	151075-12-701	EA	RETAINER - TRIM

VENDOR NO
106038617
132-010231
H309361

151075-12-02A

KEY	PART NUMBER	U/M	DESCRIPTION
1	151075-12-700	FT	GLASS - STATIONARY
2	098644-01-705	EA	GLAZING - STRIP
3	151075-12-702	EA	RETAINER - TRIM

VENDOR NO
106038617
132-010231
S309361

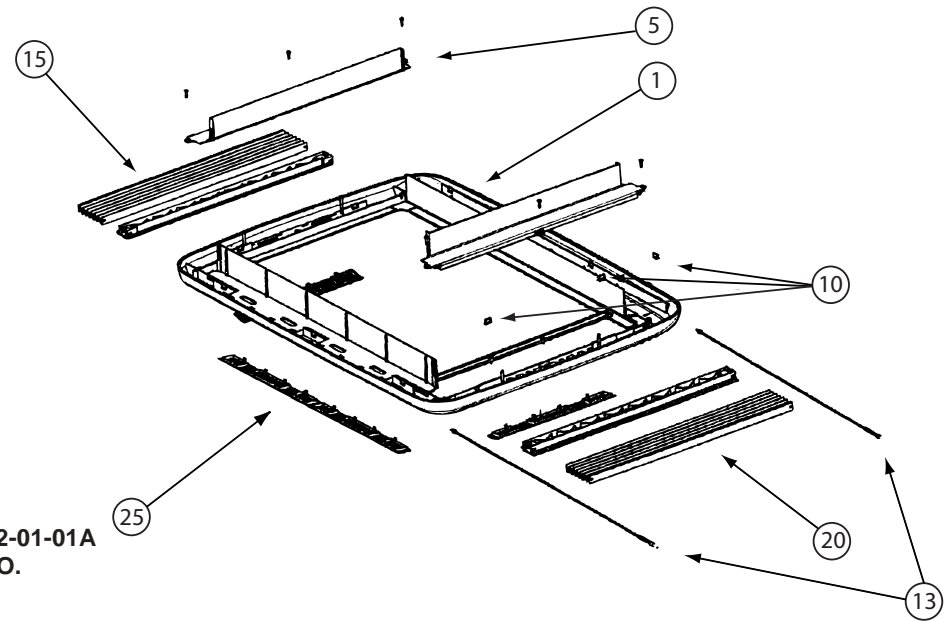
151075-13-01A

KEY	PART NUMBER	U/M	DESCRIPTION
	137867-05-706	EA	LOCK/CAM - RIGHT
	137867-05-707	EA	LOCK/CAM - LEFT
	151075-13-701	EA	RETAINER - TRIM

VENDOR NO
182-011293
182-011294
H111053

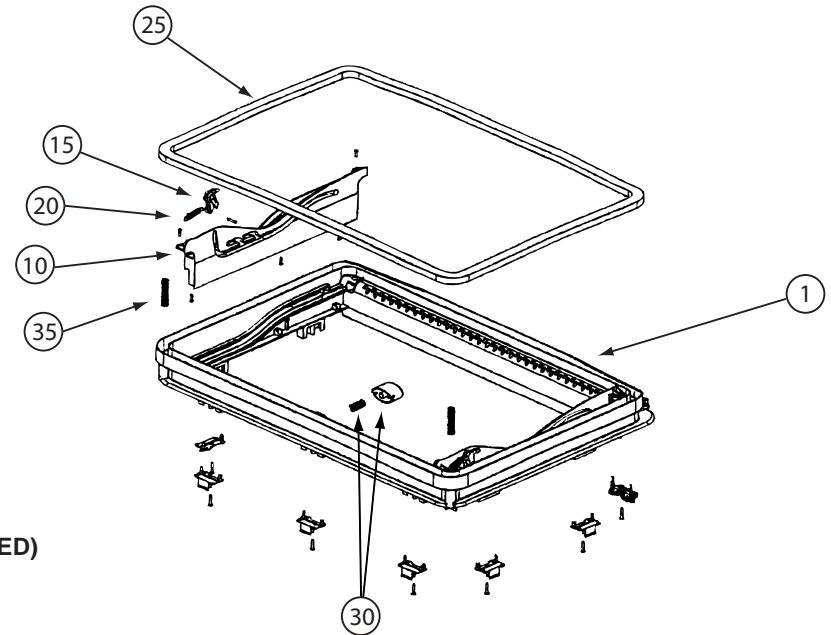
KEY	PART NUMBER	U/M	DESCRIPTION
13	152882-01-703	EA	CORD
15	152882-01-701	EA	FLY NET W/END ROD
20	152882-01-702	EA	DARKENING SYSTEM W/END ROD
25	152882-01-704	EA	VENTILATION GRIDS

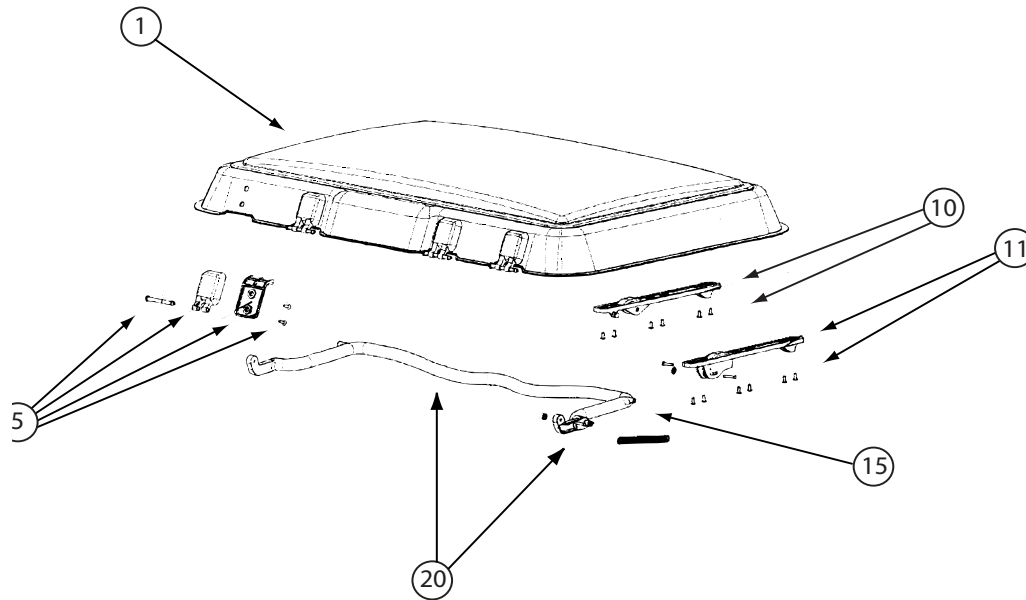
152882-01-01A
VENDOR NO.
 BG1715
 BG1394
 BG1393
 560E35



KEY	PART NUMBER	U/M	DESCRIPTION
15	152882-01-710	EA	HOOK W/ASM.PARTS(1 EA=PKG 2)
20	152882-01-711	EA	SPRING (1 EA = PKG 2)
25	152882-01-705	EA	SEAL
30	152882-01-706	EA	BUTTON W/SPRING

152882-01-01A (CONTINUED)
VENDOR NO.
 BG1519 (LT/RT)
 BG1520 (LT/RT)
 BG1521
 BG1522

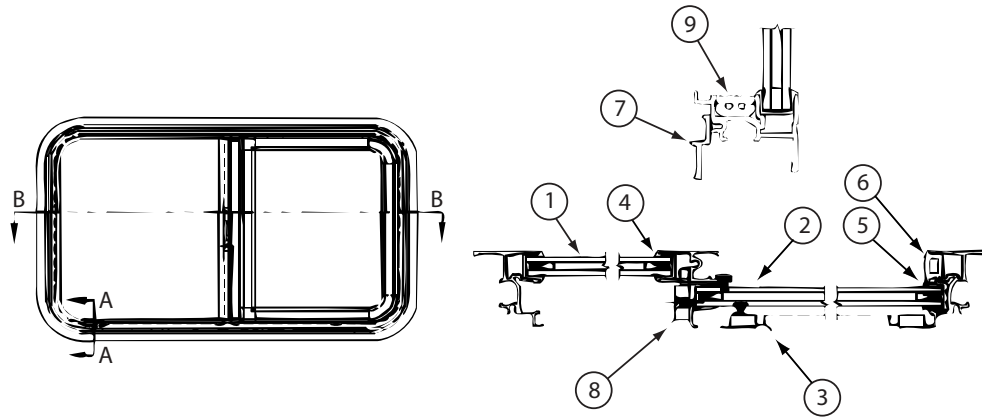




152882-01-01A (CONTINUED)

KEY	PART NUMBER	U/M	DESCRIPTION
1	152882-01-700	EA	GLAZING DOME - W/O ASM PARTS
5	152882-01-707	EA	HINGE W/FIXINGS
10	152882-01-712	EA	CONNECTION PLATES
15	152882-01-708	EA	SPRING F/OPERATING BAR
20	152882-01-709	EA	OPERATING BAR

VENDOR NO.
BG1512
BG1513
BG1514
BG1515
BG1516



164922-24-01A/03A, 164922-46-01A

KEY	PART NUMBER	U/M	DESCRIPTION	VENDOR NO.
1	098647-67-701	EA	GLASS - STATIONARY	096-029585
2	098647-74-700	EA	GLASS-SLIDING W/SASH & LATCH	H493C8
3	098647-47-702	EA	SCREEN ASM - W/SEALS & CLIPS	410-025226
4	098644-01-705	FT	GLAZING - STRIP	132-010231
5	098644-01-708	FT	CHANNEL - RUN PIERCED	122-016543
6	098644-01-716	FT	PLUG - FILLER	132-014470
7	098647-47-704	EA	RETAINER - TRIM	H493-66
8	098644-01-700	EA	LATCH - REPAIR KIT (BLACK)	B801-CK
8	098647-54-701	EA	LATCH REPAIR KIT (RED)	B081-CK
9	098644-01-719	EA	STOP - SLIDER GLASS	132-014203
	098644-01-706	FT	WEATHERSTRIP-GLASS(FIN SEAL)	171-010668
	098644-01-710	FT	TRACK - SCREEN SPACER	132-017135
	098644-01-711	FT	WEATHERSTRIP-SCRN(FUZZY)BLK	171-017245/016965
	098644-01-717	FT	SPLINE - SCREEN	132-004716
	125582-01-701	EA	CLIP - SCREEN - PLASTIC	130-005153

164922-25-01A

KEY	PART NUMBER	U/M	DESCRIPTION	VENDOR NO.
1	098647-75-700	EA	GLASS - STATIONARY	106-036069
2	098647-75-703	EA	GLASS-SLIDING W/SASH & LATCH	H978G8
3	098647-75-702	EA	SCREEN ASM	410-036071
4	098644-01-705	FT	GLAZING - STRIP	132-010231
5	098644-01-708	FT	CHANNEL - RUN PIERCED	122-016543
6	098644-01-716	FT	PLUG - FILLER	132-014470
7	164922-25-700	EA	RETAINER - TRIM - BLACK	H97866
8	098644-01-700	EA	LATCH - REPAIR KIT (BLACK)	B801-CK
8	098647-54-701	EA	LATCH REPAIR KIT (RED)	B081-CK
9	098644-01-719	EA	STOP - SLIDER GLASS	132-014203
	098644-01-706	FT	WEATHERSTRIP-GLASS(FIN SEAL)	171-010668
	098644-01-710	FT	TRACK - SCREEN SPACER	132-017135
	098644-01-711	FT	WEATHERSTRIP-SCRN(FUZZY)BLK	171-017245/016965
	098644-01-717	FT	SPLINE - SCREEN	132-004716
	125582-01-701	EA	CLIP - SCREEN - PLASTIC	130-005153

164922-25-02A

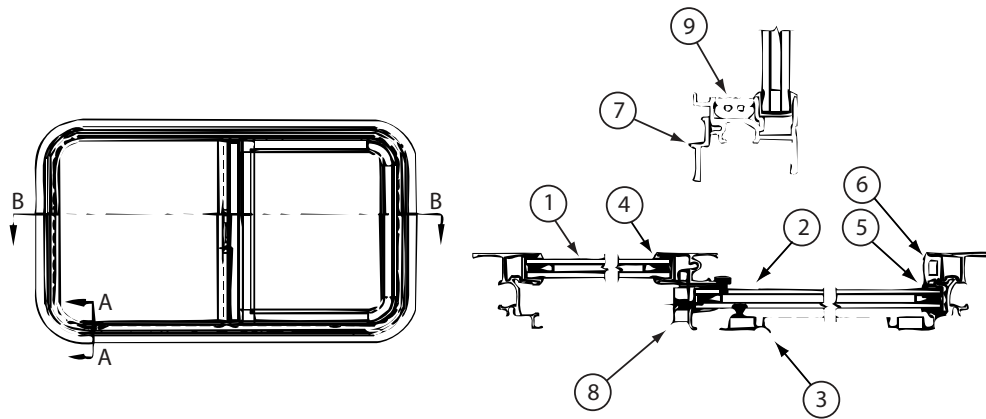
KEY	PART NUMBER	U/M	DESCRIPTION	VENDOR NO.
1	098647-75-700	EA	GLASS - STATIONARY	106-036069
2	098647-75-703	EA	GLASS-SLIDING W/SASH & LATCH	H978G8
3	098647-75-702	EA	SCREEN ASM	410-036071
4	098644-01-705	FT	GLAZING - STRIP	132-010231
5	098644-01-708	FT	CHANNEL - RUN PIERCED	122-016543
6	098644-01-716	FT	PLUG - FILLER	132-014470
7	098647-75-701	EA	RETAINER - TRIM - SILVER	S978-66
8	098644-01-700	EA	LATCH - REPAIR KIT (BLACK)	B801-CK
8	098647-54-701	EA	LATCH REPAIR KIT (RED)	B081-CK
9	098644-01-719	EA	STOP - SLIDER GLASS	132-014203
	098644-01-706	FT	WEATHERSTRIP-GLASS(FIN SEAL)	171-010668
	098644-01-710	FT	TRACK - SCREEN SPACER 12'	132-017135
	098644-01-711	FT	WEATHERSTRIP-SCRN(FUZZY)BLK	171-017245/016965
	098644-01-717	FT	SPLINE - SCREEN	132-004716
	125582-01-701	EA	CLIP - SCREEN - PLASTIC	130-005153

164922-26-01A

KEY	PART NUMBER	U/M	DESCRIPTION	VENDOR NO.
1	098647-76-700	EA	GLASS - STATIONARY	106-036072
2	098647-76-702	EA	COMMON PARTS-SEALS/LATCH-H/S	STRUCTURE-H&S SLIDE
3	098647-23-704	EA	SCREEN ASM - W/SEALS & CLIPS	410-019066
4	098644-01-705	FT	GLAZING - STRIP	132-010231
5	098644-01-708	FT	CHANNEL - RUN PIERCED	122-016543
6	098644-01-716	FT	PLUG - FILLER	132-014470
7	098647-27-704	EA	RETAINER - TRIM	H287-66
8	098644-01-700	EA	LATCH - REPAIR KIT (BLACK)	B801-CK
8	098647-54-701	EA	LATCH REPAIR KIT (RED)	B081-CK
9	098644-01-719	EA	STOP - SLIDER GLASS	132-014203
	098644-01-706	FT	WEATHERSTRIP-GLASS(FIN SEAL)	171-010668
	098644-01-710	FT	TRACK - SCREEN SPACER 12'	132-017135
	098644-01-711	FT	WEATHERSTRIP-SCRN(FUZZY)BLK	171-017245/016965
	098644-01-717	FT	SPLINE - SCREEN	132-004716
	125582-01-701	EA	CLIP - SCREEN - PLASTIC	130-005153

164922-26-02A

KEY	PART NUMBER	U/M	DESCRIPTION	VENDOR NO.
1	098647-76-700	EA	GLASS - STATIONARY	106-036072
2	098647-76-702	EA	COMMON PARTS-SEALS/LATCH-H/S	STRUCTURE-H&S SLIDE
3	098647-23-704	EA	SCREEN ASM - W/SEALS & CLIPS	410-019066
4	098644-01-705	FT	GLAZING - STRIP	132-010231
5	098644-01-708	FT	CHANNEL - RUN PIERCED	122-016543
6	098644-01-716	FT	PLUG - FILLER	132-014470
7	098647-76-701	EA	RETAINER - TRIM	S287-66
8	098644-01-700	EA	LATCH - REPAIR KIT (BLACK)	B801-CK
8	098647-54-701	EA	LATCH REPAIR KIT (RED)	B081-CK
9	098644-01-719	EA	STOP - SLIDER GLASS	132-014203
	098644-01-706	FT	WEATHERSTRIP-GLASS(FIN SEAL)	171-010668
	098644-01-710	FT	TRACK - SCREEN SPACER 12'	132-017135
	098644-01-711	FT	WEATHERSTRIP-SCRN(FUZZY)BLK	171-017245/016965
	098644-01-717	FT	SPLINE - SCREEN	132-004716
	125582-01-701	EA	CLIP - SCREEN - PLASTIC	130-005153



164922-27-01A

KEY	PART NUMBER	U/M	DESCRIPTION	VENDOR NO.
1	098647-77-700	EA	GLASS - STATIONARY	106-036291
2	098647-77-703	EA	GLASS SLIDING W/SASH & LATCH	H996G8
3	098647-78-702	EA	SCREEN ASM	410-036304
4	098644-01-705	FT	GLAZING - STRIP	132-010231
5	098644-01-708	FT	CHANNEL - RUN PIERCED	122-016543
6	098644-01-716	FT	PLUG - FILLER	132-014470
7	098647-78-701	EA	RETAINER - TRIM	H996-66
8	098644-01-700	EA	LATCH - REPAIR KIT (BLACK)	B801-CK
8	098647-54-701	EA	LATCH REPAIR KIT (RED)	B081-CK
9	098644-01-719	EA	STOP - SLIDER GLASS	132-014203
	098644-01-706	FT	WEATHERSTRIP-GLASS(FIN SEAL)	171-010668
	098644-01-710	FT	TRACK - SCREEN SPACER 12'	132-017135
	098644-01-711	FT	WEATHERSTRIP-SCRN(FUZZY)BLK	171-017245/016965
	098644-01-717	FT	SPLINE - SCREEN	132-004716
	125582-01-701	EA	CLIP - SCREEN - PLASTIC	130-005153

164922-27-02A

KEY	PART NUMBER	U/M	DESCRIPTION	VENDOR NO.
1	098647-77-700	EA	GLASS - STATIONARY	106-036291
2	098647-77-703	EA	GLASS SLIDING W/SASH & LATCH	H996G8
3	098647-78-702	EA	SCREEN ASM	410-036034
4	098644-01-705	FT	GLAZING - STRIP	132-010231
5	098644-01-708	FT	CHANNEL - RUN PIERCED	122-016543
6	098644-01-716	FT	PLUG - FILLER	132-014470
7	098647-77-701	EA	RETAINER - TRIM	S996-66
8	098644-01-700	EA	LATCH - REPAIR KIT (BLACK)	B801-CK
8	098647-54-701	EA	LATCH REPAIR KIT (RED)	B081-CK
9	098644-01-719	EA	STOP - SLIDER GLASS	132-014203
	098644-01-706	FT	WEATHERSTRIP-GLASS(FIN SEAL)	171-010668
	098644-01-710	FT	TRACK - SCREEN SPACER 12'	132-017135
	098644-01-711	FT	WEATHERSTRIP-SCRN(FUZZY)BLK	171-017245/016965
	098644-01-717	FT	SPLINE - SCREEN	132-004716
	125582-01-701	EA	CLIP - SCREEN - PLASTIC	130-005153

KEY PART NUMBER U/M DESCRIPTION
173186-06-705 EA SCREEN ASM

173186-06-01A
VENDOR NO.
SCREEN-50292.62.15R

KEY PART NUMBER U/M DESCRIPTION
173186-07-705 EA SCREEN ASM

173186-07-01A
VENDOR NO.
SCREEN-50293.62.15R

KEY PART NUMBER U/M DESCRIPTION
173186-13-705 EA SCREEN ASM

173186-13-01A
VENDOR NO.
SCREEN-50295.62.15R

KEY PART NUMBER U/M DESCRIPTION
173186-15-700 EA CLAMP RING

173186-15-01A
VENDOR NO.
50298.CR15

KEY PART NUMBER U/M DESCRIPTION
173186-19-705 EA SCREEN ASM

173186-19-01A
VENDOR NO.
SCREEN-50302.62.15R