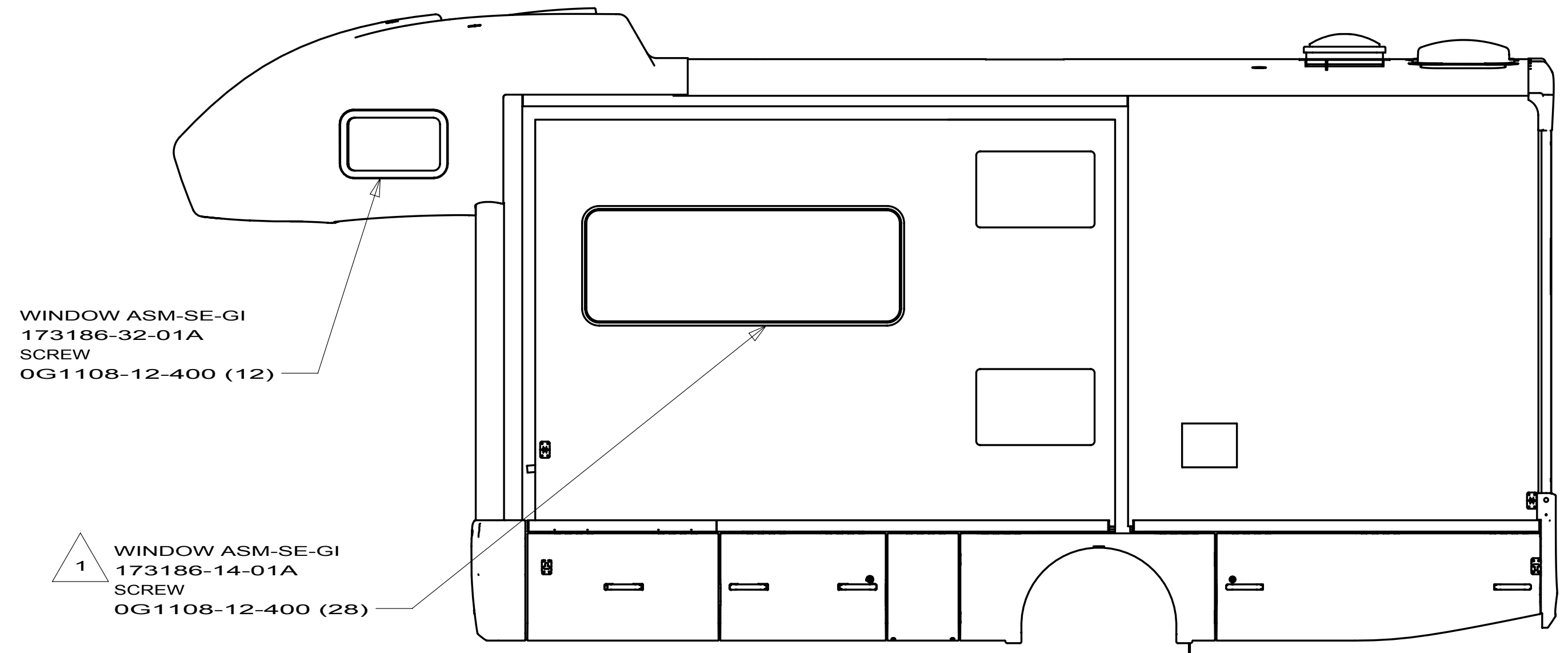


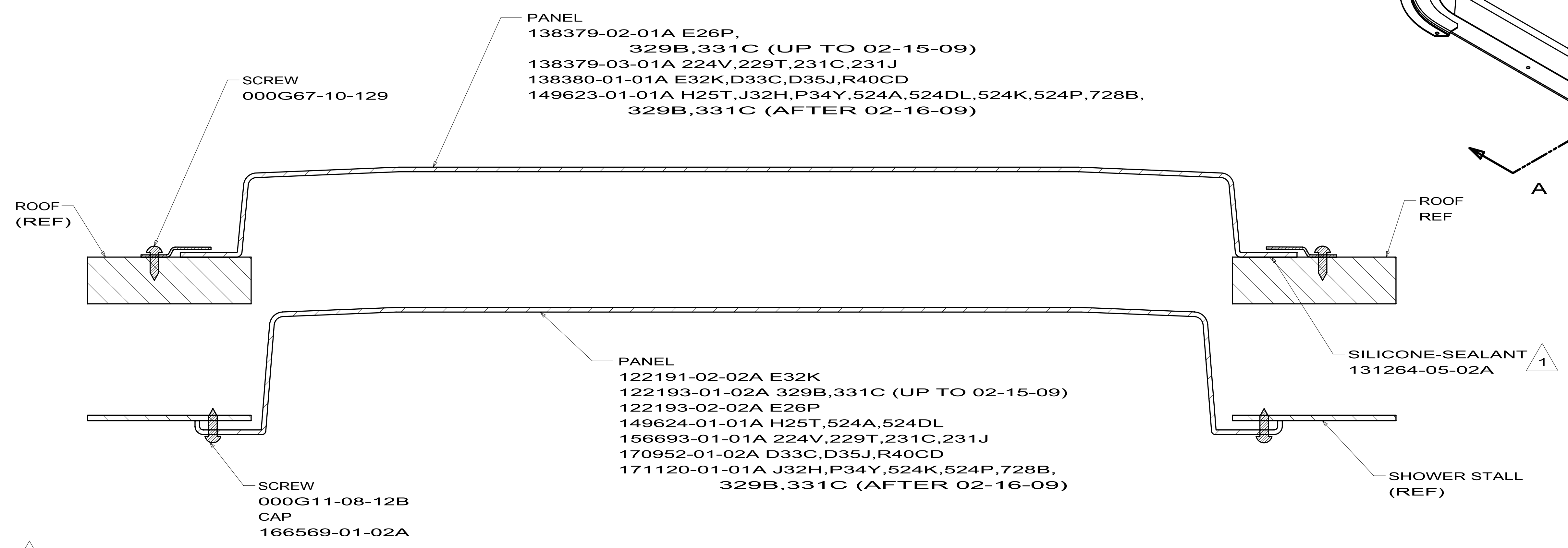
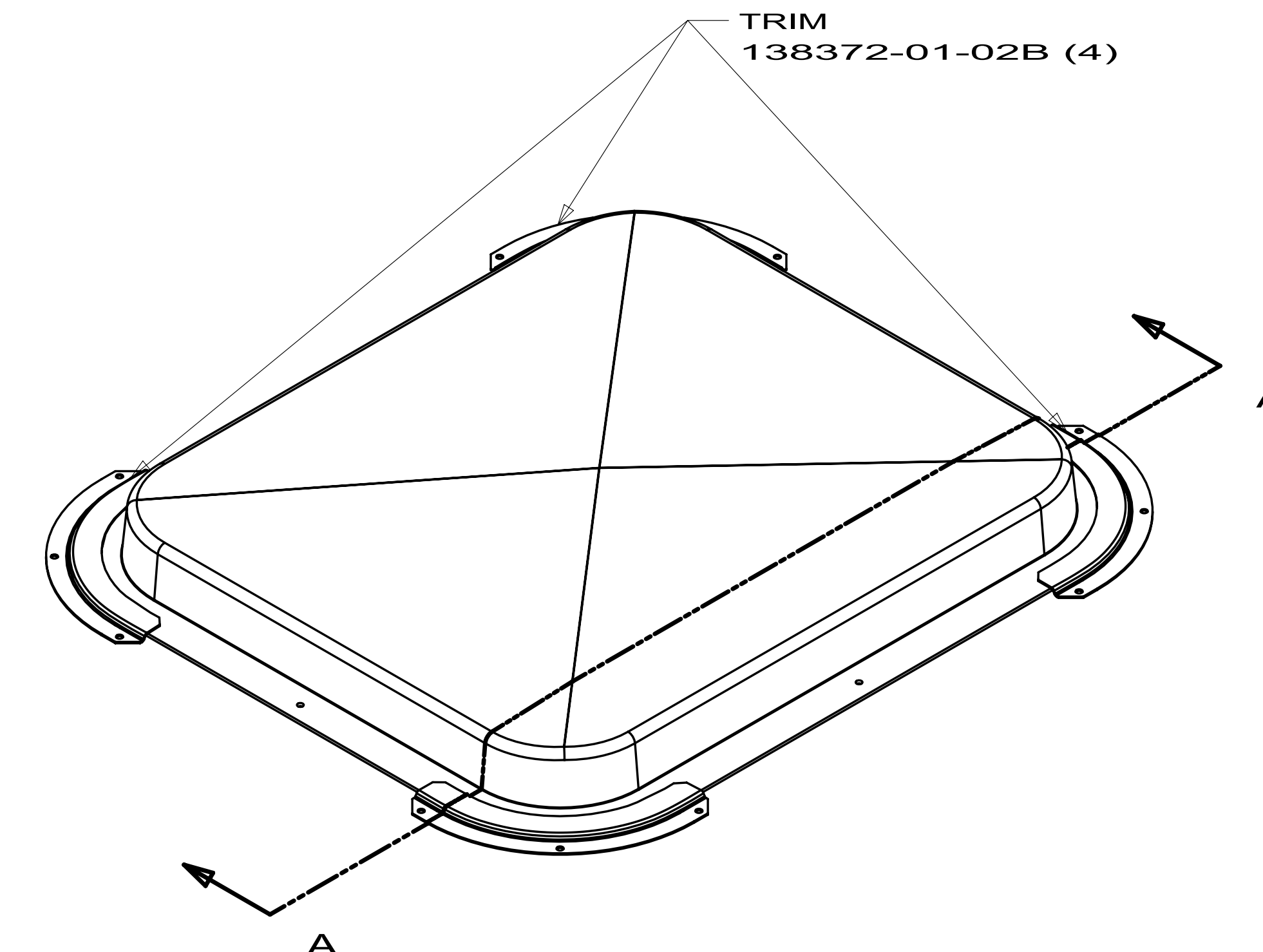
- 094 WINDOWS - SE-GI
- 651 BUNK FRONT OVERHEAD-SINGLE
- 65G WINDOW COACH-SINGLE PANE
- 265 CODES/STANDARDS-CSA/CMVSS
- 1B1 CODES/STANDARDS USA
- 48E POWER VENTILATOR-BATH
- 715 VENT-POWER



NOTES:
1. ESCAPE WINDOW

WINNEBAGO INDUSTRIES		COPYRIGHT 2010 WINNEBAGO INDUSTRIES, INC.	
DTR	ORIG. DATE	ALL DIMENSIONS ARE IN MILLIMETERS	
CHKR		FIRST USED	
P.E.		10 524J	
M.E.		UNSPECIFIED TOLERANCES ARE:	
DSNR		WHOLE DIM (X) : 3	MATERIAL:
		ONE-PLACE (X.X) : 1.5	
		TWO-PLACE (X.XX) : 0.50	
		ANGLE : 1°	
THIRD ANGLE PROJECTION		DO NOT SCALE DRAWING REFER TO ES0018 FOR FASTENER TIGHTENING GUIDELINES	
TITLE: BODY INSTL-WINDOWS & VENTS			
SHEET 1 OF 1	PART NO	173135	REV
REF:	1		

SKYLITE INSTL
080524-11 E26P
080524-12 329B,331C (UP TO 02-15-09)
080524-14 H25T,524A,524DL
080524-15 224V,229T,231C,231J
080524-16 E32K
080524-19 D33C,D35J,R40CD
080524-20 J32H,P34Y,524J,524K,524P,728B,
329B,331C (AFTER 02-16-09)



1. SEALANT APPLIED ALL AROUND CENTER OF FLANGE OR GROOVE.

SECTION A-A

DFTR	ORIG. DATE
CHKR	ALL DIMENSIONS ARE IN MILLIMETERS
P.E.	
M.E.	FIRST USED
DSNR	85 A&C BODY
UNSPECIFIED TOLERANCES ARE:	
WHOLE DIM (X)	:
ONE-PLACE (X.X)	:
TWO-PLACE (X.XX)	:
ANGLE	:
THIRD ANGLE PROJECTION	
DO NOT SCALE DRAWING	
TITLE: SKYLITE INSTL	
SHEET 1 OF 2	PART NO 080524
REF:	1

122882-01-01A

KEY	PART NUMBER	U/M	DESCRIPTION	VENDOR NO.
	064470-01-700	EA	COVER - VENT	J7291
	064470-01-701	EA	SLIDE BAR - VENT LID	JRP1291B
	122882-01-700	EA	HANDLE - CRANK - BLACK	90128
	122882-01-701	EA	SCREEN	JRP-1124-B
	122882-01-702	EA	HANDLE - CRANK - WHITE	JRP1031B
	122882-01-703	EA	SEAL - DOME - 48"	JRP2111B

122882-02-01A, 122882-03-01A

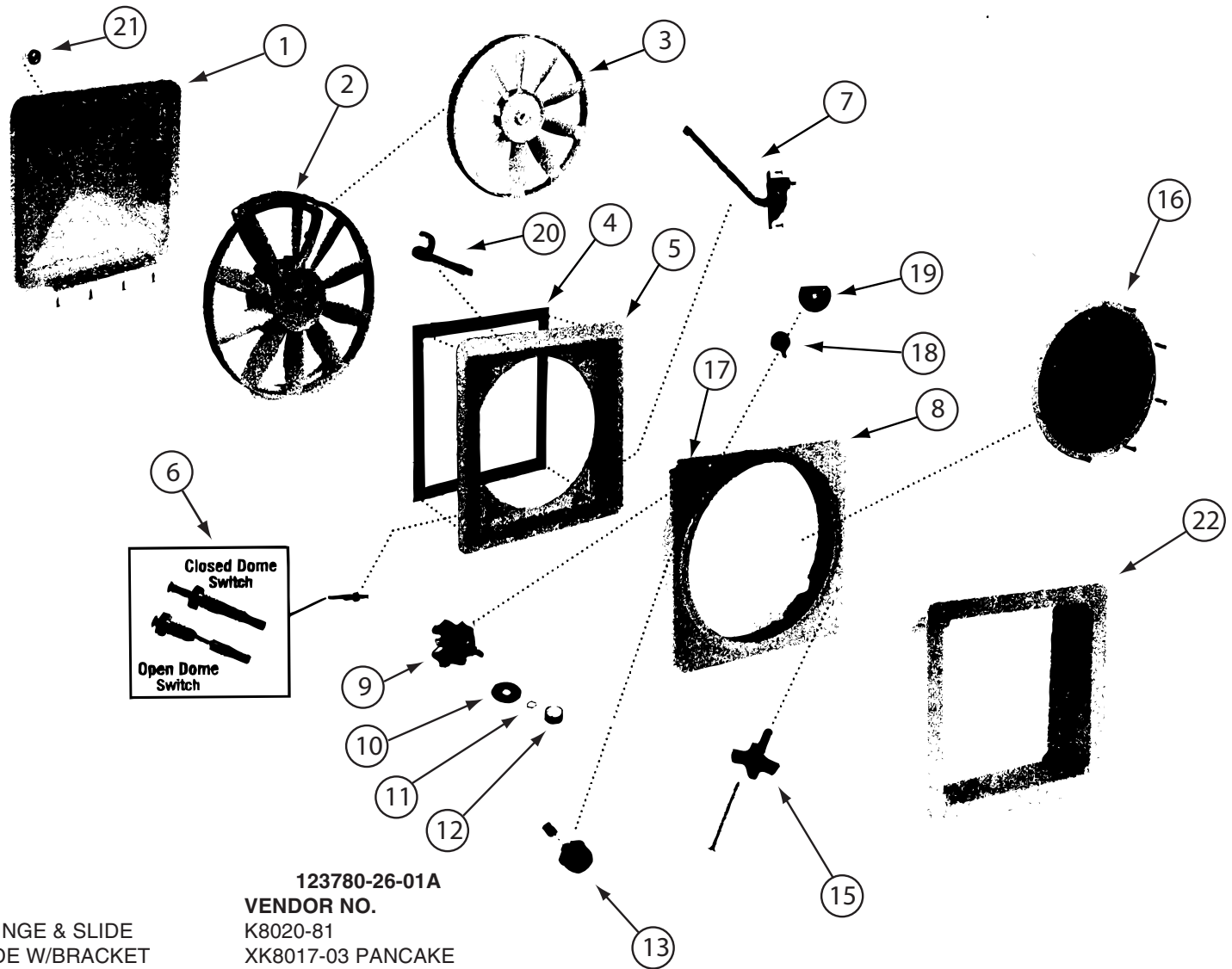
KEY	PART NUMBER	U/M	DESCRIPTION	VENDOR NO.
	064470-01-700	EA	COVER - VENT	J7291
	064470-01-701	EA	SLIDE BAR - VENT LID	JRP1291B
	110051-03-700	EA	SWITCH-BLACK/PUSH BUTTON	27-0164
	122882-01-700	EA	HANDLE - CRANK - BLACK	90128
	122882-01-701	EA	SCREEN	JRP-1124-B
	122882-01-702	EA	HANDLE - CRANK - WHITE	JRP1031B

122882-04-01A

KEY	PART NUMBER	U/M	DESCRIPTION	VENDOR NO.
	064469-03-708	EA	GEAR-DRIVE	RP-1024-.50 PC SIZE
	064470-01-700	EA	COVER - VENT	J7291
	064470-01-701	EA	SLIDE BAR - VENT LID	JRP1291B
	110051-01-705	EA	SCREEN & FRAME F/PWR LIFT 4"	29-689-04A/JRP2180
	110051-07-701	EA	MOTOR-LIFT, W/BRKT-GEAR 3/16	JRP1099B
	122882-01-703	EA	SEAL - DOME - 48"	JRP2111B

122882-05-01A

KEY	PART NUMBER	U/M	DESCRIPTION	VENDOR NO.
	064469-03-708	EA	GEAR-DRIVE	RP-1024-.50 PC SIZE
	064469-03-709	EA	GEAR-PINION F/LIFT MOTOR	RP-1025 - DIME SIZE
	064470-01-700	EA	COVER - VENT	J7291
	064470-01-701	EA	SLIDE BAR - VENT LID	JRP1291B
	110051-01-705	EA	SCREEN & FRAME F/PWR LIFT 4"	29-689-04A/JRP2180
	110051-07-701	EA	MOTOR-LIFT, W/BRKT-GEAR 3/16	JRP1099B
	122882-01-703	EA	SEAL - DOME - 48"	JRP2111B



123780-26-01A

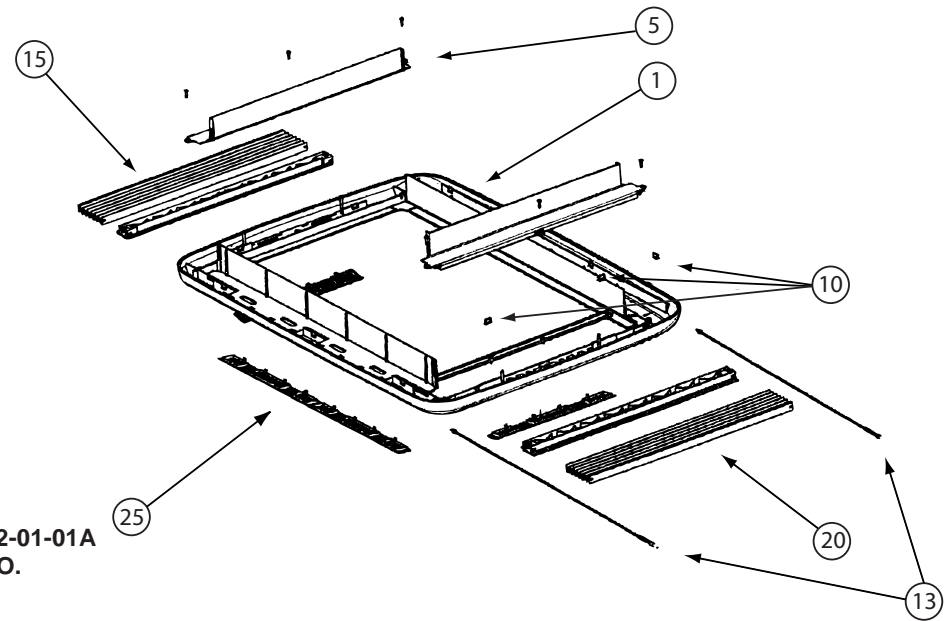
VENDOR NO.

KEY	PART NUMBER	U/M	DESCRIPTION	VENDOR NO.
1	123780-22-700	EA	COVER - VENT W/HINGE & SLIDE	K8020-81
2	123780-26-700	EA	MOTOR & FAN BLADE W/BACKET	XK8017-03 PANCAKE
3	123780-26-701	EA	BLADE/FAN - 12" OPAQUE WHT	8138-81 - 7MM
4	123780-22-701	EA	SEAL/RUBBER-4 1/2' W/GLUE	K1144-09
5	123780-22-702	EA	BASE/MAIN - W/LOCK/SEAL/ARM	XK8010-81 CLAMP STY
6	084079-01-707	EA	SWITCH - SAFETY	1122-05
7	084079-01-702	EA	ARM LIFT ASSEMBLY, MANUAL	101105
9	084079-01-709	EA	SWITCH - MAIN - 3 SPEED	1031-05
13	123780-21-700	EA	FUSE HOLDER W/4AMP FUSE/KNOB	K9018-09 NEW STYLE
15	123780-16-700	EA	KNOB-BLK/AUTOMATIC LIFT MTR	K1140-09
16	123780-21-703	EA	SCREEN - POP N LOCK	2035-81
17	123780-22-704	EA	TRAVEL LOCK ASSEMBLY	4021-09
22	123780-22-705	EA	GARNISH-3 1/2"CLAMP STY-WHT	XK2040-81

CONTACT WINNEBAGO PART SALES FOR UNLISTED COMPONENT(S)

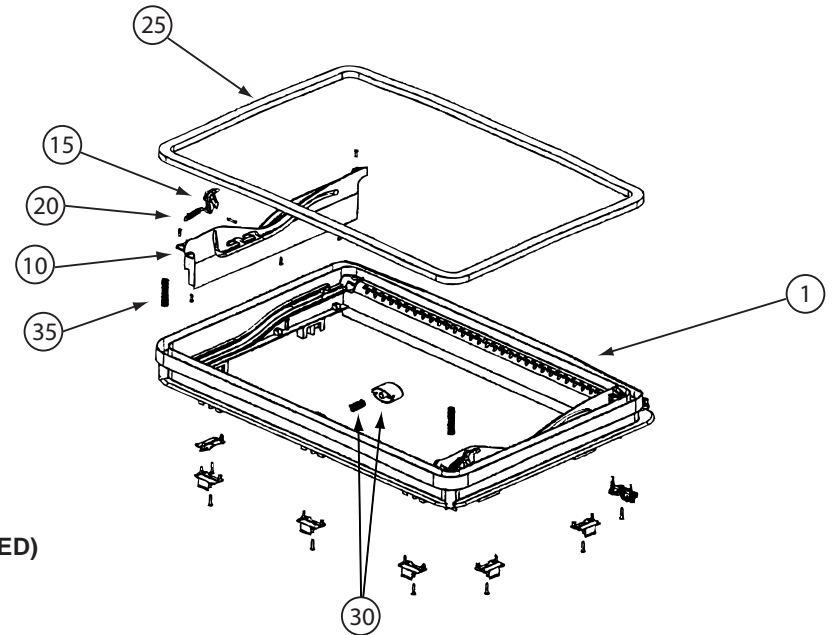
KEY	PART NUMBER	U/M	DESCRIPTION
13	152882-01-703	EA	CORD
15	152882-01-701	EA	FLY NET W/END ROD
20	152882-01-702	EA	DARKENING SYSTEM W/END ROD
25	152882-01-704	EA	VENTILATION GRIDS

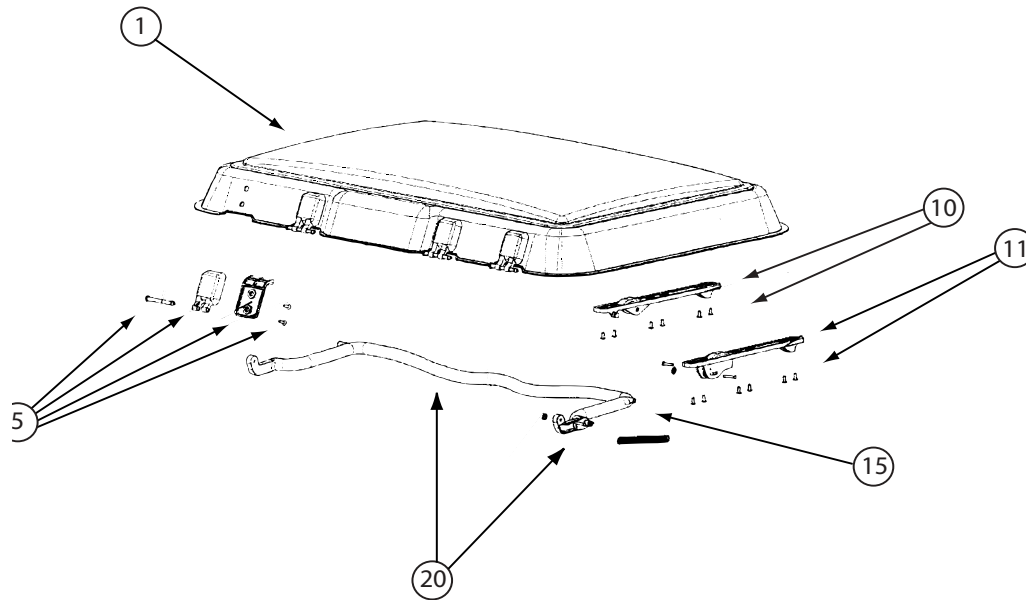
152882-01-01A
VENDOR NO.
 BG1715
 BG1394
 BG1393
 560E35



KEY	PART NUMBER	U/M	DESCRIPTION
15	152882-01-710	EA	HOOK W/ASM.PARTS(1 EA=PKG 2)
20	152882-01-711	EA	SPRING (1 EA = PKG 2)
25	152882-01-705	EA	SEAL
30	152882-01-706	EA	BUTTON W/SPRING

152882-01-01A (CONTINUED)
VENDOR NO.
 BG1519 (LT/RT)
 BG1520 (LT/RT)
 BG1521
 BG1522





152882-01-01A (CONTINUED)

KEY	PART NUMBER	U/M	DESCRIPTION
1	152882-01-700	EA	GLAZING DOME - W/O ASM PARTS
5	152882-01-707	EA	HINGE W/FIXINGS
10	152882-01-712	EA	CONNECTION PLATES
15	152882-01-708	EA	SPRING F/OPERATING BAR
20	152882-01-709	EA	OPERATING BAR

VENDOR NO.
BG1512
BG1513
BG1514
BG1515
BG1516