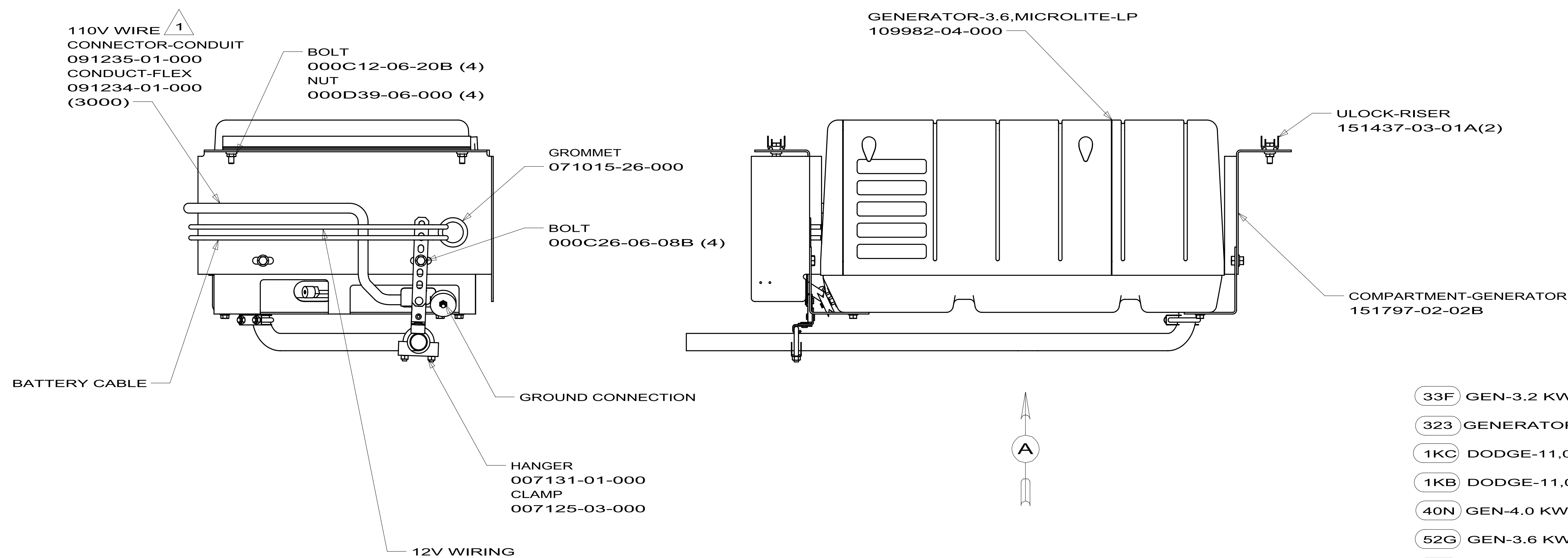


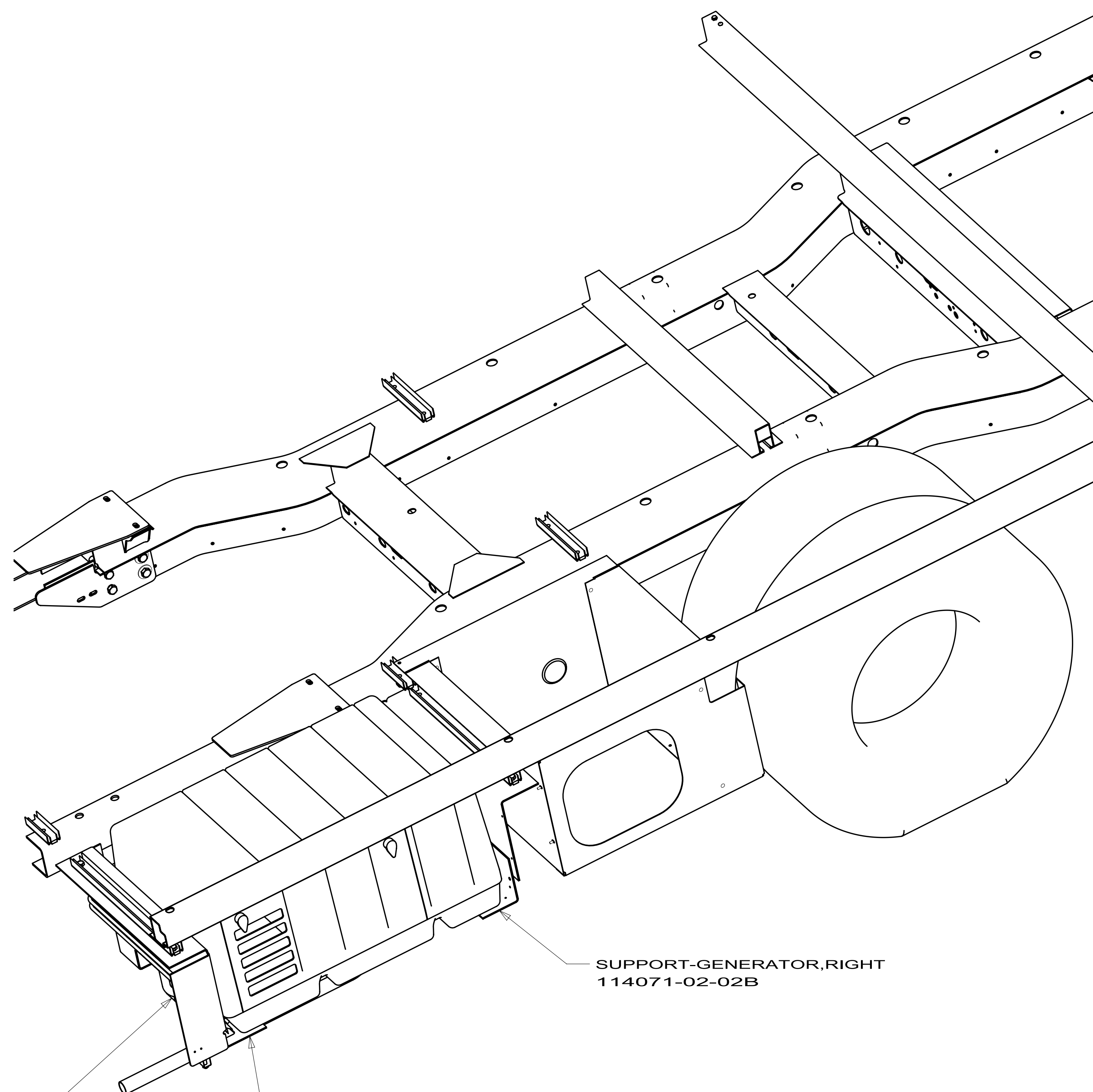
G	S4S5	ADD DIESEL GENERATOR OPTION	04/30/07	7487-7487
H	---	UPDATE FEATURE NOTE CALLOUTS	05/08/07	7487-9613



- (33F) GEN-3.2 KW ONAN DIESEL
- (323) GENERATOR PREP KIT-DIESEL
- (1KC) DODGE-11,030# GVWR,GAS
- (1KB) DODGE-11,030# GVWR,DIESEL
- (40N) GEN-4.0 KW ONAN GAS-MICROQUIET
- (52G) GEN-3.6 KW ONAN LP MICROQUIET
- (321) GENERATOR PREP KIT
- (1A3) GENERATOR WITHOUT

- NOTES:
3. PIPE THREAD FITTINGS TO BE ASSEMBLED WITH SEALANT 084456-01-000.
 2. TORQUE TO 150 IN-LBS.
 1. SEE WIRING INSTL-CHASSIS, WIRING INSTL-BODY AND WIRING DIAGRAM FOR ADDITIONAL INFORMATION.

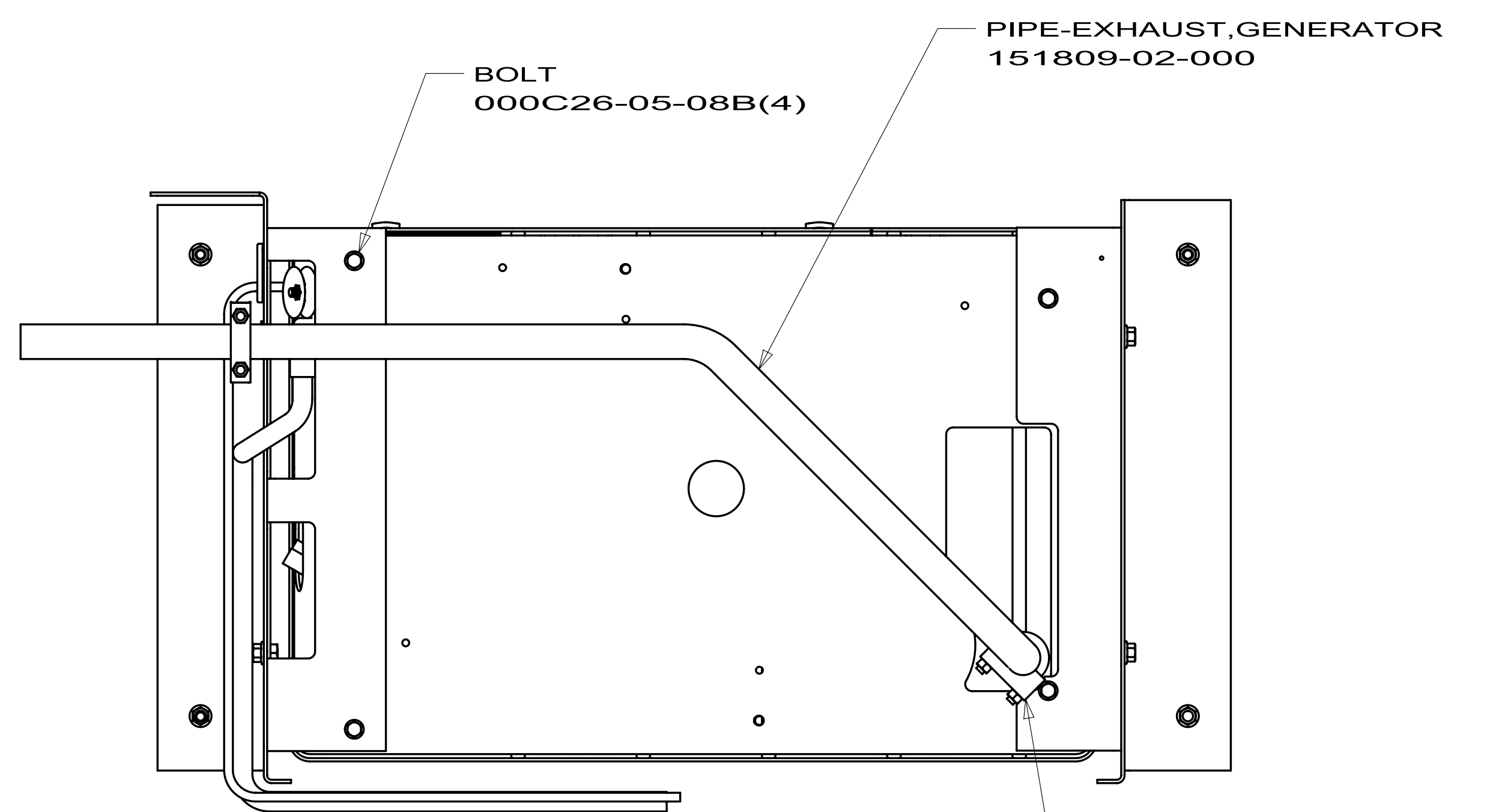
WINNEBAGO INDUSTRIES		COPYRIGHT 2010 WINNEBAGO INDUSTRIES, INC.	
DTR	ORIG. DATE	ALL DIMENSIONS ARE IN MILLIMETERS	
CHKR			
P.E.			
M.E.	FIRST USED		
DSNR		08 523J	
UNSPECIFIED TOLERANCES ARE:		MATERIAL:	
WHOLE DIM (X)	: 3		
ONE-PLACE (X.X)	: 1.5		
TWO-PLACE (X.XX)	: 0.50		
ANGLE	: 1°		
THIRD ANGLE PROJECTION			
DO NOT SCALE DRAWING		REFER TO ES0018 FOR FASTENER TIGHTENING GUIDELINES	
TITLE: GENERATOR INSTL			
SHEET 1 OF 5	PART NO 160297	REV	



PLUG
145609-01-000 (1KB) (1A3)

SUPPORT-GENERATOR,LEFT
114070-02-02B

SUPPORT-GENERATOR,RIGHT
114071-02-02B



BOLT
000C26-05-08B(4)

PIPE-EXHAUST,GENERATOR
151809-02-000

VIEW A

CLAMP ASM-MUFFLER
007125-04-000

2

FIRST USED	08 523J	
TITLE:	DO NOT SCALE DRAWING	
	GENERATOR INSTL	
SHEET 2	PART NO 160297	REV

33F
GENERATOR-3.2KW DIESEL
164592-01-000

33F
ULOCK-RISER
151437-10-01A
BOLT
000C12-06-20B(2)
NUT
000D39-06-00B(2)

33F
ULOCK-RISER
151437-11-01A
BOLT
000C12-06-20B(2)
NUT
000D39-06-20B(2)
WASHER
000E13-20-00B(2)

33F 323
HOSE-5/16
128139-04-000
(5800MM)
FUEL SUPPLY REF

33F 323
HOSE-1/4
128139-03-000
(6400MM)
FUEL RETURN REF

ADAPTER
(GENERATOR SUPPLIED)

33F
ELBOW-BARB X MPT
114253-01-000

127 MIN

ADAPTER
114254-02-000
CAP
165404-01-000

CLAMP-HOSE WORMGEAR
062401-06-000(2)

33F
CLOSEOUT-GENERATOR,DIESEL
165546-01-02B
SCREW
000G39-08-12B(8)

33F
CLAMP-HANGER
007131-01-000
BOLT
000C26-06-12B(2)
NUT
000D39-06-00B(2)

323
PLUG
084884-01-000

33F
BRACKET ASM
165341-01-02B
BOLT
000C12-06-20B(2)
NUT
000D39-06-20B(2)

82

33F
PIPE-EXHAUST,GENERATOR
165532-01-000

33F
PIPE-EXHAUST, GENERATOR
165531-01-000

33F
CLAMP ASM-MUFFLER
7125-03-000

33F
ANGLE-FORMED
158022-05-02B

147

158

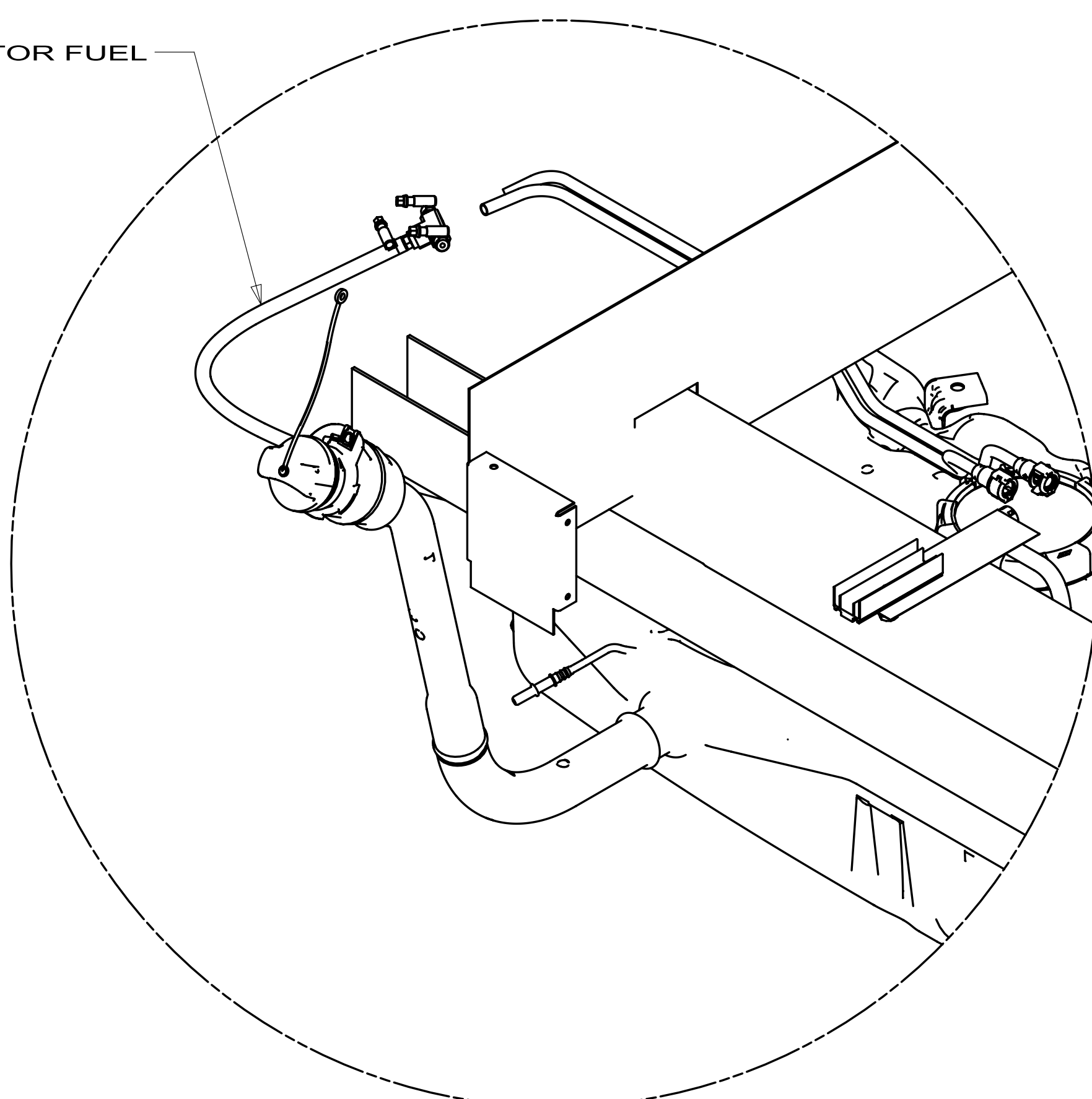
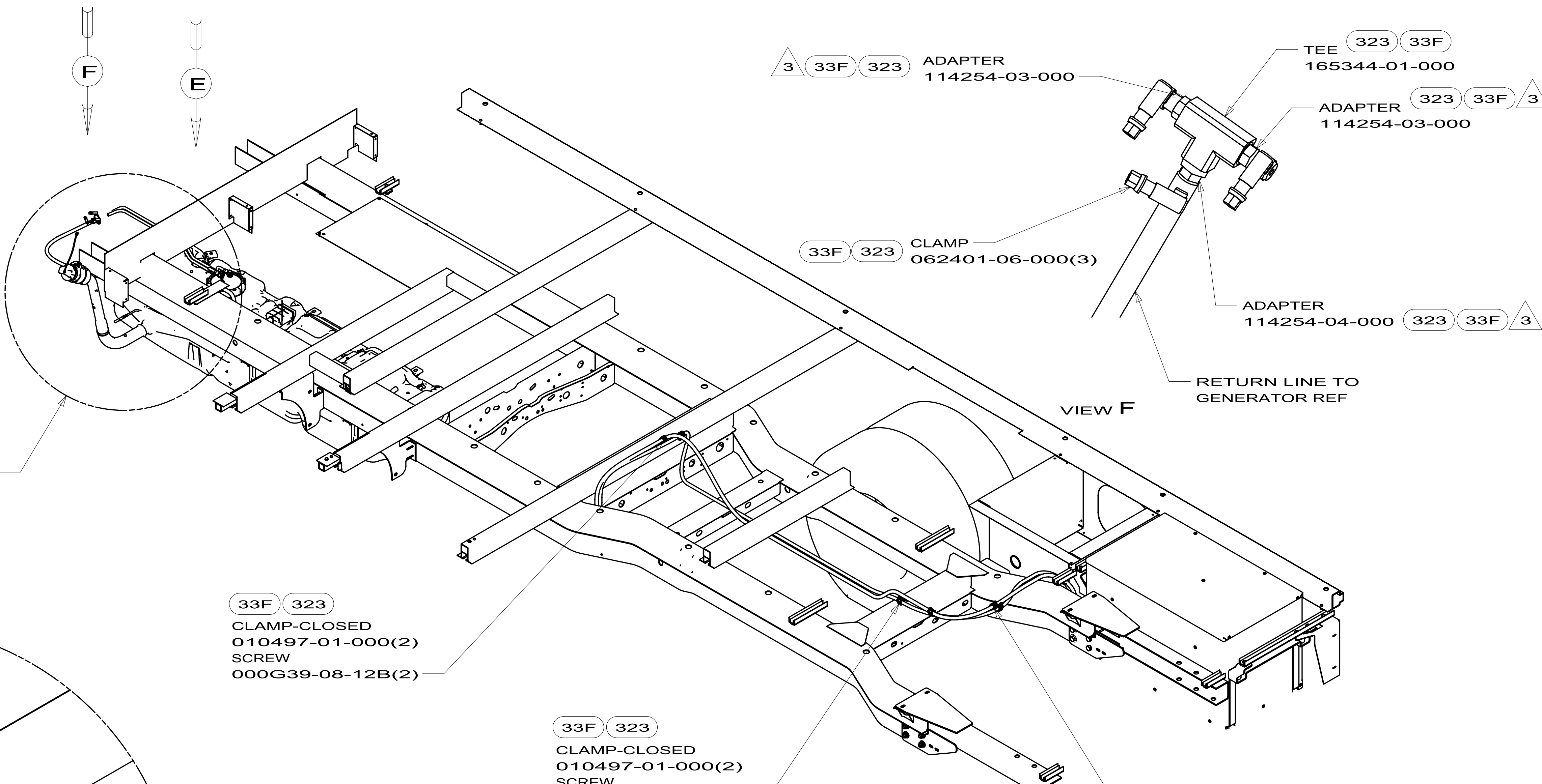
33F
CLAMP ASM-MUFFLER
007125-04-000

33F
CLAMP ASM-MUFFLER
007125-03-000

SPARK ARRESTER
GENERATOR SUPPLIED

CLAMP ASM-MUFFLER
007125-03-000

FIRST USED	08 523J	
TITLE:	DO NOT SCALE DRAWING	
	GENERATOR INSTL	
SHEET 3	PART NO	160297
	REV	



33F 323
CLAMP-CLOSED
010497-01-000(2)
SCREW
000G39-08-12B(2)

33F 323
CLAMP-CLOSED
010497-01-000(2)
SCREW
000G39-08-12B(2)

323 33F
CLAMP-CLOSED
010497-01-000(2)
SCREW
000G39-08-12B(2)

ENGINE FUEL
RETURN CONNECTION

SPLICE RETURN TEE
INTO HOSE FORWARD OF
QUICK CONNECT ON
STEEL LINE NEAR
FLYWHEEL AREA

NOTE RETURN ARROW
IN THIS AREA

BLUE CLIP REF

AUXILLARY FUEL
CONNECTION

GENERATOR FUEL
SUPPLY LINE REF

(PUSH RETAINER TO UNLATCH)
DISCONNECT THEN ADD THE
TEE AND RECONNECT LINE TO
END OF TEE

VIEW E

TEE-FUEL (PUSH ON TO "CLICK")
165342-01-000 323 33F
CLAMP
062401-06-000 323 33F

FIRST USED	08 523J	
DO NOT SCALE DRAWING		
TITLE:	GENERATOR INSTL	
SHEET 4	PART NO	160297
	REV	