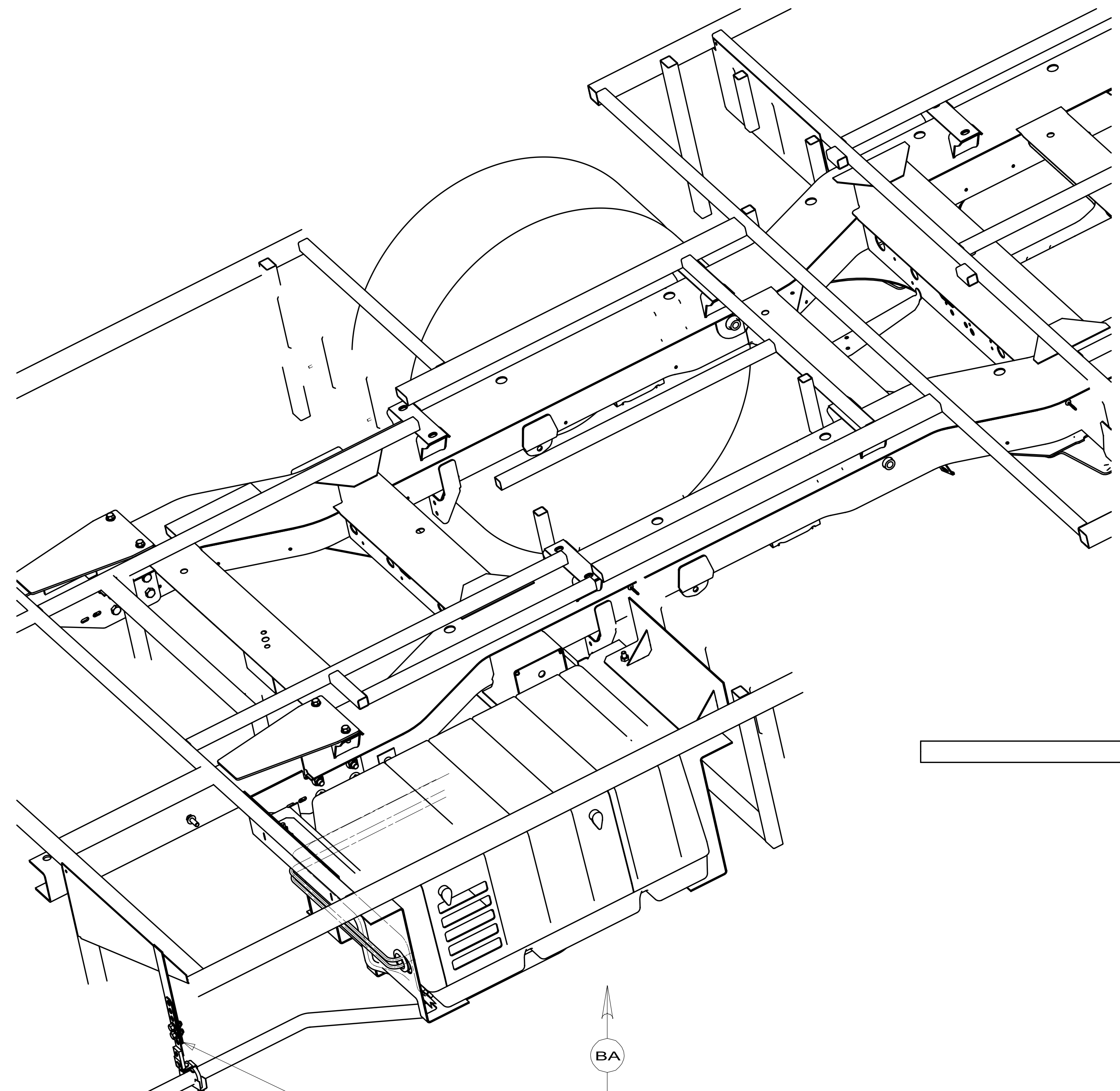


- 33F GEN-3.2 KW ONAN DIESEL
- 52G GEN-3.6KW ONAN LP MICROQUIET
- 323 GENERATOR PREP KIT - DIESEL

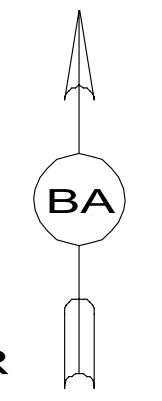
- 5. USED ON 524DL.
- 4. USED ON 524CL.
- 3. PIPE THREAD FITTINGS TO BE ASSEMBLED WITH SEALANT 084456-01-000.
- 2. TORQUE TO 150 IN-LBS.
- 1. SEE WIRING INSTL-CHASSIS, WIRING INSTL-BODY AND WIRING DIAGRAM FOR ADDITIONAL INFORMATION.

NOTES:

		COPYRIGHT 2009 WINNEBAGO INDUSTRIES, INC.	
DTR	ORIG. DATE	ALL DIMENSIONS ARE IN MILLIMETERS	
CHKR			
P.E.			
M.E.	FIRST USED	08 524CL	
DSNR			
UNSPECIFIED TOLERANCES ARE:		MATERIAL:	
WHOLE DIM (X)	: 3		
ONE-PLACE (X.X)	: 1.5		
TWO-PLACE (X.XX)	: 0.50		
ANGLE	: 1°		
THIRD ANGLE PROJECTION			
DO NOT SCALE DRAWING			
TITLE: GENERATOR INSTL			
SHEET 1 OF 4	PART NO	164334	REV
REF:	1	10/5/2009	



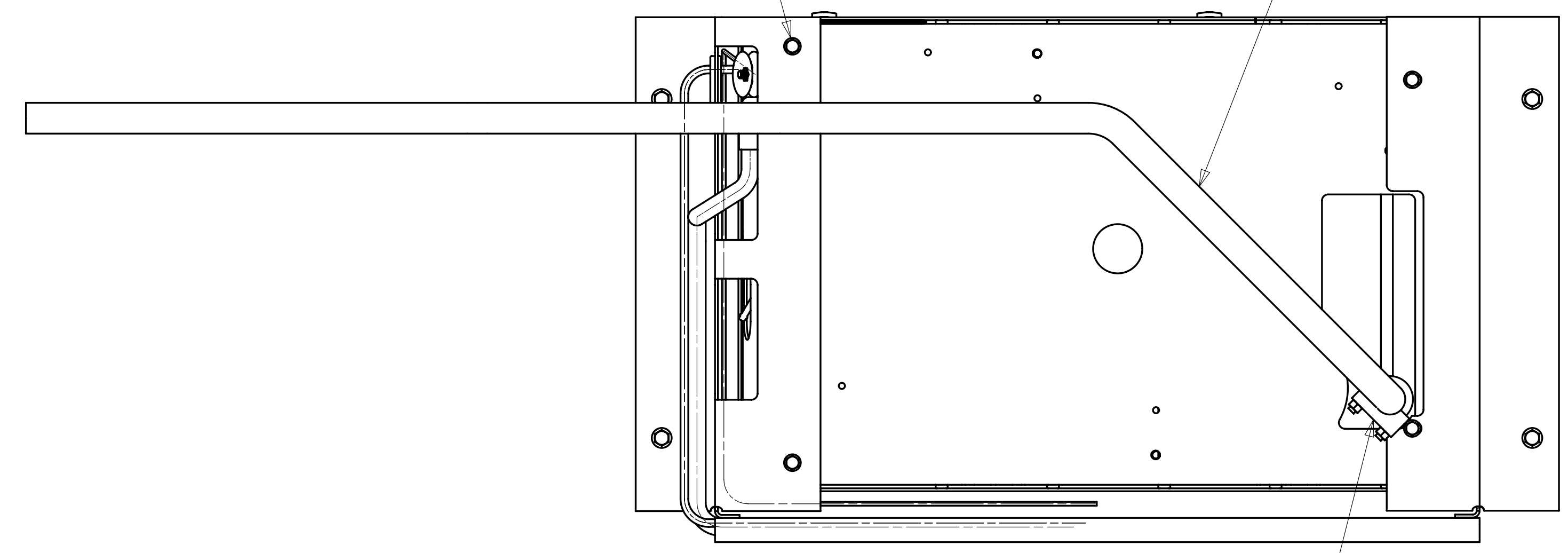
CLAMP ASM-MUFFLER  
 07125-03-000  
 HANGER  
 007131-01-000  
 BOLT  
 C26-06-12U(2)  
 NUT  
 D39-06-00U(2)



52G

52G BOLT  
 C26-05-08U(4)

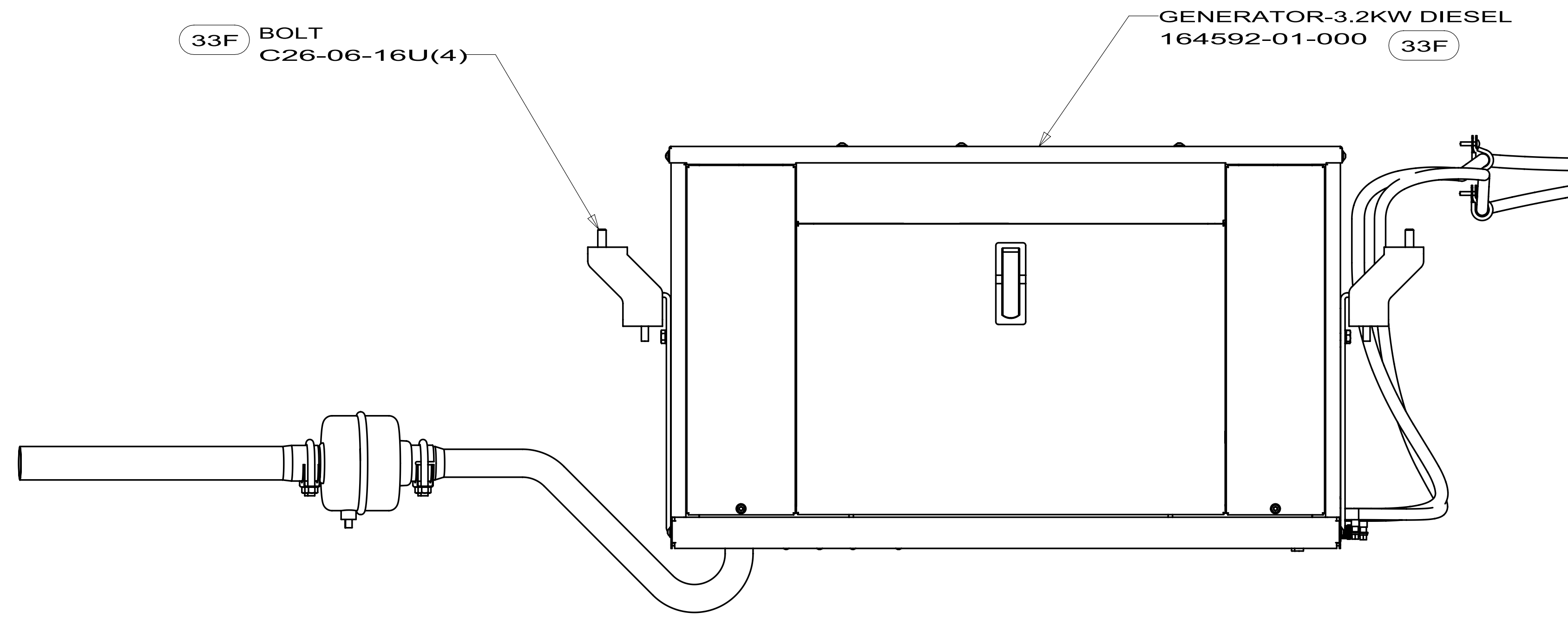
PIPE-EXHAUST,GENERATOR  
 151809-03-000 52G



2 CLAMP ASM-MUFFLER  
 52G 7125-04-000

VIEW BA

FIRST USED	08 524CL	
TITLE:	DO NOT SCALE DRAWING	
	GENERATOR INSTL	
SHEET 2	PART NO	164334
	REV	



323 HOSE-5/16  
128139-04-000  
(5800MM)  
FUEL SUPPLY REF

323 HOSE-1/4  
128139-03-000  
(6400MM)  
FUEL RETURN REF

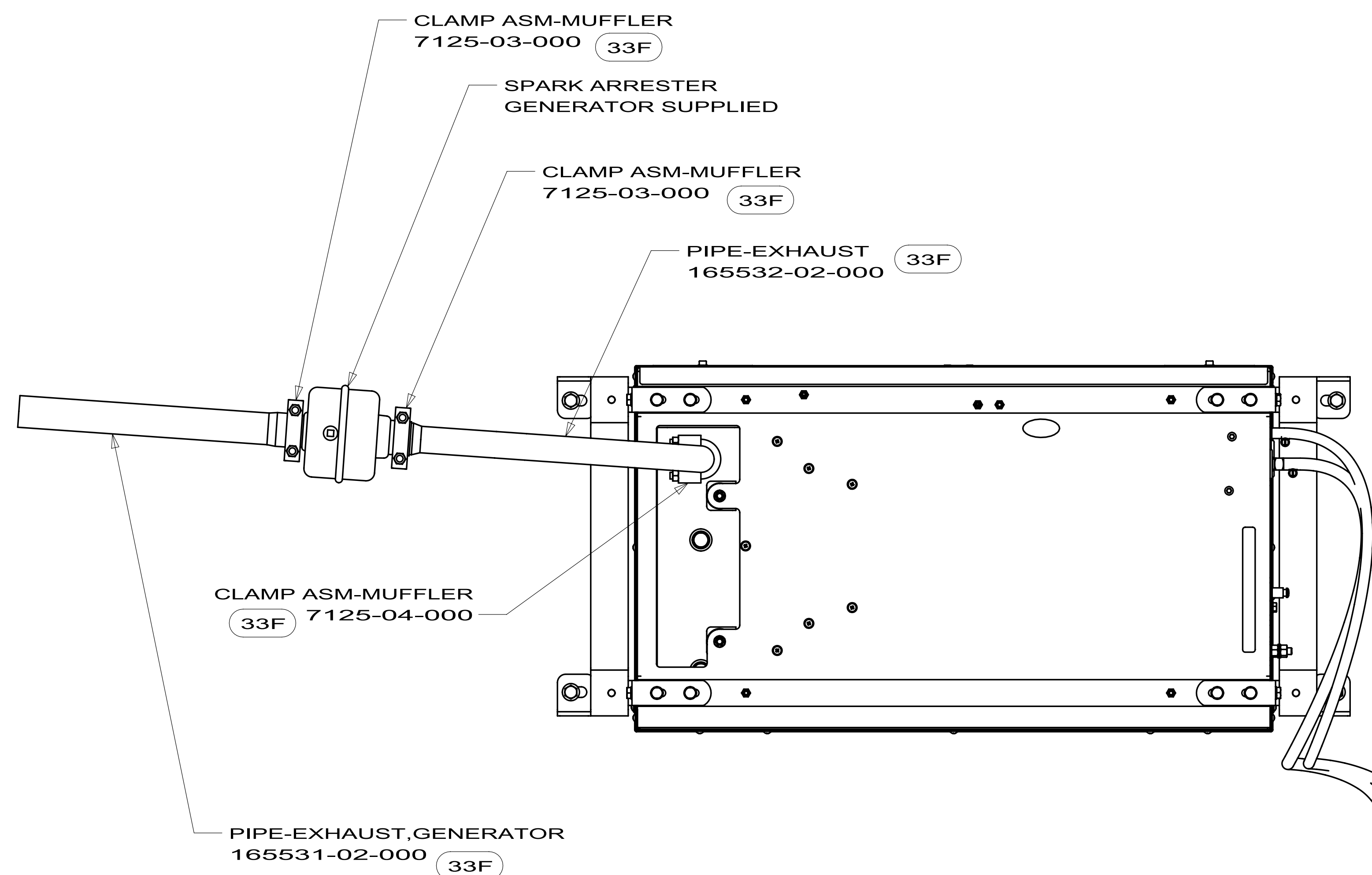
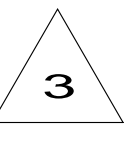
ADAPTER  
(GENERATOR SUPPLIED)

323 PLUG  
84884-01-000

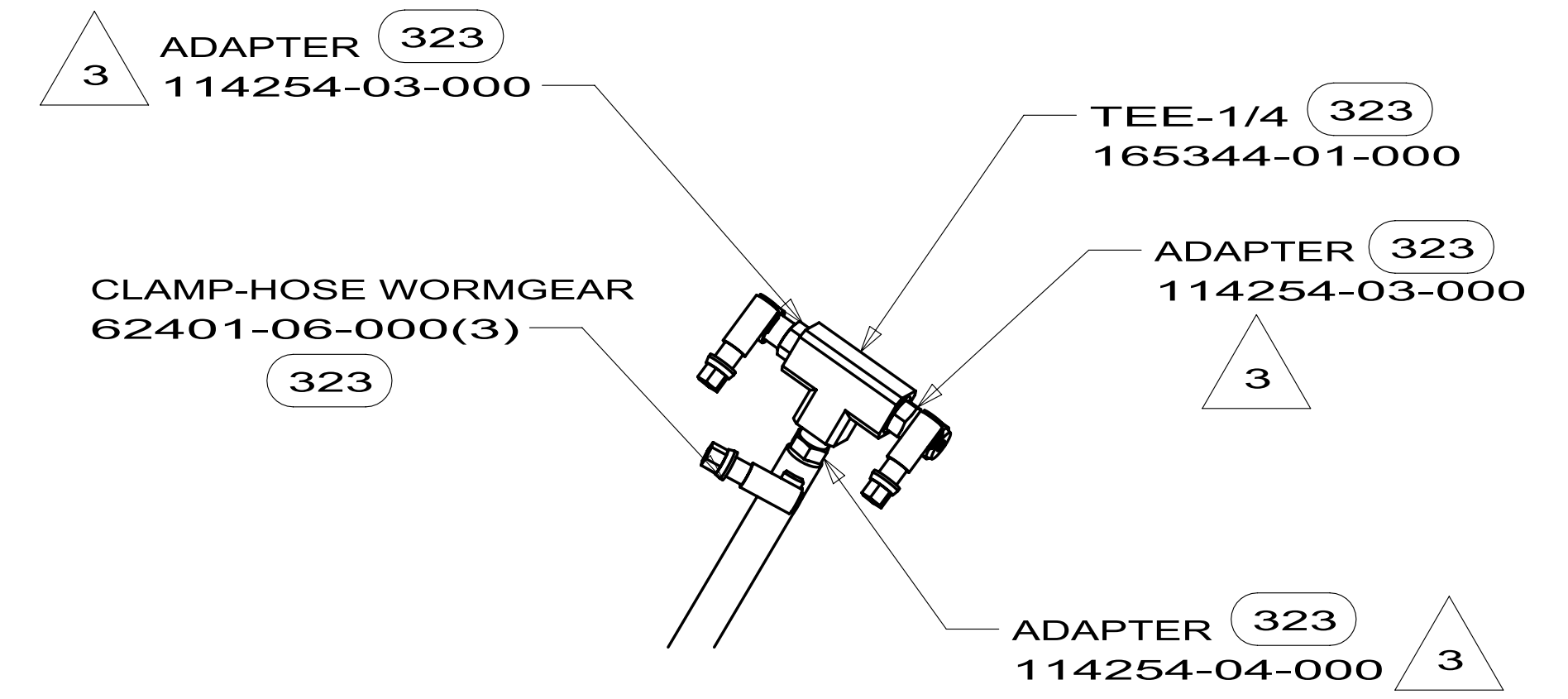
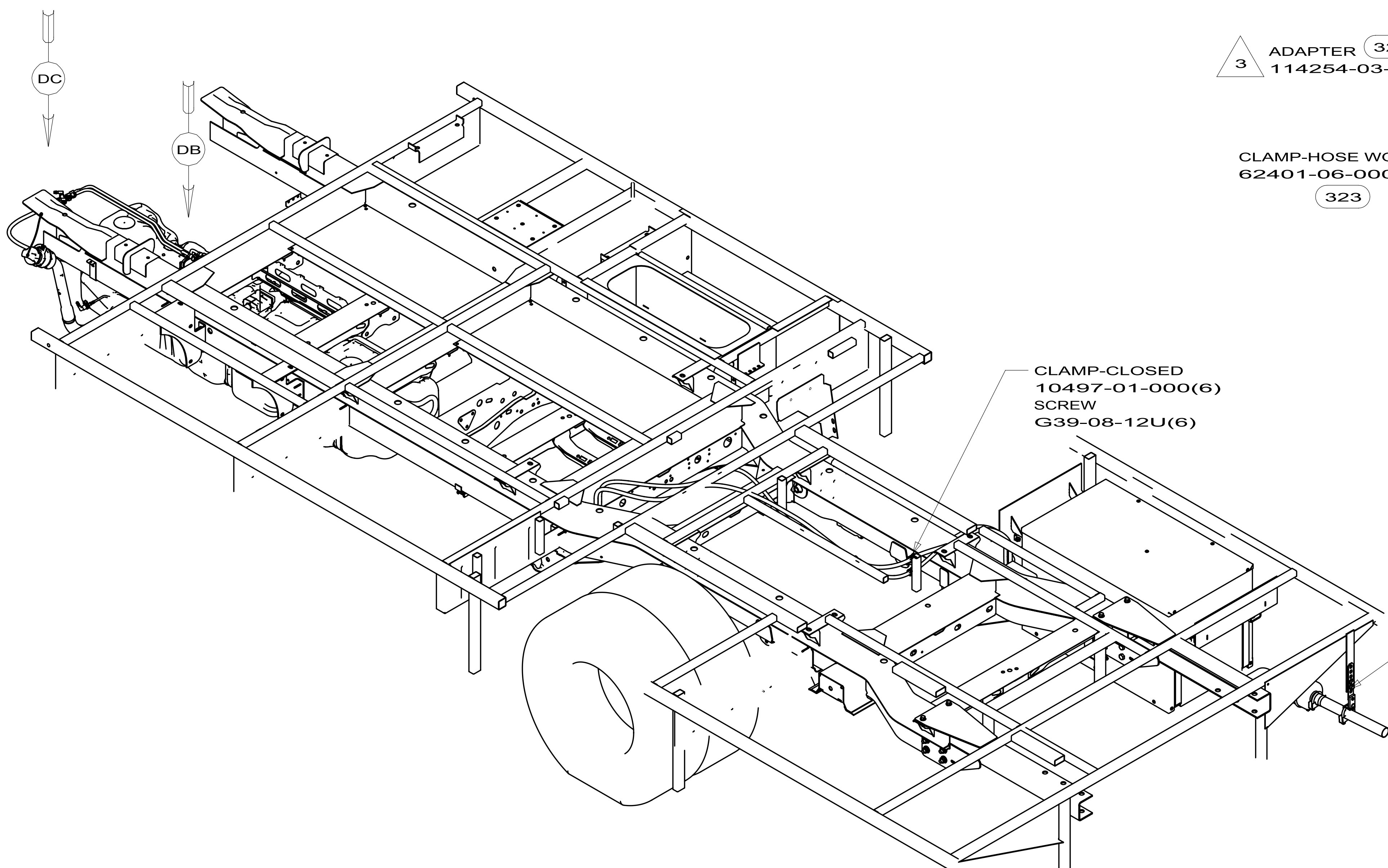
33F ELBOW-BARB X MPT  
114253-04-000

ADAPTER  
114254-02-000  
CAP  
165404-01-000

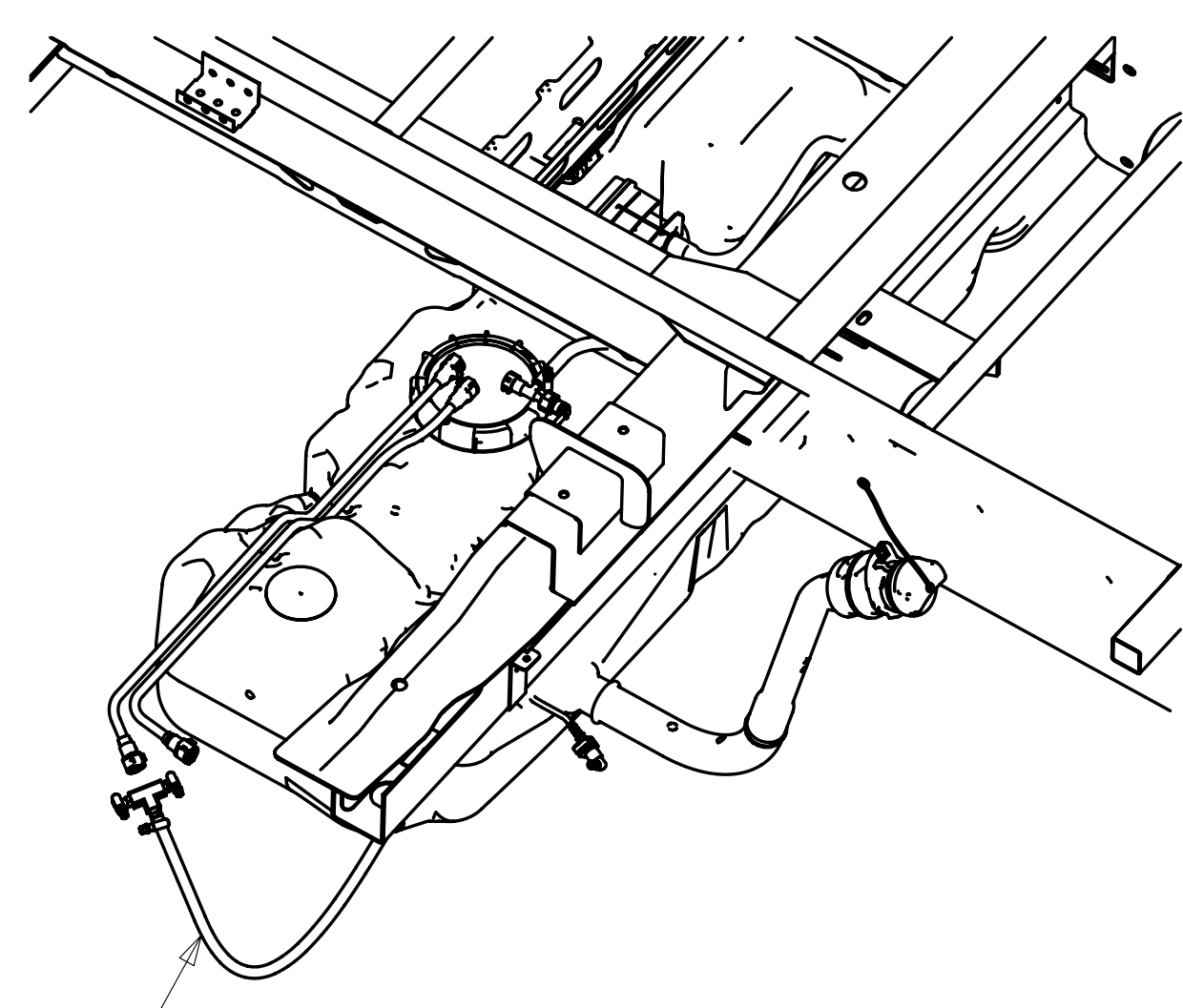
CLAMP-HOSE WORMGEAR  
62401-06-000(2)



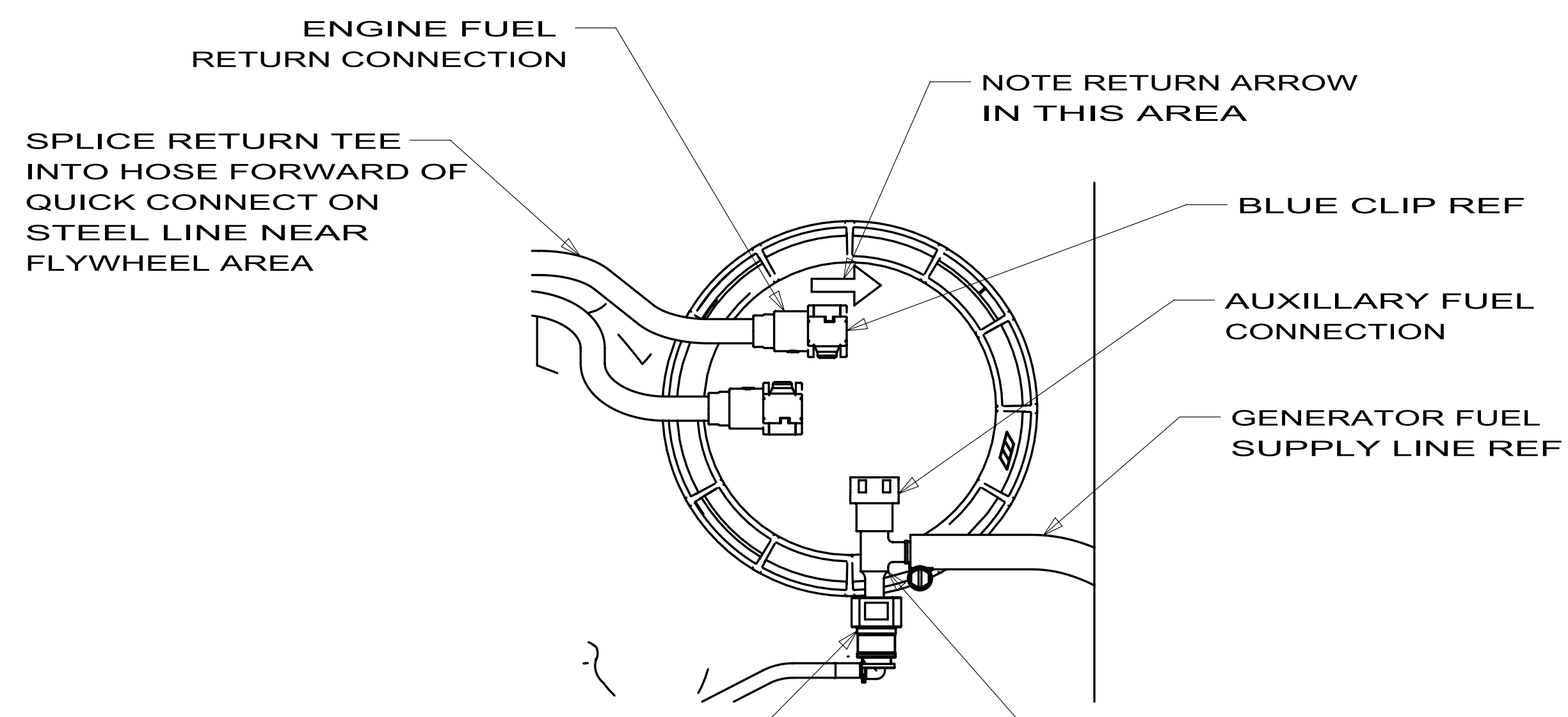
FIRST USED	08 524CL	
TITLE:	DO NOT SCALE DRAWING	
	GENERATOR INSTL	
SHEET 3	PART NO 164334	REV



VIEW DC



VIEW DA



VIEW DB

SPLICE RETURN TEE INTO HOSE FORWARD OF QUICK CONNECT ON STEEL LINE NEAR FLYWHEEL AREA

(PUSH RETAINER TO UNLATCH) DISCONNECT THEN ADD THE TEE AND RECONNECT LINE TO END OF TEE

FIRST USED	08 524CL	
TITLE:	DO NOT SCALE DRAWING	
	GENERATOR INSTL	
SHEET 4	PART NO 164334	REV