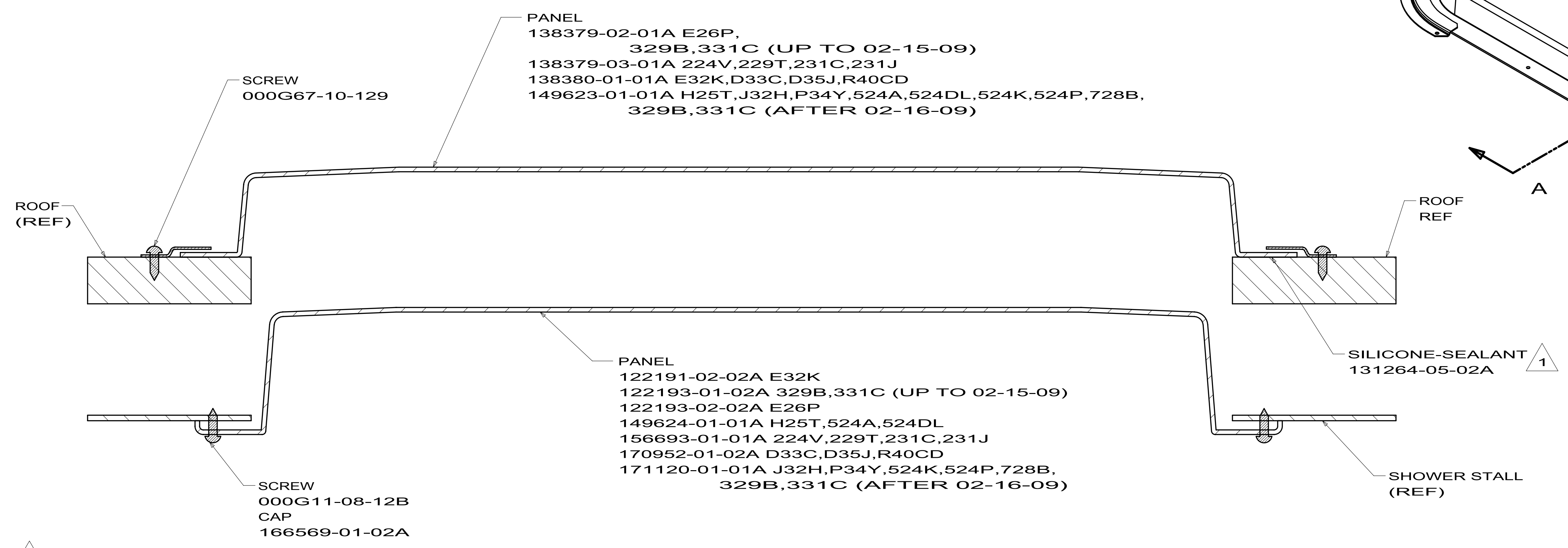
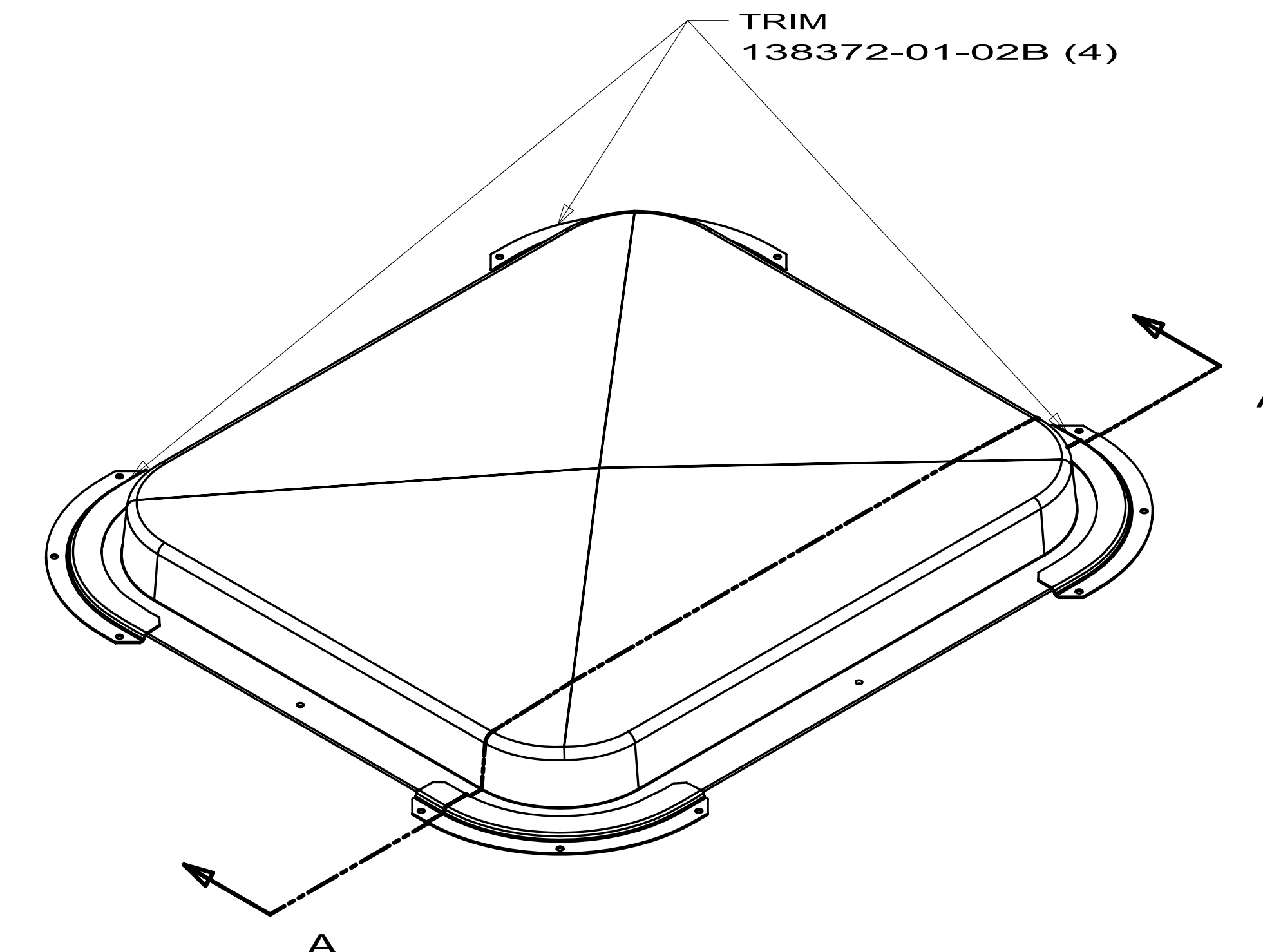


- 094 WINDOWS - SE-GI
- 651 BUNK FRONT OVERHEAD-SINGLE
- 265 CODES/STANDARDS-CSA/CMVSS
- 1B1 CODES/STANDARDS USA
- 48E POWER VENTILATOR-BATH
- 715 VENT-POWER

<b>WINNEBAGO</b> INDUSTRIES		COPYRIGHT 2010 WINNEBAGO INDUSTRIES, INC.	
DFT-ORIG	ORIG. DATE	ALL DIMENSIONS ARE IN MILLIMETERS	
CHR		FIRST USED	
P.E.		10 524A	
M.E.			
DSNR			
UNSPECIFIED TOLERANCES ARE:		MATERIAL:	
WHOLE DIM (X)	: 3		
ONE-PLACE (X.X)	: 1.5		
TWO-PLACE (X.XX)	: 0.50		
ANGLE	: 1°		
THIRD ANGLE PROJECTION			
DO NOT SCALE DRAWING		REFER TO ES0018 FOR FASTENER TIGHTENING GUIDELINES	
TITLE: <b>BODY INSTL-WINDOWS &amp; VENTS</b>			
SHEET 1 OF 1	PART NO	173069	REV
REF:	1		

NOTES:  
1. ESCAPE WINDOW

**SKYLITE INSTL**  
**080524-11 E26P**  
**080524-12 329B,331C (UP TO 02-15-09)**  
**080524-14 H25T,524A,524DL**  
**080524-15 224V,229T,231C,231J**  
**080524-16 E32K**  
**080524-19 D33C,D35J,R40CD**  
**080524-20 J32H,P34Y,524K,524P,728B,**  
**329B,331C (AFTER 02-16-09)**



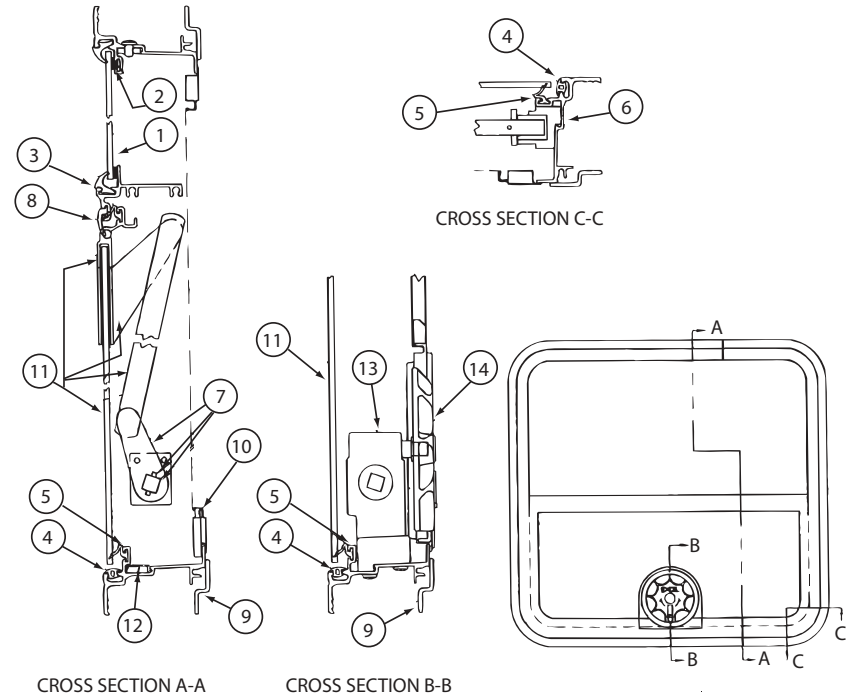
1. SEALANT APPLIED ALL AROUND CENTER OF FLANGE OR GROOVE.

SECTION A-A

UNSPECIFIED TOLERANCES ARE:	MATERIAL:
WHOLE DIM (X) :	85 A&C BODY
ONE-PLACE (X.X) :	
TWO-PLACE (X.XX) :	
ANGLE :	
THIRD ANGLE PROJECTION	
DO NOT SCALE DRAWING	
TITLE: SKYLITE INSTL	
SHEET 1 OF 2	PART NO 080524
REF:	1

KEY	PART NUMBER	U/M	DESCRIPTION	VENDOR NO.
1	104691-18-700	EA	GLASS - STATIONARY	106-036333
2	100322-01-704	FT	TAPE-BUTYL	154-025932
3	100322-01-703	FT	VINYL-GLAZING, BUTYL	132-010723
4	116976-01-702	FT	FILLER PLUG	132-016065
5	100322-01-701	FT	SEAL-VENT	122-016071
6	112463-02-707	EA	SUPPORT - TORQUE BAR RH	132-015979
6	112463-02-708	EA	SUPPORT - TORQUE BAR LH	132-015978
7	104691-18-701	EA	OPERATOR & BAR ASSEMBLY	CH118-15
8	100322-01-702	EA	WEATHERSTRIP-HORIZ RAIL-148"	132-019631
9	104691-18-705	EA	RETAINER - TRIM - BLACK	CH118-59
10	104691-18-703	EA	SCREEN ASM - W/SEALS & CLIPS	410-036335
11	104691-18-704	EA	GLASS-TIPOUT - W/HINGE/RAIL	CH118G6
12	108919-01-706	EA	COVER - DRAIN SLOT	132-016064
13	112519-01-702	EA	OPERATOR/TRQ CTR SPRT-4 HOLE	410-016123
14	100322-01-718	EA	HANDLE-DIAL	410-016081

**104691-18-01A**



KEY	PART NUMBER	U/M	DESCRIPTION	VENDOR NO.
1	104691-18-700	EA	GLASS - STATIONARY	106-036333
2	100322-01-704	FT	TAPE-BUTYL	154-025932
3	100322-01-703	FT	VINYL-GLAZING, BUTYL	132-010723
4	116976-01-702	FT	FILLER PLUG	132-016065
5	100322-01-701	FT	SEAL-VENT	122-016071
6	112463-02-707	EA	SUPPORT - TORQUE BAR RH	132-015979
6	112463-02-708	EA	SUPPORT - TORQUE BAR LH	132-015978
7	104691-18-701	EA	OPERATOR & BAR ASSEMBLY	CH118-15
8	100322-01-702	EA	WEATHERSTRIP-HORIZ RAIL-148"	132-019631
9	104691-18-702	EA	RETAINER - TRIM - SILVER	CS118-59
10	104691-18-703	EA	SCREEN ASM - W/SEALS & CLIPS	410-036335
11	104691-18-704	EA	GLASS-TIPOUT - W/HINGE/RAIL	CH118G6
12	108919-01-706	EA	COVER - DRAIN SLOT	132-016064
13	112519-01-702	EA	OPERATOR/TRQ CTR SPRT-4 HOLE	410-016123
14	100322-01-718	EA	HANDLE-DIAL	410-016081

**104691-18-02A**

**122882-01-01A**

<b>KEY</b>	<b>PART NUMBER</b>	<b>U/M</b>	<b>DESCRIPTION</b>	<b>VENDOR NO.</b>
	064470-01-700	EA	COVER - VENT	J7291
	064470-01-701	EA	SLIDE BAR - VENT LID	JRP1291B
	122882-01-700	EA	HANDLE - CRANK - BLACK	90128
	122882-01-701	EA	SCREEN	JRP-1124-B
	122882-01-702	EA	HANDLE - CRANK - WHITE	JRP1031B
	122882-01-703	EA	SEAL - DOME - 48"	JRP2111B

**122882-02-01A, 122882-03-01A**

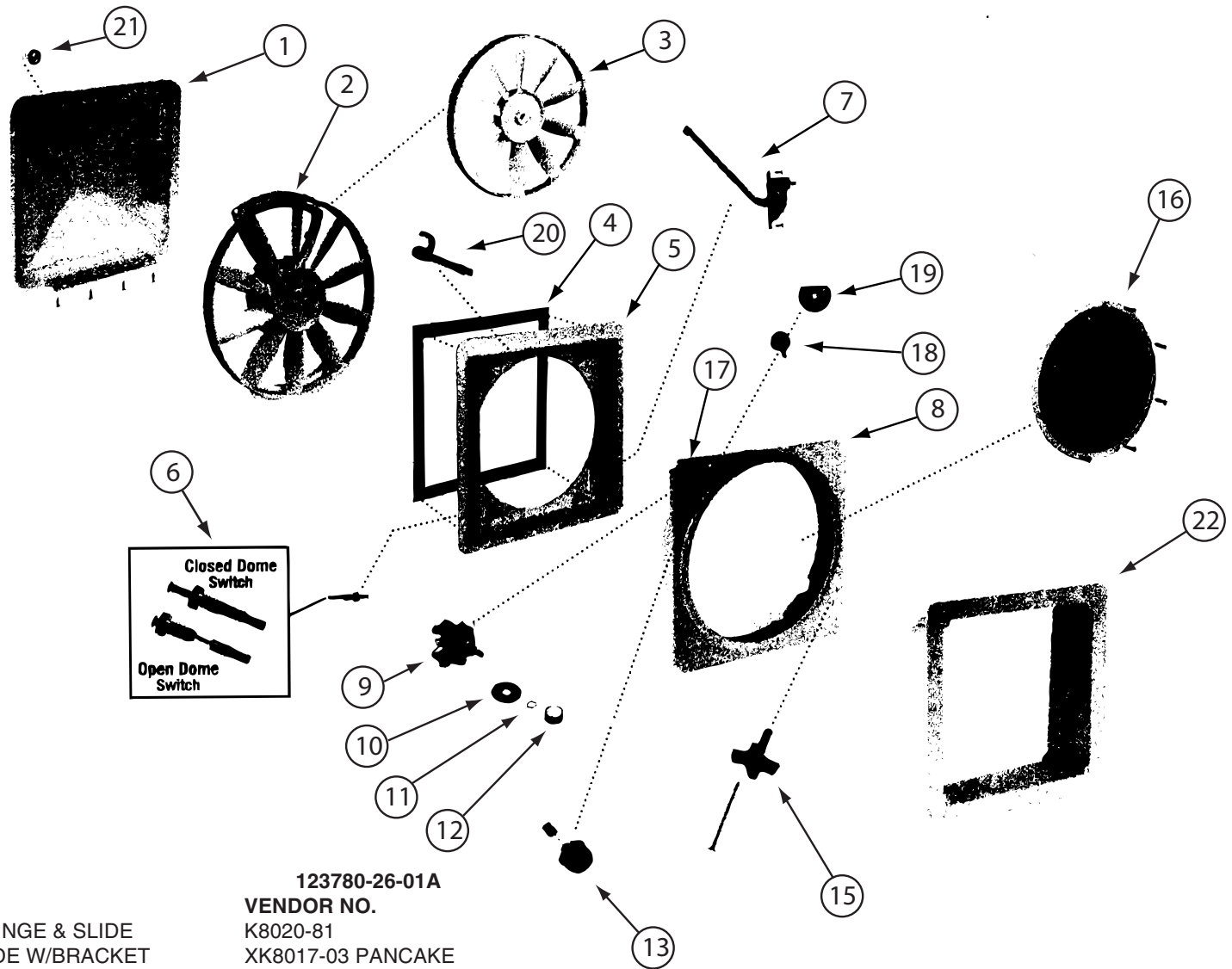
<b>KEY</b>	<b>PART NUMBER</b>	<b>U/M</b>	<b>DESCRIPTION</b>	<b>VENDOR NO.</b>
	064470-01-700	EA	COVER - VENT	J7291
	064470-01-701	EA	SLIDE BAR - VENT LID	JRP1291B
	110051-03-700	EA	SWITCH-BLACK/PUSH BUTTON	27-0164
	122882-01-700	EA	HANDLE - CRANK - BLACK	90128
	122882-01-701	EA	SCREEN	JRP-1124-B
	122882-01-702	EA	HANDLE - CRANK - WHITE	JRP1031B

**122882-04-01A**

<b>KEY</b>	<b>PART NUMBER</b>	<b>U/M</b>	<b>DESCRIPTION</b>	<b>VENDOR NO.</b>
	064469-03-708	EA	GEAR-DRIVE	RP-1024-.50 PC SIZE
	064470-01-700	EA	COVER - VENT	J7291
	064470-01-701	EA	SLIDE BAR - VENT LID	JRP1291B
	110051-07-701	EA	MOTOR-LIFT, W/BRKT-GEAR 3/16	JRP1099B
	122882-04-700	EA	SCREEN	J29-670-01A

**122882-05-01A**

<b>KEY</b>	<b>PART NUMBER</b>	<b>U/M</b>	<b>DESCRIPTION</b>	<b>VENDOR NO.</b>
	064469-03-708	EA	GEAR-DRIVE	RP-1024-.50 PC SIZE
	064469-03-709	EA	GEAR-PINION F/LIFT MOTOR	RP-1025 - DIME SIZE
	064470-01-700	EA	COVER - VENT	J7291
	064470-01-701	EA	SLIDE BAR - VENT LID	JRP1291B
	110051-07-701	EA	MOTOR-LIFT, W/BRKT-GEAR 3/16	JRP1099B
	122882-04-700	EA	SCREEN	J29-670-01A

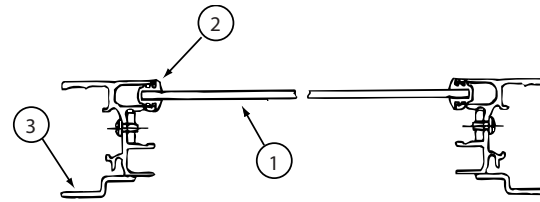


123780-26-01A

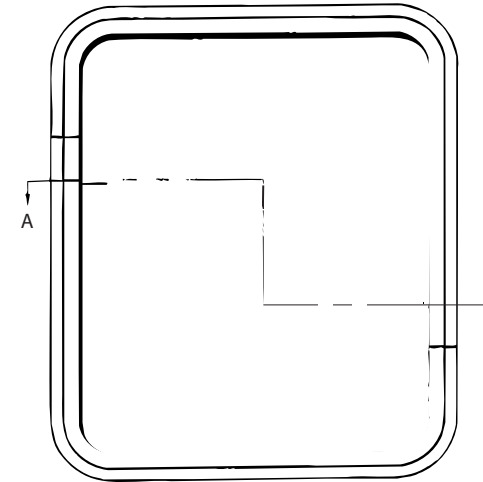
VENDOR NO.

KEY	PART NUMBER	U/M	DESCRIPTION	VENDOR NO.
1	123780-22-700	EA	COVER - VENT W/HINGE & SLIDE	K8020-81
2	123780-26-700	EA	MOTOR & FAN BLADE W/BACKET	XK8017-03 PANCAKE
3	123780-26-701	EA	BLADE/FAN - 12" OPAQUE WHT	8138-81 - 7MM
4	123780-22-701	EA	SEAL/RUBBER-4 1/2' W/GLUE	K1144-09
5	123780-22-702	EA	BASE/MAIN - W/LOCK/SEAL/ARM	XK8010-81 CLAMP STY
6	084079-01-707	EA	SWITCH - SAFETY	1122-05
7	084079-01-702	EA	ARM LIFT ASSEMBLY, MANUAL	101105
9	084079-01-709	EA	SWITCH - MAIN - 3 SPEED	1031-05
13	123780-21-700	EA	FUSE HOLDER W/4AMP FUSE/KNOB	K9018-09 NEW STYLE
15	123780-16-700	EA	KNOB-BLK/AUTOMATIC LIFT MTR	K1140-09
16	123780-21-703	EA	SCREEN - POP N LOCK	2035-81
17	123780-22-704	EA	TRAVEL LOCK ASSEMBLY	4021-09
22	123780-22-705	EA	GARNISH-3 1/2"CLAMP STY-WHT	XK2040-81

CONTACT WINNEBAGO PART SALES FOR UNLISTED COMPONENT(S)



CROSS SECTION A-A



KEY	PART NUMBER	U/M	DESCRIPTION
1	151075-03-700	EA	GLASS - STATIONARY
2	098644-01-705	FT	GLAZING - STRIP
3	1137331-10-701	EA	RETAINER-TRIM

**151075-03-01A**  
**VENDOR NO**  
 106-019887  
 132-010231  
 H416-66

KEY	PART NUMBER	U/M	DESCRIPTION
1	151075-03-700	EA	GLASS - STATIONARY
2	098644-01-705	FT	GLAZING - STRIP
3	151075-03-701	EA	RETAINER - TRIM

**151075-03-02A**  
**VENDOR NO**  
 106-019887  
 132-010231  
 S416-66

**ART NOT YET AVAILABLE**

KEY	PART NUMBER	U/M	DESCRIPTION
1	151075-04-702	EA	GLASS-STATIONARY-SUB ASM
2	116976-01-702	FT	FILLER PLUG
3	100322-01-701	FT	SEAL-VENT
4	151075-01-701	EA	RETAINER - TRIM
5	108929-01-706	EA	COVER - DRAIN SLOT
6	137867-05-707	EA	LOCK/CAM - LEFT
7	137867-05-706	EA	LOCK/CAM - RIGHT

**151075-04-01A**  
**VENDOR NO**  
 H956G8  
 132-016065  
 122-016071  
 H956-53  
 132-016064  
 182-011294  
 182-011293

KEY	PART NUMBER	U/M	DESCRIPTION
1	151075-04-700	EA	GLASS-STATIONARY-SUB ASM
2	116976-01-702	FT	FILLER PLUG
3	100322-01-701	FT	SEAL-VENT
4	151075-04-701	EA	RETAINER - TRIM
5	108929-01-706	EA	COVER - DRAIN SLOT
6	137867-05-707	EA	LOCK/CAM - LEFT
7	137867-05-706	EA	LOCK/CAM - RIGHT

**151075-04-02A**  
**VENDOR NO**  
 S956G9  
 132-016065  
 122-016071  
 S956-53  
 132-016064  
 182-011294  
 182-011293

## ART NOT YET AVAILABLE

### 151075-06-01A

KEY	PART NUMBER	U/M	DESCRIPTION
1	151075-06-700	FT	GLASS - STATIONARY
2	098644-01-705	EA	GLAZING - STRIP
3	151075-06-701	EA	RETAINER - TRIM

VENDOR NO
106038016
132-010231
H116661

### 151075-08-01A

KEY	PART NUMBER	U/M	DESCRIPTION
	137867-05-706	EA	LOCK/CAM - RIGHT
	137867-05-707	EA	LOCK/CAM - LEFT
	151075-08-701	EA	RETAINER - TRIM

VENDOR NO
182-011293
182-011294
H117459

### 151075-10-01A

KEY	PART NUMBER	U/M	DESCRIPTION
1	151075-10-700	FT	GLASS - STATIONARY
2	098644-01-705	EA	GLAZING - STRIP
3	151075-10-701	EA	RETAINER - TRIM

VENDOR NO
096037950
132-010231
H111061

### 151075-11-01A

KEY	PART NUMBER	U/M	DESCRIPTION
1	151075-11-700	EA	GLASS - STATIONARY
2	098644-01-705	FT	GLAZING - STRIP
3	151075-11-701	EA	RETAINER - TRIM

VENDOR NO
096038365
132-010231
H124161

### 151075-12-01A

KEY	PART NUMBER	U/M	DESCRIPTION
1	151075-12-700	FT	GLASS - STATIONARY
2	098644-01-705	EA	GLAZING - STRIP
3	151075-12-701	EA	RETAINER - TRIM

VENDOR NO
106038617
132-010231
H309361

### 151075-12-02A

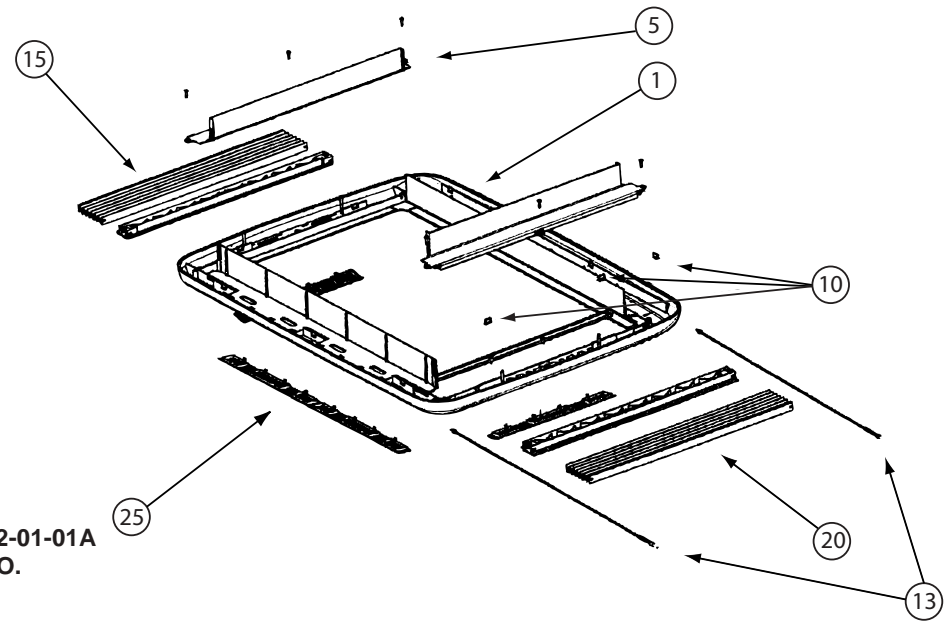
KEY	PART NUMBER	U/M	DESCRIPTION
1	151075-12-700	FT	GLASS - STATIONARY
2	098644-01-705	EA	GLAZING - STRIP
3	151075-12-702	EA	RETAINER - TRIM

VENDOR NO
106038617
132-010231
S309361

### 151075-13-01A

KEY	PART NUMBER	U/M	DESCRIPTION
	137867-05-706	EA	LOCK/CAM - RIGHT
	137867-05-707	EA	LOCK/CAM - LEFT
	151075-13-701	EA	RETAINER - TRIM

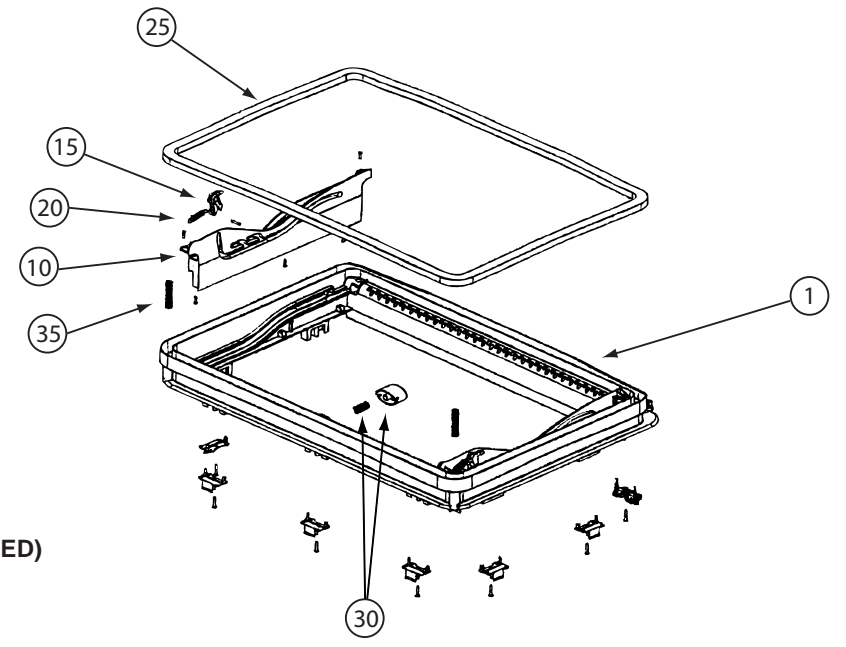
VENDOR NO
182-011293
182-011294
H111053



**152882-01-01A**

**VENDOR NO.**  
 BG1715  
 BG1394  
 BG1393  
 560E35

KEY	PART NUMBER	U/M	DESCRIPTION
13	152882-01-703	EA	CORD
15	152882-01-701	EA	FLY NET W/END ROD
20	152882-01-702	EA	DARKENING SYSTEM W/END ROD
25	152882-01-704	EA	VENTILATION GRIDS

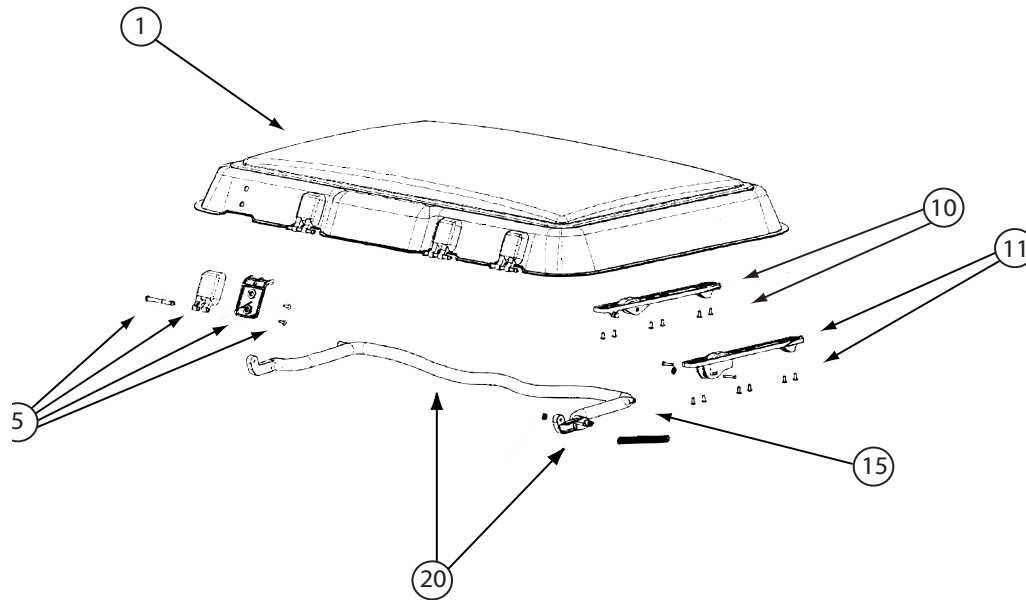


**152882-01-01A (CONTINUED)**

**VENDOR NO.**  
 BG1519 (LT/RT)  
 BG1520 (LT/RT)  
 BG1521  
 BG1522

KEY	PART NUMBER	U/M	DESCRIPTION
15	152882-01-710	EA	HOOK W/ASM.PARTS(1 EA=PKG 2)
20	152882-01-711	EA	SPRING (1 EA = PKG 2)
25	152882-01-705	EA	SEAL
30	152882-01-706	EA	BUTTON W/SPRING

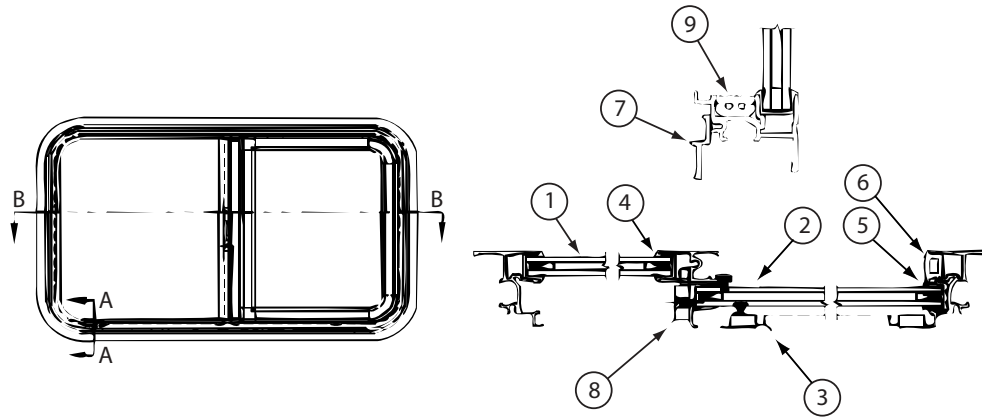




**152882-01-01A (CONTINUED)**

KEY	PART NUMBER	U/M	DESCRIPTION
1	152882-01-700	EA	GLAZING DOME - W/O ASM PARTS
5	152882-01-707	EA	HINGE W/FIXINGS
10	152882-01-712	EA	CONNECTION PLATES
15	152882-01-708	EA	SPRING F/OPERATING BAR
20	152882-01-709	EA	OPERATING BAR

VENDOR NO.
BG1512
BG1513
BG1514
BG1515
BG1516

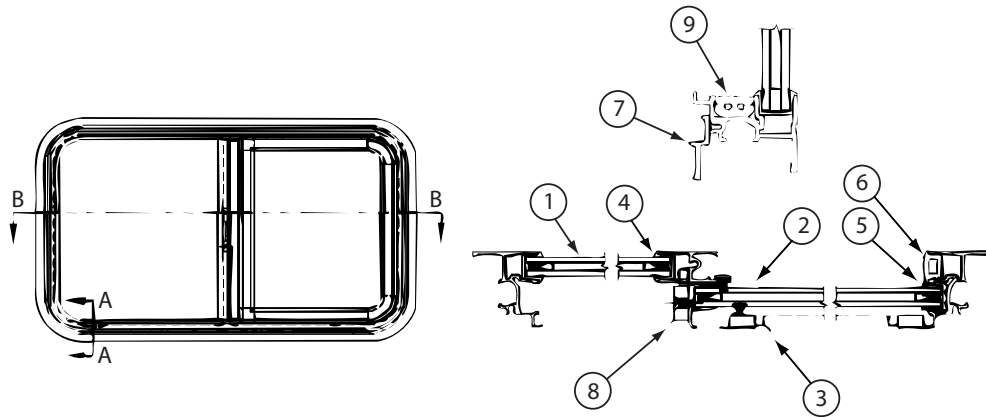


**164922-24-01A/03A, 164922-46-01A**

KEY	PART NUMBER	U/M	DESCRIPTION	VENDOR NO.
1	098647-67-701	EA	GLASS - STATIONARY	096-029585
2	098647-74-700	EA	GLASS-SLIDING W/SASH & LATCH	H493C8
3	098647-47-702	EA	SCREEN ASM - W/SEALS & CLIPS	410-025226
4	098644-01-705	FT	GLAZING - STRIP	132-010231
5	098644-01-708	FT	CHANNEL - RUN PIERCED	122-016543
6	098644-01-716	FT	PLUG - FILLER	132-014470
7	098647-47-704	EA	RETAINER - TRIM	H493-66
8	098644-01-700	EA	LATCH - REPAIR KIT (BLACK)	B801-CK
8	098647-54-701	EA	LATCH REPAIR KIT (RED)	B081-CK
9	098644-01-719	EA	STOP - SLIDER GLASS	132-014203
	098644-01-706	FT	WEATHERSTRIP-GLASS(FIN SEAL)	171-010668
	098644-01-710	FT	TRACK - SCREEN SPACER	132-017135
	098644-01-711	FT	WEATHERSTRIP-SCRN(FUZZY)BLK	171-017245/016965
	098644-01-717	FT	SPLINE - SCREEN	132-004716
	125582-01-701	EA	CLIP - SCREEN - PLASTIC	130-005153

**164922-25-01A**

KEY	PART NUMBER	U/M	DESCRIPTION	VENDOR NO.
1	098647-75-700	EA	GLASS - STATIONARY	106-036069
2	098647-75-703	EA	GLASS-SLIDING W/SASH & LATCH	H978G8
3	098647-75-702	EA	SCREEN ASM	410-036071
4	098644-01-705	FT	GLAZING - STRIP	132-010231
5	098644-01-708	FT	CHANNEL - RUN PIERCED	122-016543
6	098644-01-716	FT	PLUG - FILLER	132-014470
7	164922-25-700	EA	RETAINER - TRIM - BLACK	H97866
8	098644-01-700	EA	LATCH - REPAIR KIT (BLACK)	B801-CK
8	098647-54-701	EA	LATCH REPAIR KIT (RED)	B081-CK
9	098644-01-719	EA	STOP - SLIDER GLASS	132-014203
	098644-01-706	FT	WEATHERSTRIP-GLASS(FIN SEAL)	171-010668
	098644-01-710	FT	TRACK - SCREEN SPACER	132-017135
	098644-01-711	FT	WEATHERSTRIP-SCRN(FUZZY)BLK	171-017245/016965
	098644-01-717	FT	SPLINE - SCREEN	132-004716
	125582-01-701	EA	CLIP - SCREEN - PLASTIC	130-005153



**164922-36-01A**

KEY	PART NUMBER	U/M	DESCRIPTION	VENDOR NO.
1	098647-87-700	EA	GLASS - STATIONARY	106-037270
2	098647-87-701	EA	GLASS-SLIDING W/LATCH & HNDL	S1110G8
3	098647-87-702	EA	SCREEN ASM	410-037271
4	098644-01-705	FT	GLAZING - STRIP	132-010231
5	098644-01-708	FT	CHANNEL - RUN PIERCED	122-016543
6	098644-01-716	FT	PLUG - FILLER	132-014470
7	164922-36-700	EA	RETAINER - TRIM - BLACK	H1110-66 NOT SET UP
8	098644-01-700	EA	LATCH - REPAIR KIT (BLACK)	B801-CK
8	098647-54-701	EA	LATCH REPAIR KIT (RED)	B081-CK
9	098644-01-719	EA	STOP - SLIDER GLASS	132-014203
	098644-01-706	FT	WEATHERSTRIP-GLASS(FIN SEAL)	171-010668
	098644-01-710	FT	TRACK - SCREEN SPACER 12'	132-017135
	098644-01-717	FT	SPLINE - SCREEN	132-004716
	125582-01-701	EA	CLIP - SCREEN - PLASTIC	130-005153

**164922-36-02A**

KEY	PART NUMBER	U/M	DESCRIPTION	VENDOR NO.
1	098647-87-700	EA	GLASS - STATIONARY	106-037270
2	098647-87-701	EA	GLASS-SLIDING W/LATCH & HNDL	S1110G8
3	098647-87-702	EA	SCREEN ASM	410-037271
4	098644-01-705	FT	GLAZING - STRIP	132-010231
5	098644-01-708	FT	CHANNEL - RUN PIERCED	122-016543
6	098644-01-716	FT	PLUG - FILLER	132-014470
7	098647-87-703	EA	RETAINER - TRIM	S1110-66
8	098644-01-700	EA	LATCH - REPAIR KIT (BLACK)	B801-CK
8	098647-54-701	EA	LATCH REPAIR KIT (RED)	B081-CK
9	098644-01-719	EA	STOP - SLIDER GLASS	132-014203
	098644-01-706	FT	WEATHERSTRIP-GLASS(FIN SEAL)	171-010668
	098644-01-710	FT	TRACK - SCREEN SPACER 12'	132-017135
	098644-01-711	FT	WEATHERSTRIP-SCRN(FUZZY)BLK	171-017245/016965
	098644-01-717	FT	SPLINE - SCREEN	132-004716
	125582-01-701	EA	CLIP - SCREEN - PLASTIC	130-005153

**KEY PART NUMBER U/M DESCRIPTION**  
173186-06-705 EA SCREEN ASM

**173186-06-01A**  
**VENDOR NO.**  
SCREEN-50292.62.15R

**KEY PART NUMBER U/M DESCRIPTION**  
173186-07-705 EA SCREEN ASM

**173186-07-01A**  
**VENDOR NO.**  
SCREEN-50293.62.15R

**KEY PART NUMBER U/M DESCRIPTION**  
173186-13-705 EA SCREEN ASM

**173186-13-01A**  
**VENDOR NO.**  
SCREEN-50295.62.15R

**KEY PART NUMBER U/M DESCRIPTION**  
173186-15-700 EA CLAMP RING

**173186-15-01A**  
**VENDOR NO.**  
50298.CR15

**KEY PART NUMBER U/M DESCRIPTION**  
173186-19-705 EA SCREEN ASM

**173186-19-01A**  
**VENDOR NO.**  
SCREEN-50302.62.15R