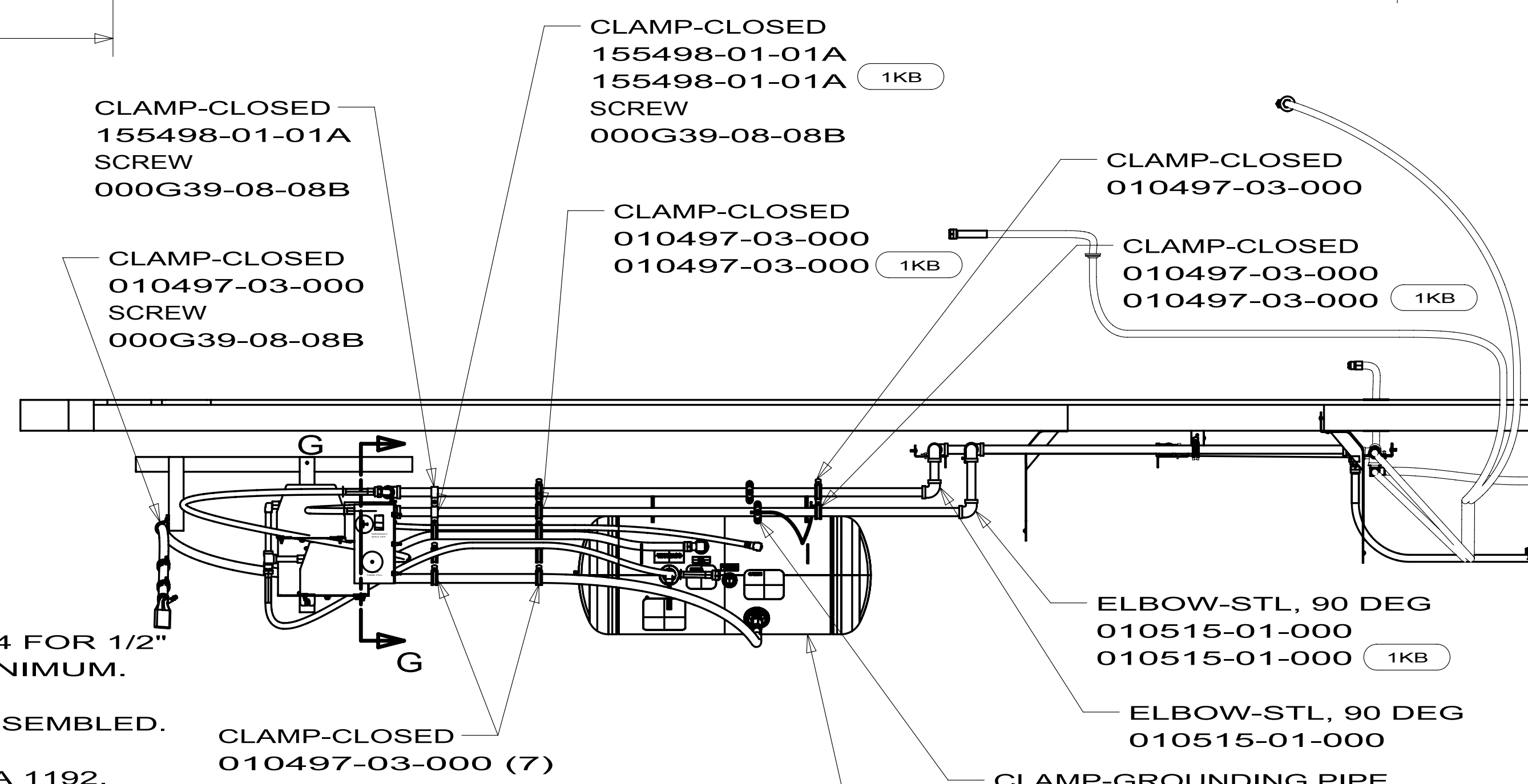
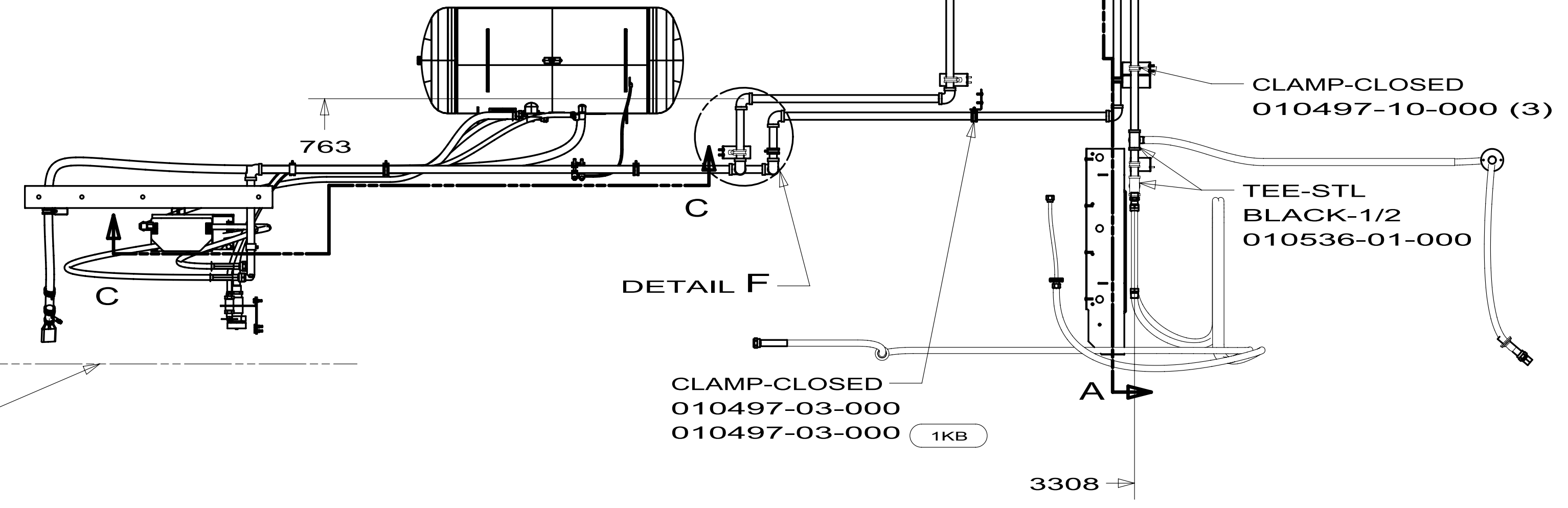
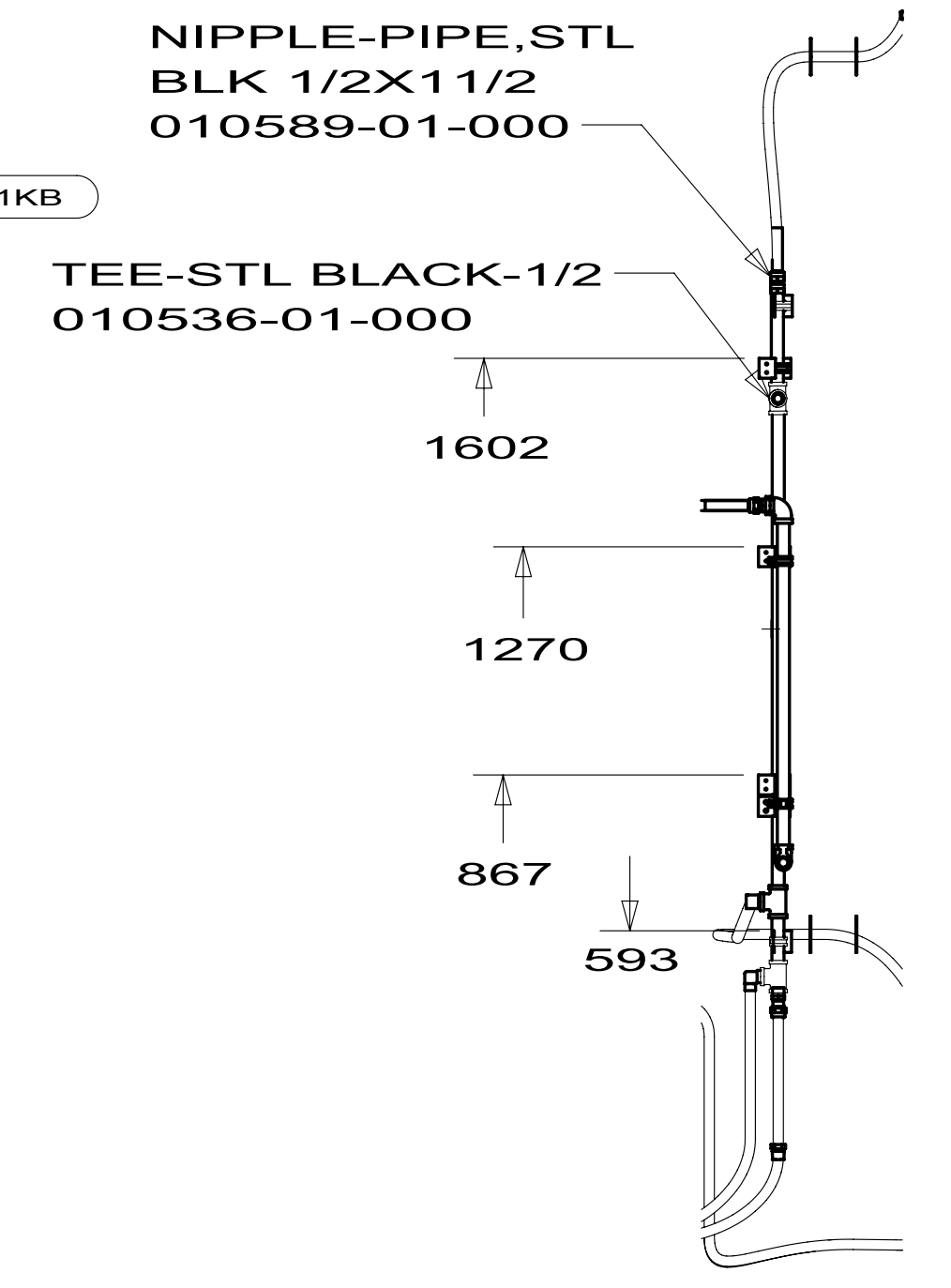
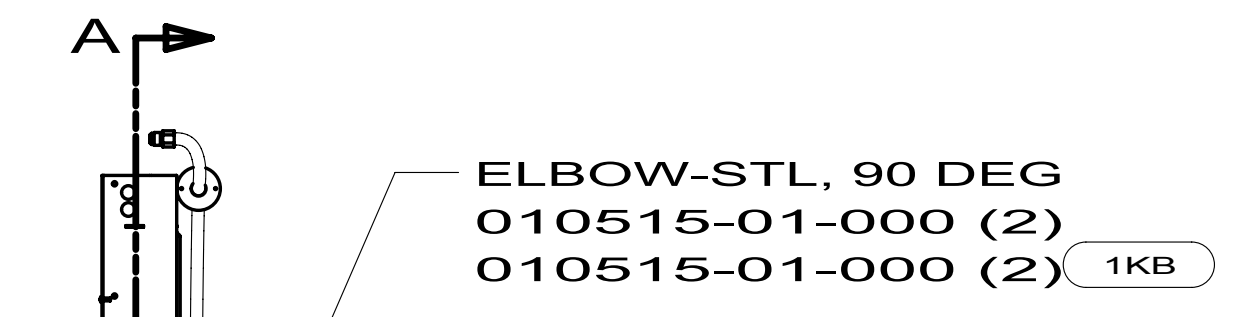
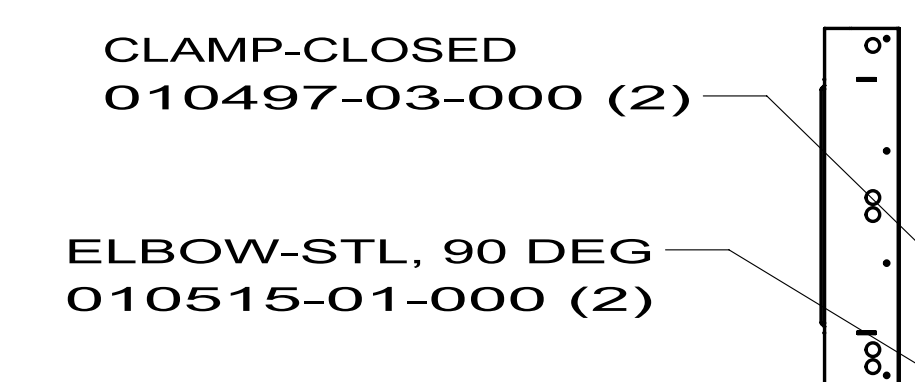
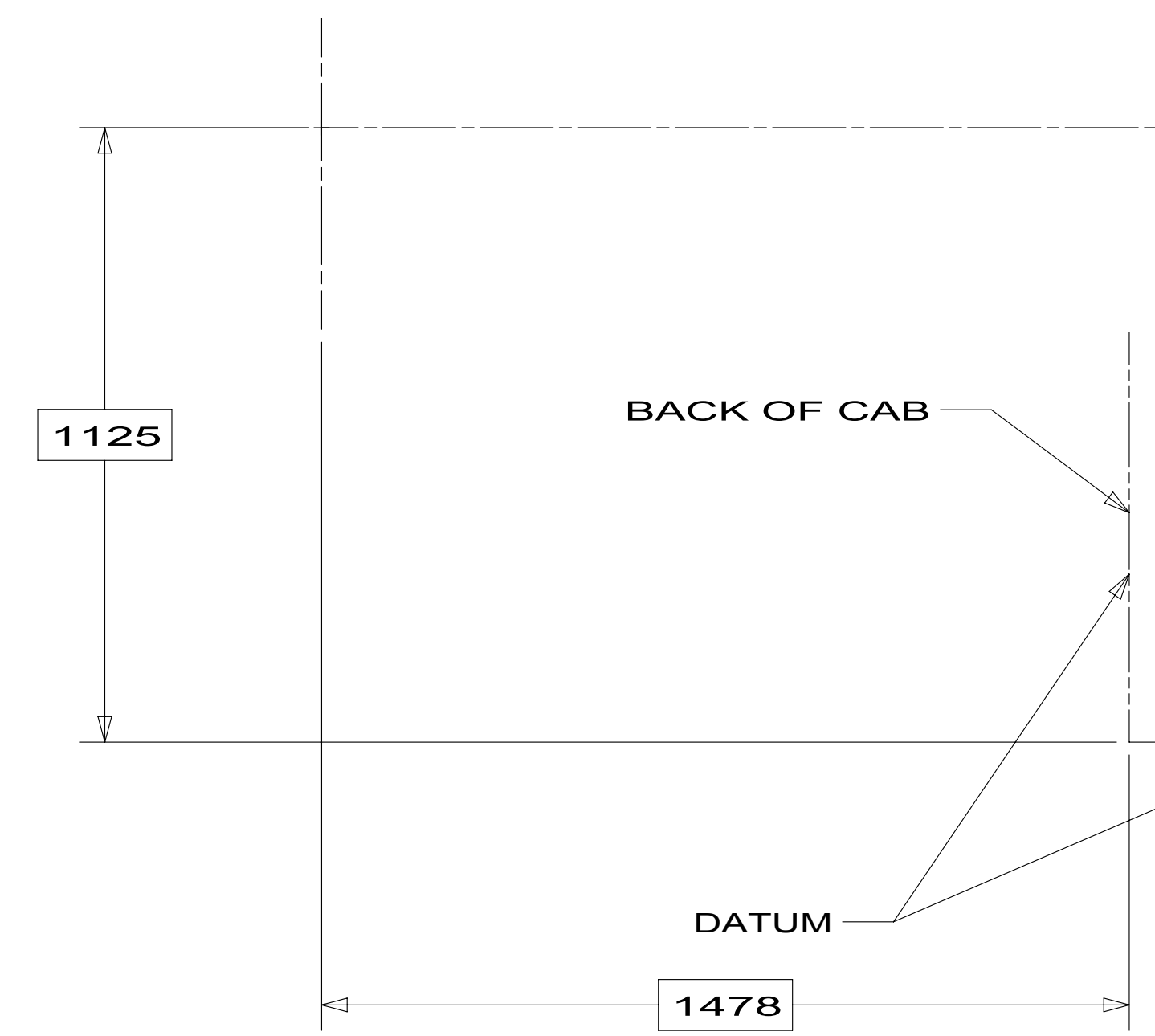
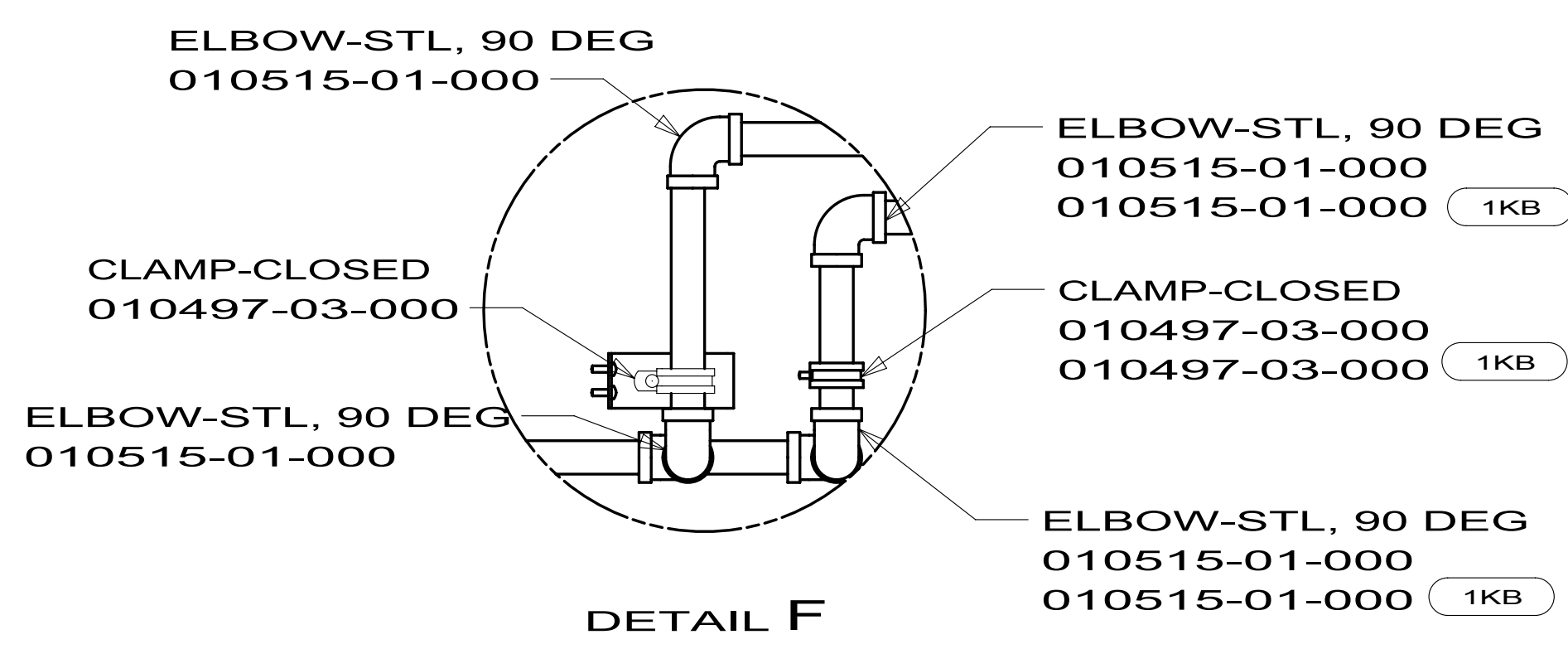


5	010644-03-000	PIPE-STL BLK 1/2" (SCH 80)
4	010473-01-000	TUBING-COPPER 3/8" OD
3	010474-01-000	TUBING-COPPER 1/2" OD
1	010644-01-000	PIPE-STL BLK 1/2" (SCH 40)
E-15	140638-01-000	ELBOW-BLK,STREET 1/2" X 45° ,FPTXMPT
E-14	010515-03-000	ELBOW-BLK 1/2" X 90° STL (SCH 80)
E-13	010251-02-000	ELBOW-BRASS-90° 3/8"F X 1/4"MPT
E-12	010251-01-000	ELBOW-BRASS-90° 3/8"F X 3/8"MPT
E-10	010271-01-000	ELBOW-BRASS-90° 1/2"F X 1/2"MPT
E-9	010252-01-000	ELBOW-BRASS-90° 3/8"F X 1/2"MPT
E-8	010265-01-000	ELBOW-BRASS-90° 3/8"F X 1/2"FPT
E-6	010270-01-000	ELBOW-BRASS-90° 1/2"F X 1/2"FPT
E-5	065318-02-000	ELBOW-90° 3/8"MPT TO 3/8"FPT
E-4	065318-01-000	ELBOW-90° 1/4"MPT TO 1/4"FPT
E-3	166513-01-000	ELBOW STL 1/2"F X 1/2" FEM FL SWVL
E-2	010515-01-000	ELBOW-BLK 1/2" X 90° STL
E-1	039497-01-000	ELBOW-BLK-ST 1/2" X 90° STL
CR-2	144485-01-000	COMPARTMENT-LP REGULATOR
CR-1	105658-01-000	COMPARTMENT-LP REGULATOR
CA-2	036522-02-000	CAP-BRASS 1/2" FL
CA-1	036522-01-000	CAP-BRASS 3/8" FL
C-14	010497-12-000	CLAMP-CLOSED 1/2" ID
C-13	010497-10-000	CLAMP-CLOSED
C-12	075148-02-000	CLAMP-GROUNDING, BRZE SCREWS
C-11	075148-01-000	CLAMP-CLOSED
C-10	010497-09-000	CLAMP-CLOSED 5/16" ID
C-9	010497-08-000	CLAMP-CLOSED
C-8	010497-07-000	CLAMP-CLOSED 3/8" ID
C-7	010497-06-000	CLAMP-CLOSED 11/16" ID
C-6	155498-01-CHT	CLAMP-CLOSED 7/8" ID
C-5	010497-04-000	CLAMP-CLOSED 1 5/8" ID
C-4	010497-03-000	CLAMP-CLOSED
C-3	010497-02-000	CLAMP-CLOSED 1 1/2" ID
C-2	010497-01-000	CLAMP-CLOSED 5/8" ID
C-1	010495-01-000	CLAMP-CABLE 9/16"
A-8	010326-01-000	ADAPTER-FLARE 3/8"FEM FL X 1/2"MAL
A-7	010340-01-000	ADAPTER-BRASS 1/2"F X 1/2"FPT
A-6	010323-02-000	ADAPTER-BRASS 3/8"F X 3/8"MPT
A-5	010323-01-000	ADAPTER-BRASS 3/8"F X 1/2"MPT
A-4	024250-01-000	ADAPTER-BRASS 3/8"F X 1/2"FPT
A-3	010329-01-000	ADAPTER-BRASS 1/2"F X 1/2"MPT
A-1	057042-01-000	ADAPTER-CROSS 1/2" PIPE
NO.	PART NUMBER	DESCRIPTION

T-3	010536-02-000	TEE-STL BLK 1/2" (SCH 80)
T-1	010536-01-000	TEE-STL BLK 1/2"
R-3	106150-06-000	REGULATOR-TWO STAGE
R-2	106150-05-000	REGULATOR-TWO STAGE
R-1	106150-01-000	REGULATOR-TWO STAGE
NP-3	010589-03-000	NIPPLE-PIPE,STL BLK 1/2" X 2 1/2"
NP-2	010589-02-000	NIPPLE-PIPE,STL BLK 3/8" X 2"
NP-1	010589-01-000	NIPPLE-PIPE,STL BLK 1/2" X 1 1/2"
H-17	045703-19-000	HOSE-ASM-LP 3/8" ID X 102"
H-16	045703-16-000	HOSE-ASM-LP 3/8" ID X 109" US & CAN
H-15	045703-14-000	HOSE-ASM-LP 3/8" ID X 158" US & CAN
H-14	129467-01-000	HOSE-ASM-LP 3/8" ID X 158" CAN
H-13	045703-15-000	HOSE-ASM-LP 3/8" ID X 142" US & CAN
H-12	045703-13-000	HOSE-ASM-LP 3/8" ID X 120"
N-5	117835-01-000	NIPPLE-PIPE,STL BLK 1 1/4" X 5"
N-4	010377-02-000	NUT-BRASS 3/8"F, FORGED
N-3	010377-01-000	NUT-BRASS 3/8"F
N-2	010380-02-000	NUT-BRASS 1/2"F, FORGED
N-1	010380-01-000	NUT-BRASS 1/2"F
H-11	045703-12-000	HOSE-ASM-LP 3/8" ID X 18" CAN
H-10	045703-11-000	HOSE-ASM-LP 3/8" ID X 36" US
H-8	045703-07-000	HOSE-ASM-LP 3/8" ID X 10" US
H-7	045703-09-000	HOSE-ASM-LP 3/8" ID X 24" US & CAN
H-6	045703-06-000	HOSE-ASM-LP 3/8" ID X 28" CAN
H-5	045703-05-000	HOSE-ASM-LP 3/8" ID X 28" US
H-3	045703-03-000	HOSE-ASM-LP 3/8" ID X 18" US
H-2	045703-02-000	HOSE-ASM-LP 3/8" ID X 24" CAN
H-1	045703-01-000	HOSE-ASM-LP 3/8" ID X 24" US
G-14	016188-11-000	GROMMET-GAS LINE 11/16" X 3.25 LONG
G-13	108505-02-000	GROMMET 1/2" ID
G-12	071015-26-000	GROMMET 1-1/2" ID
G-11	016188-10-000	GROMMET-GAS LINE 11/16" X 2.50" LONG
G-10	016188-09-000	GROMMET-GAS LINE 11/16" X 1.25" LONG
G-9	016188-08-000	GROMMET-GAS LINE 1/2" X 1.25" LONG
G-8	071015-22-000	GROMMET 5/8" ID
G-7	016188-07-000	GROMMET-GAS LINE 1/2" X 3.25" LONG
G-6	016188-06-000	GROMMET-GAS LINE 3/8" X 3.25" LONG
G-5	016188-05-000	GROMMET-GAS LINE 3/8" X 1.25" LONG
G-4	016188-04-000	GROMMET-GAS LINE 1/2" X 2.50" LONG
G-3	016188-03-000	GROMMET-GAS LINE 3/8" X 2.50" LONG
G-2	016188-01-000	GROMMET-GAS LINE 3/8" X 2.00" LONG
G-1	108505-01-000	GROMMET-3/8" ID
NO.	PART NUMBER	DESCRIPTION

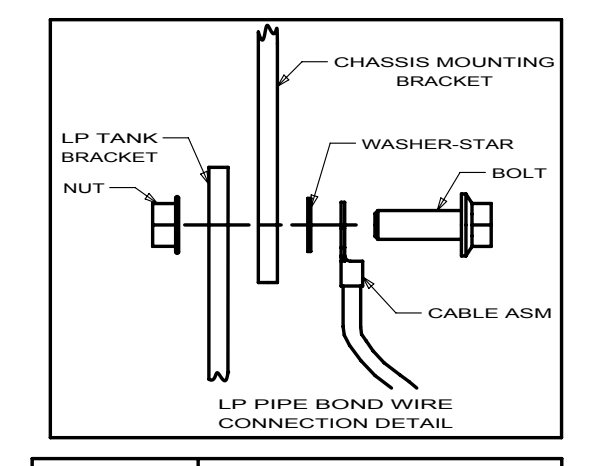
1. INACTIVE

		COPYRIGHT 2009 WINNEBAGO INDUSTRIES, INC.
DTR	ORIG. DATE	
CHKR	ALL DIMENSIONS ARE IN MILLIMETERS	
P.E.		
M.E.	FIRST USED	
DSNR	95 MH'S	
UNSPECIFIED TOLERANCES ARE:		
WHOLE DIM (X)	:	3
ONE-PLACE (X.X)	:	
TWO-PLACE (X.XX)	:	
ANGLE	:	
THIRD ANGLE PROJECTION		
DO NOT SCALE DRAWING		
TITLE: PART LISTING-LP SYSTEM		
SHEET 1 OF 1	PART NO	116228
REF:	1	



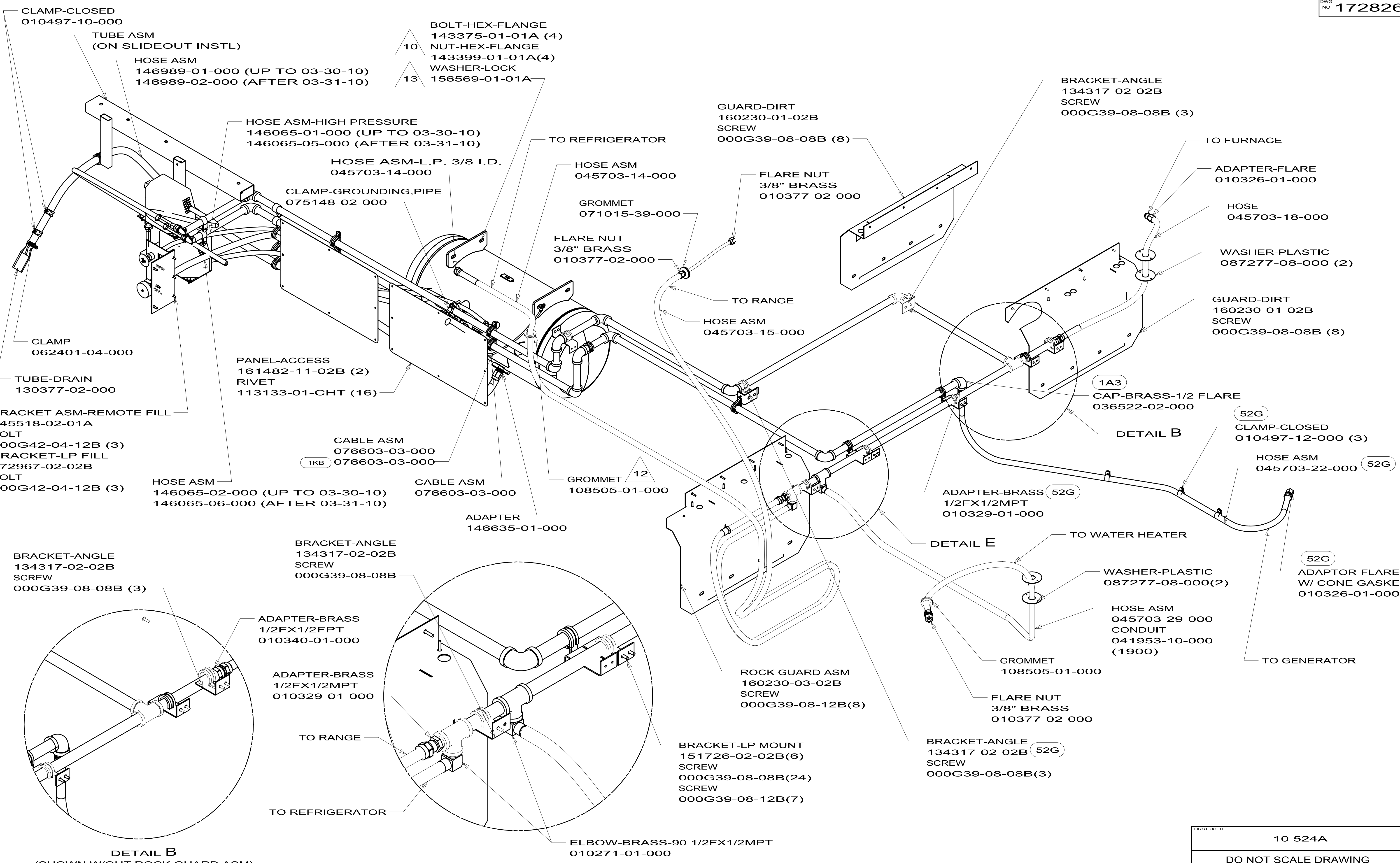
- NOTES:
1. ALL COPPER TUBING BELOW FLOOR IS TO BE ENCASED IN CONDUIT 041953-05-000.
 2. STEEL PIPE AND FITTINGS TO BE ASSEMBLED WITH SEALANT 084456-01-000.
 3. BLACK PIPE AND COPPER TUBING TO BE CLAMPED EVERY 1219 MAX WITH: SCREW 000G67-10-10B (WOOD SUPPORT), SCREW 000G39-10-12T (METAL SUPPORT).
 4. REGULATOR TO BE POSITIONED WITH VENT POINTING DOWNWARD INSIDE OF 45°.
 5. GAS PIPING SYSTEM MATERIALS CONFORM WITH NFPA 1192.
 6. CUT CONVOLUTED TUBING BEFORE FLARE NUTS ARE ASSEMBLED.
 7. MINIMUM BEND RADIUS ON COPPER TUBING TO BE 44 FOR 1/2" AND 28 FOR 3/8". HAND BENDS TO BE 76 RADIUS MINIMUM.
 8. GROMMET SUPPLIED WITH WATER HEATER.
 9. USE AS REQUIRED.
 10. TORQUE TO 38 ± 4 FT-LBS.
 11. THREAD ALL BLACK PIPE WITH STANDARD NATIONAL PIPE THREAD (NPT) ON BOTH ENDS.
 12. GROMMET TO BE PUT ON TUBING BEFORE FLARE NUTS ARE ASSEMBLED.
 13. SEE LP TANK GROUND WIRE CONNECTION DETAIL FOR INSTALLATION LOCATION.
 14. REMOVE AND DISCARD TANK GUARD

- 1KB DODGE - DIESEL
- 33F GENERATOR DIESEL
- 321 GENERATOR PREP KIT
- 1B1 CODES/STANDARDS-USA
- 265 CODES/STANDARDS-CSA/CMVSS
- 52G GEN-3.6KW ONAN LP MICROQUIET
- 1A3 GENERATOR WITHOUT



FOR LP CALLOUTS SEE DWG NO 116228-01-000

		COPYRIGHT 2010 WINNEBAGO INDUSTRIES, INC.	
DTR	ORIG. DATE	ALL DIMENSIONS ARE IN MILLIMETERS	
CHKR		FIRST USED	
P.E.		10 524A	
M.E.		MATERIAL:	
DSNR		UNSPECIFIED TOLERANCES ARE:	
		WHOLE DIM (X)	: 3
		ONE-PLACE (X.X)	: 1.5
		TWO-PLACE (X.XX)	: 0.50
		ANGLE	: 1°
THIRD ANGLE PROJECTION			
DO NOT SCALE DRAWING		REFER TO ES0018 FOR FASTENER TIGHTENING GUIDELINES	
TITLE: LP SYSTEM INSTL			
SHEET 1 OF 3	PART NO	172826	REV
REF:	1		



BRACKET ASM-REMOTE FILL
145518-02-01A
BOLT
000G42-04-12B (3)
BRACKET-LP FILL
172967-02-02B
BOLT
000G42-04-12B (3)

PANEL-ACCESS
161482-11-02B (2)
RIVET
113133-01-CHT (16)

CABLE ASM
076603-03-000

HOSE ASM
146065-02-000 (UP TO 03-30-10)
146065-06-000 (AFTER 03-31-10)

CABLE ASM
076603-03-000

GROMMET
108505-01-000

ADAPTER
146635-01-000

BRACKET-ANGLE
134317-02-02B
SCREW
000G39-08-08B (3)

ADAPTER-BRASS
1/2FX1/2FPT
010340-01-000

ADAPTER-BRASS
1/2FX1/2MPT
010329-01-000

TO RANGE

TO REFRIGERATOR

ELBOW-BRASS-90 1/2FX1/2MPT
010271-01-000

BRACKET-LP MOUNT
151726-02-02B(6)
SCREW
000G39-08-08B(24)
SCREW
000G39-08-12B(7)

BRACKET-ANGLE
134317-02-02B
SCREW
000G39-08-08B(3)

BRACKET-ANGLE
134317-02-02B
SCREW
000G39-08-08B (3)

ADAPTER-FLARE
010326-01-000

HOSE
045703-18-000

WASHER-PLASTIC
087277-08-000 (2)

GUARD-DIRT
160230-01-02B
SCREW
000G39-08-08B (8)

TO FURNACE

TO WATER HEATER

WASHER-PLASTIC
087277-08-000(2)

HOSE ASM
045703-29-000
CONDUIT
041953-10-000
(1900)

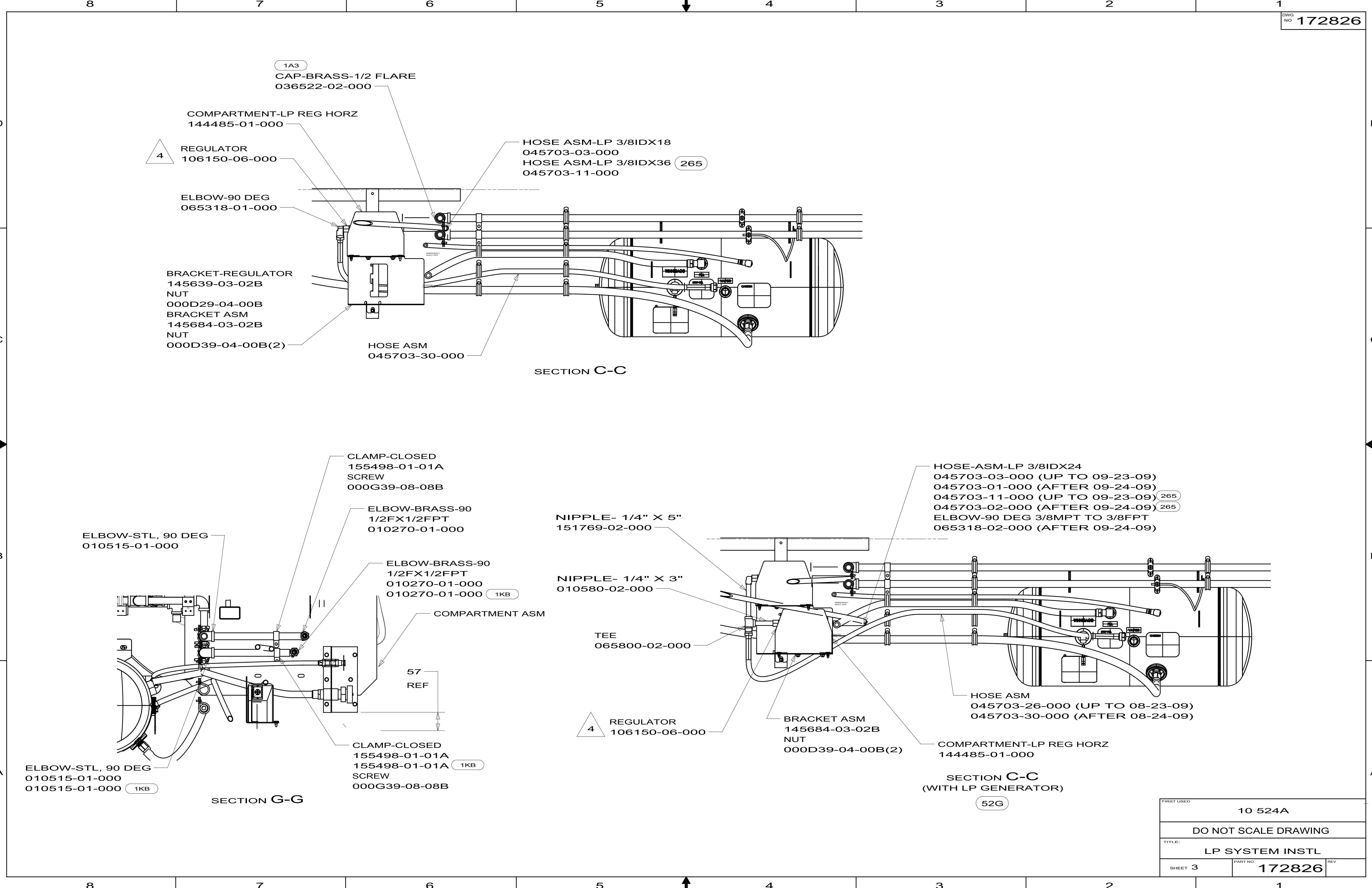
GROMMET
108505-01-000

FLARE NUT
3/8\"/>

DETAIL B
(SHOWN W/OUT ROCK GUARD ASM)

DETAIL E

FIRST USED	10 524A	
DO NOT SCALE DRAWING		
TITLE:	LP SYSTEM INSTL	
SHEET 2	PART NO. 172826	REV



1A3
CAP-BRASS-1/2 FLARE
036522-02-000

COMPARTMENT-LP REG HORZ
144485-01-000

4
REGULATOR
106150-06-000

ELBOW-90 DEG
065318-01-000

BRACKET-REGULATOR
145639-03-02B
NUT
000D29-04-00B
BRACKET ASM
145684-03-02B
NUT
000D39-04-00B(2)

HOSE ASM
045703-30-000

HOSE ASM-LP 3/8IDX18
045703-03-000
HOSE ASM-LP 3/8IDX36
045703-11-000

265

SECTION C-C

ELBOW-STL, 90 DEG
010515-01-000

CLAMP-CLOSED
155498-01-01A
SCREW
000G39-08-08B

ELBOW-BRASS-90
1/2FX1/2FPT
010270-01-000

NIPPLE- 1/4" X 5"
151769-02-000

HOSE-ASM-LP 3/8IDX24
045703-03-000 (UP TO 09-23-09)
045703-01-000 (AFTER 09-24-09)
045703-11-000 (UP TO 09-23-09)
045703-12-000 (AFTER 09-24-09)
ELBOW-90 DEG 3/8MPT TO 3/8FPT
065318-02-000 (AFTER 09-24-09)

265

ELBOW-BRASS-90
1/2FX1/2FPT
010270-01-000
010270-01-000 1KB

NIPPLE- 1/4" X 3"
010580-02-000

TEE
065800-02-000

HOSE ASM
045703-26-000 (UP TO 08-23-09)
045703-30-000 (AFTER 08-24-09)

ELBOW-STL, 90 DEG
010515-01-000
010515-01-000 1KB

CLAMP-CLOSED
155498-01-01A
155498-01-01A 1KB
SCREW
000G39-08-08B

4
REGULATOR
106150-06-000

BRACKET ASM
145684-03-02B
NUT
000D39-04-00B(2)

COMPARTMENT-LP REG HORZ
144485-01-000

SECTION C-C
(WITH LP GENERATOR)

52G

SECTION G-G

FIRST USED	10 524A	
TITLE:	DO NOT SCALE DRAWING	
	LP SYSTEM INSTL	
SHEET 3	PART NO	172826
	REV	

144116-01-000

KEY	PART NUMBER	U/M DESCRIPTION	VENDOR NO.
	040421-01-712	EA VALVE-SERV. W/O VAPOR RELIEF	V20373/V21202
	040421-01-713	EA VALVE-RELIEF 1" W/SPRING 7"	V12560/V21207
	088253-09-700	EA SENDING UNIT-F/SNAP ON DIAL	G13062=SG14C0001466
	144116-01-700	EA VALVE-OUTAGE(NO STEM REMOVE)	V20058
	144116-01-701	EA VALVE/FILL 80 % W/YELLOW CAP	V13414

144116-02-000, 144116-06-000, & 144116-07-000

KEY	PART NUMBER	U/M DESCRIPTION	VENDOR NO.
	040421-01-712	EA VALVE-SERV. W/O VAPOR RELIEF	V20373/V21202
	040421-01-713	EA VALVE-RELIEF 1" W/SPRING 7"	V12560/V21207
	088253-01-702	EA FLOAT/SCREW IN-SNAP ON DIAL	G13063/SG16C0001442
	144116-01-700	EA VALVE-OUTAGE(NO STEM REMOVE)	V20058
	144116-01-701	EA VALVE/FILL 80 % W/YELLOW CAP	V13414

144116-04-000

KEY	PART NUMBER	U/M DESCRIPTION	VENDOR NO.
	040421-01-712	EA VALVE-SERV. W/O VAPOR RELIEF	V20373/V21202
	040421-01-713	EA VALVE-RELIEF 1" W/SPRING 7"	V12560/V21207
	144116-01-700	EA VALVE-OUTAGE(NO STEM REMOVE)	V20058
	144116-01-701	EA VALVE/FILL 80 % W/YELLOW CAP	V13414
	144116-04-700	EA FLOAT/SENDING UNIT W/O DIAL	G11530
	144116-04-701	EA DIAL - TRANSMITER	G12845

144116-09-000

KEY	PART NUMBER	U/M DESCRIPTION	VENDOR NO.
	040421-01-712	EA VALVE-SERV. W/O VAPOR RELIEF	V20373/V21202
	040421-01-713	EA VALVE-RELIEF 1" W/SPRING 7"	V12560/V21207
	144116-01-700	EA VALVE-OUTAGE(NO STEM REMOVE)	V20058
	144116-04-700	EA FLOAT/SENDING UNIT W/O DIAL	G11530
	144116-04-701	EA DIAL - TRANSMITER	G12845
	144116-09-700	EA VALVE/FILL 80%	V20150