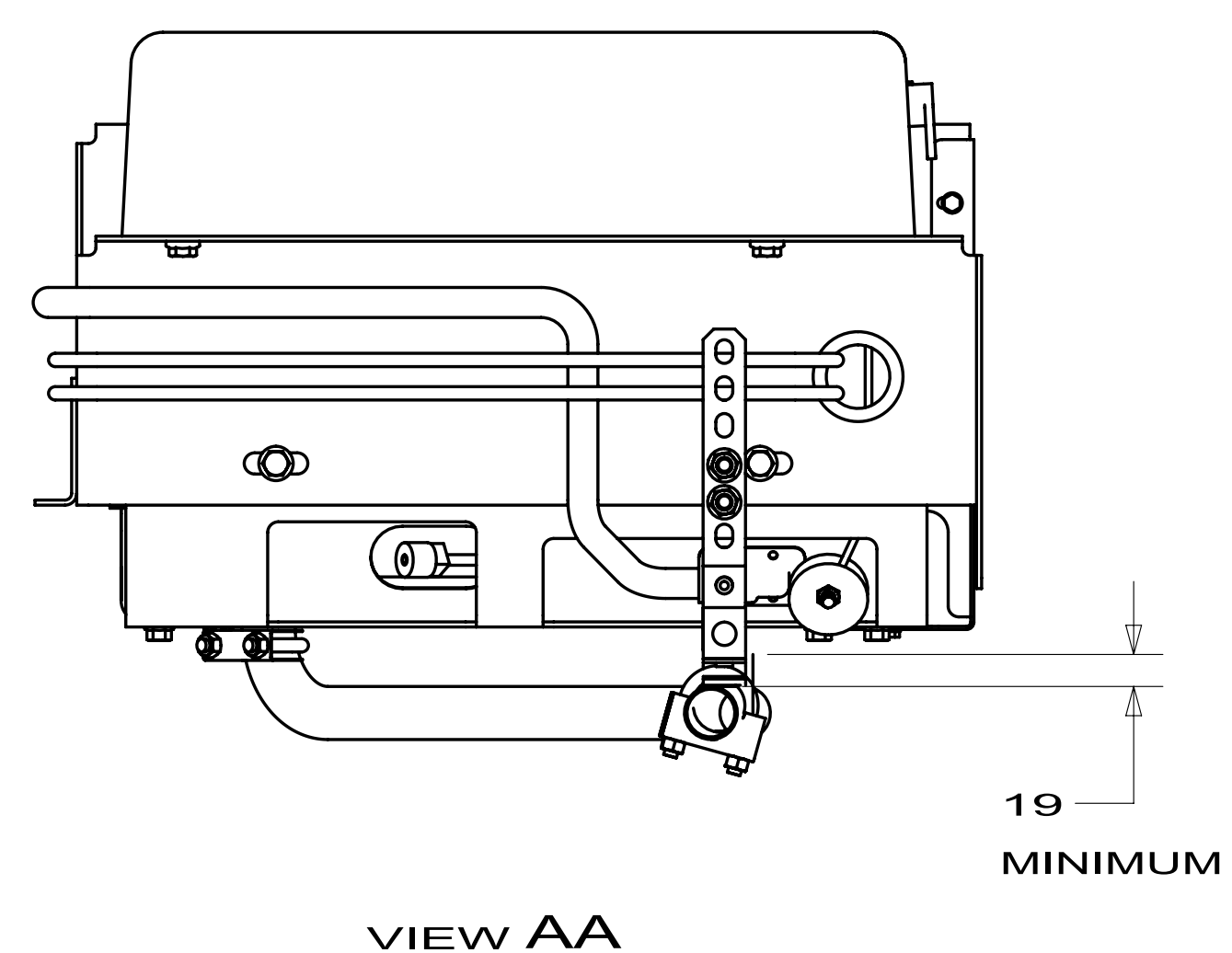


- 33F GEN-3.2 KW ONAN DIESEL
- 323 GENERATOR PREP KIT-DIESEL
- 52G GEN-3.6 KW ONAN LP MICROQUIET
- 321 GENERATOR PREP KIT
- 1A3 GENERATOR WITHOUT

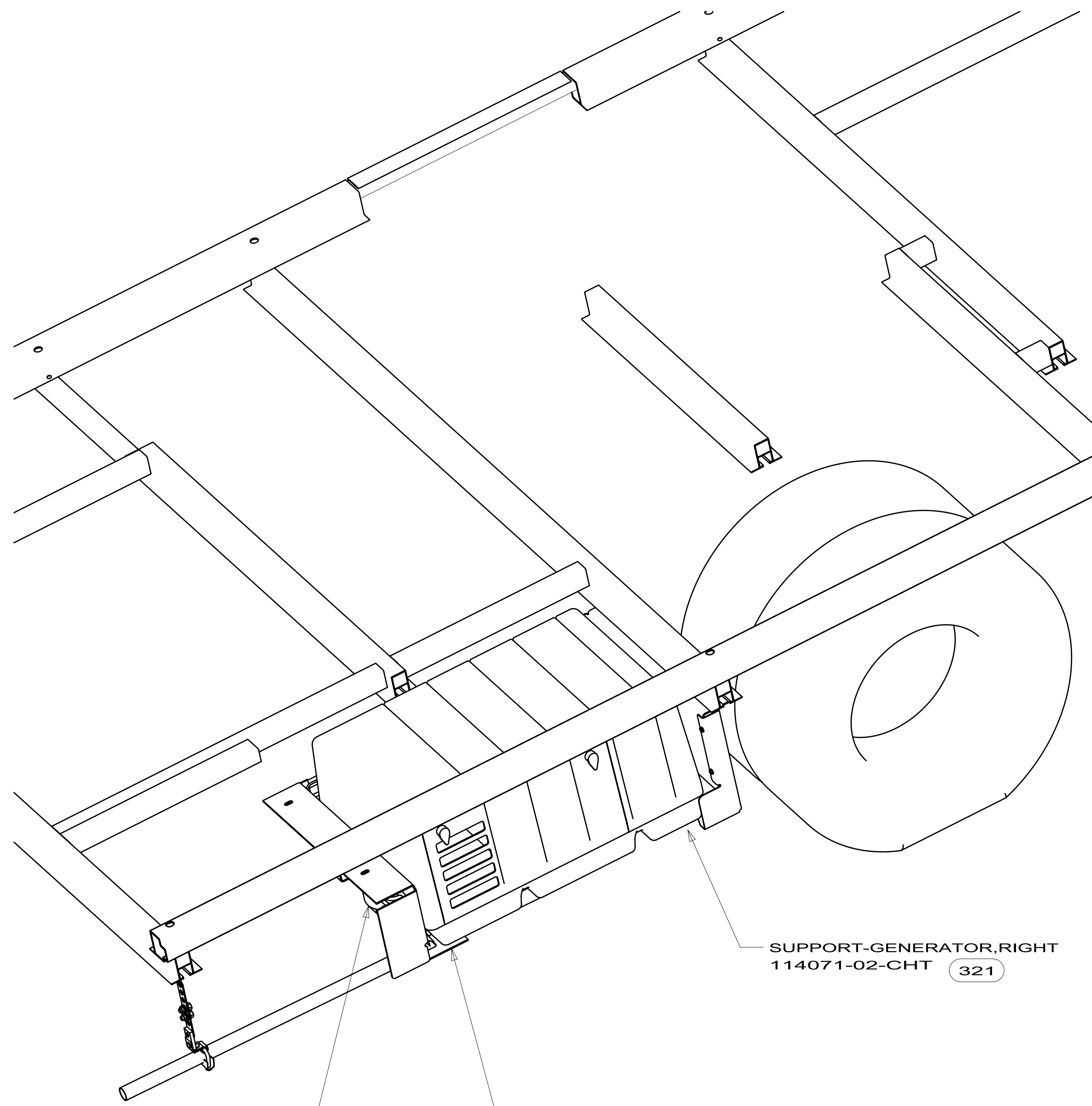


3. PIPE THREAD FITTINGS TO BE ASSEMBLED WITH SEALANT 084456-01-000.

2. TORQUE TO 150 IN-LBS.

1. SEE WIRING INSTL-CHASSIS, WIRING INSTL-BODY AND WIRING DIAGRAM FOR ADDITIONAL INFORMATION.

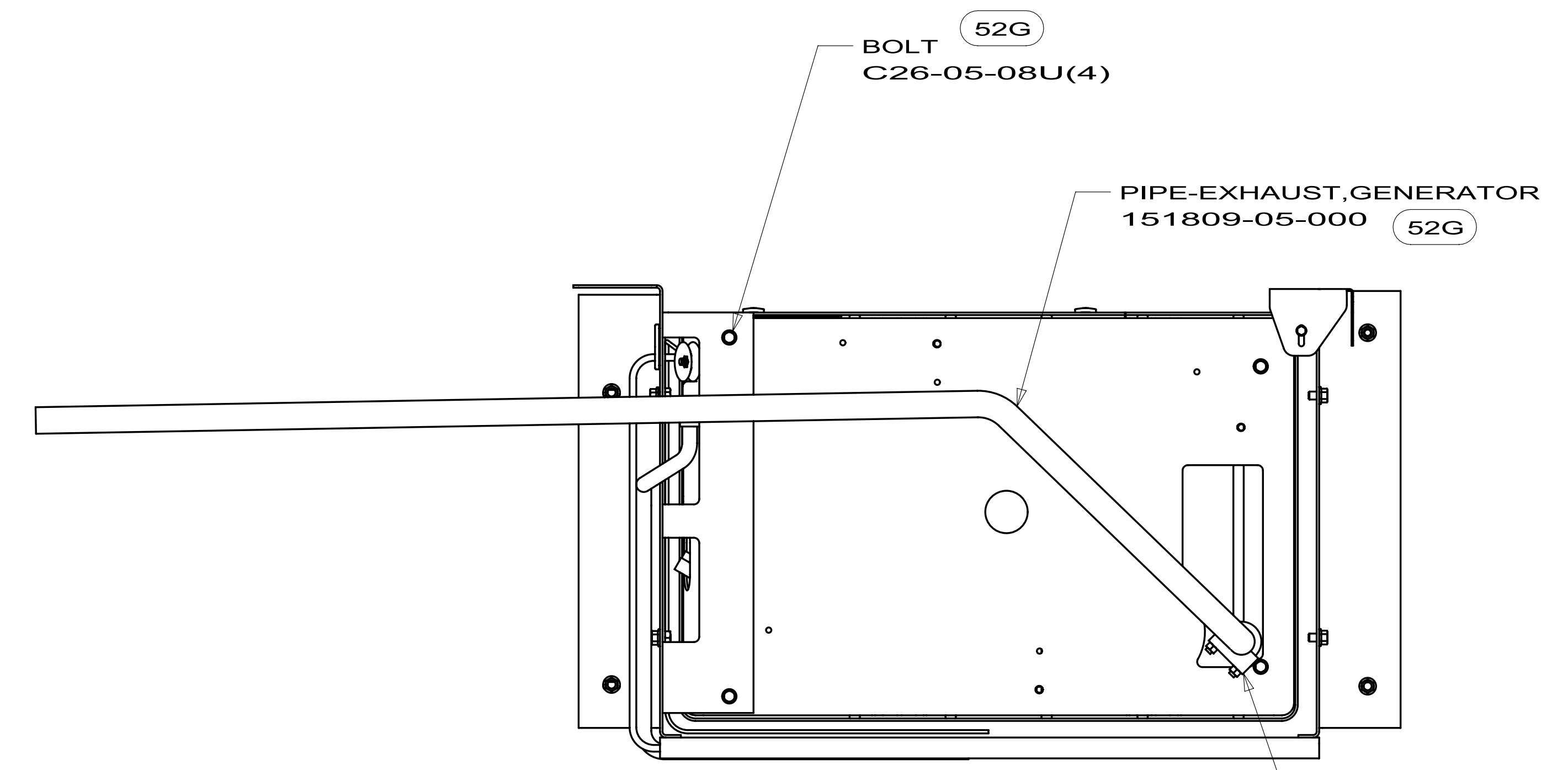
<b>WINNEBAGO INDUSTRIES</b>		COPYRIGHT 2009 WINNEBAGO INDUSTRIES, INC.	
DTR	ORIG. DATE	ALL DIMENSIONS ARE IN MILLIMETERS	
CHKR			
P.E.			
M.E.	FIRST USED		
DSNR		09 524A	
UNSPECIFIED TOLERANCES ARE:		MATERIAL:	
WHOLE DIM (X)	: 3		
ONE-PLACE (X.X)	: 1.5		
TWO-PLACE (X.XX)	: 0.50		
ANGLE	: 1°		
THIRD ANGLE PROJECTION			
<b>DO NOT SCALE DRAWING</b>			
TITLE: <b>GENERATOR INSTL</b>			
SHEET 1 OF 4	PART NO	<b>168684</b>	REV
REF:	1	10/24/2009	



PLUG  
145609-01-000  
1A3

SUPPORT-GENERATOR,LEFT  
114070-02-CHT 321

SUPPORT-GENERATOR,RIGHT  
114071-02-CHT 321



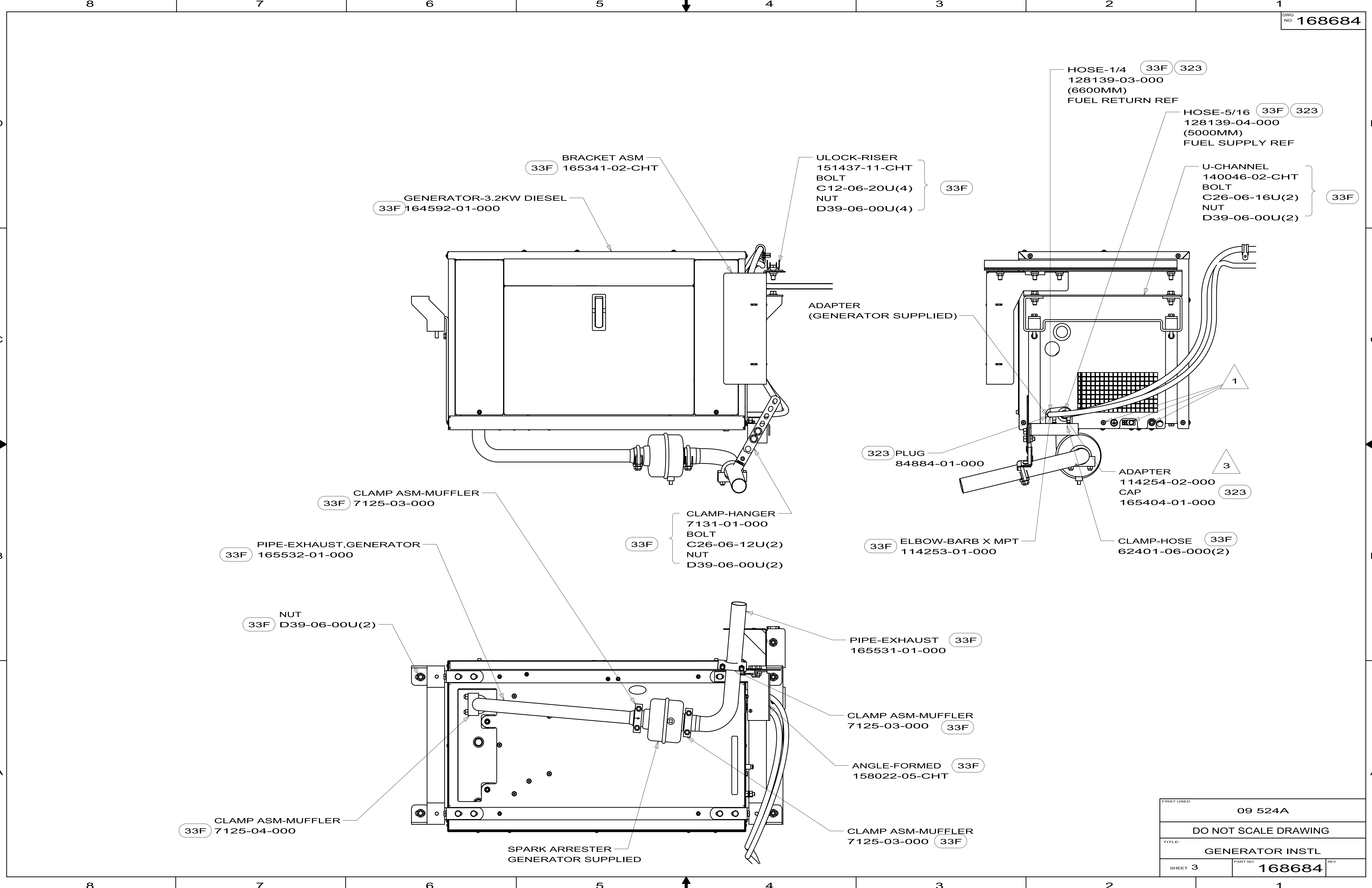
BOLT  
C26-05-08U(4)  
52G

PIPE-EXHAUST,GENERATOR  
151809-05-000 52G

CLAMP ASM-MUFFLER  
7125-04-000  
52G 2

VIEW BA

FIRST USED	09 524A	
TITLE:	DO NOT SCALE DRAWING	
SHEET 2	PART NO	168684
	REV	



BRACKET ASM  
33F 165341-02-CHT

GENERATOR-3.2KW DIESEL  
33F 164592-01-000

ULOCK-RISER  
151437-11-CHT  
BOLT  
C12-06-20U(4)  
NUT  
D39-06-00U(4)

HOSE-1/4 33F 323  
128139-03-000  
(6600MM)  
FUEL RETURN REF

HOSE-5/16 33F 323  
128139-04-000  
(5000MM)  
FUEL SUPPLY REF

U-CHANNEL  
140046-02-CHT  
BOLT  
C26-06-16U(2)  
NUT  
D39-06-00U(2)

ADAPTER  
(GENERATOR SUPPLIED)

323 PLUG  
84884-01-000

ADAPTER  
114254-02-000  
CAP  
165404-01-000

33F ELBOW-BARB X MPT  
114253-01-000

CLAMP-HOSE 33F  
62401-06-000(2)

CLAMP ASM-MUFFLER  
33F 7125-03-000

33F CLAMP-HANGER  
7131-01-000  
BOLT  
C26-06-12U(2)  
NUT  
D39-06-00U(2)

33F PIPE-EXHAUST,GENERATOR  
165532-01-000

33F NUT  
D39-06-00U(2)

PIPE-EXHAUST 33F  
165531-01-000

CLAMP ASM-MUFFLER 33F  
7125-03-000

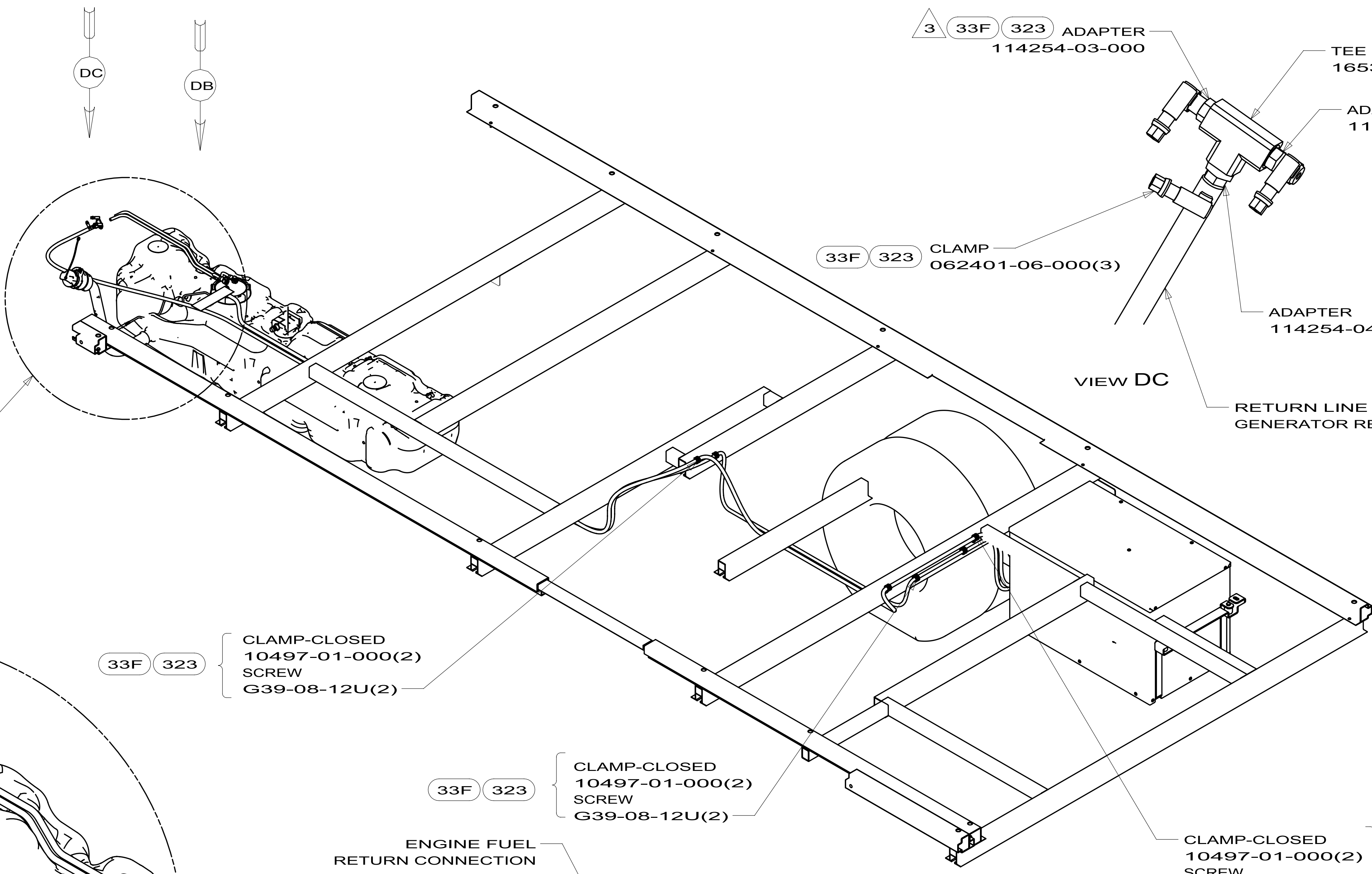
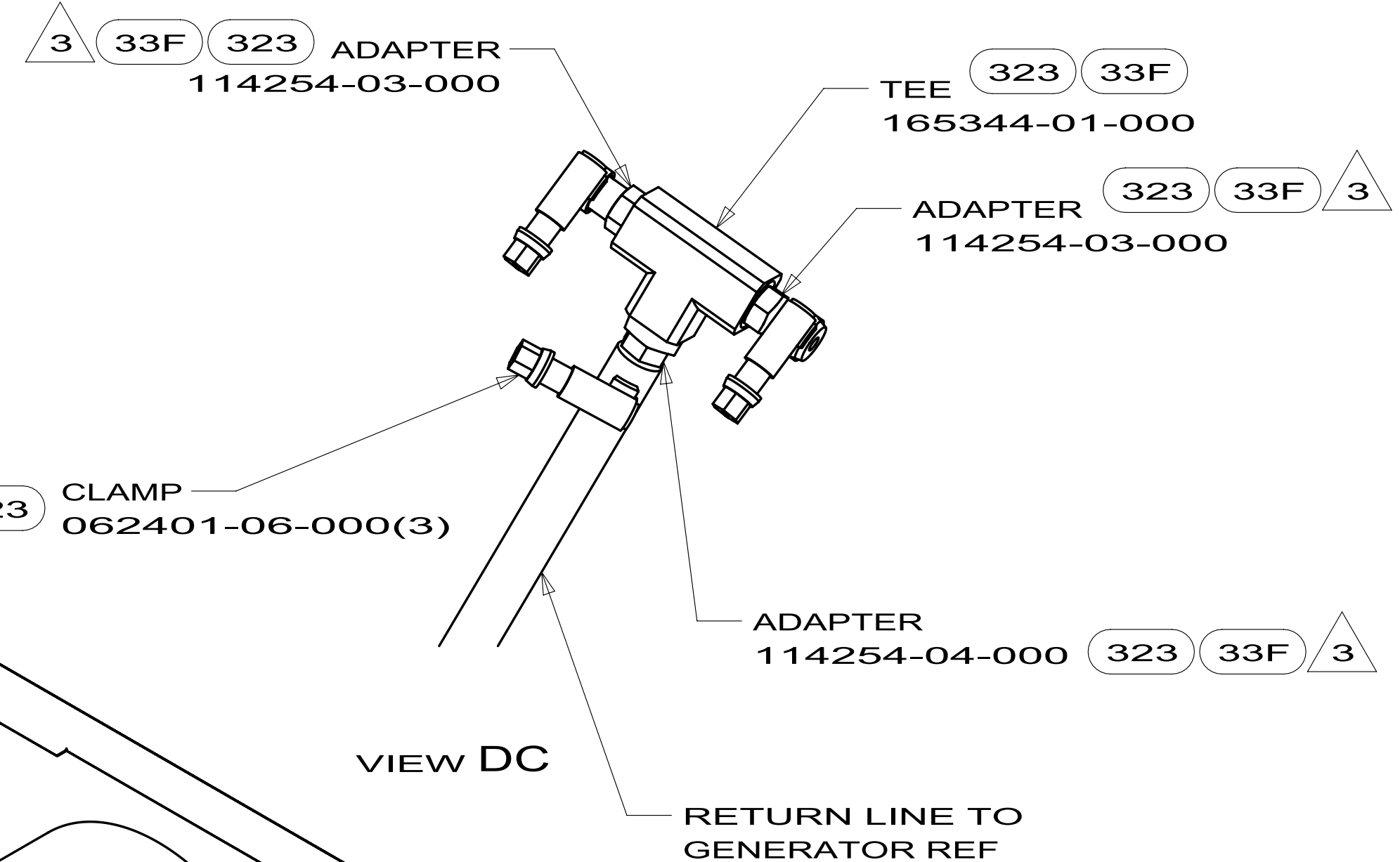
ANGLE-FORMED 33F  
158022-05-CHT

33F CLAMP ASM-MUFFLER  
7125-04-000

CLAMP ASM-MUFFLER 33F  
7125-03-000

SPARK ARRESTER  
GENERATOR SUPPLIED

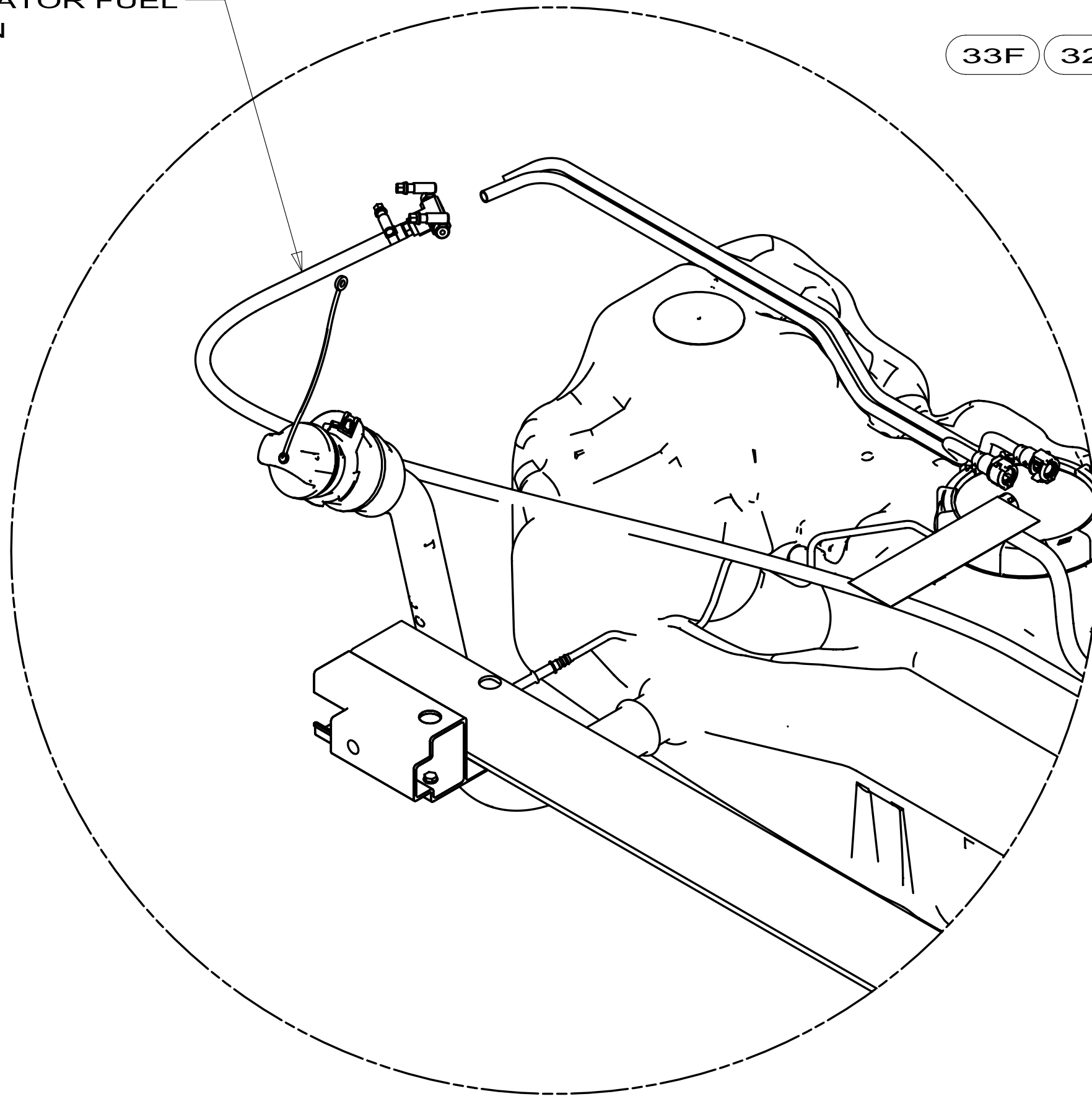
FIRST USED	09 524A	
TITLE:	DO NOT SCALE DRAWING	
	GENERATOR INSTL	
SHEET 3	PART NO	168684
	REV	



VIEW DA

VIEW DC

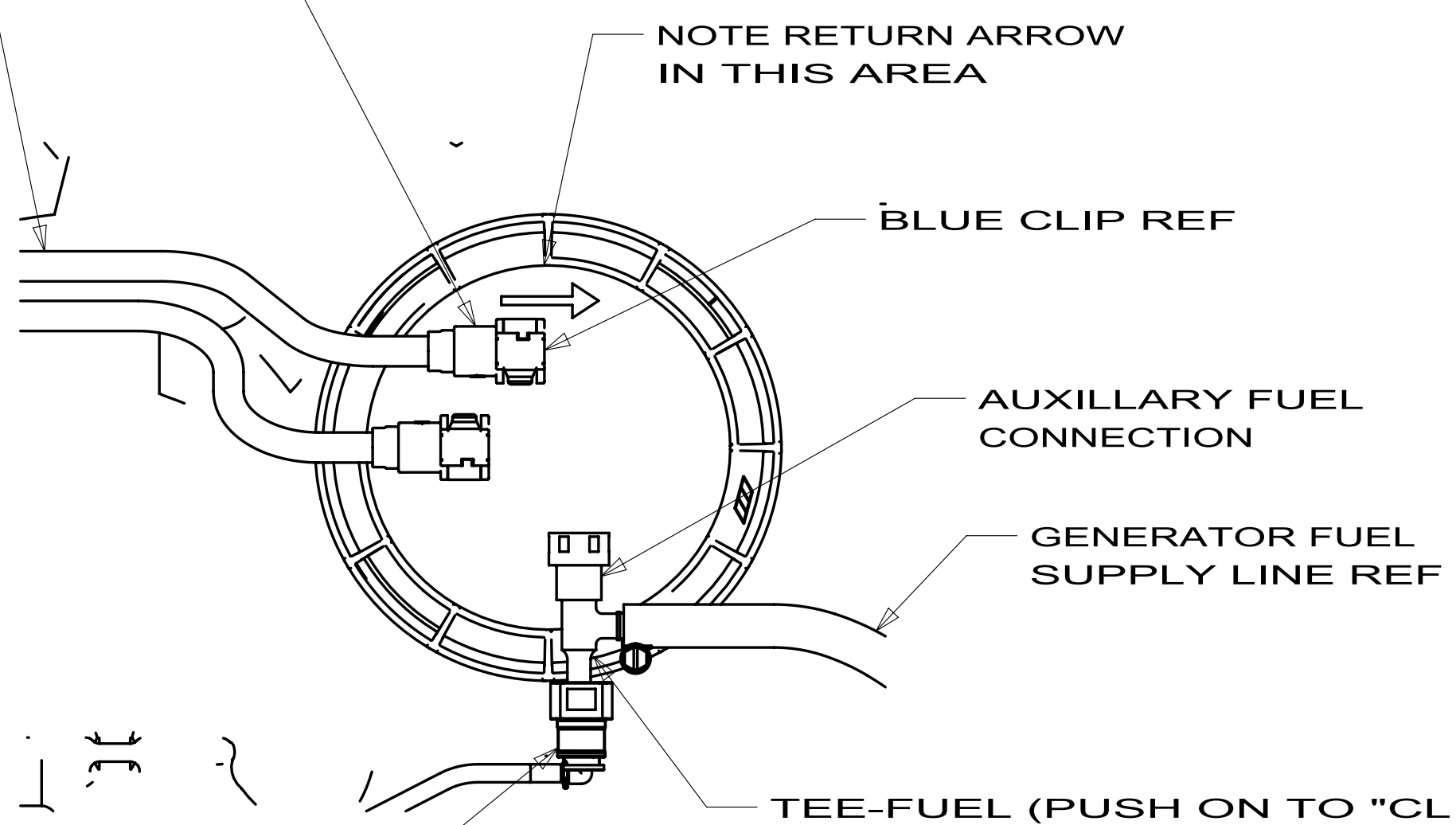
GENERATOR FUEL RETURN



DETAIL DA

ENGINE FUEL RETURN CONNECTION

SPLICE RETURN TEE INTO HOSE FORWARD OF QUICK CONNECT ON STEEL LINE NEAR FLYWHEEL AREA



VIEW DB

(PUSH RETAINER TO UNLATCH) DISCONNECT THEN ADD THE TEE AND RECONNECT LINE TO END OF TEE

FIRST USED	09 524A	
TITLE:	DO NOT SCALE DRAWING	
SHEET 4	PART NO	168684
	REV	10/24/2009