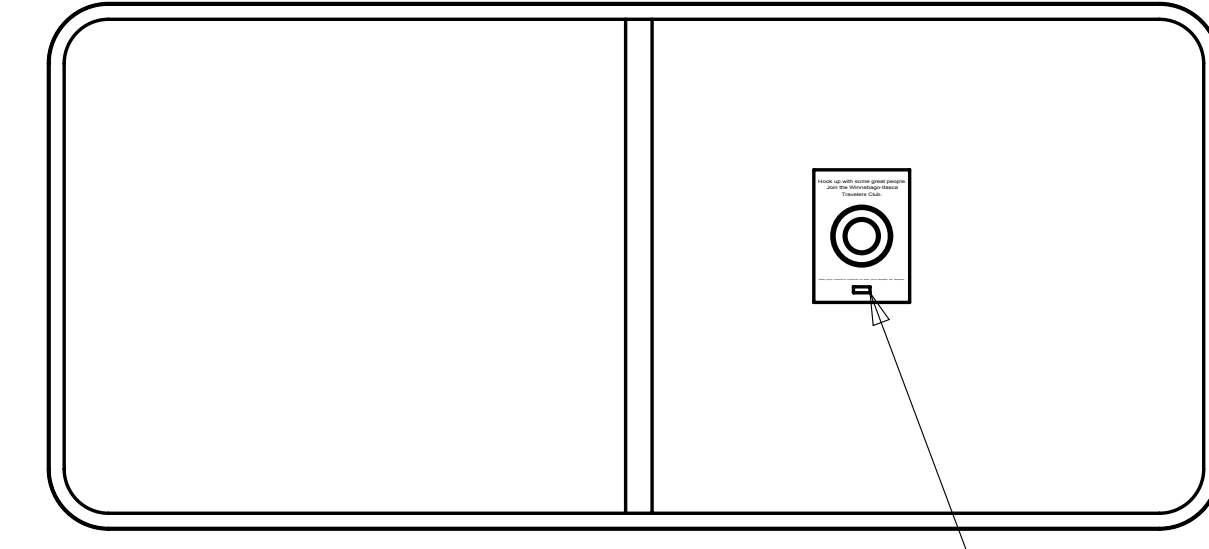
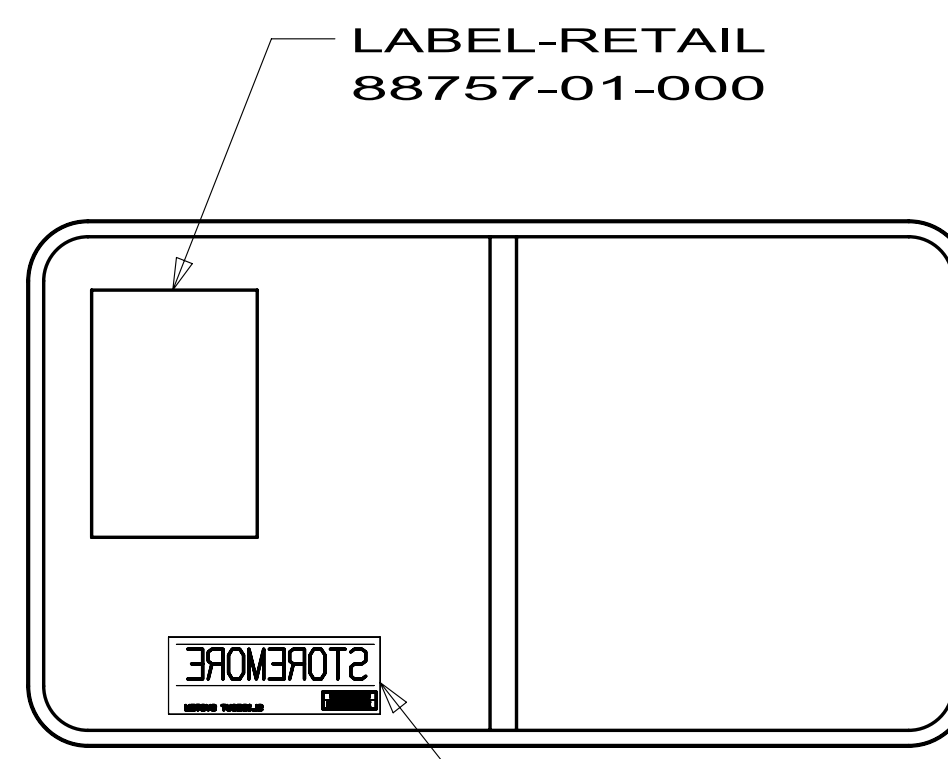


DWG NO	SHT
WINDOWS	1
DOORS	2
EXTERIOR DOORS & COMPTS	3
INTERIOR CAB	4
INTERIOR COACH	5
EXTERIOR	6
MISC	7
HOLDING TANK DRAINS	8

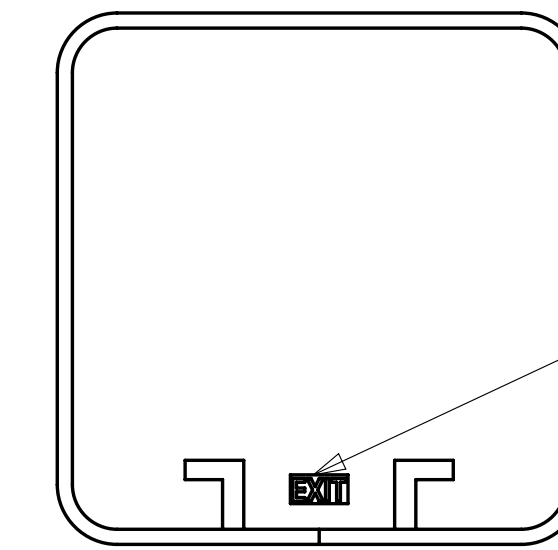
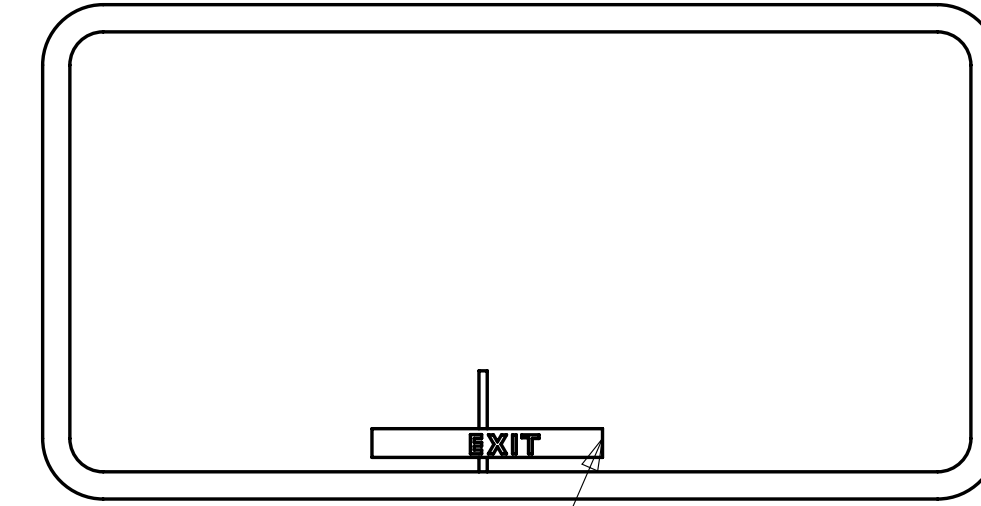
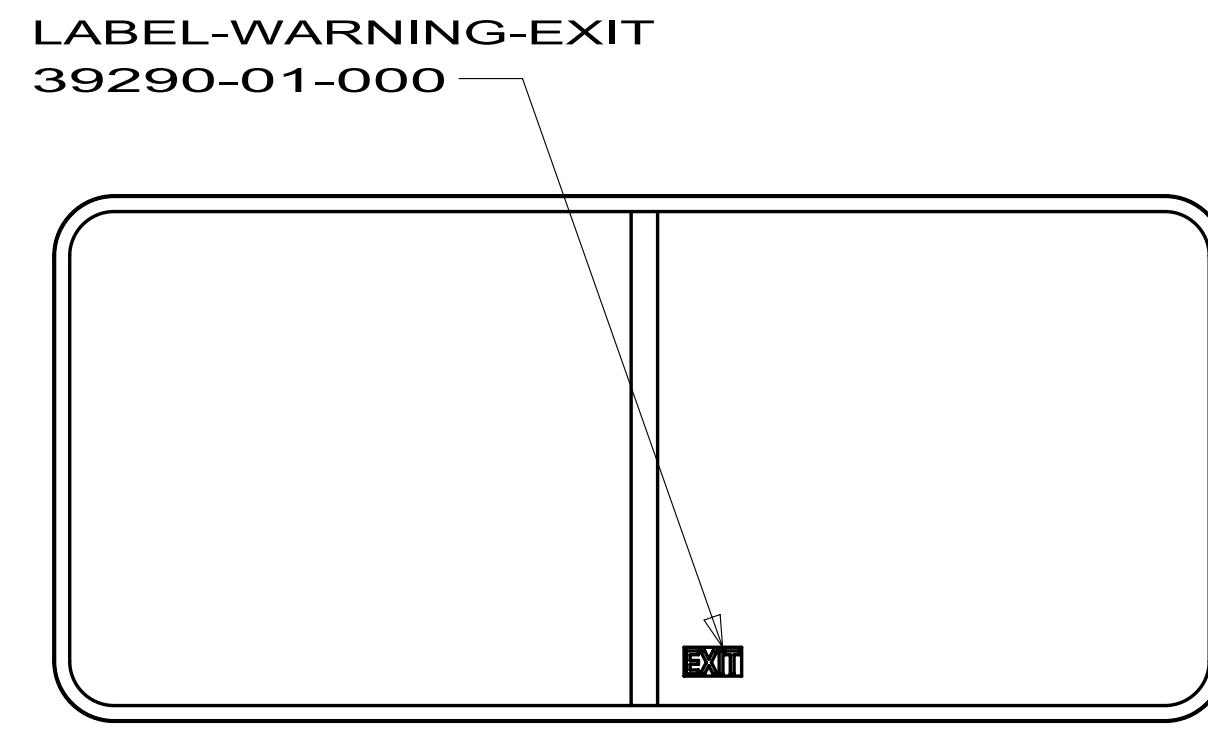
RELEASE	REV DATE	DWG NO	170136
REV ZONE	REVISION RECORD	DATE	DTR-ORIG



FRONT

WINDOW BEHIND DRIVER SEAT

LARGEST WINDOW ON PASSENGER SIDE



ALTERNATE LOCATION

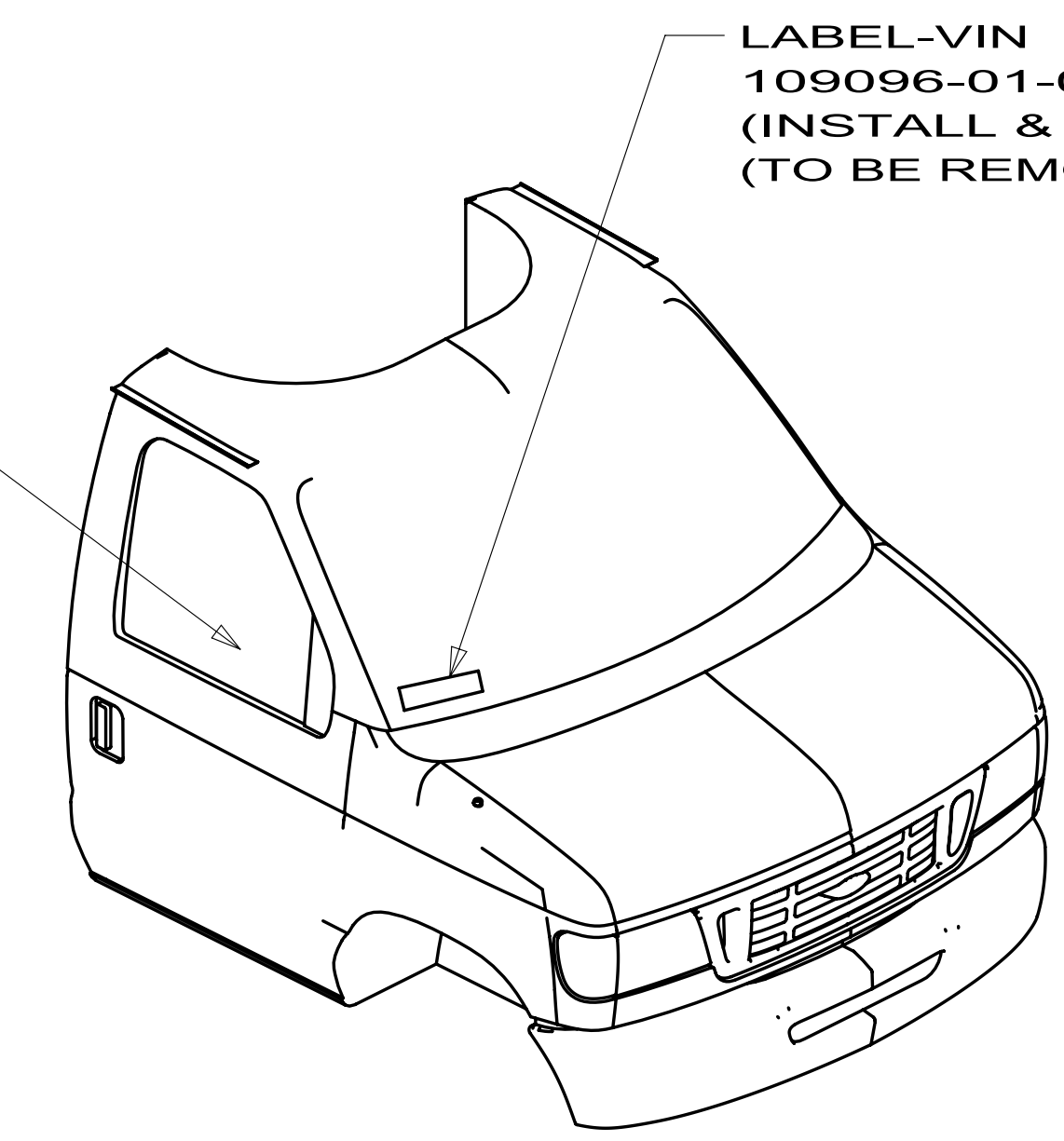
LABEL-EXIT/ESCAPE WINDOW
107571-01-000

LABEL-WARNING-EXIT
39290-01-000

ALTERNATE LOCATION

EXIT WINDOWS

70C LABEL-SIRIUS
152995-02-CHT

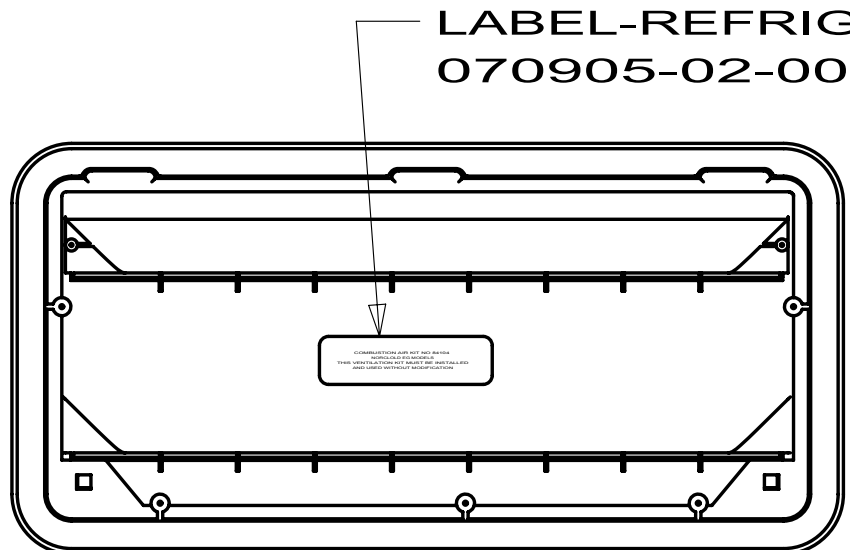


LABEL-VIN
109096-01-060
(INSTALL & VIEW FROM INSIDE)
(TO BE REMOVED PRIOR TO DELIVERY)

- 1LK TV-19"DC,COLOR,LCD,W/REMOTE
- 1MK TV-19"DC,STEREO SYS,VDEO SEL
- 1B1 CODES/STANDARDS/USA
- 265 CODES/STANDARDS-CSA/CMVSS
- 27E CODES/STANDARDS/CMVSS
- 15T AIR SPRINGS REAR
- 70C RADIO-SATELLITE

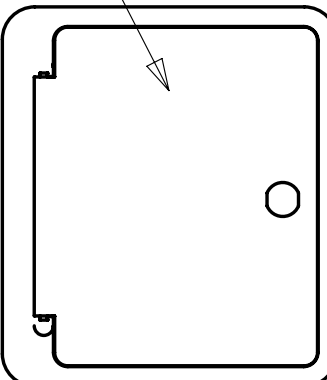
- NOTES:
- 6. FOR SLIDEOUT CONTROL SWITCH LABELS SEE WIRING INSTL-12V.
 - 5 ON METAL SIDE OF STEP COVER.
 - 4 FOR USE ON WASHINGTON ONLY.
 - 3. WINDOWS ARE SHOWN FROM INTERIOR SIDE OF COACH.
 - 2 USE FOR CALIFORNIA ONLY.
 - 1 USE FOR STATE: OREGON, NEBRASKA, AND WASHINGTON ONLY.

		COPYRIGHT 2009 WINNEBAGO INDUSTRIES, INC.
DTR	ORIG. DATE	
CHKR	ALL DIMENSIONS ARE IN MILLIMETERS	
P.E.		
M.E.	FIRST USED	
DSNR	10 300-SERIES	
UNSPECIFIED TOLERANCES ARE:		MATERIAL:
WHOLE DIM (X)	: 3	
ONE-PLACE (X.X)	: 1.5	
TWO-PLACE (X.XX)	: 0.50	
ANGLE	: 1°	
THIRD ANGLE PROJECTION		
DO NOT SCALE DRAWING		
TITLE: LABEL LOCATION INSTL		
SHEET 1 of 8	PART NO	170136
REF:	1	

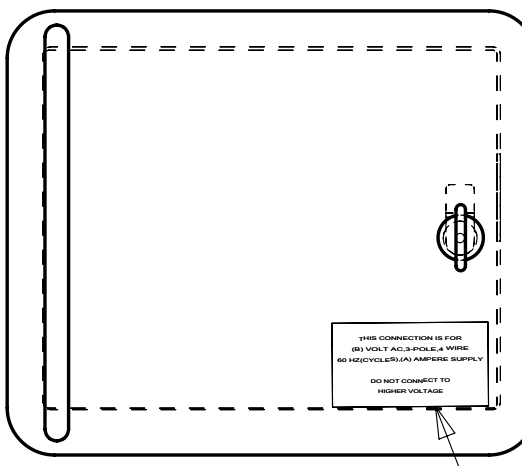


LABEL-REFRIG. COMBUSTION AIR
070905-02-000

1B1 LABEL-WARNING, REFUELING
124519-01-CHT
27E 265 124519-02-CHT
(LOCATE ON INSIDE OF FUEL FILL DOOR)

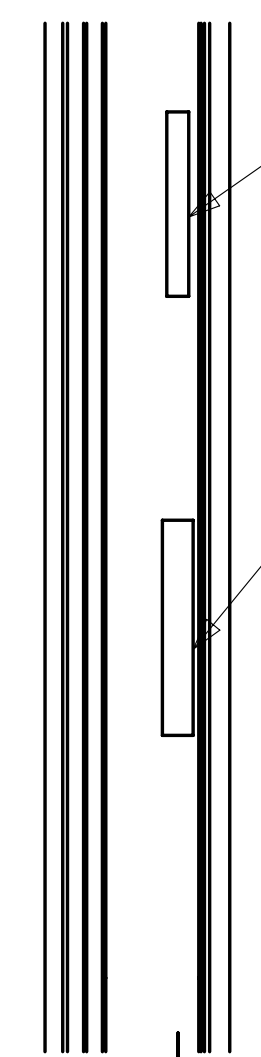


FUEL DOOR
(OUTSIDE)



LABEL-ELEC
125306-01-CHT

INSIDE VIEW OF REFRIGERATOR VENT
(NORCOLD ONLY)



SECTION B-B

LABEL-VIN
109096-01-000

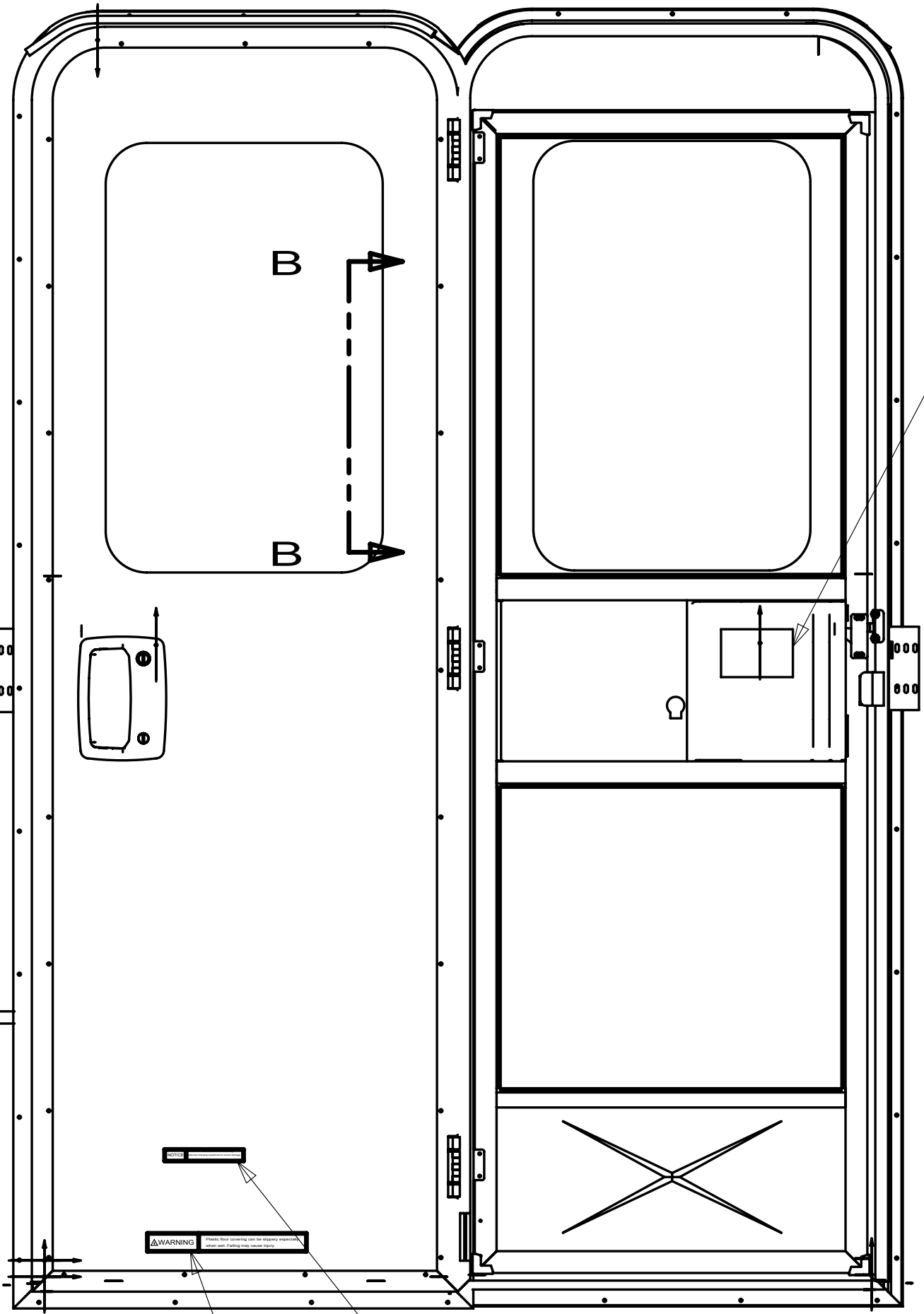
LABEL-MERCURY
135869-01-CHT

1B1 TAG-RVIA APPROVED
006019-01-000

1 STATE INSIGNIA

265 CSA, CRVA
160649-01-CHT

LABEL-AWNING INSTL
099509-01-000



LABEL-WARNING
(VENDOR SUPPLIED)

LABEL-OCCUPANT AND CCC
168454-01-CHT

LABEL-VEHICLE CERTIFICATION
087237-02-000 (US)
087237-05-000 (CAN)

LABEL-OCCUPANT AND CCC
168454-01-CHT

PASS DOOR

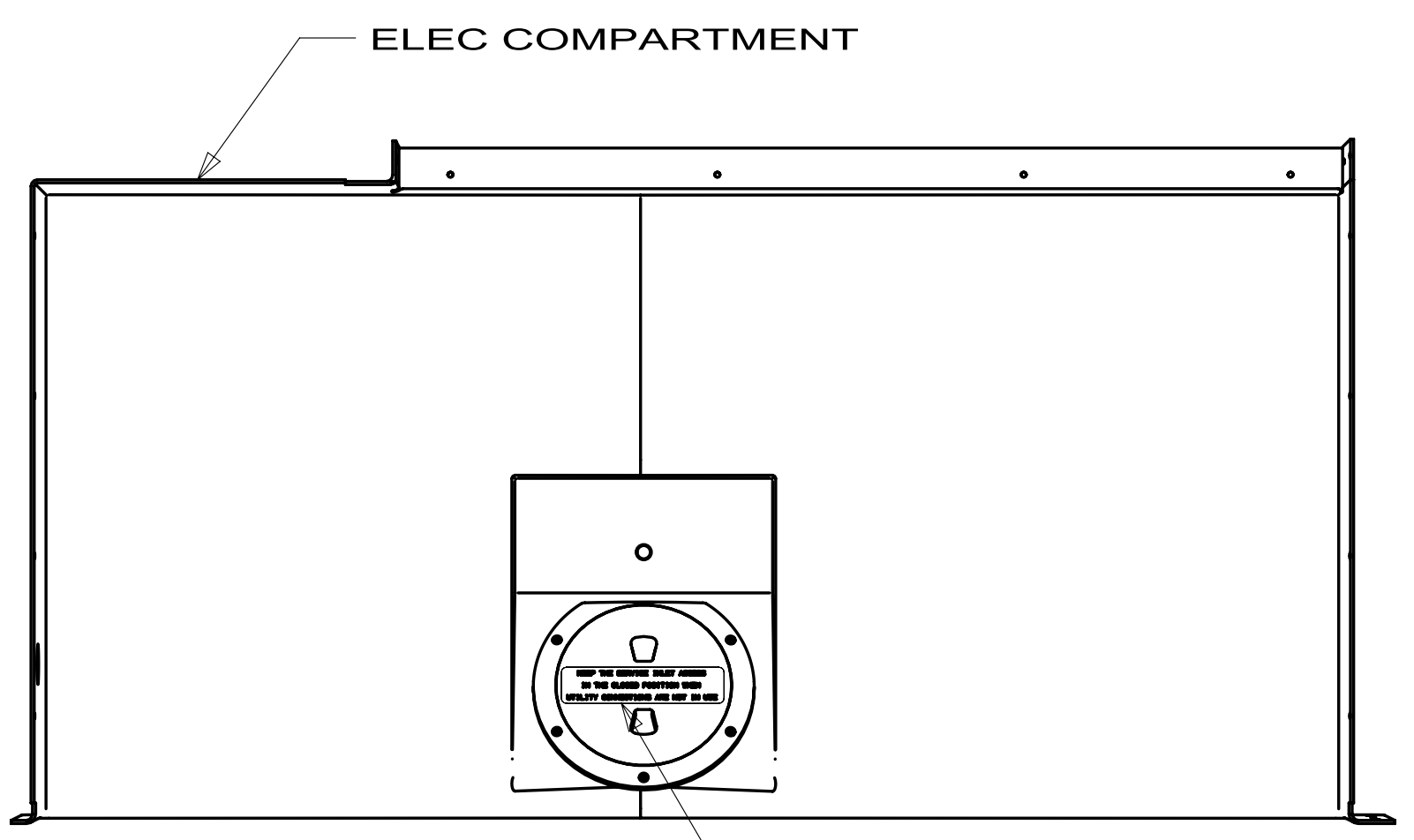
DRIVER DOOR

LABEL-CAUTION, BATTERY
1B1 065748-01-000

265 065748-02-000

LABEL-WARNING, FLOOR COVERING
110273-01-000

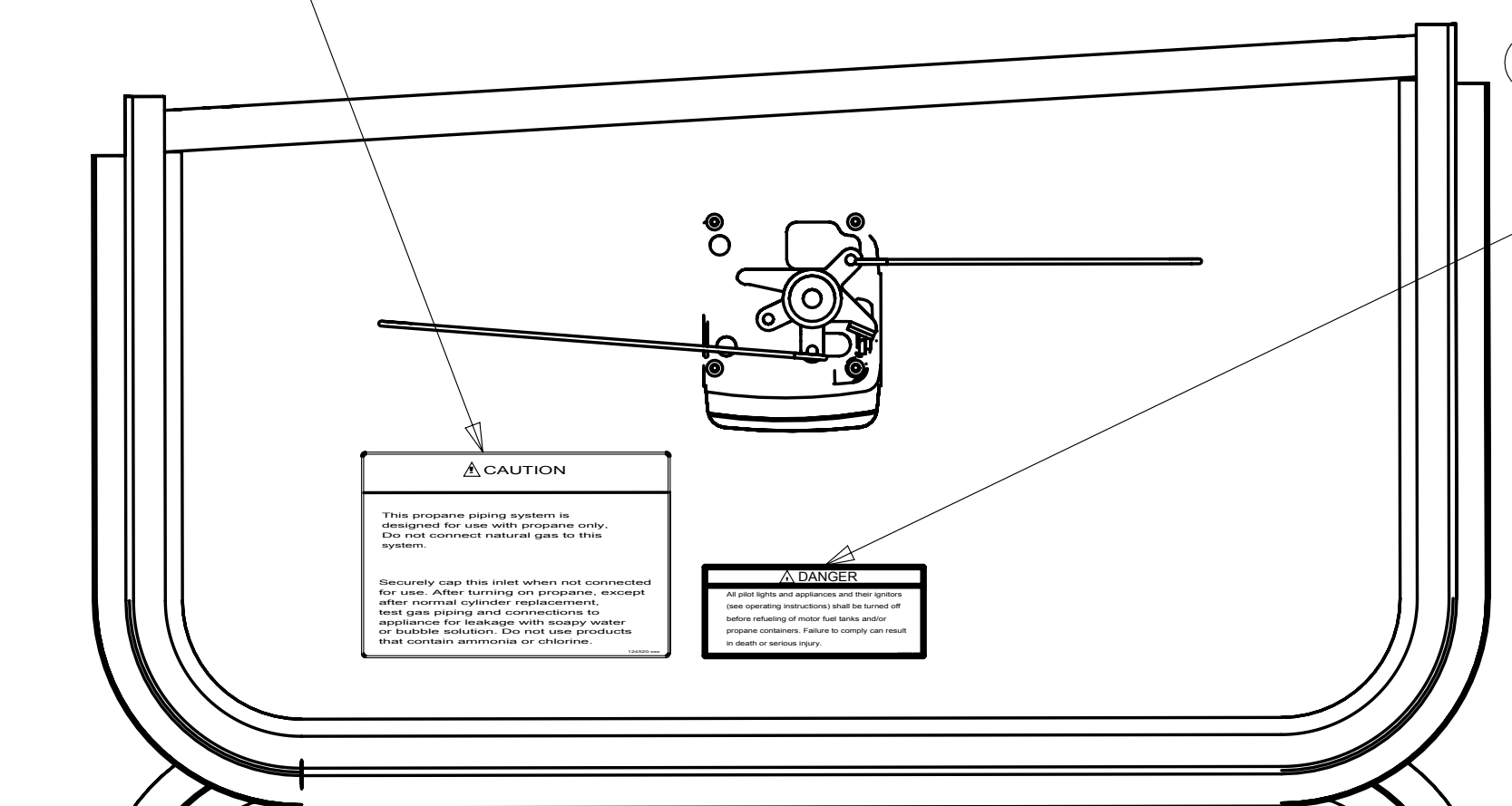
FIRST USED	10 300-SERIES		
TITLE:	DO NOT SCALE DRAWING		
	LABEL LOCATION INSTL		
SHEET 2	PART NO	170136	REV



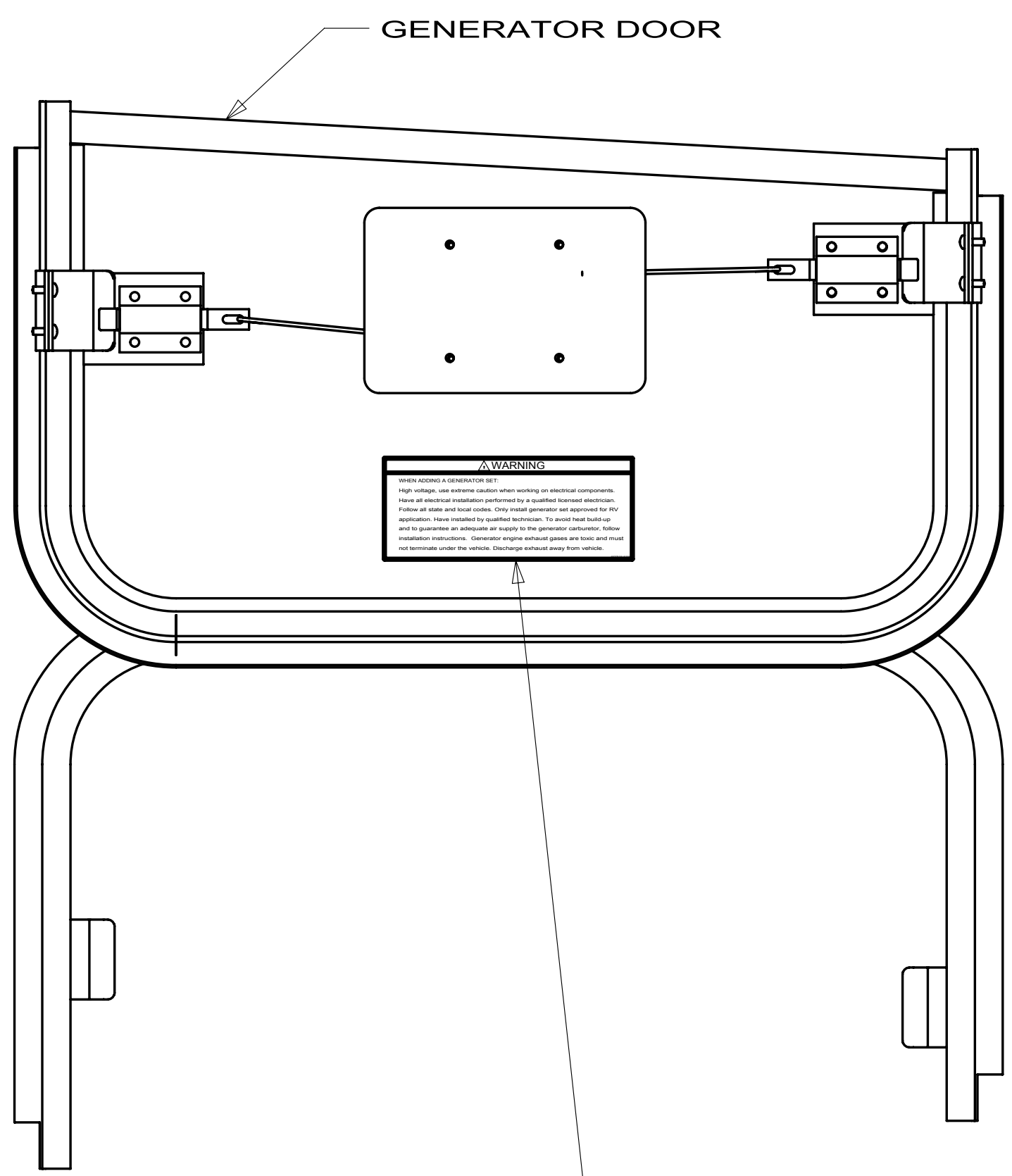
ELEC COMPARTMENT

LABEL-SERVICE/UTILITY ACCESS
123562-01-000

1B1 LABEL-LP GAS ONLY
124520-01-CHT
27E 265 023769-01-000
(LOCATE INSIDE OF LP COMPT DOOR)

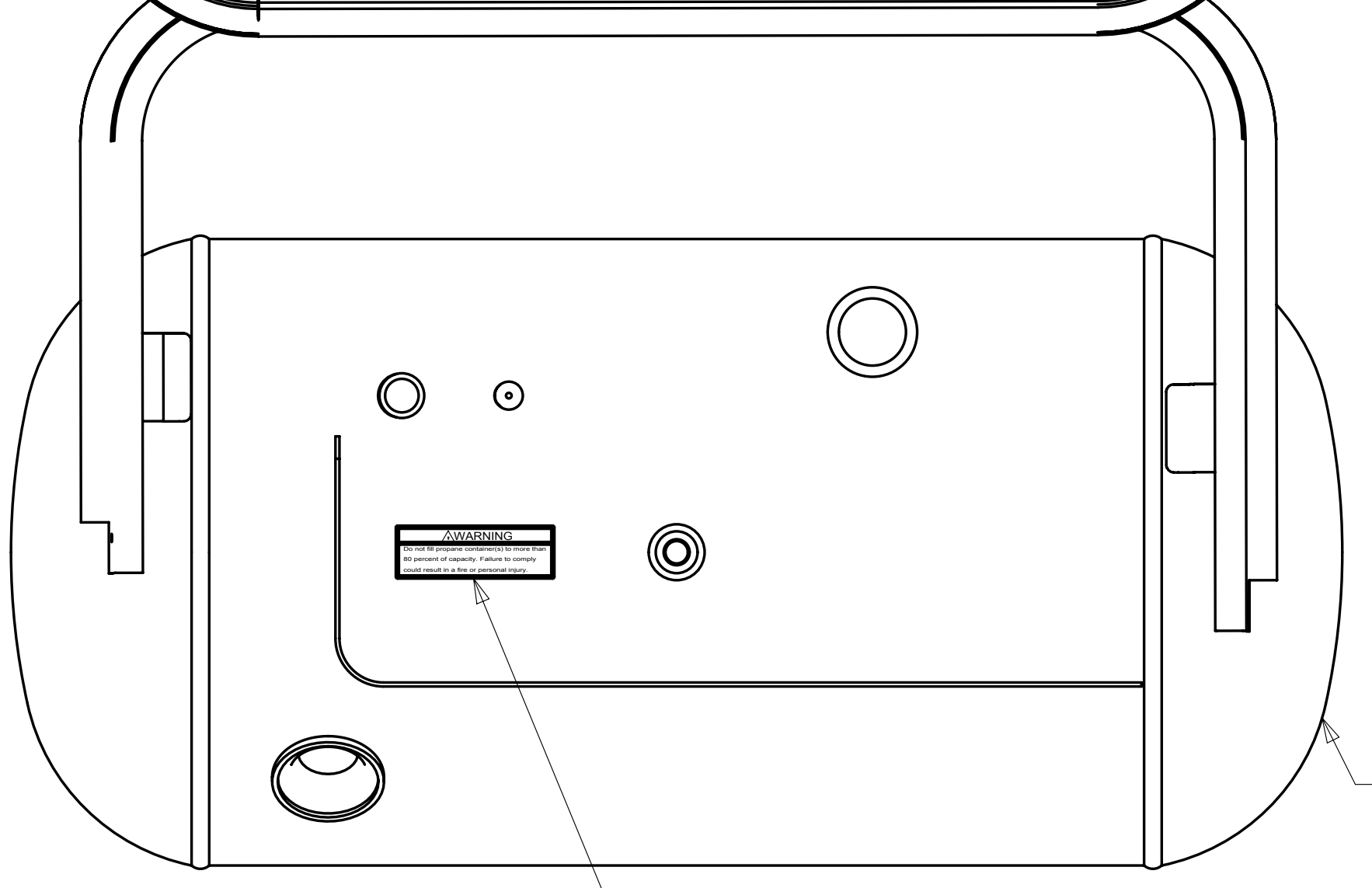


1B1 LABEL-WARNING, REFUELING
124519-01-CHT
27E 265 124519-02-CHT
(LOCATED INSIDE OF LP COMPT DOOR)



GENERATOR DOOR

LABEL-GENERATOR PREP
321 77510-01-000

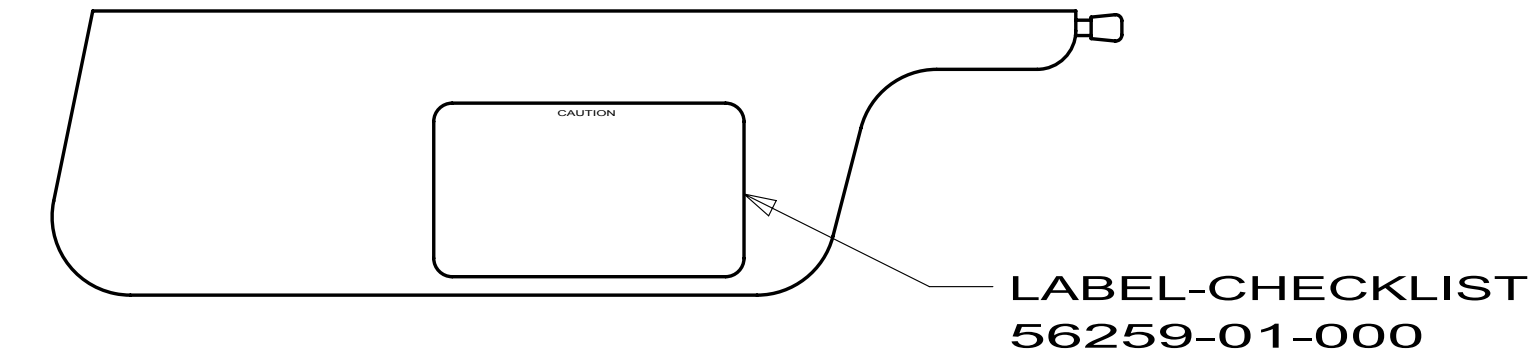
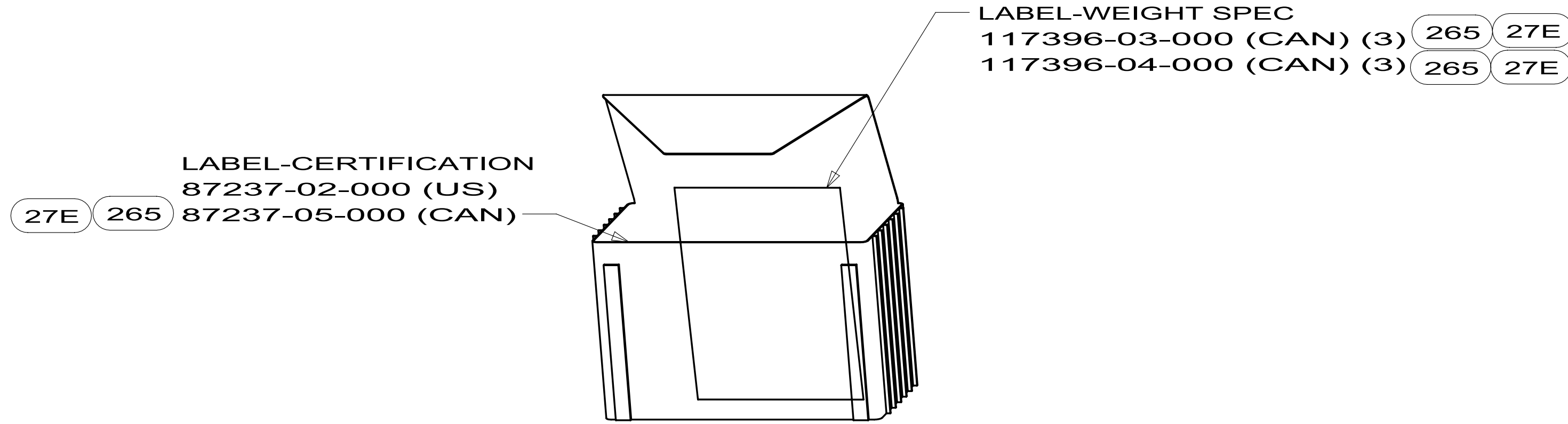


LP TANK

LABEL-LPG 80% CAPACITY
79965-01-000
OR VENDOR SUPPLIED
(LOCATE ON LP TANK)

321 GENERATOR PREP

FIRST USED	10 300-SERIES
TITLE:	DO NOT SCALE DRAWING
	LABEL LOCATION INSTL
SHEET 3	PART NO 170136
	REV

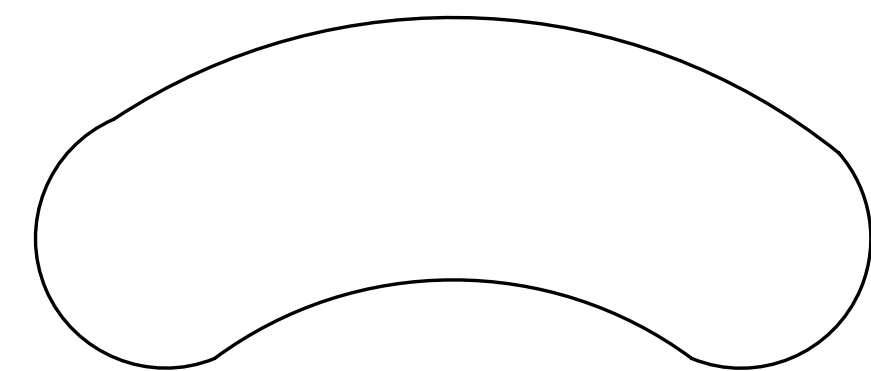


LABELS SHALL BE LOCATED ON OPPOSITE SIDE OF VISOR THAT THE AIR BAG LABEL IS INSTALLED ON.

ONE WEIGHT SPEC SHEET TO GO IN OWNERS BAG.
ONE WEIGHT SPEC SHEET TO BE AFFIXED TO THE INSIDE OF THE WRDROBE OR SIMILAR DOOR.
ONE WEIGHT SHEET OR 168454-01-CHT TO BE FILED WITH TRAVELER.

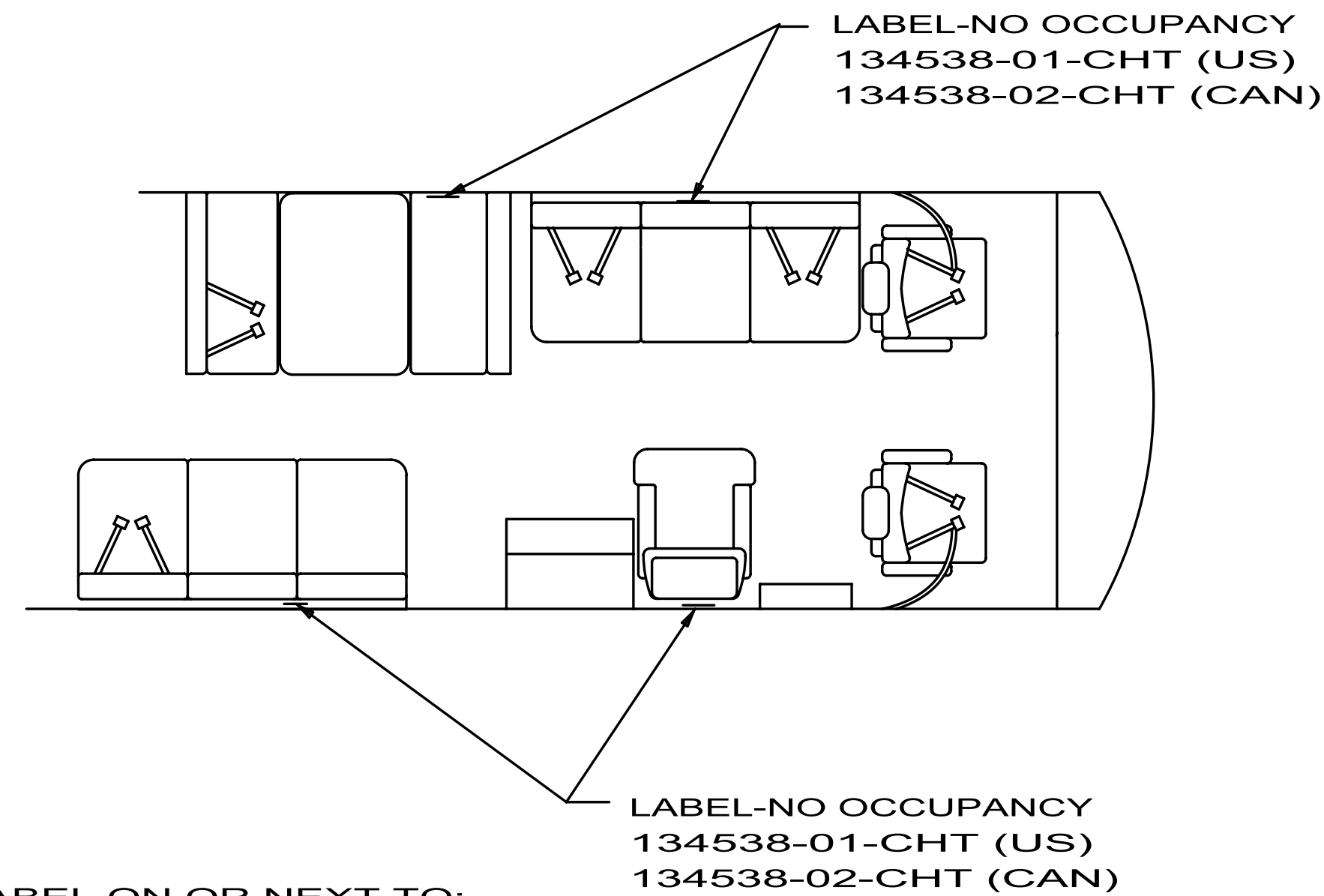
TYPICAL SEAT AND BELT CONFIGURATIONS

INSTRUMENT CLUSTER REF



LABEL-ODOMETER READ IN MILE
155692-01-CHT (2008 CHASSIS)
NO LABEL (2009 CHASSIS)

(FORD SERVICE TOOL USED TO ACTIVATE DATIME RUNNING LIGHTS AND CHANGE ODOMETER TO METRIC)

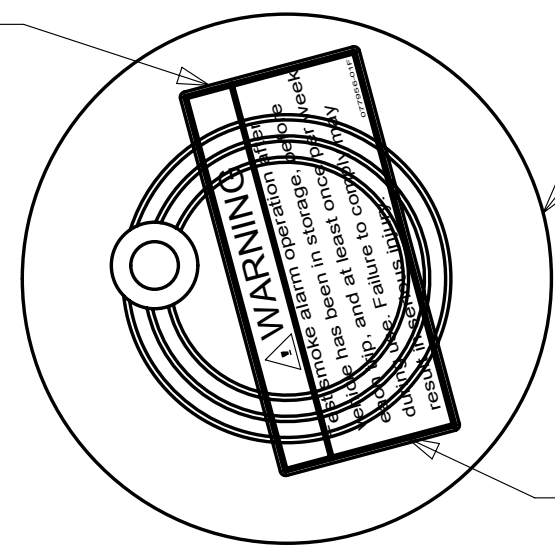


ATTACH LABEL ON OR NEXT TO:
+ANY SINGLE CHAIR WITHOUT BELTS.
+ANY DINETTE SEAT WITHOUT BELTS.
+ANY COUCH WITHOUT BELTS OR ANY SEATING POSITION ON THAT COUCH.

DO NOT ATTACH LABEL IF:
+DINETTE SEAT HAS AT LEAST ONE SET OF BELTS INSTALLED.

FIRST USED	10 300-SERIES		
TITLE:	DO NOT SCALE DRAWING		
	LABEL LOCATION INSTL		
SHEET 4	PART NO	170136	REV

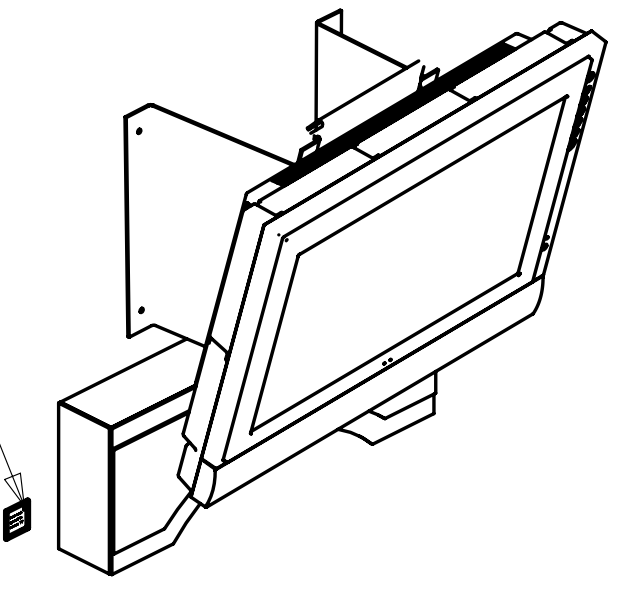
LABEL NOT TO COVER
SENSOR OPENING



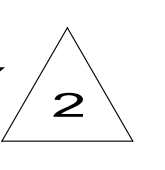
SMOKE
DETECTOR
REF

LABEL-WARNING,SMOKE DETECTOR
77956-01-000

1LK LABEL-RELEASE,TV
159837-02-CHT
(LOCATE BELOW TV
OR BESIDE VALANCE)

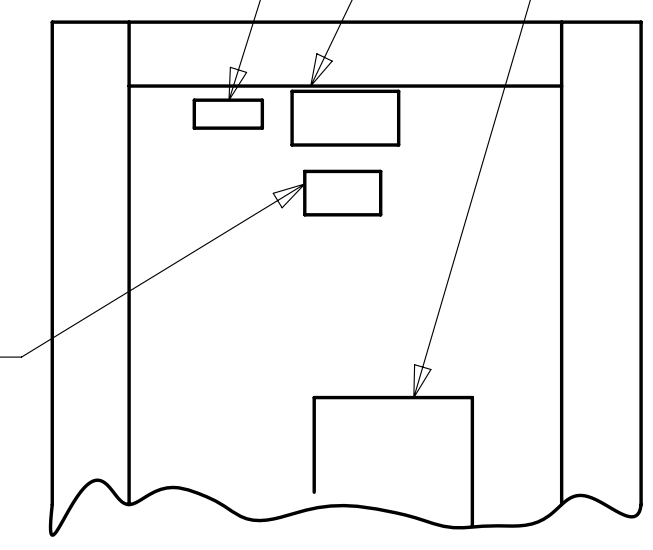


LABEL-WARNING
CANCER/TOXICITY
99689-01-000



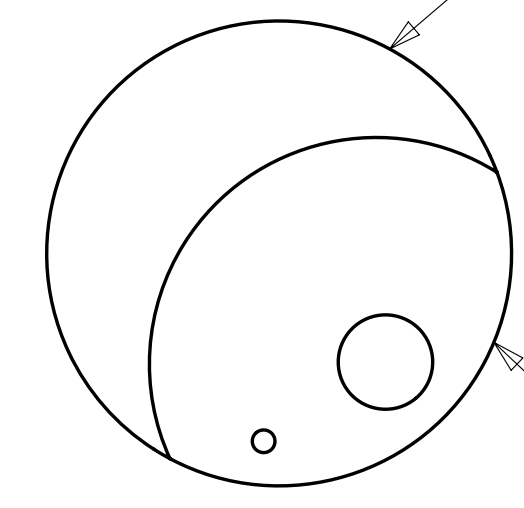
LABEL-LPG ODOR WARNING
073998-01-000

LABEL-DATA PLATE
(CSA OR STATE SUPPLIED)



INSIDE GALLEY
CABINET

LABEL-WARNING TEST OPERATION
APPLY BOTH ENGLISH AND FRENCH
(VENDOR SUPPLIED)
LOCATE ON SIDE OF DETECTOR

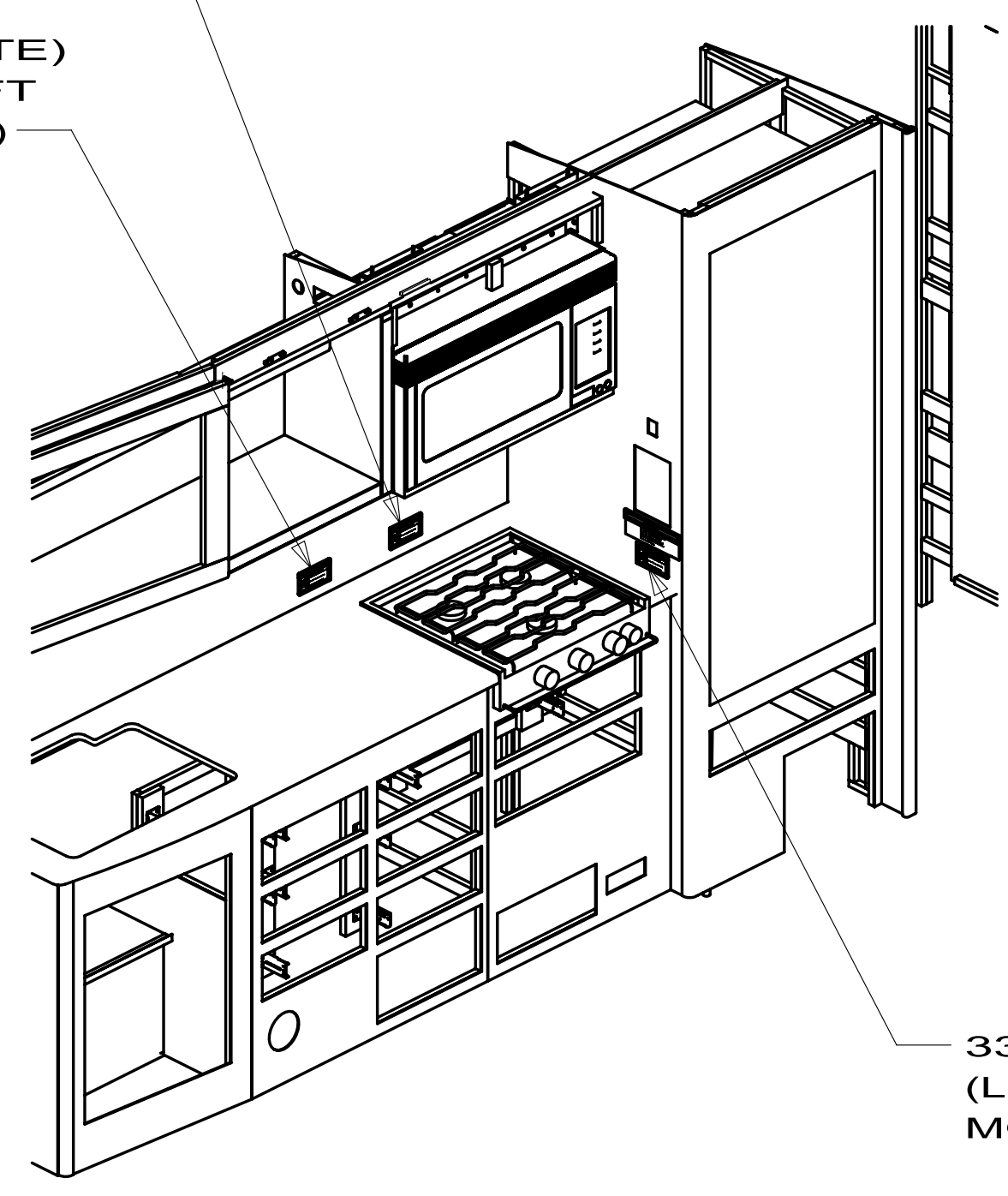


CARBON MONOXIDE DETECTOR
REF

LABEL-FORMALDEHYDE, CARB93120
174199-01-CHT
(LOCATE NEAR 073998-01-000)

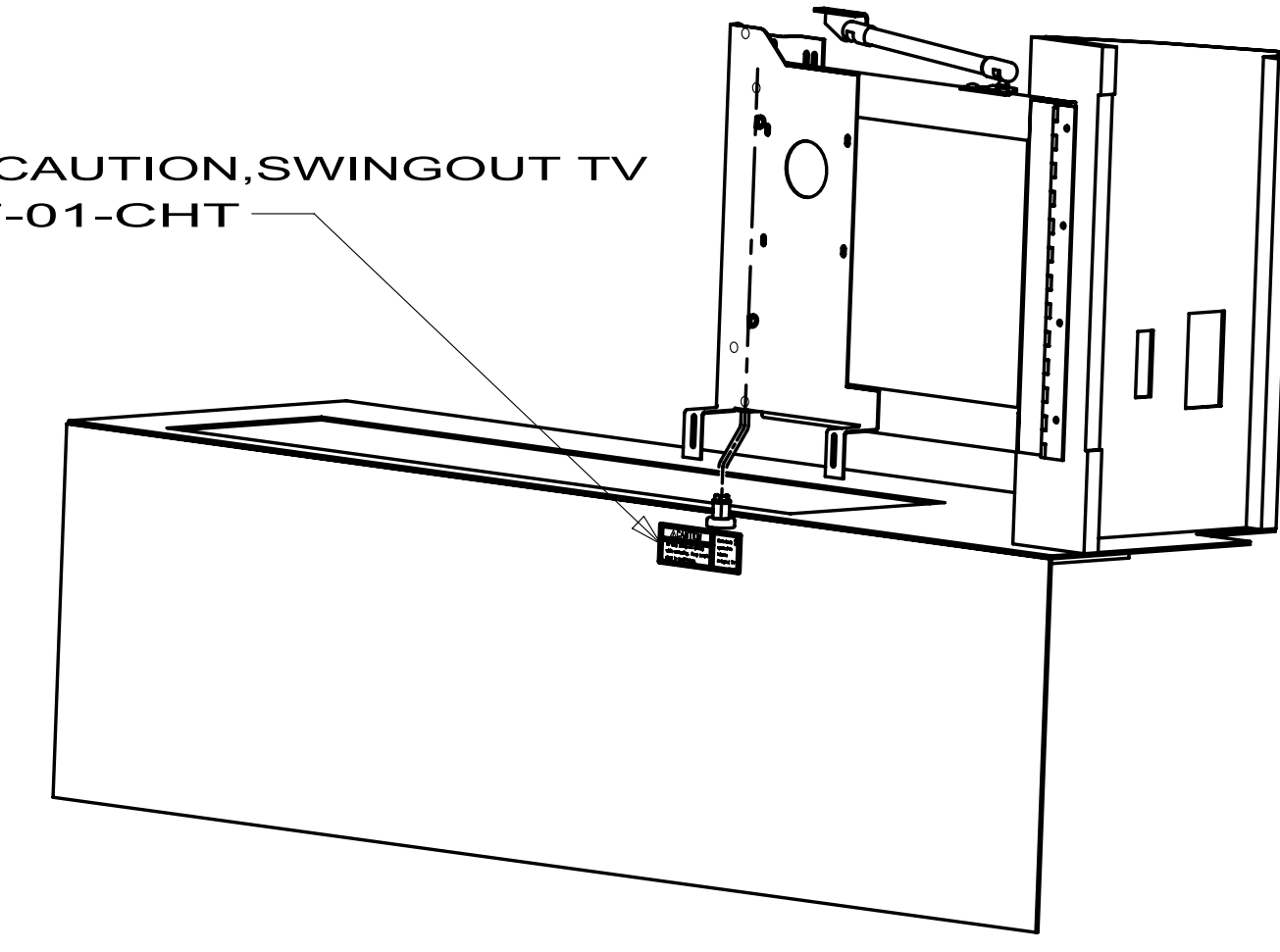
LABEL-WARNING,STOVE HEATING
134539-01-CHT 1B1
134540-01-CHT 265

329B (ALTERNATE)
(LOCATE TO LEFT
OF BACKSPLASH)



331C (ALTERNATE)
(LOCATE BELOW
MONITOR PANEL)

1MK LABEL-CAUTION,SWINGOUT TV
159837-01-CHT



ENTERTAINMENT CENTER

265 CODES/STANDARDS-CSA

FIRST USED	10 300-SERIES		
TITLE:	DO NOT SCALE DRAWING		
	LABEL LOCATION INSTL		
SHEET 5	PART NO	170136	REV

8

7

6

5

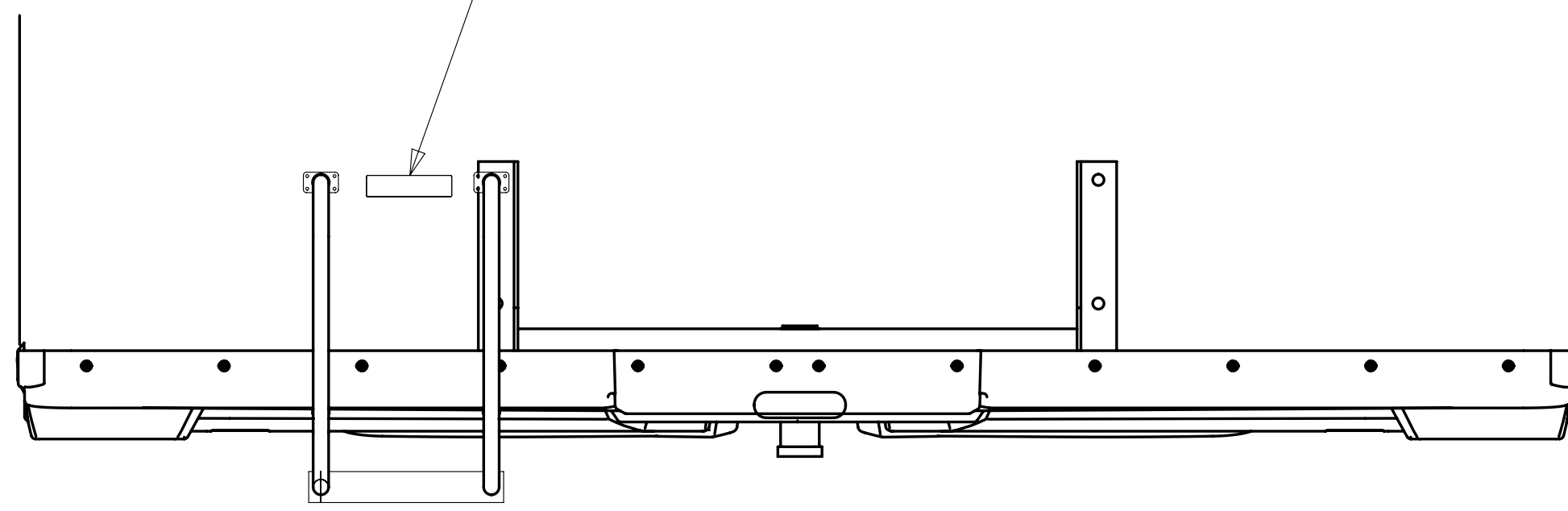
4

3

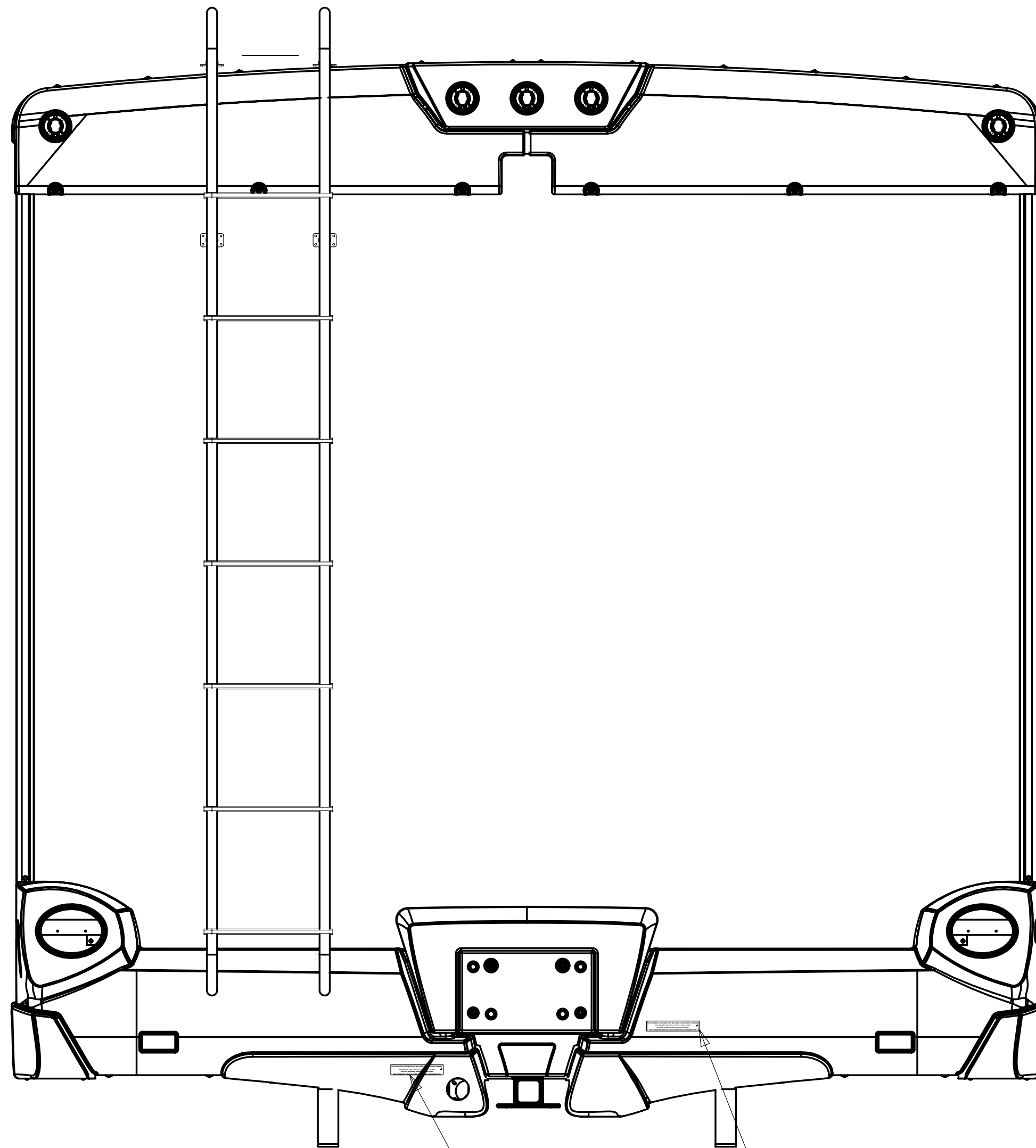
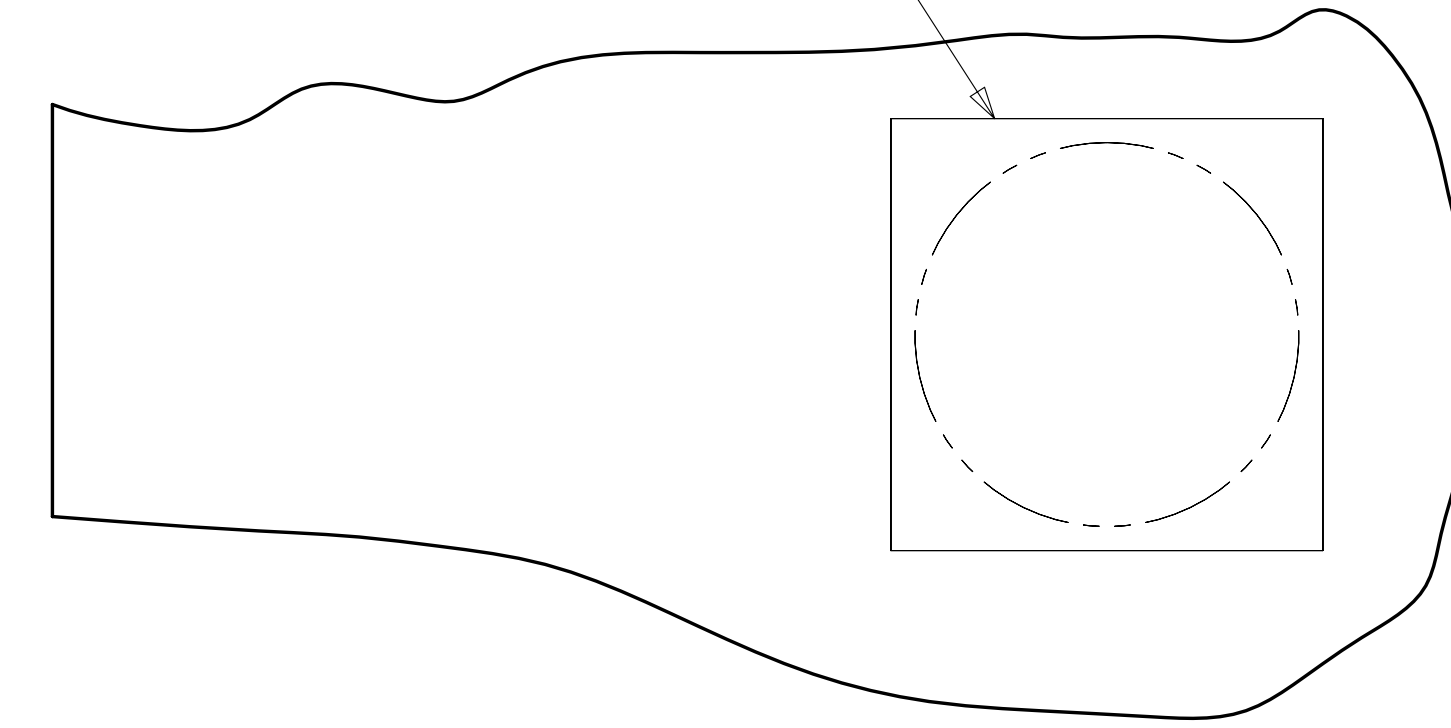
2

1

LABEL-WARNING,ROOF SLIPPERY
163705-01-CHT



LABEL-LOCATION,COAX,SAT ANT
120431-01-000



LABEL-HITCH/VEHICLE RATE
129669-01-CHT
(LOCATE ON BACKWALL/BUMPER)

LABEL-HITCH/VEHICLE RATE
129669-01-CHT
(LOCATE ON HITCH)

FIRST USED	10 300-SERIES		
TITLE:	DO NOT SCALE DRAWING		
	LABEL LOCATION INSTL		
SHEET 6	PART NO	170136	REV

8

7

6

5

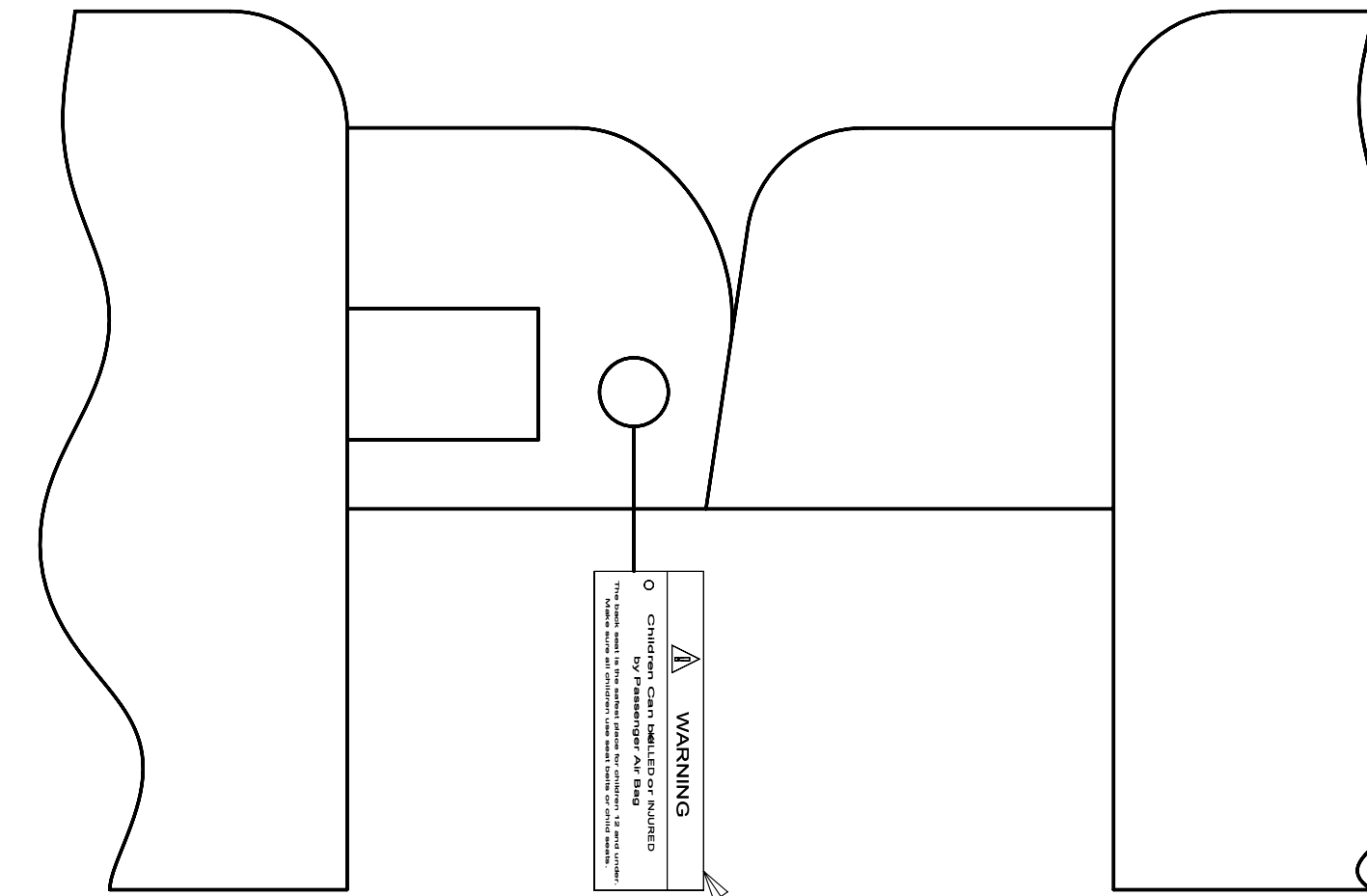
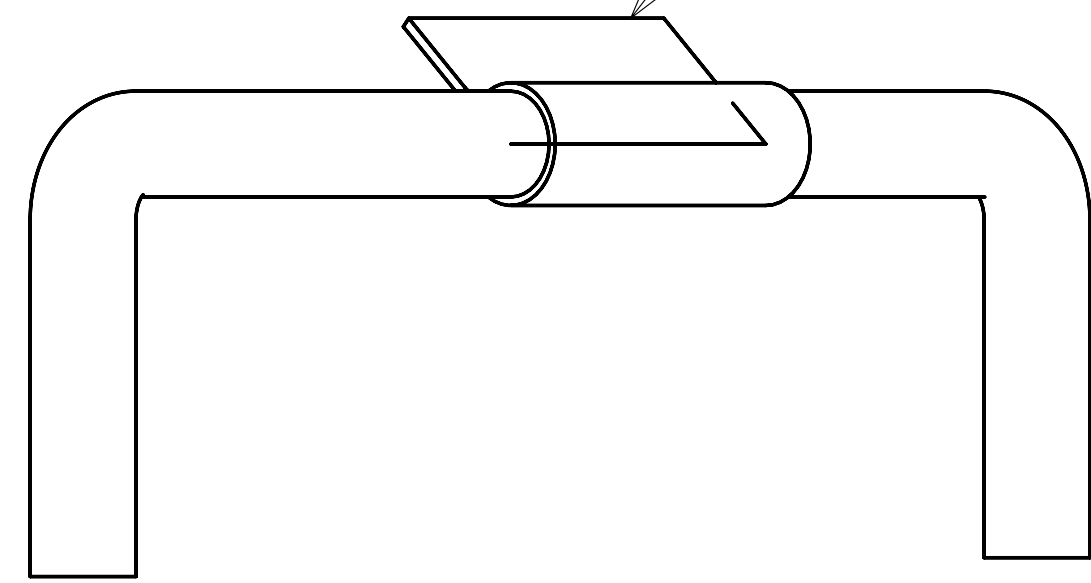
4

3

2

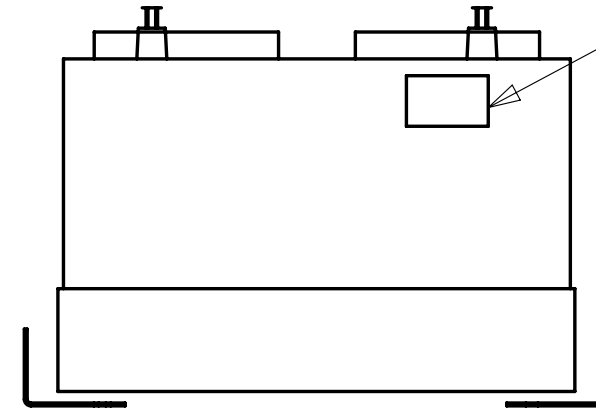
1

LABEL-PROP ROD
128658-01-000
(WRAP LABEL AROUND ROD
AND ADHERE TO ITSELF)



LABEL-HANG TAG
126612-01-000
OR CHASSIS SUPPLIED

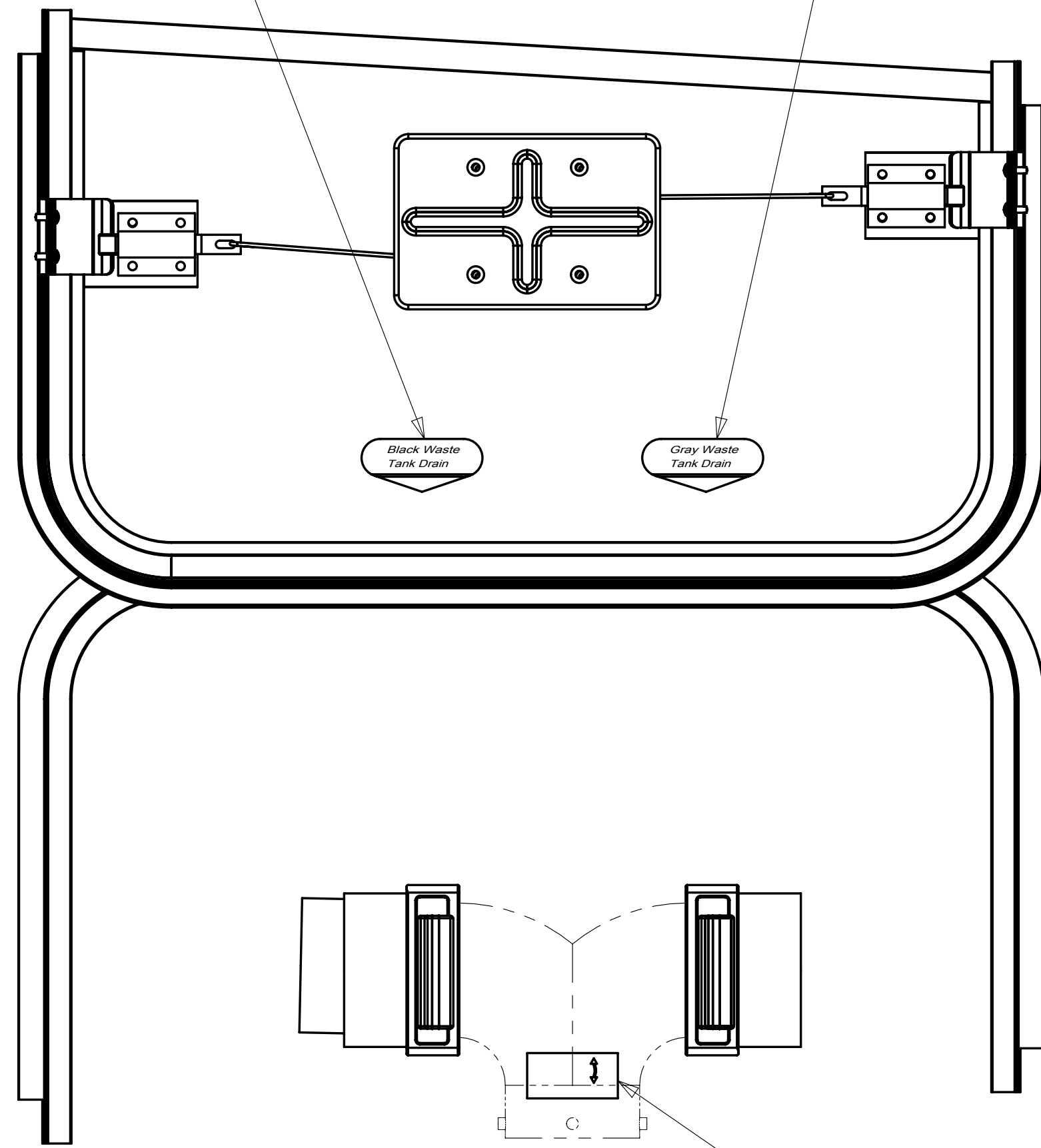
LABEL-VIN
109096-01-000
LABEL-OVERLAY
061606-02-000
(A/R)



FIRST USED	10 300-SERIES	
TITLE:	DO NOT SCALE DRAWING	
	LABEL LOCATION INSTL	
SHEET 7	PART NO 170136	REV

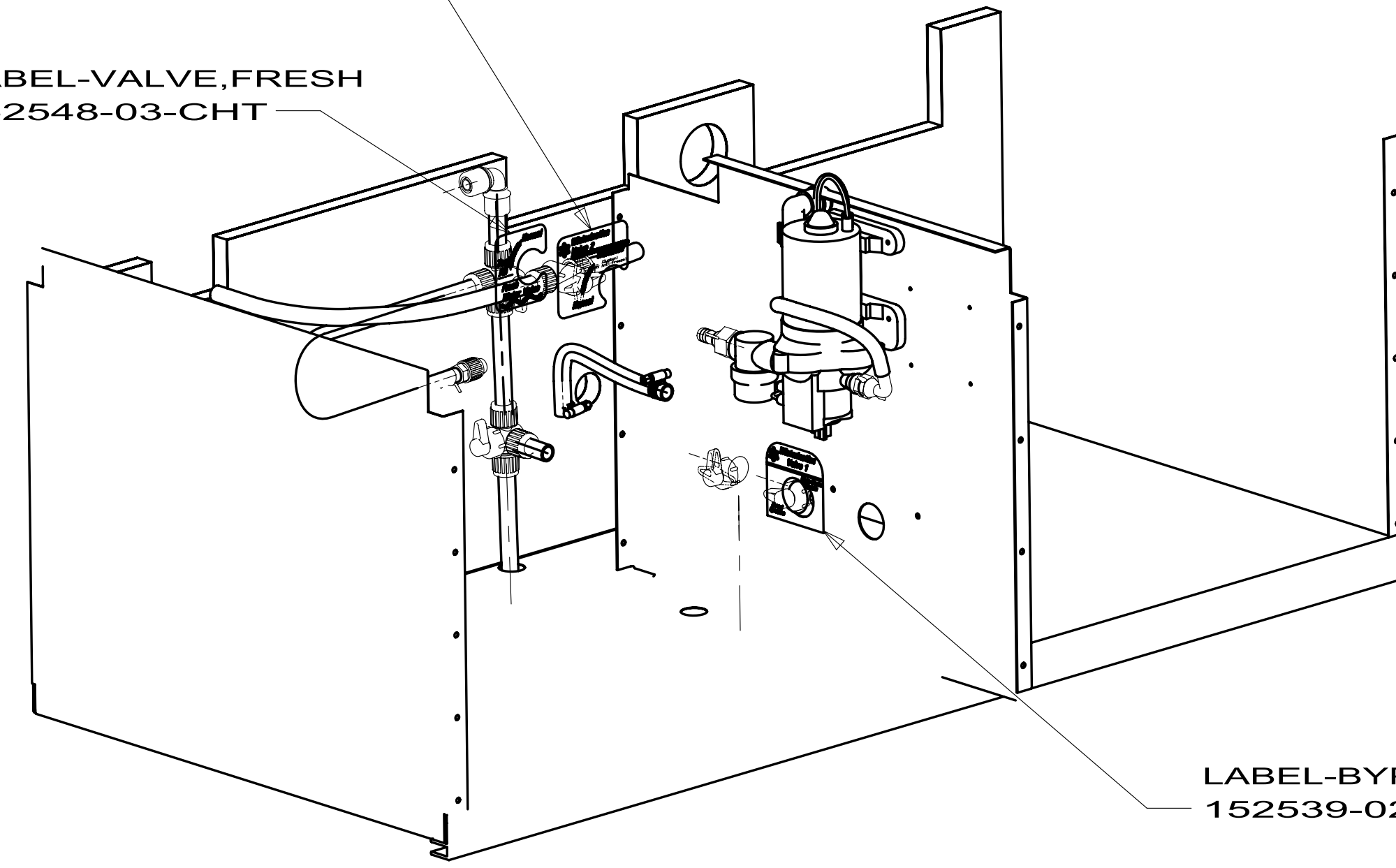
LABEL-BLACK WASTE
152543-03-CHT

LABEL-GRAY WASTE
152541-03-CHT

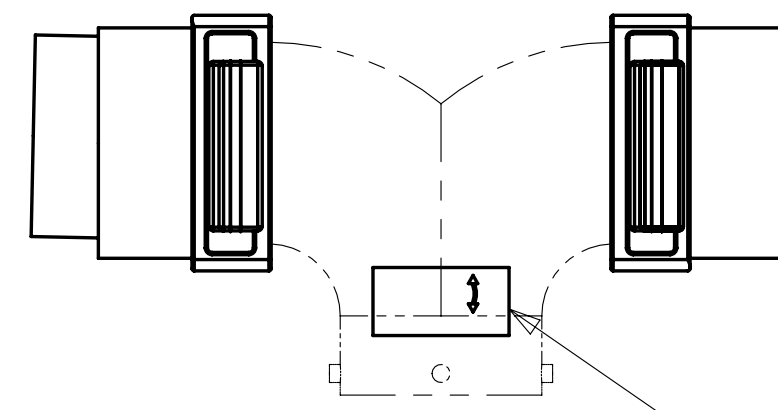


LABEL-WINTERIZATION
152545-01-CHT

LABEL-VALVE, FRESH
152548-03-CHT

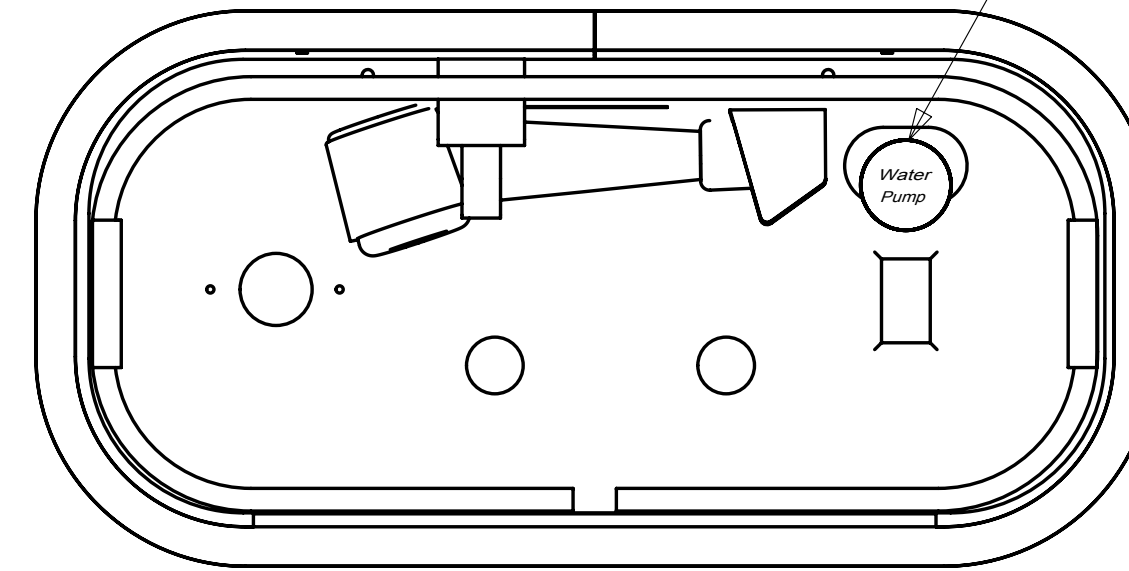


LABEL-BYPASS
152539-02-CHT

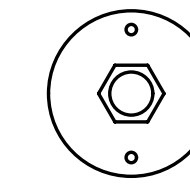


LABEL-ADJUSTABLE VALVE
144649-01-CHT

LABEL-SWITCH
152544-03-CHT



LABEL-POTABLE WATER
128725-01-CHT
(LOCATE ON DOOR FOR EXT SHOWER OPTION)
(330D)



LABEL-POTABLE WATER
128725-01-CHT
(ALTERNATE LOCATION W/O EXT SHOWER)

FIRST USED	10 300-SERIES		
TITLE:	DO NOT SCALE DRAWING		
	LABEL LOCATION INSTL		
SHEET 8	PART NO	170136	REV