

WINDOW ASM
117053-08-XXX
RETAINER
117054-02-03A
WINDOW ASM
173183-01-01A
SCREW
000G11-08-12B (15)

WINDOW ASM,ATWOOD
164922-08-01A
WINDOW ASM,SE-GI
173186-05-01A
173185-04-01A
SCREW
000G11-08-12B (15)

VENT ASM-ROOF
122882-01-01A
GARNISH
122882-07-01A
SCREW
110460-04-CHT (4)

WINDOW ASM,ATWOOD
164922-09-01A
WINDOW ASM,SE-GI
173186-04-01A
173185-05-01A
SCREW
000G11-08-12B (15)

STICKER-MODEL
131273-01-01Y

WINDOW ASM,ATWOOD
164922-24-01A
WINDOW ASM,SE-GI
173186-08-01A
173185-06-01A
SCREW
000G11-08-12B (25)

VENT ASM-RANGE
147821-01-01A
VENT ASM-RANGE COVER
147821-02-01A
SCREW
000G11-08-12B (8)
SEALANT

WINDOW ASM,ATWOOD
164922-06-01A
WINDOW ASM,SE-GI
173186-07-01A
173185-09-01A
SCREW
000G11-08-12B (20)

WINDOW ASM,ATWOOD
164922-06-01A
WINDOW ASM,SE-GI
173186-07-01A
173185-09-01A
SCREW
000G11-08-12B (20)

WINDOW ASM,ATWOOD
151075-13-01A
WINDOW ASM,SE-GI
173184-07-01A
173183-08-01A
SCREW
000G11-08-12B (20)

41M VENTILATOR-ROOF
123780-26-000
SCREW
155618-01-CHT (4)

VENT ASM-ROOF
122882-02-01A (POWERED/US)
122882-03-01A (POWERED/CSA)
GARNISH
122882-07-01A
SCREW
110460-04-CHT (4)
GEAR-ARM-ROOF VENT
009440-01-000
MOTOR-12V NONVENTED 1/8 SFT
048648-01-000
FAN-PLAS-6 IN 6 BLADED
048649-01-000

WINDOW ASM,ATWOOD
164973-10-01A
WINDOW ASM,SE-GI
173188-02-01A
173187-01-01A
SCREW
000G11-08-12B (15)

WINDOW ASM,ATWOOD
164970-04-01A (2)
WINDOW ASM,SE-GI
173189-04-01A (2)
173190-02-01A (2)
SCREW
000G11-08-12B (50)

3. ESCAPE WINDOW

2. NOT USED WITH 1L9

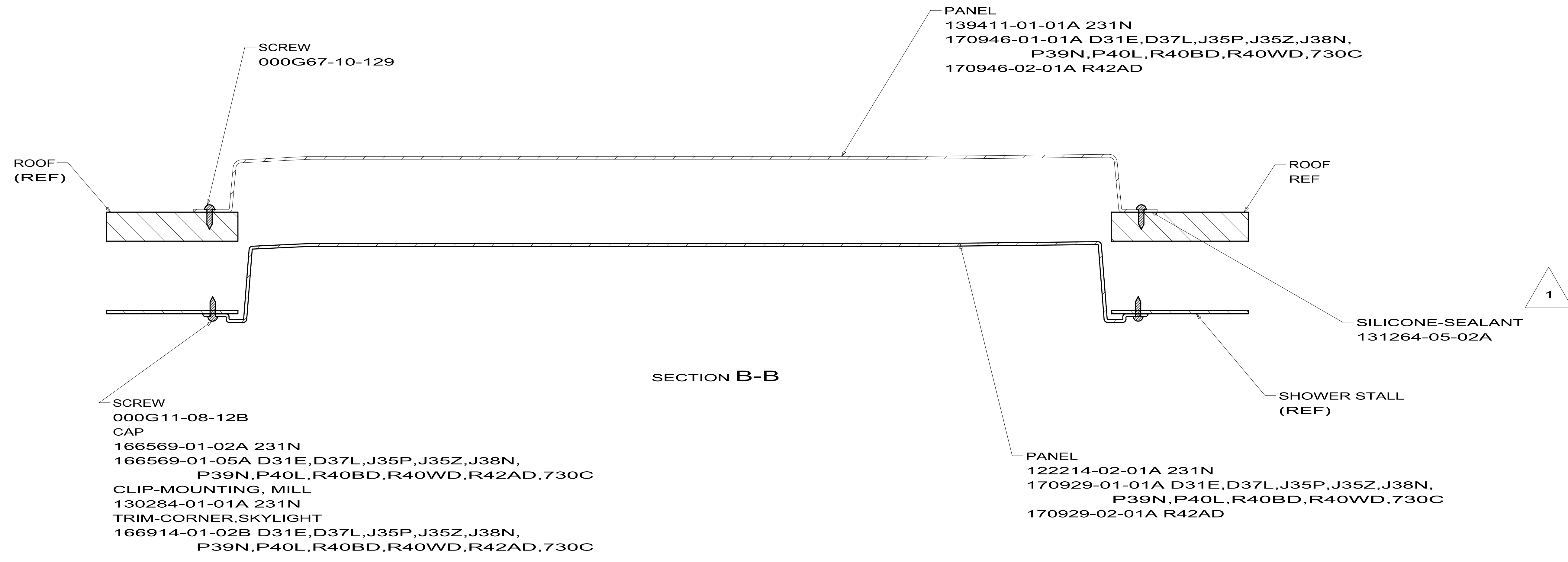
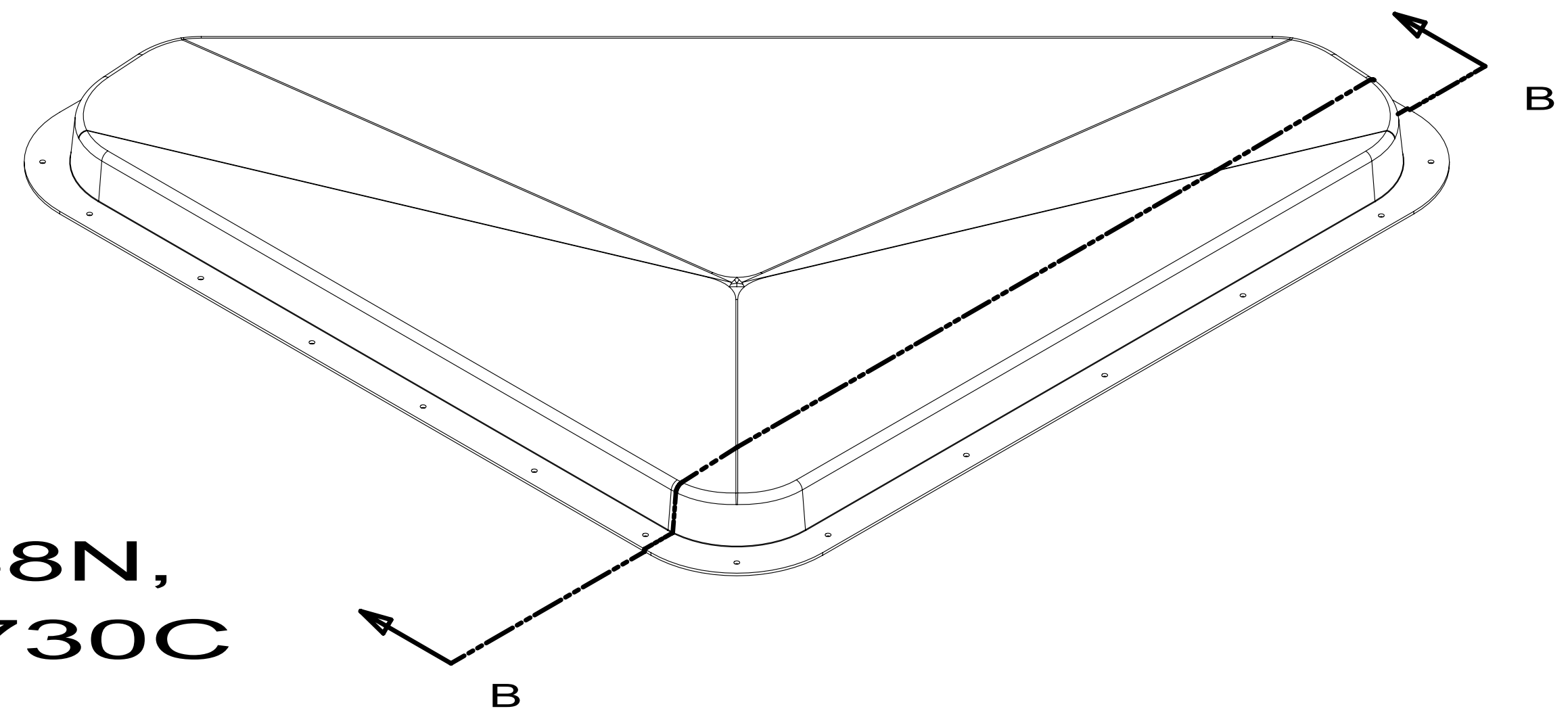
1. APPLY GREEN TAPE: 120534-01-CHT (A/R)
TO BACKSIDE OF TRIM-WINDOW, INNER BEFORE
ATTACHING TRIM TO WINDOW ASM.

NOTES:

- 13Y WINDOWS-COACH-DUAL PANE
- 41M VENT-POWER VENTILATOR
- 648 RENTAL - FRASERWAY
- 1L9 ENTERTAINMENT CENTER-CABOVER
- 094 WINDOW - SE-GI
- 56K WINDOW-ENTRANCE DOOR
- 58S WINDOWS-BUNK, SIDEWALLS
- 311 VENT-NON-POWERED
- 265 CODES/STANDARDS-CSA/CMVSS
- 1B1 CODES/STANDARDS USA
- 715 VENT-POWER

		COPYRIGHT 2010 WINNEBAGO INDUSTRIES, INC.	
DFT-ORIG	ORIG. DATE	ALL DIMENSIONS ARE IN MILLIMETERS	
CHKR		FIRST USED	
P.E.		10 231N	
M.E.		UNSPECIFIED TOLERANCES ARE:	
DSNR		WHOLE DIM (X) :	MATERIAL:
		ONE-PLACE (X.X) :	
		TWO-PLACE (X.XX) :	
		ANGLE :	
		THIRD ANGLE PROJECTION	
DO NOT SCALE DRAWING		REFER TO ES0018 FOR FASTENER TIGHTENING GUIDELINES	
TITLE: BODY INSTL-WINDOWS & VENTS			
SHEET 1 OF 1	PART NO	172961	REV
	REF:	1	

SKYLITE INSTL
080524-17 231N
080524-18 D31E,D37L,J35P,J35Z,J38N,
P39N,P40L,R40BD,R40WD,730C
080524-21 R42AD



SECTION B-B

FIRST USED	85 A&C BODY
TITLE:	DO NOT SCALE DRAWING
	SKYLITE INSTL
SHEE2	PART NO 080524

122882-01-01A

KEY	PART NUMBER	U/M	DESCRIPTION	VENDOR NO.
	064470-01-700	EA	COVER - VENT	J7291
	064470-01-701	EA	SLIDE BAR - VENT LID	JRP1291B
	122882-01-700	EA	HANDLE - CRANK - BLACK	90128
	122882-01-701	EA	SCREEN	JRP-1124-B
	122882-01-702	EA	HANDLE - CRANK - WHITE	JRP1031B
	122882-01-703	EA	SEAL - DOME - 48"	JRP2111B

122882-02-01A, 122882-03-01A

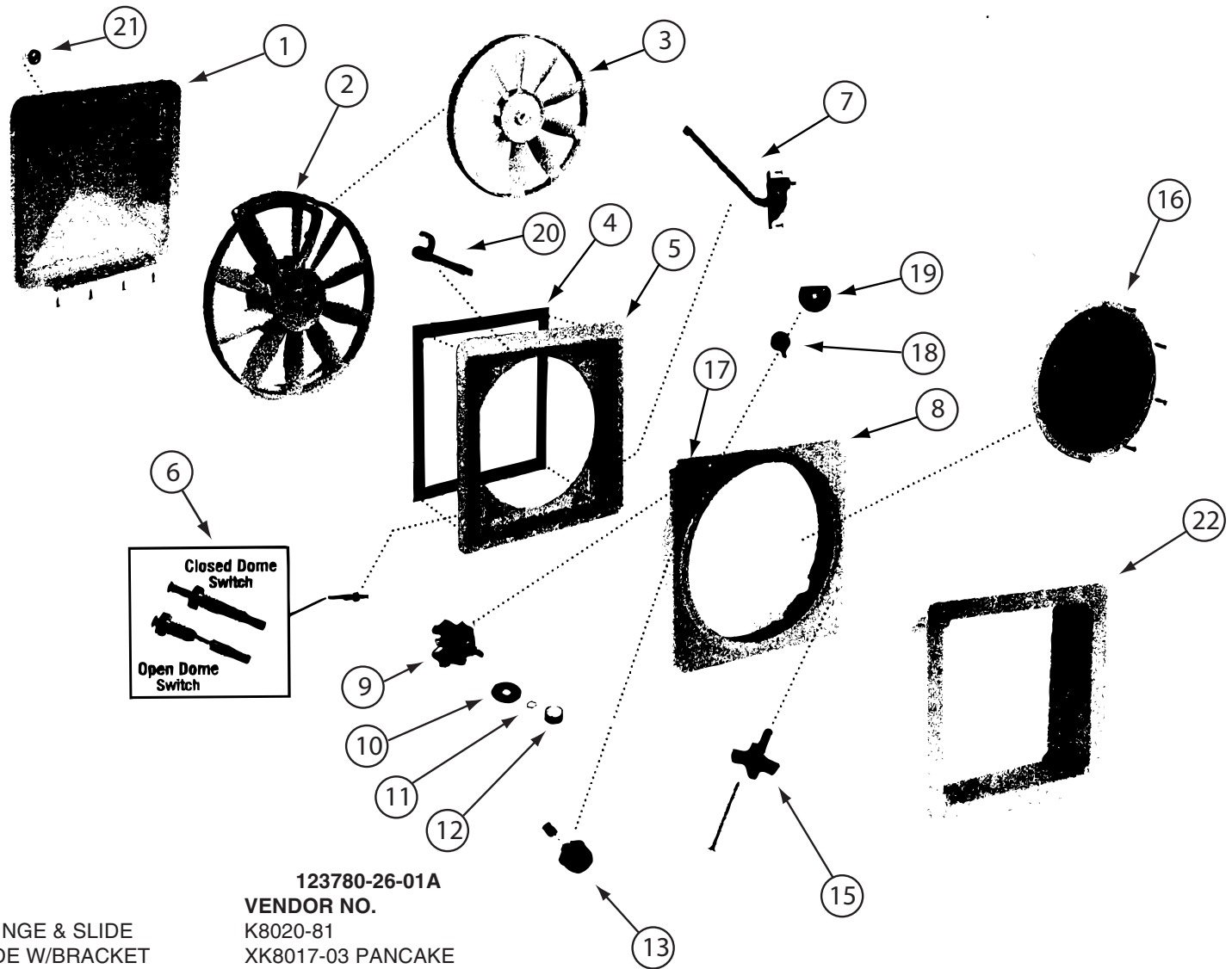
KEY	PART NUMBER	U/M	DESCRIPTION	VENDOR NO.
	064470-01-700	EA	COVER - VENT	J7291
	064470-01-701	EA	SLIDE BAR - VENT LID	JRP1291B
	110051-03-700	EA	SWITCH-BLACK/PUSH BUTTON	27-0164
	122882-01-700	EA	HANDLE - CRANK - BLACK	90128
	122882-01-701	EA	SCREEN	JRP-1124-B
	122882-01-702	EA	HANDLE - CRANK - WHITE	JRP1031B

122882-04-01A

KEY	PART NUMBER	U/M	DESCRIPTION	VENDOR NO.
	064469-03-708	EA	GEAR-DRIVE	RP-1024-.50 PC SIZE
	064470-01-700	EA	COVER - VENT	J7291
	064470-01-701	EA	SLIDE BAR - VENT LID	JRP1291B
	110051-01-705	EA	SCREEN & FRAME F/PWR LIFT 4"	29-689-04A/JRP2180
	110051-07-701	EA	MOTOR-LIFT, W/BRKT-GEAR 3/16	JRP1099B
	122882-01-703	EA	SEAL - DOME - 48"	JRP2111B

122882-05-01A

KEY	PART NUMBER	U/M	DESCRIPTION	VENDOR NO.
	064469-03-708	EA	GEAR-DRIVE	RP-1024-.50 PC SIZE
	064469-03-709	EA	GEAR-PINION F/LIFT MOTOR	RP-1025 - DIME SIZE
	064470-01-700	EA	COVER - VENT	J7291
	064470-01-701	EA	SLIDE BAR - VENT LID	JRP1291B
	110051-01-705	EA	SCREEN & FRAME F/PWR LIFT 4"	29-689-04A/JRP2180
	110051-07-701	EA	MOTOR-LIFT, W/BRKT-GEAR 3/16	JRP1099B
	122882-01-703	EA	SEAL - DOME - 48"	JRP2111B



123780-26-01A

VENDOR NO.

KEY	PART NUMBER	U/M	DESCRIPTION	VENDOR NO.
1	123780-22-700	EA	COVER - VENT W/HINGE & SLIDE	K8020-81
2	123780-26-700	EA	MOTOR & FAN BLADE W/BACKET	XK8017-03 PANCAKE
3	123780-26-701	EA	BLADE/FAN - 12" OPAQUE WHT	8138-81 - 7MM
4	123780-22-701	EA	SEAL/RUBBER-4 1/2' W/GLUE	K1144-09
5	123780-22-702	EA	BASE/MAIN - W/LOCK/SEAL/ARM	XK8010-81 CLAMP STY
6	084079-01-707	EA	SWITCH - SAFETY	1122-05
7	084079-01-702	EA	ARM LIFT ASSEMBLY, MANUAL	101105
9	084079-01-709	EA	SWITCH - MAIN - 3 SPEED	1031-05
13	123780-21-700	EA	FUSE HOLDER W/4AMP FUSE/KNOB	K9018-09 NEW STYLE
15	123780-16-700	EA	KNOB-BLK/AUTOMATIC LIFT MTR	K1140-09
16	123780-21-703	EA	SCREEN - POP N LOCK	2035-81
17	123780-22-704	EA	TRAVEL LOCK ASSEMBLY	4021-09
22	123780-22-705	EA	GARNISH-3 1/2"CLAMP STY-WHT	XK2040-81

CONTACT WINNEBAGO PART SALES FOR UNLISTED COMPONENT(S)

ART NOT YET AVAILABLE

151075-06-01A

KEY	PART NUMBER	U/M	DESCRIPTION
1	151075-06-700	FT	GLASS - STATIONARY
2	098644-01-705	EA	GLAZING - STRIP
3	151075-06-701	EA	RETAINER - TRIM

VENDOR NO
106038016
132-010231
H116661

151075-08-01A

KEY	PART NUMBER	U/M	DESCRIPTION
	137867-05-706	EA	LOCK/CAM - RIGHT
	137867-05-707	EA	LOCK/CAM - LEFT
	151075-08-701	EA	RETAINER - TRIM

VENDOR NO
182-011293
182-011294
H117459

151075-10-01A

KEY	PART NUMBER	U/M	DESCRIPTION
1	151075-10-700	FT	GLASS - STATIONARY
2	098644-01-705	EA	GLAZING - STRIP
3	151075-10-701	EA	RETAINER - TRIM

VENDOR NO
096037950
132-010231
H111061

151075-11-01A

KEY	PART NUMBER	U/M	DESCRIPTION
1	151075-11-700	EA	GLASS - STATIONARY
2	098644-01-705	FT	GLAZING - STRIP
3	151075-11-701	EA	RETAINER - TRIM

VENDOR NO
096038365
132-010231
H124161

151075-12-01A

KEY	PART NUMBER	U/M	DESCRIPTION
1	151075-12-700	FT	GLASS - STATIONARY
2	098644-01-705	EA	GLAZING - STRIP
3	151075-12-701	EA	RETAINER - TRIM

VENDOR NO
106038617
132-010231
H309361

151075-12-02A

KEY	PART NUMBER	U/M	DESCRIPTION
1	151075-12-700	FT	GLASS - STATIONARY
2	098644-01-705	EA	GLAZING - STRIP
3	151075-12-702	EA	RETAINER - TRIM

VENDOR NO
106038617
132-010231
S309361

151075-13-01A

KEY	PART NUMBER	U/M	DESCRIPTION
	137867-05-706	EA	LOCK/CAM - RIGHT
	137867-05-707	EA	LOCK/CAM - LEFT
	151075-13-701	EA	RETAINER - TRIM

VENDOR NO
182-011293
182-011294
H111053

164922-04-01A/03A, 164922-05-01A

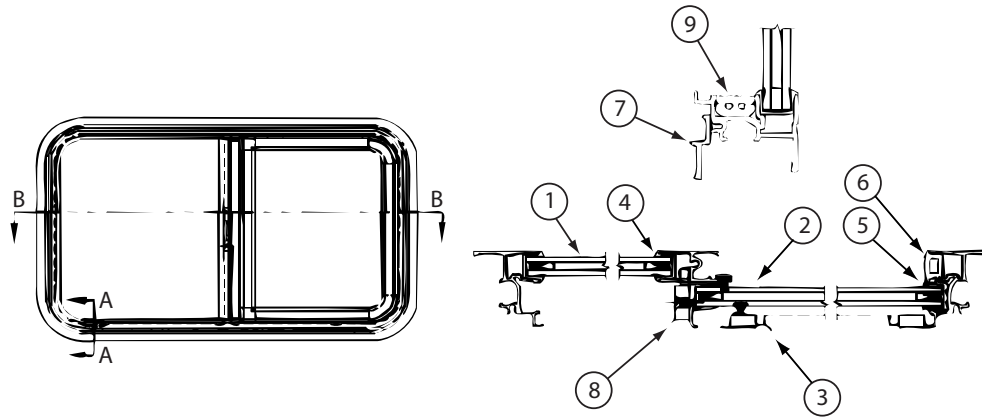
KEY	PART NUMBER	U/M	DESCRIPTION	VENDOR NO.
1	098647-27-702	EA	GLASS - STATIONARY	096-017868
2	098647-27-703	EA	GLASS-SLIDING W/SASH & LATCH	H287-C8
3	098647-23-704	EA	SCREEN ASM - W/SEALS & CLIPS	410-019066
4	098644-01-705	FT	GLAZING - STRIP	132-010231
5	098644-01-708	FT	CHANNEL - RUN PIERCED	122-016543
6	098644-01-716	FT	PLUG - FILLER	132-014470
7	098647-27-704	EA	RETAINER - TRIM	H287-66
8	098644-01-700	EA	LATCH - REPAIR KIT (BLACK)	B801-CK
8	098647-54-701	EA	LATCH REPAIR KIT (RED)	B081-CK
9	098644-01-719	EA	STOP - SLIDER GLASS	132-014203
	098644-01-706	FT	WEATHERSTRIP-GLASS(FIN SEAL)	171-010668
	098644-01-710	FT	TRACK - SCREEN SPACER	132-017135
	098644-01-711	FT	WEATHERSTRIP-SCRN(FUZZY)BLK	171-017245/016965
	098644-01-717	FT	SPLINE - SCREEN	132-004716
	125582-01-701	EA	CLIP - SCREEN - PLASTIC	130-005153

164922-06-01A/03A, 164922-07-01A/03A

KEY	PART NUMBER	U/M	DESCRIPTION	VENDOR NO.
1	098647-29-702	EA	GLASS - STATIONARY	096-019295
2	098647-29-703	EA	GLASS-SLIDING W/SASH & LATCH	H172-C8
3	098647-29-704	EA	SCREEN ASM - W/SEALS & CLIPS	410-018864
4	098644-01-705	FT	GLAZING - STRIP	132-010231
5	098644-01-708	FT	CHANNEL - RUN PIERCED	122-016543
6	098644-01-716	FT	PLUG - FILLER	132-014470
7	098647-29-705	EA	RETAINER - TRIM	CH04-66
8	098644-01-700	EA	LATCH - REPAIR KIT (BLACK)	B801-CK
8	098647-54-701	EA	LATCH REPAIR KIT (RED)	B081-CK
9	098644-01-719	EA	STOP - SLIDER GLASS	132-014203
	098644-01-706	FT	WEATHERSTRIP-GLASS(FIN SEAL)	171-010668
	098644-01-710	FT	TRACK - SCREEN SPACER	132-017135
	098644-01-711	FT	WEATHERSTRIP-SCRN(FUZZY)BLK	171-017245/016965
	098644-01-717	FT	SPLINE - SCREEN	132-004716
	125582-01-701	EA	CLIP - SCREEN - PLASTIC	130-005153

164922-08-01A, 164922-09-01A/03A

KEY	PART NUMBER	U/M	DESCRIPTION	VENDOR NO.
1	098647-31-702	EA	GLASS - STATIONARY	096-019299
2	098647-31-703	EA	GLASS-SLIDING W/SASH & LATCH	H425-C8
3	098647-31-704	EA	SCREEN ASM - W/SEALS & CLIPS	410-019128
4	098644-01-705	FT	GLAZING - STRIP	132-010231
5	098644-01-708	FT	CHANNEL - RUN PIERCED	122-016543
6	098644-01-716	FT	PLUG - FILLER	132-014470
7	098647-31-705	EA	RETAINER - TRIM	CH29-66
8	098644-01-700	EA	LATCH - REPAIR KIT (BLACK)	B801-CK
8	098647-54-701	EA	LATCH REPAIR KIT (RED)	B081-CK
9	098644-01-719	EA	STOP - SLIDER GLASS	132-014203
	098644-01-706	FT	WEATHERSTRIP-GLASS(FIN SEAL)	171-010668
	098644-01-710	FT	TRACK - SCREEN SPACER	132-017135
	098644-01-711	FT	WEATHERSTRIP-SCRN(FUZZY)BLK	171-017245/016965
	098644-01-717	FT	SPLINE - SCREEN	132-004716
	125582-01-701	EA	CLIP - SCREEN - PLASTIC	130-005153



164922-24-01A/03A, 164922-46-01A

KEY	PART NUMBER	U/M	DESCRIPTION	VENDOR NO.
1	098647-68-701	EA	GLASS - STATIONARY	096-029585
2	098647-74-700	EA	GLASS-SLIDING W/SASH & LATCH	H493C8
3	098647-47-702	EA	SCREEN ASM - W/SEALS & CLIPS	410-025226
4	098644-01-705	FT	GLAZING - STRIP	132-010231
5	098644-01-708	FT	CHANNEL - RUN PIERCED	122-016543
6	098644-01-716	FT	PLUG - FILLER	132-014470
7	098647-47-704	EA	RETAINER - TRIM	H493-66
8	098644-01-700	EA	LATCH - REPAIR KIT (BLACK)	B801-CK
8	098647-54-701	EA	LATCH REPAIR KIT (RED)	B081-CK
9	098644-01-719	EA	STOP - SLIDER GLASS	132-014203
	098644-01-706	FT	WEATHERSTRIP-GLASS(FIN SEAL)	171-010668
	098644-01-710	FT	TRACK - SCREEN SPACER	132-017135
	098644-01-711	FT	WEATHERSTRIP-SCRN(FUZZY)BLK	171-017245/016965
	098644-01-717	FT	SPLINE - SCREEN	132-004716
	125582-01-701	EA	CLIP - SCREEN - PLASTIC	130-005153

164922-25-01A

KEY	PART NUMBER	U/M	DESCRIPTION	VENDOR NO.
1	098647-75-700	EA	GLASS - STATIONARY	106-036069
2	098647-75-703	EA	GLASS-SLIDING W/SASH & LATCH	H978G8
3	098647-75-702	EA	SCREEN ASM	410-036071
4	098644-01-705	FT	GLAZING - STRIP	132-010231
5	098644-01-708	FT	CHANNEL - RUN PIERCED	122-016543
6	098644-01-716	FT	PLUG - FILLER	132-014470
7	164922-25-700	EA	RETAINER - TRIM - BLACK	H97866
8	098644-01-700	EA	LATCH - REPAIR KIT (BLACK)	B801-CK
8	098647-54-701	EA	LATCH REPAIR KIT (RED)	B081-CK
9	098644-01-719	EA	STOP - SLIDER GLASS	132-014203
	098644-01-706	FT	WEATHERSTRIP-GLASS(FIN SEAL)	171-010668
	098644-01-710	FT	TRACK - SCREEN SPACER	132-017135
	098644-01-711	FT	WEATHERSTRIP-SCRN(FUZZY)BLK	171-017245/016965
	098644-01-717	FT	SPLINE - SCREEN	132-004716
	125582-01-701	EA	CLIP - SCREEN - PLASTIC	130-005153

164973-08-01A

KEY	PART NUMBER	U/M	DESCRIPTION	VENDOR NO.
1	098644-13-700	EA	GLASS - STATIONARY	106-028698
2	098644-13-701	EA	GLASS-SLIDING W/SASH & LATCH	H702-G9
3	098644-01-716	FT	PLUG - FILLER	132-014470
4	098644-01-705	FT	GLAZING - STRIP	132-010231
5	098644-01-708	FT	CHANNEL - RUN PIERCED	122-016543
6	098644-13-703	EA	RETAINER - TRIM	H702-60
7	098644-01-706	FT	WEATHERSTRIP-GLASS(FIN SEAL)	171-010668
8	098644-13-702	EA	SCREEN ASM W/SEALS & CLIPS	410-028663
9	098644-01-700	EA	LATCH - REPAIR KIT (BLACK)	B801-CK
	098644-01-710	FT	TRACK - SCREEN SPACER 12'	132-017135
	098644-01-711	FT	WEATHERSTRIP-SCRN(FUZZY)BLK	171-017245/016965
	098644-01-717	FT	SPLINE - SCREEN	132-004716
	112898-04-703	EA	VERTICAL LATCH/HOLD UP/OPEN	DH343-CK

164973-09-01A/03A

KEY	PART NUMBER	U/M	DESCRIPTION	VENDOR NO.
1	098644-15-700	EA	GLASS - STATIONARY	106-035739
2	098644-15-703	EA	GLASS-SLIDING W/PULL & LATCH	H960G9
3	098644-01-716	FT	PLUG - FILLER	132-014470
4	098644-01-705	FT	GLAZING - STRIP	132-010231
5	098644-01-708	FT	CHANNEL - RUN PIERCED	122-016543
6	098644-15-701	EA	RETAINER - TRIM	H960-66
7	098644-01-706	FT	WEATHERSTRIP-GLASS(FIN SEAL)	171-010668
8	098644-15-702	EA	SCREEN ASM	410-035742
9	098644-01-700	EA	LATCH - REPAIR KIT (BLACK)	B801-CK
	098644-01-710	FT	TRACK - SCREEN SPACER	132-017135
	098644-01-711	FT	WEATHERSTRIP-SCRN(FUZZY)BLK	171-017245/016965
	098644-01-717	FT	SPLINE - SCREEN	132-004716
	112898-04-703	EA	VERTICAL LATCH/HOLD UP/OPEN	DH343-CK

164973-10-01A/03A

KEY	PART NUMBER	U/M	DESCRIPTION	VENDOR NO.
1	098644-16-700	EA	GLASS - STATIONARY	096-035902
2	098644-16-701	EA	GLASS-SLIDING W/PULL & LATCH	H170C8
3	098644-01-716	FT	PLUG - FILLER	132-014470
4	098644-01-705	FT	GLAZING - STRIP	132-010231
5	098644-01-708	FT	CHANNEL - RUN PIERCED	122-016543
6	098644-07-705	EA	RETAINER - TRIM - BLACK	CH02-66
7	098644-01-706	FT	WEATHERSTRIP-GLASS(FIN SEAL)	171-010668
8	098644-07-704	EA	SCREEN ASM - W/SEALS & CLIPS	410-018863
9	098644-01-700	EA	LATCH - REPAIR KIT (BLACK)	B801-CK
	098644-01-710	FT	TRACK - SCREEN SPACER	132-017135
	098644-01-711	FT	WEATHERSTRIP-SCRN(FUZZY)BLK	171-017245/016965
	098644-01-717	FT	SPLINE - SCREEN	132-004716
	112898-04-703	EA	VERTICAL LATCH/HOLD UP/OPEN	DH343-CK

KEY PART NUMBER U/M DESCRIPTION
173185-04-705 EA SCREEN ASM

173185-04-01A
VENDOR NO.
SCREEN-141806.67.15

KEY PART NUMBER U/M DESCRIPTION
173185-06-705 EA SCREEN ASM

173185-06-01A
VENDOR NO.
SCREEN-141804.67.15

KEY PART NUMBER U/M DESCRIPTION
173185-09-705 EA SCREEN ASM

173185-09-01A
VENDOR NO.
SCREEN-141809.67.15

KEY PART NUMBER U/M DESCRIPTION
173185-15-01A EA CLAMP RING

173185-15-01A
VENDOR NO.
141804.CR15

KEY PART NUMBER U/M DESCRIPTION
173185-22-705 EA CLAMP RING

173185-22-01A
VENDOR NO.
SCREEN141818.67.15R

KEY PART NUMBER U/M DESCRIPTION
173185-24-705 EA CLAMP RING

173185-24-01A
VENDOR NO.
SCREEN-141818.67.15

KEY PART NUMBER U/M DESCRIPTION
173186-06-705 EA SCREEN ASM

173186-06-01A
VENDOR NO.
SCREEN-50292.62.15R

KEY PART NUMBER U/M DESCRIPTION
173186-07-705 EA SCREEN ASM

173186-07-01A
VENDOR NO.
SCREEN-50293.62.15R

KEY PART NUMBER U/M DESCRIPTION
173186-13-705 EA SCREEN ASM

173186-13-01A
VENDOR NO.
SCREEN-50295.62.15R

KEY PART NUMBER U/M DESCRIPTION
173186-15-700 EA CLAMP RING

173186-15-01A
VENDOR NO.
50298.CR15

KEY PART NUMBER U/M DESCRIPTION
173186-19-705 EA SCREEN ASM

173186-19-01A
VENDOR NO.
SCREEN-50302.62.15R