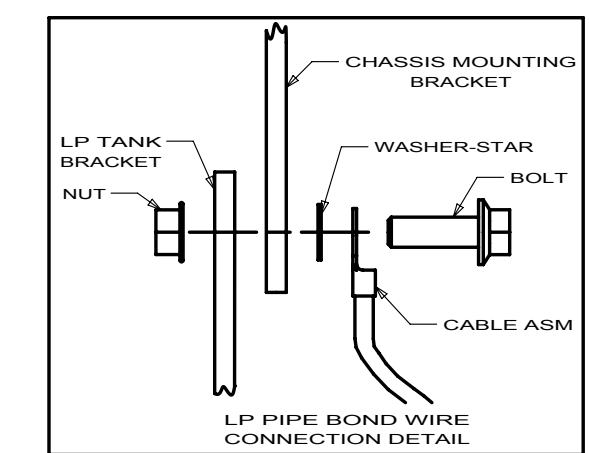
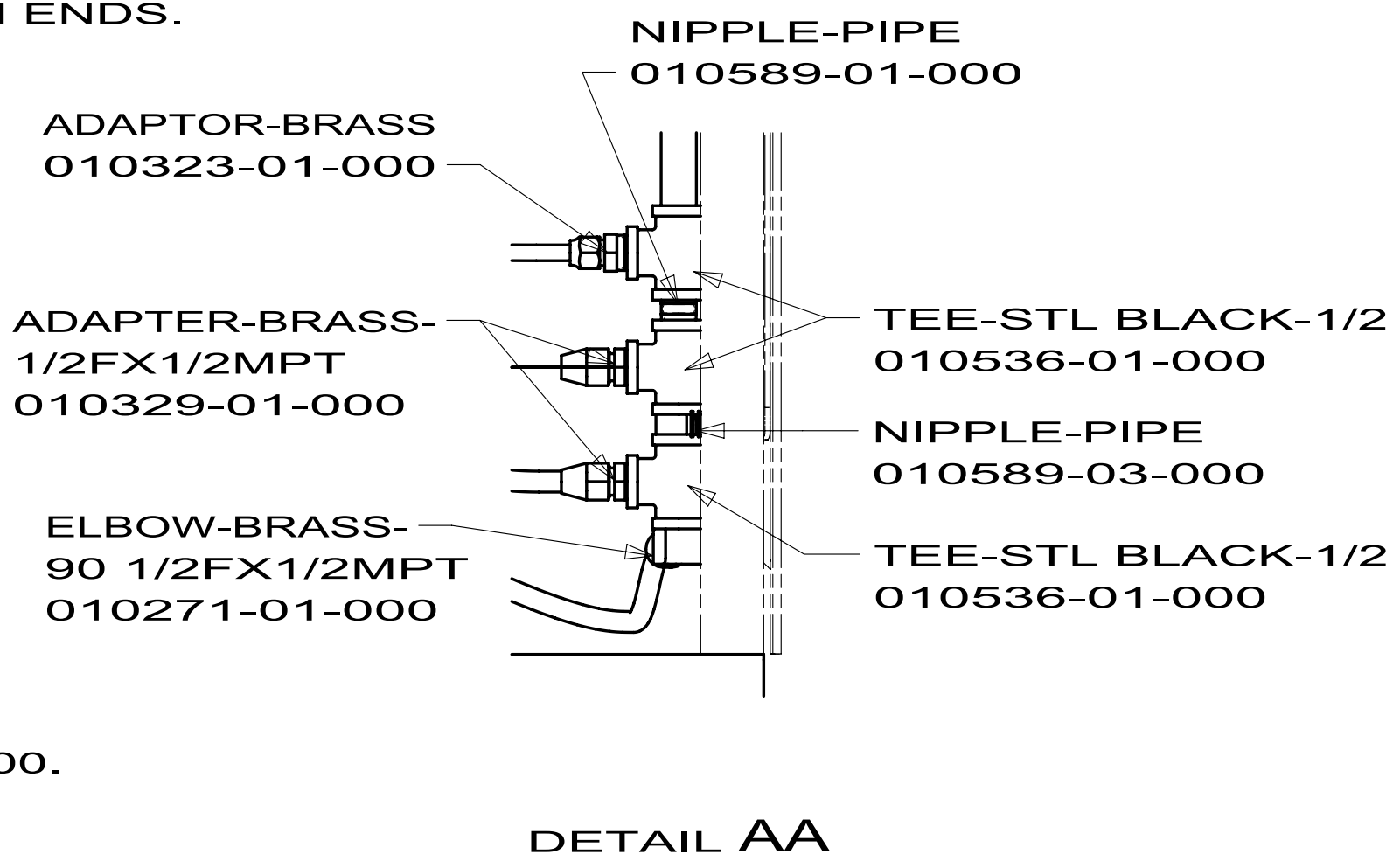


- 11 CLAMP LP LINE TO SIDEWALL, AWAY FROM BURNER BOX ON REFRIGERATOR.
- 10 TORQUE TO 38± FT LBS.
- 9. THREAD ALL BLACK PIPE WITH STANDARD NATIONAL PIPE THREAD (NPT) ON BOTH ENDS.
- 8 GROMMET SUPPLIED WITH WATER HEATER.
- 7. MINIMUM BEND RADIUS ON COPPER TUBING TO BE 44 FOR 1/2" AND 28 FOR 3/8". HAND BENDS TO BE 76 RADIUS MINIMUM.
- 6. CUT CONVOLUTED TUBING BEFORE FLARE NUTS ARE ASSEMBLED.
- 5. GAS PIPING SYSTEM MATERIALS CONFORM WITH NFPA 1192.
- 4 REGULATOR TO BE POSITIONED WITH BENT POINTING DOWNWARD INSIDE OF 45° .
- 3. BLACK PIPE AND COPPER TUBING TO BE CLAMPED EVERY 1219 MAX WITH: SCREW 000G67-10-10B (WOOD SUPPORTS), SCREW 000G39-10-12T (METAL SUPPORTS).
- 2. STEEL PIPE AND FITTINGS TO BE ASSEMBLED WITH SEALANT 084456-01-000.
- 1. ALL COPPER TUBING BELOW FLOOR IS TO BE ENCASED IN CONDUIT 041953-05-000.



- 1B1 CODES/STANDARDS USA
- 265 CODES/STANDARDS-CSA/CMVSS
- 1PY CHEVY CHASSIS 14,050 LB GVWR

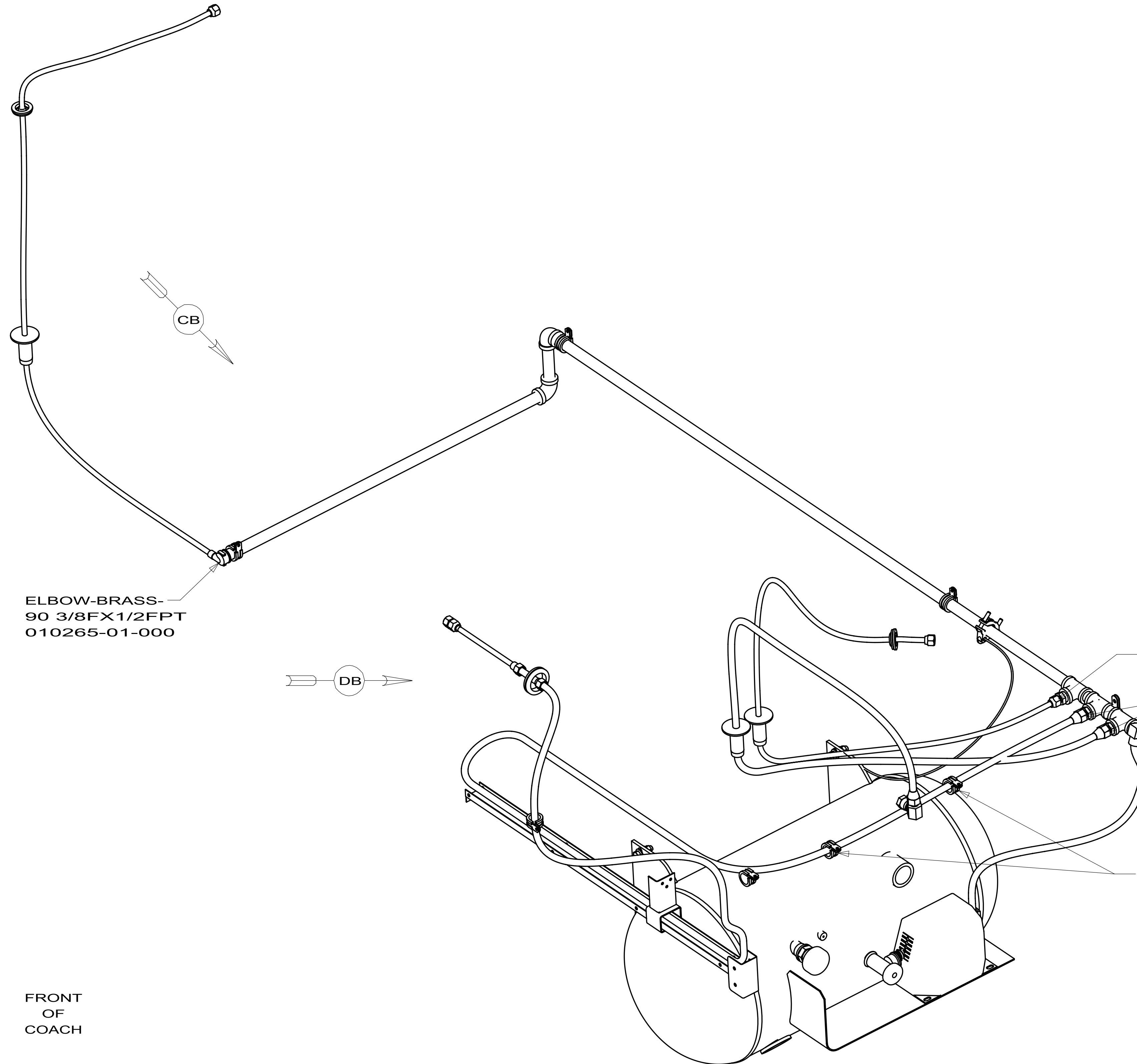
X-X

**FOR
LP
CALLOUTS
SEE DWG NO
116228-01-000**

NOTES:

09 231J

LP SYSTEM INSTL
1 4 168483



ELBOW-BRASS-
90 3/8FX1/2FPT
010265-01-000

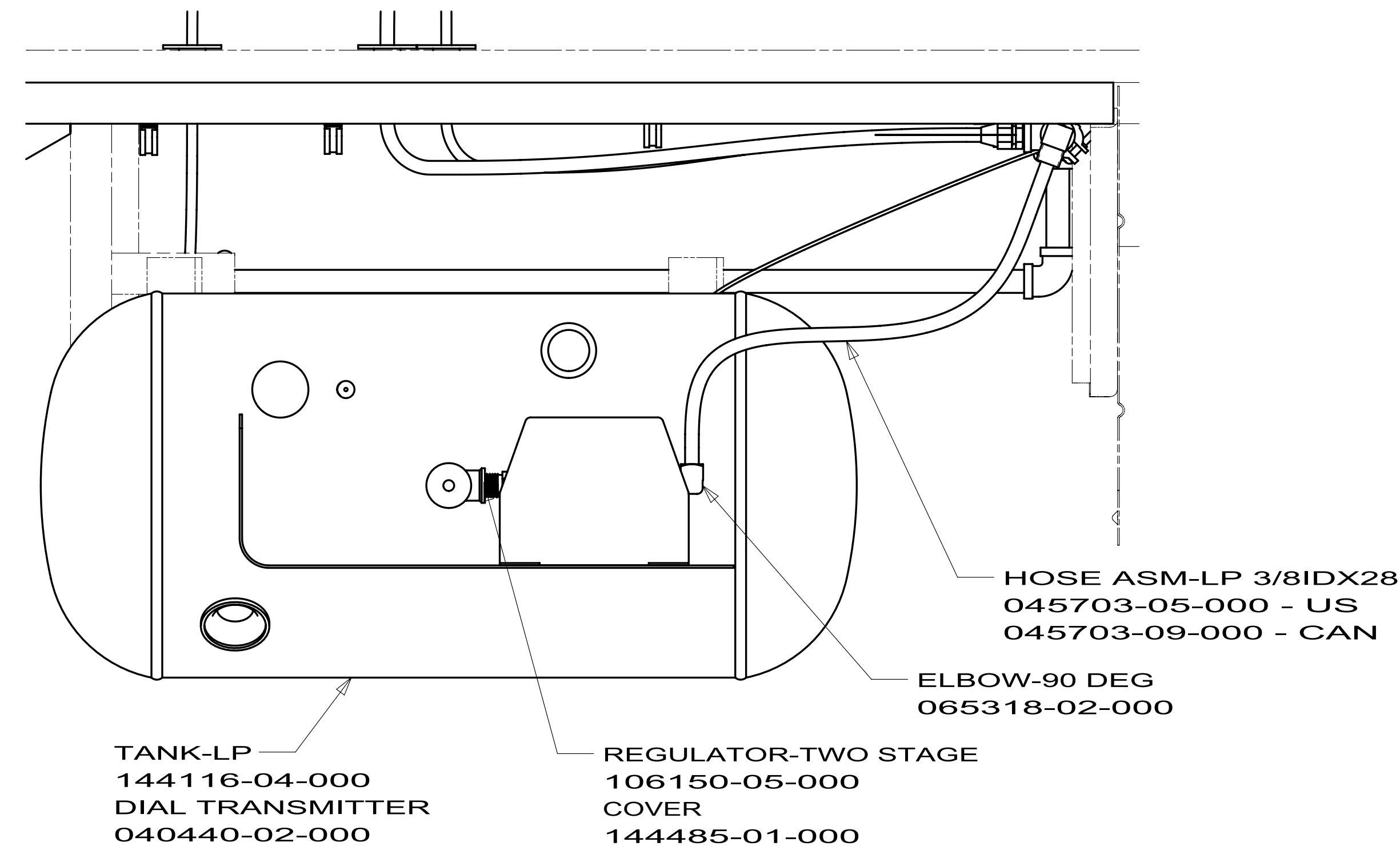
FLARE NUT 3/8" BRASS
010377-02-000

NUT-BRASS
010380-02-000

CLAMP-CLOSED
010497-10-000

FRONT
OF
COACH

VIEW BA



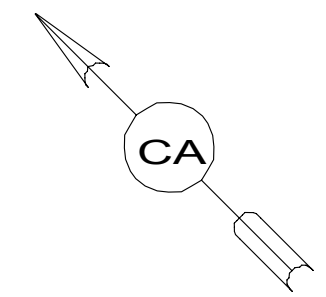
TANK-LP
144116-04-000
DIAL TRANSMITTER
040440-02-000

REGULATOR-TWO STAGE
106150-05-000
COVER
144485-01-000

HOSE ASM-LP 3/8IDX28
045703-05-000 - US
045703-09-000 - CAN

ELBOW-90 DEG
065318-02-000

VIEW BB



09 231J

LP SYSTEM INSTL

GROMMET
071015-26-000

GROMMET 8

FLARE NUT 3/8" BRASS
010377-02-000

FLARE NUT 3/8" BRASS
010377-02-000

GROMMET-
9.4,I.D.X33.4,O.D.
108505-01-000

TUBING-COPPER 3/8" OD
010473-01-000

GROMMET
016188-03-000

VIEW CB

CLAMP-CLOSED
010497-10-000

HOSE ASM
(REF)

TUBING-COPPER 3/8" OD
010473-01-000

TUBING-COPPER 1/2" OD
010474-01-000

GROMMET
016188-03-000

GROMMET
016188-04-000

NUT-BRASS
010380-02-000

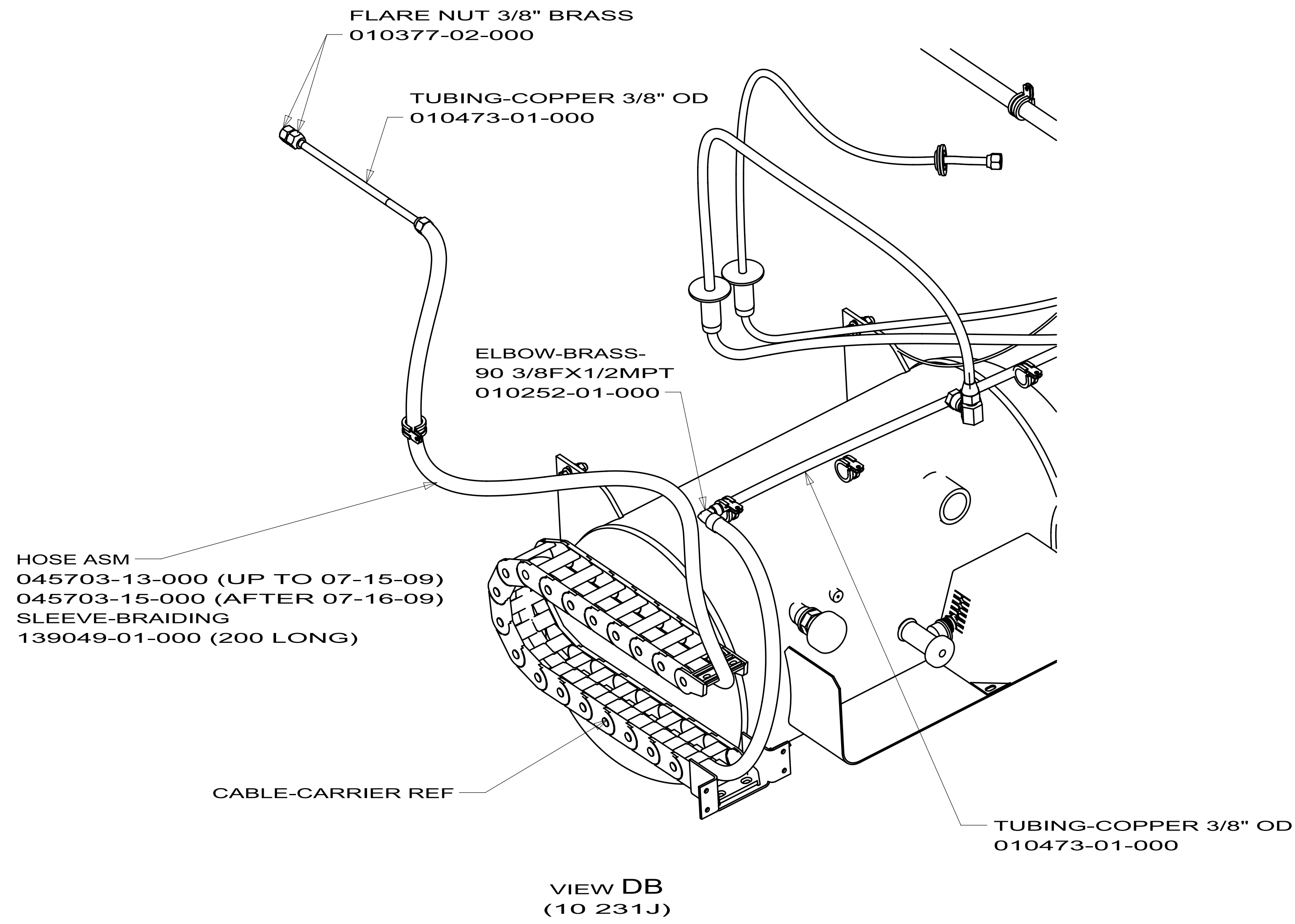
VIEW CA

09 231J

LP SYSTEM INSTL

3

168483



09 231J

LP SYSTEM INSTL

144116-01-000

| KEY | PART NUMBER | U/M DESCRIPTION | VENDOR NO. |
|------------|--------------------|---------------------------------|---------------------|
| | 040421-01-712 | EA VALVE-SERV. W/O VAPOR RELIEF | V20373/V21202 |
| | 040421-01-713 | EA VALVE-RELIEF 1" W/SPRING 7" | V12560/V21207 |
| | 088253-09-700 | EA SENDING UNIT-F/SNAP ON DIAL | G13062=SG14C0001466 |
| | 144116-01-700 | EA VALVE-OUTAGE(NO STEM REMOVE) | V20058 |
| | 144116-01-701 | EA VALVE/FILL 80 % W/YELLOW CAP | V13414 |

144116-02-000, 144116-06-000, & 144116-07-000

| KEY | PART NUMBER | U/M DESCRIPTION | VENDOR NO. |
|------------|--------------------|---------------------------------|---------------------|
| | 040421-01-712 | EA VALVE-SERV. W/O VAPOR RELIEF | V20373/V21202 |
| | 040421-01-713 | EA VALVE-RELIEF 1" W/SPRING 7" | V12560/V21207 |
| | 088253-01-702 | EA FLOAT/SCREW IN-SNAP ON DIAL | G13063/SG16C0001442 |
| | 144116-01-700 | EA VALVE-OUTAGE(NO STEM REMOVE) | V20058 |
| | 144116-01-701 | EA VALVE/FILL 80 % W/YELLOW CAP | V13414 |

144116-04-000

| KEY | PART NUMBER | U/M DESCRIPTION | VENDOR NO. |
|------------|--------------------|---------------------------------|-------------------|
| | 040421-01-712 | EA VALVE-SERV. W/O VAPOR RELIEF | V20373/V21202 |
| | 040421-01-713 | EA VALVE-RELIEF 1" W/SPRING 7" | V12560/V21207 |
| | 144116-01-700 | EA VALVE-OUTAGE(NO STEM REMOVE) | V20058 |
| | 144116-01-701 | EA VALVE/FILL 80 % W/YELLOW CAP | V13414 |
| | 144116-04-700 | EA FLOAT/SENDING UNIT W/O DIAL | G11530 |
| | 144116-04-701 | EA DIAL - TRANSMITER | G12845 |

144116-09-000

| KEY | PART NUMBER | U/M DESCRIPTION | VENDOR NO. |
|------------|--------------------|---------------------------------|-------------------|
| | 040421-01-712 | EA VALVE-SERV. W/O VAPOR RELIEF | V20373/V21202 |
| | 040421-01-713 | EA VALVE-RELIEF 1" W/SPRING 7" | V12560/V21207 |
| | 144116-01-700 | EA VALVE-OUTAGE(NO STEM REMOVE) | V20058 |
| | 144116-04-700 | EA FLOAT/SENDING UNIT W/O DIAL | G11530 |
| | 144116-04-701 | EA DIAL - TRANSMITER | G12845 |
| | 144116-09-700 | EA VALVE/FILL 80% | V20150 |

| | | |
|------|---------------|--------------------------------------|
| 5 | 010644-03-000 | PIPE-STL BLK 1/2" (SCH 80) |
| 4 | 010473-01-000 | TUBING-COPPER 3/8" OD |
| 3 | 010474-01-000 | TUBING-COPPER 1/2" OD |
| 1 | 010644-01-000 | PIPE-STL BLK 1/2" (SCH 40) |
| E-15 | 140638-01-000 | ELBOW-BLK,STREET 1/2" X 45° ,FPTXMPT |
| E-14 | 010515-03-000 | ELBOW-BLK 1/2" X 90° STL (SCH 80) |
| E-13 | 010251-02-000 | ELBOW-BRASS-90° 3/8"F X 1/4"MPT |
| E-12 | 010251-01-000 | ELBOW-BRASS-90° 3/8"F X 3/8"MPT |
| E-10 | 010271-01-000 | ELBOW-BRASS-90° 1/2"F X 1/2"MPT |
| E-9 | 010252-01-000 | ELBOW-BRASS-90° 3/8"F X 1/2"MPT |
| E-8 | 010265-01-000 | ELBOW-BRASS-90° 3/8"F X 1/2"FPT |
| E-6 | 010270-01-000 | ELBOW-BRASS-90° 1/2"F X 1/2"FPT |
| E-5 | 065318-02-000 | ELBOW-90° 3/8"MPT TO 3/8"FPT |
| E-4 | 065318-01-000 | ELBOW-90° 1/4"MPT TO 1/4"FPT |
| E-3 | 166513-01-000 | ELBOW STL 1/2"F X 1/2" FEM FL SWVL |
| E-2 | 010515-01-000 | ELBOW-BLK 1/2" X 90° STL |
| E-1 | 039497-01-000 | ELBOW-BLK-ST 1/2" X 90° STL |
| CR-2 | 144485-01-000 | COMPARTMENT-LP REGULATOR |
| CR-1 | 105658-01-000 | COMPARTMENT-LP REGULATOR |
| CA-2 | 036522-02-000 | CAP-BRASS 1/2" FL |
| CA-1 | 036522-01-000 | CAP-BRASS 3/8" FL |
| C-14 | 010497-12-000 | CLAMP-CLOSED 1/2" ID |
| C-13 | 010497-10-000 | CLAMP-CLOSED |
| C-12 | 075148-02-000 | CLAMP-GROUNDING, BRZE SCREWS |
| C-11 | 075148-01-000 | CLAMP-CLOSED |
| C-10 | 010497-09-000 | CLAMP-CLOSED 5/16" ID |
| C-9 | 010497-08-000 | CLAMP-CLOSED |
| C-8 | 010497-07-000 | CLAMP-CLOSED 3/8" ID |
| C-7 | 010497-06-000 | CLAMP-CLOSED 11/16" ID |
| C-6 | 155498-01-CHT | CLAMP-CLOSED 7/8" ID |
| C-5 | 010497-04-000 | CLAMP-CLOSED 1 5/8" ID |
| C-4 | 010497-03-000 | CLAMP-CLOSED |
| C-3 | 010497-02-000 | CLAMP-CLOSED 1 1/2" ID |
| C-2 | 010497-01-000 | CLAMP-CLOSED 5/8" ID |
| C-1 | 010495-01-000 | CLAMP-CABLE 9/16" |
| A-8 | 010326-01-000 | ADAPTER-FLARE 3/8"FEM FL X 1/2"MAL |
| A-7 | 010340-01-000 | ADAPTER-BRASS 1/2"F X 1/2"FPT |
| A-6 | 010323-02-000 | ADAPTER-BRASS 3/8"F X 3/8"MPT |
| A-5 | 010323-01-000 | ADAPTER-BRASS 3/8"F X 1/2"MPT |
| A-4 | 024250-01-000 | ADAPTER-BRASS 3/8"F X 1/2"FPT |
| A-3 | 010329-01-000 | ADAPTER-BRASS 1/2"F X 1/2"MPT |
| A-1 | 057042-01-000 | ADAPTER-CROSS 1/2" PIPE |
| NO. | PART NUMBER | DESCRIPTION |

| | | |
|------|---------------|--------------------------------------|
| T-3 | 010536-02-000 | TEE-STL BLK 1/2" (SCH 80) |
| T-1 | 010536-01-000 | TEE-STL BLK 1/2" |
| R-3 | 106150-06-000 | REGULATOR-TWO STAGE |
| R-2 | 106150-05-000 | REGULATOR-TWO STAGE |
| R-1 | 106150-01-000 | REGULATOR-TWO STAGE |
| NP-3 | 010589-03-000 | NIPPLE-PIPE,STL BLK 1/2" X 2 1/2" |
| NP-2 | 010589-02-000 | NIPPLE-PIPE,STL BLK 3/8" X 2" |
| NP-1 | 010589-01-000 | NIPPLE-PIPE,STL BLK 1/2" X 1 1/2" |
| H-17 | 045703-19-000 | HOSE-ASM-LP 3/8" ID X 102" |
| H-16 | 045703-16-000 | HOSE-ASM-LP 3/8" ID X 109" US & CAN |
| H-15 | 045703-14-000 | HOSE-ASM-LP 3/8" ID X 158" US & CAN |
| H-14 | 129467-01-000 | HOSE-ASM-LP 3/8" ID X 158" CAN |
| H-13 | 045703-15-000 | HOSE-ASM-LP 3/8" ID X 142" US & CAN |
| H-12 | 045703-13-000 | HOSE-ASM-LP 3/8" ID X 120" |
| N-5 | 117835-01-000 | NIPPLE-PIPE,STL BLK 1 1/4" X 5" |
| N-4 | 010377-02-000 | NUT-BRASS 3/8"F, FORGED |
| N-3 | 010377-01-000 | NUT-BRASS 3/8"F |
| N-2 | 010380-02-000 | NUT-BRASS 1/2"F, FORGED |
| N-1 | 010380-01-000 | NUT-BRASS 1/2"F |
| H-11 | 045703-12-000 | HOSE-ASM-LP 3/8" ID X 18" CAN |
| H-10 | 045703-11-000 | HOSE-ASM-LP 3/8" ID X 36" US |
| H-8 | 045703-07-000 | HOSE-ASM-LP 3/8" ID X 10" US |
| H-7 | 045703-09-000 | HOSE-ASM-LP 3/8" ID X 24" US & CAN |
| H-6 | 045703-06-000 | HOSE-ASM-LP 3/8" ID X 28" CAN |
| H-5 | 045703-05-000 | HOSE-ASM-LP 3/8" ID X 28" US |
| H-3 | 045703-03-000 | HOSE-ASM-LP 3/8" ID X 18" US |
| H-2 | 045703-02-000 | HOSE-ASM-LP 3/8" ID X 24" CAN |
| H-1 | 045703-01-000 | HOSE-ASM-LP 3/8" ID X 24" US |
| G-14 | 016188-11-000 | GROMMET-GAS LINE 11/16" X 3.25 LONG |
| G-13 | 108505-02-000 | GROMMET 1/2" ID |
| G-12 | 071015-26-000 | GROMMET 1-1/2" ID |
| G-11 | 016188-10-000 | GROMMET-GAS LINE 11/16" X 2.50" LONG |
| G-10 | 016188-09-000 | GROMMET-GAS LINE 11/16" X 1.25" LONG |
| G-9 | 016188-08-000 | GROMMET-GAS LINE 1/2" X 1.25" LONG |
| G-8 | 071015-22-000 | GROMMET 5/8" ID |
| G-7 | 016188-07-000 | GROMMET-GAS LINE 1/2" X 3.25" LONG |
| G-6 | 016188-06-000 | GROMMET-GAS LINE 3/8" X 3.25" LONG |
| G-5 | 016188-05-000 | GROMMET-GAS LINE 3/8" X 1.25" LONG |
| G-4 | 016188-04-000 | GROMMET-GAS LINE 1/2" X 2.50" LONG |
| G-3 | 016188-03-000 | GROMMET-GAS LINE 3/8" X 2.50" LONG |
| G-2 | 016188-01-000 | GROMMET-GAS LINE 3/8" X 2.00" LONG |
| G-1 | 108505-01-000 | GROMMET-.3/8" ID |
| NO. | PART NUMBER | DESCRIPTION |

1. INACTIVE

| | | |
|----------------------------------|--------------------------------------|---|
| | | COPYRIGHT 2009 WINNEBAGO INDUSTRIES, INC. |
| DTR | ORIG. DATE | |
| CHKR | ALL DIMENSIONS ARE IN MILLIMETERS | |
| P.E. | | |
| M.E. | FIRST USED | |
| DSNR | 95 MH'S | |
| UNSPECIFIED TOLERANCES ARE: | | MATERIAL: |
| WHOLE DIM (X) | : 3 | |
| ONE-PLACE (X.X) | : | |
| TWO-PLACE (X.XX) | : | |
| ANGLE | : | |
| THIRD ANGLE PROJECTION | | |
| DO NOT SCALE DRAWING | | |
| TITLE: PART LISTING-LP SYSTEM | | |
| SHEET 1 OF 1 | PART NO 116228 | REV |
| REF: | 1 | |