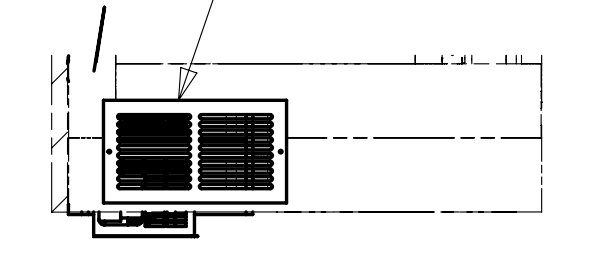


- FURNACE-30,000 BTU
139980-02-000
- DOOR (BRIGHT WHITE)
98668-23-000
- CONNECTOR
69636-02-000 (3)
- CLAMP-4"
62401-11-000 (3)
- EXTR
2726-51-007 (2)
- SCREW
G6806-16-170 (4)
- G39-10-12U (25)

- REGISTER-4"
173191-02-CHT
- WIRE TIE
8343-02-000
- SCREW
G67-10-12U (2)

- GRILLE-RETURN AIR
93614-11-CHT
- SCREW
G67-10-12P (2)



SECTION A-A

6. TURN 1/2 GAS CONNECTION ELBOW CLOCKWISE TO THE UP POSITION (SEE INSTALLATION MANUAL FOR INSTRUCTIONS) CHECK FURNACE SWITCH TO MAKE SURE IT IS ON WHEN COMPLETED.
5. SECURE ALL TEES OR SPLICES WITH A FLEXIBLE DUCT TO FLOOR OR WALL USING CABLE TIE 108046-02-000.
4. ALL FLEXIBLE DUCTS TO BE SECURED TO FLOOR OR WALL AT 1219 INTERVALS MAXIMUM USING CABLE TIE 108046-02-000.
3. ALL EXPOSED EDGES MUST BE COVERED WITH TAPE 88479-01-000.
2. USE SEAL 90340-01-000 ON ALL SURFACES THAT CONTACT FLOOR.
1. FUNRACE WILL BE INSTALLED TO VENDORS SPECIFICATIONS.

NOTES:

WINNEBAGO INDUSTRIES		COPYRIGHT 2009 WINNEBAGO INDUSTRIES, INC.	
DTR	ORIG. DATE	ALL DIMENSIONS ARE IN MILLIMETERS	
CHR			
P.E.			
M.E.	FIRST USED		
DSNR		09 231J	
UNSPECIFIED TOLERANCES ARE:		MATERIAL:	
WHOLE DIM (X)	: 3		
ONE-PLACE (X.X)	: 1		
TWO-PLACE (X.XX)	: 1		
ANGLE	: 1		
THIRD ANGLE PROJECTION			
DO NOT SCALE DRAWING			
TITLE: HEATING SYSTEM INSTL			
SHEET 1 OF 2	PART NO	168482	REV
REF:	1		

OUTLET-DEFR,W/SWIVEL
157225-01-CHT
WIRE TIE
8343-02-000
SCREW
G67-10-12U (2)

REGISTER-4"
173191-02-CHT
WIRE TIE
8343-02-000
SCREW
G67-10-12U (2)

REGISTER-4"
173191-02-CHT
WIRE TIE
8343-02-000
SCREW
G67-10-12U (2)

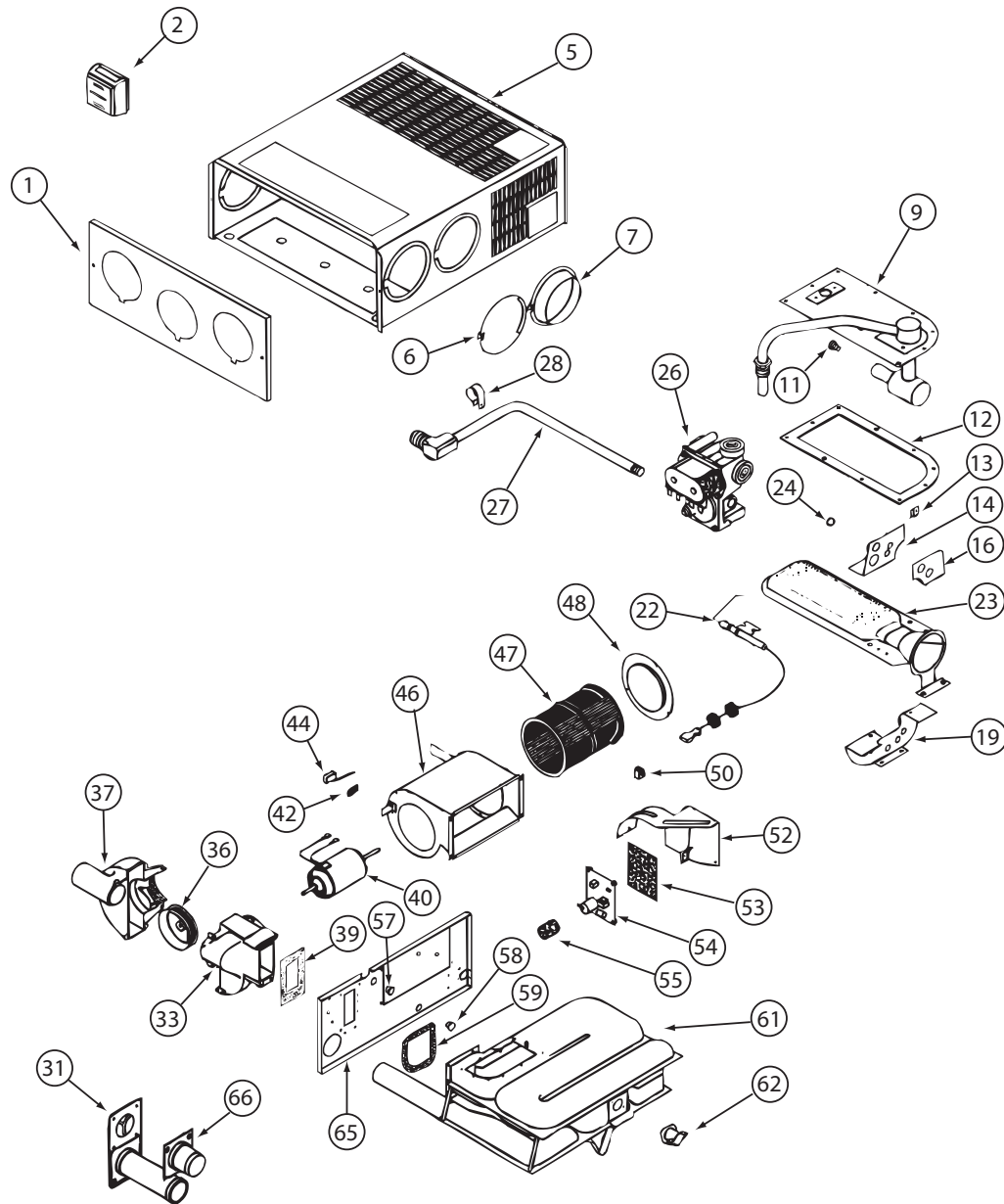
VIEW B

ADAPTOR (REF)
POSITION FOR ACCESSABILITY TO CLAMPS

PLATFORM ASM-SHOWER
(REF)

SECTION C-C

FIRST USED	09 231J	
TITLE:	DO NOT SCALE DRAWING	
	HEATING SYSTEM INSTL	
SHEET 2	PART NO 168482	REV

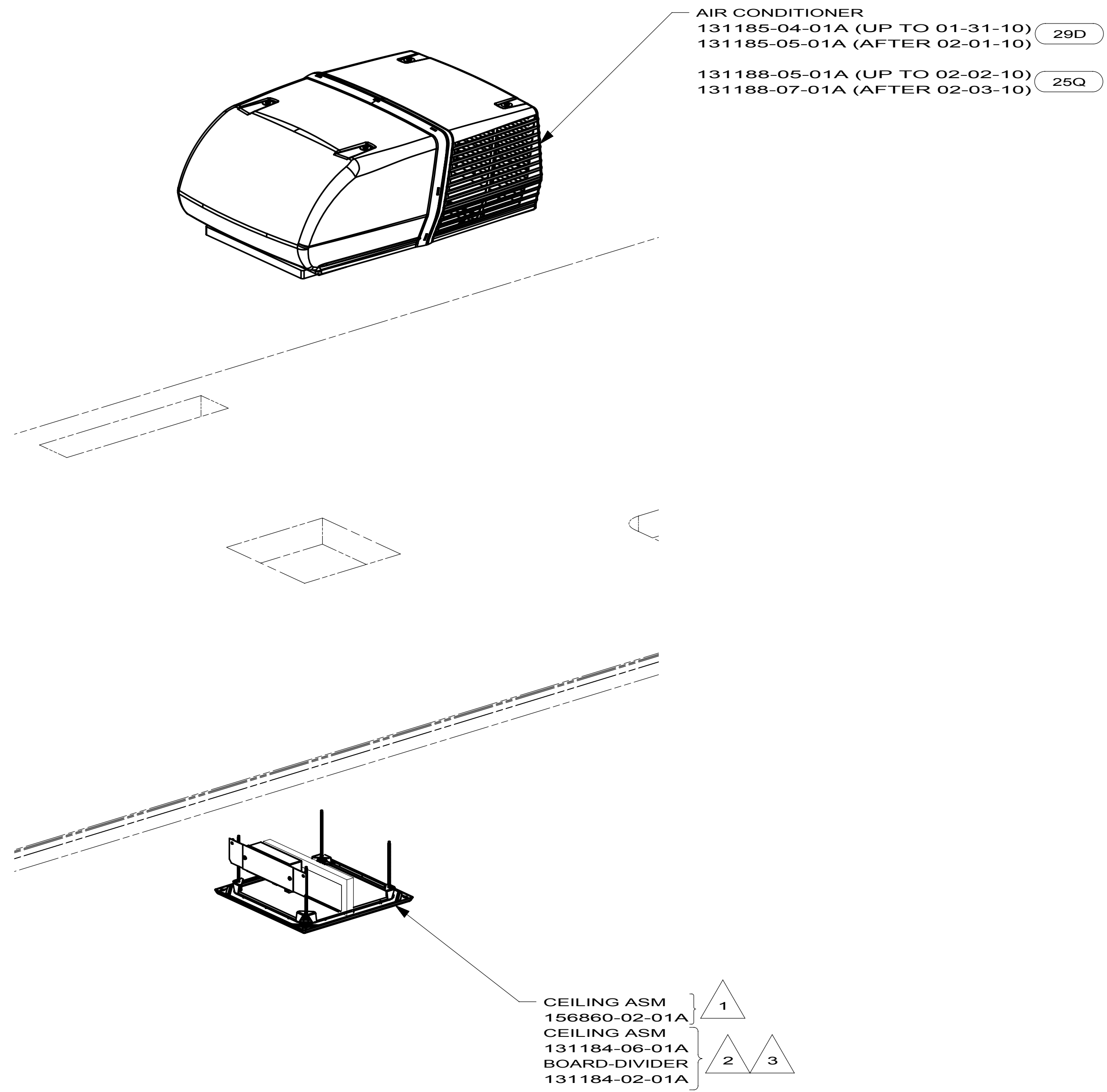


139980-02-000

139980-02-000 (CONTINUED)

KEY	PART NUMBER	U/M	DESCRIPTION	VENDOR NO.
9	139980-01-700	EA	MANIFOLD ASSEMBLY	171571
11	092300-02-701	EA	ORIFICE-MAIN BURNER (NT-30BW	180214
12	098668-22-703	EA	GASKET - BURNER ACCESS COVER	070811
22	139980-01-701	EA	ELECTRODE	232286
23	098668-02-700	EA	BURNER ASSEMBLY,SF-30 & SF35	010745
26	098668-01-718	EA	VALVE-GAS SF S.N.974903079	161122
27	139980-01-702	EA	PIPE ASSEMBLY/GAS INLET	171574
31	098668-01-707	EA	TUBE ASSEMBLY, EXHAUST W/CAP	260231
33	139980-01-703	EA	HOUSING/COMB. - FRONT/HALF	390852
36	098668-01-706	EA	WHEEL-COMBUSTION AIR	350184
37	139980-01-704	EA	HOUSING/COMB. - REAR/HALF	390848
39	139980-01-705	EA	GASKET/FIREWALL-COMB AIR	071084
40	139980-01-706	EA	MOTOR ASSEMBLY W/GASKET	232682
42	101990-01-714	EA	GASKET-MICROSWITCH	230877
44	098668-21-700	EA	SWITCH-MICRO-W/O FLAG 3 1/4"	232261
46	139980-01-708	EA	BLOWER ASSEMBLY - ROOM AIR	390739BK
47	098668-01-711	EA	WHEEL-BLOWER, ROOM AIR	350129
48	139980-01-709	EA	ORFICE RING	390696
50	139980-01-710	EA	SWITCH - ON/OFF	232351
52	139980-01-711	EA	PANEL ASSEMBLY-MODULE BD	101663
53	139980-01-712	EA	INSULATOR - MODULE BD	070807
54	098668-22-705	EA	MODULE BD W/RELAY TIME DELAY	520820
55	139980-01-713	EA	CAP/INSULATOR-MODULE BD	070973
57	139980-01-714	EA	BUSHING - UNIVERSAL	070362
58	139980-01-715	EA	BUSHING - STRAIN RELIEF	231809
59	098668-01-716	EA	GASKET-FIREWALL,CHAMBER SIDE	070808
61	139980-01-716	EA	CHAMBER ASSEMBLY - FINAL	021149BK
62	098668-21-701	EA	SWITCH - LIMIT	232504
66	098668-01-713	EA	TUBE ASSEMBLY, INTAKE	051248
	139980-02-700	EA	BLOWER ASM-1/2 HOUSING/OUTER	390851
	139980-02-701	EA	BLOWER ASM-1/2 HOUSING/INNER	390872

CONTACT WINNEBAGO PART SALES FOR UNLISTED COMPONENT(S)



169863-02
 200-SERIES

- 3 222B, 224V WITH OPTION 644
- 2 229T, 231C, 231J, 231N
- 1 222B, 224V WITHOUT OPTION 644

NOTES:

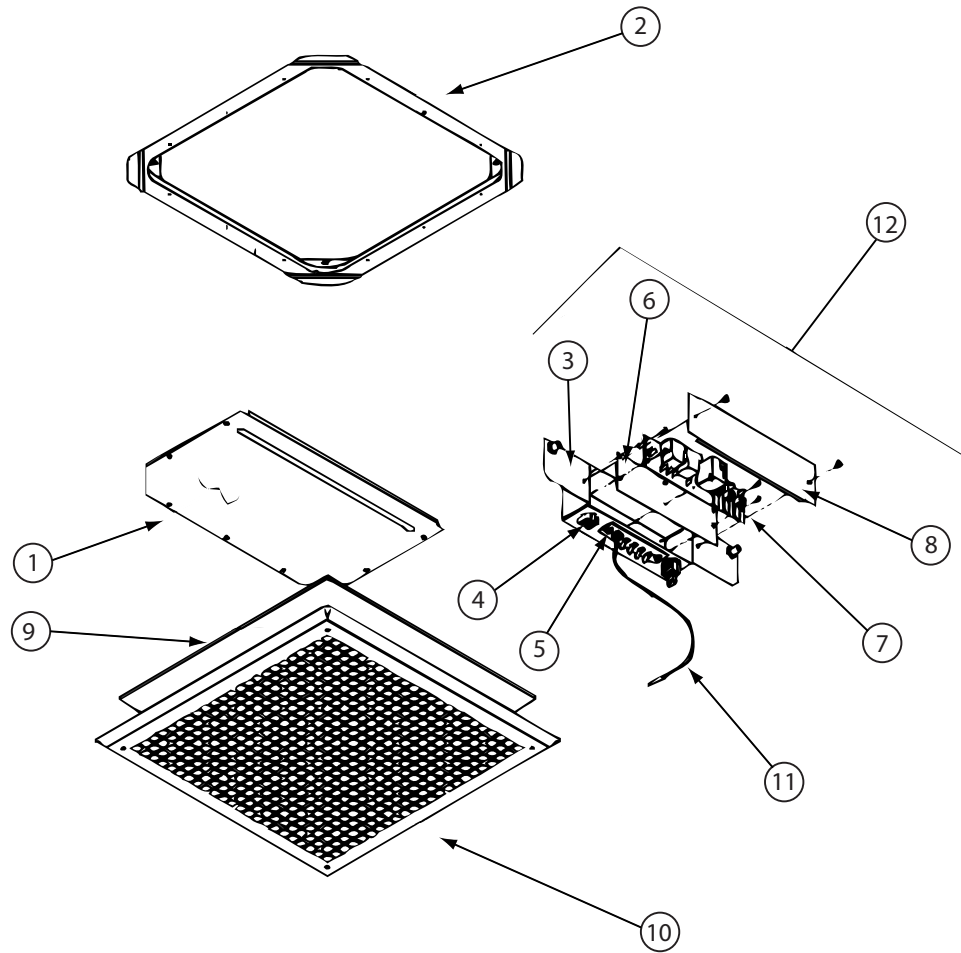
- 644 GREAT ALASKAN RENTAL PACKAGE
- 29D A/C ROOF-ONE 13,500 BTU
- 25Q A/C ROOF AIR (1) 14,800 BTU
- 265 CODES/STANDARDS-CSA/CMVSS
- 1B1 CODES/STANDARDS USA
- 1B1 265

FOR ELECTRICAL
 TORQUE
 SPECIFICATIONS
 SEE DWG NO.
 128783-01-000

10 MOTORHOMES

WIRING INSTL-ROOF A/C

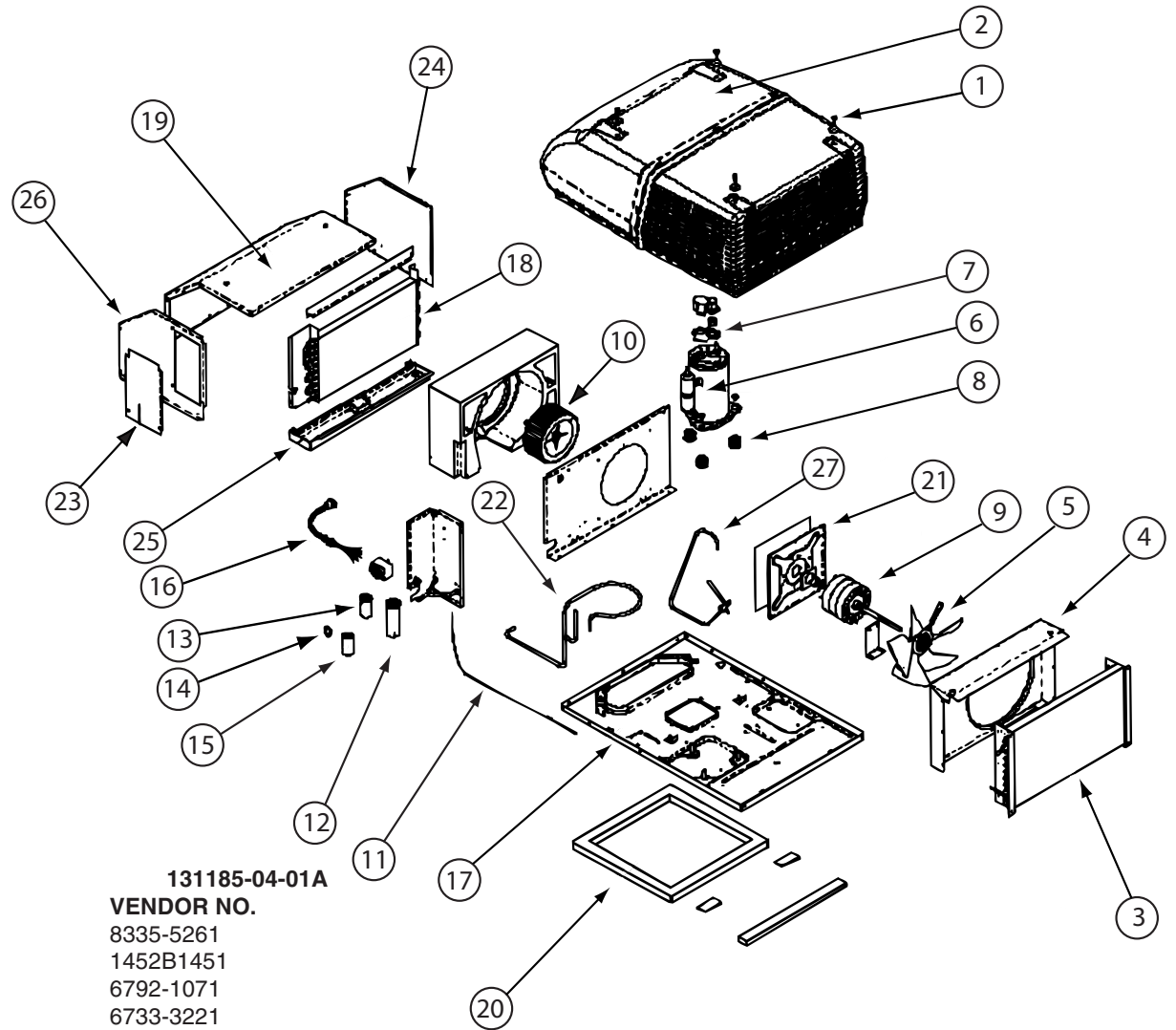
2 169863



131184-06-01A

KEY	PART NUMBER	U/M	DESCRIPTION	VENDOR NO.
4	131184-01-700	EA	PLUG ASSEMBLY	7330A389
5	131184-01-701	EA	TERMINAL BOARD	7330B3201
6	131184-01-702	EA	ISOLATOR - BLANK	7330C365
7	131184-03-700	EA	BOARD - P.C.	7330D3211
9	108892-01-703	EA	FILTER	6798A3761
10	108892-01-704	EA	GRILLE 16 3/8X16 3/8 RETURN	6798-3041
11	105620-12-719	EA	COIL SENSOR	7330A3231
12	131184-01-705	EA	JUNCTION BOX ASSEMBLY	7330B5551
	131184-01-703	EA	SMALL PARTS PKG	8330-5961
	131184-01-706	EA	NUT/WING	1200-550

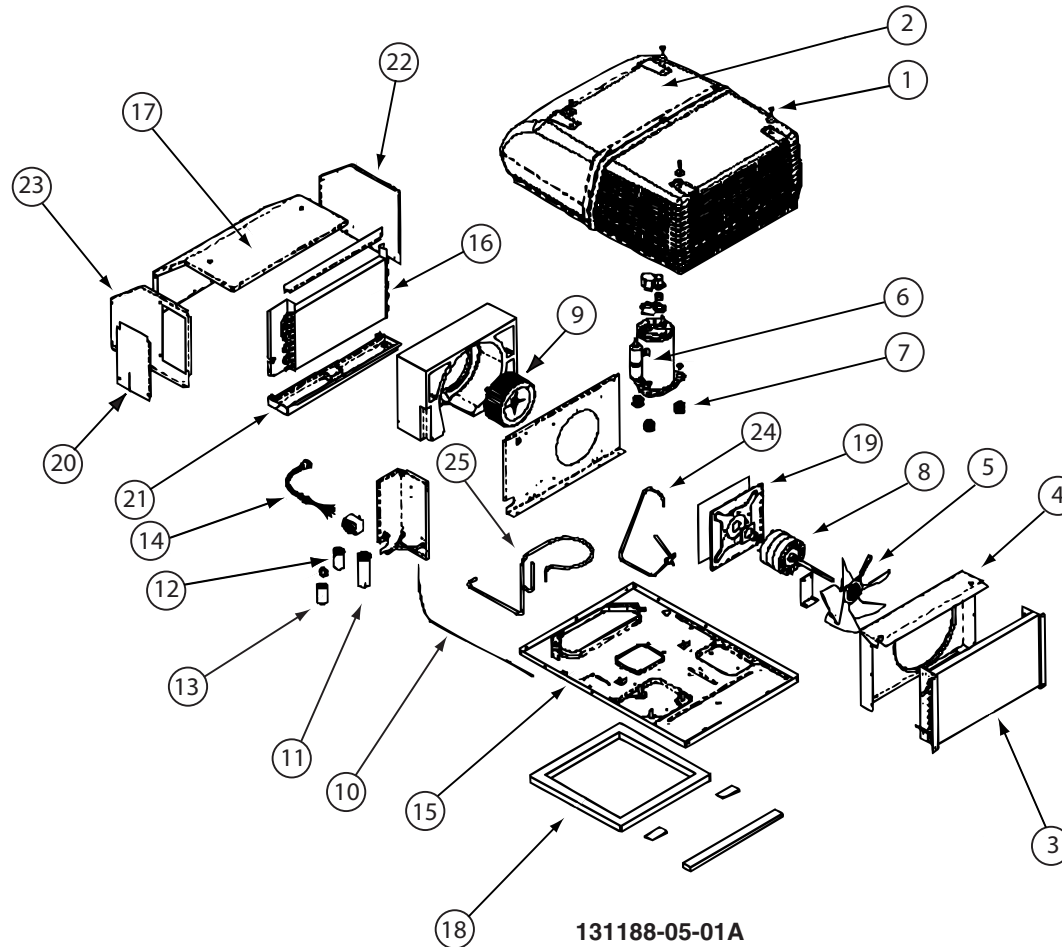
CONTACT WINNEBAGO PART SALES FOR UNLISTED COMPONENT(S)



131185-04-01A

KEY	PART NUMBER	U/M	DESCRIPTION	VENDOR NO.
2	131188-05-700	EA	SHROUD-ROOF AIR/2 PIECE-WHT	8335-5261
3	131185-04-700	EA	CONDENSER COIL	1452B1451
4	131187-03-700	EA	SHROUD FAN/INNER-LESS LOGO	6792-1071
5	093763-01-712	EA	BLADE-FAN-CONDENSER	6733-3221
6	131185-04-701	EA	COMPRESSOR (TECUMSEH)	1450B2259
7	105620-01-705	EA	PROTECTOR-OVERLOAD, RH & LH	6759-3791
8	105620-01-706	EA	MOUNTING PKG.,COMP., 3 PER	6759-3081
9	131185-01-701	EA	MOTOR (115V, 60HZ)	1468-3069
10	131185-01-702	EA	BLOWER WHEEL PACKAGE	1472-1091
12	105620-12-725	EA	COMPRESSOR RUN CAPACITOR	1499-5731
13	093763-01-704	EA	CAPACITOR-FAN (ID/OD MOTOR)	1499-5461
15	105620-10-705	EA	PTCR (START DEVICE) - W/CAP.	8333A9021
18	131185-01-703	EA	EVAPORATOR COIL	1452A1491
20	037648-01-714	EA	GASKET PACKAGE	8332-3301
21	131185-01-704	EA	MOTOR MOUNT & SEAL KIT	8333-5151
	131188-05-702	EA	SHROUD BRACKET	8333B1551

CONTACT WINNEBAGO PART SALES FOR UNLISTED COMPONENT(S)



131188-05-01A

KEY	PART NUMBER	U/M	DESCRIPTION	VENDOR NO.
2	131188-05-700	EA	SHROUD-ROOF AIR/2 PIECE-WHT	8335-5261
3	115219-01-700	EA	COIL-CONDENSER	1452A1321
4	131187-03-700	EA	SHROUD FAN/INNER-LESS LOGO	6792-1071
5	093763-01-712	EA	BLADE-FAN-CONDENSER	6733-3221
6	131188-05-703	EA	COMPRESSOR (TECUMSEH)	1450B2299
7	105620-01-706	EA	MOUNTING PKG.,COMP., 3 PER	6759-3081
8	131185-01-701	EA	MOTOR (115V, 60HZ)	1468-3069
9	131185-01-702	EA	BLOWER WHEEL PACKAGE	1472-1091
11	126859-01-703	EA	CAPACITOR - RUN	1499-5671
12	093763-01-704	EA	CAPACITOR-FAN (ID/OD MOTOR)	1499-5461
13	105620-10-705	EA	PTCR (START DEVICE) - W/CAP.	8333A9021
16	131186-01-701	EA	EVAPORATOR COIL	1452-1521
18	037648-01-714	EA	GASKET PACKAGE	8332-3301
19	131185-01-704	EA	MOTOR MOUNT & SEAL KIT	8333-5151
	105620-01-705	EA	PROTECTOR-OVERLOAD, RH & LH	6759-3791
	131188-05-702	EA	SHROUD BRACKET	8333B1551

CONTACT WINNEBAGO PART SALES FOR UNLISTED COMPONENT(S)