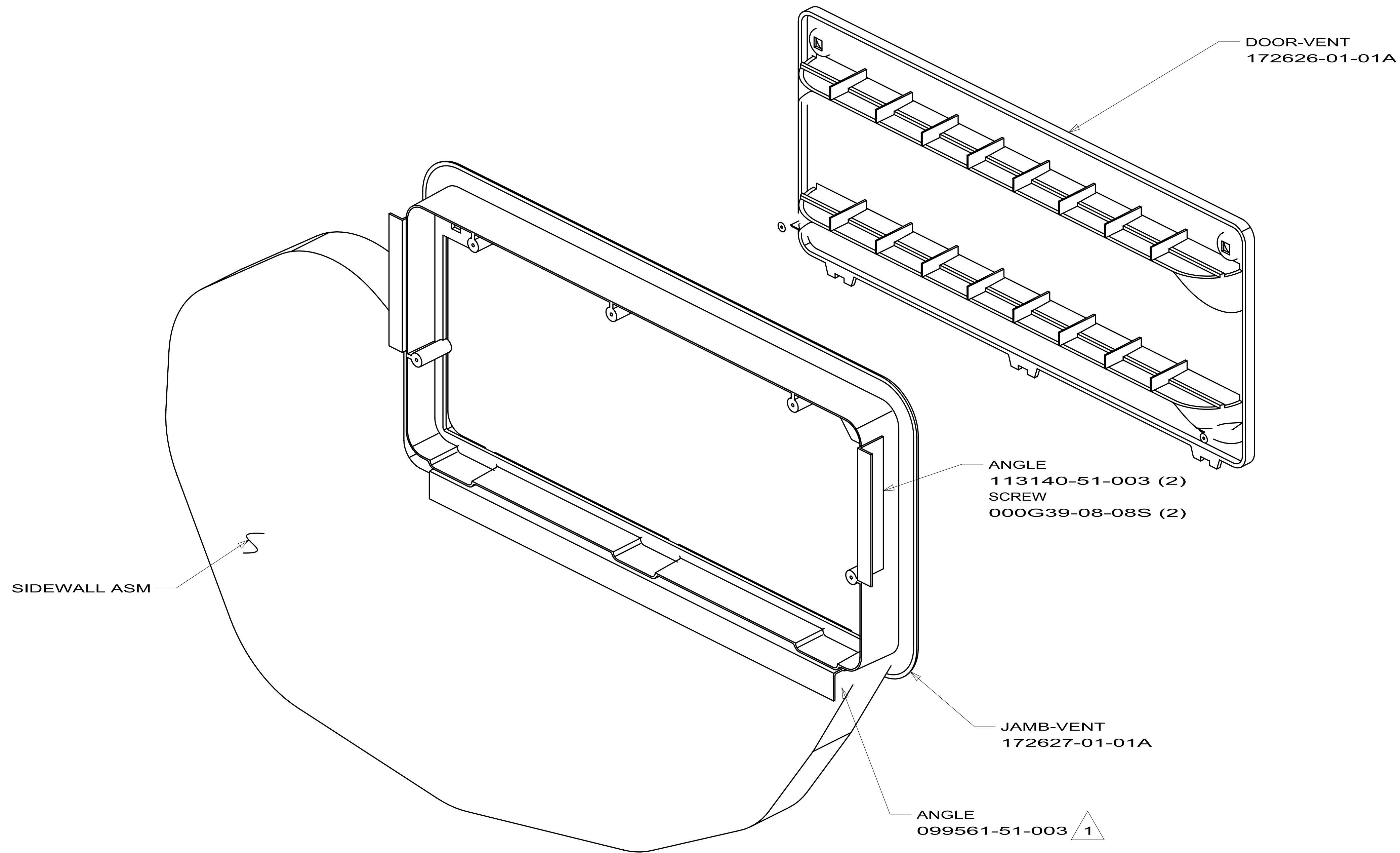


- 10 LOCATE DOOR STOP APPROX HALF WAY UP THE DOOR.
- 9. SEE DRAWING 160030 COMPARTMENT INSTL-ROTOCAST FOR ADDITIONAL INFORMATION.
- 8. APPLY SEAL 104692-01-000 TO FLOOR EDGE PRIOR TO INSTALLATION OF SIDEWALLS.
- 7. USE TAPE SEAL 056795-01-000 BETWEEN THE FLANGE OF DOOR JAMB AND SIDEWALL
- 6. CLEAN BOTH SURFACES OF SIDEWALL AROUND OPENING WITH ISOPROPYL ALCOHOL, ADD SEAL TAPE 156622-01-01A W/6MM OVERLAP ON FIBERGLASS SIDE. TAPE MUST ADHERE TO BOTH SIDES OF SIDEWALL.
- 5. APPLY SEAL 154585-02-01A AROUND COMPARTMENT OPENINGS PRIOR TO INSTALLATION OF SIDEWALLS.
- 4. FOR SECTIONS BA THRU BZ SEE DWG 169481.
- 3. TRI/MARK "KEY ONE"  
SEAL: P/N 138292-01-000 USED ON ENTRANCE DOOR.  
KEY: P/N 138288-11 THRU -20  
ENTRANCE DOOR CYLINDER LOCK: P/N 138287-11 THRU -20  
  
STRATTEC KEY  
VAL DOORS, WATER FILL: P/N 138637-51-000 THRU -009  
  
MATCH LAST DIGIT OF V.I.N. # WITH TAB NUMBER  
EXAMPLE: V.I.N. # TAB NUMBER  
USE: 138287-05-000  
138288-05-000  
138289-05-000
- 2. DRILL 3.57 (9/64) DIA PILOT HOLES FOR DOOR ATTACHMENT SCREWS THRU EXISTING HOLES IN DOOR JAMB.
- 1. SEE SEALANT MANUAL.

- 64V SIDEWALL-PREMIUM HIGH GLOSS
- 513 FLOORCOVERING-VINYL-THRU OUT
- 644 GREAT ALASKAN RENTAL PACKAGE
- 547 FLOOR-ENTRY/CARPET
- 28E EXTERIOR ACCESSORY PACKAGE
- 56K WINDOW-ENTRANCE DOOR
- 1E2 ENTRANCE STEP-ELEC.
- 1E1 ENTRANCE STEP-MANUAL

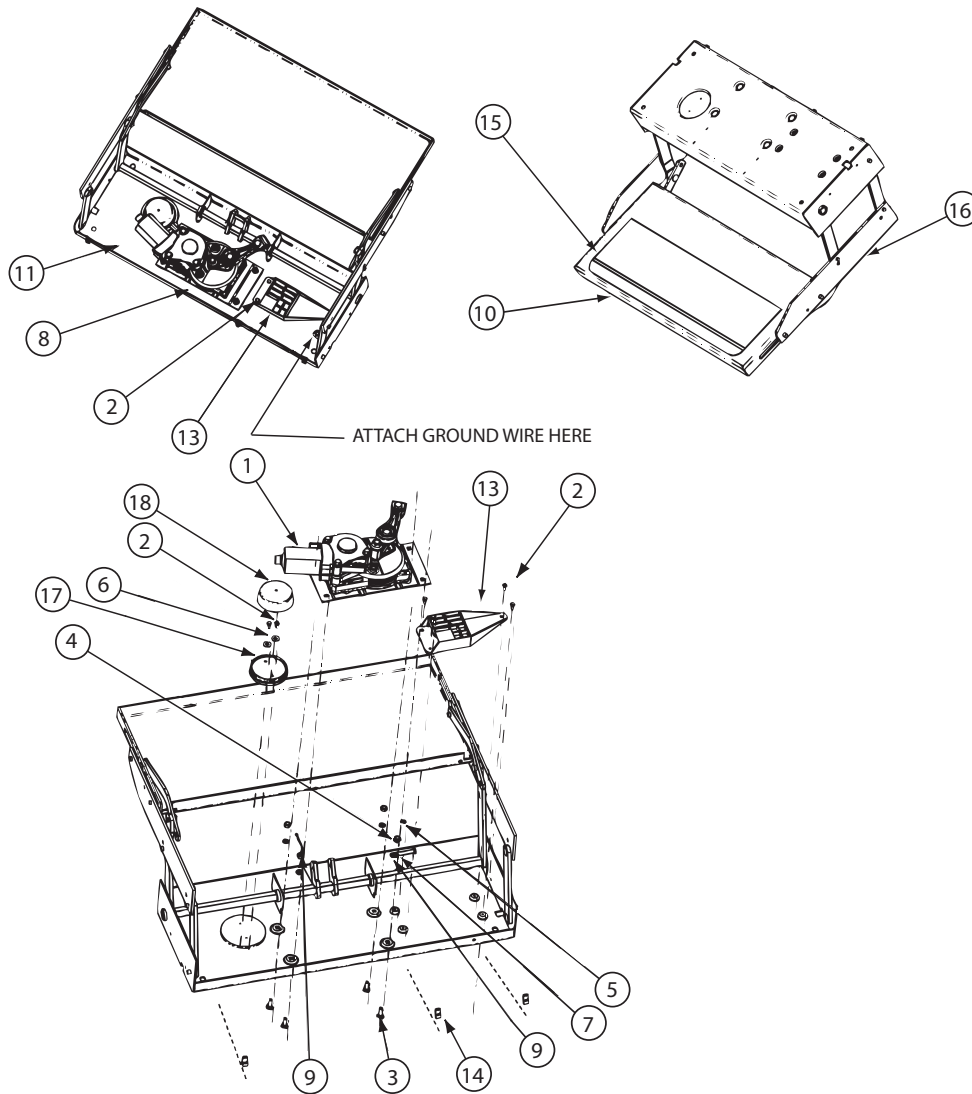
10 231J



090868-01

- 224V
- 229T
- 231C
- 231J
- 329B
- 331C
- 524DL
- 524K
- 524P
- 728B
- 730C
- D31E
- D35J
- D37L
- E30W
- E32K
- J35Z
- J38N

GEN MOTORHOMES



**094708-05-01A**

KEY	PART NUMBER	U/M	DESCRIPTION	VENDOR NO.
1	094707-04-701	EA	MOTOR "AM 214" F/IMGL STEPS	1101428
13	094707-04-700	EA	CONTROL UNIT W/OVERRIDE	909510000
15	143709-01-702	EA	TREAD/NON-SKID 6" X 21" BLK	1915260
16	094708-05-701	EA	FRAME W/SGL STEP,28 SERIES	908028000
17	088746-01-705	EA	LIGHT-UNDER STEP	9004
	094707-03-701	EA	PLUG - 4-WAY - PACKARD	909306
	094707-04-702	EA	COTTER PIN - W/CLEVIS PIN	905205000
	094707-04-711	EA	KWIKTEST - W/4-WAY PIGTAIL	909518000
	094708-05-700	EA	GEAR BOX W/LINKAGE-STRAIGHT	1101426

CONTACT WINNEBAGO PART SALES FOR UNLISTED COMPONENT(S)

8 7 6 5 4 3 2 1

D

D

C

C

B

B

A

A

SUPPORT-LID, ENTRANCE STEP  
123330-05-CHT  
SCREW  
G11-10-12D(14)

TREAD-STEP,RUBBER  
147781-01-CHT  
ADHESIVE  
142550-02-000

**104005-08-XXX**  
**28E 200-SERIES**  
**300-SERIES**  
**500-SERIES**  
**700-SERIES**

CABINET ASM-LID, ENT STEP  
141558-01-XXX

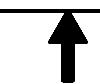
BRACKET-CATCH,LID  
146747-01-CHT(2)  
SCREW  
G11-10-12D(4)

1. CENTER TREAD-STEP,RUBBER ON BOARD.

28E EXTERIOR ACCESSORY PACKAGE

FIRST USED	04 300-SERIES
TITLE:	DO NOT SCALE DRAWING
	LID ASM-ENTRANCE STEP
SHEET 8	PART NO 104005
	REV

8 7 6 5 4 3 2 1



8 7 6 5 4 3 2 1

D

D

C

C

B

B

A

A

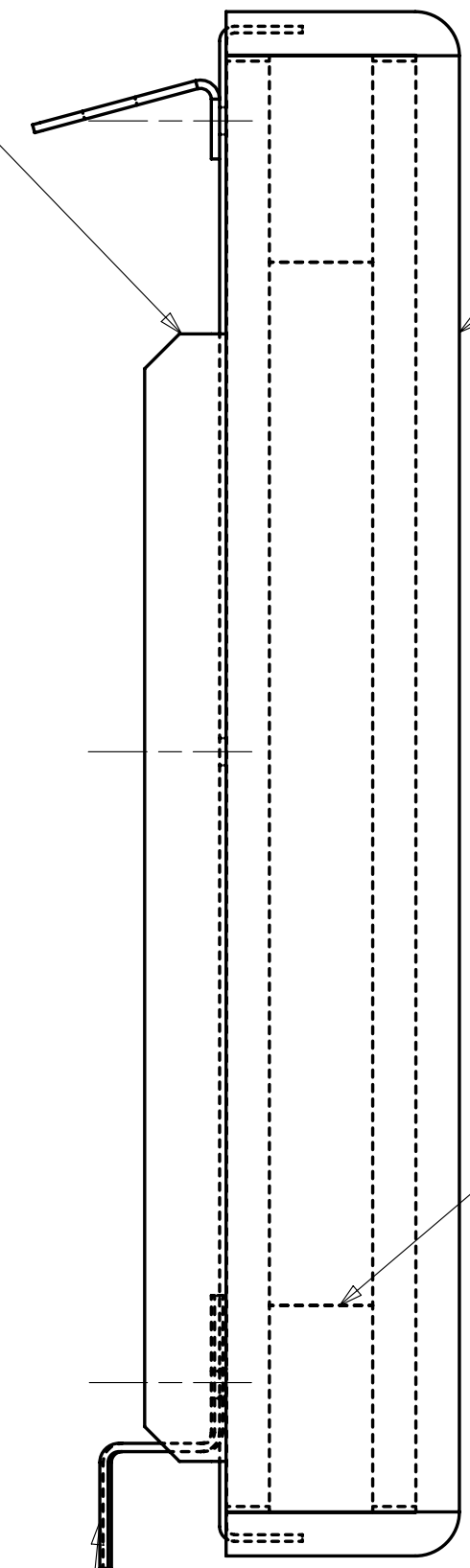
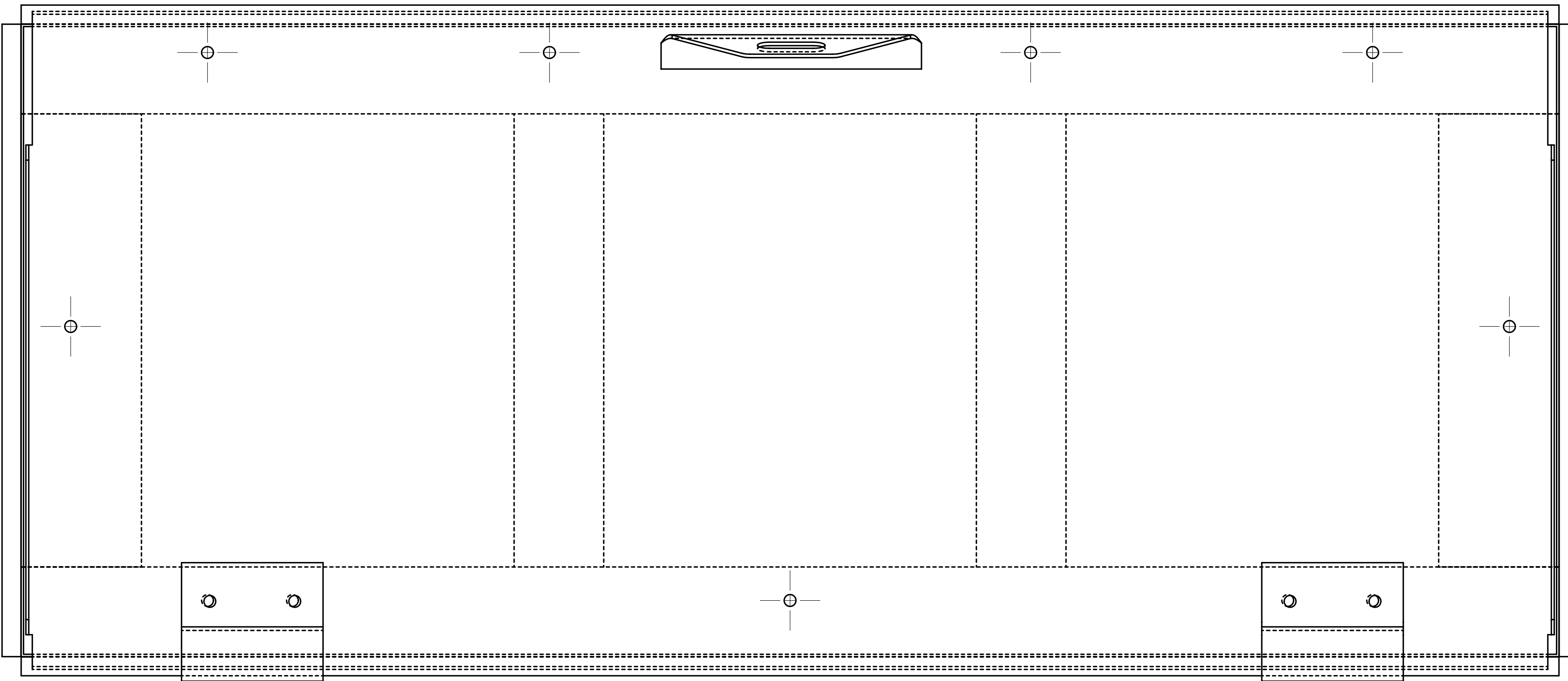
SUPPORT-LID, ENTRANCE STEP  
123330-05-CHT  
SCREW  
G11-10-12D(14)

9CARPT-01-000  
(WRAP CARPET  
ALL 4 EDGES)

# 104005-09-XXX 200-SERIES

CABINET ASM-LID, ENT STEP  
141558-01-XXX

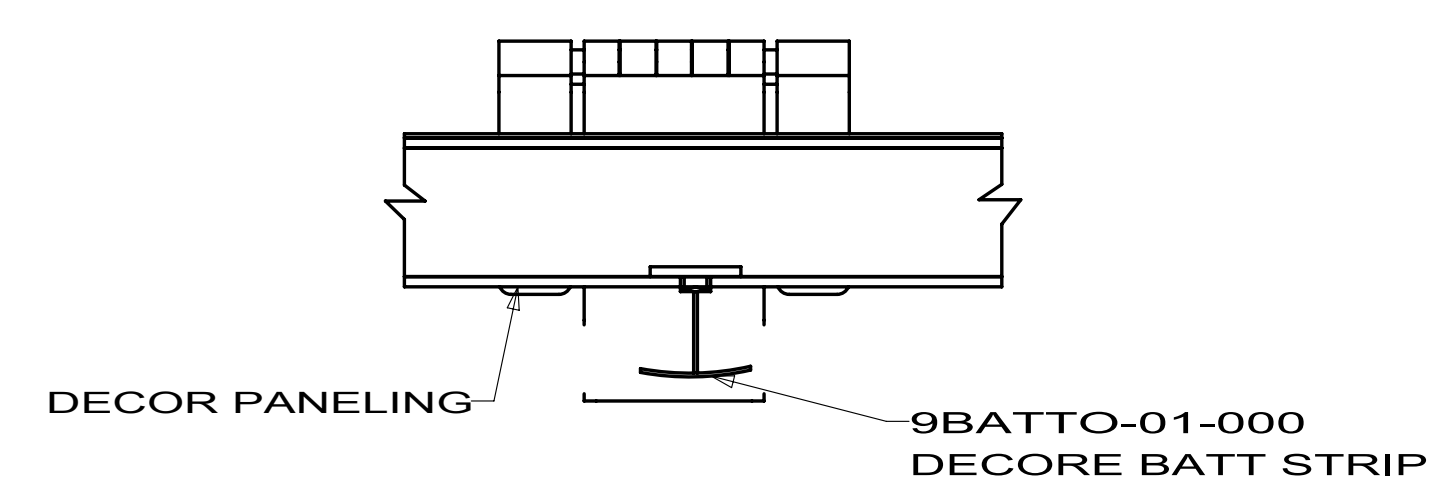
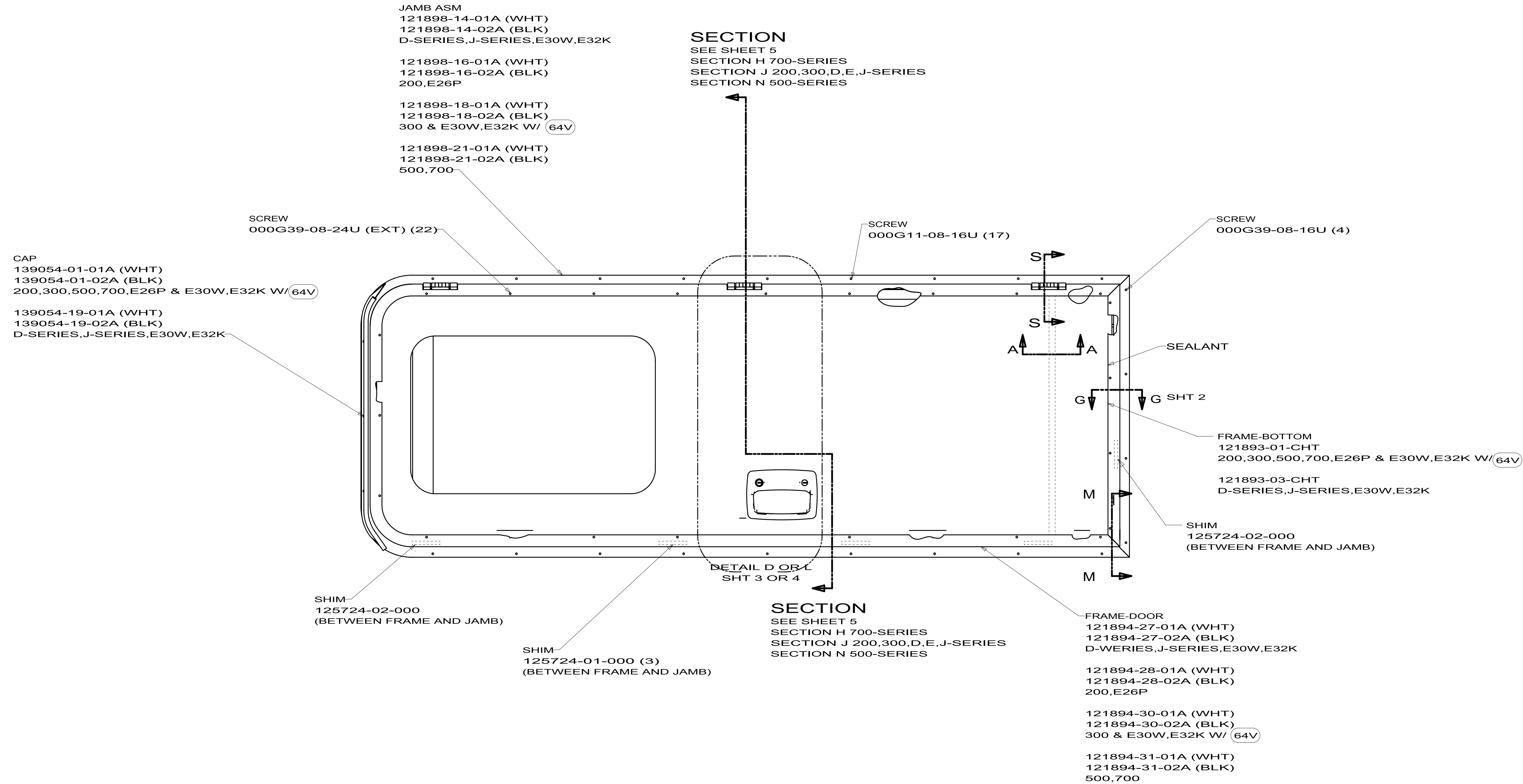
BRACKET-CATCH,LID  
146747-01-CHT(2)  
SCREW  
G11-10-12D(4)



FIRST USED	07 200-SERIES		
TITLE:	DO NOT SCALE DRAWING		
	LID ASM-ENTRANCE STEP		
SHEET 9	PART NO	104005	REV

8 7 6 5 4 3 2 1





00 MOTORHOMES

DOOR COMPL-ENTRANCE, MID

LATCH-SCREEN DOOR  
132915-01-01A  
SCREW  
000G11-08-12S (2)

SCREEN DOOR

STRIKER-SLIDER

STRIKE-DOOR,SCREEN  
148364-01-04B (BLK)  
148364-01-12B (WHT)  
SCREW  
000G52-06-06U (2)  
NUT  
000D10-06-00B(2)

VIEW F-F

JAMB ASM

TAPE-ANTI SLIP  
038327-01-000 (600)

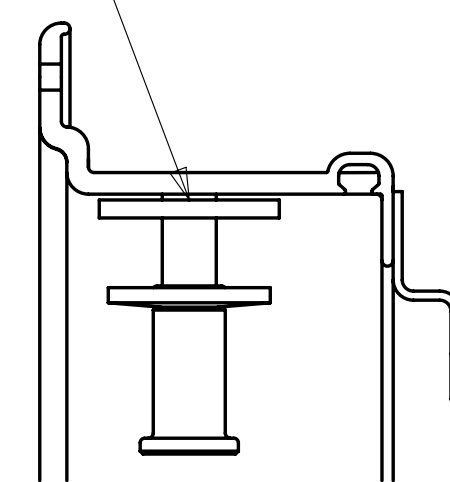
SEAL-PILE  
075673-05-000

BUMPER-RUBBER  
081914-02-000 (2)

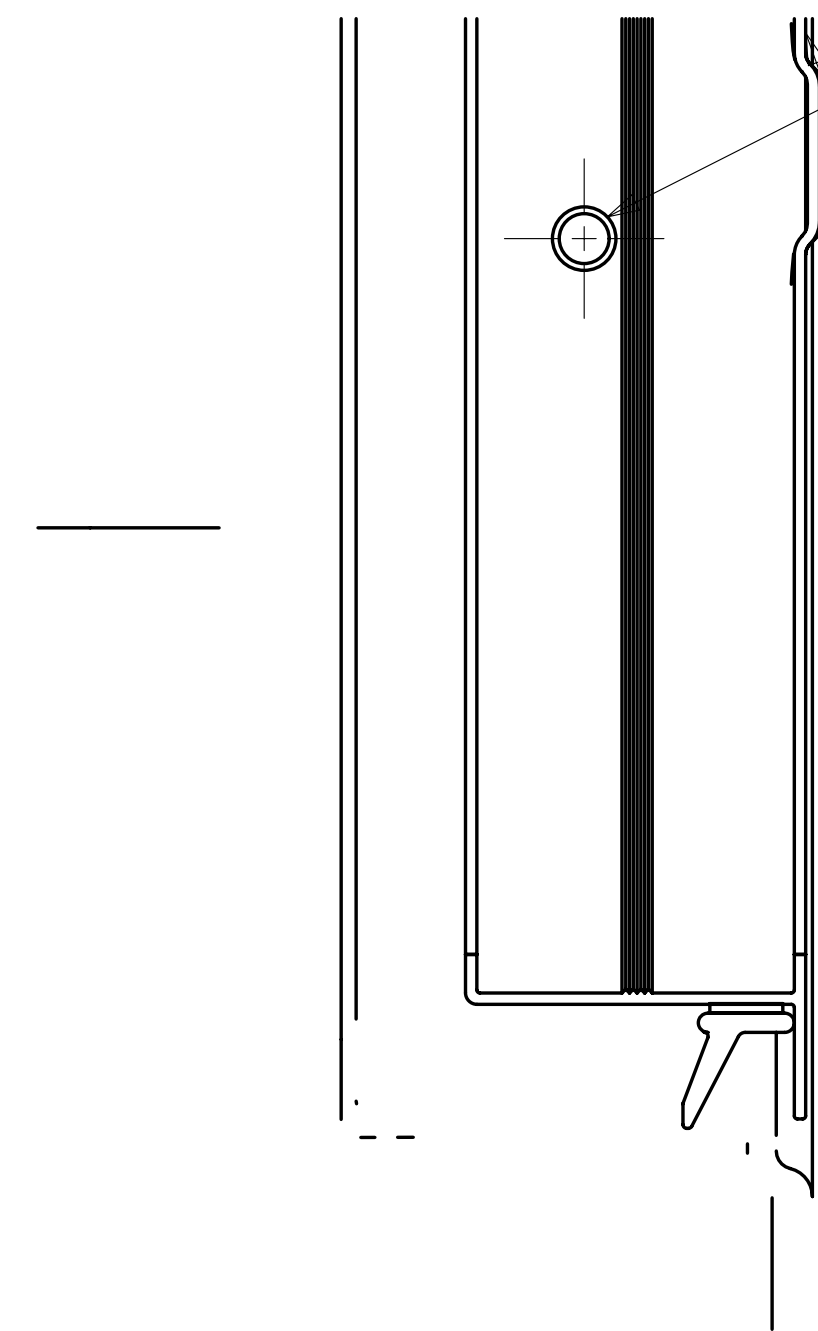
FRAME-BOTTOM  
(REF)

SECTION G-G

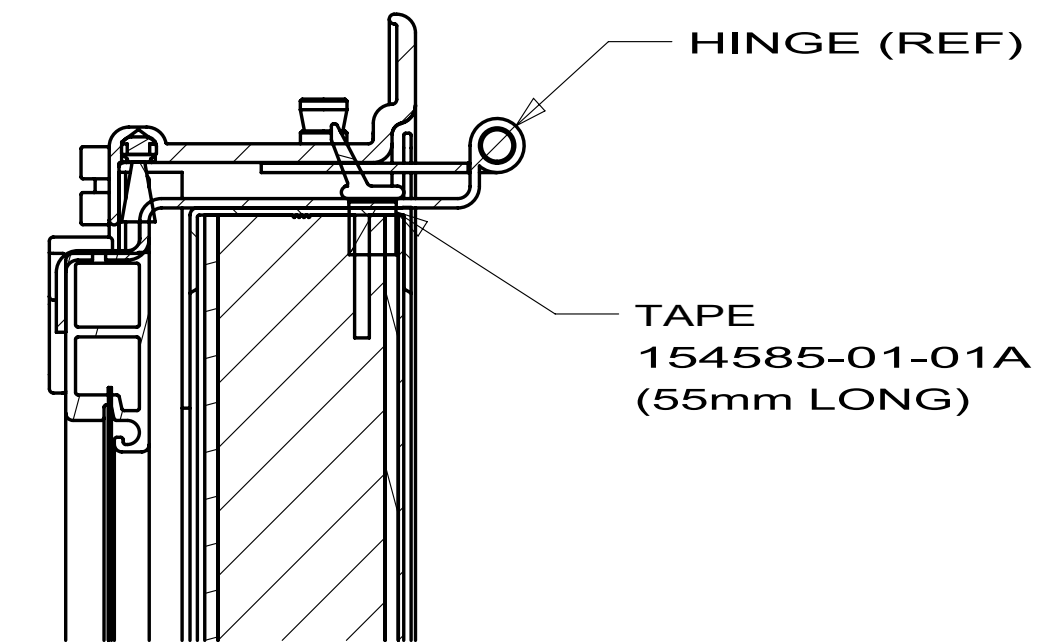
SPACER-STRIKE BOLT  
147900-01-01A (A/R)



SECTION K-K



SECTION M-M



SECTION S-S  
(3 PLACES)

HINGE (REF)

TAPE  
154585-01-01A  
(55mm LONG)

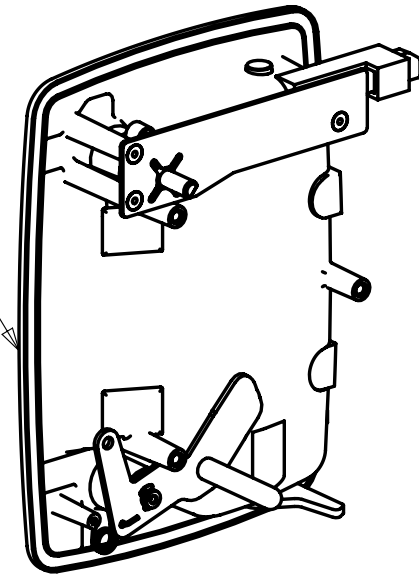
00 MOTORHOMES

DOOR COMPL-ENTRANCE,MID

2 132206

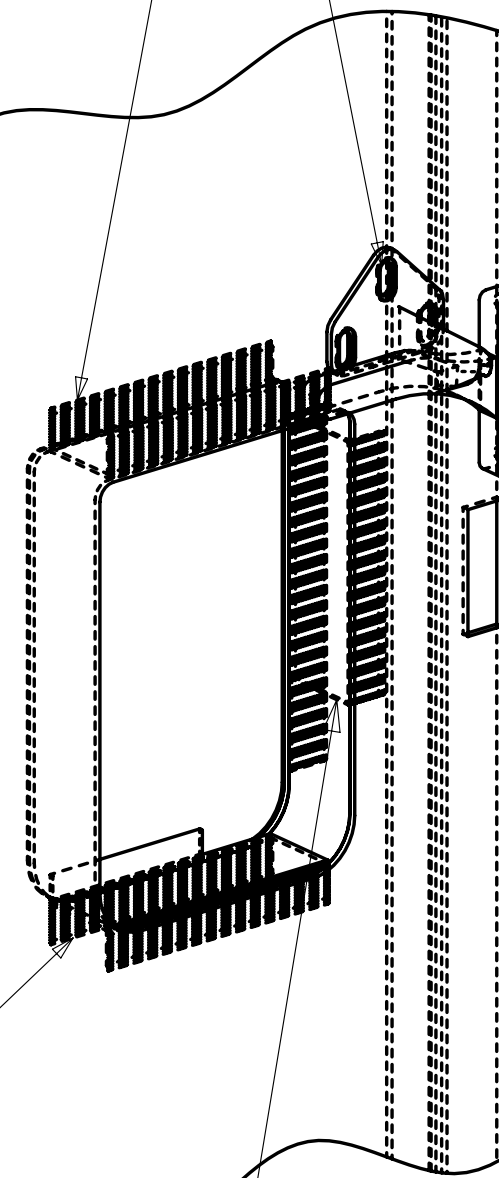
**DETAIL D**  
**200-SERIES**  
**E-SERIES**  
**D-SERIES**  
**J-SERIES**

LATCH ASM-EXTERIOR  
112782-20-01A  
GASKET  
112782-04-01A



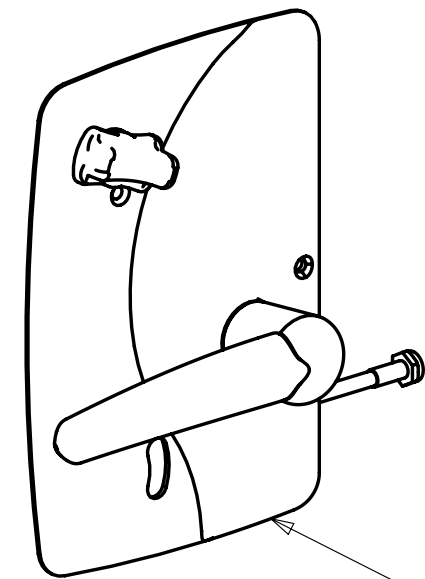
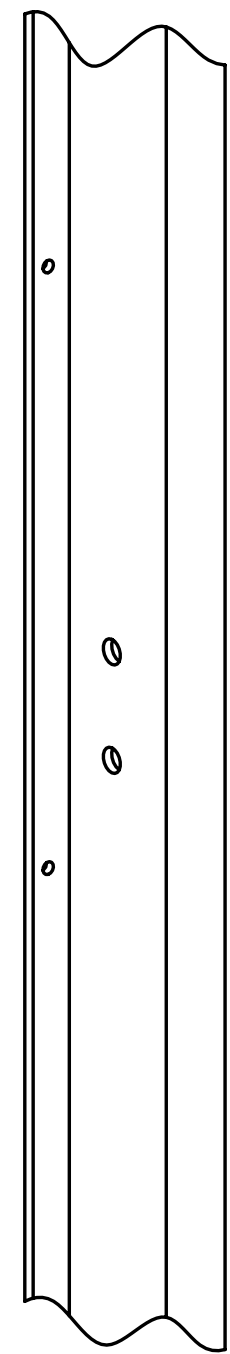
EXTR-C-CHANNEL  
134990-51-002  
(INSERT INTO FOAM  
UNTIL TOP SURFACE  
EVEN WITH CUTOUT)

CATCH  
SCREW  
000G11-08-08T (3)



SPACER-NOTCHED  
137230-01-01A  
(INSERT INTO FOAM UNTIL  
TOP SURFACE EVEN WITH CUTOUT)

CHANNEL-W/NOTCH  
171283-01-01A  
(INSERT INTO FOAM  
UNTIL TOP SURFACE  
EVEN WITH CUTOUT)



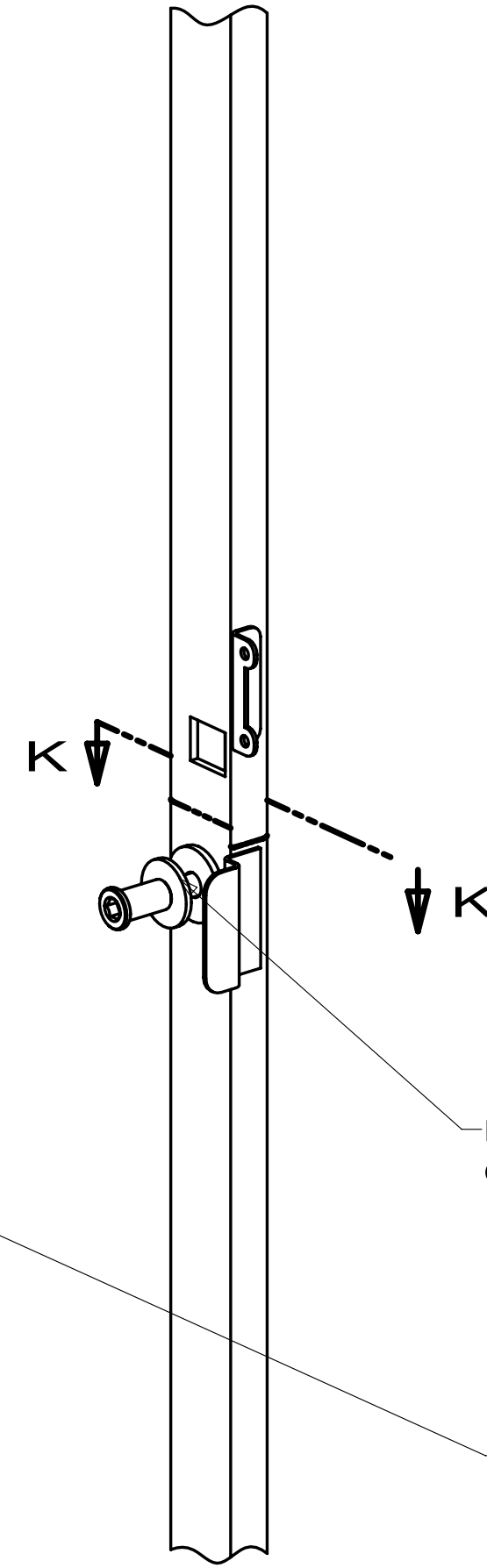
STIFFENER M  
132207-01-02B  
NUTSERT  
072893-04-000 (8)  
SCREW  
075908-01-000 (8)

LATCH-INTERIOR PLATE  
112782-27-01A  
CAP-VINYL  
112782-05-01A  
SCREW  
112782-08-01A (3)

BOLT-STRIKER  
092927-20-000

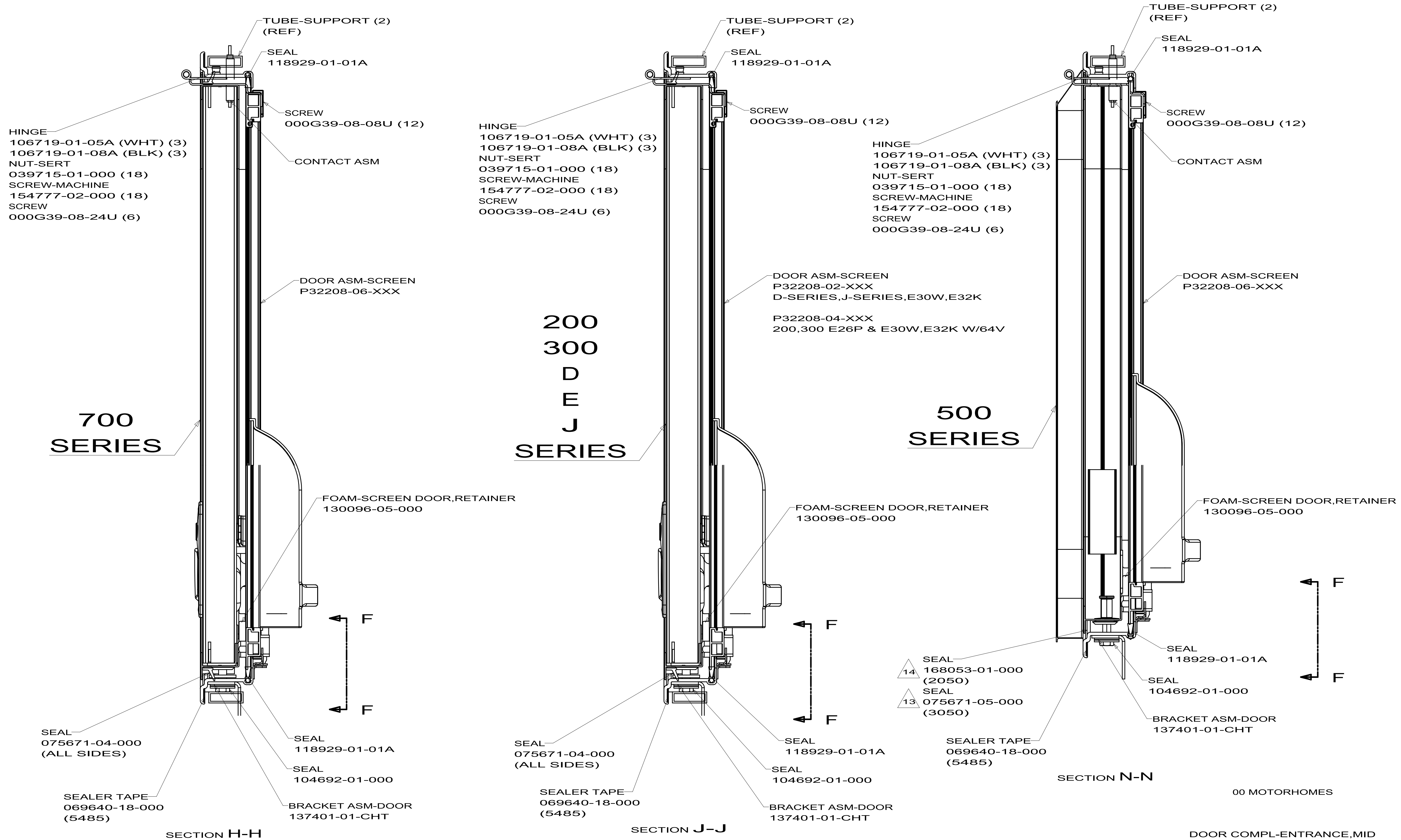
PLUG-PLASTIC  
061420-14-000

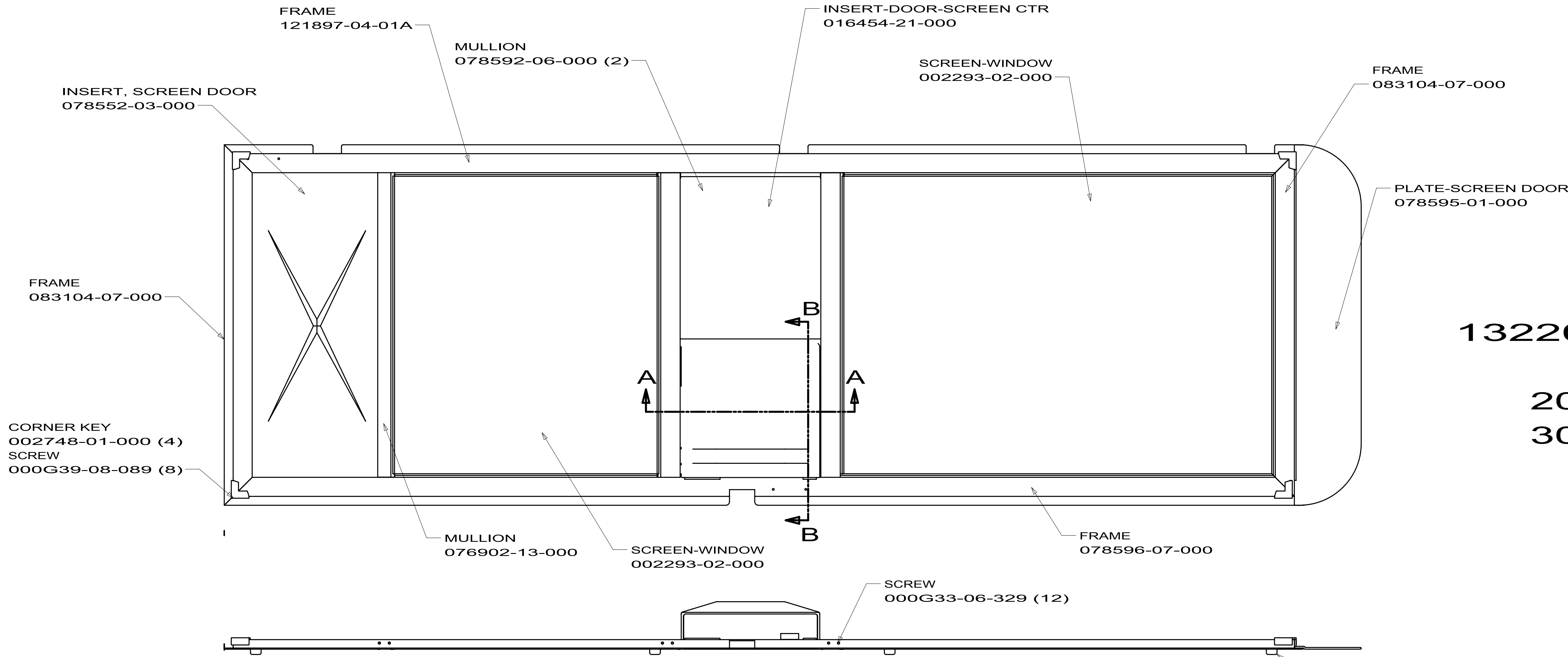
LATCH-SINGLE ROTARY  
112782-22-01A  
SCREW  
140040-01-000 (3)



FIRST USED	00 MOTORHOMES
TITLE:	DO NOT SCALE DRAWING
	DOOR COMPL-ENTRANCE,MID
3	PART NO 132206

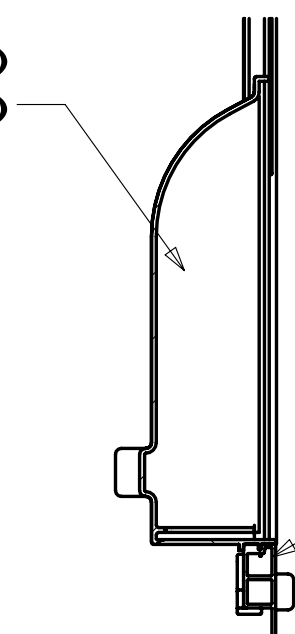






**132208-04-L07**  
**E26P**  
**200-SERIES**  
**300-SERIES**

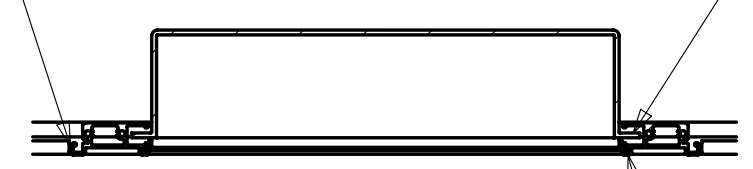
SLIDER  
 132082-01-01A (WHT)  
 132082-01-03A (BLK)



SECTION B-B

STRIKE  
 132081-01-01A (WHT)  
 132081-01-03A (BLK)  
 RIVET  
 000H16-04-04R (3)

SPLINE  
 002294-01-000

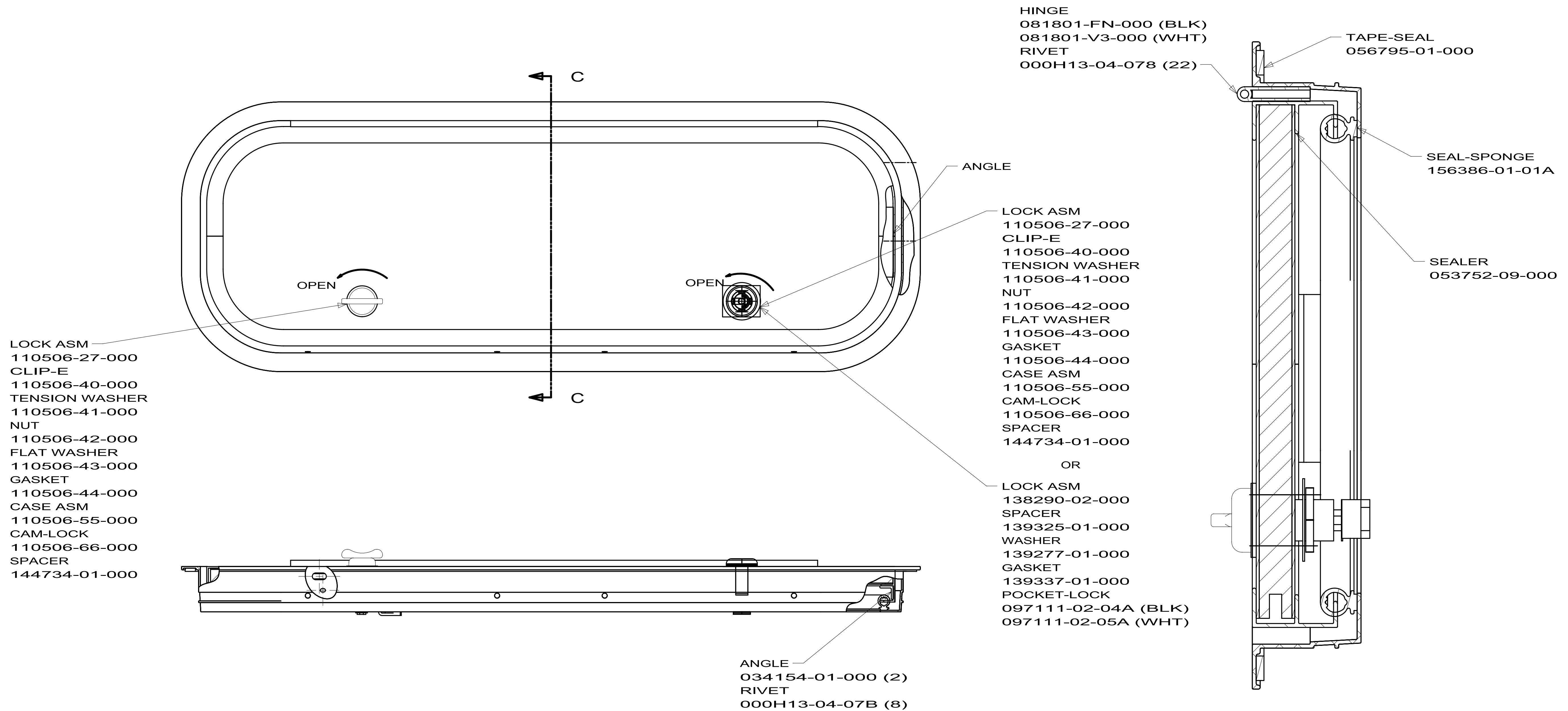


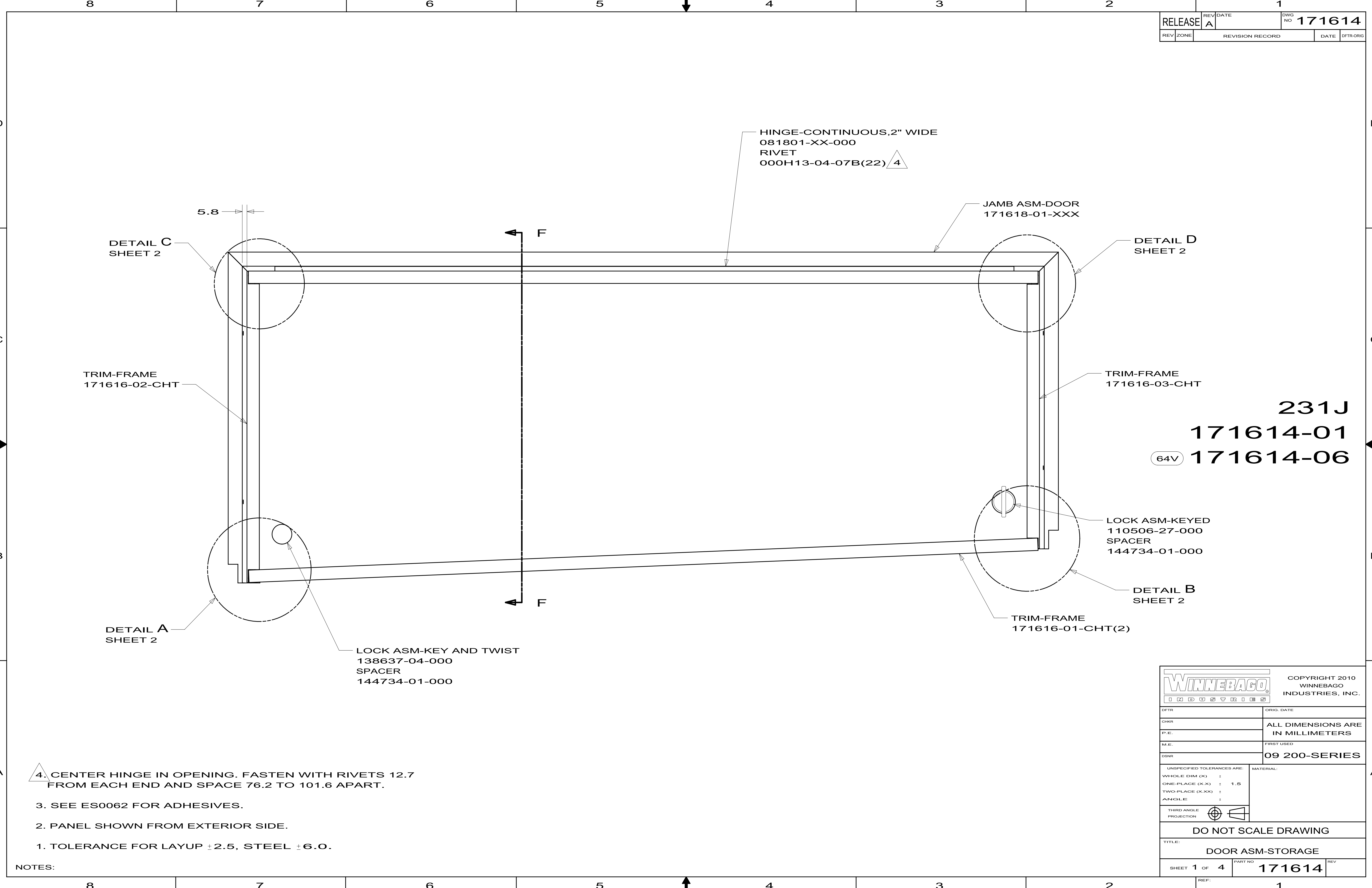
SECTION A-A

CHANNEL-SLIDER  
 078777-08-000

SEALANT  
 053752-05-000  
 (APPLIED AROUND ENTIRE PERIMETER OF BOTH INSERTS)

00 G-SERIES, 00 L-SERIES	
DOOR ASM-SCREEN	
2	132208





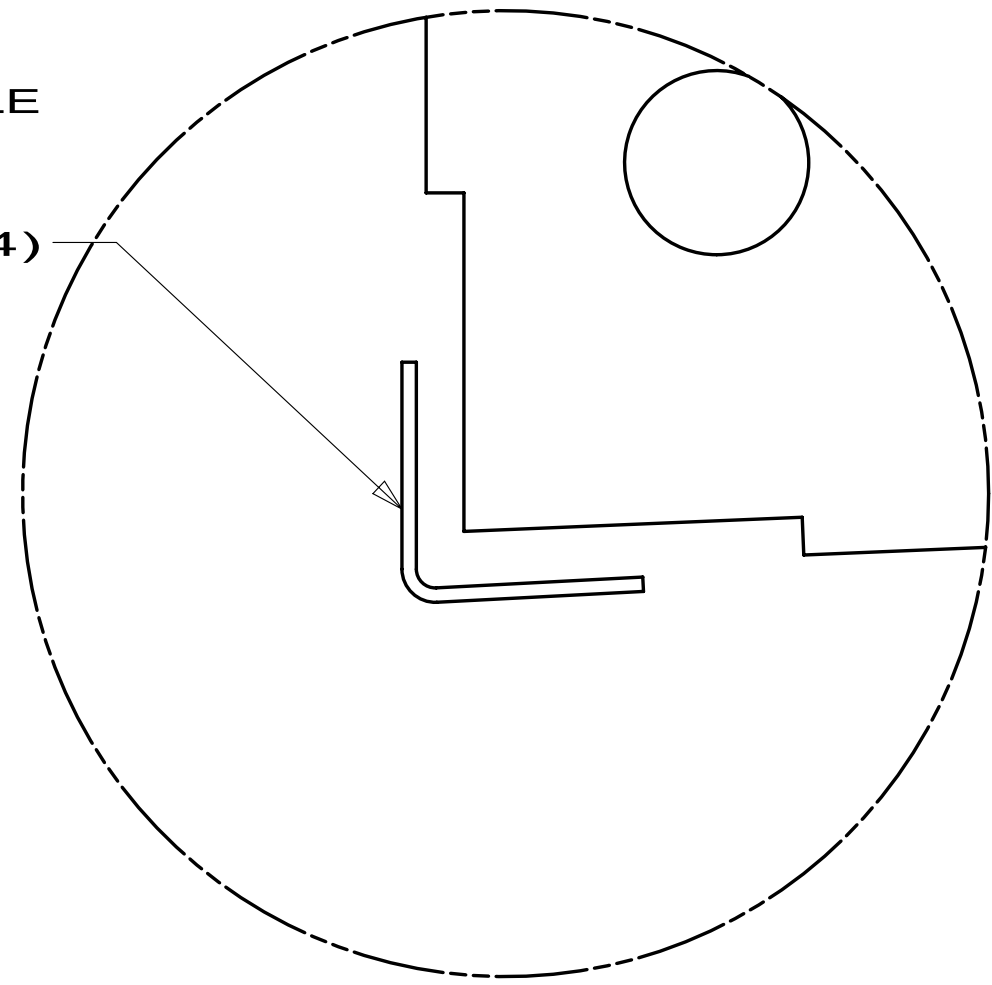
**231J**  
**171614-01**  
**64V 171614-06**

4. CENTER HINGE IN OPENING. FASTEN WITH RIVETS 12.7 FROM EACH END AND SPACE 76.2 TO 101.6 APART.

- 3. SEE ES0062 FOR ADHESIVES.
- 2. PANEL SHOWN FROM EXTERIOR SIDE.
- 1. TOLERANCE FOR LAYUP ±2.5, STEEL ±6.0.

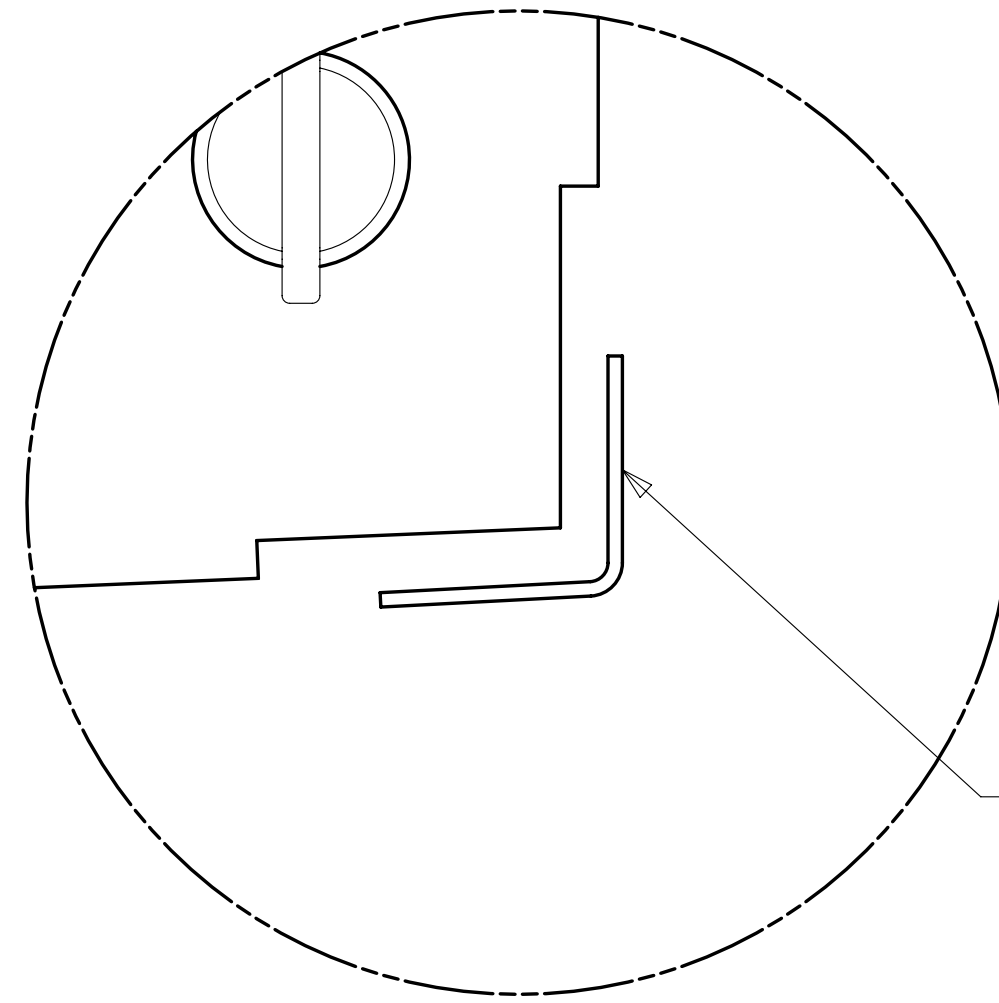
<b>WINNEBAGO INDUSTRIES</b>		COPYRIGHT 2010 WINNEBAGO INDUSTRIES, INC.	
DTR	ORIG. DATE	ALL DIMENSIONS ARE IN MILLIMETERS	
CHKR			
P.E.			
M.E.	FIRST USED		
DSNR		09 200-SERIES	
UNSPECIFIED TOLERANCES ARE:		MATERIAL:	
WHOLE DIM (X)	: 1.5		
ONE-PLACE (X.X)	: 1.5		
TWO-PLACE (X.XX)	: 1.5		
ANGLE	: 1.5		
THIRD ANGLE PROJECTION			
<b>DO NOT SCALE DRAWING</b>			
TITLE: <b>DOOR ASM-STORAGE</b>			
SHEET 1 OF 4	PART NO	<b>171614</b>	REV
REF:	1		

KEY-CORNER,ANGLE  
122237-12-CHT  
RIVET  
000H15-04-03R(4)



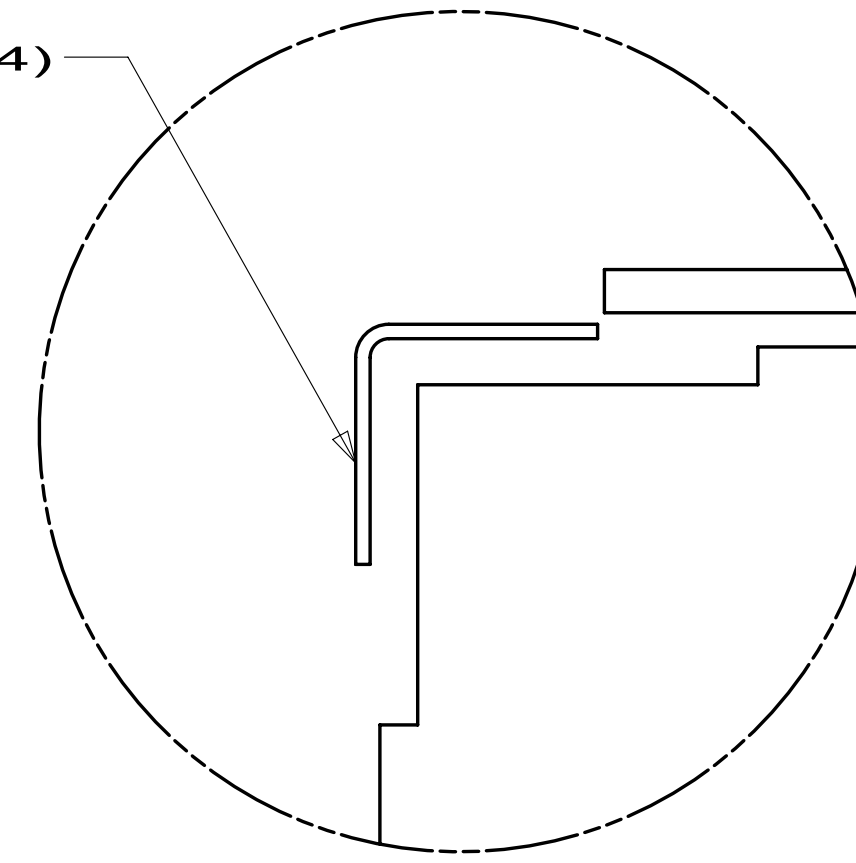
DETAIL A

KEY-CORNER,ANGLE  
122237-11-CHT  
RIVET  
000H15-04-03R(4)



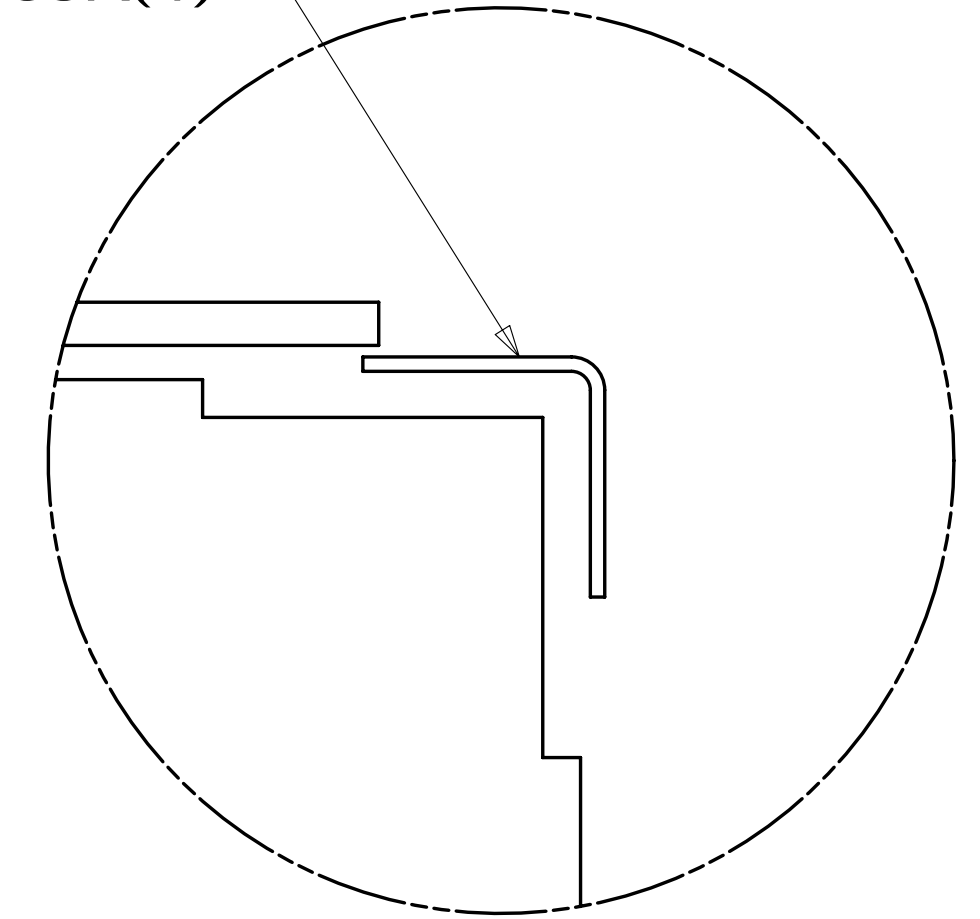
DETAIL B

KEY-CORNER,ANGLE  
122237-13-CHT  
RIVET  
000H15-04-03R(4)

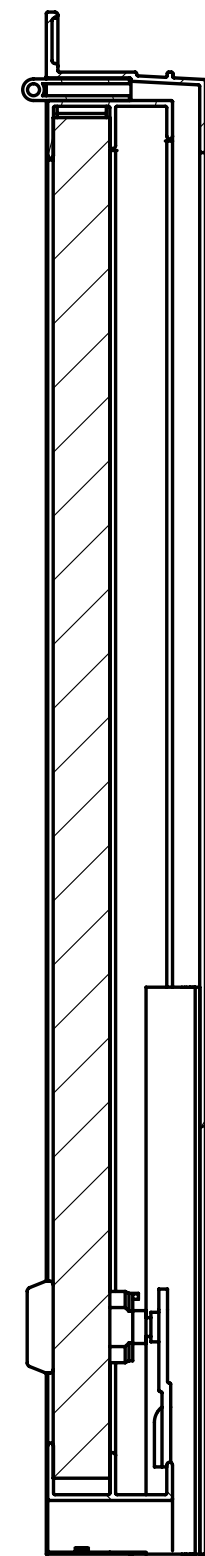


DETAIL C

KEY-CORNER,ANGLE  
122237-11-CHT  
RIVET  
000H15-04-03R(4)



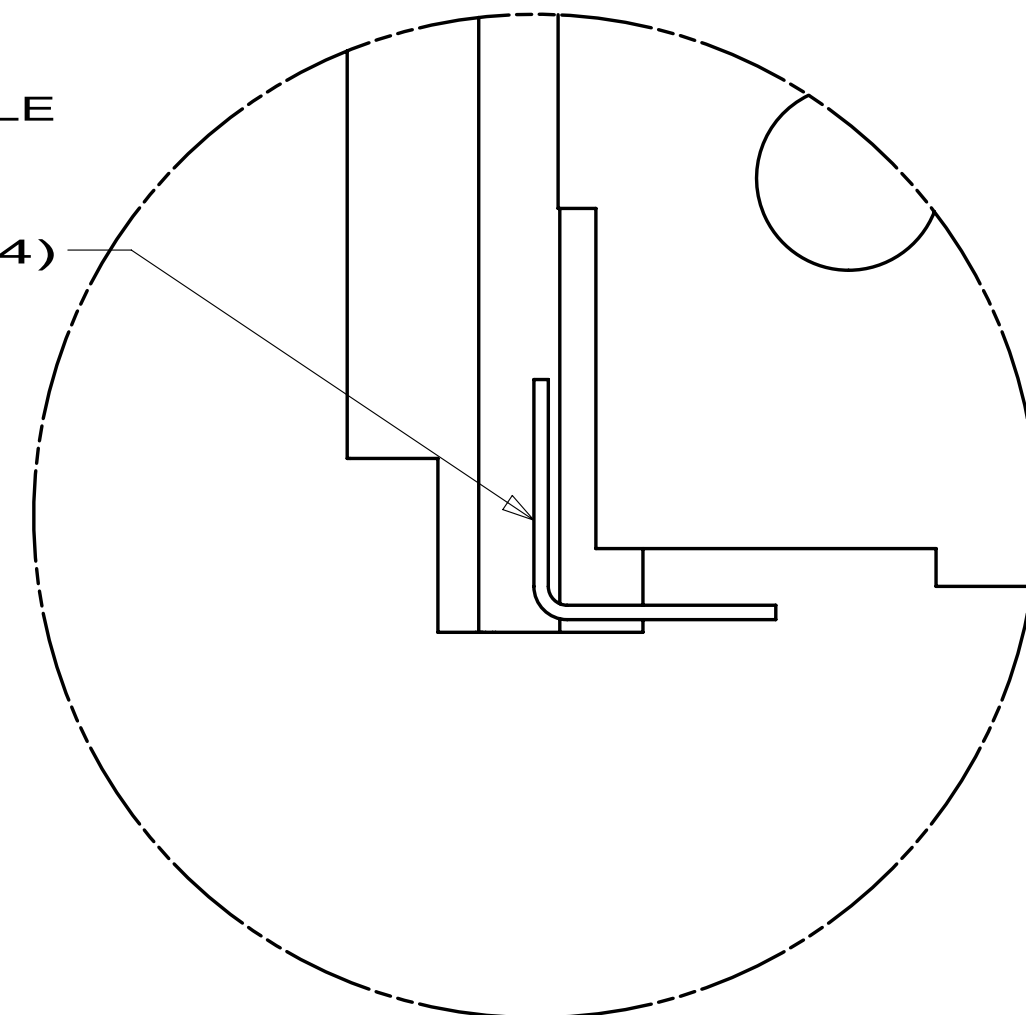
DETAIL D



SECTION F-F

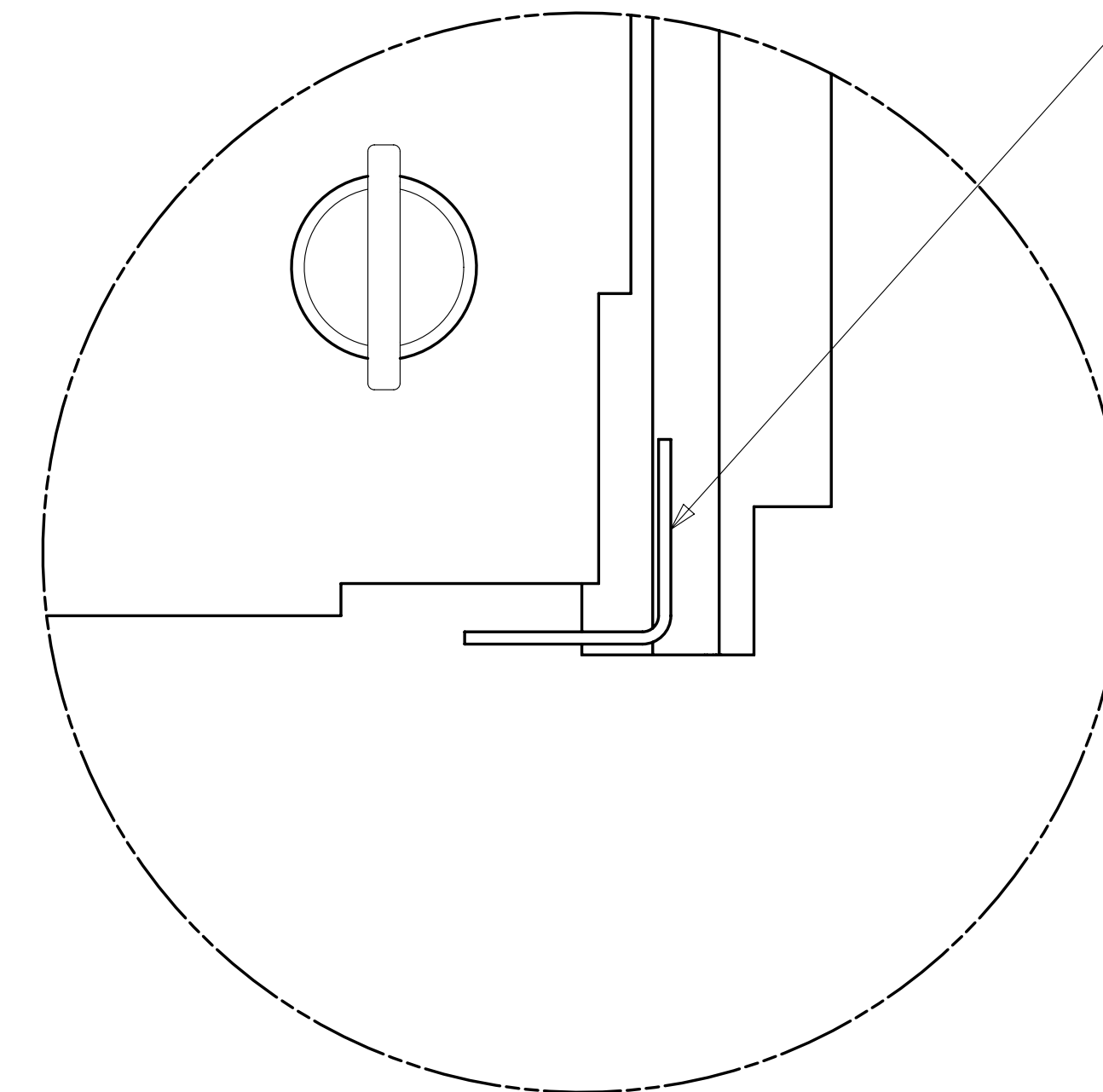
SEAL-SPONGE  
156386-01-000(2)  
(150)

KEY-CORNER,ANGLE  
122237-11-CHT  
RIVET  
000H15-04-03R(4)



DETAIL G

KEY-CORNER,ANGLE  
122237-11-CHT  
RIVET  
000H15-04-03R(4)



DETAIL H

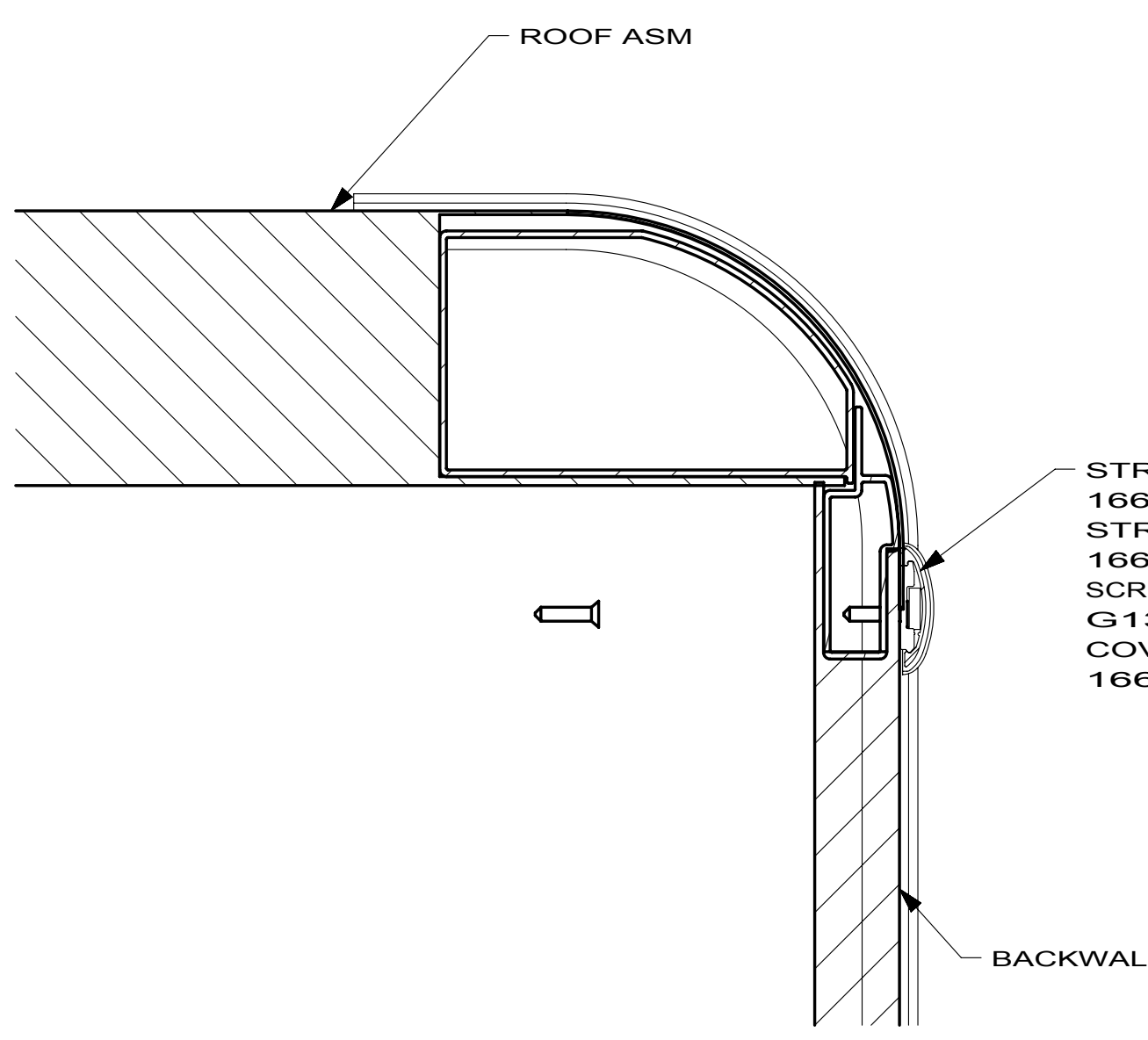
FIRST USED	09 200-SERIES		
TITLE:	DO NOT SCALE DRAWING		
	DOOR ASM-STORAGE		
SHEET 2	PART NO	171614	REV

<b>KEY</b>	<b>PART NUMBER</b>	<b>U/M DESCRIPTION</b>	<b>172626-01-01A</b>	<b>VENDOR NO.</b>
	084104-01-700	EA LOCK-MALE, FASTENER		201-721-010
	084104-01-701	EA LOCK-FEMALE, FASTENER		201-802-010

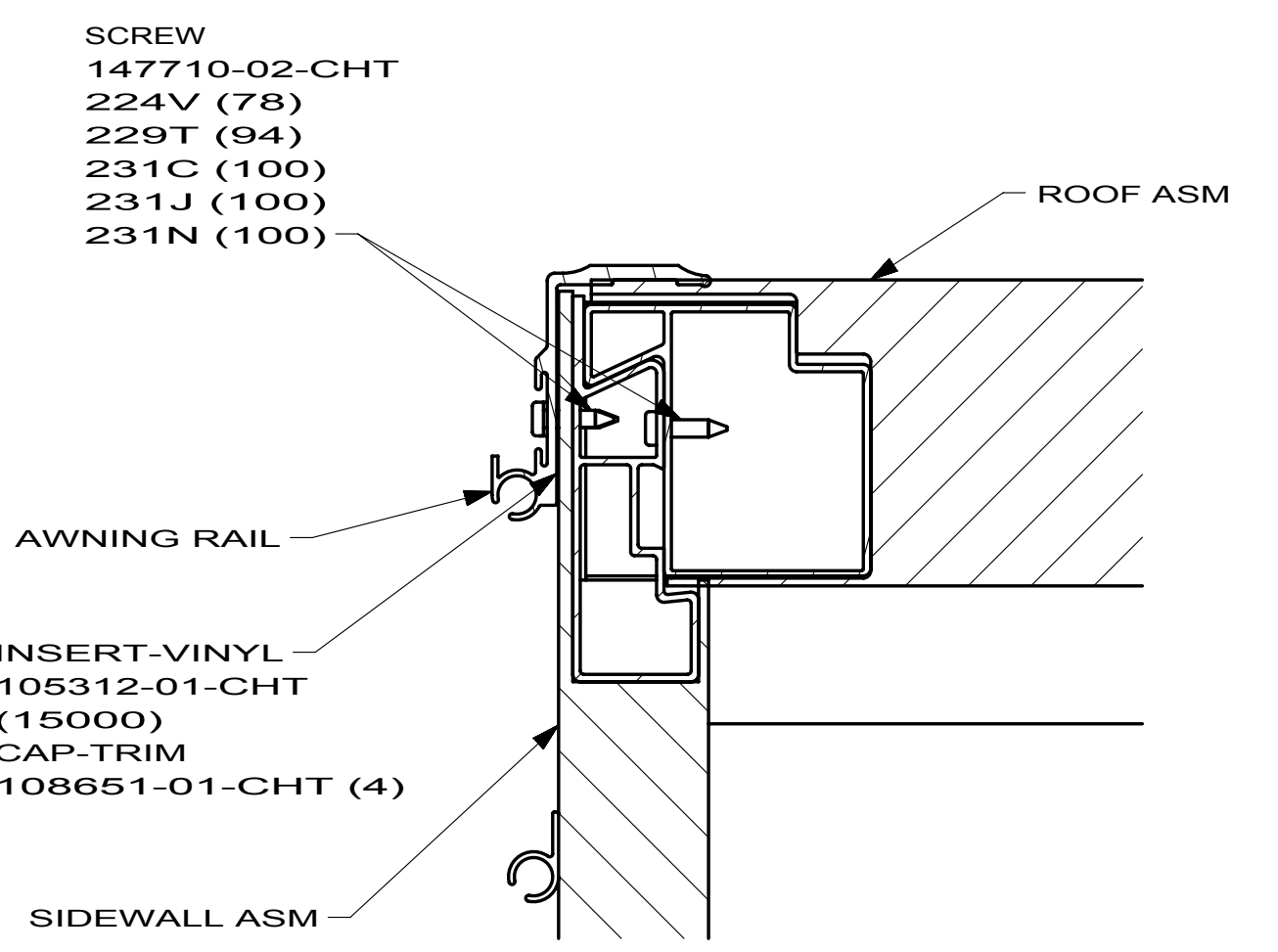
DWG NO  
169481-01  
169481-02

09L 09R 09T

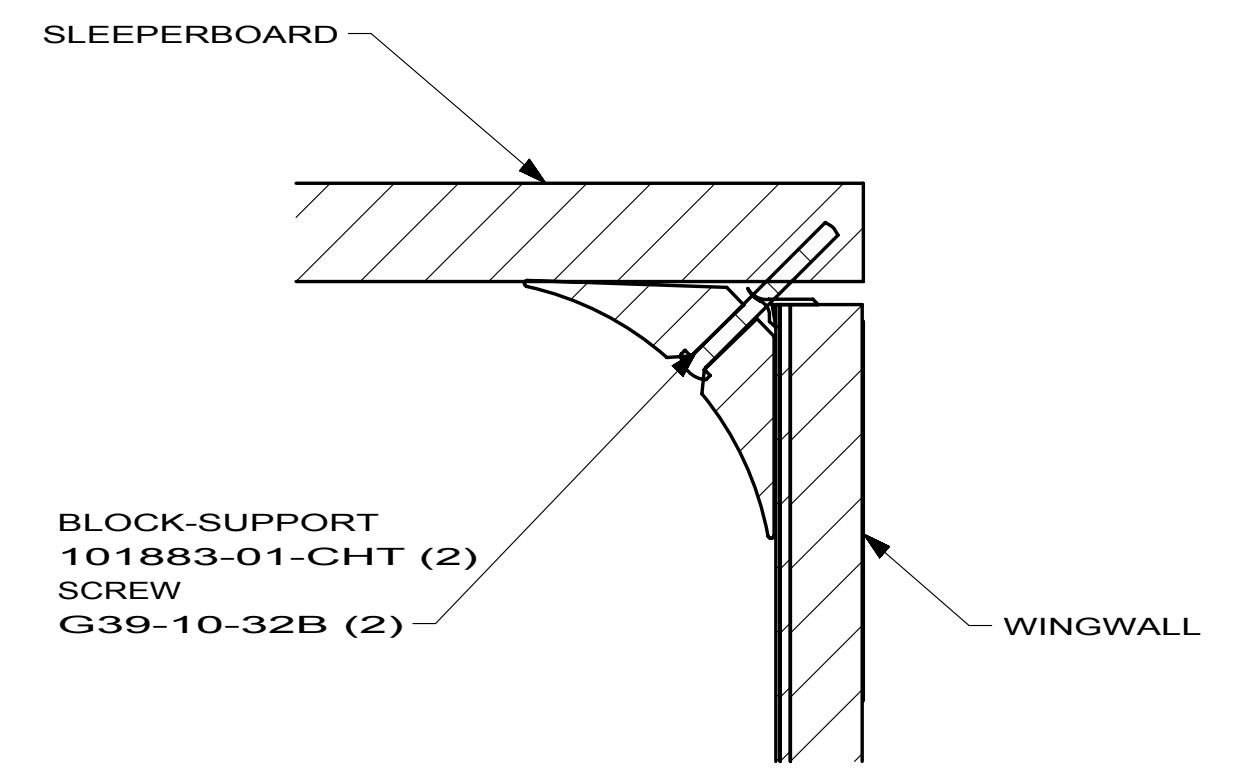
RELEASE REV DATE  
A  
DWG NO 169481  
REV ZONE REVISION RECORD DATE DFR-ORIG



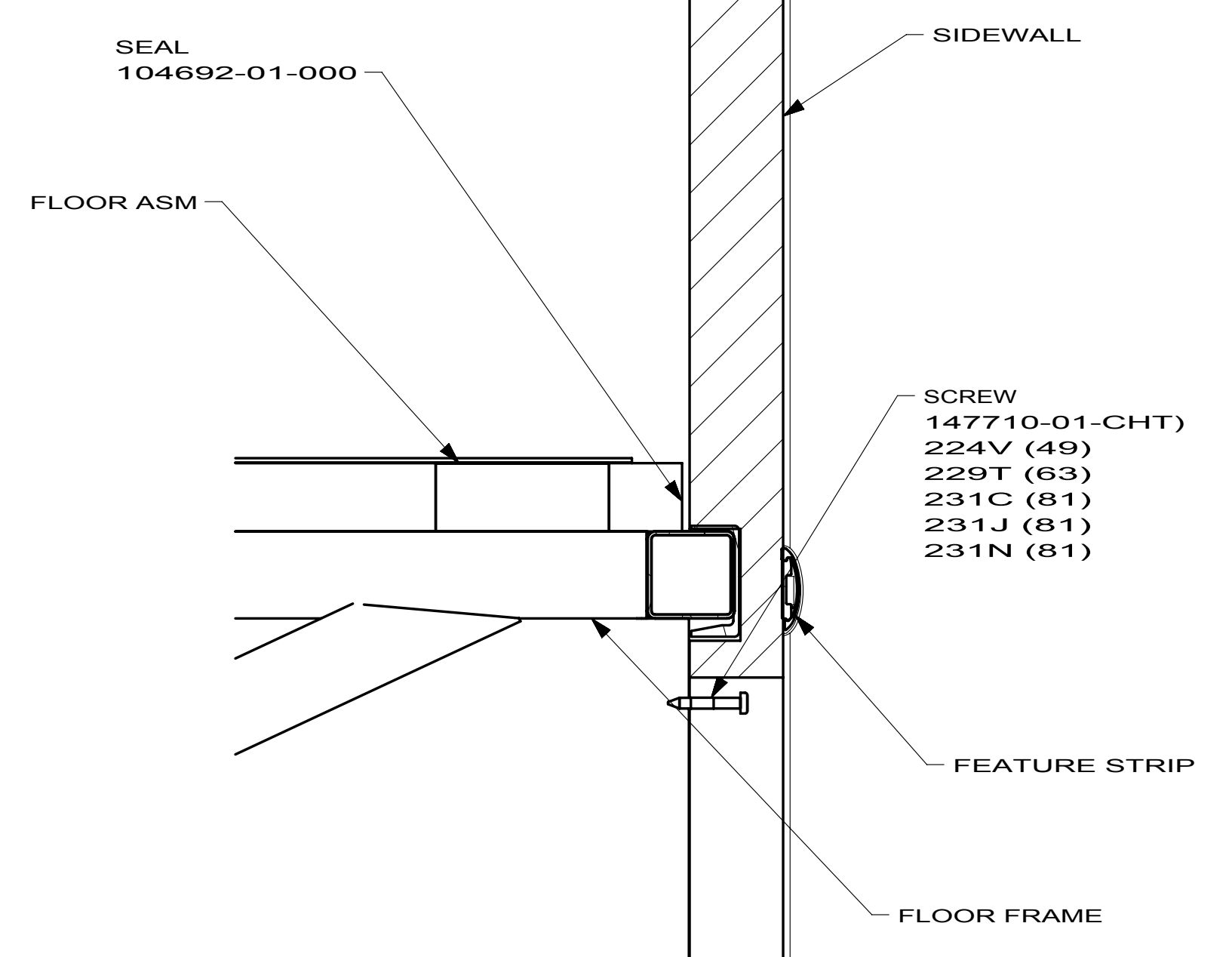
SECTION AA-AA



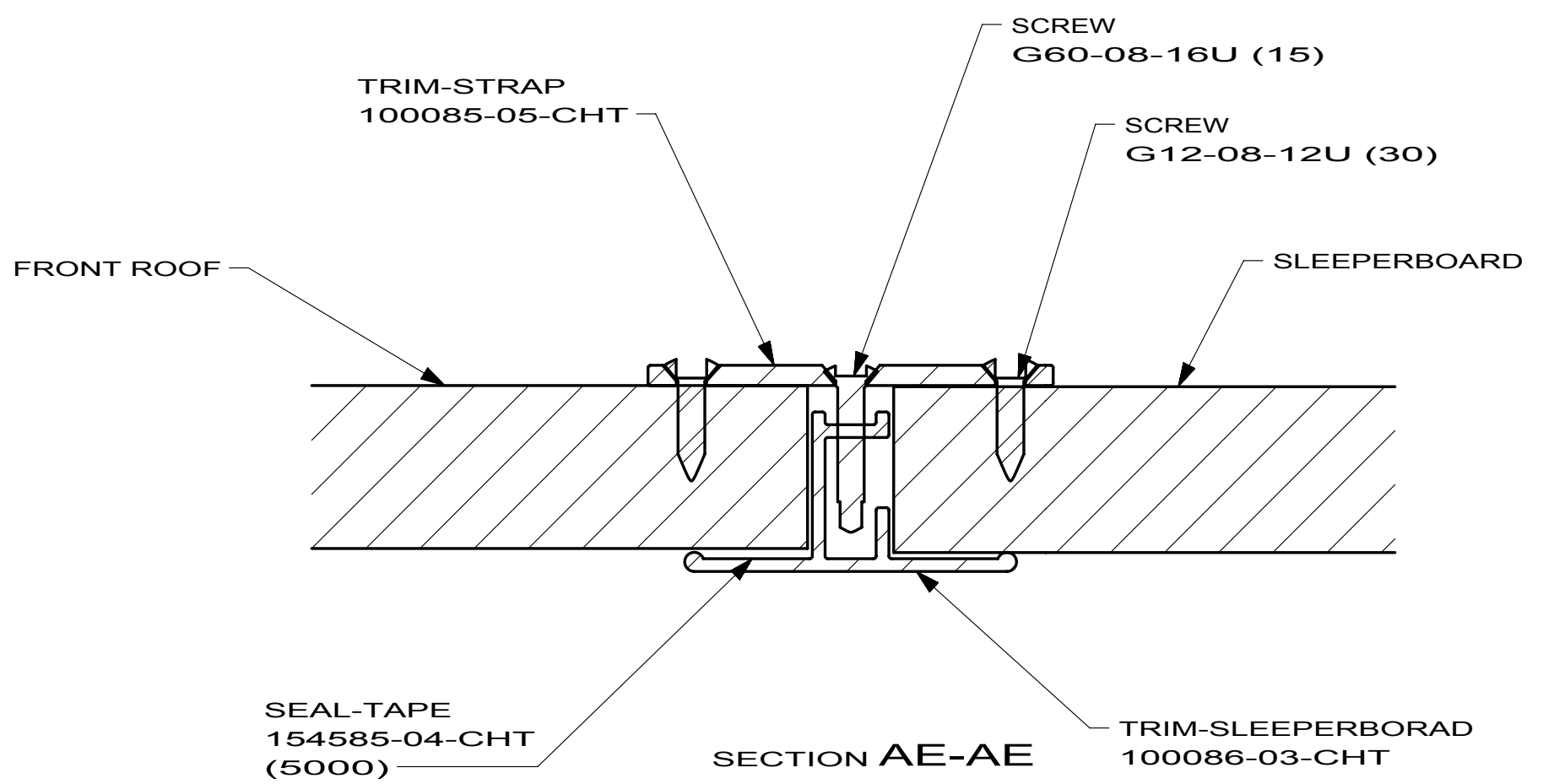
SECTION AB-AB



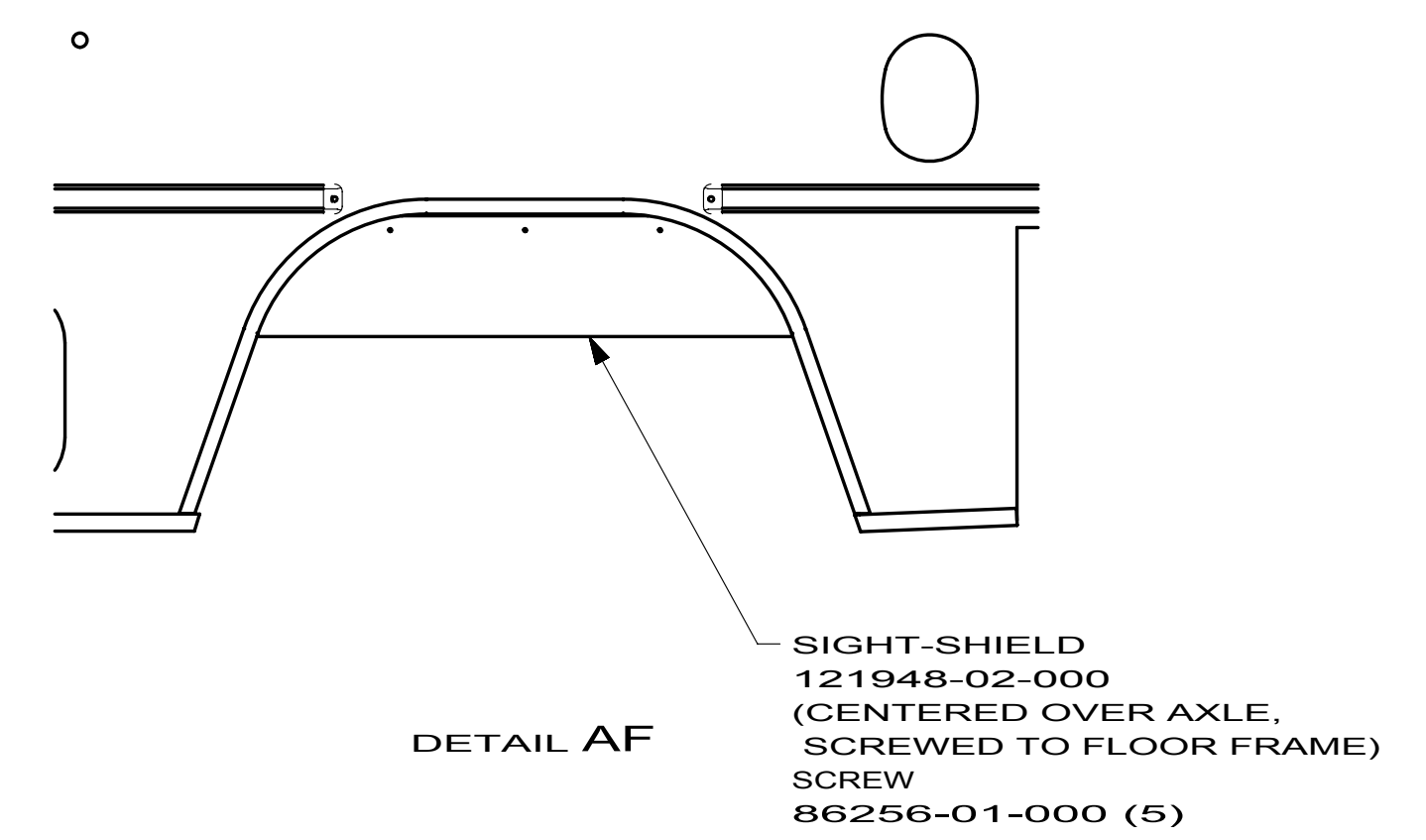
SECTION AD-AD



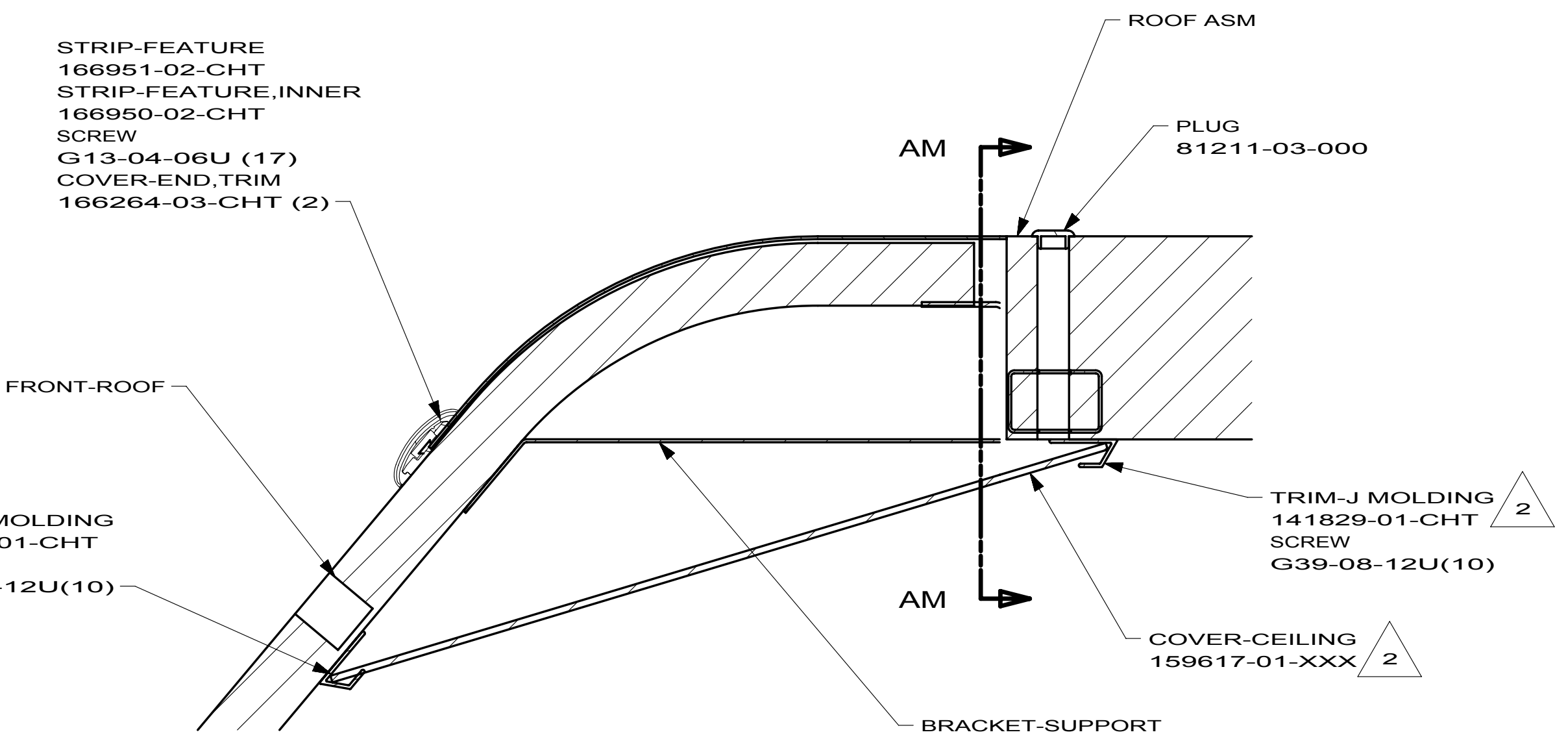
SECTION AC-AC TYPICAL



SECTION AE-AE



DETAIL AF

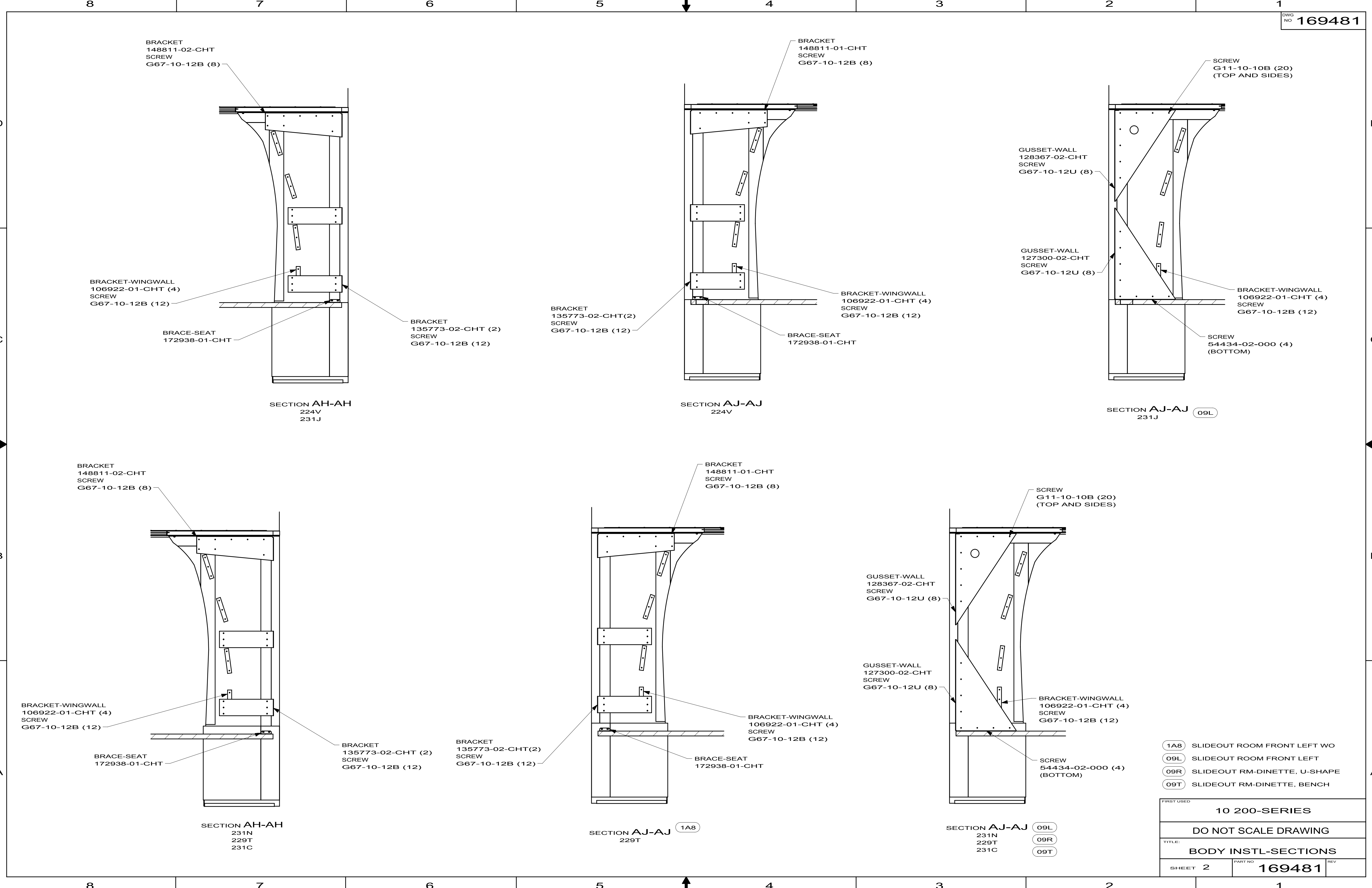


SECTION AG-AG

NOTES:  
2. NOT USED WITH 1L9  
1. PLACE SEAL AT THE END OF RAIN CHANNEL.

- 1A8 SLIDEOUT ROOM FRONT LEFT WO
- 1L9 ENTERTAINMENT CENTER-CABOVER
- 09L SLIDEOUT ROOM FRONT LEFT
- 09R SLIDEOUT RM-DINETTE, U-SHAPE
- 09T SLIDEOUT RM-DINETTE, BENCH

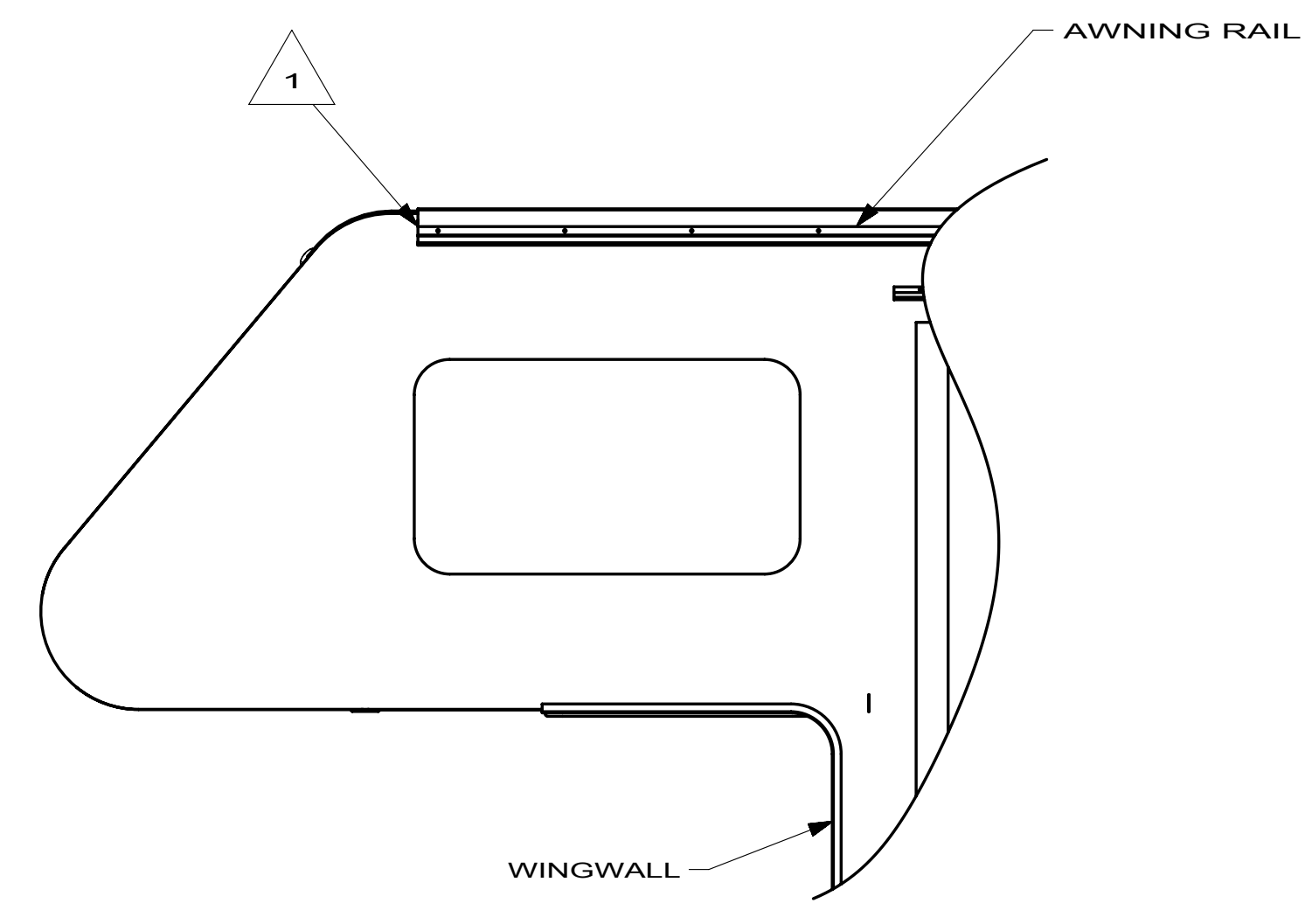
<b>WINNEBAGO INDUSTRIES</b>		COPYRIGHT 2009 WINNEBAGO INDUSTRIES, INC.	
DFTR	ORIG. DATE	ALL DIMENSIONS ARE IN MILLIMETERS	
CHKR			
P.E.			
M.E.	FIRST USED		
DSNR		<b>10 200-SERIES</b>	
UNSPECIFIED TOLERANCES ARE:		MATERIAL:	
WHOLE DIM (X)	:		
ONE-PLACE (X.X)	:		
TWO-PLACE (X.XX)	:		
ANGLE	:		
THIRD ANGLE PROJECTION			
<b>DO NOT SCALE DRAWING</b>			
TITLE: <b>BODY INSTL-SECTIONS</b>			
SHEET 1 OF 3	PART NO <b>169481</b>	REV	
REF:	1		



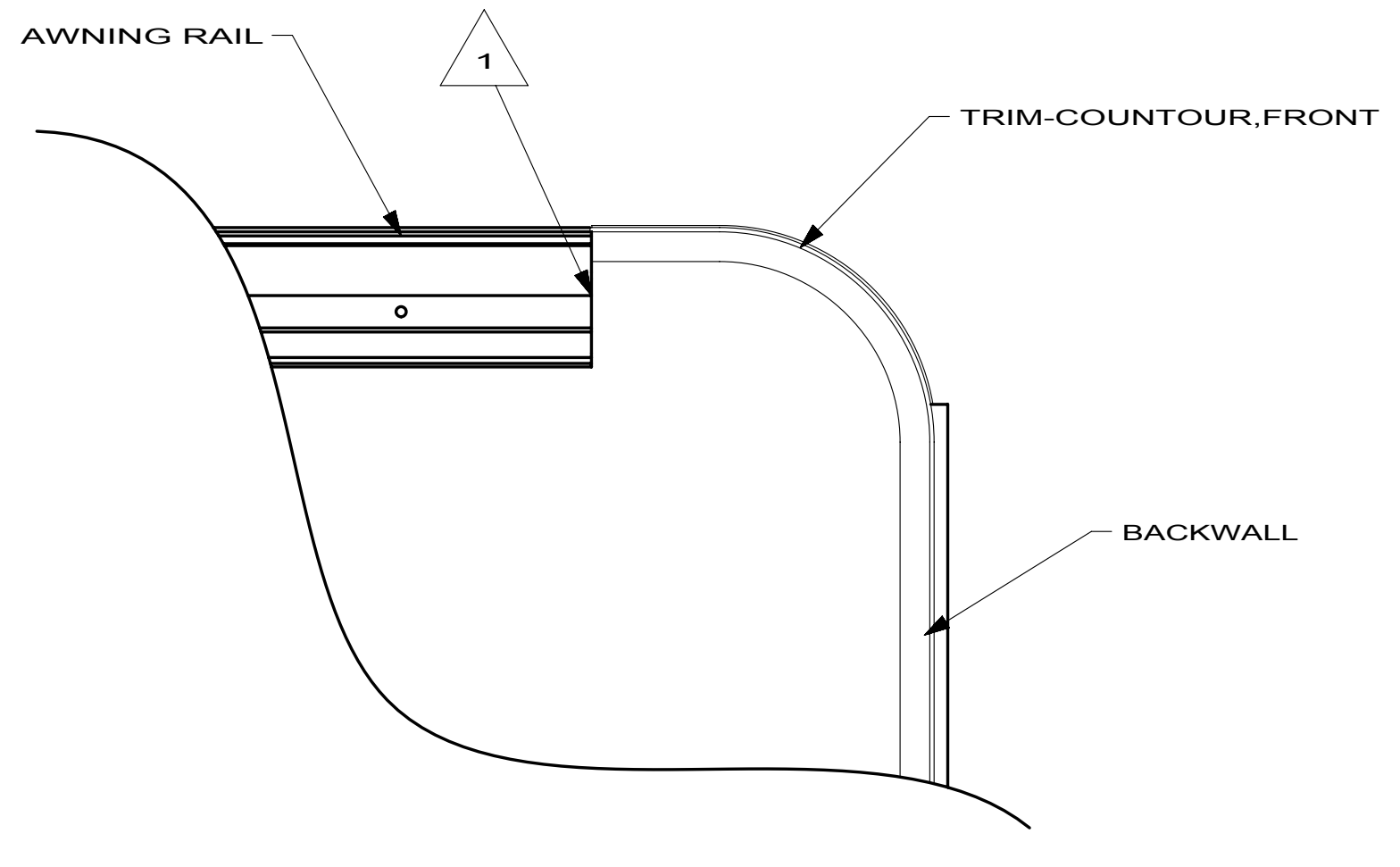
- (1A8) SLIDEOUT ROOM FRONT LEFT WO
- (09L) SLIDEOUT ROOM FRONT LEFT
- (09R) SLIDEOUT RM-DINETTE, U-SHAPE
- (09T) SLIDEOUT RM-DINETTE, BENCH

FIRST USED		10 200-SERIES	
DO NOT SCALE DRAWING			
TITLE: BODY INSTL-SECTIONS			
SHEET 2	PART NO	169481	REV

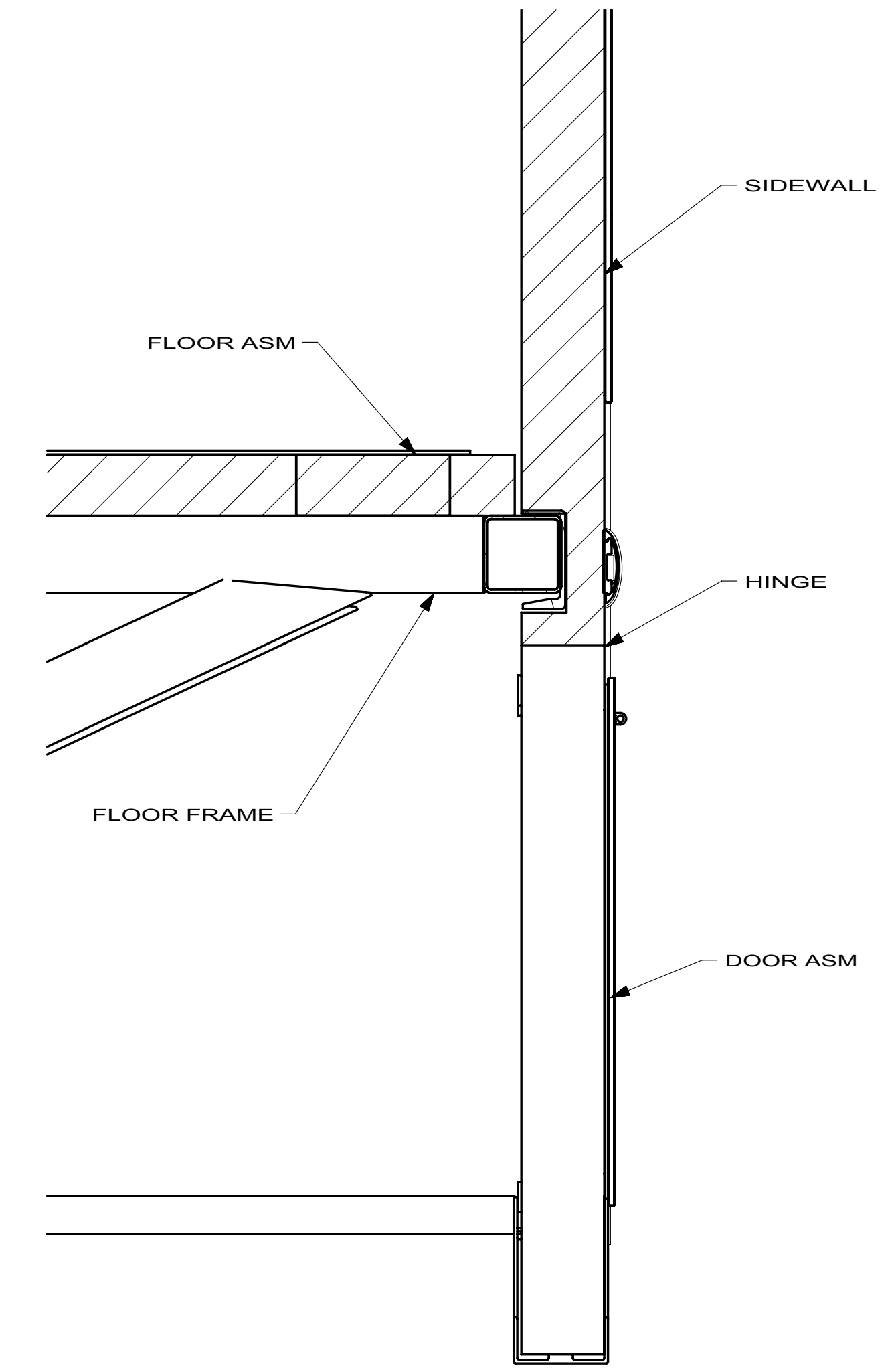




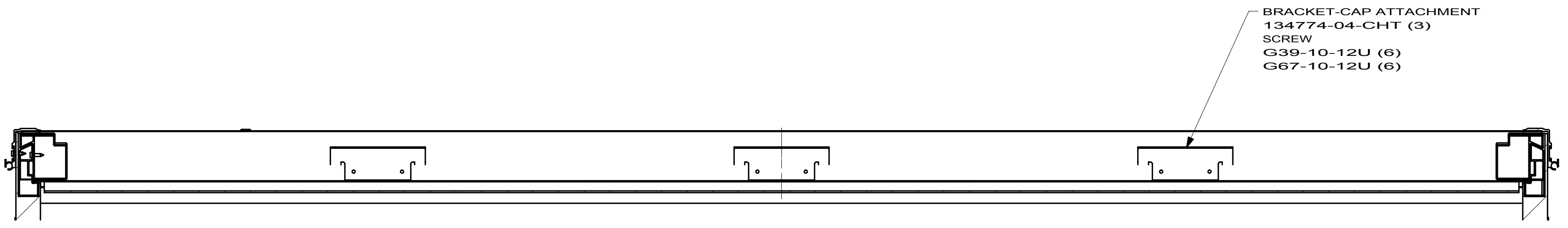
DETAIL AK



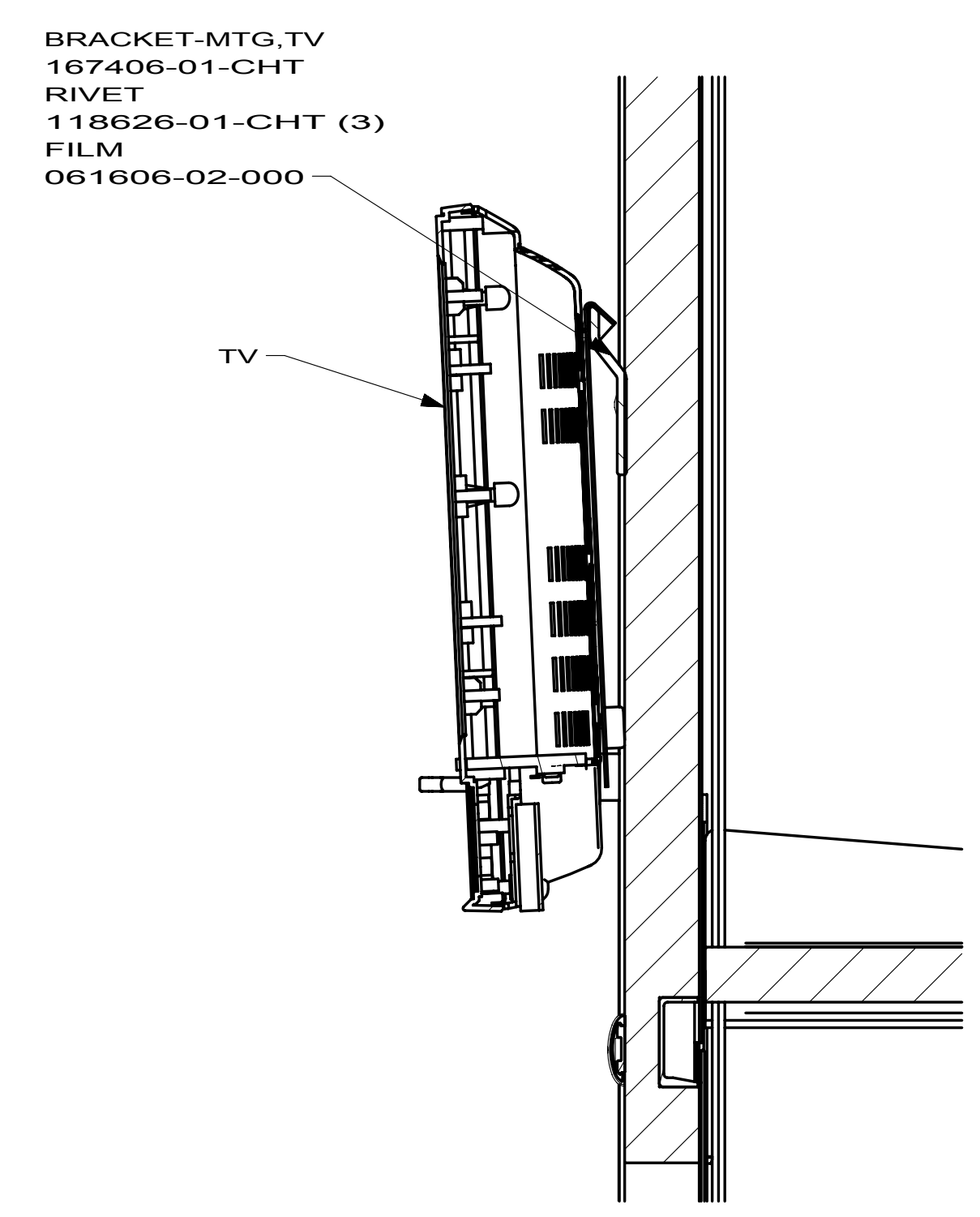
DETAIL AL



SECTION BA-BA

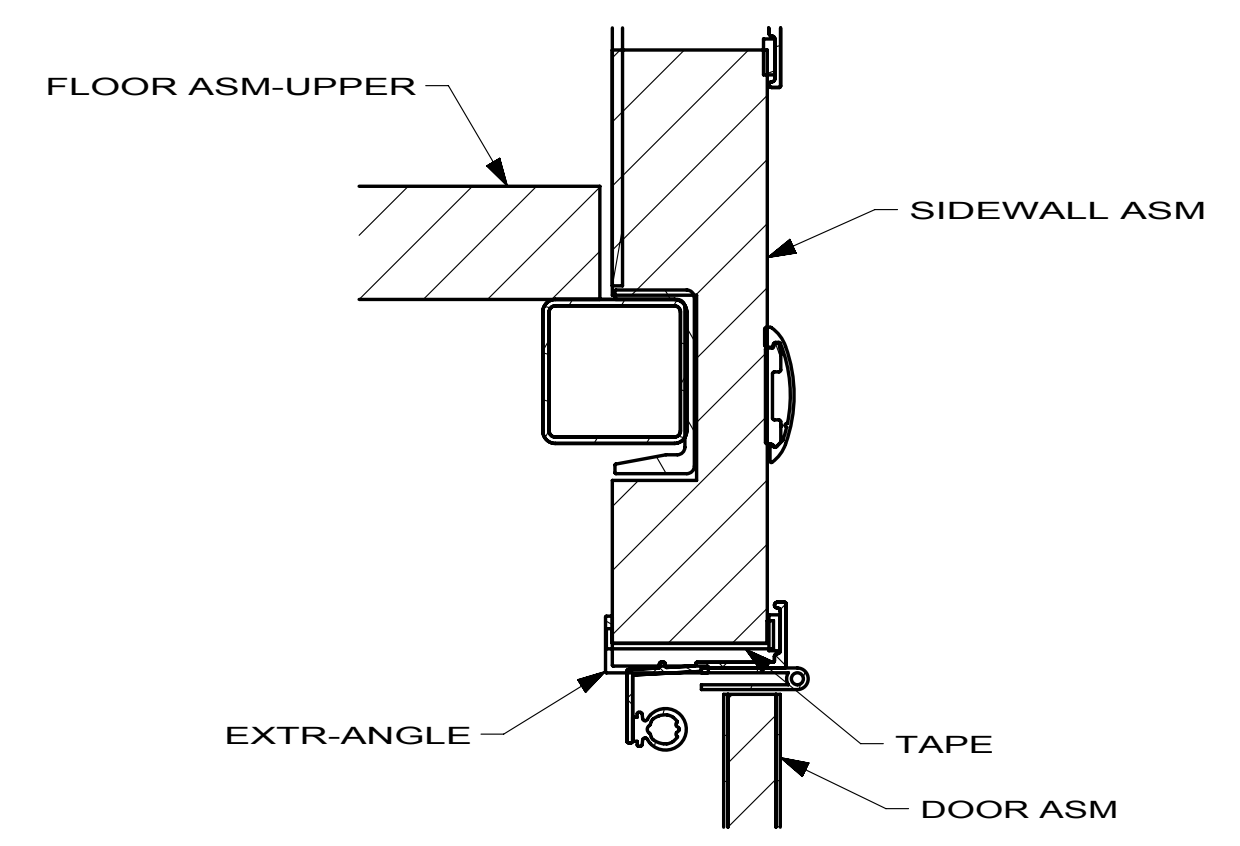


SECTION AM-AM



SECTION AN-AN

1LK



SECTION BB-BB

1LK TV-19"DC,COLOR,LCD W/REMOTE

FIRST USED	10 200-SERIES		
TITLE:	DO NOT SCALE DRAWING		
	BODY INSTL-SECTIONS		
SHEET 3	PART NO	169481	REV