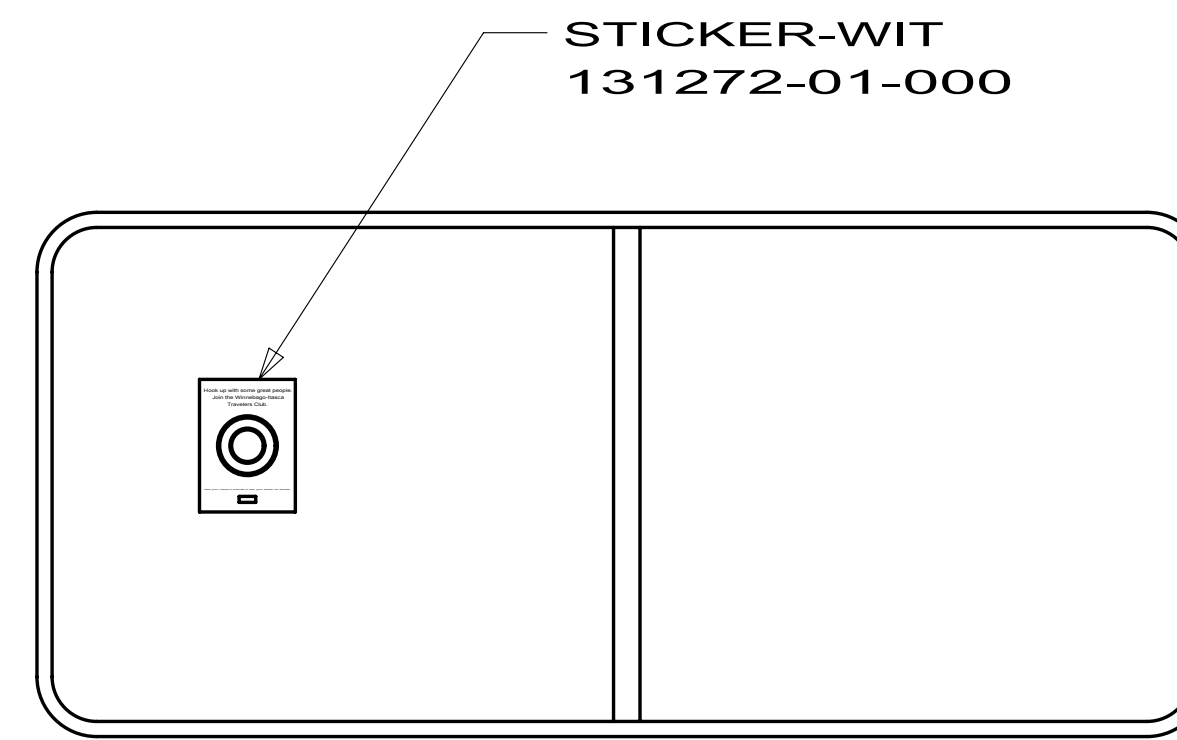
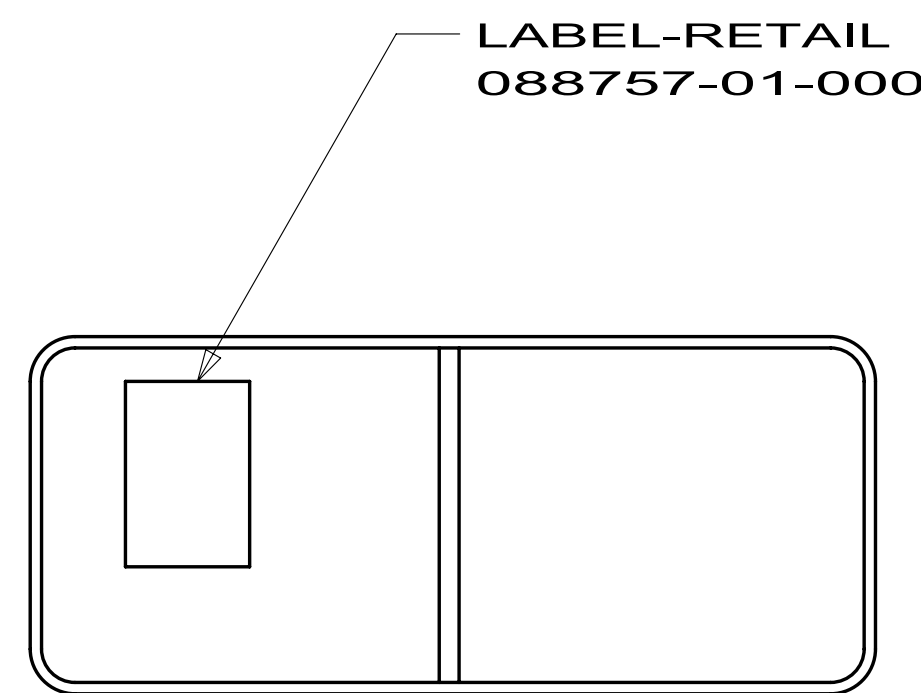


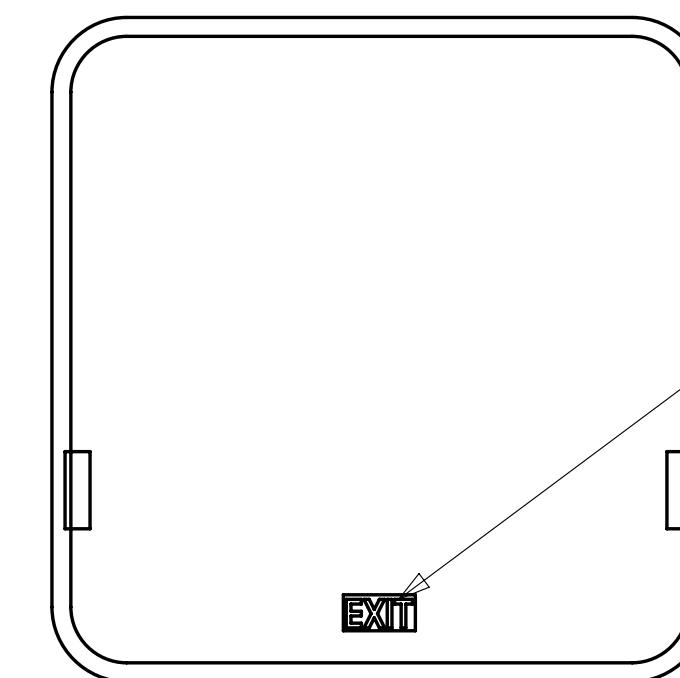
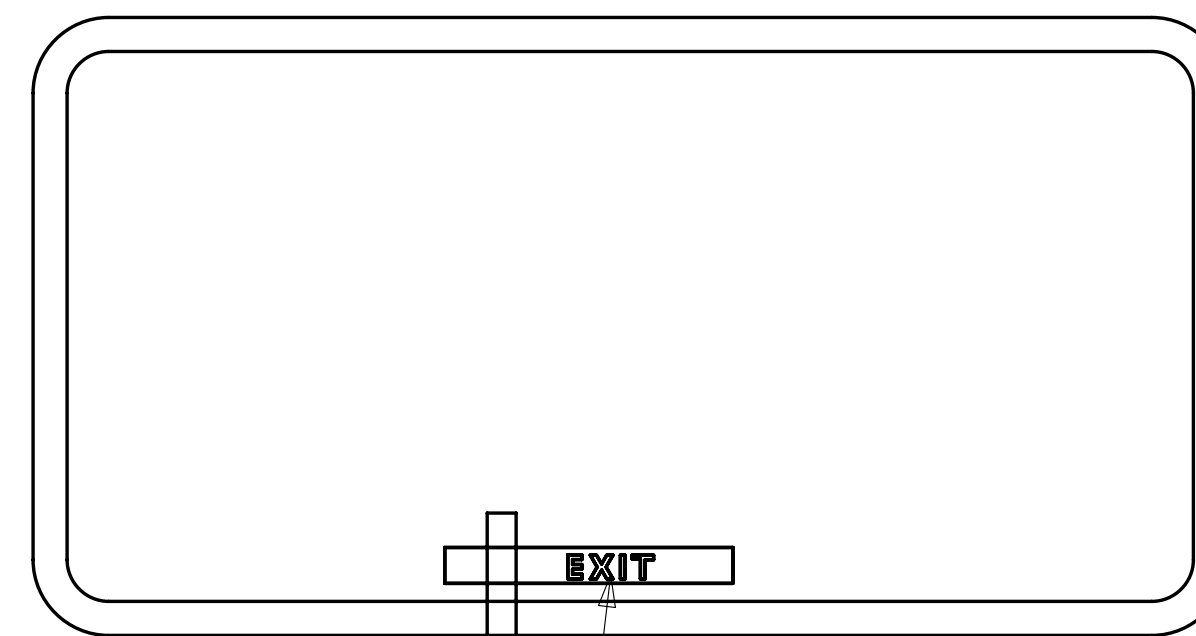
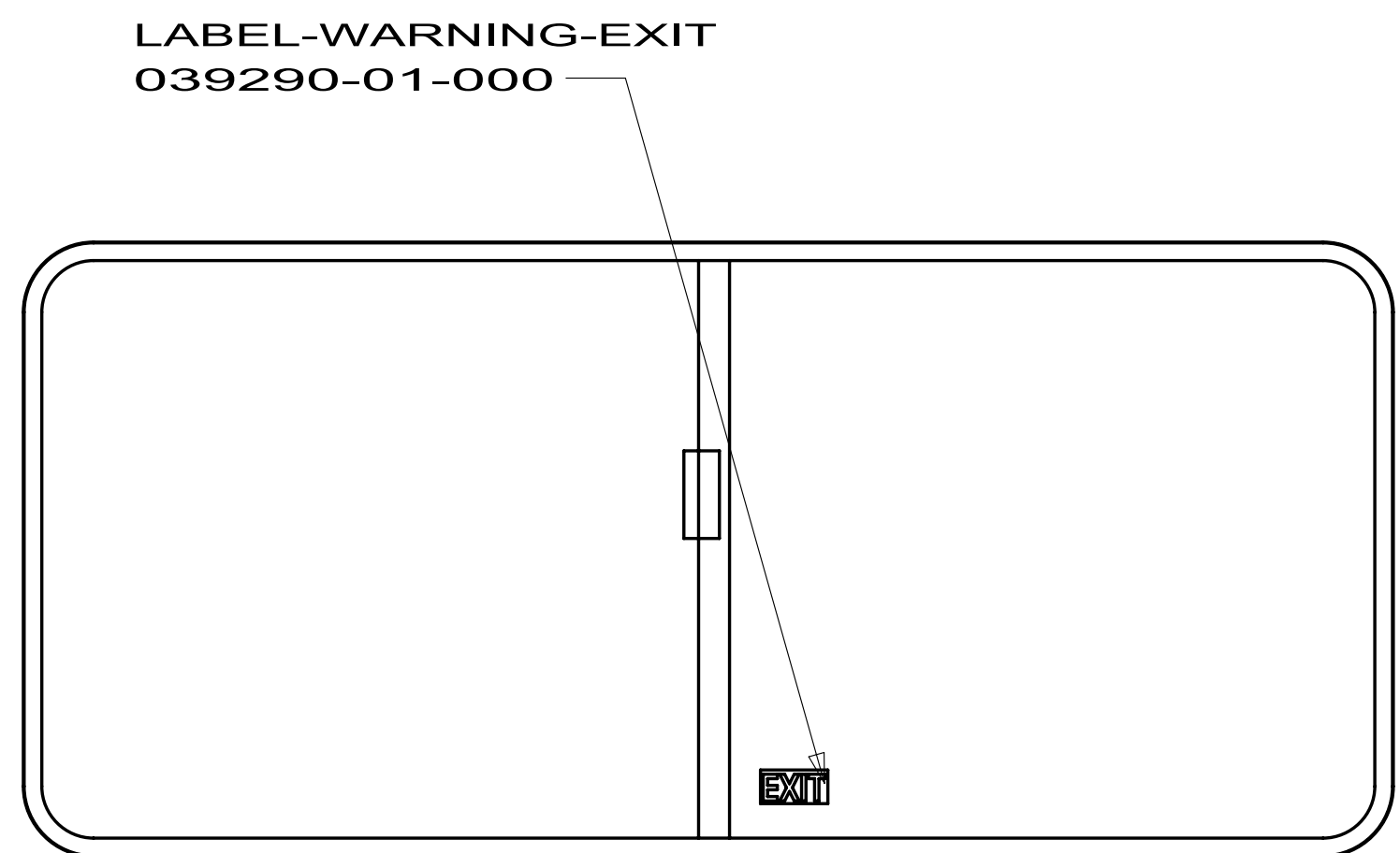
DWG NO	SHT
WINDOWS	1
DOORS	2
EXTERIOR DOORS & COMPTS	3
INTERIOR CAB	4
INTERIOR COACH	5
EXTERIOR	6
MISC	7
HOLDING TANK VALVES	8

RELEASE	REV DATE	DWG NO	169723
REV ZONE	REVISION RECORD	DATE	DFT-ORIG



WINDOW BEHIND DRIVER SEAT

LARGEST WINDOW ON PASSENGER SIDE

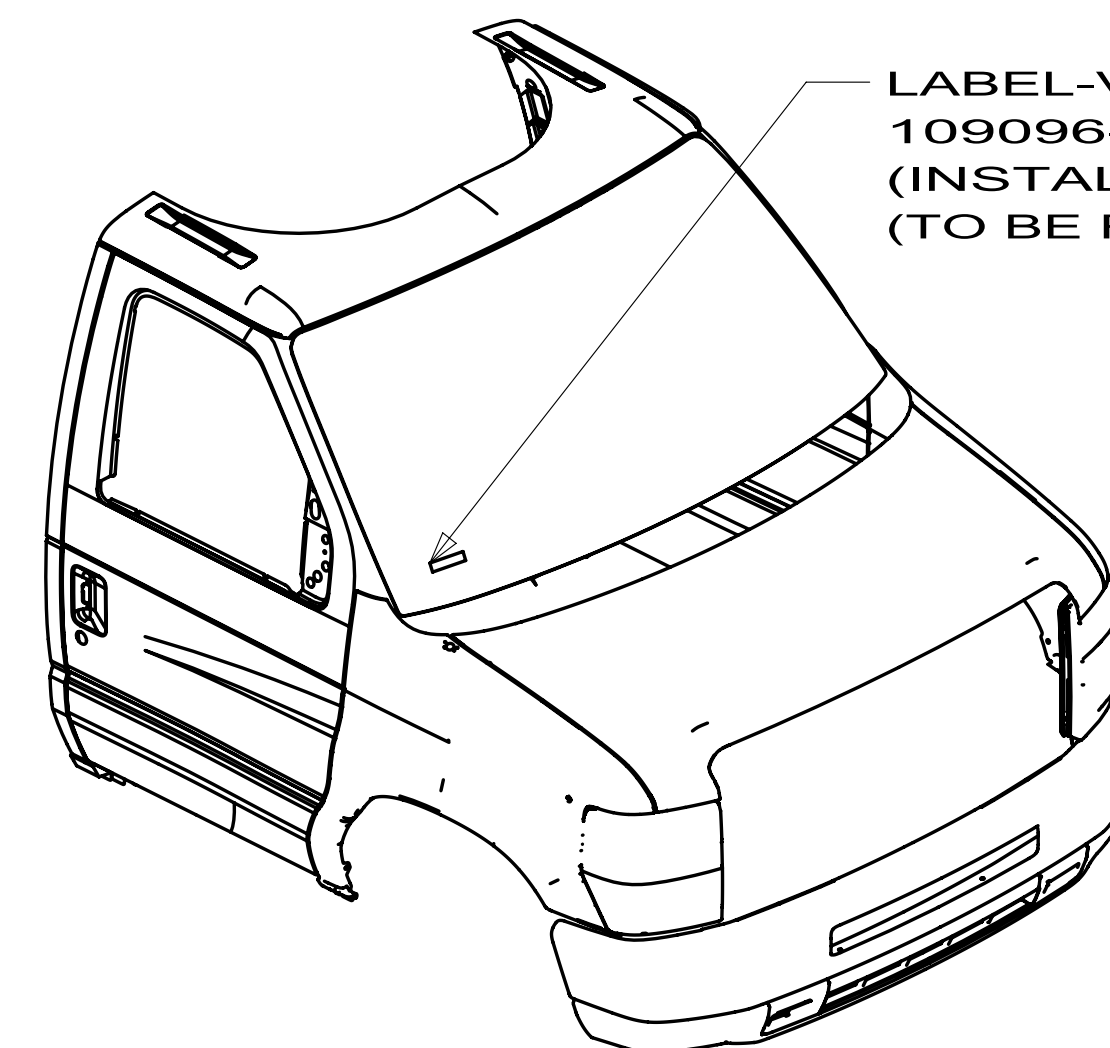


ALTERNATE LOCATION
(SLIDER STYLE WINDOW)

LABEL-EXIT/ESCAPE WINDOW
107571-01-000
(POP-OUT STYLE WINDOW)

ALTERNATE LOCATION
LABEL-WARNING,EXIT
039290-01-000
(HINGE STYLE WINDOW)

EXIT WINDOWS



- 1B1 CODES/STANDARDS/USA
- 265 CODES/STANDARDS-CSA/CMVSS
- 27E CODES/STANDARDS/CMVSS
- 15T AIR SPRINGS REAR
- 321 GENERATOR PREP KIT

5. FOR SLIDEOUT CONTROL SWITCH LABELS
SEE WIRING INSTL-12V

4 ON METAL SIDE OF STEP COVER.

3. WINDOWS ARE SHOWN FROM INTERIOR SIDE OF COACH.

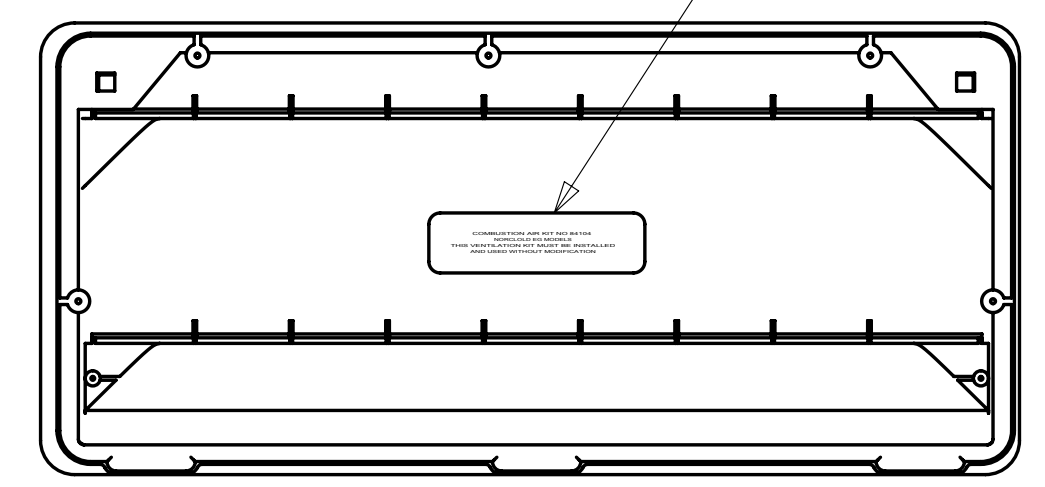
2 USE FOR CALIFORNIA ONLY.

1 USE FOR STATE: OREGON, NEBRASKA, AND WASHINGTON ONLY.

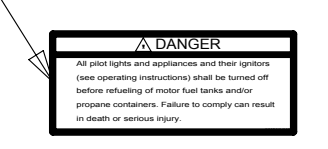
NOTES:

WINNEBAGO INDUSTRIES		COPYRIGHT 2009 WINNEBAGO INDUSTRIES, INC.	
DFT-ORIG	ORIG. DATE	ALL DIMENSIONS ARE IN MILLIMETERS	
CHKR			
P.E.			
M.E.	FIRST USED		
DSNR		10 200-SERIES	
UNSPECIFIED TOLERANCES ARE:		MATERIAL:	
WHOLE DIM (X)	: 3		
ONE-PLACE (X.X)	: 1.5		
TWO-PLACE (X.XX)	: 0.50		
ANGLE	: 1°		
THIRD ANGLE PROJECTION			
DO NOT SCALE DRAWING			
TITLE: LABEL LOCATION INSTL			
SHEET 1 OF 8	PART NO	169723	REV
REF:	1		

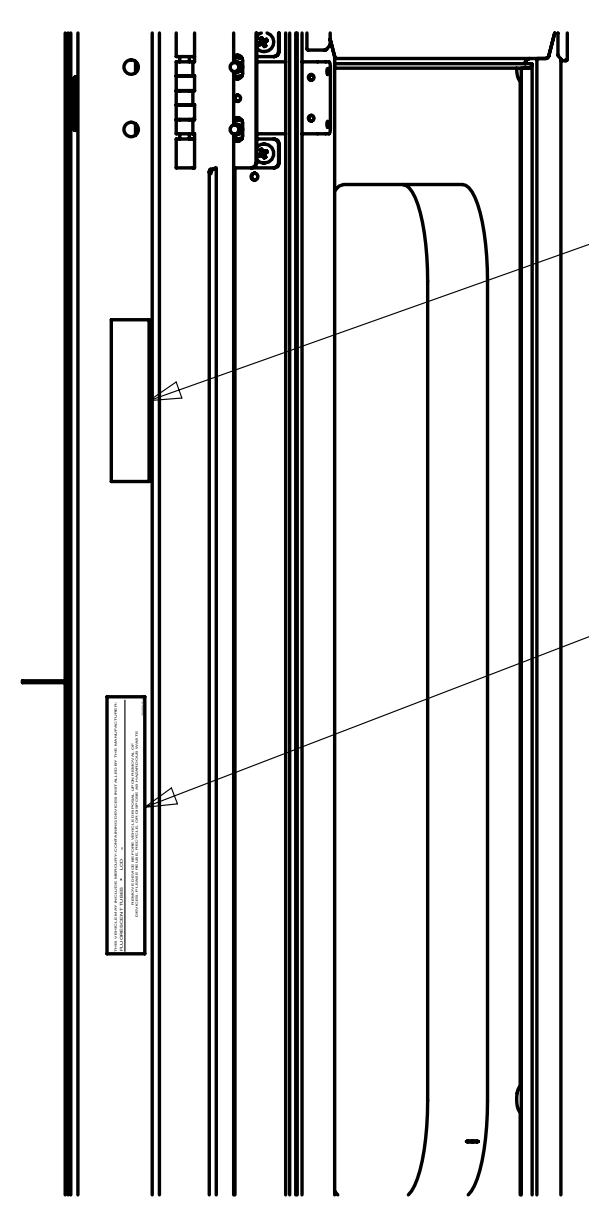
LABEL-REFRIG. COMBUSTION AIR
070905-02-000



1B1 LABEL-WARNING, REFUELING
124519-01-CHT
27E 265 124519-02-CHT
(LOCATE ON SIDEWALL ABOVE SHROUD)

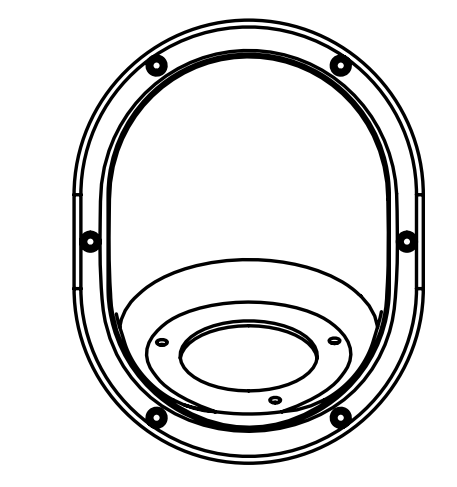


INSIDE VIEW OF REFRIGERATOR VENT
(NORCOLD ONLY)

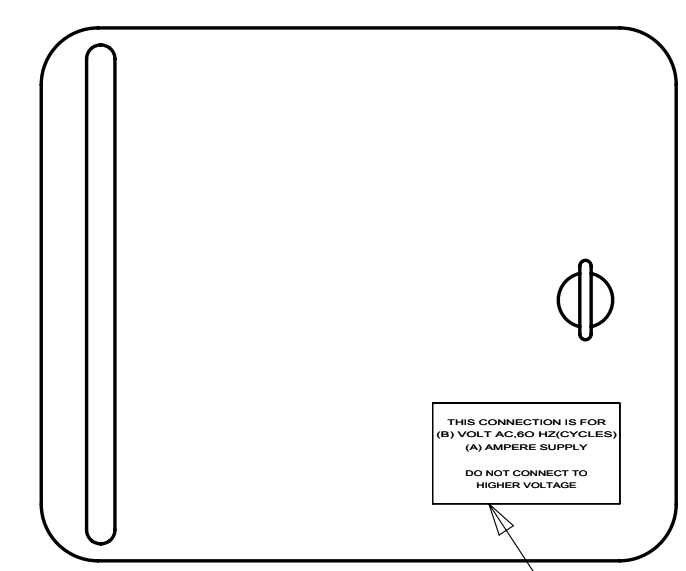


LABEL-VIN
109096-01-000

LABEL-MERCURY
135869-01-CHT



FUEL FILL
(OUTSIDE)



LABEL-ELEC
125306-01-CHT

LABEL-VEHICLE CERTIFICATION
087237-02-000 (US)
087237-05-000 (CAN)

LABEL WARNING
ELECTRIC STEP
(VENDOR SUPPLIED)

LABEL-OCCUPANT AND CCC
168454-01-CHT (US)

1B1 TAG-RVIA APPROVED
006019-01-000

1 STATE INSIGNIA

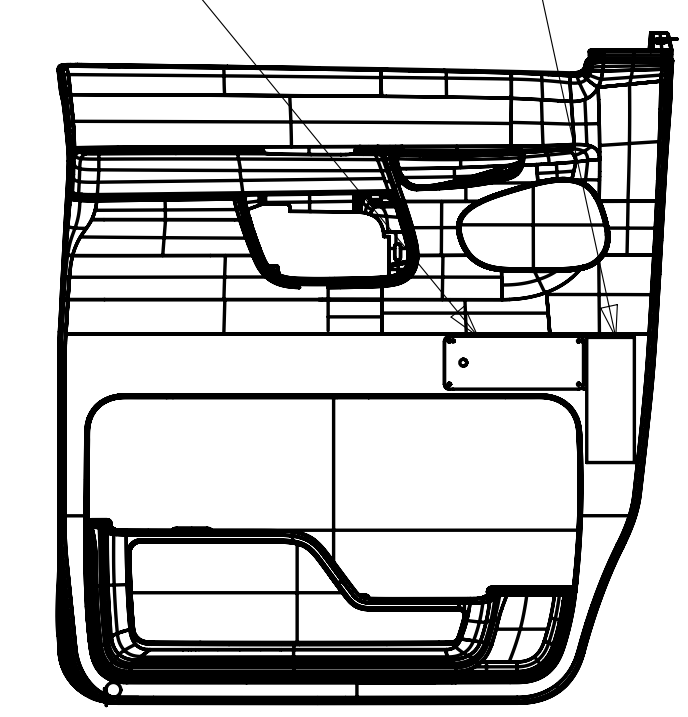
265 CSA, CRVA
160649-01-CHT

LABEL-AWNING INSTL
099509-01-000

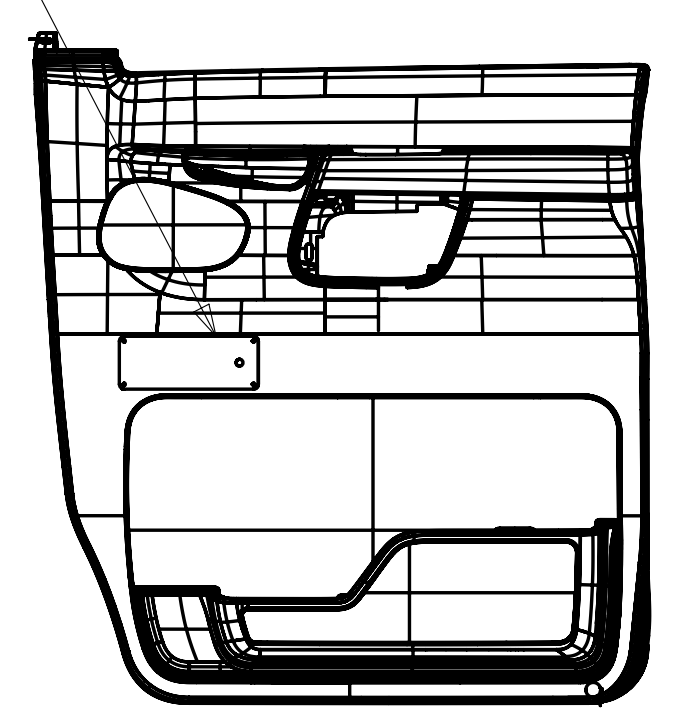
LABEL-CAUTION, BATTERY
065748-01-000

LABEL-WARNING, FLOOR COVER
110273-01-0000

LABEL-OCCUPANT AND CCC
168454-01-CHT (US)



DRIVER DOOR

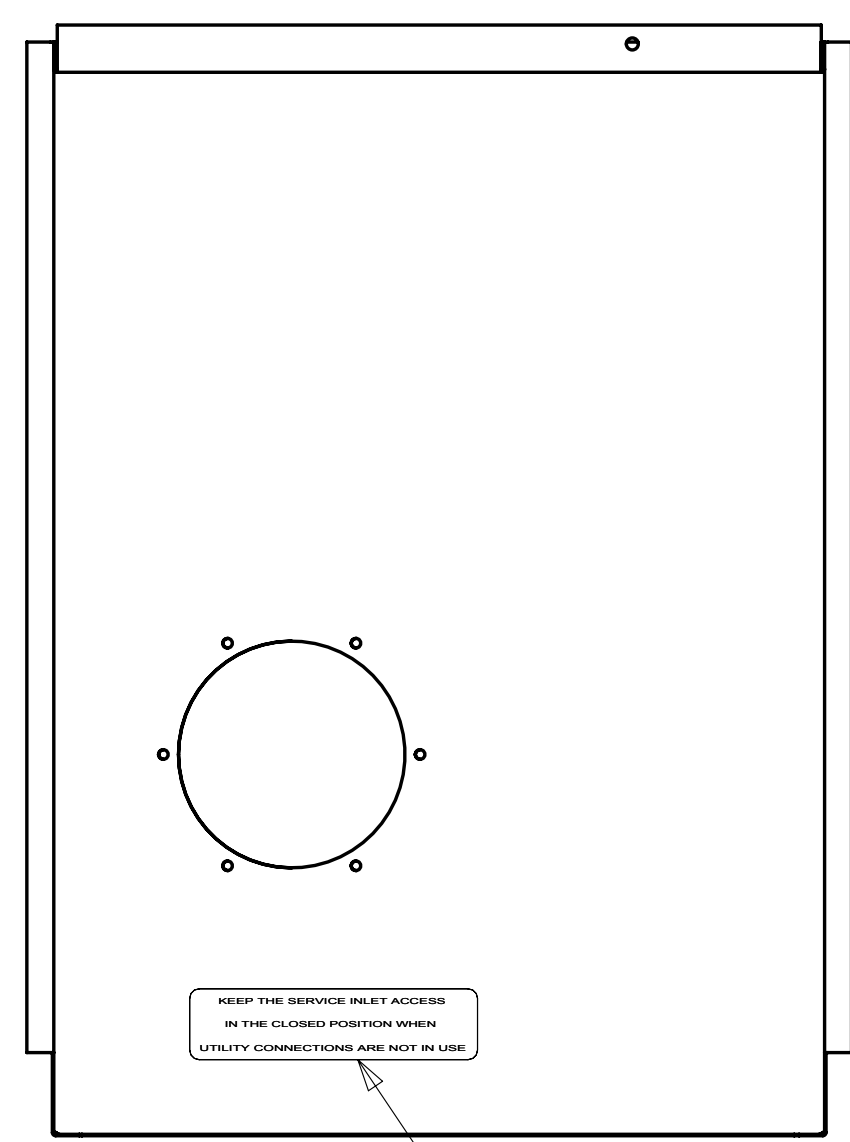


PASSENGER DOOR

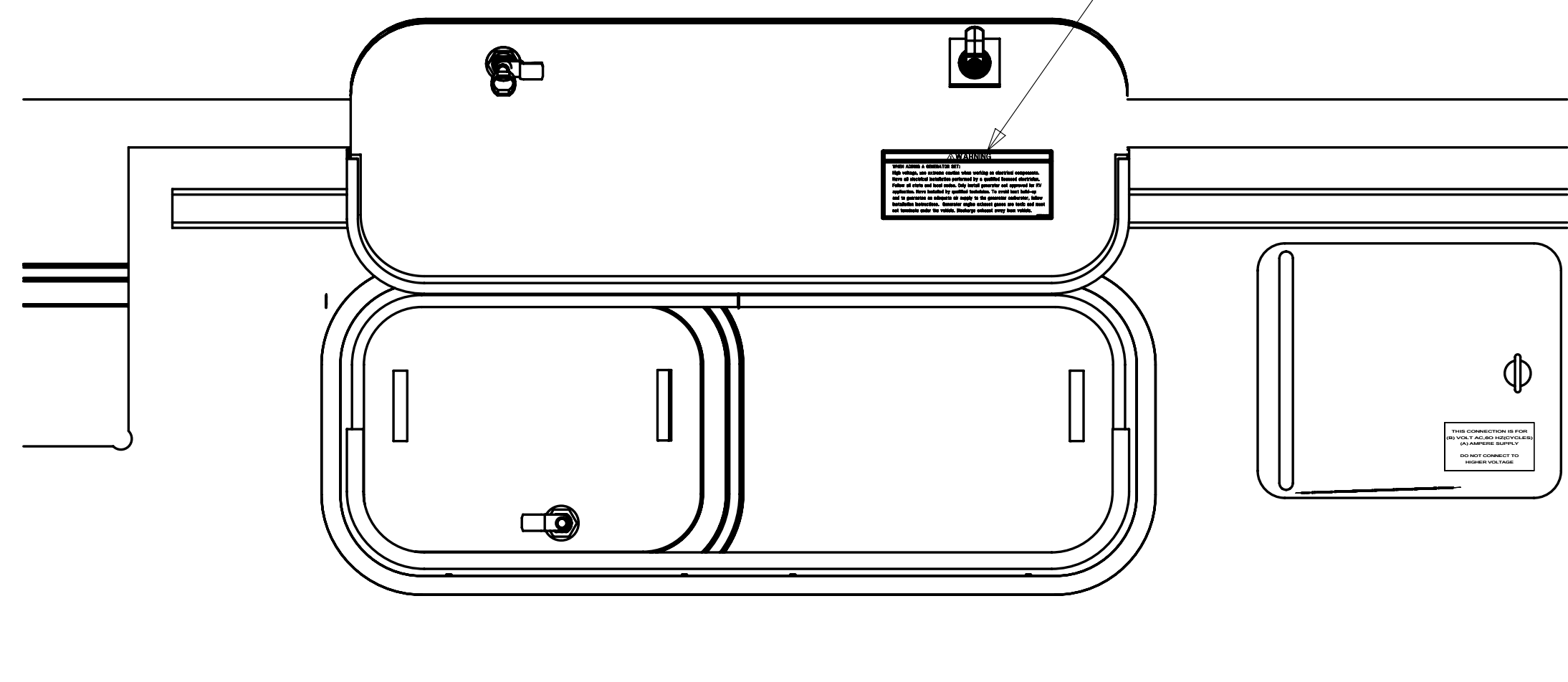
4

FIRST USED	10 200-SERIES		
TITLE:	DO NOT SCALE DRAWING		
	LABEL LOCATION INSTL		
SHEET 2	PART NO	169723	REV

LABEL-GENERATOR-PREP
077510-01-000 (321)

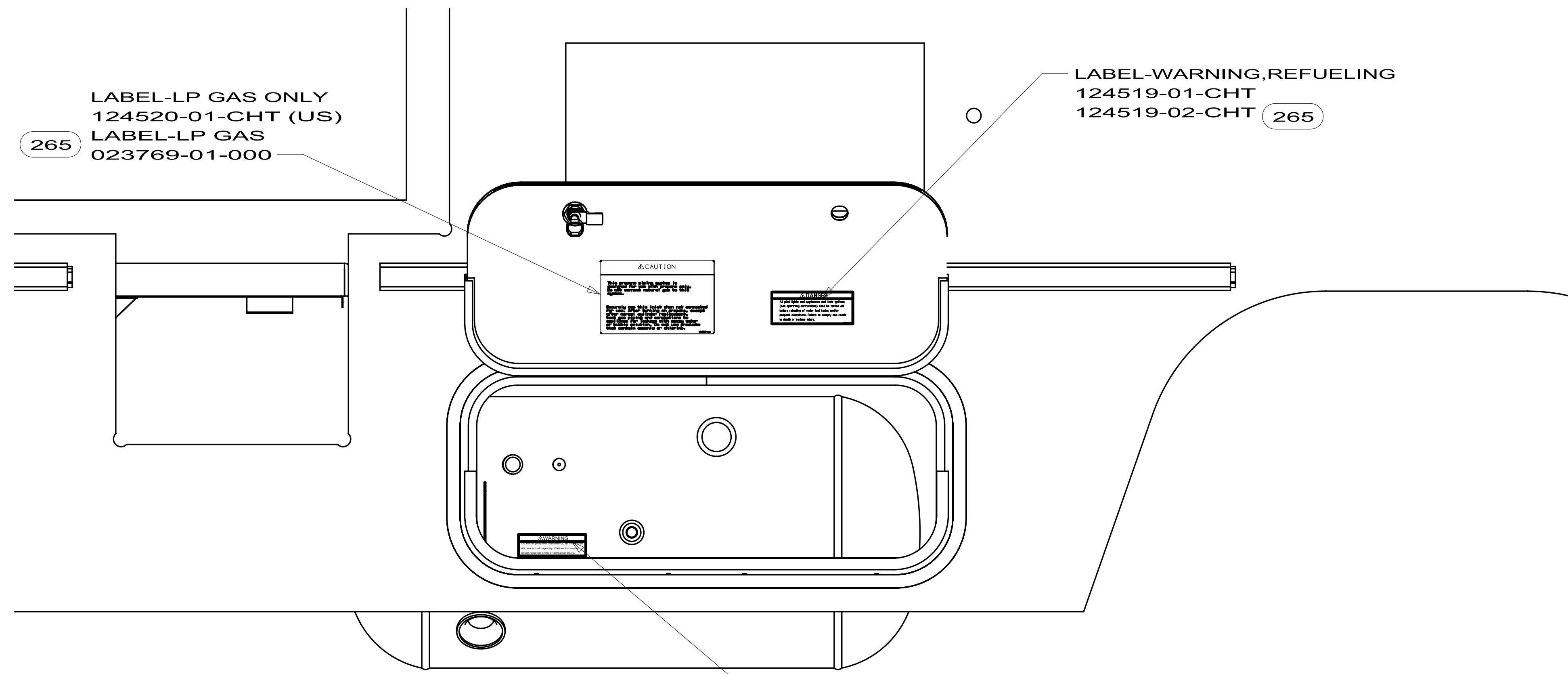


LABEL-SERVICE/UTILITY ACCESS
123562-01-000



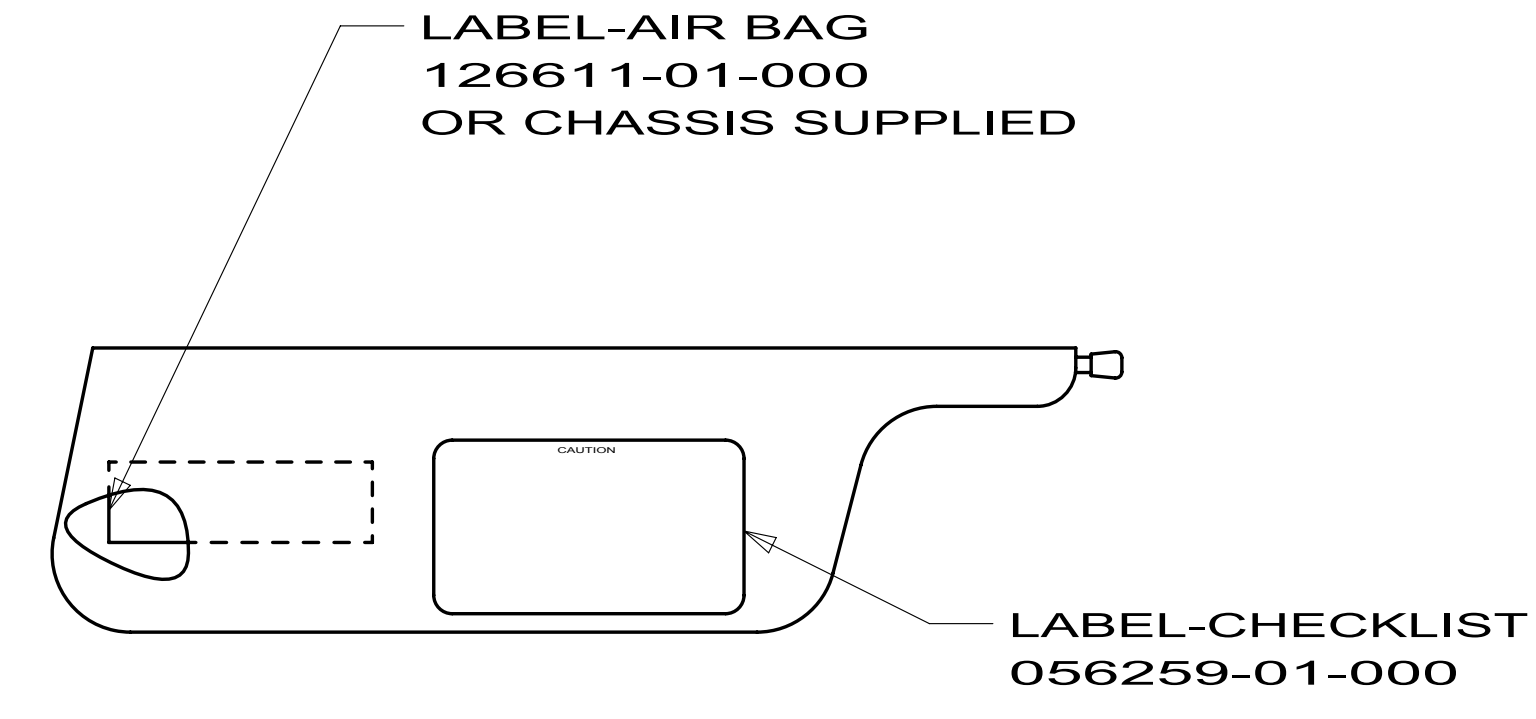
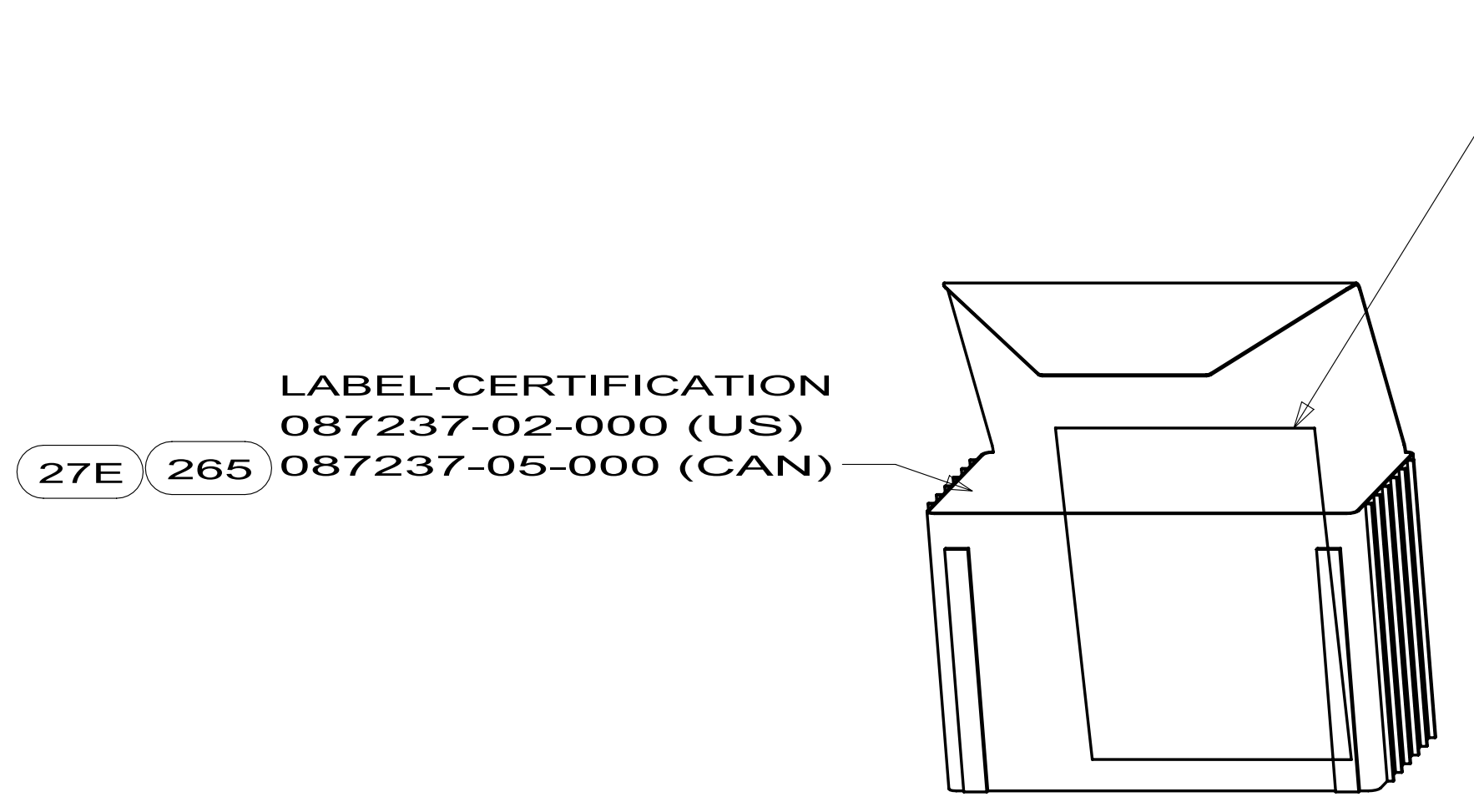
(265) LABEL-LP GAS ONLY
124520-01-CHT (US)
LABEL-LP GAS
023769-01-000

LABEL-WARNING, REFUELING
124519-01-CHT
124519-02-CHT (265)



LABEL-LPG 80 % CAPACITY
079965-01-000

FIRST USED	10 200-SERIES	
TITLE:	DO NOT SCALE DRAWING	
TITLE:	LABEL LOCATION INSTL	
SHEET 3	PART NO 169723	REV

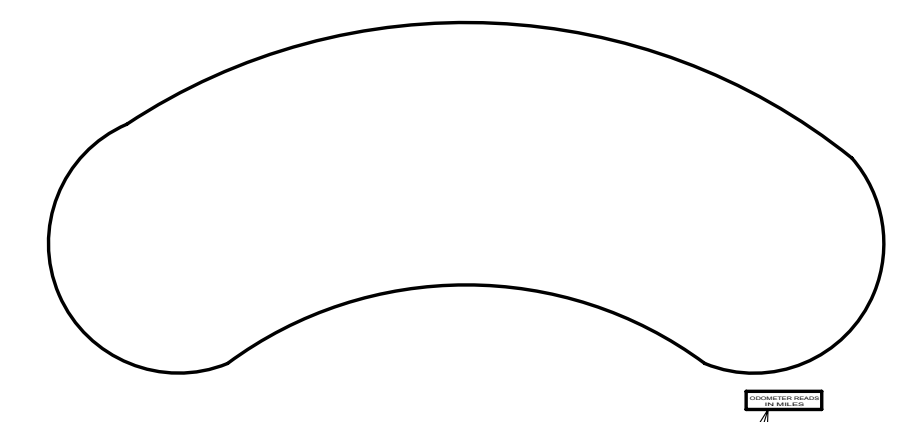


LABELS SHALL BE LOCATED ON OPPOSITE SIDE OF VISOR THAT THE AIR BAG LABEL IS INSTALLED ON.

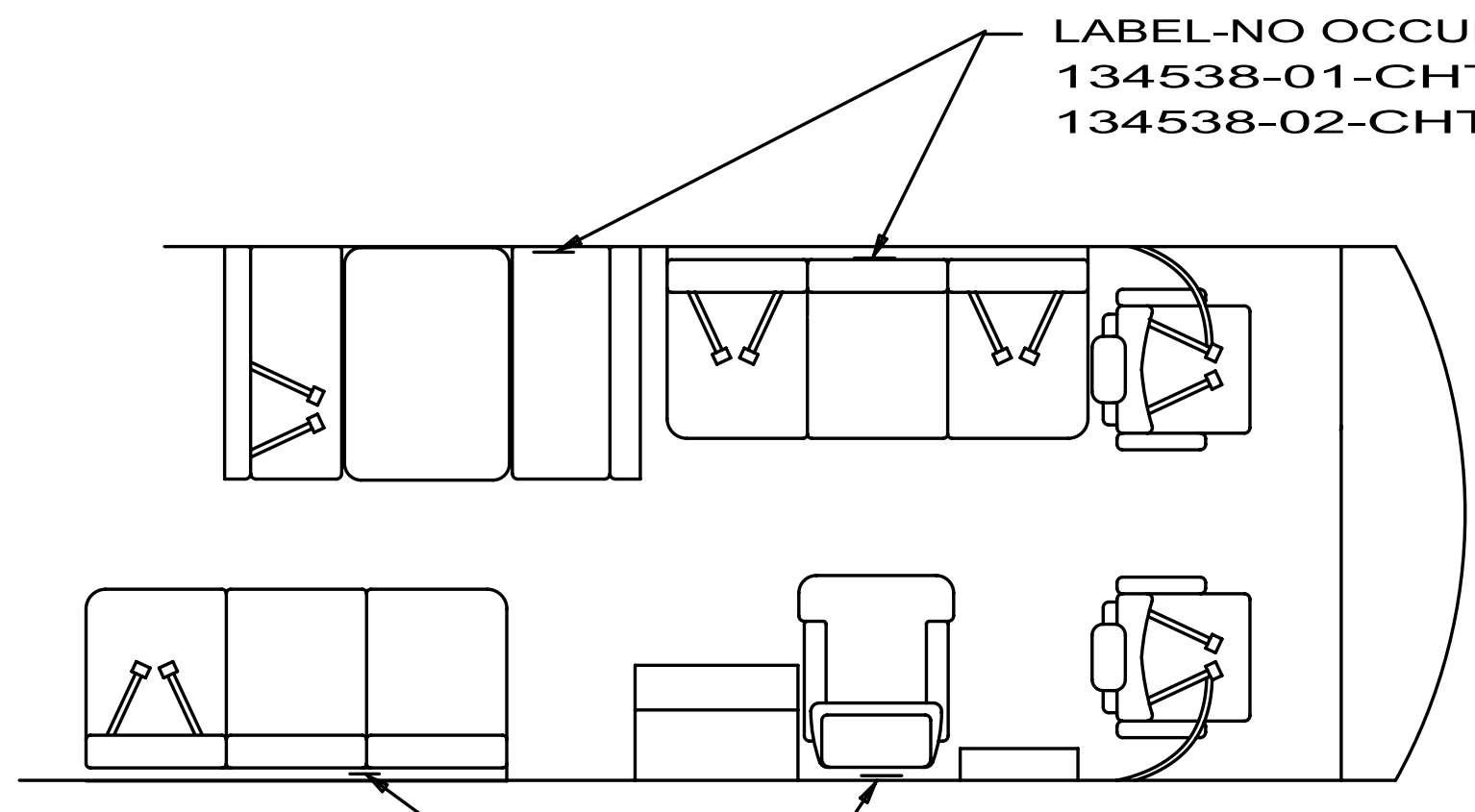
ONE WEIGHT SPEC SHEET TO GO IN OWNERS BAG.
ONE WEIGHT SPEC SHEET TO BE AFFIXED TO THE INSIDE OF THE WRDROBE OR SIMILAR DOOR.
ONE WEIGHT SHEET OR LABEL 168454-01-CHT TO BE FILED WITH TRAVELER.

TYPICAL SEAT AND BELT CONFIGURATIONS

INSTRUMENT CLUSTER REF



(FORD SERVICE TOOL USED TO ACTIVATE DAYTIME RUNNING LIGHTS AND CHANGE ODOMETER TO METRIC)

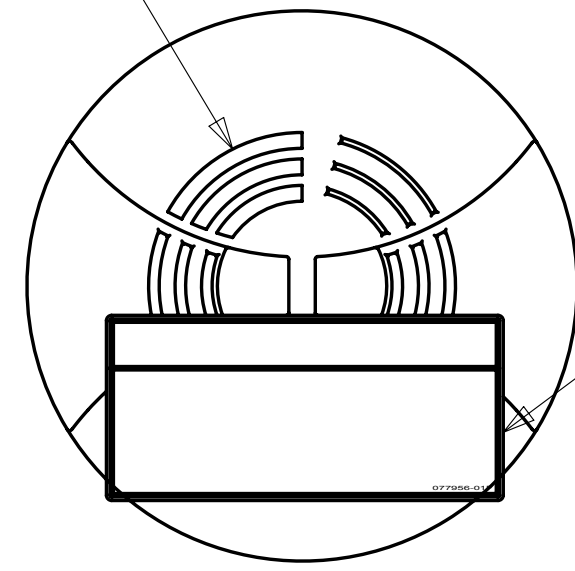


ATTACH LABEL ON OR NEXT TO:
 +ANY SINGLE CHAIR WITHOUT BELTS.
 +ANY DINETTE SEAT WITHOUT BELTS.
 +ANY COUCH WITHOUT BELTS OR ANY SEATING POSITION ON THAT COUCH.

DO NOT ATTACH LABEL IF:
 +DINETTE SEAT HAS AT LEAST ONE SET OF BELTS INSTALLED.

FIRST USED	10 200-SERIES		
TITLE:	DO NOT SCALE DRAWING		
SHEET 4	PART NO	169723	REV
10/22/2009			

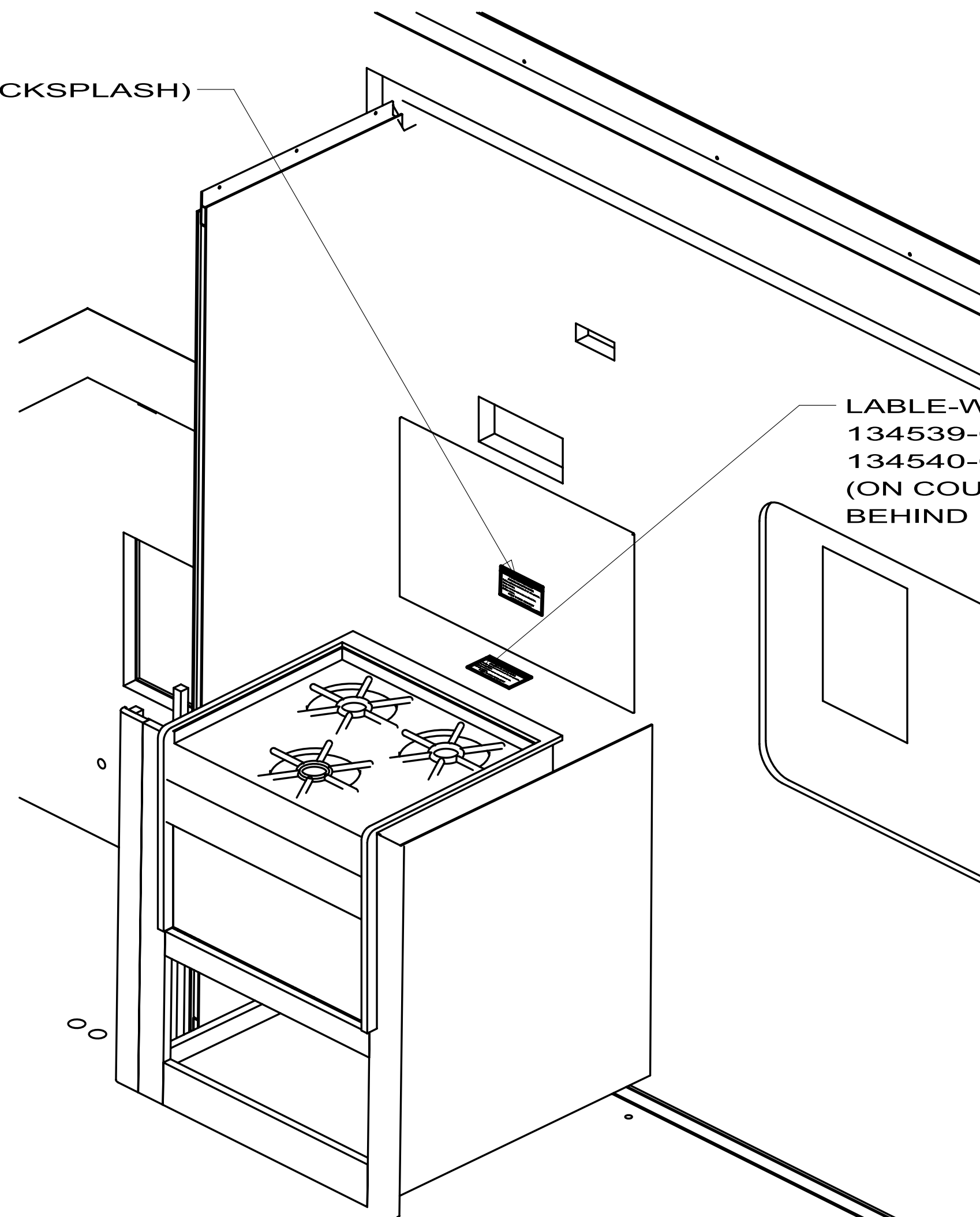
LABEL NOT TO COVER
SENSOR OPENING



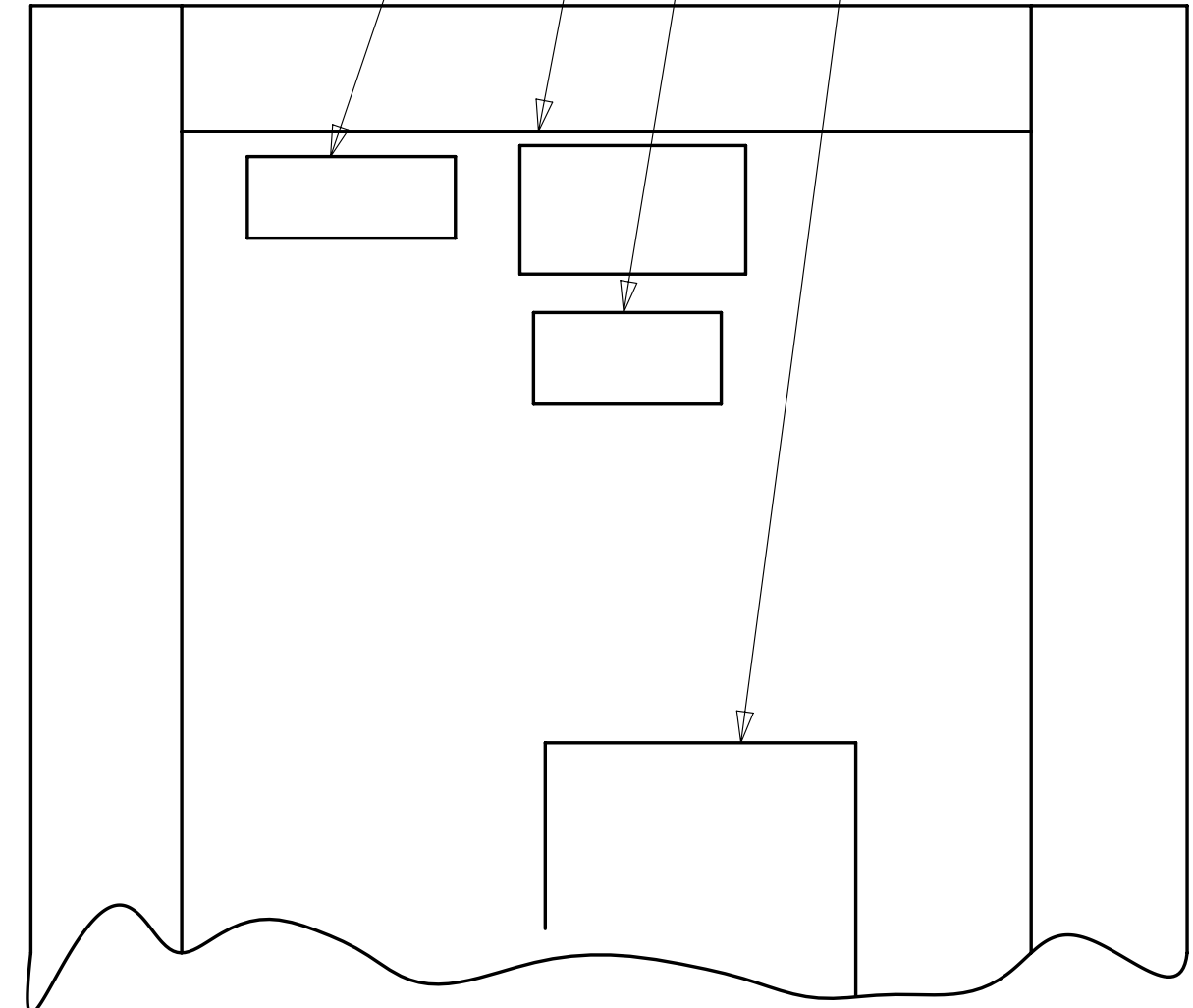
LABEL-WARNING, SMOKE DETECTOR
077956-01-000

SMOKE DETECTOR

ALTERNATE LOCATION
(ON STAINLESS STL BACKSPLASH)



LABLE-WARNING, STOVE VENT
134539-01-CHT
134540-01-CHT
(ON COUNTERTOP
BEHIND RANGE)



INSIDE GALLEY
CABINET

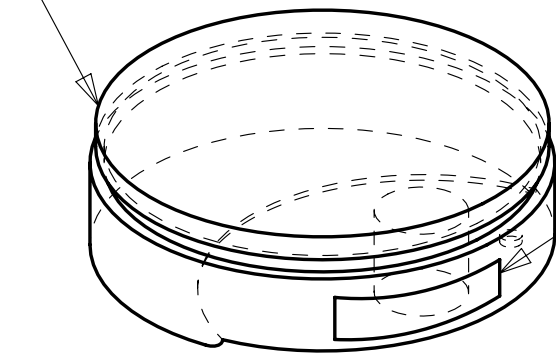
LABEL-WARNING
CANCER/TOXICITY
099689-01-000

LABEL-LPG ODOR WARNING
073998-01-000

LABEL-FORMALDEHYDE, CARB93120
174199-01-CHT
(LOCATE NEAR 073998-01-000)

LABEL-DATA PLATE
(CSA OR STATE SUPPLIED)

C.O. DETECTOR

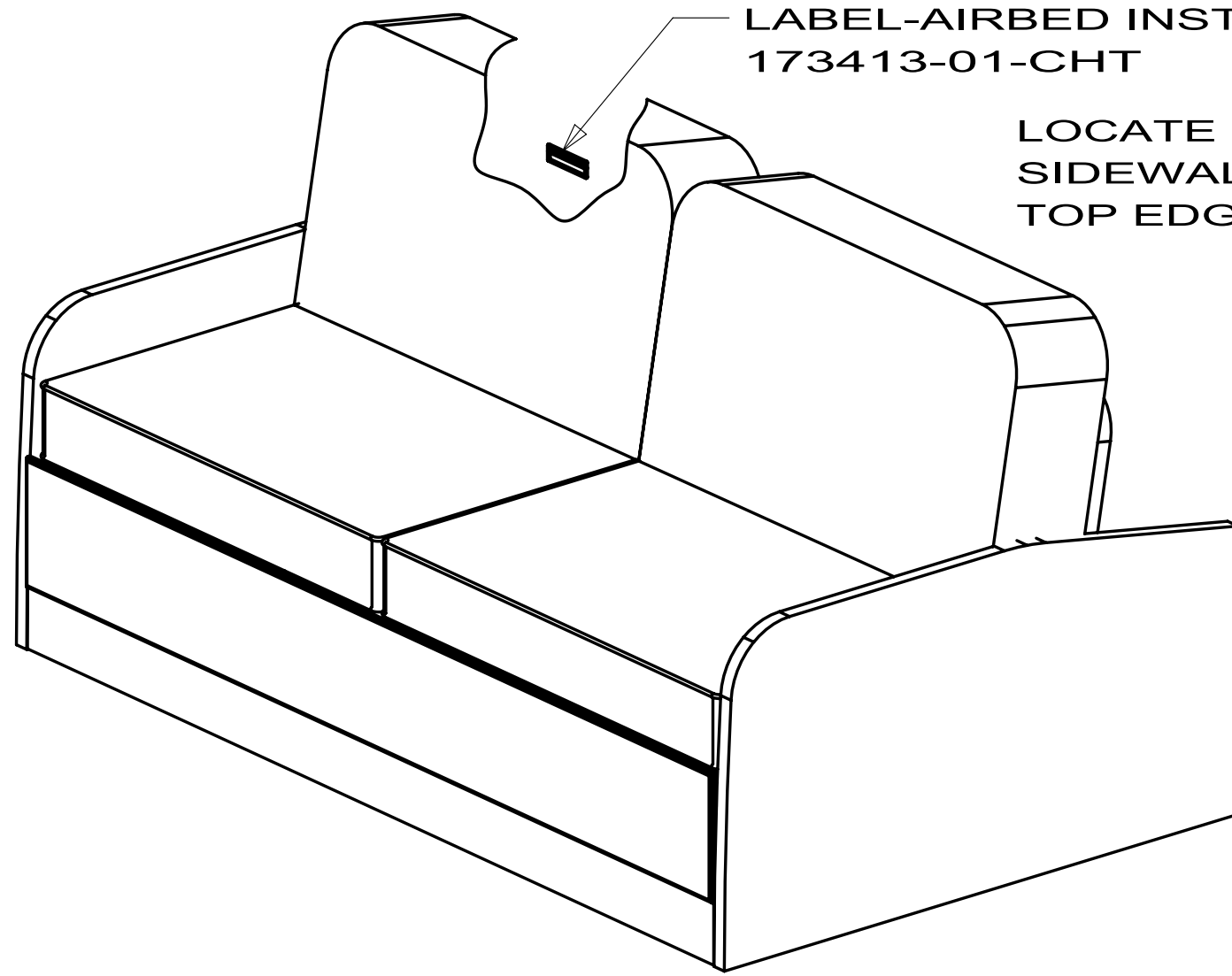


LABEL-TEST ALARM WARNING
(VENDOR SUPPLIED)

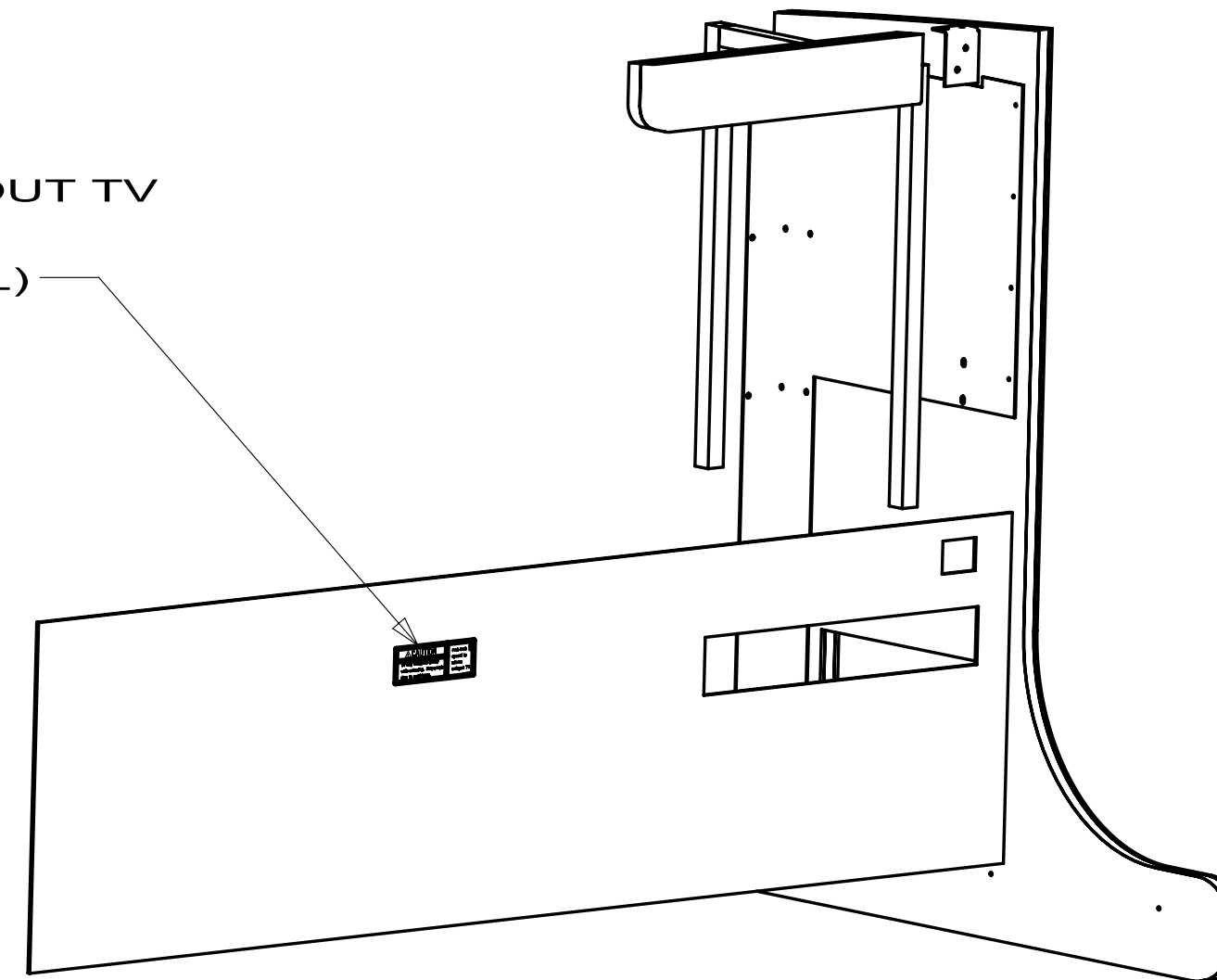
41Q

LABEL-AIRBED INSTRUCTIONS
173413-01-CHT

LOCATE BEHIND SOFA ON
SIDEWALL AND LEVEL WITH
TOP EDGE OF SOFA ARM

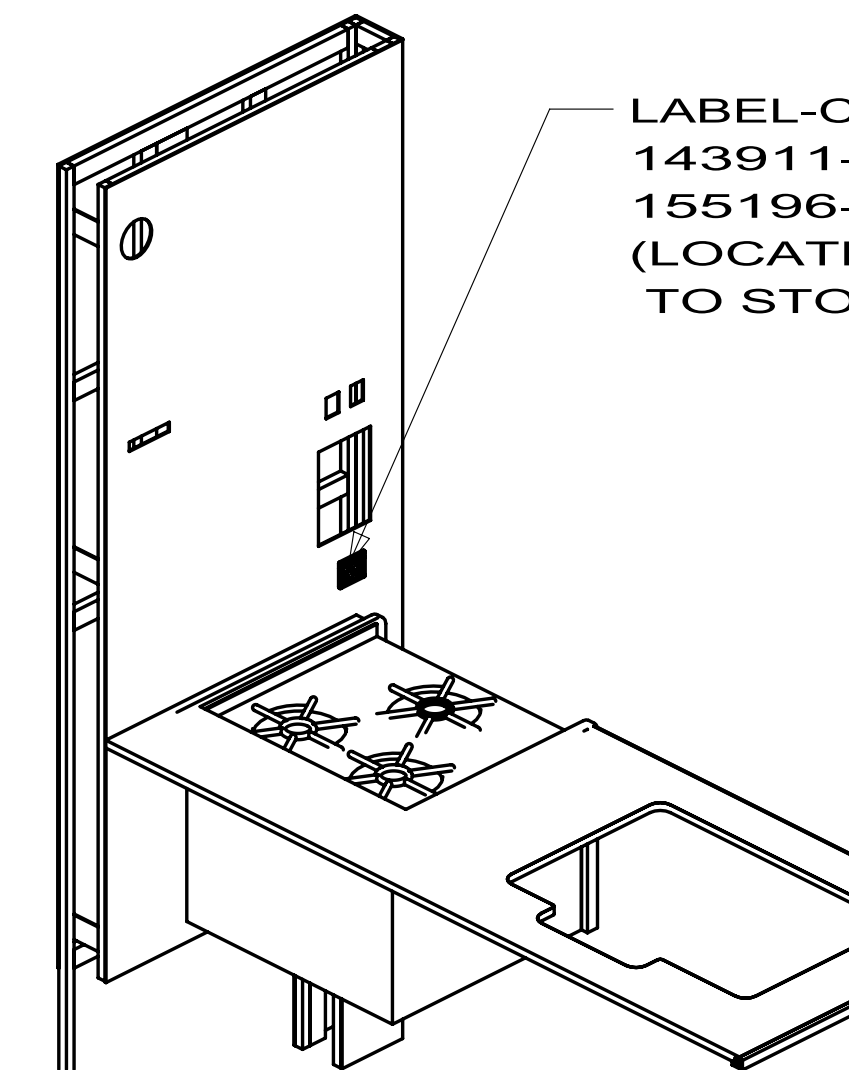


LABEL-CAUTION, SWINGOUT TV
159837-01-CHT
(LOCATED ON SIDEWALL)



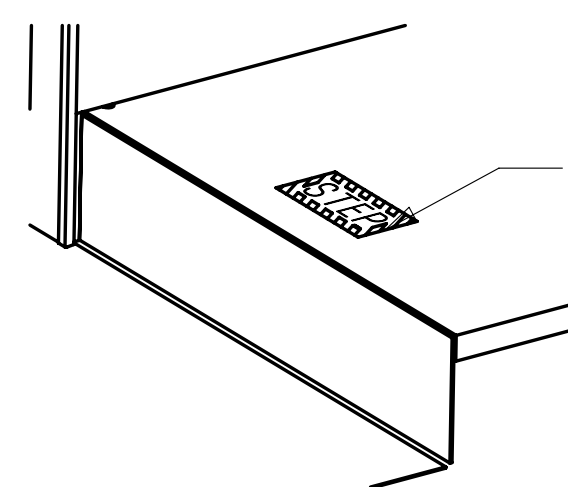
FRONT ENTERTAINMENT CENTER

LABEL-CURTAIN, SECUREMENT
143911-02-CHT
155196-01-CHT
(LOCATE ON CABINET ADJACENT
TO STOVE JUST ABOVE COUNTERTOP)



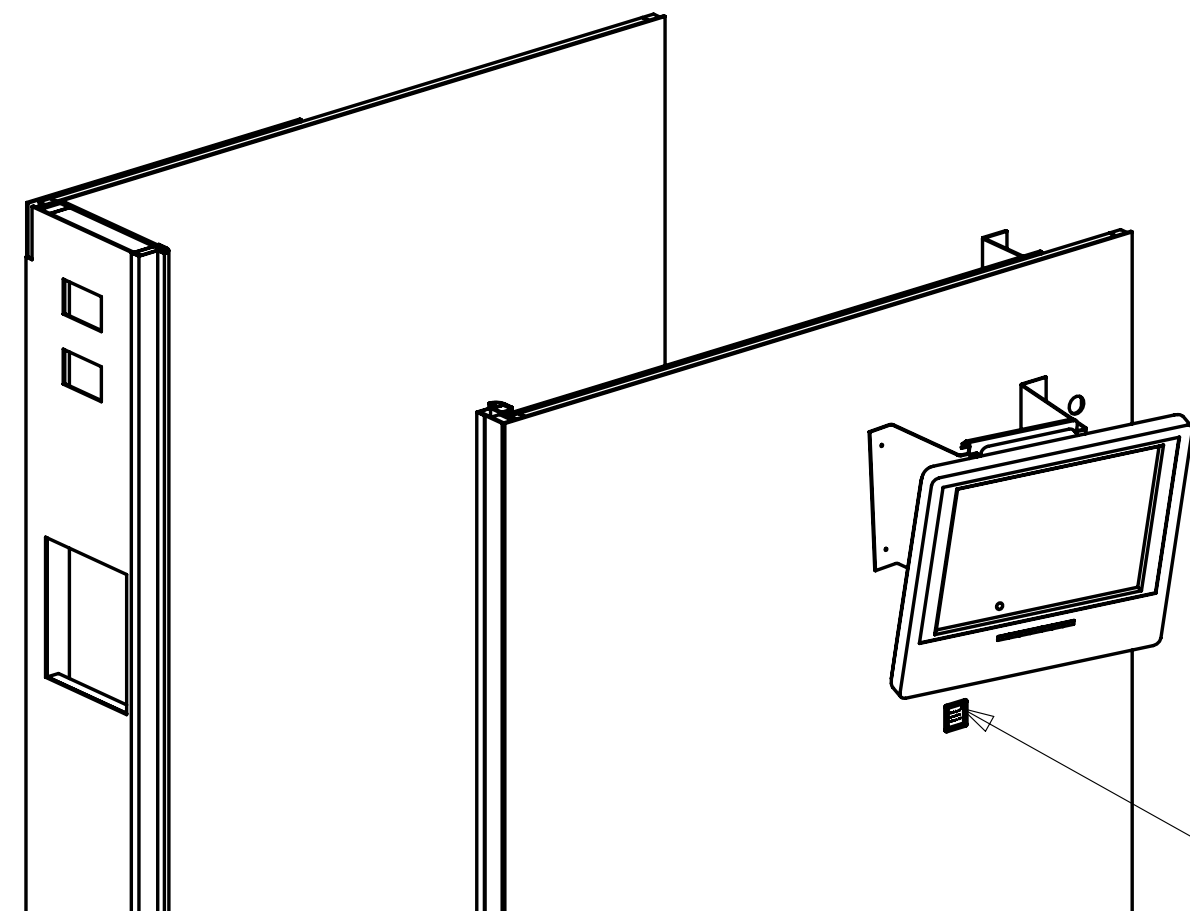
CURTAIN SECUREMENT ADJACENT TO STOVE

LABEL-STEP
170701-01-CHT
(APPLY TO PROTECTIVE
FLOOR COVERING
AT BEDROOM STEP)



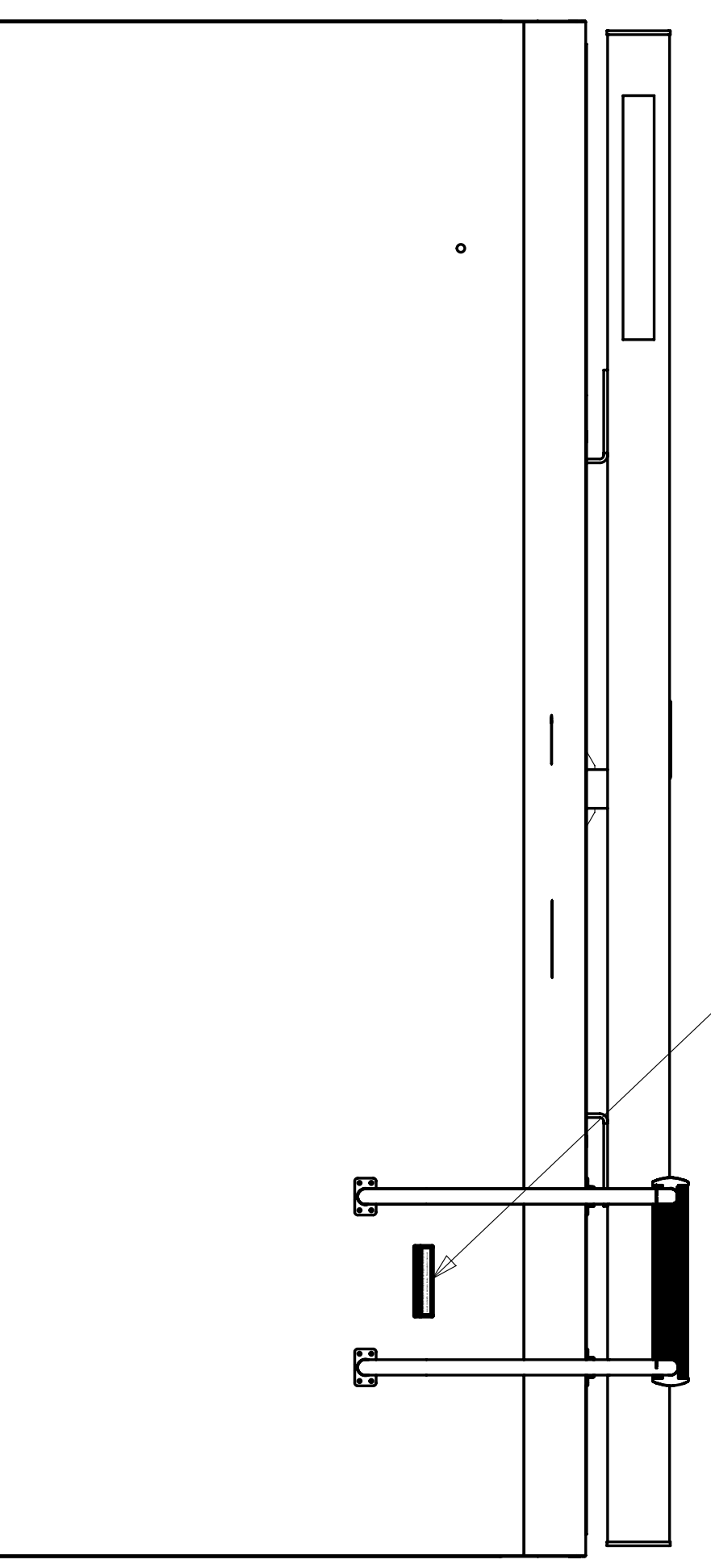
229T, 231C, 231N

LABEL-RELEASE, TV
159837-02-CHT
(BELOW TV ON CABINET WALL)



265 CODES/STANDARDS-CSA

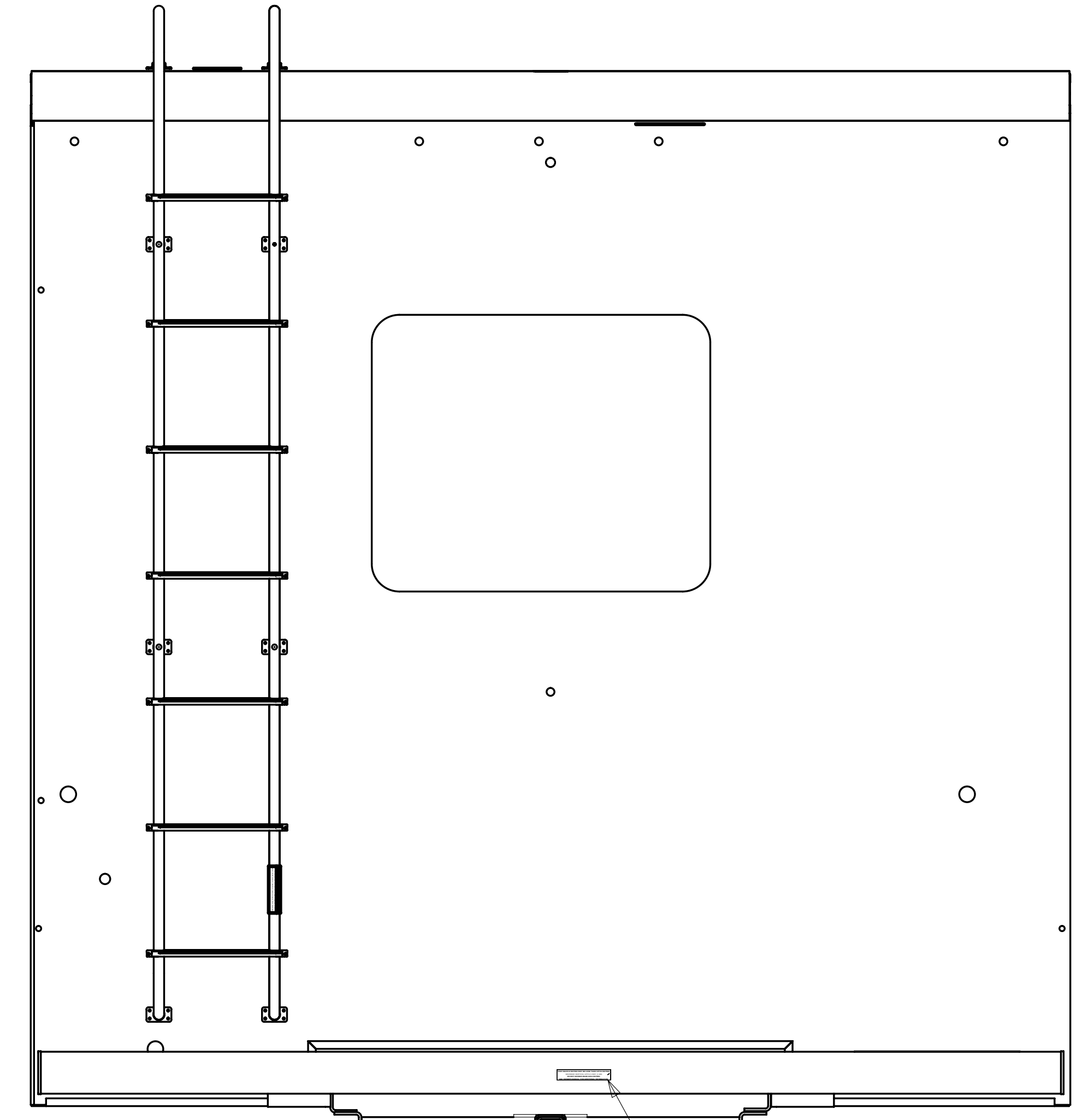
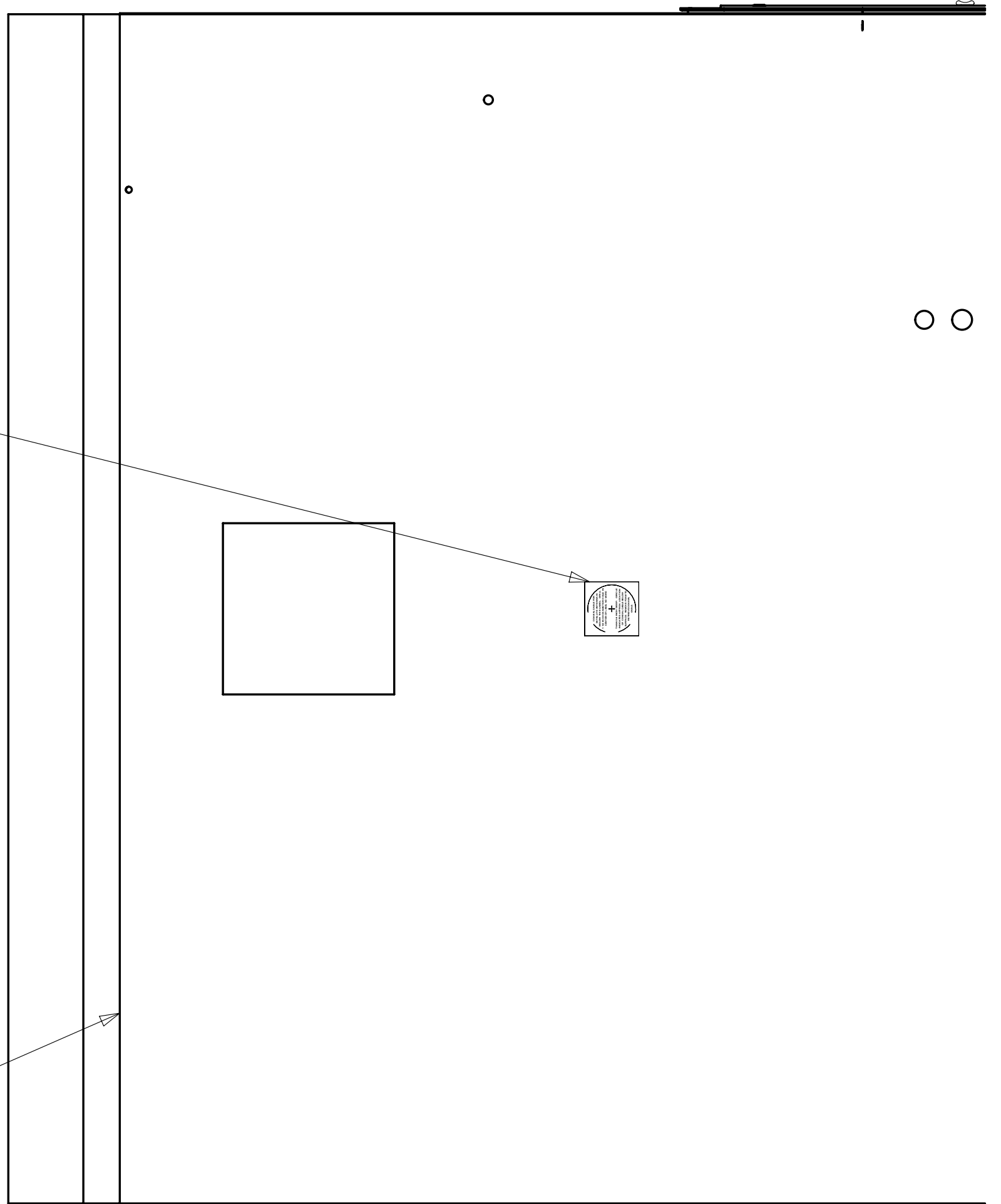
FIRST USED	10 200-SERIES
TITLE:	DO NOT SCALE DRAWING
	LABEL LOCATION INSTL
SHEET 5	PART NO. 169723 REV



LABEL-WARNING, ROOF SLIPPER
163705-01-CHT

LABEL-LOCATION, COAX, SAT ANT
120431-01-000

ROOF DATUM

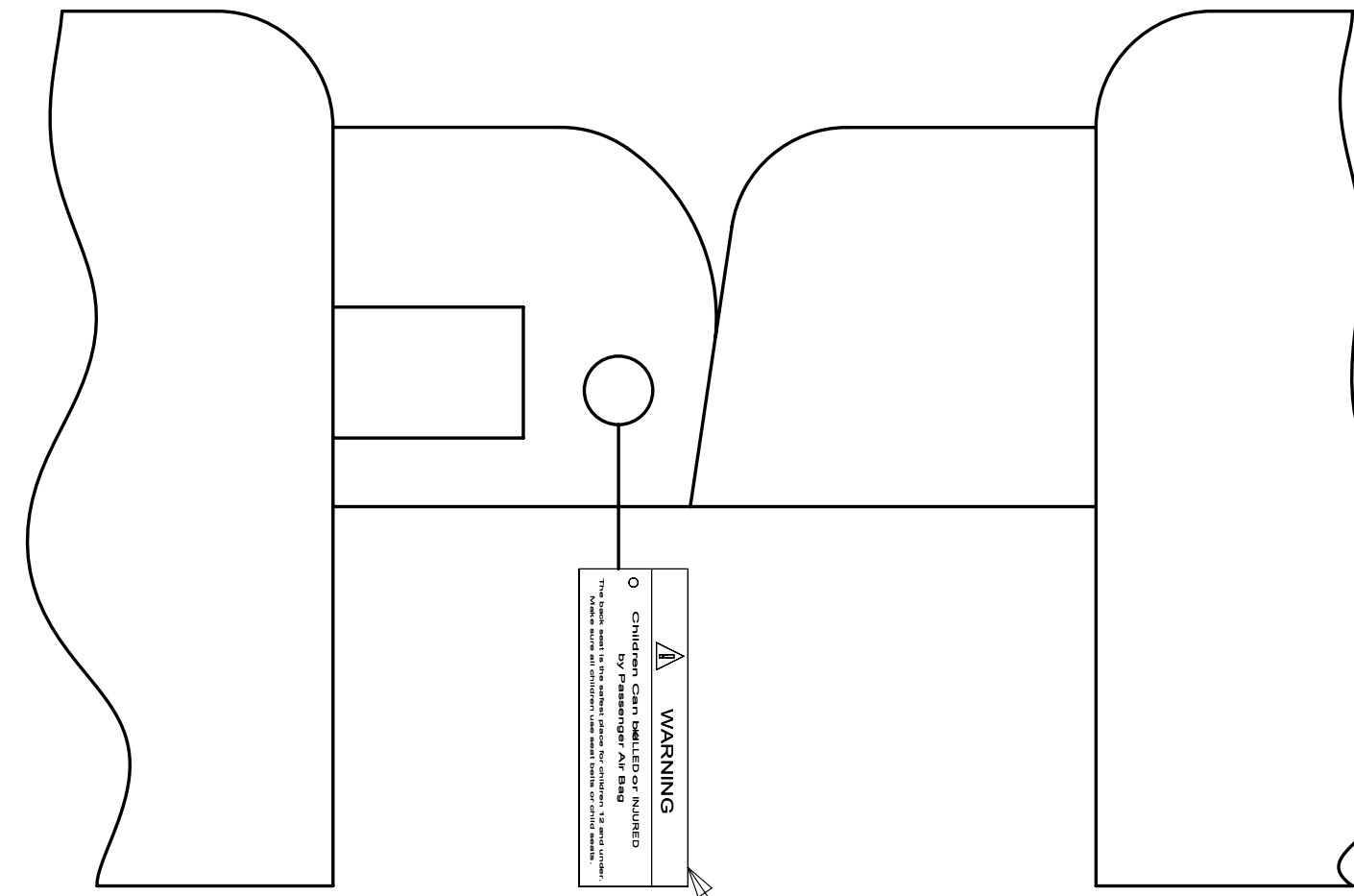
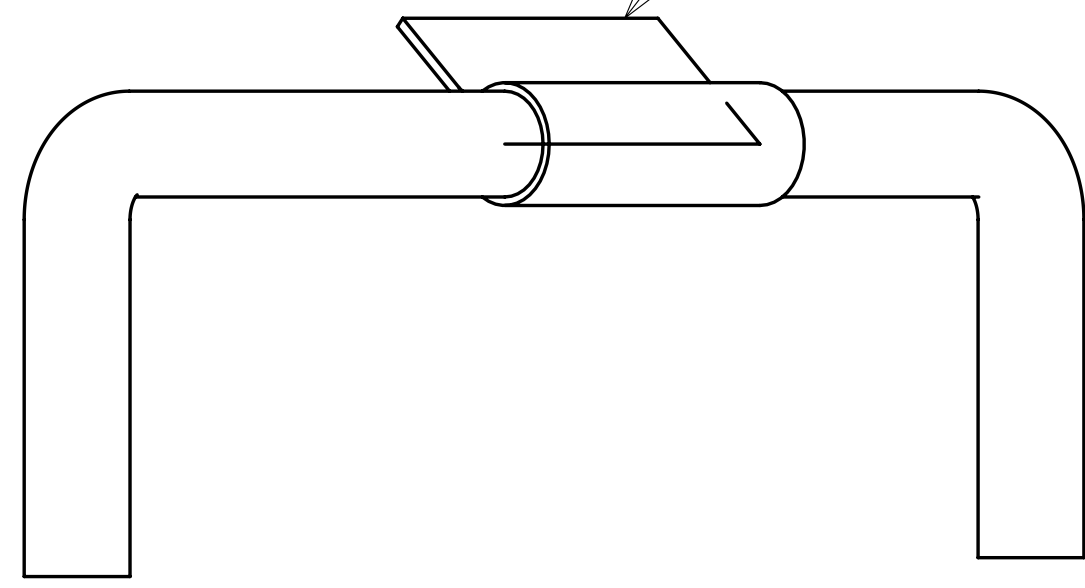


LABEL-HITCH/VEHICLE RATING
129669-01-VHT
(LOCATE ON HITCH)

LABEL-HITCH/VEHICLE RATING
129669-01-CHT
(LOCATE ON BUMPER)

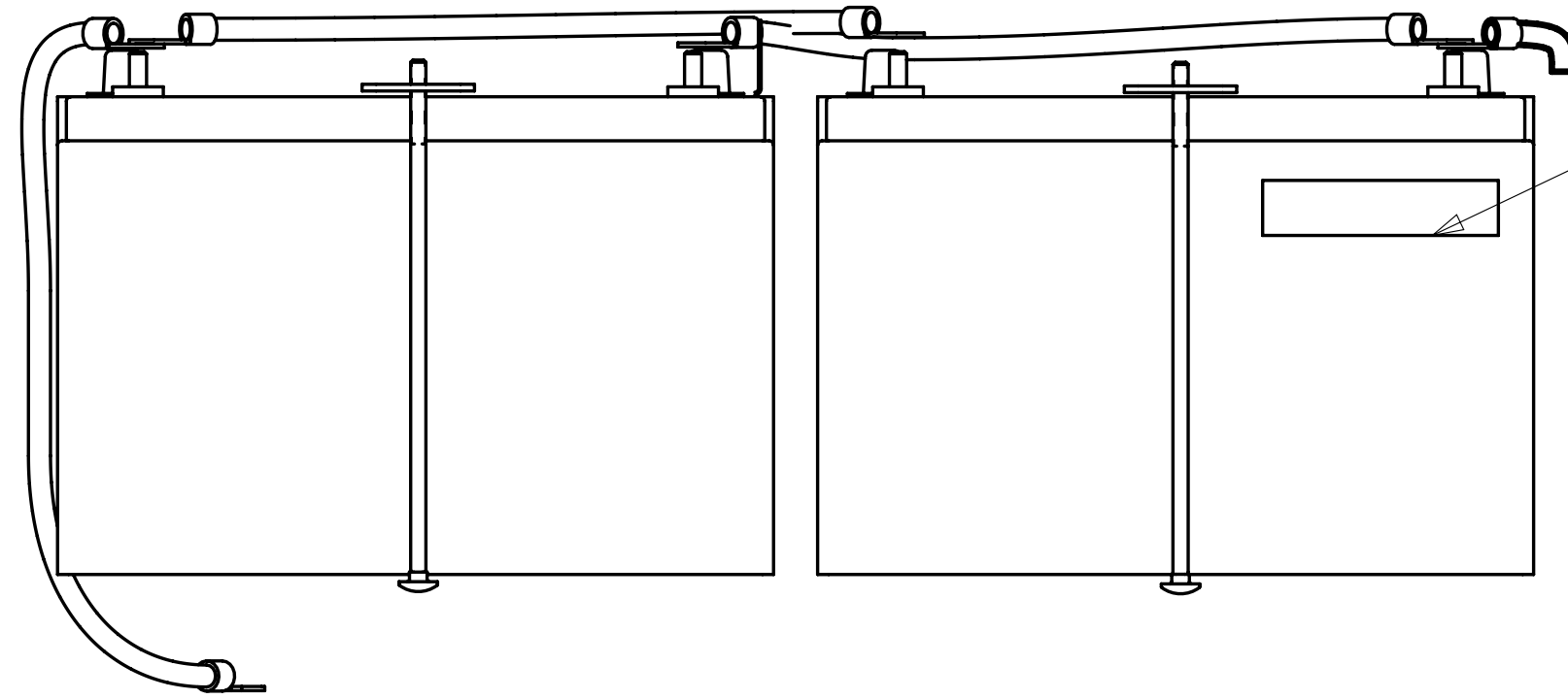
FIRST USED		
10 200-SERIES		
DO NOT SCALE DRAWING		
TITLE:		
LABEL LOCATION INSTL		
SHEET 6	PART NO	REV
	169723	

LABEL-PROP ROD
128658-01-000
(WRAP LABEL AROUND ROD
AND ADHERE TO ITSELF)

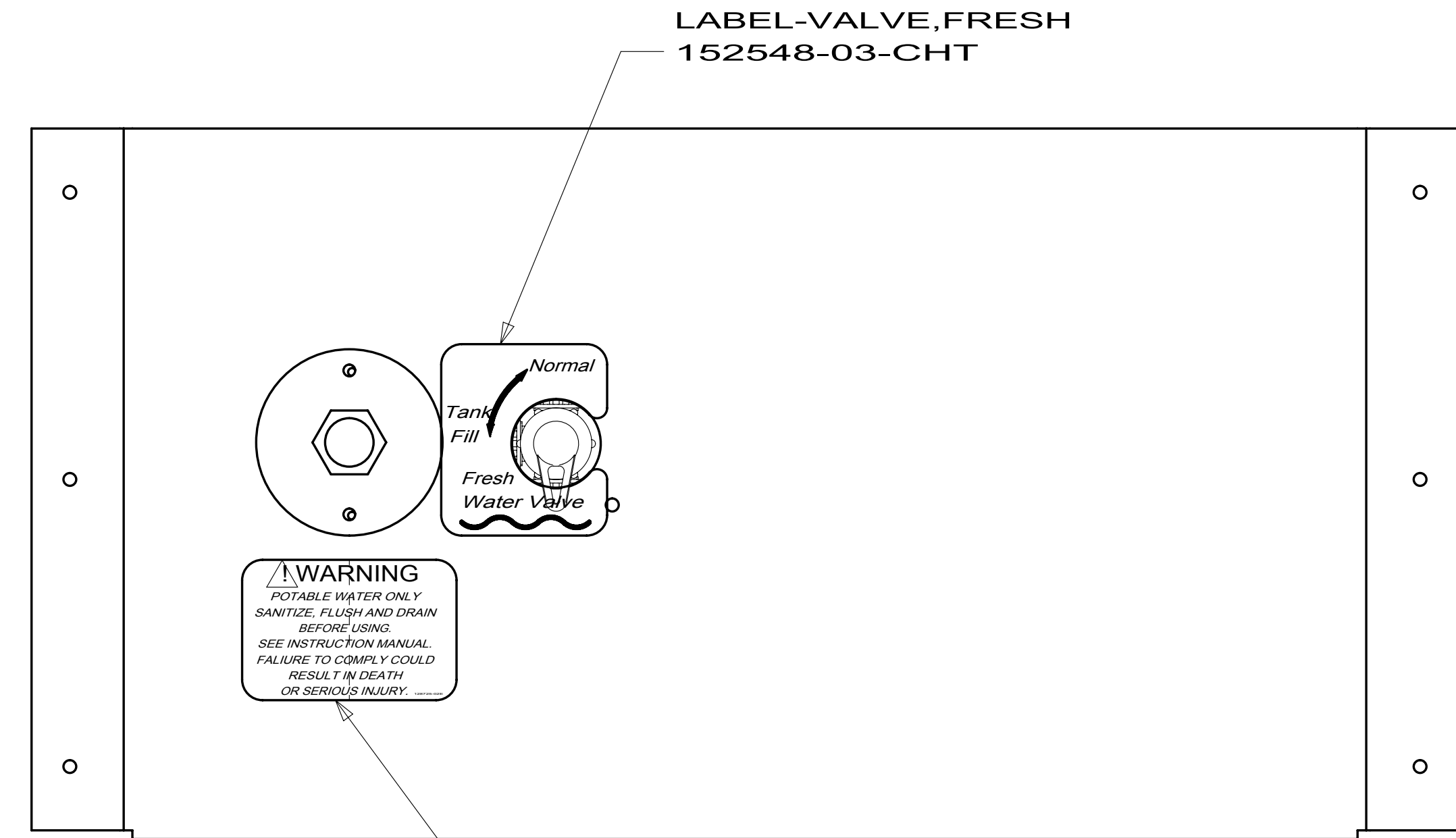
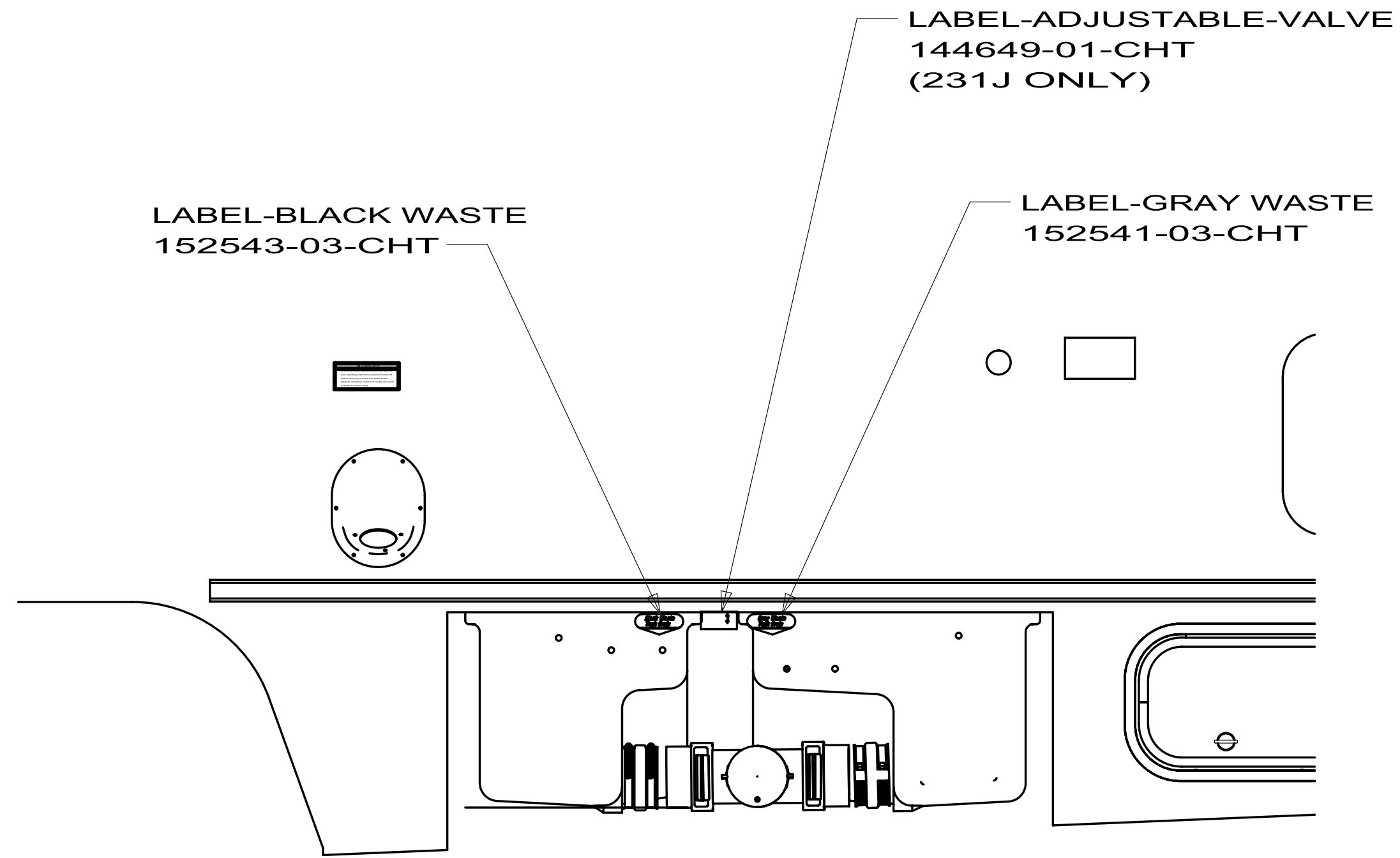


LABEL-HANG TAG
126612-01-000
OR CHASSIS SUPPLIED

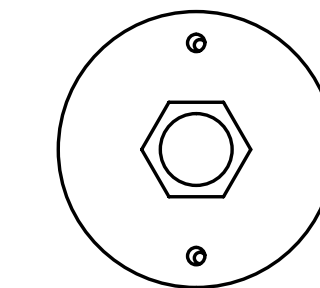
LABEL-VIN
109096-01-000
LABEL-OVERLAY
061606-02-000 (A/R)



FIRST USED	10 200-SERIES	
DO NOT SCALE DRAWING		
TITLE: LABEL LOCATION INSTL		
SHEET 7	PART NO 169723	REV



LABEL-POTABLE WATER ONLY
128725-02-CHT
(IN COMPARTMENT)



LABEL-POTABLE WATER ONLY
128725-02-CHT
(ON SIDEWALL)

FIRST USED		
10 200-SERIES		
DO NOT SCALE DRAWING		
TITLE:		
LABEL LOCATION INSTL		
SHEET 8	PART NO	REV
	169723	