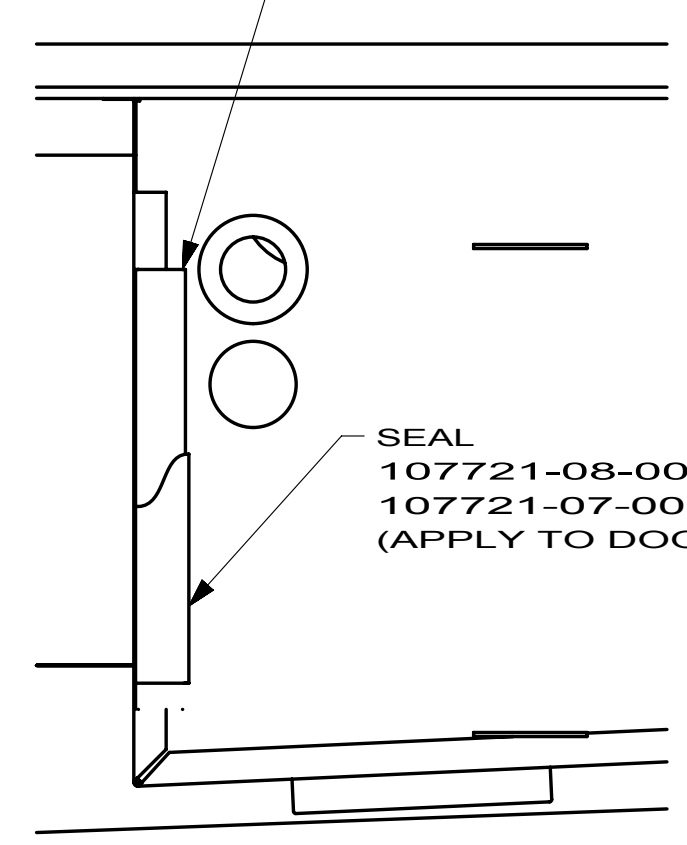


SEAL
132892-08-01A (170)
(APPLY TO POWER
CORD FLANGE)



SECTION A-A

CATCH-DOOR
104099-01-04A
104099-02-04A
SEALANT
069640-02-000 (UP TO 08-19-09)

SEAL
107721-08-000 (194) (UP TO 09-21-09)
107721-07-000 (194) (AFTER 09-22-09)
(APPLY TO DOOR)

DOOR COMPL
P32206-09-XXX
P32206-20-XXX
P32206-14-XXX
GARNISH
139100-02-01A
139101-02-01A
EXTR
100885-51-007
100885-51-020
TUBE-NOTCHED
139086-01-01A (2)
SCREW
000G39-10-12T (18)

DOOR ASM
166905-25-AA1 (BLK)
166905-25-AA2 (WHT)
166905-26-AA1 (BLK)
166905-26-AA2 (WHT)
DOOR STOP
102768-01-000
EXTR
113141-51-006 (2)
113140-51-004 (4)

STEP ASM
139748-04-04B
MAT-ANTI SLIP
102569-04-000
1E2
STEM ASM
094708-05-01A
NUT
000D39-05-00B (4)

DOOR ASM
166905-19-AA2
166905-20-AA2
DOOR STOP
102768-01-000
EXTR
113140-51-004 (12)
113140-51-006 (2)

DOOR INSTL
090868-01-000

FLOORING-RUBBER
133114-03-01A

COMPT ASM-LUGGAGE
157782-02-U01
COMPARTMENT-LUGGAGE
156589-01-01A
U-CHANNEL
156525-04-02B
ROD
145515-02-01A (2)
NUT
000D39-06-00B (6)
SEAL (2100)

LID ASM-STEP
104005-09-U01
104005-08-R07
LATCH ASM
116975-01-01A
SEAL
151104-01-01A
SCREW
000G39-06-10U (2)
9CARPT-01-000

COMPARTMENT-TRUNK
156227-01-01A
PLUG-PLASTIC
061420-05-000 (2)

DOOR ASM
166905-21-AA2
166905-22-AA2
DOOR STOP
102768-01-000
EXTR
113140-51-004 (4)
113140-51-006 (2)
113140-51-020 (2)

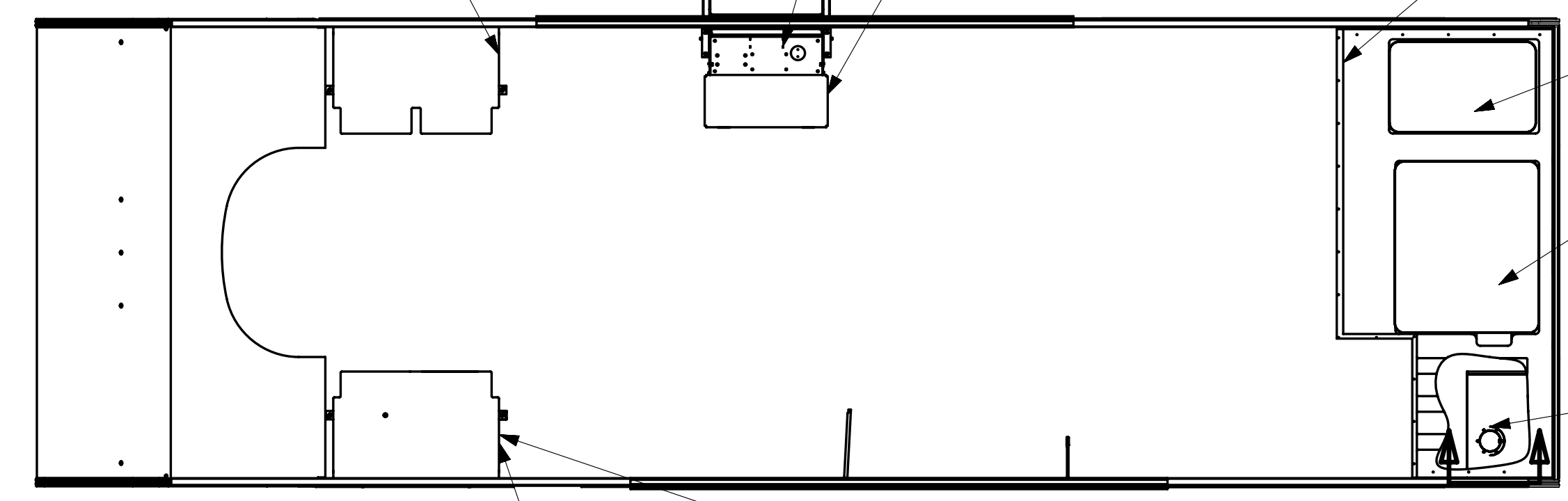
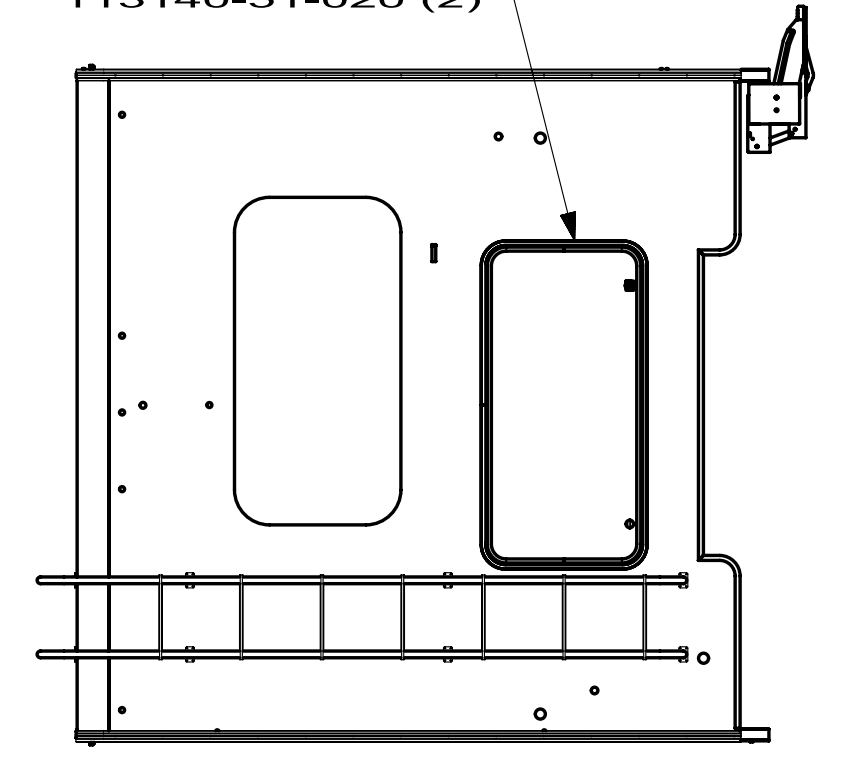


TABLE ASM
171182-05-Y01

TABLE ASM-COMPLETE
160884-01-U01
LEG ASM-TABLE
160875-01-01A
TABLE ASM
171182-04-U01

COMPT ASM-POWER CORD
156759-01-02B
SCREW
000G39-08-08B (8)
HATCH
092887-03-000
RIVET
113133-01-CHT (6)
GROMMET
071015-20-000



10 CLEAN BOTH SURFACES OF SIDEWALL AROUND OPENING WITH ISOPROPYL ALCOHOL, ADD SEAL TAPE 173983-01-02A W/6MM OVERLAP ON FIBERGLASS SIDE. TAPE MUST ADHERE TO BOTH SIDES OF SIDEWALL.

9 SEE DRAWING 160030-01-000 COMPARTMENT INSTL-ROTOCAST FOR ADDITIONAL INFORMATION.

8 APPLY SEAL 104692-01-000 TO FLOOR EDGE PRIOR TO INSTALLATION OF SIDEWALLS.

7 USE TAPE SEAL 056795-01-000 BETWEEN THE FLANGE OF DOOR JAMB AND SIDEWALL

6 USE SCREW 000G55-08-12U (A/R) TO ATTACH DOORS.

5 APPLY SEAL 154585-02-01A AROUND COMPARTMENT OPENINGS PRIOR TO INSTALLATION OF SIDEWALLS.

4 FOR SECTIONS BA THRU BZ SEE DWG 169481.

3 TRI/MARK "KEY ONE"
SEAL: P/N 138292-01-000 USED ON ENTRANCE DOOR.
KEY: P/N 138288-11 THRU -20-000
ENTRANCE DOOR CYLINDER LOCK: P/N 138287-11 THRU -20-000

STRATTEC KEY
VAL DOORS, WATER FILL: P/N 138637-51-000 THRU -009

MATCH LAST DIGIT OF V.I.N. # WITH TAB NUMBER
EXAMPLE: V.I.N. # TAB NUMBER
USE: 138288-05-000
138287-05-000
138289-05-000

2 DRILL 3.57 (9/64) DIA PILOT HOLES FOR DOOR ATTACHMENT SCREWS THRU EXISTING HOLES IN DOOR JAMB.

1 SEE SEALANT MANUAL.

NOTES:

COMPT ASM-LUGGAGE
157782-02-U01
COMPARTMENT-LUGGAGE
156589-01-01A
U-CHANNEL
156525-04-02B
ROD
145515-02-01A (2)
NUT
000D39-06-00B (6)
SEAL (2100)

COMPT ASM-LUGGAGE
157782-04-U01
COMPARTMENT-LUGGAGE
159400-01-01A
U-CHANNEL
156525-03-02B
ROD
145515-02-01A (2)
NUT
000D39-06-00B (6)
SEAL (1500)

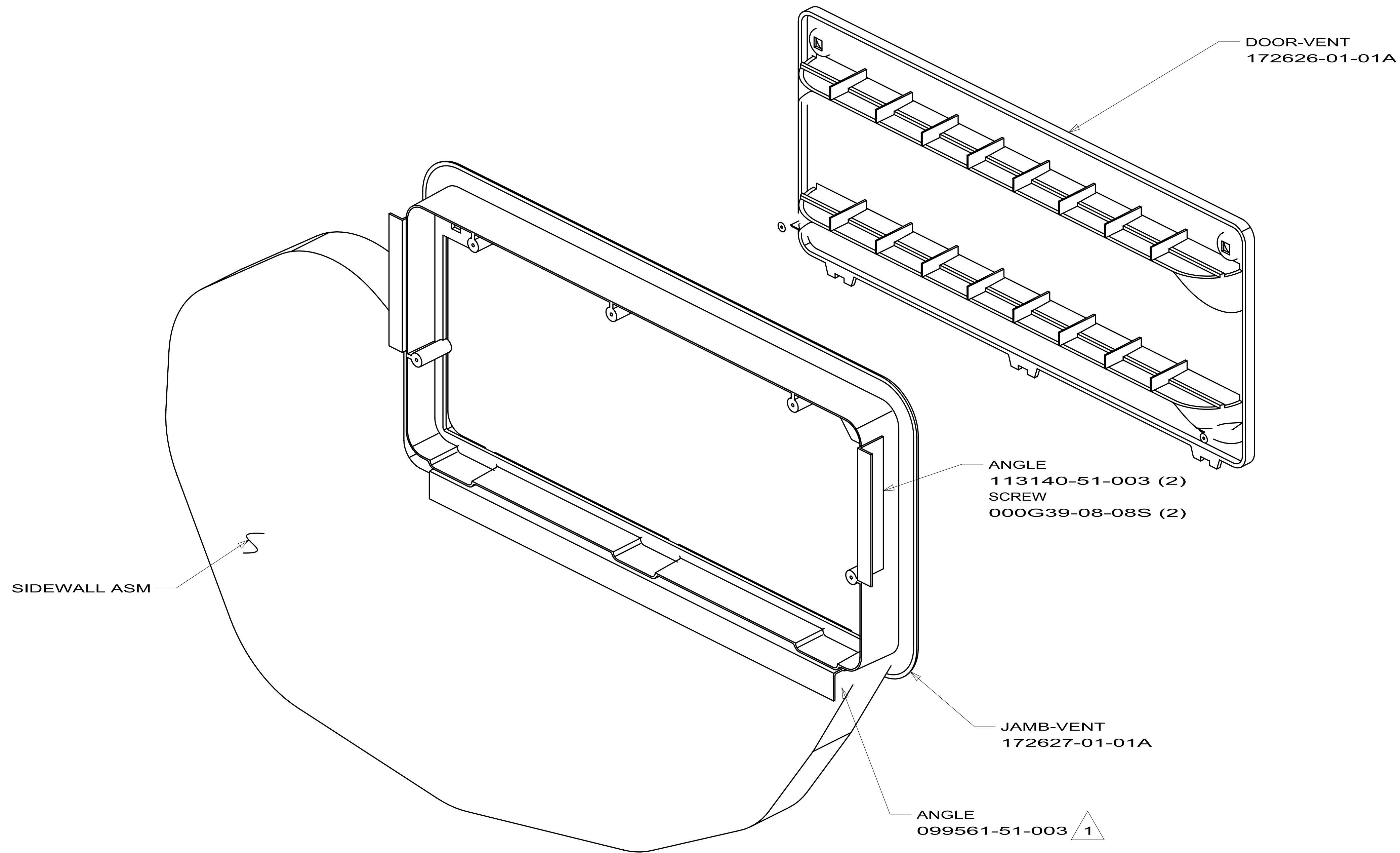
DOOR COMPL
166905-23-AA1 (BLK)
166905-23-AA2 (WHT)
166905-24-AA1 (BLK)
166905-24-AA2 (WHT)
EXTR
113140-51-004 (4)
113140-51-006 (2)
DOOR STOP
102768-01-000

DOOR ASM
166905-25-AA1 (BLK)
166905-25-AA2 (WHT)
166905-26-AA1 (BLK)
166905-26-AA2 (WHT)
EXTR
113140-51-006 (2)
113140-51-004 (4)
DOOR STOP
102768-01-000

DOOR ASM
166905-15-AA2
166905-16-AA2
166905-17-AA2
166905-18-AA2

- 644 GREAT ALASKAN RENTAL PACKAGE
- 64V SIDEWALL-PREMIUM HIGH GLOSS
- 64T SIDEWALLS-HIGH GLOSS
- 547 FLOOR-ENTRY/CARPET
- 28E EXTERIOR ACCESSORY PACKAGE
- 09T SLIDEOUT RM-DINETTE, BENCH
- 1A8 SLIDEOUT ROOM FRONT LEFT WO
- 56K WINDOW-ENTRANCE DOOR
- 1E2 ENTRANCE STEP-ELEC.
- 1E1 ENTRANCE STEP-MANUAL

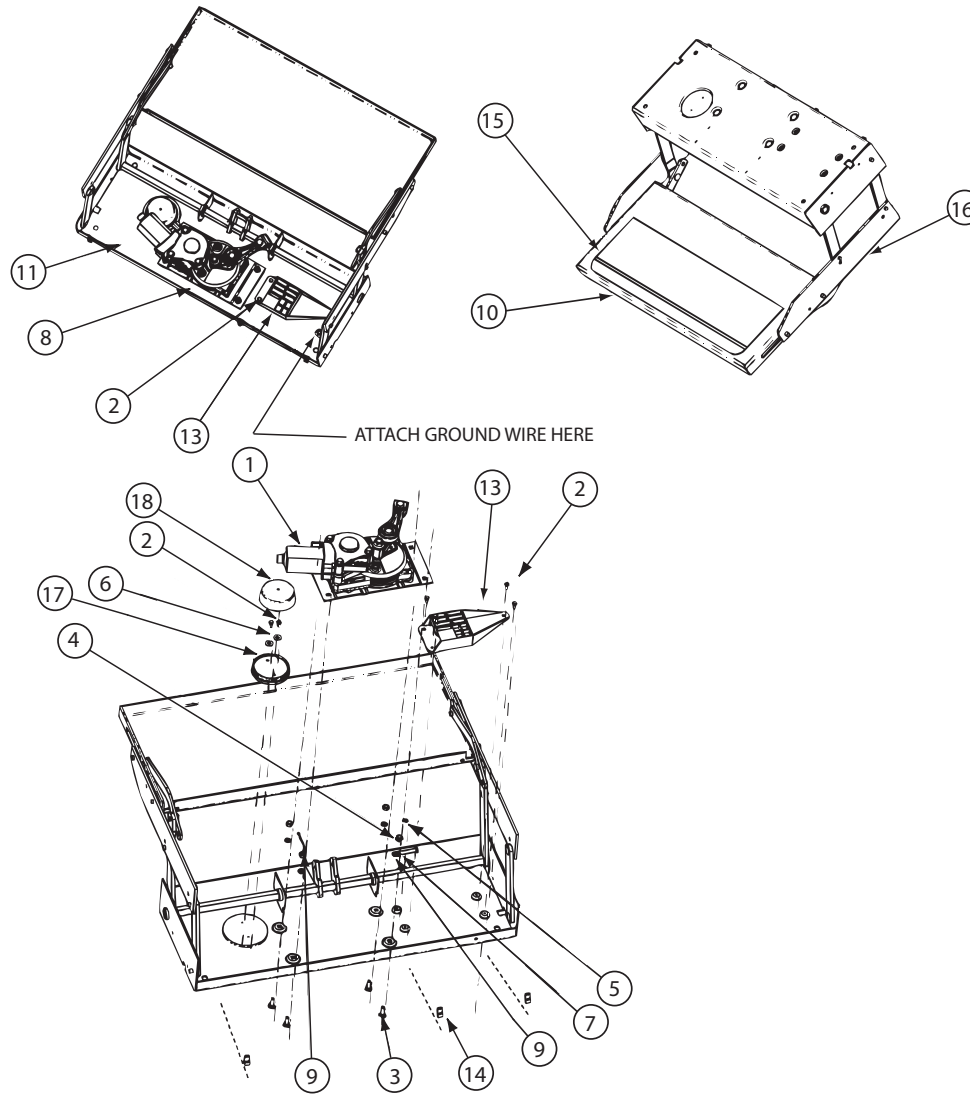
WINNEBAGO INDUSTRIES		COPYRIGHT 2010 WINNEBAGO INDUSTRIES, INC.	
DFT-ORIG	ORIG. DATE	ALL DIMENSIONS ARE IN MILLIMETERS	
CHRR		FIRST USED	
P.E.		10 229T	
M.E.		UNSPECIFIED TOLERANCES ARE:	
DSNR		WHOLE DIM (X)	: 3
		ONE-PLACE (X.X)	: 1.5
		TWO-PLACE (X.XX)	: 0.50
		ANGLE	: 1°
DO NOT SCALE DRAWING		REFER TO ES0018 FOR FASTENER TIGHTENING GUIDELINES	
TITLE: BODY INSTL-DOORS & COMPTS			
SHEET 1 OF 1	PART NO	171029	REV
REF:	1		



090868-01

- 224V
- 229T
- 231C
- 231J
- 329B
- 331C
- 524DL
- 524K
- 524P
- 728B
- 730C
- D31E
- D35J
- D37L
- E30W
- E32K
- J35Z
- J38N

GEN MOTORHOMES



094708-05-01A

KEY	PART NUMBER	U/M	DESCRIPTION	VENDOR NO.
1	094707-04-701	EA	MOTOR "AM 214" F/IMGL STEPS	1101428
13	094707-04-700	EA	CONTROL UNIT W/OVERRIDE	909510000
15	143709-01-702	EA	TREAD/NON-SKID 6" X 21" BLK	1915260
16	094708-05-701	EA	FRAME W/SGL STEP,28 SERIES	908028000
17	088746-01-705	EA	LIGHT-UNDER STEP	9004
	094707-03-701	EA	PLUG - 4-WAY - PACKARD	909306
	094707-04-702	EA	COTTER PIN - W/CLEVIS PIN	905205000
	094707-04-711	EA	KWIKTEST - W/4-WAY PIGTAIL	909518000
	094708-05-700	EA	GEAR BOX W/LINKAGE-STRAIGHT	1101426
CONTACT WINNEBAGO PART SALES FOR UNLISTED COMPONENT(S)				

8

7

6

5

4

3

2

1

D

D

C

C

B

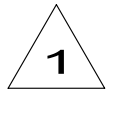
B

A

A

SUPPORT-LID, ENTRANCE STEP
123330-05-CHT
SCREW
G11-10-12D(14)

TREAD-STEP,RUBBER
147781-01-CHT
ADHESIVE
142550-02-000



104005-08-XXX
28E 200-SERIES
300-SERIES
500-SERIES
700-SERIES

CABINET ASM-LID, ENT STEP
141558-01-XXX

BRACKET-CATCH,LID
146747-01-CHT(2)
SCREW
G11-10-12D(4)

1. CENTER TREAD-STEP,RUBBER ON BOARD.

28E EXTERIOR ACCESSORY PACKAGE

FIRST USED	04 300-SERIES		
TITLE:	DO NOT SCALE DRAWING		
TITLE:	LID ASM-ENTRANCE STEP		
SHEET 8	PART NO	104005	REV

8

7

6

5

4

3

2

1

8

7

6

5

4

3

2

1

D

D

C

C

B

B

A

A

SUPPORT-LID, ENTRANCE STEP
123330-05-CHT
SCREW
G11-10-12D(14)

9CARPT-01-000
(WRAP CARPET
ALL 4 EDGES)

104005-09-XXX 200-SERIES

CABINET ASM-LID, ENT STEP
141558-01-XXX

BRACKET-CATCH,LID
146747-01-CHT(2)
SCREW
G11-10-12D(4)

FIRST USED		
07 200-SERIES		
DO NOT SCALE DRAWING		
TITLE: LID ASM-ENTRANCE STEP		
SHEET 9	PART NO 104005	REV

8

7

6

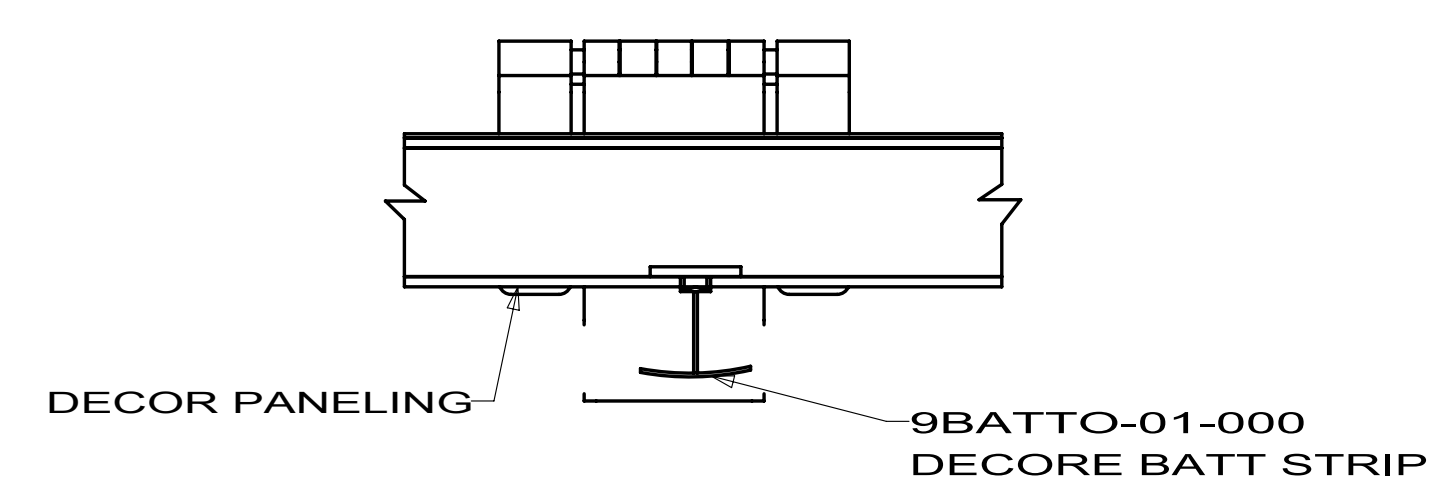
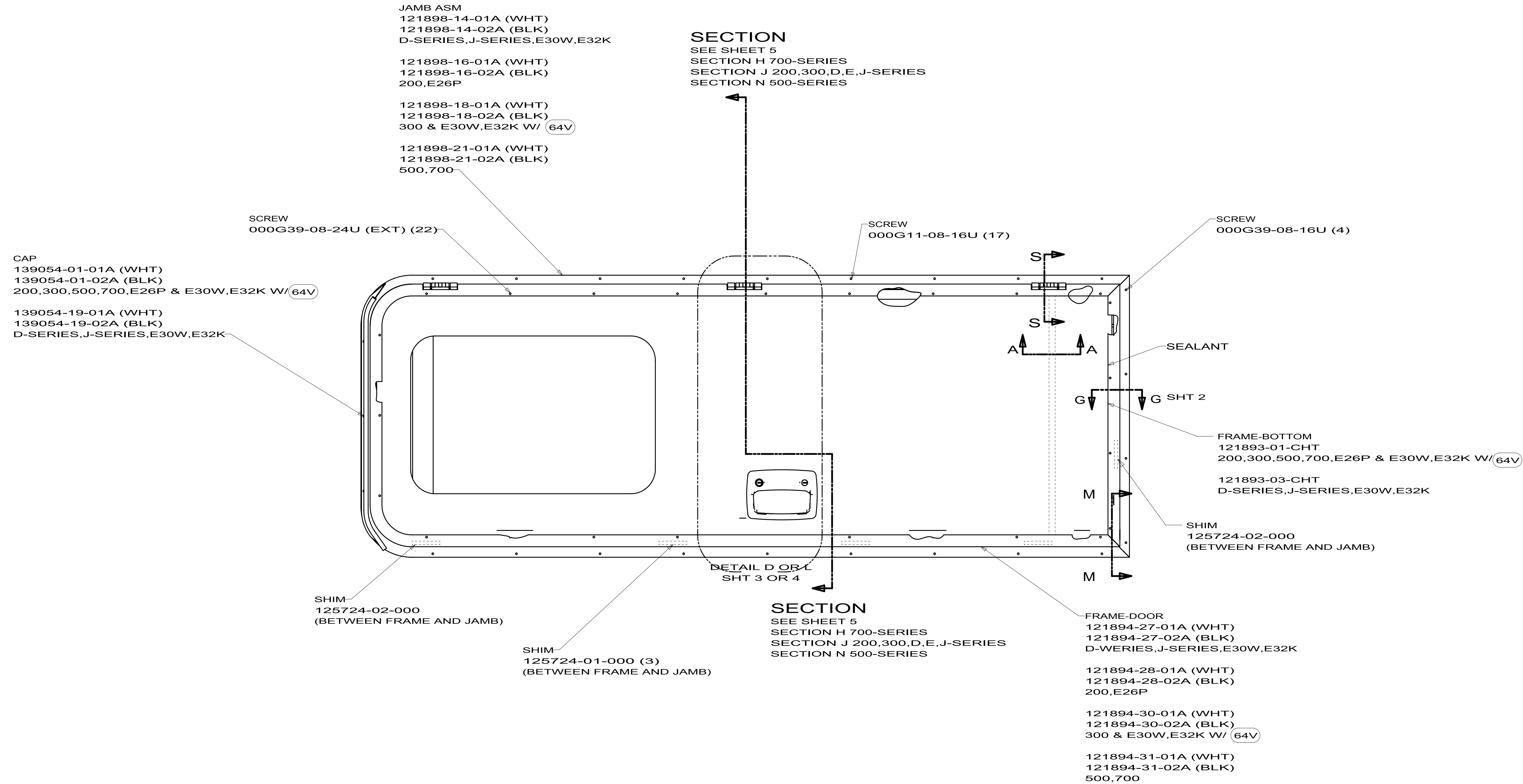
5

4

3

2

1



00 MOTORHOMES

DOOR COMPL-ENTRANCE, MID

LATCH-SCREEN DOOR
132915-01-01A
SCREW
000G11-08-12S (2)

SCREEN DOOR

STRIKER-SLIDER

STRIKE-DOOR,SCREEN
148364-01-04B (BLK)
148364-01-12B (WHT)
SCREW
000G52-06-06U (2)
NUT
000D10-06-00B(2)

VIEW F-F

JAMB ASM

TAPE-ANTI SLIP
038327-01-000 (600)

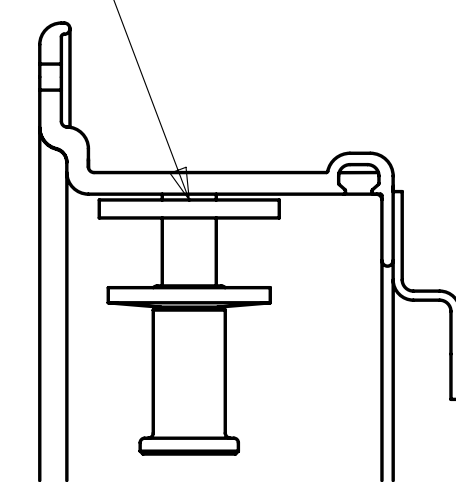
SEAL-PILE
075673-05-000

BUMPER-RUBBER
081914-02-000 (2)

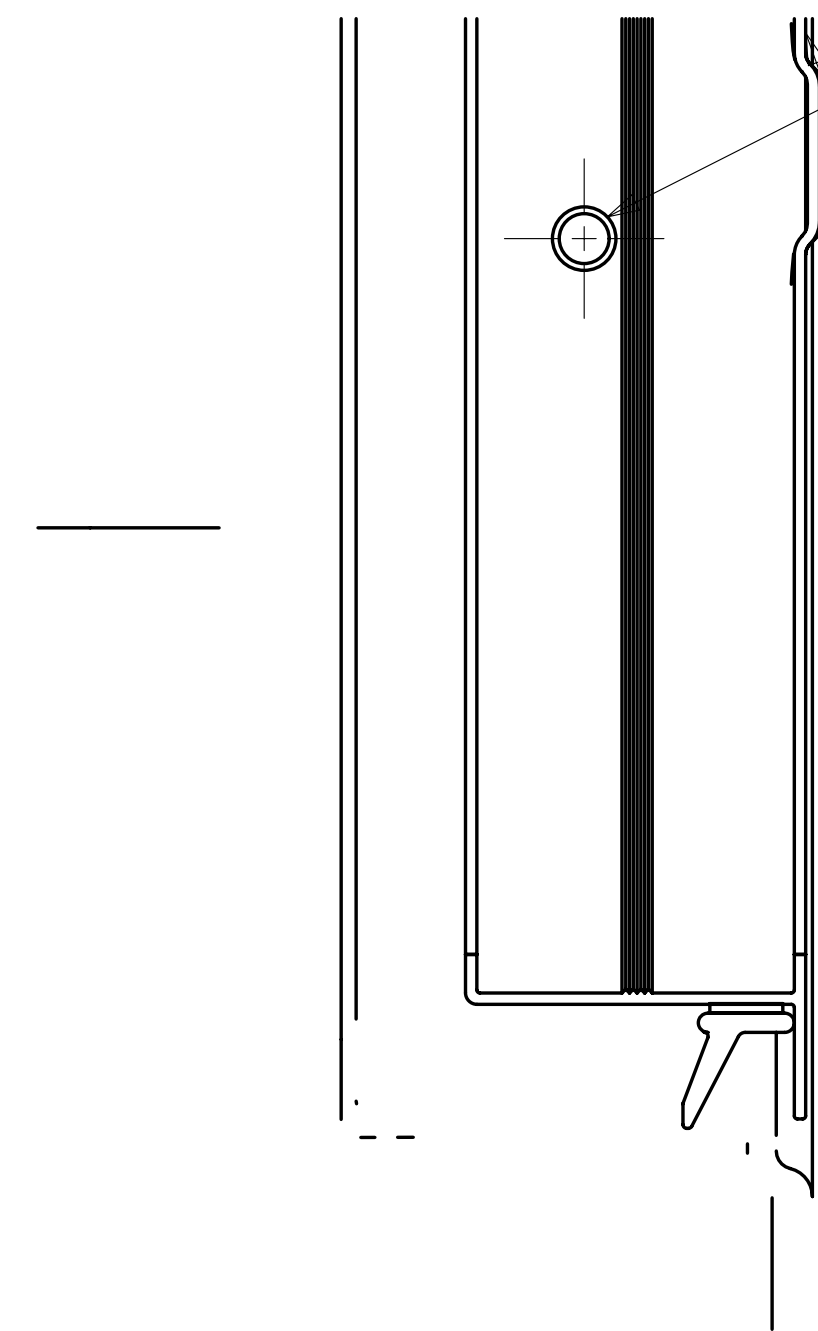
FRAME-BOTTOM
(REF)

SECTION G-G

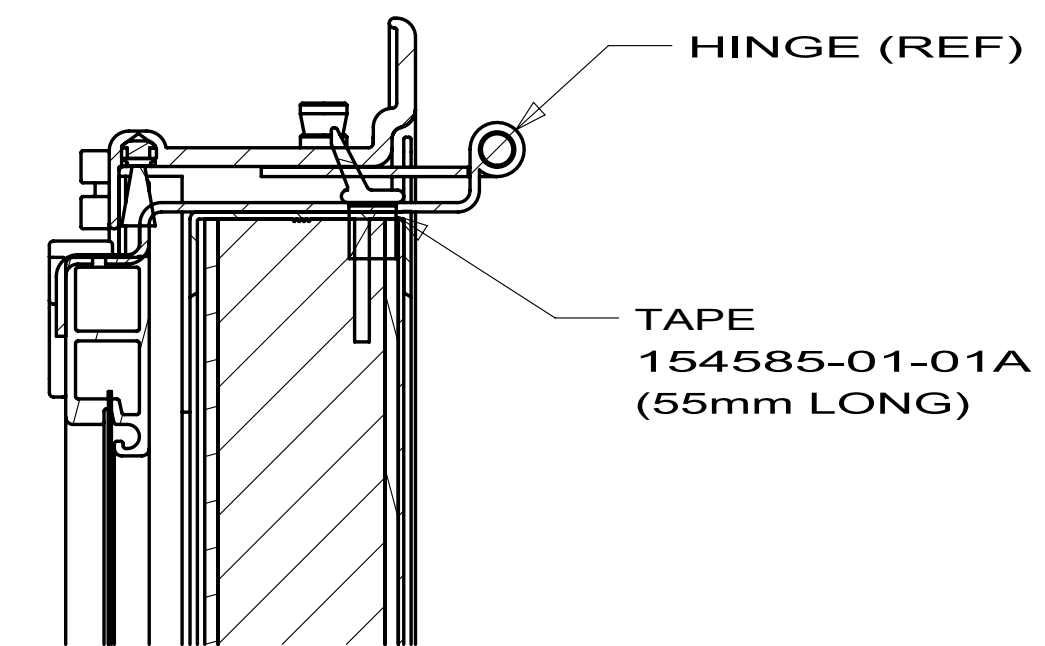
SPACER-STRIKE BOLT
147900-01-01A (A/R)



SECTION K-K



SECTION M-M



SECTION S-S
(3 PLACES)

HINGE (REF)

TAPE
154585-01-01A
(55mm LONG)

00 MOTORHOMES

DOOR COMPL-ENTRANCE,MID

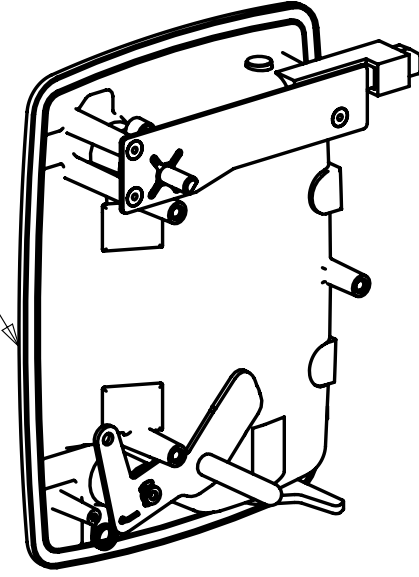
2

132206

DETAIL D

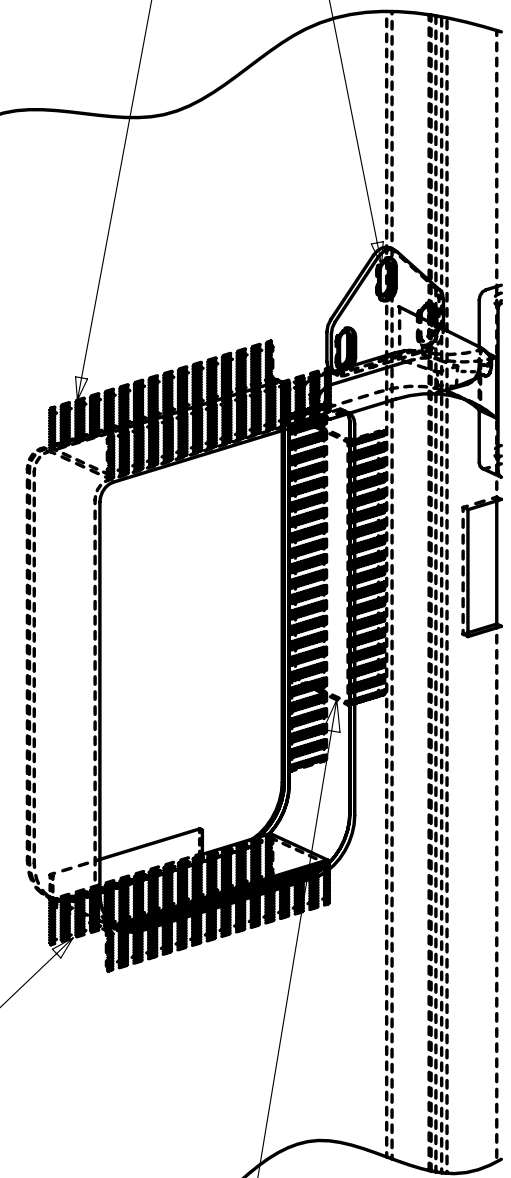
200-SERIES
E-SERIES
D-SERIES
J-SERIES

LATCH ASM-EXTERIOR
112782-20-01A
GASKET
112782-04-01A



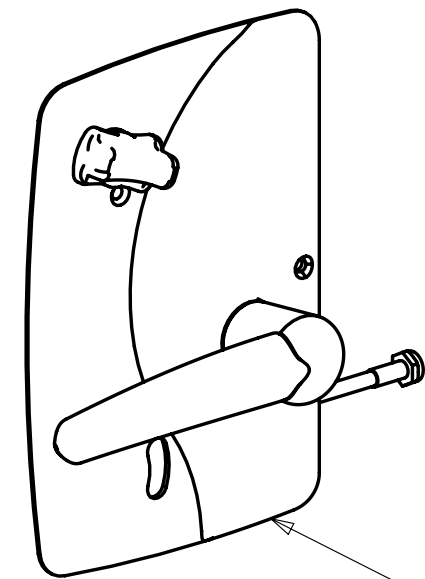
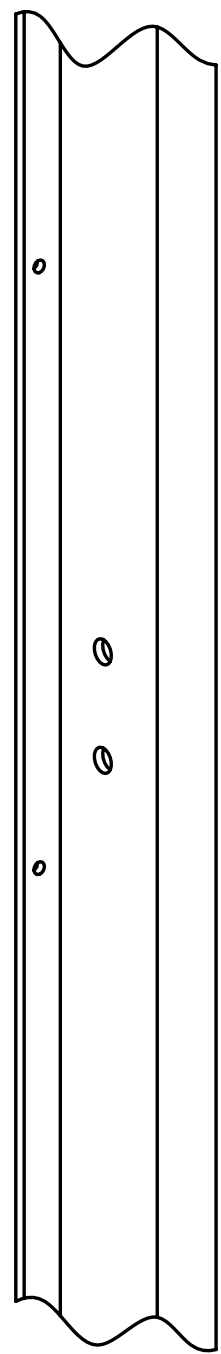
EXTR-C-CHANNEL
134990-51-002
(INSERT INTO FOAM
UNTIL TOP SURFACE
EVEN WITH CUTOUT)

CATCH
SCREW
000G11-08-08T (3)



SPACER-NOTCHED
137230-01-01A
(INSERT INTO FOAM UNTIL
TOP SURFACE EVEN WITH CUTOUT)

CHANNEL-W/NOTCH
171283-01-01A
(INSERT INTO FOAM
UNTIL TOP SURFACE
EVEN WITH CUTOUT)



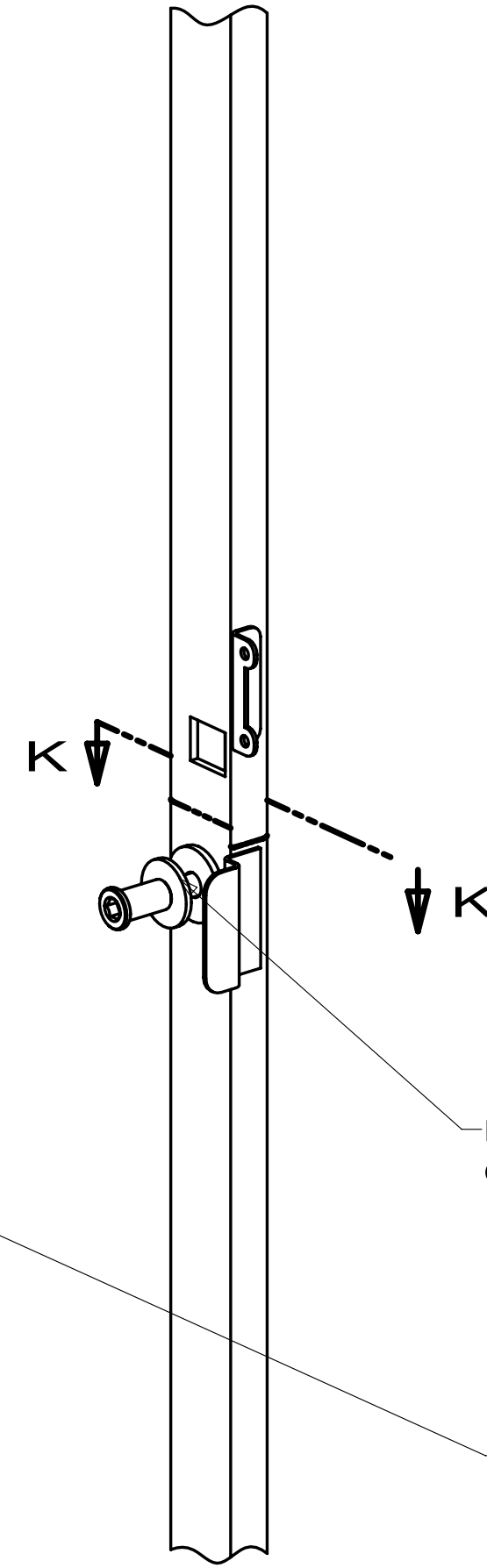
STIFFENER M
132207-01-02B
NUTSERT
072893-04-000 (8)
SCREW
075908-01-000 (8)

LATCH-INTERIOR PLATE
112782-27-01A
CAP-VINYL
112782-05-01A
SCREW
112782-08-01A (3)

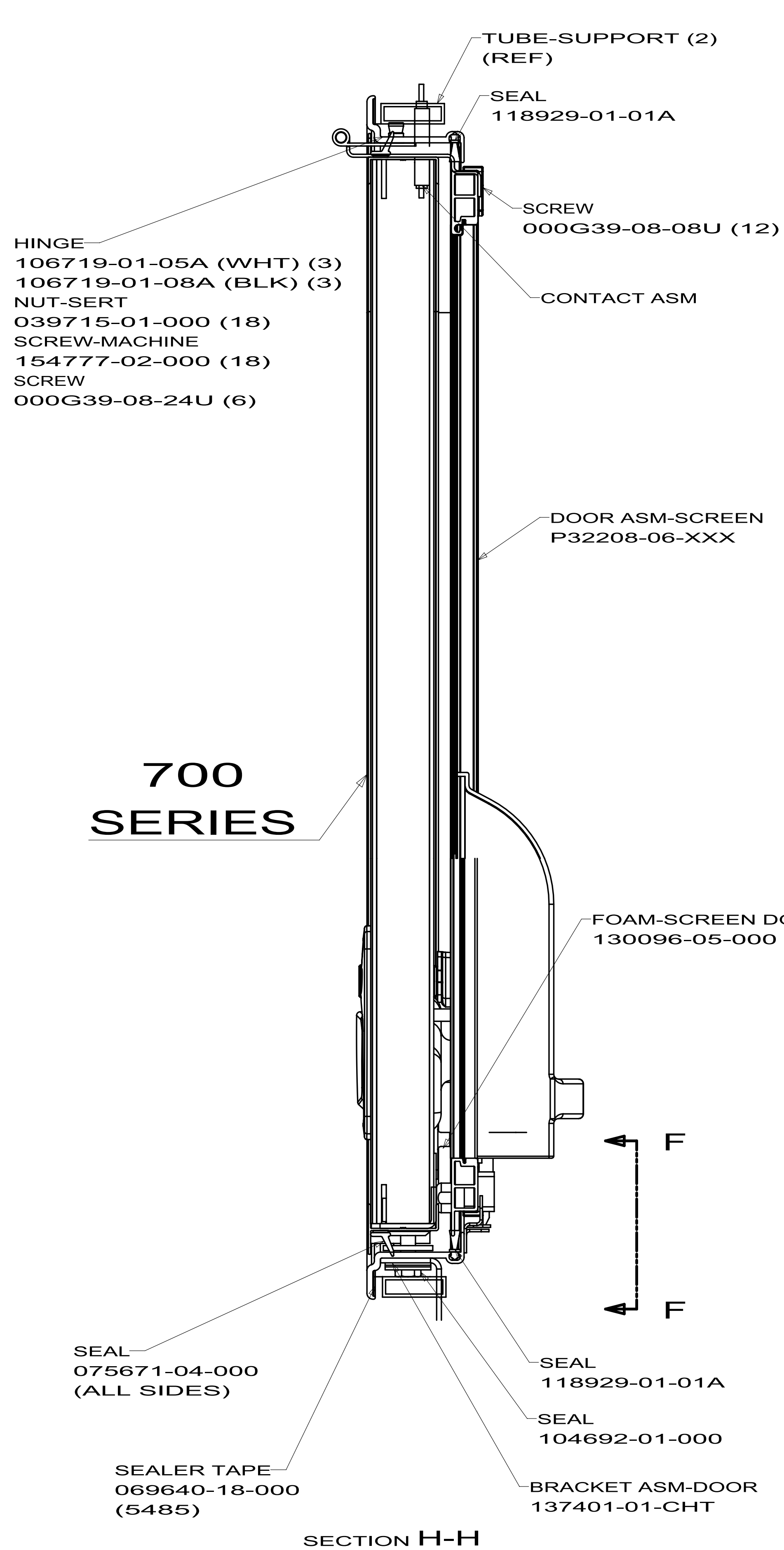
BOLT-STRIKER
092927-20-000

PLUG-PLASTIC
061420-14-000

LATCH-SINGLE ROTARY
112782-22-01A
SCREW
140040-01-000 (3)

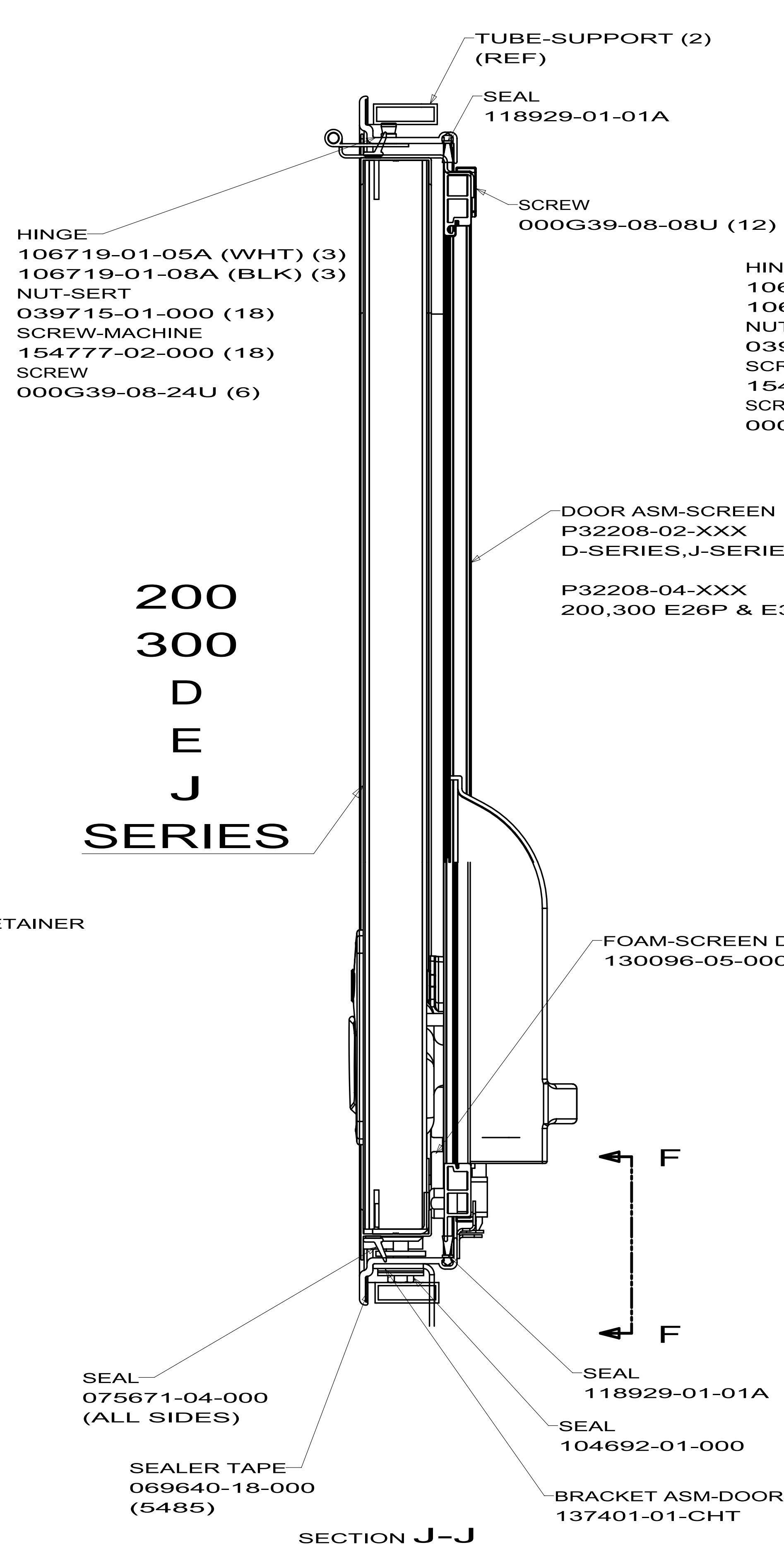


FIRST USED	00 MOTORHOMES
TITLE:	DO NOT SCALE DRAWING
	DOOR COMPL-ENTRANCE,MID
3	PART NO 132206



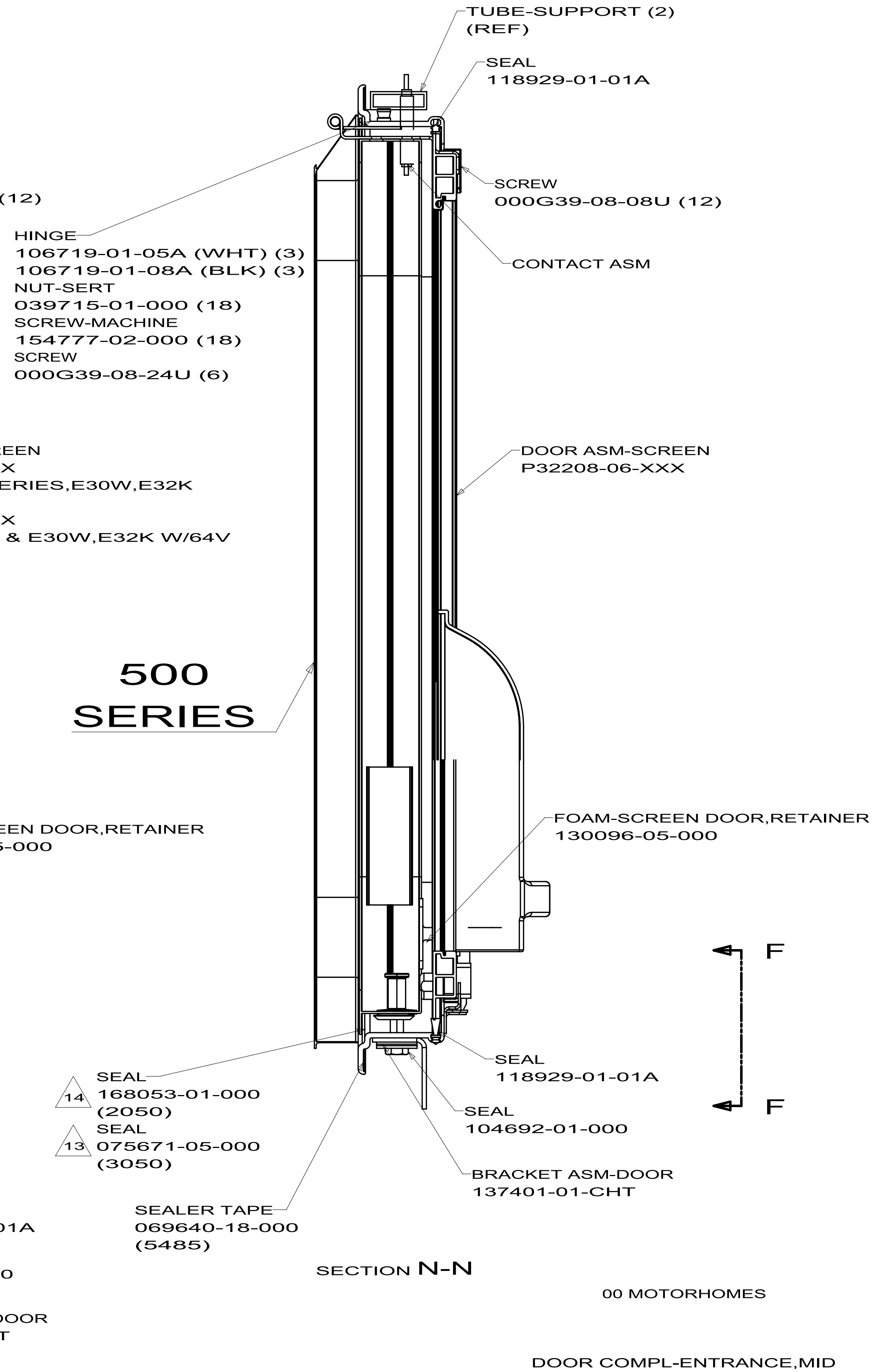
**700
SERIES**

SECTION H-H



**200
300
D
E
J
SERIES**

SECTION J-J

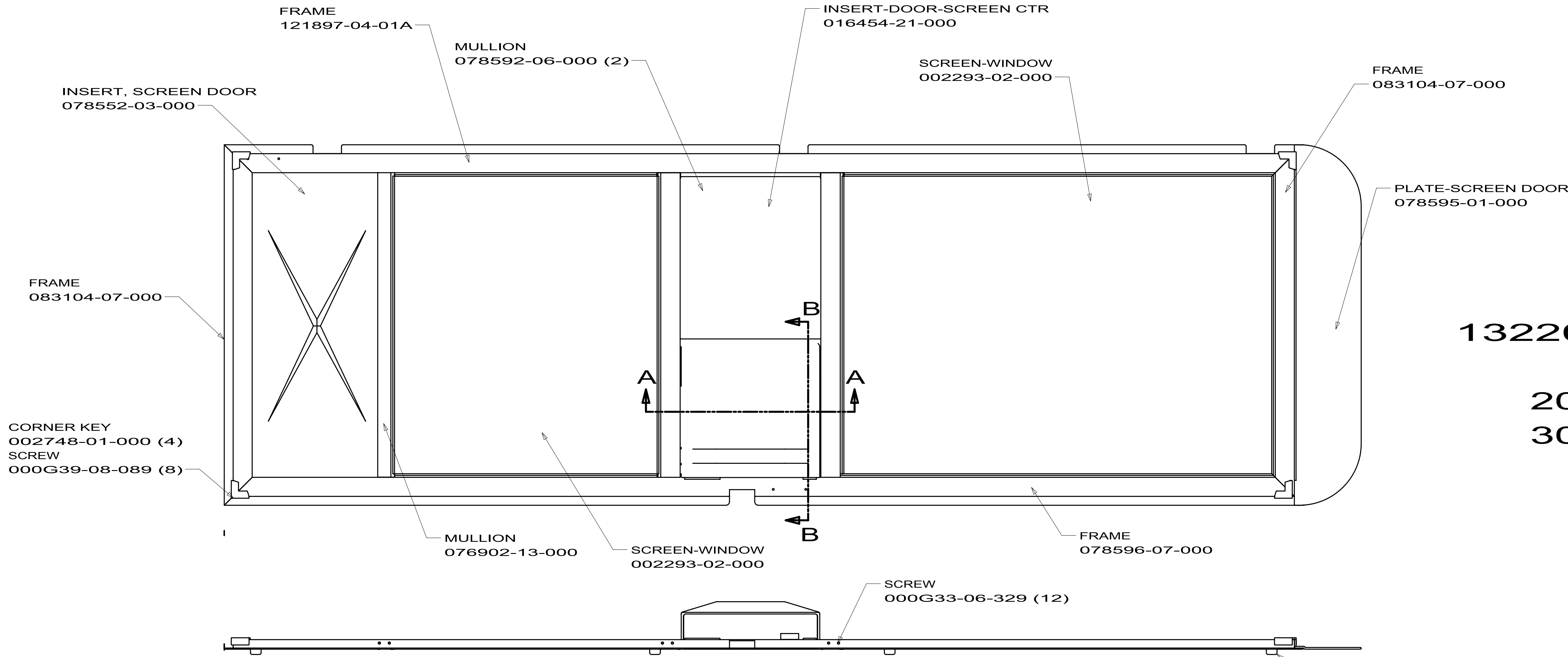


**500
SERIES**

SECTION N-N

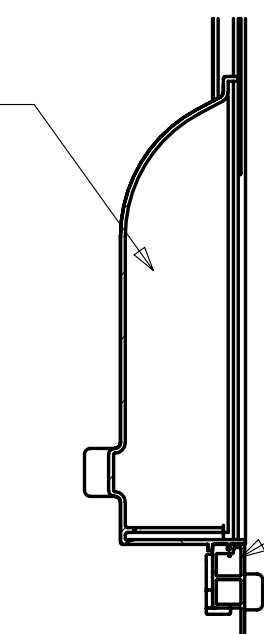
00 MOTORHOMES

DOOR COMPL-ENTRANCE,MID



132208-04-L07
E26P
200-SERIES
300-SERIES

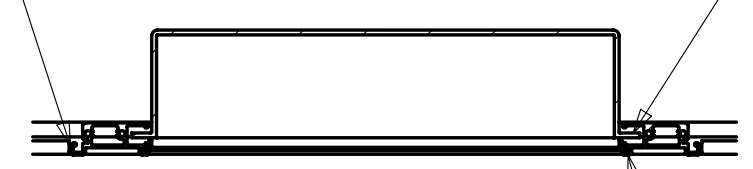
SLIDER
132082-01-01A (WHT)
132082-01-03A (BLK)



SECTION B-B

STRIKE
132081-01-01A (WHT)
132081-01-03A (BLK)
RIVET
000H16-04-04R (3)

SPLINE
002294-01-000



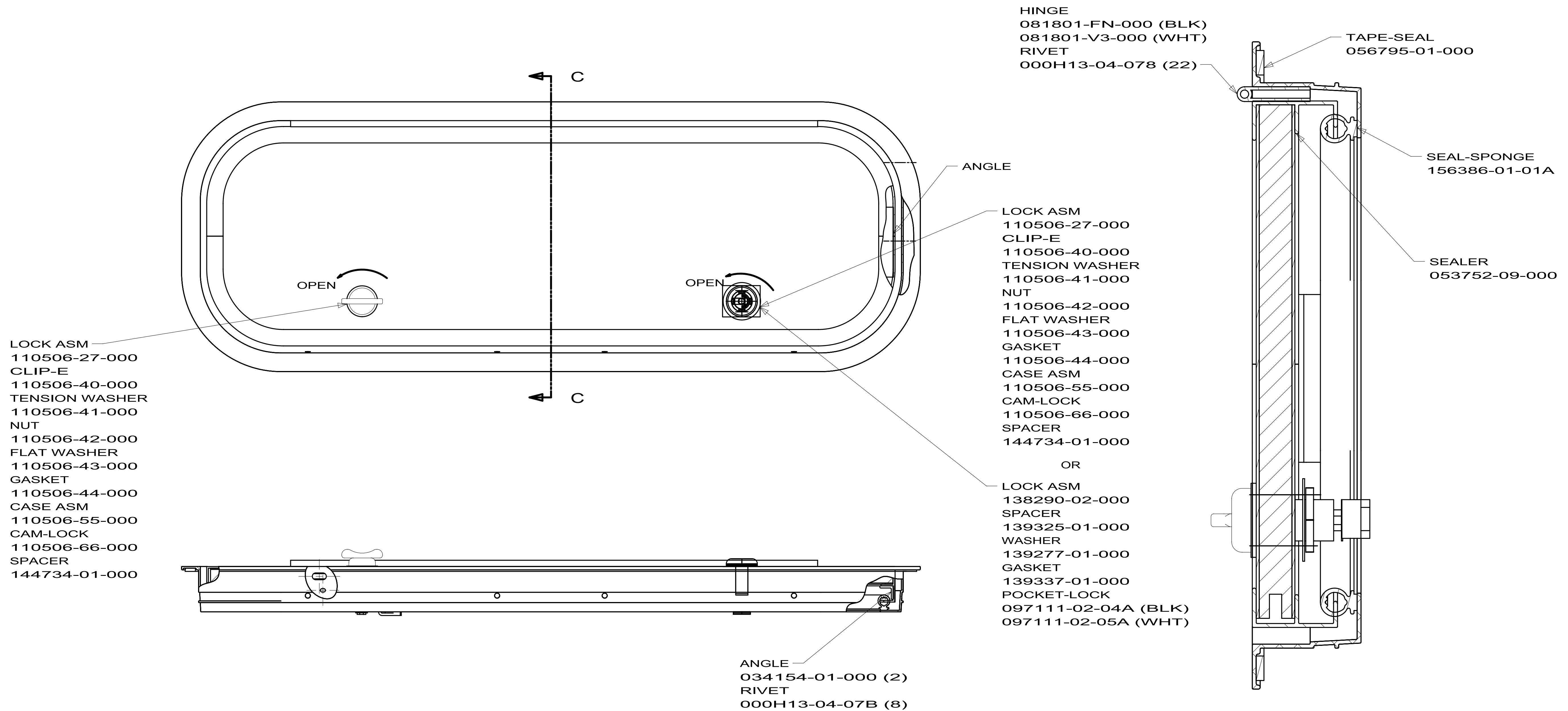
SECTION A-A

CHANNEL-SLIDER
078777-08-000

SEALANT
053752-05-000
(APPLIED AROUND ENTIRE PERIMETER OF BOTH INSERTS)

BUMPER-RUBBER
120863-09-000 (4)
RIVET
000H16-04-06R (4)

00 G-SERIES, 00 L-SERIES	
DOOR ASM-SCREEN	
2	132208

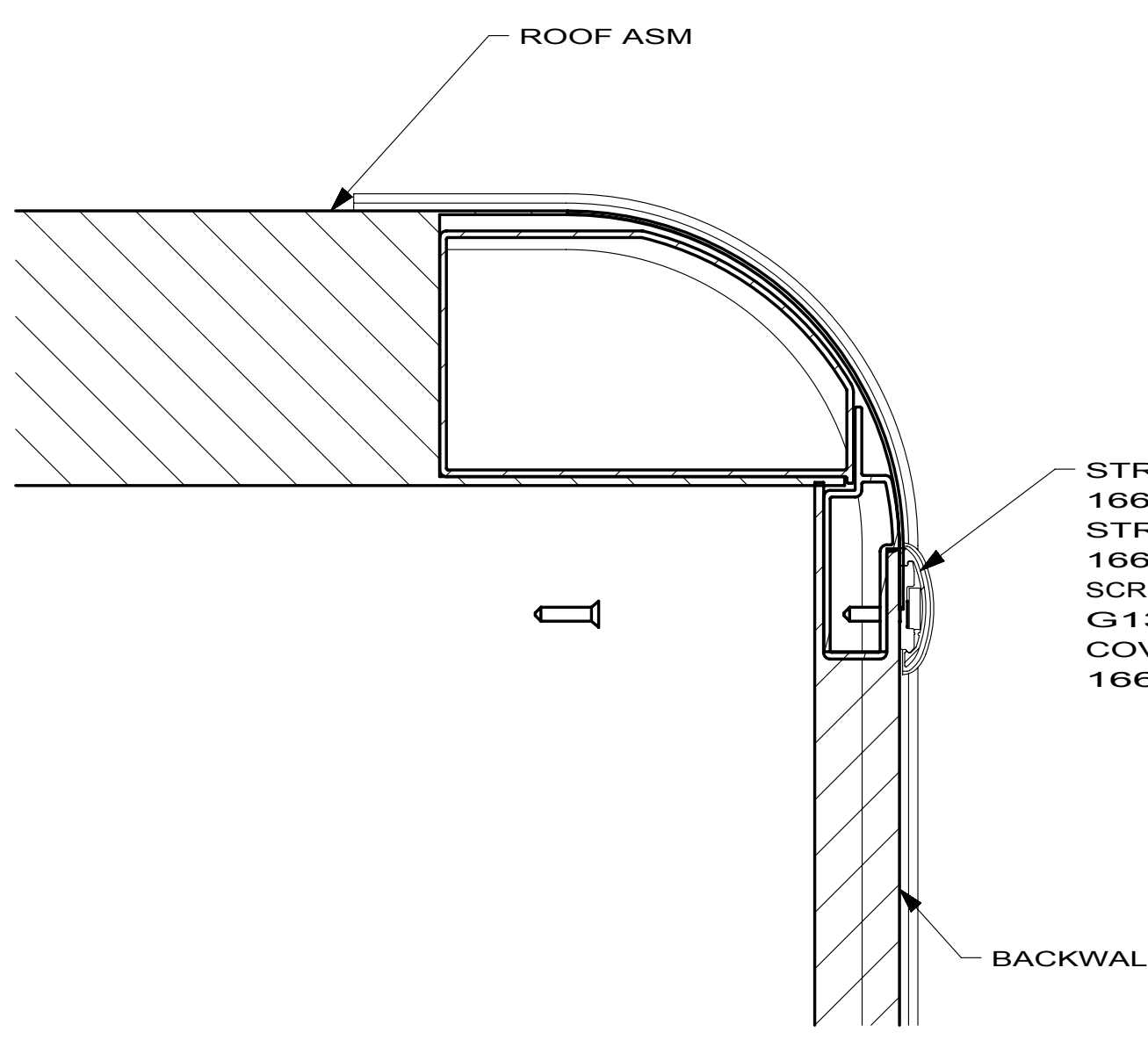


KEY	PART NUMBER	U/M DESCRIPTION	172626-01-01A	VENDOR NO.
	084104-01-700	EA LOCK-MALE, FASTENER		201-721-010
	084104-01-701	EA LOCK-FEMALE, FASTENER		201-802-010

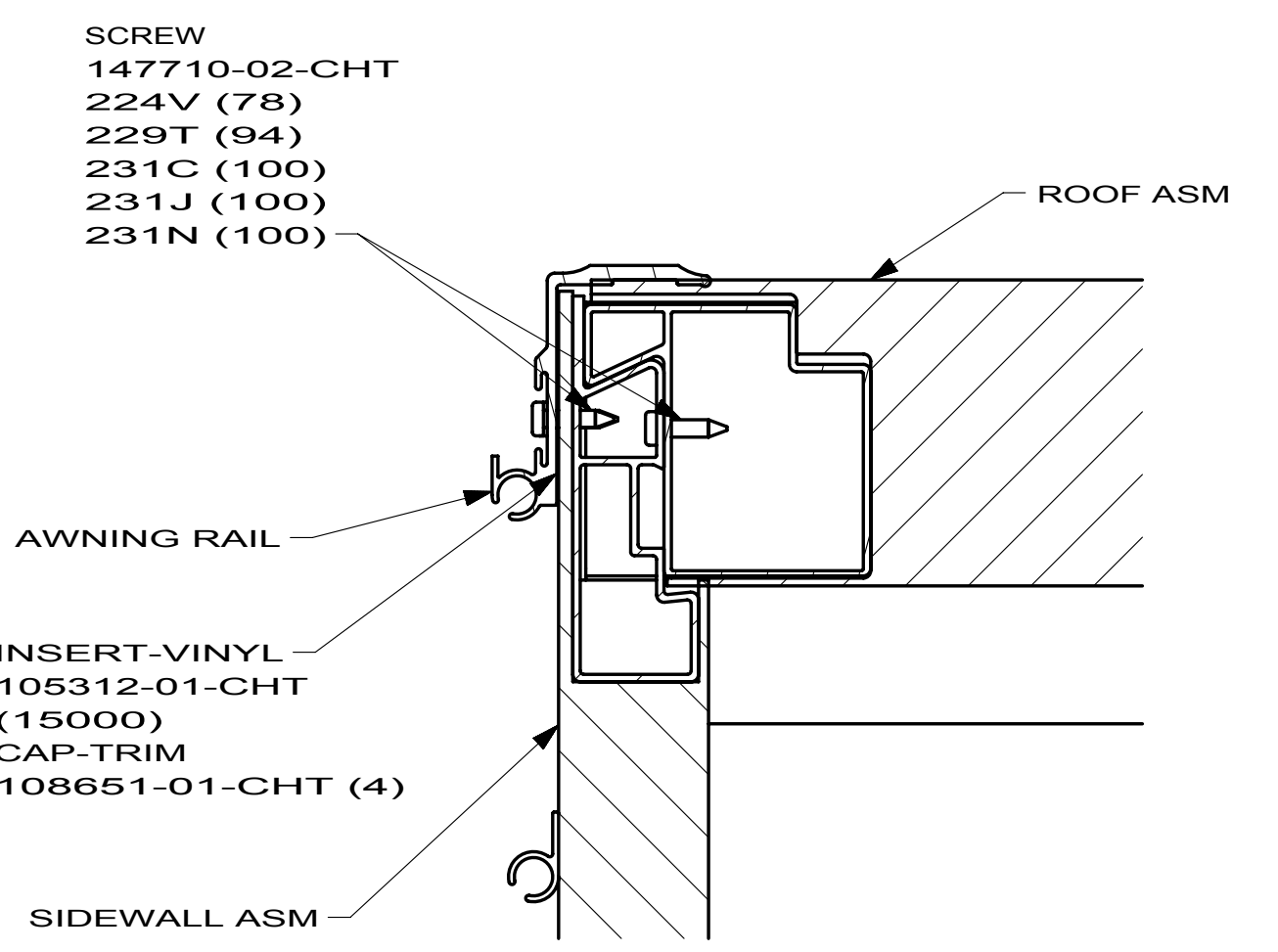
DWG NO
169481-01
169481-02

09L 09R 09T

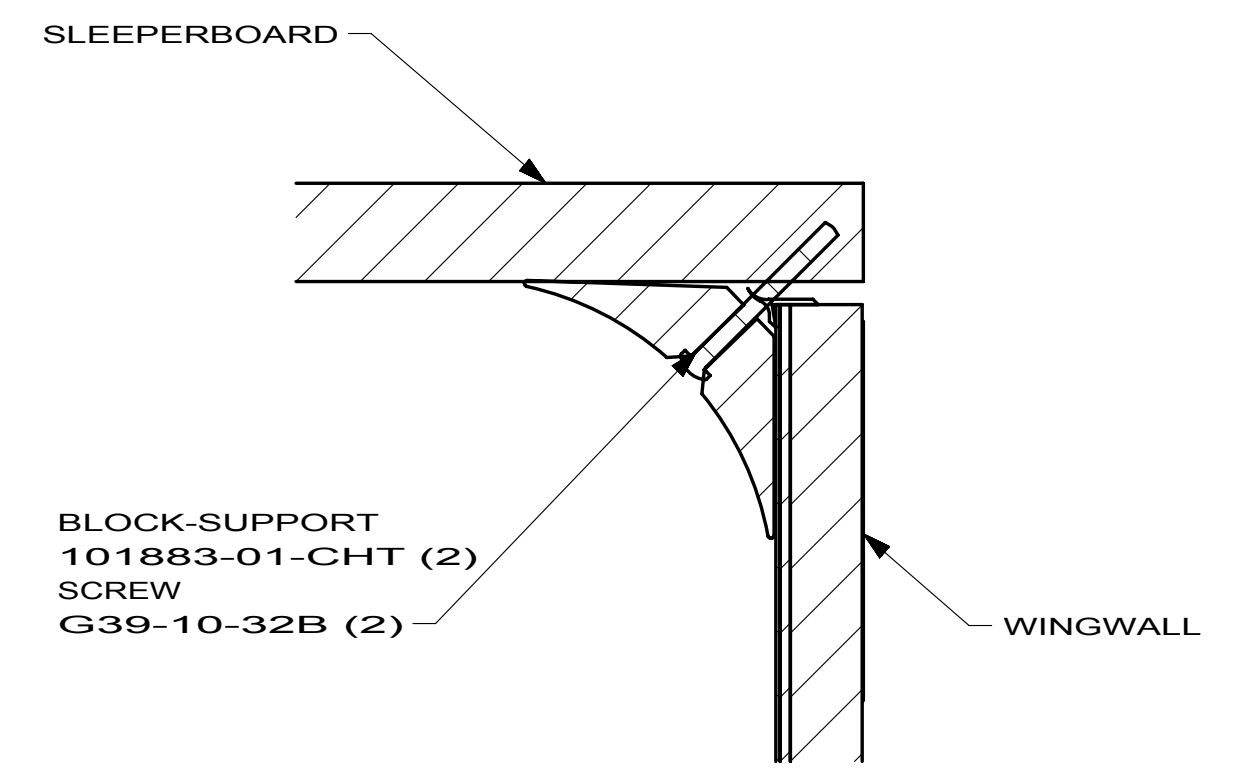
RELEASE A
REV DATE
DWG NO 169481
REV ZONE REVISION RECORD DATE DFR-ORIG



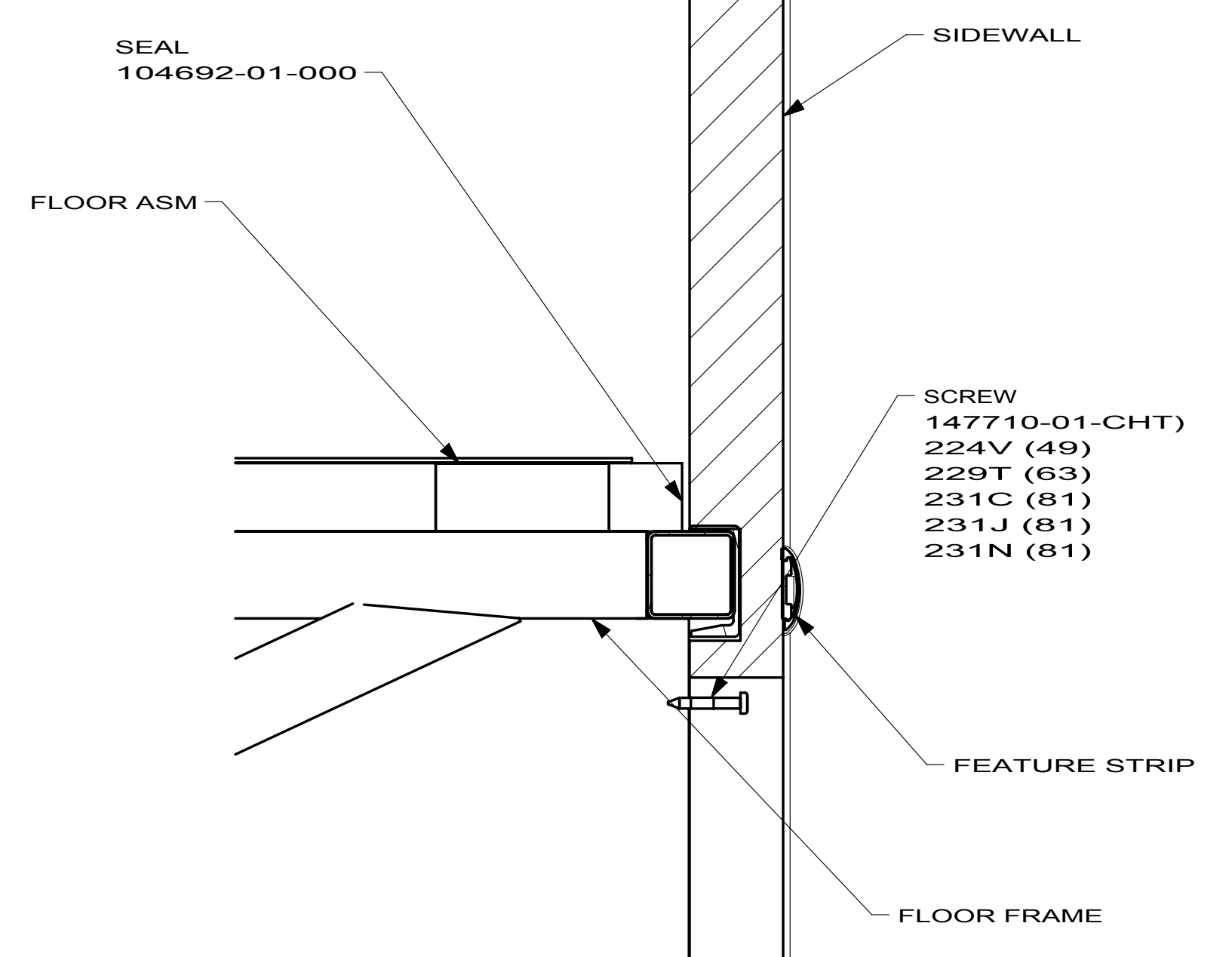
SECTION AA-AA



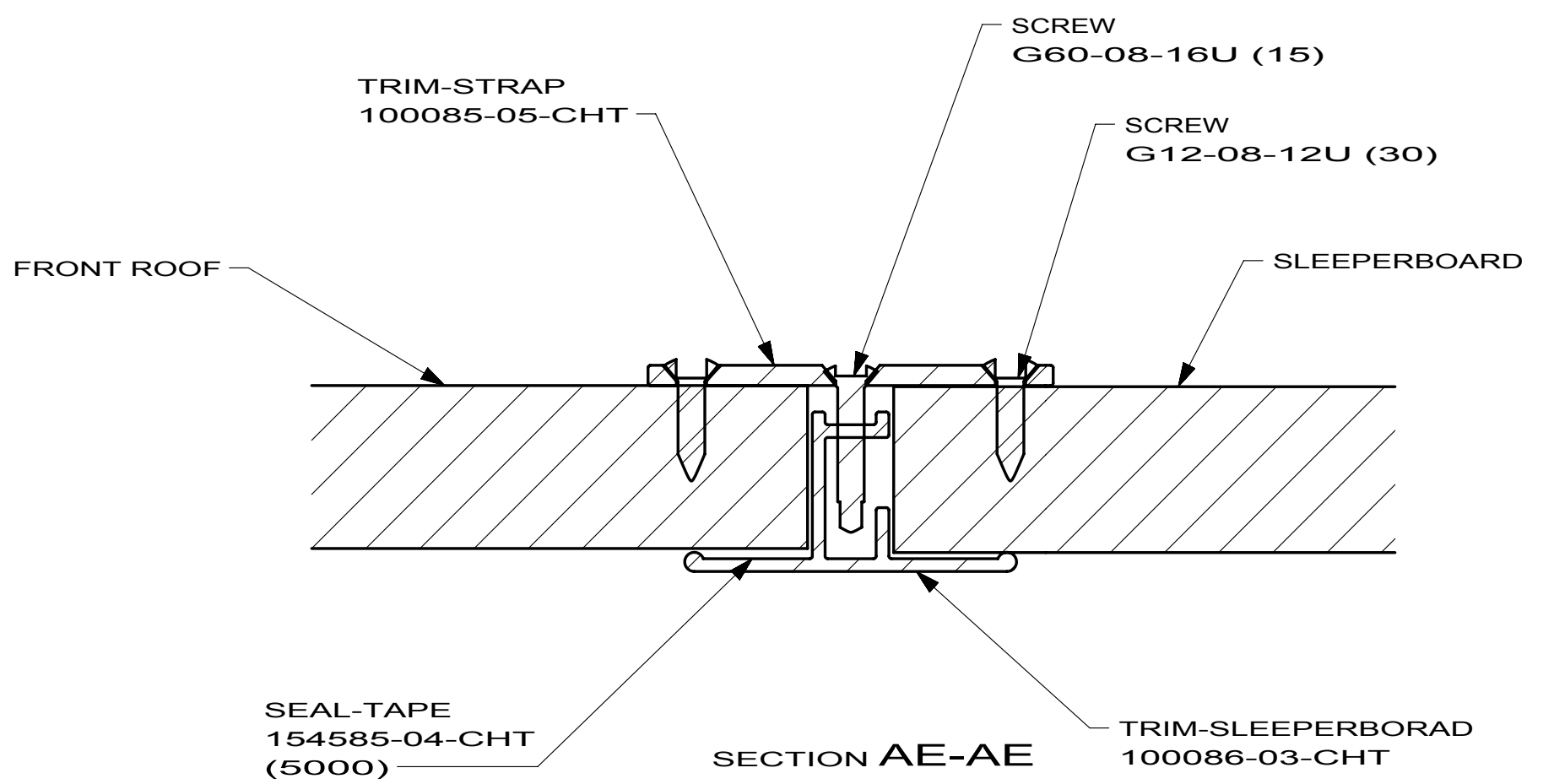
SECTION AB-AB



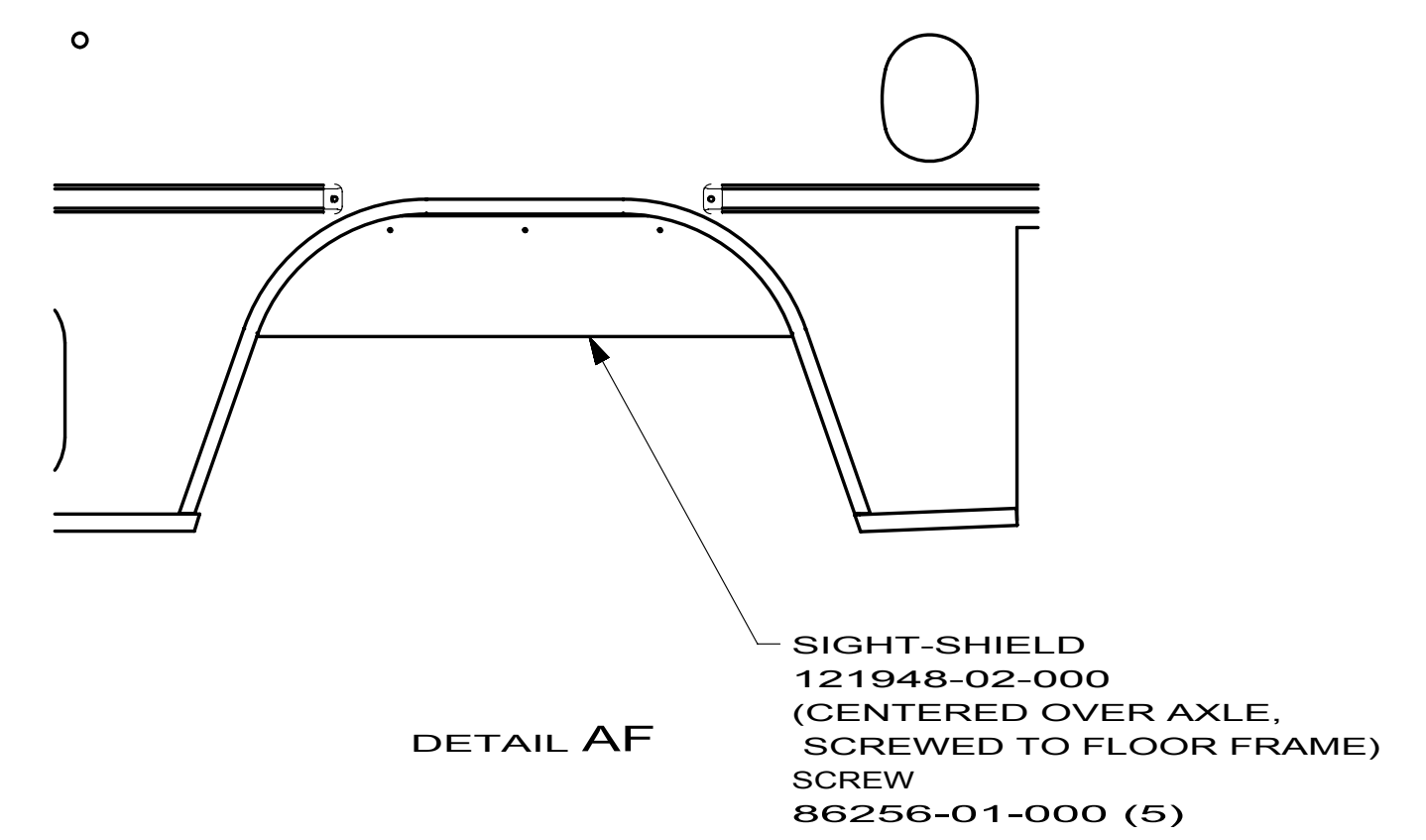
SECTION AD-AD



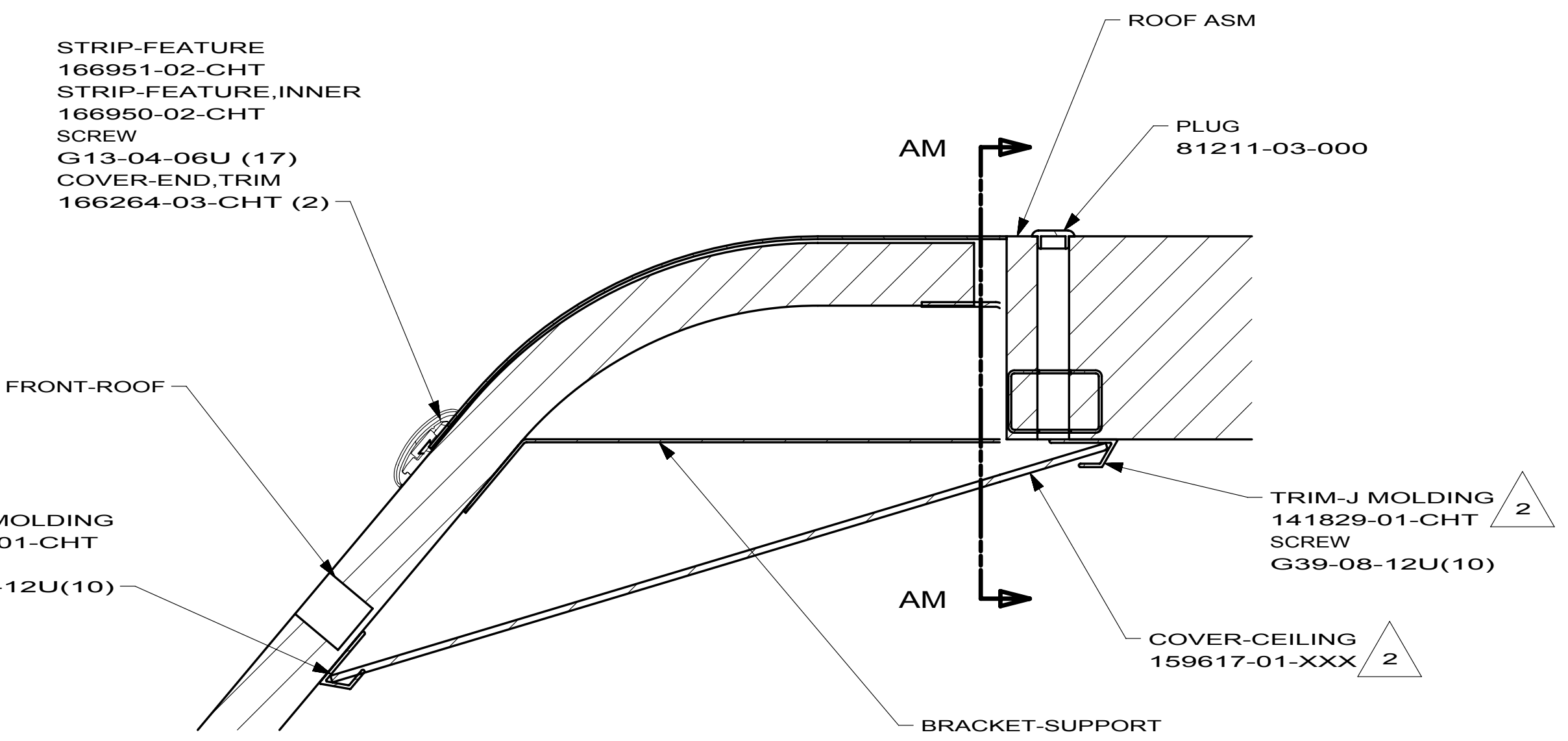
SECTION AC-AC TYPICAL



SECTION AE-AE



DETAIL AF

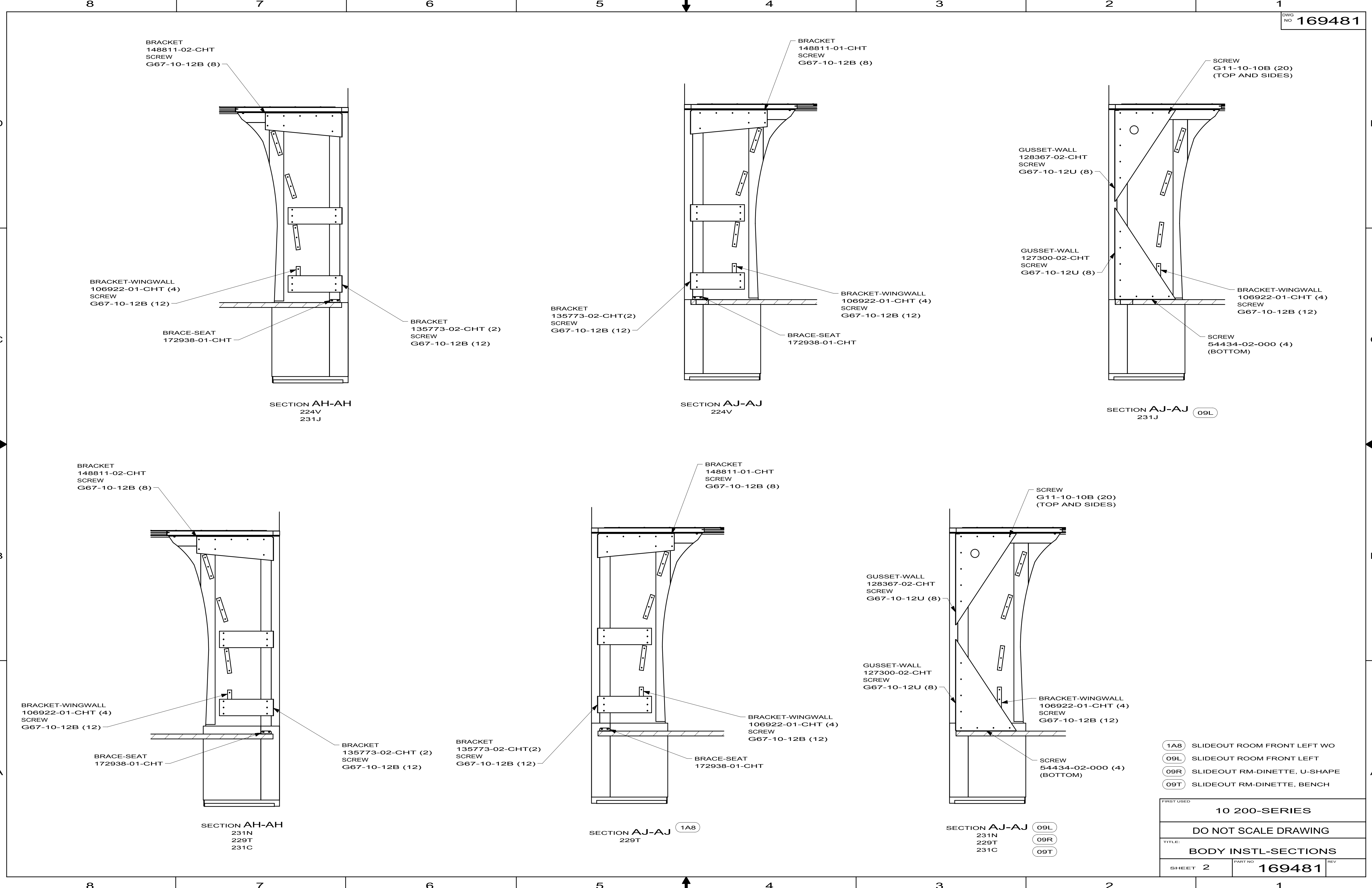


SECTION AG-AG

NOTES:
2. NOT USED WITH 1L9
1. PLACE SEAL AT THE END OF RAIN CHANNEL.

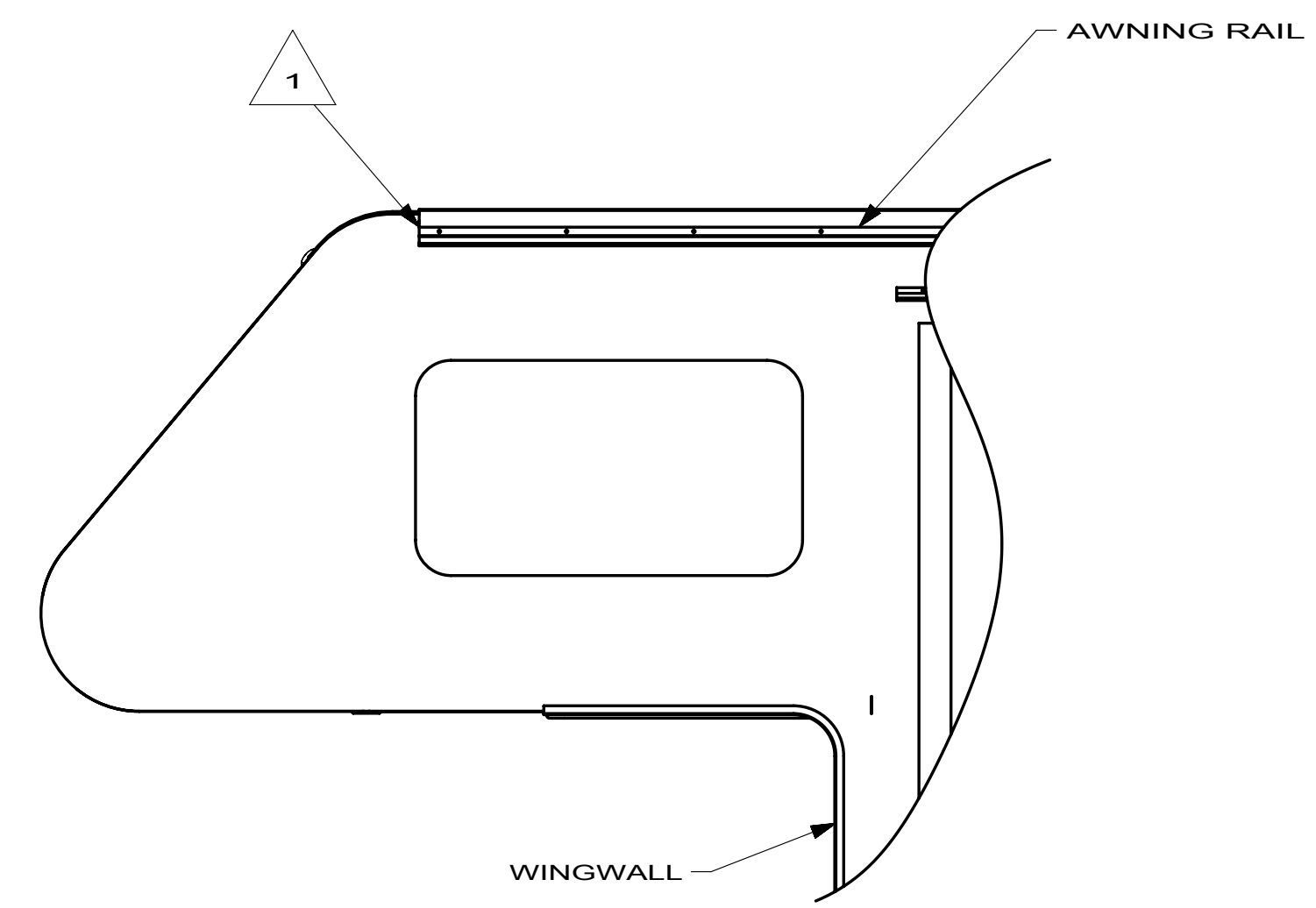
- 1A8 SLIDEOUT ROOM FRONT LEFT WO
- 1L9 ENTERTAINMENT CENTER-CABOVER
- 09L SLIDEOUT ROOM FRONT LEFT
- 09R SLIDEOUT RM-DINETTE, U-SHAPE
- 09T SLIDEOUT RM-DINETTE, BENCH

WINNEBAGO INDUSTRIES		COPYRIGHT 2009 WINNEBAGO INDUSTRIES, INC.	
DFTR	ORIG. DATE	ALL DIMENSIONS ARE IN MILLIMETERS	
CHKR		FIRST USED	
P.E.		10 200-SERIES	
M.E.		UNSPECIFIED TOLERANCES ARE:	
DSNR		WHOLE DIM (X) :	MATERIAL:
		ONE-PLACE (X.X) :	
		TWO-PLACE (X.XX) :	
		ANGLE :	
THIRD ANGLE PROJECTION		DO NOT SCALE DRAWING	
TITLE: BODY INSTL-SECTIONS			
SHEET 1 OF 3	PART NO 169481	REV	
REF:	1		

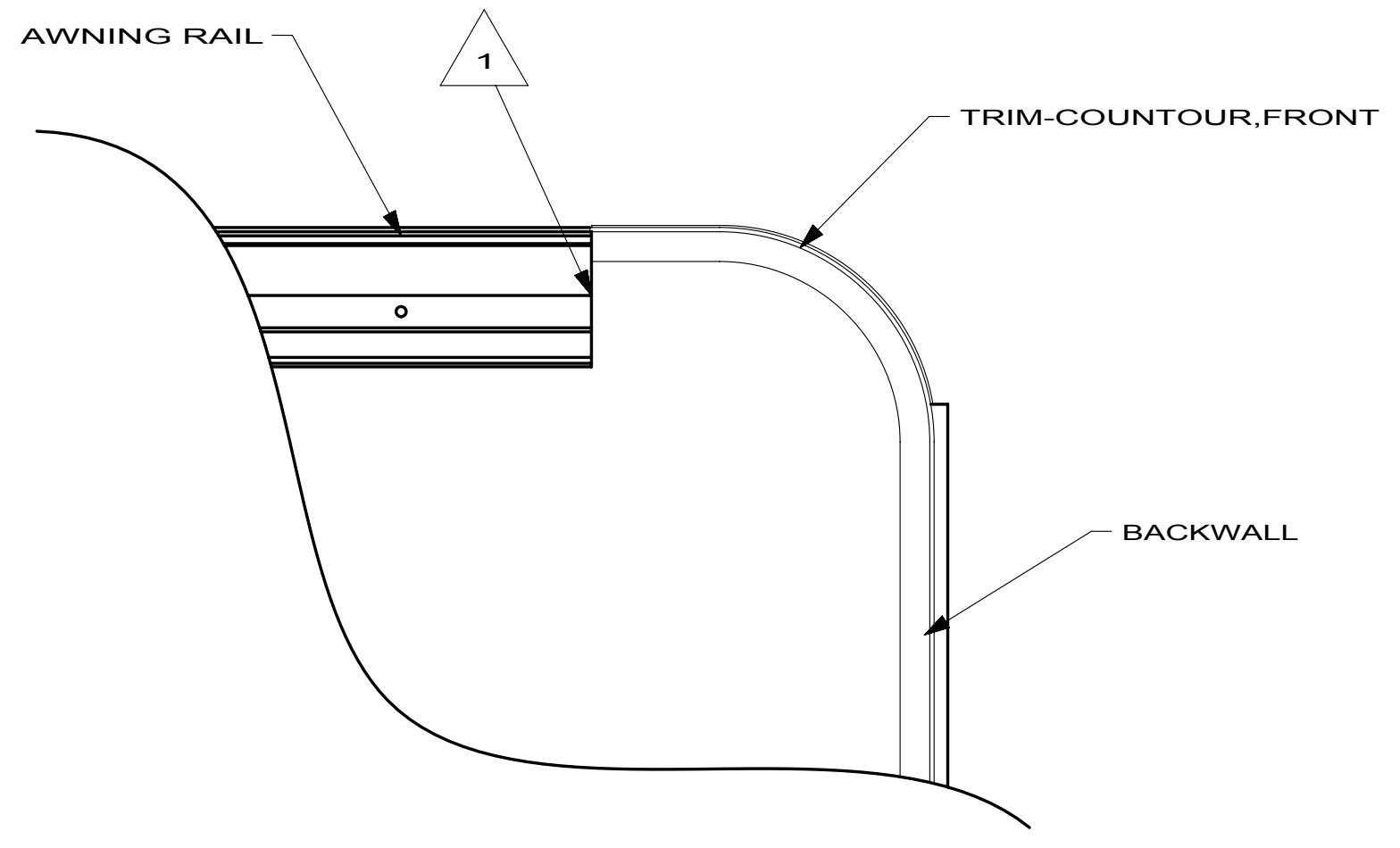


- (1A8) SLIDEOUT ROOM FRONT LEFT WO
- (09L) SLIDEOUT ROOM FRONT LEFT
- (09R) SLIDEOUT RM-DINETTE, U-SHAPE
- (09T) SLIDEOUT RM-DINETTE, BENCH

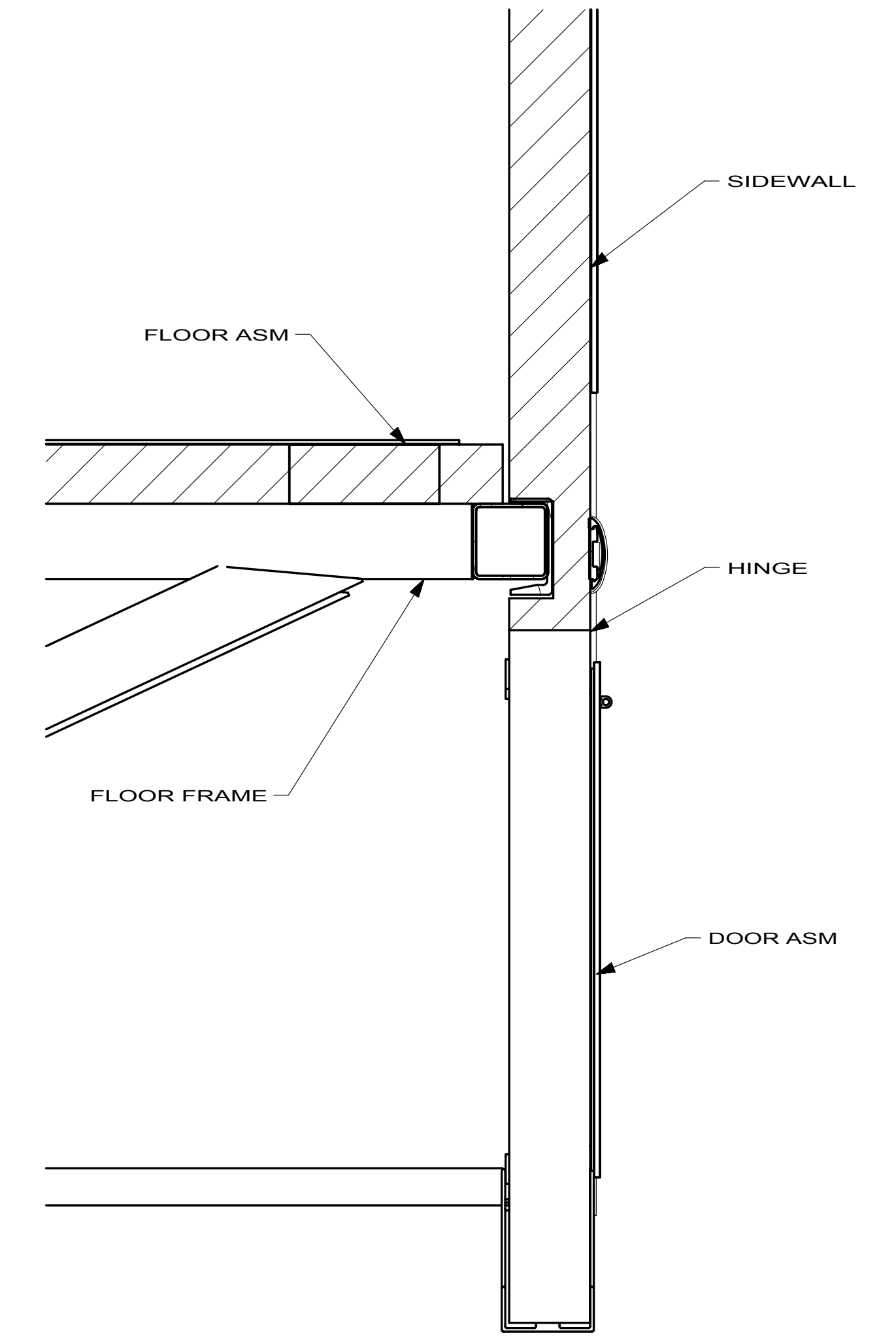
FIRST USED		10 200-SERIES	
DO NOT SCALE DRAWING			
TITLE: BODY INSTL-SECTIONS			
SHEET 2	PART NO	169481	REV



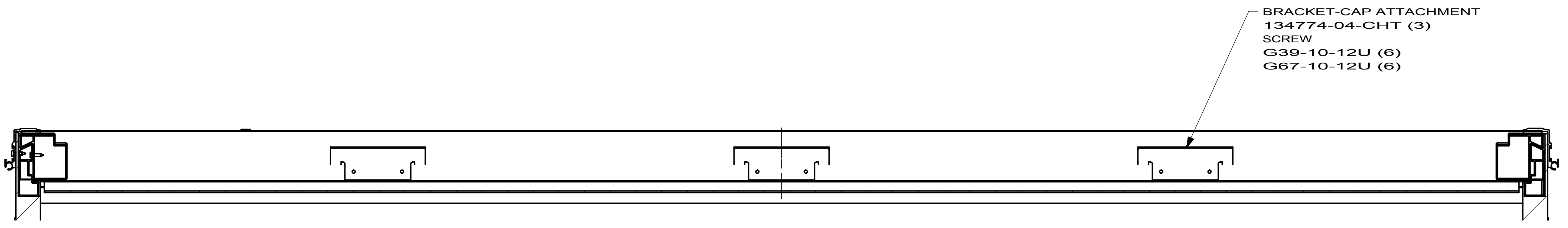
DETAIL AK



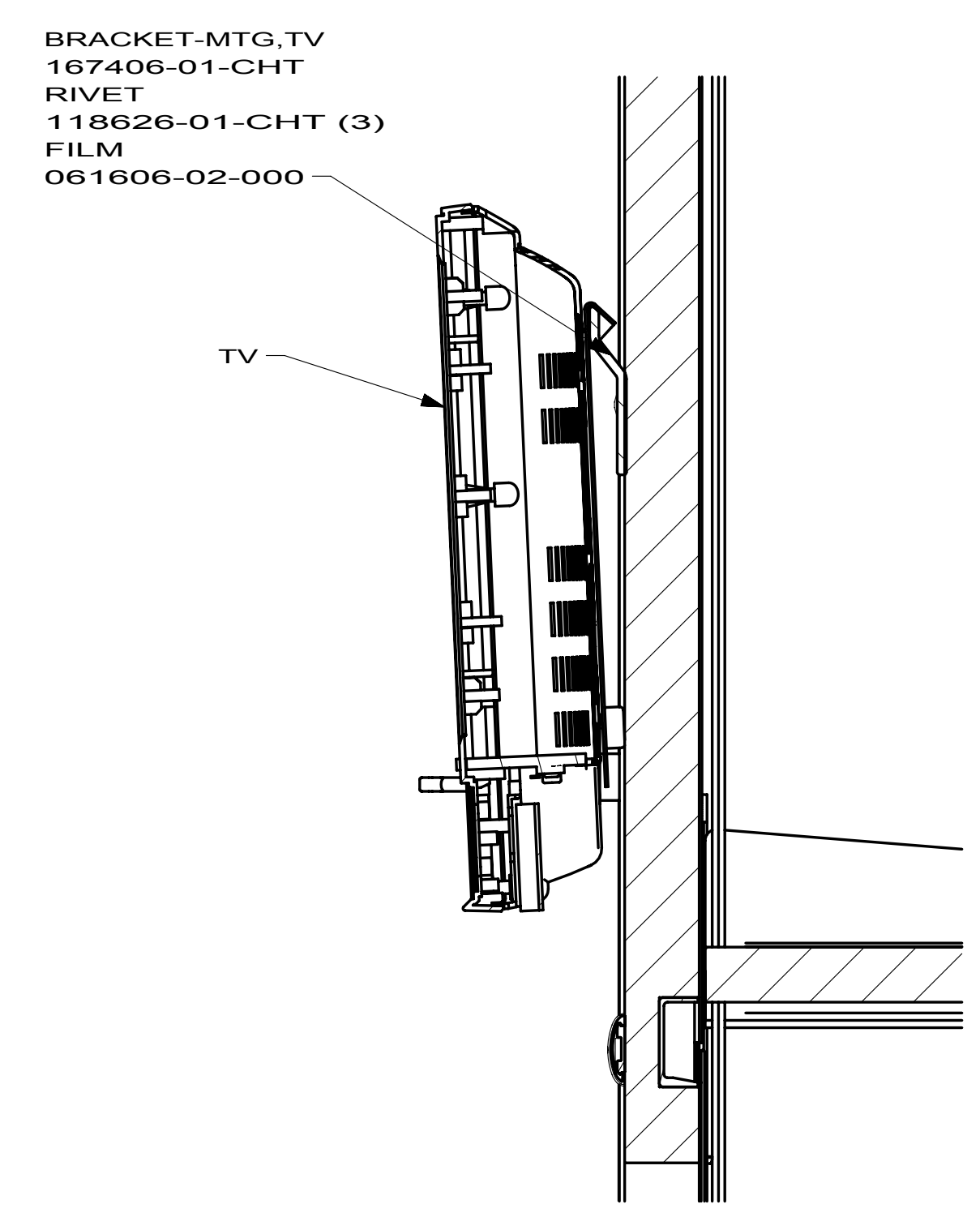
DETAIL AL



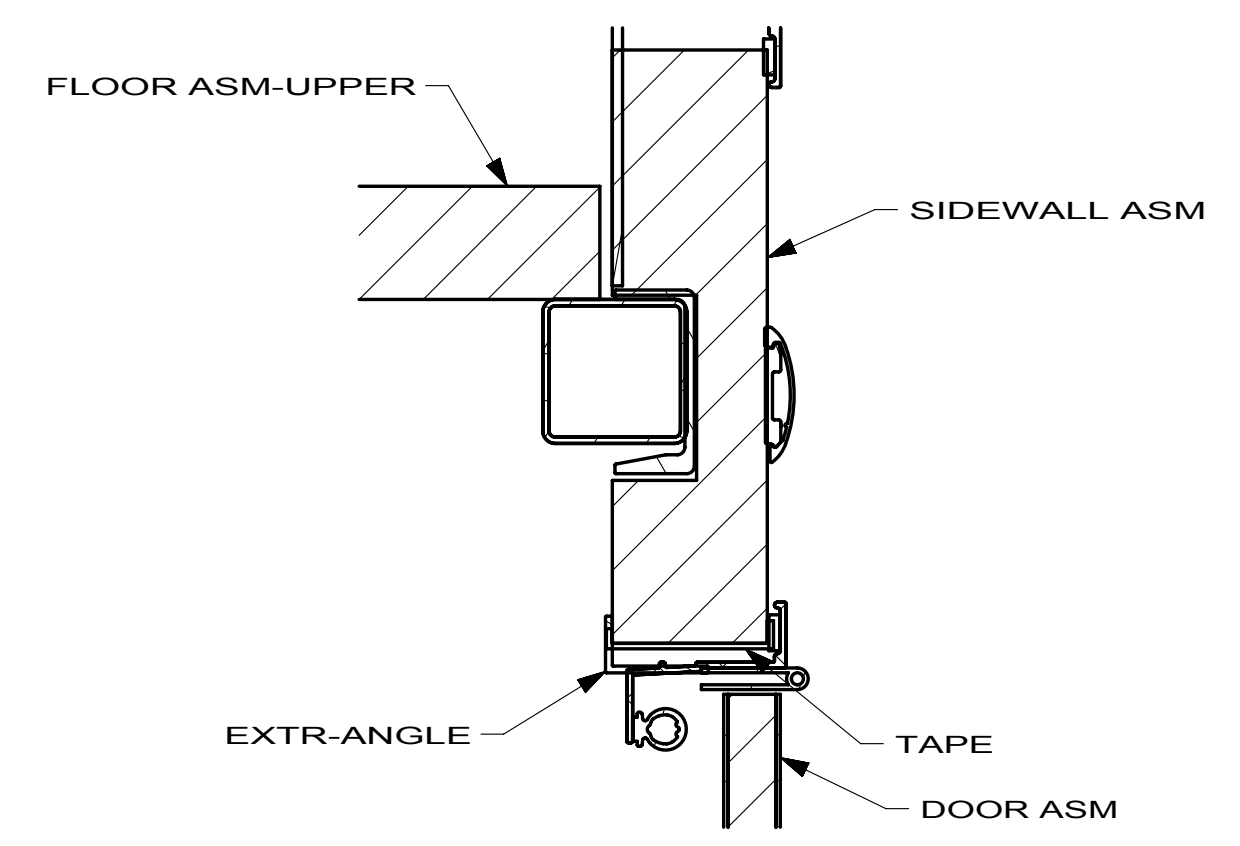
SECTION BA-BA



SECTION AM-AM



SECTION AN-AN



SECTION BB-BB

1LK TV-19"DC,COLOR,LCD W/REMOTE

FIRST USED	10 200-SERIES	
TITLE:	DO NOT SCALE DRAWING	
	BODY INSTL-SECTIONS	
SHEET 3	PART NO 169481	REV