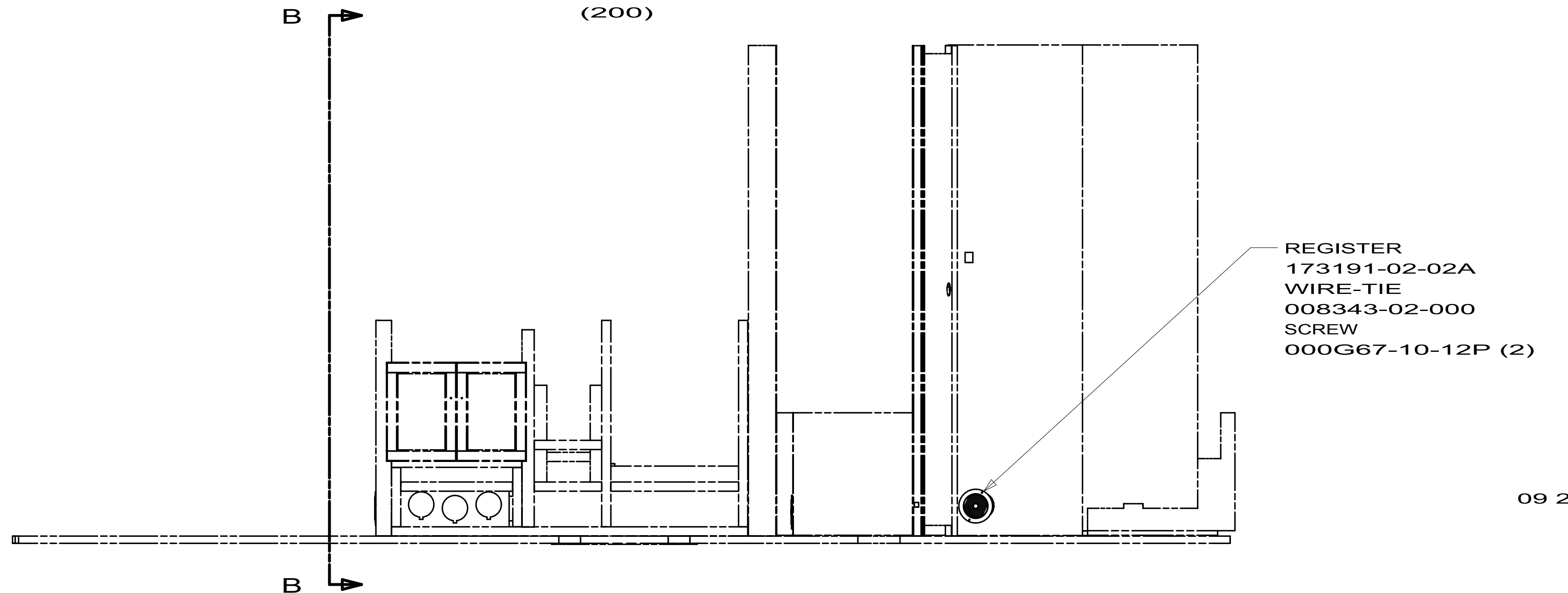
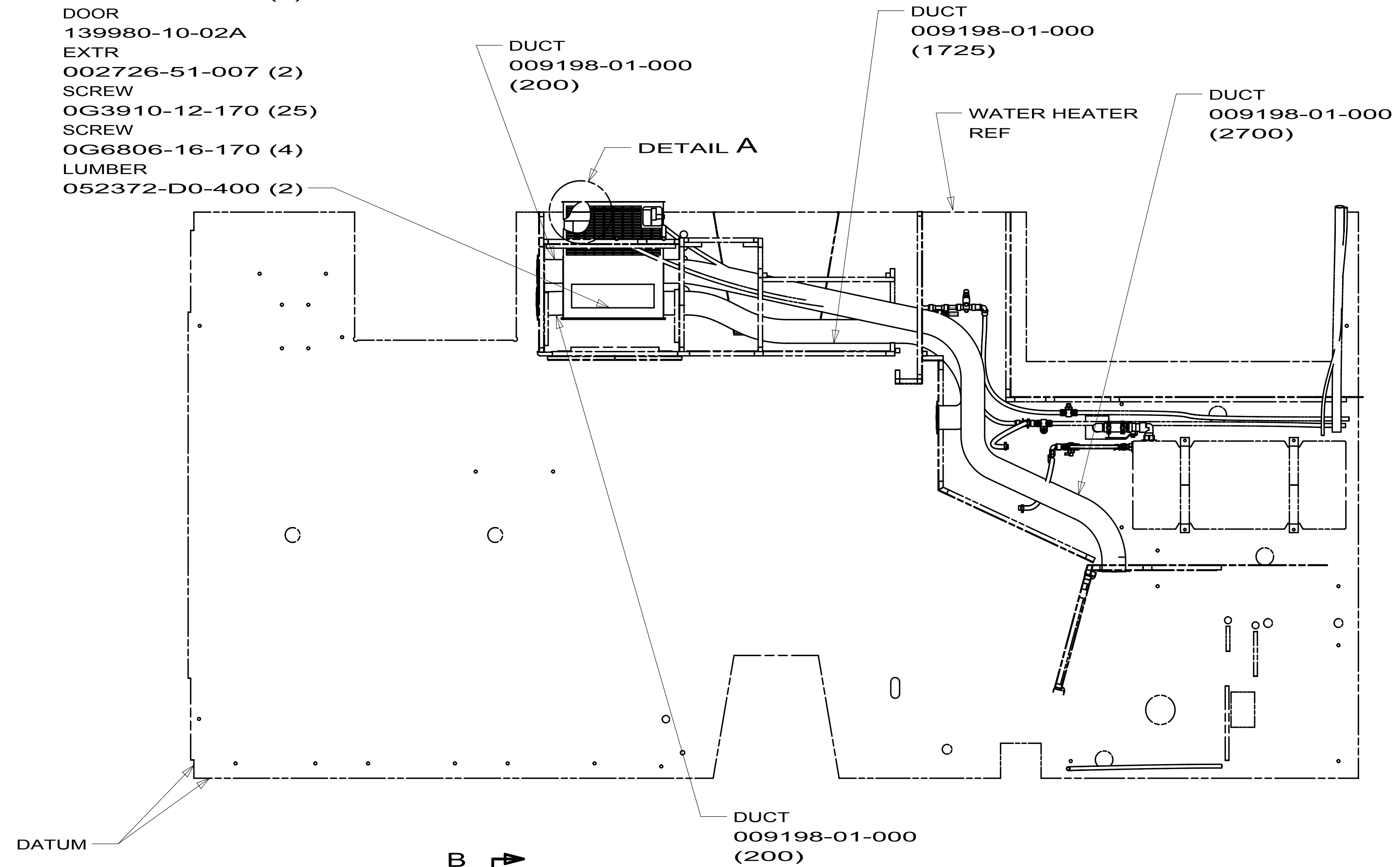
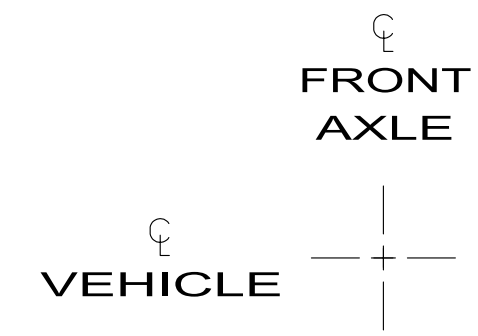
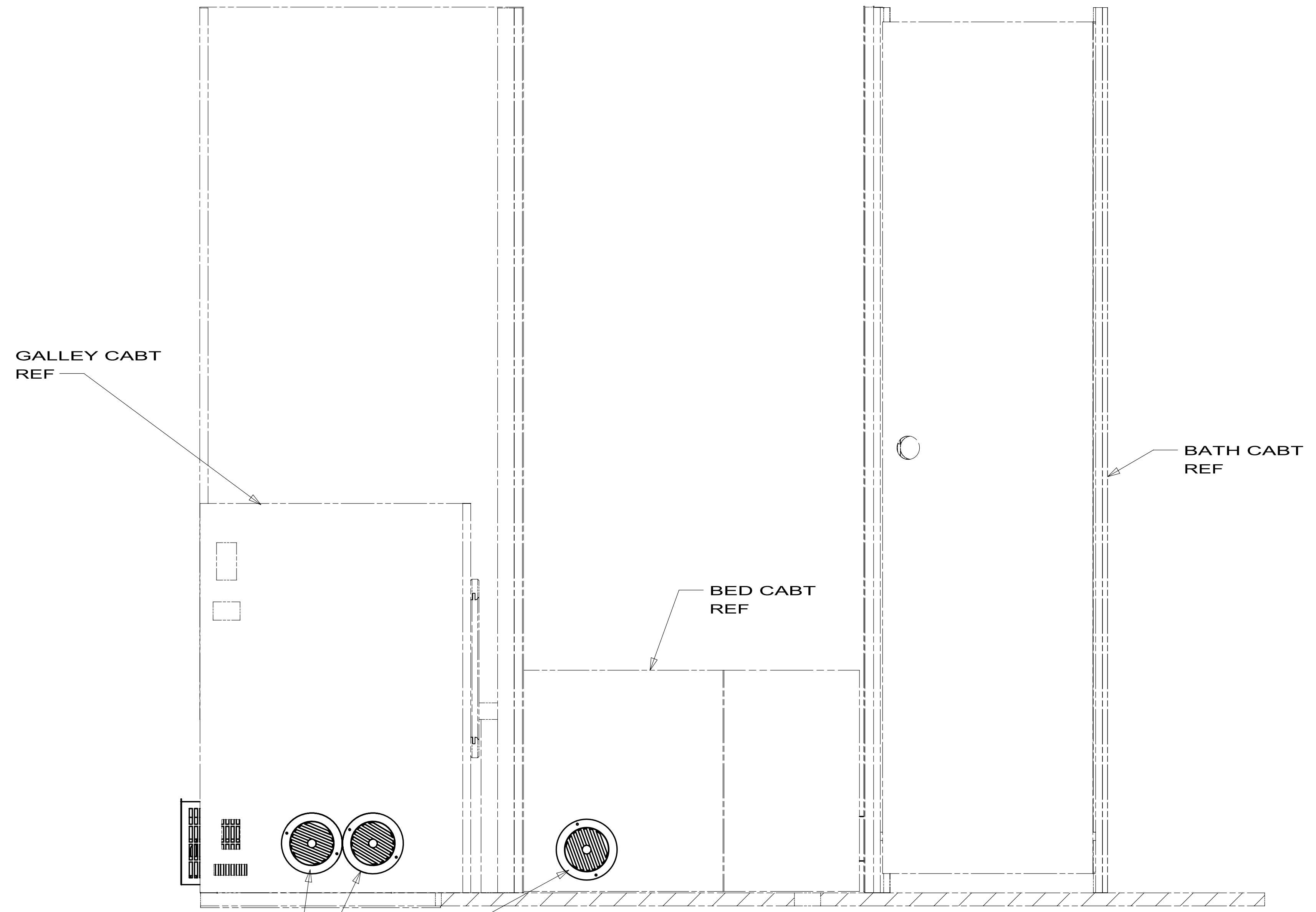
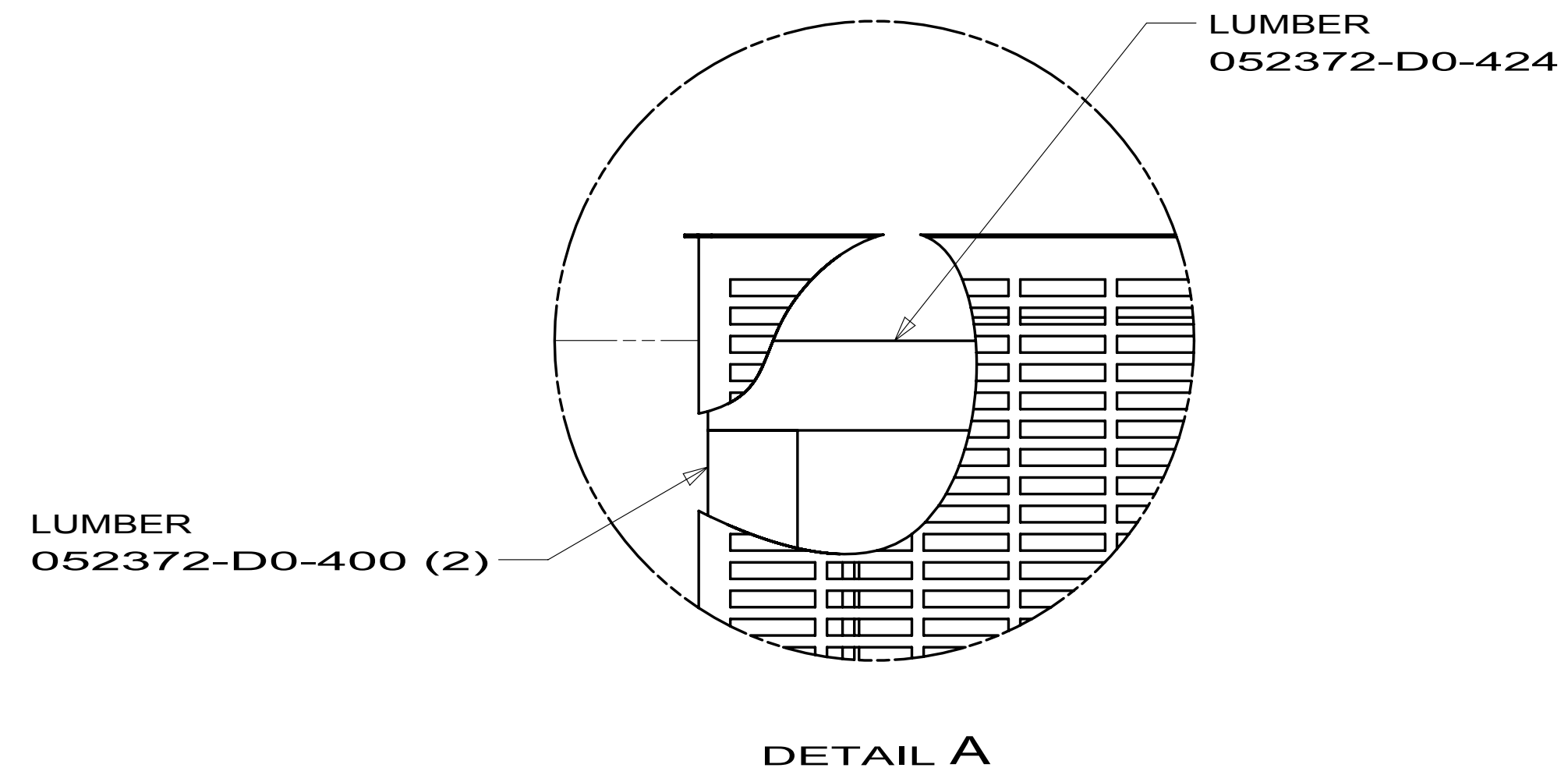


- FURNACE
139980-01-000
- CONNECTOR
069636-02-000 (4)
- CLAMP
062401-11-000 (4)
- DOOR
139980-10-02A
- EXTR
002726-51-007 (2)
- SCREW
0G3910-12-170 (25)
- SCREW
0G6806-16-170 (4)
- LUMBER
052372-D0-400 (2)



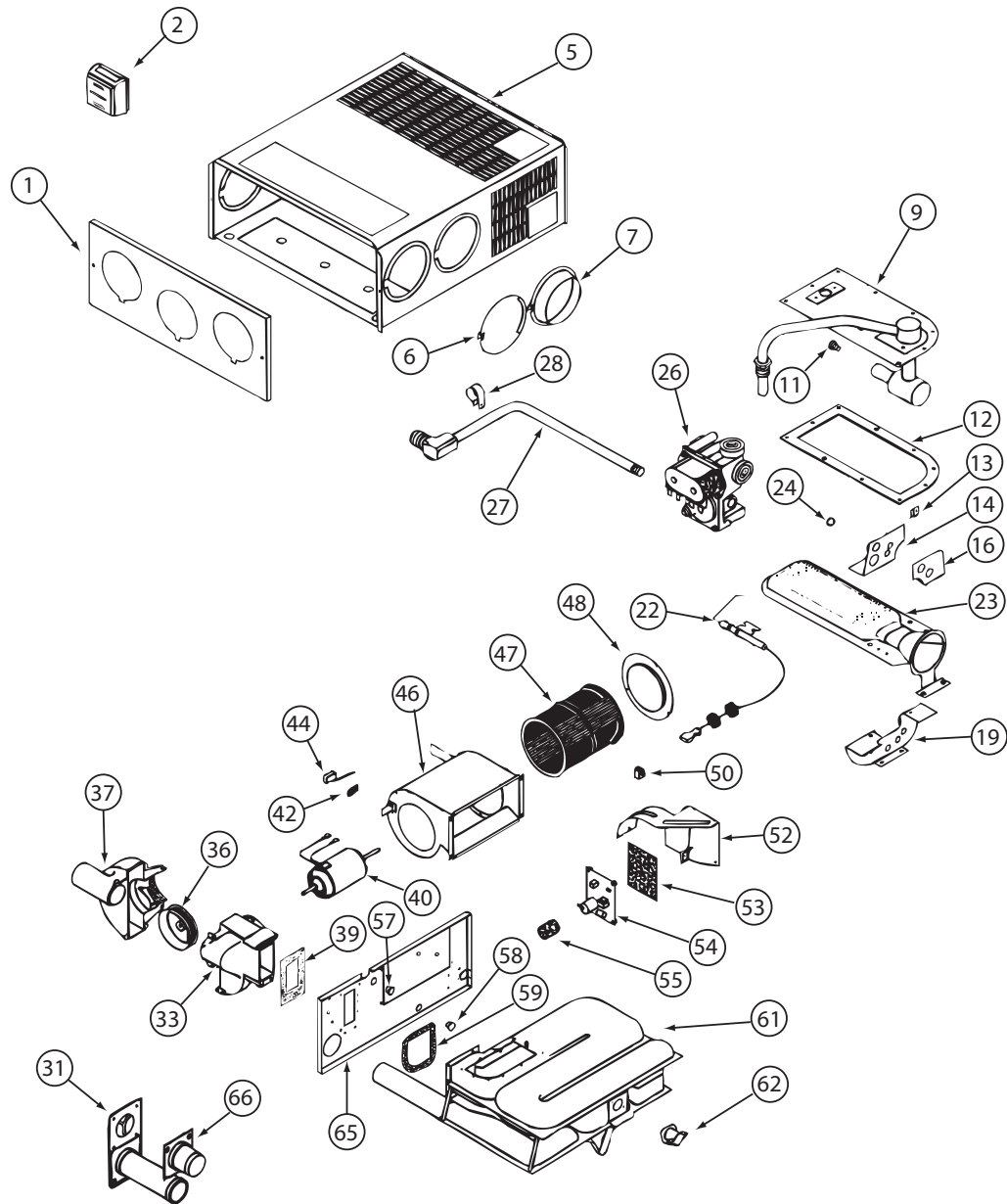
5. SECURE ALL TEES OR SPLICES WITH A FLEXIBLE DUCT TO FLOOR OR WALL USING CABLE TIE 108046-02-000.
4. ALL FLEXIBLE DUCTS TO BE SECURED TO FLOOR OR WALL AT 1219 INTERVALS MAXIMUM USING CABLE TIE 108046-02-000.
3. ALL EXPOSED EDGES MUST BE COVERED WITH TAPE 088479-01-000.
2. USE SEAL 090340-01-000 ON ALL SURFACES THAT CONTACT FLOOR.
1. FURNACE WILL BE INSTALLED TO VENDORS SPECIFICATIONS.

NOTES:



- REGISTER
173191-02-02A (3)
- WIRE-TIE
008343-02-000 (3)
- SCREW
000G67-10-12P (6)

09 224V

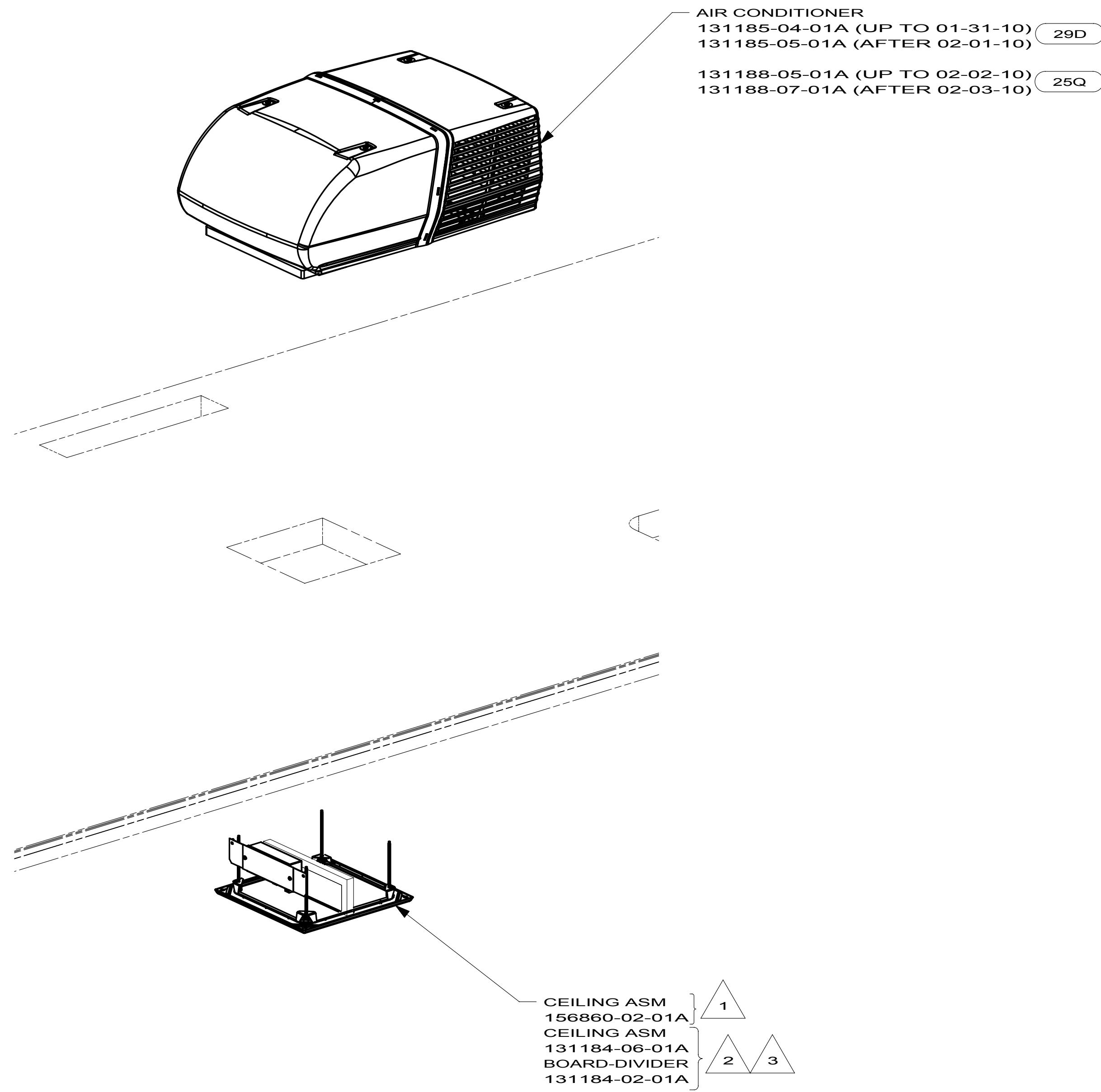


139980-01-000

139980-01-000 (CONTINUED)

KEY	PART NUMBER	U/M	DESCRIPTION	VENDOR NO.
9	139980-01-700	EA	MANIFOLD ASSEMBLY	171571
11	090039-01-703	EA	ORIFICE-MAIN BURNER	180193
12	098668-22-703	EA	GASKET - BURNER ACCESS COVER	070811
22	139980-01-701	EA	ELECTRODE	232286
23	098668-01-703	EA	BURNER ASSEMBLY	010762
26	098668-01-718	EA	VALVE-GAS SF S.N.974903079	161122
27	139980-01-702	EA	PIPE ASSEMBLY/GAS INLET	171574
31	098668-01-707	EA	TUBE ASSEMBLY, EXHAUST W/CAP	260231
33	139980-01-703	EA	HOUSING/COMB. - FRONT/HALF	390852
36	098668-01-706	EA	WHEEL-COMBUSTION AIR	350184
37	139980-01-704	EA	HOUSING/COMB. - REAR/HALF	390848
39	139980-01-705	EA	GASKET/FIREWALL-COMB AIR	071084
40	139980-01-706	EA	MOTOR ASSEMBLY W/GASKET	232682
42	101990-01-714	EA	GASKET-MICROSWITCH	230877
44	098668-21-700	EA	SWITCH-MICRO-W/O FLAG 3 1/4"	232261
46	139980-01-708	EA	BLOWER ASSEMBLY - ROOM AIR	390739BK
47	098668-01-711	EA	WHEEL-BLOWER, ROOM AIR	350129
48	139980-01-709	EA	ORFICE RING	390696
50	139980-01-710	EA	SWITCH - ON/OFF	232351
52	139980-01-711	EA	PANEL ASSEMBLY-MODULE BD	101663
53	139980-01-712	EA	INSULATOR - MODULE BD	070807
54	098668-22-705	EA	MODULE BD W/RELAY TIME DELAY	520820
55	139980-01-713	EA	CAP/INSULATOR-MODULE BD	070973
57	139980-01-714	EA	BUSHING - UNIVERSAL	070362
58	139980-01-715	EA	BUSHING - STRAIN RELIEF	231809
59	098668-01-716	EA	GASKET-FIREWALL,CHAMBER SIDE	070808
61	139980-01-716	EA	CHAMBER ASSEMBLY - FINAL	021149BK
62	098668-21-701	EA	SWITCH - LIMIT	232504
66	098668-01-713	EA	TUBE ASSEMBLY, INTAKE	051248
	098668-19-700	EA	DOOR/CABINET ACCESS	101888
	139980-02-700	EA	BLOWER ASM-1/2 HOUSING/OUTER	390851
	139980-02-701	EA	BLOWER ASM-1/2 HOUSING/INNER	390872

CONTACT WINNEBAGO PART SALES FOR UNLISTED COMPONENT(S)



**169863-02
 200-SERIES**

- 3 222B, 224V WITH OPTION 644
- 2 229T, 231C, 231J, 231N
- 1 222B, 224V WITHOUT OPTION 644

NOTES:

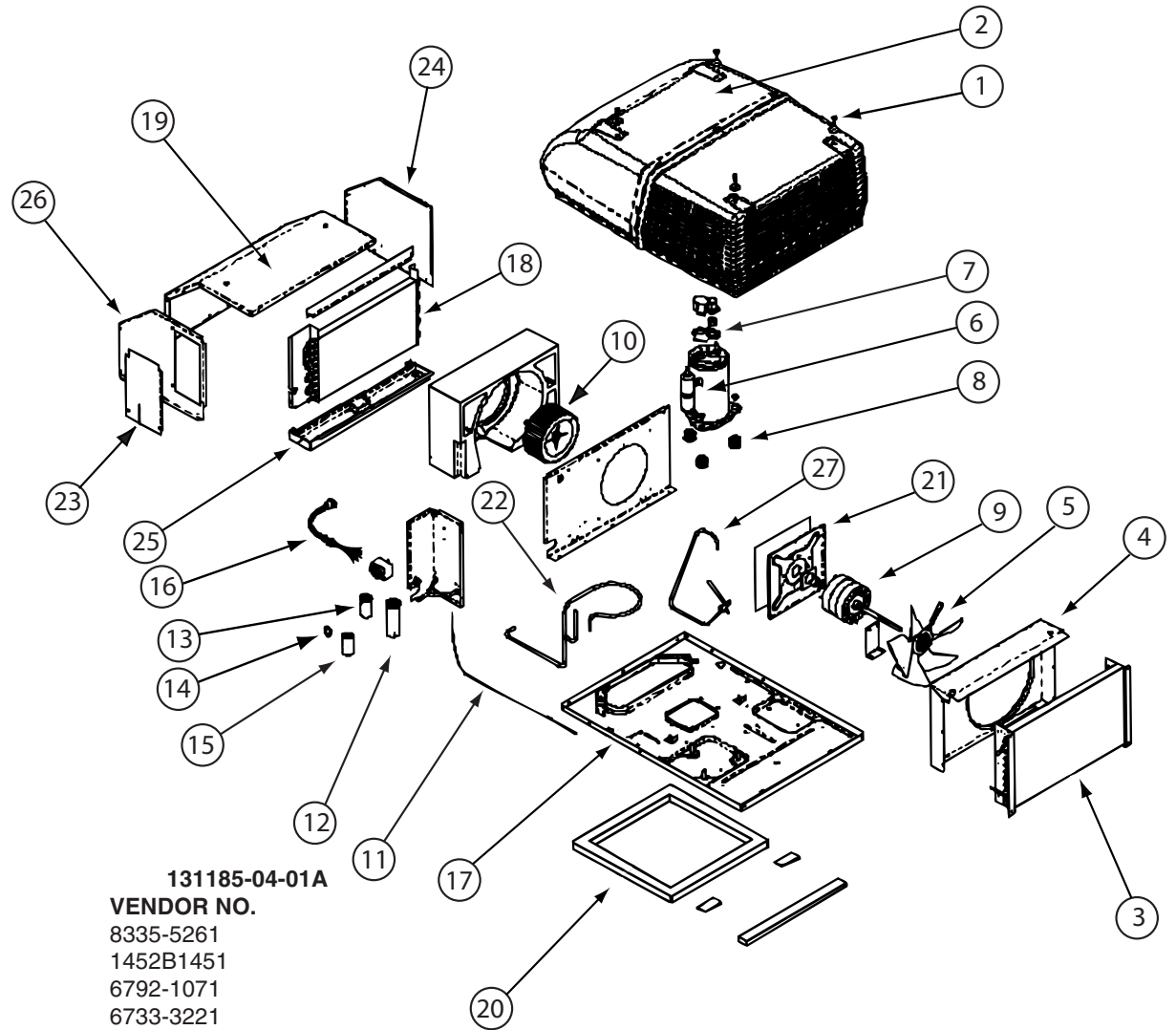
- 644 GREAT ALASKAN RENTAL PACKAGE
- 29D A/C ROOF-ONE 13,500 BTU
- 25Q A/C ROOF AIR (1) 14,800 BTU
- 265 CODES/STANDARDS-CSA/CMVSS
- 1B1 CODES/STANDARDS USA
- 1B1 265

FOR ELECTRICAL
 TORQUE
 SPECIFICATIONS
 SEE DWG NO.
 128783-01-000

10 MOTORHOMES

WIRING INSTL-ROOF A/C

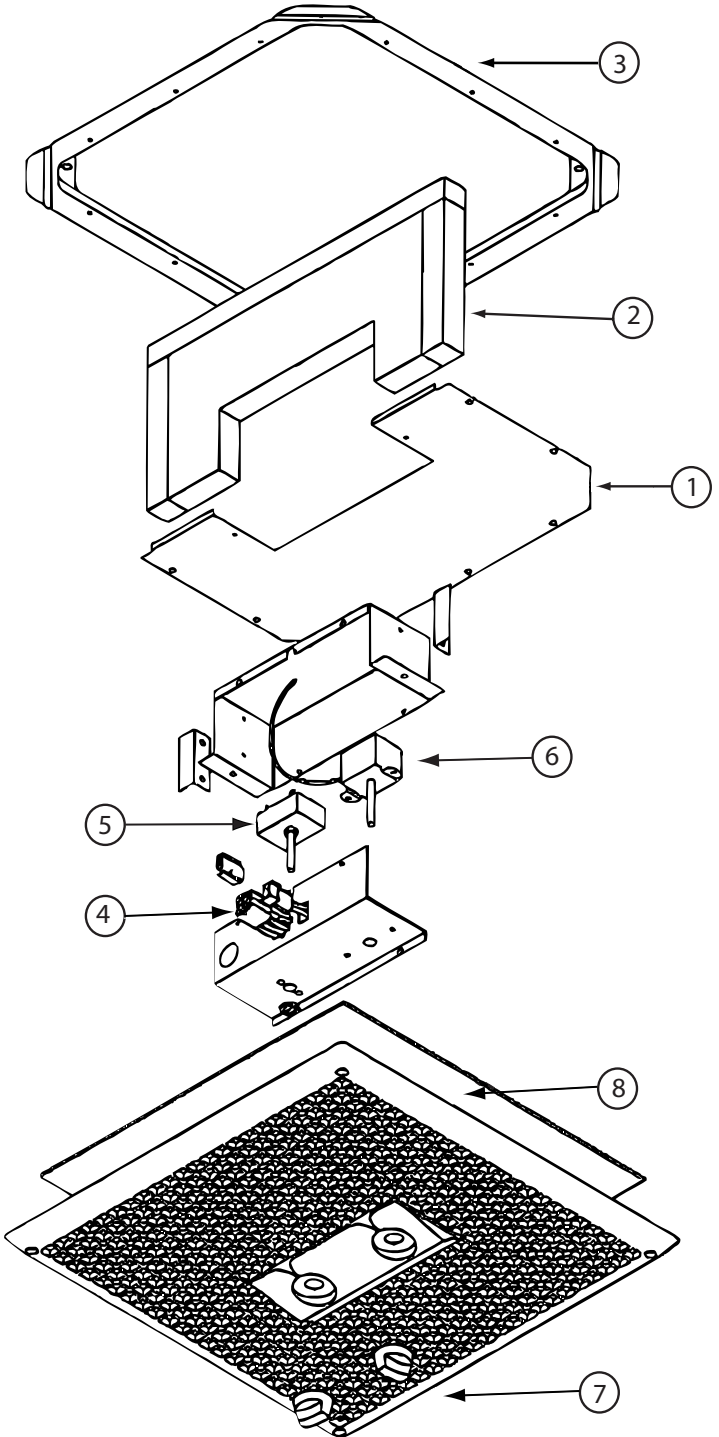
2 **169863**



131185-04-01A

KEY	PART NUMBER	U/M	DESCRIPTION	VENDOR NO.
2	131188-05-700	EA	SHROUD-ROOF AIR/2 PIECE-WHT	8335-5261
3	131185-04-700	EA	CONDENSER COIL	1452B1451
4	131187-03-700	EA	SHROUD FAN/INNER-LESS LOGO	6792-1071
5	093763-01-712	EA	BLADE-FAN-CONDENSER	6733-3221
6	131185-04-701	EA	COMPRESSOR (TECUMSEH)	1450B2259
7	105620-01-705	EA	PROTECTOR-OVERLOAD, RH & LH	6759-3791
8	105620-01-706	EA	MOUNTING PKG.,COMP., 3 PER	6759-3081
9	131185-01-701	EA	MOTOR (115V, 60HZ)	1468-3069
10	131185-01-702	EA	BLOWER WHEEL PACKAGE	1472-1091
12	105620-12-725	EA	COMPRESSOR RUN CAPACITOR	1499-5731
13	093763-01-704	EA	CAPACITOR-FAN (ID/OD MOTOR)	1499-5461
15	105620-10-705	EA	PTCR (START DEVICE) - W/CAP.	8333A9021
18	131185-01-703	EA	EVAPORATOR COIL	1452A1491
20	037648-01-714	EA	GASKET PACKAGE	8332-3301
21	131185-01-704	EA	MOTOR MOUNT & SEAL KIT	8333-5151
	131188-05-702	EA	SHROUD BRACKET	8333B1551

CONTACT WINNEBAGO PART SALES FOR UNLISTED COMPONENT(S)



156860-02-01A

KEY	PART NUMBER	U/M	DESCRIPTION	VENDOR NO.
4	156860-01-702	EA	PLUG ASSEMBLY	7330-347
5	073742-01-701	EA	SWITCH - SELECTOR/5 TERMINAL	6759-3251
6	093307-04-701	EA	THERMOSTAT(90' IN-60' OUT)	6703-3401
7	156860-01-700	EA	GRILLE ASSEMBLY - WHITE	8330-4081
8	108892-01-703	EA	FILTER	6798A3761
	131183-04-700	EA	KNOB-THERMOSTAT/HEAT-COOL	7330A3131
	156860-02-701	EA	KNOB-SELECTOR SWITCH	7330A3141
	156860-02-700	EA	SMALL PARTS PKG-BOLTS/KNOBS	8330-584

CONTACT WINNEBAGO PART SALES FOR UNLISTED COMPONENT(S)