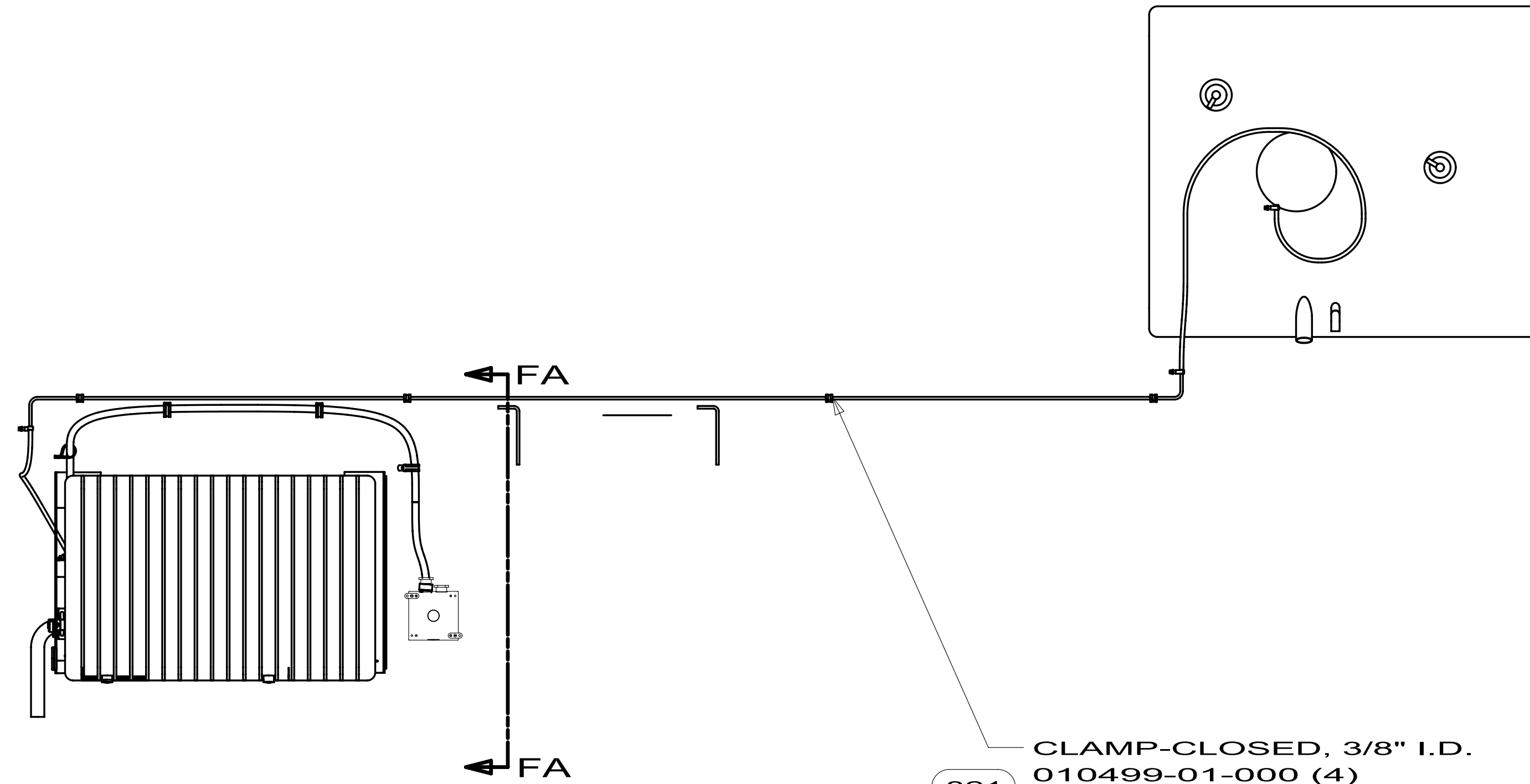


HANGER
007131-01-000

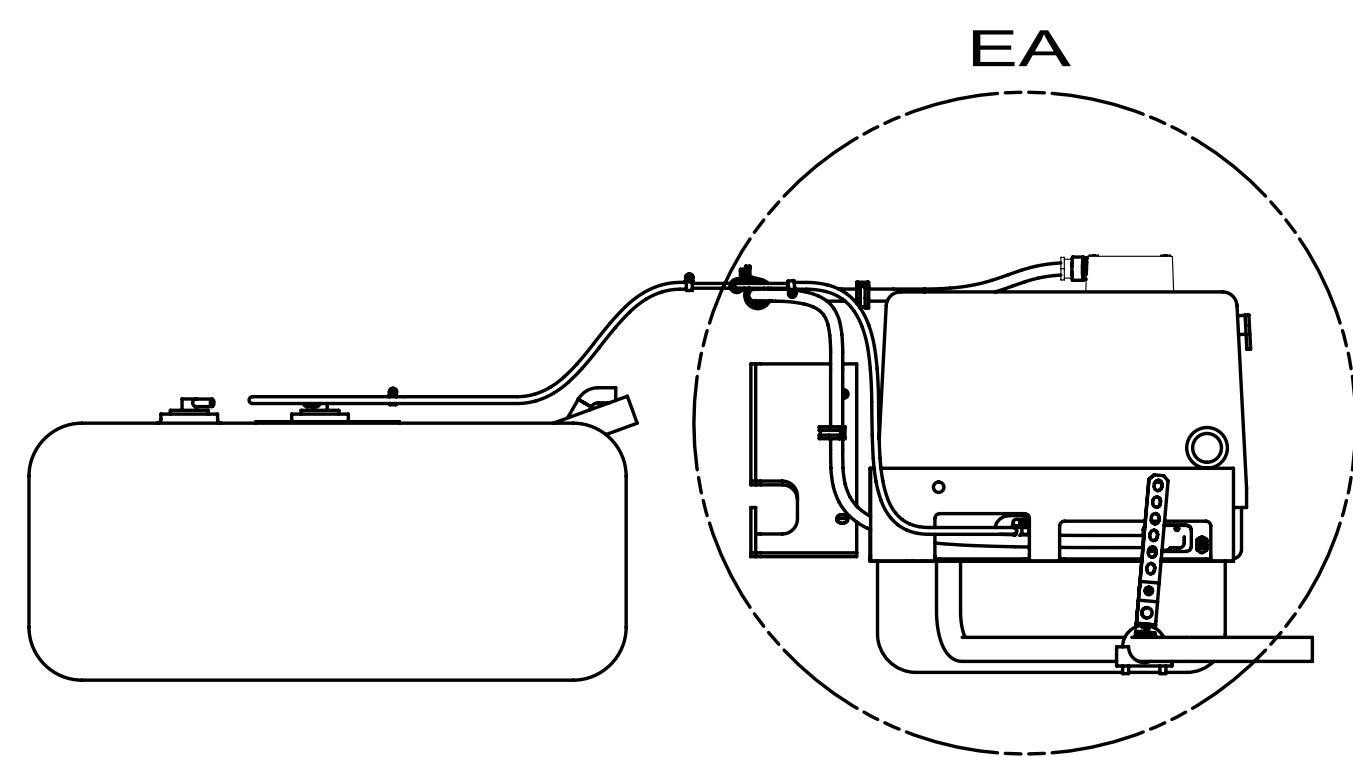
CLAMP ASM-MUFFLER
007125-03-000

DETAIL EA

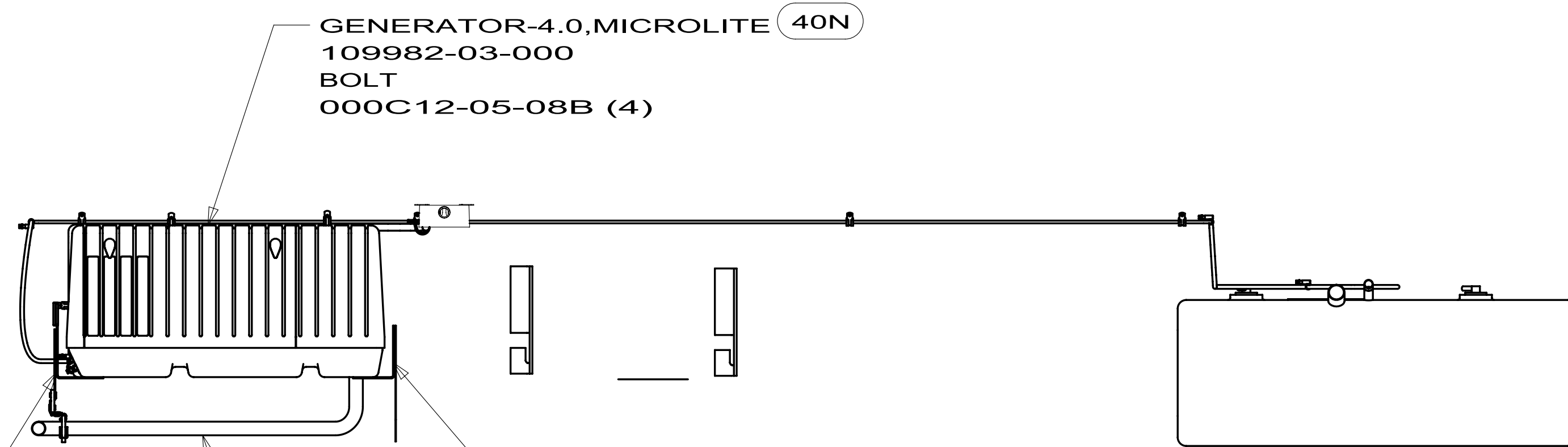


321 CLAMP-CLOSED, 3/8" I.D.
010499-01-000 (4)
SCREW
000G39-08-12U (4)

156600-03
224V



40N
SUPPORT-GENERATOR,LEFT
114070-02-02B
BOLT
000C26-06-08B (2)



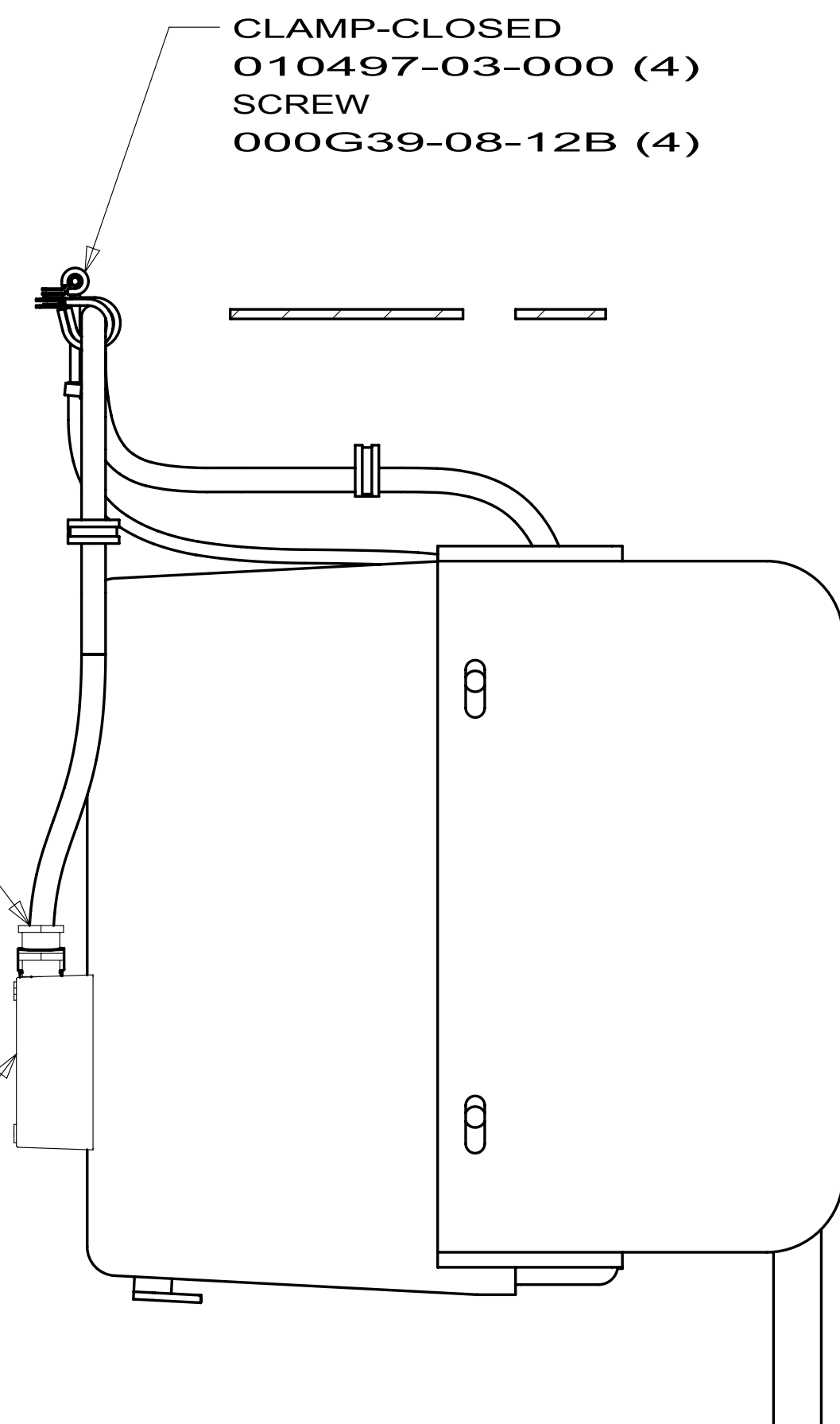
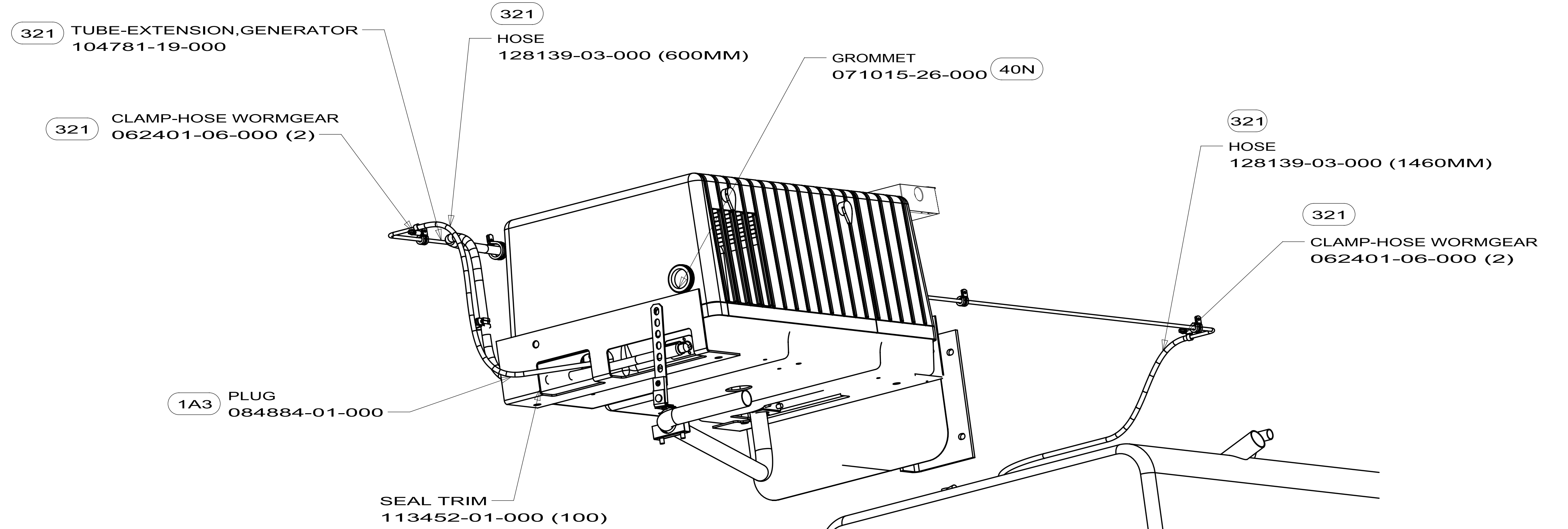
GENERATOR-4.0,MICROLITE 40N
109982-03-000
BOLT
000C12-05-08B (4)

SUPPORT-GENERATOR,RIGHT 40N
114071-02-02B
SHIELD-HEAT
149346-04-02B
BOLT
000C26-06-08B (2)

PIPE-EXHAUST, GENERATOR 40N
143954-02-000
CLAMP
007125-04-000

- 40N GEN-4.0KW-ONANGAS-MICROQUIET
- 321 GENERATOR PREP KIT
- 1A3 GENERATOR WITHOUT

07 224V



SECTION FA-FA

156600-03
224V

07 224V