

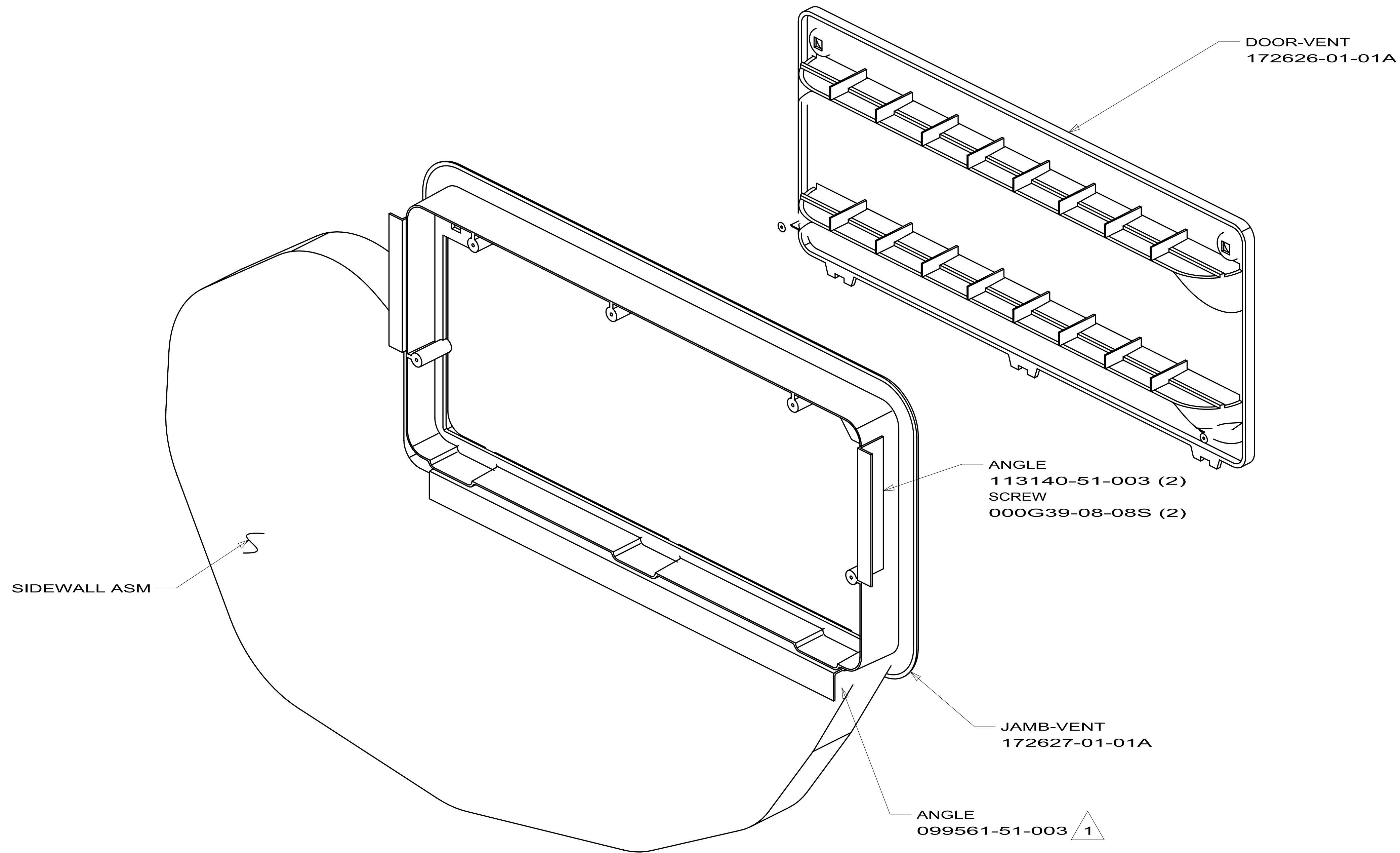
10. CLEAN BOTH SURFACES OF SIDEWALL AROUND OPENING W/ISOPROPYL ALCOHOL. ADD TAPE 173983-01-02A WITH 6mm OVERLAP ON FIBERGLASS SIDE. TAPE MUST ADHERE TO BOTH SIDES OF SIDEWALL.
9. SEE DRAWING 160030 COMPARTMENT INSTL-ROTOCAST FOR ADDITIONAL INFORMATION.
8. APPLY SEAL 104692-01-000 TO FLOOR EDGE PRIOR TO INSTALLATION OF SIDEWALLS.
7. USE TAPE SEAL 056795-01-000 BETWEEN THE FLANGE OF DOOR JAMB AND SIDEWALL.
6. USE SCREW 000G55-08-12U (A/R) TO ATTACH DOORS.
5. APPLY SEAL 154585-02-01A (9000) AROUND COMPARTMENT OPENINGS PRIOR TO INSTALLTION OF SIDEWALL.
4. FOR SECTIONS BA THRU BZ SEE DWG 169481.
3. TRI/MARK "KEY ONE"
SEAL: P/N 138292-01-000 USED ON ENTRANCE DOOR.
KEY: P/N 138288-11-000 THRU 138288-20-000
ENTRANCE DOOR CYLINDER LOCK: P/N 138287-11-000 THRU 138287-20-000

STRATTEC KEY
VAL DOORS, WATER FILL: P/N 138637-51-000 THRU 138637-51-009

MATCH LAST DIGIT OF V.I.N. # WITH TAB NUMBER
EXAMPLE: V.I.N. # TAB NUMBER
USE: 138288-05-000
138287-05-000
138289-05-000
2. DRILL 3.57 (9/64) DIA PILOT HOLES FOR DOOR ATTACHMENT SCREWS THRU EXISTING HOLES IN DOOR JAMB
1. SEE SEALANT MANUAL.

- 644 GREAT ALASKAN RENTAL PACKAGE
- 56K CUSTOM FLOORPLAN - WITHOUT
- 64V SIDEWALLS- PREMIUM HIGH GLOSS
- 64T SIDEWALLS-HIGH GLOSS
- 28E EXTERIOR ACCESSORY PACKAGE
- 547 FLOOR-ENTRY/CARPET
- 52F AWNING-PATIO
- 52R AWNING PATIO WITHOUT
- 1E1 ENTRANCE STEP-MANUAL
- 1E2 ENTRANCE STEP-ELEC.

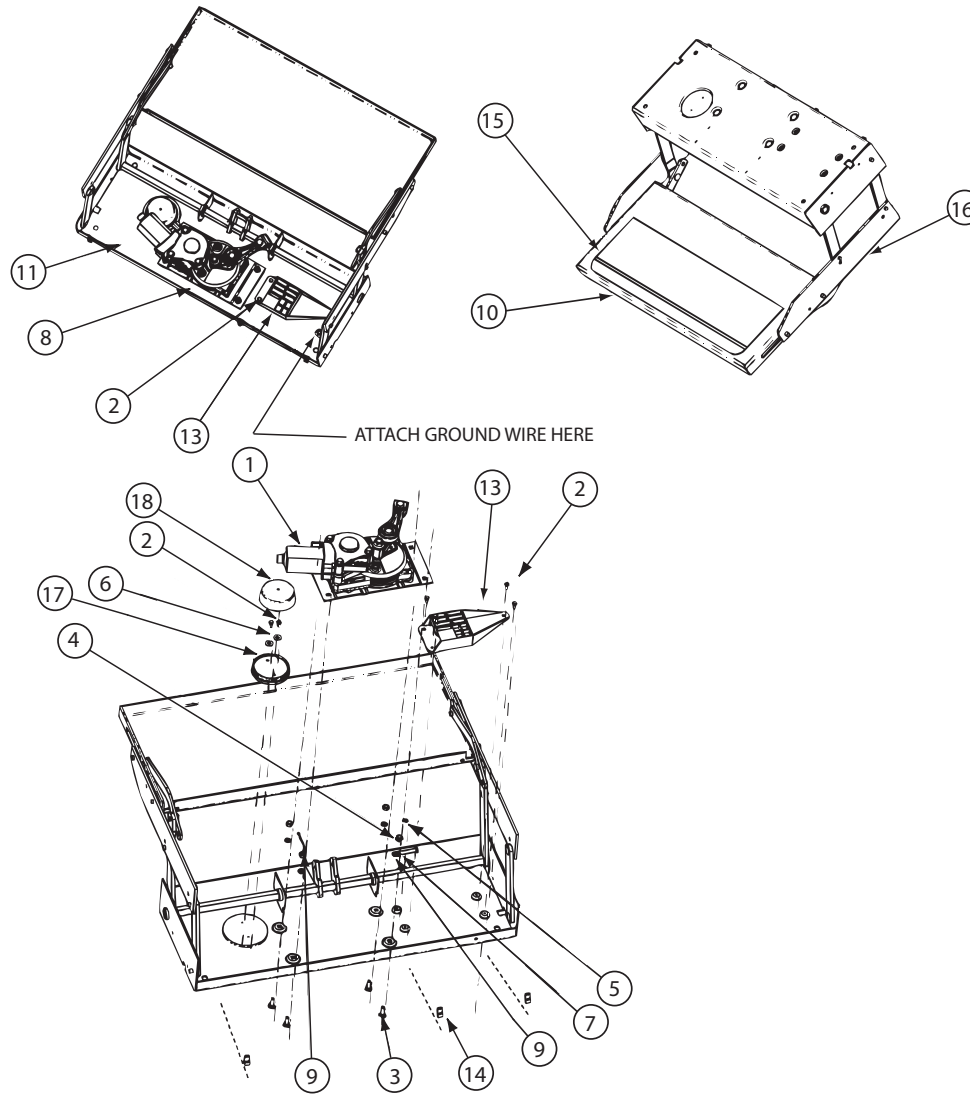
NOTES:



090868-01

- 224V
- 229T
- 231C
- 231J
- 329B
- 331C
- 524DL
- 524K
- 524P
- 728B
- 730C
- D31E
- D35J
- D37L
- E30W
- E32K
- H25R
- J35Z
- J38N

GEN MOTORHOMES



094708-05-01A

KEY	PART NUMBER	U/M	DESCRIPTION	VENDOR NO.
1	094707-04-701	EA	MOTOR "AM 214" F/IMGL STEPS	1101428
13	094707-04-700	EA	CONTROL UNIT W/OVERRIDE	909510000
15	143709-01-702	EA	TREAD/NON-SKID 6" X 21" BLK	1915260
16	094708-05-701	EA	FRAME W/SGL STEP,28 SERIES	908028000
17	088746-01-705	EA	LIGHT-UNDER STEP	9004
	094707-03-701	EA	PLUG - 4-WAY - PACKARD	909306
	094707-04-702	EA	COTTER PIN - W/CLEVIS PIN	905205000
	094707-04-711	EA	KWIKTEST - W/4-WAY PIGTAIL	909518000
	094708-05-700	EA	GEAR BOX W/LINKAGE-STRAIGHT	1101426
			CONTACT WINNEBAGO PART SALES FOR UNLISTED COMPONENT(S)	

8

7

6

5

4

3

2

1

D

D

C

C

B

B

A

A

SUPPORT-LID, ENTRANCE STEP
123330-05-CHT
SCREW
G11-10-12D(14)

TREAD-STEP,RUBBER
147781-01-CHT
ADHESIVE
142550-02-000

104005-08-XXX
28E 200-SERIES
300-SERIES
500-SERIES
700-SERIES

CABINET ASM-LID, ENT STEP
141558-01-XXX

BRACKET-CATCH,LID
146747-01-CHT(2)
SCREW
G11-10-12D(4)

1. CENTER TREAD-STEP,RUBBER ON BOARD.

28E EXTERIOR ACCESSORY PACKAGE

FIRST USED	04 300-SERIES		
TITLE:	DO NOT SCALE DRAWING		
	LID ASM-ENTRANCE STEP		
SHEET 8	PART NO	104005	REV

8

7

6

5

4

3

2

1

8

7

6

5

4

3

2

1

D

D

C

C

B

B

A

A

SUPPORT-LID, ENTRANCE STEP
123330-05-CHT
SCREW
G11-10-12D(14)

9CARPT-01-000
(WRAP CARPET
ALL 4 EDGES)

104005-09-XXX 200-SERIES

CABINET ASM-LID, ENT STEP
141558-01-XXX

BRACKET-CATCH,LID
146747-01-CHT(2)
SCREW
G11-10-12D(4)

FIRST USED	07 200-SERIES		
TITLE:	DO NOT SCALE DRAWING		
	LID ASM-ENTRANCE STEP		
SHEET 9	PART NO	104005	REV

8

7

6

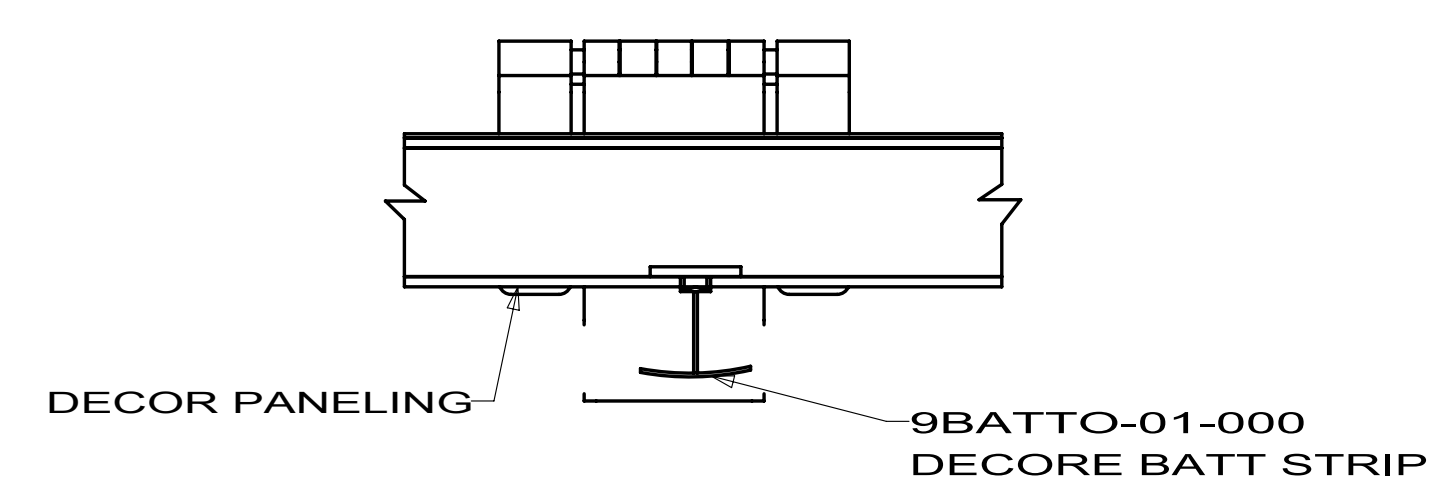
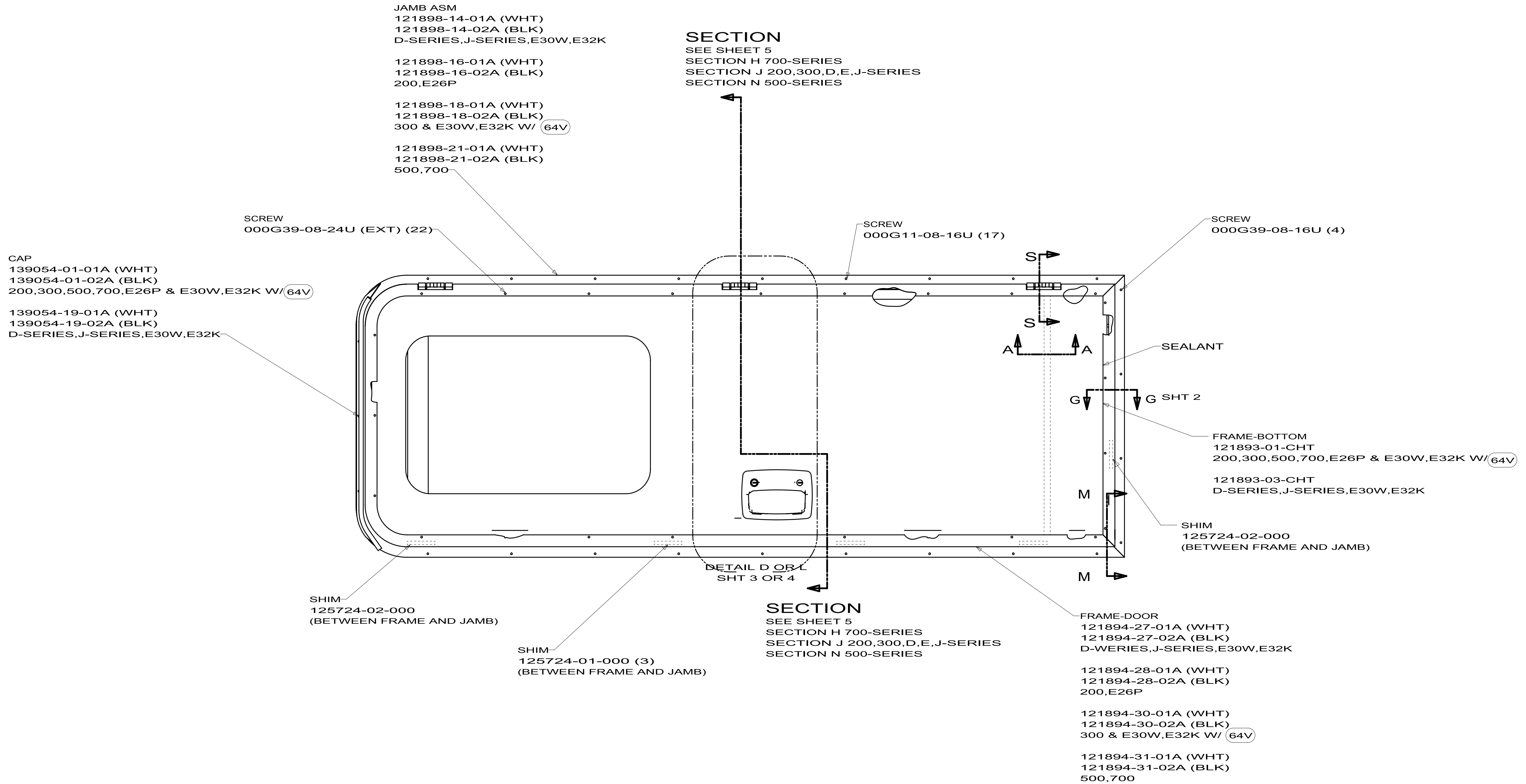
5

4

3

2

1



SECTION A-A

00 MOTORHOMES

DOOR COMPL-ENTRANCE, MID

LATCH-SCREEN DOOR
132915-01-01A
SCREW
000G11-08-12S (2)

SCREEN DOOR

STRIKER-SLIDER

STRIKE-DOOR,SCREEN
148364-01-04B (BLK)
148364-01-12B (WHT)
SCREW
000G52-06-06U (2)
NUT
000D10-06-00B(2)

VIEW F-F

JAMB ASM

TAPE-ANTI SLIP
038327-01-000 (600)

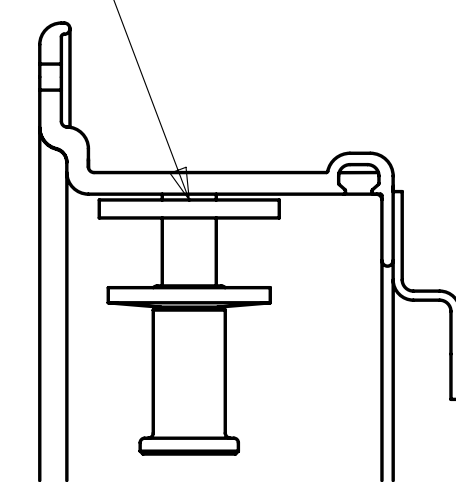
SEAL-PILE
075673-05-000

BUMPER-RUBBER
081914-02-000 (2)

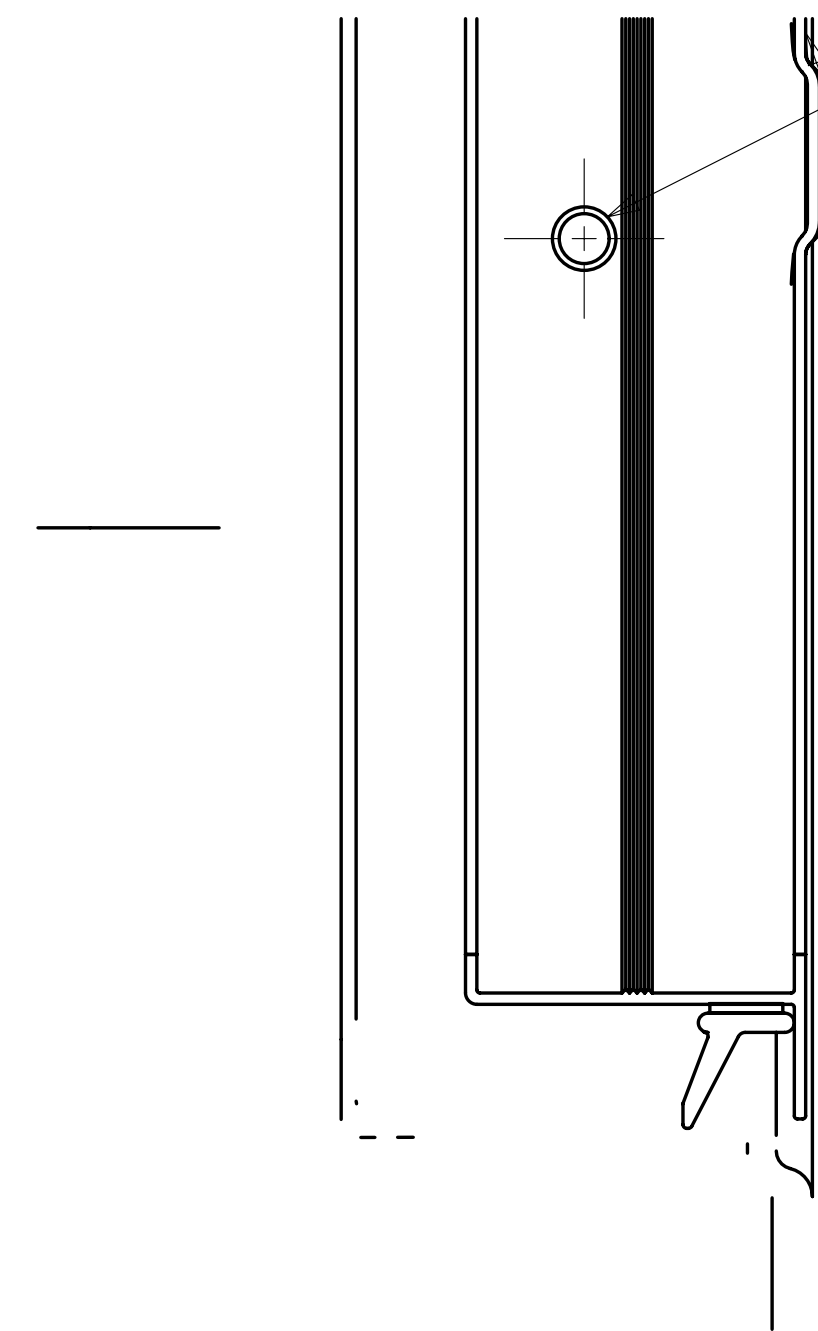
FRAME-BOTTOM
(REF)

SECTION G-G

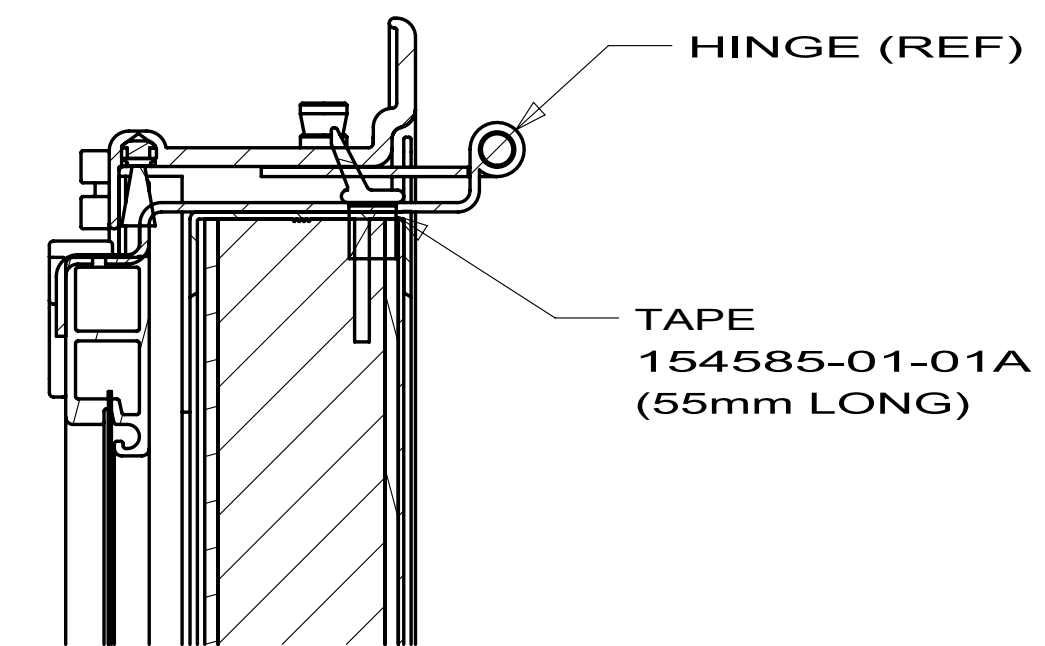
SPACER-STRIKE BOLT
147900-01-01A (A/R)



SECTION K-K



SECTION M-M



SECTION S-S
(3 PLACES)

HINGE (REF)

TAPE
154585-01-01A
(55mm LONG)

00 MOTORHOMES

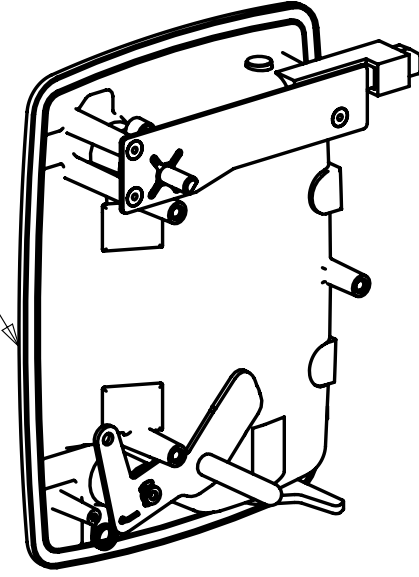
DOOR COMPL-ENTRANCE,MID

2

132206

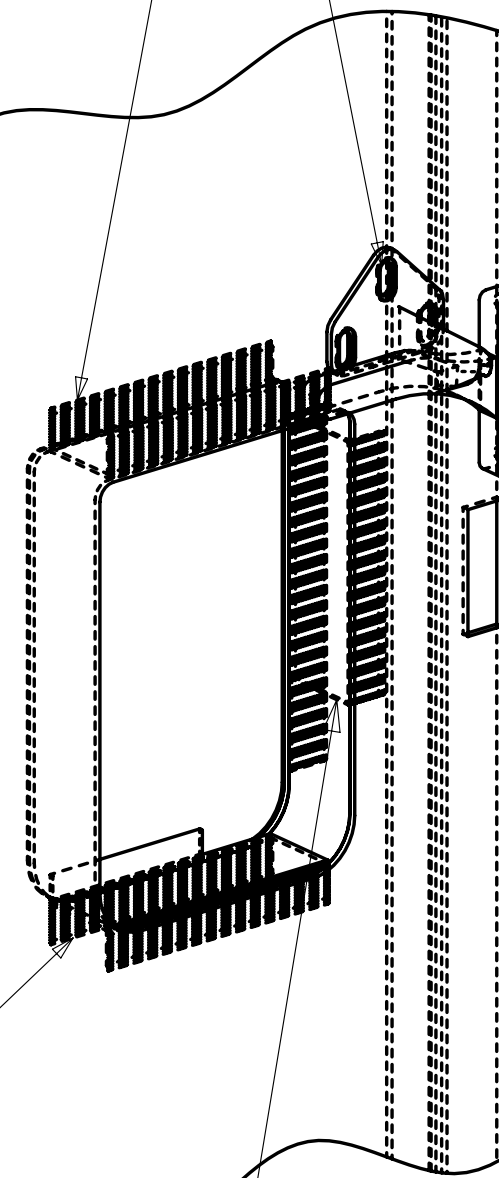
DETAIL D
200-SERIES
E-SERIES
D-SERIES
J-SERIES

LATCH ASM-EXTERIOR
112782-20-01A
GASKET
112782-04-01A



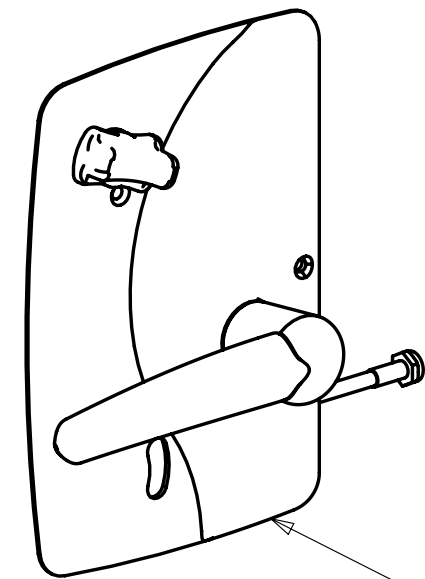
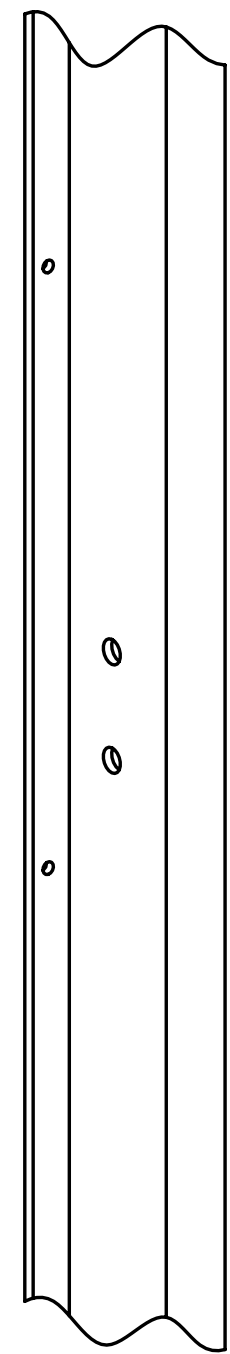
EXTR-C-CHANNEL
134990-51-002
(INSERT INTO FOAM
UNTIL TOP SURFACE
EVEN WITH CUTOUT)

CATCH
SCREW
000G11-08-08T (3)



SPACER-NOTCHED
137230-01-01A
(INSERT INTO FOAM UNTIL
TOP SURFACE EVEN WITH CUTOUT)

CHANNEL-W/NOTCH
171283-01-01A
(INSERT INTO FOAM
UNTIL TOP SURFACE
EVEN WITH CUTOUT)



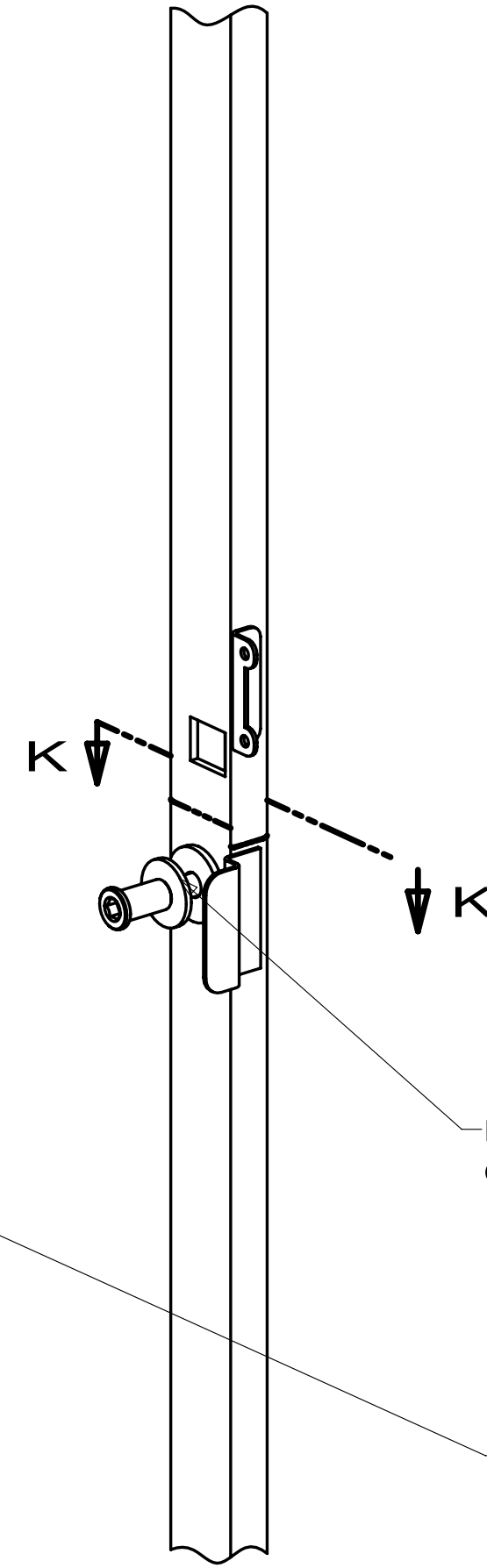
STIFFENER M
132207-01-02B
NUTSERT
072893-04-000 (8)
SCREW
075908-01-000 (8)

LATCH-INTERIOR PLATE
112782-27-01A
CAP-VINYL
112782-05-01A
SCREW
112782-08-01A (3)

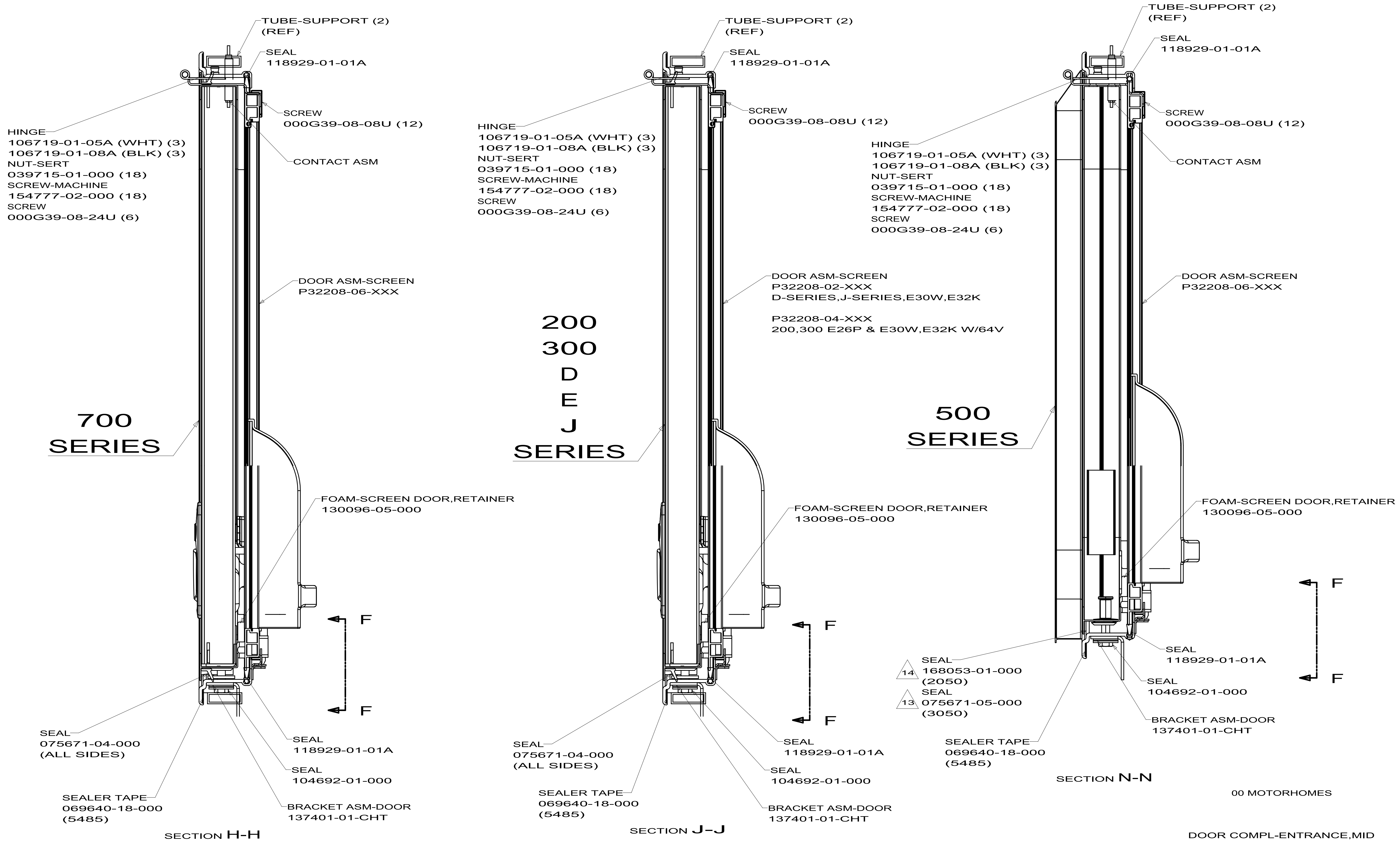
BOLT-STRIKER
092927-20-000

PLUG-PLASTIC
061420-14-000

LATCH-SINGLE ROTARY
112782-22-01A
SCREW
140040-01-000 (3)



FIRST USED	00 MOTORHOMES
TITLE:	DO NOT SCALE DRAWING
	DOOR COMPL-ENTRANCE,MID
3	PART NO 132206



TUBE-SUPPORT (2) (REF)

SEAL 118929-01-01A

SCREW 000G39-08-08U (12)

HINGE 106719-01-05A (WHT) (3)
106719-01-08A (BLK) (3)
NUT-SERT 039715-01-000 (18)
SCREW-MACHINE 154777-02-000 (18)
SCREW 000G39-08-24U (6)

CONTACT ASM

DOOR ASM-SCREEN P32208-06-XXX

FOAM-SCREEN DOOR,RETAINER 130096-05-000

SEAL 075671-04-000 (ALL SIDES)

SEAL 118929-01-01A

SEAL 104692-01-000

SEALER TAPE 069640-18-000 (5485)

BRACKET ASM-DOOR 137401-01-CHT

SECTION H-H

TUBE-SUPPORT (2) (REF)

SEAL 118929-01-01A

SCREW 000G39-08-08U (12)

HINGE 106719-01-05A (WHT) (3)
106719-01-08A (BLK) (3)
NUT-SERT 039715-01-000 (18)
SCREW-MACHINE 154777-02-000 (18)
SCREW 000G39-08-24U (6)

DOOR ASM-SCREEN P32208-02-XXX
D-SERIES,J-SERIES,E30W,E32K

P32208-04-XXX
200,300 E26P & E30W,E32K W/64V

FOAM-SCREEN DOOR,RETAINER 130096-05-000

SEAL 075671-04-000 (ALL SIDES)

SEAL 118929-01-01A

SEAL 104692-01-000

SEALER TAPE 069640-18-000 (5485)

BRACKET ASM-DOOR 137401-01-CHT

SECTION J-J

TUBE-SUPPORT (2) (REF)

SEAL 118929-01-01A

SCREW 000G39-08-08U (12)

HINGE 106719-01-05A (WHT) (3)
106719-01-08A (BLK) (3)
NUT-SERT 039715-01-000 (18)
SCREW-MACHINE 154777-02-000 (18)
SCREW 000G39-08-24U (6)

CONTACT ASM

DOOR ASM-SCREEN P32208-06-XXX

FOAM-SCREEN DOOR,RETAINER 130096-05-000

SEAL 168053-01-000 (2050)

SEAL 075671-05-000 (3050)

SEALER TAPE 069640-18-000 (5485)

SEAL 118929-01-01A

SEAL 104692-01-000

BRACKET ASM-DOOR 137401-01-CHT

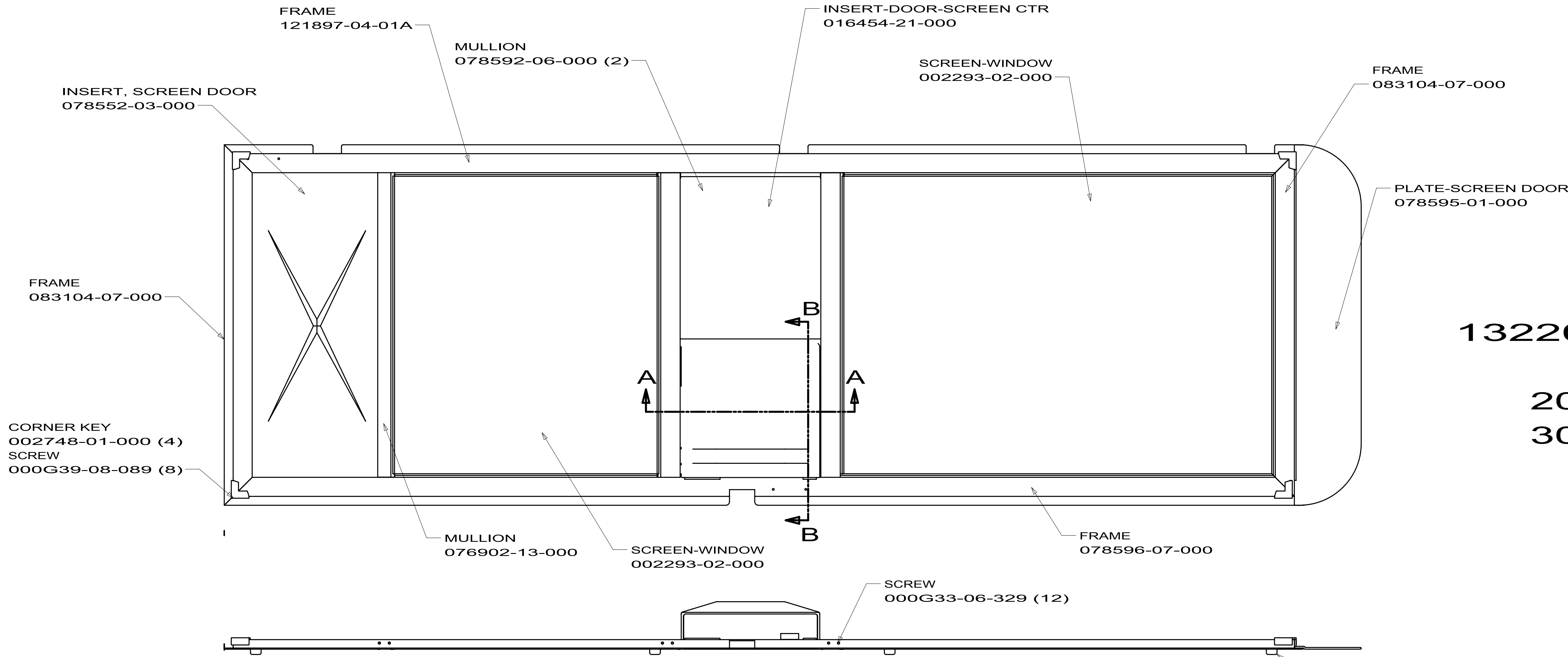
SECTION N-N

SECTION N-N

F

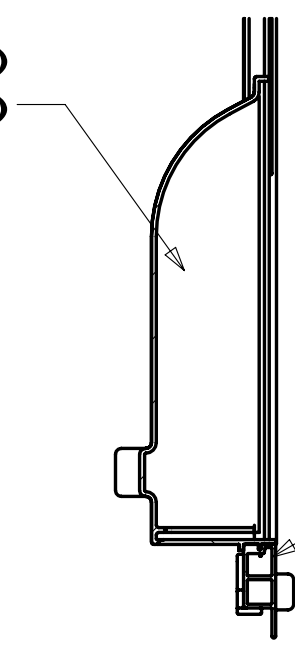
F

5



132208-04-L07
E26P
200-SERIES
300-SERIES

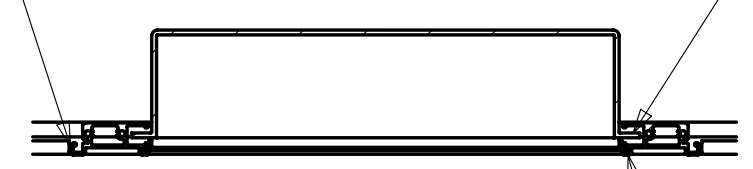
SLIDER
 132082-01-01A (WHT)
 132082-01-03A (BLK)



SECTION B-B

STRIKE
 132081-01-01A (WHT)
 132081-01-03A (BLK)
 RIVET
 000H16-04-04R (3)

SPLINE
 002294-01-000

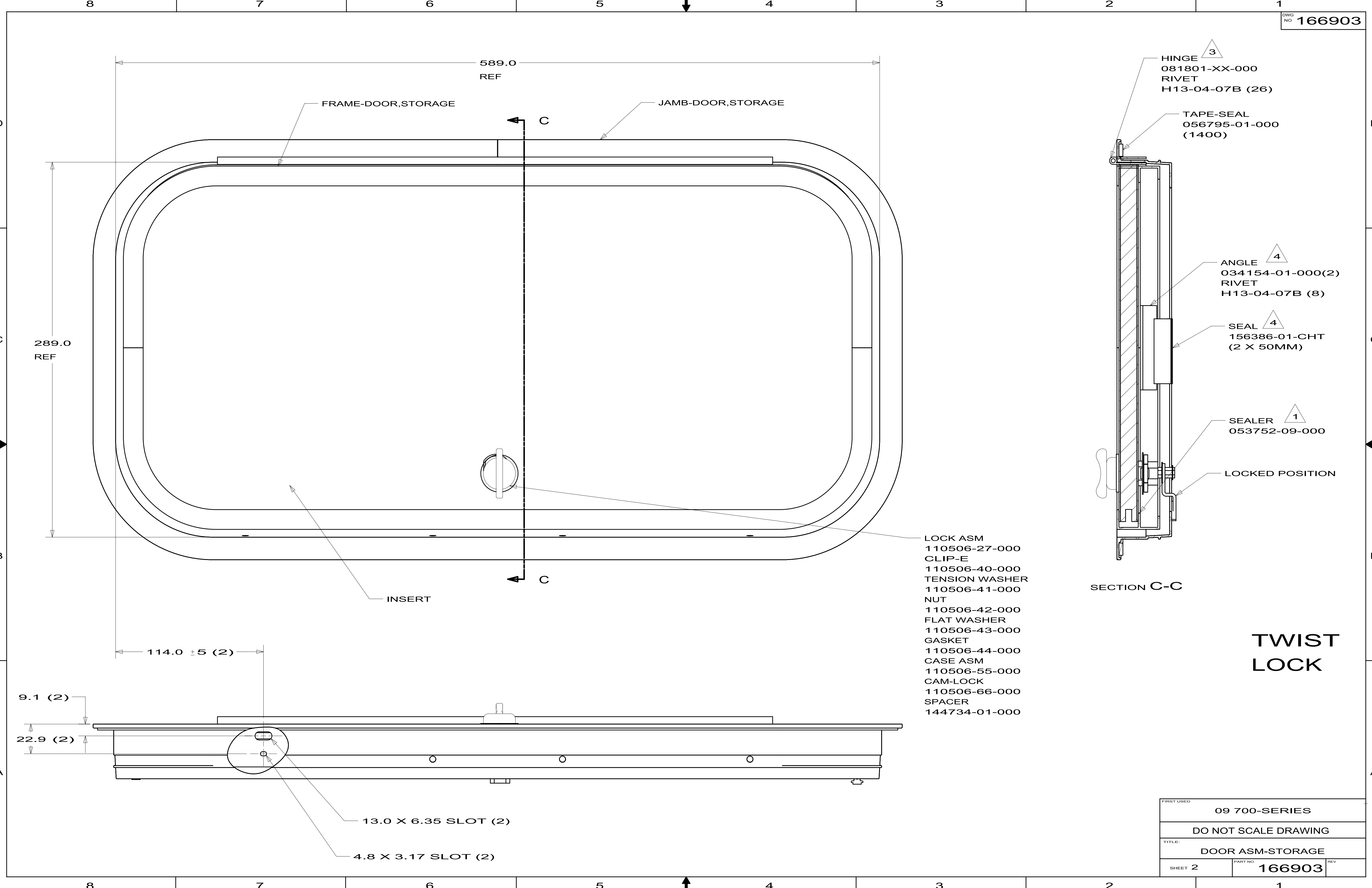


SECTION A-A

CHANNEL-SLIDER
 078777-08-000

SEALANT
 053752-05-000
 (APPLIED AROUND ENTIRE PERIMETER OF BOTH INSERTS)

00 G-SERIES, 00 L-SERIES	
DOOR ASM-SCREEN	
2	132208



FRAME-DOOR,STORAGE

JAMB-DOOR,STORAGE

589.0
REF

289.0
REF

114.0 ± 5 (2)

9.1 (2)

22.9 (2)

13.0 X 6.35 SLOT (2)

4.8 X 3.17 SLOT (2)

INSERT

- LOCK ASM
- 110506-27-000
- CLIP-E
- 110506-40-000
- TENSION WASHER
- 110506-41-000
- NUT
- 110506-42-000
- FLAT WASHER
- 110506-43-000
- GASKET
- 110506-44-000
- CASE ASM
- 110506-55-000
- CAM-LOCK
- 110506-66-000
- SPACER
- 144734-01-000

SECTION C-C

HINGE
081801-XX-000
RIVET
H13-04-07B (26)

TAPE-SEAL
056795-01-000
(1400)

ANGLE
034154-01-000(2)
RIVET
H13-04-07B (8)

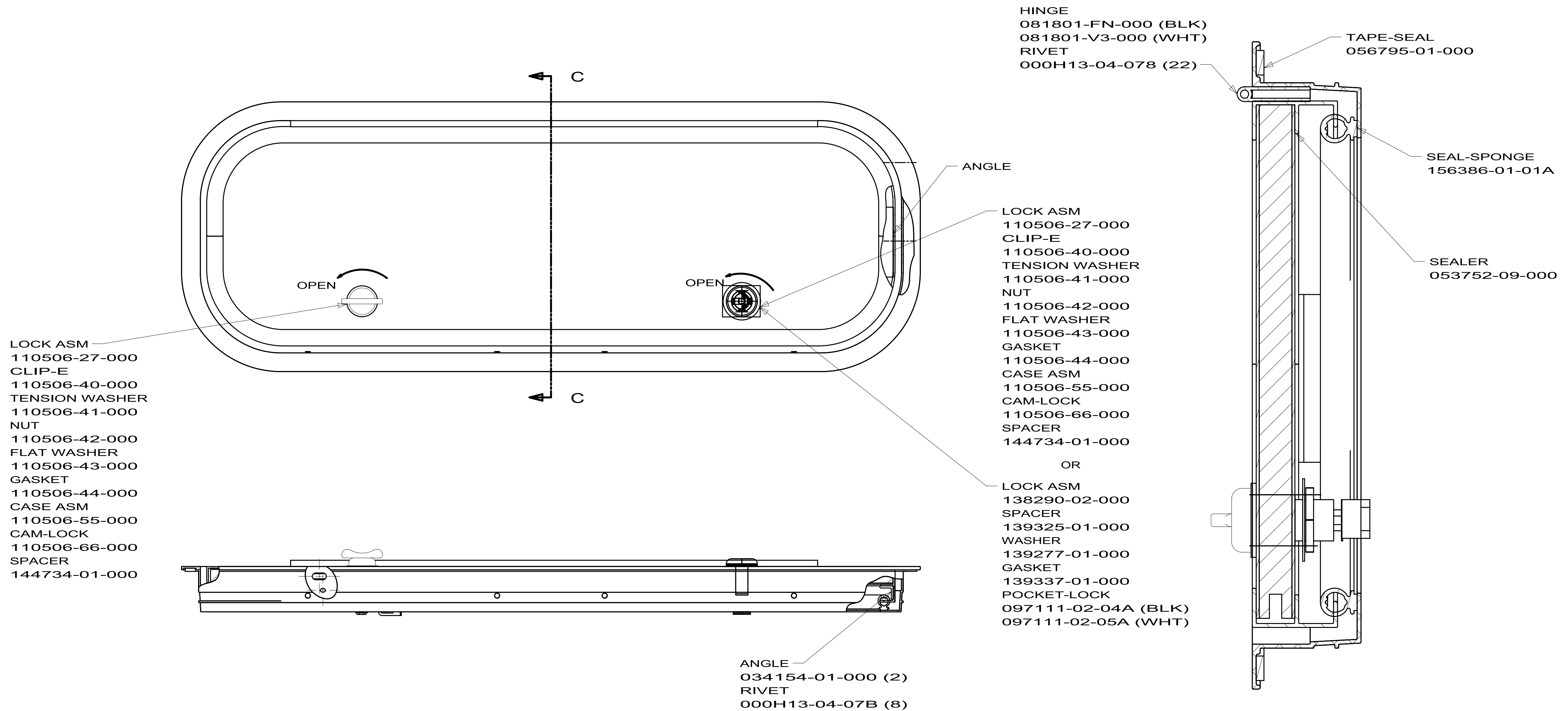
SEAL
156386-01-CHT
(2 X 50MM)

SEALER
053752-09-000

LOCKED POSITION

TWIST LOCK

FIRST USED	09 700-SERIES		
TITLE:	DO NOT SCALE DRAWING		
TITLE:	DOOR ASM-STORAGE		
SHEET 2	PART NO	166903	REV

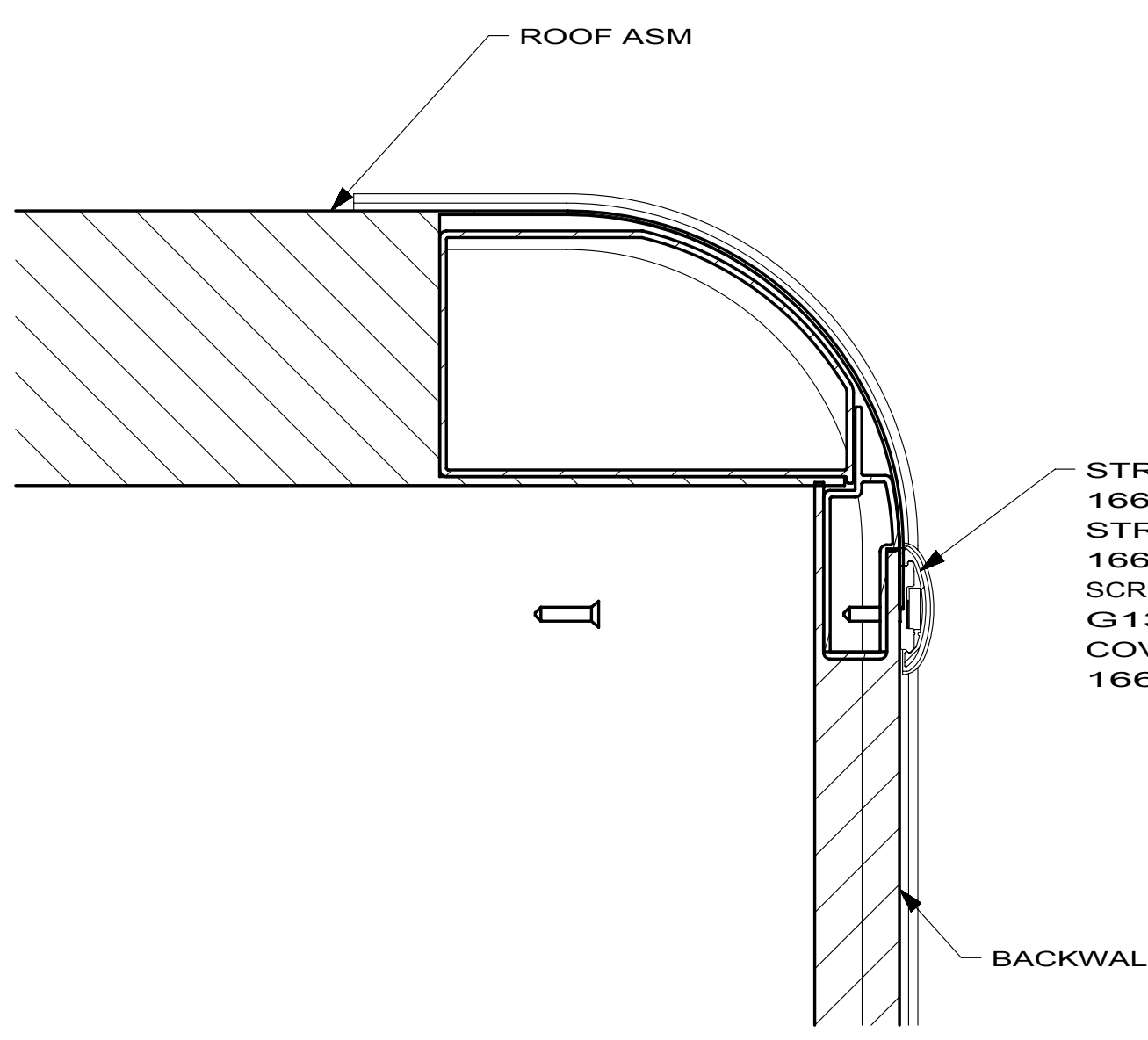


KEY	PART NUMBER	U/M DESCRIPTION	172626-01-01A	VENDOR NO.
	084104-01-700	EA LOCK-MALE, FASTENER		201-721-010
	084104-01-701	EA LOCK-FEMALE, FASTENER		201-802-010

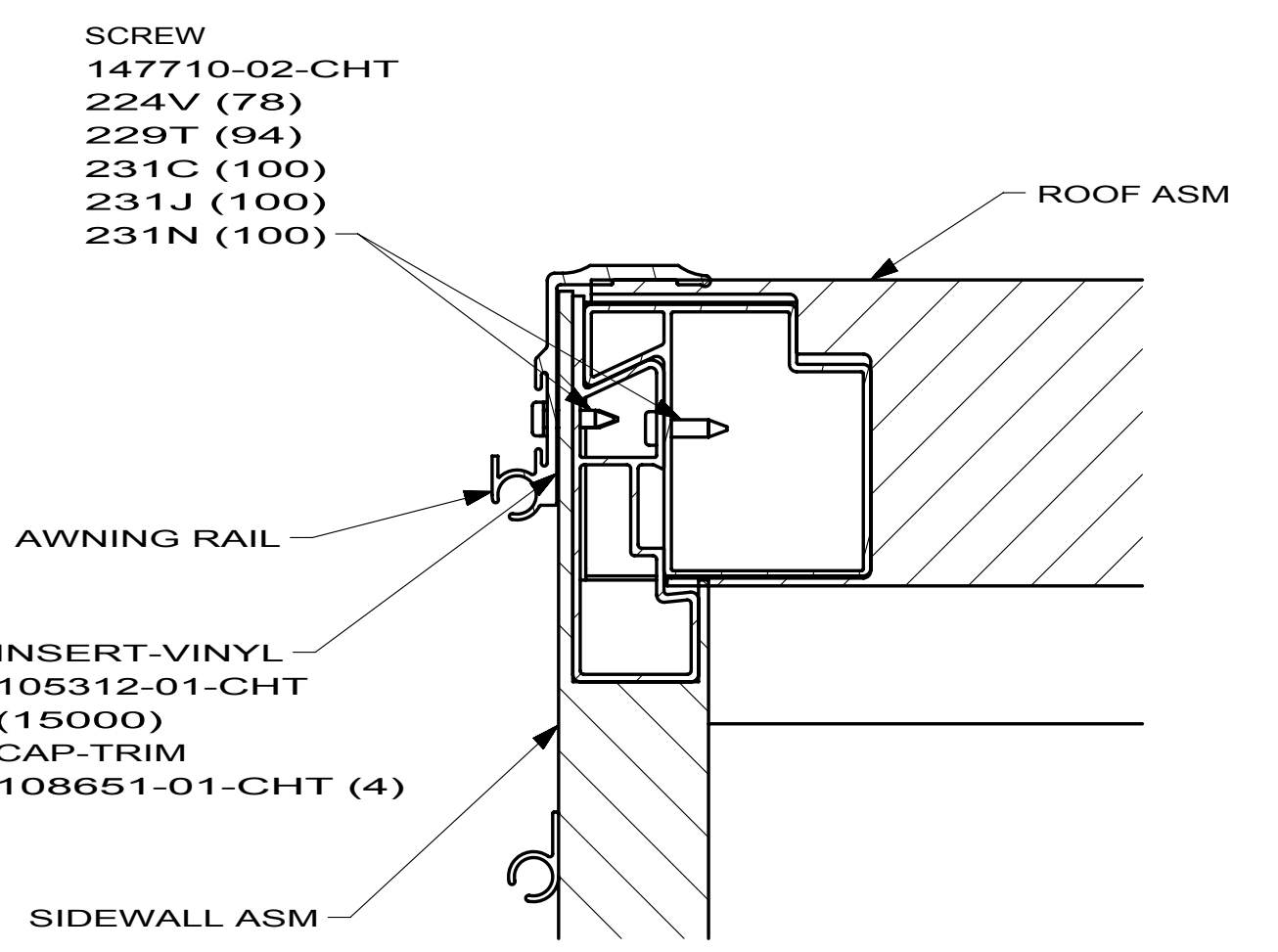
DWG NO
169481-01
169481-02

09L 09R 09T

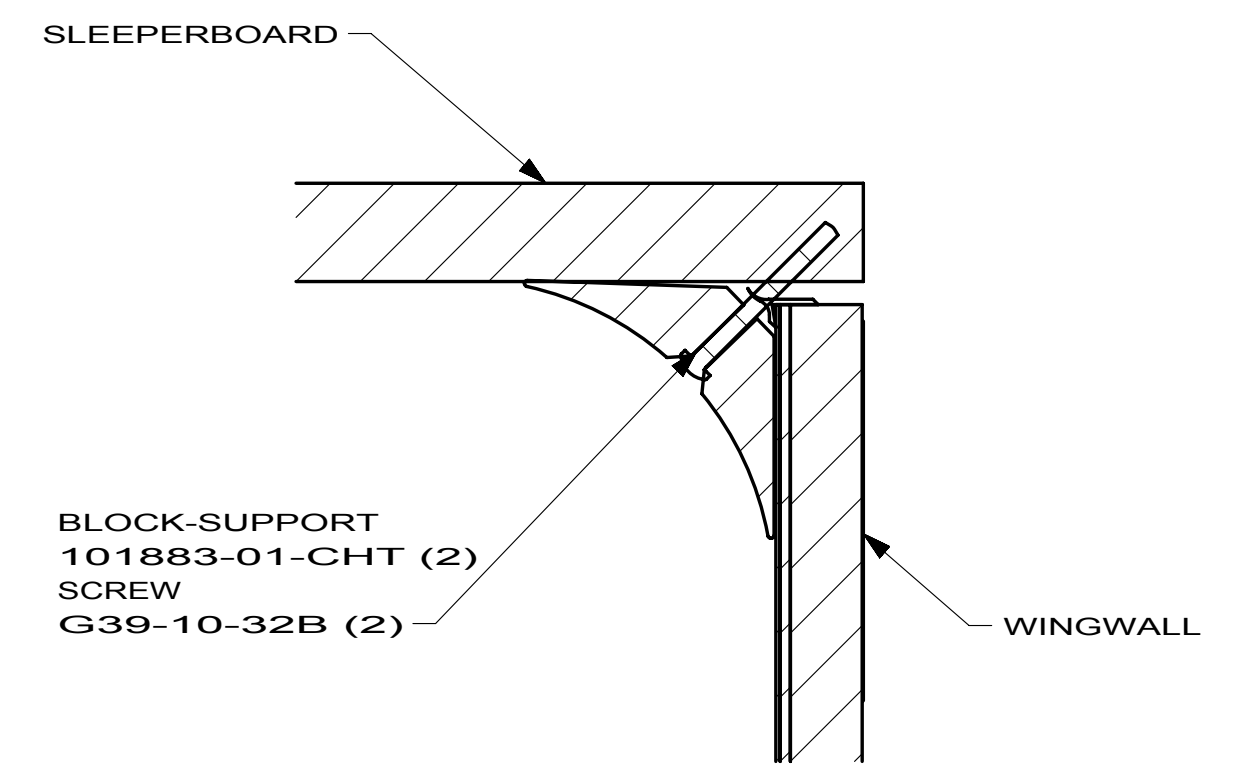
RELEASE REV DATE DWG NO 169481
A
REVISION RECORD DATE DFR-ORIG



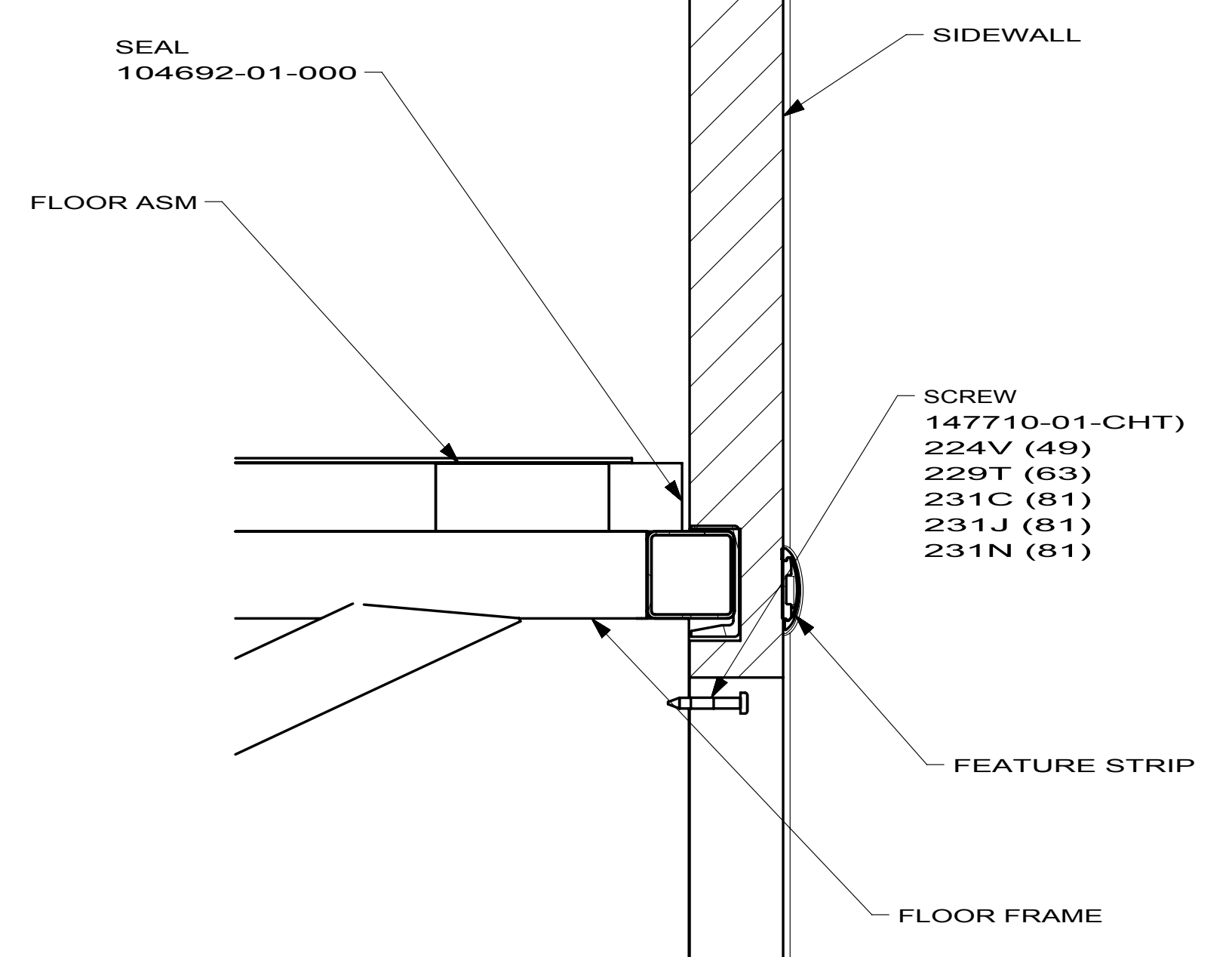
SECTION AA-AA



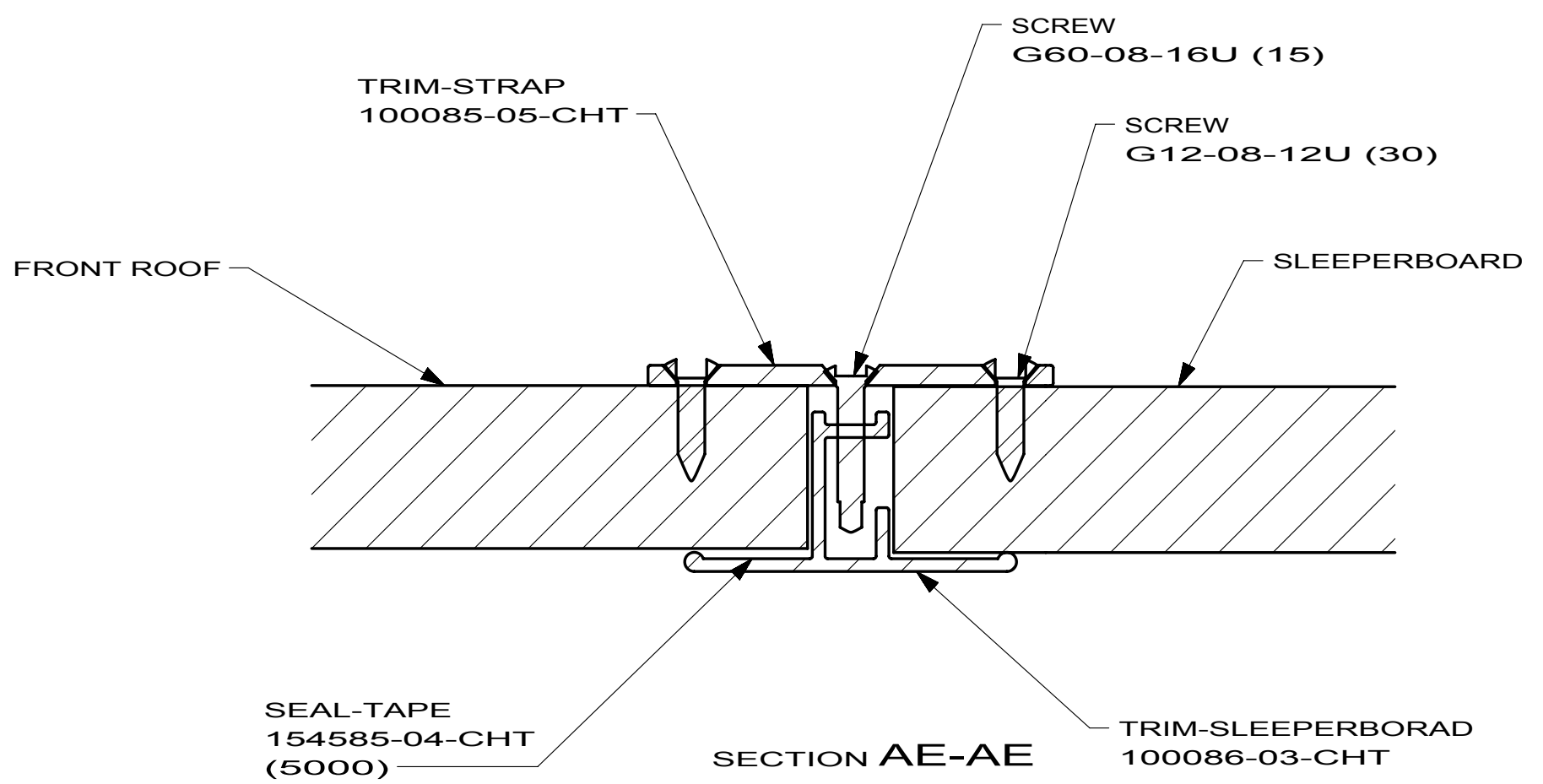
SECTION AB-AB



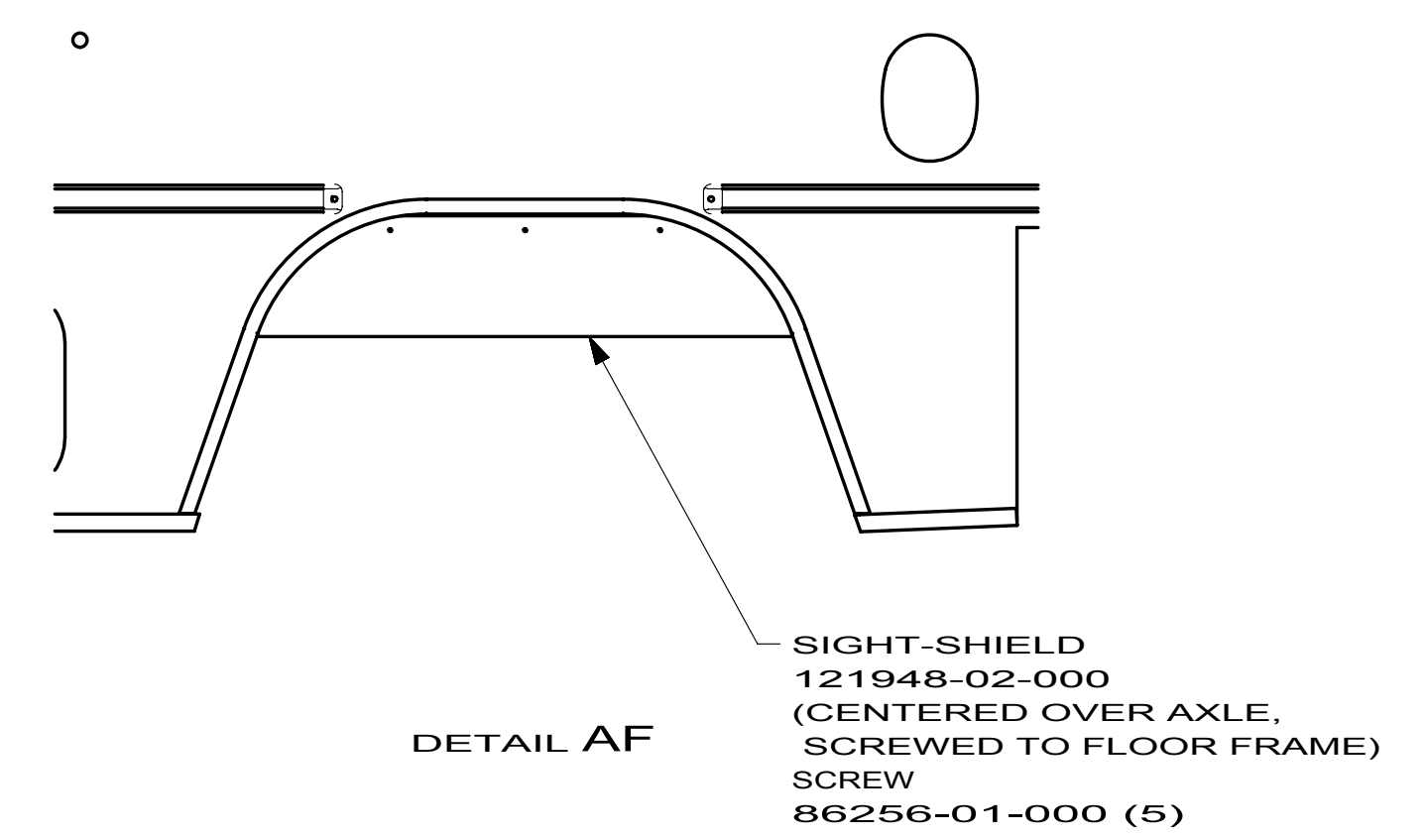
SECTION AD-AD



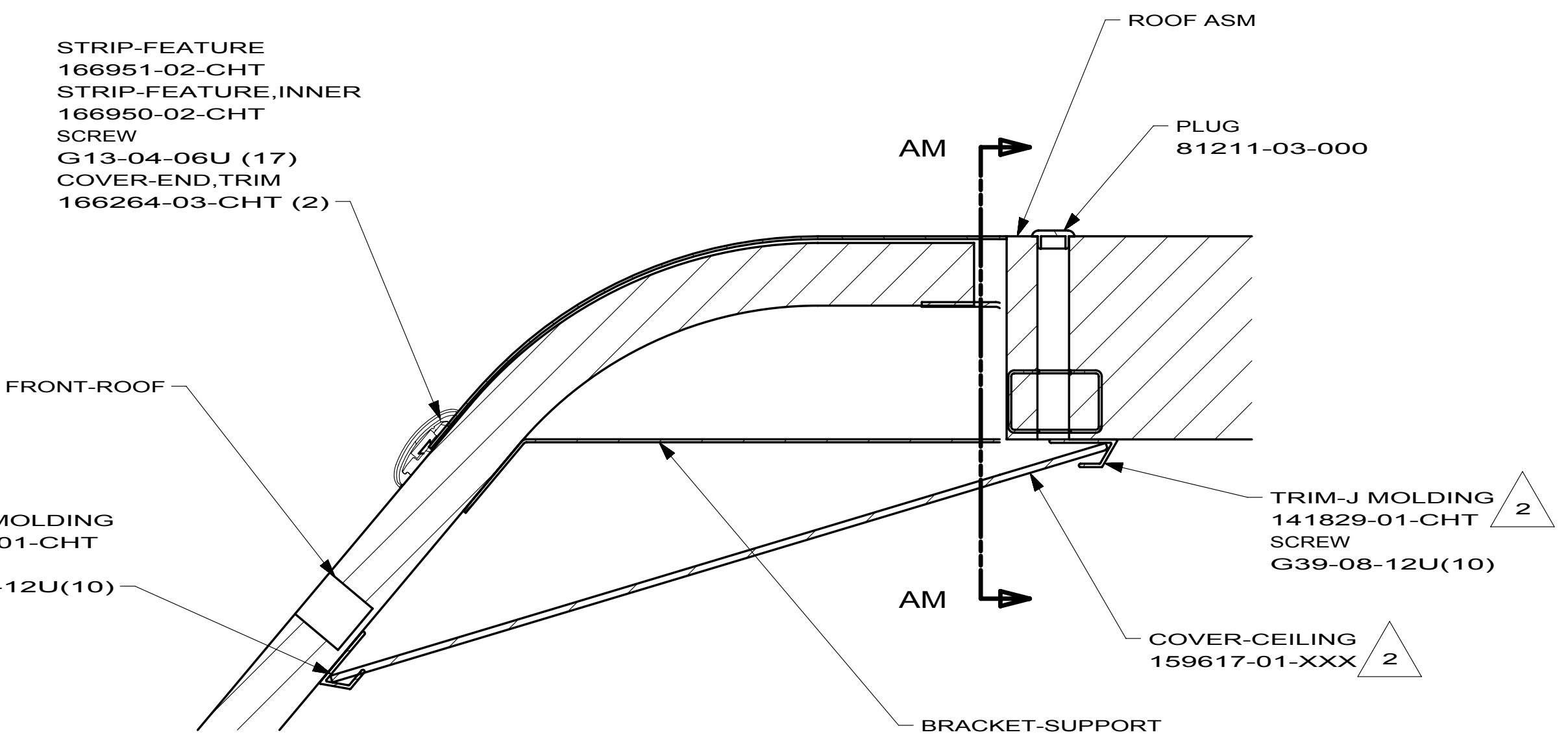
SECTION AC-AC TYPICAL



SECTION AE-AE



DETAIL AF

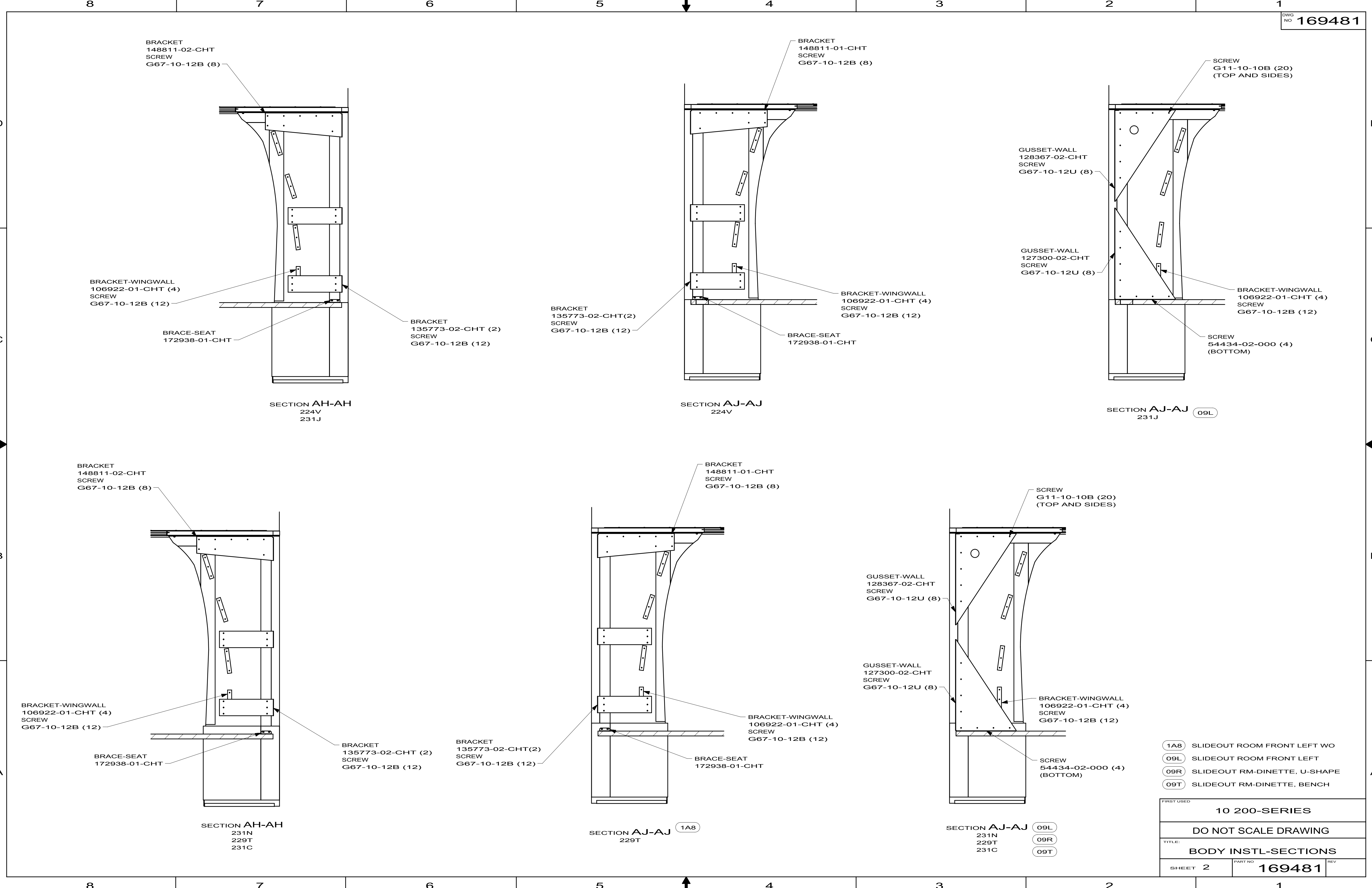


SECTION AG-AG

NOTES:
2. NOT USED WITH 1L9
1. PLACE SEAL AT THE END OF RAIN CHANNEL.

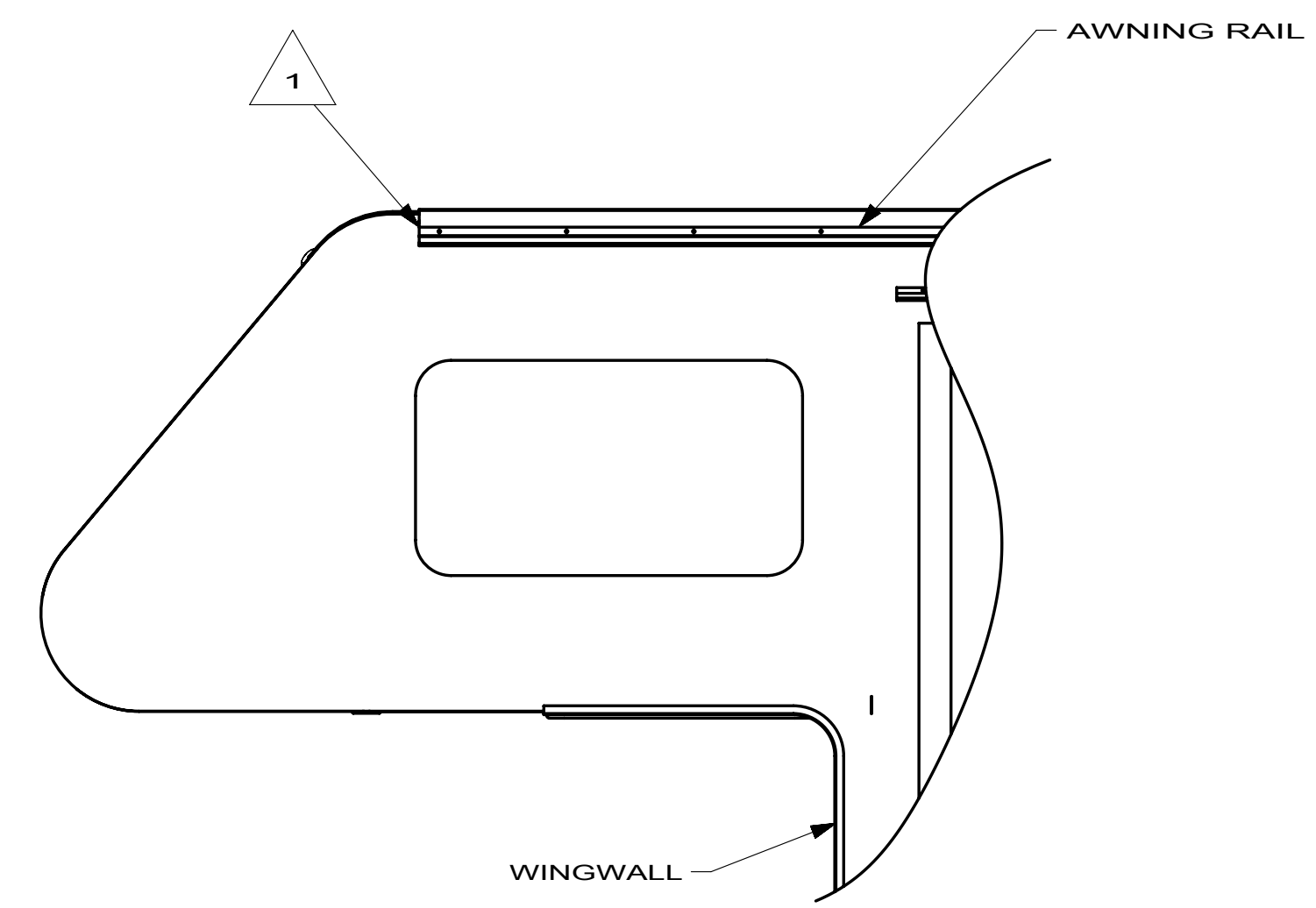
- 1A8 SLIDEOUT ROOM FRONT LEFT WO
- 1L9 ENTERTAINMENT CENTER-CABOVER
- 09L SLIDEOUT ROOM FRONT LEFT
- 09R SLIDEOUT RM-DINETTE, U-SHAPE
- 09T SLIDEOUT RM-DINETTE, BENCH

WINNEBAGO INDUSTRIES		COPYRIGHT 2009 WINNEBAGO INDUSTRIES, INC.	
DFTR	ORIG. DATE	ALL DIMENSIONS ARE IN MILLIMETERS	
CHKR			
P.E.			
M.E.	FIRST USED		
DSNR		10 200-SERIES	
UNSPECIFIED TOLERANCES ARE:		MATERIAL:	
WHOLE DIM (X)	:		
ONE-PLACE (X.X)	:		
TWO-PLACE (X.XX)	:		
ANGLE	:		
THIRD ANGLE PROJECTION			
DO NOT SCALE DRAWING			
TITLE: BODY INSTL-SECTIONS			
SHEET 1 OF 3	PART NO 169481	REV	
REF:	1		

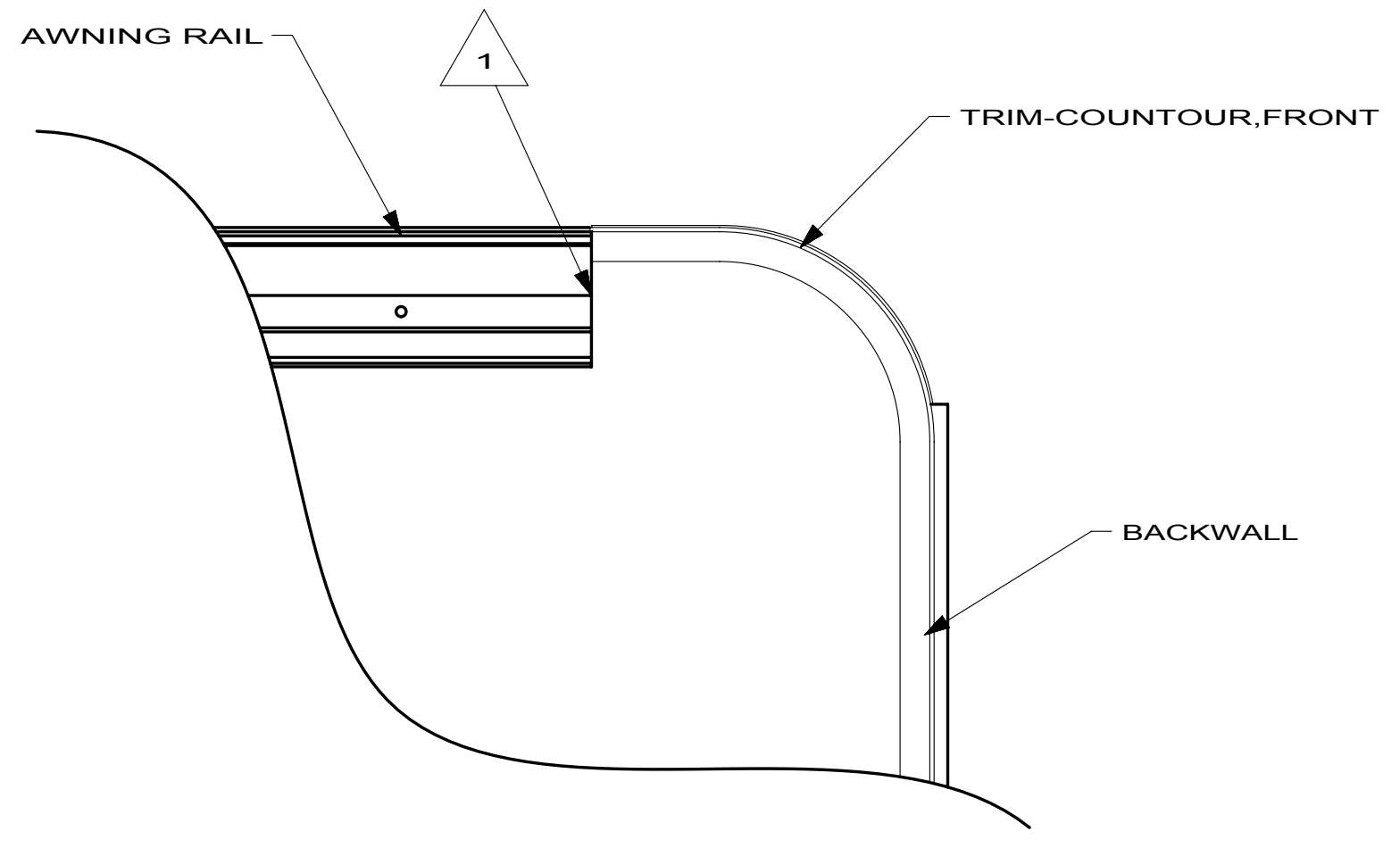


- (1A8) SLIDEOUT ROOM FRONT LEFT WO
- (09L) SLIDEOUT ROOM FRONT LEFT
- (09R) SLIDEOUT RM-DINETTE, U-SHAPE
- (09T) SLIDEOUT RM-DINETTE, BENCH

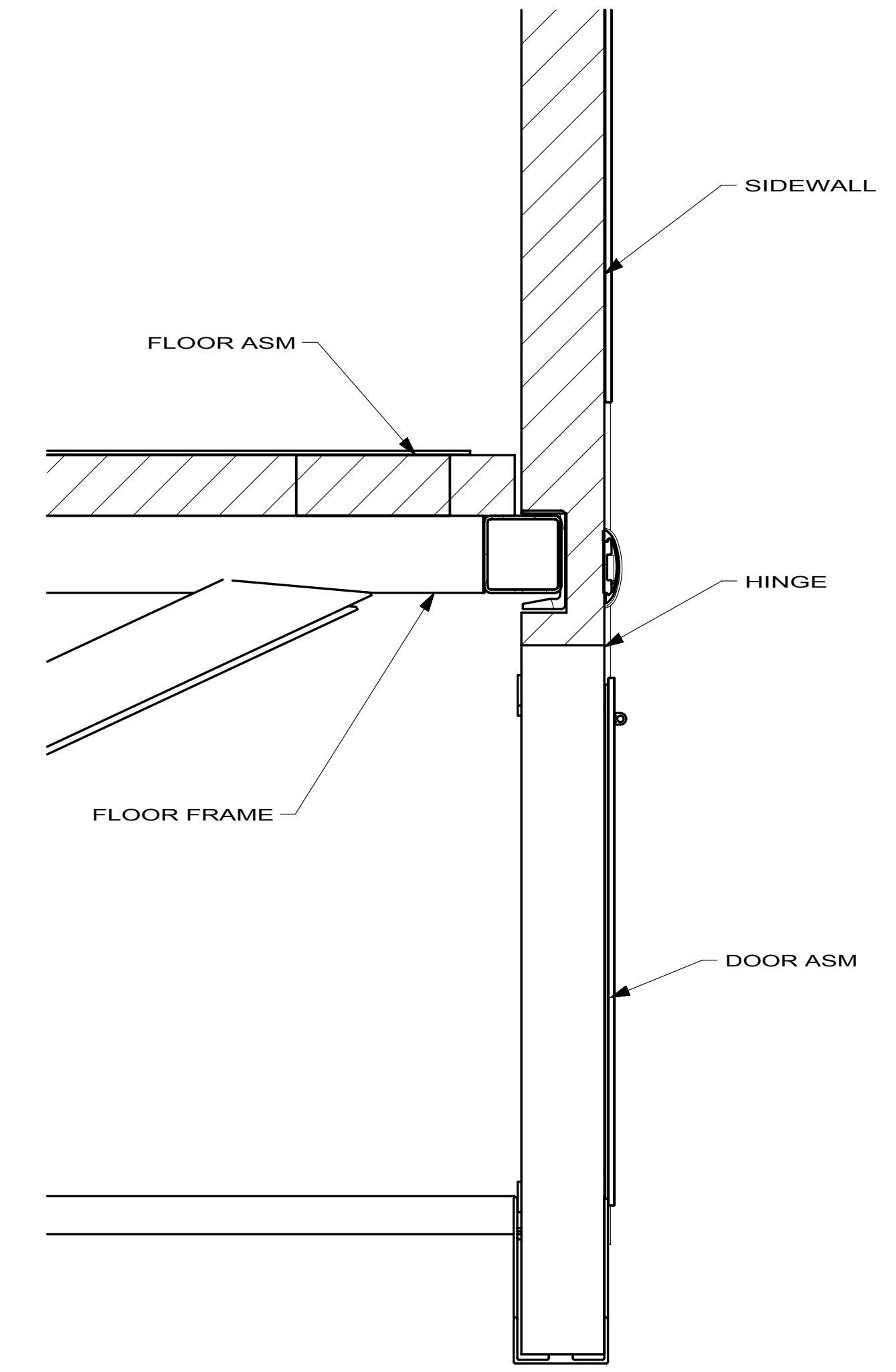
FIRST USED		10 200-SERIES	
DO NOT SCALE DRAWING			
TITLE: BODY INSTL-SECTIONS			
SHEET 2	PART NO	169481	REV



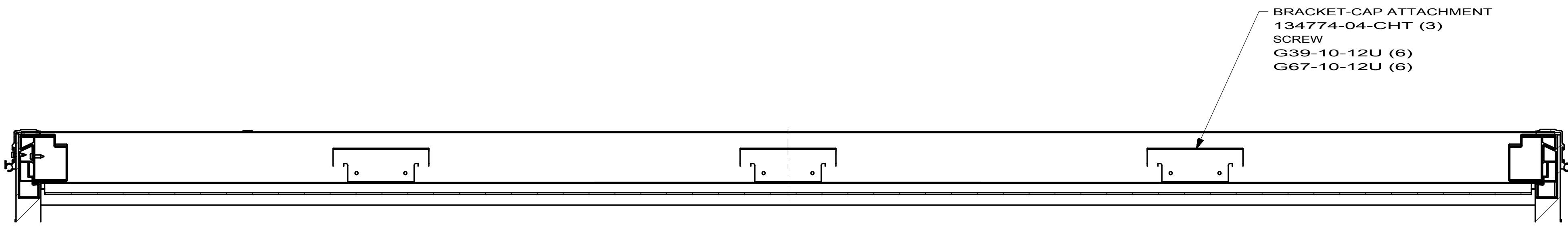
DETAIL AK



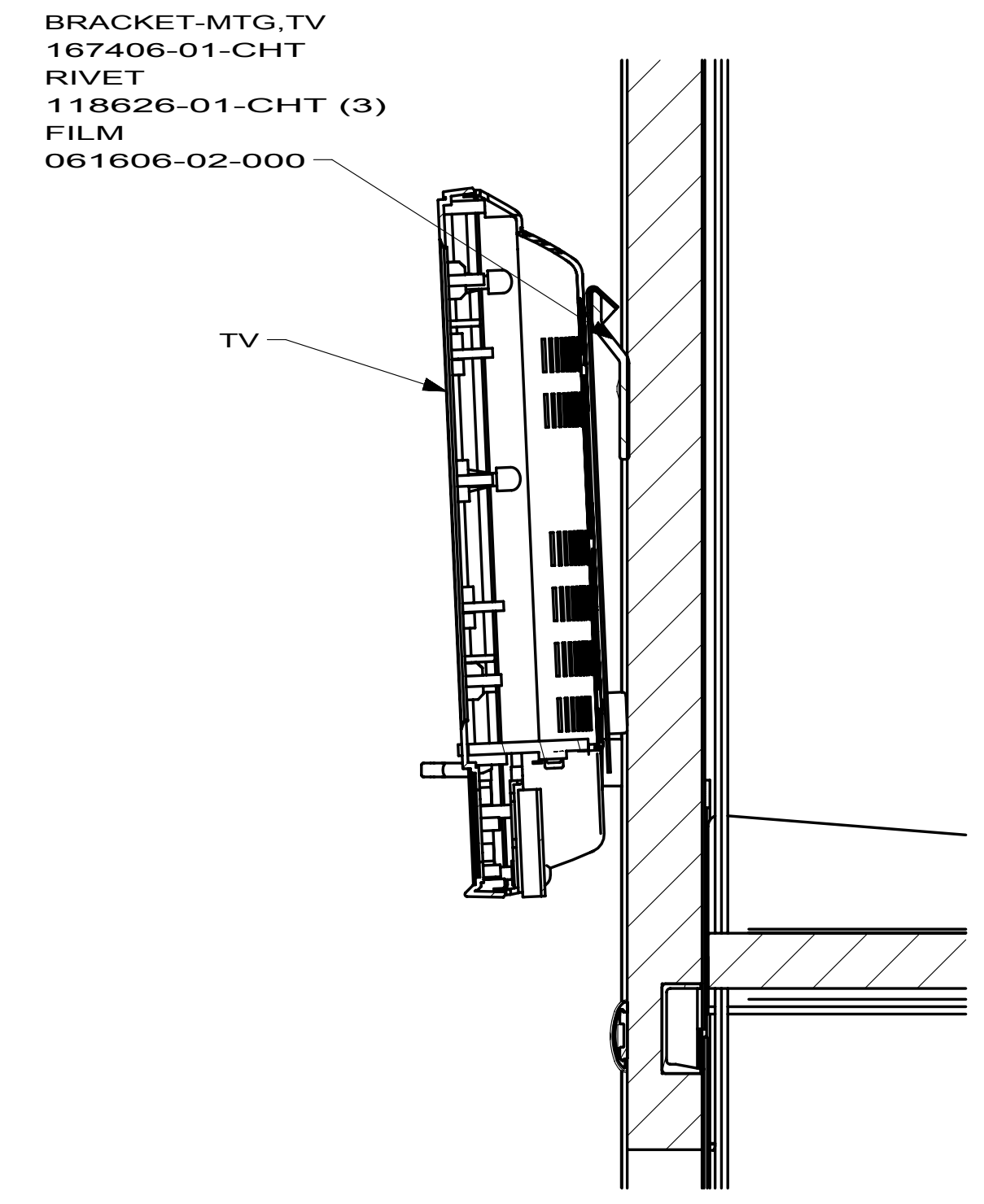
DETAIL AL



SECTION BA-BA

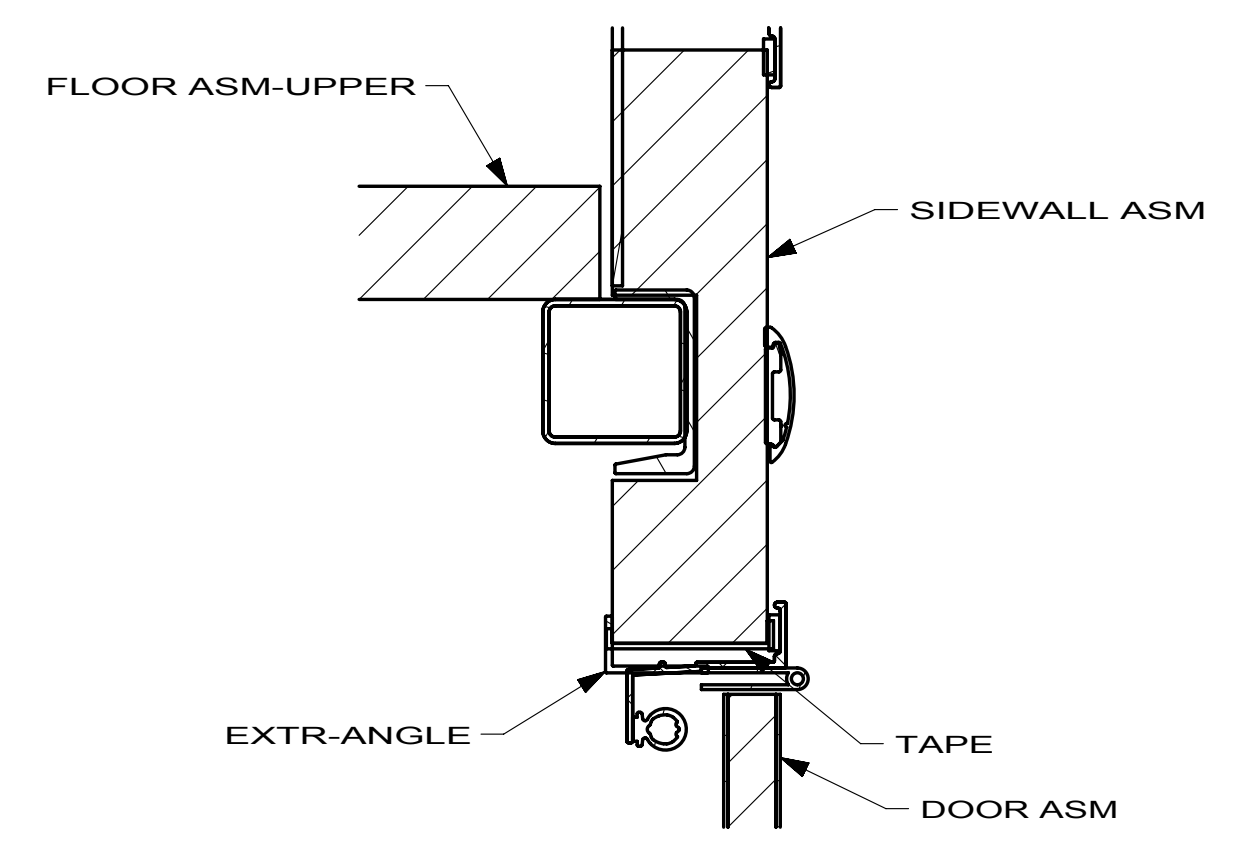


SECTION AM-AM



SECTION AN-AN

1LK



SECTION BB-BB

1LK TV-19"DC,COLOR,LCD W/REMOTE

FIRST USED	10 200-SERIES	
TITLE:	DO NOT SCALE DRAWING	
	BODY INSTL-SECTIONS	
SHEET 3	PART NO 169481	REV