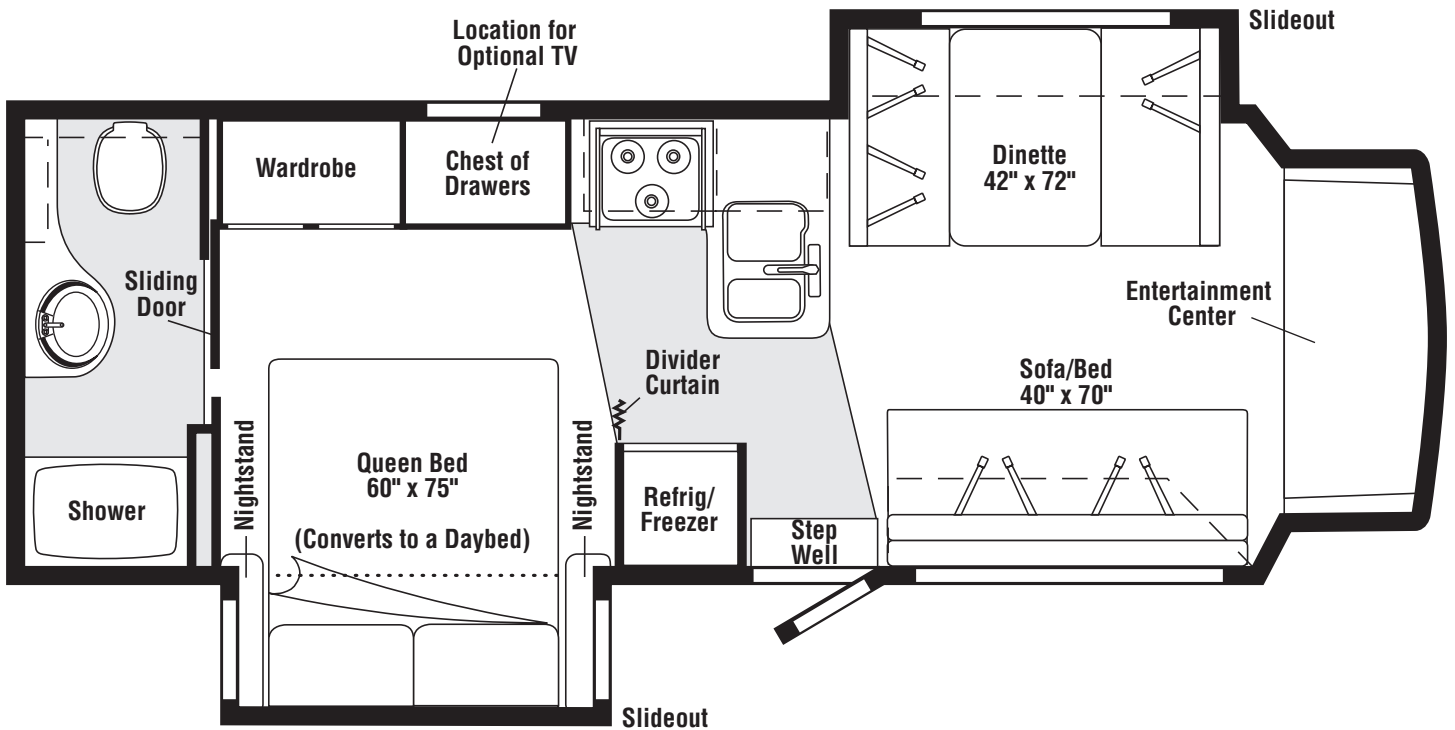


**2008  
ASPECT  
700-SERIES  
729H**

**WASHED MAPLE  
W37 CINNAMON SPICE  
W39 SILVERSCREEN  
W41 PEPPERGRASS  
SIERRA MAPLE  
W38 CINNAMON SPICE  
W40 SILVERSCREEN  
W42 PEPPERGRASS**



**FLOORPLANS**

# CONTENTS

<b>FLOORPLANS</b> .....	<b>1</b>
<b>ACCESSORIES GROUP</b> .....	<b>6</b>
OPERATORS MANUAL .....	6
<b>AUDIO VIDEO GROUP</b> .....	<b>7</b>
RADIO SYSTEM .....	7
REAR MONITOR .....	8
COMPONENT PARTS FOR AUDIO VIDEO .....	8
156442-02-01A, 156442-03-01A .....	8
<b>CABINET &amp; APPLIANCE GROUP</b> .....	<b>9</b>
CABINET & APPLIANCE LAYOUT .....	9
COMPONENT PARTS FOR CABINET & APPLIANCE LAYOUT .....	16
114030-04-01A .....	16
121568-06-01A, 121568-07-01A, 121568-08-01A .....	18
136354-05-01A, 136354-05-02A .....	22
136354-06-01A, 136354-06-02A .....	23
150606-04-02A .....	23
151277-01-01A, 151277-02-01A .....	24
<b>CHASSIS GROUP</b> .....	<b>27</b>
FRAME .....	27
DRIVETRAIN .....	27
EXHAUST .....	28
HITCH .....	28
FUEL .....	29
HYDRAULIC LEVELING .....	29
COMPONENT PARTS FOR HYDRAULIC LEVELING .....	30
157770-01-000 .....	30
SPARE TIRE .....	30
COMPONENT PARTS FOR SPARE TIRE .....	30
149703-01-01A .....	30
SUSPENSION .....	31
COMPONENT PARTS FOR SUSPENSION .....	31
153119-01-000 .....	31
WHEEL, TIRE, COVERS &/OR LINERS .....	31
COMPONENT PARTS FOR WHEEL, TIRE, COVERS &/OR LINERS .....	31
110435-13-000 .....	31
110435-23-000 .....	31
BRAKELINE .....	31
<b>CURTAIN &amp; CUSHION GROUP</b> .....	<b>32</b>
CURTAIN, CUSHION LAYOUT .....	32
HARDWARE .....	37
ACCESSORIES .....	39
FABRICS .....	40
<b>DRIVERS COMPARTMENT GROUP</b> .....	<b>42</b>
FRONT INTERIOR .....	42
CABINETS .....	43

# CONTENTS (CONTINUED)

<b>ELECTRICAL GROUP</b> .....	<b>44</b>
110V BODY WIRING .....	44
12V BODY WIRING .....	46
EXTERIOR LAMPS .....	50
FRONT END .....	52
FRONT TV/VCR .....	53
COMPONENT PARTS FOR WIRING .....	54
076319-23-000 .....	54
076319-25-000 .....	54
087694-01-000 .....	55
093575-46-01A .....	55
097917-01-06A .....	55
120269-07-01A .....	55
121935-01-01A .....	55
123775-01-01A .....	55
123775-01-02A .....	55
133908-09-01A .....	55
134940-06-01A .....	56
134940-07-01A .....	56
137135-02-000 .....	57
137417-02-01A .....	58
137417-06-01A .....	58
154474-04-01A .....	58
158703-01-000 .....	58
160123-01-000 .....	58
163031-01-01A .....	58
163097-01-000 .....	58
164495-01-000 .....	58
165074-01-000 .....	58
166446-01-000 .....	58
CIRCUIT BREAKERS, FUSES & RELAYS .....	59
CONVERTER, INVERTER, LOAD CENTERS .....	59
COMPONENT PARTS FOR CONVERTER, INVERTER, LOAD CENTERS .....	59
083208-07-000 .....	59
BOXES & CORDS .....	60
WIRE ASSEMBLIES .....	60
CONNECTORS & CONDUIT .....	61
CHASSIS .....	63
<b>EXTERIOR BODY GROUP</b> .....	<b>65</b>
GRAPHICS & PAINT .....	65
PANELS & TRIMS .....	67
COMPONENT PARTS FOR PANELS & TRIMS .....	70
133908-05, 133908-06, 133908-10, 133908-11, 133908-14, 133908-15, -01A/02A .....	70
133908-16, 133908-17, -01A/-02A/-03A .....	70
FRONT END .....	71
LADDER .....	72
STRUCTURAL COMPONENTS .....	72
AWNINGS .....	73
<b>EXTERIOR DOORS &amp; COMPARTMENTS GROUP</b> .....	<b>74</b>
DOOR & COMPARTMENT LAYOUT .....	74
COMPONENT PARTS FOR DOOR & COMPARTMENT LAYOUT .....	78
084103-08-000 .....	78
094708-05-01A .....	79
COMPARTMENT DOOR PIECE PARTS .....	80
ENTRY .....	82
SCREEN .....	83
LATCH - ENTRY .....	84

# CONTENTS (CONTINUED)

<b>EXTERIOR SLIDEOUT GROUP</b> .....	<b>85</b>
FRONT LEFT .....	85
COMPONENT PARTS FOR FRONT LEFT .....	89
148685-01-000 .....	89
162495-01-01A, 162495-02-01A .....	89
RIGHT REAR .....	90
COMPONENT PARTS FOR RIGHT REAR .....	93
150661-02-000 .....	93
<b>GENERATOR GROUP</b> .....	<b>94</b>
GAS .....	94
<b>HEATING &amp; A/C GROUP</b> .....	<b>95</b>
FURNACE .....	95
139980-02-000 .....	96
COMPONENT PARTS FOR FURNACE .....	96
ROOF .....	98
COMPONENT PARTS FOR ROOF .....	98
131184-01-01A .....	98
131184-05-01A .....	99
131184-06-01A .....	100
131184-07-01A .....	101
148644-01-01A .....	102
148644-02-01A .....	103
<b>INTERIOR FINISH GROUP</b> .....	<b>104</b>
MOLDINGS & TRIMS .....	104
PANELING & LAMINATES .....	114
INTERIOR TRIM LAYOUT .....	115
COMPONENT PART FOR INTERIOR TRIM LAYOUT .....	119
094499-02-000 .....	119
FLOOR COVERINGS .....	119
HARDWARE .....	120
<b>LABELS GROUP</b> .....	<b>126</b>
<b>LP GROUP</b> .....	<b>130</b>
LP SYSTEM .....	130
COMPONENT PARTS FOR LP SYSTEM .....	130
144116-09-000 .....	130
<b>SEALANTS &amp; FASTENERS GROUP</b> .....	<b>131</b>
SEALANTS & ADHESIVES .....	131
BOLTS, NUTS AND WASHERS .....	132
SCREWS .....	134
CLAMPS, CLIPS, GROMMETS, RIVETS & PLUGS .....	137
MISCELLANEOUS FASTENERS .....	138
<b>WATER &amp; SEWAGE GROUP</b> .....	<b>139</b>
DRAINAGE SYSTEM .....	139
COMPONENT PARTS FOR DRAINAGE SYSTEM .....	141
147421-06-01A .....	141
WATER SYSTEM .....	142
COMPONENT PARTS FOR WATER SYSTEM .....	148
051391-03-000 .....	148
075241-04-000, 075241-05-000, 075241-06-000, 075241-07-000 .....	149
145541-02-000 .....	149
152311-01-01A .....	149
165730-01-01A .....	149

## CONTENTS (CONTINUED)

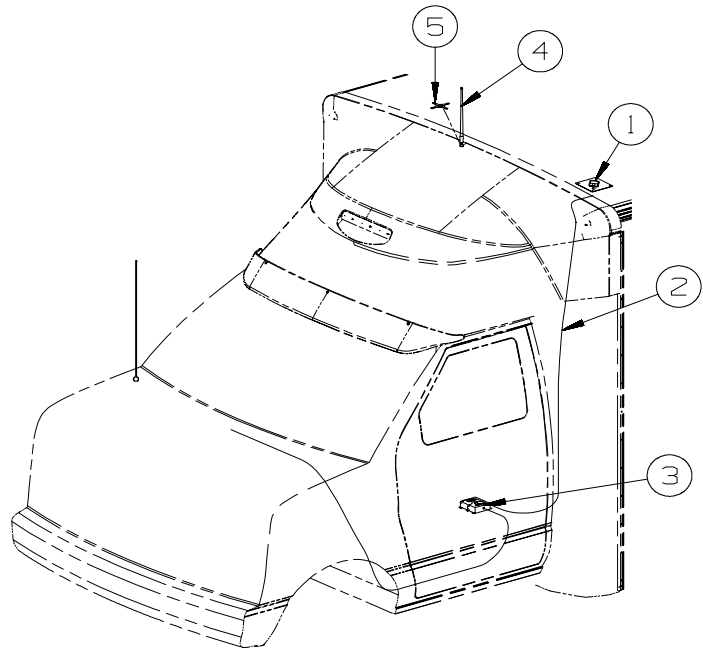
<b>WINDOW &amp; VENTS GROUP .....</b>	<b>150</b>
WINDOW & VENT LAYOUT .....	150
COMPONENT PARTS FOR WINDOW & VENT LAYOUT .....	151
098644-13-01A .....	151
098647-23-02A .....	152
098647-47-02A .....	153
112463-02-02A .....	153
122882-01-01A .....	154
122882-02-01A, 122882-03-01A .....	154
123780-03-01A .....	155
123780-26-01A .....	156
150648-02-01A, 150648-03-01A/3A .....	157
150648-07-01A, 150648-22-01A .....	158
150649-07-01A .....	158
150651-01-01A/03A .....	159
161452-06-01A .....	160

**ACCESSORIES GROUP**  
**OPERATORS MANUAL**

<b>KEY</b>	<b>PART NUMBER</b>	<b>U/M</b>	<b>DESCRIPTION</b>
	158603-08-004	EA	MANUAL/OWNER - SUPPLEMENT - 700 SERIES - 2008
	159842-01-01A	EA	CASE - VINYL - F/MANUALS - W/SLEEVES - BLACK
	161500-08-007	EA	MANUAL/OWNER - ASPECT - 700 SERIES - 2008
	161328-01-000	DW	TOP LEVEL-700,2008

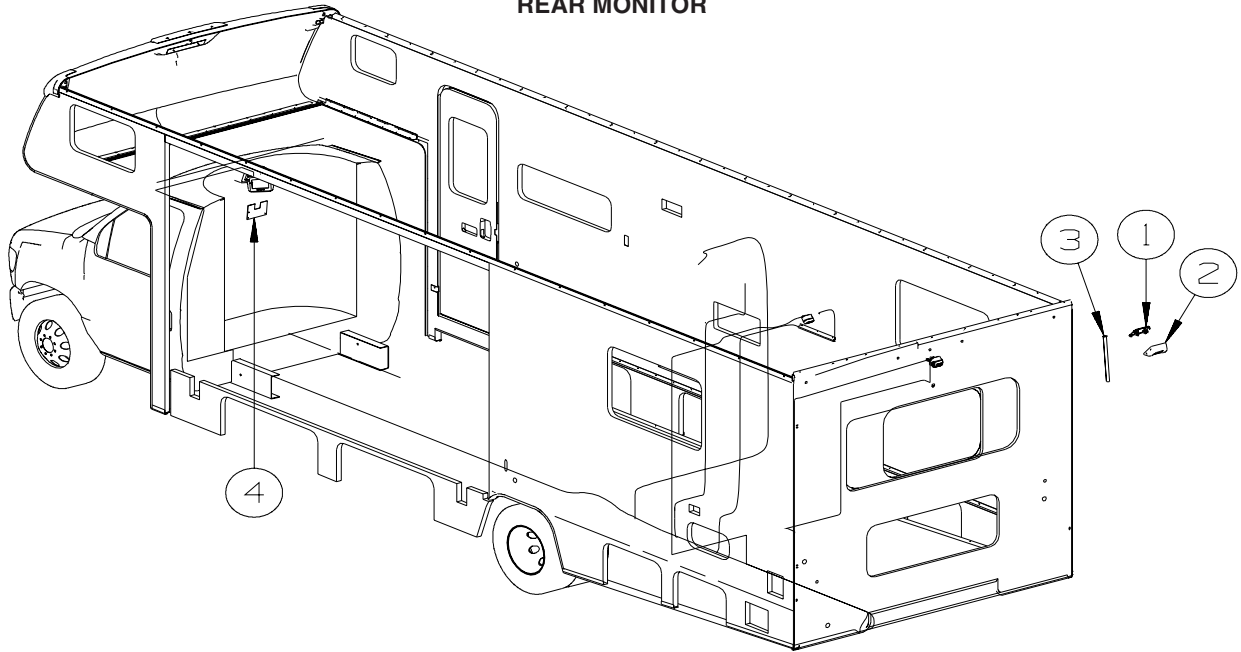
## AUDIO VIDEO GROUP RADIO SYSTEM

KEY	PART NUMBER	U/M	DESCRIPTION
	163142-03-000	EA	REMOTE CONTROL/RADIO (CREDIT CARD SIZE) FROM: 00-00-00 THRU: 01-28-07
	163142-09-000	EA	REMOTE CONTROL/RADIO (CREDIT CARD SIZE) FROM: 01-29-07 THRU: 99-99-99
	163142-04-000	EA	REMOTE CONTROL/RADIO (STEERING WHEEL MOUNT) FROM: 00-00-00 THRU: 01-28-07
	163142-10-000	EA	REMOTE CONTROL/RADIO (STEERING WHEEL MOUNT) FROM: 01-29-07 THRU: 99-99-99
	163142-01-000	EA	RADIO-AM/FM/CD/WB - SATELLITE READY - FORD C-BODY FROM: 00-00-00 THRU: 01-28-07
	163142-07-000	EA	RADIO-AM/FM/CD/WB - SATELLITE READY - FORD C-BODY FROM: 01-29-07 THRU: 99-99-99
	163142-05-000	EA	RECEIVER (EYE) - INFRARED FROM: 00-00-00 THRU: 01-28-07
	163142-11-000	EA	RECEIVER (EYE) - INFRARED FROM: 01-29-07 THRU: 99-99-99
	163142-12-000	EA	CABLE/INTERFACE - I-POD



KEY	PART NUMBER	U/M	DESCRIPTION
1	158494-01-000	EA	ANTENNA/SATELLITE - RADIO/SIRIUS - <b>RADIO-SATELLITE</b>
2	158494-02-000	EA	CABLE/ANTENNA - SATELLITE RADIO SIRRUSS - <b>RADIO-SATELLITE</b>
3	163142-06-000	EA	RECEIVER - SATELLITE RADIOS - <b>RADIO-SATELLITE</b>
4	090944-01-000	EA	ANTENNA - RADIO - 16" RUBBER - W/72" LEAD WIRE
5	147741-01-09B	EA	BRACKET - ANTENNA GROUND - GALVANIZED

**AUDIO VIDEO GROUP (CONTINUED)**  
**REAR MONITOR**



KEY	PART NUMBER	U/M	DESCRIPTION
*	156442-02-01A	EA	COLOR MONITOR/LCD - 5.6" - NO AUDIO-PLAS POD MOUNT-TAN/BLK - RR MONITOR SYSTEM
*	156442-03-01A	EA	MONITOR/COLOR-5.6"/LCD - W/AUDIO - PLAS POD MOUNT-TAN/BLK - RR MONITOR SYS W/AUDIO
	144677-14-01A	EA	CAMERA - REAR VIEW W/BRACKET - WHITE - VBCS150
	144677-14-02A	EA	CAMERA - REAR VIEW W/BRACKET - BLACK - VBCS150B
1	149227-01-02B	EA	BRACKET - CAMERA - E-COATED
2	149237-01-01A	EA	SHROUD - CAMERA/OUTER - BRIGHT WHITE
2	149237-01-02A	EA	SHROUD - CAMERA/OUTER - PRIMED
3	NOT USED		
3	NOT USED		
4	NOT USED		

\*COMPONENT PARTS LISTED LATER IN THIS GROUP

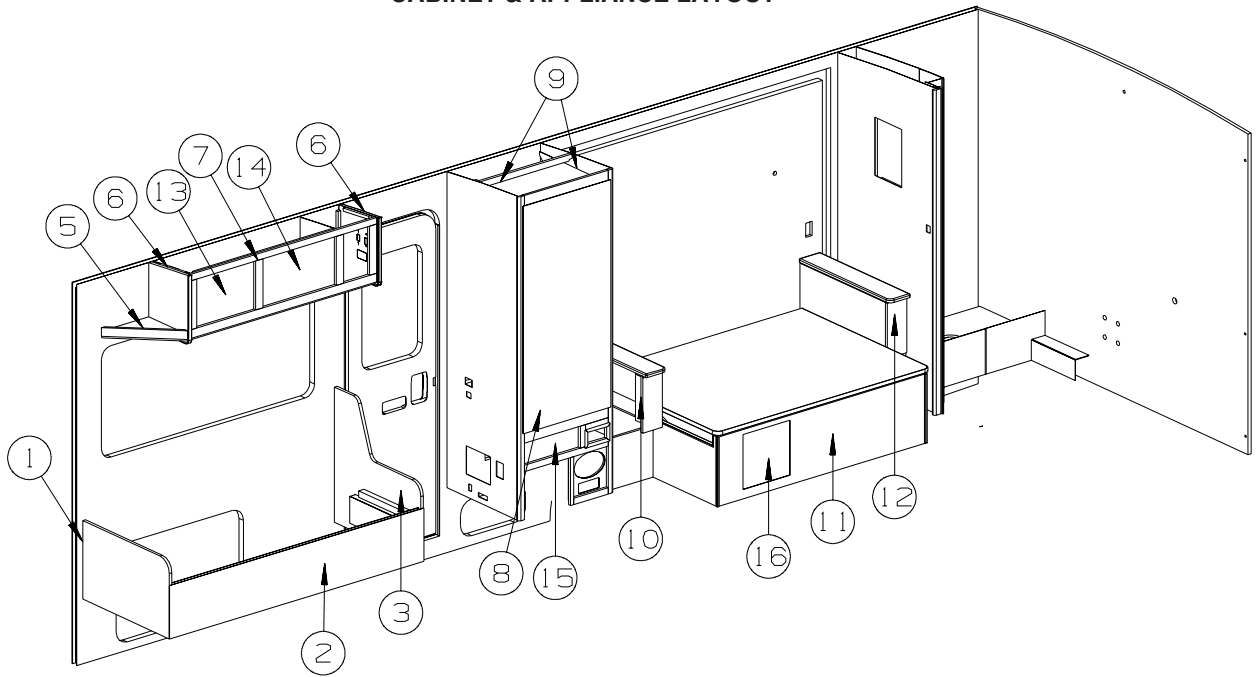
**COMPONENT PARTS FOR AUDIO VIDEO**

KEY	PART NUMBER	U/M	DESCRIPTION	156442-02-01A, 156442-03-01A
				VENDOR NO.
	156442-02-700	EA	SHROUD - REAR VIEW MONITOR	33200013
	156442-02-701	EA	BRACKET - MOUNTING	32300012



## CABINET & APPLIANCE GROUP

### CABINET & APPLIANCE LAYOUT



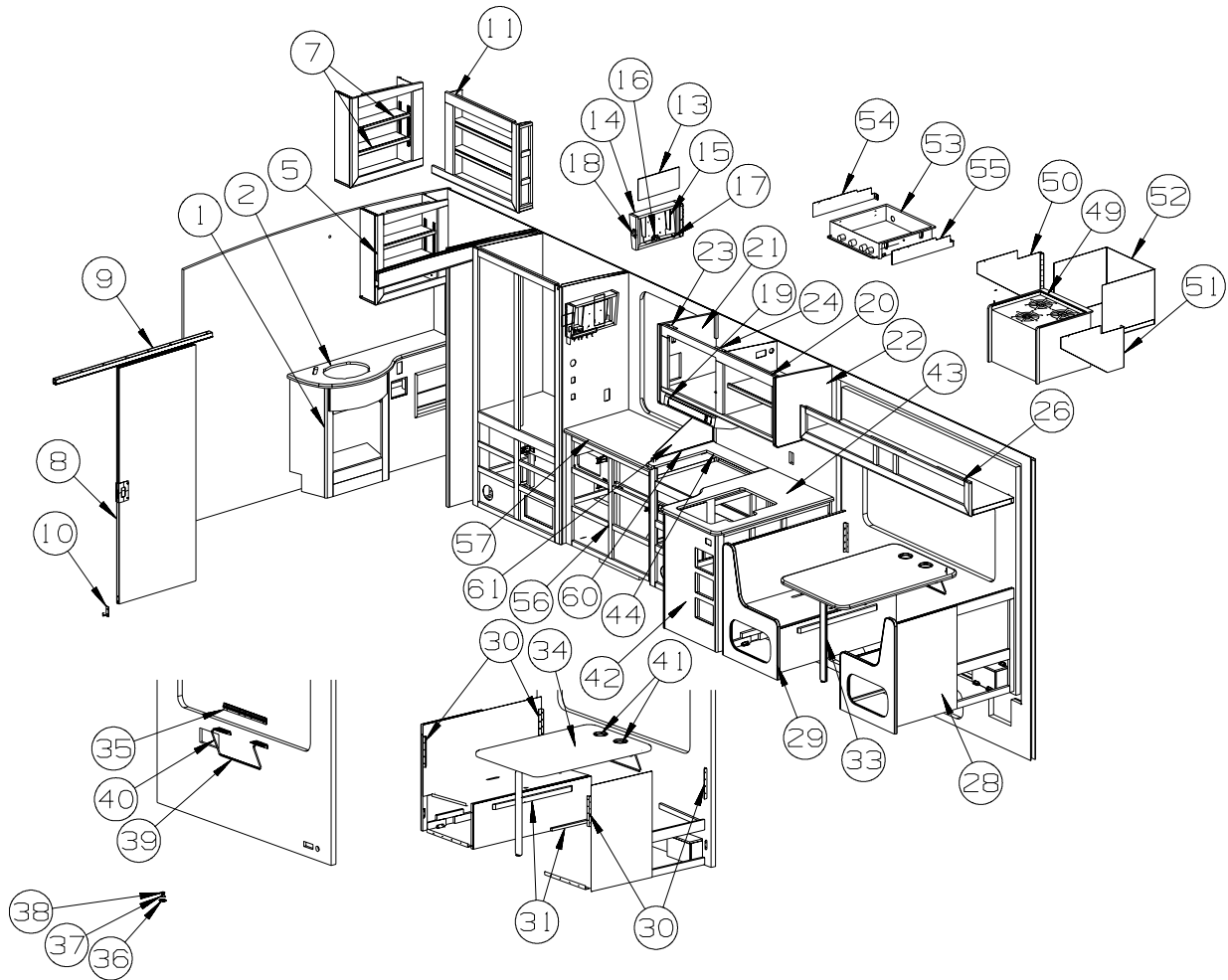
KEY	PART NUMBER	U/M	DESCRIPTION
1	148296-11-U37	EA	CABINET - COUCH - RT END PANEL - FABRIC COVER (W37, W38)
1	148296-11-W39	EA	CABINET - COUCH - RT END PANEL - FABRIC COVER (W39, W40)
1	148296-11-W41	EA	CABINET - COUCH - RT END PANEL - FABRIC COVER (W41, W42)
1	148296-17-T41	EA	CABINET - COUCH - RT END PANEL - LEATHER COVER (W37, W38) - <b>ULTRALEATHER - CAB/COACH</b>
1	148296-17-T43	EA	CABINET - COUCH - RT END PANEL - LEATHER COVER (W39, W40) - <b>ULTRALEATHER - CAB/COACH</b>
1	148296-17-W41	EA	CABINET - COUCH - RT END PANEL - LEATHER COVER (W41, W42) - <b>ULTRALEATHER - CAB/COACH</b>
2	148296-23-W37	EA	CABINET - COUCH - FRONT - FABRIC COVER (W37, W38)
2	148296-23-W39	EA	CABINET - COUCH - FRONT - FABRIC COVER (W39, W40)
2	148296-23-W41	EA	CABINET - COUCH - FRONT - FABRIC COVER (W41, W42)
2	148296-24-T41	EA	CABINET - COUCH - FRONT - LEATHER COVER (W37, W38) - <b>ULTRALEATHER - CAB/COACH</b>
2	148296-24-T43	EA	CABINET - COUCH - FRONT - LEATHER COVER (W39, W40) - <b>ULTRALEATHER - CAB/COACH</b>
2	148296-24-W41	EA	CABINET - COUCH - FRONT - LEATHER COVER (W41, W42) - <b>ULTRALEATHER - CAB/COACH</b>
3	148296-20-W37	EA	CABINET - COUCH - LT END PANEL - FABRIC COVER (W37, W38)
3	148296-20-W39	EA	CABINET - COUCH - LT END PANEL - FABRIC COVER (W39, W40)
3	148296-20-W41	EA	CABINET - COUCH - LT END PANEL - FABRIC COVER (W41, W42)
3	148296-21-T41	EA	CABINET - COUCH - LEFT END PANEL - LEATHER COVER (W37, W38) - <b>ULTRALEATHER - CAB/COACH</b>
3	148296-21-T43	EA	CABINET - COUCH - LEFT END PANEL - LEATHER COVER (W39, W40) - <b>ULTRALEATHER - CAB/COACH</b>
3	148296-21-W41	EA	CABINET - COUCH - LEFT END PANEL - LEATHER COVER (W41, W42) - <b>ULTRALEATHER - CAB/COACH</b>
4	137602-K4-T41	EA	POCKET - FIRE EXTINGUISHER - WASHED MAPLE
4	137602-K4-T42	EA	POCKET - FIRE EXTINGUISHER - SIERRA MAPLE
5	148764-01-S34	EA	CABINET/SHELF - W/O DOORS/HARDWARE - WASHED MAPLE
5	148764-01-S35	EA	CABINET/SHELF - W/O DOORS/HARDWARE - SIERRA MAPLE
6	148713-01-S34	EA	END CAP - OVERHEAD CABINET - WASHED MAPLE
6	148713-01-S35	EA	END CAP - OVERHEAD CABINET - SIERRA MAPLE

**CABINET & APPLIANCE GROUP (CONTINUED)**  
**CABINET & APPLIANCE LAYOUT (CONTINUED)**

KEY	PART NUMBER	U/M	DESCRIPTION
7	148726-04-U37	EA	CABINET - OVERHEAD - W/O DOORS/HARDWARE (W37) FROM: 00-00-00 THRU: 04-18-07
7	148726-05-W37	EA	CABINET - OVERHEAD - W/O DOORS/HARDWARE (W37) FROM: 04-19-07 THRU: 99-99-99
7	148726-04-U38	EA	CABINET - OVERHEAD - W/O DOORS/HARDWARE (W38) FROM: 00-00-00 THRU: 04-18-07
7	148726-05-W38	EA	CABINET - OVERHEAD - W/O DOORS/HARDWARE (W38) FROM: 04-19-07 THRU: 99-99-99
7	148726-04-W39	EA	CABINET - OVERHEAD - W/O DOORS/HARDWARE (W39) FROM: 00-00-00 THRU: 04-18-07
7	148726-05-W39	EA	CABINET - OVERHEAD - W/O DOORS/HARDWARE (W39) FROM: 04-19-07 THRU: 99-99-99
7	148726-04-W40	EA	CABINET - OVERHEAD - W/O DOORS/HARDWARE (W40) FROM: 00-00-00 THRU: 04-18-07
7	148726-05-W40	EA	CABINET - OVERHEAD - W/O DOORS/HARDWARE (W40) FROM: 04-19-07 THRU: 99-99-99
7	148726-04-W41	EA	CABINET - OVERHEAD - W/O DOORS/HARDWARE (W41) FROM: 00-00-00 THRU: 04-18-07
7	148726-05-W41	EA	CABINET - OVERHEAD - W/O DOORS/HARDWARE (W41) FROM: 04-19-07 THRU: 99-99-99
7	148726-04-W42	EA	CABINET - OVERHEAD - W/O DOORS/HARDWARE (W42) FROM: 00-00-00 THRU: 04-18-07
7	148726-05-W42	EA	CABINET - OVERHEAD - W/O DOORS/HARDWARE (W42) FROM: 04-19-07 THRU: 99-99-99
8*	121568-07-01A	EA	REFRIGERATOR - SMALL DBL DOOR-LH/2 WAY- 52.8"HX23.5"WX24"D
	054450-01-000	EA	LEVEL - REFRIGERATOR
	116751-01-01A	EA	TRAY - REFRIGERATOR
9			REFRIGERATOR CABINET SEALS
	090329-01-000	FT	SEAL - "T" - REFRIGERATOR CABINET
10	156215-02-U37	EA	CABINET - NIGHTSTAND/LH - W/O COUNTERTOP/DOORS/DRAWERS/HDW (W37)
10	156215-02-U38	EA	CABINET - NIGHTSTAND/LH - W/O COUNTERTOP/DOORS/DRAWERS/HDW (W38)
10	156215-02-W39	EA	CABINET - NIGHTSTAND/LH - W/O COUNTERTOP/DOORS/DRAWERS/HDW (W39)
10	156215-02-W40	EA	CABINET - NIGHTSTAND/LH - W/O COUNTERTOP/DOORS/DRAWERS/HDW (W40)
10	156215-02-W41	EA	CABINET - NIGHTSTAND/LH - W/O COUNTERTOP/DOORS/DRAWERS/HDW (W41)
10	156215-02-W42	EA	CABINET - NIGHTSTAND/LH - W/O COUNTERTOP/DOORS/DRAWERS/HDW (W42)
11	155951-01-T41	EA	CABINET - BED BASE - W/O DOORS/DRAWERS/HDW (W37)
11	155951-01-T42	EA	CABINET - BED BASE - W/O DOORS/DRAWERS/HDW (W38)
11	155951-01-T45	EA	CABINET - BED BASE - W/O DOORS/DRAWERS/HDW (W39)
11	155951-01-T46	EA	CABINET - BED BASE - W/O DOORS/DRAWERS/HDW (W40)
11	155951-01-W41	EA	CABINET - BED BASE - W/O DOORS/DRAWERS/HDW (W41)
11	155951-01-W42	EA	CABINET - BED BASE - W/O DOORS/DRAWERS/HDW (W42)
12	156215-01-U37	EA	CABINET - NIGHTSTAND/RH - W/O COUNTERTOP/DOORS/DRAWERS/HDW (W37)
12	156215-01-U38	EA	CABINET - NIGHTSTAND/RH - W/O COUNTERTOP/DOORS/DRAWERS/HDW (W38)
12	156215-01-W39	EA	CABINET - NIGHTSTAND/RH - W/O COUNTERTOP/DOORS/DRAWERS/HDW (W39)
12	156215-01-W40	EA	CABINET - NIGHTSTAND/RH - W/O COUNTERTOP/DOORS/DRAWERS/HDW (W40)
12	156215-01-W41	EA	CABINET - NIGHTSTAND/RH - W/O COUNTERTOP/DOORS/DRAWERS/HDW (W41)
12	156215-01-W42	EA	CABINET - NIGHTSTAND/RH - W/O COUNTERTOP/DOORS/DRAWERS/HDW (W42)
13	136955-82-S40	EA	DOOR - RAISED PANEL/PENCIL EDGE - 12.8" X 17.7" - W/O HDW - WASHED MAPLE
13	136955-82-S41	EA	DOOR - RAISED PANEL/PENCIL EDGE - 12.8" X 17.7" - W/O HDW - SIERRA MAPLE
14	136955-85-S40	EA	DOOR - RAISED PANEL/PENCIL EDGE - 12.8" X 21.9" - W/O HDW - WASHED MAPLE
14	136955-85-S41	EA	DOOR - RAISED PANEL/PENCIL EDGE - 12.8" X 21.9" - W/O HDW - SIERRA MAPLE
15	161075-09-W37	EA	DRAWER - PENCIL EDGE - 17.7"W X 14.7"D - W/O SLIDES/HDW - WASHED MAPLE
15	161075-09-W38	EA	DRAWER - PENCIL EDGE - 17.7"W X 14.7"D - W/O SLIDES/HDW - SIERRA MAPLE
16	136955-A0-W37	EA	DOOR - RAISED PANEL/PENCIL EDGE - 14.4" X 14.4" - W/O HDW - WASHED MAPLE FROM: 00-00-00 THRU: 01-10-07
16	147084-17-W37	EA	DOOR - FLAT PANEL/PENCIL EDGE - 14.4" X 14.4" - W/O HDW - WASHED MAPLE FROM: 01-11-07 THRU: 99-99-99
16	136955-A0-W38	EA	DOOR - RAISED PANEL/PENCIL EDGE - 14.4" X 14.4" - W/O HDW - SIERRA MAPLE FROM: 00-00-00 THRU: 01-10-07
16	147084-17-W38	EA	DOOR - FLAT PANEL/PENCIL EDGE - 14.4" X 14.4" - W/O HDW - SIERRA MAPLE FROM: 01-11-07 THRU: 99-99-99

\*COMPONENT PARTS LISTED LATER IN THIS GROUP

**CABINET & APPLIANCE GROUP (CONTINUED)**  
**CABINET & APPLIANCE LAYOUT (CONTINUED)**



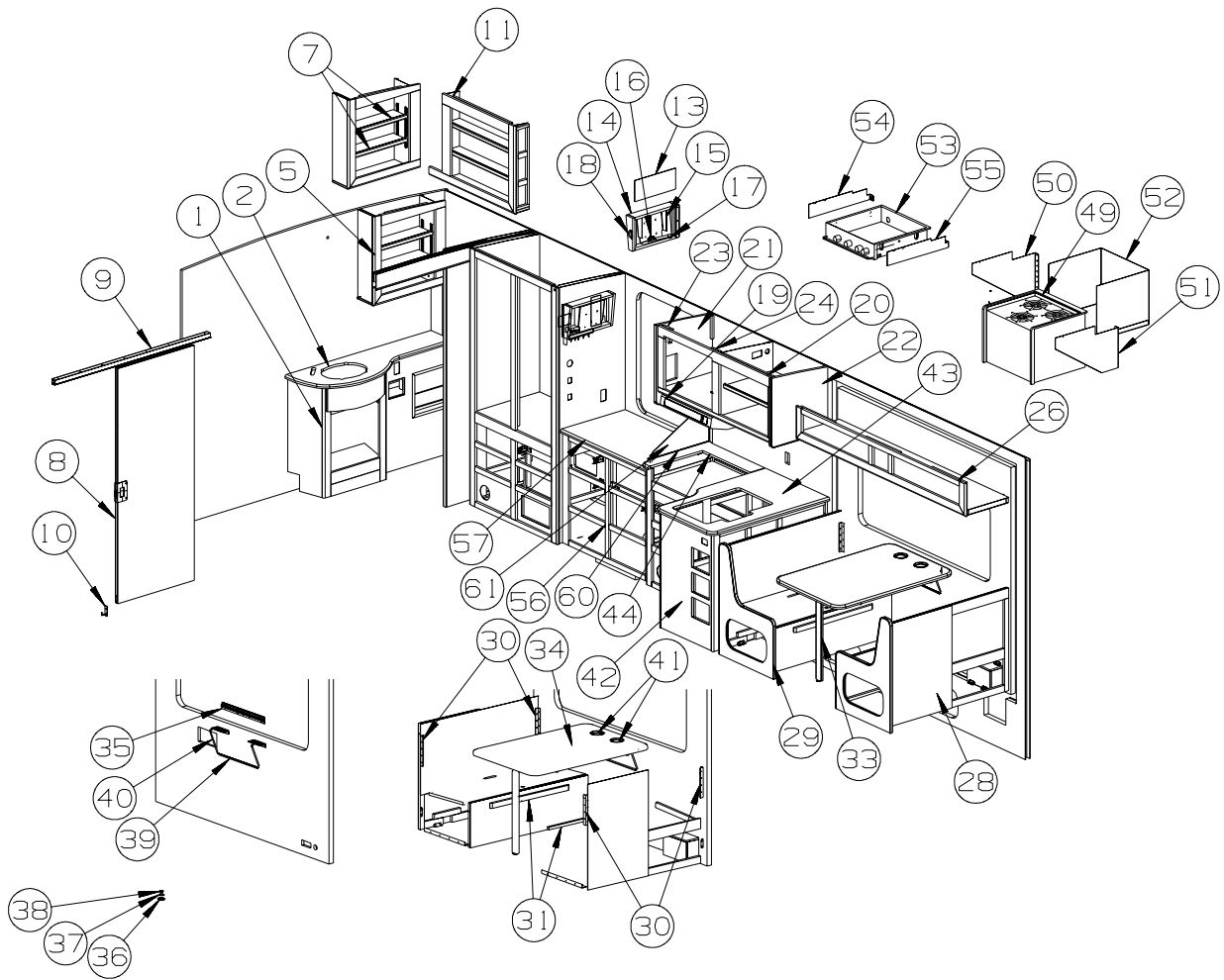
KEY	PART NUMBER	U/M	DESCRIPTION
1	161457-01-W37	EA	CABINET - LAVATORY - W/O COUNTERTOP/DOORS/DRAWERS/HDW - WASHED MAPLE
1	161457-01-W38	EA	CABINET - LAVATORY - W/O COUNTERTOP/DOORS/DRAWERS/HDW - SIERRA MAPLE
2	157828-34-05A	EA	COUNTERTOP - LAVATORY CABINET (W37, W38)
2	157828-34-04A	EA	COUNTERTOP - LAVATORY CABINET (W39, W40)
2	157828-34-03A	EA	COUNTERTOP - LAVATORY CABINET (W41, W42)
3	136955-08-W37	EA	DOOR - RAISED PANEL/PENCIL EDGE - 9.3" X 21.9" - W/O HDW - WASHED MAPLE
3	136955-08-W38	EA	DOOR - RAISED PANEL/PENCIL EDGE - 9.3" X 21.9" - W/O HDW - SIERRA MAPLE
4	136955-09-W37	EA	DOOR - RAISED PANEL/PENCIL EDGE - 9.3" X 21.9" - W/O HDW - WASHED MAPLE
4	136955-09-W38	EA	DOOR - RAISED PANEL/PENCIL EDGE - 9.3" X 21.9" - W/O HDW - SIERRA MAPLE
5	155912-01-T41	EA	CABINET - OVERHEAD/MEDICINE - W/O DOORS/HDW - WASHED MAPLE
5	155912-01-T42	EA	CABINET - OVERHEAD/MEDICINE - W/O DOORS/HDW - SIERRA MAPLE
6	136955-31-T47	EA	DOOR - RAISED PANEL/PENCIL EDGE - 10.2" X 21.5" - W/O HDW - WASHED MAPLE
6	136955-31-T48	EA	DOOR - RAISED PANEL/PENCIL EDGE - 10.2" X 21.5" - W/O HDW - SIERRA MAPLE
	076767-04-000	EA	CABLE - STAINLESS STEEL - 5.9"
7	155912-25-T41	EA	SHELF - W/WOOD MOLDING - WASHED MAPLE
7	155912-25-T42	EA	SHELF - W/WOOD MOLDING - SIERRA MAPLE
8	146047-A1-T41	EA	DOOR - SLIDING - W/O HARDWARE - WASHED MAPLE
8	146047-A1-T42	EA	DOOR - SLIDING - W/O HARDWARE - SIERRA MAPLE
9	145608-11-01A	EA	TRACK - DOOR - 55.4" - OFF WHITE
10	149607-06-02B	EA	GUIDE - F/POCKET DOOR - 1.8" BENT ROD - E-COATED
11	155911-01-T41	EA	CABINET - OVERHEAD/BATH - W/O DOORS/HDW - WASHED MAPLE
11	155911-01-T42	EA	CABINET - OVERHEAD/BATH - W/O DOORS/HDW - SIERRA MAPLE
12	136955-88-S40	EA	DOOR - RAISED PANEL/PENCIL EDGE - 13.4" X 21.9" - W/O HDW - WASHED MAPLE
12	136955-88-S41	EA	DOOR - RAISED PANEL/PENCIL EDGE - 13.4" X 21.9" - W/O HDW - SIERRA MAPLE
	076767-04-000	EA	CABLE - STAINLESS STEEL - 5.9"
13	160380-01-U37	EA	CABINET - OVRHD/TV/REAR - W/O DOORS/HDW - WASHED MAPLE - TV-14"DC,COLOR,LCD/REMOTE
13	165982-01-W37	EA	CABINET - OVRHD/TV/REAR - W/O DOORS/HDW - WASHED MAPLE - TV-15"DC,COLOR,LCD/REMOTE
13	160380-01-U38	EA	CABINET - OVRHD/TV/REAR - W/O DOORS/HDW - SIERRA MAPLE - TV-14"DC,COLOR,LCD/REMOTE
13	165982-01-W38	EA	CABINET - OVRHD/TV/REAR - W/O DOORS/HDW - SIERRA MAPLE - TV-15"DC,COLOR,LCD/REMOTE
	076767-04-000	EA	CABLE - STAINLESS STEEL - 5.9"

**CABINET & APPLIANCE GROUP (CONTINUED)**  
**CABINET & APPLIANCE LAYOUT (CONTINUED)**

KEY	PART NUMBER	U/M	DESCRIPTION
14	160379-01-U37	EA	CABINET - OVERHEAD/TV/REAR - W/O HDW - WASHED MAPLE - TV-14"DC,COLOR,LCD/REMOTE
14	165983-01-W37	EA	CABINET - OVERHEAD/TV/REAR - W/O HDW - WASHED MAPLE - TV-15"DC,COLOR,LCD/REMOTE
14	160379-01-U38	EA	CABINET - OVERHEAD/TV/REAR - W/O HDW - SIERRA MAPLE - TV-14"DC,COLOR,LCD/REMOTE
14	165983-01-W38	EA	CABINET - OVERHEAD/TV/REAR - W/O HDW - SIERRA MAPLE - TV-15"DC,COLOR,LCD/REMOTE
15	160378-01-02B	EA	BRACKET - SUPPORT - TV - E-COATED - TV-14"DC,COLOR,LCD/REMOTE
15	165986-01-02B	EA	BRACKET - SUPPORT - TV - E-COATED - TV-15"DC,COLOR,LCD/REMOTE
16	126263-02-02B	EA	BRACKET - GAS SPRING W/BALL STUD - E-COATED - TV-14/15" DC,COLOR,LCD/REMOTE
17	126263-15-02B	EA	BRACKET - GAS SPRING W/BALL STUD - E-COATED - TV-14/15" DC,COLOR,LCD/REMOTE
18	117095-01-01A	EA	LATCH - DOOR - GRABBER W/KEEPER - PLASTIC - BLK-5 LB PULL
19*	136354-05-02A	EA	HOOD - RANGE - W/LITE/FAN - SILVER TEXTURED
19*	136354-06-01A	EA	HOOD - RANGE - W/LITE/FAN - BLACK TEXTURED - CSA - CANADIAN
	112160-01-000	FT	SEAL - D SECTION - .2 X .3" - FOAM RUBBER
	117806-01-000	EA	BULB - 12V - #912 - 1.0 AMP
20	161454-01-W37	EA	CABINET - OVRHD/GALLEY - W/O DOORS/HDW - WASHED MAPLE
20	161454-01-W38	EA	CABINET - OVRHD/GALLEY - W/O DOORS/HDW - SIERRA MAPLE
20	161454-02-W37	EA	CABINET - OVRHD/GALLEY - W/O DOORS/HDW - WASHED MAPLE - WTR HTR-6GAL ELECTRIC/LP
20	161454-02-W38	EA	CABINET - OVRHD/GALLEY - W/O DOORS/HD - SIERRA MAPLE - WTR HTR-6GAL ELECTRIC/LP
21	155859-01-T41	EA	END CAP - OVERHEAD CABINET - WASHED MAPLE
21	155859-01-T42	EA	END CAP - OVERHEAD CABINET - SIERRA MAPLE
21	155859-02-T41	EA	END CAP - OVERHEAD CABINET - WASHED MAPLE - WTR HTR-6GAL ELECTRIC/LP
21	155859-02-T42	EA	END CAP - OVERHEAD CABINET - SIERRA MAPLE - WTR HTR-6GAL ELECTRIC/LP
22	148655-01-S34	EA	END CAP - OVERHEAD CABINET - WASHED MAPLE
22	148655-01-S35	EA	END CAP - OVERHEAD CABINET - SIERRA MAPLE
23	149420-03-02B	EA	BRACE - MICROWAVE - E-COATED
24	149420-04-02B	EA	BRACE - MICROWAVE - E-COATED
25	136955-55-W37	EA	DOOR - RAISED PANEL/PENCIL EDGE - 11.4" X 16.1" - W/O HDW - WASHED MAPLE
25	136955-55-W38	EA	DOOR - RAISED PANEL/PENCIL EDGE - 11.4" X 16.1" - W/O HDW - SIERRA MAPLE
	076767-04-000	EA	CABLE - STAINLESS STEEL - 5.9"
26	161456-01-W37	EA	CABINET - OVERHEAD/DINETTE - W/O DOORS/HDW
26	161456-01-W38	EA	CABINET - OVERHEAD/DINETTE - W/O DOORS/HDW
26	161456-01-W39	EA	CABINET - OVERHEAD/DINETTE - W/O DOORS/HDW
26	161456-01-W40	EA	CABINET - OVERHEAD/DINETTE - W/O DOORS/HDW
26	161456-01-W41	EA	CABINET - OVERHEAD/DINETTE - W/O DOORS/HDW
26	161456-01-W42	EA	CABINET - OVERHEAD/DINETTE - W/O DOORS/HDW
27	161080-B6-W37	EA	FACE/DRAWER - SOLID PANEL - 7.9" X 30.3" - W/O HDW - WASHED MAPLE
27	161080-B6-W38	EA	FACE/DRAWER - SOLID PANEL - 7.9" X 30.3" - W/O HDW - SIERRA MAPLE
28	145004-09-S34	EA	CABINET/DINETTE-RH-W/END CAP/BACK/FACE-W/O DOOR/SEAT BOARD - WASHED MAPLE
28	145004-09-S35	EA	CABINET/DINETTE-RH-W/END CAP/BACK/FACE-W/O DOOR/SEAT BOARD - SIERRA MAPLE
	096764-02-000	FT	SLIPNOT - ANTISLIP - 1'WIDE (20' ROLLS) - WHITE
29	145004-10-W37	EA	CABINET/DINETTE-LH-W/END CAP/BACK/FACE-W/O DOOR/SEAT BOARD - WASHED MAPLE
29	145004-10-S88	EA	CABINET/DINETTE-LH-W/END CAP/BACK/FACE-W/O DOOR/SEAT BOARD - SIERRA MAPLE
	096764-02-000	FT	SLIPNOT - ANTISLIP - 1'WIDE (20' ROLLS) - WHITE
30	122021-01-02A	EA	ANGLE - W/HOLES - 8.6" LONG - OFF WHITE
31	081295-01-T01	EA	SUPPORT - BED/DINETTE - 28" LONG - WASHED MAPLE
31	081295-01-T02	EA	SUPPORT - BED/DINETTE - 28" LONG - SIERRA MAPLE
32	147084-08-W37	EA	DOOR - FLAT PANEL/PENCIL EDGE - 10" X 19.1" - W/O HDW - WASHED MAPLE
32	147084-08-W38	EA	DOOR - FLAT PANEL/PENCIL EDGE - 10" X 19.1" - W/O HDW - SIERRA MAPLE
33	159010-04-W37	EA	TABLE - DINETTE - W/HANGER (W37, W38)
33	159010-04-W39	EA	TABLE - DINETTE - W/HANGER (W39, W40)
33	159010-04-W41	EA	TABLE - DINETTE - W/HANGER (W41, W42)
34	157828-35-05A	EA	COUNTERTOP - TABLE (W37, W38)
34	157828-35-03A	EA	COUNTERTOP - TABLE (W41, W42)
34	157828-35-04A	EA	COUNTERTOP - TABLE (W39, W40)
35	140921-02-02A	EA	BRACKET/TABLE SUPPORT - 18.5" - ALMOND
36	143798-01-02A	EA	CATCH - FLOOR TO TABLE LEG - ALMOND
37	143798-03-02A	EA	WASHER/CATCH - TABLE LEG - ALMOND
38	143798-02-02A	EA	CATCH - TABLE LEG TO FLOOR - ALMOND
39	024281-12-000	EA	BRACKET/WALL - TABLE LIFT - 17.1" - ALMOND
40	024275-16-000	EA	ROD - TABLE LIFT - W/ARMS 8" & BASE ROD 18.5" - ALMOND
41	064781-06-000	EA	HOLDER/CUP - TWO STEP - OFF WHITE
			FROM: 00-00-00 THRU: 04-29-07
41	164128-02-03A	EA	HOLDER/CUP - TWO STEP - ALMOND
			FROM: 04-30-07 THRU: 99-99-99

## CABINET & APPLIANCE GROUP (CONTINUED)

### CABINET & APPLIANCE LAYOUT (CONTINUED)



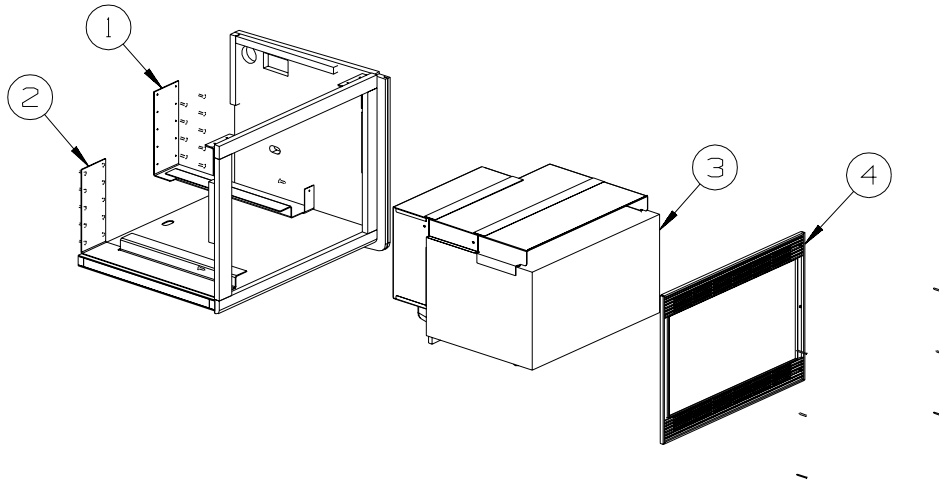
KEY	PART NUMBER	U/M	DESCRIPTION
42	P61455-01-W37	EA	CABINET - GALLEY - W/O COUNTERTOP/DOORS/DRAWERS/HDW - WASHED MAPLE(W37)
42	P61455-01-W38	EA	CABINET - GALLEY - W/O COUNTERTOP/DOORS/DRAWERS/HDW - SIERRA MAPLE (W38)
42	P61455-01-W39	EA	CABINET - GALLEY - W/O COUNTERTOP/DOORS/DRAWERS/HDW - WASHED MAPLE (W39) FROM: 00-00-00 THRU: 05-13-07
42	P61455-01-W37	EA	CABINET - GALLEY - W/O COUNTERTOP/DOORS/DRAWERS/HDW - WASHED MAPLE (W39) FROM: 05-14-07 THRU: 99-99-99
42	P61455-01-W40	EA	CABINET - GALLEY - W/O COUNTERTOP/DOORS/DRAWERS/HDW - SIERRA MAPLE (W40) FROM: 00-00-00 THRU: 05-13-07
42	P61455-01-W38	EA	CABINET - GALLEY - W/O COUNTERTOP/DOORS/DRAWERS/HDW - SIERRA MAPLE (W40) FROM: 05-14-07 THRU: 99-99-99
42	P61455-01-W41	EA	CABINET - GALLEY - W/O COUNTERTOP/DOORS/DRAWERS/HDW - WASHED MAPLE (W41) FROM: 00-00-00 THRU: 05-13-07
42	P61455-01-W37	EA	CABINET - GALLEY - W/O COUNTERTOP/DOORS/DRAWERS/HDW - WASHED MAPLE (W41) FROM: 05-14-07 THRU: 99-99-99
42	P61455-01-W42	EA	CABINET - GALLEY - W/O COUNTERTOP/DOORS/DRAWERS/HDW - SIERRA MAPLE (W42) FROM: 00-00-00 THRU: 05-13-07
42	P61455-01-W38	EA	CABINET - GALLEY - W/O COUNTERTOP/DOORS/DRAWERS/HDW - SIERRA MAPLE (W42) FROM: 05-14-07 THRU: 99-99-99
42	P61455-02-W37	EA	CABINET - GALLEY - W/O COUNTERTOP/DOORS/DRAWERS/HDW - RANGE W/OVEN
42	P61455-02-W38	EA	CABINET - GALLEY - W/O COUNTERTOP/DOORS/DRAWERS/HDW - RANGE W/OVEN
42	P61455-02-W39	EA	CABINET - GALLEY - W/O COUNTERTOP/DOORS/DRAWERS/HDW - RANGE W/OVEN
42	P61455-02-W40	EA	CABINET - GALLEY - W/O COUNTERTOP/DOORS/DRAWERS/HDW - RANGE W/OVEN
42	P61455-02-W41	EA	CABINET - GALLEY - W/O COUNTERTOP/DOORS/DRAWERS/HDW - RANGE W/OVEN
42	P61455-02-W42	EA	CABINET - GALLEY - W/O COUNTERTOP/DOORS/DRAWERS/HDW - RANGE W/OVEN
43	157828-32-05A	EA	COUNTERTOP - GALLEY CABINET (W37, W38)
43	157828-32-04A	EA	COUNTERTOP - GALLEY CABINET (W39, W40)
43	157828-32-03A	EA	COUNTERTOP - GALLEY CABINET (W41, W42)

**CABINET & APPLIANCE GROUP (CONTINUED)**  
**CABINET & APPLIANCE LAYOUT (CONTINUED)**

KEY	PART NUMBER	U/M	DESCRIPTION
44	157828-36-05A	EA	COUNTERTOP - GALLEY CABINET (W37, W38)
44	157828-36-04A	EA	COUNTERTOP - GALLEY CABINET (W39, W40)
44	157828-36-03A	EA	COUNTERTOP - GALLEY CABINET (W41, W42)
45	161075-15-W37	EA	DRAWER - PENCIL EDGE - 17.7"W X 6.8"D - W/O SLIDES/HDW - WASHED MAPLE
45	161075-15-W38	EA	DRAWER - PENCIL EDGE - 17.7"W X 6.8"D - W/O SLIDES/HDW - SIERRA MAPLE
46	136955-86-W37	EA	DOOR - RAISED PANEL/PENCIL EDGE - 12.8" X 21.9" - W/O HDW - WASHED MAPLE
46	136955-86-W38	EA	DOOR - RAISED PANEL/PENCIL EDGE - 12.8" X 21.9" - W/O HDW - SIERRA MAPLE
47	161075-13-W37	EA	DRAWER - PENCIL EDGE - 15.7"W X 19.8"D - W/O SLIDES/HDW - WASHED MAPLE
47	161075-13-W38	EA	DRAWER - PENCIL EDGE - 15.7"W X 19.8"D - W/O SLIDES/HDW - SIERRA MAPLE
48	161075-14-W37	EA	DRAWER - PENCIL EDGE - 15.7"W X 19.8"D - W/O SLIDES/HDW - WASHED MAPLE
48	161075-14-W38	EA	DRAWER - PENCIL EDGE - 15.7"W X 19.8"D - W/O SLIDES/HDW - SIERRA MAPLE
49*	151277-01-01A	EA	RANGE-16"-3 BURNER - MERCURY FREE - BLACK DOOR/TEXTURED
50	140176-03-02B	EA	BRACKET/TIEDOWN - STOVE - E-COATED
51	140176-04-02B	EA	BRACKET/TIEDOWN - STOVE - E-COATED
52	162694-01-01A	EA	ENCLOSURE - STOVE - 20.7"W X 16.1"H X 18.7"D
53*	114030-04-01A	EA	RANGE - 3 BRNR TOP/NEW STYLE KNOBS/GRATES-W/O OVEN-BLK
54	142139-15-02B	EA	BRACKET/TIEDOWN - STOVE - E-COATED
			FROM: 00-00-00 THRU: 05-13-07
54	142139-22-02B	EA	BRACKET/TIEDOWN - STOVE - E-COATED
			FROM: 05-14-07 THRU: 99-99-99
55	142139-15-02B	EA	BRACKET/TIEDOWN - STOVE - E-COATED
			FROM: 00-00-00 THRU: 05-13-07
55	142139-23-02B	EA	BRACKET/TIEDOWN - STOVE - E-COATED
			FROM: 05-14-07 THRU: 99-99-99
56	155562-01-T41	EA	CABINET - NIGHTSTAND - W/O COUNTERTOP/DOORS/DRAWERS/HDW - WASHED MAPLE
56	155562-01-T42	EA	CABINET - NIGHTSTAND - W/O COUNTERTOP/DOORS/DRAWERS/HDW - SIERRA MAPLE
57	157828-33-05A	EA	COUNTERTOP - NIGHTSTAND (W37, W38)
57	157828-33-04A	EA	COUNTERTOP - NIGHTSTAND (W39, W40)
57	157828-33-03A	EA	COUNTERTOP - NIGHTSTAND (W41, W42)
58	161075-11-W37	EA	DRAWER - PENCIL EDGE - 15.1"W X 19.7"D - W/O SLIDES/HDW - WASHED MAPLE
58	161075-11-W38	EA	DRAWER - PENCIL EDGE - 15.1"W X 19.7"D - W/O SLIDES/HDW - SIERRA MAPLE
59	161075-12-W37	EA	DRAWER - PENCIL EDGE - 15.1"W X 15.7"D - W/O SLIDES/HDW - WASHED MAPLE
59	161075-12-W38	EA	DRAWER - PENCIL EDGE - 15.1"W X 15.7"D - W/O SLIDES/HDW - SIERRA MAPLE
60	145211-03-T41	EA	SPLASHGUARD - WASHED MAPLE
60	145211-03-T42	EA	SPLASHGUARD - SIERRA MAPLE
61	127117-03-01A	EA	GLASS - STATIONARY - SPLASHGUARD
62	161075-10-W37	EA	DRAWER - PENCIL EDGE - 17.7"W X 14.7"D - W/O SLIDES/HDW - WASHED MAPLE
62	161075-10-W38	EA	DRAWER - PENCIL EDGE - 17.7"W X 14.7"D - W/O SLIDES/HDW - SIERRA MAPLE
63	141507-03-T47	EA	DOOR - MIRRORED/PENCIL EDGE - 16.7" X 48" - W/O HDW - WASHED MAPLE
63	141507-03-T48	EA	DOOR - MIRRORED/PENCIL EDGE - 16.7" X 48" - W/O HDW - SIERRA MAPLE
	076767-04-000	EA	CABLE - STAINLESS STEEL - 5.9"

\*COMPONENT PARTS LISTED LATER IN THIS GROUP

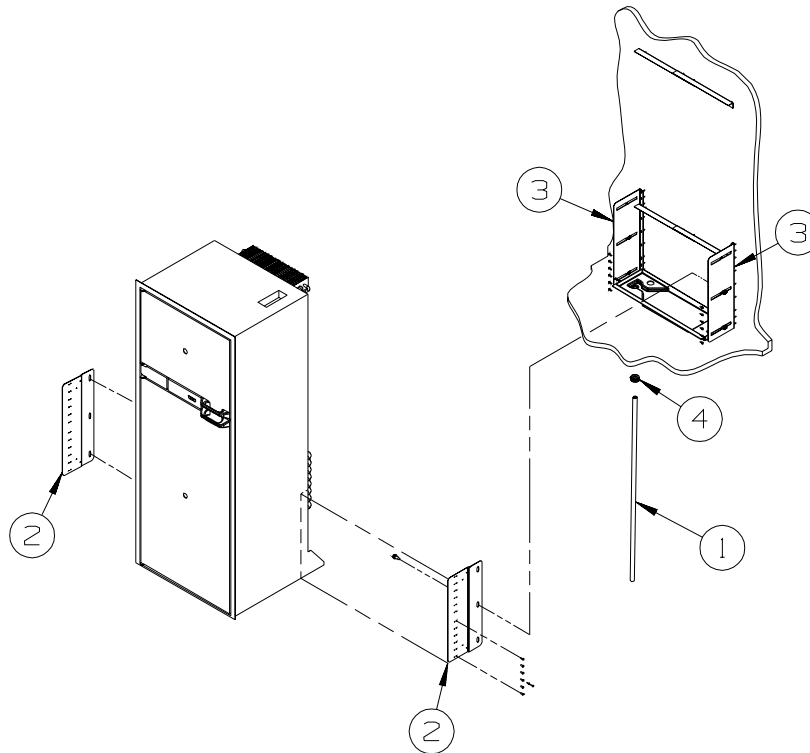
**CABINET & APPLIANCE GROUP (CONTINUED)**  
**CABINET & APPLIANCE LAYOUT (CONTINUED)**



**MICROWAVE  
INSTALLATION**

KEY	PART NUMBER	U/M	DESCRIPTION
1	149418-09-02B	EA	BRACKET - MICROWAVE - E-COATED
2	149418-10-02B	EA	BRACKET - MICROWAVE - E-COATED
3*	150606-04-02A	EA	OVEN - MICROWAVE/CONVECTION/SILVER - .9 CU FT - #R-820JS
3	150606-06-01A	EA	OVEN - MICROWAVE/CONVECTION/BLACK - .9 CU FT - #R820BK-CSA - CANADIAN
4	150606-05-02A	EA	TRIM KIT - MICROWAVE .9 CU FT - SILVER - MAGNADYNE #R820
4	150606-05-01A	EA	TRIM KIT - MICROWAVE .9 CU FT - BLACK - MAGNADYNE #R820 - CANADIAN

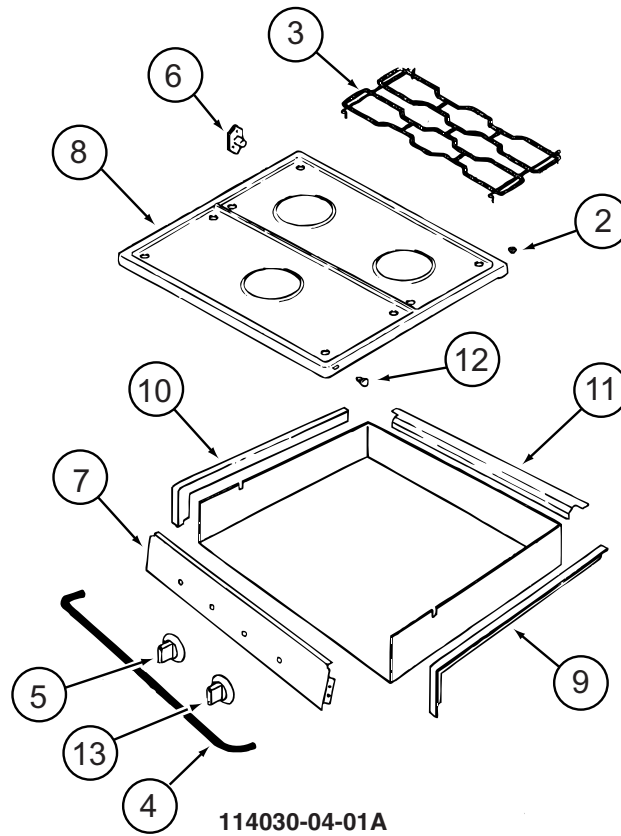
\*COMPONENT PARTS LISTED LATER IN THIS GROUP



**REFRIGERATOR  
INSTALLATION**

KEY	PART NUMBER	U/M	DESCRIPTION
1	112176-01-000	FT	TUBING - VINYL - REINFORCED - 1/2" ID
2	150740-01-02B	EA	BRACKET/TIEDOWN - REFRIGERATOR - E-COATED
3	150740-02-02B	EA	BRACKET/TIEDOWN - REFRIGERATOR - E-COATED
4	152417-01-01A	EA	CLAMP/RATCHET - F/REFRIGERATOR DRIP TRAY HOSE - BLACK

**CABINET & APPLIANCE GROUP (CONTINUED)**  
**COMPONENT PARTS FOR CABINET & APPLIANCE LAYOUT**

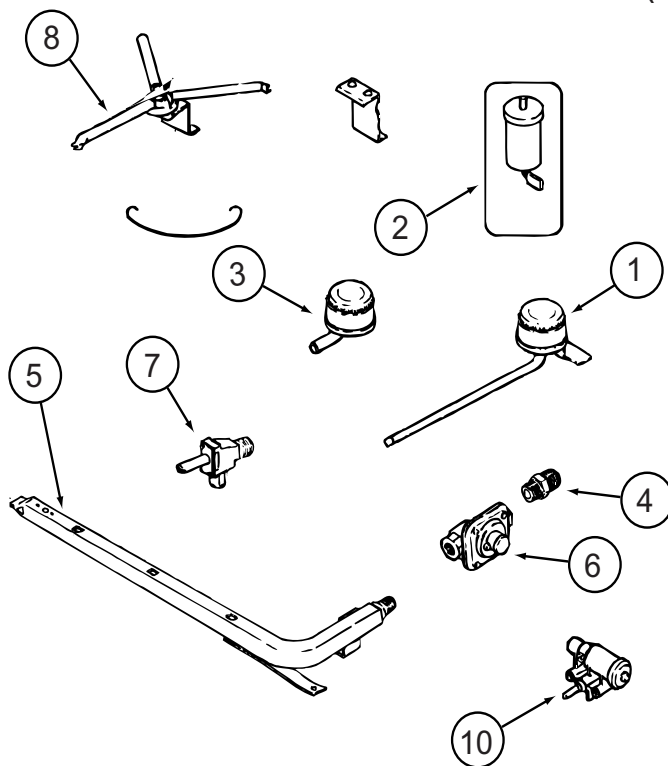


KEY	PART NUMBER	U/M	DESCRIPTION	VENDOR NO.
2	102020-01-709	EA	BUMPER-GRATE	8007P020-60
3	112881-04-702	EA	GRATE - BLACK	74007277
4	114030-02-700	EA	GUARD/FABRIC - TOWEL BAR	3609F006-70
5	128728-01-701	EA	KNOB - BURNER - REAR	74003941 (1 PER)
5	128728-01-702	EA	KNOB - BURNER - FRONT	74003942
6	128728-01-703	EA	PIN/T-NUT F/HINGE	7103P109-60
7	114030-04-700	EA	PANEL - MANIFOLD - BLACK	74007325
8	126023-01-728	EA	TOP - MAIN (BLACK)	74003323
9	114030-01-704	EA	TRIM - RIGHT/BLACK TEXTURED	74002839
10	114030-01-705	EA	TRIM - LEFT/BLACK TEXTURED	74002840
11	114030-01-706	EA	TRIM - REAR/BLACK TEXTURED	74002841
12	102020-01-724	EA	BUMPER - MAIN TOP	8003P008-60
13	128728-01-707	EA	KNOB - IGNITER	74003944

CONTACT WINNEBAGO PART SALES FOR UNLISTED COMPONENT(S)



**CABINET & APPLIANCE GROUP (CONTINUED)**  
**COMPONENT PARTS FOR CABINET & APPLIANCE LAYOUT (CONTINUED)**

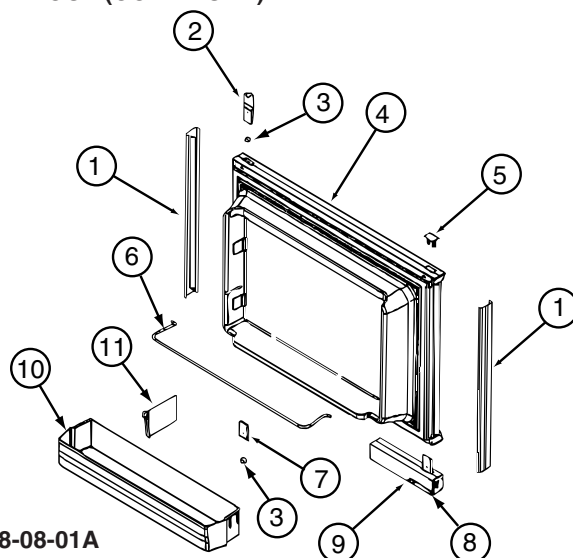


**114030-04-01A (CONTINUED)**

KEY	PART NUMBER	U/M	DESCRIPTION	VENDOR NO.
1	112881-04-700	EA	BURNER - TOP /LEFT REAR	74004584
1	126023-01-700	EA	BURNER - TOP (RT-REAR) 5100 BTU	74004583
2	112881-04-705	EA	PUSH RING (ELECTRODE MTG)	7104P002-60
2	126023-01-711	EA	ELECTRODE - IGNITER (ONLY)	7432P077-60
3	112881-04-701	EA	BURNER - TOP/FRONT	74004582
4	135065-03-700	EA	FITTING - HALF UNION	74004234
5	135065-01-702	EA	PIPE/MANIFOLD	74004642
6	126023-02-703	EA	REGULATOR - PRESSURE	74004235
7	126023-02-705	EA	VALVE - BURNER - REAR	74004362
7	126023-02-706	EA	VALVE - BURNER - FRONT	74004363
8	126023-01-736	EA	FLASH TUBE EXTENSION (REAR)	74003326
8	126023-01-737	EA	FLASH TUBE EXTENSION (FRONT)	74003327
10	126023-01-719	EA	IGNITER HEAD - TOP BURNER	74002413
	126023-02-702	EA	PIPE - MANIFOLD	74004360

CONTACT WINNEBAGO PART SALES FOR UNLISTED COMPONENT(S)

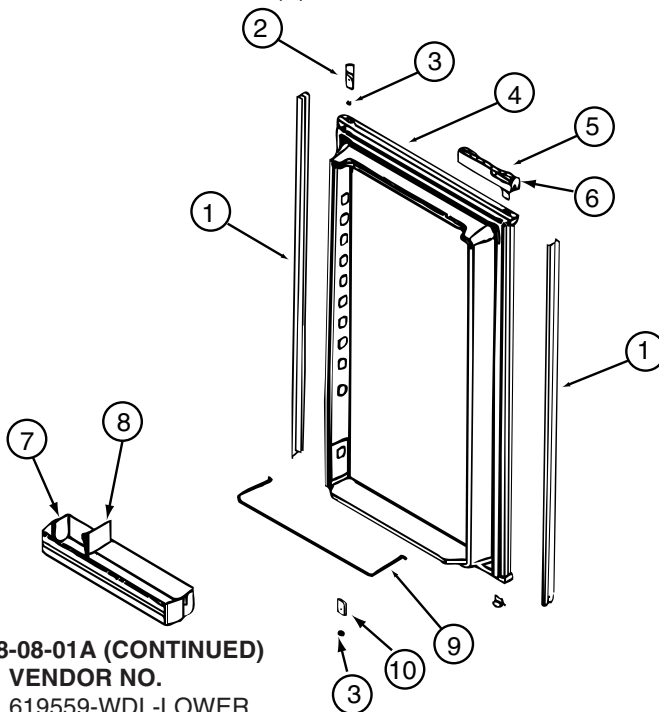
**CABINET & APPLIANCE GROUP (CONTINUED)**  
**COMPONENT PARTS FOR CABINET & APPLIANCE LAYOUT (CONTINUED)**



**121568-06-01A, 121568-07-01A, 121568-08-01A**

KEY	PART NUMBER	U/M	DESCRIPTION	VENDOR NO.
1	121568-03-700	EA	RETAINER-DOOR PNL/WAFFLE/BLK	619558-WDL-UPPER
2	120075-01-701	EA	HINGE-TOP RH/BOTTOM LH(DOOR)	618511
3	121568-03-701	EA	BUSHING - HINGE PIN/GRAY	619671
4	121568-03-702	EA	DOOR LINER-UPR/WAFFLED/BLACK	619627 - SMALL WDL
5	120075-01-702	EA	CAP, (HINGE PLUG)	618160
6	121568-01-700	EA	RAIL - DOOR UPPER	618618
7	120075-01-705	EA	HINGE-TOP LH/BOTTOM RH(DOOR)	618510
8	121568-03-705	EA	STORAGE LATCH - GRAY	619648
9	121568-03-721	EA	HANDLE/DOOR UPPER RH SWING	621465
9	121568-03-722	EA	HANDLE/DOOR LOWER RH SWING	621469
10	121568-01-701	EA	BIN - DOOR WHITE-WAFFLED LNR	618619 WDL

CONTACT WINNEBAGO PART SALES FOR UNLISTED COMPONENT(S)

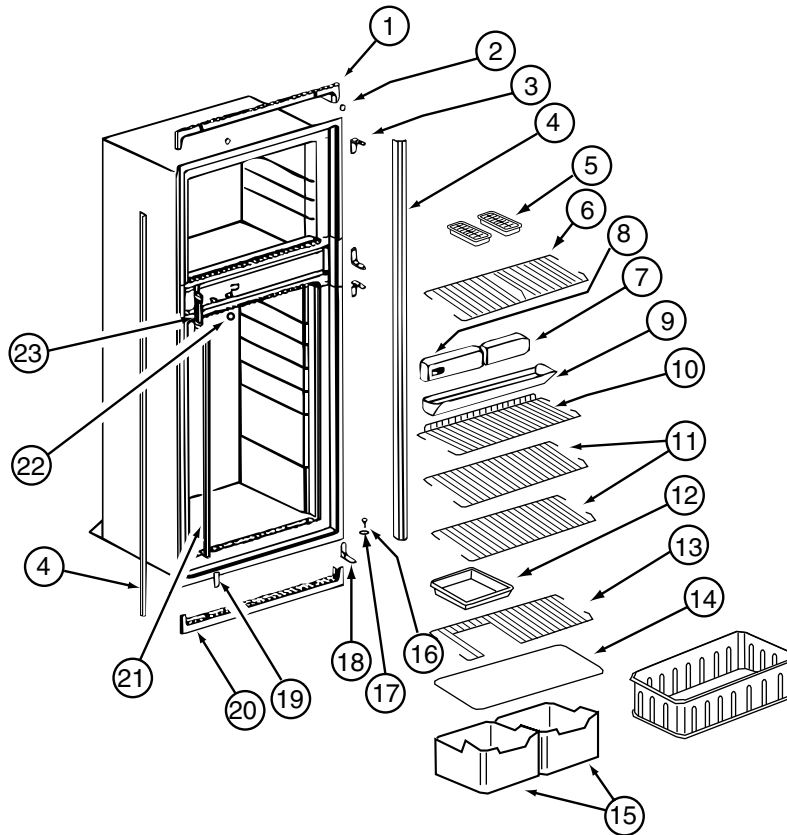


**121568-06-01A, 121568-07-01A, 121568-08-01A (CONTINUED)**

KEY	PART NUMBER	U/M	DESCRIPTION	VENDOR NO.
1	121568-03-706	EA	RETAINER-DOOR PNL/WAFFLE/BLK	619559-WDL-LOWER
2	120075-01-701	EA	HINGE-TOP RH/BOTTOM LH(DOOR)	618511
3	121568-03-701	EA	BUSHING - HINGE PIN/GRAY	619671
4	121568-03-707	EA	DOOR LINER-LWR/WAFFLED/B/TRM	619629
5	121568-03-722	EA	HANDLE/DOOR LOWER RH SWING	621469
6	121568-03-705	EA	STORAGE LATCH - GRAY	619648
7	121568-01-701	EA	BIN - DOOR WHITE-WAFFLED LNR	618619 WDL
9	121568-01-704	EA	RAIL - DOOR LOWER	618578
10	120075-01-705	EA	HINGE-TOP LH/BOTTOM RH(DOOR)	618510

CONTACT WINNEBAGO PART SALES FOR UNLISTED COMPONENT(S)

**CABINET & APPLIANCE GROUP (CONTINUED)**  
**COMPONENT PARTS FOR CABINET & APPLIANCE LAYOUT (CONTINUED)**

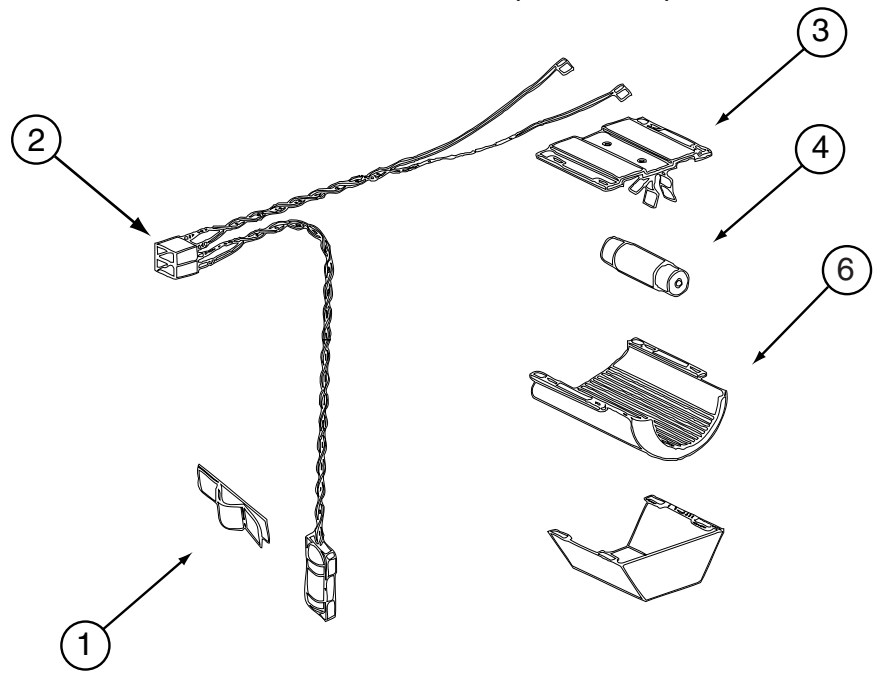


**121568-06-01A, 121568-07-01A, 121568-08-01A (CONTINUED)**

KEY	PART NUMBER	U/M	DESCRIPTION	VENDOR NO.
1	120075-01-713	EA	TRIM-TOP PIECE	619687
2	120075-01-714	EA	PLUG-HOLE (BLACK)	618170
3	121568-03-710	EA	HINGE/CABINET-TOP/RH-LWR/LH	619335 WAFFLED
4	121568-03-711	EA	TRIM - SIDE/BLACK	622295
6	121568-01-705	EA	SHELF - WIRE FREEZER	620250
7	121568-06-700	EA	FRONT BOX-N611	622002
8	121568-06-701	EA	CONTROL ASSY-OPTICAL/N611	621988 TO SN9056491
9	120075-01-720	EA	TRAY-DRIP	623250
9	120075-01-721	EA	LOUVER-DRIP TRAY	618176
11	121568-01-708	EA	SHELF - WIRE	620273
13	121568-01-707	EA	SHELF - WIRE - SHORT	620272
14	120075-01-725	EA	COVER-CRISPER - 18.5" WIDE	618158
15	121568-01-709	EA	CRISPER	618571
16	120075-01-727	EA	PIN-HINGE	618145
17	121568-03-701	EA	BUSHING - HINGE PIN/GRAY	619671
18	121568-03-715	EA	HINGE/CABINET-TOP/LH-LWR/RH	619336 WAFFLED
19	121568-03-716	EA	COVER - HINGE HOLES	619301
20	120075-01-729	EA	TRIM-BOTTOM PIECE	620958
21	121568-06-702	EA	CLIP - SHELF	61536522
22	121568-06-703	EA	HOLE PLUG - WHITE	620282
23	120075-01-732	EA	PLATE-STRIKE	618167

CONTACT WINNEBAGO PART SALES FOR UNLISTED COMPONENT(S)

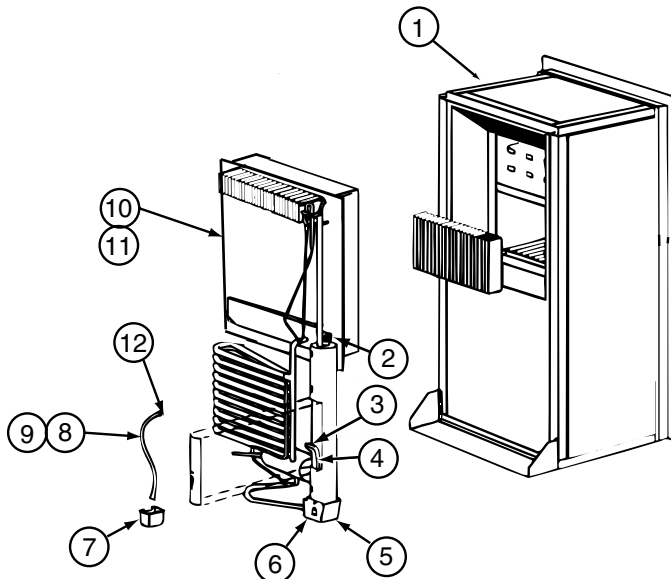
**CABINET & APPLIANCE GROUP (CONTINUED)**  
**COMPONENT PARTS FOR CABINET & APPLIANCE LAYOUT (CONTINUED)**



121568-03-01A, 121568-04-01A, 121568-05-01A, 121568-06-01A, 121568-07-01A, 121568-08-01A (CONTINUED)

KEY	PART NUMBER	U/M	DESCRIPTION	VENDOR NO.
1	084880-01-760	EA	CLIP (THERMISTER)	61689122
2	120075-01-735	EA	WIRE ASM - LAMP/THERMISTER	618548
3	084880-03-705	EA	BRACKET-LIGHT-INTERIOR	61629722
4	084880-03-706	EA	BULB-LAMP	61628922
6	084880-03-707	EA	COVER-LAMP, LENS	61627922

CONTACT WINNEBAGO PART SALES FOR UNLISTED COMPONENT(S)



121568-06-01A, 121568-07-01A, 121568-08-01A (CONTINUED)

KEY	PART NUMBER	U/M	DESCRIPTION	VENDOR NO.
4	121568-06-704	EA	HEATER-AC/300W/120VAC	621702
10	120076-01-704	EA	COOLING UNIT, SERVICE PACK	618543

CONTACT WINNEBAGO PART SALES FOR UNLISTED COMPONENT(S)





**CABINET & APPLIANCE GROUP (CONTINUED)**  
**COMPONENT PARTS FOR CABINET & APPLIANCE LAYOUT (CONTINUED)**

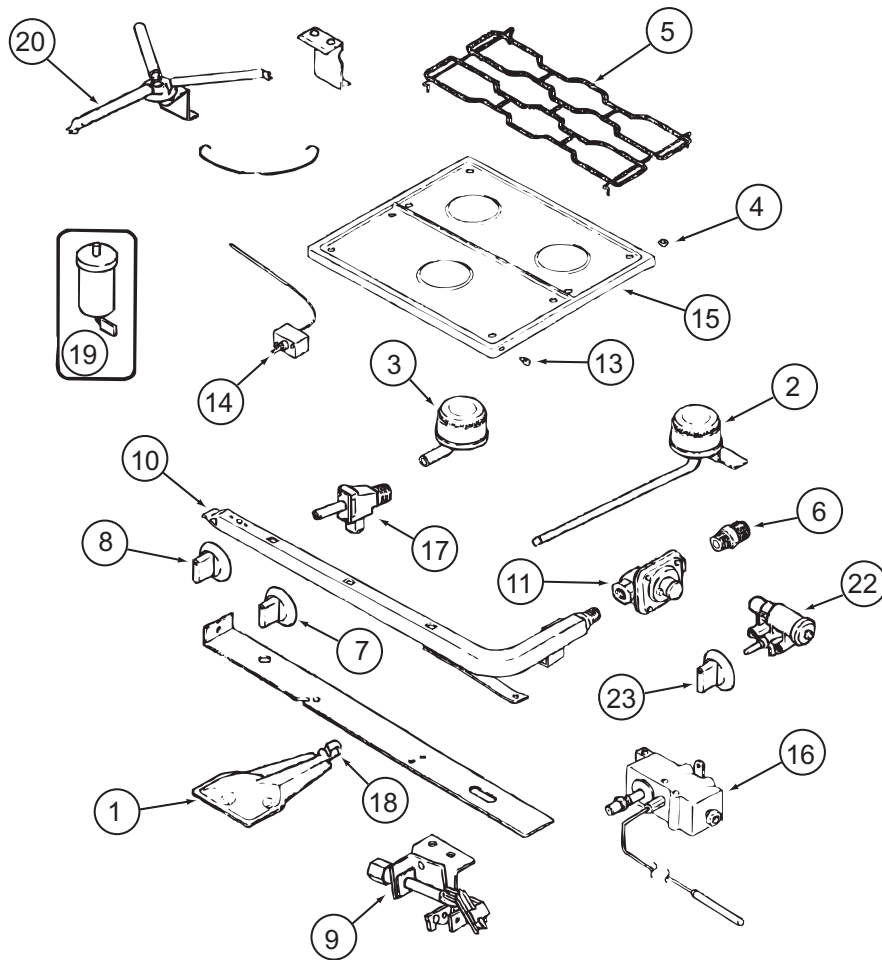
**136354-06-01A, 136354-06-02A**

<b>KEY</b>	<b>PART NUMBER</b>	<b>U/M</b>	<b>DESCRIPTION</b>	<b>VENDOR NO.</b>
3	100258-10-700	EA	GAUGE-HOUR METER, SCREW ON	L0150-00 WAS 150
4	096983-01-702	EA	SWITCH - MOM/OFF/MOM/3 TERM	L0112-00
5	096983-01-700	EA	SWITCH/1 SPEED -ON/OFF- BLK	L0108-00
8	117806-01-000	EA	BULB-12V NO.912 1.0 AMPS	GENERAL MOTOR HOMES
9	092696-01-710	EA	HOLDER-LAMP	CB0267-02
10	096983-01-708	EA	LENS-LAMP	CC0179
11	136354-06-700	EA	MOTOR - FAN (CSA)	VC0535-02
13	136354-05-701	EA	BLADE-FAN 7" DIA	VD0216-00
16	096983-01-707	EA	FILTER-MESH	CC0246-00
17	100258-01-701	EA	DAMPER ASSEMBLY (METAL FLAP)	CA0565-00
19	100258-01-700	EA	LABEL-HOOD NOSE	CC0428-00
CONTACT WINNEBAGO PART SALES FOR UNLISTED COMPONENT(S)				

**150606-04-02A**

<b>KEY</b>	<b>PART NUMBER</b>	<b>U/M</b>	<b>DESCRIPTION</b>	<b>VENDOR NO.</b>
	150606-04-700	EA	RACK - BAKING	FAMI-A104WRM0
	150606-04-702	EA	PLATE/TURNTABLE	NTNT-A092WRH0

**CABINET & APPLIANCE GROUP (CONTINUED)**  
**COMPONENT PARTS FOR CABINET & APPLIANCE LAYOUT (CONTINUED)**



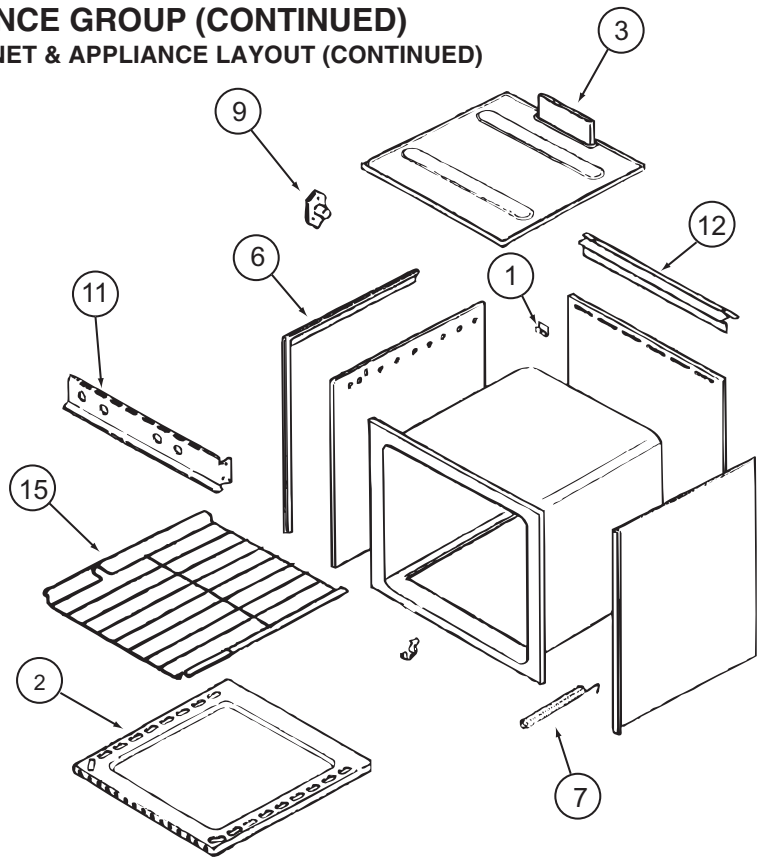
**151277-01-01A, 151277-02-01A**  
**151277-01-01A, 151277-02-01A (CONTINUED)**

KEY	PART NUMBER	U/M	DESCRIPTION	VENDOR NO.
1	151279-02-700	EA	BURNER - OVEN - W/SHUTTER	74009853
2	112881-04-700	EA	BURNER - TOP/LEFT REAR	74004584
2	126023-01-700	EA	BURNER-TOP (RT-REAR) 5100BTU	74004583
3	112881-04-701	EA	BURNER - TOP/FRONT	74004582
4	102020-01-709	EA	BUMPER-GRATE	8007P020-60
5	112881-04-702	EA	GRATE - BLACK	74007277
6	135065-03-700	EA	FITTING - HALF UNION	74004234
7	128728-01-701	EA	KNOB - BURNER - REAR	74003941 (1 PER)
7	128728-01-702	EA	KNOB - BURNER - FRONT	74003942
8	151279-02-701	EA	KNOB - THERMOSTAT - BLACK	74009858
9	151279-01-700	EA	PILOT - BURNER - 16" SERIES	74009852
10	151279-02-702	EA	PIPE - MANIFOLD	74009856
11	112881-03-701	EA	REGULATOR KIT W/FITTINGS	12001285
13	102020-01-724	EA	BUMPER-MAIN TOP	8003P008-60
14	151279-02-703	EA	THERMOSTAT	74009855
15	151277-01-700	EA	TOP - MAIN (BLACK)	74007287
16	151279-02-704	EA	ELBOW BLOCK ASM (VALVE-OVEN)	74009864
17	151277-01-701	EA	VALVE/REAR - W/SET SCREW	12002254
17	151277-01-702	EA	VALVE/FRONT - W/SET SCREW	12002246
19	112881-04-705	EA	PUSH RING (ELECTRODE MTG)	7104P002-60
19	126023-01-711	EA	ELECTRODE - IGNITER (ONLY)	7432P077-60
20	126023-01-736	EA	FLASH TUBE EXTENSION (REAR)	74003326
20	126023-01-737	EA	FLASH TUBE EXTENSION (FRONT)	74003327
21	112881-04-708	EA	CLIP-FLASH TUBE	7112P068-60
22	126023-01-735	EA	KIT - IGNITOR TOP BRNER & KNOB	12001296=74002413&4
23	128728-01-707	EA	KNOB - IGNITOR	74003944
26	112881-04-709	EA	SHIELD-SPARK	3604F211-45

CONTACT WINNEBAGO PART SALES FOR UNLISTED COMPONENT(S)



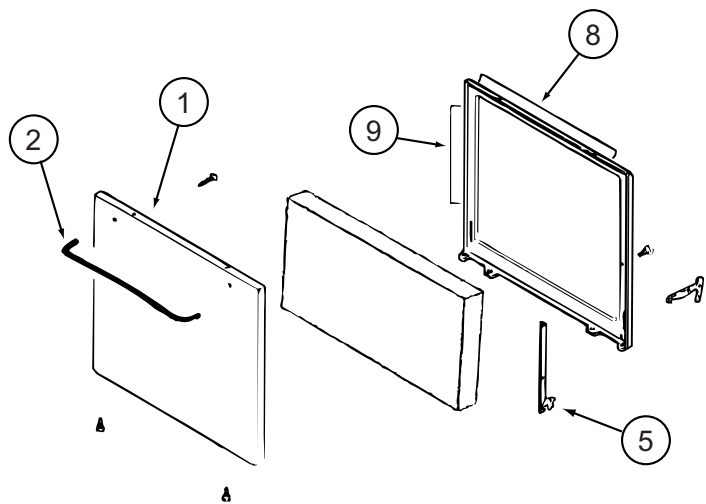
**CABINET & APPLIANCE GROUP (CONTINUED)**  
**COMPONENT PARTS FOR CABINET & APPLIANCE LAYOUT (CONTINUED)**



**151277-01-01A (CONTINUED)**

KEY	PART NUMBER	U/M	DESCRIPTION	VENDOR NO.
2	126023-01-731	EA	BOTTOM - OVEN	2205F016-19
3	126023-01-718	EA	FLUE BOX ASSEMBLY	4006W075-80
6	126023-01-713	EA	TRIM - SIDE (RIGHT) BLACK	74002827
6	126023-01-714	EA	TRIM - SIDE (LEFT) BLACK	74002828
7	135066-03-700	EA	SPRING - OVEN DOOR	74001835
9	128728-01-703	EA	PIN/T-NUT F/HINGE	7103P109-60
15	126023-01-716	EA	RACK - OVEN	74003106
			CONTACT WINNEBAGO PART SALES FOR UNLISTED COMPONENT(S)	

**CABINET & APPLIANCE GROUP (CONTINUED)**  
**COMPONENT PARTS FOR CABINET & APPLIANCE LAYOUT (CONTINUED)**

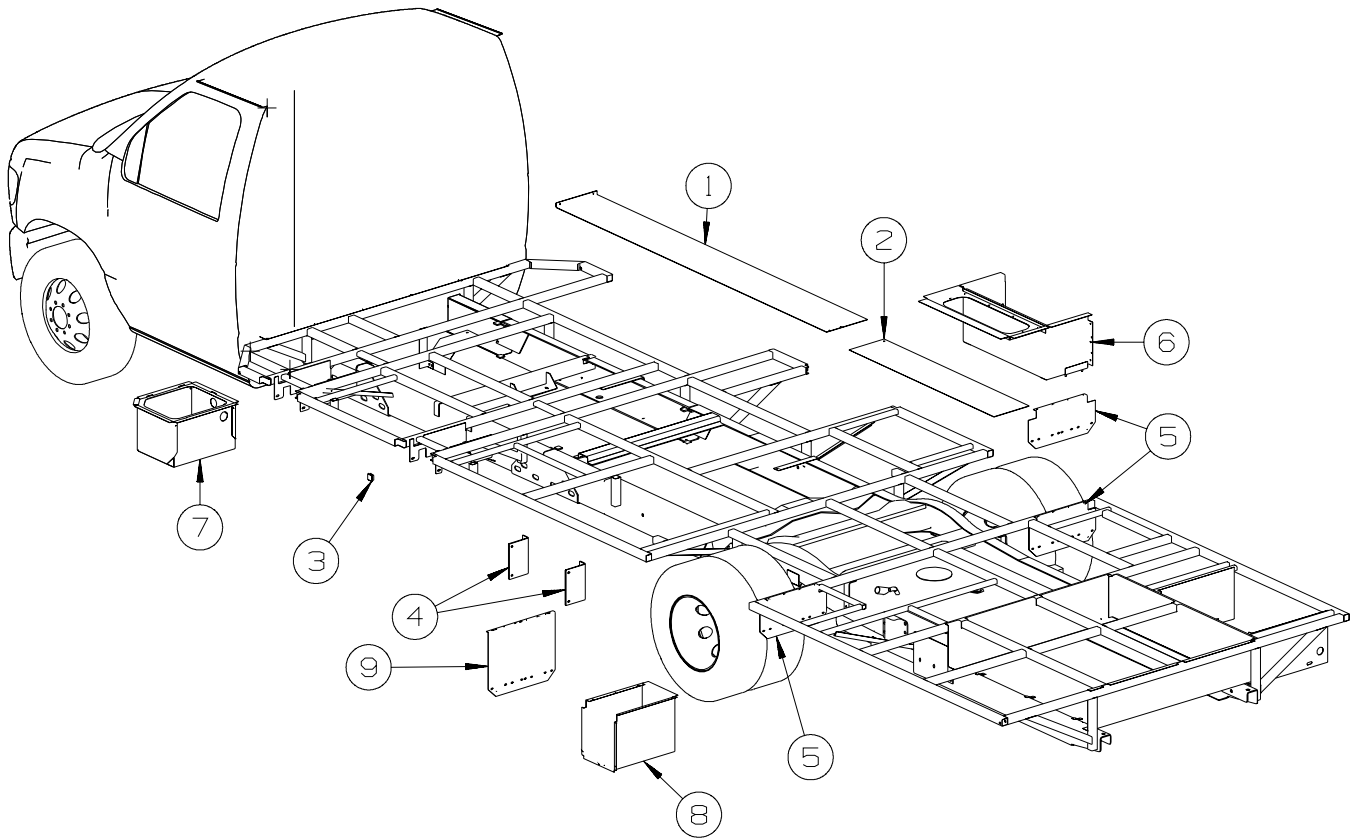


**151277-01-01A (CONTINUED)**

KEY	PART NUMBER	U/M	DESCRIPTION	VENDOR NO.
1	102022-01-704	EA	GLASS-OUTER	7902P261-60
1	112881-01-713	EA	DOOR/OVEN-TEXT/BLK NO WINDOW	2401F126-70
2	128727-01-701	EA	HANDLE - OVEN DOOR	74003929
5	151277-01-704	EA	HINGE KIT-OVEN DR/LT	12400028
5	151277-01-705	EA	HINGE KIT-OVEN DR/RT	12400029
8	126023-01-732	EA	SEAL/OVEN DR TOP	7212P014-60
9	135066-03-714	EA	SEAL - OVEN DOOR SIDES	7212P039-60

CONTACT WINNEBAGO PART SALES FOR UNLISTED COMPONENT(S)

## CHASSIS GROUP FRAME



KEY	PART NUMBER	U/M	DESCRIPTION
1	135676-01-02B	EA	SHIELD - HEAT - E-COATED
2	145027-01-02B	EA	SHIELD - HEAT - E-COATED
3	119845-01-01A	EA	PLUG/PLASTIC - 1 1/2" SQUARE - BLACK
4	147847-03-02B	EA	BRACKET - LP SUPPORT - E-COATED
4	147847-04-02B	EA	BRACKET - LP SUPPORT - E-COATED
			FROM: 00-00-00 THRU: 09-09-07
			FROM: 09-10-07 THRU: 99-99-99
5	152277-01-02B	EA	GUARD/ROCK - STEEL - W/BEND/2 NOTCHES - 18"W X 8.6"H
6	135458-07-02B	EA	BOX - ENTRY STEP - E-COATED
7	148042-01-02B	EA	COMPARTMENT - BATTERY - E-COATED
8	148015-01-02B	EA	COMPARTMENT - POWER CORD - E-COATED
9	136389-02-02B	EA	GUARD/ROCK - STEEL - W/BEND - 18"W X 14.9"H - E-COATED

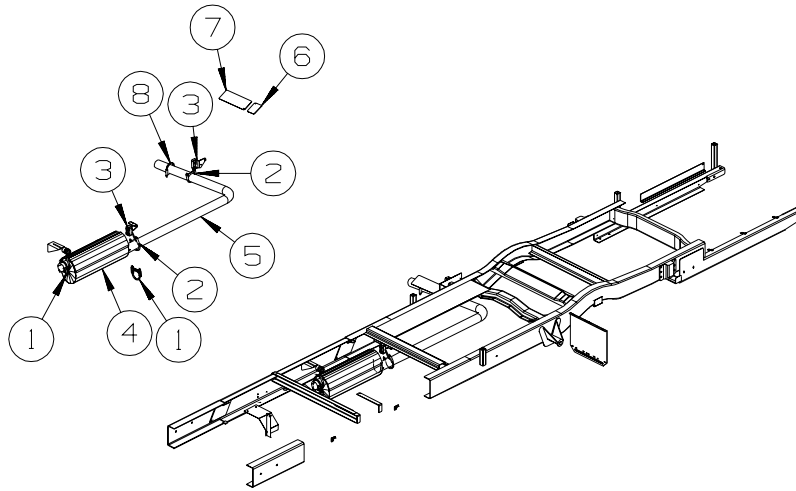
## DRIVETRAIN

### 729H

KEY	PART NUMBER	U/M	DESCRIPTION
	103653-23-000	EA	BOLT - U-JOINT - 5/16-24 X .75
	103653-24-000	EA	STRAP - U-JOINT

## CHASSIS GROUP (CONTINUED)

### EXHAUST



KEY	PART NUMBER	U/M	DESCRIPTION	
1	094918-06-000	EA	CLAMP - EXHAUST - 3" - HEAVY DUTY	
2	122392-02-02B	EA	HANGER - TAILPIPE - E-COATED	
3	143811-01-000	EA	HANGER - EXHAUST - FORD F53	
4	143929-02-000	EA	MUFFLER - EXHAUST	FROM: 00-00-00 THRU: 06-30-06
4	143929-04-000	EA	MUFFLER - EXHAUST	FROM: 07-01-06 THRU: 99-99-99
5	148094-03-000	EA	PIPE - EXHAUST/TAIL	
6	143138-03-02B	EA	SHIELD - EXHAUST - E-COATED	
7	143138-04-02B	EA	SHIELD - EXHAUST - E-COATED	
8	094918-01-000	EA	CLAMP - EXHAUST - 3" - GUILLOTINE STYLE	

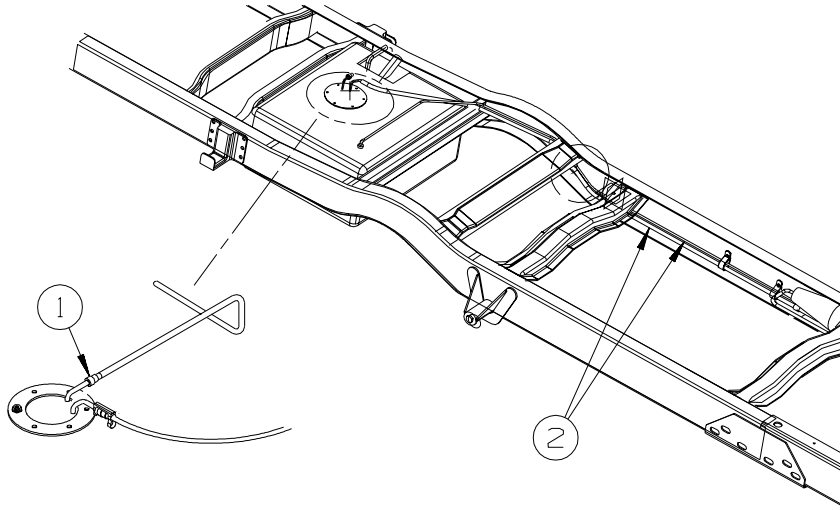
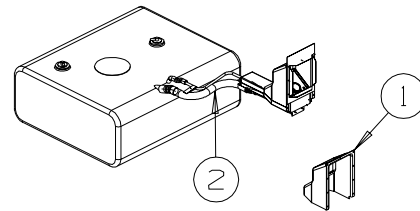
### HITCH

KEY	PART NUMBER	U/M	DESCRIPTION
	148064-01-000	EA	DRAWBAR/HITCH - CLASS 3

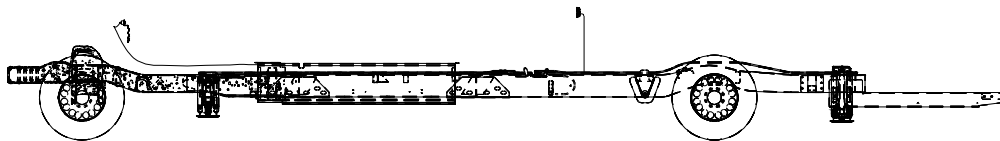
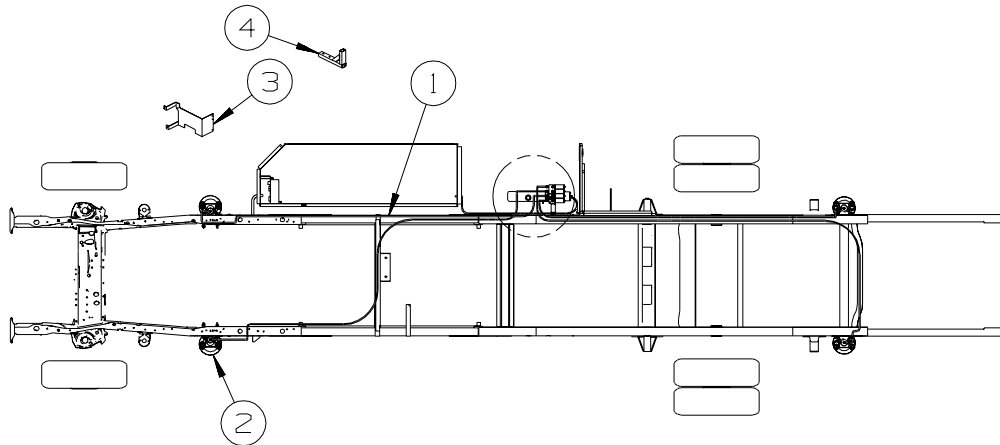
## CHASSIS GROUP (CONTINUED)

### FUEL

KEY	PART NUMBER	U/M DESCRIPTION
1	148654-02-10A	EA SHROUD - FUEL FILL - UPPER - BLACK
2	148650-02-000	EA NECK - FILLER/MAIN/EXTENSION



KEY	PART NUMBER	U/M DESCRIPTION
1	149468-01-000	EA FITTING - F/FUEL-SENDING UNIT - 1/4"
2	106388-12-000	EA FUEL LINE - 5/16 HP - W/FEMALE CONNECTOR - 65.8"



### HYDRAULIC LEVELING

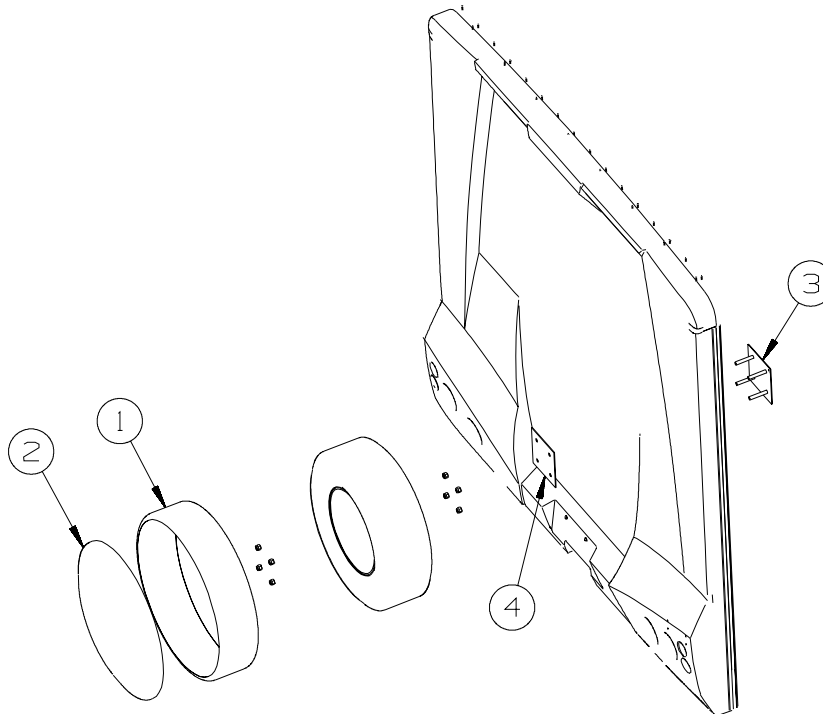
KEY	PART NUMBER	U/M DESCRIPTION
1	100536-65-000	EA HOSE KIT - F/LEVELING JACKS - 726A
1	100536-64-000	EA HOSE KIT - F/LEVELING JACKS - 729H
2*	157770-01-000	EA LEVELING SYSTEM - 625 SYSTEM - FORD
3	158627-01-02B	EA BRACKET - CONTROL BOX - E-COATED
4	157452-01-02B	EA BRACKET/MOUNTING - PUMP - E-COATED

\*COMPONENT PARTS LISTED LATER IN THIS GROUP

**CHASSIS GROUP (CONTINUED)**  
**COMPONENT PARTS FOR HYDRAULIC LEVELING**

157770-01-000

KEY	PART NUMBER	U/M	DESCRIPTION	VENDOR NO.
	100532-01-717	EA	MOTOR FOR PMP/RESRV RAP90014	RAP90311
	100532-03-716	EA	SOLENOID-CONTINUOUS DUTY	RAP7505
	100532-03-717	EA	VALVE-PRESS., RETURN SHUTTLE	RAP7964
	100532-03-726	EA	SWITCH - PRESSURE	RAP8003
	100532-09-705	EA	SWITCH-PRESS - 3000 LB.	RAP0993
	100532-09-710	EA	SOLENOID-INTERMITENT DUTY	RAP0533
	100532-12-707	EA	SPRING KIT (PAIR)	R3847
	100532-32-704	EA	CHIME - JACK WARNING	RAP90681/AP19765
	131306-11-704	EA	PRESSURE SWITCH - 50 PSI	RAP2082
	131306-12-702	EA	VALVE-PRESS SOLENOID (SMALL)	RAP90729/AP24604
	144226-01-700	EA	SWITCH - WARNING/MAGNETIC	RAP90968/AP26641
	144226-08-702	EA	SENSOR/BI-AXIS - PROGRAMABLE	RAP91172/AP28010
	157770-01-700	EA	CYLINDER W/O FOOT - 4K	RAP91855/AP36046
	157770-01-701	EA	CYLINDER W/O FOOT - 6K	RAP91856
	157770-01-702	EA	SPRING KIT - 4K JACK	R91916
	157770-01-703	EA	TOUCH PAD - 625 FORD C BODY	RAP91864/AP36468
	157770-01-704	EA	ENCLOSURE BOX W/SENSING UNIT	RAP91762/AP36595
	157770-01-705	EA	PUMP/MOTOR/TANK ASM	RAP91912/AP37416



**SPARE TIRE**

KEY	PART NUMBER	U/M	DESCRIPTION	
1*	149703-01-01A	EA	RING - TIRE COVER - SPARE	
2	149703-02-01A	EA	INSERT - TIRE COVER - SPARE	
3	155344-01-02B	EA	BRACKET/SUPPORT - SPARE TIRE - E-COATED	
4	155344-02-02B	EA	BRACKET/PLATE - E-COATED	
	051377-07-000	EA	VALVE STEM	FROM: 00-00-00 THRU: 04-04-07
	155645-01-000	EA	VALVE STEM - 1.25"	FROM: 04-05-07 THRU: 99-99-99

\*COMPONENT PARTS LISTED LATER IN THIS GROUP

**COMPONENT PARTS FOR SPARE TIRE**

149703-01-01A

KEY	PART NUMBER	U/M	DESCRIPTION	VENDOR NO.
	149703-01-700	EA	CYLINDER LOCK/CAM/CLIP/2 KEY	CAM LOCK/CLIP/KEYS

## CHASSIS GROUP (CONTINUED)

### SUSPENSION

#### KEY PART NUMBER U/M DESCRIPTION

\* 153119-01-000 EA AIRSPRING - AIR BAG KIT - E450 UNDER RAIL MOUNT - REAR AIR SPRINGS  
 153119-03-000 EA AIRSPRING - AIR BAG KIT - E450 UNDER RAIL MOUNT - REAR AIR SPRINGS - FORD CHASSIS-14,500#

\*COMPONENT PARTS LISTED LATER IN THIS GROUP

#### COMPONENT PARTS FOR SUSPENSION

153119-01-000

KEY	PART NUMBER	U/M	DESCRIPTION	VENDOR NO.
	084096-01-708	EA	AIRLINE SERVICE KIT	W21-760-2012
	153119-01-700	EA	AIR SPRING (AIR BAG)	W217606397
	153119-01-701	EA	BRACKET - UPPER DRIVER	W217605440
	153119-01-702	EA	BRACKET - UPPER PASSENGER	W217605441
	153119-01-703	EA	BRACKET - LOWER	W217605439
	153119-01-704	EA	BRACE - UPPER DRIVER	W217605442
	153119-01-705	EA	BRACE - UPPER PASSENGER	W217605443
	153119-01-706	EA	STRAP/CLAMP - F/BRACKET	W217605433

#### WHEEL, TIRE, COVERS &/OR LINERS

KEY	PART NUMBER	U/M	DESCRIPTION
	077030-01-000	EA	EXTENSION - VALVE STEM - 1.25" - METAL
	095012-05-000	EA	EXTENSION/VALVE STEM - LIVE - 5"
	095012-06-000	EA	STABILIZER/VALVE EXTENSION - LIVE - 2" - FORD W/ STEEL WHEEL W/8 SLOTS
	095012-07-000	EA	STABILIZER/VALVE EXTENSION - LIVE - 4" - FORD W/ STEEL WHEEL W/4 SLOTS
*	110435-13-000	EA	LINER - WHEEL - SET OF 4 - 16" (8 HOLE) - FORD W/ STEEL WHEEL W/8 SLOTS
*	110435-23-000	EA	LINER - WHEEL SET (SET=4) 16" - FORD W/ STEEL WHEEL W/4 SLOTS
	080208-02-000	EA	BAR/LEVERAGE - LUG WRENCH - 13/16" DIA - ALUMINUM WHEEL
	080208-06-000	EA	LUG WRENCH - 1"/1.1" SOCKETS X 16.4" LONG - ALUMINUM WHEEL
	149749-01-000	EA	WHEEL - ALUMINUM - 6" X 16" - FRONT - FORD E450 - ALUMINUM WHEELS
	149749-02-000	EA	WHEEL - ALUMINUM - 6" X 16" - REAR - FORD E450 - ALUMINUM WHEELS
	156797-03-000	EA	COVER/HUB - FRONT - ALUMINUM WHEELS - ALUMINUM WHEELS
	156797-04-000	EA	COVER/HUB - REAR - ALUMINUM WHEELS - ALUMINUM WHEELS
	149749-05-000	EA	COVER/NUT - ALUMINUM WHEELS
	149749-06-000	EA	NUT/WHEEL - 9/16"-18 - LOW PROFILE - FORD E450 - ALUMINUM WHEELS

\*COMPONENT PARTS LISTED LATER IN THIS GROUP

#### COMPONENT PARTS FOR WHEEL, TIRE, COVERS &/OR LINERS

110435-13-000

KEY	PART NUMBER	U/M	DESCRIPTION	VENDOR NO.
	110435-01-711	EA	DECAL-CENTER CAP, 2" - QTY 2	DIAMOND/2 PER BAG
	110435-10-705	EA	TOOL/JAMB NUT INSTALLATION	V195P7-TOL
	110435-13-700	EA	LINER - WHEEL - FRONT	V160F7-FWC
	110435-13-701	EA	LINER - WHEEL - REAR	V160F7-RWC
	110435-13-702	EA	JAMB NUT W/COVER - 9/16"	V160F7-EJN

110435-23-000

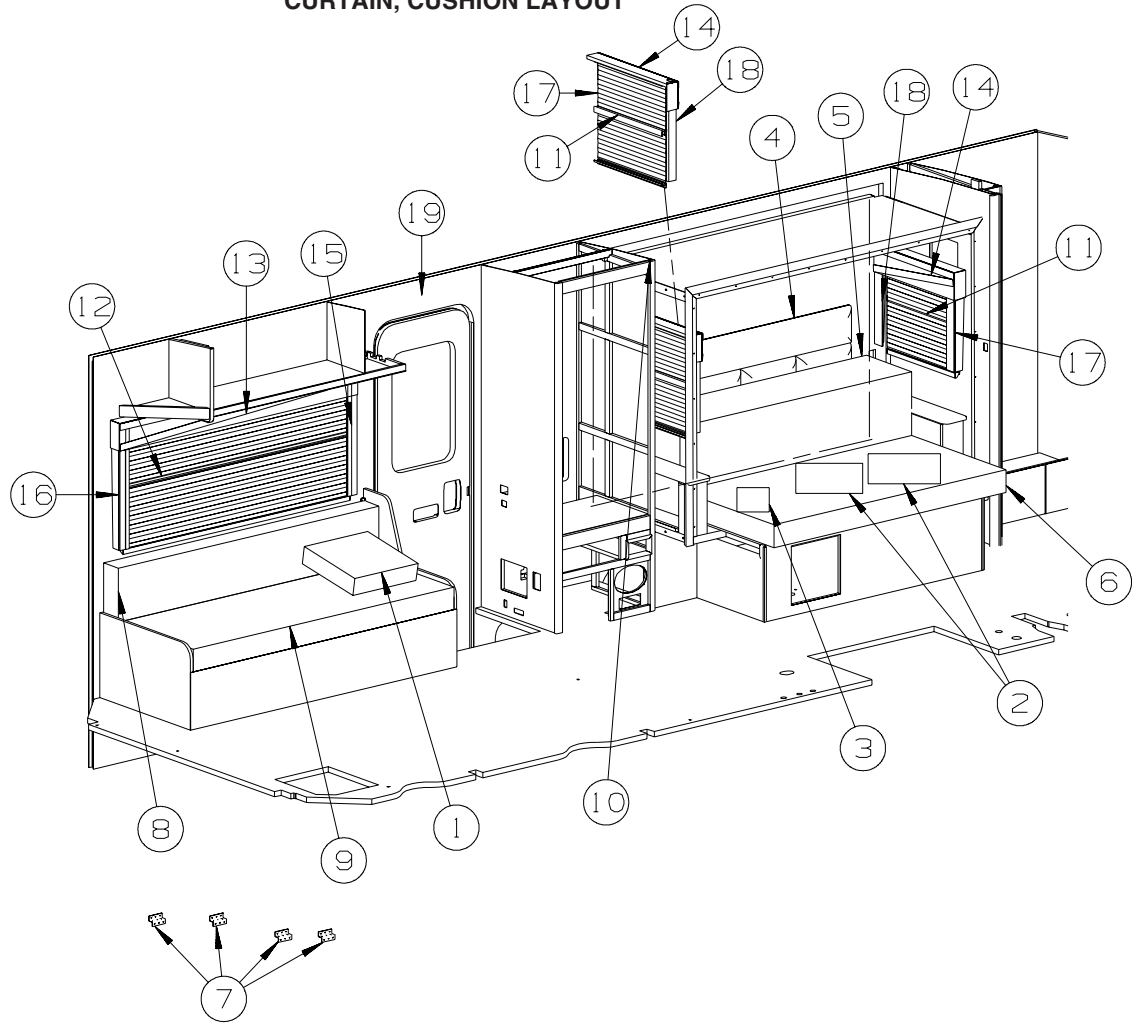
KEY	PART NUMBER	U/M	DESCRIPTION	VENDOR NO.
	110435-01-711	EA	DECAL-CENTER CAP- 2" - QTY 2	DIAMOND/2 PER BAG
	110435-23-700	EA	COVER/WHEEL - FRONT - 1 ONLY	FWCFL60-59
	110435-23-701	EA	COVER/WHEEL - REAR - 1 ONLY	RWCFL60-59

#### BRAKELINE

KEY	PART NUMBER	U/M	DESCRIPTION
	088498-01-000	EA	UNION - INVERTED FLARE - BRASS - 3/16 - FORD CHASSIS

# CURTAIN & CUSHION GROUP

## CURTAIN, CUSHION LAYOUT



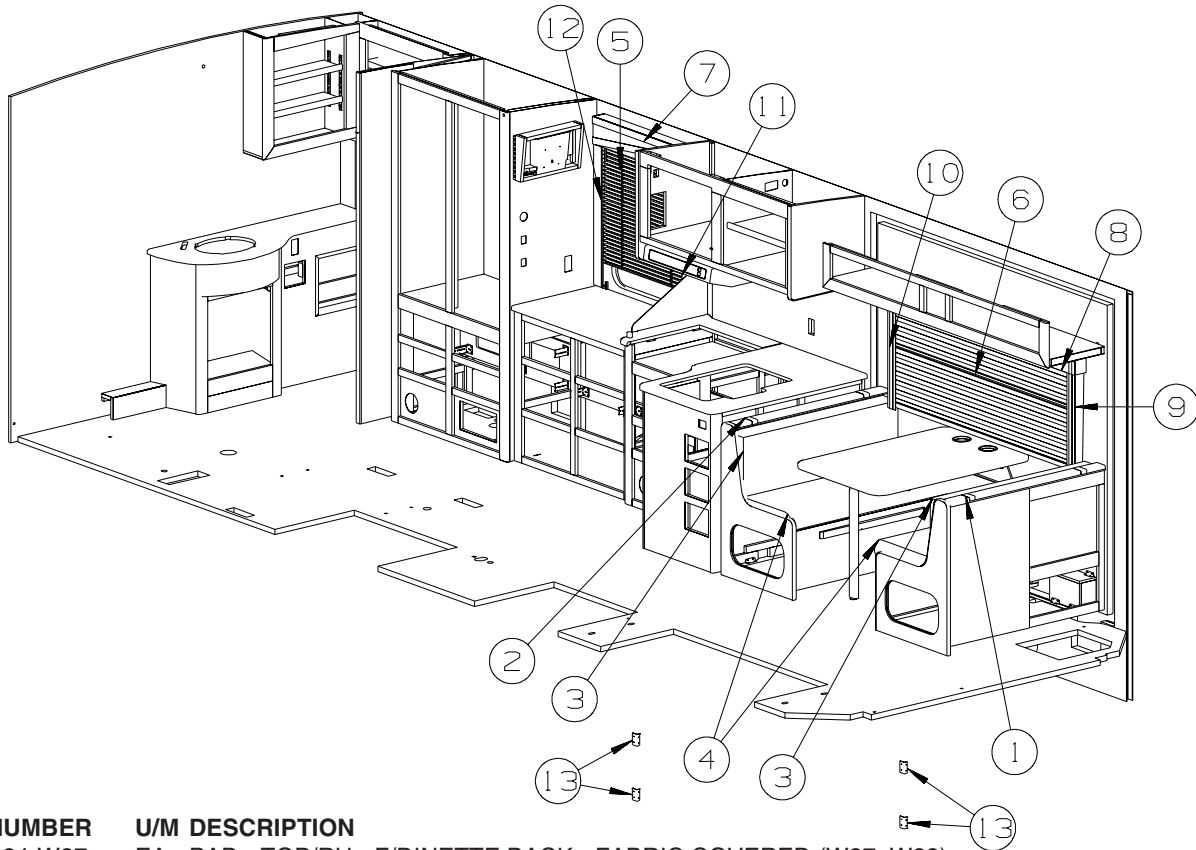
KEY	PART NUMBER	U/M	DESCRIPTION
1	162369-01-W37	EA	PILLOW - 17" (W37, W38)
1	162369-02-W39	EA	PILLOW - 17" (W39, W40)
1	162369-02-W41	EA	PILLOW - 17" (W41, W42)
2	126211-09-U37	EA	PILLOW SHAM (W37, W38)
2	126211-08-W39	EA	PILLOW SHAM (W39, W40)
2	126211-09-W41	EA	PILLOW SHAM (W41, W42)
3	132319-60-U37	EA	PILLOW - 17" - W/1" BUTTONS (W37, W38)
3	132319-60-W39	EA	PILLOW - 17" - W/1" BUTTONS (W39, W40)
3	132319-60-W41	EA	PILLOW - 17" - W/1" BUTTONS (W41, W42)
4	157479-07-U37	EA	HEADBOARD - MARCUS - 30" X 60" (W37, W38)
4	157479-10-W39	EA	HEADBOARD - MARCUS - 30" X 60" (W39, W40)
4	157479-07-W41	EA	HEADBOARD - MARCUS - 30" X 60" (W41, W42)
5	157488-04-U37	EA	CUSHION - BIFOLD - SOFA/BED - 7.5" X 28" X 63" (W37, W38)
5	157488-04-W39	EA	CUSHION - BIFOLD - SOFA/BED - 7.5" X 28" X 63" (W39, W40)
5	157488-01-W41	EA	CUSHION - BIFOLD - SOFA/BED - 7.5" X 28" X 63" (W41, W42)
	157488-A4-U37	EA	COVER/CUSHION - BIFOLD - SOFA/BED - 7.5" X 28" X 63" (W37, W38)
	157488-A4-W39	EA	COVER/CUSHION - BIFOLD - SOFA/BED - 7.5" X 28" X 63" (W39, W40)
	157488-A1-W41	EA	COVER/CUSHION - BIFOLD - SOFA/BED - 7.5" X 28" X 63" (W41, W42)
6	157489-04-U37	EA	CUSHION - SOFA/BED - 47" X 63" X 5" (W37, W38)
6	157489-04-W39	EA	CUSHION - SOFA/BED - 47" X 63" X 5" (W39, W40)
6	157489-01-W41	EA	CUSHION - SOFA/BED - 47" X 63" X 5" (W41, W42)
	157489-A4-U37	EA	COVER/CUSHION - SOFA/BED - 47" X 63" X 5" (W37, W38)
	157489-A4-W39	EA	COVER/CUSHION - SOFA/BED - 47" X 63" X 5" (W39, W40)
	157489-A1-W41	EA	COVER/CUSHION - SOFA/BED - 47" X 63" X 5" (W41, W42)
7	116104-04-02B	EA	BRACKET - ZEE W/HOLES - 3.2" - E-COATED



**CURTAIN & CUSHION GROUP (CONTINUED)**  
**CURTAIN, CUSHION LAYOUT (CONTINUED)**

KEY	PART NUMBER	U/M	DESCRIPTION
8	149804-03-U37	EA	BACK - SOFA/BED - 70" (W37, W38)
8	149804-03-W39	EA	BACK - SOFA/BED - 70" (W39, W40)
8	149804-03-W41	EA	BACK - SOFA/BED - 70" (W41, W42)
8	161040-04-U37	EA	BACK - SOFA/BED - 70" (W37, W38) - <b>ULTRALEATHER</b>
8	161040-04-U39	EA	BACK - SOFA/BED - 70" (W39, W40) - <b>ULTRALEATHER</b>
8	161040-04-W41	EA	BACK - SOFA/BED - 70" (W41, W42) - <b>ULTRALEATHER</b>
	P49804-03-U37	EA	COVER - BACK - SOFA/BED - 70" (W37, W38)
	P49804-03-W39	EA	COVER - BACK - SOFA/BED - 70" (W39, W40)
	P49804-03-W41	EA	COVER - BACK - SOFA/BED - 70" (W41, W42)
	161040-A4-U37	EA	COVER - BACK - SOFA/BED - 70" (W37, W38) - <b>ULTRALEATHER</b>
	161040-A4-U39	EA	COVER - BACK - SOFA/BED - 70" (W39, W40) - <b>ULTRALEATHER</b>
	161040-A4-W41	EA	COVER - BACK - SOFA/BED - 70" (W41, W42) - <b>ULTRALEATHER</b>
	101085-14-000	EA	FRAME - BACK - SOFA/BED - 16" X 67.5"
9	149812-03-U37	EA	SEAT - SOFA/BED - 70" (W37, W38)
9	149812-16-W39	EA	SEAT - SOFA/BED - 70" (W39, W40)
9	149812-16-W41	EA	SEAT - SOFA/BED - 70" (W41, W42)
9	149812-07-T41	EA	SEAT - SOFA/BED - 70" (W37, W38) - <b>ULTRALEATHER</b>
9	149812-07-T43	EA	SEAT - SOFA/BED - 70" (W39, W40) - <b>ULTRALEATHER</b>
9	149812-07-W41	EA	SEAT - SOFA/BED - 70" (W41, W42) - <b>ULTRALEATHER</b>
	P49812-03-U37	EA	COVER - SEAT - SOFA/BED - 70" (W37, W38)
	P49812-16-W39	EA	COVER - SEAT - SOFA/BED - 70" (W39, W40)
	P49812-16-W41	EA	COVER - SEAT - SOFA/BED - 70" (W41, W42)
	P49812-07-T41	EA	COVER - SEAT - SOFA/BED - 70" (W37, W38) - <b>ULTRALEATHER</b>
	P49812-07-T43	EA	COVER - SEAT - SOFA/BED - 70" (W39, W40) - <b>ULTRALEATHER</b>
	P49812-07-W41	EA	COVER - SEAT - SOFA/BED - 70" (W41, W42) - <b>ULTRALEATHER</b>
	101085-12-000	EA	FRAME - BASE - SOFA/BED - 20" X 70"
	101085-13-000	EA	FRAME - SEAT - SOFA/BED - 20" X 67.5"
10	154002-02-U37	EA	CURTAIN - PRIVACY/BUNK - 53" X 65" (W37, W38)
10	154002-10-W39	EA	CURTAIN - PRIVACY/BUNK - 65" X 53" (W39, W40)
10	154002-11-W41	EA	CURTAIN - PRIVACY/BUNK - 65" X 53" (W41, W42)
11	140789-07-W37	EA	BLIND - DAY/NIGHTER - 22.5" X 23" (W37, W38, W41, W42)
11	140789-07-W39	EA	BLIND - DAY/NIGHTER - 22.5" X 23" (W39, W40)
	097565-01-000	EA	BRACKET - MOUNTING - PLEATED BLIND
12	140789-14-W37	EA	BLIND - DAY/NIGHTER - 61" X 28.5" (W37, W38, W41, W42)
12	140789-14-W51	EA	BLIND - DAY/NIGHTER - 61" X 28.5" (W39, W40)
13	161575-02-W37	EA	VALANCE - JAXSON - 65" X 6" (W37, W38)
13	161575-04-W39	EA	VALANCE - JAXSON - 65" X 6" (W39, W40)
13	161575-04-W41	EA	VALANCE - JAXSON - 65" X 6" (W41, W42)
14	161575-06-W37	EA	VALANCE - JAXSON - 26.5" X 6" (W37, W38)
14	161575-06-W39	EA	VALANCE - JAXSON - 26.5" X 6" (W39, W40)
14	161575-08-W41	EA	VALANCE - JAXSON - 26.5" X 6" (W41, W42)
15	163665-01-W37	EA	LEG - RIGHT - 27" (W37, W38)
15	163665-05-W39	EA	LEG - RIGHT - 27" (W39, W40)
15	163665-05-W41	EA	LEG - RIGHT - 27" (W41, W42)
	154316-01-01A	EA	BRACE/ANGLE - W/HOLE - CASHMERE
16	163665-02-W37	EA	LEG - LEFT - 27" (W37, W38)
16	163665-06-W39	EA	LEG - LEFT - 27" (W39, W40)
16	163665-06-W41	EA	LEG - LEFT - 27" (W41, W42)
	154316-01-01A	EA	BRACE/ANGLE - W/HOLE - CASHMERE
17	163665-09-W37	EA	LEG - RIGHT - 21" (W37, W38)
17	163665-11-W39	EA	LEG - RIGHT - 21" (W39, W40)
17	163665-13-W41	EA	LEG - RIGHT - 21" (W41, W42)
18	163665-10-W37	EA	LEG - LEFT - 21" (W37, W38)
18	163665-12-W39	EA	LEG - LEFT - 21" (W39, W40)
18	163665-14-W41	EA	LEG - LEFT - 21" (W41, W42)
19	163990-01-W37	EA	PANEL - DECORATIVE (W37, W38)
			FROM: 00-00-00 THRU: 04-23-07
19	163990-01-W39	EA	PANEL - DECORATIVE (W39, W40)
			FROM: 00-00-00 THRU: 04-23-07
19	163990-01-W41	EA	PANEL - DECORATIVE (W41, W42)
			FROM: 00-00-00 THRU: 04-23-07

**CURTAIN & CUSHION GROUP (CONTINUED)**  
**CURTAIN, CUSHION LAYOUT (CONTINUED)**

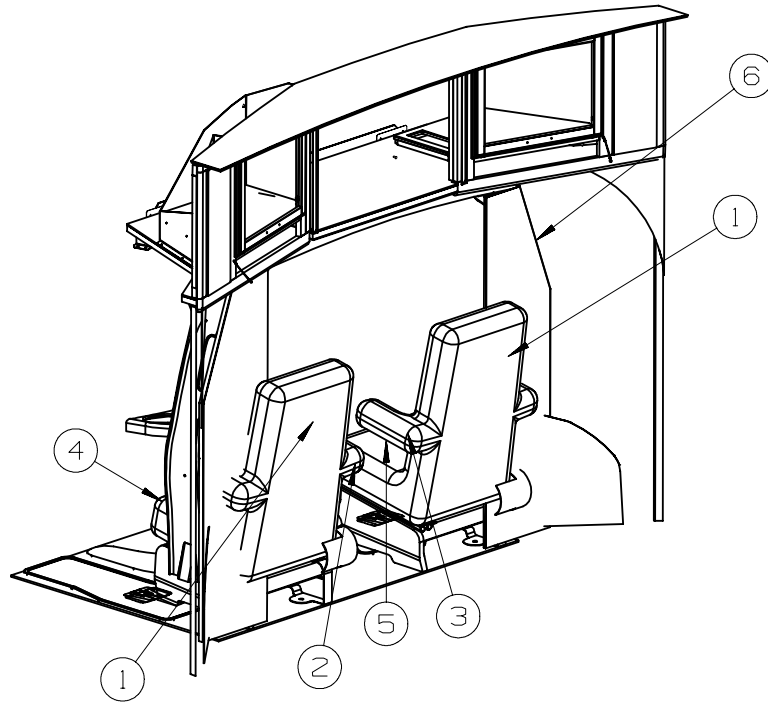


KEY	PART NUMBER	U/M	DESCRIPTION
1	153519-24-W37	EA	PAD - TOP/RH - F/DINETTE BACK - FABRIC COVERED (W37, W38)
1	153519-24-W39	EA	PAD - TOP/RH - F/DINETTE BACK - FABRIC COVERED (W39, W40)
1	153519-24-W41	EA	PAD - TOP/RH - F/DINETTE BACK - FABRIC COVERED (W41, W42)
1	153519-23-W37	EA	PAD - TOP/RH/LH - F/DINETTE BACK - FABRIC COVERED (W37, W38) - <b>ULTRALEATHER</b>
1	153519-23-W39	EA	PAD - TOP/RH/LH - F/DINETTE BACK - FABRIC COVERED (W39, W40) - <b>ULTRALEATHER</b>
1	153519-23-W41	EA	PAD - TOP/RH/LH - F/DINETTE BACK - FABRIC COVERED (W41, W42) - <b>ULTRALEATHER</b>
2	153519-25-W37	EA	PAD - TOP/LH - F/DINETTE BACK - FABRIC COVERED (W37, W38)
2	153519-25-W39	EA	PAD - TOP/LH - F/DINETTE BACK - FABRIC COVERED (W39, W40)
2	153519-25-W41	EA	PAD - TOP/LH - F/DINETTE BACK - FABRIC COVERED (W41, W42)
2	153519-23-W37	EA	PAD - TOP/RH/LH - F/DINETTE BACK - FABRIC COVERED (W37, W38) - <b>ULTRALEATHER</b>
2	153519-23-W39	EA	PAD - TOP/RH/LH - F/DINETTE BACK - FABRIC COVERED (W39, W40) - <b>ULTRALEATHER</b>
2	153519-23-W41	EA	PAD - TOP/RH/LH - F/DINETTE BACK - FABRIC COVERED (W41, W42) - <b>ULTRALEATHER</b>
3	153670-01-U37	EA	CUSHION - SEAT BACK - 13.5" X 42" X 5" (W37, W38)
3	153670-01-W39	EA	CUSHION - SEAT BACK - 13.5" X 42" X 5" (W39, W40)
3	153670-01-W41	EA	CUSHION - SEAT BACK - 13.5" X 42" X 5" (W41, W42)
3	153670-18-U37	EA	CUSHION - SEAT BACK - 13.5" X 42" X 5" - W/INSERT (W37, W38) - <b>ULTRALEATHER</b>
3	153670-18-W39	EA	CUSHION - SEAT BACK - 13.5" X 42" X 5" - W/INSERT (W39, W40) - <b>ULTRALEATHER</b>
3	153670-18-W41	EA	CUSHION - SEAT BACK - 13.5" X 42" X 5" - W/INSERT (W41, W42) - <b>ULTRALEATHER</b>
	P53670-01-U37	EA	COVER/BACK - 13.5" X 42" X 5" (W37, W38)
	P53670-01-W39	EA	COVER/BACK - 13.5" X 42" X 5" (W39, W40)
	P53670-01-W41	EA	COVER/BACK - 13.5" X 42" X 5" (W41, W42)
	P53670-18-U37	EA	COVER/BACK - 13.5" X 42" X 5" - W/INSERT (W37, W38) - <b>ULTRALEATHER</b>
	P53670-18-W39	EA	COVER/BACK - 13.5" X 42" X 5" - W/INSERT (W39, W40) - <b>ULTRALEATHER</b>
	P53670-18-W41	EA	COVER/BACK - 13.5" X 42" X 5" - W/INSERT (W41, W42) - <b>ULTRALEATHER</b>
4	153671-02-U37	EA	CUSHION - SEAT - 23" X 42" X 5" (W37, W38)
4	153671-03-W39	EA	CUSHION - SEAT - 23" X 42" X 5" (W39, W40)
4	153671-03-W41	EA	CUSHION - SEAT - 23" X 42" X 5" (W41, W42)
4	153671-06-T41	EA	CUSHION - SEAT - 23" X 42" X 5" (W37, W38) - <b>ULTRALEATHER</b>
4	153671-06-T43	EA	CUSHION - SEAT - 23" X 42" X 5" (W39, W40) - <b>ULTRALEATHER</b>
4	153671-06-W41	EA	CUSHION - SEAT - 23" X 42" X 5" (W41, W42) - <b>ULTRALEATHER</b>
	153671-A2-U37	EA	COVER/CUSHION - SEAT - 23" X 42" X 5" (W37, W38)
	153671-A3-W39	EA	COVER/CUSHION - SEAT - 23" X 42" X 5" (W39, W40)
	153671-A3-W41	EA	COVER/CUSHION - SEAT - 23" X 42" X 5" (W41, W42)
	153671-A6-T41	EA	COVER/CUSHION - SEAT - 23" X 42" X 5" (W37, W38) - <b>ULTRALEATHER</b>
	153671-A6-T43	EA	COVER/CUSHION - SEAT - 23" X 42" X 5" (W39, W40) - <b>ULTRALEATHER</b>
	153671-A6-W41	EA	COVER/CUSHION - SEAT - 23" X 42" X 5" (W41, W42) - <b>ULTRALEATHER</b>

**CURTAIN & CUSHION GROUP (CONTINUED)**  
**CURTAIN, CUSHION LAYOUT (CONTINUED)**

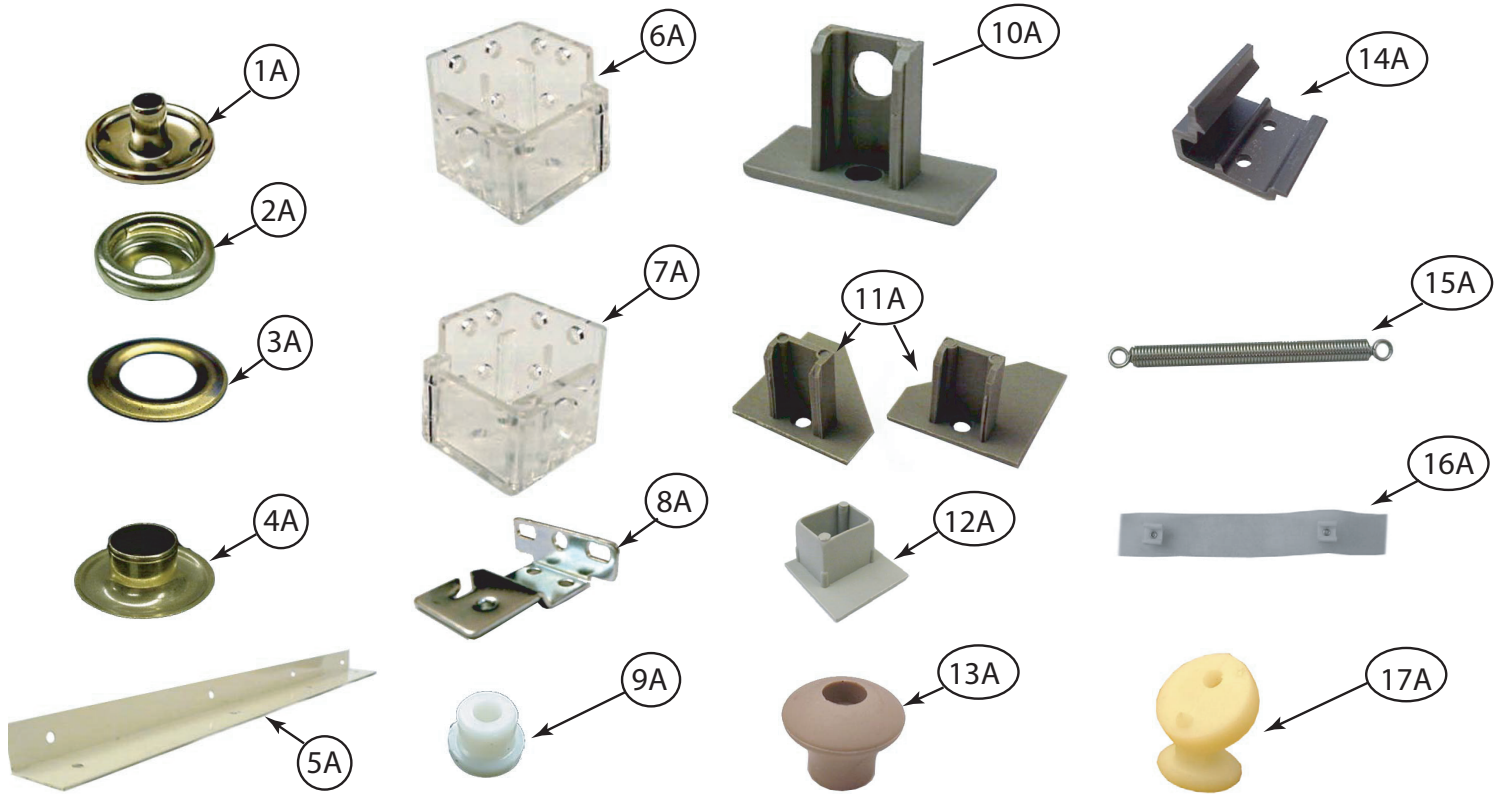
<b>KEY</b>	<b>PART NUMBER</b>	<b>U/M</b>	<b>DESCRIPTION</b>
5	109041-93-01A	EA	BLIND - MINI - 28" X 39"
	162496-01-01A	EA	BRACKET/BLIND - LEFT SIDE WHEN FACING WINDOW - CLEAR
	162496-02-01A	EA	BRACKET/BLIND - RIGHT SIDE WHEN FACING WINDOW - CLEAR
	102555-03-000	EA	BRACKET - (CLEAT TYPE) - F/BLIND HOLDOWN - MILKY WHITE
	109441-01-000	EA	BRACKET/HOOK - BLIND HOLD DOWN - LARGE - CLEAR
6	140789-08-W37	EA	BLIND - DAY/NIGHTER - 59" X 26.5" (W37, W38, W41, W42)
6	140789-08-W39	EA	BLIND - DAY/NIGHTER - 59" X 26.5" (W39, W40)
7	161575-05-W37	EA	VALANCE - JAXSON - 32" X 6" (W37, W38)
7	161575-05-W39	EA	VALANCE - JAXSON - 32" X 6" (W39, W40)
7	161575-07-W41	EA	VALANCE - JAXSON - 32" X 6" (W41, W42)
8	161575-29-W37	EA	VALANCE - JAXSON - 62" X 6" (W37, W38)
8	161575-30-W39	EA	VALANCE - JAXSON - 62" X 6" (W39, W40)
8	161575-30-W41	EA	VALANCE - JAXSON - 62" X 6" (W41, W42)
9	163665-03-W37	EA	LEG - RIGHT - 23.5" (W37, W38)
9	163665-07-W39	EA	LEG - RIGHT - 23.5" (W39, W40)
9	163665-07-W41	EA	LEG - RIGHT - 23.5" (W41, W42)
	154316-01-01A	EA	BRACE/ANGLE - W/HOLE - CASHMERE
10	163665-04-W37	EA	LEG - LEFT - 23.5" (W37, W38)
10	163665-08-W39	EA	LEG - LEFT - 23.5" (W39, W40)
10	163665-08-W41	EA	LEG - LEFT - 23.5" (W41, W42)
	154316-01-01A	EA	BRACE/ANGLE - W/HOLE - CASHMERE
11	163665-15-W37	EA	LEG - RIGHT - 36" (W37, W38)
11	163665-17-W39	EA	LEG - RIGHT - 36" (W39, W40)
11	163665-17-W41	EA	LEG - RIGHT - 36" (W41, W42)
12	163665-16-W37	EA	LEG - LEFT - 36" (W37, W38)
12	163665-18-W39	EA	LEG - LEFT - 36" (W39, W40)
12	163665-18-W41	EA	LEG - LEFT - 36" (W41, W42)
13	156732-01-02A	EA	BRACE - ANGLE - 2.5" - OFF WHITE

**CURTAIN & CUSHION GROUP (CONTINUED)**  
**CURTAIN, CUSHION LAYOUT (CONTINUED)**



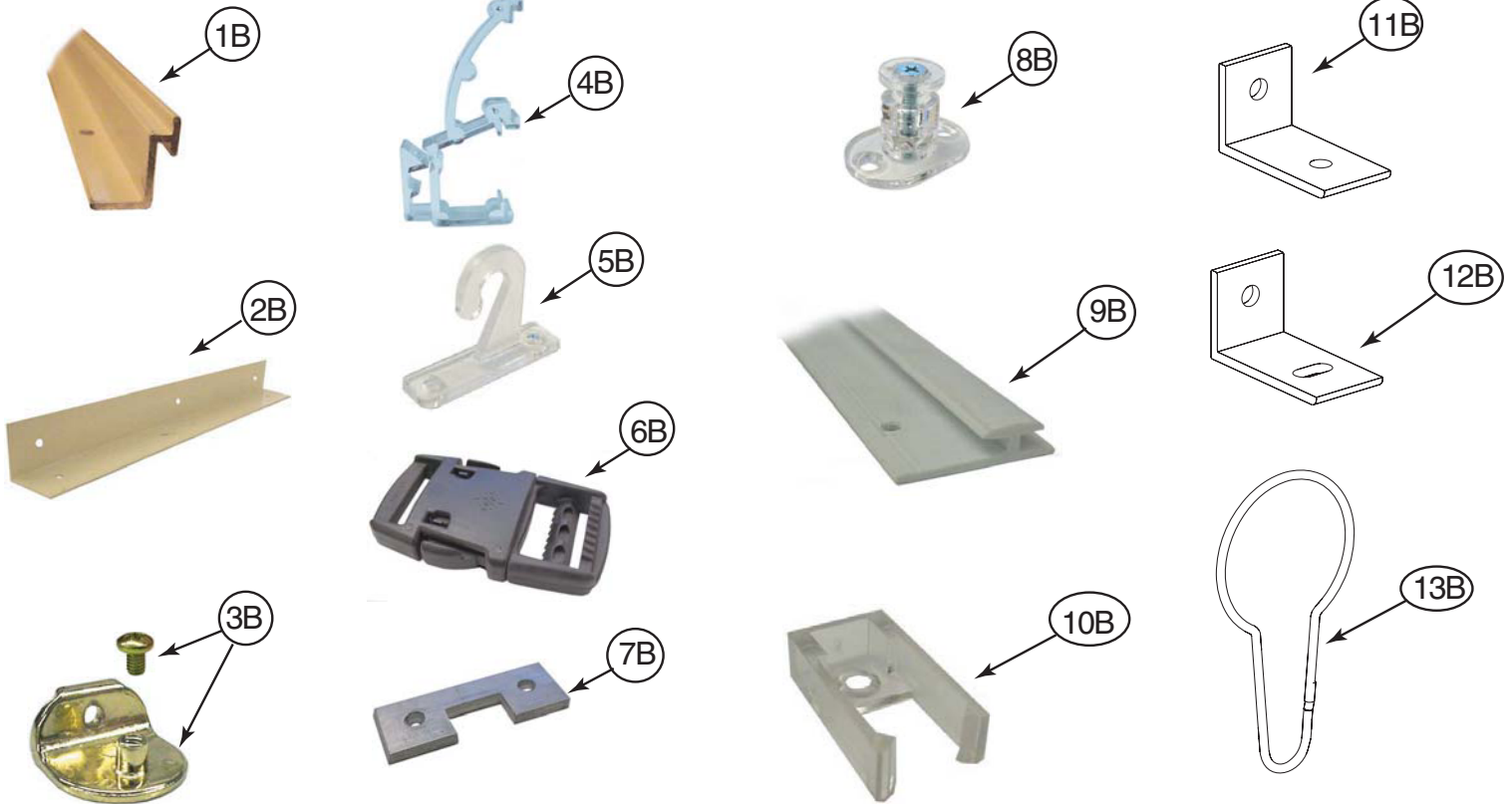
KEY	PART NUMBER	U/M	DESCRIPTION
1	158708-03-U21	EA	COVER - BACK (W37, W38) - <b>ULTRALEATHER</b>
1	158708-03-U25	EA	COVER - BACK (W39, W40) - <b>ULTRALEATHER</b>
1	158708-03-W41	EA	COVER - BACK (W41, W42) - <b>ULTRALEATHER</b>
2	158708-05-U21	EA	COVER - ARMREST/DRIVER (W37, W38) - <b>ULTRALEATHER</b>
2	158708-05-U25	EA	COVER - ARMREST/DRIVER (W39, W40) - <b>ULTRALEATHER</b>
2	158708-05-W41	EA	COVER - ARMREST/DRIVER (W41, W42) - <b>ULTRALEATHER</b>
3	158708-06-U21	EA	COVER - ARMREST/PASSENGER (W37, W38) - <b>ULTRALEATHER</b>
3	158708-06-U25	EA	COVER - ARMREST/PASSENGER (W39, W40) - <b>ULTRALEATHER</b>
3	158708-06-W41	EA	COVER - ARMREST/PASSENGER (W41, W42) - <b>ULTRALEATHER</b>
4	158708-04-U21	EA	COVER - SEAT (W37, W38) - <b>ULTRALEATHER</b>
4	158708-04-U25	EA	COVER - SEAT (W39, W40) - <b>ULTRALEATHER</b>
4	158708-04-W41	EA	COVER - SEAT (W41, W42) - <b>ULTRALEATHER</b>
5	158708-07-U21	EA	COVER - SEAT - PASSENGER (W37, W38) - <b>ULTRALEATHER</b>
5	158708-07-U25	EA	COVER - SEAT - PASSENGER (W39, W40) - <b>ULTRALEATHER</b>
5	158708-07-W41	EA	COVER - SEAT - PASSENGER (W41, W42) - <b>ULTRALEATHER</b>
6	076892-33-W37	EA	CURTAIN - CAB PRIVACY - 52" X 74" (W37, W38)
6	076892-33-W39	EA	CURTAIN - CAB PRIVACY - 52" X 74" (W39, W40)
6	076892-33-W41	EA	CURTAIN - CAB PRIVACY - 52" X 74" (W41, W42)

**CURTAIN & CUSHION GROUP (CONTINUED)**  
**HARDWARE**



KEY	PART NUMBER	U/M	DESCRIPTION
1A	029155-01-000	EA	CAP - SNAP - 5/32" OUTSIDE DIAMETER OF PIN
2A	029156-01-000	EA	SOCKET - SNAP - 9/16" O.D.
3A	046867-05-000	EA	WASHER - #0
4A	046867-04-000	EA	GROMMET - #0
5A	160457-01-01A	EA	BRACE - VALANCE - L-SHAPED - 20" - OFF WHITE
6A	162496-01-01A	EA	BRACKET/BLIND - LEFT SIDE WHEN FACING WINDOW - CLEAR
7A	162496-02-01A	EA	BRACKET/BLIND - RIGHT SIDE WHEN FACING WINDOW - CLEAR
8A	084434-01-000	EA	BRACKET - MOUNTING - ROLLER SHADE - 1 3/8"
9A	094896-02-000	EA	GROMMET - CORD/PLEATED BLIND - NYLON - GRAY
10A	094907-02-000	EA	END CAP - PLEATED BLIND/TOP - RH/LH - GRAY PLASTIC
11A	094907-04-000	EA	END CAP - PLEATED BLIND/BOTTOM - RH/LH
12A	094907-09-000	EA	END CAP/BLIND - CENTER RAIL - RH/LH
13A	097564-03-000	EA	HANDLE - KNOB - E-Z LIFT SHADE - TAN
14A	097565-01-000	EA	BRACKET - MOUNTING - PLEATED BLIND
15A	155748-01-000	EA	SPRING - EXTENSION - DAY/NIGHTER BLIND
16A	101031-01-000	YD	TAPE/GLIDE - 4.25" SPACING
17A	102555-03-000	EA	BRACKET - (CLEAT TYPE) - F/BLIND HOLDOWN - MILKY WHITE

**CURTAIN & CUSHION GROUP (CONTINUED)**  
**HARDWARE (CONTINUED)**



KEY	PART NUMBER	U/M	DESCRIPTION
1B	105450-14-01A	EA	TRACK - CURTAIN - 90" - OFF WHITE
2B	105648-01-02A	EA	BRACE - VALANCE - 14" - OFF WHITE
2B	105648-02-02A	EA	BRACE - VALANCE - 8.5" - OFF WHITE
3B	106544-01-000	EA	PULL - SHADE/BRASS
3B	106544-01-001	EA	SCREW - SHADE/BRASS
3B	106544-02-000	EA	PULL-SHADE - NICKEL
4B	109353-04-000	EA	CLIP - VALANCE SLAT MOUNTING - CLEAR PLASTIC
5B	109441-01-000	EA	BRACKET/HOOK - BLIND HOLD DOWN - LARGE - CLEAR
	109441-02-000	EA	SPACER/BRACKET - BLIND HOLD DOWN
6B	129491-01-000	EA	CATCH - SNAP HOOK - 1"
7B	130549-01-01A	EA	STOP - CURTAIN TRACK
8B	141634-01-000	EA	BRACKET-(BOBBIN TYPE) 7/8"H HOLDUPBASE(OVAL)-2 HOLE-CLEAR
9B	156172-02-01A	EA	TRACK/WALL - 32" - BONE
9B	156172-03-01A	EA	TRACK/WALL - 21" - BONE
10B	156172-04-01A	EA	END CAP - WALL TRACK - CLEAR
11B	154316-01-01A	EA	BRACE/ANGLE - W/HOLE - CASHMERE
12B	154316-02-01A	EA	BRACE/ANGLE - W/SLOT - CASHMERE
13B	159702-01-01A	EA	HOOK/RING - CURTAIN/SHOWER - NICKEL

**CURTAIN & CUSHION GROUP (CONTINUED)**  
**ACCESSORIES**

<b>KEY</b>	<b>PART NUMBER</b>	<b>U/M</b>	<b>DESCRIPTION</b>
	074494-08-000	EA	BUTTON - PIVOT - #36
	118337-19-U37	EA	BUTTON - #36 W/TACK (W37, W38)
	118337-19-W39	EA	BUTTON - #36 W/TACK (W39, W40)
	118337-19-W41	EA	BUTTON - #36 W/TACK (W41, W42)
	118337-22-W39	EA	BUTTON - #36 - FABRIC COVEREK (W39, W40)
	161506-05-W37	EA	BUTTON - #36 - FABRIC COVERED (W37, W38)
	161506-06-W37	EA	BUTTON - #36 - FABRIC COVERED (W39, W40)
	161506-04-W39	EA	BUTTON - #36 - FABRIC COVERED (W41, W42)
	161506-07-W39	EA	BUTTON - #36 - FABRIC COVERED (W39, W40)
	161506-05-W41	EA	BUTTON - #36 - FABRIC COVERED (W41, W42)
	161506-06-W41	EA	BUTTON - #36 - FABRIC COVERED (W41, W42)
	070578-19-W37	EA	BUTTON - #30 - SCREW/STUD - FABRIC COVERED (W37, W38)
	070578-19-W39	EA	BUTTON - #30 - SCREW/STUD - FABRIC COVERED (W39, W40)
	070578-19-W41	EA	BUTTON - #30 - SCREW/STUD - FABRIC COVERED (W41, W42)
	070578-21-U37	EA	BUTTON - #30 - SCREW/STUD (W37, W38)
	070578-21-U39	EA	BUTTON - #30 - SCREW/STUD (W39, W40)
	070578-21-W41	EA	BUTTON - #30 - SCREW/STUD (W41, W42)
	070578-23-W37	EA	BUTTON - #30 - SCREW/STUD - FABRIC COVERED (W37, W38)
	070578-23-W39	EA	BUTTON - #30 - SCREW/STUD - FABRIC COVERED (W39, W40)
	070578-23-W41	EA	BUTTON - #30 - SCREW/STUD - FABRIC COVERED (W41, W42)

## CURTAIN & CUSHION GROUP (CONTINUED)

### FABRICS

#### W37, W38

079680-47-000 FABRIC -UPHOLSTERY ULTRA LEATHER MAIN  
087272-03-000 FABRIC -DRAPERY MAIN  
113979-09-01A CARPET-HEADLINER (SY) - CEILING  
FROM: 00-00-00 THRU: 01-13-08  
113979-09-02A CARPET-HEADLINER (SY) - CEILING  
FROM: 01-14-08 THRU: 99-99-99  
113979-10-01A CARPET-HEADLINER - SLDOUT (SY) - CEILING  
FROM: 00-00-00 THRU: 01-13-08  
113979-10-02A CARPET-HEADLINER - SLDOUT (SY) - CEILING  
FROM: 01-14-08 THRU: 99-99-99  
113979-11-01A CARPET-HEADLINER - SLDOUT (SY) - CEILING  
FROM: 00-00-00 THRU: 01-13-08  
113979-11-02A CARPET-HEADLINER - SLDOUT (SY) - CEILING  
FROM: 01-14-08 THRU: 99-99-99  
137813-V9-000 FABRIC -UPHOLSTERY PLAIN ACCENT  
137813-V9-000 FABRIC -DINETTE WRAP  
137813-W2-00 FABRIC -BEDROOM CABINET ACCENT  
137813-W2-000 FABRIC -UPHOLSTERY BEDSPREAD MAIN  
137813-W2-000 FABRIC -OVERHEAD CABINET BEDROOM  
148797-H9-000 FABRIC -UPHOLSTERY LOUNGE TRIM  
148797-N4-000 FABRIC -UPHOLSTERY MAIN  
148797-N4-000 FABRIC -DOOR INSERT PAD SMALL  
148797-N4-000 FABRIC -UPHOLSTERY BEDSPREAD PATTERN ACCENT  
148797-N4-000 FABRIC -HEADLINER - PADS, BUNKS, TRANSITION PANELS  
148797-N8-000 FABRIC -UPHOLSTERY ACCENT PATTERN  
148797-N8-000 FABRIC -OVERHEAD CABINET DINETTE, LOUNGE

#### W39, W40

087272-03-000 FABRIC -DRAPERY MAIN  
113979-09-01A CARPET-HEADLINER (SY) - CEILING  
FROM: 00-00-00 THRU: 01-13-08  
113979-09-02A CARPET-HEADLINER (SY) - CEILING  
FROM: 01-14-08 THRU: 99-99-99  
113979-10-01A CARPET-HEADLINER - SLDOUT (SY) - CEILING  
FROM: 00-00-00 THRU: 01-13-08  
113979-10-02A CARPET-HEADLINER - SLDOUT (SY) - CEILING  
FROM: 01-14-08 THRU: 99-99-99  
113979-11-01A CARPET-HEADLINER - SLDOUT (SY) - CEILING  
FROM: 00-00-00 THRU: 01-13-08  
113979-11-02A CARPET-HEADLINER - SLDOUT (SY) - CEILING  
FROM: 01-14-08 THRU: 99-99-99  
142523-02-000 FABRIC -UPHOLSTERY ULTRA LEATHER MAIN  
148797-BD-000 FABRIC -OVERHEAD CABINET DINETTE, LOUNGE  
148797-BD-000 FABRIC -DOOR INSERT PAD, SMALL  
148797-BD-000 FABRIC -UPHOLSTERY MAIN  
148797-BE-000 FABRIC -DINETTE WRAP  
148797-BE-000 FABRIC -UPHOLSTERY PLAIN ACCENT  
148797-H9-000 FABRIC -HEADLINER - PADS, BUNKS, NON-PADDED  
156773-57-000 FABRIC-UPHOLSTERY - BEDSPREAD PATTERN ACCENT  
156773-57-000 FABRIC -HEADLINER - PADS, BUNKS, TRANSITION PANELS  
156773-57-000 FABRIC -OVERHEAD CABINET BEDROOM  
156773-57-000 FABRIC -BEDROOM CABINET ACCENT  
156773-57-000 FABRIC -UPHOLSTERY ACCENT PATTERN  
156773-58-000 FABRIC -UPHOLSTERY, BEDSPREAD, MAIN

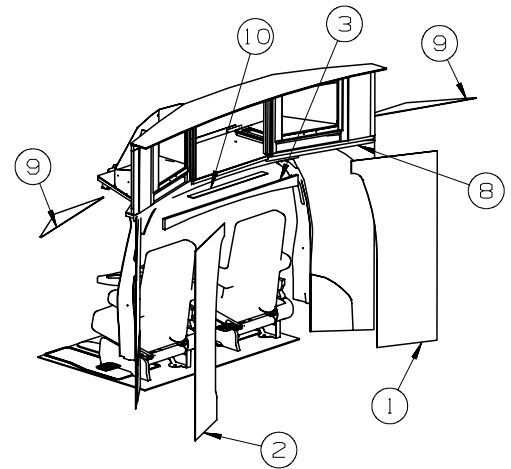
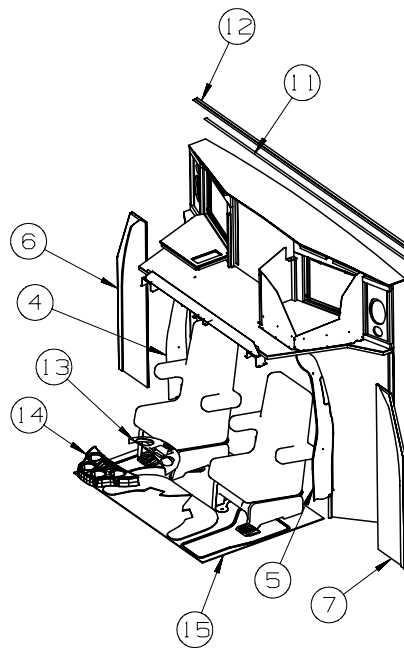


**CURTAIN & CUSHION GROUP (CONTINUED)**  
**FABRICS (CONTINUED)**

**W41, W42**

087272-03-000 FABRIC-DRAPERY MAIN  
113979-09-01A CARPET-HEADLINER (SY) - CEILING  
FROM: 00-00-00 THRU: 01-13-08  
113979-09-02A CARPET-HEADLINER (SY) - CEILING  
FROM: 01-14-08 THRU: 99-99-99  
113979-10-01A CARPET-HEADLINER - SLDOUT (SY) - CEILING  
FROM: 00-00-00 THRU: 01-13-08  
113979-10-02A CARPET-HEADLINER - SLDOUT (SY) - CEILING  
FROM: 01-14-08 THRU: 99-99-99  
113979-11-01A CARPET-HEADLINER - SLDOUT (SY) - CEILING  
FROM: 00-00-00 THRU: 01-13-08  
113979-11-02A CARPET-HEADLINER - SLDOUT (SY) - CEILING  
FROM: 01-14-08 THRU: 99-99-99  
142523-19-000 FABRIC-UPHOLSTERY ULTRA LEATHER MAIN  
148797-BF-000 FABRIC-UPHOLSTERY MAIN  
148797-BF-000 FABRIC-DOOR INSERT PAD, SMALL  
148797-BF-000 FABRIC-HEADLINER - PADS, BUNKS, TRANSITION PANELS  
148797-BG-000 FABRIC-UPHOLSTERY PLAIN ACCENT  
148797-BG-000 FABRIC-UPHOLSTERY BEDSPREAD MAIN  
148797-BG-000 FABRIC-DINETTE WRAP  
148797-BH-000 FABRIC-UPHOLSTERY ACCENT PATTERN  
148797-BH-000 FABRIC-OVERHEAD CABINET DINETTE, LOUNGE  
148797-H9-000 FABRIC-HEADLINER - PADS, BUNKS, NON-PADDED  
156773-59-000 FABRIC-UPHOLSTERY BEDSPREAD PATTERN ACCENT  
156773-59-000 FABRIC-OVERHEAD CABINET BEDROOM  
156773-59-000 FABRIC-BEDROOM CABINET ACCENT

## DRIVERS COMPARTMENT GROUP FRONT INTERIOR

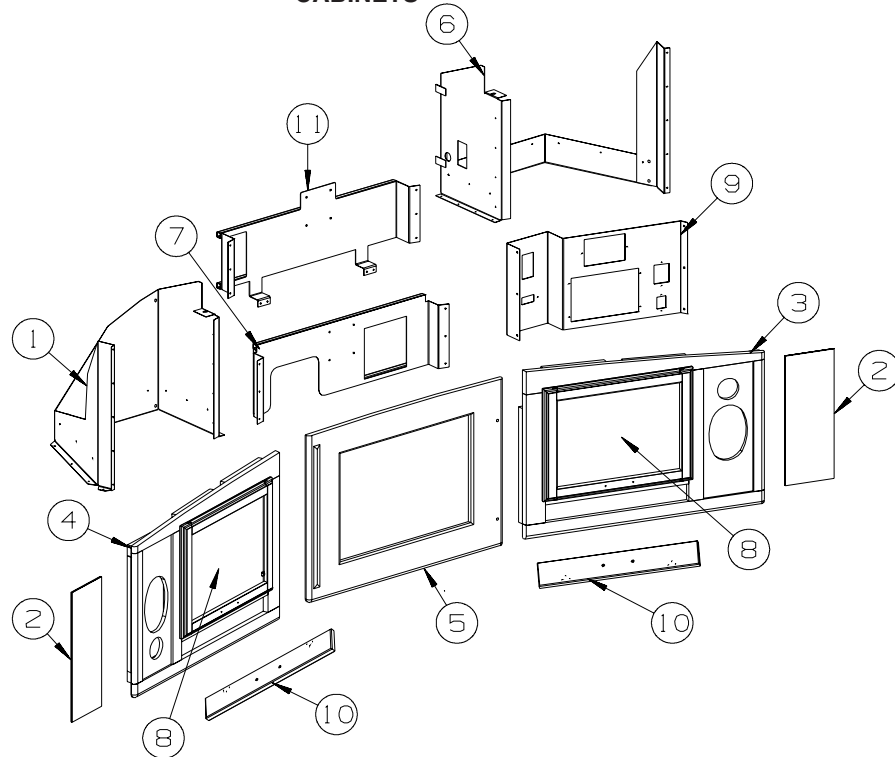


KEY	PART NUMBER	U/M	DESCRIPTION
1	149336-03-U37	EA	PANEL/TRANSITION - INNER - RIGHT HAND (W37, W38)
1	149336-03-W39	EA	PANEL/TRANSITION - INNER - RIGHT HAND (W39, W40)
1	149336-03-W41	EA	PANEL/TRANSITION - INNER - RIGHT HAND (W41, W42)
1	149336-05-W37	EA	PANEL/TRANSITION - INNER - RIGHT HAND (W37) - <b>ULTRALEATHER</b>
1	149336-05-W38	EA	PANEL/TRANSITION - INNER - RIGHT HAND (W38) - <b>ULTRALEATHER</b>
1	149336-05-W39	EA	PANEL/TRANSITION - INNER - RIGHT HAND (W39) - <b>ULTRALEATHER</b>
1	149336-05-W40	EA	PANEL/TRANSITION - INNER - RIGHT HAND (W40) - <b>ULTRALEATHER</b>
1	149336-05-W41	EA	PANEL/TRANSITION - INNER - RIGHT HAND (W41) - <b>ULTRALEATHER</b>
1	149336-05-W42	EA	PANEL/TRANSITION - INNER - RIGHT HAND (W42) - <b>ULTRALEATHER</b>
2	149336-04-U37	EA	PANEL/TRANSITION - INNER - LEFT HAND (W37, W38)
2	149336-04-W39	EA	PANEL/TRANSITION - INNER - LEFT HAND (W39, W40)
2	149336-04-W41	EA	PANEL/TRANSITION - INNER - LEFT HAND (W41, W42)
2	149336-06-W37	EA	PANEL/TRANSITION - INNER - LEFT HAND (W37) - <b>ULTRALEATHER</b>
2	149336-06-W38	EA	PANEL/TRANSITION - INNER - LEFT HAND (W38) - <b>ULTRALEATHER</b>
2	149336-06-W39	EA	PANEL/TRANSITION - INNER - LEFT HAND (W39) - <b>ULTRALEATHER</b>
2	149336-06-W40	EA	PANEL/TRANSITION - INNER - LEFT HAND (W40) - <b>ULTRALEATHER</b>
2	149336-06-W41	EA	PANEL/TRANSITION - INNER - LEFT HAND (W41) - <b>ULTRALEATHER</b>
2	149336-06-W42	EA	PANEL/TRANSITION - INNER - LEFT HAND (W42) - <b>ULTRALEATHER</b>
3	149411-02-U37	EA	TRIM/REAR CAB - FABRIC WRAPPED - 51.7" (W37, W38)
3	149411-02-W39	EA	TRIM/REAR CAB - FABRIC WRAPPED - 51.7" (W39, W40)
3	149411-02-W41	EA	TRIM/REAR CAB - FABRIC WRAPPED - 51.7" (W41, W42)
4	150481-01-23A	EA	TRIM - B-PILLAR - RIGHT HAND - PEBBLE
5	150481-02-23A	EA	TRIM - B-PILLAR - LEFT HAND - PEBBLE
6	149530-03-W37	EA	TRIM - B-PILLAR - RIGHT HAND (W37, W38)
6	149530-03-W39	EA	TRIM - B-PILLAR - RIGHT HAND (W39, W40)
6	149530-03-W41	EA	TRIM - B-PILLAR - RIGHT HAND (W41, W42)
7	149530-04-W37	EA	TRIM - B-PILLAR - LEFT HAND (W37, W38)
7	149530-04-W39	EA	TRIM - B-PILLAR - LEFT HAND (W39, W40)
7	149530-04-W41	EA	TRIM - B-PILLAR - LEFT HAND (W41, W42)
8	149948-01-02A	EA	HEADLINER - WITH DOME LIGHT - FORD - PEBBLE
9	150149-03-U37	EA	TRIM - ENTERTAINMENT CENTER/BOTTOM - FABRIC WRAPPED -36.7" (W37, W38)
9	150149-03-W39	EA	TRIM - ENTERTAINMENT CENTER/BOTTOM - FABRIC WRAPPED -36.7" (W39, W40)
9	150149-03-W41	EA	TRIM - ENTERTAINMENT CENTER/BOTTOM - FABRIC WRAPPED -36.7" (W41, W42)
10	150149-04-U37	EA	TRIM - ENTERTAINMENT CENTER/BOTTOM - FABRIC WRAPPED -29.1" (W37, W38)
10	150149-04-W39	EA	TRIM - ENTERTAINMENT CENTER/BOTTOM - FABRIC WRAPPED -29.1" (W39, W40)
10	150149-04-W41	EA	TRIM - ENTERTAINMENT CENTER/BOTTOM - FABRIC WRAPPED -29.1" (W41, W42)
11	086229-01-000	EA	RETAINER - BATTEN - .75" X 92.1" - ANY COLOR
12	086229-12-000	EA	BATTEN - 1.5" OFFSET X 96.8" - MODERN IVORY
13	150974-01-04A	EA	APPLIQUE - BEZEL - INSTRUMENT PANEL - LEATHER LASER WAVE
14	150974-05-04A	EA	APPLIQUE - BEZEL - MOTOR COVER - FORD - LEATHER LASER WAVE
15	155266-05-01A	EA	MAT - FLOOR - SET - "W" - FORD - PEBBLE BROWN/BLACK

FROM: 00-00-00 THRU: 05-21-07

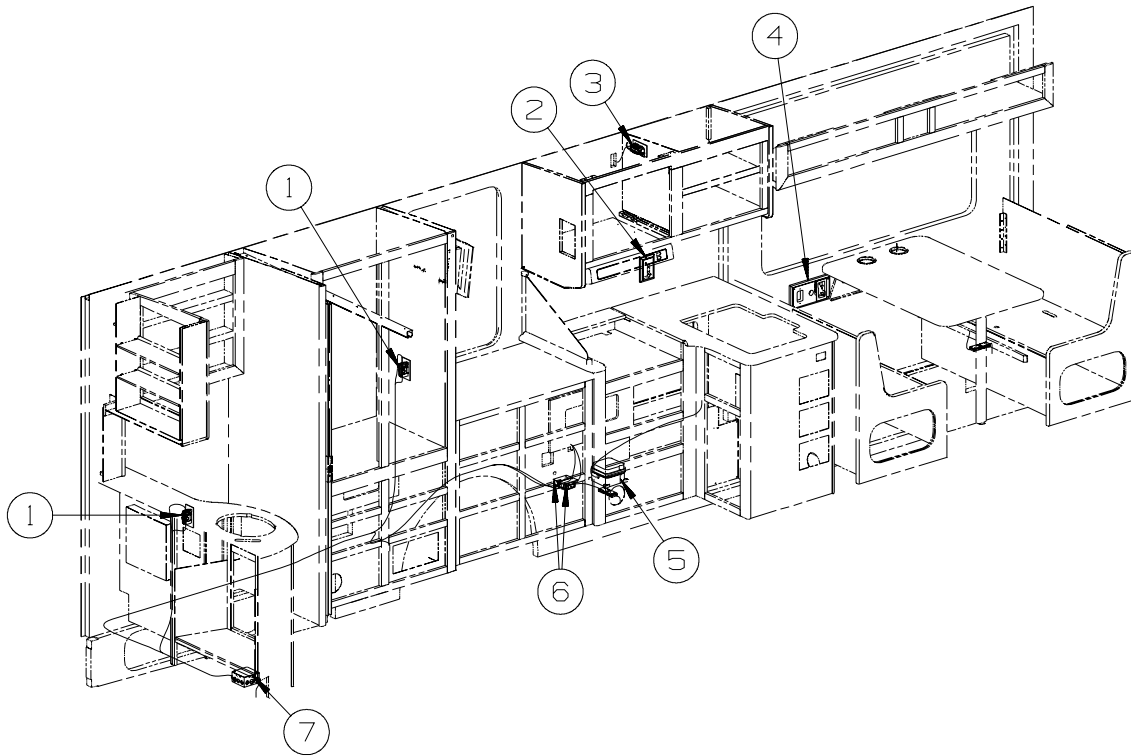
# DRIVERS COMPARTMENT GROUP (CONTINUED)

## CABINETS



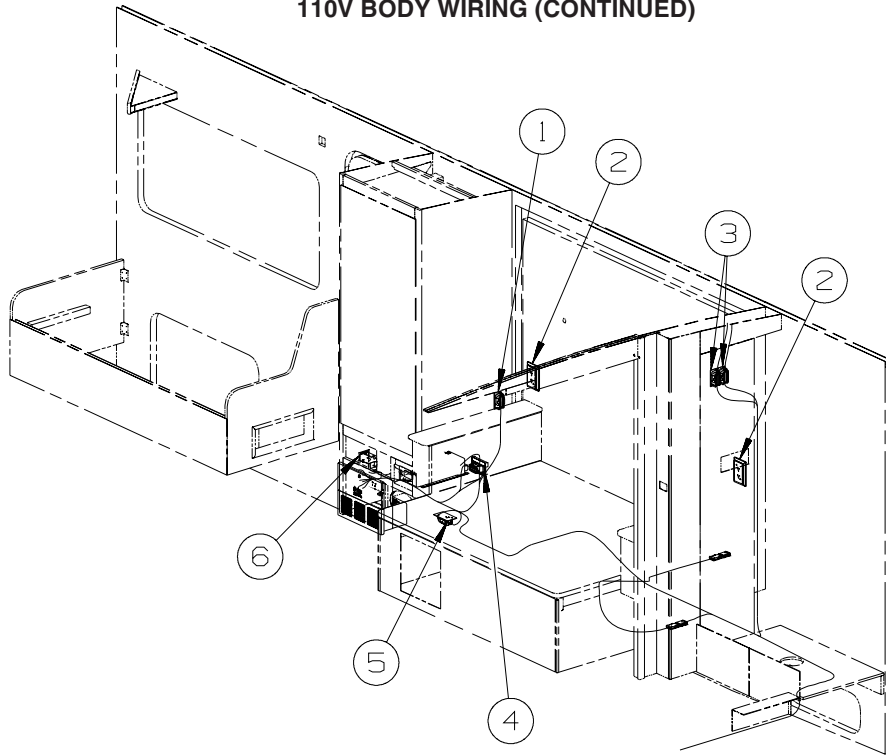
KEY	PART NUMBER	U/M	DESCRIPTION
1	149487-02-02B	EA	COMPARTMENT/OVERHEAD - FRONT/LH HAND - E-COATED
2	149457-13-U37	EA	COVER/PANEL - FABRIC INSERT (W37, W38)
2	149457-13-W39	EA	COVER/PANEL - FABRIC INSERT (W39, W40)
2	149457-13-W41	EA	COVER/PANEL - FABRIC INSERT (W41, W42)
3	149457-18-S34	EA	FACE/FRAME (PICTURE) OVERHEAD/PASS - W/O FABRIC INSERT/HDW - WASHED MAPLE
3	149457-18-S35	EA	FACE/FRAME (PICTURE) OVERHEAD/PASS - W/O FABRIC INSERT/HDW - SIERRA MAPLE
4	149457-19-S34	EA	FACE/FRAME (PICTURE) OVERHEAD/PASS - W/O FABRIC INSERT/HDW - WASHED MAPLE
4	149457-19-S35	EA	FACE/FRAME (PICTURE) OVERHEAD/PASS - W/O FABRIC INSERT/HDW - SIERRA MAPLE
5	149407-03-W37	EA	FRAME/FACE - F/TV - WASHED MAPLE - <b>TV-19"DC,COLOR,LCD</b> FROM: 00-00-00 THRU: 04-29-07
5	149407-05-W37	EA	FRAME/FACE - F/TV - WASHED MAPLE - <b>TV-19"DC,COLOR,LCD</b> FROM: 04-30-07 THRU: 99-99-99
5	149407-03-W38	EA	FRAME/FACE - F/TV - SIERRA MAPLE - <b>TV-19"DC,COLOR,LCD</b> FROM: 00-00-00 THRU: 04-29-07
5	149407-05-W38	EA	FRAME/FACE - F/TV - SIERRA MAPLE - <b>TV-19"DC,COLOR,LCD</b> FROM: 04-30-07 THRU: 99-99-99
5	149407-06-W37	EA	FRAME/FACE - F/TV - WASHED MAPLE - <b>TV-27" COLOR,STEREO W/REMOTE</b>
	M09477-88-S34	EA	MOLDING - TRIM/VEE - .2" X 1" X 19.9" - WASHED MAPLE
5	149407-06-W38	EA	FRAME/FACE - F/TV - SIERRA MAPLE - <b>TV-27" COLOR,STEREO W/REMOTE</b>
	M09477-88-S35	EA	MOLDING - TRIM/VEE - .2" X 1" X 19.9" - SIERRA MAPLE
5	149407-07-W37	EA	FRAME/FACE - F/TV - WASHED MAPLE - <b>TV-26" COLOR,STEREO W/REMOTE</b>
	M09454-62-P56	EA	MOLDING - TRIM/VEE - .2" X 1" X 3.5" - WASHED MAPLE
	M09494-40-SD2	EA	MOLDING - TRIM/VEE - .2" X 1" X 7.9" - WASHED MAPLE
5	149407-07-W38	EA	FRAME/FACE - F/TV - SIERRA MAPLE - <b>TV-26" COLOR,STEREO W/REMOTE</b>
	M09454-62-W38	EA	MOLDING - TRIM/VEE - .2" X 1" X 3.5" - SIERRA MAPLE
	M09494-40-W38	EA	MOLDING - TRIM/VEE - .2" X 1" X 7.9" - SIERRA MAPLE
6	149487-04-02B	EA	COMPARTMENT/OVERHEAD - FRONT/RH HAND - E-COATED
7	164361-01-02B	EA	BRACKET - TV - E-COATED - <b>TV 19/20" DC,COLOR,LCD W/REMOTE</b> FROM: 00-00-00 THRU: 04-24-07
7	164354-01-02B	EA	BRACKET - TV - E-COATED - <b>TV 19/20" DC,COLOR,LCD W/REMOTE</b> FROM: 04-25-07 THRU: 99-99-99
8	146028-81-T47	EA	DOOR - GLASS INSERT/PENCIL EDGE - 15.7" X 20.4" - W/O HDW - WASHED MAPLE
8	146028-81-T48	EA	DOOR - GLASS INSERT/PENCIL EDGE - 15.7" X 20.4" - W/O HDW - SIERRA MAPLE
9	164365-01-02B	EA	PANEL - ELECTRICAL - E-COATED
10	161080-16-W37	EA	FACE/DRAWER - SOLID PANEL - 3.5" X 20.6" - W/O HDW - WASHED MAPLE
10	161080-16-W38	EA	FACE/DRAWER - SOLID PANEL - 3.5" X 20.6" - W/O HDW - SIERRAD MAPLE
	076767-17-000	EA	CABLE - STAINLESS STEEL - 3.9"
11	165090-01-02B	EA	BRACKET - TV - E-COATED - <b>TV-27" COLOR,STEREO W/REMOTE</b>
11	166659-01-02B	EA	BRACKET - TV - 26" JENSEN - E-COATED - <b>TV-26" COLOR,STEREO W/REMOTE</b>

## ELECTRICAL GROUP 110V BODY WIRING



KEY	PART NUMBER	U/M	DESCRIPTION
1	058708-01-000	EA	RECEPTACLE - ELECTRIC - DOUBLE - BROWN
2	058708-01-000	EA	RECEPTACLE - ELECTRIC - DOUBLE - BROWN
2	133713-01-21A	EA	SPACER/RECEPTACLE - VINYL - WASHED MAPLE
2	133713-01-22A	EA	SPACER/RECEPTACLE - VINYL - SIERRA MAPLE
3	058708-05-000	EA	RECEPTACLE - ELECTRICAL - SINGLE - BROWN
3	160984-01-01A	EA	RECEPTACLE - ELECTRICAL - SINGLE/FLUSH - 20 AMP - BROWN - CANADIAN
4	058708-01-000	EA	RECEPTACLE - ELECTRIC - DOUBLE - BROWN
4	133713-06-21A	EA	SPACER/RECEPTACLE - PHONE - VINYL - WASHED MAPLE
4	133713-06-22A	EA	SPACER/RECEPTACLE - PHONE - VINYL - SIERRA MAPLE
5	136481-01-000	EA	MODULE - AUTO ENERGY SELECTOR
6	058707-02-000	EA	RECEPTACLE - BLANK - JUNCTION BOX
7	008289-01-000	EA	BOX - ELECTRIC/STEEL - 4" X 4" - 1/2" & 3/4" KNOCKOUTS - GEN-4.0KW-ONANGAS-MICROQUIET
7	008294-01-000	EA	COVER - ELECTRIC BOX - BLANK/STEEL - 4" X 4" - GRAY - GEN-4.0KW-ONANGAS-MICROQUIET

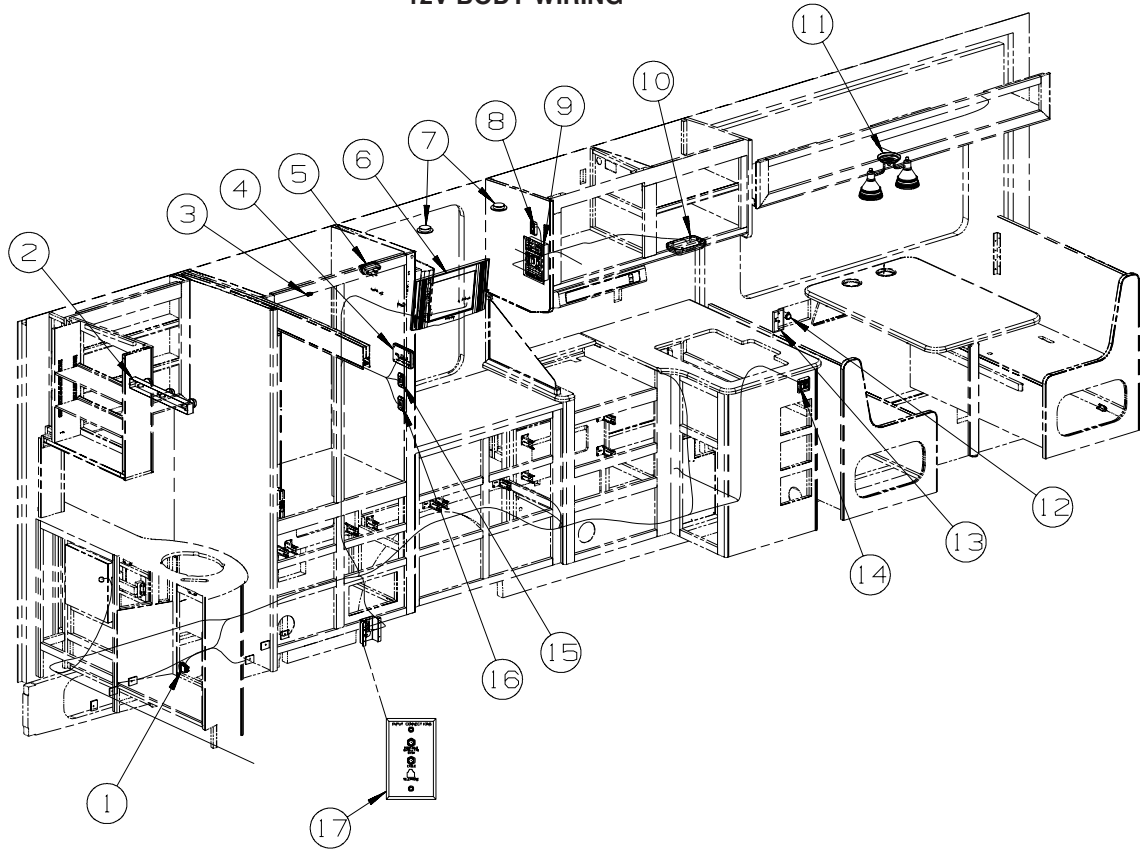
**ELECTRICAL GROUP (CONTINUED)**  
**110V BODY WIRING (CONTINUED)**



KEY	PART NUMBER	U/M	DESCRIPTION
1	058707-01-000	EA	RECEPTACLE - ELECTRIC - SINGLE - BROWN
2	058708-01-000	EA	RECEPTACLE - ELECTRIC - DOUBLE - BROWN
2	133713-01-21A	EA	SPACER/RECEPTACLE - VINYL - WASHED MAPLE
2	133713-01-22A	EA	SPACER/RECEPTACLE - VINYL - SIERRA MAPLE
3	058707-02-000	EA	RECEPTACLE - BLANK - JUNCTION BOX
4	131826-01-01A	EA	RECEPTACLE - EXTERIOR - W/COVER/GASKET - WHITE
5	058707-01-000	EA	RECEPTACLE - ELECTRIC - SINGLE - BROWN - <b>INVERTER-DC/AC, 300 WATT</b>
5	058707-02-000	EA	RECEPTACLE - BLANK - JUNCTION BOX
6	163319-01-02A	EA	RECEPTACLE - GFCI - 15A 125V - BROWN

## ELECTRICAL GROUP (CONTINUED)

### 12V BODY WIRING

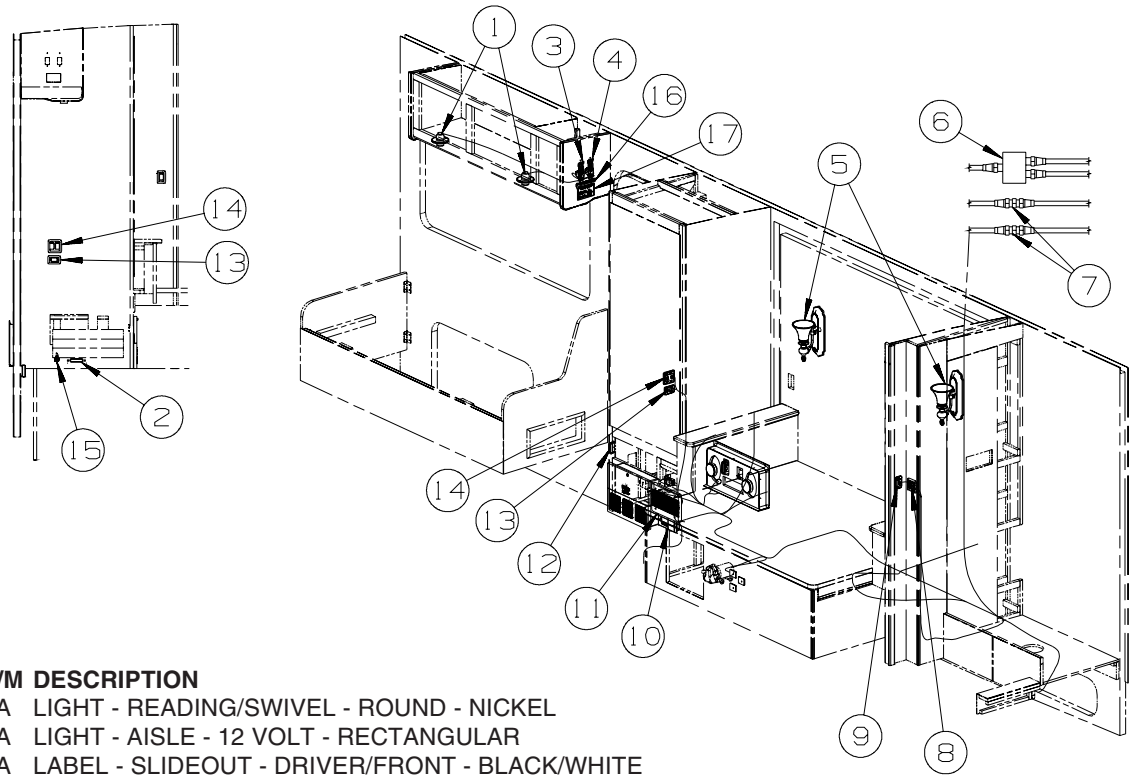


KEY	PART NUMBER	U/M	DESCRIPTION
1	108357-15-000	EA	SWITCH - ROCKER - DPDT - ON/NONE/ON - W/LIGHT W/O COVER
1	108356-04-01A	EA	COVER/ACTUATOR SWITCH - 2 ROWS DIMPLES W/LENS - BLACK
2	138116-01-02A	EA	LIGHT/MAKE UP - 3 BULB - CURVED - W/O BULB - SATIN NICKEL
2	123918-01-000	EA	BULB - 12V - MAKEUP - WHITE
3	056264-01-000	EA	SWITCH - LEAF ACTUATOR
4	135618-03-01A	EA	THERMOSTAT - ROOF A/C & FURNACE - WHITE - A/C ROOF-HI EFF LOW PROFILE
4	135618-01-01A	EA	THERMOSTAT - HEAT PUMP/FURNACE - WHITE - AC HEAT PUMP-HI EFF, LOW PFL
5*	087694-01-000	EA	LIGHT - WARDROBE/CLOSET - W/SWITCH
6*	160123-01-000	EA	TV - 14" LCD/STEREO - 12V - PROVIEV HV-145 - TV-14"DC,CLR,LCD
6	136860-01-000	EA	CABLE - RCA - SHIELDED - 3 MALE TO MALE CONNECTORS - 12' - TV-14"DC,CLR,LCD
6	165808-01-000	EA	TV - 15" LCD/STEREO - 12V - MB QUART #MBQLC15U-W - TV-15"DC, W/RADIO/CD/DVD
6	136860-02-000	EA	CABLE - RCA - SHIELDED - 3 MALE TO MALE CONNECTORS - 50' - TV-15"DC, W/RADIO/CD/DVD
6	082134-01-000	EA	ADAPTER - TV - CABLE TO CABLE
7*	123775-01-02A	EA	LIGHT - HALOGEN - ROUND - SATIN NICKEL
8	135740-06-01A	EA	SWITCH - ROCKER - ON/OFF - LIGHTED - RED - WTR HTR-6GAL ELECTRIC/LP GAS
8	135741-01-01A	EA	SWITCH - BASE - SINGLE - BROWN - WTR HTR-6GAL ELECTRIC/LP GAS
8	135742-35-02A	EA	BEZEL - SWITCH - WATER HEATER/110 VOLT - BROWN - WTR HTR-6GAL ELECTRIC/LP GAS
9*	134940-06-01A	EA	PANEL - MONITOR - 2 TANK - W/GENERATOR SWITCH - GEN-4.0KW-ONANGAS-MICROQUIET
9*	134940-07-01A	EA	PANEL - MONITOR - 2 TANK
10*	137417-02-01A	EA	LIGHT - DOME - SINGLE - W/SWITCH/OPTIC LENS - WHITE
11*	093575-46-01A	EA	LIGHT - CEILING/DOUBLE - BRUSHED NICKEL
12	132958-01-000	EA	RECEPTACLE - 12 VOLT - MOUNTING FLANGE - BLACK
13	093253-01-02A	EA	PLATE - WALL - TELEPHONE - BROWN
14	135740-01-01A	EA	SWITCH - ROCKER - SPST - ON/OFF - BROWN
14	135740-02-01A	EA	SWITCH - ROCKER - SPDT - ON/ON - BROWN
14	135741-02-01A	EA	SWITCH - BASE - DOUBLE - BROWN
14	135742-54-02A	EA	BEZEL - SWITCH - BEDROOM/GALLEY - BROWN
15	135740-01-01A	EA	SWITCH - ROCKER - SPST - ON/OFF - BROWN
15	135741-01-01A	EA	SWITCH - BASE - SINGLE - BROWN
15	135742-45-02A	EA	BEZEL - SWITCH - TV - BROWN
16	135740-01-01A	EA	SWITCH - ROCKER - SPST - ON/OFF - BROWN
16	135741-01-01A	EA	SWITCH - BASE - SINGLE - BROWN
16	135742-01-01A	EA	BEZEL - SWITCH - SINGLE - BROWN
17	149557-01-01A	EA	PLATE/WALL - PHONE/DUAL COAXIAL/VERTICAL - WHITE

\*COMPONENT PARTS LISTED LATER IN THIS GROUP

## ELECTRICAL GROUP (CONTINUED)

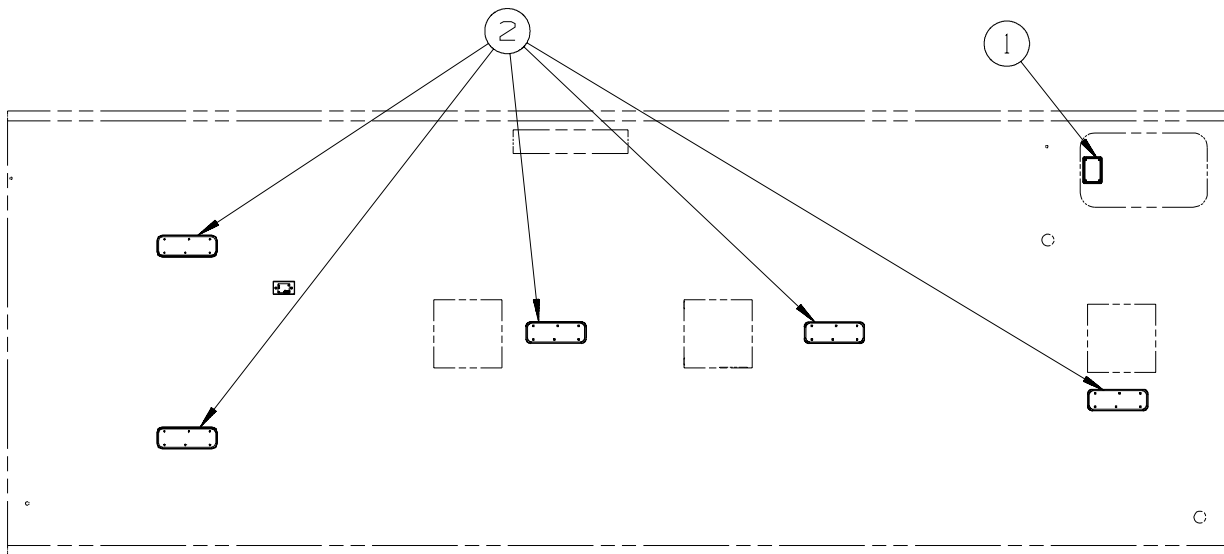
### 12V BODY WIRING (CONTINUED)



KEY	PART NUMBER	U/M	DESCRIPTION
1	132427-01-02A	EA	LIGHT - READING/SWIVEL - ROUND - NICKEL
2	061424-01-000	EA	LIGHT - AISLE - 12 VOLT - RECTANGULAR
3	163992-01-01A	EA	LABEL - SLIDEOUT - DRIVER/FRONT - BLACK/WHITE
3	144363-09-02B	EA	PLATE - SWITCH - E-COATED
3	108357-07-000	EA	SWITCH - ROCKER - SPDT - MOM/OFF/MOM - 3 TERM - W/O COVER
3	108356-01-01A	EA	COVER/ACTUATOR SWITCH - 3 GROOVES - BLACK
3	116220-01-000	EA	APPLIQUE - SWITCH/SLIDEOUT
4	163992-03-01A	EA	LABEL - SLIDEOUT - PASSENGER/REAR - BLACK/WHITE
4	144363-09-02B	EA	PLATE - SWITCH - E-COATED
4	108357-07-000	EA	SWITCH - ROCKER - SPDT - MOM/OFF/MOM - 3 TERM - W/O COVER
4	108356-01-01A	EA	COVER/ACTUATOR SWITCH - 3 GROOVES - BLACK
4	116220-01-000	EA	APPLIQUE - SWITCH/SLIDEOUT
5	119258-57-01A	EA	LAMP - WALL - W/GLASS SHADE/SWITCH - UL/CSA - NICKEL
6	086756-01-000	EA	SPLITTER - TV/2 WAY - TV-14"DC,COLOR,LCD/REMOTE/ENTERTAINMENT CENTR/EXT W/CD
6	082134-01-000	EA	ADAPTER-TV-CABLE TO CABLE-TV-14"DC,COLOR,LCD/REMOTE/ENTERTAINMENT CENTR/EXT W/CD
7	082134-01-000	EA	ADAPTER - TV - CABLE TO CABLE
8	135740-01-01A	EA	SWITCH - ROCKER - SPST - ON/OFF - BROWN
8	135740-02-01A	EA	SWITCH - ROCKER - SPDT - ON/ON - BROWN
8	135742-14-02A	EA	BEZEL - SWITCH - MAKEUP/CEILING - BROWN
9	135740-02-01A	EA	SWITCH - ROCKER - SPDT - ON/ON - BROWN
9	135741-01-01A	EA	SWITCH - BASE - SINGLE - BROWN
9	135742-07-02A	EA	BEZEL - SWITCH - CEILING - BROWN
10	150138-01-02A	EA	DETECTOR - LP GAS - BROWN
11	124884-01-000	EA	SPEAKER - 6" X 9" - SUB-WOOFER - W/O GRILLE - RADIO/AM/FM/CD/DVD PLAYER FROM: 02-21-07 THRU: 99-99-99
11	151844-01-01A	EA	GRILLE - SPEAKER - 6" X 9" - SUB WOOFER - BLACK - RADIO/AM/FM/CD/DVD PLAYER FROM: 02-21-07 THRU: 99-99-99
12	116995-02-000	EA	SWITCH/MAGNET - ELECTRIC STEP - BLACK/WHITE- NORMALLY OPEN
13	135740-01-01A	EA	SWITCH - ROCKER - SPST - ON/OFF - BROWN - ENTRANCE STEP-ELEC.
13	135741-01-01A	EA	SWITCH - BASE - SINGLE - BROWN - ENTRANCE STEP-ELEC.
13	135742-11-02A	EA	BEZEL - SWITCH - STEP - BROWN - ENTRANCE STEP-ELEC.
14	135740-01-01A	EA	SWITCH - ROCKER - SPST - ON/OFF - BROWN
14	135741-02-01A	EA	SWITCH - BASE - DOUBLE - BROWN
14	135742-19-02A	EA	BEZEL - SWITCH - CEILING/PORCH - BROWN
15	098351-07-02A	EA	PLATE/SWITCH - 1 GANG - CHROME - GENERATOR SWITCH
15	108357-06-000	EA	SWITCH - ROCKER - DPDT - MOM/OFF/MOM - 6 TERM - W/O COVER
15	108356-11-01A	EA	COVER/ACTUATOR SWITCH - 3 GROOVES - AUX BATT - BLACK
16	116549-01-000	EA	LABEL - WARNING - SLIDEOUT
17	163988-01-01A	EA	LABEL - SLIDEOUT CONTROL/MANUAL - BLACK/WHITE
17*	163097-01-000	EA	SWITCH - SPST - KEY ACTIVATED - W/2 KEYS

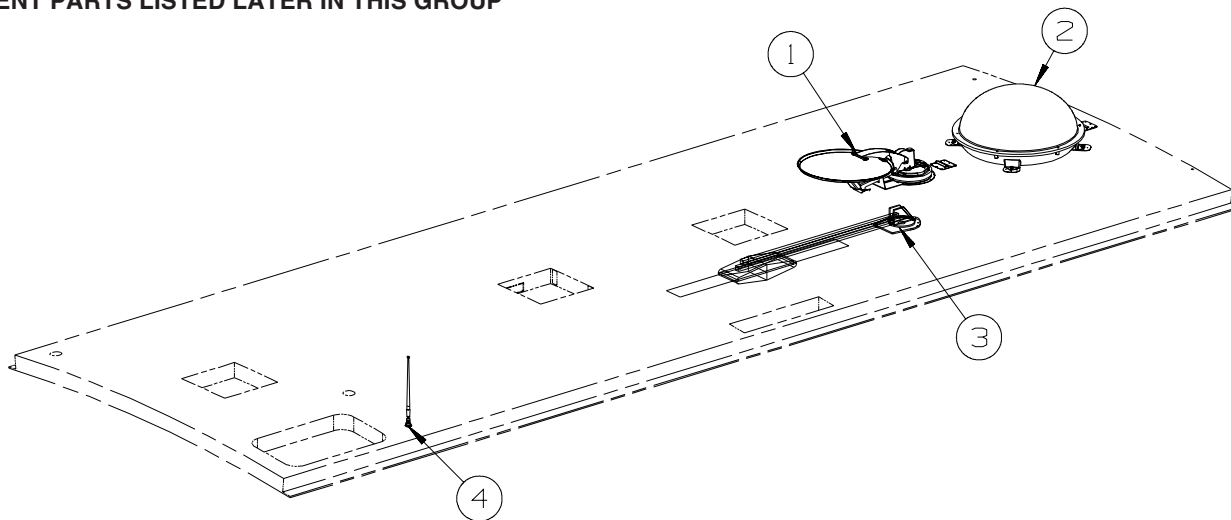
\*COMPONENT PARTS LISTED LATER IN THIS GROUP

**ELECTRICAL GROUP (CONTINUED)**  
**12V BODY WIRING (CONTINUED)**



KEY	PART NUMBER	U/M	DESCRIPTION
1	160867-01-01A	EA	SPEAKER-ROUND/CEILING-CREAM-MAGNADYNE - LS3EYC-WN - SOUND SYS. DLX. W/Q-SURROUND
2*	137417-06-01A	EA	LIGHT - DOME - DOUBLE - W/O SWITCH - W/FROSTED LENS-WHITE
3*	121935-01-01A	EA	LIGHT - DOME - SHOWER

**\*COMPONENT PARTS LISTED LATER IN THIS GROUP**

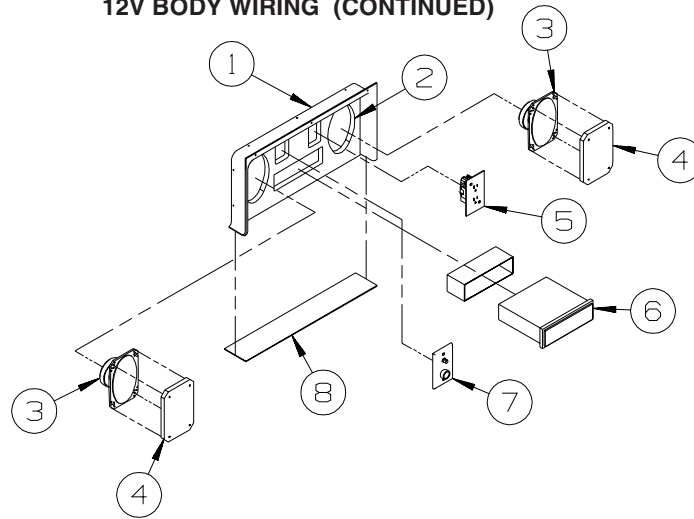


KEY	PART NUMBER	U/M	DESCRIPTION
1*	137135-02-000	EA	ANTENNA - SATELLITE DSS - W/SENSOR - SATELLITE DISH & ELEV.SENSOR
2	154474-04-01A	EA	ANTENNA/SATELLITE - DISH IN DOME/SEARCH IN MOTION - WHITE - SAT SYS IN-MOTION W/O RCVR
2	154474-02-000	EA	CONTROL/SATELLITE KIT-IDB BOX/IDD BOX-POWER SUPPLY-CABLE-SAT SYS IN-MOTION W/O RCVR
2	154474-03-000	EA	CABLE - SATELLITE - COAX - 8' W/CONNECTORS - SAT SYS IN-MOTION W/O RCVR
2	146488-01-000	EA	PLATE - ROOF - CABLE ENTRY - SAT SYS IN-MOTION W/O RCVR
3*	076319-23-000	EA	ANTENNA - TV ROOF MOUNT - 44.5" MAST
3*	076319-25-000	EA	KIT - HARDWARE INTERIOR
3	069726-02-000	EA	BUMPER - .88" OD X .40" THICK - BLACK
4	090944-01-000	EA	ANTENNA - RADIO - 16" RUBBER - W/72" LEAD WIRE - ENTERTAINMENT CENTR/EXT W/CD
4	109889-04-000	EA	EXTENDER - ANTENNA SHAFT - 3.7" - ENTERTAINMENT CENTR/EXT W/CD
4	147741-01-09B	EA	BRACKET - ANTENNA GROUND - GALVANIZED - ENTERTAINMENT CENTR/EXT W/CD

**\*COMPONENT PARTS LISTED LATER IN THIS GROUP**

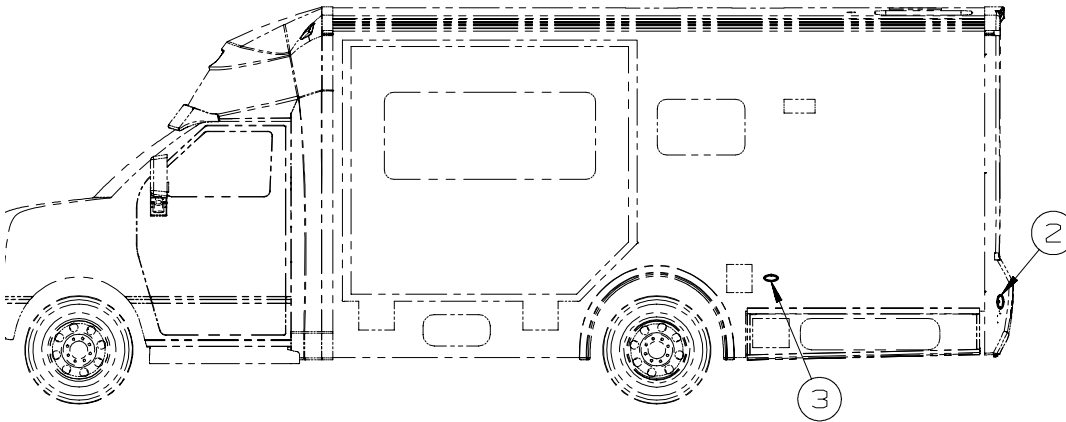
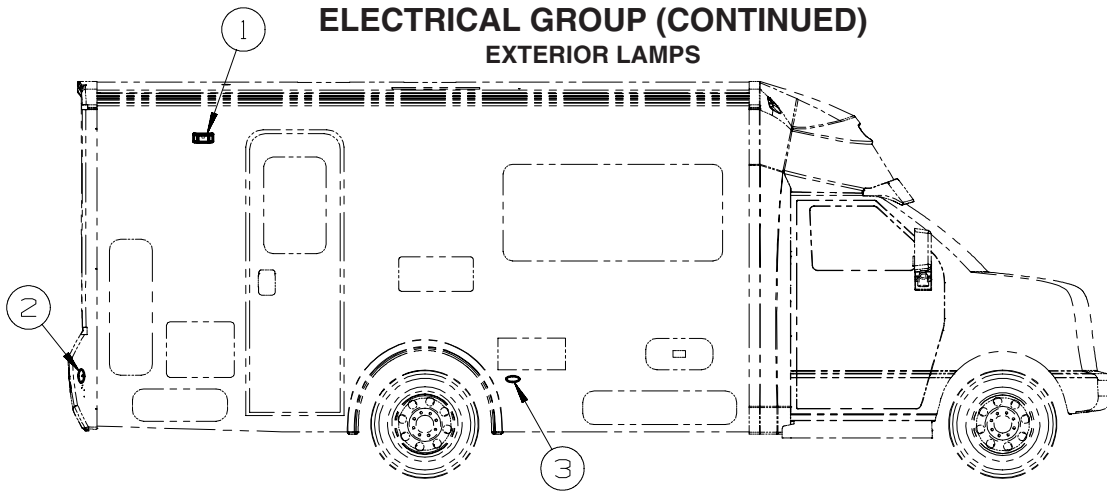


**ELECTRICAL GROUP (CONTINUED)**  
**12V BODY WIRING (CONTINUED)**



KEY	PART NUMBER	U/M	DESCRIPTION
1	124696-02-01A	EA	BOX-ENTERTAINMENT CTR/EXT-19.4"W X 10"H X 2.5"D - BRT WHT
	124696-01-01A	EA	BOX-ENTERTAINMENT CTR/EXT-19.4"W X 10"H X 10.2"D W/CUTOUTS
2	127409-02-L15	EA	PLATE - RADIO MOUNTING
3	110469-01-000	EA	SPEAKER - 4" X 6" OVAL - COAXIAL
4	110470-01-01A	EA	GRILLE - 4" X 6" - OVAL SPEAKER - BLACK
5	058708-01-000	EA	RECEPTACLE - ELECTRIC - DOUBLE - BROWN
6	155619-02-000	EA	RADIO - AM/FM CD-W/O REMOTE/WIRE HARNESS-MAGNADYNE M3200CD
	155619-03-000	EA	REMOTE - RADIO
7	076319-09-000	EA	WALLPLATE - TV CABLE RECEPTACLE - SINGLE - BROWN
8	104898-01-02A	EA	PLATE - PLASTIC BOTTOM - BRIGHT WHITE

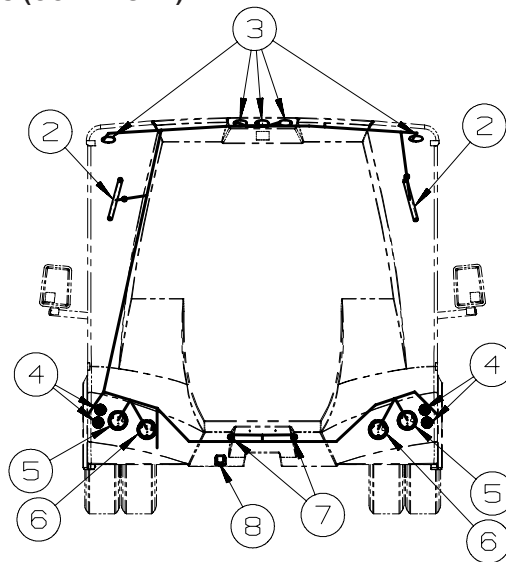
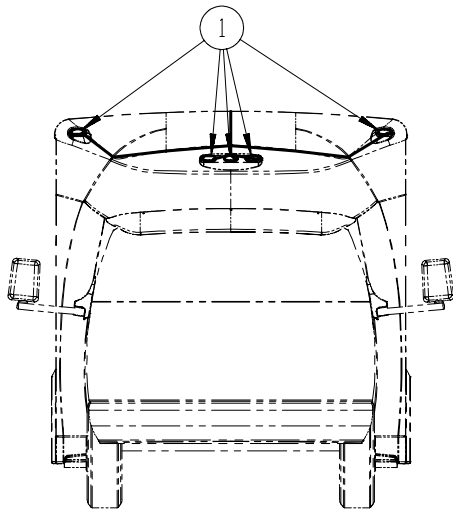
**ELECTRICAL GROUP (CONTINUED)**  
**EXTERIOR LAMPS**



KEY	PART NUMBER	U/M	DESCRIPTION
1*	097917-01-06A	EA	LIGHT - PORCH - ENTRY DOOR - BRIGHT WHITE FROM: 00-00-00 THRU: 02-10-08
1	097917-01-09A	EA	LIGHT - PORCH - ENTRY DOOR - WHITE FROM: 02-11-08 THRU: 99-99-99
1	097917-01-08A	EA	LIGHT/PORCH - CHROME - <b>FULL BODY PAINT</b>
2	147680-01-01A	EA	BASE - MARKER LAMP - WHITE
2	147680-03-01A	EA	LAMP - MARKER - LENS - RED
3	147680-01-01A	EA	BASE - MARKER LAMP - WHITE - <b>729H</b>
3	147680-02-01A	EA	LAMP - MARKER - LENS - AMBER - <b>729H</b>

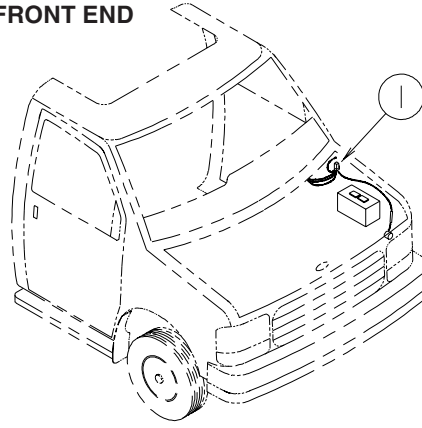
**\*COMPONENT PARTS LISTED LATER IN THIS GROUP**

**ELECTRICAL GROUP (CONTINUED)**  
**EXTERIOR LAMPS (CONTINUED)**



KEY	PART NUMBER	U/M	DESCRIPTION
1	147680-01-01A	EA	BASE - MARKER LAMP - WHITE
1	147680-02-01A	EA	LAMP - MARKER - LENS - AMBER
2	151076-01-000	EA	LIGHT - BRAKE - CENTER MOUNT
3	147680-01-01A	EA	BASE - MARKER LAMP - WHITE
3	147680-03-01A	EA	LAMP - MARKER - LENS - RED
4	141514-01-000	EA	REFLECTOR - ROUND/RED
5	149222-01-000	EA	LAMP - STOP/TURN/TAIL - HELLA 84412B
6	149222-02-000	EA	LAMP - BACKUP - HELLA 84411B
7	087201-01-000	EA	LIGHT - HALF ROUND - 1" X 1.7" - PLASTIC - BLACK OR WHITE
8	146246-01-000	EA	CONNECTOR/PLUG - TRAILER - 7 PIN
8	157593-01-000	EA	CONNECTOR - PLUG - TRAILER - 7 SOCKET

**ELECTRICAL GROUP (CONTINUED)**  
**FRONT END**



KEY	PART NUMBER	U/M	DESCRIPTION
1	100138-01-000	EA	MODULE - DAYTIME/RUNNING LIGHT - HAMSAR DRL #H8005B

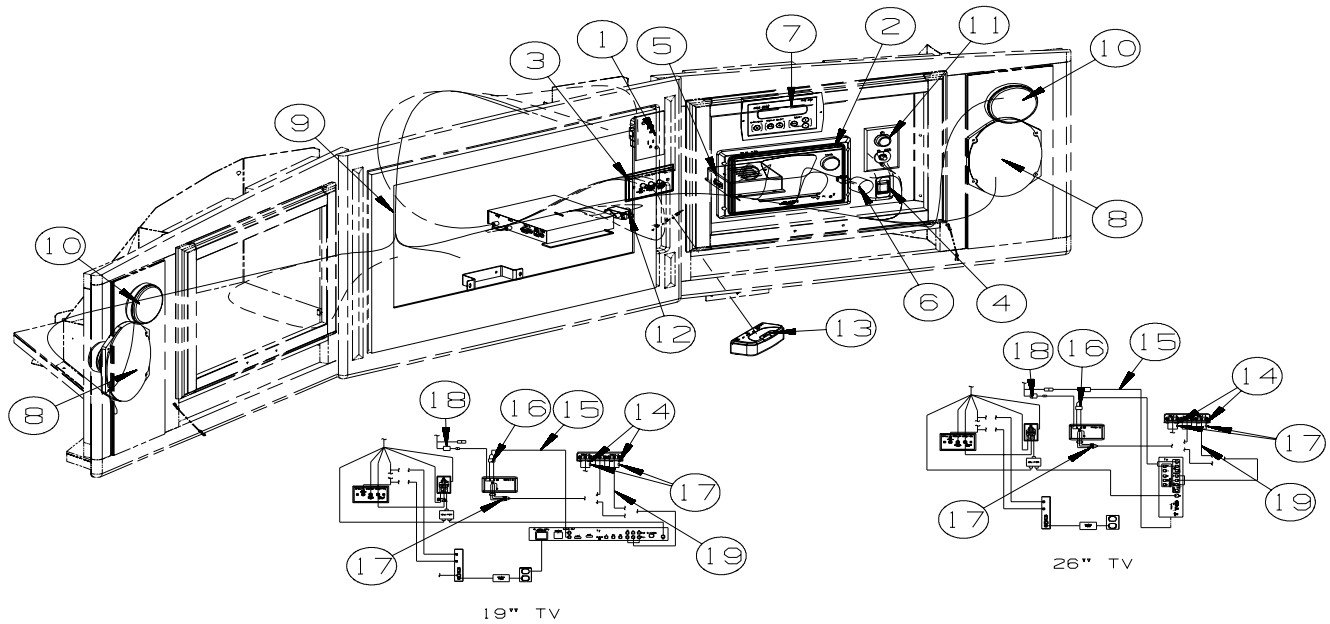


KEY	PART NUMBER	U/M	DESCRIPTION
*	120269-07-01A	EA	PANEL - W/ELECTRIC MIRROR/HEAT SWITCH - F/#L28X OPTION - MIRRORS-EXTERIOR W/DEFROST
*	133908-09-01A	EA	PANEL - F/ELECTRIC MIRROR ONLY - L28X OPTION - MIRRORS-EXTERIOR W/DEFROST - CHEVY

**\*COMPONENT PARTS LISTED LATER IN THIS GROUP**

## ELECTRICAL GROUP (CONTINUED)

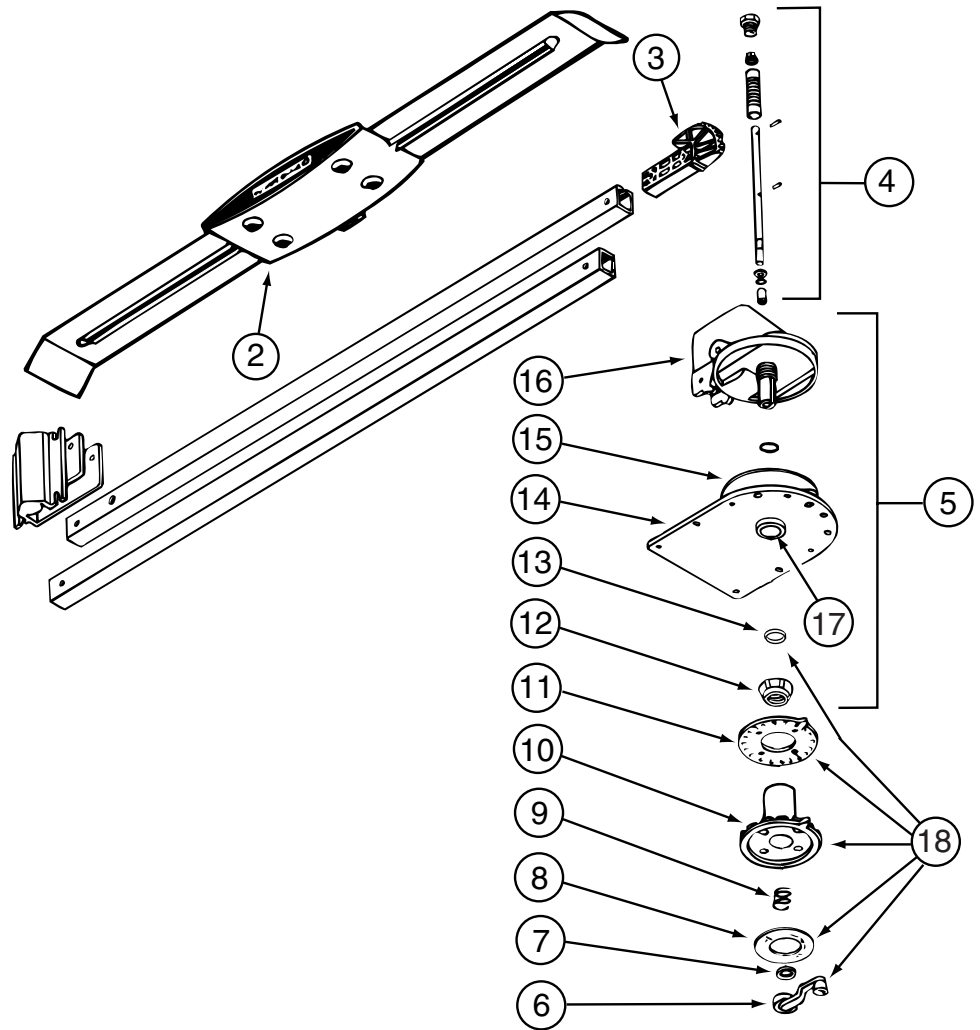
### FRONT TV/VCR



KEY	PART NUMBER	U/M	DESCRIPTION
1	058708-01-000	EA	RECEPTACLE - ELECTRIC - DOUBLE - BROWN
2*	163031-01-01A	EA	RADIO - WALL MOUNT - DVD/CD - W/ALARM - JENSEN AWM960 - <b>RADIO/AM/FM/CD/DVD PLAYER</b>
3	149557-04-01A	EA	PLATE/WALL - TRIPLE COAXIAL/HORIZONTAL - WHITE
4	135740-01-01A	EA	SWITCH - ROCKER-SPST
4	135741-01-01A	EA	SWITCH - BASE - SINGLE - BROWN
4	135742-45-02A	EA	BEZEL - SWITCH - TV - BROWN
5	150140-01-000	EA	CROSSOVER BOX - STNDRD STEREO TO DLX SND
6	150140-02-000	EA	CROSSOVER COIL - SUBWFR SPKR/LOW FREQUENCY
7	154474-02-000	EA	CONTROL/SATELLITE KIT - IDB BOX/IDD BOX-PWR SUPPLY-CABLE - <b>INMOTION SATELLITE</b>
8	110465-01-000	EA	SPEAKER KIT,4 - 5 X 7 SPEAKERS
9*	158703-01-000	EA	TV - 20" - LCD 4:3 - SIDE SPEAKER - JENSEN JE2043 FROM: 00-00-00 THRU: 04-29-07
9*	164495-01-000	EA	TV - 19" - LCD 16:9 - BOTTOM SPEAKER - JENSEN JE1907DC FROM: 04-30-07 THRU: 99-99-99
9*	165074-01-000	EA	TV - 27" - LCD 16:9 - BOTTOM SPEAKER - JENSEN JE2707 - <b>TV-27" COLOR,STEREO W/REMOTE</b>
9*	166446-01-000	EA	TV - 26" - LCD 16:9 - BOTTOM SPEAKER - JENSEN JE2608 - <b>TV(FRONT)-26" COLOR STEREO</b>
10	160868-02-01A	EA	GRILLE/ROUND - SPEAKER - SILVER
10	160868-01-01A	EA	SPEAKER - ROUND/CEILING - W/O CASE
11	086777-02-000	EA	WALLPLATE/TV CABLE W/ANTENNA SWITCH/BOOSTER - 2 TV - BLACK
12	086756-01-000	EA	SPLITTER - TV/2 WAY
13	156689-01-000	EA	SWITCH - AUDIO/VIDEO - 15" TV LCD W/REMOTE, - <b>TV-14"DC,COLOR,LCD/REMOTE</b>
14	165307-01-000	EA	CABLE/VIDEO - 3' - MALE/FEMALE ENDS FROM: 07-15-07 THRU: 99-99-99
15	117420-02-000	EA	CABLE - W/MALE RCA ENDS - SHIELDED - 4'
16	123324-01-000	EA	FILTER - GROUND LOOP - ISOLATION TRANSFORMER
17	165161-01-000	EA	FILTER - GROUND LOOP/VIDEO
18	128074-02-000	EA	FILTER - NOISE - 12 VOLT DC W/PLUGS
19	136860-03-000	EA	CABLE - RCA - SHIELDED - 3 MALE TO MALE CONNECTORS - 6' FROM: 10-01-07 THRU: 99-99-99

\*COMPONENT PARTS LISTED LATER IN THIS GROUP

**ELECTRICAL GROUP (CONTINUED)**  
**COMPONENT PARTS FOR WIRING**



**076319-23-000**

KEY	PART NUMBER	U/M	DESCRIPTION	VENDOR NO.
2	076319-01-700	EA	HEAD-ANTENNA, AMPLIFIED	RVSA U/V
3	076319-01-701	EA	GEAR-ELEVATING, PLASTIC	2200046
4	076319-01-702	EA	SHAFT ASM-ELEVATING	RP-4000
5	076319-01-711	EA	BASE & LIFT ASM	2762802
7	076319-01-705	EA	GROMMET-NYLON, 7/8"ID	3200658
8	076319-01-708	EA	DECAL-CRANK	5413002
9	076319-01-707	EA	SPRING-HANDLE	2160822
11	076319-01-712	EA	PLATE - CEILING	3200608
12	076319-01-715	EA	NUT (GEAR HOUSING)	2200047
14	076319-01-713	EA	PLATE-BASE, STEEL	3100523
15	076319-01-703	EA	BEARING-NYLON, 5"OD	3200656
16	076319-01-714	EA	HOUSING, ROTATING GEAR	2200049
17	076319-01-704	EA	BEARING-NYLON, 1.25"OD	3200657
18	076319-01-709	EA	HANDLE-HEAD DIRECTIONAL	200644
	076319-01-716	EA	TUBING, ELEVATING	RP-2900

CONTACT WINNEBAGO PART SALES FOR UNLISTED COMPONENT(S)

**076319-25-000**

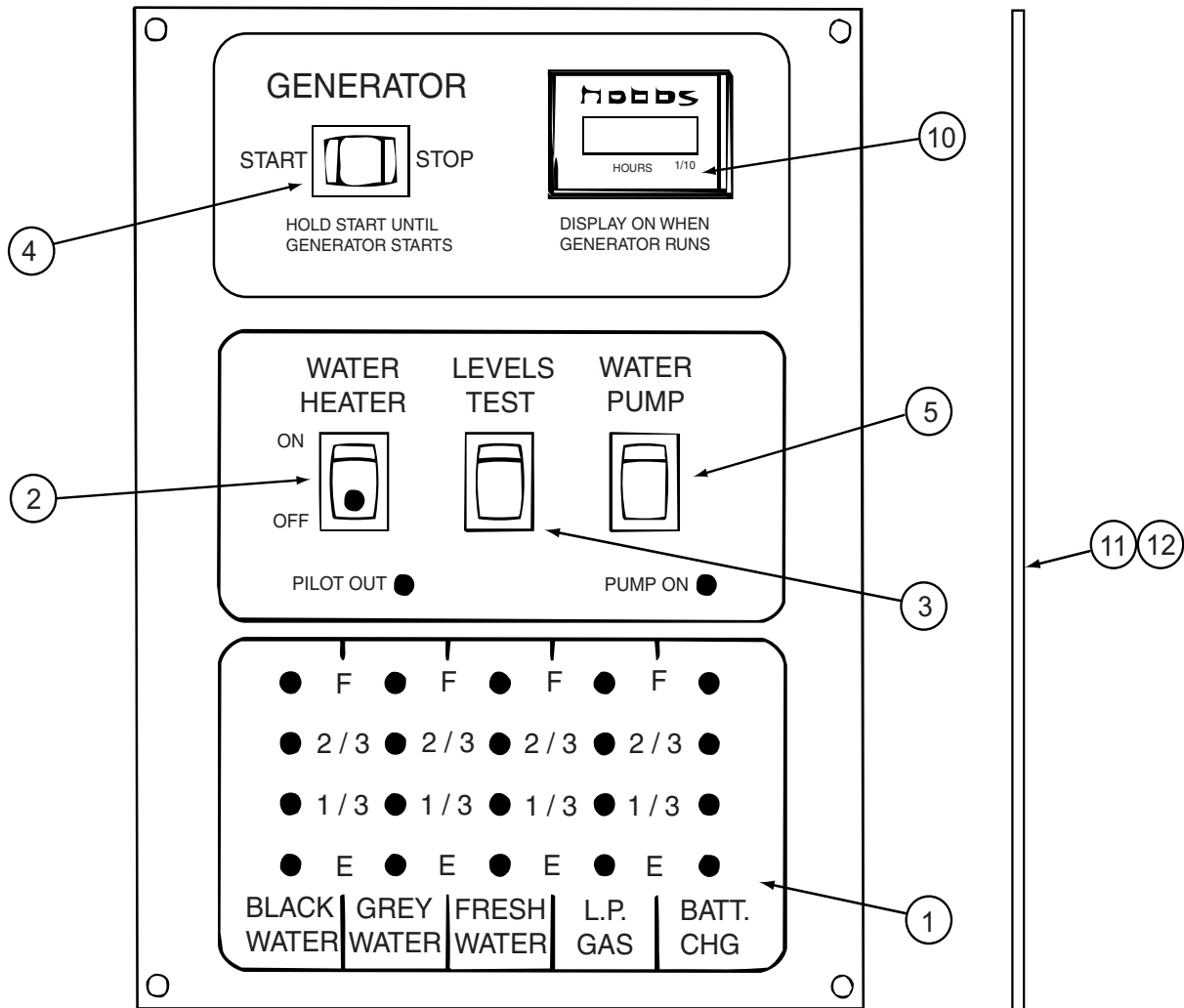
KEY	PART NUMBER	U/M	DESCRIPTION	VENDOR NO.
6	076319-01-706	EA	CRANK-W/SET SCREW UNIV/BEIGE	2750897
6	120233-01-710	EA	HANDLE-CRANK W/SCREW - WHITE	RP-6795
8	076319-01-708	EA	DECAL-CRANK	5413002
10	076319-25-700	EA	DIRECTIONAL HANDLE(WHITE)	3200612
11	076319-25-701	EA	PLATE - CEILING(WHITE)	3200609
13	120233-01-709	EA	WASHER-NYLON	RP-2658

CONTACT WINNEBAGO PART SALES FOR UNLISTED COMPONENT(S)

**ELECTRICAL GROUP (CONTINUED)**  
**COMPONENT PARTS FOR WIRING (CONTINUED)**

			<b>087694-01-000</b>	
<b>KEY</b>	<b>PART NUMBER</b>	<b>U/M DESCRIPTION</b>		<b>VENDOR NO.</b>
	087694-01-700	EA BULB		GE561
			<b>093575-46-01A</b>	
<b>KEY</b>	<b>PART NUMBER</b>	<b>U/M DESCRIPTION</b>		<b>VENDOR NO.</b>
	093575-46-700	EA GLOBE		#98
			<b>097917-01-06A</b>	
<b>KEY</b>	<b>PART NUMBER</b>	<b>U/M DESCRIPTION</b>		<b>VENDOR NO.</b>
	097917-01-700	EA LENS-LIGHT, CLEAR		30-78-021
			<b>120269-07-01A</b>	
<b>KEY</b>	<b>PART NUMBER</b>	<b>U/M DESCRIPTION</b>		<b>VENDOR NO.</b>
	120269-07-700	EA SWITCH - REMOTE		7475720
	133908-09-700	EA SWITCH - MIRROR HEATER		7475150
			<b>121935-01-01A</b>	
<b>KEY</b>	<b>PART NUMBER</b>	<b>U/M DESCRIPTION</b>		<b>VENDOR NO.</b>
	121935-01-700	EA LENS ONLY - W/CENTER HOLE		809511
			<b>123775-01-01A</b>	
<b>KEY</b>	<b>PART NUMBER</b>	<b>U/M DESCRIPTION</b>		<b>VENDOR NO</b>
	123775-01-700	EA BULB - 10 WATT - HALOGEN		71-JC10
	123775-01-701	EA BEZEL/LENS - RECESSED LIGHT		99 BEZEL/LENS-BRASS
			<b>123775-01-02A</b>	
<b>KEY</b>	<b>PART NUMBER</b>	<b>U/M DESCRIPTION</b>		<b>VENDOR NO</b>
	123775-01-702	EA BEZEL/LENS - SATIN NICKEL		99 953470
			<b>133908-09-01A</b>	
<b>KEY</b>	<b>PART NUMBER</b>	<b>U/M DESCRIPTION</b>		<b>VENDOR NO.</b>
	133908-09-700	EA SWITCH-MIRROR HEATER		7475150

**ELECTRICAL GROUP (CONTINUED)**  
**COMPONENT PARTS FOR WIRING (CONTINUED)**



**134940-06-01A**

KEY	PART NUMBER	U/M	DESCRIPTION	VENDOR NO.
1	134940-01-702	EA	CHASSIS - SILKSCREENED	CC0558-00
2	134940-01-701	EA	SWITCH-SPST/ON-OFF/BLK W/LGT	L0109
3	096983-01-701	EA	SWITCH - SPST/MOM 2 TERMINAL	L0111-00
4	096983-01-702	EA	SWITCH - MOM/OFF/MOM/3 TERM	L0112-00
5	096983-01-703	EA	SWITCH - ON/ON	L0115-00
10	100258-10-701	EA	GAUGE-HR METER ONLY (LCD)	L0775-00
11	134940-06-700	EA	PC BOARD - SENSOR SYSTEM/RED	L5131-02

CONTACT WINNEBAGO PART SALES FOR UNLISTED COMPONENT(S)

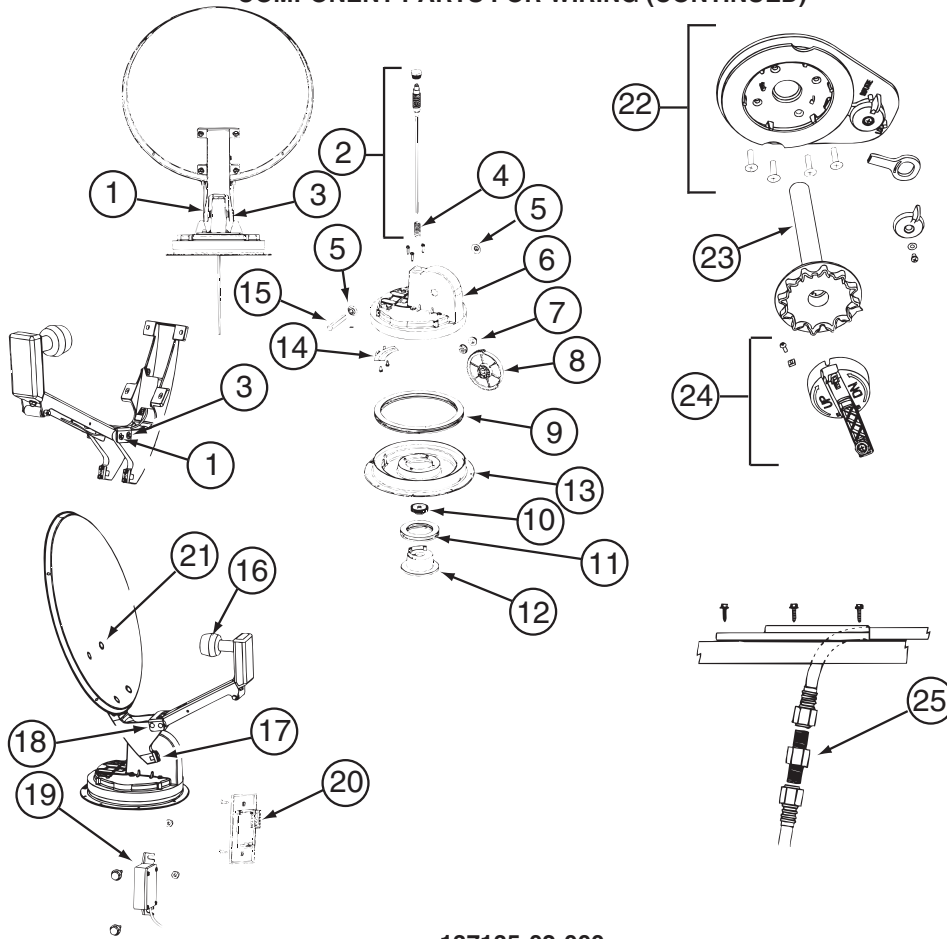
**134940-07-01A**

KEY	PART NUMBER	U/M	DESCRIPTION	VENDOR NO.
1	134940-01-702	EA	CHASSIS - SILKSCREENED	CC0558-00
2	134940-01-701	EA	SWITCH-SPST/ON-OFF/BLK W/LGT	L0109
3	096983-01-701	EA	SWITCH - SPST/MOM 2 TERMINAL	L0111-00
4	096983-01-703	EA	SWITCH - ON/ON	L0115-00
5	134940-02-700	EA	SWITCH - DUMMY	L0118
11	134940-06-700	EA	PC BOARD - SENSOR SYSTEM/RED	L5131-02

CONTACT WINNEBAGO PART SALES FOR UNLISTED COMPONENT(S)



**ELECTRICAL GROUP (CONTINUED)**  
**COMPONENT PARTS FOR WIRING (CONTINUED)**



137135-02-000

KEY	PART NUMBER	U/M	DESCRIPTION	VENDOR NO.
1	120233-01-714	EA	CLIP-E	5160818
2	137135-01-703	EA	KIT ELEV - SHAFT/GEAR/SPRING	RP-4400
3	137135-01-704	EA	PIN - 1/4" X 3.25"	2160813
4	137135-01-705	EA	SPRING	2160818
5	137135-01-707	EA	SEAL - PIVOT SHAFT	2200852
6	137135-01-708	EA	TURRET	3100728
7	137135-01-709	EA	PIVOT BEARING	2200470
8	137135-01-711	EA	GEAR - ELEVATING	2200464
9	137135-01-712	EA	BEARING - OUTER	2590347
10	137135-01-714	EA	GEAR - ELEVATING SHAFT	2200465
11	137135-01-715	EA	BEARING - INNER	2590348
12	137135-01-716	EA	HUB	3100731
13	137135-01-713	EA	TURRET BASE	3100730
14	137135-01-710	EA	PLATE - ROTATE LIMIT	3720052
16	137135-02-703	EA	LOW NOISE BLOCK FILTER	LB-6000 - DUAL
17	137135-01-722	EA	CLAMP	2590343
18	137135-01-719	EA	BRACKET - PIVOT	2744945
19	137135-01-720	EA	DE-SENSOR UNIT W/43" CABLE	DM4000
20	137135-02-701	EA	BOX - SURFACE MOUNT	SM-100
21	137135-01-717	EA	BOLT - FLAT HEAD	2160362
22	120233-01-737	EA	PLATE/INT-W/DIRECTIONAL HDLE	RK-CEIL
23	120233-01-704	EA	DIAL/DIRECTIONAL 4"W/SPRING	3200364
24	120233-01-738	EA	HDW PKG-HANDLE/SPRING/WASHER	RK-HAND
25	137135-01-701	EA	CONNECTOR - F - MALE TO MALE	FS-8100
	120233-04-700	EA	KIT-WALL PLATE/CABLE - GRAY	DM4000
	137135-01-700	EA	ROOF WEDGE W/GASKET	RW-5000
	137135-01-706	EA	KIT-TURRET/SEAL/BEARING/GEAR	RP-RM30
	137135-01-718	EA	REFLECTOR/WHITE-46CM W/HDW	RP-35RM
	137135-02-700	EA	DE-SENSOR	2780096
	137135-02-704	EA	KIT-UPDATE DIRECTIONAL HDL	RP-RMDH
	137135-02-705	EA	KIT-TURRET & SHAFT COMPLETE	RP-RM46

CONTACT WINNEBAGO PART SALES FOR UNLISTED COMPONENT(S)

**ELECTRICAL GROUP (CONTINUED)**  
**COMPONENT PARTS FOR WIRING (CONTINUED)**

<b>137417-02-01A</b>			
<b>KEY</b>	<b>PART NUMBER</b>	<b>U/M DESCRIPTION</b>	<b>VENDOR NO.</b>
	137417-02-700	EA LENS - SINGLE OPTIC	810844
<b>137417-06-01A</b>			
<b>KEY</b>	<b>PART NUMBER</b>	<b>U/M DESCRIPTION</b>	<b>VENDOR NO.</b>
	137417-06-700	EA LENS - DOUBLE WHITE	810867
<b>154474-04-01A</b>			
<b>KEY</b>	<b>PART NUMBER</b>	<b>U/M DESCRIPTION</b>	<b>VENDOR NO.</b>
	154474-04-703	EA BOARD RF ASSEMBLY N/C	100087
	154474-04-705	EA CABLE OUT DUAL TOP PCBA N/C	20034-1
	154474-04-706	EA LNB DUAL EAGLE ASPEN N/C	1863-1
<b>158703-01-000</b>			
<b>KEY</b>	<b>PART NUMBER</b>	<b>U/M DESCRIPTION</b>	<b>VENDOR NO.</b>
	158703-01-700	EA REMOTE	PSVCJE2043
	158703-01-701	EA SERVICE PACK-REMOTE & CABLES	PSVCJE2043
<b>160123-01-000</b>			
<b>KEY</b>	<b>PART NUMBER</b>	<b>U/M DESCRIPTION</b>	<b>VENDOR NO.</b>
	160123-01-700	EA REMOTE - TV	HV145-REM
<b>163031-01-01A</b>			
<b>KEY</b>	<b>PART NUMBER</b>	<b>U/M DESCRIPTION</b>	<b>VENDOR NO.</b>
	163031-01-700	EA REMOTE	PSVCAWM960
<b>163097-01-000</b>			
<b>KEY</b>	<b>PART NUMBER</b>	<b>U/M DESCRIPTION</b>	<b>VENDOR NO.</b>
	163097-01-700	EA KEY - #2382 (ILLINOIS LOCK)	2382
	163097-01-701	EA KEY - #2341 (MILLER DIAL)	PART SALES
<b>164495-01-000</b>			
<b>KEY</b>	<b>PART NUMBER</b>	<b>U/M DESCRIPTION</b>	<b>VENDOR NO.</b>
	164495-01-700	EA REMOTE - TV	P301P19HS3409A
<b>165074-01-000</b>			
<b>KEY</b>	<b>PART NUMBER</b>	<b>U/M DESCRIPTION</b>	<b>VENDOR NO.</b>
	165074-01-700	EA REMOTE - TV	P301P27FC3408A
<b>166446-01-000</b>			
<b>KEY</b>	<b>PART NUMBER</b>	<b>U/M DESCRIPTION</b>	<b>VENDOR NO.</b>
	166446-01-700	EA REMOTE - TV	PR7ATSC

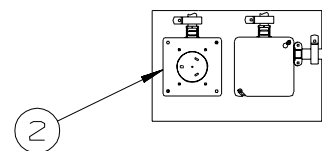
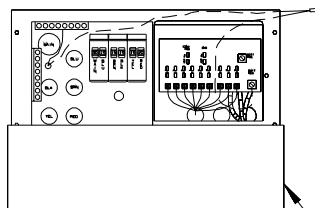
## ELECTRICAL GROUP (CONTINUED)

### CIRCUIT BREAKERS, FUSES & RELAYS

KEY	PART NUMBER	U/M	DESCRIPTION
	062901-02-000	EA	FUSE - 5 AMP - AUTOMOTIVE
	062901-05-000	EA	FUSE - 15 AMP - AUTOMOTIVE
	062901-07-000	EA	FUSE - 25 AMP - AUTOMOTIVE
	062901-08-000	EA	FUSE - 30 AMP - AUTOMOTIVE
	063910-01-000	EA	HOUSING - RELAY
	063912-02-000	EA	RELAY - CANISTER - SPDT
	083209-01-000	EA	CIRCUIT BREAKER - 15 AMP - 120 VOLT - CANADIAN
	083209-02-000	EA	CIRCUIT BREAKER - 15/15 AMP - 120 VOLT
	083209-03-000	EA	CIRCUIT BREAKER - 15/20 AMP - 120 VOLT
	083209-04-000	EA	CIRCUIT BREAKER - 30 AMP - 120 VOLT
	083209-05-000	EA	CIRCUIT BREAKER - 20 AMP - 120 VOLT
	083209-06-000	EA	CIRCUIT BREAKER - 30/15 AMP - 120 VOLT
	083209-07-000	EA	CIRCUIT BREAKER - 20/20 AMP - 120 VOLT
	083209-10-000	EA	CIRCUIT BREAKER - 20/30 AMP - 120 VOLT
	083209-11-000	EA	CIRCUIT BREAKER - 20/15 AMP - 120 VOLT
	092786-03-000	EA	BUSS BAR - 6.9" LONG
	092786-06-000	EA	BUSS BAR
	093654-01-000	EA	CIRCUIT BREAKER - 6 AMP - 12 VOLT - PUSH BUTTON - WHITE
	093654-02-000	EA	CIRCUIT BREAKER - 15 AMP - 12 VOLT - PUSH BUTTON - WHITE
	093654-03-000	EA	CIRCUIT BREAKER - 20 AMP - 12 VOLT - PUSH BUTTON - WHITE
	093654-05-000	EA	CIRCUIT BREAKER - 10 AMP - 12 VOLT - PUSH BUTTON - WHITE
	093655-01-000	EA	CIRCUIT BREAKER - 25 AMP - 12 VOLT - PUSH BUTTON - WHITE
	093655-02-000	EA	CIRCUIT BREAKER - 30 AMP - 12 VOLT - PUSH BUTTON - WHITE
	093655-03-000	EA	CIRCUIT BREAKER - 40 AMP - 12 VOLT - PUSH BUTTON - WHITE
	100341-01-000	EA	FUSE HOLDER - IN LINE TYPE
	113482-01-000	EA	CIRCUIT BREAKER - 55 AMP - MANUAL
	115187-01-000	EA	FUSE - 300 AMP - NON-DELAY
	115187-02-000	EA	HOLDER - FUSE
	115187-03-000	EA	FUSE - 60 AMP - NON-DELAY
	122811-01-000	EA	CIRCUIT BREAKER - 20/50/50/20 AMP - 250V
	141789-01-000	EA	SPACER - CIRCUIT BREAKER

### CONVERTER, INVERTER, LOAD CENTERS

KEY	PART NUMBER	U/M	DESCRIPTION
	099048-04-000	EA	INVERTER - 300 WATT



KEY	PART NUMBER	U/M	DESCRIPTION
1*	083208-07-000	EA	CONTROL CENTER - 45 AMP - 120V/12V - W/O BREAKERS
2	024924-02-000	EA	RECEPTACLE - POWER CORD - W/PARTIAL PLATE

\*COMPONENT PARTS LISTED LATER IN THIS GROUP

### COMPONENT PARTS FOR CONVERTER, INVERTER, LOAD CENTERS

KEY	PART NUMBER	U/M	DESCRIPTION	083208-07-000	VENDOR NO.
	083208-06-701	EA	CONVERTER ONLY (LOWER UNIT)		7345R

## ELECTRICAL GROUP (CONTINUED)

### BOXES & CORDS

KEY	PART NUMBER	U/M	DESCRIPTION
	008054-01-000	EA	CORD - POWER - 10/3 WIRE - 30 AMP - 25'
	008289-01-000	EA	BOX - ELECTRIC/STEEL - 4" X 4" - 1/2" & 3/4" KNOCKOUTS
	008294-01-000	EA	COVER - ELECTRIC BOX - BLANK/STEEL - 4" X 4" - GRAY
	069238-01-000	EA	COVER - ELECTRICAL BOX - W/HOLE - 4" X 4" - GRAY
	091910-01-000	EA	BOX - ELECTRIC - 3.8" X 3.5" X 1.8" - PLASTIC
	091910-02-000	EA	BOX - ELECTRIC - 2.2" X 3.5" X 1.8" - PLASTIC
	115832-01-000	FT	CORD - HEAVY DUTY - 14-2 W/GROUND
	133070-01-000	EA	BOX - ELECTRIC/PLASTIC - 3" X 2" X 2.8" - UL
	133070-02-000	EA	BOX - ELECTRIC/PLASTIC - 3" X 2" X 2.8" - CSA - CANADIAN

### WIRE ASSEMBLIES

KEY	PART NUMBER	U/M	DESCRIPTION
	077069-03-000	EA	CABLE/EXTENSION - RADIO ANTENNA - 260"
	106851-01-000	EA	WIRE ASSEMBLY - RUNNING LIGHTS - FUSE
	120269-08-000	EA	HARNESS/WIRE - F/ELECTRIC MIRRORS
	125853-04-000	EA	WIRE LOOM - ENTERTAINMENT CENTER
	136860-02-000	EA	CABLE - RCA - SHIELDED - 3 MALE TO MALE CONNECTORS - 50'
	137135-03-000	EA	WIRE LOOM - DIGITAL ELEVATION SENSOR
	137135-04-000	EA	WIRE HARNESS - POWER - DIGITAL ELEVATION SENSOR
	145210-01-000	FT	CABLE - COAXIAL
	151316-03-000	EA	WIRE ASM - W/NON CONTACT SENSORS - GREY WATER - 43.2" - 726A
	151317-01-000	EA	WIRE ASM-W/NON CONTACT SENSORS-FRESH WATER/BLK TANK-3.9"
	151317-03-000	EA	WIRE ASM-W/NON CONTACT SENSORS-FRESH WATER/BLK TANK-43.2" - 726A FROM: 00-00-00 THRU: 03-18-07
	151317-04-000	EA	WIRE ASM-W/NON CONTACT SENSORS-FRESH WATER/BLK TANK-62.9" - 726A FROM: 03-19-07 THRU: 99-99-99
	155619-05-000	EA	WIRE ASSEMBLY - RADIO - 12 PIN
	136514-02-000	EA	CABLE - MONITOR/CAMERA
	136514-08-000	EA	CABLE - MONITOR/CAMERA - 50'
	136860-02-000	EA	CABLE - RCA - SHIELDED - 3 MALE TO MALE CONNECTORS - 50' - 729H
	151316-02-000	EA	WIRE ASM - W/NON CONTACT SENSORS - GREY WATER - 23.6" - 729H
	155619-05-000	EA	WIRE ASSEMBLY - RADIO - 12 PIN
	160123-02-000	EA	WIRE/CABLE - POWER - PROVIEW WB101-06 - 729H
	165808-02-000	EA	WIRE/CABLE - POWER - MB QUART #MBQLC-15U-P - 729H

**ELECTRICAL GROUP (CONTINUED)**  
**CONNECTORS & CONDUIT**

KEY	PART NUMBER	U/M	DESCRIPTION
	007940-01-000	EA	RECEPTACLE/SLIDE 16 TO 12 AWG - FEMALE END
	007940-02-000	EA	RECEPTACLE/SLIDE 10 AWG
	007954-01-000	EA	RECEPTACLE - HOUSING - 6 POSITION
	007956-05-000	EA	INSULATOR - SHRINK - 1/4"ID X 1 1/2"
	008311-01-000	EA	CONNECTOR - WIRE NUT - INSULATED - RED
	008312-01-000	EA	CONNECTOR - WIRE NUT - INSULATED - BLUE
	008313-01-000	EA	CONNECTOR - WIRE NUT - INSULATED - YELLOW
	008314-01-000	EA	CONNECTOR - WIRE NUT - INSULATED - GRAY
	008328-01-000	EA	TERMINAL - RING - 12/10 WIRE - #10 STUD FIT
	008331-01-000	EA	TERMINAL - RING - TONGUE - #4 WIRE - 3/8" STUD - COPPER
	008348-01-000	EA	TERMINAL - RING - 3/8" STUD 2 GA. WIRE
	008355-01-000	EA	CONNECTOR - CABLE CLAMPING - 3/4"
	008356-01-000	EA	CONNECTOR - PLASTIC - 3/8"
	008356-02-000	EA	CONNECTOR - PLASTIC - 21/32"
	035416-04-000	EA	TERMINAL - RING - #10 STUD FIT - INSULATED BARREL #16/14
	041953-01-000	FT	CONDUIT - CONVOLUTE SLIT - .5" ID - POLYETHYLENE
	041953-02-000	FT	CONDUIT - CONVOLUTE SLIT - .6" ID - POLYETHYLENE
	041953-03-000	FT	CONDUIT - CONVOLUTE SLIT - 1" ID (CLOTHES ROD COVER)
	041953-05-000	FT	CONDUIT - CONVOLUTE SLIT - .62" ID - POLYETHYLENE
	041953-06-000	FT	CONDUIT - CONVOLUTE SLIT - .4" ID - POLYETHYLENE
	041953-07-000	FT	CONDUIT - CONVOLUTE SLIT - .25" ID - POLYETHYLENE
	041953-08-000	FT	CONDUIT - CONVOLUTE SLIT - 1.5" ID - POLYETHYLENE
	041953-09-000	FT	CONDUIT - CONVOLUTE SLIT - .5" ID - NYLON
	041953-10-000	FT	CONDUIT - CONVOLUTE SLIT - .75" ID - NYLON
	041953-11-000	FT	CONDUIT - CONVOLUTE SLIT - 1.06" ID - NYLON
	041953-12-000	FT	CONDUIT - CONVOLUTE SOLID - 1.1" ID - NYLON
	041953-13-000	FT	CONDUIT - CONVOLUTE SLIT - 1.25" ID
	041953-14-000	FT	CONDUIT - CONVOLUTE SLIT - 1.5" ID
	041953-15-000	FT	CONDUIT - CONVOLUTE SLIT - 2"
	041953-16-000	FT	CONDUIT - CONVOLUTE SLIT - 2"
	047441-01-000	EA	TERMINAL-BATTERY, HORIZONTAL LUG
	047443-01-000	EA	TERMINAL - .250 RECEPTACLE FIT - INSULATED - 16/14 AWG
	047443-02-000	EA	TERMINAL - .250 RECEPTACLE FIT - INSULATED - 12/10 AWG
	047443-05-000	EA	TERMINAL - .250 RECEPTACLE FIT - 18GA AWG
	058028-01-000	EA	CONNECTOR - ELECTRICAL PIGTAIL - NYLON - CLEAR
	062036-01-000	EA	TERMINAL - PACK - CON - 12/10 AWG
	076319-12-000	EA	CONNECTOR - COAXIAL - ONE PIECE
	077479-02-000	EA	BOOT - BATTERY TERMINAL - SINGLE CABLE
	080015-02-000	EA	RECEPTACLE - FLAG - .185 - 16/14 GAUGE
	080015-03-000	EA	RECEPTACLE - FLAG - .250 - 14/16 GAUGE
	080015-04-000	EA	RECEPTACLE - FLAG - .187 - 16/14 GAUGE
	082109-01-000	EA	HOUSING - CONNECTOR - PACKARD
	082741-01-000	EA	CONNECTOR BODY - 2 CONNECTOR MALE
	087225-01-000	FT	SLEEVING - 1/2" - TYPE H
	088473-01-000	EA	HOUSING - PIN - 12 CAVITY (3 ROWS OF 4)
	088473-02-000	EA	HOUSING - PIN - 15 CAVITY (3 ROWS OF 5)
	088473-03-000	EA	HOUSING - PIN - 9 CAVITY (3 ROWS OF 3)
	088473-04-000	EA	HOUSING - PIN - 8 CAVITY IN-LINE
	088473-06-000	EA	HOUSING - PIN - 6 CAVITY (2 ROWS OF 3)
	088473-07-000	EA	HOUSING - PIN - 5 CAVITY - IN-LINE
	088473-08-000	EA	HOUSING - PIN - 4 CAVITY - IN-LINE
	088473-09-000	EA	HOUSING - PIN - 3 CAVITY - IN-LINE
	088473-10-000	EA	HOUSING - PIN - 2 CAVITY - IN-LINE
	088473-12-000	EA	HOUSING - PIN - 3 CAVITY - BLUE
	088473-13-000	EA	HOUSING - PIN - 3 CAVITY - GREEN
	088473-14-000	EA	HOUSING - PIN - 3 CAVITY - RED
	088474-01-000	EA	HOUSING - SOCKET - 12 CAVITY
	088474-02-000	EA	HOUSING - SOCKET - 15 CAVITY
	088474-03-000	EA	HOUSING - SOCKET - 9 CAVITY
	088474-06-000	EA	HOUSING - SOCKET - 6 CAVITY
	088474-07-000	EA	HOUSING - SOCKET - 5 CAVITY
	088474-08-000	EA	HOUSING - SOCKET - 4 CAVITY
	088474-09-000	EA	HOUSING - SOCKET - 3 CAVITY

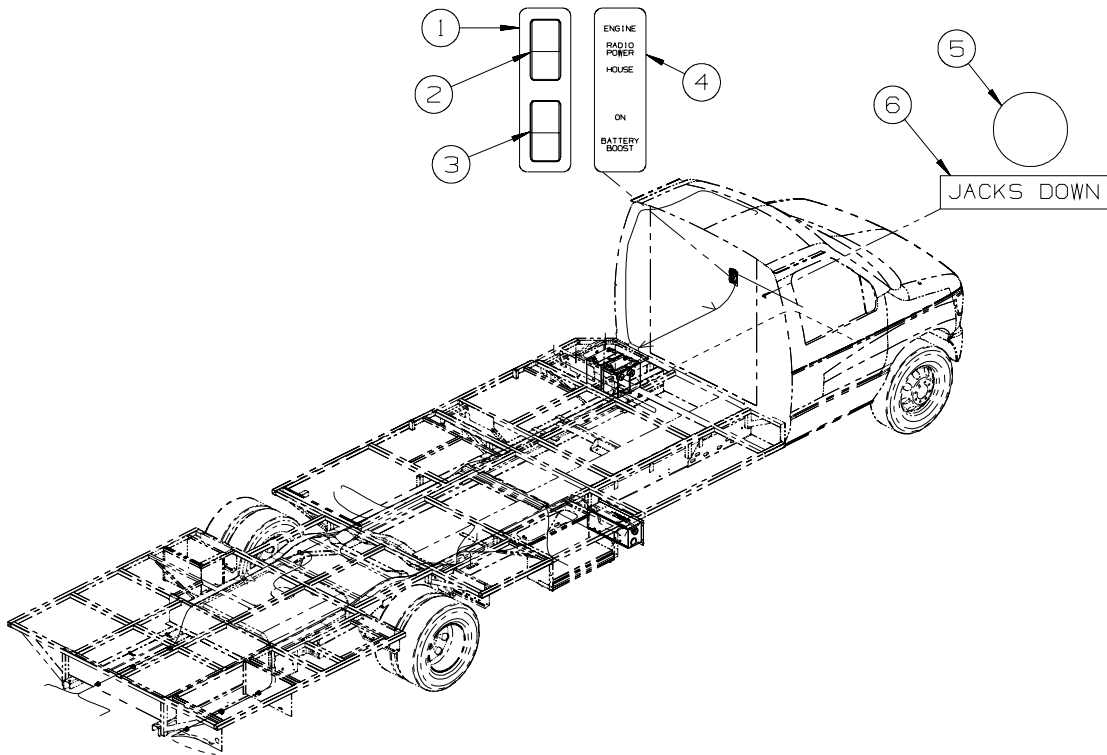
**ELECTRICAL GROUP (CONTINUED)**  
**CONNECTORS & CONDUIT (CONTINUED)**

<b>KEY</b>	<b>PART NUMBER</b>	<b>U/M</b>	<b>DESCRIPTION</b>
	088474-10-000	EA	HOUSING - SOCKET - 2 CAVITY
	088474-12-000	EA	HOUSING - SOCKET - 2 CAVITY - RED
	088475-01-000	EA	PIN - CONNECTOR - 14-20 AWG
	088475-02-000	EA	PIN - CONNECTOR - 10-12 AWG
	088476-01-000	EA	TERMINAL - ELECTRICAL
	088476-02-000	EA	SOCKET - CONNECTOR - 12-10 GA - PRE-TIN
	098261-01-000	EA	SOCKET - CONNECTOR - WEATHERPACK - 12 AWG
	098261-02-000	EA	SOCKET - CONNECTOR - WEATHERPACK - 14-18 AWG
	098262-01-000	EA	SEAL - CONNECTOR - WEATHERPACK
	098264-01-000	EA	HOUSING - 2 PIN - WEATHER PACK - MALE W/FEMALE PINS
	098264-02-000	EA	HOUSING - 2 PIN - WEATHER PACK - FEMALE W/MALE PINS
	098265-02-000	EA	PIN - CONNECTOR - WEATHER PACK
	102777-02-000	EA	TERMINAL - RING - #6 STUD - 10 AWG
	103608-01-000	EA	SOCKET - WEDGE BASE W/LEADS
	104100-01-000	EA	HOUSING - 1 POSITION - 75 AMPS
	104100-03-000	EA	TERMINAL - 75 AMP
	106007-02-000	EA	TERMINAL - FEMALE - 10-12 AWG
	110178-01-000	EA	HOUSING - WIPER MOTOR
	112823-01-000	EA	SPLICE - REDUCER - 16-14 TO 18-22
	113135-01-000	EA	TERMINAL - FEMALE - M/P - 14-16 - F/SEALED TERMINAL
	113308-01-000	EA	TERMINAL - FEMALE - M/P - 14-16 - 280
	113308-02-000	EA	TERMINAL - FEMALE - M/P - 14-18 - 280
	113468-01-000	EA	HOUSING - 2 POSITION-FEMALE-USED ON WIPER/WASHER WIRE ASM
	113468-02-000	EA	HOUSING - 2 POSITION - FEMALE
	116811-01-000	EA	TERMINAL - .110 RECEPTACLE - 16-14 AWG
	118571-01-000	EA	CONNECTOR - 3-WAY - MALE/SEALED
	118571-02-000	EA	CONNECTOR - 3-WAY - FEMALE/SEALED
	118571-05-000	EA	LOCK - SECONDARY - FEMALE
	118571-06-000	EA	LOCK - SECONDARY - MALE
	118599-02-000	EA	TERMINAL - MALE - M/P - 280/14-12
	118820-01-000	EA	INSULATOR - TERMINAL
	129233-01-000	EA	HOUSING - 2-POSITION/FEMALE - 280-SERIES
	129233-02-000	EA	HOUSING - 2-POSITION/FEMALE - 280-SERIES
	129233-03-000	EA	HOUSING - 2-POSITION/FEMALE - 280-SERIES
	131681-01-000	EA	CONNECTOR - 3/4" SO CORD - UL/CS
	137207-01-000	EA	HOUSING - PIN - 2 CAVITY/HIGH AMP
	137208-01-000	EA	HOUSING - SOCKET - 2 CAVITY/HIGH AMP
	137209-01-000	EA	PIN - CONNECTOR - 10AWG/HIGH AMP
	137210-01-000	EA	SOCKET - CONNECTOR - 10 AWG/HIGH AMP
	138996-04-000	EA	CONNECTOR - LAMP
	142520-01-000	EA	TERMINAL - FEMALE - MINI-FIT 16
	142522-01-000	EA	HOUSING - 4 PIN/MALE - MINI FIT
	142522-02-000	EA	HOUSING - 6 PIN/MALE - MINI FIT
	142522-03-000	EA	HOUSING - 8 PIN/MALE - MINI FIT
	142522-04-000	EA	HOUSING - 10 PIN/MALE - MINI FIT
	142522-05-000	EA	HOUSING - 12 PIN/MALE - MINI FIT
	142522-06-000	EA	HOUSING - 14 PIN/MALE - MINI FIT
	142524-01-000	EA	HOUSING - 4 PIN/FEMALE - WEATHER PACK
	142524-02-000	EA	HOUSING - 4 PIN/FEMALE - WEATHER PACK
	144283-01-000	EA	CONNECTOR - 110V - F/USE WITH SOW WIRE - BLUE
	144283-02-000	EA	CONNECTOR - 110V - F/USE WITH NM ROMEX WIRE - CLEAR
	145171-01-000	EA	CONNECTOR - COAXIAL
	148335-01-000	EA	HOUSING - 8-POSITION/MALE - 280-GT SERIES
	148335-02-000	EA	HOUSING - 4-POSITION/MALE - 280-GT SERIES
	148335-03-000	EA	HOUSING - 6-POSITION/MALE - 280-GT SERIES
	149683-01-000	EA	HOUSING - F/5 CAVITY RECEPTACLE - W/SQUARE GUIDE PIN
	149683-02-000	EA	HOUSING - F/5 CAVITY RECEPTACLE - W/ROUND GUIDE PIN
	149686-01-000	EA	TERMINAL - .250 RECEPTACLE
	149687-01-000	EA	HOUSING - 2 POSITION/MALE - PACKARD
	149687-02-000	EA	LOCK - F/2 POSITION HOUSING - PACKARD
	149688-01-000	EA	TERMINAL - MALE - 16 GAUGE WIRE
	156035-01-000	EA	HOUSING - 12-POSITION/FEMALE - 280-GT SERIES
	156041-01-000	EA	TERMINAL - FEMALE - 16-12 - 280-GT SERIES

## ELECTRICAL GROUP (CONTINUED)

### CONNECTORS & CONDUIT (CONTINUED)

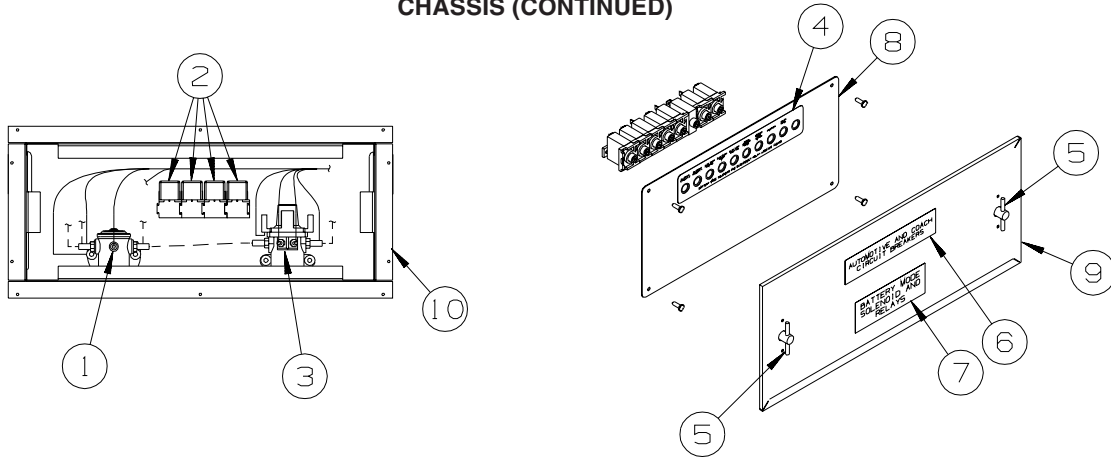
KEY	PART NUMBER	U/M	DESCRIPTION
	156043-01-000	EA	HOUSING - 2-POSITION/FEMALE - 480-MP SERIES
	156043-02-000	EA	LOCK - F/2 POSITION HOUSING - 480 SERIES
	156044-01-000	EA	TERMINAL - FEMALE - 16-12 - 280-GT - F/SEALED HOUSING
	156045-01-000	EA	HOUSING - 10-POSITION/FEMALE - 280-GT SERIES
	156045-02-000	EA	HOUSING - 4-POSITION/FEMALE - 280-GT SERIES
	156045-03-000	EA	HOUSING - 8-POSITION/FEMALE - 280-GT SERIES
	156045-04-000	EA	HOUSING - 6-POSITION/FEMALE - 280-GT SERIES
	156207-01-000	EA	HOUSING - 6-POSITION/MALE - 150-GT SERIES
	156208-01-000	EA	TERMINAL - MALE - 18-16 - 150-GT SERIES
	157590-01-000	EA	TERMINAL - FEMALE - M/P - 10-12 - 630
	157592-01-000	EA	HOUSING - 7-POSITION/FEMALE - M/P
	157592-02-000	EA	LOCK - SECONDARY - F/7 POSITION HOUSING
	157656-01-01A	EA	CONNECTOR - DASH LIGHT - BLACK
	158357-01-000	EA	HOUSING - 3 PIN/MALE - MINI FIT
	158373-01-000	EA	HOUSING - SOCKET - 16 CAVITY - MINI MATE-N-LOCK
	158374-01-000	EA	SOCKET - 16-20 CAVITY - MINI MATE-N-LOCK
	164687-01-000	EA	PIN - CONNECTOR - 16-14
	164685-01-000	EA	HOUSING - PIN - 7-POSITION
	164689-01-000	EA	SEAL - CONNECTOR
	168450-01-000	EA	CONNECTOR/ADAPTER - COAX



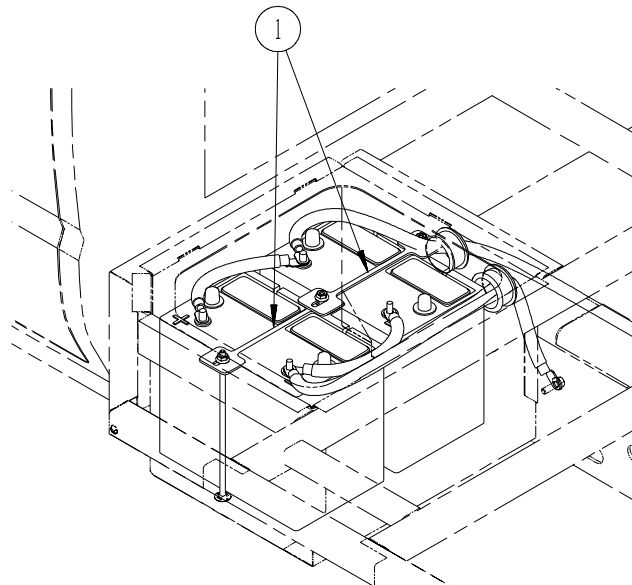
### CHASSIS

KEY	PART NUMBER	U/M	DESCRIPTION
1	144363-12-04B	EA	PLATE - SWITCH - BLACK
2	108357-08-000	EA	SWITCH - ROCKER - DPDT - 0N/NONE/ON - 6 TERM - W/O COVER
2	108356-02-01A	EA	COVER/ACTUATOR SWITCH - 2 ROWS DIMPLES - BLACK
3	108355-01-000	EA	HOUSING - SWITCH
3	108357-09-000	EA	SWITCH - ROCKER - SPDT - ON/NONE/MOM - 3 TERM - W/O COVER
3	108356-02-01A	EA	COVER/ACTUATOR SWITCH - 2 ROWS DIMPLES - BLACK
3	108355-01-000	EA	HOUSING - SWITCH
4	145731-01-01A	EA	LABEL - SWITCH - RADIO/BATTERY - BLACK
5	150237-01-000	EA	LIGHT - INDICATOR - RED - <b>HYDRAULIC LEVEL JACKS-AUTO</b>
6	133533-01-01A	EA	LABEL - JACKS DOWN - CLEAR W/WHITE LETTERING - <b>HYDRAULIC LEVEL JACKS-AUTO</b>

## ELECTRICAL GROUP (CONTINUED) CHASSIS (CONTINUED)



KEY	PART NUMBER	U/M	DESCRIPTION
1	008188-01-000	EA	SOLENOID - 3 POST - BATTERY CHANGE OVER
2	063912-02-000	EA	RELAY - CANISTER - SPDT
3	086273-01-000	EA	RELAY - BATTERY DISCONNECT
4	093236-38-000	EA	LABEL - CIRCUIT BREAKER
			FROM: 00-00-00 THRU: 12-17-07
4	093236-52-000	EA	LABEL - CIRCUIT BREAKER
			FROM: 12-18-07 THRU: 99-99-99
5	098196-01-000	EA	LATCH - 1/4 TURN - T-BAR
6	098379-01-000	EA	LABEL - CIRCUIT BREAKER - FRONT BOX
7	098379-04-000	EA	LABEL - ELECTRICAL BOX - SIDE
8	139067-09-02B	EA	PLATE - CIRCUIT BREAKER/HOUSE - E-COATED
9	141273-04-02B	EA	COVER - ELECTRICAL BOX - E-COATED
	092492-19-000	EA	SEAL - ELECTRIC BOX - 19" X 8"
10	155605-01-02B	EA	BOX - ELECTRICAL - E-COATED

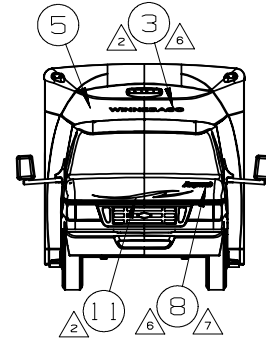
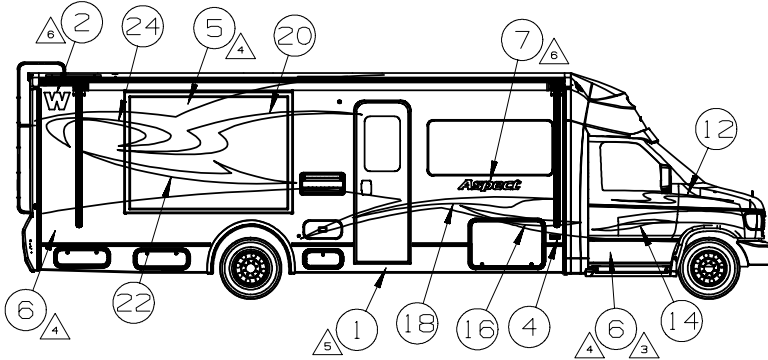
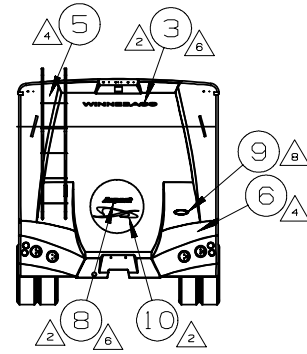
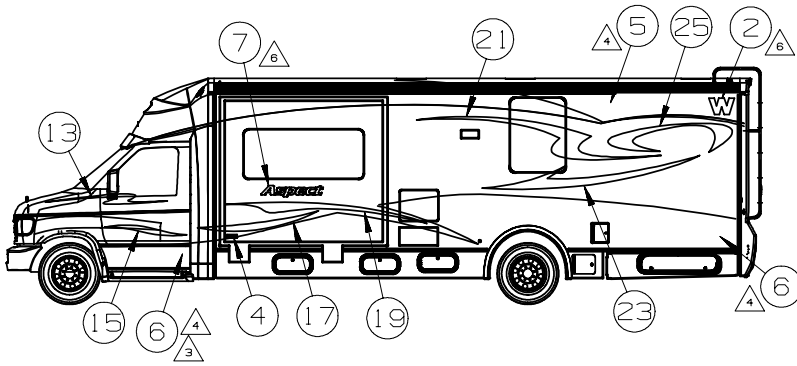


## BATTERY INSTALLATION

KEY	PART NUMBER	U/M	DESCRIPTION
1	160014-01-02B	EA	TIEDOWN - BATTERY - E-COATED



# EXTERIOR BODY GROUP GRAPHICS & PAINT



**(276) KEYS**

KEY	PART NUMBER	U/M	DESCRIPTION
1	109506-01-000	EA	FILM-URETHANE PROTECTANT
2	120700-10-CHT (23A)	EA	DECAL-LOGO W - BRT WHITE
3	120702-03-CHT (24A)	EA	DECAL-LOGO WINNEBAGO - DK. CHARCOAL
4	132664-02-CHT (01A)	EA	DECAL-LOGO DOMED WINNEBAGO - CHROME/RED/BLACK
5	141599-42-000	GL	PAINT- DK TITANIUM MET - P373-P76526
6	141599-31-000	GL	PAINT- METALLIC GOLD - 373-P7436
7	150102-01-CHT (01A)	EA	DECAL-ASPECT LG - CHARCOAL/STERLING SILVER/WARM SILVER
8	150102-02-CHT (01A)	EA	DECAL-ASPECT SML - CHARCOAL/STERLING SILVER/WARM SILVER
9	151687-01-CHT (01A)	EA	DECAL/BEZEL DOMED NAMEPLATE WINNEBAGO - CHROME/PANTONE RED
10	156909-01-CHT (03A)	EA	DECAL-REAR - DK. CHARCOAL/BLACK/WHITE/KHAKI
11	156912-01-CHT (03A)	EA	DECAL-HOOD - KHAKI/PEWTER
12	156913-01-CHT (03A)	EA	DECAL-GRAPHIC 6 RH - DK. CHARCL/BLACK/WHITE
13	156913-02-CHT (03A)	EA	DECAL-GRAPHIC 6 LH - DK. CHARCL/BLACK/WHITE
14	156914-01-CHT (03A)	EA	DECAL-GRAPHIC 5A RH - PEWTER
15	156914-02-CHT (03A)	EA	DECAL-GRAPHIC 5A LH - PEWTER
16	156915-01-CHT (03A)	EA	DECAL-GRAPHIC 5B RH - KHAKI
17	156915-02-CHT (03A)	EA	DECAL-GRAPHIC 5B LH - KHAKI
18	156916-01-CHT (03A)	EA	DECAL-GRAPHIC 4 RH - DK.CHARCL/BLACK/WHITE
19	156916-02-CHT (03A)	EA	DECAL-GRAPHIC 4 LH - DK.CHARCL/BLACK/WHITE
20	156917-01-CHT (03A)	EA	DECAL-GRAPHIC 3 RH - KHAKI
21	156917-02-CHT (03A)	EA	DECAL-GRAPHIC 3 LH - KHAKI
22	156919-01-CHT (03A)	EA	DECAL-GRAPHIC 2 RH - PEWTER
23	156919-02-CHT (03A)	EA	DECAL-GRAPHIC 2 LH - PEWTER
24	156920-01-CHT (03A)	EA	DECAL-GRAPHIC 1 RH - DK.CHARCL/BLACK/WHITE
25	156920-02-CHT (03A)	EA	DECAL-GRAPHIC 1 LH - DK.CHARCL/BLACK/WHITE
26	-----	GL	PAINT-CLEAR COAT - SHERWIN WILLIAMS

**(92K) KEYS**

KEY	PART NUMBER	U/M	DESCRIPTION
1	109506-01-000	EA	FILM-URETHANE PROTECTANT
2	120700-10-CHT (23A)	EA	DECAL-LOGO W - BRT WHITE
3	120702-03-CHT (19A)	EA	DECAL-LOGO WINNEBAGO - WARM SILVER
4	132664-02-CHT (01A)	EA	DECAL-LOGO DOMED WINNEBAGO - CHROME/RED/BLACK
5	141599-49-000	GL	PAINT- AUBURN MET - 373-P75841
6	141599-22-000	GL	PAINT- GRANITE MET - 373-P7433
7	150102-01-CHT (01A)	EA	DECAL-LOGO ASPECT LG - CHARCOAL/STERLING SILVER/WARM SILVER
8	150102-02-CHT (01A)	EA	DECAL-LOGO ASPECT SML - CHARCOAL/STERLING SILVER/WARM SILVER
9	151687-01-CHT (01A)	EA	DECAL/BEZEL DOMED NAMEPLATE WINNEBAGO - CHROME/PANTONE RED
10	156909-01-CHT (04A)	EA	DECAL-REAR - CANYON RED/BLK/WHT/FLINTSTONE
11	156912-01-CHT (04A)	EA	DECAL-HOOD - W.SILVER/CANYON RED
12	156913-01-CHT (04A)	EA	DECAL-GRAPHIC 6 RH - C.RED/BLACK/WHITE
13	156913-02-CHT (04A)	EA	DECAL-GRAPHIC 6 LH - C.RED/BLACK/WHITE
14	156914-01-CHT (04A)	EA	DECAL-GRAPHIC 5A RH - WARM SILVER
15	156914-02-CHT (04A)	EA	DECAL-GRAPHIC 5A LH - WARM SILVER
16	156915-01-CHT (04A)	EA	DECAL-GRAPHIC 5B RH - FLINTSTONE
17	156915-02-CHT (04A)	EA	DECAL-GRAPHIC 5B LH - FLINTSTONE
18	156916-01-CHT (04A)	EA	DECAL-GRAPHIC 4 RH - C.RED/BLACK/WHITE
19	156916-02-CHT (04A)	EA	DECAL-GRAPHIC 4 LH - C.RED/BLACK/WHITE
20	156917-01-CHT (04A)	EA	DECAL-GRAPHIC 3 RH - FLINTSTONE
21	156917-02-CHT (04A)	EA	DECAL-GRAPHIC 3 LH - FLINTSTONE
22	156919-01-CHT (04A)	EA	DECAL-GRAPHIC 2 RH - W. SILVER
23	156919-02-CHT (04A)	EA	DECAL-GRAPHIC 2 LH - W. SILVER
24	156920-01-CHT (04A)	EA	DECAL-GRAPHIC 1 RH - C.RED/BLACK/WHITE
25	156920-02-CHT (04A)	EA	DECAL-GRAPHIC 1 LH - C.RED/BLACK/WHITE
26	-----	GL	PAINT-CLEAR COAT - SHERWIN WILLIAMS

△ LOGO IS TO BE  $\pm 1$  MM ON A HORIZONTAL PLANE (END TO END).

△ FILM TO PROTECT BOTTOM OF DOOR FROM SCUFF MARKS.

△ CLEAR COAT TO BE APPLIED ON PAINTED AREAS TO PROTECT PAINT.

△ PAINTED AREA IS TO BE BELOW FEATURE STRIP FOR OPTIONAL PAINTED MODELS AND CONTINUES ON CAB DOORS TO WHEELWELL.

△ CENTERED ON UNIT.

1. APPLY PROTECTOR 116424-01-000 TO WATER HEATER DOOR LATCH.

△ CENTER BADGE ON SURFACE.

△ LOCATE DECAL 190 MM LEFT OF HOOD EDGE AND 220 MM UP FROM HOOD EDGE.

9. NO VINYL OR PAINT ON SLIDEDOUT ROOM END PANELS.

(16E) FORD CHASSIS 14,050 LB.GVWR

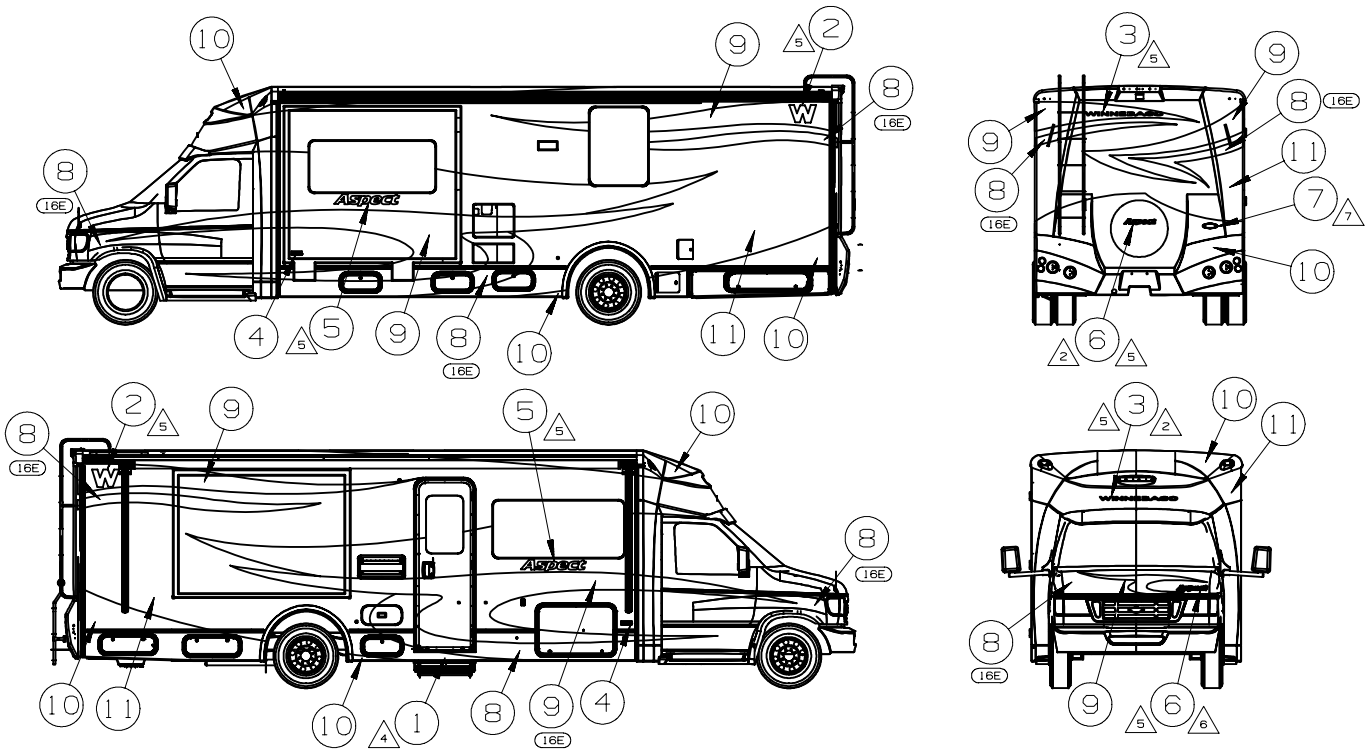
(16C) FORD CHASSIS 11,500 LB.GVWR

(92K) EXTERIOR GRAPHICS PACKAGE #2

(276) EXTERIOR GRAPHICS PACKAGE #1

NOTES:

## EXTERIOR BODY GROUP (CONTINUED) GRAPHICS & PAINT (CONTINUED)



### FULL BODY PAINT

(27A) KEYS	PART NUMBER	U/M	DESCRIPTION SEAMIST
1	109506-01-000	EA	FILM-URETHANE PROTECTANT
2	120700-10-CHT(18A)	EA	DECAL-LOGO W - STERLING SILVER
3	120702-03-CHT(63A)	EA	DECAL-LOGO WINNEBAGO - STERLING SILVER
4	132664-02-CHT(01A)	EA	DECAL-LOGO DOMED WINNEBAGO - CHROME/RED/BLACK
5	150102-01-CHT(01A)	EA	DECAL-ASPECT LG - CHARCOAL/STERLING SILVER/WARM SILVER
6	150102-02-CHT(01A)	EA	DECAL-ASPECT SML - CHARCOAL/STERLING SILVER/WARM SILVER
7	151687-01-CHT(01A)	EA	DECAL/BEZEL - DOMED NAMEPLATE WINNEBAGO - CHROME/RED
(16E) 8	-----	GL	PAINT-SILVER MET - SHERWIN WILLIAMS #43638
(16C) 9	-----	GL	PAINT-CASHMERE BEIGE MET - SHERWIN WILLIAMS #48702 ALT 2
10	-----	GL	PAINT-SILVER BLUE MET - SHERWIN WILLIAMS #62234 ALT 1
11	-----	GL	PAINT-STEEL BLUE PRL SHERWIN WILLIAMS #57772 ALT 3
12	-----	GL	PAINT-CLEAR COAT - SHERWIN WILLIAMS

(92A) KEYS	PART NUMBER	U/M	DESCRIPTION WINE
1	109506-01-000	EA	FILM-URETHANE PROTECTANT
2	120700-10-CHT(18A)	EA	DECAL-LOGO W - STERLING SILVER
3	120702-03-CHT(63A)	EA	DECAL-LOGO WINNEBAGO - STERLING SILVER
4	132664-02-CHT(01A)	EA	DECAL-LOGO DOMED WINNEBAGO - CHROME/RED/BLACK
5	150102-01-CHT(01A)	EA	DECAL-ASPECT LG - CHARCOAL/STERLING SILVER/WARM SILVER
6	150102-02-CHT(01A)	EA	DECAL-ASPECT SML - CHARCOAL/STERLING SILVER/WARM SILVER
7	151687-01-CHT(01A)	EA	DECAL/BEZEL - DOMED NAMEPLATE WINNEBAGO - CHROME/RED
(16E) 8	-----	GL	PAINT-SILVER MET - SHERWIN WILLIAMS #43638
(16C) 9	-----	GL	PAINT-PURPLE GRAPHITE MET - SHERWIN WILLIAMS #56239
10	-----	GL	PAINT-BRIGHT PLATINUM MET - SHERWIN WILLIAMS #48823 ALT 3
11	-----	GL	PAINT-RED MAPLE MET-SHERWIN WILLIAMS #51289 ALT 4
12	-----	GL	PAINT-CLEAR COAT - SHERWIN WILLIAMS

- 9. USE PROTECTIVE FILM 145487-02-000 TO COVER UNSEALED ROOF SEAMS.
- 8. END PANELS OF SLIDEOUT ROOMS WILL BE PAINTED WITH BASE COAT AND CLEAR COAT. THERE WILL BE NO COLORED DESIGN GRAPHICS ELEMENTS PAINTED ON END PANELS.

- (16E) FORD CHASSIS 14,050 LB.GVWR
- (16C) FORD CHASSIS 11,500 LB.GVWR
- (92A) EXT FULL BODY PAINT PKG # 2
- (27A) EXT FULL BODY PAINT PKG # 1

- △ 7 CENTER BADGE ON SURFACE.
  - △ 6 LOCATE DECAL 110 MM LEFT OF HOOD EDGE AND 80 MM UP FROM HOOD EDGE.
  - △ 5 LOGO IS TO BE +1 MM ON A HORIZONTAL PLANE (END TO END).
  - △ 4 FILM TO PROTECT BOTTOM OF DOOR FROM SCUFF MARKS.
  - △ 3 CLEAR COAT TO BE APPLIED ON PAINTED AREAS TO PROTECT PAINT.
  - △ 2 CENTERED ON UNIT.
1. APPLY PROTECTOR 116424-01-000 TO WATER HEATER DOOR LATCH.

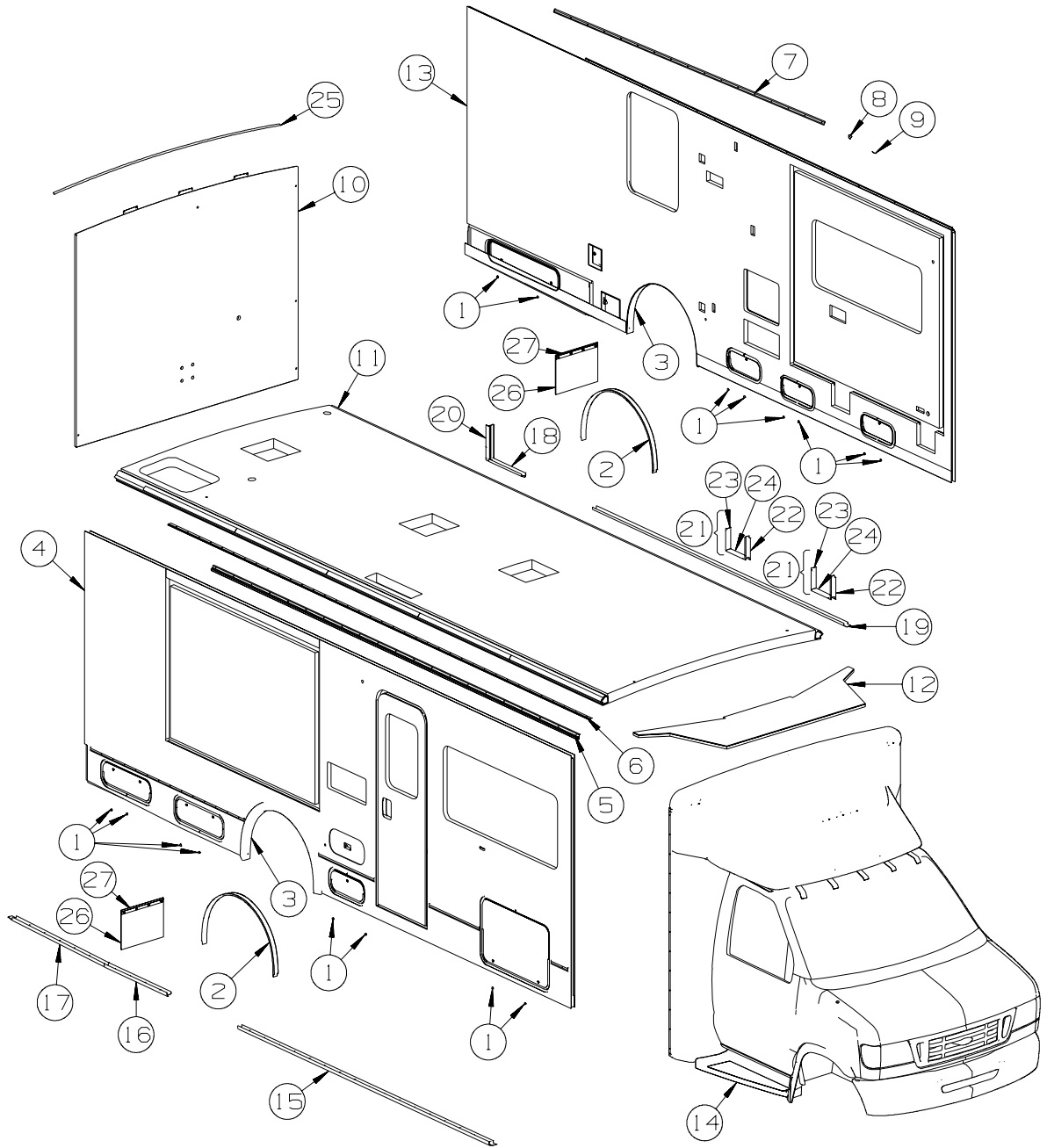
NOTES:

**DUPONT COLOR CODES ARE NOW FOUND IN THE PAINT CODE MANUAL.  
YOU CAN FIND THIS MANUAL ON YOUR DEALER INDEX WEBPAGE UNDER SERVICE.**

KEY	PART NUMBER	U/M	DESCRIPTION
	072882-01-000	GL	PAINT - LOW BAKE - OFF WHITE
	116424-01-000	EA	PROTECTOR - LATCH - WATER HEATER

## EXTERIOR BODY GROUP (CONTINUED)

### PANELS & TRIMS

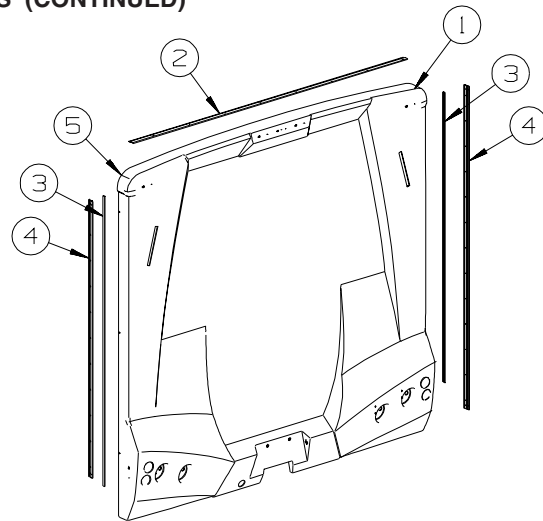


KEY	PART NUMBER	U/M	DESCRIPTION
1	153498-01-02A	EA	BUMPER - RUBBER - BLACK
2	148255-01-01A	EA	TRIM - SIDEWALL - U CHANNEL/PVC - .5" X 1.7" X 42"
3	148210-01-10A	EA	TRIM - REAR WHEELWELL - BLACK
4	161357-01-W37	EA	SIDEWALL - PASSENGER - W/O WINDOWS/TRIMS (W37, W38)
4	161357-01-W39	EA	SIDEWALL - PASSENGER - W/O WINDOWS/TRIMS (W39, W40)
4	161357-01-W41	EA	SIDEWALL - PASSENGER - W/O WINDOWS/TRIMS (W41, W42)
4	161357-02-W37	EA	SIDEWALL - PASSENGER - W/O WINDOWS/TRIMS (W37, W38) - PREMIUM SIDEWALLS
4	161357-02-W39	EA	SIDEWALL - PASSENGER - W/O WINDOWS/TRIMS (W39, W40) - PREMIUM SIDEWALLS
4	161357-02-W41	EA	SIDEWALL - PASSENGER - W/O WINDOWS/TRIMS (W41, W42) - PREMIUM SIDEWALLS
5	157284-01-01A	EA	RAIL - AWNING - 192" - BRIGHT WHITE
6	142123-05-01A	EA	RAIL/AWNING - 220.5" - BRIGHT WHITE
7	108688-06-08A	EA	STRIP - FEATURE - W/O INSERT/END CAPS - 96.9" - BLACK
8	108651-01-01A	EA	END CAP - FEATURE STRIP
9	105312-01-07A	EA	INSERT - FEATURE STRIP - VINYL - BRIGHT WHIT
10	161359-01-W37	EA	BACKWALL - W/O WINDOW/TRIMS (W37, W38)
10	161359-01-W39	EA	BACKWALL - W/O WINDOW/TRIMS (W39, W40)
10	161359-01-W41	EA	BACKWALL - W/O WINDOW/TRIMS (W41, W42)
11	161360-01-W37	EA	ROOF - W/O LIGHTS/VENTS - W/WIRING

**EXTERIOR BODY GROUP (CONTINUED)**  
**PANELS & TRIMS (CONTINUED)**

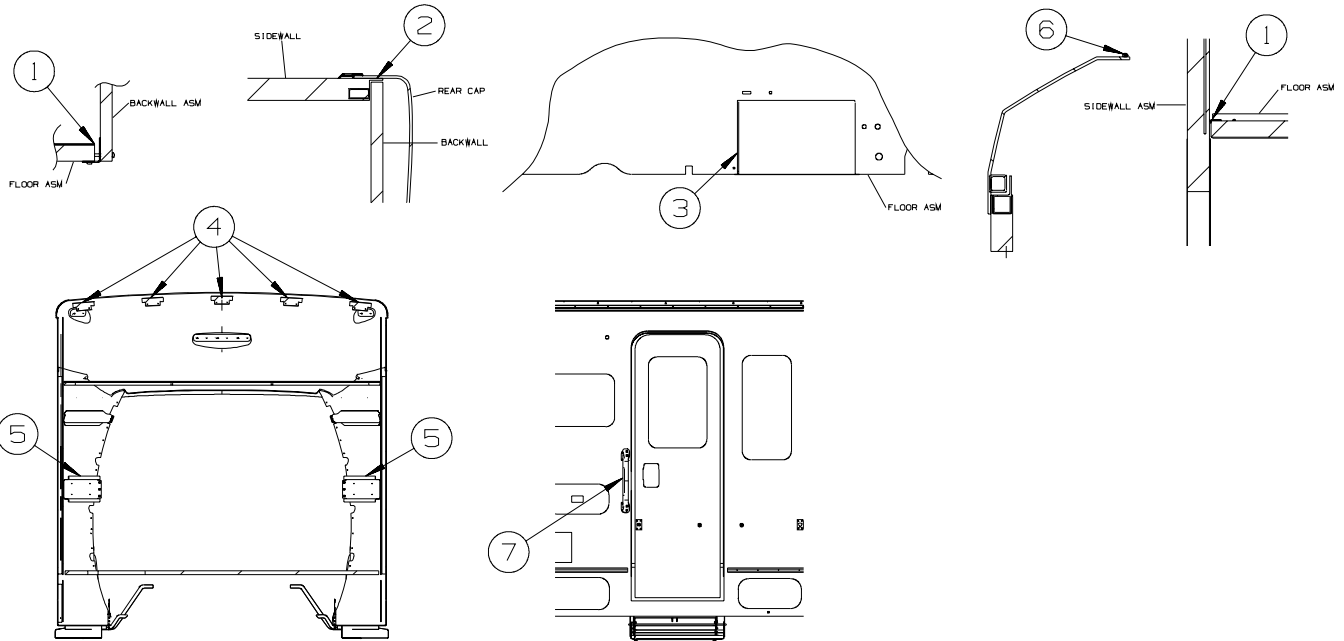
KEY	PART NUMBER	U/M	DESCRIPTION
12	P49312-01-S34	EA	SLEEPERBOARD
13	161358-01-W37	EA	SIDEWALL - DRIVER - W/O WINDOWS/TRIMS (W37, W38)
13	161358-01-W39	EA	SIDEWALL - DRIVER - W/O WINDOWS/TRIMS (W39, W40)
13	161358-01-W41	EA	SIDEWALL - DRIVER - W/O WINDOWS/TRIMS (W41, W42)
13	161358-02-W37	EA	SIDEWALL - DRIVER - W/O WINDOWS/TRIMS (W37, W38) - PREMIUM SIDEWALLS
13	161358-02-W39	EA	SIDEWALL - DRIVER - W/O WINDOWS/TRIMS (W39, W40) - PREMIUM SIDEWALLS
13	161358-02-W41	EA	SIDEWALL - DRIVER - W/O WINDOWS/TRIMS (W41, W42) - PREMIUM SIDEWALLS
14	149604-04-01A	EA	RUNNING BOARD/WEDGE - DRIVER - FORD 700 - PRIMED
	149604-09-000	EA	HARDWARE KIT (RUNNING BOARD INSTALL) - FORD
	149604-03-01A	EA	RUNNING BOARD/WEDGE - PASSENGER - FORD 700 - PRIMED
	149604-09-000	EA	HARDWARE KIT (RUNNING BOARD INSTALL) - FORD
	146515-04-01A	EA	MAT - ANTI SLIP - LEFT HAND - BLACK
	146515-03-01A	EA	MAT - ANTI SLIP - RIGHT HAND - BLACK
	149604-06-01A	EA	MUD FLAP - FIBERGLASS - DRIVER - FORD - PRIMED
	149604-05-01A	EA	MUD FLAP - FIBERGLASS - PASSENGER - FORD - PRIMED
15	148700-14-02A	EA	TRIM - SIDEWALL/BOTTOM - 133.2" - LH NOTCH - BLACK FROM: 00-00-00 THRU: 03-09-08
15	168159-13-02A	EA	TRIM - SIDEWALL/BOTTOM - 131.7" - BLACK FROM: 03-10-08 THRU: 99-99-99
16	148700-15-02A	EA	TRIM - SIDEWALL/BOTTOM - 32.9" - BLACK FROM: 00-00-00 THRU: 03-09-08
16	168159-15-02A	EA	TRIM - SIDEWALL/BOTTOM - 32.9" - BLACK FROM: 03-10-08 THRU: 99-99-99
17	148700-03-02A	EA	TRIM - SIDEWALL/BOTTOM - 50.6" - RH NOTCH - BLACK FROM: 00-00-00 THRU: 03-09-08
17	168159-03-02A	EA	TRIM - SIDEWALL/BOTTOM - 49.5" - BLACK FROM: 03-10-08 THRU: 99-99-99
18	148700-12-02A	EA	TRIM - SIDEWALL/BOTTOM - 17.4" - LH NOTCH - BLACK FROM: 00-00-00 THRU: 03-09-08
18	168159-12-02A	EA	TRIM - SIDEWALL/BOTTOM - 17.4" - BLACK FROM: 03-10-08 THRU: 99-99-99
19	148700-13-02A	EA	TRIM - SIDEWALL/BOTTOM - 133.2" - RH NOTCH - BLACK FROM: 00-00-00 THRU: 03-09-08
19	168159-13-02A	EA	TRIM - SIDEWALL/BOTTOM - 131.7" - BLACK FROM: 03-10-08 THRU: 99-99-99
20	156772-01-02A	EA	TRIM - SIDEWALL - 12.6" - BLACK
21	148736-01-TN3	EA	TRIM - SIDEWALL - BLACK
22	137970-13-02A	EA	TRIM - SIDEWALL - 8.3"
23	137970-14-02A	EA	TRIM - SIDEWALL - 8.3"
24	137970-15-02A	EA	TRIM - SIDEWALL - 11"
25	114248-02-01A	EA	ANGLE - PLASTIC - .7" X .4" X 96.7" - MODERN IVORY
26	017516-01-000	EA	MUD FLAP - 14"H X 18"W - W/O MOUNTING HOLES - RUBBER - BLK
27	140922-01-02B	EA	RETAINER - MUD FLAP - 1" X 17.7" - E-COATED/BLACK

## EXTERIOR BODY GROUP (CONTINUED) PANELS & TRIMS (CONTINUED)



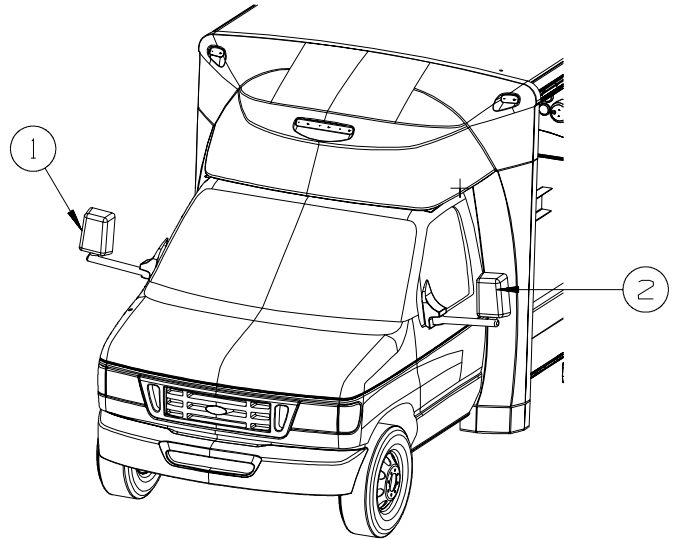
**REAR CAP**

KEY	PART NUMBER	U/M	DESCRIPTION
1	159282-03-U37	EA	PANEL - REAR CAP - W/O CAMERA MOUNT
1	159282-03-AA1	EA	PANEL - REAR CAP - W/O CAMERA MOUNT - <b>FULL BODY PAINT</b>
1	159282-04-U37	EA	PANEL - REAR CAP - W/CAMERA MOUNT - <b>REARVIEW MONITOR SYSTEM</b>
1	159282-04-AA1	EA	PANEL - REAR CAP - W/CAMERA MOUNT - <b>REARVIEW MONITOR SYSTEM/FULL BODY PAINT</b>
2	083805-08-000	EA	TRIM - ROOF CAP - 92.1" - MILL
3	091985-01-07A	EA	INSERT - TRIM - REAR CAP TO SIDEWALL - .66" - BRIGHT WHITE
3	091985-01-09A	EA	INSERT - TRIM - REAR CAP TO SIDEWALL - .66" - BLACK
4	092041-08-01A	EA	TRIM - FRONT/REAR CAP (SIDEWALL) - 86.6" - BRIGHT WHITE
4	092041-08-02A	EA	TRIM - FRONT/REAR CAP (SIDEWALL) - 86.6" - BLACK
5	104692-03-000	EA	SEAL - ADHESIVE BACKED FOAM - 1" THICK X 1 3/16"WIDE X 15'



KEY	PART NUMBER	U/M	DESCRIPTION
1	104692-01-000	FT	SEAL - ADHESIVE BACKED FOAM - 3/4" THICK X 3/4" WIDE X 25'
2	156622-01-01A	FT	SEALER - TAPE - 1/4" THICK X 3"WIDE X 100 FT
3	147951-03-000	EA	WHEELWELL - PLASTIC
4	134774-02-02B	EA	BRACKET - CAP ATTACHMENT - E-COATED
5	149392-01-02B	EA	BRACKET - TRANSITION/LOWER - E-COATED
6	112160-01-000	FT	SEAL - D SECTION - .2 X .3" - FOAM RUBBER
7	152854-01-01A	EA	HANDLE - ASSIST - WHITE W/BLACK RUBBER GRIP - 18 5/8"
7	157749-01-01A	EA	ASSIST HANDLE - NON-LIGHTED - 18" - CHROME - <b>FULL BODY PAINT</b> FROM: 04-20-07 THRU: 06-19-07
7	165309-01-01A	EA	ASSIST HANDLE - 18" - NON-LIGHTED - SST - <b>FULL BODY PAINT</b> FROM: 06-20-07 THRU: 99-99-99

**EXTERIOR BODY GROUP (CONTINUED)**  
**PANELS & TRIMS (CONTINUED)**



<b>KEY</b>	<b>PART NUMBER</b>	<b>U/M</b>	<b>DESCRIPTION</b>
1*	133908-14-01A	EA	MIRROR/PASSENGER - 96" - BRIGHT WHITE
1*	133908-16-01A	EA	MIRROR/PASSENGER - 96" - HEATED/REMOTE - WHITE - MIRRORS - EXT W/DEFROST
1*	133908-16-03A	EA	MIRROR/PASS-96"-HEATED/REMOTE-SILVER - MIRRORS - EXT W/DEFROST/FULL BODY PAINT
2*	133908-15-01A	EA	MIRROR/DRIVER - 96" - WHITE
2*	133908-17-01A	EA	MIRROR/DRIVER - 96" - HEATED/REMOTE - WHITE - MIRRORS - EXTERIOR W/DEFROST
2*	133908-17-03A	EA	MIRROR/DRVR-96"-HEATED/REMOTE-SILVER - MIRRORS - EXT W/DEFROST/FULL BODY PAINT

**\*COMPONENT PARTS LISTED LATER IN THIS GROUP**

**COMPONENT PARTS FOR PANELS & TRIMS**

**133908-05, 133908-06, 133908-10, 133908-11, 133908-14, 133908-15, -01A/02A**

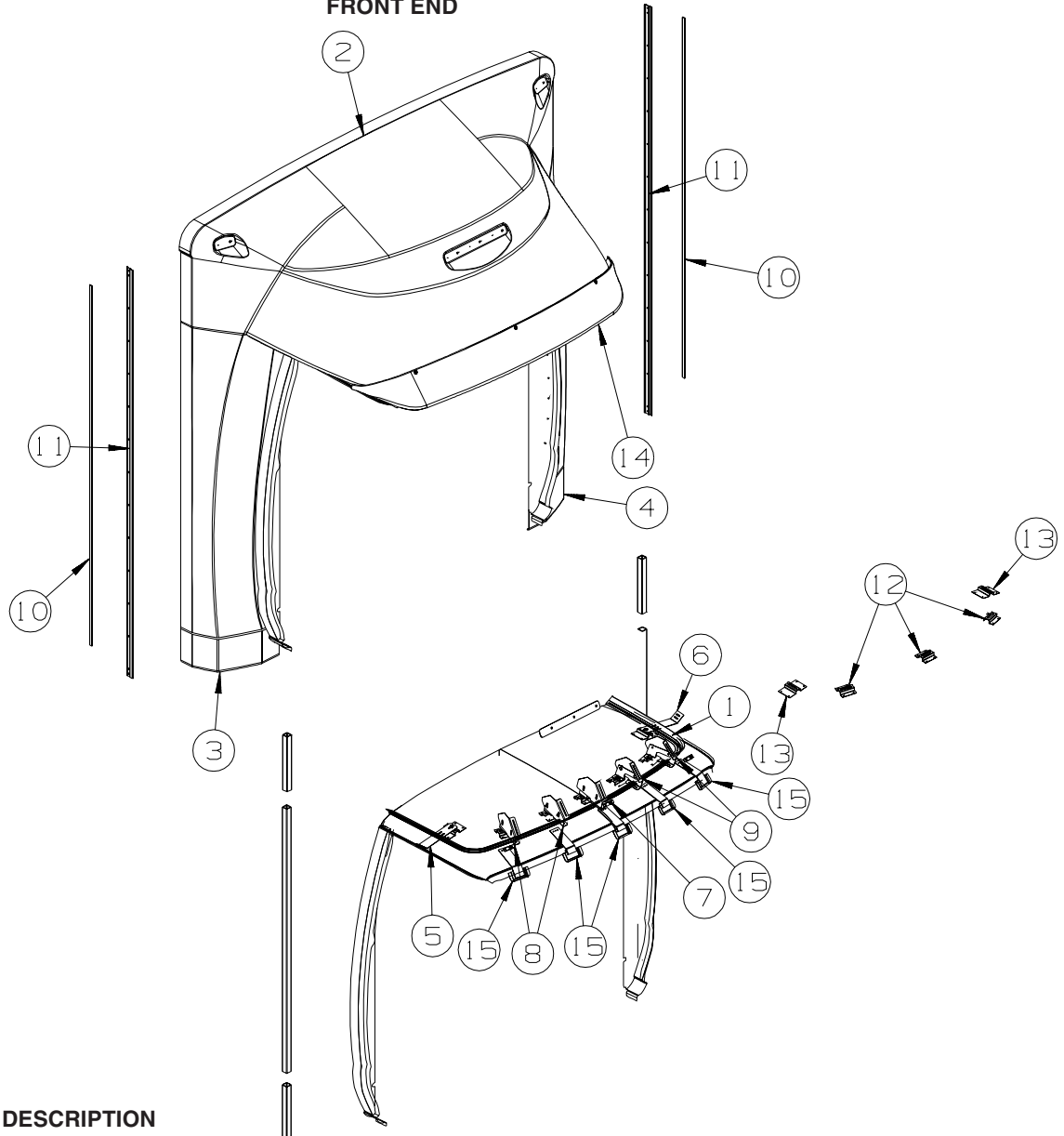
<b>KEY</b>	<b>PART NUMBER</b>	<b>U/M</b>	<b>DESCRIPTION</b>	<b>VENDOR NO.</b>
	117051-01-700	EA	MIRROR-CONVEX	723068-4
	120269-01-700	EA	GLASS KIT W/BEZEL RH/LH	709407-8
	133908-03-700	EA	CAP - RECT/BLACK-W/O LIGHT	709577
	133908-04-700	EA	CAP-MIRROR/ROUND - W/O LIGHT	7095470

**133908-16, 133908-17, -01A/-02A/-03A**

<b>KEY</b>	<b>PART NUMBER</b>	<b>U/M</b>	<b>DESCRIPTION</b>	<b>VENDOR NO.</b>
	086261-01-701	EA	MOTOR-GEAR, MIRROR	747118
	117051-01-700	EA	MIRROR-CONVEX	723068-4
	120269-05-701	EA	GLASS-HTD/REM RH/LH W/CONVEX	709411
	133908-03-700	EA	CAP - RECT/BLACK-W/O LIGHT	709557
	133908-04-700	EA	CAP-MIRROR/ROUND - W/O LIGHT	7095470

# EXTERIOR BODY GROUP (CONTINUED)

FRONT END



KEY	PART NUMBER	U/M	DESCRIPTION
1	149470-01-000	FT	SEAL/D TYPE - W/LEG
2	149543-01-S34	EA	PANEL - FRONT W/TRANSITION PANEL/ROOF CAP
2	149543-01-AA2	EA	PANEL - FRONT W/TRANSITION PANEL/ROOF CAP - <b>FULL BODY PAINT</b>
3	148300-03-S34	EA	PANEL - TRANSITION - RIGHT HAND
3	148300-03-AA2	EA	PANEL - TRANSITION - RIGHT HAND - <b>FULL BODY PAINT</b>
4	148300-04-S34	EA	PANEL - TRANSITION - LEFT HAND
4	148300-04-AA2	EA	PANEL - TRANSITION - LEFT HAND - <b>FULL BODY PAINT</b>
5	149505-01-02B	EA	BRACKET - ROOF CAP/RIGHT HAND - E-COATED
6	149505-02-02B	EA	BRACKET - ROOF CAP/LEFT HAND - E-COATED
7	149522-01-02B	EA	BRACKET - FRONT/ROOF CAP - CENTER - E-COATED
8	149522-02-02B	EA	BRACKET - FRONT/ROOF CAP - RIGHT HAND - E-COATED
9	149522-03-02B	EA	BRACKET - FRONT/ROOF CAP - LEFT HAND - E-COATED
10	091985-01-07A	EA	INSERT - TRIM - REAR CAP TO SIDEWALL - .66" - BRIGHT WHITE
10	091985-01-09A	FT	INSERT - TRIM - REAR CAP TO SIDEWALL - .66" - BLACK
11	092041-14-01A	EA	TRIM - FRONT/REAR CAP (SIDEWALL) - 87.8" - BRIGHT WHITE
11	092041-14-02A	EA	TRIM - FRONT/REAR CAP (SIDEWALL) - 87.8" - BLACK
12	143322-01-02B	EA	CHANNEL - HAT - MOUNT/CAP - E-COATED
13	143322-02-02B	EA	CHANNEL - HAT - MOUNT/CAP - E-COATED
14	149342-02-S34	EA	VISOR - ROOF CAP
15	151497-01-01A	EA	POCKET - VISOR - PLASTIC - BRIGHT WHITE

## EXTERIOR BODY GROUP (CONTINUED)

### LADDER

KEY	PART NUMBER	U/M	DESCRIPTION
	129375-02-000	EA	SEAL - LADDER BRACKET
	150785-03-01A	EA	LADDER - LOWER - 35.4"/3 STEP W/DOG LEG - HINGED STANDOFF - 726A
	150785-07-01A	EA	LADDER - LOWER - 35.4"/3 STEP W/DOG LEG - HINGED STANDOFF - 729H
	161113-04-01A	EA	LADDER - 5 STEP - 71.7" - BRUSHED ALUMINUM - 726A
	161113-05-01A	EA	LADDER - 5 STEP - 71.7" - BRUSHED ALUMINUM - 729H

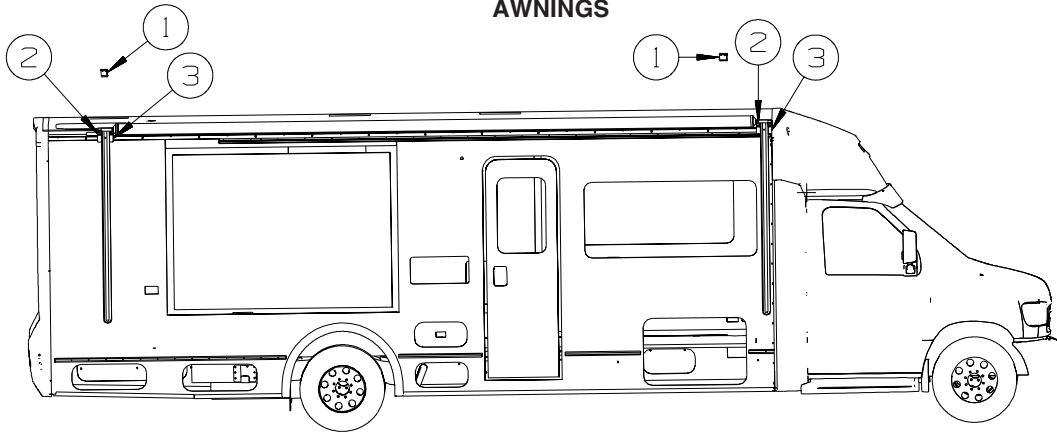
### STRUCTURAL COMPONENTS

KEY	PART NUMBER	U/M	DESCRIPTION
	002726-01-001	EA	GARNISH - U-CHANNEL - 1.38" X 19' - SERRATED
	002766-01-001	EA	ANGLE - EXTRUDED - 1" X 1 1/2" X 17'
	089297-01-000	SF	PLYWOOD - LUAN - OVERLAY GRADE - 4' X 8'
	100619-01-000	BF	FOAM - EXPANDED POLYSTYRENE - 1.34" X 48" X 96"
	100619-02-000	BF	FOAM - EXPANDED POLYSTYRENE - 1.5" X 48" X 96"
	100619-B3-000	BF	FOAM - EXPANDED POLYSTYRENE - .42" X 48" X 96"
	100619-04-000	BF	FOAM - EXPANDED POLYSTYRENE - .5" X 48" X 96"
	100619-05-000	BF	FOAM - EXPANDED POLYSTYRENE - .75" X 48" X 96"-1.5"DENSITY
	100619-16-000	BF	FOAM - EXPANDED POLYSTYRENE - .75" X 48" X 96"-2" DENSITY
	100619-50-000	BF	FOAM - EXPANDED POLYSTYRENE - 3" X 48" X 88.4"
	116942-03-01A	LB	ALUMINUM - .7" X 40" X 158"
	120107-01-000	EA	FOAM - ROOF COVE - 726A
	120107-07-000	EA	FOAM - ROOF COVE - 729H
	120107-02-000	EA	FOAM - PLUG - ROOF TUBE - 2.2" X 2.9" X 1.8" LONG
	120107-03-000	EA	FOAM - PLUG - SIDEWALL TUBE - 1.2" X 2.1" X 1.8" LONG
	128782-27-01A	EA	FIBERGLASS SHEET - 22" X 69.3" - HIGH GLOSS - BRT WHITE
	128782-33-01A	EA	FIBERGLASS SHEET - 16.8" X 266" - HIGH GLOSS - BRT WHITE
	162931-17-01A	EA	FIBERGLASS SHEET - 47.9" X 95.8" - BRIGHT WHITE
	159631-15-01A	EA	FIBERGLASS SHEET - 4" X 93.8" - BRIGHT WHITE
	162931-15-01A	EA	FIBERGLASS SHEET - 4" X 93.8" - BRIGHT WHITE FROM: 00-00-00 THRU: 01-14-07
	159631-18-01A	EA	FIBERGLASS SHEET - 32" X 65" - BRIGHT WHITE FROM: 01-15-07 THRU: 99-99-99
	162931-18-01A	EA	FIBERGLASS SHEET - 32" X 65" - BRIGHT WHITE FROM: 00-00-00 THRU: 01-14-07
	162931-18-01A	EA	FIBERGLASS SHEET - 32" X 65" - BRIGHT WHITE FROM: 01-15-07 THRU: 04-15-07
	162931-33-01A	EA	FIBERGLASS SHEET - 31.1" X 69.3" - BRIGHT WHITE FROM: 04-16-07 THRU: 99-99-99
	159631-08-01A	EA	FIBERGLASS SHEET - 22.1" X 68.2" - BRIGHT WHITE - 729H FROM: 00-00-00 THRU: 01-14-07
	162931-08-01A	EA	FIBERGLASS SHEET - 22.1" X 68.2" - BRIGHT WHITE - 729H FROM: 01-15-07 THRU: 03-25-07
	159631-21-01A	EA	FIBERGLASS SHEET - 89.7" X 254.5" - BRIGHT WHITE - 729H FROM: 00-00-00 THRU: 01-14-07
	162931-21-01A	EA	FIBERGLASS SHEET - 89.7" X 254.5" - BRIGHT WHITE - 729H FROM: 01-15-07 THRU: 99-99-99
	162931-36-01A	EA	FIBERGLASS SHEET - 22.1" X 69.3" - BRIGHT WHITE - 729H FROM: 03-26-07 THRU: 99-99-99



## EXTERIOR BODY GROUP (CONTINUED)

### AWNINGS

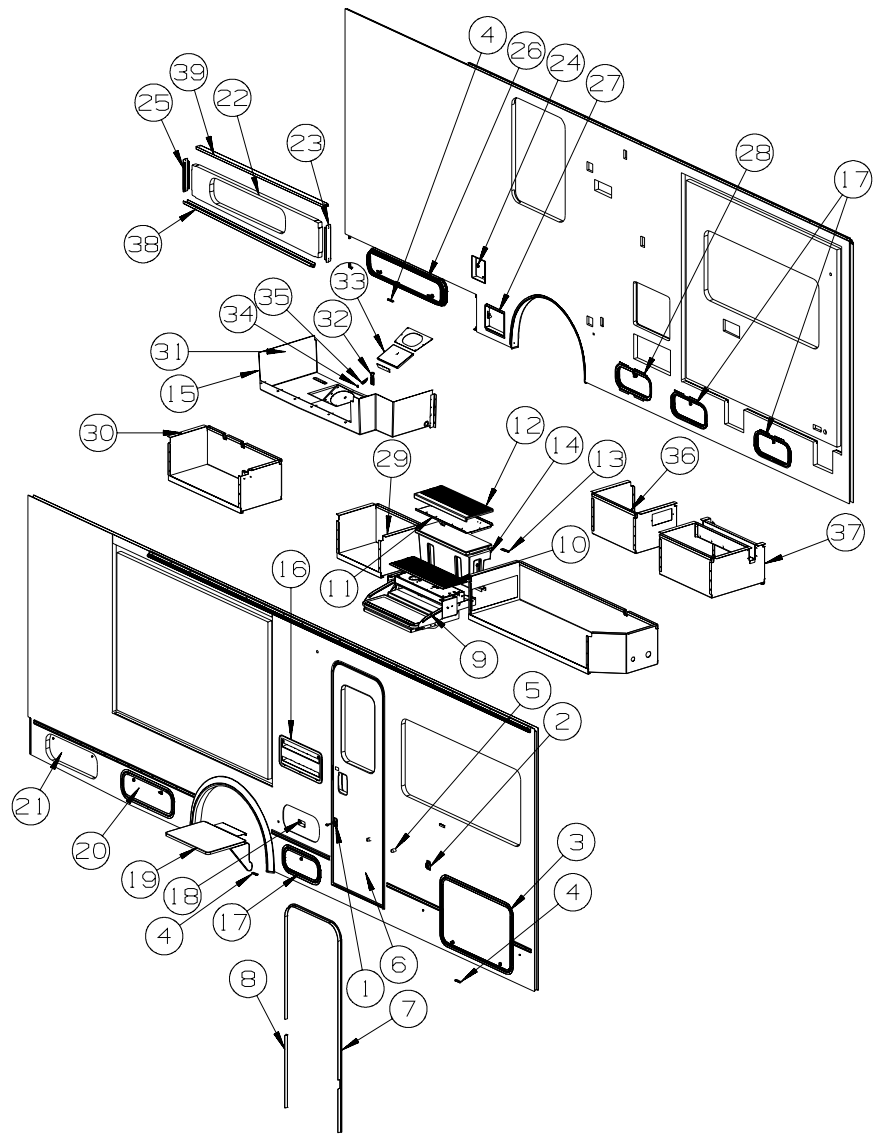


KEY	PART NUMBER	U/M DESCRIPTION	
1	161739-01-02A	EA BRACKET - AWNING - BRIGHT WHITE - 726A	
1	161739-01-01A	EA BRACKET - AWNING - BLACK - 726A	
2	113874-12-01A	EA SCREW/LAG - AWNING - 1/4" X 2 3/4" STAINLESS STEEL - 726A	
3	146457-02-03A	EA BRACKET - AWNING - BRIGHT WHITE - 729H	
3	146457-02-02A	EA BRACKET - AWNING - BLACK - 729H	
	127647-03-01A	EA ROD/AWNING GUARD - ENTRY DOOR - 19.4" LONG - 726A	
	127960-01-01A	EA RETAINER - EYE - 3/8" - STAINLESS STEEL - 726A	
	167227-01-02A	EA SPACER/PLATE - BRIGHT WHITE	FROM: 10-15-07 THRU: 99-99-99
	167227-01-03A	EA SPACER/PLATE - BLACK	FROM: 10-15-07 THRU: 99-99-99

**ORDER AWNINGS & REPAIR PARTS FROM DOMETIC. CALL #800-366-3842.  
THE DOMETIC AWNING INFORMATION YOU WILL NEED IS LOCATED ON THE MOTOR HOME NEAR  
THE TOP OF THE AWNING RAIL.**

# EXTERIOR DOORS & COMPARTMENTS GROUP

## DOOR & COMPARTMENT LAYOUT



KEY	PART NUMBER	U/M	DESCRIPTION
1	104099-01-04A	EA	CATCH - DOOR HOLDER - STRIKE - 3.9" - BRIGHT WHITE
1	104099-01-05A	EA	CATCH - DOOR HOLDER - STRIKE - 3.9" - BLACK
2	104099-02-04A	EA	CATCH/RETAINER - DOOR HOLDER - BRIGHT WHITE
2	104099-02-05A	EA	CATCH/RETAINER - DOOR HOLDER - BLACK
3	126946-73-T41	EA	DOOR/STORAGE - W/O HARDWARE - 35.5" X 23.1" - BRIGHT WHITE
3	126946-73-T42	EA	DOOR/STORAGE - W/O HARDWARE - 35.5" X 23.1" - BLACK
3	126946-A1-AA2	EA	DOOR/STORAGE - W/O HARDWARE - 35.5" X 23.1" - BRIGHT WHITE - PREMIUM SIDEWALLS
3	126946-A1-AA1	EA	DOOR/STORAGE - W/O HARDWARE - 35.5" X 23.1" - BLACK - PREMIUM SIDEWALLS
	056795-01-000	FT	TAPE-SEAL, 1/8~ X 3/8~ WIDE - PRESS ON
	156386-01-01A	FT	SEAL - BULB - .4" X .5" - W/ADHESIVE BACK
4	102768-01-000	EA	HOLDER - COMPARTMENT/ENTRY DOOR - METAL - MILL FINISH
5	117046-02-000	EA	BUMPER - RUBBER/ROUND END - 1.5"
6	P32206-15-W37	EA	DOOR - ENTRY W/SCREEN DOOR - W/O WNDW/LATCH - B/W - SDWL HIGH GLOSS (W37, W38)
6	P32206-15-W39	EA	DOOR - ENTRY W/SCREEN DOOR - W/O WNDW/LATCH - B/W - SDWL HIGH GLOSS (W39, W40)
6	P32206-15-W41	EA	DOOR - ENTRY W/SCREEN DOOR - W/O WNDW/LATCH - B/W - SDWL HIGH GLOSS (W39, W40)
6	M09574-02-W37	EA	DOOR - ENTRY W/SCREEN DOOR - W/O WNDW/LATCH - BLK - SDWL-HIGH GLOSS (W37, W38)
6	M09574-02-W39	EA	DOOR - ENTRY W/SCREEN DOOR - W/O WNDW/LATCH - BLK - SDWL-HIGH GLOSS (W39, W40)
6	M09574-02-W41	EA	DOOR - ENTRY W/SCREEN DOOR - W/O WNDW/LATCH - BLK - SDWL-HIGH GLOSS (W39, W40)
6	P32206-22-W37	EA	DOOR - ENTRY W/SCREEN DOOR - W/O WNDW/LATCH - B/W - SDWL PREM HIGH GLOSS (W37, W38)
6	P32206-22-W39	EA	DOOR - ENTRY W/SCREEN DOOR - W/O WNDW/LATCH - B/W - SDWL PREM HIGH GLOSS (W39, W40)
6	P32206-22-W41	EA	DOOR - ENTRY W/SCREEN DOOR - W/O WNDW/LATCH - B/W - SDWL PREM HIGH GLOSS (W41, W42)
6	M09574-01-W37	EA	DOOR - ENTRY W/SCREEN DOOR - W/O WNDW/LATCH - BLK - SDWL PREM HIGH GLOSS (W37, W38)
6	M09574-01-W39	EA	DOOR - ENTRY W/SCREEN DOOR - W/O WNDW/LATCH - BLK - SDWL PREM HIGH GLOSS (W39, W40)
6	M09574-01-W41	EA	DOOR - ENTRY W/SCREEN DOOR - W/O WNDW/LATCH - BLK - SDWL PREM HIGH GLOSS (W41, W42)

**EXTERIOR DOORS & COMPARTMENTS GROUP (CONTINUED)**  
**DOOR & COMPARTMENT LAYOUT (CONTINUED)**

**KEY PART NUMBER U/M DESCRIPTION**

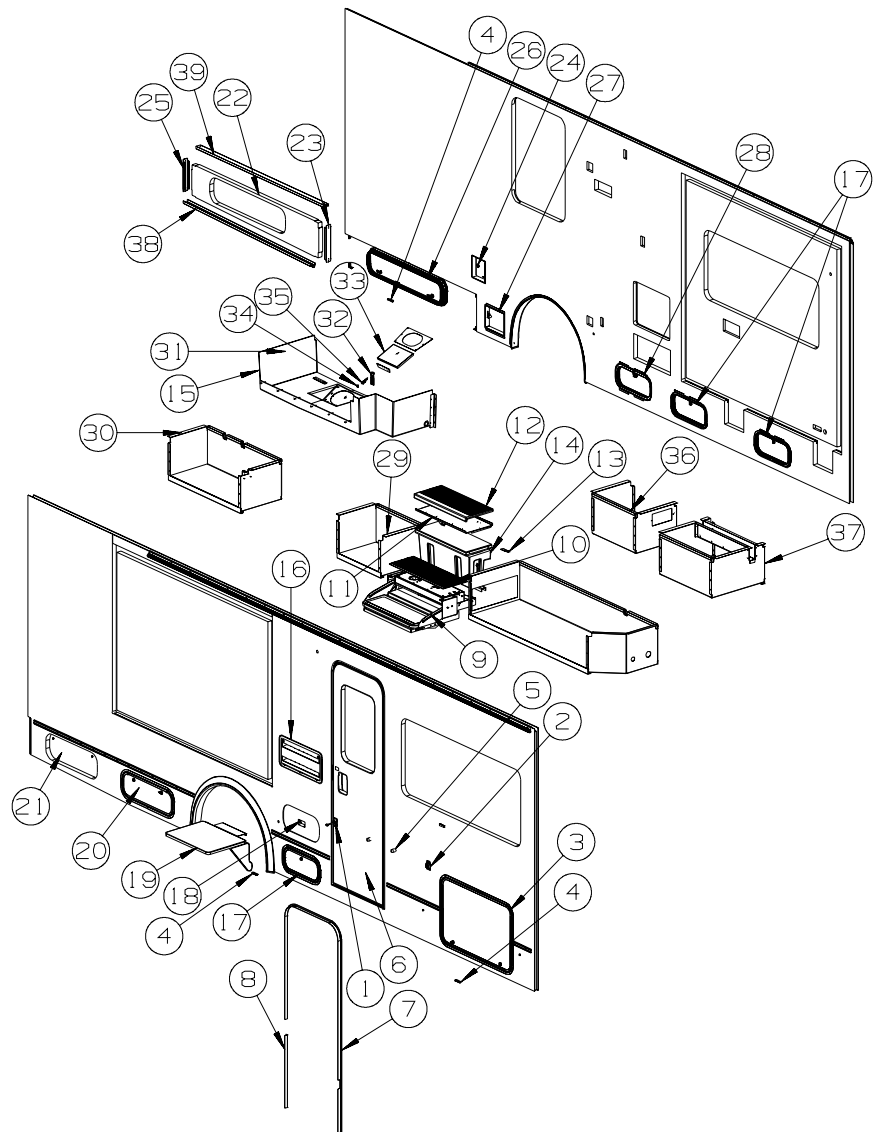
**ENTRY DOOR LOCK CYLINDERS**

138287-11-000	EA	CYLINDER/LOCK - ENTRY DOOR - MASTER W/3M ICON - (3041)
138287-12-000	EA	CYLINDER/LOCK - ENTRY DOOR - MASTER W/3M ICON - (3042)
138287-13-000	EA	CYLINDER/LOCK - ENTRY DOOR - MASTER W/3M ICON - (3043)
138287-14-000	EA	CYLINDER/LOCK - ENTRY DOOR - MASTER W/3M ICON - (3044)
138287-15-000	EA	CYLINDER/LOCK - ENTRY DOOR - MASTER W/3M ICON - (3045)
138287-16-000	EA	CYLINDER/LOCK - ENTRY DOOR - MASTER W/3M ICON - (3046)
138287-17-000	EA	CYLINDER/LOCK - ENTRY DOOR - MASTER W/3M ICON - (3047)
138287-18-000	EA	CYLINDER/LOCK - ENTRY DOOR - MASTER W/3M ICON - (3048)
138287-19-000	EA	CYLINDER/LOCK - ENTRY DOOR - MASTER W/3M ICON - (3049)
138287-20-000	EA	CYLINDER/LOCK - ENTRY DOOR - MASTER W/3M ICON - (3050)
138292-01-000	EA	SEAL - LOCK CYLINDER
138288-11-000	EA	KEY - REVERSIBLE - #3041 - T/M 16169-02-3041
138288-12-000	EA	KEY - REVERSIBLE - #3042 - T/M 16169-02-3042
138288-13-000	EA	KEY - REVERSIBLE - #3043 - T/M 16169-02-3043
138288-14-000	EA	KEY - REVERSIBLE - #3044 - T/M 16169-02-3044
138288-15-000	EA	KEY - REVERSIBLE - #3045 - T/M 16169-02-3045
138288-16-000	EA	KEY - REVERSIBLE - #3046 - T/M 16169-02-3046
138288-17-000	EA	KEY - REVERSIBLE - #3047 - T/M 16169-02-3047
138288-18-000	EA	KEY - REVERSIBLE - #3048 - T/M 16169-02-3048
138288-19-000	EA	KEY - REVERSIBLE - #3049 - T/M 16169-02-3049
138288-20-000	EA	KEY - REVERSIBLE - #3050 - T/M 16169-02-3050

**VALANCE DOOR LOCK CYLINDERS**

138637-04-000	EA	LOCK ASM. - KEYED - 1.5" CASE (CYLINDER/CAM/HDWR PKG)
138637-63-000	EA	CAM - LATCHING - DOG LEG - 1 1/2" LONG
138637-53-000	EA	CASE/CYLINDER - LOCKING - W/O CAM/KEY - 1.5"
138637-53-001	EA	CASE/CYLINDER - LOCKING - W/O CAM/KEY - 1.5"
138637-53-002	EA	CASE/CYLINDER - LOCKING - W/O CAM/KEY - 1.5"
138637-53-003	EA	CASE/CYLINDER - LOCKING - W/O CAM/KEY - 1.5"
138637-53-004	EA	CASE/CYLINDER - LOCKING - W/O CAM/KEY - 1.5"
138637-53-005	EA	CASE/CYLINDER - LOCKING - W/O CAM/KEY - 1.5"
138637-53-006	EA	CASE/CYLINDER - LOCKING - W/O CAM/KEY - 1.5"
138637-53-007	EA	CASE/CYLINDER - LOCKING - W/O CAM/KEY - 1.5"
138637-53-008	EA	CASE/CYLINDER - LOCKING - W/O CAM/KEY - 1.5"
138637-53-009	EA	CASE/CYLINDER - LOCKING - W/O CAM/KEY - 1.5"
138637-51-000	EA	KEYS - SET OF TWO
138637-51-001	EA	KEYS - SET OF TWO
138637-51-002	EA	KEYS - SET OF TWO
138637-51-003	EA	KEYS - SET OF TWO
138637-51-004	EA	KEYS - SET OF TWO
138637-51-005	EA	KEYS - SET OF TWO
138637-51-006	EA	KEYS - SET OF TWO
138637-51-007	EA	KEYS - SET OF TWO
138637-51-008	EA	KEYS - SET OF TWO
138637-51-009	EA	KEYS - SET OF TWO

**EXTERIOR DOORS & COMPARTMENTS GROUP (CONTINUED)**  
**DOOR & COMPARTMENT LAYOUT (CONTINUED)**



**KEY PART NUMBER U/M DESCRIPTION**  
**FUEL FILL DOOR LOCK CYLINDERS**

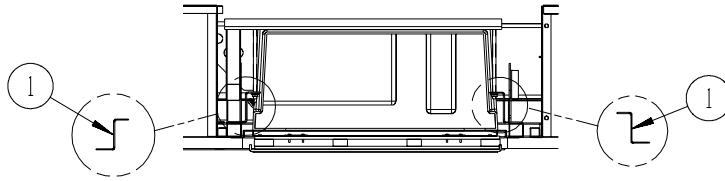
138637-03-000	EA	LOCK ASM. - KEYED - .9" CASE (CYLINDER/CAM/HDWR PKG)
138637-62-000	EA	CAM - LATCHING - DOG LEG - 1" LONG
138637-52-000	EA	CASE/CYLINDER - LOCKING - W/O CAM/KEY - .9"
138637-52-001	EA	CASE/CYLINDER - LOCKING - W/O CAM/KEY - .9"
138637-52-002	EA	CASE/CYLINDER - LOCKING - W/O CAM/KEY - .9"
138637-52-003	EA	CASE/CYLINDER - LOCKING - W/O CAM/KEY - .9"
138637-52-004	EA	CASE/CYLINDER - LOCKING - W/O CAM/KEY - .9"
138637-52-005	EA	CASE/CYLINDER - LOCKING - W/O CAM/KEY - .9"
138637-52-006	EA	CASE/CYLINDER - LOCKING - W/O CAM/KEY - .9"
138637-52-007	EA	CASE/CYLINDER - LOCKING - W/O CAM/KEY - .9"
138637-52-008	EA	CASE/CYLINDER - LOCKING - W/O CAM/KEY - .9"
138637-52-009	EA	CASE/CYLINDER - LOCKING - W/O CAM/KEY - .9"
138637-51-000	EA	KEYS - SET OF TWO
138637-51-001	EA	KEYS - SET OF TWO
138637-51-002	EA	KEYS - SET OF TWO
138637-51-003	EA	KEYS - SET OF TWO
138637-51-004	EA	KEYS - SET OF TWO
138637-51-005	EA	KEYS - SET OF TWO
138637-51-006	EA	KEYS - SET OF TWO
138637-51-007	EA	KEYS - SET OF TWO
138637-51-008	EA	KEYS - SET OF TWO
138637-51-009	EA	KEYS - SET OF TWO
7	EA	139100-08-01A GARNISH/RADIUS - ENTRY DOOR - BRIGHT WHITE
7	EA	139100-08-02A GARNISH/RADIUS - ENTRY DOOR - BLACK
8	EA	139101-02-01A GARNISH/STRAIGHT - 24.9" - BRIGHT WHITE
8	EA	139101-02-03A GARNISH/STRAIGHT - ENTRY DOOR - BLACK

**EXTERIOR DOORS & COMPARTMENTS GROUP (CONTINUED)**  
**DOOR & COMPARTMENT LAYOUT (CONTINUED)**

KEY	PART NUMBER	U/M	DESCRIPTION
9	139748-04-04B	EA	STEP/PULLOUT - W/BRACKETS - BLACK
	102569-04-000	EA	MAT - ANTI SLIP
9*	094708-05-01A	EA	STEP - ELECTRIC - SINGLE - BLACK - KWIKEE
	116975-01-01A	EA	LATCH - W/O STRIKE - BLACK - NEW STYLE
10	133114-03-01A	EA	TREAD - STEP/RUBBER - 27.1" X 10.1" - TAUPE
11	123330-08-02B	EA	SUPPORT - ENTRY STEP - E-COATED
12	147781-01-01A	EA	TREAD/STEP - RUBBER - TAUPE
13	146747-01-02B	EA	BRACKET/CATCH - E-COATED
14	158100-01-01A	EA	COMPARTMENT - STORAGE - PLASTIC
15	156865-01-000	EA	COMPARTMENT - DRAINAGE - PLASTIC
16*	084103-08-000	EA	DOOR - VENT - REFRIGERATOR - W/O JAMB - BRIGHT WHITE
16	084104-08-000	EA	JAMB - VENT DOOR/REFRIGERATOR - BRIGHT WHITE
17	126945-01-AA1	EA	DOOR/STORAGE - W/O HARDWARE - 18" X 8.3"
17	126945-22-W37	EA	DOOR/STORAGE - W/O HARDWARE - 18" X 8.3" - PREMIUM SIDEWALLS
	056795-01-000	FT	TAPE-SEAL, 1/8~ X 3/8~ WIDE - PRESS ON
	156386-01-01A	FT	SEAL - BULB - .4" X .5" - W/ADHESIVE BACK
18	126945-15-S34	EA	DOOR/STORAGE - W/O HARDWARE - 18" X 8.3" - B/W
18	126945-15-AA1	EA	DOOR/STORAGE - W/O HARDWARE - 18" X 8.3" - BLACK
18	126945-24-AA2	EA	DOOR/STORAGE - W/O HDWR - 18" X 8.3" - B/W - PREMIUM SIDEWALLS
18	126945-24-AA1	EA	DOOR/STORAGE - W/O HDWR - 18" X 8.3" - BLACK - PREMIUM SIDEWALLS
	056795-01-000	FT	TAPE-SEAL, 1/8~ X 3/8~ WIDE - PRESS ON
	156386-01-01A	FT	SEAL - BULB - .4" X .5" - W/ADHESIVE BACK
19	142034-02-01A	EA	SHELF - F/EXTERIOR TV - BRIGHT WHITE
20	126946-50-AA1	EA	DOOR/STORAGE - W/O HARDWARE - 25.7" X 8.9"
	126946-A0-W37	EA	DOOR/STORAGE - W/O HARDWARE - 25.6" X 8.9" - PREMIUM SIDEWALLS
	056795-01-000	FT	TAPE-SEAL, 1/8~ X 3/8~ WIDE - PRESS ON
	156386-01-01A	FT	SEAL - BULB - .4" X .5" - W/ADHESIVE BACK
21	126946-48-AA1	EA	DOOR/STORAGE - W/O HARDWARE - 25.6" X 8.5"
21	126946-99-W37	EA	DOOR/STORAGE - W/O HARDWARE - 25.6" X 8.5" - PREMIUM SIDEWALLS
	056795-01-000	FT	TAPE-SEAL, 1/8~ X 3/8~ WIDE - PRESS ON
	156386-01-01A	FT	SEAL - BULB - .4" X .5" - W/ADHESIVE BACK
	076767-07-000	EA	CABLE - STAINLESS STEEL - 7.1"
22	155489-05-W37	EA	PANEL - REMOVABLE - W/O HDW (W37, W38)
22	155489-05-W39	EA	PANEL - REMOVABLE - W/O HDW (W39, W40)
22	155489-05-W41	EA	PANEL - REMOVABLE - W/O HDW (W41, W42)
22	155489-08-W37	EA	PANEL - REMOVABLE - W/O HDW (W37, W38) - PREMIUM SIDEWALLS
22	155489-08-W39	EA	PANEL - REMOVABLE - W/O HDW (W39, W40) - PREMIUM SIDEWALLS
22	155489-08-W41	EA	PANEL - REMOVABLE - W/O HDW (W41, W42) - PREMIUM SIDEWALLS
22	148700-10-02A	EA	TRIM - SIDEWALL/BOTTOM - 75.4" - BLACK
23	156995-02-02A	EA	TRIM - SIDEWALL - U CHANNEL - 1.8" X 11.1" - BLACK
24	156963-02-02A	EA	TRIM - SIDEWALL - U CHANNEL - 64.1" - BLACK
25	156995-01-02A	EA	TRIM - SIDEWALL - U CHANNEL - 1.8" X 12.6" - BLACK
26	126946-86-W37	EA	DOOR/STORAGE - W/O HARDWARE - 37.8" X 8.3"
	126946-A2-W37	EA	DOOR/STORAGE - W/O HARDWARE - 37.8" X 8.3" - PREMIUM SIDEWALLS
	056795-01-000	FT	TAPE-SEAL, 1/8~ X 3/8~ WIDE - PRESS ON
	156386-01-01A	FT	SEAL - BULB - .4" X .5" - W/ADHESIVE BACK
27	142894-01-01A	EA	DOOR/POWER CORD - W/HATCH - W/LOCK - BRIGHT WHITE
28	126945-02-AA1	EA	DOOR/STORAGE - W/O HARDWARE - 18" X 8.3"
28	126945-23-W37	EA	DOOR/STORAGE - W/O HARDWARE - 18" X 8.3" - PREMIUM SIDEWALLS
	056795-01-000	FT	TAPE-SEAL, 1/8~ X 3/8~ WIDE - PRESS ON
	156386-01-01A	FT	SEAL - BULB - .4" X .5" - W/ADHESIVE BACK
29	137554-43-T41	EA	COMPARTMENT - LUGGAGE
30	137554-42-T41	EA	COMPARTMENT - LUGGAGE
31	156865-03-000	EA	COMPARTMENT - DRAINAGE - PLASTIC
32	130377-02-000	EA	TUBE/DRAIN - KAZOO - 1 1/2" X 4"
33	153529-02-02B	EA	DOOR - SUMP - E-COATED
34	151104-01-01A	FT	SEAL - BULB - W/WIRED U CHANNEL - .3" X .5" CHANNEL-BLACK
35	153718-01-01A	EA	LATCH - HOLD DOWN PANEL - STAINLESS STEEL
36	137554-44-T41	EA	COMPARTMENT - LUGGAGE
37	137554-45-T41	EA	COMPARTMENT - LUGGAGE

\*COMPONENT PARTS LISTED LATER IN THIS GROUP

**EXTERIOR DOORS & COMPARTMENTS GROUP (CONTINUED)**  
**DOOR & COMPARTMENT LAYOUT (CONTINUED)**

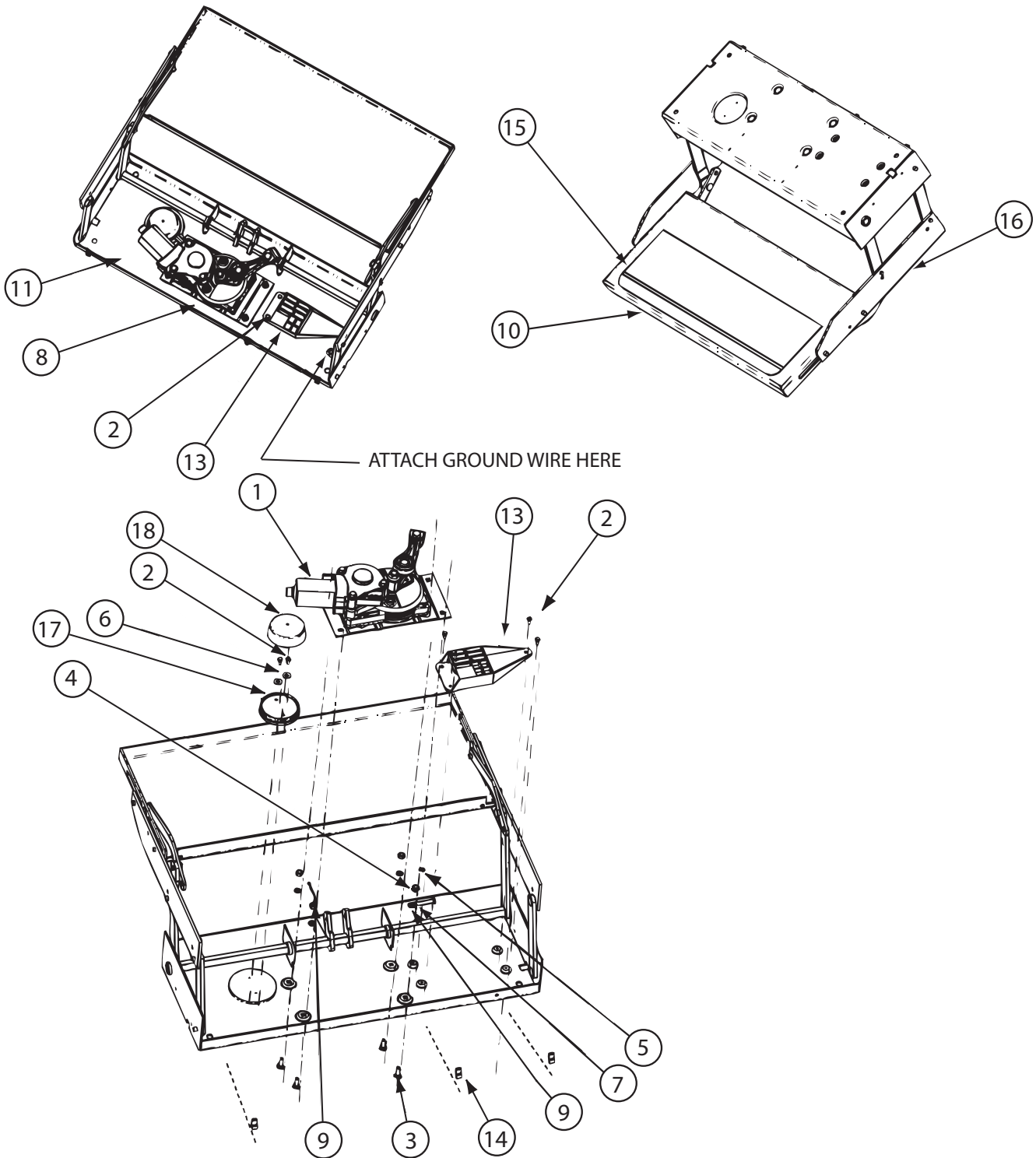


<b>KEY</b>	<b>PART NUMBER</b>	<b>U/M DESCRIPTION</b>
1	158387-01-02B	EA BRACKET/ZEE - W/HOLES - 1.6"W - E-COATED

**COMPONENT PARTS FOR DOOR & COMPARTMENT LAYOUT**

<b>KEY</b>	<b>PART NUMBER</b>	<b>U/M DESCRIPTION</b>	<b>084103-08-000</b>	<b>VENDOR NO.</b>
	084104-01-700	EA LOCK-MALE, FASTENER		201-721-010
	084104-01-701	EA LOCK-FEMALE, FASTENER		201-802-010

**EXTERIOR DOORS & COMPARTMENTS GROUP (CONTINUED)**  
**COMPONENT PARTS FOR DOOR & COMPARTMENT LAYOUT (CONTINUED)**

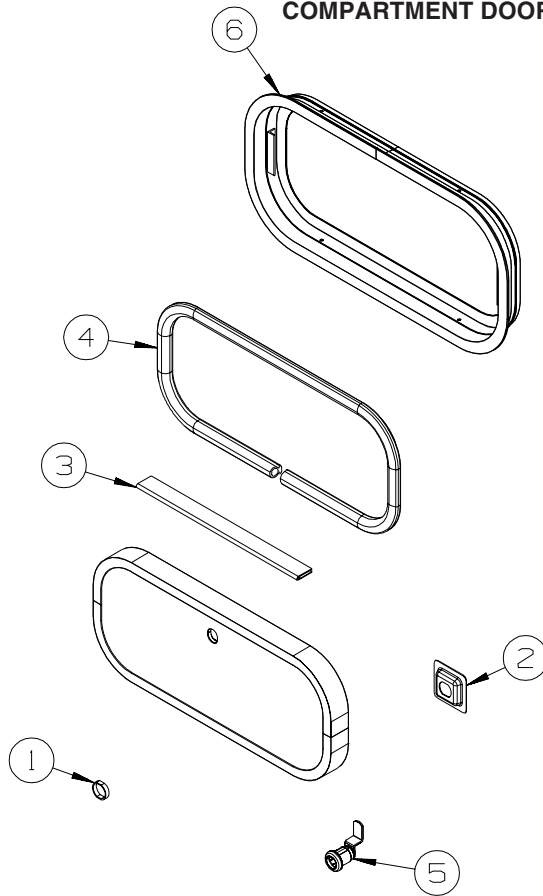


094708-05-01A

KEY	PART NUMBER	U/M	DESCRIPTION	VENDOR NO.
	094707-04-701	EA	MOTOR "AM 214" F/IMGL STEPS	1101428
	094707-04-700	EA	CONTROL UNIT W/OVERRIDE	909510000
	143709-01-702	EA	TREAD/NON-SKID 6" X 21" BLK	1915260
	094708-05-701	EA	FRAME W/SGL STEP,28 SERIES	908028000
	088746-01-705	EA	LIGHT-UNDER STEP	9004
	094707-03-701	EA	PLUG - 4-WAY - PACKARD	909306
	094707-04-702	EA	COTTER PIN - W/CLEVIS PIN	905205000
	094707-04-711	EA	KWIKTEST - W/4-WAY PIGTAIL	909518000
	094708-05-700	EA	GEAR BOX W/LINKAGE-STRAIGHT	1101426
			CONTACT WINNEBAGO PART SALES FOR UNLISTED COMPONENT(S)	

# EXTERIOR DOORS & COMPARTMENTS GROUP (CONTINUED)

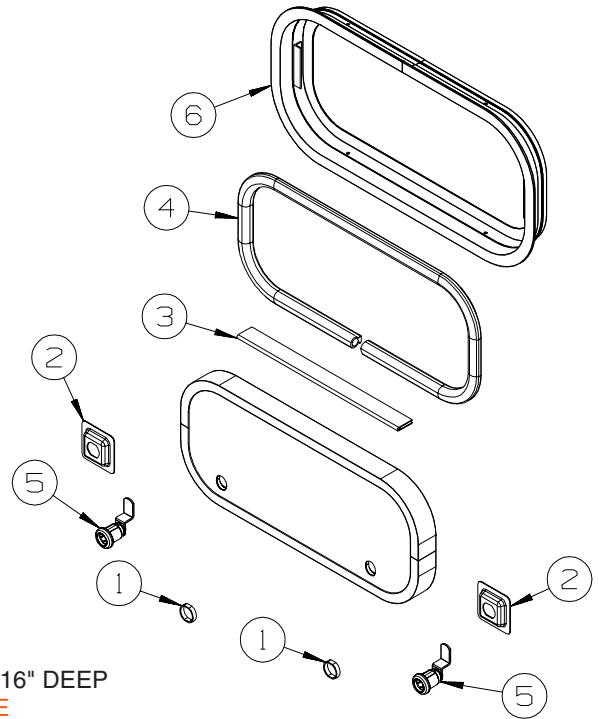
## COMPARTMENT DOOR PIECE PARTS



KEY	PART NUMBER	U/M DESCRIPTION
1	139325-01-000	EA SPACER - LOCK - 6MM - ENTERTAINMENT CENTER
	139337-01-000	EA GASKET - LOCK - ENTERTAINMENT CENTER
1	144734-01-000	EA SPACER - COMPARTMENT DOOR LOCK - 9/16" DEEP
2	097111-02-04A	EA POCKET - LOCK - REAR DOOR - BLACK - ENTERTAINMENT CENTER
3	081801-V3-000	EA HINGE - DOOR - PIANO - 2" X 96" - BRIGHT WHITE
3	081801-FN-000	EA HINGE - DOOR - PIANO - 2" X 96" - BLACK
4	156386-01-01A	FT SEAL - BULB - .4" X .5" - W/ADHESIVE BACK
5	110506-27-000	EA LOCK - TWIST - 1.6" - TWIST LOCK
	110506-55-000	EA CASE/CYLINDER - TWIST LOCK - W/O CAM - 1.25" - 597312AA1 - TWIST LOCK
	110506-66-000	EA CAM - LATCHING - DOG LEG - 1.5" LONG - TWIST LOCK
5	138290-02-000	EA CASE - W/CAM - W/O CYLINDER/KEY - ENTERTAINMENT CENTER
5	138637-04-000	EA LOCK ASM. - KEYED - 1.5" CASE (CYLINDER/CAM/HDWR PKG) - KEYED LOCK
	110506-40-000	EA CLIP-E, LOCK ASM - BRIGGS & STRATTON 93981 - KEYED LOCK
	110506-41-000	EA WASHER-TENSION LOCK ASM - BRIGGS & STRATTON 37512 - KEYED LOCK
	110506-42-000	EA NUT-LOCK ASM - BRIGGS & STRATTON 310878 - KEYED LOCK
	110506-43-000	EA WASHER-FLAT, LOCK ASM - BRIGGS & STRATTON 82089 - KEYED LOCK
		FROM: 00-00-00 THRU: 07-11-07
	110506-44-000	EA GASKET-LOCK ASM - BRIGGS & STRATTON - #47701 - KEYED LOCK
	144474-01-000	EA ADAPTER - LOCK - 180 DEGREE - KEYED LOCK
	138637-63-000	EA CAM - LATCHING - DOG LEG - 1.5" LONG - KEYED LOCK
	138637-53-000	EA CASE/CYLINDER - LOCKING - W/O CAM/KEY - 1.5" - KEYED LOCK
	138637-53-001	EA CASE/CYLINDER - LOCKING - W/O CAM/KEY - 1.5" - KEYED LOCK
	138637-53-002	EA CASE/CYLINDER - LOCKING - W/O CAM/KEY - 1.5" - KEYED LOCK
	138637-53-003	EA CASE/CYLINDER - LOCKING - W/O CAM/KEY - 1.5" - KEYED LOCK
	138637-53-004	EA CASE/CYLINDER - LOCKING - W/O CAM/KEY - 1.5" - KEYED LOCK
	138637-53-005	EA CASE/CYLINDER - LOCKING - W/O CAM/KEY - 1.5" - KEYED LOCK
	138637-53-006	EA CASE/CYLINDER - LOCKING - W/O CAM/KEY - 1.5" - KEYED LOCK
	138637-53-007	EA CASE/CYLINDER - LOCKING - W/O CAM/KEY - 1.5" - KEYED LOCK
	138637-53-008	EA CASE/CYLINDER - LOCKING - W/O CAM/KEY - 1.5" - KEYED LOCK
	138637-53-009	EA CASE/CYLINDER - LOCKING - W/O CAM/KEY - 1.5" - KEYED LOCK
6	056795-01-000	FT TAPE-SEAL, 1/8~ X 3/8~ WIDE - PRESS ON



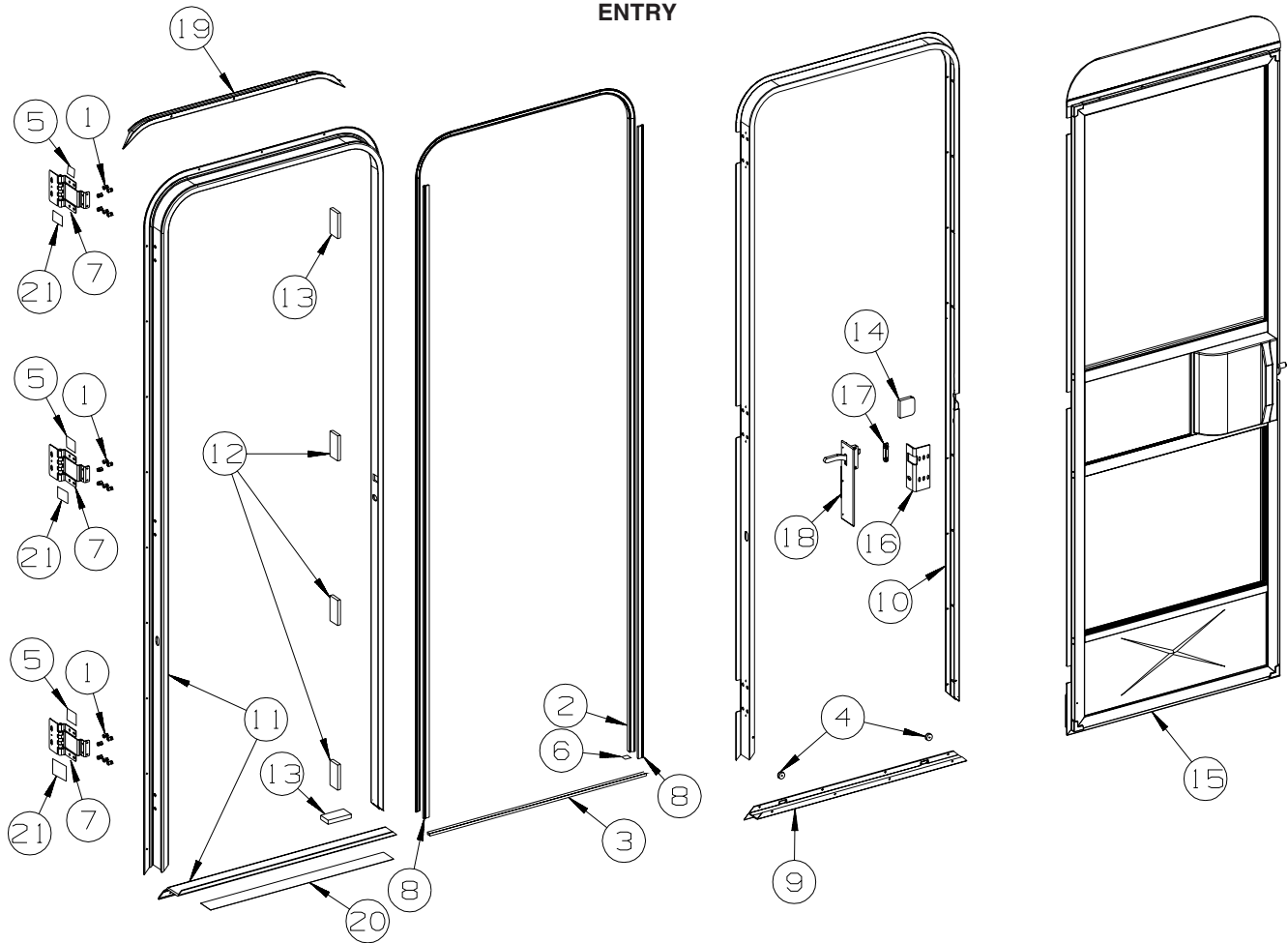
**EXTERIOR DOORS & COMPARTMENTS GROUP (CONTINUED)**  
**COMPARTMENT DOOR PIECE PARTS (CONTINUED)**



KEY	PART NUMBER	U/M	DESCRIPTION
1	144734-01-000	EA	SPACER - COMPARTMENT DOOR LOCK - 9/16" DEEP
1	139325-01-000	EA	SPACER - LOCK - 6MM - TRI/MARK KEY ONE
	139337-01-000	EA	GASKET - LOCK - TRI/MARK KEY ONE
2	097111-02-04A	EA	POCKET - LOCK - REAR DOOR - BLACK - TRI/MARK KEY ONE
3	081801-V3-000	EA	HINGE - DOOR - PIANO - 2" X 96" - BRIGHT WHITE
3	081801-FN-000	EA	HINGE - DOOR - PIANO - 2" X 96" - BLACK
4	156386-01-01A	FT	SEAL - BULB - .4" X .5" - W/ADHESIVE BACK
5	110506-27-000	EA	LOCK - TWIST - 1.6" - TWIST LOCK
	110506-55-000	EA	CASE/CYLINDER - TWIST LOCK - W/O CAM - 1.25" - 597312AA1 - TWIST LOCK
	110506-66-000	EA	CAM - LATCHING - DOG LEG - 1.5" LONG - TWIST LOCK
5	138290-02-000	EA	CASE - W/CAM - W/O CYLINDER/KEY - TRI/MARK KEY ONE
5	138637-04-000	EA	LOCK ASM. - KEYED - 1.5" CASE (CYLINDER/CAM/HDWR PKG) - KEYED LOCK
	110506-40-000	EA	CLIP-E, LOCK ASM - BRIGGS & STRATTON 93981- KEYED LOCK
	110506-41-000	EA	WASHER-TENSION LOCK ASM - BRIGGS & STRATTON 37512- KEYED LOCK
	110506-42-000	EA	NUT-LOCK ASM - BRIGGS & STRATTON 310878- KEYED LOCK
	110506-43-000	EA	WASHER-FLAT, LOCK ASM - BRIGGS & STRATTON 82089- KEYED LOCK
	110506-44-000	EA	GASKET-LOCK ASM - BRIGGS & STRATTON - #47701- KEYED LOCK
	110506-45-000	EA	WASHER - SPUR - BRIGGS & STRATTON - #94771 - KEYED LOCK
	144474-01-000	EA	ADAPTER - LOCK - 180 DEGREE- KEYED LOCK
	138637-63-000	EA	CAM - LATCHING - DOG LEG - 1 1/2" LONG- KEYED LOCK
	138637-53-000	EA	CASE/CYLINDER - LOCKING - W/O CAM/KEY - 1.5"- KEYED LOCK
	138637-53-001	EA	CASE/CYLINDER - LOCKING - W/O CAM/KEY - 1.5"- KEYED LOCK
	138637-53-002	EA	CASE/CYLINDER - LOCKING - W/O CAM/KEY - 1.5"- KEYED LOCK
	138637-53-003	EA	CASE/CYLINDER - LOCKING - W/O CAM/KEY - 1.5"- KEYED LOCK
	138637-53-004	EA	CASE/CYLINDER - LOCKING - W/O CAM/KEY - 1.5"- KEYED LOCK
	138637-53-005	EA	CASE/CYLINDER - LOCKING - W/O CAM/KEY - 1.5"- KEYED LOCK
	138637-53-006	EA	CASE/CYLINDER - LOCKING - W/O CAM/KEY - 1.5"- KEYED LOCK
	138637-53-007	EA	CASE/CYLINDER - LOCKING - W/O CAM/KEY - 1.5"- KEYED LOCK
	138637-53-008	EA	CASE/CYLINDER - LOCKING - W/O CAM/KEY - 1.5"- KEYED LOCK
	138637-53-009	EA	CASE/CYLINDER - LOCKING - W/O CAM/KEY - 1.5"- KEYED LOCK
6	056795-01-000	FT	TAPE-SEAL, 1/8" X 3/8" WIDE - PRESS ON

# EXTERIOR DOORS & COMPARTMENTS GROUP (CONTINUED)

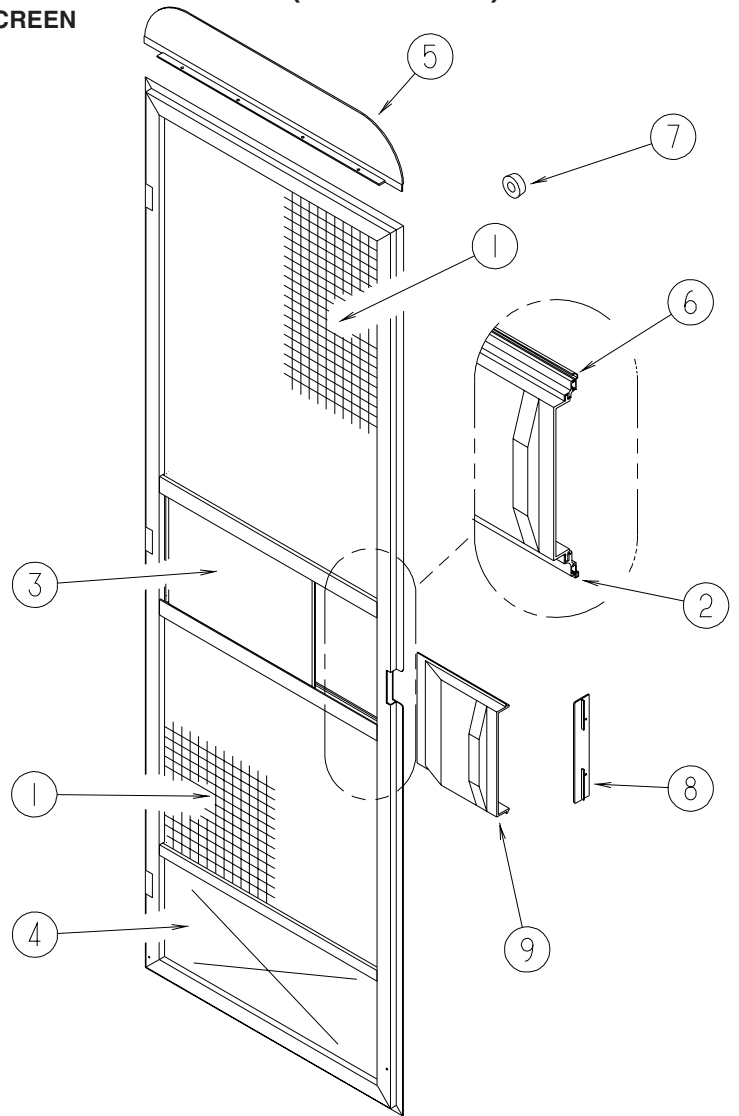
## ENTRY



KEY	PART NUMBER	U/M	DESCRIPTION
1	039715-01-000	EA	NUT-SERT - 1/4" DIAMETER - 20 THREADS
2	075671-04-000	FT	SEAL - SPONGE - LAZY T - W/ADHESIVE STRIP - .5" WIDE
3	075673-05-000	FT	SEAL/PILE - .5" HIGH W/ADHESIVE BACK - BLACK
4	081914-02-000	EA	BUMPER - RUBBER - ROUND - 5/16" DIA. X 13/64" THICK
5	100128-02-000	FT	SEAL - FOAM/ADHESIVE BACK - .37" WIDE X .37" THICK X 60'
6	104692-01-000	FT	SEAL - ADHESIVE BACKED FOAM - 3/4" THICK X 3/4" WIDE X 25'
7	106719-01-05A	EA	HINGE - ENTRY DOOR - BRIGHT WHITE
7	106719-01-08A	EA	HINGE - ENTRY DOOR - BLACK
8	118929-01-01A	FT	SEAL - PILE - PUSH ON
9	121893-01-01A	EA	FRAME - ENTRY DOOR/BOTTOM - BRIGHT WHITE
9	121893-01-04A	EA	FRAME - ENTRY DOOR/BOTTOM - BLACK
10	121894-31-01A	EA	FRAME - ENTRY DOOR - BRIGHT WHITE
10	121894-31-02A	EA	FRAME - ENTRY DOOR - BLACK
11	121898-21-01A	EA	JAMB - DOOR/ENTRANCE - BRIGHT WHITE
11	121898-21-02A	EA	JAMB - DOOR/ENTRANCE - BLACK
12	125724-01-000	EA	SHIM - DOOR, ENTRANCE
13	125724-02-000	EA	SHIM - DOOR, ENTRANCE
14	130096-05-000	EA	FOAM - SCREEN DOOR, RETAINER
15	P32208-06-S34	EA	DOOR - SCREEN - W/O HARDWARE
15	P32208-06-W37	EA	DOOR - SCREEN - W/O STRIKE/SLIDER/HDW - <b>FULL BODY PAINT</b>
16	137401-01-03B	EA	BRACKET - DOOR ANGLE - OFF WHITE
17	148364-01-12B	EA	STRIKE - SCREEN DOOR - BRIGHT WHITE
17	148364-01-04B	EA	STRIKE - SCREEN DOOR - BLACK
18	132915-01-01A	EA	LATCH - SCREEN DOOR - BLACK
19	139054-01-01A	EA	CAP - DRIP - JAMB MOUNTED - BRIGHT WHITE
19	139054-01-02A	EA	CAP - DRIP - JAMB MOUNTED - BLACK
20	038327-01-000	EA	TAPE - ANTI-SLIP - 2" X 60'
21	154585-01-01A	FT	SEAL - FOAM TAPE - ADHESIVE BACK - 3/8" X 3/8" - BLACK

# EXTERIOR DOORS & COMPARTMENTS GROUP (CONTINUED)

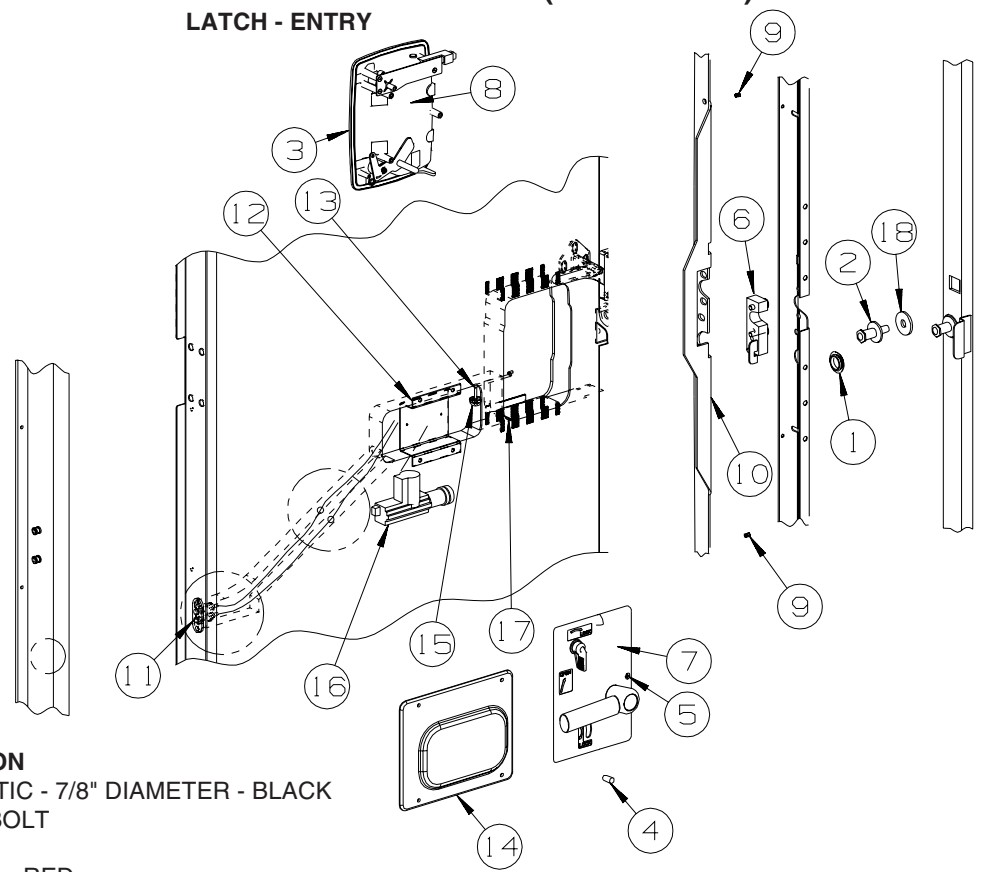
## SCREEN



KEY	PART NUMBER	U/M	DESCRIPTION
1	002293-02-000	SF	SCREEN - 26" - CHARCOAL
2	002294-01-000	FT	SPLINE - SCREENING - .13" X .14"
3	016454-21-000	EA	INSERT/CENTER - SCREEN DOOR
4	078552-03-000	EA	KICK PANEL - SCREEN DOOR - LOWER INSERT - UNPAINTED
5	078595-01-000	EA	TOP PLATE - SCREEN DOOR - CURVED TOP - 4.7" X 25.35"
6	078777-08-000	FT	CHANNEL - SLIDER - 4 FOOT INCREMENTS
7	120863-09-000	EA	BUMPER - RUBBER/RADIUS TOP - 3/4" X 3/8" - LT GRAY
8	132081-01-01A	EA	STRIKE - SLIDER - SCREEN DOOR - BRIGHT WHITE
8	132081-01-03A	EA	STRIKE - SLIDER - SCREEN DOOR - BLACK
9	132082-01-01A	EA	SLIDER - SCREEN DOOR - BRIGHT WHITE
9	132082-01-03A	EA	SLIDER - SCREEN DOOR - BLACK

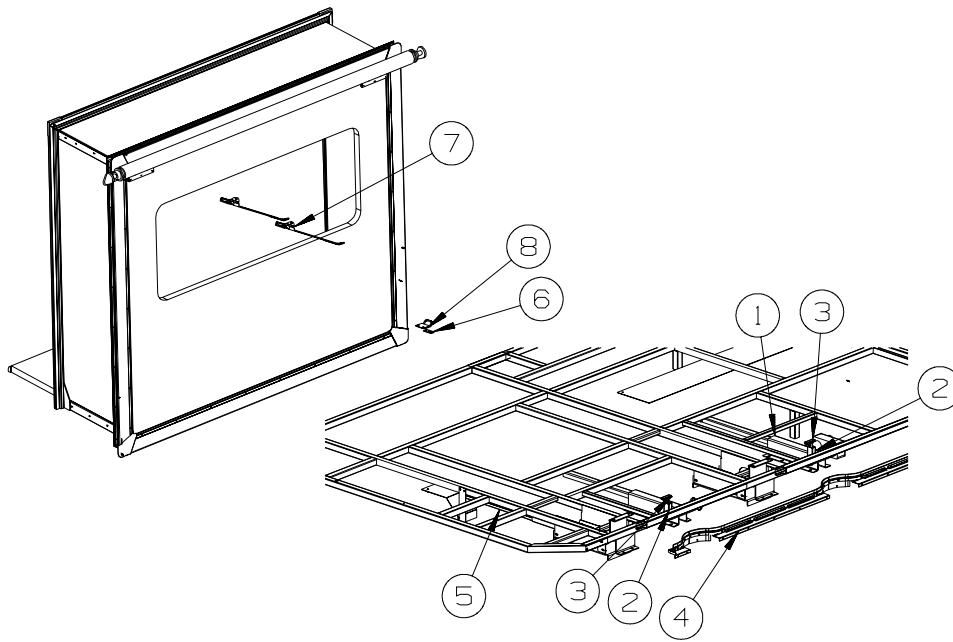
# EXTERIOR DOORS & COMPARTMENTS GROUP (CONTINUED)

## LATCH - ENTRY



KEY	PART NUMBER	U/M	DESCRIPTION
1	061420-14-000	EA	PLUG/PLASTIC - 7/8" DIAMETER - BLACK
2	092927-20-000	EA	STRIKER - BOLT
3	112782-04-01A	EA	GASKET
4	112782-05-01A	EA	CAP - VINYL - RED
5	112782-08-01A	EA	SCREW - MOUNTING/PLATE - ZINC
6	112782-22-01A	EA	LATCH - SINGLE ROTOR
7	112782-27-01A	EA	LATCH - INTERIOR PLATE
8	112782-20-01A	EA	LATCH - EXTERIOR - W/O LOCK CYLINDER W/ICON-REVERSIBLE KEY
9	072893-04-000	EA	NUTSERT - 10-32
10	132207-01-02B	EA	STIFFENER/DOOR - FORMED - E-COATED
10	132207-03-02B	EA	STIFFENER/DOOR - FORMED - E-COATED - VIEW, ASPECT, NAVION, CAMBRIA
11	138897-01-000	EA	SWITCH - 2 PIN/SPRING LOADED CONTACTS (EA=1 SWITCH)
12	113650-02-02B	EA	BRACKET - ACTUATOR - ELECTRIC - E-COATED
13	113651-01-01A	EA	ROD - CONTROL - MOTOR/LOCK
14	113960-01-01A	EA	COVER - ACTUATOR - POWER LOCK
15	147900-01-01A	EA	SPACER-STRIKE BOLT, MILL
16	138898-01-000	EA	ACTUATOR/LOCK - ELECTRIC
17	137230-01-01A	EA	SPACER- NOTCHED, MILL

**EXTERIOR SLIDEOUT GROUP  
FRONT LEFT**

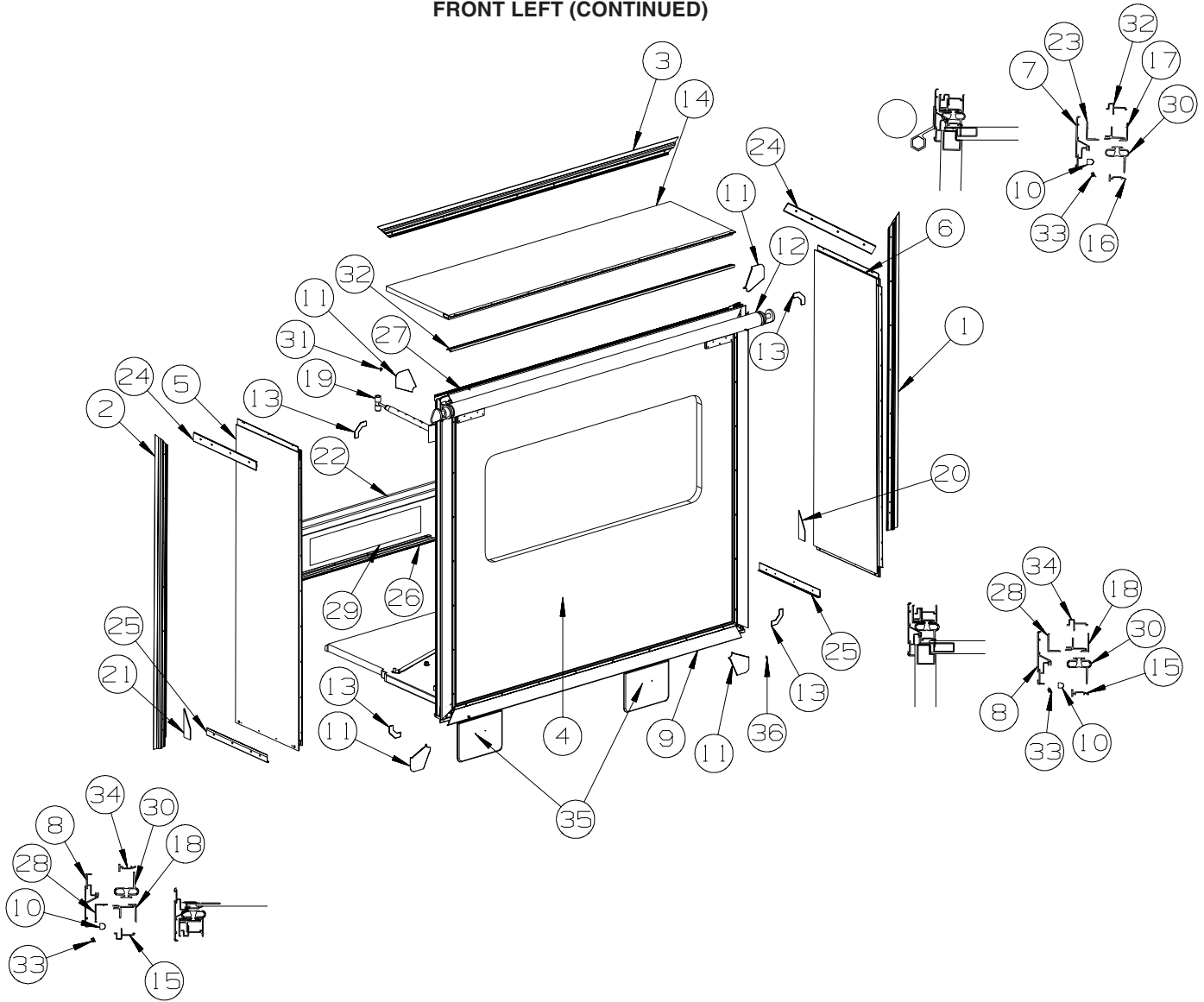


KEY	PART NUMBER	U/M	DESCRIPTION
1*	148685-01-000	EA	SLIDEOUT - ELECTRIC
2	126313-09-02B	EA	SUPPORT - ROLLER - SLIDE-OUT ROOM - E-COATED
3	134855-01-000	EA	BEARING PAD - NARROW
4	159111-07-U21	EA	TRIM/ZEE - W/SEAL/END CAPS - SIDEWALL/LOWER-81.1"
4	159111-07-AA1	EA	TRIM/ZEE - W/SEAL/END CAPS - SIDEWALL/LOWER-81.1" - FULL BODY PAINT
	153109-32-02A	EA	ANGLE/RETAINER - SEAL - .5" X .5" X 8.3" - BLACK
	153109-33-02A	EA	ANGLE/RETAINER - SEAL - .5" X .5" X 6.8" - BLACK
	153109-34-02A	EA	ANGLE/RETAINER - SEAL - .5" X .5" X 8.7" - BLACK
	153109-36-02A	EA	ANGLE/RETAINER - SEAL - .5" X .5" X 9.6" - BLACK
	165260-01-000	FT	SEAL - BULB - W/WIRED U CHANNEL - .55" THICK X 1.3"
5	141019-02-02B	EA	SUPPORT - WIRE - E-COATED
6	150697-02-02B	EA	BRACKET - RESTRAINT/CHILD - E-COATED
7	160167-02-01A	EA	SEAT BELT - 2" X 90" - BLACK
8	150700-01-02B	EA	PLATE/MOUNTING - RESTRAINT/CHILD - 1" X 2.3" - E-COATED

\*COMPONENT PARTS LISTED LATER IN THIS GROUP

**ORDER AWNINGS & REPAIR PARTS FROM DOMETIC. CALL #800-366-3842.  
THE DOMETIC AWNING INFORMATION YOU WILL NEED IS LOCATED ON THE MOTOR HOME NEAR  
THE TOP OF THE AWNING RAIL.**

**EXTERIOR SLIDEOUT GROUP (CONTINUED)**  
**FRONT LEFT (CONTINUED)**

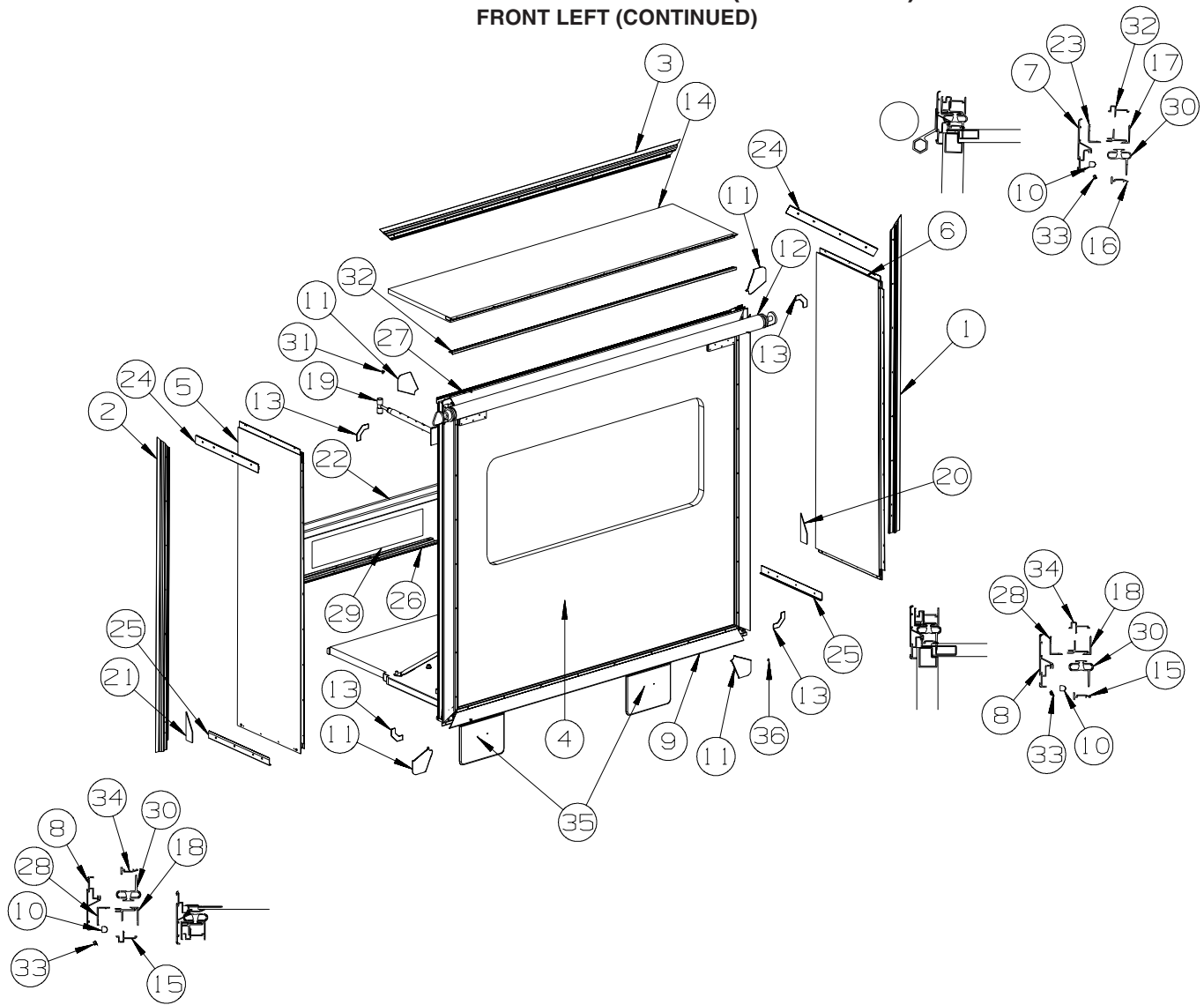


KEY	PART NUMBER	U/M	DESCRIPTION
1	139624-14-02A	EA	TRIM/SEAL - INNER/LEFT HAND - 70.2" - ALMOND
2	139624-13-02A	EA	TRIM/SEAL - INNER/RIGHT HAND - 70.2" - ALMOND
3	139624-04-02A	EA	TRIM/SEAL - INNER/TOP - 80.2" - ALMOND
4	161358-11-W37	EA	SLUG - F/SLIDEOUT (W37, W38)
4	161358-11-W39	EA	SLUG - F/SLIDEOUT (W39, W40)
4	161358-11-W41	EA	SLUG - F/SLIDEOUT (W41, W42)
4	161358-12-W37	EA	SLUG - F/SLIDEOUT (W37, W38) - PREMIUM SIDEWALLS
4	161358-12-W39	EA	SLUG - F/SLIDEOUT (W39, W40) - PREMIUM SIDEWALLS
4	161358-12-W41	EA	SLUG - F/SLIDEOUT (W41, W42) - PREMIUM SIDEWALLS
5	155789-01-W37	EA	PANEL END - F/SLIDEOUT (W37, W38)
			FROM: 00-00-00 THRU: 03-25-07
5	164200-01-W37	EA	PANEL END - F/SLIDEOUT (W37, W38)
			FROM: 03-26-07 THRU: 99-99-99
5	164200-03-W37	EA	PANEL END - F/SLIDEOUT (W37, W38) - PREMIUM SIDEWALLS
5	155789-01-W39	EA	PANEL END - F/SLIDEOUT (W39, W40)
			FROM: 00-00-00 THRU: 03-25-07
5	164200-01-W39	EA	PANEL END - F/SLIDEOUT (W39, W40)
			FROM: 03-26-07 THRU: 99-99-99
5	164200-03-W39	EA	PANEL END - F/SLIDEOUT (W39, W40) - PREMIUM SIDEWALLS
5	155789-01-W41	EA	PANEL END - F/SLIDEOUT (W41, W42)
			FROM: 00-00-00 THRU: 03-25-07
5	164200-01-W41	EA	PANEL END - F/SLIDEOUT (W41, W42)
			FROM: 03-26-07 THRU: 99-99-99
5	164200-03-W41	EA	PANEL END - F/SLIDEOUT (W41, W42) - PREMIUM SIDEWALLS

**EXTERIOR SLIDEOUT GROUP (CONTINUED)**  
**FRONT LEFT (CONTINUED)**

KEY	PART NUMBER	U/M	DESCRIPTION
6	155790-01-W37	EA	PANEL END - F/SLIDEOUT (W37, W38) FROM: 00-00-00 THRU: 03-25-07
6	164200-02-W37	EA	PANEL END - F/SLIDEOUT (W37, W38) FROM: 03-26-07 THRU: 99-99-99
6	164200-04-W37	EA	PANEL END - F/SLIDEOUT (W37, W38) - <b>PREMIUM SIDEWALLS</b>
6	155790-01-W39	EA	PANEL END - F/SLIDEOUT (W39, W40) FROM: 00-00-00 THRU: 03-25-07
6	164200-02-W39	EA	PANEL END - F/SLIDEOUT (W39, W40) FROM: 03-26-07 THRU: 99-99-99
6	164200-04-W39	EA	PANEL END - F/SLIDEOUT (W39, W40) - <b>PREMIUM SIDEWALLS</b>
6	155790-01-W41	EA	PANEL END - F/SLIDEOUT (W41, W42) FROM: 00-00-00 THRU: 03-25-07
6	164200-02-W41	EA	PANEL END - F/SLIDEOUT (W41, W42) FROM: 03-26-07 THRU: 99-99-99
6	164200-04-W41	EA	PANEL END - F/SLIDEOUT (W41, W42) - <b>PREMIUM SIDEWALLS</b>
7	156417-01-01A	EA	TRIM/SEAL - W/MITERED ENDS - 78.4" - BRIGHT WHITE - <b>NOT ILLUSTRATED</b> FROM: 00-00-00 THRU: 03-25-07
7	162052-01-01A	EA	TRIM/SEAL - W/MITERED ENDS - 78.4" - BRIGHT WHITE FROM: 03-26-07 THRU: 99-99-99
7	156417-01-02A	EA	TRIM/SEAL - W/MITERED ENDS - 78.4" - BLACK - <b>FULL BODY PAINT - NOT ILLUSTRATED</b> FROM: 00-00-00 THRU: 03-25-07
7	162052-01-02A	EA	TRIM/SEAL - W/MITERED ENDS - 78.4" - BLACK - <b>FULL BODY PAINT</b> FROM: 03-26-07 THRU: 99-99-99
8	156417-11-01A	EA	TRIM/SEAL - W/MITERED ENDS - 70.2" - BRIGHT WHITE - <b>NOT ILLUSTRATED</b> FROM: 00-00-00 THRU: 03-25-07
8	162052-11-01A	EA	TRIM/SEAL - W/MITERED ENDS - 70.2" - BRIGHT WHITE FROM: 03-26-07 THRU: 99-99-99
8	156417-11-02A	EA	TRIM/SEAL - W/MITERED ENDS - 70.2" - BLACK - <b>FULL BODY PAINT - NOT ILLUSTRATED</b> FROM: 00-00-00 THRU: 03-25-07
8	162052-11-02A	EA	TRIM/SEAL - W/MITERED ENDS - 70.2" - BLACK - <b>FULL BODY PAINT</b> FROM: 03-26-07 THRU: 99-99-99
9	142233-20-01A	EA	TRIM/SEAL - W/MITERED ENDS - 78.4" - BRIGHT WHITE - <b>NOT ILLUSTRATED</b> FROM: 00-00-00 THRU: 03-25-07
9	162054-02-01A	EA	TRIM/SEAL - W/MITERED ENDS - 78.4" - BRIGHT WHITE FROM: 03-26-07 THRU: 99-99-99
9	142233-20-02A	EA	TRIM/SEAL - W/MITERED ENDS - 78.4" - BLACK - <b>FULL BODY PAINT - NOT ILLUSTRATED</b> FROM: 00-00-00 THRU: 03-25-07
9	162054-02-02A	EA	TRIM/SEAL - W/MITERED ENDS - 78.4" - BLACK - <b>FULL BODY PAINT</b> FROM: 03-26-07 THRU: 99-99-99
10	158297-01-000	FT	SEAL - D-SECTION/BULB/TEE - ADHESIVE BACK - BLACK
11	156151-01-02A	EA	PROTECTOR - CORNER - SLIDEOUT - BRIGHT WHITE
11	156151-01-01A	EA	PROTECTOR - CORNER - SLIDEOUT - BLACK - <b>FULL BODY PAINT</b>
12			SLIDEOUT AWNING
13	156416-01-12B	EA	BRACKET - CORNER TRIM/SLIDEOUT - 3.1"X 3.1" - BRIGHT WHITE - <b>NOT ILLUSTRATED</b> FROM: 00-00-00 THRU: 11-05-06
13	156416-01-02B	EA	BRACKET - CORNER TRIM/SLIDEOUT - 3.1"X 3.1" - E-COATED - <b>NOT ILLUSTRATED</b> FROM: 11-06-06 THRU: 12-31-06
13	160421-01-01A	EA	CORNER TRIM/SLIDEOUT - 3.1" X 3.1" - BLACK FROM: 01-01-07 THRU: 99-99-99
14	148411-01-S34	EA	ROOF - F/SLIDEOUT
15	142718-21-01A	EA	RETAINER - SIDEWALL/SLIDEOUT - 69.5"
16	142718-23-01A	EA	RETAINER - SIDEWALL/SLIDEOUT - 79.9"
17	151761-18-02A	EA	TRIM - SIDEWALL/SLIDEOUT/TOP - 81.4" - ALMOND
18	151760-28-02A	EA	TRIM - SIDEWALL/SLIDEOUT - 69.9" - ALMOND
19*	162495-01-01A	EA	ROD - LOCK/SLIDEOUT ROOM - BLACK W/WHITE PLASTIC ENDS
20	157809-01-01A	EA	SEAL - FOAM BLOCK/RIGHT SIDE - ADHESIVE BACK
21	157809-02-01A	EA	SEAL - FOAM BLOCK/LEFT SIDE - ADHESIVE BACK
22	134756-02-L76	EA	RAMP - FABRIC COVERED - SLIDEOUT - 51.2" - <b>VINYL - THRU OUT</b>
23	136824-02-01A	EA	TRIM - SIDEWALL/SLIDEOUT - 81.2" - BRIGHT WHITE
23	136824-02-02A	EA	TRIM - SIDEWALL/SLIDEOUT - 81.2" - BLACK - <b>FULL BODY PAINT</b>
24	158375-03-01A	EA	TRIM - FEATURE STRIP - 20.6" - BRIGHT WHITE
24	158375-03-02A	EA	TRIM - FEATURE STRIP - 20.6" - BLACK - <b>FULL BODY PAINT</b>

**EXTERIOR SLIDEOUT GROUP (CONTINUED)**  
**FRONT LEFT (CONTINUED)**



KEY	PART NUMBER	U/M	DESCRIPTION
25	158030-01-01A	EA	TRIM - FEATURE STRIP/LOWER - 2.3" X 20" - BRIGHT WHITE - <b>NOT ILLUSTRATED</b> FROM: 00-00-00 THRU: 03-25-07
25	163020-06-01A	EA	TRIM - FEATURE STRIP/LOWER - 2.3" X 19.8" - BRIGHT WHITE FROM: 03-26-07 THRU: 99-99-99
25	158030-01-02A	EA	TRIM - FEATURE STRIP/LOWER - 2.3" X 20" - BLACK - <b>FULL BODY PAINT - NOT ILLUSTRATED</b> FROM: 00-00-00 THRU: 03-25-07
25	163020-06-02A	EA	TRIM - FEATURE STRIP/LOWER - 2.3" X 19.8" - BLACK - <b>FULL BODY PAINT</b> FROM: 03-26-07 THRU: 99-99-99
26	115325-07-01A	EA	RAIL - FLOOR/SLIDEOUT ROOM - 44.4" LONG - BLACK
27	105312-01-07A	FT	INSERT - FEATURE STRIP - VINYL - BRIGHT WHITE
27	105312-01-13A	FT	INSERT - FEATURE STRIP - VINYL - BLACK - <b>FULL BODY PAINT</b>
28	136824-43-01A	EA	TRIM - SIDEWALL/SLIDEOUT - 70" - BRIGHT WHITE
28	136824-43-02A	EA	TRIM - SIDEWALL/SLIDEOUT - 70" - BLACK - <b>FULL BODY PAINT</b>
29	115661-01-000	FT	SHOE/GLIDE - SLIDEOUT ROOM - 1/16" X 3" - POLYETHYLENE
30	136978-01-01A	FT	SEAL - SLIDEOUT - SINGLE WIPE LIP - BLACK
31	146056-01-000	FT	SEAL - TRIANGLE - W/PSA
32	146606-12-01A	EA	TRIM/RETAINER - 75.7" - BRIGHT WHITE
32	146606-12-02A	EA	TRIM/RETAINER - 75.7" - BLACK - <b>FULL BODY PAINT</b>
33	142549-01-000	EA	CLIP - "S" TYPE
34	146606-47-01A	EA	TRIM/RETAINER - 66" - BRIGHT WHITE
34	146606-47-02A	EA	TRIM/RETAINER - 66" - BLACK - <b>FULL BODY PAINT</b>
35	138077-07-01A	EA	COVER/RAM - 11" X 8.8" - W/O TUBE - BRIGHT WHITE
35	138077-07-10A	EA	COVER/RAM - 11" X 8.8" - W/O TUBE - BLACK - <b>FULL BODY PAINT</b>
36	099418-01-000	FT	SEAL - D-SECTION/ADHESIVE BACK - .44" X .44" - BLK RUBBER - <b>FULL BODY PAINT</b>
	134837-01-01A	EA	RAMP - SLIDEOUT - BLACK PVC



**EXTERIOR SLIDEOUT GROUP (CONTINUED)**  
**COMPONENT PARTS FOR FRONT LEFT**

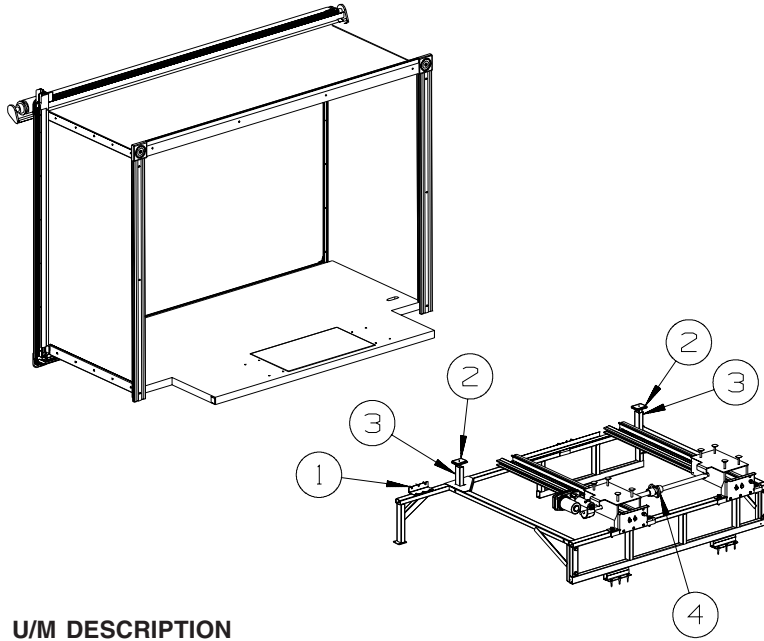
148685-01-000

<b>KEY</b>	<b>PART NUMBER</b>	<b>U/M</b>	<b>DESCRIPTION</b>	<b>VENDOR NO.</b>
	125774-01-716	EA	GROOVE PIN - 1/4" X 7/8"	623-0814
	148685-01-700	EA	MOTOR - 12 VOLT	28408
	148685-01-701	EA	BUSHING - 3/16" ID	80501
	148685-01-702	EA	HOLDING BRAKE	28662
	148685-01-703	EA	BEARING - F/TRANSFER GEAR	14691
	148685-01-704	EA	GEAR & SHAFT ASM.	26191
	148685-01-705	EA	TRANSFER GEAR	28564
	148685-01-706	EA	IDLER SHAFT ASM.	26209
	148685-01-707	EA	THRUST WASHER	14459
	148685-01-708	EA	GASKET - CASE	28995
	148685-01-709	EA	BEARING - FLANGE TYPE	645-0035
	148685-01-710	EA	BEARING - FLANGE TYPE	10055
	148685-01-711	EA	ADAPTER - MOTOR TO GEAR	28669
	148685-01-712	EA	BEARING - FLANGE TYPE	14458
	148685-01-713	EA	GASKET - MOTOR TO COVER	25596
	148685-01-714	EA	POWERHEAD ASM. W/MOTOR	29002

162495-01-01A, 162495-02-01A

<b>KEY</b>	<b>PART NUMBER</b>	<b>U/M</b>	<b>DESCRIPTION</b>	<b>VENDOR NO.</b>
	162495-01-700	EA	BUTTON-DBL. PLAS. SNAP	DP130

**EXTERIOR SLIDEOUT GROUP (CONTINUED)**  
**RIGHT REAR**

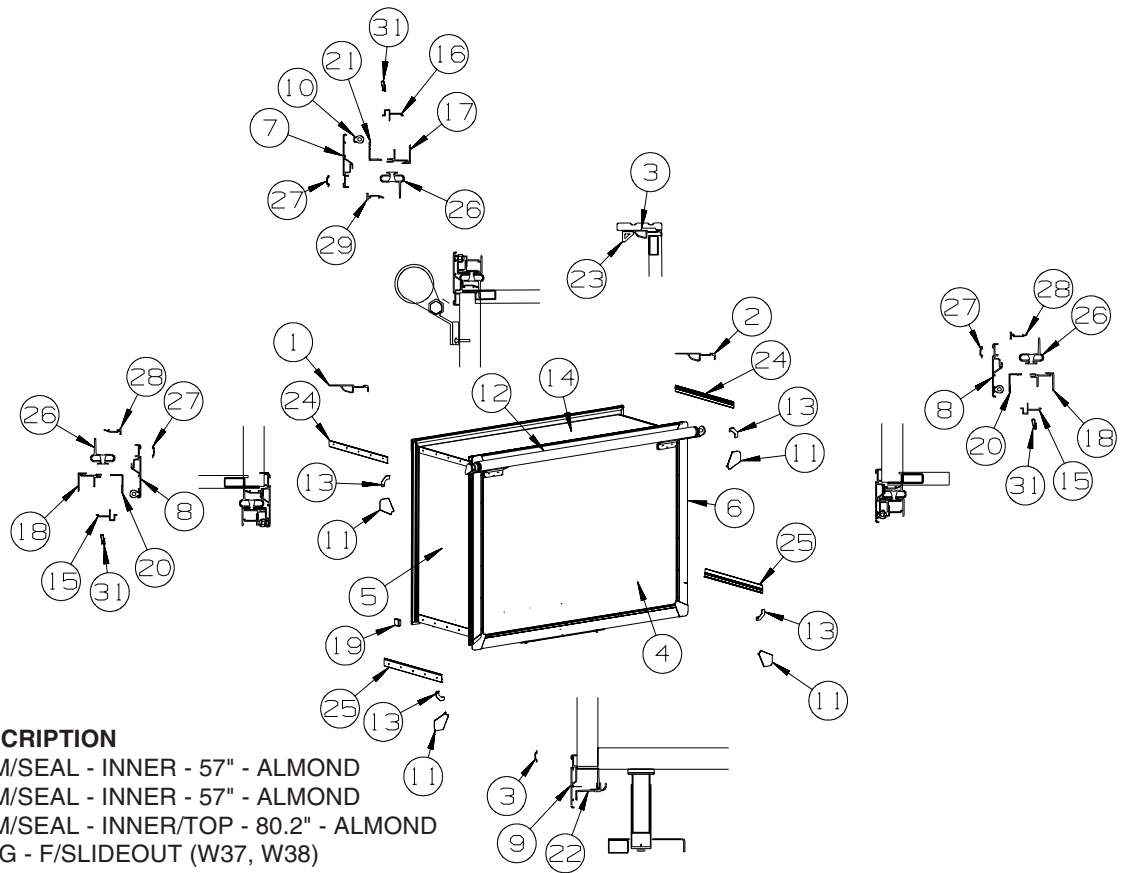


KEY	PART NUMBER	U/M	DESCRIPTION
1	113904-16-02B	EA	ANGLE - ATTACHMENT/WHEEL LIP - 5.1" - E-COAT
2	128599-03-000	EA	PAD - F/SLIDEOUT - 2" X 2.6"
3	126313-14-02B	EA	SUPPORT - SLIDE - F/SLIDE-OUT ROOM - E-COATED
4*	150661-02-000	EA	SLIDEOUT - ELECTRIC/SLIM

**\*COMPONENT PARTS LISTED LATER IN THIS GROUP**

## EXTERIOR SLIDEOUT GROUP (CONTINUED)

### RIGHT REAR (CONTINUED)

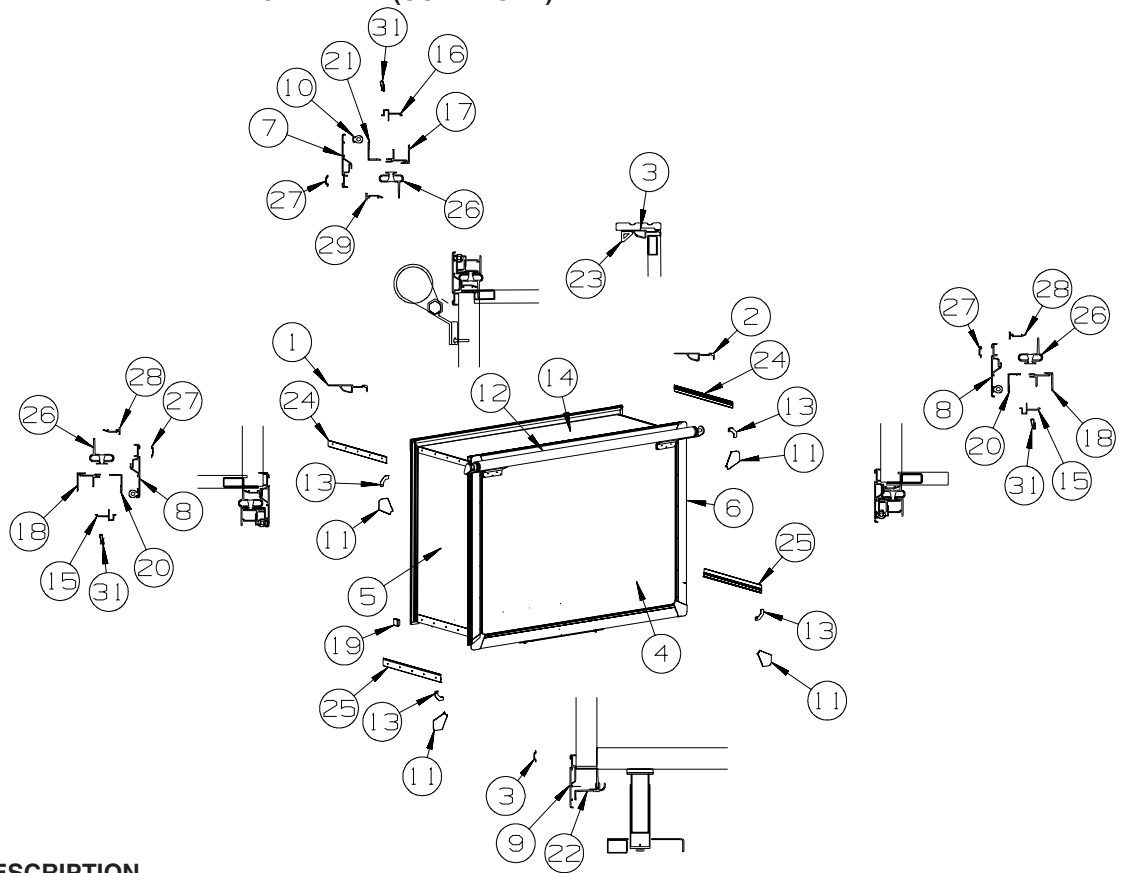


KEY	PART NUMBER	U/M	DESCRIPTION
1	139624-55-02A	EA	TRIM/SEAL - INNER - 57" - ALMOND
2	139624-54-02A	EA	TRIM/SEAL - INNER - 57" - ALMOND
3	139624-04-02A	EA	TRIM/SEAL - INNER/TOP - 80.2" - ALMOND
4	161357-11-W37	EA	SLUG - F/SLIDEOUT (W37, W38)
4	161357-11-W39	EA	SLUG - F/SLIDEOUT (W39, W40)
4	161357-11-W41	EA	SLUG - F/SLIDEOUT (W41, W42)
4	161357-12-W37	EA	SLUG - F/SLIDEOUT (W37, W38) - PREMIUM SIDEWALLS
4	161357-12-W39	EA	SLUG - F/SLIDEOUT (W39, W40) - PREMIUM SIDEWALLS
4	161357-12-W41	EA	SLUG - F/SLIDEOUT (W41, W42) - PREMIUM SIDEWALLS
5	155998-01-W37	EA	PANEL END - F/SLIDEOUT (W37, W38)
			FROM: 00-00-00 THRU: 04-15-07
5	164201-01-W37	EA	PANEL END - F/SLIDEOUT (W37, W38)
			FROM: 04-16-07 THRU: 99-99-99
5	164201-03-W37	EA	PANEL END - F/SLIDEOUT (W37, W38) - PREMIUM SIDEWALLS
5	155998-01-W39	EA	PANEL END - F/SLIDEOUT (W39, W40)
			FROM: 00-00-00 THRU: 04-15-07
5	164201-01-W39	EA	PANEL END - F/SLIDEOUT (W39, W40)
			FROM: 04-16-07 THRU: 99-99-99
5	164201-03-W39	EA	PANEL END - F/SLIDEOUT (W39, W40) - PREMIUM SIDEWALLS
5	155998-01-W41	EA	PANEL END - F/SLIDEOUT (W41, W42)
			FROM: 00-00-00 THRU: 04-15-07
5	164201-01-W41	EA	PANEL END - F/SLIDEOUT (W41, W42)
			FROM: 04-16-07 THRU: 99-99-99
5	164201-03-W41	EA	PANEL END - F/SLIDEOUT (W41, W42) - PREMIUM SIDEWALLS
6	155997-01-W37	EA	PANEL END - F/SLIDEOUT (W37, W38)
			FROM: 00-00-00 THRU: 04-15-07
6	164201-02-W37	EA	PANEL END - F/SLIDEOUT (W37, W38)
			FROM: 04-16-07 THRU: 99-99-99
6	164201-04-W37	EA	PANEL END - F/SLIDEOUT (W37, W38) - PREMIUM SIDEWALLS
6	155997-01-W39	EA	PANEL END - F/SLIDEOUT (W39, W40)
			FROM: 00-00-00 THRU: 04-15-07
6	164201-02-W39	EA	PANEL END - F/SLIDEOUT (W39, W40)
			FROM: 04-16-07 THRU: 99-99-99
6	164201-04-W39	EA	PANEL END - F/SLIDEOUT (W39, W40) - PREMIUM SIDEWALLS
6	155997-01-W41	EA	PANEL END - F/SLIDEOUT (W41, W42)
			FROM: 00-00-00 THRU: 04-15-07
6	164201-02-W41	EA	PANEL END - F/SLIDEOUT (W41, W42)
			FROM: 04-16-07 THRU: 99-99-99
6	164201-04-W41	EA	PANEL END - F/SLIDEOUT (W41, W42) - PREMIUM SIDEWALLS

**EXTERIOR SLIDEOUT GROUP (CONTINUED)**  
**RIGHT REAR (CONTINUED)**

KEY	PART NUMBER	U/M	DESCRIPTION
7	156417-01-01A	EA	TRIM/SEAL - W/MITERED ENDS - 78.4" - BRIGHT WHITE - <b>NOT ILLUSTRATED</b> FROM: 00-00-00 THRU: 04-15-07
7	162052-01-01A	EA	TRIM/SEAL - W/MITERED ENDS - 78.4" - BRIGHT WHITE FROM: 04-16-07 THRU: 99-99-99
7	156417-01-02A	EA	TRIM/SEAL - W/MITERED ENDS - 78.4" - BLACK - <b>NOT ILLUSTRATED</b> FROM: 00-00-00 THRU: 04-15-07
7	162052-01-02A	EA	TRIM/SEAL - W/MITERED ENDS - 78.4" - BLACK FROM: 04-16-07 THRU: 99-99-99
8	156417-39-01A	EA	TRIM/SEAL - W/MITERED ENDS - 56.6" - BRIGHT WHITE - <b>NOT ILLUSTRATED</b> FROM: 00-00-00 THRU: 04-15-07
8	162052-39-01A	EA	TRIM/SEAL - W/MITERED ENDS - 56.6" - BRIGHT WHITE FROM: 04-16-07 THRU: 99-99-99
8	156417-39-02A	EA	TRIM/SEAL - W/MITERED ENDS - 56.6" - BLACK - <b>NOT ILLUSTRATED</b> FROM: 00-00-00 THRU: 04-15-07
8	162052-39-02A	EA	TRIM/SEAL - W/MITERED ENDS - 56.6" - BLACK FROM: 04-16-07 THRU: 99-99-99
9	142233-20-01A	EA	TRIM/SEAL - W/MITERED ENDS - 78.4" - BRIGHT WHITE - <b>NOT ILLUSTRATED</b> FROM: 00-00-00 THRU: 04-15-07
9	162054-02-01A	EA	TRIM/SEAL - W/MITERED ENDS - 78.4" - BRIGHT WHITE FROM: 04-16-07 THRU: 99-99-99
9	142233-20-02A	EA	TRIM/SEAL - W/MITERED ENDS - 78.4" - BLACK - <b>NOT ILLUSTRATED</b> FROM: 00-00-00 THRU: 04-15-07
9	162054-02-02A	EA	TRIM/SEAL - W/MITERED ENDS - 78.4" - BLACK FROM: 04-16-07 THRU: 99-99-99
10	158297-01-000	FT	SEAL - D-SECTION/BULB/TEE - ADHESIVE BACK - BLACK
11	156151-01-02A	EA	PROTECTOR - CORNER - SLIDEOUT - BRIGHT WHITE
11	156151-01-01A	EA	PROTECTOR - CORNER - SLIDEOUT - BLACK
12			SLIDEOUT AWNING
13	156416-01-12B	EA	BRACKET - CORNER TRIM/SLIDEOUT - 3.1" X 3.1" - BRIGHT WHITE - <b>NOT ILLUSTRATED</b> FROM: 00-00-00 THRU: 11-05-06
13	156416-01-02B	EA	BRACKET - CORNER TRIM/SLIDEOUT - 3.1" X 3.1" - E-COATED - <b>NOT ILLUSTRATED</b> FROM: 11-06-06 THRU: 12-31-06
13	160421-01-01A	EA	CORNER TRIM/SLIDEOUT - 3.1" X 3.1" - BLACK FROM: 01-01-07 THRU: 99-99-99
14	149731-03-W37	EA	ROOF - F/SLIDEOUT
15	142718-42-01A	EA	RETAINER - SIDEWALL/SLIDEOUT - 55.8"
16	142718-23-01A	EA	RETAINER - SIDEWALL/SLIDEOUT - 79.9"
17	151761-18-02A	EA	TRIM - SIDEWALL/SLIDEOUT/TOP - 81.4" - ALMOND
18	151760-25-02A	EA	TRIM - SIDEWALL/SLIDEOUT - 56.6" - ALMOND
19	119845-01-01A	EA	PLUG/PLASTIC - 1 1/2" SQUARE - BLACK
20	136824-54-01A	EA	TRIM - SIDEWALL/SLIDEOUT - 57.2" - BRIGHT WHITE
20	136824-54-02A	EA	TRIM - SIDEWALL/SLIDEOUT - 57.2" - BLACK
21	136824-02-01A	EA	TRIM - SIDEWALL/SLIDEOUT - 81.2" - BRIGHT WHITE
21	136824-02-02A	EA	TRIM - SIDEWALL/SLIDEOUT - 81.2" - BLACK
22	157584-14-AA2	EA	TRIM/ZEE - W/SEAL/END CAPS - SLIDEOUT/LOWER-80.4"- BRT WHT
22	157584-14-AA1	EA	TRIM/ZEE - W/SEAL/END CAPS - SLIDEOUT/LOWER-80.4"- BLACK
	153109-11-02A	EA	ANGLE/RETAINER - SEAL - .5" X .5" X 53.1" - BLACK FROM: 00-00-00 THRU: 09-09-07
	153109-16-02A	EA	ANGLE/RETAINER - SEAL - .5" X .5" X 9.8" - BLACK FROM: 00-00-00 THRU: 09-09-07
	165260-01-000	FT	SEAL - BULB - W/WIRED U CHANNEL - .55" THICK X 1.3" FROM: 09-10-07 THRU: 99-99-99
23	135619-02-01A	EA	PLATE - TIEDOWN - SLIDEOUT ROOM
24	158375-01-01A	EA	TRIM - FEATURE STRIP - 29.6" - BRIGHT WHITE
24	158375-01-02A	EA	TRIM - FEATURE STRIP - 29.6" - BLACK
25	158030-02-01A	EA	TRIM - FEATURE STRIP/LOWER - 2.3" X 29.1" - BRIGHT WHITE - <b>NOT ILLUSTRATED</b> FROM: 00-00-00 THRU: 04-15-07
25	163020-07-01A	EA	TRIM - FEATURE STRIP/LOWER - 2.3" X 28.9" - BRIGHT WHITE FROM: 04-16-07 THRU: 99-99-99
25	158030-02-02A	EA	TRIM - FEATURE STRIP/LOWER - 2.3" X 29.1" - BLACK - <b>NOT ILLUSTRATED</b> FROM: 00-00-00 THRU: 04-15-07
25	163020-07-02A	EA	TRIM - FEATURE STRIP/LOWER - 2.3" X 28.9" - BLACK FROM: 04-16-07 THRU: 99-99-99

**EXTERIOR SLIDEOUT GROUP (CONTINUED)**  
**RIGHT REAR (CONTINUED)**

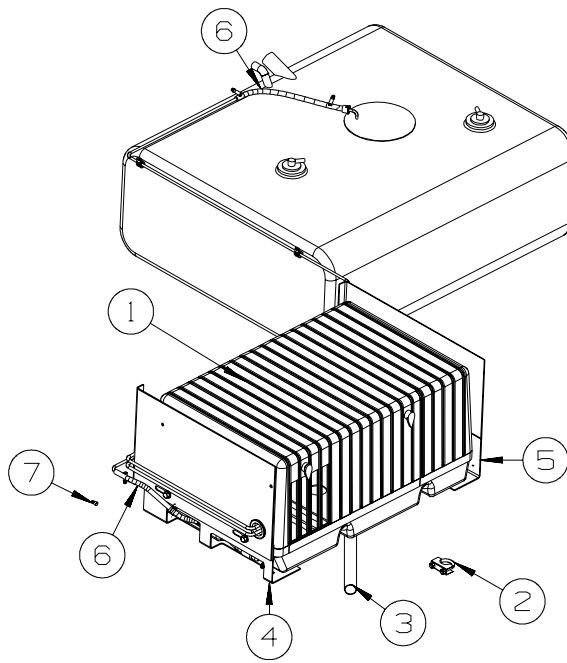


KEY	PART NUMBER	U/M	DESCRIPTION
26	135619-01-01A	EA	STRAP - TIEDOWN - SLIDEOUT ROOM
27	105312-01-07A	FT	INSERT - FEATURE STRIP - VINYL - BRIGHT WHITE
27	105312-01-13A	FT	INSERT - FEATURE STRIP - VINYL - BLACK
28	135622-01-02B	EA	PLATE - TIEDOWN - SLIDEOUT ROOM
29	146606-12-01A	EA	TRIM/RETAINER - 75.7" - BRIGHT WHITE
29	146606-12-02A	EA	TRIM/RETAINER - 75.7" - BLACK
30	136978-01-01A	FT	SEAL - SLIDEOUT - BLACK
31	146056-01-000	FT	SEAL - TRIANGLE - W/PSA
32	146606-67-01A	EA	TRIM/RETAINER - 52.4" - BRIGHT WHITE
33	142549-01-000	EA	CLIP - "S" TYPE

**COMPONENT PARTS FOR RIGHT REAR**  
**150661-02-000**

KEY	PART NUMBER	U/M	DESCRIPTION	VENDOR NO.
	148685-01-714	EA	POWERHEAD ASM. W/MOTOR	29002
	150661-01-704	EA	GEAR & SHAFT ASM.	26191
	150661-01-707	EA	THRUST WASHER	4459
	150661-01-713	EA	ADAPTER - ADJUSTABLE SHAFT	28395
	150661-02-700	EA	COTTER PIN - .09" X .75"	625-0005
	150661-02-701	EA	BEARING	11536
	150661-02-702	EA	FLANGE BEARING	645-0007
	150661-02-703	EA	SHAFT - SLAVE SPROCKET	28400
	150661-02-704	EA	BEARING PAD	28968
	150661-02-706	EA	DRIVE SHAFT ASM.	28398
	150661-02-707	EA	COTTER PIN	625-0007
	150661-02-708	EA	CLEVIS PIN - .50" X 3"	643-0029
	150661-02-709	EA	SPROCKET	28404
	150661-02-710	EA	BEARING RACE - OUTER	26393
	150661-02-711	EA	ACTUATOR WASHER	617-0022
	150661-02-712	EA	ROLLER BEARING	26391
	150661-02-713	EA	BEARING PAD	28966
	150661-02-714	EA	DRIVE SHAFT - LONG	31112
	150661-02-715	EA	DRIVE SHAFT - SHORT	30812

## GENERATOR GROUP GAS



KEY	PART NUMBER	U/M	DESCRIPTION
1	109982-03-000	EA	GENERATOR - 4.0 MICROLITE - ONAN
2	007125-04-000	EA	CLAMP - MUFFLER - 1.12"DIAMETER
3	105958-08-000	EA	PIPE - EXHAUST/GENERATOR - 726A
3	105958-29-000	EA	PIPE - EXHAUST/GENERATOR - 729H
4	114070-02-02B	EA	SUPPORT - GENERATOR - LEFT
5	114071-02-02B	EA	SUPPORT - GENERATOR - RIGHT
6	128139-03-000	EA	HOSE - FUEL - LOW PERMEABILITY - 1/4" DIAMETER
7	084884-01-000	EA	PLUG - BRASS - 3/8" - GENERATOR WITHOUT

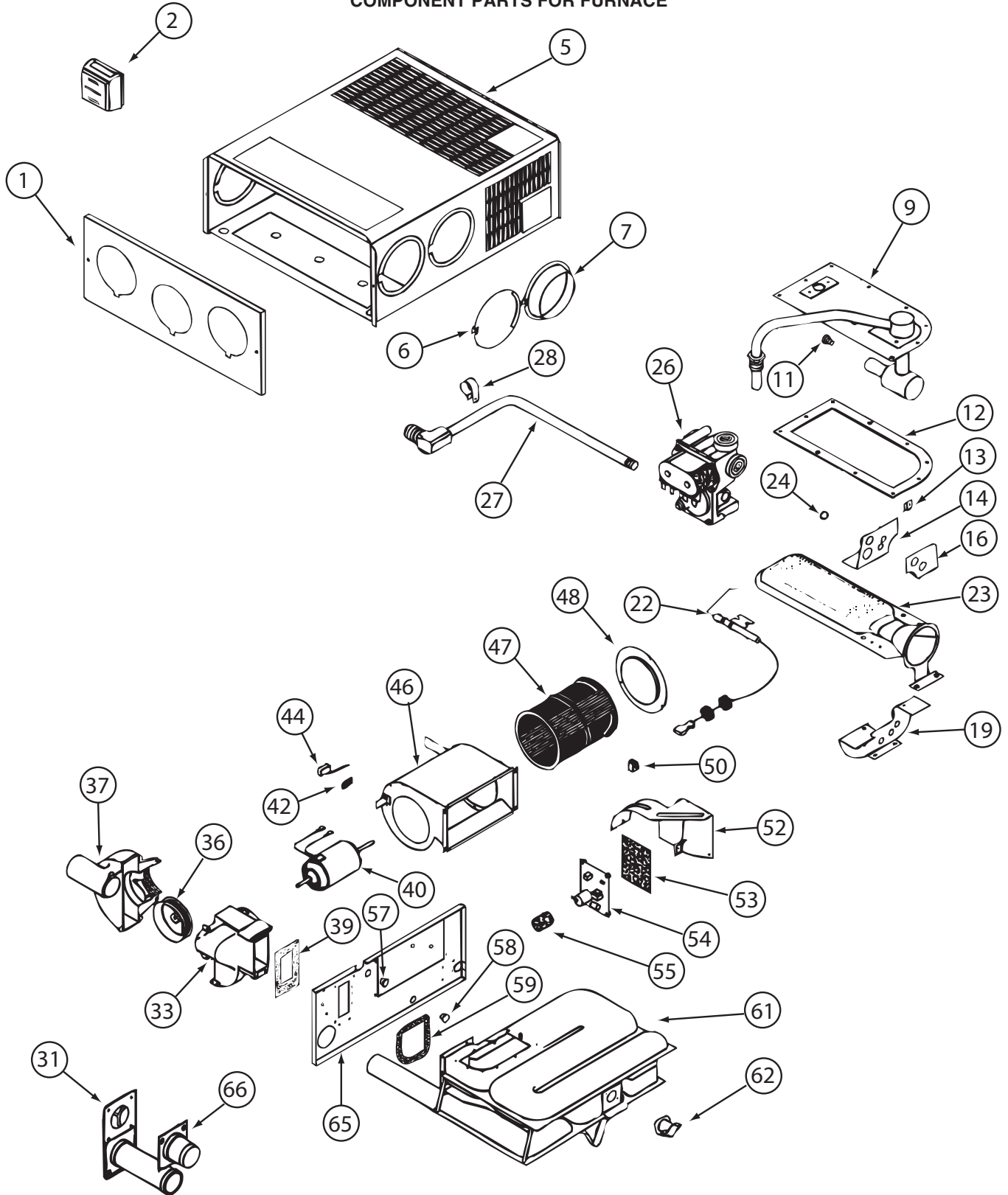
## HEATING & A/C GROUP

### FURNACE

KEY	PART NUMBER	U/M	DESCRIPTION
*	139980-02-000	EA	FURNACE - 30000 BTU - SF QUIET - SUBURBAN SF-30 2321J
	098668-23-000	EA	DOOR - ACCESS/FURNACE - BRIGHT WHITE
			FROM: 00-00-00 THRU: 05-13-07
	139980-10-02A	EA	DOOR - ACCESS/FURNACE - BRIGHT WHITE
			FROM: 05-14-07 THRU: 99-99-99
	139980-10-03A	EA	DOOR - ACCESS/FURNACE - BLACK
			FROM: 05-14-07 THRU: 99-99-99
	069636-02-000	EA	CONNECTOR - DUCT - 4" ID
	056464-11-000	EA	REGISTER W/DAMPER - 4" DIAMETER - PLASTIC - OFF WHITE - 726A
	056464-10-000	EA	REGISTER W/O DAMPER - 4" DIAMETER - PLASTIC - BEIGE
	009200-01-000	EA	TAPE - FURNACE - 1 1/2"
	009198-01-000	FT	DUCT - HEAT - FLEXIBLE - 4" ID X 25'
	009198-02-000	FT	DUCT - HEAT - FLEXIBLE - 2" ID X 25'
	089367-02-000	EA	TEE - 4" X 2" X 4"
	093614-11-01A	EA	GRILLE - AIR RETURN - 13.9" X 7.9" - BEIGE
	136516-01-01A	EA	WYE - 2" - DUCT - 729H
	157225-01-05A	EA	OUTLET - DEFROSTER - W/SWIVEL - 2" SLEEVE/4"OD -RIVERSTONE - 729H

\*COMPONENT PARTS LISTED LATER IN THIS GROUP

**HEATING & A/C GROUP (CONTINUED)**  
COMPONENT PARTS FOR FURNACE



139980-02-000



**HEATING & A/C GROUP (CONTINUED)**  
**COMPONENT PARTS FOR FURNACE (CONTINUED)**

**139980-02-000 (CONTINUED)**

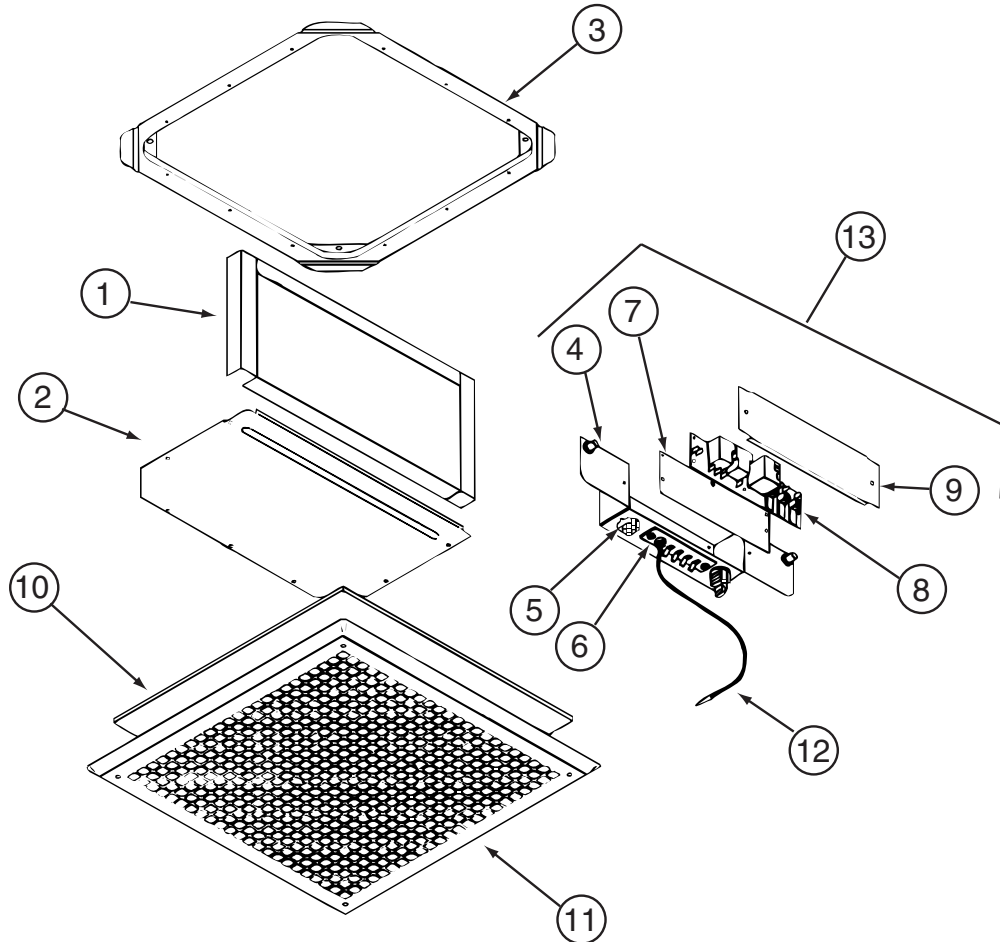
<b>KEY</b>	<b>PART NUMBER</b>	<b>U/M</b>	<b>DESCRIPTION</b>	<b>VENDOR NO.</b>
9	139980-01-700	EA	MANIFOLD ASSEMBLY	171571
11	092300-02-701	EA	ORIFICE-MAIN BURNER (NT-30BW	180214
12	098668-22-703	EA	GASKET - BURNER ACCESS COVER	070811
22	139980-01-701	EA	ELECTRODE	232286
23	098668-02-700	EA	BURNER ASSEMBLY,SF-30 & SF35	010745
26	098668-01-718	EA	VALVE-GAS SF S.N.974903079	161122
27	139980-01-702	EA	PIPE ASSEMBLY/GAS INLET	171574
31	098668-01-707	EA	TUBE ASSEMBLY, EXHAUST W/CAP	260231
33	139980-01-703	EA	HOUSING/COMB. - FRONT/HALF	390852
36	098668-01-706	EA	WHEEL-COMBUSTION AIR	350184
37	139980-01-704	EA	HOUSING/COMB. - REAR/HALF	390848
39	139980-01-705	EA	GASKET/FIREWALL-COMB AIR	071084
40	139980-01-706	EA	MOTOR ASSEMBLY W/GASKET	232682
42	101990-01-714	EA	GASKET-MICROSWITCH	230877
44	098668-21-700	EA	SWITCH-MICRO-W/O FLAG 3 1/4"	232261
46	139980-01-708	EA	BLOWER ASSEMBLY - ROOM AIR	390739BK
47	098668-01-711	EA	WHEEL-BLOWER, ROOM AIR	350129
48	139980-01-709	EA	ORFICE RING	390696
50	139980-01-710	EA	SWITCH - ON/OFF	232351
52	139980-01-711	EA	PANEL ASSEMBLY-MODULE BD	101663
53	139980-01-712	EA	INSULATOR - MODULE BD	070807
54	098668-22-705	EA	MODULE BD W/RELAY TIME DELAY	520820
55	139980-01-713	EA	CAP/INSULATOR-MODULE BD	070973
57	139980-01-714	EA	BUSHING - UNIVERSAL	070362
58	139980-01-715	EA	BUSHING - STRAIN RELIEF	231809
59	098668-01-716	EA	GASKET-FIREWALL,CHAMBER SIDE	070808
61	139980-01-716	EA	CHAMBER ASSEMBLY - FINAL	021149BK
62	098668-21-701	EA	SWITCH - LIMIT	232504
66	098668-01-713	EA	TUBE ASSEMBLY, INTAKE	051248
	139980-02-700	EA	BLOWER ASM-1/2 HOUSING/OUTER	390851
	139980-02-701	EA	BLOWER ASM-1/2 HOUSING/INNER	390872
			CONTACT WINNEBAGO PART SALES FOR UNLISTED COMPONENT(S)	

## HEATING & A/C GROUP (CONTINUED)

### ROOF

KEY	PART NUMBER	U/M	DESCRIPTION
	131184-02-01A	EA	BOARD - DIVIDER - SILVER
*	131184-01-01A	EA	CEILING ASSEMBLY - A/C DUCTED - WHITE FROM: 00-00-00 THRU: 07-22-07
*	131184-06-01A	EA	CEILING ASSEMBLY - A/C DUCTED - WHITE FROM: 07-23-07 THRU: 99-99-99
*	131184-05-01A	EA	CEILING ASSEMBLY - HEAT PUMP - WHITE - <b>A/C HEAT PUMP - HI EFF, LOW PFL</b> FROM: 00-00-00 THRU: 07-22-07
*	131184-07-01A	EA	CEILING ASSEMBLY - HEAT PUMP - DUCTED - WHITE - <b>A/C HEAT PUMP - HI EFF, LOW PFL</b> FROM: 07-23-07 THRU: 99-99-99
*	148644-01-01A	EA	A/C-ROOF - LOW PROFILE - ART WHITE - RVP 9203C876
*	148644-02-01A	EA	A/C-ROOF-LOW PROFILE/HEAT PMP-ART WHT-RVP9003C876 - <b>A/C HEAT PUMP - HI EFF, LOW PFL</b>

**\*COMPONENT PARTS LISTED LATER IN THIS GROUP**

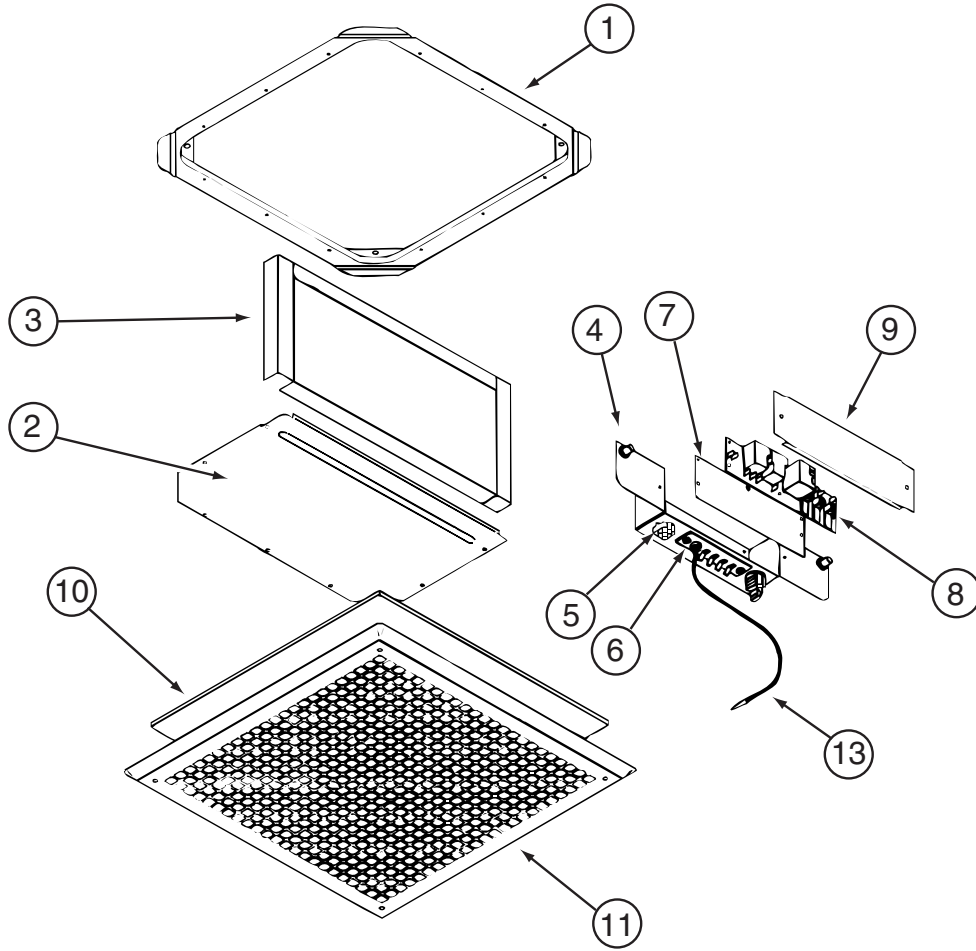


**COMPONENT PARTS FOR ROOF**  
**131184-01-01A**

KEY	PART NUMBER	U/M	DESCRIPTION	VENDOR NO.
1	131184-01-707	EA	DUCT DIVIDER	8330-3501
5	131184-01-700	EA	PLUG ASSEMBLY	7330A389
6	131184-01-701	EA	TERMINAL BOARD	7330B3201
7	131184-01-702	EA	ISOLATOR - BLANK	7330C365
8	108892-01-702	EA	BOARD-P.C.	7330A3211
10	108892-01-703	EA	FILTER	6798A3761
11	108892-01-704	EA	GRILLE 16 3/8X16 3/8 RETURN	6798-3041
12	131184-01-704	EA	COIL SENSOR	7330-6111
13	131184-01-705	EA	JUNCTION BOX ASSEMBLY	7330B5551
	131184-01-703	EA	SMALL PARTS PKG	8330-5961

CONTACT WINNEBAGO PART SALES FOR UNLISTED COMPONENT(S)

**HEATING & A/C GROUP (CONTINUED)**  
**COMPONENT PARTS FOR ROOF (CONTINUED)**

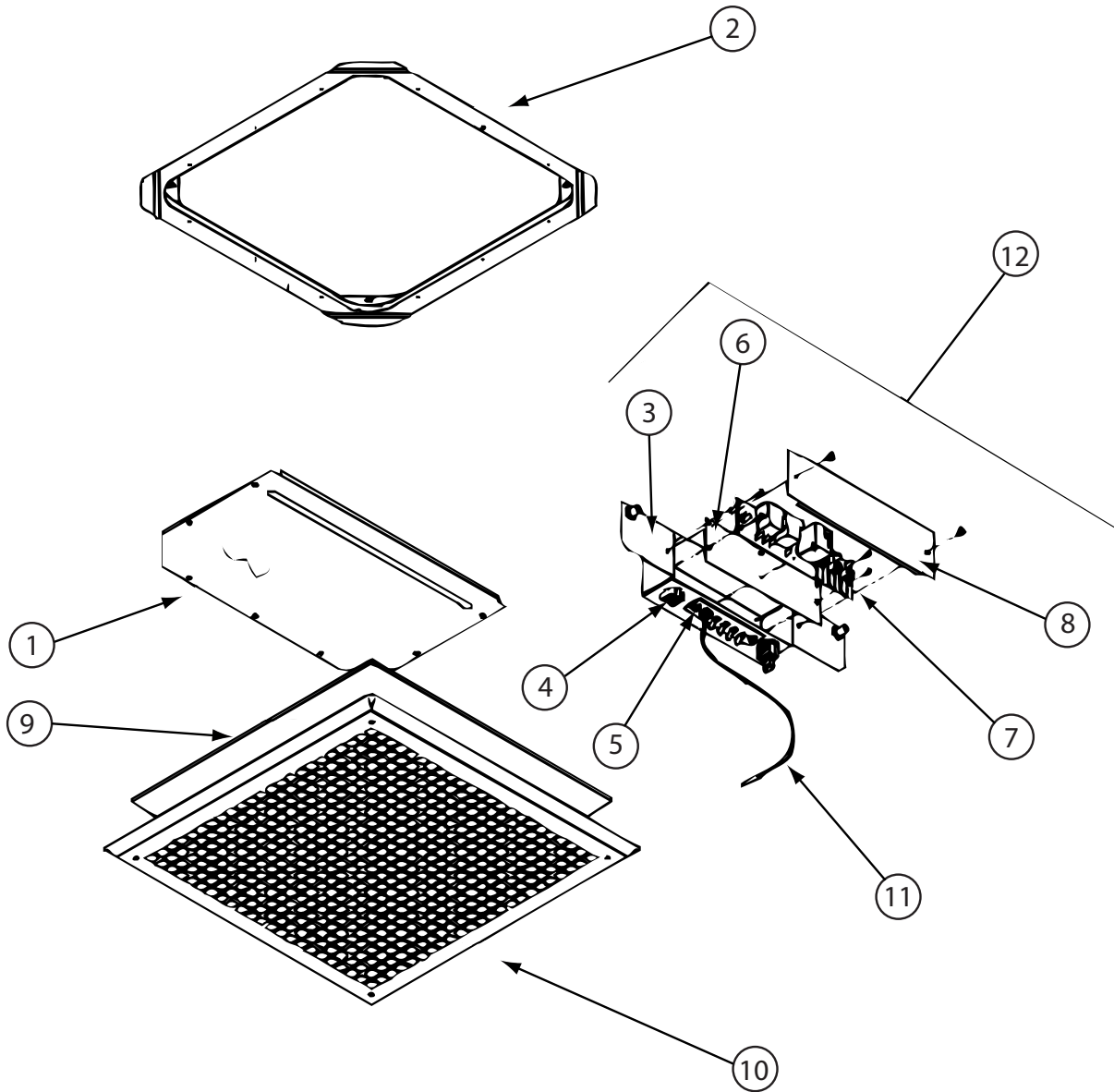


131184-05-01A

KEY	PART NUMBER	U/M	DESCRIPTION	VENDOR NO.
4	131184-05-700	EA	BOX - JUNCTION	8530-5091
5	131184-04-700	EA	PLUG ASSEMBLY	7530A340
6	131184-04-702	EA	BOARD - TERMINAL	7530B3201
7	131184-01-702	EA	ISOLATOR - BLANK	7330C365
8	131184-04-705	EA	BOARD - P.C.	7330B3311
10	108892-01-703	EA	FILTER	6798A3761
11	108892-01-704	EA	GRILLE 16 3/8X16 3/8 RETURN	6798-3041
13	105620-12-719	EA	COIL SENSOR	7330A3231
	131184-01-703	EA	SMALL PARTS PKG	8330-5961

CONTACT WINNEBAGO PART SALES FOR UNLISTED COMPONENT(S)

**HEATING & A/C GROUP (CONTINUED)**  
**COMPONENT PARTS FOR ROOF (CONTINUED)**

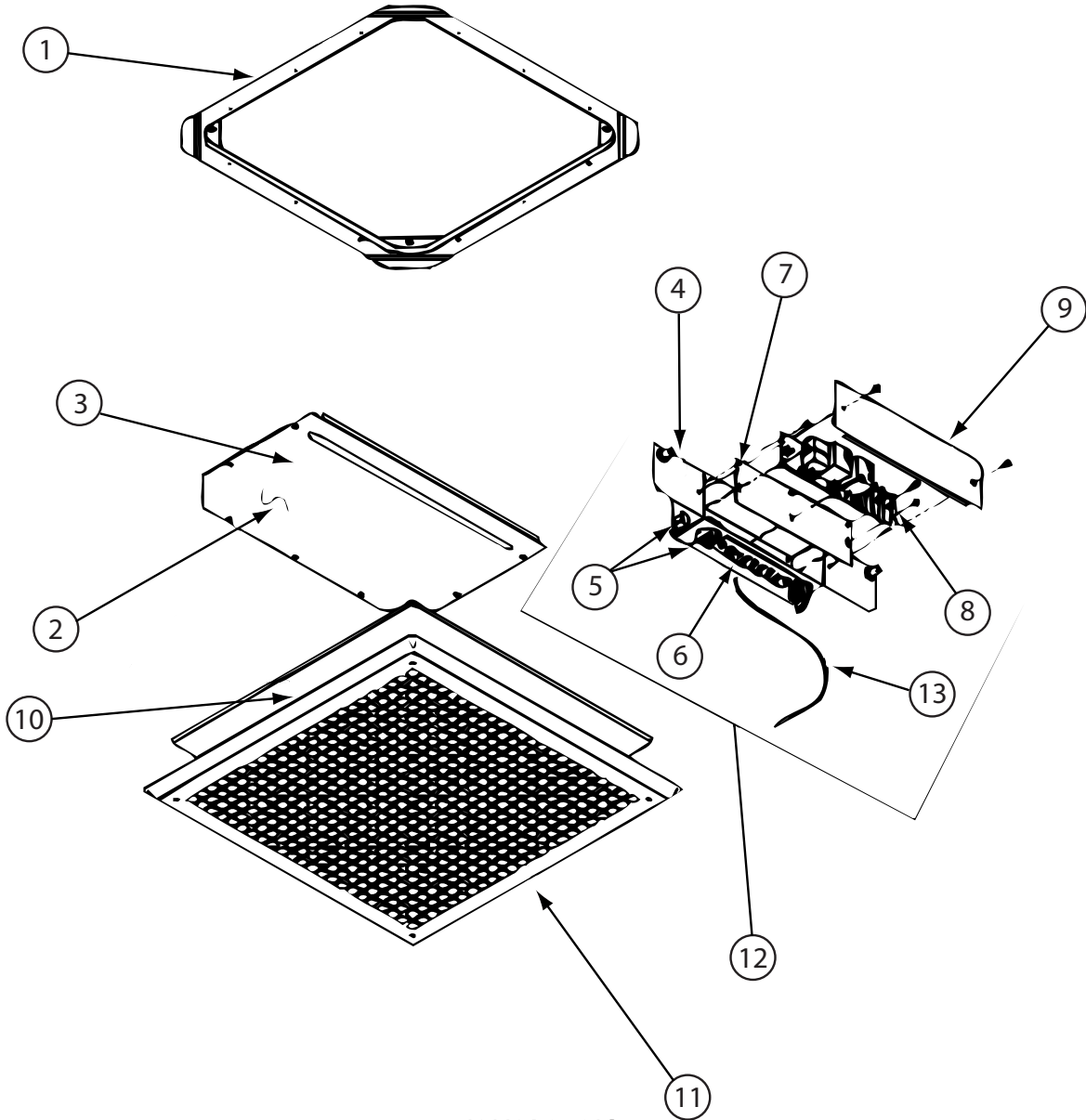


131184-06-01A

KEY	PART NUMBER	U/M	DESCRIPTION	VENDOR NO.
4	131184-01-700	EA	PLUG ASSEMBLY	7330A389
5	131184-01-701	EA	TERMINAL BOARD	7330B3201
6	131184-01-702	EA	ISOLATOR - BLANK	7330C365
7	131184-03-700	EA	BOARD - P.C.	7330D3211
9	108892-01-703	EA	FILTER	6798A3761
10	108892-01-704	EA	GRILLE 16 3/8X16 3/8 RETURN	6798-3041
11	105620-12-719	EA	COIL SENSOR	7330A3231
12	131184-01-705	EA	JUNCTION BOX ASSEMBLY	7330B5551
	131184-01-703	EA	SMALL PARTS PKG	8330-5961
	131184-01-706	EA	NUT/WING	1200-550

CONTACT WINNEBAGO PART SALES FOR UNLISTED COMPONENT(S)

**HEATING & A/C GROUP (CONTINUED)**  
**COMPONENT PARTS FOR ROOF (CONTINUED)**

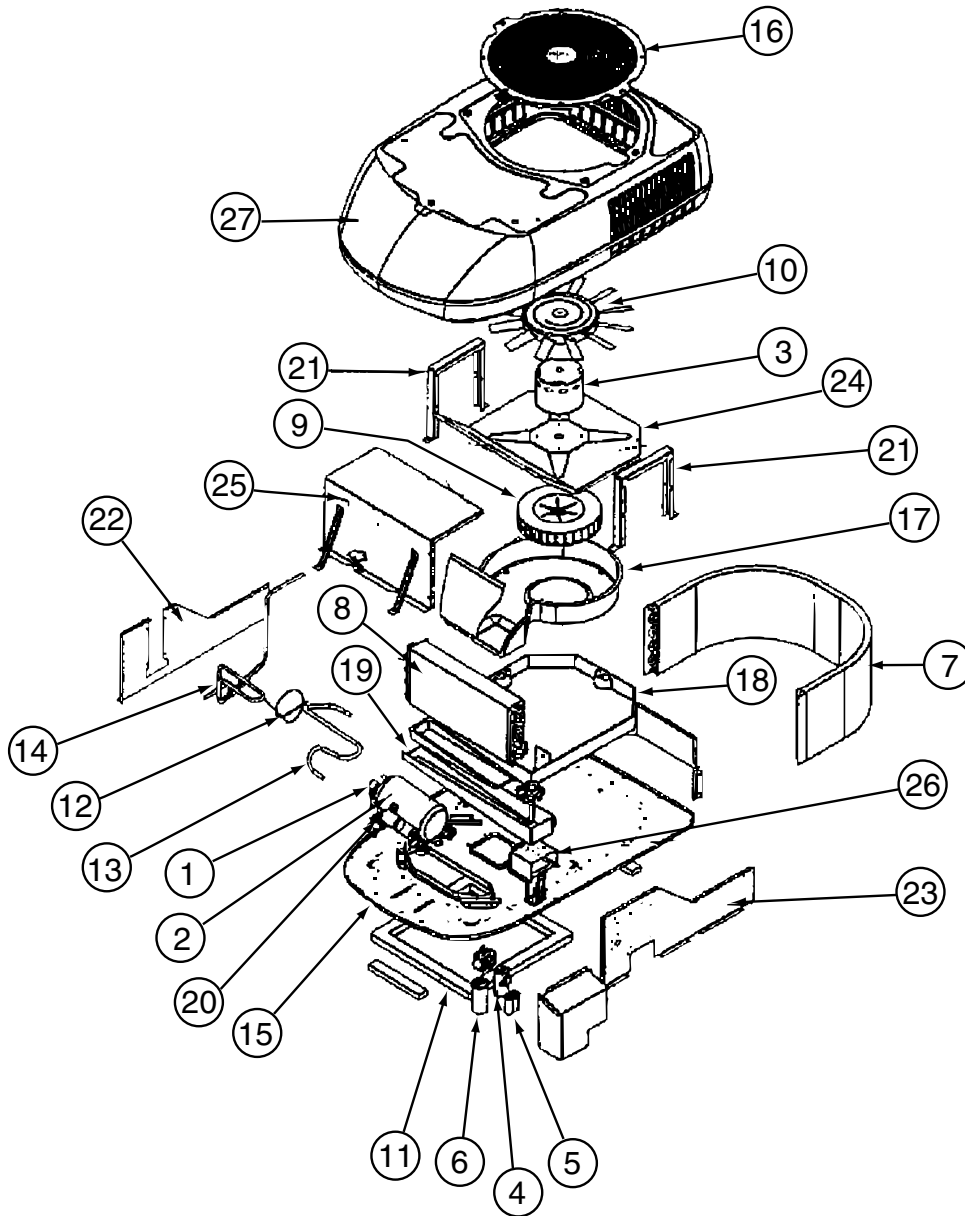


131184-07-01A

KEY	PART NUMBER	U/M	DESCRIPTION	VENDOR NO.
4	131184-04-703	EA	BOX - JUNCTION	7330-113
5	131184-04-700	EA	PLUG ASSEMBLY	7530A340
6	131184-04-702	EA	BOARD - TERMINAL	7530B3201
7	131184-01-702	EA	ISOLATOR - BLANK	7330C365
8	131184-04-705	EA	BOARD - P.C.	7330B3311
10	108892-01-703	EA	FILTER	6798A3761
11	108892-01-704	EA	GRILLE 16 3/8X16 3/8 RETURN	6798-3041
12	131184-04-706	EA	JUNCTION BOX ASM.(HEAT PUMP)	7530-508
13	105620-12-719	EA	COIL SENSOR	7330A3231
	131184-01-706	EA	NUT/WING	1200-550
	131184-07-700	EA	SMALL PARTS PKG	8330-5951

CONTACT WINNEBAGO PART SALES FOR UNLISTED COMPONENT(S)

**HEATING & A/C GROUP (CONTINUED)**  
**COMPONENT PARTS FOR ROOF (CONTINUED)**

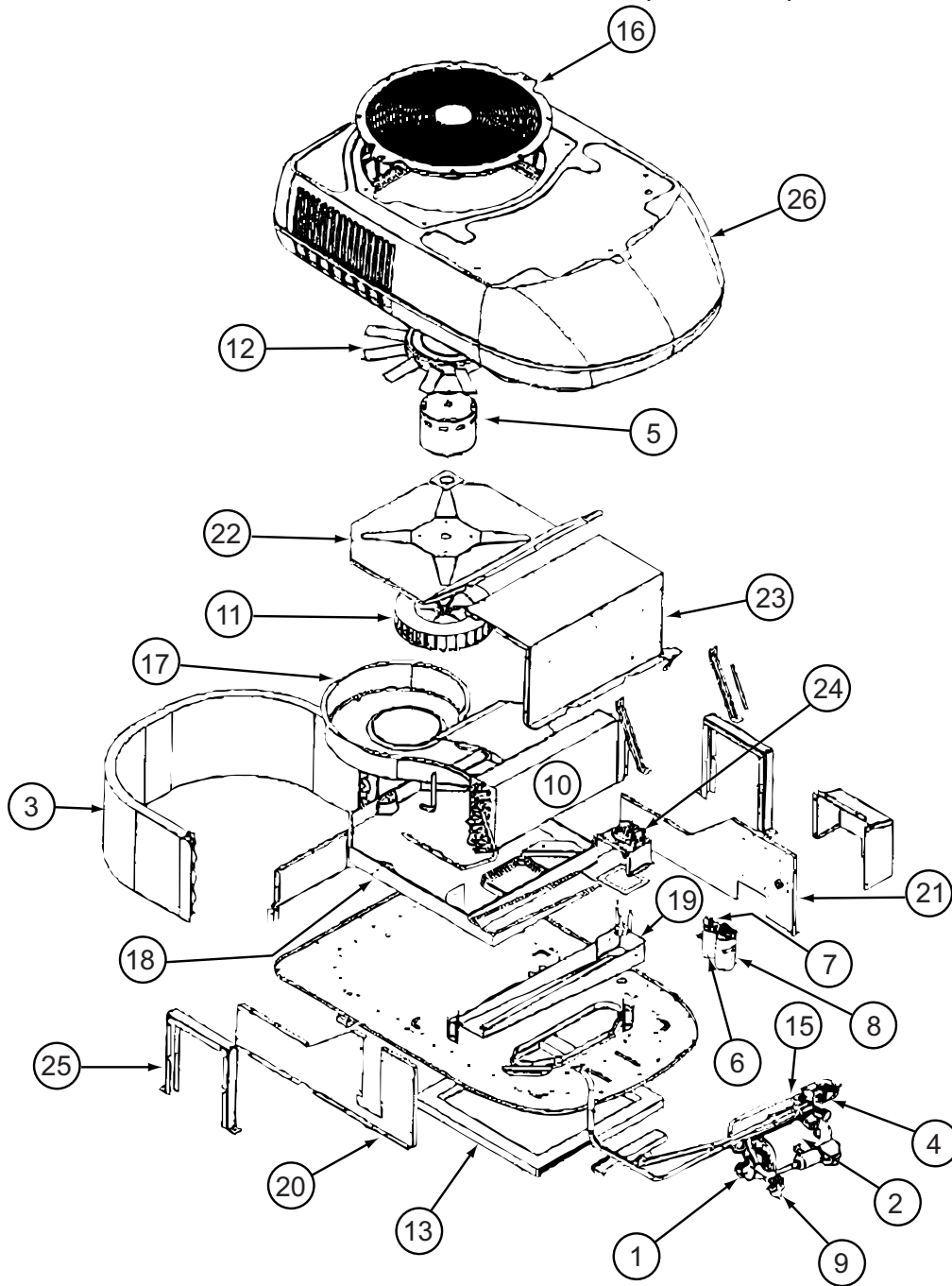


148644-01-01A

KEY	PART NUMBER	U/M	DESCRIPTION	VENDOR NO.
1	148644-01-701	EA	OVERLOAD	1450-0131
2	148644-01-702	EA	COMPRESSOR	1450A2189
3	148644-01-703	EA	MOTOR - BLOWER	1468A3239
4	105620-10-705	EA	PTCR (START DEVICE) - W/CAP.	8333A9021
5	093763-01-704	EA	CAPACITOR-FAN (INDOOR MOTOR)	1499-5461
6	131188-01-701	EA	RUN CAP. (COMP-40MFD/370V)	1499-5721
7	148644-01-704	EA	COIL-CONDENSER	1452-1201
8	148644-01-705	EA	COIL - EVAPORATOR	1452-1211
9	147102-01-705	EA	BLOWER WHEEL	1472-1111
10	147102-01-706	EA	FAN BLADE	1472-5021
11	037648-01-714	EA	GASKET PACKAGE	8332-3301
27	148644-01-700	EA	SHROUD - (ARCTIC WHITE)	9233A5461
	148644-02-702	EA	GRILLE - F/FAN	9233A3151

CONTACT WINNEBAGO PART SALES FOR UNLISTED COMPONENT(S)

**HEATING & A/C GROUP (CONTINUED)**  
**COMPONENT PARTS FOR ROOF (CONTINUED)**

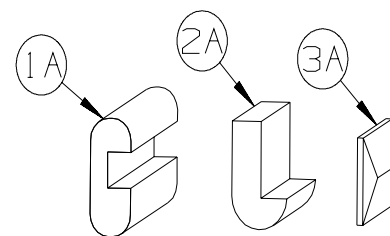


148644-02-01A

KEY	PART NUMBER	U/M	DESCRIPTION	VENDOR NO.
1	148644-01-701	EA	OVERLOAD	1450-0131
2	148644-01-702	EA	COMPRESSOR	1450A2189
3	148644-02-700	EA	COIL - CONDENSER	1452-1241
4	105620-12-708	EA	COIL - SOLENOID	1460-1081
5	148644-01-703	EA	MOTOR - BLOWER	1468A3239
6	105620-10-705	EA	PTCR (START DEVICE) - W/CAP.	8333A9021
7	093763-01-704	EA	CAPACITOR-FAN (INDOOR MOTOR)	1499-5461
8	131188-01-701	EA	RUN CAP. (COMP-40MFD/370V)	1499-5721
10	148644-02-701	EA	COIL - EVAPORATOR	1452-1261
11	147102-01-705	EA	BLOWER WHEEL	1472-1111
12	147102-01-706	EA	FAN BLADE	1472-5021
13	037648-01-714	EA	GASKET PACKAGE	8332-3301
16	148644-02-702	EA	GRILLE - F/FAN	9233A3151
26	148644-01-700	EA	SHROUD - (ARCTIC WHITE)	9233A5461

CONTACT WINNEBAGO PART SALES FOR UNLISTED COMPONENT(S)

**INTERIOR FINISH GROUP**  
**MOLDINGS & TRIMS**  
**WASHED MAPLE, SIERRA MAPLE**



KEY	PART NUMBER	U/M	DESCRIPTION
1A	M09412-62-N42	EA	MOLDING/SHELF EDGE - .6" X 1.3" X 96" - PORTSMOUTH OAK
1A	M09412-62-M52	EA	MOLDING/SHELF EDGE - .6" X 1.3" X 96" - CONCERT CHERRY
1A	M09412-62-M62	EA	MOLDING/SHELF EDGE - .6" X 1.3" X 96" - WASHED MAPLE
1A	M09412-62-RC3	EA	MOLDING/SHELF EDGE - .6" X 1.3" X 96" - HONEY CHERRY
1A	M09412-62-SA3	EA	MOLDING/SHELF EDGE - .6" X 1.3" X 96" - SIERRA MAPLE
2A	M09511-43-T77	EA	MOLDING - TRIM - W/NOTCH - .8" X 1.4" X 86.3" - PORTSMOUT OAK
2A	M09525-80-UM1	EA	MOLDING - TRIM - W/NOTCH - .8" X 1.4" X 86.5" - CONCERT CHERRY
2A	M09525-80-U91	EA	MOLDING - TRIM - W/NOTCH - .8" X 1.4" X 86.5" - WASHED MAPLE
2A	M09525-80-U92	EA	MOLDING - TRIM - W/NOTCH - .8" X 1.4" X 86.5" - SIERRA MAPLE
2A	M09525-80-Y92	EA	MOLDING - TRIM - W/NOTCH - .8" X 1.4" X 86.5" - HONEY CHERRY
2A	M09501-85-TG3	EA	MOLDING/TRIM - W/NOTCH - 4" X 86.06" - HONEY CHERRY
2A	M09501-32-TG1	EA	MOLDING/TRIM - W/NOTCH - .8" X 2.5" X 86.2" - CONCERT CHERRY
2A	M09501-32-TG2	EA	MOLDING/TRIM - W/NOTCH - .8" X 2.5" X 86.2" - WASHED MAPLE
2A	M09501-32-TD3	EA	MOLDING/TRIM - W/NOTCH - .8" X 2.5" X 86.2" - SIERRA MAPLE
2A	M09501-32-TG3	EA	MOLDING/TRIM - W/NOTCH - .8" X 2.5" X 86.2" - HONEY CHERRY
2A	M09515-72-TD0	EA	MOLDING/TRIM - .8" X 2.2" X 86.1" - PORTSMOUTH OAK
2A	M09515-72-TD1	EA	MOLDING/TRIM - .8" X 2.2" X 86.1" - CONCERT CHERRY
2A	M09515-72-TD2	EA	MOLDING/TRIM - .8" X 2.2" X 86.1" - WASHED MAPLE
2A	M09515-72-TD3	EA	MOLDING/TRIM - .8" X 2.2" X 86.1" - SIERRA MAPLE
2A	M09511-44-T77	EA	MOLDING - TRIM - W/NOTCH - 1" X 86.4" - PORTSMOUTH OAK
2A	M09511-44-T78	EA	MOLDING - TRIM - W/NOTCH - 1" X 86.4" - CONCERT CHERRY
2A	M09511-44-T79	EA	MOLDING - TRIM - W/NOTCH - 1" X 86.4" - WASHED MAPLE
2A	M09511-44-T80	EA	MOLDING - TRIM - W/NOTCH - 1" X 86.4" - HONEY CHERRY
2A	M09438-25-RA3	EA	MOLDING - HARDWOOD-W/NOTCH - 1.4"X 80.2" - HONEY CHERRY
3A	M09477-63-S46	EA	MOLDING - TRIM/VEE-W/CUT ENDS - 1"X 64.1" - PORTSMOUTH OAK
3A	M09477-63-S47	EA	MOLDING - TRIM/VEE-W/CUT ENDS - 1"X 64.1" - CONCERT CHERRY
3A	M09477-63-S48	EA	MOLDING - TRIM/VEE-W/CUT ENDS - 1"X 64.1" - WASHED MAPLE
3A	M09477-63-W51	EA	MOLDING - TRIM/VEE-W/CUT ENDS - 1"X 64.1" - HONEY CHERRY
3A	M09477-64-S46	EA	MOLDING - TRIM/VEE-W/CUT ENDS - 1"X 14.9" - PORTSMOUTH OAK
3A	M09477-64-S47	EA	MOLDING - TRIM/VEE-W/CUT ENDS - 1"X 14.9" - CONCERT CHERRY
3A	M09477-64-S48	EA	MOLDING - TRIM/VEE-W/CUT ENDS - 1"X 14.9" - WASHED MAPLE
3A	M09477-64-W51	EA	MOLDING - TRIM/VEE-W/CUT ENDS - 1"X 14.9" - HONEY CHERRY
3A	M09501-30-SD0	EA	MOLDING - TRIM/VEE - .2" X 1" X 35.1" - PORTSMOUTH OAK
3A	M09501-30-SD1	EA	MOLDING - TRIM/VEE - .2" X 1" X 35.1" - CONCERT CHERRY
3A	M09501-30-SD2	EA	MOLDING - TRIM/VEE - .2" X 1" X 35.1" - WASHED MAPLE
3A	M09501-30-SD3	EA	MOLDING - TRIM/VEE - .2" X 1" X 35.1" - HONEY CHERRY
3A	M09515-97-WL4	EA	MOLDING - TRIM/VEE - .2" X 1" X 32.6" - CONCERT CHERRY
3A	M09515-97-WL5	EA	MOLDING - TRIM/VEE - .2" X 1" X 32.6" - WASHED MAPLE
3A	M09515-97-WL6	EA	MOLDING - TRIM/VEE - .2" X 1" X 32.6" - HONEY CHERRY
3A	M09534-17-UF3	EA	MOLDING - TRIM/VEE - .2" X 1" X 20.1" - SIERRA MAPLE
3A	M09534-17-UJ1	EA	MOLDING - TRIM/VEE - .2" X 1" X 20.1" - CONCERT CHERRY
3A	M09534-17-UJ2	EA	MOLDING - TRIM/VEE - .2" X 1" X 20.1" - WASHED MAPLE
3A	M09534-17-UJ3	EA	MOLDING - TRIM/VEE - .2" X 1" X 20.1" - HONEY CHERRY
3A	M09477-88-S34	EA	MOLDING - TRIM/VEE - .2" X 1" X 19.9" - WASHED MAPLE
3A	M09477-88-S35	EA	MOLDING - TRIM/VEE - .2" X 1" X 19.9" - SIERRA MAPLE
3A	M09568-03-W51	EA	MOLDING - TRIM/VEE - .2" X 1" X 19.8" - HONEY CHERRY
3A	M09568-03-W52	EA	MOLDING - TRIM/VEE - .2" X 1" X 19.8" - WASHED MAPLE
3A	M09565-51-W51	EA	MOLDING - TRIM/VEE - .2" X 1" X 19.4" - HONEY CHERRY
3A	M09565-51-W52	EA	MOLDING - TRIM/VEE - .2" X 1" X 19.4" - WASHED MAPLE
3A	M09553-79-W66	EA	MOLDING - TRIM/VEE - .2" X 1" X 15.6" - HONEY CHERRY
3A	M09515-10-W66	EA	MOLDING - TRIM/VEE - .2" X 1" X 15.4" - HONEY CHERRY
3A	M09501-63-T78	EA	MOLDING - TRIM/VEE - .2" X 1" X 15" - CONCERT CHERRY
3A	M09501-63-T79	EA	MOLDING - TRIM/VEE - .2" X 1" X 15" - WASHED MAPLE
3A	M09501-63-T80	EA	MOLDING - TRIM/VEE - .2" X 1" X 15" - SIERRA MAPLE
3A	M09501-63-W66	EA	MOLDING - TRIM/VEE - .2" X 1" X 15" - HONEY CHERRY
3A	M09553-09-W66	EA	MOLDING - TRIM/VEE - .2" X 1" X 13.4" - HONEY CHERRY
3A	M09566-04-WD3	EA	MOLDING - TRIM/VEE - .2" X 1" X 8.9" - HONEY CHERRY
3A	M09553-29-WH4	EA	MOLDING - TRIM/VEE - .4" X 1" X 94.4" - CONCERT CHERRY
3A	M09553-29-WH5	EA	MOLDING - TRIM/VEE - .4" X 1" X 94.4" - WASHED MAPLE
3A	M09553-29-WH6	EA	MOLDING - TRIM/VEE - .4" X 1" X 94.4" - SIERRA MAPLE
3A	M09565-04-WH4	EA	MOLDING - TRIM/VEE - .4" X 1" X 89.5" - CONCERT CHERRY



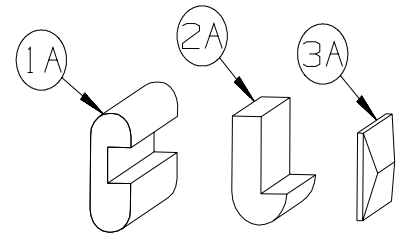
## INTERIOR FINISH GROUP (CONTINUED)

### MOLDINGS & TRIMS (CONTINUED)

KEY	PART NUMBER	U/M	DESCRIPTION
3A	M09565-04-WH5	EA	MOLDING - TRIM/VEE - .4" X 1" X 89.5" - WASHED MAPLE
3A	M09565-04-WH6	EA	MOLDING - TRIM/VEE - .4" X 1" X 89.5" - SIERRA MAPLE
3A	M09544-86-W37	EA	MOLDING - TRIM/VEE - .4" X 1" X 88.1" - WASHED MAPLE
3A	M09544-86-W38	EA	MOLDING - TRIM/VEE - .4" X 1" X 88.1" - SIERRA MAPLE
3A	M09538-39-U67	EA	MOLDING - TRIM/VEE - .4" X 1" X 82.6" - WASHED MAPLE
3A	M09538-39-U68	EA	MOLDING - TRIM/VEE - .4" X 1" X 82.6" - SIERRA MAPLE
3A	M09553-62-WH4	EA	MOLDING - TRIM/VEE - .4" X 1" X 81.4" - CONCERT CHERRY
3A	M09553-62-WH5	EA	MOLDING - TRIM/VEE - .4" X 1" X 81.4" - WASHED MAPLE
3A	M09553-62-WH6	EA	MOLDING - TRIM/VEE - .4" X 1" X 81.4" - SIERRA MAPLE
3A	M09577-98-WH4	EA	MOLDING - TRIM/VEE - .4" X 1" X 80.2" - CONCERT CHERRY
3A	M09577-98-WH5	EA	MOLDING - TRIM/VEE - .4" X 1" X 80.2" - WASHED MAPLE
3A	M09577-98-WH6	EA	MOLDING - TRIM/VEE - .4" X 1" X 80.2" - SIERRA MAPLE
3A	M09544-37-W37	EA	MOLDING - TRIM/VEE - .4" X 1" X 78.8" - WASHED MAPLE
3A	M09544-37-W38	EA	MOLDING - TRIM/VEE - .4" X 1" X 78.8" - SIERRA MAPLE
3A	M09544-34-W37	EA	MOLDING - TRIM/VEE - .4" X 1" X 78.7" - WASHED MAPLE
3A	M09544-34-W38	EA	MOLDING - TRIM/VEE - .4" X 1" X 78.7" - SIERRA MAPLE
3A	M09538-37-U67	EA	MOLDING - TRIM/VEE - .4" X 1" X 77.5" - WASHED MAPLE
3A	M09538-37-U68	EA	MOLDING - TRIM/VEE - .4" X 1" X 77.5" - SIERRA MAPLE
3A	M09553-65-WH4	EA	MOLDING - TRIM/VEE - .4" X 1" X 77" - CONCERT CHERRY
3A	M09553-65-WH5	EA	MOLDING - TRIM/VEE - .4" X 1" X 77" - WASHED MAPLE
3A	M09553-65-WH6	EA	MOLDING - TRIM/VEE - .4" X 1" X 77" - SIERRA MAPLE
3A	M09553-64-WH4	EA	MOLDING - TRIM/VEE - .4" X 1" X 76.7" - CONCERT CHERRY
3A	M09553-64-WH5	EA	MOLDING - TRIM/VEE - .4" X 1" X 76.7" - WASHED MAPLE
3A	M09553-64-WH6	EA	MOLDING - TRIM/VEE - .4" X 1" X 76.7" - SIERRA MAPLE
3A	M09565-75-WH4	EA	MOLDING - TRIM/VEE - .4" X 1" X 75.9" - CONCERT CHERRY
3A	M09565-75-WH5	EA	MOLDING - TRIM/VEE - .4" X 1" X 75.9" - WASHED MAPLE
3A	M09565-75-WH6	EA	MOLDING - TRIM/VEE - .4" X 1" X 75.9" - SIERRA MAPLE
3A	M09565-02-WH4	EA	MOLDING - TRIM/VEE - .4" X 1" X 75.1" - CONCERT CHERRY
3A	M09565-02-WH5	EA	MOLDING - TRIM/VEE - .4" X 1" X 75.1" - WASHED MAPLE
3A	M09565-02-WH6	EA	MOLDING - TRIM/VEE - .4" X 1" X 75.1" - SIERRA MAPLE
3A	M09553-26-WH4	EA	MOLDING - TRIM/VEE - .4" X 1" X 74.1" - CONCERT CHERRY
3A	M09553-26-WH5	EA	MOLDING - TRIM/VEE - .4" X 1" X 74.1" - WASHED MAPLE
3A	M09553-26-WH6	EA	MOLDING - TRIM/VEE - .4" X 1" X 74.1" - SIERRA MAPLE
3A	M09538-91-WH4	EA	MOLDING - TRIM/VEE - .4" X 1" X 73.8" - CONCERT CHERRY
3A	M09538-91-WH5	EA	MOLDING - TRIM/VEE - .4" X 1" X 73.8" - WASHED MAPLE
3A	M09538-91-WH6	EA	MOLDING - TRIM/VEE - .4" X 1" X 73.8" - SIERRA MAPLE
3A	M09553-22-WH4	EA	MOLDING - TRIM/VEE - .4" X 1" X 73.2" - CONCERT CHERRY
3A	M09553-22-WH5	EA	MOLDING - TRIM/VEE - .4" X 1" X 73.2" - WASHED MAPLE
3A	M09553-22-WH6	EA	MOLDING - TRIM/VEE - .4" X 1" X 73.2" - SIERRA MAPLE
3A	M09565-97-WH4	EA	MOLDING - TRIM/VEE - .4" X 1" X 72.6" - CONCERT CHERRY
3A	M09565-97-WH5	EA	MOLDING - TRIM/VEE - .4" X 1" X 72.6" - WASHED MAPLE
3A	M09565-97-WH6	EA	MOLDING - TRIM/VEE - .4" X 1" X 72.6" - SIERRA MAPLE
3A	M09568-12-WH4	EA	MOLDING - TRIM/VEE - .4" X 1" X 71.9" - CONCERT CHERRY
3A	M09568-12-WH5	EA	MOLDING - TRIM/VEE - .4" X 1" X 71.9" - WASHED MAPLE
3A	M09568-12-WH6	EA	MOLDING - TRIM/VEE - .4" X 1" X 71.9" - SIERRA MAPLE
3A	M09565-01-WH4	EA	MOLDING - TRIM/VEE - .4" X 1" X 71.7" - CONCERT CHERRY
3A	M09565-01-WH5	EA	MOLDING - TRIM/VEE - .4" X 1" X 71.7" - WASHED MAPLE
3A	M09565-01-WH6	EA	MOLDING - TRIM/VEE - .4" X 1" X 71.7" - SIERRA MAPLE
3A	M09565-01-YR3	EA	MOLDING - TRIM/VEE - .4" X 1" X 71.7" - HONEY CHERRY
3A	M09544-15-WB4	EA	MOLDING - TRIM/VEE - .4" X 1" X 64.5" - CONCERT CHERRY
3A	M09544-15-WB5	EA	MOLDING - TRIM/VEE - .4" X 1" X 64.5" - WASHED MAPLE
3A	M09544-15-WB6	EA	MOLDING - TRIM/VEE - .4" X 1" X 64.5" - SIERRA MAPLE
3A	M09538-94-WH4	EA	MOLDING - TRIM/VEE - .4" X 1" X 71.1" - CONCERT CHERRY
3A	M09538-94-WH5	EA	MOLDING - TRIM/VEE - .4" X 1" X 71.1" - WASHED MAPLE
3A	M09538-94-WH6	EA	MOLDING - TRIM/VEE - .4" X 1" X 71.1" - SIERRA MAPLE
3A	M09565-78-WH4	EA	MOLDING - TRIM/VEE - .4" X 1" X 70.2" - CONCERT CHERRY
3A	M09565-78-WH5	EA	MOLDING - TRIM/VEE - .4" X 1" X 70.2" - WASHED MAPLE
3A	M09565-78-WH6	EA	MOLDING - TRIM/VEE - .4" X 1" X 70.2" - SIERRA MAPLE
3A	M09553-21-WH4	EA	MOLDING - TRIM/VEE - .4" X 1" X 70.1" - CONCERT CHERRY
3A	M09553-21-WH5	EA	MOLDING - TRIM/VEE - .4" X 1" X 70.1" - WASHED MAPLE
3A	M09553-21-WH6	EA	MOLDING - TRIM/VEE - .4" X 1" X 70.1" - SIERRA MAPLE
3A	M09501-92-T77	EA	MOLDING - TRIM/VEE - .4" X 1" X 70" - PORTSMOUTH OAK
3A	M09501-92-T78	EA	MOLDING - TRIM/VEE - .4" X 1" X 70" - CONCERT CHERRY
3A	M09501-92-T79	EA	MOLDING - TRIM/VEE - .4" X 1" X 70" - WASHED MAPLE

**INTERIOR FINISH GROUP (CONTINUED)**  
**MOLDINGS & TRIMS (CONTINUED)**

KEY	PART NUMBER	U/M	DESCRIPTION
3A	M09501-92-T80	EA	MOLDING - TRIM/VEE - .4" X 1" X 70" - SIERRA MAPLE
3A	M09538-27-WH4	EA	MOLDING - TRIM/VEE - .4" X 1" X 71.1" - CONCERT CHERRY
3A	M09538-27-U67	EA	MOLDING - TRIM/VEE - .4" X 1" X 71.1" - WASHED MAPLE
3A	M09538-27-U68	EA	MOLDING - TRIM/VEE - .4" X 1" X 71.1" - SIERRA MAPLE
3A	M09544-10-WH4	EA	MOLDING - TRIM/VEE - .4" X 1" X 68.2" - CONCERT CHERRY
3A	M09544-10-W91	EA	MOLDING - TRIM/VEE - .4" X 1" X 68.2" - WASHED MAPLE
3A	M09544-10-W92	EA	MOLDING - TRIM/VEE - .4" X 1" X 68.2" - SIERRA MAPLE
3A	M09553-03-WH4	EA	MOLDING - TRIM/VEE - .4" X 1" X 66.7" - CONCERT CHERRY
3A	M09553-03-WH5	EA	MOLDING - TRIM/VEE - .4" X 1" X 66.7" - WASHED MAPLE
3A	M09553-03-WH6	EA	MOLDING - TRIM/VEE - .4" X 1" X 66.7" - SIERRA MAPLE
3A	M09553-03-YR3	EA	MOLDING - TRIM/VEE - .4" X 1" X 66.7" - HONEY CHERRY
3A	M09538-93-WH4	EA	MOLDING - TRIM/VEE - .4" X 1" X 66.6" - CONCERT CHERRY
3A	M09538-93-WH5	EA	MOLDING - TRIM/VEE - .4" X 1" X 66.6" - WASHED MAPLE
3A	M09538-93-WH6	EA	MOLDING - TRIM/VEE - .4" X 1" X 66.6" - SIERRA MAPLE
3A	M09544-33-W37	EA	MOLDING - TRIM/VEE - .4" X 1" X 66.5" - SIERRA MAPLE
3A	M09544-33-W38	EA	MOLDING - TRIM/VEE - .4" X 1" X 66.5" - WASHED MAPLE
3A	M09553-02-WH4	EA	MOLDING - TRIM/VEE - .4" X 1" X 66.4" - CONCERT CHERRY
3A	M09553-02-WH5	EA	MOLDING - TRIM/VEE - .4" X 1" X 66.4" - WASHED MAPLE
3A	M09553-02-WH6	EA	MOLDING - TRIM/VEE - .4" X 1" X 66.4" - SIERRA MAPLE
3A	M09544-14-WB4	EA	MOLDING - TRIM/VEE - .4" X 1" X 64.5" - CONCERT CHERRY
3A	M09544-14-WB5	EA	MOLDING - TRIM/VEE - .4" X 1" X 64.5" - WASHED MAPLE
3A	M09544-14-WB6	EA	MOLDING - TRIM/VEE - .4" X 1" X 64.5" - SIERRA MAPLE
3A	M09515-78-T77	EA	MOLDING - TRIM/VEE - .4" X 1" X 64.1" - PORTSMOUTH OAK
3A	M09515-78-T78	EA	MOLDING - TRIM/VEE - .4" X 1" X 64.1" - CONCERT CHERRY
3A	M09515-78-T79	EA	MOLDING - TRIM/VEE - .4" X 1" X 64.1" - WASHED MAPLE
3A	M09515-78-T80	EA	MOLDING - TRIM/VEE - .4" X 1" X 64.1" - SIERRA MAPLE
3A	M09501-91-T77	EA	MOLDING - TRIM/VEE - .4" X 1" X 63.3" - PORTSMOUTH OAK
3A	M09501-91-T78	EA	MOLDING - TRIM/VEE - .4" X 1" X 63.3" - CONCERT CHERRY
3A	M09501-91-T79	EA	MOLDING - TRIM/VEE - .4" X 1" X 63.3" - WASHED MAPLE
3A	M09501-91-T80	EA	MOLDING - TRIM/VEE - .4" X 1" X 63.3" - SIERRA MAPLE
3A	M09503-91-T77	EA	MOLDING - TRIM/VEE - .4" X 1" X 63.1" - PORTSMOUTH OAK
3A	M09503-91-T78	EA	MOLDING - TRIM/VEE - .4" X 1" X 63.1" - CONCERT CHERRY
3A	M09503-91-T79	EA	MOLDING - TRIM/VEE - .4" X 1" X 63.1" - WASHED MAPLE
3A	M09503-91-T80	EA	MOLDING - TRIM/VEE - .4" X 1" X 63.1" - SIERRA MAPLE
3A	M09544-22-WB4	EA	MOLDING - TRIM/VEE - .4" X 1" X 61.7" - CONCERT CHERRY
3A	M09544-22-WB5	EA	MOLDING - TRIM/VEE - .4" X 1" X 61.7" - WASHED MAPLE
3A	M09544-22-WB6	EA	MOLDING - TRIM/VEE - .4" X 1" X 61.7" - SIERRA MAPLE
3A	M09583-41-WH4	EA	MOLDING - TRIM/VEE - .4" X 1" X 61" - CONCERT CHERRY
3A	M09583-41-WH5	EA	MOLDING - TRIM/VEE - .4" X 1" X 61" - WASHED MAPLE
3A	M09583-41-WH6	EA	MOLDING - TRIM/VEE - .4" X 1" X 61" - SIERRA MAPLE
3A	M09565-49-WH4	EA	MOLDING - TRIM/VEE - .4" X 1" X 58.7" - CONCERT CHERRY
3A	M09565-49-WH5	EA	MOLDING - TRIM/VEE - .4" X 1" X 58.7" - WASHED MAPLE
3A	M09565-49-WH6	EA	MOLDING - TRIM/VEE - .4" X 1" X 58.7" - SIERRA MAPLE
3A	M09544-36-W37	EA	MOLDING - TRIM/VEE - .4" X 1" X 52.6" - WASHED MAPLE
3A	M09544-36-W38	EA	MOLDING - TRIM/VEE - .4" X 1" X 52.6.5" - SIERRA MAPLE
3A	M09553-85-WB4	EA	MOLDING - TRIM/VEE - .4" X 1" X 43.4" - CONCERT CHERRY
3A	M09553-85-WB5	EA	MOLDING - TRIM/VEE - .4" X 1" X 43.4" - WASHED MAPLE
3A	M09553-85-WB6	EA	MOLDING - TRIM/VEE - .4" X 1" X 43.4" - SIERRA MAPLE
3A	M09553-28-WH4	EA	MOLDING - TRIM/VEE - .4" X 1" X 48" - CONCERT CHERRY
3A	M09553-28-WH5	EA	MOLDING - TRIM/VEE - .4" X 1" X 48" - WASHED MAPLE
3A	M09553-28-WH6	EA	MOLDING - TRIM/VEE - .4" X 1" X 48" - SIERRA MAPLE
3A	M09553-60-WH4	EA	MOLDING - TRIM/VEE - .4" X 1" X 47.2" - CONCERT CHERRY
3A	M09553-60-WH5	EA	MOLDING - TRIM/VEE - .4" X 1" X 47.2" - WASHED MAPLE
3A	M09553-60-WH6	EA	MOLDING - TRIM/VEE - .4" X 1" X 47.2" - SIERRA MAPLE
3A	M09544-24-WB4	EA	MOLDING - TRIM/VEE - .4" X 1" X 46.2" - CONCERT CHERRY
3A	M09544-24-WB5	EA	MOLDING - TRIM/VEE - .4" X 1" X 46.2" - WASHED MAPLE
3A	M09544-24-WB6	EA	MOLDING - TRIM/VEE - .4" X 1" X 46.2" - SIERRA MAPLE
3A	M09565-77-WH4	EA	MOLDING - TRIM/VEE - .4" X 1" X 42.5" - CONCERT CHERRY
3A	M09565-77-WH5	EA	MOLDING - TRIM/VEE - .4" X 1" X 42.5" - WASHED MAPLE
3A	M09565-77-WH6	EA	MOLDING - TRIM/VEE - .4" X 1" X 42.5" - SIERRA MAPLE
3A	M09544-35-W37	EA	MOLDING - TRIM/VEE - .4" X 1" X 66.5" - SIERRA MAPLE
3A	M09544-35-W38	EA	MOLDING - TRIM/VEE - .4" X 1" X 66.5" - WASHED MAPLE

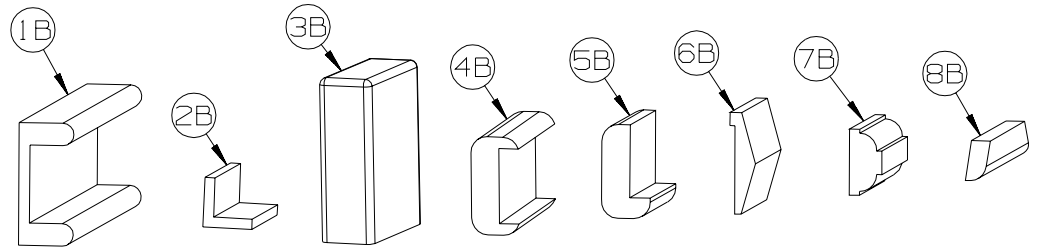
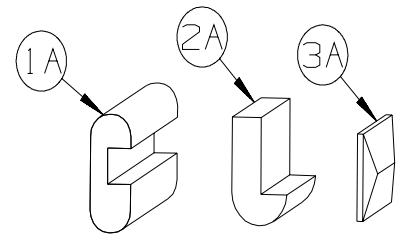


**INTERIOR FINISH GROUP (CONTINUED)**  
**MOLDINGS & TRIMS (CONTINUED)**

<b>KEY</b>	<b>PART NUMBER</b>	<b>U/M</b>	<b>DESCRIPTION</b>
3A	M09544-38-W37	EA	MOLDING - TRIM/VEE - .4" X 1" X 66.5" - SIERRA MAPLE
3A	M09544-38-W38	EA	MOLDING - TRIM/VEE - .4" X 1" X 66.5" - WASHED MAPLE
3A	M09565-03-WH4	EA	MOLDING - TRIM/VEE - .4" X 1" X 44.2" - CONCERT CHERRY
3A	M09565-03-WH5	EA	MOLDING - TRIM/VEE - .4" X 1" X 44.2" - WASHED MAPLE
3A	M09565-03-WH6	EA	MOLDING - TRIM/VEE - .4" X 1" X 44.2" - SIERRA MAPLE
3A	M09565-20-WH4	EA	MOLDING - TRIM/VEE - .4" X 1" X 43.2" - CONCERT CHERRY
3A	M09565-20-WH5	EA	MOLDING - TRIM/VEE - .4" X 1" X 43.2" - WASHED MAPLE
3A	M09565-20-WH6	EA	MOLDING - TRIM/VEE - .4" X 1" X 43.2" - SIERRA MAPLE
3A	M09553-24-WH4	EA	MOLDING - TRIM/VEE - .4" X 1" X 43" - CONCERT CHERRY
3A	M09553-24-WH5	EA	MOLDING - TRIM/VEE - .4" X 1" X 43" - WASHED MAPLE
3A	M09553-24-WH6	EA	MOLDING - TRIM/VEE - .4" X 1" X 43" - SIERRA MAPLE
3A	M09565-77-WH4	EA	MOLDING - TRIM/VEE - .4" X 1" X 42.5" - CONCERT CHERRY
3A	M09565-77-WH5	EA	MOLDING - TRIM/VEE - .4" X 1" X 42.5" - WASHED MAPLE
3A	M09565-77-WH6	EA	MOLDING - TRIM/VEE - .4" X 1" X 42.5" - SIERRA MAPLE
3A	M09565-50-WH4	EA	MOLDING - TRIM/VEE - .4" X 1" X 40.9" - CONCERT CHERRY
3A	M09565-50-WH5	EA	MOLDING - TRIM/VEE - .4" X 1" X 40.9" - WASHED MAPLE
3A	M09565-50-WH6	EA	MOLDING - TRIM/VEE - .4" X 1" X 40.9" - SIERRA MAPLE
3A	M09583-43-WH4	EA	MOLDING - TRIM/VEE - .4" X 1" X 40.1" - CONCERT CHERRY
3A	M09583-43-WH5	EA	MOLDING - TRIM/VEE - .4" X 1" X 40.1" - WASHED MAPLE
3A	M09583-43-WH6	EA	MOLDING - TRIM/VEE - .4" X 1" X 40.1" - SIERRA MAPLE
3A	M09565-76-WH4	EA	MOLDING - TRIM/VEE - .4" X 1" X 39.4" - CONCERT CHERRY
3A	M09565-76-WH5	EA	MOLDING - TRIM/VEE - .4" X 1" X 39.4" - WASHED MAPLE
3A	M09565-76-WH6	EA	MOLDING - TRIM/VEE - .4" X 1" X 39.4" - SIERRA MAPLE
3A	M09565-47-WH4	EA	MOLDING - TRIM/VEE - .4" X 1" X 38.9" - CONCERT CHERRY
3A	M09565-47-WH5	EA	MOLDING - TRIM/VEE - .4" X 1" X 38.9" - WASHED MAPLE
3A	M09565-47-WH6	EA	MOLDING - TRIM/VEE - .4" X 1" X 38.9" - SIERRA MAPLE
3A	M09553-27-WH4	EA	MOLDING - TRIM/VEE - .4" X 1" X 38.8" - CONCERT CHERRY
3A	M09553-27-WH5	EA	MOLDING - TRIM/VEE - .4" X 1" X 38.8" - WASHED MAPLE
3A	M09553-27-WH6	EA	MOLDING - TRIM/VEE - .4" X 1" X 38.8" - SIERRA MAPLE
3A	M09568-77-WH4	EA	MOLDING - TRIM/VEE - .4" X 1" X 37.5" - CONCERT CHERRY
3A	M09568-77-WH5	EA	MOLDING - TRIM/VEE - .4" X 1" X 37.5" - WASHED MAPLE
3A	M09568-77-WH6	EA	MOLDING - TRIM/VEE - .4" X 1" X 37.5" - SIERRA MAPLE
3A	M09553-23-WH4	EA	MOLDING - TRIM/VEE - .4" X 1" X 37" - CONCERT CHERRY
3A	M09553-23-WH5	EA	MOLDING - TRIM/VEE - .4" X 1" X 37" - WASHED MAPLE
3A	M09553-23-WH6	EA	MOLDING - TRIM/VEE - .4" X 1" X 37" - SIERRA MAPLE
3A	M09553-47-WB4	EA	MOLDING - TRIM/VEE - .4" X 1" X 35.9" - CONCERT CHERRY
3A	M09553-47-WB5	EA	MOLDING - TRIM/VEE - .4" X 1" X 35.9" - WASHED MAPLE
3A	M09553-47-WB6	EA	MOLDING - TRIM/VEE - .4" X 1" X 35.9" - SIERRA MAPLE
3A	M09553-47-W66	EA	MOLDING - TRIM/VEE - .4" X 1" X 35.9" - HONEY CHERRY
3A	M09568-48-U67	EA	MOLDING - TRIM/VEE - .4" X 1" X 35.4" - WASHED MAPLE
3A	M09568-48-U68	EA	MOLDING - TRIM/VEE - .4" X 1" X 35.4" - SIERRA MAPLE
3A	M09553-63-WH4	EA	MOLDING - TRIM/VEE - .4" X 1" X 35.1" - CONCERT CHERRY
3A	M09553-63-WH5	EA	MOLDING - TRIM/VEE - .4" X 1" X 35.1" - WASHED MAPLE
3A	M09553-63-WH6	EA	MOLDING - TRIM/VEE - .4" X 1" X 35.1" - SIERRA MAPLE
3A	M09553-63-W51	EA	MOLDING - TRIM/VEE - .4" X 1" X 35.1" - HONEY CHERRY
3A	M09565-94-WH4	EA	MOLDING - TRIM/VEE - .4" X 1" X 34.4" - CONCERT CHERRY
3A	M09565-94-WH5	EA	MOLDING - TRIM/VEE - .4" X 1" X 34.4" - WASHED MAPLE
3A	M09565-94-WH6	EA	MOLDING - TRIM/VEE - .4" X 1" X 34.4" - SIERRA MAPLE
3A	M09553-04-WH4	EA	MOLDING - TRIM/VEE - .4" X 1" X 34.2" - CONCERT CHERRY
3A	M09553-04-WH5	EA	MOLDING - TRIM/VEE - .4" X 1" X 34.2" - WASHED MAPLE
3A	M09553-04-WH6	EA	MOLDING - TRIM/VEE - .4" X 1" X 34.2" - SIERRA MAPLE
3A	M09566-02-U68	EA	MOLDING - TRIM/VEE - .4" X 1" X 32.7" - SIERRA MAPLE
3A	M09566-02-W51	EA	MOLDING - TRIM/VEE - .4" X 1" X 32.7" - HONEY CHERRY
3A	M09566-02-W52	EA	MOLDING - TRIM/VEE - .4" X 1" X 32.7" - WASHED MAPLE
3A	M09511-86-T77	EA	MOLDING - TRIM/VEE - .4" X 1" X 28.3" - PORTSMOUTH OAK
3A	M09511-86-T78	EA	MOLDING - TRIM/VEE - .4" X 1" X 28.3" - CONCERT CHERRY
3A	M09511-86-T79	EA	MOLDING - TRIM/VEE - .4" X 1" X 28.3" - WASHED MAPLE
3A	M09511-86-T80	EA	MOLDING - TRIM/VEE - .4" X 1" X 28.3" - SIERRA MAPLE
3A	M09553-61-WH4	EA	MOLDING - TRIM/VEE - .4" X 1" X 19.9" - CONCERT CHERRY
3A	M09553-61-WH5	EA	MOLDING - TRIM/VEE - .4" X 1" X 19.9" - WASHED MAPLE
3A	M09553-61-WH6	EA	MOLDING - TRIM/VEE - .4" X 1" X 19.9" - SIERRA MAPLE
3A	M09565-71-WH4	EA	MOLDING - TRIM/VEE - .4" X 1" X 11.4" - CONCERT CHERRY
3A	M09565-71-WH5	EA	MOLDING - TRIM/VEE - .4" X 1" X 11.4" - WASHED MAPLE
3A	M09565-71-WH6	EA	MOLDING - TRIM/VEE - .4" X 1" X 11.4" - SIERRA MAPLE

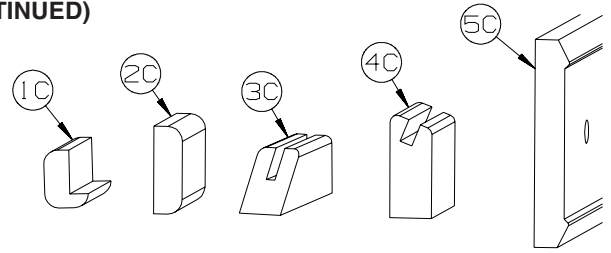
**INTERIOR FINISH GROUP (CONTINUED)**  
**MOLDINGS & TRIMS (CONTINUED)**

KEY	PART NUMBER	U/M	DESCRIPTION
3A	M09583-42-WH4	EA	MOLDING - TRIM/VEE - .4" X 1" X 8.3" - CONCERT CHERRY
3A	M09583-42-WH5	EA	MOLDING - TRIM/VEE - .4" X 1" X 8.3" - WASHED MAPLE
3A	M09583-42-WH6	EA	MOLDING - TRIM/VEE - .4" X 1" X 8.3" - SIERRA MAPLE
3A	M09544-55-WB4	EA	MOLDING - TRIM/VEE - .4" X 1" X 6.5" - CONCERT CHERRY
3A	M09544-55-WB5	EA	MOLDING - TRIM/VEE - .4" X 1" X 6.5" - WASHED MAPLE
3A	M09544-55-WB6	EA	MOLDING - TRIM/VEE - .4" X 1" X 6.5" - SIERRA MAPLE
3A	M09544-56-WB4	EA	MOLDING - TRIM/VEE - .4" X 1" X 6.1" - CONCERT CHERRY
3A	M09544-56-WB5	EA	MOLDING - TRIM/VEE - .4" X 1" X 6.1" - WASHED MAPLE
3A	M09544-56-WB6	EA	MOLDING - TRIM/VEE - .4" X 1" X 6.1" - SIERRA MAPLE
3A	M09538-70-U68	EA	MOLDING - TRIM/VEE - .4" X 1" X 63.9" - SIERRA MAPLE
3A	M09538-70-U67	EA	MOLDING - TRIM/VEE - .4" X 1" X 63.9" - WASHED MAPLE



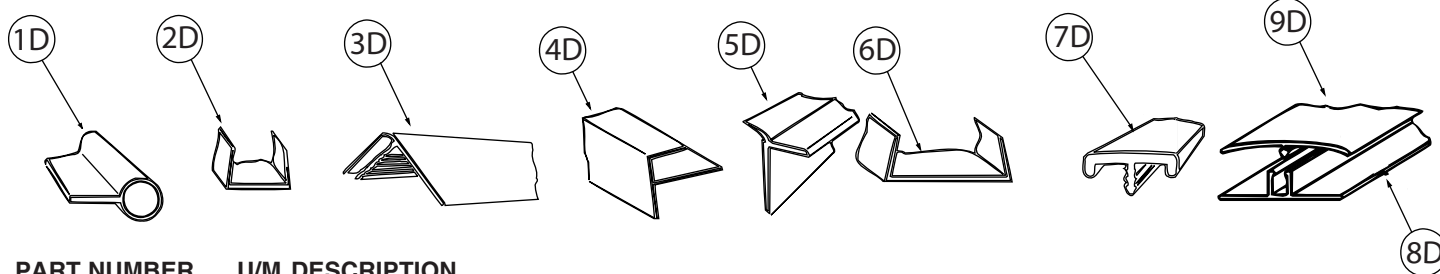
KEY	PART NUMBER	U/M	DESCRIPTION
1B	M09501-84-TG0	EA	MOLDING/TRIM - CAP/WALL - 2.2" X 85.9" - PORTSMOUTH OAK
1B	M09501-84-TG1	EA	MOLDING/TRIM - CAP/WALL - 2.2" X 85.9" - CONCERT CHERRY
1B	M09501-84-TG2	EA	MOLDING/TRIM - CAP/WALL - 2.2" X 85.9" - WASHED MAPLE
1B	M09501-84-TG3	EA	MOLDING/TRIM - CAP/WALL - 2.2" X 85.9" - HONEY CHERRY
1B	M09520-04-TD3	EA	MOLDING/TRIM - CAP/WALL - 2.2" X 80.5" - SIERRA MAPLE
2B	M09511-81-TA0	EA	MOLDING/TRIM - L SHAPE - .8"X .8"X 80.2" - PORTSMOUTH OAK
2B	M09511-81-TA1	EA	MOLDING/TRIM - L SHAPE - .8"X .8"X 80.2" - CONCERT CHERRY
2B	M09511-81-TA2	EA	MOLDING/TRIM - L SHAPE - .8"X .8"X 80.2" - WASHED MAPLE
2B	M09511-81-TA3	EA	MOLDING/TRIM - L SHAPE - .8"X .8"X 80.2" - SIERRA MAPLE
3B	M09515-81-T01	EA	MOLDING/HARDWOOD STRAIGHT - 74.3" - WASHED MAPLE
3B	M09515-81-T02	EA	MOLDING/HARDWOOD STRAIGHT - 74.3" - HONEY CHERRY
4B	M09511-42-T77	EA	MOLDING - TRIM - W/NOTCH - 1.5" X 86.4" - PORTSMOUTH OAK
4B	M09511-42-T78	EA	MOLDING - TRIM - W/NOTCH - 1.5" X 86.4" - CONCERT CHERRY
4B	M09511-42-T79	EA	MOLDING - TRIM - W/NOTCH - 1.5" X 86.4" - WASHED MAPLE
4B	M09511-42-T80	EA	MOLDING - TRIM - W/NOTCH - 1.5" X 86.4" - SIERRA MAPLE
4B	M09511-42-W66	EA	MOLDING - TRIM - W/NOTCH - 1.5" X 86.4" - HONEY CHERRY
5B	M09515-18-T77	EA	MOLDING - HARDWOOD-W/NOTCH - 1.4"X 86.2" - PORTSMOUTH OAK
5B	M09515-18-T78	EA	MOLDING - HARDWOOD-W/NOTCH - 1.4"X 86.2" - CONCERT CHERRY
5B	M09553-66-U22	EA	MOLDING - HARDWOOD-W/NOTCH - 1.4"X 96" - WASHED MAPLE
5B	M09515-18-T80	EA	MOLDING - HARDWOOD-W/NOTCH - 1.4"X 86.2" - SIERRA MAPLE
5B	M09553-66-U21	EA	MOLDING - HARDWOOD-W/NOTCH - 1.4"X 96" - HONEY CHERRY
6B	M09515-53-TG0	EA	MOLDING - TRIM/VEE - 1.5" X 73.9" - PORTSMOUTH OAK
6B	M09525-81-UJ1	EA	MOLDING - TRIM/VEE - 1.5" X 74.7" - CONCERT CHERRY
6B	M09525-81-UJ2	EA	MOLDING - TRIM/VEE - 1.5" X 74.7" - WASHED MAPLE
6B	M09552-81-UJ3	EA	MOLDING - TRIM/VEE - 1.5" X 74.7" - HONEY CHERRY
6B	M09553-53-WH6	EA	MOLDING - TRIM/VEE - NOTCHED - 1.5" X 20.6" - SIERRA MAPLE
7B	Y00076-32-438	EA	MOLDING/TRIM - .5" X 1" X 96" - CHERRY (UNSTAINED)
7B	Y00076-22-438	EA	MOLDING/TRIM - .5" X 1" X 96" - MAPLE (UNSTAINED)
8B	M09525-92-T77	EA	MOLDING/TRIM - .5" X 1" X 75.6" - PORTSMOUTH OAK
8B	M09525-92-T78	EA	MOLDING/TRIM - .5" X 1" X 75.6" - CONCERT CHERRY
8B	M09525-92-T79	EA	MOLDING/TRIM - .5" X 1" X 75.6" - WASHED MAPLE
8B	M09525-92-T80	EA	MOLDING/TRIM - .5" X 1" X 75.6" - SIERRA MAPLE
8B	Y00086-72-438	EA	MOLDING - VINYL WRAP - .7" X 1.6" X 96" - PORTSMOUTH OAK
8B	Y00086-D2-438	EA	MOLDING - VINYL WRAP - .7" X 1.6" X 96" - CONCERT CHERRY
8B	Y00086-A2-438	EA	MOLDING - VINYL WRAP - .7" X 1.6" X 96" - WASHED MAPLE
8B	Y00086-92-438	EA	MOLDING - VINYL WRAP - .7" X 1.6" X 96" - SIERRA MAPLE
8B	Y00086-82-438	EA	MOLDING - VINYL WRAP - .7" X 1.6" X 96" - HONEY CHERRY
8B	Y00087-72-438	EA	MOLDING - VINYL WRAP - .7" X 2.9" X 96" - PORTSMOUTH OAK
8B	Y00087-D2-438	EA	MOLDING - VINYL WRAP - .7" X 2.9" X 96" - CONCERT CHERRY
8B	Y00087-A2-438	EA	MOLDING - VINYL WRAP - .7" X 2.9" X 96" - WASHED MAPLE
8B	Y00087-92-438	EA	MOLDING - VINYL WRAP - .7" X 2.9" X 96" - SIERRA MAPLE
8B	Y00087-82-438	EA	MOLDING - VINYL WRAP - .7" X 2.9" X 96" - HONEY CHERRY

**INTERIOR FINISH GROUP (CONTINUED)**  
**MOLDINGS & TRIMS (CONTINUED)**



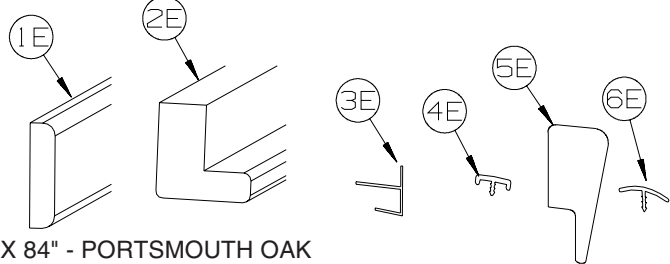
KEY	PART NUMBER	U/M	DESCRIPTION
1C	M09520-19-TD1	EA	MOLDING - TRIM - W/NOTCH - 1" X 86.3" - CONCERT CHERRY
1C	M09520-19-TD2	EA	MOLDING - TRIM - W/NOTCH - 1" X 86.3" - WASHED MAPLE
1C	M09520-19-TD3	EA	MOLDING - TRIM - W/NOTCH - 1" X 86.3" - HONEY CHERRY
1C	M09565-68-WH4	EA	MOLDING - HARDWOOD - .75" X 1.4" X 81.9" - CONCERT CHERRY
1C	M09565-68-WH5	EA	MOLDING - HARDWOOD - .75" X 1.4" X 81.9" - WASHED MAPLE
1C	M09565-68-WH6	EA	MOLDING - HARDWOOD - .75" X 1.4" X 81.9" - SIERRA MAPLE
2C	M09511-46-T77	EA	MOLDING/TRIM - .5" X 1.5" X 86.5" - PORTSMOUTH OAK
2C	M09511-46-T78	EA	MOLDING/TRIM - .5" X 1.5" X 86.5" - CONCERT CHERRY
2C	M09511-46-T79	EA	MOLDING/TRIM - .5" X 1.5" X 86.5" - WASHED MAPLE
2C	M09511-46-T80	EA	MOLDING/TRIM - .5" X 1.5" X 86.5" - SIERRA MAPLE
3C	Y00223-22-438	EA	MOLDING - HARDWOOD/MAPLE - .7" X 1" X 96" - UNSTAINED MAPLE
3C	Y00223-32-438	EA	MOLDING - HARDWOOD/CHERRY - .7" X 1" X 96" - UNSTAINED CHERRY
3C	Y00223-42-438	EA	MOLDING - HARDWOOD/CHERRY - .7" X 1" X 96" - UNSTAINED OAK
4C	Y00054-A2-438	EA	MOLDING - VINYL - W/SLOT - .7"X 1.9"X 96" - WASHED MAPLE
4C	Y00054-D2-438	EA	MOLDING - VINYL - W/SLOT - .7"X 1.9"X 96" - CONCERT CHERRY
4C	Y00054-22-438	EA	MOLDING - VINYL - W/SLOT - .7"X 1.9"X 96" - WASHED MAPLE
4C	Y00054-72-438	EA	MOLDING - VINYL - W/SLOT - .7"X 1.9"X 96" - PORTSMOUTH OAK
4C	Y00054-82-438	EA	MOLDING - VINYL - W/SLOT - .7"X 1.9"X 96" - HONEY CHERRY
4C	Y00054-92-438	EA	MOLDING - VINYL - W/SLOT - .7"X 1.9"X 96" - SIERRA MAPLE
4C	Y00276-A2-438	EA	MOLDING - VINYL - W/SLOT - .7"X 1.9"X 96" - WASHED MAPLE
4C	Y00276-D2-438	EA	MOLDING - VINYL - W/SLOT - .7"X 1.9"X 96" - CONCERT CHERRY
4C	Y00276-72-438	EA	MOLDING - VINYL - W/SLOT - .7"X 1.9"X 96" - PORTSMOUTH OAK
4C	Y00276-82-438	EA	MOLDING - VINYL - W/SLOT - .7"X 1.9"X 96" - HONEY CHERRY
4C	Y00276-92-438	EA	MOLDING - VINYL - W/SLOT - .7"X 1.9"X 96" - SIERRA MAPLE
5C	Y00152-A2-438	EA	MOLDING/TRIM - VINYL - .6" X 3.5" X 96" - WASHED MAPLE
5C	Y00152-D2-438	EA	MOLDING/TRIM - VINYL - .6" X 3.5" X 96" - CONCERT CHERRY
5C	Y00152-22-438	EA	MOLDING/TRIM - VINYL - .6" X 3.5" X 96" - WASHED MAPLE
5C	Y00152-72-438	EA	MOLDING/TRIM - VINYL - .6" X 3.5" X 96" - PORTSMOUTH OAK
5C	Y00152-92-438	EA	MOLDING/TRIM - VINYL - .6" X 3.5" X 96" - SIERRA MAPLE

**INTERIOR FINISH GROUP (CONTINUED)**  
**MOLDINGS & TRIMS (CONTINUED)**

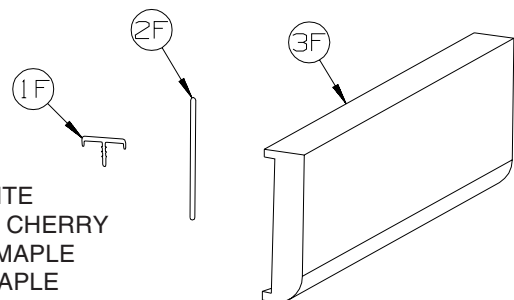


KEY	PART NUMBER	U/M	DESCRIPTION
1D	009767-12-000	FT	WELTING - ANTIQUE WHITE
2D	009778-25-000	FT	U-CHANNEL - 1" - BEIGE ILLUSION
2D	009778-26-000	FT	U-CHANNEL - 1 1/4" - BEIGE ILLUSION
2D	009778-38-000	FT	U-CHANNEL - 1" - BONE
2D	009778-32-000	FT	U-CHANNEL - 1" - PORTSMOUTH OAK
2D	009778-34-000	FT	U-CHANNEL - 1" - CONCERT CHERRY
2D	009778-27-000	FT	U-CHANNEL - 1" - WASHED MAPLE
2D	009778-35-000	FT	U-CHANNEL - 1" - HONEY CHERRY
2D	009778-36-000	FT	U-CHANNEL - 1" - SIERRA MAPLE
3D	009809-30-000	EA	MOLDING - CORNER - OUTSIDE - 1" X 84" - BEIGE ILLUSION
3D	009809-37-000	EA	MOLDING - CORNER - OUTSIDE - 1" X 84" - BONE
3D	009809-33-000	EA	MOLDING - CORNER - OUTSIDE - 1" X 84" - CONCERT CHERRY
3D	009809-31-000	EA	MOLDING - CORNER - OUTSIDE - 1" X 84" - WASHED MAPLE
3D	009809-35-000	EA	MOLDING - CORNER - OUTSIDE - 1" X 84" - SIERRA MAPLE
4D	009812-31-000	EA	MOLDING - CORNER - 1/2" W/1/4"CHAN X 84" - BEIGE ILLUSION
4D	009812-40-000	EA	MOLDING - CORNER - 1/2" W/1/4"CHAN X 84" - BONE
4D	009812-35-000	EA	MOLDING - CORNER - 1/2" W/1/4"CHAN X 84" - PORTSMOUTH OAK
4D	009812-36-000	EA	MOLDING - CORNER - 1/2" W/1/4"CHAN X 84" - CONCERT CHERRY
4D	009812-33-000	EA	MOLDING - CORNER - 1/2" W/1/4"CHAN X 84" - WASHED MAPLE
4D	009812-37-000	EA	MOLDING - CORNER - 1/2" W/1/4"CHAN X 84" - HONEY CHERRY
4D	009812-38-000	EA	MOLDING - CORNER - 1/2" W/1/4"CHAN X 84" - SIERRA MAPLE
5D	022992-11-000	FT	MOLDING - REVERSE COVE - T-SHAPED - IVORY
5D	022992-14-000	FT	MOLDING - REVERSE COVE - T-SHAPED - BRIGHT WHITE
5D	022992-18-000	FT	MOLDING - REVERSE COVE - T-SHAPED - BONE
6D	070504-42-000	FT	U-CHANNEL - PLASTIC - .13" X 84" - BEIGE ILLUSION
6D	070504-43-000	FT	U-CHANNEL - PLASTIC - .9" X 96" - BEIGE ILLUSION
6D	070504-69-000	FT	U-CHANNEL - PLASTIC - .13" X 84" - BONE
6D	070504-70-000	FT	U-CHANNEL - PLASTIC - .8" X 84" - BONE
6D	070504-57-000	FT	U-CHANNEL - PLASTIC - .13" X 96" - PORTSMOUTH OAK
6D	070504-58-000	FT	U-CHANNEL - PLASTIC - .9" X 96" - PORTSMOUTH OAK
6D	070504-60-000	FT	U-CHANNEL - PLASTIC - .13" X 84" - CONCERT CHERRY
6D	070504-61-000	FT	U-CHANNEL - PLASTIC - .9" X 84" - CONCERT CHERRY
6D	070504-50-000	FT	U-CHANNEL - PLASTIC - .13" X 96" - WASHED MAPLE
6D	070504-51-000	FT	U-CHANNEL - PLASTIC - .9" X 96" - WASHED MAPLE
6D	070504-62-000	FT	U-CHANNEL - PLASTIC - 1.65" X 84" - HONEY CHERRY
6D	070504-63-000	FT	U-CHANNEL - PLASTIC - .9" X 84" - HONEY CHERRY
6D	070504-65-000	FT	U-CHANNEL - PLASTIC - .07" X 96" - SIERRA MAPLE
6D	070504-66-000	FT	U-CHANNEL - PLASTIC - .8" X 84" - SIERRA MAPLE
7D	083620-25-000	FT	MOLDING-T - W/EDGE LIP - 7/8" FACE - BONE
7D	083620-20-000	FT	MOLDING-T - W/EDGE LIP - 7/8" FACE - PORTSMOUTH OAK
7D	083620-19-000	FT	MOLDING-T - W/EDGE LIP - 7/8" FACE - WASHED MAPLE
7D	083620-24-000	FT	MOLDING-T - W/EDGE LIP - 7/8" FACE - HONEY CHERRY
7D	083620-22-000	FT	MOLDING-T - W/EDGE LIP - 7/8" FACE - SIERRA MAPLE
8D	086229-01-000	EA	RETAINER - BATTEN - .75" X 92.1" - ANY COLOR
9D	086229-12-000	EA	BATTEN - 1.5" OFFSET X 96.8" - MODERN IVORY
9D	086229-20-000	EA	BATTEN - 1" X 96" - BEIGE

**INTERIOR FINISH GROUP (CONTINUED)**  
**MOLDINGS & TRIMS (CONTINUED)**



KEY	PART NUMBER	U/M	DESCRIPTION
1E	100818-01-12A	EA	MOLDING - VINYL WRAPPED - 1.6" X .4" X 84" - PORTSMOUTH OAK
1E	100818-01-23A	EA	MOLDING - VINYL WRPPD - 1.6" X .4" X 84" - CONCERT CHERRY
1E	100818-01-21A	EA	MOLDING - VINYL WRAPPED - 1.6" X .4" X 84" - WASHED MAPLE
1E	100818-01-14A	EA	MOLDING - VINYL WRAPPED - 1.6" X .4" X 84" - HONEY CHERRY
1E	100818-01-22A	EA	MOLDING - VINYL WRAPPED - 1.6" X .4" X 84" - SIERRA MAPLE
2E	100819-01-23A	EA	MOLDING - VYL WRPPD-L-SHPD-1.5"X1.5"X84" - CONCERT CHERRY
2E	100819-01-21A	EA	MOLDING - VINYL WRAPPED-L-SHAPED-1.5"X1.5"X84" - WASHED MAPLE
2E	100819-01-14A	EA	MOLDING - VINYL WRAPPED-L-SHAPED-1.5"X1.5"X84" - HONEY CHERRY
2E	100819-01-22A	EA	MOLDING - VINYL WRAPPED-L-SHAPED-1.5"X1.5"X84" - SIERRA MAPLE
3E	103186-01-07A	FT	MOLDING/PLASTIC - 3/8" U-CHANNEL-3/4" FACE - BEIGE ILLUSION
3E	103186-01-09A	FT	MOLDING/PLASTIC - 3/8" U-CHANNEL-3/4" FACE - PORTSMOUTH OAK
3E	103186-01-10A	FT	MOLDING/PLASTIC - 3/8" U-CHANNEL-3/4" FACE - CONCERT CHERRY
3E	103186-01-08A	FT	MOLDING/PLASTIC - 3/8" U-CHANNEL-3/4" FACE- 8' - WASHED MAPLE
3E	103186-01-11A	FT	MOLDING/PLASTIC - 3/8" U-CHANNEL-3/4" FACE - HONEY CHERRY
3E	103186-01-12A	FT	MOLDING/PLASTIC - 3/8" U-CHANNEL-3/4" FACE - SIERRA MAPLE
3E	103186-02-07A	FT	MOLDING/PLASTIC-1" U-CHANNEL-1 3/8" FACE - BEIGE ILLUSION
3E	103186-02-09A	FT	MOLDING/PLASTIC - 1" U-CHANNEL-1 3/8" FACE - PORTSMOUTH OAK
3E	103186-02-10A	FT	MOLDING/PLASTIC - 1" U-CHANNEL-1 3/8" FACE - CONCERT CHERRY
3E	103186-02-08A	FT	MOLDING/PLASTIC - 1" U-CHANNEL-1 3/8" FACE - WASHED MAPLE
3E	103186-02-11A	FT	MOLDING/PLASTIC - 1" U-CHANNEL-1 3/8" FACE - HONEY CHERRY
3E	103186-02-12A	FT	MOLDING/PLASTIC - 1" U-CHANNEL-1 3/8" FACE - SIERRA MAPLE
4E	104676-02-08A	FT	MOLDING-T - W/EDGE LIP - 11/16" FACE - PORTSMOUTH OAK
4E	104676-02-12A	FT	MOLDING-T - W/EDGE LIP - 11/16" FACE - SIERRA MAPLE
5E	105004-01-12A	EA	MOLDING - VINYL WRAP - 1" X 96" - PORTSMOUTH OAK
5E	105004-01-21A	EA	MOLDING - VINYL WRAP - 1" X 96" - WASHED MAPLE
5E	105004-01-24A	EA	MOLDING - VINYL WRAP - 1" X 96" - HONEY CHERRY
5E	105004-01-22A	EA	MOLDING - VINYL WRAP - 1" X 96" - SIERRA MAPLE
6E	105709-02-000	FT	MOLDING-T - W/EDGE LIP 3/4" FACE - BEIGE ILLUSION



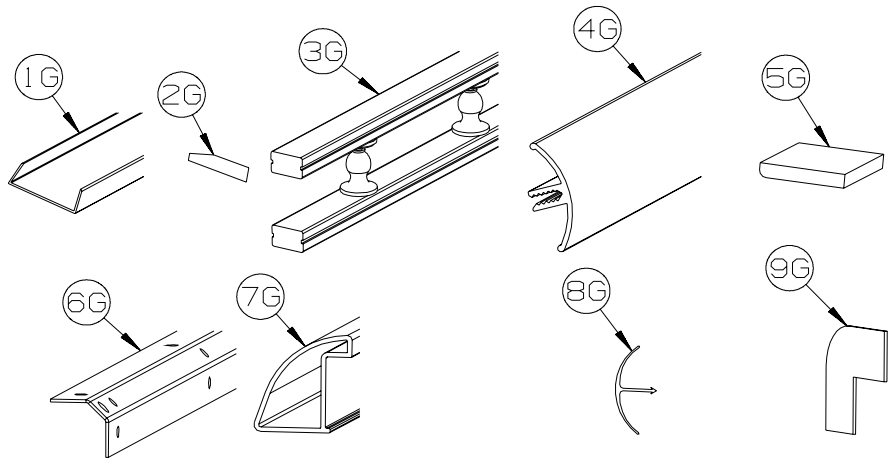
KEY	PART NUMBER	U/M	DESCRIPTION
1F	119520-01-01A	FT	MOLDING-T - OFFSET W/EDGE LIP - 1.3" FACE - OFF WHITE
1F	119520-03-02A	FT	MOLDING-T - OFFSET W/EDGE LIP - 1" FACE - CONCERT CHERRY
1F	119520-03-03A	FT	MOLDING-T - OFFSET W/EDGE LIP - 1" FACE - WASHED MAPLE
1F	119520-03-05A	FT	MOLDING-T - OFFSET W/EDGE LIP - 1" FACE - SIERRA MAPLE
1F	119520-03-06A	FT	MOLDING-T - OFFSET W/EDGE LIP - 1" FACE - HONEY CHERRY
2F	127842-01-01A	FT	SEAL - SIGHT SHIELD - 2" BLACK
	160300-A2-438	EA	LUMBER - VINYL WRAPPED - .7" X .75" X 96" - CONCERT CHERRY
	160300-D2-438	EA	LUMBER - VINYL WRAPPED - .7" X 1.5" X 96" - CONCERT CHERRY
	160300-E2-438	EA	LUMBER - VINYL WRAPPED - .7" X 2" X 96" - CONCERT CHERRY
	160300-F2-438	EA	LUMBER - VINYL WRAPPED - .7" X 2.5" X 96" - CONCERT CHERRY
	160300-G2-438	EA	LUMBER - VINYL WRAPPED - .7" X 3" X 96" - CONCERT CHERRY
	160300-H2-438	EA	LUMBER - VINYL WRAPPED - .7" X 3.5" X 96" - CONCERT CHERRY
	160300-J2-438	EA	LUMBER - VINYL WRAPPED - .7" X 5.5" X 96" - CONCERT CHERRY
	160300-K2-438	EA	LUMBER - VINYL WRAPPED - .7" X 3.9" X 96" - CONCERT CHERRY
	160300-R2-438	EA	LUMBER - VINYL WRAPPED - .7" X 3" X 96" - CONCERT CHERRY
3F	160301-D2-134	EA	MOLDING - VINYL WRAPPED - .7" X 1.6" X 84" - CONCERT CHERRY
3F	160301-D2-743	EA	MOLDING - VINYL WRAPPED - .7" X 1.6" X 108" - CONCERT CHERRY
3F	160301-F2-134	EA	MOLDING - VINYL WRAPPED - .7" X 2.5" X 84" - CONCERT CHERRY
3F	160301-F2-743	EA	MOLDING - VINYL WRPPD - .7" X 2.5" X 108" - CONCERT CHERRY
3F	160301-F2-438	EA	MOLDING - VINYL WRPPD - .7" X 2.5" X 96" - CONCERT CHERRY
	137894-A2-438	EA	LUMBER - VINYL WRAPPED - .7" X .75" X 96" - PORTSMOUTH OAK
	137894-D2-438	EA	LUMBER - VINYL WRAPPED - .7" X 1.5" X 96" - PORTSMOUTH OAK
	137894-E2-438	EA	LUMBER - VINYL WRAPPED - .7" X 2" X 96" - PORTSMOUTH OAK
	137894-F2-438	EA	LUMBER - VINYL WRAPPED - .7" X 2.5" X 96" - PORTSMOUTH OAK
	137894-G2-438	EA	LUMBER - VINYL WRAPPED - .7" X 3" X 96" - PORTSMOUTH OAK
	137894-H2-438	EA	LUMBER - VINYL WRAPPED - .7" X 3.5" X 96" - PORTSMOUTH OAK
	137894-J2-438	EA	LUMBER - VINYL WRAPPED - .7" X 5.5" X 96" - PORTSMOUTH OAK

**INTERIOR FINISH GROUP (CONTINUED)**  
**MOLDINGS & TRIMS (CONTINUED)**

KEY	PART NUMBER	U/M	DESCRIPTION
	137894-J2-743	EA	LUMBER - VINYL WRAPPED - .7" X 5.5" X 108" - PORTSMOUTH OAK
	137894-K2-438	EA	LUMBER - VINYL WRAPPED - .7" X 3.9" X 96" - PORTSMOUTH OAK
	137894-R2-438	EA	LUMBER - VINYL WRAPPED - .7" X 3" X 96" - PORTSMOUTH OAK
3F	137895-D2-134	EA	MOLDING - VINYL WRAP - .7" X 1.6" X 84" - PORTSMOUTH OAK
3F	137895-D2-743	EA	MOLDING - VINYL WRAP - .7" X 1.6" X 108" - PORTSMOUTH OAK
3F	137895-F2-134	EA	MOLDING - VINYL WRAP - .7" X 2.5" X 84" - PORTSMOUTH OAK
3F	137895-F2-438	EA	MOLDING - VINYL WRAP - .7" X 2.5" X 96" - PORTSMOUTH OAK
3F	137895-F2-743	EA	MOLDING - VINYL WRAP - .7" X 2.5" X 108" - PORTSMOUTH OAK
	146419-A2-438	EA	LUMBER - VINYL WRAPPED - .7" X .75" X 96" - HONEY CHERRY
	146419-D2-438	EA	LUMBER - VINYL WRAPPED - .7" X 1.5" X 96" - HONEY CHERRY
	146419-E2-438	EA	LUMBER - VINYL WRAPPED - .7" X 2" X 96" - HONEY CHERRY
	146419-F2-438	EA	LUMBER - VINYL WRAPPED - .7" X 2.5" X 96" - HONEY CHERRY
	146419-G2-438	EA	LUMBER - VINYL WRAPPED - .7" X 3" X 96" - HONEY CHERRY
	146419-H2-438	EA	LUMBER - VINYL WRAPPED - .7" X 3.5" X 96" - HONEY CHERRY
	146419-J2-438	EA	LUMBER - VINYL WRAPPED - .7" X 5.5" X 96" - HONEY CHERRY
	146419-J2-743	EA	LUMBER - VINYL WRAPPED - .7" X 5.5" X 108" - HONEY CHERRY
	146419-K2-438	EA	LUMBER - VINYL WRAPPED - .7" X 3.9" X 96" - HONEY CHERRY
	146419-R2-438	EA	LUMBER - VINYL WRAPPED - .7" X 3" X 96" - HONEY CHERRY
	146419-S2-438	EA	LUMBER - VINYL WRAPPED/FULL - .7" X 3.5" X 96" - HONEY CHERRY
	146419-T2-438	EA	LUMBER - VINYL WRAPPED/FULL - .7" X 5.5" X 96" - HONEY CHERRY
3F	146425-D2-134	EA	MOLDING - VINYL WRAPPED - .7" X 1.6" X 83.9" - HONEY CHERRY
3F	146425-F2-438	EA	MOLDING - VINYL WRAPPED - .7" X 2.6" X 96" - HONEY CHERRY
	149325-A2-438	EA	LUMBER - VINYL WRAPPED - .7" X .75" X 96" - WASHED MAPLE
	149325-D2-438	EA	LUMBER - VINYL WRAPPED - .7" X 1.5" X 96" - WASHED MAPLE
	149325-E2-438	EA	LUMBER - VINYL WRAPPED - .7" X 2" X 96" - WASHED MAPLE
	149325-F2-438	EA	LUMBER - VINYL WRAPPED - .7" X 2.5" X 96" - WASHED MAPLE
	149325-G2-438	EA	LUMBER - VINYL WRAPPED - .7" X 3" X 96" - WASHED MAPLE
	149325-H2-438	EA	LUMBER - VINYL WRAPPED - .7" X 3.5" X 96" - WASHED MAPLE
	149325-J2-438	EA	LUMBER - VINYL WRAPPED - .7" X 5.5" X 96" - WASHED MAPLE
	149325-J2-743	EA	LUMBER - VINYL WRAPPED - .7" X 5.5" X 108" - WASHED MAPLE
	149325-K2-438	EA	LUMBER - VINYL WRAPPED - .7" X 3.9" X 96" - WASHED MAPLE
	149325-R2-438	EA	LUMBER - VINYL WRAPPED - .7" X 3" X 96" - WASHED MAPLE
3F	149326-D2-134	EA	MOLDING - VINYL WRAPPED - .7" X 1.5" X 83.9" - WASHED MAPLE
3F	149326-D2-743	EA	MOLDING - VINYL WRAPPED - .7" X 1.5" X 108" - WASHED MAPLE
3F	149326-F2-134	EA	MOLDING - VINYL WRAPPED - .7" X 2.5" X 83.9" - WASHED MAPLE
3F	149326-F2-438	EA	MOLDING - VINYL WRAPPED - .7" X 2.5" X 96" - WASHED MAPLE
3F	149326-F2-743	EA	MOLDING - VINYL WRAPPED - .7" X 2.5" X 108" - WASHED MAPLE
	149330-A2-438	EA	LUMBER - VINYL WRAPPED - .7" X .75" X 96" - SIERRA MAPLE
	149330-D2-438	EA	LUMBER - VINYL WRAPPED - .7" X 1.5" X 96" - SIERRA MAPLE
	149330-E2-438	EA	LUMBER - VINYL WRAPPED - .7" X 2" X 96" - SIERRA MAPLE
	149330-F2-438	EA	LUMBER - VINYL WRAPPED - .7" X 2.5" X 96" - SIERRA MAPLE
	149330-G2-438	EA	LUMBER - VINYL WRAPPED - .7" X 3" X 96" - SIERRA MAPLE
	149330-H2-438	EA	LUMBER - VINYL WRAPPED - .7" X 3.5" X 96" - SIERRA MAPLE
	149330-J2-438	EA	LUMBER - VINYL WRAPPED - .7" X 5.5" X 96" - SIERRA MAPLE
	149330-J2-743	EA	LUMBER - VINYL WRAPPED - .7" X 5.5" X 108" - SIERRA MAPLE
	149330-K2-438	EA	LUMBER - VINYL WRAPPED - .7" X 3.9" X 96" - SIERRA MAPLE
	149330-R2-438	EA	LUMBER - VINYL WRAPPED - .7" X 3" X 96" - SIERRA MAPLE
3F	149331-D2-134	EA	MOLDING - VINYL WRAP - .7" X 1.5" X 83.9" - SIERRA MAPLE
3F	149331-D2-743	EA	MOLDING - VINYL WRAP - .7" X 1.5" X 108" - SIERRA MAPLE
3F	149331-F2-134	EA	MOLDING - VINYL WRAP - .7" X 2.5" X 83.9" - SIERRA MAPLE
3F	149331-F2-438	EA	MOLDING - VINYL WRAP - .7" X 2.5" X 96" - SIERRA MAPLE
3F	149331-F2-743	EA	MOLDING - VINYL WRAP - .7" X 2.5" X 108" - SIERRA MAPLE



**INTERIOR FINISH GROUP (CONTINUED)**  
**MOLDINGS & TRIMS (CONTINUED)**



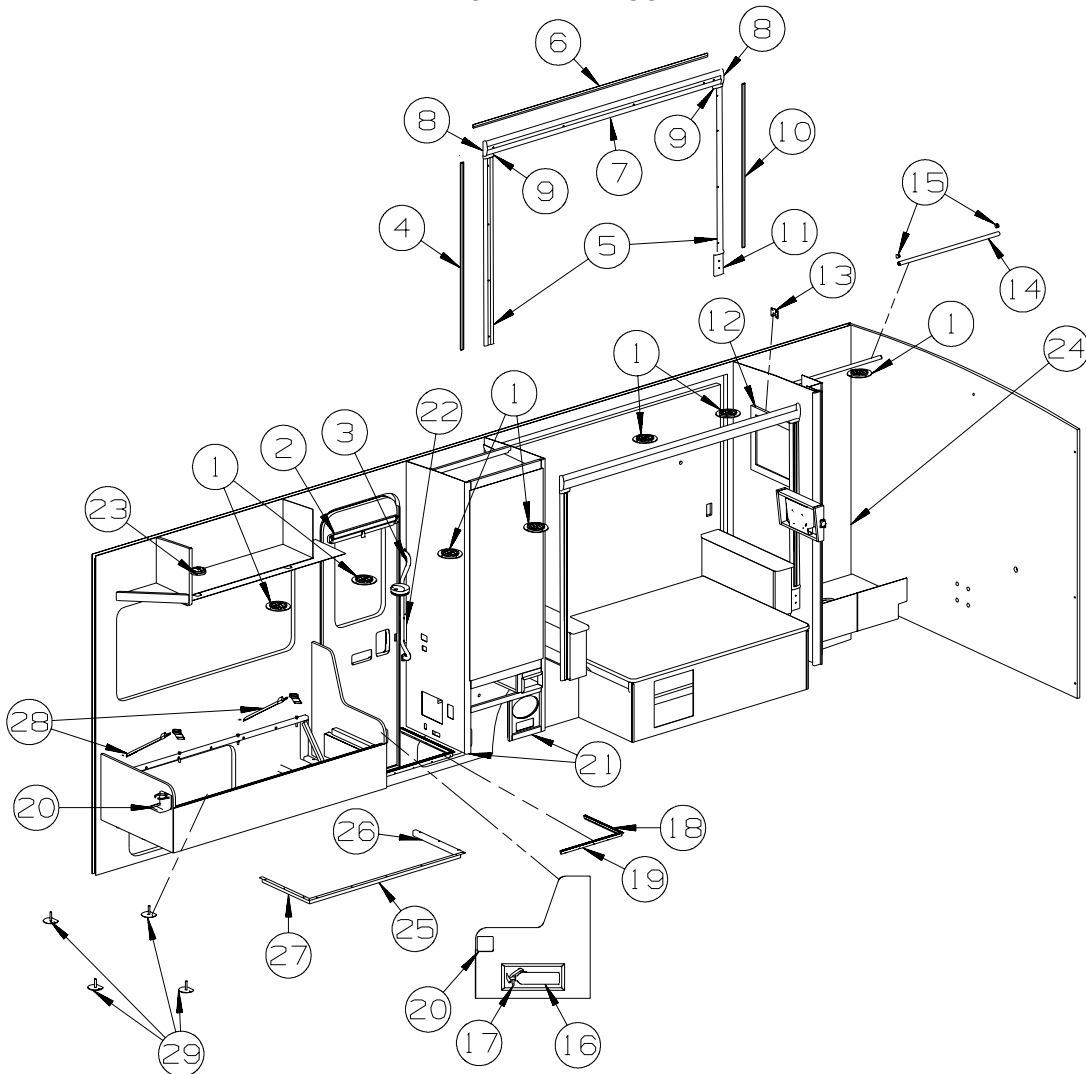
KEY	PART NUMBER	U/M	DESCRIPTION
1G	141260-01-01A	FT	U-CHANNEL - 1" - VILLAGE OAK
1G	141260-01-02A	FT	U-CHANNEL - 1" - GRADY BROWN
2G	146306-01-01A	FT	TRANSITION - CARPET/TILE
3G	150167-01-03A	EA	RAIL - DECORATIVE - 96" - WASHED MAPLE
3G	150167-01-07A	EA	RAIL - DECORATIVE - 96" - PORTSMOUTH OAK
3G	150167-01-08A	EA	RAIL - DECORATIVE - 96" - HONEY CHERRY
3G	150167-01-09A	EA	RAIL - DECORATIVE - 96" - SIERRA MAPLE
4G	151653-10-02A	EA	TRIM/RADIUS - CABINET CORNER - 79.6" - DULL METALLIC
4G	151653-13-02A	EA	TRIM/RADIUS - CABINET CORNER - 79.8" - DULL METALLIC
5G	M09568-04-W80	EA	MOLDING/TRIM - .3" X 1.5" X 73.6" - SIERRA MAPLE
5G	M09568-04-W79	EA	MOLDING/TRIM - .3" X 1.5" X 73.6" - WASHED MAPLE
6G	151861-01-02B	EA	ANGLE - SUPPORT/CORNER - 1.4" X 12.5" - E-COATED
6G	151861-02-02B	EA	ANGLE - SUPPORT/CORNER - 1.4" X 20.1" - E-COATED
6G	151861-03-02B	EA	ANGLE - SUPPORT/CORNER - 1.4" X 26.7" - E-COATED
6G	151861-04-02B	EA	ANGLE - SUPPORT/CORNER - 1.4" X 32.7" - E-COATED
6G	151861-05-02B	EA	ANGLE - SUPPORT/CORNER - 1.4" X 78.6" - E-COATED
6G	151861-06-02B	EA	ANGLE - SUPPORT/CORNER - 1.4" X 59" - E-COATED
6G	151861-08-02B	EA	ANGLE - SUPPORT/CORNER - 1.4" X 22.2" - E-COATED
6G	151861-09-02B	EA	ANGLE - SUPPORT/CORNER - 1.4" X 14.9" - E-COATED
7G	151893-01-02A	EA	TRIM/RADIUS - CABINET BOTTOM - 72.6" - DULL METALLIC
8G	156464-01-01A	FT	MOLDING - CORNER - RADIUS/PLASTIC - 8' - HONEY CHERRY
8G	156464-01-02A	FT	MOLDING - CORNER - RADIUS/PLASTIC - 8' - WASHED MAPLE
8G	156464-01-05A	FT	MOLDING - CORNER - RADIUS/PLASTIC - 8' - SIERRA MAPLE
8G	156464-01-06A	FT	MOLDING - CORNER - RADIUS/PLASTIC - 8' - CONCERT CHERRY
8G	156464-03-03A	FT	MOLDING - CORNER - RADIUS/PLASTIC - 8' - BONE
	081521-02-007	EA	MOUNT - METAL MOLDING - F/RADIUS CORNER MOLDING - 151.5"
9G	160989-01-06A	FT	CAP - CORNER - RADIUS MOLDING - PLASTIC - WASHED MAPLE
9G	160989-01-07A	FT	CAP - CORNER - RADIUS MOLDING - PLASTIC - HONEY CHERRY

**INTERIOR FINISH GROUP (CONTINUED)**  
**PANELING & LAMINATES**

<b>KEY</b>	<b>PART NUMBER</b>	<b>U/M</b>	<b>DESCRIPTION</b>
	000885-C3-000	SF	PARTICLE BOARD - 3/8" X 4' X 8' - WHITE THATCH EMB-1 SIDED
	000885-B4-000	SF	PARTICLE BOARD - 3/8" X 4' X 8'- WASHED MAPLE - 2 SIDED
	000885-B5-000	SF	PARTICLE BOARD - 3/8" X 4' X 8'- WASHED MAPLE - 1 SIDED
	000885-B6-000	SF	PARTICLE BOARD - 3/4" X 4' X 8'- WASHED MAPLE - 2 SIDED
	000885-B0-000	SF	PARTICLE BOARD - 3/8" X 4' X 8' - SIERRA MAPLE - 2 SIDED
	000885-B1-000	SF	PARTICLE BOARD - 3/8" X 4' X 8' - SIERRA MAPLE - 1 SIDED
	000885-B2-000	SF	PARTICLE BOARD - 3/4" X 4' X 8' - SIERRA MAPLE - 2 SIDED
	074498-B6-000	SF	LAMINATE - PLASTIC - SATIN OXIDE - 5' X 8'
	074497-49-000	SF	PANELING - WASHED MAPLE - 1/8" X 4' X 8'
	074497-48-000	SF	PANELING - SIERRA MAPLE - 1/8" X 4' X 8'
	076773-20-000	SF	PANELING - 2 SIDED/WASHED MAPLE - 1/8" X 4' X 8'
	076773-19-000	SF	PANELING - 2 SIDED/SIERRA MAPLE - 1/8" X 4' X 8'
	076773-25-000	SF	PANELING - 1 SIDE/NEAT WASHED MAPLE - 1/8" X 4' X 7'
	076773-24-000	SF	PANELING - 1 SIDE/SIERRA MAPLE - 1/8" X 4' X 7'
	088272-M9-000	SF	PANELING - WHITE THATCHED - 4' X 8'
	088272-M1-000	SF	PANELING - MORITZ/TUSCANY - 4' X 7.4' (W37, W38) FROM: 00-00-00 THRU: 06-10-07
	088272-N8-000	SF	PANELING - MOROCCO SAND - 4' X 7.4' (W37, W38) FROM: 06-11-07 THRU: 99-99-99
	085284-K1-000	FT	BATT TAPE - ADHESIVE BACKED - DECORATIVE - MORITZ/TUSCANY (W37, W38) FROM: 00-00-00 THRU: 06-10-07
	085284-L7-000	FT	BATT TAPE - ADHESIVE BACKED - DECORATIVE - MOROCCO SAND (W37, W38) FROM: 06-11-07 THRU: 99-99-99
	088272-M7-000	SF	PANELING - KURTA/CANVAS - 4' X 7.4' (W39, W40)
	085284-K7-000	FT	BATT TAPE - ADHESIVE BACKED - DECORATIVE - KURTA/CANVAS (W39, W40)
	088272-N1-000	SF	PANELING - OASIS/RATTAN - 4' X 7.4' (W41, W42) FROM: 00-00-00 THRU: 03-27-07
	088272-N7-000	SF	PANELING - DISTRESSED CRACKLE - 4' X 7.4' (W41, W42) FROM: 03-28-07 THRU: 99-99-99
	085284-L1-000	FT	BATT TAPE - ADHESIVE BACKED - DECORATIVE - RATTAN (W41, W42) FROM: 00-00-00 THRU: 03-27-07
	085284-L6-000	FT	BATT TAPE - ADHESIVE BACKED - DECORATIVE - DIST CRACKLE (W41, W42) FROM: 03-28-07 THRU: 99-99-99

# INTERIOR FINISH GROUP (CONTINUED)

## INTERIOR TRIM LAYOUT



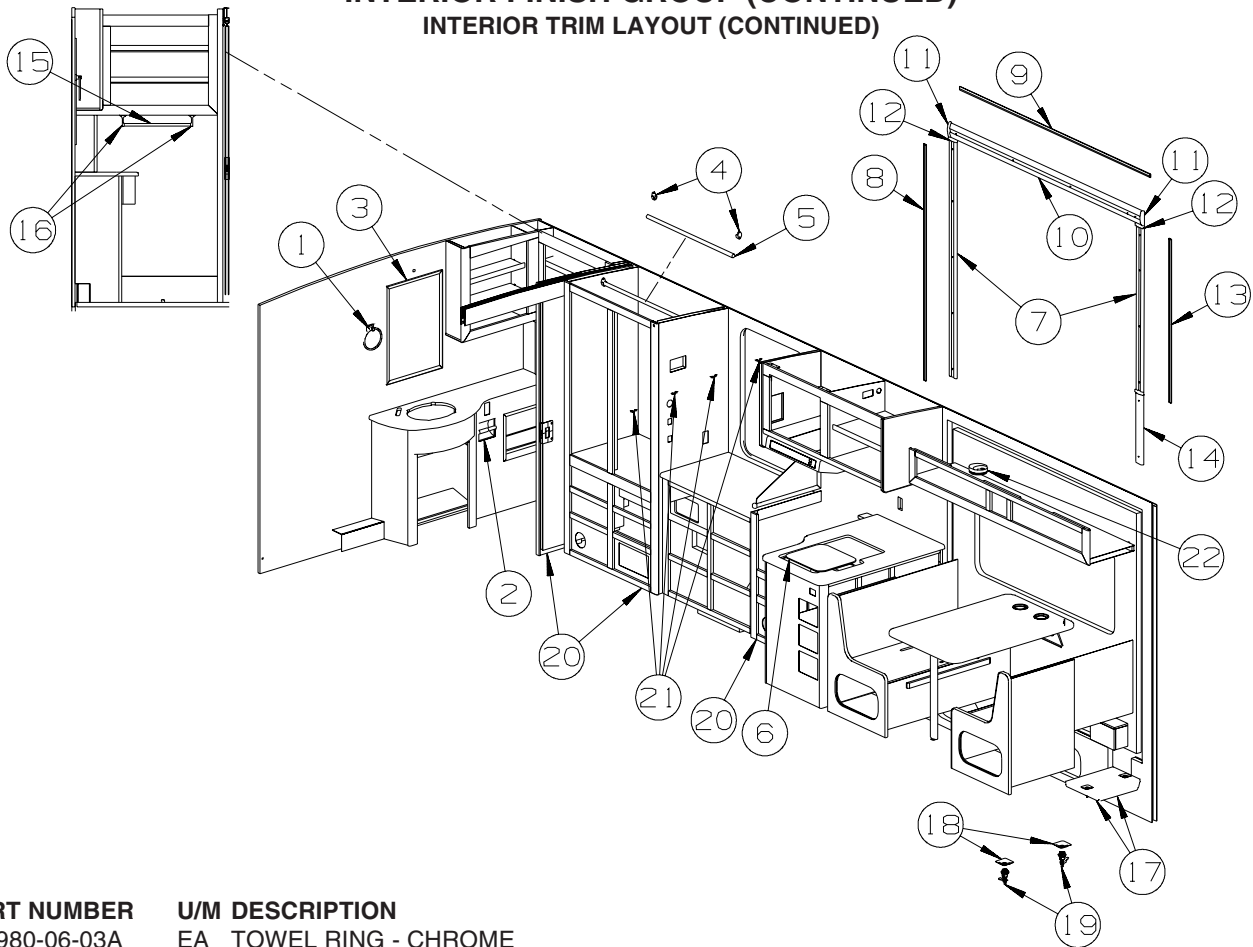
KEY	PART NUMBER	U/M	DESCRIPTION
1	120134-01-02A	EA	REGISTER - W/DAMPER - 4" PIPE/6.4" O.D. FACE - WHITE
2	144628-03-01A	EA	SHADE - SCREEN DOOR - 20.1" X 33.4" - BRIGHT WHITE/TAUPE
2	144628-03-02A	EA	SHADE - SCREEN DOOR - 20.3" X 33.4" - BLACK
3	137605-04-01A	EA	HAND RAIL - INTERIOR ENTRY DOOR - BLACK
4	M09544-36-W37	EA	MOLDING - TRIM/VEE - .4" X 1" X 52.6" - WASHED MAPLE
4	M09544-36-W38	EA	MOLDING - TRIM/VEE - .4" X 1" X 52.6" - SIERRA MAPLE
5	Y00360-A2-438	EA	MOLDING - VINYL/CURVED - 3" X 96" - WASHED MAPLE
5	Y00360-92-438	EA	MOLDING - VINYL/CURVED - 3" X 96" - SIERRA MAPLE
6	M09544-37-W37	EA	MOLDING - TRIM/VEE - .4" X 1" X 78.8" - WASHED MAPLE
6	M09544-37-W38	EA	MOLDING - TRIM/VEE - .4" X 1" X 78.8" - SIERRA MAPLE
7	Y00361-A2-438	EA	MOLDING - VINYL/CURVED - 3.9" X 96" - WASHED MAPLE
7	Y00361-92-438	EA	MOLDING - VINYL/CURVED - 3.9" X 96" - SIERRA MAPLE
8	156636-05-U17	EA	MOLDING/BLOCK - .8" X 4" - WASHED MAPLE
8	156636-05-U52	EA	MOLDING/BLOCK - .8" X 4" - SIERRA MAPLE
9	156636-04-U17	EA	MOLDING/BLOCK - .8" X 3.1" - WASHED MAPLE
9	156636-04-U52	EA	MOLDING/BLOCK - .8" X 3.1" - SIERRA MAPLE
10	M09544-38-W37	EA	MOLDING - TRIM/VEE - .4" X 1" X 46" - WASHED MAPLE
10	M09544-38-W38	EA	MOLDING - TRIM/VEE - .4" X 1" X 46" - SIERRA MAPLE
11	153973-04-W37	EA	MOLDING - CROWN/BLOCK - 6.7" - WASHED MAPLE
11	153973-04-W38	EA	MOLDING - CROWN/BLOCK - 6.7" - SIERRA MAPLE
12	131493-10-01A	EA	PICTURE - DECORATIVE - 16" X 16" - MOTIF IV (W37, w38)
12	131493-08-01A	EA	PICTURE - DECORATIVE - 14" X 14" - SCABISOSA (W39, W40)
12	131493-04-04A	EA	PICTURE - DECORATIVE - 16" X 19" - DAISY (W41, W42)
13	130120-01-01A	EA	BRACKET/MOUNTING - MIRROR
14	102075-06-02A	EA	ROD - SHOWER CURTAIN - 1" OD X 33.5" - SOFT WHITE

**INTERIOR FINISH GROUP (CONTINUED)**  
**INTERIOR TRIM LAYOUT (CONTINUED)**

KEY	PART NUMBER	U/M	DESCRIPTION
15	081114-02-000	EA	CAP - INSERT/ROUND - 1" DIAMETER - WHITE PLASTIC
16*	094499-02-000	EA	EXTINGUISHER/FIRE - DRY - 10BC - W/GAUGE - CANADIAN
16	094499-03-000	EA	EXTINGUISHER/FIRE - DRY - 10BC - W/GAUGE/BRACKET
17	094499-06-000	EA	EXTINGUISHER/FIRE - DRY - 10BC - W/BRACKET - UL/ULC - WHT
18	139955-05-01A	EA	TRIM - STEP/ENTRY - 20.9" - MILL
19	139955-02-01A	EA	TRIM - STEP/ENTRY - 27.7" - MILL
19	139955-15-01A	EA	TRIM - STEP/ENTRY - 21.7" - MILL - FLOOR COVERING-VINYL
19	139955-16-01A	EA	TRIM - STEP/ENTRY - 21.7" - MILL - FLOOR COVERING-VINYL
19	139955-17-01A	EA	TRIM - STEP/ENTRY - 28" - MILL - FLOOR COVERING-VINYL
20	118718-01-03A	EA	HOLDER/DRINK - COLLAPSIBLE MUG - ALMOND
			FROM: 01-01-07 THRU: 99-99-99
21	M09471-79-R46	EA	MOLDING - TRIM/COVE - .8" X .8" X 96" - WASHED MAPLE
21	M09471-79-SA3	EA	MOLDING - TRIM/COVE - .8" X .8" X 96" - SIERRA MAPLE
22	152933-01-01A	EA	COVER - BRACKET - STRIKE - BRIGHT WHITE
22	152933-01-02A	EA	COVER - BRACKET - STRIKE - BLACK
23	072852-01-000	EA	DETECTOR - SMOKE - W/9 VOLT BATTERY - US
23	072852-02-000	EA	DETECTOR - SMOKE - W/9 VOLT BATTERY - CANADIAN
	077956-01-000	EA	LABEL - WARNING/SMOKE DETECTOR
24	151578-01-02A	EA	DOOR - SHOWER - 36.3" X 61.9" - WHT OPAQUE SCREEN/WHITE
25	157481-01-01A	EA	TRIM - COMPARTMENT/ENTRY - 52.2" - MILL
26	157481-03-01A	EA	TRIM - COMPARTMENT/ENTRY - 20.2" - MILL
27	157481-02-01A	EA	TRIM - COMPARTMENT/ENTRY - 20.3" - MILL
28	160167-02-01A	EA	SEAT BELT - 2" X 90" - BLACK
29	140221-04-02B	EA	PLATE/WASHER - SEAT BELT - W/BOLT - E-COAT

**\*COMPONENT PARTS LISTED LATER IN THIS GROUP**

**INTERIOR FINISH GROUP (CONTINUED)**  
**INTERIOR TRIM LAYOUT (CONTINUED)**



KEY	PART NUMBER	U/M	DESCRIPTION
1	145980-06-03A	EA	TOWEL RING - CHROME
			FROM: 00-00-00 THRU: 02-14-07
1	163601-01-01A	EA	TOWEL RING - CHROME
			FROM: 02-15-07 THRU: 99-99-99
2	145980-02-02A	EA	HOLDER - TOILET TISSUE - RECESSED - NICKEL
3	140374-51-000	EA	MIRROR - SAFETY GLASS - 19.2" X 26.5"
4	152301-01-01A	EA	FLANGE - PLASTIC - 1" CLOTHES ROD HOLDER - WHITE
5	Y00136-21-218	EA	DOWEL - WOOD - CLOTHES ROD - 1"DIAMETER X 4'
6	162616-01-01A	EA	COVER/SINK - LARGE - PEARL GRAY
			FROM: 00-00-00 THRU: 03-02-08
6	162616-05-01A	EA	COVER/SINK - LARGE - PEARL GRAY
			FROM: 03-03-08 THRU: 99-99-99
6	162616-02-01A	EA	COVER/SINK - SMALL - PEARL GRAY
			FROM: 00-00-00 THRU: 03-02-08
6	162616-06-01A	EA	COVER/SINK - SMALL - PEARL GRAY
			FROM: 03-03-08 THRU: 99-99-99
7	Y00360-A2-438	EA	MOLDING - VINYL/CURVED - 3" X 96" - WASHED MAPLE
7	Y00360-92-438	EA	MOLDING - VINYL/CURVED - 3" X 96" - SIERRA MAPLE
8	M09544-33-W37	EA	MOLDING - TRIM/VEE - .4" X 1" X 66.5" - WASHED MAPLE
8	M09544-33-W38	EA	MOLDING - TRIM/VEE - .4" X 1" X 66.5" - SIERRA MAPLE
9	M09544-34-W37	EA	MOLDING - TRIM/VEE - .4" X 1" X 78.7" - WASHED MAPLE
9	M09544-34-W38	EA	MOLDING - TRIM/VEE - .4" X 1" X 78.7" - SIERRA MAPLE
10	Y00361-A2-438	EA	MOLDING - VINYL/CURVED - 3.9" X 96" - WASHED MAPLE
10	Y00361-92-438	EA	MOLDING - VINYL/CURVED - 3.9" X 96" - SIERRA MAPLE
11	156636-05-U17	EA	MOLDING/BLOCK - .8" X 4" - WASHED MAPLE
11	156636-05-U52	EA	MOLDING/BLOCK - .8" X 4" - SIERRA MAPLE
12	156636-04-U17	EA	MOLDING/BLOCK - .8" X 3.1" - WASHED MAPLE
12	156636-04-U52	EA	MOLDING/BLOCK - .8" X 3.1" - SIERRA MAPLE
13	M09544-35-W37	EA	MOLDING - TRIM/VEE - .4" X 1" X 46.1" - WASHED MAPLE
13	M09544-35-W38	EA	MOLDING - TRIM/VEE - .4" X 1" X 46.1" - SIERRA MAPLE
14	153973-02-W37	EA	MOLDING - CROWN/BLOCK - 3.1" X 20.4" - WASHED MAPLE
14	153973-02-W38	EA	MOLDING - CROWN/BLOCK - 3.1" X 20.4" - SIERRA MAPLE

**INTERIOR FINISH GROUP (CONTINUED)**  
**INTERIOR TRIM LAYOUT (CONTINUED)**

KEY	PART NUMBER	U/M	DESCRIPTION
15	145980-04-02A	EA	TOWEL BAR - POST - PAIR - CHROME FROM: 00-00-00 THRU: 02-14-07
15	163599-02-01A	EA	TOWEL BAR - POST - PAIR - CHROME FROM: 02-15-07 THRU: 99-99-99
16	145980-05-02A	EA	TOWEL BAR - 18" - CHROME FROM: 00-00-00 THRU: 02-14-07
16	163599-01-01A	EA	TOWEL BAR - 18" - CHROME FROM: 02-15-07 THRU: 99-99-99
17	064075-07-000	FT	SEAL - BULB - W/WIRED U CHANNEL - .3" X .5" CHANNEL-BLACK FROM: 00-00-00 THRU: 02-10-08
17	151104-01-01A	EA	SEAL - BULB - W/WIRED U CHANNEL - .3" X .5" CHANNEL-BLACK , FROM: 02-11-08 THRU: 99-99-99
18	097111-02-04A	EA	POCKET - LOCK - REAR DOOR - BLACK
19	102330-01-000	EA	LATCH - VISE ACTION/KEY OPERATED
20	M09471-79-R46	EA	MOLDING - TRIM/COVE - .8" X .8" X 96" - WASHED MAPLE
20	M09471-79-SA3	EA	MOLDING - TRIM/COVE - .8" X .8" X 96" - SIERRA MAPLE
	Y00268-22-438	EA	MOLDING - TRIM/COVE - .8" X .8" X 96" - UNSTAINED MAPLE
21	127960-01-01A	EA	RETAINER - EYE - 3/8" - STAINLESS STEEL
22	125136-02-000	EA	DETECTOR/CO - GAS MODEL - 9 VOLT

**INTERIOR FINISH GROUP (CONTINUED)**  
**COMPONENT PART FOR INTERIOR TRIM LAYOUT**

094499-02-000

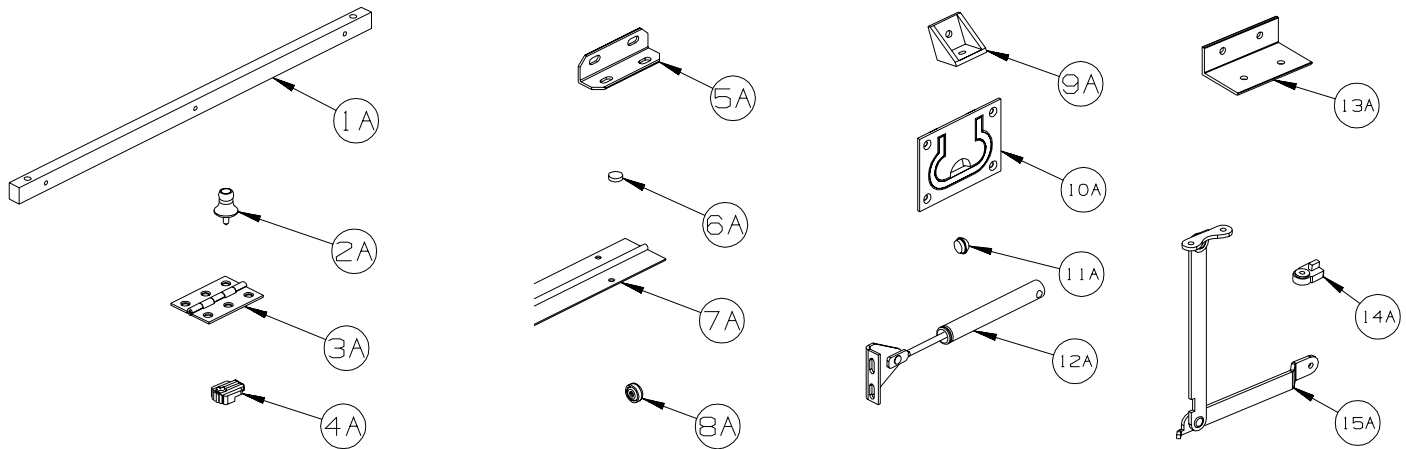
<b>KEY</b>	<b>PART NUMBER</b>	<b>U/M</b>	<b>DESCRIPTION</b>	<b>VENDOR NO</b>
	094499-01-700	EA	BRACKET MTG. W/PLAS. STRAP	294039

**FLOOR COVERINGS**

<b>KEY</b>	<b>PART NUMBER</b>	<b>U/M</b>	<b>DESCRIPTION</b>
	042720-41-000	SY	VINYL - FLOOR COVERING - CALAY/#69325
	075233-01-000	SY	PAD - CARPET - 3/8" X 6'W ROLL - SOLD BY THE SQUARE YARD
	089275-02-000	FT	STRIP - 3/4" X 84" BLACK POLYETHYLENE
	093486-01-000	SY	CARPET - COMPARTMENT - 72" WIDE - DARK GRAY
	152251-05-07A	SY	CARPET - 4 SQUARE YARD INCREMENTS - RAFFIA (W37, W38)
	152251-05-02A	SY	CARPET - 4 SQUARE YARD INCREMENTS - BURLWOOD (W39, W40)
	152251-05-08A	SY	CARPET - 4 SQUARE YARD INCREMENTS - CORDWOOD (W41, W42)

## INTERIOR FINISH GROUP (CONTINUED)

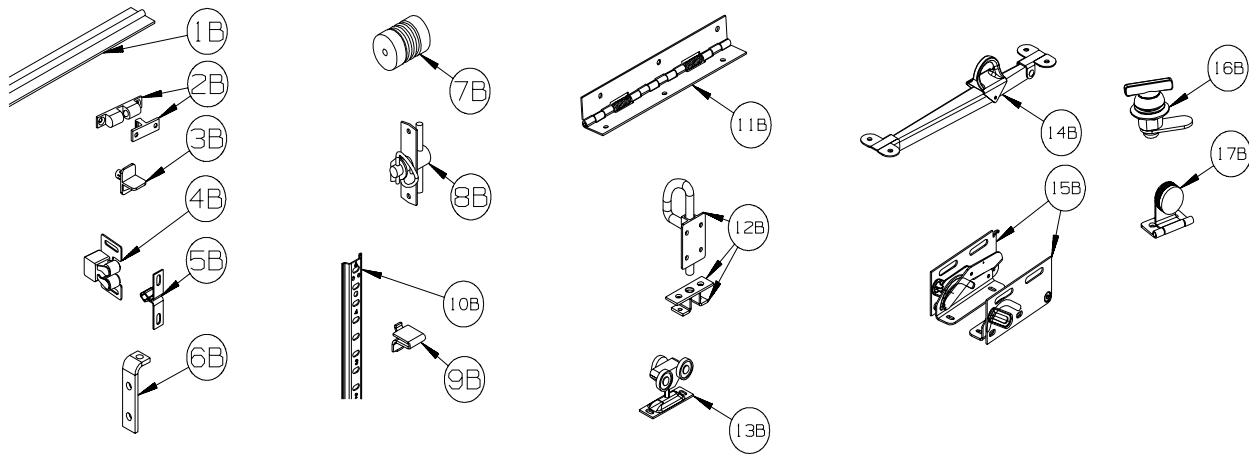
### HARDWARE



KEY	PART NUMBER	U/M	DESCRIPTION
1A	P34509-01-P14	EA	RAIL END - RH/LH - TOWEL RACK - CONCERT CHERRY
1A	P34509-01-J70	EA	RAIL END - RH/LH - TOWEL RACK - WASHED MAPLE
1A	P34509-01-RE0	EA	RAIL END - RH/LH - TOWEL RACK - HONEY CHERRY
1A	P34509-01-SA3	EA	RAIL END - RH/LH - TOWEL RACK - SIERRA MAPLE
2A	009013-01-000	EA	CATCH - BULLDOG - MALE/FEMALE
3A	009059-01-000	EA	HINGE - DOOR - 2" X 1.4" - BRASS
3A	009059-02-000	EA	HINGE - DOOR - 2" X 2.7" - BRASS
3A	009059-03-000	EA	HINGE - BRASS - 1.75"
3A	009059-04-000	EA	HINGE - 2" - ZINC
4A	009089-01-000	EA	CLIP - MIRROR
5A	016604-01-000	EA	BRACE - ANGLE - 2 1/2" - UNPAINTED METAL
5A	016604-05-000	EA	BRACE - ANGLE - 2 1/2" - OFF WHITE METAL
5A	016604-10-000	EA	BRACE - SEAT ANGLE - 2.5" - BLACK
6A	023320-01-000	EA	PAD - FELT 3/8" DIAMETER
7A	041389-19-000	EA	HINGE - PIANO - 1 1/2" X 71.9" - UNPAINTED
7A	041389-25-000	EA	HINGE - PIANO - 1 1/2" X 55" - UNPAINTED
7A	041389-32-000	EA	HINGE - PIANO - 68" - OFF WHITE
8A	166569-01-02A	EA	COVER - SCREW - #8 - BRIGHT WHITE
8A	166569-01-03A	EA	COVER - SCREW - #8 - SOFT WHITE
8A	166569-01-04A	EA	COVER - SCREW - #8 - CREAM
9A	065740-01-000	EA	BRACE - CABINET/CORNER - PLASTIC
10A	072871-01-000	EA	PULL - FLUSH - CHROME
11A	074045-13-000	EA	PLUG - 3/8" DOWEL-1/2" HEAD - PORTSMOUTH OAK
11A	074045-08-000	EA	PLUG - 3/8" DOWEL-1/2" HEAD - OAK/SALEM CHERRY - CONCERT CHERRY
11A	074045-12-000	EA	PLUG - 3/8" DOWEL-1/2" HEAD - WASHED MAPLE
11A	074045-14-000	EA	PLUG - 3/8" DOWEL-1/2" HEAD - HONEY CHERRY
11A	074045-15-000	EA	PLUG - 3/8" DOWEL-1/2" HEAD - SIERRA MAPLE
12A	074493-02-000	EA	SUPPORT/PISTON SPRING - CABINET DOOR - 26 LBS
12A	074493-03-000	EA	SUPPORT/PISTON SPRING - CABINET DOOR - 12 LBS
13A	156732-01-01A	EA	BRACE - ANGLE/COUCH - 2.5" - MILL
13A	156732-01-02A	EA	BRACE - ANGLE/COUCH - 2.5" - OFF WHITE
13A	156732-03-01A	EA	BRACE - ANGLE/COUCH - BLACK
14A	083204-03-000	EA	BUTTON - RETAINING MIRROR 5/16" TIP
15A	084412-01-000	EA	SUPPORT/HINGE KIT (LEFT & RIGHT HINGES)

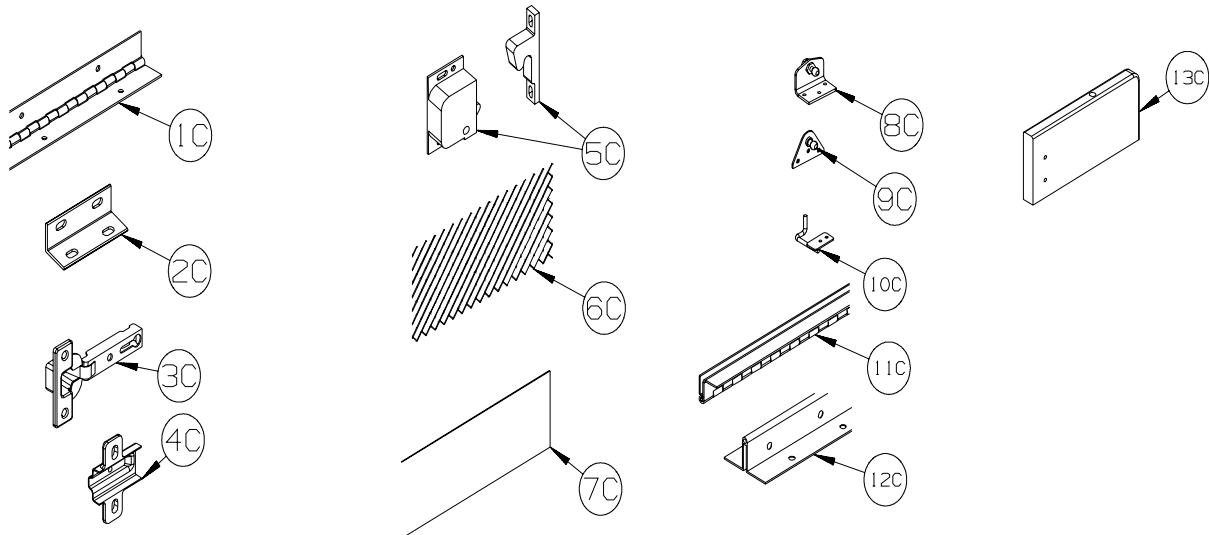


**INTERIOR FINISH GROUP (CONTINUED)**  
**HARDWARE (CONTINUED)**



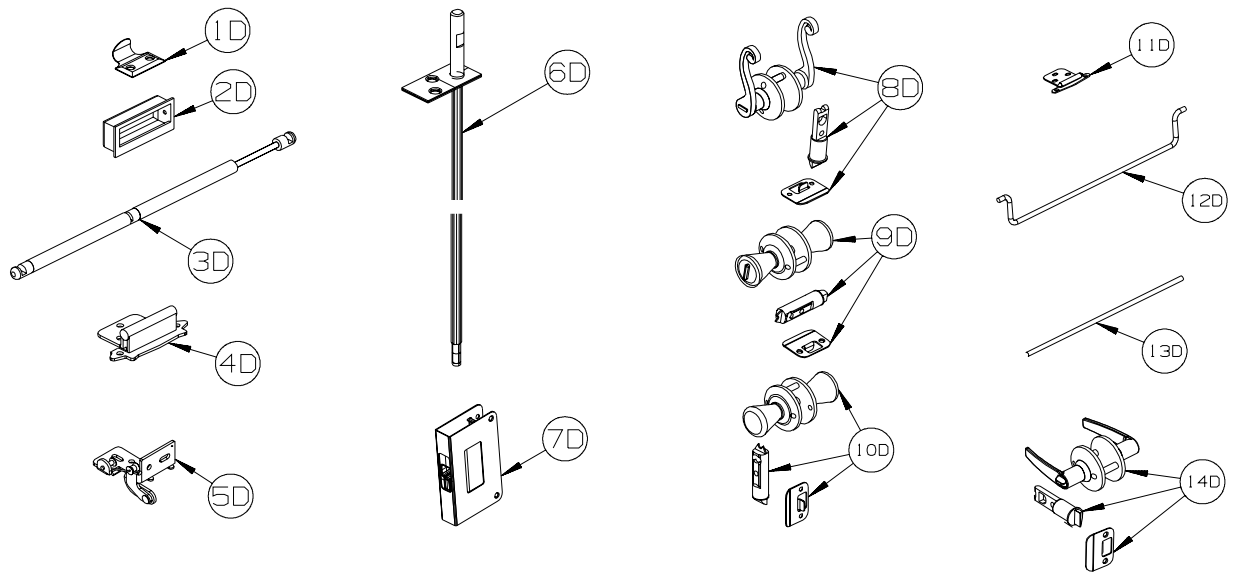
KEY	PART NUMBER	U/M	DESCRIPTION
1B	084413-01-000	EA	HINGE - 1" X 72" - ALUMINUM - W/HOLES
2B	084451-01-000	EA	CATCH & LATCH - 1.7" - BRASS
3B	092907-01-000	EA	SUPPORT - SHELF - PIN - 1/4" - CLEAR PLASTIC
4B	093586-03-000	EA	CATCH - SPRING ROLLER - .377"
4B	093586-06-000	EA	CATCH - W/STRIKE - SPRING ROLLER .236"/SPRINT STEEL .943"
5B	093586-04-000	EA	STRIKE - SPRING STEEL - 1.14"
6B	096826-01-01A	EA	BRACE - CABINET - 2" - E-COATED
6B	096826-02-01A	EA	BRACE - CABINET - 1" - E-COATED
7B	097872-04-000	EA	DOWEL - WOOD - 1" DIAMETER X 1.38" LONG - UNFINISHED
8B	098196-01-000	EA	LATCH - 1/4 TURN - T-BAR
9B	098979-01-000	EA	CLIP - ADJUSTABLE SHELF
10B	098980-01-000	EA	PILASTER - ADJUSTABLE SHELF - 18"
10B	098980-02-000	EA	PILASTER - ADJUSTABLE SHELF - 12"
10B	098980-03-000	EA	PILASTER - ADJUSTABLE SHELF - 9"
10B	098980-04-000	EA	PILASTER - ADJUSTABLE SHELF - 48"
10B	098980-05-000	EA	PILASTER - ADJUSTABLE SHELF - 15"
10B	098980-06-000	EA	PILASTER - ADJUSTABLE SHELF - 24"
11B	102920-01-02A	EA	HINGE - SPRING LOADED - NICKEL
11B	129753-01-01A	EA	HINGE - SPRING LOADED - 19" X 19" - BLACK
12B	103256-01-000	EA	LATCH COMPLETE (SLIDE)
13B	103874-01-000	EA	HANGER - SLIDING DOOR
14B	104181-01-01A	EA	SUPPORT - LEAF 5.3" EXTENDS TO 7.5" - SAFETY RING - METAL
15B	108126-01-000	EA	TRAY HINGE SET (QTY. 2 PER SET)
16B	100710-01-02A	EA	LOCK - GLASS DOOR/TWIST TYPE - NICKEL
17B	100711-01-02A	EA	HINGE - GLASS DOOR - BLACK

**INTERIOR FINISH GROUP (CONTINUED)**  
**HARDWARE (CONTINUED)**



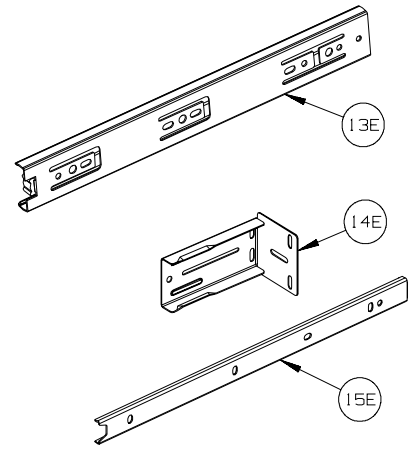
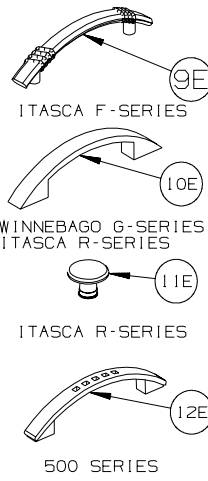
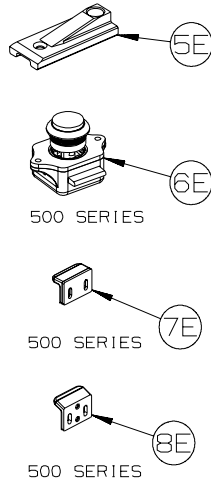
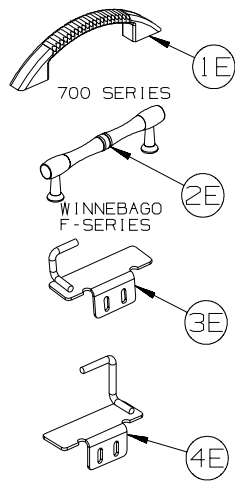
KEY	PART NUMBER	U/M	DESCRIPTION
1C	110496-01-02A	EA	HINGE - NICKEL - 2" X 32"
1C	110496-06-02A	EA	HINGE - NICKEL - 2" X 9.5"
1C	158921-01-04B	EA	HINGE - PIANO - TRUNK DOOR - 2" X 21.9" - BLACK
2C	111866-01-02A	EA	BRACE - SEAT - ANGLE - OFF WHITE
3C	114443-02-01A	EA	HINGE - CABINET DOOR - W/O CLIP - SILVER
4C	114443-03-01A	EA	CLIP - HINGE/CABINET DOOR - SILVER
5C	117095-02-01A	EA	LATCH - DOOR - GRABBER W/KEEPER - PLASTIC - BLK-10 LB PULL
5C	117095-03-01A	EA	LATCH - DOOR - GRABBER W/KEEPER - PLASTIC - BLK-15 LB PULL
6C	118200-01-01A	SF	MESH - PLASTIC 1/2" - 48" X LENGTH = SF - BLACK
7C	122717-06-01A	FT	PAD - NON-SKID - PSA - 5"W
8C	126263-06-02B	EA	BRACKET - GAS SPRING W/INSIDE BALL STUD - E-COATED
9C	126263-05-02B	EA	BRACKET - GAS SPRING W/BALL STUD - E-COATED
9C	126263-08-02B	EA	BRACKET - GAS SPRING W/CENTERED BALL STUD - E-COATED
10C	130798-01-02B	EA	GUIDE - POCKET DOOR - E-COATED
11C	134099-01-02A	EA	HINGE - PIANO - WRAP AROUND - 15.7" - NICKEL PLATED
12C	135538-03-02A	EA	HINGE - PIANO - FULL WRAP - 15.7" - CHROME
12C	135538-07-02A	EA	HINGE - PIANO - FULL WRAP - 9.8" - CHROME
13C	137445-03-T78	EA	STOP - F/SLIDING DOOR - CONCERT CHERRY
13C	137445-03-T79	EA	STOP - F/SLIDING DOOR - WASHED MAPLE
13C	137445-03-T80	EA	STOP - F/SLIDING DOOR - SIERRA MAPLE

**INTERIOR FINISH GROUP (CONTINUED)**  
**HARDWARE (CONTINUED)**



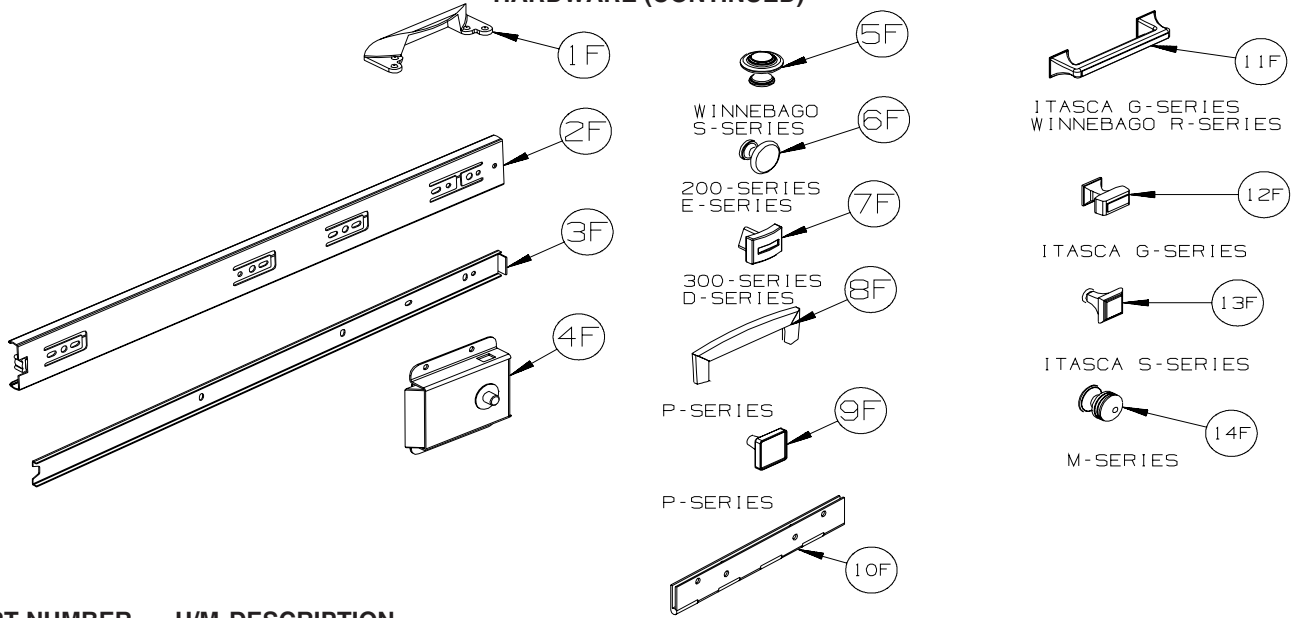
KEY	PART NUMBER	U/M	DESCRIPTION
1D	137463-01-02A	EA	LIFT - HOOK - PEWTER
2D	139136-02-02A	EA	HANDLE - .35" RECESSED - PEWTER
3D	142569-07-000	EA	SPRING/GAS - 20 LB - 20" EXTENDED/12" COMPRESSED
3D	142569-15-000	EA	SPRING/GAS - 120 LB - 20" EXTENDED/12" COMPRESSED
3D	142569-16-000	EA	SPRING/GAS - 90 LB - 20" EXTENDED/12" COMPRESSED
3D	142569-29-000	EA	SPRING/GAS - 20 LB - 9.9" EXTENDED/5.9" COMPRESSED
3D	142569-31-000	EA	SPRING/GAS - 30 LB - 11.8" EXTENDED/7.3" COMPRESSED
4D	143468-02-03A	EA	HINGE - SELF CLOSING - SATIN NICKEL
4D	143468-02-04A	EA	HINGE - SELF CLOSING - OIL RUBBED BRONZE
4D	143468-02-05A	EA	HINGE - SELF CLOSING - RUSTIC BRASS
5D	144488-01-01A	EA	HINGE - CABINET - ANTIQUE BRASS
5D	144488-01-02A	EA	HINGE - CABINET - NICKEL
6D	145939-05-02A	EA	ROD/LATCH - AISLE DOOR - NICKEL
7D	145939-04-02A	EA	LATCH/SLIDE - AISLE DOOR(1" THICK DOOR)-NICKEL/BLACK SLIDE
7D	145939-04-03A	EA	LATCH/SLIDE - AISLE DOOR(1" THICK DOOR)-OIL RUBBED BRONZE
8D	146064-01-02A	EA	LOCK/PRIVACY (LOCKING) LEVER STYLE - SATIN PEWTER
8D	146064-02-02A	EA	LOCK/PASSAGE (NON LOCKING) LEVER STYLE - PEWTER
9D	146064-05-01A	EA	LOCK/PRIVACY (LOCKING) "TULIP" STYLE KNOB - SATIN NICKEL
10D	146064-06-01A	EA	LOCK/PASSAGE (NON LOCKING) "TULIP" STYLE KNOB-SATIN NICKEL
11D	146553-01-03A	EA	HINGE - CABINET DOOR - SATIN NICKEL
12D	146801-01-02A	EA	ROD/TOWEL BAR (OFFSET) - PEWTER
13D	146840-03-02A	EA	ROD - .25" X 11.7" - PEWTER
13D	146840-04-02A	EA	ROD - .25" X 13.1" - PEWTER
14D	146064-08-01A	EA	LOCK/PASSAGE (NON LOCKING) LEVER STYLE - SATIN NICKEL
14D	146064-07-01A	EA	LOCK/PRIVACY (LOCKING) LEVER STYLE - SATIN NICKEL

**INTERIOR FINISH GROUP (CONTINUED)**  
**HARDWARE (CONTINUED)**



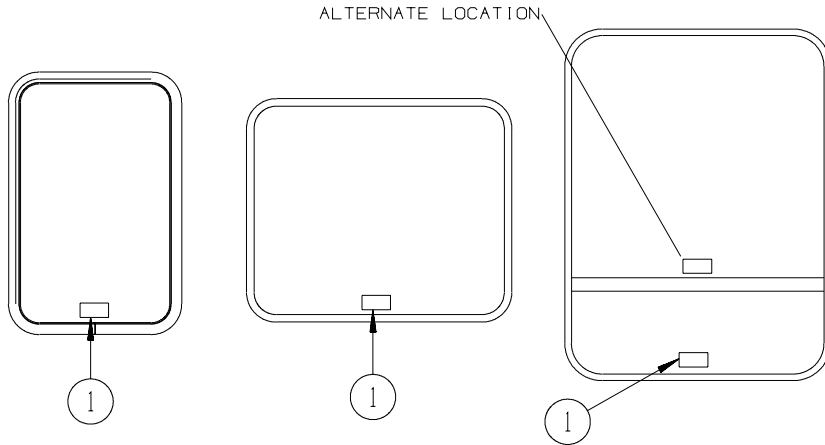
KEY	PART NUMBER	U/M	DESCRIPTION
1E	148816-01-02A	EA	PULL - CABINET DOOR - NICKEL - <b>ASPECT, CAMBRIA 700-SERIES/ADVENTURER LIMITED EDITION</b>
2E	149090-01-02A	EA	PULL - CABINET DOOR - NICKEL - <b>VOYAGE F-SERIES</b>
3E	149607-01-02B	EA	GUIDE - F/POCKET DOOR - 1.6" BENT ROD - E-COATED
3E	149607-03-02B	EA	GUIDE - F/POCKET DOOR - 2.9" BENT ROD - E-COATED
4E	149607-04-02B	EA	GUIDE - F/POCKET DOOR - E-COATED
5E	150983-01-01A	EA	STRIKE/BLOCK - WEDGE STYLE - F/SLIDE DOOR - 3" X 1.2" - BLACK
6E	151380-01-01A	EA	LATCH - CBNT DR - PUSH BTN - <b>VIEW &amp; NAVION 500-SERIES</b>
6E	151380-01-02A	EA	LATCH - CABINET DOOR - PUSH BUTTON - BLACK - <b>TOUR &amp; ELLIPSE R-SERIES</b>
7E	151380-02-01A	EA	STRIKE - CABINET DOOR - <b>VIEW &amp; NAVION 500-SERIES</b>
8E	151380-03-01A	EA	STRIKE - CABINET DOOR - <b>VIEW &amp; NAVION 500-SERIES</b>
9E	152302-01-01A	EA	PULL - CABINET DOOR - SATIN NICKEL - <b>SUNRISE F-SERIES</b>
10E	152304-01-01A	EA	PULL - CABINET DOOR - BRONZE - <b>ADVENTURER G-SERIES, ELLIPSE R-SERIES</b>
11E	152305-01-01A	EA	KNOB - DOOR/DRAWER - BRONZE - <b>ELLIPSE R-SERIES</b>
12E	152950-01-01A	EA	PULL - DOOR/DRAWER - BRUSHED NICKEL - <b>VIEW &amp; NAVION 500-SERIES</b>
13E	153000-01-01A	EA	SLIDE - CABINET MOUNT - 11.8"
13E	153000-03-01A	EA	SLIDE - CABINET MOUNT - 13.8"
13E	153000-05-01A	EA	SLIDE - CABINET MOUNT - 15.7"
13E	153000-07-01A	EA	SLIDE - CABINET MOUNT - 17.7"
13E	153000-09-01A	EA	SLIDE - CABINET MOUNT - 19.7"
13E	153000-11-01A	EA	SLIDE - CABINET MOUNT - 21.6"
13E	153000-14-01A	EA	SLIDE - CABINET MOUNT - 23.6"
13E	153000-16-01A	EA	SLIDE - CABINET MOUNT - 7.9"
13E	153000-18-01A	EA	SLIDE - CABINET MOUNT - 9.8"
13E	153000-20-01A	EA	SLIDE - CABINET MOUNT - 25.6"
14E	153000-13-01A	EA	BACKSOCKET - DRAWER SLIDE
15E	153000-02-01A	EA	SLIDE - DRAWER MOUNT - 11.8"
15E	153000-04-01A	EA	SLIDE - DRAWER MOUNT - 13.8"
15E	153000-06-01A	EA	SLIDE - DRAWER MOUNT - 15.7"
15E	153000-08-01A	EA	SLIDE - DRAWER MOUNT - 17.7"
15E	153000-10-01A	EA	SLIDE - DRAWER MOUNT - 19.7"
15E	153000-12-01A	EA	SLIDE - DRAWER MOUNT - 21.6"
15E	153000-15-01A	EA	SLIDE - DRAWER MOUNT - 23.4"
15E	153000-17-01A	EA	SLIDE - DRAWER MOUNT - 7.7"
15E	153000-19-01A	EA	SLIDE - DRAWER MOUNT - 9.6"
15E	153000-21-01A	EA	SLIDE - DRAWER MOUNT - 25.4"

## INTERIOR FINISH GROUP (CONTINUED) HARDWARE (CONTINUED)



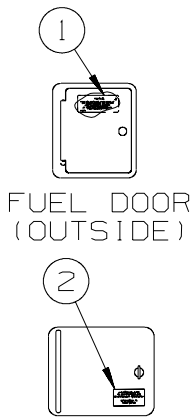
KEY	PART NUMBER	U/M	DESCRIPTION
1F	153308-01-01A	EA	PULL - VANITY STOOL - SATIN NICKEL
2F	153352-01-01A	EA	SLIDE - PANTRY - 19.7" - CABINET MOUNT
3F	153352-02-01A	EA	SLIDE - PANTRY - 19.5" - DRAWER MOUNT
4F	153353-01-01A	EA	LATCH - SLIDING/FLUSH - BLACK
5F	155803-01-01A	EA	KNOB CABINET DOOR - WROUGHT IRON - <b>VECTRA S-SERIES</b>
6F	155925-01-01A	EA	KNOB - DOOR/DRW - SATIN NICKEL - <b>ACCESS &amp; IMPULSE 200-SERIES/ VISTA &amp; SUNSTAR E-SERIES</b>
7F	156579-01-01A	EA	KNOB - DOOR/DRW - PEWTER - <b>OUTLOOK &amp; SPIRIT 300-SERIES/ SIGHTSEER &amp; SUNOVA D-SERIES</b>
8F	157246-01-01A	EA	PULL - CABINET DOOR/DRAWER - SATIN NICKEL - <b>JOURNEY &amp; MERIDIAN P-SERIES</b>
9F	157246-02-01A	EA	KNOB - CABINET DOOR/DRAWER-SATIN NICKEL - <b>JOURNEY &amp; MERIDIAN P-SERIES</b>
10F	158982-01-04B	EA	HINGE - CONTINUOUS - 2" X 8" - BLACK
10F	158982-01-01A	EA	HINGE - CONTINUOUS - 2" X 8" - ZINC
11F	162033-01-01A	EA	PULL - CABINET DOOR - BRUSHED NICKEL - <b>SUNCRUISER G-SERIES, TOUR R-SERIES</b>
12F	162033-02-01A	EA	KNOB - CABINET DOOR - BRUSHED NICKEL - <b>SUNCRUISER G-SERIES</b>
13F	162518-01-01A	EA	KNOB - DOOR/DRAWER - SATIN NICKEL - <b>HORIZON S-SERIES</b>
14F	163095-01-01A	EA	KNOB - CABINET DOOR - SATIN NICKEL - <b>DESTINATION &amp; LATTITUDE M-SERIES</b>

## LABELS GROUP

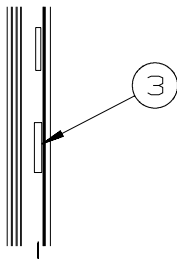


EXIT WINDOWS

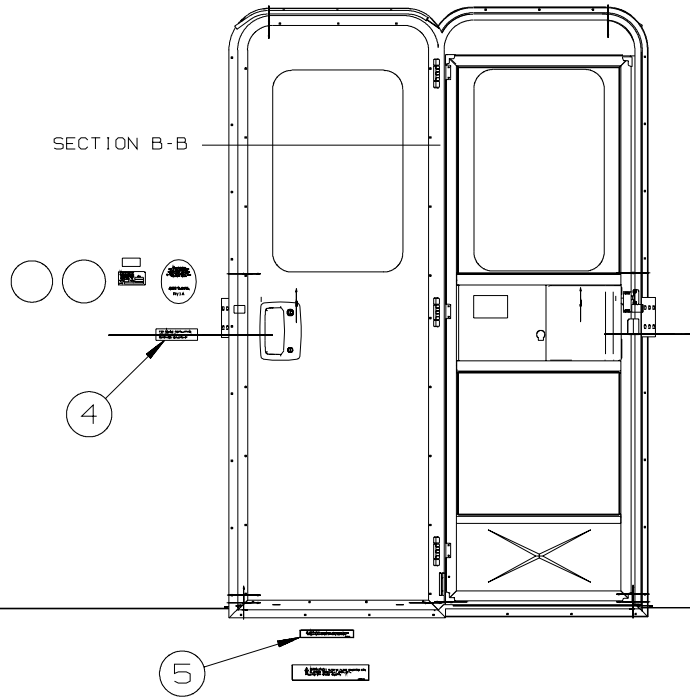
KEY	PART NUMBER	U/M DESCRIPTION
1	039290-01-000	EA LABEL - WARNING - EXIT



FUEL DOOR  
(OUTSIDE)



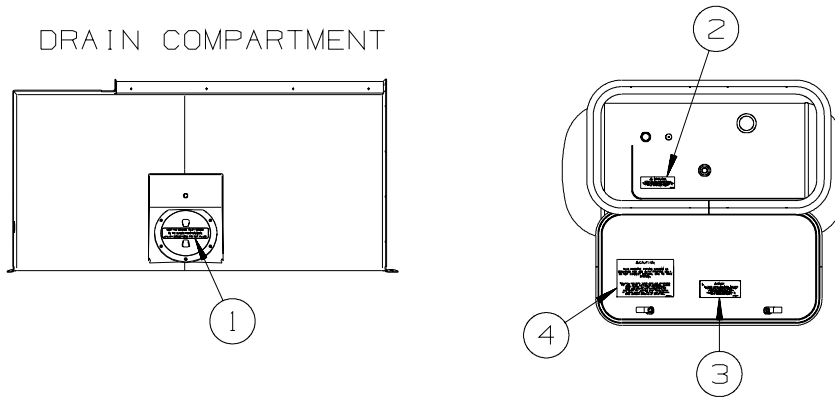
SECTION B-B



KEY	PART NUMBER	U/M DESCRIPTION
1	124519-01-01A	EA LABEL - WARNING/REFUELING - BLACK ON CLEAR
1	124519-02-01A	EA LABEL - WARNING/REFUELING - BLACK ON CLEAR - CSA
2	125306-04-01A	EA LABEL - ELECTRICAL ENTRANCE-120/20V 50 AMP-BLACK ON CLEAR
2	125306-04-02A	EA LABEL - ELECTRICAL ENTRANCE-120/20V 50 AMP-WHITE ON CLEAR
3	135869-01-01A	EA LABEL - MERCURY CONTENT - BLACK ON CLEAR
3	135869-01-02A	EA LABEL - MERCURY CONTENT - WHITE ON CLEAR
4	099509-01-000	EA LABEL - AWNING INSTALLATION
5	065748-01-000	EA LABEL - WARNING - BATTERY CHARGING - UL

## LABELS GROUP (CONTINUED)

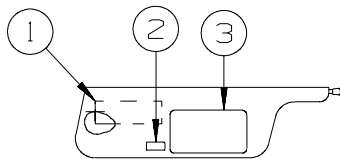
### DRAIN COMPARTMENT



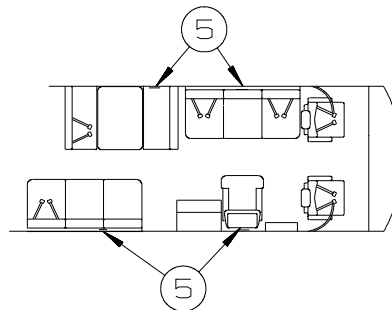
**KEY PART NUMBER**

1	123562-01-000	EA LABEL - SERVICE/UTILITY ACCESS
2	079965-01-000	EA LABEL - LPG - 80% CAPACITY
3	124519-01-01A	EA LABEL - WARNING/REFUELING - BLACK ON CLEAR
3	124519-01-02A	EA LABEL - WARNING/REFUELING - WHITE ON CLEAR
4	124520-01-01A	EA LABEL - LP GAS ONLY - BLACK ON CLEAR
4	124520-01-02A	EA LABEL - LP GAS ONLY - WHITE ON CLEAR
4	023769-01-000	EA LABEL - WARNING - LPG - CANADIAN

### TYPICAL SEAT AND BELT CONFIGURATIONS

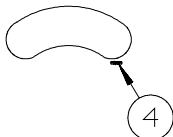


LABELS SHALL BE LOCATED ON OPPOSITE SIDE OF VISOR THAT THE AIR BAG LABEL IS INSTALLED ON.



ATTACH LABEL ON OR NEXT TO:  
 +ANY SINGLE CHAIR WITHOUT BELTS.  
 +ANY DINETTE SEAT WITHOUT BELTS.  
 +ANY COUCH WITHOUT BELTS OR ANY SEATING POSITION ON THAT COUCH.  
 DO NOT ATTACH LABEL IF:  
 +DINETTE SEAT HAS AT LEAST ONE SET OF BELTS INSTALLED.

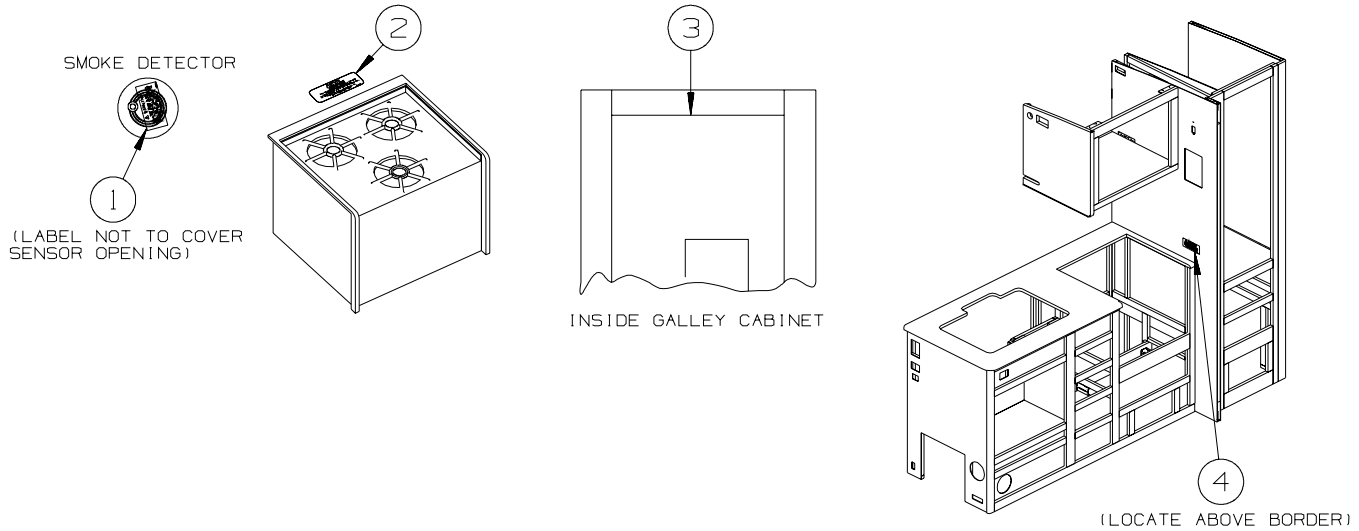
### INSTRUMENT CLUSTER



**KEY PART NUMBER**

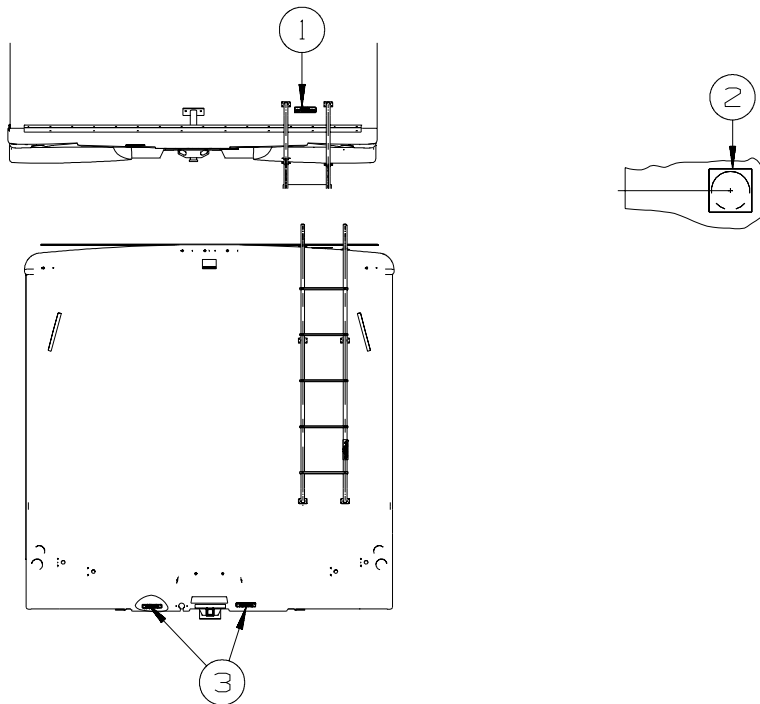
	<b>PART NUMBER</b>	<b>U/M DESCRIPTION</b>
1	126611-01-000	EA LABEL - AIR BAG - VISOR
2	099689-01-000	EA LABEL - WARNING - CANCER/TOXICITY
3	056259-01-000	EA LABEL - SAFETY CHECK LIST
4	155692-01-01A	EA LABEL - ODOMETER - READ IN MILE - BLACK/WHITE
4	155692-01-02A	EA LABEL - ODOMETER - READ IN MILE - WHITE/CLEAR
5	134538-01-01A	EA LABEL - OCCUPANCY - NO SEAT BELT - BLACK ON CLEAR - US
5	134538-02-01A	EA LABEL - OCCUPANCY - NO SEAT BELT - BLACK ON CLEAR - CSA

## LABELS GROUP (CONTINUED)



KEY	PART NUMBER	U/M	DESCRIPTION
1	077956-01-000	EA	LABEL - WARNING/SMOKE DETECTOR
2	134539-01-01A	EA	LABEL - WARNING - STOVE/HEATING - US - BLACK ON CLEAR
2	134539-01-02A	EA	LABEL - WARNING - STOVE/HEATING - US - WHITE ON CLEAR
2	134540-01-01A	EA	LABEL - WARNING - STOVE/HEATING - CSA - BLACK ON CLEAR
2	134540-01-02A	EA	LABEL - WARNING - STOVE/HEATING - CSA - WHITE ON CLEAR
3	073998-01-000	EA	LABEL - LPG/ODOR WARNING
4	143911-02-01A	EA	LABEL - CURTAIN SECUREMENT - BLACK ON CLEAR
4	155196-01-01A	EA	LABEL - CURTAIN SECUREMENT - BLACK ON CLEAR - CSA

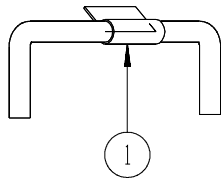
726A



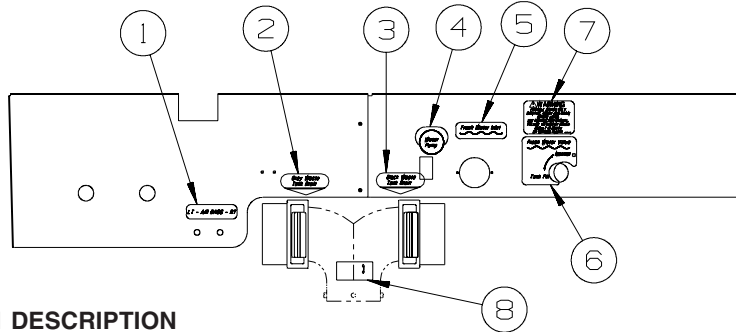
KEY	PART NUMBER	U/M	DESCRIPTION
1	128218-01-01A	EA	LABEL - WARNING - SLIPPERY ROOF
1	163705-01-01A	EA	LABEL - WARNING - ROOF SLIPPERY - BLACK ON WHITE
2	120431-01-000	EA	LABEL - LOCATION - COAXIAL CABLE/SATELLITE ANTENNA
3	129669-01-01A	EA	LABEL - HITCH/VEHICLE RATE - 350 - WHITE ON CLEAR
3	129669-01-02A	EA	LABEL - HITCH/VEHICLE RATE - 350 - BLACK ON CLEAR



## LABELS GROUP (CONTINUED)



KEY	PART NUMBER	U/M DESCRIPTION
1	128658-01-000	EA LABEL - PROP ROD - ENTRY DOOR



KEY	PART NUMBER	U/M DESCRIPTION
1	136360-02-01A	EA LABEL - AIR BAGS - BLACK/CLEAR
2	152541-03-01A	EA LABEL - GRAY WASTE
3	152543-03-01A	EA LABEL - BLACK WASTE
4	152544-03-01A	EA LABEL - SWITCHES - WATER PUMP
5	152538-02-01A	EA LABEL - FRESH WATER - PANTONE/CLEAR
6	152548-01-01A	EA LABEL - VALVE/FRESH
7	128725-02-01A	EA LABEL - POTABLE WATER ONLY - BLACK ON CLEAR
8	144649-01-01A	EA LABEL - ADJUSTABLE VALVE - WHITE ON CLEAR

**LP GROUP  
LP SYSTEM**

KEY	PART NUMBER	U/M	DESCRIPTION
	010323-01-000	EA	ADAPTER - 3/8"F X 1/2"MPT - BRASS
	010326-01-000	EA	ADAPTER - FLARE - W/CONE GASKET - 3/8"F X 1/2"F
	010329-01-000	EA	ADAPTER - 1/2"F X 1/2"MPT - BRASS
	010377-02-000	EA	NUT - 3/8" FLARE - FORGED - BRASS
	010380-02-000	EA	NUT - 1/2" FLARE - FORGED - BRASS
	010589-01-000	EA	NIPPLE - PIPE - 1/2" X 1 1/2" - BLACK
	024250-01-000	EA	ADAPTER - BRASS - 3/8"F X 1/2"FPT
	040440-02-000	EA	TRANSMITTER - DIAL/BOLT-ON - 0-90 OHM 2 TERM(POWER/GROUND)
	045703-03-000	EA	HOSE - LP - 3/8"ID X 18" - 3/8"MPT X 1/2"F SWIVEL - US
	045703-12-000	EA	HOSE - LP - 3/8"ID X 18" - 3/8"MPT X 1/2"F SWIVEL - CSA
	045703-07-000	EA	HOSE - LP - 3/8"ID X 10" - 3/8"MPT X 1/2"F SWIVEL
	045703-22-000	EA	HOSE - LP - 3/8"ID X 60" - 1/2"F SWIVEL X1/2"F SWVL US/CSA
	057042-01-000	EA	ADAPTER - CROSS 1/2"PIPE
	106150-05-000	EA	REGULATOR - TWO STAGE
*	144116-09-000	EA	TANK - LP - 60 LB - 14"D X 29.75"L
	144485-01-000	EA	COVER - LP REGULATOR
	148919-01-000	EA	UNION-FLARE - 3/8" BRASS

**\*COMPONENT PARTS LISTED LATER IN THIS GROUP**

**COMPONENT PARTS FOR LP SYSTEM**

**144116-09-000**

KEY	PART NUMBER	U/M	DESCRIPTION	VENDOR NO.
	040421-01-712	EA	VALVE-SERV. W/O VAPOR RELIEF	V20373/V21202
	040421-01-713	EA	VALVE-RELIEF 1" W/SPRING 7"	V12560/V21207
	144116-01-700	EA	VALVE-OUTAGE(NO STEM REMOVE)	V20058
	144116-04-700	EA	FLOAT/SENDING UNIT W/O DIAL	G11530
	144116-04-701	EA	DIAL - TRANSMITER	G12845
	144116-09-700	EA	VALVE/FILL 80%	V20150

# SEALANTS & FASTENERS GROUP

## SEALANTS & ADHESIVES

KEY	PART NUMBER	U/M	DESCRIPTION
	010405-02-000	EA	TAPE - THREAD SEALING - 3/8"
	064075-07-000	FT	SEAL - BULB - W/WIRED U CHANNEL - .3" X .5" CHANNEL-BLACK
	067788-01-000	EA	ADHESIVE - SPRAY - 3M - 19.5 OZ AEROSOL CAN
	069640-01-000	FT	SEALER - RIBBON - 1/4"DIAMETER X 30 FT - BLACK OR GRAY
	069640-02-000	FT	SEALER - TAPE - 1/8"THICK X 1/2"WIDE X 60 FT - GRAY
	069640-03-000	FT	SEALER - TAPE - 1/8"THICK X 3/4"WIDE X 60 FT - BLACK
	069640-07-000	FT	SEALER - TAPE - 3/32"THICK X 2"WIDE X 45 FT - GRAY
	069640-09-000	FT	SEALER - TAPE - 1/32"THICK X 2 1/2"WIDE X 80 FT - BRT WHT
	069640-10-000	FT	SEALER - TAPE - 1/32"THICK X 1 1/2"WIDE X 90 FT - GRAY
	069640-11-000	FT	SEALER - TAPE - 3/16"THICK X 3/8"WIDE X 40 FT - BLACK
	069640-13-000	FT	SEALER - TAPE - 3/32"THICK X 2"WIDE X 45 FT - BLACK
	069640-14-000	FT	SEALER - TAPE - 1/16"THICK X 1"WIDE X 100 FT - BLACK
	069640-15-000	FT	SEALER - TAPE - 1/16"THICK X 3/8"WIDE X 100 FT - BRT WHT
	069640-17-000	FT	SEALER - TAPE - 1/32"THICK X 1"WIDE X 150 FT - GRAY
	069640-18-000	FT	SEALER - TAPE - 1/8"THICK X 1/2"WIDE X 60 FT - BRT WHT
	069640-19-000	FT	SEALER - TAPE - 1/8"THICK X 3/4"WIDE X 60 FT - BRT WHT
	069640-20-000	FT	SEALER - TAPE - 1/8"THICK X 1/2"WIDE X 60 FT - BLACK
	069640-21-000	FT	SEALER - TAPE - 1/16"THICK X 1/2"WIDE X 100 FT - BRT WHT
	069640-22-000	FT	SEALER - TAPE - 1/32"THICK X 1/4"WIDE X 200 FT - BRT WHT
	069640-23-000	FT	SEALER - TAPE - 1/16"THICK X 3/4"WIDE X 100 FT - BRT WHT
	069640-27-000	FT	SEALER - TAPE - 1/16"THICK X 2 1/4"WIDE X 50 FT - BRT WHT
	069640-28-000	FT	SEALER - TAPE - 1/32"THICK X 1 7/8"WIDE X 90 FT - GRAY
	069640-30-000	FT	SEALER - TAPE - 1/32"THICK X 5/8"WIDE X 50 FT - GRAY
	069640-31-000	FT	SEALER - TAPE - 1/4"THICK X 3/4"WIDE X 15 FT - BLACK
	069640-32-000	FT	SEALER - TAPE - 1/16"THICK X 3/8"WIDE X 100 FT - BLACK
	069640-33-000	FT	SEALER - RIBBON - 3/8"DIAMETER X 20 FT - BLACK
	069640-34-000	FT	SEALER - RIBBON - 1/4"DIAMETER X 30 FT - BRIGHT WHITE
	069640-36-000	EA	SEALER - TAPE - 1/16"THICK X 1/2"WIDE X 100 FT - BLACK
	069640-37-000	FT	SEALER - TAPE - 1/16"THICK X 3/4"WIDE X 100 FT - BLACK
	069640-38-000	FT	SEALER - TAPE - 1/16"THICK X 3/4"WIDE X 100 FT - BRT WHT
	069640-39-000	FT	SEALER - TAPE - 1/16"THICK X 3"WIDE X 50 FT - BRT WHT
	069640-40-000	FT	SEALER - TAPE - 1/16"THICK X 3"WIDE X 50 FT - BRT WHT
	072889-28-000	EA	SEALANT/URETHANE-10 OZ TUBE W/NOZZLE-SELF LEVELING-BRT WHT
	072889-31-000	EA	SEALANT/URETHANE-10 OZ TUBE W/NOZZLE-SELF LEVELING - BLACK
	076322-02-000	FT	TAPE-DOUBLE COATED/ADHESIVE BK-.05"THK X 1"W X 108' - WHT
	076322-03-000	FT	TAPE-DOUBLE COATED/ADHESIVE BK-.05"THK X .5"W X 108' - WHT
	076322-05-000	FT	TAPE-DOUBLE COATED/ADHESIVE BK-.05"THK X .8"W X 108' - WHT
	076322-07-000	FT	TAPE-DOUBLE COATED/ADHESIVE BK-.05"THK X .5"W X 200' - BLK
	076322-13-000	FT	TAPE - FOAM/DOUBLE COATED - .020"THK X .75"W - CLEAR
	076322-21-000	FT	TAPE - FOAM/DOUBLE COATED - .045"THK X .50"W
	076322-22-000	FT	TAPE - FOAM/DOUBLE COATED - .045"THK X .75"W
	076322-23-000	FT	TAPE - FOAM/DOUBLE COATED - .045"THK X 1"W
	076322-25-000	FT	TAPE - FOAM/DOUBLE COATED - .025"THK X .5"W
	086276-01-000	EA	TAPE - DOUBLE SIDED - 1/2" WIDE X 108' LONG (SOLD BY ROLL)
	088479-01-000	EA	TAPE - ALUMINUM - 3"
	090340-01-000	FT	SEAL - FOAM - CLOSED CELL - 1/4" X 1/2" X 50'
	090340-02-000	FT	SEAL - FOAM - CLOSED CELL - 3/8" X 1/2" X 50'
	091255-02-000	FT	SEAL - ADHESIVE BACKED/FOAM - 3/64"THICK X 3/16"W X 1000'
	091255-03-000	FT	SEAL - ADHESIVE BACKED/FOAM - 1/4" THICK X 1/4"W X 1000'
	094401-01-000	EA	SEALER - BODY SEAM - FLEXICLEAR
	094401-04-000	EA	SEALER - BODY SEAM - CLEAR
	094401-05-000	EA	SEALER - BODY SEAM - 20OZ BLACK
	094401-06-000	EA	SEALER - BODY SEAM - 12OZ BLACK
	094401-07-000	EA	SEALER - BODY SEAM - CLEAR
	098408-01-000	FT	SEAL - SPONGE RUBBER - CLOSED CELL
	099069-01-000	FT	SEAL - RUBBER - CLOSED SPONGE - .5" WIDE X .12" THICK-BLK
	099418-01-000	FT	SEAL - D-SECTION/ADHESIVE BACK - .44" X .44" - BLK RUBBER
	100128-02-000	FT	SEAL - FOAM/ADHESIVE BACK - .37" WIDE X .37" THICK X 60'
	104692-01-000	FT	SEAL - ADHESIVE BACKED FOAM - 3/4" THICK X 3/4" WIDE X 25'
	107721-07-000	FT	SEAL - ACCESS DOOR - .9"WIDE X 1.1"HIGH
	112864-01-000	FT	SEAL - FOAM/BUTYL COVERED - 3/8" X 35'
	112864-02-000	FT	SEAL - FOAM/BUTYL COVERED - 5/16" X 44'
	112864-05-000	FT	SEAL - FOAM/BUTYL COVERED - 1/2" X 3/16"
	112901-02-000	EA	ADHESIVE - PLEXUS - MA330 - 50ML - GRAY

## SEALANTS & FASTENERS GROUP (CONTINUED)

### SEALANTS & ADHESIVES (CONTINUED)

KEY	PART NUMBER	U/M	DESCRIPTION
	112901-03-000	EA	ADHESIVE - PLEXUS - MA300 - 50ML - WHITE
	112902-03-000	EA	MIXER NOZZLE - F/GUN #00400102000 - SCOTCH-WELD & PLEXUS
	112902-04-000	EA	NOZZLE - ELEMENT - 1/4" X 3.5"
	113452-01-000	FT	SEAL/TRIM - FRONT - VINYL W/WIRE CARRIER - .020"
	113452-02-000	FT	SEAL/TRIM - FRONT - VINYL W/WIRE CARRIER - .027"
	113366-01-000	EA	ADHESIVE - INSTANT - 1 OZ
	115870-01-000	FT	SEAL/EDGE - TRIM
	120074-02-03A	EA	SILICONE - TUBE - W/O NOZZLE - LOW ODOR - SMOKEY WHITE
	120534-01-01A	EA	TAPE - SCOTCH - 3M - 1/2" FINE LINE
	123655-01-000	FT	SEAL - CLOSED CELL/FOAM
	123816-01-000	FT	TAPE - DOUBLE SIDED - 1" X .020" X 200' - CLEAR
	123816-02-000	FT	TAPE - DOUBLE SIDED - 1/2" X .035" X 200' - CLEAR
	123816-03-000	FT	TAPE - DOUBLE SIDED - 1/2" X .020" X 200' - CLEAR
	123816-04-000	FT	TAPE - DOUBLE SIDED - 6" X .0035" X 750' - CLEAR
	123816-06-000	FT	TAPE - DOUBLE SIDED - 3/4" X 3/4" X 200' - CLEAR
	123816-07-000	FT	TAPE - DOUBLE SIDED - 1 3/4" X 200' - CLEAR
	126427-01-000	EA	ADHESIVE - ALL PURPOSE - ABS/PVC
	126427-02-000	EA	PRIMER - CLEANER - FLEX PIPING
	131264-01-12A	EA	SILICONE - TUBE - W/NOZZLE - BONE
	131264-01-13A	EA	SILICONE - TUBE - W/NOZZLE - TRANSLUCENT
	131264-03-01A	EA	SILICONE - TUBE - W/O NOZZLE - SELF LEVELING -BRIGHT WHITE
	131264-04-02A	EA	SILICONE/SEALANT/ADHESIVE-FAST CURE F/GLASS/VINYL-SOFT WHT
	131264-05-01A	EA	SILICONE/SEALANT - ODORLESS - TUBE - W/NOZZLE - BLACK
	131264-05-02A	EA	SILICONE/SEALANT - ODORLESS - TUBE - W/NOZZLE - CLEAR
	131384-01-000	EA	ADHESIVE - JET WELD - 10 OZ CARTRIDGE
	132892-07-01A	FT	SEAL - BULB/SINGLE - W/U CHANNEL - .5" X 1" - BLACK
	152038-01-01A	EA	TAPE - PRESERVATION SEAL - 2" X 36YD ROLL - BLACK
	154585-01-01A	FT	SEAL - FOAM TAPE - ADHESIVE BACK - 3/8" X 3/8" - BLACK
	154585-02-01A	FT	SEAL - FOAM TAPE - ADHESIVE BACK - 3/4" X 1/2" - BLACK
	154585-03-01A	FT	SEAL - FOAM TAPE - ADHESIVE 2 SIDED - 1/8" X 3/4" - BLACK
	154585-04-01A	FT	SEAL - FOAM TAPE - ADHESIVE BACK - 5/8" X 1/8" - WHITE
	156622-01-01A	FT	SEALER - TAPE - 1/4"THICK X 3"WIDE X 100 FT - WHITE
	156622-02-01A	FT	SEALER - TAPE - 1/4"THICK X 2"WIDE X 100 FT - WHITE

### BOLTS, NUTS AND WASHERS

KEY	PART NUMBER	U/M	DESCRIPTION
	0MD54F-06-000	EA	NUT - HEX W/SERATED FLANGE
	000C12-04-08B	EA	BOLT - HEX - 1/4-20 X 1/2 - GRADE #5 - ZINC
	000C12-04-12A	EA	BOLT - HEX - 1/4-20 X 3/4 - PLAIN 5
	000C12-04-40B	EA	BOLT - HEX - 1/4-20 X 2 1/2 - GRADE #5 ZINC
	000C12-05-16B	EA	BOLT - HEX - 5/16 - 18X1 - GRADE #5 - ZINC
	000C12-05-40B	EA	BOLT - HEX - 5/16"-18 X 2.5" - GRADE #5 - ZINC
	000C12-06-28B	EA	BOLT-HEX-3/8-16X13/4 ZN 5 - 5185-01
	000C12-08-24B	EA	BOLT - HEX - 1/2-13 X 1 1/2 - GRADE #5 - ZINC
	000C12-08-28B	EA	BOLT - HEX - 1/2-13 X 1 3/4 - GRADE #5 - ZINC
	000C12-08-44B	EA	BOLT - HEX - 1/2-13 X 2 3/4 - GRADE #5 - ZINC
	000C13-07-40B	EA	BOLT - HEX - 7/16-20 X 2 1/2 - GRADE #5 - ZINC
	000C13-07-48B	EA	BOLT - HEX - 7/16-20 X 3 - GRADE #5 - ZINC
	000C14-10-32B	EA	BOLT - HEX - 5/8-11 X 2.0 - GRADE #8 - ZINC
	000C18-05-40A	EA	BOLT - ELEVATOR - 5/16-18 X 2 1/2 - PL
	000C26-04-10B	EA	BOLT - HEX - SERRATED FLANGE - 1/4-20 X 5/8 - ZINC
	000C26-04-12F	EA	BOLT - HEX - SERRATED FLANGE -1/4-20 X 3/4-STAINLESS STEEL
	000C26-04-14B	EA	BOLT - HEX - SERRATED FLANGE - 1/4-20 X 7/8 - ZINC
	000C26-04-18B	EA	BOLT - HEX - SERRATED FLANGE - 1/4-20 X 1 1/8 - ZINC
	000C26-05-12B	EA	BOLT - HEX - SERRATED FLANGE - 5/16-18 X 3/4 - ZINC
	000C26-06-12B	EA	BOLT - HEX - SERRATED FLANGE - 3/8-16 X 3/4 - ZINC
	000C26-06-20B	EA	BOLT - HEX - SERRATED FLANGE - 3/8-16 X 1 1/4 - ZINC
	000C26-06-28B	EA	BOLT - HEX - SERRATED FLANGE - 3/8-16 X 1 3/4 - ZINC
	000C26-06-40B	EA	BOLT - HEX - SERRATED FLANGE - 3/8-16 X 2 1/2 - ZINC
	000C26-08-24B	EA	BOLT - HEX - SERRATED FLANGE - 1/2-13 X 1 1/2 - ZINC
	000C26-08-28B	EA	BOLT - HEX - SERRATED FLANGE - 1/2-13 X 1 3/4 - ZINC
	000C27-08-48B	EA	BOLT-CARR 1/2-13X3.00 GR5 - 97 M-SERIES
	000D24-10-00B	EA	NUT - HEX - SELF LOCKING - 10-32 - ZINC

**SEALANTS & FASTENERS GROUP (CONTINUED)**  
**BOLTS, NUTS AND WASHERS (CONTINUED)**

KEY	PART NUMBER	U/M	DESCRIPTION
	000D27-05-00B	EA	NUT - HEX LOCK - 5-40 - ZINC
	000D28-10-00B	EA	NUT - HEX - W/NYLON LOCK - 10-32 - ZINC
	000D29-04-00B	EA	NUT - HEX - SELF LOCKING - 1/4 X 20 - ZINC
	000D29-04-00F	EA	NUT - HEX - SELF LOCKING - 1/4 X 20 - STAINLESS STEEL
	000D29-06-00B	EA	NUT - HEX - W/NYLON LOCK - 3/8-16 - ZINC
	000D29-09-00B	EA	NUT - HEX - SELF LOCKING - 9/16-12 - ZINC
	000D34-04-00B	EA	NUT - HEX - LOCKING - 1/4-20 - ZINC
	000D34-06-00B	EA	NUT - HEX - LOCKING - 3/8-16 GRADE C - ZINC
	000D39-04-00B	EA	NUT - HEX - LOCKING W/SERRATED FLANGE - 1/4-20 - ZINC
	000D39-05-00B	EA	NUT - HEX - LOCKING W/SERRATED FLANGE - 5/16-18 - ZINC
	000D39-06-00B	EA	NUT - HEX - LOCKING W/SERRATED FLANGE - 3/8-18 - ZINC
	000D39-06-00D	EA	NUT - HEX - LOCKING W/SERRATED FLANGE - 3/8"-16 BLACK
	000D39-07-00B	EA	NUT - HEX - LOCKING W/SERRATED FLANGE - 7/16-14 - ZINC
	000D39-08-00B	EA	NUT - HEX - LOCKING W/SERRATED FLANGE - 1/2-13 - ZINC
	000D44-07-00B	EA	NUT - HEX - LOCKING W/SERRATED FLANGE - 7/16-20 - ZINC
	000D44-08-00B	EA	NUT - HEX - LOCKING W/SERRATED FLANGE - 1/2-20 - ZINC
	000D46-04-00A	EA	NUT - HEX - WELD - 1/4-20 - PLAIN
	000D65-08-00B	EA	NUT - HEX - LOCKING W/SERRATED FLANGE - 8-32 - ZINC
	000D73-08-00C	EA	NUT - HEX FLANGE - 1/2-13
	000D75-09-00B	EA	NUT - HEX LOCKING - 9/16-12 - ZINC
	000D76-06-00B	EA	NUT - HEX FLANGE - 3/8-16
	000E11-04-00F	EA	WASHER - LOCKING - 1/4 MED SPLIT - STAINLESS STEEL
	000E11-07-00B	EA	WASHER - LOCKING - 7/16 MED SPLIT - ZINC
	000E11-08-00B	EA	WASHER - LOCKING - 1/2 MED SPLIT - ZINC
	000E13-17-00B	EA	WASHER - FLAT - 3/8 AR - ZINC
	000E13-18-00B	EA	WASHER - FLAT - 3/8 WIDE - ZINC
	000E13-20-00B	EA	WASHER - FLAT - 7/16 WIDE - ZINC
	000E13-22-00B	EA	WASHER - FLAT - 1/2 WIDE - ZINC
	000E13-26-00B	EA	WASHER - FLAT - 5/8 WIDE - ZINC
	000E14-10-00B	EA	WASHER - LOCKING - #10 EXTERNAL TOOTH - ZINC
	000E16-10-00B	EA	WASHER - HARDENED - 5/8 - FLAT - ZINC
	000G45-05-16B	EA	BOLT - LAG - 5/16-9 X 1 - ZINC
	039715-01-000	EA	NUT-SERT - 1/4" DIAMETER - 20 THREADS
	040921-01-000	EA	NUT - SPEED - U TYPE - #10-24 - BLACK
	040921-03-000	EA	NUT - SPEED - U TYPE - #10
	040921-04-000	EA	NUT - SPEED - U TYPE - #8-.59" LENGTH X .44" WIDTH
	040921-05-000	EA	NUT - SPEED - U-TYPE - 8-.67" X .44" WIDE
	040921-11-000	EA	NUT - SPEED - U-TYPE - 8-.59" LENGTH X .44" WIDTH - BLACK
	041322-01-000	EA	WASHER - FLANGE - 15/32"ID X 2 3/8"OD - F/SEAT BELT MTG
	044364-02-000	EA	NUT - SPEED - FLAT - ROUND
	044533-01-000	EA	WASHER - 1 3/8"OD - FOR BUTTONS - PLASTIC
	051387-06-000	EA	BOLT - CARRIAGE W/O HOLE - 5/16-18 X 9 1/2 - ZINC
	058716-02-000	EA	WASHER - FLAT NYLON
	064081-03-000	EA	NUT - WING 3/8-16 - W/WELD NUT
	077071-01-000	EA	WASHER - FENDER - 3/16"ID X 1"OD
	087234-01-000	EA	NUT - JACK - 1/4 X 20 THD - MOLLY
	088787-12-000	EA	STUD - WELD - 1/4 - 20 X 1.0 LG - MN
	106956-03-000	EA	BOLT - HEX TAP - 1/2-13NC X 3 - GRADE 5 - FULL THREAD/ZINC
	106956-10-000	EA	BOLT - HEX TAP - 9/16-12NC X 3 5/8 -GRD 5-FULL THREAD/ZINC
	106956-11-000	EA	BOLT - HEX TAP - 1/2-13NC X 2 1/2 - GRD 5-FULL THREAD/ZINC
	106956-13-000	EA	BOLT - HEX TAP - 1/2-20 X 2 1/2 - GRD 5-FULL THREAD/ZINC
	106956-14-000	EA	BOLT - HEX TAP - 5/16 -18NC X 1 1/2 - GRD 5-FULL THREAD/ZINC
	107397-01-000	EA	WASHER - FENDER - 3/4"ID X 1"OD
	108067-03-000	EA	STUD - WELD - 1/4 - 20 X 1/2 CD
	109917-01-000	EA	WASHER - 1.5" X 1.25"
	109917-03-000	EA	WASHER - 1" X .50"
	109917-04-000	EA	WASHER - 1" X .75"
	128444-01-000	EA	WASHER - SPRING - CONICAL
	135092-02-01A	EA	BOLT - HEX - SERRATED FLANGE - 1/2-20 X 2 1/2-GRADE 5 ZINC
	135092-05-01A	EA	BOLT - HEX - SERRATED FLANGE - 1/2-20 X 1 - GRADE 5 ZINC
	143399-01-01A	EA	NUT/RETAINING - 3/8"- 24 NFT
	147284-02-000	EA	NUT/SELF RETAINING - 5/16"-18
	148817-01-000	EA	WASHER/SPUR - LOCKING

# SEALANTS & FASTENERS GROUP (CONTINUED)

## SCREWS

KEY	PART NUMBER	U/M	DESCRIPTION
	0G1208-12-170	EA	SCREW - 8-18 X 3/4 POH - BRIGHT WHITE
	0G3908-08-170	EA	SCREW - SF/DR - 8-18 X 1/2 PPH - BRIGHT WHITE
	0G3908-16-170	EA	SCREW - SF/DR - 8-18 X 1 PPH - BRIGHT WHITE
	0G3908-24-170	EA	SCREW - SF/DR - 8-18 X 1 1/2 PPH - BRIGHT WHITE
	0G3910-10-420	EA	SCREW - SF/DR - 10-16 X .62 PPH - BRIARWOOD
	0G3910-12-170	EA	SCREW - SF/DR - 10-16 X 3/4 PPH - BRIGHT WHITE
	0G3910-24-170	EA	SCREW - SF/DR - 10-16 X 1 1/2 PPH - BRIGHT WHITE
	0G5508-08-370	EA	SCREW - SF/DR - 8-18 X .5 PWH - RIVERSTONE
	0G5508-08-380	EA	SCREW - SF/DR - 8-18 X .5 PWH - CASHMERE
	0G5508-08-420	EA	SCREW - SF/DR - 8-18 X .5 PWH - BRIARWOOD
	0G5508-08-450	EA	SCREW - SF/DR - 8-18 X .5 PWH - SADDLE
	0G5508-12-170	EA	SCREW - SF/DR - 8-18 X 3/4 PWH - BRIGHT WHITE
	0G5508-12-330	EA	SCREW - SF/DR - 8-18 X 3/4 PWH - PUTTY
	0G5508-12-380	EA	SCREW - SF/DR - 8-18 X 3/4 PWH - CASHMERE
	0G5508-12-450	EA	SCREW - SF/DR - 8-18 X 3/4 PWH - SADDLE
	0G5508-16-330	EA	SCREW - SF/DR - 8-18 X 1 PWH - PUTTY
	0G5508-16-370	EA	SCREW - SF/DR - 8-18 X 1 PWH - RIVERSTONE
	0G5508-16-380	EA	SCREW - SF/DR - 8-18 X 1 PWH - CASHMERE
	0G5508-16-450	EA	SCREW - SF/DR - 8-18 X 1 PWH - SADDLE
	0G6008-16-170	EA	SCREW - SF/DR - 8-18 X 1 POH - BRIGHT WHITE
	0G6012-32-170	EA	SCREW - SF/DR - 12-14 X 2 POH - BRIGHT WHITE
	0G6710-08-170	EA	SCREW - 10-12 X 1/2 PPH - BRIGHT WHITE
	0G6710-12-170	EA	SCREW - 10-12 X 3/4 PPH - BRIGHT WHITE
	0G6806-16-170	EA	SCREW - 6-18 X 1 POH - BRIGHT WHITE
	0G6810-24-280	EA	SCREW - 10-12 X 1 1/2 POH - SOFT WHITE
	000C20-06-24T	EA	SCREW - 3/8-16 X 1 1/2 - FLAT SOCKET
	000G11-06-08B	EA	SCREW - 6-20 X 1/2 PPH - ZINC
	000G11-06-10B	EA	SCREW - 6-20 X 5/8 PPH - ZINC
	000G11-06-10J	EA	SCREW - 6-20 X 5/8 PPH - BRASS
	000G11-07-08B	EA	SCREW - 7-19 X 1/2 PPH - ZINC
	000G11-08-06B	EA	SCREW - 8-18 X 3/8 PPH - ZINC
	000G11-08-08T	EA	SCREW - 8-18 X 1/2 PPH - FLUOROCARBON COATING
	000G11-08-12B	EA	SCREW - 8-18 X 3/4 PPH - ZINC
	000G11-08-12P	EA	SCREW - 8-18 X 3/4 PPH - DARK BROWN
	000G11-08-12S	EA	SCREW - 8-18 X 3/4 PPH - OFF WHITE
	000G11-08-12T	EA	SCREW - 8-18 X 3/4 PPH - BLACK MAGNESIUM
	000G11-08-20B	EA	SCREW - 8-18 X 1 1/4 PPH - ZINC
	000G11-08-20G	EA	SCREW - 8-18 X 1 1/4 - ANTIQUE BRASS
	000G11-10-12D	EA	SCREW - 10-16 X 3/4 PPH - BLACK
	000G11-10-32P	EA	SCREW-10,16X2.00 PPH DK BRN
	000G12-06-08T	EA	SCREW - 6-20 X 1/2 POH - BLACK
	000G12-10-16F	EA	SCREW - 10-16 X 1 POH - STAINLESS STEEL
	000G13-05-10B	EA	SCREW - 5-12 X 5/8 PFH - ZINC
	000G13-06-06I	EA	SCREW - 6-20 X 3/8 PFH - BLACK ZINC
	000G13-06-08B	EA	SCREW - 6-20 X 1/2 PFH - ZINC
	000G13-06-08G	EA	SCREW - 6-20 X 1/2 PFH - ANTIQUE BRASS
	000G13-06-10G	EA	SCREW - 6-20 X 5/8 PFH - ANTIQUE BRASS
	000G13-06-16E	EA	SCREW - 6-20 X 1 PFH - CHROME
	000G13-06-16J	EA	SCREW - 6-20 X 1 PFH - BRASS
	000G13-06-24J	EA	SCREW - 6-20 X 1 1/2 PFH - BRASS
	000G13-07-10H	EA	SCREW - 7-19 X 5/8 PFH - BLACK
	000G13-07-12B	EA	SCREW - 7-19 X 3/4 PFH - ZINC
	000G11-08-08B	EA	SCREW - 8-18 X 1/2 PPH - ZINC
	000G13-08-10B	EA	SCREW - 8-18 X 5/8 PFH - ZINC
	000G13-08-109	EA	SCREW - 8-18 X 5/8 PFH
	000G13-08-16B	EA	SCREW - 8-18 X 1 PFH - ZINC
	000G13-08-24B	EA	SCREW - 8-18 X 1 1/2 PFH - ZINC
	000G16-04-24B	EA	SCREW - MACHINE - 1/4-20 X 1 1/2 PPH
	000G18-08-16B	EA	SCREW - MACHINE - 8-32 X 1 PPH - ZINC
	000G18-08-22B	EA	SCREW - MACHINE - 8-32 X 1 3/8 PPH - ZINC
	000G18-08-24B	EA	SCREW - MACHINE - 8-32 X 1 1/2 PPH - ZINC
	000G19-10-08B	EA	SCREW - MACHINE - 10-32 X 1/2 PPH - ZINC
	000G19-10-10B	EA	SCREW - MACHINE - 10-32 X 5/8 - PPH - ZINC
	000G19-10-12F	EA	SCREW - MACHINE - 10-32 X 3/4 PPH - STAINLESS STEEL

## SEALANTS & FASTENERS GROUP (CONTINUED)

### SCREWS (CONTINUED)

KEY	PART NUMBER	U/M	DESCRIPTION
	000G19-10-20B	EA	SCREW - MACHINE - 10-32 X 1 1/2 PPH - ZINC
	000G32-10-06B	EA	SCREW - 10-32 X 3/8 PPH - ZINC
	000G34-05-12B	EA	SCREW - HEX HEAD TAPPING - 5/16 X 3/4 LONG
	000G39-06-10T	EA	SCREW - SF/DR - 6-20 X 5/8 PPH - BLACK
	000G39-06-16T	EA	SCREW - SF/DR - 6-20 X 1 PPH - BLACK
	000G39-08-06B	EA	SCREW - SF/DR - 8-18 X 3/8 PPH - ZINC
	000G39-08-08B	EA	SCREW - SF/DR - 8-18 X 1/2 PPH - ZINC
	000G39-08-08S	EA	SCREW - SF/DR - 8-18 X 1/2 PPH - OFF WHITE
	000G39-08-08T	EA	SCREW - SF/DR - 8-18 X 1/2 PPH - BLACK
	000G39-08-12T	EA	SCREW - SF/DR - 8-18 X 3/4 PPH - BLACK
	000G39-08-16B	EA	SCREW - SF/DR - 8-18 X 1 PPH - ZINC
	000G39-08-16T	EA	SCREW - SF/DR - 6-20 X 1 PPH - BLACK
	000G39-08-24B	EA	SCREW - SF/DR - 8-18 X 1 1/2 PPH - ZINC
	000G39-08-24T	EA	SCREW - SF/DR - 8-18 X 1 1/2 PPH - BLACK
	000G39-08-32B	EA	SCREW - SF/DR - 8-18 X 2 PPH - ZINC
	000G39-08-169	EA	SCREW-SF/DR,8-18X1.00 PPH - FLUROCARBON SILVER
	000G39-10-08B	EA	SCREW - SF/DR - 10-16 X 1/2 PPH - ZINC
	000G39-10-10B	EA	SCREW - SF/DR - 10-16 X 5/8 PPH - ZINC
	000G39-10-12B	EA	SCREW - SF/DR - 10-16 X 3/4 PPH - ZINC
	000G39-10-12S	EA	SCREW - SF/DR - 10-16 X 3/4 PPH - OFF WHITE
	000G39-10-129	EA	SCREW - SF/DR - 10-16 X 3/4 PPH - FLUOROCARBON SILVER
	000G39-10-169	EA	SCREW - SF/DR - 10-16 X 1 PPH - FLUOROCARBON SILVER
	000G39-10-20B	EA	SCREW - SF/DR - 10-16 X 1 1/4 PPH - ZINC
	000G39-10-20T	EA	SCREW - SF/DR - 10-16 X 1 1/4 PPH - BLACK
	000G39-10-24B	EA	SCREW - SF/DR - 10-16 X 1 1/2 PPH - ZINC
	000G39-10-24T	EA	SCREW - SF/DR - 10-16 X 1 1/2" PPH - BLACK
	000G39-10-32B	EA	SCREW - SF/DR - 10-16 X 2 - PPH - ZINC
	000G39-10-48B	EA	SCREW - SF/DR - 10-16 X 3 - PPH - ZINC
	000G39-10-48T	EA	SCREW - SF/DR - 10-16 X 3 PPH - BLACK
	000G42-04-16B	EA	SCREW - SF/DR - 1/4-14 X 1 HWH - ZINC
	000G42-04-24B	EA	SCREW - SF/DR - 1/4-14 X 1 1/2 - ZINC
	000G52-06-05B	EA	SCREW - MACHINE - 6-32 X 5/16 PTH - ZINC
	000G52-06-06B	EA	SCREW - MACHINE - 6-32 X 3/8 PTH - ZINC
	000G54-04-14B	EA	SCREW - 1/4-20 X 7/8 PTH - TYPE 23 - ZINC PLATED
	000G55-08-12T	EA	SCREW - SF/DR - 8-18 X 3/4 PWH - BLACK
	000G55-08-16S	EA	SCREW - SF/DR - 8-18 X 1.00 PWH - OFF WHITE
	000G55-08-16T	EA	SCREW - SF/DR - 8-18 X 1 PWH - BLACK
	000G56-12-48B	EA	SCREW - WOOD - 12-11 X 3 POH - SPECIAL HARDENED
	000G60-08-16E	EA	SCREW - SF/DR - 8-1 X 1 POH - CHROME
	000G60-08-20F	EA	SCREW - SF/DR - 8-19X1.25 POH
	000G60-08-22B	EA	SCREW - SF/DR - 8-18 X 1.38 POH - ZINC
	000G60-10-20B	EA	SCREW - SF/DR - 10-16 X 1 1/4 POH - ZINC
	000G60-10-209	EA	SCREW - SF/DR - 10-16 X 1 1/4 POH - SILVER STALGAARD
	000G60-10-28T	EA	SCREW - SF/DR - 10-16 X 1 3/4 - BLACK
	000G62-06-12B	EA	SCREW-SF/DR,6-20X.75 PFH - ZINC
	000G62-06-249	EA	SCREW - SF/DR - 8-18 X 1.5 PPH - SILVER
	000G62-08-24B	EA	SCREW - SF/DR - 8-18 X 1 1/2 PFH
	000G62-08-24T	EA	SCREW - SF/DR - 8-18 X 1 1/2 PFH - BLACK
	000G67-08-32B	EA	SCREW - 8-15 X 2 PPH - ZINC
	000G67-10-08B	EA	SCREW - 10-12 X 1/2 PPH - ZINC
	000G67-10-08S	EA	SCREW - 10-12 X 1/2 PPH - OFF WHITE
	000G67-10-10B	EA	SCREW - 10-12 X 5/8 PPH - ZINC - TYPE A
	000G67-10-10D	EA	SCREW - 10-12 X 5/8 PPH - BLACK - TYPE A
	000G67-10-10P	EA	SCREW - 10-12 X 5/8 PPH - DARK BROWN
	000G67-10-10S	EA	SCREW - 10-12 X 5/8 PPH - OFF WHITE
	000G67-10-10T	EA	SCREW - 10-12 X 5/8 PPH - BLACK
	000G67-10-10V	EA	SCREW-10-12X5/8 PPH ZN O/W - TYPE A
	000G67-10-12P	EA	SCREW - 10-12 X 3/4 PPH - DARK BROWN
	000G67-10-24B	EA	SCREW - 10-12 X 1 1/2 PPH - ZINC
	000G68-06-10J	EA	SCREW - 6-18 X 5/8 POH - BRASS
	000G68-06-12B	EA	SCREW - 6-18 X 3/4 POH - ZINC & CLEAR
	000G68-06-12S	EA	SCREW - 6-18 X 3/4 POH
	029130-01-000	EA	SCREW - SNAP STUD - #8-16 X 5/8" LONG
	029130-02-000	EA	SCREW - SNAP STUD - #8-16 X 1 1/2" LONG

**SEALANTS & FASTENERS GROUP (CONTINUED)**  
**SCREWS (CONTINUED)**

KEY	PART NUMBER	U/M	DESCRIPTION
	029130-03-000	EA	SCREW - SNAP STUD - #8-16 X 1" LONG
	049465-03-000	EA	SCREW - 10-16 X 1 POH W/WASHER - OFF WHITE
	049465-17-000	EA	SCREW - 10-16 X 1 POH W/WASHER - BRIGHT WHITE
	049465-18-000	EA	SCREW - 10-16 X 1 POH W/WASHER - VW GRAY
	054434-02-000	EA	SCREW - SF/DR - 10-16 X 2 - ZINC
	054434-03-000	EA	SCREW - SF/DR - 10-16 X 2 - PWH - ZINC
	075908-01-000	EA	SCREW - MACHINE - 10-32 X .56 PTH - EXTERNAL TOOTH - ZINC
	076790-01-000	EA	SCREW - 6-20 X 1 1/4 PPH - BLACK
	076790-05-000	EA	SCREW - 6-20 X 1/2 PPH - BLACK - THREAD CUTTING/WOOD
	083554-01-000	EA	SCREW - DRYWALL - 8 X 1 1/4
	087721-01-000	EA	SCREW - FLAT HEAD - TAPPING - 1/4" X 1 1/4" LONG - ZINC
	093249-01-000	EA	CAP/SCREW - MOLDED/VINYL - BLACK
	095772-01-000	EA	SOCKET-SNAP FASTNER1" SF/DR - SELF DRIVER
	097974-01-000	EA	SCREW - PARTICLE BOARD - 7-9 X 3/4 PPH
	101618-01-000	EA	SCREW - 1/4-20 X 3/4 HEX - TAPPING - STALGARD TYPE F
	113563-01-01A	EA	SCREW - 8 X 5/8 LONG SHOULDER/WASHER HEAD
	113563-01-02A	EA	SCREW - 8 X 5/8 LONG SHOULDER/WASHER HEAD - BRIGHT WHITE
	118383-01-12A	EA	RETAINER/RECESSED - F/.22" SCREW - RIVERSTONE
	118383-01-14A	EA	RETAINER/RECESSED - F/.22" SCREW - PEWTER
	118383-01-15A	EA	RETAINER/RECESSED - F/.22" SCREW - BRIARWOOD
	118383-02-13A	EA	RETAINER/RECESSED - F/.27" SCREW - OFF WHITE
	118383-04-04A	EA	CAP - F/RECESSED RETAINER - BRIGHT WHITE
	118383-04-10A	EA	CAP - F/RECESSED RETAINER - RIVERSTONE
	118383-04-13A	EA	CAP - F/RECESSED RETAINER - OFF WHITE
	118383-04-14A	EA	CAP - F/RECESSED RETAINER - PEWTER
	118383-04-15A	EA	CAP - F/RECESSED RETAINER - BRIARWOOD
	134126-01-01A	EA	SCREW/NAIL - HEX HEAD - 3/4"
	140040-01-000	EA	SCREW - 1/4-20 X 1 - BUTTON HEAD/SOCKET - W/LOCTITE
	149753-01-01A	EA	RETAINER/RECESSED - F/.22" SCREW - BLACK
	149753-01-02A	EA	RETAINER/RECESSED - F/.22" SCREW - BRIGHT WHITE
	149753-02-01A	EA	CAP - F/RECESSED RETAINER - BLACK
	149753-02-02A	EA	CAP - F/RECESSED RETAINER - BRIGHT WHITE
	154938-01-01A	EA	SCREW - SF/DR - 10-16 X 3/4 PPH - W/SELF SEAL - BRIGHT WHITE
	154938-01-02A	EA	SCREW - SF/DR - 10-16 X 3/4 PPH - W/SELF SEAL - BLACK
	154938-02-01A	EA	SCREW - SF/DR - 8-18 X 1 PFH - W/SELF SEAL - BRIGHT WHITE
	154938-02-02A	EA	SCREW - SF/DR - 8-18 X 1 PFH - W/SELF SEAL - BLACK
	154938-02-03A	EA	SCREW - SF/DR - 8-18 X 1 PFH - W/SELF SEAL - SILVER
	154938-03-01A	EA	SCREW - SF/DR - 8-18 X 5/8 PFH - W/SELF SEAL - BRT WHT
	154938-03-02A	EA	SCREW - SF/DR - 8-18 X 5/8 PFH - W/SELF SEAL - BLACK
	154938-04-01A	EA	SCREW - SF/DR - 10-16 X 1" TPH - W/SELF SEAL - BRT WHT
	154938-04-02A	EA	SCREW - SF/DR - 10-16 X 1" TPH - W/SELF SEAL - BLACK
	154938-05-03A	EA	SCREW - SF/DR - 8-18 X 1.25" PFH - W/SELF SEAL - SILVER



## SEALANTS & FASTENERS GROUP (CONTINUED)

### CLAMPS, CLIPS, GROMMETS, RIVETS & PLUGS

KEY	PART NUMBER	U/M	DESCRIPTION
	000H14-06-03R	EA	RIVET - MANDREL BLIND - 3/16 ALUMINUM
	000H16-04-06R	EA	RIVET - POP ALUMINUM - 1/8 X .313 - .375
	000H16-06-10R	EA	RIVET - POP ALUMINUM - 3/16 X .501 - .625
	007161-01-000	EA	CLAMP - HOSE - SPRING TYPE - 1/2"
	008386-01-000	EA	GROMMET - SNAP - 3/8" DIAMETER - NYLON
	010495-01-000	EA	CLAMP - CABLE - 9/16"ID - BLACK
	010495-02-000	EA	CLAMP - CABLE - 3/8"ID - BLACK
	010495-04-000	EA	CLAMP - CABLE - 11/16"ID - WHITE
	010497-01-000	EA	CLAMP - CLOSED - 5/8"ID
	010497-02-000	EA	CLAMP - CLOSED - 1.5"ID
	010497-03-000	EA	CLAMP - CLOSED - 1"ID - CUSHIONED
	010497-04-000	EA	CLAMP - CLOSED - 1 5/8"ID
	010497-05-000	EA	CLAMP - CLOSED - 1/2"ID
	010497-07-000	EA	CLAMP - CLOSED - 3/8"ID
	010497-09-000	EA	CLAMP - CLOSED - 5/16"ID
	010497-10-000	EA	CLAMP - CLOSED - 7/8"ID
	010499-01-000	EA	CLAMP - CLOSED - 3/8"ID
	016188-03-000	EA	GROMMET - LP LINE - 3/8"HOLE X 2 1/2"LONG - RUBBER
	016188-04-000	EA	GROMMET - LP LINE - 1/2"HOLE X 2 1/2"LONG - RUBBER
	016188-05-000	EA	GROMMET - LP LINE - 3/8"HOLE X 1 1/4"LONG - RUBBER
	016188-06-000	EA	GROMMET - LP LINE - 3/8"HOLE X 3 1/4"LONG - RUBBER
	016188-07-000	EA	GROMMET - L/P LINE - 1/2"HOLE X 3 1/4"LONG
	016188-08-000	EA	GROMMET - LP LINE - 1/2"HOLE X 1 1/4"LONG - RUBBER
	016188-09-000	EA	GROMMET - LP LINE - .68"HOLE X 1 1/4"LONG - RUBBER
	016188-10-000	EA	GROMMET - LP GAS - .68" X 2.5"
	023942-01-000	EA	GROMMET - RUBBER - 2"OD
	041930-11-000	EA	RIVET - POP ALUMINUM - 1/8 X .188 - .250 - BRIGHT WHITE
	061420-04-000	EA	PLUG/PLASTIC - 1 1/4" DIAMETER
	061420-05-000	EA	PLUG/PLASTIC - 1 1/2" DIAMETER
	061420-09-000	EA	PLUG/PLASTIC - 1.00" DIAMETER
	061420-10-000	EA	PLUG/PLASTIC - 1 1/2" DIAMETER - BLACK
	061420-12-000	EA	PLUG/PLASTIC - 1.50" DIAMETER - RED
	061420-13-000	EA	PLUG/PLASTIC - 3/8" - FLUSH
	061420-14-000	EA	PLUG/PLASTIC - 7/8" DIAMETER - BLACK
	061420-15-000	EA	PLUG/PLASTIC - 2" DIAMETER - BLACK
	061420-16-000	EA	PLUG/PLASTIC - 2 1/8" DIAMETER - BLACK
	061420-18-000	EA	PLUG/PLASTIC - 1 3/4" DIAMETER - BLACK
	062401-01-000	EA	CLAMP - HOSE - WORMGEAR - .25" - 1"
	062401-02-000	EA	CLAMP - HOSE - WORMGEAR - 1.56" - 2.5" ID
	062401-03-000	EA	CLAMP - HOSE - WORMGEAR - .22" - 1" ID
	062401-04-000	EA	CLAMP - HOSE - WORMGEAR - .69" - 1.25" ID
	062401-06-000	EA	CLAMP - HOSE - WORMGEAR - .22" - .62" ID
	062401-09-000	EA	CLAMP - HOSE - WORMGEAR - 2.8" - 3.75" ID
	062401-11-000	EA	CLAMP - HOSE - WORMGEAR - 3.50" - 4.50" ID
	062401-13-000	EA	CLAMP - HOSE - WORMGEAR
	071015-11-000	EA	GROMMET - RUBBER - 1"ID FITS .12 MATERIAL - BLACK
	071015-13-000	EA	GROMMET - RUBBER - .62"ID X 1"OD W/.09" GROOVE - BLACK
	071015-20-000	EA	GROMMET - .38 ID FITS .06 MTL
	071015-22-000	EA	GROMMET - RUBBER - .62"ID X 1.12"OD W/.19" GROOVE - BLACK
	071015-26-000	EA	GROMMET - RUBBER - 1.5"ID X 2.1"OD W/.06" GROOVE - BLACK
	071015-29-000	EA	GROMMET - RUBBER - .3"ID X 1.3"OD W/.12" GROOVE - BLACK
	071015-30-000	EA	GROMMET - RUBBER - .3"ID X .81"OD W/.12" GROOVE - BLACK
	071015-39-000	EA	GROMMET - .75 ID FITS .06 MTL
	071015-41-000	EA	GROMMET - .125 ID FITS .188 MTL
	071015-42-000	EA	GROMMET - .25 ID FITS .06 MTL
	071015-43-000	EA	GROMMET-.25 ID,FITS .07 MATL, MINOR Z-4139
	071015-44-000	EA	GROMMET - .31 ID FITS .25 MTL
	075148-02-000	EA	CLAMP - GROUNDING - BRONZE SCREWS
	077955-01-000	EA	CLIP/J - 3/8" - VINYL COATED
	081211-03-000	EA	PLUG - PLASTIC - .50"DIAMETER - TRUSS HEAD - BLACK
	081211-04-000	EA	PLUG - PLASTIC - .46"DIAMETER - TRUSS HEAD - BLACK
	081211-06-000	EA	PLUG-PLASTIC,.468DIA,BLACK , HEYCO 1669
	083609-01-000	EA	CLAMP - WIRE - DUAL - EQUAL DIAMETERS - 5/8"
	083610-01-000	EA	CLAMP - WIRE - DUAL - UNEQUAL DIAMETERS - 3/4" & 1 1/4"

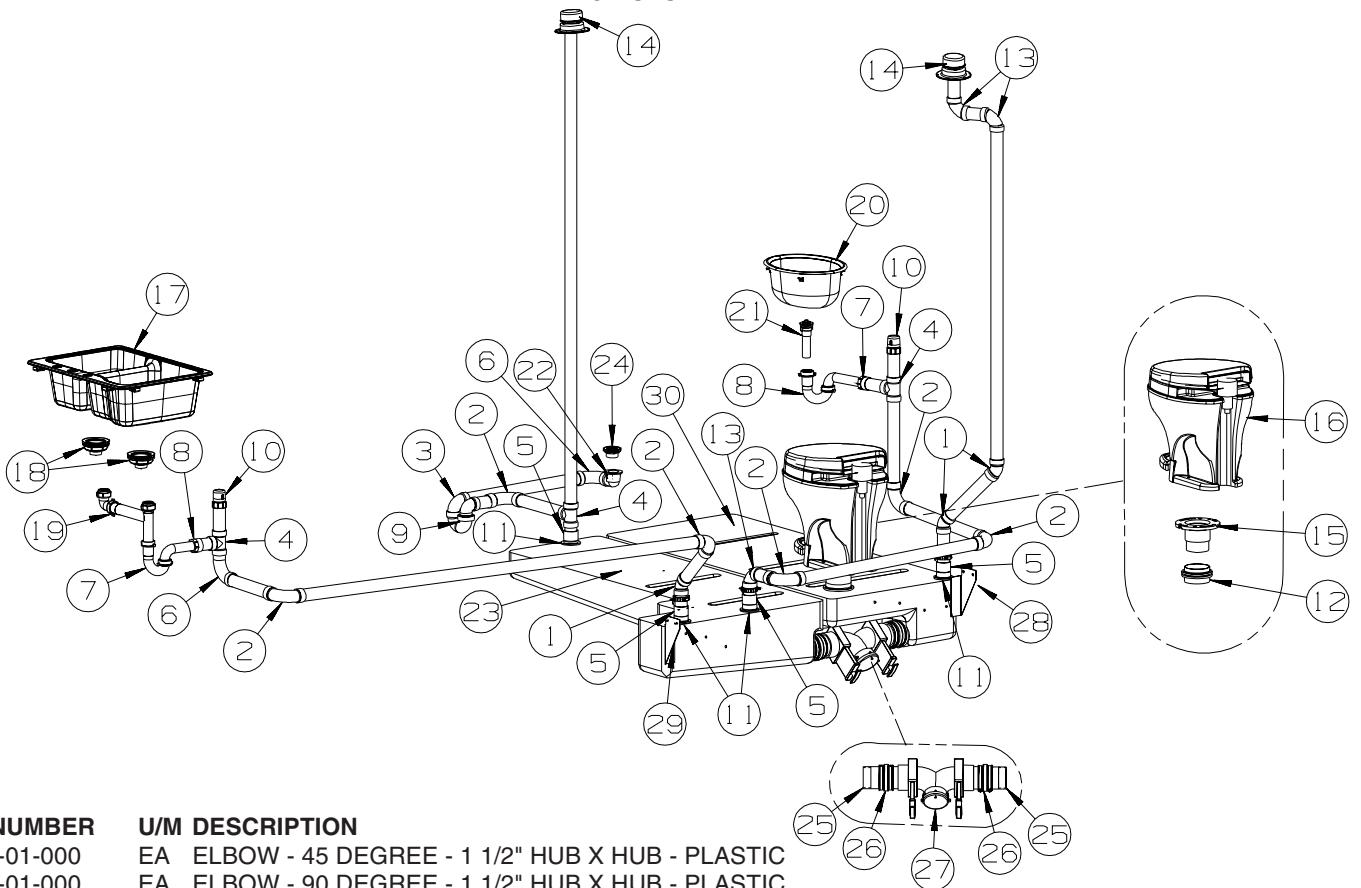
**SEALANTS & FASTENERS GROUP (CONTINUED)**  
**CLAMPS, CLIPS, GROMMETS, RIVETS & PLUGS (CONTINUED)**

KEY	PART NUMBER	U/M	DESCRIPTION
	083610-02-000	EA	CLAMP - WIRE - DUAL - UNEQUAL DIAMETERS - 3/4" & 2"
	083610-03-000	EA	CLAMP - WIRE - DUAL - EQUAL DIAMETERS - 2"
	083610-02-000	EA	CLAMP - WIRE - DUAL - UNEQUAL DIAMETERS - 3/4" & 2"
	083610-03-000	EA	CLAMP - WIRE - DUAL - EQUAL DIAMETERS - 2"
	088756-01-000	EA	GROMMET - WEB - 1 1/8"ID
	089329-02-000	EA	CLIP - SPRING
	091952-01-000	EA	CLIP - GRIPPER - 1" - BLACK VINYL COATED
	091952-02-000	EA	CLIP - GRIPPER - 3/4" - BLACK VINYL COATED
	091952-03-000	EA	CLIP - GRIPPER - 1/2" - BLACK VINYL COATED
	094362-02-000	EA	CLIP - XMAS TREE - BINDER HEAD - .9" LONG/ANY COLOR
	113133-02-01A	EA	RIVET - POP - ALUMINUM - 3/16 X .252 - .504 - BLACK
	114208-05-000	EA	GROMMET - EDGE LINER - FITS 2"
	118626-01-01A	EA	RIVET/POP - ALUMINUM - 3/16 X 1.2"(GRIP RANGE .1"-.4")
	118626-01-02A	EA	RIVET/POP - ALUMINUM - 3/16 X .08 - .375
	118626-02-01A	EA	RIVET/POP - ALUMINUM - 3/16 X .500 - .750
	118626-03-01A	EA	RIVET/POP - STAINLESS STEEL - 3/16 X .500 - .750
	137014-01-01A	EA	GROMMET - CABLE - ALMOND
	139118-02-01A	EA	GROMMET - SCREW - PLASTIC
	155498-01-01A	EA	CLAMP - CLOSED - 7/8"ID - VINYL DIP/GALVONIZED - BLACK

**MISCELLANEOUS FASTENERS**

KEY	PART NUMBER	U/M	DESCRIPTION
	008343-01-000	EA	TIE - WIRE - 6"
	008343-02-000	EA	TIE - WIRE - 14"
	008343-03-000	EA	TIE - WIRE - 7 1/2" - BLACK
	029094-04-000	YD	VELCRO TAPE/LOOP - 1"WIDE - W/ADHESIVE BACK - BLACK
	029096-03-000	YD	VELCRO TAPE/HOOK - 1"WIDE - BLACK
	029096-04-000	YD	VELCRO TAPE/HOOK - 1"WIDE - BLACK - W/ADHESIVE BACK (PSA)
	048394-02-000	YD	VELCRO TAPE - HOOK - ADHESIVE BACK - 3/4" WIDE - BEIGE
	085774-01-000	FT	FASTENER - DUAL LOCK - 1" WIDE - ADHESIVE BACK - BLACK
	085774-02-000	FT	FASTENER - DUAL HOOK - 1" WIDE - ADHESIVE BACK - BLACK
	088792-02-000	YD	VELCRO TAPE - LOOP - 3/4" - ADHESIVE BACK - BEIGE
	088792-04-000	YD	VELCRO TAPE - HOOK - 5/8" - NON-ADHESIVE BACK - WHITE
	088792-05-000	YD	VELCRO TAPE - LOOP - 5/8" - NON-ADHESIVE BACK - WHITE
	108046-02-000	EA	CABLE TIE - SCREW MOUNT 15"

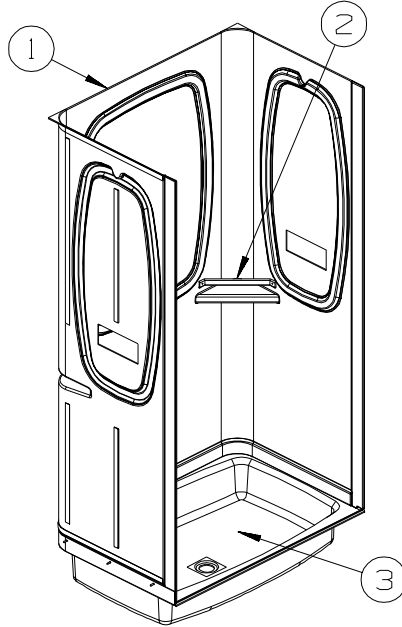
# WATER & SEWAGE GROUP DRAINAGE SYSTEM



KEY	PART NUMBER	U/M	DESCRIPTION
1	010006-01-000	EA	ELBOW - 45 DEGREE - 1 1/2" HUB X HUB - PLASTIC
2	010008-01-000	EA	ELBOW - 90 DEGREE - 1 1/2" HUB X HUB - PLASTIC
3	010009-01-000	EA	ELBOW - 90 DEGREE - 1/4 BEND - 1 1/2" - PLASTIC
4	010071-01-000	EA	TEE - SANITARY - 1 1/2" HUB X HUB X HUB - PLASTIC
5	010115-01-000	EA	COUPLING - 1 1/2" HUB X HUB - PLASTIC
6	033761-01-000	EA	ELBOW - 90 DEGREE - TURN - 1 1/2" HUB X 1 1/2" SPIGOT
7	107538-02-000	EA	P-TRAP - PLASTIC - 1 1/2" W/EXTENSION ARM
7	011071-01-000	EA	P-TRAP - 1 1/2" - CSA - PLASTIC - CANADIAN
8	152146-01-000	EA	CONNECTOR - 1 1/2" P X 1 1/2" MPT
9	037763-01-000	EA	P-TRAP - PLASTIC - 1 1/2 HXH W/UNION
10	079968-01-000	EA	VENT - MECHANICAL/TRAP ARM - ANTI-SIPHON-2" X 7.3" PLASTIC
11	061607-01-000	EA	GROMMET - HOLDING TANK - 1 1/2" NPS
12	061607-02-000	EA	GROMMET - HOLDING TANK - 3" NPS
13	034250-01-000	EA	ELBOW - 90 DEGREE - LONG TURN - 1 1/2" HUB X HUB - ABS
14	083558-03-000	EA	VENT - W/COVER - F/PLUMBING STACK - OFF WHITE
15	024676-01-000	EA	FLANGE/CLOSET - 4" X 3" - BLACK PLASTIC
16*	147421-06-01A	EA	TOILET/AQUA MAGIC 5 (HIGH) FOOTFLUSH - W/O SPRAY - WHITE
17	163942-01-01A	EA	SINK/DOUBLE - LRG/SML BASIN - 25" X 19" - PLASTIC/SILVER
			FROM: 00-00-00 THRU: 03-02-08
17	163942-02-01A	EA	SINK/DOUBLE - LRG/SML BASIN - 25" X 19" - PLASTIC/SILVER
			FROM: 03-03-08 THRU: 99-99-99
18	092303-01-000	EA	STRAINER - W/BASKET - GALLEY SINK - 4" OD
19	011091-02-000	EA	WASTE - CONTINUOUS - DOUBLE SINK
20	156661-01-01A	EA	SINK - LAVATORY - OVAL - 15" X 12" X 6.5" - GLACIER WHITE
21	106116-01-02A	EA	STRAINER/PLASTIC - STOPPER/TAILPIECE/GASKET & NUT-LAVATORY
			FROM: 03-19-07 THRU: 99-99-99
	127440-02-01A	EA	WASHER - RUBBER - 1.8" X .1"
	130403-01-000	EA	NUT - SLIP - W/WINGS 1 1/2"
22	131486-01-000	EA	ELBOW - DRAIN 1 1/2" - LOW PROFILE - TUB DRAIN
23	156465-01-700	EA	TANK - HOLDING - 29 GALLON - W/3" NIPPLE - W/O FITTINGS
	049032-01-000	EA	PATCH - SPINWELD - 3/8" - PLASTIC
24	066440-01-000	EA	STRAINER - SHOWER DRAIN - W/RUBBER WASHER
25	010129-03-000	EA	NIPPLE - 3" X 3" TOE - PLASTIC
26	078406-01-000	EA	COUPLER - 3" X 3" W/CLAMPS - RUBBER

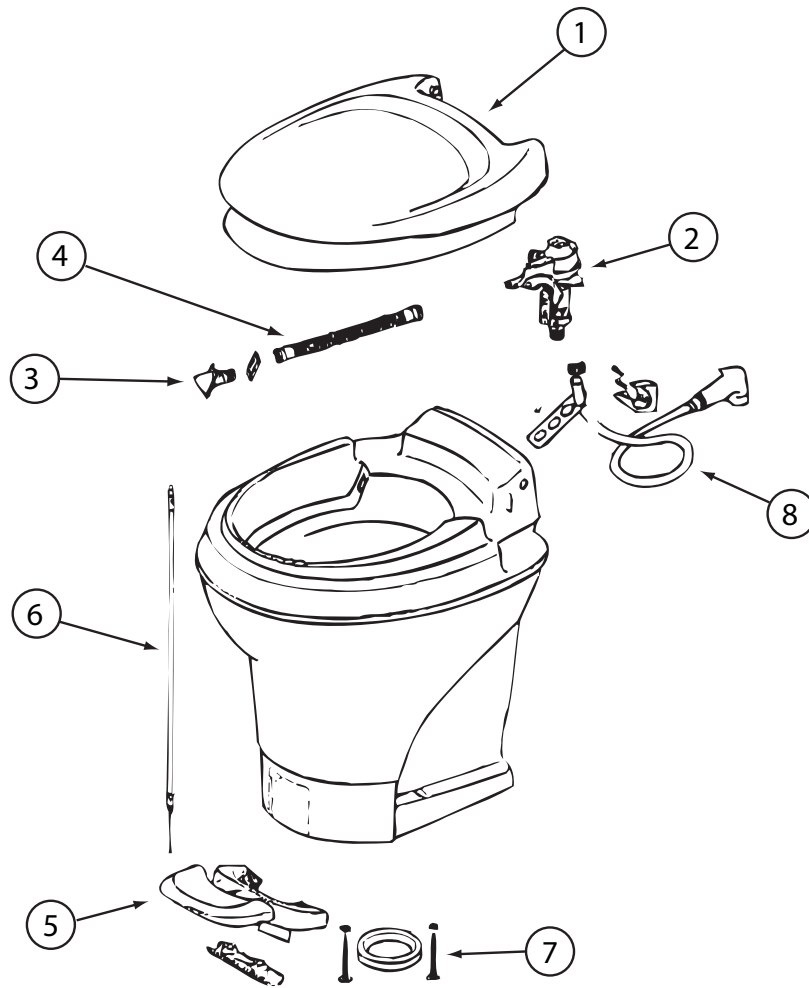
**WATER & SEWAGE GROUP (CONTINUED)**  
**DRAINAGE SYSTEM (CONTINUED)**

KEY	PART NUMBER	U/M	DESCRIPTION
27	136143-01-000	EA	VALVE - DUAL - 3" X 3"
	139513-01-000	EA	HOSE - SEWER - 3" X 10' - W/ADAPTER
	062416-01-000	EA	ADAPTER - SEWER HOSE TO 3" PIPE
28	112628-07-02B	EA	BRACKET/TIEDOWN - WATER TANK - E-COATED
29	112628-08-02B	EA	BRACKET/TIEDOWN - WATER TANK - E-COATED
30	149287-01-700	EA	TANK - HOLDING - 36 GALLON - W/3" NIPPLE - W/O FITTINGS
	049032-01-000	EA	PATCH - SPINWELD - 3/8" - PLASTIC
	126424-01-000	EA	ADAPTER - 1 1/2" MPT X 1 1/2" HUB
	126425-02-000	EA	ADAPTER - SWIVEL - 1 1/2 FPT X SPIGOT



KEY	PART NUMBER	U/M	DESCRIPTION
1	147677-02-18A	EA	SURROUND - SHOWER/TUB
2	113714-04-02A	EA	RETAINER - SHELF/SHOWER - SOFT WHITE
3	M02630-87-S34	EA	SHOWER PAN - W/STRAINER

**WATER & SEWAGE GROUP (CONTINUED)**  
**COMPONENT PARTS FOR DRAINAGE SYSTEM**

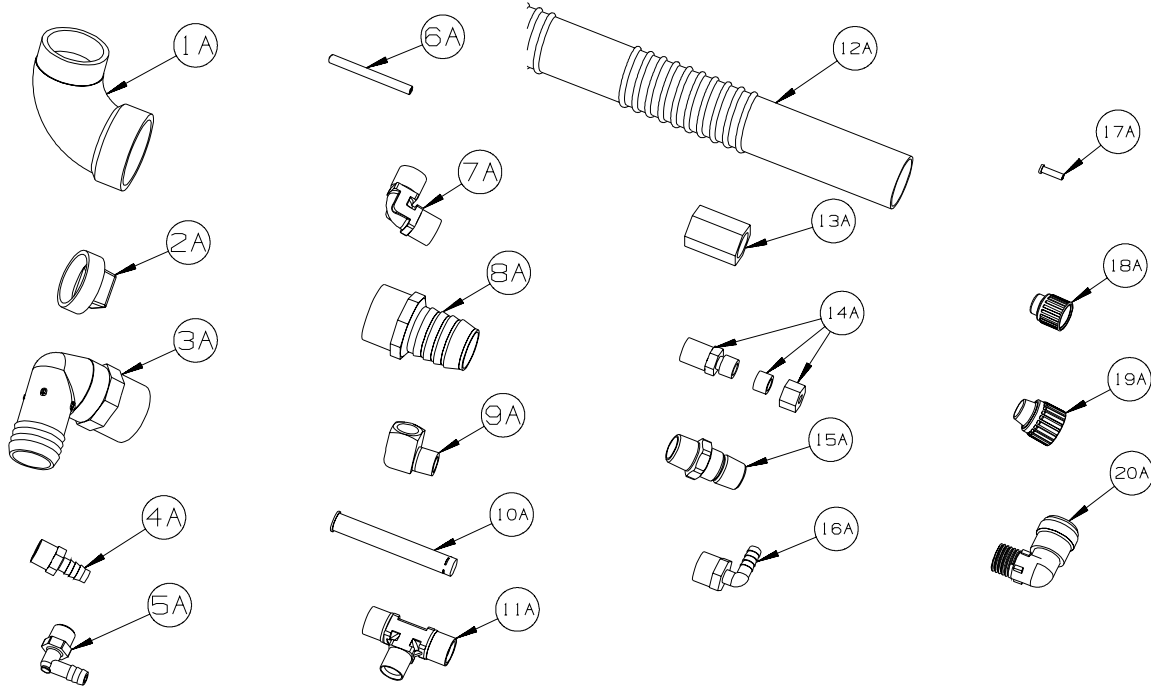


**147421-06-01A**

KEY	PART NUMBER	U/M	DESCRIPTION	VENDOR NO.
1	147421-01-700	EA	SEAT & COVER ASSEMBLY(WHT)	31703
2	147421-01-701	EA	WATER MODULE ASSEMBLY	31705
3	147421-01-702	EA	NOZZLE ASSEMBLY	31706
4	147421-01-703	EA	LINK - WATER MODULE	31621
5	147421-01-704	EA	PEDAL - WHITE	31709
6	147421-01-705	EA	FOOT CABLE	31711
7	063740-01-706	EA	BOLT PACKAGE-FLOOR FLANGE	12524 THETFORD
	147421-01-707	EA	CAP (UNIVERSAL BOLT) - WHITE	31713
			CONTACT WINNEBAGO PART SALES FOR UNLISTED COMPONENT(S)	

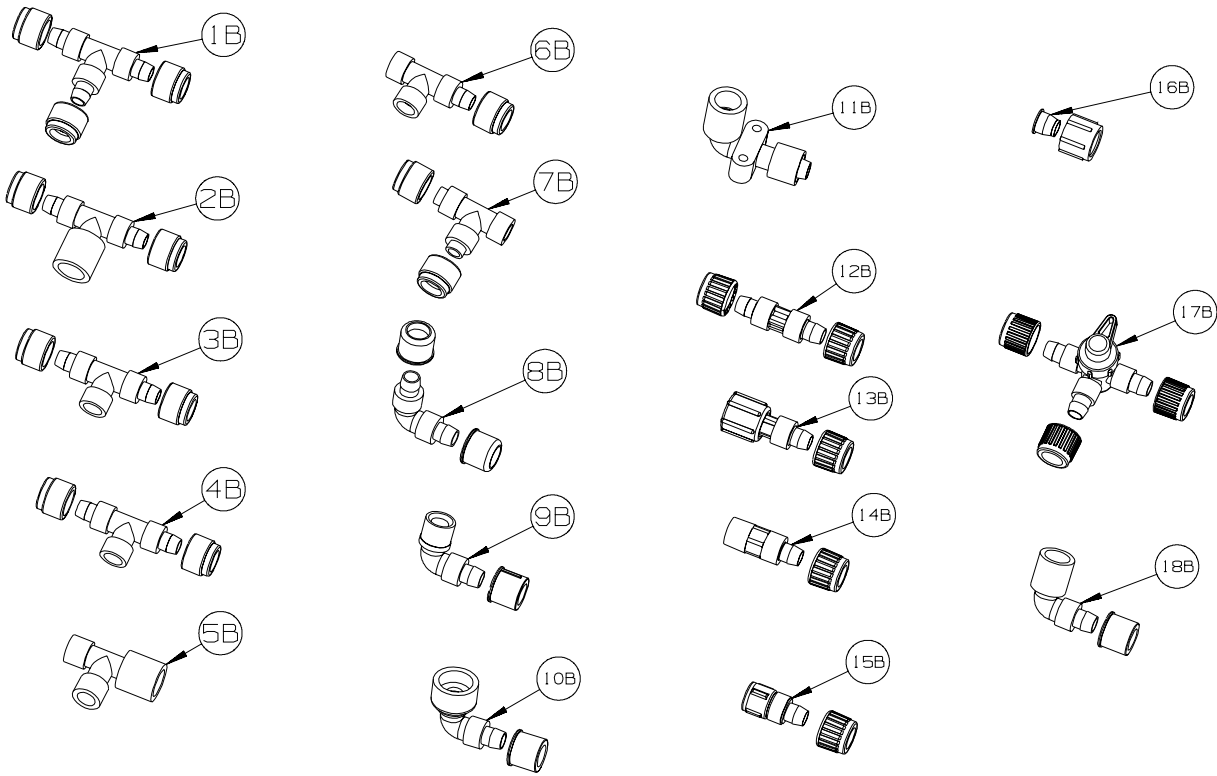
## WATER & SEWAGE GROUP (CONTINUED)

### WATER SYSTEM



KEY	PART NUMBER	U/M	DESCRIPTION
1A	010009-01-000	EA	ELBOW - 90 DEGREE - 1/4 BEND - 1 1/2" PLASTIC
2A	010166-01-000	EA	PLUG/THREADED - 1 1/4"MPT - PLASTIC - BLACK - UL
3A	010219-01-000	EA	ELBOW - 1 1/4 MPT X 1 1/4 BARB - WATER FILL - PLASTIC
4A	010224-01-000	EA	ADAPTER - HOSE TO PIPE - 3/8 MPT X 3/8 BARB - PLASTIC
5A	035539-01-000	EA	ELBOW - 3/8 MPT X 3/8 BARB - PLASTIC
6A	039800-04-000	FT	TUBING - POLYBUTYL - 1/4"OD
6A	074462-02-000	FT	TUBING - VINYL - 3/8 ID X 20' - CLEAR
6A	112176-01-000	FT	TUBING - VINYL - REINFORCED - 1/2" ID
6A	124188-01-000	FT	TUBING - PEX - 1/2" ID X 20' - BLUE(COLD)
6A	124188-02-000	FT	TUBING - PEX - 1/2" ID X 20' - RED(HOT)
7A	039808-03-000	EA	ELBOW - 1/2" MPT X 1/2" MPT - PLASTIC
8A	044927-01-000	EA	ADAPTER - HOSE TO PIPE-1 1/4 MPTX1 1/4 BARB-BLACK PLASTIC
9A	065318-02-000	EA	ELBOW - 90 DEGREE - 3/8" MPT TO 3/8" FPT
10A	077954-02-000	EA	FILTER - WATER TANK - W/SCREEN IN TANK
11A	039798-01-000	EA	TEE - 1/2"MPT X 1/2"MPT X 1/2"MPT - PLASTIC
12A	079381-01-000	FT	TUBING - RIBBED FLEXIBLE/WATER FILL - 10 FT = 1EA-1.38ID
13A	101814-01-000	EA	COUPLING - FEMALE - 1/2" X 1/2" FPT - GRAY
14A	103798-01-000	EA	CONNECTOR - 1/4 OD X 3/8 MPT
15A	110438-02-000	EA	VALVE - CHECK - 1/2"MPT X 1/2"MPT - BRASS
16A	111223-02-000	EA	ELBOW - 1/2" MPT X 3/8" BARB - PLASTIC
16A	111223-04-000	EA	ELBOW - 1/2" MPT X 1/2" BARB - PLASTIC
16A	111888-01-000	EA	FERRULE - PLASTIC - .250 ID X .375 OD
17A	111888-02-000	EA	INSERT - BRASS - 1/4 COMP
18A	113697-01-000	EA	CAP - 3/8"P
19A	114427-01-000	EA	CAP - 1/2"P
20A	164906-01-000	EA	ELBOW - 90 DEGREE - 1/2" QUICK CONNECT X 1/2"MPT

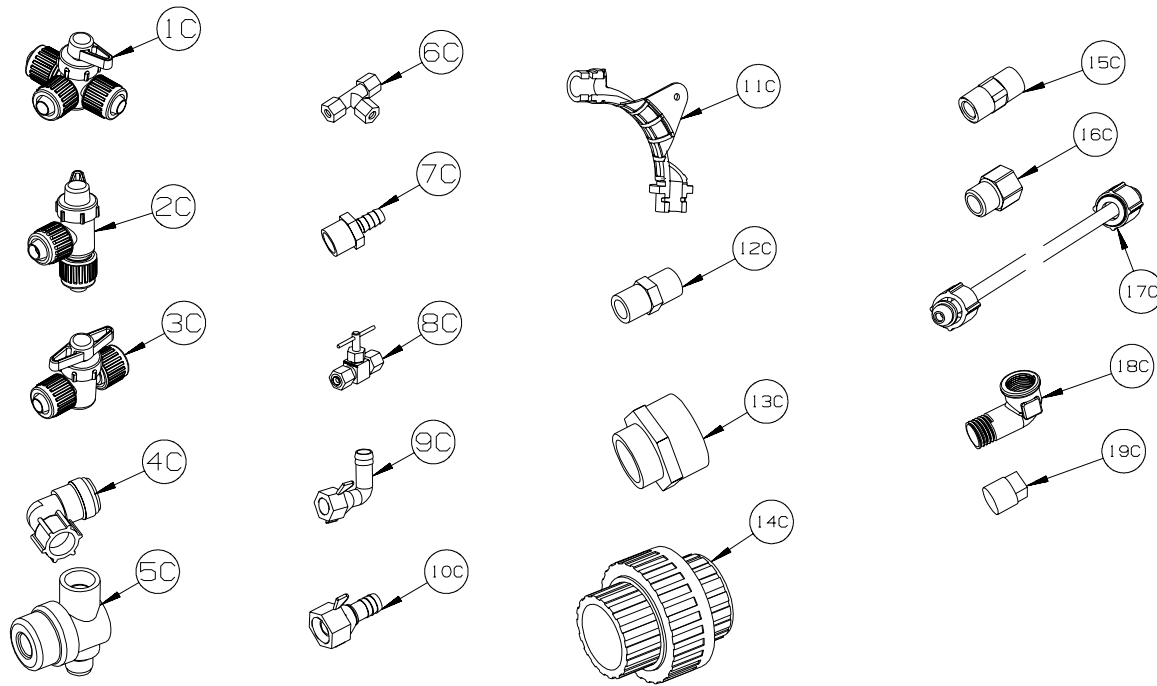
**WATER & SEWAGE GROUP (CONTINUED)**  
**WATER SYSTEM (CONTINUED)**



KEY	PART NUMBER	U/M	DESCRIPTION
1B	114428-01-000	EA	TEE - 1/2"P X 1/2"P X 1/2"P
2B	114428-02-000	EA	TEE - SWIVEL - 1/2"P X 1/2"P X 1/2"FPT
3B	114428-03-000	EA	TEE - 1/2"P X 1/2"P X 1/2"MPT
4B	114428-04-000	EA	TEE - 1/2"P X 1/2"P X 1/8"FPT
5B	114428-05-000	EA	TEE - 1/2" SWIVEL X 1/2" MPT X 1/2" MPT
6B	114428-06-000	EA	TEE - 1/2" P X 1/2" MPT X 1/2" MPT
7B	114428-07-000	EA	TEE - 1/2" P X 1/2" MPT X 1/2" P
8B	114429-01-000	EA	ELBOW - 1/2"P X 1/2"P
9B	114429-02-000	EA	ELBOW - 1/2"P X 1/2"MPT
9B	114429-04-000	EA	ELBOW - 1/2"P X 3/8"MPT
9B	114429-10-000	EA	ELBOW - SWIVEL - 1/2"MPT X 1/2"FPT
10B	114429-08-000	EA	ELBOW - SWIVEL - 1/2"P X 1/2"FPT
11B	114429-09-000	EA	ELBOW - 1/2"P X 1/2"FPT DROP EAR
12B	114430-01-000	EA	ADAPTER - 1/2"P X 1/2"P
13B	114430-02-000	EA	ADAPTER - SWIVEL - 1/2"P X 1/2"FPT
13B	114430-04-000	EA	ADAPTER - SWIVEL - 1/2"P X 3/8"MPT
14B	114430-03-000	EA	ADAPTER - 1/2"P X 1/2"MPT
15B	114430-06-000	EA	ADAPTER - 1/2"P X 3/8"FPT
15B	114430-09-000	EA	ADAPTER - 1/2"P X 1/2"FPT
16B	114430-10-000	EA	ADAPTER - NUT - PIPE CONNECTION - 1/2"
17B	114431-01-000	EA	VALVE - 180 DEGREE/CENTER DRAIN - 1/2"P - THREE WAY
18B	114429-11-000	EA	ELBOW - 1/2"P X 1/2"FPT

## WATER & SEWAGE GROUP (CONTINUED)

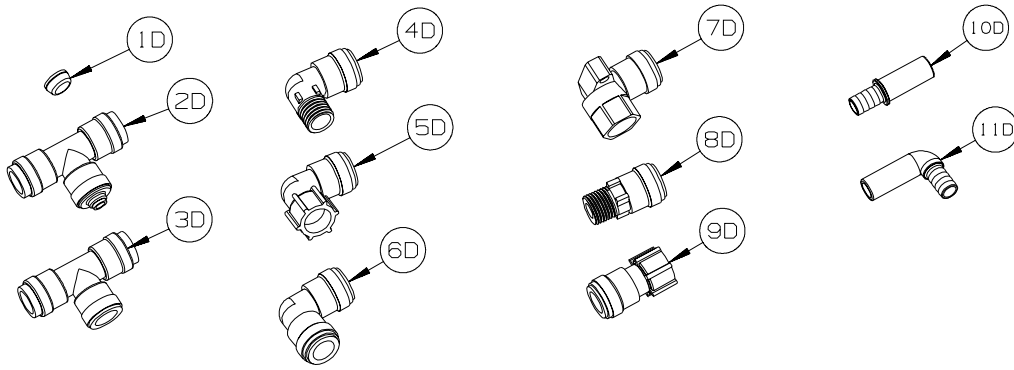
### WATER SYSTEM (CONTINUED)



KEY	PART NUMBER	U/M	DESCRIPTION
1C	114431-02-000	EA	VALVE - WATER BYPASS - 1/2"P - THREE WAY (WATER HEATER)
2C	114431-03-000	EA	VALVE - 90 DEGREE DRAIN - 1/2"P
3C	114431-04-000	EA	VALVE - "INLINE SHUT-OFF" - 1/2"P
4C	164906-02-000	EA	ELBOW - 90 DEGREE - 1/2" QUICK CONNECT X 1/2"MPT - SWIVEL
5C	152925-01-01A	EA	FILTER - IN LINE - TWIST ON - 1/2" - BLACK
6C	118423-01-000	EA	FITTING - BRASS-TEE - 1/4C X 1/4C X 1/4C
7C	118809-01-000	EA	ADAPTER - 1/2" MPT X 3/8" BARB - PLASTIC
7C	118809-02-000	EA	ADAPTER - 1/2" MPT X 1/2" BARB - PLASTIC
8C	120868-01-000	EA	VALVE - NEEDLE - 1/4" COMPRESSION X 1/4" COMPRESSION
9C	123150-01-000	EA	ELBOW - 1/2 FPT X 1/2 BARB - SWIVEL
10C	123152-01-000	EA	ADAPTER - 1/2 FPT X 1/2 BARB - SWIVEL
11C	124184-01-000	EA	SUPPORT - WATER LINE - BEND
12C	132148-01-000	EA	CONNECTOR - 1/2" X 1/2"MPT - BRASS
13C	133835-01-000	EA	ADAPTER - REDUCING - 1 1/2" X 1 1/4"
14C	133889-01-000	EA	UNION - 1 1/2 DOUBLE SLIP - PVC
15C	135386-01-000	EA	NIPPLE - 1/2"
16C	136333-01-000	EA	ADAPTER - BRASS - 1/2"MPT X 1/2"FPT
17C	140821-01-000	EA	TUBE - WATER SUPPLY - 3/8" X 24"
17C	140821-02-000	EA	TUBE - WATER SUPPLY - 3/8" X 30"
17C	140821-03-000	EA	TUBE - WATER SUPPLY - 3/8" X 36"
17C	140821-04-000	EA	TUBE - WATER SUPPLY - 3/8" X 48"
17C	140821-05-000	EA	TUBE - WATER SUPPLY - 3/8" X 54"
17C	140821-06-000	EA	TUBE - WATER SUPPLY - 3/8" X 60"
17C	140821-07-000	EA	TUBE - WATER SUPPLY - 3/8" X 72"
17C	140821-08-000	EA	TUBE - WATER SUPPLY - 1/2" X 24"
17C	140821-09-000	EA	TUBE - WATER SUPPLY - 1/2" X 36"
17C	140821-10-000	EA	TUBE - WATER SUPPLY - 1/2" X 48"
18C	142812-01-000	EA	ELBOW - BRASS - 1/2"MPT X 1/2"FPT
19C	145609-01-000	EA	PLUG - BRASS - 1/2" MPT/HEX HEAD

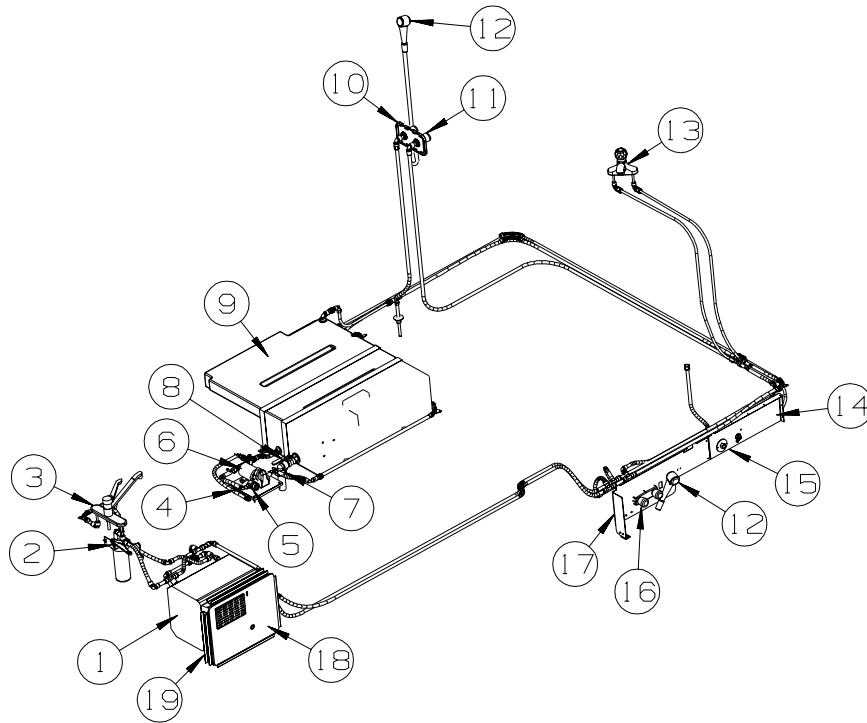


**WATER & SEWAGE GROUP (CONTINUED)**  
**WATER SYSTEM (CONTINUED)**



KEY	PART NUMBER	U/M	DESCRIPTION
1D	116473-01-000	EA	FERRIL - RUBBER SEALING - WATER LINE
2D	160949-01-000	EA	CONNECTOR - 1/2" X 1/2" X 1/4" REDUCER
3D	160949-02-000	EA	CONNECTOR - 1/2"CTS X 1/2"CTS X 1/2"CTS
4D	164906-01-000	EA	ELBOW - 90 DEGREE - 1/2" QUICK CONNECT X 1/2"MPT
5D	164906-02-000	EA	ELBOW - 90 DEGREE - 1/2" QUICK CONNECT X 1/2"FPT - SWIVEL
6D	164906-03-000	EA	ELBOW - 90 DEGREE - 1/2" X 1/2" QUICK CONNECTS
7D	164906-04-000	EA	ELBOW - 90 DEGREE - 1/2"CTS X 1/2"FPT
8D	164907-01-000	EA	ADAPTER - STRAIGHT - 1/2" QUICK CONNECT X 1/2"MPT
9D	164907-02-000	EA	ADAPTER - STRAIGHT - 1/2" QUICK CONNECT X 1/2"FPT/SWIVEL
10D	166212-01-000	EA	UNION - HOSE/BARB - CTS X 1/2"B - SEA TECH #3511-1008
11D	166212-02-000	EA	ELBOW - HOSE/BARB - CTS X 1/2"B - SEA TECH #3512-1008

**WATER & SEWAGE GROUP (CONTINUED)**  
**WATER SYSTEM (CONTINUED)**



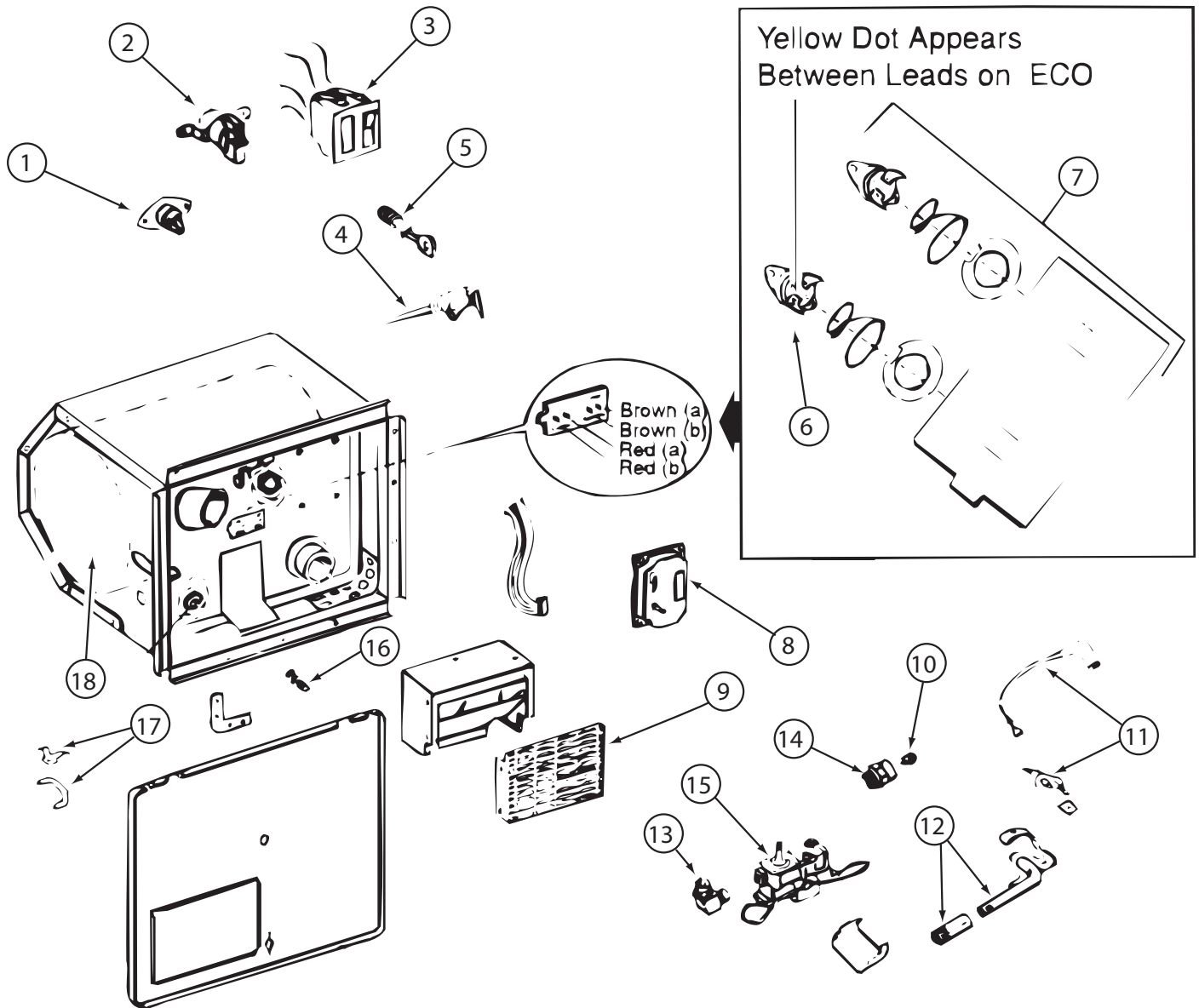
KEY	PART NUMBER	U/M	DESCRIPTION
1*	051391-03-000	EA	WATER HEATER G6A-8E ELECTRONIC IGNITION
1*	145541-02-000	EA	WATER HEATER-6 GAL-GAS/ELEC/120'-REM IGN-W/HEAT EXC-4E - <b>WTR HTR-6GAL ELEC/LP GAS</b>
2	160946-03-000	EA	FILTER SYSTEM - WATER PURIFICATION - AQUA-PURE
3	149164-01-01A	EA	FAUCET - GALLEY - SINGLE CONTROL - CHROME
4	149477-02-02B	EA	PANEL - WATER PUMP - E-COATED
5	140364-01-01A	EA	FOAM - PAD - .5" X 8" X 8"
6	160702-01-000	EA	PUMP - WATER - 2.8 GPM - W/1/2" MPT - #2088-422-174
			FROM: 00-00-00 THRU: 05-28-08
6	160702-02-000	EA	PUMP - WATER - 2.8 GPM - 12 VOLT
			FROM: 05-29-08 THRU: 99-99-99
7	132484-01-000	EA	ELBOW - 90 DEGREE - 1MPT X 1FPT - PLASTIC
8	132483-01-000	EA	VALVE/BALL - 1" - THREADED ENDS
9	155664-03-000	EA	TANK - WATER - 33 GALLON - W/FITTINGS
	042989-04-000	EA	FITTING - SPINWELD - 3/8"FPT - PLASTIC
	042989-05-000	EA	FITTING - SPINWELD - 1/2"FPT - PLASTIC
	042989-08-000	EA	FITTING - SPINWELD - 1"FPT - PLASTIC
10	075606-03-000	EA	PANEL - FAUCET SHOWER - SOFT WHITE
11*	075241-07-000	EA	FAUCET - SHOWER CONTROL - CHROME
			FROM: 00-00-00 THRU: 01-01-07
11	163269-01-02A	EA	FAUCET/SHOWER -.5"MPT W/1.9" INLET PIPES- EXTERIOR/CHROME
			FROM: 01-02-07 THRU: 99-99-99
12	131383-01-02A	EA	SHOWER HEAD - W/60" HOSE & BRACKET - WHITE
13*	152311-01-01A	EA	FAUCET - LAVATORY - SINGLE CONTROL - CHROME
			FROM: 00-00-00 THRU: 03-23-08
13*	165730-01-01A	EA	FAUCET - LAVATORY - SINGLE CONTROL - CHROME
			FROM: 03-24-08 THRU: 99-99-99
14	147776-02-12B	EA	PANEL - SERVICE CENTER - BRIGHT WHITE
15	010230-06-000	EA	FILL - CITY WATER - W/CHECK VALVE - MPT - BRUSHED ALUM
16*	075241-06-000	EA	FAUCET/SHOWER -.5"MPT W/1.9" INLET PIPES- EXTERIOR/BRT WHT - <b>EXTERIOR WASH STATION</b>
			FROM: 00-00-00 THRU: 01-01-07
16	163269-01-01A	EA	FAUCET/SHOWER -.5"MPT W/1.9" INLET PIPES- EXTERIOR/BRT WHT - <b>EXTERIOR WASH STATION</b>
			FROM: 01-02-07 THRU: 99-99-99
17	147775-03-12B	EA	PANEL - SERVICE CENTER - BRIGHT WHITE
17	140309-03-02B	EA	ANGLE - FURNACE DOOR - E-COATED

**WATER & SEWAGE GROUP (CONTINUED)**  
**WATER SYSTEM (CONTINUED)**

<b>KEY</b>	<b>PART NUMBER</b>	<b>U/M</b>	<b>DESCRIPTION</b>
18	052009-06-000	EA	DOOR - WATER HEATER - 18" X 14.6" - BRIGHT WHITE FROM: 00-00-00 THRU: 05-13-07
18	125420-06-02A	EA	DOOR - WATER HEATER - 18" X 14.6" - BRIGHT WHITE FROM: 05-14-07 THRU: 99-99-99
18	125420-06-03A	EA	DOOR - WATER HEATER - 18" X 14.6" - BLACK FROM: 05-14-07 THRU: 99-99-99
	076767-03-000	EA	CABLE - STAINLESS STEEL - 18.5"
19	152239-01-01A	EA	FLANGE/MOUNTING/RECESSED - 19.3" X 15.8" - BRIGHT WHITE
19	152239-01-02A	EA	FLANGE/MOUNTING/RECESSED - 19.3" X 15.8" - BLACK

**\*COMPONENT PARTS LISTED LATER IN THIS GROUP**

**WATER & SEWAGE GROUP (CONTINUED)**  
**COMPONENT PARTS FOR WATER SYSTEM**



051391-03-000

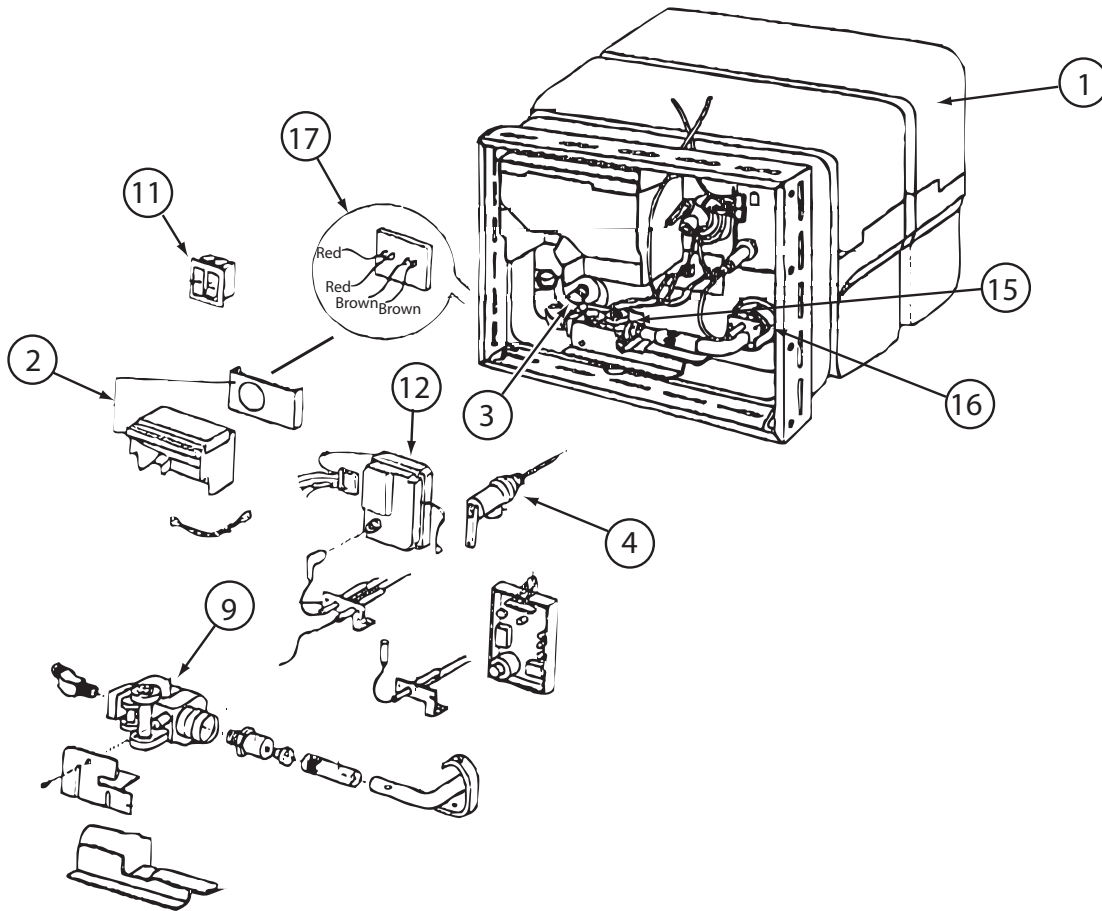
KEY	PART NUMBER	U/M DESCRIPTION	VENDOR NO.
3	051393-01-701	EA SWITCH - REMOTE - W/LIGHT	91959
4	051391-01-704	EA VALVE-RELIEF, 1/2" FITTING	91604
4	051391-03-701	EA VALVE-RELIEF - 3/4" FITTING	90028
5	051391-01-705	EA FASTENER-CAMLOCK	92609
6	051391-04-701	EA THERMOSTAT 12V DC-120 PRESET	91470
7	051393-01-721	EA THERMOSTAT W/ECO, 140 FRT MT	91447
9	051391-04-707	EA KIT-EXHAUST, (FLUE & GASKET)	90960
10	051391-01-710	EA ORIFICE-MAIN BURNER	92742
12	051391-04-703	EA BURNER-MAIN/ELECTRONIC IG	91638
13	051391-01-714	EA FITTING-ELBOW 45,3/8F X 3/8	MPT 1044
14	051391-03-700	EA HOLDER-ORIFICE	91563
16	051391-01-715	EA PLUG-DRAIN, 1 EA = 2 PER PKG	91857
17	051391-01-700	EA HINGE KIT, (PIN & CLIP)	92568&92559
18	051391-04-706	EA TANK-G6A-4E/6E/7E/8E-FRT.MT	91641 - INNER
	051391-01-717	EA GRILLE-WATER HEATER DOOR	92640
	051393-01-723	EA SWITCH - THERMAL CUTOUT 2/PK	93866 WAS 93853
	051393-01-724	EA BOARD-CIRCUIT, SPADE TERMINAL	93865
	051393-01-725	EA ELECTRODE-SGL SPADE CONNECT.	93868
	051393-01-726	EA VALVE/SOLENOID - W/O BRACKET	93870
	111129-01-711	EA BRACKET-CORNER, SET OF FOUR	91928

CONTACT WINNEBAGO PARTS SALES FOR UNLISTED COMPONENT(S)

**WATER & SEWAGE GROUP (CONTINUED)**  
**COMPONENT PARTS FOR WATER SYSTEM (CONTINUED)**

075241-04-000, 075241-05-000, 075241-06-000, 075241-07-000

KEY	PART NUMBER	U/M	DESCRIPTION	VENDOR NO.
	075240-05-700	EA	CARTRIDGE - WASHERLESS	9-P42



**145541-02-000**

KEY	PART NUMBER	U/M	DESCRIPTION	VENDOR NO.
1	145541-02-700	EA	TANK/SERVICE KIT PCS- 6 GAL	91053
2	051391-04-707	EA	KIT-EXHAUST, (FLUE & GASKET)	90960
3	051391-01-715	EA	PLUG-DRAIN, 1 EA = 2 PER PKG	91857
4	051391-01-704	EA	VALVE-RELIEF, 1/2" FITTING	91604
4	051931-03-701	EA	VALVE-RELIEF - 3/4" FITTING	90028
9	051393-01-726	EA	VALVE-SOLENOID - W/O BRACKET	93870
11	051393-01-701	EA	SWITCH - REMOTE - W/LIGHT	91959
11	145541-01-701	EA	SWITCH - ON/OFF - WHITE	91859
12	145541-01-702	EA	CIRCUIT BOARD	91226
15	145541-01-703	EA	SWITCH - THERMAL CUT OFF	93866
16	051393-01-725	EA	ELECTRODE-SGL SPADE CONNECT.	93868
17	051393-01-721	EA	THERMOSTAT W/ECO, 140 FRT MT	91447
	051391-05-706	EA	ELEMENT-HEATING 1500 WATT	92249 W/GASKET
	145541-01-704	EA	RELAY	90061
	145541-02-701	EA	JUNCTION BOX(PLASTIC) 6 GAL	91222

CONTACT WINNEBAGO PARTS SALES FOR UNLISTED COMPONENT(S)

**152311-01-01A**

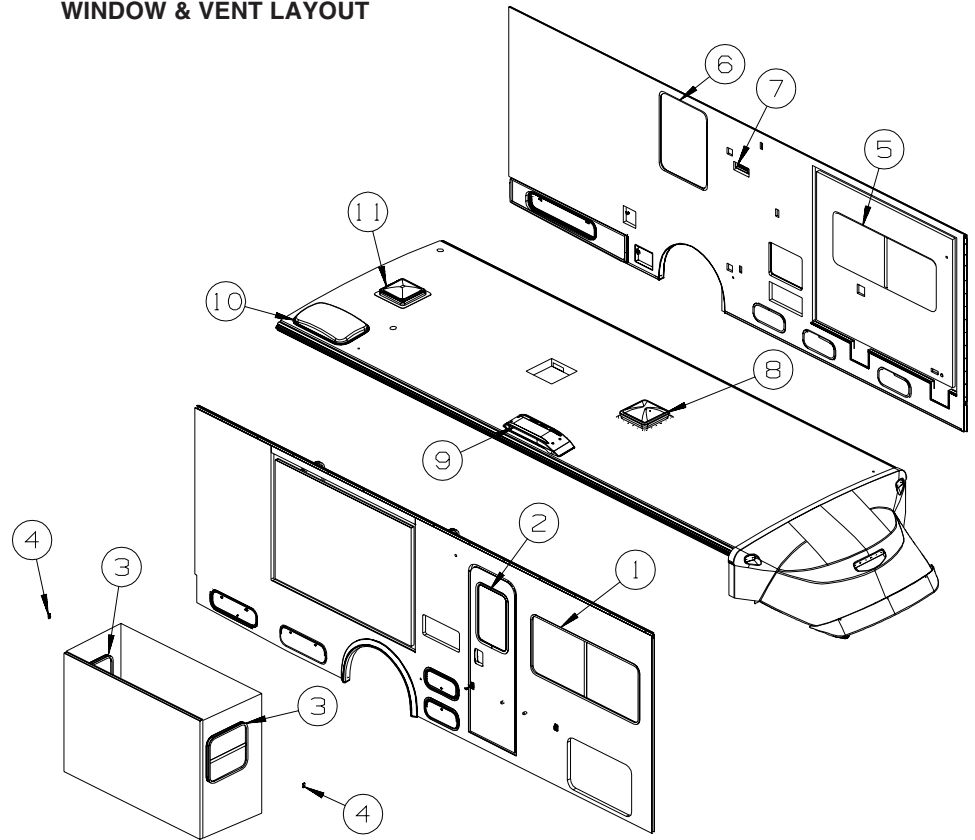
KEY	PART NUMBER	U/M	DESCRIPTION	VENDOR NO.
	152311-01-700	EA	KNOB - CONTROL	AF-0908-HANDLE
	152311-01-701	EA	BUTTON-HOT/COLD	
	152311-02-701	EA	CARTRIDGE (KIT)	

**165730-01-01A**

KEY	PART NUMBER	U/M	DESCRIPTION	VENDOR NO.
	165730-02-700	EA	CARTRIDGE	CFG-40002

## WINDOW & VENTS GROUP

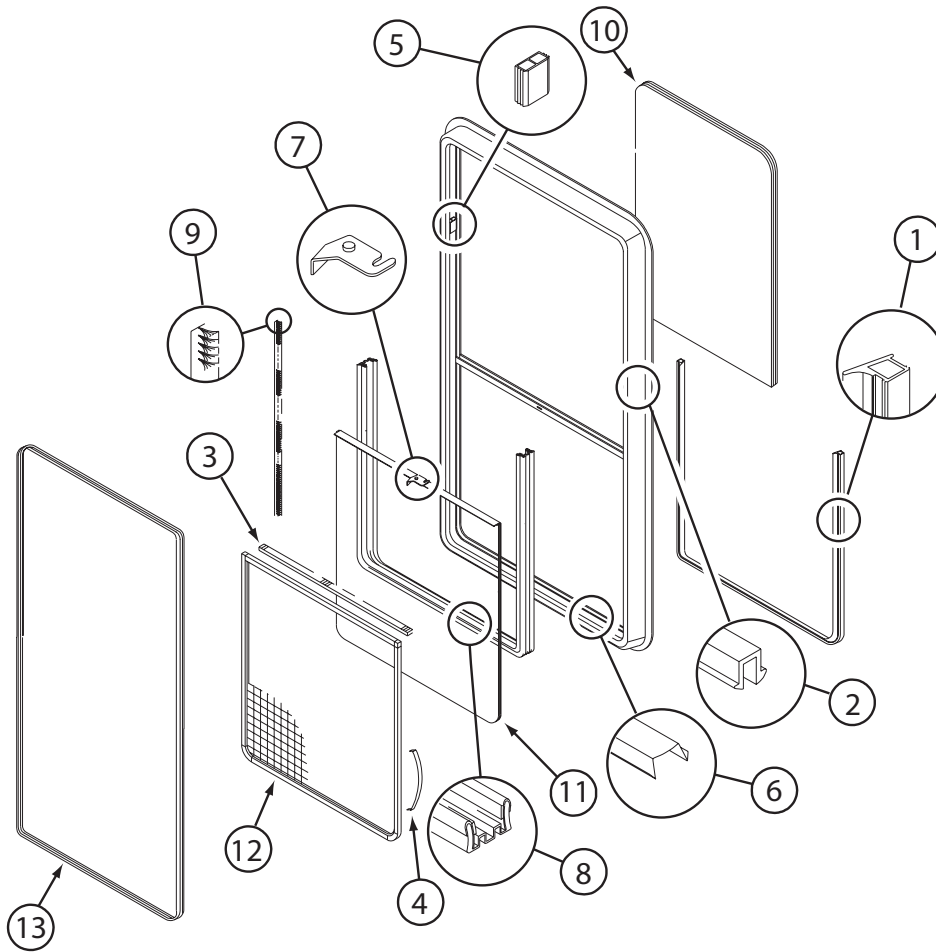
### WINDOW & VENT LAYOUT



KEY	PART NUMBER	U/M	DESCRIPTION
1*	098647-23-02A	EA	WINDOW - PASS HORIZ SLIDER TINTED W/RETAINER - 26.1" X 59.7"
1*	150648-03-01A	EA	WINDOW-HORIZ SLIDER/FLUSH/THERMO/RH - 26.3" X 59.9" - BLACK - <b>DUAL PANE</b>
2	117053-02-F36	EA	WINDOW - PICTURE - W/O TRIM - 60% TINTING - 26.4" X 17"
	002181-25-000	EA	GLASS - PICTURE WINDOW - 25.8"W X 16.4"H
	087561-01-000	FT	SEAL - GLASS - EXTERIOR - .5" WIDE - VINYL BLACK
2	117054-02-03A	EA	TRIM/RETAINER - INSIDE - 16.9" X 26.2" - BLACK
2*	150651-01-01A	EA	WINDOW - STATIONARY/FLUSH/THERMO - 26.3" X 17" - BLACK - <b>DUAL PANE</b>
3*	098644-13-01A	EA	WINDOW - VERTICAL SLIDER W/TRIM - 19.8" X 20.9"
3*	150649-07-01A	EA	WINDOW - VERT SLIDER/FLUSH/THERMO - 19.8" X 20.8" - <b>DUAL PANE</b>
4	151905-01-01A	EA	CLIP/BACKET - SCREEN RETAINER - BLACK - DUAL PANE
5*	098647-47-02A	EA	WINDOW - DRIVER HORIZ SLIDER W/TRIM-TINTED - 57.4"W X 23.6"H
5*	150648-07-01A	EA	WINDOW-HORIZ SLIDER/FLUSH/THERMO/LH - 23.8" X 57.7" - <b>DUAL PANE</b>
6*	112463-02-02A	EA	WINDOW - TIPOUT/ESCAPE - W/RETAINER - 36" X 27"
6*	161452-06-01A	EA	WINDOW - TIPOUT/FLUSH/ESCAPE/THERMO - 35.9" X 27" - <b>DUAL PANE</b>
7	147821-01-01A	EA	VENT - EXHAUST/RANGE HOOD - BRIGHT WHITE
7	147821-01-02A	EA	VENT - EXHAUST/RANGE HOOD - BLACK
7	147821-02-01A	EA	SHROUD - EXHAUST VENT/RANGE HOOD - BRIGHT WHITE
8*	122882-01-01A	EA	VENT - ROOF - NONPOWERED - W/O INSIDE GARNISH
8	122882-07-01A	EA	GARNISH - ROOF VENT - 2.5" TO 4.1"
8*	123780-03-01A	EA	FANTASTIC VENT-3"/4"ROOF-W/FAN-W/O THERM/PWR LIFT/WHT CVR FROM: 00-00-00 THRU: 01-03-07
	009440-01-000	EA	GEAR/ARM - LIFT - ROOF VENT COVER FROM: 00-00-00 THRU: 01-03-07
8*	123780-26-01A	EA	FANTASTIC VENT-4"ROOF- W/FAN/DBL DOME-W/O THERM/PWR LIFT FROM: 01-04-07 THRU: 99-99-99
9	149508-01-02A	EA	CAP - ROOF/REFRIGERATOR VENT - WHITE
9	149508-02-02A	EA	BASE - ROOF/REFRIGERATOR VENT - BRIGHT WHITE
10	122193-01-02A	EA	PANEL - SKYLITE - INNER - W/LIGHT INDENTATION
10	138372-01-02B	EA	TRIM - CORNER - SKYLIGHT - E-COATED
10	138379-02-01A	EA	PANEL/SKYLIGHT OTR - RECT/4"H CTR DOME - 18.4" X 29.5" - WHT
11*	122882-02-01A	EA	VENT - ROOF - W/FAN - W/O INSIDE GARNISH - UL
	048648-01-000	EA	MOTOR/ROOF VENT - W/RESISTER - 1/8"SHAFT - 12VOLT
	048649-01-000	EA	FAN BLADE - ROOF VENT - 6 BLADED - 6"RADIUS
11*	122882-03-01A	EA	VENT - ROOF - W/FAN - W/O INSIDE GARNISH - CSA - <b>CANADIAN</b>
	048648-01-000	EA	MOTOR/ROOF VENT - W/RESISTER - 1/8"SHAFT - 12VOLT
11	122882-07-01A	EA	GARNISH - ROOF VENT - 2.5" TO 4.1"

\*COMPONENT PARTS LISTED LATER IN THIS GROUP

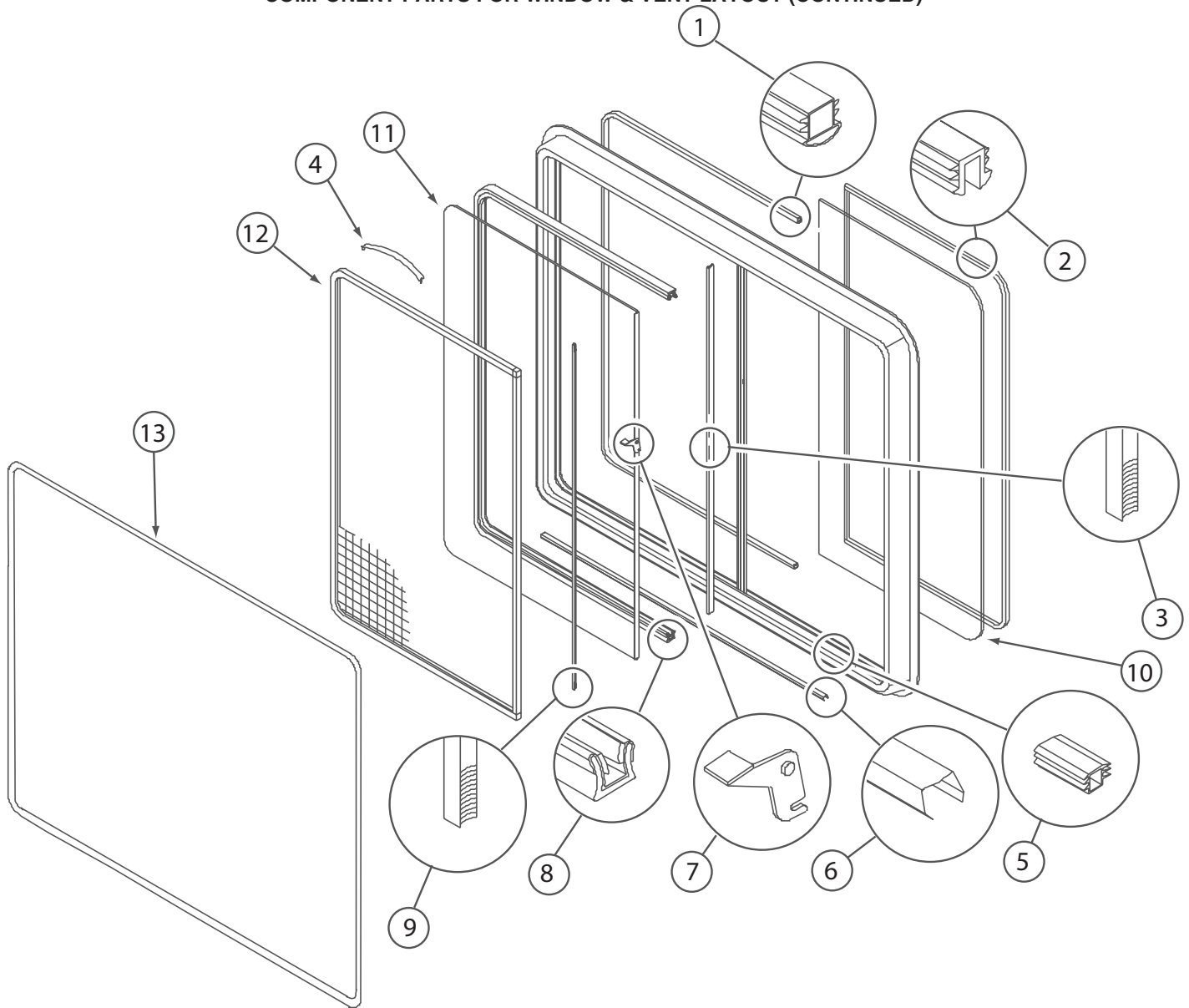
**WINDOW & VENTS GROUP (CONTINUED)**  
**COMPONENT PARTS FOR WINDOW & VENT LAYOUT**



**098644-13-01A**

<b>KEY</b>	<b>PART NUMBER</b>	<b>U/M</b>	<b>DESCRIPTION</b>	<b>VENDOR NO.</b>
1	098644-01-716	FT	PLUG - FILLER	132-014470
2	098644-01-705	FT	GLAZING - STRIP	132-010231
3	098644-01-706	FT	WEATHERSTRIP - GLASS	171-010668
4	098644-01-713	EA	CLIP - SCREEN - METAL	226-016966
4	125582-01-701	EA	CLIP - SCREEN - PLASTIC	130-005153
5	098644-01-719	EA	STOP - SLIDER GLASS	132-014203
6	098644-01-710	FT	TRACK - SCREEN SPACER 12'	132-017135
7	098644-01-700	EA	LATCH - REPAIR KIT (BLACK)	B801-CK
7	098647-54-701	EA	LATCH - REPAIR KIT (RED)	B081-CK
8	098644-01-708	FT	CHANNEL - RUN PIERCED	122-016543
9	098644-01-711	FT	WEATHERSTRIP - SCREEN BLACK	171-016965
10	098644-13-700	EA	GLASS - STATIONARY	106-028698
11	098644-13-701	EA	GLASS - SLIDING W/SASH/LATCH	H702-G9
12	098644-13-702	EA	SCREEN ASM - W/SEALS/CLIPS	410-028663
13	098644-13-703	EA	RETAINER - TRIM	H702-60
	098644-01-717	FT	SPLINE - SCREEN	132-004716

**WINDOW & VENTS GROUP (CONTINUED)**  
**COMPONENT PARTS FOR WINDOW & VENT LAYOUT (CONTINUED)**



**098647-23-02A**

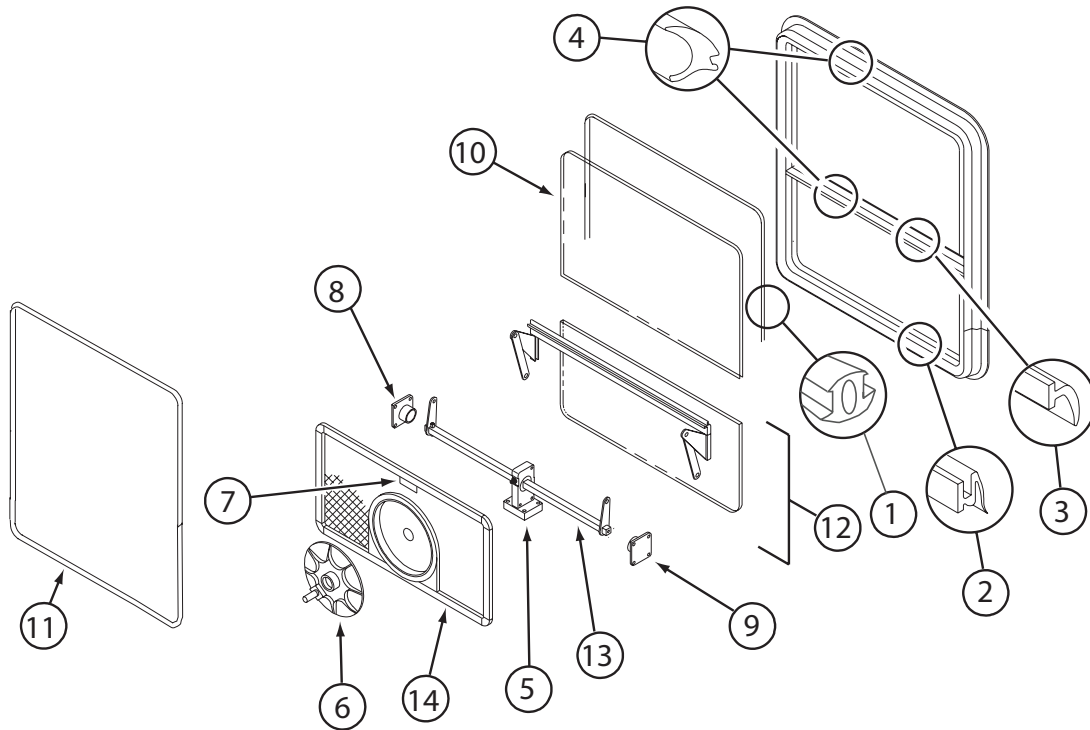
KEY	PART NUMBER	U/M	DESCRIPTION	VENDOR NO.
1	098644-01-716	FT	PLUG - FILLER	132-014470
2	098644-01-705	FT	GLAZING - STRIP	132-010231
3	098644-01-706	FT	WEATHERSTRIP - GLASS	171-010668
4	098644-01-713	EA	CLIP - SCREEN - METAL	226-016966
4	125582-01-701	EA	CLIP - SCREEN - PLASTIC	130-005153
5	098644-01-719	EA	STOP - SLIDER GLASS	132-014203
6	098644-01-710	FT	TRACK - SCREEN SPACER 12'	132-017135
7	098644-01-700	EA	LATCH - REPAIR KIT (BLACK)	B801-CK
7	098647-54-701	EA	LATCH - REPAIR KIT (RED)	B081-CK
8	098644-01-708	FT	CHANNEL - RUN PIERCED	122-016543
9	098644-01-711	FT	WEATHERSTRIP - SCREEN BLACK	171-016965
10	098647-23-703	EA	GLASS - STATIONARY	106-017622
11	098647-23-700	EA	GLASS SLIDING W/SASH & LATCH	H287-G9
12	098647-23-704	EA	SCREEN ASM - W/SEALS & CLIPS	410-019066
13	098647-22-701	EA	RETAINER - TRIM	H287-67
	098644-01-717	FT	SPLINE - SCREEN	132-004716



**WINDOW & VENTS GROUP (CONTINUED)**  
**COMPONENT PARTS FOR WINDOW & VENT LAYOUT (CONTINUED)**

**098647-47-02A**

KEY	PART NUMBER	U/M	DESCRIPTION	VENDOR NO.
1	098644-01-716	FT	PLUG - FILLER	132-014470
2	098644-01-705	FT	GLAZING - STRIP	132-010231
3	098644-01-706	FT	WEATHERSTRIP - GLASS	171-010668
4	098644-01-713	EA	CLIP - SCREEN - METAL	226-016966
4	125582-01-701	EA	CLIP - SCREEN - PLASTIC	130-005153
5	098644-01-719	EA	STOP - SLIDER GLASS	132-014203
6	098644-01-710	FT	TRACK - SCREEN SPACER 12'	132-017135
7	098644-01-700	EA	LATCH - REPAIR KIT (BLACK)	B801-CK
7	098647-54-701	EA	LATCH - REPAIR KIT (RED)	B081-CK
8	098644-01-708	FT	CHANNEL - RUN PIERCED	122-016543
9	098644-01-711	FT	WEATHERSTRIP - SCREEN BLACK	171-016965
10	098647-47-700	EA	GLASS - STATIONARY	106-025224
11	098647-47-701	EA	GLASS-SLIDING W/SASH & LATCH	H493-G9
12	098647-47-702	EA	SCREEN ASM - W/SEALS & CLIPS	410-025226
13	098647-47-704	EA	RETAINER - TRIM	H493-66
	098644-01-717	FT	SPLINE - SCREEN	132-004716



**112463-02-02A**

KEY	PART NUMBER	U/M	DESCRIPTION	VENDOR NO.
1	112463-02-702	EA	GLASS - STATIONARY	106-018809
2	100322-01-704	FT	TAPE-BUTYL	154-025932
3	100322-01-702	FT	VINYL-GLAZING, BUTYL	132-010723
4	116976-01-702	FT	FILLER PLUG	132-016065
5	100322-01-701	FT	SEAL-VENT	122-016071
6	112463-02-707	EA	SUPPORT - TORQUE BAR RH	132-015979
6	112463-02-708	EA	SUPPORT - TORQUE BAR LH	132-015978
7	112463-02-704	EA	OPERATOR & BAR ASSEMBLY	CH82-15
8	100322-01-702	FT	WEATHERSTRIP-HORIZ RAIL-148"	122-016071
9	112463-02-700	EA	RETAINER - TRIM	CH82-59
10	112463-02-705	EA	SCREEN ASM - W/SEALS & CLIPS	410-18812
11	112463-02-709	EA	FOAM TAPE - F/SCREEN	138-017617
12	112463-02-703	EA	VENT GLASS ASSEMBLY	CH82-G9
13	108929-01-706	EA	COVER - DRAIN SLOT	132-016064
14	112519-01-702	EA	OPERATOR/TRQ CTR SPRT-4 HOLE	410-016123
15	100322-01-718	EA	HANDLE-DIAL	410-016081

**WINDOW & VENTS GROUP (CONTINUED)**  
**COMPONENT PARTS FOR WINDOW & VENT LAYOUT (CONTINUED)**

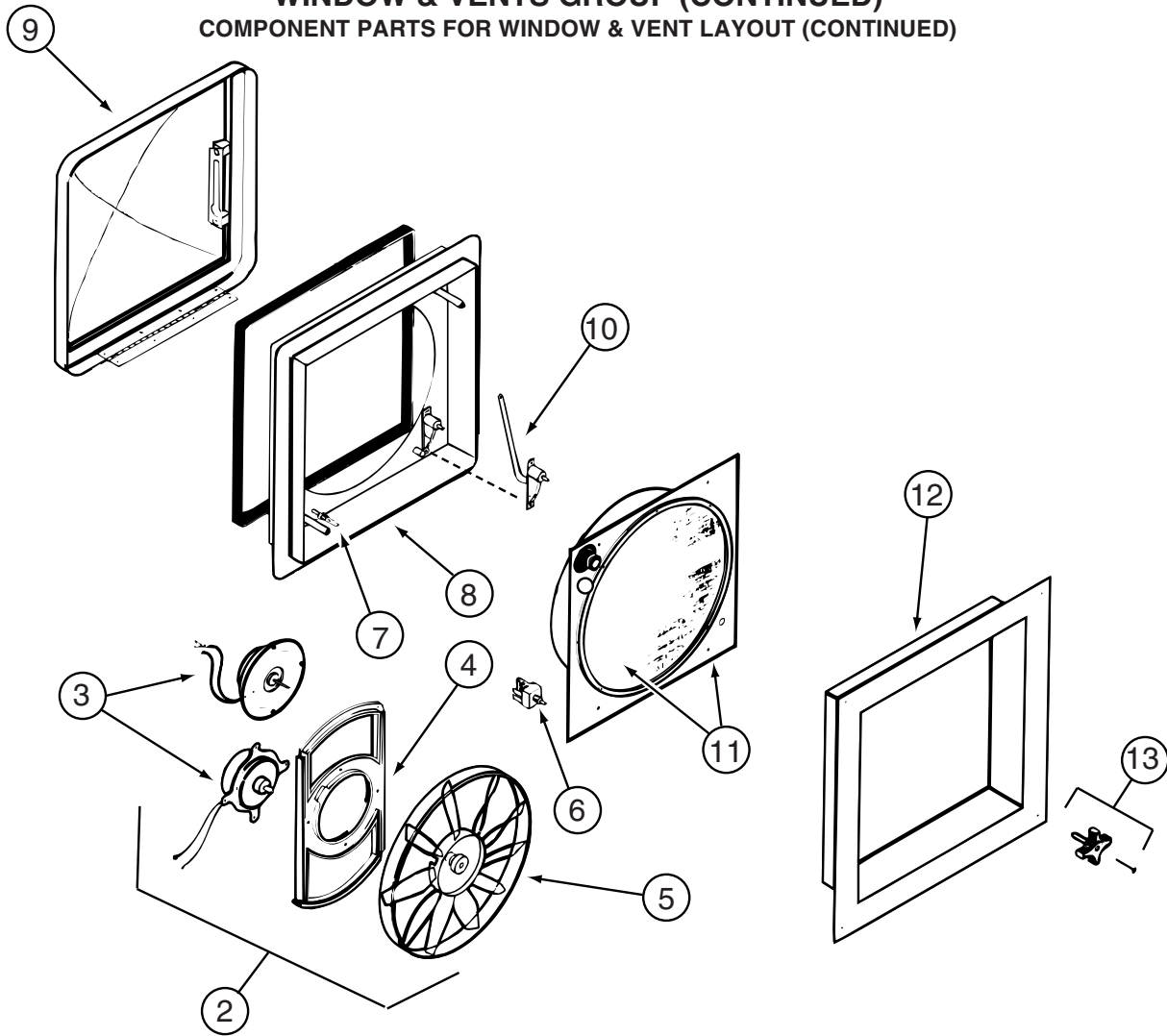
**122882-01-01A**

<b>KEY</b>	<b>PART NUMBER</b>	<b>U/M</b>	<b>DESCRIPTION</b>	<b>VENDOR NO.</b>
	064470-01-700	EA	COVER - VENT	J7291
	064470-01-701	EA	SLIDE BAR - VENT LID	JRP1291B
	122882-01-700	EA	HANDLE - CRANK - BLACK	90128
	122882-01-701	EA	SCREEN	JRP-1124-B
	122882-01-702	EA	HANDLE - CRANK - WHITE	JRP1031B

**122882-02-01A, 122882-03-01A**

<b>KEY</b>	<b>PART NUMBER</b>	<b>U/M</b>	<b>DESCRIPTION</b>	<b>VENDOR NO.</b>
	064470-01-700	EA	COVER - VENT	J7291
	064470-01-701	EA	SLIDE BAR - VENT LID	JRP1291B
	110051-03-700	EA	SWITCH-BLACK/PUSH BUTTON	27-0164
	122882-01-700	EA	HANDLE - CRANK - BLACK	90128
	122882-01-701	EA	SCREEN	JRP-1124-B
	122882-01-702	EA	HANDLE - CRANK - WHITE	JRP1031B

**WINDOW & VENTS GROUP (CONTINUED)**  
**COMPONENT PARTS FOR WINDOW & VENT LAYOUT (CONTINUED)**

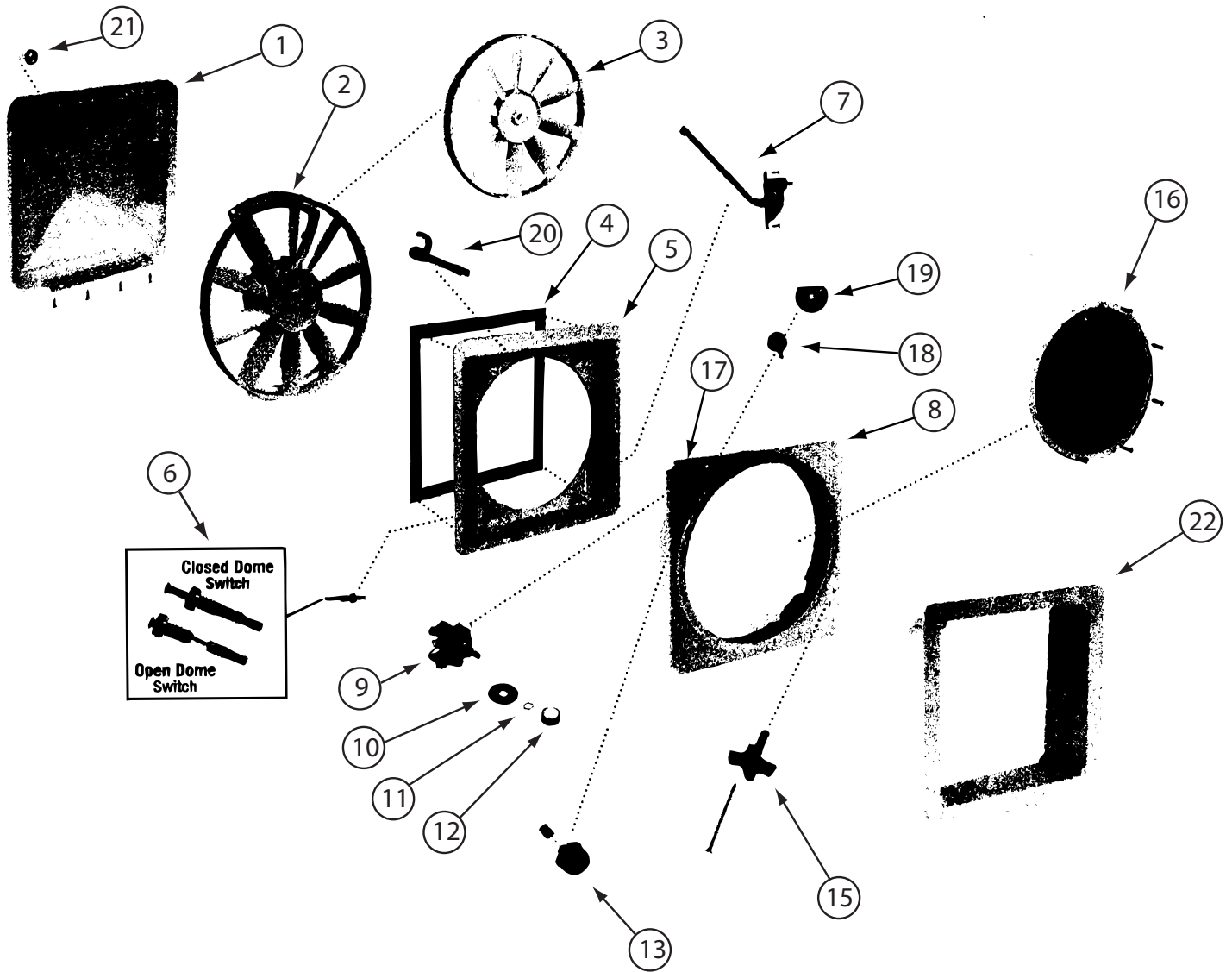


123780-03-01A

KEY	PART NUMBER	U/M	DESCRIPTION	VENDOR NO.
2	084079-11-700	EA	MOTOR & FAN BLADE W/BRACKET	K4017-09
3	084079-01-705	EA	MOTOR/EXT BRKT/FAN BLADE KIT	1080-00
4	084079-01-711	EA	MOTOR MOUNT (BOWTIE)	1015-00
5	084079-01-704	EA	BLADE-FAN	1138-00
6	084079-01-709	EA	SWITCH - MAIN - 3 SPEED	1031-05
7	084079-01-707	EA	SWITCH - SAFETY	1122-05
8	123780-05-700	EA	BASE/MAIN-BRT WHT W/GASKET	1010-81
9	123780-01-700	EA	COVER - VENT W/HINGE & SLIDE	1020K-81
10	009440-01-000	EA	GEAR-ARM-ROOF VENT	705221K38
11	123780-03-701	EA	SCREEN ASM 78-100MM W/SWITCH	1030BT-81
12	123780-03-700	EA	GARNISH - INT. 3"-4" BRT/WHT	2040-81
13	084079-01-703	EA	KNOB-LIFT	1140K-00
	084079-01-706	EA	PLUG, 12 VOLT	1090
	123780-01-702	EA	SCREEN INSERT (SCREEN RING)	K1035-81

CONTACT WINNEBAGO PART SALES FOR UNLISTED COMPONENT(S)

**WINDOW & VENTS GROUP (CONTINUED)**  
**COMPONENT PARTS FOR WINDOW & VENT LAYOUT (CONTINUED)**

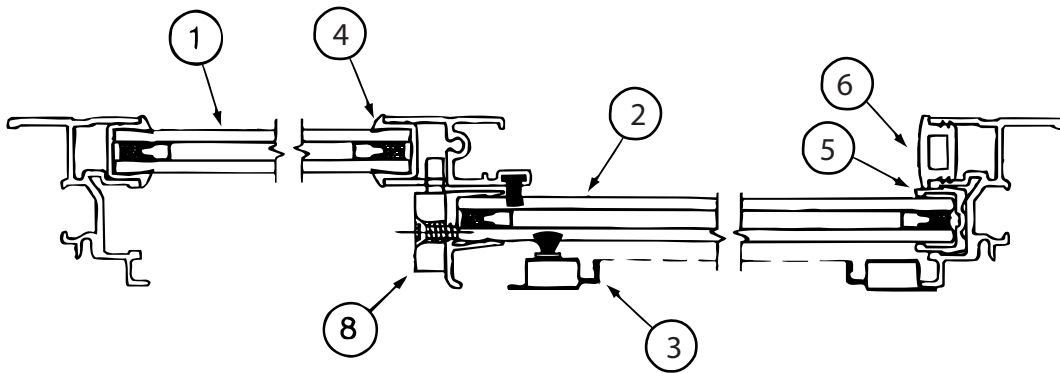


123780-26-01A

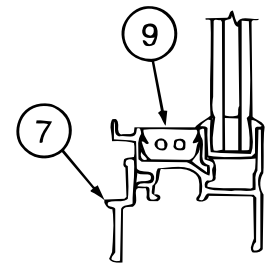
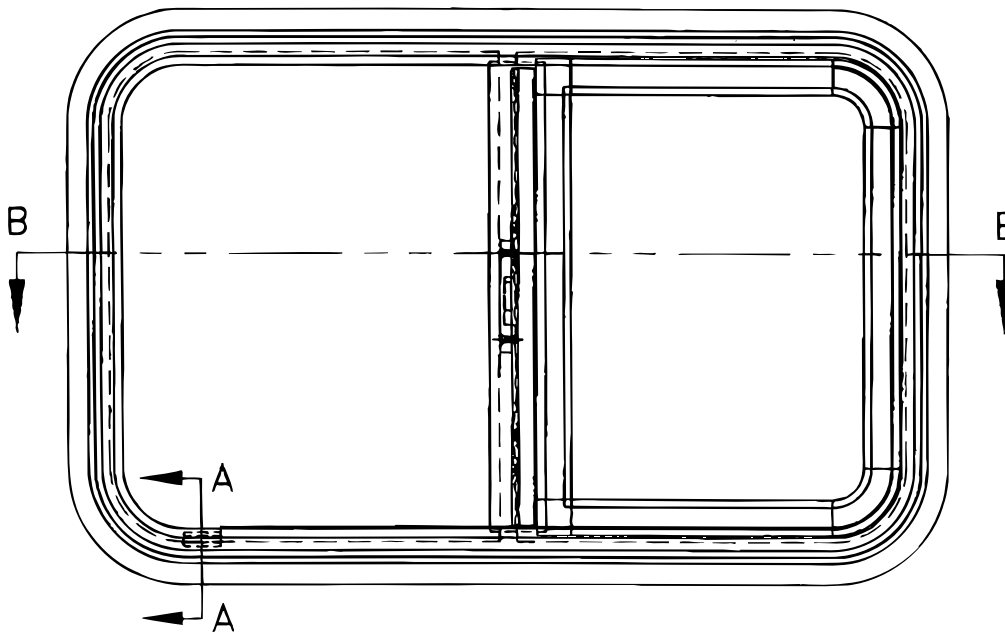
KEY	PART NUMBER	U/M	DESCRIPTION	VENDOR NO.
1	123780-22-700	EA	COVER - VENT W/HINGE & SLIDE	K8020-81
2	123780-26-700	EA	MOTOR & FAN BLADE W/BRACKET	XK8017-03 PANCAKE
3	123780-26-701	EA	BLADE/FAN - 12" OPAQUE WHT	8138-81 - 7MM
4	123780-22-701	EA	SEAL/RUBBER-4 1/2' W/GLUE	K1144-09
5	123780-22-702	EA	BASE/MAIN - W/LOCK/SEAL/ARM	XK8010-81 CLAMP STY
6	084079-01-707	EA	SWITCH - SAFETY	1122-05
7	084079-01-702	EA	ARM LIFT ASSEMBLY, MANUAL	101105
8	123780-22-703	EA	SCREEN KIT W/RING/ARM/LOCK	XK1220-81
9	084079-01-709	EA	SWITCH - MAIN - 3 SPEED	1031-05
13	123780-21-700	EA	FUSE HOLDER W/4 AMP FUSE	K9018-09
15	123780-16-700	EA	KNOB-BLK/AUTOMATIC LIFT MTR	K1140-09
16	123780-21-703	EA	SCREEN - POP N LOCK	2035-81
17	123780-22-704	EA	TRAVEL LOCK ASSEMBLY	4021-09
22	123780-22-705	EA	GARNISH-3 1/2"CLAMP STY-WHT	XK2040-81

CONTACT WINNEBAGO PART SALES FOR UNLISTED COMPONENT(S)

**WINDOW & VENTS GROUP (CONTINUED)**  
**COMPONENT PARTS FOR WINDOW & VENT LAYOUT (CONTINUED)**



CROSS SECTION B-B



CROSS SECTION  
A-A

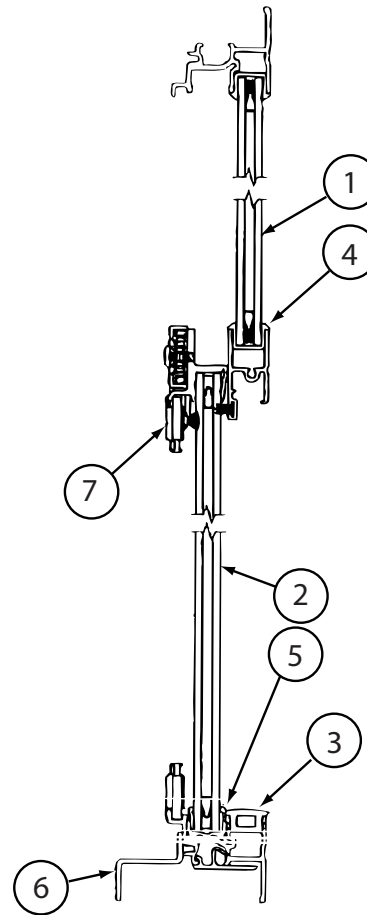
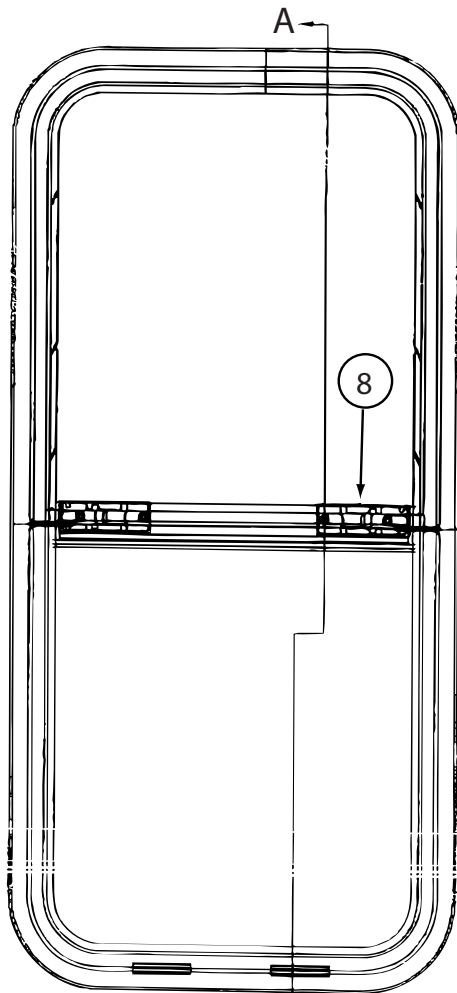
150648-02-01A, 150648-03-01A/3A

KEY	PART NUMBER	U/M	DESCRIPTION	VENDOR NO
1	112795-68-700	EA	GLASS - STATIONARY	390-028353
2	150648-02-700	EA	GLASS-SLIDING W/SASH & LATCH	FH3009G8
3	150648-19-700	EA	SCREEN ASM	410-035332
4	112795-01-705	FT	VINYL - GLAZING	132-027331
5	151069-01-700	EA	CHANNEL-RUN, SLIDING	122-030627
6	150648-01-703	EA	PLUG - FILLER	132-030308
7	098647-22-701	EA	RETAINER - TRIM	H287-67
8	150648-01-700	EA	LATCH-HORIZONTAL SLIDE-BLK	FH3000-CK
8	150648-01-701	EA	LATCH-HORIZONTAL SLIDE-RED	FH3003-CK
9	150648-01-704	EA	SLIDE STOP	132-030866
	150649-05-702	FT	FIN SEAL-F/LOCKING RAIL-BLK	171-062348

**WINDOW & VENTS GROUP (CONTINUED)**  
**COMPONENT PARTS FOR WINDOW & VENT LAYOUT (CONTINUED)**

150648-07-01A, 150648-22-01A

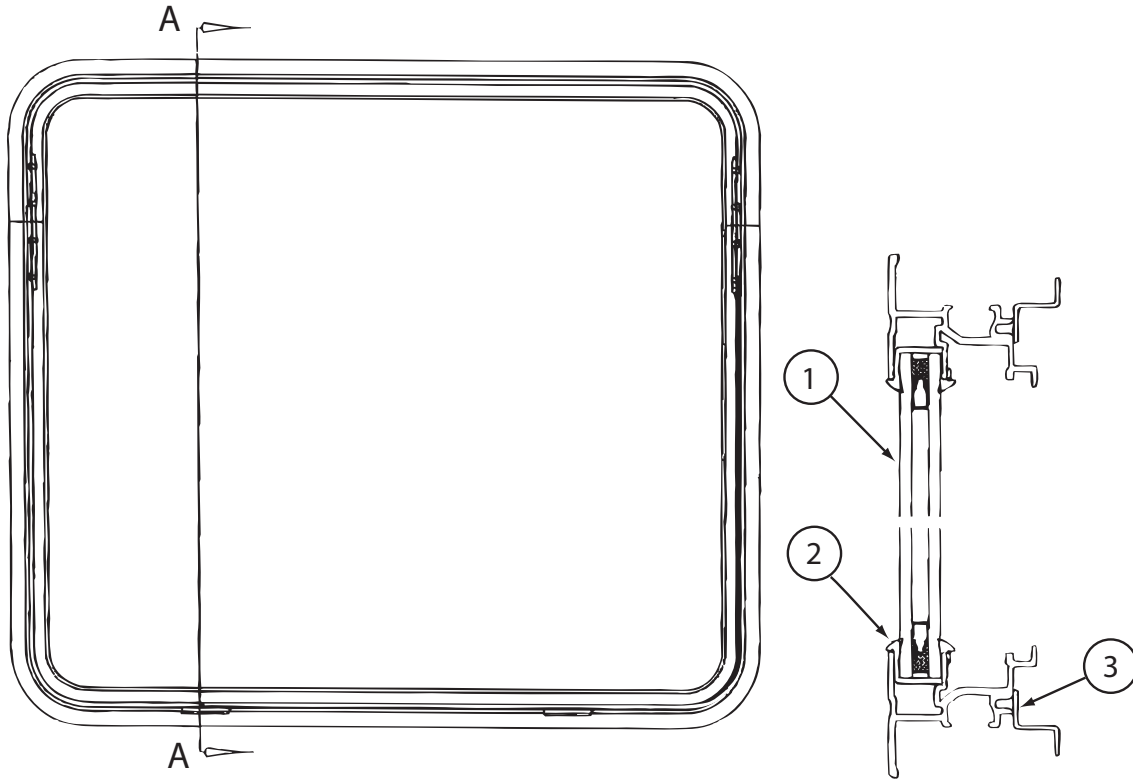
KEY	PART NUMBER	U/M	DESCRIPTION	VENDOR NO
1	150648-07-701	EA	GLASS - STATIONARY	390-028314
2	150648-07-700	EA	GLASS-SLIDING W/SASH & LATCH	FH3000G8
3	150648-01-702	EA	SCREEN ASM	410-031156
4	112795-01-705	FT	VINYL - GLAZING	132-027331
5	151069-01-700	EA	CHANNEL-RUN, SLIDING	122-030627
6	150648-01-703	EA	PLUG - FILLER	132-030308
7	150648-01-707	EA	RETAINER - TRIM	H493-67
8	150648-01-700	EA	LATCH-HORIZONTAL SLIDE-BLK	FH3000-CK
8	150648-01-701	EA	LATCH-HORIZONTAL SLIDE-RED	FH3003-CK
9	150648-01-704	EA	SLIDE STOP	132-030866
	150649-05-702	FT	FIN SEAL-F/LOCKING RAIL-BLK	171-062348



150649-07-01A

KEY	PART NUMBER	U/M	DESCRIPTION	VENDOR NO
1	150649-07-700	EA	GLASS - STATIONARY	390-028662
2	150649-07-702	EA	GLASS-SLIDING W/PULL & LATCH	FH3052G8
3	150648-01-703	FT	PLUG - FILLER	132-030308
4	112795-01-705	FT	VINYL - GLAZING	132-027331
5	151069-01-700	FT	CHANNEL-RUN, SLIDING	122-030627
6	150649-07-703	EA	RETAINER - TRIM	H702-61
7	150649-07-701	EA	SCREEN ASM	410-035475
8	150649-01-700	EA	LATCH-VERTICLE SLIDE-BLK	FH3016-CK

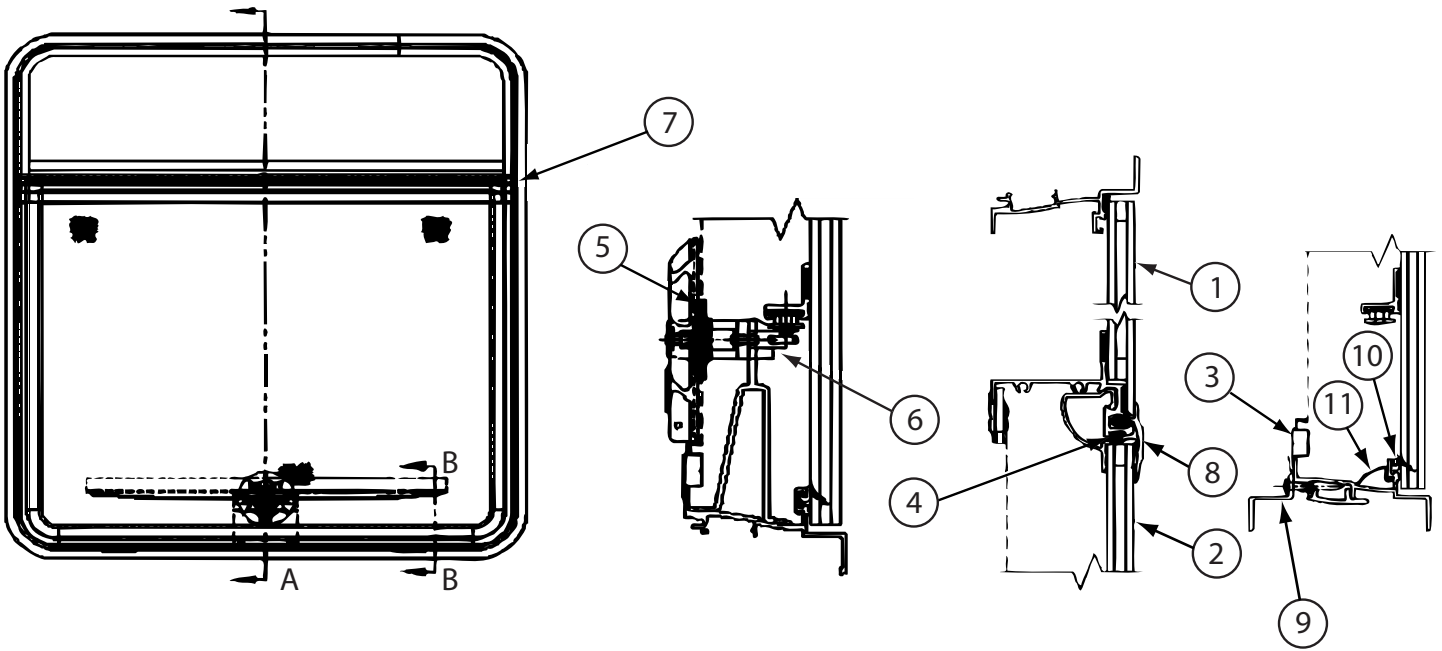
**WINDOW & VENTS GROUP (CONTINUED)**  
**COMPONENT PARTS FOR WINDOW & VENT LAYOUT (CONTINUED)**



150651-01-01A/03A

KEY	PART NUMBER	U/M	DESCRIPTION	VENDOR NO
1	113733-10-700	EA	GLASS-STATIONARY	390-028306
2	112795-01-705	FT	VINYL - GLAZING	132-027331
3	150651-01-700	EA	RETAINER - TRIM	H416-67

**WINDOW & VENTS GROUP (CONTINUED)**  
**COMPONENT PARTS FOR WINDOW & VENT LAYOUT (CONTINUED)**



161452-06-01A

KEY	PART NUMBER	U/M	DESCRIPTION	VENDOR NO.
2	150656-11-700	EA	GLASS-TIPOUT - W/HINGE/RAIL	DTH3047G8
3	150656-11-701	EA	SCREEN ASM	DTH3047-06
4	098644-01-706	FT	WEATHERSTRIP - GLASS	171-010668
5	100322-01-718	EA	HANDLE-DIAL	410-016081
6	150656-08-701	EA	OPERATOR - TIPOUT/LARGE	410-036141
7	161452-01-700	FT	FELT SEAL	160-014688
9	150656-11-702	EA	RETAINER - TRIM	DTH3047-56
10	100322-01-701	FT	SEAL-VENT	122-016071
11	150651-03-702	FT	COVER - DRAIN SLOT	132-030723

CONTACT WINNEBAGO PARTS SALES FOR FOR UNLISTED COMPONENTS