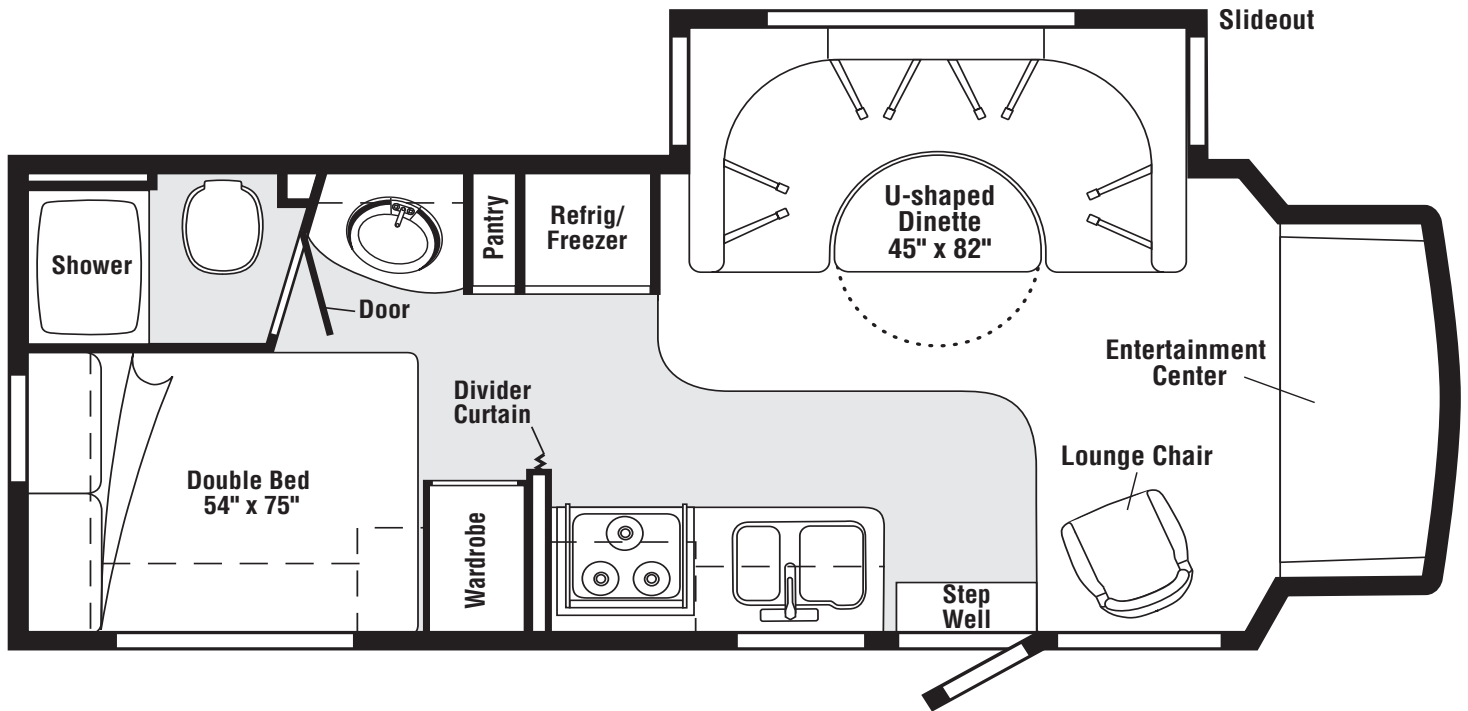


**2008  
ASPECT  
700-SERIES  
WF726A**

**WASHED MAPLE  
W37 CINNAMON SPICE  
W39 SILVERSCREEN  
W41 PEPPERGRASS  
SIERRA MAPLE  
W38 CINNAMON SPICE  
W40 SILVERSCREEN  
W42 PEPPERGRASS**



**FLOORPLAN**

# CONTENTS

|   |           |
|---|-----------|
| <b>FLOORPLAN</b> .....                                    | <b>1</b>  |
| <b>ACCESSORIES GROUP</b> .....                            | <b>5</b>  |
| OPERATORS MANUAL .....                                    | 5         |
| <b>AUDIO VIDEO GROUP</b> .....                            | <b>6</b>  |
| RADIO SYSTEM .....  | 6         |
| REAR MONITOR .....  | 7         |
| COMPONENT PARTS FOR AUDIO VIDEO .....                     | 7         |
| 156442-02-01A, 156442-03-01A .....                        | 7         |
| <b>CABINET &amp; APPLIANCE GROUP</b> .....                | <b>8</b>  |
| CABINET & APPLIANCE LAYOUT .....                          | 8         |
| COMPONENT PARTS FOR CABINET & APPLIANCE LAYOUT .....      | 15        |
| 114030-04-01A .....                                       | 15        |
| 121568-06-01A, 121568-07-01A, 121568-08-01A .....         | 17        |
| 136354-05-01A, 136354-05-02A .....                        | 21        |
| 136354-06-01A, 136354-06-02A .....                        | 22        |
| 150606-04-02A .....                                       | 22        |
| 151277-01-01A, 151277-02-01A .....                        | 23        |
| <b>CHASSIS GROUP</b> .....                                | <b>26</b> |
| FRAME .....   | 26        |
| EXHAUST .....   | 26        |
| HITCH .....   | 26        |
| FUEL .....  | 27        |
| HYDRAULIC LEVELING .....                                  | 28        |
| COMPONENT PARTS FOR HYDRAULIC LEVELING .....              | 28        |
| 157770-01-000 .....                                       | 28        |
| SPARE TIRE .....  | 29        |
| COMPONENT PARTS FOR SPARE TIRE .....                      | 29        |
| 149703-01-01A .....                                       | 29        |
| SUSPENSION .....  | 29        |
| COMPONENT PARTS FOR SUSPENSION .....                      | 29        |
| 153119-01-000 .....                                       | 29        |
| WHEEL, TIRE, COVERS &/OR LINERS .....                     | 30        |
| COMPONENT PARTS FOR WHEEL, TIRE, COVERS &/OR LINERS ..... | 30        |
| 110435-13-000 .....                                       | 30        |
| 110435-23-000 .....                                       | 30        |
| BRAKELINE .....   | 30        |
| <b>CURTAIN &amp; CUSHION GROUP</b> .....                  | <b>31</b> |
| CURTAIN, CUSHION LAYOUT .....                             | 31        |
| LOUNGE CHAIR .....  | 38        |
| HARDWARE .....  | 39        |
| ACCESSORIES .....   | 41        |
| FABRICS .....   | 42        |
| <b>DRIVERS COMPARTMENT GROUP</b> .....                    | <b>44</b> |
| FRONT INTERIOR .....                                      | 44        |
| CABINETS .....  | 45        |

# CONTENTS (CONTINUED)

|  |           |
|--|-----------|
| <b>ELECTRICAL GROUP</b> .....  | <b>46</b> |
| 110V BODY WIRING .....   | 46        |
| 12V BODY WIRING .....  | 48        |
| EXTERIOR LAMPS .....   | 52        |
| FRONT END .....  | 54        |
| FRONT TV/VCR .....   | 55        |
| COMPONENT PARTS FOR WIRING .....   | 56        |
| 076319-23-000 .....  | 56        |
| 076319-25-000 .....  | 56        |
| 087694-01-000 .....  | 57        |
| 097917-01-06A .....  | 57        |
| 120269-07-01A .....  | 57        |
| 121935-01-01A .....  | 57        |
| 133908-09-01A .....  | 57        |
| 134940-06-01A .....  | 58        |
| 134940-07-01A .....  | 58        |
| 137135-02-000 .....  | 59        |
| 137417-01-01A, 137417-03-01A .....   | 60        |
| 137417-02-01A .....  | 60        |
| 137417-06-01A .....  | 60        |
| 154474-04-01A .....  | 60        |
| 158703-01-000 .....  | 60        |
| 163031-01-01A .....  | 60        |
| 163097-01-000 .....  | 60        |
| 164495-01-000 .....  | 60        |
| 165074-01-000 .....  | 60        |
| 166446-01-000 .....  | 60        |
| CIRCUIT BREAKERS, FUSES & RELAYS .....   | 61        |
| CONVERTER, INVERTER, LOAD CENTERS .....  | 61        |
| COMPONENT PARTS FOR CONVERTER, INVERTER, LOAD CENTERS .....                      | 61        |
| 083208-07-000 .....  | 61        |
| BOXES & CORDS .....  | 62        |
| WIRE ASSEMBLIES .....  | 62        |
| CONNECTORS & CONDUIT .....   | 63        |
| CHASSIS .....  | 65        |
| <b>EXTERIOR BODY GROUP</b> .....   | <b>67</b> |
| GRAPHICS & PAINT .....   | 67        |
| PANELS & TRIMS .....   | 69        |
| COMPONENT PARTS FOR PANELS & TRIMS .....   | 72        |
| 133908-05, 133908-06, 133908-10, 133908-11, 133908-14, 133908-15, -01A/02A ..... | 72        |
| 133908-16, 133908-17, -01A/-02A/-03A .....                                       | 72        |
| FRONT END .....  | 73        |
| LADDER .....   | 75        |
| STRUCTURAL COMPONENTS .....  | 75        |
| AWNINGS .....  | 76        |
| <b>EXTERIOR DOORS &amp; COMPARTMENTS GROUP</b> .....                             | <b>77</b> |
| DOOR & COMPARTMENT LAYOUT .....  | 77        |
| COMPONENT PARTS FOR DOOR & COMPARTMENT LAYOUT .....                              | 81        |
| 084103-08-000 .....  | 81        |
| 094708-05-01A .....  | 82        |
| COMPARTMENT DOOR PIECE PARTS .....   | 83        |
| ENTRY .....  | 85        |
| SCREEN .....   | 86        |
| LATCH - ENTRY .....  | 87        |
| <b>EXTERIOR SLIDEOUT GROUP</b> .....   | <b>88</b> |
| FRONT LEFT .....   | 88        |
| COMPONENT PARTS FOR LEFT FRONT .....   | 92        |
| 150661-01-000 .....  | 92        |
| 162495-01-01A, 162495-02-01A .....   | 92        |
| <b>GENERATOR GROUP</b> .....   | <b>93</b> |

## CONTENTS (CONTINUED)

|  |            |
|--|------------|
| GAS .....  | 93         |
| <b>HEATING &amp; A/C GROUP .....</b>             | <b>94</b>  |
| FURNACE .....                                    | 94         |
| COMPONENT PARTS FOR FURNACE .....                | 95         |
| 139980-02-000 .....                              | 95         |
| ROOF .....                                       | 97         |
| COMPONENT PARTS FOR ROOF .....                   | 97         |
| 131184-01-01A .....                              | 97         |
| 131184-05-01A .....                              | 98         |
| 131184-06-01A .....                              | 99         |
| 131184-07-01A .....                              | 100        |
| 148644-01-01A .....                              | 101        |
| 148644-02-01A .....                              | 102        |
| <b>INTERIOR FINISH GROUP .....</b>               | <b>103</b> |
| MOLDINGS & TRIMS .....                           | 103        |
| PANELING & LAMINATES .....                       | 113        |
| INTERIOR TRIM LAYOUT .....                       | 114        |
| FLOOR COVERINGS .....                            | 116        |
| HARDWARE .....                                   | 117        |
| <b>LABELS GROUP .....</b>                        | <b>123</b> |
| <b>LP GROUP .....</b>                            | <b>127</b> |
| LP SYSTEM .....                                  | 127        |
| COMPONENT PARTS FOR LP SYSTEM .....              | 127        |
| 144116-09-000 .....                              | 127        |
| <b>SEALANTS &amp; FASTENERS GROUP .....</b>      | <b>128</b> |
| SEALANTS & ADHESIVES .....                       | 128        |
| BOLTS, NUTS AND WASHERS .....                    | 129        |
| SCREWS .....                                     | 131        |
| CLAMPS, CLIPS, GROMMETS, RIVETS & PLUGS .....    | 134        |
| MISCELLANEOUS FASTENERS .....                    | 135        |
| <b>WATER &amp; SEWAGE GROUP .....</b>            | <b>136</b> |
| DRAINAGE SYSTEM .....                            | 136        |
| COMPONENT PARTS FOR DRAINAGE SYSTEM .....        | 138        |
| 147421-06-01A .....                              | 138        |
| WATER SYSTEM .....                               | 139        |
| COMPONENT PARTS FOR WATER SYSTEM .....           | 144        |
| 051391-03-000 .....                              | 144        |
| 145541-02-000 .....                              | 145        |
| 152311-01-01A .....                              | 145        |
| 165730-01-01A .....                              | 145        |
| <b>WINDOWS &amp; VENTS GROUP .....</b>           | <b>146</b> |
| WINDOWS & VENTS LAYOUT .....                     | 146        |
| COMPONENT PARTS FOR WINDOWS & VENTS LAYOUT ..... | 148        |
| 098644-07-02A .....                              | 148        |
| 098644-13-01A .....                              | 149        |
| 098647-06-01A .....                              | 150        |
| 098647-41-02A .....                              | 151        |
| 098647-54-01A .....                              | 151        |
| 122882-01-01A .....                              | 152        |
| 122882-02-01A, 122882-03-01A .....               | 152        |
| 123780-03-01A .....                              | 153        |
| 123780-26-01A .....                              | 154        |
| 150648-01-01A .....                              | 155        |
| 150648-08-01A, 150648-09-01A .....               | 156        |
| 150648-11-01A .....                              | 156        |
| 150649-01-01A/02A .....                          | 157        |
| 150649-07-01A .....                              | 157        |
| 150651-01-01A/03A .....                          | 158        |
| 150651-05-01A .....                              | 159        |
| 151075-01-01A .....                              | 160        |

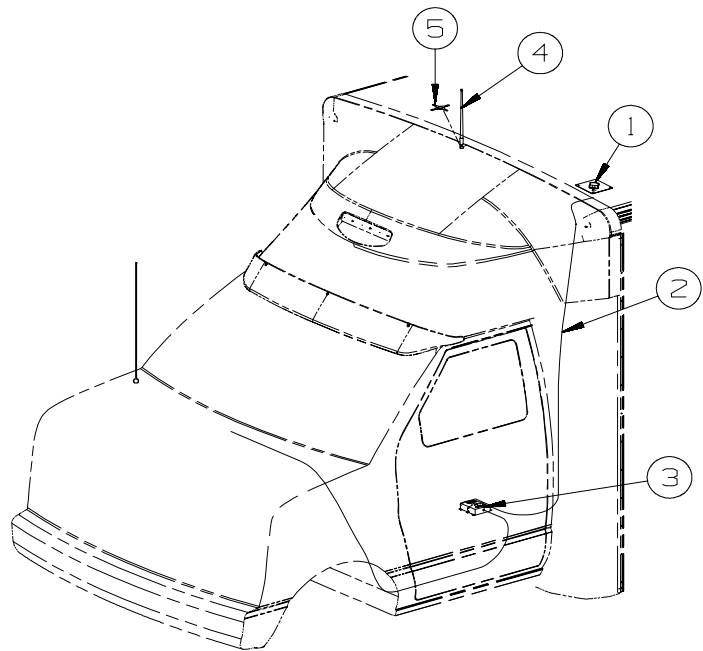


**ACCESSORIES GROUP**  
**OPERATORS MANUAL**

| <b>KEY</b> | <b>PART NUMBER</b> | <b>U/M DESCRIPTION</b>                           |
|------------|--------------------|--|
|            | 158603-08-004      | EA MANUAL/OWNER - SUPPLEMENT - 700 SERIES - 2008 |
|            | 159842-01-01A      | EA CASE - VINYL - F/MANUALS - W/SLEEVES - BLACK  |
|            | 161500-08-007      | EA MANUAL/OWNER - ASPECT - 700 SERIES - 2008     |
|            | 161328-01-000      | DW TOP LEVEL-700,2008                            |

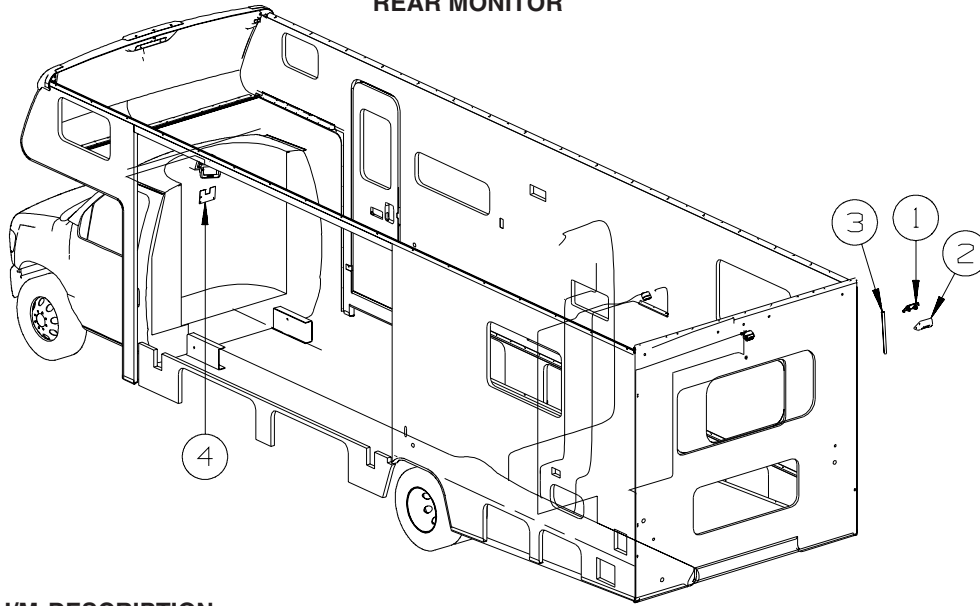
## AUDIO VIDEO GROUP RADIO SYSTEM

| KEY | PART NUMBER   | U/M | DESCRIPTION  |
|-----|---------------|-----|--|
|     | 163142-03-000 | EA  | REMOTE CONTROL/RADIO (CREDIT CARD SIZE)<br>FROM: 00-00-00 THRU: 01-28-07           |
|     | 163142-09-000 | EA  | REMOTE CONTROL/RADIO (CREDIT CARD SIZE)<br>FROM: 01-29-07 THRU: 99-99-99           |
|     | 163142-04-000 | EA  | REMOTE CONTROL/RADIO (STEERING WHEEL MOUNT)<br>FROM: 00-00-00 THRU: 01-28-07       |
|     | 163142-10-000 | EA  | REMOTE CONTROL/RADIO (STEERING WHEEL MOUNT)<br>FROM: 01-29-07 THRU: 99-99-99       |
|     | 163142-01-000 | EA  | RADIO-AM/FM/CD/WB - SATELLITE READY - FORD C-BODY<br>FROM: 00-00-00 THRU: 01-28-07 |
|     | 163142-07-000 | EA  | RADIO-AM/FM/CD/WB - SATELLITE READY - FORD C-BODY<br>FROM: 01-29-07 THRU: 99-99-99 |
|     | 163142-05-000 | EA  | RECEIVER (EYE) - INFRARED<br>FROM: 00-00-00 THRU: 01-28-07                         |
|     | 163142-11-000 | EA  | RECEIVER (EYE) - INFRARED<br>FROM: 01-29-07 THRU: 99-99-99                         |
|     | 163142-12-000 | EA  | CABLE/INTERFACE - I-POD  |



| KEY | PART NUMBER   | U/M | DESCRIPTION  |
|-----|---------------|-----|--|
| 1   | 158494-01-000 | EA  | ANTENNA/SATELLITE - RADIO/SIRIUS - <b>RADIO-SATELLITE</b>        |
| 2   | 158494-02-000 | EA  | CABLE/ANTENNA - SATELLITE RADIO SIRRUSS - <b>RADIO-SATELLITE</b> |
| 3   | 163142-06-000 | EA  | RECEIVER - SATELLITE RADIOS - <b>RADIO-SATELLITE</b>             |
| 4   | 090944-01-000 | EA  | ANTENNA - RADIO - 16" RUBBER - W/72" LEAD WIRE                   |
| 5   | 147741-01-09B | EA  | BRACKET - ANTENNA GROUND - GALVANIZED                            |

**AUDIO VIDEO GROUP (CONTINUED)**  
**REAR MONITOR**



| KEY | PART NUMBER   | U/M | DESCRIPTION  |
|-----|---------------|-----|--|
| *   | 156442-02-01A | EA  | COLOR MONITOR/LCD - 5.6" - NO AUDIO-PLAS POD MOUNT-TAN/BLK - RR MONITOR SYSTEM     |
| *   | 156442-03-01A | EA  | MONITOR/COLOR-5.6"/LCD - W/AUDIO - PLAS POD MOUNT-TAN/BLK - RR MONITOR SYS W/AUDIO |
|     | 144677-14-01A | EA  | CAMERA - REAR VIEW W/BRACKET - WHITE - VBCS150                                     |
|     | 144677-14-02A | EA  | CAMERA - REAR VIEW W/BRACKET - BLACK - VBCS150B                                    |
| 1   | 149227-01-02B | EA  | BRACKET - CAMERA - E-COATED  |
| 2   | 149237-01-01A | EA  | SHROUD - CAMERA/OUTER - BRIGHT WHITE   |
| 2   | 149237-01-02A | EA  | SHROUD - CAMERA/OUTER - PRIMED   |
| 3   | NOT USED      |     |  |
| 3   | NOT USED      |     |  |
| 4   | NOT USED      |     |  |

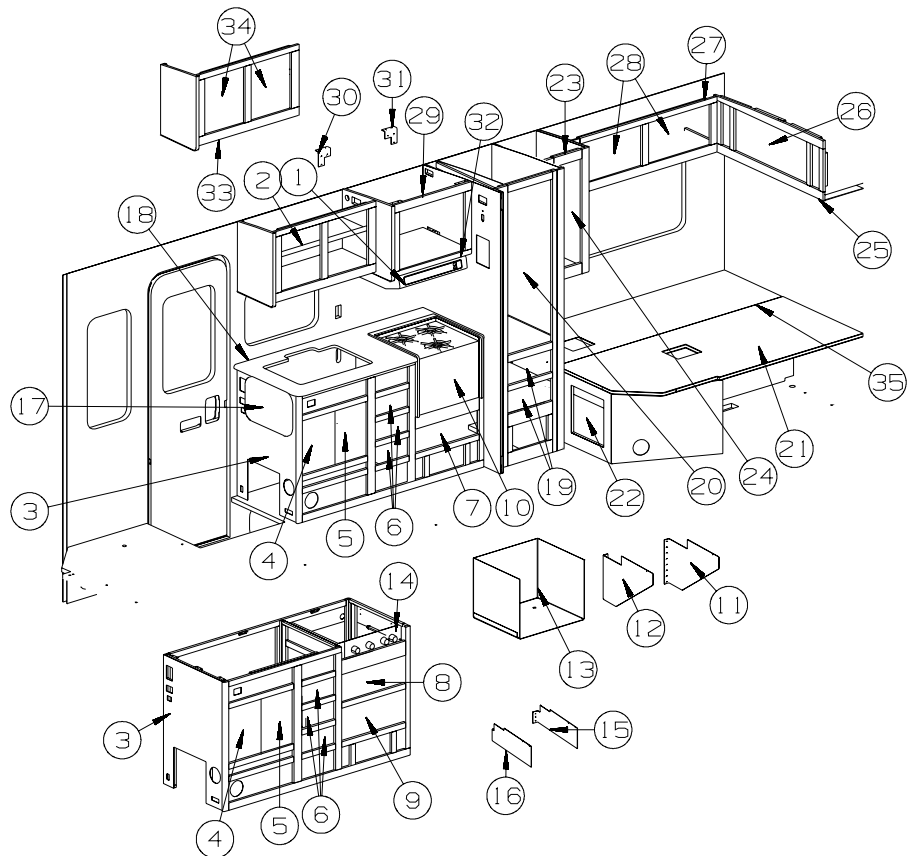
**\*COMPONENT PARTS LISTED LATER IN THIS GROUP**

**COMPONENT PARTS FOR AUDIO VIDEO**

| KEY | PART NUMBER   | U/M | DESCRIPTION                  | VENDOR NO. |
|-----|---------------|-----|------------------------------|------------|
|     |               |     | 156442-02-01A, 156442-03-01A |            |
|     | 156442-02-700 | EA  | SHROUD - REAR VIEW MONITOR   | 33200013   |
|     | 156442-02-701 | EA  | BRACKET - MOUNTING           | 32300012   |

# CABINET & APPLIANCE GROUP

## CABINET & APPLIANCE LAYOUT



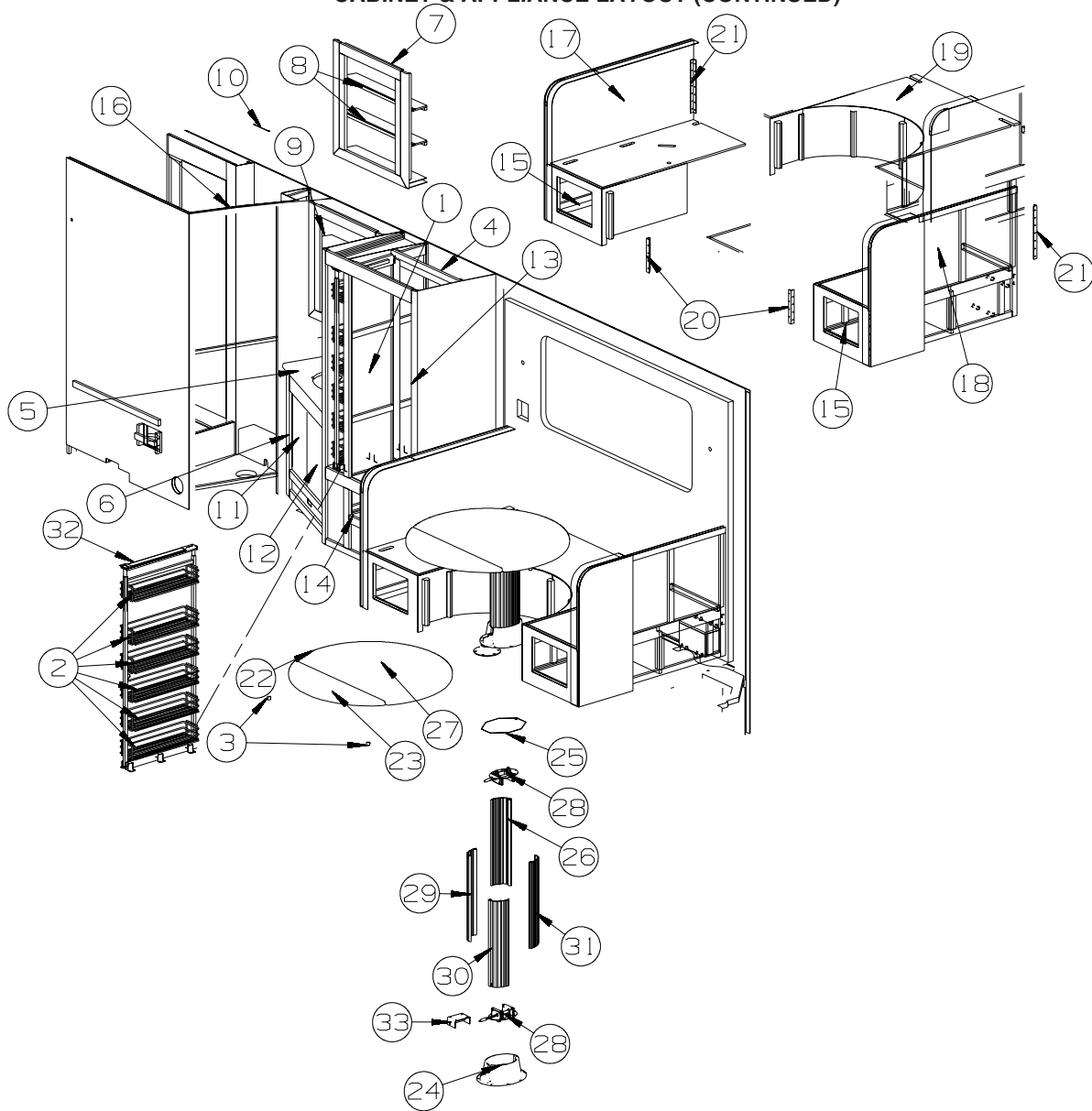
| KEY | PART NUMBER   | U/M | DESCRIPTION  |
|-----|---------------|-----|--|
| 1*  | 136354-05-02A | EA  | HOOD - RANGE - W/LITE/FAN - SILVER TEXTURED  |
| 1*  | 136354-06-01A | EA  | HOOD - RANGE - W/LITE/FAN - BLACK TEXTURED - CSA                                   |
| 2   | 149514-15-S34 | EA  | SHELF - WASHED MAPLE   |
| 2   | 149514-15-S35 | EA  | SHELF - SIERRA MAPLE   |
| 3   | P49484-10-S34 | EA  | GALLEY - WASHED MAPLE  |
| 3   | P49484-10-S35 | EA  | GALLEY - SIERRA MAPLE  |
| 3   | P49484-02-S34 | EA  | GALLEY - WASHED MAPLE - RANGE W/OVEN   |
| 3   | P49484-02-S35 | EA  | GALLEY - SIERRA MAPLE - RANGE W/OVEN   |
| 3   | P49484-A3-S34 | EA  | GALLEY - WASHED MAPLE - DC AC INVERTER   |
| 3   | P49484-A3-S35 | EA  | GALLEY - SIERRA MAPLE - DC AC INVERTER   |
| 3   | P49484-06-S34 | EA  | GALLEY - WASHED MAPLE - DC AC INVERTER/RANGE W/OVEN                                |
| 3   | P49484-06-S35 | EA  | GALLEY - SIERRA MAPLE - DC AC INVERTER/RANGE W/OVEN                                |
| 3   | P49484-09-S34 | EA  | GALLEY - WASHED MAPLE - ELEC STEP  |
| 3   | P49484-09-S35 | EA  | GALLEY - SIERRA MAPLE - ELEC STEP  |
| 3   | P49484-01-S34 | EA  | GALLEY - WASHED MAPLE - ELEC STEP/RANGE W/OVEN                                     |
| 3   | P49484-01-S35 | EA  | GALLEY - SIERRA MAPLE - ELEC STEP/RANGE W/OVEN                                     |
| 3   | P49484-A2-S34 | EA  | GALLEY - WASHED MAPLE - ELEC STEP/DC AC INVERTER                                   |
| 3   | P49484-A2-S35 | EA  | GALLEY - SIERRA MAPLE - ELEC STEP/DC AC INVERTER                                   |
| 3   | P49484-05-S34 | EA  | GALLEY - WASHED MAPLE - ELEC STEP/DC AC INVERTER/RANGE W/OVEN                      |
| 3   | P49484-05-S35 | EA  | GALLEY - SIERRA MAPLE - ELEC STEP/DC AC INVERTER/RANGE W/OVEN                      |
| 3   | P58775-05-U37 | EA  | GALLEY - WASHED MAPLE - ELEC STEP/HYDRIC LVL JACK                                  |
| 3   | P58775-05-U38 | EA  | GALLEY - SIERRA MAPLE - ELEC STEP/HYDRIC LVL JACK                                  |
| 3   | P58775-01-U39 | EA  | GALLEY - WASHED MAPLE - ELEC STEP/HYDRIC LVL JACK/RANGE W/OVEN                     |
| 3   | P58775-01-U38 | EA  | GALLEY - SIERRA MAPLE - ELEC STEP/HYDRIC LVL JACK/RANGE W/OVEN                     |
| 3   | P58775-07-U37 | EA  | GALLEY - WASHED MAPLE - ELEC STEP/HYDRIC LVL JACK-AUTO/DC AC INVERTER              |
| 3   | P58775-07-U38 | EA  | GALLEY - SIERRA MAPLE - ELEC STEP/HYDRIC LVL JACK-AUTO/DC AC INVERTER              |
| 3   | P58775-03-U37 | EA  | GALLEY - WASHED MAPLE - ELEC STEP/HYDRIC LVL JACK-AUTO/DC AC INVERTER/RANGE W/OVEN |
| 3   | P58775-03-U38 | EA  | GALLEY - SIERRA MAPLE - ELEC STEP/HYDRIC LVL JACK-AUTO/DC AC INVERTER/RANGE W/OVEN |
| 3   | P58775-08-U37 | EA  | GALLEY - WASHED MAPLE - HYDRIC LVL JACK-AUTO/DC AC INVERTER                        |
| 3   | P58775-08-U38 | EA  | GALLEY - SIERRA MAPLE - HYDRIC LVL JACK-AUTO/DC AC INVERTER                        |
| 3   | P58775-04-U38 | EA  | GALLEY - WASHED MAPLE - HYDRIC LVL JACK-AUTO/DC AC INVERTER//RANGE W/OVEN          |
| 3   | P58775-04-U37 | EA  | GALLEY - SIERRA MAPLE - HYDRIC LVL JACK-AUTO/DC AC INVERTER/RANGE W/OVEN           |
| 3   | P58775-06-U37 | EA  | GALLEY - WASHED MAPLE - HYDRIC LVL JACK-AUTO                                       |
| 3   | P58775-06-U38 | EA  | GALLEY - SIERRA MAPLE - HYDRIC LVL JACK-AUTO                                       |
| 3   | P58775-02-U39 | EA  | GALLEY - WASHED MAPLE - HYDRIC LVL JACK-AUTO/RANGE W/OVEN                          |
| 3   | P58775-02-U38 | EA  | GALLEY - SIERRA MAPLE - HYDRIC LVL JACK-AUTO/RANGE W/OVEN                          |

**CABINET & APPLIANCE GROUP (CONTINUED)**  
**CABINET & APPLIANCE LAYOUT (CONTINUED)**

| KEY | PART NUMBER   | U/M | DESCRIPTION   |
|-----|---------------|-----|---|
| 4   | 136919-53-S40 | EA  | DOOR - FLAT/PENCIL EDGE - 11.2" X 19.7" - W/O HARDWARE - WASHED MAPLE                                     |
| 4   | 136919-53-S41 | EA  | DOOR - FLAT/PENCIL EDGE - 11.2" X 19.7" - W/O HARDWAR - SIERRA MAPLE                                      |
| 5   | 136919-54-S40 | EA  | DOOR - FLAT/PENCIL EDGE - 11.2" X 19.7" - W/O HARDWARE - WASHED MAPLE                                     |
| 5   | 136919-54-S41 | EA  | DOOR - FLAT/PENCIL EDGE - 11.2" X 19.7" - W/O HARDWARE - SIERRA MAPLE                                     |
| 6   | 161075-27-W37 | EA  | DRAWER - PENCIL EDGE - 10"W X 15.7"D - W/O SLIDES/HDW - WASHED MAPLE                                      |
| 6   | 161075-27-W38 | EA  | DRAWER - PENCIL EDGE - 10"W X 15.7"D - W/O SLIDES/HDW - SIERRA MAPLE                                      |
| 7   | 161075-28-W37 | EA  | DRAWER - PENCIL EDGE - 19.8"W X 11.8"D - W/O SLIDES/HDW   |
| 7   | 161075-28-W38 | EA  | DRAWER - PENCIL EDGE - 19.8"W X 11.8"D - W/O SLIDES/HDW   |
| 8   | 161075-29-W37 | EA  | DRAWER - PENCIL EDGE - 19.8"W X 19.7"D - W/O SLIDES/HDW   |
| 8   | 161075-29-W38 | EA  | DRAWER - PENCIL EDGE - 19.8"W X 19.7"D - W/O SLIDES/HDW   |
| 9   | 161075-30-W37 | EA  | DRAWER - PENCIL EDGE - 19.8"W X 11.8"D - W/O SLIDES/HDW   |
| 9   | 161075-30-W38 | EA  | DRAWER - PENCIL EDGE - 19.8"W X 11.8"D - W/O SLIDES/HDW   |
| 10* | 151277-01-01A | EA  | RANGE-16"-3 BURNER - MERCURY FREE - BLACK DOOR/TEXTURED   |
| 11  | 140176-03-02B | EA  | BRACKET/TIEDOWN - STOVE - E-COATED  |
| 12  | 140176-04-02B | EA  | BRACKET/TIEDOWN - STOVE - E-COATED  |
| 13  | 162694-01-01A | EA  | ENCLOSURE - STOVE - 20.7"W X 16.1"H X 18.7"D  |
| 14* | 114030-04-01A | EA  | RANGE - 3 BRNR TOP/NEW STYLE KNOBS/GRATES-W/O OVEN-BLK  |
| 15  | 142139-13-02B | EA  | BRACKET/TIEDOWN - STOVE - E-COATED  |
| 16  | 142139-14-02B | EA  | BRACKET/TIEDOWN - STOVE - E-COATED  |
| 17  | 157828-25-05A | EA  | COUNTERTOP - EXTENSION/GALLEY (W37, W38)  |
| 17  | 157828-25-04A | EA  | COUNTERTOP - EXTENSION/GALLEY (W39, W40)  |
| 17  | 157828-25-03A | EA  | COUNTERTOP - EXTENSION/GALLEY (W41, W42)  |
| 18  | 157828-51-05A | EA  | COUNTERTOP - GALLEY (W37, W38)  |
| 18  | 157828-51-04A | EA  | COUNTERTOP - GALLEY (W39, W40)  |
| 18  | 157828-51-03A | EA  | COUNTERTOP - GALLEY (W41, W42)  |
| 19  | 161075-31-W37 | EA  | DRAWER - PENCIL EDGE - 13.5"W X 21.6"D - W/O SLIDES/HDW - WASHED MAPLE                                    |
| 19  | 161075-31-W38 | EA  | DRAWER - PENCIL EDGE - 13.5"W X 21.6"D - W/O SLIDES/HDW - SIERRA MAPLE                                    |
| 20  | 141507-02-W37 | EA  | DOOR - MIRRORED/PENCIL EDGE - 15.5" X 45.4" - W/O HDW - WASHED MAPLE                                      |
| 20  | 141507-02-W38 | EA  | DOOR - MIRRORED/PENCIL EDGE - 15.5" X 45.4" - W/O HDW - SIERRA MAPLE                                      |
| 21  | P49363-01-S34 | EA  | CABINET/BASE - QUEEN BED - W/O DOORS/DRAWERS/HARDWARE - WASHED MAPLE                                      |
| 21  | P49363-01-S35 | EA  | CABINET/BASE - QUEEN BED - W/O DOORS/DRAWERS/HARDWARE - SIERRA MAPLE                                      |
| 22  | 136955-A0-W37 | EA  | DOOR - RAISED PANEL/PENCIL EDGE - 14.4" X 14.4" - W/O HDW - WASHED MAPLE<br>FROM: 00-00-00 THRU: 01-10-07 |
| 22  | 147084-17-W37 | EA  | DOOR - FLAT PANEL/PENCIL EDGE - 14.4" X 14.4" - W/O HDW - WASHED MAPLE<br>FROM: 01-11-07 THRU: 99-99-99   |
| 22  | 136955-A0-W38 | EA  | DOOR - RAISED PANEL/PENCIL EDGE - 14.4" X 14.4" - W/O HDW - SIERRA MAPLE<br>FROM: 00-00-00 THRU: 01-10-07 |
| 22  | 147084-17-W38 | EA  | DOOR - FLAT PANEL/PENCIL EDGE - 14.4" X 14.4" - W/O HDW - SIERRA MAPLE<br>FROM: 01-11-07 THRU: 99-99-99   |
| 23  | 149364-01-S34 | EA  | CABINET - SHIRT CLOSET - W/O DOORS/DRAWERS/HARDWARE - WASHED MAPLE  |
| 23  | 149364-01-S35 | EA  | CABINET - SHIRT CLOSET - W/O DOORS/DRAWERS/HARDWARE - SIERRA MAPLE  |
| 24  | 136955-28-S40 | EA  | DOOR - RAISED PANEL/PENCIL EDGE - 10" X 29.5" - W/O HDW - WASHED MAPLE                                    |
| 24  | 136955-28-S41 | EA  | DOOR - RAISED PANEL/PENCIL EDGE - 10" X 29.5" - W/O HDW - SIERRA MAPLE                                    |
| 25  | 149337-01-S34 | EA  | CABINET - OVERHEAD/REAR - W/O DOORS/HARDWARE - WASHED MAPLE   |
| 25  | 149337-01-S35 | EA  | CABINET - OVERHEAD/REAR - W/O DOORS/HARDWARE - SIERRA MAPLE   |
| 26  | 136955-94-S40 | EA  | DOOR - RAISED PANEL/PENCIL EDGE - 13.6" X 30.3" - W/O HDW - WASHED MAPLE                                  |
| 26  | 136955-94-S41 | EA  | DOOR - RAISED PANEL/PENCIL EDGE - 13.6" X 30.3" - W/O HDW - SIERRA MAPLE                                  |
| 27  | 149361-01-S34 | EA  | CABINET - OVERHEAD/REAR/RIGHT - W/O DOORS/HARDWARE - WASHED MAPLE   |
| 27  | 149361-01-S35 | EA  | CABINET - OVERHEAD/REAR/RIGHT - W/O DOORS/HARDWARE - SIERRA MAPLE   |
| 28  | 136955-88-S40 | EA  | DOOR - RAISED PANEL/PENCIL EDGE - 13.4" X 21.9" - W/O HDW - WASHED MAPLE                                  |
| 28  | 136955-88-S41 | EA  | DOOR - RAISED PANEL/PENCIL EDGE - 13.4" X 21.9" - W/O HDW - SIERRA MAPLE                                  |
| 29  | 149511-01-S34 | EA  | CABINET - OVERHEAD/MICROWAVE - W/O DOORS/HDW - WASHED MAPLE   |
| 29  | 149511-01-S35 | EA  | CABINET - OVERHEAD/MICROWAVE - W/O DOORS/HDW - SIERRA MAPLE   |
| 30  | 149420-03-02B | EA  | BRACE - MICROWAVE - E-COATED  |
| 31  | 149420-04-02B | EA  | BRACE - MICROWAVE - E-COATED  |
| 32  | 112160-01-000 | FT  | SEAL - D SECTION - .2 X .3" - FOAM RUBBER   |
| 33  | 149514-01-S34 | EA  | CABINET - OVERHEAD/GALLEY - W/O DOORS/HDW - WASHED MAPLE  |
| 33  | 149514-01-S35 | EA  | CABINET - OVERHEAD/GALLEY - W/O DOORS/HDW - SIERRA MAPLE  |
| 34  | 136955-A3-S40 | EA  | DOOR - RAISED PANEL/PENCIL EDGE - 14.4" X 17.9" - W/O HDW - WASHED MAPLE                                  |
| 34  | 136955-A3-S41 | EA  | DOOR - RAISED PANEL/PENCIL EDGE - 14.4" X 17.9" - W/O HDW - SIERRA MAPLE                                  |
| 35  | 089076-08-000 | EA  | H-CHANNEL - SUPPORT/BED - 72.6" - OFF WHITE   |

\*COMPONENT PARTS LISTED LATER IN THIS GROUP

**CABINET & APPLIANCE GROUP (CONTINUED)**  
**CABINET & APPLIANCE LAYOUT (CONTINUED)**



| KEY | PART NUMBER   | U/M | DESCRIPTION   |
|-----|---------------|-----|---|
| 1*  | 121568-07-01A | EA  | REFRIGERATOR - SMALL DBL DOOR-LH/2 WAY- 52.8"HX23.5"WX24"D                |
|     | 054450-01-000 | EA  | LEVEL - REFRIGERATOR  |
|     | 116751-01-01A | EA  | TRAY - REFRIGERATOR   |
| 2   | 148432-10-01A | EA  | PANTRY BASKET - 6" X 20.5" X 3.3"   |
| 3   | 117047-02-000 | EA  | BUMPER - RUBBER/WASHER INSERT   |
| 4   |               |     | REFRIGERATOR CABINET SEALS  |
|     | 090329-01-000 | FT  | SEAL - "T" - REFRIGERATOR CABINET   |
| 5   | 157828-52-05A | EA  | COUNTERTOP - LAVATORY (W37, W38)  |
| 5   | 157828-52-04A | EA  | COUNTERTOP - LAVATORY (W39, W40)  |
| 5   | 157828-52-03A | EA  | COUNTERTOP - LAVATORY (W41, W42)  |
| 6   | P49300-01-T41 | EA  | CABINET - LAVATORY - W/O COUNTERTOP/DRAWERS/DOORS/HARDWARE - WASHED MAPLE |
| 6   | P49300-01-S35 | EA  | CABINET - LAVATORY - W/O COUNTERTOP/DRAWERS/DOORS/HARDWARE - SIERRA MAPLE |
| 7   | 149314-01-S34 | EA  | CABINET - OVERHEAD/LAVATORY - W/O DOORS/HDW - WASHED MAPLE                |
| 7   | 149314-01-S35 | EA  | CABINET - OVERHEAD/LAVATORY - W/O DOORS/HDW - SIERRA MAPLE                |
| 8   | 149314-16-S34 | EA  | SHELF - W/PLASTIC MOLDING - WASHED MAPLE                                  |
| 8   | 149314-16-S35 | EA  | SHELF - W/PLASTIC MOLDING - SIERRA MAPLE                                  |
| 9   | 145576-A5-T41 | EA  | DOOR - MIRRORED - 20.8" X 25.9" - W/O HARDWARE - WASHED MAPLE             |
| 9   | 145576-A5-TK0 | EA  | DOOR - MIRRORED - 20.8" X 25.9" - W/O HARDWARE - SIERRA MAPLE             |
|     | 093606-47-000 | EA  | MIRROR - BEVELED EDGE - 20.8" X 25.9"                                     |
| 10  | 076767-04-000 | EA  | CABLE - STAINLESS STEEL - 5.9"  |
| 11  | 136919-98-S40 | EA  | DOOR - FLAT/PENCIL EDGE - 13.8" X 23.2" - W/O HARDWARE - WASHED MAPLE     |
| 11  | 136919-98-S41 | EA  | DOOR - FLAT/PENCIL EDGE - 13.8" X 23.2" - W/O HARDWARE - SIERRA MAPLE     |

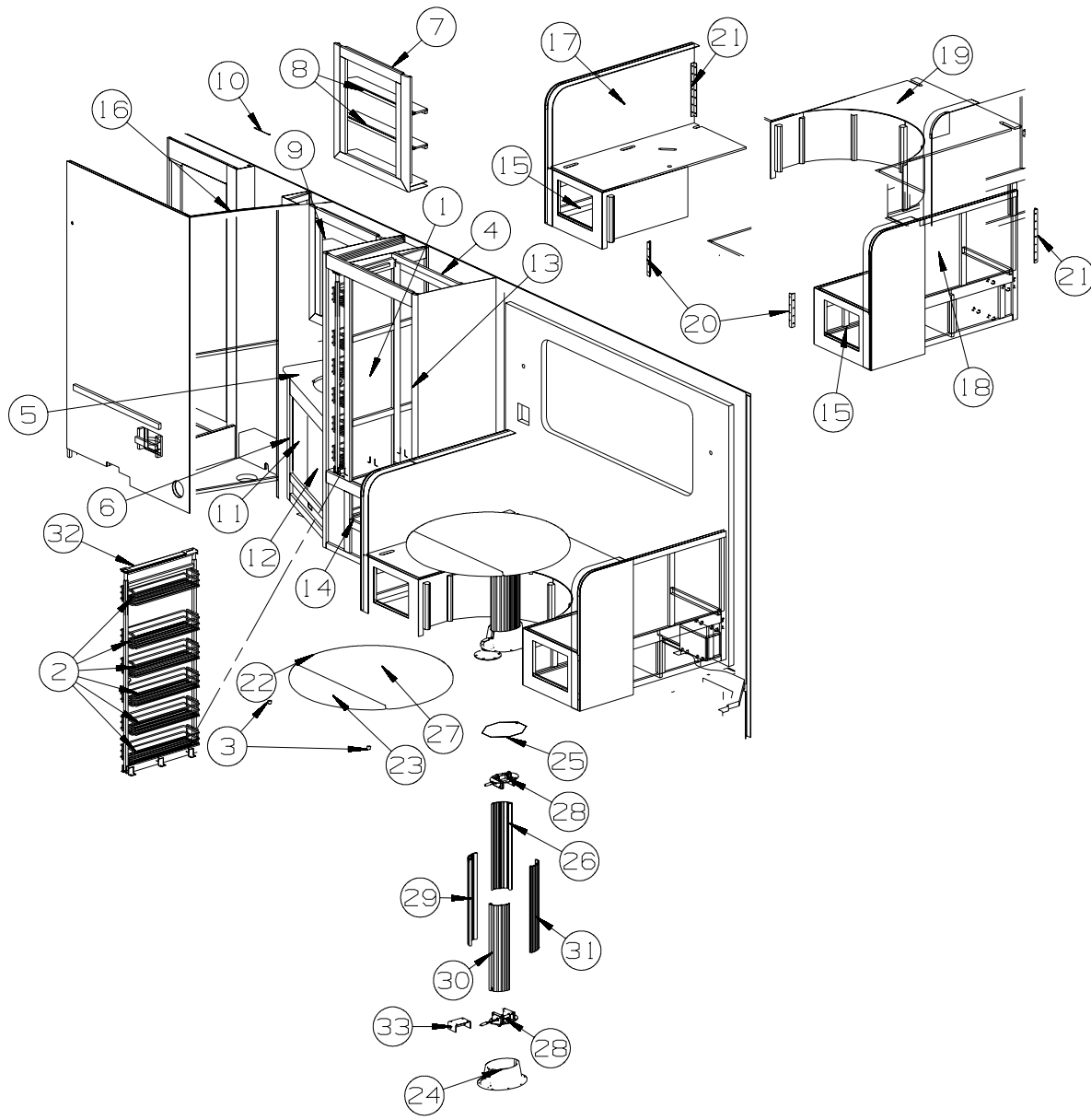


## CABINET & APPLIANCE GROUP (CONTINUED)

### CABINET & APPLIANCE LAYOUT (CONTINUED)

| KEY | PART NUMBER   | U/M | DESCRIPTION   |
|-----|---------------|-----|---|
| 12  | 136919-99-S40 | EA  | DOOR - FLAT/PENCIL EDGE - 13.8" X 23.2" - W/O HARDWARE - WASHED MAPLE                                   |
| 12  | 136919-99-S41 | EA  | DOOR - FLAT/PENCIL EDGE - 13.8" X 23.2" - W/O HARDWARE - SIERRA MAPLE                                   |
| 13  | 136955-E8-W37 | EA  | DOOR - RAISED PANEL/PENCIL EDGE - 8.1" X 53.9" - W/O HDW - WASHED MAPLE                                 |
| 13  | 136955-E8-W38 | EA  | DOOR - RAISED PANEL/PENCIL EDGE - 8.1" X 53.9" - W/O HDW - SIERRA MAPLE                                 |
| 14  | 161075-26-W37 | EA  | DRAWER - PENCIL EDGE - 22.6"W X 15.7"D - W/O SLIDES/HDW - WASHED MAPLE                                  |
| 14  | 161075-26-W38 | EA  | DRAWER - PENCIL EDGE - 22.6"W X 15.7"D - W/O SLIDES/HDW - SIERRA MAPLE                                  |
| 15  | 136955-22-W37 | EA  | DOOR - RAISED PANEL/PENCIL EDGE - 10" X 19.1" - W/O HDW - WASHED MAPLE<br>FROM: 00-00-00 THRU: 01-10-07 |
| 15  | 147084-06-W37 | EA  | DOOR - FLAT PANEL/PENCIL EDGE - 10" X 15.7" - W/O HDW - WASHED MAPLE<br>FROM: 01-11-07 THRU: 99-99-99   |
| 15  | 136955-22-W38 | EA  | DOOR - RAISED PANEL/PENCIL EDGE - 10" X 19.1" - W/O HDW - SIERRA MAPLE<br>FROM: 00-00-00 THRU: 01-10-07 |
| 15  | 147084-06-W38 | EA  | DOOR - FLAT PANEL/PENCIL EDGE - 10" X 15.7" - W/O HDW - SIERRA MAPLE<br>FROM: 01-11-07 THRU: 99-99-99   |
| 16  | 144645-09-S34 | EA  | DOOR - BATH - W/O TOWEL RACK/HARDWARE - WASHED MAPLE  |
| 16  | 144645-09-S35 | EA  | DOOR - BATH - W/O TOWEL RACK/HARDWARE - SIERRA MAPLE  |
| 17  | P59179-AB-U22 | EA  | CABINET - SEATBASE/LEFT HAND ONLY - W/O HARDWARE - WASHED MAPLE   |
| 17  | P59179-AB-W38 | EA  | CABINET - SEATBASE/LEFT HAND ONLY - W/O HARDWARE - SIERRA MAPLE   |
| 17  | 159179-22-W37 | EA  | SEAT BACK - DINETTE - LEFT  |
| 17  | 159179-22-W38 | EA  | SEAT BACK - DINETTE - LEFT  |
| 17  | 159179-22-W39 | EA  | SEAT BACK - DINETTE - LEFT  |
| 17  | 159179-22-W40 | EA  | SEAT BACK - DINETTE - LEFT  |
| 17  | 159179-22-W41 | EA  | SEAT BACK - DINETTE - LEFT  |
| 17  | 159179-22-W42 | EA  | SEAT BACK - DINETTE - LEFT  |
| 17  | 159179-47-W37 | EA  | SEAT BACK - DINETTE - LEFT (W37) - <b>ULTRALEATHER</b>  |
| 17  | 159179-47-W38 | EA  | SEAT BACK - DINETTE - LEFT (W38) - <b>ULTRALEATHER</b>  |
| 17  | 159179-47-W39 | EA  | SEAT BACK - DINETTE - LEFT (W39) - <b>ULTRALEATHER</b>  |
| 17  | 159179-47-W40 | EA  | SEAT BACK - DINETTE - LEFT (W40) - <b>ULTRALEATHER</b>  |
| 17  | 159179-47-W41 | EA  | SEAT BACK - DINETTE - LEFT (W41) - <b>ULTRALEATHER</b>  |
| 17  | 159179-47-W42 | EA  | SEAT BACK - DINETTE - LEFT (W42) - <b>ULTRALEATHER</b>  |
| 17  | 159179-25-U22 | EA  | END CAP - DINETTE - SEAT BASE/LEFT  |
| 17  | 159179-25-W38 | EA  | END CAP - DINETTE - SEAT BASE/LEFT  |
| 18  | P59179-AC-U22 | EA  | CABINET - SEATBASE/RIGHT HAND ONLY - W/O HARDWARE - WASHED MAPLE  |
| 18  | P59179-AC-W38 | EA  | CABINET - SEATBASE/RIGHT HAND ONLY - W/O HARDWARE - SIERRA MAPLE  |
| 18  | 159179-11-W37 | EA  | SEAT BACK - DINETTE - RIGHT   |
| 18  | 159179-11-W38 | EA  | SEAT BACK - DINETTE - RIGHT   |
| 18  | 159179-11-W39 | EA  | SEAT BACK - DINETTE - RIGHT   |
| 18  | 159179-11-W40 | EA  | SEAT BACK - DINETTE - RIGHT   |
| 18  | 159179-11-W41 | EA  | SEAT BACK - DINETTE - RIGHT   |
| 18  | 159179-11-W42 | EA  | SEAT BACK - DINETTE - RIGHT   |
| 18  | 159179-46-W37 | EA  | SEAT BACK - DINETTE - RIGHT (W37) - <b>ULTRALEATHER</b>   |
| 18  | 159179-46-W38 | EA  | SEAT BACK - DINETTE - RIGHT (W38) - <b>ULTRALEATHER</b>   |
| 18  | 159179-46-W39 | EA  | SEAT BACK - DINETTE - RIGHT (W39) - <b>ULTRALEATHER</b>   |
| 18  | 159179-46-W40 | EA  | SEAT BACK - DINETTE - RIGHT (W40) - <b>ULTRALEATHER</b>   |
| 18  | 159179-46-W41 | EA  | SEAT BACK - DINETTE - RIGHT (W40) - <b>ULTRALEATHER</b>   |
| 18  | 159179-46-W42 | EA  | SEAT BACK - DINETTE - RIGHT (W42) - <b>ULTRALEATHER</b>   |
| 18  | 159179-14-U22 | EA  | END CAP - DINETTE - SEAT BASE/RIGHT   |
| 18  | 159179-14-W38 | EA  | END CAP - DINETTE - SEAT BASE/RIGHT   |
| 19  | P59179-AA-U22 | EA  | CABINET - SEATBASE/CENTER "CURVED" ONLY - W/O HARDWARE - WASHED MAPLE                                   |
| 19  | P59179-AA-W38 | EA  | CABINET - SEATBASE/CENTER "CURVED" ONLY - W/O HARDWARE - SIERRA MAPLE                                   |
|     | 096764-02-000 | FT  | SLIPNOT - ANTISLIP - 1'WIDE (20' ROLLS) - WHITE   |
| 20  | 122021-04-01A | EA  | ANGLE - W/HOLES - 8.7" LONG - OFF WHITE<br>FROM: 00-00-00 THRU: 04-11-07                                |
| 20  | 122021-01-02A | EA  | ANGLE - W/HOLES - 8.6" LONG - OFF WHITE<br>FROM: 04-12-07 THRU: 99-99-99                                |
| 21  | 122021-02-02A | EA  | ANGLE - W/HOLES - 13.7" LONG - OFF WHITE  |

**CABINET & APPLIANCE GROUP (CONTINUED)**  
**CABINET & APPLIANCE LAYOUT (CONTINUED)**



| KEY | PART NUMBER   | U/M | DESCRIPTION   |
|-----|---------------|-----|---|
| 22  | 163463-01-W37 | EA  | TABLE/DINETTE - ROUND - W/DROP LEAF/HDW - W/O LEG (W41, W42)<br>FROM: 00-00-00 THRU: 04-05-07 |
| 22  | 163463-02-W37 | EA  | TABLE/DINETTE - ROUND - W/DROP LEAF/HDW - W/O LEG (W37, W38)<br>FROM: 04-06-07 THRU: 08-12-07 |
| 22  | 163463-01-W37 | EA  | TABLE/DINETTE - ROUND - W/DROP LEAF/HDW - W/O LEG (W37, W38)<br>FROM: 08-13-07 THRU: 99-99-99 |
| 22  | 163463-01-W39 | EA  | TABLE/DINETTE - ROUND - W/DROP LEAF/HDW - W/O LEG (W41, W42)<br>FROM: 00-00-00 THRU: 04-15-07 |
| 22  | 163463-02-W39 | EA  | TABLE/DINETTE - ROUND - W/DROP LEAF/HDW - W/O LEG (W39, W40)<br>FROM: 04-16-07 THRU: 08-12-07 |
| 22  | 163463-01-W39 | EA  | TABLE/DINETTE - ROUND - W/DROP LEAF/HDW - W/O LEG (W39, W40)<br>FROM: 08-13-07 THRU: 99-99-99 |
| 22  | 163463-01-W41 | EA  | TABLE/DINETTE - ROUND - W/DROP LEAF/HDW - W/O LEG (W41, W42)<br>FROM: 00-00-00 THRU: 04-15-07 |
| 22  | 163463-02-W41 | EA  | TABLE/DINETTE - ROUND - W/DROP LEAF/HDW - W/O LEG (W41, W42)<br>FROM: 04-16-07 THRU: 08-12-07 |
| 22  | 163463-01-W41 | EA  | TABLE/DINETTE - ROUND - W/DROP LEAF/HDW - W/O LEG (W41, W42)<br>FROM: 08-13-07 THRU: 99-99-99 |
| 23  | 157828-31-05A | EA  | COUNTERTOP - TABLE/ROUND - DROP LEAF ONLY (W37, W38)  |
| 23  | 157828-31-04A | EA  | COUNTERTOP - TABLE/ROUND - DROP LEAF ONLY (W39, W40)  |
| 23  | 157828-31-03A | EA  | COUNTERTOP - TABLE/ROUND - DROP LEAF ONLY (W41, W42)  |

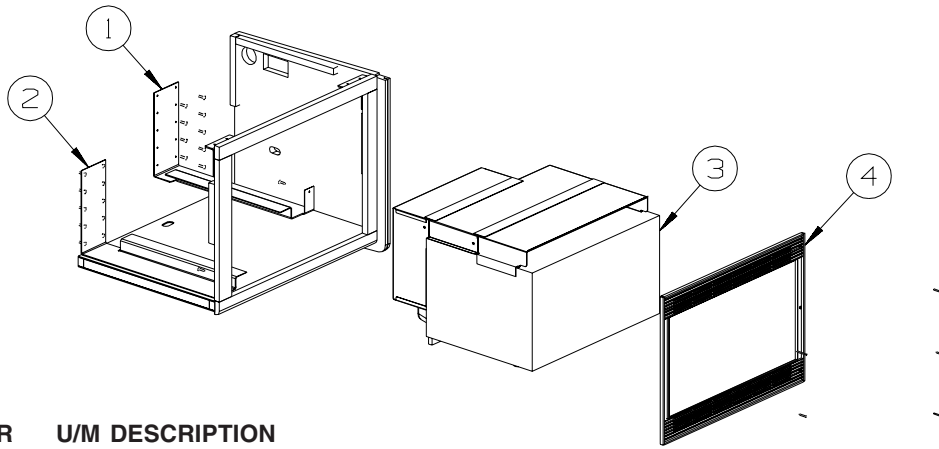


**CABINET & APPLIANCE GROUP (CONTINUED)**  
**CABINET & APPLIANCE LAYOUT (CONTINUED)**

| KEY | PART NUMBER   | U/M | DESCRIPTION   |
|-----|---------------|-----|---|
| 24  | 159548-01-01A | EA  | BASE - PEDESTAL MOUNT - FLOOR/TABLE - BLACK<br>FROM: 00-00-00 THRU: 04-15-07              |
| 24  | 155001-02-01A | EA  | BASE - LEG MOUNT/FLOOR/TABLE - RAISED - SILVER<br>FROM: 04-16-07 THRU: 08-12-07           |
| 24  | 159548-01-01A | EA  | BASE - PEDESTAL MOUNT - FLOOR/TABLE - BLACK<br>FROM: 08-13-07 THRU: 99-99-99              |
| 25  | 164710-01-02B | EA  | PLATE - TABLE SUPPORT - E-COATED  |
| 26  | 159545-02-01A | EA  | LEG - TABLE/PEDESTAL - W/UPPER LOCK ROD HOLE<br>FROM: 00-00-00 THRU: 02-27-07             |
| 26  | 164377-02-01A | EA  | PEDESTAL/LEG - TABLE - W/O LOCK ROD HOLE<br>FROM: 02-28-07 THRU: 04-15-07                 |
| 26  | 155001-01-01A | EA  | LEG - PEDESTAL TABLE - 27" - SILVER<br>FROM: 04-16-07 THRU: 08-12-07                      |
|     | 062046-01-000 | EA  | CLIP - LEG - PEDESTAL - 1.7" X 2.2" - DIA FROM 2" - 2.5"<br>FROM: 04-16-07 THRU: 08-12-07 |
| 26  | 164377-02-01A | EA  | PEDESTAL/LEG - TABLE - W/O LOCK ROD HOLE<br>FROM: 08-13-07 THRU: 99-99-99                 |
| 27  | 157828-30-05A | EA  | COUNTERTOP - TABLE/ROUND - LARGE SECTION ONLY (W37, W38)<br>FROM: 00-00-00 THRU: 04-15-07 |
| 27  | 162788-06-05A | EA  | COUNTERTOP - TABLE - W/O HDW (W37, W38)<br>FROM: 04-16-07 THRU: 08-12-07                  |
| 27  | 157828-30-05A | EA  | COUNTERTOP - TABLE/ROUND - LARGE SECTION ONLY (W37, W38)<br>FROM: 08-13-07 THRU: 99-99-99 |
| 27  | 157828-30-04A | EA  | COUNTERTOP - TABLE/ROUND - LARGE SECTION ONLY (W39, W40)<br>FROM: 00-00-00 THRU: 04-15-07 |
| 27  | 162788-06-04A | EA  | COUNTERTOP - TABLE - W/O HDW (W39, W40)<br>FROM: 04-16-07 THRU: 08-12-07                  |
| 27  | 157828-30-04A | EA  | COUNTERTOP - TABLE/ROUND - LARGE SECTION ONLY (W39, W40)<br>FROM: 08-13-07 THRU: 99-99-99 |
| 27  | 157828-30-03A | EA  | COUNTERTOP - TABLE/ROUND - LARGE SECTION ONLY (W41, W42)<br>FROM: 00-00-00 THRU: 04-15-07 |
| 27  | 162788-06-03A | EA  | COUNTERTOP - TABLE - W/O HDW (W41, W42)<br>FROM: 04-16-07 THRU: 08-12-07                  |
| 27  | 157828-30-03A | EA  | COUNTERTOP - TABLE/ROUND - LARGE SECTION ONLY (W41, W42)<br>FROM: 08-13-07 THRU: 99-99-99 |
| 28  | 159548-02-01A | EA  | FASTENER/LOCK - PEDESTAL LEG/TABLE - W/LOCK ROD   |
| 29  | 164378-01-01A | EA  | PEDESTAL/LEG - TABLE - W/UPPER LOCK ROD HOLE<br>FROM: 02-28-07 THRU: 04-14-07             |
| 29  | 164378-01-01A | EA  | PEDESTAL/LEG - TABLE - W/UPPER LOCK ROD HOLE<br>FROM: 08-13-07 THRU: 99-99-99             |
| 30  | 159545-01-01A | EA  | LEG - TABLE/PEDESTAL - W/LOWER LOCK ROD HOLE<br>FROM: 00-00-00 THRU: 02-27-07             |
| 30  | 164377-01-01A | EA  | PEDESTAL/LEG - TABLE - W/LOWER LOCK ROD HOLE<br>FROM: 02-28-07 THRU: 04-15-07             |
| 30  | 164377-01-01A | EA  | PEDESTAL/LEG - TABLE - W/LOWER LOCK ROD HOLE<br>FROM: 08-13-07 THRU: 99-99-99             |
| 31  | 164378-02-01A | EA  | PEDESTAL/LEG - TABLE - W/O LOCK ROD HOLE<br>FROM: 02-28-07 THRU: 4-14-07                  |
| 31  | 164378-02-01A | EA  | PEDESTAL/LEG - TABLE - W/O LOCK ROD HOLE<br>FROM: 08-13-07 THRU: 99-99-99                 |
| 32  | 148432-02-01A | EA  | SLIDE FRAME - PANTRY - 22.1" DEEP X 49.8" TO 52.8" TALL                                   |
| 33  | 159548-03-01A | EA  | U-CHANNEL/STRIKE - PEDESTAL INSERT - FLOOR/TABLE MOUNT<br>FROM: 00-00-00 THRU: 04-15-07   |
| 33  | 159548-03-01A | EA  | U-CHANNEL/STRIKE - PEDESTAL INSERT - FLOOR/TABLE MOUNT<br>FROM: 08-13-07 THRU: 99-99-99   |
|     | 164421-01-01A | EA  | GASKET - TABLE/PEDESTAL - (2 PER BASE) BLACK<br>FROM: 03-08-07 THRU: 99-99-99             |

\*COMPONENT PARTS LISTED LATER IN THIS GROUP

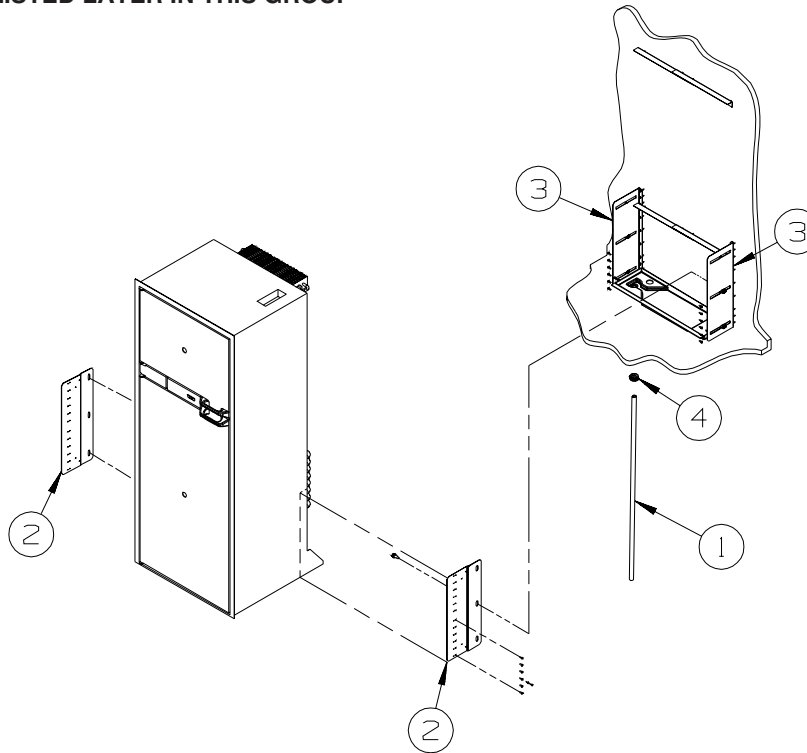
**CABINET & APPLIANCE GROUP (CONTINUED)**  
**CABINET & APPLIANCE LAYOUT (CONTINUED)**



**MICROWAVE  
INSTALLATION**

| KEY | PART NUMBER   | U/M | DESCRIPTION   |
|-----|---------------|-----|---|
| 1   | 149418-09-02B | EA  | BRACKET - MICROWAVE - E-COATED  |
| 2   | 149418-10-02B | EA  | BRACKET - MICROWAVE - E-COATED  |
| 3*  | 150606-04-02A | EA  | OVEN - MICROWAVE/CONVECTION/SILVER - .9 CU FT - #R-820JS              |
| 3   | 150606-06-01A | EA  | OVEN - MICROWAVE/CONVECTION/BLACK - .9 CU FT - #R820BK-CSA - CANADIAN |
| 4   | 150606-05-02A | EA  | TRIM KIT - MICROWAVE .9 CU FT - SILVER - MAGNADYNE #R820              |
| 4   | 150606-05-01A | EA  | TRIM KIT - MICROWAVE .9 CU FT - BLACK - MAGNADYNE #R820 - CANADIAN    |

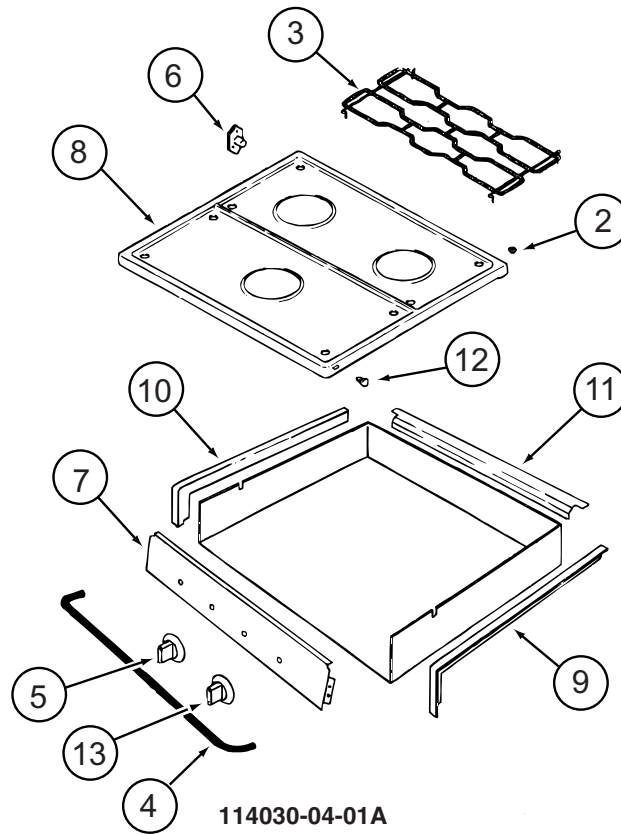
\*COMPONENT PARTS LISTED LATER IN THIS GROUP



**REFRIGERATOR  
INSTALLATION**

| KEY | PART NUMBER   | U/M | DESCRIPTION   |
|-----|---------------|-----|---|
| 1   | 112176-01-000 | FT  | TUBING - VINYL - REINFORCED - 1/2" ID                 |
| 2   | 150740-01-02B | EA  | BRACKET/TIEDOWN - REFRIGERATOR - E-COATED             |
| 3   | 150740-02-02B | EA  | BRACKET/TIEDOWN - REFRIGERATOR - E-COATED             |
| 4   | 152417-01-01A | EA  | CLAMP/RATCHET - F/REFRIGERATOR DRIP TRAY HOSE - BLACK |

**CABINET & APPLIANCE GROUP (CONTINUED)**  
**COMPONENT PARTS FOR CABINET & APPLIANCE LAYOUT**

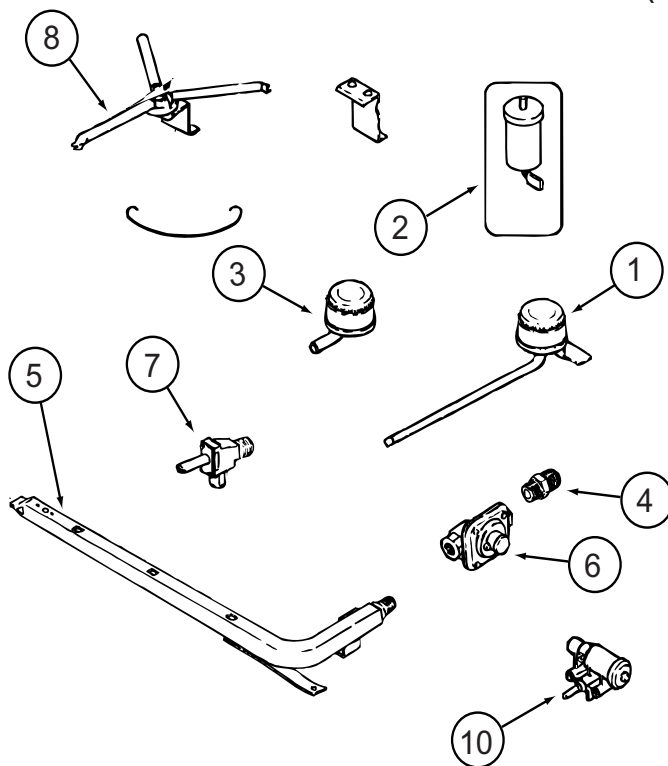


| KEY | PART NUMBER   | U/M | DESCRIPTION                 | VENDOR NO.       |
|-----|---------------|-----|-----------------------------|------------------|
| 2   | 102020-01-709 | EA  | BUMPER-GRATE                | 8007P020-60      |
| 3   | 112881-04-702 | EA  | GRATE - BLACK               | 74007277         |
| 4   | 114030-02-700 | EA  | GUARD/FABRIC - TOWEL BAR    | 3609F006-70      |
| 5   | 128728-01-701 | EA  | KNOB - BURNER - REAR        | 74003941 (1 PER) |
| 5   | 128728-01-702 | EA  | KNOB - BURNER - FRONT       | 74003942         |
| 6   | 128728-01-703 | EA  | PIN/T-NUT F/HINGE           | 7103P109-60      |
| 7   | 114030-04-700 | EA  | PANEL - MANIFOLD - BLACK    | 74007325         |
| 8   | 126023-01-728 | EA  | TOP - MAIN (BLACK)          | 74003323         |
| 9   | 114030-01-704 | EA  | TRIM - RIGHT/BLACK TEXTURED | 74002839         |
| 10  | 114030-01-705 | EA  | TRIM - LEFT/BLACK TEXTURED  | 74002840         |
| 11  | 114030-01-706 | EA  | TRIM - REAR/BLACK TEXTURED  | 74002841         |
| 12  | 102020-01-724 | EA  | BUMPER - MAIN TOP           | 8003P008-60      |
| 13  | 128728-01-707 | EA  | KNOB - IGNITER              | 74003944         |

114030-04-01A

CONTACT WINNEBAGO PART SALES FOR UNLISTED COMPONENT(S)

**CABINET & APPLIANCE GROUP (CONTINUED)**  
**COMPONENT PARTS FOR CABINET & APPLIANCE LAYOUT (CONTINUED)**

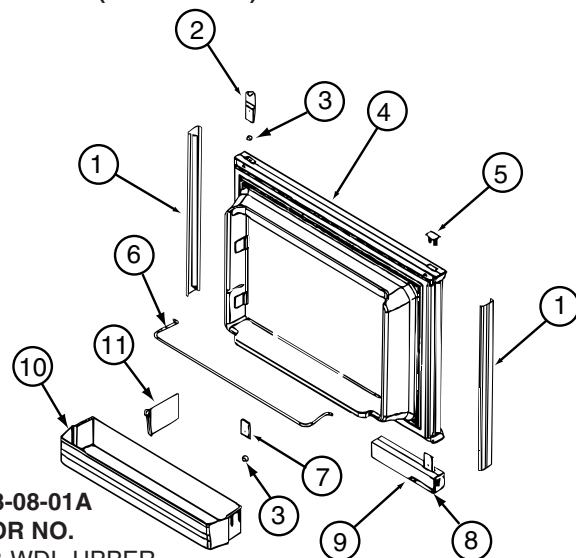


**114030-04-01A (CONTINUED)**

| KEY | PART NUMBER   | U/M | DESCRIPTION                     | VENDOR NO.  |
|-----|---------------|-----|---------------------------------|-------------|
| 1   | 112881-04-700 | EA  | BURNER - TOP /LEFT REAR         | 74004584    |
| 1   | 126023-01-700 | EA  | BURNER - TOP (RT-REAR) 5100 BTU | 74004583    |
| 2   | 112881-04-705 | EA  | PUSH RING (ELECTRODE MTG)       | 7104P002-60 |
| 2   | 126023-01-711 | EA  | ELECTRODE - IGNITER (ONLY)      | 7432P077-60 |
| 3   | 112881-04-701 | EA  | BURNER - TOP/FRONT              | 74004582    |
| 4   | 135065-03-700 | EA  | FITTING - HALF UNION            | 74004234    |
| 5   | 135065-01-702 | EA  | PIPE/MANIFOLD                   | 74004642    |
| 6   | 126023-02-703 | EA  | REGULATOR - PRESSURE            | 74004235    |
| 7   | 126023-02-705 | EA  | VALVE - BURNER - REAR           | 74004362    |
| 7   | 126023-02-706 | EA  | VALVE - BURNER - FRONT          | 74004363    |
| 8   | 126023-01-736 | EA  | FLASH TUBE EXTENSION (REAR)     | 74003326    |
| 8   | 126023-01-737 | EA  | FLASH TUBE EXTENSION (FRONT)    | 74003327    |
| 10  | 126023-01-719 | EA  | IGNITER HEAD - TOP BURNER       | 74002413    |
|     | 126023-02-702 | EA  | PIPE - MANIFOLD                 | 74004360    |

CONTACT WINNEBAGO PART SALES FOR UNLISTED COMPONENT(S)

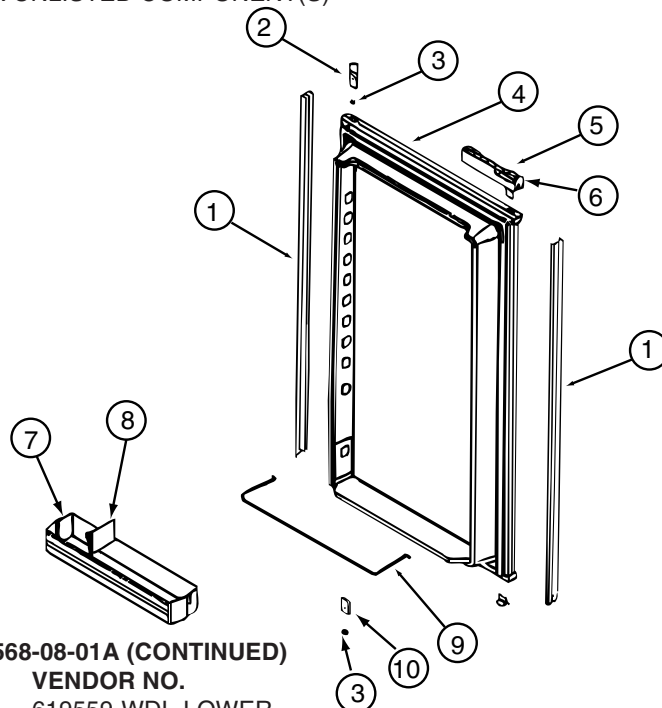
**CABINET & APPLIANCE GROUP (CONTINUED)**  
**COMPONENT PARTS FOR CABINET & APPLIANCE LAYOUT (CONTINUED)**



121568-06-01A, 121568-07-01A, 121568-08-01A

| KEY | PART NUMBER   | U/M | DESCRIPTION                  | VENDOR NO.         |
|-----|---------------|-----|------------------------------|--------------------|
| 1   | 121568-03-700 | EA  | RETAINER-DOOR PNL/WAFFLE/BLK | 619558-WDL-UPPER   |
| 2   | 120075-01-701 | EA  | HINGE-TOP RH/BOTTOM LH(DOOR) | 618511             |
| 3   | 121568-03-701 | EA  | BUSHING - HINGE PIN/GRAY     | 619671             |
| 4   | 121568-03-702 | EA  | DOOR LINER-UPR/WAFFLED/BLACK | 619627 - SMALL WDL |
| 5   | 120075-01-702 | EA  | CAP, (HINGE PLUG)            | 618160             |
| 6   | 121568-01-700 | EA  | RAIL - DOOR UPPER            | 618618             |
| 7   | 120075-01-705 | EA  | HINGE-TOP LH/BOTTOM RH(DOOR) | 618510             |
| 8   | 121568-03-705 | EA  | STORAGE LATCH - GRAY         | 619648             |
| 9   | 121568-03-721 | EA  | HANDLE/DOOR UPPER RH SWING   | 621465             |
| 9   | 121568-03-722 | EA  | HANDLE/DOOR LOWER RH SWING   | 621469             |
| 10  | 121568-01-701 | EA  | BIN - DOOR WHITE-WAFFLED LNR | 618619 WDL         |

CONTACT WINNEBAGO PART SALES FOR UNLISTED COMPONENT(S)

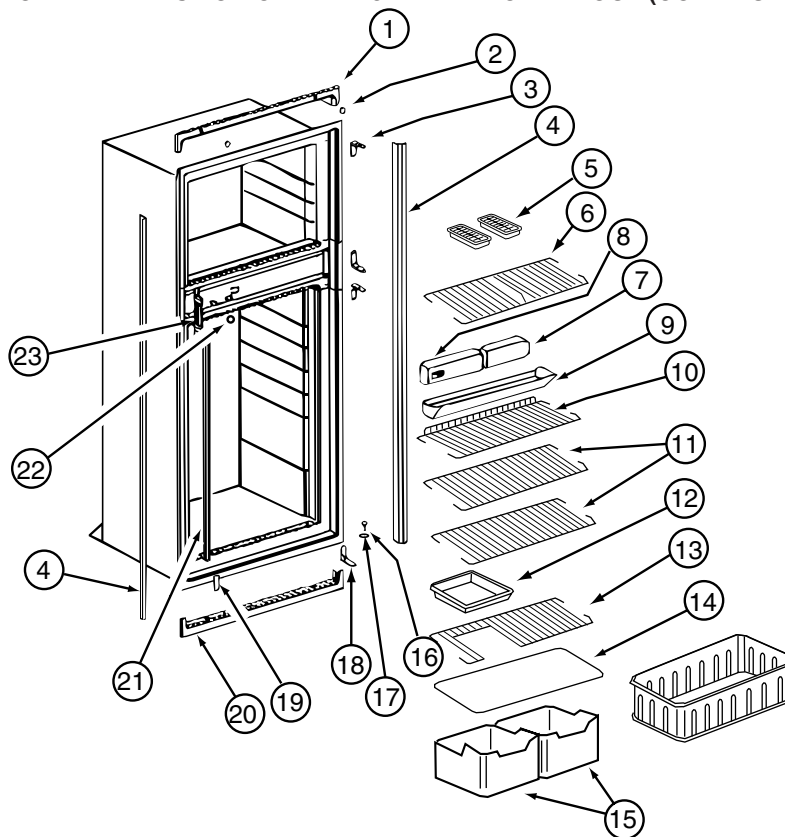


121568-06-01A, 121568-07-01A, 121568-08-01A (CONTINUED)

| KEY | PART NUMBER   | U/M | DESCRIPTION                  | VENDOR NO.       |
|-----|---------------|-----|------------------------------|------------------|
| 1   | 121568-03-706 | EA  | RETAINER-DOOR PNL/WAFFLE/BLK | 619559-WDL-LOWER |
| 2   | 120075-01-701 | EA  | HINGE-TOP RH/BOTTOM LH(DOOR) | 618511           |
| 3   | 121568-03-701 | EA  | BUSHING - HINGE PIN/GRAY     | 619671           |
| 4   | 121568-03-707 | EA  | DOOR LINER-LWR/WAFFLED/B/TRM | 619629           |
| 5   | 121568-03-722 | EA  | HANDLE/DOOR LOWER RH SWING   | 621469           |
| 6   | 121568-03-705 | EA  | STORAGE LATCH - GRAY         | 619648           |
| 7   | 121568-01-701 | EA  | BIN - DOOR WHITE-WAFFLED LNR | 618619 WDL       |
| 9   | 121568-01-704 | EA  | RAIL - DOOR LOWER            | 618578           |
| 10  | 120075-01-705 | EA  | HINGE-TOP LH/BOTTOM RH(DOOR) | 618510           |

CONTACT WINNEBAGO PART SALES FOR UNLISTED COMPONENT(S)

**CABINET & APPLIANCE GROUP (CONTINUED)**  
**COMPONENT PARTS FOR CABINET & APPLIANCE LAYOUT (CONTINUED)**

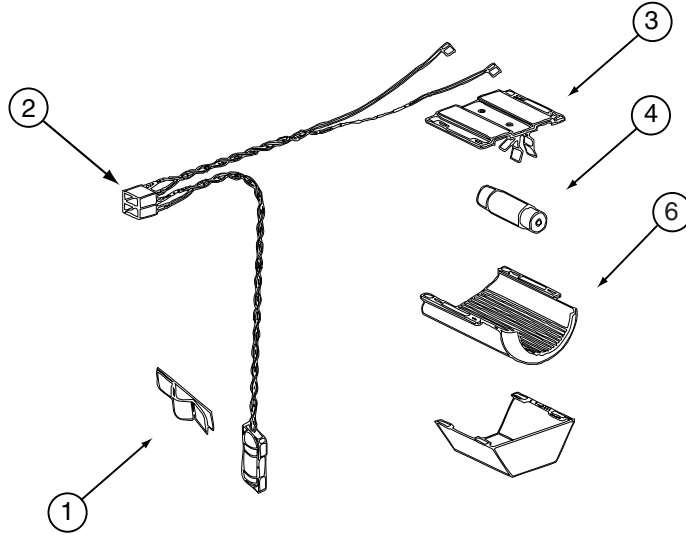


**121568-06-01A, 121568-07-01A, 121568-08-01A (CONTINUED)**

| KEY | PART NUMBER   | U/M | DESCRIPTION                 | VENDOR NO.          |
|-----|---------------|-----|-----------------------------|---------------------|
| 1   | 120075-01-713 | EA  | TRIM-TOP PIECE              | 619687              |
| 2   | 120075-01-714 | EA  | PLUG-HOLE (BLACK)           | 618170              |
| 3   | 121568-03-710 | EA  | HINGE/CABINET-TOP/RH-LWR/LH | 619335 WAFFLED      |
| 4   | 121568-03-711 | EA  | TRIM - SIDE/BLACK           | 622295              |
| 6   | 121568-01-705 | EA  | SHELF - WIRE FREEZER        | 620250              |
| 7   | 121568-06-700 | EA  | FRONT BOX-N611              | 622002              |
| 8   | 121568-06-701 | EA  | CONTROL ASSY-OPTICAL/N611   | 621988 TO SN9056491 |
| 9   | 120075-01-720 | EA  | TRAY-DRIP                   | 623250              |
| 9   | 120075-01-721 | EA  | LOUVER-DRIP TRAY            | 618176              |
| 11  | 121568-01-708 | EA  | SHELF - WIRE                | 620273              |
| 13  | 121568-01-707 | EA  | SHELF - WIRE - SHORT        | 620272              |
| 14  | 120075-01-725 | EA  | COVER-CRISPER - 18.5" WIDE  | 618158              |
| 15  | 121568-01-709 | EA  | CRISPER                     | 618571              |
| 16  | 120075-01-727 | EA  | PIN-HINGE                   | 618145              |
| 17  | 121568-03-701 | EA  | BUSHING - HINGE PIN/GRAY    | 619671              |
| 18  | 121568-03-715 | EA  | HINGE/CABINET-TOP/LH-LWR/RH | 619336 WAFFLED      |
| 19  | 121568-03-716 | EA  | COVER - HINGE HOLES         | 619301              |
| 20  | 120075-01-729 | EA  | TRIM-BOTTOM PIECE           | 620958              |
| 21  | 121568-06-702 | EA  | CLIP - SHELF                | 61536522            |
| 22  | 121568-06-703 | EA  | HOLE PLUG - WHITE           | 620282              |
| 23  | 120075-01-732 | EA  | PLATE-STRIKE                | 618167              |

CONTACT WINNEBAGO PART SALES FOR UNLISTED COMPONENT(S)

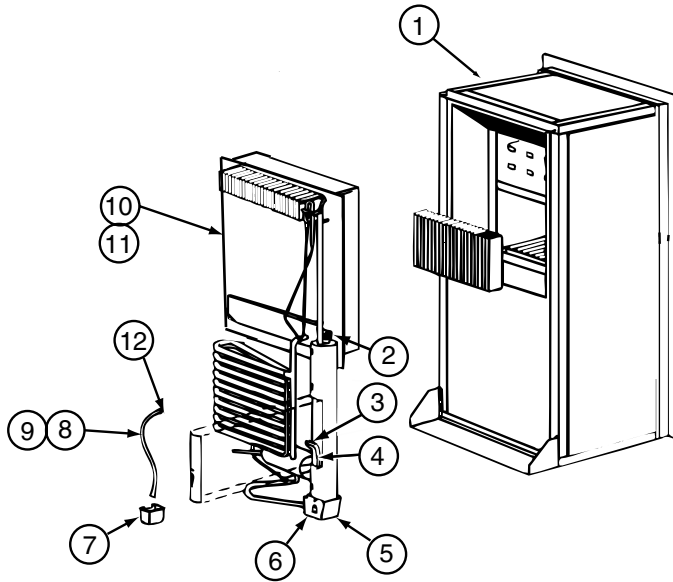
**CABINET & APPLIANCE GROUP (CONTINUED)**  
**COMPONENT PARTS FOR CABINET & APPLIANCE LAYOUT (CONTINUED)**



121568-03-01A, 121568-04-01A, 121568-05-01A, 121568-06-01A, 121568-07-01A, 121568-08-01A (CONTINUED)

| KEY | PART NUMBER   | U/M | DESCRIPTION                | VENDOR NO. |
|-----|---------------|-----|----------------------------|------------|
| 1   | 084880-01-760 | EA  | CLIP (THERMISTER)          | 61689122   |
| 2   | 120075-01-735 | EA  | WIRE ASM - LAMP/THERMISTER | 618548     |
| 3   | 084880-03-705 | EA  | BRACKET-LIGHT-INTERIOR     | 61629722   |
| 4   | 084880-03-706 | EA  | BULB-LAMP                  | 61628922   |
| 6   | 084880-03-707 | EA  | COVER-LAMP, LENS           | 61627922   |

CONTACT WINNEBAGO PART SALES FOR UNLISTED COMPONENT(S)

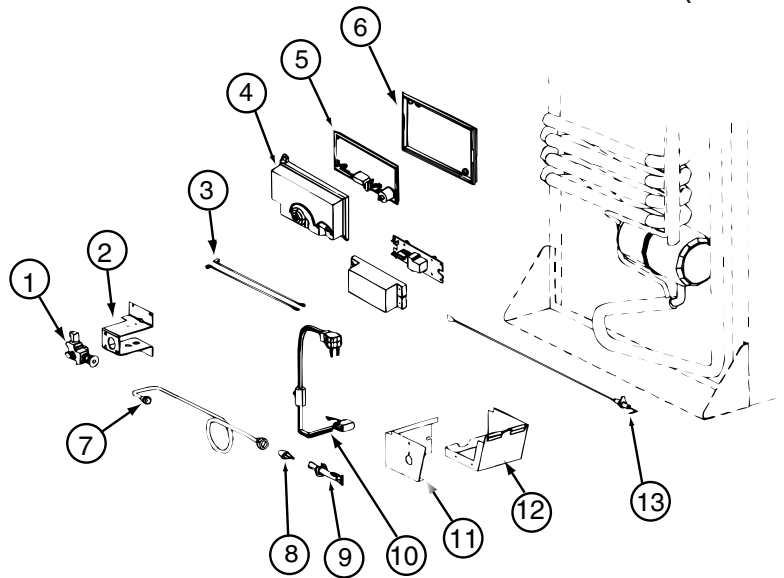


121568-06-01A, 121568-07-01A, 121568-08-01A (CONTINUED)

| KEY | PART NUMBER   | U/M | DESCRIPTION                | VENDOR NO. |
|-----|---------------|-----|----------------------------|------------|
| 4   | 121568-06-704 | EA  | HEATER-AC/300W/120VAC      | 621702     |
| 10  | 120076-01-704 | EA  | COOLING UNIT, SERVICE PACK | 618543     |

CONTACT WINNEBAGO PART SALES FOR UNLISTED COMPONENT(S)

**CABINET & APPLIANCE GROUP (CONTINUED)**  
**COMPONENT PARTS FOR CABINET & APPLIANCE LAYOUT (CONTINUED)**



**121568-06-01A, 121568-07-01A, 121568-08-01A (CONTINUED)**

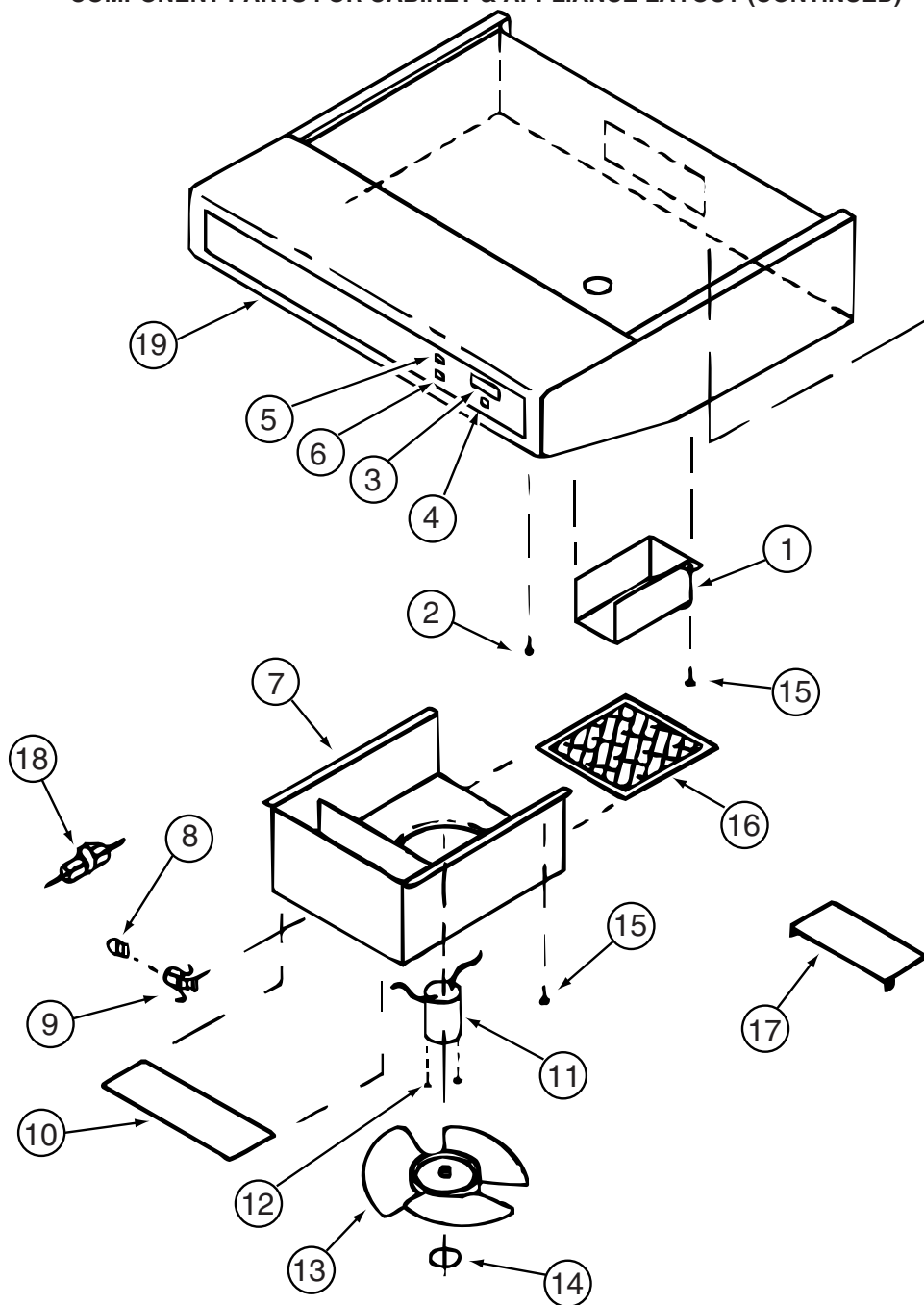
| KEY  | PART NUMBER   | U/M | DESCRIPTION                 | VENDOR NO.         |
|--|---------------|-----|-----------------------------|--------------------|
| 1  | 121568-06-705 | EA  | GAS VALVE/BRKT ASSY-COMBO   | 621439             |
| 1  | 121568-06-706 | EA  | GAS VALVE-COMBO/WRENCH FLAT | 621329             |
| 4  | 120075-01-738 | EA  | COVER-POWER BOARD           | 618185             |
| 5  | 121568-06-707 | EA  | BOARD/POWER-N611            | 621991 = 621991001 |
| 6  | 120075-01-740 | EA  | BASE - POWER BOARD          | 618186             |
| 8  | 121568-06-708 | EA  | BURNER/ORFICE-ADAPTER KIT   | 621957             |
| 13   | 104137-06-715 | EA  | ELECTRODE-SPARK/SENSOR, SGL | 61692222           |
|  | 121569-08-704 | EA  | TUBE/BURNER - N8/N6         | 624682             |
| CONTACT WINNEBAGO PART SALES FOR UNLISTED COMPONENT(S) |               |     |                             |                    |

**121568-05-01A, 121568-07-01A, 121568-08-01A (CONTINUED)**

| KEY | PART NUMBER   | U/M | DESCRIPTION               | VENDOR NO. |
|-----|---------------|-----|---------------------------|------------|
|     | 121568-05-700 | EA  | FAN 12V KIT DBLE SIDEWALL | 619020     |



**CABINET & APPLIANCE GROUP (CONTINUED)**  
**COMPONENT PARTS FOR CABINET & APPLIANCE LAYOUT (CONTINUED)**



136354-05-01A, 136354-05-02A

| KEY | PART NUMBER   | U/M | DESCRIPTION                  | VENDOR NO.          |
|-----|---------------|-----|------------------------------|---------------------|
| 3   | 100258-10-700 | EA  | GAUGE-HOUR METER, SCREW ON   | L0150-00 WAS 150    |
| 4   | 096983-01-702 | EA  | SWITCH - MOM/OFF/MOM/3 TERM  | L0112-00            |
| 5   | 096983-01-700 | EA  | SWITCH/1 SPEED -ON/OFF- BLK  | L0108-00            |
| 8   | 117806-01-000 | EA  | BULB-12V NO.912 1.0 AMPS     | GENERAL MOTOR HOMES |
| 9   | 092696-01-710 | EA  | HOLDER-LAMP                  | CB0267-02           |
| 10  | 096983-01-708 | EA  | LENS-LAMP                    | CC0179              |
| 11  | 136354-05-700 | EA  | MOTOR-12 VOLT                | VC0536-02           |
| 13  | 136354-05-701 | EA  | BLADE-FAN 7" DIA             | VD0216-00           |
| 16  | 096983-01-707 | EA  | FILTER-MESH                  | CC0246-00           |
| 17  | 100258-01-701 | EA  | DAMPER ASSEMBLY (METAL FLAP) | CA0565-00           |
| 19  | 100258-01-700 | EA  | LABEL-HOOD NOSE              | CC0428-00           |

CONTACT WINNEBAGO PART SALES FOR UNLISTED COMPONENT(S)

**CABINET & APPLIANCE GROUP (CONTINUED)**  
**COMPONENT PARTS FOR CABINET & APPLIANCE LAYOUT (CONTINUED)**

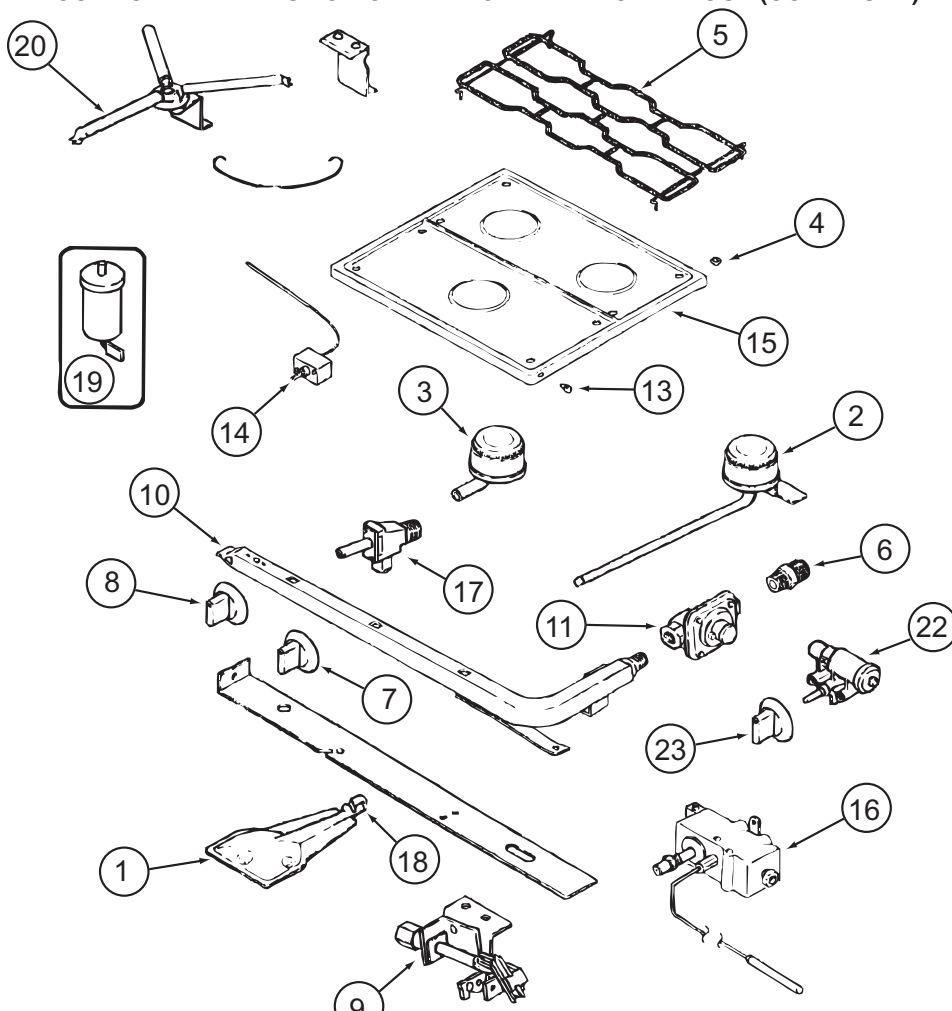
**136354-06-01A, 136354-06-02A**

| <b>KEY</b>   | <b>PART NUMBER</b> | <b>U/M</b> | <b>DESCRIPTION</b>           | <b>VENDOR NO.</b>   |
|--|--------------------|------------|------------------------------|---------------------|
| 3  | 100258-10-700      | EA         | GAUGE-HOUR METER, SCREW ON   | L0150-00 WAS 150    |
| 4  | 096983-01-702      | EA         | SWITCH - MOM/OFF/MOM/3 TERM  | L0112-00            |
| 5  | 096983-01-700      | EA         | SWITCH/1 SPEED -ON/OFF- BLK  | L0108-00            |
| 8  | 117806-01-000      | EA         | BULB-12V NO.912 1.0 AMPS     | GENERAL MOTOR HOMES |
| 9  | 092696-01-710      | EA         | HOLDER-LAMP                  | CB0267-02           |
| 10   | 096983-01-708      | EA         | LENS-LAMP                    | CC0179              |
| 11   | 136354-06-700      | EA         | MOTOR - FAN (CSA)            | VC0535-02           |
| 13   | 136354-05-701      | EA         | BLADE-FAN 7" DIA             | VD0216-00           |
| 16   | 096983-01-707      | EA         | FILTER-MESH                  | CC0246-00           |
| 17   | 100258-01-701      | EA         | DAMPER ASSEMBLY (METAL FLAP) | CA0565-00           |
| 19   | 100258-01-700      | EA         | LABEL-HOOD NOSE              | CC0428-00           |
| CONTACT WINNEBAGO PART SALES FOR UNLISTED COMPONENT(S) |                    |            |                              |                     |

**150606-04-02A**

| <b>KEY</b> | <b>PART NUMBER</b> | <b>U/M</b> | <b>DESCRIPTION</b> | <b>VENDOR NO.</b> |
|------------|--------------------|------------|--------------------|-------------------|
|            | 150606-04-700      | EA         | RACK - BAKING      | FAMI-A104WRM0     |
|            | 150606-04-702      | EA         | PLATE/TURNTABLE    | NTNT-A092WRH0     |

**CABINET & APPLIANCE GROUP (CONTINUED)**  
**COMPONENT PARTS FOR CABINET & APPLIANCE LAYOUT (CONTINUED)**

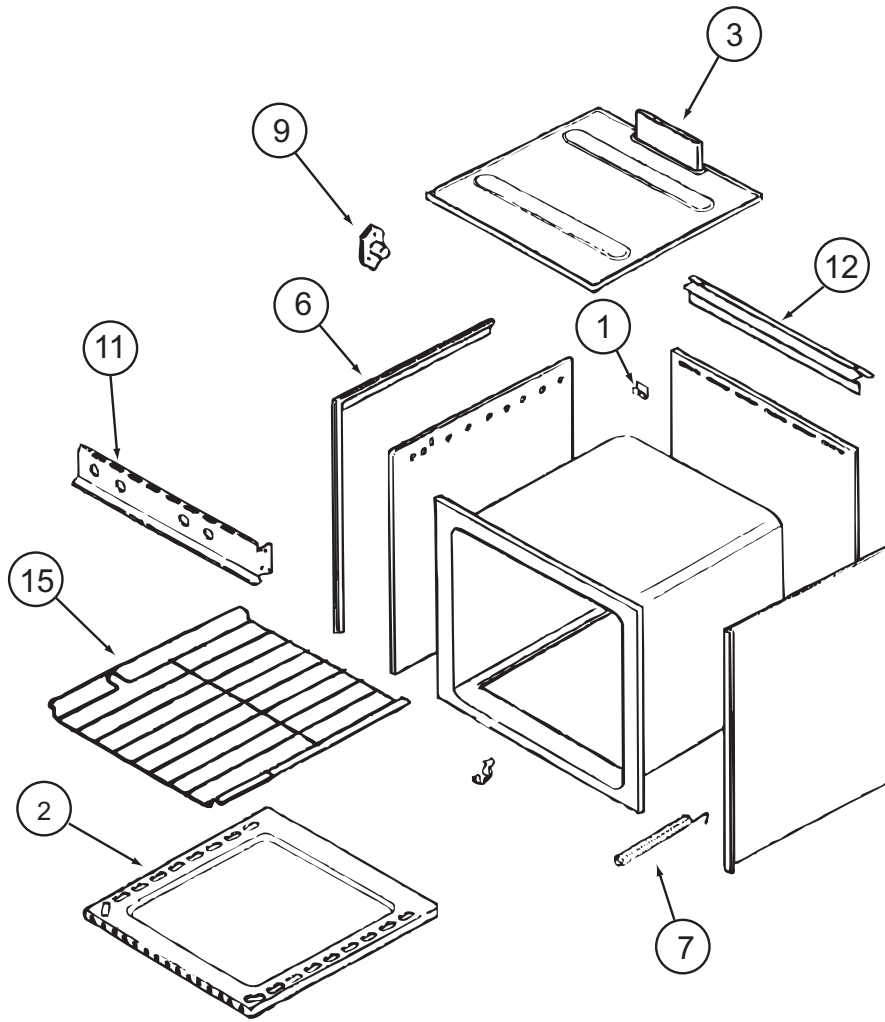


**151277-01-01A, 151277-02-01A**  
**151277-01-01A, 151277-02-01A (CONTINUED)**

| KEY | PART NUMBER   | U/M | DESCRIPTION                    | VENDOR NO.          |
|-----|---------------|-----|--------------------------------|---------------------|
| 1   | 151279-02-700 | EA  | BURNER - OVEN - W/SHUTTER      | 74009853            |
| 2   | 112881-04-700 | EA  | BURNER - TOP/LEFT REAR         | 74004584            |
| 2   | 126023-01-700 | EA  | BURNER-TOP (RT-REAR) 5100BTU   | 74004583            |
| 3   | 112881-04-701 | EA  | BURNER - TOP/FRONT             | 74004582            |
| 4   | 102020-01-709 | EA  | BUMPER-GRATE                   | 8007P020-60         |
| 5   | 112881-04-702 | EA  | GRATE - BLACK                  | 74007277            |
| 6   | 135065-03-700 | EA  | FITTING - HALF UNION           | 74004234            |
| 7   | 128728-01-701 | EA  | KNOB - BURNER - REAR           | 74003941 (1 PER)    |
| 7   | 128728-01-702 | EA  | KNOB - BURNER - FRONT          | 74003942            |
| 8   | 151279-02-701 | EA  | KNOB - THERMOSTAT - BLACK      | 74009858            |
| 9   | 151279-01-700 | EA  | PILOT - BURNER - 16" SERIES    | 74009852            |
| 10  | 151279-02-702 | EA  | PIPE - MANIFOLD                | 74009856            |
| 11  | 112881-03-701 | EA  | REGULATOR KIT W/FITTINGS       | 12001285            |
| 13  | 102020-01-724 | EA  | BUMPER-MAIN TOP                | 8003P008-60         |
| 14  | 151279-02-703 | EA  | THERMOSTAT                     | 74009855            |
| 15  | 151277-01-700 | EA  | TOP - MAIN (BLACK)             | 74007287            |
| 16  | 151279-02-704 | EA  | ELBOW BLOCK ASM (VALVE-OVEN)   | 74009864            |
| 17  | 151277-01-701 | EA  | VALVE/REAR - W/SET SCREW       | 12002254            |
| 17  | 151277-01-702 | EA  | VALVE/FRONT - W/SET SCREW      | 12002246            |
| 19  | 112881-04-705 | EA  | PUSH RING (ELECTRODE MTG)      | 7104P002-60         |
| 19  | 126023-01-711 | EA  | ELECTRODE - IGNITER (ONLY)     | 7432P077-60         |
| 20  | 126023-01-736 | EA  | FLASH TUBE EXTENSION (REAR)    | 74003326            |
| 20  | 126023-01-737 | EA  | FLASH TUBE EXTENSION (FRONT)   | 74003327            |
| 21  | 112881-04-708 | EA  | CLIP-FLASH TUBE                | 7112P068-60         |
| 22  | 126023-01-735 | EA  | KIT - IGNITOR TOP BRNER & KNOB | 12001296=74002413&4 |
| 23  | 128728-01-707 | EA  | KNOB - IGNITOR                 | 74003944            |
| 26  | 112881-04-709 | EA  | SHIELD-SPARK                   | 3604F211-45         |

CONTACT WINNEBAGO PART SALES FOR UNLISTED COMPONENT(S)

**CABINET & APPLIANCE GROUP (CONTINUED)**  
**COMPONENT PARTS FOR CABINET & APPLIANCE LAYOUT (CONTINUED)**

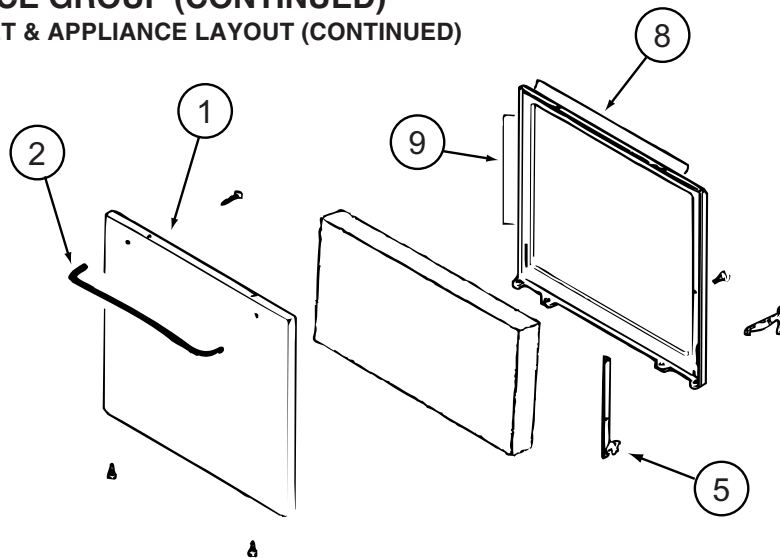


**151277-01-01A (CONTINUED)**

| KEY | PART NUMBER   | U/M | DESCRIPTION               | VENDOR NO.  |
|-----|---------------|-----|---------------------------|-------------|
| 2   | 126023-01-731 | EA  | BOTTOM - OVEN             | 2205F016-19 |
| 3   | 126023-01-718 | EA  | FLUE BOX ASSEMBLY         | 4006W075-80 |
| 6   | 126023-01-713 | EA  | TRIM - SIDE (RIGHT) BLACK | 74002827    |
| 6   | 126023-01-714 | EA  | TRIM - SIDE (LEFT) BLACK  | 74002828    |
| 7   | 135066-03-700 | EA  | SPRING - OVEN DOOR        | 74001835    |
| 9   | 128728-01-703 | EA  | PIN/T-NUT F/HINGE         | 7103P109-60 |
| 15  | 126023-01-716 | EA  | RACK - OVEN               | 74003106    |

CONTACT WINNEBAGO PART SALES FOR UNLISTED COMPONENT(S)

**CABINET & APPLIANCE GROUP (CONTINUED)**  
**COMPONENT PARTS FOR CABINET & APPLIANCE LAYOUT (CONTINUED)**

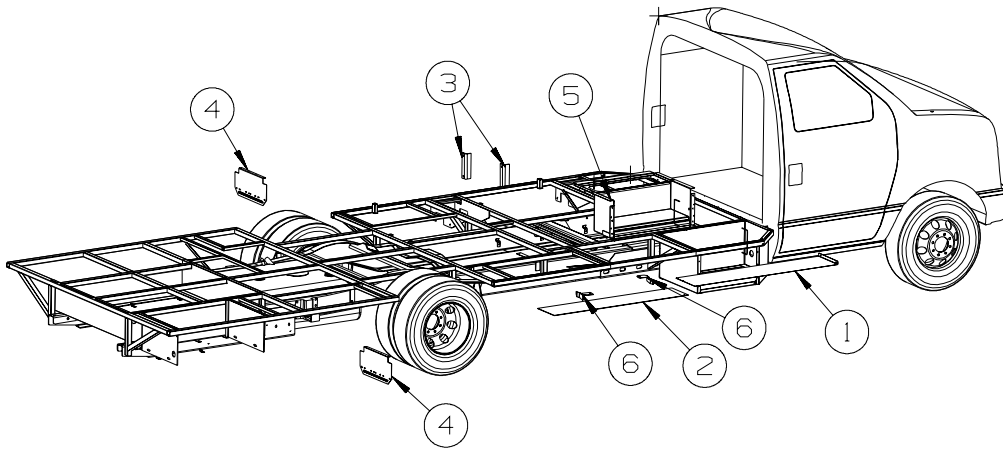


**151277-01-01A (CONTINUED)**

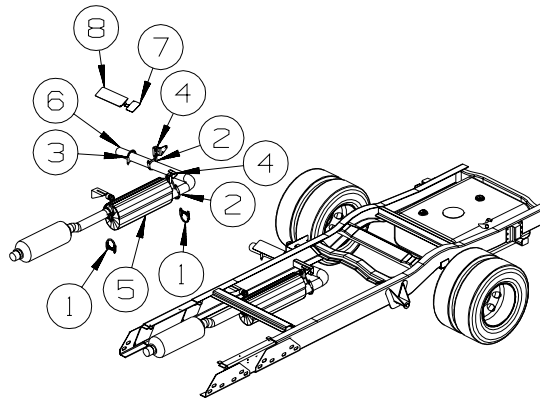
| KEY | PART NUMBER   | U/M | DESCRIPTION                  | VENDOR NO.  |
|-----|---------------|-----|------------------------------|-------------|
| 1   | 102022-01-704 | EA  | GLASS-OUTER                  | 7902P261-60 |
| 1   | 112881-01-713 | EA  | DOOR/OVEN-TEXT/BLK NO WINDOW | 2401F126-70 |
| 2   | 128727-01-701 | EA  | HANDLE - OVEN DOOR           | 74003929    |
| 5   | 151277-01-704 | EA  | HINGE KIT-OVEN DR/LT         | 12400028    |
| 5   | 151277-01-705 | EA  | HINGE KIT-OVEN DR/RT         | 12400029    |
| 8   | 126023-01-732 | EA  | SEAL/OVEN DR TOP             | 7212P014-60 |
| 9   | 135066-03-714 | EA  | SEAL - OVEN DOOR SIDES       | 7212P039-60 |

CONTACT WINNEBAGO PART SALES FOR UNLISTED COMPONENT(S)

## CHASSIS GROUP FRAME



| KEY | PART NUMBER   | U/M | DESCRIPTION  |
|-----|---------------|-----|--|
| 1   | 135676-08-02B | EA  | SHIELD - HEAT - E-COATED                             |
| 2   | 145027-01-02B | EA  | SHIELD - HEAT - E-COATED                             |
| 3   | 147847-02-02B | EA  | BRACKET - LP SUPPORT - E-COATED                      |
| 4   | 152277-01-02B | EA  | GUARD/ROCK - STEEL - W/BEND/2 NOTCHES - 18"W X 8.6"H |
| 5   | 135458-07-02B | EA  | BOX - ENTRY STEP - E-COATED                          |
| 6   | 139997-01-02B | EA  | ANGLE - STEEL - W/2 SLOTS - E-COATED                 |
|     | 167083-01-02B | EA  | SPACER - CABLE/BRAKE - E-COATED                      |



### EXHAUST

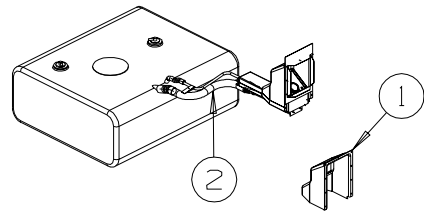
| KEY | PART NUMBER   | U/M | DESCRIPTION                             |
|-----|---------------|-----|---|
| 1   | 094918-06-000 | EA  | CLAMP - EXHAUST - 3" - HEAVY DUTY       |
| 2   | 122392-02-02B | EA  | HANGER - TAILPIPE - E-COATED            |
| 3   | 094918-01-000 | EA  | CLAMP - EXHAUST - 3" - GUILLOTINE STYLE |
| 4   | 143811-01-000 | EA  | HANGER - EXHAUST - FORD F53             |
| 5   | 143929-04-000 | EA  | MUFFLER - EXHAUST                       |
| 6   | 148094-02-000 | EA  | PIPE - EXHAUST/TAIL                     |
| 7   | 143138-03-02B | EA  | SHIELD - EXHAUST - E-COATED             |
| 8   | 143138-04-02B | EA  | SHIELD - EXHAUST - E-COATED             |

### HITCH

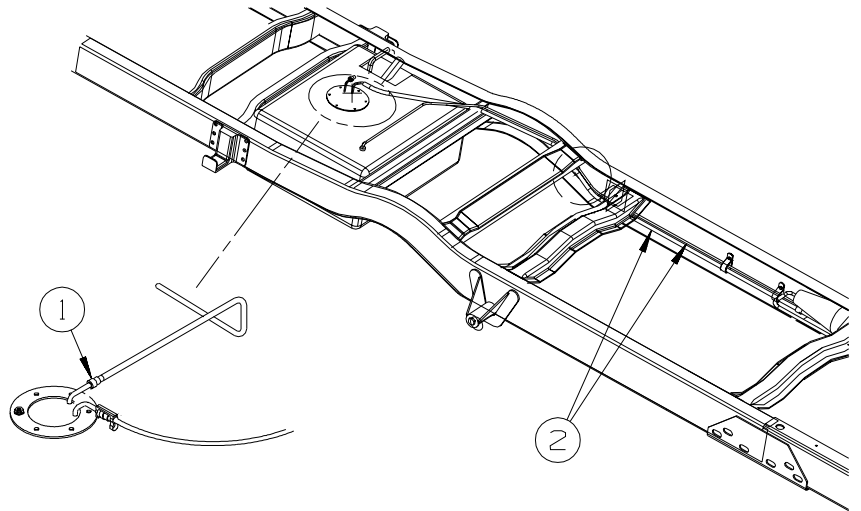
| KEY | PART NUMBER   | U/M | DESCRIPTION             |
|-----|---------------|-----|-------------------------|
|     | 148064-01-000 | EA  | DRAWBAR/HITCH - CLASS 3 |

# CHASSIS GROUP (CONTINUED)

## FUEL



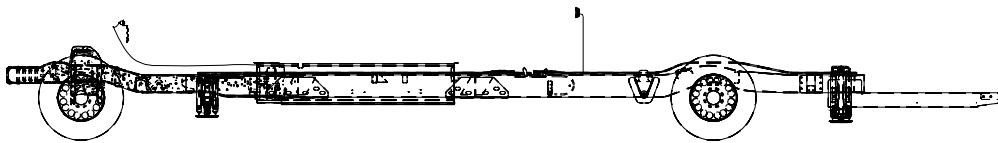
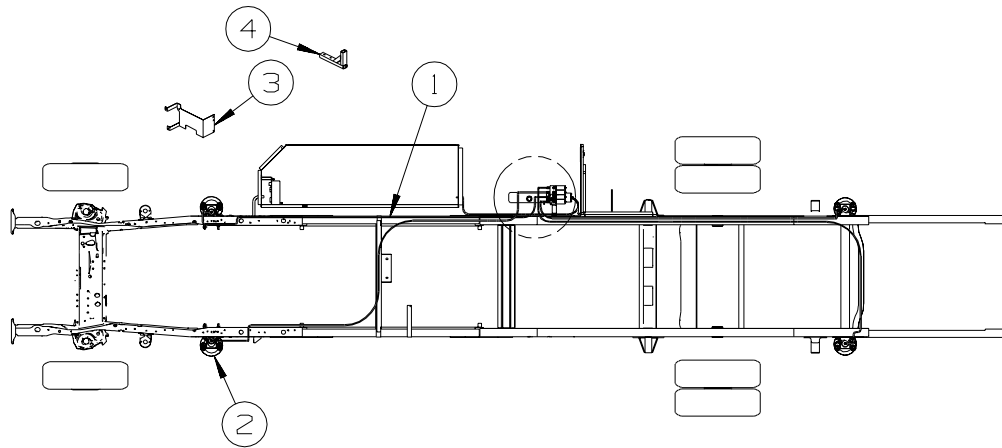
| KEY | PART NUMBER   | U/M | DESCRIPTION                        |
|-----|---------------|-----|------------------------------------|
| 1   | 148654-02-10A | EA  | SHROUD - FUEL FILL - UPPER - BLACK |
| 2   | 148650-02-000 | EA  | NECK - FILLER/MAIN/EXTENSION       |



| KEY | PART NUMBER   | U/M | DESCRIPTION                            |
|-----|---------------|-----|--|
| 1   | 149468-01-000 | EA  | FITTING - F/FUEL-SENDING UNIT - 1/4"   |
| 2   | 106388-13-000 | EA  | FUEL LINE - FORD - 5/16 HP - FORD E450 |

## CHASSIS GROUP (CONTINUED)

### HYDRAULIC LEVELING



| KEY | PART NUMBER   | U/M | DESCRIPTION                         |
|-----|---------------|-----|-------------------------------------|
| 1   | 100536-65-000 | EA  | HOSE KIT - F/LEVELING JACKS - 726A  |
| 1   | 100536-64-000 | EA  | HOSE KIT - F/LEVELING JACKS - 729H  |
| 2*  | 157770-01-000 | EA  | LEVELING SYSTEM - 625 SYSTEM - FORD |
| 3   | 158627-01-02B | EA  | BRACKET - CONTROL BOX - E-COATED    |
| 4   | 157452-01-02B | EA  | BRACKET/MOUNTING - PUMP - E-COATED  |

\*COMPONENT PARTS LISTED LATER IN THIS GROUP

### COMPONENT PARTS FOR HYDRAULIC LEVELING

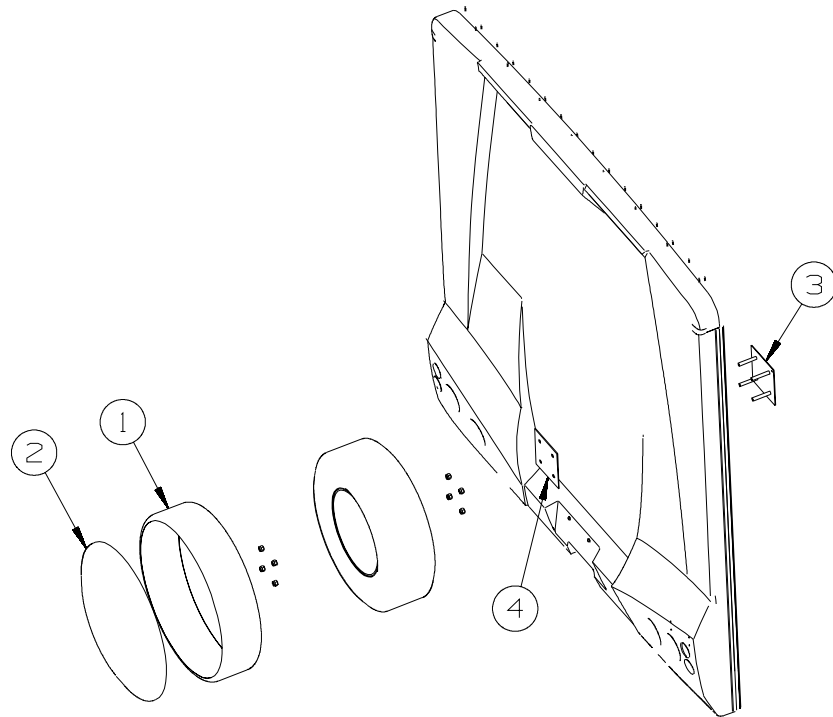
157770-01-000

| KEY | PART NUMBER   | U/M | DESCRIPTION                  | VENDOR NO.       |
|-----|---------------|-----|------------------------------|------------------|
|     | 100532-01-717 | EA  | MOTOR FOR PMP/RESRV          | RAP90014         |
|     | 100532-03-716 | EA  | SOLENOID-CONTINUOUS DUTY     | RAP90311         |
|     | 100532-03-717 | EA  | VALVE-PRESS., RETURN SHUTTLE | RAP7505          |
|     | 100532-03-726 | EA  | SWITCH - PRESSURE            | RAP7964          |
|     | 100532-09-705 | EA  | SWITCH-PRESS - 3000 LB.      | RAP8003          |
|     | 100532-09-710 | EA  | SOLENOID-INTERMITENT DUTY    | RAP0993          |
|     | 100532-12-707 | EA  | SPRING KIT (PAIR)            | RAP0533          |
|     | 100532-32-704 | EA  | CHIME - JACK WARNING         | R3847            |
|     | 131306-11-704 | EA  | PRESSURE SWITCH - 50 PSI     | RAP90681/AP19765 |
|     | 131306-12-702 | EA  | VALVE-PRESS SOLENOID (SMALL) | RAP2082          |
|     | 144226-01-700 | EA  | SWITCH - WARNING/MAGNETIC    | RAP90729/AP24604 |
|     | 144226-08-702 | EA  | SENSOR/BI-AXIS - PROGRAMABLE | RAP90968/AP26641 |
|     | 157770-01-700 | EA  | CYLINDER W/O FOOT - 4K       | RAP91172/AP28010 |
|     | 157770-01-701 | EA  | CYLINDER W/O FOOT - 6K       | RAP91855/AP36046 |
|     | 157770-01-702 | EA  | SPRING KIT - 4K JACK         | RAP91856         |
|     | 157770-01-703 | EA  | TOUCH PAD - 625 FORD C BODY  | R91916           |
|     | 157770-01-704 | EA  | ENCLOSURE BOX W/SENSING UNIT | RAP91864/AP36468 |
|     | 157770-01-705 | EA  | PUMP/MOTOR/TANK ASM          | RAP91762/AP36595 |
|     |               |     |                              | RAP91912/AP37416 |



## CHASSIS GROUP (CONTINUED)

### SPARE TIRE



| KEY | PART NUMBER   | U/M | DESCRIPTION                             |                               |
|-----|---------------|-----|---|-------------------------------|
| 1*  | 149703-01-01A | EA  | RING - TIRE COVER - SPARE               |                               |
| 2   | 149703-02-01A | EA  | INSERT - TIRE COVER - SPARE             |                               |
| 3   | 155344-01-02B | EA  | BRACKET/SUPPORT - SPARE TIRE - E-COATED |                               |
| 4   | 155344-02-02B | EA  | BRACKET/PLATE - E-COATED                |                               |
|     | 051377-07-000 | EA  | VALVE STEM                              |                               |
|     |               |     |   | FROM: 00-00-00 THRU: 04-04-07 |
|     | 155645-01-000 | EA  | VALVE STEM - 1.25"                      | FROM: 04-05-07 THRU: 99-99-99 |

\*COMPONENT PARTS LISTED LATER IN THIS GROUP

#### COMPONENT PARTS FOR SPARE TIRE

| KEY | PART NUMBER   | U/M | DESCRIPTION                  | 149703-01-01A | VENDOR NO.         |
|-----|---------------|-----|------------------------------|---------------|--------------------|
|     | 149703-01-700 | EA  | CYLINDER LOCK/CAM/CLIP/2 KEY |               | CAM LOCK/CLIP/KEYS |

#### SUSPENSION

| KEY | PART NUMBER   | U/M | DESCRIPTION   |  |
|-----|---------------|-----|---|--|
| *   | 153119-01-000 | EA  | AIRSPRING - AIR BAG KIT - E450 UNDER RAIL MOUNT - REAR AIR SPRINGS                        |  |
|     | 153119-03-000 | EA  | AIRSPRING - AIR BAG KIT - E450 UNDER RAIL MOUNT - REAR AIR SPRINGS - FORD CHASSIS-14,500# |  |

\*COMPONENT PARTS LISTED LATER IN THIS GROUP

#### COMPONENT PARTS FOR SUSPENSION

| KEY | PART NUMBER   | U/M | DESCRIPTION               | 153119-01-000 | VENDOR NO.   |
|-----|---------------|-----|---------------------------|---------------|--------------|
|     | 084096-01-708 | EA  | AIRLINE SERVICE KIT       |               | W21-760-2012 |
|     | 153119-01-700 | EA  | AIR SPRING (AIR BAG)      |               | W217606397   |
|     | 153119-01-701 | EA  | BRACKET - UPPER DRIVER    |               | W217605440   |
|     | 153119-01-702 | EA  | BRACKET - UPPER PASSENGER |               | W217605441   |
|     | 153119-01-703 | EA  | BRACKET - LOWER           |               | W217605439   |
|     | 153119-01-704 | EA  | BRACE - UPPER DRIVER      |               | W217605442   |
|     | 153119-01-705 | EA  | BRACE - UPPER PASSENGER   |               | W217605443   |
|     | 153119-01-706 | EA  | STRAP/CLAMP - F/BRACKET   |               | W217605433   |

**CHASSIS GROUP (CONTINUED)**  
**WHEEL, TIRE, COVERS &/OR LINERS**

| <b>KEY</b> | <b>PART NUMBER</b> | <b>U/M</b> | <b>DESCRIPTION</b>  |
|------------|--------------------|------------|---|
|            | 077030-01-000      | EA         | EXTENSION - VALVE STEM - 1.25" - METAL                                  |
|            | 095012-05-000      | EA         | EXTENSION/VALVE STEM - LIVE - 5"  |
|            | 095012-06-000      | EA         | STABILIZER/VALVE EXTENSION - LIVE - 2" - FORD W/ STEEL WHEEL W/8 SLOTS  |
|            | 095012-07-000      | EA         | STABILIZER/VALVE EXTENSION - LIVE - 4" - FORD W/ STEEL WHEEL W/4 SLOTS  |
| *          | 110435-13-000      | EA         | LINER - WHEEL - SET OF 4 - 16" (8 HOLE) - FORD W/ STEEL WHEEL W/8 SLOTS |
| *          | 110435-23-000      | EA         | LINER - WHEEL SET (SET=4) 16" - FORD W/ STEEL WHEEL W/4 SLOTS           |
|            | 080208-02-000      | EA         | BAR/LEVERAGE - LUG WRENCH - 13/16" DIA - ALUMINUM WHEEL                 |
|            | 080208-06-000      | EA         | LUG WRENCH - 1"/1.1" SOCKETS X 16.4" LONG - ALUMINUM WHEEL              |
|            | 149749-01-000      | EA         | WHEEL - ALUMINUM - 6" X 16" - FRONT - FORD E450 - ALUMINUM WHEELS       |
|            | 149749-02-000      | EA         | WHEEL - ALUMINUM - 6" X 16" - REAR - FORD E450 - ALUMINUM WHEELS        |
|            | 156797-03-000      | EA         | COVER/HUB - FRONT - ALUMINUM WHEELS - ALUMINUM WHEELS                   |
|            | 156797-04-000      | EA         | COVER/HUB - REAR - ALUMINUM WHEELS - ALUMINUM WHEELS                    |
|            | 149749-05-000      | EA         | COVER/NUT - ALUMINUM WHEELS   |
|            | 149749-06-000      | EA         | NUT/WHEEL - 9/16"-18 - LOW PROFILE - FORD E450 - ALUMINUM WHEELS        |

**\*COMPONENT PARTS LISTED LATER IN THIS GROUP**

**COMPONENT PARTS FOR WHEEL, TIRE, COVERS &/OR LINERS**

|            |                    |            |                              | <b>110435-13-000</b> |
|------------|--------------------|------------|------------------------------|----------------------|
| <b>KEY</b> | <b>PART NUMBER</b> | <b>U/M</b> | <b>DESCRIPTION</b>           | <b>VENDOR NO.</b>    |
|            | 110435-01-711      | EA         | DECAL-CENTER CAP, 2" - QTY 2 | DIAMOND/2 PER BAG    |
|            | 110435-10-705      | EA         | TOOL/JAMB NUT INSTALLATION   | V195P7-TOL           |
|            | 110435-13-700      | EA         | LINER - WHEEL - FRONT        | V160F7-FWC           |
|            | 110435-13-701      | EA         | LINER - WHEEL - REAR         | V160F7-RWC           |
|            | 110435-13-702      | EA         | JAMB NUT W/COVER - 9/16"     | V160F7-EJN           |

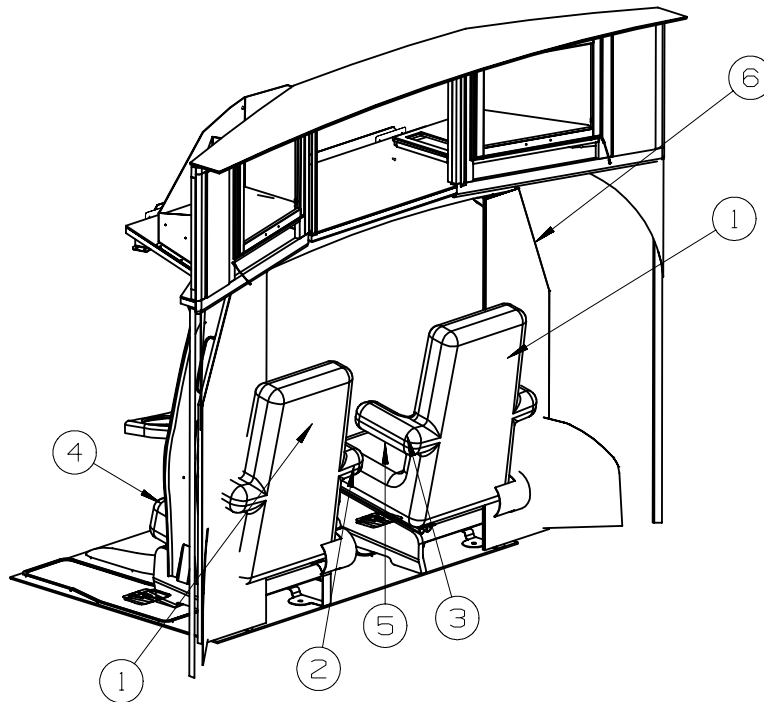
|            |                    |            |                              | <b>110435-23-000</b> |
|------------|--------------------|------------|------------------------------|----------------------|
| <b>KEY</b> | <b>PART NUMBER</b> | <b>U/M</b> | <b>DESCRIPTION</b>           | <b>VENDOR NO.</b>    |
|            | 110435-01-711      | EA         | DECAL-CENTER CAP- 2" - QTY 2 | DIAMOND/2 PER BAG    |
|            | 110435-23-700      | EA         | COVER/WHEEL - FRONT - 1 ONLY | FWCFL60-59           |
|            | 110435-23-701      | EA         | COVER/WHEEL - REAR - 1 ONLY  | RWCFL60-59           |

**BRAKELINE**

| <b>KEY</b> | <b>PART NUMBER</b> | <b>U/M</b> | <b>DESCRIPTION</b>                                   |
|------------|--------------------|------------|--|
|            | 088498-01-000      | EA         | UNION - INVERTED FLARE - BRASS - 3/16 - FORD CHASSIS |

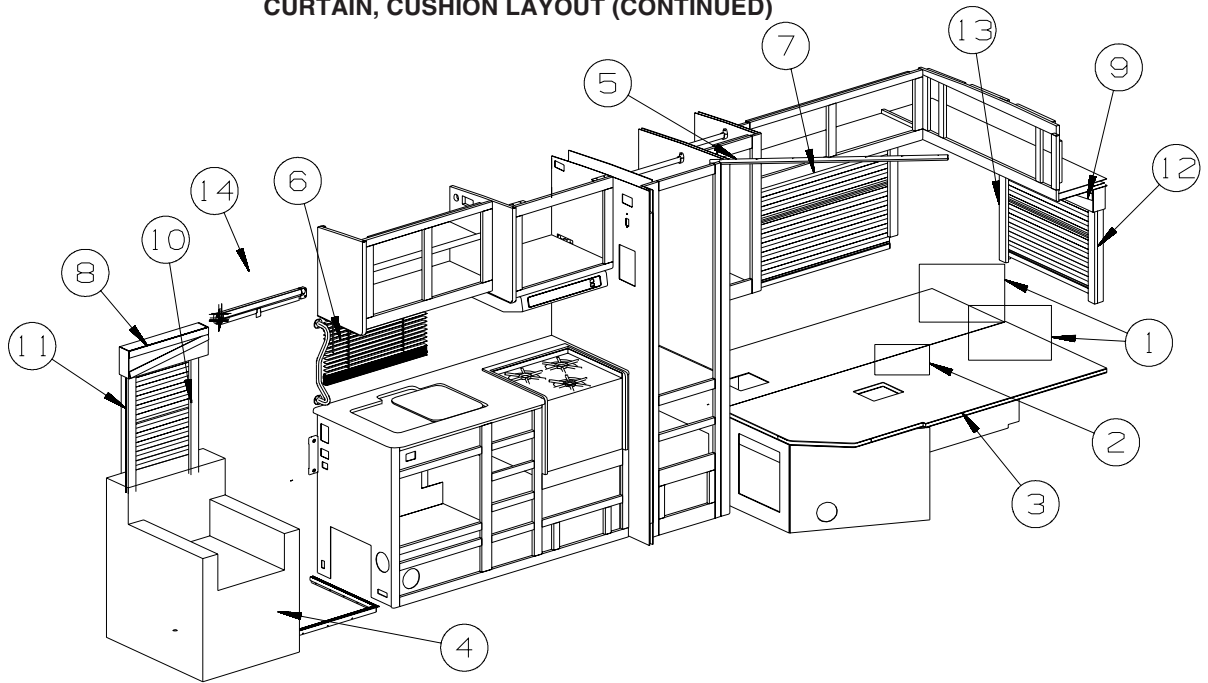
## CURTAIN & CUSHION GROUP

### CURTAIN, CUSHION LAYOUT



| KEY | PART NUMBER   | U/M | DESCRIPTION  |
|-----|---------------|-----|--|
| 1   | 158708-03-U21 | EA  | COVER - BACK (W37, W38) - <b>ULTRALEATHER</b>              |
| 1   | 158708-03-U25 | EA  | COVER - BACK (W39, W40) - <b>ULTRALEATHER</b>              |
| 1   | 158708-03-W41 | EA  | COVER - BACK (W41, W42) - <b>ULTRALEATHER</b>              |
| 2   | 158708-05-U21 | EA  | COVER - ARMREST/DRIVER (W37, W38) - <b>ULTRALEATHER</b>    |
| 2   | 158708-05-U25 | EA  | COVER - ARMREST/DRIVER (W39, W40) - <b>ULTRALEATHER</b>    |
| 2   | 158708-05-W41 | EA  | COVER - ARMREST/DRIVER (W41, W42) - <b>ULTRALEATHER</b>    |
| 3   | 158708-06-U21 | EA  | COVER - ARMREST/PASSENGER (W37, W38) - <b>ULTRALEATHER</b> |
| 3   | 158708-06-U25 | EA  | COVER - ARMREST/PASSENGER (W39, W40) - <b>ULTRALEATHER</b> |
| 3   | 158708-06-W41 | EA  | COVER - ARMREST/PASSENGER (W41, W42) - <b>ULTRALEATHER</b> |
| 4   | 158708-04-U21 | EA  | COVER - SEAT (W37, W38) - <b>ULTRALEATHER</b>              |
| 4   | 158708-04-U25 | EA  | COVER - SEAT (W39, W40) - <b>ULTRALEATHER</b>              |
| 4   | 158708-04-W41 | EA  | COVER - SEAT (W41, W42) - <b>ULTRALEATHER</b>              |
| 5   | 158708-07-U21 | EA  | COVER - SEAT - PASSENGER (W37, W38) - <b>ULTRALEATHER</b>  |
| 5   | 158708-07-U25 | EA  | COVER - SEAT - PASSENGER (W39, W40) - <b>ULTRALEATHER</b>  |
| 5   | 158708-07-W41 | EA  | COVER - SEAT - PASSENGER (W41, W42) - <b>ULTRALEATHER</b>  |
| 6   | 076892-33-W37 | EA  | CURTAIN - CAB PRIVACY - 52" X 74" (W37, W38)               |
| 6   | 076892-33-W39 | EA  | CURTAIN - CAB PRIVACY - 52" X 74" (W39, W40)               |
| 6   | 076892-33-W41 | EA  | CURTAIN - CAB PRIVACY - 52" X 74" (W41, W42)               |

**CURTAIN & CUSHION GROUP (CONTINUED)**  
**CURTAIN, CUSHION LAYOUT (CONTINUED)**

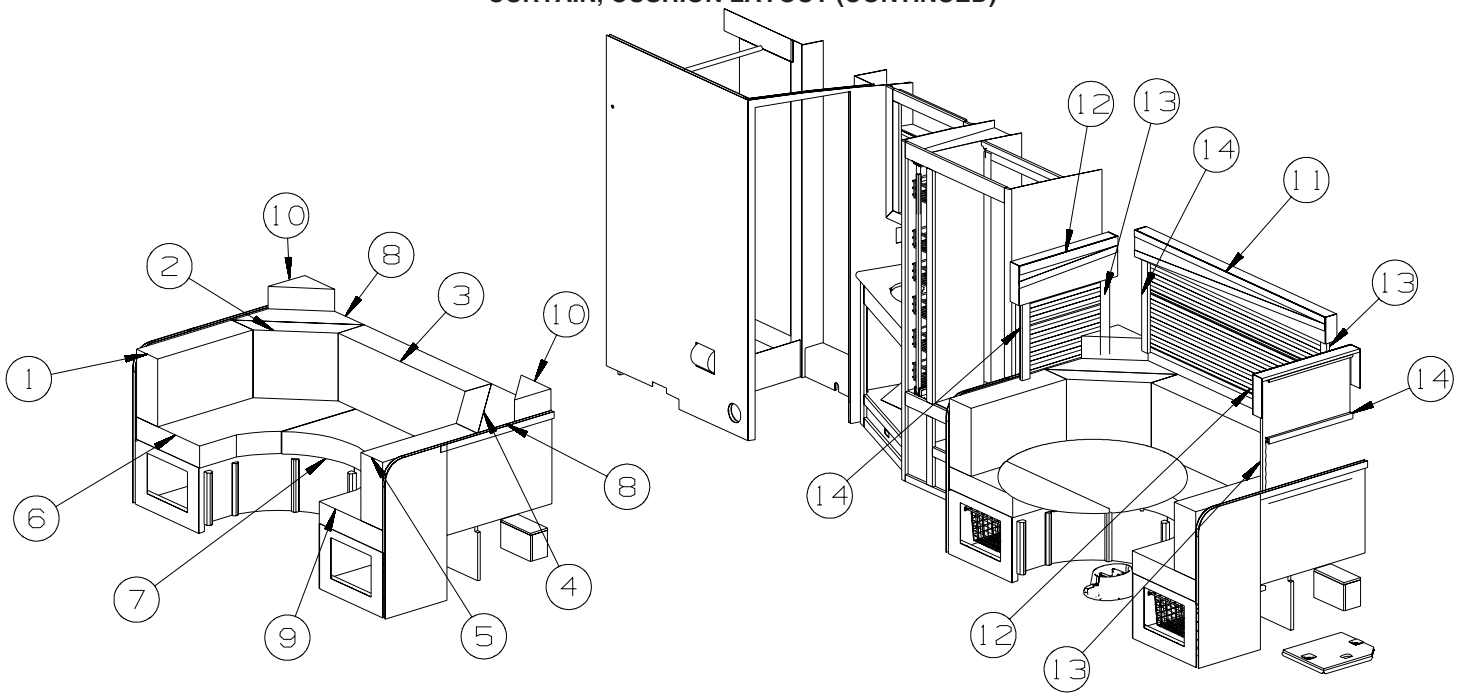


| KEY | PART NUMBER   | U/M | DESCRIPTION   |
|-----|---------------|-----|---|
| 1   | 163918-01-W37 | EA  | PILLOW SHAM - 26.5" - W/BUTTONS (W37, W38)                                |
| 1   | 163918-02-W39 | EA  | PILLOW SHAM - 26.5" - W/BUTTONS (W39, W40)                                |
| 1   | 163918-01-W41 | EA  | PILLOW SHAM - 26.5" - W/BUTTONS (W41, W42)                                |
| 2   | 132319-60-U37 | EA  | PILLOW - 17" - W/1" BUTTONS (W37, W38)                                    |
| 2   | 132319-60-W39 | EA  | PILLOW - 17" - W/1" BUTTONS (W39, W40)                                    |
| 2   | 132319-60-W41 | EA  | PILLOW - 17" - W/1" BUTTONS (W41, W42)                                    |
| 3   | 154510-01-U37 | EA  | COVER - MATTRESS/FITTED - 54" X 75" (W37, W38)                            |
| 3   | 154510-01-W39 | EA  | COVER - MATTRESS/FITTED - 54" X 75" (W39, W40)                            |
| 3   | 154510-01-W41 | EA  | COVER - MATTRESS/FITTED - 54" X 75" (W41, W42)                            |
| 4   | 157947-02-U37 | EA  | CHAIR - GLIDER - W/SWIVEL HOOP (W37, W38)                                 |
| 4   | 157947-01-W39 | EA  | CHAIR - GLIDER - W/SWIVEL HOOP (W39, W40)                                 |
| 4   | 157947-02-W41 | EA  | CHAIR - GLIDER - W/SWIVEL HOOP (W41, W42)                                 |
| 4   | 157947-03-U37 | EA  | CHAIR - GLIDER - W/SWIVEL HOOP - LEATHER (W37, W38) - <b>ULTRALEATHER</b> |
| 4   | 157947-03-U39 | EA  | CHAIR - GLIDER - W/SWIVEL HOOP - LEATHER (W39, W40) - <b>ULTRALEATHER</b> |
| 4   | 157947-03-W41 | EA  | CHAIR - GLIDER - W/SWIVEL HOOP - LEATHER (W41, W42) - <b>ULTRALEATHER</b> |
| 5   | 101668-75-U37 | EA  | CURTAIN - TAPE TOP - 70" X 60" (W37, W38)                                 |
| 5   | 101668-58-W39 | EA  | CURTAIN - TAPE TOP - 70" X 60" (W39, W40)                                 |
| 5   | 101668-92-W41 | EA  | CURTAIN - TAPE TOP - 70" X 60" (W41, W42)                                 |
| 5   | 073260-63-U37 | EA  | TIEBACK - 4" X 15" (W37, W38)   |
| 5   | 073260-63-W39 | EA  | TIEBACK - 4" X 15" (W39, W40)   |
| 5   | 073260-63-W41 | EA  | TIEBACK - 4" X 15" (W41, W42)   |
|     | 105450-02-01A | EA  | TRACK - CURTAIN - 48" - OFF WHITE   |
|     | 156172-04-01A | EA  | END CAP - WALL TRACK - CLEAR  |
| 6   | 109041-57-02A | EA  | BLIND - MINI - 26" X 17"  |
|     | 162496-01-01A | EA  | BRACKET/BLIND - LEFT SIDE WHEN FACING WINDOW - CLEAR                      |
|     | 162496-02-01A | EA  | BRACKET/BLIND - RIGHT SIDE WHEN FACING WINDOW - CLEAR                     |
|     | 102555-03-000 | EA  | BRACKET - (CLEAT TYPE) - F/BLIND HOLDOWN - MILKY WHITE                    |
|     | 109441-01-000 | EA  | BRACKET/HOOK - BLIND HOLD DOWN - LARGE - CLEAR                            |
|     | 109441-02-000 | EA  | SPACER/BRACKET - BLIND HOLD DOWN  |
| 7   | 161575-21-W37 | EA  | VALANCE - JAXSON - 46" X 6" (W37, W38)                                    |
| 7   | 161575-21-W39 | EA  | VALANCE - JAXSON - 46" X 6" (W39, W40)                                    |
| 7   | 161575-16-W41 | EA  | VALANCE - JAXSON - 46" X 6" (W41, W42)                                    |
| 7   | 140789-02-W57 | EA  | BLIND - DAY/NIGHTER - 43" X 28" (W37, W38, W41, W42)                      |
| 7   | 140789-02-W21 | EA  | BLIND - DAY/NIGHTER - 43" X 28" (W39, W40)                                |
|     | 097565-01-000 | EA  | BRACKET - MOUNTING - PLEATED BLIND  |
| 8   | 161575-19-W37 | EA  | VALANCE - JAXSON - 19" X 6" (W37, W38)                                    |
| 8   | 161575-20-W39 | EA  | VALANCE - JAXSON - 19" X 6" (W39, W40)                                    |
| 8   | 161575-20-W41 | EA  | VALANCE - JAXSON - 19" X 6" (W41, W42)                                    |
| 8   | 140789-24-W37 | EA  | BLIND - DAY/NIGHTER - 16.5" X 33" (W37, W38, W41, W42)                    |
| 8   | 140789-24-W39 | EA  | BLIND - DAY/NIGHTER - 16.5" X 33" (W39, W40)                              |
|     | 097565-01-000 | EA  | BRACKET - MOUNTING - PLEATED BLIND  |
|     | 105648-01-02A | EA  | BRACE - VALANCE - 14" - OFF WHITE   |

**CURTAIN & CUSHION GROUP (CONTINUED)**  
**CURTAIN, CUSHION LAYOUT (CONTINUED)**

| <b>KEY</b> | <b>PART NUMBER</b> | <b>U/M</b> | <b>DESCRIPTION</b>                                   |                               |
|------------|--------------------|------------|--|-------------------------------|
| 9          | 161575-22-W37      | EA         | VALANCE - JAXSON - 32" X 5.5" (W37, W38)             |                               |
| 9          | 161575-22-W39      | EA         | VALANCE - JAXSON - 32" X 5.5" (W39, W40)             |                               |
| 9          | 161575-23-W41      | EA         | VALANCE - JAXSON - 32" X 5.5" (W41, W42)             |                               |
| 9          | 140789-49-W37      | EA         | BLIND - DAY/NIGHTER - 28" X 24" (W37, W38, W41, W42) |                               |
| 9          | 140789-49-W39      | EA         | BLIND - DAY/NIGHTER - 28" X 24" (W39, W40)           |                               |
|            | 097565-01-000      | EA         | BRACKET - MOUNTING - PLEATED BLIND                   |                               |
| 10         | 159953-C1-W37      | EA         | LEG - RIGHT - 30" (W37, W38)                         |                               |
| 10         | 159953-C5-W39      | EA         | LEG - RIGHT - 30" (W39, W40)                         |                               |
| 10         | 159953-C5-W41      | EA         | LEG - RIGHT - 30" (W41, W42)                         |                               |
| 11         | 159953-C2-W37      | EA         | LEG - LEFT - 30" (W37, W38)                          |                               |
| 11         | 159953-C6-W39      | EA         | LEG - LEFT - 30" (W39, W40)                          |                               |
| 11         | 159953-C6-W41      | EA         | LEG - LEFT - 30" (W41, W42)                          |                               |
| 12         | 159953-C7-W37      | EA         | LEG - RIGHT - 24" (W37, W38)                         |                               |
| 12         | 159953-C9-W39      | EA         | LEG - RIGHT - 24" (W39, W40)                         |                               |
| 12         | 159953-D1-W41      | EA         | LEG - RIGHT - 24" (W41, W42)                         |                               |
| 13         | 159953-C8-W37      | EA         | LEG - LEFT - 24" (W37, W38)                          |                               |
| 13         | 159953-D0-W39      | EA         | LEG - LEFT - 24" (W39, W40)                          |                               |
| 13         | 159953-D2-W41      | EA         | LEG - LEFT - 24" (W41, W42)                          |                               |
| 14         | 163990-01-W37      | EA         | PANEL - DECORATIVE (W37, W38)                        | FROM: 00-00-00 THRU: 04-23-07 |
| 14         | 163990-01-W39      | EA         | PANEL - DECORATIVE (W39, W40)                        | FROM: 00-00-00 THRU: 04-23-07 |
| 14         | 163990-01-W41      | EA         | PANEL - DECORATIVE (W41, W42)                        | FROM: 00-00-00 THRU: 04-23-07 |

**CURTAIN & CUSHION GROUP (CONTINUED)**  
**CURTAIN, CUSHION LAYOUT (CONTINUED)**



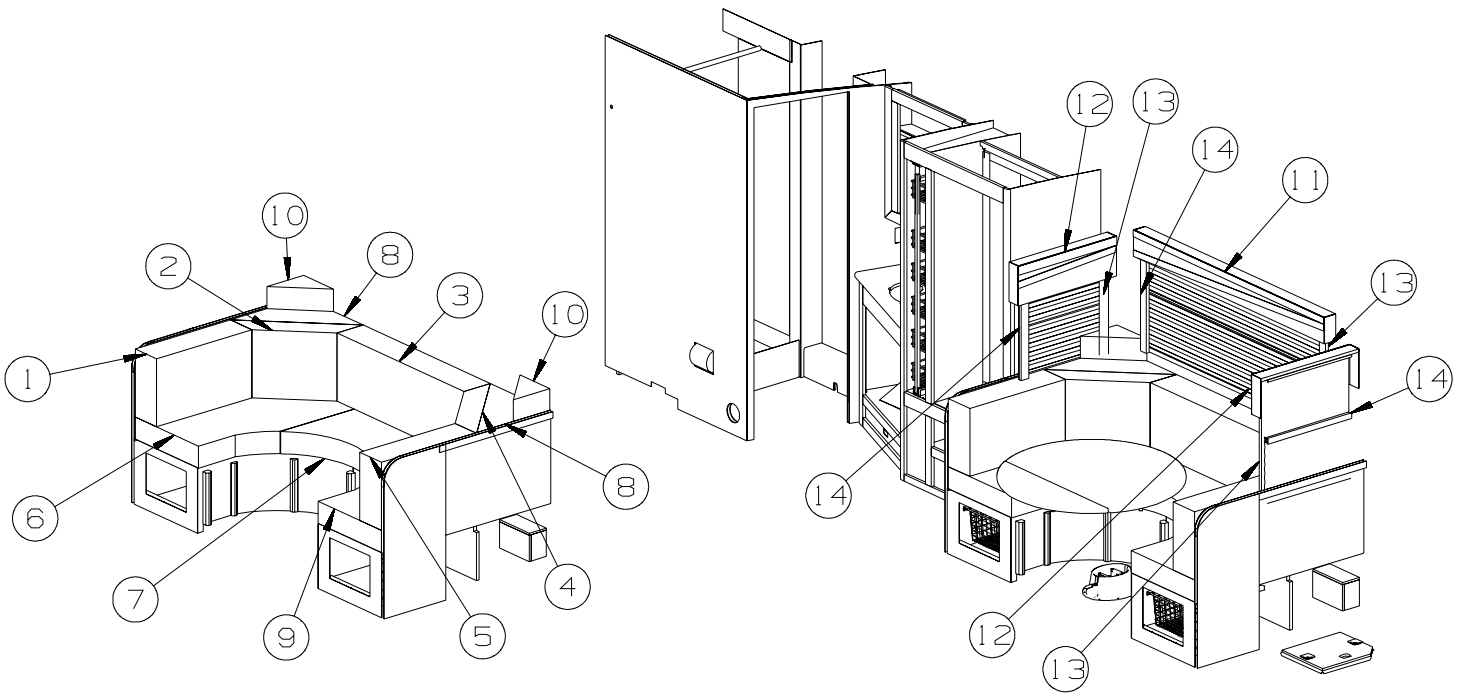
| KEY | PART NUMBER   | U/M | DESCRIPTION   |
|-----|---------------|-----|---|
| 1   | 150855-01-U37 | EA  | CUSHION - BACK/TOP - LEFT - DINETTE (W37, W38)                                    |
| 1   | 150855-01-W39 | EA  | CUSHION - BACK/TOP - LEFT - DINETTE (W39, W40)                                    |
|     |               |     | FROM: 00-00-00 THRU: 03-11-07   |
| 1   | 150855-45-W39 | EA  | CUSHION - BACK/TOP - LEFT - DINETTE (W39, W40)                                    |
|     |               |     | FROM: 03-12-07 THRU: 99-99-99   |
| 1   | 150855-01-W41 | EA  | CUSHION - BACK/TOP - LEFT - DINETTE (W41, W42)                                    |
| 1   | 150855-14-T41 | EA  | CUSHION - BACK/TOP - LEFT - DINETTE (W37, W38) - <b>ULTRALEATHER</b>              |
| 1   | 150855-14-T43 | EA  | CUSHION - BACK/TOP - LEFT - DINETTE (W39, W40) - <b>ULTRALEATHER</b>              |
| 1   | 150855-14-W41 | EA  | CUSHION - BACK/TOP - LEFT - DINETTE (W41, W42) - <b>ULTRALEATHER</b>              |
|     | P50855-01-U37 | EA  | COVER/CUSHION - BACK/TOP - LEFT - DINETTE (W37, W38)                              |
|     | P50855-01-W39 | EA  | COVER/CUSHION - BACK/TOP - LEFT - DINETTE (W39, W40)                              |
|     |               |     | FROM: 00-00-00 THRU: 03-11-07   |
|     | P50855-45-W39 | EA  | COVER/CUSHION - BACK/TOP - LEFT - DINETTE (W39, W40)                              |
|     |               |     | FROM: 03-12-07 THRU: 99-99-99   |
|     | P50855-01-W41 | EA  | COVER/CUSHION - BACK/TOP - LEFT - DINETTE (W41, W42)                              |
|     | P50855-14-T41 | EA  | COVER/CUSHION - BACK/TOP - LEFT - DINETTE (W37, W38) - <b>ULTRALEATHER</b>        |
|     | P50855-14-T43 | EA  | COVER/CUSHION - BACK/TOP - LEFT - DINETTE (W39, W40) - <b>ULTRALEATHER</b>        |
|     | P50855-14-W41 | EA  | COVER/CUSHION - BACK/TOP - LEFT - DINETTE (W41, W42) - <b>ULTRALEATHER</b>        |
| 2   | 150855-03-U37 | EA  | CUSHION - BACK/CORNER TOP - LEFT - DINETTE (W37, W38)                             |
| 2   | 150855-03-W39 | EA  | CUSHION - BACK/CORNER TOP - LEFT - DINETTE (W39, W40)                             |
|     |               |     | FROM: 00-00-00 THRU: 03-11-07   |
| 2   | 150855-46-W39 | EA  | CUSHION - BACK/CORNER TOP - LEFT - DINETTE (W39, W40)                             |
|     |               |     | FROM: 03-12-07 THRU: 99-99-99   |
| 2   | 150855-03-W41 | EA  | CUSHION - BACK/CORNER TOP - LEFT - DINETTE (W41, W42)                             |
| 2   | 150855-15-T41 | EA  | CUSHION - BACK/CORNER TOP - LEFT - DINETTE (W37, W38) - <b>ULTRALEATHER</b>       |
| 2   | 150855-15-T43 | EA  | CUSHION - BACK/CORNER TOP - LEFT - DINETTE (W39, W40) - <b>ULTRALEATHER</b>       |
| 2   | 150855-15-W41 | EA  | CUSHION - BACK/CORNER TOP - LEFT - DINETTE (W41, W42) - <b>ULTRALEATHER</b>       |
|     | P50855-03-U37 | EA  | COVER/CUSHION - BACK/CORNER TOP - LEFT - DINETTE (W37, W38)                       |
|     | P50855-03-W39 | EA  | COVER/CUSHION - BACK/CORNER TOP - LEFT - DINETTE (W39, W40)                       |
|     |               |     | FROM: 00-00-00 THRU: 03-11-07   |
|     | P50855-46-W39 | EA  | COVER/CUSHION - BACK/CORNER TOP - LEFT - DINETTE (W39, W40)                       |
|     |               |     | FROM: 03-12-07 THRU: 99-99-99   |
|     | P50855-03-W41 | EA  | COVER/CUSHION - BACK/CORNER TOP - LEFT - DINETTE (W41, W42)                       |
|     | P50855-15-T41 | EA  | COVER/CUSHION - BACK/CORNER TOP - LEFT - DINETTE (W37, W38) - <b>ULTRALEATHER</b> |
|     | P50855-15-T43 | EA  | COVER/CUSHION - BACK/CORNER TOP - LEFT - DINETTE (W39, W40) - <b>ULTRALEATHER</b> |
|     | P50855-15-W41 | EA  | COVER/CUSHION - BACK/CORNER TOP - LEFT - DINETTE (W41, W42) - <b>ULTRALEATHER</b> |
| 3   | 150855-05-U37 | EA  | CUSHION - BACK/CENTER TOP - DINETTE (W37, W38)                                    |
| 3   | 150855-05-W39 | EA  | CUSHION - BACK/CENTER TOP - DINETTE (W39, W40)                                    |
|     |               |     | FROM: 00-00-00 THRU: 03-11-07   |
| 3   | 150855-47-W39 | EA  | CUSHION - BACK/CENTER TOP - DINETTE (W39, W40)                                    |
|     |               |     | FROM: 03-12-07 THRU: 99-99-99   |



**CURTAIN & CUSHION GROUP (CONTINUED)**  
**CURTAIN, CUSHION LAYOUT (CONTINUED)**

| KEY | PART NUMBER   | U/M | DESCRIPTION   |
|-----|---------------|-----|---|
| 3   | 150855-05-W41 | EA  | CUSHION - BACK/CENTER TOP - DINETTE (W41, W42)  |
| 3   | 150855-16-T41 | EA  | CUSHION - BACK/CENTER TOP - DINETTE (W37, W38) - <b>ULTRALEATHER</b>                          |
| 3   | 150855-16-T43 | EA  | CUSHION - BACK/CENTER TOP - DINETTE (W39, W40) - <b>ULTRALEATHER</b>                          |
| 3   | 150855-16-W41 | EA  | CUSHION - BACK/CENTER TOP - DINETTE (W41, W42) - <b>ULTRALEATHER</b>                          |
|     | P50855-05-U37 | EA  | COVER/CUSHION - BACK/CENTER TOP - DINETTE (W37, W38)  |
|     | P50855-05-W39 | EA  | COVER/CUSHION - BACK/CENTER TOP - DINETTE (W39, W40)<br>FROM: 00-00-00 THRU: 03-11-07         |
|     | P50855-47-W39 | EA  | COVER/CUSHION - BACK/CENTER TOP - DINETTE (W39, W40)<br>FROM: 03-12-07 THRU: 99-99-99         |
|     | P50855-05-W41 | EA  | COVER/CUSHION - BACK/CENTER TOP - DINETTE (W41, W42)  |
|     | P50855-16-T41 | EA  | COVER/CUSHION - BACK/CENTER TOP - DINETTE (W37, W38) - <b>ULTRALEATHER</b>                    |
|     | P50855-16-T43 | EA  | COVER/CUSHION - BACK/CENTER TOP - DINETTE (W39, W40) - <b>ULTRALEATHER</b>                    |
|     | P50855-16-W41 | EA  | COVER/CUSHION - BACK/CENTER TOP - DINETTE (W41, W42) - <b>ULTRALEATHER</b>                    |
| 4   | 150855-07-U37 | EA  | CUSHION - BACK/CORNER TOP - RIGHT - DINETTE (W37, W38)  |
| 4   | 150855-07-W39 | EA  | CUSHION - BACK/CORNER TOP - RIGHT - DINETTE (W39, W40)<br>FROM: 00-00-00 THRU: 03-11-07       |
| 4   | 150855-48-W39 | EA  | CUSHION - BACK/CORNER TOP - RIGHT - DINETTE (W39, W40)<br>FROM: 03-12-07 THRU: 99-99-99       |
| 4   | 150855-07-W41 | EA  | CUSHION - BACK/CORNER TOP - RIGHT - DINETTE (W41, W42)  |
| 4   | 150855-17-T41 | EA  | CUSHION - BACK/CORNER TOP - RIGHT - DINETTE (W37, W38) - <b>ULTRALEATHER</b>                  |
| 4   | 150855-17-T43 | EA  | CUSHION - BACK/CORNER TOP - RIGHT - DINETTE (W39, W40) - <b>ULTRALEATHER</b>                  |
| 4   | 150855-17-W41 | EA  | CUSHION - BACK/CORNER TOP - RIGHT - DINETTE (W41, W42) - <b>ULTRALEATHER</b>                  |
|     | P50855-07-U37 | EA  | COVER/CUSHION - BACK/CORNER TOP - RIGHT - DINETTE (W37, W38)                                  |
|     | P50855-07-W39 | EA  | COVER/CUSHION - BACK/CORNER TOP - RIGHT - DINETTE (W39, W40)<br>FROM: 00-00-00 THRU: 03-11-07 |
|     | P50855-48-W39 | EA  | COVER/CUSHION - BACK/CORNER TOP - RIGHT - DINETTE (W39, W40)<br>FROM: 03-12-07 THRU: 99-99-99 |
|     | P50855-07-W41 | EA  | COVER/CUSHION - BACK/CORNER TOP - RIGHT - DINETTE (W41, W42)                                  |
|     | P50855-17-T41 | EA  | COVER/CUSHION - BACK/CORNER TOP - RIGHT - DINETTE (W37, W38) - <b>ULTRALEATHER</b>            |
|     | P50855-17-T43 | EA  | COVER/CUSHION - BACK/CORNER TOP - RIGHT - DINETTE (W39, W40) - <b>ULTRALEATHER</b>            |
|     | P50855-17-W41 | EA  | COVER/CUSHION - BACK/CORNER TOP - RIGHT - DINETTE (W41, W42) - <b>ULTRALEATHER</b>            |
| 5   | 150855-08-U37 | EA  | CUSHION - BACK/TOP - RIGHT - DINETTE (W37, W38)   |
| 5   | 150855-08-W39 | EA  | CUSHION - BACK/TOP - RIGHT - DINETTE (W39, W40)<br>FROM: 00-00-00 THRU: 03-11-07              |
| 5   | 150855-49-W39 | EA  | CUSHION - BACK/TOP - RIGHT - DINETTE (W39, W40)<br>FROM: 03-12-07 THRU: 99-99-99              |
| 5   | 150855-08-W41 | EA  | CUSHION - BACK/TOP - RIGHT - DINETTE (W41, W42)   |
| 5   | 150855-18-T41 | EA  | CUSHION - BACK/CORNER TOP - RIGHT - DINETTE (W37, W38) - <b>ULTRALEATHER</b>                  |
| 5   | 150855-18-T43 | EA  | CUSHION - BACK/CORNER TOP - RIGHT - DINETTE (W39, W40) - <b>ULTRALEATHER</b>                  |
| 5   | 150855-18-W41 | EA  | CUSHION - BACK/CORNER TOP - RIGHT - DINETTE (W41, W42) - <b>ULTRALEATHER</b>                  |
|     | P50855-08-U37 | EA  | COVER/CUSHION - BACK/TOP - RIGHT - DINETTE (W37, W38)   |
|     | P50855-08-W39 | EA  | COVER/CUSHION - BACK/TOP - RIGHT - DINETTE (W39, W40)<br>FROM: 00-00-00 THRU: 03-11-07        |
|     | P50855-49-W39 | EA  | COVER/CUSHION - BACK/TOP - RIGHT - DINETTE (W39, W40)<br>FROM: 03-12-07 THRU: 99-99-99        |
|     | P50855-08-W41 | EA  | COVER/CUSHION - BACK/TOP - RIGHT - DINETTE (W41, W42)   |
|     | P50855-18-T41 | EA  | COVER/CUSHION - BACK/TOP - RIGHT - DINETTE (W37, W38) - <b>ULTRALEATHER</b>                   |
|     | P50855-18-T43 | EA  | COVER/CUSHION - BACK/TOP - RIGHT - DINETTE (W39, W40) - <b>ULTRALEATHER</b>                   |
|     | P50855-18-W41 | EA  | COVER/CUSHION - BACK/TOP - RIGHT - DINETTE (W41, W42) - <b>ULTRALEATHER</b>                   |
| 6   | 150855-55-W37 | EA  | CUSHION - SEAT/LEFT - DINETTE (W37, W38)  |
| 6   | 150855-09-W39 | EA  | CUSHION - SEAT/LEFT - DINETTE (W39, W40)<br>FROM: 00-00-00 THRU: 03-11-07                     |
| 6   | 150855-50-W39 | EA  | CUSHION - SEAT/LEFT - DINETTE (W39, W40)<br>FROM: 03-12-07 THRU: 04-25-07                     |
| 6   | 150855-59-W39 | EA  | CUSHION - SEAT/LEFT - DINETTE (W39, W40)<br>FROM: 04-26-07 THRU: 99-99-99                     |
| 6   | 150855-55-W41 | EA  | CUSHION - SEAT/LEFT - DINETTE (W41, W42)  |
| 6   | 150855-57-W37 | EA  | CUSHION - SEAT/LEFT - DINETTE (W37, W38) - <b>ULTRALEATHER</b>                                |
| 6   | 150855-57-W39 | EA  | CUSHION - SEAT/LEFT - DINETTE (W39, W40) - <b>ULTRALEATHER</b>                                |
| 6   | 150855-57-W41 | EA  | CUSHION - SEAT/LEFT - DINETTE (W41, W42) - <b>ULTRALEATHER</b>                                |

**CURTAIN & CUSHION GROUP (CONTINUED)**  
**CURTAIN, CUSHION LAYOUT (CONTINUED)**



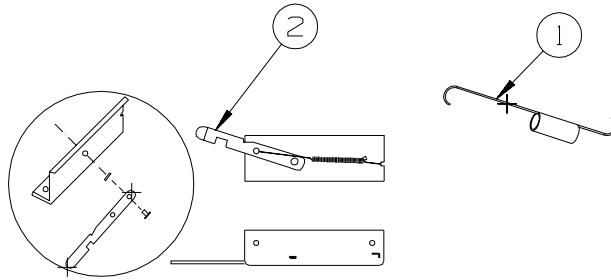
| KEY | PART NUMBER   | U/M | DESCRIPTION  |
|-----|---------------|-----|--|
|     | P50855-55-W37 | EA  | COVER/CUSHION - SEAT/LEFT - DINETTE (W37, W38)                                 |
|     | P50855-09-W39 | EA  | COVER/CUSHION - SEAT/LEFT - DINETTE (W39, W40)                                 |
|     |               |     | FROM: 00-00-00 THRU: 03-11-07  |
|     | P50855-50-W39 | EA  | COVER/CUSHION - SEAT/LEFT - DINETTE (W39, W40)                                 |
|     |               |     | FROM: 03-12-07 THRU: 04-25-07  |
|     | P50855-59-W39 | EA  | COVER/CUSHION - SEAT/LEFT - DINETTE (W39, W40)                                 |
|     |               |     | FROM: 04-26-07 THRU: 99-99-99  |
|     | P50855-55-W41 | EA  | COVER/CUSHION - SEAT/LEFT - DINETTE (W41, W42)                                 |
|     | P50855-57-W37 | EA  | COVER/CUSHION - SEAT/LEFT - DINETTE (W37, W38) - <b>ULTRALEATHER</b>           |
|     | P50855-57-W39 | EA  | COVER/CUSHION - SEAT/LEFT - DINETTE (W39, W40) - <b>ULTRALEATHER</b>           |
|     | P50855-57-W41 | EA  | COVER/CUSHION - SEAT/LEFT - DINETTE (W41, W42) - <b>ULTRALEATHER</b>           |
| 7   | 150855-10-U37 | EA  | CUSHION - SEAT/CENTER - DINETTE (W37, W38)                                     |
| 7   | 150855-10-W39 | EA  | CUSHION - SEAT/CENTER - DINETTE (W39, W40)                                     |
|     |               |     | FROM: 00-00-00 THRU: 03-11-07  |
| 7   | 150855-51-W39 | EA  | CUSHION - SEAT/CENTER - DINETTE (W39, W40)                                     |
|     |               |     | FROM: 03-12-07 THRU: 99-99-99  |
| 7   | 150855-10-W41 | EA  | CUSHION - SEAT/CENTER - DINETTE (W41, W42)                                     |
| 7   | 150855-20-T41 | EA  | CUSHION - SEAT/CENTER - DINETTE (W37, W38) - <b>ULTRALEATHER</b>               |
| 7   | 150855-20-T43 | EA  | CUSHION - SEAT/CENTER - DINETTE (W39, W40) - <b>ULTRALEATHER</b>               |
| 7   | 150855-20-W41 | EA  | CUSHION - SEAT/CENTER - DINETTE (W41, W42) - <b>ULTRALEATHER</b>               |
|     | P50855-10-U37 | EA  | COVER/CUSHION - SEAT/CENTER - DINETTE (W37, W38)                               |
|     | P50855-10-W39 | EA  | COVER/CUSHION - SEAT/CENTER - DINETTE (W39, W40)                               |
|     |               |     | FROM: 00-00-00 THRU: 03-11-07  |
|     | P50855-51-W39 | EA  | COVER/CUSHION - SEAT/CENTER - DINETTE (W39, W40)                               |
|     |               |     | FROM: 03-12-07 THRU: 99-99-99  |
|     | P50855-10-W41 | EA  | COVER/CUSHION - SEAT/CENTER - DINETTE (W41, W42)                               |
|     | P50855-20-T41 | EA  | COVER/CUSHION - SEAT/CENTER - DINETTE (W37, W38) - <b>ULTRALEATHER</b>         |
|     | P50855-20-T43 | EA  | COVER/CUSHION - SEAT/CENTER - DINETTE (W39, W40) - <b>ULTRALEATHER</b>         |
|     | P50855-20-W41 | EA  | COVER/CUSHION - SEAT/CENTER - DINETTE (W41, W42) - <b>ULTRALEATHER</b>         |
| 8   | 150855-11-W37 | EA  | CUSHION - CORNER BLOCK - LEFT/RIGHT - DINETTE (W37, W38)                       |
| 8   | 150855-11-W39 | EA  | CUSHION - CORNER BLOCK - LEFT/RIGHT - DINETTE (W39, W40)                       |
|     |               |     | FROM: 00-00-00 THRU: 03-11-07  |
| 8   | 150855-52-W39 | EA  | CUSHION - CORNER BLOCK - LEFT/RIGHT - DINETTE (W39, W40)                       |
|     |               |     | FROM: 03-12-07 THRU: 99-99-99  |
| 8   | 150855-11-W41 | EA  | CUSHION - CORNER BLOCK - LEFT/RIGHT - DINETTE (W41, W42)                       |
| 8   | 150855-21-T41 | EA  | CUSHION - CORNER BLOCK - LEFT/RIGHT - DINETTE (W37, W38) - <b>ULTRALEATHER</b> |
| 8   | 150855-21-T43 | EA  | CUSHION - CORNER BLOCK - LEFT/RIGHT - DINETTE (W39, W40) - <b>ULTRALEATHER</b> |
| 8   | 150855-21-W41 | EA  | CUSHION - CORNER BLOCK - LEFT/RIGHT - DINETTE (W41, W42) - <b>ULTRALEATHER</b> |



**CURTAIN & CUSHION GROUP (CONTINUED)**  
**CURTAIN, CUSHION LAYOUT (CONTINUED)**

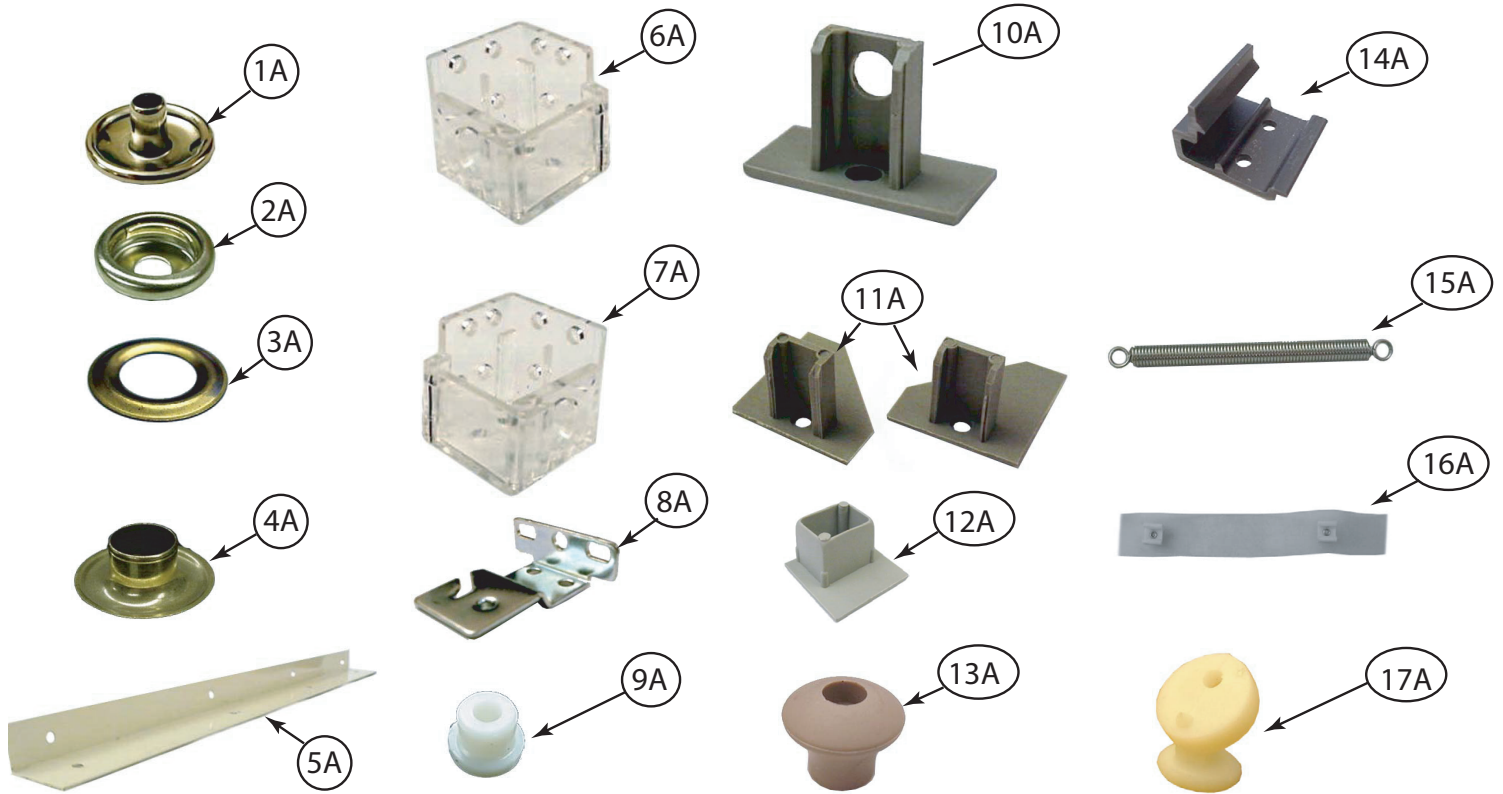
| KEY | PART NUMBER   | U/M | DESCRIPTION   |
|-----|---------------|-----|---|
|     | P50855-11-W37 | EA  | COVER/CUSHION - CORNER BLOCK - LEFT/RIGHT - DINETTE (W37, W38)                                  |
|     | P50855-11-W39 | EA  | COVER/CUSHION - CORNER BLOCK - LEFT/RIGHT - DINETTE (W39, W40)<br>FROM: 00-00-00 THRU: 03-11-07 |
|     | P50855-52-W39 | EA  | COVER/CUSHION - CORNER BLOCK - LEFT/RIGHT - DINETTE (W39, W40)<br>FROM: 03-12-07 THRU: 99-99-99 |
|     | P50855-11-W41 | EA  | COVER/CUSHION - CORNER BLOCK - LEFT/RIGHT - DINETTE (W41, W42)                                  |
|     | P50855-21-T41 | EA  | COVER/CUSHION - CORNER BLOCK - LEFT/RIGHT - DINETTE (W37, W38) - <b>ULTRALEATHER</b>            |
|     | P50855-21-T43 | EA  | COVER/CUSHION - CORNER BLOCK - LEFT/RIGHT - DINETTE (W39, W40) - <b>ULTRALEATHER</b>            |
|     | P50855-21-W41 | EA  | COVER/CUSHION - CORNER BLOCK - LEFT/RIGHT - DINETTE (W41, W42) - <b>ULTRALEATHER</b>            |
| 9   | 150855-56-W37 | EA  | CUSHION - SEAT/RIGHT - DINETTE (W37, W38)   |
| 9   | 150855-13-W39 | EA  | CUSHION - SEAT/RIGHT - DINETTE (W39, W40)<br>FROM: 00-00-00 THRU: 03-11-07                      |
| 9   | 150855-54-W39 | EA  | CUSHION - SEAT/RIGHT - DINETTE (W39, W40)<br>FROM: 03-12-07 THRU: 04-25-07                      |
| 9   | 150855-60-W39 | EA  | CUSHION - SEAT/RIGHT - DINETTE (W39, W40)<br>FROM: 04-26-07 THRU: 99-99-99                      |
| 9   | 150855-56-W41 | EA  | CUSHION - SEAT/RIGHT - DINETTE (W41, W42)   |
| 9   | 150855-58-W37 | EA  | CUSHION - SEAT/RIGHT - DINETTE (W37, W38) - <b>ULTRALEATHER</b>                                 |
| 9   | 150855-58-W39 | EA  | CUSHION - SEAT/RIGHT - DINETTE (W39, W40) - <b>ULTRALEATHER</b>                                 |
| 9   | 150855-58-W41 | EA  | CUSHION - SEAT/RIGHT - DINETTE (W41, W42) - <b>ULTRALEATHER</b>                                 |
|     | P50855-56-W37 | EA  | COVER/CUSHION - SEAT/RIGHT - DINETTE (W37, W38)   |
|     | P50855-13-W39 | EA  | COVER/CUSHION - SEAT/RIGHT - DINETTE (W39, W40)<br>FROM: 00-00-00 THRU: 03-11-07                |
|     | P50855-54-W39 | EA  | COVER/CUSHION - SEAT/RIGHT - DINETTE (W39, W40)<br>FROM: 03-12-07 THRU: 04-25-07                |
|     | P50855-60-W39 | EA  | COVER/CUSHION - SEAT/RIGHT - DINETTE (W39, W40)<br>FROM: 04-26-07 THRU: 99-99-99                |
|     | P50855-56-W41 | EA  | COVER/CUSHION - SEAT/RIGHT - DINETTE (W41, W42)   |
|     | P50855-58-W37 | EA  | COVER/CUSHION - SEAT/RIGHT - DINETTE (W37, W38) - <b>ULTRALEATHER</b>                           |
|     | P50855-58-W39 | EA  | COVER/CUSHION - SEAT/RIGHT - DINETTE (W39, W40) - <b>ULTRALEATHER</b>                           |
|     | P50855-58-W41 | EA  | COVER/CUSHION - SEAT/RIGHT - DINETTE (W41, W42) - <b>ULTRALEATHER</b>                           |
| 10  | 150855-35-W37 | EA  | CUSHION - FILLER - DINETTE (W37, W38)   |
| 10  | 150855-35-W39 | EA  | CUSHION - FILLER - DINETTE (W39, W40)   |
| 10  | 150855-35-W41 | EA  | CUSHION - FILLER - DINETTE (W41, W42)   |
|     | P50855-35-W37 | EA  | COVER/CUSHION - FILLER - DINETTE (W37, W38)   |
|     | P50855-35-W39 | EA  | COVER/CUSHION - FILLER - DINETTE (W39, W40)   |
|     | P50855-35-W41 | EA  | COVER/CUSHION - FILLER - DINETTE (W41, W42)   |
| 11  | 161575-01-W37 | EA  | VALANCE - JAXSON - 63" X 6" (W37, W38)  |
| 11  | 161575-03-W39 | EA  | VALANCE - JAXSON - 63" X 6" (W39, W40)  |
| 11  | 161575-03-W41 | EA  | VALANCE - JAXSON - 63" X 6" (W41, W42)  |
| 11  | 140789-08-W37 | EA  | BLIND - DAY/NIGHTER - 59" X 26.5" (W37, W38, W41, W42)  |
| 11  | 140789-08-W39 | EA  | BLIND - DAY/NIGHTER - 59" X 26.5" (W39, W40)  |
|     | 097565-01-000 | EA  | BRACKET - MOUNTING - PLEATED BLIND  |
|     | 105648-01-02A | EA  | BRACE - VALANCE - 14" - OFF WHITE   |
| 12  | 161575-31-W37 | EA  | VALANCE - JAXSON - 26.5" X 9" (W37, W38)  |
| 12  | 161575-24-W39 | EA  | VALANCE - JAXSON - 26.5" X 9" (W39, W40)  |
| 12  | 161575-24-W41 | EA  | VALANCE - JAXSON - 26.5" X 9" (W41, W42)  |
| 12  | 140789-54-W37 | EA  | BLIND - DAY/NIGHTER - 22.5" X 29" (W37, W38, W41, W42)  |
| 12  | 140789-54-W39 | EA  | BLIND - DAY/NIGHTER - 22.5" X 29" (W39, W40)  |
|     | 097565-01-000 | EA  | BRACKET - MOUNTING - PLEATED BLIND  |
| 13  | 159953-B9-W37 | EA  | LEG - RIGHT - 26" (W37, W38)  |
| 13  | 159953-C3-W39 | EA  | LEG - RIGHT - 26" (W39, W40)  |
| 13  | 159953-C3-W41 | EA  | LEG - RIGHT - 26" (W41, W42)  |
| 14  | 159953-C0-W37 | EA  | LEG - LEFT - 26" (W37, W38)   |
| 14  | 159953-C4-W39 | EA  | LEG - LEFT - 26" (W39, W40)   |
| 14  | 159953-C4-W41 | EA  | LEG - LEFT - 26" (W41, W42)   |

**CURTAIN & CUSHION GROUP (CONTINUED)**  
**LOUNGE CHAIR**



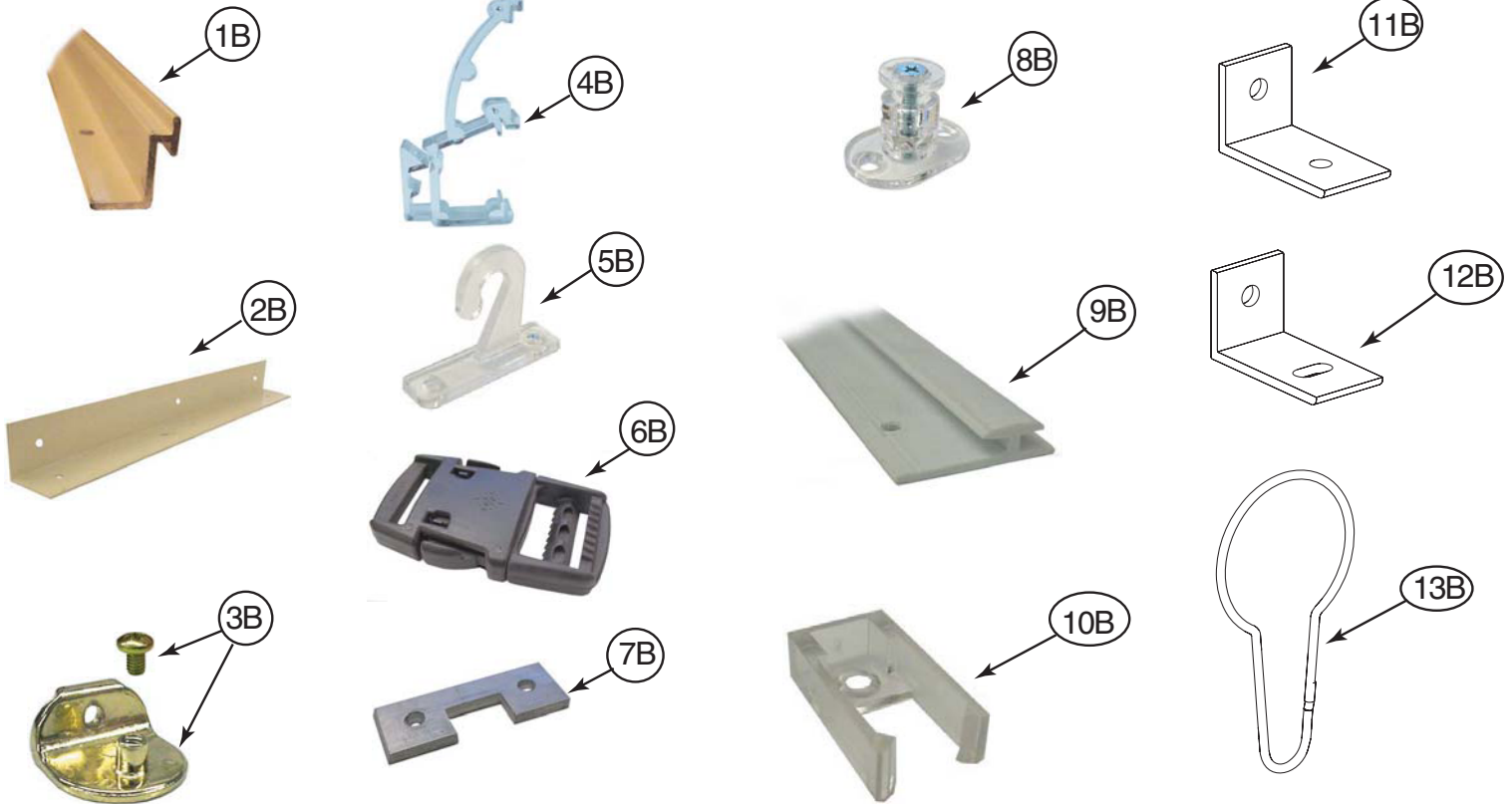
| KEY | PART NUMBER   | U/M | DESCRIPTION   |
|-----|---------------|-----|---|
|     | 157947-A2-U37 | EA  | COVER/CHAIR - GLIDER (W37, W38)                                 |
|     | 157947-A2-W39 | EA  | COVER/CHAIR - GLIDER (W39, W40)                                 |
|     | 157947-A2-W41 | EA  | COVER/CHAIR - GLIDER (W41, W42)                                 |
|     | 157947-A3-U37 | EA  | COVER/CHAIR - GLIDER - LEATHER (W37, W38) - <b>ULTRALEATHER</b> |
|     | 157947-A3-U39 | EA  | COVER/CHAIR - GLIDER - LEATHER (W39, W40) - <b>ULTRALEATHER</b> |
|     | 157947-A3-W41 | EA  | COVER/CHAIR - GLIDER - LEATHER (W41, W42) - <b>ULTRALEATHER</b> |
|     | 139208-01-000 | EA  | SUPPORT BAR - TALL - W/HOOP                                     |
| 1   | 139342-02-000 | EA  | SPRING - LOCK OUT   |
| 2   | 139342-03-000 | EA  | BRACKET - ROCKER LOCK - W/HANDLE                                |
|     | 133126-15-000 | EA  | BASE - SWIVEL/GLIDER - W/FLOOR RING                             |

**CURTAIN & CUSHION GROUP (CONTINUED)**  
**HARDWARE**



| KEY | PART NUMBER   | U/M | DESCRIPTION  |
|-----|---------------|-----|--|
| 1A  | 029155-01-000 | EA  | CAP - SNAP - 5/32" OUTSIDE DIAMETER OF PIN             |
| 2A  | 029156-01-000 | EA  | SOCKET - SNAP - 9/16" O.D.                             |
| 3A  | 046867-05-000 | EA  | WASHER - #0  |
| 4A  | 046867-04-000 | EA  | GROMMET - #0   |
| 5A  | 160457-01-01A | EA  | BRACE - VALANCE - L-SHAPED - 20" - OFF WHITE           |
| 6A  | 162496-01-01A | EA  | BRACKET/BLIND - LEFT SIDE WHEN FACING WINDOW - CLEAR   |
| 7A  | 162496-02-01A | EA  | BRACKET/BLIND - RIGHT SIDE WHEN FACING WINDOW - CLEAR  |
| 8A  | 084434-01-000 | EA  | BRACKET - MOUNTING - ROLLER SHADE - 1 3/8"             |
| 9A  | 094896-02-000 | EA  | GROMMET - CORD/PLEATED BLIND - NYLON - GRAY            |
| 10A | 094907-02-000 | EA  | END CAP - PLEATED BLIND/TOP - RH/LH - GRAY PLASTIC     |
| 11A | 094907-04-000 | EA  | END CAP - PLEATED BLIND/BOTTOM - RH/LH                 |
| 12A | 094907-09-000 | EA  | END CAP/BLIND - CENTER RAIL - RH/LH                    |
| 13A | 097564-03-000 | EA  | HANDLE - KNOB - E-Z LIFT SHADE - TAN                   |
| 14A | 097565-01-000 | EA  | BRACKET - MOUNTING - PLEATED BLIND                     |
| 15A | 155748-01-000 | EA  | SPRING - EXTENSION - DAY/NIGHTER BLIND                 |
| 16A | 101031-01-000 | YD  | TAPE/GLIDE - 4.25" SPACING                             |
| 17A | 102555-03-000 | EA  | BRACKET - (CLEAT TYPE) - F/BLIND HOLDOWN - MILKY WHITE |

**CURTAIN & CUSHION GROUP (CONTINUED)**  
**HARDWARE (CONTINUED)**



| KEY | PART NUMBER   | U/M | DESCRIPTION   |
|-----|---------------|-----|---|
| 1B  | 105450-14-01A | EA  | TRACK - CURTAIN - 90" - OFF WHITE                         |
| 2B  | 105648-01-02A | EA  | BRACE - VALANCE - 14" - OFF WHITE                         |
| 2B  | 105648-02-02A | EA  | BRACE - VALANCE - 8.5" - OFF WHITE                        |
| 3B  | 106544-01-000 | EA  | PULL - SHADE/BRASS  |
| 3B  | 106544-01-001 | EA  | SCREW - SHADE/BRASS                                       |
| 3B  | 106544-02-000 | EA  | PULL-SHADE - NICKEL                                       |
| 4B  | 109353-04-000 | EA  | CLIP - VALANCE SLAT MOUNTING - CLEAR PLASTIC              |
| 5B  | 109441-01-000 | EA  | BRACKET/HOOK - BLIND HOLD DOWN - LARGE - CLEAR            |
|     | 109441-02-000 | EA  | SPACER/BRACKET - BLIND HOLD DOWN                          |
| 6B  | 129491-01-000 | EA  | CATCH - SNAP HOOK - 1"                                    |
| 7B  | 130549-01-01A | EA  | STOP - CURTAIN TRACK                                      |
| 8B  | 141634-01-000 | EA  | BRACKET-(BOBBIN TYPE) 7/8"H HOLDUPBASE(OVAL)-2 HOLE-CLEAR |
| 9B  | 156172-02-01A | EA  | TRACK/WALL - 32" - BONE                                   |
| 9B  | 156172-03-01A | EA  | TRACK/WALL - 21" - BONE                                   |
| 10B | 156172-04-01A | EA  | END CAP - WALL TRACK - CLEAR                              |
| 11B | 154316-01-01A | EA  | BRACE/ANGLE - W/HOLE - CASHMERE                           |
| 12B | 154316-02-01A | EA  | BRACE/ANGLE - W/SLOT - CASHMERE                           |
| 13B | 159702-01-01A | EA  | HOOK/RING - CURTAIN/SHOWER - NICKEL                       |

**CURTAIN & CUSHION GROUP (CONTINUED)**  
**ACCESSORIES**

| <b>KEY</b> | <b>PART NUMBER</b> | <b>U/M</b> | <b>DESCRIPTION</b>                                    |
|------------|--------------------|------------|---|
|            | 074494-07-000      | EA         | BUTTON - PIVOT - #36                                  |
|            | 074494-08-000      | EA         | BUTTON - PIVOT - #36                                  |
|            | 118337-19-U37      | EA         | BUTTON - #36 W/TACK (W37, W38)                        |
|            | 118337-19-W39      | EA         | BUTTON - #36 W/TACK (W39, W40)                        |
|            | 118337-19-W41      | EA         | BUTTON - #36 W/TACK (W41, W42)                        |
|            | 118337-22-W39      | EA         | BUTTON - #36 - FABRIC COVEREK (W39, W40)              |
|            | 161506-05-W37      | EA         | BUTTON - #36 - FABRIC COVERED (W37, W38)              |
|            | 161506-06-W37      | EA         | BUTTON - #36 - FABRIC COVERED (W39, W40)              |
|            | 161506-04-W39      | EA         | BUTTON - #36 - FABRIC COVERED (W41, W42)              |
|            | 161506-07-W39      | EA         | BUTTON - #36 - FABRIC COVERED (W39, W40)              |
|            | 161506-05-W41      | EA         | BUTTON - #36 - FABRIC COVERED (W41, W42)              |
|            | 161506-06-W41      | EA         | BUTTON - #36 - FABRIC COVERED (W41, W42)              |
|            | 070578-19-W37      | EA         | BUTTON - #30 - SCREW/STUD - FABRIC COVERED (W37, W38) |
|            | 070578-19-W39      | EA         | BUTTON - #30 - SCREW/STUD - FABRIC COVERED (W39, W40) |
|            | 070578-19-W41      | EA         | BUTTON - #30 - SCREW/STUD - FABRIC COVERED (W41, W42) |
|            | 070578-21-U37      | EA         | BUTTON - #30 - SCREW/STUD (W37, W38)                  |
|            | 070578-21-U39      | EA         | BUTTON - #30 - SCREW/STUD (W39, W40)                  |
|            | 070578-21-W41      | EA         | BUTTON - #30 - SCREW/STUD (W41, W42)                  |
|            | 070578-23-W37      | EA         | BUTTON - #30 - SCREW/STUD - FABRIC COVERED (W37, W38) |
|            | 070578-23-W39      | EA         | BUTTON - #30 - SCREW/STUD - FABRIC COVERED (W39, W40) |
|            | 070578-23-W41      | EA         | BUTTON - #30 - SCREW/STUD - FABRIC COVERED (W41, W42) |

## CURTAIN & CUSHION GROUP (CONTINUED)

### FABRICS

#### W37, W38

079680-47-000 FABRIC -UPHOLSTERY ULTRA LEATHER MAIN  
087272-03-000 FABRIC -DRAPERY MAIN  
113979-09-01A CARPET-HEADLINER (SY) - CEILING  
FROM: 00-00-00 THRU: 01-13-08  
113979-09-02A CARPET-HEADLINER (SY) - CEILING  
FROM: 01-14-08 THRU: 99-99-99  
113979-10-01A CARPET-HEADLINER - SLDOUT (SY) - CEILING  
FROM: 00-00-00 THRU: 01-13-08  
113979-10-02A CARPET-HEADLINER - SLDOUT (SY) - CEILING  
FROM: 01-14-08 THRU: 99-99-99  
113979-11-01A CARPET-HEADLINER - SLDOUT (SY) - CEILING  
FROM: 00-00-00 THRU: 01-13-08  
113979-11-02A CARPET-HEADLINER - SLDOUT (SY) - CEILING  
FROM: 01-14-08 THRU: 99-99-99  
137813-V9-000 FABRIC -UPHOLSTERY PLAIN ACCENT  
137813-V9-000 FABRIC -DINETTE WRAP  
137813-W2-00 FABRIC -BEDROOM CABINET ACCENT  
137813-W2-000 FABRIC -UPHOLSTERY BEDSPREAD MAIN  
137813-W2-000 FABRIC -OVERHEAD CABINET BEDROOM  
148797-H9-000 FABRIC -UPHOLSTERY LOUNGE TRIM  
148797-N4-000 FABRIC -UPHOLSTERY MAIN  
148797-N4-000 FABRIC -DOOR INSERT PAD SMALL  
148797-N4-000 FABRIC -UPHOLSTERY BEDSPREAD PATTERN ACCENT  
148797-N4-000 FABRIC -HEADLINER - PADS, BUNKS, TRANSITION PANELS  
148797-N8-000 FABRIC -UPHOLSTERY ACCENT PATTERN  
148797-N8-000 FABRIC -OVERHEAD CABINET DINETTE, LOUNGE

#### W39, W40

087272-03-000 FABRIC -DRAPERY MAIN  
113979-09-01A CARPET-HEADLINER (SY) - CEILING  
FROM: 00-00-00 THRU: 01-13-08  
113979-09-02A CARPET-HEADLINER (SY) - CEILING  
FROM: 01-14-08 THRU: 99-99-99  
113979-10-01A CARPET-HEADLINER - SLDOUT (SY) - CEILING  
FROM: 00-00-00 THRU: 01-13-08  
113979-10-02A CARPET-HEADLINER - SLDOUT (SY) - CEILING  
FROM: 01-14-08 THRU: 99-99-99  
113979-11-01A CARPET-HEADLINER - SLDOUT (SY) - CEILING  
FROM: 00-00-00 THRU: 01-13-08  
113979-11-02A CARPET-HEADLINER - SLDOUT (SY) - CEILING  
FROM: 01-14-08 THRU: 99-99-99  
142523-02-000 FABRIC -UPHOLSTERY ULTRA LEATHER MAIN  
148797-BD-000 FABRIC -OVERHEAD CABINET DINETTE, LOUNGE  
148797-BD-000 FABRIC -DOOR INSERT PAD, SMALL  
148797-BD-000 FABRIC -UPHOLSTERY MAIN  
148797-BE-000 FABRIC -DINETTE WRAP  
148797-BE-000 FABRIC -UPHOLSTERY PLAIN ACCENT  
148797-H9-000 FABRIC -HEADLINER - PADS, BUNKS, NON-PADDED  
156773-57-000 FABRIC-UPHOLSTERY - BEDSPREAD PATTERN ACCENT  
156773-57-000 FABRIC -HEADLINER - PADS, BUNKS, TRANSITION PANELS  
156773-57-000 FABRIC -OVERHEAD CABINET BEDROOM  
156773-57-000 FABRIC -BEDROOM CABINET ACCENT  
156773-57-000 FABRIC -UPHOLSTERY ACCENT PATTERN  
156773-58-000 FABRIC -UPHOLSTERY, BEDSPREAD, MAIN

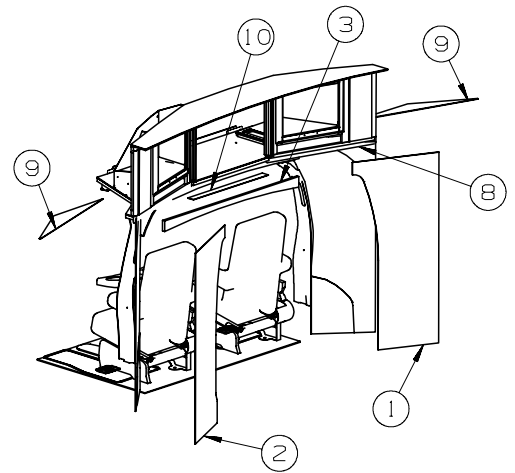
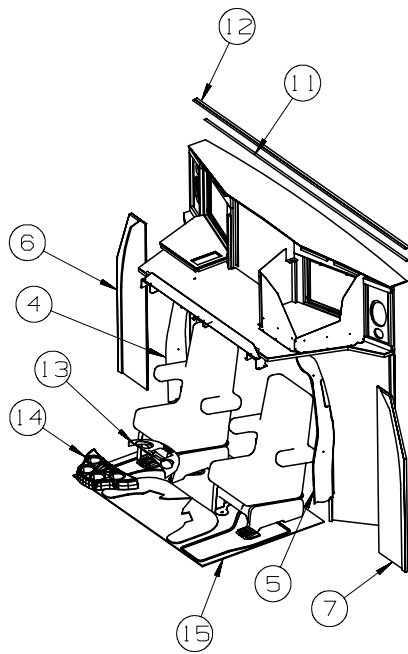
**CURTAIN & CUSHION GROUP (CONTINUED)**  
**FABRICS (CONTINUED)**

**W41, W42**

087272-03-000 FABRIC-DRAPERY MAIN  
113979-09-01A CARPET-HEADLINER (SY) - CEILING  
FROM: 00-00-00 THRU: 01-13-08  
113979-09-02A CARPET-HEADLINER (SY) - CEILING  
FROM: 01-14-08 THRU: 99-99-99  
113979-10-01A CARPET-HEADLINER - SLDOUT (SY) - CEILING  
FROM: 00-00-00 THRU: 01-13-08  
113979-10-02A CARPET-HEADLINER - SLDOUT (SY) - CEILING  
FROM: 01-14-08 THRU: 99-99-99  
113979-11-01A CARPET-HEADLINER - SLDOUT (SY) - CEILING  
FROM: 00-00-00 THRU: 01-13-08  
113979-11-02A CARPET-HEADLINER - SLDOUT (SY) - CEILING  
FROM: 01-14-08 THRU: 99-99-99  
142523-19-000 FABRIC-UPHOLSTERY ULTRA LEATHER MAIN  
148797-BF-000 FABRIC-UPHOLSTERY MAIN  
148797-BF-000 FABRIC-DOOR INSERT PAD, SMALL  
148797-BF-000 FABRIC-HEADLINER - PADS, BUNKS, TRANSITION PANELS  
148797-BG-000 FABRIC-UPHOLSTERY PLAIN ACCENT  
148797-BG-000 FABRIC-UPHOLSTERY BEDSPREAD MAIN  
148797-BG-000 FABRIC-DINETTE WRAP  
148797-BH-000 FABRIC-UPHOLSTERY ACCENT PATTERN  
148797-BH-000 FABRIC-OVERHEAD CABINET DINETTE, LOUNGE  
148797-H9-000 FABRIC-HEADLINER - PADS, BUNKS, NON-PADDED  
156773-59-000 FABRIC-UPHOLSTERY BEDSPREAD PATTERN ACCENT  
156773-59-000 FABRIC-OVERHEAD CABINET BEDROOM  
156773-59-000 FABRIC-BEDROOM CABINET ACCENT



## DRIVERS COMPARTMENT GROUP FRONT INTERIOR

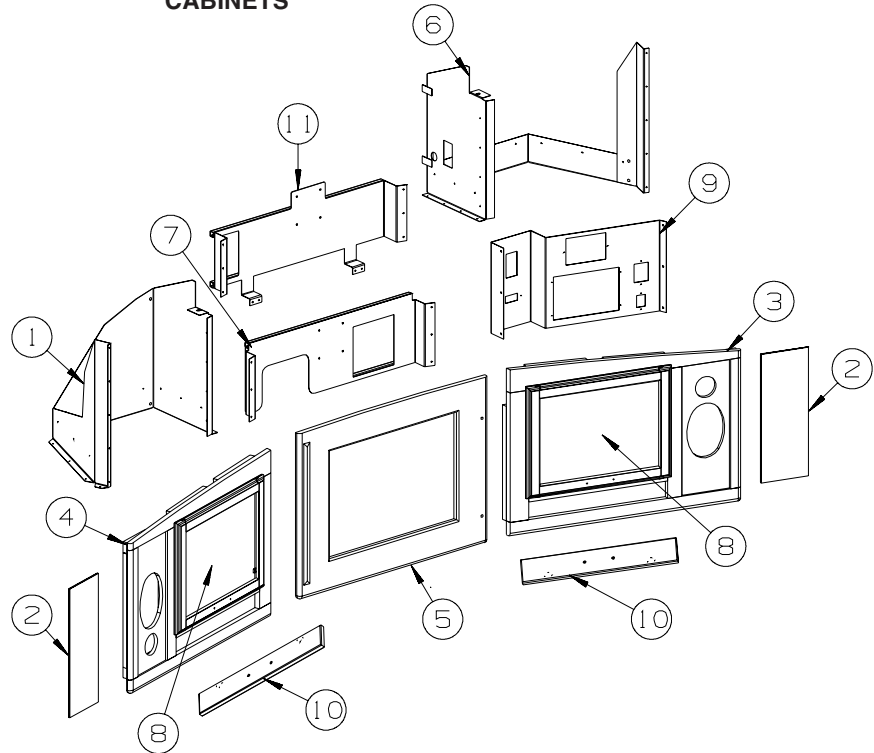


| KEY | PART NUMBER   | U/M | DESCRIPTION   |
|-----|---------------|-----|---|
| 1   | 149336-03-U37 | EA  | PANEL/TRANSITION - INNER - RIGHT HAND (W37, W38)                      |
| 1   | 149336-03-W39 | EA  | PANEL/TRANSITION - INNER - RIGHT HAND (W39, W40)                      |
| 1   | 149336-03-W41 | EA  | PANEL/TRANSITION - INNER - RIGHT HAND (W41, W42)                      |
| 1   | 149336-05-W37 | EA  | PANEL/TRANSITION - INNER - RIGHT HAND (W37) - <b>ULTRALEATHER</b>     |
| 1   | 149336-05-W38 | EA  | PANEL/TRANSITION - INNER - RIGHT HAND (W38) - <b>ULTRALEATHER</b>     |
| 1   | 149336-05-W39 | EA  | PANEL/TRANSITION - INNER - RIGHT HAND (W39) - <b>ULTRALEATHER</b>     |
| 1   | 149336-05-W40 | EA  | PANEL/TRANSITION - INNER - RIGHT HAND (W40) - <b>ULTRALEATHER</b>     |
| 1   | 149336-05-W41 | EA  | PANEL/TRANSITION - INNER - RIGHT HAND (W41) - <b>ULTRALEATHER</b>     |
| 1   | 149336-05-W42 | EA  | PANEL/TRANSITION - INNER - RIGHT HAND (W42) - <b>ULTRALEATHER</b>     |
| 2   | 149336-04-U37 | EA  | PANEL/TRANSITION - INNER - LEFT HAND (W37, W38)                       |
| 2   | 149336-04-W39 | EA  | PANEL/TRANSITION - INNER - LEFT HAND (W39, W40)                       |
| 2   | 149336-04-W41 | EA  | PANEL/TRANSITION - INNER - LEFT HAND (W41, W42)                       |
| 2   | 149336-06-W37 | EA  | PANEL/TRANSITION - INNER - LEFT HAND (W37) - <b>ULTRALEATHER</b>      |
| 2   | 149336-06-W38 | EA  | PANEL/TRANSITION - INNER - LEFT HAND (W38) - <b>ULTRALEATHER</b>      |
| 2   | 149336-06-W39 | EA  | PANEL/TRANSITION - INNER - LEFT HAND (W39) - <b>ULTRALEATHER</b>      |
| 2   | 149336-06-W40 | EA  | PANEL/TRANSITION - INNER - LEFT HAND (W40) - <b>ULTRALEATHER</b>      |
| 2   | 149336-06-W41 | EA  | PANEL/TRANSITION - INNER - LEFT HAND (W41) - <b>ULTRALEATHER</b>      |
| 2   | 149336-06-W42 | EA  | PANEL/TRANSITION - INNER - LEFT HAND (W42) - <b>ULTRALEATHER</b>      |
| 3   | 149411-02-U37 | EA  | TRIM/REAR CAB - FABRIC WRAPPED - 51.7" (W37, W38)                     |
| 3   | 149411-02-W39 | EA  | TRIM/REAR CAB - FABRIC WRAPPED - 51.7" (W39, W40)                     |
| 3   | 149411-02-W41 | EA  | TRIM/REAR CAB - FABRIC WRAPPED - 51.7" (W41, W42)                     |
| 4   | 150481-01-23A | EA  | TRIM - B-PILLAR - RIGHT HAND - PEBBLE                                 |
| 5   | 150481-02-23A | EA  | TRIM - B-PILLAR - LEFT HAND - PEBBLE                                  |
| 6   | 149530-03-W37 | EA  | TRIM - B-PILLAR - RIGHT HAND (W37, W38)                               |
| 6   | 149530-03-W39 | EA  | TRIM - B-PILLAR - RIGHT HAND (W39, W40)                               |
| 6   | 149530-03-W41 | EA  | TRIM - B-PILLAR - RIGHT HAND (W41, W42)                               |
| 7   | 149530-04-W37 | EA  | TRIM - B-PILLAR - LEFT HAND (W37, W38)                                |
| 7   | 149530-04-W39 | EA  | TRIM - B-PILLAR - LEFT HAND (W39, W40)                                |
| 7   | 149530-04-W41 | EA  | TRIM - B-PILLAR - LEFT HAND (W41, W42)                                |
| 8   | 149948-01-02A | EA  | HEADLINER - WITH DOME LIGHT - FORD - PEBBLE                           |
| 9   | 150149-03-U37 | EA  | TRIM - ENTERTAINMENT CENTER/BOTTOM - FABRIC WRAPPED -36.7" (W37, W38) |
| 9   | 150149-03-W39 | EA  | TRIM - ENTERTAINMENT CENTER/BOTTOM - FABRIC WRAPPED -36.7" (W39, W40) |
| 9   | 150149-03-W41 | EA  | TRIM - ENTERTAINMENT CENTER/BOTTOM - FABRIC WRAPPED -36.7" (W41, W42) |
| 10  | 150149-04-U37 | EA  | TRIM - ENTERTAINMENT CENTER/BOTTOM - FABRIC WRAPPED -29.1" (W37, W38) |
| 10  | 150149-04-W39 | EA  | TRIM - ENTERTAINMENT CENTER/BOTTOM - FABRIC WRAPPED -29.1" (W39, W40) |
| 10  | 150149-04-W41 | EA  | TRIM - ENTERTAINMENT CENTER/BOTTOM - FABRIC WRAPPED -29.1" (W41, W42) |
| 11  | 086229-01-000 | EA  | RETAINER - BATTEN - .75" X 92.1" - ANY COLOR                          |
| 12  | 086229-12-000 | EA  | BATTEN - 1.5" OFFSET X 96.8" - MODERN IVORY                           |
| 13  | 150974-01-04A | EA  | APPLIQUE - BEZEL - INSTRUMENT PANEL - LEATHER LASER WAVE              |
| 14  | 150974-05-04A | EA  | APPLIQUE - BEZEL - MOTOR COVER - FORD - LEATHER LASER WAVE            |
| 15  | 155266-05-01A | EA  | MAT - FLOOR - SET - "W" - FORD - PEBBLE BROWN/BLACK                   |

FROM: 00-00-00 THRU: 05-21-07

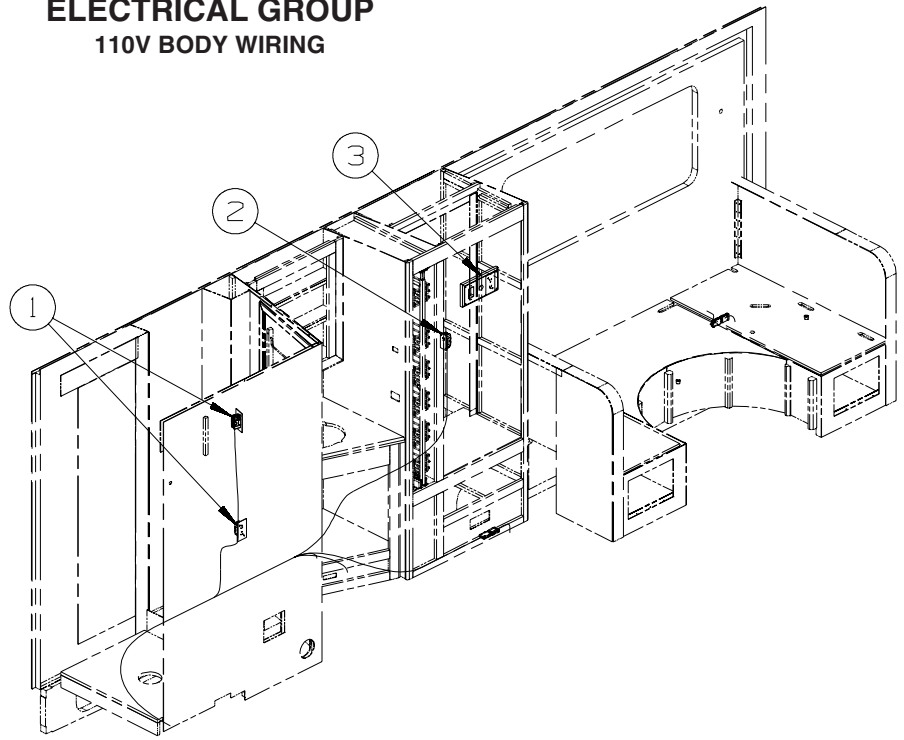
# DRIVERS COMPARTMENT GROUP (CONTINUED)

## CABINETS



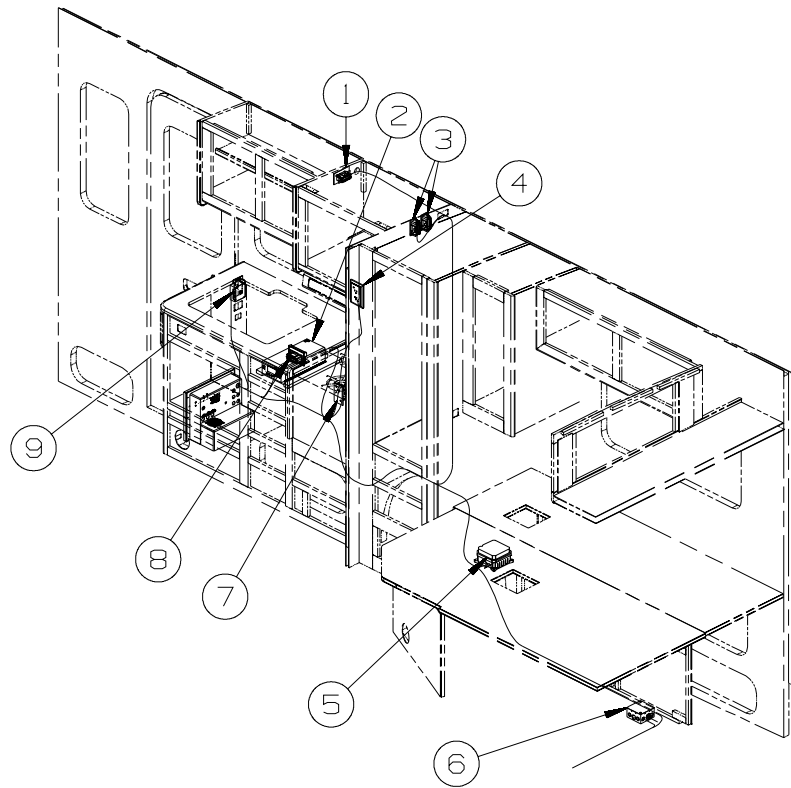
| KEY | PART NUMBER   | U/M | DESCRIPTION   |
|-----|---------------|-----|---|
| 1   | 149487-02-02B | EA  | COMPARTMENT/OVERHEAD - FRONT/LH HAND - E-COATED   |
| 2   | 149457-13-U37 | EA  | COVER/PANEL - FABRIC INSERT (W37, W38)  |
| 2   | 149457-13-W39 | EA  | COVER/PANEL - FABRIC INSERT (W39, W40)  |
| 2   | 149457-13-W41 | EA  | COVER/PANEL - FABRIC INSERT (W41, W42)  |
| 3   | 149457-18-S34 | EA  | FACE/FRAME (PICTURE) OVERHEAD/PASS - W/O FABRIC INSERT/HDW - WASHED MAPLE                         |
| 3   | 149457-18-S35 | EA  | FACE/FRAME (PICTURE) OVERHEAD/PASS - W/O FABRIC INSERT/HDW - SIERRA MAPLE                         |
| 4   | 149457-19-S34 | EA  | FACE/FRAME (PICTURE) OVERHEAD/PASS - W/O FABRIC INSERT/HDW - WASHED MAPLE                         |
| 4   | 149457-19-S35 | EA  | FACE/FRAME (PICTURE) OVERHEAD/PASS - W/O FABRIC INSERT/HDW - SIERRA MAPLE                         |
| 5   | 149407-03-W37 | EA  | FRAME/FACE - F/TV - WASHED MAPLE - <b>TV-19"DC,COLOR,LCD</b><br>FROM: 00-00-00 THRU: 04-29-07     |
| 5   | 149407-05-W37 | EA  | FRAME/FACE - F/TV - WASHED MAPLE - <b>TV-19"DC,COLOR,LCD</b><br>FROM: 04-30-07 THRU: 99-99-99     |
| 5   | 149407-03-W38 | EA  | FRAME/FACE - F/TV - SIERRA MAPLE - <b>TV-19"DC,COLOR,LCD</b><br>FROM: 00-00-00 THRU: 04-29-07     |
| 5   | 149407-05-W38 | EA  | FRAME/FACE - F/TV - SIERRA MAPLE - <b>TV-19"DC,COLOR,LCD</b><br>FROM: 04-30-07 THRU: 99-99-99     |
| 5   | 149407-06-W37 | EA  | FRAME/FACE - F/TV - WASHED MAPLE - <b>TV-27" COLOR,STEREO W/REMOTE</b>                            |
|     | M09477-88-S34 | EA  | MOLDING - TRIM/VEE - .2" X 1" X 19.9" - WASHED MAPLE  |
| 5   | 149407-06-W38 | EA  | FRAME/FACE - F/TV - SIERRA MAPLE - <b>TV-27" COLOR,STEREO W/REMOTE</b>                            |
|     | M09477-88-S35 | EA  | MOLDING - TRIM/VEE - .2" X 1" X 19.9" - SIERRA MAPLE  |
| 5   | 149407-07-W37 | EA  | FRAME/FACE - F/TV - WASHED MAPLE - <b>TV-26" COLOR,STEREO W/REMOTE</b>                            |
|     | M09454-62-P56 | EA  | MOLDING - TRIM/VEE - .2" X 1" X 3.5" - WASHED MAPLE   |
|     | M09494-40-SD2 | EA  | MOLDING - TRIM/VEE - .2" X 1" X 7.9" - WASHED MAPLE   |
| 5   | 149407-07-W38 | EA  | FRAME/FACE - F/TV - SIERRA MAPLE - <b>TV-26" COLOR,STEREO W/REMOTE</b>                            |
|     | M09454-62-W38 | EA  | MOLDING - TRIM/VEE - .2" X 1" X 3.5" - SIERRA MAPLE   |
|     | M09494-40-W38 | EA  | MOLDING - TRIM/VEE - .2" X 1" X 7.9" - SIERRA MAPLE   |
| 6   | 149487-04-02B | EA  | COMPARTMENT/OVERHEAD - FRONT/RH HAND - E-COATED   |
| 7   | 164361-01-02B | EA  | BRACKET - TV - E-COATED - <b>TV 19/20" DC,COLOR,LCD W/REMOTE</b><br>FROM: 00-00-00 THRU: 04-24-07 |
| 7   | 164354-01-02B | EA  | BRACKET - TV - E-COATED - <b>TV 19/20" DC,COLOR,LCD W/REMOTE</b><br>FROM: 04-25-07 THRU: 99-99-99 |
| 8   | 146028-81-T47 | EA  | DOOR - GLASS INSERT/PENCIL EDGE - 15.7" X 20.4" - W/O HDW - WASHED MAPLE                          |
| 8   | 146028-81-T48 | EA  | DOOR - GLASS INSERT/PENCIL EDGE - 15.7" X 20.4" - W/O HDW - SIERRA MAPLE                          |
| 9   | 164365-01-02B | EA  | PANEL - ELECTRICAL - E-COATED   |
| 10  | 161080-16-W37 | EA  | FACE/DRAWER - SOLID PANEL - 3.5" X 20.6" - W/O HDW - WASHED MAPLE                                 |
| 10  | 161080-16-W38 | EA  | FACE/DRAWER - SOLID PANEL - 3.5" X 20.6" - W/O HDW - SIERRAD MAPLE                                |
|     | 076767-17-000 | EA  | CABLE - STAINLESS STEEL - 3.9"  |
| 11  | 165090-01-02B | EA  | BRACKET - TV - E-COATED - <b>TV-27" COLOR,STEREO W/REMOTE</b>                                     |
| 11  | 166659-01-02B | EA  | BRACKET - TV - 26" JENSEN - E-COATED - <b>TV-26" COLOR,STEREO W/REMOTE</b>                        |

**ELECTRICAL GROUP**  
**110V BODY WIRING**



| KEY | PART NUMBER   | U/M | DESCRIPTION                                      |
|-----|---------------|-----|--|
| 1   | 058708-01-000 | EA  | RECEPTACLE - ELECTRIC - DOUBLE - BROWN           |
| 2   | 058707-01-000 | EA  | RECEPTACLE - ELECTRIC - SINGLE - BROWN           |
| 3   | 058708-01-000 | EA  | RECEPTACLE - ELECTRIC - DOUBLE - BROWN           |
| 3   | 133713-06-21A | EA  | SPACER/RECEPTACLE - PHONE - VINYL - WASHED MAPLE |
| 3   | 133713-06-22A | EA  | SPACER/RECEPTACLE - PHONE - VINYL - SIERRA MAPLE |

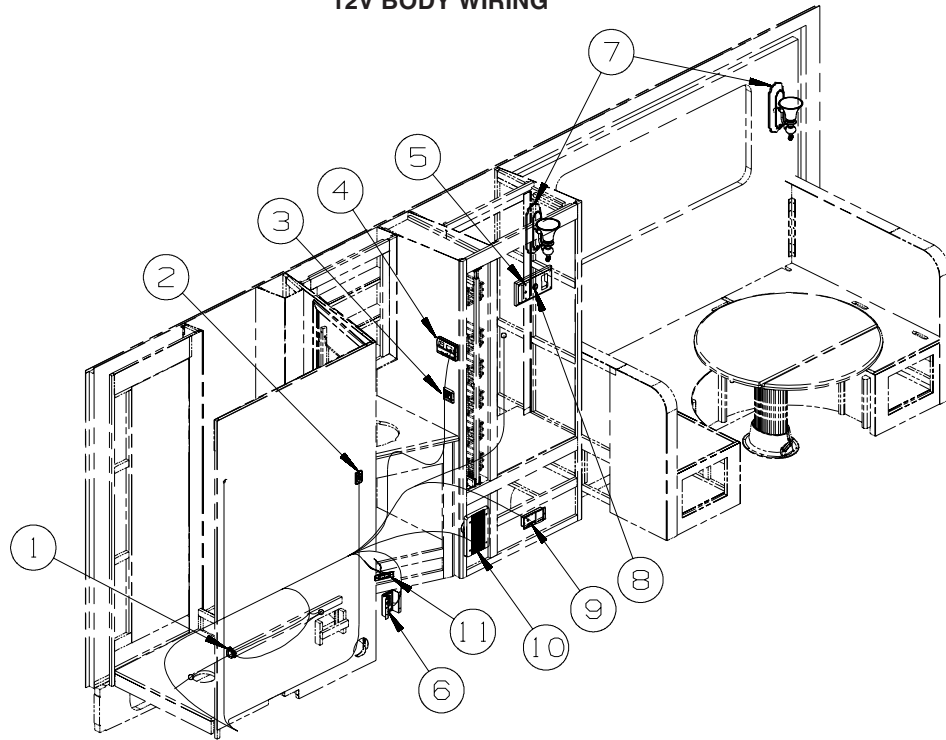
**ELECTRICAL GROUP (CONTINUED)**  
**110V BODY WIRING (CONTINUED)**



| KEY | PART NUMBER   | U/M | DESCRIPTION  |
|-----|---------------|-----|--|
| 1   | 058708-05-000 | EA  | RECEPTACLE - ELECTRICAL - SINGLE - BROWN   |
| 1   | 160984-01-01A | EA  | RECEPTACLE - ELECTRICAL - SINGLE/FLUSH - 20 AMP - BROWN - <b>CANADIAN</b>                    |
| 2   | 099048-04-000 | EA  | INVERTER - 300 WATT  |
| 3   | 058707-02-000 | EA  | RECEPTACLE - BLANK - JUNCTION BOX  |
| 4   | 058708-01-000 | EA  | RECEPTACLE - ELECTRIC - DOUBLE - BROWN   |
| 4   | 133713-04-21A | EA  | SPACER/RECEPTACLE - VINYL - WASHED MAPLE   |
| 4   | 133713-04-22A | EA  | SPACER/RECEPTACLE - VINYL - SIERRA MAPLE   |
| 5   | 136481-01-000 | EA  | MODULE - AUTO ENERGY SELECTOR  |
| 6   | 008289-01-000 | EA  | BOX - ELECTRIC/STEEL - 4" X 4" - 1/2" & 3/4" KNOCKOUTS - <b>GEN-4.0KW-ONANGAS-MICROQUIET</b> |
| 6   | 008294-01-000 | EA  | COVER - ELECTRIC BOX - BLANK/STEEL - 4" X 4" - GRAY - <b>GEN-4.0KW-ONANGAS-MICROQUIET</b>    |
| 7   | 058707-01-000 | EA  | RECEPTACLE - ELECTRIC - SINGLE - BROWN - <b>INVERTER-DC/AC, 300 WATT</b>                     |
| 7   | 058707-02-000 | EA  | RECEPTACLE - BLANK - JUNCTION BOX  |
| 8   | 131826-01-01A | EA  | RECEPTACLE - EXTERIOR - W/COVER/GASKET - WHITE   |
| 9   | 163319-01-02A | EA  | RECEPTACLE - GFCI - 15A 125V - BROWN   |

## ELECTRICAL GROUP (CONTINUED)

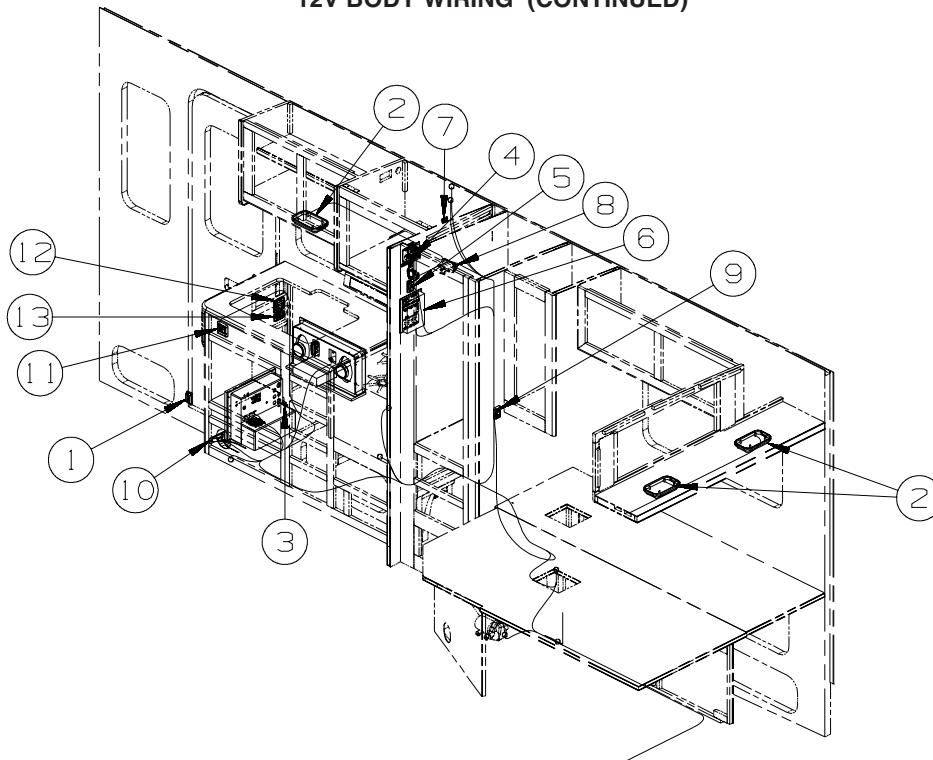
### 12V BODY WIRING



| KEY | PART NUMBER   | U/M | DESCRIPTION  |
|-----|---------------|-----|--|
| 1   | 108357-15-000 | EA  | SWITCH - ROCKER - DPDT - ON/NONE/ON - W/LIGHT W/O COVER                            |
| 1   | 108356-04-01A | EA  | COVER/ACTUATOR SWITCH - 2 ROWS DIMPLES W/LENS - BLACK                              |
| 1   | 108355-01-000 | EA  | HOUSING - SWITCH   |
| 2   | 135740-01-01A | EA  | SWITCH - ROCKER - SPST - ON/OFF - BROWN  |
| 2   | 135741-01-01A | EA  | SWITCH - BASE - SINGLE - BROWN   |
| 2   | 135742-07-02A | EA  | BEZEL - SWITCH - CEILING - BROWN   |
| 3   | 135740-01-01A | EA  | SWITCH - ROCKER - SPST - ON/OFF - BROWN  |
| 3   | 135740-02-01A | EA  | SWITCH - ROCKER - SPDT - ON/ON - BROWN   |
| 3   | 135741-02-01A | EA  | SWITCH - BASE - DOUBLE - BROWN   |
| 3   | 135742-13-02A | EA  | BEZEL - SWITCH - CEILING/AISLE - BROWN   |
| 4   | 135618-03-01A | EA  | THERMOSTAT - ROOF A/C & FURNACE - WHITE - <b>A/C ROOF-HI EFF LOW PROFILE</b>       |
| 4   | 135618-01-01A | EA  | THERMOSTAT - HEAT PUMP/FURNACE - WHITE - <b>AC HEAT PUMP-HI EFF, LOW PFL</b>       |
| 5   | 093253-01-02A | EA  | PLATE - WALL - TELEPHONE - BROWN   |
| 6   | 149557-01-01A | EA  | PLATE/WALL - PHONE/DUAL COAXIAL/VERTICAL - WHITE                                   |
| 7   | 119258-57-01A | EA  | LAMP - WALL - W/GLASS SHADE/SWITCH - UL/CSA - NICKEL                               |
| 8   | 132958-01-000 | EA  | RECEPTACLE - 12 VOLT - MOUNTING FLANGE - BLACK                                     |
| 9   | 150138-01-01A | EA  | DETECTOR - LP GAS - WHITE  |
| 10  | 124884-01-000 | EA  | SPEAKER - 6" X 9" - SUB-WOOFER - W/O GRILLE - <b>RADIO/AM/FM/CD/DVD PLAYER</b>     |
| 10  | 151844-01-01A | EA  | GRILLE - SPEAKER - 6" X 9" - SUB WOOFER - BLACK - <b>RADIO/AM/FM/CD/DVD PLAYER</b> |
| 11  | 061424-01-000 | EA  | LIGHT - AISLE - 12 VOLT - RECTANGULAR  |

## ELECTRICAL GROUP (CONTINUED)

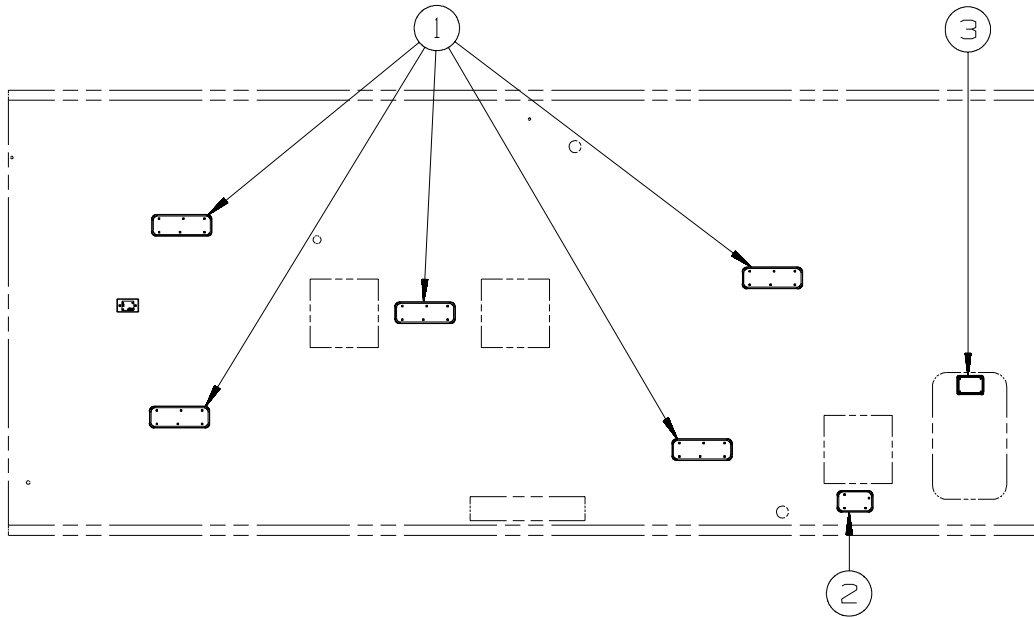
### 12V BODY WIRING (CONTINUED)



| KEY | PART NUMBER   | U/M | DESCRIPTION   |
|-----|---------------|-----|---|
| 1   | 116995-02-000 | EA  | SWITCH/MAGNET - ELECTRIC STEP - BLACK/WHITE- NORMALLY OPEN - ENTRANCE STEP-ELEC |
| 2*  | 137417-02-01A | EA  | LIGHT - DOME - SINGLE - W/SWITCH/OPTIC LENS - WHITE                             |
| 3   | 098351-07-02A | EA  | PLATE/SWITCH - 1 GANG - CHROME - GENERATOR SWITCH                               |
| 3   | 108357-06-000 | EA  | SWITCH - ROCKER - DPDT - MOM/OFF/MOM - 6 TERM - W/O COVER                       |
| 3   | 108356-11-01A | EA  | COVER/ACTUATOR SWITCH - 3 GROOVES - AUX BATT - BLACK                            |
| 3   | 108355-01-000 | EA  | HOUSING - SWITCH  |
| 4   | 163992-01-01A | EA  | LABEL - SLIDEOUT - DRIVER/FRONT - BLACK/WHITE                                   |
| 4   | 163988-01-01A | EA  | LABEL - SLIDEOUT CONTROL/MANUAL - BLACK/WHITE                                   |
| 4*  | 163097-01-000 | EA  | SWITCH - SPST - KEY ACTIVATED - W/2 KEYS  |
| 4   | 116549-01-000 | EA  | LABEL - WARNING - SLIDEOUT  |
| 4   | 144363-09-02B | EA  | PLATE - SWITCH - E-COATED   |
| 4   | 108357-07-000 | EA  | SWITCH - ROCKER - SPDT - MOM/OFF/MOM - 3 TERM - W/O COVER                       |
| 4   | 108356-01-01A | EA  | COVER/ACTUATOR SWITCH - 3 GROOVES - BLACK                                       |
| 4   | 108355-01-000 | EA  | HOUSING - SWITCH  |
| 4   | 116220-01-000 | EA  | APPLIQUE - SWITCH/SLIDEOUT  |
| 5   | 135740-06-01A | EA  | SWITCH - ROCKER - ON/OFF - LIGHTED - RED - WTR HTR-6GAL ELECTRIC/LP GAS         |
| 5   | 135741-01-01A | EA  | SWITCH - BASE - SINGLE - BROWN - WTR HTR-6GAL ELECTRIC/LP GAS                   |
| 5   | 135742-35-02A | EA  | BEZEL - SWITCH - WATER HEATER/110 VOLT - BROWN - WTR HTR-6GAL ELECTRIC/LP GAS   |
| 6*  | 134940-06-01A | EA  | PANEL - MONITOR - 2 TANK - W/GENERATOR SWITCH - GEN-4.0KW-ONANGAS-MICROQUIET    |
| 6*  | 134940-07-01A | EA  | PANEL - MONITOR - 2 TANK  |
| 7   | 082134-01-000 | EA  | ADAPTER - TV - CABLE TO CABLE   |
| 8*  | 087694-01-000 | EA  | LIGHT - WARDROBE/CLOSET - W/SWITCH  |
| 9   | 135740-01-01A | EA  | SWITCH - ROCKER - SPST - ON/OFF - BROWN   |
| 9   | 135741-01-01A | EA  | SWITCH - BASE - SINGLE - BROWN  |
| 9   | 135742-07-02A | EA  | BEZEL - SWITCH - CEILING - BROWN  |
| 10  | 061424-01-000 | EA  | LIGHT - AISLE - 12 VOLT - RECTANGULAR   |
| 11  | 135740-01-01A | EA  | SWITCH - ROCKER - SPST - ON/OFF - BROWN   |
| 11  | 135740-02-01A | EA  | SWITCH - ROCKER - SPDT - ON/ON - BROWN  |
| 11  | 135741-02-01A | EA  | SWITCH - BASE - DOUBLE - BROWN  |
| 11  | 135742-13-02A | EA  | BEZEL - SWITCH - CEILING/AISLE - BROWN  |
| 12  | 135740-01-01A | EA  | SWITCH - ROCKER - SPST - ON/OFF - BROWN   |
| 12  | 135741-02-01A | EA  | SWITCH - BASE - DOUBLE - BROWN  |
| 12  | 135742-19-02A | EA  | BEZEL - SWITCH - CEILING/PORCH - BROWN  |
| 13  | 135740-01-01A | EA  | SWITCH - ROCKER - SPST - ON/OFF - BROWN - ENTRANCE STEP-ELEC                    |
| 13  | 135741-01-01A | EA  | SWITCH - BASE - SINGLE - BROWN - ENTRANCE STEP-ELEC                             |
| 13  | 135742-11-02A | EA  | BEZEL - SWITCH - STEP - BROWN - ENTRANCE STEP-ELEC                              |

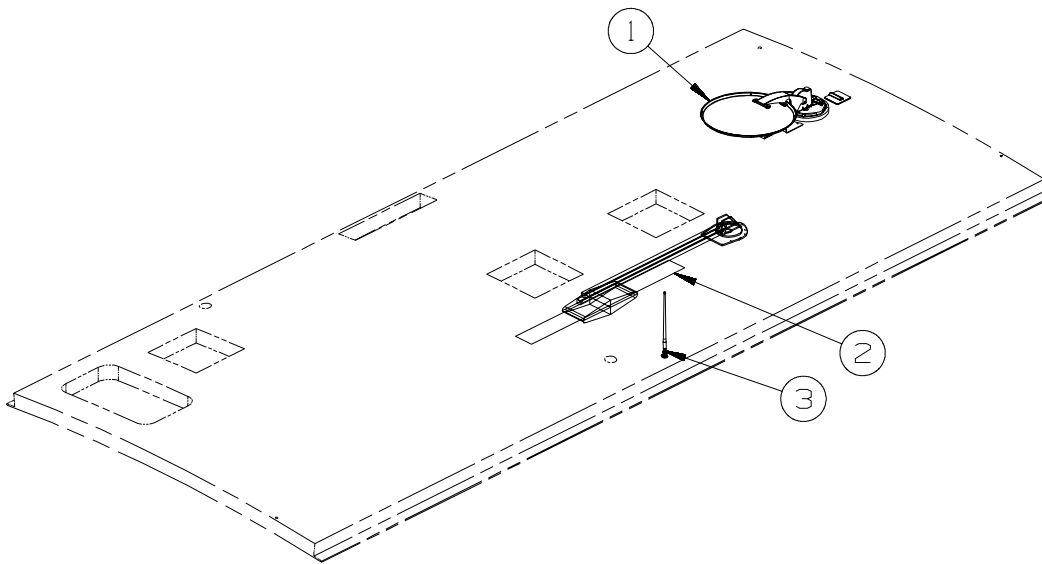
\*COMPONENT PARTS LISTED LATER IN THIS GROUP

**ELECTRICAL GROUP (CONTINUED)**  
**12V BODY WIRING (CONTINUED)**



| KEY | PART NUMBER   | U/M | DESCRIPTION   |
|-----|---------------|-----|---|
| 1*  | 137417-06-01A | EA  | LIGHT - DOME - DOUBLE - W/O SWITCH - W/FROSTED LENS-WHITE |
| 2*  | 137417-03-01A | EA  | LIGHT - DOME - SINGLE - W/O SWITCH - W/FROSTED LENS-WHITE |
| 3*  | 121935-01-01A | EA  | LIGHT - DOME - SHOWER - W/HOLE IN LENS                    |

**\*COMPONENT PARTS LISTED LATER IN THIS GROUP**

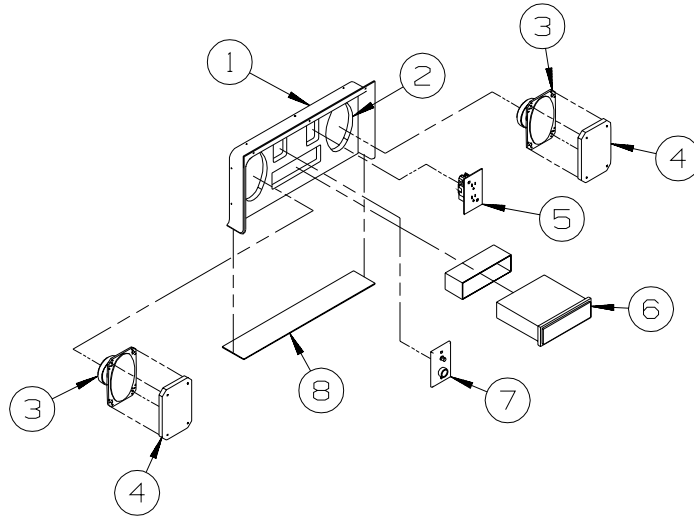


| KEY | PART NUMBER   | U/M | DESCRIPTION  |
|-----|---------------|-----|--|
| 1*  | 154474-04-01A | EA  | ANTENNA/SATELLITE - DISH IN DOME/SEARCH IN MOTION - WHITE - SAT TV SYSTEM IN-MOTION  |
| 1   | 146488-01-000 | EA  | PLATE - ROOF - CABLE ENTRY - SAT TV SYSTEM IN-MOTION                                 |
| 1   | 154474-03-000 | EA  | CABLE - SATELLITE - COAX - 8' W/CONNECTORS - SAT TV SYSTEM IN-MOTION                 |
| 1   | 154474-02-000 | EA  | CONTROL/SATELLITE KIT - IDB BOX/IDD BOX-POWER SUPPLY-CABLE - SAT TV SYSTEM IN-MOTION |
| 1*  | 137135-02-000 | EA  | ANTENNA - SATELLITE DSS - W/SENSOR - SATELLITE TV SYSTEM MANUAL                      |
| 2*  | 076319-23-000 | EA  | ANTENNA - TV ROOF MOUNT - 44.5" MAST   |
| 2*  | 076319-25-000 | EA  | KIT - HARDWARE INTERIOR  |
| 2   | 069726-02-000 | EA  | BUMPER - .88" OD X .40" THICK - BLACK  |
| 3   | 090944-01-000 | EA  | ANTENNA - RADIO - 16" RUBBER - W/72" LEAD WIRE - ENTERTAINMENT CENTR/EXT W/CD        |
| 3   | 109889-04-000 | EA  | EXTENDER - ANTENNA SHAFT - 3.7" - ENTERTAINMENT CENTR/EXT W/CD                       |
| 3   | 147741-01-09B | EA  | BRACKET - ANTENNA GROUND - GALVANIZED - ENTERTAINMENT CENTR/EXT W/CD                 |

**\*COMPONENT PARTS LISTED LATER IN THIS GROUP**



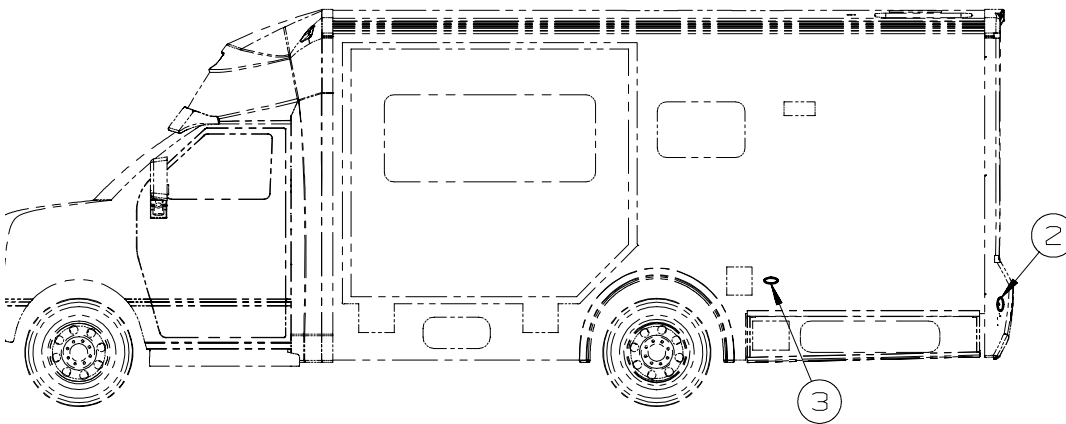
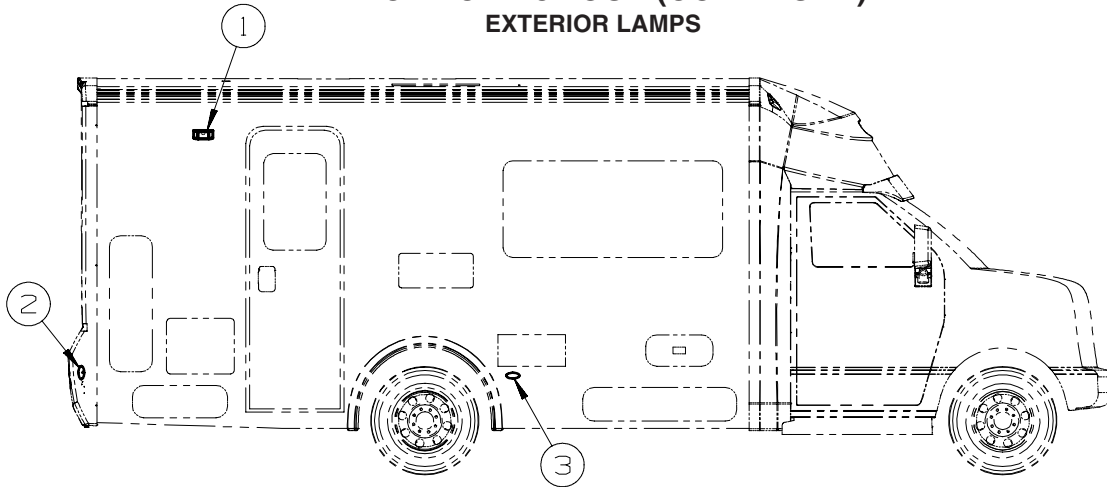
**ELECTRICAL GROUP (CONTINUED)**  
**12V BODY WIRING (CONTINUED)**



| KEY | PART NUMBER   | U/M | DESCRIPTION  |
|-----|---------------|-----|--|
| 1   | 124696-02-01A | EA  | BOX-ENTERTAINMENT CTR/EXT-19.4"W X 10"H X 2.5"D - BRT WHT  |
|     | 124696-01-01A | EA  | BOX-ENTERTAINMENT CTR/EXT-19.4"W X 10"H X 10.2"D W/CUTOUTS |
| 2   | 127409-02-L15 | EA  | PLATE - RADIO MOUNTING                                     |
| 3   | 110469-01-000 | EA  | SPEAKER - 4" X 6" OVAL - COAXIAL                           |
| 4   | 110470-01-01A | EA  | GRILLE - 4" X 6" - OVAL SPEAKER - BLACK                    |
| 5   | 058708-01-000 | EA  | RECEPTACLE - ELECTRIC - DOUBLE - BROWN                     |
| 6   | 155619-02-000 | EA  | RADIO - AM/FM CD-W/O REMOTE/WIRE HARNESS-MAGNADYNE M3200CD |
|     | 155619-03-000 | EA  | REMOTE - RADIO   |
| 7   | 076319-09-000 | EA  | WALLPLATE - TV CABLE RECEPTACLE - SINGLE - BROWN           |
| 8   | 104898-01-02A | EA  | PLATE - PLASTIC BOTTOM - BRIGHT WHITE                      |

## ELECTRICAL GROUP (CONTINUED)

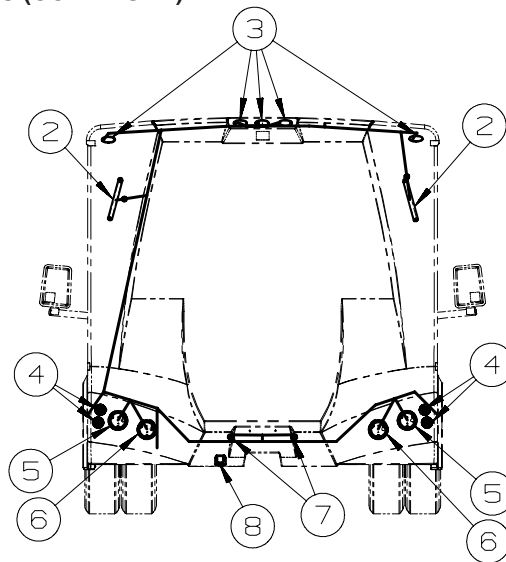
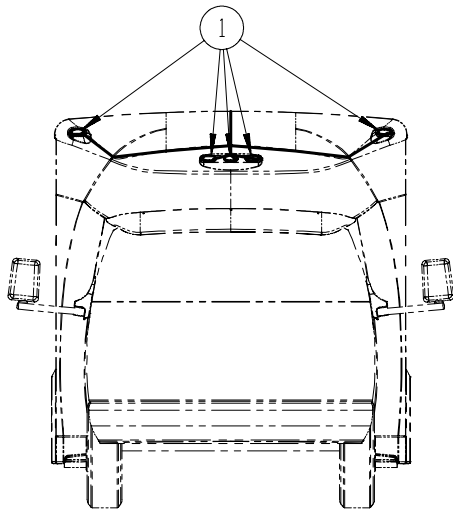
### EXTERIOR LAMPS



| KEY | PART NUMBER   | U/M | DESCRIPTION  |
|-----|---------------|-----|--|
| 1*  | 097917-01-06A | EA  | LIGHT - PORCH - ENTRY DOOR - BRIGHT WHITE<br>FROM: 00-00-00 THRU: 02-10-08 |
| 1   | 097917-01-09A | EA  | LIGHT - PORCH - ENTRY DOOR - WHITE<br>FROM: 02-11-08 THRU: 99-99-99        |
| 1   | 097917-01-08A | EA  | LIGHT/PORCH - CHROME - FULL BODY PAINT                                     |
| 2   | 147680-01-01A | EA  | BASE - MARKER LAMP - WHITE   |
| 2   | 147680-03-01A | EA  | LAMP - MARKER - LENS - RED   |
| 3   | 147680-01-01A | EA  | BASE - MARKER LAMP - WHITE - 729H  |
| 3   | 147680-02-01A | EA  | LAMP - MARKER - LENS - AMBER - 729H  |

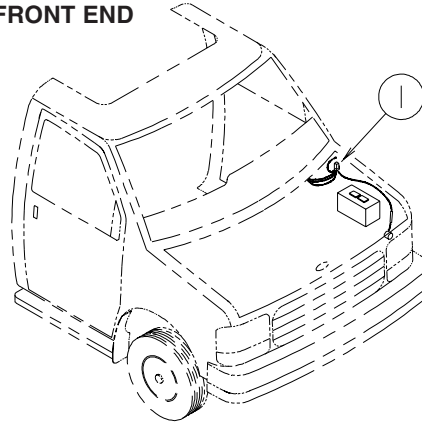
**\*COMPONENT PARTS LISTED LATER IN THIS GROUP**

**DRIVERS COMPARTMENT GROUP (CONTINUED)**  
**EXTERIOR LAMPS (CONTINUED)**



| KEY | PART NUMBER   | U/M | DESCRIPTION   |
|-----|---------------|-----|---|
| 1   | 147680-01-01A | EA  | BASE - MARKER LAMP - WHITE                                |
| 1   | 147680-02-01A | EA  | LAMP - MARKER - LENS - AMBER                              |
| 2   | 151076-01-000 | EA  | LIGHT - BRAKE - CENTER MOUNT                              |
| 3   | 147680-01-01A | EA  | BASE - MARKER LAMP - WHITE                                |
| 3   | 147680-03-01A | EA  | LAMP - MARKER - LENS - RED                                |
| 4   | 141514-01-000 | EA  | REFLECTOR - ROUND/RED                                     |
| 5   | 149222-01-000 | EA  | LAMP - STOP/TURN/TAIL - HELLA 84412B                      |
| 6   | 149222-02-000 | EA  | LAMP - BACKUP - HELLA 84411B                              |
| 7   | 087201-01-000 | EA  | LIGHT - HALF ROUND - 1" X 1.7" - PLASTIC - BLACK OR WHITE |
| 8   | 146246-01-000 | EA  | CONNECTOR/PLUG - TRAILER - 7 PIN                          |
| 8   | 157593-01-000 | EA  | CONNECTOR - PLUG - TRAILER - 7 SOCKET                     |

**ELECTRICAL GROUP (CONTINUED)**  
**FRONT END**



| KEY | PART NUMBER   | U/M | DESCRIPTION   |
|-----|---------------|-----|---|
| 1   | 100138-01-000 | EA  | MODULE - DAYTIME/RUNNING LIGHT - HAMSAR DRL #H8005B |

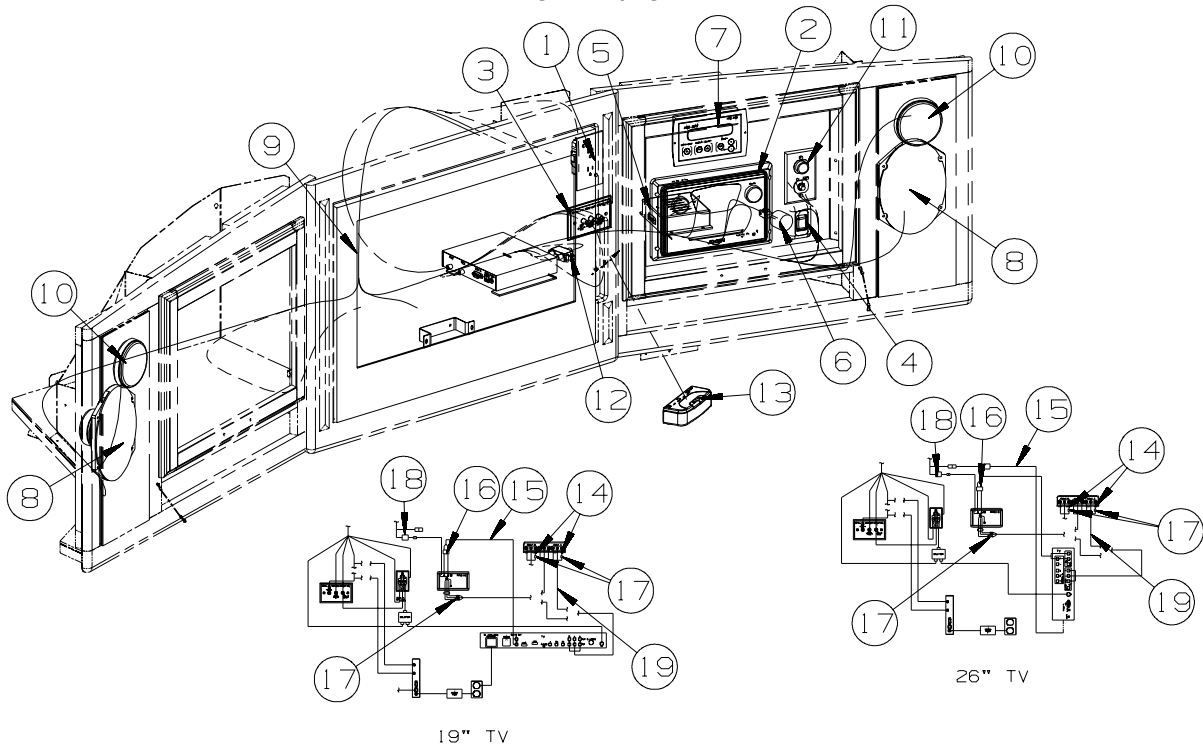


| KEY | PART NUMBER   | U/M | DESCRIPTION   |
|-----|---------------|-----|---|
| *   | 120269-07-01A | EA  | PANEL - W/ELECTRIC MIRROR/HEAT SWITCH - F/#L28X OPTION - MIRRORS-EXTERIOR W/DEFROST |
| *   | 133908-09-01A | EA  | PANEL - F/ELECTRIC MIRROR ONLY - L28X OPTION - MIRRORS-EXTERIOR W/DEFROST - CHEVY   |

**\*COMPONENT PARTS LISTED LATER IN THIS GROUP**

## ELECTRICAL GROUP (CONTINUED)

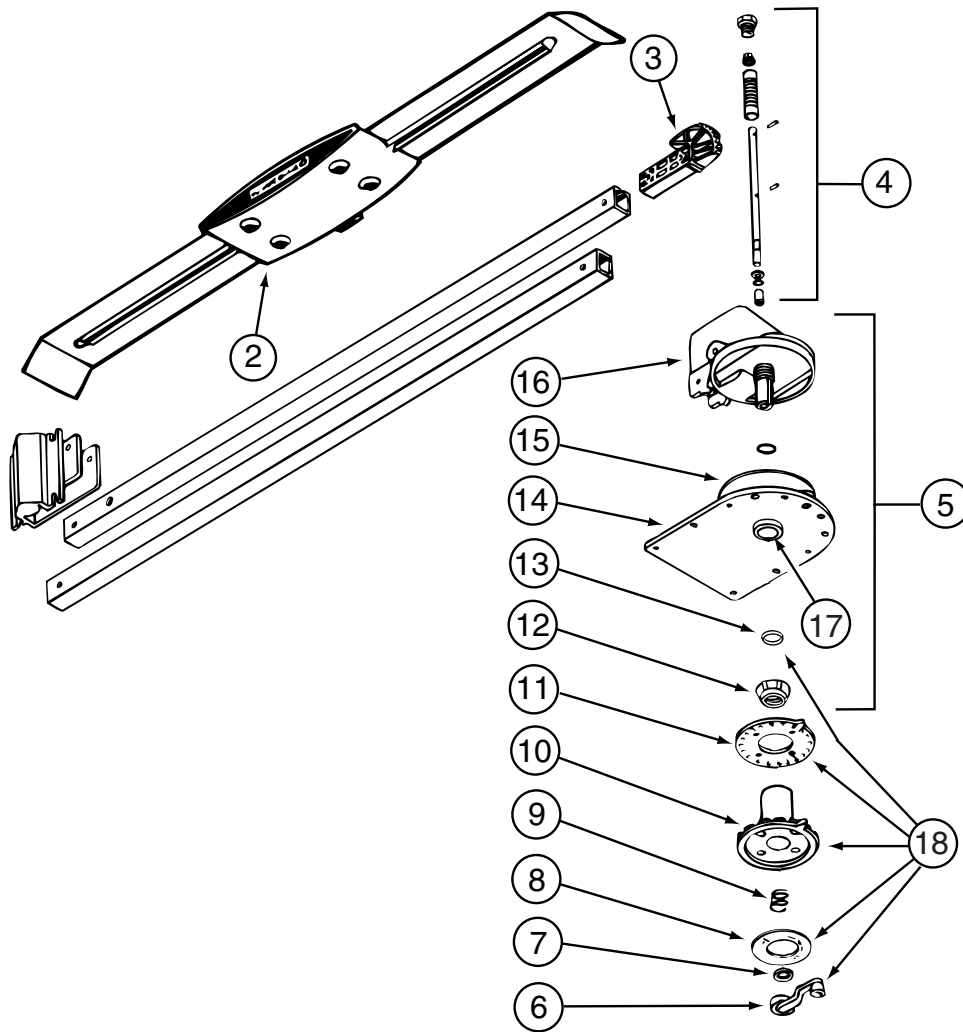
### FRONT TV/VCR



| KEY | PART NUMBER   | U/M | DESCRIPTION  |
|-----|---------------|-----|--|
| 1   | 058708-01-000 | EA  | RECEPTACLE - ELECTRIC - DOUBLE - BROWN   |
| 2*  | 163031-01-01A | EA  | RADIO - WALL MOUNT - DVD/CD - W/ALARM - JENSEN AWM960 - <b>RADIO/AM/FM/CD/DVD PLAYER</b>   |
| 3   | 149557-04-01A | EA  | PLATE/WALL - TRIPLE COAXIAL/HORIZONTAL - WHITE   |
| 4   | 135740-01-01A | EA  | SWITCH - ROCKER-SPST   |
| 4   | 135741-01-01A | EA  | SWITCH - BASE - SINGLE - BROWN   |
| 4   | 135742-45-02A | EA  | BEZEL - SWITCH - TV - BROWN  |
| 5   | 150140-01-000 | EA  | CROSSOVER BOX - STNDRD STEREO TO DLX SND   |
| 6   | 150140-02-000 | EA  | CROSSOVER COIL - SUBWFR SPKR/LOW FREQUENCY   |
| 7   | 154474-02-000 | EA  | CONTROL/SATELLITE KIT - IDB BOX/IDD BOX-PWR SUPPLY-CABLE - <b>INMOTION SATELLITE</b>       |
| 8   | 110465-01-000 | EA  | SPEAKER KIT,4 - 5 X 7 SPEAKERS   |
| 9*  | 158703-01-000 | EA  | TV - 20" - LCD 4:3 - SIDE SPEAKER - JENSEN JE2043  |
|     |               |     | FROM: 00-00-00 THRU: 04-29-07  |
| 9*  | 164495-01-000 | EA  | TV - 19" - LCD 16:9 - BOTTOM SPEAKER - JENSEN JE1907DC                                     |
|     |               |     | FROM: 04-30-07 THRU: 99-99-99  |
| 9*  | 165074-01-000 | EA  | TV - 27" - LCD 16:9 - BOTTOM SPEAKER - JENSEN JE2707 - <b>TV-27" COLOR,STEREO W/REMOTE</b> |
| 9*  | 166446-01-000 | EA  | TV - 26" - LCD 16:9 - BOTTOM SPEAKER - JENSEN JE2608 - <b>TV(FRONT)-26" COLOR STEREO</b>   |
| 10  | 160868-02-01A | EA  | GRILLE/ROUND - SPEAKER - SILVER  |
| 10  | 160868-01-01A | EA  | SPEAKER - ROUND/CEILING - W/O CASE   |
| 11  | 086777-02-000 | EA  | WALLPLATE/TV CABLE W/ANTENNA SWITCH/BOOSTER - 2 TV - BLACK                                 |
| 12  | 086756-01-000 | EA  | SPLITTER - TV/2 WAY  |
| 13  | 156689-01-000 | EA  | SWITCH - AUDIO/VIDEO - 15" TV LCD W/REMOTE, - <b>TV-14"DC,COLOR,LCD/REMOTE</b>             |
| 14  | 165307-01-000 | EA  | CABLE/VIDEO - 3' - MALE/FEMALE ENDS  |
|     |               |     | FROM: 07-15-07 THRU: 99-99-99  |
| 15  | 117420-02-000 | EA  | CABLE - W/MALE RCA ENDS - SHIELDED - 4'  |
| 16  | 123324-01-000 | EA  | FILTER - GROUND LOOP - ISOLATION TRANSFORMER   |
| 17  | 165161-01-000 | EA  | FILTER - GROUND LOOP/VIDEO   |
| 18  | 128074-02-000 | EA  | FILTER - NOISE - 12 VOLT DC W/PLUGS  |
| 19  | 136860-03-000 | EA  | CABLE - RCA - SHIELDED - 3 MALE TO MALE CONNECTORS - 6'                                    |
|     |               |     | FROM: 10-01-07 THRU: 99-99-99  |

**\*COMPONENT PARTS LISTED LATER IN THIS GROUP**

**ELECTRICAL GROUP (CONTINUED)**  
**COMPONENT PARTS FOR WIRING**



**076319-23-000**

| KEY | PART NUMBER   | U/M | DESCRIPTION             | VENDOR NO. |
|-----|---------------|-----|-------------------------|------------|
| 2   | 076319-01-700 | EA  | HEAD-ANTENNA, AMPLIFIED | RVSA U/V   |
| 3   | 076319-01-701 | EA  | GEAR-ELEVATING, PLASTIC | 2200046    |
| 4   | 076319-01-702 | EA  | SHAFT ASM-ELEVATING     | RP-4000    |
| 5   | 076319-01-711 | EA  | BASE & LIFT ASM         | 2762802    |
| 7   | 076319-01-705 | EA  | GROMMET-NYLON, 7/8"ID   | 3200658    |
| 8   | 076319-01-708 | EA  | DECAL-CRANK             | 5413002    |
| 9   | 076319-01-707 | EA  | SPRING-HANDLE           | 2160822    |
| 11  | 076319-01-712 | EA  | PLATE - CEILING         | 3200608    |
| 12  | 076319-01-715 | EA  | NUT (GEAR HOUSING)      | 2200047    |
| 14  | 076319-01-713 | EA  | PLATE-BASE, STEEL       | 3100523    |
| 15  | 076319-01-703 | EA  | BEARING-NYLON, 5"OD     | 3200656    |
| 16  | 076319-01-714 | EA  | HOUSING, ROTATING GEAR  | 2200049    |
| 17  | 076319-01-704 | EA  | BEARING-NYLON, 1.25"OD  | 3200657    |
| 18  | 076319-01-709 | EA  | HANDLE-HEAD DIRECTIONAL | 200644     |
|     | 076319-01-716 | EA  | TUBING, ELEVATING       | RP-2900    |

CONTACT WINNEBAGO PART SALES FOR UNLISTED COMPONENT(S)

**076319-25-000**

| KEY | PART NUMBER   | U/M | DESCRIPTION                  | VENDOR NO. |
|-----|---------------|-----|------------------------------|------------|
| 6   | 076319-01-706 | EA  | CRANK-W/SET SCREW UNIV/BEIGE | 2750897    |
| 6   | 120233-01-710 | EA  | HANDLE-CRANK W/SCREW - WHITE | RP-6795    |
| 8   | 076319-01-708 | EA  | DECAL-CRANK                  | 5413002    |
| 10  | 076319-25-700 | EA  | DIRECTIONAL HANDLE(WHITE)    | 3200612    |
| 11  | 076319-25-701 | EA  | PLATE - CEILING(WHITE)       | 3200609    |
| 13  | 120233-01-709 | EA  | WASHER-NYLON                 | RP-2658    |

CONTACT WINNEBAGO PART SALES FOR UNLISTED COMPONENT(S)

**ELECTRICAL GROUP (CONTINUED)**  
**COMPONENT PARTS FOR WIRING (CONTINUED)**

**087694-01-000**

| <b>KEY</b> | <b>PART NUMBER</b> | <b>U/M</b> | <b>DESCRIPTION</b> | <b>VENDOR NO.</b> |
|------------|--------------------|------------|--------------------|-------------------|
|            | 087694-01-700      | EA         | BULB               | GE561             |

**097917-01-06A**

| <b>KEY</b> | <b>PART NUMBER</b> | <b>U/M</b> | <b>DESCRIPTION</b> | <b>VENDOR NO.</b> |
|------------|--------------------|------------|--------------------|-------------------|
|            | 097917-01-700      | EA         | LENS-LIGHT, CLEAR  | 30-78-021         |

**120269-07-01A**

| <b>KEY</b> | <b>PART NUMBER</b> | <b>U/M</b> | <b>DESCRIPTION</b>     | <b>VENDOR NO.</b> |
|------------|--------------------|------------|------------------------|-------------------|
|            | 120269-07-700      | EA         | SWITCH - REMOTE        | 7475720           |
|            | 133908-09-700      | EA         | SWITCH - MIRROR HEATER | 7475150           |

**121935-01-01A**

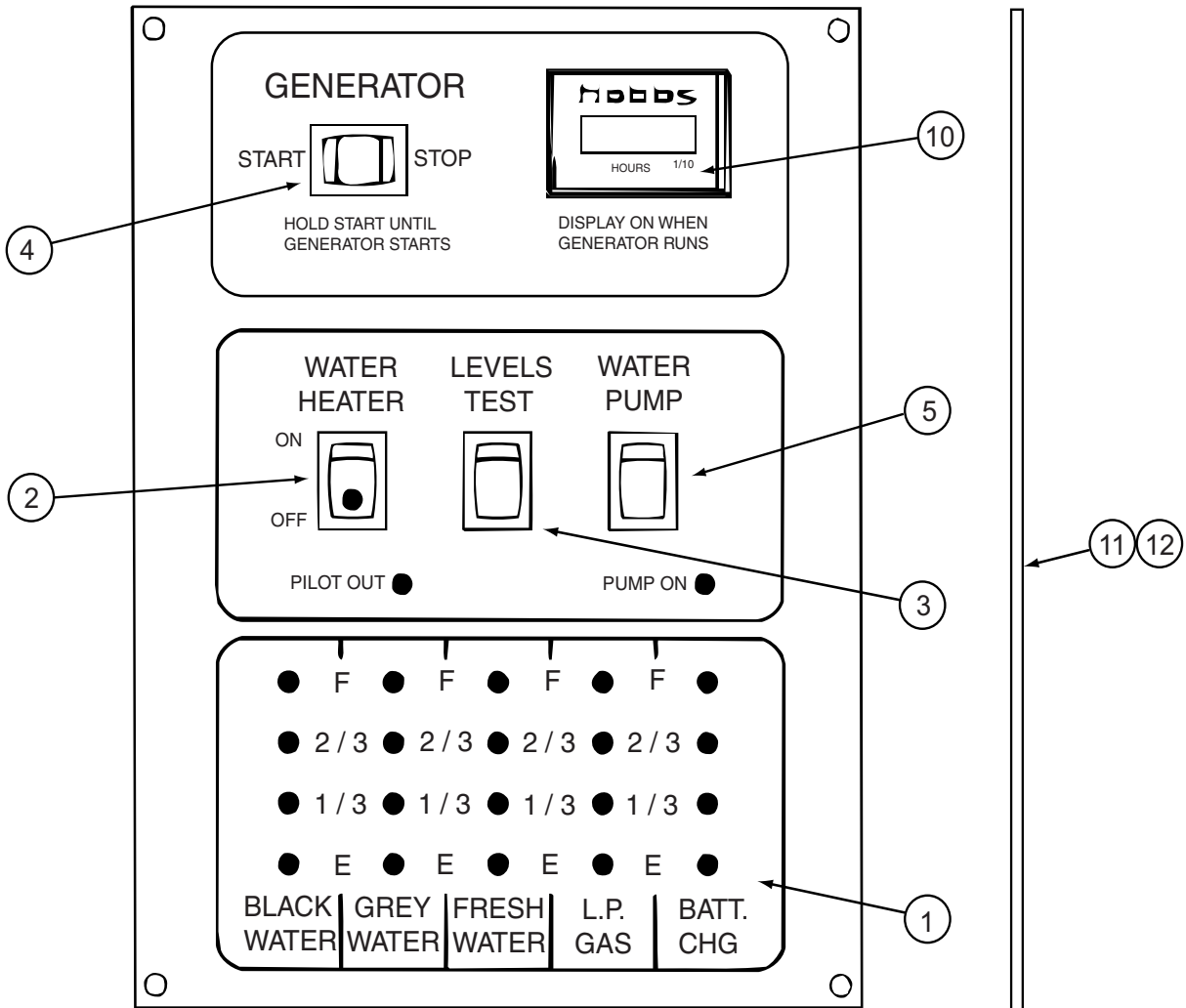
| <b>KEY</b> | <b>PART NUMBER</b> | <b>U/M</b> | <b>DESCRIPTION</b>        | <b>VENDOR NO.</b> |
|------------|--------------------|------------|---------------------------|-------------------|
|            | 121935-01-700      | EA         | LENS ONLY - W/CENTER HOLE | 809511            |

**133908-09-01A**

| <b>KEY</b> | <b>PART NUMBER</b> | <b>U/M</b> | <b>DESCRIPTION</b>   | <b>VENDOR NO.</b> |
|------------|--------------------|------------|----------------------|-------------------|
|            | 133908-09-700      | EA         | SWITCH-MIRROR HEATER | 7475150           |



**ELECTRICAL GROUP (CONTINUED)**  
**COMPONENT PARTS FOR WIRING (CONTINUED)**



**134940-06-01A**

| KEY | PART NUMBER   | U/M | DESCRIPTION                  | VENDOR NO. |
|-----|---------------|-----|------------------------------|------------|
| 1   | 134940-01-702 | EA  | CHASSIS - SILKSCREENED       | CC0558-00  |
| 2   | 134940-01-701 | EA  | SWITCH-SPST/ON-OFF/BLK W/LGT | L0109      |
| 3   | 096983-01-701 | EA  | SWITCH - SPST/MOM 2 TERMINAL | L0111-00   |
| 4   | 096983-01-702 | EA  | SWITCH - MOM/OFF/MOM/3 TERM  | L0112-00   |
| 5   | 096983-01-703 | EA  | SWITCH - ON/ON               | L0115-00   |
| 10  | 100258-10-701 | EA  | GAUGE-HR METER ONLY (LCD)    | L0775-00   |
| 11  | 134940-06-700 | EA  | PC BOARD - SENSOR SYSTEM/RED | L5131-02   |

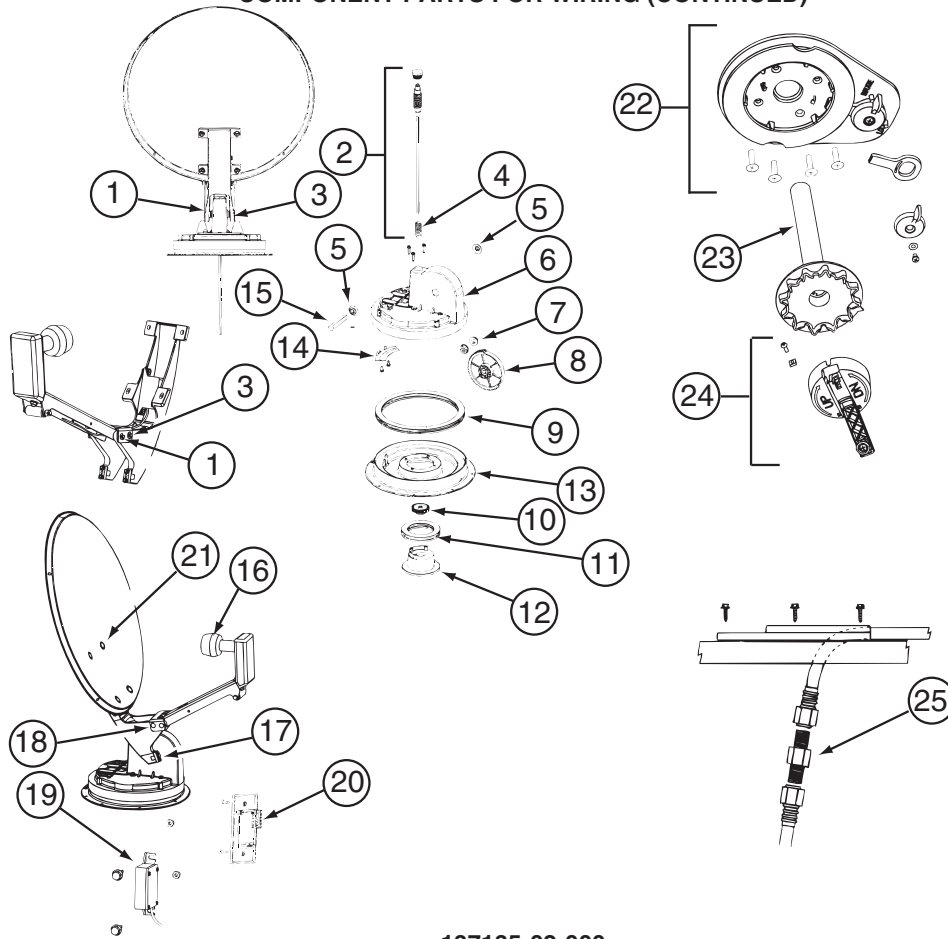
CONTACT WINNEBAGO PART SALES FOR UNLISTED COMPONENT(S)

**134940-07-01A**

| KEY | PART NUMBER   | U/M | DESCRIPTION                  | VENDOR NO. |
|-----|---------------|-----|------------------------------|------------|
| 1   | 134940-01-702 | EA  | CHASSIS - SILKSCREENED       | CC0558-00  |
| 2   | 134940-01-701 | EA  | SWITCH-SPST/ON-OFF/BLK W/LGT | L0109      |
| 3   | 096983-01-701 | EA  | SWITCH - SPST/MOM 2 TERMINAL | L0111-00   |
| 4   | 096983-01-703 | EA  | SWITCH - ON/ON               | L0115-00   |
| 5   | 134940-02-700 | EA  | SWITCH - DUMMY               | L0118      |
| 11  | 134940-06-700 | EA  | PC BOARD - SENSOR SYSTEM/RED | L5131-02   |

CONTACT WINNEBAGO PART SALES FOR UNLISTED COMPONENT(S)

**ELECTRICAL GROUP (CONTINUED)**  
**COMPONENT PARTS FOR WIRING (CONTINUED)**



137135-02-000

| KEY | PART NUMBER   | U/M | DESCRIPTION                  | VENDOR NO.     |
|-----|---------------|-----|------------------------------|----------------|
| 1   | 120233-01-714 | EA  | CLIP-E                       | 5160818        |
| 2   | 137135-01-703 | EA  | KIT ELEV - SHAFT/GEAR/SPRING | RP-4400        |
| 3   | 137135-01-704 | EA  | PIN - 1/4" X 3.25"           | 2160813        |
| 4   | 137135-01-705 | EA  | SPRING                       | 2160818        |
| 5   | 137135-01-707 | EA  | SEAL - PIVOT SHAFT           | 2200852        |
| 6   | 137135-01-708 | EA  | TURRET                       | 3100728        |
| 7   | 137135-01-709 | EA  | PIVOT BEARING                | 2200470        |
| 8   | 137135-01-711 | EA  | GEAR - ELEVATING             | 2200464        |
| 9   | 137135-01-712 | EA  | BEARING - OUTER              | 2590347        |
| 10  | 137135-01-714 | EA  | GEAR - ELEVATING SHAFT       | 2200465        |
| 11  | 137135-01-715 | EA  | BEARING - INNER              | 2590348        |
| 12  | 137135-01-716 | EA  | HUB                          | 3100731        |
| 13  | 137135-01-713 | EA  | TURRET BASE                  | 3100730        |
| 14  | 137135-01-710 | EA  | PLATE - ROTATE LIMIT         | 3720052        |
| 16  | 137135-02-703 | EA  | LOW NOISE BLOCK FILTER       | LB-6000 - DUAL |
| 17  | 137135-01-722 | EA  | CLAMP                        | 2590343        |
| 18  | 137135-01-719 | EA  | BRACKET - PIVOT              | 2744945        |
| 19  | 137135-01-720 | EA  | DE-SENSOR UNIT W/43" CABLE   | DM4000         |
| 20  | 137135-02-701 | EA  | BOX - SURFACE MOUNT          | SM-100         |
| 21  | 137135-01-717 | EA  | BOLT - FLAT HEAD             | 2160362        |
| 22  | 120233-01-737 | EA  | PLATE/INT-W/DIRECTIONAL HDLE | RK-CEIL        |
| 23  | 120233-01-704 | EA  | DIAL/DIRECTIONAL 4"W/SPRING  | 3200364        |
| 24  | 120233-01-738 | EA  | HDW PKG-HANDLE/SPRING/WASHER | RK-HAND        |
| 25  | 137135-01-701 | EA  | CONNECTOR - F - MALE TO MALE | FS-8100        |
|     | 120233-04-700 | EA  | KIT-WALL PLATE/CABLE - GRAY  | DM4000         |
|     | 137135-01-700 | EA  | ROOF WEDGE W/GASKET          | RW-5000        |
|     | 137135-01-706 | EA  | KIT-TURRET/SEAL/BEARING/GEAR | RP-RM30        |
|     | 137135-01-718 | EA  | REFLECTOR/WHITE-46CM W/HDW   | RP-35RM        |
|     | 137135-02-700 | EA  | DE-SENSOR                    | 2780096        |
|     | 137135-02-704 | EA  | KIT-UPDATE DIRECTIONAL HDL   | RP-RMDH        |
|     | 137135-02-705 | EA  | KIT-TURRET & SHAFT COMPLETE  | RP-RM46        |

CONTACT WINNEBAGO PART SALES FOR UNLISTED COMPONENT(S)

**ELECTRICAL GROUP (CONTINUED)**  
**COMPONENT PARTS FOR WIRING (CONTINUED)**

| <b>137417-01-01A, 137417-03-01A</b> |                    |                                 |                   |
|-------------------------------------|--------------------|---------------------------------|-------------------|
| <b>KEY</b>                          | <b>PART NUMBER</b> | <b>U/M DESCRIPTION</b>          | <b>VENDOR NO.</b> |
|                                     | 137417-01-700      | EA LENS - SINGLE (FROSTED)      | 810868            |
| <b>137417-02-01A</b>                |                    |                                 |                   |
| <b>KEY</b>                          | <b>PART NUMBER</b> | <b>U/M DESCRIPTION</b>          | <b>VENDOR NO.</b> |
|                                     | 137417-02-700      | EA LENS - SINGLE OPTIC          | 810844            |
| <b>137417-06-01A</b>                |                    |                                 |                   |
| <b>KEY</b>                          | <b>PART NUMBER</b> | <b>U/M DESCRIPTION</b>          | <b>VENDOR NO.</b> |
|                                     | 137417-06-700      | EA LENS - DOUBLE WHITE          | 810867            |
| <b>154474-04-01A</b>                |                    |                                 |                   |
| <b>KEY</b>                          | <b>PART NUMBER</b> | <b>U/M DESCRIPTION</b>          | <b>VENDOR NO.</b> |
|                                     | 154474-04-703      | EA BOARD RF ASSEMBLY N/C        | 100087            |
|                                     | 154474-04-705      | EA CABLE OUT DUAL TOP PCBA N/C  | 20034-1           |
|                                     | 154474-04-706      | EA LNB DUAL EAGLE ASPEN N/C     | 1863-1            |
| <b>158703-01-000</b>                |                    |                                 |                   |
| <b>KEY</b>                          | <b>PART NUMBER</b> | <b>U/M DESCRIPTION</b>          | <b>VENDOR NO.</b> |
|                                     | 158703-01-700      | EA REMOTE                       | PSVCJE2043        |
|                                     | 158703-01-701      | EA SERVICE PACK-REMOTE & CABLES | PSVCJE2043        |
| <b>163031-01-01A</b>                |                    |                                 |                   |
| <b>KEY</b>                          | <b>PART NUMBER</b> | <b>U/M DESCRIPTION</b>          | <b>VENDOR NO.</b> |
|                                     | 163031-01-700      | EA REMOTE                       | PSVCAWM960        |
| <b>163097-01-000</b>                |                    |                                 |                   |
| <b>KEY</b>                          | <b>PART NUMBER</b> | <b>U/M DESCRIPTION</b>          | <b>VENDOR NO.</b> |
|                                     | 163097-01-700      | EA KEY - #2382 (ILLINOIS LOCK)  | 2382              |
|                                     | 163097-01-701      | EA KEY - #2341 (MILLER DIAL)    | PART SALES        |
| <b>164495-01-000</b>                |                    |                                 |                   |
| <b>KEY</b>                          | <b>PART NUMBER</b> | <b>U/M DESCRIPTION</b>          | <b>VENDOR NO.</b> |
|                                     | 164495-01-700      | EA REMOTE - TV                  | P301P19HS3409A    |
| <b>165074-01-000</b>                |                    |                                 |                   |
| <b>KEY</b>                          | <b>PART NUMBER</b> | <b>U/M DESCRIPTION</b>          | <b>VENDOR NO.</b> |
|                                     | 165074-01-700      | EA REMOTE - TV                  | P301P27FC3408A    |
| <b>166446-01-000</b>                |                    |                                 |                   |
| <b>KEY</b>                          | <b>PART NUMBER</b> | <b>U/M DESCRIPTION</b>          | <b>VENDOR NO.</b> |
|                                     | 166446-01-700      | EA REMOTE - TV                  | PR7ATSC           |

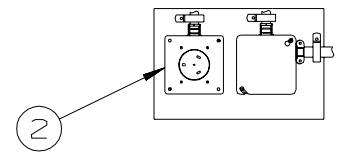
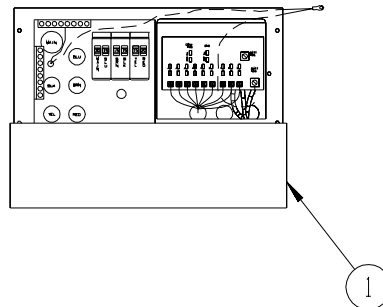
## ELECTRICAL GROUP (CONTINUED)

### CIRCUIT BREAKERS, FUSES & RELAYS

| KEY | PART NUMBER   | U/M | DESCRIPTION  |
|-----|---------------|-----|--|
|     | 062901-02-000 | EA  | FUSE - 5 AMP - AUTOMOTIVE                                |
|     | 062901-05-000 | EA  | FUSE - 15 AMP - AUTOMOTIVE                               |
|     | 062901-07-000 | EA  | FUSE - 25 AMP - AUTOMOTIVE                               |
|     | 062901-08-000 | EA  | FUSE - 30 AMP - AUTOMOTIVE                               |
|     | 063910-01-000 | EA  | HOUSING - RELAY  |
|     | 063912-02-000 | EA  | RELAY - CANISTER - SPDT                                  |
|     | 083209-01-000 | EA  | CIRCUIT BREAKER - 15 AMP - 120 VOLT - CANADIAN           |
|     | 083209-02-000 | EA  | CIRCUIT BREAKER - 15/15 AMP - 120 VOLT                   |
|     | 083209-03-000 | EA  | CIRCUIT BREAKER - 15/20 AMP - 120 VOLT                   |
|     | 083209-04-000 | EA  | CIRCUIT BREAKER - 30 AMP - 120 VOLT                      |
|     | 083209-05-000 | EA  | CIRCUIT BREAKER - 20 AMP - 120 VOLT                      |
|     | 083209-06-000 | EA  | CIRCUIT BREAKER - 30/15 AMP - 120 VOLT                   |
|     | 083209-07-000 | EA  | CIRCUIT BREAKER - 20/20 AMP - 120 VOLT                   |
|     | 083209-10-000 | EA  | CIRCUIT BREAKER - 20/30 AMP - 120 VOLT                   |
|     | 083209-11-000 | EA  | CIRCUIT BREAKER - 20/15 AMP - 120 VOLT                   |
|     | 092786-03-000 | EA  | BUSS BAR - 6.9" LONG                                     |
|     | 092786-06-000 | EA  | BUSS BAR   |
|     | 093654-01-000 | EA  | CIRCUIT BREAKER - 6 AMP - 12 VOLT - PUSH BUTTON - WHITE  |
|     | 093654-02-000 | EA  | CIRCUIT BREAKER - 15 AMP - 12 VOLT - PUSH BUTTON - WHITE |
|     | 093654-03-000 | EA  | CIRCUIT BREAKER - 20 AMP - 12 VOLT - PUSH BUTTON - WHITE |
|     | 093654-05-000 | EA  | CIRCUIT BREAKER - 10 AMP - 12 VOLT - PUSH BUTTON - WHITE |
|     | 093655-01-000 | EA  | CIRCUIT BREAKER - 25 AMP - 12 VOLT - PUSH BUTTON - WHITE |
|     | 093655-02-000 | EA  | CIRCUIT BREAKER - 30 AMP - 12 VOLT - PUSH BUTTON - WHITE |
|     | 093655-03-000 | EA  | CIRCUIT BREAKER - 40 AMP - 12 VOLT - PUSH BUTTON - WHITE |
|     | 100341-01-000 | EA  | FUSE HOLDER - IN LINE TYPE                               |
|     | 113482-01-000 | EA  | CIRCUIT BREAKER - 55 AMP - MANUAL                        |
|     | 115187-01-000 | EA  | FUSE - 300 AMP - NON-DELAY                               |
|     | 115187-02-000 | EA  | HOLDER - FUSE  |
|     | 115187-03-000 | EA  | FUSE - 60 AMP - NON-DELAY                                |
|     | 122811-01-000 | EA  | CIRCUIT BREAKER - 20/50/50/20 AMP - 250V                 |
|     | 141789-01-000 | EA  | SPACER - CIRCUIT BREAKER                                 |

### CONVERTER, INVERTER, LOAD CENTERS

| KEY | PART NUMBER   | U/M | DESCRIPTION         |
|-----|---------------|-----|---------------------|
|     | 099048-04-000 | EA  | INVERTER - 300 WATT |



| KEY | PART NUMBER   | U/M | DESCRIPTION                                       |
|-----|---------------|-----|---|
| 1*  | 083208-07-000 | EA  | CONTROL CENTER - 45 AMP - 120V/12V - W/O BREAKERS |
| 2   | 024924-02-000 | EA  | RECEPTACLE - POWER CORD - W/PARTIAL PLATE         |

\*COMPONENT PARTS LISTED LATER IN THIS GROUP

### COMPONENT PARTS FOR CONVERTER, INVERTER, LOAD CENTERS

| KEY | PART NUMBER   | U/M | DESCRIPTION                 | 083208-07-000 | VENDOR NO. |
|-----|---------------|-----|-----------------------------|---------------|------------|
|     | 083208-06-701 | EA  | CONVERTER ONLY (LOWER UNIT) |               | 7345R      |

## ELECTRICAL GROUP (CONTINUED)

### BOXES & CORDS

| KEY | PART NUMBER   | U/M | DESCRIPTION  |
|-----|---------------|-----|--|
|     | 008054-01-000 | EA  | CORD - POWER - 10/3 WIRE - 30 AMP - 25'                  |
|     | 008289-01-000 | EA  | BOX - ELECTRIC/STEEL - 4" X 4" - 1/2" & 3/4" KNOCKOUTS   |
|     | 008294-01-000 | EA  | COVER - ELECTRIC BOX - BLANK/STEEL - 4" X 4" - GRAY      |
|     | 069238-01-000 | EA  | COVER - ELECTRICAL BOX - W/HOLE - 4" X 4" - GRAY         |
|     | 091910-01-000 | EA  | BOX - ELECTRIC - 3.8" X 3.5" X 1.8" - PLASTIC            |
|     | 091910-02-000 | EA  | BOX - ELECTRIC - 2.2" X 3.5" X 1.8" - PLASTIC            |
|     | 115832-01-000 | FT  | CORD - HEAVY DUTY - 14-2 W/GROUND                        |
|     | 133070-01-000 | EA  | BOX - ELECTRIC/PLASTIC - 3" X 2" X 2.8" - UL             |
|     | 133070-02-000 | EA  | BOX - ELECTRIC/PLASTIC - 3" X 2" X 2.8" - CSA - CANADIAN |

### WIRE ASSEMBLIES

| KEY | PART NUMBER   | U/M | DESCRIPTION   |
|-----|---------------|-----|---|
|     | 077069-03-000 | EA  | CABLE/EXTENSION - RADIO ANTENNA - 260"  |
|     | 106851-01-000 | EA  | WIRE ASSEMBLY - RUNNING LIGHTS - FUSE   |
|     | 120269-08-000 | EA  | HARNESS/WIRE - F/ELECTRIC MIRRORS   |
|     | 125853-04-000 | EA  | WIRE LOOM - ENTERTAINMENT CENTER  |
|     | 137135-03-000 | EA  | WIRE LOOM - DIGITAL ELEVATION SENSOR  |
|     | 137135-04-000 | EA  | WIRE HARNESS - POWER - DIGITAL ELEVATION SENSOR   |
|     | 145210-01-000 | FT  | CABLE - COAXIAL   |
|     | 151316-03-000 | EA  | WIRE ASM - W/NON CONTACT SENSORS - GREY WATER - 43.2" - 726A                                      |
|     | 151317-01-000 | EA  | WIRE ASM-W/NON CONTACT SENSORS-FRESH WATER/BLK TANK-3.9"  |
|     | 151317-03-000 | EA  | WIRE ASM-W/NON CONTACT SENSORS-FRESH WATER/BLK TANK-43.2" - 726A<br>FROM: 00-00-00 THRU: 03-18-07 |
|     | 151317-04-000 | EA  | WIRE ASM-W/NON CONTACT SENSORS-FRESH WATER/BLK TANK-62.9" - 726A<br>FROM: 03-19-07 THRU: 99-99-99 |
|     | 155619-05-000 | EA  | WIRE ASSEMBLY - RADIO - 12 PIN  |
|     | 136514-02-000 | EA  | CABLE - MONITOR/CAMERA  |
|     | 136514-08-000 | EA  | CABLE - MONITOR/CAMERA - 50'  |
|     | 136860-02-000 | EA  | CABLE - RCA - SHIELDED - 3 MALE TO MALE CONNECTORS - 50' - 729H                                   |
|     | 151316-02-000 | EA  | WIRE ASM - W/NON CONTACT SENSORS - GREY WATER - 23.6" - 729H                                      |
|     | 160123-02-000 | EA  | WIRE/CABLE - POWER - PROVIEW WB101-06 - 729H  |

**ELECTRICAL GROUP (CONTINUED)**  
**CONNECTORS & CONDUIT**

| KEY | PART NUMBER   | U/M | DESCRIPTION  |
|-----|---------------|-----|--|
|     | 007940-01-000 | EA  | RECEPTACLE/SLIDE 16 TO 12 AWG - FEMALE END               |
|     | 007940-02-000 | EA  | RECEPTACLE/SLIDE 10 AWG                                  |
|     | 007954-01-000 | EA  | RECEPTACLE - HOUSING - 6 POSITION                        |
|     | 007956-05-000 | EA  | INSULATOR - SHRINK - 1/4"ID X 1 1/2"                     |
|     | 008311-01-000 | EA  | CONNECTOR - WIRE NUT - INSULATED - RED                   |
|     | 008312-01-000 | EA  | CONNECTOR - WIRE NUT - INSULATED - BLUE                  |
|     | 008313-01-000 | EA  | CONNECTOR - WIRE NUT - INSULATED - YELLOW                |
|     | 008314-01-000 | EA  | CONNECTOR - WIRE NUT - INSULATED - GRAY                  |
|     | 008328-01-000 | EA  | TERMINAL - RING - 12/10 WIRE - #10 STUD FIT              |
|     | 008331-01-000 | EA  | TERMINAL - RING - TONGUE - #4 WIRE - 3/8" STUD - COPPER  |
|     | 008348-01-000 | EA  | TERMINAL - RING - 3/8" STUD 2 GA. WIRE                   |
|     | 008355-01-000 | EA  | CONNECTOR - CABLE CLAMPING - 3/4"                        |
|     | 008356-01-000 | EA  | CONNECTOR - PLASTIC - 3/8"                               |
|     | 008356-02-000 | EA  | CONNECTOR - PLASTIC - 21/32"                             |
|     | 035416-04-000 | EA  | TERMINAL - RING - #10 STUD FIT - INSULATED BARREL #16/14 |
|     | 041953-01-000 | FT  | CONDUIT - CONVOLUTE SLIT - .5" ID - POLYETHYLENE         |
|     | 041953-02-000 | FT  | CONDUIT - CONVOLUTE SLIT - .6" ID - POLYETHYLENE         |
|     | 041953-03-000 | FT  | CONDUIT - CONVOLUTE SLIT - 1" ID (CLOTHES ROD COVER)     |
|     | 041953-05-000 | FT  | CONDUIT - CONVOLUTE SLIT - .62" ID - POLYETHYLENE        |
|     | 041953-06-000 | FT  | CONDUIT - CONVOLUTE SLIT - .4" ID - POLYETHYLENE         |
|     | 041953-07-000 | FT  | CONDUIT - CONVOLUTE SLIT - .25" ID - POLYETHYLENE        |
|     | 041953-08-000 | FT  | CONDUIT - CONVOLUTE SLIT - 1.5" ID - POLYETHYLENE        |
|     | 041953-09-000 | FT  | CONDUIT - CONVOLUTE SLIT - .5" ID - NYLON                |
|     | 041953-10-000 | FT  | CONDUIT - CONVOLUTE SLIT - .75" ID - NYLON               |
|     | 041953-11-000 | FT  | CONDUIT - CONVOLUTE SLIT - 1.06" ID - NYLON              |
|     | 041953-12-000 | FT  | CONDUIT - CONVOLUTE SOLID - 1.1" ID - NYLON              |
|     | 041953-13-000 | FT  | CONDUIT - CONVOLUTE SLIT - 1.25" ID                      |
|     | 041953-14-000 | FT  | CONDUIT - CONVOLUTE SLIT - 1.5" ID                       |
|     | 041953-15-000 | FT  | CONDUIT - CONVOLUTE SLIT - 2"                            |
|     | 041953-16-000 | FT  | CONDUIT - CONVOLUTE SLIT - 2"                            |
|     | 047441-01-000 | EA  | TERMINAL-BATTERY, HORIZONTAL LUG                         |
|     | 047443-01-000 | EA  | TERMINAL - .250 RECEPTACLE FIT - INSULATED - 16/14 AWG   |
|     | 047443-02-000 | EA  | TERMINAL - .250 RECEPTACLE FIT - INSULATED - 12/10 AWG   |
|     | 047443-05-000 | EA  | TERMINAL - .250 RECEPTACLE FIT - 18GA AWG                |
|     | 058028-01-000 | EA  | CONNECTOR - ELECTRICAL PIGTAIL - NYLON - CLEAR           |
|     | 062036-01-000 | EA  | TERMINAL - PACK - CON - 12/10 AWG                        |
|     | 076319-12-000 | EA  | CONNECTOR - COAXIAL - ONE PIECE                          |
|     | 077479-02-000 | EA  | BOOT - BATTERY TERMINAL - SINGLE CABLE                   |
|     | 080015-02-000 | EA  | RECEPTACLE - FLAG - .185 - 16/14 GAUGE                   |
|     | 080015-03-000 | EA  | RECEPTACLE - FLAG - .250 - 14/16 GAUGE                   |
|     | 080015-04-000 | EA  | RECEPTACLE - FLAG - .187 - 16/14 GAUGE                   |
|     | 082109-01-000 | EA  | HOUSING - CONNECTOR - PACKARD                            |
|     | 082741-01-000 | EA  | CONNECTOR BODY - 2 CONNECTOR MALE                        |
|     | 087225-01-000 | FT  | SLEEVING - 1/2" - TYPE H                                 |
|     | 088473-01-000 | EA  | HOUSING - PIN - 12 CAVITY (3 ROWS OF 4)                  |
|     | 088473-02-000 | EA  | HOUSING - PIN - 15 CAVITY (3 ROWS OF 5)                  |
|     | 088473-03-000 | EA  | HOUSING - PIN - 9 CAVITY (3 ROWS OF 3)                   |
|     | 088473-04-000 | EA  | HOUSING - PIN - 8 CAVITY IN-LINE                         |
|     | 088473-06-000 | EA  | HOUSING - PIN - 6 CAVITY (2 ROWS OF 3)                   |
|     | 088473-07-000 | EA  | HOUSING - PIN - 5 CAVITY - IN-LINE                       |
|     | 088473-08-000 | EA  | HOUSING - PIN - 4 CAVITY - IN-LINE                       |
|     | 088473-09-000 | EA  | HOUSING - PIN - 3 CAVITY - IN-LINE                       |
|     | 088473-10-000 | EA  | HOUSING - PIN - 2 CAVITY - IN-LINE                       |
|     | 088473-12-000 | EA  | HOUSING - PIN - 3 CAVITY - BLUE                          |
|     | 088473-13-000 | EA  | HOUSING - PIN - 3 CAVITY - GREEN                         |
|     | 088473-14-000 | EA  | HOUSING - PIN - 3 CAVITY - RED                           |
|     | 088474-01-000 | EA  | HOUSING - SOCKET - 12 CAVITY                             |
|     | 088474-02-000 | EA  | HOUSING - SOCKET - 15 CAVITY                             |
|     | 088474-03-000 | EA  | HOUSING - SOCKET - 9 CAVITY                              |
|     | 088474-06-000 | EA  | HOUSING - SOCKET - 6 CAVITY                              |
|     | 088474-07-000 | EA  | HOUSING - SOCKET - 5 CAVITY                              |
|     | 088474-08-000 | EA  | HOUSING - SOCKET - 4 CAVITY                              |
|     | 088474-09-000 | EA  | HOUSING - SOCKET - 3 CAVITY                              |

**ELECTRICAL GROUP (CONTINUED)**  
**CONNECTORS & CONDUIT (CONTINUED)**

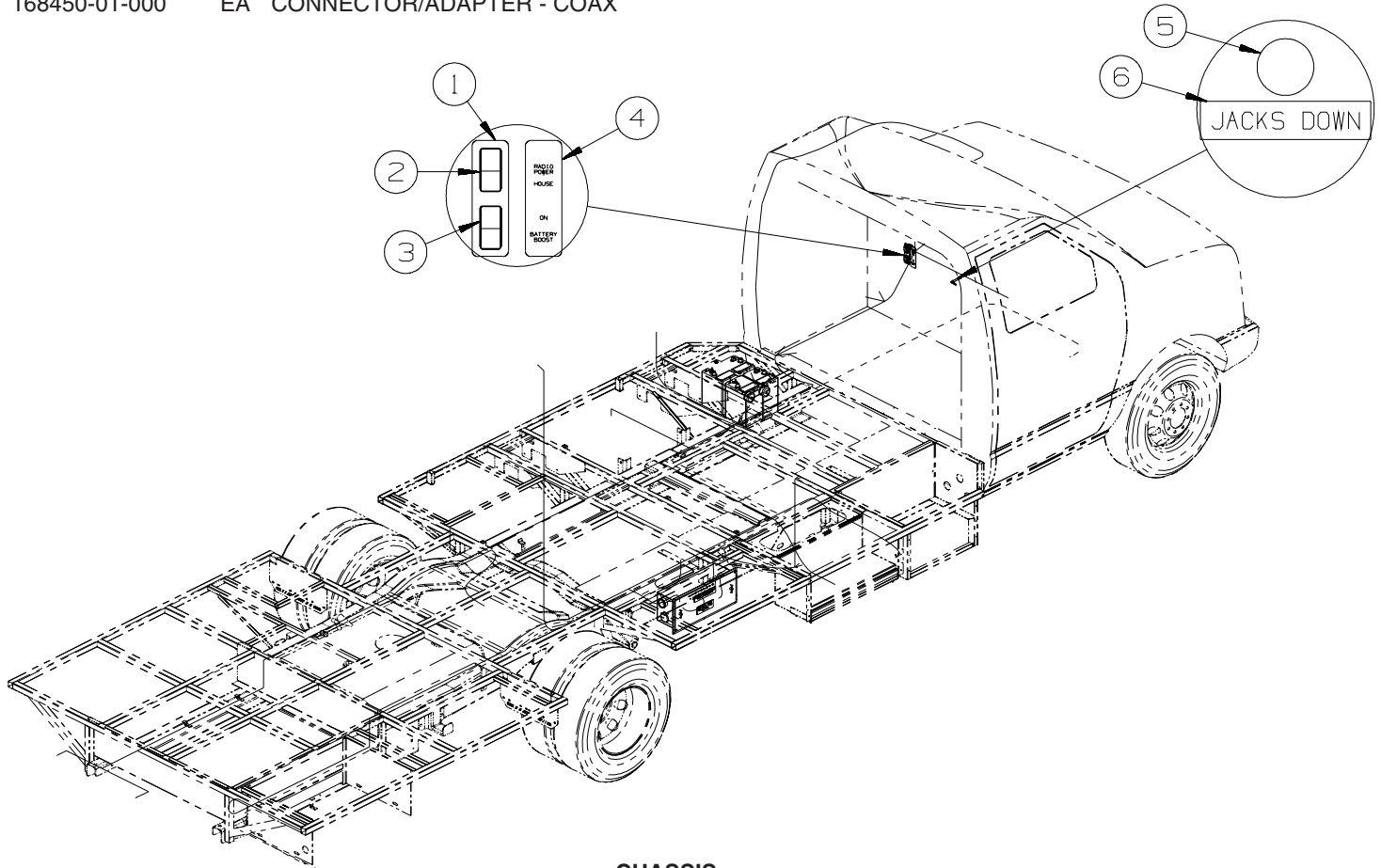
| KEY | PART NUMBER   | U/M | DESCRIPTION   |
|-----|---------------|-----|---|
|     | 088474-10-000 | EA  | HOUSING - SOCKET - 2 CAVITY                               |
|     | 088474-12-000 | EA  | HOUSING - SOCKET - 2 CAVITY - RED                         |
|     | 088475-01-000 | EA  | PIN - CONNECTOR - 14-20 AWG                               |
|     | 088475-02-000 | EA  | PIN - CONNECTOR - 10-12 AWG                               |
|     | 088476-01-000 | EA  | TERMINAL - ELECTRICAL                                     |
|     | 088476-02-000 | EA  | SOCKET - CONNECTOR - 12-10 GA - PRE-TIN                   |
|     | 098261-01-000 | EA  | SOCKET - CONNECTOR - WEATHERPACK - 12 AWG                 |
|     | 098261-02-000 | EA  | SOCKET - CONNECTOR - WEATHERPACK - 14-18 AWG              |
|     | 098262-01-000 | EA  | SEAL - CONNECTOR - WEATHERPACK                            |
|     | 098264-01-000 | EA  | HOUSING - 2 PIN - WEATHER PACK - MALE W/FEMALE PINS       |
|     | 098264-02-000 | EA  | HOUSING - 2 PIN - WEATHER PACK - FEMALE W/MALE PINS       |
|     | 098265-02-000 | EA  | PIN - CONNECTOR - WEATHER PACK                            |
|     | 102777-02-000 | EA  | TERMINAL - RING - #6 STUD - 10 AWG                        |
|     | 103608-01-000 | EA  | SOCKET - WEDGE BASE W/LEADS                               |
|     | 104100-01-000 | EA  | HOUSING - 1 POSITION - 75 AMPS                            |
|     | 104100-03-000 | EA  | TERMINAL - 75 AMP   |
|     | 106007-02-000 | EA  | TERMINAL - FEMALE - 10-12 AWG                             |
|     | 110178-01-000 | EA  | HOUSING - WIPER MOTOR                                     |
|     | 112823-01-000 | EA  | SPLICE - REDUCER - 16-14 TO 18-22                         |
|     | 113135-01-000 | EA  | TERMINAL - FEMALE - M/P - 14-16 - F/SEALED TERMINAL       |
|     | 113308-01-000 | EA  | TERMINAL - FEMALE - M/P - 14-16 - 280                     |
|     | 113308-02-000 | EA  | TERMINAL - FEMALE - M/P - 14-18 - 280                     |
|     | 113468-01-000 | EA  | HOUSING - 2 POSITION-FEMALE-USED ON WIPER/WASHER WIRE ASM |
|     | 113468-02-000 | EA  | HOUSING - 2 POSITION - FEMALE                             |
|     | 116811-01-000 | EA  | TERMINAL - .110 RECEPTACLE - 16-14 AWG                    |
|     | 118571-01-000 | EA  | CONNECTOR - 3-WAY - MALE/SEALED                           |
|     | 118571-02-000 | EA  | CONNECTOR - 3-WAY - FEMALE/SEALED                         |
|     | 118571-05-000 | EA  | LOCK - SECONDARY - FEMALE                                 |
|     | 118571-06-000 | EA  | LOCK - SECONDARY - MALE                                   |
|     | 118599-02-000 | EA  | TERMINAL - MALE - M/P - 280/14-12                         |
|     | 118820-01-000 | EA  | INSULATOR - TERMINAL                                      |
|     | 129233-01-000 | EA  | HOUSING - 2-POSITION/FEMALE - 280-SERIES                  |
|     | 129233-02-000 | EA  | HOUSING - 2-POSITION/FEMALE - 280-SERIES                  |
|     | 129233-03-000 | EA  | HOUSING - 2-POSITION/FEMALE - 280-SERIES                  |
|     | 131681-01-000 | EA  | CONNECTOR - 3/4" SO CORD - UL/CS                          |
|     | 137207-01-000 | EA  | HOUSING - PIN - 2 CAVITY/HIGH AMP                         |
|     | 137208-01-000 | EA  | HOUSING - SOCKET - 2 CAVITY/HIGH AMP                      |
|     | 137209-01-000 | EA  | PIN - CONNECTOR - 10AWG/HIGH AMP                          |
|     | 137210-01-000 | EA  | SOCKET - CONNECTOR - 10 AWG/HIGH AMP                      |
|     | 138996-04-000 | EA  | CONNECTOR - LAMP  |
|     | 142520-01-000 | EA  | TERMINAL - FEMALE - MINI-FIT 16                           |
|     | 142522-01-000 | EA  | HOUSING - 4 PIN/MALE - MINI FIT                           |
|     | 142522-02-000 | EA  | HOUSING - 6 PIN/MALE - MINI FIT                           |
|     | 142522-03-000 | EA  | HOUSING - 8 PIN/MALE - MINI FIT                           |
|     | 142522-04-000 | EA  | HOUSING - 10 PIN/MALE - MINI FIT                          |
|     | 142522-05-000 | EA  | HOUSING - 12 PIN/MALE - MINI FIT                          |
|     | 142522-06-000 | EA  | HOUSING - 14 PIN/MALE - MINI FIT                          |
|     | 142524-01-000 | EA  | HOUSING - 4 PIN/FEMALE - WEATHER PACK                     |
|     | 142524-02-000 | EA  | HOUSING - 4 PIN/FEMALE - WEATHER PACK                     |
|     | 144283-01-000 | EA  | CONNECTOR - 110V - F/USE WITH SOW WIRE - BLUE             |
|     | 144283-02-000 | EA  | CONNECTOR - 110V - F/USE WITH NM ROMEX WIRE - CLEAR       |
|     | 145171-01-000 | EA  | CONNECTOR - COAXIAL                                       |
|     | 148335-01-000 | EA  | HOUSING - 8-POSITION/MALE - 280-GT SERIES                 |
|     | 148335-02-000 | EA  | HOUSING - 4-POSITION/MALE - 280-GT SERIES                 |
|     | 148335-03-000 | EA  | HOUSING - 6-POSITION/MALE - 280-GT SERIES                 |
|     | 149683-01-000 | EA  | HOUSING - F/5 CAVITY RECEPTACLE - W/SQUARE GUIDE PIN      |
|     | 149683-02-000 | EA  | HOUSING - F/5 CAVITY RECEPTACLE - W/ROUND GUIDE PIN       |
|     | 149686-01-000 | EA  | TERMINAL - .250 RECEPTACLE                                |
|     | 149687-01-000 | EA  | HOUSING - 2 POSITION/MALE - PACKARD                       |
|     | 149687-02-000 | EA  | LOCK - F/2 POSITION HOUSING - PACKARD                     |
|     | 149688-01-000 | EA  | TERMINAL - MALE - 16 GAUGE WIRE                           |
|     | 156035-01-000 | EA  | HOUSING - 12-POSITION/FEMALE - 280-GT SERIES              |
|     | 156041-01-000 | EA  | TERMINAL - FEMALE - 16-12 - 280-GT SERIES                 |



## ELECTRICAL GROUP (CONTINUED)

### CONNECTORS & CONDUIT (CONTINUED)

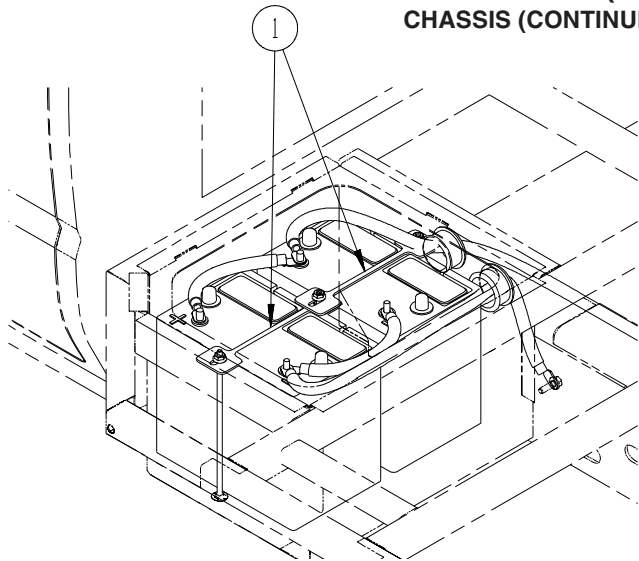
| KEY | PART NUMBER   | U/M | DESCRIPTION   |
|-----|---------------|-----|---|
|     | 156043-01-000 | EA  | HOUSING - 2-POSITION/FEMALE - 480-MP SERIES           |
|     | 156043-02-000 | EA  | LOCK - F/2 POSITION HOUSING - 480 SERIES              |
|     | 156044-01-000 | EA  | TERMINAL - FEMALE - 16-12 - 280-GT - F/SEALED HOUSING |
|     | 156045-01-000 | EA  | HOUSING - 10-POSITION/FEMALE - 280-GT SERIES          |
|     | 156045-02-000 | EA  | HOUSING - 4-POSITION/FEMALE - 280-GT SERIES           |
|     | 156045-03-000 | EA  | HOUSING - 8-POSITION/FEMALE - 280-GT SERIES           |
|     | 156045-04-000 | EA  | HOUSING - 6-POSITION/FEMALE - 280-GT SERIES           |
|     | 156207-01-000 | EA  | HOUSING - 6-POSITION/MALE - 150-GT SERIES             |
|     | 156208-01-000 | EA  | TERMINAL - MALE - 18-16 - 150-GT SERIES               |
|     | 157590-01-000 | EA  | TERMINAL - FEMALE - M/P - 10-12 - 630                 |
|     | 157592-01-000 | EA  | HOUSING - 7-POSITION/FEMALE - M/P                     |
|     | 157592-02-000 | EA  | LOCK - SECONDARY - F/7 POSITION HOUSING               |
|     | 157656-01-01A | EA  | CONNECTOR - DASH LIGHT - BLACK                        |
|     | 158357-01-000 | EA  | HOUSING - 3 PIN/MALE - MINI FIT                       |
|     | 158373-01-000 | EA  | HOUSING - SOCKET - 16 CAVITY - MINI MATE-N-LOCK       |
|     | 158374-01-000 | EA  | SOCKET - 16-20 CAVITY - MINI MATE-N-LOCK              |
|     | 164687-01-000 | EA  | PIN - CONNECTOR - 16-14                               |
|     | 164685-01-000 | EA  | HOUSING - PIN - 7-POSITION                            |
|     | 164689-01-000 | EA  | SEAL - CONNECTOR                                      |
|     | 168450-01-000 | EA  | CONNECTOR/ADAPTER - COAX                              |



**CHASSIS**

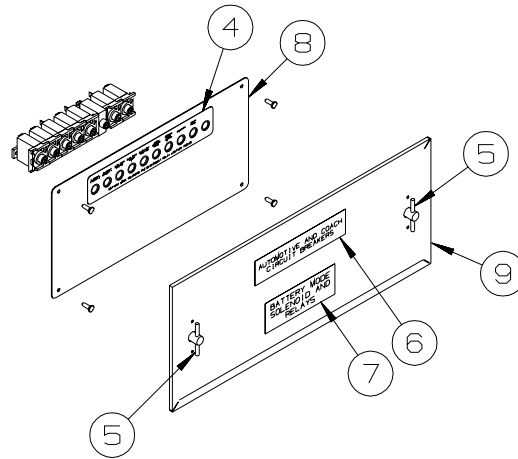
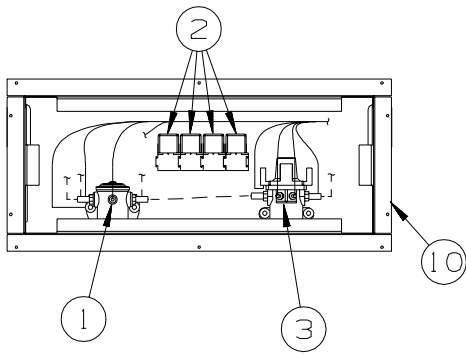
| KEY | PART NUMBER   | U/M | DESCRIPTION  |
|-----|---------------|-----|--|
| 1   | 144363-12-04B | EA  | PLATE - SWITCH - BLACK   |
| 2   | 108357-08-000 | EA  | SWITCH - ROCKER - DPDT - 0N/NONE/ON - 6 TERM - W/O COVER                         |
| 2   | 108356-02-01A | EA  | COVER/ACTUATOR SWITCH - 2 ROWS DIMPLES - BLACK                                   |
| 2   | 108355-01-000 | EA  | HOUSING - SWITCH   |
| 3   | 108357-09-000 | EA  | SWITCH - ROCKER - SPDT - ON/NONE/MOM - 3 TERM - W/O COVER                        |
| 3   | 108356-02-01A | EA  | COVER/ACTUATOR SWITCH - 2 ROWS DIMPLES - BLACK                                   |
| 3   | 108355-01-000 | EA  | HOUSING - SWITCH   |
| 4   | 145731-01-01A | EA  | LABEL - SWITCH - RADIO/BATTERY - BLACK   |
| 5   | 150237-01-000 | EA  | LIGHT - INDICATOR - RED - <b>HYDRAULIC LEVEL JACKS-AUTO</b>                      |
| 6   | 133533-01-01A | EA  | LABEL - JACKS DOWN - CLEAR W/WHITE LETTERING - <b>HYDRAULIC LEVEL JACKS-AUTO</b> |

**ELECTRICAL GROUP (CONTINUED)**  
**CHASSIS (CONTINUED)**



**BATTERY  
INSTALLATION**

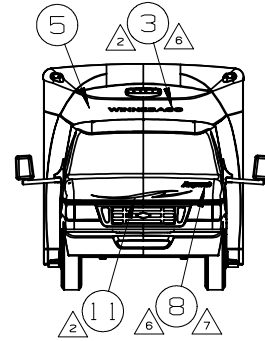
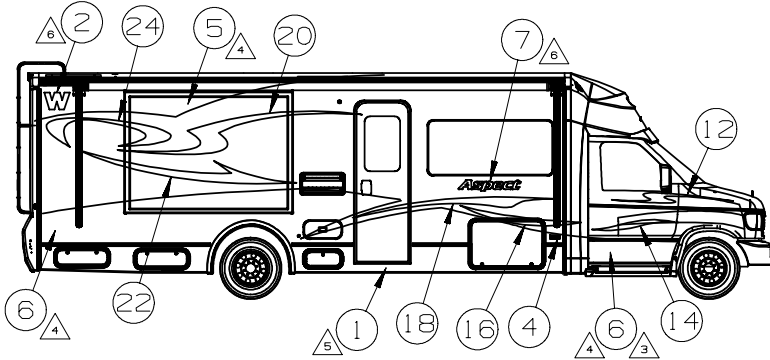
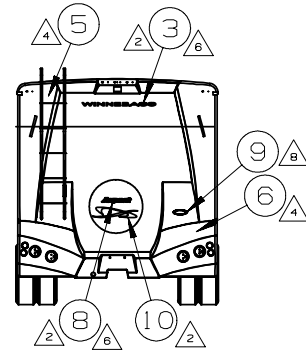
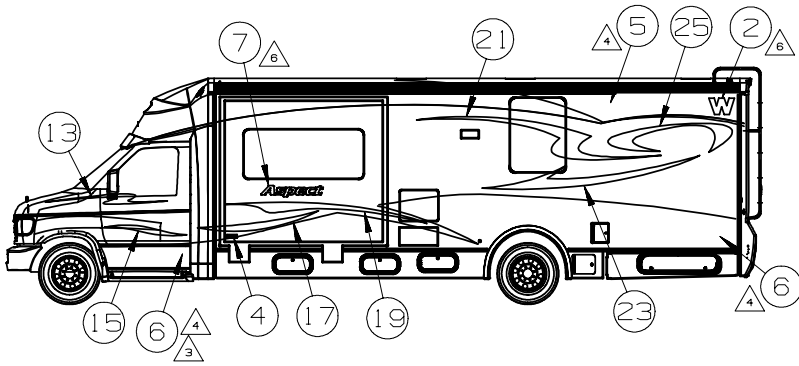
| KEY | PART NUMBER   | U/M DESCRIPTION                 |
|-----|---------------|---------------------------------|
| 1   | 160014-01-02B | EA TIEDOWN - BATTERY - E-COATED |



**ELECTRIC BOX**

| KEY | PART NUMBER   | U/M DESCRIPTION                             |                               |
|-----|---------------|---|-------------------------------|
| 1   | 008188-01-000 | EA SOLENOID - 3 POST - BATTERY CHANGE OVER  |                               |
| 2   | 063912-02-000 | EA RELAY - CANISTER - SPDT                  |                               |
| 3   | 086273-01-000 | EA RELAY - BATTERY DISCONNECT               |                               |
| 4   | 093236-38-000 | EA LABEL - CIRCUIT BREAKER                  |                               |
| 4   | 093236-52-000 | EA LABEL - CIRCUIT BREAKER                  | FROM: 00-00-00 THRU: 12-17-07 |
| 5   | 098196-01-000 | EA LATCH - 1/4 TURN - T-BAR                 | FROM: 12-18-07 THRU: 99-99-99 |
| 6   | 098379-01-000 | EA LABEL - CIRCUIT BREAKER - FRONT BOX      |                               |
| 7   | 098379-04-000 | EA LABEL - ELECTRICAL BOX - SIDE            |                               |
| 8   | 139067-09-02B | EA PLATE - CIRCUIT BREAKER/HOUSE - E-COATED |                               |
| 9   | 141273-04-02B | EA COVER - ELECTRICAL BOX - E-COATED        |                               |
|     | 092492-19-000 | EA SEAL - ELECTRIC BOX - 19" X 8"           |                               |
| 10  | 155605-01-02B | EA BOX - ELECTRICAL - E-COATED              |                               |

# EXTERIOR BODY GROUP GRAPHICS & PAINT



**(276) KEYS**

| KEY | PART NUMBER         | U/M | DESCRIPTION  |
|-----|---------------------|-----|--|
| 1   | 109506-01-000       | EA  | FILM-URETHANE PROTECTANT                                   |
| 2   | 120700-10-CHT (23A) | EA  | DECAL-LOGO W - BRT WHITE                                   |
| 3   | 120702-03-CHT (24A) | EA  | DECAL-LOGO WINNEBAGO - DK. CHARCOAL                        |
| 4   | 132664-02-CHT (01A) | EA  | DECAL-LOGO DOMED WINNEBAGO - CHROME/RED/BLACK              |
| 5   | 141599-42-000       | GL  | PAINT- DK TITANIUM MET - P373-P76526                       |
| 6   | 141599-31-000       | GL  | PAINT- METALLIC GOLD - 373-P7436                           |
| 7   | 150102-01-CHT (01A) | EA  | DECAL-ASPECT LG - CHARCOAL/STERLING SILVER/WARM SILVER     |
| 8   | 150102-02-CHT (01A) | EA  | DECAL-ASPECT SML - CHARCOAL/STERLING SILVER/WARM SILVER    |
| 9   | 151687-01-CHT (01A) | EA  | DECAL/BEZEL DOMED NAMEPLATE WINNEBAGO - CHROME/PANTONE RED |
| 10  | 156909-01-CHT (03A) | EA  | DECAL-REAR - DK. CHARCOAL/BLACK/WHITE/KHAKI                |
| 11  | 156912-01-CHT (03A) | EA  | DECAL-HOOD - KHAKI/PEWTER                                  |
| 12  | 156913-01-CHT (03A) | EA  | DECAL-GRAPHIC 6 RH - DK. CHARCL/BLACK/WHITE                |
| 13  | 156913-02-CHT (03A) | EA  | DECAL-GRAPHIC 6 LH - DK. CHARCL/BLACK/WHITE                |
| 14  | 156914-01-CHT (03A) | EA  | DECAL-GRAPHIC 5A RH - PEWTER                               |
| 15  | 156914-02-CHT (03A) | EA  | DECAL-GRAPHIC 5A LH - PEWTER                               |
| 16  | 156915-01-CHT (03A) | EA  | DECAL-GRAPHIC 5B RH - KHAKI                                |
| 17  | 156915-02-CHT (03A) | EA  | DECAL-GRAPHIC 5B LH - KHAKI                                |
| 18  | 156916-01-CHT (03A) | EA  | DECAL-GRAPHIC 4 RH - DK.CHARCL/BLACK/WHITE                 |
| 19  | 156916-02-CHT (03A) | EA  | DECAL-GRAPHIC 4 LH - DK.CHARCL/BLACK/WHITE                 |
| 20  | 156917-01-CHT (03A) | EA  | DECAL-GRAPHIC 3 RH - KHAKI                                 |
| 21  | 156917-02-CHT (03A) | EA  | DECAL-GRAPHIC 3 LH - KHAKI                                 |
| 22  | 156919-01-CHT (03A) | EA  | DECAL-GRAPHIC 2 RH - PEWTER                                |
| 23  | 156919-02-CHT (03A) | EA  | DECAL-GRAPHIC 2 LH - PEWTER                                |
| 24  | 156920-01-CHT (03A) | EA  | DECAL-GRAPHIC 1 RH - DK.CHARCL/BLACK/WHITE                 |
| 25  | 156920-02-CHT (03A) | EA  | DECAL-GRAPHIC 1 LH - DK.CHARCL/BLACK/WHITE                 |
| 26  | -----               | GL  | PAINT-CLEAR COAT - SHERWIN WILLIAMS                        |

**(92K) KEYS**

| KEY | PART NUMBER         | U/M | DESCRIPTION  |
|-----|---------------------|-----|--|
| 1   | 109506-01-000       | EA  | FILM-URETHANE PROTECTANT                                     |
| 2   | 120700-10-CHT (23A) | EA  | DECAL-LOGO W - BRT WHITE                                     |
| 3   | 120702-03-CHT (19A) | EA  | DECAL-LOGO WINNEBAGO - WARM SILVER                           |
| 4   | 132664-02-CHT (01A) | EA  | DECAL-LOGO DOMED WINNEBAGO - CHROME/RED/BLACK                |
| 5   | 141599-49-000       | GL  | PAINT- AUBURN MET - 373-P75841                               |
| 6   | 141599-22-000       | GL  | PAINT- GRANITE MET - 373-P7433                               |
| 7   | 150102-01-CHT (01A) | EA  | DECAL-LOGO ASPECT LG - CHARCOAL/STERLING SILVER/WARM SILVER  |
| 8   | 150102-02-CHT (01A) | EA  | DECAL-LOGO ASPECT SML - CHARCOAL/STERLING SILVER/WARM SILVER |
| 9   | 151687-01-CHT (01A) | EA  | DECAL/BEZEL DOMED NAMEPLATE WINNEBAGO - CHROME/PANTONE RED   |
| 10  | 156909-01-CHT (04A) | EA  | DECAL-REAR - CANYON RED/BLK/WHT/FLINTSTONE                   |
| 11  | 156912-01-CHT (04A) | EA  | DECAL-HOOD - W.SILVER/CANYON RED                             |
| 12  | 156913-01-CHT (04A) | EA  | DECAL-GRAPHIC 6 RH - C.RED/BLACK/WHITE                       |
| 13  | 156913-02-CHT (04A) | EA  | DECAL-GRAPHIC 6 LH - C.RED/BLACK/WHITE                       |
| 14  | 156914-01-CHT (04A) | EA  | DECAL-GRAPHIC 5A RH - WARM SILVER                            |
| 15  | 156914-02-CHT (04A) | EA  | DECAL-GRAPHIC 5A LH - WARM SILVER                            |
| 16  | 156915-01-CHT (04A) | EA  | DECAL-GRAPHIC 5B RH - FLINTSTONE                             |
| 17  | 156915-02-CHT (04A) | EA  | DECAL-GRAPHIC 5B LH - FLINTSTONE                             |
| 18  | 156916-01-CHT (04A) | EA  | DECAL-GRAPHIC 4 RH - C.RED/BLACK/WHITE                       |
| 19  | 156916-02-CHT (04A) | EA  | DECAL-GRAPHIC 4 LH - C.RED/BLACK/WHITE                       |
| 20  | 156917-01-CHT (04A) | EA  | DECAL-GRAPHIC 3 RH - FLINTSTONE                              |
| 21  | 156917-02-CHT (04A) | EA  | DECAL-GRAPHIC 3 LH - FLINTSTONE                              |
| 22  | 156919-01-CHT (04A) | EA  | DECAL-GRAPHIC 2 RH - W. SILVER                               |
| 23  | 156919-02-CHT (04A) | EA  | DECAL-GRAPHIC 2 LH - W. SILVER                               |
| 24  | 156920-01-CHT (04A) | EA  | DECAL-GRAPHIC 1 RH - C.RED/BLACK/WHITE                       |
| 25  | 156920-02-CHT (04A) | EA  | DECAL-GRAPHIC 1 LH - C.RED/BLACK/WHITE                       |
| 26  | -----               | GL  | PAINT-CLEAR COAT - SHERWIN WILLIAMS                          |

⚠️ LOGO IS TO BE  $\pm 1$  MM ON A HORIZONTAL PLANE (END TO END).

⚠️ FILM TO PROTECT BOTTOM OF DOOR FROM SCUFF MARKS.

⚠️ CLEAR COAT TO BE APPLIED ON PAINTED AREAS TO PROTECT PAINT.

⚠️ PAINTED AREA IS TO BE BELOW FEATURE STRIP FOR OPTIONAL PAINTED MODELS AND CONTINUES ON CAB DOORS TO WHEELWELL.

⚠️ CENTERED ON UNIT.

1. APPLY PROTECTOR 116424-01-000 TO WATER HEATER DOOR LATCH.

⚠️ CENTER BADGE ON SURFACE.

⚠️ LOCATE DECAL 190 MM LEFT OF HOOD EDGE AND 220 MM UP FROM HOOD EDGE.

9. NO VINYL OR PAINT ON SLIDEDOUT ROOM END PANELS.

(16E) FORD CHASSIS 14,050 LB.GVWR

(16C) FORD CHASSIS 11,500 LB.GVWR

(92K) EXTERIOR GRAPHICS PACKAGE #2

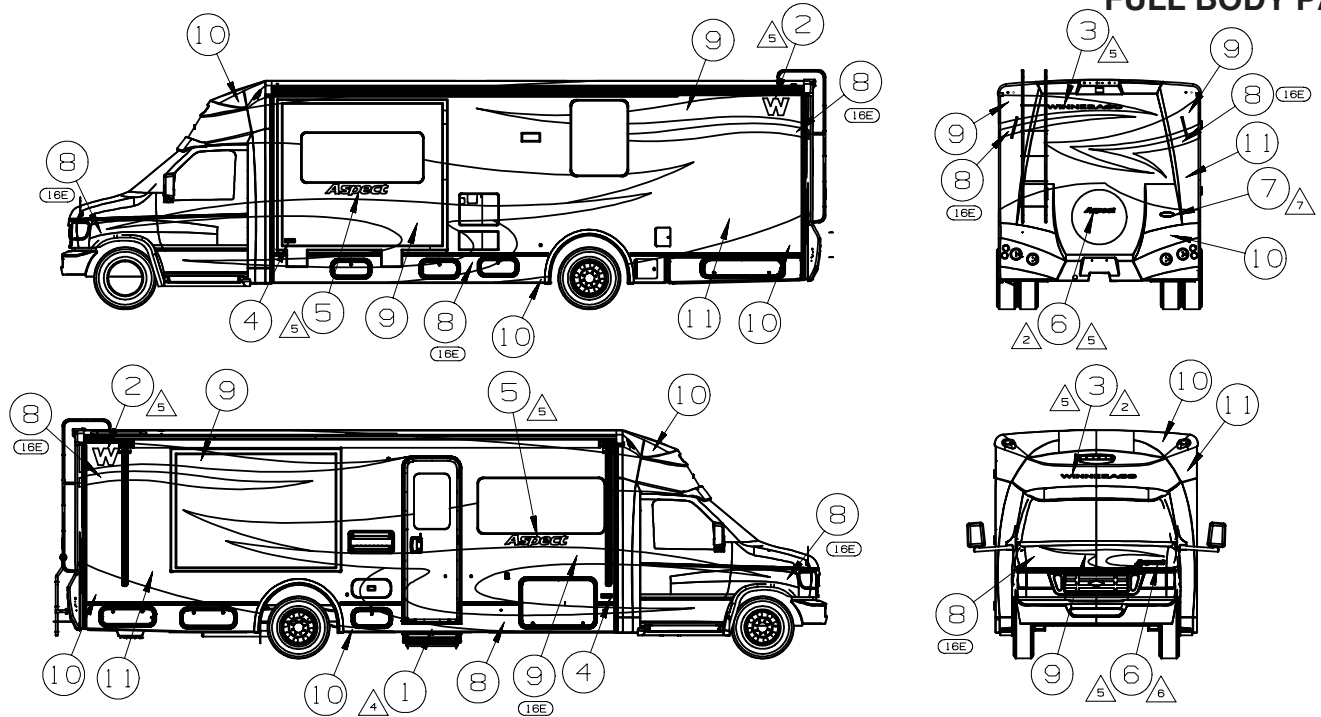
(276) EXTERIOR GRAPHICS PACKAGE #1

NOTES:

# EXTERIOR BODY GROUP (CONTINUED)

## GRAPHICS & PAINT (CONTINUED)

### FULL BODY PAINT



**(27A) KEYS**

| KEY | PART NUMBER        | U/M |
|-----|--------------------|-----|
| 1   | 109506-01-000      | EA  |
| 2   | 120700-10-CHT(18A) | EA  |
| 3   | 120702-03-CHT(63A) | EA  |
| 4   | 132664-02-CHT(01A) | EA  |
| 5   | 150102-01-CHT(01A) | EA  |
| 6   | 150102-02-CHT(01A) | EA  |
| 7   | 151687-01-CHT(01A) | EA  |
| 8   | -----              | GL  |
| 9   | -----              | GL  |
| 10  | -----              | GL  |
| 11  | -----              | GL  |
| 12  | -----              | GL  |

(16E) (16C)

**(92A) KEYS**

| KEY | PART NUMBER        | U/M |
|-----|--------------------|-----|
| 1   | 109506-01-000      | EA  |
| 2   | 120700-10-CHT(18A) | EA  |
| 3   | 120702-03-CHT(63A) | EA  |
| 4   | 132664-02-CHT(01A) | EA  |
| 5   | 150102-01-CHT(01A) | EA  |
| 6   | 150102-02-CHT(01A) | EA  |
| 7   | 151687-01-CHT(01A) | EA  |
| 8   | -----              | GL  |
| 9   | -----              | GL  |
| 10  | -----              | GL  |
| 11  | -----              | GL  |
| 12  | -----              | GL  |

(16E) (16C)

**DESCRIPTION SEAMIST**

FILM-URETHANE PROTECTANT  
 DECAL-LOGO W - STERLING SILVER  
 DECAL-LOGO WINNEBAGO - STERLING SILVER  
 DECAL-LOGO DOMED WINNEBAGO - CHROME/RED/BLACK  
 DECAL-ASPECT LG - CHARCOAL/STERLING SILVER/WARM SILVER  
 DECAL-ASPECT SML - CHARCOAL/STERLING SILVER/WARM SILVER  
 DECAL-BEZEL - DOMED NAMEPLATE WINNEBAGO - CHROME/RED  
 PAINT-SILVER MET - SHERWIN WILLIAMS #43638  
 PAINT-CASHMERE BEIGE MET - SHERWIN WILLIAMS #48702 ALT 2  
 PAINT-SILVER BLUE MET - SHERWIN WILLIAMS #62234 ALT 1  
 PAINT-STEEL BLUE PRL SHERWIN WILLIAMS #57772 ALT 3  
 PAINT-CLEAR COAT - SHERWIN WILLIAMS

**DESCRIPTION WINE**

FILM-URETHANE PROTECTANT  
 DECAL-LOGO W - STERLING SILVER  
 DECAL-LOGO WINNEBAGO - STERLING SILVER  
 DECAL-LOGO DOMED WINNEBAGO - CHROME/RED/BLACK  
 DECAL-ASPECT LG - CHARCOAL/STERLING SILVER/WARM SILVER  
 DECAL-ASPECT SML - CHARCOAL/STERLING SILVER/WARM SILVER  
 DECAL-BEZEL - DOMED NAMEPLATE WINNEBAGO - CHROME/RED  
 PAINT-SILVER MET - SHERWIN WILLIAMS #43638  
 PAINT-PURPLE GRAPHITE MET - SHERWIN WILLIAMS #56239  
 PAINT-BRIGHT PLATINUM MET - SHERWIN WILLIAMS #48823 ALT 3  
 PAINT-RED MAPLE MET-SHERWIN WILLIAMS #51289 ALT 4  
 PAINT-CLEAR COAT - SHERWIN WILLIAMS

9. USE PROTECTIVE FILM 145487-02-000 TO COVER UNSEALED ROOF SEAMS.

8. END PANELS OF SLIDEOUT ROOMS WILL BE PAINTED WITH BASE COAT AND CLEAR COAT. THERE WILL BE NO COLORED DESIGN GRAPHICS ELEMENTS PAINTED ON END PANELS.

△7 CENTER BADGE ON SURFACE.

△6 LOCATE DECAL 110 MM LEFT OF HOOD EDGE AND 80 MM UP FROM HOOD EDGE.

△5 LOGO IS TO BE ±1 MM ON A HORIZONTAL PLANE (END TO END).

△4 FILM TO PROTECT BOTTOM OF DOOR FROM SCUFF MARKS.

△3 CLEAR COAT TO BE APPLIED ON PAINTED AREAS TO PROTECT PAINT.

△2 CENTERED ON UNIT.

1. APPLY PROTECTOR 116424-01-000 TO WATER HEATER DOOR LATCH.

**NOTES:**

(16E) FORD CHASSIS 14,050 LB.GVWR

(16C) FORD CHASSIS 11,500 LB.GVWR

(92A) EXT FULL BODY PAINT PKG # 2

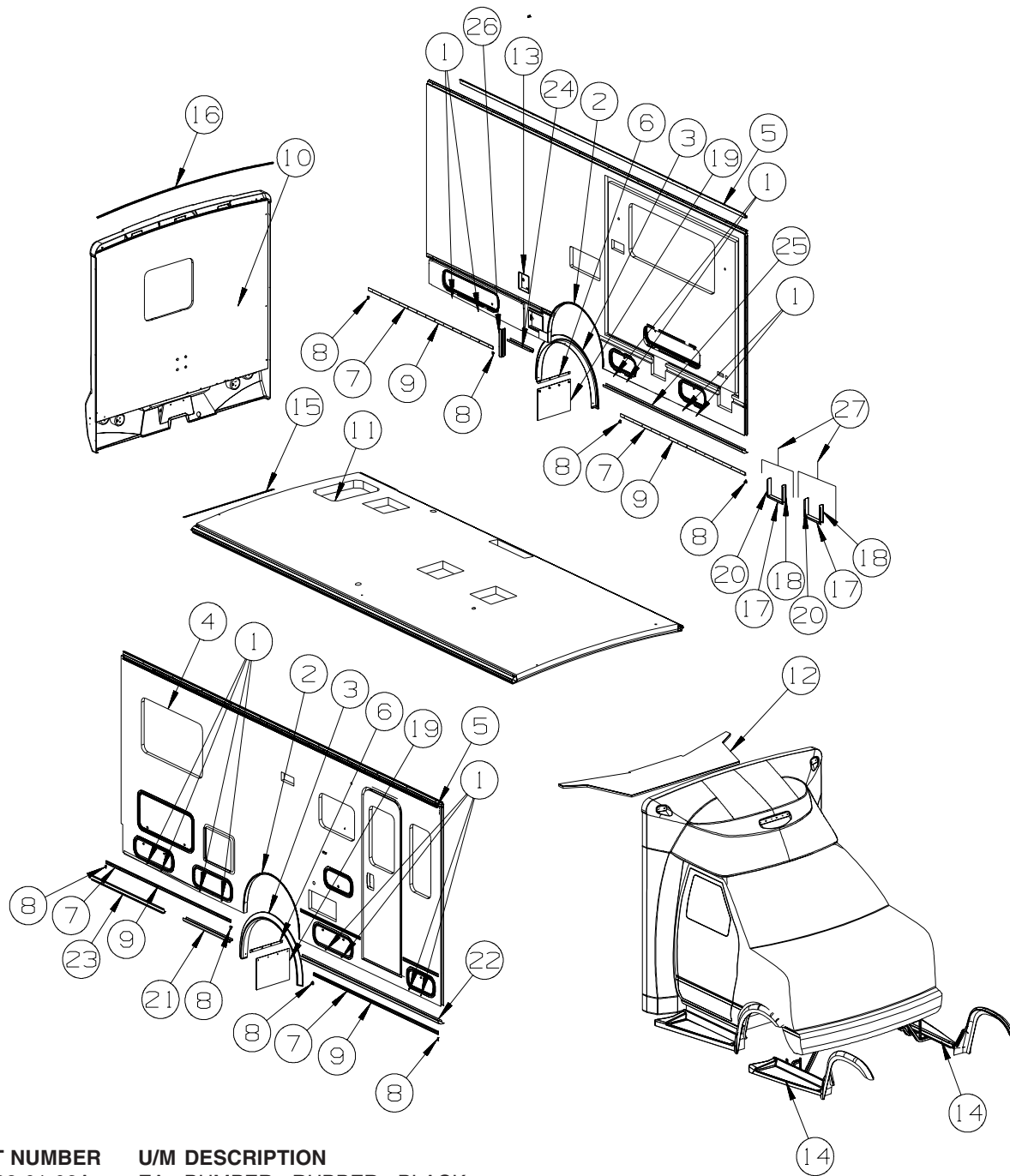
(27A) EXT FULL BODY PAINT PKG #1

| KEY | PART NUMBER   | U/M | DESCRIPTION                      |
|-----|---------------|-----|----------------------------------|
|     | 072882-01-000 | GL  | PAINT - LOW BAKE - OFF WHITE     |
|     | 116424-01-000 | EA  | PROTECTOR - LATCH - WATER HEATER |

**DUPONT COLOR CODES ARE NOW FOUND IN THE PAINT CODE MANUAL.  
 YOU CAN FIND THIS MANUAL ON YOUR DEALER INDEX WEBPAGE UNDER SERVICE.**

## EXTERIOR BODY GROUP (CONTINUED)

### PANELS & TRIMS



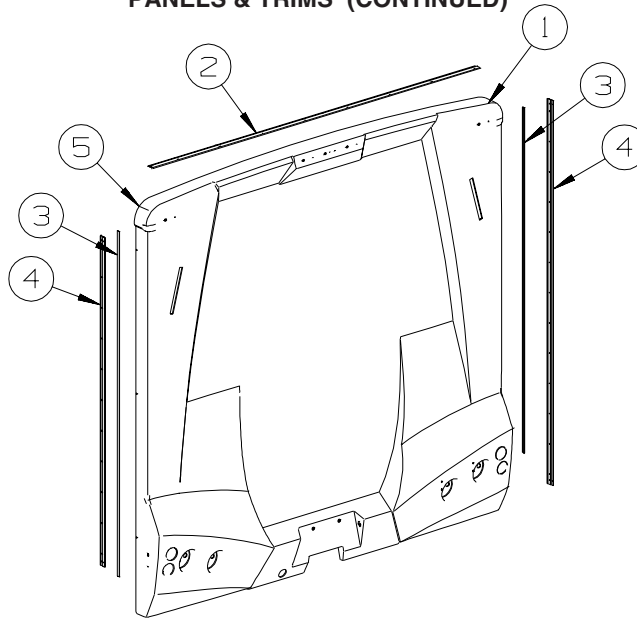
| KEY | PART NUMBER   | U/M | DESCRIPTION   |
|-----|---------------|-----|---|
| 1   | 153498-01-02A | EA  | BUMPER - RUBBER - BLACK   |
| 2   | 148255-01-01A | EA  | TRIM - SIDEWALL - U CHANNEL/PVC - .5" X 1.7" X 42"                      |
| 3   | 148210-01-10A | EA  | TRIM - REAR WHEELWELL - BLACK   |
| 4   | 161677-01-W37 | EA  | SIDEWALL - PASSENGER - W/O WINDOWS/TRIMS (W37, W38)                     |
| 4   | 161677-01-W39 | EA  | SIDEWALL - PASSENGER - W/O WINDOWS/TRIMS (W39, W40)                     |
| 4   | 161677-01-W41 | EA  | SIDEWALL - PASSENGER - W/O WINDOWS/TRIMS (W41, W42)                     |
| 4   | 161677-02-W37 | EA  | SIDEWALL - PASSENGER - W/O WINDOWS/TRIMS (W37, W38) - PREMIUM SIDEWALLS |
| 4   | 161677-02-W39 | EA  | SIDEWALL - PASSENGER - W/O WINDOWS/TRIMS (W39, W40) - PREMIUM SIDEWALLS |
| 4   | 161677-02-W41 | EA  | SIDEWALL - PASSENGER - W/O WINDOWS/TRIMS (W41, W42) - PREMIUM SIDEWALLS |
| 5   | 157284-01-01A | EA  | RAIL - AWNING - 192" - BRIGHT WHITE                                     |
| 6   | 140922-01-02B | EA  | RETAINER - MUD FLAP - 1" X 17.7" - E-COATED/BLACK                       |
| 7   | 108688-06-08A | EA  | STRIP - FEATURE - W/O INSERT/END CAPS - 96.9" - BLACK                   |
| 8   | 108651-01-04A | EA  | END CAP - FEATURE STRIP - BLACK   |
|     | 108651-01-01A | EA  | END CAP - FEATURE STRIP - UNPAINTED                                     |
| 9   | 105312-01-07A | EA  | INSERT - FEATURE STRIP - VINYL - BRIGHT WHIT                            |

**EXTERIOR BODY GROUP (CONTINUED)**  
**PANELS & TRIMS (CONTINUED)**

| KEY | PART NUMBER   | U/M | DESCRIPTION  |
|-----|---------------|-----|--|
| 10  | 161680-02-W37 | EA  | BACKWALL - W/O WINDOW/TRIMS (W37, W38)   |
| 10  | 161680-02-W39 | EA  | BACKWALL - W/O WINDOW/TRIMS (W39, W40)   |
| 10  | 161680-02-W41 | EA  | BACKWALL - W/O WINDOW/TRIMS (W41, W42)   |
| 10  | 161680-01-W37 | EA  | BACKWALL - W/O WINDOW/TRIMS (W37, W38) - DUAL PANE WINDOWS                             |
| 10  | 161680-01-W39 | EA  | BACKWALL - W/O WINDOW/TRIMS (W39, W40) - DUAL PANE WINDOWS                             |
| 10  | 161680-01-W41 | EA  | BACKWALL - W/O WINDOW/TRIMS (W41, W42) - DUAL PANE WINDOWS                             |
| 11  | 161679-01-W37 | EA  | ROOF - W/O LIGHTS/VENTS - W/WIRING   |
| 12  | P49312-01-S34 | EA  | SLEEPERBOARD   |
| 13  | 161678-01-W37 | EA  | SIDEWALL - DRIVER - W/O WINDOWS/TRIMS (W37, W38)                                       |
| 13  | 161678-01-W39 | EA  | SIDEWALL - DRIVER - W/O WINDOWS/TRIMS (W39, W40)                                       |
| 13  | 161678-01-W41 | EA  | SIDEWALL - DRIVER - W/O WINDOWS/TRIMS (W41, W42)                                       |
| 13  | 161678-02-W37 | EA  | SIDEWALL - DRIVER - W/O WINDOWS/TRIMS (W37, W38) - PREMIUM SIDEWALLS                   |
| 13  | 161678-02-W39 | EA  | SIDEWALL - DRIVER - W/O WINDOWS/TRIMS (W39, W40) - PREMIUM SIDEWALLS                   |
| 13  | 161678-02-W41 | EA  | SIDEWALL - DRIVER - W/O WINDOWS/TRIMS (W41, W42) - PREMIUM SIDEWALLS                   |
| 14  | 149604-05-01A | EA  | MUD FLAP - FIBERGLASS - PASSENGER - FORD - PRIMED                                      |
| 14  | 149604-06-01A | EA  | MUD FLAP - FIBERGLASS - DRIVER - FORD - PRIMED   |
|     | 149604-07-01A | EA  | WHEEL LIP - FIBERGLASS - PASS. - FORD - PRIMED - FULL BODY PAINT, FORD CHASSIS 14,050  |
|     | 149604-08-01A | EA  | WHEEL LIP - FIBERGLASS - DRIVER - FORD - PRIMED - FULL BODY PAINT, FORD CHASSIS 14,050 |
|     | 146515-03-01A | EA  | MAT - ANTI SLIP - RIGHT HAND - BLACK - FULL BODY PAINT, FORD CHASSIS 14,050            |
|     | 146515-04-01A | EA  | MAT - ANTI SLIP - LEFT HAND - BLACK - FULL BODY PAINT, FORD CHASSIS 14,050             |
|     | 149604-03-01A | EA  | RUNNING BOARD/WEDGE - PASSENGER - FORD 700 - PRIMED                                    |
|     | 149604-04-01A | EA  | RUNNING BOARD/WEDGE - DRIVER - FORD 700 - PRIMED                                       |
|     | 149604-09-000 | EA  | HARDWARE KIT (RUNNING BOARD INSTALL) - FORD  |
| 15  | 157799-07-02A | EA  | TRIM - PLATFORM - 49.1" - BLACK  |
| 16  | 114248-02-01A | EA  | ANGLE - PLASTIC - .7" X .4" X 96.7" - MODERN IVORY                                     |
| 17  | 137970-15-02A | EA  | TRIM - SIDEWALL - 11"  |
| 18  | 137970-14-02A | EA  | TRIM - SIDEWALL - 8.3"   |
| 19  | 017516-01-000 | EA  | MUD FLAP - 14"H X 18"W - W/O MOUNTING HOLES - RUBBER - BLK                             |
| 20  | 137970-13-02A | EA  | TRIM - SIDEWALL - 8.3"   |
| 21  | 148700-08-02A | EA  | TRIM - SIDEWALL/BOTTOM - 31.1" - BLACK<br>FROM: 00-00-00 THRU: 03-09-08                |
| 21  | 168159-08-02A | EA  | TRIM - SIDEWALL/BOTTOM - 31.1" - BLACK<br>FROM: 03-10-08 THRU: 99-99-99                |
| 22  | 148700-07-02A | EA  | TRIM - SIDEWALL/BOTTOM - 95.5" - LH NOTCH - BLACK<br>FROM: 00-00-00 THRU: 03-09-08     |
| 22  | 168159-07-02A | EA  | TRIM - SIDEWALL/BOTTOM - 93.8" - BLACK<br>FROM: 03-10-08 THRU: 99-99-99                |
| 23  | 148700-03-02A | EA  | TRIM - SIDEWALL/BOTTOM - 50.6" - RH NOTCH - BLACK<br>FROM: 00-00-00 THRU: 03-09-08     |
| 23  | 168159-03-02A | EA  | TRIM - SIDEWALL/BOTTOM - 49.1" - BLACK<br>FROM: 03-10-08 THRU: 99-99-99                |
| 24  | 148700-16-02A | EA  | TRIM - SIDEWALL/BOTTOM - 15.6" - BLACK<br>FROM: 00-00-00 THRU: 03-09-08                |
| 24  | 168159-16-02A | EA  | TRIM - SIDEWALL/BOTTOM - 15.6" - BLACK<br>FROM: 03-10-08 THRU: 99-99-99                |
| 25  | 148700-09-02A | EA  | TRIM - SIDEWALL/BOTTOM - 95.4" - RH NOTCH - BLACK<br>FROM: 00-00-00 THRU: 03-09-08     |
| 25  | 168159-07-02A | EA  | TRIM - SIDEWALL/BOTTOM - 93.8" - BLACK<br>FROM: 03-10-08 THRU: 99-99-99                |
| 26  | 156772-01-02A | EA  | TRIM - SIDEWALL - 12.6" - BLACK  |
| 27  | 148736-01-TN3 | EA  | TRIM - SIDEWALL  |



**EXTERIOR BODY GROUP (CONTINUED)  
PANELS & TRIMS (CONTINUED)**

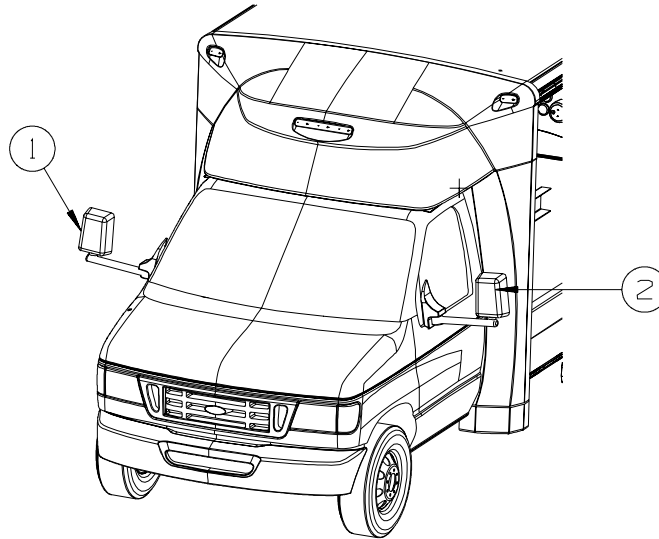


**REAR CAP**

| KEY | PART NUMBER   | U/M | DESCRIPTION  |
|-----|---------------|-----|--|
| 1   | 159282-03-U37 | EA  | PANEL - REAR CAP - W/O CAMERA MOUNT  |
| 1   | 159282-03-AA1 | EA  | PANEL - REAR CAP - W/O CAMERA MOUNT - <b>FULL BODY PAINT</b>                       |
| 1   | 159282-04-U37 | EA  | PANEL - REAR CAP - W/CAMERA MOUNT - <b>REARVIEW MONITOR SYSTEM</b>                 |
| 1   | 159282-04-AA1 | EA  | PANEL - REAR CAP - W/CAMERA MOUNT - <b>REARVIEW MONITOR SYSTEM/FULL BODY PAINT</b> |
| 2   | 083805-08-000 | EA  | TRIM - ROOF CAP - 92.1" - MILL   |
| 3   | 091985-01-07A | EA  | INSERT - TRIM - REAR CAP TO SIDEWALL - .66" - BRIGHT WHITE                         |
| 3   | 091985-01-09A | EA  | INSERT - TRIM - REAR CAP TO SIDEWALL - .66" - BLACK                                |
| 4   | 092041-08-01A | EA  | TRIM - FRONT/REAR CAP (SIDEWALL) - 86.6" - BRIGHT WHITE                            |
| 4   | 092041-08-02A | EA  | TRIM - FRONT/REAR CAP (SIDEWALL) - 86.6" - BLACK                                   |
| 5   | 104692-03-000 | EA  | SEAL - ADHESIVE BACKED FOAM - 1" THICK X 1 3/16"WIDE X 15'                         |



**EXTERIOR BODY GROUP (CONTINUED)**  
**PANELS & TRIMS (CONTINUED)**



| KEY | PART NUMBER   | U/M | DESCRIPTION  |
|-----|---------------|-----|--|
| 1*  | 133908-14-01A | EA  | MIRROR/PASSENGER - 96" - BRIGHT WHITE  |
| 1*  | 133908-16-01A | EA  | MIRROR/PASSENGER - 96" - HEATED/REMOTE - WHITE - MIRRORS - EXT W/DEFROST       |
| 1*  | 133908-16-03A | EA  | MIRROR/PASS-96"-HEATED/REMOTE-SILVER - MIRRORS - EXT W/DEFROST/FULL BODY PAINT |
| 2*  | 133908-15-01A | EA  | MIRROR/DRIVER - 96" - WHITE  |
| 2*  | 133908-17-01A | EA  | MIRROR/DRIVER - 96" - HEATED/REMOTE - WHITE - MIRRORS - EXTERIOR W/DEFROST     |
| 2*  | 133908-17-03A | EA  | MIRROR/DRVR-96"-HEATED/REMOTE-SILVER - MIRRORS - EXT W/DEFROST/FULL BODY PAINT |

**\*COMPONENT PARTS LISTED LATER IN THIS GROUP**

**COMPONENT PARTS FOR PANELS & TRIMS**

**133908-05, 133908-06, 133908-10, 133908-11, 133908-14, 133908-15, -01A/02A**

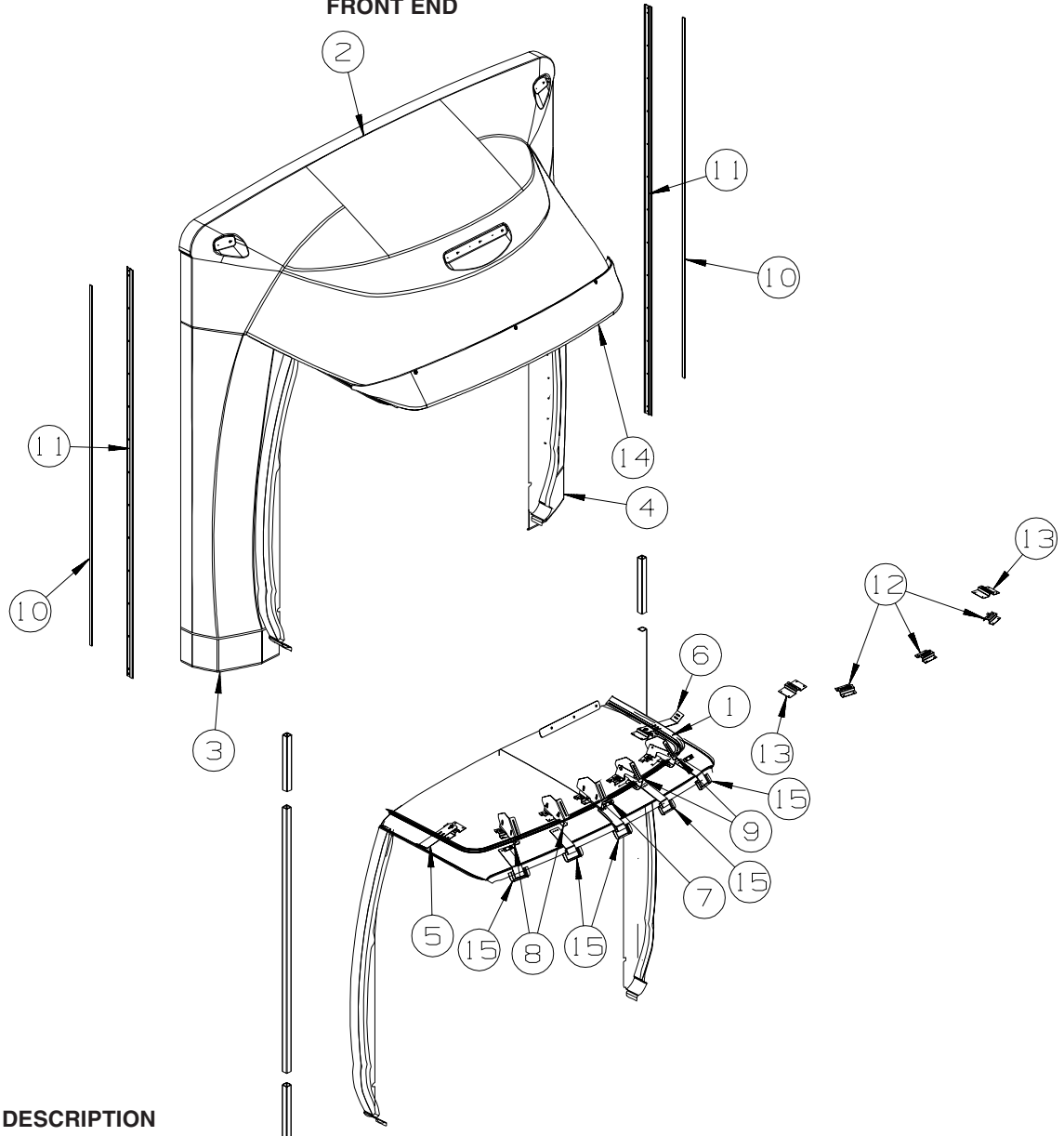
| KEY | PART NUMBER   | U/M | DESCRIPTION                  | VENDOR NO. |
|-----|---------------|-----|------------------------------|------------|
|     | 117051-01-700 | EA  | MIRROR-CONVEX                | 723068-4   |
|     | 120269-01-700 | EA  | GLASS KIT W/BEZEL RH/LH      | 709407-8   |
|     | 133908-03-700 | EA  | CAP - RECT/BLACK-W/O LIGHT   | 709577     |
|     | 133908-04-700 | EA  | CAP-MIRROR/ROUND - W/O LIGHT | 7095470    |

**133908-16, 133908-17, -01A/-02A/-03A**

| KEY | PART NUMBER   | U/M | DESCRIPTION                  | VENDOR NO. |
|-----|---------------|-----|------------------------------|------------|
|     | 086261-01-701 | EA  | MOTOR-GEAR, MIRROR           | 747118     |
|     | 117051-01-700 | EA  | MIRROR-CONVEX                | 723068-4   |
|     | 120269-05-701 | EA  | GLASS-HTD/REM RH/LH W/CONVEX | 709411     |
|     | 133908-03-700 | EA  | CAP - RECT/BLACK-W/O LIGHT   | 709557     |
|     | 133908-04-700 | EA  | CAP-MIRROR/ROUND - W/O LIGHT | 7095470    |

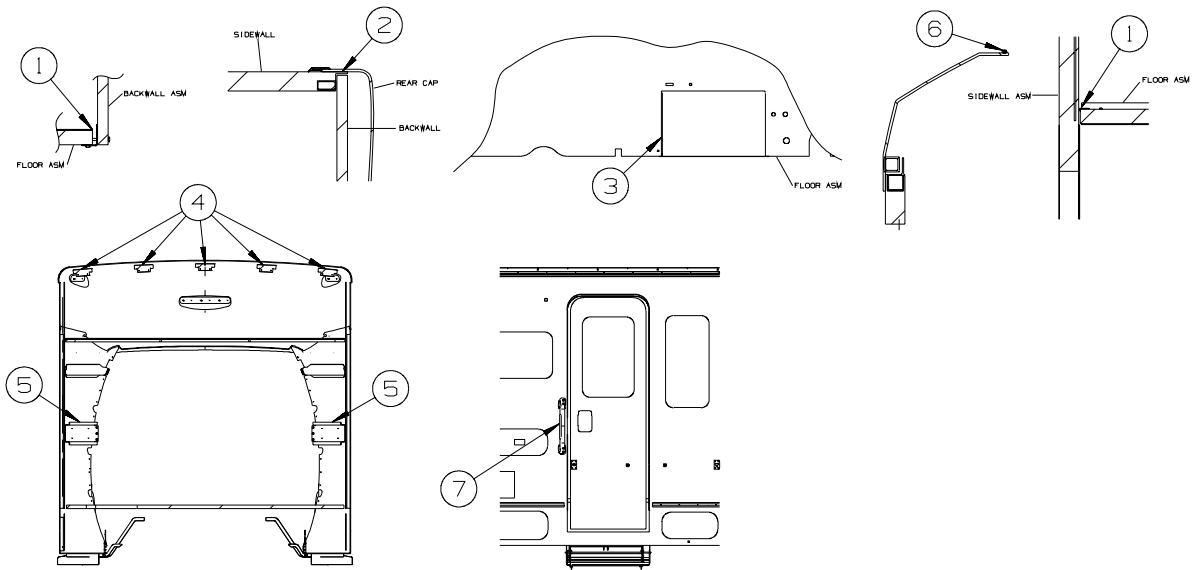
# EXTERIOR BODY GROUP (CONTINUED)

FRONT END



| KEY | PART NUMBER   | U/M | DESCRIPTION  |
|-----|---------------|-----|--|
| 1   | 149470-01-000 | FT  | SEAL/D TYPE - W/LEG  |
| 2   | 149543-01-S34 | EA  | PANEL - FRONT W/TRANSITION PANEL/ROOF CAP                          |
| 2   | 149543-01-AA2 | EA  | PANEL - FRONT W/TRANSITION PANEL/ROOF CAP - <b>FULL BODY PAINT</b> |
| 3   | 148300-03-S34 | EA  | PANEL - TRANSITION - RIGHT HAND                                    |
| 3   | 148300-03-AA2 | EA  | PANEL - TRANSITION - RIGHT HAND - <b>FULL BODY PAINT</b>           |
| 4   | 148300-04-S34 | EA  | PANEL - TRANSITION - LEFT HAND                                     |
| 4   | 148300-04-AA2 | EA  | PANEL - TRANSITION - LEFT HAND - <b>FULL BODY PAINT</b>            |
| 5   | 149505-01-02B | EA  | BRACKET - ROOF CAP/RIGHT HAND - E-COATED                           |
| 6   | 149505-02-02B | EA  | BRACKET - ROOF CAP/LEFT HAND - E-COATED                            |
| 7   | 149522-01-02B | EA  | BRACKET - FRONT/ROOF CAP - CENTER - E-COATED                       |
| 8   | 149522-02-02B | EA  | BRACKET - FRONT/ROOF CAP - RIGHT HAND - E-COATED                   |
| 9   | 149522-03-02B | EA  | BRACKET - FRONT/ROOF CAP - LEFT HAND - E-COATED                    |
| 10  | 091985-01-07A | EA  | INSERT - TRIM - REAR CAP TO SIDEWALL - .66" - BRIGHT WHITE         |
| 10  | 091985-01-09A | FT  | INSERT - TRIM - REAR CAP TO SIDEWALL - .66" - BLACK                |
| 11  | 092041-14-01A | EA  | TRIM - FRONT/REAR CAP (SIDEWALL) - 87.8" - BRIGHT WHITE            |
| 11  | 092041-14-02A | EA  | TRIM - FRONT/REAR CAP (SIDEWALL) - 87.8" - BLACK                   |
| 12  | 143322-01-02B | EA  | CHANNEL - HAT - MOUNT/CAP - E-COATED                               |
| 13  | 143322-02-02B | EA  | CHANNEL - HAT - MOUNT/CAP - E-COATED                               |
| 14  | 149342-02-S34 | EA  | VISOR - ROOF CAP   |
| 15  | 151497-01-01A | EA  | POCKET - VISOR - PLASTIC - BRIGHT WHITE                            |

## EXTERIOR BODY GROUP (CONTINUED) PANELS & TRIMS (CONTINUED)



| KEY | PART NUMBER   | U/M | DESCRIPTION  |
|-----|---------------|-----|--|
| 1   | 104692-01-000 | FT  | SEAL - ADHESIVE BACKED FOAM - 3/4" THICK X 3/4" WIDE X 25'   |
| 2   | 156622-01-01A | FT  | SEALER - TAPE - 1/4" THICK X 3" WIDE X 100 FT  |
| 3   | 147951-03-000 | EA  | WHEELWELL - PLASTIC  |
| 4   | 134774-02-02B | EA  | BRACKET - CAP ATTACHMENT - E-COATED  |
| 5   | 149392-01-02B | EA  | BRACKET - TRANSITION/LOWER - E-COATED  |
| 6   | 112160-01-000 | FT  | SEAL - D SECTION - .2 X .3" - FOAM RUBBER  |
| 7   | 152854-01-01A | EA  | HANDLE - ASSIST - WHITE W/BLACK RUBBER GRIP - 18 5/8"  |
| 7   | 157749-01-01A | EA  | ASSIST HANDLE - NON-LIGHTED - 18" - CHROME - <b>FULL BODY PAINT</b><br>FROM: 04-20-07 THRU: 06-19-07 |
| 7   | 165309-01-01A | EA  | ASSIST HANDLE - 18" - NON-LIGHTED - SST - <b>FULL BODY PAINT</b><br>FROM: 06-20-07 THRU: 99-99-99    |

## EXTERIOR BODY GROUP (CONTINUED)

### LADDER

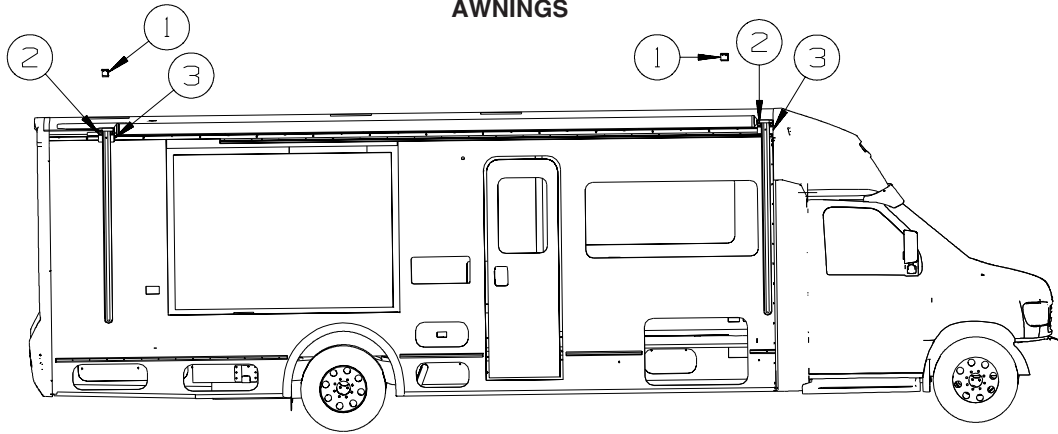
| KEY | PART NUMBER   | U/M | DESCRIPTION  |
|-----|---------------|-----|--|
|     | 129375-02-000 | EA  | SEAL - LADDER BRACKET  |
|     | 150785-03-01A | EA  | LADDER - LOWER - 35.4"/3 STEP W/DOG LEG - HINGED STANDOFF - 726A |
|     | 150785-07-01A | EA  | LADDER - LOWER - 35.4"/3 STEP W/DOG LEG - HINGED STANDOFF - 729H |
|     | 161113-04-01A | EA  | LADDER - 5 STEP - 71.7" - BRUSHED ALUMINUM - 726A                |
|     | 161113-05-01A | EA  | LADDER - 5 STEP - 71.7" - BRUSHED ALUMINUM - 729H                |

### STRUCTURAL COMPONENTS

| KEY | PART NUMBER   | U/M | DESCRIPTION  |
|-----|---------------|-----|--|
|     | 002726-01-001 | EA  | GARNISH - U-CHANNEL - 1.38" X 19' - SERRATED   |
|     | 002766-01-001 | EA  | ANGLE - EXTRUDED - 1" X 1 1/2" X 17'   |
|     | 089297-01-000 | SF  | PLYWOOD - LUAN - OVERLAY GRADE - 4' X 8'   |
|     | 100619-01-000 | BF  | FOAM - EXPANDED POLYSTYRENE - 1.34" X 48" X 96"  |
|     | 100619-02-000 | BF  | FOAM - EXPANDED POLYSTYRENE - 1.5" X 48" X 96"   |
|     | 100619-B3-000 | BF  | FOAM - EXPANDED POLYSTYRENE - .42" X 48" X 96"   |
|     | 100619-04-000 | BF  | FOAM - EXPANDED POLYSTYRENE - .5" X 48" X 96"  |
|     | 100619-05-000 | BF  | FOAM - EXPANDED POLYSTYRENE - .75" X 48" X 96"-1.5"DENSITY                               |
|     | 100619-16-000 | BF  | FOAM - EXPANDED POLYSTYRENE - .75" X 48" X 96"-2" DENSITY                                |
|     | 100619-50-000 | BF  | FOAM - EXPANDED POLYSTYRENE - 3" X 48" X 88.4"   |
|     | 116942-03-01A | LB  | ALUMINUM - .7" X 40" X 158"  |
|     | 120107-01-000 | EA  | FOAM - ROOF COVE - 726A  |
|     | 120107-07-000 | EA  | FOAM - ROOF COVE - 729H  |
|     | 120107-02-000 | EA  | FOAM - PLUG - ROOF TUBE - 2.2" X 2.9" X 1.8" LONG  |
|     | 120107-03-000 | EA  | FOAM - PLUG - SIDEWALL TUBE - 1.2" X 2.1" X 1.8" LONG                                    |
|     | 128782-27-01A | EA  | FIBERGLASS SHEET - 22" X 69.3" - HIGH GLOSS - BRT WHITE                                  |
|     | 128782-33-01A | EA  | FIBERGLASS SHEET - 16.8" X 266" - HIGH GLOSS - BRT WHITE                                 |
|     | 162931-17-01A | EA  | FIBERGLASS SHEET - 47.9" X 95.8" - BRIGHT WHITE  |
|     | 159631-15-01A | EA  | FIBERGLASS SHEET - 4" X 93.8" - BRIGHT WHITE   |
|     | 162931-15-01A | EA  | FIBERGLASS SHEET - 4" X 93.8" - BRIGHT WHITE<br>FROM: 00-00-00 THRU: 01-14-07            |
|     | 159631-18-01A | EA  | FIBERGLASS SHEET - 32" X 65" - BRIGHT WHITE<br>FROM: 01-15-07 THRU: 99-99-99             |
|     | 162931-18-01A | EA  | FIBERGLASS SHEET - 32" X 65" - BRIGHT WHITE<br>FROM: 00-00-00 THRU: 01-14-07             |
|     | 162931-18-01A | EA  | FIBERGLASS SHEET - 32" X 65" - BRIGHT WHITE<br>FROM: 01-15-07 THRU: 04-15-07             |
|     | 162931-33-01A | EA  | FIBERGLASS SHEET - 31.1" X 69.3" - BRIGHT WHITE<br>FROM: 04-16-07 THRU: 99-99-99         |
|     | 159631-08-01A | EA  | FIBERGLASS SHEET - 22.1" X 68.2" - BRIGHT WHITE - 729H<br>FROM: 00-00-00 THRU: 01-14-07  |
|     | 162931-08-01A | EA  | FIBERGLASS SHEET - 22.1" X 68.2" - BRIGHT WHITE - 729H<br>FROM: 01-15-07 THRU: 03-25-07  |
|     | 159631-21-01A | EA  | FIBERGLASS SHEET - 89.7" X 254.5" - BRIGHT WHITE - 729H<br>FROM: 00-00-00 THRU: 01-14-07 |
|     | 162931-21-01A | EA  | FIBERGLASS SHEET - 89.7" X 254.5" - BRIGHT WHITE - 729H<br>FROM: 01-15-07 THRU: 99-99-99 |
|     | 162931-36-01A | EA  | FIBERGLASS SHEET - 22.1" X 69.3" - BRIGHT WHITE - 729H<br>FROM: 03-26-07 THRU: 99-99-99  |

## EXTERIOR BODY GROUP (CONTINUED)

### AWNINGS

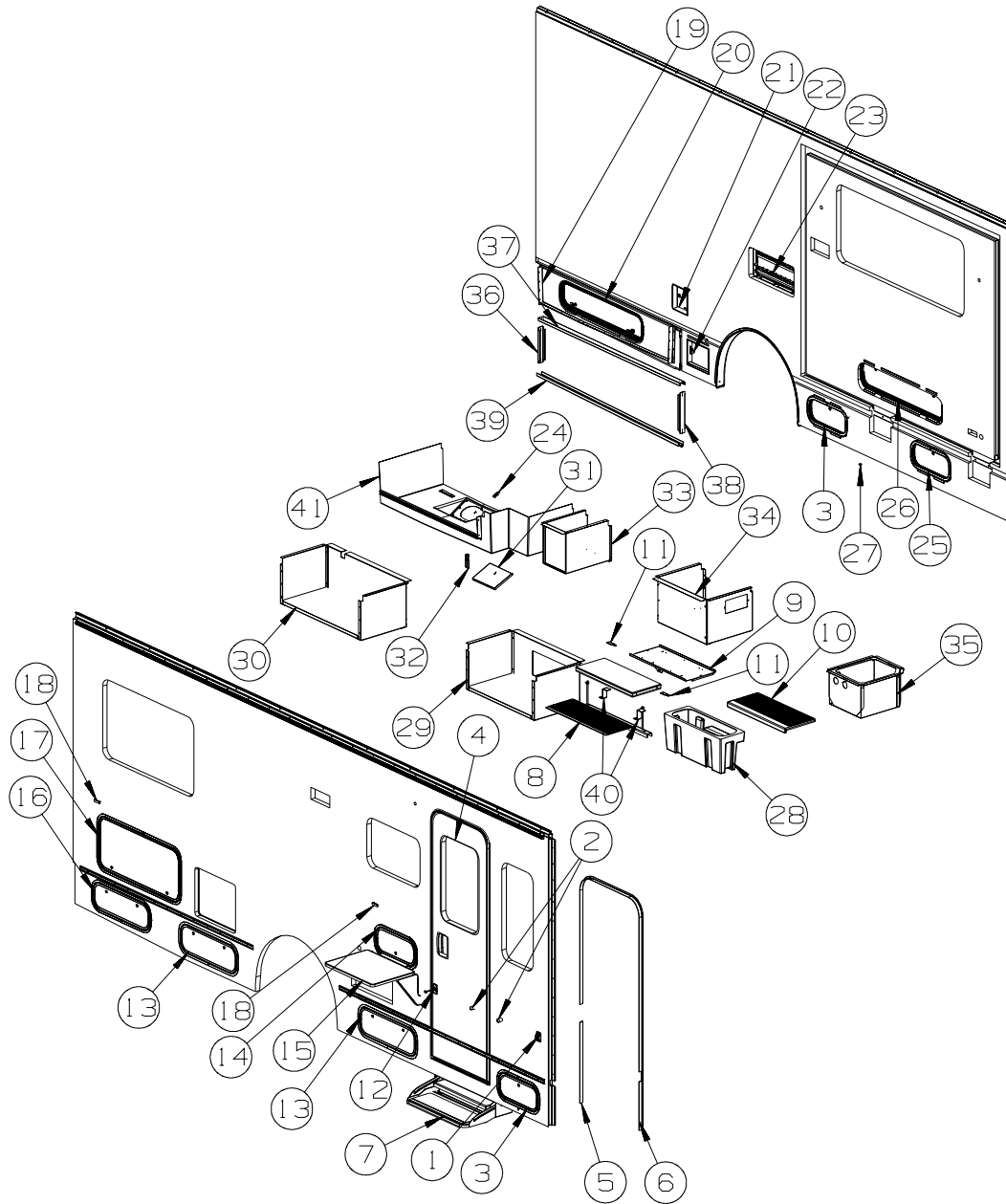


| KEY | PART NUMBER   | U/M | DESCRIPTION   |                               |
|-----|---------------|-----|---|-------------------------------|
| 1   | 161739-01-02A | EA  | BRACKET - AWNING - BRIGHT WHITE - 726A                    |                               |
| 1   | 161739-01-01A | EA  | BRACKET - AWNING - BLACK - 726A                           |                               |
| 2   | 113874-12-01A | EA  | SCREW/LAG - AWNING - 1/4" X 2 3/4" STAINLESS STEEL - 726A |                               |
| 3   | 146457-02-03A | EA  | BRACKET - AWNING - BRIGHT WHITE - 729H                    |                               |
| 3   | 146457-02-02A | EA  | BRACKET - AWNING - BLACK - 729H                           |                               |
|     | 127647-03-01A | EA  | ROD/AWNING GUARD - ENTRY DOOR - 19.4" LONG - 726A         |                               |
|     | 127960-01-01A | EA  | RETAINER - EYE - 3/8" - STAINLESS STEEL - 726A            |                               |
|     | 167227-01-02A | EA  | SPACER/PLATE - BRIGHT WHITE                               | FROM: 10-15-07 THRU: 99-99-99 |
|     | 167227-01-03A | EA  | SPACER/PLATE - BLACK                                      | FROM: 10-15-07 THRU: 99-99-99 |

**ORDER AWNINGS & REPAIR PARTS FROM DOMETIC. CALL #800-366-3842.  
THE DOMETIC AWNING INFORMATION YOU WILL NEED IS LOCATED ON THE MOTOR HOME NEAR  
THE TOP OF THE AWNING RAIL.**

# EXTERIOR DOORS & COMPARTMENTS GROUP

## DOOR & COMPARTMENT LAYOUT



| KEY | PART NUMBER   | U/M | DESCRIPTION   |
|-----|---------------|-----|---|
| 1   | 104099-02-04A | EA  | CATCH/RETAINER - DOOR HOLDER - BRIGHT WHITE   |
| 1   | 104099-02-05A | EA  | CATCH/RETAINER - DOOR HOLDER - BLACK  |
| 2   | 117046-02-000 | EA  | BUMPER - RUBBER/ROUND END - 1.5"  |
| 3   | 126945-01-AA1 | EA  | DOOR/STORAGE - W/O HARDWARE - 18" X 8.3" - BLACK                                    |
| 3   | 126945-22-W37 | EA  | DOOR/STORAGE - W/O HARDWARE - 18" X 8.3" - BLACK - PREMIUM SIDEWALLS                |
|     | 056795-01-000 | FT  | TAPE/SEAL - 1/8" X 3/8" WIDE - PRESS ON   |
|     | 156386-01-01A | FT  | SEAL - BULB - .4" X .5" - W/ADHESIVE BACK   |
| 4   | P32206-15-W37 | EA  | DOOR - ENTRY W/SCREEN DOOR - W/O WNDW/LATCH - B/W - SDWL HIGH GLOSS (W37, W38)      |
| 4   | P32206-15-W39 | EA  | DOOR - ENTRY W/SCREEN DOOR - W/O WNDW/LATCH - B/W - SDWL HIGH GLOSS (W39, W40)      |
| 4   | P32206-15-W41 | EA  | DOOR - ENTRY W/SCREEN DOOR - W/O WNDW/LATCH - B/W - SDWL HIGH GLOSS (W39, W40)      |
| 4   | M09574-02-W37 | EA  | DOOR - ENTRY W/SCREEN DOOR - W/O WNDW/LATCH - BLK - SDWL-HIGH GLOSS (W37, W38)      |
| 4   | M09574-02-W39 | EA  | DOOR - ENTRY W/SCREEN DOOR - W/O WNDW/LATCH - BLK - SDWL-HIGH GLOSS (W39, W40)      |
| 4   | M09574-02-W41 | EA  | DOOR - ENTRY W/SCREEN DOOR - W/O WNDW/LATCH - BLK - SDWL-HIGH GLOSS (W39, W40)      |
| 4   | P32206-22-W37 | EA  | DOOR - ENTRY W/SCREEN DOOR - W/O WNDW/LATCH - B/W - SDWL PREM HIGH GLOSS (W37, W38) |
| 4   | P32206-22-W39 | EA  | DOOR - ENTRY W/SCREEN DOOR - W/O WNDW/LATCH - B/W - SDWL PREM HIGH GLOSS (W39, W40) |
| 4   | P32206-22-W41 | EA  | DOOR - ENTRY W/SCREEN DOOR - W/O WNDW/LATCH - B/W - SDWL PREM HIGH GLOSS (W41, W42) |
| 4   | M09574-01-W37 | EA  | DOOR - ENTRY W/SCREEN DOOR - W/O WNDW/LATCH - BLK - SDWL PREM HIGH GLOSS (W37, W38) |
| 4   | M09574-01-W39 | EA  | DOOR - ENTRY W/SCREEN DOOR - W/O WNDW/LATCH - BLK - SDWL PREM HIGH GLOSS (W39, W40) |
| 4   | M09574-01-W41 | EA  | DOOR - ENTRY W/SCREEN DOOR - W/O WNDW/LATCH - BLK - SDWL PREM HIGH GLOSS (W41, W42) |
|     | 138897-01-000 | EA  | SWITCH - 2 PIN/SPRING LOADED CONTACTS (EA=1 SWITCH)                                 |

**EXTERIOR DOORS & COMPARTMENTS GROUP (CONTINUED)**  
**DOOR & COMPARTMENT LAYOUT (CONTINUED)**

**KEY PART NUMBER U/M DESCRIPTION**

**ENTRY DOOR LOCK CYLINDERS**

|               |    |  |
|---------------|----|--|
| 138287-11-000 | EA | CYLINDER/LOCK - ENTRY DOOR - MASTER W/3M ICON - (3041) |
| 138287-12-000 | EA | CYLINDER/LOCK - ENTRY DOOR - MASTER W/3M ICON - (3042) |
| 138287-13-000 | EA | CYLINDER/LOCK - ENTRY DOOR - MASTER W/3M ICON - (3043) |
| 138287-14-000 | EA | CYLINDER/LOCK - ENTRY DOOR - MASTER W/3M ICON - (3044) |
| 138287-15-000 | EA | CYLINDER/LOCK - ENTRY DOOR - MASTER W/3M ICON - (3045) |
| 138287-16-000 | EA | CYLINDER/LOCK - ENTRY DOOR - MASTER W/3M ICON - (3046) |
| 138287-17-000 | EA | CYLINDER/LOCK - ENTRY DOOR - MASTER W/3M ICON - (3047) |
| 138287-18-000 | EA | CYLINDER/LOCK - ENTRY DOOR - MASTER W/3M ICON - (3048) |
| 138287-19-000 | EA | CYLINDER/LOCK - ENTRY DOOR - MASTER W/3M ICON - (3049) |
| 138287-20-000 | EA | CYLINDER/LOCK - ENTRY DOOR - MASTER W/3M ICON - (3050) |
| 138288-11-000 | EA | KEY - REVERSIBLE - #3041 - T/M 16169-02-3041           |
| 138288-12-000 | EA | KEY - REVERSIBLE - #3042 - T/M 16169-02-3042           |
| 138288-13-000 | EA | KEY - REVERSIBLE - #3043 - T/M 16169-02-3043           |
| 138288-14-000 | EA | KEY - REVERSIBLE - #3044 - T/M 16169-02-3044           |
| 138288-15-000 | EA | KEY - REVERSIBLE - #3045 - T/M 16169-02-3045           |
| 138288-16-000 | EA | KEY - REVERSIBLE - #3046 - T/M 16169-02-3046           |
| 138288-17-000 | EA | KEY - REVERSIBLE - #3047 - T/M 16169-02-3047           |
| 138288-18-000 | EA | KEY - REVERSIBLE - #3048 - T/M 16169-02-3048           |
| 138288-19-000 | EA | KEY - REVERSIBLE - #3049 - T/M 16169-02-3049           |
| 138288-20-000 | EA | KEY - REVERSIBLE - #3050 - T/M 16169-02-3050           |
| 138292-01-000 | EA | SEAL - LOCK CYLINDER                                   |

**VALANCE DOOR LOCK CYLINDERS**

|               |    |  |
|---------------|----|--|
| 138637-53-000 | EA | CASE/CYLINDER - LOCKING - W/O CAM/KEY - 1.5" |
| 138637-53-001 | EA | CASE/CYLINDER - LOCKING - W/O CAM/KEY - 1.5" |
| 138637-53-002 | EA | CASE/CYLINDER - LOCKING - W/O CAM/KEY - 1.5" |
| 138637-53-003 | EA | CASE/CYLINDER - LOCKING - W/O CAM/KEY - 1.5" |
| 138637-53-004 | EA | CASE/CYLINDER - LOCKING - W/O CAM/KEY - 1.5" |
| 138637-53-005 | EA | CASE/CYLINDER - LOCKING - W/O CAM/KEY - 1.5" |
| 138637-53-006 | EA | CASE/CYLINDER - LOCKING - W/O CAM/KEY - 1.5" |
| 138637-53-007 | EA | CASE/CYLINDER - LOCKING - W/O CAM/KEY - 1.5" |
| 138637-53-008 | EA | CASE/CYLINDER - LOCKING - W/O CAM/KEY - 1.5" |
| 138637-53-009 | EA | CASE/CYLINDER - LOCKING - W/O CAM/KEY - 1.5" |
| 138637-51-000 | EA | KEYS - SET OF TWO                            |
| 138637-51-001 | EA | KEYS - SET OF TWO                            |
| 138637-51-002 | EA | KEYS - SET OF TWO                            |
| 138637-51-003 | EA | KEYS - SET OF TWO                            |
| 138637-51-004 | EA | KEYS - SET OF TWO                            |
| 138637-51-005 | EA | KEYS - SET OF TWO                            |
| 138637-51-006 | EA | KEYS - SET OF TWO                            |
| 138637-51-007 | EA | KEYS - SET OF TWO                            |
| 138637-51-008 | EA | KEYS - SET OF TWO                            |
| 138637-51-009 | EA | KEYS - SET OF TWO                            |

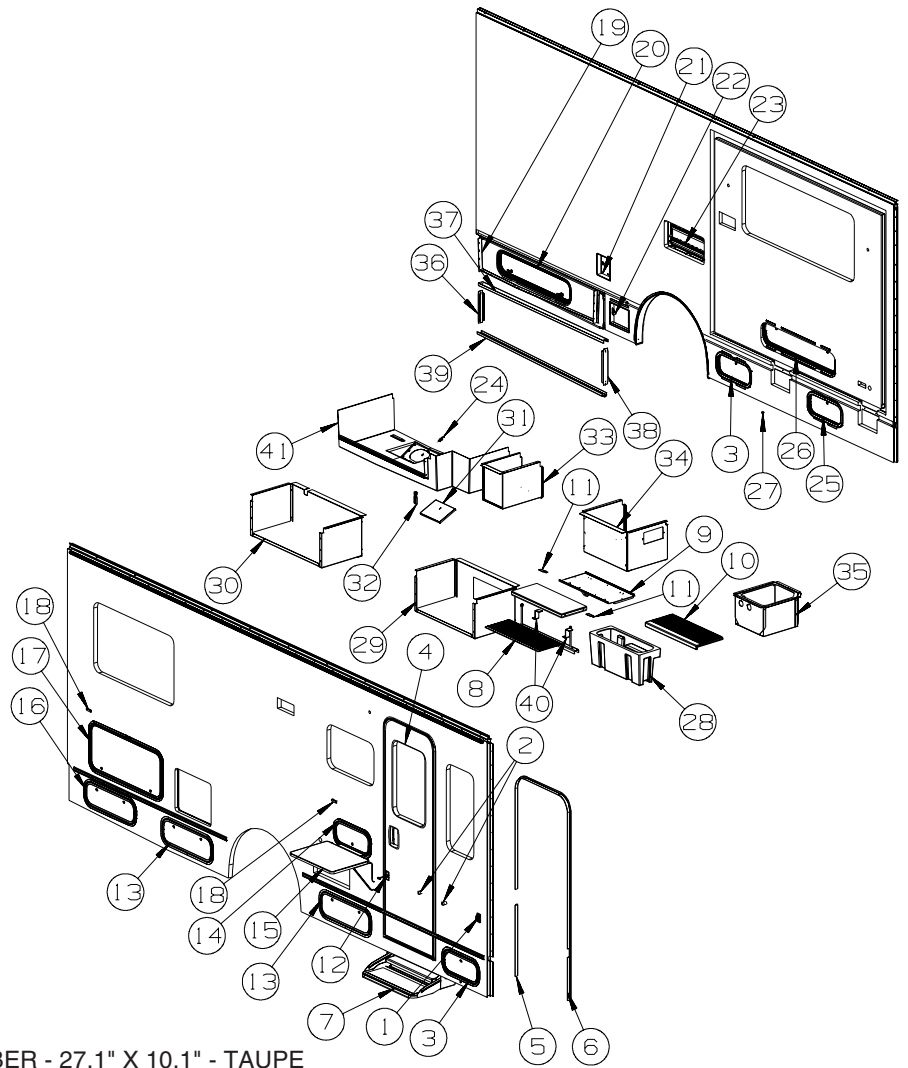
**WATER FILL & FUEL FILL DOOR LOCK CYLINDERS**

|               |    |  |
|---------------|----|--|
| 138637-03-000 | EA | LOCK ASM. - KEYED - .9" CASE (CYLINDER/CAM/HDWR PKG) |
| 138637-51-009 | EA | KEYS - SET OF TWO                                    |
| 138637-52-000 | EA | CASE/CYLINDER - LOCKING - W/O CAM/KEY - .9"          |
| 138637-52-001 | EA | CASE/CYLINDER - LOCKING - W/O CAM/KEY - .9"          |
| 138637-52-002 | EA | CASE/CYLINDER - LOCKING - W/O CAM/KEY - .9"          |
| 138637-52-003 | EA | CASE/CYLINDER - LOCKING - W/O CAM/KEY - .9"          |
| 138637-52-004 | EA | CASE/CYLINDER - LOCKING - W/O CAM/KEY - .9"          |
| 138637-52-005 | EA | CASE/CYLINDER - LOCKING - W/O CAM/KEY - .9"          |
| 138637-52-006 | EA | CASE/CYLINDER - LOCKING - W/O CAM/KEY - .9"          |
| 138637-52-007 | EA | CASE/CYLINDER - LOCKING - W/O CAM/KEY - .9"          |
| 138637-52-008 | EA | CASE/CYLINDER - LOCKING - W/O CAM/KEY - .9"          |
| 138637-52-009 | EA | CASE/CYLINDER - LOCKING - W/O CAM/KEY - .9"          |

|    |               |    |  |
|----|---------------|----|--|
| 5  | 139101-02-01A | EA | GARNISH/STRAIGHT - 24.9" - BRIGHT WHITE    |
| 5  | 139101-02-03A | EA | GARNISH/STRAIGHT - 24.9"- BLACK            |
| 6  | 139100-08-01A | EA | GARNISH/RADIUS - ENTRY DOOR - BRIGHT WHITE |
| 6  | 139100-08-02A | EA | GARNISH/RADIUS - ENTRY DOOR - BLACK        |
| 7  | 139748-04-04B | EA | STEP/PULLOUT - W/BRACKETS - BLACK          |
|    | 102569-04-000 | EA | MAT - ANTI SLIP                            |
| 7* | 094708-05-01A | EA | STEP - ELECTRIC - SINGLE - BLACK - KWIKEE  |
|    | 116975-01-01A | EA | LATCH - W/O STRIKE - BLACK - NEW STYLE     |



**EXTERIOR DOORS & COMPARTMENTS GROUP (CONTINUED)**  
**DOOR & COMPARTMENT LAYOUT (CONTINUED)**



| KEY | PART NUMBER   | U/M | DESCRIPTION   |
|-----|---------------|-----|---|
| 8   | 133114-03-01A | EA  | TREAD - STEP/RUBBER - 27.1" X 10.1" - TAUPE   |
| 9   | 123330-08-02B | EA  | SUPPORT - ENTRY STEP - E-COATED   |
| 10  | 147781-01-01A | EA  | TREAD/STEP - RUBBER - TAUPE   |
| 11  | 146747-01-02B | EA  | BRACKET/CATCH - E-COATED  |
| 12  | 104099-01-04A | EA  | CATCH - DOOR HOLDER - STRIKE - 3.9" - BRIGHT WHITE                                    |
| 12  | 104099-01-05A | EA  | CATCH - DOOR HOLDER - STRIKE - 3.9" - BLACK   |
| 13  | 126946-50-AA1 | EA  | DOOR/STORAGE - W/O HARDWARE - 25.7" X 8.9"  |
| 13  | 126946-A0-W37 | EA  | DOOR/STORAGE - W/O HARDWARE - 25.6" X 8.9" - <b>PREMIUM SIDEWALLS</b>                 |
|     | 056795-01-000 | FT  | TAPE/SEAL - 1/8" X 3/8" WIDE - PRESS ON   |
|     | 156386-01-01A | FT  | SEAL - BULB - .4" X .5" - W/ADHESIVE BACK   |
| 14  | 126945-15-AA1 | EA  | DOOR/STORAGE - W/O HARDWARE - 18" X 8.3" - BLACK                                      |
| 14  | 126945-15-S34 | EA  | DOOR/STORAGE - W/O HARDWARE - 18" X 8.3" - BRIGHT WHITE                               |
| 14  | 126945-24-AA1 | EA  | DOOR/STORAGE - W/O HARDWARE - 18" X 8.3" - BLACK - <b>PREMIUM SIDEWALLS</b>           |
| 14  | 126945-24-AA2 | EA  | DOOR/STORAGE - W/O HARDWARE - 18" X 8.3" - BRIGHT WHITE - <b>PREMIUM SIDEWALLS</b>    |
|     | 056795-01-000 | FT  | TAPE/SEAL - 1/8" X 3/8" WIDE - PRESS ON   |
|     | 156386-01-01A | FT  | SEAL - BULB - .4" X .5" - W/ADHESIVE BACK   |
| 15  | 142034-02-01A | EA  | SHELF - F/EXTERIOR TV - BRIGHT WHITE  |
| 16  | 126946-48-AA1 | EA  | DOOR/STORAGE - W/O HARDWARE - 25.6" X 8.5"  |
| 16  | 126946-99-W37 | EA  | DOOR/STORAGE - W/O HARDWARE - 25.6" X 8.5" - <b>PREMIUM SIDEWALLS</b>                 |
|     | 056795-01-000 | FT  | TAPE/SEAL - 1/8" X 3/8" WIDE - PRESS ON   |
|     | 076767-07-000 | EA  | CABLE - STAINLESS STEEL - 7.1"  |
|     | 156386-01-01A | FT  | SEAL - BULB - .4" X .5" - W/ADHESIVE BACK   |
| 17  | 126946-45-AA1 | EA  | DOOR/STORAGE - W/O HARDWARE - 37.7" X 14.7" - BLACK                                   |
| 17  | 126946-45-S34 | EA  | DOOR/STORAGE - W/O HARDWARE - 37.7" X 14.7" - BRIGHT WHITE                            |
| 17  | 126946-98-AA1 | EA  | DOOR/STORAGE - W/O HARDWARE - 36.8" X 16.6" - BLACK - <b>PREMIUM SIDEWALLS</b>        |
| 17  | 126946-98-AA2 | EA  | DOOR/STORAGE - W/O HARDWARE - 36.8" X 16.6" - BRIGHT WHITE - <b>PREMIUM SIDEWALLS</b> |
|     | 056795-01-000 | FT  | TAPE/SEAL - 1/8" X 3/8" WIDE - PRESS ON   |
|     | 156386-01-01A | FT  | SEAL - BULB - .4" X .5" - W/ADHESIVE BACK   |
| 18  | 102768-01-000 | EA  | HOLDER - COMPARTMENT/ENTRY DOOR - METAL - MILL FINISH                                 |

**EXTERIOR DOORS & COMPARTMENTS GROUP (CONTINUED)**  
**DOOR & COMPARTMENT LAYOUT (CONTINUED)**

| KEY | PART NUMBER   | U/M | DESCRIPTION   |
|-----|---------------|-----|---|
| 19  | 155489-06-W37 | EA  | PANEL - REMOVABLE - W/O HDW (W37, W38)  |
| 19  | 155489-06-W39 | EA  | PANEL - REMOVABLE - W/O HDW (W39, W40)  |
| 19  | 155489-06-W41 | EA  | PANEL - REMOVABLE - W/O HDW (W41, W42)  |
| 19  | 155489-07-W37 | EA  | PANEL - REMOVABLE - W/O HDW (W37, W38) - PREMIUM SIDEWALLS                    |
| 19  | 155489-07-W39 | EA  | PANEL - REMOVABLE - W/O HDW (W39, W40) - PREMIUM SIDEWALLS                    |
| 19  | 155489-07-W41 | EA  | PANEL - REMOVABLE - W/O HDW (W41, W42) - PREMIUM SIDEWALLS                    |
| 20  | 126946-86-W37 | EA  | DOOR/STORAGE - W/O HARDWARE - 37.8" X 8.3"                                    |
| 20  | 126946-A2-W37 | EA  | DOOR/STORAGE - W/O HARDWARE - 37.8" X 8.3" - PREMIUM SIDEWALLS                |
|     | 056795-01-000 | FT  | TAPE/SEAL - 1/8" X 3/8" WIDE - PRESS ON                                       |
|     | 156386-01-01A | FT  | SEAL - BULB - .4" X .5" - W/ADHESIVE BACK                                     |
| 21  | 147587-01-01A | EA  | DOOR - FUEL FILL  |
|     | 137169-02-01A | EA  | ADAPTER/LOCK - (WASHER) F/GRAVITY WATERFILL                                   |
|     | 110506-40-000 | EA  | CLIP-E, LOCK ASM - BRIGGS & STRATTON 93981                                    |
|     | 110506-41-000 | EA  | WASHER-TENSION LOCK ASM - BRIGGS & STRATTON 37512                             |
|     | 110506-42-000 | EA  | NUT-LOCK ASM - BRIGGS & STRATTON 310878                                       |
|     | 110506-43-000 | EA  | WASHER-FLAT, LOCK ASM - BRIGGS & STRATTON 82089                               |
|     | 110506-44-000 | EA  | GASKET-LOCK ASM - BRIGGS & STRATTON - #47701                                  |
|     | 138637-62-000 | EA  | CAM - LATCHING - DOG LEG - 1" LONG  |
|     | 144474-01-000 | EA  | ADAPTER - LOCK - 180 DEGREE   |
| 22  | 142894-01-01A | EA  | DOOR/POWER CORD - W/HATCH - W/LOCK - BRIGHT WHITE                             |
| 23* | 084103-08-000 | EA  | DOOR - VENT - REFRIGERATOR - W/O JAMB - BRIGHT WHITE                          |
| 23  | 084104-08-000 | EA  | JAMB - VENT DOOR/REFRIGERATOR - BRIGHT WHITE                                  |
| 24  | 153718-01-01A | EA  | LATCH - HOLD DOWN PANEL - STAINLESS STEEL                                     |
| 25  | 126945-02-AA1 | EA  | DOOR/STORAGE - W/O HARDWARE - 18" X 8.3"                                      |
| 25  | 126945-23-W37 | EA  | DOOR/STORAGE - W/O HARDWARE - 18" X 8.3" - PREMIUM SIDEWALLS                  |
|     | 056795-01-000 | FT  | TAPE/SEAL - 1/8" X 3/8" WIDE - PRESS ON                                       |
|     | 156386-01-01A | FT  | SEAL - BULB - .4" X .5" - W/ADHESIVE BACK                                     |
| 26  | 126946-43-AA1 | EA  | DOOR/STORAGE - W/O HARDWARE - 37.8" X 8.3" - BLACK                            |
| 26  | 126946-43-S34 | EA  | DOOR/STORAGE - W/O HARDWARE - 37.8" X 8.3" - BRIGHT WHITE                     |
| 26  | 126946-97-AA1 | EA  | DOOR/STORAGE - W/O HARDWARE - 37.8" X 8.3" - BLACK - PREMIUM SIDEWALLS        |
| 26  | 126946-97-AA2 | EA  | DOOR/STORAGE - W/O HARDWARE - 37.8" X 8.3" - BRIGHT WHITE - PREMIUM SIDEWALLS |
|     | 056795-01-000 | FT  | TAPE/SEAL - 1/8" X 3/8" WIDE - PRESS ON                                       |
|     | 156386-01-01A | FT  | SEAL - BULB - .4" X .5" - W/ADHESIVE BACK                                     |
|     | 120863-05-000 | EA  | BUMPER - RUBBER/RADIUS TOP - 3/4" X 3/8"                                      |
|     |               |     | FROM: 00-00-00 THRU: 01-30-07   |
|     | 120760-01-000 | EA  | RUBBER BUMPER - CLEAR - .1" THICK X .8" DIAMETER                              |
|     |               |     | FROM: 01-31-07 THRU: 99-99-99   |
| 27  | 120760-01-000 | EA  | RUBBER BUMPER - CLEAR - .1" THICK X .8" DIAMETER                              |
| 28  | 158100-01-01A | EA  | COMPARTMENT - STORAGE - PLASTIC   |
|     | 098408-01-000 | FT  | SEAL - SPONGE RUBBER - CLOSED CELL  |
| 29  | 149311-02-02B | EA  | COMPARTMENT/STORAGE - E-COATED  |
| 30  | 149310-01-02B | EA  | COMPARTMENT/STORAGE - E-COATED  |
| 31  | 153529-02-02B | EA  | DOOR - SUMP - E-COATED  |
|     | 151104-01-01A | FT  | SEAL - BULB - W/WIRED U CHANNEL - .3" X .5" CHANNEL-BLACK                     |
| 32  | 130377-02-000 | EA  | TUBE/DRAIN - KAZOO - 1 1/2" X 4"  |
| 33  | 148015-01-02B | EA  | COMPARTMENT - POWER CORD - E-COATED   |
| 34  | 149313-01-02B | EA  | COMPARTMENT/STORAGE - E-COATED  |
| 35  | 148042-01-02B | EA  | COMPARTMENT - BATTERY - E-COATED  |
| 36  | 156995-02-01A | EA  | TRIM - SIDEWALL - U CHANNEL - 1.8" X 11.1" - BRIGHT WHITE                     |
| 36  | 156995-02-02A | EA  | TRIM - SIDEWALL - U CHANNEL - 1.8" X 11.1" - BLACK                            |
| 37  | 156963-02-01A | EA  | TRIM - SIDEWALL - U CHANNEL - 64.1" - BRIGHT WHITE                            |
| 37  | 156963-02-02A | EA  | TRIM - SIDEWALL - U CHANNEL - 64.1" - BLACK                                   |
| 38  | 156995-01-01A | EA  | TRIM - SIDEWALL - U CHANNEL - 1.8" X 12.6" - BRIGHT WHITE                     |
| 38  | 156995-01-02A | EA  | TRIM - SIDEWALL - U CHANNEL - 1.8" X 12.6" - BLACK                            |
| 39  | 148700-10-01A | EA  | TRIM - SIDEWALL/BOTTOM - 75.4" - BRIGHT WHITE                                 |
| 39  | 148700-10-02A | EA  | TRIM - SIDEWALL/BOTTOM - 75.4" - BLACK  |
| 40  | 158387-01-02B | EA  | BRACKET/ZEE - W/HOLES - 1.6"W - E-COATED                                      |
| 41  | 156865-03-000 | EA  | COMPARTMENT - DRAINAGE - PLASTIC  |
| 41  | 156865-01-000 | EA  | COMPARTMENT - DRAINAGE - PLASTIC - FORD                                       |
|     | 156386-01-01A | FT  | SEAL - BULB - .4" X .5" - W/ADHESIVE BACK                                     |

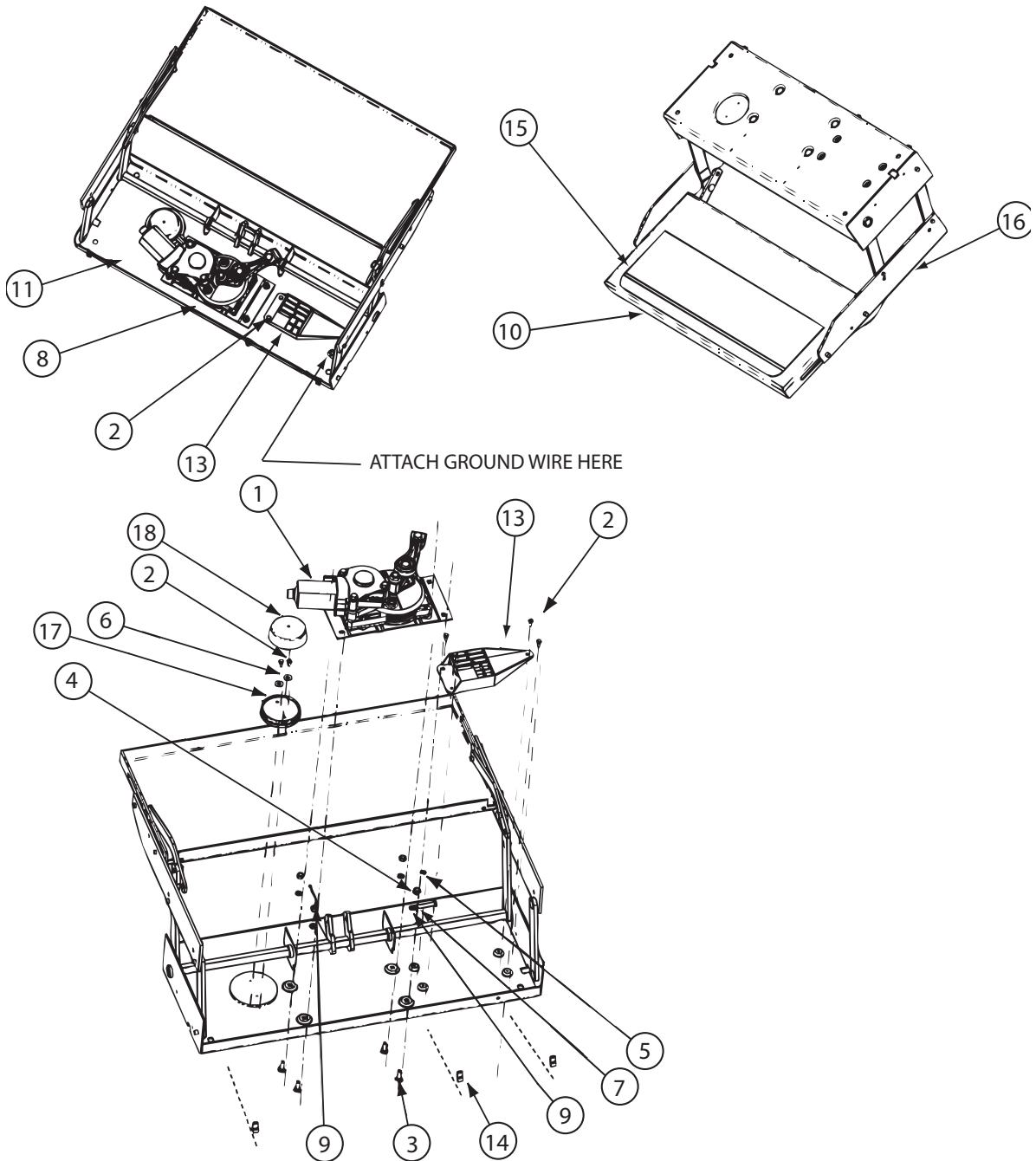
\*COMPONENT PARTS LISTED LATER IN THIS GROUP

**EXTERIOR DOORS & COMPARTMENTS GROUP (CONTINUED)**  
**COMPONENT PARTS FOR DOOR & COMPARTMENT LAYOUT**

084103-08-000

| <b>KEY</b> | <b>PART NUMBER</b> | <b>U/M</b> | <b>DESCRIPTION</b>    | <b>VENDOR NO.</b> |
|------------|--------------------|------------|-----------------------|-------------------|
|            | 084104-01-700      | EA         | LOCK-MALE, FASTENER   | 201-721-010       |
|            | 084104-01-701      | EA         | LOCK-FEMALE, FASTENER | 201-802-010       |

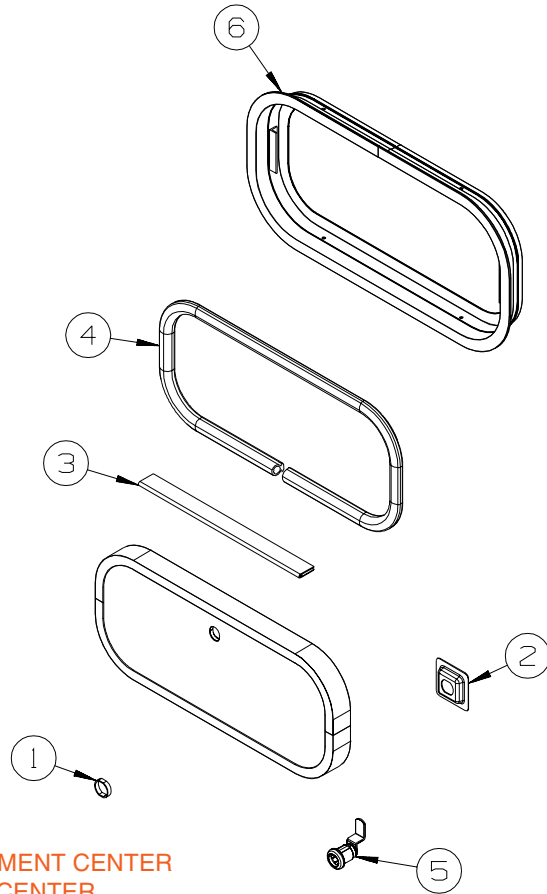
**EXTERIOR DOORS & COMPARTMENTS GROUP (CONTINUED)**  
**COMPONENT PARTS FOR DOOR & COMPARTMENT LAYOUT (CONTINUED)**



094708-05-01A

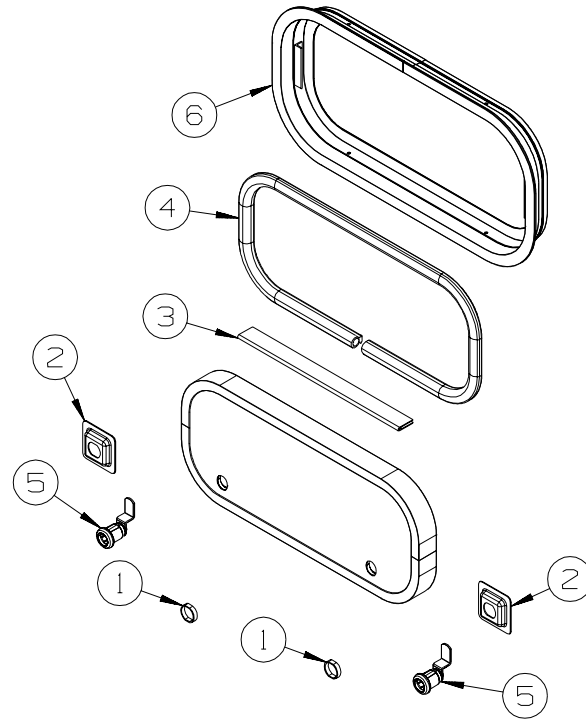
| KEY | PART NUMBER   | U/M | DESCRIPTION  | VENDOR NO. |
|-----|---------------|-----|--|------------|
| 1   | 094707-04-701 | EA  | MOTOR "AM 214" F/IMGL STEPS                            | 1101428    |
| 13  | 094707-04-700 | EA  | CONTROL UNIT W/OVERRIDE                                | 909510000  |
| 15  | 143709-01-702 | EA  | TREAD/NON-SKID 6" X 21" BLK                            | 1915260    |
| 16  | 094708-05-701 | EA  | FRAME W/SGL STEP,28 SERIES                             | 908028000  |
| 17  | 088746-01-705 | EA  | LIGHT-UNDER STEP                                       | 9004       |
|     | 094707-03-701 | EA  | PLUG - 4-WAY - PACKARD                                 | 909306     |
|     | 094707-04-702 | EA  | COTTER PIN - W/CLEVIS PIN                              | 905205000  |
|     | 094707-04-711 | EA  | KWIKTEST - W/4-WAY PIGTAIL                             | 909518000  |
|     | 094708-05-700 | EA  | GEAR BOX W/LINKAGE-STRAIGHT                            | 1101426    |
|     |               |     | CONTACT WINNEBAGO PART SALES FOR UNLISTED COMPONENT(S) |            |

**EXTERIOR DOORS & COMPARTMENTS GROUP (CONTINUED)**  
**COMPARTMENT DOOR PIECE PARTS**



| KEY | PART NUMBER    | U/M | DESCRIPTION   |
|-----|----------------|-----|---|
| 1   | 139325-01-000  | EA  | SPACER - LOCK - 6MM - ENTERTAINMENT CENTER                            |
|     | 139337-01-000  | EA  | GASKET - LOCK - ENTERTAINMENT CENTER                                  |
| 1   | 144734-01-000  | EA  | SPACER - COMPARTMENT DOOR LOCK - 9/16" DEEP                           |
| 2   | 0971111-02-04A | EA  | POCKET - LOCK - REAR DOOR - BLACK - ENTERTAINMENT CENTER              |
| 3   | 081801-V3-000  | EA  | HINGE - DOOR - PIANO - 2" X 96" - BRIGHT WHITE                        |
| 3   | 081801-FN-000  | EA  | HINGE - DOOR - PIANO - 2" X 96" - BLACK                               |
| 4   | 156386-01-01A  | FT  | SEAL - BULB - .4" X .5" - W/ADHESIVE BACK                             |
| 5   | 110506-27-000  | EA  | LOCK - TWIST - 1.6" - TWIST LOCK                                      |
|     | 110506-55-000  | EA  | CASE/CYLINDER - TWIST LOCK - W/O CAM - 1.25" - 597312AA1 - TWIST LOCK |
|     | 110506-66-000  | EA  | CAM - LATCHING - DOG LEG - 1.5" LONG - TWIST LOCK                     |
| 5   | 138290-02-000  | EA  | CASE - W/CAM - W/O CYLINDER/KEY - ENTERTAINMENT CENTER                |
| 5   | 138637-04-000  | EA  | LOCK ASM. - KEYED - 1.5" CASE (CYLINDER/CAM/HDWR PKG) - KEYED LOCK    |
|     | 110506-40-000  | EA  | CLIP-E, LOCK ASM - BRIGGS & STRATTON 93981 - KEYED LOCK               |
|     | 110506-41-000  | EA  | WASHER-TENSION LOCK ASM - BRIGGS & STRATTON 37512 - KEYED LOCK        |
|     | 110506-42-000  | EA  | NUT-LOCK ASM - BRIGGS & STRATTON 310878 - KEYED LOCK                  |
|     | 110506-43-000  | EA  | WASHER-FLAT, LOCK ASM - BRIGGS & STRATTON 82089 - KEYED LOCK          |
|     |                |     | FROM: 00-00-00 THRU: 07-11-07   |
|     | 110506-44-000  | EA  | GASKET-LOCK ASM - BRIGGS & STRATTON - #47701 - KEYED LOCK             |
|     | 144474-01-000  | EA  | ADAPTER - LOCK - 180 DEGREE - KEYED LOCK                              |
|     | 138637-63-000  | EA  | CAM - LATCHING - DOG LEG - 1.5" LONG - KEYED LOCK                     |
|     | 138637-53-000  | EA  | CASE/CYLINDER - LOCKING - W/O CAM/KEY - 1.5" - KEYED LOCK             |
|     | 138637-53-001  | EA  | CASE/CYLINDER - LOCKING - W/O CAM/KEY - 1.5" - KEYED LOCK             |
|     | 138637-53-002  | EA  | CASE/CYLINDER - LOCKING - W/O CAM/KEY - 1.5" - KEYED LOCK             |
|     | 138637-53-003  | EA  | CASE/CYLINDER - LOCKING - W/O CAM/KEY - 1.5" - KEYED LOCK             |
|     | 138637-53-004  | EA  | CASE/CYLINDER - LOCKING - W/O CAM/KEY - 1.5" - KEYED LOCK             |
|     | 138637-53-005  | EA  | CASE/CYLINDER - LOCKING - W/O CAM/KEY - 1.5" - KEYED LOCK             |
|     | 138637-53-006  | EA  | CASE/CYLINDER - LOCKING - W/O CAM/KEY - 1.5" - KEYED LOCK             |
|     | 138637-53-007  | EA  | CASE/CYLINDER - LOCKING - W/O CAM/KEY - 1.5" - KEYED LOCK             |
|     | 138637-53-008  | EA  | CASE/CYLINDER - LOCKING - W/O CAM/KEY - 1.5" - KEYED LOCK             |
|     | 138637-53-009  | EA  | CASE/CYLINDER - LOCKING - W/O CAM/KEY - 1.5" - KEYED LOCK             |
| 6   | 056795-01-000  | FT  | TAPE-SEAL, 1/8~ X 3/8~ WIDE - PRESS ON                                |

**EXTERIOR DOORS & COMPARTMENTS GROUP (CONTINUED)**  
**COMPARTMENT DOOR PIECE PARTS (CONTINUED)**

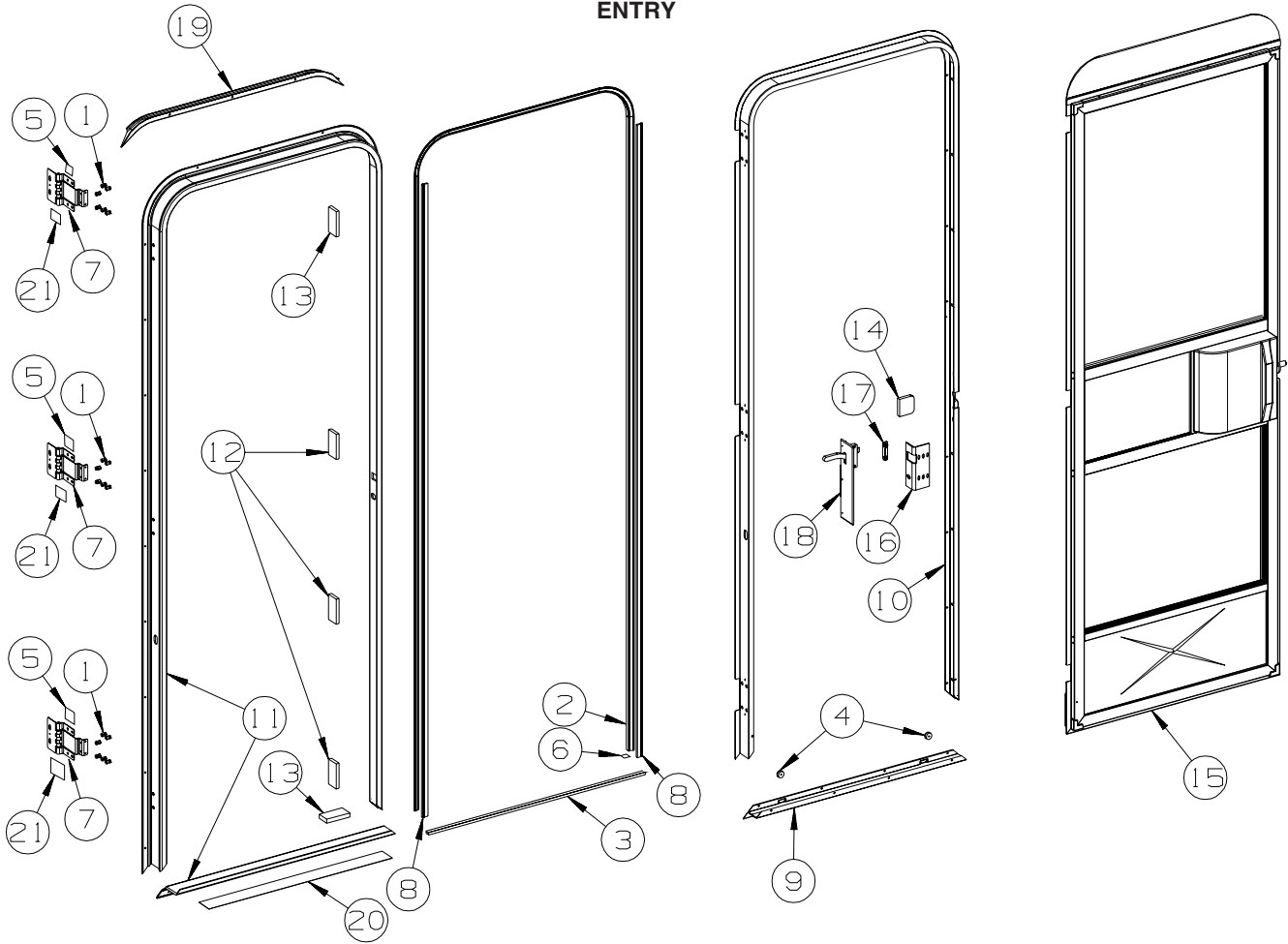


| KEY | PART NUMBER   | U/M | DESCRIPTION  |
|-----|---------------|-----|--|
| 1   | 144734-01-000 | EA  | SPACER - COMPARTMENT DOOR LOCK - 9/16" DEEP                                  |
| 1   | 139325-01-000 | EA  | SPACER - LOCK - 6MM - <b>TRI/MARK KEY ONE</b>                                |
|     | 139337-01-000 | EA  | GASKET - LOCK - <b>TRI/MARK KEY ONE</b>                                      |
| 2   | 097111-02-04A | EA  | POCKET - LOCK - REAR DOOR - BLACK - <b>TRI/MARK KEY ONE</b>                  |
| 3   | 081801-V3-000 | EA  | HINGE - DOOR - PIANO - 2" X 96" - BRIGHT WHITE                               |
| 3   | 081801-FN-000 | EA  | HINGE - DOOR - PIANO - 2" X 96" - BLACK                                      |
| 4   | 156386-01-01A | FT  | SEAL - BULB - .4" X .5" - W/ADHESIVE BACK                                    |
| 5   | 110506-27-000 | EA  | LOCK - TWIST - 1.6" - <b>TWIST LOCK</b>                                      |
|     | 110506-55-000 | EA  | CASE/CYLINDER - TWIST LOCK - W/O CAM - 1.25" - 597312AA1 - <b>TWIST LOCK</b> |
|     | 110506-66-000 | EA  | CAM - LATCHING - DOG LEG - 1.5" LONG - <b>TWIST LOCK</b>                     |
| 5   | 138290-02-000 | EA  | CASE - W/CAM - W/O CYLINDER/KEY - <b>TRI/MARK KEY ONE</b>                    |
| 5   | 138637-04-000 | EA  | LOCK ASM. - KEYED - 1.5" CASE (CYLINDER/CAM/HDWR PKG) - <b>KEYED LOCK</b>    |
|     | 110506-40-000 | EA  | CLIP-E, LOCK ASM - BRIGGS & STRATTON 93981- <b>KEYED LOCK</b>                |
|     | 110506-41-000 | EA  | WASHER-TENSION LOCK ASM - BRIGGS & STRATTON 37512- <b>KEYED LOCK</b>         |
|     | 110506-42-000 | EA  | NUT-LOCK ASM - BRIGGS & STRATTON 310878- <b>KEYED LOCK</b>                   |
|     | 110506-43-000 | EA  | WASHER-FLAT, LOCK ASM - BRIGGS & STRATTON 82089- <b>KEYED LOCK</b>           |
|     | 110506-44-000 | EA  | GASKET-LOCK ASM - BRIGGS & STRATTON - #47701- <b>KEYED LOCK</b>              |
|     | 110506-45-000 | EA  | WASHER - SPUR - BRIGGS & STRATTON - #94771 - <b>KEYED LOCK</b>               |
|     | 144474-01-000 | EA  | ADAPTER - LOCK - 180 DEGREE- <b>KEYED LOCK</b>                               |
|     | 138637-63-000 | EA  | CAM - LATCHING - DOG LEG - 1 1/2" LONG- <b>KEYED LOCK</b>                    |
|     | 138637-53-000 | EA  | CASE/CYLINDER - LOCKING - W/O CAM/KEY - 1.5"- <b>KEYED LOCK</b>              |
|     | 138637-53-001 | EA  | CASE/CYLINDER - LOCKING - W/O CAM/KEY - 1.5"- <b>KEYED LOCK</b>              |
|     | 138637-53-002 | EA  | CASE/CYLINDER - LOCKING - W/O CAM/KEY - 1.5"- <b>KEYED LOCK</b>              |
|     | 138637-53-003 | EA  | CASE/CYLINDER - LOCKING - W/O CAM/KEY - 1.5"- <b>KEYED LOCK</b>              |
|     | 138637-53-004 | EA  | CASE/CYLINDER - LOCKING - W/O CAM/KEY - 1.5"- <b>KEYED LOCK</b>              |
|     | 138637-53-005 | EA  | CASE/CYLINDER - LOCKING - W/O CAM/KEY - 1.5"- <b>KEYED LOCK</b>              |
|     | 138637-53-006 | EA  | CASE/CYLINDER - LOCKING - W/O CAM/KEY - 1.5"- <b>KEYED LOCK</b>              |
|     | 138637-53-007 | EA  | CASE/CYLINDER - LOCKING - W/O CAM/KEY - 1.5"- <b>KEYED LOCK</b>              |
|     | 138637-53-008 | EA  | CASE/CYLINDER - LOCKING - W/O CAM/KEY - 1.5"- <b>KEYED LOCK</b>              |
|     | 138637-53-009 | EA  | CASE/CYLINDER - LOCKING - W/O CAM/KEY - 1.5"- <b>KEYED LOCK</b>              |
| 6   | 056795-01-000 | FT  | TAPE-SEAL, 1/8" X 3/8" WIDE - PRESS ON                                       |



# EXTERIOR DOORS & COMPARTMENTS GROUP (CONTINUED)

## ENTRY

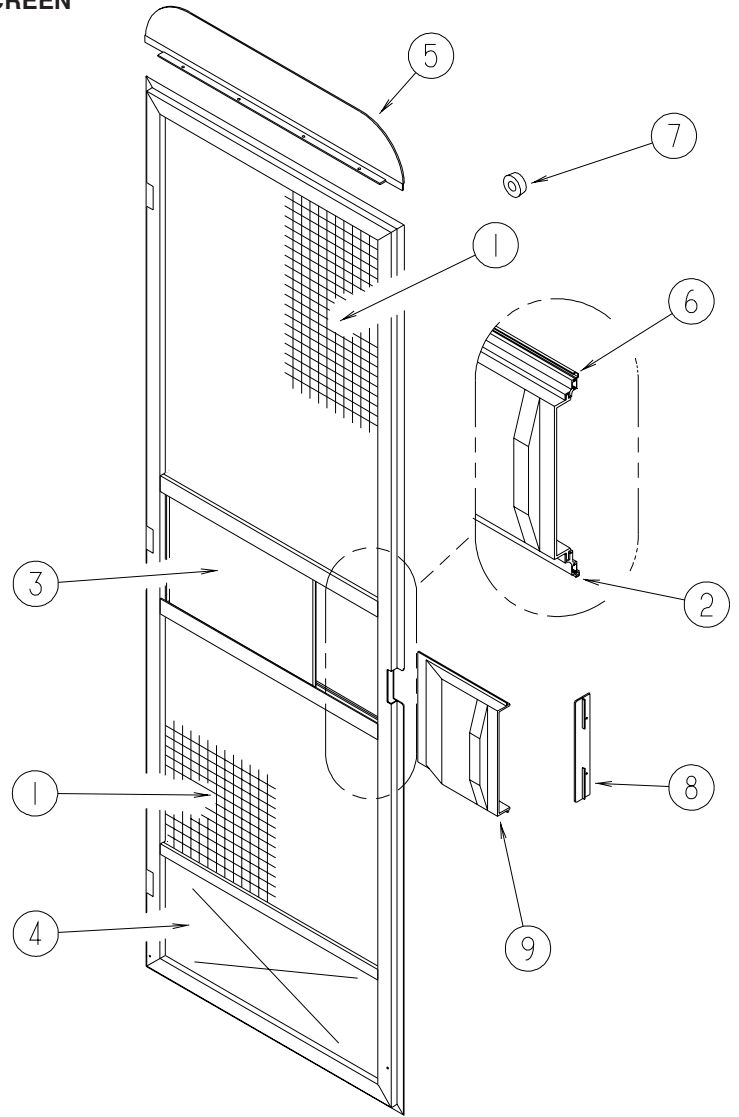


| KEY | PART NUMBER   | U/M | DESCRIPTION  |
|-----|---------------|-----|--|
| 1   | 039715-01-000 | EA  | NUT-SERT - 1/4" DIAMETER - 20 THREADS                          |
| 2   | 075671-04-000 | FT  | SEAL - SPONGE - LAZY T - W/ADHESIVE STRIP - .5" WIDE           |
| 3   | 075673-05-000 | FT  | SEAL/PILE - .5" HIGH W/ADHESIVE BACK - BLACK                   |
| 4   | 081914-02-000 | EA  | BUMPER - RUBBER - ROUND - 5/16" DIA. X 13/64" THICK            |
| 5   | 100128-02-000 | FT  | SEAL - FOAM/ADHESIVE BACK - .37" WIDE X .37" THICK X 60'       |
| 6   | 104692-01-000 | FT  | SEAL - ADHESIVE BACKED FOAM - 3/4" THICK X 3/4" WIDE X 25'     |
| 7   | 106719-01-05A | EA  | HINGE - ENTRY DOOR - BRIGHT WHITE                              |
| 7   | 106719-01-08A | EA  | HINGE - ENTRY DOOR - BLACK                                     |
| 8   | 118929-01-01A | FT  | SEAL - PILE - PUSH ON  |
| 9   | 121893-01-01A | EA  | FRAME - ENTRY DOOR/BOTTOM - BRIGHT WHITE                       |
| 9   | 121893-01-04A | EA  | FRAME - ENTRY DOOR/BOTTOM - BLACK                              |
| 10  | 121894-31-01A | EA  | FRAME - ENTRY DOOR - BRIGHT WHITE                              |
| 10  | 121894-31-02A | EA  | FRAME - ENTRY DOOR - BLACK                                     |
| 11  | 121898-21-01A | EA  | JAMB - DOOR/ENTRANCE - BRIGHT WHITE                            |
| 11  | 121898-21-02A | EA  | JAMB - DOOR/ENTRANCE - BLACK                                   |
| 12  | 125724-01-000 | EA  | SHIM - DOOR, ENTRANCE  |
| 13  | 125724-02-000 | EA  | SHIM - DOOR, ENTRANCE  |
| 14  | 130096-05-000 | EA  | FOAM - SCREEN DOOR, RETAINER                                   |
| 15  | P32208-06-S34 | EA  | DOOR - SCREEN - W/O HARDWARE                                   |
| 15  | P32208-06-W37 | EA  | DOOR - SCREEN - W/O STRIKE/SLIDER/HDW - <b>FULL BODY PAINT</b> |
| 16  | 137401-01-03B | EA  | BRACKET - DOOR ANGLE - OFF WHITE                               |
| 17  | 148364-01-12B | EA  | STRIKE - SCREEN DOOR - BRIGHT WHITE                            |
| 17  | 148364-01-04B | EA  | STRIKE - SCREEN DOOR - BLACK                                   |
| 18  | 132915-01-01A | EA  | LATCH - SCREEN DOOR - BLACK                                    |
| 19  | 139054-01-01A | EA  | CAP - DRIP - JAMB MOUNTED - BRIGHT WHITE                       |
| 19  | 139054-01-02A | EA  | CAP - DRIP - JAMB MOUNTED - BLACK                              |
| 20  | 038327-01-000 | EA  | TAPE - ANTI-SLIP - 2" X 60'                                    |
| 21  | 154585-01-01A | FT  | SEAL - FOAM TAPE - ADHESIVE BACK - 3/8" X 3/8" - BLACK         |



# EXTERIOR DOORS & COMPARTMENTS GROUP (CONTINUED)

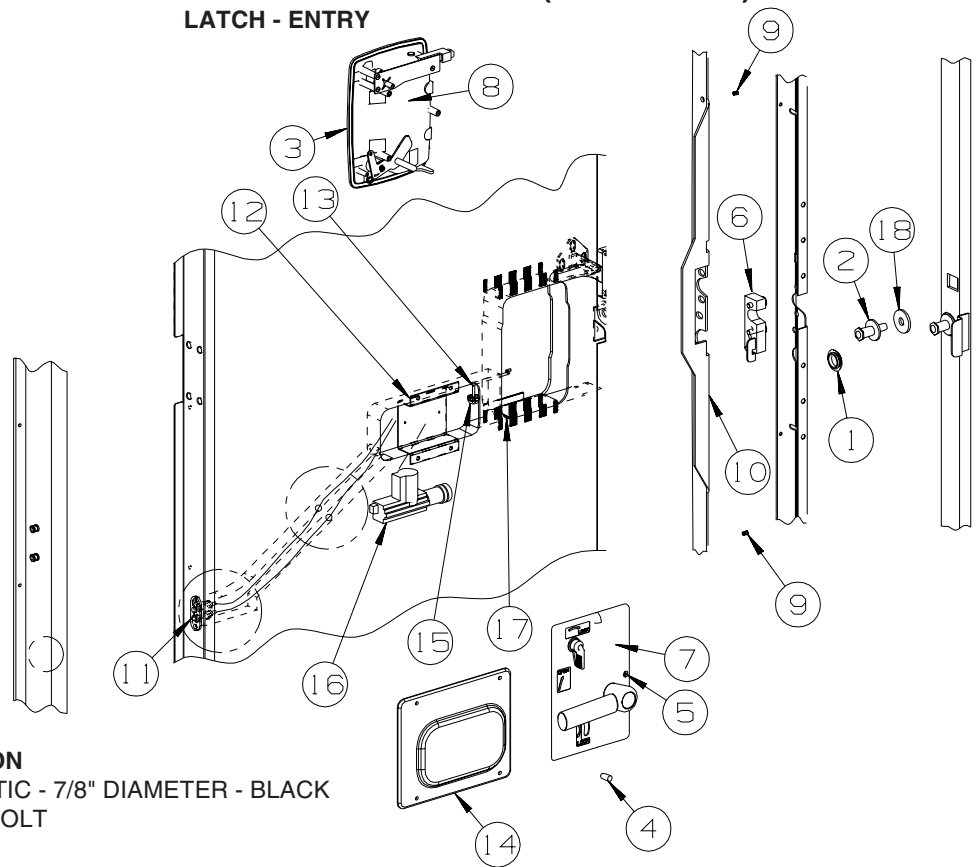
## SCREEN



| KEY | PART NUMBER   | U/M | DESCRIPTION  |
|-----|---------------|-----|--|
| 1   | 002293-02-000 | SF  | SCREEN - 26" - CHARCOAL                              |
| 2   | 002294-01-000 | FT  | SPLINE - SCREENING - .13" X .14"                     |
| 3   | 016454-21-000 | EA  | INSERT/CENTER - SCREEN DOOR                          |
| 4   | 078552-03-000 | EA  | KICK PANEL - SCREEN DOOR - LOWER INSERT - UNPAINTED  |
| 5   | 078595-01-000 | EA  | TOP PLATE - SCREEN DOOR - CURVED TOP - 4.7" X 25.35" |
| 6   | 078777-08-000 | FT  | CHANNEL - SLIDER - 4 FOOT INCREMENTS                 |
| 7   | 120863-09-000 | EA  | BUMPER - RUBBER/RADIUS TOP - 3/4" X 3/8" - LT GRAY   |
| 8   | 132081-01-01A | EA  | STRIKE - SLIDER - SCREEN DOOR - BRIGHT WHITE         |
| 8   | 132081-01-03A | EA  | STRIKE - SLIDER - SCREEN DOOR - BLACK                |
| 9   | 132082-01-01A | EA  | SLIDER - SCREEN DOOR - BRIGHT WHITE                  |
| 9   | 132082-01-03A | EA  | SLIDER - SCREEN DOOR - BLACK                         |

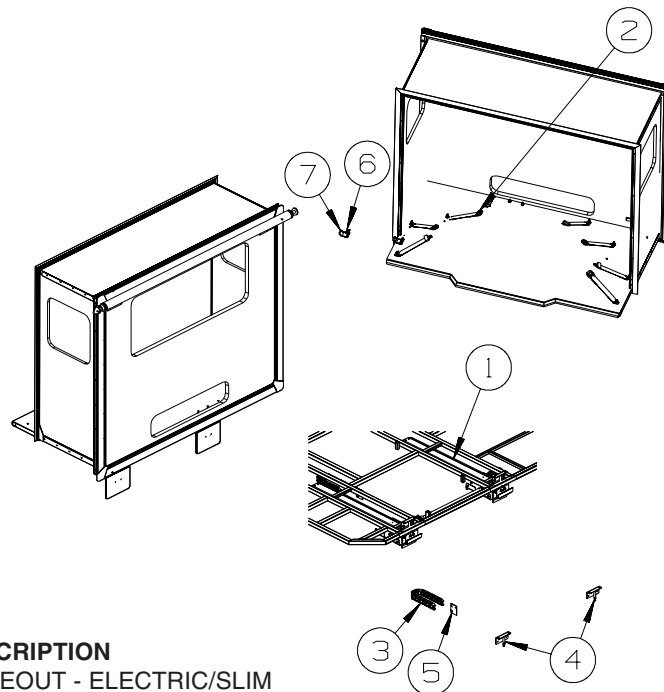
# EXTERIOR DOORS & COMPARTMENTS GROUP (CONTINUED)

## LATCH - ENTRY



| KEY | PART NUMBER   | U/M | DESCRIPTION   |
|-----|---------------|-----|---|
| 1   | 061420-14-000 | EA  | PLUG/PLASTIC - 7/8" DIAMETER - BLACK                                      |
| 2   | 092927-20-000 | EA  | STRIKER - BOLT  |
| 3   | 112782-04-01A | EA  | GASKET  |
| 4   | 112782-05-01A | EA  | CAP - VINYL - RED   |
| 5   | 112782-08-01A | EA  | SCREW - MOUNTING/PLATE - ZINC   |
| 6   | 112782-22-01A | EA  | LATCH - SINGLE ROTOR  |
| 7   | 112782-27-01A | EA  | LATCH - INTERIOR PLATE  |
| 8   | 112782-20-01A | EA  | LATCH - EXTERIOR - W/O LOCK CYLINDER W/ICON-REVERSIBLE KEY                |
| 9   | 072893-04-000 | EA  | NUTSERT - 10-32   |
| 10  | 132207-01-02B | EA  | STIFFENER/DOOR - FORMED - E-COATED  |
| 10  | 132207-03-02B | EA  | STIFFENER/DOOR - FORMED - E-COATED - <b>VIEW, ASPECT, NAVION, CAMBRIA</b> |
| 11  | 138897-01-000 | EA  | SWITCH - 2 PIN/SPRING LOADED CONTACTS (EA=1 SWITCH)                       |
| 12  | 113650-02-02B | EA  | BRACKET - ACTUATOR - ELECTRIC - E-COATED                                  |
| 13  | 113651-01-01A | EA  | ROD - CONTROL - MOTOR/LOCK  |
| 14  | 113960-01-01A | EA  | COVER - ACTUATOR - POWER LOCK   |
| 15  | 147900-01-01A | EA  | SPACER-STRIKE BOLT, MILL  |
| 16  | 138898-01-000 | EA  | ACTUATOR/LOCK - ELECTRIC  |
| 17  | 137230-01-01A | EA  | SPACER- NOTCHED, MILL   |

## EXTERIOR SLIDEOUT GROUP FRONT LEFT

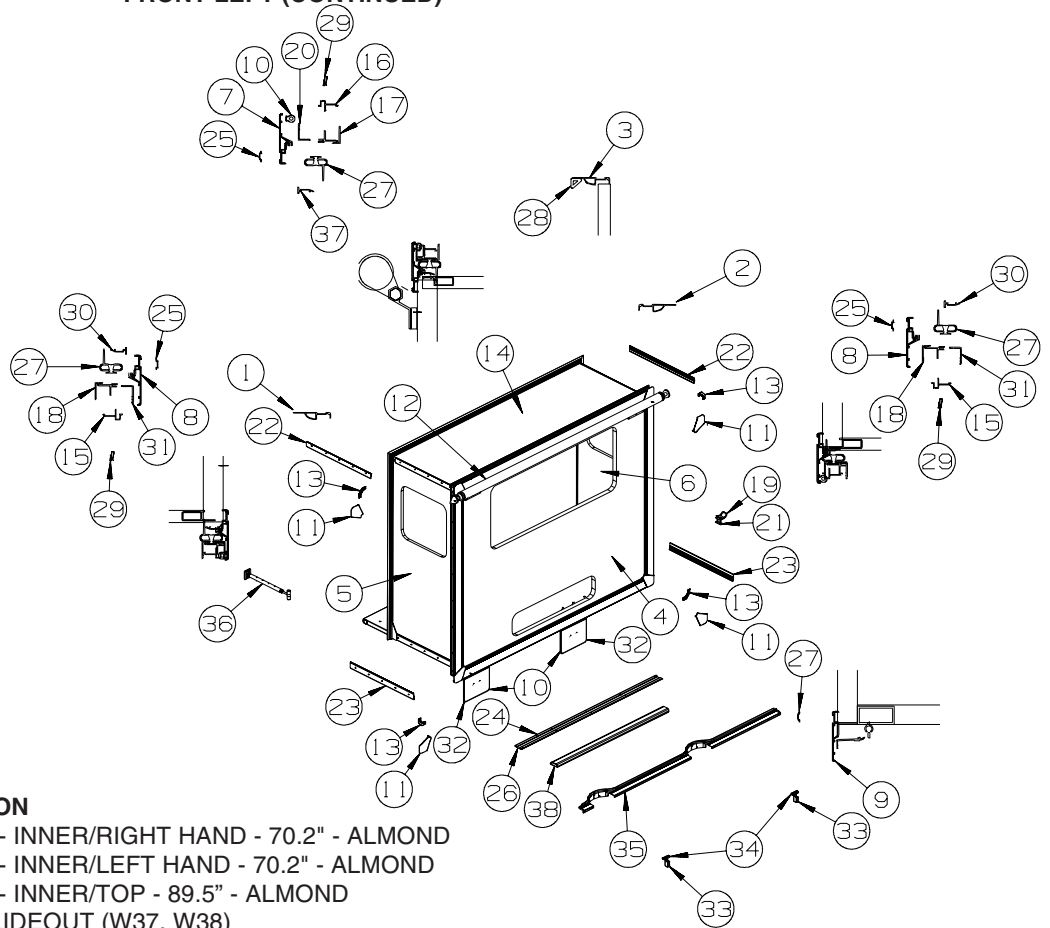


| KEY | PART NUMBER   | U/M | DESCRIPTION   |
|-----|---------------|-----|---|
| 1*  | 150661-01-000 | EA  | SLIDEOUT - ELECTRIC/SLIM                                  |
| 2   | 160167-02-01A | EA  | SEAT BELT - 2" X 90" - BLACK                              |
| 3   | 143541-03-01A | EA  | CARRIER/WIRING - F/SLIDEOUT ROOM - 13 LINKS               |
| 4   | 150569-01-02B | EA  | BRACKET - MOUNTING - SLIDEOUT - W/HEX NUT/TUBE - E-COATED |
| 5   | 151124-01-02B | EA  | COVER - SLIDEOUT WIRES - E-COATED                         |
| 6   | 150700-01-02B | EA  | PLATE/MOUNTING - RESTRAINT/CHILD - 1" X 2.3" - E-COATED   |
| 7   | 150697-02-02B | EA  | BRACKET - RESTRAINT/CHILD - E-COATED                      |

\*COMPONENT PARTS LISTED LATER IN THIS GROUP

## EXTERIOR SLIDEOUT GROUP (CONTINUED)

### FRONT LEFT (CONTINUED)



| KEY | PART NUMBER   | U/M | DESCRIPTION   |
|-----|---------------|-----|---|
| 1   | 139624-13-02A | EA  | TRIM/SEAL - INNER/RIGHT HAND - 70.2" - ALMOND         |
| 2   | 139624-14-02A | EA  | TRIM/SEAL - INNER/LEFT HAND - 70.2" - ALMOND          |
| 3   | 139624-32-02A | EA  | TRIM/SEAL - INNER/TOP - 89.5" - ALMOND                |
| 4   | 161678-11-W37 | EA  | SLUG - F/SLIDEOUT (W37, W38)                          |
| 4   | 161678-11-W39 | EA  | SLUG - F/SLIDEOUT (W39, W40)                          |
| 4   | 161678-11-W41 | EA  | SLUG - F/SLIDEOUT (W41, W42)                          |
| 5   | 157285-01-W37 | EA  | PANEL END - F/SLIDEOUT (W37, W38)                     |
|     |               |     | FROM: 00-00-00 THRU: 04-15-07                         |
| 5   | 164203-01-W37 | EA  | PANEL END - F/SLIDEOUT (W37, W38)                     |
|     |               |     | FROM: 04-16-07 THRU: 99-99-99                         |
| 5   | 164203-03-W37 | EA  | PANEL END - F/SLIDEOUT (W37, W38) - PREMIUM SIDEWALLS |
| 5   | 157285-01-W39 | EA  | PANEL END - F/SLIDEOUT (W39, W40)                     |
|     |               |     | FROM: 00-00-00 THRU: 04-15-07                         |
| 5   | 164203-01-W39 | EA  | PANEL END - F/SLIDEOUT (W39, W40)                     |
|     |               |     | FROM: 04-16-07 THRU: 99-99-99                         |
| 5   | 164203-03-W39 | EA  | PANEL END - F/SLIDEOUT (W39, W40) - PREMIUM SIDEWALLS |
| 5   | 157285-01-W41 | EA  | PANEL END - F/SLIDEOUT (W41, W42)                     |
|     |               |     | FROM: 00-00-00 THRU: 04-15-07                         |
| 5   | 164203-01-W41 | EA  | PANEL END - F/SLIDEOUT (W41, W42)                     |
|     |               |     | FROM: 04-16-07 THRU: 99-99-99                         |
| 5   | 164203-03-W41 | EA  | PANEL END - F/SLIDEOUT (W41, W42) - PREMIUM SIDEWALLS |
| 6   | 157286-01-W37 | EA  | PANEL END - F/SLIDEOUT (W37, W38)                     |
|     |               |     | FROM: 00-00-00 THRU: 04-15-07                         |
| 6   | 164203-02-W37 | EA  | PANEL END - F/SLIDEOUT (W37, W38)                     |
|     |               |     | FROM: 04-16-07 THRU: 99-99-99                         |
| 6   | 164203-04-W37 | EA  | PANEL END - F/SLIDEOUT (W37, W38) - PREMIUM SIDEWALLS |
| 6   | 157286-01-W39 | EA  | PANEL END - F/SLIDEOUT (W39, W40)                     |
|     |               |     | FROM: 00-00-00 THRU: 04-15-07                         |
| 6   | 164203-02-W39 | EA  | PANEL END - F/SLIDEOUT (W39, W40)                     |
|     |               |     | FROM: 04-16-07 THRU: 99-99-99                         |
| 6   | 164203-04-W39 | EA  | PANEL END - F/SLIDEOUT (W39, W40) - PREMIUM SIDEWALLS |
| 6   | 157286-01-W41 | EA  | PANEL END - F/SLIDEOUT (W41, W42)                     |
|     |               |     | FROM: 00-00-00 THRU: 04-15-07                         |
| 6   | 164203-02-W41 | EA  | PANEL END - F/SLIDEOUT (W41, W42)                     |
|     |               |     | FROM: 04-16-07 THRU: 99-99-99                         |
| 6   | 164203-04-W41 | EA  | PANEL END - F/SLIDEOUT (W41, W42) - PREMIUM SIDEWALLS |

**EXTERIOR SLIDEOUT GROUP (CONTINUED)**  
**FRONT LEFT (CONTINUED)**

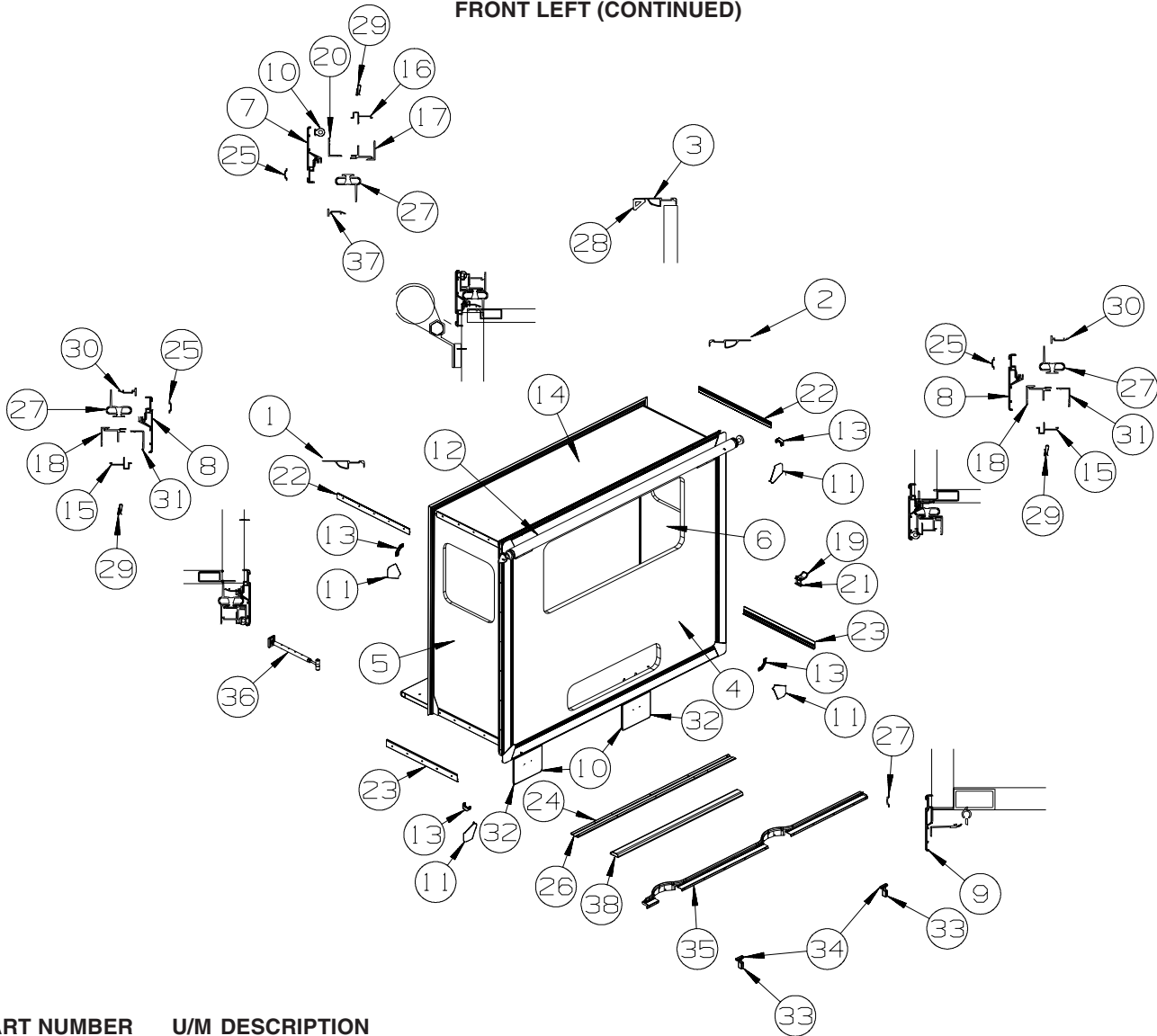
| KEY | PART NUMBER   | U/M | DESCRIPTION   |
|-----|---------------|-----|---|
| 7   | 156417-40-01A | EA  | TRIM/SEAL - W/MITERED ENDS - 87.8" - BRIGHT WHITE - <b>NOT ILLUSTRATED</b><br>FROM: 00-00-00 THRU: 04-15-07 |
| 7   | 162052-40-01A | EA  | TRIM/SEAL - W/MITERED ENDS - 87.8" - BRIGHT WHITE<br>FROM: 04-16-07 THRU: 99-99-99                          |
| 7   | 156417-40-02A | EA  | TRIM/SEAL - W/MITERED ENDS - 87.8" - BLACK - <b>NOT ILLUSTRATED</b><br>FROM: 00-00-00 THRU: 04-15-07        |
| 7   | 162052-40-02A | EA  | TRIM/SEAL - W/MITERED ENDS - 87.8" - BLACK -<br>FROM: 04-16-07 THRU: 99-99-99                               |
| 8   | 156417-11-01A | EA  | TRIM/SEAL - W/MITERED ENDS - 70" - BRIGHT WHITE - <b>NOT ILLUSTRATED</b><br>FROM: 00-00-00 THRU: 04-15-07   |
| 8   | 162052-11-01A | EA  | TRIM/SEAL - W/MITERED ENDS - 70.2" - BRIGHT WHITE<br>FROM: 04-16-07 THRU: 99-99-99                          |
| 8   | 156417-11-02A | EA  | TRIM/SEAL - W/MITERED ENDS - 70" - BLACK - <b>NOT ILLUSTRATED</b><br>FROM: 00-00-00 THRU: 04-15-07          |
| 8   | 162052-11-02A | EA  | TRIM/SEAL - W/MITERED ENDS - 70.2" - BLACK<br>FROM: 04-16-07 THRU: 99-99-99                                 |
| 9   | 142233-27-01A | EA  | TRIM/SEAL - W/MITERED ENDS - 87.8" - BRIGHT WHITE - <b>NOT ILLUSTRATED</b><br>FROM: 00-00-00 THRU: 04-15-07 |
| 9   | 162054-09-01A | EA  | TRIM/SEAL - W/MITERED ENDS - 87.8" - BRIGHT WHITE<br>FROM: 04-16-07 THRU: 99-99-99                          |
| 9   | 142233-27-02A | EA  | TRIM/SEAL - W/MITERED ENDS - 87.8" - BLACK - <b>NOT ILLUSTRATED</b><br>FROM: 00-00-00 THRU: 04-15-07        |
| 9   | 162054-09-02A | EA  | TRIM/SEAL - W/MITERED ENDS - 87.8" - BLACK<br>FROM: 04-16-07 THRU: 99-99-99                                 |
| 10  | 158297-01-000 | FT  | SEAL - D-SECTION/BULB/TEE - ADHESIVE BACK - BLACK   |
| 11  | 156151-01-02A | EA  | PROTECTOR - CORNER - SLIDEOUT - BRIGHT WHITE  |
| 11  | 156151-01-01A | EA  | PROTECTOR - CORNER - SLIDEOUT - BLACK   |
| 12  |               |     | SLIDEOUT AWNING   |

**ORDER AWNINGS & REPAIR PARTS FROM DOMETIC. CALL #800-366-3842.**

**THE DOMETIC AWNING INFORMATION YOU WILL NEED IS LOCATED ON THE MOTOR HOME NEAR  
THE TOP OF THE AWNING RAIL.**

|    |               |    |  |
|----|---------------|----|--|
| 13 | 160421-01-01A | EA | CORNER TRIM/SLIDEOUT - 3.1" X 3.1" - BLACK   |
| 14 | 157283-01-U37 | EA | ROOF - F/SLIDEOUT  |
| 15 | 142718-21-01A | EA | RETAINER - SIDEWALL/SLIDEOUT - 69.5"   |
| 16 | 142718-33-01A | EA | RETAINER - SIDEWALL/SLIDEOUT - 89.4"   |
| 17 | 151761-19-02A | EA | TRIM - SIDEWALL/SLIDEOUT/TOP - 90.7" - ALMOND  |
| 18 | 151760-28-02A | EA | TRIM - SIDEWALL/SLIDEOUT - 69.9" - ALMOND  |
| 19 | 150697-02-02B | EA | BRACKET - RESTRAINT/CHILD - E-COATED   |
| 20 | 136824-46-01A | EA | TRIM - SIDEWALL/SLIDEOUT - 90.7" - BRIGHT WHITE  |
| 20 | 136824-46-02A | EA | TRIM - SIDEWALL/SLIDEOUT - 90.7" - BLACK   |
| 21 | 150700-01-02B | EA | PLATE/MOUNTING - RESTRAINT/CHILD - 1" X 2.3" - E-COATED  |
| 22 | 158375-01-01A | EA | TRIM - FEATURE STRIP - 29.6" - BRIGHT WHITE  |
| 22 | 158375-01-02A | EA | TRIM - FEATURE STRIP - 29.6" - BLACK   |
| 23 | 158030-02-01A | EA | TRIM - FEATURE STRIP/LOWER - 2.3" X 29.1" - BRIGHT WHITE - <b>NOT ILLUSTRATED</b><br>FROM: 00-00-00 THRU: 04-15-07 |
| 23 | 163020-07-01A | EA | TRIM - FEATURE STRIP/LOWER - 2.3" X 28.9" - BRT WHT<br>FROM: 04-16-07 THRU: 99-99-99                               |
| 23 | 158030-02-02A | EA | TRIM - FEATURE STRIP/LOWER - 2.3" X 29.1" - BLACK - <b>NOT ILLUSTRATED</b><br>FROM: 00-00-00 THRU: 04-15-07        |
| 23 | 163020-07-02A | EA | TRIM - FEATURE STRIP/LOWER - 2.3" X 28.9" - BLACK<br>FROM: 04-16-07 THRU: 99-99-99                                 |
| 24 | 115325-03-02A | EA | RAIL - FLOOR/SLIDEOUT ROOM - 64.5" LONG - BLACK  |
| 24 | 134756-02-L76 | EA | RAMP - FABRIC COVERED - SLIDEOUT - 51.2" - <b>VINYL FLOOR - THRU OUT</b>   |
| 25 | 105312-01-07A | EA | INSERT - FEATURE STRIP - VINYL - BRIGHT WHITE  |
| 25 | 105312-01-13A | FT | INSERT - FEATURE STRIP - VINYL - BLACK   |
| 26 | 115661-01-000 | FT | SHOE/GLIDE - SLIDEOUT ROOM - 1/16" X 3" - POLYETHYLENE   |
| 27 | 136978-01-01A | FT | SEAL - SLIDEOUT - SINGLE WIPE LIP - BLACK  |
| 28 | 146056-01-000 | FT | SEAL - TRIANGLE - W/PSA  |
| 29 | 142549-01-000 | EA | CLIP - "S" TYPE  |
| 30 | 146606-47-01A | EA | TRIM/RETAINER - 66" - BRIGHT WHITE   |
| 30 | 146606-47-02A | EA | TRIM/RETAINER - 66" - BLACK  |

**EXTERIOR SLIDEOUT GROUP (CONTINUED)**  
**FRONT LEFT (CONTINUED)**



| KEY | PART NUMBER   | U/M | DESCRIPTION   |
|-----|---------------|-----|---|
| 31  | 136824-43-01A | EA  | TRIM - SIDEWALL/SLIDEOUT - 70" - BRIGHT WHITE                     |
| 31  | 136824-43-02A | EA  | TRIM - SIDEWALL/SLIDEOUT - 70" - BLACK                            |
| 32  | 138077-07-01A | EA  | COVER/RAM - 11" X 8.8" - W/O TUBE - BRIGHT WHITE                  |
| 32  | 138077-07-10A | EA  | COVER/RAM - 11" X 8.8" - W/O TUBE - BLACK                         |
| 33  | 126313-09-02B | EA  | SUPPORT - ROLLER - SLIDE-OUT ROOM - E-COATED                      |
| 34  | 134855-01-000 | EA  | BEARING PAD - NARROW  |
| 35  | 159111-06-U21 | EA  | TRIM/ZEE - W/SEAL/END CAPS - SIDEWALL/LOWER-90.5" - BRIGHT WHITE  |
| 35  | 159111-06-AA1 | EA  | TRIM/ZEE - W/SEAL/END CAPS - SIDEWALL/LOWER-90.5" - BLACK         |
|     | 165260-01-000 | FT  | SEAL - BULB - W/WIRED U CHANNEL - .55" THICK X 1.3"               |
|     | 153109-25-02A | EA  | ANGLE/RETAINER - SEAL - .5" X .5" X 6.3" - BLACK                  |
|     | 153109-32-02A | EA  | ANGLE/RETAINER - SEAL - .5" X .5" X 8.3" - BLACK                  |
|     | 153109-36-02A | EA  | ANGLE/RETAINER - SEAL - .5" X .5" X 9.6" - BLACK                  |
| 36  | 162495-01-01A | EA  | ROD - LOCK/SLIDEOUT - ADJUSTABLE 17"/34" - W/STRAP/RING           |
| 37  | 146606-51-01A | EA  | TRIM/RETAINER - 86" - BRIGHT WHITE                                |
| 37  | 146606-51-02A | EA  | TRIM/RETAINER - 86" - BLACK                                       |
| 38  | 134756-02-L76 | EA  | RAMP - FABRIC COVERED - SLIDEOUT - 51.2" - VINYL FLOOR - THRU OUT |
| 38  | 134837-01-01A | EA  | RAMP - SLIDEOUT - BLACK PVC - VINYL FLOOR - THRU OUT              |
|     | 157809-01-01A | EA  | SEAL - FOAM BLOCK/RIGHT SIDE - ADHESIVE BACK                      |
|     | 157809-02-01A | EA  | SEAL - FOAM BLOCK/LEFT SIDE - ADHESIVE BACK                       |

**EXTERIOR SLIDEOUT GROUP (CONTINUED)**  
**COMPONENT PARTS FOR LEFT FRONT**

**150661-01-000**

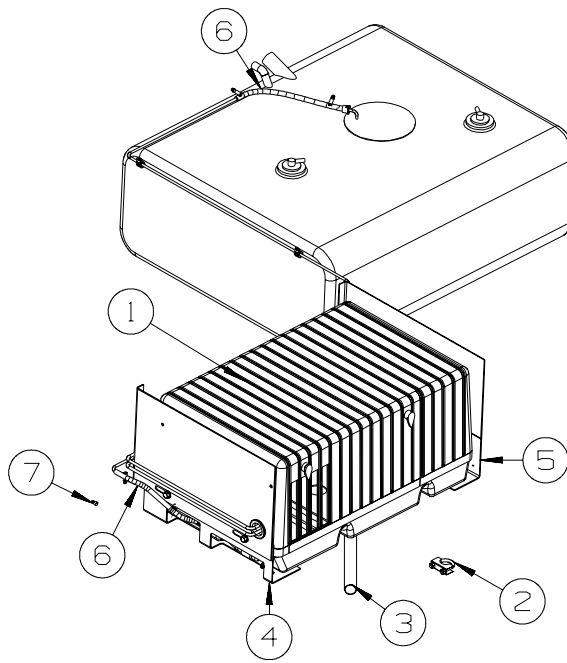
| <b>KEY</b> | <b>PART NUMBER</b> | <b>U/M</b> | <b>DESCRIPTION</b>            | <b>VENDOR NO.</b> |
|------------|--------------------|------------|-------------------------------|-------------------|
|            | 150661-01-700      | EA         | SHAFT - SLAVE                 | 29042             |
|            | 150661-01-701      | EA         | SHAFT - ROUND DRIVE - 30"     | 29038             |
|            | 150661-01-702      | EA         | POWER HEAD W/WORM DRIVE       | 29020             |
|            | 150661-01-703      | EA         | CRANK TUBE                    | 29022             |
|            | 150661-01-704      | EA         | CAM FOLLOWER & NUT            | 28701             |
|            | 150661-01-705      | EA         | FLANGE BEARING - .63" X .5"L  | 645-0028          |
|            | 150661-01-706      | EA         | SPROCKET                      | 28706             |
|            | 150661-01-707      | EA         | SET SCREW - 1/4"-20           | 608-6005          |
|            | 150661-01-708      | EA         | CLEVIS PIN                    | 643-0030          |
|            | 150661-01-709      | EA         | COTTOR PIN                    | 625-0017          |
|            | 150661-01-710      | EA         | CLEVIS PIN                    | 643-0003          |
|            | 150661-01-711      | EA         | COTTER PIN                    | 625-0016          |
|            | 150661-01-712      | EA         | SHAFT - ROUND DRIVE - 7.4"    | 29040             |
|            | 150661-01-713      | EA         | ADAPTER - ADJUSTABLE SHAFT    | 28395             |
|            | 150661-01-714      | EA         | RETAINING RING                | 634-0007          |
|            | 150661-01-715      | EA         | DRIVE ASM. (MOTOR W/GEAR BOX) | 29449             |
|            | 150661-01-716      | EA         | MOTOR ONLY                    | 16263             |
|            | 150661-01-717      | EA         | PIN/SPRING - 5/16" X 1 1/4"   | 624-0014          |

**162495-01-01A, 162495-02-01A**

| <b>KEY</b> | <b>PART NUMBER</b> | <b>U/M</b> | <b>DESCRIPTION</b>     | <b>VENDOR NO.</b> |
|------------|--------------------|------------|------------------------|-------------------|
|            | 162495-01-700      | EA         | BUTTON-DBL. PLAS. SNAP | DP130             |

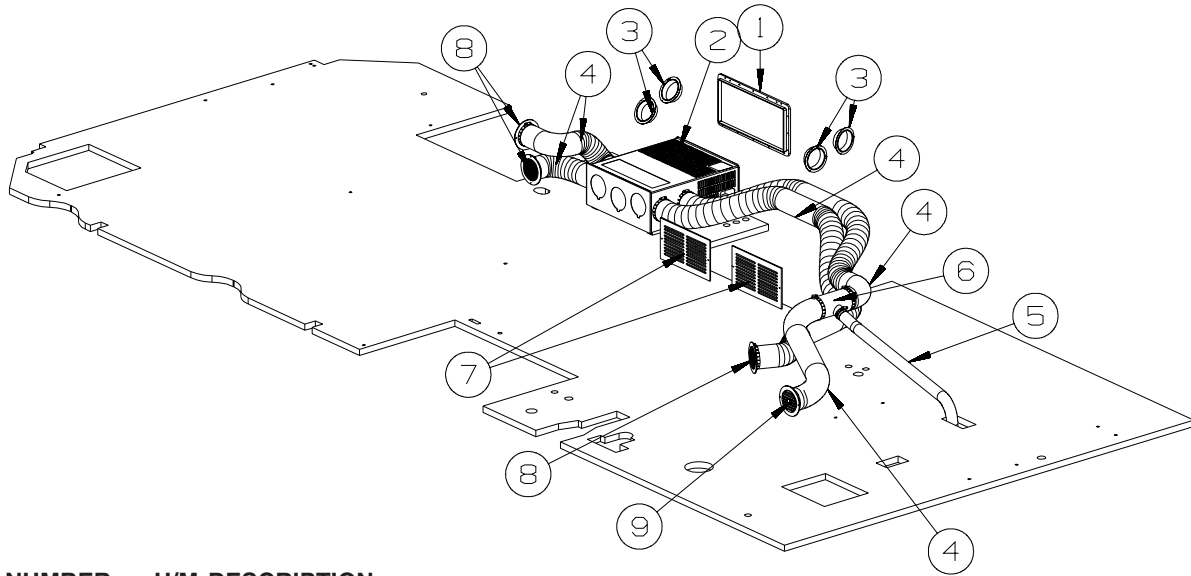


## GENERATOR GROUP GAS



| KEY | PART NUMBER   | U/M | DESCRIPTION                                    |
|-----|---------------|-----|--|
| 1   | 109982-03-000 | EA  | GENERATOR - 4.0 MICROLITE - ONAN               |
| 2   | 007125-04-000 | EA  | CLAMP - MUFFLER - 1.12"DIAMETER                |
| 3   | 105958-08-000 | EA  | PIPE - EXHAUST/GENERATOR - 726A                |
| 3   | 105958-29-000 | EA  | PIPE - EXHAUST/GENERATOR - 729H                |
| 4   | 114070-02-02B | EA  | SUPPORT - GENERATOR - LEFT                     |
| 5   | 114071-02-02B | EA  | SUPPORT - GENERATOR - RIGHT                    |
| 6   | 128139-03-000 | EA  | HOSE - FUEL - LOW PERMEABILITY - 1/4" DIAMETER |
| 7   | 084884-01-000 | EA  | PLUG - BRASS - 3/8" - GENERATOR WITHOUT        |

## HEATING & A/C GROUP FURNACE

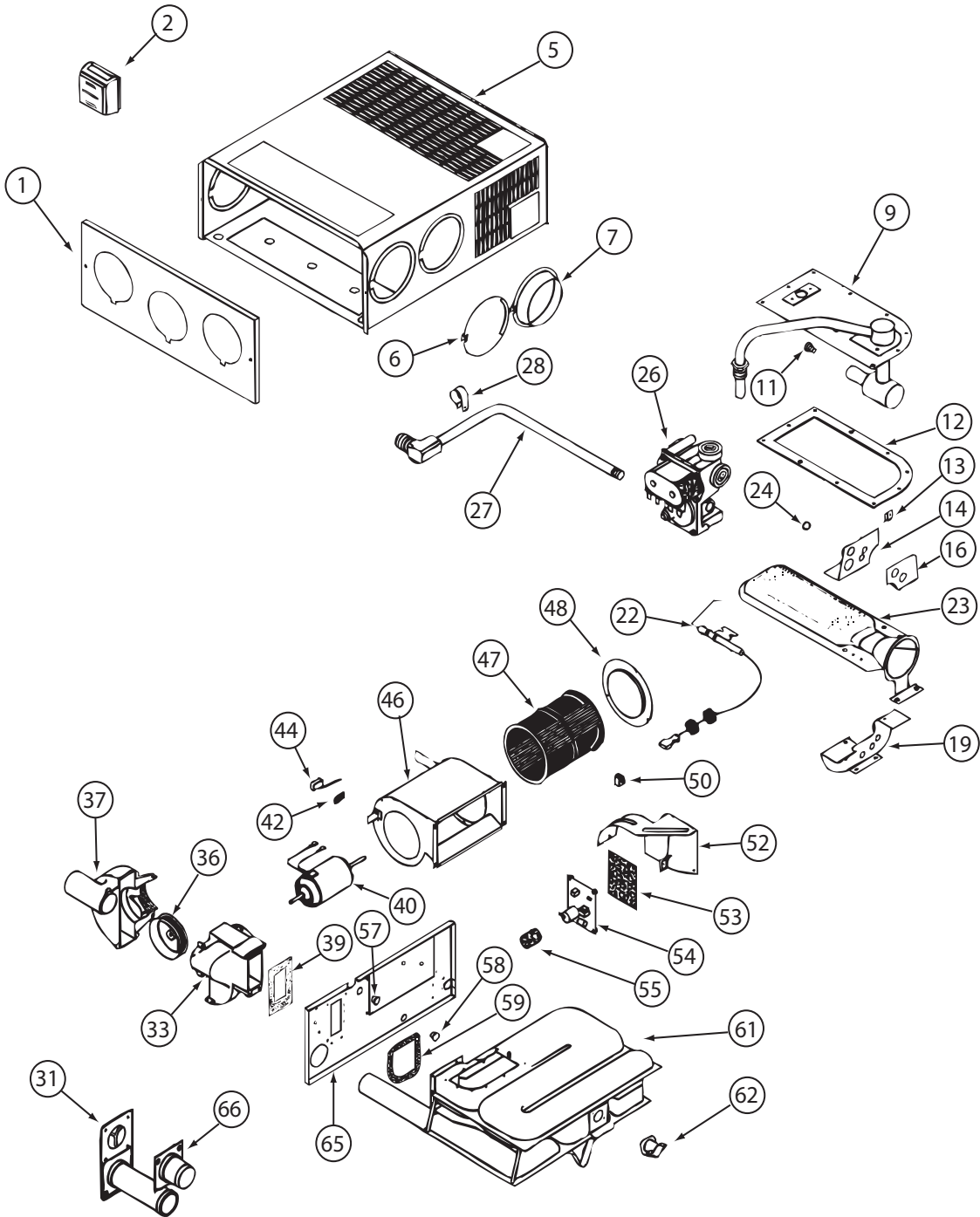


| KEY | PART NUMBER   | U/M | DESCRIPTION   |
|-----|---------------|-----|---|
| 1   | 098668-23-000 | EA  | DOOR - ACCESS/FURNACE - BRIGHT WHITE<br>FROM: 00-00-00 THRU: 05-13-07 |
| 1   | 139980-10-02A | EA  | DOOR - ACCESS/FURNACE - BRIGHT WHITE<br>FROM: 05-14-07 THRU: 99-99-99 |
| 1   | 139980-10-03A | EA  | DOOR - ACCESS/FURNACE - BLACK<br>FROM: 05-14-07 THRU: 99-99-99        |
| 2*  | 139980-02-000 | EA  | FURNACE - 30000 BTU - SF QUIET - SUBURBAN SF-30 2321J                 |
| 3   | 069636-02-000 | EA  | CONNECTOR - DUCT - 4" ID  |
| 4   | 009198-01-000 | FT  | DUCT - HEAT - FLEXIBLE - 4" ID X 25'                                  |
| 5   | 009198-02-000 | FT  | DUCT - HEAT - FLEXIBLE - 2" ID X 25'                                  |
| 6   | 089367-02-000 | EA  | TEE - 4" X 2" X 4"  |
| 7   | 093614-11-01A | EA  | GRILLE - AIR RETURN - 13.9" X 7.9" - BEIGE                            |
| 8   | 056464-10-000 | EA  | REGISTER W/O DAMPER - 4" DIAMETER - PLASTIC - BEIGE                   |
| 9   | 056464-11-000 | EA  | REGISTER W/DAMPER - 4" DIAMETER - PLASTIC - OFF WHITE                 |
|     | 009200-01-000 | EA  | TAPE - FURNACE - 1 1/2"   |

**\*COMPONENT PARTS LISTED LATER IN THIS GROUP**

# HEATING & A/C GROUP (CONTINUED)

## COMPONENT PARTS FOR FURNACE



139980-02-000

**HEATING & A/C GROUP (CONTINUED)**  
**COMPONENT PARTS FOR FURNACE (CONTINUED)**

**139980-02-000 (CONTINUED)**

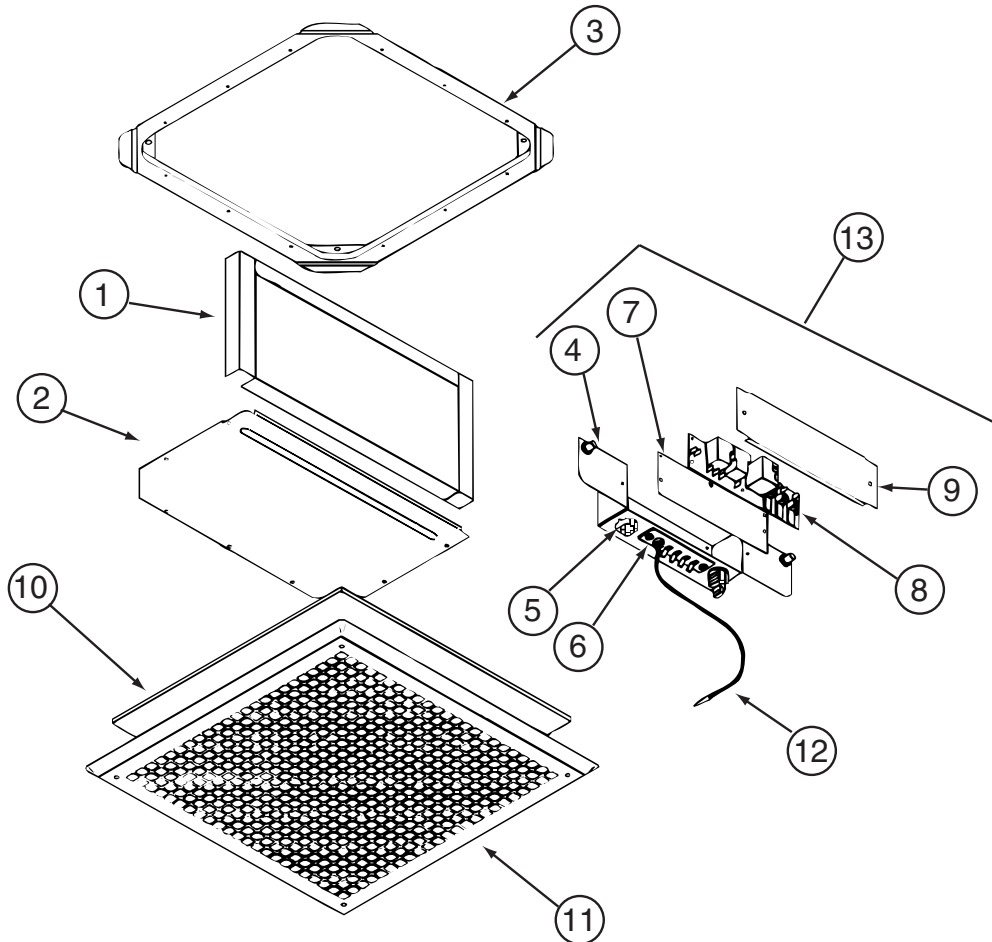
| <b>KEY</b> | <b>PART NUMBER</b> | <b>U/M</b> | <b>DESCRIPTION</b>                                     | <b>VENDOR NO.</b> |
|------------|--------------------|------------|--|-------------------|
| 9          | 139980-01-700      | EA         | MANIFOLD ASSEMBLY                                      | 171571            |
| 11         | 092300-02-701      | EA         | ORIFICE-MAIN BURNER (NT-30BW                           | 180214            |
| 12         | 098668-22-703      | EA         | GASKET - BURNER ACCESS COVER                           | 070811            |
| 22         | 139980-01-701      | EA         | ELECTRODE  | 232286            |
| 23         | 098668-02-700      | EA         | BURNER ASSEMBLY,SF-30 & SF35                           | 010745            |
| 26         | 098668-01-718      | EA         | VALVE-GAS SF S.N.974903079                             | 161122            |
| 27         | 139980-01-702      | EA         | PIPE ASSEMBLY/GAS INLET                                | 171574            |
| 31         | 098668-01-707      | EA         | TUBE ASSEMBLY, EXHAUST W/CAP                           | 260231            |
| 33         | 139980-01-703      | EA         | HOUSING/COMB. - FRONT/HALF                             | 390852            |
| 36         | 098668-01-706      | EA         | WHEEL-COMBUSTION AIR                                   | 350184            |
| 37         | 139980-01-704      | EA         | HOUSING/COMB. - REAR/HALF                              | 390848            |
| 39         | 139980-01-705      | EA         | GASKET/FIREWALL-COMB AIR                               | 071084            |
| 40         | 139980-01-706      | EA         | MOTOR ASSEMBLY W/GASKET                                | 232682            |
| 42         | 101990-01-714      | EA         | GASKET-MICROSWITCH                                     | 230877            |
| 44         | 098668-21-700      | EA         | SWITCH-MICRO-W/O FLAG 3 1/4"                           | 232261            |
| 46         | 139980-01-708      | EA         | BLOWER ASSEMBLY - ROOM AIR                             | 390739BK          |
| 47         | 098668-01-711      | EA         | WHEEL-BLOWER, ROOM AIR                                 | 350129            |
| 48         | 139980-01-709      | EA         | ORFICE RING  | 390696            |
| 50         | 139980-01-710      | EA         | SWITCH - ON/OFF  | 232351            |
| 52         | 139980-01-711      | EA         | PANEL ASSEMBLY-MODULE BD                               | 101663            |
| 53         | 139980-01-712      | EA         | INSULATOR - MODULE BD                                  | 070807            |
| 54         | 098668-22-705      | EA         | MODULE BD W/RELAY TIME DELAY                           | 520820            |
| 55         | 139980-01-713      | EA         | CAP/INSULATOR-MODULE BD                                | 070973            |
| 57         | 139980-01-714      | EA         | BUSHING - UNIVERSAL                                    | 070362            |
| 58         | 139980-01-715      | EA         | BUSHING - STRAIN RELIEF                                | 231809            |
| 59         | 098668-01-716      | EA         | GASKET-FIREWALL,CHAMBER SIDE                           | 070808            |
| 61         | 139980-01-716      | EA         | CHAMBER ASSEMBLY - FINAL                               | 021149BK          |
| 62         | 098668-21-701      | EA         | SWITCH - LIMIT   | 232504            |
| 66         | 098668-01-713      | EA         | TUBE ASSEMBLY, INTAKE                                  | 051248            |
|            | 139980-02-700      | EA         | BLOWER ASM-1/2 HOUSING/OUTER                           | 390851            |
|            | 139980-02-701      | EA         | BLOWER ASM-1/2 HOUSING/INNER                           | 390872            |
|            |                    |            | CONTACT WINNEBAGO PART SALES FOR UNLISTED COMPONENT(S) |                   |

## HEATING & A/C GROUP (CONTINUED)

### ROOF

| KEY | PART NUMBER   | U/M | DESCRIPTION   |
|-----|---------------|-----|---|
|     | 131184-02-01A | EA  | BOARD - DIVIDER - SILVER  |
| *   | 131184-01-01A | EA  | CEILING ASSEMBLY - A/C DUCTED - WHITE<br>FROM: 00-00-00 THRU: 07-22-07  |
| *   | 131184-06-01A | EA  | CEILING ASSEMBLY - A/C DUCTED - WHITE<br>FROM: 07-23-07 THRU: 99-99-99  |
| *   | 131184-05-01A | EA  | CEILING ASSEMBLY - HEAT PUMP - WHITE - <b>A/C HEAT PUMP - HI EFF, LOW PFL</b><br>FROM: 00-00-00 THRU: 07-22-07          |
| *   | 131184-07-01A | EA  | CEILING ASSEMBLY - HEAT PUMP - DUCTED - WHITE - <b>A/C HEAT PUMP - HI EFF, LOW PFL</b><br>FROM: 07-23-07 THRU: 99-99-99 |
| *   | 148644-01-01A | EA  | A/C-ROOF - LOW PROFILE - ART WHITE - RVP 9203C876   |
| *   | 148644-02-01A | EA  | A/C-ROOF-LOW PROFILE/HEAT PMP-ART WHT-RVP9003C876 - <b>A/C HEAT PUMP - HI EFF, LOW PFL</b>                              |

**\*COMPONENT PARTS LISTED LATER IN THIS GROUP**



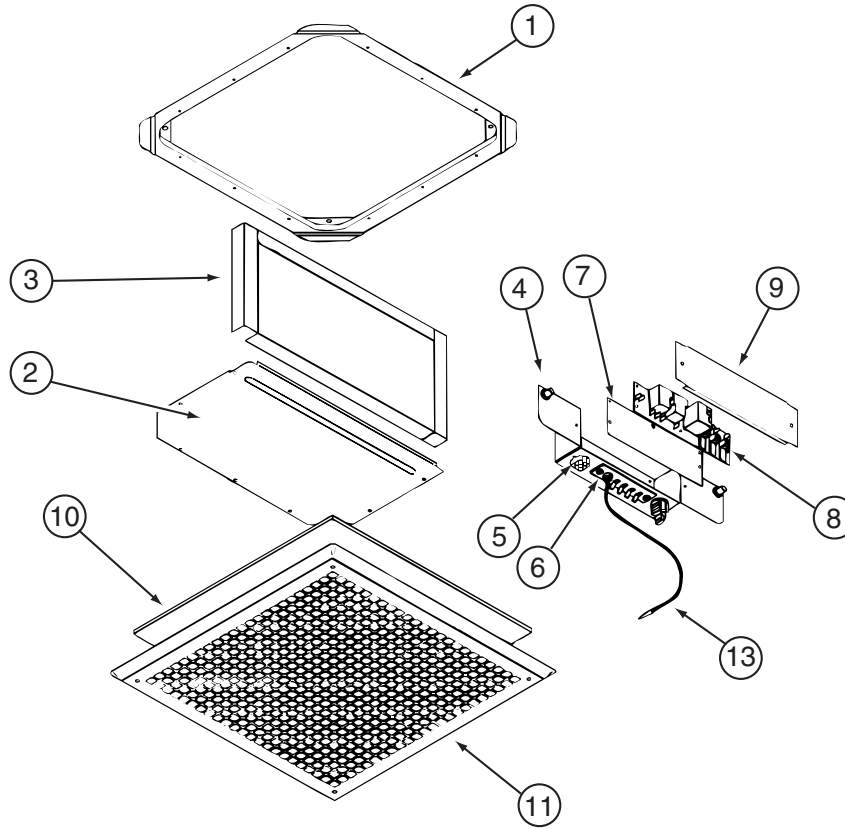
**COMPONENT PARTS FOR ROOF**

#### 131184-01-01A

| KEY | PART NUMBER   | U/M | DESCRIPTION                 | VENDOR NO. |
|-----|---------------|-----|-----------------------------|------------|
| 1   | 131184-01-707 | EA  | DUCT DIVIDER                | 8330-3501  |
| 5   | 131184-01-700 | EA  | PLUG ASSEMBLY               | 7330A389   |
| 6   | 131184-01-701 | EA  | TERMINAL BOARD              | 7330B3201  |
| 7   | 131184-01-702 | EA  | ISOLATOR - BLANK            | 7330C365   |
| 8   | 108892-01-702 | EA  | BOARD-P.C.                  | 7330A3211  |
| 10  | 108892-01-703 | EA  | FILTER                      | 6798A3761  |
| 11  | 108892-01-704 | EA  | GRILLE 16 3/8X16 3/8 RETURN | 6798-3041  |
| 12  | 131184-01-704 | EA  | COIL SENSOR                 | 7330-6111  |
| 13  | 131184-01-705 | EA  | JUNCTION BOX ASSEMBLY       | 7330B5551  |
|     | 131184-01-703 | EA  | SMALL PARTS PKG             | 8330-5961  |

CONTACT WINNEBAGO PART SALES FOR UNLISTED COMPONENT(S)

**HEATING & A/C GROUP (CONTINUED)**  
**COMPONENT PARTS FOR ROOF (CONTINUED)**

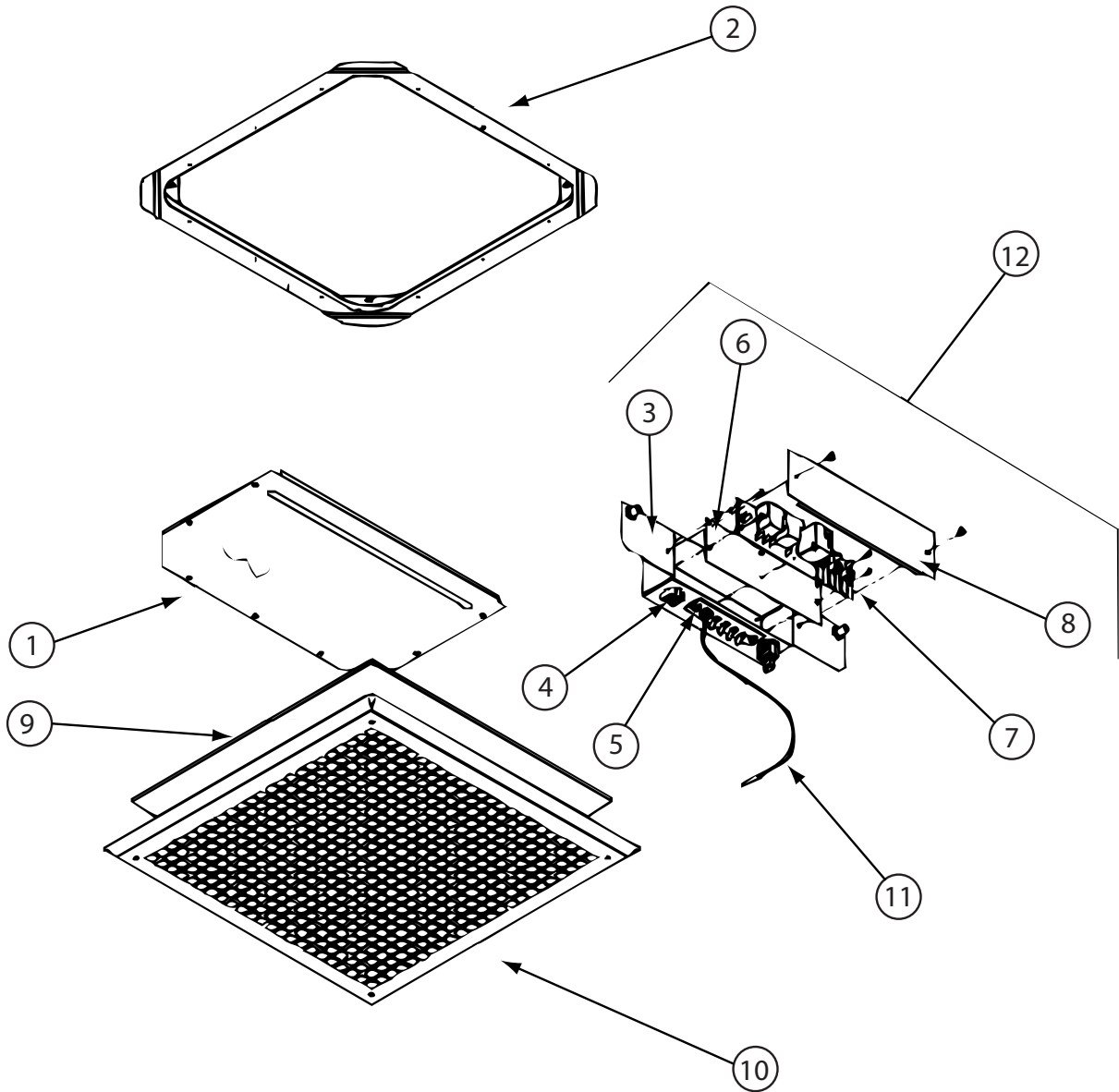


131184-05-01A

| KEY | PART NUMBER   | U/M | DESCRIPTION                 | VENDOR NO. |
|-----|---------------|-----|-----------------------------|------------|
| 4   | 131184-05-700 | EA  | BOX - JUNCTION              | 8530-5091  |
| 5   | 131184-04-700 | EA  | PLUG ASSEMBLY               | 7530A340   |
| 6   | 131184-04-702 | EA  | BOARD - TERMINAL            | 7530B3201  |
| 7   | 131184-01-702 | EA  | ISOLATOR - BLANK            | 7330C365   |
| 8   | 131184-04-705 | EA  | BOARD - P.C.                | 7330B3311  |
| 10  | 108892-01-703 | EA  | FILTER                      | 6798A3761  |
| 11  | 108892-01-704 | EA  | GRILLE 16 3/8X16 3/8 RETURN | 6798-3041  |
| 13  | 105620-12-719 | EA  | COIL SENSOR                 | 7330A3231  |
|     | 131184-01-703 | EA  | SMALL PARTS PKG             | 8330-5961  |

CONTACT WINNEBAGO PART SALES FOR UNLISTED COMPONENT(S)

**HEATING & A/C GROUP (CONTINUED)**  
**COMPONENT PARTS FOR ROOF (CONTINUED)**



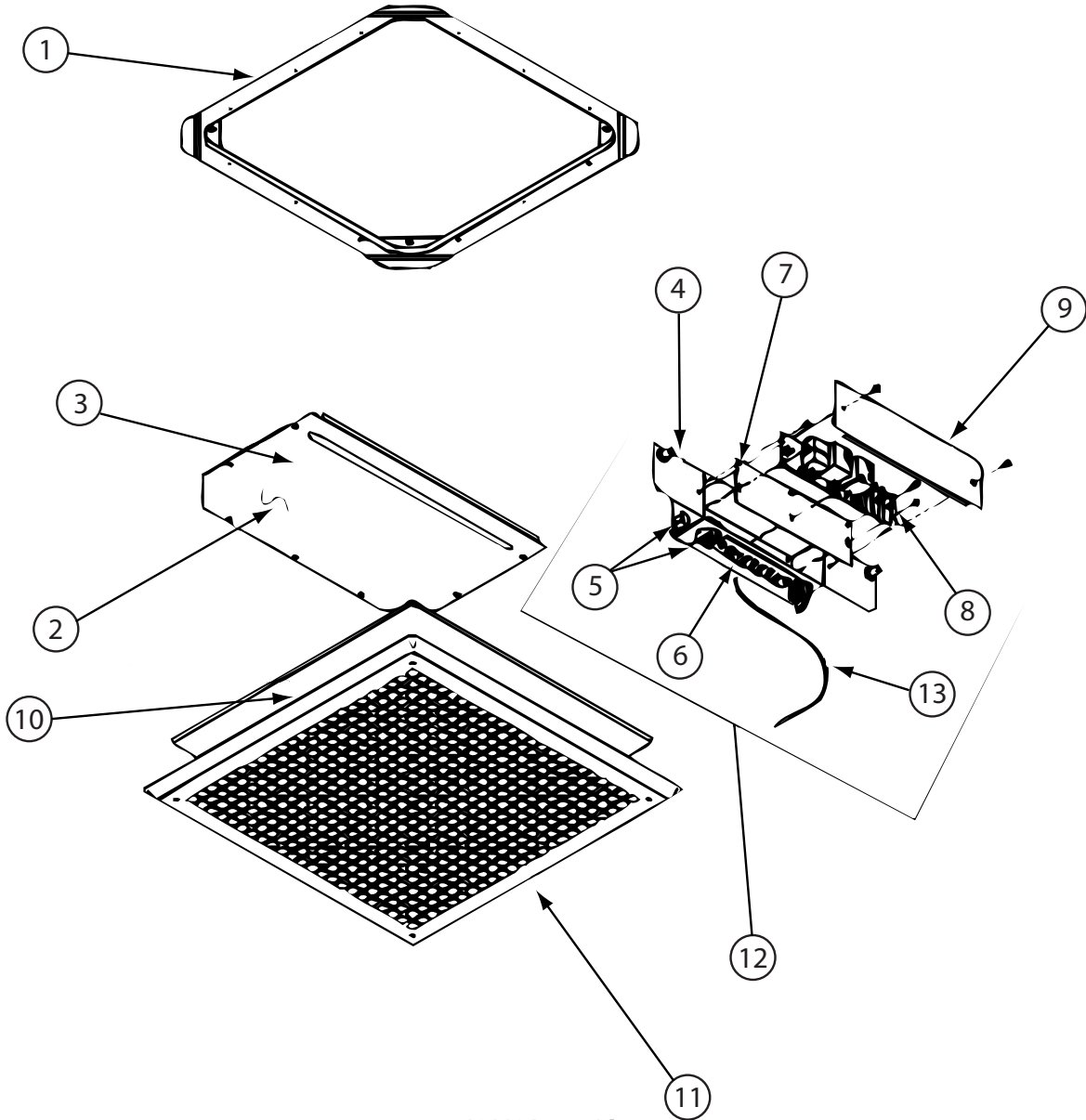
131184-06-01A

| KEY | PART NUMBER   | U/M | DESCRIPTION                 | VENDOR NO. |
|-----|---------------|-----|-----------------------------|------------|
| 4   | 131184-01-700 | EA  | PLUG ASSEMBLY               | 7330A389   |
| 5   | 131184-01-701 | EA  | TERMINAL BOARD              | 7330B3201  |
| 6   | 131184-01-702 | EA  | ISOLATOR - BLANK            | 7330C365   |
| 7   | 131184-03-700 | EA  | BOARD - P.C.                | 7330D3211  |
| 9   | 108892-01-703 | EA  | FILTER                      | 6798A3761  |
| 10  | 108892-01-704 | EA  | GRILLE 16 3/8X16 3/8 RETURN | 6798-3041  |
| 11  | 105620-12-719 | EA  | COIL SENSOR                 | 7330A3231  |
| 12  | 131184-01-705 | EA  | JUNCTION BOX ASSEMBLY       | 7330B5551  |
|     | 131184-01-703 | EA  | SMALL PARTS PKG             | 8330-5961  |
|     | 131184-01-706 | EA  | NUT/WING                    | 1200-550   |

CONTACT WINNEBAGO PART SALES FOR UNLISTED COMPONENT(S)



**HEATING & A/C GROUP (CONTINUED)**  
**COMPONENT PARTS FOR ROOF (CONTINUED)**

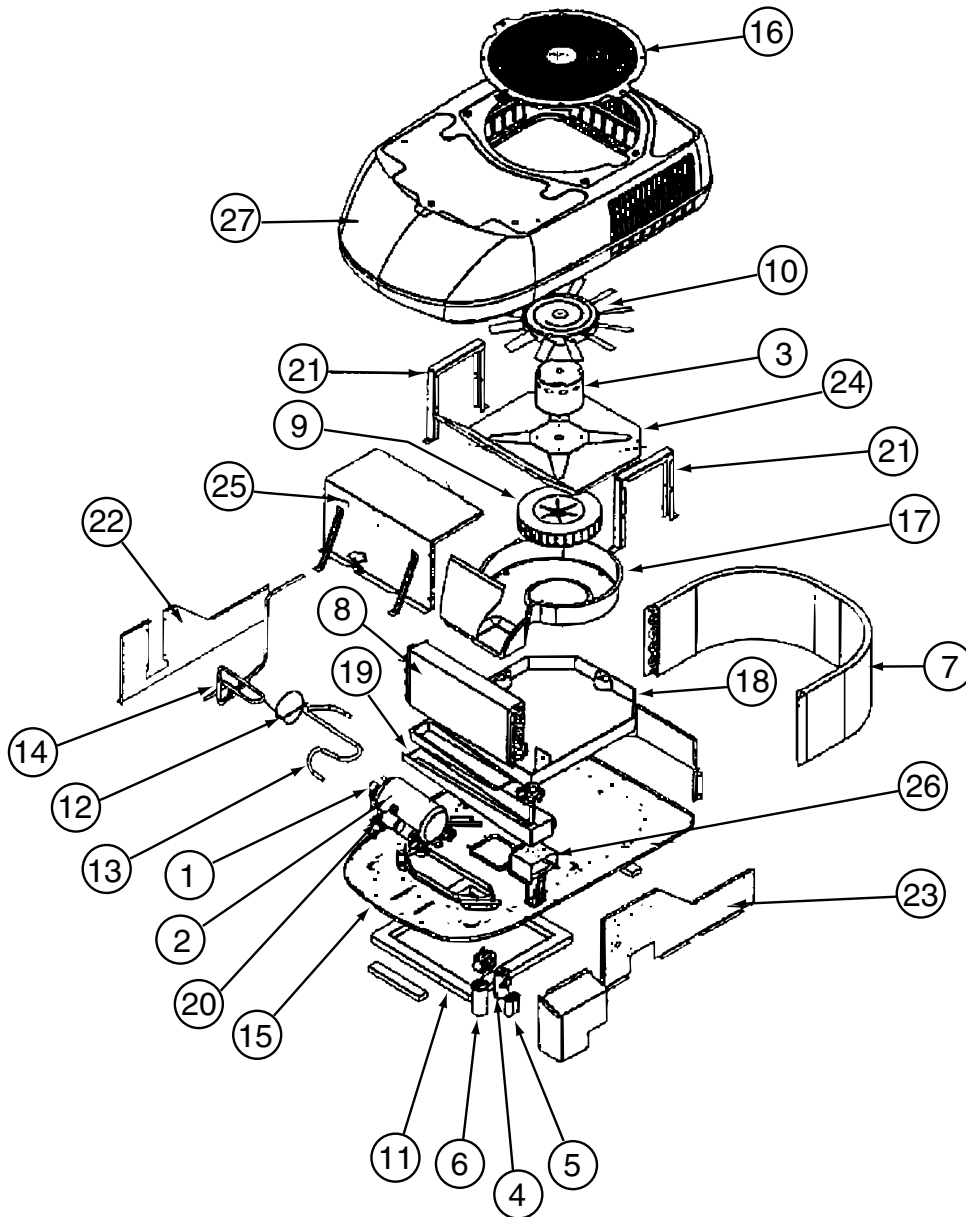


131184-07-01A

| KEY | PART NUMBER   | U/M | DESCRIPTION                  | VENDOR NO. |
|-----|---------------|-----|------------------------------|------------|
| 4   | 131184-04-703 | EA  | BOX - JUNCTION               | 7330-113   |
| 5   | 131184-04-700 | EA  | PLUG ASSEMBLY                | 7530A340   |
| 6   | 131184-04-702 | EA  | BOARD - TERMINAL             | 7530B3201  |
| 7   | 131184-01-702 | EA  | ISOLATOR - BLANK             | 7330C365   |
| 8   | 131184-04-705 | EA  | BOARD - P.C.                 | 7330B3311  |
| 10  | 108892-01-703 | EA  | FILTER                       | 6798A3761  |
| 11  | 108892-01-704 | EA  | GRILLE 16 3/8X16 3/8 RETURN  | 6798-3041  |
| 12  | 131184-04-706 | EA  | JUNCTION BOX ASM.(HEAT PUMP) | 7530-508   |
| 13  | 105620-12-719 | EA  | COIL SENSOR                  | 7330A3231  |
|     | 131184-01-706 | EA  | NUT/WING                     | 1200-550   |
|     | 131184-07-700 | EA  | SMALL PARTS PKG              | 8330-5951  |

CONTACT WINNEBAGO PART SALES FOR UNLISTED COMPONENT(S)

**HEATING & A/C GROUP (CONTINUED)**  
**COMPONENT PARTS FOR ROOF (CONTINUED)**

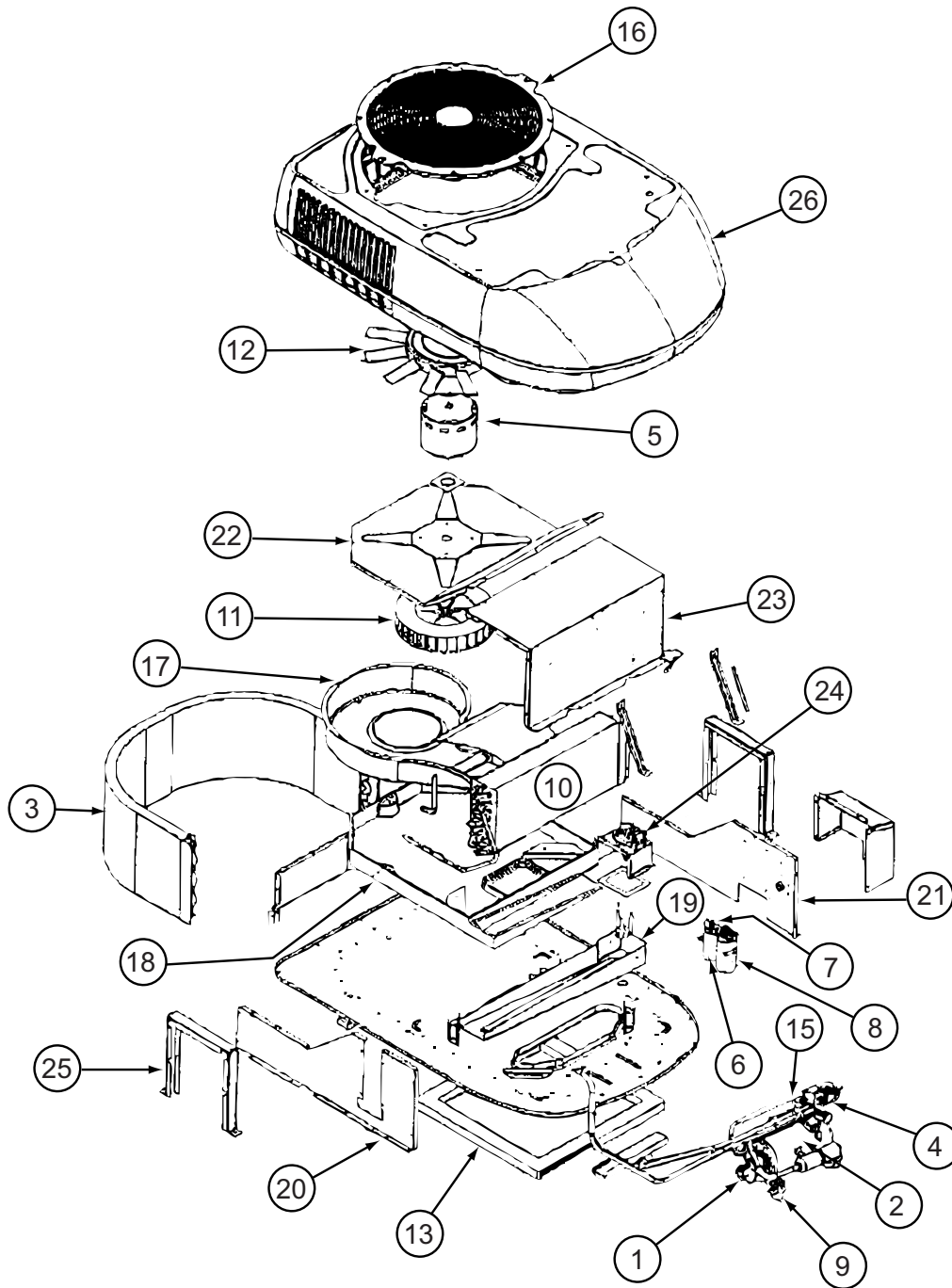


148644-01-01A

| KEY | PART NUMBER   | U/M | DESCRIPTION                  | VENDOR NO. |
|-----|---------------|-----|------------------------------|------------|
| 1   | 148644-01-701 | EA  | OVERLOAD                     | 1450-0131  |
| 2   | 148644-01-702 | EA  | COMPRESSOR                   | 1450A2189  |
| 3   | 148644-01-703 | EA  | MOTOR - BLOWER               | 1468A3239  |
| 4   | 105620-10-705 | EA  | PTCR (START DEVICE) - W/CAP. | 8333A9021  |
| 5   | 093763-01-704 | EA  | CAPACITOR-FAN (INDOOR MOTOR) | 1499-5461  |
| 6   | 131188-01-701 | EA  | RUN CAP. (COMP-40MFD/370V)   | 1499-5721  |
| 7   | 148644-01-704 | EA  | COIL-CONDENSER               | 1452-1201  |
| 8   | 148644-01-705 | EA  | COIL - EVAPORATOR            | 1452-1211  |
| 9   | 147102-01-705 | EA  | BLOWER WHEEL                 | 1472-1111  |
| 10  | 147102-01-706 | EA  | FAN BLADE                    | 1472-5021  |
| 11  | 037648-01-714 | EA  | GASKET PACKAGE               | 8332-3301  |
| 27  | 148644-01-700 | EA  | SHROUD - (ARCTIC WHITE)      | 9233A5461  |
|     | 148644-02-702 | EA  | GRILLE - F/FAN               | 9233A3151  |

CONTACT WINNEBAGO PART SALES FOR UNLISTED COMPONENT(S)

**HEATING & A/C GROUP (CONTINUED)**  
**COMPONENT PARTS FOR ROOF (CONTINUED)**

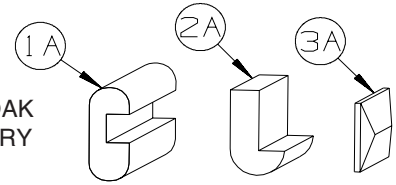


148644-02-01A

| KEY | PART NUMBER   | U/M DESCRIPTION                 | VENDOR NO. |
|-----|---------------|---------------------------------|------------|
| 1   | 148644-01-701 | EA OVERLOAD                     | 1450-0131  |
| 2   | 148644-01-702 | EA COMPRESSOR                   | 1450A2189  |
| 3   | 148644-02-700 | EA COIL - CONDENSER             | 1452-1241  |
| 4   | 105620-12-708 | EA COIL - SOLENOID              | 1460-1081  |
| 5   | 148644-01-703 | EA MOTOR - BLOWER               | 1468A3239  |
| 6   | 105620-10-705 | EA PTCR (START DEVICE) - W/CAP. | 8333A9021  |
| 7   | 093763-01-704 | EA CAPACITOR-FAN (INDOOR MOTOR) | 1499-5461  |
| 8   | 131188-01-701 | EA RUN CAP. (COMP-40MFD/370V)   | 1499-5721  |
| 10  | 148644-02-701 | EA COIL - EVAPORATOR            | 1452-1261  |
| 11  | 147102-01-705 | EA BLOWER WHEEL                 | 1472-1111  |
| 12  | 147102-01-706 | EA FAN BLADE                    | 1472-5021  |
| 13  | 037648-01-714 | EA GASKET PACKAGE               | 8332-3301  |
| 16  | 148644-02-702 | EA GRILLE - F/FAN               | 9233A3151  |
| 26  | 148644-01-700 | EA SHROUD - (ARCTIC WHITE)      | 9233A5461  |

CONTACT WINNEBAGO PART SALES FOR UNLISTED COMPONENT(S)

**INTERIOR FINISH GROUP**  
**MOLDINGS & TRIMS**  
**WASHED MAPLE, SIERRA MAPLE**



| KEY | PART NUMBER   | U/M | DESCRIPTION  |
|-----|---------------|-----|--|
| 1A  | M09412-62-N42 | EA  | MOLDING/SHELF EDGE - .6" X 1.3" X 96" - PORTSMOUTH OAK         |
| 1A  | M09412-62-M52 | EA  | MOLDING/SHELF EDGE - .6" X 1.3" X 96" - CONCERT CHERRY         |
| 1A  | M09412-62-M62 | EA  | MOLDING/SHELF EDGE - .6" X 1.3" X 96" - WASHED MAPLE           |
| 1A  | M09412-62-RC3 | EA  | MOLDING/SHELF EDGE - .6" X 1.3" X 96" - HONEY CHERRY           |
| 1A  | M09412-62-SA3 | EA  | MOLDING/SHELF EDGE - .6" X 1.3" X 96" - SIERRA MAPLE           |
| 2A  | M09511-43-T77 | EA  | MOLDING - TRIM - W/NOTCH - .8" X 1.4" X 86.3" - PORTSMOUT OAK  |
| 2A  | M09525-80-UM1 | EA  | MOLDING - TRIM - W/NOTCH - .8" X 1.4" X 86.5" - CONCERT CHERRY |
| 2A  | M09525-80-U91 | EA  | MOLDING - TRIM - W/NOTCH - .8" X 1.4" X 86.5" - WASHED MAPLE   |
| 2A  | M09525-80-U92 | EA  | MOLDING - TRIM - W/NOTCH - .8" X 1.4" X 86.5" - SIERRA MAPLE   |
| 2A  | M09525-80-Y92 | EA  | MOLDING - TRIM - W/NOTCH - .8" X 1.4" X 86.5" - HONEY CHERRY   |
| 2A  | M09501-85-TG3 | EA  | MOLDING/TRIM - W/NOTCH - 4" X 86.06" - HONEY CHERRY            |
| 2A  | M09501-32-TG1 | EA  | MOLDING/TRIM - W/NOTCH - .8" X 2.5" X 86.2" - CONCERT CHERRY   |
| 2A  | M09501-32-TG2 | EA  | MOLDING/TRIM - W/NOTCH - .8" X 2.5" X 86.2" - WASHED MAPLE     |
| 2A  | M09501-32-TD3 | EA  | MOLDING/TRIM - W/NOTCH - .8" X 2.5" X 86.2" - SIERRA MAPLE     |
| 2A  | M09501-32-TG3 | EA  | MOLDING/TRIM - W/NOTCH - .8" X 2.5" X 86.2" - HONEY CHERRY     |
| 2A  | M09515-72-TD0 | EA  | MOLDING/TRIM - .8" X 2.2" X 86.1" - PORTSMOUTH OAK             |
| 2A  | M09515-72-TD1 | EA  | MOLDING/TRIM - .8" X 2.2" X 86.1" - CONCERT CHERRY             |
| 2A  | M09515-72-TD2 | EA  | MOLDING/TRIM - .8" X 2.2" X 86.1" - WASHED MAPLE               |
| 2A  | M09515-72-TD3 | EA  | MOLDING/TRIM - .8" X 2.2" X 86.1" - SIERRA MAPLE               |
| 2A  | M09511-44-T77 | EA  | MOLDING - TRIM - W/NOTCH - 1" X 86.4" - PORTSMOUTH OAK         |
| 2A  | M09511-44-T78 | EA  | MOLDING - TRIM - W/NOTCH - 1" X 86.4" - CONCERT CHERRY         |
| 2A  | M09511-44-T79 | EA  | MOLDING - TRIM - W/NOTCH - 1" X 86.4" - WASHED MAPLE           |
| 2A  | M09511-44-T80 | EA  | MOLDING - TRIM - W/NOTCH - 1" X 86.4" - HONEY CHERRY           |
| 2A  | M09438-25-RA3 | EA  | MOLDING - HARDWOOD-W/NOTCH - 1.4"X 80.2" - HONEY CHERRY        |
| 3A  | M09477-63-S46 | EA  | MOLDING - TRIM/VEE-W/CUT ENDS - 1"X 64.1" - PORTSMOUTH OAK     |
| 3A  | M09477-63-S47 | EA  | MOLDING - TRIM/VEE-W/CUT ENDS - 1"X 64.1" - CONCERT CHERRY     |
| 3A  | M09477-63-S48 | EA  | MOLDING - TRIM/VEE-W/CUT ENDS - 1"X 64.1" - WASHED MAPLE       |
| 3A  | M09477-63-W51 | EA  | MOLDING - TRIM/VEE-W/CUT ENDS - 1"X 64.1" - HONEY CHERRY       |
| 3A  | M09477-64-S46 | EA  | MOLDING - TRIM/VEE-W/CUT ENDS - 1"X 14.9" - PORTSMOUTH OAK     |
| 3A  | M09477-64-S47 | EA  | MOLDING - TRIM/VEE-W/CUT ENDS - 1"X 14.9" - CONCERT CHERRY     |
| 3A  | M09477-64-S48 | EA  | MOLDING - TRIM/VEE-W/CUT ENDS - 1"X 14.9" - WASHED MAPLE       |
| 3A  | M09477-64-W51 | EA  | MOLDING - TRIM/VEE-W/CUT ENDS - 1"X 14.9" - HONEY CHERRY       |
| 3A  | M09501-30-SD0 | EA  | MOLDING - TRIM/VEE - .2" X 1" X 35.1" - PORTSMOUTH OAK         |
| 3A  | M09501-30-SD1 | EA  | MOLDING - TRIM/VEE - .2" X 1" X 35.1" - CONCERT CHERRY         |
| 3A  | M09501-30-SD2 | EA  | MOLDING - TRIM/VEE - .2" X 1" X 35.1" - WASHED MAPLE           |
| 3A  | M09501-30-SD3 | EA  | MOLDING - TRIM/VEE - .2" X 1" X 35.1" - HONEY CHERRY           |
| 3A  | M09515-97-WL4 | EA  | MOLDING - TRIM/VEE - .2" X 1" X 32.6" - CONCERT CHERRY         |
| 3A  | M09515-97-WL5 | EA  | MOLDING - TRIM/VEE - .2" X 1" X 32.6" - WASHED MAPLE           |
| 3A  | M09515-97-WL6 | EA  | MOLDING - TRIM/VEE - .2" X 1" X 32.6" - HONEY CHERRY           |
| 3A  | M09534-17-UF3 | EA  | MOLDING - TRIM/VEE - .2" X 1" X 20.1" - SIERRA MAPLE           |
| 3A  | M09534-17-UJ1 | EA  | MOLDING - TRIM/VEE - .2" X 1" X 20.1" - CONCERT CHERRY         |
| 3A  | M09534-17-UJ2 | EA  | MOLDING - TRIM/VEE - .2" X 1" X 20.1" - WASHED MAPLE           |
| 3A  | M09534-17-UJ3 | EA  | MOLDING - TRIM/VEE - .2" X 1" X 20.1" - HONEY CHERRY           |
| 3A  | M09477-88-S34 | EA  | MOLDING - TRIM/VEE - .2" X 1" X 19.9" - WASHED MAPLE           |
| 3A  | M09477-88-S35 | EA  | MOLDING - TRIM/VEE - .2" X 1" X 19.9" - SIERRA MAPLE           |
| 3A  | M09568-03-W51 | EA  | MOLDING - TRIM/VEE - .2" X 1" X 19.8" - HONEY CHERRY           |
| 3A  | M09568-03-W52 | EA  | MOLDING - TRIM/VEE - .2" X 1" X 19.8" - WASHED MAPLE           |
| 3A  | M09565-51-W51 | EA  | MOLDING - TRIM/VEE - .2" X 1" X 19.4" - HONEY CHERRY           |
| 3A  | M09565-51-W52 | EA  | MOLDING - TRIM/VEE - .2" X 1" X 19.4" - WASHED MAPLE           |
| 3A  | M09553-79-W66 | EA  | MOLDING - TRIM/VEE - .2" X 1" X 15.6" - HONEY CHERRY           |
| 3A  | M09515-10-W66 | EA  | MOLDING - TRIM/VEE - .2" X 1" X 15.4" - HONEY CHERRY           |
| 3A  | M09501-63-T78 | EA  | MOLDING - TRIM/VEE - .2" X 1" X 15" - CONCERT CHERRY           |
| 3A  | M09501-63-T79 | EA  | MOLDING - TRIM/VEE - .2" X 1" X 15" - WASHED MAPLE             |
| 3A  | M09501-63-T80 | EA  | MOLDING - TRIM/VEE - .2" X 1" X 15" - SIERRA MAPLE             |
| 3A  | M09501-63-W66 | EA  | MOLDING - TRIM/VEE - .2" X 1" X 15" - HONEY CHERRY             |
| 3A  | M09553-09-W66 | EA  | MOLDING - TRIM/VEE - .2" X 1" X 13.4" - HONEY CHERRY           |
| 3A  | M09566-04-WD3 | EA  | MOLDING - TRIM/VEE - .2" X 1" X 8.9" - HONEY CHERRY            |
| 3A  | M09553-29-WH4 | EA  | MOLDING - TRIM/VEE - .4" X 1" X 94.4" - CONCERT CHERRY         |
| 3A  | M09553-29-WH5 | EA  | MOLDING - TRIM/VEE - .4" X 1" X 94.4" - WASHED MAPLE           |
| 3A  | M09553-29-WH6 | EA  | MOLDING - TRIM/VEE - .4" X 1" X 94.4" - SIERRA MAPLE           |
| 3A  | M09565-04-WH4 | EA  | MOLDING - TRIM/VEE - .4" X 1" X 89.5" - CONCERT CHERRY         |

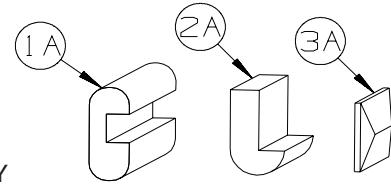
## INTERIOR FINISH GROUP (CONTINUED)

### MOLDINGS & TRIMS (CONTINUED)

| KEY | PART NUMBER   | U/M | DESCRIPTION  |
|-----|---------------|-----|--|
| 3A  | M09565-04-WH5 | EA  | MOLDING - TRIM/VEE - .4" X 1" X 89.5" - WASHED MAPLE   |
| 3A  | M09565-04-WH6 | EA  | MOLDING - TRIM/VEE - .4" X 1" X 89.5" - SIERRA MAPLE   |
| 3A  | M09544-86-W37 | EA  | MOLDING - TRIM/VEE - .4" X 1" X 88.1" - WASHED MAPLE   |
| 3A  | M09544-86-W38 | EA  | MOLDING - TRIM/VEE - .4" X 1" X 88.1" - SIERRA MAPLE   |
| 3A  | M09538-39-U67 | EA  | MOLDING - TRIM/VEE - .4" X 1" X 82.6" - WASHED MAPLE   |
| 3A  | M09538-39-U68 | EA  | MOLDING - TRIM/VEE - .4" X 1" X 82.6" - SIERRA MAPLE   |
| 3A  | M09553-62-WH4 | EA  | MOLDING - TRIM/VEE - .4" X 1" X 81.4" - CONCERT CHERRY |
| 3A  | M09553-62-WH5 | EA  | MOLDING - TRIM/VEE - .4" X 1" X 81.4" - WASHED MAPLE   |
| 3A  | M09553-62-WH6 | EA  | MOLDING - TRIM/VEE - .4" X 1" X 81.4" - SIERRA MAPLE   |
| 3A  | M09577-98-WH4 | EA  | MOLDING - TRIM/VEE - .4" X 1" X 80.2" - CONCERT CHERRY |
| 3A  | M09577-98-WH5 | EA  | MOLDING - TRIM/VEE - .4" X 1" X 80.2" - WASHED MAPLE   |
| 3A  | M09577-98-WH6 | EA  | MOLDING - TRIM/VEE - .4" X 1" X 80.2" - SIERRA MAPLE   |
| 3A  | M09544-37-W37 | EA  | MOLDING - TRIM/VEE - .4" X 1" X 78.8" - WASHED MAPLE   |
| 3A  | M09544-37-W38 | EA  | MOLDING - TRIM/VEE - .4" X 1" X 78.8" - SIERRA MAPLE   |
| 3A  | M09544-34-W37 | EA  | MOLDING - TRIM/VEE - .4" X 1" X 78.7" - WASHED MAPLE   |
| 3A  | M09544-34-W38 | EA  | MOLDING - TRIM/VEE - .4" X 1" X 78.7" - SIERRA MAPLE   |
| 3A  | M09538-37-U67 | EA  | MOLDING - TRIM/VEE - .4" X 1" X 77.5" - WASHED MAPLE   |
| 3A  | M09538-37-U68 | EA  | MOLDING - TRIM/VEE - .4" X 1" X 77.5" - SIERRA MAPLE   |
| 3A  | M09553-65-WH4 | EA  | MOLDING - TRIM/VEE - .4" X 1" X 77" - CONCERT CHERRY   |
| 3A  | M09553-65-WH5 | EA  | MOLDING - TRIM/VEE - .4" X 1" X 77" - WASHED MAPLE     |
| 3A  | M09553-65-WH6 | EA  | MOLDING - TRIM/VEE - .4" X 1" X 77" - SIERRA MAPLE     |
| 3A  | M09553-64-WH4 | EA  | MOLDING - TRIM/VEE - .4" X 1" X 76.7" - CONCERT CHERRY |
| 3A  | M09553-64-WH5 | EA  | MOLDING - TRIM/VEE - .4" X 1" X 76.7" - WASHED MAPLE   |
| 3A  | M09553-64-WH6 | EA  | MOLDING - TRIM/VEE - .4" X 1" X 76.7" - SIERRA MAPLE   |
| 3A  | M09565-75-WH4 | EA  | MOLDING - TRIM/VEE - .4" X 1" X 75.9" - CONCERT CHERRY |
| 3A  | M09565-75-WH5 | EA  | MOLDING - TRIM/VEE - .4" X 1" X 75.9" - WASHED MAPLE   |
| 3A  | M09565-75-WH6 | EA  | MOLDING - TRIM/VEE - .4" X 1" X 75.9" - SIERRA MAPLE   |
| 3A  | M09565-02-WH4 | EA  | MOLDING - TRIM/VEE - .4" X 1" X 75.1" - CONCERT CHERRY |
| 3A  | M09565-02-WH5 | EA  | MOLDING - TRIM/VEE - .4" X 1" X 75.1" - WASHED MAPLE   |
| 3A  | M09565-02-WH6 | EA  | MOLDING - TRIM/VEE - .4" X 1" X 75.1" - SIERRA MAPLE   |
| 3A  | M09553-26-WH4 | EA  | MOLDING - TRIM/VEE - .4" X 1" X 74.1" - CONCERT CHERRY |
| 3A  | M09553-26-WH5 | EA  | MOLDING - TRIM/VEE - .4" X 1" X 74.1" - WASHED MAPLE   |
| 3A  | M09553-26-WH6 | EA  | MOLDING - TRIM/VEE - .4" X 1" X 74.1" - SIERRA MAPLE   |
| 3A  | M09538-91-WH4 | EA  | MOLDING - TRIM/VEE - .4" X 1" X 73.8" - CONCERT CHERRY |
| 3A  | M09538-91-WH5 | EA  | MOLDING - TRIM/VEE - .4" X 1" X 73.8" - WASHED MAPLE   |
| 3A  | M09538-91-WH6 | EA  | MOLDING - TRIM/VEE - .4" X 1" X 73.8" - SIERRA MAPLE   |
| 3A  | M09553-22-WH4 | EA  | MOLDING - TRIM/VEE - .4" X 1" X 73.2" - CONCERT CHERRY |
| 3A  | M09553-22-WH5 | EA  | MOLDING - TRIM/VEE - .4" X 1" X 73.2" - WASHED MAPLE   |
| 3A  | M09553-22-WH6 | EA  | MOLDING - TRIM/VEE - .4" X 1" X 73.2" - SIERRA MAPLE   |
| 3A  | M09565-97-WH4 | EA  | MOLDING - TRIM/VEE - .4" X 1" X 72.6" - CONCERT CHERRY |
| 3A  | M09565-97-WH5 | EA  | MOLDING - TRIM/VEE - .4" X 1" X 72.6" - WASHED MAPLE   |
| 3A  | M09565-97-WH6 | EA  | MOLDING - TRIM/VEE - .4" X 1" X 72.6" - SIERRA MAPLE   |
| 3A  | M09568-12-WH4 | EA  | MOLDING - TRIM/VEE - .4" X 1" X 71.9" - CONCERT CHERRY |
| 3A  | M09568-12-WH5 | EA  | MOLDING - TRIM/VEE - .4" X 1" X 71.9" - WASHED MAPLE   |
| 3A  | M09568-12-WH6 | EA  | MOLDING - TRIM/VEE - .4" X 1" X 71.9" - SIERRA MAPLE   |
| 3A  | M09565-01-WH4 | EA  | MOLDING - TRIM/VEE - .4" X 1" X 71.7" - CONCERT CHERRY |
| 3A  | M09565-01-WH5 | EA  | MOLDING - TRIM/VEE - .4" X 1" X 71.7" - WASHED MAPLE   |
| 3A  | M09565-01-WH6 | EA  | MOLDING - TRIM/VEE - .4" X 1" X 71.7" - SIERRA MAPLE   |
| 3A  | M09565-01-YR3 | EA  | MOLDING - TRIM/VEE - .4" X 1" X 71.7" - HONEY CHERRY   |
| 3A  | M09544-15-WB4 | EA  | MOLDING - TRIM/VEE - .4" X 1" X 64.5" - CONCERT CHERRY |
| 3A  | M09544-15-WB5 | EA  | MOLDING - TRIM/VEE - .4" X 1" X 64.5" - WASHED MAPLE   |
| 3A  | M09544-15-WB6 | EA  | MOLDING - TRIM/VEE - .4" X 1" X 64.5" - SIERRA MAPLE   |
| 3A  | M09538-94-WH4 | EA  | MOLDING - TRIM/VEE - .4" X 1" X 71.1" - CONCERT CHERRY |
| 3A  | M09538-94-WH5 | EA  | MOLDING - TRIM/VEE - .4" X 1" X 71.1" - WASHED MAPLE   |
| 3A  | M09538-94-WH6 | EA  | MOLDING - TRIM/VEE - .4" X 1" X 71.1" - SIERRA MAPLE   |
| 3A  | M09565-78-WH4 | EA  | MOLDING - TRIM/VEE - .4" X 1" X 70.2" - CONCERT CHERRY |
| 3A  | M09565-78-WH5 | EA  | MOLDING - TRIM/VEE - .4" X 1" X 70.2" - WASHED MAPLE   |
| 3A  | M09565-78-WH6 | EA  | MOLDING - TRIM/VEE - .4" X 1" X 70.2" - SIERRA MAPLE   |
| 3A  | M09553-21-WH4 | EA  | MOLDING - TRIM/VEE - .4" X 1" X 70.1" - CONCERT CHERRY |
| 3A  | M09553-21-WH5 | EA  | MOLDING - TRIM/VEE - .4" X 1" X 70.1" - WASHED MAPLE   |
| 3A  | M09553-21-WH6 | EA  | MOLDING - TRIM/VEE - .4" X 1" X 70.1" - SIERRA MAPLE   |
| 3A  | M09501-92-T77 | EA  | MOLDING - TRIM/VEE - .4" X 1" X 70" - PORTSMOUTH OAK   |
| 3A  | M09501-92-T78 | EA  | MOLDING - TRIM/VEE - .4" X 1" X 70" - CONCERT CHERRY   |
| 3A  | M09501-92-T79 | EA  | MOLDING - TRIM/VEE - .4" X 1" X 70" - WASHED MAPLE     |



**INTERIOR FINISH GROUP (CONTINUED)**  
**MOLDINGS & TRIMS (CONTINUED)**



| KEY | PART NUMBER   | U/M | DESCRIPTION  |
|-----|---------------|-----|--|
| 3A  | M09501-92-T80 | EA  | MOLDING - TRIM/VEE - .4" X 1" X 70" - SIERRA MAPLE     |
| 3A  | M09538-27-WH4 | EA  | MOLDING - TRIM/VEE - .4" X 1" X 71.1" - CONCERT CHERRY |
| 3A  | M09538-27-U67 | EA  | MOLDING - TRIM/VEE - .4" X 1" X 71.1" - WASHED MAPLE   |
| 3A  | M09538-27-U68 | EA  | MOLDING - TRIM/VEE - .4" X 1" X 71.1" - SIERRA MAPLE   |
| 3A  | M09544-10-WH4 | EA  | MOLDING - TRIM/VEE - .4" X 1" X 68.2" - CONCERT CHERRY |
| 3A  | M09544-10-W91 | EA  | MOLDING - TRIM/VEE - .4" X 1" X 68.2" - WASHED MAPLE   |
| 3A  | M09544-10-W92 | EA  | MOLDING - TRIM/VEE - .4" X 1" X 68.2" - SIERRA MAPLE   |
| 3A  | M09553-03-WH4 | EA  | MOLDING - TRIM/VEE - .4" X 1" X 66.7" - CONCERT CHERRY |
| 3A  | M09553-03-WH5 | EA  | MOLDING - TRIM/VEE - .4" X 1" X 66.7" - WASHED MAPLE   |
| 3A  | M09553-03-WH6 | EA  | MOLDING - TRIM/VEE - .4" X 1" X 66.7" - SIERRA MAPLE   |
| 3A  | M09553-03-YR3 | EA  | MOLDING - TRIM/VEE - .4" X 1" X 66.7" - HONEY CHERRY   |
| 3A  | M09538-93-WH4 | EA  | MOLDING - TRIM/VEE - .4" X 1" X 66.6" - CONCERT CHERRY |
| 3A  | M09538-93-WH5 | EA  | MOLDING - TRIM/VEE - .4" X 1" X 66.6" - WASHED MAPLE   |
| 3A  | M09538-93-WH6 | EA  | MOLDING - TRIM/VEE - .4" X 1" X 66.6" - SIERRA MAPLE   |
| 3A  | M09544-33-W37 | EA  | MOLDING - TRIM/VEE - .4" X 1" X 66.5" - SIERRA MAPLE   |
| 3A  | M09544-33-W38 | EA  | MOLDING - TRIM/VEE - .4" X 1" X 66.5" - WASHED MAPLE   |
| 3A  | M09553-02-WH4 | EA  | MOLDING - TRIM/VEE - .4" X 1" X 66.4" - CONCERT CHERRY |
| 3A  | M09553-02-WH5 | EA  | MOLDING - TRIM/VEE - .4" X 1" X 66.4" - WASHED MAPLE   |
| 3A  | M09553-02-WH6 | EA  | MOLDING - TRIM/VEE - .4" X 1" X 66.4" - SIERRA MAPLE   |
| 3A  | M09544-14-WB4 | EA  | MOLDING - TRIM/VEE - .4" X 1" X 64.5" - CONCERT CHERRY |
| 3A  | M09544-14-WB5 | EA  | MOLDING - TRIM/VEE - .4" X 1" X 64.5" - WASHED MAPLE   |
| 3A  | M09544-14-WB6 | EA  | MOLDING - TRIM/VEE - .4" X 1" X 64.5" - SIERRA MAPLE   |
| 3A  | M09515-78-T77 | EA  | MOLDING - TRIM/VEE - .4" X 1" X 64.1" - PORTSMOUTH OAK |
| 3A  | M09515-78-T78 | EA  | MOLDING - TRIM/VEE - .4" X 1" X 64.1" - CONCERT CHERRY |
| 3A  | M09515-78-T79 | EA  | MOLDING - TRIM/VEE - .4" X 1" X 64.1" - WASHED MAPLE   |
| 3A  | M09515-78-T80 | EA  | MOLDING - TRIM/VEE - .4" X 1" X 64.1" - SIERRA MAPLE   |
| 3A  | M09501-91-T77 | EA  | MOLDING - TRIM/VEE - .4" X 1" X 63.3" - PORTSMOUTH OAK |
| 3A  | M09501-91-T78 | EA  | MOLDING - TRIM/VEE - .4" X 1" X 63.3" - CONCERT CHERRY |
| 3A  | M09501-91-T79 | EA  | MOLDING - TRIM/VEE - .4" X 1" X 63.3" - WASHED MAPLE   |
| 3A  | M09501-91-T80 | EA  | MOLDING - TRIM/VEE - .4" X 1" X 63.3" - SIERRA MAPLE   |
| 3A  | M09503-91-T77 | EA  | MOLDING - TRIM/VEE - .4" X 1" X 63.1" - PORTSMOUTH OAK |
| 3A  | M09503-91-T78 | EA  | MOLDING - TRIM/VEE - .4" X 1" X 63.1" - CONCERT CHERRY |
| 3A  | M09503-91-T79 | EA  | MOLDING - TRIM/VEE - .4" X 1" X 63.1" - WASHED MAPLE   |
| 3A  | M09503-91-T80 | EA  | MOLDING - TRIM/VEE - .4" X 1" X 63.1" - SIERRA MAPLE   |
| 3A  | M09544-22-WB4 | EA  | MOLDING - TRIM/VEE - .4" X 1" X 61.7" - CONCERT CHERRY |
| 3A  | M09544-22-WB5 | EA  | MOLDING - TRIM/VEE - .4" X 1" X 61.7" - WASHED MAPLE   |
| 3A  | M09544-22-WB6 | EA  | MOLDING - TRIM/VEE - .4" X 1" X 61.7" - SIERRA MAPLE   |
| 3A  | M09583-41-WH4 | EA  | MOLDING - TRIM/VEE - .4" X 1" X 61" - CONCERT CHERRY   |
| 3A  | M09583-41-WH5 | EA  | MOLDING - TRIM/VEE - .4" X 1" X 61" - WASHED MAPLE     |
| 3A  | M09583-41-WH6 | EA  | MOLDING - TRIM/VEE - .4" X 1" X 61" - SIERRA MAPLE     |
| 3A  | M09565-49-WH4 | EA  | MOLDING - TRIM/VEE - .4" X 1" X 58.7" - CONCERT CHERRY |
| 3A  | M09565-49-WH5 | EA  | MOLDING - TRIM/VEE - .4" X 1" X 58.7" - WASHED MAPLE   |
| 3A  | M09565-49-WH6 | EA  | MOLDING - TRIM/VEE - .4" X 1" X 58.7" - SIERRA MAPLE   |
| 3A  | M09544-36-W37 | EA  | MOLDING - TRIM/VEE - .4" X 1" X 52.6" - WASHED MAPLE   |
| 3A  | M09544-36-W38 | EA  | MOLDING - TRIM/VEE - .4" X 1" X 52.6.5" - SIERRA MAPLE |
| 3A  | M09553-85-WB4 | EA  | MOLDING - TRIM/VEE - .4" X 1" X 43.4" - CONCERT CHERRY |
| 3A  | M09553-85-WB5 | EA  | MOLDING - TRIM/VEE - .4" X 1" X 43.4" - WASHED MAPLE   |
| 3A  | M09553-85-WB6 | EA  | MOLDING - TRIM/VEE - .4" X 1" X 43.4" - SIERRA MAPLE   |
| 3A  | M09553-28-WH4 | EA  | MOLDING - TRIM/VEE - .4" X 1" X 48" - CONCERT CHERRY   |
| 3A  | M09553-28-WH5 | EA  | MOLDING - TRIM/VEE - .4" X 1" X 48" - WASHED MAPLE     |
| 3A  | M09553-28-WH6 | EA  | MOLDING - TRIM/VEE - .4" X 1" X 48" - SIERRA MAPLE     |
| 3A  | M09553-60-WH4 | EA  | MOLDING - TRIM/VEE - .4" X 1" X 47.2" - CONCERT CHERRY |
| 3A  | M09553-60-WH5 | EA  | MOLDING - TRIM/VEE - .4" X 1" X 47.2" - WASHED MAPLE   |
| 3A  | M09553-60-WH6 | EA  | MOLDING - TRIM/VEE - .4" X 1" X 47.2" - SIERRA MAPLE   |
| 3A  | M09544-24-WB4 | EA  | MOLDING - TRIM/VEE - .4" X 1" X 46.2" - CONCERT CHERRY |
| 3A  | M09544-24-WB5 | EA  | MOLDING - TRIM/VEE - .4" X 1" X 46.2" - WASHED MAPLE   |
| 3A  | M09544-24-WB6 | EA  | MOLDING - TRIM/VEE - .4" X 1" X 46.2" - SIERRA MAPLE   |
| 3A  | M09565-77-WH4 | EA  | MOLDING - TRIM/VEE - .4" X 1" X 42.5" - CONCERT CHERRY |
| 3A  | M09565-77-WH5 | EA  | MOLDING - TRIM/VEE - .4" X 1" X 42.5" - WASHED MAPLE   |
| 3A  | M09565-77-WH6 | EA  | MOLDING - TRIM/VEE - .4" X 1" X 42.5" - SIERRA MAPLE   |
| 3A  | M09544-35-W37 | EA  | MOLDING - TRIM/VEE - .4" X 1" X 66.5" - SIERRA MAPLE   |
| 3A  | M09544-35-W38 | EA  | MOLDING - TRIM/VEE - .4" X 1" X 66.5" - WASHED MAPLE   |

**INTERIOR FINISH GROUP (CONTINUED)**  
**MOLDINGS & TRIMS (CONTINUED)**

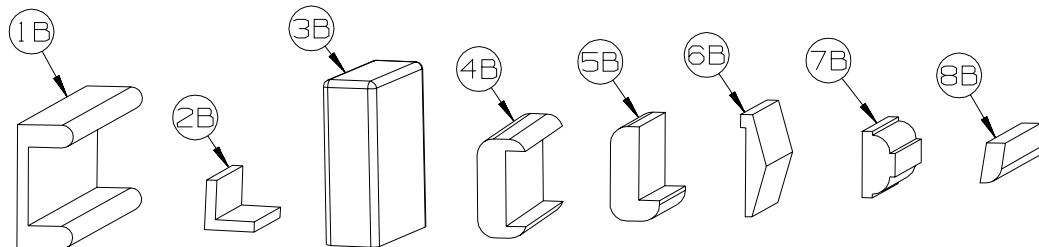
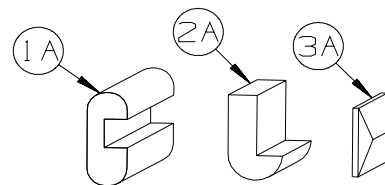
| KEY | PART NUMBER   | U/M | DESCRIPTION  |
|-----|---------------|-----|--|
| 3A  | M09544-38-W37 | EA  | MOLDING - TRIM/VEE - .4" X 1" X 66.5" - SIERRA MAPLE   |
| 3A  | M09544-38-W38 | EA  | MOLDING - TRIM/VEE - .4" X 1" X 66.5" - WASHED MAPLE   |
| 3A  | M09565-03-WH4 | EA  | MOLDING - TRIM/VEE - .4" X 1" X 44.2" - CONCERT CHERRY |
| 3A  | M09565-03-WH5 | EA  | MOLDING - TRIM/VEE - .4" X 1" X 44.2" - WASHED MAPLE   |
| 3A  | M09565-03-WH6 | EA  | MOLDING - TRIM/VEE - .4" X 1" X 44.2" - SIERRA MAPLE   |
| 3A  | M09565-20-WH4 | EA  | MOLDING - TRIM/VEE - .4" X 1" X 43.2" - CONCERT CHERRY |
| 3A  | M09565-20-WH5 | EA  | MOLDING - TRIM/VEE - .4" X 1" X 43.2" - WASHED MAPLE   |
| 3A  | M09565-20-WH6 | EA  | MOLDING - TRIM/VEE - .4" X 1" X 43.2" - SIERRA MAPLE   |
| 3A  | M09553-24-WH4 | EA  | MOLDING - TRIM/VEE - .4" X 1" X 43" - CONCERT CHERRY   |
| 3A  | M09553-24-WH5 | EA  | MOLDING - TRIM/VEE - .4" X 1" X 43" - WASHED MAPLE     |
| 3A  | M09553-24-WH6 | EA  | MOLDING - TRIM/VEE - .4" X 1" X 43" - SIERRA MAPLE     |
| 3A  | M09565-77-WH4 | EA  | MOLDING - TRIM/VEE - .4" X 1" X 42.5" - CONCERT CHERRY |
| 3A  | M09565-77-WH5 | EA  | MOLDING - TRIM/VEE - .4" X 1" X 42.5" - WASHED MAPLE   |
| 3A  | M09565-77-WH6 | EA  | MOLDING - TRIM/VEE - .4" X 1" X 42.5" - SIERRA MAPLE   |
| 3A  | M09565-50-WH4 | EA  | MOLDING - TRIM/VEE - .4" X 1" X 40.9" - CONCERT CHERRY |
| 3A  | M09565-50-WH5 | EA  | MOLDING - TRIM/VEE - .4" X 1" X 40.9" - WASHED MAPLE   |
| 3A  | M09565-50-WH6 | EA  | MOLDING - TRIM/VEE - .4" X 1" X 40.9" - SIERRA MAPLE   |
| 3A  | M09583-43-WH4 | EA  | MOLDING - TRIM/VEE - .4" X 1" X 40.1" - CONCERT CHERRY |
| 3A  | M09583-43-WH5 | EA  | MOLDING - TRIM/VEE - .4" X 1" X 40.1" - WASHED MAPLE   |
| 3A  | M09583-43-WH6 | EA  | MOLDING - TRIM/VEE - .4" X 1" X 40.1" - SIERRA MAPLE   |
| 3A  | M09565-76-WH4 | EA  | MOLDING - TRIM/VEE - .4" X 1" X 39.4" - CONCERT CHERRY |
| 3A  | M09565-76-WH5 | EA  | MOLDING - TRIM/VEE - .4" X 1" X 39.4" - WASHED MAPLE   |
| 3A  | M09565-76-WH6 | EA  | MOLDING - TRIM/VEE - .4" X 1" X 39.4" - SIERRA MAPLE   |
| 3A  | M09565-47-WH4 | EA  | MOLDING - TRIM/VEE - .4" X 1" X 38.9" - CONCERT CHERRY |
| 3A  | M09565-47-WH5 | EA  | MOLDING - TRIM/VEE - .4" X 1" X 38.9" - WASHED MAPLE   |
| 3A  | M09565-47-WH6 | EA  | MOLDING - TRIM/VEE - .4" X 1" X 38.9" - SIERRA MAPLE   |
| 3A  | M09553-27-WH4 | EA  | MOLDING - TRIM/VEE - .4" X 1" X 38.8" - CONCERT CHERRY |
| 3A  | M09553-27-WH5 | EA  | MOLDING - TRIM/VEE - .4" X 1" X 38.8" - WASHED MAPLE   |
| 3A  | M09553-27-WH6 | EA  | MOLDING - TRIM/VEE - .4" X 1" X 38.8" - SIERRA MAPLE   |
| 3A  | M09568-77-WH4 | EA  | MOLDING - TRIM/VEE - .4" X 1" X 37.5" - CONCERT CHERRY |
| 3A  | M09568-77-WH5 | EA  | MOLDING - TRIM/VEE - .4" X 1" X 37.5" - WASHED MAPLE   |
| 3A  | M09568-77-WH6 | EA  | MOLDING - TRIM/VEE - .4" X 1" X 37.5" - SIERRA MAPLE   |
| 3A  | M09553-23-WH4 | EA  | MOLDING - TRIM/VEE - .4" X 1" X 37" - CONCERT CHERRY   |
| 3A  | M09553-23-WH5 | EA  | MOLDING - TRIM/VEE - .4" X 1" X 37" - WASHED MAPLE     |
| 3A  | M09553-23-WH6 | EA  | MOLDING - TRIM/VEE - .4" X 1" X 37" - SIERRA MAPLE     |
| 3A  | M09553-47-WB4 | EA  | MOLDING - TRIM/VEE - .4" X 1" X 35.9" - CONCERT CHERRY |
| 3A  | M09553-47-WB5 | EA  | MOLDING - TRIM/VEE - .4" X 1" X 35.9" - WASHED MAPLE   |
| 3A  | M09553-47-WB6 | EA  | MOLDING - TRIM/VEE - .4" X 1" X 35.9" - SIERRA MAPLE   |
| 3A  | M09553-47-W66 | EA  | MOLDING - TRIM/VEE - .4" X 1" X 35.9" - HONEY CHERRY   |
| 3A  | M09568-48-U67 | EA  | MOLDING - TRIM/VEE - .4" X 1" X 35.4" - WASHED MAPLE   |
| 3A  | M09568-48-U68 | EA  | MOLDING - TRIM/VEE - .4" X 1" X 35.4" - SIERRA MAPLE   |
| 3A  | M09553-63-WH4 | EA  | MOLDING - TRIM/VEE - .4" X 1" X 35.1" - CONCERT CHERRY |
| 3A  | M09553-63-WH5 | EA  | MOLDING - TRIM/VEE - .4" X 1" X 35.1" - WASHED MAPLE   |
| 3A  | M09553-63-WH6 | EA  | MOLDING - TRIM/VEE - .4" X 1" X 35.1" - SIERRA MAPLE   |
| 3A  | M09553-63-W51 | EA  | MOLDING - TRIM/VEE - .4" X 1" X 35.1" - HONEY CHERRY   |
| 3A  | M09565-94-WH4 | EA  | MOLDING - TRIM/VEE - .4" X 1" X 34.4" - CONCERT CHERRY |
| 3A  | M09565-94-WH5 | EA  | MOLDING - TRIM/VEE - .4" X 1" X 34.4" - WASHED MAPLE   |
| 3A  | M09565-94-WH6 | EA  | MOLDING - TRIM/VEE - .4" X 1" X 34.4" - SIERRA MAPLE   |
| 3A  | M09553-04-WH4 | EA  | MOLDING - TRIM/VEE - .4" X 1" X 34.2" - CONCERT CHERRY |
| 3A  | M09553-04-WH5 | EA  | MOLDING - TRIM/VEE - .4" X 1" X 34.2" - WASHED MAPLE   |
| 3A  | M09553-04-WH6 | EA  | MOLDING - TRIM/VEE - .4" X 1" X 34.2" - SIERRA MAPLE   |
| 3A  | M09566-02-U68 | EA  | MOLDING - TRIM/VEE - .4" X 1" X 32.7" - SIERRA MAPLE   |
| 3A  | M09566-02-W51 | EA  | MOLDING - TRIM/VEE - .4" X 1" X 32.7" - HONEY CHERRY   |
| 3A  | M09566-02-W52 | EA  | MOLDING - TRIM/VEE - .4" X 1" X 32.7" - WASHED MAPLE   |
| 3A  | M09511-86-T77 | EA  | MOLDING - TRIM/VEE - .4" X 1" X 28.3" - PORTSMOUTH OAK |
| 3A  | M09511-86-T78 | EA  | MOLDING - TRIM/VEE - .4" X 1" X 28.3" - CONCERT CHERRY |
| 3A  | M09511-86-T79 | EA  | MOLDING - TRIM/VEE - .4" X 1" X 28.3" - WASHED MAPLE   |
| 3A  | M09511-86-T80 | EA  | MOLDING - TRIM/VEE - .4" X 1" X 28.3" - SIERRA MAPLE   |
| 3A  | M09553-61-WH4 | EA  | MOLDING - TRIM/VEE - .4" X 1" X 19.9" - CONCERT CHERRY |
| 3A  | M09553-61-WH5 | EA  | MOLDING - TRIM/VEE - .4" X 1" X 19.9" - WASHED MAPLE   |
| 3A  | M09553-61-WH6 | EA  | MOLDING - TRIM/VEE - .4" X 1" X 19.9" - SIERRA MAPLE   |
| 3A  | M09565-71-WH4 | EA  | MOLDING - TRIM/VEE - .4" X 1" X 11.4" - CONCERT CHERRY |
| 3A  | M09565-71-WH5 | EA  | MOLDING - TRIM/VEE - .4" X 1" X 11.4" - WASHED MAPLE   |
| 3A  | M09565-71-WH6 | EA  | MOLDING - TRIM/VEE - .4" X 1" X 11.4" - SIERRA MAPLE   |



## INTERIOR FINISH GROUP (CONTINUED)

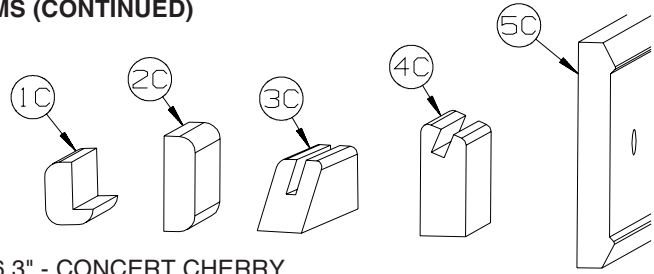
### MOLDINGS & TRIMS (CONTINUED)

| KEY | PART NUMBER   | U/M | DESCRIPTION   |
|-----|---------------|-----|---|
| 3A  | M09583-42-WH4 | EA  | MOLDING - TRIM/VEE - .4" X 1" X 8.3" - CONCERT CHERRY |
| 3A  | M09583-42-WH5 | EA  | MOLDING - TRIM/VEE - .4" X 1" X 8.3" - WASHED MAPLE   |
| 3A  | M09583-42-WH6 | EA  | MOLDING - TRIM/VEE - .4" X 1" X 8.3" - SIERRA MAPLE   |
| 3A  | M09544-55-WB4 | EA  | MOLDING - TRIM/VEE - .4" X 1" X 6.5" - CONCERT CHERRY |
| 3A  | M09544-55-WB5 | EA  | MOLDING - TRIM/VEE - .4" X 1" X 6.5" - WASHED MAPLE   |
| 3A  | M09544-55-WB6 | EA  | MOLDING - TRIM/VEE - .4" X 1" X 6.5" - SIERRA MAPLE   |
| 3A  | M09544-56-WB4 | EA  | MOLDING - TRIM/VEE - .4" X 1" X 6.1" - CONCERT CHERRY |
| 3A  | M09544-56-WB5 | EA  | MOLDING - TRIM/VEE - .4" X 1" X 6.1" - WASHED MAPLE   |
| 3A  | M09544-56-WB6 | EA  | MOLDING - TRIM/VEE - .4" X 1" X 6.1" - SIERRA MAPLE   |
| 3A  | M09538-70-U68 | EA  | MOLDING - TRIM/VEE - .4" X 1" X 63.9" - SIERRA MAPLE  |
| 3A  | M09538-70-U67 | EA  | MOLDING - TRIM/VEE - .4" X 1" X 63.9" - WASHED MAPLE  |



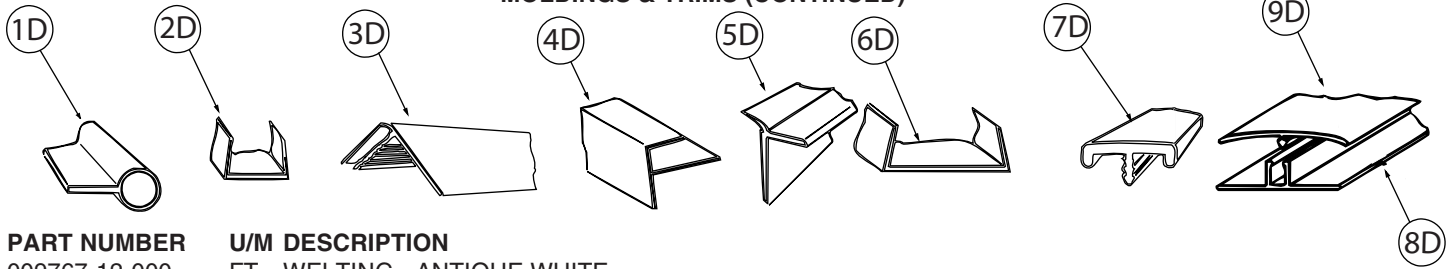
| KEY | PART NUMBER   | U/M | DESCRIPTION  |
|-----|---------------|-----|--|
| 1B  | M09501-84-TG0 | EA  | MOLDING/TRIM - CAP/WALL - 2.2" X 85.9" - PORTSMOUTH OAK    |
| 1B  | M09501-84-TG1 | EA  | MOLDING/TRIM - CAP/WALL - 2.2" X 85.9" - CONCERT CHERRY    |
| 1B  | M09501-84-TG2 | EA  | MOLDING/TRIM - CAP/WALL - 2.2" X 85.9" - WASHED MAPLE      |
| 1B  | M09501-84-TG3 | EA  | MOLDING/TRIM - CAP/WALL - 2.2" X 85.9" - HONEY CHERRY      |
| 1B  | M09520-04-TD3 | EA  | MOLDING/TRIM - CAP/WALL - 2.2" X 80.5" - SIERRA MAPLE      |
| 2B  | M09511-81-TA0 | EA  | MOLDING/TRIM - L SHAPE - .8"X .8"X 80.2" - PORTSMOUTH OAK  |
| 2B  | M09511-81-TA1 | EA  | MOLDING/TRIM - L SHAPE - .8"X .8"X 80.2" - CONCERT CHERRY  |
| 2B  | M09511-81-TA2 | EA  | MOLDING/TRIM - L SHAPE - .8"X .8"X 80.2" - WASHED MAPLE    |
| 2B  | M09511-81-TA3 | EA  | MOLDING/TRIM - L SHAPE - .8"X .8"X 80.2" - SIERRA MAPLE    |
| 3B  | M09515-81-T01 | EA  | MOLDING/HARDWOOD STRAIGHT - 74.3" - WASHED MAPLE           |
| 3B  | M09515-81-T02 | EA  | MOLDING/HARDWOOD STRAIGHT - 74.3" - HONEY CHERRY           |
| 4B  | M09511-42-T77 | EA  | MOLDING - TRIM - W/NOTCH - 1.5" X 86.4" - PORTSMOUTH OAK   |
| 4B  | M09511-42-T78 | EA  | MOLDING - TRIM - W/NOTCH - 1.5" X 86.4" - CONCERT CHERRY   |
| 4B  | M09511-42-T79 | EA  | MOLDING - TRIM - W/NOTCH - 1.5" X 86.4" - WASHED MAPLE     |
| 4B  | M09511-42-T80 | EA  | MOLDING - TRIM - W/NOTCH - 1.5" X 86.4" - SIERRA MAPLE     |
| 4B  | M09511-42-W66 | EA  | MOLDING - TRIM - W/NOTCH - 1.5" X 86.4" - HONEY CHERRY     |
| 5B  | M09515-18-T77 | EA  | MOLDING - HARDWOOD-W/NOTCH - 1.4"X 86.2" - PORTSMOUTH OAK  |
| 5B  | M09515-18-T78 | EA  | MOLDING - HARDWOOD-W/NOTCH - 1.4"X 86.2" - CONCERT CHERRY  |
| 5B  | M09553-66-U22 | EA  | MOLDING - HARDWOOD-W/NOTCH - 1.4"X 96" - WASHED MAPLE      |
| 5B  | M09515-18-T80 | EA  | MOLDING - HARDWOOD-W/NOTCH - 1.4"X 86.2" - SIERRA MAPLE    |
| 5B  | M09553-66-U21 | EA  | MOLDING - HARDWOOD-W/NOTCH - 1.4"X 96" - HONEY CHERRY      |
| 6B  | M09515-53-TG0 | EA  | MOLDING - TRIM/VEE - 1.5" X 73.9" - PORTSMOUTH OAK         |
| 6B  | M09525-81-UJ1 | EA  | MOLDING - TRIM/VEE - 1.5" X 74.7" - CONCERT CHERRY         |
| 6B  | M09525-81-UJ2 | EA  | MOLDING - TRIM/VEE - 1.5" X 74.7" - WASHED MAPLE           |
| 6B  | M09552-81-UJ3 | EA  | MOLDING - TRIM/VEE - 1.5" X 74.7" - HONEY CHERRY           |
| 6B  | M09553-53-WH6 | EA  | MOLDING - TRIM/VEE - NOTCHED - 1.5" X 20.6" - SIERRA MAPLE |
| 7B  | Y00076-32-438 | EA  | MOLDING/TRIM - .5" X 1" X 96" - CHERRY (UNSTAINED)         |
| 7B  | Y00076-22-438 | EA  | MOLDING/TRIM - .5" X 1" X 96" - MAPLE (UNSTAINED)          |
| 8B  | M09525-92-T77 | EA  | MOLDING/TRIM - .5" X 1" X 75.6" - PORTSMOUTH OAK           |
| 8B  | M09525-92-T78 | EA  | MOLDING/TRIM - .5" X 1" X 75.6" - CONCERT CHERRY           |
| 8B  | M09525-92-T79 | EA  | MOLDING/TRIM - .5" X 1" X 75.6" - WASHED MAPLE             |
| 8B  | M09525-92-T80 | EA  | MOLDING/TRIM - .5" X 1" X 75.6" - SIERRA MAPLE             |
| 8B  | Y00086-72-438 | EA  | MOLDING - VINYL WRAP - .7" X 1.6" X 96" - PORTSMOUTH OAK   |
| 8B  | Y00086-D2-438 | EA  | MOLDING - VINYL WRAP - .7" X 1.6" X 96" - CONCERT CHERRY   |
| 8B  | Y00086-A2-438 | EA  | MOLDING - VINYL WRAP - .7" X 1.6" X 96" - WASHED MAPLE     |
| 8B  | Y00086-92-438 | EA  | MOLDING - VINYL WRAP - .7" X 1.6" X 96" - SIERRA MAPLE     |
| 8B  | Y00086-82-438 | EA  | MOLDING - VINYL WRAP - .7" X 1.6" X 96" - HONEY CHERRY     |
| 8B  | Y00087-72-438 | EA  | MOLDING - VINYL WRAP - .7" X 2.9" X 96" - PORTSMOUTH OAK   |
| 8B  | Y00087-D2-438 | EA  | MOLDING - VINYL WRAP - .7" X 2.9" X 96" - CONCERT CHERRY   |
| 8B  | Y00087-A2-438 | EA  | MOLDING - VINYL WRAP - .7" X 2.9" X 96" - WASHED MAPLE     |
| 8B  | Y00087-92-438 | EA  | MOLDING - VINYL WRAP - .7" X 2.9" X 96" - SIERRA MAPLE     |
| 8B  | Y00087-82-438 | EA  | MOLDING - VINYL WRAP - .7" X 2.9" X 96" - HONEY CHERRY     |

**INTERIOR FINISH GROUP (CONTINUED)**  
**MOLDINGS & TRIMS (CONTINUED)**



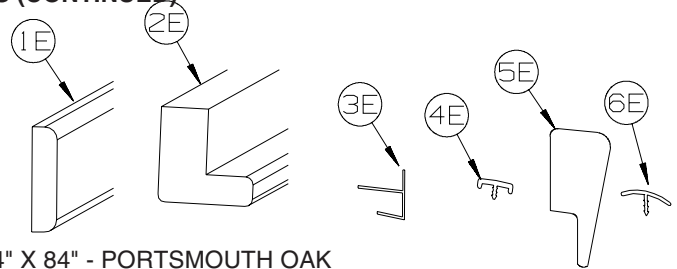
| KEY | PART NUMBER   | U/M | DESCRIPTION   |
|-----|---------------|-----|---|
| 1C  | M09520-19-TD1 | EA  | MOLDING - TRIM - W/NOTCH - 1" X 86.3" - CONCERT CHERRY        |
| 1C  | M09520-19-TD2 | EA  | MOLDING - TRIM - W/NOTCH - 1" X 86.3" - WASHED MAPLE          |
| 1C  | M09520-19-TD3 | EA  | MOLDING - TRIM - W/NOTCH - 1" X 86.3" - HONEY CHERRY          |
| 1C  | M09565-68-WH4 | EA  | MOLDING - HARDWOOD - .75" X 1.4" X 81.9" - CONCERT CHERRY     |
| 1C  | M09565-68-WH5 | EA  | MOLDING - HARDWOOD - .75" X 1.4" X 81.9" - WASHED MAPLE       |
| 1C  | M09565-68-WH6 | EA  | MOLDING - HARDWOOD - .75" X 1.4" X 81.9" - SIERRA MAPLE       |
| 2C  | M09511-46-T77 | EA  | MOLDING/TRIM - .5" X 1.5" X 86.5" - PORTSMOUTH OAK            |
| 2C  | M09511-46-T78 | EA  | MOLDING/TRIM - .5" X 1.5" X 86.5" - CONCERT CHERRY            |
| 2C  | M09511-46-T79 | EA  | MOLDING/TRIM - .5" X 1.5" X 86.5" - WASHED MAPLE              |
| 2C  | M09511-46-T80 | EA  | MOLDING/TRIM - .5" X 1.5" X 86.5" - SIERRA MAPLE              |
| 3C  | Y00223-22-438 | EA  | MOLDING - HARDWOOD/MAPLE - .7" X 1" X 96" - UNSTAINED MAPLE   |
| 3C  | Y00223-32-438 | EA  | MOLDING - HARDWOOD/CHERRY - .7" X 1" X 96" - UNSTAINED CHERRY |
| 3C  | Y00223-42-438 | EA  | MOLDING - HARDWOOD/CHERRY - .7" X 1" X 96" - UNSTAINED OAK    |
| 4C  | Y00054-A2-438 | EA  | MOLDING - VINYL - W/SLOT - .7"X 1.9"X 96" - WASHED MAPLE      |
| 4C  | Y00054-D2-438 | EA  | MOLDING - VINYL - W/SLOT - .7"X 1.9"X 96" - CONCERT CHERRY    |
| 4C  | Y00054-22-438 | EA  | MOLDING - VINYL - W/SLOT - .7"X 1.9"X 96" - WASHED MAPLE      |
| 4C  | Y00054-72-438 | EA  | MOLDING - VINYL - W/SLOT - .7"X 1.9"X 96" - PORTSMOUTH OAK    |
| 4C  | Y00054-82-438 | EA  | MOLDING - VINYL - W/SLOT - .7"X 1.9"X 96" - HONEY CHERRY      |
| 4C  | Y00054-92-438 | EA  | MOLDING - VINYL - W/SLOT - .7"X 1.9"X 96" - SIERRA MAPLE      |
| 4C  | Y00276-A2-438 | EA  | MOLDING - VINYL - W/SLOT - .7"X 1.9"X 96" - WASHED MAPLE      |
| 4C  | Y00276-D2-438 | EA  | MOLDING - VINYL - W/SLOT - .7"X 1.9"X 96" - CONCERT CHERRY    |
| 4C  | Y00276-72-438 | EA  | MOLDING - VINYL - W/SLOT - .7"X 1.9"X 96" - PORTSMOUTH OAK    |
| 4C  | Y00276-82-438 | EA  | MOLDING - VINYL - W/SLOT - .7"X 1.9"X 96" - HONEY CHERRY      |
| 4C  | Y00276-92-438 | EA  | MOLDING - VINYL - W/SLOT - .7"X 1.9"X 96" - SIERRA MAPLE      |
| 5C  | Y00152-A2-438 | EA  | MOLDING/TRIM - VINYL - .6" X 3.5" X 96" - WASHED MAPLE        |
| 5C  | Y00152-D2-438 | EA  | MOLDING/TRIM - VINYL - .6" X 3.5" X 96" - CONCERT CHERRY      |
| 5C  | Y00152-22-438 | EA  | MOLDING/TRIM - VINYL - .6" X 3.5" X 96" - WASHED MAPLE        |
| 5C  | Y00152-72-438 | EA  | MOLDING/TRIM - VINYL - .6" X 3.5" X 96" - PORTSMOUTH OAK      |
| 5C  | Y00152-92-438 | EA  | MOLDING/TRIM - VINYL - .6" X 3.5" X 96" - SIERRA MAPLE        |

**INTERIOR FINISH GROUP (CONTINUED)**  
**MOLDINGS & TRIMS (CONTINUED)**



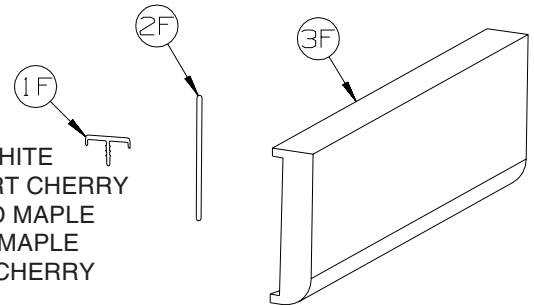
| KEY | PART NUMBER   | U/M | DESCRIPTION   |
|-----|---------------|-----|---|
| 1D  | 009767-12-000 | FT  | WELTING - ANTIQUE WHITE                                   |
| 2D  | 009778-25-000 | FT  | U-CHANNEL - 1" - BEIGE ILLUSION                           |
| 2D  | 009778-26-000 | FT  | U-CHANNEL - 1 1/4" - BEIGE ILLUSION                       |
| 2D  | 009778-38-000 | FT  | U-CHANNEL - 1" - BONE                                     |
| 2D  | 009778-32-000 | FT  | U-CHANNEL - 1" - PORTSMOUTH OAK                           |
| 2D  | 009778-34-000 | FT  | U-CHANNEL - 1" - CONCERT CHERRY                           |
| 2D  | 009778-27-000 | FT  | U-CHANNEL - 1" - WASHED MAPLE                             |
| 2D  | 009778-35-000 | FT  | U-CHANNEL - 1" - HONEY CHERRY                             |
| 2D  | 009778-36-000 | FT  | U-CHANNEL - 1" - SIERRA MAPLE                             |
| 3D  | 009809-30-000 | EA  | MOLDING - CORNER - OUTSIDE - 1" X 84" - BEIGE ILLUSION    |
| 3D  | 009809-37-000 | EA  | MOLDING - CORNER - OUTSIDE - 1" X 84" - BONE              |
| 3D  | 009809-33-000 | EA  | MOLDING - CORNER - OUTSIDE - 1" X 84" - CONCERT CHERRY    |
| 3D  | 009809-31-000 | EA  | MOLDING - CORNER - OUTSIDE - 1" X 84" - WASHED MAPLE      |
| 3D  | 009809-35-000 | EA  | MOLDING - CORNER - OUTSIDE - 1" X 84" - SIERRA MAPLE      |
| 4D  | 009812-31-000 | EA  | MOLDING - CORNER - 1/2" W/1/4"CHAN X 84" - BEIGE ILLUSION |
| 4D  | 009812-40-000 | EA  | MOLDING - CORNER - 1/2" W/1/4"CHAN X 84" - BONE           |
| 4D  | 009812-35-000 | EA  | MOLDING - CORNER - 1/2" W/1/4"CHAN X 84" - PORTSMOUTH OAK |
| 4D  | 009812-36-000 | EA  | MOLDING - CORNER - 1/2" W/1/4"CHAN X 84" - CONCERT CHERRY |
| 4D  | 009812-33-000 | EA  | MOLDING - CORNER - 1/2" W/1/4"CHAN X 84" - WASHED MAPLE   |
| 4D  | 009812-37-000 | EA  | MOLDING - CORNER - 1/2" W/1/4"CHAN X 84" - HONEY CHERRY   |
| 4D  | 009812-38-000 | EA  | MOLDING - CORNER - 1/2" W/1/4"CHAN X 84" - SIERRA MAPLE   |
| 5D  | 022992-11-000 | FT  | MOLDING - REVERSE COVE - T-SHAPED - IVORY                 |
| 5D  | 022992-14-000 | FT  | MOLDING - REVERSE COVE - T-SHAPED - BRIGHT WHITE          |
| 5D  | 022992-18-000 | FT  | MOLDING - REVERSE COVE - T-SHAPED - BONE                  |
| 6D  | 070504-42-000 | FT  | U-CHANNEL - PLASTIC - .13" X 84" - BEIGE ILLUSION         |
| 6D  | 070504-43-000 | FT  | U-CHANNEL - PLASTIC - .9" X 96" - BEIGE ILLUSION          |
| 6D  | 070504-69-000 | FT  | U-CHANNEL - PLASTIC - .13" X 84" - BONE                   |
| 6D  | 070504-70-000 | FT  | U-CHANNEL - PLASTIC - .8" X 84" - BONE                    |
| 6D  | 070504-57-000 | FT  | U-CHANNEL - PLASTIC - .13" X 96" - PORTSMOUTH OAK         |
| 6D  | 070504-58-000 | FT  | U-CHANNEL - PLASTIC - .9" X 96" - PORTSMOUTH OAK          |
| 6D  | 070504-60-000 | FT  | U-CHANNEL - PLASTIC - .13" X 84" - CONCERT CHERRY         |
| 6D  | 070504-61-000 | FT  | U-CHANNEL - PLASTIC - .9" X 84" - CONCERT CHERRY          |
| 6D  | 070504-50-000 | FT  | U-CHANNEL - PLASTIC - .13" X 96" - WASHED MAPLE           |
| 6D  | 070504-51-000 | FT  | U-CHANNEL - PLASTIC - .9" X 96" - WASHED MAPLE            |
| 6D  | 070504-62-000 | FT  | U-CHANNEL - PLASTIC - 1.65" X 84" - HONEY CHERRY          |
| 6D  | 070504-63-000 | FT  | U-CHANNEL - PLASTIC - .9" X 84" - HONEY CHERRY            |
| 6D  | 070504-65-000 | FT  | U-CHANNEL - PLASTIC - .07" X 96" - SIERRA MAPLE           |
| 6D  | 070504-66-000 | FT  | U-CHANNEL - PLASTIC - .8" X 84" - SIERRA MAPLE            |
| 7D  | 083620-25-000 | FT  | MOLDING-T - W/EDGE LIP - 7/8" FACE - BONE                 |
| 7D  | 083620-20-000 | FT  | MOLDING-T - W/EDGE LIP - 7/8" FACE - PORTSMOUTH OAK       |
| 7D  | 083620-19-000 | FT  | MOLDING-T - W/EDGE LIP - 7/8" FACE - WASHED MAPLE         |
| 7D  | 083620-24-000 | FT  | MOLDING-T - W/EDGE LIP - 7/8" FACE - HONEY CHERRY         |
| 7D  | 083620-22-000 | FT  | MOLDING-T - W/EDGE LIP - 7/8" FACE - SIERRA MAPLE         |
| 8D  | 086229-01-000 | EA  | RETAINER - BATTEN - .75" X 92.1" - ANY COLOR              |
| 9D  | 086229-12-000 | EA  | BATTEN - 1.5" OFFSET X 96.8" - MODERN IVORY               |
| 9D  | 086229-20-000 | EA  | BATTEN - 1" X 96" - BEIGE                                 |

**INTERIOR FINISH GROUP (CONTINUED)**  
**MOLDINGS & TRIMS (CONTINUED)**



| KEY | PART NUMBER   | U/M | DESCRIPTION   |
|-----|---------------|-----|---|
| 1E  | 100818-01-12A | EA  | MOLDING - VINYL WRAPPED - 1.6" X .4" X 84" - PORTSMOUTH OAK   |
| 1E  | 100818-01-23A | EA  | MOLDING - VINYL WRPPD - 1.6" X .4" X 84" - CONCERT CHERRY     |
| 1E  | 100818-01-21A | EA  | MOLDING - VINYL WRAPPED - 1.6" X .4" X 84" - WASHED MAPLE     |
| 1E  | 100818-01-14A | EA  | MOLDING - VINYL WRAPPED - 1.6" X .4" X 84" - HONEY CHERRY     |
| 1E  | 100818-01-22A | EA  | MOLDING - VINYL WRAPPED - 1.6" X .4" X 84" - SIERRA MAPLE     |
| 2E  | 100819-01-23A | EA  | MOLDING - VYL WRPPD-L-SHPD-1.5"X1.5"X84" - CONCERT CHERRY     |
| 2E  | 100819-01-21A | EA  | MOLDING - VINYL WRAPPED-L-SHAPED-1.5"X1.5"X84" - WASHED MAPLE |
| 2E  | 100819-01-14A | EA  | MOLDING - VINYL WRAPPED-L-SHAPED-1.5"X1.5"X84" - HONEY CHERRY |
| 2E  | 100819-01-22A | EA  | MOLDING - VINYL WRAPPED-L-SHAPED-1.5"X1.5"X84" - SIERRA MAPLE |
| 3E  | 103186-01-07A | FT  | MOLDING/PLASTIC - 3/8" U-CHANNEL-3/4" FACE - BEIGE ILLUSION   |
| 3E  | 103186-01-09A | FT  | MOLDING/PLASTIC - 3/8" U-CHANNEL-3/4" FACE - PORTSMOUTH OAK   |
| 3E  | 103186-01-10A | FT  | MOLDING/PLASTIC - 3/8" U-CHANNEL-3/4" FACE - CONCERT CHERRY   |
| 3E  | 103186-01-08A | FT  | MOLDING/PLASTIC - 3/8" U-CHANNEL-3/4" FACE- 8' - WASHED MAPLE |
| 3E  | 103186-01-11A | FT  | MOLDING/PLASTIC - 3/8" U-CHANNEL-3/4" FACE - HONEY CHERRY     |
| 3E  | 103186-01-12A | FT  | MOLDING/PLASTIC - 3/8" U-CHANNEL-3/4" FACE - SIERRA MAPLE     |
| 3E  | 103186-02-07A | FT  | MOLDING/PLASTIC-1" U-CHANNEL-1 3/8" FACE - BEIGE ILLUSION     |
| 3E  | 103186-02-09A | FT  | MOLDING/PLASTIC - 1" U-CHANNEL-1 3/8" FACE - PORTSMOUTH OAK   |
| 3E  | 103186-02-10A | FT  | MOLDING/PLASTIC - 1" U-CHANNEL-1 3/8" FACE - CONCERT CHERRY   |
| 3E  | 103186-02-08A | FT  | MOLDING/PLASTIC - 1" U-CHANNEL-1 3/8" FACE - WASHED MAPLE     |
| 3E  | 103186-02-11A | FT  | MOLDING/PLASTIC - 1" U-CHANNEL-1 3/8" FACE - HONEY CHERRY     |
| 3E  | 103186-02-12A | FT  | MOLDING/PLASTIC - 1" U-CHANNEL-1 3/8" FACE - SIERRA MAPLE     |
| 4E  | 104676-02-08A | FT  | MOLDING-T - W/EDGE LIP - 11/16" FACE - PORTSMOUTH OAK         |
| 4E  | 104676-02-12A | FT  | MOLDING-T - W/EDGE LIP - 11/16" FACE - SIERRA MAPLE           |
| 5E  | 105004-01-12A | EA  | MOLDING - VINYL WRAP - 1" X 96" - PORTSMOUTH OAK              |
| 5E  | 105004-01-24A | EA  | MOLDING - VINYL WRAP - 1" X 96" - HONEY CHERRY                |
| 5E  | 105004-01-22A | EA  | MOLDING - VINYL WRAP - 1" X 96" - SIERRA MAPLE                |
| 6E  | 105709-02-000 | FT  | MOLDING-T - W/EDGE LIP 3/4" FACE - BEIGE ILLUSION             |

| KEY | PART NUMBER   | U/M | DESCRIPTION  |
|-----|---------------|-----|--|
| 1F  | 119520-01-01A | FT  | MOLDING-T - OFFSET W/EDGE LIP - 1.3" FACE - OFF WHITE        |
| 1F  | 119520-03-02A | FT  | MOLDING-T - OFFSET W/EDGE LIP - 1" FACE - CONCERT CHERRY     |
| 1F  | 119520-03-03A | FT  | MOLDING-T - OFFSET W/EDGE LIP - 1" FACE - WASHED MAPLE       |
| 1F  | 119520-03-05A | FT  | MOLDING-T - OFFSET W/EDGE LIP - 1" FACE - SIERRA MAPLE       |
| 1F  | 119520-03-06A | FT  | MOLDING-T - OFFSET W/EDGE LIP - 1" FACE - HONEY CHERRY       |
| 2F  | 127842-01-01A | FT  | SEAL - SIGHT SHIELD - 2" BLACK                               |
|     | 160300-A2-438 | EA  | LUMBER - VINYL WRAPPED - .7" X .75" X 96" - CONCERT CHERRY   |
|     | 160300-D2-438 | EA  | LUMBER - VINYL WRAPPED - .7" X 1.5" X 96" - CONCERT CHERRY   |
|     | 160300-E2-438 | EA  | LUMBER - VINYL WRAPPED - .7" X 2" X 96" - CONCERT CHERRY     |
|     | 160300-F2-438 | EA  | LUMBER - VINYL WRAPPED - .7" X 2.5" X 96" - CONCERT CHERRY   |
|     | 160300-G2-438 | EA  | LUMBER - VINYL WRAPPED - .7" X 3" X 96" - CONCERT CHERRY     |
|     | 160300-H2-438 | EA  | LUMBER - VINYL WRAPPED - .7" X 3.5" X 96" - CONCERT CHERRY   |
|     | 160300-J2-438 | EA  | LUMBER - VINYL WRAPPED - .7" X 5.5" X 96" - CONCERT CHERRY   |
|     | 160300-K2-438 | EA  | LUMBER - VINYL WRAPPED - .7" X 3.9" X 96" - CONCERT CHERRY   |
|     | 160300-R2-438 | EA  | LUMBER - VINYL WRAPPED - .7" X 3" X 96" - CONCERT CHERRY     |
| 3F  | 160301-D2-134 | EA  | MOLDING - VINYL WRAPPED - .7" X 1.6" X 84" - CONCERT CHERRY  |
| 3F  | 160301-D2-743 | EA  | MOLDING - VINYL WRAPPED - .7" X 1.6" X 108" - CONCERT CHERRY |
| 3F  | 160301-F2-134 | EA  | MOLDING - VINYL WRAPPED - .7" X 2.5" X 84" - CONCERT CHERRY  |
| 3F  | 160301-F2-743 | EA  | MOLDING - VINYL WRPPD - .7" X 2.5" X 108" - CONCERT CHERRY   |
| 3F  | 160301-F2-438 | EA  | MOLDING - VINYL WRPPD - .7" X 2.5" X 96" - CONCERT CHERRY    |
|     | 137894-A2-438 | EA  | LUMBER - VINYL WRAPPED - .7" X .75" X 96" - PORTSMOUTH OAK   |
|     | 137894-D2-438 | EA  | LUMBER - VINYL WRAPPED - .7" X 1.5" X 96" - PORTSMOUTH OAK   |
|     | 137894-E2-438 | EA  | LUMBER - VINYL WRAPPED - .7" X 2" X 96" - PORTSMOUTH OAK     |
|     | 137894-F2-438 | EA  | LUMBER - VINYL WRAPPED - .7" X 2.5" X 96" - PORTSMOUTH OAK   |
|     | 137894-G2-438 | EA  | LUMBER - VINYL WRAPPED - .7" X 3" X 96" - PORTSMOUTH OAK     |
|     | 137894-H2-438 | EA  | LUMBER - VINYL WRAPPED - .7" X 3.5" X 96" - PORTSMOUTH OAK   |
|     | 137894-J2-438 | EA  | LUMBER - VINYL WRAPPED - .7" X 5.5" X 96" - PORTSMOUTH OAK   |

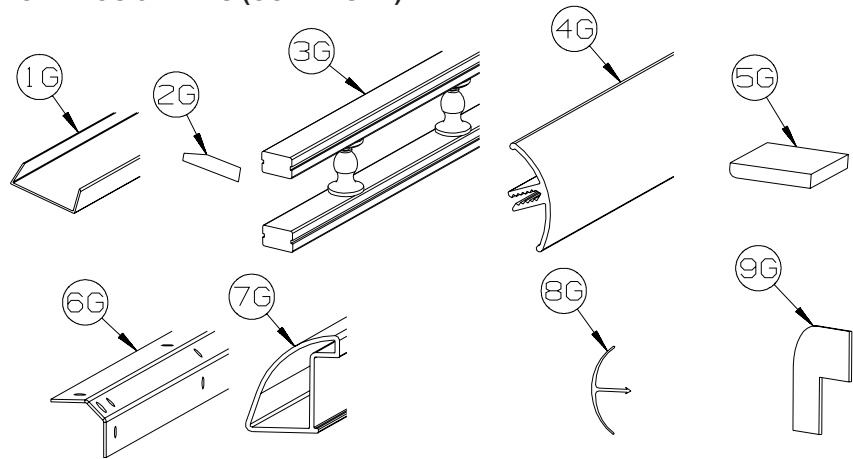




**INTERIOR FINISH GROUP (CONTINUED)**  
**MOLDINGS & TRIMS (CONTINUED)**

| KEY | PART NUMBER   | U/M | DESCRIPTION   |
|-----|---------------|-----|---|
|     | 137894-J2-743 | EA  | LUMBER - VINYL WRAPPED - .7" X 5.5" X 108" - PORTSMOUTH OAK |
|     | 137894-K2-438 | EA  | LUMBER - VINYL WRAPPED - .7" X 3.9" X 96" - PORTSMOUTH OAK  |
|     | 137894-R2-438 | EA  | LUMBER - VINYL WRAPPED - .7" X 3" X 96" - PORTSMOUTH OAK    |
| 3F  | 137895-D2-134 | EA  | MOLDING - VINYL WRAP - .7" X 1.6" X 84" - PORTSMOUTH OAK    |
| 3F  | 137895-D2-743 | EA  | MOLDING - VINYL WRAP - .7" X 1.6" X 108" - PORTSMOUTH OAK   |
| 3F  | 137895-F2-134 | EA  | MOLDING - VINYL WRAP - .7" X 2.5" X 84" - PORTSMOUTH OAK    |
| 3F  | 137895-F2-438 | EA  | MOLDING - VINYL WRAP - .7" X 2.5" X 96" - PORTSMOUTH OAK    |
| 3F  | 137895-F2-743 | EA  | MOLDING - VINYL WRAP - .7" X 2.5" X 108" - PORTSMOUTH OAK   |
|     | 146419-A2-438 | EA  | LUMBER - VINYL WRAPPED - .7" X .75" X 96" - HONEY CHERRY    |
|     | 146419-D2-438 | EA  | LUMBER - VINYL WRAPPED - .7" X 1.5" X 96" - HONEY CHERRY    |
|     | 146419-E2-438 | EA  | LUMBER - VINYL WRAPPED - .7" X 2" X 96" - HONEY CHERRY      |
|     | 146419-F2-438 | EA  | LUMBER - VINYL WRAPPED - .7" X 2.5" X 96" - HONEY CHERRY    |
|     | 146419-G2-438 | EA  | LUMBER - VINYL WRAPPED - .7" X 3" X 96" - HONEY CHERRY      |
|     | 146419-H2-438 | EA  | LUMBER - VINYL WRAPPED - .7" X 3.5" X 96" - HONEY CHERRY    |
|     | 146419-J2-438 | EA  | LUMBER - VINYL WRAPPED - .7" X 5.5" X 96" - HONEY CHERRY    |
|     | 146419-J2-743 | EA  | LUMBER - VINYL WRAPPED - .7" X 5.5" X 108" - HONEY CHERRY   |
|     | 146419-K2-438 | EA  | LUMBER - VINYL WRAPPED - .7" X 3.9" X 96" - HONEY CHERRY    |
|     | 146419-R2-438 | EA  | LUMBER - VINYL WRAPPED - .7" X 3" X 96" - HONEY CHERRY      |
|     | 146419-S2-438 | EA  | LUMBER - VINYL WRAPPED/FULL - .7"X 3.5"X 96" - HONEY CHERRY |
|     | 146419-T2-438 | EA  | LUMBER - VINYL WRAPPED/FULL - .7"X 5.5"X 96" - HONEY CHERRY |
| 3F  | 146425-D2-134 | EA  | MOLDING - VINYL WRAPPED - .7" X 1.6" X 83.9" - HONEY CHERRY |
| 3F  | 146425-F2-438 | EA  | MOLDING - VINYL WRAPPED - .7" X 2.6" X 96" - HONEY CHERRY   |
|     | 149325-A2-438 | EA  | LUMBER - VINYL WRAPPED - .7" X .75" X 96" - WASHED MAPLE    |
|     | 149325-D2-438 | EA  | LUMBER - VINYL WRAPPED - .7" X 1.5" X 96" - WASHED MAPLE    |
|     | 149325-E2-438 | EA  | LUMBER - VINYL WRAPPED - .7" X 2" X 96" - WASHED MAPLE      |
|     | 149325-F2-438 | EA  | LUMBER - VINYL WRAPPED - .7" X 2.5" X 96" - WASHED MAPLE    |
|     | 149325-G2-438 | EA  | LUMBER - VINYL WRAPPED - .7" X 3" X 96" - WASHED MAPLE      |
|     | 149325-H2-438 | EA  | LUMBER - VINYL WRAPPED - .7" X 3.5" X 96" - WASHED MAPLE    |
|     | 149325-J2-438 | EA  | LUMBER - VINYL WRAPPED - .7" X 5.5" X 96" - WASHED MAPLE    |
|     | 149325-J2-743 | EA  | LUMBER - VINYL WRAPPED - .7" X 5.5" X 108" - WASHED MAPLE   |
|     | 149325-K2-438 | EA  | LUMBER - VINYL WRAPPED - .7" X 3.9" X 96" - WASHED MAPLE    |
|     | 149325-R2-438 | EA  | LUMBER - VINYL WRAPPED - .7" X 3" X 96" - WASHED MAPLE      |
| 3F  | 149326-D2-134 | EA  | MOLDING - VINYL WRAPPED - .7" X 1.5" X 83.9" - WASHED MAPLE |
| 3F  | 149326-D2-743 | EA  | MOLDING - VINYL WRAPPED - .7" X 1.5" X 108" - WASHED MAPLE  |
| 3F  | 149326-F2-134 | EA  | MOLDING - VINYL WRAPPED - .7" X 2.5" X 83.9" - WASHED MAPLE |
| 3F  | 149326-F2-438 | EA  | MOLDING - VINYL WRAPPED - .7" X 2.5" X 96" - WASHED MAPLE   |
| 3F  | 149326-F2-743 | EA  | MOLDING - VINYL WRAPPED - .7" X 2.5" X 108" - WASHED MAPLE  |
|     | 149330-A2-438 | EA  | LUMBER - VINYL WRAPPED - .7" X .75" X 96" - SIERRA MAPLE    |
|     | 149330-D2-438 | EA  | LUMBER - VINYL WRAPPED - .7" X 1.5" X 96" - SIERRA MAPLE    |
|     | 149330-E2-438 | EA  | LUMBER - VINYL WRAPPED - .7" X 2" X 96" - SIERRA MAPLE      |
|     | 149330-F2-438 | EA  | LUMBER - VINYL WRAPPED - .7" X 2.5" X 96" - SIERRA MAPLE    |
|     | 149330-G2-438 | EA  | LUMBER - VINYL WRAPPED - .7" X 3" X 96" - SIERRA MAPLE      |
|     | 149330-H2-438 | EA  | LUMBER - VINYL WRAPPED - .7" X 3.5" X 96" - SIERRA MAPLE    |
|     | 149330-J2-438 | EA  | LUMBER - VINYL WRAPPED - .7" X 5.5" X 96" - SIERRA MAPLE    |
|     | 149330-J2-743 | EA  | LUMBER - VINYL WRAPPED - .7" X 5.5" X 108" - SIERRA MAPLE   |
|     | 149330-K2-438 | EA  | LUMBER - VINYL WRAPPED - .7" X 3.9" X 96" - SIERRA MAPLE    |
|     | 149330-R2-438 | EA  | LUMBER - VINYL WRAPPED - .7" X 3" X 96" - SIERRA MAPLE      |
| 3F  | 149331-D2-134 | EA  | MOLDING - VINYL WRAP - .7" X 1.5" X 83.9" - SIERRA MAPLE    |
| 3F  | 149331-D2-743 | EA  | MOLDING - VINYL WRAP - .7" X 1.5" X 108" - SIERRA MAPLE     |
| 3F  | 149331-F2-134 | EA  | MOLDING - VINYL WRAP - .7" X 2.5" X 83.9" - SIERRA MAPLE    |
| 3F  | 149331-F2-438 | EA  | MOLDING - VINYL WRAP - .7" X 2.5" X 96" - SIERRA MAPLE      |
| 3F  | 149331-F2-743 | EA  | MOLDING - VINYL WRAP - .7" X 2.5" X 108" - SIERRA MAPLE     |

**INTERIOR FINISH GROUP (CONTINUED)**  
**MOLDINGS & TRIMS (CONTINUED)**



| KEY | PART NUMBER   | U/M | DESCRIPTION  |
|-----|---------------|-----|--|
| 1G  | 141260-01-01A | FT  | U-CHANNEL - 1" - VILLAGE OAK                             |
| 1G  | 141260-01-02A | FT  | U-CHANNEL - 1" - GRADY BROWN                             |
| 2G  | 146306-01-01A | FT  | TRANSITION - CARPET/TILE                                 |
| 3G  | 150167-01-03A | EA  | RAIL - DECORATIVE - 96" - WASHED MAPLE                   |
| 3G  | 150167-01-07A | EA  | RAIL - DECORATIVE - 96" - PORTSMOUTH OAK                 |
| 3G  | 150167-01-08A | EA  | RAIL - DECORATIVE - 96" - HONEY CHERRY                   |
| 3G  | 150167-01-09A | EA  | RAIL - DECORATIVE - 96" - SIERRA MAPLE                   |
| 4G  | 151653-10-02A | EA  | TRIM/RADIUS - CABINET CORNER - 79.6" - DULL METALLIC     |
| 4G  | 151653-13-02A | EA  | TRIM/RADIUS - CABINET CORNER - 79.8" - DULL METALLIC     |
| 5G  | M09568-04-W80 | EA  | MOLDING/TRIM - .3" X 1.5" X 73.6" - SIERRA MAPLE         |
| 5G  | M09568-04-W79 | EA  | MOLDING/TRIM - .3" X 1.5" X 73.6" - WASHED MAPLE         |
| 6G  | 151861-01-02B | EA  | ANGLE - SUPPORT/CORNER - 1.4" X 12.5" - E-COATED         |
| 6G  | 151861-02-02B | EA  | ANGLE - SUPPORT/CORNER - 1.4" X 20.1" - E-COATED         |
| 6G  | 151861-03-02B | EA  | ANGLE - SUPPORT/CORNER - 1.4" X 26.7" - E-COATED         |
| 6G  | 151861-04-02B | EA  | ANGLE - SUPPORT/CORNER - 1.4" X 32.7" - E-COATED         |
| 6G  | 151861-05-02B | EA  | ANGLE - SUPPORT/CORNER - 1.4" X 78.6" - E-COATED         |
| 6G  | 151861-06-02B | EA  | ANGLE - SUPPORT/CORNER - 1.4" X 59" - E-COATED           |
| 6G  | 151861-08-02B | EA  | ANGLE - SUPPORT/CORNER - 1.4" X 22.2" - E-COATED         |
| 6G  | 151861-09-02B | EA  | ANGLE - SUPPORT/CORNER - 1.4" X 14.9" - E-COATED         |
| 7G  | 151893-01-02A | EA  | TRIM/RADIUS - CABINET BOTTOM - 72.6" - DULL METALLIC     |
| 8G  | 156464-01-01A | FT  | MOLDING - CORNER - RADIUS/PLASTIC - 8' - HONEY CHERRY    |
| 8G  | 156464-01-02A | FT  | MOLDING - CORNER - RADIUS/PLASTIC - 8' - WASHED MAPLE    |
| 8G  | 156464-01-05A | FT  | MOLDING - CORNER - RADIUS/PLASTIC - 8' - SIERRA MAPLE    |
| 8G  | 156464-01-06A | FT  | MOLDING - CORNER - RADIUS/PLASTIC - 8' - CONCERT CHERRY  |
| 8G  | 156464-03-03A | FT  | MOLDING - CORNER - RADIUS/PLASTIC - 8' - BONE            |
|     | 081521-02-007 | EA  | MOUNT - METAL MOLDING - F/RADIUS CORNER MOLDING - 151.5" |
| 9G  | 160989-01-06A | FT  | CAP - CORNER - RADIUS MOLDING - PLASTIC - WASHED MAPLE   |
| 9G  | 160989-01-07A | FT  | CAP - CORNER - RADIUS MOLDING - PLASTIC - HONEY CHERRY   |

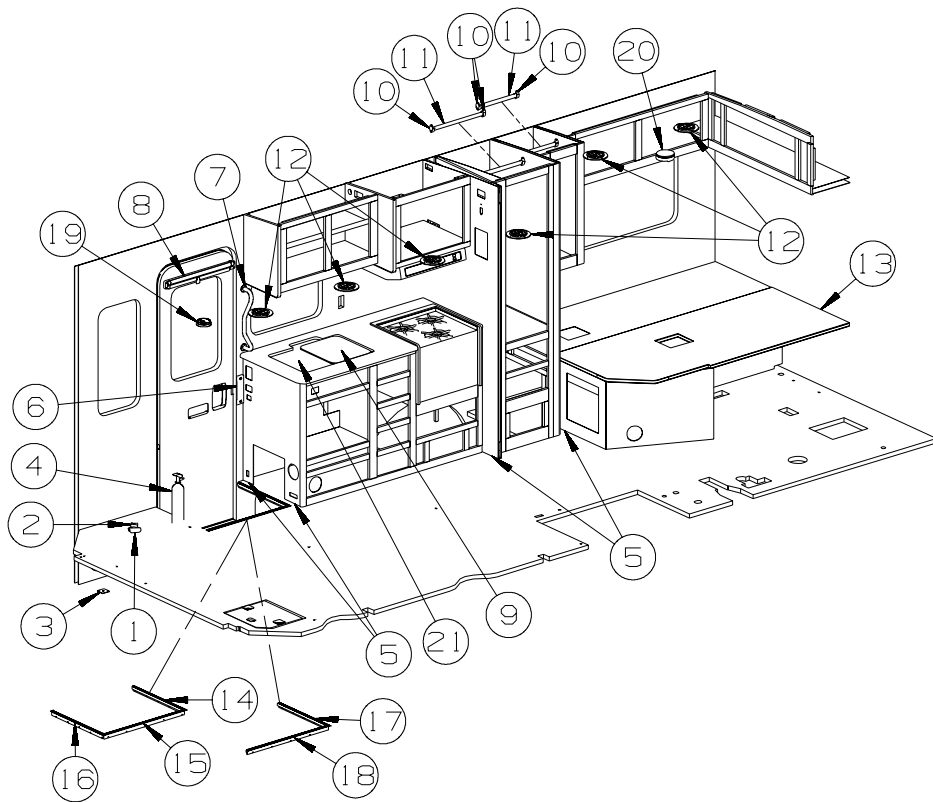
**INTERIOR FINISH GROUP (CONTINUED)**  
**PANELING & LAMINATES**

| <b>KEY</b> | <b>PART NUMBER</b> | <b>U/M</b> | <b>DESCRIPTION</b>  |
|------------|--------------------|------------|---|
|            | 000885-C3-000      | SF         | PARTICLE BOARD - 3/8" X 4' X 8' - WHITE THATCH EMB-1 SIDED  |
|            | 000885-B4-000      | SF         | PARTICLE BOARD - 3/8" X 4' X 8'- WASHED MAPLE - 2 SIDED   |
|            | 000885-B5-000      | SF         | PARTICLE BOARD - 3/8" X 4' X 8'- WASHED MAPLE - 1 SIDED   |
|            | 000885-B6-000      | SF         | PARTICLE BOARD - 3/4" X 4' X 8'- WASHED MAPLE - 2 SIDED   |
|            | 000885-B0-000      | SF         | PARTICLE BOARD - 3/8" X 4' X 8' - SIERRA MAPLE - 2 SIDED  |
|            | 000885-B1-000      | SF         | PARTICLE BOARD - 3/8" X 4' X 8' - SIERRA MAPLE - 1 SIDED  |
|            | 000885-B2-000      | SF         | PARTICLE BOARD - 3/4" X 4' X 8' - SIERRA MAPLE - 2 SIDED  |
|            | 074498-B6-000      | SF         | LAMINATE - PLASTIC - SATIN OXIDE - 5' X 8'  |
|            | 074497-49-000      | SF         | PANELING - WASHED MAPLE - 1/8" X 4' X 8'  |
|            | 074497-48-000      | SF         | PANELING - SIERRA MAPLE - 1/8" X 4' X 8'  |
|            | 076773-20-000      | SF         | PANELING - 2 SIDED/WASHED MAPLE - 1/8" X 4' X 8'  |
|            | 076773-19-000      | SF         | PANELING - 2 SIDED/SIERRA MAPLE - 1/8" X 4' X 8'  |
|            | 076773-25-000      | SF         | PANELING - 1 SIDE/NEAT WASHED MAPLE - 1/8" X 4' X 7'  |
|            | 076773-24-000      | SF         | PANELING - 1 SIDE/SIERRA MAPLE - 1/8" X 4' X 7'   |
|            | 088272-M9-000      | SF         | PANELING - WHITE THATCHED - 4' X 8'   |
|            | 088272-M1-000      | SF         | PANELING - MORITZ/TUSCANY - 4' X 7.4' (W37, W38)<br>FROM: 00-00-00 THRU: 06-10-07                     |
|            | 088272-N8-000      | SF         | PANELING - MOROCCO SAND - 4' X 7.4' (W37, W38)<br>FROM: 06-11-07 THRU: 99-99-99                       |
|            | 085284-K1-000      | FT         | BATT TAPE - ADHESIVE BACKED - DECORATIVE - MORITZ/TUSCANY (W37, W38)<br>FROM: 00-00-00 THRU: 06-10-07 |
|            | 085284-L7-000      | FT         | BATT TAPE - ADHESIVE BACKED - DECORATIVE - MOROCCO SAND (W37, W38)<br>FROM: 06-11-07 THRU: 99-99-99   |
|            | 088272-M7-000      | SF         | PANELING - KURTA/CANVAS - 4' X 7.4' (W39, W40)  |
|            | 085284-K7-000      | FT         | BATT TAPE - ADHESIVE BACKED - DECORATIVE - KURTA/CANVAS (W39, W40)                                    |
|            | 088272-N1-000      | SF         | PANELING - OASIS/RATTAN - 4' X 7.4' (W41, W42)<br>FROM: 00-00-00 THRU: 03-27-07                       |
|            | 088272-N7-000      | SF         | PANELING - DISTRESSED CRACKLE - 4' X 7.4' (W41, W42)<br>FROM: 03-28-07 THRU: 99-99-99                 |
|            | 085284-L1-000      | FT         | BATT TAPE - ADHESIVE BACKED - DECORATIVE - RATTAN (W41, W42)<br>FROM: 00-00-00 THRU: 03-27-07         |
|            | 085284-L6-000      | FT         | BATT TAPE - ADHESIVE BACKED - DECORATIVE - DIST CRACKLE (W41, W42)<br>FROM: 03-28-07 THRU: 99-99-99   |



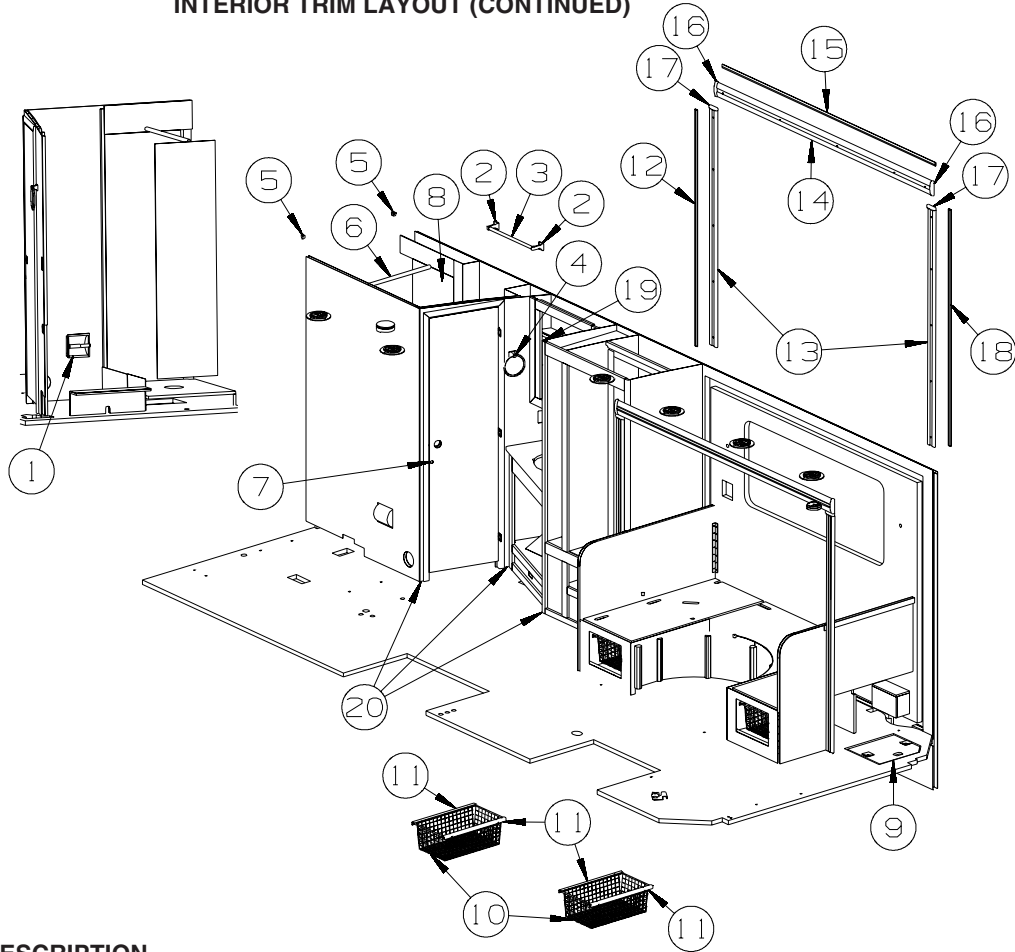
## INTERIOR FINISH GROUP (CONTINUED)

### INTERIOR TRIM LAYOUT



| KEY | PART NUMBER   | U/M | DESCRIPTION  |
|-----|---------------|-----|--|
| 1   | 134057-01-04B | EA  | BRACKET - RECLINER - FLAT BLACK  |
| 2   | 134194-01-01A | EA  | KNOB - HOLD DOWN/RECLINER - BLACK  |
| 3   | 134128-02-02B | EA  | PLATE - W/HOLES - W/WELDNUT - E-COATED   |
| 4*  | 094499-02-000 | EA  | EXTINGUISHER/FIRE - DRY - 10BC - W/GAUGE - CANADIAN<br>FROM: 00-00-00 THRU: 06-12-07       |
| 4   | 094499-03-000 | EA  | EXTINGUISHER/FIRE - DRY - 10BC - W/GAUGE/BRACKET<br>FROM: 00-00-00 THRU: 06-12-07          |
|     | 094499-04-000 | EA  | STRAP - FIRE EXTINGUISHER MOUNTING - METAL<br>FROM: 00-00-00 THRU: 06-12-07                |
| 4   | 094499-06-000 | EA  | EXTINGUISHER/FIRE - DRY - 10BC - W/BRACKET - UL/ULC - WHT<br>FROM: 06-13-07 THRU: 99-99-99 |
| 5   | M09471-79-R46 | EA  | MOLDING - TRIM/COVE - .8" X .8" X 96" - WASHED MAPLE                                       |
|     | Y00268-22-438 | EA  | MOLDING - TRIM/COVE - .8" X .8" X 96" - UNSTAINED MAPLE                                    |
| 5   | M09471-79-SA3 | EA  | MOLDING - TRIM/COVE - .8" X .8" X 96" - SIERRA MAPLE                                       |
|     | Y00268-22-438 | EA  | MOLDING - TRIM/COVE - .8" X .8" X 96" - UNSTAINED MAPLE                                    |
| 6   | 152933-01-01A | EA  | COVER - BRACKET - STRIKE - BRIGHT WHITE  |
| 6   | 152933-01-02A | EA  | COVER - BRACKET - STRIKE - BLACK   |
| 7   | 137605-03-01A | EA  | HAND RAIL - INTERIOR ENTRY DOOR - BLACK  |
| 8   | 144628-03-01A | EA  | SHADE - SCREEN DOOR - 20.1" X 33.4" - BRIGHT WHITE/TAUPE                                   |
| 8   | 144628-03-02A | EA  | SHADE - SCREEN DOOR - 20.3" X 33.4" - BLACK  |
| 9   | 162616-01-01A | EA  | COVER/SINK - LARGE - PEARL GRAY  |
| 10  | 152301-01-01A | EA  | FLANGE - PLASTIC - 1" CLOTHES ROD HOLDER - WHITE   |
| 11  | Y00136-21-218 | EA  | DOWEL - WOOD - CLOTHES ROD - 1"DIAMETER X 4'   |
| 12  | 120134-01-02A | EA  | REGISTER - W/DAMPER - 4" PIPE/6.4" O.D. FACE - WHITE                                       |
| 13  | 154430-03-000 | EA  | MATTRESS - INNERSPRING - 54" X 74.5"   |
| 14  | 139955-16-01A | EA  | TRIM - STEP/ENTRY - 21.7" - MILL   |
| 15  | 139955-17-01A | EA  | TRIM - STEP/ENTRY - 28" - MILL   |
| 16  | 139955-15-01A | EA  | TRIM - STEP/ENTRY - 21.7" - MILL   |
| 17  | 139955-05-01A | EA  | TRIM - STEP/ENTRY - 20.9" - MILL   |
| 18  | 139955-02-01A | EA  | TRIM - STEP/ENTRY - 27.7" - MILL   |
| 19  | 072852-01-000 | EA  | DETECTOR - SMOKE - W/9 VOLT BATTERY - US   |
| 19  | 072852-02-000 | EA  | DETECTOR - SMOKE - W/9 VOLT BATTERY - CANADIAN   |
| 20  | 125136-02-000 | EA  | DETECTOR/CO - GAS MODEL - 9 VOLT   |
| 21  | 162616-02-01A | EA  | COVER/SINK - SMALL - PEARL GRAY  |

**INTERIOR FINISH GROUP (CONTINUED)**  
**INTERIOR TRIM LAYOUT (CONTINUED)**



| KEY | PART NUMBER   | U/M | DESCRIPTION   |
|-----|---------------|-----|---|
| 1   | 145980-02-02A | EA  | HOLDER - TOILET TISSUE - RECESSED - NICKEL                |
| 2   | 145980-04-02A | EA  | TOWEL BAR - POST - PAIR - CHROME                          |
|     |               |     | FROM: 00-00-00 THRU: 02-14-07                             |
| 2   | 163599-02-01A | EA  | TOWEL BAR - POST - PAIR - CHROME                          |
|     |               |     | FROM: 02-15-07 THRU: 99-99-99                             |
| 3   | 145980-05-02A | EA  | TOWEL BAR - 18" - CHROME                                  |
|     |               |     | FROM: 00-00-00 THRU: 02-14-07                             |
| 3   | 163599-01-01A | EA  | TOWEL BAR - 18" - W/O POSTS - CHROME                      |
|     |               |     | FROM: 02-15-07 THRU: 99-99-99                             |
| 4   | 145980-06-03A | EA  | TOWEL RING - CHROME                                       |
|     |               |     | FROM: 00-00-00 THRU: 02-14-07                             |
| 4   | 163601-01-01A | EA  | TOWEL RING - CHROME                                       |
|     |               |     | FROM: 02-15-07 THRU: 99-99-99                             |
| 5   | 113236-01-01A | EA  | BRACKET - CLOTHES - ROD                                   |
| 6   | 102075-09-02A | EA  | ROD - SHOWER CURTAIN - 3/4"OD X 29.5" - SOFT WHITE        |
| 7   | 120760-01-000 | EA  | RUBBER BUMPER - CLEAR - .1" THICK X .8" DIAMETER          |
| 8   | 151578-01-02A | EA  | DOOR - SHOWER - 36.3" X 61.9" - WHT OPAQUE SCREEN/WHITE   |
| 9   | 148046-01-U37 | EA  | LID ASM-COMPARTMENT,BATTERY (W37, W38)                    |
| 9   | 148046-01-S38 | EA  | LID ASM-COMPARTMENT,BATTERY (W39, W40)                    |
| 9   | 148046-01-W41 | EA  | LID ASM-COMPARTMENT,BATTERY (W41, W42)                    |
|     | 102328-01-000 | EA  | KEY - BARREL - NICKEL PLATED                              |
|     | 097111-02-04A | EA  | POCKET - LOCK - REAR DOOR - BLACK                         |
|     | 102330-01-000 | EA  | LATCH - VISE ACTION/KEY OPERATED                          |
|     | 064075-07-000 | FT  | SEAL - BULB - W/WIRED U CHANNEL - .3" X .5" CHANNEL-BLACK |
| 10  | 149728-01-01A | EA  | BASKET/DRAWER - WHITE - 12.9"W X 20.7"D X 7.3"H           |
| 11  | 149728-02-01A | EA  | RUNNER/RAIL - F/BASKET - 21"DEEP                          |
| 12  | M09544-33-W37 | EA  | MOLDING - TRIM/VEE - .4" X 1" X 66.5" - WASHED MAPLE      |
| 12  | M09544-33-W38 | EA  | MOLDING - TRIM/VEE - .4" X 1" X 66.5" - SIERRA MAPLE      |
| 13  | Y00360-A2-438 | EA  | MOLDING - VINYL/CURVED - 3" X 96" - WASHED MAPLE          |
| 13  | Y00360-92-438 | EA  | MOLDING - VINYL/CURVED - 3" X 96" - SIERRA MAPLE          |
| 14  | Y00361-A2-438 | EA  | MOLDING - VINYL/CURVED - 3.9" X 96" - WASHED MAPLE        |
| 14  | Y00361-92-438 | EA  | MOLDING - VINYL/CURVED - 3.9" X 96" - SIERRA MAPLE        |

**INTERIOR FINISH GROUP (CONTINUED)**  
**INTERIOR TRIM LAYOUT (CONTINUED)**

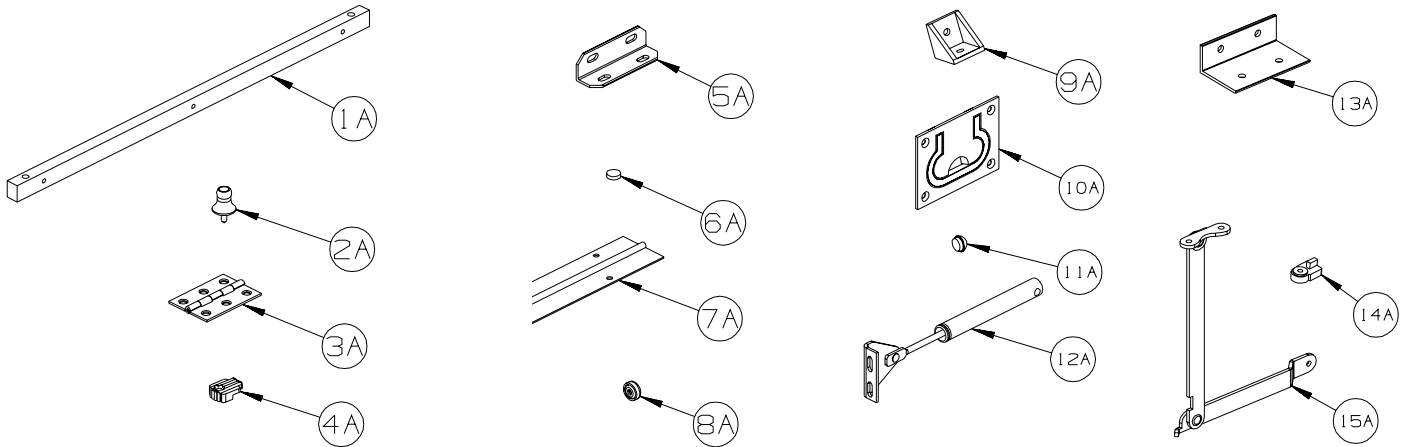
| KEY | PART NUMBER   | U/M | DESCRIPTION  |
|-----|---------------|-----|--|
| 15  | M09544-86-W37 | EA  | MOLDING - TRIM/VEE - .4" X 1" X 88.1" - WASHED MAPLE   |
| 15  | M09544-86-W38 | EA  | MOLDING - TRIM/VEE - .4" X 1" X 88.1" - SIERRA MAPLE   |
| 16  | 156636-05-U17 | EA  | MOLDING/BLOCK - .8" X 4" - WASHED MAPLE  |
| 16  | 156636-05-U52 | EA  | MOLDING/BLOCK - .8" X 4" - SIERRA MAPLE  |
| 17  | 156636-04-U17 | EA  | MOLDING/BLOCK - .8" X 3.1" - WASHED MAPLE  |
| 17  | 156636-04-U52 | EA  | MOLDING/BLOCK - .8" X 3.1" - SIERRA MAPLE  |
| 18  | M09544-35-W37 | EA  | MOLDING - TRIM/VEE - .4" X 1" X 46.1" - WASHED MAPLE<br>FROM: 00-00-00 THRU: 06-24-07                  |
| 18  | M09544-33-W37 | EA  | MOLDING - TRIM/VEE - .4" X 1" X 66.5" - WASHED MAPLE<br>FROM: 06-25-07 THRU: 99-99-99                  |
| 18  | M09544-35-W38 | EA  | MOLDING - TRIM/VEE - .4" X 1" X 46.1" - SIERRA MAPLE<br>FROM: 00-00-00 THRU: 06-24-07                  |
| 18  | M09544-33-W38 | EA  | MOLDING - TRIM/VEE - .4" X 1" X 66.5" - SIERRA MAPLE<br>FROM: 06-25-07 THRU: 99-99-99                  |
|     | 153973-02-W37 | EA  | MOLDING - CROWN/BLOCK - 3.1" X 20.4" - WASHED MAPLE - NOT ILLUSTRATED<br>FROM: 00-00-00 THRU: 06-24-07 |
|     | 153973-02-W38 | EA  | MOLDING - CROWN/BLOCK - 3.1" X 20.4" - SIERRA MAPLE - NOT ILLUSTRATED<br>FROM: 00-00-00 THRU: 06-24-07 |
| 19  | 009702-01-000 | EA  | END STOP - CURTAIN CARRIER - L ROD   |
| 20  | M09471-79-R46 | EA  | MOLDING - TRIM/COVE - .8" X .8" X 96" - WASHED MAPLE   |
| 20  | M09471-79-SA3 | EA  | MOLDING - TRIM/COVE - .8" X .8" X 96" - SIERRA MAPLE   |

**FLOOR COVERINGS**

| KEY | PART NUMBER   | U/M | DESCRIPTION  |
|-----|---------------|-----|--|
|     | 042720-41-000 | SY  | VINYL - FLOOR COVERING - CALAY/#69325                    |
|     | 075233-01-000 | SY  | PAD - CARPET - 3/8" X 6'W ROLL - SOLD BY THE SQUARE YARD |
|     | 089275-02-000 | FT  | STRIP - 3/4" X 84" BLACK POLYETHYLENE                    |
|     | 093486-01-000 | SY  | CARPET - COMPARTMENT - 72" WIDE - DARK GRAY              |
|     | 152251-05-07A | SY  | CARPET - 4 SQUARE YARD INCREMENTS - RAFFIA (W37, W38)    |
|     | 152251-05-02A | SY  | CARPET - 4 SQUARE YARD INCREMENTS - BURLWOOD (W39, W40)  |
|     | 152251-05-08A | SY  | CARPET - 4 SQUARE YARD INCREMENTS - CORDWOOD (W41, W42)  |

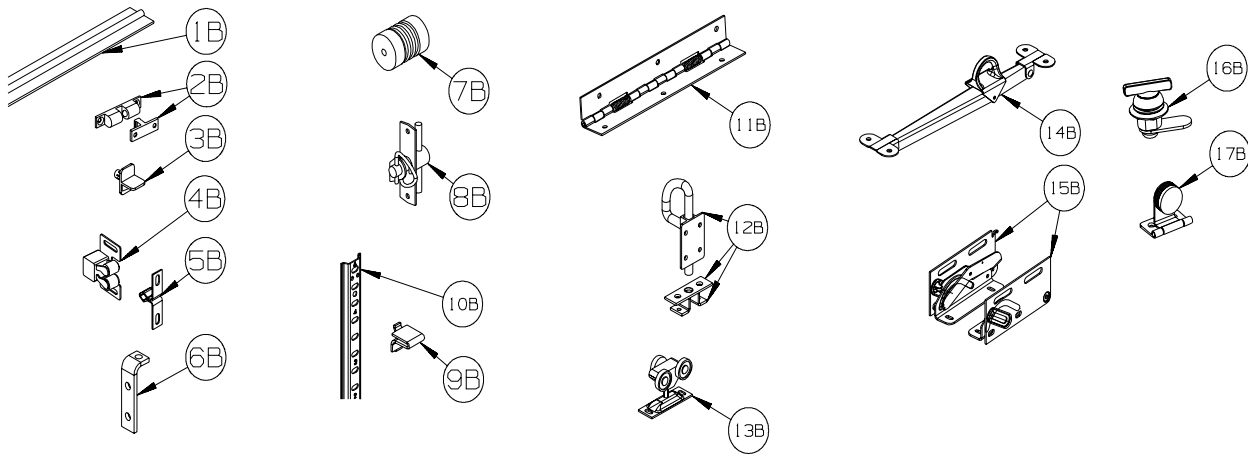
## INTERIOR FINISH GROUP (CONTINUED)

### HARDWARE



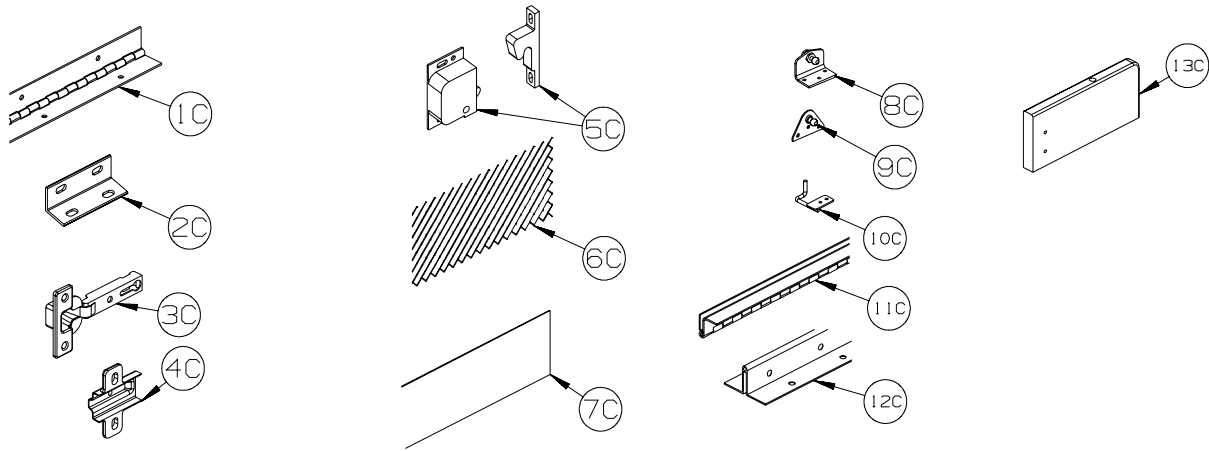
| KEY | PART NUMBER   | U/M | DESCRIPTION   |
|-----|---------------|-----|---|
| 1A  | P34509-01-P14 | EA  | RAIL END - RH/LH - TOWEL RACK - CONCERT CHERRY                  |
| 1A  | P34509-01-J70 | EA  | RAIL END - RH/LH - TOWEL RACK - WASHED MAPLE                    |
| 1A  | P34509-01-RE0 | EA  | RAIL END - RH/LH - TOWEL RACK - HONEY CHERRY                    |
| 1A  | P34509-01-SA3 | EA  | RAIL END - RH/LH - TOWEL RACK - SIERRA MAPLE                    |
| 2A  | 009013-01-000 | EA  | CATCH - BULLDOG - MALE/FEMALE                                   |
| 3A  | 009059-01-000 | EA  | HINGE - DOOR - 2" X 1.4" - BRASS                                |
| 3A  | 009059-02-000 | EA  | HINGE - DOOR - 2" X 2.7" - BRASS                                |
| 3A  | 009059-03-000 | EA  | HINGE - BRASS - 1.75"   |
| 3A  | 009059-04-000 | EA  | HINGE - 2" - ZINC   |
| 4A  | 009089-01-000 | EA  | CLIP - MIRROR   |
| 5A  | 016604-01-000 | EA  | BRACE - ANGLE - 2 1/2" - UNPAINTED METAL                        |
| 5A  | 016604-05-000 | EA  | BRACE - ANGLE - 2 1/2" - OFF WHITE METAL                        |
| 5A  | 016604-10-000 | EA  | BRACE - SEAT ANGLE - 2.5" - BLACK                               |
| 6A  | 023320-01-000 | EA  | PAD - FELT 3/8" DIAMETER  |
| 7A  | 041389-19-000 | EA  | HINGE - PIANO - 1 1/2" X 71.9" - UNPAINTED                      |
| 7A  | 041389-25-000 | EA  | HINGE - PIANO - 1 1/2" X 55" - UNPAINTED                        |
| 7A  | 041389-32-000 | EA  | HINGE - PIANO - 68" - OFF WHITE                                 |
| 8A  | 166569-01-02A | EA  | COVER - SCREW - #8 - BRIGHT WHITE                               |
| 8A  | 166569-01-03A | EA  | COVER - SCREW - #8 - SOFT WHITE                                 |
| 8A  | 166569-01-04A | EA  | COVER - SCREW - #8 - CREAM                                      |
| 9A  | 065740-01-000 | EA  | BRACE - CABINET/CORNER - PLASTIC                                |
| 10A | 072871-01-000 | EA  | PULL - FLUSH - CHROME   |
| 11A | 074045-13-000 | EA  | PLUG - 3/8" DOWEL-1/2" HEAD - PORTSMOUTH OAK                    |
| 11A | 074045-08-000 | EA  | PLUG - 3/8" DOWEL-1/2" HEAD - OAK/SALEM CHERRY - CONCERT CHERRY |
| 11A | 074045-12-000 | EA  | PLUG - 3/8" DOWEL-1/2" HEAD - WASHED MAPLE                      |
| 11A | 074045-14-000 | EA  | PLUG - 3/8" DOWEL-1/2" HEAD - HONEY CHERRY                      |
| 11A | 074045-15-000 | EA  | PLUG - 3/8" DOWEL-1/2" HEAD - SIERRA MAPLE                      |
| 12A | 074493-02-000 | EA  | SUPPORT/PISTON SPRING - CABINET DOOR - 26 LBS                   |
| 12A | 074493-03-000 | EA  | SUPPORT/PISTON SPRING - CABINET DOOR - 12 LBS                   |
| 13A | 156732-01-01A | EA  | BRACE - ANGLE/COUCH - 2.5" - MILL                               |
| 13A | 156732-01-02A | EA  | BRACE - ANGLE/COUCH - 2.5" - OFF WHITE                          |
| 13A | 156732-03-01A | EA  | BRACE - ANGLE/COUCH - BLACK                                     |
| 14A | 083204-03-000 | EA  | BUTTON - RETAINING MIRROR 5/16" TIP                             |
| 15A | 084412-01-000 | EA  | SUPPORT/HINGE KIT (LEFT & RIGHT HINGES)                         |

**INTERIOR FINISH GROUP (CONTINUED)**  
**HARDWARE (CONTINUED)**



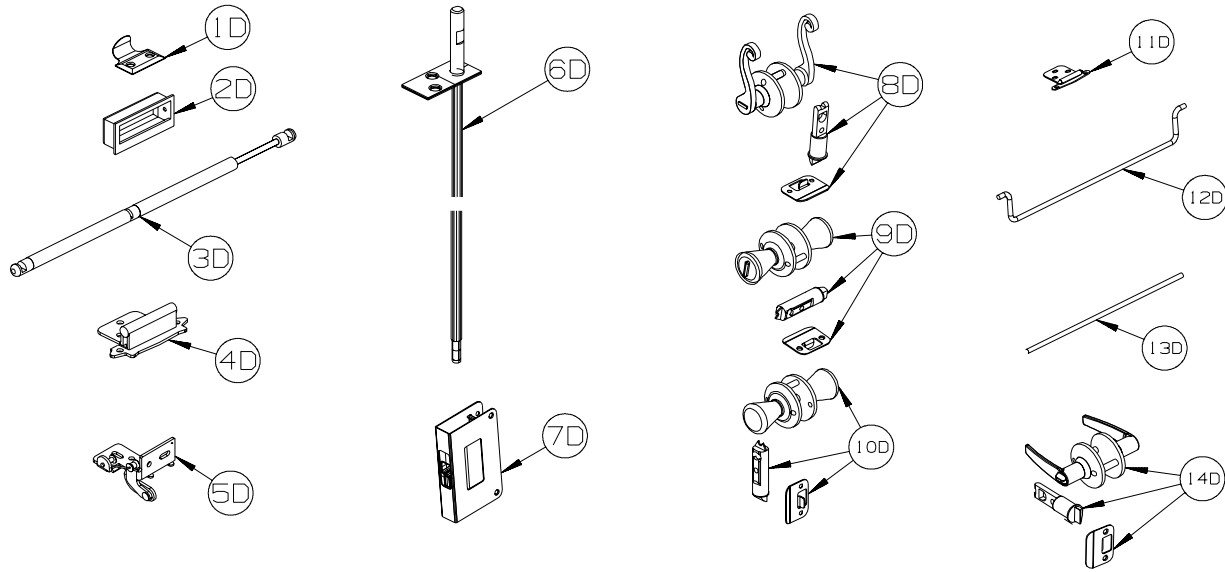
| KEY | PART NUMBER   | U/M | DESCRIPTION   |
|-----|---------------|-----|---|
| 1B  | 084413-01-000 | EA  | HINGE - 1" X 72" - ALUMINUM - W/HOLES                     |
| 2B  | 084451-01-000 | EA  | CATCH & LATCH - 1.7" - BRASS                              |
| 3B  | 092907-01-000 | EA  | SUPPORT - SHELF - PIN - 1/4" - CLEAR PLASTIC              |
| 4B  | 093586-03-000 | EA  | CATCH - SPRING ROLLER - .377"                             |
| 4B  | 093586-06-000 | EA  | CATCH - W/STRIKE - SPRING ROLLER .236"/SPRINT STEEL .943" |
| 5B  | 093586-04-000 | EA  | STRIKE - SPRING STEEL - 1.14"                             |
| 6B  | 096826-01-01A | EA  | BRACE - CABINET - 2" - E-COATED                           |
| 6B  | 096826-02-01A | EA  | BRACE - CABINET - 1" - E-COATED                           |
| 7B  | 097872-04-000 | EA  | DOWEL - WOOD - 1" DIAMETER X 1.38" LONG - UNFINISHED      |
| 8B  | 098196-01-000 | EA  | LATCH - 1/4 TURN - T-BAR                                  |
| 9B  | 098979-01-000 | EA  | CLIP - ADJUSTABLE SHELF                                   |
| 10B | 098980-01-000 | EA  | PILASTER - ADJUSTABLE SHELF - 18"                         |
| 10B | 098980-02-000 | EA  | PILASTER - ADJUSTABLE SHELF - 12"                         |
| 10B | 098980-03-000 | EA  | PILASTER - ADJUSTABLE SHELF - 9"                          |
| 10B | 098980-04-000 | EA  | PILASTER - ADJUSTABLE SHELF - 48"                         |
| 10B | 098980-05-000 | EA  | PILASTER - ADJUSTABLE SHELF - 15"                         |
| 10B | 098980-06-000 | EA  | PILASTER - ADJUSTABLE SHELF - 24"                         |
| 11B | 102920-01-02A | EA  | HINGE - SPRING LOADED - NICKEL                            |
| 11B | 129753-01-01A | EA  | HINGE - SPRING LOADED - 19" X 19" - BLACK                 |
| 12B | 103256-01-000 | EA  | LATCH COMPLETE (SLIDE)                                    |
| 13B | 103874-01-000 | EA  | HANGER - SLIDING DOOR                                     |
| 14B | 104181-01-01A | EA  | SUPPORT - LEAF 5.3" EXTENDS TO 7.5" - SAFETY RING - METAL |
| 15B | 108126-01-000 | EA  | TRAY HINGE SET (QTY. 2 PER SET)                           |
| 16B | 100710-01-02A | EA  | LOCK - GLASS DOOR/TWIST TYPE - NICKEL                     |
| 17B | 100711-01-02A | EA  | HINGE - GLASS DOOR - BLACK                                |

**INTERIOR FINISH GROUP (CONTINUED)**  
**HARDWARE (CONTINUED)**



| KEY | PART NUMBER   | U/M | DESCRIPTION  |
|-----|---------------|-----|--|
| 1C  | 110496-01-02A | EA  | HINGE - NICKEL - 2" X 32"                                  |
| 1C  | 110496-06-02A | EA  | HINGE - NICKEL - 2" X 9.5"                                 |
| 1C  | 158921-01-04B | EA  | HINGE - PIANO - TRUNK DOOR - 2" X 21.9" - BLACK            |
| 2C  | 111866-01-02A | EA  | BRACE - SEAT - ANGLE - OFF WHITE                           |
| 3C  | 114443-02-01A | EA  | HINGE - CABINET DOOR - W/O CLIP - SILVER                   |
| 4C  | 114443-03-01A | EA  | CLIP - HINGE/CABINET DOOR - SILVER                         |
| 5C  | 117095-02-01A | EA  | LATCH - DOOR - GRABBER W/KEEPER - PLASTIC - BLK-10 LB PULL |
| 5C  | 117095-03-01A | EA  | LATCH - DOOR - GRABBER W/KEEPER - PLASTIC - BLK-15 LB PULL |
| 6C  | 118200-01-01A | SF  | MESH - PLASTIC 1/2" - 48" X LENGTH = SF - BLACK            |
| 7C  | 122717-06-01A | FT  | PAD - NON-SKID - PSA - 5"W                                 |
| 8C  | 126263-06-02B | EA  | BRACKET - GAS SPRING W/INSIDE BALL STUD - E-COATED         |
| 9C  | 126263-05-02B | EA  | BRACKET - GAS SPRING W/BALL STUD - E-COATED                |
| 9C  | 126263-08-02B | EA  | BRACKET - GAS SPRING W/CENTERED BALL STUD - E-COATED       |
| 10C | 130798-01-02B | EA  | GUIDE - POCKET DOOR - E-COATED                             |
| 11C | 134099-01-02A | EA  | HINGE - PIANO - WRAP AROUND - 15.7" - NICKEL PLATED        |
| 12C | 135538-03-02A | EA  | HINGE - PIANO - FULL WRAP - 15.7" - CHROME                 |
| 12C | 135538-07-02A | EA  | HINGE - PIANO - FULL WRAP - 9.8" - CHROME                  |
| 13C | 137445-03-T78 | EA  | STOP - F/SLIDING DOOR - CONCERT CHERRY                     |
| 13C | 137445-03-T79 | EA  | STOP - F/SLIDING DOOR - WASHED MAPLE                       |
| 13C | 137445-03-T80 | EA  | STOP - F/SLIDING DOOR - SIERRA MAPLE                       |

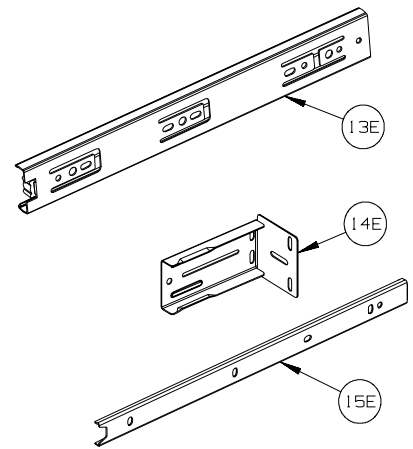
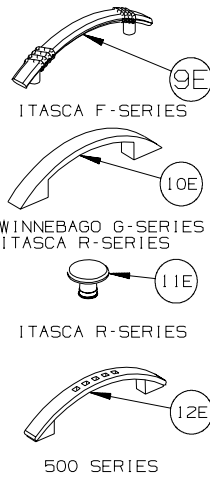
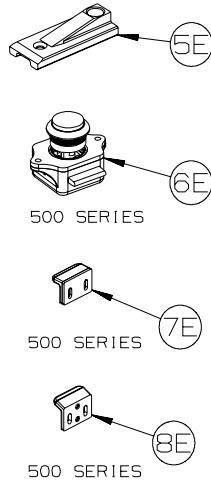
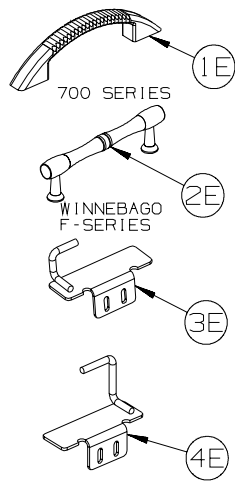
**INTERIOR FINISH GROUP (CONTINUED)**  
**HARDWARE (CONTINUED)**



| KEY | PART NUMBER   | U/M | DESCRIPTION  |
|-----|---------------|-----|--|
| 1D  | 137463-01-02A | EA  | LIFT - HOOK - PEWTER                                       |
| 2D  | 139136-02-02A | EA  | HANDLE - .35" RECESSED - PEWTER                            |
| 3D  | 142569-07-000 | EA  | SPRING/GAS - 20 LB - 20" EXTENDED/12" COMPRESSED           |
| 3D  | 142569-15-000 | EA  | SPRING/GAS - 120 LB - 20" EXTENDED/12" COMPRESSED          |
| 3D  | 142569-16-000 | EA  | SPRING/GAS - 90 LB - 20" EXTENDED/12" COMPRESSED           |
| 3D  | 142569-29-000 | EA  | SPRING/GAS - 20 LB - 9.9" EXTENDED/5.9" COMPRESSED         |
| 3D  | 142569-31-000 | EA  | SPRING/GAS - 30 LB - 11.8" EXTENDED/7.3" COMPRESSED        |
| 4D  | 143468-02-03A | EA  | HINGE - SELF CLOSING - SATIN NICKEL                        |
| 4D  | 143468-02-04A | EA  | HINGE - SELF CLOSING - OIL RUBBED BRONZE                   |
| 4D  | 143468-02-05A | EA  | HINGE - SELF CLOSING - RUSTIC BRASS                        |
| 5D  | 144488-01-01A | EA  | HINGE - CABINET - ANTIQUE BRASS                            |
| 5D  | 144488-01-02A | EA  | HINGE - CABINET - NICKEL                                   |
| 6D  | 145939-05-02A | EA  | ROD/LATCH - AISLE DOOR - NICKEL                            |
| 7D  | 145939-04-02A | EA  | LATCH/SLIDE - AISLE DOOR(1" THICK DOOR)-NICKEL/BLACK SLIDE |
| 7D  | 145939-04-03A | EA  | LATCH/SLIDE - AISLE DOOR(1" THICK DOOR)-OIL RUBBED BRONZE  |
| 8D  | 146064-01-02A | EA  | LOCK/PRIVACY (LOCKING) LEVER STYLE - SATIN PEWTER          |
| 8D  | 146064-02-02A | EA  | LOCK/PASSAGE (NON LOCKING) LEVER STYLE - PEWTER            |
| 9D  | 146064-05-01A | EA  | LOCK/PRIVACY (LOCKING) "TULIP" STYLE KNOB - SATIN NICKEL   |
| 10D | 146064-06-01A | EA  | LOCK/PASSAGE (NON LOCKING) "TULIP" STYLE KNOB-SATIN NICKEL |
| 11D | 146553-01-03A | EA  | HINGE - CABINET DOOR - SATIN NICKEL                        |
| 12D | 146801-01-02A | EA  | ROD/TOWEL BAR (OFFSET) - PEWTER                            |
| 13D | 146840-03-02A | EA  | ROD - .25" X 11.7" - PEWTER                                |
| 13D | 146840-04-02A | EA  | ROD - .25" X 13.1" - PEWTER                                |
| 14D | 146064-08-01A | EA  | LOCK/PASSAGE (NON LOCKING) LEVER STYLE - SATIN NICKEL      |
| 14D | 146064-07-01A | EA  | LOCK/PRIVACY (LOCKING) LEVER STYLE - SATIN NICKEL          |

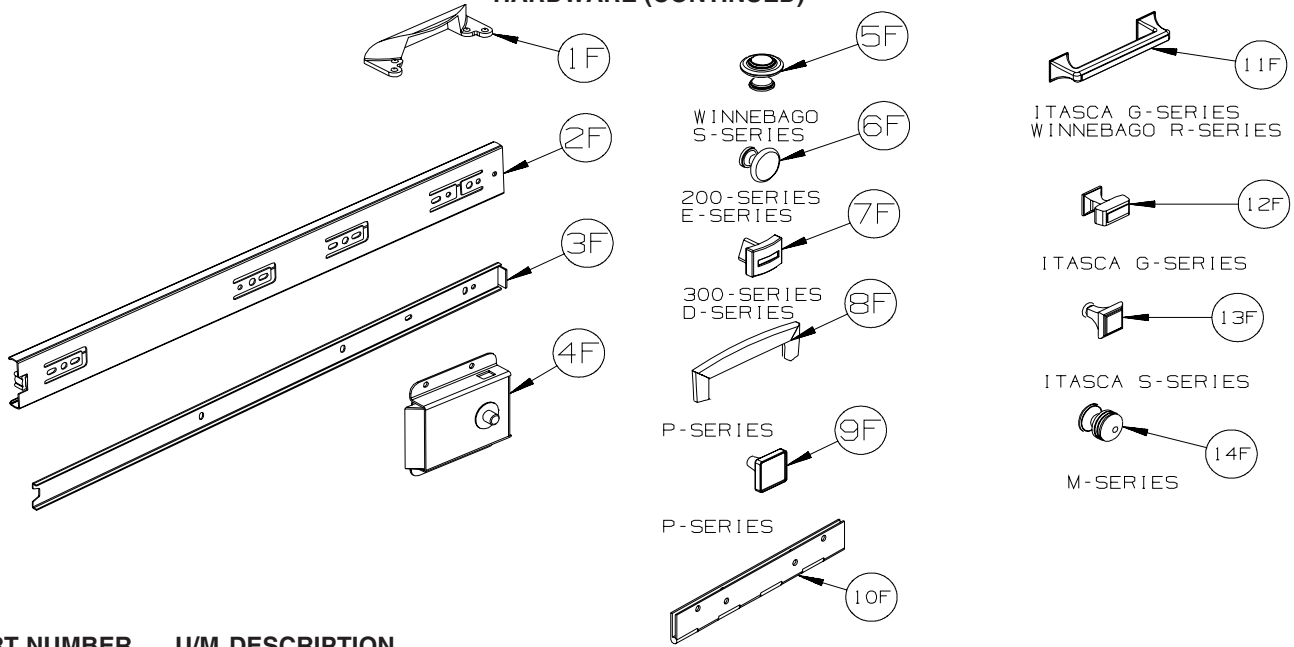


**INTERIOR FINISH GROUP (CONTINUED)**  
**HARDWARE (CONTINUED)**



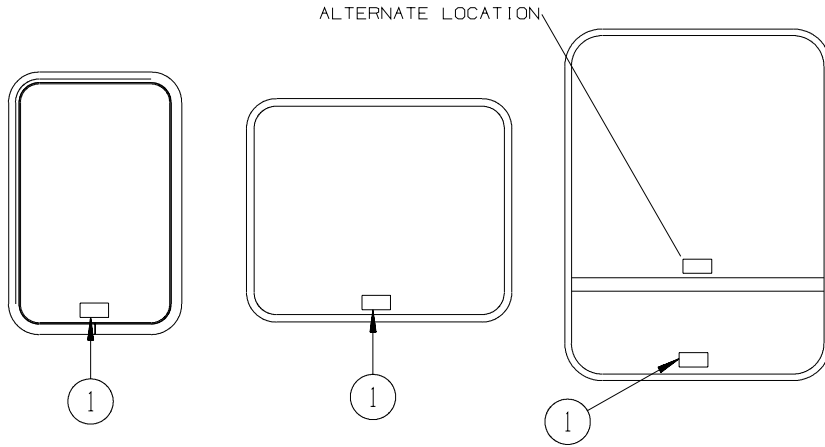
| KEY | PART NUMBER   | U/M | DESCRIPTION   |
|-----|---------------|-----|---|
| 1E  | 148816-01-02A | EA  | PULL - CABINET DOOR - NICKEL - <b>ASPECT, CAMBRIA 700-SERIES/ADVENTURER LIMITED EDITION</b> |
| 2E  | 149090-01-02A | EA  | PULL - CABINET DOOR - NICKEL - <b>VOYAGE F-SERIES</b>                                       |
| 3E  | 149607-01-02B | EA  | GUIDE - F/POCKET DOOR - 1.6" BENT ROD - E-COATED  |
| 3E  | 149607-03-02B | EA  | GUIDE - F/POCKET DOOR - 2.9" BENT ROD - E-COATED  |
| 4E  | 149607-04-02B | EA  | GUIDE - F/POCKET DOOR - E-COATED  |
| 5E  | 150983-01-01A | EA  | STRIKE/BLOCK - WEDGE STYLE - F/SLIDE DOOR - 3" X 1.2" - BLACK                               |
| 6E  | 151380-01-01A | EA  | LATCH - CBNT DR - PUSH BTN - <b>VIEW &amp; NAVION 500-SERIES</b>                            |
| 6E  | 151380-01-02A | EA  | LATCH - CABINET DOOR - PUSH BUTTON - BLACK - <b>TOUR &amp; ELLIPSE R-SERIES</b>             |
| 7E  | 151380-02-01A | EA  | STRIKE - CABINET DOOR - <b>VIEW &amp; NAVION 500-SERIES</b>                                 |
| 8E  | 151380-03-01A | EA  | STRIKE - CABINET DOOR - <b>VIEW &amp; NAVION 500-SERIES</b>                                 |
| 9E  | 152302-01-01A | EA  | PULL - CABINET DOOR - SATIN NICKEL - <b>SUNRISE F-SERIES</b>                                |
| 10E | 152304-01-01A | EA  | PULL - CABINET DOOR - BRONZE - <b>ADVENTURER G-SERIES, ELLIPSE R-SERIES</b>                 |
| 11E | 152305-01-01A | EA  | KNOB - DOOR/DRAWER - BRONZE - <b>ELLIPSE R-SERIES</b>                                       |
| 12E | 152950-01-01A | EA  | PULL - DOOR/DRAWER - BRUSHED NICKEL - <b>VIEW &amp; NAVION 500-SERIES</b>                   |
| 13E | 153000-01-01A | EA  | SLIDE - CABINET MOUNT - 11.8"   |
| 13E | 153000-03-01A | EA  | SLIDE - CABINET MOUNT - 13.8"   |
| 13E | 153000-05-01A | EA  | SLIDE - CABINET MOUNT - 15.7"   |
| 13E | 153000-07-01A | EA  | SLIDE - CABINET MOUNT - 17.7"   |
| 13E | 153000-09-01A | EA  | SLIDE - CABINET MOUNT - 19.7"   |
| 13E | 153000-11-01A | EA  | SLIDE - CABINET MOUNT - 21.6"   |
| 13E | 153000-14-01A | EA  | SLIDE - CABINET MOUNT - 23.6"   |
| 13E | 153000-16-01A | EA  | SLIDE - CABINET MOUNT - 7.9"  |
| 13E | 153000-18-01A | EA  | SLIDE - CABINET MOUNT - 9.8"  |
| 13E | 153000-20-01A | EA  | SLIDE - CABINET MOUNT - 25.6"   |
| 14E | 153000-13-01A | EA  | BACKSOCKET - DRAWER SLIDE   |
| 15E | 153000-02-01A | EA  | SLIDE - DRAWER MOUNT - 11.8"  |
| 15E | 153000-04-01A | EA  | SLIDE - DRAWER MOUNT - 13.8"  |
| 15E | 153000-06-01A | EA  | SLIDE - DRAWER MOUNT - 15.7"  |
| 15E | 153000-08-01A | EA  | SLIDE - DRAWER MOUNT - 17.7"  |
| 15E | 153000-10-01A | EA  | SLIDE - DRAWER MOUNT - 19.7"  |
| 15E | 153000-12-01A | EA  | SLIDE - DRAWER MOUNT - 21.6"  |
| 15E | 153000-15-01A | EA  | SLIDE - DRAWER MOUNT - 23.4"  |
| 15E | 153000-17-01A | EA  | SLIDE - DRAWER MOUNT - 7.7"   |
| 15E | 153000-19-01A | EA  | SLIDE - DRAWER MOUNT - 9.6"   |
| 15E | 153000-21-01A | EA  | SLIDE - DRAWER MOUNT - 25.4"  |

## INTERIOR FINISH GROUP (CONTINUED) HARDWARE (CONTINUED)



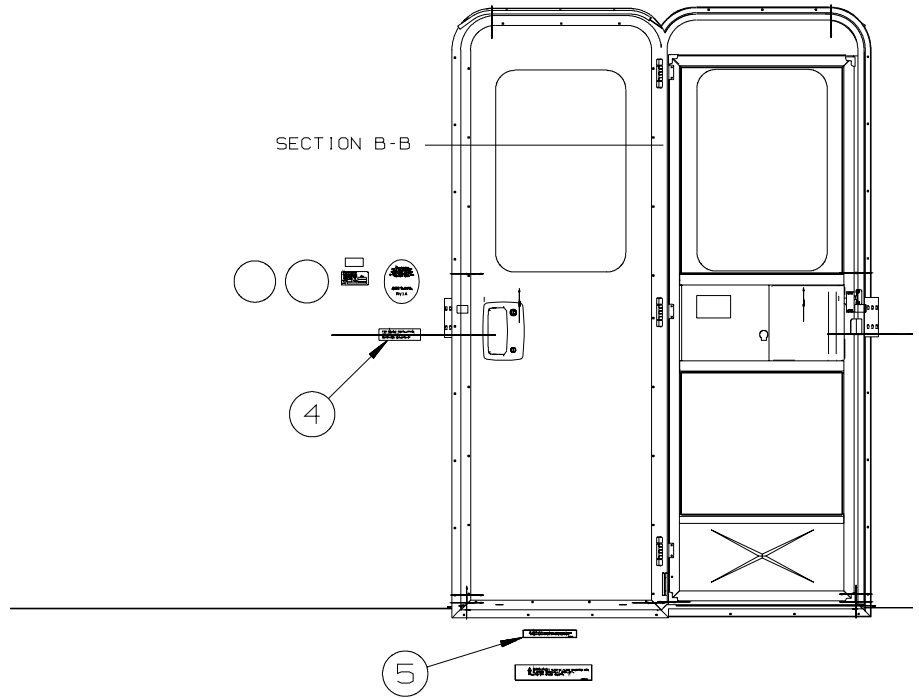
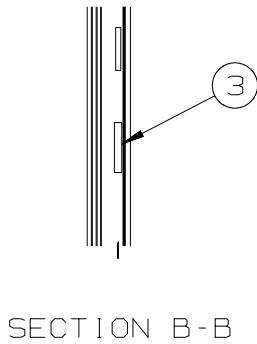
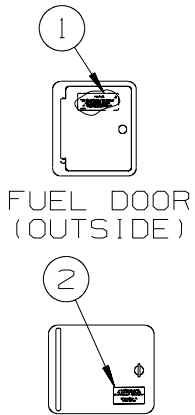
| KEY | PART NUMBER   | U/M | DESCRIPTION   |
|-----|---------------|-----|---|
| 1F  | 153308-01-01A | EA  | PULL - VANITY STOOL - SATIN NICKEL  |
| 2F  | 153352-01-01A | EA  | SLIDE - PANTRY - 19.7" - CABINET MOUNT  |
| 3F  | 153352-02-01A | EA  | SLIDE - PANTRY - 19.5" - DRAWER MOUNT   |
| 4F  | 153353-01-01A | EA  | LATCH - SLIDING/FLUSH - BLACK   |
| 5F  | 155803-01-01A | EA  | KNOB CABINET DOOR - WROUGHT IRON - <b>VECTRA S-SERIES</b>   |
| 6F  | 155925-01-01A | EA  | KNOB - DOOR/DRW - SATIN NICKEL - <b>ACCESS &amp; IMPULSE 200-SERIES/ VISTA &amp; SUNSTAR E-SERIES</b> |
| 7F  | 156579-01-01A | EA  | KNOB - DOOR/DRW - PEWTER - <b>OUTLOOK &amp; SPIRIT 300-SERIES/ SIGHTSEER &amp; SUNOVA D-SERIES</b>    |
| 8F  | 157246-01-01A | EA  | PULL - CABINET DOOR/DRAWER - SATIN NICKEL - <b>JOURNEY &amp; MERIDIAN P-SERIES</b>                    |
| 9F  | 157246-02-01A | EA  | KNOB - CABINET DOOR/DRAWER-SATIN NICKEL - <b>JOURNEY &amp; MERIDIAN P-SERIES</b>                      |
| 10F | 158982-01-04B | EA  | HINGE - CONTINUOUS - 2" X 8" - BLACK  |
| 10F | 158982-01-01A | EA  | HINGE - CONTINUOUS - 2" X 8" - ZINC   |
| 11F | 162033-01-01A | EA  | PULL - CABINET DOOR - BRUSHED NICKEL - <b>SUNCRUISER G-SERIES, TOUR R-SERIES</b>                      |
| 12F | 162033-02-01A | EA  | KNOB - CABINET DOOR - BRUSHED NICKEL - <b>SUNCRUISER G-SERIES</b>                                     |
| 13F | 162518-01-01A | EA  | KNOB - DOOR/DRAWER - SATIN NICKEL - <b>HORIZON S-SERIES</b>   |
| 14F | 163095-01-01A | EA  | KNOB - CABINET DOOR - SATIN NICKEL - <b>DESTINATION &amp; LATTITUDE M-SERIES</b>                      |

## LABELS GROUP



EXIT WINDOWS

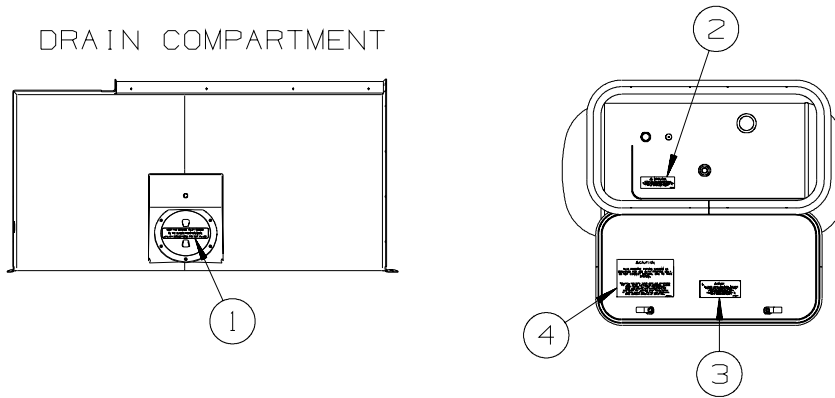
| KEY | PART NUMBER   | U/M DESCRIPTION           |
|-----|---------------|---------------------------|
| 1   | 039290-01-000 | EA LABEL - WARNING - EXIT |



| KEY | PART NUMBER   | U/M DESCRIPTION  |
|-----|---------------|--|
| 1   | 124519-01-01A | EA LABEL - WARNING/REFUELING - BLACK ON CLEAR                |
| 1   | 124519-02-01A | EA LABEL - WARNING/REFUELING - BLACK ON CLEAR - CSA          |
| 2   | 125306-04-01A | EA LABEL - ELECTRICAL ENTRANCE-120/20V 50 AMP-BLACK ON CLEAR |
| 2   | 125306-04-02A | EA LABEL - ELECTRICAL ENTRANCE-120/20V 50 AMP-WHITE ON CLEAR |
| 3   | 135869-01-01A | EA LABEL - MERCURY CONTENT - BLACK ON CLEAR                  |
| 3   | 135869-01-02A | EA LABEL - MERCURY CONTENT - WHITE ON CLEAR                  |
| 4   | 099509-01-000 | EA LABEL - AWNING INSTALLATION                               |
| 5   | 065748-01-000 | EA LABEL - WARNING - BATTERY CHARGING - UL                   |

## LABELS GROUP (CONTINUED)

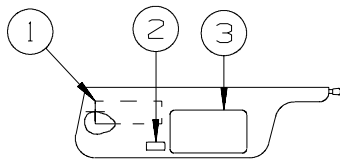
### DRAIN COMPARTMENT



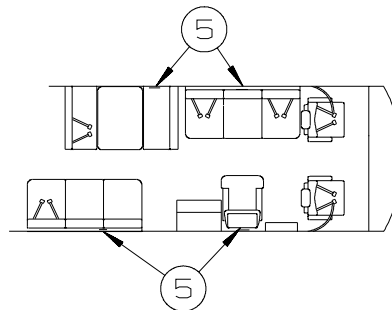
**KEY PART NUMBER**

|   |               |   |
|---|---------------|---|
| 1 | 123562-01-000 | EA LABEL - SERVICE/UTILITY ACCESS             |
| 2 | 079965-01-000 | EA LABEL - LPG - 80% CAPACITY                 |
| 3 | 124519-01-01A | EA LABEL - WARNING/REFUELING - BLACK ON CLEAR |
| 3 | 124519-01-02A | EA LABEL - WARNING/REFUELING - WHITE ON CLEAR |
| 4 | 124520-01-01A | EA LABEL - LP GAS ONLY - BLACK ON CLEAR       |
| 4 | 124520-01-02A | EA LABEL - LP GAS ONLY - WHITE ON CLEAR       |
| 4 | 023769-01-000 | EA LABEL - WARNING - LPG - CANADIAN           |

### TYPICAL SEAT AND BELT CONFIGURATIONS

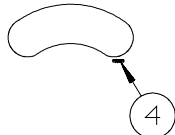


LABELS SHALL BE LOCATED ON OPPOSITE SIDE OF VISOR THAT THE AIR BAG LABEL IS INSTALLED ON.



ATTACH LABEL ON OR NEXT TO:  
 +ANY SINGLE CHAIR WITHOUT BELTS.  
 +ANY DINETTE SEAT WITHOUT BELTS.  
 +ANY COUCH WITHOUT BELTS OR ANY SEATING POSITION ON THAT COUCH.  
 DO NOT ATTACH LABEL IF:  
 +DINETTE SEAT HAS AT LEAST ONE SET OF BELTS INSTALLED.

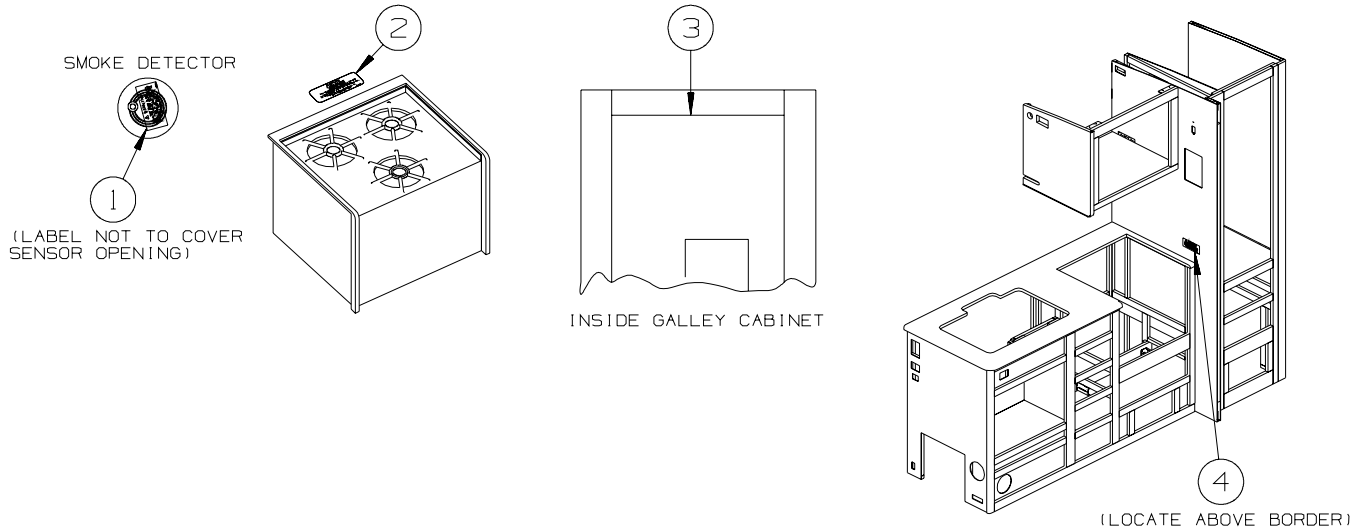
### INSTRUMENT CLUSTER



**KEY PART NUMBER**

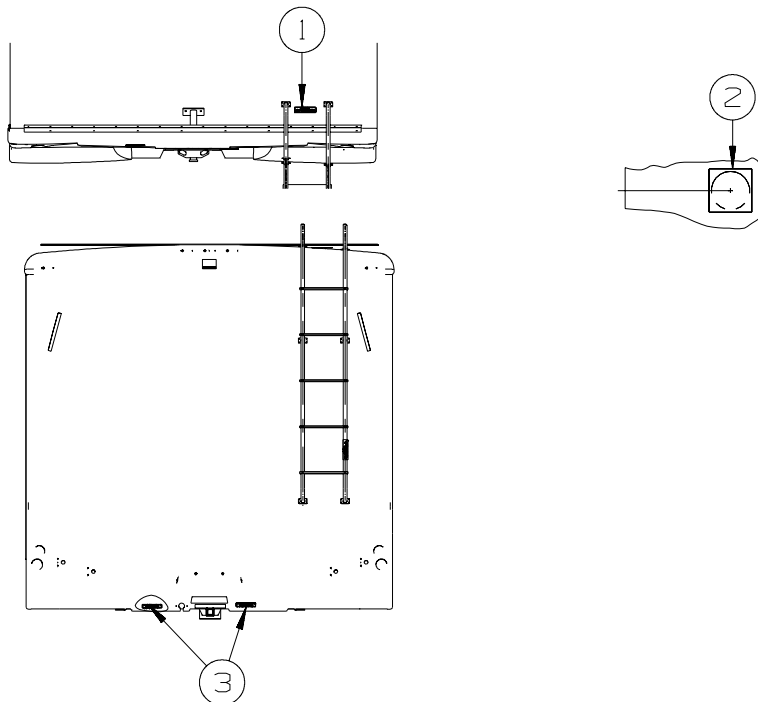
|   | <b>PART NUMBER</b> | <b>U/M DESCRIPTION</b>                                     |
|---|--------------------|--|
| 1 | 126611-01-000      | EA LABEL - AIR BAG - VISOR                                 |
| 2 | 099689-01-000      | EA LABEL - WARNING - CANCER/TOXICITY                       |
| 3 | 056259-01-000      | EA LABEL - SAFETY CHECK LIST                               |
| 4 | 155692-01-01A      | EA LABEL - ODOMETER - READ IN MILE - BLACK/WHITE           |
| 4 | 155692-01-02A      | EA LABEL - ODOMETER - READ IN MILE - WHITE/CLEAR           |
| 5 | 134538-01-01A      | EA LABEL - OCCUPANCY - NO SEAT BELT - BLACK ON CLEAR - US  |
| 5 | 134538-02-01A      | EA LABEL - OCCUPANCY - NO SEAT BELT - BLACK ON CLEAR - CSA |

## LABELS GROUP (CONTINUED)



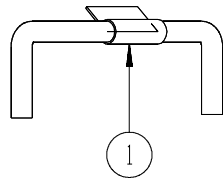
| KEY | PART NUMBER   | U/M | DESCRIPTION  |
|-----|---------------|-----|--|
| 1   | 077956-01-000 | EA  | LABEL - WARNING/SMOKE DETECTOR                         |
| 2   | 134539-01-01A | EA  | LABEL - WARNING - STOVE/HEATING - US - BLACK ON CLEAR  |
| 2   | 134539-01-02A | EA  | LABEL - WARNING - STOVE/HEATING - US - WHITE ON CLEAR  |
| 2   | 134540-01-01A | EA  | LABEL - WARNING - STOVE/HEATING - CSA - BLACK ON CLEAR |
| 2   | 134540-01-02A | EA  | LABEL - WARNING - STOVE/HEATING - CSA - WHITE ON CLEAR |
| 3   | 073998-01-000 | EA  | LABEL - LPG/ODOR WARNING                               |
| 4   | 143911-02-01A | EA  | LABEL - CURTAIN SECUREMENT - BLACK ON CLEAR            |
| 4   | 155196-01-01A | EA  | LABEL - CURTAIN SECUREMENT - BLACK ON CLEAR - CSA      |

726A

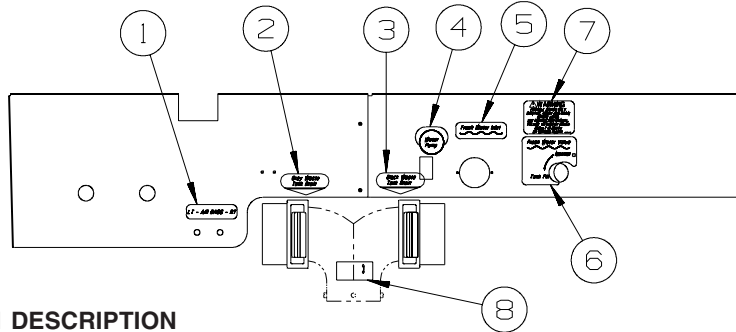


| KEY | PART NUMBER   | U/M | DESCRIPTION   |
|-----|---------------|-----|---|
| 1   | 128218-01-01A | EA  | LABEL - WARNING - SLIPPERY ROOF<br>FROM: 00-00-00 THRU: 02-18-07                  |
| 1   | 163705-01-01A | EA  | LABEL - WARNING - ROOF SLIPPERY - BLACK ON WHITE<br>FROM: 02-19-07 THRU: 99-99-99 |
| 2   | 120431-01-000 | EA  | LABEL - LOCATION - COAXIAL CABLE/SATELLITE ANTENNA                                |
| 3   | 129669-01-01A | EA  | LABEL - HITCH/VEHICLE RATE - 350 - WHITE ON CLEAR                                 |
| 3   | 129669-01-02A | EA  | LABEL - HITCH/VEHICLE RATE - 350 - BLACK ON CLEAR                                 |

## LABELS GROUP (CONTINUED)



| KEY | PART NUMBER   | U/M DESCRIPTION                  |
|-----|---------------|----------------------------------|
| 1   | 128658-01-000 | EA LABEL - PROP ROD - ENTRY DOOR |



| KEY | PART NUMBER   | U/M DESCRIPTION                                |
|-----|---------------|--|
| 1   | 136360-02-01A | EA LABEL - AIR BAGS - BLACK/CLEAR              |
| 2   | 152541-03-01A | EA LABEL - GRAY WASTE                          |
| 3   | 152543-03-01A | EA LABEL - BLACK WASTE                         |
| 4   | 152544-03-01A | EA LABEL - SWITCHES - WATER PUMP               |
| 5   | 152538-02-01A | EA LABEL - FRESH WATER - PANTONE/CLEAR         |
| 6   | 152548-01-01A | EA LABEL - VALVE/FRESH                         |
| 7   | 128725-02-01A | EA LABEL - POTABLE WATER ONLY - BLACK ON CLEAR |
| 8   | 144649-01-01A | EA LABEL - ADJUSTABLE VALVE - WHITE ON CLEAR   |

**LP GROUP  
LP SYSTEM**

| KEY | PART NUMBER   | U/M | DESCRIPTION  |
|-----|---------------|-----|--|
|     | 010323-01-000 | EA  | ADAPTER - 3/8"F X 1/2"MPT - BRASS                          |
|     | 010326-01-000 | EA  | ADAPTER - FLARE - W/CONE GASKET - 3/8"F X 1/2"F            |
|     | 010329-01-000 | EA  | ADAPTER - 1/2"F X 1/2"MPT - BRASS                          |
|     | 010377-02-000 | EA  | NUT - 3/8" FLARE - FORGED - BRASS                          |
|     | 010380-02-000 | EA  | NUT - 1/2" FLARE - FORGED - BRASS                          |
|     | 010589-01-000 | EA  | NIPPLE - PIPE - 1/2" X 1 1/2" - BLACK                      |
|     | 024250-01-000 | EA  | ADAPTER - BRASS - 3/8"F X 1/2"FPT                          |
|     | 040440-02-000 | EA  | TRANSMITTER - DIAL/BOLT-ON - 0-90 OHM 2 TERM(POWER/GROUND) |
|     | 045703-03-000 | EA  | HOSE - LP - 3/8"ID X 18" - 3/8"MPT X 1/2"F SWIVEL - US     |
|     | 045703-12-000 | EA  | HOSE - LP - 3/8"ID X 18" - 3/8"MPT X 1/2"F SWIVEL - CSA    |
|     | 045703-07-000 | EA  | HOSE - LP - 3/8"ID X 10" - 3/8"MPT X 1/2"F SWIVEL          |
|     | 045703-22-000 | EA  | HOSE - LP - 3/8"ID X 60" - 1/2"F SWIVEL X1/2"F SWVL US/CSA |
|     | 057042-01-000 | EA  | ADAPTER - CROSS 1/2"PIPE                                   |
|     | 106150-05-000 | EA  | REGULATOR - TWO STAGE                                      |
| *   | 144116-09-000 | EA  | TANK - LP - 60 LB - 14"D X 29.75"L                         |
|     | 144485-01-000 | EA  | COVER - LP REGULATOR                                       |
|     | 148919-01-000 | EA  | UNION-FLARE - 3/8" BRASS                                   |

**\*COMPONENT PARTS LISTED LATER IN THIS GROUP**

**COMPONENT PARTS FOR LP SYSTEM**

**144116-09-000**

| KEY | PART NUMBER   | U/M | DESCRIPTION                  | VENDOR NO.    |
|-----|---------------|-----|------------------------------|---------------|
|     | 040421-01-712 | EA  | VALVE-SERV. W/O VAPOR RELIEF | V20373/V21202 |
|     | 040421-01-713 | EA  | VALVE-RELIEF 1" W/SPRING 7"  | V12560/V21207 |
|     | 144116-01-700 | EA  | VALVE-OUTAGE(NO STEM REMOVE) | V20058        |
|     | 144116-04-700 | EA  | FLOAT/SENDING UNIT W/O DIAL  | G11530        |
|     | 144116-04-701 | EA  | DIAL - TRANSMITER            | G12845        |
|     | 144116-09-700 | EA  | VALVE/FILL 80%               | V20150        |



# SEALANTS & FASTENERS GROUP

## SEALANTS & ADHESIVES

| KEY | PART NUMBER   | U/M | DESCRIPTION  |
|-----|---------------|-----|--|
|     | 010405-02-000 | EA  | TAPE - THREAD SEALING - 3/8"                               |
|     | 064075-07-000 | FT  | SEAL - BULB - W/WIRED U CHANNEL - .3" X .5" CHANNEL-BLACK  |
|     | 067788-01-000 | EA  | ADHESIVE - SPRAY - 3M - 19.5 OZ AEROSOL CAN                |
|     | 069640-01-000 | FT  | SEALER - RIBBON - 1/4"DIAMETER X 30 FT - BLACK OR GRAY     |
|     | 069640-02-000 | FT  | SEALER - TAPE - 1/8"THICK X 1/2"WIDE X 60 FT - GRAY        |
|     | 069640-03-000 | FT  | SEALER - TAPE - 1/8"THICK X 3/4"WIDE X 60 FT - BLACK       |
|     | 069640-07-000 | FT  | SEALER - TAPE - 3/32"THICK X 2"WIDE X 45 FT - GRAY         |
|     | 069640-09-000 | FT  | SEALER - TAPE - 1/32"THICK X 2 1/2"WIDE X 80 FT - BRT WHT  |
|     | 069640-10-000 | FT  | SEALER - TAPE - 1/32"THICK X 1 1/2"WIDE X 90 FT - GRAY     |
|     | 069640-11-000 | FT  | SEALER - TAPE - 3/16"THICK X 3/8"WIDE X 40 FT - BLACK      |
|     | 069640-13-000 | FT  | SEALER - TAPE - 3/32"THICK X 2"WIDE X 45 FT - BLACK        |
|     | 069640-14-000 | FT  | SEALER - TAPE - 1/16"THICK X 1"WIDE X 100 FT - BLACK       |
|     | 069640-15-000 | FT  | SEALER - TAPE - 1/16"THICK X 3/8"WIDE X 100 FT - BRT WHT   |
|     | 069640-17-000 | FT  | SEALER - TAPE - 1/32"THICK X 1"WIDE X 150 FT - GRAY        |
|     | 069640-18-000 | FT  | SEALER - TAPE - 1/8"THICK X 1/2"WIDE X 60 FT - BRT WHT     |
|     | 069640-19-000 | FT  | SEALER - TAPE - 1/8"THICK X 3/4"WIDE X 60 FT - BRT WHT     |
|     | 069640-20-000 | FT  | SEALER - TAPE - 1/8"THICK X 1/2"WIDE X 60 FT - BLACK       |
|     | 069640-21-000 | FT  | SEALER - TAPE - 1/16"THICK X 1/2"WIDE X 100 FT - BRT WHT   |
|     | 069640-22-000 | FT  | SEALER - TAPE - 1/32"THICK X 1/4"WIDE X 200 FT - BRT WHT   |
|     | 069640-23-000 | FT  | SEALER - TAPE - 1/16"THICK X 3/4"WIDE X 100 FT - BRT WHT   |
|     | 069640-27-000 | FT  | SEALER - TAPE - 1/16"THICK X 2 1/4"WIDE X 50 FT - BRT WHT  |
|     | 069640-28-000 | FT  | SEALER - TAPE - 1/32"THICK X 1 7/8"WIDE X 90 FT - GRAY     |
|     | 069640-30-000 | FT  | SEALER - TAPE - 1/32"THICK X 5/8"WIDE X 50 FT - GRAY       |
|     | 069640-31-000 | FT  | SEALER - TAPE - 1/4"THICK X 3/4"WIDE X 15 FT - BLACK       |
|     | 069640-32-000 | FT  | SEALER - TAPE - 1/16"THICK X 3/8"WIDE X 100 FT - BLACK     |
|     | 069640-33-000 | FT  | SEALER - RIBBON - 3/8"DIAMETER X 20 FT - BLACK             |
|     | 069640-34-000 | FT  | SEALER - RIBBON - 1/4"DIAMETER X 30 FT - BRIGHT WHITE      |
|     | 069640-36-000 | EA  | SEALER - TAPE - 1/16"THICK X 1/2"WIDE X 100 FT - BLACK     |
|     | 069640-37-000 | FT  | SEALER - TAPE - 1/16"THICK X 3/4"WIDE X 100 FT - BLACK     |
|     | 069640-38-000 | FT  | SEALER - TAPE - 1/16"THICK X 3/4"WIDE X 100 FT - BRT WHT   |
|     | 069640-39-000 | FT  | SEALER - TAPE - 1/16"THICK X 3"WIDE X 50 FT - BRT WHT      |
|     | 069640-40-000 | FT  | SEALER - TAPE - 1/16"THICK X 3"WIDE X 50 FT - BRT WHT      |
|     | 072889-28-000 | EA  | SEALANT/URETHANE-10 OZ TUBE W/NOZZLE-SELF LEVELING-BRT WHT |
|     | 072889-31-000 | EA  | SEALANT/URETHANE-10 OZ TUBE W/NOZZLE-SELF LEVELING - BLACK |
|     | 076322-02-000 | FT  | TAPE-DOUBLE COATED/ADHESIVE BK-.05"THK X 1"W X 108' - WHT  |
|     | 076322-03-000 | FT  | TAPE-DOUBLE COATED/ADHESIVE BK-.05"THK X .5"W X 108' - WHT |
|     | 076322-05-000 | FT  | TAPE-DOUBLE COATED/ADHESIVE BK-.05"THK X .8"W X 108' - WHT |
|     | 076322-07-000 | FT  | TAPE-DOUBLE COATED/ADHESIVE BK-.05"THK X .5"W X 200' - BLK |
|     | 076322-13-000 | FT  | TAPE - FOAM/DOUBLE COATED - .020"THK X .75"W - CLEAR       |
|     | 076322-21-000 | FT  | TAPE - FOAM/DOUBLE COATED - .045"THK X .50"W               |
|     | 076322-22-000 | FT  | TAPE - FOAM/DOUBLE COATED - .045"THK X .75"W               |
|     | 076322-23-000 | FT  | TAPE - FOAM/DOUBLE COATED - .045"THK X 1"W                 |
|     | 076322-25-000 | FT  | TAPE - FOAM/DOUBLE COATED - .025"THK X .5"W                |
|     | 086276-01-000 | EA  | TAPE - DOUBLE SIDED - 1/2" WIDE X 108' LONG (SOLD BY ROLL) |
|     | 088479-01-000 | EA  | TAPE - ALUMINUM - 3"                                       |
|     | 090340-01-000 | FT  | SEAL - FOAM - CLOSED CELL - 1/4" X 1/2" X 50'              |
|     | 090340-02-000 | FT  | SEAL - FOAM - CLOSED CELL - 3/8" X 1/2" X 50'              |
|     | 091255-02-000 | FT  | SEAL - ADHESIVE BACKED/FOAM - 3/64"THICK X 3/16"W X 1000'  |
|     | 091255-03-000 | FT  | SEAL - ADHESIVE BACKED/FOAM - 1/4" THICK X 1/4"W X 1000'   |
|     | 094401-01-000 | EA  | SEALER - BODY SEAM - FLEXICLEAR                            |
|     | 094401-04-000 | EA  | SEALER - BODY SEAM - CLEAR                                 |
|     | 094401-05-000 | EA  | SEALER - BODY SEAM - 20OZ BLACK                            |
|     | 094401-06-000 | EA  | SEALER - BODY SEAM - 12OZ BLACK                            |
|     | 094401-07-000 | EA  | SEALER - BODY SEAM - CLEAR                                 |
|     | 098408-01-000 | FT  | SEAL - SPONGE RUBBER - CLOSED CELL                         |
|     | 099069-01-000 | FT  | SEAL - RUBBER - CLOSED SPONGE - .5" WIDE X .12" THICK-BLK  |
|     | 099418-01-000 | FT  | SEAL - D-SECTION/ADHESIVE BACK - .44" X .44" - BLK RUBBER  |
|     | 100128-02-000 | FT  | SEAL - FOAM/ADHESIVE BACK - .37" WIDE X .37" THICK X 60'   |
|     | 104692-01-000 | FT  | SEAL - ADHESIVE BACKED FOAM - 3/4" THICK X 3/4" WIDE X 25' |
|     | 107721-07-000 | FT  | SEAL - ACCESS DOOR - .9"WIDE X 1.1"HIGH                    |
|     | 112864-01-000 | FT  | SEAL - FOAM/BUTYL COVERED - 3/8" X 35'                     |
|     | 112864-02-000 | FT  | SEAL - FOAM/BUTYL COVERED - 5/16" X 44'                    |
|     | 112864-05-000 | FT  | SEAL - FOAM/BUTYL COVERED - 1/2" X 3/16"                   |
|     | 112901-02-000 | EA  | ADHESIVE - PLEXUS - MA330 - 50ML - GRAY                    |

## SEALANTS & FASTENERS GROUP (CONTINUED)

### SEALANTS & ADHESIVES (CONTINUED)

| KEY | PART NUMBER   | U/M | DESCRIPTION  |
|-----|---------------|-----|--|
|     | 112901-03-000 | EA  | ADHESIVE - PLEXUS - MA300 - 50ML - WHITE                   |
|     | 112902-03-000 | EA  | MIXER NOZZLE - F/GUN #00400102000 - SCOTCH-WELD & PLEXUS   |
|     | 112902-04-000 | EA  | NOZZLE - ELEMENT - 1/4" X 3.5"                             |
|     | 113452-01-000 | FT  | SEAL/TRIM - FRONT - VINYL W/WIRE CARRIER - .020"           |
|     | 113452-02-000 | FT  | SEAL/TRIM - FRONT - VINYL W/WIRE CARRIER - .027"           |
|     | 113366-01-000 | EA  | ADHESIVE - INSTANT - 1 OZ                                  |
|     | 115870-01-000 | FT  | SEAL/EDGE - TRIM   |
|     | 120074-02-03A | EA  | SILICONE - TUBE - W/O NOZZLE - LOW ODOR - SMOKEY WHITE     |
|     | 120534-01-01A | EA  | TAPE - SCOTCH - 3M - 1/2" FINE LINE                        |
|     | 123655-01-000 | FT  | SEAL - CLOSED CELL/FOAM                                    |
|     | 123816-01-000 | FT  | TAPE - DOUBLE SIDED - 1" X .020" X 200' - CLEAR            |
|     | 123816-02-000 | FT  | TAPE - DOUBLE SIDED - 1/2" X .035" X 200' - CLEAR          |
|     | 123816-03-000 | FT  | TAPE - DOUBLE SIDED - 1/2" X .020" X 200' - CLEAR          |
|     | 123816-04-000 | FT  | TAPE - DOUBLE SIDED - 6" X .0035" X 750' - CLEAR           |
|     | 123816-06-000 | FT  | TAPE - DOUBLE SIDED - 3/4" X 3/4" X 200' - CLEAR           |
|     | 123816-07-000 | FT  | TAPE - DOUBLE SIDED - 1 3/4" X 200' - CLEAR                |
|     | 126427-01-000 | EA  | ADHESIVE - ALL PURPOSE - ABS/PVC                           |
|     | 126427-02-000 | EA  | PRIMER - CLEANER - FLEX PIPING                             |
|     | 131264-01-12A | EA  | SILICONE - TUBE - W/NOZZLE - BONE                          |
|     | 131264-01-13A | EA  | SILICONE - TUBE - W/NOZZLE - TRANSLUCENT                   |
|     | 131264-03-01A | EA  | SILICONE - TUBE - W/O NOZZLE - SELF LEVELING -BRIGHT WHITE |
|     | 131264-04-02A | EA  | SILICONE/SEALANT/ADHESIVE-FAST CURE F/GLASS/VINYL-SOFT WHT |
|     | 131264-05-01A | EA  | SILICONE/SEALANT - ODORLESS - TUBE - W/NOZZLE - BLACK      |
|     | 131264-05-02A | EA  | SILICONE/SEALANT - ODORLESS - TUBE - W/NOZZLE - CLEAR      |
|     | 131384-01-000 | EA  | ADHESIVE - JET WELD - 10 OZ CARTRIDGE                      |
|     | 132892-07-01A | FT  | SEAL - BULB/SINGLE - W/U CHANNEL - .5" X 1" - BLACK        |
|     | 152038-01-01A | EA  | TAPE - PRESERVATION SEAL - 2" X 36YD ROLL - BLACK          |
|     | 154585-01-01A | FT  | SEAL - FOAM TAPE - ADHESIVE BACK - 3/8" X 3/8" - BLACK     |
|     | 154585-02-01A | FT  | SEAL - FOAM TAPE - ADHESIVE BACK - 3/4" X 1/2" - BLACK     |
|     | 154585-03-01A | FT  | SEAL - FOAM TAPE - ADHESIVE 2 SIDED - 1/8" X 3/4" - BLACK  |
|     | 154585-04-01A | FT  | SEAL - FOAM TAPE - ADHESIVE BACK - 5/8" X 1/8" - WHITE     |
|     | 156622-01-01A | FT  | SEALER - TAPE - 1/4"THICK X 3"WIDE X 100 FT - WHITE        |
|     | 156622-02-01A | FT  | SEALER - TAPE - 1/4"THICK X 2"WIDE X 100 FT - WHITE        |

| KEY | PART NUMBER   | U/M | DESCRIPTION  | BOLTS, NUTS AND WASHERS |
|-----|---------------|-----|--|-------------------------|
|     | 0MD54F-06-000 | EA  | NUT - HEX W/SERATED FLANGE                                 |                         |
|     | 000C12-04-08B | EA  | BOLT - HEX - 1/4-20 X 1/2 - GRADE #5 - ZINC                |                         |
|     | 000C12-04-12A | EA  | BOLT - HEX - 1/4-20 X 3/4 - PLAIN 5                        |                         |
|     | 000C12-04-40B | EA  | BOLT - HEX - 1/4-20 X 2 1/2 - GRADE #5 ZINC                |                         |
|     | 000C12-05-16B | EA  | BOLT - HEX - 5/16 - 18X1 - GRADE #5 - ZINC                 |                         |
|     | 000C12-05-40B | EA  | BOLT - HEX - 5/16"-18 X 2.5" - GRADE #5 - ZINC             |                         |
|     | 000C12-06-28B | EA  | BOLT-HEX-3/8-16X13/4 ZN 5 - 5185-01                        |                         |
|     | 000C12-08-24B | EA  | BOLT - HEX - 1/2-13 X 1 1/2 - GRADE #5 - ZINC              |                         |
|     | 000C12-08-28B | EA  | BOLT - HEX - 1/2-13 X 1 3/4 - GRADE #5 - ZINC              |                         |
|     | 000C12-08-44B | EA  | BOLT - HEX - 1/2-13 X 2 3/4 - GRADE #5 - ZINC              |                         |
|     | 000C13-07-40B | EA  | BOLT - HEX - 7/16-20 X 2 1/2 - GRADE #5 - ZINC             |                         |
|     | 000C13-07-48B | EA  | BOLT - HEX - 7/16-20 X 3 - GRADE #5 - ZINC                 |                         |
|     | 000C14-10-32B | EA  | BOLT - HEX - 5/8-11 X 2.0 - GRADE #8 - ZINC                |                         |
|     | 000C18-05-40A | EA  | BOLT - ELEVATOR - 5/16-18 X 2 1/2 - PL                     |                         |
|     | 000C26-04-10B | EA  | BOLT - HEX - SERRATED FLANGE - 1/4-20 X 5/8 - ZINC         |                         |
|     | 000C26-04-12F | EA  | BOLT - HEX - SERRATED FLANGE -1/4-20 X 3/4-STAINLESS STEEL |                         |
|     | 000C26-04-14B | EA  | BOLT - HEX - SERRATED FLANGE - 1/4-20 X 7/8 - ZINC         |                         |
|     | 000C26-04-18B | EA  | BOLT - HEX - SERRATED FLANGE - 1/4-20 X 1 1/8 - ZINC       |                         |
|     | 000C26-05-12B | EA  | BOLT - HEX - SERRATED FLANGE - 5/16-18 X 3/4 - ZINC        |                         |
|     | 000C26-06-12B | EA  | BOLT - HEX - SERRATED FLANGE - 3/8-16 X 3/4 - ZINC         |                         |
|     | 000C26-06-20B | EA  | BOLT - HEX - SERRATED FLANGE - 3/8-16 X 1 1/4 - ZINC       |                         |
|     | 000C26-06-28B | EA  | BOLT - HEX - SERRATED FLANGE - 3/8-16 X 1 3/4 - ZINC       |                         |
|     | 000C26-06-40B | EA  | BOLT - HEX - SERRATED FLANGE - 3/8-16 X 2 1/2 - ZINC       |                         |
|     | 000C26-08-24B | EA  | BOLT - HEX - SERRATED FLANGE - 1/2-13 X 1 1/2 - ZINC       |                         |
|     | 000C26-08-28B | EA  | BOLT - HEX - SERRATED FLANGE - 1/2-13 X 1 3/4 - ZINC       |                         |
|     | 000C27-08-48B | EA  | BOLT-CARR 1/2-13X3.00 GR5 - 97 M-SERIES                    |                         |
|     | 000D24-10-00B | EA  | NUT - HEX - SELF LOCKING - 10-32 - ZINC                    |                         |

**SEALANTS & FASTENERS GROUP (CONTINUED)**  
**BOLTS, NUTS AND WASHERS (CONTINUED)**

| KEY | PART NUMBER   | U/M | DESCRIPTION  |
|-----|---------------|-----|--|
|     | 000D27-05-00B | EA  | NUT - HEX LOCK - 5-40 - ZINC                                 |
|     | 000D28-10-00B | EA  | NUT - HEX - W/NYLON LOCK - 10-32 - ZINC                      |
|     | 000D29-04-00B | EA  | NUT - HEX - SELF LOCKING - 1/4 X 20 - ZINC                   |
|     | 000D29-04-00F | EA  | NUT - HEX - SELF LOCKING - 1/4 X 20 - STAINLESS STEEL        |
|     | 000D29-06-00B | EA  | NUT - HEX - W/NYLON LOCK - 3/8-16 - ZINC                     |
|     | 000D29-09-00B | EA  | NUT - HEX - SELF LOCKING - 9/16-12 - ZINC                    |
|     | 000D34-04-00B | EA  | NUT - HEX - LOCKING - 1/4-20 - ZINC                          |
|     | 000D34-06-00B | EA  | NUT - HEX - LOCKING - 3/8-16 GRADE C - ZINC                  |
|     | 000D39-04-00B | EA  | NUT - HEX - LOCKING W/SERRATED FLANGE - 1/4-20 - ZINC        |
|     | 000D39-05-00B | EA  | NUT - HEX - LOCKING W/SERRATED FLANGE - 5/16-18 - ZINC       |
|     | 000D39-06-00B | EA  | NUT - HEX - LOCKING W/SERRATED FLANGE - 3/8-18 - ZINC        |
|     | 000D39-06-00D | EA  | NUT - HEX - LOCKING W/SERRATED FLANGE - 3/8"-16 BLACK        |
|     | 000D39-07-00B | EA  | NUT - HEX - LOCKING W/SERRATED FLANGE - 7/16-14 - ZINC       |
|     | 000D39-08-00B | EA  | NUT - HEX - LOCKING W/SERRATED FLANGE - 1/2-13 - ZINC        |
|     | 000D44-07-00B | EA  | NUT - HEX - LOCKING W/SERRATED FLANGE - 7/16-20 - ZINC       |
|     | 000D44-08-00B | EA  | NUT - HEX - LOCKING W/SERRATED FLANGE - 1/2-20 - ZINC        |
|     | 000D46-04-00A | EA  | NUT - HEX - WELD - 1/4-20 - PLAIN                            |
|     | 000D65-08-00B | EA  | NUT - HEX - LOCKING W/SERRATED FLANGE - 8-32 - ZINC          |
|     | 000D73-08-00C | EA  | NUT - HEX FLANGE - 1/2-13                                    |
|     | 000D75-09-00B | EA  | NUT - HEX LOCKING - 9/16-12 - ZINC                           |
|     | 000D76-06-00B | EA  | NUT - HEX FLANGE - 3/8-16                                    |
|     | 000E11-04-00F | EA  | WASHER - LOCKING - 1/4 MED SPLIT - STAINLESS STEEL           |
|     | 000E11-07-00B | EA  | WASHER - LOCKING - 7/16 MED SPLIT - ZINC                     |
|     | 000E11-08-00B | EA  | WASHER - LOCKING - 1/2 MED SPLIT - ZINC                      |
|     | 000E13-17-00B | EA  | WASHER - FLAT - 3/8 AR - ZINC                                |
|     | 000E13-18-00B | EA  | WASHER - FLAT - 3/8 WIDE - ZINC                              |
|     | 000E13-20-00B | EA  | WASHER - FLAT - 7/16 WIDE - ZINC                             |
|     | 000E13-22-00B | EA  | WASHER - FLAT - 1/2 WIDE - ZINC                              |
|     | 000E13-26-00B | EA  | WASHER - FLAT - 5/8 WIDE - ZINC                              |
|     | 000E14-10-00B | EA  | WASHER - LOCKING - #10 EXTERNAL TOOTH - ZINC                 |
|     | 000E16-10-00B | EA  | WASHER - HARDENED - 5/8 - FLAT - ZINC                        |
|     | 000G45-05-16B | EA  | BOLT - LAG - 5/16-9 X 1 - ZINC                               |
|     | 039715-01-000 | EA  | NUT-SERT - 1/4" DIAMETER - 20 THREADS                        |
|     | 040921-01-000 | EA  | NUT - SPEED - U TYPE - #10-24 - BLACK                        |
|     | 040921-03-000 | EA  | NUT - SPEED - U TYPE - #10                                   |
|     | 040921-04-000 | EA  | NUT - SPEED - U TYPE - #8-.59" LENGTH X .44" WIDTH           |
|     | 040921-05-000 | EA  | NUT - SPEED - U-TYPE - 8-.67" X .44" WIDE                    |
|     | 040921-11-000 | EA  | NUT - SPEED - U-TYPE - 8-.59" LENGTH X .44" WIDTH - BLACK    |
|     | 041322-01-000 | EA  | WASHER - FLANGE - 15/32"ID X 2 3/8"OD - F/SEAT BELT MTG      |
|     | 044364-02-000 | EA  | NUT - SPEED - FLAT - ROUND                                   |
|     | 044533-01-000 | EA  | WASHER - 1 3/8"OD - FOR BUTTONS - PLASTIC                    |
|     | 051387-06-000 | EA  | BOLT - CARRIAGE W/O HOLE - 5/16-18 X 9 1/2 - ZINC            |
|     | 058716-02-000 | EA  | WASHER - FLAT NYLON  |
|     | 064081-03-000 | EA  | NUT - WING 3/8-16 - W/WELD NUT                               |
|     | 077071-01-000 | EA  | WASHER - FENDER - 3/16"ID X 1"OD                             |
|     | 087234-01-000 | EA  | NUT - JACK - 1/4 X 20 THD - MOLLY                            |
|     | 088787-12-000 | EA  | STUD - WELD - 1/4 - 20 X 1.0 LG - MN                         |
|     | 106956-03-000 | EA  | BOLT - HEX TAP - 1/2-13NC X 3 - GRADE 5 - FULL THREAD/ZINC   |
|     | 106956-10-000 | EA  | BOLT - HEX TAP - 9/16-12NC X 3 5/8 -GRD 5-FULL THREAD/ZINC   |
|     | 106956-11-000 | EA  | BOLT - HEX TAP - 1/2-13NC X 2 1/2 - GRD 5-FULL THREAD/ZINC   |
|     | 106956-13-000 | EA  | BOLT - HEX TAP - 1/2-20 X 2 1/2 - GRD 5-FULL THREAD/ZINC     |
|     | 106956-14-000 | EA  | BOLT - HEX TAP - 5/16 -18NC X 1 1/2 - GRD 5-FULL THREAD/ZINC |
|     | 107397-01-000 | EA  | WASHER - FENDER - 3/4"ID X 1"OD                              |
|     | 108067-03-000 | EA  | STUD - WELD - 1/4 - 20 X 1/2 CD                              |
|     | 109917-01-000 | EA  | WASHER - 1.5" X 1.25"  |
|     | 109917-03-000 | EA  | WASHER - 1" X .50"   |
|     | 109917-04-000 | EA  | WASHER - 1" X .75"   |
|     | 128444-01-000 | EA  | WASHER - SPRING - CONICAL                                    |
|     | 135092-02-01A | EA  | BOLT - HEX - SERRATED FLANGE - 1/2-20 X 2 1/2-GRADE 5 ZINC   |
|     | 135092-05-01A | EA  | BOLT - HEX - SERRATED FLANGE - 1/2-20 X 1 - GRADE 5 ZINC     |
|     | 143399-01-01A | EA  | NUT/RETAINING - 3/8"- 24 NFT                                 |
|     | 147284-02-000 | EA  | NUT/SELF RETAINING - 5/16"-18                                |
|     | 148817-01-000 | EA  | WASHER/SPUR - LOCKING  |

## SEALANTS & FASTENERS GROUP (CONTINUED)

### SCREWS

| KEY | PART NUMBER   | U/M | DESCRIPTION   |
|-----|---------------|-----|---|
|     | 0G1208-12-170 | EA  | SCREW - 8-18 X 3/4 POH - BRIGHT WHITE               |
|     | 0G3908-08-170 | EA  | SCREW - SF/DR - 8-18 X 1/2 PPH - BRIGHT WHITE       |
|     | 0G3908-16-170 | EA  | SCREW - SF/DR - 8-18 X 1 PPH - BRIGHT WHITE         |
|     | 0G3908-24-170 | EA  | SCREW - SF/DR - 8-18 X 1 1/2 PPH - BRIGHT WHITE     |
|     | 0G3910-10-420 | EA  | SCREW - SF/DR - 10-16 X .62 PPH - BRIARWOOD         |
|     | 0G3910-12-170 | EA  | SCREW - SF/DR - 10-16 X 3/4 PPH - BRIGHT WHITE      |
|     | 0G3910-24-170 | EA  | SCREW - SF/DR - 10-16 X 1 1/2 PPH - BRIGHT WHITE    |
|     | 0G5508-08-370 | EA  | SCREW - SF/DR - 8-18 X .5 PWH - RIVERSTONE          |
|     | 0G5508-08-380 | EA  | SCREW - SF/DR - 8-18 X .5 PWH - CASHMERE            |
|     | 0G5508-08-420 | EA  | SCREW - SF/DR - 8-18 X .5 PWH - BRIARWOOD           |
|     | 0G5508-08-450 | EA  | SCREW - SF/DR - 8-18 X .5 PWH - SADDLE              |
|     | 0G5508-12-170 | EA  | SCREW - SF/DR - 8-18 X 3/4 PWH - BRIGHT WHITE       |
|     | 0G5508-12-330 | EA  | SCREW - SF/DR - 8-18 X 3/4 PWH - PUTTY              |
|     | 0G5508-12-380 | EA  | SCREW - SF/DR - 8-18 X 3/4 PWH - CASHMERE           |
|     | 0G5508-12-450 | EA  | SCREW - SF/DR - 8-18 X 3/4 PWH - SADDLE             |
|     | 0G5508-16-330 | EA  | SCREW - SF/DR - 8-18 X 1 PWH - PUTTY                |
|     | 0G5508-16-370 | EA  | SCREW - SF/DR - 8-18 X 1 PWH - RIVERSTONE           |
|     | 0G5508-16-380 | EA  | SCREW - SF/DR - 8-18 X 1 PWH - CASHMERE             |
|     | 0G5508-16-450 | EA  | SCREW - SF/DR - 8-18 X 1 PWH - SADDLE               |
|     | 0G6008-16-170 | EA  | SCREW - SF/DR - 8-18 X 1 POH - BRIGHT WHITE         |
|     | 0G6012-32-170 | EA  | SCREW - SF/DR - 12-14 X 2 POH - BRIGHT WHITE        |
|     | 0G6710-08-170 | EA  | SCREW - 10-12 X 1/2 PPH - BRIGHT WHITE              |
|     | 0G6710-12-170 | EA  | SCREW - 10-12 X 3/4 PPH - BRIGHT WHITE              |
|     | 0G6806-16-170 | EA  | SCREW - 6-18 X 1 POH - BRIGHT WHITE                 |
|     | 0G6810-24-280 | EA  | SCREW - 10-12 X 1 1/2 POH - SOFT WHITE              |
|     | 000C20-06-24T | EA  | SCREW - 3/8-16 X 1 1/2 - FLAT SOCKET                |
|     | 000G11-06-08B | EA  | SCREW - 6-20 X 1/2 PPH - ZINC                       |
|     | 000G11-06-10B | EA  | SCREW - 6-20 X 5/8 PPH - ZINC                       |
|     | 000G11-06-10J | EA  | SCREW - 6-20 X 5/8 PPH - BRASS                      |
|     | 000G11-07-08B | EA  | SCREW - 7-19 X 1/2 PPH - ZINC                       |
|     | 000G11-08-06B | EA  | SCREW - 8-18 X 3/8 PPH - ZINC                       |
|     | 000G11-08-08T | EA  | SCREW - 8-18 X 1/2 PPH - FLUOROCARBON COATING       |
|     | 000G11-08-12B | EA  | SCREW - 8-18 X 3/4 PPH - ZINC                       |
|     | 000G11-08-12P | EA  | SCREW - 8-18 X 3/4 PPH - DARK BROWN                 |
|     | 000G11-08-12S | EA  | SCREW - 8-18 X 3/4 PPH - OFF WHITE                  |
|     | 000G11-08-12T | EA  | SCREW - 8-18 X 3/4 PPH - BLACK MAGNESIUM            |
|     | 000G11-08-20B | EA  | SCREW - 8-18 X 1 1/4 PPH - ZINC                     |
|     | 000G11-08-20G | EA  | SCREW - 8-18 X 1 1/4 - ANTIQUE BRASS                |
|     | 000G11-10-12D | EA  | SCREW - 10-16 X 3/4 PPH - BLACK                     |
|     | 000G11-10-32P | EA  | SCREW-10,16X2.00 PPH DK BRN                         |
|     | 000G12-06-08T | EA  | SCREW - 6-20 X 1/2 POH - BLACK                      |
|     | 000G12-10-16F | EA  | SCREW - 10-16 X 1 POH - STAINLESS STEEL             |
|     | 000G13-05-10B | EA  | SCREW - 5-12 X 5/8 PFH - ZINC                       |
|     | 000G13-06-06I | EA  | SCREW - 6-20 X 3/8 PFH - BLACK ZINC                 |
|     | 000G13-06-08B | EA  | SCREW - 6-20 X 1/2 PFH - ZINC                       |
|     | 000G13-06-08G | EA  | SCREW - 6-20 X 1/2 PFH - ANTIQUE BRASS              |
|     | 000G13-06-10G | EA  | SCREW - 6-20 X 5/8 PFH - ANTIQUE BRASS              |
|     | 000G13-06-16E | EA  | SCREW - 6-20 X 1 PFH - CHROME                       |
|     | 000G13-06-16J | EA  | SCREW - 6-20 X 1 PFH - BRASS                        |
|     | 000G13-06-24J | EA  | SCREW - 6-20 X 1 1/2 PFH - BRASS                    |
|     | 000G13-07-10H | EA  | SCREW - 7-19 X 5/8 PFH - BLACK                      |
|     | 000G13-07-12B | EA  | SCREW - 7-19 X 3/4 PFH - ZINC                       |
|     | 000G11-08-08B | EA  | SCREW - 8-18 X 1/2 PPH - ZINC                       |
|     | 000G13-08-10B | EA  | SCREW - 8-18 X 5/8 PFH - ZINC                       |
|     | 000G13-08-109 | EA  | SCREW - 8-18 X 5/8 PFH                              |
|     | 000G13-08-16B | EA  | SCREW - 8-18 X 1 PFH - ZINC                         |
|     | 000G13-08-24B | EA  | SCREW - 8-18 X 1 1/2 PFH - ZINC                     |
|     | 000G16-04-24B | EA  | SCREW - MACHINE - 1/4-20 X 1 1/2 PPH                |
|     | 000G18-08-16B | EA  | SCREW - MACHINE - 8-32 X 1 PPH - ZINC               |
|     | 000G18-08-22B | EA  | SCREW - MACHINE - 8-32 X 1 3/8 PPH - ZINC           |
|     | 000G18-08-24B | EA  | SCREW - MACHINE - 8-32 X 1 1/2 PPH - ZINC           |
|     | 000G19-10-08B | EA  | SCREW - MACHINE - 10-32 X 1/2 PPH - ZINC            |
|     | 000G19-10-10B | EA  | SCREW - MACHINE - 10-32 X 5/8 - PPH - ZINC          |
|     | 000G19-10-12F | EA  | SCREW - MACHINE - 10-32 X 3/4 PPH - STAINLESS STEEL |



**SEALANTS & FASTENERS GROUP (CONTINUED)**  
**SCREWS (CONTINUED)**

| KEY | PART NUMBER   | U/M | DESCRIPTION   |
|-----|---------------|-----|---|
|     | 000G19-10-20B | EA  | SCREW - MACHINE - 10-32 X 1 1/2 PPH - ZINC            |
|     | 000G32-10-06B | EA  | SCREW - 10-32 X 3/8 PPH - ZINC                        |
|     | 000G34-05-12B | EA  | SCREW - HEX HEAD TAPPING - 5/16 X 3/4 LONG            |
|     | 000G39-06-10T | EA  | SCREW - SF/DR - 6-20 X 5/8 PPH - BLACK                |
|     | 000G39-06-16T | EA  | SCREW - SF/DR - 6-20 X 1 PPH - BLACK                  |
|     | 000G39-08-06B | EA  | SCREW - SF/DR - 8-18 X 3/8 PPH - ZINC                 |
|     | 000G39-08-08B | EA  | SCREW - SF/DR - 8-18 X 1/2 PPH - ZINC                 |
|     | 000G39-08-08S | EA  | SCREW - SF/DR - 8-18 X 1/2 PPH - OFF WHITE            |
|     | 000G39-08-08T | EA  | SCREW - SF/DR - 8-18 X 1/2 PPH - BLACK                |
|     | 000G39-08-12T | EA  | SCREW - SF/DR - 8-18 X 3/4 PPH - BLACK                |
|     | 000G39-08-16B | EA  | SCREW - SF/DR - 8-18 X 1 PPH - ZINC                   |
|     | 000G39-08-16T | EA  | SCREW - SF/DR - 6-20 X 1 PPH - BLACK                  |
|     | 000G39-08-24B | EA  | SCREW - SF/DR - 8-18 X 1 1/2 PPH - ZINC               |
|     | 000G39-08-24T | EA  | SCREW - SF/DR - 8-18 X 1 1/2 PPH - BLACK              |
|     | 000G39-08-32B | EA  | SCREW - SF/DR - 8-18 X 2 PPH - ZINC                   |
|     | 000G39-08-169 | EA  | SCREW-SF/DR,8-18X1.00 PPH - FLUROCARBON SILVER        |
|     | 000G39-10-08B | EA  | SCREW - SF/DR - 10-16 X 1/2 PPH - ZINC                |
|     | 000G39-10-10B | EA  | SCREW - SF/DR - 10-16 X 5/8 PPH - ZINC                |
|     | 000G39-10-12B | EA  | SCREW - SF/DR - 10-16 X 3/4 PPH - ZINC                |
|     | 000G39-10-12S | EA  | SCREW - SF/DR - 10-16 X 3/4 PPH - OFF WHITE           |
|     | 000G39-10-129 | EA  | SCREW - SF/DR - 10-16 X 3/4 PPH - FLUOROCARBON SILVER |
|     | 000G39-10-169 | EA  | SCREW - SF/DR - 10-16 X 1 PPH - FLUOROCARBON SILVER   |
|     | 000G39-10-20B | EA  | SCREW - SF/DR - 10-16 X 1 1/4 PPH - ZINC              |
|     | 000G39-10-20T | EA  | SCREW - SF/DR - 10-16 X 1 1/4 PPH - BLACK             |
|     | 000G39-10-24B | EA  | SCREW - SF/DR - 10-16 X 1 1/2 PPH - ZINC              |
|     | 000G39-10-24T | EA  | SCREW - SF/DR - 10-16 X 1 1/2" PPH - BLACK            |
|     | 000G39-10-32B | EA  | SCREW - SF/DR - 10-16 X 2 - PPH - ZINC                |
|     | 000G39-10-48B | EA  | SCREW - SF/DR - 10-16 X 3 - PPH - ZINC                |
|     | 000G39-10-48T | EA  | SCREW - SF/DR - 10-16 X 3 PPH - BLACK                 |
|     | 000G42-04-16B | EA  | SCREW - SF/DR - 1/4-14 X 1 HWH - ZINC                 |
|     | 000G42-04-24B | EA  | SCREW - SF/DR - 1/4-14 X 1 1/2 - ZINC                 |
|     | 000G52-06-05B | EA  | SCREW - MACHINE - 6-32 X 5/16 PTH - ZINC              |
|     | 000G52-06-06B | EA  | SCREW - MACHINE - 6-32 X 3/8 PTH - ZINC               |
|     | 000G54-04-14B | EA  | SCREW - 1/4-20 X 7/8 PTH - TYPE 23 - ZINC PLATED      |
|     | 000G55-08-12T | EA  | SCREW - SF/DR - 8-18 X 3/4 PWH - BLACK                |
|     | 000G55-08-16S | EA  | SCREW - SF/DR - 8-18 X 1.00 PWH - OFF WHITE           |
|     | 000G55-08-16T | EA  | SCREW - SF/DR - 8-18 X 1 PWH - BLACK                  |
|     | 000G56-12-48B | EA  | SCREW - WOOD - 12-11 X 3 POH - SPECIAL HARDENED       |
|     | 000G60-08-16E | EA  | SCREW - SF/DR - 8-1 X 1 POH - CHROME                  |
|     | 000G60-08-20F | EA  | SCREW - SF/DR - 8-19X1.25 POH                         |
|     | 000G60-08-22B | EA  | SCREW - SF/DR - 8-18 X 1.38 POH - ZINC                |
|     | 000G60-10-20B | EA  | SCREW - SF/DR - 10-16 X 1 1/4 POH - ZINC              |
|     | 000G60-10-209 | EA  | SCREW - SF/DR - 10-16 X 1 1/4 POH - SILVER STALGAARD  |
|     | 000G60-10-28T | EA  | SCREW - SF/DR - 10-16 X 1 3/4 - BLACK                 |
|     | 000G62-06-12B | EA  | SCREW-SF/DR,6-20X.75 PFH - ZINC                       |
|     | 000G62-06-249 | EA  | SCREW - SF/DR - 8-18 X 1.5 PPH - SILVER               |
|     | 000G62-08-24B | EA  | SCREW - SF/DR - 8-18 X 1 1/2 PFH                      |
|     | 000G62-08-24T | EA  | SCREW - SF/DR - 8-18 X 1 1/2 PFH - BLACK              |
|     | 000G67-08-32B | EA  | SCREW - 8-15 X 2 PPH - ZINC                           |
|     | 000G67-10-08B | EA  | SCREW - 10-12 X 1/2 PPH - ZINC                        |
|     | 000G67-10-08S | EA  | SCREW - 10-12 X 1/2 PPH - OFF WHITE                   |
|     | 000G67-10-10B | EA  | SCREW - 10-12 X 5/8 PPH - ZINC - TYPE A               |
|     | 000G67-10-10D | EA  | SCREW - 10-12 X 5/8 PPH - BLACK - TYPE A              |
|     | 000G67-10-10P | EA  | SCREW - 10-12 X 5/8 PPH - DARK BROWN                  |
|     | 000G67-10-10S | EA  | SCREW - 10-12 X 5/8 PPH - OFF WHITE                   |
|     | 000G67-10-10T | EA  | SCREW - 10-12 X 5/8 PPH - BLACK                       |
|     | 000G67-10-10V | EA  | SCREW-10-12X5/8 PPH ZN O/W - TYPE A                   |
|     | 000G67-10-12P | EA  | SCREW - 10-12 X 3/4 PPH - DARK BROWN                  |
|     | 000G67-10-24B | EA  | SCREW - 10-12 X 1 1/2 PPH - ZINC                      |
|     | 000G68-06-10J | EA  | SCREW - 6-18 X 5/8 POH - BRASS                        |
|     | 000G68-06-12B | EA  | SCREW - 6-18 X 3/4 POH - ZINC & CLEAR                 |
|     | 000G68-06-12S | EA  | SCREW - 6-18 X 3/4 POH                                |
|     | 029130-01-000 | EA  | SCREW - SNAP STUD - #8-16 X 5/8" LONG                 |
|     | 029130-02-000 | EA  | SCREW - SNAP STUD - #8-16 X 1 1/2" LONG               |

**SEALANTS & FASTENERS GROUP (CONTINUED)**  
**SCREWS (CONTINUED)**

| <b>KEY</b> | <b>PART NUMBER</b> | <b>U/M</b> | <b>DESCRIPTION</b>   |
|------------|--------------------|------------|--|
|            | 029130-03-000      | EA         | SCREW - SNAP STUD - #8-16 X 1" LONG                          |
|            | 049465-03-000      | EA         | SCREW - 10-16 X 1 POH W/WASHER - OFF WHITE                   |
|            | 049465-17-000      | EA         | SCREW - 10-16 X 1 POH W/WASHER - BRIGHT WHITE                |
|            | 049465-18-000      | EA         | SCREW - 10-16 X 1 POH W/WASHER - VW GRAY                     |
|            | 054434-02-000      | EA         | SCREW - SF/DR - 10-16 X 2 - ZINC                             |
|            | 054434-03-000      | EA         | SCREW - SF/DR - 10-16 X 2 - PWH - ZINC                       |
|            | 075908-01-000      | EA         | SCREW - MACHINE - 10-32 X .56 PTH - EXTERNAL TOOTH - ZINC    |
|            | 076790-01-000      | EA         | SCREW - 6-20 X 1 1/4 PPH - BLACK                             |
|            | 076790-05-000      | EA         | SCREW - 6-20 X 1/2 PPH - BLACK - THREAD CUTTING/WOOD         |
|            | 083554-01-000      | EA         | SCREW - DRYWALL - 8 X 1 1/4                                  |
|            | 087721-01-000      | EA         | SCREW - FLAT HEAD - TAPPING - 1/4" X 1 1/4" LONG - ZINC      |
|            | 093249-01-000      | EA         | CAP/SCREW - MOLDED/VINYL - BLACK                             |
|            | 095772-01-000      | EA         | SOCKET-SNAP FASTNER1" SF/DR - SELF DRIVER                    |
|            | 097974-01-000      | EA         | SCREW - PARTICLE BOARD - 7-9 X 3/4 PPH                       |
|            | 101618-01-000      | EA         | SCREW - 1/4-20 X 3/4 HEX - TAPPING - STALGARD TYPE F         |
|            | 113563-01-01A      | EA         | SCREW - 8 X 5/8 LONG SHOULDER/WASHER HEAD                    |
|            | 113563-01-02A      | EA         | SCREW - 8 X 5/8 LONG SHOULDER/WASHER HEAD - BRIGHT WHITE     |
|            | 118383-01-12A      | EA         | RETAINER/RECESSED - F/.22" SCREW - RIVERSTONE                |
|            | 118383-01-14A      | EA         | RETAINER/RECESSED - F/.22" SCREW - PEWTER                    |
|            | 118383-01-15A      | EA         | RETAINER/RECESSED - F/.22" SCREW - BRIARWOOD                 |
|            | 118383-02-13A      | EA         | RETAINER/RECESSED - F/.27" SCREW - OFF WHITE                 |
|            | 118383-04-04A      | EA         | CAP - F/RECESSED RETAINER - BRIGHT WHITE                     |
|            | 118383-04-10A      | EA         | CAP - F/RECESSED RETAINER - RIVERSTONE                       |
|            | 118383-04-13A      | EA         | CAP - F/RECESSED RETAINER - OFF WHITE                        |
|            | 118383-04-14A      | EA         | CAP - F/RECESSED RETAINER - PEWTER                           |
|            | 118383-04-15A      | EA         | CAP - F/RECESSED RETAINER - BRIARWOOD                        |
|            | 134126-01-01A      | EA         | SCREW/NAIL - HEX HEAD - 3/4"                                 |
|            | 140040-01-000      | EA         | SCREW - 1/4-20 X 1 - BUTTON HEAD/SOCKET - W/LOCTITE          |
|            | 149753-01-01A      | EA         | RETAINER/RECESSED - F/.22" SCREW - BLACK                     |
|            | 149753-01-02A      | EA         | RETAINER/RECESSED - F/.22" SCREW - BRIGHT WHITE              |
|            | 149753-02-01A      | EA         | CAP - F/RECESSED RETAINER - BLACK                            |
|            | 149753-02-02A      | EA         | CAP - F/RECESSED RETAINER - BRIGHT WHITE                     |
|            | 154938-01-01A      | EA         | SCREW - SF/DR - 10-16 X 3/4 PPH - W/SELF SEAL - BRIGHT WHITE |
|            | 154938-01-02A      | EA         | SCREW - SF/DR - 10-16 X 3/4 PPH - W/SELF SEAL - BLACK        |
|            | 154938-02-01A      | EA         | SCREW - SF/DR - 8-18 X 1 PFH - W/SELF SEAL - BRIGHT WHITE    |
|            | 154938-02-02A      | EA         | SCREW - SF/DR - 8-18 X 1 PFH - W/SELF SEAL - BLACK           |
|            | 154938-02-03A      | EA         | SCREW - SF/DR - 8-18 X 1 PFH - W/SELF SEAL - SILVER          |
|            | 154938-03-01A      | EA         | SCREW - SF/DR - 8-18 X 5/8 PFH - W/SELF SEAL - BRT WHT       |
|            | 154938-03-02A      | EA         | SCREW - SF/DR - 8-18 X 5/8 PFH - W/SELF SEAL - BLACK         |
|            | 154938-04-01A      | EA         | SCREW - SF/DR - 10-16 X 1" TPH - W/SELF SEAL - BRT WHT       |
|            | 154938-04-02A      | EA         | SCREW - SF/DR - 10-16 X 1" TPH - W/SELF SEAL - BLACK         |
|            | 154938-05-03A      | EA         | SCREW - SF/DR - 8-18 X 1.25" PFH - W/SELF SEAL - SILVER      |

**SEALANTS & FASTENERS GROUP (CONTINUED)**  
**CLAMPS, CLIPS, GROMMETS, RIVETS & PLUGS**

| KEY | PART NUMBER   | U/M | DESCRIPTION   |
|-----|---------------|-----|---|
|     | 000H14-06-03R | EA  | RIVET - MANDREL BLIND - 3/16 ALUMINUM                     |
|     | 000H16-04-06R | EA  | RIVET - POP ALUMINUM - 1/8 X .313 - .375                  |
|     | 000H16-06-10R | EA  | RIVET - POP ALUMINUM - 3/16 X .501 - .625                 |
|     | 007161-01-000 | EA  | CLAMP - HOSE - SPRING TYPE - 1/2"                         |
|     | 008386-01-000 | EA  | GROMMET - SNAP - 3/8" DIAMETER - NYLON                    |
|     | 010495-01-000 | EA  | CLAMP - CABLE - 9/16"ID - BLACK                           |
|     | 010495-02-000 | EA  | CLAMP - CABLE - 3/8"ID - BLACK                            |
|     | 010495-04-000 | EA  | CLAMP - CABLE - 11/16"ID - WHITE                          |
|     | 010497-01-000 | EA  | CLAMP - CLOSED - 5/8"ID                                   |
|     | 010497-02-000 | EA  | CLAMP - CLOSED - 1.5"ID                                   |
|     | 010497-03-000 | EA  | CLAMP - CLOSED - 1"ID - CUSHIONED                         |
|     | 010497-04-000 | EA  | CLAMP - CLOSED - 1 5/8"ID                                 |
|     | 010497-05-000 | EA  | CLAMP - CLOSED - 1/2"ID                                   |
|     | 010497-07-000 | EA  | CLAMP - CLOSED - 3/8"ID                                   |
|     | 010497-09-000 | EA  | CLAMP - CLOSED - 5/16"ID                                  |
|     | 010497-10-000 | EA  | CLAMP - CLOSED - 7/8"ID                                   |
|     | 010499-01-000 | EA  | CLAMP - CLOSED - 3/8"ID                                   |
|     | 016188-03-000 | EA  | GROMMET - LP LINE - 3/8"HOLE X 2 1/2"LONG - RUBBER        |
|     | 016188-04-000 | EA  | GROMMET - LP LINE - 1/2"HOLE X 2 1/2"LONG - RUBBER        |
|     | 016188-05-000 | EA  | GROMMET - LP LINE - 3/8"HOLE X 1 1/4"LONG - RUBBER        |
|     | 016188-06-000 | EA  | GROMMET - LP LINE - 3/8"HOLE X 3 1/4"LONG - RUBBER        |
|     | 016188-07-000 | EA  | GROMMET - L/P LINE - 1/2"HOLE X 3 1/4"LONG                |
|     | 016188-08-000 | EA  | GROMMET - LP LINE - 1/2"HOLE X 1 1/4"LONG - RUBBER        |
|     | 016188-09-000 | EA  | GROMMET - LP LINE - .68"HOLE X 1 1/4"LONG - RUBBER        |
|     | 016188-10-000 | EA  | GROMMET - LP GAS - .68" X 2.5"                            |
|     | 023942-01-000 | EA  | GROMMET - RUBBER - 2"OD                                   |
|     | 041930-11-000 | EA  | RIVET - POP ALUMINUM - 1/8 X .188 - .250 - BRIGHT WHITE   |
|     | 061420-04-000 | EA  | PLUG/PLASTIC - 1 1/4" DIAMETER                            |
|     | 061420-05-000 | EA  | PLUG/PLASTIC - 1 1/2" DIAMETER                            |
|     | 061420-09-000 | EA  | PLUG/PLASTIC - 1.00" DIAMETER                             |
|     | 061420-10-000 | EA  | PLUG/PLASTIC - 1 1/2" DIAMETER - BLACK                    |
|     | 061420-12-000 | EA  | PLUG/PLASTIC - 1.50" DIAMETER - RED                       |
|     | 061420-13-000 | EA  | PLUG/PLASTIC - 3/8" - FLUSH                               |
|     | 061420-14-000 | EA  | PLUG/PLASTIC - 7/8" DIAMETER - BLACK                      |
|     | 061420-15-000 | EA  | PLUG/PLASTIC - 2" DIAMETER - BLACK                        |
|     | 061420-16-000 | EA  | PLUG/PLASTIC - 2 1/8" DIAMETER - BLACK                    |
|     | 061420-18-000 | EA  | PLUG/PLASTIC - 1 3/4" DIAMETER - BLACK                    |
|     | 062401-01-000 | EA  | CLAMP - HOSE - WORMGEAR - .25" - 1"                       |
|     | 062401-02-000 | EA  | CLAMP - HOSE - WORMGEAR - 1.56" - 2.5" ID                 |
|     | 062401-03-000 | EA  | CLAMP - HOSE - WORMGEAR - .22" - 1" ID                    |
|     | 062401-04-000 | EA  | CLAMP - HOSE - WORMGEAR - .69" - 1.25" ID                 |
|     | 062401-06-000 | EA  | CLAMP - HOSE - WORMGEAR - .22" - .62" ID                  |
|     | 062401-09-000 | EA  | CLAMP - HOSE - WORMGEAR - 2.8" - 3.75" ID                 |
|     | 062401-11-000 | EA  | CLAMP - HOSE - WORMGEAR - 3.50" - 4.50" ID                |
|     | 062401-13-000 | EA  | CLAMP - HOSE - WORMGEAR                                   |
|     | 071015-11-000 | EA  | GROMMET - RUBBER - 1"ID FITS .12 MATERIAL - BLACK         |
|     | 071015-13-000 | EA  | GROMMET - RUBBER - .62"ID X 1"OD W/.09" GROOVE - BLACK    |
|     | 071015-20-000 | EA  | GROMMET - .38 ID FITS .06 MTL                             |
|     | 071015-22-000 | EA  | GROMMET - RUBBER - .62"ID X 1.12"OD W/.19" GROOVE - BLACK |
|     | 071015-26-000 | EA  | GROMMET - RUBBER - 1.5"ID X 2.1"OD W/.06" GROOVE - BLACK  |
|     | 071015-29-000 | EA  | GROMMET - RUBBER - .3"ID X 1.3"OD W/.12" GROOVE - BLACK   |
|     | 071015-30-000 | EA  | GROMMET - RUBBER - .3"ID X .81"OD W/.12" GROOVE - BLACK   |
|     | 071015-39-000 | EA  | GROMMET - .75 ID FITS .06 MTL                             |
|     | 071015-41-000 | EA  | GROMMET - .125 ID FITS .188 MTL                           |
|     | 071015-42-000 | EA  | GROMMET - .25 ID FITS .06 MTL                             |
|     | 071015-43-000 | EA  | GROMMET-.25 ID,FITS .07 MATL, MINOR Z-4139                |
|     | 071015-44-000 | EA  | GROMMET - .31 ID FITS .25 MTL                             |
|     | 075148-02-000 | EA  | CLAMP - GROUNDING - BRONZE SCREWS                         |
|     | 077955-01-000 | EA  | CLIP/J - 3/8" - VINYL COATED                              |
|     | 081211-03-000 | EA  | PLUG - PLASTIC - .50"DIAMETER - TRUSS HEAD - BLACK        |
|     | 081211-04-000 | EA  | PLUG - PLASTIC - .46"DIAMETER - TRUSS HEAD - BLACK        |
|     | 081211-06-000 | EA  | PLUG-PLASTIC,.468DIA,BLACK , HEYCO 1669                   |
|     | 083609-01-000 | EA  | CLAMP - WIRE - DUAL - EQUAL DIAMETERS - 5/8"              |
|     | 083610-01-000 | EA  | CLAMP - WIRE - DUAL - UNEQUAL DIAMETERS - 3/4" & 1 1/4"   |



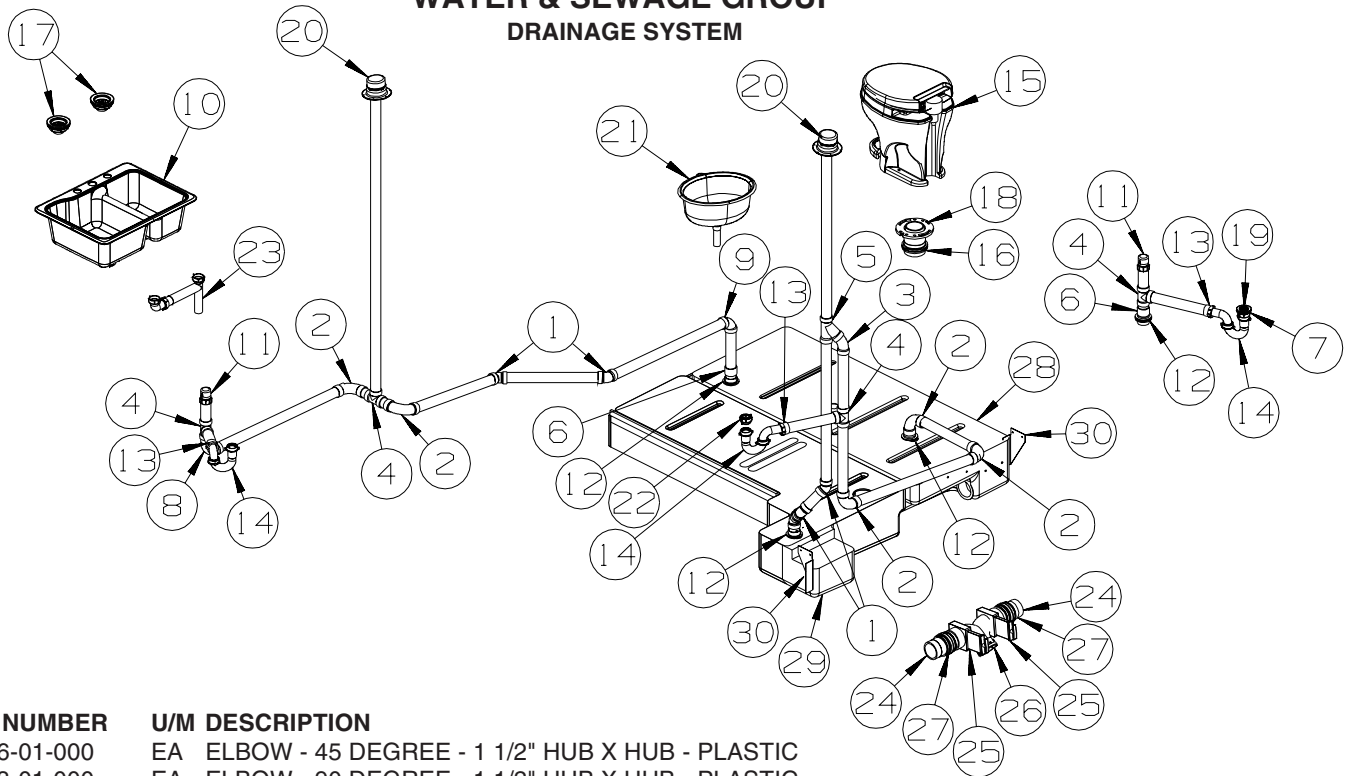
**SEALANTS & FASTENERS GROUP (CONTINUED)**  
**CLAMPS, CLIPS, GROMMETS, RIVETS & PLUGS (CONTINUED)**

| KEY | PART NUMBER   | U/M | DESCRIPTION  |
|-----|---------------|-----|--|
|     | 083610-02-000 | EA  | CLAMP - WIRE - DUAL - UNEQUAL DIAMETERS - 3/4" & 2"    |
|     | 083610-03-000 | EA  | CLAMP - WIRE - DUAL - EQUAL DIAMETERS - 2"             |
|     | 083610-02-000 | EA  | CLAMP - WIRE - DUAL - UNEQUAL DIAMETERS - 3/4" & 2"    |
|     | 083610-03-000 | EA  | CLAMP - WIRE - DUAL - EQUAL DIAMETERS - 2"             |
|     | 088756-01-000 | EA  | GROMMET - WEB - 1 1/8"ID                               |
|     | 089329-02-000 | EA  | CLIP - SPRING  |
|     | 091952-01-000 | EA  | CLIP - GRIPPER - 1" - BLACK VINYL COATED               |
|     | 091952-02-000 | EA  | CLIP - GRIPPER - 3/4" - BLACK VINYL COATED             |
|     | 091952-03-000 | EA  | CLIP - GRIPPER - 1/2" - BLACK VINYL COATED             |
|     | 094362-02-000 | EA  | CLIP - XMAS TREE - BINDER HEAD - .9" LONG/ANY COLOR    |
|     | 113133-02-01A | EA  | RIVET - POP - ALUMINUM - 3/16 X .252 - .504 - BLACK    |
|     | 114208-05-000 | EA  | GROMMET - EDGE LINER - FITS 2"                         |
|     | 118626-01-01A | EA  | RIVET/POP - ALUMINUM - 3/16 X 1.2"(GRIP RANGE .1"-.4") |
|     | 118626-01-02A | EA  | RIVET/POP - ALUMINUM - 3/16 X .08 - .375               |
|     | 118626-02-01A | EA  | RIVET/POP - ALUMINUM - 3/16 X .500 - .750              |
|     | 118626-03-01A | EA  | RIVET/POP - STAINLESS STEEL - 3/16 X .500 - .750       |
|     | 137014-01-01A | EA  | GROMMET - CABLE - ALMOND                               |
|     | 139118-02-01A | EA  | GROMMET - SCREW - PLASTIC                              |
|     | 155498-01-01A | EA  | CLAMP - CLOSED - 7/8"ID - VINYL DIP/GALVONIZED - BLACK |

**MISCELLANEOUS FASTENERS**

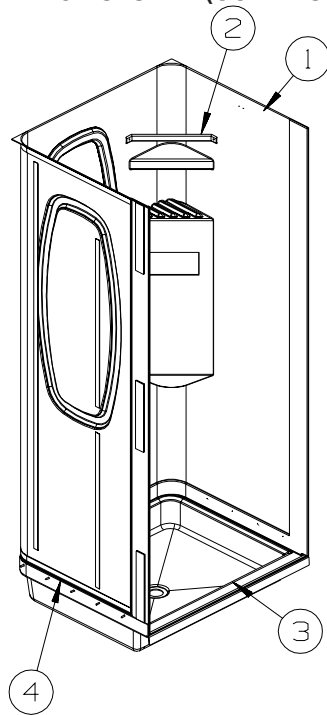
| KEY | PART NUMBER   | U/M | DESCRIPTION   |
|-----|---------------|-----|---|
|     | 008343-01-000 | EA  | TIE - WIRE - 6"   |
|     | 008343-02-000 | EA  | TIE - WIRE - 14"  |
|     | 008343-03-000 | EA  | TIE - WIRE - 7 1/2" - BLACK                               |
|     | 029094-04-000 | YD  | VELCRO TAPE/LOOP - 1"WIDE - W/ADHESIVE BACK - BLACK       |
|     | 029096-03-000 | YD  | VELCRO TAPE/HOOK - 1"WIDE - BLACK                         |
|     | 029096-04-000 | YD  | VELCRO TAPE/HOOK - 1"WIDE - BLACK - W/ADHESIVE BACK (PSA) |
|     | 048394-02-000 | YD  | VELCRO TAPE - HOOK - ADHESIVE BACK - 3/4" WIDE - BEIGE    |
|     | 085774-01-000 | FT  | FASTENER - DUAL LOCK - 1" WIDE - ADHESIVE BACK - BLACK    |
|     | 085774-02-000 | FT  | FASTENER - DUAL HOOK - 1" WIDE - ADHESIVE BACK - BLACK    |
|     | 088792-02-000 | YD  | VELCRO TAPE - LOOP - 3/4" - ADHESIVE BACK - BEIGE         |
|     | 088792-04-000 | YD  | VELCRO TAPE - HOOK - 5/8" - NON-ADHESIVE BACK - WHITE     |
|     | 088792-05-000 | YD  | VELCRO TAPE - LOOP - 5/8" - NON-ADHESIVE BACK - WHITE     |
|     | 108046-02-000 | EA  | CABLE TIE - SCREW MOUNT 15"                               |

## WATER & SEWAGE GROUP DRAINAGE SYSTEM



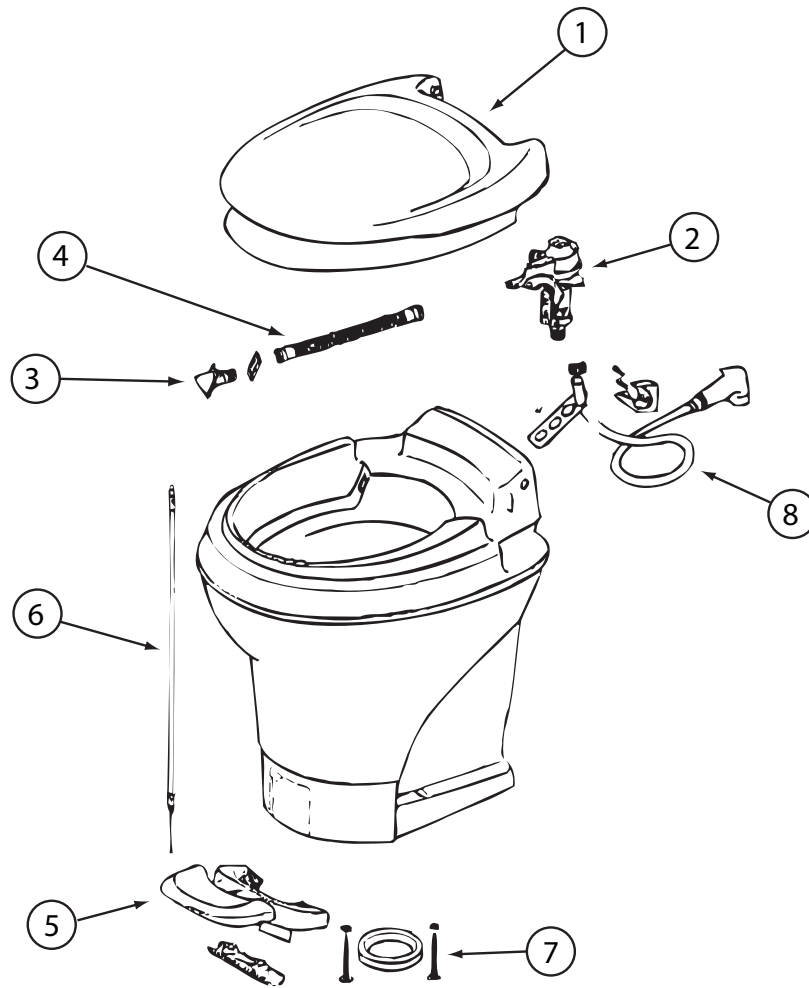
| KEY | PART NUMBER   | U/M | DESCRIPTION  |
|-----|---------------|-----|--|
| 1   | 010006-01-000 | EA  | ELBOW - 45 DEGREE - 1 1/2" HUB X HUB - PLASTIC             |
| 2   | 010008-01-000 | EA  | ELBOW - 90 DEGREE - 1 1/2" HUB X HUB - PLASTIC             |
| 3   | 010051-01-000 | EA  | ELBOW - 45 DEGREE - 1 1/2" SPIGOT X HUB - PLASTIC          |
| 4   | 010071-01-000 | EA  | TEE - SANITARY - 1 1/2" HUB X HUB X HUB - PLASTIC          |
| 5   | 010073-01-000 | EA  | WYE - 45 DEGREE - 1 1/2" HUB X HUB X HUB - PLASTIC         |
| 6   | 010115-01-000 | EA  | COUPLING - 1 1/2" HUB X HUB - PLASTIC                      |
| 7   | 011069-06-000 | EA  | TAILPIECE - 1 1/2" X 1 1/4" X 2 1/2"                       |
|     | 127440-02-01A | EA  | WASHER - RUBBER - 1.8" X .1"                               |
|     | 130403-01-000 | EA  | NUT - SLIP - W/WINGS 1 1/2"                                |
| 8   | 033761-01-000 | EA  | ELBOW - 90 DEGREE - TURN - 1 1/2" HUB X 1 1/2" SPIGOT      |
| 9   | 034250-01-000 | EA  | ELBOW - 90 DEGREE - LONG TURN - 1 1/2" HUB X HUB - ABS     |
| 10  | 163942-01-01A | EA  | SINK/DOUBLE - LRG/SML BASIN - 25" X 19" - PLASTIC/SILVER   |
| 11  | 079968-01-000 | EA  | VENT - MECHANICAL/TRAP ARM - ANTI-SIPHON-2" X 7.3" PLASTIC |
| 12  | 061607-01-000 | EA  | GROMMET - HOLDING TANK - 1 1/2" NPS                        |
| 13  | 152146-01-000 | EA  | CONNECTOR - 1 1/2"P X 1 1/2"MPT                            |
| 14  | 107538-02-000 | EA  | P-TRAP - PLASTIC - 1 1/2" W/EXTENSION ARM                  |
| 14  | 011071-01-000 | EA  | P-TRAP - 1 1/2" - CSA - PLASTIC - <b>CANADIAN</b>          |
| 15* | 147421-06-01A | EA  | TOILET/AQUA MAGIC 5 (HIGH) FOOTFLUSH - W/O SPRAY - WHITE   |
| 16  | 061607-02-000 | EA  | GROMMET - HOLDING TANK - 3" NPS                            |
| 17  | 092303-01-000 | EA  | STRAINER - W/BASKET - GALLEY SINK - 4" OD                  |
| 18  | 024676-01-000 | EA  | FLANGE/CLOSET - 4" X 3" - BLACK PLASTIC                    |
| 19  | 066440-01-000 | EA  | STRAINER - SHOWER DRAIN - W/RUBBER WASHER                  |
| 20  | 083558-03-000 | EA  | VENT W/COVER F/PLUMBING STACK - OFF WHITE                  |
| 21  | 156661-01-01A | EA  | SINK - LAVATORY - OVAL - 15" X 12" X 6.5" - GLACIER WHITE  |
| 22  | 106116-01-02A | EA  | STRAINER/PLASTIC - STOPPER/TAILPIECE/GASKET & NUT-LAVATORY |
|     | 106116-02-01A | EA  | GASKET - STRAINER  |
|     | 130403-01-000 | EA  | NUT - SLIP - W/WINGS 1 1/2"                                |
| 23  | 011091-02-000 | EA  | WASTE - CONTINUOUS - DOUBLE SINK                           |
| 24  | 010129-03-000 | EA  | NIPPLE - 3" X 3" TOE - PLASTIC                             |
| 25  | 136143-01-000 | EA  | VALVE - DUAL - 3" X 3"                                     |
| 26  | 139513-01-000 | EA  | HOSE - SEWER - 3" X 10' - W/ADAPTER                        |
|     | 062416-01-000 | EA  | ADAPTER - SEWER HOSE TO 3" PIPE                            |
| 27  | 078406-01-000 | EA  | COUPLER - 3" X 3" W/CLAMPS - RUBBER                        |
| 28  | 149287-01-700 | EA  | TANK - HOLDING W/3" NIPPLE                                 |
|     | 049032-01-000 | EA  | PATCH - SPINWELD - 3/8" - PLASTIC                          |
| 29  | 156465-01-700 | EA  | TANK - HOLDING - 29 GALLON - W/3" NIPPLE - W/O FITTINGS    |
|     | 049032-01-000 | EA  | PATCH - SPINWELD - 3/8" - PLASTIC                          |
| 30  | 112628-07-02B | EA  | BRACKET/TIEDOWN - WATER TANK - E-COATED                    |
|     |               |     | FROM: 00-00-00 THRU: 01-28-07                              |
| 30  | 112628-08-02B | EA  | BRACKET/TIEDOWN - WATER TANK - E-COATED                    |
|     |               |     | FROM: 01-29-07 THRU: 99-99-99                              |

**WATER & SEWAGE GROUP (CONTINUED)**  
**DRAINAGE SYSTEM (CONTINUED)**



| KEY | PART NUMBER   | U/M | DESCRIPTION   |
|-----|---------------|-----|---|
| 1   | 147070-01-18A | EA  | SURROUND - SHOWER - SOFT WHITE                            |
| 2   | 113714-02-02A | EA  | RETAINER - SHELF/SHOWER - 10.6" - SOFT WHITE              |
| 3   | M02673-14-R28 | EA  | SHOWER PAN - W/STRAINER                                   |
| 4   | 154585-03-01A | FT  | SEAL - FOAM TAPE - ADHESIVE 2 SIDED - 1/8" X 3/4" - BLACK |

**WATER & SEWAGE GROUP (CONTINUED)**  
**COMPONENT PARTS FOR DRAINAGE SYSTEM**



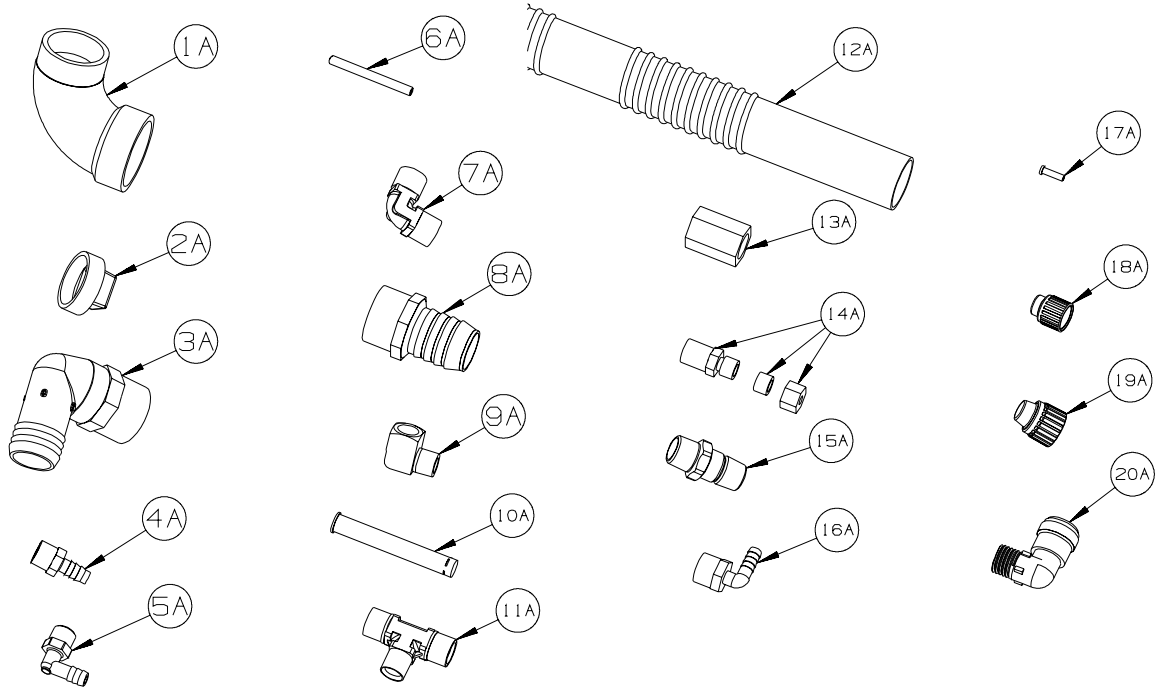
**147421-06-01A**

| KEY | PART NUMBER   | U/M | DESCRIPTION                  | VENDOR NO.     |
|-----|---------------|-----|------------------------------|----------------|
| 1   | 147421-01-700 | EA  | SEAT & COVER ASSEMBLY(WHT)   | 31703          |
| 2   | 147421-01-701 | EA  | WATER MODULE ASSEMBLY        | 31705          |
| 3   | 147421-01-702 | EA  | NOZZLE ASSEMBLY              | 31706          |
| 4   | 147421-01-703 | EA  | LINK - WATER MODULE          | 31621          |
| 5   | 147421-01-704 | EA  | PEDAL - WHITE                | 31709          |
| 6   | 147421-01-705 | EA  | FOOT CABLE                   | 31711          |
| 7   | 063740-01-706 | EA  | BOLT PACKAGE-FLOOR FLANGE    | 12524 THETFORD |
|     | 147421-01-707 | EA  | CAP (UNIVERSAL BOLT) - WHITE | 31713          |

CONTACT WINNEBAGO PART SALES FOR UNLISTED COMPONENT(S)

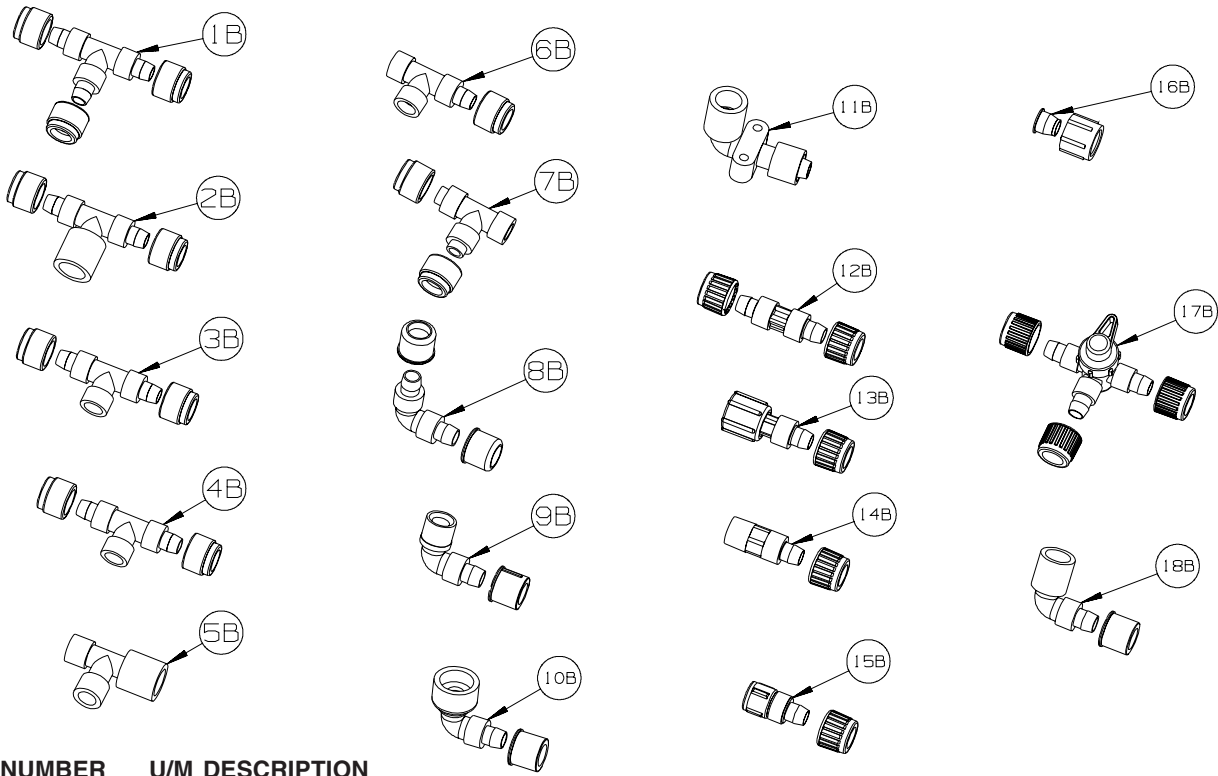
## WATER & SEWAGE GROUP (CONTINUED)

### WATER SYSTEM



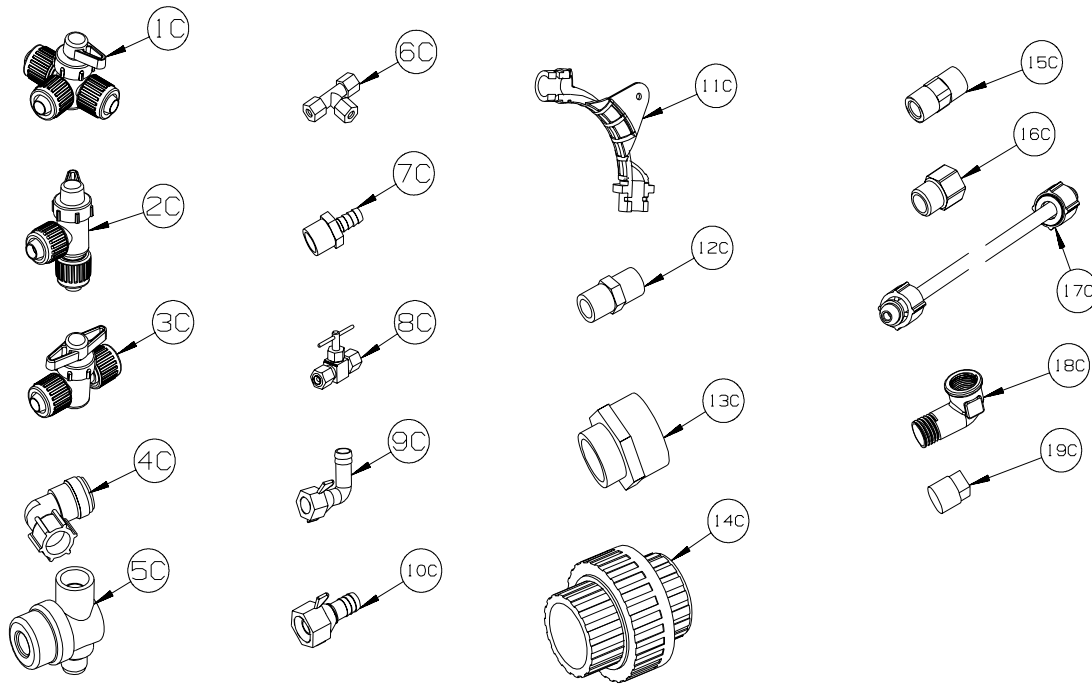
| KEY | PART NUMBER   | U/M | DESCRIPTION   |
|-----|---------------|-----|---|
| 1A  | 010009-01-000 | EA  | ELBOW - 90 DEGREE - 1/4 BEND - 1 1/2" PLASTIC             |
| 2A  | 010166-01-000 | EA  | PLUG/THREADED - 1 1/4"MPT - PLASTIC - BLACK - UL          |
| 3A  | 010219-01-000 | EA  | ELBOW - 1 1/4 MPT X 1 1/4 BARB - WATER FILL - PLASTIC     |
| 4A  | 010224-01-000 | EA  | ADAPTER - HOSE TO PIPE - 3/8 MPT X 3/8 BARB - PLASTIC     |
| 5A  | 035539-01-000 | EA  | ELBOW - 3/8 MPT X 3/8 BARB - PLASTIC                      |
| 6A  | 039800-04-000 | FT  | TUBING - POLYBUTYL - 1/4"OD                               |
| 6A  | 074462-02-000 | FT  | TUBING - VINYL - 3/8 ID X 20' - CLEAR                     |
| 6A  | 112176-01-000 | FT  | TUBING - VINYL - REINFORCED - 1/2" ID                     |
| 6A  | 124188-01-000 | FT  | TUBING - PEX - 1/2" ID X 20' - BLUE(COLD)                 |
| 6A  | 124188-02-000 | FT  | TUBING - PEX - 1/2" ID X 20' - RED(HOT)                   |
| 7A  | 039808-03-000 | EA  | ELBOW - 1/2" MPT X 1/2" MPT - PLASTIC                     |
| 8A  | 044927-01-000 | EA  | ADAPTER - HOSE TO PIPE-1 1/4 MPTX1 1/4 BARB-BLACK PLASTIC |
| 9A  | 065318-02-000 | EA  | ELBOW - 90 DEGREE - 3/8" MPT TO 3/8" FPT                  |
| 10A | 077954-02-000 | EA  | FILTER - WATER TANK - W/SCREEN IN TANK                    |
| 11A | 039798-01-000 | EA  | TEE - 1/2"MPT X 1/2"MPT X 1/2"MPT - PLASTIC               |
| 12A | 079381-01-000 | FT  | TUBING - RIBBED FLEXIBLE/WATER FILL - 10 FT = 1EA-1.38ID  |
| 13A | 101814-01-000 | EA  | COUPLING - FEMALE - 1/2" X 1/2" FPT - GRAY                |
| 14A | 103798-01-000 | EA  | CONNECTOR - 1/4 OD X 3/8 MPT                              |
| 15A | 110438-02-000 | EA  | VALVE - CHECK - 1/2"MPT X 1/2"MPT - BRASS                 |
| 16A | 111223-02-000 | EA  | ELBOW - 1/2" MPT X 3/8" BARB - PLASTIC                    |
| 16A | 111223-04-000 | EA  | ELBOW - 1/2" MPT X 1/2" BARB - PLASTIC                    |
| 16A | 111888-01-000 | EA  | FERRULE - PLASTIC - .250 ID X .375 OD                     |
| 17A | 111888-02-000 | EA  | INSERT - BRASS - 1/4 COMP                                 |
| 18A | 113697-01-000 | EA  | CAP - 3/8"P   |
| 19A | 114427-01-000 | EA  | CAP - 1/2"P   |
| 20A | 164906-01-000 | EA  | ELBOW - 90 DEGREE - 1/2" QUICK CONNECT X 1/2"MPT          |

**WATER & SEWAGE GROUP (CONTINUED)**  
**WATER SYSTEM (CONTINUED)**



| KEY | PART NUMBER   | U/M | DESCRIPTION   |
|-----|---------------|-----|---|
| 1B  | 114428-01-000 | EA  | TEE - 1/2"P X 1/2"P X 1/2"P                         |
| 2B  | 114428-02-000 | EA  | TEE - SWIVEL - 1/2"P X 1/2"P X 1/2"FPT              |
| 3B  | 114428-03-000 | EA  | TEE - 1/2"P X 1/2"P X 1/2"MPT                       |
| 4B  | 114428-04-000 | EA  | TEE - 1/2"P X 1/2"P X 1/8"FPT                       |
| 5B  | 114428-05-000 | EA  | TEE - 1/2" SWIVEL X 1/2" MPT X 1/2" MPT             |
| 6B  | 114428-06-000 | EA  | TEE - 1/2" P X 1/2" MPT X 1/2" MPT                  |
| 7B  | 114428-07-000 | EA  | TEE - 1/2" P X 1/2" MPT X 1/2" P                    |
| 8B  | 114429-01-000 | EA  | ELBOW - 1/2"P X 1/2"P                               |
| 9B  | 114429-02-000 | EA  | ELBOW - 1/2"P X 1/2"MPT                             |
| 9B  | 114429-04-000 | EA  | ELBOW - 1/2"P X 3/8"MPT                             |
| 9B  | 114429-10-000 | EA  | ELBOW - SWIVEL - 1/2"MPT X 1/2"FPT                  |
| 10B | 114429-08-000 | EA  | ELBOW - SWIVEL - 1/2"P X 1/2"FPT                    |
| 11B | 114429-09-000 | EA  | ELBOW - 1/2"P X 1/2"FPT DROP EAR                    |
| 12B | 114430-01-000 | EA  | ADAPTER - 1/2"P X 1/2"P                             |
| 13B | 114430-02-000 | EA  | ADAPTER - SWIVEL - 1/2"P X 1/2"FPT                  |
| 13B | 114430-04-000 | EA  | ADAPTER - SWIVEL - 1/2"P X 3/8"MPT                  |
| 14B | 114430-03-000 | EA  | ADAPTER - 1/2"P X 1/2"MPT                           |
| 15B | 114430-06-000 | EA  | ADAPTER - 1/2"P X 3/8"FPT                           |
| 15B | 114430-09-000 | EA  | ADAPTER - 1/2"P X 1/2"FPT                           |
| 16B | 114430-10-000 | EA  | ADAPTER - NUT - PIPE CONNECTION - 1/2"              |
| 17B | 114431-01-000 | EA  | VALVE - 180 DEGREE/CENTER DRAIN - 1/2"P - THREE WAY |
| 18B | 114429-11-000 | EA  | ELBOW - 1/2"P X 1/2"FPT                             |

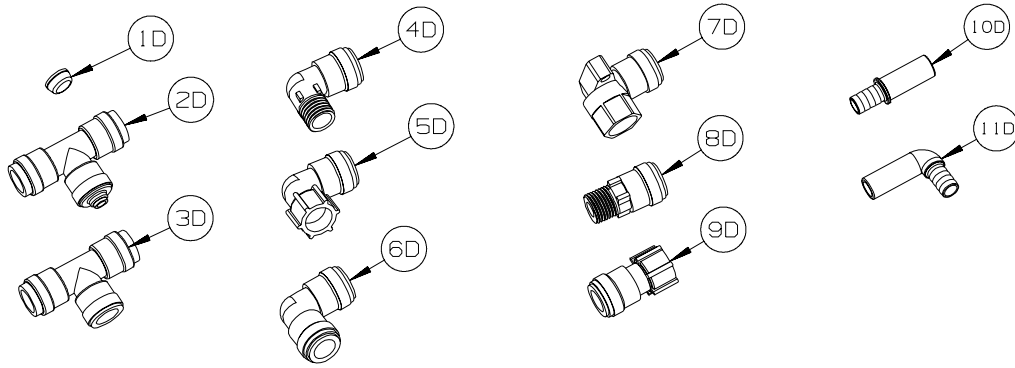
**WATER & SEWAGE GROUP (CONTINUED)**  
**WATER SYSTEM (CONTINUED)**



| KEY | PART NUMBER   | U/M | DESCRIPTION   |
|-----|---------------|-----|---|
| 1C  | 114431-02-000 | EA  | VALVE - WATER BYPASS - 1/2"P - THREE WAY (WATER HEATER)   |
| 2C  | 114431-03-000 | EA  | VALVE - 90 DEGREE DRAIN - 1/2"P                           |
| 3C  | 114431-04-000 | EA  | VALVE - "INLINE SHUT-OFF" - 1/2"P                         |
| 4C  | 164906-02-000 | EA  | ELBOW - 90 DEGREE - 1/2" QUICK CONNECT X 1/2"MPT - SWIVEL |
| 5C  | 152925-01-01A | EA  | FILTER - IN LINE - TWIST ON - 1/2" - BLACK                |
| 6C  | 118423-01-000 | EA  | FITTING - BRASS-TEE - 1/4C X 1/4C X 1/4C                  |
| 7C  | 118809-01-000 | EA  | ADAPTER - 1/2" MPT X 3/8" BARB - PLASTIC                  |
| 7C  | 118809-02-000 | EA  | ADAPTER - 1/2" MPT X 1/2" BARB - PLASTIC                  |
| 8C  | 120868-01-000 | EA  | VALVE - NEEDLE - 1/4" COMPRESSION X 1/4" COMPRESSION      |
| 9C  | 123150-01-000 | EA  | ELBOW - 1/2 FPT X 1/2 BARB - SWIVEL                       |
| 10C | 123152-01-000 | EA  | ADAPTER - 1/2 FPT X 1/2 BARB - SWIVEL                     |
| 11C | 124184-01-000 | EA  | SUPPORT - WATER LINE - BEND                               |
| 12C | 132148-01-000 | EA  | CONNECTOR - 1/2" X 1/2"MPT - BRASS                        |
| 13C | 133835-01-000 | EA  | ADAPTER - REDUCING - 1 1/2" X 1 1/4"                      |
| 14C | 133889-01-000 | EA  | UNION - 1 1/2 DOUBLE SLIP - PVC                           |
| 15C | 135386-01-000 | EA  | NIPPLE - 1/2"   |
| 16C | 136333-01-000 | EA  | ADAPTER - BRASS - 1/2"MPT X 1/2"FPT                       |
| 17C | 140821-01-000 | EA  | TUBE - WATER SUPPLY - 3/8" X 24"                          |
| 17C | 140821-02-000 | EA  | TUBE - WATER SUPPLY - 3/8" X 30"                          |
| 17C | 140821-03-000 | EA  | TUBE - WATER SUPPLY - 3/8" X 36"                          |
| 17C | 140821-04-000 | EA  | TUBE - WATER SUPPLY - 3/8" X 48"                          |
| 17C | 140821-05-000 | EA  | TUBE - WATER SUPPLY - 3/8" X 54"                          |
| 17C | 140821-06-000 | EA  | TUBE - WATER SUPPLY - 3/8" X 60"                          |
| 17C | 140821-07-000 | EA  | TUBE - WATER SUPPLY - 3/8" X 72"                          |
| 17C | 140821-08-000 | EA  | TUBE - WATER SUPPLY - 1/2" X 24"                          |
| 17C | 140821-09-000 | EA  | TUBE - WATER SUPPLY - 1/2" X 36"                          |
| 17C | 140821-10-000 | EA  | TUBE - WATER SUPPLY - 1/2" X 48"                          |
| 18C | 142812-01-000 | EA  | ELBOW - BRASS - 1/2"MPT X 1/2"FPT                         |
| 19C | 145609-01-000 | EA  | PLUG - BRASS - 1/2" MPT/HEX HEAD                          |



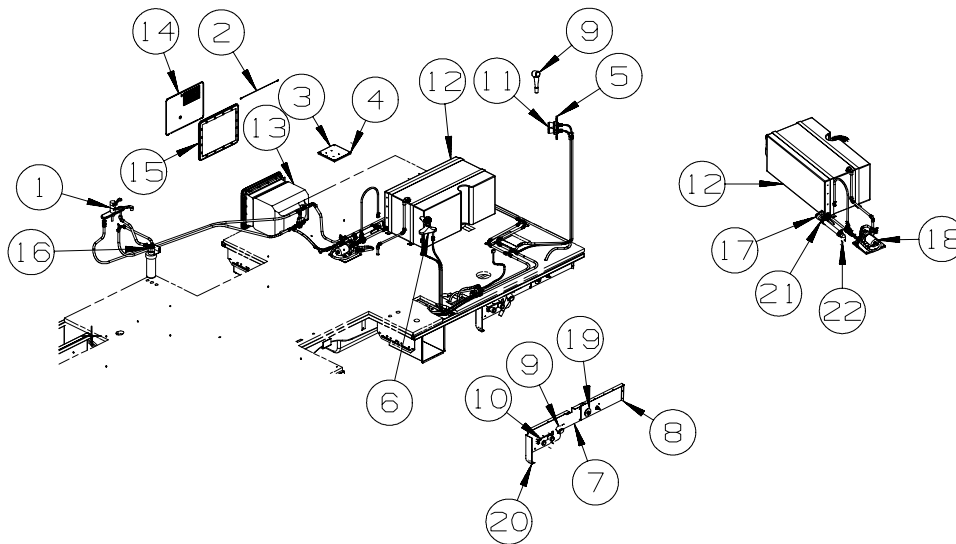
**WATER & SEWAGE GROUP (CONTINUED)**  
**WATER SYSTEM (CONTINUED)**



| KEY | PART NUMBER   | U/M | DESCRIPTION   |
|-----|---------------|-----|---|
| 1D  | 116473-01-000 | EA  | FERRIL - RUBBER SEALING - WATER LINE                      |
| 2D  | 160949-01-000 | EA  | CONNECTOR - 1/2" X 1/2" X 1/4" REDUCER                    |
| 3D  | 160949-02-000 | EA  | CONNECTOR - 1/2"CTS X 1/2"CTS X 1/2"CTS                   |
| 4D  | 164906-01-000 | EA  | ELBOW - 90 DEGREE - 1/2" QUICK CONNECT X 1/2"MPT          |
| 5D  | 164906-02-000 | EA  | ELBOW - 90 DEGREE - 1/2" QUICK CONNECT X 1/2"FPT - SWIVEL |
| 6D  | 164906-03-000 | EA  | ELBOW - 90 DEGREE - 1/2" X 1/2" QUICK CONNECTS            |
| 7D  | 164906-04-000 | EA  | ELBOW - 90 DEGREE - 1/2"CTS X 1/2"FPT                     |
| 8D  | 164907-01-000 | EA  | ADAPTER - STRAIGHT - 1/2" QUICK CONNECT X 1/2"MPT         |
| 9D  | 164907-02-000 | EA  | ADAPTER - STRAIGHT - 1/2" QUICK CONNECT X 1/2"FPT/SWIVEL  |
| 10D | 166212-01-000 | EA  | UNION - HOSE/BARB - CTS X 1/2"B - SEA TECH #3511-1008     |
| 11D | 166212-02-000 | EA  | ELBOW - HOSE/BARB - CTS X 1/2"B - SEA TECH #3512-1008     |

## WATER & SEWAGE GROUP (CONTINUED)

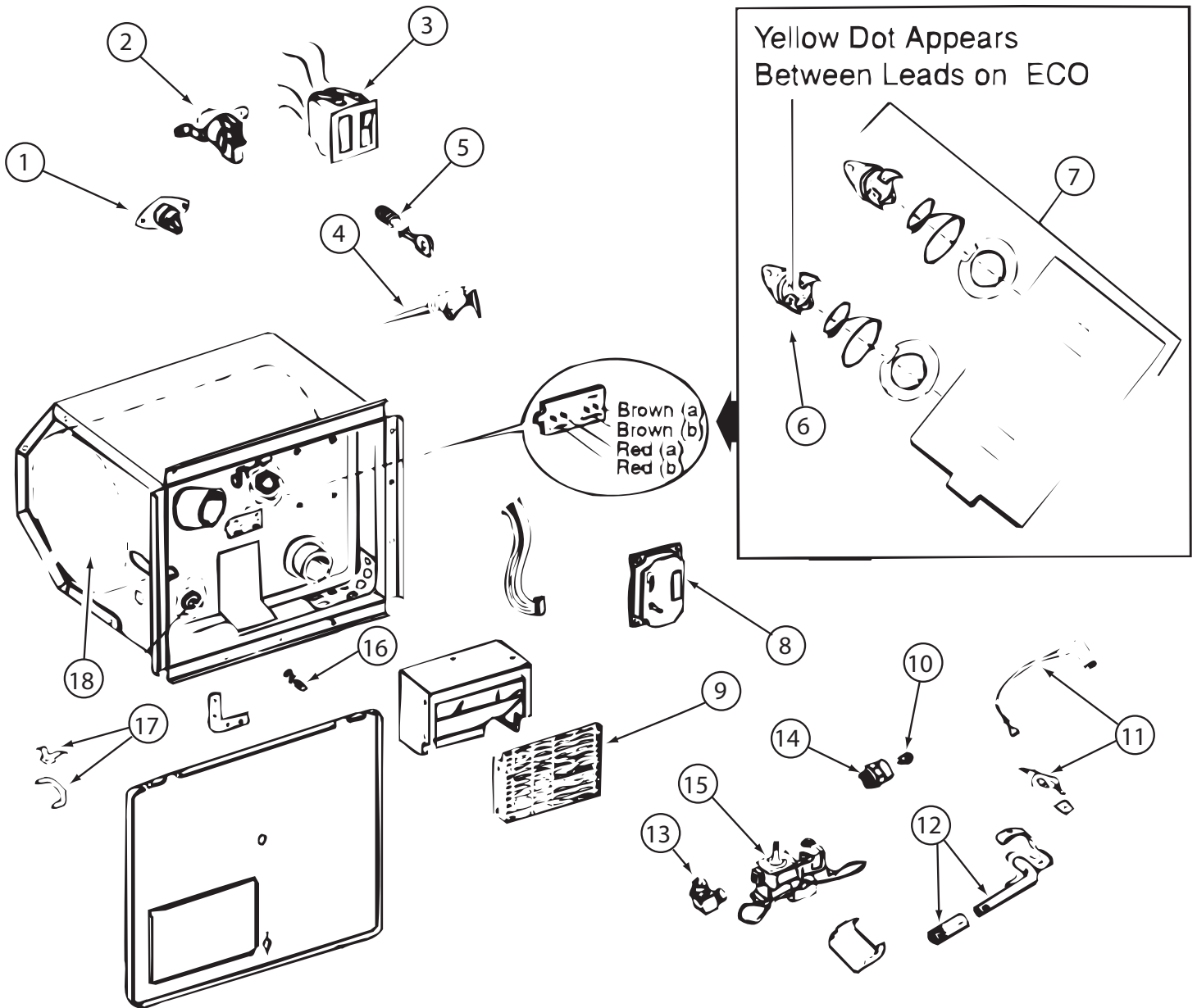
### WATER SYSTEM (CONTINUED)



| KEY | PART NUMBER   | U/M | DESCRIPTION   |
|-----|---------------|-----|---|
| 1   | 149164-01-01A | EA  | FAUCET - GALLEY - SINGLE CONTROL - CHROME   |
| 2   | 076767-03-000 | EA  | CABLE - STAINLESS STEEL - 18.5"   |
| 3   | 149477-02-02B | EA  | PANEL - WATER PUMP - E-COATED   |
| 4   | 140364-01-01A | EA  | FOAM - PAD - .5" X 8" X 8"  |
| 5   | 075606-03-000 | EA  | PANEL - FAUCET SHOWER - SOFT WHITE  |
| 6*  | 152311-01-01A | EA  | FAUCET - LAVATORY - SINGLE CONTROL - CHROME   |
|     |               |     | FROM: 00-00-00 THRU: 02-23-08   |
| 6*  | 165730-01-01A | EA  | FAUCET - LAVATORY - SINGLE CONTROL - CHROME   |
|     |               |     | FROM: 00-00-00 THRU: 02-23-08   |
| 7   | 147775-03-12B | EA  | PANEL - SERVICE CENTER - BRIGHT WHITE   |
| 8   | 147776-02-12B | EA  | PANEL - SERVICE CENTER - BRIGHT WHITE   |
| 9   | 131383-01-02A | EA  | SHOWER HEAD - W/60" HOSE & BRACKET - WHITE  |
| 10  | 163269-01-01A | EA  | FAUCET/SHOWER -.5"MPT W/1.9" INLET PIPES- EXTERIOR/BRT WHT                                |
| 11  | 163269-01-02A | EA  | FAUCET/SHOWER -.5"MPT W/1.9" INLET PIPES- EXTERIOR/CHROME                                 |
| 12  | 122778-08-000 | EA  | TANK - WATER - 37 GALLON - W/FITTINGS   |
|     | 042989-04-000 | EA  | FITTING - SPINWELD - 3/8"FPT - PLASTIC  |
|     | 042989-05-000 | EA  | FITTING - SPINWELD - 1/2"FPT - PLASTIC  |
|     | 042989-08-000 | EA  | FITTING - SPINWELD - 1"FPT - PLASTIC  |
|     | 049032-01-000 | EA  | PATCH - SPINWELD - 3/8" - PLASTIC   |
| 13* | 051391-03-000 | EA  | WATER HEATER G6A-8E ELECTRONIC IGNITION   |
| 13* | 145541-02-000 | EA  | WATER HEATER-6 GAL-GAS/ELEC - REM IGN-W/HEAT EXC-4E - <b>WTR HTR-6GAL ELECTRIC/LP GAS</b> |
| 14  | 052009-06-000 | EA  | DOOR - WATER HEATER - BRIGHT WHITE - 18" X 14.6"  |
|     |               |     | FROM: 00-00-00 THRU: 05-13-07   |
| 14  | 125420-06-02A | EA  | DOOR - WATER HEATER - 18" X 14.6" - BRIGHT WHITE  |
|     |               |     | FROM: 05-14-07 THRU: 99-99-99   |
| 14  | 125420-06-03A | EA  | DOOR - WATER HEATER - 18" X 14.6" - BLACK - <b>FULL BODY PAINT</b>                        |
|     |               |     | FROM: 05-14-07 THRU: 99-99-99   |
| 15  | 152239-01-01A | EA  | FLANGE/MOUNTING/RECESSED - 19.3" X 15.8" - BRIGHT WHITE                                   |
| 15  | 152239-01-02A | EA  | FLANGE/MOUNTING/RECESSED - 19.3" X 15.8" - BLACK  |
| 16  | 160946-03-000 | EA  | FILTER SYSTEM - WATER PURIFICATION - AQUA-PURE  |
| 17  | 132484-01-000 | EA  | ELBOW - 90 DEGREE - 1MPT X 1FPT - PLASTIC   |
| 18  | 160702-01-000 | EA  | PUMP - WATER - 3.0 GPM - W/1/2" MPT   |
|     |               |     | FROM: 00-00-00 THRU: 05-28-08   |
| 18  | 160702-02-000 | EA  | PUMP - WATER - 2.8 GPM - 12 VOLT  |
|     |               |     | FROM: 05-29-08 THRU: 99-99-99   |
| 19  | 010230-06-000 | EA  | FILL - CITY WATER - W/CHECK VALVE - MPT - BRUSHED ALUM                                    |
| 20  | 140309-03-02B | EA  | ANGLE - FURNACE DOOR - E-COATED   |
| 21  | 132483-01-000 | EA  | VALVE/BALL - 1" - THREADED ENDS   |
| 22  | 132781-01-000 | EA  | ELBOW - 1.3" BARB X 1.3" BARB - 90 DEGREE - PLASTIC                                       |

\*COMPONENT PARTS LISTED LATER IN THIS GROUP

**WATER & SEWAGE GROUP (CONTINUED)**  
**COMPONENT PARTS FOR WATER SYSTEM**

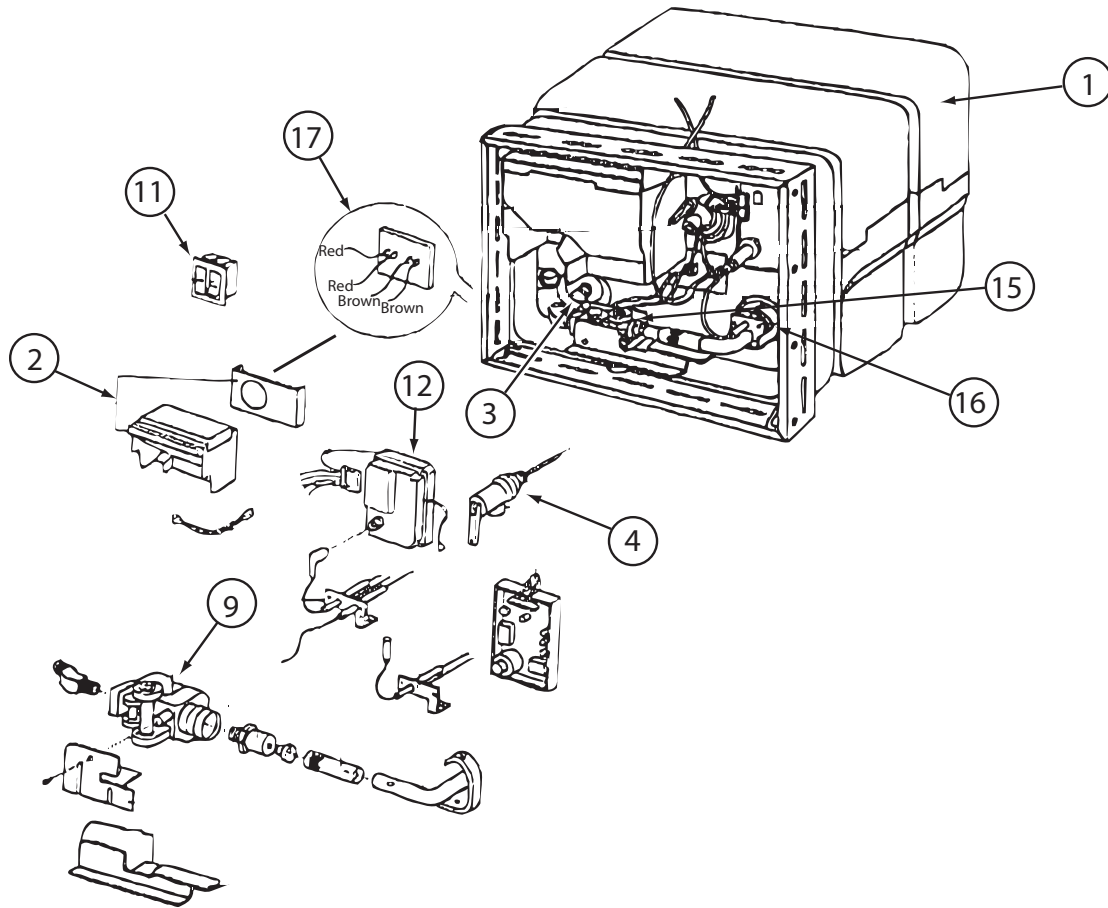


051391-03-000

| KEY | PART NUMBER   | U/M | DESCRIPTION                   | VENDOR NO.      |
|-----|---------------|-----|-------------------------------|-----------------|
| 3   | 051393-01-701 | EA  | SWITCH - REMOTE - W/LIGHT     | 91959           |
| 4   | 051391-01-704 | EA  | VALVE-RELIEF, 1/2" FITTING    | 91604           |
| 4   | 051391-03-701 | EA  | VALVE-RELIEF - 3/4" FITTING   | 90028           |
| 5   | 051391-01-705 | EA  | FASTENER-CAMLOCK              | 92609           |
| 6   | 051391-04-701 | EA  | THERMOSTAT 12V DC-120 PRESET  | 91470           |
| 7   | 051393-01-721 | EA  | THERMOSTAT W/ECO, 140 FRT MT  | 91447           |
| 9   | 051391-04-707 | EA  | KIT-EXHAUST, (FLUE & GASKET)  | 90960           |
| 10  | 051391-01-710 | EA  | ORIFICE-MAIN BURNER           | 92742           |
| 12  | 051391-04-703 | EA  | BURNER-MAIN/ELECTRONIC IG     | 91638           |
| 13  | 051391-01-714 | EA  | FITTING-ELBOW 45,3/8F X 3/8   | MPT 1044        |
| 14  | 051391-03-700 | EA  | HOLDER-ORIFICE                | 91563           |
| 16  | 051391-01-715 | EA  | PLUG-DRAIN, 1 EA = 2 PER PKG  | 91857           |
| 17  | 051391-01-700 | EA  | HINGE KIT, (PIN & CLIP)       | 92568&92559     |
| 18  | 051391-04-706 | EA  | TANK-G6A-4E/6E/7E/8E-FRT.MT   | 91641 - INNER   |
|     | 051391-01-717 | EA  | GRILLE-WATER HEATER DOOR      | 92640           |
|     | 051393-01-723 | EA  | SWITCH - THERMAL CUTOUT 2/PK  | 93866 WAS 93853 |
|     | 051393-01-724 | EA  | BOARD-CIRCUIT, SPADE TERMINAL | 93865           |
|     | 051393-01-725 | EA  | ELECTRODE-SGL SPADE CONNECT.  | 93868           |
|     | 051393-01-726 | EA  | VALVE/SOLENOID - W/O BRACKET  | 93870           |
|     | 111129-01-711 | EA  | BRACKET-CORNER, SET OF FOUR   | 91928           |

CONTACT WINNEBAGO PARTS SALES FOR UNLISTED COMPONENT(S)

**WINDOW & VENTS GROUP (CONTINUED)**  
**COMPONENT PARTS FOR WINDOW & VENT LAYOUT (CONTINUED)**



**145541-02-000**

| KEY | PART NUMBER   | U/M | DESCRIPTION                  | VENDOR NO.     |
|-----|---------------|-----|------------------------------|----------------|
| 1   | 145541-02-700 | EA  | TANK/SERVICE KIT PCS- 6 GAL  | 91053          |
| 2   | 051391-04-707 | EA  | KIT-EXHAUST, (FLUE & GASKET) | 90960          |
| 3   | 051391-01-715 | EA  | PLUG-DRAIN, 1 EA = 2 PER PKG | 91857          |
| 4   | 051391-01-704 | EA  | VALVE-RELIEF, 1/2" FITTING   | 91604          |
| 4   | 051931-03-701 | EA  | VALVE-RELIEF - 3/4" FITTING  | 90028          |
| 9   | 051393-01-726 | EA  | VALVE-SOLENOID - W/O BRACKET | 93870          |
| 11  | 051393-01-701 | EA  | SWITCH - REMOTE - W/LIGHT    | 91959          |
| 11  | 145541-01-701 | EA  | SWITCH - ON/OFF - WHITE      | 91859          |
| 12  | 145541-01-702 | EA  | CIRCUIT BOARD                | 91226          |
| 15  | 145541-01-703 | EA  | SWITCH - THERMAL CUT OFF     | 93866          |
| 16  | 051393-01-725 | EA  | ELECTRODE-SGL SPADE CONNECT. | 93868          |
| 17  | 051393-01-721 | EA  | THERMOSTAT W/ECO, 140 FRT MT | 91447          |
|     | 051391-05-706 | EA  | ELEMENT-HEATING 1500 WATT    | 92249 W/GASKET |
|     | 145541-01-704 | EA  | RELAY                        | 90061          |
|     | 145541-02-701 | EA  | JUNCTION BOX(PLASTIC) 6 GAL  | 91222          |

CONTACT WINNEBAGO PARTS SALES FOR UNLISTED COMPONENT(S)

**152311-01-01A**

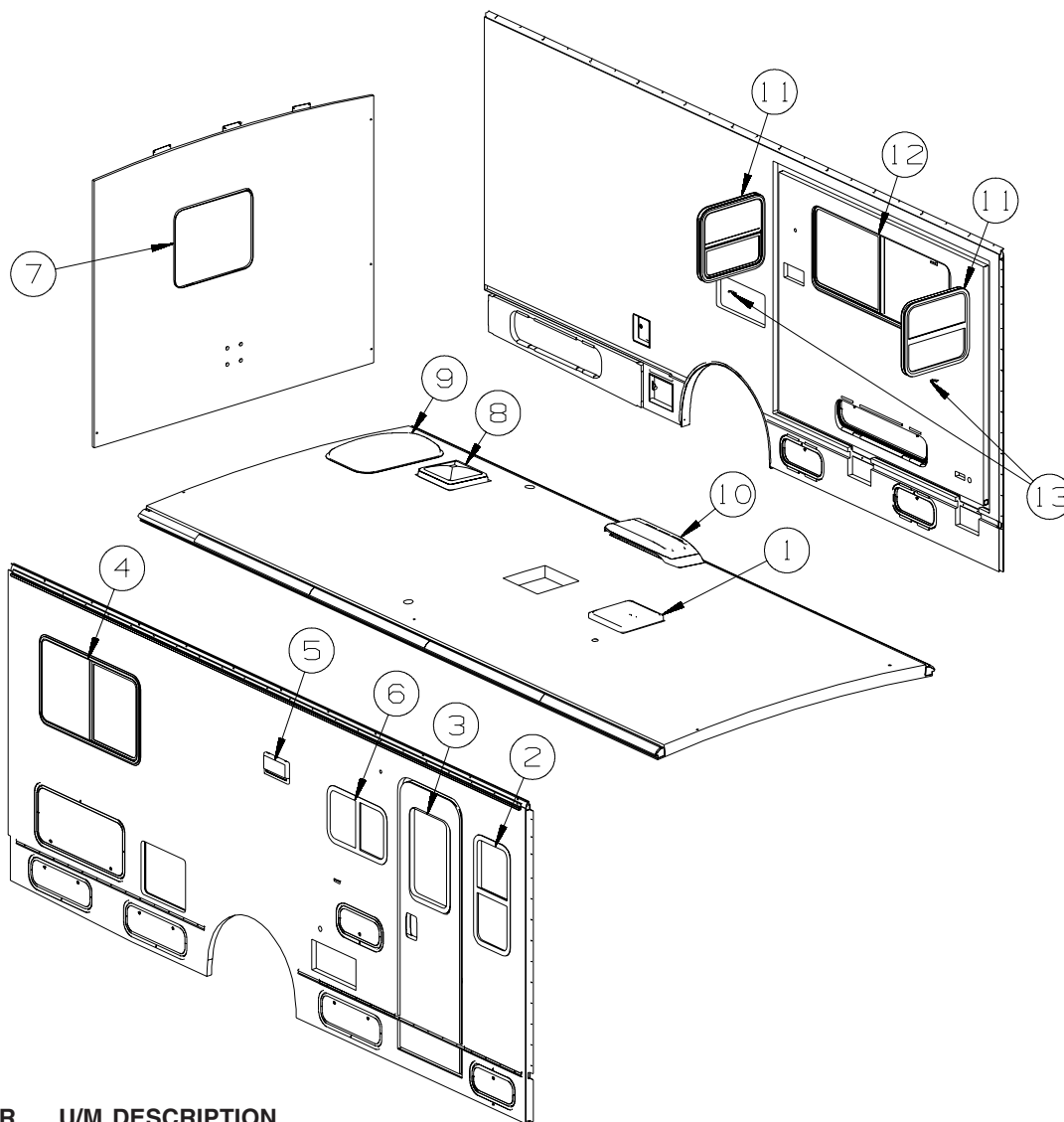
| KEY | PART NUMBER   | U/M | DESCRIPTION     | VENDOR NO.     |
|-----|---------------|-----|-----------------|----------------|
|     | 152311-01-700 | EA  | KNOB - CONTROL  | AF-0908-HANDLE |
|     | 152311-01-701 | EA  | BUTTON-HOT/COLD |                |
|     | 152311-02-701 | EA  | CARTRIDGE (KIT) |                |

**165730-01-01A**

| KEY | PART NUMBER   | U/M | DESCRIPTION | VENDOR NO. |
|-----|---------------|-----|-------------|------------|
|     | 165730-02-700 | EA  | CARTRIDGE   | CFG-40002  |

## WINDOWS & VENTS GROUP

### WINDOWS & VENTS LAYOUT



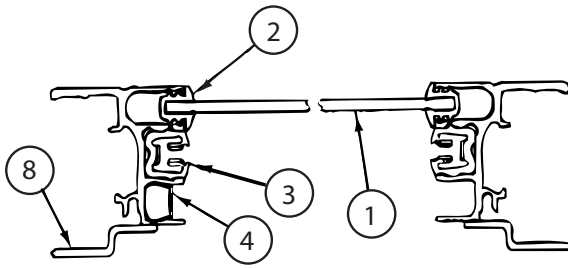
| KEY | PART NUMBER   | U/M | DESCRIPTION  |
|-----|---------------|-----|--|
| 1*  | 122882-01-01A | EA  | VENT - ROOF - NONPOWERED - W/O INSIDE GARNISH  |
| 1   | 122882-07-01A | EA  | GARNISH - ROOF VENT - 2.5" TO 4.1"   |
|     | 009440-01-000 | EA  | GEAR/ARM - LIFT - ROOF VENT COVER  |
| 1*  | 123780-03-01A | EA  | FANTASTIC VENT-3"/4"ROOF-W/FAN-W/O THERM/PWR LIFT/WHT CVR - <b>VENT-POWER VENTILATOR</b> |
|     | 009440-01-000 | EA  | GEAR/ARM - LIFT - ROOF VENT COVER - VENT-POWER VENTILATOR                                |
|     |               |     | FROM: 00-00-00 THRU: 01-03-07  |
| 1*  | 123780-26-01A | EA  | FANTASTIC VENT-4"ROOF- W/FAN/DBL DOME-W/O THERM/PWR LIFT - <b>VENT-POWER VENTILATOR</b>  |
|     |               |     | FROM: 01-04-07 THRU: 99-99-99  |
| 2*  | 098644-07-02A | EA  | WINDOW - VERTICAL SLIDER W/TRIM - TINTED - 14" X 30"                                     |
| 2*  | 150649-01-01A | EA  | WINDOW - VERT SLIDER/FLUSH/THERMO - 30.9" X 14.2" - <b>DUAL PANE</b>                     |
| 3   | 117053-02-F36 | EA  | WINDOW - PICTURE - W/O TRIM - 60% TINTING - 26.4" X 17"                                  |
|     | 002181-25-000 | EA  | GLASS - PICTURE WINDOW - 25.8"W X 16.4"H   |
|     | 087561-01-000 | EA  | SEAL - GLASS - EXTERIOR - .5" WIDE - VINYL BLACK   |
| 3   | 117054-02-03A | EA  | TRIM/RETAINER - INSIDE - 16.9" X 26.2" - BLACK   |
| 3*  | 150651-01-01A | EA  | WINDOW - STATIONARY/FLUSH/THERMO - 26.3" X 17" - BLACK - <b>DUAL PANE</b>                |
| 4*  | 098647-41-02A | EA  | WINDOW - PASS HORIZ SLIDER W/TRIM - TINTED - 24.2" X 41"                                 |
| 4*  | 150648-11-01A | EA  | WINDOW-HORIZ SLIDER/FLUSH/THERMO/RH - 24.5" X 41.2" - <b>DUAL PANE</b>                   |
| 5   | 147821-01-01A | EA  | VENT - EXHAUST/RANGE HOOD - BRIGHT WHITE   |
| 5   | 147821-01-02A | EA  | VENT - EXHAUST/RANGE HOOD - BLACK - <b>FULL BODY PAINT</b>                               |
| 5   | 147821-02-01A | EA  | SHROUD - EXHAUST VENT/RANGE HOOD - BRIGHT WHITE  |
| 6*  | 098647-06-01A | EA  | WINDOW - PASS HORIZ SLIDER W/BLK TRIM-TINTED - 23.7" X 15",                              |
| 6*  | 150648-08-01A | EA  | WINDOW-HORIZ SLIDER/FLUSH/THERMO/RH - 15.2" X 24" - <b>DUAL PANE</b>                     |
| 7*  | 151075-01-01A | EA  | WINDOW - ESCAPE/PICTURE - 22.4" X 26.2" - 62% TINT                                       |
| 7*  | 150651-05-01A | EA  | WINDOW - STATIONARY/FLUSH/ESCAPE/THERMO - 22.4"X 26.2"-BLK - <b>DUAL PANE</b>            |

**WINDOWS & VENTS GROUP (CONTINUED)**  
**WINDOWS & VENTS LAYOUT (CONTINUED)**

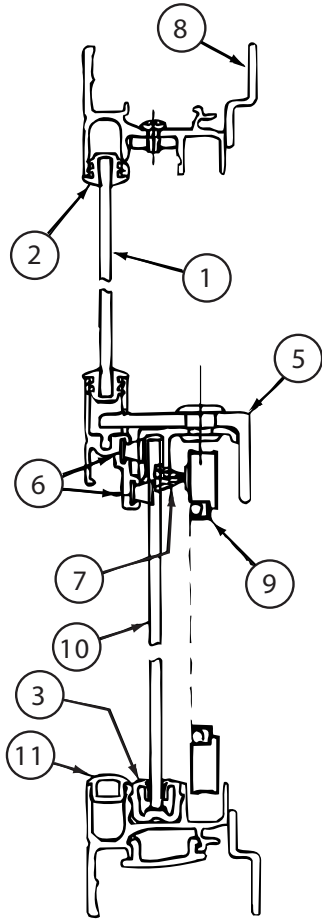
| <b>KEY</b> | <b>PART NUMBER</b> | <b>U/M</b> | <b>DESCRIPTION</b>  |
|------------|--------------------|------------|---|
| 8*         | 122882-02-01A      | EA         | VENT - ROOF - W/FAN - W/O INSIDE GARNISH - UL                                 |
| 8*         | 122882-03-01A      | EA         | VENT - ROOF - W/FAN - W/O INSIDE GARNISH - <b>CANADIAN</b>                    |
|            | 009440-01-000      | EA         | GEAR/ARM - LIFT - ROOF VENT COVER   |
|            | 048648-01-000      | EA         | MOTOR/ROOF VENT - W/RESISTER - 1/8"SHAFT - 12VOLT                             |
|            | 048649-01-000      | EA         | FAN BLADE - ROOF VENT - 6 BLADED - 6"RADIUS                                   |
| 8          | 122882-07-01A      | EA         | GARNISH - ROOF VENT - 2.5" TO 4.1"  |
| 9          | 122193-01-02A      | EA         | PANEL - SKYLITE - INNER - W/LIGHT INDENTATION                                 |
| 9          | 138372-01-02B      | EA         | TRIM - CORNER - SKYLIGHT - E-COATED   |
| 9          | 138379-02-01A      | EA         | PANEL/SKYLIGHT OTR - RECT/4"H CTR DOME - 18.4"X 29.5"- WHT                    |
| 10         | 149508-01-02A      | EA         | CAP - ROOF/REFRIGERATOR VENT - WHITE  |
| 10         | 149508-02-02A      | EA         | BASE - ROOF/REFRIGERATOR VENT - BRIGHT WHITE                                  |
| 11*        | 098644-13-01A      | EA         | WINDOW - VERTICAL SLIDER W/TRIM - 19.8" X 20.9"                               |
| 11*        | 150649-07-01A      | EA         | WINDOW - VERT SLIDER/FLUSH/THERMO - 19.8" X 20.8" - <b>DUAL PANE</b>          |
| 12*        | 098647-54-01A      | EA         | WINDOW - DRVR HORIZ SLIDER/EGRESS W/TRIM - 57.5" X 23.6"                      |
| 12*        | 150648-01-01A      | EA         | WINDOW-HORIZ SLIDER/ESCAPE/FLUSH/THERMO/LH-23.8"X57.7"-BLK - <b>DUAL PANE</b> |
| 13         | 151905-01-01A      | EA         | CLIP/BRACKET - SCREEN RETAINER - BLACK  |

**\*COMPONENT PARTS LISTED LATER IN THIS GROUP**

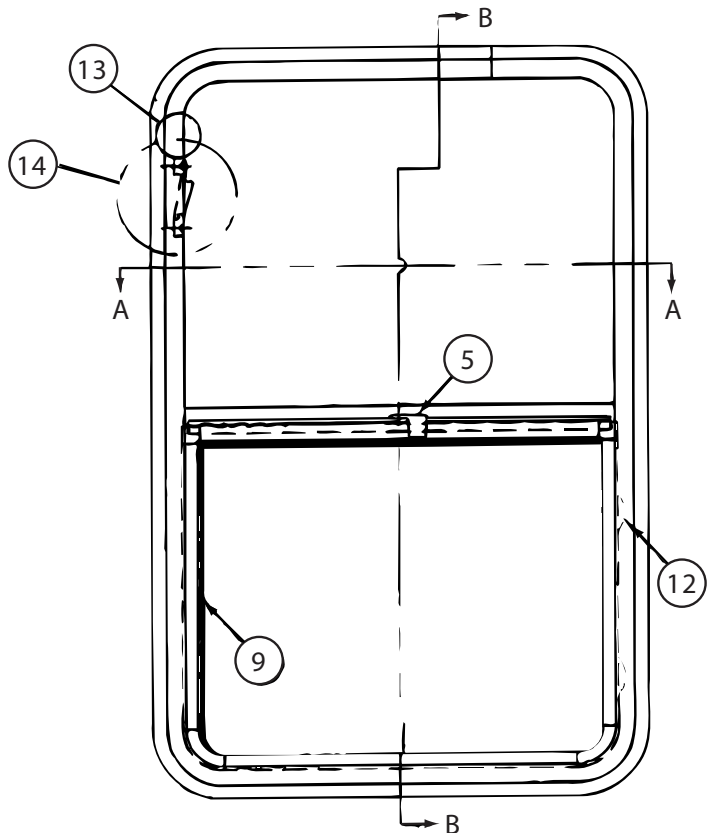
**WINDOWS & VENTS GROUP (CONTINUED)**  
**COMPONENT PARTS FOR WINDOWS & VENTS LAYOUT**



CROSS SECTION A-A



CROSS SECTION B-B



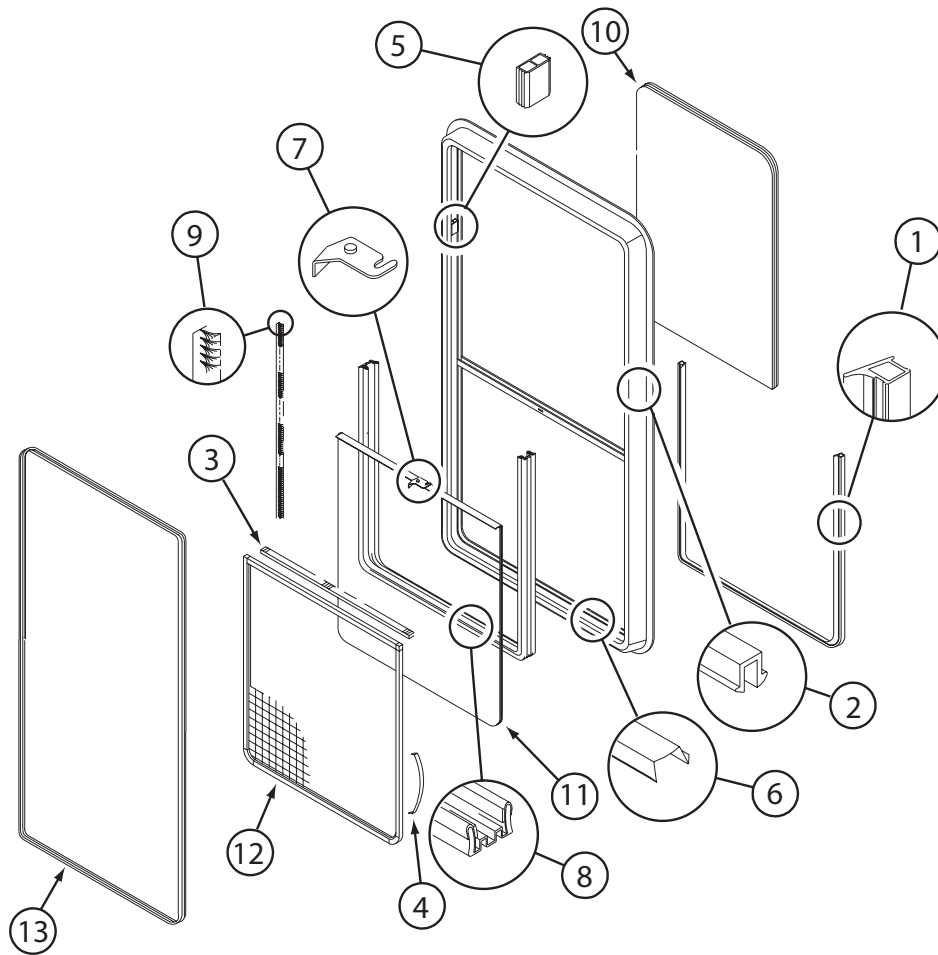
098644-07-02A

| KEY | PART NUMBER   | U/M | DESCRIPTION                  | VENDOR NO. |
|-----|---------------|-----|------------------------------|------------|
| 1   | 098644-07-702 | EA  | GLASS - STATIONARY           | 106-015777 |
| 2   | 098644-01-705 | FT  | GLAZING - STRIP              | 132-010231 |
| 3   | 098644-01-708 | FT  | CHANNEL - RUN PIERCED        | 122-016543 |
| 4   | 098644-01-710 | FT  | TRACK - SCREEN SPACER 12'    | 132-017135 |
| 5   | 098644-01-700 | EA  | LATCH - REPAIR KIT (BLACK)   | B801-CK    |
| 6   | 098644-01-706 | FT  | WEATHERSTRIP - GLASS         | 171-010668 |
| 7   | 098644-01-711 | FT  | WEATHERSTRIP - SCREEN BLACK  | 171-016965 |
| 8   | 098644-07-705 | EA  | RETAINER - TRIM              | CH02-66    |
| 9   | 098644-07-704 | EA  | SCREEN ASM - W/SEALS & CLIPS | 410-018863 |
| 10  | 098644-07-703 | EA  | GLASS-SLIDING W/SASH & LATCH | H170G9     |
| 11  | 098644-01-716 | FT  | PLUG - FILLER                | 132-014470 |
| 12  | 125582-01-701 | EA  | CLIP - SCREEN - PLASTIC      | 130-005153 |
| 13  | 098644-01-719 | EA  | STOP - SLIDER GLASS          | 132-014203 |

CONTACT WINNEBAGO PARTS SALES FOR UNLISTED COMPONENT(S)



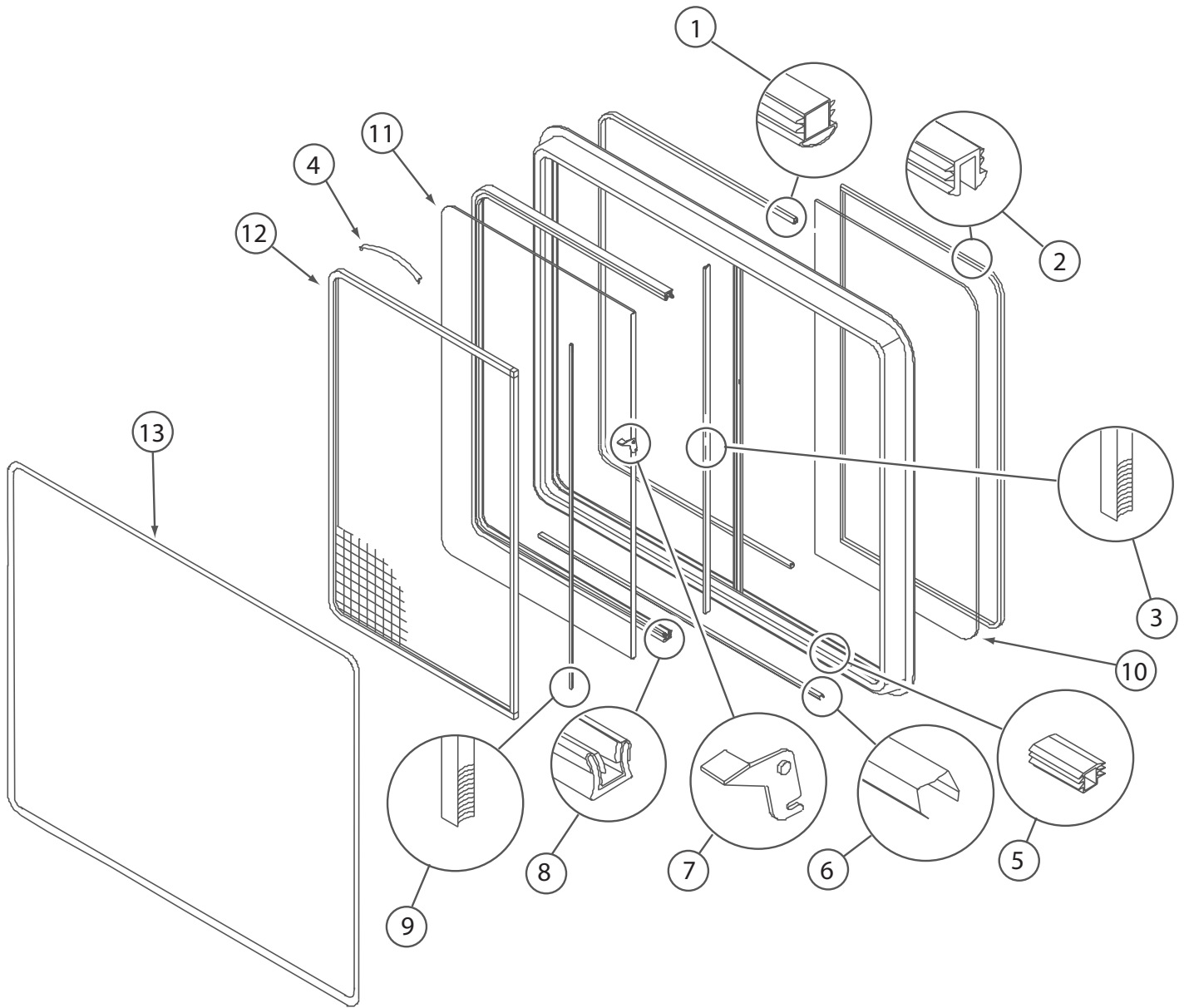
**WINDOWS & VENTS GROUP (CONTINUED)**  
**COMPONENT PARTS FOR WINDOWS & VENTS LAYOUT (CONTINUED)**



**098644-13-01A**

| KEY | PART NUMBER   | U/M | DESCRIPTION                  | VENDOR NO. |
|-----|---------------|-----|------------------------------|------------|
| 1   | 098644-01-716 | FT  | PLUG - FILLER                | 132-014470 |
| 2   | 098644-01-705 | FT  | GLAZING - STRIP              | 132-010231 |
| 3   | 098644-01-706 | FT  | WEATHERSTRIP - GLASS         | 171-010668 |
| 4   | 098644-01-713 | EA  | CLIP - SCREEN - METAL        | 226-016966 |
| 4   | 125582-01-701 | EA  | CLIP - SCREEN - PLASTIC      | 130-005153 |
| 5   | 098644-01-719 | EA  | STOP - SLIDER GLASS          | 132-014203 |
| 6   | 098644-01-710 | FT  | TRACK - SCREEN SPACER 12'    | 132-017135 |
| 7   | 098644-01-700 | EA  | LATCH - REPAIR KIT (BLACK)   | B801-CK    |
| 7   | 098647-54-701 | EA  | LATCH - REPAIR KIT (RED)     | B081-CK    |
| 8   | 098644-01-708 | FT  | CHANNEL - RUN PIERCED        | 122-016543 |
| 9   | 098644-01-711 | FT  | WEATHERSTRIP - SCREEN BLACK  | 171-016965 |
| 10  | 098644-13-700 | EA  | GLASS - STATIONARY           | 106-028698 |
| 11  | 098644-13-701 | EA  | GLASS - SLIDING W/SASH/LATCH | H702-G9    |
| 12  | 098644-13-702 | EA  | SCREEN ASM - W/SEALS/CLIPS   | 410-028663 |
| 13  | 098644-13-703 | EA  | RETAINER - TRIM              | H702-60    |
|     | 098644-01-717 | FT  | SPLINE - SCREEN              | 132-004716 |

**WINDOWS & VENTS GROUP (CONTINUED)**  
**COMPONENT PARTS FOR WINDOWS & VENTS LAYOUT (CONTINUED)**



**098647-06-01A**

| KEY | PART NUMBER   | U/M | DESCRIPTION                  | VENDOR NO. |
|-----|---------------|-----|------------------------------|------------|
| 1   | 098644-01-716 | FT  | PLUG - FILLER                | 132-014470 |
| 2   | 098644-01-705 | FT  | GLAZING - STRIP              | 132-010231 |
| 3   | 098644-01-706 | FT  | WEATHERSTRIP - GLASS         | 171-010668 |
| 4   | 098644-01-713 | EA  | CLIP - SCREEN - METAL        | 226-016966 |
| 4   | 125582-01-701 | EA  | CLIP - SCREEN - PLASTIC      | 130-005153 |
| 5   | 098644-01-719 | EA  | STOP - SLIDER GLASS          | 132-014203 |
| 6   | 098644-01-710 | FT  | TRACK - SCREEN SPACER 12'    | 132-017135 |
| 7   | 098644-01-700 | EA  | LATCH - REPAIR KIT (BLACK)   | B801-CK    |
| 7   | 098647-54-701 | EA  | LATCH - REPAIR KIT (RED)     | B081-CK    |
| 8   | 098644-01-708 | FT  | CHANNEL - RUN PIERCED        | 122-016543 |
| 9   | 098644-01-711 | FT  | WEATHERSTRIP - SCREEN BLACK  | 171-016965 |
| 10  | 098647-06-700 | EA  | GLASS - STATIONARY 10.9X13.8 | 106-016921 |
| 11  | 098647-06-702 | EA  | GLASS-SLIDING W/SASH & LATCH | B969-G9    |
| 12  | 098647-06-703 | EA  | SCREEN ASM - W/SEALS & CLIPS | 410-016477 |
| 13  | 098647-06-704 | EA  | RETAINER - TRIM              | B969-67    |
|     | 098644-01-717 | FT  | SPLINE - SCREEN              | 132-004716 |

**WINDOWS & VENTS GROUP (CONTINUED)**  
**COMPONENT PARTS FOR WINDOWS & VENTS LAYOUT (CONTINUED)**

**098647-41-02A**

| <b>KEY</b> | <b>PART NUMBER</b> | <b>U/M</b> | <b>DESCRIPTION</b>           | <b>VENDOR NO.</b> |
|------------|--------------------|------------|------------------------------|-------------------|
| 1          | 098644-01-716      | FT         | PLUG - FILLER                | 132-014470        |
| 2          | 098644-01-705      | FT         | GLAZING - STRIP              | 132-010231        |
| 3          | 098644-01-706      | FT         | WEATHERSTRIP - GLASS         | 171-010668        |
| 4          | 098644-01-713      | EA         | CLIP - SCREEN - METAL        | 226-016966        |
| 4          | 125582-01-701      | EA         | CLIP - SCREEN - PLASTIC      | 130-005153        |
| 5          | 098644-01-719      | EA         | STOP - SLIDER GLASS          | 132-014203        |
| 6          | 098644-01-710      | FT         | TRACK - SCREEN SPACER 12'    | 132-017135        |
| 7          | 098647-54-701      | EA         | LATCH - REPAIR KIT (RED)     | B081-CK           |
| 8          | 098644-01-708      | FT         | CHANNEL - RUN PIERCED        | 122-016543        |
| 9          | 098644-01-711      | FT         | WEATHERSTRIP - SCREEN BLACK  | 171-016965        |
| 10         | 098647-41-701      | EA         | GLASS - STATIONARY           | 106-015474        |
| 11         | 098647-41-700      | EA         | GLASS-SLIDING W/SASH & LATCH | H172-G9           |
| 12         | 098647-29-704      | EA         | SCREEN ASM - W/SEALS & CLIPS | 410-018864        |
| 13         | 098647-29-705      | EA         | RETAINER - TRIM              | CH04-66           |
|            | 098644-01-717      | FT         | SPLINE - SCREEN              | 132-004716        |

**098647-54-01A**

| <b>KEY</b> | <b>PART NUMBER</b> | <b>U/M</b> | <b>DESCRIPTION</b>           | <b>VENDOR NO.</b> |
|------------|--------------------|------------|------------------------------|-------------------|
| 1          | 098644-01-716      | FT         | PLUG - FILLER                | 132-014470        |
| 2          | 098644-01-705      | FT         | GLAZING - STRIP              | 132-010231        |
| 3          | 098644-01-706      | FT         | WEATHERSTRIP - GLASS         | 171-010668        |
| 4          | 098644-01-713      | EA         | CLIP - SCREEN - METAL        | 226-016966        |
| 4          | 125582-01-701      | EA         | CLIP - SCREEN - PLASTIC      | 130-0             |
| 5          | 098644-01-719      | EA         | STOP - SLIDER GLASS          | 132-014203        |
| 6          | 098644-01-710      | FT         | TRACK - SCREEN SPACER 12'    | 132-017135        |
| 7          | 098647-54-701      | EA         | LATCH - REPAIR KIT (RED)     | B081-CK           |
| 8          | 098644-01-708      | FT         | CHANNEL - RUN PIERCED        | 122-016543        |
| 9          | 098644-01-711      | FT         | WEATHERSTRIP - SCREEN BLACK  | 171-016965        |
| 10         | 098647-47-700      | EA         | GLASS - STATIONARY           | 106-025224        |
| 11         | 098647-54-700      | EA         | GLASS-SLIDING W/SASH & LATCH | H666-G9           |
| 12         | 098647-47-702      | EA         | SCREEN ASM - W/SEALS & CLIPS | 410-025226        |
| 13         | 098647-47-704      | EA         | RETAINER - TRIM              | H493-66           |
|            | 098644-01-717      | FT         | SPLINE - SCREEN              | 132-004716        |

**WINDOWS & VENTS GROUP (CONTINUED)**  
**COMPONENT PARTS FOR WINDOWS & VENTS LAYOUT (CONTINUED)**

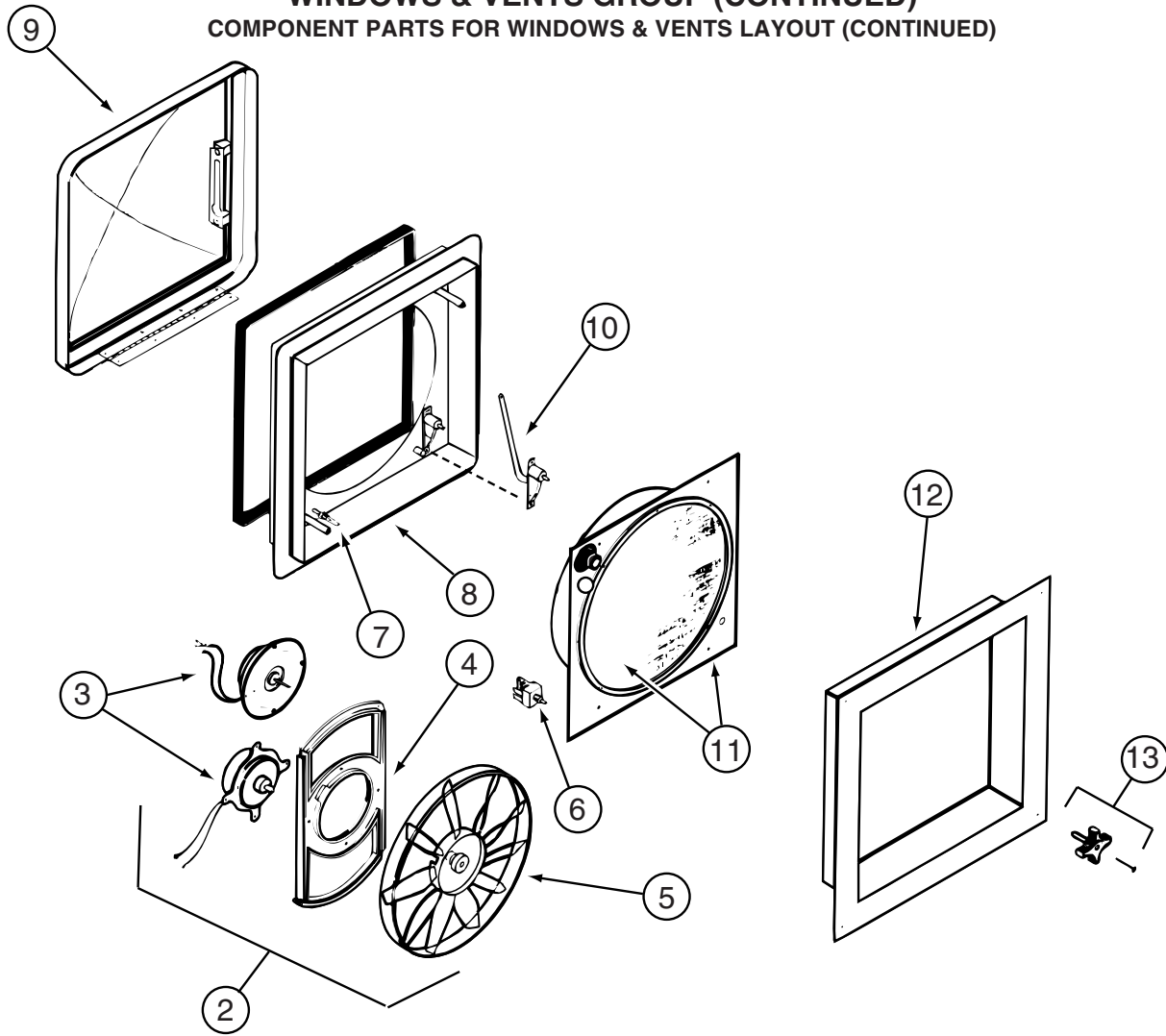
**122882-01-01A**

| <b>KEY</b> | <b>PART NUMBER</b> | <b>U/M</b> | <b>DESCRIPTION</b>     | <b>VENDOR NO.</b> |
|------------|--------------------|------------|------------------------|-------------------|
|            | 064470-01-700      | EA         | COVER - VENT           | J7291             |
|            | 064470-01-701      | EA         | SLIDE BAR - VENT LID   | JRP1291B          |
|            | 122882-01-700      | EA         | HANDLE - CRANK - BLACK | 90128             |
|            | 122882-01-701      | EA         | SCREEN                 | JRP-1124-B        |
|            | 122882-01-702      | EA         | HANDLE - CRANK - WHITE | JRP1031B          |

**122882-02-01A, 122882-03-01A**

| <b>KEY</b> | <b>PART NUMBER</b> | <b>U/M</b> | <b>DESCRIPTION</b>       | <b>VENDOR NO.</b> |
|------------|--------------------|------------|--------------------------|-------------------|
|            | 064470-01-700      | EA         | COVER - VENT             | J7291             |
|            | 064470-01-701      | EA         | SLIDE BAR - VENT LID     | JRP1291B          |
|            | 110051-03-700      | EA         | SWITCH-BLACK/PUSH BUTTON | 27-0164           |
|            | 122882-01-700      | EA         | HANDLE - CRANK - BLACK   | 90128             |
|            | 122882-01-701      | EA         | SCREEN                   | JRP-1124-B        |
|            | 122882-01-702      | EA         | HANDLE - CRANK - WHITE   | JRP1031B          |

**WINDOWS & VENTS GROUP (CONTINUED)**  
**COMPONENT PARTS FOR WINDOWS & VENTS LAYOUT (CONTINUED)**

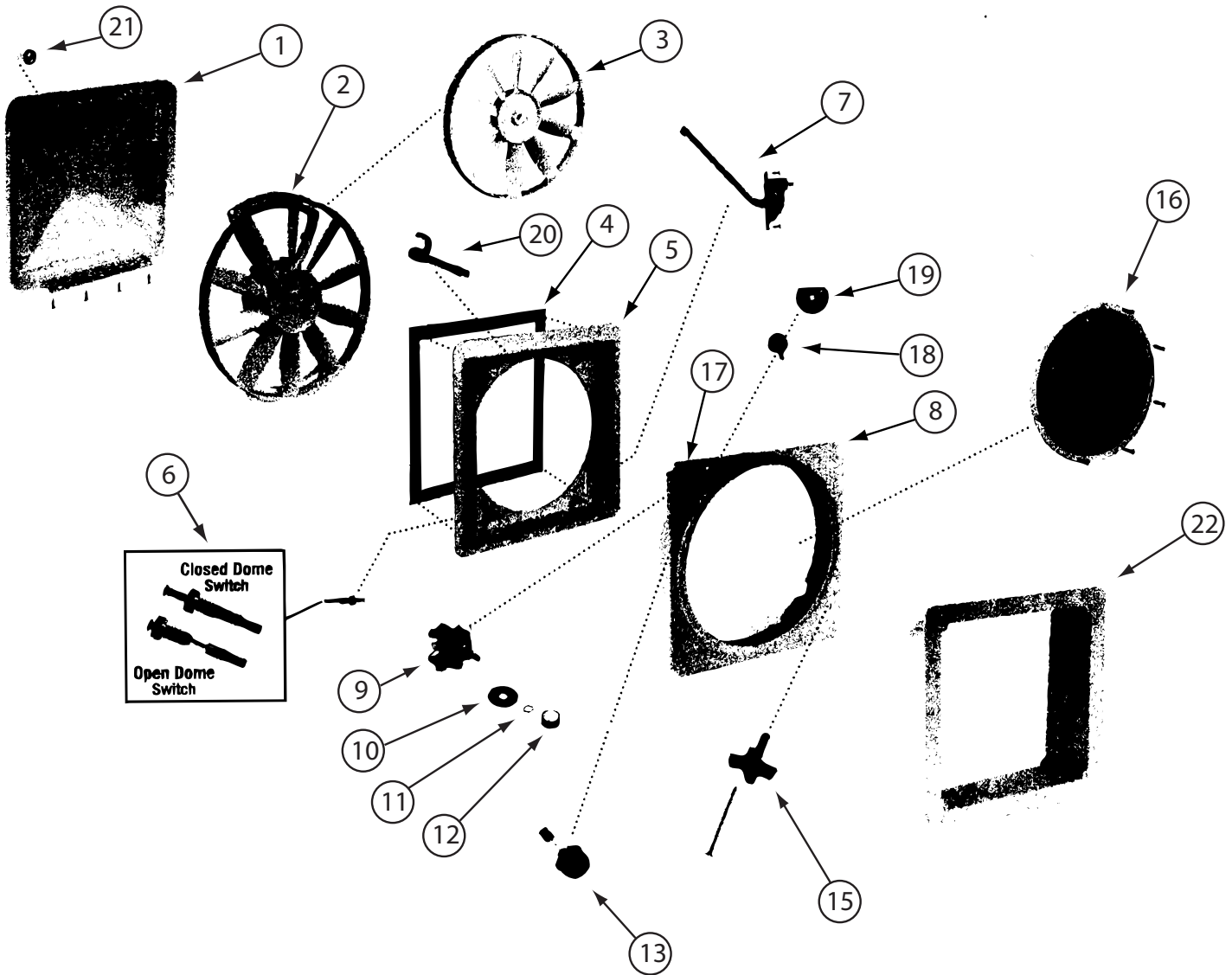


123780-03-01A

| KEY | PART NUMBER   | U/M | DESCRIPTION                  | VENDOR NO. |
|-----|---------------|-----|------------------------------|------------|
| 2   | 084079-11-700 | EA  | MOTOR & FAN BLADE W/BRACKET  | K4017-09   |
| 3   | 084079-01-705 | EA  | MOTOR/EXT BRKT/FAN BLADE KIT | 1080-00    |
| 4   | 084079-01-711 | EA  | MOTOR MOUNT (BOWTIE)         | 1015-00    |
| 5   | 084079-01-704 | EA  | BLADE-FAN                    | 1138-00    |
| 6   | 084079-01-709 | EA  | SWITCH - MAIN - 3 SPEED      | 1031-05    |
| 7   | 084079-01-707 | EA  | SWITCH - SAFETY              | 1122-05    |
| 8   | 123780-05-700 | EA  | BASE/MAIN-BRT WHT W/GASKET   | 1010-81    |
| 9   | 123780-01-700 | EA  | COVER - VENT W/HINGE & SLIDE | 1020K-81   |
| 10  | 009440-01-000 | EA  | GEAR-ARM-ROOF VENT           | 705221K38  |
| 11  | 123780-03-701 | EA  | SCREEN ASM 78-100MM W/SWITCH | 1030BT-81  |
| 12  | 123780-03-700 | EA  | GARNISH - INT. 3"-4" BRT/WHT | 2040-81    |
| 13  | 084079-01-703 | EA  | KNOB-LIFT                    | 1140K-00   |
|     | 084079-01-706 | EA  | PLUG, 12 VOLT                | 1090       |
|     | 123780-01-702 | EA  | SCREEN INSERT (SCREEN RING)  | K1035-81   |

CONTACT WINNEBAGO PART SALES FOR UNLISTED COMPONENT(S)

**WINDOWS & VENTS GROUP (CONTINUED)**  
**COMPONENT PARTS FOR WINDOWS & VENTS LAYOUT (CONTINUED)**

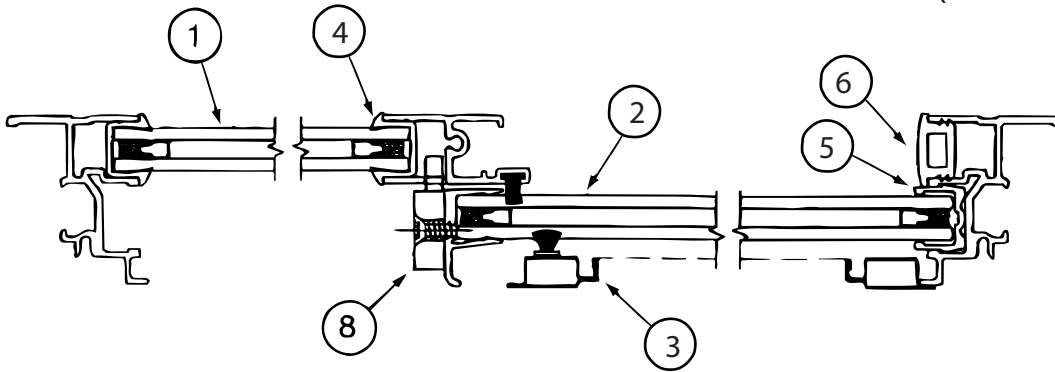


123780-26-01A

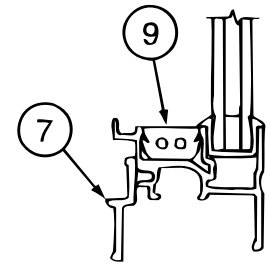
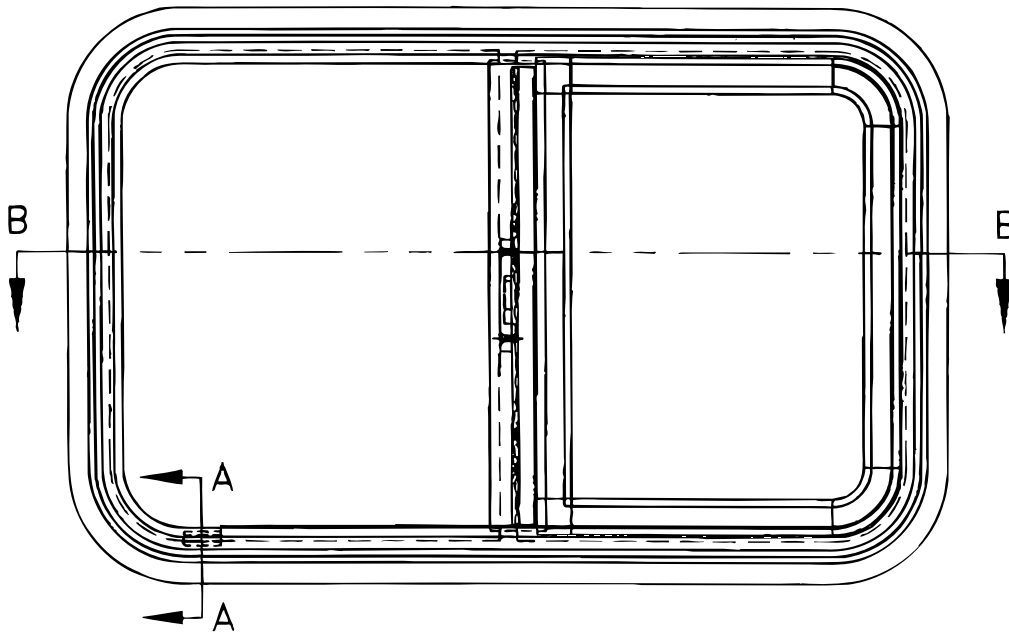
| KEY | PART NUMBER   | U/M | DESCRIPTION                  | VENDOR NO.          |
|-----|---------------|-----|------------------------------|---------------------|
| 1   | 123780-22-700 | EA  | COVER - VENT W/HINGE & SLIDE | K8020-81            |
| 2   | 123780-26-700 | EA  | MOTOR & FAN BLADE W/BRAKETS  | XK8017-03 PANCAKE   |
| 3   | 123780-26-701 | EA  | BLADE/FAN - 12" OPAQUE WHT   | 8138-81 - 7MM       |
| 4   | 123780-22-701 | EA  | SEAL/RUBBER-4 1/2' W/GLUE    | K1144-09            |
| 5   | 123780-22-702 | EA  | BASE/MAIN - W/LOCK/SEAL/ARM  | XK8010-81 CLAMP STY |
| 6   | 084079-01-707 | EA  | SWITCH - SAFETY              | 1122-05             |
| 7   | 084079-01-702 | EA  | ARM LIFT ASSEMBLY, MANUAL    | 101105              |
| 8   | 123780-22-703 | EA  | SCREEN KIT W/RING/ARM/LOCK   | XK1220-81           |
| 9   | 084079-01-709 | EA  | SWITCH - MAIN - 3 SPEED      | 1031-05             |
| 13  | 123780-21-700 | EA  | FUSE HOLDER W/4 AMP FUSE     | K9018-09            |
| 15  | 123780-16-700 | EA  | KNOB-BLK/AUTOMATIC LIFT MTR  | K1140-09            |
| 16  | 123780-21-703 | EA  | SCREEN - POP N LOCK          | 2035-81             |
| 17  | 123780-22-704 | EA  | TRAVEL LOCK ASSEMBLY         | 4021-09             |
| 22  | 123780-22-705 | EA  | GARNISH-3 1/2"CLAMP STY-WHT  | XK2040-81           |

CONTACT WINNEBAGO PART SALES FOR UNLISTED COMPONENT(S)

**WINDOWS & VENTS GROUP (CONTINUED)**  
**COMPONENT PARTS FOR WINDOWS & VENTS LAYOUT (CONTINUED)**



CROSS SECTION B-B



CROSS SECTION  
A-A

150648-01-01A

| KEY | PART NUMBER   | U/M | DESCRIPTION                  | VENDOR NO  |
|-----|---------------|-----|------------------------------|------------|
| 1   | 150648-01-705 | EA  | GLASS - STATIONARY           | 390-028313 |
| 2   | 150648-01-706 | EA  | GLASS-SLIDING W/SASH & LATCH | FH3003G8   |
| 3   | 150648-01-702 | EA  | SCREEN ASM                   | 410-031156 |
| 4   | 112795-01-705 | FT  | VINYL - GLAZING              | 132-027331 |
| 5   | 151069-01-700 | EA  | CHANNEL-RUN, SLIDING         | 122-030627 |
| 6   | 150648-01-703 | EA  | PLUG - FILLER                | 132-030308 |
| 7   | 150648-01-707 | EA  | RETAINER - TRIM              | H493-67    |
| 8   | 150648-01-700 | EA  | LATCH-HORIZONTAL SLIDE-BLK   | FH3000-CK  |
| 8   | 150648-01-701 | EA  | LATCH-HORIZONTAL SLIDE-RED   | FH3003-CK  |
| 9   | 150648-01-704 | EA  | SLIDE STOP                   | 132-030866 |
|     | 150649-05-702 | FT  | FIN SEAL-F/LOCKING RAIL-BLK  | 171-06234  |



**WINDOWS & VENTS GROUP (CONTINUED)**  
**COMPONENT PARTS FOR WINDOWS & VENTS LAYOUT (CONTINUED)**

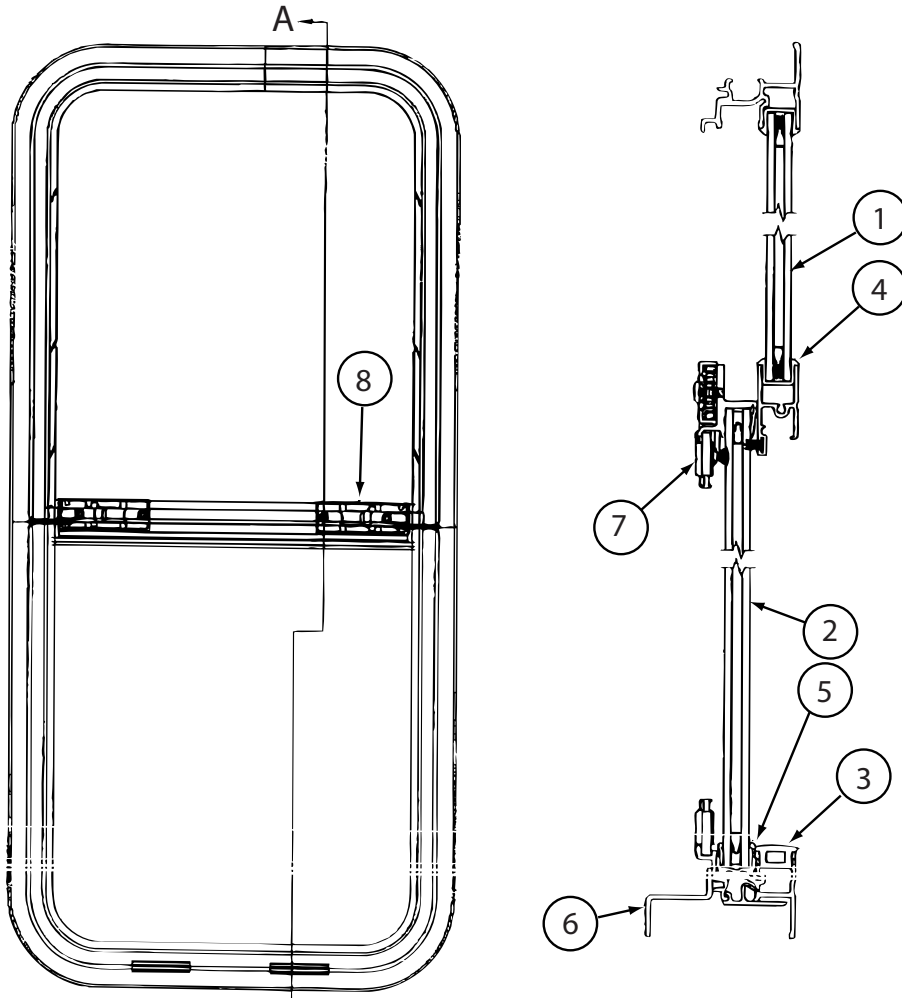
**150648-08-01A, 150648-09-01A**

| <b>KEY</b> | <b>PART NUMBER</b> | <b>U/M</b> | <b>DESCRIPTION</b>           | <b>VENDOR NO</b> |
|------------|--------------------|------------|------------------------------|------------------|
| 1          | 112795-78-700      | EA         | GLASS - STATIONARY           | 390-028338       |
| 2          | 150648-08-700      | EA         | GLASS-SLIDING W/SASH & LATCH | FH3015G8         |
| 3          | 150648-09-700      | EA         | SCREEN ASM                   | 410-035336       |
| 4          | 112795-01-705      | FT         | VINYL - GLAZING              | 132-027331       |
| 5          | 151069-01-700      | EA         | CHANNEL-RUN, SLIDING         | 122-030627       |
| 6          | 150648-01-703      | EA         | PLUG - FILLER                | 132-030308       |
| 7          | 098674-06-704      | EA         | RETAINER - TRIM              | B969-67          |
| 8          | 150648-01-700      | EA         | LATCH-HORIZONTAL SLIDE-BLK   | FH3000-CK        |
| 8          | 150648-01-701      | EA         | LATCH-HORIZONTAL SLIDE-RED   | FH3003-CK        |
| 9          | 150648-01-704      | EA         | SLIDE STOP                   | 132-030866       |
|            | 150649-05-702      | FT         | FIN SEAL-F/LOCKING RAIL-BLK  | 171-062348       |

**150648-11-01A**

| <b>KEY</b> | <b>PART NUMBER</b> | <b>U/M</b> | <b>DESCRIPTION</b>           | <b>VENDOR NO</b> |
|------------|--------------------|------------|------------------------------|------------------|
| 1          | 150648-11-700      | EA         | GLASS - STATIONARY           | 390-035650       |
| 2          | 150648-11-701      | EA         | GLASS-SLIDING W/SASH & LATCH | FH3057G8         |
| 3          | 150648-11-702      | EA         | SCREEN ASM                   | 410-035635       |
| 4          | 112795-01-705      | FT         | VINYL - GLAZING              | 132-027331       |
| 5          | 151069-01-700      | EA         | CHANNEL-RUN, SLIDING         | 122-030627       |
| 6          | 150648-01-703      | FT         | PLUG - FILLER                | 132-030308       |
| 7          | 150648-11-703      | EA         | RETAINER - TRIM              | CH04-67          |
| 8          | 150648-01-700      | EA         | LATCH-HORIZONTAL SLIDE-BLK   | FH3000-CK        |
| 8          | 150648-01-701      | EA         | LATCH-HORIZONTAL SLIDE-RED   | FH3003-CK        |
| 9          | 150648-01-704      | EA         | SLIDE STOP                   | 132-030866       |
|            | 150648-05-702      | FT         | FIN SEAL-F/LOCKING RAIL-BLK  | 171-06234        |

**WINDOWS & VENTS GROUP (CONTINUED)**  
**COMPONENT PARTS FOR WINDOWS & VENTS LAYOUT (CONTINUED)**



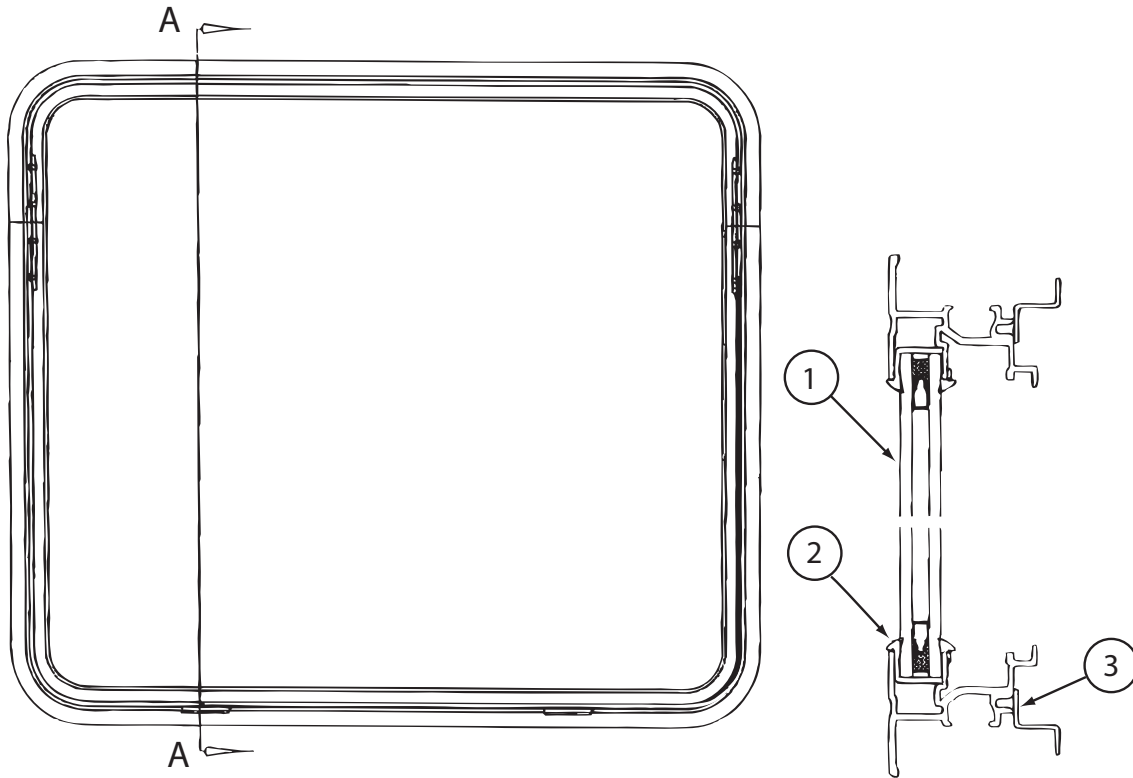
**150649-01-01A/02A**

| KEY | PART NUMBER   | U/M | DESCRIPTION                  | VENDOR NO  |
|-----|---------------|-----|------------------------------|------------|
| 1   | 150649-01-705 | EA  | GLASS - STATIONARY           | 390028346  |
| 2   | 150649-01-704 | EA  | GLASS-SLIDING W/PULL & LATCH | FH3016G8   |
| 3   | 150648-01-703 | FT  | PLUG - FILLER                | 132-030308 |
| 4   | 112795-01-705 | FT  | VINYL - GLAZING              | 132-027331 |
| 5   | 151069-01-700 | FT  | CHANNEL-RUN, SLIDING         | 122-030627 |
| 6   | 150649-01-703 | EA  | RETAINER - TRIM              | CH02-67    |
| 7   | 150649-01-702 | EA  | SCREEN ASM                   | 410-035464 |
| 8   | 150649-01-700 | EA  | LATCH-VERTICLE SLIDE-BLK     | FH3016-CK  |

**150649-07-01A**

| KEY | PART NUMBER   | U/M | DESCRIPTION                  | VENDOR NO  |
|-----|---------------|-----|------------------------------|------------|
| 1   | 150649-07-700 | EA  | GLASS - STATIONARY           | 390-028662 |
| 2   | 150649-07-702 | EA  | GLASS-SLIDING W/PULL & LATCH | FH3052G8   |
| 3   | 150648-01-703 | FT  | PLUG - FILLER                | 132-030308 |
| 4   | 112795-01-705 | FT  | VINYL - GLAZING              | 132-027331 |
| 5   | 151069-01-700 | FT  | CHANNEL-RUN, SLIDING         | 122-030627 |
| 6   | 150649-07-703 | EA  | RETAINER - TRIM              | H702-61    |
| 7   | 150649-07-701 | EA  | SCREEN ASM                   | 410-035475 |
| 8   | 150649-01-700 | EA  | LATCH-VERTICLE SLIDE-BLK     | FH3016-CK  |

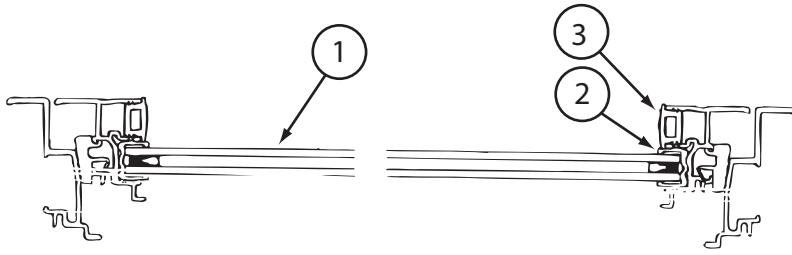
**WINDOWS & VENTS GROUP (CONTINUED)**  
**COMPONENT PARTS FOR WINDOWS & VENTS LAYOUT (CONTINUED)**



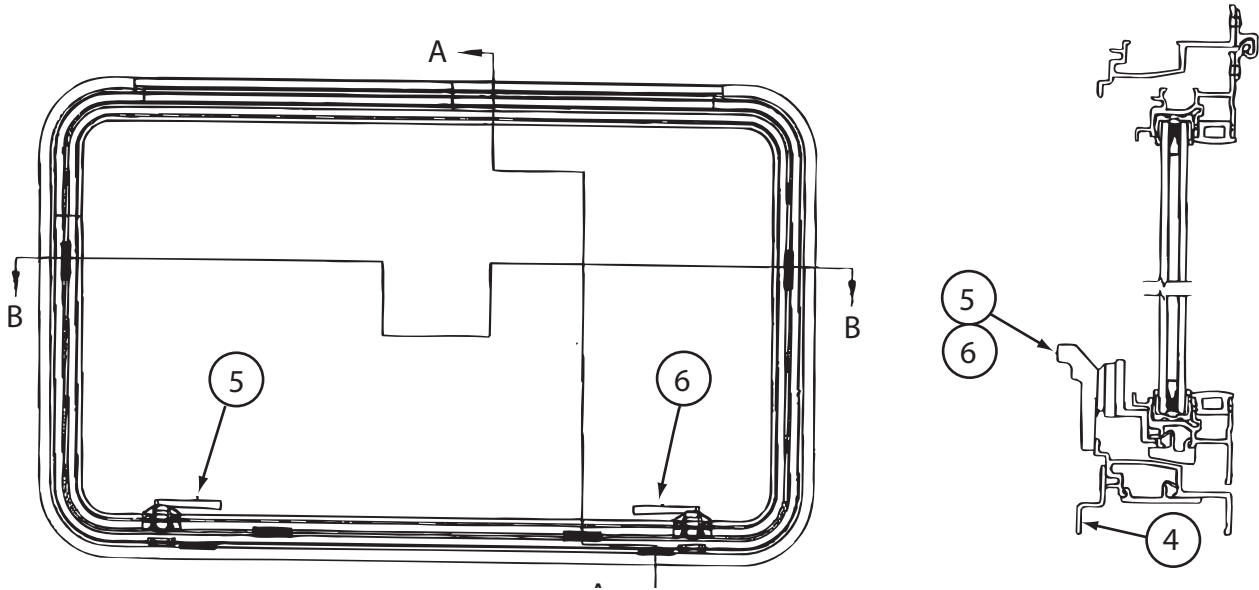
150651-01-01A/03A

| KEY | PART NUMBER   | U/M | DESCRIPTION      | VENDOR NO  |
|-----|---------------|-----|------------------|------------|
| 1   | 113733-10-700 | EA  | GLASS-STATIONARY | 390-028306 |
| 2   | 112795-01-705 | FT  | VINYL - GLAZING  | 132-027331 |
| 3   | 150651-01-700 | EA  | RETAINER - TRIM  | H416-67    |

**WINDOWS & VENTS GROUP (CONTINUED)**  
**COMPONENT PARTS FOR WINDOWS & VENTS LAYOUT (CONTINUED)**



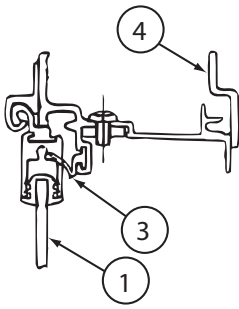
CROSS SECTION B-B



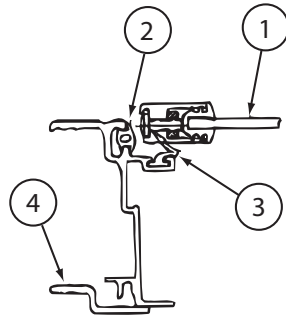
150651-05-01A

| KEY | PART NUMBER   | U/M | DESCRIPTION                  | VENDOR NO  |
|-----|---------------|-----|------------------------------|------------|
| 1   | 150651-05-700 | EA  | GLASS-STATIONARY             | 390-035688 |
| 2   | 112795-01-705 | FT  | VINYL - GLAZING              | 132-027331 |
| 3   | 150648-01-703 | FT  | PLUG - FILLER                | 132-030308 |
| 4   | 150651-05-701 | EA  | RETAINER - TRIM              | FH3064-53  |
| 5   | 112898-06-707 | EA  | HANDLE/RH-EGRESS(SLD)ESC-RED | 182-025911 |
| 6   | 112898-06-708 | EA  | HANDLE/LH-EGRESS(SLD)ESC-RED | 182-025912 |

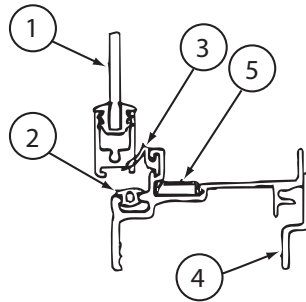
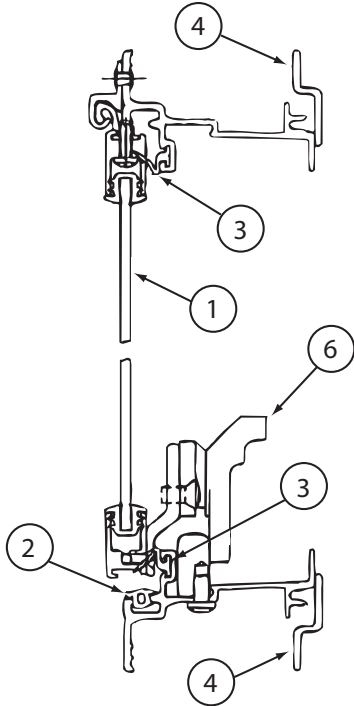
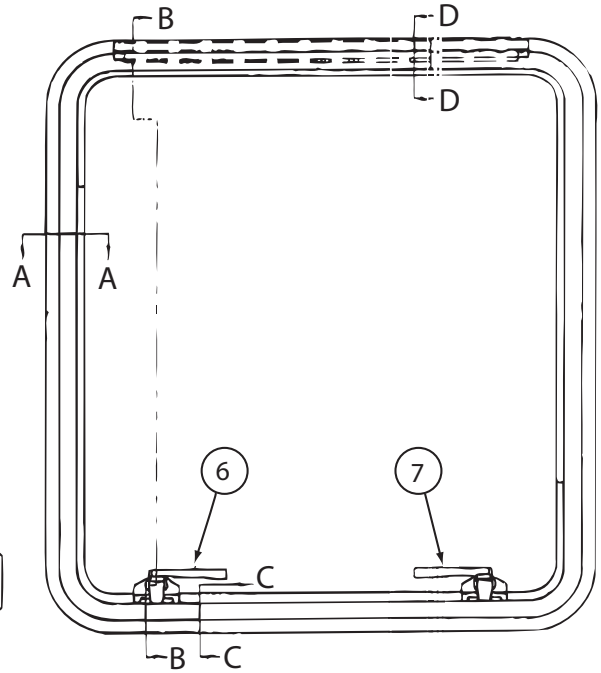
**WINDOWS & VENTS GROUP (CONTINUED)**  
**COMPONENT PARTS FOR WINDOWS & VENTS LAYOUT (CONTINUED)**



CROSS SECTION D-D



CROSS SECTION A-A



CROSS SECTION C-C

151075-01-01A

| KEY | PART NUMBER   | U/M | DESCRIPTION              | VENDOR NO  |
|-----|---------------|-----|--------------------------|------------|
| 1   | 151075-01-700 | EA  | GLASS-STATIONARY-SUB ASM | H956G9     |
| 2   | 116976-01-702 | FT  | FILLER PLUG              | 132-016065 |
| 3   | 100322-01-701 | FT  | SEAL-VENT                | 122-016071 |
| 4   | 151075-01-701 | EA  | RETAINER - TRIM          | H956-53    |
| 5   | 108929-01-706 | EA  | COVER - DRAIN SLOT       | 132-016064 |
| 6   | 137867-05-707 | EA  | LOCK/CAM - LEFT          | 182-025911 |
| 7   | 137867-05-706 | EA  | LOCK/CAM - RIGHT         | 182-025912 |