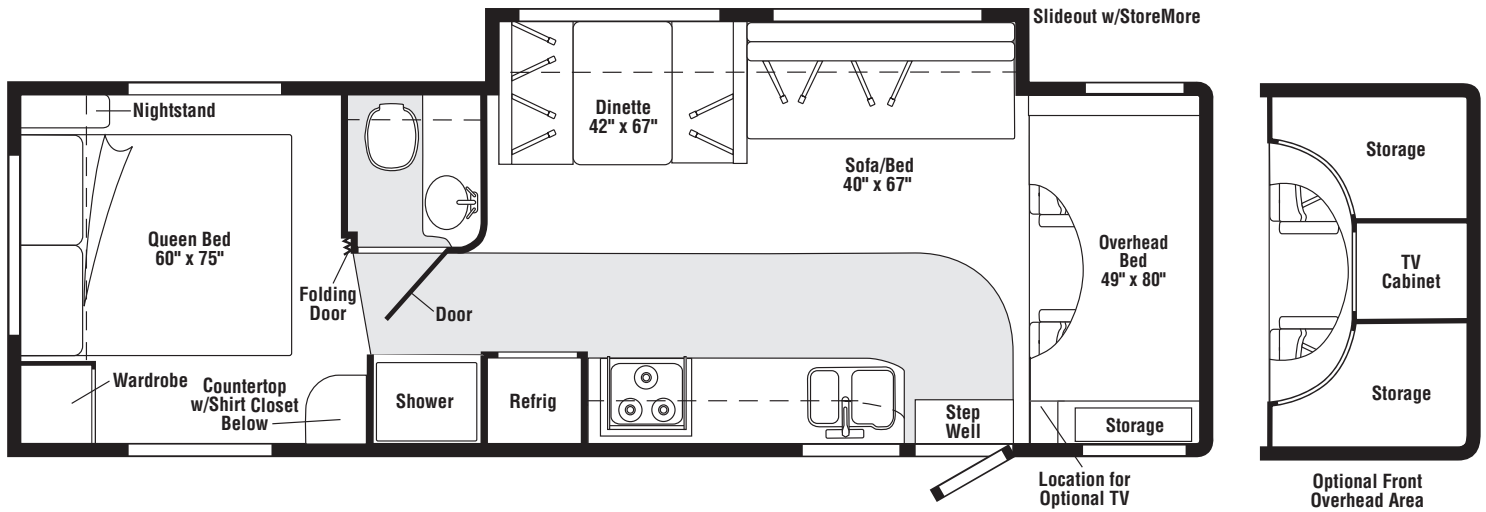


**2008**  
**OUTLOOK**  
**WF331C**  
**300-SERIES**  
**HONEY CHERRY**  
**W21 LINEN MOSS**  
**W23 SESAME SEED**  
**W25 TUSCAN SUN**  
**WASHED MAPLE**  
**W22 LINEN MOSS**  
**W24 SESAME SEED**  
**W26 TUSCAN SUN**



**FLOORPLAN**

# CONTENTS

|   |           |
|---|-----------|
| <b>FLOORPLAN</b> .....                                    | <b>1</b>  |
| <b>ACCESSORIES GROUP</b> .....                            | <b>6</b>  |
| OPERATORS MANUAL .....                                    | 6         |
| <b>AUDIO VIDEO GROUP</b> .....                            | <b>7</b>  |
| RADIO SYSTEM .....  | 7         |
| REAR MONITOR .....  | 8         |
| COMPONENT PARTS FOR REAR MONITOR .....                    | 8         |
| 156442-02-01A, 156442-03-01A .....                        | 8         |
| 156930-02-01A .....                                       | 8         |
| <b>CABINET &amp; APPLIANCE GROUP</b> .....                | <b>9</b>  |
| CABINET & APPLIANCE LAYOUT .....                          | 9         |
| COMPONENT PARTS FOR CABINET & APPLIANCE LAYOUT .....      | 15        |
| 121568-06-01A, 121568-07-01A, 121568-08-01A .....         | 15        |
| 156801-01-01A .....                                       | 18        |
| 156801-03-01A .....                                       | 18        |
| 157570-01-01A, 157570-02-01A .....                        | 19        |
| 161116-01-01A , 161116-02-01A .....                       | 19        |
| <b>CHASSIS GROUP</b> .....                                | <b>20</b> |
| FRAME .....   | 20        |
| DRIVETRAIN .....  | 21        |
| EXHAUST .....   | 22        |
| HITCH .....   | 22        |
| FUEL .....  | 23        |
| HYDRAULIC LEVELING .....                                  | 24        |
| COMPONENT PARTS FOR HYDRAULIC LEVELING .....              | 24        |
| 100536-60-000 .....                                       | 24        |
| SPARE TIRE .....  | 24        |
| SUSPENSION .....  | 25        |
| COMPONENT PARTS FOR SUSPENSION .....                      | 25        |
| 144887-02-000 .....                                       | 25        |
| 156618-01-000 .....                                       | 25        |
| WHEEL, TIRE, COVERS &/OR LINERS .....                     | 25        |
| COMPONENT PARTS FOR WHEEL, TIRE, COVERS &/OR LINERS ..... | 26        |
| 110435-13-000 .....                                       | 26        |
| 110435-23-000 .....                                       | 26        |
| 144647-01-000 .....                                       | 26        |
| BRAKELINE .....   | 26        |
| <b>CURTAIN &amp; CUSHION GROUP</b> .....                  | <b>27</b> |
| CURTAIN, CUSHION LAYOUT .....                             | 27        |
| SOFA .....  | 32        |
| HARDWARE .....  | 33        |
| ACCESSORIES .....   | 34        |
| FABRICS .....   | 35        |
| <b>DRIVERS COMPARTMENT GROUP</b> .....                    | <b>37</b> |
| FRONT INTERIOR .....                                      | 37        |
| CABINETS .....  | 39        |

# CONTENTS (CONTINUED)

|  |           |
|--|-----------|
| <b>ELECTRICAL GROUP</b> .....  | <b>41</b> |
| 110V BODY WIRING .....   | 41        |
| 12V BODY WIRING .....  | 42        |
| EXTERIOR LAMPS .....   | 46        |
| FRONT END .....  | 47        |
| FRONT TV/DVD .....   | 48        |
| SIDE TV/DVD .....  | 49        |
| COMPONENT PARTS FOR WIRING .....   | 50        |
| 076319-23-000 .....  | 50        |
| 076319-25-000 .....  | 50        |
| 087694-01-000 .....  | 50        |
| 097917-01-06A .....  | 51        |
| 120269-07-01A .....  | 51        |
| 121935-01-01A .....  | 51        |
| 133908-09-01A .....  | 51        |
| 134940-06-01A .....  | 51        |
| 134940-07-01A .....  | 52        |
| 137417-01-01A, 137417-03-01A .....   | 52        |
| 137417-02-01A .....  | 52        |
| 137417-05-01A .....  | 52        |
| 137417-06-01A .....  | 52        |
| 146298-02-000 .....  | 52        |
| 156413-01-01A .....  | 52        |
| 158703-01-000 .....  | 52        |
| 158836-01-000 .....  | 52        |
| 163031-01-01A .....  | 52        |
| 163097-01-000 .....  | 52        |
| 164495-01-000 .....  | 52        |
| CIRCUIT BREAKERS, FUSES & RELAYS .....   | 53        |
| CONVERTER, INVERTER, LOAD CENTERS .....  | 53        |
| COMPONENT PARTS FOR CONVERTER, INVERTER, LOAD CENTER .....                       | 53        |
| 083208-07-000 .....  | 53        |
| BOXES & CORDS .....  | 54        |
| WIRE ASSEMBLIES .....  | 54        |
| CONNECTORS & CONDUIT .....   | 55        |
| CHASSIS .....  | 57        |
| <b>EXTERIOR BODY GROUP</b> .....   | <b>60</b> |
| GRAPHICS & PAINT .....   | 60        |
| PANELS & TRIMS .....   | 61        |
| COMPONENT PARTS FOR PANELS & TRIMS .....   | 65        |
| 133908-05, 133908-06, 133908-10, 133908-11, 133908-14, 133908-15, -01A/02A ..... | 65        |
| 133908-07, 133908-08, 133908-12, -01A/-02A/-03A .....                            | 65        |
| 133908-13-01A/-03A .....   | 65        |
| FRONT END .....  | 66        |
| STRUCTURAL COMPONENTS .....  | 67        |
| AWNINGS .....  | 67        |
| <b>EXTERIOR DOORS &amp; COMPARTMENTS GROUP</b> .....                             | <b>68</b> |
| DOOR & COMPARTMENT LAYOUT .....  | 68        |
| COMPONENT PARTS FOR DOOR & COMPARTMENT LAYOUT .....                              | 71        |
| 084103-08-000 .....  | 71        |
| 094708-05-01A .....  | 72        |
| COMPARTMENT DOOR PIECE PARTS .....   | 73        |
| ENTRY .....  | 76        |
| SCREEN .....   | 77        |
| LATCH - ENTRY .....  | 78        |

## CONTENTS (CONTINUED)

|  |            |
|--|------------|
| <b>EXTERIOR SLIDEOUT GROUP</b> .....                             | <b>79</b>  |
| FRONT LEFT .....   | 79         |
| COMPONENT PARTS FOR FRONT LEFT .....                             | 82         |
| 162827-01-000, 162827-02-000 .....                               | 82         |
| <b>GENERATOR GROUP</b> .....                                     | <b>83</b>  |
| GAS .....  | 83         |
| <b>HEATING &amp; A/C GROUP</b> .....                             | <b>84</b>  |
| FURNACE .....  | 84         |
| COMPONENT PARTS FOR FURNACE .....                                | 85         |
| 139980-02-000 .....  | 85         |
| REAR HEATER .....  | 86         |
| COMPONENT PARTS FOR REAR HEATER .....                            | 86         |
| 084405-01-000 .....  | 86         |
| ROOF .....   | 87         |
| COMPONENT PARTS FOR ROOF .....                                   | 87         |
| 131184-01-01A .....  | 87         |
| 131184-05-01A .....  | 88         |
| 131184-06-01A .....  | 89         |
| 131184-07-01A .....  | 90         |
| 131188-05-01A .....  | 91         |
| 131188-06-01A .....  | 92         |
| <b>INTERIOR FINISH GROUP</b> .....                               | <b>93</b>  |
| MOLDINGS & TRIMS .....   | 93         |
| PANELING & LAMINATES .....                                       | 105        |
| INTERIOR TRIM LAYOUT .....                                       | 106        |
| COMPONENT PARTS FOR INTERIOR TRIM LAYOUT .....                   | 109        |
| 089318-05-000 .....  | 109        |
| 131595-01-01A, 131595-05-01A, 131595-10-01A, 131595-13-01A ..... | 110        |
| FLOOR COVERINGS .....  | 110        |
| HARDWARE .....   | 111        |
| <b>LABELS GROUP</b> .....  | <b>117</b> |
| <b>LP GROUP</b> .....  | <b>121</b> |
| LP SYSTEM .....  | 121        |
| COMPONENT PARTS FOR LP SYSTEM .....                              | 121        |
| 144116-04-000 .....  | 121        |
| <b>SEALANTS &amp; FASTENERS GROUP</b> .....                      | <b>122</b> |
| SEALANTS & ADHESIVES .....                                       | 122        |
| BOLTS, NUTS AND WASHERS .....                                    | 123        |
| SCREWS .....   | 125        |
| CLAMPS, CLIPS, GROMMETS, RIVETS & PLUGS .....                    | 128        |
| MISCELLANEOUS FASTENERS .....                                    | 129        |
| <b>WATER &amp; SEWAGE GROUP</b> .....                            | <b>130</b> |
| DRAINAGE SYSTEM .....  | 130        |
| COMPONENT PARTS FOR DRAINAGE SYSTEM .....                        | 132        |
| 062415-01-000 .....  | 132        |
| 147421-03-01A .....  | 132        |
| WATER SYSTEM .....   | 133        |
| COMPONENT PARTS FOR WATER SYSTEM .....                           | 139        |
| 051391-03-000 .....  | 139        |
| 145541-02-000 .....  | 140        |
| 152311-01-01A .....  | 140        |
| 165730-01-01A .....  | 140        |

## CONTENTS (CONTINUED)

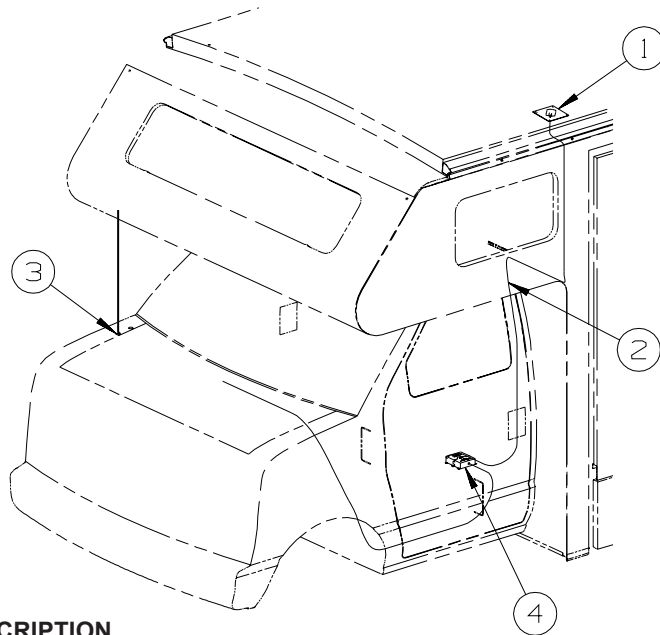
|  |            |
|--|------------|
| <b>WINDOW &amp; VENTS GROUP .....</b>          | <b>141</b> |
| WINDOW & VENT LAYOUT .....                     | 141        |
| COMPONENT PARTS FOR WINDOW & VENT LAYOUT ..... | 143        |
| 098647-29-03A, 098647-30-03A .....             | 143        |
| 098647-32-03A .....                            | 143        |
| 098647-74-02A .....                            | 144        |
| 098647-78-02A .....                            | 144        |
| 098647-80-01A/02A .....                        | 145        |
| 122882-01-01A .....                            | 146        |
| 122882-02-01A, 122882-03-01A .....             | 146        |
| 123780-26-01A .....                            | 147        |
| 150648-05-03A .....                            | 148        |
| 150648-07-02A .....                            | 149        |
| 150648-26-01A/02A, 150648-41-01A .....         | 149        |
| 150648-31-01A/02A, 150648-32-01A .....         | 149        |
| 150651-03-01A/02A .....                        | 150        |
| 161452-01-01A/02A .....                        | 151        |

**ACCESSORIES GROUP**  
**OPERATORS MANUAL**

| <b>KEY</b> | <b>PART NUMBER</b> | <b>U/M</b> | <b>DESCRIPTION</b>                            |
|------------|--------------------|------------|---|
|            | 158603-08-002      | EA         | MANUAL/OWNER - SUPPLEMENT - 300 SERIES - 2008 |
|            | 159842-01-01A      | EA         | CASE - VINYL - F/MANUALS - W/SLEEVES - BLACK  |
|            | 161500-08-003      | EA         | MANUAL/OWNER - OUTLOOK - 300 SERIES - 2008    |
|            | 162115-01-000      | DW         | TOP LEVEL-300,2008                            |

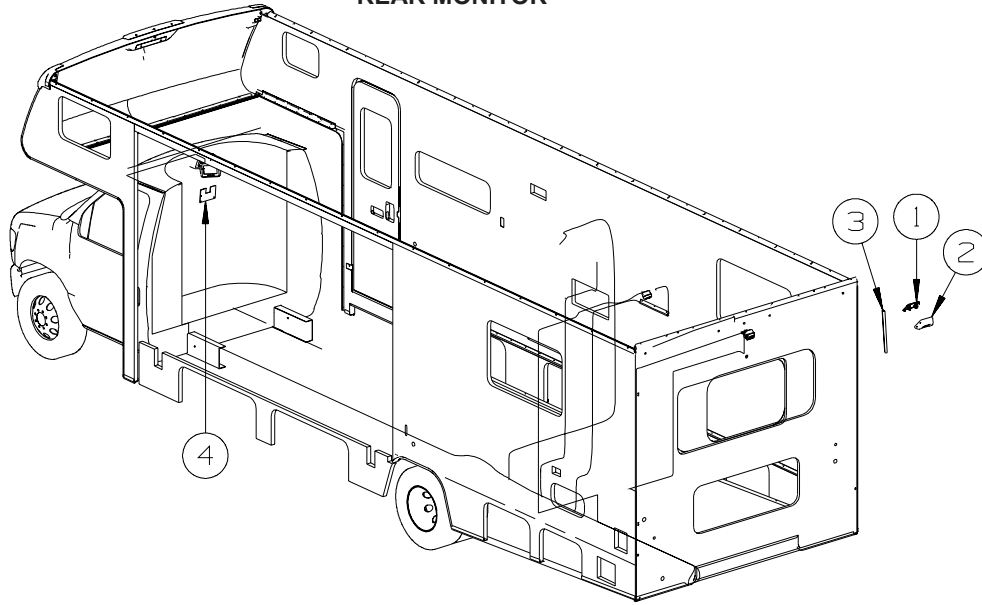
## AUDIO VIDEO GROUP RADIO SYSTEM

| KEY | PART NUMBER   | U/M | DESCRIPTION  |
|-----|---------------|-----|--|
|     | 163142-03-000 | EA  | REMOTE CONTROL/RADIO (CREDIT CARD SIZE)<br>FROM: 00-00-00 THRU: 01-28-07           |
|     | 163142-09-000 | EA  | REMOTE CONTROL/RADIO (CREDIT CARD SIZE)<br>FROM: 01-29-07 THRU: 99-99-99           |
|     | 163142-04-000 | EA  | REMOTE CONTROL/RADIO (STEERING WHEEL MOUNT)<br>FROM: 00-00-00 THRU: 01-28-07       |
|     | 163142-10-000 | EA  | REMOTE CONTROL/RADIO (STEERING WHEEL MOUNT)<br>FROM: 01-29-07 THRU: 99-99-99       |
|     | 163142-01-000 | EA  | RADIO-AM/FM/CD/WB - SATELLITE READY - FORD C-BODY<br>FROM: 00-00-00 THRU: 01-28-07 |
|     | 163142-07-000 | EA  | RADIO-AM/FM/CD/WB - SATELLITE READY - FORD C-BODY<br>FROM: 01-29-07 THRU: 99-99-99 |
|     | 163142-05-000 | EA  | RECEIVER (EYE) - INFRARED<br>FROM: 00-00-00 THRU: 01-28-07                         |
|     | 163142-11-000 | EA  | RECEIVER (EYE) - INFRARED<br>FROM: 01-29-07 THRU: 99-99-99                         |
|     | 163142-12-000 | EA  | CABLE/INTERFACE - I-POD  |



| KEY | PART NUMBER   | U/M | DESCRIPTION                            |
|-----|---------------|-----|--|
| 1   | 158494-01-000 | EA  | ANTENNA/SATELLITE - RADIO/SIRIUS       |
| 2   | 158494-02-000 | EA  | CABLE/ANTENNA - SATELLITE RADIO SIRIUS |
| 3   | 108137-01-000 | EA  | PLUG - ANTENNA - 2007 CHASSIS          |
| 4   | 163142-06-000 | EA  | RECEIVER - SATELLITE RADIO             |

**AUDIO VIDEO GROUP (CONTINUED)**  
**REAR MONITOR**



| KEY | PART NUMBER   | U/M | DESCRIPTION   |
|-----|---------------|-----|---|
| *   | 156442-02-01A | EA  | COLOR MONITOR/LCD - 5.6" - NO AUDIO-PLAS POD MOUNT-TAN/BLK                      |
| *   | 156442-03-01A | EA  | MONITOR/COLOR-5.6"/LCD - W/AUDIO - PLAS POD MOUNT-TAN/BLK - W/AUDIO             |
| *   | 156930-02-01A | EA  | MONITOR/LCD - 5.6" - NO AUDIO - PLASTIC POD MOUNT - TAN - CHEVY CHASSIS         |
|     | 156930-03-01A | EA  | MONITOR/LCD - 5.6" - W/AUDIO - PLASTIC POD MOUNT - TAN - W/AUDIO, CHEVY CHASSIS |
|     | 144677-14-01A | EA  | CAMERA - REAR VIEW W/BACKET - WHITE - VBCS150                                   |
| 1   | NOT USED      |     |   |
| 2   | NOT USED      |     |   |
| 3   | NOT USED      |     |   |
| 4   | 160883-01-02B | EA  | BRACKET - MONITOR - E-COATED  |

**\*COMPONENT PARTS LISTED LATER IN THIS GROUP**

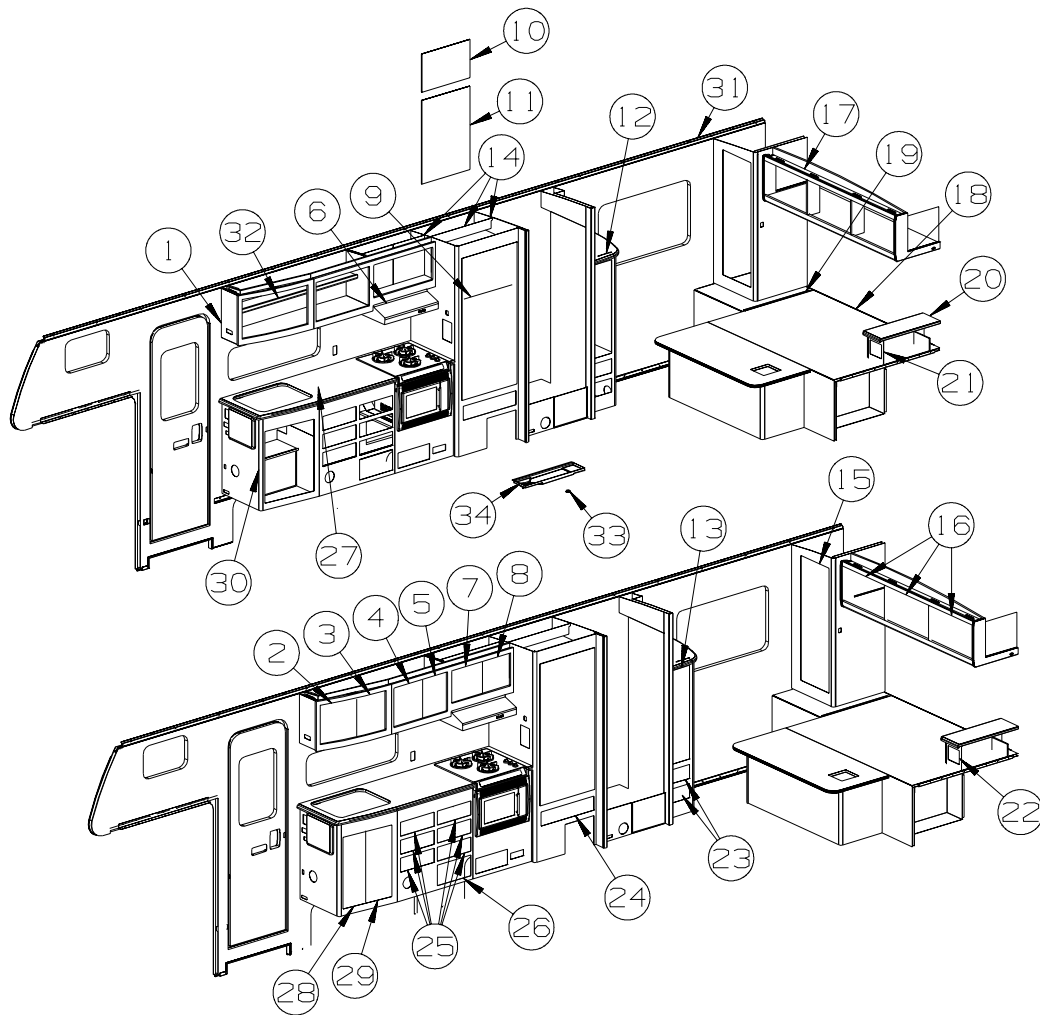
**COMPONENT PARTS FOR REAR MONITOR**

| <b>156442-02-01A, 156442-03-01A</b> |               |     |                             |            |
|-------------------------------------|---------------|-----|-----------------------------|------------|
| KEY                                 | PART NUMBER   | U/M | DESCRIPTION                 | VENDOR NO. |
|                                     | 156442-02-700 | EA  | SHROUD - REAR VIEW MONITOR  | 33200013   |
|                                     | 156442-02-701 | EA  | BRACKET - MOUNTING          | 32300012   |
| <b>156930-02-01A</b>                |               |     |                             |            |
| KEY                                 | PART NUMBER   | U/M | DESCRIPTION                 | VENDOR NO. |
|                                     | 156930-02-700 | EA  | SHROUD - REAR VIEW MONITOR  | 33200012   |
|                                     | 156930-02-701 | EA  | BRACKET - REAR VIEW MONITOR | 32300009   |



# CABINET & APPLIANCE GROUP

## CABINET & APPLIANCE LAYOUT



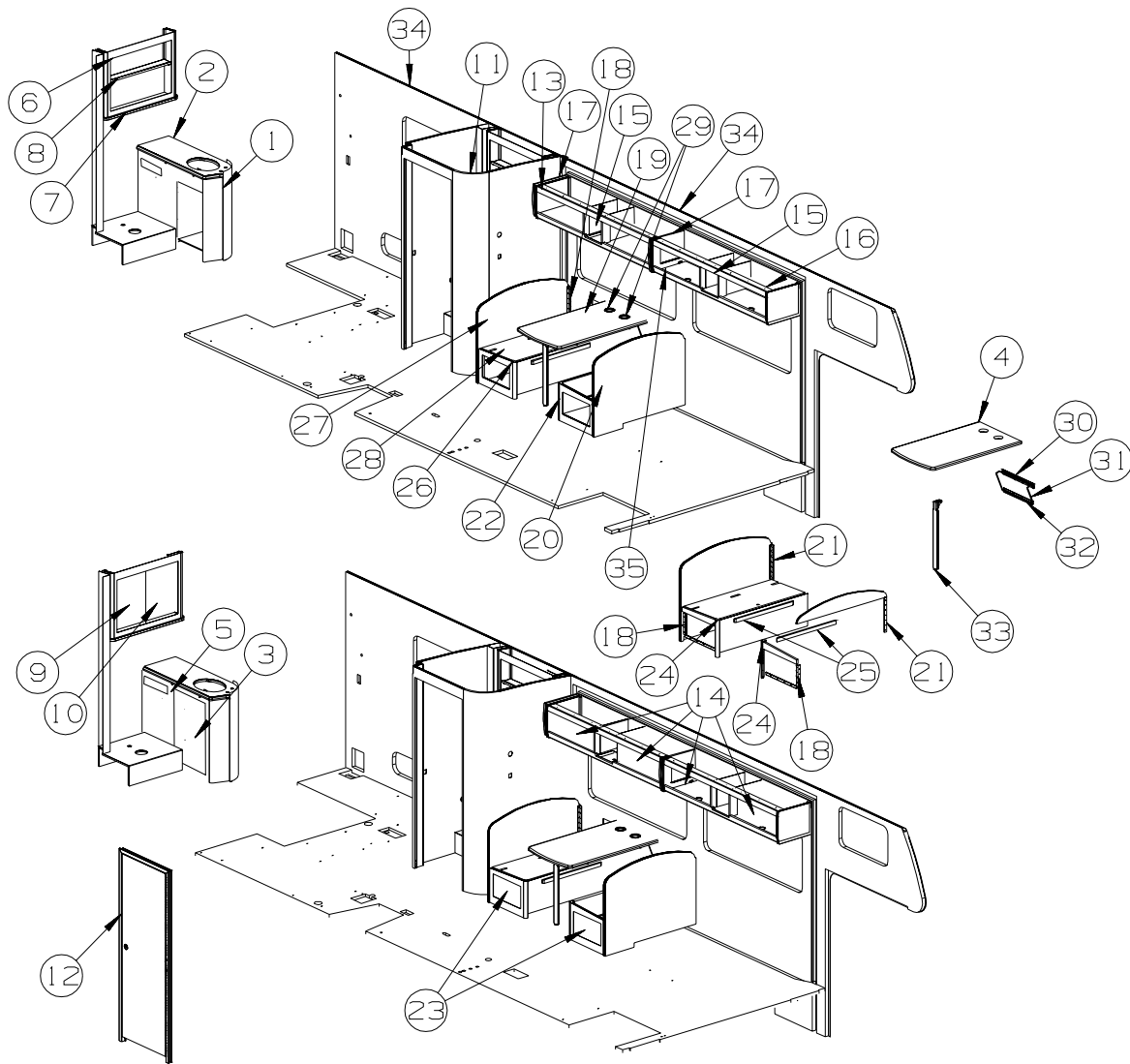
| KEY | PART NUMBER   | U/M | DESCRIPTION  |
|-----|---------------|-----|--|
| 1   | 163242-03-W21 | EA  | CABINET - OVHD/GALLEY - W/O DOORS/HDW - HONEY CHERRY                             |
| 1   | 163242-03-W22 | EA  | CABINET - OVHD/GALLEY - W/O DOORS/HDW - WASHED MAPLE                             |
| 1   | 155770-06-W21 | EA  | CABINET - OVHD/GALLEY - W/O DOORS/HDW - HONEY CHERRY - CANADIAN                  |
| 1   | 155770-06-W22 | EA  | CABINET - OVHD/GALLEY - W/O DOORS/HDW - WASHED MAPLE - CANADIAN                  |
| 1   | 163242-01-W21 | EA  | CABINET - OVHD/GALLEY - W/O DOORS/HDW - HONEY CHERRY - INTERIOR UPGRADE PKG      |
| 1   | 163242-01-W22 | EA  | CABINET - OVHD/GALLEY - W/O DOORS/HDW - WASHED MAPLE - INTERIOR UPGRADE PKG      |
| 1   | 155770-05-W21 | EA  | CABINET - OVHD - W/O DOORS/HDW - HONEY CHERRY - CANADIAN - INTERIOR UPGRADE PKG  |
| 1   | 155770-05-W22 | EA  | CABINET - OVHD - W/O DOORS/HDW - WASHED MAPLE - CANADIAN - INTERIOR UPGRADE PKG  |
| 2   | 160242-01-W21 | EA  | DOOR - CURVED - 15.7"H X 13.8"W - W/O HDW - HONEY CHERRY                         |
| 2   | 160242-01-W22 | EA  | DOOR - CURVED - 15.7"H X 13.8"W - W/O HDW - WASHED MAPLE                         |
| 3   | 160242-02-W21 | EA  | DOOR - CURVED - 15.7"H X 13.8"W - W/O HDW - HONEY CHERRY                         |
| 3   | 160242-02-W22 | EA  | DOOR - CURVED - 15.7"H X 13.8"W - W/O HDW - WASHED MAPLE                         |
| 4   | 160256-09-W21 | EA  | DOOR - FLAT/SQUARE EDGE - 12.4" X 15.7" - W/O HDW - HONEY CHERRY                 |
| 4   | 160256-09-W22 | EA  | DOOR - FLAT/SQUARE EDGE - 12.4" X 15.7" - W/O HDW - WASHED MAPLE                 |
| 5   | 160256-10-W21 | EA  | DOOR - FLAT/SQUARE EDGE - 12.4" X 15.7" - W/O HDW - HONEY CHERRY                 |
| 5   | 160256-10-W22 | EA  | DOOR - FLAT/SQUARE EDGE - 12.4" X 15.7" - W/O HDW - WASHED MAPLE                 |
| 6*  | 161116-01-01A | EA  | HOOD - RANGE - W/DUAL LITE/FAN - SST   |
| 6*  | 157570-02-01A | EA  | HOOD - RANGE 24" - W/LIGHT/FAN - BLACK TEXTURED - CANADIAN                       |
| 7   | 160256-78-W21 | EA  | DOOR - FLAT/SQUARE EDGE - 14.2" X 13" - W/O HDW - HONEY CHERRY                   |
| 7   | 160256-78-W22 | EA  | DOOR - FLAT/SQUARE EDGE - 14.2" X 13" - W/O HDW - WASHED MAPLE                   |
| 7   | 159216-14-U21 | EA  | DOOR - FLAT/SQUARE EDGE - 13.6" X 14.2" - W/O HDW - HONEY CHERRY - CANADIAN      |
| 7   | 159216-14-U22 | EA  | DOOR - FLAT/SQUARE EDGE - 13.6" X 14.2" - W/O HDW - WASHED MAPLE - CANADIAN      |
| 8   | 160256-79-W21 | EA  | DOOR - FLAT/SQUARE EDGE - 14.2" X 13" - W/O HDW - HONEY CHERRY                   |
| 8   | 160256-79-W22 | EA  | DOOR - FLAT/SQUARE EDGE - 14.2" X 13" - W/O HDW - WASHED MAPLE                   |
| 8   | 159216-15-U21 | EA  | DOOR - FLAT/SQUARE EDGE - 13.6" X 14.2" - W/O HDW - HONEY CHERRY - CANADIAN      |
| 8   | 159216-15-U22 | EA  | DOOR - FLAT/SQUARE EDGE - 13.6" X 14.2" - W/O HDW - WASHED MAPLE - CANADIAN      |
| 9*  | 121568-06-01A | EA  | REFRIGERATOR - SMALL DBL DOOR-RH/2 WAY- 52.8"HX23.5"WX24"D                       |
| 10  | 103251-07-01A | EA  | INSERT/REFRIGERATOR DOOR - 21.6" X 14.5" - BLACK ACRYLIC                         |
| 10  | 158456-01-01A | EA  | INSERT/REFRIGERATOR DOOR - 21.5"W X 14.5"H - TITANIUM SST - INTERIOR UPGRADE PKG |

**CABINET & APPLIANCE GROUP (CONTINUED)**  
**CABINET & APPLIANCE LAYOUT (CONTINUED)**

| KEY | PART NUMBER   | U/M | DESCRIPTION  |
|-----|---------------|-----|--|
| 11  | 103251-08-01A | EA  | INSERT/REFRIGERATOR DOOR - 21.6" X 31.6" - BLACK ACRYLIC                         |
| 11  | 158456-02-01A | EA  | INSERT/REFRIGERATOR DOOR - 21.5"W X 31.6"H - TITANIUM SST - INTERIOR UPGRADE PKG |
| 12  | 157828-03-05A | EA  | COUNTERTOP - WARDROBE CABINET (W21, W22, W23, W24)                               |
| 12  | 157828-03-02A | EA  | COUNTERTOP - WARDROBE CABINET (W25, W26)   |
| 13  | 160256-02-W21 | EA  | DOOR - FLAT/SQUARE EDGE - 10.8" X 36.4" - W/O HDW - HONEY CHERRY                 |
| 13  | 160256-02-W22 | EA  | DOOR - FLAT/SQUARE EDGE - 10.8" X 36.4" - W/O HDW - WASHED MAPLE                 |
|     | 076767-04-000 | EA  | CABLE - STAINLESS STEEL - 5.9"   |
| 14  |               |     | REFRIGERATOR CABINET SEALS   |
|     | 090329-01-000 | FT  | SEAL - "T" - REFRIGERATOR CABINET  |
| 15  | 159204-02-U21 | EA  | DOOR - MIRRORED - 16.7" X 48" - W/O HDW - HONEY CHERRY                           |
| 15  | 159204-02-U22 | EA  | DOOR - MIRRORED - 16.7" X 48" - W/O HDW - WASHED MAPLE                           |
|     | 140374-85-000 | EA  | MIRROR - SAFETY GLASS - 12.8" X 44"  |
| 16  | 160245-02-W21 | EA  | DOOR - CURVED - 16.9" X 24.1" - W/O HDW - HONEY CHERRY                           |
| 16  | 160245-02-W22 | EA  | DOOR - CURVED - 16.9" X 24.1" - W/O HDW - WASHED MAPLE                           |
| 17  | 164218-01-W21 | EA  | CABINET - OVERHEAD/REAR - W/O DOORS/HDW - HONEY CHERRY                           |
| 17  | 164218-01-W22 | EA  | CABINET - OVERHEAD/REAR - W/O DOORS/HDW - WASHED MAPLE                           |
| 18  | 155693-01-U21 | EA  | CABINET - BED BASE - QUEEN - W/O DOORS/DRAWERS/HDW - HONEY CHERRY                |
| 18  | 155693-01-U22 | EA  | CABINET - BED BASE - QUEEN - W/O DOORS/DRAWERS/HDW - WASHED MAPLE                |
| 19  | 158079-01-01A | EA  | SUPPORT - BUNK/REAR - OFF WHITE  |
| 20  | 157828-04-05A | EA  | COUNTERTOP - NIGHTSTAND (W21, W22, W23, W24)                                     |
| 20  | 157828-04-02A | EA  | COUNTERTOP - NIGHTSTAND (W25, W26)   |
| 21  | 155695-01-U21 | EA  | CABINET - NIGHTSTAND/RH - W/O COUNTERTOP/DOORS/DRAWERS/HDW - HONEY CHERRY        |
| 21  | 155695-01-U22 | EA  | CABINET - NIGHTSTAND/RH - W/O COUNTERTOP/DOORS/DRAWERS/HDW - WASHED MAPLE        |
|     | 081521-02-007 | EA  | MOUNT - METAL MOLDING - F/RADIUS CORNER MOLDING - 151.5"                         |
| 22  | 161078-16-W21 | EA  | DRAWER - BROKEN EDGE - 5.3"W X 19.7"D - W/O SLIDES/HDW - HONEY CHERRY            |
| 22  | 161078-16-W22 | EA  | DRAWER - BROKEN EDGE - 5.3"W X 19.7"D - W/O SLIDES/HDW - WASHED MAPLE            |
| 23  | 161078-18-W21 | EA  | DRAWER - BROKEN EDGE - 8.8"W X 13.8"D - W/O SLIDES/HDW - HONEY CHERRY            |
| 23  | 161078-18-W22 | EA  | DRAWER - BROKEN EDGE - 8.8"W X 13.8"D - W/O SLIDES/HDW - WASHED MAPLE            |
| 24  | 159211-10-U21 | EA  | FACE/DRAWER - 6.1" X 24.8" - W/O HDW - HONEY CHERRY                              |
| 24  | 159211-10-U22 | EA  | FACE/DRAWER - 6.1" X 24.8" - W/O HDW - WASHED MAPLE                              |
| 25  | 161078-17-W21 | EA  | DRAWER - BROKEN EDGE - 13.9"W X 15.7"D - W/O SLIDES/HDW - HONEY CHERRY           |
| 25  | 161078-17-W22 | EA  | DRAWER - BROKEN EDGE - 13.9"W X 15.7"D - W/O SLIDES/HDW - WASHED MAPLE           |
| 26  | 161078-19-W21 | EA  | DRAWER - BROKEN EDGE - 13.9"W X 15.7"D - W/O SLIDES/HDW - HONEY CHERRY           |
| 26  | 161078-19-W22 | EA  | DRAWER - BROKEN EDGE - 13.9"W X 15.7"D - W/O SLIDES/HDW - WASHED MAPLE           |
| 27  | 162784-07-05A | EA  | COUNTERTOP - GALLEY (W21, W22, W23, W24)   |
| 27  | 162784-07-02A | EA  | COUNTERTOP - GALLEY (W25, W26)   |
| 28  | 160256-11-W21 | EA  | DOOR - FLAT/SQUARE EDGE - 10.6" X 27.9" - W/O HDW - HONEY CHERRY                 |
| 28  | 160256-11-W22 | EA  | DOOR - FLAT/SQUARE EDGE - 10.6" X 27.9" - W/O HDW - WASHED MAPLE                 |
| 29  | 160256-12-W21 | EA  | DOOR - FLAT/SQUARE EDGE - 10.6" X 27.9" - W/O HDW - HONEY CHERRY                 |
| 29  | 160256-12-W22 | EA  | DOOR - FLAT/SQUARE EDGE - 10.6" X 27.9" - W/O HDW - WASHED MAPLE                 |
| 30  | P55726-01-U21 | EA  | CABINET - GALLEY - W/O COUNTERTOP/DOORS/DRAWERS/HDW - HONEY CHERRY               |
| 30  | P55726-01-U22 | EA  | CABINET - GALLEY - W/O COUNTERTOP/DOORS/DRAWERS/HDW - WASHED MAPLE               |
| 30  | P55726-03-U21 | EA  | CABT-GALLEY-W/O CTRTP/DRS/DRWRS/HDW-HONEY CHERRY - INVERTER                      |
| 30  | P55726-03-U22 | EA  | CABT-GALLEY-W/O CTRTP/DRS/DRWRS/HDW-WASHED MAPLE - INVERTER                      |
| 30  | P55726-05-U21 | EA  | CABT-GALLEY-W/O CTRTP/DRS/DRWRS/HDW-HONEY CHERRY - WTR HTR-6G/110/LP/MA          |
| 30  | P55726-05-U22 | EA  | CABT-GALLEY-W/O CTRTP/DRS/DRWRS/HDW-WASHED MAPLE - WTR HTR-6G/110/LP/MA          |
| 30  | P55726-07-U21 | EA  | CABT-GALLEY-W/O CTRTP/HDW-HONEY CHERRY - WTR HTR-6G/110/LP/MA-INVERTER           |
| 30  | P55726-07-U22 | EA  | CABT-GALLEY-W/O CTRTP/HDW-WASHED MAPLE - WTR HTR-6G/110/LP/MA-INVERTER           |
| 30  | P55726-09-W21 | EA  | CABT-GALLEY-W/O CTRTP/DRS/DRWRS/HDW-HONEY CHERRY - HYDRCL LVL JACK-AUTO          |
| 30  | P55726-09-W22 | EA  | CABT-GALLEY-W/O CTRTP/DRS/DRWRS/HDW-WASHED MAPLE - HYDRCL LVL JACK-AUTO          |
| 30  | P55726-A0-W21 | EA  | CABT-GALLEY-W/O CTRTP/DRS/DRWRS/HDW-HONEY CHERRY - INVERTER/HYDRCL LVL JACK-AUTO |
| 30  | P55726-A0-W22 | EA  | CABT-GALLEY-W/O CTRTP/DRS/DRWRS/HDW-WASHED MAPLE - INVERTER/HYDRCL LVL JACK-AUTO |
| 30  | P55726-A2-W21 | EA  | CABT-W/O CTRTP/DRW/HDW-HONEY CHERRY - WTR HTR-6G/110/LP/MA/HYDRCL LVL JACK-AUTO  |
| 30  | P55726-A2-W22 | EA  | CABT-W/O CTRTP/DRW/HDW-WASHED MAPLE - WTR HTR-6G/110/LP/MA/HYDRCL LVL JACK-AUTO  |
| 30  | P55726-A4-W21 | EA  | CABT-W/O CTRTP/HDW-HONEY CHERRY-WTR HTR-6G/110/LP/MA-INVERTER/HYDRCL LVL JACK    |
| 30  | P55726-A4-W22 | EA  | CABT-W/O CTRTP/HDW-WASHED MAPLE - WTR HTR-6G/110/LP/MA-INVERTER/HYDRCL LVL JACK  |
| 31  | Y00268-32-438 | EA  | MOLDING - TRIM/COVE - .8" X .8" X 96" - UNSTAINED CHERRY - HONEY CHERRY          |
| 31  | Y00268-22-438 | EA  | MOLDING - TRIM/COVE - .8" X .8" X 96" - UNSTAINED MAPLE - WASHED MAPLE           |
| 32  | 155770-22-U21 | EA  | SHELF - W/VINYL WRAP MOLDING - HONEY CHERRY                                      |
| 32  | 155770-22-U22 | EA  | SHELF - W/VINYL WRAP MOLDING - WASHED MAPLE                                      |
| 33  | 054450-01-000 | EA  | LEVEL - REFRIGERATOR   |
| 34  | 116751-03-01A | EA  | TRAY - REFRIGERATOR - BLACK  |

\*COMPONENT PARTS LISTED LATER IN THIS GROUP

**CABINET & APPLIANCE GROUP (CONTINUED)**  
**CABINET & APPLIANCE LAYOUT (CONTINUED)**

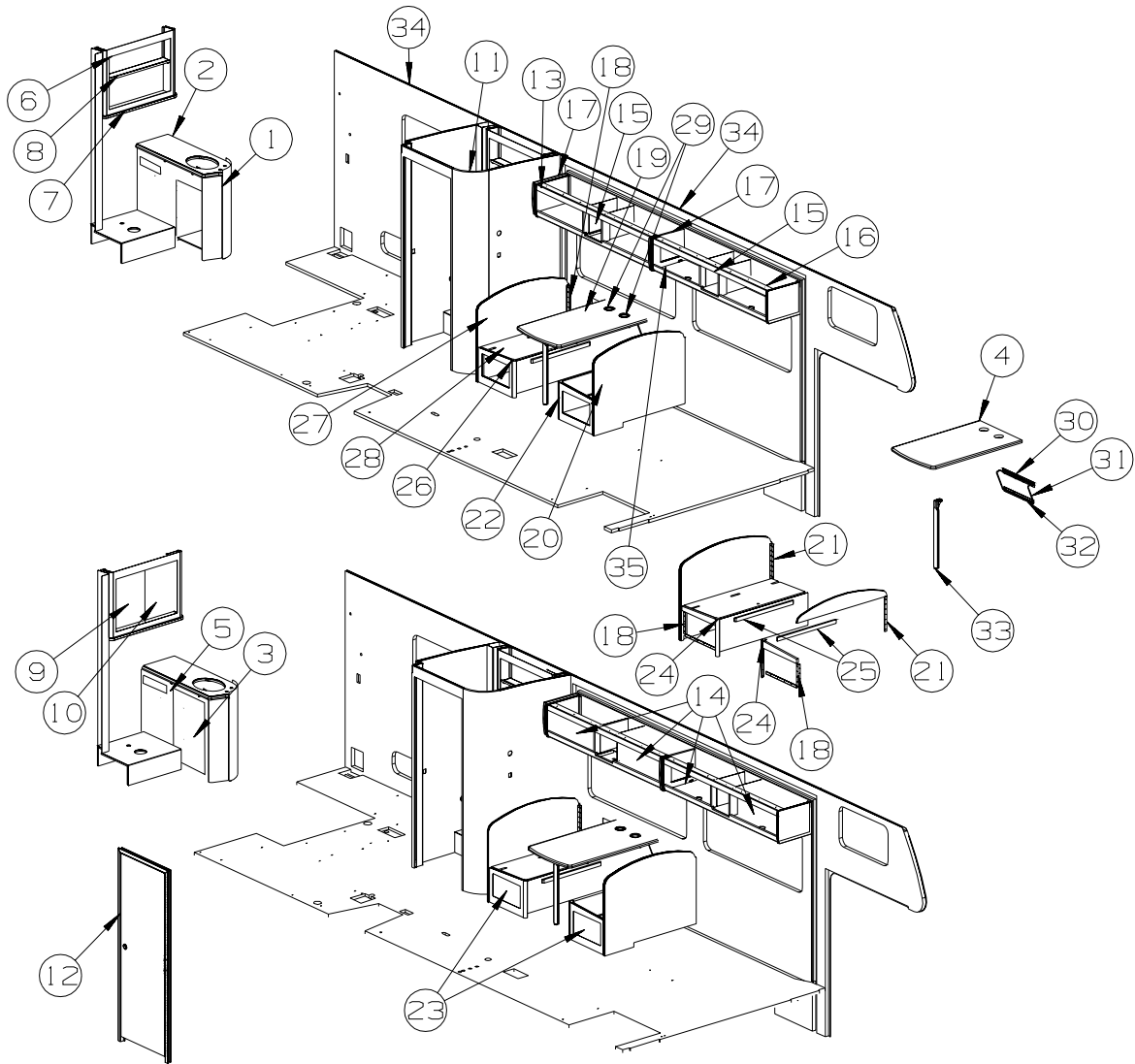


| KEY | PART NUMBER   | U/M | DESCRIPTION   |
|-----|---------------|-----|---|
| 1   | 162240-01-W21 | EA  | CABINET - LAVATORY - W/O COUNTERTOP/DOORS/DRAWERS/HDW - HONEY CHERRY  |
| 1   | 162240-01-W22 | EA  | CABINET - LAVATORY - W/O COUNTERTOP/DOORS/DRAWERS/HDW - WASHED MAPLE  |
| 2   | 157828-02-05A | EA  | COUNTERTOP - LAVATORY CABINET (W21, W22, W23, W24)                    |
| 2   | 157828-02-02A | EA  | COUNTERTOP - LAVATORY CABINET (W25, W26)                              |
| 3   | 160256-06-W21 | EA  | DOOR - FLAT/SQUARE EDGE - 14.2" X 20.4" - W/O HDW - HONEY CHERRY      |
| 3   | 160256-06-W22 | EA  | DOOR - FLAT/SQUARE EDGE - 14.2" X 20.4" - W/O HDW - WASHED MAPLE      |
| 4   | 157828-05-05A | EA  | COUNTERTOP - TABLE - W/O HDW (W21, W22, W23, W24)                     |
| 4   | 157828-05-02A | EA  | COUNTERTOP - TABLE - W/O HDW (W25, W26)                               |
| 5   | 161078-20-W21 | EA  | DRAWER - BROKEN EDGE - 15.5"W X 9.8"D - W/O SLIDES/HDW - HONEY CHERRY |
| 5   | 161078-20-W22 | EA  | DRAWER - BROKEN EDGE - 15.5"W X 9.8"D - W/O SLIDES/HDW - WASHED MAPLE |
| 6   | 156144-01-U21 | EA  | CABINET - OVERHEAD/MEDICINE - W/O DOORS/HDW - HONEY CHERRY            |
| 6   | 156144-01-U22 | EA  | CABINET - OVERHEAD/MEDICINE - W/O DOORS/HDW - WASHED MAPLE            |
| 7   | 158227-02-U21 | EA  | END CAP - OVERHEAD CABINET - HONEY CHERRY                             |
| 7   | 158227-02-U22 | EA  | END CAP - OVERHEAD CABINET - WASHED MAPLE                             |
| 8   | 156144-19-U21 | EA  | SHELF - W/PLASTIC EDGE MOLDING - HONEY CHERRY                         |
| 8   | 156144-19-U22 | EA  | SHELF - W/PLASTIC EDGE MOLDING - WASHED MAPLE                         |
| 9   | 160256-04-W21 | EA  | DOOR - FLAT/SQUARE EDGE - 14.9" X 21.8" - W/O HDW - HONEY CHERRY      |
| 9   | 160256-04-W22 | EA  | DOOR - FLAT/SQUARE EDGE - 14.9" X 21.8" - W/O HDW - WASHED MAPLE      |
| 10  | 160256-05-W21 | EA  | DOOR - FLAT/SQUARE EDGE - 15" X 21.8" - W/O HDW - HONEY CHERRY        |
| 10  | 160256-05-W22 | EA  | DOOR - FLAT/SQUARE EDGE - 15" X 21.8" - W/O HDW - WASHED MAPLE        |
|     | 076767-04-000 | EA  | CABLE - STAINLESS STEEL - 5.9"  |

**CABINET & APPLIANCE GROUP (CONTINUED)**  
**CABINET & APPLIANCE LAYOUT (CONTINUED)**

| KEY | PART NUMBER   | U/M | DESCRIPTION   |
|-----|---------------|-----|---|
| 11  | 156080-01-U21 | EA  | WALL/CURVED - BATH (W21, W22)                                       |
| 11  | 156080-01-W23 | EA  | WALL/CURVED - BATH (W23, W24)                                       |
|     |               |     | FROM: 00-00-00 THRU: 06-10-07                                       |
| 11  | 156080-01-W24 | EA  | WALL/CURVED - BATH (W23, W24)                                       |
|     |               |     | FROM: 06-11-07 THRU: 99-99-99                                       |
| 11  | 156080-01-W25 | EA  | WALL/CURVED - BATH (W25, W26)                                       |
|     |               |     | FROM: 00-00-00 THRU: 06-10-07                                       |
| 11  | 156080-01-W26 | EA  | WALL/CURVED - BATH (W25, W26)                                       |
|     |               |     | FROM: 06-11-07 THRU: 99-99-99                                       |
| 12  | 144645-04-U21 | EA  | DOOR - BATH - W/O FRAME (PICTURE)/TOWEL RACK/HDW - HONEY CHERRY     |
| 12  | 144645-04-RW1 | EA  | DOOR - BATH - W/O FRAME (PICTURE)/TOWEL RACK/HDW - WASHED MAPLE     |
| 13  | 155769-01-U21 | EA  | CABINET - OVERHEAD/FRONT - W/O DOORS/HDW - HONEY CHERRY             |
|     |               |     | FROM: 00-00-00 THRU: 05-06-07                                       |
| 13  | 164217-01-W21 | EA  | CABINET - OVERHEAD/FRONT - W/O DOORS/HDW - HONEY CHERRY             |
|     |               |     | FROM: 05-07-07 THRU: 99-99-99                                       |
| 13  | 155769-01-U22 | EA  | CABINET - OVERHEAD/FRONT - W/O DOORS/HDW - WASHED MAPLE             |
|     |               |     | FROM: 00-00-00 THRU: 05-06-07                                       |
| 13  | 164217-01-W22 | EA  | CABINET - OVERHEAD/FRONT - W/O DOORS/HDW - WASHED MAPLE             |
|     |               |     | FROM: 05-07-07 THRU: 99-99-99                                       |
| 14  | 160245-01-W21 | EA  | DOOR - CURVED - 11.8" X 27.9" - W/O HDW - HONEY CHERRY              |
| 14  | 160245-01-W22 | EA  | DOOR - CURVED - 11.8" X 27.9" - W/O HDW - WASHED MAPLE              |
| 15  | 156100-01-U21 | EA  | COVER - SPEAKER - W/FABRIC - HONEY CHERRY                           |
| 15  | 156100-01-U22 | EA  | COVER - SPEAKER - W/FABRIC - WASHED MAPLE                           |
| 16  | 155769-02-U21 | EA  | CABINET - OVERHEAD/FRONT/DINETTE - W/O DOORS/HDW - HONEY CHERRY     |
|     |               |     | FROM: 00-00-00 THRU: 05-06-07                                       |
| 16  | 164217-02-W21 | EA  | CABINET - OVERHEAD/FRONT/DINETTE - W/O DOORS/HDW - HONEY CHERRY     |
|     |               |     | FROM: 05-07-07 THRU: 99-99-99                                       |
| 16  | 155769-02-U22 | EA  | CABINET - OVERHEAD/FRONT/DINETTE - W/O DOORS/HDW - WASHED MAPLE     |
|     |               |     | FROM: 00-00-00 THRU: 05-06-07                                       |
| 16  | 164217-02-W22 | EA  | CABINET - OVERHEAD/FRONT/DINETTE - W/O DOORS/HDW - WASHED MAPLE     |
|     |               |     | FROM: 05-07-07 THRU: 99-99-99                                       |
| 17  | 158227-01-U21 | EA  | END CAP - OVERHEAD CABINET - HONEY CHERRY                           |
| 17  | 158227-01-U22 | EA  | END CAP - OVERHEAD CABINET - WASHED MAPLE                           |
| 18  | 122021-02-02A | EA  | ANGLE - W/HOLES - 13.7" LONG - OFF WHITE                            |
| 19  | 159010-01-W21 | EA  | TABLE - DINETTE - W/HANGER (W21, W22, W23, W24)                     |
| 19  | 159010-01-U25 | EA  | TABLE - DINETTE - W/HANGER (W25, W26)                               |
| 20  | 155741-24-U21 | EA  | PANEL/BACK - DINETTE - RIGHT HAND - W/O HDW - HONEY CHERRY          |
| 20  | 155741-24-U22 | EA  | PANEL/BACK - DINETTE - RIGHT HAND - W/O HDW - WASHED MAPLE          |
| 21  | 122021-01-02A | EA  | ANGLE - W/HOLES - 8.6" LONG - OFF WHITE                             |
| 22  | P55741-02-U21 | EA  | CABINET/SEAT BASE - RIGHT HAND - W/O DOOR/DRAWER/HDW - HONEY CHERRY |
| 22  | P55741-02-U22 | EA  | CABINET/SEAT BASE - RIGHT HAND - W/O DOOR/DRAWER/HDW - WASHED MAPLE |
| 23  | 160256-01-W21 | EA  | DOOR - FLAT/SQUARE EDGE - 10" X 19.1" - W/O HDW - HONEY CHERRY      |
| 23  | 160256-01-W22 | EA  | DOOR - FLAT/SQUARE EDGE - 10" X 19.1" - W/O HDW - WASHED MAPLE      |
| 24  | 160989-01-07A | EA  | CAP - CORNER - RADIUS MOLDING - PLASTIC - HONEY CHERRY              |
| 24  | 160989-01-06A | EA  | CAP - CORNER - RADIUS MOLDING - PLASTIC - WASHED MAPLE              |
| 25  | 081295-01-RE0 | EA  | SUPPORT - BED/DINETTE - 28" LONG - HONEY CHERRY                     |
| 25  | 081295-01-T01 | EA  | SUPPORT - BED/DINETTE - 28" LONG - WASHED MAPLE                     |
| 26  | P55741-01-W21 | EA  | CABINET/SEAT BASE - LEFT HAND - W/O DOOR/DRAWER/HDW - HONEY CHERRY  |
| 26  | P55741-01-U22 | EA  | CABINET/SEAT BASE - LEFT HAND - W/O DOOR/DRAWER/HDW - WASHED MAPLE  |
| 27  | 155741-15-U21 | EA  | PANEL/BACK - DINETTE - LEFT HAND - W/O HDW - HONEY CHERRY           |
| 27  | 155741-15-U22 | EA  | PANEL/BACK - DINETTE - LEFT HAND - W/O HDW - WASHED MAPLE           |
| 28  | 096764-02-000 | FT  | SLIPNOT - ANTISLIP - 1"WIDE (20' ROLLS) - WHITE                     |
| 29  | 164128-02-03A | EA  | HOLDER/CUP - TWO STEP - ALMOND (W21, W22, W23, W24)                 |
| 29  | 064781-06-000 | EA  | HOLDER/CUP - TWO STEP - OFF WHITE (W25, W26)                        |
|     |               |     | FROM: 00-00-00 THRU: 04-29-07                                       |
| 29  | 164128-02-01A | EA  | HOLDER/CUP - TWO STEP - COLONIAL WHITE (W25, W26)                   |
|     |               |     | FROM: 04-30-07 THRU: 99-99-99                                       |
| 30  | 140921-02-02A | EA  | BRACKET/TABLE SUPPORT - 18.5" - ALMOND                              |
| 31  | 024275-16-000 | EA  | ROD - TABLE LIFT - W/ARMS 8" & BASE ROD 18.5" - ALMOND              |
| 32  | 024281-12-000 | EA  | BRACKET/WALL - TABLE LIFT - 17.1" - ALMOND                          |
| 33  | 143798-01-02A | EA  | CATCH - FLOOR TO TABLE LEG - ALMOND                                 |
| 33  | 143798-03-02A | EA  | WASHER/CATCH - TABLE LEG - ALMOND                                   |

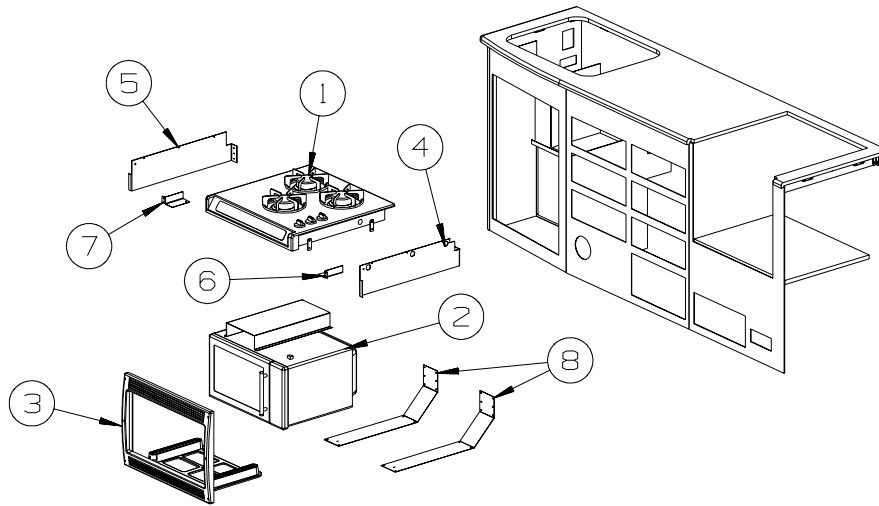
**CABINET & APPLIANCE GROUP (CONTINUED)**  
**CABINET & APPLIANCE LAYOUT (CONTINUED)**



| KEY | PART NUMBER   | U/M | DESCRIPTION  |
|-----|---------------|-----|--|
| 34  | M09471-79-RE0 | EA  | MOLDING - TRIM/COVE - .8" X .8" X 96" - HONEY CHERRY |
| 34  | M09471-79-R46 | EA  | MOLDING - TRIM/COVE - .8" X .8" X 96" - WASHED MAPLE |
| 35  | 158629-16-U21 | EA  | PANEL - END CAP - HONEY CHERRY                       |
| 35  | 158629-33-U21 | EA  | PANEL - END CAP - HONEY CHERRY                       |
| 35  | 158629-16-U22 | EA  | PANEL - END CAP - WASHED MAPLE                       |
| 35  | 158629-33-U22 | EA  | PANEL - END CAP - WASHED MAPLE                       |

FROM: 00-00-00 THRU: 03-11-07  
 FROM: 03-12-07 THRU: 99-99-99  
 FROM: 00-00-00 THRU: 03-11-07  
 FROM: 03-12-07 THRU: 99-99-99

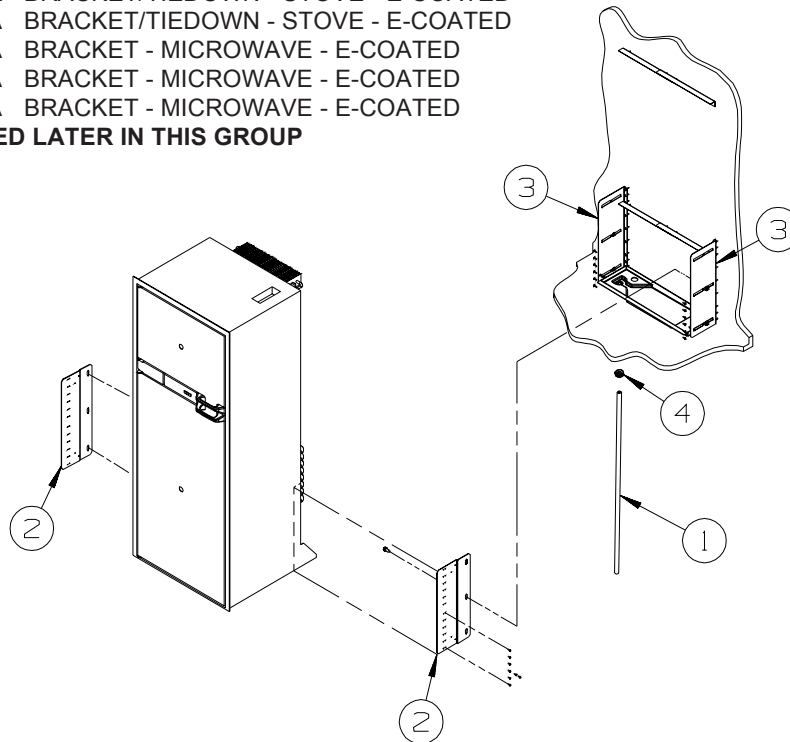
**CABINET & APPLIANCE GROUP (CONTINUED)**  
**CABINET & APPLIANCE LAYOUT (CONTINUED)**



**RANGE-  
W/MICROWAVE  
INSTALLATION**

| KEY | PART NUMBER                    | U/M DESCRIPTION   |
|-----|--------------------------------|---|
| 1*  | 156801-01-01A<br>115870-01-000 | EA RANGE - 3 BURNER - 8100 BTU - STAINLESS STEEL<br>FT SEAL/EDGE - TRIM   |
| 2   | 156801-02-01A                  | EA OVEN/MICROWAVE - 1 CU FT/TURN TABLE - STAINLESS STEEL FACE   |
| 2   | 156801-02-02A                  | EA OVEN/MICROWAVE - 1 CU FT/TURN TABLE - BLK/SST FACE<br>FROM: 00-00-00 THRU: 02-24-08<br>FROM: 02-25-08 THRU: 99-99-99 |
| 3*  | 156801-03-01A                  | EA TRIM KIT - MICROWAVE - STAINLESS STEEL   |
| 4   | 156798-01-02B                  | EA BRACKET/TIEDOWN - STOVE - E-COATED   |
| 5   | 156798-02-02B                  | EA BRACKET/TIEDOWN - STOVE - E-COATED   |
| 6   | 156800-01-02B                  | EA BRACKET - MICROWAVE - E-COATED   |
| 7   | 156800-02-02B                  | EA BRACKET - MICROWAVE - E-COATED   |
| 8   | 156799-01-02B                  | EA BRACKET - MICROWAVE - E-COATED   |

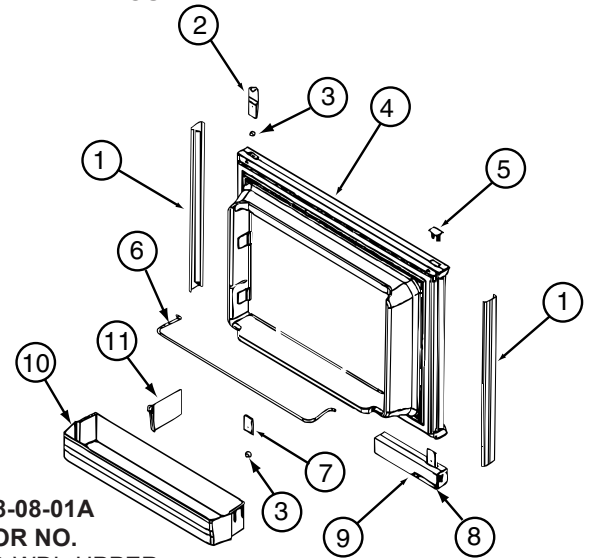
\*COMPONENT PARTS LISTED LATER IN THIS GROUP



**REFRIGERATOR  
INSTALLATION**

| KEY | PART NUMBER   | U/M DESCRIPTION  |
|-----|---------------|--|
| 1   | 112176-01-000 | FT TUBING - VINYL - REINFORCED - 1/2" ID                 |
| 2   | 150740-01-02B | EA BRACKET/TIEDOWN - REFRIGERATOR - E-COATED             |
| 3   | 150740-02-02B | EA BRACKET/TIEDOWN - REFRIGERATOR - E-COATED             |
| 4   | 152417-01-01A | EA CLAMP/RATCHET - F/REFRIGERATOR DRIP TRAY HOSE - BLACK |

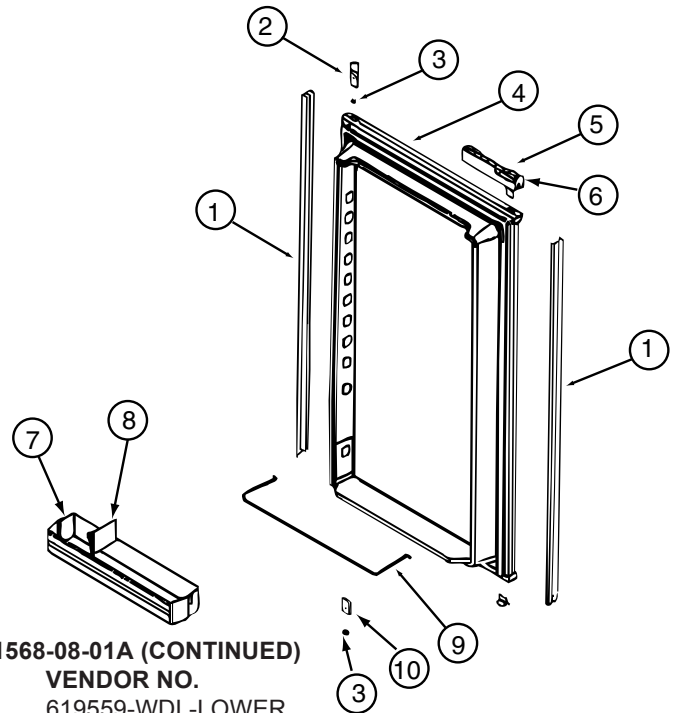
**CABINET & APPLIANCE GROUP (CONTINUED)**  
**COMPONENT PARTS FOR CABINET & APPLIANCE LAYOUT**



**121568-06-01A, 121568-07-01A, 121568-08-01A**

| KEY | PART NUMBER   | U/M | DESCRIPTION                  | VENDOR NO.         |
|-----|---------------|-----|------------------------------|--------------------|
| 1   | 121568-03-700 | EA  | RETAINER-DOOR PNL/WAFFLE/BLK | 619558-WDL-UPPER   |
| 2   | 120075-01-701 | EA  | HINGE-TOP RH/BOTTOM LH(DOOR) | 618511             |
| 3   | 121568-03-701 | EA  | BUSHING - HINGE PIN/GRAY     | 619671             |
| 4   | 121568-03-702 | EA  | DOOR LINER-UPR/WAFFLED/BLACK | 619627 - SMALL WDL |
| 5   | 120075-01-702 | EA  | CAP, (HINGE PLUG)            | 618160             |
| 6   | 121568-01-700 | EA  | RAIL - DOOR UPPER            | 618618             |
| 7   | 120075-01-705 | EA  | HINGE-TOP LH/BOTTOM RH(DOOR) | 618510             |
| 8   | 121568-03-705 | EA  | STORAGE LATCH - GRAY         | 619648             |
| 9   | 121568-03-721 | EA  | HANDLE/DOOR UPPER RH SWING   | 621465             |
| 9   | 121568-03-722 | EA  | HANDLE/DOOR LOWER RH SWING   | 621469             |
| 10  | 121568-01-701 | EA  | BIN - DOOR WHITE-WAFFLED LNR | 618619 WDL         |

CONTACT WINNEBAGO PART SALES FOR UNLISTED COMPONENT(S)

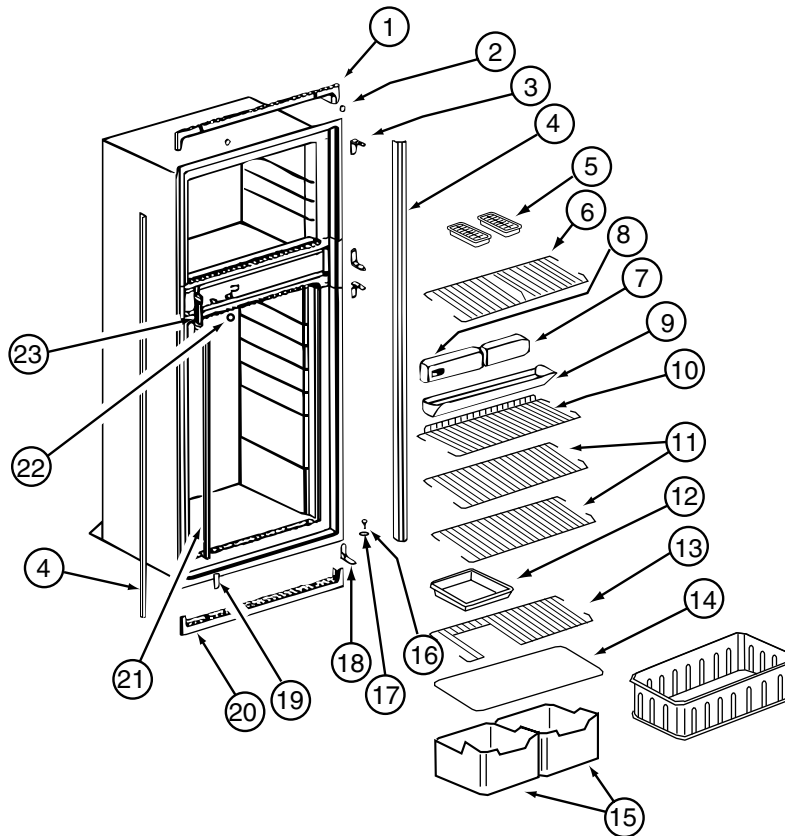


**121568-06-01A, 121568-07-01A, 121568-08-01A (CONTINUED)**

| KEY | PART NUMBER   | U/M | DESCRIPTION                  | VENDOR NO.       |
|-----|---------------|-----|------------------------------|------------------|
| 1   | 121568-03-706 | EA  | RETAINER-DOOR PNL/WAFFLE/BLK | 619559-WDL-LOWER |
| 2   | 120075-01-701 | EA  | HINGE-TOP RH/BOTTOM LH(DOOR) | 618511           |
| 3   | 121568-03-701 | EA  | BUSHING - HINGE PIN/GRAY     | 619671           |
| 4   | 121568-03-707 | EA  | DOOR LINER-LWR/WAFFLED/B/TRM | 619629           |
| 5   | 121568-03-722 | EA  | HANDLE/DOOR LOWER RH SWING   | 621469           |
| 6   | 121568-03-705 | EA  | STORAGE LATCH - GRAY         | 619648           |
| 7   | 121568-01-701 | EA  | BIN - DOOR WHITE-WAFFLED LNR | 618619 WDL       |
| 9   | 121568-01-704 | EA  | RAIL - DOOR LOWER            | 618578           |
| 10  | 120075-01-705 | EA  | HINGE-TOP LH/BOTTOM RH(DOOR) | 618510           |

CONTACT WINNEBAGO PART SALES FOR UNLISTED COMPONENT(S)

**CABINET & APPLIANCE GROUP (CONTINUED)**  
**COMPONENT PARTS FOR CABINET & APPLIANCE LAYOUT (CONTINUED)**



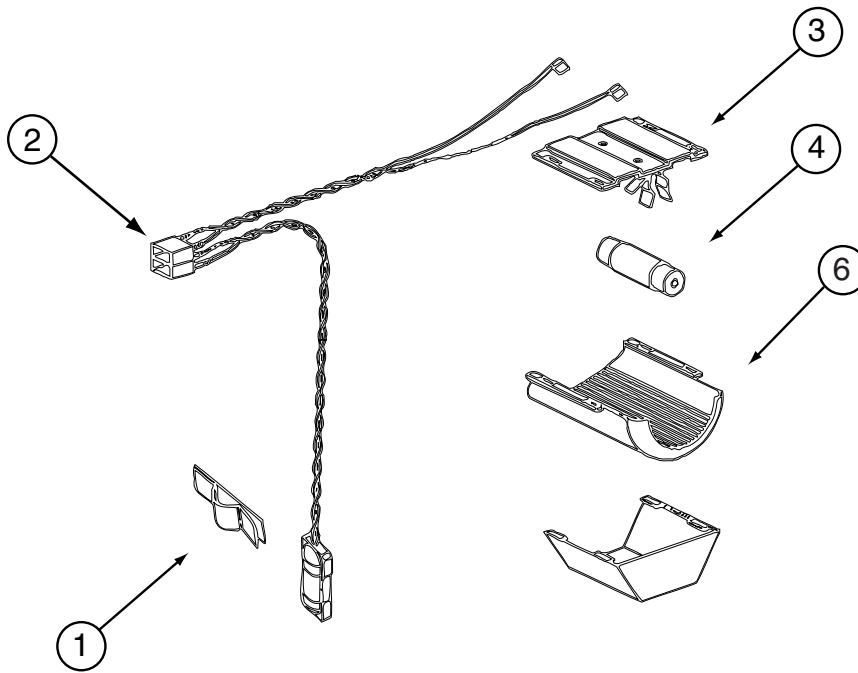
**121568-06-01A, 121568-07-01A, 121568-08-01A (CONTINUED)**

| KEY | PART NUMBER   | U/M | DESCRIPTION                 | VENDOR NO.          |
|-----|---------------|-----|-----------------------------|---------------------|
| 1   | 120075-01-713 | EA  | TRIM-TOP PIECE              | 619687              |
| 2   | 120075-01-714 | EA  | PLUG-HOLE (BLACK)           | 618170              |
| 3   | 121568-03-710 | EA  | HINGE/CABINET-TOP/RH-LWR/LH | 619335 WAFFLED      |
| 4   | 121568-03-711 | EA  | TRIM - SIDE/BLACK           | 622295              |
| 6   | 121568-01-705 | EA  | SHELF - WIRE FREEZER        | 620250              |
| 7   | 121568-06-700 | EA  | FRONT BOX-N611              | 622002              |
| 8   | 121568-06-701 | EA  | CONTROL ASSY-OPTICAL/N611   | 621988 TO SN9056491 |
| 9   | 120075-01-720 | EA  | TRAY-DRIP                   | 623250              |
| 9   | 120075-01-721 | EA  | LOUVER-DRIP TRAY            | 618176              |
| 11  | 121568-01-708 | EA  | SHELF - WIRE                | 620273              |
| 13  | 121568-01-707 | EA  | SHELF - WIRE - SHORT        | 620272              |
| 14  | 120075-01-725 | EA  | COVER-CRISPER - 18.5" WIDE  | 618158              |
| 15  | 121568-01-709 | EA  | CRISPER                     | 618571              |
| 16  | 120075-01-727 | EA  | PIN-HINGE                   | 618145              |
| 17  | 121568-03-701 | EA  | BUSHING - HINGE PIN/GRAY    | 619671              |
| 18  | 121568-03-715 | EA  | HINGE/CABINET-TOP/LH-LWR/RH | 619336 WAFFLED      |
| 19  | 121568-03-716 | EA  | COVER - HINGE HOLES         | 619301              |
| 20  | 120075-01-729 | EA  | TRIM-BOTTOM PIECE           | 620958              |
| 21  | 121568-06-702 | EA  | CLIP - SHELF                | 61536522            |
| 22  | 121568-06-703 | EA  | HOLE PLUG - WHITE           | 620282              |
| 23  | 120075-01-732 | EA  | PLATE-STRIKE                | 618167              |

CONTACT WINNEBAGO PART SALES FOR UNLISTED COMPONENT(S)



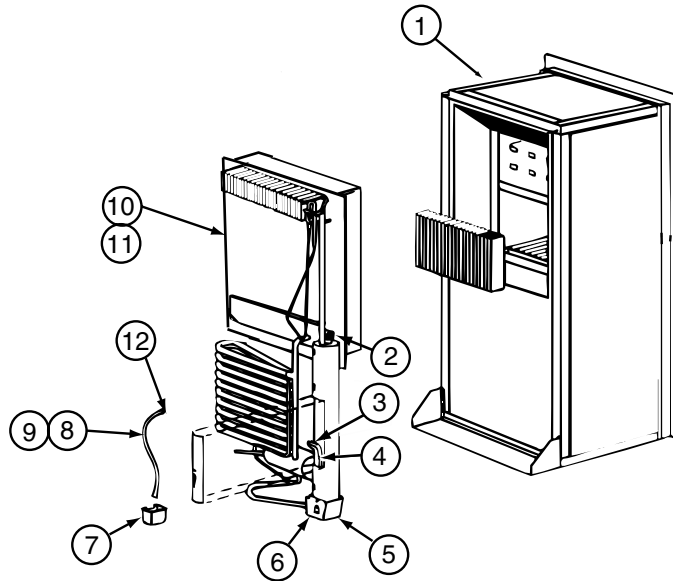
**CABINET & APPLIANCE GROUP (CONTINUED)**  
**COMPONENT PARTS FOR CABINET & APPLIANCE LAYOUT (CONTINUED)**



121568-03-01A, 121568-04-01A, 121568-05-01A, 121568-06-01A, 121568-07-01A, 121568-08-01A (CONTINUED)

| KEY | PART NUMBER   | U/M | DESCRIPTION                | VENDOR NO. |
|-----|---------------|-----|----------------------------|------------|
| 1   | 084880-01-760 | EA  | CLIP (THERMISTER)          | 61689122   |
| 2   | 120075-01-735 | EA  | WIRE ASM - LAMP/THERMISTER | 618548     |
| 3   | 084880-03-705 | EA  | BRACKET-LIGHT-INTERIOR     | 61629722   |
| 4   | 084880-03-706 | EA  | BULB-LAMP                  | 61628922   |
| 6   | 084880-03-707 | EA  | COVER-LAMP, LENS           | 61627922   |

CONTACT WINNEBAGO PART SALES FOR UNLISTED COMPONENT(S)

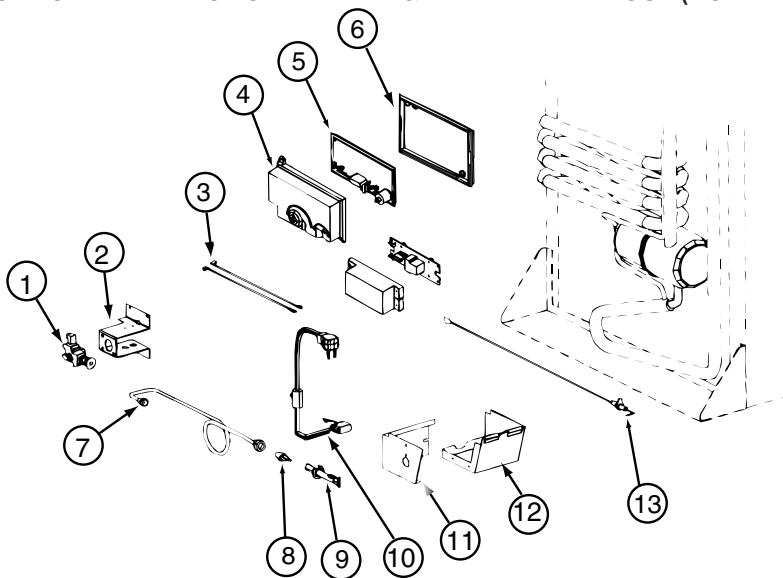


121568-06-01A, 121568-07-01A, 121568-08-01A (CONTINUED)

| KEY | PART NUMBER   | U/M | DESCRIPTION                | VENDOR NO. |
|-----|---------------|-----|----------------------------|------------|
| 4   | 121568-06-704 | EA  | HEATER-AC/300W/120VAC      | 621702     |
| 10  | 120076-01-704 | EA  | COOLING UNIT, SERVICE PACK | 618543     |

CONTACT WINNEBAGO PART SALES FOR UNLISTED COMPONENT(S)

**CABINET & APPLIANCE GROUP (CONTINUED)**  
**COMPONENT PARTS FOR CABINET & APPLIANCE LAYOUT (CONTINUED)**



**121568-06-01A, 121568-07-01A, 121568-08-01A (CONTINUED)**

| KEY  | PART NUMBER   | U/M | DESCRIPTION                 | VENDOR NO.         |
|--|---------------|-----|-----------------------------|--------------------|
|  |               | EA  | GAS VALVE/BRKT ASSY-COMBO   | 621439             |
| 1  | 121568-06-705 | EA  | GAS VALVE-COMBO/WRENCH FLAT | 621329             |
| 4  | 120075-01-738 | EA  | COVER-POWER BOARD           | 618185             |
| 5  | 121568-06-707 | EA  | BOARD/POWER-N611            | 621991 = 621991001 |
| 6  | 120075-01-740 | EA  | BASE - POWER BOARD          | 618186             |
| 8  | 121568-06-708 | EA  | BURNER/ORFICE-ADAPTER KIT   | 621957             |
| 13   | 104137-06-715 | EA  | ELECTRODE-SPARK/SENSOR, SGL | 61692222           |
|  | 121569-08-704 | EA  | TUBE/BURNER - N8/N6         | 624682             |
| CONTACT WINNEBAGO PART SALES FOR UNLISTED COMPONENT(S) |               |     |                             |                    |

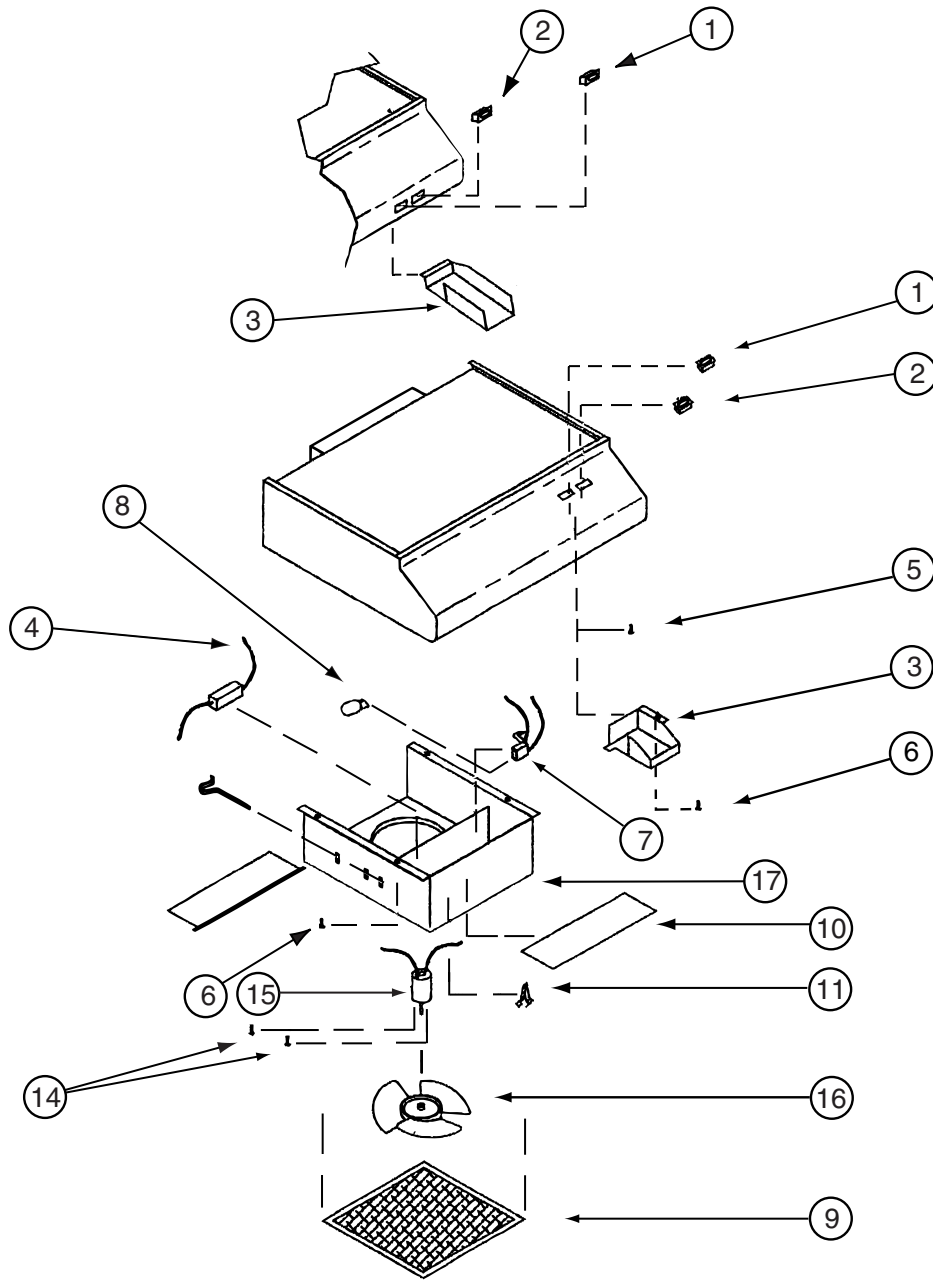
**156801-01-01A**

| KEY | PART NUMBER   | U/M | DESCRIPTION                | VENDOR NO. |
|-----|---------------|-----|----------------------------|------------|
|     | 156801-01-718 | EA  | FITTING/OUTLET - REGULATOR | C18        |

**156801-03-01A**

| KEY | PART NUMBER   | U/M | DESCRIPTION            | VENDOR NO. |
|-----|---------------|-----|------------------------|------------|
|     | 156801-03-700 | EA  | SCREW COVER F/TRIM KIT | FOR B12-S  |

**CABINET & APPLIANCE GROUP (CONTINUED)**  
**COMPONENT PARTS FOR CABINET & APPLIANCE LAYOUT (CONTINUED)**



**157570-01-01A, 157570-02-01A**

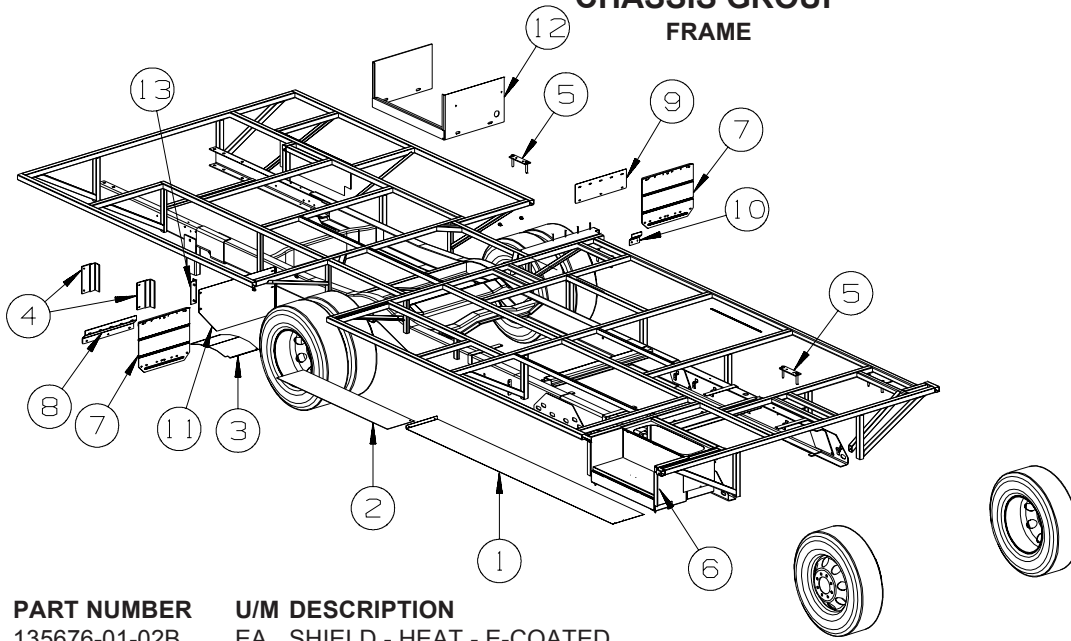
| KEY | PART NUMBER   | U/M | DESCRIPTION         | VENDOR NO. |
|-----|---------------|-----|---------------------|------------|
| 1   | 157570-01-700 | EA  | SWITCH - LAMP/BLACK | L1196-00   |
| 2   | 157570-01-701 | EA  | SWITCH - FAN/BLACK  | L1194-00   |
| 9   | 096983-01-707 | EA  | FILTER-MESH         | CC0246-00  |
| 10  | 092696-02-701 | EA  | LENS-LAMP           | CC0179     |
| 15  | 157570-01-702 | EA  | MOTOR-12 VOLT       | VD0218-00  |
| 16  | 136354-05-701 | EA  | BLADE-FAN 7" DIA    | VD0216-00  |

CONTACT WINNEBAGO PART SALES FOR UNLISTED COMPONENT(S)

**161116-01-01A, 161116-02-01A**

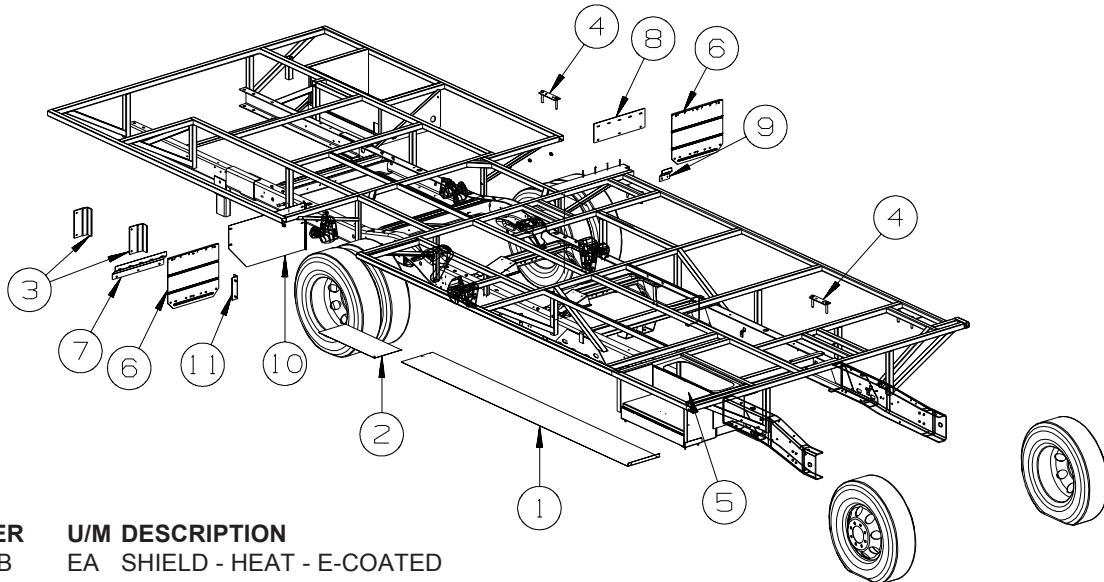
| KEY | PART NUMBER   | U/M | DESCRIPTION                 | VENDOR NO.    |
|-----|---------------|-----|-----------------------------|---------------|
|     | 161116-01-700 | EA  | LIGHT/RND-CLEAR LENS W/BULB | W/WIRING/PLUG |
|     | 161116-02-700 | EA  | FILTER-ALUMINUM             | 02FP577295UL  |

## CHASSIS GROUP FRAME



**FORD**

| KEY | PART NUMBER   | U/M | DESCRIPTION  |
|-----|---------------|-----|--|
| 1   | 135676-01-02B | EA  | SHIELD - HEAT - E-COATED                                 |
| 2   | 145027-01-02B | EA  | SHIELD - HEAT - E-COATED                                 |
| 3   | 158704-01-02B | EA  | SHIELD - HEAT - E-COATED                                 |
| 4   | 136042-01-02B | EA  | BRACKET - LP SUPPORT - E-COATED                          |
| 5   | 136995-03-02B | EA  | PLATE W/BOLTS - 6.9" X 2" W/1/2" X 3" BOLTS              |
| 6   | 162352-01-02B | EA  | BOX - ENTRANCE STEP - E-COATED                           |
| 7   | 136391-02-02B | EA  | GUARD/ROCK - STEEL - W/ANGLE - 18"W X 15"H - E-COATED    |
| 8   | 157464-01-02B | EA  | BRACKET/MOUNTING - MUD GUARD - E-COATED                  |
| 9   | 157464-03-02B | EA  | BRACKET/MOUNTING - MUD GUARD - E-COATED                  |
| 10  | 141003-01-02B | EA  | PLATE - VALVE - AIR SPRING - E-COATED - AIR SPRINGS REAR |
| 11  | 111848-08-02B | EA  | SHIELD - HEAT - EXHAUST - E-COATED                       |
| 12  | 162727-13-02B | EA  | SUPPORT - GENERATOR - E-COATED                           |
| 13  | 157588-02-02B | EA  | ANGLE - W/WELD STUD - 6.7" - E-COATED                    |



**CHEVY**

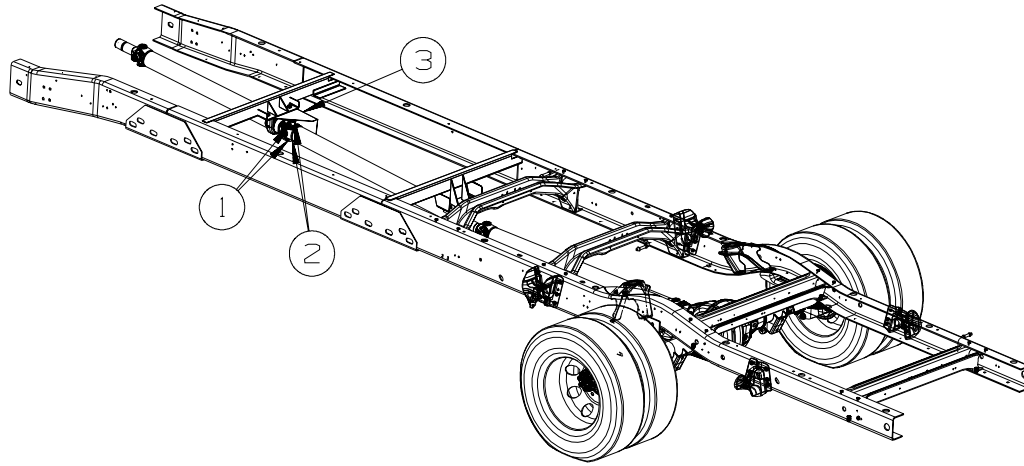
| KEY | PART NUMBER   | U/M | DESCRIPTION  |
|-----|---------------|-----|--|
| 1   | 135676-15-02B | EA  | SHIELD - HEAT - E-COATED                                 |
| 2   | 145027-06-02B | EA  | SHIELD - HEAT - E-COATED                                 |
| 3   | 136042-01-02B | EA  | BRACKET - LP SUPPORT - E-COATED                          |
| 4   | 136995-03-02B | EA  | PLATE W/BOLTS - 6.9" X 2" W/1/2" X 3" BOLTS              |
| 5   | 162352-01-02B | EA  | BOX - ENTRANCE STEP - E-COATED                           |
| 6   | 136391-02-02B | EA  | GUARD/ROCK - STEEL - W/ANGLE - 18"W X 15"H - E-COATED    |
| 7   | 157464-01-02B | EA  | BRACKET/MOUNTING - MUD GUARD - E-COATED                  |
| 8   | 157464-03-02B | EA  | BRACKET/MOUNTING - MUD GUARD - E-COATED                  |
| 9   | 141003-01-02B | EA  | PLATE - VALVE - AIR SPRING - E-COATED - AIR SPRINGS REAR |
| 10  | 111848-08-02B | EA  | SHIELD - HEAT - EXHAUST - E-COATED                       |
| 11  | 157588-02-02B | EA  | ANGLE - W/WELD STUD - 6.7" - E-COATED                    |

## CHASSIS GROUP (CONTINUED)

### DRIVETRAIN

| KEY | PART NUMBER   | U/M DESCRIPTION                   |
|-----|---------------|-----------------------------------|
|     | 103653-23-000 | EA BOLT - U-JOINT - 5/16-24 X .75 |
|     | 103653-24-000 | EA STRAP - U-JOINT                |

**FORD**

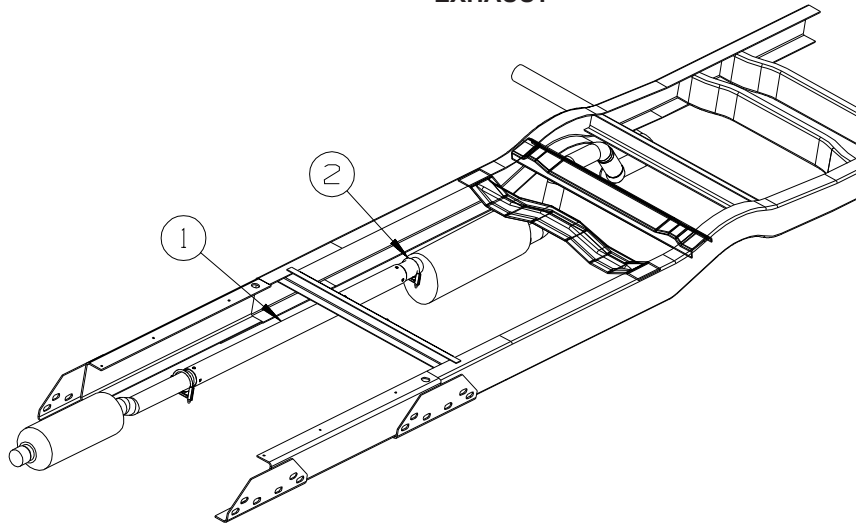


**CHEVY**

221" WHEELBASE

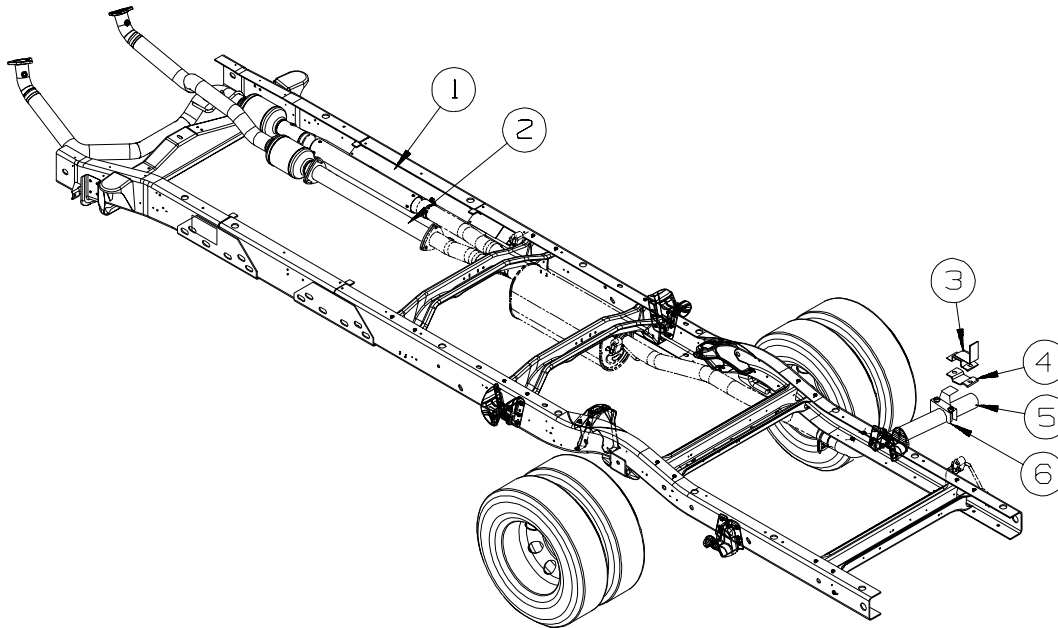
| KEY | PART NUMBER   | U/M DESCRIPTION                       |
|-----|---------------|---------------------------------------|
| 1   | 103653-23-000 | EA BOLT - U-JOINT - 5/16-24 X .75     |
| 2   | 103653-24-000 | EA STRAP - U-JOINT                    |
| 3   | 155659-01-02B | EA SHIELD - HEAT/DRIVELINE - E-COATED |

**CHASSIS GROUP (CONTINUED)**  
**EXHAUST**



**FORD**

| KEY | PART NUMBER   | U/M DESCRIPTION                                       |
|-----|---------------|---|
| 1   | 111478-04-000 | EA EXHAUST PIPE - DOUBLE WALL STAINLESS STEEL - 63.8" |
| 2   | 094918-06-000 | EA CLAMP - EXHAUST - 3" - HEAVY DUTY                  |



**CHEVY**

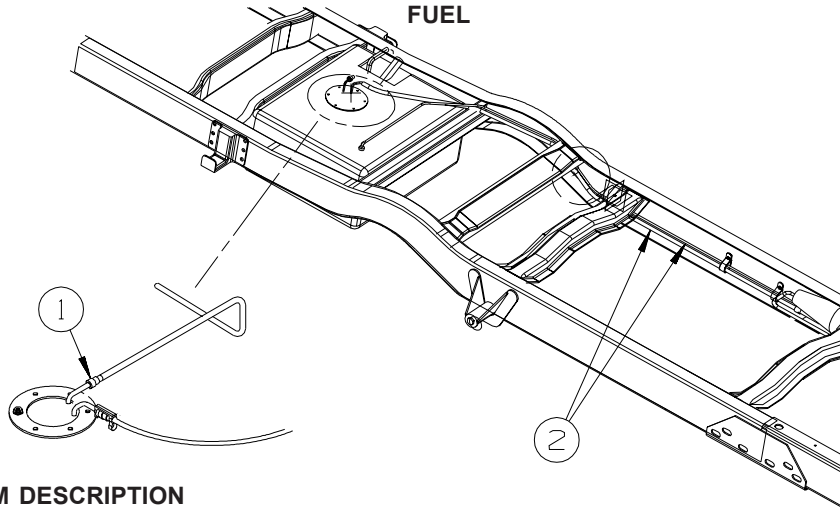
| KEY | PART NUMBER   | U/M DESCRIPTION                                       |
|-----|---------------|---|
| 1   | 111478-04-000 | EA EXHAUST PIPE - DOUBLE WALL STAINLESS STEEL - 63.8" |
| 1   | 007125-08-000 | EA CLAMP - MUFFLER - 3"DIAMETER                       |
| 2   | 155581-01-000 | EA PIPE - EXHAUST - 62" EXTENSION - W/OXYGEN OUTLET   |
| 2   | 124610-01-000 | EA GASKET - EXHAUST                                   |
| 3   | 117380-05-02B | EA HANGER - TAILPIPE - E-COATED                       |
| 4   | 095190-01-000 | EA HANGER - EXHAUST - 4" X 1.4"                       |
| 5   | 155696-01-000 | EA PIPE - EXHAUST/TAIL                                |
| 6   | 094918-06-000 | EA CLAMP - EXHAUST - 3" - HEAVY DUTY                  |

**HITCH**

| KEY | PART NUMBER   | U/M DESCRIPTION                               |
|-----|---------------|---|
|     | 154054-03-01A | EA HITCH RECEIVER - BOLT ON CLASS III - BLACK |

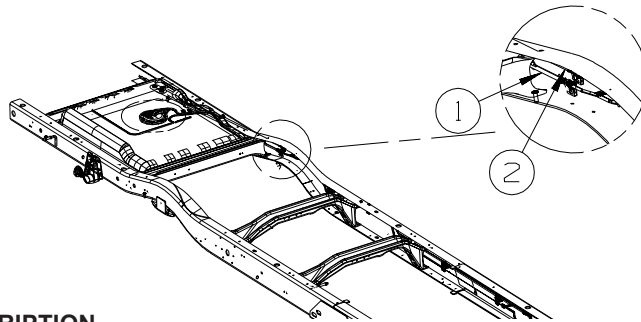
## CHASSIS GROUP (CONTINUED)

FUEL



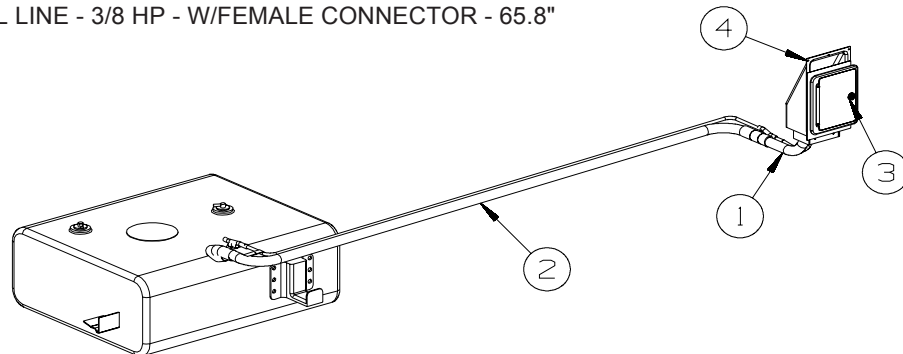
FORD

| KEY | PART NUMBER   | U/M DESCRIPTION                                     |
|-----|---------------|---|
| 1   | 149468-01-000 | EA FITTING - F/FUEL-SENDING UNIT - 1/4"             |
| 2   | 106388-12-000 | EA FUEL LINE - 5/16 HP - W/FEMALE CONNECTOR - 65.8" |



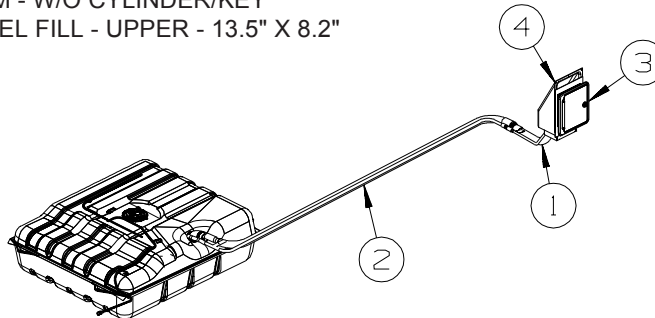
CHEVY

| KEY | PART NUMBER   | U/M DESCRIPTION                                     |
|-----|---------------|---|
| 1   | 106388-12-000 | EA FUEL LINE - 5/16 HP - W/FEMALE CONNECTOR - 65.8" |
| 2   | 106389-12-000 | EA FUEL LINE - 3/8 HP - W/FEMALE CONNECTOR - 65.8"  |



FORD

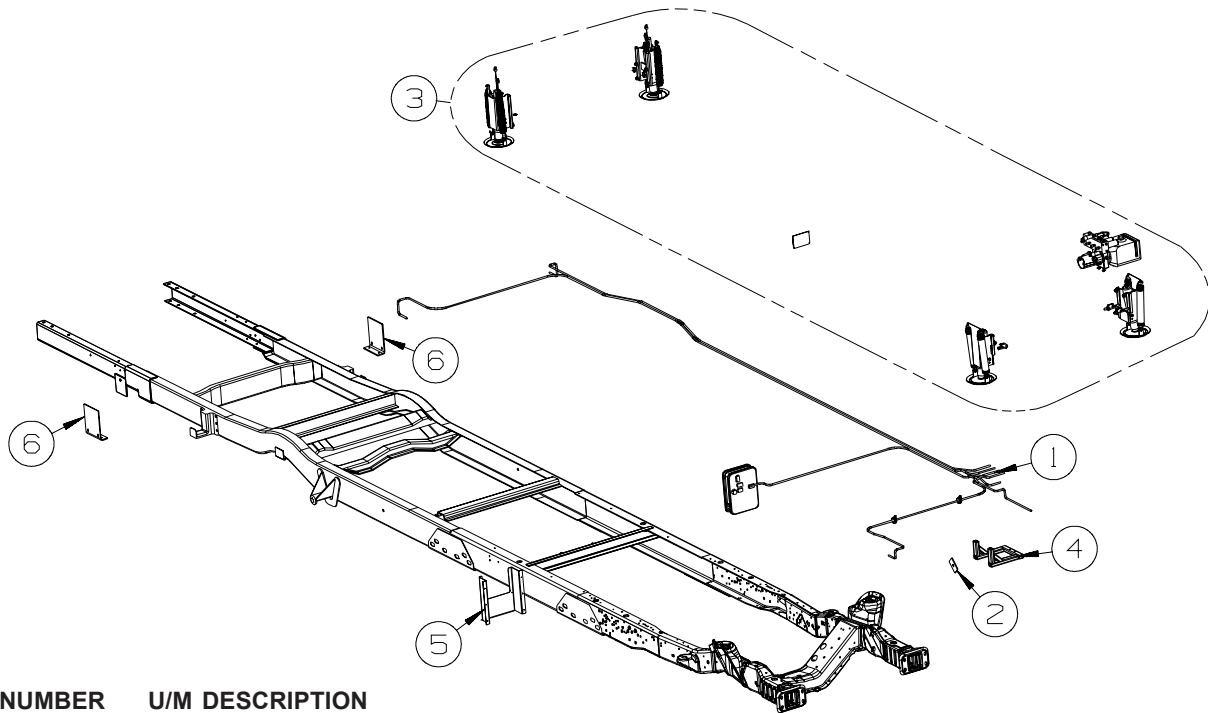
| KEY | PART NUMBER   | U/M DESCRIPTION                              |
|-----|---------------|--|
| 1   | 148789-01-000 | EA NECK - FUEL FILL - FORD                   |
| 2   | 148650-01-000 | EA NECK - FILLER/MAIN/EXTENSION              |
| 3   | 147587-01-01A | EA DOOR - FUEL FILL                          |
|     | 138290-03-000 | EA CASE - W/CAM - W/O CYLINDER/KEY           |
| 4   | 135557-02-01A | EA SHROUD - FUEL FILL - UPPER - 13.5" X 8.2" |



CHEVY

| KEY | PART NUMBER   | U/M DESCRIPTION                                     |
|-----|---------------|---|
| 1   | 155829-01-000 | EA NECK - FUEL FILL - CHEVY                         |
| 2   | 155869-03-000 | EA NECK - FILLER/MAIN/EXTENSION - W/FLAP VALVE - GM |
| 3   | 147587-01-01A | EA DOOR - FUEL FILL                                 |
|     | 138290-03-000 | EA CASE - W/CAM - W/O CYLINDER/KEY                  |
| 4   | 135557-01-01A | EA SHROUD - FUEL FILL - UPPER - 16" X 8.2"          |

## CHASSIS GROUP (CONTINUED) HYDRAULIC LEVELING

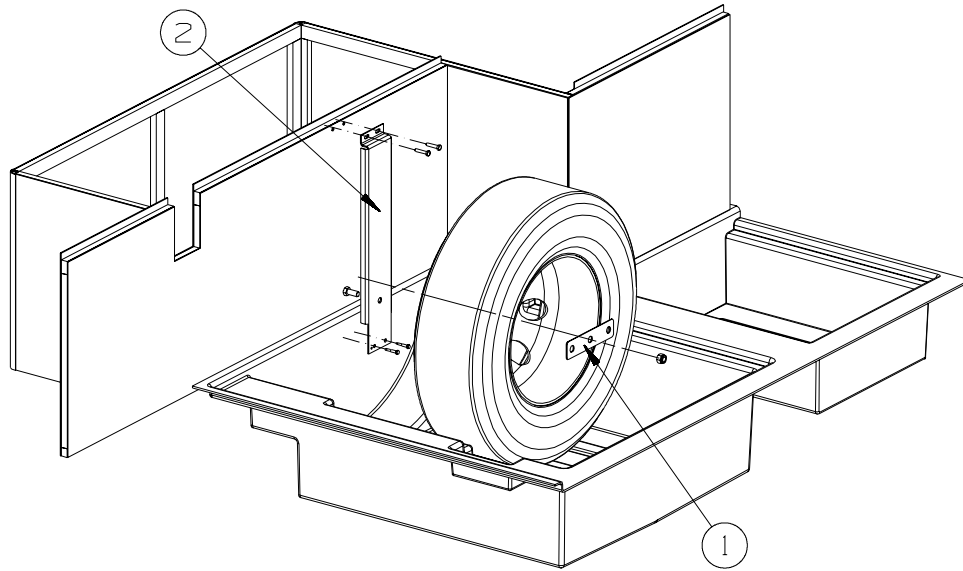


| KEY | PART NUMBER   | U/M | DESCRIPTION                               |
|-----|---------------|-----|---|
| 1*  | 100536-60-000 | EA  | HOSE KIT - F/LEVELING JACKS               |
| 2   | 135712-01-02B | EA  | PLATE - BODY MOUNT - E-COATED             |
| 3   | 157770-03-000 | EA  | LEVELING SYSTEM - 625 SYSTEM - FORD       |
| 4   | 162503-01-02B | EA  | BRACKET/MOUNTING - PUMP - E-COATED        |
| 5   | 163043-01-02B | EA  | BRACKET - CONTROL BOX/LEVELING - E-COATED |
| 6   | 163886-01-02B | EA  | BRACKET - JACK/LEVELING/REAR - BLACK      |

\*COMPONENT PARTS LISTED LATER IN THIS GROUP

### COMPONENT PARTS FOR HYDRAULIC LEVELING 100536-60-000

| KEY | PART NUMBER   | U/M | DESCRIPTION                  | VENDOR NO.      |
|-----|---------------|-----|------------------------------|-----------------|
|     | 100536-09-701 | EA  | HOSE-HYDRAULIC-1/4" X 60"    | RAP4073/AP4073  |
|     | 100536-25-700 | EA  | HOSE-HYDRAULIC-1/4" X 306"   | RAP91487/AP4904 |
|     | 100536-26-700 | EA  | HOSE - HYDRAULIC-1/4" X 100" | RAP90077/AP7832 |
|     | 100536-29-700 | EA  | HOSE-HYDRAULIC-1/4" X 280"   | RAP91485/AP4729 |



SPARE TIRE

| KEY | PART NUMBER   | U/M | DESCRIPTION                      |
|-----|---------------|-----|----------------------------------|
| 1   | 143547-01-02B | EA  | RETAINER - SPARE TIRE - E-COATED |
| 2   | 157324-02-01B | EA  | BRACKET - SPARE TIRE             |
|     | 155645-01-000 | EA  | VALVE STEM - 1.25"               |



## CHASSIS GROUP (CONTINUED)

### SUSPENSION

| KEY | PART NUMBER   | U/M | DESCRIPTION  |
|-----|---------------|-----|--|
| *   | 144887-02-000 | EA  | AIRSPRING - 4" DIAMETER/TWIN BAG SYSTEM - FIRESTONE - FORD       |
| *   | 156618-01-000 | EA  | AIRSPRING - AIR BAG KIT - GMT610/14050 CHEVY - FIRESTONE - CHEVY |

**\*COMPONENT PARTS LISTED LATER IN THIS GROUP**

#### COMPONENT PARTS FOR SUSPENSION

##### 144887-02-000

| KEY | PART NUMBER   | U/M | DESCRIPTION                  | VENDOR NO. |
|-----|---------------|-----|------------------------------|------------|
|     | 084086-05-704 | EA  | BRACKET CLAMP                | 5086       |
|     | 084086-05-706 | EA  | VALVE-INFLATION,PUSH TO CONN | 3032       |
|     | 144887-02-700 | EA  | AIRSPRING - BAG ONLY         | 9000       |
|     | 144887-02-701 | EA  | BRACKET - LEFT UPPER         | 5390       |
|     | 144887-02-702 | EA  | BRACKET - RIGHT UPPER        | 5389       |
|     | 144887-02-703 | EA  | BRACKET - LOWER RH/LH        | 5391       |
|     | 144887-02-704 | EA  | DISK                         | 5204       |
|     | 144887-02-705 | EA  | TUBING/AIR LINE - 22'        | 0937       |

##### 156618-01-000

| KEY | PART NUMBER   | U/M | DESCRIPTION               | VENDOR NO. |
|-----|---------------|-----|---------------------------|------------|
|     | 084086-01-709 | EA  | SHIELD-HEAT-224 CR SYSTEM | 21-1004    |
|     | 084086-01-713 | EA  | BRACKET-AXLE STRAP, 4"    | 21-1163    |
|     | 156618-01-700 | EA  | BAG - AIR SPRING - 1 ONLY | A01760672  |
|     | 156618-01-701 | EA  | BRACKET - LEFT UPPER      | 5478       |
|     | 156618-01-702 | EA  | BRACKET - RIGHT UPPER     | 5221       |
|     | 156618-01-703 | EA  | BRACKET - LOWER RH/LH     | 5472       |

#### WHEEL, TIRE, COVERS &/OR LINERS

| KEY | PART NUMBER   | U/M | DESCRIPTION  |
|-----|---------------|-----|--|
|     | 112358-02-000 | EA  | WRENCH - LUG - 7/8" - L-SHAPE  |
|     | 080208-02-000 | EA  | BAR/LEVERAGE - LUG WRENCH - 13/16" DIA - ALUMINUM WHEELS                                       |
|     | 080208-06-000 | EA  | LUG WRENCH - 1"/1.1" SOCKETS X 16.4" LONG - ALUMINUM WHEELS                                    |
|     | 077030-01-000 | EA  | EXTENSION - VALVE STEM - 1.25" - METAL - ALUMINUM WHEELSD                                      |
|     | 077030-10-000 | EA  | EXTENSION - VALVE STEM - .50" - METAL  |
|     | 095012-05-000 | EA  | EXTENSION/VALVE STEM - LIVE - 5" - FORD  |
|     | 095012-06-000 | EA  | STABILIZER/VALVE EXTENSION - LIVE - 2"   |
|     | 095012-07-000 | EA  | STABILIZER/VALVE EXTENSION - LIVE - 4"   |
|     | 095012-09-000 | EA  | EXTENSION/VALVE STEM - LIVE - 7.7" - CHEVY   |
| *   | 110435-13-000 | EA  | LINER - WHEEL - SET OF 4 - 16" (8 HOLE) - FORD W/ STEEL WHEEL W/6 SLOTS                        |
| *   | 144647-01-000 | EA  | LINER - WHEEL SET (SET=4) 16" - FORD W/ STEEL WHEEL W/4 SLOTS<br>FROM: 00-00-00 THRU: 03-30-07 |
| *   | 110435-23-000 | EA  | LINER - WHEEL SET (SET=4) 16" - FORD W/ STEEL WHEEL W/4 SLOTS<br>FROM: 03-31-07 THRU: 99-99-99 |
|     | 149749-01-000 | EA  | WHEEL - ALUMINUM - 6" X 16" - FRONT - FORD E450 - ALUMINUM WHEELS                              |
|     | 149749-02-000 | EA  | WHEEL - ALUMINUM - 6" X 16" - REAR - FORD E450 - ALUMINUM WHEELS                               |
|     | 156797-01-000 | EA  | WHEEL - ALUMINUM/FRONT - 16" X 6.5" - 8 BOLT - CHEVY ALUMINUM WHEELS                           |
|     | 156797-02-000 | EA  | WHEEL - ALUMINUM/REAR - 16" X 6.5" - 8 BOLT - CHEVY ALUMINUM WHEELS                            |
|     | 156797-03-000 | EA  | COVER/HUB - FRONT - ALUMINUM WHEEL - ALUMINUM WHEELS   |
|     | 156797-04-000 | EA  | COVER/HUB - FRONT - ALUMINUM WHEEL - ALUMINUM WHEELS   |
|     | 149749-05-000 | EA  | COVER/NUT - ALUMINUM WHEELS  |
|     | 149749-06-000 | EA  | NUT/WHEEL - 9/16"-18 - LOW PROFILE - FORD E450 - FORD ALUMINUM WHEELS                          |
|     | 156797-06-000 | EA  | NUT/LUG - 14MM X 1.5 - ALUMINUM WHEEL - CHEVY ALUMINUM WHEELS                                  |

**\*COMPONENT PARTS LISTED LATER IN THIS GROUP**

**CHASSIS GROUP (CONTINUED)**  
**COMPONENT PARTS FOR WHEEL, TIRE, COVERS &/OR LINERS**

**110435-13-000**

| <b>KEY</b> | <b>PART NUMBER</b> | <b>U/M</b> | <b>DESCRIPTION</b>           | <b>VENDOR NO.</b> |
|------------|--------------------|------------|------------------------------|-------------------|
|            | 110435-01-711      | EA         | DECAL-CENTER CAP, 2" - QTY 2 | DIAMOND/2 PER BAG |
|            | 110435-10-705      | EA         | TOOL/JAMB NUT INSTALLATION   | V195P7-TOL        |
|            | 110435-13-700      | EA         | LINER - WHEEL - FRONT        | V160F7-FWC        |
|            | 110435-13-701      | EA         | LINER - WHEEL - REAR         | V160F7-RWC        |
|            | 110435-13-702      | EA         | JAMB NUT W/COVER - 9/16"     | V160F7-EJN        |

**110435-23-000**

| <b>KEY</b> | <b>PART NUMBER</b> | <b>U/M</b> | <b>DESCRIPTION</b>           | <b>VENDOR NO.</b> |
|------------|--------------------|------------|------------------------------|-------------------|
|            | 110435-01-711      | EA         | DECAL-CENTER CAP- 2" - QTY 2 | DIAMOND/2 PER BAG |
|            | 110435-23-700      | EA         | COVER/WHEEL - FRONT - 1 ONLY | FWCFL60-59        |
|            | 110435-23-701      | EA         | COVER/WHEEL - REAR - 1 ONLY  | RWCFL60-59        |

**144647-01-000**

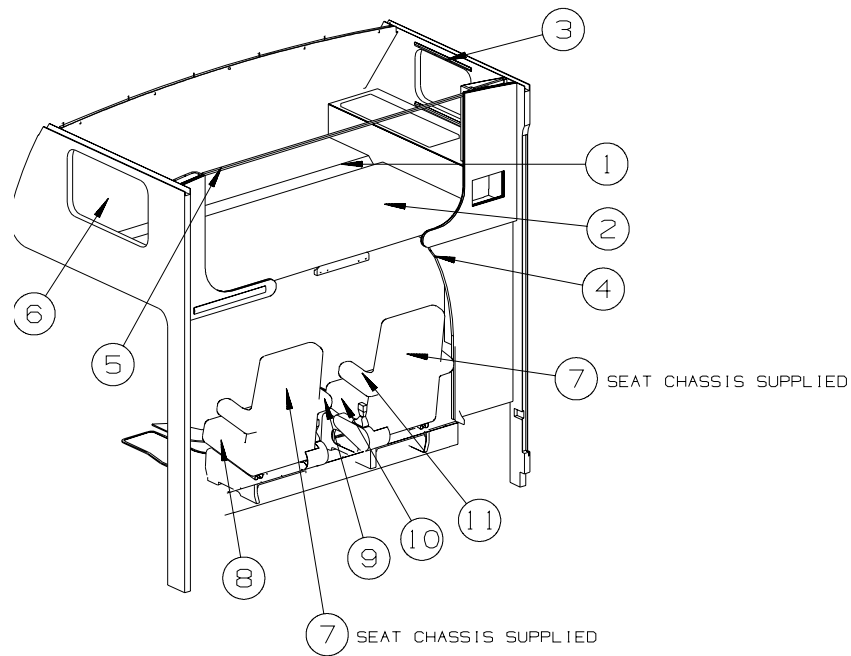
| <b>KEY</b> | <b>PART NUMBER</b> | <b>U/M</b> | <b>DESCRIPTION</b>           | <b>VENDOR NO.</b> |
|------------|--------------------|------------|------------------------------|-------------------|
|            | 110435-01-711      | EA         | DECAL-CENTER CAP, 2" - QTY 2 | DIAMOND/2 PER BAG |
|            | 144647-01-700      | EA         | WHEEL LINER - FRONT/1 PIECE  | FL60-FWC          |
|            | 144647-01-701      | EA         | WHEEL LINER - REAR/1 PIECE   | FL60-RWC          |

**BRAKELINE**

| <b>KEY</b> | <b>PART NUMBER</b> | <b>U/M</b> | <b>DESCRIPTION</b>                                   |
|------------|--------------------|------------|--|
|            | 088498-01-000      | EA         | UNION - INVERTED FLARE - BRASS - 3/16 - FORD CHASSIS |

## CURTAIN & CUSHION GROUP

### CURTAIN, CUSHION LAYOUT

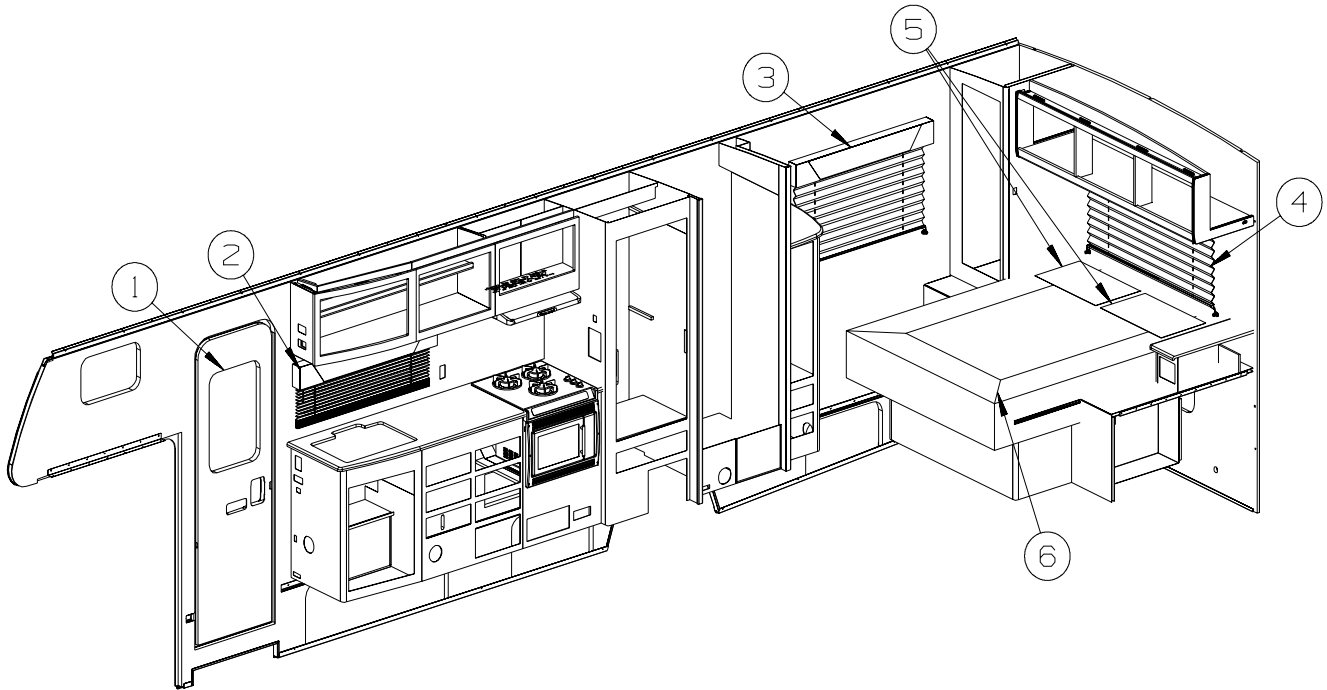


| KEY | PART NUMBER   | U/M | DESCRIPTION   |
|-----|---------------|-----|---|
| 1   | 157657-09-W21 | EA  | CUSHION - OVERHEAD BUNK - 22"X 80"X 6" - SINGLE BUNK (W21, W22)                 |
| 1   | 157657-09-W23 | EA  | CUSHION - OVERHEAD BUNK - 22"X 80"X 6" - SINGLE BUNK (W23, W24)                 |
| 1   | 157657-13-W25 | EA  | CUSHION - OVERHEAD BUNK - 22" X 80" X 6" - W/ANGLE - SINGLE BUNK (W25, W26)     |
| 1   | 157657-15-W21 | EA  | CUSHION - OVERHEAD BUNK - 27"/29" X 80" X 6" - DOUBLE BUNK (W21, W22)           |
| 1   | 157657-15-W23 | EA  | CUSHION - OVERHEAD BUNK - 27"/29" X 80" X 6" - DOUBLE BUNK (W23, W24)           |
| 1   | 157657-16-W25 | EA  | CUSHION - OVERHEAD BUNK - 27"/29" X 80" X 6" - W/ANGLE - DOUBLE BUNK (W25, W26) |
|     | 157657-A9-W21 | EA  | COVER - CUSHION/OVERHEAD - 22" X 80" X 6" - SINGLE BUNK (W21, W22)              |
|     | 157657-A9-W23 | EA  | COVER - CUSHION/OVERHEAD - 22" X 80" X 6" - SINGLE BUNK (W23, W24)              |
|     | 157657-B3-W25 | EA  | COVER - CUSHION/OVERHEAD - 22" X 80" X 6" - W/ANGLE - SINGLE BUNK (W25, W26)    |
|     | 157657-B5-W21 | EA  | COVER - CUSHION/OVERHEAD - 27" X 80" X 6" - DOUBLE BUNK (W21, W22)              |
|     | 157657-B5-W23 | EA  | COVER - CUSHION/OVERHEAD - 27" X 80" X 6" - DOUBLE BUNK (W23, W24)              |
|     | 157657-B6-W25 | EA  | COVER - CUSHION/OVERHEAD - 27" X 80" X 6" - W/ANGLE - DOUBLE BUNK (W25, W26)    |
| 2   | 157657-04-W21 | EA  | CUSHION - OVERHEAD BUNK/REAR - 27"X80"X5" (W21, W22)                            |
| 2   | 157657-04-W23 | EA  | CUSHION - OVERHEAD BUNK/REAR - 27"X80"X5" (W23, W24)                            |
| 2   | 157657-14-W25 | EA  | CUSHION - OVERHEAD BUNK/REAR - 27"X80"X5" (W25, W26)                            |
|     | 157657-A4-W21 | EA  | COVER - CUSHION/OVERHEAD BUNK/REAR - 27"X80"X5" (W21, W22)                      |
|     | 157657-A4-W23 | EA  | COVER - CUSHION/OVERHEAD BUNK/REAR - 27"X80"X5" (W23, W24)                      |
|     | 157657-B4-W25 | EA  | COVER - CUSHION/OVERHEAD BUNK/REAR - 27"X80"X5" (W25, W26)                      |
| 3   | 101034-78-W21 | EA  | CURTAIN - PRIVACY - 16" X 25" (W21, W22)  |
| 3   | 101034-77-W23 | EA  | CURTAIN - PRIVACY - 16" X 25" (W23, W24)  |
| 3   | 101034-77-W25 | EA  | CURTAIN - PRIVACY - 16" X 25" (W25, W26)  |
|     | 156172-03-01A | EA  | TRACK/WALL - 21" - BONE   |
|     | 156172-04-01A | EA  | END CAP - WALL TRACK - CLEAR  |
| 4   | 076892-36-W21 | EA  | CURTAIN - CAB PRIVACY - 47.5" X 74" (W21, W22)                                  |
| 4   | 076892-36-W23 | EA  | CURTAIN - CAB PRIVACY - 47.5" X 74" (W23, W24)                                  |
| 4   | 076892-36-W25 | EA  | CURTAIN - CAB PRIVACY - 47.5" X 74" (W25, W26)                                  |
| 4   | 076892-41-W21 | EA  | CURTAIN - CAB PRIVACY - 47.5" X 74" (W21, W22) - CAB OVER ENTERTAINMENT CENTER  |
| 4   | 076892-41-W23 | EA  | CURTAIN - CAB PRIVACY - 47.5" X 74" (W23, W24) - CAB OVER ENTERTAINMENT CENTER  |
| 4   | 076892-41-W25 | EA  | CURTAIN - CAB PRIVACY - 47.5" X 74" (W25, W26) - CAB OVER ENTERTAINMENT CENTER  |
| 5   | 101668-80-W21 | EA  | CURTAIN - TAPE TOP - 27" X 90" (W21, W22)                                       |
| 5   | 101668-80-W23 | EA  | CURTAIN - TAPE TOP - 27" X 90" (W23, W24)                                       |
| 5   | 101668-80-W25 | EA  | CURTAIN - TAPE TOP - 27" X 90" (W25, W26)                                       |
| 5   | 073260-23-W21 | EA  | TIEBACK - 3" X 18" (W21, W22)   |
| 5   | 073260-23-W23 | EA  | TIEBACK - 3" X 18" (W23, W24)   |
| 5   | 073260-23-W25 | EA  | TIEBACK - 3" X 18" (W25, W26)   |
|     | 105450-15-01A | EA  | TRACK - CURTAIN - 82.3" - OFF WHITE   |
| 6   | 101034-80-W21 | EA  | CURTAIN - PRIVACY - 19.5" X 34" (W21, W22)                                      |
| 6   | 101034-79-W23 | EA  | CURTAIN - PRIVACY - 19.5" X 34" (W23, W24)                                      |
| 6   | 101034-79-W25 | EA  | CURTAIN - PRIVACY - 19.5" X 34" (W25, W26)                                      |
|     | 156172-02-01A | EA  | TRACK/WALL - 32" - BONE   |
|     | 156172-04-01A | EA  | END CAP - WALL TRACK - CLEAR  |

**CURTAIN & CUSHION GROUP (CONTINUED)**  
**CURTAIN, CUSHION LAYOUT (CONTINUED)**

| <b>KEY</b> | <b>PART NUMBER</b> | <b>U/M</b> | <b>DESCRIPTION</b>  |
|------------|--------------------|------------|---|
| 7          | 158708-03-W41      | EA         | COVER - BACK (W21, W22, W23, W24) - <b>ULTRALEATHER</b>                     |
| 7          | 158708-03-W49      | EA         | COVER - BACK (W25, W26) - <b>ULTRALEATHER</b>                               |
| 7          | 159513-03-W21      | EA         | COVER - BACK (W21, W22, W23, W24) - <b>ULTRALEATHER, CHEVY</b>              |
| 7          | 159513-03-W25      | EA         | COVER - BACK (W25, W26) - <b>ULTRALEATHER, CHEVY</b>                        |
| 8          | 158708-04-W41      | EA         | COVER - SEAT (W21, W22, W23, W24) - <b>ULTRALEATHER</b>                     |
| 8          | 158708-04-W49      | EA         | COVER - SEAT (W25, W26) - <b>ULTRALEATHER</b>                               |
| 8          | 159513-04-W21      | EA         | COVER - SEAT (W21, W22, W23, W24) - <b>ULTRALEATHER, CHEVY</b>              |
| 8          | 159513-04-W25      | EA         | COVER - SEAT (W25, W26) - <b>ULTRALEATHER, CHEVY</b>                        |
| 9          | 158708-05-W41      | EA         | COVER - ARMREST/DRIVER (W21, W22, W23, W24) - <b>ULTRALEATHER</b>           |
| 9          | 158708-05-W49      | EA         | COVER - ARMREST/DRIVER (W25, W26) - <b>ULTRALEATHER</b>                     |
| 9          | 159513-05-W21      | EA         | COVER - ARMREST/DRIVER (W21, W22, W23, W24) - <b>ULTRALEATHER, CHEVY</b>    |
| 9          | 159513-05-W25      | EA         | COVER - ARMREST/DRIVER (W25, W26) - <b>ULTRALEATHER, CHEVY</b>              |
| 10         | 158708-07-W41      | EA         | COVER - SEAT (W21, W22, W23, W24) - <b>ULTRALEATHER</b>                     |
| 10         | 158708-07-W49      | EA         | COVER - SEAT (W25, W26) - <b>ULTRALEATHER</b>                               |
| 10         | 159513-04-W21      | EA         | COVER - SEAT (W21, W22, W23, W24) - <b>ULTRALEATHER, CHEVY</b>              |
| 10         | 159513-04-W25      | EA         | COVER - SEAT (W25, W26) - <b>ULTRALEATHER, CHEVY</b>                        |
| 11         | 158708-06-W41      | EA         | COVER - ARMREST/PASSENGER (W21, W22, W23, W24) - <b>ULTRALEATHER</b>        |
| 11         | 158708-06-W49      | EA         | COVER - ARMREST/PASSENGER (W25, W26) - <b>ULTRALEATHER</b>                  |
| 11         | 159513-06-W21      | EA         | COVER - ARMREST/PASSENGER (W21, W22, W23, W24) - <b>ULTRALEATHER, CHEVY</b> |
| 11         | 159513-06-W25      | EA         | COVER - ARMREST/PASSENGER (W25, W26) - <b>ULTRALEATHER, CHEVY</b>           |

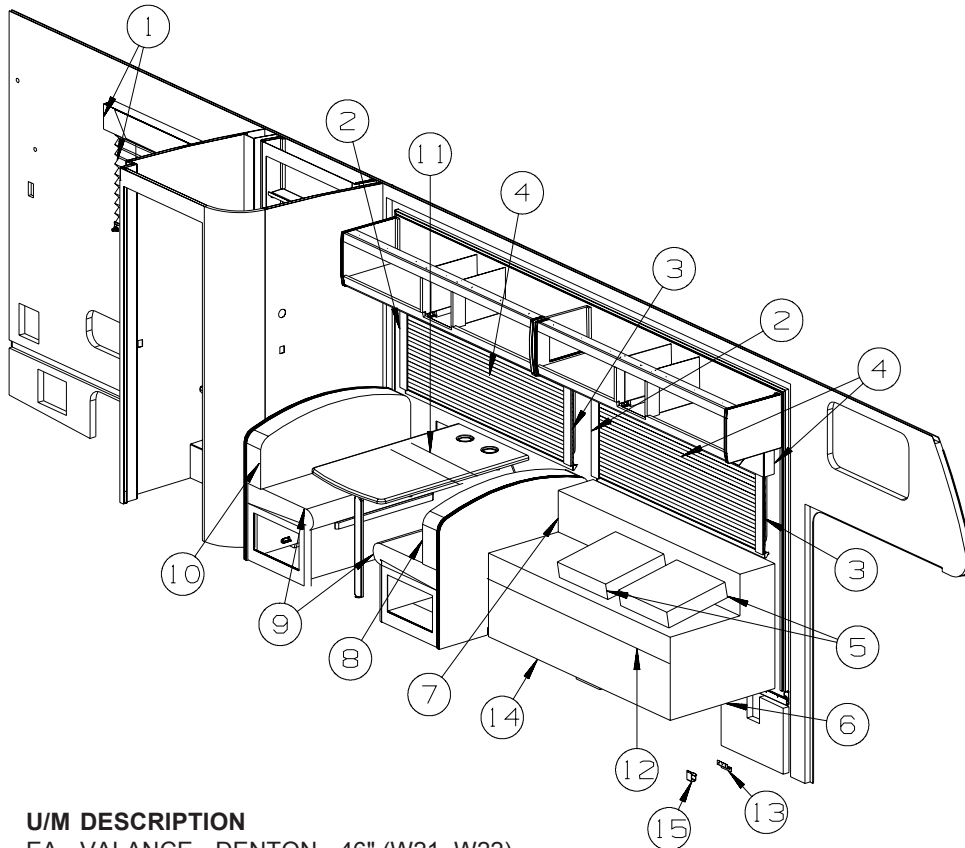
**CURTAIN & CUSHION GROUP (CONTINUED)**  
**CURTAIN, CUSHION LAYOUT (CONTINUED)**



| KEY | PART NUMBER   | U/M | DESCRIPTION   |
|-----|---------------|-----|---|
| 1   | 153643-56-W21 | EA  | VALANCE - MODERATE - 10" X 29" (W21, W22)<br>FROM: 00-00-00 THRU: 05-28-07      |
| 1   | 153643-70-W21 | EA  | VALANCE - MODERATE - 10" X 29" (W21, W22)<br>FROM: 05-29-07 THRU: 99-99-99      |
| 1   | 153643-56-W23 | EA  | VALANCE - MODERATE - 10" X 29" (W23, W24)<br>FROM: 00-00-00 THRU: 05-28-07      |
| 1   | 153643-70-W23 | EA  | VALANCE - MODERATE - 10" X 29" (W23, W24)<br>FROM: 05-29-07 THRU: 99-99-99      |
| 1   | 153643-82-W25 | EA  | VALANCE - MODERATE - 10" X 30" (W25, W26)<br>FROM: 00-00-00 THRU: 05-28-07      |
| 1   | 153643-87-W25 | EA  | VALANCE - MODERATE - 29" (W25, W26)<br>FROM: 05-29-07 THRU: 99-99-99            |
|     | 105648-01-02A | EA  | BRACE - VALANCE - 14" - OFF WHITE<br>FROM: 05-29-07 THRU: 99-99-99              |
| 1   | 084755-57-P37 | EA  | SHADE - PULL - 27.25"   |
|     | 084434-01-000 | EA  | BRACKET - MOUNTING - ROLLER SHADE - 1 3/8"                                      |
| 2   | 158006-18-W21 | EA  | VALANCE - DENTON - 46" (W21, W22)   |
| 2   | 158006-18-W23 | EA  | VALANCE - DENTON - 46" (W23, W24)   |
| 2   | 158006-28-W25 | EA  | VALANCE - DENTON - 46" (W25, W26)   |
| 2   | 109041-90-02A | EA  | BLIND - MINI - 44" X 18"  |
|     | 162496-01-01A | EA  | BRACKET/BLIND - LEFT SIDE WHEN FACING WINDOW - CLEAR                            |
|     | 162496-02-01A | EA  | BRACKET/BLIND - RIGHT SIDE WHEN FACING WINDOW - CLEAR                           |
|     | 102555-03-000 | EA  | BRACKET - (CLEAT TYPE) - F/BLIND HOLDOWN - MILKY WHITE                          |
|     | 109441-01-000 | EA  | BRACKET/HOOK - BLIND HOLD DOWN - LARGE - CLEAR                                  |
|     | 109353-04-000 | EA  | CLIP - VALANCE SLAT MOUNTING - CLEAR PLASTIC                                    |
| 3   | 158006-07-W21 | EA  | VALANCE - DENTON - 46" (W21, W22)   |
| 3   | 158006-07-W23 | EA  | VALANCE - DENTON - 46" (W23, W24)   |
| 3   | 158006-06-W25 | EA  | VALANCE - DENTON - 46" (W25, W26)   |
|     | 160457-01-01A | EA  | BRACE - VALANCE - L-SHAPED - 20" - OFF WHITE                                    |
| 3   | 157506-04-W21 | EA  | BLIND - PLEATED - 43" X 28" (W21, W22)  |
| 3   | 157506-04-W23 | EA  | BLIND - PLEATED - 43" X 28" (W23, W24, W25, W26)                                |
| 3   | 140789-02-W21 | EA  | BLIND - DAY/NIGHTER - 43" X 28" (W21, W22) - INTERIOR UPGRADE PACKAGE           |
| 3   | 140789-02-W57 | EA  | BLIND - DAY/NIGHTER - 43" X 28" (W23, W24, W25, W26) - INTERIOR UPGRADE PACKAGE |
|     | 097565-01-000 | EA  | BRACKET - MOUNTING - PLEATED BLIND  |

**CURTAIN & CUSHION GROUP (CONTINUED)**  
**CURTAIN, CUSHION LAYOUT (CONTINUED)**

| KEY | PART NUMBER   | U/M | DESCRIPTION  |
|-----|---------------|-----|--|
| 4   | 158006-05-W21 | EA  | VALANCE - DENTON - 54" (W21, W22)  |
| 4   | 158006-05-W23 | EA  | VALANCE - DENTON - 54" (W23, W24)  |
| 4   | 158006-04-W25 | EA  | VALANCE - DENTON - 54" (W25, W26)  |
| 4   | 157506-07-W21 | EA  | BLIND - PLEATED - 51" X 27" (W21, W22)   |
| 4   | 157506-07-W23 | EA  | BLIND - PLEATED - 51" X 27" (W23, W24, W25, W26)                                       |
| 4   | 140789-03-W21 | EA  | BLIND - DAY/NIGHTER - 51" X 27" (W21, W22) - <b>INTERIOR UPGRADE PACKAGE</b>           |
| 4   | 140789-03-W23 | EA  | BLIND - DAY/NIGHTER - 51" X 27" (W23, W24, W25, W26) - <b>INTERIOR UPGRADE PACKAGE</b> |
|     | 097565-01-000 | EA  | BRACKET - MOUNTING - PLEATED BLIND   |
| 5   | 163013-02-W21 | EA  | PILLOW - W/SHAM (W21, W22)   |
| 5   | 163013-02-W23 | EA  | PILLOW - W/SHAM (W23, W24)   |
| 5   | 163013-01-W25 | EA  | PILLOW - W/SHAM (W25, W26)   |
| 6   | 163088-05-W21 | EA  | BEDSPREAD/CAP - 60" X 75" (W21, W22)   |
| 6   | 163088-05-W23 | EA  | BEDSPREAD/CAP - 60" X 75" (W23, W24)   |
| 6   | 163088-01-W25 | EA  | BEDSPREAD/CAP - 60" X 75" (W25, W26)   |



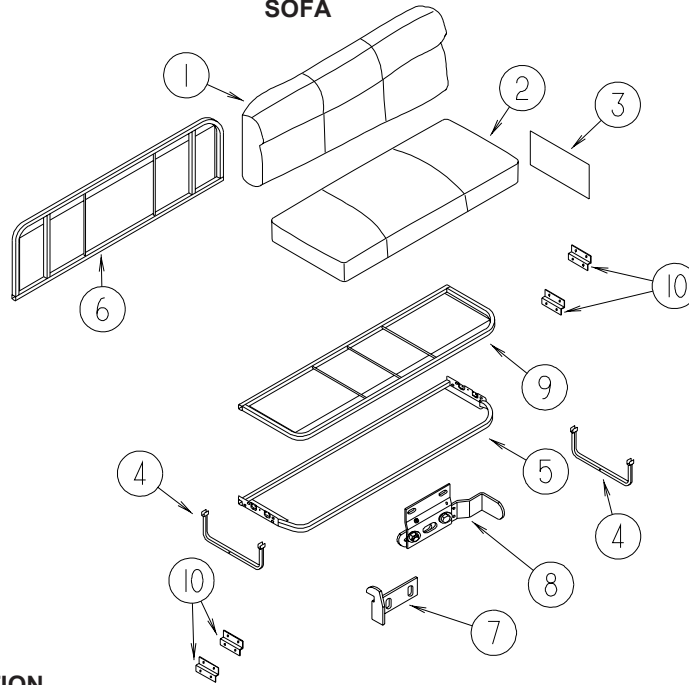
| KEY | PART NUMBER   | U/M | DESCRIPTION  |
|-----|---------------|-----|--|
| 1   | 158006-07-W21 | EA  | VALANCE - DENTON - 46" (W21, W22)  |
| 1   | 158006-07-W23 | EA  | VALANCE - DENTON - 46" (W23, W24)  |
| 1   | 158006-06-W25 | EA  | VALANCE - DENTON - 46" (W25, W26)  |
|     | 160457-01-01A | EA  | BRACE - VALANCE - L-SHAPED - 20" - OFF WHITE   |
| 1   | 157506-04-W21 | EA  | BLIND - PLEATED - 43" X 28" (W21, W22)   |
| 1   | 157506-04-W23 | EA  | BLIND - PLEATED - 43" X 28" (W23, W24, W25, W26)                                       |
| 1   | 140789-02-W21 | EA  | BLIND - DAY/NIGHTER - 43" X 28" (W21, W22) - <b>INTERIOR UPGRADE PACKAGE</b>           |
| 1   | 140789-02-W57 | EA  | BLIND - DAY/NIGHTER - 43" X 28" (W23, W24, W25, W26) - <b>INTERIOR UPGRADE PACKAGE</b> |
| 2   | 152445-14-U55 | EA  | LEG - LEFT - 25" (W21, W22)  |
| 2   | 152445-14-W23 | EA  | LEG - LEFT - 25" (W23, W24)  |
| 2   | 152445-02-W25 | EA  | LEG - LEFT - 25" (W25, W26)  |
|     | 154316-01-01A | EA  | BRACE/ANGLE - W/HOLE - CASHMERE  |
| 3   | 152445-13-U55 | EA  | LEG - RIGHT - 25" (W21, W22)   |
| 3   | 152445-13-W23 | EA  | LEG - RIGHT - 25" (W23, W24)   |
| 3   | 152445-01-W25 | EA  | LEG - RIGHT - 25" (W25, W26)   |
|     | 154316-01-01A | EA  | BRACE/ANGLE - W/HOLE - CASHMERE  |

**CURTAIN & CUSHION GROUP (CONTINUED)**  
**CURTAIN, CUSHION LAYOUT (CONTINUED)**

| KEY | PART NUMBER   | U/M | DESCRIPTION   |
|-----|---------------|-----|---|
| 4   | 158006-01-W21 | EA  | VALANCE - DENTON - 63" (W21, W22)   |
| 4   | 158006-01-W23 | EA  | VALANCE - DENTON - 63" (W23, W24)   |
| 4   | 158006-27-W25 | EA  | VALANCE - DENTON - 63" (W25, W26)   |
| 4   | 157506-02-W21 | EA  | BLIND - PLEATED - 59" X 26.5" (W21, W22)  |
| 4   | 157506-02-W23 | EA  | BLIND - PLEATED - 59" X 26.5" (W23, W24, W25, W26)                                |
| 4   | 140789-08-W39 | EA  | BLIND - DAY/NIGHTER - 59" X 26.5" (W21, W22) - INTERIOR UPGRADE PACKAGE           |
| 4   | 140789-08-W37 | EA  | BLIND - DAY/NIGHTER - 59" X 26.5" (W23, W24, W25, W26) - INTERIOR UPGRADE PACKAGE |
|     | 097565-01-000 | EA  | BRACKET - MOUNTING - PLEATED BLIND  |
| 5   | 157810-15-W21 | EA  | PILLOW - 17" X 17" (W21, W22) - INTERIOR UPGRADE PACKAGE                          |
| 5   | 157810-15-W23 | EA  | PILLOW - 17" X 17" (W23, W24) - INTERIOR UPGRADE PACKAGE                          |
| 5   | 157810-15-W25 | EA  | PILLOW - 17" X 17" (W25, W26) - INTERIOR UPGRADE PACKAGE                          |
| 6   | 134282-39-W21 | EA  | FLAP/COUCH END - SOFA/BED - W/VELCRO (W21, W22)                                   |
| 6   | 134282-39-W23 | EA  | FLAP/COUCH END - SOFA/BED - W/VELCRO (W23, W24)                                   |
| 6   | 134282-39-W25 | EA  | FLAP/COUCH END - SOFA/BED - W/VELCRO (W25, W26)                                   |
| 7   | 149804-02-W21 | EA  | BACK - SOFA/BED - 66.5" (W21, W22)  |
| 7   | 149804-02-W23 | EA  | BACK - SOFA/BED - 66.5" (W23, W24)  |
| 7   | 149804-10-W25 | EA  | BACK - SOFA/BED - 66.5" (W25, W26)  |
|     | P49804-02-W21 | EA  | COVER - BACK - SOFA/BED - 66.5" (W21, W22)  |
|     | P49804-02-W23 | EA  | COVER - BACK - SOFA/BED - 66.5" (W23, W24)  |
|     | P49804-10-W25 | EA  | COVER - BACK - SOFA/BED - 66.5" (W25, W26)  |
|     | 114763-08-000 | EA  | FRAME - FORWARD FACING LEGS   |
| 8   | 153071-37-W21 | EA  | CUSHION/DINETTE - BACK/RH - 15" X 44" X 5" (W21, W22)                             |
| 8   | 153071-37-W23 | EA  | CUSHION/DINETTE - BACK/RH - 15" X 44" X 5" (W23, W24)                             |
| 8   | 153071-37-W25 | EA  | CUSHION/DINETTE - BACK/RH - 15" X 44" X 5" (W25, W26)                             |
|     | P53071-37-W21 | EA  | COVER/BACK/RIGHT - 15" X 44" X 5" (W21, W22)                                      |
|     | P53071-37-W23 | EA  | COVER/BACK/RIGHT - 15" X 44" X 5" (W23, W24)                                      |
|     | P53071-37-W25 | EA  | COVER/BACK/RIGHT - 15" X 44" X 5" (W25, W26)                                      |
| 9   | 153671-13-W21 | EA  | CUSHION - SEAT - 23" X 44" X 5" (W21, W22)  |
| 9   | 153671-13-W23 | EA  | CUSHION - SEAT - 23" X 44" X 5" (W23, W24)  |
| 9   | 153671-13-W25 | EA  | CUSHION - SEAT - 23" X 44" X 5" (W25, W26)  |
|     | 153671-B3-W21 | EA  | COVER/CUSHION - SEAT - 23" X 44" X 5" (W21, W22)                                  |
|     | 153671-B3-W23 | EA  | COVER/CUSHION - SEAT - 23" X 44" X 5" (W23, W24)                                  |
|     | 153671-B3-W25 | EA  | COVER/CUSHION - SEAT - 23" X 44" X 5" (W25, W26)                                  |
| 10  | 153071-38-W21 | EA  | CUSHION/DINETTE - BACK/LH - 15" X 44" X 5" (W21, W22)                             |
| 10  | 153071-38-W23 | EA  | CUSHION/DINETTE - BACK/LH - 15" X 44" X 5" (W23, W24)                             |
| 10  | 153071-38-W25 | EA  | CUSHION/DINETTE - BACK/LH - 15" X 44" X 5" (W25, W26)                             |
|     | P53071-38-W21 | EA  | COVER/BACK/LEFT - 15" X 44" X 5" (W21, W22)                                       |
|     | P53071-38-W23 | EA  | COVER/BACK/LEFT - 15" X 44" X 5" (W23, W24)                                       |
|     | P53071-38-W25 | EA  | COVER/BACK/LEFT - 15" X 44" X 5" (W25, W26)                                       |
| 11  | 157487-04-W21 | EA  | CUSHION - FILLER - 7" X 21" X 5" (W21, W22)                                       |
| 11  | 157487-04-W23 | EA  | CUSHION - FILLER - 7" X 21" X 5" (W23, W24)                                       |
| 11  | 157487-05-W25 | EA  | CUSHION - FILLER - 7" X 21" X 5" (W25, W26)                                       |
|     |               |     | FROM: 00-00-00 THRU: 10-21-07   |
| 11  | 157487-04-W25 | EA  | CUSHION - FILLER - 7" X 21" X 5" (W25, W26)                                       |
|     |               |     | FROM: 10-22-07 THRU: 99-99-99   |
|     | 157487-A4-W21 | EA  | COVER/CUSHION - FILLER - 7" X 21" X 5" (W21, W22)                                 |
|     | 157487-A4-W23 | EA  | COVER/CUSHION - FILLER - 7" X 21" X 5" (W23, W24)                                 |
|     | 157487-A5-W25 | EA  | COVER/CUSHION - FILLER - 7" X 21" X 5" (W25, W26)                                 |
|     |               |     | FROM: 00-00-00 THRU: 10-21-07   |
|     | 157487-A4-W25 | EA  | COVER/CUSHION - FILLER - 7" X 21" X 5" (W25, W26)                                 |
|     |               |     | FROM: 10-22-07 THRU: 99-99-99   |
| 12  | 149812-02-W21 | EA  | SEAT - SOFA/BED - 66.5" (W21, W22)  |
| 12  | 149812-02-W23 | EA  | SEAT - SOFA/BED - 66.5" (W23, W24)  |
| 12  | 149812-02-W25 | EA  | SEAT - SOFA/BED - 66.5" (W25, W26)  |
|     | P49812-02-W21 | EA  | COVER - SEAT - SOFA/BED - 66.5" (W21, W22)  |
|     | P49812-02-W23 | EA  | COVER - SEAT - SOFA/BED - 66.5" (W23, W24)  |
|     | P49812-02-W25 | EA  | COVER - SEAT - SOFA/BED - 66.5" (W25, W26)  |
| 13  | 116104-04-02B | EA  | BRACKET - ZEE W/HOLES - 3.2" - E-COATED   |
| 14  | 159380-03-W21 | EA  | PANEL/FRONT KICK - SOFA - 66.4" X 12.5" (W21, W22)                                |
| 14  | 159380-03-W23 | EA  | PANEL/FRONT KICK - SOFA - 66.4" X 12.5" (W23, W24)                                |
| 14  | 159380-03-W25 | EA  | PANEL/FRONT KICK - SOFA - 66.4" X 12.5" (W25, W26)                                |
| 15  | 121906-01-02B | EA  | BRACKET - KICKBOARD - E-COATED  |

## CURTAIN & CUSHION GROUP (CONTINUED)

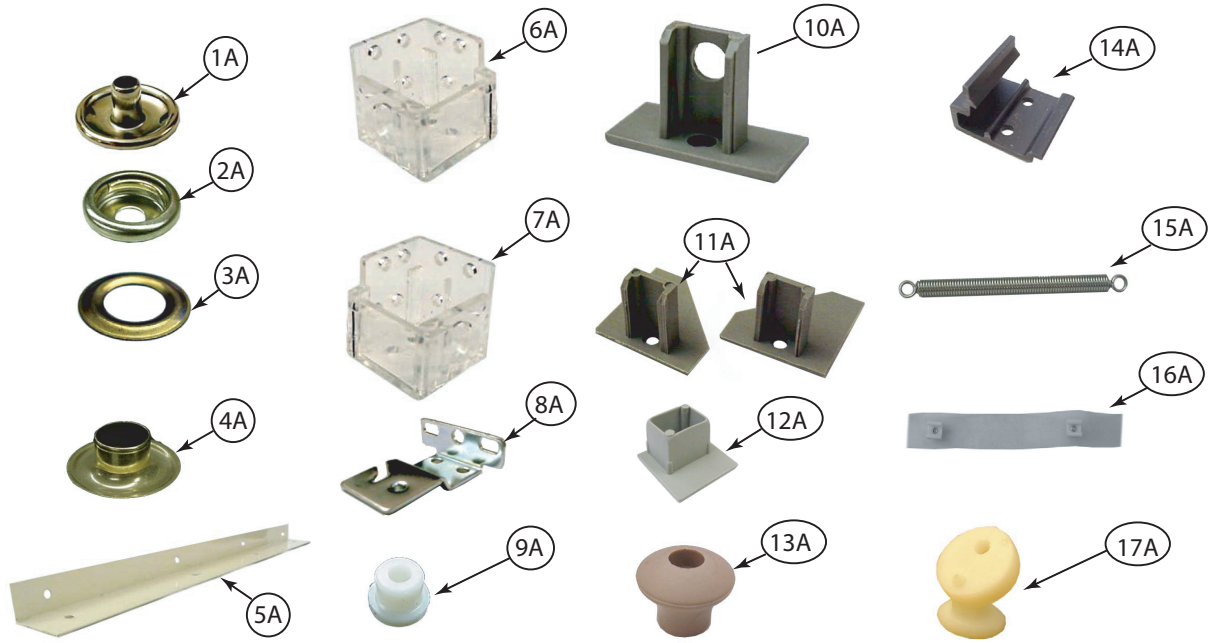
### SOFA



| KEY | PART NUMBER   | U/M | DESCRIPTION                                |
|-----|---------------|-----|--|
| 1   | 149804-02-W21 | EA  | BACK - SOFA/BED - 66.5" (W21, W22)         |
| 1   | 149804-02-W23 | EA  | BACK - SOFA/BED - 66.5" (W23, W24)         |
| 1   | 149804-10-W25 | EA  | BACK - SOFA/BED - 66.5" (W25, W26)         |
|     | P49804-02-W21 | EA  | COVER - BACK - SOFA/BED - 66.5" (W21, W22) |
|     | P49804-02-W23 | EA  | COVER - BACK - SOFA/BED - 66.5" (W23, W24) |
|     | P49804-10-W25 | EA  | COVER - BACK - SOFA/BED - 66.5" (W25, W26) |
| 2   | 149812-02-W21 | EA  | SEAT - SOFA/BED - 66.5" (W21, W22)         |
| 2   | 149812-02-W23 | EA  | SEAT - SOFA/BED - 66.5" (W23, W24)         |
| 2   | 149812-02-W25 | EA  | SEAT - SOFA/BED - 66.5" (W25, W26)         |
|     | P49812-02-W21 | EA  | COVER - SEAT - SOFA/BED - 66.5" (W21, W22) |
|     | P49812-02-W23 | EA  | COVER - SEAT - SOFA/BED - 66.5" (W23, W24) |
|     | P49812-02-W25 | EA  | COVER - SEAT - SOFA/BED - 66.5" (W25, W26) |
| 3   | NOT USED      |     |  |
| 4   | 114763-08-000 | EA  | FRAME - FORWARD FACING LEGS W/BRACE        |
| 5   | 101085-03-000 | EA  | FRAME - BASE - SOFA/BED - 66.5"            |
| 6   | 101085-09-000 | EA  | FRAME - BACK - SOFA/BED - 66.5" X 16"      |
| 7   | NOT USED      |     |  |
| 8   | NOT USED      |     |  |
| 9   | 101085-01-000 | EA  | FRAME - SEAT - SOFA/BED - 66.5"            |
| 10  | NOT USED      |     |  |

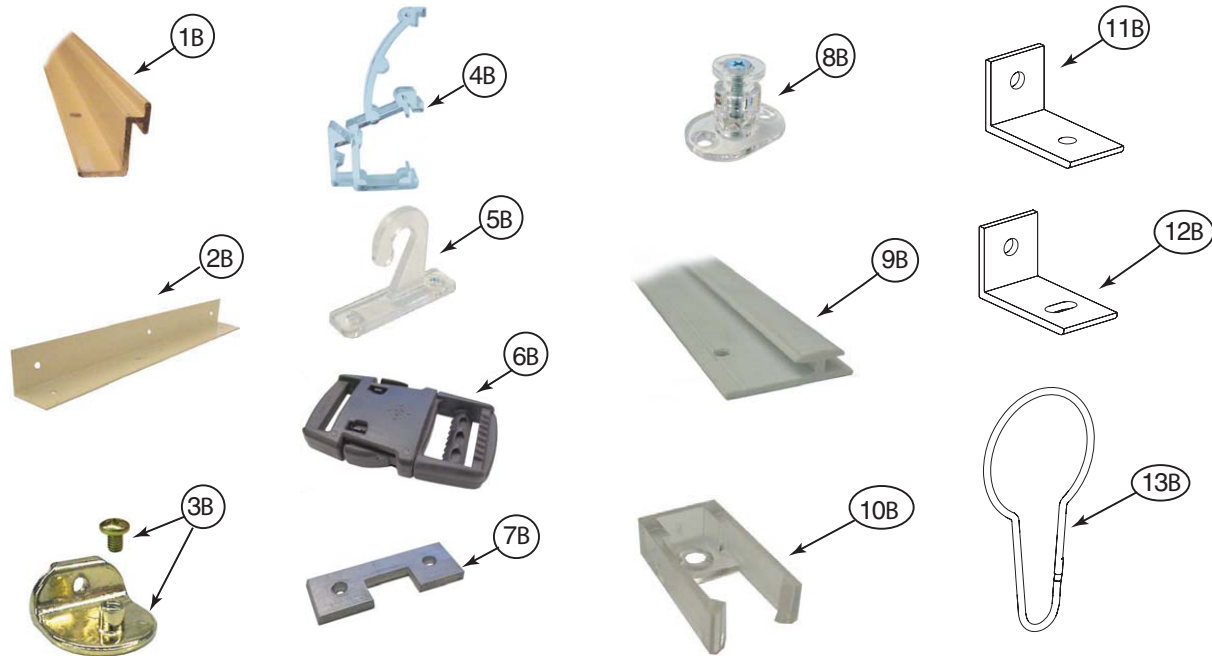


## CURTAIN & CUSHION GROUP (CONTINUED) HARDWARE



| KEY | PART NUMBER   | U/M | DESCRIPTION  |
|-----|---------------|-----|--|
| 1A  | 029155-01-000 | EA  | CAP - SNAP - 5/32" OUTSIDE DIAMETER OF PIN             |
| 2A  | 029156-01-000 | EA  | SOCKET - SNAP - 9/16" O.D.                             |
| 3A  | 046867-05-000 | EA  | WASHER - #0  |
| 4A  | 046867-04-000 | EA  | GROMMET - #0   |
| 5A  | 160457-01-01A | EA  | BRACE - VALANCE - L-SHAPED - 20" - OFF WHITE           |
| 6A  | 162496-01-01A | EA  | BRACKET/BLIND - LEFT SIDE WHEN FACING WINDOW - CLEAR   |
| 7A  | 162496-02-01A | EA  | BRACKET/BLIND - RIGHT SIDE WHEN FACING WINDOW - CLEAR  |
| 8A  | 084434-01-000 | EA  | BRACKET - MOUNTING - ROLLER SHADE - 1 3/8"             |
| 9A  | 094896-02-000 | EA  | GROMMET - CORD/PLEATED BLIND - NYLON - GRAY            |
| 10A | 094907-02-000 | EA  | END CAP - PLEATED BLIND/TOP - RH/LH - GRAY PLASTIC     |
| 11A | 094907-04-000 | EA  | END CAP - PLEATED BLIND/BOTTOM - RH/LH                 |
| 12A | 094907-09-000 | EA  | END CAP/BLIND - CENTER RAIL - RH/LH                    |
| 13A | 097564-03-000 | EA  | HANDLE - KNOB - E-Z LIFT SHADE - TAN                   |
| 14A | 097565-01-000 | EA  | BRACKET - MOUNTING - PLEATED BLIND                     |
| 15A | 155748-01-000 | EA  | SPRING - EXTENSION - DAY/NIGHTER BLIND                 |
| 16A | 101031-01-000 | YD  | TAPE/GLIDE - 4.25" SPACING                             |
| 17A | 102555-03-000 | EA  | BRACKET - (CLEAT TYPE) - F/BLIND HOLDOWN - MILKY WHITE |

**CURTAIN & CUSHION GROUP (CONTINUED)**  
**HARDWARE (CONTINUED)**



| KEY | PART NUMBER   | U/M | DESCRIPTION   |
|-----|---------------|-----|---|
| 1B  | 105450-14-01A | EA  | TRACK - CURTAIN - 90" - OFF WHITE                         |
| 2B  | 105648-01-02A | EA  | BRACE - VALANCE - 14" - OFF WHITE                         |
| 2B  | 105648-02-02A | EA  | BRACE - VALANCE - 8.5" - OFF WHITE                        |
| 3B  | 106544-01-000 | EA  | PULL - SHADE/BRASS  |
| 3B  | 106544-01-001 | EA  | SCREW - SHADE/BRASS                                       |
| 3B  | 106544-02-000 | EA  | PULL-SHADE - NICKEL                                       |
| 4B  | 109353-04-000 | EA  | CLIP - VALANCE SLAT MOUNTING - CLEAR PLASTIC              |
| 5B  | 109441-01-000 | EA  | BRACKET/HOOK - BLIND HOLD DOWN - LARGE - CLEAR            |
|     | 109441-02-000 | EA  | SPACER/BRACKET - BLIND HOLD DOWN                          |
| 6B  | 129491-01-000 | EA  | CATCH - SNAP HOOK - 1"                                    |
| 7B  | 130549-01-01A | EA  | STOP - CURTAIN TRACK                                      |
| 8B  | 141634-01-000 | EA  | BRACKET-(BOBBIN TYPE) 7/8"H HOLDUPBASE(OVAL)-2 HOLE-CLEAR |
| 9B  | 156172-02-01A | EA  | TRACK/WALL - 32" - BONE                                   |
| 9B  | 156172-03-01A | EA  | TRACK/WALL - 21" - BONE                                   |
| 10B | 156172-04-01A | EA  | END CAP - WALL TRACK - CLEAR                              |
| 11B | 154316-01-01A | EA  | BRACE/ANGLE - W/HOLE - CASHMERE                           |
| 12B | 154316-02-01A | EA  | BRACE/ANGLE - W/SLOT - CASHMERE                           |
| 13B | 159702-01-01A | EA  | HOOK/RING - CURTAIN/SHOWER - NICKEL                       |

**ACCESSORIES**

| KEY | PART NUMBER   | U/M | DESCRIPTION   |
|-----|---------------|-----|---|
|     | 118337-15-W21 | EA  | BUTTON - #60 - FABRIC COVERED (W21, W22)<br>FROM: 00-00-00 THRU: 05-20-07 |
|     | 159676-07-W21 | EA  | BUTTON - #60 - FABRIC COVERED (W21, W22)<br>FROM: 05-21-07 THRU: 99-99-99 |
|     | 118337-15-W23 | EA  | BUTTON - #60 - FABRIC COVERED (W23, W24)<br>FROM: 00-00-00 THRU: 05-20-07 |
|     | 159676-07-W23 | EA  | BUTTON - #60 - FABRIC COVERED (W23, W24)<br>FROM: 05-21-07 THRU: 99-99-99 |
|     | 118337-15-W25 | EA  | BUTTON - #60 - FABRIC COVERED (W25, W26)<br>FROM: 00-00-00 THRU: 05-20-07 |
|     | 159676-07-W25 | EA  | BUTTON - #60 - FABRIC COVERED (W25, W26)<br>FROM: 05-21-07 THRU: 99-99-99 |
|     | 074494-04-000 | EA  | BUTTON - JOINED/PIVOT - W 3/4 TACK  |

## CURTAIN & CUSHION GROUP (CONTINUED)

### FABRICS

#### W21, W22

113979-09-01A CARPET-HEADLINER (SY) - CEILING  
FROM: 00-00-00 THRU: 01-13-08

113979-09-02A CARPET-HEADLINER (SY) - CEILING  
FROM: 01-14-08 THRU: 99-99-99

113979-10-01A CARPET-HEADLINER - SLDOUT (SY) - CEILING  
FROM: 00-00-00 THRU: 01-13-08

113979-10-02A CARPET-HEADLINER - SLDOUT (SY) - CEILING  
FROM: 01-14-08 THRU: 99-99-99

113979-11-01A CARPET-HEADLINER - SLDOUT (SY) - CEILING  
FROM: 00-00-00 THRU: 01-13-08

113979-11-02A CARPET-HEADLINER - SLDOUT (SY) - CEILING  
FROM: 01-14-08 THRU: 99-99-99

113979-16-01A CARPET - HEADLINER - 52" WIDE SLIDEOUT - CEILING  
FROM: 00-00-00 THRU: 01-13-08

113979-16-02A CARPET - HEADLINER - 52" WIDE SLIDEOUT - CEILING  
FROM: 01-14-08 THRU: 99-99-99

137813-M4-000 FABRIC - DRAPERY, MAIN

148797-R5-000 FABRIC - UPHOLSTERY, MAIN

148797-CM-000 FABRIC - UPHOLSTERY, PLAIN ACCENT

148797-R7-000 FABRIC - UPHOLSTERY, ACCENT PATTERN

137813-M4-000 FABRIC - UPHOLSTERY, BEDSPREAD, MAIN

142523-19-000 FABRIC - UPHOLSTERY, ULTRALEATHER

137813-X5-000 FABRIC - UPHOLSTERY, BEDSPREAD, PATTERN ACCENT

148797-CM-000 FABRIC - HEADLINER, PADS, BUNKS, TRANSITION PANELS

072333-98-000 FABRIC - SPEAKER COVER

148797-CM-000 FABRIC - OVERHEAD CABINET, DINETTE, LOUNGE, BEDROOM

103907-01-01A VINYL - FILM DRAPERY - BUNK CUSHIONS

142523-08-000 VINYL - HEADLINERS, BUNKS, CAB AREA

#### W23, W24

113979-09-01A CARPET-HEADLINER (SY) - CEILING  
FROM: 00-00-00 THRU: 01-13-08

113979-09-02A CARPET-HEADLINER (SY) - CEILING  
FROM: 01-14-08 THRU: 99-99-99

113979-10-01A CARPET-HEADLINER - SLDOUT (SY) - CEILING  
FROM: 00-00-00 THRU: 01-13-08

113979-10-02A CARPET-HEADLINER - SLDOUT (SY) - CEILING  
FROM: 01-14-08 THRU: 99-99-99

113979-11-01A CARPET-HEADLINER - SLDOUT (SY) - CEILING  
FROM: 00-00-00 THRU: 01-13-08

113979-11-02A CARPET-HEADLINER - SLDOUT (SY) - CEILING  
FROM: 01-14-08 THRU: 99-99-99

113979-16-01A CARPET - HEADLINER - 52" WIDE SLIDEOUT - CEILING  
FROM: 00-00-00 THRU: 01-13-08

113979-16-02A CARPET - HEADLINER - 52" WIDE SLIDEOUT - CEILING  
FROM: 01-14-08 THRU: 99-99-99

156773-37-000 FABRIC - DRAPERY, MAIN

148797-AK-000 FABRIC - UPHOLSTERY, MAIN

148797-AL-000 FABRIC - UPHOLSTERY, PLAIN ACCENT

148797-AM-000 FABRIC - UPHOLSTERY, ACCENT PATTERN

156773-37-000 FABRIC - UPHOLSTERY, BEDSPREAD, MAIN

142523-19-000 FABRIC - UPHOLSTERY, ULTRALEATHER

148797-AM-000 FABRIC - UPHOLSTERY, BEDSPREAD, PATTERN ACCENT

148797-AL-000 FABRIC - HEADLINER, PADS, BUNKS, TRANSITION PANELS

072333-98-000 FABRIC - SPEAKER COVER

148797-AL-000 FABRIC - OVERHEAD CABINET, DINETTE, LOUNGE, BEDROOM

103907-01-01A VINYL - FILM DRAPERY - BUNK CUSHIONS

142523-08-000 VINYL - HEADLINERS, BUNKS, CAB AREA

**CURTAIN & CUSHION GROUP (CONTINUED)**  
**FABRICS (CONTINUED)**

**W25, W26**

113979-09-01A CARPET-HEADLINER (SY) - CEILING  
FROM: 00-00-00 THRU: 01-13-08

113979-09-02A CARPET-HEADLINER (SY) - CEILING  
FROM: 01-14-08 THRU: 99-99-99

113979-10-01A CARPET-HEADLINER - SLDOUT (SY) - CEILING  
FROM: 00-00-00 THRU: 01-13-08

113979-10-02A CARPET-HEADLINER - SLDOUT (SY) - CEILING  
FROM: 01-14-08 THRU: 99-99-99

113979-11-01A CARPET-HEADLINER - SLDOUT (SY) - CEILING  
FROM: 00-00-00 THRU: 01-13-08

113979-11-02A CARPET-HEADLINER - SLDOUT (SY) - CEILING  
FROM: 01-14-08 THRU: 99-99-99

113979-16-01A CARPET - HEADLINER - 52" WIDE SLIDEOUT - CEILING  
FROM: 00-00-00 THRU: 01-13-08

113979-16-02A CARPET - HEADLINER - 52" WIDE SLIDEOUT - CEILING  
FROM: 01-14-08 THRU: 99-99-99

156773-47-000 FABRIC - DRAPERY, MAIN

148797-CC-000 FABRIC - UPHOLSTERY, MAIN

148797-T2-000 FABRIC - UPHOLSTERY, PLAIN ACCENT

148797-AJ-000 FABRIC - UPHOLSTERY, ACCENT PATTERN

156773-47-000 FABRIC - UPHOLSTERY, BEDSPREAD, MAIN

142523-07-000 FABRIC - UPHOLSTERY, ULTRALEATHER

156773-47-000 FABRIC - UPHOLSTERY, BEDSPREAD, PATTERN ACCENT

148797-N7-000 FABRIC - HEADLINER, PADS, BUNKS, TRANSITION PANELS

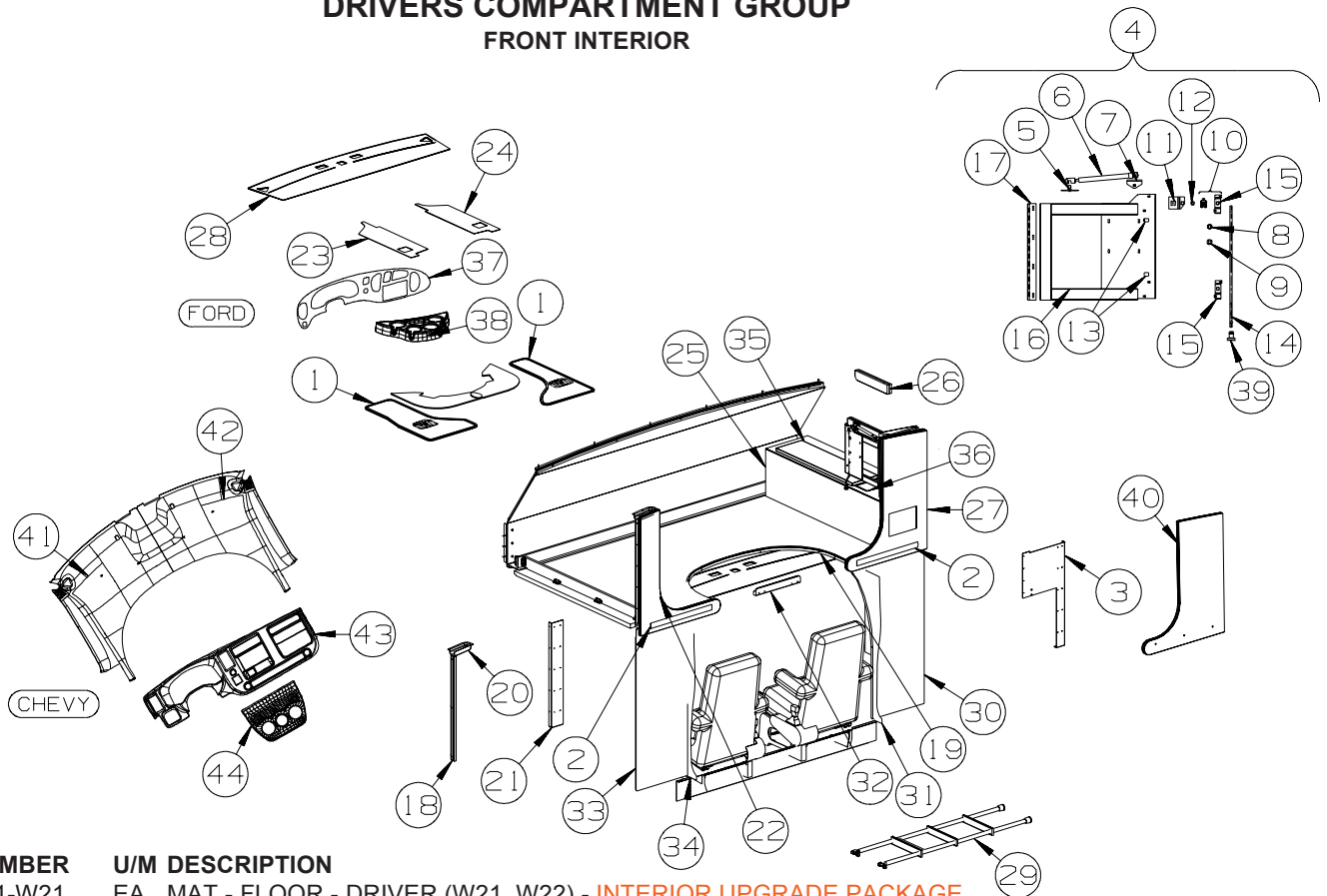
072333-98-000 FABRIC - SPEAKER COVER

148797-N7-000 FABRIC - OVERHEAD CABINET, DINETTE, LOUNGE, BEDROOM

103907-01-01A VINYL - FILM DRAPERY - BUNK CUSHIONS

142523-08-000 VINYL - HEADLINERS, BUNKS, CAB AREA

# DRIVERS COMPARTMENT GROUP FRONT INTERIOR

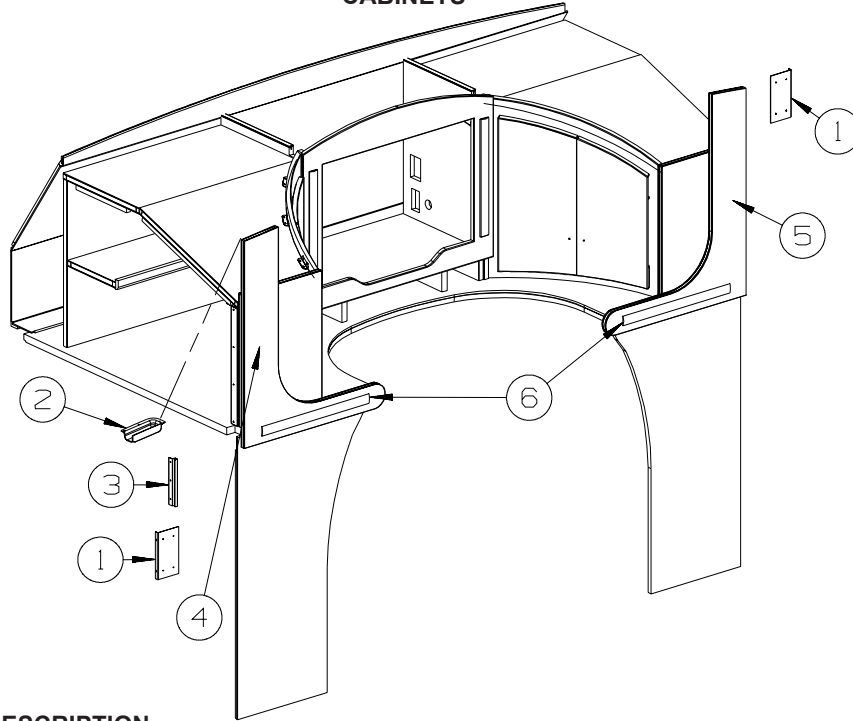


| KEY | PART NUMBER   | U/M | DESCRIPTION  |
|-----|---------------|-----|--|
| 1   | 163089-01-W21 | EA  | MAT - FLOOR - DRIVER (W21, W22) - <b>INTERIOR UPGRADE PACKAGE</b>              |
| 1   | 163089-01-W23 | EA  | MAT - FLOOR - DRIVER (W23, W24, W25, W26) - <b>INTERIOR UPGRADE PACKAGE</b>    |
| 1   | 163089-02-W21 | EA  | MAT - FLOOR - PASSENGER (W21, W22) - <b>INTERIOR UPGRADE PACKAGE</b>           |
| 1   | 163089-02-W23 | EA  | MAT - FLOOR - PASSENGER (W23, W24, W25, W26) - <b>INTERIOR UPGRADE PACKAGE</b> |
| 2   | M09525-61-U21 | EA  | MOLDING - TRIM/VEE - 1.5" X 20.6" - HONEY CHERRY                               |
| 2   | M09525-61-U22 | EA  | MOLDING - TRIM/VEE - 1.5" X 20.6" - WASHED MAPLE                               |
| 3   | 109709-09-03B | EA  | BRACKET - WINGWALL - OFF WHITE - PASSENGER SIDE                                |
| 3   | 109709-10-03B | EA  | BRACKET - WINGWALL - OFF WHITE - <b>ENTERTAINMENT CENTER-CABOVER</b>           |
| 4   | 159840-01-U21 | EA  | SUPPORT - TV - COMPLETE  |
|     |               |     | FROM: 00-00-00 THRU: 04-29-07  |
| 4   | 164660-01-W21 | EA  | SUPPORT - TV - COMPLETE  |
|     |               |     | FROM: 04-30-07 THRU: 99-99-99  |
| 5   | 126263-08-02B | EA  | BRACKET - GAS SPRING W/CENTERED BALL STUD - E-COATED                           |
| 6   | 142569-31-000 | EA  | SPRING/GAS - 30 LB - 11.8" EXTENDED/7.3" COMPRESSED                            |
| 7   | 126263-03-02B | EA  | BRACKET - GAS SPRING W/BALL STUD - E/COATED                                    |
| 8   | 150082-06-000 | EA  | NUT - F/TV LATCH-KEEPER  |
| 9   | 150082-07-000 | EA  | WASHER - F/TV LATCH-KEEPER   |
| 10  | 150082-02-000 | EA  | LATCH/TV - W/O KEEPER/BRACKET/ROD  |
| 11  | 150214-01-02B | EA  | BRACKET/KEEPER - TV/SWINGOUT - E-COATED  |
|     |               |     | FROM: 00-00-00 THRU: 04-01-07  |
| 11  | 150214-02-02B | EA  | BRACKET/KEEPER - TV/SWINGOUT - E-COATED  |
|     |               |     | FROM: 04-02-07 THRU: 99-99-99  |
| 12  | 150082-03-000 | EA  | KEEPER - W/O TV LATCH  |
| 13  | 099418-01-000 | FT  | SEAL - D-SECTION/ADHESIVE BACK - .44" X .44" - BLK RUBBER                      |
| 14  | 150082-08-000 | EA  | ROD - F/TV LATCH-KEEPER  |
| 15  | 150082-04-000 | EA  | BRACKET - F/TV LATCH-KEEPER  |
| 16  | 164661-01-02B | EA  | SUPPORT - TV - E-COATED  |
| 17  | 158921-02-01A | EA  | HINGE - PIANO - TRUNK DOOR - 2" X 12.6"  |
| 18  | 154189-01-02A | EA  | COVER/TRIM - WIRING - 29.5" - ALMOND   |
| 19  | 158191-01-01A | FT  | MOLDING-T - W/EDGE LIP - OFF WHITE   |
| 20  | 153474-01-11A | EA  | COVER/WIRE - SATELLITE RADIO - BRIGHT WHITE                                    |
| 20  | 154189-03-02A | EA  | COVER/TRIM - WIRING - 7.6" - ALMOND  |
| 21  | 109709-11-03B | EA  | BRACKET - WINGWALL - OFF WHITE   |
| 21  | 109709-10-03B | EA  | BRACKET - WINGWALL - OFF WHITE - <b>ENTERTAINMENT CENTER-CABOVER</b>           |
| 22  | 158629-03-U21 | EA  | PANEL - END CAP - HONEY CHERRY   |
| 22  | 158629-03-U22 | EA  | PANEL - END CAP - WASHED MAPLE   |
| 23  | 106447-10-T11 | EA  | TRIM - CAB DOOR - UPPER/LEFT HAND - <b>FORD</b>                                |

**DRIVERS COMPARTMENT GROUP (CONTINUED)**  
**FRONT INTERIOR (CONTINUED)**

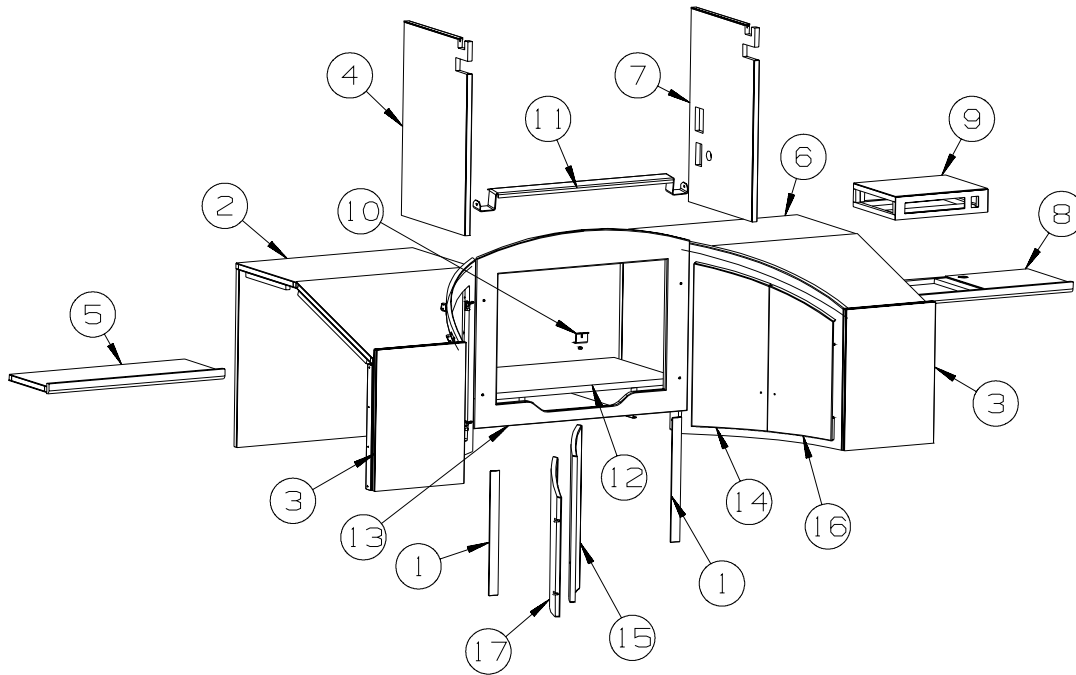
| KEY | PART NUMBER   | U/M | DESCRIPTION  |
|-----|---------------|-----|--|
| 24  | 106447-09-T11 | EA  | TRIM - CAB DOOR - UPPER/RIGHT HAND - FORD  |
| 25  | 156101-01-U21 | EA  | CABINET - HAMPER/STORAGE - W/O DOORS/DRAWERS/HDW - HONEY CHERRY                    |
| 25  | 156101-01-U22 | EA  | CABINET - HAMPER/STORAGE - W/O DOORS/DRAWERS/HDW - WASHED MAPLE                    |
| 25  | 156101-03-U21 | EA  | CABNT - HAMPER/STORAGE - W/O DOORS/DRWRS/HDW - HONEY CHERRY - TV-20"AC,LCD,CD/DVD  |
| 25  | 156101-03-U22 | EA  | CABNT - HAMPER/STORAGE - W/O DOORS/DRWRS/HDW - WASHED MAPLE - TV-20"AC,LCD,CD/DVD  |
| 26  | 161007-01-U21 | EA  | CABINET - SUPPORT/TV - HONEY CHERRY - TV-20"AC,LCD,STEREO/CD/DVD                   |
| 26  | 161007-01-U22 | EA  | CABINET - SUPPORT/TV - WASHED MAPLE - TV-20"AC,LCD,STEREO/CD/DVD                   |
| 27  | 158629-01-U21 | EA  | PANEL - END CAP - HONEY CHERRY - TV-20"AC,LCD,CD/DVD                               |
| 27  | 158629-01-U22 | EA  | PANEL - END CAP - WASHED MAPLE - TV-20"AC,LCD,CD/DVD                               |
| 28  | 106448-07-T11 | EA  | HEADLINER - W/VINYL - FORD   |
| 29  | 106025-05-01A | EA  | LADDER - BUNK - 50.1" - BLACK  |
|     | 162356-01-000 | EA  | STRAP/TIEDOWN - LADDER   |
| 30  | 157047-01-W21 | EA  | WINGWALL - INNER/LOWER (W21, W22)  |
| 30  | 157047-01-W23 | EA  | WINGWALL - INNER/LOWER (W23, W24)  |
| 30  | 157047-01-W25 | EA  | WINGWALL - INNER/LOWER (W25, W26)  |
|     | 070578-19-W21 | EA  | BUTTON - #30 - SCREW/STUD - VINYL COVERED (W21, W22)                               |
|     | 070578-19-W23 | EA  | BUTTON - #30 - SCREW/STUD - VINYL COVERED (W23, W24)                               |
|     | 070578-19-W25 | EA  | BUTTON - #30 - SCREW/STUD - VINYL COVERED (W25, W26)                               |
|     | 029092-02-000 | EA  | STUD-NICKEL FINISH-9532  |
| 31  | 125031-01-T11 | EA  | TRIM - CAB - B-PILLAR - PASSENGER SIDE   |
| 32  | 094658-04-T02 | EA  | HANDLE - BUNK - 1.1" X 2" X 14.9" - HONEY CHERRY                                   |
| 32  | 094658-04-T25 | EA  | HANDLE - BUNK - 1.1" X 2" X 14.9" - WASHED MAPLE                                   |
| 33  | 157047-02-W21 | EA  | WINGWALL - INNER/LOWER (W21, W22)  |
| 33  | 157047-02-W23 | EA  | WINGWALL - INNER/LOWER (W23, W24)  |
| 33  | 157047-02-W25 | EA  | WINGWALL - INNER/LOWER (W25, W26)  |
|     | 070578-19-W21 | EA  | BUTTON - #30 - SCREW/STUD - VINYL COVERED (W21, W22)                               |
|     | 070578-19-W23 | EA  | BUTTON - #30 - SCREW/STUD - VINYL COVERED (W23, W24)                               |
|     | 070578-19-W25 | EA  | BUTTON - #30 - SCREW/STUD - VINYL COVERED (W25, W26)                               |
|     | 029092-02-000 | EA  | STUD-NICKEL FINISH-9532  |
| 34  | 125031-02-T11 | EA  | TRIM - CAB - B-PILLAR - DRIVER SIDE  |
| 35  | 159216-AA-U21 | EA  | DOOR - FLAT/SQUARE EDGE - 8.7" X 31.5" - W/O HDW - HONEY CHERRY                    |
| 35  | 159216-AA-U22 | EA  | DOOR - FLAT/SQUARE EDGE - 8.7" X 31.5" - W/O HDW - WASHED MAPLE                    |
| 36  | 156101-19-U21 | EA  | PANEL/ACCESS - W/HOLE CUTOUT - HONEY CHERRY  |
| 36  | 156101-19-U22 | EA  | PANEL/ACCESS - W/HOLE CUTOUT - WASHED MAPLE  |
| 37  | 150974-01-04A | EA  | APPLIQUE - BEZEL - INSTR PANEL - LEATHER LASER WAVE - INTERIOR UPGRADE PKG         |
| 38  | 150974-05-04A | EA  | APPLIQUE - BEZEL - MOTOR COVER - FORD -LEATHER LASER WAVE - INTERIOR UPGRADE PKG   |
| 39  | 150109-01-01A | EA  | KNOB - F/TV SWINGOUT - BLACK   |
| 40  | 158629-08-U21 | EA  | PANEL - END CAP - HONEY CHERRY   |
| 40  | 158629-08-U22 | EA  | PANEL - END CAP - WASHED MAPLE   |
| 41  | 156218-02-T11 | EA  | HEADLINER - W/VINYL - LEFT HAND - CHEVY  |
| 42  | 156218-03-T11 | EA  | HEADLINER - W/VINYL - RIGHT HAND - CHEVY   |
| 43  | 150974-03-04A | EA  | APPLIQUE - BEZEL - INSTR PANEL - LEATHER LASER WAVE - INTERIOR UPGRADE PKG - CHEVY |
| 44  | 150974-04-04A | EA  | APPLIQUE - BEZEL - MOTOR COVER - LEATHER LASER WAVE - INTERIOR UPGRADE PKG - CHEVY |

## DRIVERS COMPARTMENT GROUP (CONTINUED) CABINETS



| KEY | PART NUMBER   | U/M | DESCRIPTION                                      |
|-----|---------------|-----|--|
| 1   | 109709-10-03B | EA  | BRACKET - WINGWALL - OFF WHITE                   |
| 2   | 153474-01-11A | EA  | COVER/WIRE - SATELLITE RADIO - BRIGHT WHITE      |
| 3   | 154189-01-02A | EA  | COVER/TRIM - WIRING - 29.5" - ALMOND             |
| 4   | 158629-03-U21 | EA  | PANEL - END CAP - HONEY CHERRY                   |
| 4   | 158629-03-U22 | EA  | PANEL - END CAP - WASHED MAPLE                   |
| 5   | 158629-04-U21 | EA  | PANEL - END CAP - HONEY CHERRY                   |
| 5   | 158629-04-U22 | EA  | PANEL - END CAP - WASHED MAPLE                   |
| 6   | M09525-61-U21 | EA  | MOLDING - TRIM/VEE - 1.5" X 20.6" - HONEY CHERRY |
| 6   | M09525-61-U22 | EA  | MOLDING - TRIM/VEE - 1.5" X 20.6" - WASHED MAPLE |

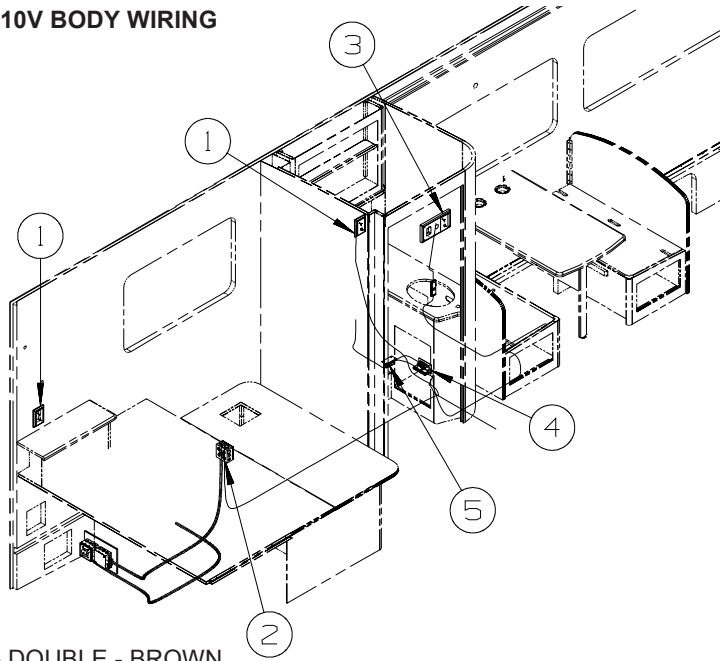
**DRIVERS COMPARTMENT GROUP (CONTINUED)**  
**CABINETS (CONTINUED)**



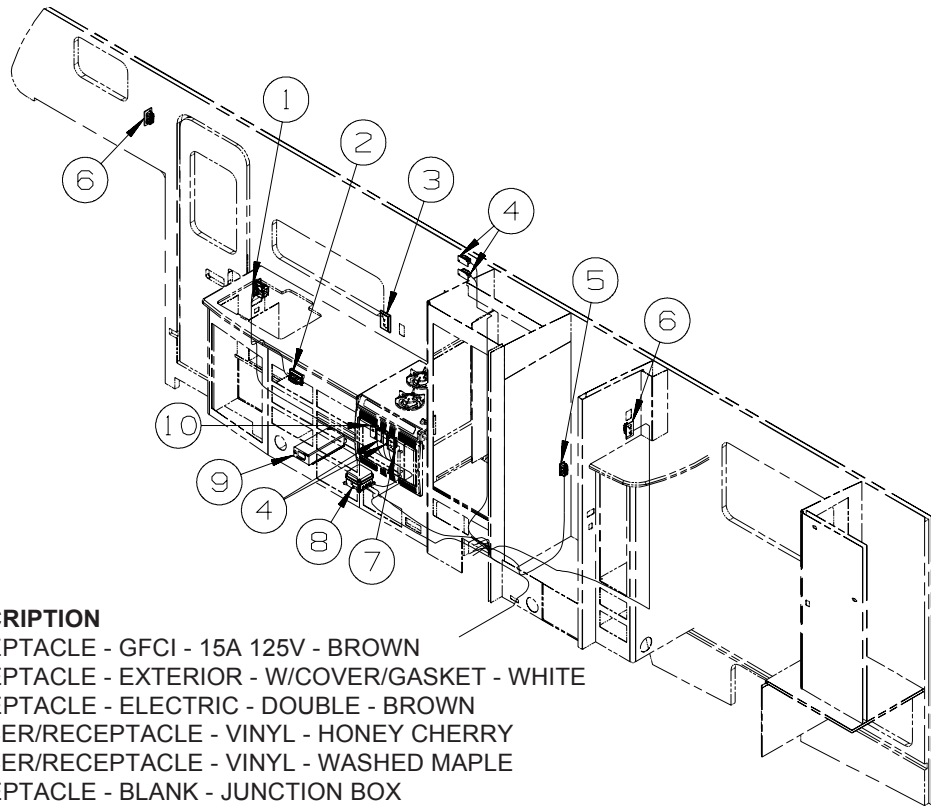
| KEY | PART NUMBER   | U/M | DESCRIPTION  |
|-----|---------------|-----|--|
| 1   | M09525-60-U21 | EA  | MOLDING - TRIM/VEE - 1.5" X 18.9" - HONEY CHERRY                         |
| 1   | M09525-60-U22 | EA  | MOLDING - TRIM/VEE - 1.5" X 18.9" - WASHED MAPLE                         |
| 2   | 157595-01-U21 | EA  | CABINET - ENTERTAINMENT CENTER/LEFT HAND - W/O DOORS/HDW - HONEY CHERRY  |
| 2   | 157595-01-U22 | EA  | CABINET - ENTERTAINMENT CENTER/LEFT HAND - W/O DOORS/HDW - WASHED MAPLE  |
| 3   | 158629-05-U21 | EA  | PANEL - END CAP - HONEY CHERRY   |
| 3   | 158629-05-U22 | EA  | PANEL - END CAP - WASHED MAPLE   |
| 4   | 158227-08-U21 | EA  | END CAP - OVERHEAD CABINET - HONEY CHERRY                                |
| 4   | 158227-08-U22 | EA  | END CAP - OVERHEAD CABINET - WASHED MAPLE                                |
| 5   | 157595-18-U21 | EA  | SHELF - CABINET - ENTERTAINMENT CENTER - HONEY CHERRY                    |
| 5   | 157595-18-U22 | EA  | SHELF - CABINET - ENTERTAINMENT CENTER - WASHED MAPLE                    |
| 6   | 157595-02-U21 | EA  | CABINET - ENTERTAINMENT CENTER/RIGHT HAND - W/O DOORS/HDW - HONEY CHERRY |
| 6   | 157595-02-U22 | EA  | CABINET - ENTERTAINMENT CENTER/RIGHT HAND - W/O DOORS/HDW - WASHED MAPLE |
| 7   | 158227-09-U21 | EA  | END CAP - OVERHEAD CABINET - HONEY CHERRY                                |
| 7   | 158227-09-U22 | EA  | END CAP - OVERHEAD CABINET - WASHED MAPLE                                |
| 8   | 157595-25-U21 | EA  | SHELF - CABINET - ENTERTAINMENT CENTER - HONEY CHERRY                    |
| 8   | 157595-25-U22 | EA  | SHELF - CABINET - ENTERTAINMENT CENTER - WASHED MAPLE                    |
| 9   | 157595-31-U21 | EA  | PANEL - SHELF - CABINET - ENTERTAINMENT CENTER - HONEY CHERRY            |
| 9   | 157595-31-U22 | EA  | PANEL - SHELF - CABINET - ENTERTAINMENT CENTER - WASHED MAPLE            |
| 10  | 152944-02-02B | EA  | BRACKET - TIEDOWN/TV - E-COATED  |
| 11  | 155313-02-02B | EA  | BRACKET - MOUNTING/TV - E-COATED   |
| 12  | 157616-01-U21 | EA  | CABINET - SHELF/TV   |
| 13  | 158935-01-U21 | EA  | FACE/FRAME (PICTURE) - TV CABINET - W/O HDW - HONEY CHERRY               |
| 13  | 158935-01-U22 | EA  | FACE/FRAME (PICTURE) - TV CABINET - W/O HDW - WASHED MAPLE               |
| 14  | 157639-01-U21 | EA  | DOOR - CURVED/ARCHED - 11.7" X 24.8" - W/O HDW - HONEY CHERRY            |
| 14  | 157639-01-U22 | EA  | DOOR - CURVED/ARCHED - 11.7" X 24.8" - W/O HDW - WASHED MAPLE            |
| 15  | 157639-02-U21 | EA  | DOOR - CURVED/ARCHED - 11.7" X 24.8" - W/O HDW - HONEY CHERRY            |
| 15  | 157639-02-U22 | EA  | DOOR - CURVED/ARCHED - 11.7" X 24.8" - W/O HDW - WASHED MAPLE            |
| 16  | 157639-03-U21 | EA  | DOOR - CURVED/ARCHED - 11.7" X 22.2" - W/O HDW - HONEY CHERRY            |
| 16  | 157639-03-U22 | EA  | DOOR - CURVED/ARCHED - 11.7" X 22.2" - W/O HDW - WASHED MAPLE            |
| 17  | 157639-04-U21 | EA  | DOOR - CURVED/ARCHED - 11.7" X 22.2" - W/O HDW - HONEY CHERRY            |
| 17  | 157639-04-U22 | EA  | DOOR - CURVED/ARCHED - 11.7" X 22.2" - W/O HDW - WASHED MAPLE            |



## ELECTRICAL GROUP 110V BODY WIRING



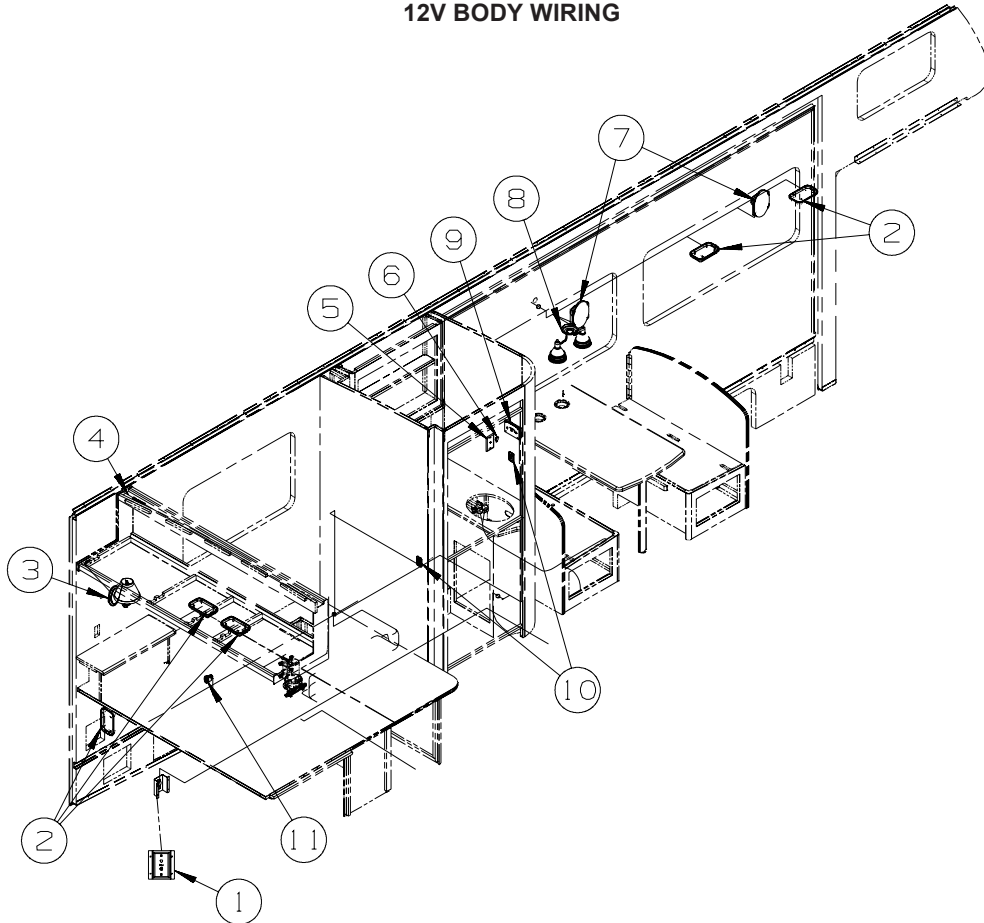
| KEY | PART NUMBER   | U/M | DESCRIPTION  |
|-----|---------------|-----|--|
| 1   | 058708-01-000 | EA  | RECEPTACLE - ELECTRIC - DOUBLE - BROWN                 |
| 1   | 133713-01-23A | EA  | SPACER/RECEPTACLE - VINYL - HONEY CHERRY               |
| 1   | 133713-01-21A | EA  | SPACER/RECEPTACLE - VINYL - WASHED MAPLE               |
| 2   | 008289-01-000 | EA  | BOX - ELECTRIC/STEEL - 4" X 4" - 1/2" & 3/4" KNOCKOUTS |
| 2   | 008294-01-000 | EA  | COVER - ELECTRIC BOX - BLANK/STEEL - 4" X 4" - GRAY    |
| 3   | 058708-01-000 | EA  | RECEPTACLE - ELECTRIC - DOUBLE - BROWN                 |
| 3   | 133713-06-23A | EA  | SPACER/RECEPTACLE - PHONE - VINYL - HONEY CHERRY       |
| 3   | 133713-06-21A | EA  | SPACER/RECEPTACLE - PHONE - VINYL - WASHED MAPLE       |
| 4   | 058708-01-000 | EA  | RECEPTACLE - ELECTRIC - DOUBLE - BROWN                 |
| 5   | 058707-02-000 | EA  | RECEPTACLE - BLANK - JUNCTION BOX                      |



| KEY | PART NUMBER   | U/M | DESCRIPTION  |
|-----|---------------|-----|--|
| 1   | 163319-01-02A | EA  | RECEPTACLE - GFCI - 15A 125V - BROWN                 |
| 2   | 131826-01-01A | EA  | RECEPTACLE - EXTERIOR - W/COVER/GASKET - WHITE       |
| 3   | 058708-01-000 | EA  | RECEPTACLE - ELECTRIC - DOUBLE - BROWN               |
| 3   | 133713-01-23A | EA  | SPACER/RECEPTACLE - VINYL - HONEY CHERRY             |
| 3   | 133713-01-21A | EA  | SPACER/RECEPTACLE - VINYL - WASHED MAPLE             |
| 4   | 058707-02-000 | EA  | RECEPTACLE - BLANK - JUNCTION BOX                    |
| 5   | 058707-01-000 | EA  | RECEPTACLE - ELECTRIC - SINGLE - BROWN               |
| 6   | 058708-01-000 | EA  | RECEPTACLE - ELECTRIC - DOUBLE - BROWN               |
| 7   | 157360-01-000 | EA  | RECEPTACLE - 20 AMP - SINGLE - SURFACE MOUNT - BROWN |
| 8   | 136481-01-000 | EA  | MODULE - AUTO ENERGY SELECTOR                        |
| 9   | 099048-04-000 | EA  | INVERTER - 300 WATT                                  |
| 10  | 058708-05-000 | EA  | RECEPTACLE - ELECTRICAL - SINGLE - BROWN             |

## ELECTRICAL GROUP (CONTINUED)

### 12V BODY WIRING

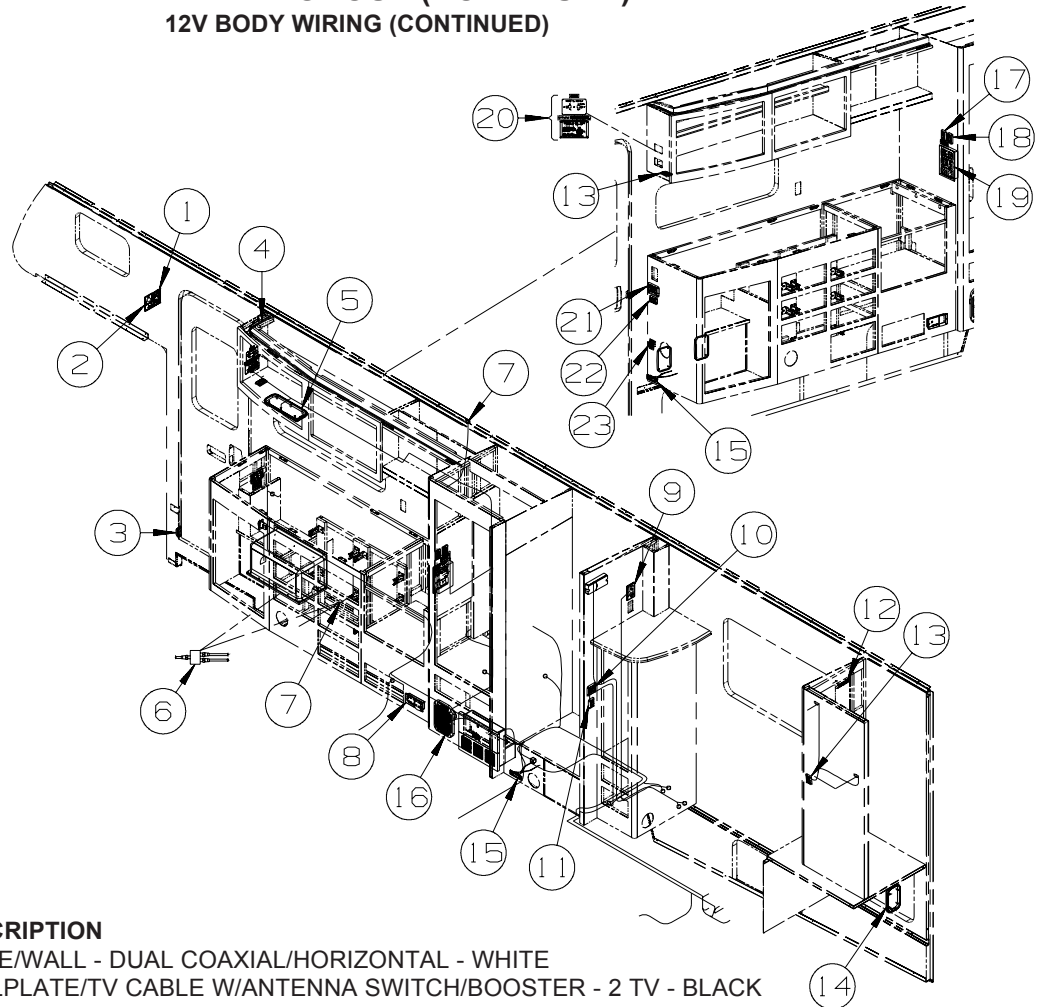


| KEY | PART NUMBER   | U/M | DESCRIPTION  |
|-----|---------------|-----|--|
| 1   | 130686-01-01A | EA  | PLATE - WALL - TELEPHONE/COAX - WHITE                          |
| 1   | 087236-01-000 | EA  | LABEL - CABLE - INPUT  |
| 2*  | 137417-02-01A | EA  | LIGHT - DOME - SINGLE - W/SWITCH/OPTIC LENS - WHITE            |
| 3   | 119258-55-01A | EA  | LAMP - WALL - UL/CSA - BRUSHED NICKEL                          |
| 3   | 119257-28-01A | EA  | SHADE - LAMP - ROUND - IVORY                                   |
| 4   | 146514-02-000 | EA  | CONNECTOR - LIGHT  |
| 4   | 146514-03-000 | FT  | LIGHT - FLEX - ROPE/ROUND - W/O MOUNT CHANNEL                  |
| 4   | 146514-04-000 | EA  | CHANNEL/MOUNT - F/ROPE LIGHT                                   |
| 5   | 093253-01-02A | EA  | PLATE - WALL - TELEPHONE - BROWN                               |
| 6   | 132958-01-000 | EA  | RECEPTACLE - 12 VOLT - MOUNTING FLANGE - BLACK                 |
| 7   | 110465-01-000 | EA  | SPEAKER KIT,4 5X7 SPEAKERS - <b>RADIO SPEAKERS</b>             |
| 8   | 093575-47-01A | EA  | LIGHT - CEILING/DOUBLE - BRUSHED NICKEL                        |
| 9   | 135618-03-01A | EA  | THERMOSTAT - ROOF A/C & FURNACE - WHITE                        |
| 9   | 135618-01-01A | EA  | THERMOSTAT - HEAT PUMP/FURNACE - WHITE - <b>AC HEAT PUMP-1</b> |
| 10  | 135740-01-01A | EA  | SWITCH - ROCKER - SPST - ON/OFF - BROWN                        |
| 10  | 135741-01-01A | EA  | SWITCH - BASE - SINGLE - BROWN                                 |
| 10  | 135742-07-02A | EA  | BEZEL - SWITCH - CEILING - BROWN                               |
| 11  | 108357-15-000 | EA  | SWITCH - ROCKER - DPDT - ON/NONE/ON - W/LIGHT W/O COVER        |
| 11  | 108356-04-01A | EA  | COVER/ACTUATOR SWITCH - 2 ROWS DIMPLES W/LENS - BLACK          |
| 11  | 108355-01-000 | EA  | HOUSING - SWITCH   |

\*COMPONENT PARTS LISTED LATER IN THIS GROUP

## ELECTRICAL GROUP (CONTINUED)

### 12V BODY WIRING (CONTINUED)



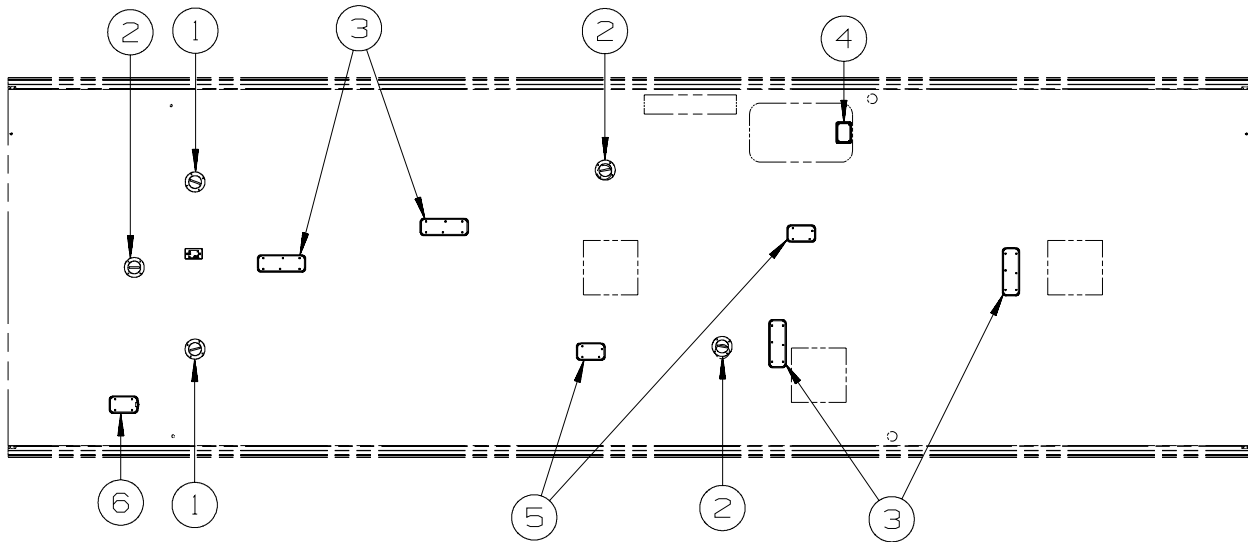
| KEY | PART NUMBER   | U/M | DESCRIPTION  |
|-----|---------------|-----|--|
| 1   | 149557-05-01A | EA  | PLATE/WALL - DUAL COAXIAL/HORIZONTAL - WHITE                                       |
| 2   | 086777-02-000 | EA  | WALLPLATE/TV CABLE W/ANTENNA SWITCH/BOOSTER - 2 TV - BLACK                         |
| 3   | 116995-02-000 | EA  | SWITCH/MAGNET - ELECTRIC STEP - BLACK/WHITE- NORMALLY OPEN                         |
| 4   | 146514-02-000 | EA  | CONNECTOR - LIGHT  |
| 4   | 146514-03-000 | FT  | LIGHT - FLEX - ROPE/ROUND - W/O MOUNT CHANNEL                                      |
| 4   | 146514-04-000 | EA  | CHANNEL/MOUNT - F/ROPE LIGHT   |
| 5*  | 137417-05-01A | EA  | LIGHT - DOME - DOUBLE - W/SWITCH/OPTIC LENS - WHITE                                |
| 6   | 086756-01-000 | EA  | SPLITTER - TV/2 WAY - ENTERTAINMENT CENTR/EXT W/CD                                 |
| 7   | 082134-01-000 | EA  | ADAPTER - TV - CABLE TO CABLE  |
| 8   | 150138-01-02A | EA  | DETECTOR - LP GAS - BROWN  |
| 9   | 076319-09-000 | EA  | WALLPLATE - TV CABLE RECEPTACLE - SINGLE - BROWN                                   |
| 10  | 135740-01-01A | EA  | SWITCH - ROCKER - SPST - ON/OFF - BROWN  |
| 10  | 135741-02-01A | EA  | SWITCH - BASE - DOUBLE - BROWN   |
| 10  | 135742-16-02A | EA  | BEZEL - SWITCH - CEILING/HALL - BROWN  |
| 11  | 135740-02-01A | EA  | SWITCH - ROCKER - SPDT - ON/ON - BROWN   |
| 11  | 135741-01-01A | EA  | SWITCH - BASE - SINGLE - BROWN   |
| 11  | 135742-06-02A | EA  | BEZEL - SWITCH - AISLE - BROWN   |
| 12* | 087694-01-000 | EA  | LIGHT - WARDROBE/CLOSET - W/SWITCH   |
| 13  | 135740-01-01A | EA  | SWITCH - ROCKER - SPST - ON/OFF - BROWN - INTERIOR UPGRADE PACKAGE                 |
| 13  | 135741-01-01A | EA  | SWITCH - BASE - SINGLE - BROWN - INTERIOR UPGRADE PACKAGE                          |
| 13  | 135742-50-02A | EA  | BEZEL - SWITCH - ACCENT - BROWN - INTERIOR UPGRADE PACKAGE                         |
| 14* | 137417-02-01A | EA  | LIGHT - DOME - SINGLE - W/SWITCH/OPTIC LENS - WHITE                                |
| 15  | 061424-01-000 | EA  | LIGHT - AISLE - 12 VOLT - RECTANGULAR  |
| 16  | 124884-01-000 | EA  | SPEAKER-6" X 9"-SUB-WOOFER-W/O GRILLE-TV-20"AC,LCD,STEREO/CD/DVD/ENTCENTER-CABOVER |
| 16  | 151844-01-01A | EA  | GRILLE-SPEAKER-6" X 9"-SUB WOOFER-BLK-TV-20"AC,LCD,STEREO/CD/DVD/ENTCENTER-CABOVER |
| 17  | 135740-06-01A | EA  | SW.-ROCKER-ON/OFF-LIGHT-RED-DRAINAGE SYSTEM-HEATED/DRAINAGE SYSTEM/HEAT-PREWIRE    |
| 17  | 135741-01-01A | EA  | SWITCH-BASE - SINGLE - BROWN-DRAINAGE SYSTEM-HEATED/DRAINAGE SYSTEM/HEAT-PREWIRE   |
| 17  | 135742-01-01A | EA  | BEZEL - SWITCH-SINGLE-BROWN-DRAINAGE SYSTEM-HEATED/DRAINAGE SYSTEM/HEAT-PREWIRE    |
| 17  | 134563-01-02A | EA  | LABEL-SW-HEATER-BLACK/WHITE-DRAINAGE SYSTEM-HEATED/DRAINAGE SYSTEM/HEAT-PREWIRE    |
| 18  | 135740-06-01A | EA  | SWITCH - ROCKER - ON/OFF - LIGHTED - RED - WTR HTR-6GAL/110/LP/MTR/AUTO            |
| 18  | 135741-01-01A | EA  | SWITCH - BASE - SINGLE - BROWN - WTR HTR-6GAL/110/LP/MTR/AUTO                      |
| 18  | 135742-35-02A | EA  | BEZEL - SWITCH - WATER HEATER/110 VOLT - BROWN - WTR HTR-6GAL/110/LP/MTR/AUTO      |
| 19* | 134940-06-01A | EA  | PANEL - MONITOR - 2 TANK - W/GENERATOR SWITCH - GEN-4.0KW-ONANGAS-MICROQUIET       |
| 19* | 134940-07-01A | EA  | PANEL - MONITOR - 2 TANK   |

## ELECTRICAL GROUP (CONTINUED)

### 12V BODY WIRING (CONTINUED)

| KEY | PART NUMBER   | U/M | DESCRIPTION   |
|-----|---------------|-----|---|
| 20  | 163992-01-01A | EA  | LABEL - WARNING - SLIDEOUT                                |
| 20  | 138173-04-000 | EA  | CONTROL PANEL (TOUCH PAD) - ELECTRIC SLIDEOUT - #1802931  |
| 20  | 163988-01-01A | EA  | LABEL - SLIDEOUT CONTROL/MANUAL - BLACK/WHITE             |
| 20  | 116549-01-000 | EA  | LABEL - WARNING - SLIDEOUT                                |
| 20* | 163097-01-000 | EA  | SWITCH - SPST - KEY ACTIVATED - W/2 KEYS                  |
| 21  | 135740-01-01A | EA  | SWITCH - ROCKER - SPST - ON/OFF - BROWN                   |
| 21  | 135740-02-01A | EA  | SWITCH - ROCKER - SPDT - ON/ON - BROWN                    |
| 21  | 135741-03-01A | EA  | SWITCH - BASE - TRIPLE - BROWN                            |
| 21  | 135742-26-02A | EA  | BEZEL - SWITCH - PORCH/AISLE/CEILING - BROWN              |
| 22  | 135740-01-01A | EA  | SWITCH - ROCKER - SPST - ON/OFF - BROWN                   |
| 22  | 135741-01-01A | EA  | SWITCH - BASE - SINGLE - BROWN                            |
| 22  | 135742-11-02A | EA  | BEZEL - SWITCH - STEP - BROWN                             |
| 23  | 108357-06-000 | EA  | SWITCH - ROCKER - DPDT - MOM/OFF/MOM - 6 TERM - W/O COVER |
| 23  | 108356-11-01A | EA  | COVER/ACTUATOR SWITCH - 3 GROOVES - AUX BATT - BLACK      |
| 23  | 108355-01-000 | EA  | HOUSING - SWITCH  |
| 23  | 098351-07-02A | EA  | PLATE/SWITCH - 1 GANG - CHROME - GENERATOR SWITCH         |

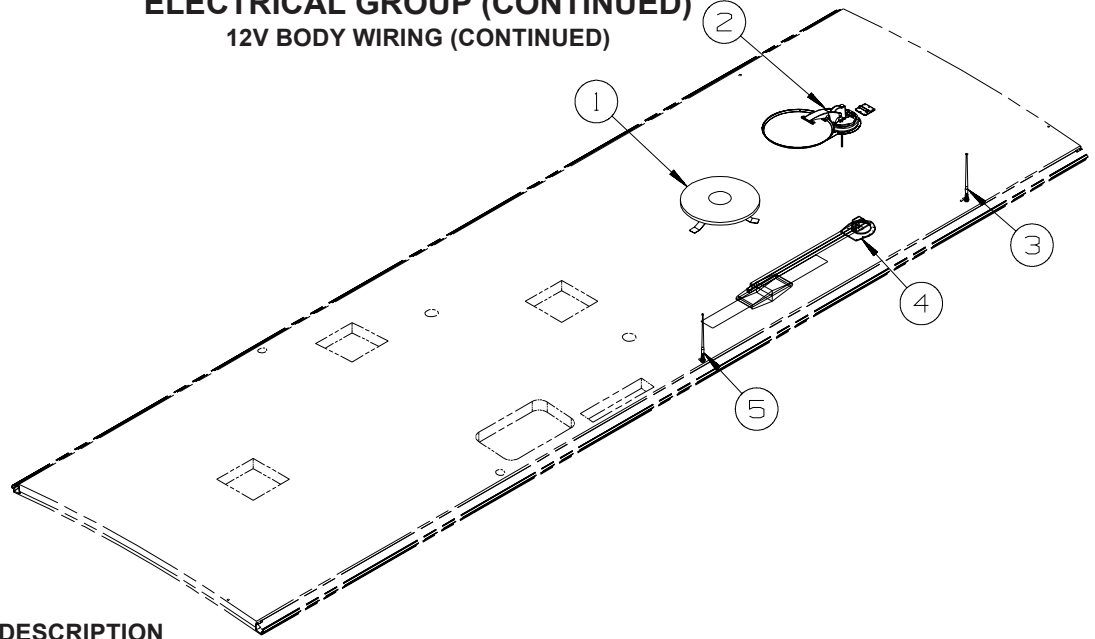
\*COMPONENT PARTS LISTED LATER IN THIS GROUP



| KEY | PART NUMBER   | U/M | DESCRIPTION   |
|-----|---------------|-----|---|
| 1   | 160867-01-01A | EA  | SPEAKER -ROUND/CEILING-MAGNADYNE-TV-20"AC,LCD,STEREO/CD/DVD/ENTCENTER-CABOVER |
| 2   | 160867-01-01A | EA  | SPEAKER -ROUND/CEILING-MAGNADYNE-ENTCENTER-CABOVER                            |
| 3*  | 137417-06-01A | EA  | LIGHT - DOME - DOUBLE - W/O SWITCH - W/FROSTED LENS-WHITE                     |
| 4*  | 121935-01-01A | EA  | LIGHT - DOME - SHOWER - W/HOLE IN LENS  |
| 5*  | 137417-03-01A | EA  | LIGHT - DOME - SINGLE - W/O SWITCH - W/FROSTED LENS-WHITE                     |
| 6*  | 137417-01-01A | EA  | LIGHT - DOME - SINGLE - W/SWITCH/FROSTED LENS - WHITE                         |

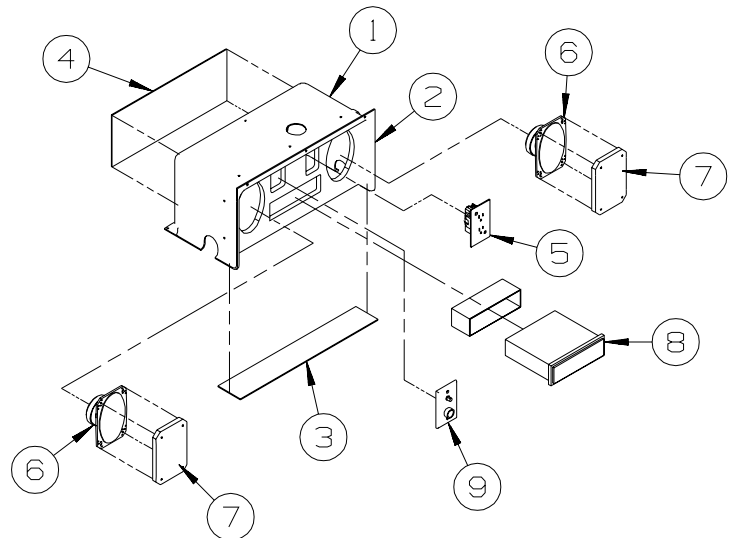
\*COMPONENT PARTS LISTED LATER IN THIS GROUP

**ELECTRICAL GROUP (CONTINUED)**  
**12V BODY WIRING (CONTINUED)**



| KEY | PART NUMBER   | U/M | DESCRIPTION  |
|-----|---------------|-----|--|
| 1   | 132935-01-000 | EA  | ANTENNA - TV ROOF MOUNT - ROUND - W/O POWER SUPPLY - TV ANTENNA-OMNIDIRECTIONAL<br>FROM: 00-00-00 THRU: 01-29-08   |
| 1   | 167632-01-01A | EA  | ANTENNA - TV ROOF MOUNT/ROUND - W/O PWR SUPPLY - WHT - TV ANTENNA-OMNIDIRECTIONAL<br>FROM: 01-30-08 THRU: 99-99-99 |
| 1   | 146488-01-000 | EA  | PLATE - ROOF - CABLE ENTRY - TV ANTENNA-OMNIDIRECTIONAL  |
| 1   | 082134-01-000 | EA  | ADAPTER - TV - CABLE TO CABLE - TV ANTENNA-OMNIDIRECTIONAL   |
| 2   | 137135-05-000 | EA  | ANTENNA - SATELLITE DSS - W/SENSOR - SATELLITE TV SYSTEM MANUAL  |
| 3   | 090944-01-000 | EA  | ANTENNA - RADIO - 16" RUBBER - W/72" LEAD WIRE - TV-20"AC,LCD,STEREO/CD/DVD  |
| 3   | 109889-04-000 | EA  | EXTENDER - ANTENNA SHAFT - 3.7" - TV-20"AC,LCD,STEREO/CD/DVD   |
| 3   | 147741-01-09B | EA  | BRACKET - ANTENNA GROUND - GALVANIZED - TV-20"AC,LCD,STEREO/CD/DVD   |
| 4*  | 076319-23-000 | EA  | ANTENNA - TV ROOF MOUNT - 44.5" MAST   |
| 4*  | 076319-25-000 | EA  | KIT - HARDWARE INTERIOR  |
| 4   | 069726-02-000 | EA  | BUMPER - .88" OD X .40" THICK - BLACK  |
| 5   | 090944-01-000 | EA  | ANTENNA - RADIO - 16" RUBBER - W/72" LEAD WIRE - ENTERTAINMENT CENTR/EXT W/CD                                      |
| 5   | 109889-04-000 | EA  | EXTENDER - ANTENNA SHAFT - 3.7" - ENTERTAINMENT CENTR/EXT W/CD   |
| 5   | 147741-01-09B | EA  | BRACKET - ANTENNA GROUND - GALVANIZED - ENTERTAINMENT CENTR/EXT W/CD   |

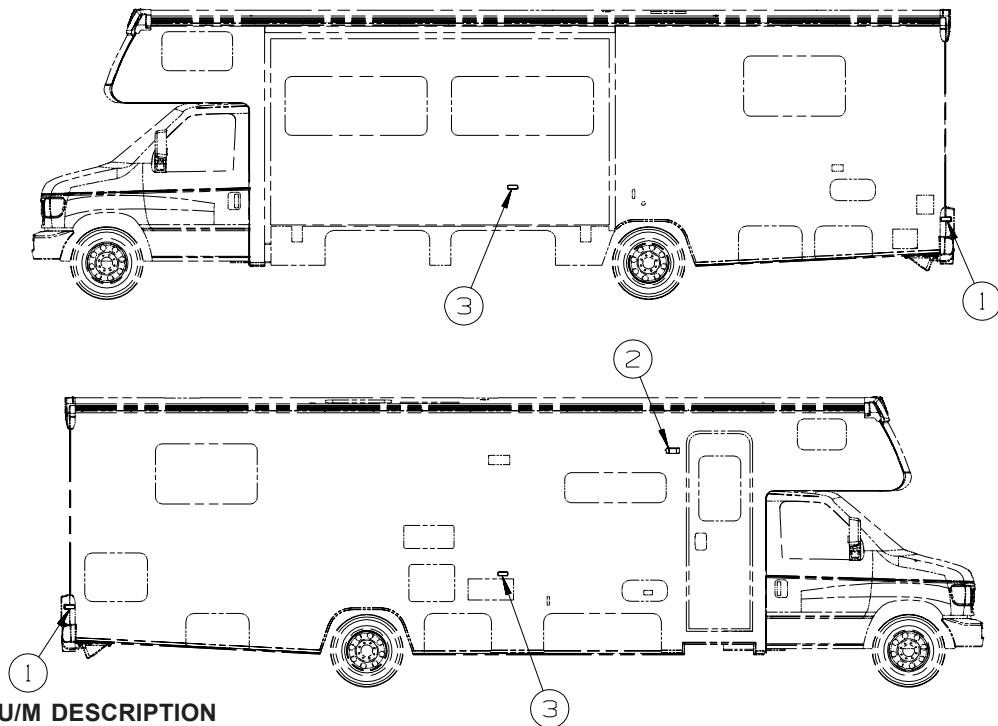
\*COMPONENT PARTS LISTED LATER IN THIS GROUP



| KEY | PART NUMBER   | U/M | DESCRIPTION  |
|-----|---------------|-----|--|
| 1   | 124696-01-01A | EA  | BOX-ENTERTAINMENT CTR/EXT-19.4"W X 10"H X 10.2"D W/CUTOUTS |
| 2   | 127409-02-L15 | EA  | PLATE - RADIO MOUNTING                                     |
| 3   | 104898-01-02A | EA  | PLATE - PLASTIC BOTTOM - BRIGHT WHITE                      |
| 4   | 104898-02-02A | EA  | PLATE - PLASTIC BACK - BRIGHT WHITE                        |
| 5   | 058708-01-000 | EA  | RECEPTACLE - ELECTRIC - DOUBLE - BROWN                     |
| 6   | 110469-01-000 | EA  | SPEAKER - 4" X 6" OVAL - COAXIAL                           |
| 7   | 110470-01-01A | EA  | GRILLE - 4" X 6" - OVAL SPEAKER - BLACK                    |
| 8   | 155619-02-000 | EA  | RADIO - AM/FM CD-W/O REMOTE/WIRE HARNESS-MAGNADYNE M3200CD |
|     | 155619-03-000 | EA  | REMOTE - RADIO   |
| 9   | 104898-01-02A | EA  | PLATE - PLASTIC BOTTOM - BRIGHT WHITE                      |

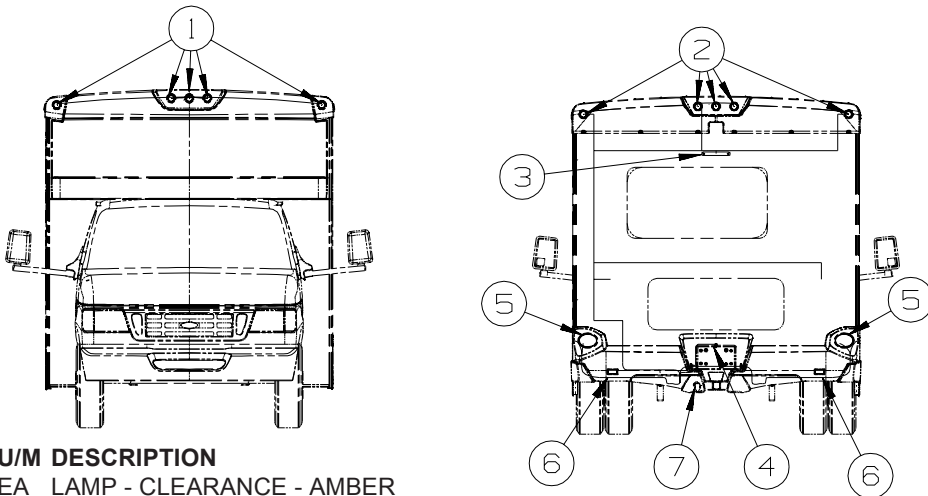
## ELECTRICAL GROUP (CONTINUED)

### EXTERIOR LAMPS



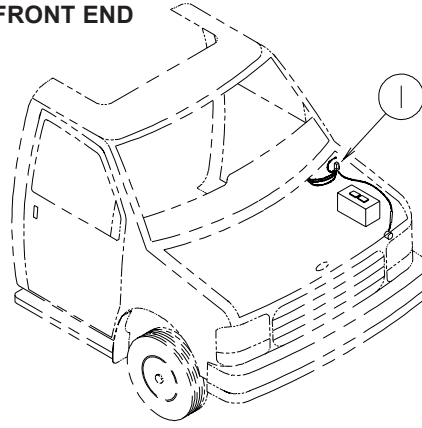
| KEY | PART NUMBER   | U/M DESCRIPTION                              |
|-----|---------------|--|
| 1   | 111102-01-000 | EA BASE - MARKER LAMP                        |
| 1   | 111102-03-000 | EA LENS - RED - MARKER LAMP                  |
| 2*  | 097917-01-06A | EA LIGHT - PORCH - ENTRY DOOR - BRIGHT WHITE |
|     |               | FROM: 00-00-00 THRU: 02-10-08                |
| 2   | 097917-01-09A | EA LIGHT - PORCH - ENTRY DOOR - WHITE        |
|     |               | FROM: 02-11-08 THRU: 99-99-99                |
| 3   | 111102-01-000 | EA BASE - MARKER LAMP                        |
| 3   | 111102-02-000 | EA LENS - AMBER - MARKER LAMP                |

**\*COMPONENT PARTS LISTED LATER IN THIS GROUP**



| KEY | PART NUMBER   | U/M DESCRIPTION  |
|-----|---------------|--|
| 1   | 138996-01-000 | EA LAMP - CLEARANCE - AMBER                                  |
| 1   | 138996-03-000 | EA BRACKET - CLEARANCE LIGHT                                 |
| 1   | 138996-04-000 | EA CONNECTOR - LAMP  |
| 2   | 138996-02-000 | EA LAMP - CLEARANCE - RED                                    |
| 2   | 138996-03-000 | EA BRACKET - CLEARANCE LIGHT                                 |
| 2   | 138996-04-000 | EA CONNECTOR - LAMP  |
| 3   | 136916-01-000 | EA LIGHT - BRAKE - CENTER MOUNT - RECTANGLE - 1.3" X 9.8"    |
| 4   | 087201-01-000 | EA LIGHT - HALF ROUND - 1" X 1.7" - PLASTIC - BLACK OR WHITE |
| 5   | 152070-03-000 | EA LIGHT - STOP/TAIL/BACK UP                                 |
| 5   | 148335-03-000 | EA HOUSING - 6-POSITION/MALE - 280=GT SERIES                 |
| 6   | 106646-02-000 | EA REFLECTOR - STICK ON - RED                                |
| 7   | 146246-01-000 | EA CONNECTOR/PLUG - TRAILER - 7 PIN                          |
| 7   | 157593-01-000 | EA CONNECTOR - PLUG - TRAILER - 7 SOCKET                     |

**ELECTRICAL GROUP (CONTINUED)**  
**FRONT END**



| KEY | PART NUMBER   | U/M DESCRIPTION  |
|-----|---------------|--|
| 1   | 100138-01-000 | EA MODULE - DAYTIME/RUNNING LIGHT - HAMSAR DRL #H8005B |

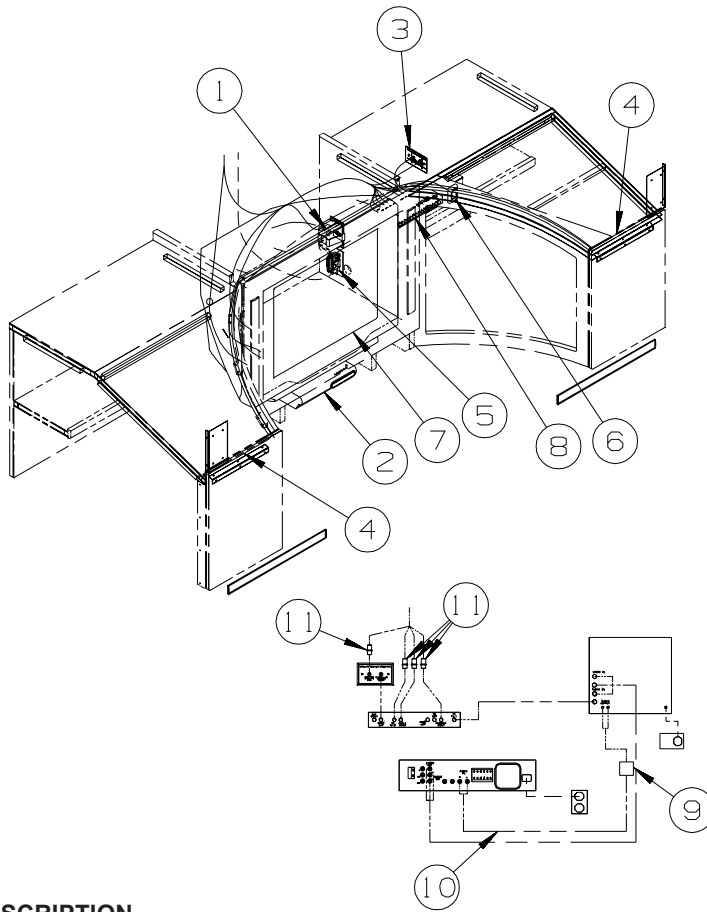


| KEY | PART NUMBER   | U/M DESCRIPTION  |
|-----|---------------|--|
| *   | 120269-07-01A | EA PANEL - W/ELECTRIC MIRROR/HEAT SWITCH - F/#L28X OPTION - MIRRORS-EXTERIOR W/DEFROST |
| *   | 133908-09-01A | EA PANEL - F/ELECTRIC MIRROR ONLY - L28X OPTION - MIRRORS-EXTERIOR W/DEFROST - CHEVY   |

**\*COMPONENT PARTS LISTED LATER IN THIS GROUP**

## ELECTRICAL GROUP (CONTINUED)

### FRONT TV/DVD

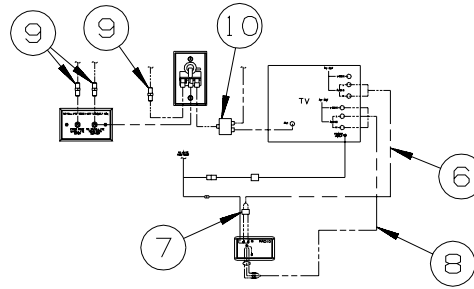
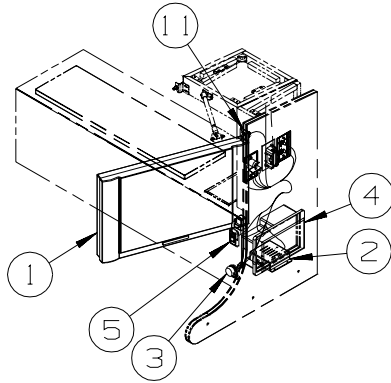


| KEY | PART NUMBER   | U/M | DESCRIPTION  |
|-----|---------------|-----|--|
| 1   | 156676-01-000 | EA  | CONTROLLER/OUTLET - POWER/TV - AUTO SHUTOFF W/IGNITION                                 |
| 2*  | 158836-01-000 | EA  | DVD - HOME THEATER - W/O SPEAKERS - MEMOREX STS71E-R<br>FROM: 00-00-00 THRU: 06-10-07  |
| 2*  | 164270-01-000 | EA  | DVD - HOME THEATER - W/O SPEAKERS - MEMOREX STS2891-R<br>FROM: 06-11-07 THRU: 99-99-99 |
| 3   | 149557-05-01A | EA  | PLATE/WALL - DUAL COAXIAL/HORIZONTAL - WHITE   |
| 4   | 146514-01-000 | FT  | LIGHT - FLEX - ROPE/ROUND - W/STRIP  |
| 4   | 146514-02-000 | EA  | CONNECTOR - LIGHT  |
| 5   | 058708-01-000 | EA  | RECEPTACLE - ELECTRIC - DOUBLE - BROWN   |
| 5   | 158542-02-01A | EA  | LABEL - RECEPTACLE - ELECTRONICS - WHITE/BLACK - <b>CANADIAN</b>                       |
| 6   | 135740-01-01A | EA  | SWITCH - ROCKER - SPST - ON/OFF - BROWN  |
| 6   | 135741-01-01A | EA  | SWITCH - BASE - SINGLE - BROWN   |
| 6   | 135742-50-02A | EA  | BEZEL - SWITCH - ACCENT - BROWN  |
| 7*  | 146298-02-000 | EA  | TV - 27" STEREO W/5 JACKS - SONY 27FS120   |
| 8   | 142258-01-000 | EA  | SWITCH - VIDEO/ANTENNA POWER SUPPLY  |
| 9   | 123324-01-000 | EA  | FILTER - GROUND LOOP - <b>ENTERTAINMENT CENTER-CABOVER</b>                             |
| 10  | 117420-02-000 | EA  | CABLE - W/MALE RCA ENDS - SHIELDED - 4' - <b>ENTERTAINMENT CENTER-CABOVER</b>          |
| 11  | 082134-01-000 | EA  | ADAPTER - TV - CABLE TO CABLE - <b>ENTERTAINMENT CENTER-CABOVER</b>                    |

\*COMPONENT PARTS LISTED LATER IN THIS GROUP



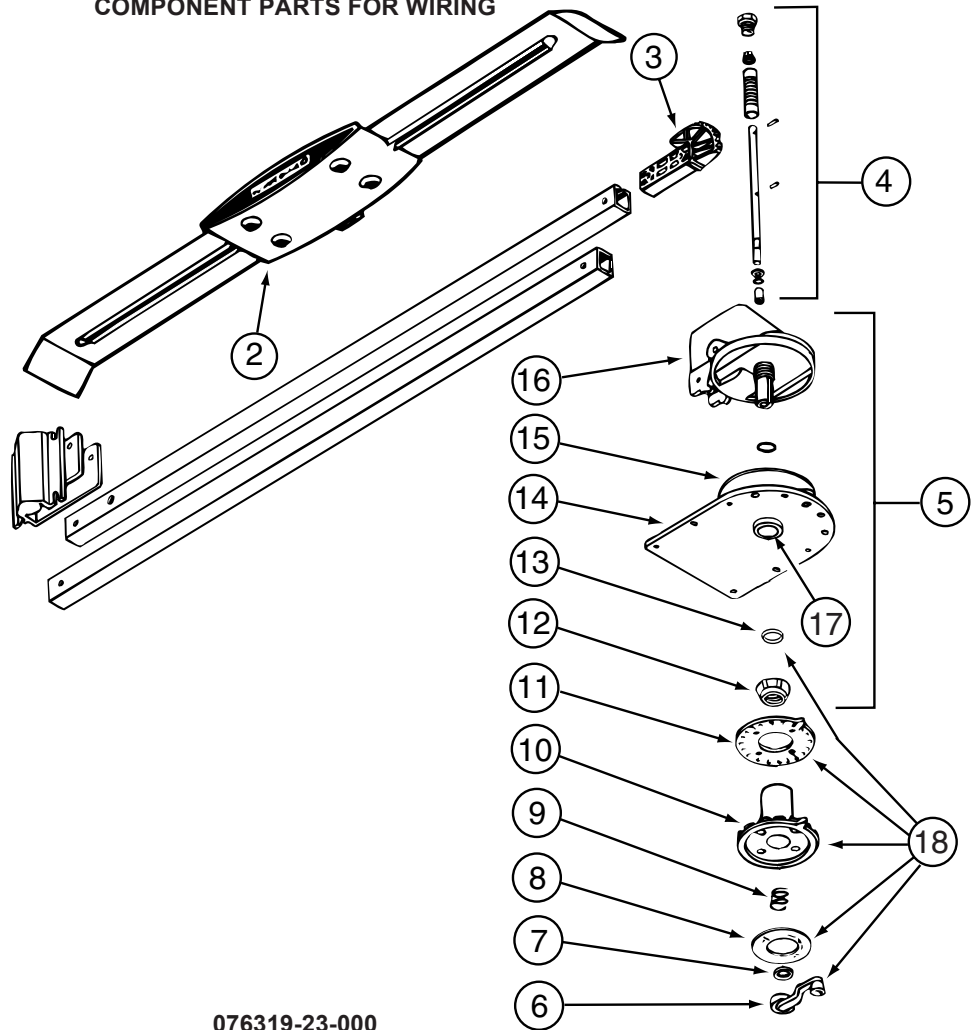
## ELECTRICAL GROUP (CONTINUED)



| KEY | PART NUMBER   | U/M | DESCRIPTION   |
|-----|---------------|-----|---|
| 1*  | 158703-01-000 | EA  | TV - 20" - LCD 4:3 - SIDE SPEAKER - JENSEN JE2043<br>FROM: 00-00-00 THRU: 04-29-07      |
| 1*  | 164495-01-000 | EA  | TV - 19" - LCD 16:9 - BOTTOM SPEAKER - JENSEN JE1907DC<br>FROM: 04-30-07 THRU: 99-99-99 |
| 2   | 150140-01-000 | EA  | CROSSOVER BOX - STANDARD STEREO TO DELUXE SOUND   |
| 3   | 150140-02-000 | EA  | CROSSOVER COIL - F/SUBWOOFER SPEAKER/LOW FREQUENCY                                      |
| 4*  | 156413-01-01A | EA  | RADIO - WALL MOUNT - DVD/CD - W/ALARM - JENSEN AWM950<br>FROM: 00-00-00 THRU: 01-01-07  |
| 4*  | 163031-01-01A | EA  | RADIO - WALL MOUNT - DVD/CD - W/ALARM - JENSEN AWM960<br>FROM: 01-02-07 THRU: 99-99-99  |
| 5   | 135740-01-01A | EA  | SWITCH - ROCKER - SPST - ON/OFF - BROWN   |
| 5   | 135741-01-01A | EA  | SWITCH - BASE - SINGLE - BROWN  |
| 5   | 135742-45-02A | EA  | BEZEL - SWITCH - TV - BROWN   |
| 6   | 117420-02-000 | EA  | CABLE - W/MALE RCA ENDS - SHIELDED - 4'   |
| 7   | 123324-01-000 | EA  | FILTER - GROUND LOOP  |
| 8   | 136860-01-000 | EA  | CABLE - RCA - SHIELDED - 3 MALE TO MALE CONNECTORS - 12'                                |
| 9   | 082134-01-000 | EA  | ADAPTER - TV - CABLE TO CABLE   |
| 10  | 086756-01-000 | EA  | SPLITTER - TV/2 WAY   |
| 11  | 159814-01-000 | EA  | SWITCH - PLUNGER - SPST - OFF/ON  |

**\*COMPONENT PARTS LISTED LATER IN THIS GROUP**

**ELECTRICAL GROUP (CONTINUED)**  
**COMPONENT PARTS FOR WIRING**



**076319-23-000**

| KEY | PART NUMBER   | U/M | DESCRIPTION             | VENDOR NO. |
|-----|---------------|-----|-------------------------|------------|
| 2   | 076319-01-700 | EA  | HEAD-ANTENNA, AMPLIFIED | RVSA U/V   |
| 3   | 076319-01-701 | EA  | GEAR-ELEVATING, PLASTIC | 2200046    |
| 4   | 076319-01-702 | EA  | SHAFT ASM-ELEVATING     | RP-4000    |
| 5   | 076319-01-711 | EA  | BASE & LIFT ASM         | 2762802    |
| 7   | 076319-01-705 | EA  | GROMMET-NYLON, 7/8"ID   | 3200658    |
| 8   | 076319-01-708 | EA  | DECAL-CRANK             | 5413002    |
| 9   | 076319-01-707 | EA  | SPRING-HANDLE           | 2160822    |
| 11  | 076319-01-712 | EA  | PLATE - CEILING         | 3200608    |
| 12  | 076319-01-715 | EA  | NUT (GEAR HOUSING)      | 2200047    |
| 14  | 076319-01-713 | EA  | PLATE-BASE, STEEL       | 3100523    |
| 15  | 076319-01-703 | EA  | BEARING-NYLON, 5"OD     | 3200656    |
| 16  | 076319-01-714 | EA  | HOUSING, ROTATING GEAR  | 2200049    |
| 17  | 076319-01-704 | EA  | BEARING-NYLON, 1.25"OD  | 3200657    |
| 18  | 076319-01-709 | EA  | HANDLE-HEAD DIRECTIONAL | 200644     |
|     | 076319-01-716 | EA  | TUBING, ELEVATING       | RP-2900    |

CONTACT WINNEBAGO PART SALES FOR UNLISTED COMPONENT(S)

**076319-25-000**

| KEY | PART NUMBER   | U/M | DESCRIPTION                  | VENDOR NO. |
|-----|---------------|-----|------------------------------|------------|
| 6   | 076319-01-706 | EA  | CRANK-W/SET SCREW UNIV/BEIGE | 2750897    |
| 6   | 120233-01-710 | EA  | HANDLE-CRANK W/SCREW - WHITE | RP-6795    |
| 8   | 076319-01-708 | EA  | HANDLE-CRANK                 | 5413002    |
| 10  | 076319-25-700 | EA  | DIRECTIONAL HANDLE(WHITE)    | 3200612    |
| 11  | 076319-25-701 | EA  | PLATE - CEILING(WHITE)       | 3200609    |
| 13  | 120233-01-709 | EA  | WASHER-NYLON                 | RP-2658    |

CONTACT WINNEBAGO PART SALES FOR UNLISTED COMPONENT(S)

**087694-01-000**

| KEY | PART NUMBER   | U/M | DESCRIPTION | VENDOR NO. |
|-----|---------------|-----|-------------|------------|
|     | 087694-01-700 | EA  | BULB        | GE561      |

**ELECTRICAL GROUP (CONTINUED)**  
**COMPONENT PARTS FOR WIRING (CONTINUED)**

**097917-01-06A**

| KEY | PART NUMBER   | U/M DESCRIPTION      | VENDOR NO. |
|-----|---------------|----------------------|------------|
|     | 097917-01-700 | EA LENS-LIGHT, CLEAR | 30-78-021  |

**120269-07-01A**

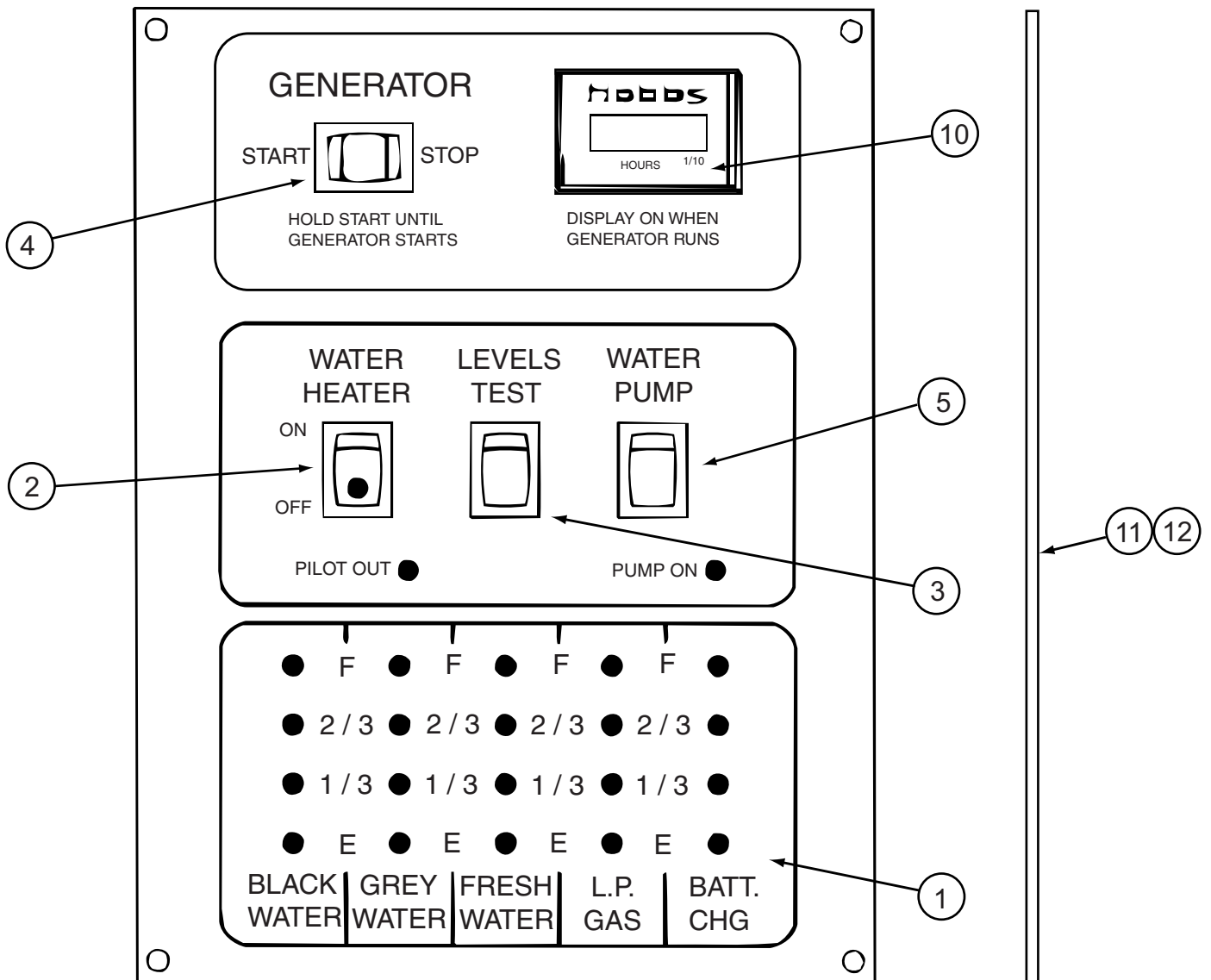
| KEY | PART NUMBER   | U/M DESCRIPTION           | VENDOR NO. |
|-----|---------------|---------------------------|------------|
|     | 120269-07-700 | EA SWITCH - REMOTE        | 7475720    |
|     | 133908-09-700 | EA SWITCH - MIRROR HEATER | 7475150    |

**121935-01-01A**

| KEY | PART NUMBER   | U/M DESCRIPTION              | VENDOR NO. |
|-----|---------------|------------------------------|------------|
|     | 121935-01-700 | EA LENS ONLY - W/CENTER HOLE | 809511     |

**133908-09-01A**

| KEY | PART NUMBER   | U/M DESCRIPTION         | VENDOR NO. |
|-----|---------------|-------------------------|------------|
|     | 133908-09-700 | EA SWITCH-MIRROR HEATER | 7475150    |



**134940-06-01A**

| KEY | PART NUMBER   | U/M DESCRIPTION                 | VENDOR NO. |
|-----|---------------|---------------------------------|------------|
| 1   | 134940-01-702 | EA CHASSIS - SILKSCREENED       | CC0558-00  |
| 2   | 134940-01-701 | EA SWITCH-SPST/ON-OFF/BLK W/LGT | L0109      |
| 3   | 096983-01-701 | EA SWITCH - SPST/MOM 2 TERMINAL | L0111-00   |
| 4   | 096983-01-702 | EA SWITCH - MOM/OFF/MOM/3 TERM  | L0112-00   |
| 5   | 096983-01-703 | EA SWITCH - ON/ON               | L0115-00   |
| 10  | 100258-10-701 | EA GAUGE-HR METER ONLY (LCD)    | L0775-00   |
| 11  | 134940-06-700 | EA PC BOARD - SENSOR SYSTEM/RED | L5131-02   |

CONTACT WINNEBAGO PART SALES FOR UNLISTED COMPONENT(S)

**ELECTRICAL GROUP (CONTINUED)**  
**COMPONENT PARTS FOR WIRING (CONTINUED)**

**134940-07-01A**

| KEY | PART NUMBER   | U/M | DESCRIPTION                  | VENDOR NO. |
|-----|---------------|-----|------------------------------|------------|
| 1   | 134940-01-702 | EA  | CHASSIS - SILKSCREENED       | CC0558-00  |
| 2   | 134940-01-701 | EA  | SWITCH-SPST/ON-OFF/BLK W/LGT | L0109      |
| 3   | 096983-01-701 | EA  | SWITCH - SPST/MOM 2 TERMINAL | L0111-00   |
| 4   | 096983-01-703 | EA  | SWITCH - ON/ON               | L0115-00   |
| 5   | 134940-02-700 | EA  | SWITCH - DUMMY               | L0118      |
| 11  | 134940-06-700 | EA  | PC BOARD - SENSOR SYSTEM/RED | L5131-02   |

CONTACT WINNEBAGO PART SALES FOR UNLISTED COMPONENT(S)

**137417-01-01A, 137417-03-01A**

| KEY | PART NUMBER   | U/M | DESCRIPTION             | VENDOR NO. |
|-----|---------------|-----|-------------------------|------------|
|     | 137417-01-700 | EA  | LENS - SINGLE (FROSTED) | 810868     |

**137417-02-01A**

| KEY | PART NUMBER   | U/M | DESCRIPTION         | VENDOR NO. |
|-----|---------------|-----|---------------------|------------|
|     | 137417-02-700 | EA  | LENS - SINGLE OPTIC | 810844     |

**137417-05-01A**

| KEY | PART NUMBER   | U/M | DESCRIPTION         | VENDOR NO. |
|-----|---------------|-----|---------------------|------------|
|     | 137417-05-700 | EA  | LENS - DOUBLE OPTIC | 810845     |

**137417-06-01A**

| KEY | PART NUMBER   | U/M | DESCRIPTION         | VENDOR NO. |
|-----|---------------|-----|---------------------|------------|
|     | 137417-06-700 | EA  | LENS - DOUBLE WHITE | 810867     |

**146298-02-000**

| KEY | PART NUMBER   | U/M | DESCRIPTION | VENDOR NO.   |
|-----|---------------|-----|-------------|--------------|
|     | 146298-02-700 | EA  | REMOTE - TV | 1-478-707-11 |

**156413-01-01A**

| KEY | PART NUMBER   | U/M | DESCRIPTION | VENDOR NO. |
|-----|---------------|-----|-------------|------------|
|     | 156413-01-700 | EA  | REMOTE      | REMAWM950  |

**158703-01-000**

| KEY | PART NUMBER   | U/M | DESCRIPTION                  | VENDOR NO. |
|-----|---------------|-----|------------------------------|------------|
|     | 158703-01-700 | EA  | REMOTE                       | PSVCJE2043 |
|     | 158703-01-701 | EA  | SERVICE PACK-REMOTE & CABLES | PSVCJE2043 |

**158836-01-000**

| KEY | PART NUMBER   | U/M | DESCRIPTION | VENDOR NO. |
|-----|---------------|-----|-------------|------------|
|     | 158836-01-700 | EA  | REMOTE      | STS71WREM  |

**163031-01-01A**

| KEY | PART NUMBER   | U/M | DESCRIPTION | VENDOR NO. |
|-----|---------------|-----|-------------|------------|
|     | 163031-01-700 | EA  | REMOTE      | PSVCAWM960 |

**163097-01-000**

| KEY | PART NUMBER   | U/M | DESCRIPTION                 | VENDOR NO. |
|-----|---------------|-----|-----------------------------|------------|
|     | 163097-01-700 | EA  | KEY - #2382 (ILLINOIS LOCK) | 2382       |
|     | 163097-01-701 | EA  | KEY - #2341 (MILLER DIAL)   | PART SALES |

**164495-01-000**

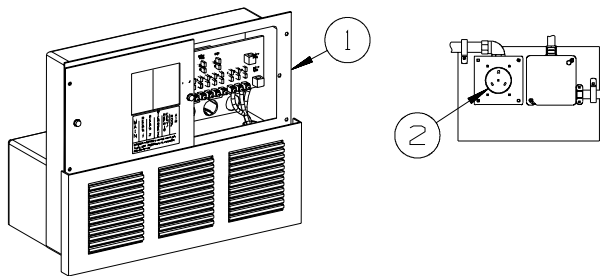
| KEY | PART NUMBER   | U/M | DESCRIPTION | VENDOR NO.     |
|-----|---------------|-----|-------------|----------------|
|     | 164495-01-700 | EA  | REMOTE - TV | P301P19HS3409A |

**ELECTRICAL GROUP (CONTINUED)**  
**CIRCUIT BREAKERS, FUSES & RELAYS**

| KEY | PART NUMBER   | U/M | DESCRIPTION  |
|-----|---------------|-----|--|
|     | 062901-02-000 | EA  | FUSE - 5 AMP - AUTOMOTIVE                                |
|     | 062901-05-000 | EA  | FUSE - 15 AMP - AUTOMOTIVE                               |
|     | 062901-07-000 | EA  | FUSE - 25 AMP - AUTOMOTIVE                               |
|     | 062901-08-000 | EA  | FUSE - 30 AMP - AUTOMOTIVE                               |
|     | 063910-01-000 | EA  | HOUSING - RELAY  |
|     | 063912-02-000 | EA  | RELAY - CANISTER - SPDT                                  |
|     | 083209-01-000 | EA  | CIRCUIT BREAKER - 15 AMP - 120 VOLT - CANADIAN           |
|     | 083209-02-000 | EA  | CIRCUIT BREAKER - 15/15 AMP - 120 VOLT                   |
|     | 083209-03-000 | EA  | CIRCUIT BREAKER - 15/20 AMP - 120 VOLT                   |
|     | 083209-04-000 | EA  | CIRCUIT BREAKER - 30 AMP - 120 VOLT                      |
|     | 083209-05-000 | EA  | CIRCUIT BREAKER - 20 AMP - 120 VOLT                      |
|     | 083209-06-000 | EA  | CIRCUIT BREAKER - 30/15 AMP - 120 VOLT                   |
|     | 083209-07-000 | EA  | CIRCUIT BREAKER - 20/20 AMP - 120 VOLT                   |
|     | 083209-10-000 | EA  | CIRCUIT BREAKER - 20/30 AMP - 120 VOLT                   |
|     | 083209-11-000 | EA  | CIRCUIT BREAKER - 20/15 AMP - 120 VOLT                   |
|     | 092786-03-000 | EA  | BUSS BAR - 6.9" LONG                                     |
|     | 092786-06-000 | EA  | BUSS BAR   |
|     | 093654-01-000 | EA  | CIRCUIT BREAKER - 6 AMP - 12 VOLT - PUSH BUTTON - WHITE  |
|     | 093654-02-000 | EA  | CIRCUIT BREAKER - 15 AMP - 12 VOLT - PUSH BUTTON - WHITE |
|     | 093654-03-000 | EA  | CIRCUIT BREAKER - 20 AMP - 12 VOLT - PUSH BUTTON - WHITE |
|     | 093654-05-000 | EA  | CIRCUIT BREAKER - 10 AMP - 12 VOLT - PUSH BUTTON - WHITE |
|     | 093655-01-000 | EA  | CIRCUIT BREAKER - 25 AMP - 12 VOLT - PUSH BUTTON - WHITE |
|     | 093655-02-000 | EA  | CIRCUIT BREAKER - 30 AMP - 12 VOLT - PUSH BUTTON - WHITE |
|     | 093655-03-000 | EA  | CIRCUIT BREAKER - 40 AMP - 12 VOLT - PUSH BUTTON - WHITE |
|     | 100341-01-000 | EA  | FUSE HOLDER - IN LINE TYPE                               |
|     | 113482-01-000 | EA  | CIRCUIT BREAKER - 55 AMP - MANUAL                        |
|     | 115187-01-000 | EA  | FUSE - 300 AMP - NON-DELAY                               |
|     | 115187-02-000 | EA  | HOLDER - FUSE  |
|     | 115187-03-000 | EA  | FUSE - 60 AMP - NON-DELAY                                |
|     | 122811-01-000 | EA  | CIRCUIT BREAKER - 20/50/50/20 AMP - 250V                 |
|     | 141789-01-000 | EA  | SPACER - CIRCUIT BREAKER                                 |

**CONVERTER, INVERTER, LOAD CENTERS**

| KEY | PART NUMBER   | U/M | DESCRIPTION         |
|-----|---------------|-----|---------------------|
|     | 099048-04-000 | EA  | INVERTER - 300 WATT |



| KEY | PART NUMBER   | U/M | DESCRIPTION                                       |
|-----|---------------|-----|---|
| 1*  | 083208-07-000 | EA  | CONTROL CENTER - 45 AMP - 120V/12V - W/O BREAKERS |
| 2   | 024924-02-000 | EA  | RECEPTACLE - POWER CORD - W/PARTIAL PLATE         |

\*COMPONENT PARTS LISTED LATER IN THIS GROUP

**COMPONENT PARTS FOR CONVERTER, INVERTER, LOAD CENTER**

**083208-07-000**

| KEY | PART NUMBER   | U/M | DESCRIPTION                 | VENDOR NO. |
|-----|---------------|-----|-----------------------------|------------|
|     | 083208-06-701 | EA  | CONVERTER ONLY (LOWER UNIT) | 7345R      |

## ELECTRICAL GROUP (CONTINUED)

### BOXES & CORDS

| KEY | PART NUMBER   | U/M | DESCRIPTION  |
|-----|---------------|-----|--|
|     | 008054-01-000 | EA  | CORD - POWER - 10/3 WIRE - 30 AMP - 25'                  |
|     | 115832-01-000 | FT  | CORD - HEAVY DUTY - 14-2 W/GROUND                        |
|     | 008289-01-000 | EA  | BOX - ELECTRIC/STEEL - 4" X 4" - 1/2" & 3/4" KNOCKOUTS   |
|     | 091910-01-000 | EA  | BOX - ELECTRIC - 3.8" X 3.5" X 1.8" - PLASTIC            |
|     | 091910-02-000 | EA  | BOX - ELECTRIC - 2.2" X 3.5" X 1.8" - PLASTIC            |
|     | 131679-01-000 | EA  | BOX/ELECTRIC-WATERPROOF-4" X 4" - W/4 3/4"OUTLETS-UL/CSA |
|     | 133070-01-000 | EA  | BOX - ELECTRIC/PLASTIC - 3" X 2" X 2.8" - UL             |
|     | 133070-02-000 | EA  | BOX - ELECTRIC/PLASTIC - 3" X 2" X 2.8" - CSA            |
|     | 008294-01-000 | EA  | COVER - ELECTRIC BOX - BLANK/STEEL - 4" X 4" - GRAY      |
|     | 069238-01-000 | EA  | COVER - ELECTRICAL BOX - W/HOLE - 4" X 4" - GRAY         |
|     | 131680-01-000 | EA  | COVER - F/ELECTRIC BOX W/GASKET 4" X 4" - UL/CSA         |

### WIRE ASSEMBLIES

| KEY | PART NUMBER   | U/M | DESCRIPTION  |
|-----|---------------|-----|--|
|     | 077069-02-000 | EA  | CABLE/EXTENSION - RADIO ANTENNA - 96"                      |
|     | 077069-03-000 | EA  | CABLE/EXTENSION - RADIO ANTENNA - 260"                     |
|     | 136514-02-000 | EA  | CABLE - MONITOR/CAMERA                                     |
|     |               |     | FROM: 00-00-00 THRU: 08-26-07                              |
|     | 136514-08-000 | EA  | CABLE - MONITOR/CAMERA                                     |
|     |               |     | FROM: 08-27-07 THRU: 99-99-99                              |
|     | 106851-01-000 | EA  | WIRE ASSEMBLY - RUNNING LIGHTS - FUSE                      |
|     | 134551-06-000 | EA  | WIRE ASSEMBLY - HEATER/TANKS - 3 PAD -196.5"(LONGEST WIRE) |
|     | 134551-08-000 | EA  | WIRE ASSEMBLY - HEATER/TANKS - 2 PAD -216.2"(LONGEST WIRE) |
|     | 134551-10-000 | EA  | WIRE ASSEMBLY - HEATER/TANKS - 2 PAD -167.1"(LONGEST WIRE) |
|     | 151316-03-000 | EA  | WIRE ASM - W/NON CONTACT SENSORS - GREY WATER - 43.2"      |
|     | 151316-04-000 | EA  | WIRE ASM - W/NON CONTACT SENSORS - GREY WATER - 62.9"      |
|     | 151316-06-000 | EA  | WIRE ASM - W/NON CONTACT SENSORS - GREY WATER - 78.6"      |
|     | 151317-01-000 | EA  | WIRE ASM-W/NON CONTACT SENSORS-FRESH WATER/BLK TANK-3.9"   |
|     | 151317-02-000 | EA  | WIRE ASM-W/NON CONTACT SENSORS-FRESH WATER/BLK TANK-23.6"  |
|     | 151317-03-000 | EA  | WIRE ASM-W/NON CONTACT SENSORS-FRESH WATER/BLK TANK-43.2"  |
|     | 153891-01-000 | EA  | WIRE ASM-HEATER,RELAY                                      |
|     | 155522-05-000 | EA  | WIRE ASSEMBLY - SLIDEOUT RAMS                              |
|     | 155619-05-000 | EA  | WIRE ASSEMBLY - RADIO - 12 PIN                             |
|     | 157475-01-000 | EA  | WIRE ASSEMBLY - CLEARANCE LAMPS                            |
|     | 157476-01-000 | EA  | WIRE ASSEMBLY - TAILLAMPS                                  |
|     | 120269-08-000 | EA  | HARNESS/WIRE - F/ELECTRIC MIRRORS                          |
|     | 137135-04-000 | EA  | WIRE HARNESS - POWER - DIGITAL ELEVATION SENSOR            |
|     | 125853-04-000 | EA  | WIRE LOOM - ENTERTAINMENT CENTER                           |
|     | 137135-03-000 | EA  | WIRE LOOM - DIGITAL ELEVATION SENSOR                       |
|     | 142258-02-000 | EA  | WIRE LOOM - VIDEO SWITCH/POWER SUPPLY                      |
|     | 157423-01-000 | EA  | WIRE LOOM - TV/SIDE  |
|     | 135420-17-000 | EA  | WIRE - RADIO - C FORD - 4 PIN                              |
|     | 145210-01-000 | FT  | CABLE - COAXIAL  |

**ELECTRICAL GROUP (CONTINUED)**  
**CONNECTORS & CONDUIT**

| KEY | PART NUMBER   | U/M | DESCRIPTION  |
|-----|---------------|-----|--|
|     | 007940-01-000 | EA  | RECEPTACLE/SLIDE 16 TO 12 AWG - FEMALE END               |
|     | 007940-02-000 | EA  | RECEPTACLE/SLIDE 10 AWG                                  |
|     | 007954-01-000 | EA  | RECEPTACLE - HOUSING - 6 POSITION                        |
|     | 007956-05-000 | EA  | INSULATOR - SHRINK - 1/4"ID X 1 1/2"                     |
|     | 008311-01-000 | EA  | CONNECTOR - WIRE NUT - INSULATED - RED                   |
|     | 008312-01-000 | EA  | CONNECTOR - WIRE NUT - INSULATED - BLUE                  |
|     | 008313-01-000 | EA  | CONNECTOR - WIRE NUT - INSULATED - YELLOW                |
|     | 008314-01-000 | EA  | CONNECTOR - WIRE NUT - INSULATED - GRAY                  |
|     | 008328-01-000 | EA  | TERMINAL - RING - 12/10 WIRE - #10 STUD FIT              |
|     | 008331-01-000 | EA  | TERMINAL - RING - TONGUE - #4 WIRE - 3/8" STUD - COPPER  |
|     | 008348-01-000 | EA  | TERMINAL - RING - 3/8" STUD 2 GA. WIRE                   |
|     | 008355-01-000 | EA  | CONNECTOR - CABLE CLAMPING - 3/4"                        |
|     | 008356-01-000 | EA  | CONNECTOR - PLASTIC - 3/8"                               |
|     | 008356-02-000 | EA  | CONNECTOR - PLASTIC - 21/32"                             |
|     | 035416-04-000 | EA  | TERMINAL - RING - #10 STUD FIT - INSULATED BARREL #16/14 |
|     | 041953-01-000 | FT  | CONDUIT - CONVOLUTE SLIT - .5" ID - POLYETHYLENE         |
|     | 041953-02-000 | FT  | CONDUIT - CONVOLUTE SLIT - .6" ID - POLYETHYLENE         |
|     | 041953-03-000 | FT  | CONDUIT - CONVOLUTE SLIT - 1" ID (CLOTHES ROD COVER)     |
|     | 041953-05-000 | FT  | CONDUIT - CONVOLUTE SLIT - .62" ID - POLYETHYLENE        |
|     | 041953-06-000 | FT  | CONDUIT - CONVOLUTE SLIT - .4" ID - POLYETHYLENE         |
|     | 041953-07-000 | FT  | CONDUIT - CONVOLUTE SLIT - .25" ID - POLYETHYLENE        |
|     | 041953-08-000 | FT  | CONDUIT - CONVOLUTE SLIT - 1.5" ID - POLYETHYLENE        |
|     | 041953-09-000 | FT  | CONDUIT - CONVOLUTE SLIT - .5" ID - NYLON                |
|     | 041953-10-000 | FT  | CONDUIT - CONVOLUTE SLIT - .75" ID - NYLON               |
|     | 041953-11-000 | FT  | CONDUIT - CONVOLUTE SLIT - 1.06" ID - NYLON              |
|     | 041953-12-000 | FT  | CONDUIT - CONVOLUTE SOLID - 1.1" ID - NYLON              |
|     | 041953-13-000 | FT  | CONDUIT - CONVOLUTE SLIT - 1.25" ID                      |
|     | 041953-14-000 | FT  | CONDUIT - CONVOLUTE SLIT - 1.5" ID                       |
|     | 041953-15-000 | FT  | CONDUIT - CONVOLUTE SLIT - 2"                            |
|     | 041953-16-000 | FT  | CONDUIT - CONVOLUTE SLIT - 2"                            |
|     | 047441-01-000 | EA  | TERMINAL-BATTERY, HORIZONTAL LUG                         |
|     | 047443-01-000 | EA  | TERMINAL - .250 RECEPTACLE FIT - INSULATED - 16/14 AWG   |
|     | 047443-02-000 | EA  | TERMINAL - .250 RECEPTACLE FIT - INSULATED - 12/10 AWG   |
|     | 047443-05-000 | EA  | TERMINAL - .250 RECEPTACLE FIT - 18GA AWG                |
|     | 058028-01-000 | EA  | CONNECTOR - ELECTRICAL PIGTAIL - NYLON - CLEAR           |
|     | 062036-01-000 | EA  | TERMINAL - PACK - CON - 12/10 AWG                        |
|     | 076319-12-000 | EA  | CONNECTOR - COAXIAL - ONE PIECE                          |
|     | 077479-02-000 | EA  | BOOT - BATTERY TERMINAL - SINGLE CABLE                   |
|     | 080015-02-000 | EA  | RECEPTACLE - FLAG - .185 - 16/14 GAUGE                   |
|     | 080015-03-000 | EA  | RECEPTACLE - FLAG - .250 - 14/16 GAUGE                   |
|     | 080015-04-000 | EA  | RECEPTACLE - FLAG - .187 - 16/14 GAUGE                   |
|     | 082109-01-000 | EA  | HOUSING - CONNECTOR - PACKARD                            |
|     | 082741-01-000 | EA  | CONNECTOR BODY - 2 CONNECTOR MALE                        |
|     | 087225-01-000 | FT  | SLEEVING - 1/2" - TYPE H                                 |
|     | 088473-01-000 | EA  | HOUSING - PIN - 12 CAVITY (3 ROWS OF 4)                  |
|     | 088473-02-000 | EA  | HOUSING - PIN - 15 CAVITY (3 ROWS OF 5)                  |
|     | 088473-03-000 | EA  | HOUSING - PIN - 9 CAVITY (3 ROWS OF 3)                   |
|     | 088473-04-000 | EA  | HOUSING - PIN - 8 CAVITY IN-LINE                         |
|     | 088473-06-000 | EA  | HOUSING - PIN - 6 CAVITY (2 ROWS OF 3)                   |
|     | 088473-07-000 | EA  | HOUSING - PIN - 5 CAVITY - IN-LINE                       |
|     | 088473-08-000 | EA  | HOUSING - PIN - 4 CAVITY - IN-LINE                       |
|     | 088473-09-000 | EA  | HOUSING - PIN - 3 CAVITY - IN-LINE                       |
|     | 088473-10-000 | EA  | HOUSING - PIN - 2 CAVITY - IN-LINE                       |
|     | 088473-12-000 | EA  | HOUSING - PIN - 3 CAVITY - BLUE                          |
|     | 088473-13-000 | EA  | HOUSING - PIN - 3 CAVITY - GREEN                         |
|     | 088473-14-000 | EA  | HOUSING - PIN - 3 CAVITY - RED                           |
|     | 088474-01-000 | EA  | HOUSING - SOCKET - 12 CAVITY                             |
|     | 088474-02-000 | EA  | HOUSING - SOCKET - 15 CAVITY                             |
|     | 088474-03-000 | EA  | HOUSING - SOCKET - 9 CAVITY                              |
|     | 088474-06-000 | EA  | HOUSING - SOCKET - 6 CAVITY                              |
|     | 088474-07-000 | EA  | HOUSING - SOCKET - 5 CAVITY                              |
|     | 088474-08-000 | EA  | HOUSING - SOCKET - 4 CAVITY                              |
|     | 088474-09-000 | EA  | HOUSING - SOCKET - 3 CAVITY                              |

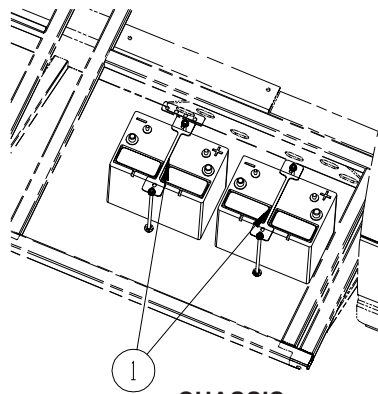
**ELECTRICAL GROUP (CONTINUED)**  
**CONNECTORS & CONDUIT (CONTINUED)**

| KEY | PART NUMBER   | U/M | DESCRIPTION   |
|-----|---------------|-----|---|
|     | 088474-10-000 | EA  | HOUSING - SOCKET - 2 CAVITY                               |
|     | 088474-12-000 | EA  | HOUSING - SOCKET - 2 CAVITY - RED                         |
|     | 088475-01-000 | EA  | PIN - CONNECTOR - 14-20 AWG                               |
|     | 088475-02-000 | EA  | PIN - CONNECTOR - 10-12 AWG                               |
|     | 088476-01-000 | EA  | TERMINAL - ELECTRICAL                                     |
|     | 088476-02-000 | EA  | SOCKET - CONNECTOR - 12-10 GA - PRE-TIN                   |
|     | 098261-01-000 | EA  | SOCKET - CONNECTOR - WEATHERPACK - 12 AWG                 |
|     | 098261-02-000 | EA  | SOCKET - CONNECTOR - WEATHERPACK - 14-18 AWG              |
|     | 098262-01-000 | EA  | SEAL - CONNECTOR - WEATHERPACK                            |
|     | 098264-01-000 | EA  | HOUSING - 2 PIN - WEATHER PACK - MALE W/FEMALE PINS       |
|     | 098264-02-000 | EA  | HOUSING - 2 PIN - WEATHER PACK - FEMALE W/MALE PINS       |
|     | 098265-02-000 | EA  | PIN - CONNECTOR - WEATHER PACK                            |
|     | 102777-02-000 | EA  | TERMINAL - RING - #6 STUD - 10 AWG                        |
|     | 103608-01-000 | EA  | SOCKET - WEDGE BASE W/LEADS                               |
|     | 104100-01-000 | EA  | HOUSING - 1 POSITION - 75 AMPS                            |
|     | 104100-03-000 | EA  | TERMINAL - 75 AMP   |
|     | 106007-02-000 | EA  | TERMINAL - FEMALE - 10-12 AWG                             |
|     | 110178-01-000 | EA  | HOUSING - WIPER MOTOR                                     |
|     | 112823-01-000 | EA  | SPLICE - REDUCER - 16-14 TO 18-22                         |
|     | 113135-01-000 | EA  | TERMINAL - FEMALE - M/P - 14-16 - F/SEALED TERMINAL       |
|     | 113308-01-000 | EA  | TERMINAL - FEMALE - M/P - 14-16 - 280                     |
|     | 113308-02-000 | EA  | TERMINAL - FEMALE - M/P - 14-18 - 280                     |
|     | 113468-01-000 | EA  | HOUSING - 2 POSITION-FEMALE-USED ON WIPER/WASHER WIRE ASM |
|     | 113468-02-000 | EA  | HOUSING - 2 POSITION - FEMALE                             |
|     | 116811-01-000 | EA  | TERMINAL - .110 RECEPTACLE - 16-14 AWG                    |
|     | 118571-01-000 | EA  | CONNECTOR - 3-WAY - MALE/SEALED                           |
|     | 118571-02-000 | EA  | CONNECTOR - 3-WAY - FEMALE/SEALED                         |
|     | 118571-05-000 | EA  | LOCK - SECONDARY - FEMALE                                 |
|     | 118571-06-000 | EA  | LOCK - SECONDARY - MALE                                   |
|     | 118599-02-000 | EA  | TERMINAL - MALE - M/P - 280/14-12                         |
|     | 118820-01-000 | EA  | INSULATOR - TERMINAL                                      |
|     | 129233-01-000 | EA  | HOUSING - 2-POSITION/FEMALE - 280-SERIES                  |
|     | 129233-02-000 | EA  | HOUSING - 2-POSITION/FEMALE - 280-SERIES                  |
|     | 129233-03-000 | EA  | HOUSING - 2-POSITION/FEMALE - 280-SERIES                  |
|     | 131681-01-000 | EA  | CONNECTOR - 3/4" SO CORD - UL/CS                          |
|     | 137207-01-000 | EA  | HOUSING - PIN - 2 CAVITY/HIGH AMP                         |
|     | 137208-01-000 | EA  | HOUSING - SOCKET - 2 CAVITY/HIGH AMP                      |
|     | 137209-01-000 | EA  | PIN - CONNECTOR - 10AWG/HIGH AMP                          |
|     | 137210-01-000 | EA  | SOCKET - CONNECTOR - 10 AWG/HIGH AMP                      |
|     | 138996-04-000 | EA  | CONNECTOR - LAMP  |
|     | 142520-01-000 | EA  | TERMINAL - FEMALE - MINI-FIT 16                           |
|     | 142522-01-000 | EA  | HOUSING - 4 PIN/MALE - MINI FIT                           |
|     | 142522-02-000 | EA  | HOUSING - 6 PIN/MALE - MINI FIT                           |
|     | 142522-03-000 | EA  | HOUSING - 8 PIN/MALE - MINI FIT                           |
|     | 142522-04-000 | EA  | HOUSING - 10 PIN/MALE - MINI FIT                          |
|     | 142522-05-000 | EA  | HOUSING - 12 PIN/MALE - MINI FIT                          |
|     | 142522-06-000 | EA  | HOUSING - 14 PIN/MALE - MINI FIT                          |
|     | 142524-01-000 | EA  | HOUSING - 4 PIN/FEMALE - WEATHER PACK                     |
|     | 142524-02-000 | EA  | HOUSING - 4 PIN/FEMALE - WEATHER PACK                     |
|     | 144283-01-000 | EA  | CONNECTOR - 110V - F/USE WITH SOW WIRE - BLUE             |
|     | 144283-02-000 | EA  | CONNECTOR - 110V - F/USE WITH NM ROMEX WIRE - CLEAR       |
|     | 145171-01-000 | EA  | CONNECTOR - COAXIAL                                       |
|     | 148335-01-000 | EA  | HOUSING - 8-POSITION/MALE - 280-GT SERIES                 |
|     | 148335-02-000 | EA  | HOUSING - 4-POSITION/MALE - 280-GT SERIES                 |
|     | 148335-03-000 | EA  | HOUSING - 6-POSITION/MALE - 280-GT SERIES                 |
|     | 149683-01-000 | EA  | HOUSING - F/5 CAVITY RECEPTACLE - W/SQUARE GUIDE PIN      |
|     | 149683-02-000 | EA  | HOUSING - F/5 CAVITY RECEPTACLE - W/ROUND GUIDE PIN       |
|     | 149686-01-000 | EA  | TERMINAL - .250 RECEPTACLE                                |
|     | 149687-01-000 | EA  | HOUSING - 2 POSITION/MALE - PACKARD                       |
|     | 149687-02-000 | EA  | LOCK - F/2 POSITION HOUSING - PACKARD                     |
|     | 149688-01-000 | EA  | TERMINAL - MALE - 16 GAUGE WIRE                           |
|     | 156035-01-000 | EA  | HOUSING - 12-POSITION/FEMALE - 280-GT SERIES              |
|     | 156041-01-000 | EA  | TERMINAL - FEMALE - 16-12 - 280-GT SERIES                 |



## ELECTRICAL GROUP (CONTINUED) CONNECTORS & CONDUIT (CONTINUED)

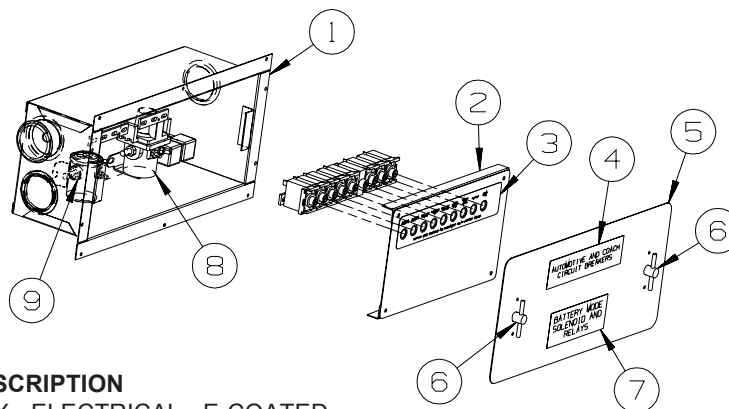
| KEY | PART NUMBER   | U/M | DESCRIPTION   |
|-----|---------------|-----|---|
|     | 156043-01-000 | EA  | HOUSING - 2-POSITION/FEMALE - 480-MP SERIES           |
|     | 156043-02-000 | EA  | LOCK - F/2 POSITION HOUSING - 480 SERIES              |
|     | 156044-01-000 | EA  | TERMINAL - FEMALE - 16-12 - 280-GT - F/SEALED HOUSING |
|     | 156045-01-000 | EA  | HOUSING - 10-POSITION/FEMALE - 280-GT SERIES          |
|     | 156045-02-000 | EA  | HOUSING - 4-POSITION/FEMALE - 280-GT SERIES           |
|     | 156045-03-000 | EA  | HOUSING - 8-POSITION/FEMALE - 280-GT SERIES           |
|     | 156045-04-000 | EA  | HOUSING - 6-POSITION/FEMALE - 280-GT SERIES           |
|     | 156207-01-000 | EA  | HOUSING - 6-POSITION/MALE - 150-GT SERIES             |
|     | 156208-01-000 | EA  | TERMINAL - MALE - 18-16 - 150-GT SERIES               |
|     | 157590-01-000 | EA  | TERMINAL - FEMALE - M/P - 10-12 - 630                 |
|     | 157592-01-000 | EA  | HOUSING - 7-POSITION/FEMALE - M/P                     |
|     | 157592-02-000 | EA  | LOCK - SECONDARY - F/7 POSITION HOUSING               |
|     | 157656-01-01A | EA  | CONNECTOR - DASH LIGHT - BLACK                        |
|     | 158357-01-000 | EA  | HOUSING - 3 PIN/MALE - MINI FIT                       |
|     | 158373-01-000 | EA  | HOUSING - SOCKET - 16 CAVITY - MINI MATE-N-LOCK       |
|     | 158374-01-000 | EA  | SOCKET - 16-20 CAVITY - MINI MATE-N-LOCK              |
|     | 164687-01-000 | EA  | PIN - CONNECTOR - 16-14                               |
|     | 164685-01-000 | EA  | HOUSING - PIN - 7-POSITION                            |
|     | 164689-01-000 | EA  | SEAL - CONNECTOR                                      |
|     | 168450-01-000 | EA  | CONNECTOR/ADAPTER - COAX                              |



**CHASSIS**

## BATTERY INSTALLATION

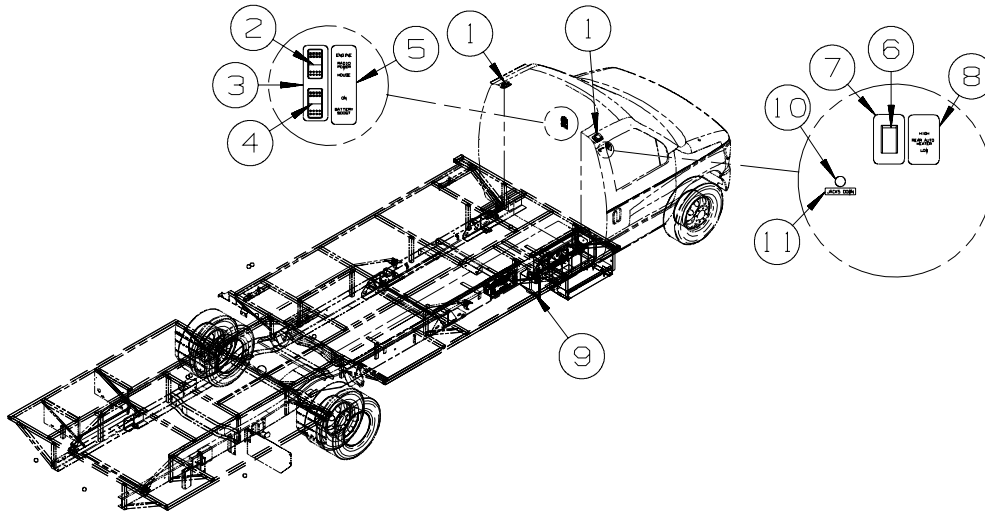
| KEY | PART NUMBER   | U/M | DESCRIPTION                  |
|-----|---------------|-----|------------------------------|
| 1   | 160014-03-02B | EA  | TIEDOWN - BATTERY - E-COATED |



## CHASSIS ELECTRICAL BOX

| KEY | PART NUMBER   | U/M | DESCRIPTION                              |
|-----|---------------|-----|--|
| 1   | 141272-01-02B | EA  | BOX - ELECTRICAL - E-COATED              |
| 2   | 139067-04-02B | EA  | PLATE - CIRCUIT BREAKER/HOUSE - E-COATED |
| 3   | 093236-52-000 | EA  | LABEL - CIRCUIT BREAKER                  |
| 4   | 098379-01-000 | EA  | LABEL - CIRCUIT BREAKER - FRONT BOX      |
| 5   | 141273-01-02B | EA  | COVER - ELECTRICAL BOX - E-COATED        |
| 5   | 092492-16-000 | EA  | SEAL - ELECTRICAL BOX                    |
| 6   | 098196-01-000 | EA  | LATCH - 1/4 TURN - T-BAR                 |
| 7   | 098379-04-000 | EA  | LABEL - ELECTRICAL BOX - SIDE            |
| 8   | 086273-01-000 | EA  | RELAY - BATTERY DISCONNECT               |
| 9   | 008188-01-000 | EA  | SOLENOID - 3 POST - BATTERY CHANGE OVER  |

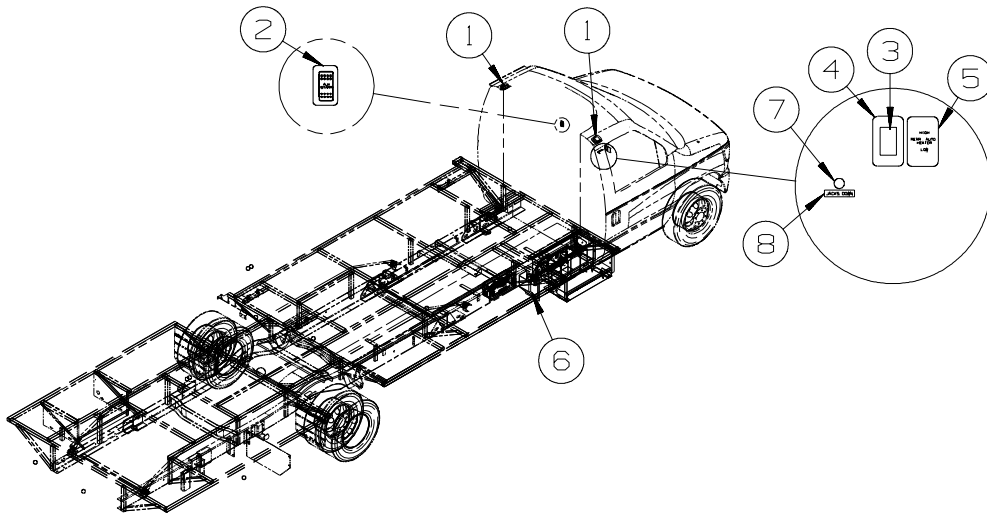
**ELECTRICAL GROUP (CONTINUED)**  
**CHASSIS (CONTINUED)**



**FORD**

| KEY | PART NUMBER   | U/M | DESCRIPTION   |
|-----|---------------|-----|---|
| 1   | 112642-01-06A | EA  | TRIM RING - SINGLE LIGHT - BLACK                          |
| 1   | 112643-01-000 | EA  | LIGHT - SINGLE - SWIVEL                                   |
| 2   | 108357-08-000 | EA  | SWITCH - ROCKER - DPDT - 0N/NONE/ON - 6 TERM - W/O COVER  |
| 2   | 108356-02-01A | EA  | COVER/ACTUATOR SWITCH - 2 ROWS DIMPLES - BLACK            |
| 2   | 108355-01-000 | EA  | HOUSING - SWITCH  |
| 3   | 144363-12-04B | EA  | PLATE - SWITCH - BLACK                                    |
| 4   | 108357-09-000 | EA  | SWITCH - ROCKER - SPDT - ON/NONE/MOM - 3 TERM - W/O COVER |
| 4   | 108356-02-01A | EA  | COVER/ACTUATOR SWITCH - 2 ROWS DIMPLES - BLACK            |
| 4   | 108355-01-000 | EA  | HOUSING - SWITCH  |
| 5   | 145731-01-01A | EA  | LABEL - SWITCH - RADIO/BATTERY - BLACK                    |
| 6   | 108357-03-000 | EA  | SWITCH - ROCKER - SPDT - ON/OFF/ON - 3 TERM - W/O COVER   |
| 6   | 108356-02-01A | EA  | COVER/ACTUATOR SWITCH - 2 ROWS DIMPLES - BLACK            |
| 6   | 108355-01-000 | EA  | HOUSING - SWITCH  |
| 7   | 144363-07-04B | EA  | PLATE - SWITCH - BLACK                                    |
| 8   | 145731-03-01A | EA  | LABEL - SWITCH - REAR AUTO HEATER                         |
| 9   | 149825-01-000 | EA  | CONTROL MODULE - DIGISYNC/HIGH SPEED - F/C-BODY RAM       |
| 9   | 078040-04-000 | EA  | SHROUD - 8.2"W X 12.6"H X 5.1"D - BLACK                   |
| 10  | 150237-01-000 | EA  | LIGHT - INDICATOR - RED                                   |
| 11  | 133533-01-01A | EA  | LABEL - JACKS DOWN - CLEAR W/WHITE LETTERING              |

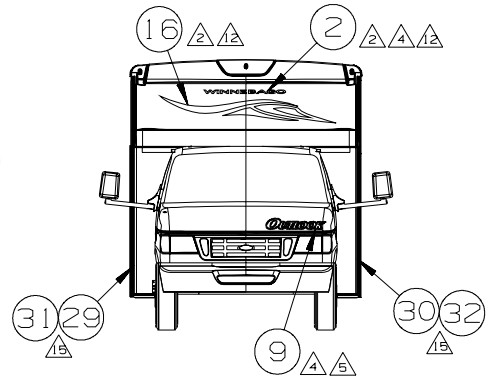
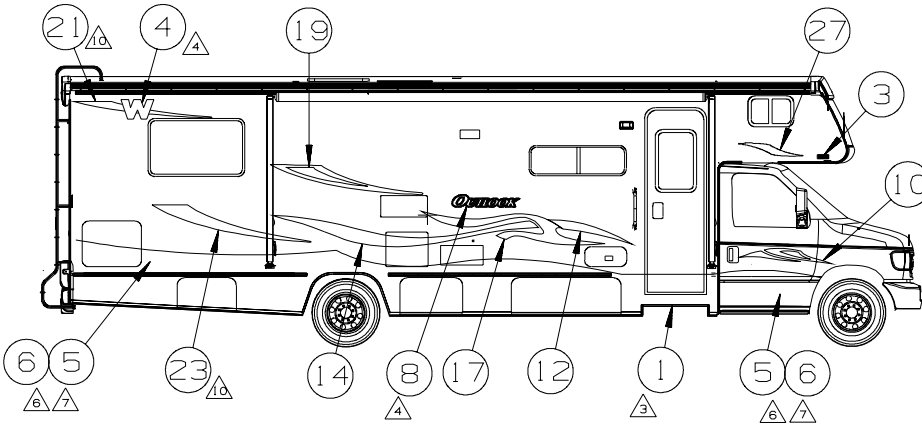
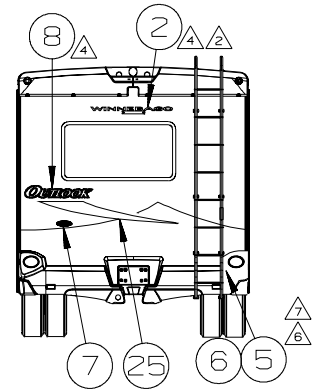
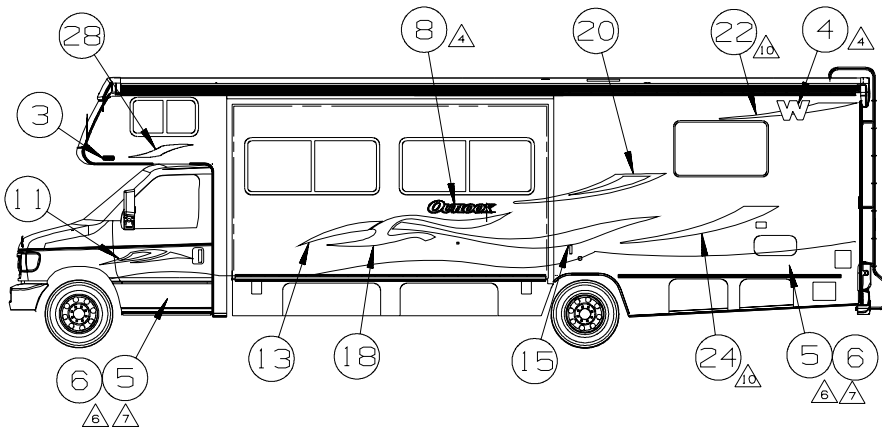
**ELECTRICAL GROUP (CONTINUED)**  
**CHASSIS (CONTINUED)**



**CHEVY**

| KEY | PART NUMBER   | U/M | DESCRIPTION  |
|-----|---------------|-----|--|
| 1   | 112642-01-06A | EA  | TRIM RING - SINGLE LIGHT - BLACK                           |
| 1   | 112643-01-000 | EA  | LIGHT - SINGLE - SWIVEL                                    |
| 2   | 108357-09-000 | EA  | SWITCH - ROCKER - SPDT - ON/NONE/MOM - 3 TERM - W/O COVER  |
| 2   | 108356-07-01A | EA  | COVER/ACTUATOR SWITCH - 2 ROWS DIMPLES - AUX START - BLACK |
| 2   | 108355-01-000 | EA  | HOUSING - SWITCH   |
| 2   | 144363-07-04B | EA  | PLATE - SWITCH - BLACK                                     |
| 3   | 108357-03-000 | EA  | SWITCH - ROCKER - SPDT - ON/OFF/ON - 3 TERM - W/O COVER    |
| 3   | 108356-02-01A | EA  | COVER/ACTUATOR SWITCH - 2 ROWS DIMPLES - BLACK             |
| 3   | 108355-01-000 | EA  | HOUSING - SWITCH   |
| 4   | 144363-07-04B | EA  | PLATE - SWITCH - BLACK                                     |
| 5   | 145731-03-01A | EA  | LABEL - SWITCH - REAR AUTO HEATER                          |
| 6   | 149825-01-000 | EA  | CONTROL MODULE - DIGISYNC/HIGH SPEED - F/C-BODY RAM        |
| 6   | 078040-04-000 | EA  | SHROUD - 8.2"W X 12.6"H X 5.1"D - BLACK                    |
| 7   | 150237-01-000 | EA  | LIGHT - INDICATOR - RED                                    |
| 8   | 133533-01-01A | EA  | LABEL - JACKS DOWN - CLEAR W/WHITE LETTERING               |

# EXTERIOR BODY GROUP GRAPHICS & PAINT



| KEY   | PART NUMBER         | U/M | DESCRIPTION  |
|-------|---------------------|-----|--|
|       | 109506-01-000       | EA  | FILM-URETHANE PROTECTANT                                   |
|       | 120702-03-CHT(72A)  | EA  | DECAL-LOGO WINNEBAGO SML - BRT GOLD                        |
|       | 132664-02-CHT(101A) | EA  | DECAL-LOGO DOMED WINNEBAGO - CHROME/RED/BLACK              |
|       | 135381-06-CHT(102A) | EA  | DECAL-LOGO W - BRT WHITE/DK CHARCOAL                       |
| 1A, B | 141599-47-000       | GL  | PAINT-BRT PLATINUM MET - DUPONT #373-P75354 OR SW #48823-3 |
|       | 141899-32-000       | GL  | PAINT-LT TITANIUM MET - DUPONT #373-P7435 OR SW #7435      |
|       | 151687-01-CHT(101A) | EA  | DECAL-BEZEL DOMED NAMEPLATE WINNEBAGO - CHROME/RED         |
|       | 152852-01-CHT(102A) | EA  | DECAL-OUTLOOK LG - BRT WHITE/SLATE GREY/SUNSET             |
|       | 152952-02-CHT(101A) | EA  | DECAL-OUTLOOK SML - BRT WHITE/SLATE GREY/SUNSET            |
|       | 156709-01-CHT(102A) | EA  | DECAL-CAB SWEEP RH - DK CHARCOAL/BRT GOLD                  |
|       | 156709-02-CHT(102A) | EA  | DECAL-CAB SWEEP LH - DK CHARCOAL/BRT GOLD                  |
|       | 156710-01-CHT(102A) | EA  | DECAL-TIP RH - DK CHARCOAL                                 |
|       | 156710-02-CHT(102A) | EA  | DECAL-TIP LH - DK CHARCOAL                                 |
|       | 156711-01-CHT(102A) | EA  | DECAL-SWEEP RH - DK CHARCOAL                               |
|       | 156711-02-CHT(102A) | EA  | DECAL-SWEEP LH - DK CHARCOAL                               |
|       | 156712-01-CHT(102A) | EA  | DECAL-OVHD - DK CHARCOAL/PEWTER/BRT GOLD                   |
|       | 156713-01-CHT(102A) | EA  | DECAL-MID RH - BRT GOLD                                    |
|       | 156713-02-CHT(102A) | EA  | DECAL-MID LH - BRT GOLD                                    |
|       | 156714-01-CHT(102A) | EA  | DECAL-ARC RH - KHAKI                                       |
|       | 156714-02-CHT(102A) | EA  | DECAL-ARC LH - KHAKI                                       |
|       | 156715-01-CHT(102A) | EA  | DECAL-ARC LWR RH - BRT GOLD                                |
|       | 156715-02-CHT(102A) | EA  | DECAL-ARC LWR LH - BRT GOLD                                |
|       | 156716-01-CHT(102A) | EA  | DECAL-ARC UPPER RH - PEWTER/BRT GOLD                       |
|       | 156716-02-CHT(102A) | EA  | DECAL-ARC UPPER LH - PEWTER/BRT GOLD                       |
|       | 156718-02-CHT(102A) | EA  | DECAL-ARC RR - PEWTER/BRT GOLD                             |
|       | 156717-01-CHT(102A) | EA  | DECAL-ARC RL - PEWTER/BRT GOLD                             |
|       | 160518-01-CHT(104A) | EA  | PAINT-CLEAR COAT - SHERWIN WILLIAMS                        |
|       | 160518-02-CHT(104A) | EA  | DECAL-OVERHEAD RH - DK CHARCOAL                            |
|       | 160518-03-CHT(104A) | EA  | DECAL-OVERHEAD LH - DK CHARCOAL                            |
|       | 160732-01-CHT(101A) | EA  | DECAL-PAINT PROTECT FILM WINGWALL FORD RH - CLEAR          |
|       | 160732-02-CHT(101A) | EA  | DECAL-PAINT PROTECT FILM WINGWALL FORD LH - CLEAR          |
|       | 160732-03-CHT(101A) | EA  | DECAL-PAINT PROTECT FILM WINGWALL CHEVY RH - CLEAR         |
|       | 160732-04-CHT(101A) | EA  | DECAL-PAINT PROTECT FILM WINGWALL CHEVY LH - CLEAR         |

△ USE FLAT STRAIGHT EDGE OF DECAL WITH FLAT STRAIGHT EDGE OF FEATURE TRIM, TO ALIGN DECAL VERTICALLY. (3RD DIM WILL NOT BE NEEDED).

9. NO VINYL OR PAINT ON SLIDEOUT ROOM END PANELS.

△ OPTIONAL PAINT.

△ PAINTED AREA IS TO BE BELOW FEATURE STRIP FOR OPTIONAL PAINTED MODELS & CONTINUES ON CAB DOORS TO WHEEL WELL.

△ CLEAR COAT TO BE APPLIED ON PAINTED AREAS TO PROTECT PAINT.

△ LOCATE DECAL 240 MM LEFT OF HOOD EDGE AND 60 MM UP FROM FRONT EDGE OF HOOD.

△ LOGO IS TO BE ±1 MM ON A HORIZONTAL PLANE (END TO END).

△ FILM TO PROTECT BOTTOM OF DOOR FROM SCUFF MARKS.

△ CENTERED ON UNIT.

1. APPLY PROTECTOR 116424-01-000 TO WATER HEATER DOOR LATCH.

△ LOCATE DECAL 290MM LEFT OF HOOD EDGE AND 100MM UP FROM FRONT EDGE OF HOOD.

△ CHEVY CAB NOT AVAILABLE.

△ UNITS WITH OPT PAINT WILL USE PAINT MASK. UNITS BUILT IN C.C.-CDI PAINT MASK WILL BE CUT FROM RAW MATERIAL; UNITS BUILT IN F.C. CDI WILL SUPPLY PAINT MAST CUT FROM RAW MATERIAL.

△ REFER TO UNIT BUILD SCHEDULE TO DETERMINE BRAND OF PAINT TO BE USED. WHEN BUILT IN CC CDI PAINT USED IS SHERWIN WILLIAMS. WHEN BUILT IN FC PAINT USED IS DUPONT.

13. ENTIRE RUNNING BOARD WHEEL WELL TRIM IS TO BE PAINTED ON OPT PAINT UNITS.

△ DO NOT INSTALL WINNEBAGO DECALS ON FRONT BUNK FOR FEATURE #645. PUT IN BULK PACKAGE AND SHIP TO DEALERSHIP. MOTURI'S DECALS SUPPLIED BY DEALER WILL BE INSTALLED IN THEIR PLACE. ALL OTHER PARTS ARE THE SAME AS OUTLOOK.

△ ADD MOTURI'S DECALS, SUPPLIED BY DEALER, FOR FEATURE #645. LOCATE ON REAR OF UNIT NEXT TO WINDOW (RIGHT SIDE).

(1GF) EXT PAINT #1 W/FBGLS BOARDS

(1GH) EXT PAINT #2 W/FBGLS BOARDS

(27B) EXTERIOR GRAPHICS PACKAGE #1

(16E) FORD CHASSIS 14,050 LB GVWR

(1PY) CHEVY CHASSIS 14,050 LB GVWR

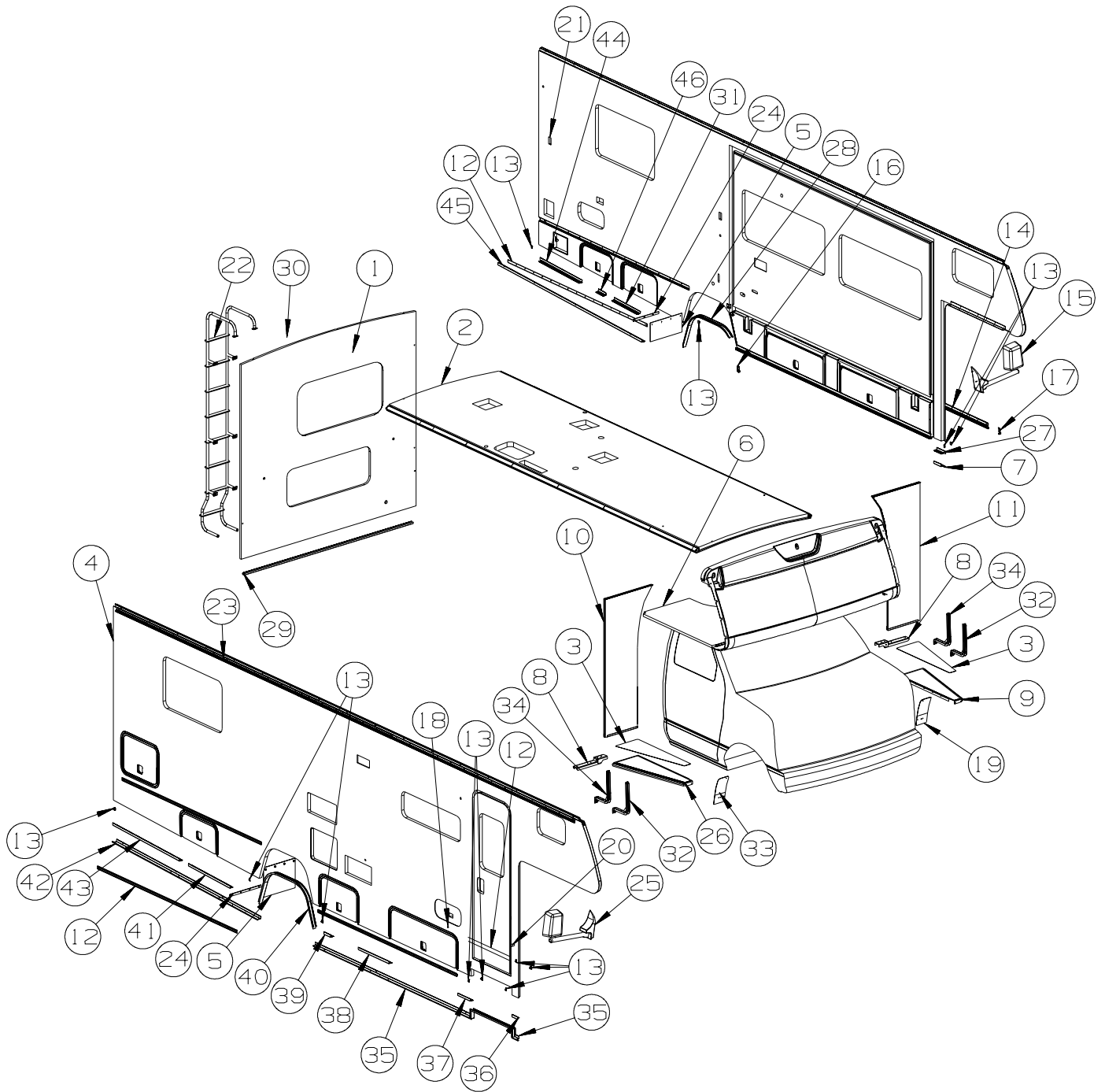
NOTES:

| KEY | PART NUMBER   | U/M | DESCRIPTION                  |
|-----|---------------|-----|------------------------------|
|     | 072882-01-000 | GL  | PAINT - LOW BAKE - OFF WHITE |

**DUPONT COLOR CODES ARE NOW FOUND IN THE PAINT CODE MANUAL.  
YOU CAN FIND THIS MANUAL ON YOUR DEALER INDEX WEBPAGE UNDER SERVICE.**

## EXTERIOR BODY GROUP (CONTINUED)

### PANELS & TRIMS



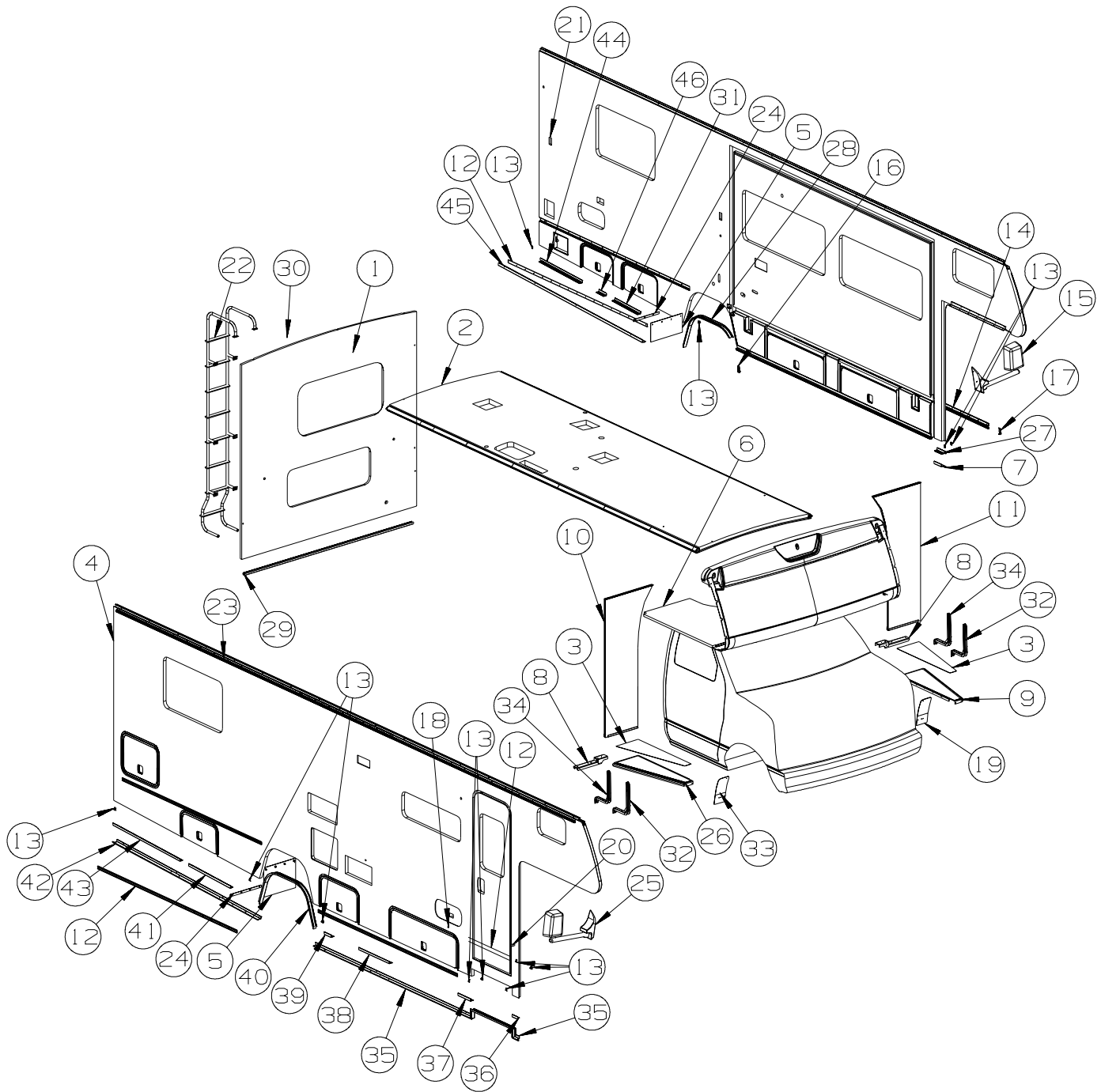
| KEY | PART NUMBER   | U/M DESCRIPTION  |
|-----|---------------|--|
| 1   | 162144-01-W21 | EA BACKWALL - W/O WINDOW/TRIMS (W21, W22)  |
| 1   | 162144-01-W23 | EA BACKWALL - W/O WINDOW/TRIMS (W23, W24)  |
| 1   | 162144-01-W25 | EA BACKWALL - W/O WINDOW/TRIMS (W25, W26)  |
| 1   | 162144-02-W21 | EA BACKWALL - W/O WINDOW/TRIMS (W21, W22) - DUAL PANE WINDOW                     |
| 1   | 162144-02-W23 | EA BACKWALL - W/O WINDOW/TRIMS (W23, W24) - DUAL PANE WINDOW                     |
| 1   | 162144-02-W25 | EA BACKWALL - W/O WINDOW/TRIMS (W25, W26) - DUAL PANE WINDOW                     |
| 2   | 162143-01-W21 | EA ROOF - W/O LIGHTS/VENTS - W/WIRING  |
| 3   | 146515-01-01A | EA MAT - ANTI SLIP - RIGHT HAND - BLACK  |
| 3   | 146515-02-01A | EA MAT - ANTI SLIP - LEFT HAND - BLACK   |
| 3   | 146515-03-01A | EA MAT - ANTI SLIP - RIGHT HAND - BLACK - LOWER EXTERIOR PAINT - NOT ILLUSTRATED |
| 3   | 146515-04-01A | EA MAT - ANTI SLIP - LEFT HAND - BLACK - LOWER EXTERIOR PAINT - NOT ILLUSTRATED  |
| 4   | P62140-01-W21 | EA SIDEWALL - PASSENGER - W/O WINDOWS/TRIMS (W21, W22)                           |
| 4   | P62140-01-W23 | EA SIDEWALL - PASSENGER - W/O WINDOWS/TRIMS (W23, W24)                           |
| 4   | P62140-01-W25 | EA SIDEWALL - PASSENGER - W/O WINDOWS/TRIMS (W25, W26)                           |
| 5   | 017516-01-000 | EA MUD FLAP - 14"H X 18"W - W/O MOUNTING HOLES - RUBBER - BLK                    |
| 6   | 156387-01-U21 | EA SLEEPERBOARD  |

**EXTERIOR BODY GROUP (CONTINUED)**  
**PANELS & TRIMS (CONTINUED)**

| KEY | PART NUMBER   | U/M | DESCRIPTION  |
|-----|---------------|-----|--|
| 7   | 128426-05-01A | EA  | TRIM - ROCKER - NOTCHED - 6" - BRIGHT WHITE  |
| 7   | 128426-05-02A | EA  | TRIM - ROCKER - NOTCHED - 6" - BLACK   |
| 8   | 146180-01-02B | EA  | BRACKET - RUNNING BOARD - E-COATED   |
|     |               |     | FROM: 00-00-00 THRU: 07-29-07  |
| 8   | 146180-02-02B | EA  | BRACKET - RUNNING BOARD - E-COATED - <b>NOT ILLUSTRATED</b>                                    |
|     |               |     | FROM: 07-30-07 THRU: 99-99-99  |
| 8   | 149604-09-000 | EA  | HARDWARE KIT (RUNNING BOARD INSTALL) - FORD - <b>LOWER EXTERIOR PAINT - NOT ILLUSTRATED</b>    |
| 9   | 146148-02-01A | EA  | BOARD - RUNNING - LEFT HAND/TAPPERED - BLACK   |
| 9   | 149604-02-01A | EA  | RUNNING BOARD/WEDGE - DRIVER - FORD -PRIMED - <b>LOWER EXTERIOR PAINT - NOT ILLUSTRATED</b>    |
| 9   | 159045-02-01A | EA  | BOARD - RUNNING - LEFT HAND/TAPPERED - BLACK - <b>CHEVY</b>                                    |
| 9   | 149604-11-01A | EA  | RUNNING BOARD/WEDGE - DRIVER-PRIMED - <b>CHEVY, LOWER EXTERIOR PAINT - NOT ILLUSTRATED</b>     |
| 10  | 159600-01-T11 | EA  | WINGWALL   |
| 11  | 159600-02-T11 | EA  | WINGWALL   |
| 12  | 108688-06-03A | EA  | STRIP - FEATURE - W/O INSERT/END CAPS - 96.9" - BRIGHT WHT                                     |
| 13  | 108651-01-03A | EA  | END CAP - FEATURE STRIP - BRIGHT WHITE   |
|     | 108651-01-01A | EA  | END CAP - FEATURE STRIP  |
| 14  | 150188-02-01A | EA  | TRIM/HINGE - SIDEWALL - 135.4" - BRIGHT WHITE  |
| 15* | 133908-11-01A | EA  | MIRROR/DRVR - 102" C BODY/FORD 4-BOLT MT - BRIGHT WHITE  |
| 15* | 133908-13-01A | EA  | MIRROR/DRVR-102" C BODY/FORD 4-BOLT MT-HEATD/RMTE-B/W - <b>MIRRORS EXTERIOR W/DEFROST</b>      |
| 15* | 133908-06-02A | EA  | MIRROR/DRVR - 102" WIDE BODY/CHEVY - BRIGHT WHITE - <b>CHEVY</b>                               |
| 15* | 133908-08-02A | EA  | MIRROR/DRVR-102" C BODY-HEATED/REMOTE-BRT WHT - <b>CHEVY, MIRRORS EXTERIOR W/DEFROST</b>       |
| 16  | 151219-01-01A | EA  | CAP - TRIM/SIDEWALL - RIGHT HAND - MILL FINISH   |
| 17  | 151219-02-01A | EA  | CAP - TRIM/SIDEWALL - LEFT HAND - MILL FINISH  |
| 18  | 153498-01-01A | EA  | BUMPER - RUBBER - WHITE  |
| 19  | 146148-04-01A | EA  | GUARD - MUD FLAP/LEFT - BLACK  |
| 19  | 149604-08-01A | EA  | WHEEL LIP - FIBERGLASS - DRIVER - FORD -PRIMED - <b>LOWER EXTERIOR PAINT - NOT ILLUSTRATED</b> |
| 19  | 149604-06-01A | EA  | MUD FLAP - FIBERGLASS - DRIVER - FORD - PRIMED - <b>LOWER EXTERIOR PAINT - NOT ILLUSTRATED</b> |
| 19  | 149604-13-01A | EA  | WHEEL LIP-F/GLASS-DRVR-CHEVY-PRIMED - <b>CHEVY, LOWER EXTERIOR PAINT - NOT ILLUSTRATED</b>     |
| 20  | 117046-02-000 | EA  | BUMPER - RUBBER/ROUND END - 1.5"   |
| 21  | P62141-01-W21 | EA  | SIDEWALL - DRIVER - W/O WINDOWS/TRIMS (W21, W22)   |
| 21  | P62141-01-W23 | EA  | SIDEWALL - DRIVER - W/O WINDOWS/TRIMS (W23, W24)   |
| 21  | P62141-01-W25 | EA  | SIDEWALL - DRIVER - W/O WINDOWS/TRIMS (W25, W26)   |
| 22  | 161113-09-01A | EA  | LADDER - 7 STEP - 99.6" - BRUSHED ALUMINUM   |
| 23  | 157284-01-01A | EA  | RAIL - AWNING - 192" - BRIGHT WHITE  |
| 24  | 140922-01-02B | EA  | RETAINER - MUD FLAP - 1" X 17.7" - E-COATED/BLACK  |
| 25* | 133908-10-01A | EA  | MIRROR/PASS - 102" C BODY/FORD 4-BOLT MT - BRIGHT WHITE  |
| 25* | 133908-12-01A | EA  | MIRROR/PASS-102" C BODY/FORD 4 BOLT MT-HEATD/RMTE-B/W - <b>MIRRORS-EXTERIOR W/DEFROST</b>      |
| 25* | 133908-05-02A | EA  | MIRROR/PASS - 102" WIDE BODY/CHEVY - BRIGHT WHITE - <b>CHEVY</b>                               |
| 25* | 133908-07-02A | EA  | MIRROR/PASS - 102" C BODY/CHEVY-HEATED RMTE-B/W - <b>CHEVY, MIRRORS-EXTERIOR W/DEFROST</b>     |
| 26  | 146148-01-01A | EA  | BOARD - RUNNING - RIGHT HAND/TAPPERED - BLACK  |
| 26  | 149604-01-01A | EA  | RUNNING BOARD/WEDGE - PASS - FORD - PRIMED - <b>LOWER EXTERIOR PAINT - NOT ILLUSTRATED</b>     |
| 26  | 159045-01-01A | EA  | BOARD - RUNNING - RIGHT HAND/TAPPERED - BLACK - <b>CHEVY</b>                                   |
| 26  | 149604-10-01A | EA  | RUNNING BOARD/WEDGE - PASS - PRIMED - <b>CHEVY, LOWER EXTERIOR PAINT - NOT ILLUSTRATED</b>     |
| 27  | 127820-13-01A | EA  | TRIM - SIDEWALL/LOWER - 6.1" - BRIGHT WHITE  |
| 28  | 127815-01-01A | EA  | TRIM/WHEELWELL - REAR DRVR/REAR SECTION (LARGER) - BRIGHT WHITE                                |
| 28  | 127815-01-02A | EA  | TRIM/WHEELWELL - REAR DRVR/REAR SECTION (LARGER) - BLACK                                       |
| 29  | 103335-05-02A | EA  | TRIM - BACKWALL - LOWER - 96.3" - BRIGHT WHITE   |
| 30  | 114248-02-01A | EA  | ANGLE - PLASTIC - .7" X .4" X 96.7" - MODERN IVORY   |
| 31  | 148759-45-01A | EA  | TRIM - SIDEWALL/LOWER - W/MITER - 18" - BRIGHT WHITE   |
| 32  | 159045-05-01A | EA  | BRACKET/SUPPORT - F/RUNNING BOARD - GALVONIZED - <b>CHEVY</b>                                  |
| 32  | 149604-16-000 | EA  | HARDWARE KIT (RUNNING BOARD INSTALL) - <b>CHEVY, LOWER EXTERIOR PAINT - NOT ILLUSTRATED</b>    |
| 33  | 146148-03-01A | EA  | GUARD - MUD FLAP/RIGHT - BLACK   |
| 33  | 149604-07-01A | EA  | WHEEL LIP-FIBERGLASS-PASSENGR-FORD-PRIMED - <b>LOWER EXTERIOR PAINT - NOT ILLUSTRATED</b>      |
| 33  | 146904-05-01A | EA  | MUD FLAP-FIBERGLASS-PASSENGER-FORD-PRIMED - <b>LOWER EXTERIOR PAINT - NOT ILLUSTRATED</b>      |
| 33  | 149604-12-01A | EA  | WHEEL LIP - F/GLASS-PASS-CHEVY-PRIMED - <b>CHEVY, LOWER EXTERIOR PAINT - NOT ILLUSTRATED</b>   |
| 34  | 159045-04-01A | EA  | BRACKET/SUPPORT - F/RUNNING BOARD - GALVONIZED - <b>CHEVY</b>                                  |
| 34  | 149604-16-000 | EA  | HARDWARE KIT (RUNNING BOARD INSTALL) - <b>CHEVY, LOWER EXTERIOR PAINT - NOT ILLUSTRATED</b>    |
| 35  | 128732-13-S01 | EA  | TRIM - PASSENGER SIDEWALL W/ENTRY DOOR NOTCH - 142.9"  |
| 35  | 128732-13-AA1 | EA  | TRIM - PASSENGER SIDEWALL W/ENTRY DOOR NOTCH - 142.9" - <b>LOWER EXTERIOR PAINT</b>            |
| 36  | 148759-38-01A | EA  | TRIM - SIDEWALL/LOWER - W/MITER - 3.7" - BRIGHT WHITE  |
| 37  | 148759-39-01A | EA  | TRIM - SIDEWALL/LOWER - W/O MITER - 8.8" - BRIGHT WHITE  |
| 38  | 148759-40-01A | EA  | TRIM - SIDEWALL/LOWER - W/O MITER - 21.4" - BRIGHT WHITE                                       |
| 39  | 148759-41-01A | EA  | TRIM - SIDEWALL/LOWER - W/MITER - 5.1" - BRIGHT WHITE  |

## EXTERIOR BODY GROUP (CONTINUED)

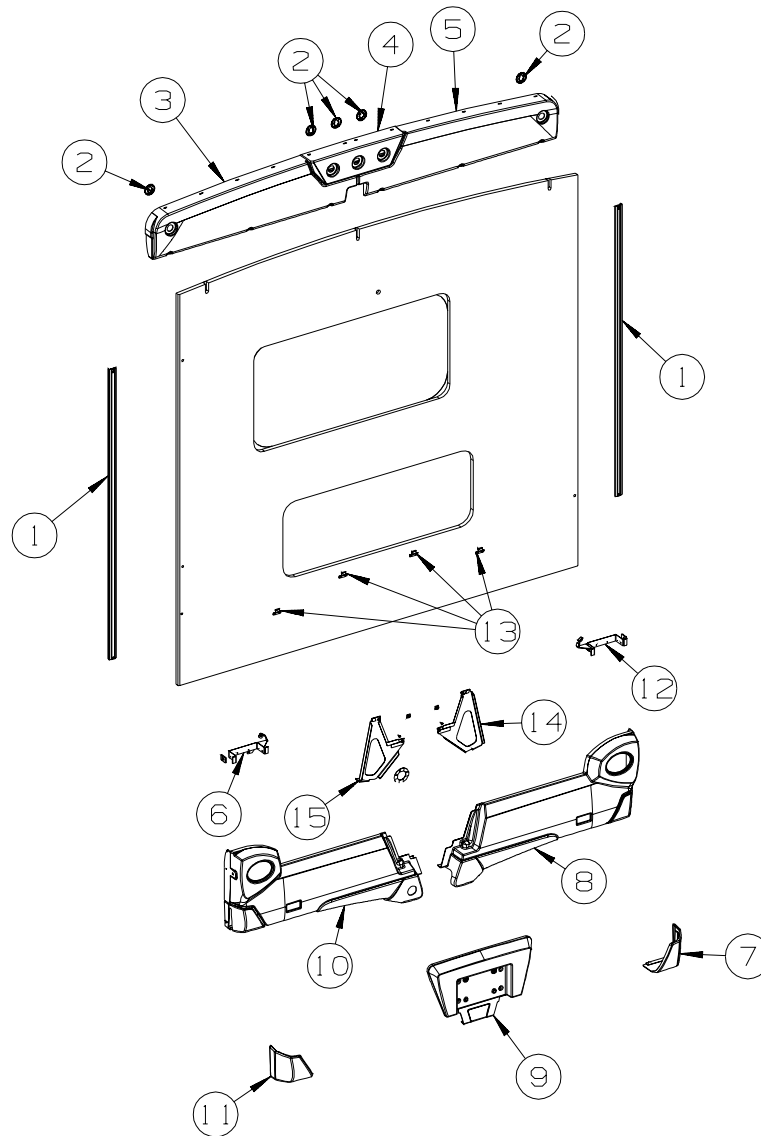
### PANELS & TRIMS (CONTINUED)



| KEY | PART NUMBER   | U/M | DESCRIPTION   |
|-----|---------------|-----|---|
| 40  | 127848-01-01A | EA  | TRIM - WHEELWELL - BRIGHT WHITE                               |
| 40  | 127848-01-02A | EA  | TRIM - WHEELWELL - BLACK                                      |
| 41  | 148759-42-01A | EA  | TRIM - SIDEWALL/LOWER - W/MITER - 29.4" - BRIGHT WHITE        |
| 42  | 148760-18-01A | EA  | TRIM - ROCKER - LH MITERED/RH NOTCHED - 101.8" - BRIGHT WHITE |
| 42  | 148760-18-03A | EA  | TRIM - ROCKER - LH MITERED/RH NOTCHED - 101.8" - BLACK        |
| 43  | 148759-B2-01A | EA  | TRIM - SIDEWALL/LOWER - 48.8" - BRIGHT WHITE                  |
| 44  | 148759-47-01A | EA  | TRIM - SIDEWALL/LOWER - W/MITER - 29.5" - BRIGHT WHITE        |
| 45  | 148760-17-01A | EA  | TRIM - ROCKER - LH MITERED/RH NOTCHED - 101.8" - BRIGHT WHITE |
| 45  | 148760-17-03A | EA  | TRIM - ROCKER - LH MITERED/RH NOTCHED - 101.8" - BLACK        |
| 46  | 148759-46-01A | EA  | TRIM - SIDEWALL/LOWER - W/MITER - 5.4" - BRIGHT WHITE         |

\*COMPONENT PARTS LISTED LATER IN THIS GROUP

**EXTERIOR BODY GROUP (CONTINUED)**  
**PANELS & TRIMS (CONTINUED)**

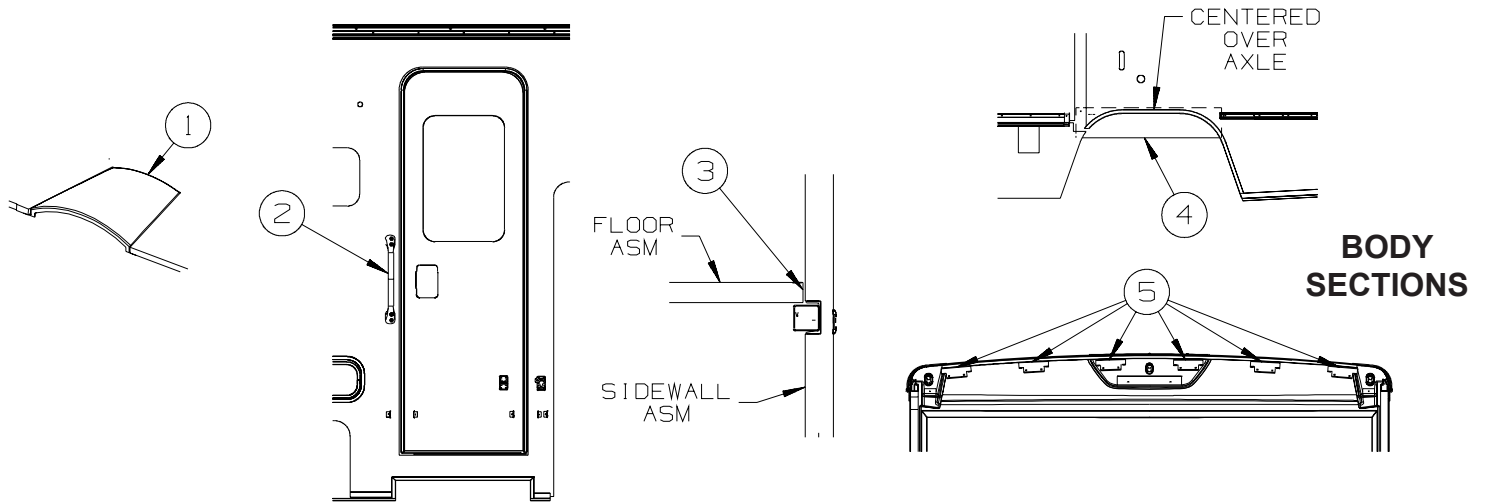


**BACKWALL  
TRIM  
W/BUMPER**

| KEY | PART NUMBER   | U/M | DESC   |
|-----|---------------|-----|--|
| 1   | 158150-01-01A | EA  | TRIM - CONTOUR - 66.8" - BRIGHT WHITE<br>FROM: 00-00-00 THRU: 09-02-07         |
| 1   | 166487-01-01A | EA  | TRIM - CONTOUR - 66.8" - BRIGHT WHITE<br>FROM: 09-03-07 THRU: 99-99-99         |
| 1   | 158107-01-01A | FT  | INSERT - FEATURE STRIP - VINYL - BRIGHT WHITE<br>FROM: 00-00-00 THRU: 09-02-07 |
| 1   | 105312-01-07A | FT  | INSERT - FEATURE STRIP - VINYL - BRIGHT WHITE<br>FROM: 09-03-07 THRU: 99-99-99 |
| 2   | 138996-03-000 | EA  | BRACKET - CLEARANCE LIGHT  |
| 3   | 156058-06-U21 | EA  | TRIM - BACKWALL - TOP/DRIVER   |
| 4   | 156058-04-U21 | EA  | TRIM - BACKWALL - TOP/CENTER   |
| 5   | 156058-02-U21 | EA  | TRIM - BACKWALL - TOP/PASSENGER  |
| 6   | 156312-02-02B | EA  | BRACKET/TAILLAMP - DRIVER - E-COATED   |
| 7   | 156059-07-25A | EA  | TRIM/CAP - BACKWALL - LOWER/PASSENGER - SILVER                                 |
| 8   | 156059-02-U21 | EA  | TRIM - BACKWALL - LOWER/PASSENGER  |
| 8   | 156059-02-AA1 | EA  | TRIM - BACKWALL - LOWER/PASSENGER - LOWER EXTERIOR PAINT                       |
| 9   | 156059-04-U21 | EA  | TRIM - BACKWALL - LOWER/CENTER   |
| 10  | 156059-06-U21 | EA  | TRIM - BACKWALL - LOWER/DRIVER   |
| 10  | 156059-06-AA1 | EA  | TRIM - BACKWALL - LOWER/DRIVER - LOWER EXTERIOR PAINT                          |
| 11  | 156059-08-25A | EA  | TRIM/CAP - BACKWALL - LOWER/DRIVER - SILVER                                    |
| 12  | 156312-01-02B | EA  | BRACKET/TAILLAMP - PASSENGER - E-COATED  |
| 13  | 073050-04-000 | EA  | CLIP/MOUNTING - VALANCE PANEL  |
| 14  | 156314-01-02B | EA  | BRACKET - BUMPER - PASSENGER - E-COATED  |
| 15  | 156314-02-02B | EA  | BRACKET - BUMPER - DRIVER - E-COATED   |



**EXTERIOR BODY GROUP (CONTINUED)**  
**PANELS & TRIMS (CONTINUED)**



| KEY | PART NUMBER   | U/M | DESCRIPTION  |
|-----|---------------|-----|--|
| 1   | 112435-03-000 | EA  | WHEELWELL  |
| 2   | 152854-01-01A | EA  | HANDLE - ASSIST - WHITE W/BLACK RUBBER GRIP - 18 5/8"      |
| 3   | 104692-01-000 | FT  | SEAL - ADHESIVE BACKED FOAM - 3/4" THICK X 3/4" WIDE X 25' |
| 4   | 121948-02-000 | EA  | SHIELD - SIGHT   |
| 5   | 134774-01-02B | EA  | BRACKET - CAB ATTACHMENT - E-COATED                        |

**COMPONENT PARTS FOR PANELS & TRIMS**

**133908-05, 133908-06, 133908-10, 133908-11, 133908-14, 133908-15, -01A/02A**

| KEY | PART NUMBER   | U/M | DESCRIPTION                  | VENDOR NO. |
|-----|---------------|-----|------------------------------|------------|
|     | 117051-01-700 | EA  | MIRROR-CONVEX                | 723068-4   |
|     | 120269-01-700 | EA  | GLASS KIT W/BEZEL RH/LH      | 709407-8   |
|     | 133908-03-700 | EA  | CAP - RECT/BLACK-W/O LIGHT   | 709577     |
|     | 133908-04-700 | EA  | CAP-MIRROR/ROUND - W/O LIGHT | 7095470    |

**133908-07, 133908-08, 133908-12, -01A/-02A/-03A**

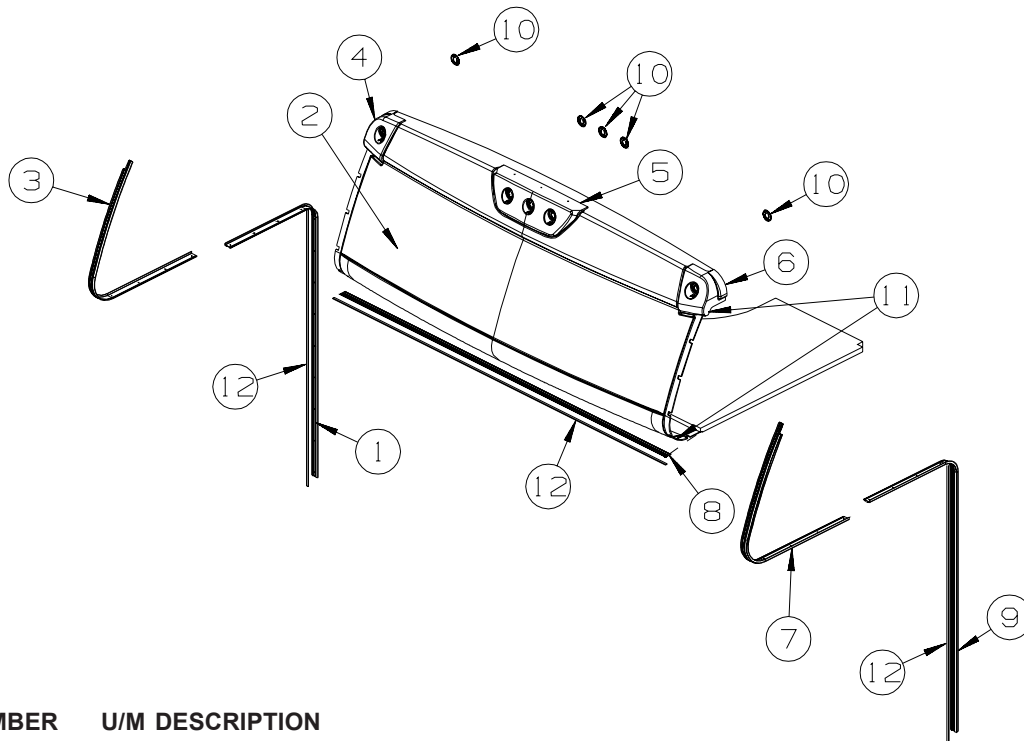
| KEY | PART NUMBER   | U/M | DESCRIPTION                  | VENDOR NO. |
|-----|---------------|-----|------------------------------|------------|
|     | 117051-01-700 | EA  | MIRROR-CONVEX                | 723068-4   |
|     | 120269-05-701 | EA  | GLASS-HTD/REM RH/LH W/CONVEX | 709411     |
|     | 133908-03-700 | EA  | CAP - RECT/BLACK-W/O LIGHT   | 709557     |
|     | 133908-04-700 | EA  | CAP-MIRROR/ROUND - W/O LIGHT | 7095470    |

**133908-13-01A/-03A**

| KEY | PART NUMBER   | U/M | DESCRIPTION                  | VENDOR NO. |
|-----|---------------|-----|------------------------------|------------|
|     | 117051-01-700 | EA  | MIRROR-CONVEX                | 723068-4   |
|     | 120269-05-701 | EA  | GLASS-HTD/REM RH/LH W/CONVEX | 709411     |
|     | 133908-03-700 | EA  | CAP - RECT/BLACK-W/O LIGHT   | 709577     |
|     | 133908-04-700 | EA  | CAP-MIRROR/ROUND - W/O LIGHT | 7095470    |
|     | 133908-13-700 | EA  | MOTOR/ACTUATOR               | 747782     |

## EXTERIOR BODY GROUP (CONTINUED)

### FRONT END

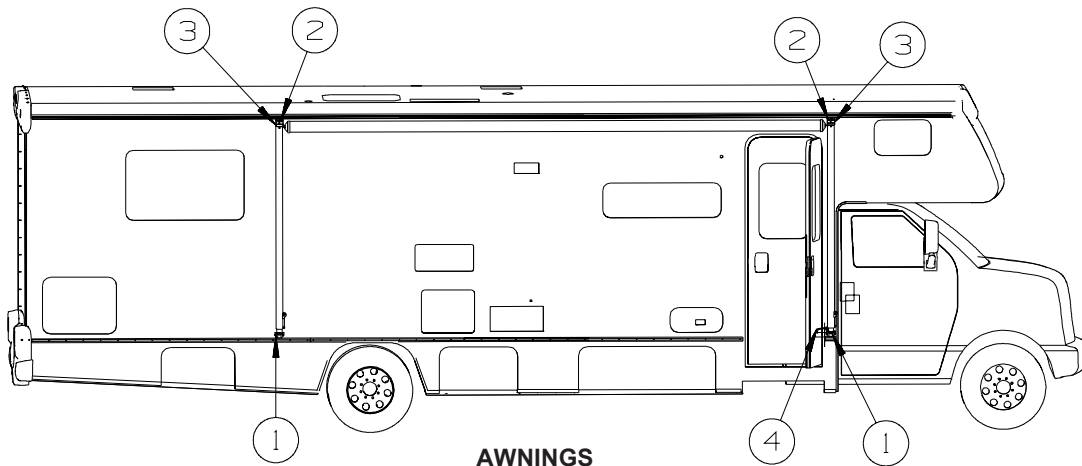


| KEY | PART NUMBER   | U/M | DESCRIPTION  |
|-----|---------------|-----|--|
| 1   | 158149-01-01A | EA  | TRIM - CONTOUR/FRONT - PASSENGER - BRIGHT WHITE<br>FROM: 00-00-00 THRU: 09-02-07 |
| 1   | 166486-01-01A | EA  | TRIM - CONTOUR/FRONT - PASSENGER - BRIGHT WHITE<br>FROM: 09-03-07 THRU: 99-99-99 |
| 2   | 157215-01-U21 | EA  | CAP - ROOF/FRONT - W/O LIGHTS/WIRING   |
| 3   | 158148-01-01A | EA  | TRIM - CONTOUR/PASSENGER - 60.9" - BRIGHT WHITE<br>FROM: 00-00-00 THRU: 09-02-07 |
| 3   | 166489-01-01A | EA  | TRIM - CONTOUR/PASSENGER - 60.9" - BRIGHT WHITE<br>FROM: 09-03-07 THRU: 99-99-99 |
| 4   | 156849-02-U21 | EA  | TRIM - FRONT CAP/SIDEWALL - TOP/PASSENGER  |
| 5   | 156849-04-U21 | EA  | TRIM - FRONT CAP - TOP/CENTER  |
| 6   | 156849-06-U21 | EA  | TRIM - FRONT CAP/SIDEWALL - TOP/DRIVER   |
| 7   | 158148-02-01A | EA  | TRIM - CONTOUR/DRIVER - 60.9" - BRIGHT WHITE<br>FROM: 00-00-00 THRU: 09-02-07    |
| 7   | 166489-02-01A | EA  | TRIM - CONTOUR/DRIVER - 60.9" - BRIGHT WHITE<br>FROM: 09-03-07 THRU: 99-99-99    |
| 8   | 158152-01-01A | EA  | TRIM - CONTOUR - 96.1" - BRIGHT WHITE  |
| 9   | 158149-02-01A | EA  | TRIM - CONTOUR/FRONT - DRIVER - BRIGHT WHITE<br>FROM: 00-00-00 THRU: 09-02-07    |
| 9   | 166486-02-01A | EA  | TRIM - CONTOUR/FRONT - DRIVER - BRIGHT WHITE<br>FROM: 09-03-07 THRU: 99-99-99    |
| 10  | 138996-03-000 | EA  | BRACKET - CLEARANCE LIGHT  |
| 11  | 105290-01-000 | SF  | INSULATION - AIR POCKET W/FOIL - 4' WIDE   |
| 12  | 158107-01-01A | EA  | INSERT - FEATURE STRIP - VINYL - BRIGHT WHITE                                    |
| 12  | 158107-01-01A | FT  | INSERT - FEATURE STRIP - VINYL - BRIGHT WHITE<br>FROM: 00-00-00 THRU: 09-02-07   |
| 12  | 105312-01-07A | FT  | INSERT - FEATURE STRIP - VINYL - BRIGHT WHITE<br>FROM: 09-03-07 THRU: 99-99-99   |

## EXTERIOR BODY GROUP (CONTINUED)

### STRUCTURAL COMPONENTS

| KEY | PART NUMBER   | U/M | DESCRIPTION  |
|-----|---------------|-----|--|
|     | 002365-03-006 | EA  | U-CHANNEL - EXTRUDED - 1" X 192" - BRIGHT WHITE                                  |
|     | 002726-01-001 | EA  | GARNISH - U-CHANNEL - 1.38" X 19' - SERRATED                                     |
|     | 089297-01-000 | SF  | PLYWOOD - LUAN - OVERLAY GRADE - 4' X 8'   |
|     | 089297-03-000 | SF  | PLYWOOD - LUAN - OVERLAY GRADE - 4' X 8.3'                                       |
|     | 100619-01-000 | BF  | FOAM - EXPANDED POLYSTYRENE - 1.34" X 48" X 96"                                  |
|     | 100619-02-000 | BF  | FOAM - EXPANDED POLYSTYRENE - 1.5" X 48" X 96"                                   |
|     | 100619-04-000 | BF  | FOAM - EXPANDED POLYSTYRENE - .5" X 48" X 96"                                    |
|     | 100619-05-000 | BF  | FOAM - EXPANDED POLYSTYRENE - .75" X 48" X 96"-1.5"DENSITY                       |
|     | 100619-16-000 | BF  | FOAM - EXPANDED POLYSTYRENE - .75" X 48" X 96"-2" DENSITY                        |
|     | 100619-27-000 | BF  | FOAM - EXPANDED POLYSTYRENE - 3" X 48" X 92.8"                                   |
|     | 116942-03-01A | LB  | ALUMINUM - .7" X 40" X 158"  |
|     | 120107-01-000 | EA  | FOAM - ROOF COVE - 2.8" X 48" LONG   |
|     | 120107-02-000 | EA  | FOAM - PLUG - ROOF TUBE - 2.2" X 2.9" X 1.8" LONG                                |
|     | 120107-03-000 | EA  | FOAM - PLUG - SIDEWALL TUBE - 1.2" X 2.1" X 1.8" LONG                            |
|     | 108535-05-03A | SF  | FIBERGLASS SHEET - 108" X 500' ROLL - BRIGHT WHITE                               |
|     | 159631-02-01A | EA  | FIBERGLASS SHEET - 96.7" X 355.7" - BRIGHT WHITE                                 |
|     | 159631-06-01A | EA  | FIBERGLASS SHEET - 56.4" X 99.8" - BRIGHT WHITE<br>FROM: 00-00-00 THRU: 01-14-07 |
|     | 159631-07-01A | EA  | FIBERGLASS SHEET - 27.4" X 65.8" - BRIGHT WHITE<br>FROM: 02-27-06 THRU: 01-14-07 |
|     | 159631-08-01A | EA  | FIBERGLASS SHEET - 22.1" X 68.2" - BRIGHT WHITE<br>FROM: 00-00-00 THRU: 01-14-07 |
|     | 159631-15-01A | EA  | FIBERGLASS SHEET - 4" X 93.8" - BRIGHT WHITE<br>FROM: 00-00-00 THRU: 01-14-07    |
|     | 162931-06-01A | EA  | FIBERGLASS SHEET - 56.4" X 99.8" - BRIGHT WHITE<br>FROM: 01-15-07 THRU: 99-99-99 |
|     | 162931-07-01A | EA  | FIBERGLASS SHEET - 27.4" X 65.8" - BRIGHT WHITE<br>FROM: 01-15-07 THRU: 99-99-99 |
|     | 162931-08-01A | EA  | FIBERGLASS SHEET - 22.1" X 68.2" - BRIGHT WHITE<br>FROM: 01-15-07 THRU: 99-99-99 |
|     | 162931-10-01A | EA  | FIBERGLASS SHEET - 31.1" X 68.2" - BRIGHT WHITE<br>FROM: 01-15-07 THRU: 99-99-99 |
|     | 162931-15-01A | EA  | FIBERGLASS SHEET - 4" X 93.8" - BRIGHT WHITE                                     |
|     | 162931-19-01A | EA  | FIBERGLASS SHEET - 96.7" X 355.7" - BRIGHT WHITE                                 |
|     | 162931-33-01A | EA  | FIBERGLASS SHEET - 31.1" X 69.3" - BRIGHT WHITE                                  |

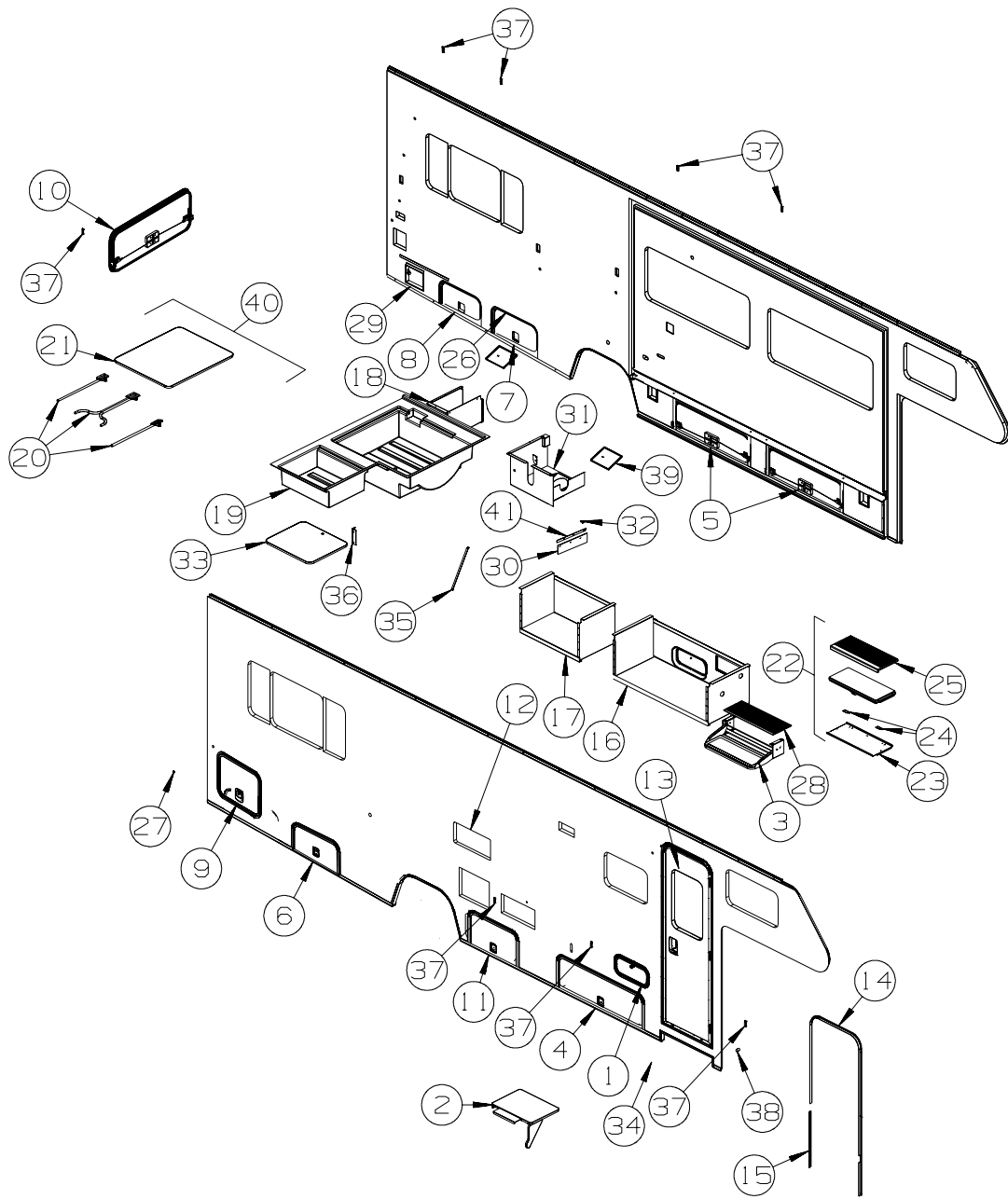


| KEY | PART NUMBER   | U/M | DESCRIPTION  |
|-----|---------------|-----|--|
| 1   | 113874-11-01A | EA  | SCREW/LAG - AWNING - 1/4" X 1" STAINLESS STEEL     |
| 2   | 113874-12-01A | EA  | SCREW/LAG - AWNING - 1/4" X 2 3/4" STAINLESS STEEL |
| 3   | 161739-01-02A | EA  | BRACKET - AWNING - BRIGHT WHITE                    |
| 4   | 127647-02-01A | EA  | ROD/AWNING GUARD - ENTRY DOOR - 12.7" LONG - 331C  |
| 4   | 127960-01-01A | EA  | RETAINER - EYE - 3/8" - STAINLESS STEEL - 331C     |

**ORDER AWNINGS & REPAIR PARTS FROM DOMETIC. CALL #800-366-3842.**  
**THE DOMETIC AWNING INFORMATION YOU WILL NEED IS LOCATED ON THE MOTOR HOME NEAR**  
**THE TOP OF THE AWNING RAIL.**

# EXTERIOR DOORS & COMPARTMENTS GROUP

## DOOR & COMPARTMENT LAYOUT



| KEY | PART NUMBER   | U/M | DESCRIPTION  |
|-----|---------------|-----|--|
| 1   | 126945-09-P07 | EA  | DOOR/STORAGE - W/O HARDWARE - 18.3" X 9.9"                               |
| 2   | 142034-01-01A | EA  | SHELF - F/EXTERIOR TV - BRIGHT WHITE                                     |
| 3   | 139748-04-04B | EA  | STEP/PULLOUT - W/BRACKETS - BLACK  |
|     | 102569-04-000 | EA  | MAT - ANTI SLIP  |
| 3*  | 094708-05-01A | EA  | STEP - ELECTRIC - SINGLE - BLACK - KWIKEE                                |
| 4   | 148660-06-S01 | EA  | DOOR/STORAGE - W/O HDW/PADDLE LATCH - 47.3" X 16"                        |
| 4   | 148660-06-AA1 | EA  | DOOR/STORAGE - W/O HDW/PADDLE LATCH - 47.3" X 16" - LOWER EXTERIOR PAINT |
|     | 150657-25-01B | EA  | ROD/WIRE - LATCH   |
|     | 150657-27-01B | EA  | ROD/WIRE - LATCH   |
|     | 056795-01-000 | FT  | TAPE-SEAL, 1/8" X 3/8" WIDE - PRESS ON                                   |
|     | 107721-08-000 | FT  | SEAL - ACCESS DOOR - .9"WIDE X .9"HIGH                                   |

**EXTERIOR DOORS & COMPARTMENTS GROUP (CONTINUED)**  
**DOOR & COMPARTMENT LAYOUT (CONTINUED)**

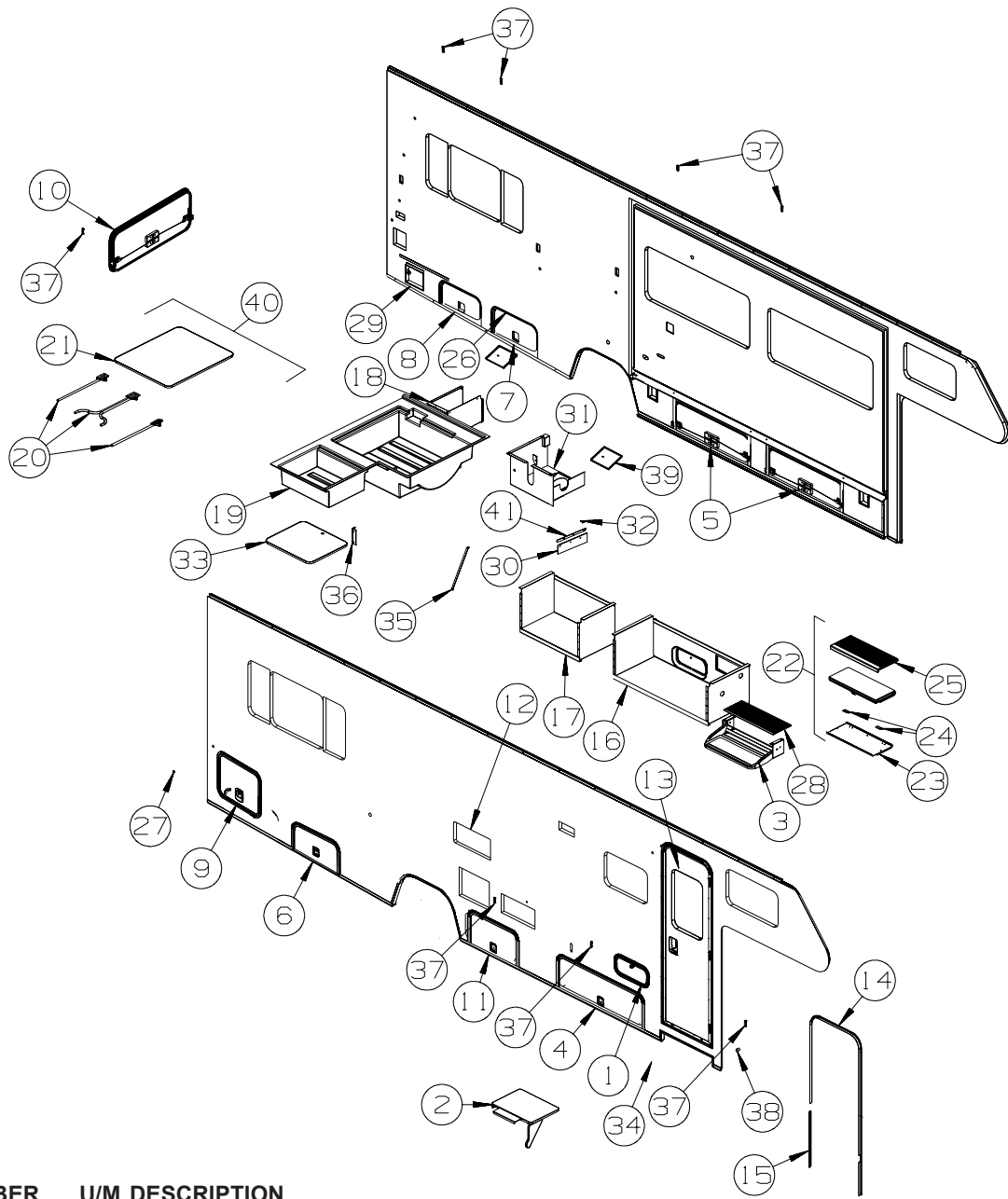
**ENTRY DOOR LOCK CYLINERS**

| KEY | PART NUMBER   | U/M | DESCRIPTION  |
|-----|---------------|-----|--|
|     | 138287-11-000 | EA  | CYLINDER/LOCK - ENTRY DOOR - MASTER W/3M ICON - (3041) |
|     | 138287-12-000 | EA  | CYLINDER/LOCK - ENTRY DOOR - MASTER W/3M ICON - (3042) |
|     | 138287-13-000 | EA  | CYLINDER/LOCK - ENTRY DOOR - MASTER W/3M ICON - (3043) |
|     | 138287-14-000 | EA  | CYLINDER/LOCK - ENTRY DOOR - MASTER W/3M ICON - (3044) |
|     | 138287-15-000 | EA  | CYLINDER/LOCK - ENTRY DOOR - MASTER W/3M ICON - (3045) |
|     | 138287-16-000 | EA  | CYLINDER/LOCK - ENTRY DOOR - MASTER W/3M ICON - (3046) |
|     | 138287-17-000 | EA  | CYLINDER/LOCK - ENTRY DOOR - MASTER W/3M ICON - (3047) |
|     | 138287-18-000 | EA  | CYLINDER/LOCK - ENTRY DOOR - MASTER W/3M ICON - (3048) |
|     | 138287-19-000 | EA  | CYLINDER/LOCK - ENTRY DOOR - MASTER W/3M ICON - (3049) |
|     | 138287-20-000 | EA  | CYLINDER/LOCK - ENTRY DOOR - MASTER W/3M ICON - (3050) |

**VALANCE DOOR, WATER FILL, FUEL FILL DOOR LOCK CYLINDERS**

| KEY | PART NUMBER   | U/M | DESCRIPTION  |
|-----|---------------|-----|--|
|     | 138289-11-000 | EA  | CYLINDER/LOCK - ACCESS DOORS - REDUCED SENSITIVITY (3041)                        |
|     | 138289-12-000 | EA  | CYLINDER/LOCK - ACCESS DOORS - REDUCED SENSITIVITY (3042)                        |
|     | 138289-13-000 | EA  | CYLINDER/LOCK - ACCESS DOORS - REDUCED SENSITIVITY (3043)                        |
|     | 138289-14-000 | EA  | CYLINDER/LOCK - ACCESS DOORS - REDUCED SENSITIVITY (3044)                        |
|     | 138289-15-000 | EA  | CYLINDER/LOCK - ACCESS DOORS - REDUCED SENSITIVITY (3045)                        |
|     | 138289-16-000 | EA  | CYLINDER/LOCK - ACCESS DOORS - REDUCED SENSITIVITY (3046)                        |
|     | 138289-17-000 | EA  | CYLINDER/LOCK - ACCESS DOORS - REDUCED SENSITIVITY (3047)                        |
|     | 138289-18-000 | EA  | CYLINDER/LOCK - ACCESS DOORS - REDUCED SENSITIVITY (3048)                        |
|     | 138289-19-000 | EA  | CYLINDER/LOCK - ACCESS DOORS - REDUCED SENSITIVITY (3049)                        |
|     | 138289-20-000 | EA  | CYLINDER/LOCK - ACCESS DOORS - REDUCED SENSITIVITY (3050)                        |
|     | 138288-11-000 | EA  | KEY - REVERSIBLE - #3041 - T/M 16169-02-3041                                     |
|     | 138288-12-000 | EA  | KEY - REVERSIBLE - #3042 - T/M 16169-02-3042                                     |
|     | 138288-13-000 | EA  | KEY - REVERSIBLE - #3043 - T/M 16169-02-3043                                     |
|     | 138288-14-000 | EA  | KEY - REVERSIBLE - #3044 - T/M 16169-02-3044                                     |
|     | 138288-15-000 | EA  | KEY - REVERSIBLE - #3045 - T/M 16169-02-3045                                     |
|     | 138288-16-000 | EA  | KEY - REVERSIBLE - #3046 - T/M 16169-02-3046                                     |
|     | 138288-17-000 | EA  | KEY - REVERSIBLE - #3047 - T/M 16169-02-3047                                     |
|     | 138288-18-000 | EA  | KEY - REVERSIBLE - #3048 - T/M 16169-02-3048                                     |
|     | 138288-19-000 | EA  | KEY - REVERSIBLE - #3049 - T/M 16169-02-3049                                     |
|     | 138288-20-000 | EA  | KEY - REVERSIBLE - #3050 - T/M 16169-02-3050                                     |
| 5   | 148660-08-S01 | EA  | DOOR/STORAGE - W/O HDW/PADDLE LATCH - 42.1" X 14.2"                              |
| 5   | 148660-08-AA1 | EA  | DOOR/STORAGE - W/O HDW/PADDLE LATCH - 42.1" X 14.2" - LOWER EXTERIOR PAINT       |
|     | 150657-22-01B | EA  | ROD/WIRE - LATCH   |
|     | 150657-24-01B | EA  | ROD/WIRE - LATCH   |
|     | 056795-01-000 | FT  | TAPE-SEAL, 1/8~ X 3/8~ WIDE - PRESS ON   |
|     | 107721-08-000 | FT  | SEAL - ACCESS DOOR - .9"WIDE X .9"HIGH   |
| 6   | 148661-11-S01 | EA  | DOOR/STORAGE - PASS W/O HDW/LATCH - 13.1" X 25.4" X 14.5"                        |
| 6   | 148661-11-AA1 | EA  | DOOR/STORAGE - PASS W/O HDW/LATCH - 13.1" X 25.4" X 14.5" - LOWER EXTERIOR PAINT |
|     | 150657-10-01B | EA  | ROD/WIRE - LATCH   |
|     | 150657-13-01B | EA  | ROD/WIRE - LATCH   |
|     | 056795-01-000 | FT  | TAPE-SEAL, 1/8~ X 3/8~ WIDE - PRESS ON   |
|     | 156662-01-01A | FT  | SEALER - TAPE - 1/4"THICK X 3"WIDE X 100 FT - WHITE                              |
| 7   | 148661-13-S01 | EA  | DOOR/STORAGE - DRVR W/O HDW/LATCH - 13.7" X 25.4" X 15.1"                        |
| 7   | 148661-13-AA1 | EA  | DOOR/STORAGE - DRVR W/O HDW/LATCH - 13.7" X 25.4" X 15.1" - LOWER EXTERIOR PAINT |
|     | 150657-10-01B | EA  | ROD/WIRE - LATCH   |
|     | 150657-13-01B | EA  | ROD/WIRE - LATCH   |
|     | 056795-01-000 | FT  | TAPE-SEAL, 1/8~ X 3/8~ WIDE - PRESS ON   |
|     | 107721-08-000 | FT  | SEAL - ACCESS DOOR - .9"WIDE X .9"HIGH   |
| 8   | 148661-14-S01 | EA  | DOOR/STORAGE - DRVR W/O HDW/LATCH - 12.3" X 23" X 13.5"                          |
| 8   | 148661-14-AA1 | EA  | DOOR/STORAGE - DRVR W/O HDW/LATCH - 12.3" X 23" X 13.5" - LOWER EXTERIOR PAINT   |
|     | 150657-09-01B | EA  | ROD/WIRE - LATCH   |
|     | 150657-11-01B | EA  | ROD/WIRE - LATCH   |
|     | 056795-01-000 | FT  | TAPE-SEAL, 1/8~ X 3/8~ WIDE - PRESS ON   |
|     | 107721-08-000 | FT  | SEAL - ACCESS DOOR - .9"WIDE X .9"HIGH   |
|     | 156662-01-01A | FT  | SEALER - TAPE - 1/4"THICK X 3"WIDE X 100 FT - WHITE                              |
| 9   | 150246-06-U21 | EA  | DOOR/STORAGE - W/O HARDWARE - 25.2" X 19.3"                                      |
|     | 150657-13-01B | EA  | ROD/WIRE - LATCH   |
|     | 150657-42-01B | EA  | ROD/WIRE - LATCH   |
|     | 056795-01-000 | FT  | TAPE-SEAL, 1/8~ X 3/8~ WIDE - PRESS ON   |

**EXTERIOR DOORS & COMPARTMENTS GROUP (CONTINUED)**  
**DOOR & COMPARTMENT LAYOUT (CONTINUED)**

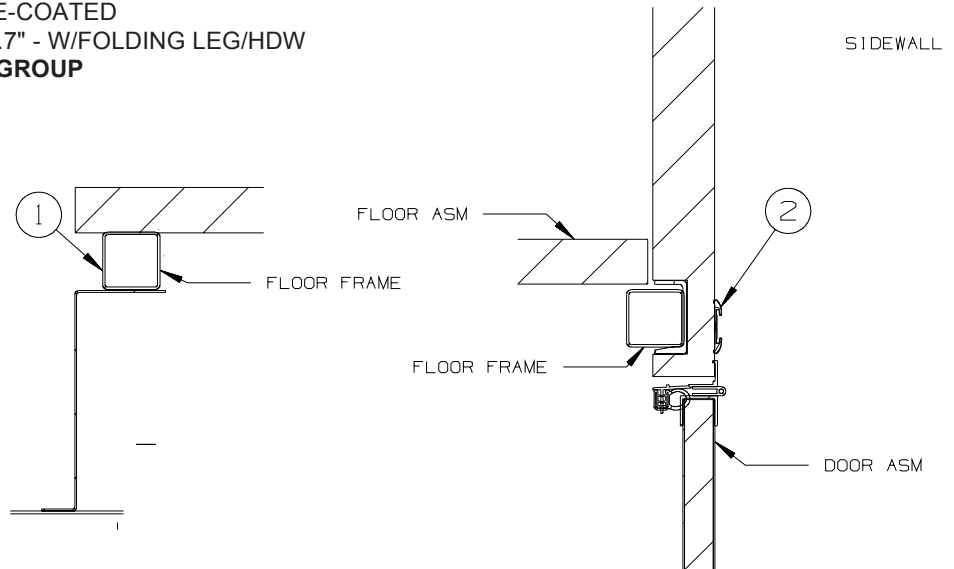


| KEY | PART NUMBER   | U/M | DESCRIPTION  |
|-----|---------------|-----|--|
| 10  | 150246-07-U21 | EA  | DOOR/STORAGE - W/O HARDWARE - 46.9" X 17.4"                              |
|     | 093249-02-000 | EA  | CAP/SCREW - .125 ID - MOLDED/VINYL - BLACK                               |
|     | 150657-25-01B | EA  | ROD/WIRE - LATCH   |
|     | 150657-43-01B | EA  | ROD/WIRE - LATCH   |
|     | 056795-01-000 | FT  | TAPE-SEAL, 1/8~ X 3/8~ WIDE - PRESS ON                                   |
| 11  | 148660-04-S01 | EA  | DOOR/STORAGE - W/O HDW/PADDLE LATCH - 26.9" X 16"                        |
| 11  | 148660-04-AA1 | EA  | DOOR/STORAGE - W/O HDW/PADDLE LATCH - 26.9" X 16" - LOWER EXTERIOR PAINT |
|     | 150657-11-01B | EA  | ROD/WIRE - LATCH   |
|     | 150657-15-01B | EA  | ROD/WIRE - LATCH   |
|     | 155346-07-04B | EA  | PROP ROD - 17.3" - BLACK   |
|     | 056795-01-000 | FT  | TAPE-SEAL, 1/8~ X 3/8~ WIDE - PRESS ON                                   |
|     | 107721-08-000 | FT  | SEAL - ACCESS DOOR - .9"WIDE X .9"HIGH                                   |
| 12* | 084103-08-000 | EA  | DOOR - VENT - REFRIGERATOR - W/O JAMB - BRIGHT WHITE                     |
| 12  | 084104-08-000 | EA  | JAMB - VENT DOOR/REFRIGERATOR - BRIGHT WHITE                             |
| 13  | P32206-18-TR0 | EA  | DOOR - ENTRY W/SCREEN DOOR - W/O WINDOW/LATCH (W21, W22)                 |
| 13  | P32206-18-W23 | EA  | DOOR - ENTRY W/SCREEN DOOR - W/O WINDOW/LATCH (W23, W24)                 |
| 13  | P32206-18-W25 | EA  | DOOR - ENTRY W/SCREEN DOOR - W/O WINDOW/LATCH (W25, W26)                 |
|     | 138292-01-000 | EA  | SEAL - LOCK CYLINDER   |
| 14  | 139100-02-01A | EA  | GARNISH/RADIUS - ENTRY DOOR - BRIGHT WHITE                               |
| 15  | 139101-02-01A | EA  | GARNISH/STRAIGHT - 35.31" - W/O NOTCHES - BRIGHT WHITE                   |

**EXTERIOR DOORS & COMPARTMENTS GROUP (CONTINUED)**  
**DOOR & COMPARTMENT LAYOUT (CONTINUED)**

| KEY                           | PART NUMBER   | U/M | DESCRIPTION  |
|-------------------------------|---------------|-----|--|
| 16                            | 137554-16-N01 | EA  | COMPARTMENT - LUGGAGE                                      |
| 16                            | 137554-46-U21 | EA  | COMPARTMENT - LUGGAGE - WATER HEATER W/MOTOR AID           |
| 17                            | 137554-10-N01 | EA  | COMPARTMENT - LUGGAGE                                      |
| 18                            | 140662-01-02B | EA  | COMPARTMENT - POWER CORD - E-COATED                        |
| 19                            | 156199-01-01A | EA  | COMPARTMENT - TRUNK  |
| 20                            | 160875-01-01A | EA  | LEG - TABLE/FOLDING - W/HDW                                |
| 21                            | 158154-01-U01 | EA  | TABLE - 36.6" X 30.3" - W/O HDW                            |
| 22                            | 104005-08-R07 | EA  | LID ASM-ENTRANCE STEP                                      |
| 23                            | 123330-05-02B | EA  | SUPPORT - ENTRY STEP - E-COATED                            |
|                               | 116975-01-01A | EA  | LATCH - W/O STRIKE - BLACK - NEW STYLE                     |
|                               | 151104-01-01A | FT  | SEAL - BULB - W/WIRED U CHANNEL - .3" X .5" CHANNEL-BLACK  |
| 24                            | 146747-01-02B | EA  | BRACKET/CATCH - E-COATED                                   |
| 25                            | 147781-01-01A | EA  | TREAD/STEP - RUBBER - TAUPE                                |
| 26                            | 104692-01-000 | FT  | SEAL - ADHESIVE BACKED FOAM - 3/4" THICK X 3/4" WIDE X 25' |
| 27                            | 120863-05-000 | EA  | BUMPER - RUBBER/RADIUS TOP - 3/4" X 3/8"                   |
| 28                            | 133114-03-01A | EA  | TREAD - STEP/RUBBER - 27.1" X 10.1" - TAUPE                |
| 29                            | 142894-01-01A | EA  | DOOR/POWER CORD - W/HATCH - W/LOCK - BRIGHT WHITE          |
| 30                            | 017516-10-000 | EA  | MUD FLAP - 3.9"H X 14.9"W - RUBBER - BLACK                 |
| 31                            | 139455-03-02B | EA  | COMPARTMENT - DRAINAGE - E-COATED                          |
| 32                            | 153718-01-01A | EA  | LATCH - HOLD DOWN PANEL - STAINLESS STEEL                  |
| 33                            | 158154-03-U21 | EA  | TABLE - 25.7" X 22.4" - W/O HDW                            |
| 34                            | 105312-01-07A | FT  | INSERT - FEATURE STRIP - VINYL - BRIGHT WHITE              |
| 35                            | 147811-01-02B | EA  | TUBE/SUPPORT - FLOOR TO VALANCE PANEL - E-COATED           |
| FROM: 00-00-00 THRU: 01-09-08 |               |     |  |
| 36                            | 157588-02-02B | EA  | ANGLE - W/WELD STUD - 6.7" - E-COATED                      |
| 37                            | 102768-01-000 | EA  | HOLDER - COMPARTMENT/ENTRY DOOR - METAL - MILL FINISH      |
| 38                            | 117046-02-000 | EA  | BUMPER - RUBBER/ROUND END - 1.5"                           |
| 39                            | 153529-01-02B | EA  | DOOR - SUMP - E-COATED                                     |
| 40                            | 160884-01-U01 | EA  | TABLE - 24" X 30.7" - W/FOLDING LEG/HDW                    |

**\*COMPONENT PARTS LISTED LATER IN THIS GROUP**



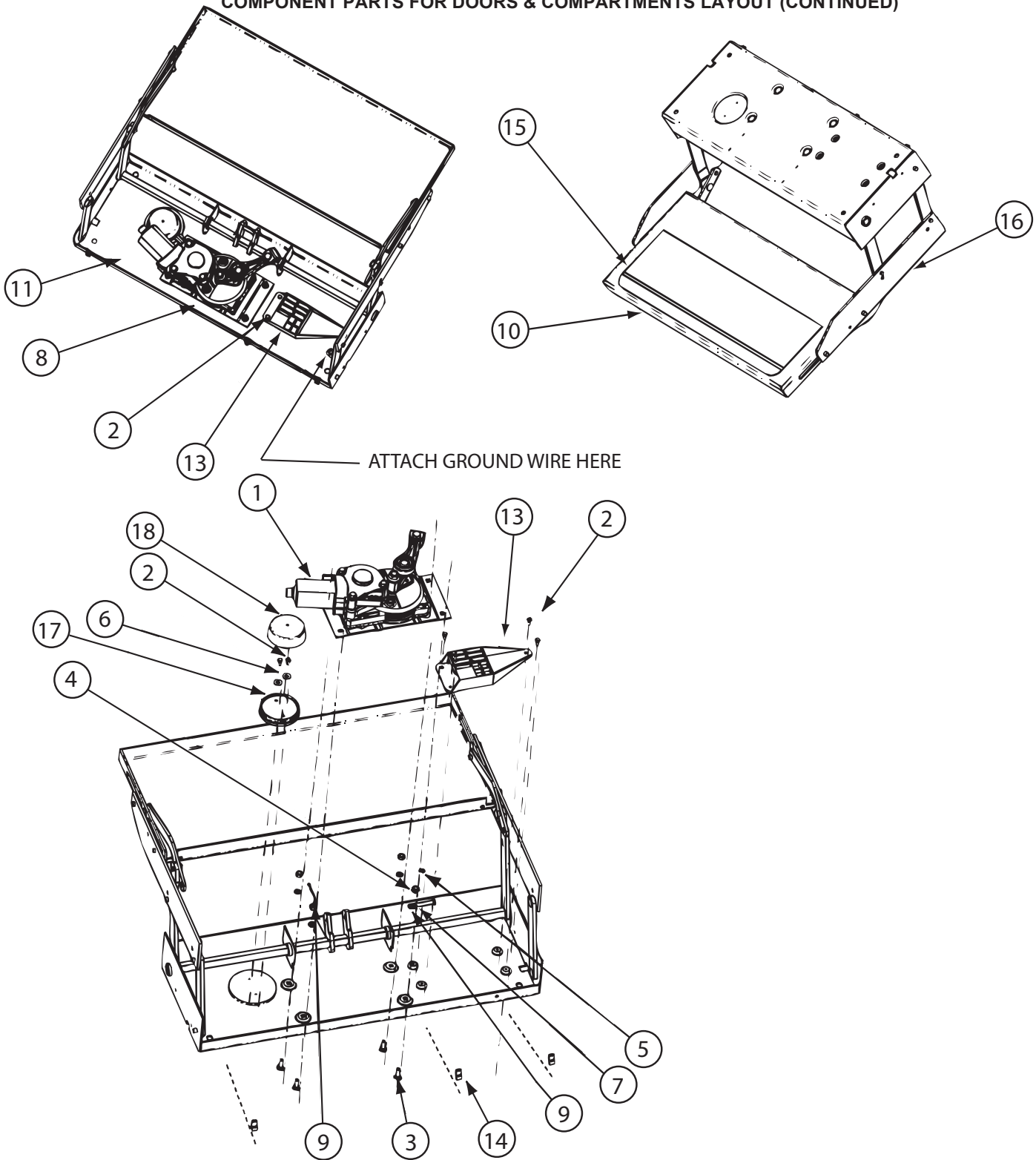
| KEY | PART NUMBER   | U/M | DESCRIPTION                                   |
|-----|---------------|-----|---|
| 1   | 098408-01-000 | FT  | SEAL - SPONGE RUBBER - CLOSED CELL            |
| 2   | 105312-01-07A | EA  | INSERT - FEATURE STRIP - VINYL - BRIGHT WHITE |

**COMPONENT PARTS FOR DOOR & COMPARTMENT LAYOUT**

**084103-08-000**

| KEY | PART NUMBER   | U/M | DESCRIPTION           | VENDOR NO.  |
|-----|---------------|-----|-----------------------|-------------|
|     | 084104-01-700 | EA  | LOCK-MALE, FASTENER   | 201-721-010 |
|     | 084104-01-701 | EA  | LOCK-FEMALE, FASTENER | 201-802-010 |

**EXTERIOR DOORS & COMPARTMENTS GROUP (CONTINUED)**  
**COMPONENT PARTS FOR DOORS & COMPARTMENTS LAYOUT (CONTINUED)**

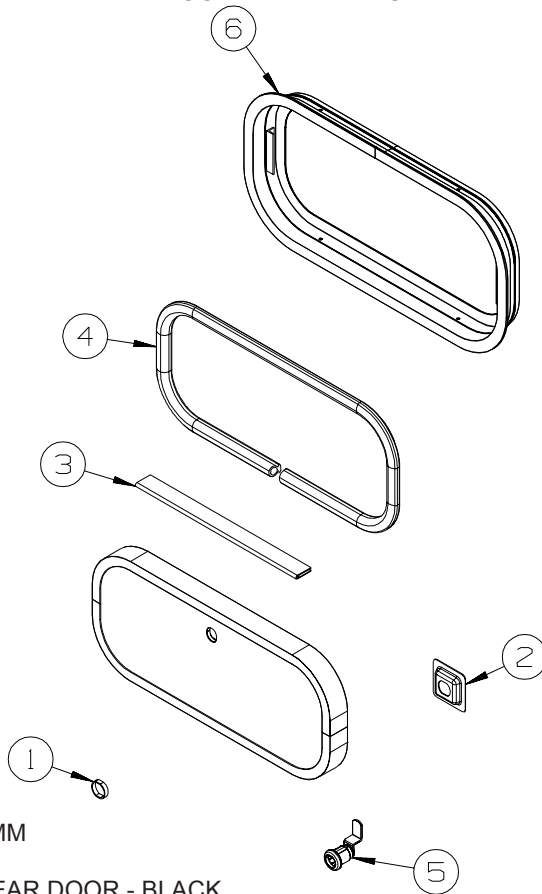


094708-05-01A

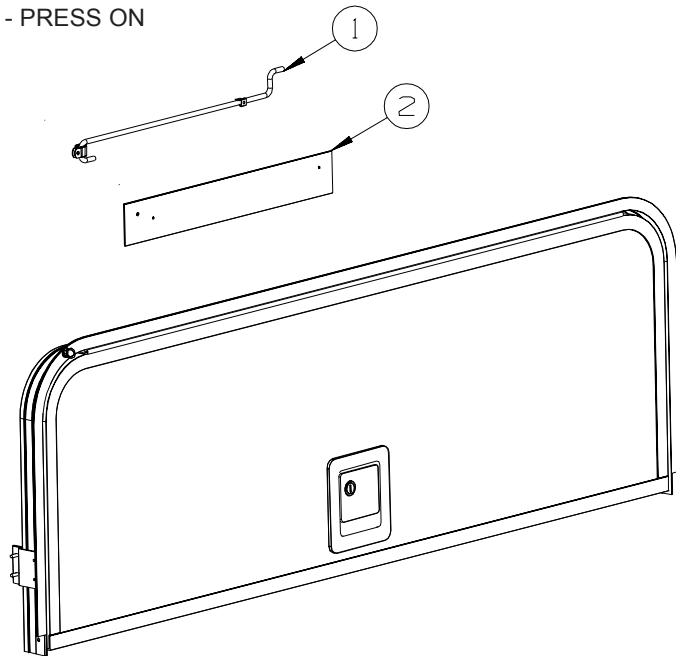
| KEY | PART NUMBER   | U/M | DESCRIPTION  | VENDOR NO. |
|-----|---------------|-----|--|------------|
| 1   | 094707-04-701 | EA  | MOTOR "AM 214" F/IMGL STEPS                            | 1101428    |
| 13  | 094707-04-700 | EA  | CONTROL UNIT W/OVERRIDE                                | 909510000  |
| 15  | 143709-01-702 | EA  | TREAD/NON-SKID 6" X 21" BLK                            | 1915260    |
| 16  | 094708-05-701 | EA  | FRAME W/SGL STEP,28 SERIES                             | 908028000  |
| 17  | 088746-01-705 | EA  | LIGHT-UNDER STEP                                       | 9004       |
|     | 094707-03-701 | EA  | PLUG - 4-WAY - PACKARD                                 | 909306     |
|     | 094707-04-702 | EA  | COTTER PIN - W/CLEVIS PIN                              | 905205000  |
|     | 094707-04-711 | EA  | KWIKTEST - W/4-WAY PIGTAIL                             | 909518000  |
|     | 094708-05-700 | EA  | GEAR BOX W/LINKAGE-STRAIGHT                            | 1101426    |
|     |               |     | CONTACT WINNEBAGO PART SALES FOR UNLISTED COMPONENT(S) |            |



**EXTERIOR DOORS & COMPARTMENTS GROUP (CONTINUED)**  
**COMPARTMENT DOOR PIECE PARTS**

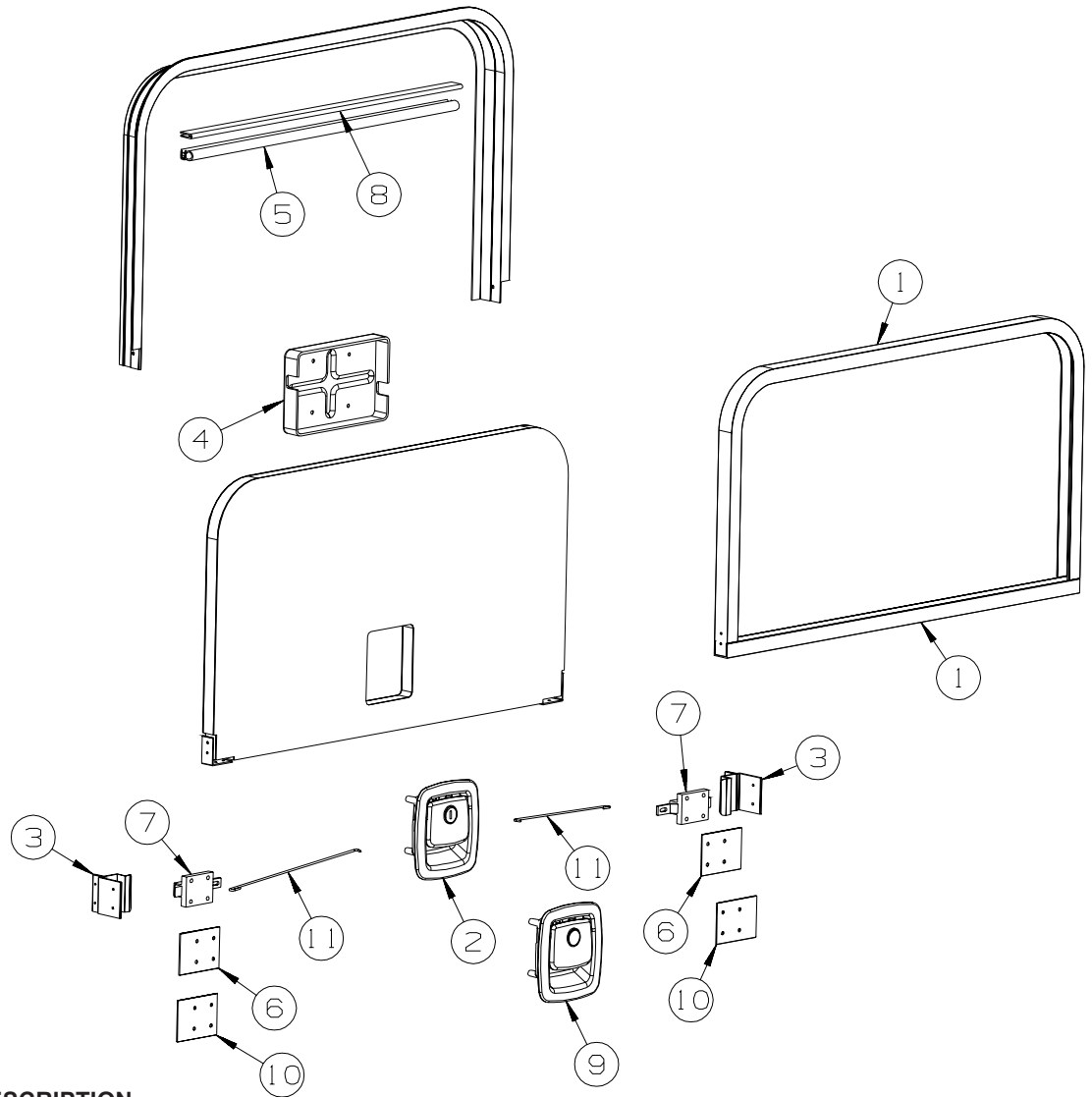


| KEY | PART NUMBER   | U/M | DESCRIPTION                                    |
|-----|---------------|-----|--|
| 1   | 139325-01-000 | EA  | SPACER - LOCK - 6MM                            |
|     | 139337-01-000 | EA  | GASKET - LOCK                                  |
| 2   | 097111-02-04A | EA  | POCKET - LOCK - REAR DOOR - BLACK              |
| 3   | 081801-FN-000 | EA  | HINGE - DOOR - PIANO - 2" X 96" - BLACK        |
| 3   | 081801-V3-000 | EA  | HINGE - DOOR - PIANO - 2" X 96" - BRIGHT WHITE |
| 4   | 156386-01-01A | FT  | SEAL - BULB - .4" X .5" - W/ADHESIVE BACK      |
| 5   | 138290-02-000 | EA  | CASE - W/CAM - W/O CYLINDER/KEY                |
| 6   | 056795-01-000 | FT  | TAPE - SEAL - 1/8" X 3/8" WIDE - PRESS ON      |



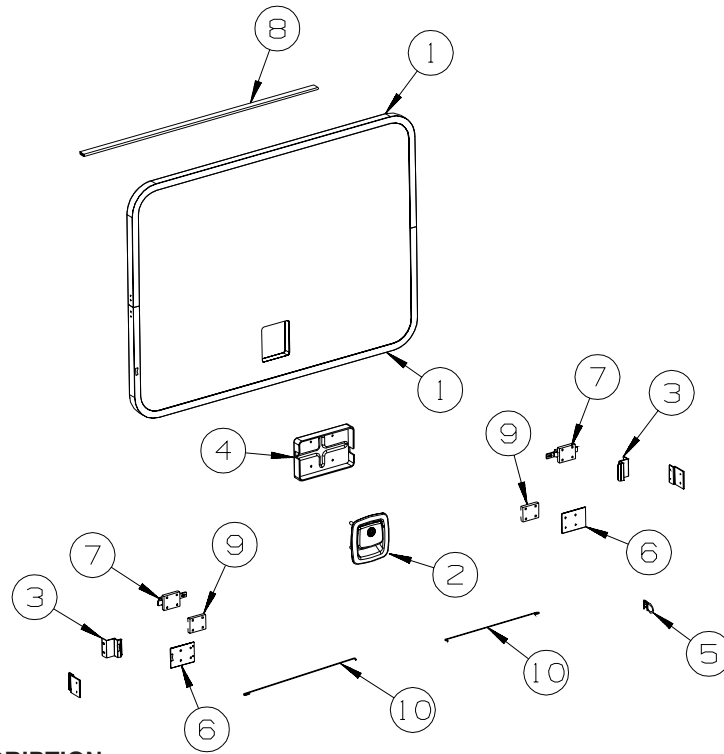
| KEY | PART NUMBER   | U/M | DESCRIPTION   |
|-----|---------------|-----|---|
| 1   | 155346-03-04B | EA  | PROP ROD - 10.6" - BLACK                            |
| 1   | 155346-04-04B | EA  | PROP ROD - 15.3" - BLACK                            |
| 1   | 155346-07-04B | EA  | PROP ROD - 17.3" - BLACK                            |
| 2   | 121577-02-01A | EA  | STRAP/PLATE - W/HOLE - 2.25" X 11.8" - BRIGHT WHITE |
| 2   | 121577-06-01A | EA  | STRAP/PLATE - W/HOLE - 2.25" X 15.8" - BRIGHT WHITE |
| 2   | 121577-07-01A | EA  | STRAP/PLATE - W/HOLE - 2.25" X 3" - BRIGHT WHITE    |
| 2   | 121577-08-01A | EA  | STRAP/PLATE - W/HOLE - 2.25" X 10" - BRIGHT WHITE   |
|     | 035648-51-001 | EA  | STRAP - EXTRUSION - 2.25" X 80.6"                   |

**EXTERIOR DOORS & COMPARTMENTS GROUP (CONTINUED)**  
**COMPARTMENT DOOR PIECE PARTS (CONTINUED)**



| KEY | PART NUMBER   | U/M DESCRIPTION   |
|-----|---------------|---|
| 1   | 096217-55-006 | EA U-CHANNEL - 210" - BRIGHT WHITE  |
| 1   | 096217-55-009 | EA U-CHANNEL - 210" - BLACK - LOWER EXTERIOR PAINT                              |
| 2   | 154900-01-02A | EA LATCH/PADDLE - LOCKING - COMPT DOOR - KEY ONE - WHITE                        |
| 2   | 154900-01-01A | EA LATCH/PADDLE - LOCKING - COMPT DOOR - KEY ONE - BLACK - LOWER EXTERIOR PAINT |
| 3   | 150789-01-S01 | EA STRIKER - STORAGE DOOR   |
| 4   | 122277-06-02A | EA COVER - LATCH - WHITE  |
| 5   | 151104-01-01A | FT SEAL - BULB - W/WIRED U CHANNEL - .3" X .5" CHANNEL-BLACK                    |
| 6   | 121577-07-01A | EA STRAP/PLATE - W/HOLE - 2.25" X 3" - BRIGHT WHITE                             |
| 7   | 149741-01-01A | EA BOLT - SLIDE/LATCH   |
| 8   | 151229-06-01A | EA HINGE - CONTINUOUS - 1.5" X 72.4" - BRIGHT WHITE                             |
| 8   | 151229-06-02A | EA HINGE - CONTINUOUS - 1.5" X 72.4" - BLACK - LOWER EXTERIOR PAINT             |
| 9   | 154900-02-02A | EA LATCH/PADDLE - NON LOCKING - COMPT DOOR - WHITE                              |
| 9   | 154900-02-01A | EA LATCH/PADDLE - NON LOCKING - COMPT DOOR - BLACK - LOWER EXTERIOR PAINT       |
| 10  | 149738-01-01A | EA SPACER - SLIDE BOLT  |
| 11  | 150150-01-000 | EA ROD - LATCH (BLANK) - 27.5" - STAINLESS STEEL                                |

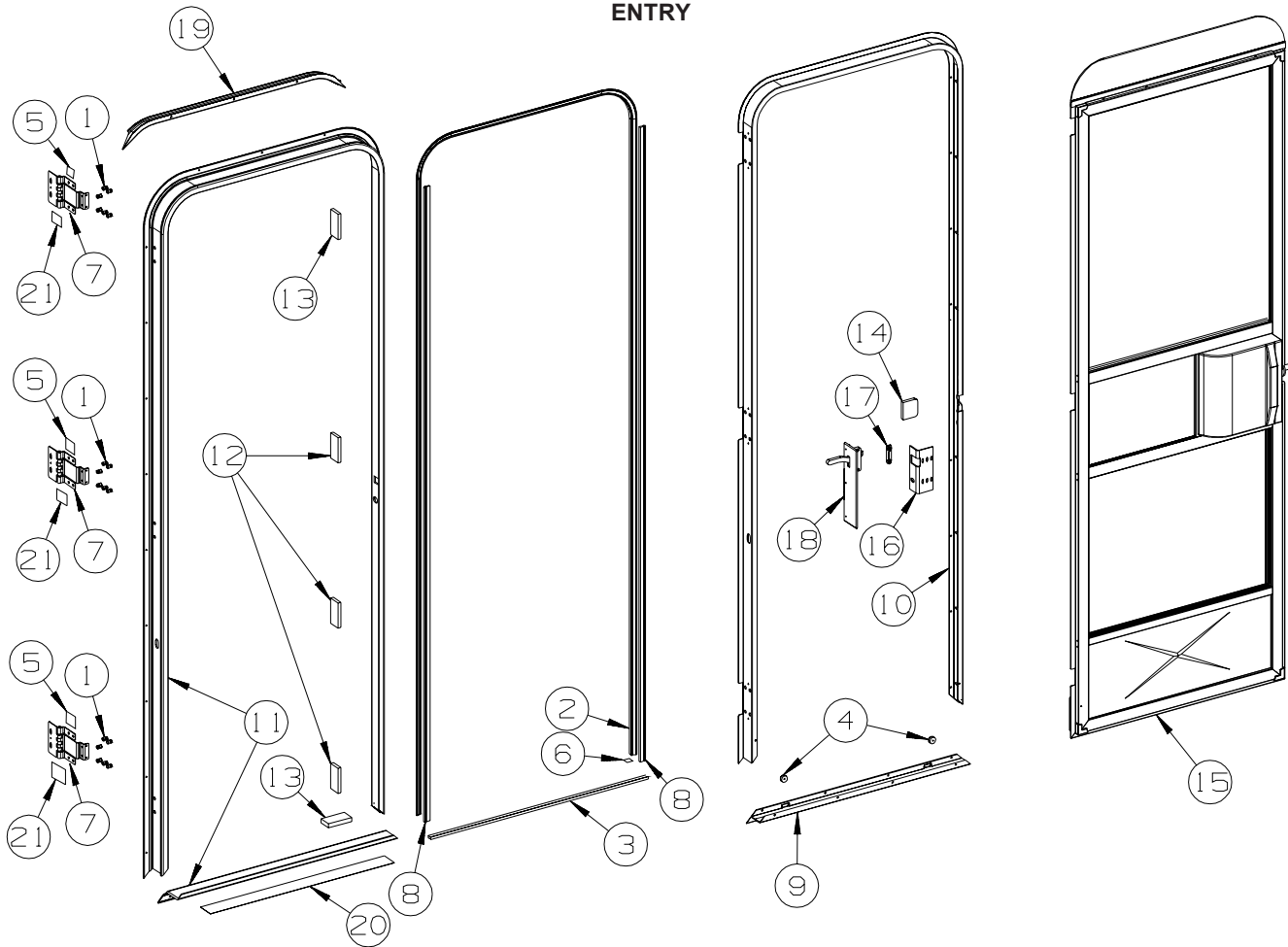
**EXTERIOR DOORS & COMPARTMENTS GROUP (CONTINUED)**  
**COMPARTMENT DOOR PIECE PARTS (CONTINUED)**



| KEY | PART NUMBER   | U/M | DESCRIPTION   |
|-----|---------------|-----|---|
| 1   | 096217-55-006 | EA  | U-CHANNEL - 210" - BRIGHT WHITE                           |
| 2   | 154900-01-02A | EA  | LATCH/PADDLE - LOCKING - COMPT DOOR - KEY ONE - WHITE     |
| 2   | 154900-01-01A | EA  | LATCH/PADDLE - LOCKING - COMPT DOOR - KEY ONE - BLACK     |
| 3   | 150789-01-S01 | EA  | STRIKER - STORAGE DOOR                                    |
| 4   | 122277-06-02A | EA  | COVER - LATCH - WHITE                                     |
| 5   | 151104-01-01A | FT  | SEAL - BULB - W/WIRED U CHANNEL - .3" X .5" CHANNEL-BLACK |
| 6   | 121577-07-01A | EA  | PLATE - W/HOLE - BRIGHT WHITE                             |
|     | 035648-51-001 | EA  | STRAP - EXTRUSION - 2.25" X 80.6"                         |
| 7   | 149741-01-01A | EA  | BOLT - SLIDE/LATCH  |
| 8   | 151229-06-01A | EA  | HINGE - CONTINUOUS - 1.5" X 72.4" - BRIGHT WHITE          |
| 9   | 149738-01-01A | EA  | SPACER - SLIDE BOLT                                       |
| 10  | 150150-01-000 | EA  | ROD - LATCH (BLANK) - 27.5" - STAINLESS STEEL             |

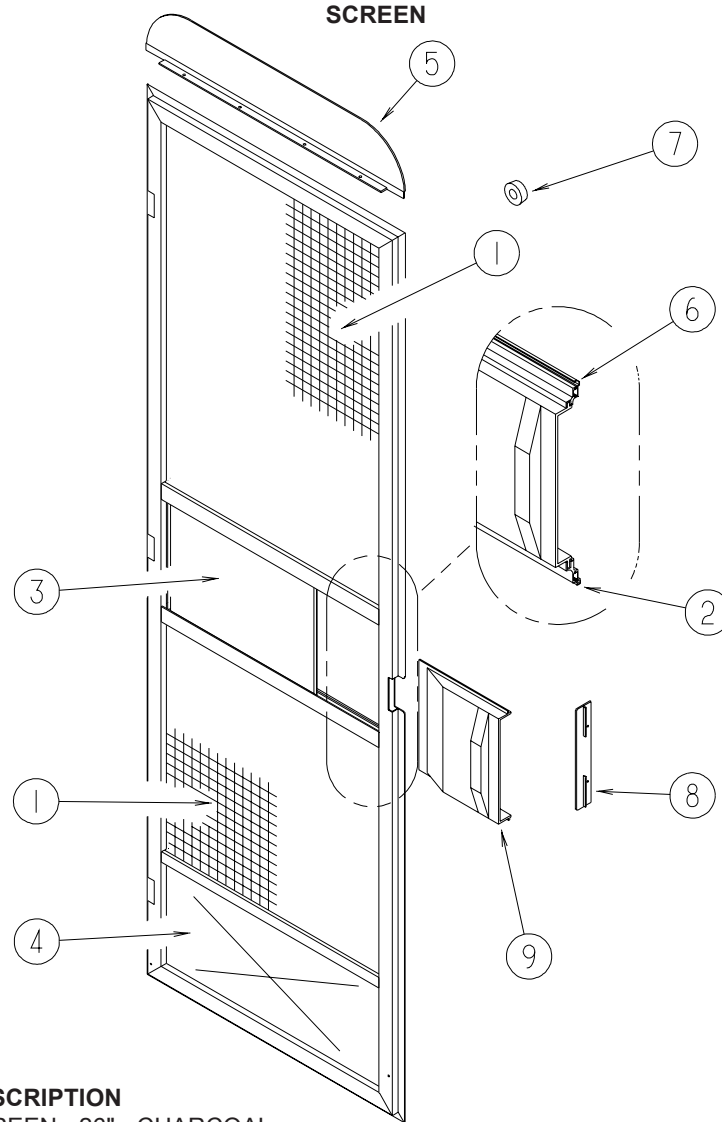
# EXTERIOR DOORS & COMPARTMENTS GROUP (CONTINUED)

## ENTRY



| KEY | PART NUMBER   | U/M | DESCRIPTION  |
|-----|---------------|-----|--|
| 1   | 039715-01-000 | EA  | NUT-SERT - 1/4" DIAMETER - 20 THREADS                      |
| 2   | 075671-04-000 | FT  | SEAL - SPONGE - LAZY T - W/ADHESIVE STRIP - .5" WIDE       |
| 3   | 075673-05-000 | FT  | SEAL/PILE - .5" HIGH W/ADHESIVE BACK - BLACK               |
| 4   | 081914-02-000 | EA  | BUMPER - RUBBER - ROUND - 5/16" DIA. X 13/64" THICK        |
| 5   | 100128-02-000 | FT  | SEAL - FOAM/ADHESIVE BACK - .37" WIDE X .37" THICK         |
| 6   | 104692-01-000 | FT  | SEAL - ADHESIVE BACKED FOAM - 3/4" THICK X 3/4" WIDE X 25' |
| 7   | 106719-01-05A | EA  | HINGE - ENTRY DOOR - BRIGHT WHITE                          |
| 8   | 118929-01-01A | FT  | SEAL - PILE - PUSH ON                                      |
| 9   | 121893-01-01A | EA  | FRAME - ENTRY DOOR/LOWER - BRIGHT WHITE                    |
| 10  | 121894-30-01A | EA  | FRAME - ENTRY DOOR - BRIGHT WHITE                          |
| 11  | 121898-18-01A | EA  | JAMB - DOOR/ENTRANCE - BRIGHT WHITE                        |
| 12  | 125724-01-000 | EA  | SHIM - DOOR, ENTRANCE                                      |
| 13  | 125724-02-000 | EA  | SHIM - DOOR, ENTRANCE                                      |
| 14  | 130096-05-000 | EA  | FOAM - SCREEN DOOR, RETAINER                               |
| 15  | P32208-04-L07 | EA  | DOOR - SCREEN - W/O HARDWARE                               |
| 16  | 137401-01-03B | EA  | BRACKET - DOOR ANGLE - OFF WHITE                           |
| 17  | 148364-01-12B | EA  | STRIKE - SCREEN DOOR - BRIGHT WHITE                        |
| 18  | 132915-01-01A | EA  | LATCH - SCREEN DOOR - BLACK                                |
| 19  | 139054-01-01A | EA  | CAP - DRIP - JAMB MOUNTED - BRIGHT WHITE                   |
| 20  | 038327-01-000 | EA  | TAPE - ANTI-SLIP - 2" X 60'                                |
| 21  | 154585-01-01A | FT  | SEAL - FOAM TAPE - ADHESIVE BACK - 3/8" X 3/8" - BLACK     |

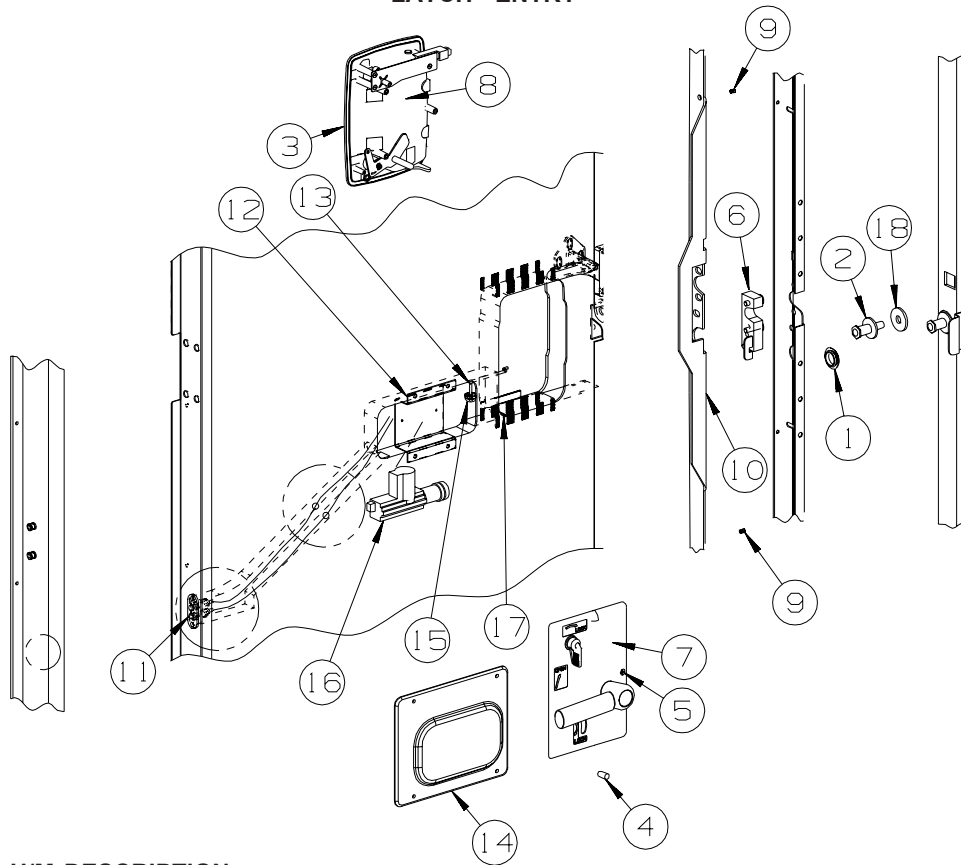
# EXTERIOR DOORS & COMPARTMENTS GROUP (CONTINUED)



| KEY | PART NUMBER   | U/M | DESCRIPTION  |
|-----|---------------|-----|--|
| 1   | 002293-02-000 | SF  | SCREEN - 26" - CHARCOAL                              |
| 2   | 002294-01-000 | FT  | SPLINE - SCREENING - .13" X .14"                     |
| 3   | 016454-21-000 | EA  | INSERT/CENTER - SCREEN DOOR                          |
| 4   | 078552-03-000 | EA  | KICK PANEL - SCREEN DOOR - LOWER INSERT - UNPAINTED  |
| 5   | 078595-01-000 | EA  | TOP PLATE - SCREEN DOOR - CURVED TOP - 4.7" X 25.35" |
| 6   | 078777-08-000 | FT  | CHANNEL - SLIDER - 4 FOOT INCREMENTS                 |
| 7   | 120863-09-000 | EA  | BUMPER - RUBBER/RADIUS TOP - 3/4" X 3/8" - LT GRAY   |
| 8   | 132081-01-01A | EA  | STRIKE - SLIDER - SCREEN DOOR - BRIGHT WHITE         |
| 9   | 132082-01-01A | EA  | SLIDER - SCREEN DOOR - BRIGHT WHITE                  |

# EXTERIOR DOORS & COMPARTMENTS GROUP (CONTINUED)

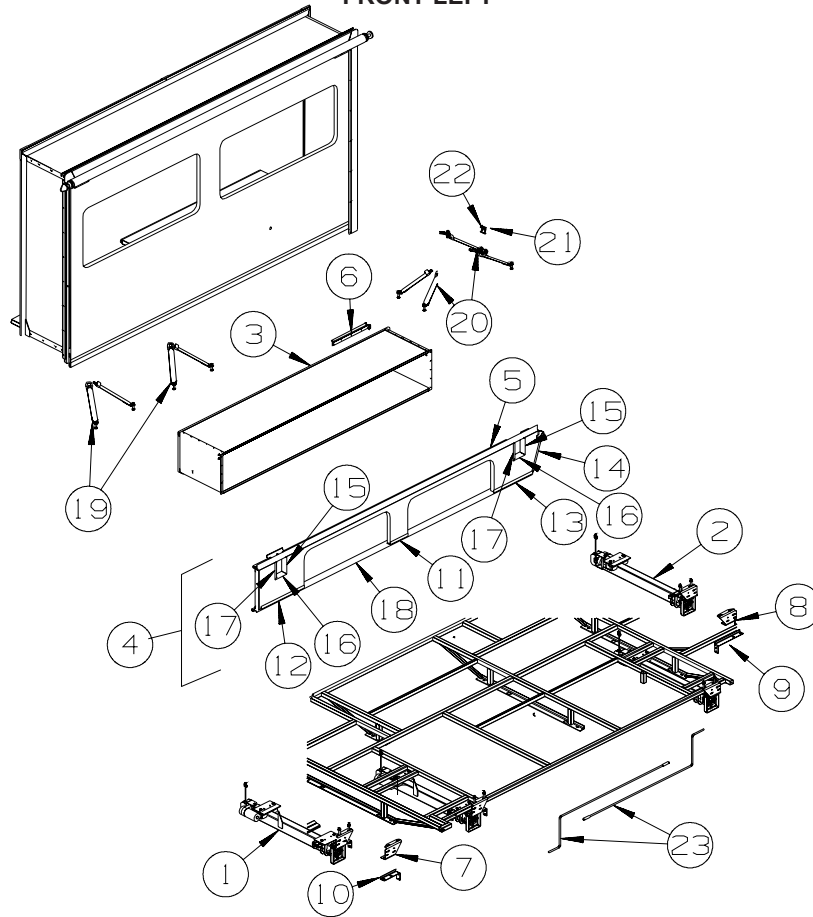
## LATCH - ENTRY



| KEY | PART NUMBER   | U/M | DESCRIPTION  |
|-----|---------------|-----|--|
| 1   | 061420-14-000 | EA  | PLUG/PLASTIC - 7/8" DIAMETER - BLACK                               |
| 2   | 092927-20-000 | EA  | STRIKER - BOLT   |
| 3   | 112782-04-01A | EA  | GASKET   |
| 4   | 112782-05-01A | EA  | CAP - VINYL - RED  |
| 5   | 112782-08-01A | EA  | SCREW - MOUNTING/PLATE - ZINC                                      |
| 6   | 112782-22-01A | EA  | LATCH - SINGLE ROTOR   |
| 7   | 112782-27-01A | EA  | LATCH - INTERIOR PLATE   |
| 8   | 112782-20-01A | EA  | LATCH - EXTERIOR - W/O LOCK CYLINDER W/ICON-REVERSIBLE KEY         |
| 9   | 072893-04-000 | EA  | NUTSERT - 10-32  |
| 10  | 132207-01-02B | EA  | STIFFENER/DOOR - FORMED - E-COATED                                 |
| 10  | 132207-03-02B | EA  | STIFFENER/DOOR - FORMED - E-COATED - VIEW, ASPECT, NAVION, CAMBRIA |
| 11  | 138897-01-000 | EA  | SWITCH - 2 PIN/SPRING LOADED CONTACTS (EA=1 SWITCH)                |
| 12  | 113650-02-02B | EA  | BRACKET - ACTUATOR - ELECTRIC - E-COATED                           |
| 13  | 113651-01-01A | EA  | ROD - CONTROL - MOTOR/LOCK   |
| 14  | 113960-01-01A | EA  | COVER - ACTUATOR - POWER LOCK                                      |
| 15  | 147900-01-01A | EA  | SPACER-STRIKE BOLT, MILL   |
| 16  | 138898-01-000 | EA  | ACTUATOR/LOCK - ELECTRIC   |
| 17  | 137230-01-01A | EA  | SPACER- NOTCHED, MILL  |

# EXTERIOR SLIDEOUT GROUP

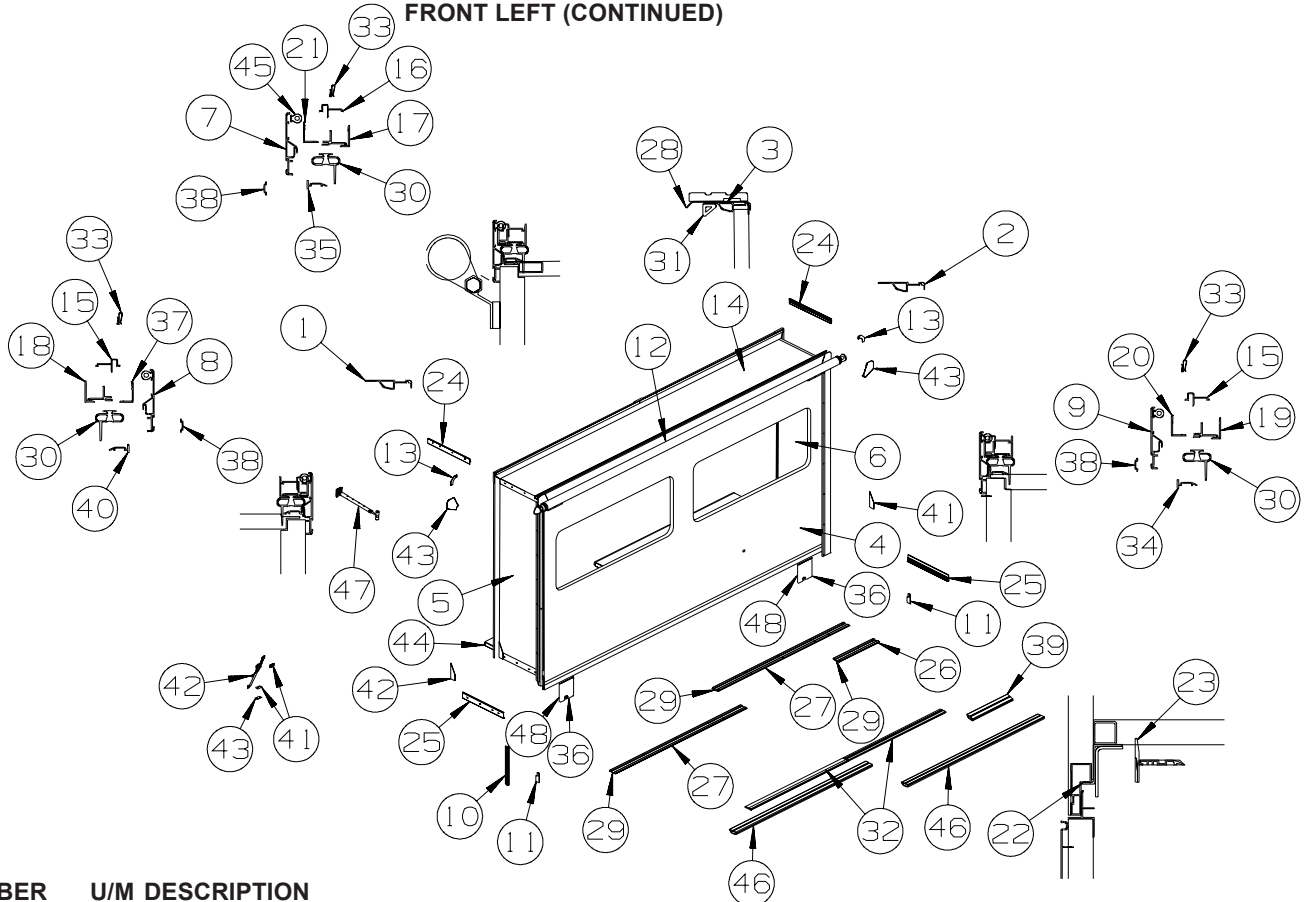
FRONT LEFT



| KEY | PART NUMBER   | U/M | DESCRIPTION   |
|-----|---------------|-----|---|
| 1*  | 162827-01-000 | EA  | SLIDEOUT - ELECTRIC 20" - RIGHT HAND                                  |
| 2*  | 162827-02-000 | EA  | SLIDEOUT - ELECTRIC 20" - LEFT HAND                                   |
| 3   | 140962-03-T11 | EA  | COMPARTMENT - SLIDEOUT  |
| 4   | 150125-05-W21 | EA  | PANEL/SEAL PLANE - W/TRIMS/STORAGE DOOR JAMBS - F/SLIDEOUT (W21, W22) |
| 4   | 150125-05-W23 | EA  | PANEL/SEAL PLANE - W/TRIMS/STORAGE DOOR JAMBS - F/SLIDEOUT (W23, W24) |
| 4   | 150125-05-W25 | EA  | PANEL/SEAL PLANE - W/TRIMS/STORAGE DOOR JAMBS - F/SLIDEOUT (W25, W26) |
| 5   | 140976-03-01A | EA  | JAMB - UPPER - BRIGHT WHITE   |
| 6   | 126591-01-02B | EA  | CARRIER/EXTENSION - F/SLIDEOUT-F/WIRE/HOSES - E-COATED                |
| 7   | 127030-03-02B | EA  | BRACKET - UPR FRT/MOUNT - OUTSIDE WALL/SLIDEOUT - E-COATED            |
| 8   | 127030-04-02B | EA  | BRACKET - UPR REAR/MOUNT - OUTSIDE WALL/SLIDEOUT-E-COATED             |
| 9   | 127828-06-02B | EA  | BRACKET - F/SLIDEOUT COMPARTMENT - E-COATED                           |
| 10  | 127828-04-02B | EA  | BRACKET - F/SLIDEOUT COMPARTMENT - E-COATED                           |
| 11  | 148759-39-01A | EA  | TRIM - SIDEWALL/LOWER - W/O MITER - 8.8" - BRIGHT WHITE               |
| 12  | 148759-56-01A | EA  | TRIM - SIDEWALL/LOWER - W/O MITER/NOTCH - 21.2"                       |
| 13  | 148759-58-01A | EA  | TRIM - SIDEWALL/LOWER - W/RH MITER - 19.5"                            |
| 14  | 127852-02-M01 | EA  | TRIM - WHEELWELL - SLIDE OUT/REAR                                     |
| 15  | 137970-06-01A | EA  | TRIM - SIDEWALL - 6.9"  |
| 16  | 137970-08-01A | EA  | TRIM - SIDEWALL - 5.7"  |
| 17  | 137970-09-01A | EA  | TRIM - SIDEWALL - 6.9"  |
| 18  | 140981-03-01A | EA  | JAMB - LOWER - BRIGHT WHITE   |
| 19  | 160167-01-01A | EA  | SEAT BELT - 2" X 102" - BLACK   |
| 20  | 160167-02-01A | EA  | SEAT BELT - 2" X 90" - BLACK  |
| 21  | 150697-02-02B | EA  | BRACKET - RESTRAINT/CHILD - E-COATED                                  |
| 22  | 150700-01-02B | EA  | PLATE/MOUNTING - RESTRAINT/CHILD - 1" X 2.3" - E-COATED               |
| 23  | 138173-05-000 | EA  | WRENCH - RETRACT CRANK HANDLE - F/SLIDEOUT                            |

\*COMPONENT PARTS LISTED LATER IN THIS GROUP

**EXTERIOR SLIDEOUT GROUP (CONTINUED)**  
**FRONT LEFT (CONTINUED)**



| KEY | PART NUMBER   | U/M | DESCRIPTION  |
|-----|---------------|-----|--|
| 1   | 139624-01-02A | EA  | TRIM/SEAL - INNER/RIGHT HAND - 73.4" - ALMOND      |
| 2   | 139624-02-02A | EA  | TRIM/SEAL - INNER/LEFT HAND - 73.4" - ALMOND       |
| 3   | 139624-07-02A | EA  | TRIM/SEAL - INNER/TOP - 141.7" - ALMOND            |
| 4   | 162141-11-W21 | EA  | SLUG - F/SLIDEOUT (W21, W22)                       |
| 4   | 162141-11-W23 | EA  | SLUG - F/SLIDEOUT (W23, W24)                       |
| 4   | 162141-11-W25 | EA  | SLUG - F/SLIDEOUT (W25, W26)                       |
| 5   | 157249-01-U01 | EA  | PANEL END - F/SLIDEOUT (W21, W22)                  |
|     |               |     | FROM: 00-00-00 THRU: 03-11-07                      |
| 5   | 162977-19-U01 | EA  | PANEL END - F/SLIDEOUT (W21, W22)                  |
|     |               |     | FROM: 03-12-07 THRU: 99-99-99                      |
| 5   | 157249-01-W23 | EA  | PANEL END - F/SLIDEOUT (W23, W24)                  |
|     |               |     | FROM: 00-00-00 THRU: 03-11-07                      |
| 5   | 162977-19-W23 | EA  | PANEL END - F/SLIDEOUT (W23, W24)                  |
|     |               |     | FROM: 03-12-07 THRU: 99-99-99                      |
| 5   | 157249-01-W25 | EA  | PANEL END - F/SLIDEOUT (W25, W26)                  |
|     |               |     | FROM: 00-00-00 THRU: 03-11-07                      |
| 5   | 162977-19-W25 | EA  | PANEL END - F/SLIDEOUT (W25, W26)                  |
|     |               |     | FROM: 03-12-07 THRU: 99-99-99                      |
| 6   | 157250-01-U01 | EA  | PANEL END - F/SLIDEOUT (W21, W22)                  |
|     |               |     | FROM: 00-00-00 THRU: 03-11-07                      |
| 6   | 162977-20-U01 | EA  | PANEL END - F/SLIDEOUT (W21, W22)                  |
|     |               |     | FROM: 03-12-07 THRU: 99-99-99                      |
| 6   | 157250-01-W23 | EA  | PANEL END - F/SLIDEOUT (W23, W24)                  |
|     |               |     | FROM: 00-00-00 THRU: 03-11-07                      |
| 6   | 162977-20-W23 | EA  | PANEL END - F/SLIDEOUT (W23, W24)                  |
|     |               |     | FROM: 03-12-07 THRU: 99-99-99                      |
| 6   | 157250-01-W25 | EA  | PANEL END - F/SLIDEOUT (W25, W26)                  |
|     |               |     | FROM: 00-00-00 THRU: 03-11-07                      |
| 6   | 162977-20-W25 | EA  | PANEL END - F/SLIDEOUT (W25, W26)                  |
|     |               |     | FROM: 03-12-07 THRU: 99-99-99                      |
| 7   | 162052-06-01A | EA  | TRIM/SEAL - W/MITERED ENDS - 140.1" - BRIGHT WHITE |
| 8   | 162052-05-01A | EA  | TRIM/SEAL - W/MITERED ENDS - 93.1" - BRIGHT WHITE  |
| 9   | 162134-01-01A | EA  | TRIM/SEAL - W/MITERED ENDS - 76" - BRIGHT WHITE    |
| 10  | 142718-27-01A | EA  | RETAINER - SIDEWALL/SLIDEOUT - 15.2"               |
| 11  | 126546-03-02A | EA  | COVER - END/SIDEWALL - BRIGHT WHITE                |



**EXTERIOR SLIDEOUT GROUP (CONTINUED)**  
**FRONT LEFT (CONTINUED)**

**KEY PART NUMBER U/M DESCRIPTION**  
 12 SLIDEOUT AWNING

**ORDER AWNINGS & REPAIR PARTS FROM DOMETIC. CALL #800-366-3842.**

**THE DOMETIC AWNING INFORMATION YOU WILL NEED IS LOCATED ON THE MOTOR HOME NEAR  
 THE TOP OF THE AWNING RAIL.**

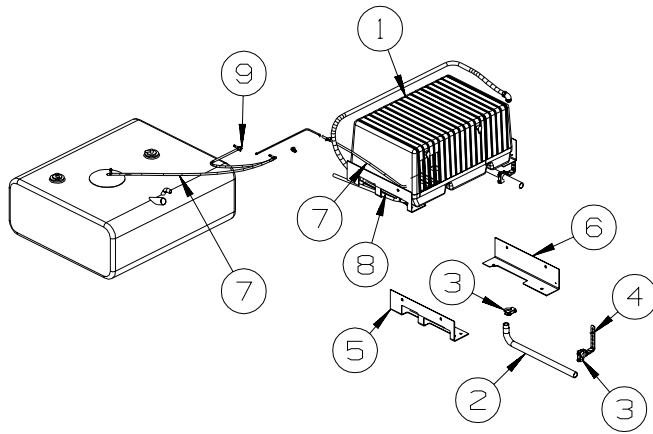
|    |               |    |   |
|----|---------------|----|---|
| 13 | 160421-01-01A | EA | CORNER TRIM/SLIDEOUT - 3.1"X 3.1" - BLACK   |
| 14 | 157538-01-U21 | EA | ROOF - F/SLIDEOUT   |
| 15 | 142718-01-01A | EA | RETAINER - SIDEWALL/SLIDEOUT - 72.8"  |
| 16 | 142718-22-01A | EA | RETAINER - SIDEWALL/SLIDEOUT - 141.3"   |
| 17 | 151761-14-02A | EA | TRIM - SIDEWALL/SLIDEOUT/TOP - 143.3" - ALMOND  |
| 18 | 158013-02-02A | EA | TRIM - SIDEWALL/SLIDEOUT - 93.3" - ALMOND   |
| 19 | 158013-03-02A | EA | TRIM - SIDEWALL/SLIDEOUT - 78.8" - ALMOND   |
| 20 | 136824-26-01A | EA | TRIM - SIDEWALL/SLIDEOUT - 93.3" - BRIGHT WHITE   |
| 21 | 136824-07-01A | EA | TRIM - SIDEWALL/SLIDEOUT - 144.1" - BRIGHT WHITE  |
| 22 | 128621-51-01A | EA | BRACKET/ZEE - SLIDEOUT - 136.9" - MILL  |
| 23 | 115075-03-000 | FT | SEAL - WIPE - .25" X 2.9"   |
| 24 | 158375-03-01A | EA | TRIM - FEATURE STRIP - 20.6" - BRIGHT WHITE   |
| 25 | 158030-06-01A | EA | TRIM - FEATURE STRIP/LOWER - 2.3" X 19.8" - BRIGHT WHITE<br>FROM: 00-00-00 THRU: 03-11-07       |
| 25 | 163020-06-01A | EA | TRIM - FEATURE STRIP/LOWER - 2.3" X 19.8" - BRIGHT WHITE<br>FROM: 03-12-07 THRU: 99-99-99       |
| 26 | 115325-06-02A | EA | RAIL - FLOOR/SLIDEOUT ROOM - 19.7" LONG - BLACK   |
| 27 | 115325-03-02A | EA | RAIL - FLOOR/SLIDEOUT ROOM - 64.5" LONG - BLACK   |
| 28 | 125466-03-04A | EA | SUPPORT - ROOF/INTERIOR - ALMOND  |
| 29 | 115661-01-000 | FT | SHOE/GLIDE - SLIDEOUT ROOM - 1/16" X 3" - POLYETHYLENE  |
| 30 | 136978-01-01A | FT | SEAL - SLIDEOUT - BLACK   |
| 31 | 146056-01-000 | FT | SEAL - TRIANGLE - W/PSA   |
| 32 | 134837-01-01A | EA | RAMP - SLIDEOUT - BLACK PVC - <b>VINYL FLOOR THRU OUT</b>                                       |
| 33 | 142549-01-000 | EA | CLIP - "S" TYPE   |
| 34 | 146606-12-01A | EA | TRIM/RETAINER - 75.7" - BRIGHT WHITE  |
| 35 | 146606-13-01A | EA | TRIM/RETAINER - 138.3" - BRIGHT WHITE   |
| 36 | 154963-01-01A | EA | COVER - RAM - 6.8" X 7.6" - BRIGHT WHITE  |
| 37 | 143753-01-01A | EA | TRIM - SIDEWALL/SLIDEOUT - 78.8" - BRIGHT WHITE   |
| 38 | 105312-01-07A | FT | INSERT - FEATURE STRIP - VINYL - BRIGHT WHITE   |
| 39 | 134756-03-M30 | EA | RAMP - FABRIC COVERED - SLIDEOUT - 18.3" - <b>VINYL FLOOR THRU OUT</b>                          |
| 40 | 146606-11-01A | EA | TRIM/RETAINER - 89.9" - BRIGHT WHITE  |
| 41 | 157809-01-01A | EA | SEAL - FOAM BLOCK/RIGHT SIDE - ADHESIVE BACK<br>FROM: 00-00-00 THRU: 12-02-07                   |
| 41 | 160471-01-01A | EA | PAN/DRAIN - FLOOR/RH SLIDEOUT - BLACK - <b>NOT ILLUSTRATED</b><br>FROM: 12-03-07 THRU: 99-99-99 |
| 42 | 157809-02-01A | EA | SEAL - FOAM BLOCK/LEFT SIDE - ADHESIVE BACK<br>FROM: 00-00-00 THRU: 12-02-07                    |
| 42 | 160471-02-01A | EA | PAN/DRAIN - FLOOR/LH SLIDEOUT - BLACK - <b>NOT ILLUSTRATED</b><br>FROM: 12-03-07 THRU: 99-99-99 |
| 43 | 156151-01-02A | EA | PROTECTOR - CORNER - SLIDEOUT - BRIGHT WHITE  |
| 44 | 151282-13-01A | EA | TRIM - CARPET EDGE/F-ANGLE - 66" - BLACK  |
| 45 | 158297-01-000 | FT | SEAL - D-SECTION/BULB/TEE - ADHESIVE BACK - BLACK   |
| 46 | 134756-01-L76 | EA | RAMP - FABRIC COVERED - F/SLIDEOUT - 66.9" - <b>VINYL FLOOR THRU OUT</b>                        |
| 47 | 162495-01-01A | EA | ROD - LOCK/SLIDEOUT ROOM - BLACK W/WHITE PLASTIC ENDS   |
| 48 | 099418-01-000 | FT | SEAL - D-SECTION/ADHESIVE BACK - .44" X .44" - BLK RUBBER - <b>EXTERIOR PAINT</b>               |

**EXTERIOR SLIDEOUT GROUP (CONTINUED)**  
**COMPONENT PARTS FOR FRONT LEFT**

162827-01-000, 162827-02-000

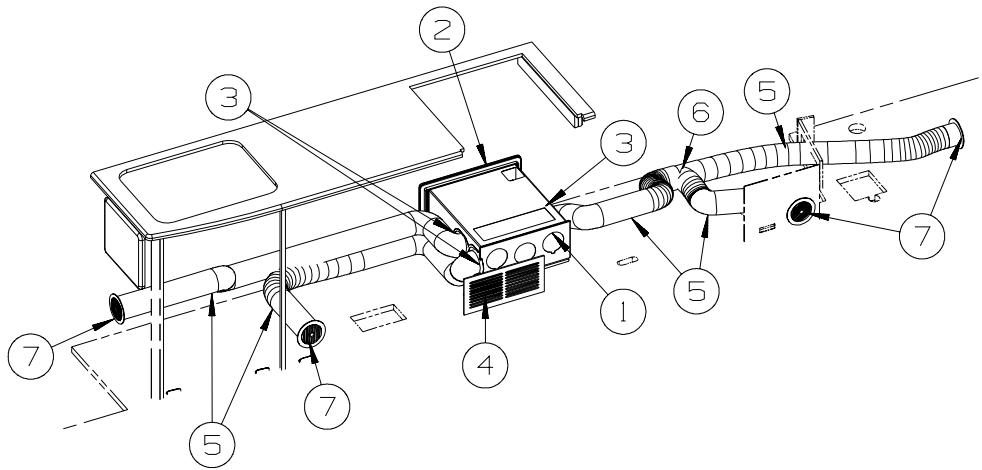
| KEY | PART NUMBER   | U/M | DESCRIPTION                  | VENDOR NO. |
|-----|---------------|-----|------------------------------|------------|
|     | 130294-04-700 | EA  | SCREW - 5/16"-18 X 1 1/2"    | 1202060    |
|     | 131281-01-704 | EA  | HAIRPIN/COTTER - 3/8" SPRING | 1213460    |
|     | 131682-01-700 | EA  | ROLLER - (BEARING)           | 1912040    |
|     | 138173-01-701 | EA  | POP RIVET - SS 3/16"X1/4"    | 1214630    |
|     | 138173-01-707 | EA  | WEAR PUCK - PLASTIC F/DRIVE  | 1612523    |
|     | 140457-01-701 | EA  | ROLLER - 1"OD X 1/2"ID       | 1614006    |
|     | 140457-01-704 | EA  | SHAFT/AXLE - REAR ROLLER     | 7204523    |
|     | 148875-01-702 | EA  | PIN/ROLL - 1/4" X 1"         | 1213701    |
|     | 148875-01-703 | EA  | NUT - PLASTIC - 1"           | 1612548    |
|     | 148875-01-704 | EA  | END CARRIER - PLASTIC - 1"   | 1612549    |
|     | 148875-01-705 | EA  | MOTOR/LINEAR - SLIDE ROOM    | 1820111    |
|     | 148875-01-707 | EA  | END GUIDE F/SCREW - 1"       | 1820450    |
|     | 148875-01-708 | EA  | TUBE - OUTER - F/SLIDE RAM   | 7201200    |
|     | 149165-01-701 | EA  | PIN/CLEVIS - 1/4" X 2"       | 1213204    |
|     | 151027-01-700 | EA  | DRIVE SCREW 1" X 20"         | 1820402    |
|     | 151027-01-701 | EA  | ROLL PIN - 3/16" X 1"        | 1213694    |
|     | 151027-01-702 | EA  | CLEVIS PIN - 1/4" X 1 1/4"   | 1213202    |
|     | 162827-01-700 | EA  | TUBE OUT STOP - ADJUSTABLE   | 7201198    |
|     | 162832-01-700 | EA  | CLEVIS PIN - 5/16" X 2 1/4"  | 1213239    |
|     | 162832-01-702 | EA  | NUT - 1" PLASTIC W/5/16" PIN | 1612554    |

## GENERATOR GROUP GAS



| KEY | PART NUMBER   | U/M | DESCRIPTION                                       |
|-----|---------------|-----|---|
| 1   | 109982-03-000 | EA  | GENERATOR - 4.0 MICROLITE - ONAN                  |
| 2   | 105958-08-000 | EA  | PIPE - EXHAUST/GENERATOR - 1.5" OD X 3.1" X 19.7" |
| 3   | 007125-04-000 | EA  | CLAMP - MUFFLER - 1.12"DIAMETER                   |
| 4   | 007131-01-000 | EA  | HANGER - TAILPIPE - 6 SLOTS                       |
| 5   | 114070-02-02B | EA  | SUPPORT - GENERATOR - LEFT                        |
| 6   | 114071-02-02B | EA  | SUPPORT - GENERATOR - RIGHT                       |
| 7   | 128139-03-000 | FT  | HOSE - FUEL - LOW PERMEABILITY - 1/4" DIAMETER    |
| 8   | 084884-01-000 | EA  | PLUG - BRASS - 3/8"                               |
| 9   | 068382-06-000 | EA  | BUSHING - 3/8"MPT X 1/8"FPT - BRASS - CHEVY       |
| 9   | 114253-01-000 | EA  | ELBOW - 1/4 SINGLE BARB X 1/8 MPT - CHEVY         |

## HEATING & A/C GROUP FURNACE

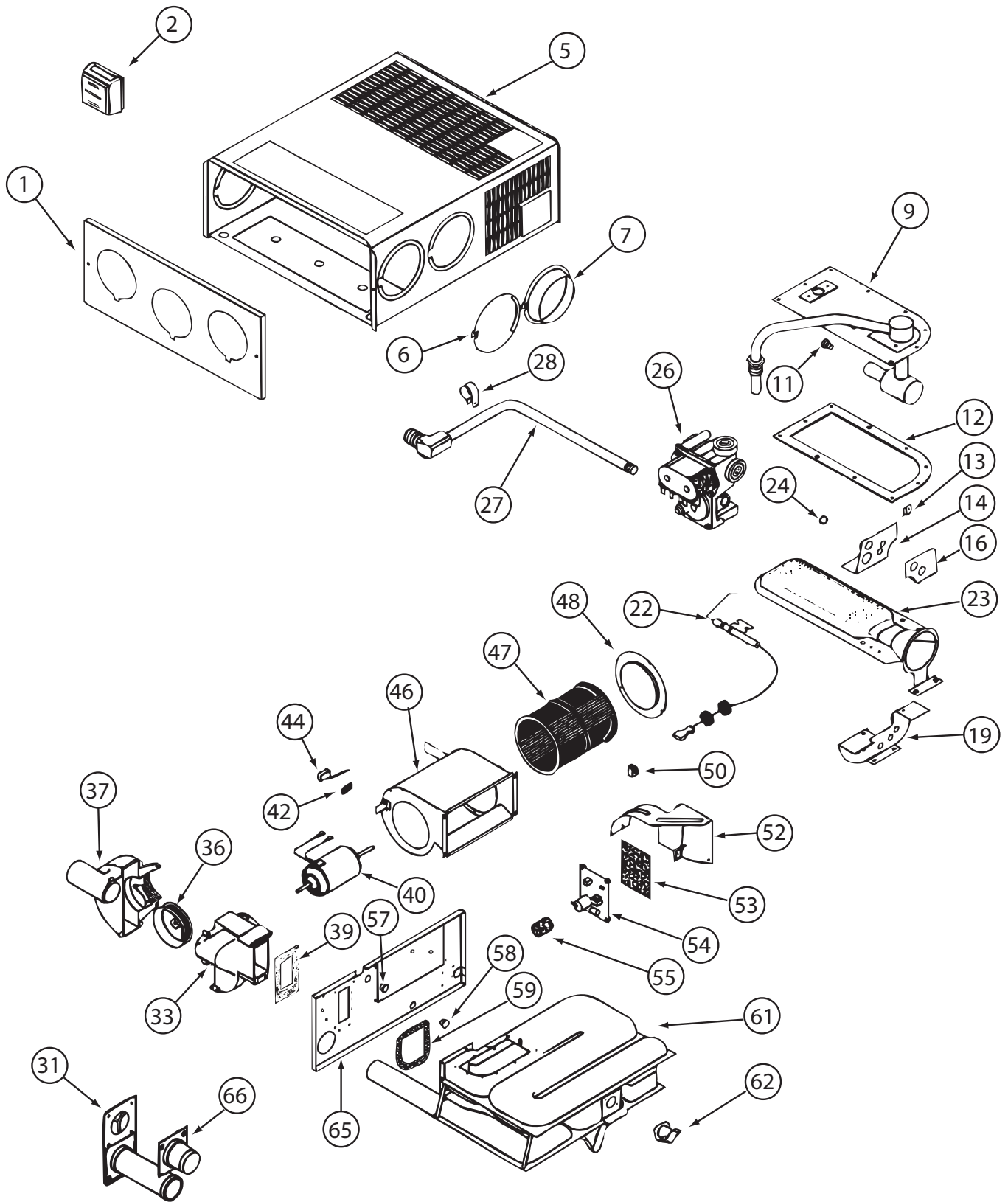


| KEY | PART NUMBER   | U/M | DESCRIPTION   |
|-----|---------------|-----|---|
| 1*  | 139980-02-000 | EA  | FURNACE-30000BTU-SF QUIET-SBRBN SF-30 2321J         |
| 2   | 098668-23-000 | EA  | DOOR - ACCESS - FURNACE - BRIGHT WHITE              |
|     |               |     | FROM: 00-00-00 THRU: 05-13-07                       |
| 2   | 139980-10-02A | EA  | DOOR - ACCESS/FURNACE - BRIGHT WHITE                |
|     |               |     | FROM: 05-14-07 THRU: 99-99-99                       |
| 2   | 139980-10-03A | EA  | DOOR - ACCESS - FURNACE - BLACK                     |
|     |               |     | FROM: 05-14-07 THRU: 99-99-99                       |
| 3   | 069636-02-000 | EA  | CONNECTOR - DUCT - 4" ID                            |
| 4   | 093614-01-02A | EA  | GRILLE - AIR RETURN - 15.9" X 7.9" - BEIGE          |
| 5   | 009198-01-000 | FT  | DUCT - HEAT - FLEXIBLE - 4" ID X 25'                |
| 6   | 089367-01-000 | EA  | TEE - 4" OD - 7" LONG - METAL                       |
| 7   | 056464-10-000 | EA  | REGISTER W/O DAMPER - 4" DIAMETER - PLASTIC - BEIGE |
|     | 009200-01-000 | EA  | TAPE - FURNACE - 1 1/2"                             |

**\*COMPONENT PARTS LISTED LATER IN THIS GROUP**

# HEATING & A/C GROUP (CONTINUED)

## COMPONENT PARTS FOR FURNACE



139980-02-000

**HEATING & A/C GROUP (CONTINUED)**  
**COMPONENT PARTS FOR FURNACE (CONTINUED)**

**139980-02-000 (CONTINUED)**

| KEY | PART NUMBER   | U/M | DESCRIPTION  | VENDOR NO. |
|-----|---------------|-----|--|------------|
| 9   | 139980-01-700 | EA  | MANIFOLD ASSEMBLY                                      | 171571     |
| 11  | 092300-02-701 | EA  | ORIFICE-MAIN BURNER (NT-30BW                           | 180214     |
| 12  | 098668-22-703 | EA  | GASKET - BURNER ACCESS COVER                           | 070811     |
| 22  | 139980-01-701 | EA  | ELECTRODE  | 232286     |
| 23  | 098668-02-700 | EA  | BURNER ASSEMBLY,SF-30 & SF35                           | 010745     |
| 26  | 098668-01-718 | EA  | VALVE-GAS SF S.N.974903079                             | 161122     |
| 27  | 139980-01-702 | EA  | PIPE ASSEMBLY/GAS INLET                                | 171574     |
| 31  | 098668-01-707 | EA  | TUBE ASSEMBLY, EXHAUST W/CAP                           | 260231     |
| 33  | 139980-01-703 | EA  | HOUSING/COMB. - FRONT/HALF                             | 390852     |
| 36  | 098668-01-706 | EA  | WHEEL-COMBUSTION AIR                                   | 350184     |
| 37  | 139980-01-704 | EA  | HOUSING/COMB. - REAR/HALF                              | 390848     |
| 39  | 139980-01-705 | EA  | GASKET/FIREWALL-COMB AIR                               | 071084     |
| 40  | 139980-01-706 | EA  | MOTOR ASSEMBLY W/GASKET                                | 232682     |
| 42  | 101990-01-714 | EA  | GASKET-MICROSWITCH                                     | 230877     |
| 44  | 098668-21-700 | EA  | SWITCH-MICRO-W/O FLAG 3 1/4"                           | 232261     |
| 46  | 139980-01-708 | EA  | BLOWER ASSEMBLY - ROOM AIR                             | 390739BK   |
| 47  | 098668-01-711 | EA  | WHEEL-BLOWER, ROOM AIR                                 | 350129     |
| 48  | 139980-01-709 | EA  | ORFICE RING  | 390696     |
| 50  | 139980-01-710 | EA  | SWITCH - ON/OFF  | 232351     |
| 52  | 139980-01-711 | EA  | PANEL ASSEMBLY-MODULE BD                               | 101663     |
| 53  | 139980-01-712 | EA  | INSULATOR - MODULE BD                                  | 070807     |
| 54  | 098668-22-705 | EA  | MODULE BD W/RELAY TIME DELAY                           | 520820     |
| 55  | 139980-01-713 | EA  | CAP/INSULATOR-MODULE BD                                | 070973     |
| 57  | 139980-01-714 | EA  | BUSHING - UNIVERSAL                                    | 070362     |
| 58  | 139980-01-715 | EA  | BUSHING - STRAIN RELIEF                                | 231809     |
| 59  | 098668-01-716 | EA  | GASKET-FIREWALL,CHAMBER SIDE                           | 070808     |
| 61  | 139980-01-716 | EA  | CHAMBER ASSEMBLY - FINAL                               | 021149BK   |
| 62  | 098668-21-701 | EA  | SWITCH - LIMIT   | 232504     |
| 66  | 098668-01-713 | EA  | TUBE ASSEMBLY, INTAKE                                  | 051248     |
|     | 139980-02-700 | EA  | BLOWER ASM-1/2 HOUSING/OUTER                           | 390851     |
|     | 139980-02-701 | EA  | BLOWER ASM-1/2 HOUSING/INNER                           | 390872     |
|     |               |     | CONTACT WINNEBAGO PART SALES FOR UNLISTED COMPONENT(S) |            |

**REAR HEATER**

| KEY | PART NUMBER   | U/M | DESCRIPTION  |
|-----|---------------|-----|--|
| *   | 084405-01-000 | EA  | HEATER - REAR/DUCTED - W/MOTOR AID                           |
|     | 007108-01-000 | FT  | HOSE - HEATER - 5/8"ID - HI-TEMP                             |
|     | 076776-01-000 | EA  | TEE - BEADED - 5/8" X 5/8" X 5/8"                            |
|     | 079059-01-000 | EA  | HOSE - 90 DEGREE - 5/8"ID X 4" X 36"                         |
|     | 079059-02-000 | EA  | HOSE - 90 DEGREE - .61" ID X 4" X 6"                         |
|     | 093614-02-02A | EA  | GRILLE - AIR RETURN - 9.9" X 9.9" - BEIGE - <b>MOTOR AID</b> |

**\*COMPONENT PARTS LISTED LATER IN THIS GROUP**

**COMPONENT PARTS FOR REAR HEATER**

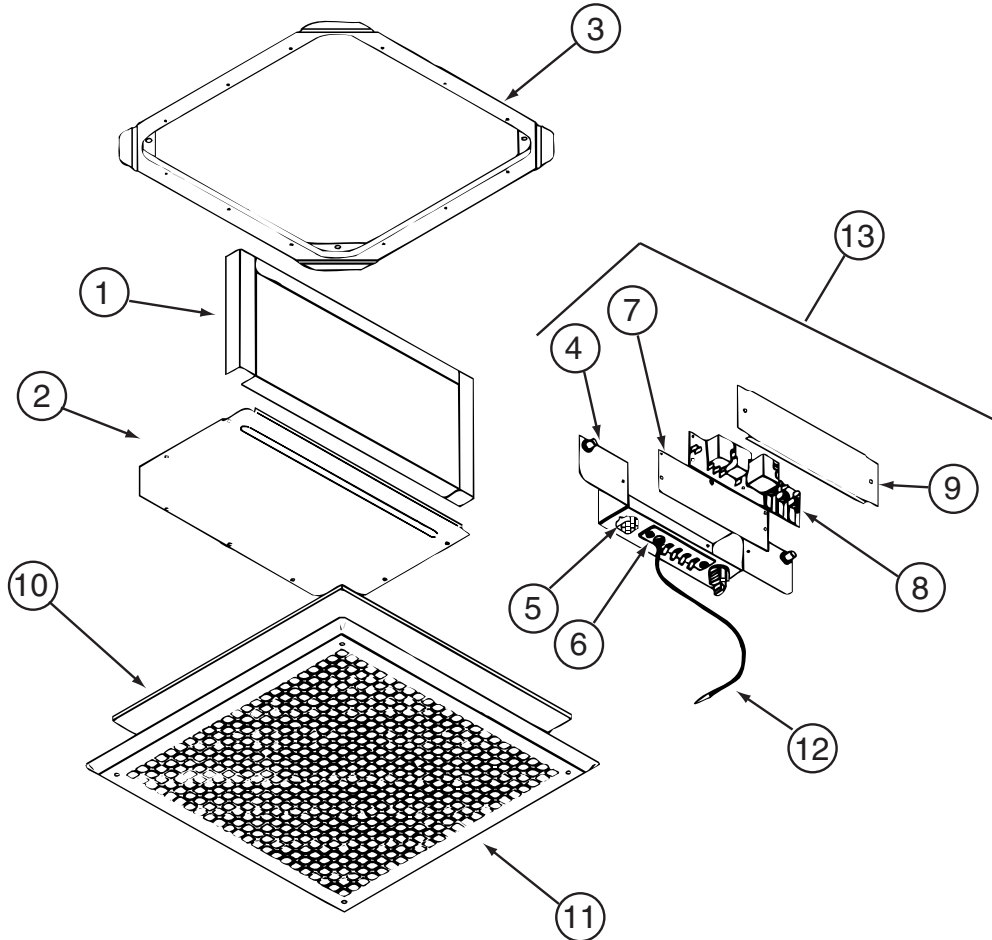
**084405-01-000**

| KEY | PART NUMBER   | U/M | DESCRIPTION             | VENDOR NO. |
|-----|---------------|-----|-------------------------|------------|
|     | 084405-01-700 | EA  | CORE-HEATER             | FT200229   |
|     | 084405-01-701 | EA  | FAN                     | HV029931   |
|     | 084405-01-702 | EA  | MOTOR ASSEMBLY, 12 VOLT | RV010348   |

## HEATING & A/C GROUP (CONTINUED) ROOF

| KEY | PART NUMBER   | U/M | DESCRIPTION   |
|-----|---------------|-----|---|
| *   | 131188-05-01A | EA  | A/C - ROOF - 14,800 BTU-MACH 15 - 2 PEICE SHROUD STYLE-WHT                                    |
| *   | 131188-06-01A | EA  | A/C - ROOF-14,800 BTU-MACH 15/HEAT PUMP-2 PCE SHROUD STYLE - AC HEAT PUMP                     |
| *   | 131184-01-01A | EA  | CEILING ASSEMBLY - A/C DUCTED - WHITE<br>FROM: 00-00-00 THRU: 07-15-07                        |
| *   | 131184-06-01A | EA  | CEILING ASSEMBLY - A/C DUCTED - WHITE<br>FROM: 07-16-07 THRU: 99-99-99                        |
| *   | 131184-05-01A | EA  | CEILING ASSEMBLY - HEAT PUMP - WHITE - AC HEAT PUMP<br>FROM: 00-00-00 THRU: 07-15-07          |
| *   | 131184-07-01A | EA  | CEILING ASSEMBLY - HEAT PUMP - DUCTED - WHITE - AC HEAT PUMP<br>FROM: 07-16-07 THRU: 99-99-99 |
|     | 131184-02-01A | EA  | BOARD - DIVIDER - SILVER  |

**\*COMPONENT PARTS LISTED LATER IN THIS GROUP**



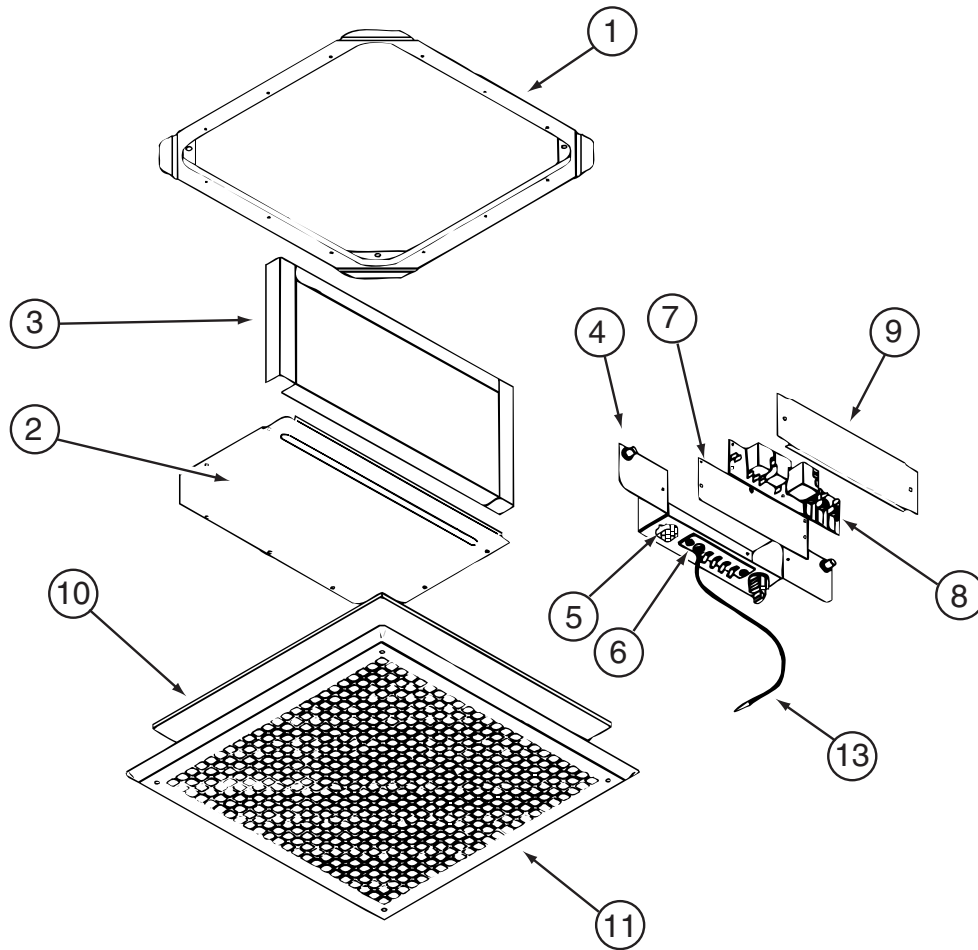
**COMPONENT PARTS FOR ROOF**

### 131184-01-01A

| KEY | PART NUMBER   | U/M | DESCRIPTION                 | VENDOR NO. |
|-----|---------------|-----|-----------------------------|------------|
| 1   | 131184-01-707 | EA  | DUCT DIVIDER                | 8330-3501  |
| 5   | 131184-01-700 | EA  | PLUG ASSEMBLY               | 7330A389   |
| 6   | 131184-01-701 | EA  | TERMINAL BOARD              | 7330B3201  |
| 7   | 131184-01-702 | EA  | ISOLATOR - BLANK            | 7330C365   |
| 8   | 108892-01-702 | EA  | BOARD-P.C.                  | 7330A3211  |
| 10  | 108892-01-703 | EA  | FILTER                      | 6798A3761  |
| 11  | 108892-01-704 | EA  | GRILLE 16 3/8X16 3/8 RETURN | 6798-3041  |
| 12  | 131184-01-704 | EA  | COIL SENSOR                 | 7330-6111  |
| 13  | 131184-01-705 | EA  | JUNCTION BOX ASSEMBLY       | 7330B5551  |
|     | 131184-01-703 | EA  | SMALL PARTS PKG             | 8330-5961  |

CONTACT WINNEBAGO PART SALES FOR UNLISTED COMPONENT(S)

**HEATING & A/C GROUP (CONTINUED)**  
**COMPONENT PARTS FOR ROOF (CONTINUED)**



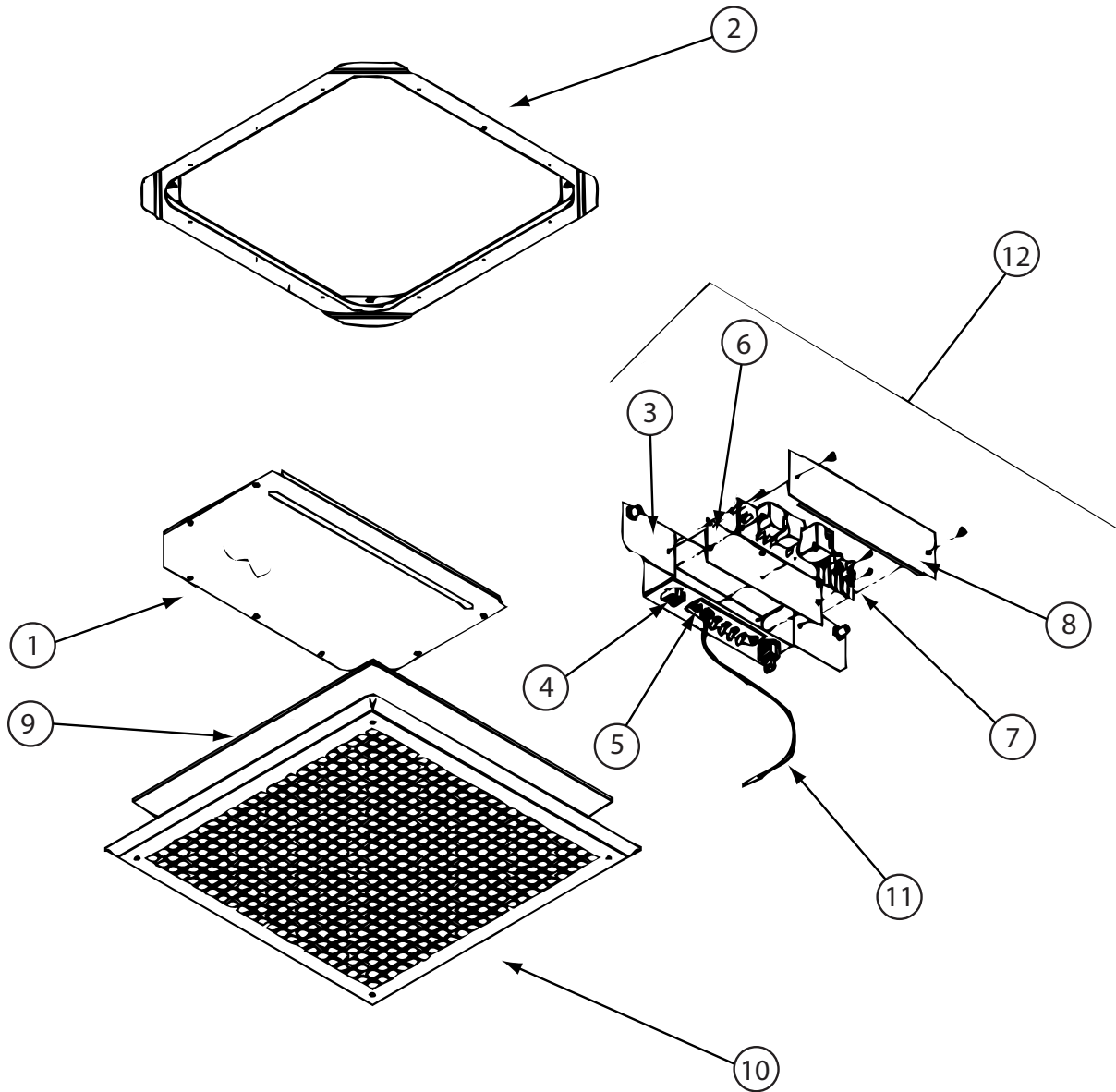
131184-05-01A

| KEY | PART NUMBER   | U/M | DESCRIPTION                 | VENDOR NO. |
|-----|---------------|-----|-----------------------------|------------|
| 4   | 131184-05-700 | EA  | BOX - JUNCTION              | 8530-5091  |
| 5   | 131184-04-700 | EA  | PLUG ASSEMBLY               | 7530A340   |
| 6   | 131184-04-702 | EA  | BOARD - TERMINAL            | 7530B3201  |
| 7   | 131184-01-702 | EA  | ISOLATOR - BLANK            | 7330C365   |
| 8   | 131184-04-705 | EA  | BOARD - P.C.                | 7330B3311  |
| 10  | 108892-01-703 | EA  | FILTER                      | 6798A3761  |
| 11  | 108892-01-704 | EA  | GRILLE 16 3/8X16 3/8 RETURN | 6798-3041  |
| 13  | 105620-12-719 | EA  | COIL SENSOR                 | 7330A3231  |
|     | 131184-01-703 | EA  | SMALL PARTS PKG             | 8330-5961  |

CONTACT WINNEBAGO PART SALES FOR UNLISTED COMPONENT(S)



**HEATING & A/C GROUP (CONTINUED)**  
**COMPONENT PARTS FOR ROOF (CONTINUED)**

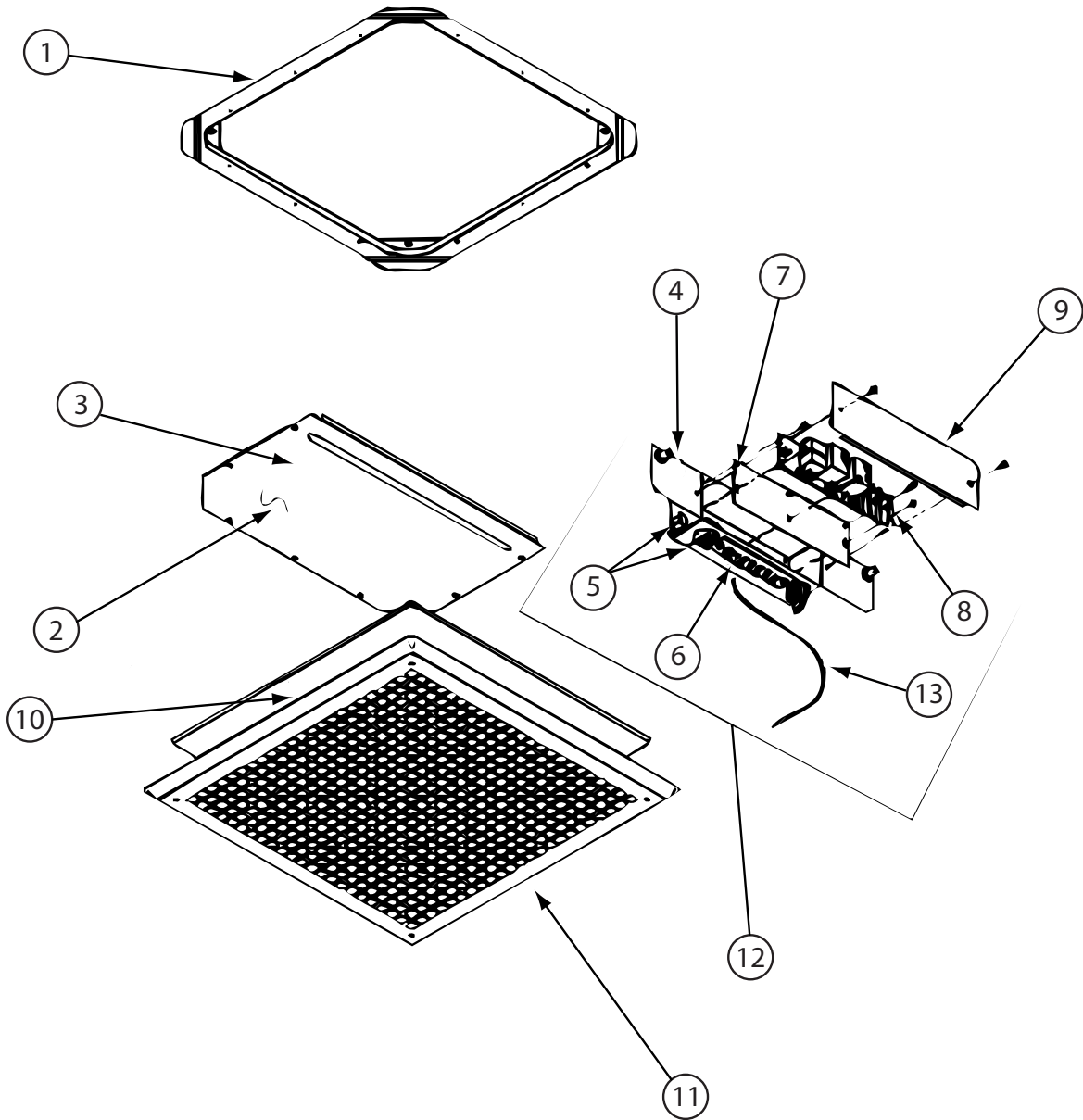


**131184-06-01A**

| KEY | PART NUMBER   | U/M | DESCRIPTION                 | VENDOR NO. |
|-----|---------------|-----|-----------------------------|------------|
| 4   | 131184-01-700 | EA  | PLUG ASSEMBLY               | 7330A389   |
| 5   | 131184-01-701 | EA  | TERMINAL BOARD              | 7330B3201  |
| 6   | 131184-01-702 | EA  | ISOLATOR - BLANK            | 7330C365   |
| 7   | 131184-03-700 | EA  | BOARD - P.C.                | 7330D3211  |
| 9   | 108892-01-703 | EA  | FILTER                      | 6798A3761  |
| 10  | 108892-01-704 | EA  | GRILLE 16 3/8X16 3/8 RETURN | 6798-3041  |
| 11  | 105620-12-719 | EA  | COIL SENSOR                 | 7330A3231  |
| 12  | 131184-01-705 | EA  | JUNCTION BOX ASSEMBLY       | 7330B5551  |
|     | 131184-01-703 | EA  | SMALL PARTS PKG             | 8330-5961  |
|     | 131184-01-706 | EA  | NUT/WING                    | 1200-550   |

CONTACT WINNEBAGO PART SALES FOR UNLISTED COMPONENT(S)

**HEATING & A/C GROUP (CONTINUED)**  
**COMPONENT PARTS FOR ROOF (CONTINUED)**

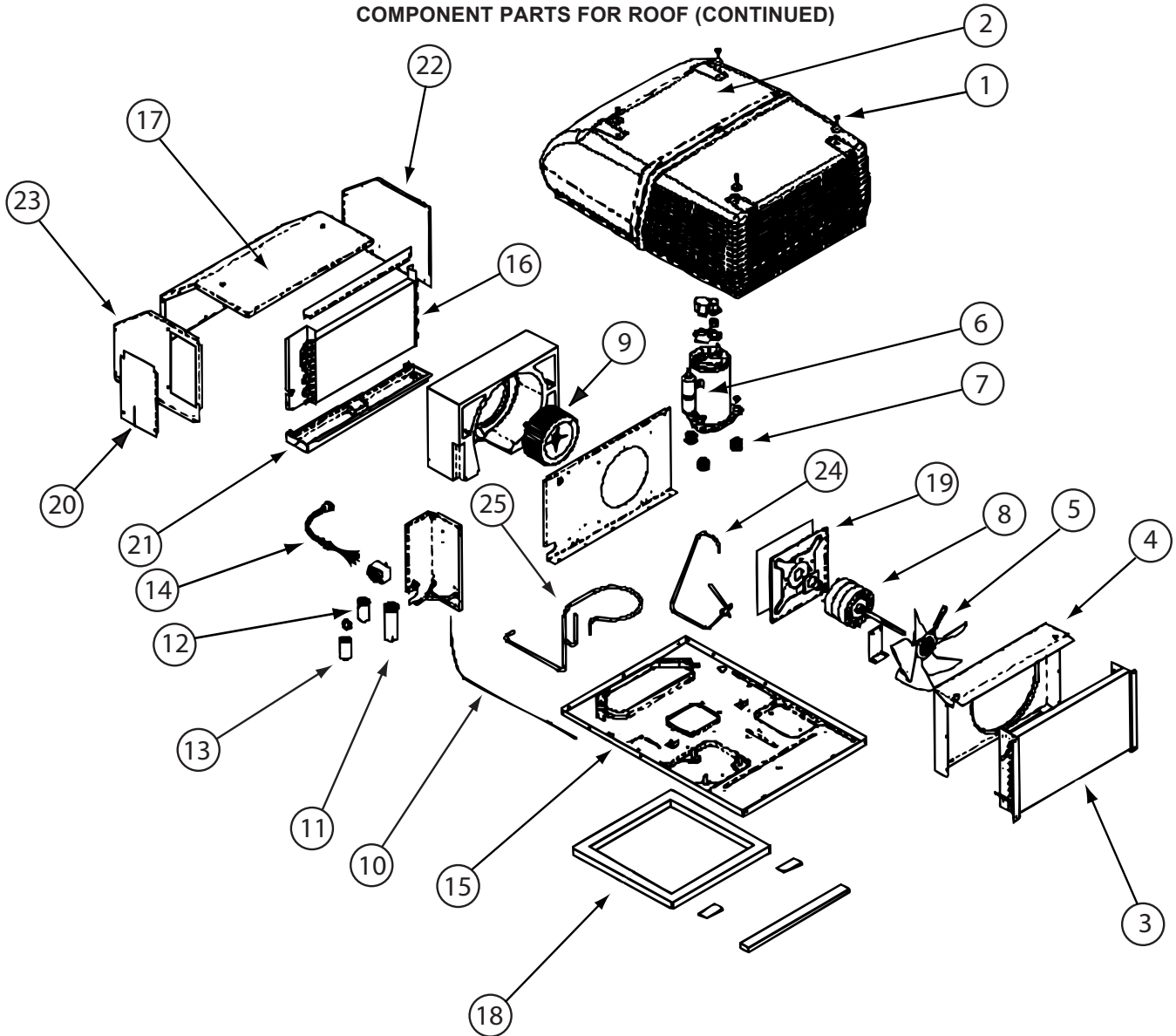


131184-07-01A

| KEY | PART NUMBER   | U/M | DESCRIPTION                  | VENDOR NO. |
|-----|---------------|-----|------------------------------|------------|
| 4   | 131184-04-703 | EA  | BOX - JUNCTION               | 7330-113   |
| 5   | 131184-04-700 | EA  | PLUG ASSEMBLY                | 7530A340   |
| 6   | 131184-04-702 | EA  | BOARD - TERMINAL             | 7530B3201  |
| 7   | 131184-01-702 | EA  | ISOLATOR - BLANK             | 7330C365   |
| 8   | 131184-04-705 | EA  | BOARD - P.C.                 | 7330B3311  |
| 10  | 108892-01-703 | EA  | FILTER                       | 6798A3761  |
| 11  | 108892-01-704 | EA  | GRILLE 16 3/8X16 3/8 RETURN  | 6798-3041  |
| 12  | 131184-04-706 | EA  | JUNCTION BOX ASM.(HEAT PUMP) | 7530-508   |
| 13  | 105620-12-719 | EA  | COIL SENSOR                  | 7330A3231  |
|     | 131184-01-706 | EA  | NUT/WING                     | 1200-550   |
|     | 131184-07-700 | EA  | SMALL PARTS PKG              | 8330-5951  |

CONTACT WINNEBAGO PART SALES FOR UNLISTED COMPONENT(S)

**HEATING & A/C GROUP (CONTINUED)**  
**COMPONENT PARTS FOR ROOF (CONTINUED)**



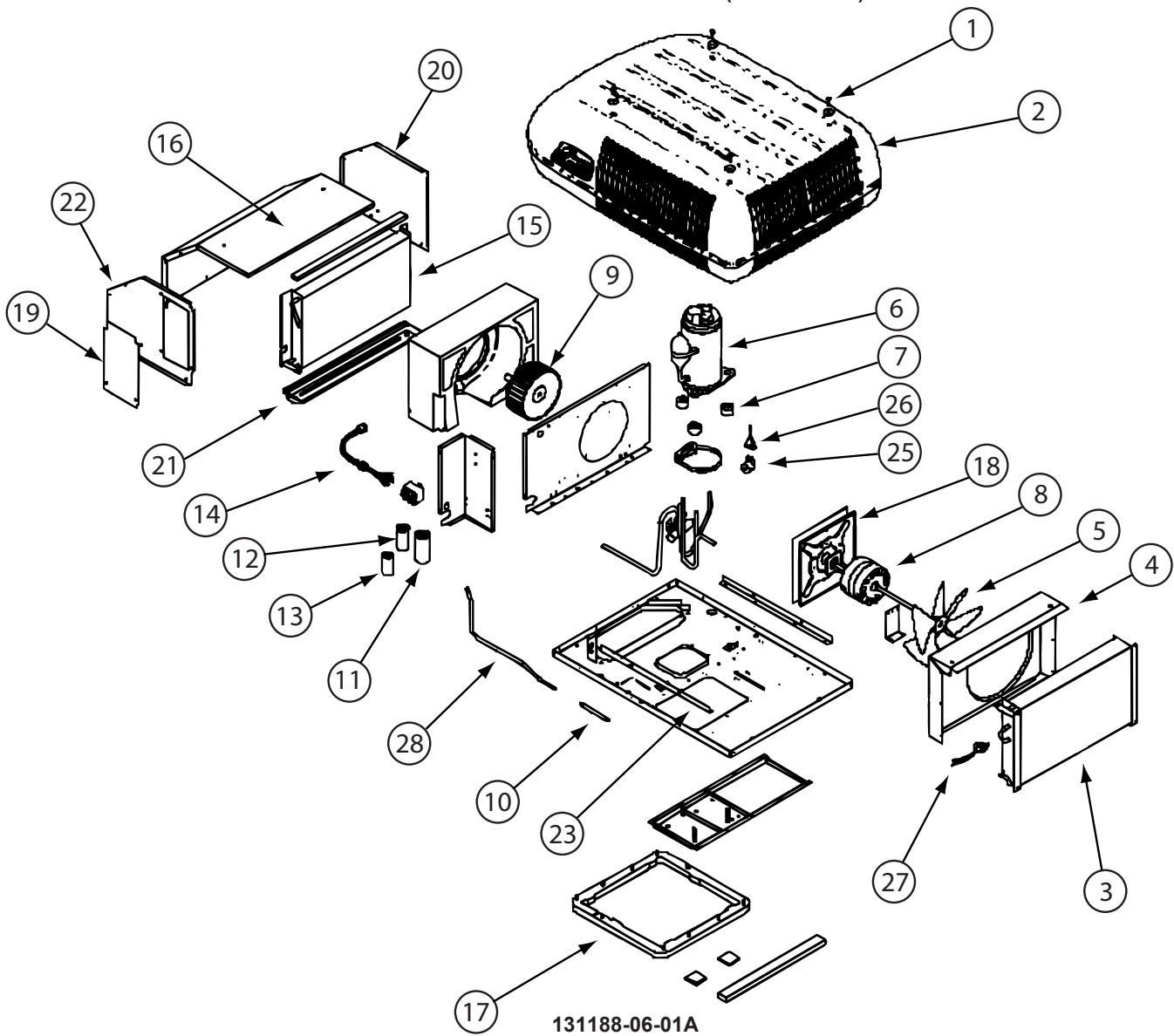
131188-05-01A

| KEY | PART NUMBER   | U/M | DESCRIPTION                  | VENDOR NO. |
|-----|---------------|-----|------------------------------|------------|
| 2   | 131188-05-700 | EA  | SHROUD-ROOF AIR/2 PIECE-WHT  | 8335-5261  |
| 3   | 115219-01-700 | EA  | COIL-CONDENSER               | 1452A1321  |
| 4   | 131187-03-700 | EA  | SHROUD FAN/INNER-LESS LOGO   | 6792-1071  |
| 5   | 093763-01-712 | EA  | BLADE-FAN-CONDENSER          | 6733-3221  |
| 6   | 131188-05-703 | EA  | COMPRESSOR (TECUMSEH)        | 1450B2299  |
| 7   | 105620-01-706 | EA  | MOUNTING PKG.,COMP., 3 PER   | 6759-3081  |
| 8   | 131185-01-701 | EA  | MOTOR (115V, 60HZ)           | 1468-3069  |
| 9   | 131185-01-702 | EA  | BLOWER WHEEL PACKAGE         | 1472-1091  |
| 11  | 126859-01-703 | EA  | CAPACITOR - RUN              | 1499-5671  |
| 12  | 093763-01-704 | EA  | CAPACITOR-FAN (INDOOR MOTOR) | 1499-5461  |
| 13  | 105620-10-705 | EA  | PTCR (START DEVICE) - W/CAP. | 8333A9021  |
| 16  | 131186-01-701 | EA  | EVAPORATOR COIL              | 1452-1521  |
| 18  | 037648-01-714 | EA  | GASKET PACKAGE               | 8332-3301  |
| 19  | 131185-01-704 | EA  | MOTOR MOUNT & SEAL KIT       | 83333-5151 |
|     | 105620-01-705 | EA  | PROTECTOR-OVERLOAD, RH & LH  | 6759-3791  |
|     | 131188-05-702 | EA  | SHROUD BRACKET               | 8333B1551  |

CONTACT WINNEBAGO PART SALES FOR UNLISTED COMPONENT(S)

## HEATING & A/C GROUP (CONTINUED)

### COMPONENT PARTS FOR ROOF (CONTINUED)

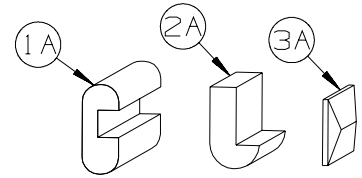


131188-06-01A

| KEY | PART NUMBER   | U/M | DESCRIPTION                  | VENDOR NO. |
|-----|---------------|-----|------------------------------|------------|
| 2   | 131188-05-700 | EA  | SHROUD-ROOF AIR/2 PIECE-WHT  | 8335-5261  |
| 3   | 131188-02-700 | EA  | CONDENSER COIL               | 1452-1441  |
| 4   | 131187-03-700 | EA  | SHROUD FAN/INNER-LESS LOGO   | 6792-1071  |
| 5   | 093763-01-712 | EA  | BLADE-FAN-CONDENSER          | 6733-3221  |
| 6   | 131188-05-703 | EA  | COMPRESSOR (TECUMSEH)        | 1450B2299  |
| 7   | 105620-01-706 | EA  | MOUNTING PKG.,COMP., 3 PER   | 6759-3081  |
| 8   | 131185-01-701 | EA  | MOTOR (115V, 60HZ)           | 1468-3069  |
| 9   | 131185-01-702 | EA  | BLOWER WHEEL PACKAGE         | 1472-1091  |
| 11  | 105620-12-725 | EA  | COMPRESSOR RUN CAPACITOR     | 1499-5731  |
| 12  | 093763-01-704 | EA  | CAPACITOR-FAN (INDOOR MOTOR) | 1499-5461  |
| 13  | 105620-10-705 | EA  | PTCR (START DEVICE) - W/CAP. | 8333A9021  |
| 15  | 131186-01-701 | EA  | EVAPORATOR COIL              | 1452-1521  |
| 17  | 037648-01-714 | EA  | GASKET PACKAGE               | 8332-3301  |
| 18  | 131185-01-704 | EA  | MOTOR MOUNT & SEAL KIT       | 8333-5151  |
| 25  | 105620-12-708 | EA  | COIL - SOLENOID              | 1460-1081  |
| 27  | 131188-02-706 | EA  | SWITCH - FREEZE              | 1460-2041  |
| 28  | 131188-02-707 | EA  | LIQUID LINE                  | 7535-135   |
|     | 105620-01-705 | EA  | PROTECTOR-OVERLOAD, RH & LH  | 6759-3791  |
|     | 131188-05-702 | EA  | SHROUD BRACKET               | 8333B1551  |

CONTACT WINNEBAGO PART SALES FOR UNLISTED COMPONENT(S)

**INTERIOR FINISH GROUP**  
**MOLDINGS & TRIMS**  
**HONEY CHERRY & WASHED MAPLE**

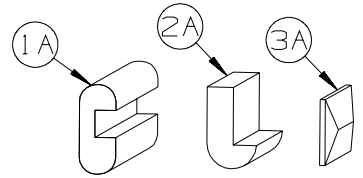


| KEY | PART NUMBER   | U/M | DESCRIPTION  |
|-----|---------------|-----|--|
| 1A  | M09412-62-N42 | EA  | MOLDING/SHELF EDGE - .6" X 1.3" X 96" - PORTSMOUTH OAK         |
| 1A  | M09412-62-M52 | EA  | MOLDING/SHELF EDGE - .6" X 1.3" X 96" - CONCERT CHERRY         |
| 1A  | M09412-62-M62 | EA  | MOLDING/SHELF EDGE - .6" X 1.3" X 96" - WASHED MAPLE           |
| 1A  | M09412-62-RC3 | EA  | MOLDING/SHELF EDGE - .6" X 1.3" X 96" - HONEY CHERRY           |
| 1A  | M09412-62-SA3 | EA  | MOLDING/SHELF EDGE - .6" X 1.3" X 96" - SIERRA MAPLE           |
| 2A  | M09511-43-T77 | EA  | MOLDING - TRIM - W/NOTCH - .8" X 1.4" X 86.3" - PORTSMOUT OAK  |
| 2A  | M09525-80-UM1 | EA  | MOLDING - TRIM - W/NOTCH - .8" X 1.4" X 86.5" - CONCERT CHERRY |
| 2A  | M09525-80-U91 | EA  | MOLDING - TRIM - W/NOTCH - .8" X 1.4" X 86.5" - WASHED MAPLE   |
| 2A  | M09525-80-U92 | EA  | MOLDING - TRIM - W/NOTCH - .8" X 1.4" X 86.5" - SIERRA MAPLE   |
| 2A  | M09525-80-Y92 | EA  | MOLDING - TRIM - W/NOTCH - .8" X 1.4" X 86.5" - HONEY CHERRY   |
| 2A  | M09501-85-TG3 | EA  | MOLDING/TRIM - W/NOTCH - 4" X 86.06" - HONEY CHERRY            |
| 2A  | M09501-32-TG1 | EA  | MOLDING/TRIM - W/NOTCH - .8" X 2.5" X 86.2" - CONCERT CHERRY   |
| 2A  | M09501-32-TG2 | EA  | MOLDING/TRIM - W/NOTCH - .8" X 2.5" X 86.2" - WASHED MAPLE     |
| 2A  | M09501-32-TD3 | EA  | MOLDING/TRIM - W/NOTCH - .8" X 2.5" X 86.2" - SIERRA MAPLE     |
| 2A  | M09501-32-TG3 | EA  | MOLDING/TRIM - W/NOTCH - .8" X 2.5" X 86.2" - HONEY CHERRY     |
| 2A  | M09515-72-TD0 | EA  | MOLDING/TRIM - .8" X 2.2" X 86.1" - PORTSMOUTH OAK             |
| 2A  | M09515-72-TD1 | EA  | MOLDING/TRIM - .8" X 2.2" X 86.1" - CONCERT CHERRY             |
| 2A  | M09515-72-TD2 | EA  | MOLDING/TRIM - .8" X 2.2" X 86.1" - WASHED MAPLE               |
| 2A  | M09515-72-TD3 | EA  | MOLDING/TRIM - .8" X 2.2" X 86.1" - SIERRA MAPLE               |
| 2A  | M09511-44-T77 | EA  | MOLDING - TRIM - W/NOTCH - 1" X 86.4" - PORTSMOUTH OAK         |
| 2A  | M09511-44-T78 | EA  | MOLDING - TRIM - W/NOTCH - 1" X 86.4" - CONCERT CHERRY         |
| 2A  | M09511-44-T79 | EA  | MOLDING - TRIM - W/NOTCH - 1" X 86.4" - WASHED MAPLE           |
| 2A  | M09511-44-T80 | EA  | MOLDING - TRIM - W/NOTCH - 1" X 86.4" - HONEY CHERRY           |
| 2A  | M09438-25-RA3 | EA  | MOLDING - HARDWOOD-W/NOTCH - 1.4"X 80.2" - HONEY CHERRY        |
| 3A  | M09477-63-S46 | EA  | MOLDING - TRIM/VEE-W/CUT ENDS - 1"X 64.1" - PORTSMOUTH OAK     |
| 3A  | M09477-63-S47 | EA  | MOLDING - TRIM/VEE-W/CUT ENDS - 1"X 64.1" - CONCERT CHERRY     |
| 3A  | M09477-63-S48 | EA  | MOLDING - TRIM/VEE-W/CUT ENDS - 1"X 64.1" - WASHED MAPLE       |
| 3A  | M09477-63-W51 | EA  | MOLDING - TRIM/VEE-W/CUT ENDS - 1"X 64.1" - HONEY CHERRY       |
| 3A  | M09477-64-S46 | EA  | MOLDING - TRIM/VEE-W/CUT ENDS - 1"X 14.9" - PORTSMOUTH OAK     |
| 3A  | M09477-64-S47 | EA  | MOLDING - TRIM/VEE-W/CUT ENDS - 1"X 14.9" - CONCERT CHERRY     |
| 3A  | M09477-64-S48 | EA  | MOLDING - TRIM/VEE-W/CUT ENDS - 1"X 14.9" - WASHED MAPLE       |
| 3A  | M09477-64-W51 | EA  | MOLDING - TRIM/VEE-W/CUT ENDS - 1"X 14.9" - HONEY CHERRY       |
| 3A  | M09501-30-SD0 | EA  | MOLDING - TRIM/VEE - .2" X 1" X 35.1" - PORTSMOUTH OAK         |
| 3A  | M09501-30-SD1 | EA  | MOLDING - TRIM/VEE - .2" X 1" X 35.1" - CONCERT CHERRY         |
| 3A  | M09501-30-SD2 | EA  | MOLDING - TRIM/VEE - .2" X 1" X 35.1" - WASHED MAPLE           |
| 3A  | M09501-30-SD3 | EA  | MOLDING - TRIM/VEE - .2" X 1" X 35.1" - HONEY CHERRY           |
| 3A  | M09515-97-WL4 | EA  | MOLDING - TRIM/VEE - .2" X 1" X 32.6" - CONCERT CHERRY         |
| 3A  | M09515-97-WL5 | EA  | MOLDING - TRIM/VEE - .2" X 1" X 32.6" - WASHED MAPLE           |
| 3A  | M09515-97-WL6 | EA  | MOLDING - TRIM/VEE - .2" X 1" X 32.6" - HONEY CHERRY           |
| 3A  | M09534-17-UF3 | EA  | MOLDING - TRIM/VEE - .2" X 1" X 20.1" - SIERRA MAPLE           |
| 3A  | M09534-17-UJ1 | EA  | MOLDING - TRIM/VEE - .2" X 1" X 20.1" - CONCERT CHERRY         |
| 3A  | M09534-17-UJ2 | EA  | MOLDING - TRIM/VEE - .2" X 1" X 20.1" - WASHED MAPLE           |
| 3A  | M09534-17-UJ3 | EA  | MOLDING - TRIM/VEE - .2" X 1" X 20.1" - HONEY CHERRY           |
| 3A  | M09477-88-S34 | EA  | MOLDING - TRIM/VEE - .2" X 1" X 19.9" - WASHED MAPLE           |
| 3A  | M09477-88-S35 | EA  | MOLDING - TRIM/VEE - .2" X 1" X 19.9" - SIERRA MAPLE           |
| 3A  | M09568-03-W51 | EA  | MOLDING - TRIM/VEE - .2" X 1" X 19.8" - HONEY CHERRY           |
| 3A  | M09568-03-W52 | EA  | MOLDING - TRIM/VEE - .2" X 1" X 19.8" - WASHED MAPLE           |
| 3A  | M09565-51-W51 | EA  | MOLDING - TRIM/VEE - .2" X 1" X 19.4" - HONEY CHERRY           |
| 3A  | M09565-51-W52 | EA  | MOLDING - TRIM/VEE - .2" X 1" X 19.4" - WASHED MAPLE           |
| 3A  | M09553-79-W66 | EA  | MOLDING - TRIM/VEE - .2" X 1" X 15.6" - HONEY CHERRY           |
| 3A  | M09515-10-W66 | EA  | MOLDING - TRIM/VEE - .2" X 1" X 15.4" - HONEY CHERRY           |
| 3A  | M09501-63-T78 | EA  | MOLDING - TRIM/VEE - .2" X 1" X 15" - CONCERT CHERRY           |
| 3A  | M09501-63-T79 | EA  | MOLDING - TRIM/VEE - .2" X 1" X 15" - WASHED MAPLE             |
| 3A  | M09501-63-T80 | EA  | MOLDING - TRIM/VEE - .2" X 1" X 15" - SIERRA MAPLE             |
| 3A  | M09501-63-W66 | EA  | MOLDING - TRIM/VEE - .2" X 1" X 15" - HONEY CHERRY             |
| 3A  | M09553-09-W66 | EA  | MOLDING - TRIM/VEE - .2" X 1" X 13.4" - HONEY CHERRY           |
| 3A  | M09566-04-WD3 | EA  | MOLDING - TRIM/VEE - .2" X 1" X 8.9" - HONEY CHERRY            |
| 3A  | M09553-29-WH4 | EA  | MOLDING - TRIM/VEE - .4" X 1" X 94.4" - CONCERT CHERRY         |
| 3A  | M09553-29-WH5 | EA  | MOLDING - TRIM/VEE - .4" X 1" X 94.4" - WASHED MAPLE           |
| 3A  | M09553-29-WH6 | EA  | MOLDING - TRIM/VEE - .4" X 1" X 94.4" - SIERRA MAPLE           |
| 3A  | M09565-04-WH4 | EA  | MOLDING - TRIM/VEE - .4" X 1" X 89.5" - CONCERT CHERRY         |

**INTERIOR FINISH GROUP (CONTINUED)**  
**MOLDINGS & TRIMS (CONTINUED)**

| KEY | PART NUMBER   | U/M | DESCRIPTION  |
|-----|---------------|-----|--|
| 3A  | M09565-04-WH5 | EA  | MOLDING - TRIM/VEE - .4" X 1" X 89.5" - WASHED MAPLE   |
| 3A  | M09565-04-WH6 | EA  | MOLDING - TRIM/VEE - .4" X 1" X 89.5" - SIERRA MAPLE   |
| 3A  | M09544-86-W37 | EA  | MOLDING - TRIM/VEE - .4" X 1" X 88.1" - WASHED MAPLE   |
| 3A  | M09544-86-W38 | EA  | MOLDING - TRIM/VEE - .4" X 1" X 88.1" - SIERRA MAPLE   |
| 3A  | M09538-39-U67 | EA  | MOLDING - TRIM/VEE - .4" X 1" X 82.6" - WASHED MAPLE   |
| 3A  | M09538-39-U68 | EA  | MOLDING - TRIM/VEE - .4" X 1" X 82.6" - SIERRA MAPLE   |
| 3A  | M09553-62-WH4 | EA  | MOLDING - TRIM/VEE - .4" X 1" X 81.4" - CONCERT CHERRY |
| 3A  | M09553-62-WH5 | EA  | MOLDING - TRIM/VEE - .4" X 1" X 81.4" - WASHED MAPLE   |
| 3A  | M09553-62-WH6 | EA  | MOLDING - TRIM/VEE - .4" X 1" X 81.4" - SIERRA MAPLE   |
| 3A  | M09577-98-WH4 | EA  | MOLDING - TRIM/VEE - .4" X 1" X 80.2" - CONCERT CHERRY |
| 3A  | M09577-98-WH5 | EA  | MOLDING - TRIM/VEE - .4" X 1" X 80.2" - WASHED MAPLE   |
| 3A  | M09577-98-WH6 | EA  | MOLDING - TRIM/VEE - .4" X 1" X 80.2" - SIERRA MAPLE   |
| 3A  | M09544-37-W37 | EA  | MOLDING - TRIM/VEE - .4" X 1" X 78.8" - WASHED MAPLE   |
| 3A  | M09544-37-W38 | EA  | MOLDING - TRIM/VEE - .4" X 1" X 78.8" - SIERRA MAPLE   |
| 3A  | M09544-34-W37 | EA  | MOLDING - TRIM/VEE - .4" X 1" X 78.7" - WASHED MAPLE   |
| 3A  | M09544-34-W38 | EA  | MOLDING - TRIM/VEE - .4" X 1" X 78.7" - SIERRA MAPLE   |
| 3A  | M09538-37-U67 | EA  | MOLDING - TRIM/VEE - .4" X 1" X 77.5" - WASHED MAPLE   |
| 3A  | M09538-37-U68 | EA  | MOLDING - TRIM/VEE - .4" X 1" X 77.5" - SIERRA MAPLE   |
| 3A  | M09553-65-WH4 | EA  | MOLDING - TRIM/VEE - .4" X 1" X 77" - CONCERT CHERRY   |
| 3A  | M09553-65-WH5 | EA  | MOLDING - TRIM/VEE - .4" X 1" X 77" - WASHED MAPLE     |
| 3A  | M09553-65-WH6 | EA  | MOLDING - TRIM/VEE - .4" X 1" X 77" - SIERRA MAPLE     |
| 3A  | M09553-64-WH4 | EA  | MOLDING - TRIM/VEE - .4" X 1" X 76.7" - CONCERT CHERRY |
| 3A  | M09553-64-WH5 | EA  | MOLDING - TRIM/VEE - .4" X 1" X 76.7" - WASHED MAPLE   |
| 3A  | M09553-64-WH6 | EA  | MOLDING - TRIM/VEE - .4" X 1" X 76.7" - SIERRA MAPLE   |
| 3A  | M09565-75-WH4 | EA  | MOLDING - TRIM/VEE - .4" X 1" X 75.9" - CONCERT CHERRY |
| 3A  | M09565-75-WH5 | EA  | MOLDING - TRIM/VEE - .4" X 1" X 75.9" - WASHED MAPLE   |
| 3A  | M09565-75-WH6 | EA  | MOLDING - TRIM/VEE - .4" X 1" X 75.9" - SIERRA MAPLE   |
| 3A  | M09565-02-WH4 | EA  | MOLDING - TRIM/VEE - .4" X 1" X 75.1" - CONCERT CHERRY |
| 3A  | M09565-02-WH5 | EA  | MOLDING - TRIM/VEE - .4" X 1" X 75.1" - WASHED MAPLE   |
| 3A  | M09565-02-WH6 | EA  | MOLDING - TRIM/VEE - .4" X 1" X 75.1" - SIERRA MAPLE   |
| 3A  | M09553-26-WH4 | EA  | MOLDING - TRIM/VEE - .4" X 1" X 74.1" - CONCERT CHERRY |
| 3A  | M09553-26-WH5 | EA  | MOLDING - TRIM/VEE - .4" X 1" X 74.1" - WASHED MAPLE   |
| 3A  | M09553-26-WH6 | EA  | MOLDING - TRIM/VEE - .4" X 1" X 74.1" - SIERRA MAPLE   |
| 3A  | M09538-91-WH4 | EA  | MOLDING - TRIM/VEE - .4" X 1" X 73.8" - CONCERT CHERRY |
| 3A  | M09538-91-WH5 | EA  | MOLDING - TRIM/VEE - .4" X 1" X 73.8" - WASHED MAPLE   |
| 3A  | M09538-91-WH6 | EA  | MOLDING - TRIM/VEE - .4" X 1" X 73.8" - SIERRA MAPLE   |
| 3A  | M09553-22-WH4 | EA  | MOLDING - TRIM/VEE - .4" X 1" X 73.2" - CONCERT CHERRY |
| 3A  | M09553-22-WH5 | EA  | MOLDING - TRIM/VEE - .4" X 1" X 73.2" - WASHED MAPLE   |
| 3A  | M09553-22-WH6 | EA  | MOLDING - TRIM/VEE - .4" X 1" X 73.2" - SIERRA MAPLE   |
| 3A  | M09565-97-WH4 | EA  | MOLDING - TRIM/VEE - .4" X 1" X 72.6" - CONCERT CHERRY |
| 3A  | M09565-97-WH5 | EA  | MOLDING - TRIM/VEE - .4" X 1" X 72.6" - WASHED MAPLE   |
| 3A  | M09565-97-WH6 | EA  | MOLDING - TRIM/VEE - .4" X 1" X 72.6" - SIERRA MAPLE   |
| 3A  | M09568-12-WH4 | EA  | MOLDING - TRIM/VEE - .4" X 1" X 71.9" - CONCERT CHERRY |
| 3A  | M09568-12-WH5 | EA  | MOLDING - TRIM/VEE - .4" X 1" X 71.9" - WASHED MAPLE   |
| 3A  | M09568-12-WH6 | EA  | MOLDING - TRIM/VEE - .4" X 1" X 71.9" - SIERRA MAPLE   |
| 3A  | M09565-01-WH4 | EA  | MOLDING - TRIM/VEE - .4" X 1" X 71.7" - CONCERT CHERRY |
| 3A  | M09565-01-WH5 | EA  | MOLDING - TRIM/VEE - .4" X 1" X 71.7" - WASHED MAPLE   |
| 3A  | M09565-01-WH6 | EA  | MOLDING - TRIM/VEE - .4" X 1" X 71.7" - SIERRA MAPLE   |
| 3A  | M09565-01-YR3 | EA  | MOLDING - TRIM/VEE - .4" X 1" X 71.7" - HONEY CHERRY   |
| 3A  | M09544-15-WB4 | EA  | MOLDING - TRIM/VEE - .4" X 1" X 64.5" - CONCERT CHERRY |
| 3A  | M09544-15-WB5 | EA  | MOLDING - TRIM/VEE - .4" X 1" X 64.5" - WASHED MAPLE   |
| 3A  | M09544-15-WB6 | EA  | MOLDING - TRIM/VEE - .4" X 1" X 64.5" - SIERRA MAPLE   |
| 3A  | M09538-94-WH4 | EA  | MOLDING - TRIM/VEE - .4" X 1" X 71.1" - CONCERT CHERRY |
| 3A  | M09538-94-WH5 | EA  | MOLDING - TRIM/VEE - .4" X 1" X 71.1" - WASHED MAPLE   |
| 3A  | M09538-94-WH6 | EA  | MOLDING - TRIM/VEE - .4" X 1" X 71.1" - SIERRA MAPLE   |
| 3A  | M09565-78-WH4 | EA  | MOLDING - TRIM/VEE - .4" X 1" X 70.2" - CONCERT CHERRY |
| 3A  | M09565-78-WH5 | EA  | MOLDING - TRIM/VEE - .4" X 1" X 70.2" - WASHED MAPLE   |
| 3A  | M09565-78-WH6 | EA  | MOLDING - TRIM/VEE - .4" X 1" X 70.2" - SIERRA MAPLE   |
| 3A  | M09553-21-WH4 | EA  | MOLDING - TRIM/VEE - .4" X 1" X 70.1" - CONCERT CHERRY |
| 3A  | M09553-21-WH5 | EA  | MOLDING - TRIM/VEE - .4" X 1" X 70.1" - WASHED MAPLE   |
| 3A  | M09553-21-WH6 | EA  | MOLDING - TRIM/VEE - .4" X 1" X 70.1" - SIERRA MAPLE   |
| 3A  | M09501-92-T77 | EA  | MOLDING - TRIM/VEE - .4" X 1" X 70" - PORTSMOUTH OAK   |
| 3A  | M09501-92-T78 | EA  | MOLDING - TRIM/VEE - .4" X 1" X 70" - CONCERT CHERRY   |
| 3A  | M09501-92-T79 | EA  | MOLDING - TRIM/VEE - .4" X 1" X 70" - WASHED MAPLE     |

**INTERIOR FINISH GROUP (CONTINUED)**  
**MOLDINGS & TRIMS (CONTINUED)**



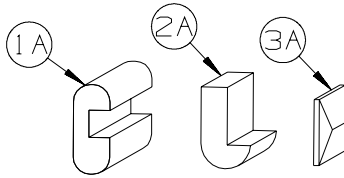
| KEY | PART NUMBER   | U/M | DESCRIPTION  |
|-----|---------------|-----|--|
| 3A  | M09501-92-T80 | EA  | MOLDING - TRIM/VEE - .4" X 1" X 70" - SIERRA MAPLE     |
| 3A  | M09538-27-WH4 | EA  | MOLDING - TRIM/VEE - .4" X 1" X 71.1" - CONCERT CHERRY |
| 3A  | M09538-27-U67 | EA  | MOLDING - TRIM/VEE - .4" X 1" X 71.1" - WASHED MAPLE   |
| 3A  | M09538-27-U68 | EA  | MOLDING - TRIM/VEE - .4" X 1" X 71.1" - SIERRA MAPLE   |
| 3A  | M09544-10-WH4 | EA  | MOLDING - TRIM/VEE - .4" X 1" X 68.2" - CONCERT CHERRY |
| 3A  | M09544-10-W91 | EA  | MOLDING - TRIM/VEE - .4" X 1" X 68.2" - WASHED MAPLE   |
| 3A  | M09544-10-W92 | EA  | MOLDING - TRIM/VEE - .4" X 1" X 68.2" - SIERRA MAPLE   |
| 3A  | M09553-03-WH4 | EA  | MOLDING - TRIM/VEE - .4" X 1" X 66.7" - CONCERT CHERRY |
| 3A  | M09553-03-WH5 | EA  | MOLDING - TRIM/VEE - .4" X 1" X 66.7" - WASHED MAPLE   |
| 3A  | M09553-03-WH6 | EA  | MOLDING - TRIM/VEE - .4" X 1" X 66.7" - SIERRA MAPLE   |
| 3A  | M09553-03-YR3 | EA  | MOLDING - TRIM/VEE - .4" X 1" X 66.7" - HONEY CHERRY   |
| 3A  | M09538-93-WH4 | EA  | MOLDING - TRIM/VEE - .4" X 1" X 66.6" - CONCERT CHERRY |
| 3A  | M09538-93-WH5 | EA  | MOLDING - TRIM/VEE - .4" X 1" X 66.6" - WASHED MAPLE   |
| 3A  | M09538-93-WH6 | EA  | MOLDING - TRIM/VEE - .4" X 1" X 66.6" - SIERRA MAPLE   |
| 3A  | M09544-33-W37 | EA  | MOLDING - TRIM/VEE - .4" X 1" X 66.5" - SIERRA MAPLE   |
| 3A  | M09544-33-W38 | EA  | MOLDING - TRIM/VEE - .4" X 1" X 66.5" - WASHED MAPLE   |
| 3A  | M09553-02-WH4 | EA  | MOLDING - TRIM/VEE - .4" X 1" X 66.4" - CONCERT CHERRY |
| 3A  | M09553-02-WH5 | EA  | MOLDING - TRIM/VEE - .4" X 1" X 66.4" - WASHED MAPLE   |
| 3A  | M09553-02-WH6 | EA  | MOLDING - TRIM/VEE - .4" X 1" X 66.4" - SIERRA MAPLE   |
| 3A  | M09544-14-WB4 | EA  | MOLDING - TRIM/VEE - .4" X 1" X 64.5" - CONCERT CHERRY |
| 3A  | M09544-14-WB5 | EA  | MOLDING - TRIM/VEE - .4" X 1" X 64.5" - WASHED MAPLE   |
| 3A  | M09544-14-WB6 | EA  | MOLDING - TRIM/VEE - .4" X 1" X 64.5" - SIERRA MAPLE   |
| 3A  | M09515-78-T77 | EA  | MOLDING - TRIM/VEE - .4" X 1" X 64.1" - PORTSMOUTH OAK |
| 3A  | M09515-78-T78 | EA  | MOLDING - TRIM/VEE - .4" X 1" X 64.1" - CONCERT CHERRY |
| 3A  | M09515-78-T79 | EA  | MOLDING - TRIM/VEE - .4" X 1" X 64.1" - WASHED MAPLE   |
| 3A  | M09515-78-T80 | EA  | MOLDING - TRIM/VEE - .4" X 1" X 64.1" - SIERRA MAPLE   |
| 3A  | M09501-91-T77 | EA  | MOLDING - TRIM/VEE - .4" X 1" X 63.3" - PORTSMOUTH OAK |
| 3A  | M09501-91-T78 | EA  | MOLDING - TRIM/VEE - .4" X 1" X 63.3" - CONCERT CHERRY |
| 3A  | M09501-91-T79 | EA  | MOLDING - TRIM/VEE - .4" X 1" X 63.3" - WASHED MAPLE   |
| 3A  | M09501-91-T80 | EA  | MOLDING - TRIM/VEE - .4" X 1" X 63.3" - SIERRA MAPLE   |
| 3A  | M09503-91-T77 | EA  | MOLDING - TRIM/VEE - .4" X 1" X 63.1" - PORTSMOUTH OAK |
| 3A  | M09503-91-T78 | EA  | MOLDING - TRIM/VEE - .4" X 1" X 63.1" - CONCERT CHERRY |
| 3A  | M09503-91-T79 | EA  | MOLDING - TRIM/VEE - .4" X 1" X 63.1" - WASHED MAPLE   |
| 3A  | M09503-91-T80 | EA  | MOLDING - TRIM/VEE - .4" X 1" X 63.1" - SIERRA MAPLE   |
| 3A  | M09544-22-WB4 | EA  | MOLDING - TRIM/VEE - .4" X 1" X 61.7" - CONCERT CHERRY |
| 3A  | M09544-22-WB5 | EA  | MOLDING - TRIM/VEE - .4" X 1" X 61.7" - WASHED MAPLE   |
| 3A  | M09544-22-WB6 | EA  | MOLDING - TRIM/VEE - .4" X 1" X 61.7" - SIERRA MAPLE   |
| 3A  | M09583-41-WH4 | EA  | MOLDING - TRIM/VEE - .4" X 1" X 61" - CONCERT CHERRY   |
| 3A  | M09583-41-WH5 | EA  | MOLDING - TRIM/VEE - .4" X 1" X 61" - WASHED MAPLE     |
| 3A  | M09583-41-WH6 | EA  | MOLDING - TRIM/VEE - .4" X 1" X 61" - SIERRA MAPLE     |
| 3A  | M09565-49-WH4 | EA  | MOLDING - TRIM/VEE - .4" X 1" X 58.7" - CONCERT CHERRY |
| 3A  | M09565-49-WH5 | EA  | MOLDING - TRIM/VEE - .4" X 1" X 58.7" - WASHED MAPLE   |
| 3A  | M09565-49-WH6 | EA  | MOLDING - TRIM/VEE - .4" X 1" X 58.7" - SIERRA MAPLE   |
| 3A  | M09544-36-W37 | EA  | MOLDING - TRIM/VEE - .4" X 1" X 52.6" - WASHED MAPLE   |
| 3A  | M09544-36-W38 | EA  | MOLDING - TRIM/VEE - .4" X 1" X 52.6.5" - SIERRA MAPLE |
| 3A  | M09553-85-WB4 | EA  | MOLDING - TRIM/VEE - .4" X 1" X 43.4" - CONCERT CHERRY |
| 3A  | M09553-85-WB5 | EA  | MOLDING - TRIM/VEE - .4" X 1" X 43.4" - WASHED MAPLE   |
| 3A  | M09553-85-WB6 | EA  | MOLDING - TRIM/VEE - .4" X 1" X 43.4" - SIERRA MAPLE   |
| 3A  | M09553-28-WH4 | EA  | MOLDING - TRIM/VEE - .4" X 1" X 48" - CONCERT CHERRY   |
| 3A  | M09553-28-WH5 | EA  | MOLDING - TRIM/VEE - .4" X 1" X 48" - WASHED MAPLE     |
| 3A  | M09553-28-WH6 | EA  | MOLDING - TRIM/VEE - .4" X 1" X 48" - SIERRA MAPLE     |
| 3A  | M09553-60-WH4 | EA  | MOLDING - TRIM/VEE - .4" X 1" X 47.2" - CONCERT CHERRY |
| 3A  | M09553-60-WH5 | EA  | MOLDING - TRIM/VEE - .4" X 1" X 47.2" - WASHED MAPLE   |
| 3A  | M09553-60-WH6 | EA  | MOLDING - TRIM/VEE - .4" X 1" X 47.2" - SIERRA MAPLE   |
| 3A  | M09544-24-WB4 | EA  | MOLDING - TRIM/VEE - .4" X 1" X 46.2" - CONCERT CHERRY |
| 3A  | M09544-24-WB5 | EA  | MOLDING - TRIM/VEE - .4" X 1" X 46.2" - WASHED MAPLE   |
| 3A  | M09544-24-WB6 | EA  | MOLDING - TRIM/VEE - .4" X 1" X 46.2" - SIERRA MAPLE   |
| 3A  | M09565-77-WH4 | EA  | MOLDING - TRIM/VEE - .4" X 1" X 42.5" - CONCERT CHERRY |
| 3A  | M09565-77-WH5 | EA  | MOLDING - TRIM/VEE - .4" X 1" X 42.5" - WASHED MAPLE   |
| 3A  | M09565-77-WH6 | EA  | MOLDING - TRIM/VEE - .4" X 1" X 42.5" - SIERRA MAPLE   |
| 3A  | M09544-35-W37 | EA  | MOLDING - TRIM/VEE - .4" X 1" X 66.5" - SIERRA MAPLE   |
| 3A  | M09544-35-W38 | EA  | MOLDING - TRIM/VEE - .4" X 1" X 66.5" - WASHED MAPLE   |

**INTERIOR FINISH GROUP (CONTINUED)**  
**MOLDINGS & TRIMS (CONTINUED)**

| KEY | PART NUMBER   | U/M | DESCRIPTION  |
|-----|---------------|-----|--|
| 3A  | M09544-38-W37 | EA  | MOLDING - TRIM/VEE - .4" X 1" X 66.5" - SIERRA MAPLE   |
| 3A  | M09544-38-W38 | EA  | MOLDING - TRIM/VEE - .4" X 1" X 66.5" - WASHED MAPLE   |
| 3A  | M09565-03-WH4 | EA  | MOLDING - TRIM/VEE - .4" X 1" X 44.2" - CONCERT CHERRY |
| 3A  | M09565-03-WH5 | EA  | MOLDING - TRIM/VEE - .4" X 1" X 44.2" - WASHED MAPLE   |
| 3A  | M09565-03-WH6 | EA  | MOLDING - TRIM/VEE - .4" X 1" X 44.2" - SIERRA MAPLE   |
| 3A  | M09565-20-WH4 | EA  | MOLDING - TRIM/VEE - .4" X 1" X 43.2" - CONCERT CHERRY |
| 3A  | M09565-20-WH5 | EA  | MOLDING - TRIM/VEE - .4" X 1" X 43.2" - WASHED MAPLE   |
| 3A  | M09565-20-WH6 | EA  | MOLDING - TRIM/VEE - .4" X 1" X 43.2" - SIERRA MAPLE   |
| 3A  | M09553-24-WH4 | EA  | MOLDING - TRIM/VEE - .4" X 1" X 43" - CONCERT CHERRY   |
| 3A  | M09553-24-WH5 | EA  | MOLDING - TRIM/VEE - .4" X 1" X 43" - WASHED MAPLE     |
| 3A  | M09553-24-WH6 | EA  | MOLDING - TRIM/VEE - .4" X 1" X 43" - SIERRA MAPLE     |
| 3A  | M09565-77-WH4 | EA  | MOLDING - TRIM/VEE - .4" X 1" X 42.5" - CONCERT CHERRY |
| 3A  | M09565-77-WH5 | EA  | MOLDING - TRIM/VEE - .4" X 1" X 42.5" - WASHED MAPLE   |
| 3A  | M09565-77-WH6 | EA  | MOLDING - TRIM/VEE - .4" X 1" X 42.5" - SIERRA MAPLE   |
| 3A  | M09565-50-WH4 | EA  | MOLDING - TRIM/VEE - .4" X 1" X 40.9" - CONCERT CHERRY |
| 3A  | M09565-50-WH5 | EA  | MOLDING - TRIM/VEE - .4" X 1" X 40.9" - WASHED MAPLE   |
| 3A  | M09565-50-WH6 | EA  | MOLDING - TRIM/VEE - .4" X 1" X 40.9" - SIERRA MAPLE   |
| 3A  | M09583-43-WH4 | EA  | MOLDING - TRIM/VEE - .4" X 1" X 40.1" - CONCERT CHERRY |
| 3A  | M09583-43-WH5 | EA  | MOLDING - TRIM/VEE - .4" X 1" X 40.1" - WASHED MAPLE   |
| 3A  | M09583-43-WH6 | EA  | MOLDING - TRIM/VEE - .4" X 1" X 40.1" - SIERRA MAPLE   |
| 3A  | M09565-76-WH4 | EA  | MOLDING - TRIM/VEE - .4" X 1" X 39.4" - CONCERT CHERRY |
| 3A  | M09565-76-WH5 | EA  | MOLDING - TRIM/VEE - .4" X 1" X 39.4" - WASHED MAPLE   |
| 3A  | M09565-76-WH6 | EA  | MOLDING - TRIM/VEE - .4" X 1" X 39.4" - SIERRA MAPLE   |
| 3A  | M09565-47-WH4 | EA  | MOLDING - TRIM/VEE - .4" X 1" X 38.9" - CONCERT CHERRY |
| 3A  | M09565-47-WH5 | EA  | MOLDING - TRIM/VEE - .4" X 1" X 38.9" - WASHED MAPLE   |
| 3A  | M09565-47-WH6 | EA  | MOLDING - TRIM/VEE - .4" X 1" X 38.9" - SIERRA MAPLE   |
| 3A  | M09553-27-WH4 | EA  | MOLDING - TRIM/VEE - .4" X 1" X 38.8" - CONCERT CHERRY |
| 3A  | M09553-27-WH5 | EA  | MOLDING - TRIM/VEE - .4" X 1" X 38.8" - WASHED MAPLE   |
| 3A  | M09553-27-WH6 | EA  | MOLDING - TRIM/VEE - .4" X 1" X 38.8" - SIERRA MAPLE   |
| 3A  | M09568-77-WH4 | EA  | MOLDING - TRIM/VEE - .4" X 1" X 37.5" - CONCERT CHERRY |
| 3A  | M09568-77-WH5 | EA  | MOLDING - TRIM/VEE - .4" X 1" X 37.5" - WASHED MAPLE   |
| 3A  | M09568-77-WH6 | EA  | MOLDING - TRIM/VEE - .4" X 1" X 37.5" - SIERRA MAPLE   |
| 3A  | M09553-23-WH4 | EA  | MOLDING - TRIM/VEE - .4" X 1" X 37" - CONCERT CHERRY   |
| 3A  | M09553-23-WH5 | EA  | MOLDING - TRIM/VEE - .4" X 1" X 37" - WASHED MAPLE     |
| 3A  | M09553-23-WH6 | EA  | MOLDING - TRIM/VEE - .4" X 1" X 37" - SIERRA MAPLE     |
| 3A  | M09553-47-WB4 | EA  | MOLDING - TRIM/VEE - .4" X 1" X 35.9" - CONCERT CHERRY |
| 3A  | M09553-47-WB5 | EA  | MOLDING - TRIM/VEE - .4" X 1" X 35.9" - WASHED MAPLE   |
| 3A  | M09553-47-WB6 | EA  | MOLDING - TRIM/VEE - .4" X 1" X 35.9" - SIERRA MAPLE   |
| 3A  | M09553-47-W66 | EA  | MOLDING - TRIM/VEE - .4" X 1" X 35.9" - HONEY CHERRY   |
| 3A  | M09568-48-U67 | EA  | MOLDING - TRIM/VEE - .4" X 1" X 35.4" - WASHED MAPLE   |
| 3A  | M09568-48-U68 | EA  | MOLDING - TRIM/VEE - .4" X 1" X 35.4" - SIERRA MAPLE   |
| 3A  | M09553-63-WH4 | EA  | MOLDING - TRIM/VEE - .4" X 1" X 35.1" - CONCERT CHERRY |
| 3A  | M09553-63-WH5 | EA  | MOLDING - TRIM/VEE - .4" X 1" X 35.1" - WASHED MAPLE   |
| 3A  | M09553-63-WH6 | EA  | MOLDING - TRIM/VEE - .4" X 1" X 35.1" - SIERRA MAPLE   |
| 3A  | M09553-63-W51 | EA  | MOLDING - TRIM/VEE - .4" X 1" X 35.1" - HONEY CHERRY   |
| 3A  | M09565-94-WH4 | EA  | MOLDING - TRIM/VEE - .4" X 1" X 34.4" - CONCERT CHERRY |
| 3A  | M09565-94-WH5 | EA  | MOLDING - TRIM/VEE - .4" X 1" X 34.4" - WASHED MAPLE   |
| 3A  | M09565-94-WH6 | EA  | MOLDING - TRIM/VEE - .4" X 1" X 34.4" - SIERRA MAPLE   |
| 3A  | M09553-04-WH4 | EA  | MOLDING - TRIM/VEE - .4" X 1" X 34.2" - CONCERT CHERRY |
| 3A  | M09553-04-WH5 | EA  | MOLDING - TRIM/VEE - .4" X 1" X 34.2" - WASHED MAPLE   |
| 3A  | M09553-04-WH6 | EA  | MOLDING - TRIM/VEE - .4" X 1" X 34.2" - SIERRA MAPLE   |
| 3A  | M09566-02-U68 | EA  | MOLDING - TRIM/VEE - .4" X 1" X 32.7" - SIERRA MAPLE   |
| 3A  | M09566-02-W51 | EA  | MOLDING - TRIM/VEE - .4" X 1" X 32.7" - HONEY CHERRY   |
| 3A  | M09566-02-W52 | EA  | MOLDING - TRIM/VEE - .4" X 1" X 32.7" - WASHED MAPLE   |
| 3A  | M09511-86-T77 | EA  | MOLDING - TRIM/VEE - .4" X 1" X 28.3" - PORTSMOUTH OAK |
| 3A  | M09511-86-T78 | EA  | MOLDING - TRIM/VEE - .4" X 1" X 28.3" - CONCERT CHERRY |
| 3A  | M09511-86-T79 | EA  | MOLDING - TRIM/VEE - .4" X 1" X 28.3" - WASHED MAPLE   |
| 3A  | M09511-86-T80 | EA  | MOLDING - TRIM/VEE - .4" X 1" X 28.3" - SIERRA MAPLE   |
| 3A  | M09553-61-WH4 | EA  | MOLDING - TRIM/VEE - .4" X 1" X 19.9" - CONCERT CHERRY |
| 3A  | M09553-61-WH5 | EA  | MOLDING - TRIM/VEE - .4" X 1" X 19.9" - WASHED MAPLE   |
| 3A  | M09553-61-WH6 | EA  | MOLDING - TRIM/VEE - .4" X 1" X 19.9" - SIERRA MAPLE   |
| 3A  | M09565-71-WH4 | EA  | MOLDING - TRIM/VEE - .4" X 1" X 11.4" - CONCERT CHERRY |
| 3A  | M09565-71-WH5 | EA  | MOLDING - TRIM/VEE - .4" X 1" X 11.4" - WASHED MAPLE   |
| 3A  | M09565-71-WH6 | EA  | MOLDING - TRIM/VEE - .4" X 1" X 11.4" - SIERRA MAPLE   |

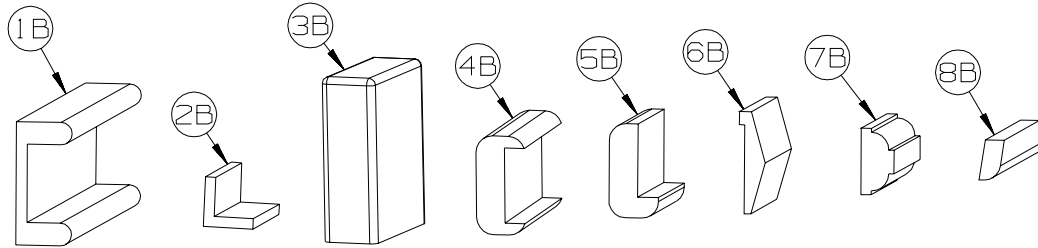


**INTERIOR FINISH GROUP (CONTINUED)**  
**MOLDINGS & TRIMS (CONTINUED)**



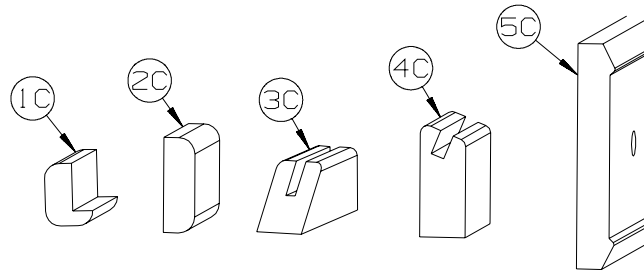
| KEY | PART NUMBER   | U/M | DESCRIPTION   |
|-----|---------------|-----|---|
| 3A  | M09583-42-WH4 | EA  | MOLDING - TRIM/VEE - .4" X 1" X 8.3" - CONCERT CHERRY |
| 3A  | M09583-42-WH5 | EA  | MOLDING - TRIM/VEE - .4" X 1" X 8.3" - WASHED MAPLE   |
| 3A  | M09583-42-WH6 | EA  | MOLDING - TRIM/VEE - .4" X 1" X 8.3" - SIERRA MAPLE   |
| 3A  | M09544-55-WB4 | EA  | MOLDING - TRIM/VEE - .4" X 1" X 6.5" - CONCERT CHERRY |
| 3A  | M09544-55-WB5 | EA  | MOLDING - TRIM/VEE - .4" X 1" X 6.5" - WASHED MAPLE   |
| 3A  | M09544-55-WB6 | EA  | MOLDING - TRIM/VEE - .4" X 1" X 6.5" - SIERRA MAPLE   |
| 3A  | M09544-56-WB4 | EA  | MOLDING - TRIM/VEE - .4" X 1" X 6.1" - CONCERT CHERRY |
| 3A  | M09544-56-WB5 | EA  | MOLDING - TRIM/VEE - .4" X 1" X 6.1" - WASHED MAPLE   |
| 3A  | M09544-56-WB6 | EA  | MOLDING - TRIM/VEE - .4" X 1" X 6.1" - SIERRA MAPLE   |
| 3A  | M09538-70-U68 | EA  | MOLDING - TRIM/VEE - .4" X 1" X 63.9" - SIERRA MAPLE  |
| 3A  | M09538-70-U67 | EA  | MOLDING - TRIM/VEE - .4" X 1" X 63.9" - WASHED MAPLE  |

**INTERIOR FINISH GROUP (CONTINUED)**  
**MOLDINGS & TRIMS (CONTINUED)**



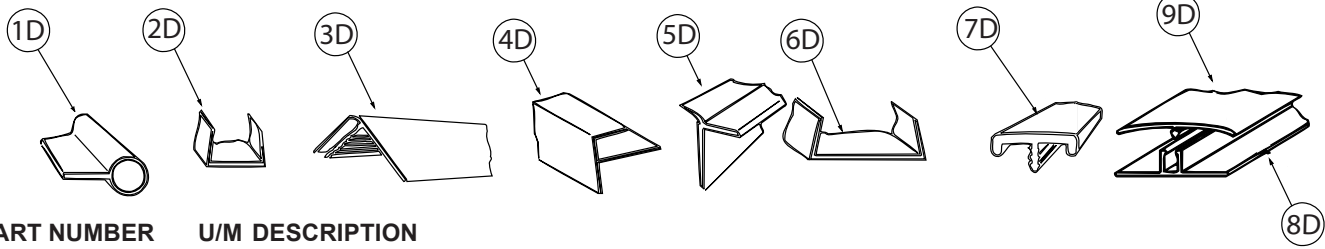
| KEY | PART NUMBER   | U/M | DESCRIPTION  |
|-----|---------------|-----|--|
| 1B  | M09501-84-TG0 | EA  | MOLDING/TRIM - CAP/WALL - 2.2" X 85.9" - PORTSMOUTH OAK    |
| 1B  | M09501-84-TG1 | EA  | MOLDING/TRIM - CAP/WALL - 2.2" X 85.9" - CONCERT CHERRY    |
| 1B  | M09501-84-TG2 | EA  | MOLDING/TRIM - CAP/WALL - 2.2" X 85.9" - WASHED MAPLE      |
| 1B  | M09501-84-TG3 | EA  | MOLDING/TRIM - CAP/WALL - 2.2" X 85.9" - HONEY CHERRY      |
| 1B  | M09520-04-TD3 | EA  | MOLDING/TRIM - CAP/WALL - 2.2" X 80.5" - SIERRA MAPLE      |
| 2B  | M09511-81-TA0 | EA  | MOLDING/TRIM - L SHAPE - .8"X .8"X 80.2" - PORTSMOUTH OAK  |
| 2B  | M09511-81-TA1 | EA  | MOLDING/TRIM - L SHAPE - .8"X .8"X 80.2" - CONCERT CHERRY  |
| 2B  | M09511-81-TA2 | EA  | MOLDING/TRIM - L SHAPE - .8"X .8"X 80.2" - WASHED MAPLE    |
| 2B  | M09511-81-TA3 | EA  | MOLDING/TRIM - L SHAPE - .8"X .8"X 80.2" - SIERRA MAPLE    |
| 3B  | M09515-81-T01 | EA  | MOLDING/HARDWOOD STRAIGHT - 74.3" - WASHED MAPLE           |
| 3B  | M09515-81-T02 | EA  | MOLDING/HARDWOOD STRAIGHT - 74.3" - HONEY CHERRY           |
| 4B  | M09511-42-T77 | EA  | MOLDING - TRIM - W/NOTCH - 1.5" X 86.4" - PORTSMOUTH OAK   |
| 4B  | M09511-42-T78 | EA  | MOLDING - TRIM - W/NOTCH - 1.5" X 86.4" - CONCERT CHERRY   |
| 4B  | M09511-42-T79 | EA  | MOLDING - TRIM - W/NOTCH - 1.5" X 86.4" - WASHED MAPLE     |
| 4B  | M09511-42-T80 | EA  | MOLDING - TRIM - W/NOTCH - 1.5" X 86.4" - SIERRA MAPLE     |
| 4B  | M09511-42-W66 | EA  | MOLDING - TRIM - W/NOTCH - 1.5" X 86.4" - HONEY CHERRY     |
| 5B  | M09515-18-T77 | EA  | MOLDING - HARDWOOD-W/NOTCH - 1.4"X 86.2" - PORTSMOUTH OAK  |
| 5B  | M09515-18-T78 | EA  | MOLDING - HARDWOOD-W/NOTCH - 1.4"X 86.2" - CONCERT CHERRY  |
| 5B  | M09553-66-U22 | EA  | MOLDING - HARDWOOD-W/NOTCH - 1.4"X 96" - WASHED MAPLE      |
| 5B  | M09515-18-T80 | EA  | MOLDING - HARDWOOD-W/NOTCH - 1.4"X 86.2" - SIERRA MAPLE    |
| 5B  | M09553-66-U21 | EA  | MOLDING - HARDWOOD-W/NOTCH - 1.4"X 96" - HONEY CHERRY      |
| 6B  | M09515-53-TG0 | EA  | MOLDING - TRIM/VEE - 1.5" X 73.9" - PORTSMOUTH OAK         |
| 6B  | M09525-81-UJ1 | EA  | MOLDING - TRIM/VEE - 1.5" X 74.7" - CONCERT CHERRY         |
| 6B  | M09525-81-UJ2 | EA  | MOLDING - TRIM/VEE - 1.5" X 74.7" - WASHED MAPLE           |
| 6B  | M09552-81-UJ3 | EA  | MOLDING - TRIM/VEE - 1.5" X 74.7" - HONEY CHERRY           |
| 6B  | M09553-53-WH6 | EA  | MOLDING - TRIM/VEE - NOTCHED - 1.5" X 20.6" - SIERRA MAPLE |
| 7B  | Y00076-32-438 | EA  | MOLDING/TRIM - .5" X 1" X 96" - CHERRY (UNSTAINED)         |
| 7B  | Y00076-22-438 | EA  | MOLDING/TRIM - .5" X 1" X 96" - MAPLE (UNSTAINED)          |
| 8B  | M09525-92-T77 | EA  | MOLDING/TRIM - .5" X 1" X 75.6" - PORTSMOUTH OAK           |
| 8B  | M09525-92-T78 | EA  | MOLDING/TRIM - .5" X 1" X 75.6" - CONCERT CHERRY           |
| 8B  | M09525-92-T79 | EA  | MOLDING/TRIM - .5" X 1" X 75.6" - WASHED MAPLE             |
| 8B  | M09525-92-T80 | EA  | MOLDING/TRIM - .5" X 1" X 75.6" - SIERRA MAPLE             |
| 8B  | Y00086-72-438 | EA  | MOLDING - VINYL WRAP - .7" X 1.6" X 96" - PORTSMOUTH OAK   |
| 8B  | Y00086-D2-438 | EA  | MOLDING - VINYL WRAP - .7" X 1.6" X 96" - CONCERT CHERRY   |
| 8B  | Y00086-A2-438 | EA  | MOLDING - VINYL WRAP - .7" X 1.6" X 96" - WASHED MAPLE     |
| 8B  | Y00086-92-438 | EA  | MOLDING - VINYL WRAP - .7" X 1.6" X 96" - SIERRA MAPLE     |
| 8B  | Y00086-82-438 | EA  | MOLDING - VINYL WRAP - .7" X 1.6" X 96" - HONEY CHERRY     |
| 8B  | Y00087-72-438 | EA  | MOLDING - VINYL WRAP - .7" X 2.9" X 96" - PORTSMOUTH OAK   |
| 8B  | Y00087-D2-438 | EA  | MOLDING - VINYL WRAP - .7" X 2.9" X 96" - CONCERT CHERRY   |
| 8B  | Y00087-A2-438 | EA  | MOLDING - VINYL WRAP - .7" X 2.9" X 96" - WASHED MAPLE     |
| 8B  | Y00087-92-438 | EA  | MOLDING - VINYL WRAP - .7" X 2.9" X 96" - SIERRA MAPLE     |
| 8B  | Y00087-82-438 | EA  | MOLDING - VINYL WRAP - .7" X 2.9" X 96" - HONEY CHERRY     |

**INTERIOR FINISH GROUP (CONTINUED)**  
**MOLDINGS & TRIMS (CONTINUED)**



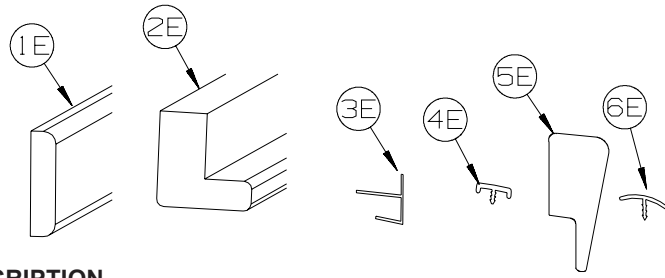
| KEY | PART NUMBER   | U/M | DESCRIPTION   |
|-----|---------------|-----|---|
| 1C  | M09520-19-TD1 | EA  | MOLDING - TRIM - W/NOTCH - 1" X 86.3" - CONCERT CHERRY        |
| 1C  | M09520-19-TD2 | EA  | MOLDING - TRIM - W/NOTCH - 1" X 86.3" - WASHED MAPLE          |
| 1C  | M09520-19-TD3 | EA  | MOLDING - TRIM - W/NOTCH - 1" X 86.3" - HONEY CHERRY          |
| 1C  | M09565-68-WH4 | EA  | MOLDING - HARDWOOD - .75" X 1.4" X 81.9" - CONCERT CHERRY     |
| 1C  | M09565-68-WH5 | EA  | MOLDING - HARDWOOD - .75" X 1.4" X 81.9" - WASHED MAPLE       |
| 1C  | M09565-68-WH6 | EA  | MOLDING - HARDWOOD - .75" X 1.4" X 81.9" - SIERRA MAPLE       |
| 2C  | M09511-46-T77 | EA  | MOLDING/TRIM - .5" X 1.5" X 86.5" - PORTSMOUTH OAK            |
| 2C  | M09511-46-T78 | EA  | MOLDING/TRIM - .5" X 1.5" X 86.5" - CONCERT CHERRY            |
| 2C  | M09511-46-T79 | EA  | MOLDING/TRIM - .5" X 1.5" X 86.5" - WASHED MAPLE              |
| 2C  | M09511-46-T80 | EA  | MOLDING/TRIM - .5" X 1.5" X 86.5" - SIERRA MAPLE              |
| 3C  | Y00223-22-438 | EA  | MOLDING - HARDWOOD/MAPLE - .7" X 1" X 96" - UNSTAINED MAPLE   |
| 3C  | Y00223-32-438 | EA  | MOLDING - HARDWOOD/CHERRY - .7" X 1" X 96" - UNSTAINED CHERRY |
| 3C  | Y00223-42-438 | EA  | MOLDING - HARDWOOD/CHERRY - .7" X 1" X 96" - UNSTAINED OAK    |
| 4C  | Y00054-A2-438 | EA  | MOLDING - VINYL - W/SLOT - .7"X 1.9"X 96" - WASHED MAPLE      |
| 4C  | Y00054-D2-438 | EA  | MOLDING - VINYL - W/SLOT - .7"X 1.9"X 96" - CONCERT CHERRY    |
| 4C  | Y00054-22-438 | EA  | MOLDING - VINYL - W/SLOT - .7"X 1.9"X 96" - WASHED MAPLE      |
| 4C  | Y00054-72-438 | EA  | MOLDING - VINYL - W/SLOT - .7"X 1.9"X 96" - PORTSMOUTH OAK    |
| 4C  | Y00054-82-438 | EA  | MOLDING - VINYL - W/SLOT - .7"X 1.9"X 96" - HONEY CHERRY      |
| 4C  | Y00054-92-438 | EA  | MOLDING - VINYL - W/SLOT - .7"X 1.9"X 96" - SIERRA MAPLE      |
| 4C  | Y00276-A2-438 | EA  | MOLDING - VINYL - W/SLOT - .7"X 1.9"X 96" - WASHED MAPLE      |
| 4C  | Y00276-D2-438 | EA  | MOLDING - VINYL - W/SLOT - .7"X 1.9"X 96" - CONCERT CHERRY    |
| 4C  | Y00276-72-438 | EA  | MOLDING - VINYL - W/SLOT - .7"X 1.9"X 96" - PORTSMOUTH OAK    |
| 4C  | Y00276-82-438 | EA  | MOLDING - VINYL - W/SLOT - .7"X 1.9"X 96" - HONEY CHERRY      |
| 4C  | Y00276-92-438 | EA  | MOLDING - VINYL - W/SLOT - .7"X 1.9"X 96" - SIERRA MAPLE      |
| 5C  | Y00152-A2-438 | EA  | MOLDING/TRIM - VINYL - .6" X 3.5" X 96" - WASHED MAPLE        |
| 5C  | Y00152-D2-438 | EA  | MOLDING/TRIM - VINYL - .6" X 3.5" X 96" - CONCERT CHERRY      |
| 5C  | Y00152-22-438 | EA  | MOLDING/TRIM - VINYL - .6" X 3.5" X 96" - WASHED MAPLE        |
| 5C  | Y00152-72-438 | EA  | MOLDING/TRIM - VINYL - .6" X 3.5" X 96" - PORTSMOUTH OAK      |
| 5C  | Y00152-92-438 | EA  | MOLDING/TRIM - VINYL - .6" X 3.5" X 96" - SIERRA MAPLE        |

**INTERIOR FINISH GROUP (CONTINUED)**  
**MOLDINGS & TRIMS (CONTINUED)**



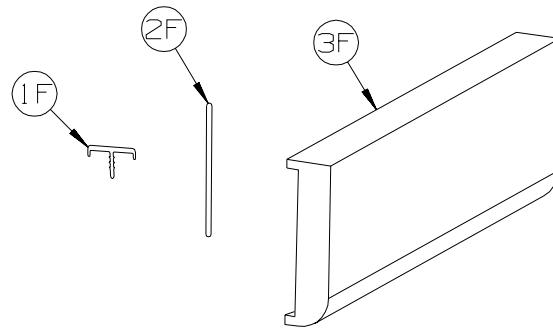
| KEY | PART NUMBER   | U/M | DESCRIPTION   |
|-----|---------------|-----|---|
| 1D  | 009767-12-000 | FT  | WELTING - ANTIQUE WHITE                                   |
| 2D  | 009778-25-000 | FT  | U-CHANNEL - 1" - BEIGE ILLUSION                           |
| 2D  | 009778-26-000 | FT  | U-CHANNEL - 1 1/4" - BEIGE ILLUSION                       |
| 2D  | 009778-38-000 | FT  | U-CHANNEL - 1" - BONE                                     |
| 2D  | 009778-32-000 | FT  | U-CHANNEL - 1" - PORTSMOUTH OAK                           |
| 2D  | 009778-34-000 | FT  | U-CHANNEL - 1" - CONCERT CHERRY                           |
| 2D  | 009778-27-000 | FT  | U-CHANNEL - 1" - WASHED MAPLE                             |
| 2D  | 009778-35-000 | FT  | U-CHANNEL - 1" - HONEY CHERRY                             |
| 2D  | 009778-36-000 | FT  | U-CHANNEL - 1" - SIERRA MAPLE                             |
| 3D  | 009809-30-000 | EA  | MOLDING - CORNER - OUTSIDE - 1" X 84" - BEIGE ILLUSION    |
| 3D  | 009809-37-000 | EA  | MOLDING - CORNER - OUTSIDE - 1" X 84" - BONE              |
| 3D  | 009809-33-000 | EA  | MOLDING - CORNER - OUTSIDE - 1" X 84" - CONCERT CHERRY    |
| 3D  | 009809-31-000 | EA  | MOLDING - CORNER - OUTSIDE - 1" X 84" - WASHED MAPLE      |
| 3D  | 009809-35-000 | EA  | MOLDING - CORNER - OUTSIDE - 1" X 84" - SIERRA MAPLE      |
| 4D  | 009812-31-000 | EA  | MOLDING - CORNER - 1/2" W/1/4"CHAN X 84" - BEIGE ILLUSION |
| 4D  | 009812-40-000 | EA  | MOLDING - CORNER - 1/2" W/1/4"CHAN X 84" - BONE           |
| 4D  | 009812-35-000 | EA  | MOLDING - CORNER - 1/2" W/1/4"CHAN X 84" - PORTSMOUTH OAK |
| 4D  | 009812-36-000 | EA  | MOLDING - CORNER - 1/2" W/1/4"CHAN X 84" - CONCERT CHERRY |
| 4D  | 009812-33-000 | EA  | MOLDING - CORNER - 1/2" W/1/4"CHAN X 84" - WASHED MAPLE   |
| 4D  | 009812-37-000 | EA  | MOLDING - CORNER - 1/2" W/1/4"CHAN X 84" - HONEY CHERRY   |
| 4D  | 009812-38-000 | EA  | MOLDING - CORNER - 1/2" W/1/4"CHAN X 84" - SIERRA MAPLE   |
| 5D  | 022992-11-000 | FT  | MOLDING - REVERSE COVE - T-SHAPED - IVORY                 |
| 5D  | 022992-14-000 | FT  | MOLDING - REVERSE COVE - T-SHAPED - BRIGHT WHITE          |
| 5D  | 022992-18-000 | FT  | MOLDING - REVERSE COVE - T-SHAPED - BONE                  |
| 6D  | 070504-42-000 | FT  | U-CHANNEL - PLASTIC - .13" X 84" - BEIGE ILLUSION         |
| 6D  | 070504-43-000 | FT  | U-CHANNEL - PLASTIC - .9" X 96" - BEIGE ILLUSION          |
| 6D  | 070504-69-000 | FT  | U-CHANNEL - PLASTIC - .13" X 84" - BONE                   |
| 6D  | 070504-70-000 | FT  | U-CHANNEL - PLASTIC - .8" X 84" - BONE                    |
| 6D  | 070504-57-000 | FT  | U-CHANNEL - PLASTIC - .13" X 96" - PORTSMOUTH OAK         |
| 6D  | 070504-58-000 | FT  | U-CHANNEL - PLASTIC - .9" X 96" - PORTSMOUTH OAK          |
| 6D  | 070504-60-000 | FT  | U-CHANNEL - PLASTIC - .13" X 84" - CONCERT CHERRY         |
| 6D  | 070504-61-000 | FT  | U-CHANNEL - PLASTIC - .9" X 84" - CONCERT CHERRY          |
| 6D  | 070504-50-000 | FT  | U-CHANNEL - PLASTIC - .13" X 96" - WASHED MAPLE           |
| 6D  | 070504-51-000 | FT  | U-CHANNEL - PLASTIC - .9" X 96" - WASHED MAPLE            |
| 6D  | 070504-62-000 | FT  | U-CHANNEL - PLASTIC - 1.65" X 84" - HONEY CHERRY          |
| 6D  | 070504-63-000 | FT  | U-CHANNEL - PLASTIC - .9" X 84" - HONEY CHERRY            |
| 6D  | 070504-65-000 | FT  | U-CHANNEL - PLASTIC - .07" X 96" - SIERRA MAPLE           |
| 6D  | 070504-66-000 | FT  | U-CHANNEL - PLASTIC - .8" X 84" - SIERRA MAPLE            |
| 7D  | 083620-25-000 | FT  | MOLDING-T - W/EDGE LIP - 7/8" FACE - BONE                 |
| 7D  | 083620-20-000 | FT  | MOLDING-T - W/EDGE LIP - 7/8" FACE - PORTSMOUTH OAK       |
| 7D  | 083620-19-000 | FT  | MOLDING-T - W/EDGE LIP - 7/8" FACE - WASHED MAPLE         |
| 7D  | 083620-24-000 | FT  | MOLDING-T - W/EDGE LIP - 7/8" FACE - HONEY CHERRY         |
| 7D  | 083620-22-000 | FT  | MOLDING-T - W/EDGE LIP - 7/8" FACE - SIERRA MAPLE         |
| 8D  | 086229-01-000 | EA  | RETAINER - BATTEN - .75" X 92.1" - ANY COLOR              |
| 9D  | 086229-12-000 | EA  | BATTEN - 1.5" OFFSET X 96.8" - MODERN IVORY               |
| 9D  | 086229-20-000 | EA  | BATTEN - 1" X 96" - BEIGE                                 |

**INTERIOR FINISH GROUP (CONTINUED)**  
**MOLDINGS & TRIMS (CONTINUED)**



| KEY | PART NUMBER   | U/M | DESCRIPTION   |
|-----|---------------|-----|---|
| 1E  | 100818-01-12A | EA  | MOLDING - VINYL WRAPPED - 1.6" X .4" X 84" - PORTSMOUTH OAK   |
| 1E  | 100818-01-23A | EA  | MOLDING - VINYL WRAPPED - 1.6" X .4" X 84" - CONCERT CHERRY   |
| 1E  | 100818-01-21A | EA  | MOLDING - VINYL WRAPPED - 1.6" X .4" X 84" - WASHED MAPLE     |
| 1E  | 100818-01-14A | EA  | MOLDING - VINYL WRAPPED - 1.6" X .4" X 84" - HONEY CHERRY     |
| 1E  | 100818-01-22A | EA  | MOLDING - VINYL WRAPPED - 1.6" X .4" X 84" - SIERRA MAPLE     |
| 2E  | 100819-01-23A | EA  | MOLDING - VYL WRPPD-L-SHPD-1.5"X1.5"X84" - CONCERT CHERRY     |
| 2E  | 100819-01-21A | EA  | MOLDING - VINYL WRAPPED-L-SHAPED-1.5"X1.5"X84" - WASHED MAPLE |
| 2E  | 100819-01-14A | EA  | MOLDING - VINYL WRAPPED-L-SHAPED-1.5"X1.5"X84" - HONEY CHERRY |
| 2E  | 100819-01-22A | EA  | MOLDING - VINYL WRAPPED-L-SHAPED-1.5"X1.5"X84" - SIERRA MAPLE |
| 3E  | 103186-01-07A | FT  | MOLDING/PLASTIC - 3/8" U-CHANNEL-3/4" FACE - BEIGE ILLUSION   |
| 3E  | 103186-01-09A | FT  | MOLDING/PLASTIC - 3/8" U-CHANNEL-3/4" FACE - PORTSMOUTH OAK   |
| 3E  | 103186-01-10A | FT  | MOLDING/PLASTIC - 3/8" U-CHANNEL-3/4" FACE - CONCERT CHERRY   |
| 3E  | 103186-01-08A | FT  | MOLDING/PLASTIC - 3/8" U-CHANNEL-3/4" FACE- 8' - WASHED MAPLE |
| 3E  | 103186-01-11A | FT  | MOLDING/PLASTIC - 3/8" U-CHANNEL-3/4" FACE - HONEY CHERRY     |
| 3E  | 103186-01-12A | FT  | MOLDING/PLASTIC - 3/8" U-CHANNEL-3/4" FACE - SIERRA MAPLE     |
| 3E  | 103186-02-07A | FT  | MOLDING/PLASTIC-1" U-CHANNEL-1 3/8" FACE - BEIGE ILLUSION     |
| 3E  | 103186-02-09A | FT  | MOLDING/PLASTIC - 1" U-CHANNEL-1 3/8" FACE - PORTSMOUTH OAK   |
| 3E  | 103186-02-10A | FT  | MOLDING/PLASTIC - 1" U-CHANNEL-1 3/8" FACE - CONCERT CHERRY   |
| 3E  | 103186-02-08A | FT  | MOLDING/PLASTIC - 1" U-CHANNEL-1 3/8" FACE - WASHED MAPLE     |
| 3E  | 103186-02-11A | FT  | MOLDING/PLASTIC - 1" U-CHANNEL-1 3/8" FACE - HONEY CHERRY     |
| 3E  | 103186-02-12A | FT  | MOLDING/PLASTIC - 1" U-CHANNEL-1 3/8" FACE - SIERRA MAPLE     |
| 4E  | 104676-02-08A | FT  | MOLDING-T - W/EDGE LIP - 11/16" FACE - PORTSMOUTH OAK         |
| 4E  | 104676-02-12A | FT  | MOLDING-T - W/EDGE LIP - 11/16" FACE - SIERRA MAPLE           |
| 5E  | 105004-01-12A | EA  | MOLDING - VINYL WRAP - 1" X 96" - PORTSMOUTH OAK              |
| 5E  | 105004-01-21A | EA  | MOLDING - VINYL WRAP - 1" X 96" - WASHED MAPLE                |
| 5E  | 105004-01-24A | EA  | MOLDING - VINYL WRAP - 1" X 96" - HONEY CHERRY                |
| 5E  | 105004-01-22A | EA  | MOLDING - VINYL WRAP - 1" X 96" - SIERRA MAPLE                |
| 6E  | 105709-02-000 | FT  | MOLDING-T - W/EDGE LIP 3/4" FACE - BEIGE ILLUSION             |

**INTERIOR FINISH GROUP (CONTINUED)**  
**MOLDINGS & TRIMS (CONTINUED)**

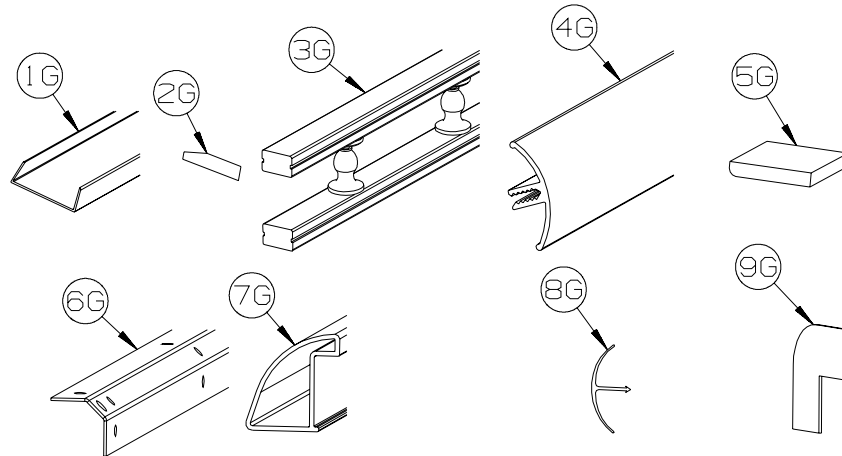


| KEY | PART NUMBER   | U/M | DESCRIPTION  |
|-----|---------------|-----|--|
| 1F  | 119520-01-01A | FT  | MOLDING-T - OFFSET W/EDGE LIP - 1.3" FACE - OFF WHITE        |
| 1F  | 119520-03-02A | FT  | MOLDING-T - OFFSET W/EDGE LIP - 1" FACE - CONCERT CHERRY     |
| 1F  | 119520-03-03A | FT  | MOLDING-T - OFFSET W/EDGE LIP - 1" FACE - WASHED MAPLE       |
| 1F  | 119520-03-05A | FT  | MOLDING-T - OFFSET W/EDGE LIP - 1" FACE - SIERRA MAPLE       |
| 1F  | 119520-03-06A | FT  | MOLDING-T - OFFSET W/EDGE LIP - 1" FACE - HONEY CHERRY       |
| 2F  | 127842-01-01A | FT  | SEAL - SIGHT SHIELD - 2" BLACK                               |
|     | 160300-A2-438 | EA  | LUMBER - VINYL WRAPPED - .7" X .75" X 96" - CONCERT CHERRY   |
|     | 160300-D2-438 | EA  | LUMBER - VINYL WRAPPED - .7" X 1.5" X 96" - CONCERT CHERRY   |
|     | 160300-E2-438 | EA  | LUMBER - VINYL WRAPPED - .7" X 2" X 96" - CONCERT CHERRY     |
|     | 160300-F2-438 | EA  | LUMBER - VINYL WRAPPED - .7" X 2.5" X 96" - CONCERT CHERRY   |
|     | 160300-G2-438 | EA  | LUMBER - VINYL WRAPPED - .7" X 3" X 96" - CONCERT CHERRY     |
|     | 160300-H2-438 | EA  | LUMBER - VINYL WRAPPED - .7" X 3.5" X 96" - CONCERT CHERRY   |
|     | 160300-J2-438 | EA  | LUMBER - VINYL WRAPPED - .7" X 5.5" X 96" - CONCERT CHERRY   |
|     | 160300-K2-438 | EA  | LUMBER - VINYL WRAPPED - .7" X 3.9" X 96" - CONCERT CHERRY   |
|     | 160300-R2-438 | EA  | LUMBER - VINYL WRAPPED - .7" X 3" X 96" - CONCERT CHERRY     |
| 3F  | 160301-D2-134 | EA  | MOLDING - VINYL WRAPPED - .7" X 1.6" X 84" - CONCERT CHERRY  |
| 3F  | 160301-D2-743 | EA  | MOLDING - VINYL WRAPPED - .7" X 1.6" X 108" - CONCERT CHERRY |
| 3F  | 160301-F2-134 | EA  | MOLDING - VINYL WRAPPED - .7" X 2.5" X 84" - CONCERT CHERRY  |
| 3F  | 160301-F2-743 | EA  | MOLDING - VINYL WRAPPED - .7" X 2.5" X 108" - CONCERT CHERRY |
| 3F  | 160301-F2-438 | EA  | MOLDING - VINYL WRAPPED - .7" X 2.5" X 96" - CONCERT CHERRY  |
|     | 137894-A2-438 | EA  | LUMBER - VINYL WRAPPED - .7" X .75" X 96" - PORTSMOUTH OAK   |
|     | 137894-D2-438 | EA  | LUMBER - VINYL WRAPPED - .7" X 1.5" X 96" - PORTSMOUTH OAK   |
|     | 137894-E2-438 | EA  | LUMBER - VINYL WRAPPED - .7" X 2" X 96" - PORTSMOUTH OAK     |
|     | 137894-F2-438 | EA  | LUMBER - VINYL WRAPPED - .7" X 2.5" X 96" - PORTSMOUTH OAK   |
|     | 137894-G2-438 | EA  | LUMBER - VINYL WRAPPED - .7" X 3" X 96" - PORTSMOUTH OAK     |
|     | 137894-H2-438 | EA  | LUMBER - VINYL WRAPPED - .7" X 3.5" X 96" - PORTSMOUTH OAK   |
|     | 137894-J2-438 | EA  | LUMBER - VINYL WRAPPED - .7" X 5.5" X 96" - PORTSMOUTH OAK   |

**INTERIOR FINISH GROUP (CONTINUED)**  
**MOLDINGS & TRIMS (CONTINUED)**

| KEY | PART NUMBER   | U/M | DESCRIPTION   |
|-----|---------------|-----|---|
|     | 137894-J2-743 | EA  | LUMBER - VINYL WRAPPED - .7" X 5.5" X 108" - PORTSMOUTH OAK |
|     | 137894-K2-438 | EA  | LUMBER - VINYL WRAPPED - .7" X 3.9" X 96" - PORTSMOUTH OAK  |
|     | 137894-R2-438 | EA  | LUMBER - VINYL WRAPPED - .7" X 3" X 96" - PORTSMOUTH OAK    |
| 3F  | 137895-D2-134 | EA  | MOLDING - VINYL WRAP - .7" X 1.6" X 84" - PORTSMOUTH OAK    |
| 3F  | 137895-D2-743 | EA  | MOLDING - VINYL WRAP - .7" X 1.6" X 108" - PORTSMOUTH OAK   |
| 3F  | 137895-F2-134 | EA  | MOLDING - VINYL WRAP - .7" X 2.5" X 84" - PORTSMOUTH OAK    |
| 3F  | 137895-F2-438 | EA  | MOLDING - VINYL WRAP - .7" X 2.5" X 96" - PORTSMOUTH OAK    |
| 3F  | 137895-F2-743 | EA  | MOLDING - VINYL WRAP - .7" X 2.5" X 108" - PORTSMOUTH OAK   |
|     | 146419-A2-438 | EA  | LUMBER - VINYL WRAPPED - .7" X .75" X 96" - HONEY CHERRY    |
|     | 146419-D2-438 | EA  | LUMBER - VINYL WRAPPED - .7" X 1.5" X 96" - HONEY CHERRY    |
|     | 146419-E2-438 | EA  | LUMBER - VINYL WRAPPED - .7" X 2" X 96" - HONEY CHERRY      |
|     | 146419-F2-438 | EA  | LUMBER - VINYL WRAPPED - .7" X 2.5" X 96" - HONEY CHERRY    |
|     | 146419-G2-438 | EA  | LUMBER - VINYL WRAPPED - .7" X 3" X 96" - HONEY CHERRY      |
|     | 146419-H2-438 | EA  | LUMBER - VINYL WRAPPED - .7" X 3.5" X 96" - HONEY CHERRY    |
|     | 146419-J2-438 | EA  | LUMBER - VINYL WRAPPED - .7" X 5.5" X 96" - HONEY CHERRY    |
|     | 146419-J2-743 | EA  | LUMBER - VINYL WRAPPED - .7" X 5.5" X 108" - HONEY CHERRY   |
|     | 146419-K2-438 | EA  | LUMBER - VINYL WRAPPED - .7" X 3.9" X 96" - HONEY CHERRY    |
|     | 146419-R2-438 | EA  | LUMBER - VINYL WRAPPED - .7" X 3" X 96" - HONEY CHERRY      |
|     | 146419-S2-438 | EA  | LUMBER - VINYL WRAPPED/FULL - .7"X 3.5"X 96" - HONEY CHERRY |
|     | 146419-T2-438 | EA  | LUMBER - VINYL WRAPPED/FULL - .7"X 5.5"X 96" - HONEY CHERRY |
| 3F  | 146425-D2-134 | EA  | MOLDING - VINYL WRAPPED - .7" X 1.6" X 83.9" - HONEY CHERRY |
| 3F  | 146425-F2-438 | EA  | MOLDING - VINYL WRAPPED - .7" X 2.6" X 96" - HONEY CHERRY   |
|     | 149325-A2-438 | EA  | LUMBER - VINYL WRAPPED - .7" X .75" X 96" - WASHED MAPLE    |
|     | 149325-D2-438 | EA  | LUMBER - VINYL WRAPPED - .7" X 1.5" X 96" - WASHED MAPLE    |
|     | 149325-E2-438 | EA  | LUMBER - VINYL WRAPPED - .7" X 2" X 96" - WASHED MAPLE      |
|     | 149325-F2-438 | EA  | LUMBER - VINYL WRAPPED - .7" X 2.5" X 96" - WASHED MAPLE    |
|     | 149325-G2-438 | EA  | LUMBER - VINYL WRAPPED - .7" X 3" X 96" - WASHED MAPLE      |
|     | 149325-H2-438 | EA  | LUMBER - VINYL WRAPPED - .7" X 3.5" X 96" - WASHED MAPLE    |
|     | 149325-J2-438 | EA  | LUMBER - VINYL WRAPPED - .7" X 5.5" X 96" - WASHED MAPLE    |
|     | 149325-J2-743 | EA  | LUMBER - VINYL WRAPPED - .7" X 5.5" X 108" - WASHED MAPLE   |
|     | 149325-K2-438 | EA  | LUMBER - VINYL WRAPPED - .7" X 3.9" X 96" - WASHED MAPLE    |
|     | 149325-R2-438 | EA  | LUMBER - VINYL WRAPPED - .7" X 3" X 96" - WASHED MAPLE      |
| 3F  | 149326-D2-134 | EA  | MOLDING - VINYL WRAPPED - .7" X 1.5" X 83.9" - WASHED MAPLE |
| 3F  | 149326-D2-743 | EA  | MOLDING - VINYL WRAPPED - .7" X 1.5" X 108" - WASHED MAPLE  |
| 3F  | 149326-F2-134 | EA  | MOLDING - VINYL WRAPPED - .7" X 2.5" X 83.9" - WASHED MAPLE |
| 3F  | 149326-F2-438 | EA  | MOLDING - VINYL WRAPPED - .7" X 2.5" X 96" - WASHED MAPLE   |
| 3F  | 149326-F2-743 | EA  | MOLDING - VINYL WRAPPED - .7" X 2.5" X 108" - WASHED MAPLE  |
|     | 149330-A2-438 | EA  | LUMBER - VINYL WRAPPED - .7" X .75" X 96" - SIERRA MAPLE    |
|     | 149330-D2-438 | EA  | LUMBER - VINYL WRAPPED - .7" X 1.5" X 96" - SIERRA MAPLE    |
|     | 149330-E2-438 | EA  | LUMBER - VINYL WRAPPED - .7" X 2" X 96" - SIERRA MAPLE      |
|     | 149330-F2-438 | EA  | LUMBER - VINYL WRAPPED - .7" X 2.5" X 96" - SIERRA MAPLE    |
|     | 149330-G2-438 | EA  | LUMBER - VINYL WRAPPED - .7" X 3" X 96" - SIERRA MAPLE      |
|     | 149330-H2-438 | EA  | LUMBER - VINYL WRAPPED - .7" X 3.5" X 96" - SIERRA MAPLE    |
|     | 149330-J2-438 | EA  | LUMBER - VINYL WRAPPED - .7" X 5.5" X 96" - SIERRA MAPLE    |
|     | 149330-J2-743 | EA  | LUMBER - VINYL WRAPPED - .7" X 5.5" X 108" - SIERRA MAPLE   |
|     | 149330-K2-438 | EA  | LUMBER - VINYL WRAPPED - .7" X 3.9" X 96" - SIERRA MAPLE    |
|     | 149330-R2-438 | EA  | LUMBER - VINYL WRAPPED - .7" X 3" X 96" - SIERRA MAPLE      |
| 3F  | 149331-D2-134 | EA  | MOLDING - VINYL WRAP - .7" X 1.5" X 83.9" - SIERRA MAPLE    |
| 3F  | 149331-D2-743 | EA  | MOLDING - VINYL WRAP - .7" X 1.5" X 108" - SIERRA MAPLE     |
| 3F  | 149331-F2-134 | EA  | MOLDING - VINYL WRAP - .7" X 2.5" X 83.9" - SIERRA MAPLE    |
| 3F  | 149331-F2-438 | EA  | MOLDING - VINYL WRAP - .7" X 2.5" X 96" - SIERRA MAPLE      |
| 3F  | 149331-F2-743 | EA  | MOLDING - VINYL WRAP - .7" X 2.5" X 108" - SIERRA MAPLE     |

**INTERIOR FINISH GROUP (CONTINUED)**  
**MOLDINGS & TRIMS (CONTINUED)**



| KEY | PART NUMBER   | U/M | DESCRIPTION  |
|-----|---------------|-----|--|
| 1G  | 141260-01-01A | FT  | U-CHANNEL - 1" - VILLAGE OAK                             |
| 1G  | 141260-01-02A | FT  | U-CHANNEL - 1" - GRADY BROWN                             |
| 2G  | 146306-01-01A | FT  | TRANSITION - CARPET/TILE                                 |
| 3G  | 150167-01-03A | EA  | RAIL - DECORATIVE - 96" - WASHED MAPLE                   |
| 3G  | 150167-01-07A | EA  | RAIL - DECORATIVE - 96" - PORTSMOUTH OAK                 |
| 3G  | 150167-01-08A | EA  | RAIL - DECORATIVE - 96" - HONEY CHERRY                   |
| 3G  | 150167-01-09A | EA  | RAIL - DECORATIVE - 96" - SIERRA MAPLE                   |
| 4G  | 151653-10-02A | EA  | TRIM/RADIUS - CABINET CORNER - 79.6" - DULL METALLIC     |
| 4G  | 151653-13-02A | EA  | TRIM/RADIUS - CABINET CORNER - 79.8" - DULL METALLIC     |
| 5G  | M09568-04-W80 | EA  | MOLDING/TRIM - .3" X 1.5" X 73.6" - SIERRA MAPLE         |
| 5G  | M09568-04-W79 | EA  | MOLDING/TRIM - .3" X 1.5" X 73.6" - WASHED MAPLE         |
| 6G  | 151861-01-02B | EA  | ANGLE - SUPPORT/CORNER - 1.4" X 12.5" - E-COATED         |
| 6G  | 151861-02-02B | EA  | ANGLE - SUPPORT/CORNER - 1.4" X 20.1" - E-COATED         |
| 6G  | 151861-03-02B | EA  | ANGLE - SUPPORT/CORNER - 1.4" X 26.7" - E-COATED         |
| 6G  | 151861-04-02B | EA  | ANGLE - SUPPORT/CORNER - 1.4" X 32.7" - E-COATED         |
| 6G  | 151861-05-02B | EA  | ANGLE - SUPPORT/CORNER - 1.4" X 78.6" - E-COATED         |
| 6G  | 151861-06-02B | EA  | ANGLE - SUPPORT/CORNER - 1.4" X 59" - E-COATED           |
| 6G  | 151861-08-02B | EA  | ANGLE - SUPPORT/CORNER - 1.4" X 22.2" - E-COATED         |
| 6G  | 151861-09-02B | EA  | ANGLE - SUPPORT/CORNER - 1.4" X 14.9" - E-COATED         |
| 7G  | 151893-01-02A | EA  | TRIM/RADIUS - CABINET BOTTOM - 72.6" - DULL METALLIC     |
| 8G  | 156464-01-01A | FT  | MOLDING - CORNER - RADIUS/PLASTIC - 8' - HONEY CHERRY    |
| 8G  | 156464-01-02A | FT  | MOLDING - CORNER - RADIUS/PLASTIC - 8' - WASHED MAPLE    |
| 8G  | 156464-01-05A | FT  | MOLDING - CORNER - RADIUS/PLASTIC - 8' - SIERRA MAPLE    |
| 8G  | 156464-01-06A | FT  | MOLDING - CORNER - RADIUS/PLASTIC - 8' - CONCERT CHERRY  |
| 8G  | 156464-03-03A | FT  | MOLDING - CORNER - RADIUS/PLASTIC - 8' - BONE            |
|     | 081521-02-007 | EA  | MOUNT - METAL MOLDING - F/RADIUS CORNER MOLDING - 151.5" |
| 9G  | 160989-01-06A | FT  | CAP - CORNER - RADIUS MOLDING - PLASTIC - WASHED MAPLE   |
| 9G  | 160989-01-07A | FT  | CAP - CORNER - RADIUS MOLDING - PLASTIC - HONEY CHERRY   |

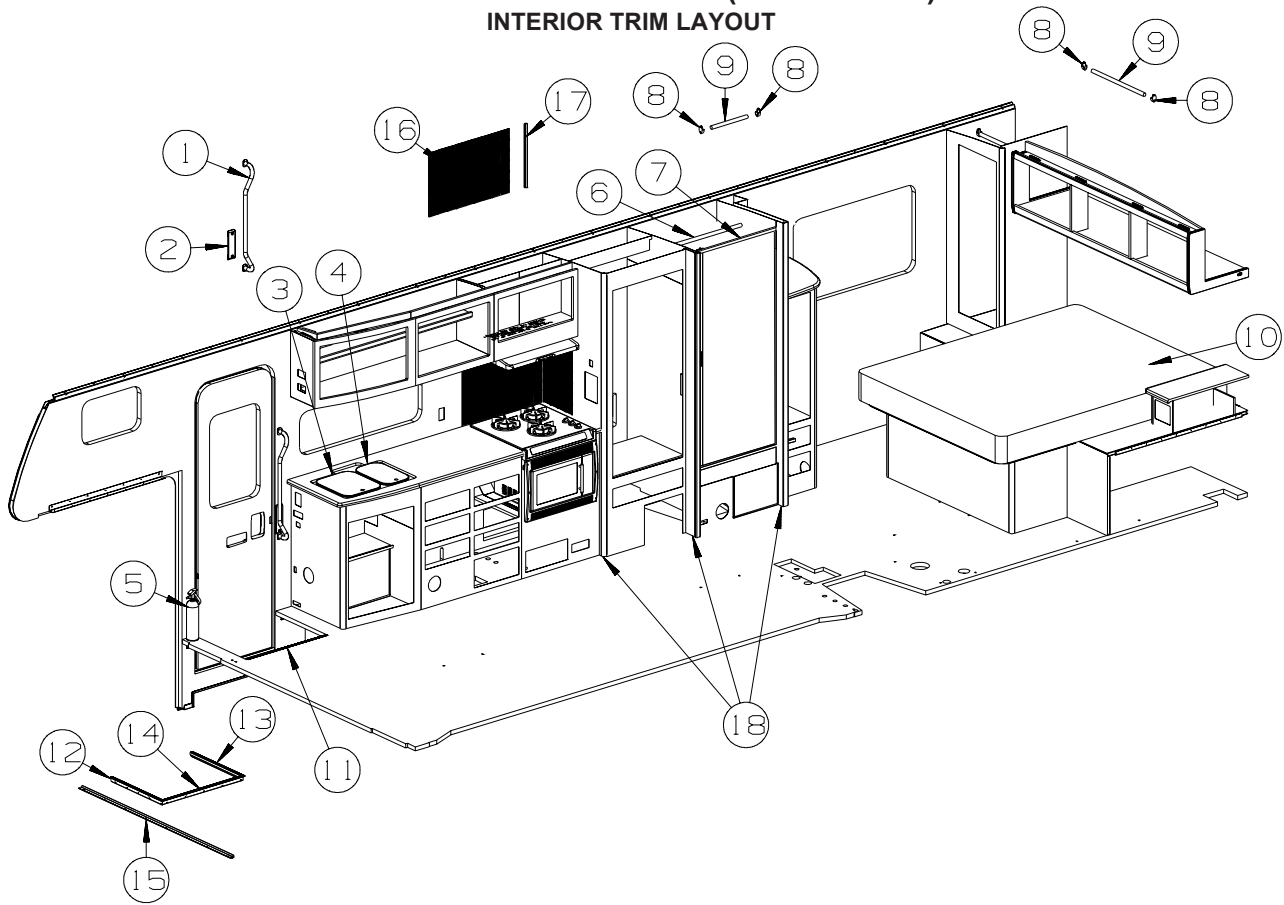


**INTERIOR FINISH GROUP (CONTINUED)**  
**PANELING & LAMINATES**

| KEY | PART NUMBER   | U/M | DESCRIPTION   |
|-----|---------------|-----|---|
|     | 000885-A7-000 | SF  | PARTICLE BOARD - 3/4" X 4' X 8' - HONEY CHERRY - 2 SIDED - HONEY CHERRY   |
|     | 000885-A8-000 | SF  | PARTICLE BOARD - 3/8" X 4' X 8' - HONEY CHERRY - 1 SIDED - HONEY CHERRY   |
|     | 000885-A9-000 | SF  | PARTICLE BOARD - 3/8" X 4' X 8' - HONEY CHERRY - 2 SIDED - HONEY CHERRY   |
|     | 000885-B4-000 | SF  | PARTICLE BOARD - 3/8" X 4' X 8' - WASHED MAPLE - 2 SIDED - WASHED MAPLE   |
|     | 000885-B5-000 | SF  | PARTICLE BOARD - 3/8" X 4' X 8' - WASHED MAPLE - 1 SIDED - WASHED MAPLE   |
|     | 000885-B6-000 | SF  | PARTICLE BOARD - 3/4" X 4' X 8' - WASHED MAPLE - 2 SIDED - WASHED MAPLE   |
|     | 000885-C3-000 | SF  | PARTICLE BOARD - 3/8" X 4' X 8' - WHITE THATCH EMB-1 SIDED                |
|     | 074497-47-000 | SF  | PANELING - HONEY CHERRY - 1/8" X 4' X 8' - HONEY CHERRY                   |
|     | 074497-49-000 | SF  | PANELING - WASHED MAPLE - 1/8" X 4' X 8' - WASHED MAPLE                   |
|     | 088272-M7-000 | SF  | PANELING - KURTA/CANVAS - 4' X 7.4' (W21, W22)                            |
|     | 088272-N5-000 | SF  | PANELING - WICKER - 4' X 7.4' (W23, W24)                                  |
|     |               |     | FROM: 00-00-00 THRU: 07-15-07   |
|     | 088272-N7-000 | SF  | PANELING - DISTRESSED CRACKLE - 4' X 7.4' (W23, W24)                      |
|     |               |     | FROM: 07-16-07 THRU: 99-99-99   |
|     | 088272-M1-000 | SF  | PANELING - MORITZ/TUSCANY - 4' X 7.4' (W25, W26)                          |
|     |               |     | FROM: 00-00-00 THRU: 06-17-07   |
|     | 088272-N8-000 | SF  | PANELING - MOROCCO SAND - 4' X 7.4' (W25, W26)                            |
|     |               |     | FROM: 06-18-07 THRU: 99-99-99   |
|     | 088272-M9-000 | SF  | PANELING - WHITE THATCHED - 4' X 8'                                       |
|     | 074498-A2-000 | SF  | LAMINATE - PLASTIC - PHANTOM GRAY - 5' X 8'                               |
|     | 074498-B6-000 | SF  | LAMINATE - PLASTIC - SATIN OXIDE - 5' X 8'                                |
|     | 076325-71-000 | FT  | MOLDING - EDGE BAND - 1 5/16" X .038" - GRAY                              |
|     | 088263-J2-000 | EA  | BATT STRIP - DECORATIVE - NEAT/WASHED MAPLE - WASHED MAPLE                |
|     | 088263-K5-000 | EA  | BATT STRIP - DECORATIVE - WHITE THATCHED - 8'                             |
|     | 088263-K3-000 | EA  | BATT STRIP - DECORATIVE - KURTA/CANVAS - 8' (W21, W22)                    |
|     | 088263-L1-000 | EA  | BATT STRIP - DECORATIVE - WICKER (W23, W24)                               |
|     |               |     | FROM: 00-00-00 THRU: 07-15-07   |
|     | 088263-L2-000 | EA  | BATT STRIP - DECORATIVE - DISTRESSED CRACKLE (W23, W24)                   |
|     |               |     | FROM: 07-16-07 THRU: 99-99-99   |
|     | 088263-J7-000 | EA  | BATT STRIP - DECORATIVE - MORITZ/TUSCANY (W25, W26)                       |
|     |               |     | FROM: 00-00-00 THRU: 06-17-07   |
|     | 088263-L3-000 | EA  | BATT STRIP - DECORATIVE - MOROCCO SAND (W25, W26)                         |
|     |               |     | FROM: 06-18-07 THRU: 99-99-99   |
|     | 085284-J6-000 | FT  | BATT TAPE - ADHESIVE BACKED - DECORATIVE - HONEY CHERRY                   |
|     | 085284-J5-000 | FT  | BATT TAPE - ADHESIVE BACKED - DECORATIVE-NEAT/WASHED MAPLE - WASHED MAPLE |
|     | 085284-K7-000 | FT  | BATT TAPE - ADHESIVE BACKED - DECORATIVE - KURTA/CANVAS (W21, W22)        |
|     | 085284-L5-000 | FT  | BATT TAPE - ADHESIVE BACKED - DECORATIVE - WICKER (W23, W24)              |
|     |               |     | FROM: 00-00-00 THRU: 07-15-07   |
|     | 085284-L6-000 | FT  | BATT TAPE - ADHESIVE BACKED - DECORATIVE - DIST CRACKLE (W23, W24)        |
|     |               |     | FROM: 07-16-07 THRU: 99-99-99   |
|     | 085284-K1-000 | FT  | BATT TAPE - ADHESIVE BACKED - DECORATIVE - MORITZ/TUSCANY (W25, W26)      |
|     |               |     | FROM: 00-00-00 THRU: 06-17-07   |
|     | 085284-L7-000 | FT  | BATT TAPE - ADHESIVE BACKED - DECORATIVE - MOROCCO SAND (W25, W26)        |
|     |               |     | FROM: 06-18-07 THRU: 99-99-99   |

## INTERIOR FINISH GROUP (CONTINUED)

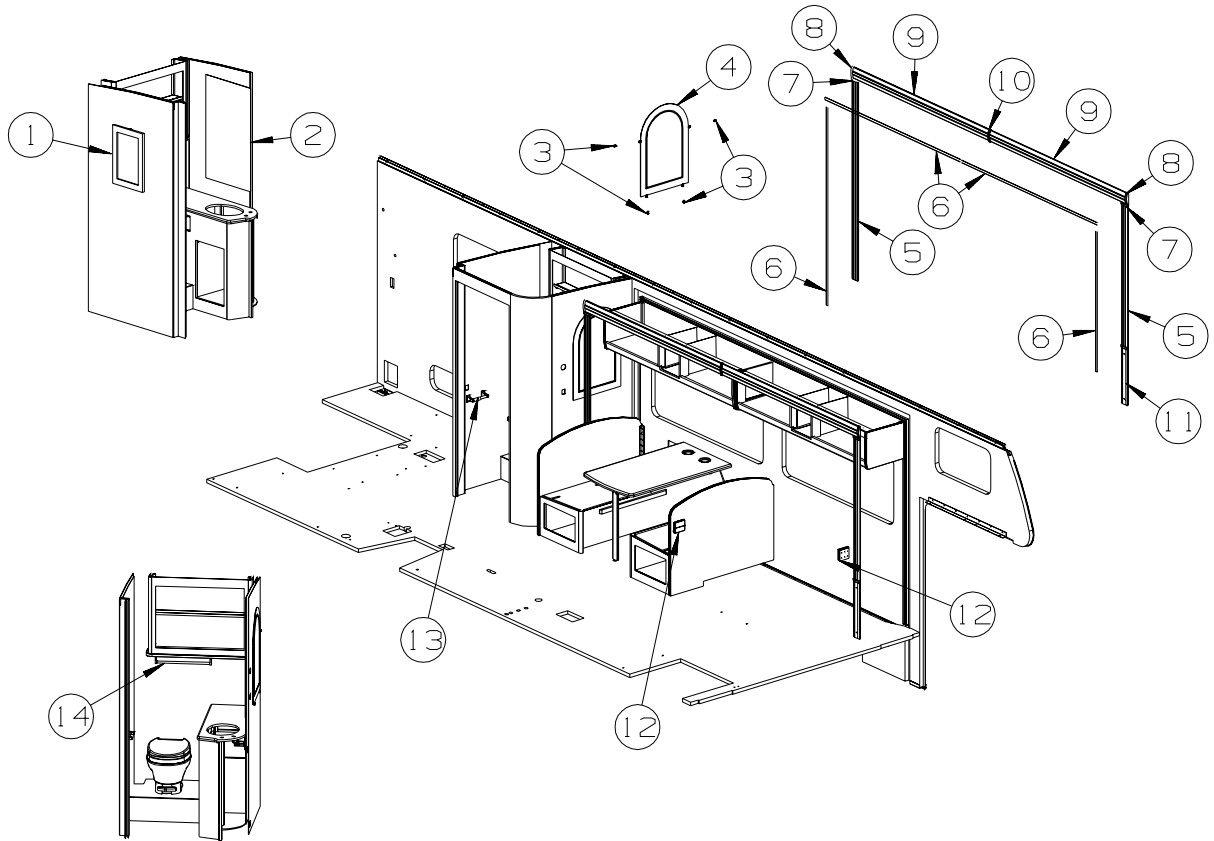
### INTERIOR TRIM LAYOUT



| KEY | PART NUMBER   | U/M | DESCRIPTION  |
|-----|---------------|-----|--|
| 1   | 137605-02-01A | EA  | HAND RAIL - INTERIOR ENTRY DOOR - BLACK  |
| 2   | 148362-01-02A | EA  | COVER - BRACKET/STRIKE - MEDIUM OAK  |
| 2   | 140151-02-02A | EA  | COVER - SCREW - MEDIUM OAK   |
| 3   | 162616-01-01A | EA  | COVER/SINK - LARGE - PEARL GRAY - <b>INTERIOR UPGRADE PACKAGE</b><br>FROM: 00-00-00 THRU: 03-02-08 |
| 3   | 162616-05-01A | EA  | COVER/SINK - LARGE - PEARL GRAY - <b>INTERIOR UPGRADE PACKAGE</b><br>FROM: 03-03-08 THRU: 99-99-99 |
| 4   | 162616-02-01A | EA  | COVER/SINK - SMALL - PEARL GRAY - <b>INTERIOR UPGRADE PACKAGE</b><br>FROM: 00-00-00 THRU: 03-02-08 |
| 4   | 162616-06-01A | EA  | COVER/SINK - SMALL - PEARL GRAY - <b>INTERIOR UPGRADE PACKAGE</b><br>FROM: 03-03-08 THRU: 99-99-99 |
| 5   | 094499-06-000 | EA  | EXTINGUISHER/FIRE - DRY - 10BC - W/BRACKET - UL/ULC - WHT  |
| 6   | 102075-09-02A | EA  | ROD - SHOWER CURTAIN - 3/4"OD X 29.5" - SOFT WHITE   |
| 6   | 113236-01-01A | EA  | BRACKET - CLOTHES - ROD  |
| 7   | 151578-01-02A | EA  | DOOR - SHOWER - 36.3" X 61.9" - WHT OPAQUE SCREEN/WHITE  |
| 7*  | 089318-05-000 | EA  | DOOR - SHOWER - HINGED W/CHROME FRAME - 29.8" X 65" - <b>SHOWER DOOR-HINGED, GLASS</b>             |
| 8   | 152301-01-01A | EA  | FLANGE - PLASTIC - 1" CLOTHES ROD HOLDER - WHITE   |
| 9   | Y00136-21-218 | EA  | DOWEL - WOOD - CLOTHES ROD - 1"DIAMETER X 4'   |
| 10  | 154430-01-000 | EA  | MATTRESS - INNERSPRING - 60" X 74.5"   |
| 11  | 139955-14-04A | EA  | TRIM - STEP/ENTRY - 26.7" - TITANIUM   |
| 12  | 139955-15-01A | EA  | TRIM - STEP/ENTRY - 21.7" - MILL - <b>FLOORCOVERING-VINYL</b>                                      |
| 13  | 139955-16-01A | EA  | TRIM - STEP/ENTRY - 21.7" - MILL - <b>FLOORCOVERING-VINYL</b>                                      |
| 14  | 139955-17-01A | EA  | TRIM - STEP/ENTRY - 28" - MILL - <b>FLOORCOVERING-VINYL</b>  |
| 15  | 139955-18-03A | EA  | TRIM - STEP/ENTRY - 62.3" - TITANIUM - <b>FLOORCOVERING-VINYL</b>                                  |
| 16  | 162004-01-01A | EA  | BACKSPLASH - 18" X 24" - THERMOPLASTIC - <b>INTERIOR UPGRADE PACKAGE</b>                           |
| 17  | 162005-01-01A | EA  | TRIM/BACKSPLASH - INSIDE CORNER - <b>INTERIOR UPGRADE PACKAGE</b>                                  |
| 18  | M09471-79-RE0 | EA  | MOLDING - TRIM/COVE - .8" X .8" X 96" - HONEY CHERRY   |
| 18  | M09471-79-R39 | EA  | MOLDING - TRIM/COVE - .8" X .8" X 96" - WASHED MAPLE   |

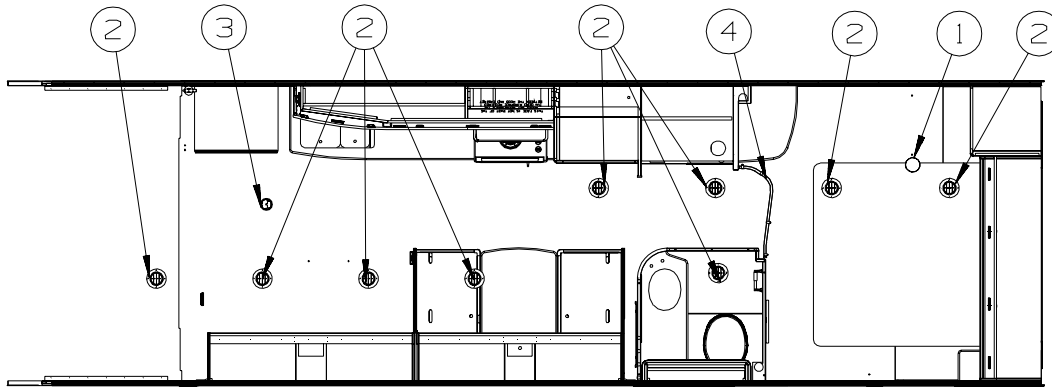
\*COMPONENT PARTS LISTED LATER IN THIS GROUP

**INTERIOR FINISH GROUP (CONTINUED)**  
**INTERIOR TRIM LAYOUT (CONTINUED)**



| KEY | PART NUMBER   | U/M | DESCRIPTION   |
|-----|---------------|-----|---|
| 1   | 131493-01-04A | EA  | PICTURE - DECORATIVE - 10" X 16" - LEAF COLLAGE II (W21, W22) |
| 1   | 131493-04-04A | EA  | PICTURE - DECORATIVE - 16" X 19" - DAISY (W23, W24)           |
| 1   | 131493-01-08A | EA  | PICTURE - DECORATIVE - 10" X 16" - CRIMSON CHIC (W25, W26)    |
| 2   | 140374-14-000 | EA  | MIRROR - SAFETY GLASS - 20.8" X 35.4"                         |
| 3   | 009089-01-000 | EA  | CLIP - MIRROR   |
| 4   | 131494-05-01A | EA  | MIRROR - ARCHED TOP - 20" X 30"                               |
| 5   | Y00360-82-438 | EA  | MOLDING - VINYL/CURVED - 3" X 96" - HONEY CHERRY              |
| 5   | Y00360-A2-438 | EA  | MOLDING - VINYL/CURVED - 3" X 96" - WASHED MAPLE              |
| 6   | M09520-83-U21 | EA  | MOLDING/TRIM - .3" X 1" X 78.9" - HONEY CHERRY                |
| 6   | M09520-83-U22 | EA  | MOLDING/TRIM - .3" X 1" X 78.9" - WASHED MAPLE                |
| 7   | 156636-04-U21 | EA  | MOLDING/BLOCK - .8" X 3.1" - HONEY CHERRY                     |
| 8   | 156636-05-U21 | EA  | MOLDING/BLOCK - .8" X 4" - HONEY CHERRY                       |
| 9   | Y00361-82-438 | EA  | MOLDING - VINYL/CURVED - 3.9" X 96" - HONEY CHERRY            |
| 9   | Y00361-A2-438 | EA  | MOLDING - VINYL/CURVED - 3.9" X 96" - WASHED MAPLE            |
| 10  | 156636-06-U21 | EA  | MOLDING/BLOCK - .8" X 4.3" - HONEY CHERRY                     |
| 11  | 153973-02-U21 | EA  | MOLDING - CROWN/BLOCK - 3.1" X 20.4" - HONEY CHERRY           |
| 11  | 153973-02-U22 | EA  | MOLDING - CROWN/BLOCK - 3.1" X 20.4" - WASHED MAPLE           |
| 12  | 118718-01-03A | EA  | HOLDER/DRINK - COLLAPSIBLE MUG - ALMOND                       |
| 13  | 163602-01-01A | EA  | HOLDER - TOILET TISSUE - SURFACE MOUNT - CHROME               |
| 14  | 163599-01-01A | EA  | TOWEL BAR - 18" - W/O POSTS - CHROME                          |
| 14  | 163599-02-01A | EA  | TOWEL BAR - POST - PAIR - CHROME                              |

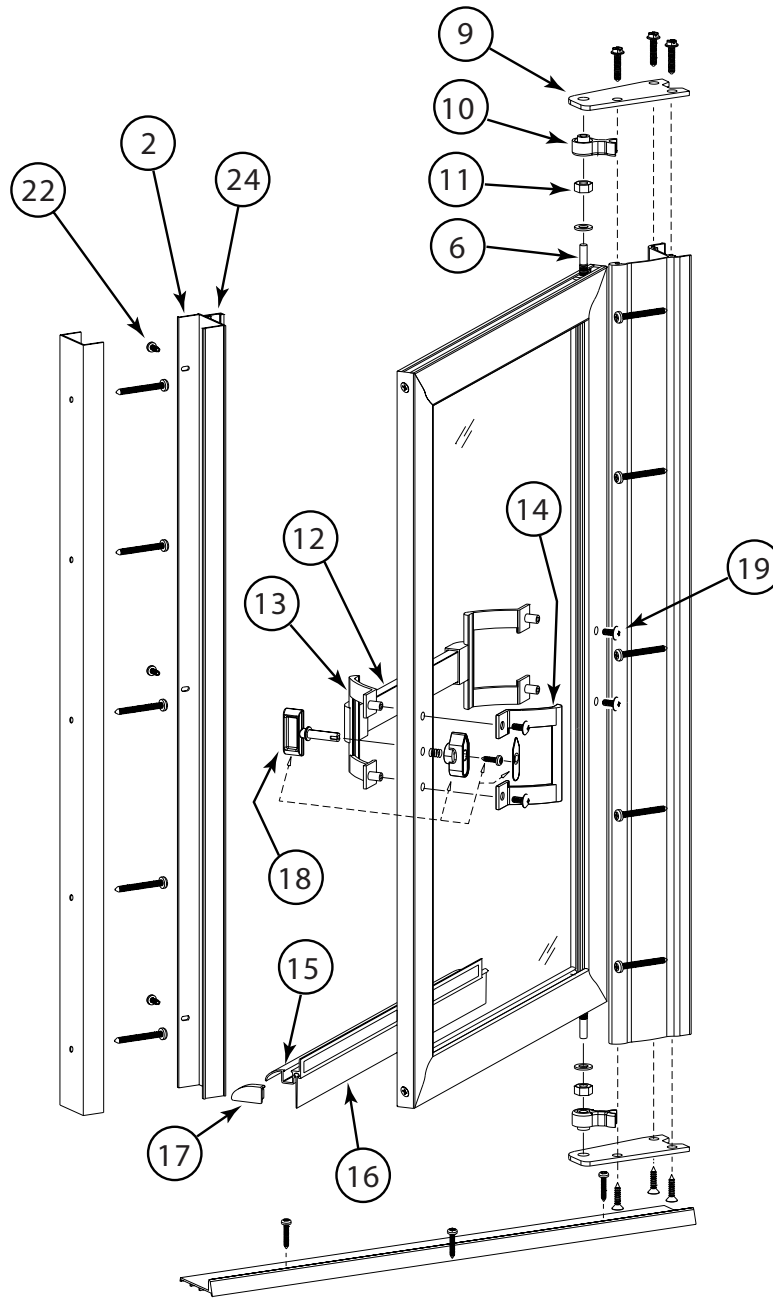
**INTERIOR FINISH GROUP (CONTINUED)**  
**INTERIOR TRIM LAYOUT (CONTINUED)**



| KEY | PART NUMBER   | U/M | DESCRIPTION  |
|-----|---------------|-----|--|
| 1   | 125136-02-000 | EA  | DETECTOR/CO - GAS MODEL - 9 VOLT                           |
| 2   | 120134-01-02A | EA  | REGISTER - W/DAMPER - 4" PIPE/6.4" O.D. FACE - WHITE       |
| 3   | 072852-01-000 | EA  | DETECTOR - SMOKE - W/9 VOLT BATTERY - US                   |
| 3   | 072852-02-000 | EA  | DETECTOR - SMOKE - W/9 VOLT BATTERY - <b>CANADIAN</b>      |
| 3   | 077956-01-000 | EA  | LABEL - WARNING/SMOKE DETECTOR                             |
| 4*  | 131595-01-01A | EA  | DOOR/FOLDING-36.9"X 74.9"-4 CEILING BRKTS & STRAIGHT TRACK |
| 4   | 131595-02-01A | EA  | TRACK - DOOR - CURVED ENDS - 28.6"                         |

**\*COMPONENT PARTS LISTED LATER IN THIS GROUP**

**INTERIOR FINISH GROUP (CONTINUED)**  
**COMPONENT PARTS FOR INTERIOR TRIM LAYOUT**



089318-05-000

| KEY | PART NUMBER   | U/M | DESCRIPTION                  | VENDOR NO.        |
|-----|---------------|-----|------------------------------|-------------------|
| 2   | 147577-01-700 | EA  | STRIKE-JAMB-W/MAGNETIC STRIP | 150B              |
| 6   | 089318-01-704 | EA  | BOLT-PIVOT, TOP OR BOTTOM    | 1428B             |
| 9   | 089318-01-706 | EA  | PLATE - PIVOT (UPPER/LOWER)  | 796B-BRT SLV      |
| 10  | 089318-01-702 | EA  | BUSHING W/ARM, LOWER         | 18712A            |
| 11  | 131618-01-703 | EA  | PIVOT NUT                    | 1428N             |
| 12  | 147577-01-708 | EA  | BAR - TOWEL - 17 5/16"       | 68B               |
| 13  | 147577-01-701 | EA  | BRACKET-DOOR PULL/TOWEL BAR  | 8141B=BRT SLV-CHR |
| 14  | 147577-01-702 | EA  | BRACKET/DOOR PULL-W/O STUDS  | 8149B             |
| 15  | 147577-01-704 | EA  | DRIP - RAIL - (SWEEP)        | 927B              |
| 16  | 089318-01-701 | FT  | SWEEP-VINYL-1 1/8"W          | C171 500FT RL     |
| 17  | 089318-05-700 | EA  | PLUG - DRIP CAP (SET)        | DCP2              |
| 18  | 089318-01-707 | EA  | LATCH/CATCH-TURN-SAFETY-BLK  | 9730N             |
| 19  | 147577-01-706 | EA  | SCREW - F/TOWEL BAR          | 83212B            |
| 22  | 147577-01-703 | EA  | SCREW - #6X3/8"              | 638B              |
| 24  | 147577-01-705 | EA  | STRIP - MAGNETIC - 66"       | 98-41             |

CONTACT WINNEBAGO PART SALES FOR UNLISTED COMPONENT(S)

**INTERIOR FINISH GROUP (CONTINUED)**  
**COMPONENT PARTS FOR INTERIOR TRIM LAYOUT (CONTINUED)**

131595-01-01A, 131595-05-01A, 131595-10-01A, 131595-13-01A

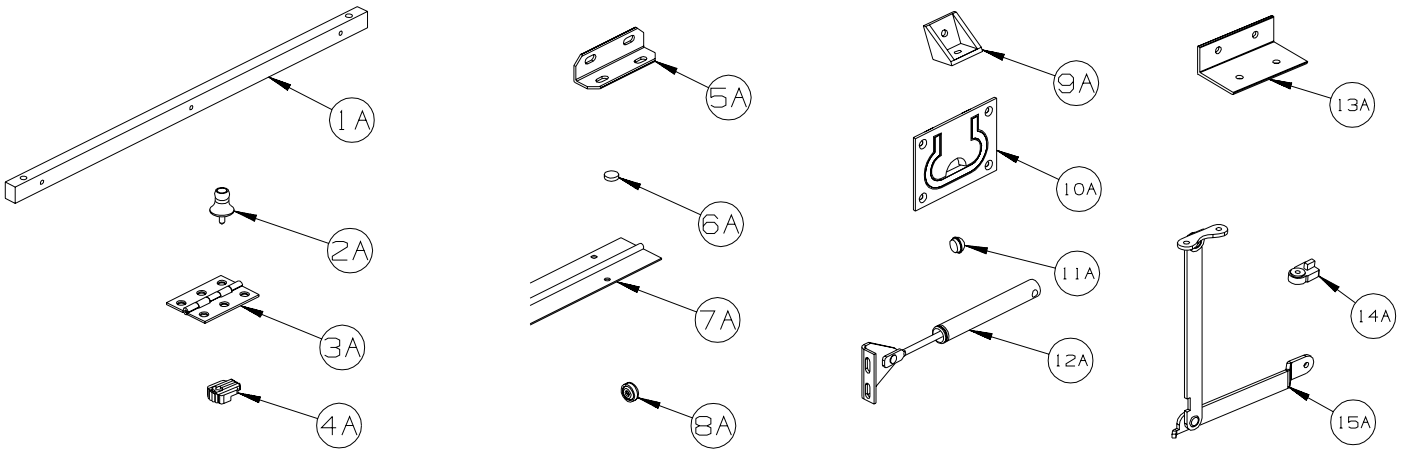
| KEY | PART NUMBER   | U/M | DESCRIPTION          | VENDOR NO. |
|-----|---------------|-----|----------------------|------------|
|     | 117431-01-707 | EA  | BALL CATCH - PLASTIC |            |
|     | 131595-01-700 | EA  | END STOP ONLY        |            |
|     | 131595-01-701 | EA  | BRACKET/MOUNTING     | 908956     |
|     | 131595-01-702 | EA  | TRACK/STRAIGHT - 37" |            |

**FLOOR COVERINGS**

| KEY | PART NUMBER   | U/M | DESCRIPTION   |
|-----|---------------|-----|---|
|     | 042720-41-000 | SY  | VINYL - FLOOR COVERING - CALAY/#69325                             |
|     | 075233-01-000 | SY  | PAD - CARPET - 3/8" X 6'W ROLL - SOLD BY THE SQUARE YARD          |
|     | 089275-02-000 | FT  | STRIP - 3/4" X 84" BLACK POLYETHYLENE                             |
|     | 093486-01-000 | SY  | CARPET - COMPARTMENT - 72" WIDE - DARK GRAY                       |
|     | 152251-05-07A | SY  | CARPET - 4 SQUARE YARD INCREMENTS - RAFFIA (W21, W22)             |
|     | 152251-05-08A | SY  | CARPET - 4 SQUARE YARD INCREMENTS - CORDWOOD (W23, W24, W25, W26) |

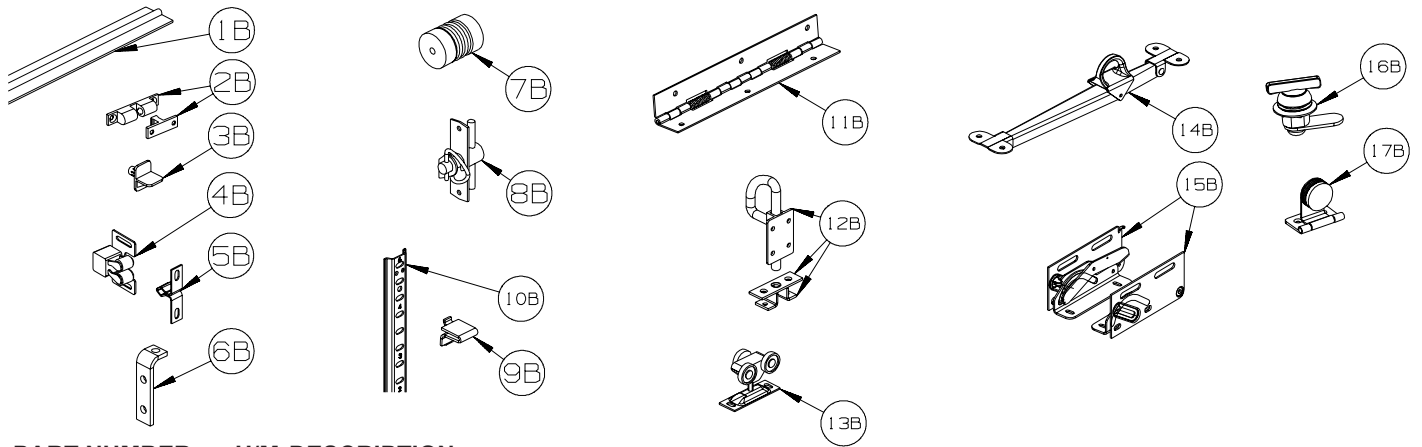
## INTERIOR FINISH GROUP (CONTINUED)

### HARDWARE



| KEY | PART NUMBER   | U/M | DESCRIPTION   |
|-----|---------------|-----|---|
| 1A  | P34509-01-P14 | EA  | RAIL END - RH/LH - TOWEL RACK - CONCERT CHERRY                  |
| 1A  | P34509-01-J70 | EA  | RAIL END - RH/LH - TOWEL RACK - WASHED MAPLE                    |
| 1A  | P34509-01-RE0 | EA  | RAIL END - RH/LH - TOWEL RACK - HONEY CHERRY                    |
| 1A  | P34509-01-SA3 | EA  | RAIL END - RH/LH - TOWEL RACK - SIERRA MAPLE                    |
| 2A  | 009013-01-000 | EA  | CATCH - BULLDOG - MALE/FEMALE                                   |
| 3A  | 009059-01-000 | EA  | HINGE - DOOR - 2" X 1.4" - BRASS                                |
| 3A  | 009059-02-000 | EA  | HINGE - DOOR - 2" X 2.7" - BRASS                                |
| 3A  | 009059-03-000 | EA  | HINGE - BRASS - 1.75"   |
| 3A  | 009059-04-000 | EA  | HINGE - 2" - ZINC   |
| 4A  | 009089-01-000 | EA  | CLIP - MIRROR   |
| 5A  | 016604-01-000 | EA  | BRACE - ANGLE - 2 1/2" - UNPAINTED METAL                        |
| 5A  | 016604-05-000 | EA  | BRACE - ANGLE - 2 1/2" - OFF WHITE METAL                        |
| 5A  | 016604-10-000 | EA  | BRACE - SEAT ANGLE - 2.5" - BLACK                               |
| 6A  | 023320-01-000 | EA  | PAD - FELT 3/8" DIAMETER  |
| 7A  | 041389-19-000 | EA  | HINGE - PIANO - 1 1/2" X 71.9" - UNPAINTED                      |
| 7A  | 041389-25-000 | EA  | HINGE - PIANO - 1 1/2" X 55" - UNPAINTED                        |
| 7A  | 041389-32-000 | EA  | HINGE - PIANO - 68" - OFF WHITE                                 |
| 8A  | 166569-01-02A | EA  | COVER - SCREW - #8 - BRIGHT WHITE                               |
| 8A  | 166569-01-03A | EA  | COVER - SCREW - #8 - SOFT WHITE                                 |
| 8A  | 166569-01-04A | EA  | COVER - SCREW - #8 - CREAM                                      |
| 9A  | 065740-01-000 | EA  | BRACE - CABINET/CORNER - PLASTIC                                |
| 10A | 072871-01-000 | EA  | PULL - FLUSH - CHROME   |
| 11A | 074045-13-000 | EA  | PLUG - 3/8" DOWEL-1/2" HEAD - PORTSMOUTH OAK                    |
| 11A | 074045-08-000 | EA  | PLUG - 3/8" DOWEL-1/2" HEAD - OAK/SALEM CHERRY - CONCERT CHERRY |
| 11A | 074045-12-000 | EA  | PLUG - 3/8" DOWEL-1/2" HEAD - WASHED MAPLE                      |
| 11A | 074045-14-000 | EA  | PLUG - 3/8" DOWEL-1/2" HEAD - HONEY CHERRY                      |
| 11A | 074045-15-000 | EA  | PLUG - 3/8" DOWEL-1/2" HEAD - SIERRA MAPLE                      |
| 12A | 074493-02-000 | EA  | SUPPORT/PISTON SPRING - CABINET DOOR - 26 LBS                   |
| 12A | 074493-03-000 | EA  | SUPPORT/PISTON SPRING - CABINET DOOR - 12 LBS                   |
| 13A | 156732-01-01A | EA  | BRACE - ANGLE/COUCH - 2.5" - MILL                               |
| 13A | 156732-01-02A | EA  | BRACE - ANGLE/COUCH - 2.5" - OFF WHITE                          |
| 13A | 156732-03-01A | EA  | BRACE - ANGLE/COUCH - BLACK                                     |
| 14A | 083204-03-000 | EA  | BUTTON - RETAINING MIRROR 5/16" TIP                             |
| 15A | 084412-01-000 | EA  | SUPPORT/HINGE KIT (LEFT & RIGHT HINGES)                         |

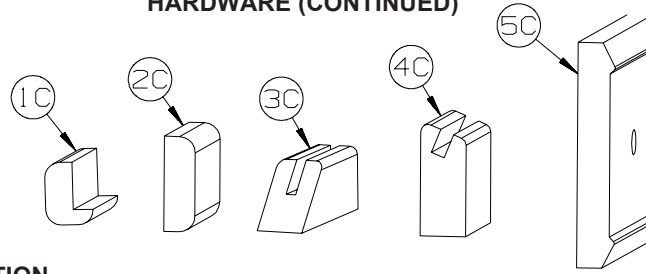
**INTERIOR FINISH GROUP (CONTINUED)**  
**HARDWARE (CONTINUED)**



| KEY | PART NUMBER   | U/M | DESCRIPTION   |
|-----|---------------|-----|---|
| 1B  | 084413-01-000 | EA  | HINGE - 1" X 72" - ALUMINUM - W/HOLES                     |
| 2B  | 084451-01-000 | EA  | CATCH & LATCH - 1.7" - BRASS                              |
| 3B  | 092907-01-000 | EA  | SUPPORT - SHELF - PIN - 1/4" - CLEAR PLASTIC              |
| 4B  | 093586-03-000 | EA  | CATCH - SPRING ROLLER - .377"                             |
| 4B  | 093586-06-000 | EA  | CATCH - W/STRIKE - SPRING ROLLER .236"/SPRINT STEEL .943" |
| 5B  | 093586-04-000 | EA  | STRIKE - SPRING STEEL - 1.14"                             |
| 6B  | 096826-01-01A | EA  | BRACE - CABINET - 2" - E-COATED                           |
| 6B  | 096826-02-01A | EA  | BRACE - CABINET - 1" - E-COATED                           |
| 7B  | 097872-04-000 | EA  | DOWEL - WOOD - 1" DIAMETER X 1.38" LONG - UNFINISHED      |
| 8B  | 098196-01-000 | EA  | LATCH - 1/4 TURN - T-BAR                                  |
| 9B  | 098979-01-000 | EA  | CLIP - ADJUSTABLE SHELF                                   |
| 10B | 098980-01-000 | EA  | PILASTER - ADJUSTABLE SHELF - 18"                         |
| 10B | 098980-02-000 | EA  | PILASTER - ADJUSTABLE SHELF - 12"                         |
| 10B | 098980-03-000 | EA  | PILASTER - ADJUSTABLE SHELF - 9"                          |
| 10B | 098980-04-000 | EA  | PILASTER - ADJUSTABLE SHELF - 48"                         |
| 10B | 098980-05-000 | EA  | PILASTER - ADJUSTABLE SHELF - 15"                         |
| 10B | 098980-06-000 | EA  | PILASTER - ADJUSTABLE SHELF - 24"                         |
| 11B | 102920-01-02A | EA  | HINGE - SPRING LOADED - NICKEL                            |
| 11B | 129753-01-01A | EA  | HINGE - SPRING LOADED - 19" X 19" - BLACK                 |
| 12B | 103256-01-000 | EA  | LATCH COMPLETE (SLIDE)                                    |
| 13B | 103874-01-000 | EA  | HANGER - SLIDING DOOR                                     |
| 14B | 104181-01-01A | EA  | SUPPORT - LEAF 5.3" EXTENDS TO 7.5" - SAFETY RING - METAL |
| 15B | 108126-01-000 | EA  | TRAY HINGE SET (QTY. 2 PER SET)                           |
| 16B | 100710-01-02A | EA  | LOCK - GLASS DOOR/TWIST TYPE - NICKEL                     |
| 17B | 100711-01-02A | EA  | HINGE - GLASS DOOR - BLACK                                |

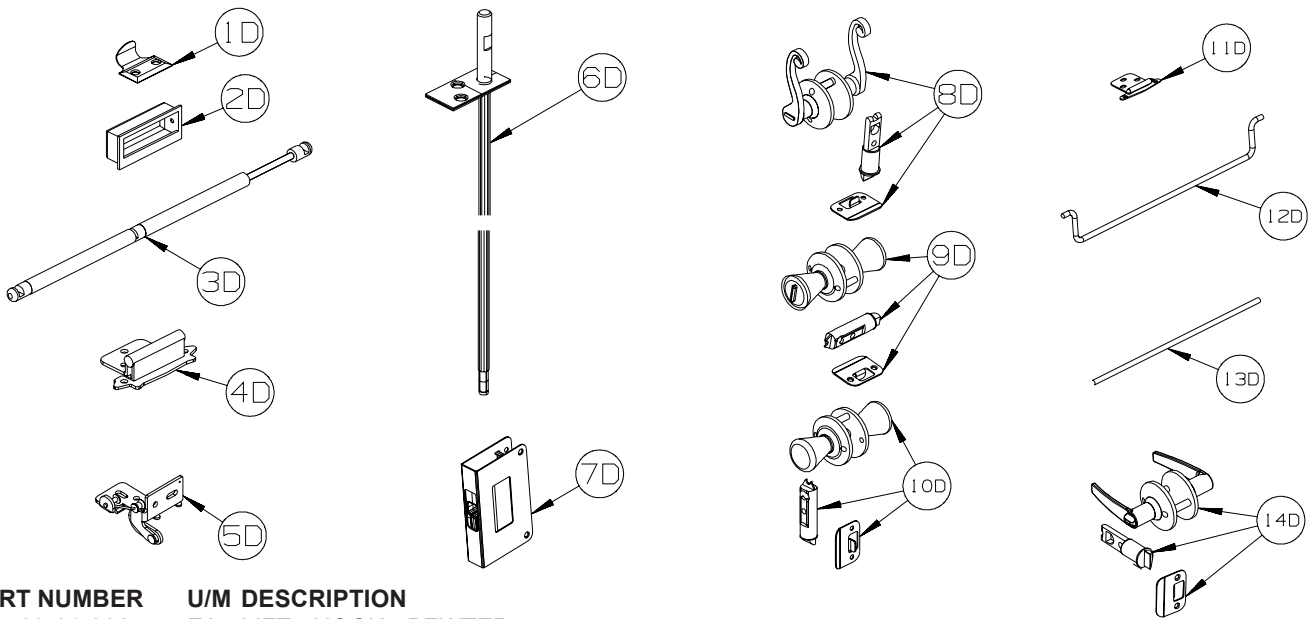


**INTERIOR FINISH GROUP (CONTINUED)**  
**HARDWARE (CONTINUED)**



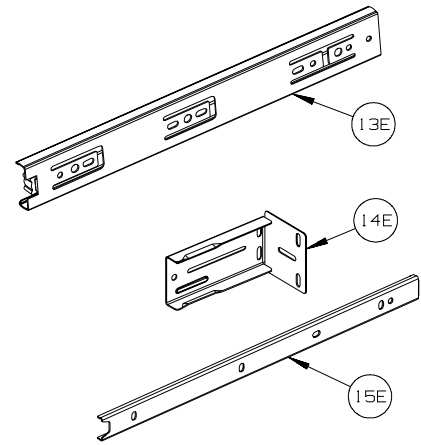
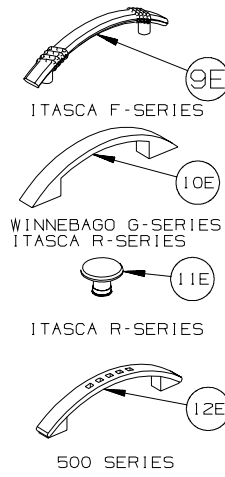
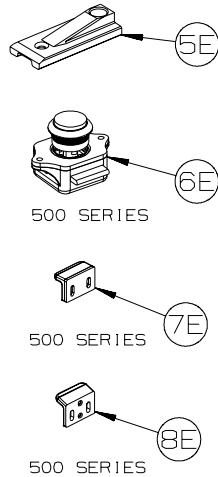
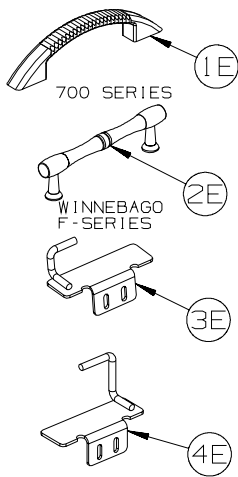
| KEY | PART NUMBER   | U/M | DESCRIPTION  |
|-----|---------------|-----|--|
| 1C  | 110496-01-02A | EA  | HINGE - NICKEL - 2" X 32"                                  |
| 1C  | 110496-06-02A | EA  | HINGE - NICKEL - 2" X 9.5"                                 |
| 1C  | 158921-01-04B | EA  | HINGE - PIANO - TRUNK DOOR - 2" X 21.9" - BLACK            |
| 2C  | 111866-01-02A | EA  | BRACE - SEAT - ANGLE - OFF WHITE                           |
| 3C  | 114443-02-01A | EA  | HINGE - CABINET DOOR - W/O CLIP - SILVER                   |
| 4C  | 114443-03-01A | EA  | CLIP - HINGE/CABINET DOOR - SILVER                         |
| 5C  | 117095-02-01A | EA  | LATCH - DOOR - GRABBER W/KEEPER - PLASTIC - BLK-10 LB PULL |
| 5C  | 117095-03-01A | EA  | LATCH - DOOR - GRABBER W/KEEPER - PLASTIC - BLK-15 LB PULL |
| 6C  | 118200-01-01A | SF  | MESH - PLASTIC 1/2" - 48" X LENGTH = SF - BLACK            |
| 7C  | 122717-06-01A | FT  | PAD - NON-SKID - PSA - 5"W                                 |
| 8C  | 126263-06-02B | EA  | BRACKET - GAS SPRING W/INSIDE BALL STUD - E-COATED         |
| 9C  | 126263-05-02B | EA  | BRACKET - GAS SPRING W/BALL STUD - E-COATED                |
| 9C  | 126263-08-02B | EA  | BRACKET - GAS SPRING W/CENTERED BALL STUD - E-COATED       |
| 10C | 130798-01-02B | EA  | GUIDE - POCKET DOOR - E-COATED                             |
| 11C | 134099-01-02A | EA  | HINGE - PIANO - WRAP AROUND - 15.7" - NICKEL PLATED        |
| 12C | 135538-03-02A | EA  | HINGE - PIANO - FULL WRAP - 15.7" - CHROME                 |
| 12C | 135538-07-02A | EA  | HINGE - PIANO - FULL WRAP - 9.8" - CHROME                  |
| 13C | 137445-03-T78 | EA  | STOP - F/SLIDING DOOR - CONCERT CHERRY                     |
| 13C | 137445-03-T79 | EA  | STOP - F/SLIDING DOOR - WASHED MAPLE                       |
| 13C | 137445-03-T80 | EA  | STOP - F/SLIDING DOOR - SIERRA MAPLE                       |

**INTERIOR FINISH GROUP (CONTINUED)**  
**HARDWARE (CONTINUED)**



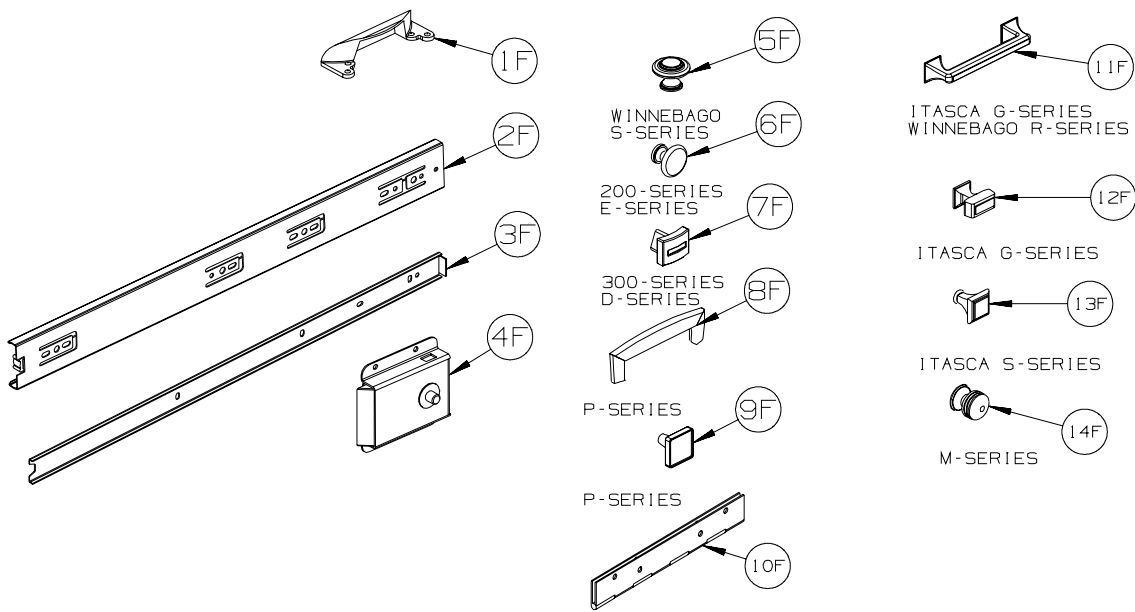
| KEY | PART NUMBER   | U/M | DESCRIPTION  |
|-----|---------------|-----|--|
| 1D  | 137463-01-02A | EA  | LIFT - HOOK - PEWTER                                       |
| 2D  | 139136-02-02A | EA  | HANDLE - .35" RECESSED - PEWTER                            |
| 3D  | 142569-07-000 | EA  | SPRING/GAS - 20 LB - 20" EXTENDED/12" COMPRESSED           |
| 3D  | 142569-15-000 | EA  | SPRING/GAS - 120 LB - 20" EXTENDED/12" COMPRESSED          |
| 3D  | 142569-16-000 | EA  | SPRING/GAS - 90 LB - 20" EXTENDED/12" COMPRESSED           |
| 3D  | 142569-29-000 | EA  | SPRING/GAS - 20 LB - 9.9" EXTENDED/5.9" COMPRESSED         |
| 3D  | 142569-31-000 | EA  | SPRING/GAS - 30 LB - 11.8" EXTENDED/7.3" COMPRESSED        |
| 4D  | 143468-02-03A | EA  | HINGE - SELF CLOSING - SATIN NICKEL                        |
| 4D  | 143468-02-04A | EA  | HINGE - SELF CLOSING - OIL RUBBED BRONZE                   |
| 4D  | 143468-02-05A | EA  | HINGE - SELF CLOSING - RUSTIC BRASS                        |
| 5D  | 144488-01-01A | EA  | HINGE - CABINET - ANTIQUE BRASS                            |
| 5D  | 144488-01-02A | EA  | HINGE - CABINET - NICKEL                                   |
| 6D  | 145939-05-02A | EA  | ROD/LATCH - AISLE DOOR - NICKEL                            |
| 7D  | 145939-04-02A | EA  | LATCH/SLIDE - AISLE DOOR(1" THICK DOOR)-NICKEL/BLACK SLIDE |
| 7D  | 145939-04-03A | EA  | LATCH/SLIDE - AISLE DOOR(1" THICK DOOR)-OIL RUBBED BRONZE  |
| 8D  | 146064-01-02A | EA  | LOCK/PRIVACY (LOCKING) LEVER STYLE - SATIN PEWTER          |
| 8D  | 146064-02-02A | EA  | LOCK/PASSAGE (NON LOCKING) LEVER STYLE - PEWTER            |
| 9D  | 146064-05-01A | EA  | LOCK/PRIVACY (LOCKING) "TULIP" STYLE KNOB - SATIN NICKEL   |
| 10D | 146064-06-01A | EA  | LOCK/PASSAGE (NON LOCKING) "TULIP" STYLE KNOB-SATIN NICKEL |
| 11D | 146553-01-03A | EA  | HINGE - CABINET DOOR - SATIN NICKEL                        |
| 12D | 146801-01-02A | EA  | ROD/TOWEL BAR (OFFSET) - PEWTER                            |
| 13D | 146840-03-02A | EA  | ROD - .25" X 11.7" - PEWTER                                |
| 13D | 146840-04-02A | EA  | ROD - .25" X 13.1" - PEWTER                                |
| 14D | 146064-08-01A | EA  | LOCK/PASSAGE (NON LOCKING) LEVER STYLE - SATIN NICKEL      |
| 14D | 146064-07-01A | EA  | LOCK/PRIVACY (LOCKING) LEVER STYLE - SATIN NICKEL          |

## INTERIOR FINISH GROUP (CONTINUED) HARDWARE (CONTINUED)



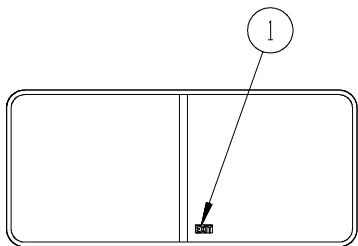
| KEY | PART NUMBER   | U/M | DESCRIPTION   |
|-----|---------------|-----|---|
| 1E  | 148816-01-02A | EA  | PULL - CABINET DOOR - NICKEL - <b>ASPECT, CAMBRIA 700-SERIES/ADVENTURER LIMITED EDITION</b> |
| 2E  | 149090-01-02A | EA  | PULL - CABINET DOOR - NICKEL - <b>VOYAGE F-SERIES</b>                                       |
| 3E  | 149607-01-02B | EA  | GUIDE - F/POCKET DOOR - 1.6" BENT ROD - E-COATED  |
| 3E  | 149607-03-02B | EA  | GUIDE - F/POCKET DOOR - 2.9" BENT ROD - E-COATED  |
| 4E  | 149607-04-02B | EA  | GUIDE - F/POCKET DOOR - E-COATED  |
| 5E  | 150983-01-01A | EA  | STRIKE/BLOCK - WEDGE STYLE - F/SLIDE DOOR - 3" X 1.2" - BLACK                               |
| 6E  | 151380-01-01A | EA  | LATCH - CBNT DR - PUSH BTN - <b>VIEW &amp; NAVION 500-SERIES</b>                            |
| 6E  | 151380-01-02A | EA  | LATCH - CABINET DOOR - PUSH BUTTON - BLACK - <b>TOUR &amp; ELLIPSE R-SERIES</b>             |
| 7E  | 151380-02-01A | EA  | STRIKE - CABINET DOOR - <b>VIEW &amp; NAVION 500-SERIES</b>                                 |
| 8E  | 151380-03-01A | EA  | STRIKE - CABINET DOOR - <b>VIEW &amp; NAVION 500-SERIES</b>                                 |
| 9E  | 152302-01-01A | EA  | PULL - CABINET DOOR - SATIN NICKEL - <b>SUNRISE F-SERIES</b>                                |
| 10E | 152304-01-01A | EA  | PULL - CABINET DOOR - BRONZE- <b>ADVENTURER G-SERIES, ELLIPSE R-SERIES</b>                  |
| 11E | 152305-01-01A | EA  | KNOB - DOOR/DRAWER - BRONZE - <b>ELLIPSE R-SERIES</b>                                       |
| 12E | 152950-01-01A | EA  | PULL - DOOR/DRAWER - BRUSHED NICKEL - <b>VIEW &amp; NAVION 500-SERIES</b>                   |
| 13E | 153000-01-01A | EA  | SLIDE - CABINET MOUNT - 11.8"   |
| 13E | 153000-03-01A | EA  | SLIDE - CABINET MOUNT - 13.8"   |
| 13E | 153000-05-01A | EA  | SLIDE - CABINET MOUNT - 15.7"   |
| 13E | 153000-07-01A | EA  | SLIDE - CABINET MOUNT - 17.7"   |
| 13E | 153000-09-01A | EA  | SLIDE - CABINET MOUNT - 19.7"   |
| 13E | 153000-11-01A | EA  | SLIDE - CABINET MOUNT - 21.6"   |
| 13E | 153000-14-01A | EA  | SLIDE - CABINET MOUNT - 23.6"   |
| 13E | 153000-16-01A | EA  | SLIDE - CABINET MOUNT - 7.9"  |
| 13E | 153000-18-01A | EA  | SLIDE - CABINET MOUNT - 9.8"  |
| 13E | 153000-20-01A | EA  | SLIDE - CABINET MOUNT - 25.6"   |
| 14E | 153000-13-01A | EA  | BACKSOCKET - DRAWER SLIDE   |
| 15E | 153000-02-01A | EA  | SLIDE - DRAWER MOUNT - 11.8"  |
| 15E | 153000-04-01A | EA  | SLIDE - DRAWER MOUNT - 13.8"  |
| 15E | 153000-06-01A | EA  | SLIDE - DRAWER MOUNT - 15.7"  |
| 15E | 153000-08-01A | EA  | SLIDE - DRAWER MOUNT - 17.7"  |
| 15E | 153000-10-01A | EA  | SLIDE - DRAWER MOUNT - 19.7"  |
| 15E | 153000-12-01A | EA  | SLIDE - DRAWER MOUNT - 21.6"  |
| 15E | 153000-15-01A | EA  | SLIDE - DRAWER MOUNT - 23.4"  |
| 15E | 153000-17-01A | EA  | SLIDE - DRAWER MOUNT - 7.7"   |
| 15E | 153000-19-01A | EA  | SLIDE - DRAWER MOUNT - 9.6"   |
| 15E | 153000-21-01A | EA  | SLIDE - DRAWER MOUNT - 25.4"  |

**INTERIOR FINISH GROUP (CONTINUED)**  
**HARDWARE (CONTINUED)**

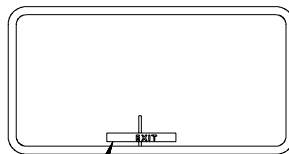


| KEY | PART NUMBER   | U/M | DESCRIPTION   |
|-----|---------------|-----|---|
| 1F  | 153308-01-01A | EA  | PULL - VANITY STOOL - SATIN NICKEL  |
| 2F  | 153352-01-01A | EA  | SLIDE - PANTRY - 19.7" - CABINET MOUNT  |
| 3F  | 153352-02-01A | EA  | SLIDE - PANTRY - 19.5" - DRAWER MOUNT   |
| 4F  | 153353-01-01A | EA  | LATCH - SLIDING/FLUSH - BLACK   |
| 5F  | 155803-01-01A | EA  | KNOB CABINET DOOR - WROUGHT IRON - <b>VECTRA S-SERIES</b>   |
| 6F  | 155925-01-01A | EA  | KNOB - DOOR/DRW - SATIN NICKEL - <b>ACCESS &amp; IMPULSE 200-SERIES/ VISTA &amp; SUNSTAR E-SERIES</b> |
| 7F  | 156579-01-01A | EA  | KNOB - DOOR/DRW - PEWTER - <b>OUTLOOK &amp; SPIRIT 300-SERIES/ SIGHTSEER &amp; SUNOVA D-SERIES</b>    |
| 8F  | 157246-01-01A | EA  | PULL - CABINET DOOR/DRAWER - SATIN NICKEL - <b>JOURNEY &amp; MERIDIAN P-SERIES</b>                    |
| 9F  | 157246-02-01A | EA  | KNOB - CABINET DOOR/DRAWER-SATIN NICKEL - <b>JOURNEY &amp; MERIDIAN P-SERIES</b>                      |
| 10F | 158982-01-04B | EA  | HINGE - CONTINUOUS - 2" X 8" - BLACK  |
| 10F | 158982-01-01A | EA  | HINGE - CONTINUOUS - 2" X 8" - ZINC   |
| 11F | 162033-01-01A | EA  | PULL - CABINET DOOR - BRUSHED NICKEL - <b>SUNCRUISER G-SERIES, TOUR R-SERIES</b>                      |
| 12F | 162033-02-01A | EA  | KNOB - CABINET DOOR - BRUSHED NICKEL - <b>SUNCRUISER G-SERIES</b>                                     |
| 13F | 162518-01-01A | EA  | KNOB - DOOR/DRAWER - SATIN NICKEL - <b>HORIZON S-SERIES</b>   |
| 14F | 163095-01-01A | EA  | KNOB - CABINET DOOR - SATIN NICKEL - <b>DESTINATION &amp; LATTITUDE M-SERIES</b>                      |

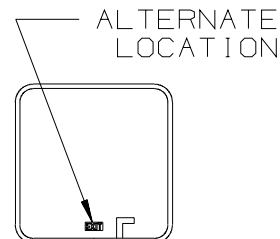
## LABELS GROUP



ALTERNATE  
LOCATION

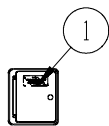


2

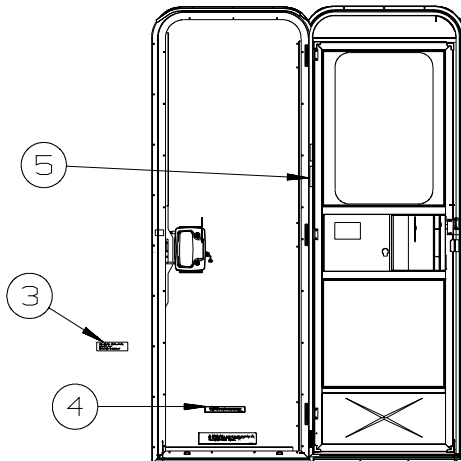
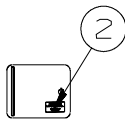


1

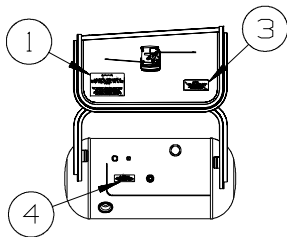
| KEY | PART NUMBER   | U/M DESCRIPTION               |
|-----|---------------|-------------------------------|
| 1   | 039290-01-000 | EA LABEL - WARNING - EXIT     |
| 2   | 107571-01-000 | EA LABEL - EXIT/ESCAPE WINDOW |



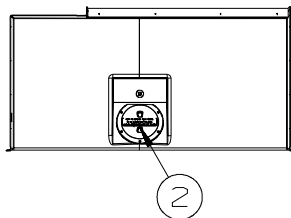
(LOCATE ON OUTSIDE  
OF FUEL FILL DOOR)



| KEY | PART NUMBER   | U/M DESCRIPTION   |
|-----|---------------|---|
| 1   | 124519-01-01A | EA LABEL - WARNING/REFUELING - BLACK ON CLEAR                   |
| 1   | 124519-02-01A | EA LABEL - WARNING/REFUELING - BLACK ON CLEAR - <b>CANADIAN</b> |
| 2   | 125306-01-01A | EA LABEL - ELECTRICAL ENTRANCE - 110V 30 AMP - BLACK ON CLEAR   |
| 3   | 099509-01-000 | EA LABEL - AWNING INSTALLATION                                  |
| 4   | 065748-01-000 | EA LABEL - WARNING - BATTERY CHARGING - UL                      |
| 4   | 065748-02-000 | EA LABEL - WARNING - BATTERY CHARGING - <b>CANADIAN</b>         |
| 5   | 135869-01-01A | EA LABEL - MERCURY CONTENT - BLACK ON CLEAR                     |



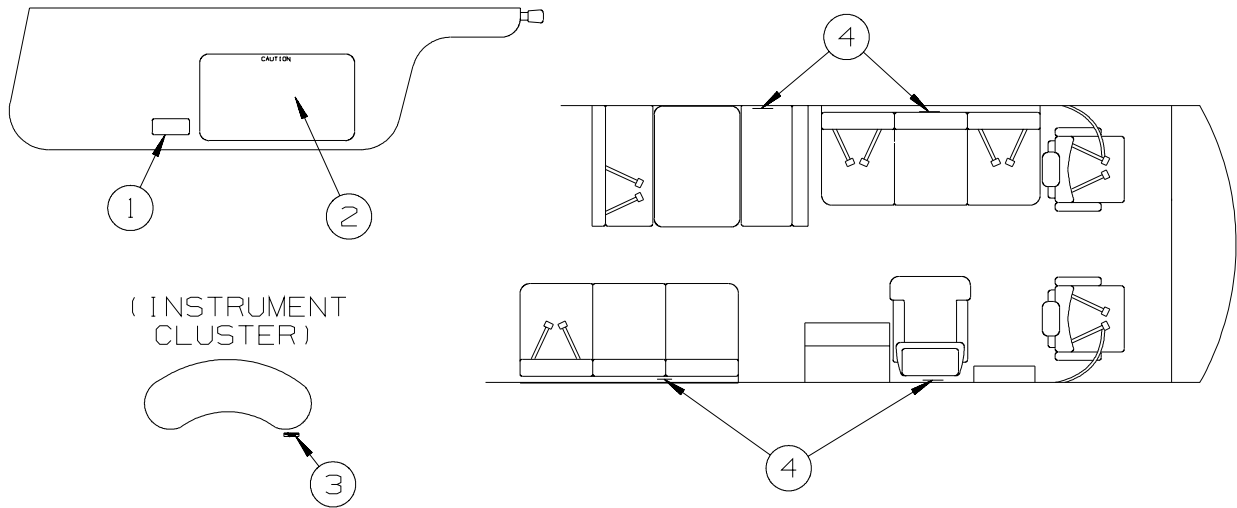
(DRAINAGE  
COMPARTMENT)



| KEY | PART NUMBER   | U/M DESCRIPTION   |
|-----|---------------|---|
| 1   | 124520-01-01A | EA LABEL - LP GAS ONLY - BLACK ON CLEAR                         |
| 1   | 023769-01-000 | EA LABEL - WARNING - LPG - <b>CANADIAN</b>                      |
| 2   | 123562-01-000 | EA LABEL - SERVICE/UTILITY ACCESS                               |
| 3   | 124519-01-01A | EA LABEL - WARNING/REFUELING - BLACK ON CLEAR                   |
| 3   | 124519-02-01A | EA LABEL - WARNING/REFUELING - BLACK ON CLEAR - <b>CANADIAN</b> |
| 4   | 079965-01-000 | EA LABEL - LPG - 80% CAPACITY                                   |

## LABELS GROUP (CONTINUED)

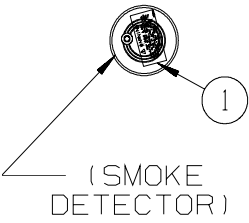
(LABELS SHALL BE LOCATED  
ON OPPOSITE SIDE OF VISOR  
THAT THE AIR BAG LABEL IS  
INSTALLED ON)



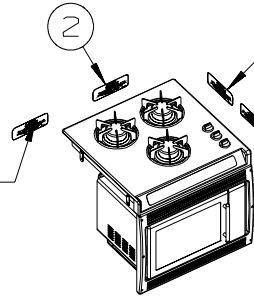
| KEY | PART NUMBER   | U/M DESCRIPTION  |
|-----|---------------|--|
|     | 136360-01-01A | EA LABEL - AIR BAGS  |
|     | 136360-02-01A | EA LABEL - AIR BAGS - BLACK/CLEAR                                      |
| 1   | 099689-01-000 | EA LABEL - WARNING - CANCER/TOXICITY                                   |
| 2   | 056259-01-000 | EA LABEL - SAFETY CHECK LIST   |
| 3   | 155692-01-02A | EA LABEL - ODOMETER - READ IN MILE - WHITE/CLEAR                       |
| 4   | 134538-01-01A | EA LABEL - OCCUPANCY - NO SEAT BELT - BLACK ON CLEAR - US              |
| 4   | 134538-02-01A | EA LABEL - OCCUPANCY - NO SEAT BELT - BLACK ON CLEAR - <b>CANADIAN</b> |

## LABELS GROUP (CONTINUED)

(LABEL NOT TO COVER SENSOR OPENING)

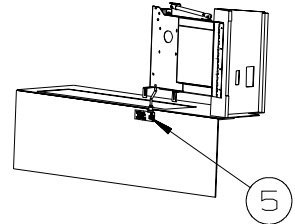
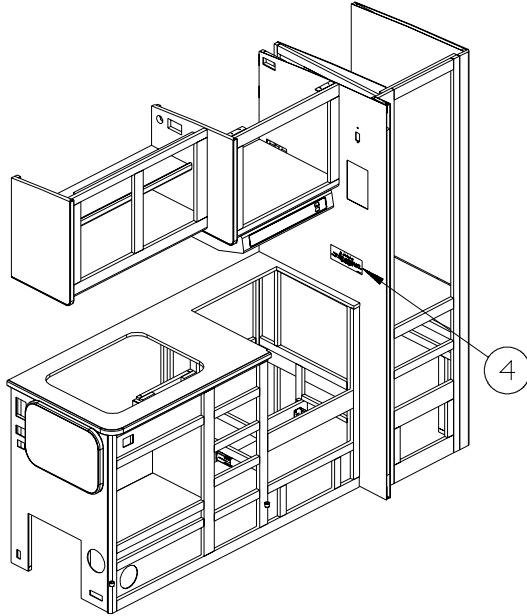
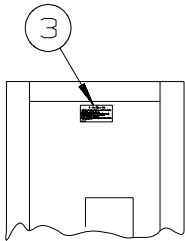


329B (ALTERNATE)  
(LOCATE TO LEFT OF BACKSPLASH)



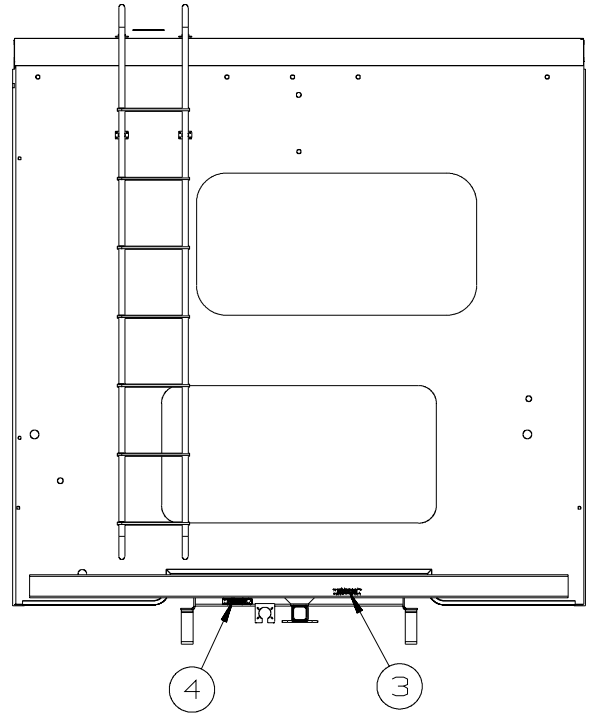
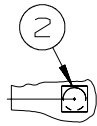
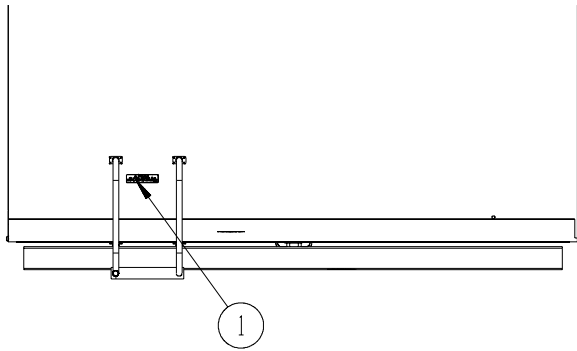
331H (ALTERNATE)  
(LOCATE ON SPLASH GUARD)

331C (ALTERNATE)  
(LOCATE BELOW MONITOR PANEL)

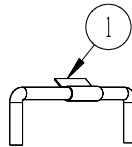


| KEY | PART NUMBER   | U/M | DESCRIPTION  |
|-----|---------------|-----|--|
| 1   | 077956-01-000 | EA  | LABEL - WARNING/SMOKE DETECTOR   |
| 2   | 134539-01-01A | EA  | LABEL - WARNING - STOVE/HEATING - US - BLACK ON CLEAR                    |
| 2   | 134540-01-01A | EA  | LABEL - WARNING - STOVE/HEATING - CSA - BLACK ON CLEAR - <b>CANADIAN</b> |
| 3   | 073998-01-000 | EA  | LABEL - LPG/ODOR WARNING   |
| 4   | 143911-01-01A | EA  | LABEL - CURTAIN SECUREMENT - BLACK ON CLEAR                              |
| 4   | 155196-01-01A | EA  | LABEL - CURTAIN SECUREMENT - BLACK ON CLEAR - <b>CANADIAN</b>            |
| 5   | 159837-01-01A | EA  | LABEL - CAUTION - SWINGOUT TV - BLACK/CLEAR/RED                          |

## LABELS GROUP (CONTINUED)

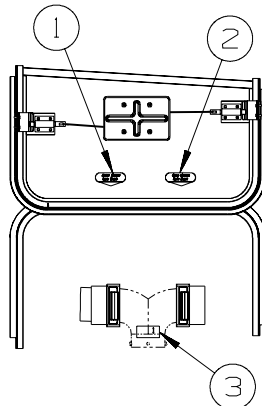


| KEY | PART NUMBER   | U/M | DESCRIPTION  |
|-----|---------------|-----|--|
| 1   | 163705-01-01A | EA  | LABEL - WARNING - ROOF SLIPPERY - BLACK ON WHITE   |
| 2   | 120431-01-000 | EA  | LABEL - LOCATION - COAXIAL CABLE/SATELLITE ANTENNA |
| 3   | 129669-01-02A | EA  | LABEL - HITCH/VEHICLE RATE - 350 - BLACK ON CLEAR  |
| 4   | 129669-01-01A | EA  | LABEL - HITCH/VEHICLE RATE - 350 - WHITE ON CLEAR  |



(PROP ROD  
ENTRANCE  
DOOR)

| KEY | PART NUMBER   | U/M | DESCRIPTION                   |
|-----|---------------|-----|-------------------------------|
| 1   | 128658-01-000 | EA  | LABEL - PROP ROD - ENTRY DOOR |



| KEY | PART NUMBER   | U/M | DESCRIPTION                               |
|-----|---------------|-----|---|
| 1   | 152543-03-01A | EA  | LABEL - BLACK WASTE                       |
| 2   | 152541-03-01A | EA  | LABEL - GRAY WASTE                        |
| 3   | 144649-01-01A | EA  | LABEL - ADJUSTABLE VALVE - WHITE ON CLEAR |



**LP GROUP**  
**LP SYSTEM**

| KEY | PART NUMBER   | U/M | DESCRIPTION  |
|-----|---------------|-----|--|
|     | 010329-01-000 | EA  | ADAPTER - 1/2"F X 1/2"MPT - BRASS                                |
|     | 010323-01-000 | EA  | ADAPTER - 3/8"F X 1/2"MPT - BRASS                                |
|     | 010326-01-000 | EA  | ADAPTER - FLARE - W/CONE GASKET - 3/8"F X 1/2"F                  |
|     | 024250-01-000 | EA  | ADAPTER - BRASS - 3/8"F X 1/2"FPT                                |
|     | 045703-03-000 | EA  | HOSE - LP - 3/8"ID X 18" - 3/8"MPT X 1/2"F SWIVEL - US           |
|     | 045703-12-000 | EA  | HOSE - LP - 3/8"ID X 18" - 3/8"MPT X 1/2"F SWIVEL - CANADIAN     |
|     | 045703-05-000 | EA  | HOSE - LP - 3/8"ID X 28" - 3/8"MPT X 1/2"F SWIVEL - US           |
|     | 045703-06-000 | EA  | HOSE - LP - 3/8"ID X 28" - 3/8"MPT X 1/2"F SWIVEL - CANADIAN     |
|     | 045703-14-000 | EA  | HOSE - LP - 3/8"ID X 157.5" - 1/2"F SWIVEL X 1/2"F SWIVEL        |
|     | 045703-22-000 | EA  | HOSE - LP - 3/8"ID X 60" - 1/2"F SWIVEL X 1/2"F SWVL US/CANADIAN |
|     | 010589-01-000 | EA  | NIPPLE - PIPE - 1/2" X 1 1/2" - BLACK                            |
|     | 010589-03-000 | EA  | NIPPLE - PIPE - 1/2" X 2 1/2" - BLACK                            |
|     | 010380-02-000 | EA  | NUT - 1/2" FLARE - FORGED - BRASS                                |
|     | 010377-02-000 | EA  | NUT - 3/8" FLARE - FORGED - BRASS                                |
|     | 106150-05-000 | EA  | REGULATOR - TWO STAGE  |
|     | 144485-01-000 | EA  | COVER - LP REGULATOR   |
| *   | 144116-04-000 | EA  | TANK - LP - 60 LB - 14"D X 29.75"L                               |
|     | 040440-02-000 | EA  | TRANSMITTER - DIAL/BOLT-ON - 0-90 OHM 2 TERM(POWER/GROUND)       |

\*COMPONENT PARTS LISTED LATER IN THIS GROUP

**COMPONENT PARTS FOR LP SYSTEM**

**144116-04-000**

| KEY | PART NUMBER   | U/M | DESCRIPTION                  | VENDOR NO.    |
|-----|---------------|-----|------------------------------|---------------|
|     | 040421-01-712 | EA  | VALVE-SERV. W/O VAPOR RELIEF | V20373/V21202 |
|     | 040421-01-713 | EA  | VALVE-RELIEF 1" W/SPRING 7"  | V12560/V21207 |
|     | 144116-01-700 | EA  | VALVE-OUTAGE(NO STEM REMOVE) | V20058        |
|     | 144116-01-701 | EA  | VALVE/FILL 80 % W/YELLOW CAP | V13414        |
|     | 144116-04-700 | EA  | FLOAT/SENDING UNIT W/O DIAL  | G11530        |
|     | 144116-04-701 | EA  | DIAL - TRANSMITER            | G12845        |

**SEALANTS & FASTENERS GROUP**  
**SEALANTS & ADHESIVES**

| <b>KEY</b> | <b>PART NUMBER</b> | <b>U/M</b> | <b>DESCRIPTION</b>   |
|------------|--------------------|------------|--|
|            | 010405-02-000      | EA         | TAPE - THREAD SEALING - 3/8"                               |
|            | 064075-07-000      | FT         | SEAL - BULB - W/WIRED U CHANNEL - .3" X .5" CHANNEL-BLACK  |
|            | 067788-01-000      | EA         | ADHESIVE - SPRAY - 3M - 19.5 OZ AEROSOL CAN                |
|            | 069640-01-000      | FT         | SEALER - RIBBON - 1/4"DIAMETER X 30 FT - BLACK OR GRAY     |
|            | 069640-02-000      | FT         | SEALER - TAPE - 1/8"THICK X 1/2"WIDE X 60 FT - GRAY        |
|            | 069640-03-000      | FT         | SEALER - TAPE - 1/8"THICK X 3/4"WIDE X 60 FT - BLACK       |
|            | 069640-07-000      | FT         | SEALER - TAPE - 3/32"THICK X 2"WIDE X 45 FT - GRAY         |
|            | 069640-09-000      | FT         | SEALER - TAPE - 1/32"THICK X 2 1/2"WIDE X 80 FT - BRT WHT  |
|            | 069640-10-000      | FT         | SEALER - TAPE - 1/32"THICK X 1 1/2"WIDE X 90 FT - GRAY     |
|            | 069640-11-000      | FT         | SEALER - TAPE - 3/16"THICK X 3/8"WIDE X 40 FT - BLACK      |
|            | 069640-13-000      | FT         | SEALER - TAPE - 3/32"THICK X 2"WIDE X 45 FT - BLACK        |
|            | 069640-14-000      | FT         | SEALER - TAPE - 1/16"THICK X 1"WIDE X 100 FT - BLACK       |
|            | 069640-15-000      | FT         | SEALER - TAPE - 1/16"THICK X 3/8"WIDE X 100 FT - BRT WHT   |
|            | 069640-17-000      | FT         | SEALER - TAPE - 1/32"THICK X 1"WIDE X 150 FT - GRAY        |
|            | 069640-18-000      | FT         | SEALER - TAPE - 1/8"THICK X 1/2"WIDE X 60 FT - BRT WHT     |
|            | 069640-19-000      | FT         | SEALER - TAPE - 1/8"THICK X 3/4"WIDE X 60 FT - BRT WHT     |
|            | 069640-20-000      | FT         | SEALER - TAPE - 1/8"THICK X 1/2"WIDE X 60 FT - BLACK       |
|            | 069640-21-000      | FT         | SEALER - TAPE - 1/16"THICK X 1/2"WIDE X 100 FT - BRT WHT   |
|            | 069640-22-000      | FT         | SEALER - TAPE - 1/32"THICK X 1/4"WIDE X 200 FT - BRT WHT   |
|            | 069640-23-000      | FT         | SEALER - TAPE - 1/16"THICK X 3/4"WIDE X 100 FT - BRT WHT   |
|            | 069640-27-000      | FT         | SEALER - TAPE - 1/16"THICK X 2 1/4"WIDE X 50 FT - BRT WHT  |
|            | 069640-28-000      | FT         | SEALER - TAPE - 1/32"THICK X 1 7/8"WIDE X 90 FT - GRAY     |
|            | 069640-30-000      | FT         | SEALER - TAPE - 1/32"THICK X 5/8"WIDE X 50 FT - GRAY       |
|            | 069640-31-000      | FT         | SEALER - TAPE - 1/4"THICK X 3/4"WIDE X 15 FT - BLACK       |
|            | 069640-32-000      | FT         | SEALER - TAPE - 1/16"THICK X 3/8"WIDE X 100 FT - BLACK     |
|            | 069640-33-000      | FT         | SEALER - RIBBON - 3/8"DIAMETER X 20 FT - BLACK             |
|            | 069640-34-000      | FT         | SEALER - RIBBON - 1/4"DIAMETER X 30 FT - BRIGHT WHITE      |
|            | 069640-36-000      | EA         | SEALER - TAPE - 1/16"THICK X 1/2"WIDE X 100 FT - BLACK     |
|            | 069640-37-000      | FT         | SEALER - TAPE - 1/16"THICK X 3/4"WIDE X 100 FT - BLACK     |
|            | 069640-38-000      | FT         | SEALER - TAPE - 1/16"THICK X 3/4"WIDE X 100 FT - BRT WHT   |
|            | 069640-39-000      | FT         | SEALER - TAPE - 1/16"THICK X 3"WIDE X 50 FT - BRT WHT      |
|            | 069640-40-000      | FT         | SEALER - TAPE - 1/16"THICK X 3"WIDE X 50 FT - BRT WHT      |
|            | 072889-28-000      | EA         | SEALANT/URETHANE-10 OZ TUBE W/NOZZLE-SELF LEVELING-BRT WHT |
|            | 072889-31-000      | EA         | SEALANT/URETHANE-10 OZ TUBE W/NOZZLE-SELF LEVELING - BLACK |
|            | 076322-02-000      | FT         | TAPE-DOUBLE COATED/ADHESIVE BK-.05"THK X 1"W X 108' - WHT  |
|            | 076322-03-000      | FT         | TAPE-DOUBLE COATED/ADHESIVE BK-.05"THK X .5"W X 108' - WHT |
|            | 076322-05-000      | FT         | TAPE-DOUBLE COATED/ADHESIVE BK-.05"THK X .8"W X 108' - WHT |
|            | 076322-07-000      | FT         | TAPE-DOUBLE COATED/ADHESIVE BK-.05"THK X .5"W X 200' - BLK |
|            | 076322-13-000      | FT         | TAPE - FOAM/DOUBLE COATED - .020"THK X .75"W - CLEAR       |
|            | 076322-21-000      | FT         | TAPE - FOAM/DOUBLE COATED - .045"THK X .50"W               |
|            | 076322-22-000      | FT         | TAPE - FOAM/DOUBLE COATED - .045"THK X .75"W               |
|            | 076322-23-000      | FT         | TAPE - FOAM/DOUBLE COATED - .045"THK X 1"W                 |
|            | 076322-25-000      | FT         | TAPE - FOAM/DOUBLE COATED - .025"THK X .5"W                |
|            | 086276-01-000      | EA         | TAPE - DOUBLE SIDED - 1/2" WIDE X 108' LONG (SOLD BY ROLL) |
|            | 088479-01-000      | EA         | TAPE - ALUMINUM - 3"                                       |
|            | 090340-01-000      | FT         | SEAL - FOAM - CLOSED CELL - 1/4" X 1/2" X 50'              |
|            | 090340-02-000      | FT         | SEAL - FOAM - CLOSED CELL - 3/8" X 1/2" X 50'              |
|            | 091255-02-000      | FT         | SEAL - ADHESIVE BACKED/FOAM - 3/64"THICK X 3/16"W X 1000'  |
|            | 091255-03-000      | FT         | SEAL - ADHESIVE BACKED/FOAM - 1/4" THICK X 1/4"W X 1000'   |
|            | 094401-01-000      | EA         | SEALER - BODY SEAM - FLEXICLEAR                            |
|            | 094401-04-000      | EA         | SEALER - BODY SEAM - CLEAR                                 |
|            | 094401-05-000      | EA         | SEALER - BODY SEAM - 20OZ BLACK                            |
|            | 094401-06-000      | EA         | SEALER - BODY SEAM - 12OZ BLACK                            |
|            | 094401-07-000      | EA         | SEALER - BODY SEAM - CLEAR                                 |
|            | 098408-01-000      | FT         | SEAL - SPONGE RUBBER - CLOSED CELL                         |
|            | 099069-01-000      | FT         | SEAL - RUBBER - CLOSED SPONGE - .5" WIDE X .12" THICK-BLK  |
|            | 099418-01-000      | FT         | SEAL - D-SECTION/ADHESIVE BACK - .44" X .44" - BLK RUBBER  |
|            | 100128-02-000      | FT         | SEAL - FOAM/ADHESIVE BACK - .37" WIDE X .37" THICK X 60'   |
|            | 104692-01-000      | FT         | SEAL - ADHESIVE BACKED FOAM - 3/4" THICK X 3/4" WIDE X 25' |
|            | 107721-07-000      | FT         | SEAL - ACCESS DOOR - .9"WIDE X 1.1"HIGH                    |
|            | 112864-01-000      | FT         | SEAL - FOAM/BUTYL COVERED - 3/8" X 35'                     |
|            | 112864-02-000      | FT         | SEAL - FOAM/BUTYL COVERED - 5/16" X 44'                    |
|            | 112864-05-000      | FT         | SEAL - FOAM/BUTYL COVERED - 1/2" X 3/16"                   |
|            | 112901-02-000      | EA         | ADHESIVE - PLEXUS - MA330 - 50ML - GRAY                    |

## SEALANTS & FASTENERS GROUP (CONTINUED)

### SEALANTS & ADHESIVES (CONTINUED)

| KEY | PART NUMBER   | U/M | DESCRIPTION   |
|-----|---------------|-----|---|
|     | 112901-03-000 | EA  | ADHESIVE - PLEXUS - MA300 - 50ML - WHITE                    |
|     | 112902-03-000 | EA  | MIXER NOZZLE - F/GUN #00400102000 - SCOTCH-WELD & PLEXUS    |
|     | 112902-04-000 | EA  | NOZZLE - ELEMENT - 1/4" X 3.5"                              |
|     | 113452-01-000 | FT  | SEAL/TRIM - FRONT - VINYL W/WIRE CARRIER - .020"            |
|     | 113452-02-000 | FT  | SEAL/TRIM - FRONT - VINYL W/WIRE CARRIER - .027"            |
|     | 113366-01-000 | EA  | ADHESIVE - INSTANT - 1 OZ                                   |
|     | 115870-01-000 | FT  | SEAL/EDGE - TRIM  |
|     | 120074-02-03A | EA  | SILICONE - TUBE - W/O NOZZLE - LOW ODOR - SMOKEY WHITE      |
|     | 120534-01-01A | EA  | TAPE - SCOTCH - 3M - 1/2" FINE LINE                         |
|     | 123655-01-000 | FT  | SEAL - CLOSED CELL/FOAM                                     |
|     | 123816-01-000 | FT  | TAPE - DOUBLE SIDED - 1" X .020" X 200' - CLEAR             |
|     | 123816-02-000 | FT  | TAPE - DOUBLE SIDED - 1/2" X .035" X 200' - CLEAR           |
|     | 123816-03-000 | FT  | TAPE - DOUBLE SIDED - 1/2" X .020" X 200' - CLEAR           |
|     | 123816-04-000 | FT  | TAPE - DOUBLE SIDED - 6" X .0035" X 750' - CLEAR            |
|     | 123816-06-000 | FT  | TAPE - DOUBLE SIDED - 3/4" X 3/4" X 200' - CLEAR            |
|     | 123816-07-000 | FT  | TAPE - DOUBLE SIDED - 1 3/4" X 200' - CLEAR                 |
|     | 126427-01-000 | EA  | ADHESIVE - ALL PURPOSE - ABS/PVC                            |
|     | 126427-02-000 | EA  | PRIMER - CLEANER - FLEX PIPING                              |
|     | 131264-01-12A | EA  | SILICONE - TUBE - W/NOZZLE - BONE                           |
|     | 131264-01-13A | EA  | SILICONE - TUBE - W/NOZZLE - TRANSLUCENT                    |
|     | 131264-03-01A | EA  | SILICONE - TUBE - W/O NOZZLE - SELF LEVELING - BRIGHT WHITE |
|     | 131264-04-02A | EA  | SILICONE/SEALANT/ADHESIVE-FAST CURE F/GLASS/VINYL-SOFT WHT  |
|     | 131264-05-01A | EA  | SILICONE/SEALANT - ODORLESS - TUBE - W/NOZZLE - BLACK       |
|     | 131264-05-02A | EA  | SILICONE/SEALANT - ODORLESS - TUBE - W/NOZZLE - CLEAR       |
|     | 131384-01-000 | EA  | ADHESIVE - JET WELD - 10 OZ CARTRIDGE                       |
|     | 132892-07-01A | FT  | SEAL - BULB/SINGLE - W/U CHANNEL - .5" X 1" - BLACK         |
|     | 152038-01-01A | EA  | TAPE - PRESERVATION SEAL - 2" X 36YD ROLL - BLACK           |
|     | 154585-01-01A | FT  | SEAL - FOAM TAPE - ADHESIVE BACK - 3/8" X 3/8" - BLACK      |
|     | 154585-02-01A | FT  | SEAL - FOAM TAPE - ADHESIVE BACK - 3/4" X 1/2" - BLACK      |
|     | 154585-03-01A | FT  | SEAL - FOAM TAPE - ADHESIVE 2 SIDED - 1/8" X 3/4" - BLACK   |
|     | 154585-04-01A | FT  | SEAL - FOAM TAPE - ADHESIVE BACK - 5/8" X 1/8" - WHITE      |
|     | 156622-01-01A | FT  | SEALER - TAPE - 1/4"THICK X 3"WIDE X 100 FT - WHITE         |
|     | 156622-02-01A | FT  | SEALER - TAPE - 1/4"THICK X 2"WIDE X 100 FT - WHITE         |

### BOLTS, NUTS AND WASHERS

| KEY | PART NUMBER   | U/M | DESCRIPTION  |
|-----|---------------|-----|--|
|     | 0MD54F-06-000 | EA  | NUT - HEX W/SERATED FLANGE                                 |
|     | 000C12-04-08B | EA  | BOLT - HEX - 1/4-20 X 1/2 - GRADE #5 - ZINC                |
|     | 000C12-04-12A | EA  | BOLT - HEX - 1/4-20 X 3/4 - PLAIN 5                        |
|     | 000C12-04-40B | EA  | BOLT - HEX - 1/4-20 X 2 1/2 - GRADE #5 ZINC                |
|     | 000C12-05-16B | EA  | BOLT - HEX - 5/16 - 18X1 - GRADE #5 - ZINC                 |
|     | 000C12-05-40B | EA  | BOLT - HEX - 5/16"-18 X 2.5" - GRADE #5 - ZINC             |
|     | 000C12-06-28B | EA  | BOLT-HEX-3/8-16X13/4 ZN 5 - 5185-01                        |
|     | 000C12-08-24B | EA  | BOLT - HEX - 1/2-13 X 1 1/2 - GRADE #5 - ZINC              |
|     | 000C12-08-28B | EA  | BOLT - HEX - 1/2-13 X 1 3/4 - GRADE #5 - ZINC              |
|     | 000C12-08-44B | EA  | BOLT - HEX - 1/2-13 X 2 3/4 - GRADE #5 - ZINC              |
|     | 000C13-07-40B | EA  | BOLT - HEX - 7/16-20 X 2 1/2 - GRADE #5 - ZINC             |
|     | 000C13-07-48B | EA  | BOLT - HEX - 7/16-20 X 3 - GRADE #5 - ZINC                 |
|     | 000C14-10-32B | EA  | BOLT - HEX - 5/8-11 X 2.0 - GRADE #8 - ZINC                |
|     | 000C18-05-40A | EA  | BOLT - ELEVATOR - 5/16-18 X 2 1/2 - PL                     |
|     | 000C26-04-10B | EA  | BOLT - HEX - SERRATED FLANGE - 1/4-20 X 5/8 - ZINC         |
|     | 000C26-04-12F | EA  | BOLT - HEX - SERRATED FLANGE -1/4-20 X 3/4-STAINLESS STEEL |
|     | 000C26-04-14B | EA  | BOLT - HEX - SERRATED FLANGE - 1/4-20 X 7/8 - ZINC         |
|     | 000C26-04-18B | EA  | BOLT - HEX - SERRATED FLANGE - 1/4-20 X 1 1/8 - ZINC       |
|     | 000C26-05-12B | EA  | BOLT - HEX - SERRATED FLANGE - 5/16-18 X 3/4 - ZINC        |
|     | 000C26-06-12B | EA  | BOLT - HEX - SERRATED FLANGE - 3/8-16 X 3/4 - ZINC         |
|     | 000C26-06-20B | EA  | BOLT - HEX - SERRATED FLANGE - 3/8-16 X 1 1/4 - ZINC       |
|     | 000C26-06-28B | EA  | BOLT - HEX - SERRATED FLANGE - 3/8-16 X 1 3/4 - ZINC       |
|     | 000C26-06-40B | EA  | BOLT - HEX - SERRATED FLANGE - 3/8-16 X 2 1/2 - ZINC       |
|     | 000C26-08-24B | EA  | BOLT - HEX - SERRATED FLANGE - 1/2-13 X 1 1/2 - ZINC       |
|     | 000C26-08-28B | EA  | BOLT - HEX - SERRATED FLANGE - 1/2-13 X 1 3/4 - ZINC       |
|     | 000C27-08-48B | EA  | BOLT-CARR 1/2-13X3.00 GR5 - 97 M-SERIES                    |
|     | 000D24-10-00B | EA  | NUT - HEX - SELF LOCKING - 10-32 - ZINC                    |

**SEALANTS & FASTENERS GROUP (CONTINUED)**  
**BOLTS, NUTS AND WASHERS (CONTINUED)**

| KEY | PART NUMBER   | U/M | DESCRIPTION  |
|-----|---------------|-----|--|
|     | 000D27-05-00B | EA  | NUT - HEX LOCK - 5-40 - ZINC                                 |
|     | 000D28-10-00B | EA  | NUT - HEX - W/NYLON LOCK - 10-32 - ZINC                      |
|     | 000D29-04-00B | EA  | NUT - HEX - SELF LOCKING - 1/4 X 20 - ZINC                   |
|     | 000D29-04-00F | EA  | NUT - HEX - SELF LOCKING - 1/4 X 20 - STAINLESS STEEL        |
|     | 000D29-06-00B | EA  | NUT - HEX - W/NYLON LOCK - 3/8-16 - ZINC                     |
|     | 000D29-09-00B | EA  | NUT - HEX - SELF LOCKING - 9/16-12 - ZINC                    |
|     | 000D34-04-00B | EA  | NUT - HEX - LOCKING - 1/4-20 - ZINC                          |
|     | 000D34-06-00B | EA  | NUT - HEX - LOCKING - 3/8-16 GRADE C - ZINC                  |
|     | 000D39-04-00B | EA  | NUT - HEX - LOCKING W/SERRATED FLANGE - 1/4-20 - ZINC        |
|     | 000D39-05-00B | EA  | NUT - HEX - LOCKING W/SERRATED FLANGE - 5/16-18 - ZINC       |
|     | 000D39-06-00B | EA  | NUT - HEX - LOCKING W/SERRATED FLANGE - 3/8-18 - ZINC        |
|     | 000D39-06-00D | EA  | NUT - HEX - LOCKING W/SERRATED FLANGE - 3/8"-16 BLACK        |
|     | 000D39-07-00B | EA  | NUT - HEX - LOCKING W/SERRATED FLANGE - 7/16-14 - ZINC       |
|     | 000D39-08-00B | EA  | NUT - HEX - LOCKING W/SERRATED FLANGE - 1/2-13 - ZINC        |
|     | 000D44-07-00B | EA  | NUT - HEX - LOCKING W/SERRATED FLANGE - 7/16-20 - ZINC       |
|     | 000D44-08-00B | EA  | NUT - HEX - LOCKING W/SERRATED FLANGE - 1/2-20 - ZINC        |
|     | 000D46-04-00A | EA  | NUT - HEX - WELD - 1/4-20 - PLAIN                            |
|     | 000D65-08-00B | EA  | NUT - HEX - LOCKING W/SERRATED FLANGE - 8-32 - ZINC          |
|     | 000D73-08-00C | EA  | NUT - HEX FLANGE - 1/2-13                                    |
|     | 000D75-09-00B | EA  | NUT - HEX LOCKING - 9/16-12 - ZINC                           |
|     | 000D76-06-00B | EA  | NUT - HEX FLANGE - 3/8-16                                    |
|     | 000E11-04-00F | EA  | WASHER - LOCKING - 1/4 MED SPLIT - STAINLESS STEEL           |
|     | 000E11-07-00B | EA  | WASHER - LOCKING - 7/16 MED SPLIT - ZINC                     |
|     | 000E11-08-00B | EA  | WASHER - LOCKING - 1/2 MED SPLIT - ZINC                      |
|     | 000E13-17-00B | EA  | WASHER - FLAT - 3/8 AR - ZINC                                |
|     | 000E13-18-00B | EA  | WASHER - FLAT - 3/8 WIDE - ZINC                              |
|     | 000E13-20-00B | EA  | WASHER - FLAT - 7/16 WIDE - ZINC                             |
|     | 000E13-22-00B | EA  | WASHER - FLAT - 1/2 WIDE - ZINC                              |
|     | 000E13-26-00B | EA  | WASHER - FLAT - 5/8 WIDE - ZINC                              |
|     | 000E14-10-00B | EA  | WASHER - LOCKING - #10 EXTERNAL TOOTH - ZINC                 |
|     | 000E16-10-00B | EA  | WASHER - HARDENED - 5/8 - FLAT - ZINC                        |
|     | 000G45-05-16B | EA  | BOLT - LAG - 5/16-9 X 1 - ZINC                               |
|     | 039715-01-000 | EA  | NUT-SERT - 1/4" DIAMETER - 20 THREADS                        |
|     | 040921-01-000 | EA  | NUT - SPEED - U TYPE - #10-24 - BLACK                        |
|     | 040921-03-000 | EA  | NUT - SPEED - U TYPE - #10                                   |
|     | 040921-04-000 | EA  | NUT - SPEED - U TYPE - #8-.59" LENGTH X .44" WIDTH           |
|     | 040921-05-000 | EA  | NUT - SPEED - U-TYPE - 8-.67" X .44" WIDE                    |
|     | 040921-11-000 | EA  | NUT - SPEED - U-TYPE - 8-.59" LENGTH X .44" WIDTH - BLACK    |
|     | 041322-01-000 | EA  | WASHER - FLANGE - 15/32"ID X 2 3/8"OD - F/SEAT BELT MTG      |
|     | 044364-02-000 | EA  | NUT - SPEED - FLAT - ROUND                                   |
|     | 044533-01-000 | EA  | WASHER - 1 3/8"OD - FOR BUTTONS - PLASTIC                    |
|     | 051387-06-000 | EA  | BOLT - CARRIAGE W/O HOLE - 5/16-18 X 9 1/2 - ZINC            |
|     | 058716-02-000 | EA  | WASHER - FLAT NYLON  |
|     | 064081-03-000 | EA  | NUT - WING 3/8-16 - W/WELD NUT                               |
|     | 077071-01-000 | EA  | WASHER - FENDER - 3/16"ID X 1"OD                             |
|     | 087234-01-000 | EA  | NUT - JACK - 1/4 X 20 THD - MOLLY                            |
|     | 088787-12-000 | EA  | STUD - WELD - 1/4 - 20 X 1.0 LG - MN                         |
|     | 106956-03-000 | EA  | BOLT - HEX TAP - 1/2-13NC X 3 - GRADE 5 - FULL THREAD/ZINC   |
|     | 106956-10-000 | EA  | BOLT - HEX TAP - 9/16-12NC X 3 5/8 -GRD 5-FULL THREAD/ZINC   |
|     | 106956-11-000 | EA  | BOLT - HEX TAP - 1/2-13NC X 2 1/2 - GRD 5-FULL THREAD/ZINC   |
|     | 106956-13-000 | EA  | BOLT - HEX TAP - 1/2-20 X 2 1/2 - GRD 5-FULL THREAD/ZINC     |
|     | 106956-14-000 | EA  | BOLT - HEX TAP - 5/16 -18NC X 1 1/2 - GRD 5-FULL THREAD/ZINC |
|     | 107397-01-000 | EA  | WASHER - FENDER - 3/4"ID X 1"OD                              |
|     | 108067-03-000 | EA  | STUD - WELD - 1/4 - 20 X 1/2 CD                              |
|     | 109917-01-000 | EA  | WASHER - 1.5" X 1.25"  |
|     | 109917-03-000 | EA  | WASHER - 1" X .50"   |
|     | 109917-04-000 | EA  | WASHER - 1" X .75"   |
|     | 128444-01-000 | EA  | WASHER - SPRING - CONICAL                                    |
|     | 135092-02-01A | EA  | BOLT - HEX - SERRATED FLANGE - 1/2-20 X 2 1/2-GRADE 5 ZINC   |
|     | 135092-05-01A | EA  | BOLT - HEX - SERRATED FLANGE - 1/2-20 X 1 - GRADE 5 ZINC     |
|     | 143399-01-01A | EA  | NUT/RETAINING - 3/8"- 24 NFT                                 |
|     | 147284-02-000 | EA  | NUT/SELF RETAINING - 5/16"-18                                |
|     | 148817-01-000 | EA  | WASHER/SPUR - LOCKING  |

## SEALANTS & FASTENERS GROUP (CONTINUED)

### SCREWS

| KEY | PART NUMBER   | U/M | DESCRIPTION   |
|-----|---------------|-----|---|
|     | 0G1208-12-170 | EA  | SCREW - 8-18 X 3/4 POH - BRIGHT WHITE               |
|     | 0G3908-08-170 | EA  | SCREW - SF/DR - 8-18 X 1/2 PPH - BRIGHT WHITE       |
|     | 0G3908-16-170 | EA  | SCREW - SF/DR - 8-18 X 1 PPH - BRIGHT WHITE         |
|     | 0G3908-24-170 | EA  | SCREW - SF/DR - 8-18 X 1 1/2 PPH - BRIGHT WHITE     |
|     | 0G3910-10-420 | EA  | SCREW - SF/DR - 10-16 X .62 PPH - BRIARWOOD         |
|     | 0G3910-12-170 | EA  | SCREW - SF/DR - 10-16 X 3/4 PPH - BRIGHT WHITE      |
|     | 0G3910-24-170 | EA  | SCREW - SF/DR - 10-16 X 1 1/2 PPH - BRIGHT WHITE    |
|     | 0G5508-08-370 | EA  | SCREW - SF/DR - 8-18 X .5 PWH - RIVERSTONE          |
|     | 0G5508-08-380 | EA  | SCREW - SF/DR - 8-18 X .5 PWH - CASHMERE            |
|     | 0G5508-08-420 | EA  | SCREW - SF/DR - 8-18 X .5 PWH - BRIARWOOD           |
|     | 0G5508-08-450 | EA  | SCREW - SF/DR - 8-18 X .5 PWH - SADDLE              |
|     | 0G5508-12-170 | EA  | SCREW - SF/DR - 8-18 X 3/4 PWH - BRIGHT WHITE       |
|     | 0G5508-12-330 | EA  | SCREW - SF/DR - 8-18 X 3/4 PWH - PUTTY              |
|     | 0G5508-12-380 | EA  | SCREW - SF/DR - 8-18 X 3/4 PWH - CASHMERE           |
|     | 0G5508-12-450 | EA  | SCREW - SF/DR - 8-18 X 3/4 PWH - SADDLE             |
|     | 0G5508-16-330 | EA  | SCREW - SF/DR - 8-18 X 1 PWH - PUTTY                |
|     | 0G5508-16-370 | EA  | SCREW - SF/DR - 8-18 X 1 PWH - RIVERSTONE           |
|     | 0G5508-16-380 | EA  | SCREW - SF/DR - 8-18 X 1 PWH - CASHMERE             |
|     | 0G5508-16-450 | EA  | SCREW - SF/DR - 8-18 X 1 PWH - SADDLE               |
|     | 0G6008-16-170 | EA  | SCREW - SF/DR - 8-18 X 1 POH - BRIGHT WHITE         |
|     | 0G6012-32-170 | EA  | SCREW - SF/DR - 12-14 X 2 POH - BRIGHT WHITE        |
|     | 0G6710-08-170 | EA  | SCREW - 10-12 X 1/2 PPH - BRIGHT WHITE              |
|     | 0G6710-12-170 | EA  | SCREW - 10-12 X 3/4 PPH - BRIGHT WHITE              |
|     | 0G6806-16-170 | EA  | SCREW - 6-18 X 1 POH - BRIGHT WHITE                 |
|     | 0G6810-24-280 | EA  | SCREW - 10-12 X 1 1/2 POH - SOFT WHITE              |
|     | 000C20-06-24T | EA  | SCREW - 3/8-16 X 1 1/2 - FLAT SOCKET                |
|     | 000G11-06-08B | EA  | SCREW - 6-20 X 1/2 PPH - ZINC                       |
|     | 000G11-06-10B | EA  | SCREW - 6-20 X 5/8 PPH - ZINC                       |
|     | 000G11-06-10J | EA  | SCREW - 6-20 X 5/8 PPH - BRASS                      |
|     | 000G11-07-08B | EA  | SCREW - 7-19 X 1/2 PPH - ZINC                       |
|     | 000G11-08-06B | EA  | SCREW - 8-18 X 3/8 PPH - ZINC                       |
|     | 000G11-08-08T | EA  | SCREW - 8-18 X 1/2 PPH - FLUOROCARBON COATING       |
|     | 000G11-08-12B | EA  | SCREW - 8-18 X 3/4 PPH - ZINC                       |
|     | 000G11-08-12P | EA  | SCREW - 8-18 X 3/4 PPH - DARK BROWN                 |
|     | 000G11-08-12S | EA  | SCREW - 8-18 X 3/4 PPH - OFF WHITE                  |
|     | 000G11-08-12T | EA  | SCREW - 8-18 X 3/4 PPH - BLACK MAGNESIUM            |
|     | 000G11-08-20B | EA  | SCREW - 8-18 X 1 1/4 PPH - ZINC                     |
|     | 000G11-08-20G | EA  | SCREW - 8-18 X 1 1/4 - ANTIQUE BRASS                |
|     | 000G11-10-12D | EA  | SCREW - 10-16 X 3/4 PPH - BLACK                     |
|     | 000G11-10-32P | EA  | SCREW-10,16X2.00 PPH DK BRN                         |
|     | 000G12-06-08T | EA  | SCREW - 6-20 X 1/2 POH - BLACK                      |
|     | 000G12-10-16F | EA  | SCREW - 10-16 X 1 POH - STAINLESS STEEL             |
|     | 000G13-05-10B | EA  | SCREW - 5-12 X 5/8 PFH - ZINC                       |
|     | 000G13-06-06I | EA  | SCREW - 6-20 X 3/8 PFH - BLACK ZINC                 |
|     | 000G13-06-08B | EA  | SCREW - 6-20 X 1/2 PFH - ZINC                       |
|     | 000G13-06-08G | EA  | SCREW - 6-20 X 1/2 PFH - ANTIQUE BRASS              |
|     | 000G13-06-10G | EA  | SCREW - 6-20 X 5/8 PFH - ANTIQUE BRASS              |
|     | 000G13-06-16E | EA  | SCREW - 6-20 X 1 PFH - CHROME                       |
|     | 000G13-06-16J | EA  | SCREW - 6-20 X 1 PFH - BRASS                        |
|     | 000G13-06-24J | EA  | SCREW - 6-20 X 1 1/2 PFH - BRASS                    |
|     | 000G13-07-10H | EA  | SCREW - 7-19 X 5/8 PFH - BLACK                      |
|     | 000G13-07-12B | EA  | SCREW - 7-19 X 3/4 PFH - ZINC                       |
|     | 000G11-08-08B | EA  | SCREW - 8-18 X 1/2 PPH - ZINC                       |
|     | 000G13-08-10B | EA  | SCREW - 8-18 X 5/8 PFH - ZINC                       |
|     | 000G13-08-109 | EA  | SCREW - 8-18 X 5/8 PFH                              |
|     | 000G13-08-16B | EA  | SCREW - 8-18 X 1 PFH - ZINC                         |
|     | 000G13-08-24B | EA  | SCREW - 8-18 X 1 1/2 PFH - ZINC                     |
|     | 000G16-04-24B | EA  | SCREW - MACHINE - 1/4-20 X 1 1/2 PPH                |
|     | 000G18-08-16B | EA  | SCREW - MACHINE - 8-32 X 1 PPH - ZINC               |
|     | 000G18-08-22B | EA  | SCREW - MACHINE - 8-32 X 1 3/8 PPH - ZINC           |
|     | 000G18-08-24B | EA  | SCREW - MACHINE - 8-32 X 1 1/2 PPH - ZINC           |
|     | 000G19-10-08B | EA  | SCREW - MACHINE - 10-32 X 1/2 PPH - ZINC            |
|     | 000G19-10-10B | EA  | SCREW - MACHINE - 10-32 X 5/8 - PPH - ZINC          |
|     | 000G19-10-12F | EA  | SCREW - MACHINE - 10-32 X 3/4 PPH - STAINLESS STEEL |

## SEALANTS & FASTENERS GROUP (CONTINUED)

### SCREWS (CONTINUED)

| KEY | PART NUMBER   | U/M | DESCRIPTION   |
|-----|---------------|-----|---|
|     | 000G19-10-20B | EA  | SCREW - MACHINE - 10-32 X 1 1/2 PPH - ZINC            |
|     | 000G32-10-06B | EA  | SCREW - 10-32 X 3/8 PPH - ZINC                        |
|     | 000G34-05-12B | EA  | SCREW - HEX HEAD TAPPING - 5/16 X 3/4 LONG            |
|     | 000G39-06-10T | EA  | SCREW - SF/DR - 6-20 X 5/8 PPH - BLACK                |
|     | 000G39-06-16T | EA  | SCREW - SF/DR - 6-20 X 1 PPH - BLACK                  |
|     | 000G39-08-06B | EA  | SCREW - SF/DR - 8-18 X 3/8 PPH - ZINC                 |
|     | 000G39-08-08B | EA  | SCREW - SF/DR - 8-18 X 1/2 PPH - ZINC                 |
|     | 000G39-08-08S | EA  | SCREW - SF/DR - 8-18 X 1/2 PPH - OFF WHITE            |
|     | 000G39-08-08T | EA  | SCREW - SF/DR - 8-18 X 1/2 PPH - BLACK                |
|     | 000G39-08-12T | EA  | SCREW - SF/DR - 8-18 X 3/4 PPH - BLACK                |
|     | 000G39-08-16B | EA  | SCREW - SF/DR - 8-18 X 1 PPH - ZINC                   |
|     | 000G39-08-16T | EA  | SCREW - SF/DR - 6-20 X 1 PPH - BLACK                  |
|     | 000G39-08-24B | EA  | SCREW - SF/DR - 8-18 X 1 1/2 PPH - ZINC               |
|     | 000G39-08-24T | EA  | SCREW - SF/DR - 8-18 X 1 1/2 PPH - BLACK              |
|     | 000G39-08-32B | EA  | SCREW - SF/DR - 8-18 X 2 PPH - ZINC                   |
|     | 000G39-08-169 | EA  | SCREW-SF/DR,8-18X1.00 PPH - FLUROCARBON SILVER        |
|     | 000G39-10-08B | EA  | SCREW - SF/DR - 10-16 X 1/2 PPH - ZINC                |
|     | 000G39-10-10B | EA  | SCREW - SF/DR - 10-16 X 5/8 PPH - ZINC                |
|     | 000G39-10-12B | EA  | SCREW - SF/DR - 10-16 X 3/4 PPH - ZINC                |
|     | 000G39-10-12S | EA  | SCREW - SF/DR - 10-16 X 3/4 PPH - OFF WHITE           |
|     | 000G39-10-129 | EA  | SCREW - SF/DR - 10-16 X 3/4 PPH - FLUOROCARBON SILVER |
|     | 000G39-10-169 | EA  | SCREW - SF/DR - 10-16 X 1 PPH - FLUOROCARBON SILVER   |
|     | 000G39-10-20B | EA  | SCREW - SF/DR - 10-16 X 1 1/4 PPH - ZINC              |
|     | 000G39-10-20T | EA  | SCREW - SF/DR - 10-16 X 1 1/4 PPH - BLACK             |
|     | 000G39-10-24B | EA  | SCREW - SF/DR - 10-16 X 1 1/2 PPH - ZINC              |
|     | 000G39-10-24T | EA  | SCREW - SF/DR - 10-16 X 1 1/2" PPH - BLACK            |
|     | 000G39-10-32B | EA  | SCREW - SF/DR - 10-16 X 2 - PPH - ZINC                |
|     | 000G39-10-48B | EA  | SCREW - SF/DR - 10-16 X 3 - PPH - ZINC                |
|     | 000G39-10-48T | EA  | SCREW - SF/DR - 10-16 X 3 PPH - BLACK                 |
|     | 000G42-04-16B | EA  | SCREW - SF/DR - 1/4-14 X 1 HWH - ZINC                 |
|     | 000G42-04-24B | EA  | SCREW - SF/DR - 1/4-14 X 1 1/2 - ZINC                 |
|     | 000G52-06-05B | EA  | SCREW - MACHINE - 6-32 X 5/16 PTH - ZINC              |
|     | 000G52-06-06B | EA  | SCREW - MACHINE - 6-32 X 3/8 PTH - ZINC               |
|     | 000G54-04-14B | EA  | SCREW - 1/4-20 X 7/8 PTH - TYPE 23 - ZINC PLATED      |
|     | 000G55-08-12T | EA  | SCREW - SF/DR - 8-18 X 3/4 PWH - BLACK                |
|     | 000G55-08-16S | EA  | SCREW - SF/DR - 8-18 X 1.00 PWH - OFF WHITE           |
|     | 000G55-08-16T | EA  | SCREW - SF/DR - 8-18 X 1 PWH - BLACK                  |
|     | 000G56-12-48B | EA  | SCREW - WOOD - 12-11 X 3 POH - SPECIAL HARDENED       |
|     | 000G60-08-16E | EA  | SCREW - SF/DR - 8-1 X 1 POH - CHROME                  |
|     | 000G60-08-20F | EA  | SCREW - SF/DR - 8-19X1.25 POH                         |
|     | 000G60-08-22B | EA  | SCREW - SF/DR - 8-18 X 1.38 POH - ZINC                |
|     | 000G60-10-20B | EA  | SCREW - SF/DR - 10-16 X 1 1/4 POH - ZINC              |
|     | 000G60-10-209 | EA  | SCREW - SF/DR - 10-16 X 1 1/4 POH - SILVER STALGAARD  |
|     | 000G60-10-28T | EA  | SCREW - SF/DR - 10-16 X 1 3/4 - BLACK                 |
|     | 000G62-06-12B | EA  | SCREW-SF/DR,6-20X.75 PFH - ZINC                       |
|     | 000G62-06-249 | EA  | SCREW - SF/DR - 8-18 X 1.5 PPH - SILVER               |
|     | 000G62-08-24B | EA  | SCREW - SF/DR - 8-18 X 1 1/2 PFH                      |
|     | 000G62-08-24T | EA  | SCREW - SF/DR - 8-18 X 1 1/2 PFH - BLACK              |
|     | 000G67-08-32B | EA  | SCREW - 8-15 X 2 PPH - ZINC                           |
|     | 000G67-10-08B | EA  | SCREW - 10-12 X 1/2 PPH - ZINC                        |
|     | 000G67-10-08S | EA  | SCREW - 10-12 X 1/2 PPH - OFF WHITE                   |
|     | 000G67-10-10B | EA  | SCREW - 10-12 X 5/8 PPH - ZINC - TYPE A               |
|     | 000G67-10-10D | EA  | SCREW - 10-12 X 5/8 PPH - BLACK - TYPE A              |
|     | 000G67-10-10P | EA  | SCREW - 10-12 X 5/8 PPH - DARK BROWN                  |
|     | 000G67-10-10S | EA  | SCREW - 10-12 X 5/8 PPH - OFF WHITE                   |
|     | 000G67-10-10T | EA  | SCREW - 10-12 X 5/8 PPH - BLACK                       |
|     | 000G67-10-10V | EA  | SCREW-10-12X5/8 PPH ZN O/W - TYPE A                   |
|     | 000G67-10-12P | EA  | SCREW - 10-12 X 3/4 PPH - DARK BROWN                  |
|     | 000G67-10-24B | EA  | SCREW - 10-12 X 1 1/2 PPH - ZINC                      |
|     | 000G68-06-10J | EA  | SCREW - 6-18 X 5/8 POH - BRASS                        |
|     | 000G68-06-12B | EA  | SCREW - 6-18 X 3/4 POH - ZINC & CLEAR                 |
|     | 000G68-06-12S | EA  | SCREW - 6-18 X 3/4 POH                                |
|     | 029130-01-000 | EA  | SCREW - SNAP STUD - #8-16 X 5/8" LONG                 |
|     | 029130-02-000 | EA  | SCREW - SNAP STUD - #8-16 X 1 1/2" LONG               |

**SEALANTS & FASTENERS GROUP (CONTINUED)**  
**SCREWS (CONTINUED)**

| <b>KEY</b> | <b>PART NUMBER</b> | <b>U/M</b> | <b>DESCRIPTION</b>   |
|------------|--------------------|------------|--|
|            | 029130-03-000      | EA         | SCREW - SNAP STUD - #8-16 X 1" LONG                          |
|            | 049465-03-000      | EA         | SCREW - 10-16 X 1 POH W/WASHER - OFF WHITE                   |
|            | 049465-17-000      | EA         | SCREW - 10-16 X 1 POH W/WASHER - BRIGHT WHITE                |
|            | 049465-18-000      | EA         | SCREW - 10-16 X 1 POH W/WASHER - VW GRAY                     |
|            | 054434-02-000      | EA         | SCREW - SF/DR - 10-16 X 2 - ZINC                             |
|            | 054434-03-000      | EA         | SCREW - SF/DR - 10-16 X 2 - PWH - ZINC                       |
|            | 075908-01-000      | EA         | SCREW - MACHINE - 10-32 X .56 PTH - EXTERNAL TOOTH - ZINC    |
|            | 076790-01-000      | EA         | SCREW - 6-20 X 1 1/4 PPH - BLACK                             |
|            | 076790-05-000      | EA         | SCREW - 6-20 X 1/2 PPH - BLACK - THREAD CUTTING/WOOD         |
|            | 083554-01-000      | EA         | SCREW - DRYWALL - 8 X 1 1/4                                  |
|            | 087721-01-000      | EA         | SCREW - FLAT HEAD - TAPPING - 1/4" X 1 1/4" LONG - ZINC      |
|            | 093249-01-000      | EA         | CAP/SCREW - MOLDED/VINYL - BLACK                             |
|            | 095772-01-000      | EA         | SOCKET-SNAP FASTNER1" SF/DR - SELF DRIVER                    |
|            | 097974-01-000      | EA         | SCREW - PARTICLE BOARD - 7-9 X 3/4 PPH                       |
|            | 101618-01-000      | EA         | SCREW - 1/4-20 X 3/4 HEX - TAPPING - STALGARD TYPE F         |
|            | 113563-01-01A      | EA         | SCREW - 8 X 5/8 LONG SHOULDER/WASHER HEAD                    |
|            | 113563-01-02A      | EA         | SCREW - 8 X 5/8 LONG SHOULDER/WASHER HEAD - BRIGHT WHITE     |
|            | 118383-01-12A      | EA         | RETAINER/RECESSED - F/.22" SCREW - RIVERSTONE                |
|            | 118383-01-14A      | EA         | RETAINER/RECESSED - F/.22" SCREW - PEWTER                    |
|            | 118383-01-15A      | EA         | RETAINER/RECESSED - F/.22" SCREW - BRIARWOOD                 |
|            | 118383-02-13A      | EA         | RETAINER/RECESSED - F/.27" SCREW - OFF WHITE                 |
|            | 118383-04-04A      | EA         | CAP - F/RECESSED RETAINER - BRIGHT WHITE                     |
|            | 118383-04-10A      | EA         | CAP - F/RECESSED RETAINER - RIVERSTONE                       |
|            | 118383-04-13A      | EA         | CAP - F/RECESSED RETAINER - OFF WHITE                        |
|            | 118383-04-14A      | EA         | CAP - F/RECESSED RETAINER - PEWTER                           |
|            | 118383-04-15A      | EA         | CAP - F/RECESSED RETAINER - BRIARWOOD                        |
|            | 134126-01-01A      | EA         | SCREW/NAIL - HEX HEAD - 3/4"                                 |
|            | 140040-01-000      | EA         | SCREW - 1/4-20 X 1 - BUTTON HEAD/SOCKET - W/LOCTITE          |
|            | 149753-01-01A      | EA         | RETAINER/RECESSED - F/.22" SCREW - BLACK                     |
|            | 149753-01-02A      | EA         | RETAINER/RECESSED - F/.22" SCREW - BRIGHT WHITE              |
|            | 149753-02-01A      | EA         | CAP - F/RECESSED RETAINER - BLACK                            |
|            | 149753-02-02A      | EA         | CAP - F/RECESSED RETAINER - BRIGHT WHITE                     |
|            | 154938-01-01A      | EA         | SCREW - SF/DR - 10-16 X 3/4 PPH - W/SELF SEAL - BRIGHT WHITE |
|            | 154938-01-02A      | EA         | SCREW - SF/DR - 10-16 X 3/4 PPH - W/SELF SEAL - BLACK        |
|            | 154938-02-01A      | EA         | SCREW - SF/DR - 8-18 X 1 PFH - W/SELF SEAL - BRIGHT WHITE    |
|            | 154938-02-02A      | EA         | SCREW - SF/DR - 8-18 X 1 PFH - W/SELF SEAL - BLACK           |
|            | 154938-02-03A      | EA         | SCREW - SF/DR - 8-18 X 1 PFH - W/SELF SEAL - SILVER          |
|            | 154938-03-01A      | EA         | SCREW - SF/DR - 8-18 X 5/8 PFH - W/SELF SEAL - BRT WHT       |
|            | 154938-03-02A      | EA         | SCREW - SF/DR - 8-18 X 5/8 PFH - W/SELF SEAL - BLACK         |
|            | 154938-04-01A      | EA         | SCREW - SF/DR - 10-16 X 1" TPH - W/SELF SEAL - BRT WHT       |
|            | 154938-04-02A      | EA         | SCREW - SF/DR - 10-16 X 1" TPH - W/SELF SEAL - BLACK         |
|            | 154938-05-03A      | EA         | SCREW - SF/DR - 8-18 X 1.25" PFH - W/SELF SEAL - SILVER      |

## SEALANTS & FASTENERS GROUP (CONTINUED)

### CLAMPS, CLIPS, GROMMETS, RIVETS & PLUGS

| KEY | PART NUMBER   | U/M | DESCRIPTION   |
|-----|---------------|-----|---|
|     | 000H14-06-03R | EA  | RIVET - MANDREL BLIND - 3/16 ALUMINUM                     |
|     | 000H16-04-06R | EA  | RIVET - POP ALUMINUM - 1/8 X .313 - .375                  |
|     | 000H16-06-10R | EA  | RIVET - POP ALUMINUM - 3/16 X .501 - .625                 |
|     | 007161-01-000 | EA  | CLAMP - HOSE - SPRING TYPE - 1/2"                         |
|     | 008386-01-000 | EA  | GROMMET - SNAP - 3/8" DIAMETER - NYLON                    |
|     | 010495-01-000 | EA  | CLAMP - CABLE - 9/16"ID - BLACK                           |
|     | 010495-02-000 | EA  | CLAMP - CABLE - 3/8"ID - BLACK                            |
|     | 010495-04-000 | EA  | CLAMP - CABLE - 11/16"ID - WHITE                          |
|     | 010497-01-000 | EA  | CLAMP - CLOSED - 5/8"ID                                   |
|     | 010497-02-000 | EA  | CLAMP - CLOSED - 1.5"ID                                   |
|     | 010497-03-000 | EA  | CLAMP - CLOSED - 1"ID - CUSHIONED                         |
|     | 010497-04-000 | EA  | CLAMP - CLOSED - 1 5/8"ID                                 |
|     | 010497-05-000 | EA  | CLAMP - CLOSED - 1/2"ID                                   |
|     | 010497-07-000 | EA  | CLAMP - CLOSED - 3/8"ID                                   |
|     | 010497-09-000 | EA  | CLAMP - CLOSED - 5/16"ID                                  |
|     | 010497-10-000 | EA  | CLAMP - CLOSED - 7/8"ID                                   |
|     | 010499-01-000 | EA  | CLAMP - CLOSED - 3/8"ID                                   |
|     | 016188-03-000 | EA  | GROMMET - LP LINE - 3/8"HOLE X 2 1/2"LONG - RUBBER        |
|     | 016188-04-000 | EA  | GROMMET - LP LINE - 1/2"HOLE X 2 1/2"LONG - RUBBER        |
|     | 016188-05-000 | EA  | GROMMET - LP LINE - 3/8"HOLE X 1 1/4"LONG - RUBBER        |
|     | 016188-06-000 | EA  | GROMMET - LP LINE - 3/8"HOLE X 3 1/4"LONG - RUBBER        |
|     | 016188-07-000 | EA  | GROMMET - L/P LINE - 1/2"HOLE X 3 1/4"LONG                |
|     | 016188-08-000 | EA  | GROMMET - LP LINE - 1/2"HOLE X 1 1/4"LONG - RUBBER        |
|     | 016188-09-000 | EA  | GROMMET - LP LINE - .68"HOLE X 1 1/4"LONG - RUBBER        |
|     | 016188-10-000 | EA  | GROMMET - LP GAS - .68" X 2.5"                            |
|     | 023942-01-000 | EA  | GROMMET - RUBBER - 2"OD                                   |
|     | 041930-11-000 | EA  | RIVET - POP ALUMINUM - 1/8 X .188 - .250 - BRIGHT WHITE   |
|     | 061420-04-000 | EA  | PLUG/PLASTIC - 1 1/4" DIAMETER                            |
|     | 061420-05-000 | EA  | PLUG/PLASTIC - 1 1/2" DIAMETER                            |
|     | 061420-09-000 | EA  | PLUG/PLASTIC - 1.00" DIAMETER                             |
|     | 061420-10-000 | EA  | PLUG/PLASTIC - 1 1/2" DIAMETER - BLACK                    |
|     | 061420-12-000 | EA  | PLUG/PLASTIC - 1.50" DIAMETER - RED                       |
|     | 061420-13-000 | EA  | PLUG/PLASTIC - 3/8" - FLUSH                               |
|     | 061420-14-000 | EA  | PLUG/PLASTIC - 7/8" DIAMETER - BLACK                      |
|     | 061420-15-000 | EA  | PLUG/PLASTIC - 2" DIAMETER - BLACK                        |
|     | 061420-16-000 | EA  | PLUG/PLASTIC - 2 1/8" DIAMETER - BLACK                    |
|     | 061420-18-000 | EA  | PLUG/PLASTIC - 1 3/4" DIAMETER - BLACK                    |
|     | 062401-01-000 | EA  | CLAMP - HOSE - WORMGEAR - .25" - 1"                       |
|     | 062401-02-000 | EA  | CLAMP - HOSE - WORMGEAR - 1.56" - 2.5" ID                 |
|     | 062401-03-000 | EA  | CLAMP - HOSE - WORMGEAR - .22" - 1" ID                    |
|     | 062401-04-000 | EA  | CLAMP - HOSE - WORMGEAR - .69" - 1.25" ID                 |
|     | 062401-06-000 | EA  | CLAMP - HOSE - WORMGEAR - .22" - .62" ID                  |
|     | 062401-09-000 | EA  | CLAMP - HOSE - WORMGEAR - 2.8" - 3.75" ID                 |
|     | 062401-11-000 | EA  | CLAMP - HOSE - WORMGEAR - 3.50" - 4.50" ID                |
|     | 062401-13-000 | EA  | CLAMP - HOSE - WORMGEAR                                   |
|     | 071015-11-000 | EA  | GROMMET - RUBBER - 1"ID FITS .12 MATERIAL - BLACK         |
|     | 071015-13-000 | EA  | GROMMET - RUBBER - .62"ID X 1"OD W/.09" GROOVE - BLACK    |
|     | 071015-20-000 | EA  | GROMMET - .38 ID FITS .06 MTL                             |
|     | 071015-22-000 | EA  | GROMMET - RUBBER - .62"ID X 1.12"OD W/.19" GROOVE - BLACK |
|     | 071015-26-000 | EA  | GROMMET - RUBBER - 1.5"ID X 2.1"OD W/.06" GROOVE - BLACK  |
|     | 071015-29-000 | EA  | GROMMET - RUBBER - .3"ID X 1.3"OD W/.12" GROOVE - BLACK   |
|     | 071015-30-000 | EA  | GROMMET - RUBBER - .3"ID X .81"OD W/.12" GROOVE - BLACK   |
|     | 071015-39-000 | EA  | GROMMET - .75 ID FITS .06 MTL                             |
|     | 071015-41-000 | EA  | GROMMET - .125 ID FITS .188 MTL                           |
|     | 071015-42-000 | EA  | GROMMET - .25 ID FITS .06 MTL                             |
|     | 071015-43-000 | EA  | GROMMET-.25 ID,FITS .07 MATL, MINOR Z-4139                |
|     | 071015-44-000 | EA  | GROMMET - .31 ID FITS .25 MTL                             |
|     | 075148-02-000 | EA  | CLAMP - GROUNDING - BRONZE SCREWS                         |
|     | 077955-01-000 | EA  | CLIP/J - 3/8" - VINYL COATED                              |
|     | 081211-03-000 | EA  | PLUG - PLASTIC - .50"DIAMETER - TRUSS HEAD - BLACK        |
|     | 081211-04-000 | EA  | PLUG - PLASTIC - .46"DIAMETER - TRUSS HEAD - BLACK        |
|     | 081211-06-000 | EA  | PLUG-PLASTIC,.468DIA,BLACK , HEYCO 1669                   |
|     | 083609-01-000 | EA  | CLAMP - WIRE - DUAL - EQUAL DIAMETERS - 5/8"              |
|     | 083610-01-000 | EA  | CLAMP - WIRE - DUAL - UNEQUAL DIAMETERS - 3/4" & 1 1/4"   |



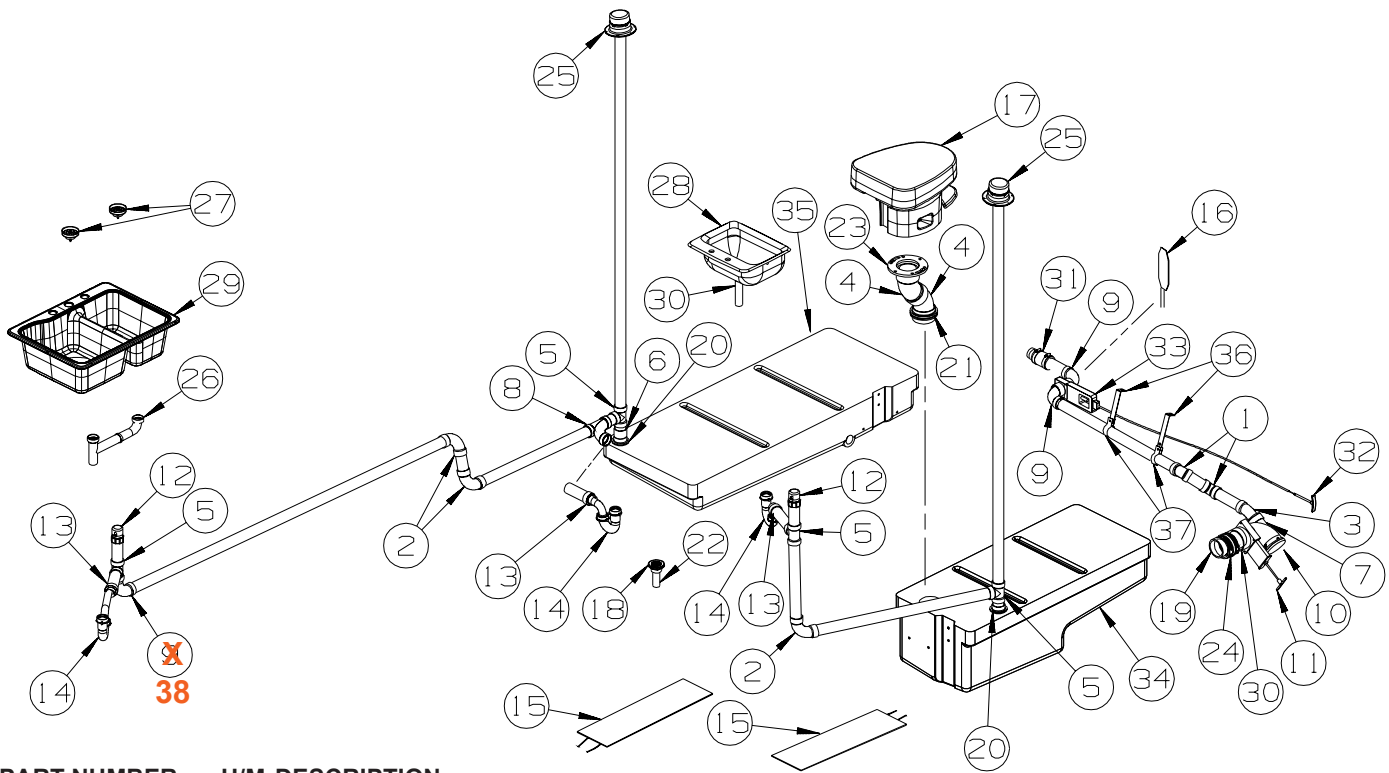
**SEALANTS & FASTENERS GROUP (CONTINUED)**  
**CLAMPS, CLIPS, GROMMETS, RIVETS & PLUGS (CONTINUED)**

| KEY | PART NUMBER   | U/M | DESCRIPTION  |
|-----|---------------|-----|--|
|     | 083610-02-000 | EA  | CLAMP - WIRE - DUAL - UNEQUAL DIAMETERS - 3/4" & 2"    |
|     | 083610-03-000 | EA  | CLAMP - WIRE - DUAL - EQUAL DIAMETERS - 2"             |
|     | 083610-02-000 | EA  | CLAMP - WIRE - DUAL - UNEQUAL DIAMETERS - 3/4" & 2"    |
|     | 083610-03-000 | EA  | CLAMP - WIRE - DUAL - EQUAL DIAMETERS - 2"             |
|     | 088756-01-000 | EA  | GROMMET - WEB - 1 1/8"ID                               |
|     | 089329-02-000 | EA  | CLIP - SPRING  |
|     | 091952-01-000 | EA  | CLIP - GRIPPER - 1" - BLACK VINYL COATED               |
|     | 091952-02-000 | EA  | CLIP - GRIPPER - 3/4" - BLACK VINYL COATED             |
|     | 091952-03-000 | EA  | CLIP - GRIPPER - 1/2" - BLACK VINYL COATED             |
|     | 094362-02-000 | EA  | CLIP - XMAS TREE - BINDER HEAD - .9" LONG/ANY COLOR    |
|     | 113133-02-01A | EA  | RIVET - POP - ALUMINUM - 3/16 X .252 - .504 - BLACK    |
|     | 114208-05-000 | EA  | GROMMET - EDGE LINER - FITS 2"                         |
|     | 118626-01-01A | EA  | RIVET/POP - ALUMINUM - 3/16 X 1.2"(GRIP RANGE .1"-.4") |
|     | 118626-01-02A | EA  | RIVET/POP - ALUMINUM - 3/16 X .08 - .375               |
|     | 118626-02-01A | EA  | RIVET/POP - ALUMINUM - 3/16 X .500 - .750              |
|     | 118626-03-01A | EA  | RIVET/POP - STAINLESS STEEL - 3/16 X .500 - .750       |
|     | 137014-01-01A | EA  | GROMMET - CABLE - ALMOND                               |
|     | 139118-02-01A | EA  | GROMMET - SCREW - PLASTIC                              |
|     | 155498-01-01A | EA  | CLAMP - CLOSED - 7/8"ID - VINYL DIP/GALVONIZED - BLACK |

**MISCELLANEOUS FASTENERS**

| KEY | PART NUMBER   | U/M | DESCRIPTION   |
|-----|---------------|-----|---|
|     | 008343-01-000 | EA  | TIE - WIRE - 6"   |
|     | 008343-02-000 | EA  | TIE - WIRE - 14"  |
|     | 008343-03-000 | EA  | TIE - WIRE - 7 1/2" - BLACK                               |
|     | 029094-04-000 | YD  | VELCRO TAPE/LOOP - 1"WIDE - W/ADHESIVE BACK - BLACK       |
|     | 029096-03-000 | YD  | VELCRO TAPE/HOOK - 1"WIDE - BLACK                         |
|     | 029096-04-000 | YD  | VELCRO TAPE/HOOK - 1"WIDE - BLACK - W/ADHESIVE BACK (PSA) |
|     | 048394-02-000 | YD  | VELCRO TAPE - HOOK - ADHESIVE BACK - 3/4" WIDE - BEIGE    |
|     | 085774-01-000 | FT  | FASTENER - DUAL LOCK - 1" WIDE - ADHESIVE BACK - BLACK    |
|     | 085774-02-000 | FT  | FASTENER - DUAL HOOK - 1" WIDE - ADHESIVE BACK - BLACK    |
|     | 088792-02-000 | YD  | VELCRO TAPE - LOOP - 3/4" - ADHESIVE BACK - BEIGE         |
|     | 088792-04-000 | YD  | VELCRO TAPE - HOOK - 5/8" - NON-ADHESIVE BACK - WHITE     |
|     | 088792-05-000 | YD  | VELCRO TAPE - LOOP - 5/8" - NON-ADHESIVE BACK - WHITE     |
|     | 108046-02-000 | EA  | CABLE TIE - SCREW MOUNT 15"                               |

## WATER & SEWAGE GROUP DRAINAGE SYSTEM

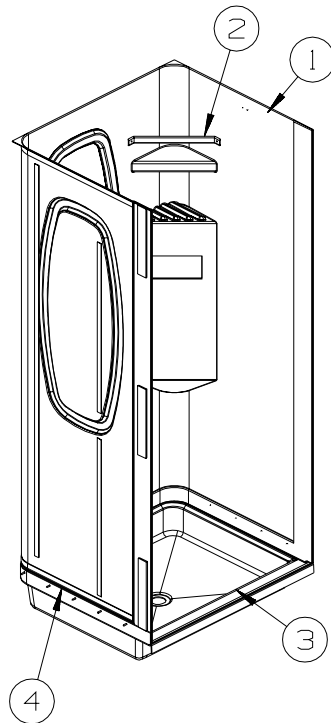


| KEY | PART NUMBER   | U/M | DESCRIPTION   |
|-----|---------------|-----|---|
| 1   | 010006-01-000 | EA  | ELBOW - 45 DEGREE - 1 1/2" HUB X HUB - PLASTIC                          |
| 2   | 010008-01-000 | EA  | ELBOW - 90 DEGREE - 1 1/2" HUB X HUB - PLASTIC                          |
| 3   | 010051-01-000 | EA  | ELBOW - 45 DEGREE - 1 1/2" SPIGOT X HUB - PLASTIC                       |
| 4   | 010061-01-000 | EA  | ELBOW - 45 DEGREE ST - 3" SPIGOT & HUB - PLASTIC                        |
| 5   | 010071-01-000 | EA  | TEE - SANITARY - 1 1/2" HUB X HUB X HUB - PLASTIC                       |
| 6   | 010115-01-000 | EA  | COUPLING - 1 1/2" HUB X HUB - PLASTIC                                   |
| 7   | 010123-01-000 | EA  | BUSHING - 2" X 1 1/2" HUB - BLACK PLASTIC                               |
| 8   | 031365-02-000 | EA  | TEE - 1 1/2" EXTRA LONG TURN - PLASTIC                                  |
| 9   | 033761-01-000 | EA  | ELBOW - 90 DEGREE - TURN - 1 1/2" HUB X 1 1/2" SPIGOT                   |
| 10* | 062415-01-000 | EA  | CAP - SEWER - 3" DIAMETER   |
| 10  | 139513-01-000 | EA  | HOSE - SEWER - 3" X 10' - W/ADAPTER                                     |
|     | 062416-01-000 | EA  | ADAPTER - SEWER HOSE TO 3" PIPE   |
| 11  | 072346-01-000 | EA  | VALVE - 3" SLIP X 3" BAYONET W/CAP X 2" SOCKET-ABS                      |
| 12  | 079968-01-000 | EA  | VENT - MECHANICAL/TRAP ARM - ANTI-SIPHON-2" X 7.3" PLASTIC              |
| 13  | 152146-01-000 | EA  | CONNECTOR - 1 1/2" P X 1 1/2" MPT                                       |
| 14  | 107538-02-000 | EA  | P-TRAP - PLASTIC - 1 1/2" W/EXTENSION ARM                               |
| 14  | 011071-01-000 | EA  | P-TRAP - 1 1/2" - CSA - PLASTIC - <b>CANADIAN</b>                       |
| 15  | 133972-01-000 | EA  | PAD/HEATER - HOLDING TANK - F/40 GALLON - <b>DRAINAGE SYSTEM-HEATED</b> |
| 16  | 133972-03-000 | EA  | PAD/ELBOW HEATING - 1.5" DIAMETER - <b>DRAINAGE SYSTEM-HEATED</b>       |
| 17* | 147421-03-01A | EA  | TOILET/AQUA MAGIC 5 (LOW) FOOTFLUSH - W/O SPRAY - WHITE                 |
| 18  | 066440-01-000 | EA  | STRAINER - SHOWER DRAIN - W/RUBBER WASHER                               |
|     | 127440-02-01A | EA  | WASHER - RUBBER - 1.8" X .1"  |
| 19  | 010129-03-000 | EA  | NIPPLE - 3" X 3" TOE - PLASTIC  |
| 20  | 061607-01-000 | EA  | GROMMET - HOLDING TANK - 1 1/2" NPS                                     |
| 21  | 061607-02-000 | EA  | GROMMET - HOLDING TANK - 3" NPS   |
| 22  | 011069-02-000 | EA  | TAILPIECE - TUB/SHOWER - 1 1/2" X 1 1/4" X 4" - BRASS                   |
| 22  | 130403-01-000 | EA  | NUT - SLIP - W/WINGS 1 1/2"   |
| 23  | 063641-01-000 | EA  | FLANGE - CLOSET - 4" X 3"   |
| 24  | 078406-01-000 | EA  | COUPLER - 3" X 3" W/CLAMPS - RUBBER                                     |
| 25  | 083558-03-000 | EA  | VENT - W/COVER - F/PLUMBING STACK - OFF WHITE                           |
| 26  | 011091-02-000 | EA  | WASTE - CONTINUOUS - DOUBLE SINK  |
| 27  | 092303-01-000 | EA  | STRAINER - W/BASKET - GALLEY SINK - 4" OD                               |
| 28  | 156661-01-01A | EA  | SINK - LAVATORY - OVAL - 15" X 12" X 6.5" - GLACIER WHITE               |
| 29  | 163942-01-01A | EA  | SINK/DOUBLE - LRG/SML BASIN - 25" X 19" - PLASTIC/SILVER                |
|     |               |     | FROM: 00-00-00 THRU: 03-02-08   |
| 29  | 163942-02-01A | EA  | SINK/DOUBLE - LRG/SML BASIN - 25" X 19" - PLASTIC/SILVER                |
|     |               |     | FROM: 03-03-08 THRU: 99-99-99   |

**WATER & SEWAGE GROUP (CONTINUED)**  
**DRAINAGE SYSTEM (CONTINUED)**

| <b>KEY</b> | <b>PART NUMBER</b> | <b>U/M</b> | <b>DESCRIPTION</b>   |
|------------|--------------------|------------|--|
| 30         | 106116-01-02A      | EA         | STRAINER/PLASTIC - STOPPER/TAILPIECE/GASKET & NUT-LAVATORY |
|            | 106116-02-01A      | EA         | GASKET - STRAINER  |
|            |                    |            | FROM: 03-19-07 THRU: 99-99-99                              |
| 31         | 089355-01-000      | EA         | COUPLER - RUBBER - 1 1/2" X 1 1/2"                         |
| 32         | 062421-05-000      | EA         | CABLE/ROD - F/DUMP VALVE - W/HANDLE - 48"                  |
| 33         | 062421-03-000      | EA         | VALVE/DUMP W/O HANDLE - 1 1/2" X 1 1/2" HUB                |
| 34         | 137882-01-700      | EA         | TANK - HOLDING - 34 GALLON - W/3" NIPPLE - BLACK WATER     |
| 35         | 127519-01-700      | EA         | TANK - HOLDING - 30 GALLON - W/1.5" NIPPLE - GRAY WATER    |
|            | 109571-02-000      | EA         | ADAPTER - 1 1/2" HUB X 1 1/2" MPT                          |
|            | 049032-01-000      | EA         | PATCH - SPINWELD - 3/8" - PLASTIC                          |
| 36         | 140220-04-02B      | EA         | STRAP - MUD GUARD SUPPORT                                  |
| 37         | 141443-02-02B      | EA         | HOLDER - RING - 1.9" DIAMETER - METAL                      |
| 38         | 033761-01-000      | EA         | ELBOW - 90 DEGREE - TURN - 1 1/2" HUB X 1 1/2" SPIGOT      |
|            |                    |            | FROM: 00-00-00 THRU: 03-02-08                              |
| 38         | 010008-01-000      | EA         | ELBOW - 90 DEGREE - 1 1/2" HUB X HUB - PLASTIC             |
|            |                    |            | FROM: 03-03-08 THRU: 99-99-99                              |

**\*COMPONENT PARTS LISTED LATER IN THIS GROUP**

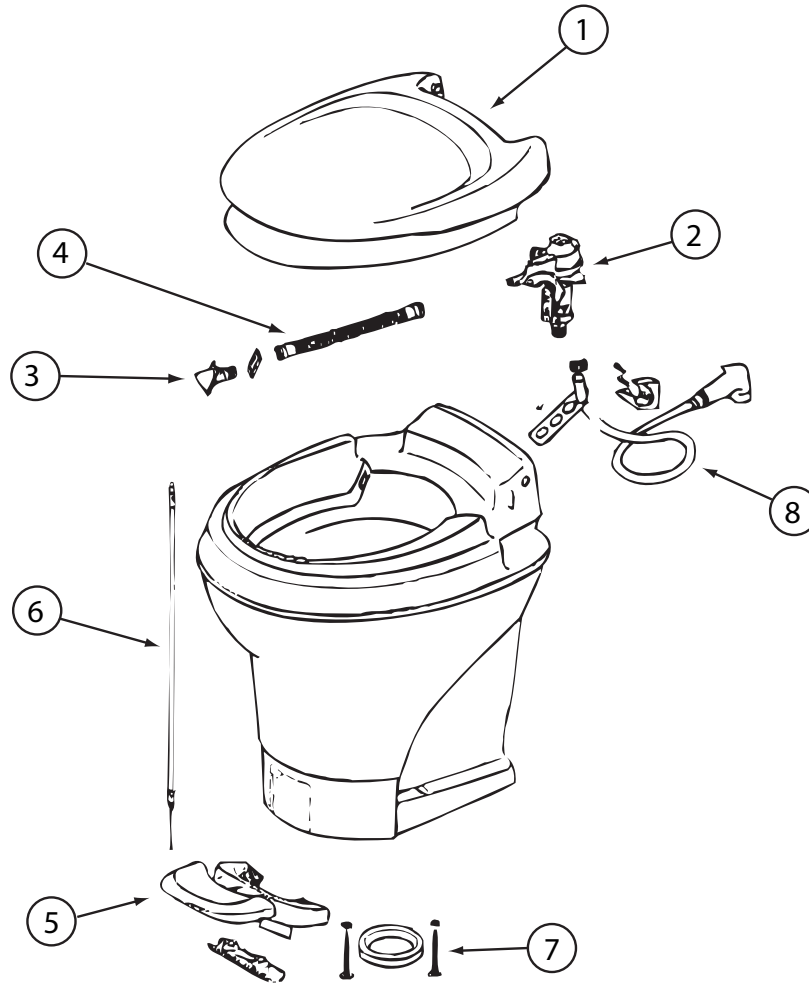


| <b>KEY</b> | <b>PART NUMBER</b> | <b>U/M</b> | <b>DESCRIPTION</b>  |
|------------|--------------------|------------|---|
| 1          | 147070-03-18A      | EA         | SURROUND - SHOWER - SOFT WHITE                            |
| 2          | 113714-02-02A      | EA         | RETAINER - SHELF/SHOWER - 10.6" - SOFT WHITE              |
| 3          | M02630-76-R13      | EA         | SHOWER PAN - W/STRAINER                                   |
| 4          | 154585-03-01A      | FT         | SEAL - FOAM TAPE - ADHESIVE 2 SIDED - 1/8" X 3/4" - BLACK |

**WATER & SEWAGE GROUP (CONTINUED)**  
**COMPONENT PARTS FOR DRAINAGE SYSTEM**

062415-01-000

| KEY | PART NUMBER   | U/M | DESCRIPTION      | VENDOR NO.  |
|-----|---------------|-----|------------------|-------------|
|     | 062415-01-700 | EA  | STRING-SEWER CAP | V#SV7 STRAP |



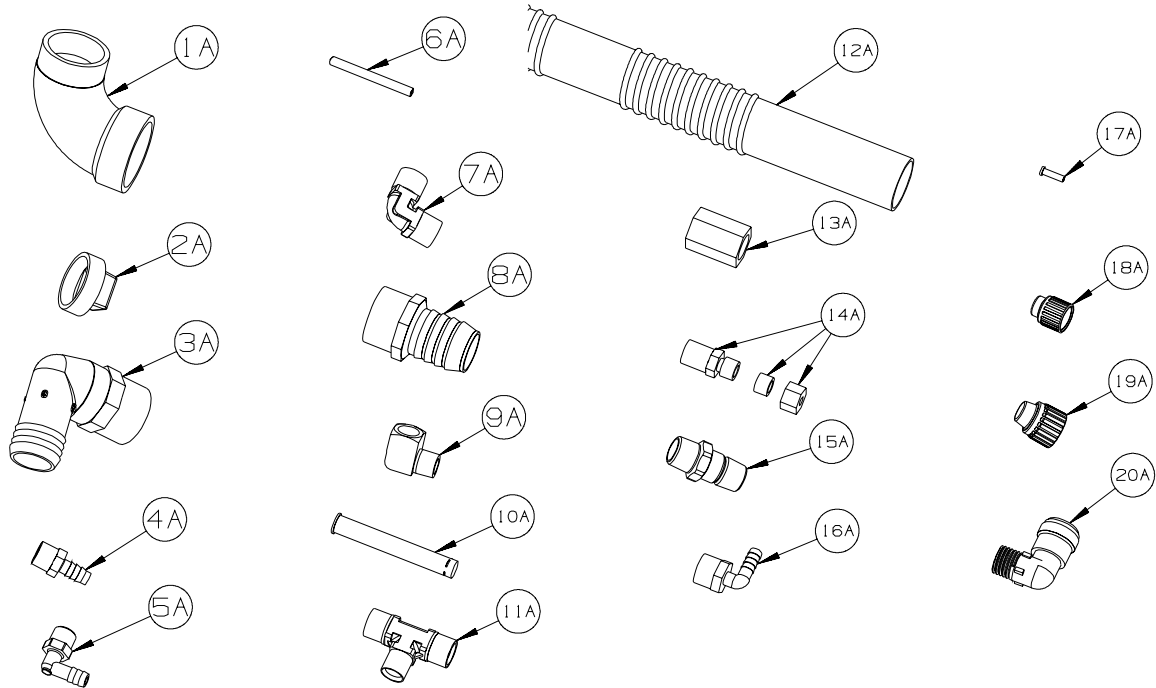
147421-03-01A

| KEY | PART NUMBER   | U/M | DESCRIPTION                  | VENDOR NO.     |
|-----|---------------|-----|------------------------------|----------------|
| 1   | 147421-01-700 | EA  | SEAT & COVER ASSEMBLY(WHT)   | 31703          |
| 2   | 147421-01-701 | EA  | WATER MODULE ASSEMBLY        | 31705          |
| 3   | 147421-01-702 | EA  | NOZZLE ASSEMBLY              | 31706          |
| 4   | 147421-01-703 | EA  | LINK - WATER MODULE          | 31621          |
| 5   | 147421-01-704 | EA  | PEDAL - WHITE                | 31709          |
| 6   | 147421-01-705 | EA  | FOOT CABLE                   | 31711          |
| 7   | 063740-01-706 | EA  | BOLT PACKAGE-FLOOR FLANGE    | 12524 THETFORD |
|     | 147421-01-706 | EA  | SEAL - BLADE                 | 31708          |
|     | 147421-01-707 | EA  | CAP (UNIVERSAL BOLT) - WHITE | 31713          |

CONTACT WINNEBAGO PART SALES FOR UNLISTED COMPONENT(S)

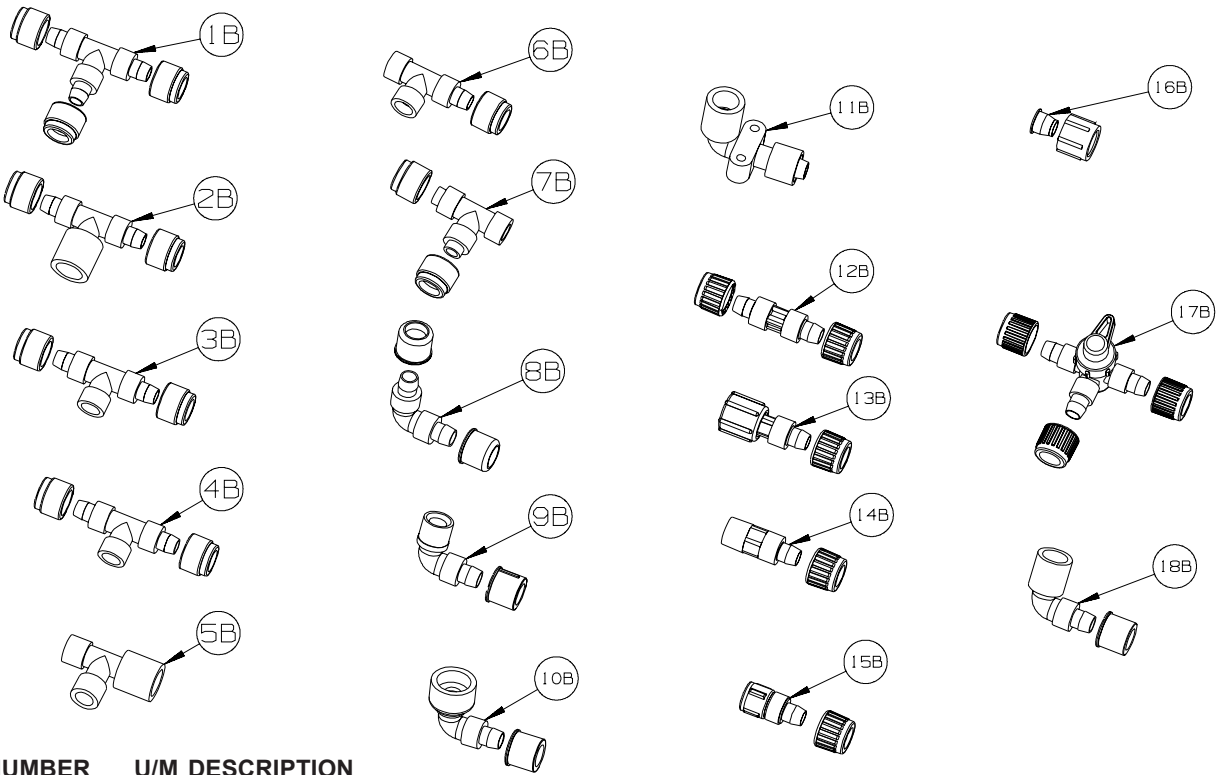
## WATER & SEWAGE GROUP (CONTINUED)

### WATER SYSTEM



| KEY | PART NUMBER   | U/M | DESCRIPTION   |
|-----|---------------|-----|---|
| 1A  | 010009-01-000 | EA  | ELBOW - 90 DEGREE - 1/4 BEND - 1 1/2" PLASTIC             |
| 2A  | 010166-01-000 | EA  | PLUG/THREADED - 1 1/4"MPT - PLASTIC - BLACK - UL          |
| 3A  | 010219-01-000 | EA  | ELBOW - 1 1/4 MPT X 1 1/4 BARB - WATER FILL - PLASTIC     |
| 4A  | 010224-01-000 | EA  | ADAPTER - HOSE TO PIPE - 3/8 MPT X 3/8 BARB - PLASTIC     |
| 5A  | 035539-01-000 | EA  | ELBOW - 3/8 MPT X 3/8 BARB - PLASTIC                      |
| 6A  | 039800-04-000 | FT  | TUBING - POLYBUTYL - 1/4"OD                               |
| 6A  | 074462-02-000 | FT  | TUBING - VINYL - 3/8 ID X 20' - CLEAR                     |
| 6A  | 112176-01-000 | FT  | TUBING - VINYL - REINFORCED - 1/2" ID                     |
| 6A  | 124188-01-000 | FT  | TUBING - PEX - 1/2" ID X 20' - BLUE(COLD)                 |
| 6A  | 124188-02-000 | FT  | TUBING - PEX - 1/2" ID X 20' - RED(HOT)                   |
| 7A  | 039808-03-000 | EA  | ELBOW - 1/2" MPT X 1/2" MPT - PLASTIC                     |
| 8A  | 044927-01-000 | EA  | ADAPTER - HOSE TO PIPE-1 1/4 MPTX1 1/4 BARB-BLACK PLASTIC |
| 9A  | 065318-02-000 | EA  | ELBOW - 90 DEGREE - 3/8" MPT TO 3/8" FPT                  |
| 10A | 077954-02-000 | EA  | FILTER - WATER TANK - W/SCREEN IN TANK                    |
| 11A | 039798-01-000 | EA  | TEE - 1/2"MPT X 1/2"MPT X 1/2"MPT - PLASTIC               |
| 12A | 079381-01-000 | FT  | TUBING - RIBBED FLEXIBLE/WATER FILL - 10 FT = 1EA-1.38ID  |
| 13A | 101814-01-000 | EA  | COUPLING - FEMALE - 1/2" X 1/2" FPT - GRAY                |
| 14A | 103798-01-000 | EA  | CONNECTOR - 1/4 OD X 3/8 MPT                              |
| 15A | 110438-02-000 | EA  | VALVE - CHECK - 1/2"MPT X 1/2"MPT - BRASS                 |
| 16A | 111223-02-000 | EA  | ELBOW - 1/2" MPT X 3/8" BARB - PLASTIC                    |
| 16A | 111223-04-000 | EA  | ELBOW - 1/2" MPT X 1/2" BARB - PLASTIC                    |
| 16A | 111888-01-000 | EA  | FERRULE - PLASTIC - .250 ID X .375 OD                     |
| 17A | 111888-02-000 | EA  | INSERT - BRASS - 1/4 COMP                                 |
| 18A | 113697-01-000 | EA  | CAP - 3/8"P   |
| 19A | 114427-01-000 | EA  | CAP - 1/2"P   |
| 20A | 164906-01-000 | EA  | ELBOW - 90 DEGREE - 1/2" QUICK CONNECT X 1/2"MPT          |

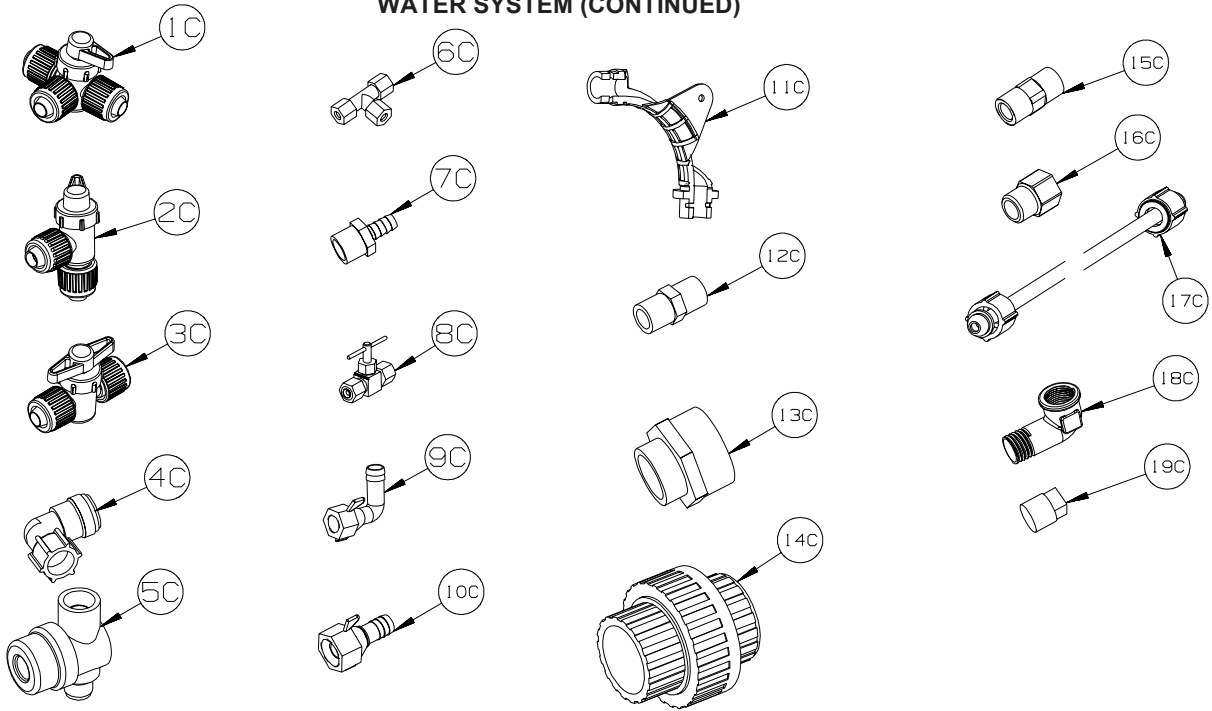
**WATER & SEWAGE GROUP (CONTINUED)**  
**WATER SYSTEM (CONTINUED)**



| KEY | PART NUMBER   | U/M | DESCRIPTION   |
|-----|---------------|-----|---|
| 1B  | 114428-01-000 | EA  | TEE - 1/2"P X 1/2"P X 1/2"P                         |
| 2B  | 114428-02-000 | EA  | TEE - SWIVEL - 1/2"P X 1/2"P X 1/2"FPT              |
| 3B  | 114428-03-000 | EA  | TEE - 1/2"P X 1/2"P X 1/2"MPT                       |
| 4B  | 114428-04-000 | EA  | TEE - 1/2"P X 1/2"P X 1/8"FPT                       |
| 5B  | 114428-05-000 | EA  | TEE - 1/2" SWIVEL X 1/2" MPT X 1/2" MPT             |
| 6B  | 114428-06-000 | EA  | TEE - 1/2" P X 1/2" MPT X 1/2" MPT                  |
| 7B  | 114428-07-000 | EA  | TEE - 1/2" P X 1/2" MPT X 1/2" P                    |
| 8B  | 114429-01-000 | EA  | ELBOW - 1/2"P X 1/2"P                               |
| 9B  | 114429-02-000 | EA  | ELBOW - 1/2"P X 1/2"MPT                             |
| 9B  | 114429-04-000 | EA  | ELBOW - 1/2"P X 3/8"MPT                             |
| 9B  | 114429-10-000 | EA  | ELBOW - SWIVEL - 1/2"MPT X 1/2"FPT                  |
| 10B | 114429-08-000 | EA  | ELBOW - SWIVEL - 1/2"P X 1/2"FPT                    |
| 11B | 114429-09-000 | EA  | ELBOW - 1/2"P X 1/2"FPT DROP EAR                    |
| 12B | 114430-01-000 | EA  | ADAPTER - 1/2"P X 1/2"P                             |
| 13B | 114430-02-000 | EA  | ADAPTER - SWIVEL - 1/2"P X 1/2"FPT                  |
| 13B | 114430-04-000 | EA  | ADAPTER - SWIVEL - 1/2"P X 3/8"MPT                  |
| 14B | 114430-03-000 | EA  | ADAPTER - 1/2"P X 1/2"MPT                           |
| 15B | 114430-06-000 | EA  | ADAPTER - 1/2"P X 3/8"FPT                           |
| 15B | 114430-09-000 | EA  | ADAPTER - 1/2"P X 1/2"FPT                           |
| 16B | 114430-10-000 | EA  | ADAPTER - NUT - PIPE CONNECTION - 1/2"              |
| 17B | 114431-01-000 | EA  | VALVE - 180 DEGREE/CENTER DRAIN - 1/2"P - THREE WAY |
| 18B | 114429-11-000 | EA  | ELBOW - 1/2"P X 1/2"FPT                             |

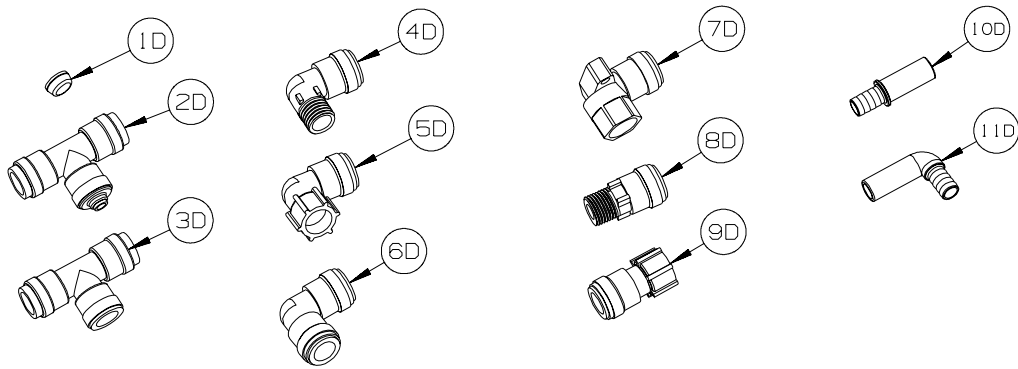
## WATER & SEWAGE GROUP (CONTINUED)

### WATER SYSTEM (CONTINUED)



| KEY | PART NUMBER   | U/M | DESCRIPTION   |
|-----|---------------|-----|---|
| 1C  | 114431-02-000 | EA  | VALVE - WATER BYPASS - 1/2"P - THREE WAY (WATER HEATER)   |
| 2C  | 114431-03-000 | EA  | VALVE - 90 DEGREE DRAIN - 1/2"P                           |
| 3C  | 114431-04-000 | EA  | VALVE - "INLINE SHUT-OFF" - 1/2"P                         |
| 4C  | 164906-02-000 | EA  | ELBOW - 90 DEGREE - 1/2" QUICK CONNECT X 1/2"MPT - SWIVEL |
| 5C  | 152925-01-01A | EA  | FILTER - IN LINE - TWIST ON - 1/2" - BLACK                |
| 6C  | 118423-01-000 | EA  | FITTING - BRASS-TEE - 1/4C X 1/4C X 1/4C                  |
| 7C  | 118809-01-000 | EA  | ADAPTER - 1/2" MPT X 3/8" BARB - PLASTIC                  |
| 7C  | 118809-02-000 | EA  | ADAPTER - 1/2" MPT X 1/2" BARB - PLASTIC                  |
| 8C  | 120868-01-000 | EA  | VALVE - NEEDLE - 1/4" COMPRESSION X 1/4" COMPRESSION      |
| 9C  | 123150-01-000 | EA  | ELBOW - 1/2 FPT X 1/2 BARB - SWIVEL                       |
| 10C | 123152-01-000 | EA  | ADAPTER - 1/2 FPT X 1/2 BARB - SWIVEL                     |
| 11C | 124184-01-000 | EA  | SUPPORT - WATER LINE - BEND                               |
| 12C | 132148-01-000 | EA  | CONNECTOR - 1/2" X 1/2"MPT - BRASS                        |
| 13C | 133835-01-000 | EA  | ADAPTER - REDUCING - 1 1/2" X 1 1/4"                      |
| 14C | 133889-01-000 | EA  | UNION - 1 1/2 DOUBLE SLIP - PVC                           |
| 15C | 135386-01-000 | EA  | NIPPLE - 1/2"   |
| 16C | 136333-01-000 | EA  | ADAPTER - BRASS - 1/2"MPT X 1/2"FPT                       |
| 17C | 140821-01-000 | EA  | TUBE - WATER SUPPLY - 3/8" X 24"                          |
| 17C | 140821-02-000 | EA  | TUBE - WATER SUPPLY - 3/8" X 30"                          |
| 17C | 140821-03-000 | EA  | TUBE - WATER SUPPLY - 3/8" X 36"                          |
| 17C | 140821-04-000 | EA  | TUBE - WATER SUPPLY - 3/8" X 48"                          |
| 17C | 140821-05-000 | EA  | TUBE - WATER SUPPLY - 3/8" X 54"                          |
| 17C | 140821-06-000 | EA  | TUBE - WATER SUPPLY - 3/8" X 60"                          |
| 17C | 140821-07-000 | EA  | TUBE - WATER SUPPLY - 3/8" X 72"                          |
| 17C | 140821-08-000 | EA  | TUBE - WATER SUPPLY - 1/2" X 24"                          |
| 17C | 140821-09-000 | EA  | TUBE - WATER SUPPLY - 1/2" X 36"                          |
| 17C | 140821-10-000 | EA  | TUBE - WATER SUPPLY - 1/2" X 48"                          |
| 18C | 142812-01-000 | EA  | ELBOW - BRASS - 1/2"MPT X 1/2"FPT                         |
| 19C | 145609-01-000 | EA  | PLUG - BRASS - 1/2" MPT/HEX HEAD                          |

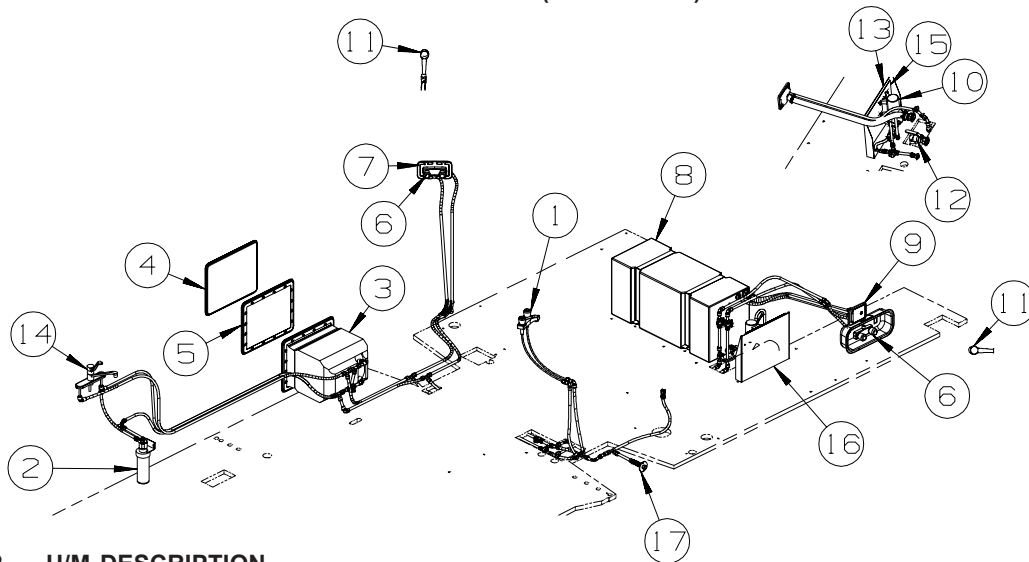
**WATER & SEWAGE GROUP (CONTINUED)**  
**WATER SYSTEM (CONTINUED)**



| KEY | PART NUMBER   | U/M | DESCRIPTION   |
|-----|---------------|-----|---|
| 1D  | 116473-01-000 | EA  | FERRIL - RUBBER SEALING - WATER LINE                      |
| 2D  | 160949-01-000 | EA  | CONNECTOR - 1/2" X 1/2" X 1/4" REDUCER                    |
| 3D  | 160949-02-000 | EA  | CONNECTOR - 1/2"CTS X 1/2"CTS X 1/2"CTS                   |
| 4D  | 164906-01-000 | EA  | ELBOW - 90 DEGREE - 1/2" QUICK CONNECT X 1/2"MPT          |
| 5D  | 164906-02-000 | EA  | ELBOW - 90 DEGREE - 1/2" QUICK CONNECT X 1/2"FPT - SWIVEL |
| 6D  | 164906-03-000 | EA  | ELBOW - 90 DEGREE - 1/2" X 1/2" QUICK CONNECTS            |
| 7D  | 164906-04-000 | EA  | ELBOW - 90 DEGREE - 1/2"CTS X 1/2"FPT                     |
| 8D  | 164907-01-000 | EA  | ADAPTER - STRAIGHT - 1/2" QUICK CONNECT X 1/2"MPT         |
| 9D  | 164907-02-000 | EA  | ADAPTER - STRAIGHT - 1/2" QUICK CONNECT X 1/2"FPT/SWIVEL  |
| 10D | 166212-01-000 | EA  | UNION - HOSE/BARB - CTS X 1/2"B - SEA TECH #3511-1008     |
| 11D | 166212-02-000 | EA  | ELBOW - HOSE/BARB - CTS X 1/2"B - SEA TECH #3512-1008     |



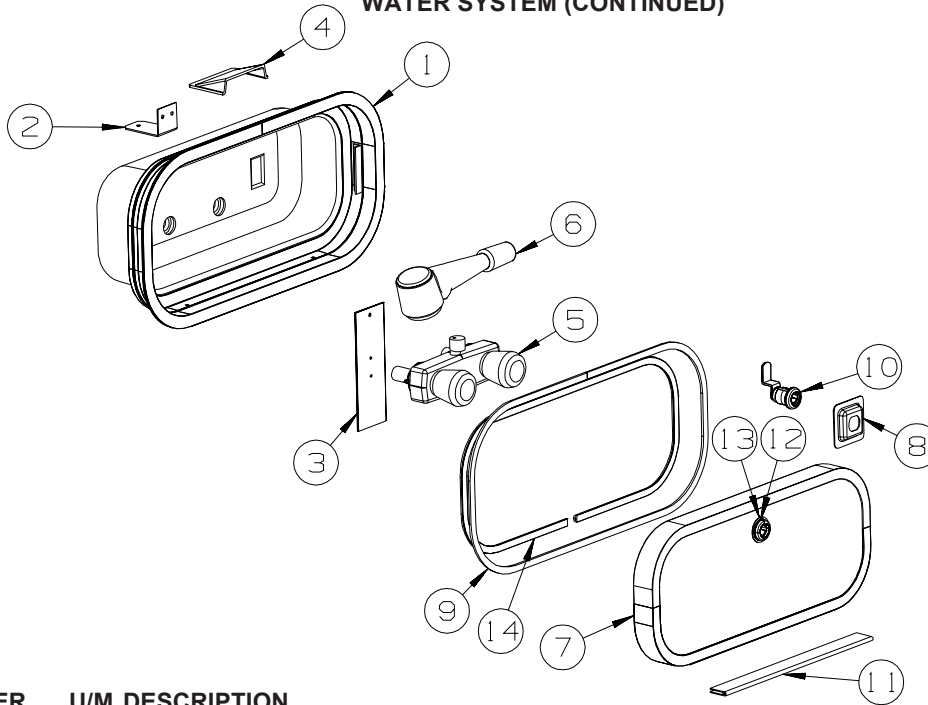
**WATER & SEWAGE GROUP (CONTINUED)**  
**WATER SYSTEM (CONTINUED)**



| KEY | PART NUMBER   | U/M | DESCRIPTION   |
|-----|---------------|-----|---|
| 1   | 148886-01-01A | EA  | FAUCET - LAVATORY/DUAL CONTROL/4" CENTER - CHROME   |
| 1*  | 152311-01-01A | EA  | FAUCET - LAVATORY - SINGLE CONTROL - CHROME - INTERIOR UPGRADE PACKAGE<br>FROM: 00-00-00 THRU: 04-20-08 |
| 1*  | 165730-01-01A | EA  | FAUCET - LAVATORY - SINGLE CONTROL - CHROME - INTERIOR UPGRADE PACKAGE<br>FROM: 04-21-08 THRU: 99-99-99 |
| 2   | 160946-03-000 | EA  | FILTER SYSTEM - WATER PURIFICATION - AQUA-PURE  |
| 3*  | 051391-03-000 | EA  | WATER HEATER G6A-8E ELECTRONIC IGNITION   |
| 3*  | 145541-02-000 | EA  | WATER HEATER-6 GAL-GAS/ELEC/120'-REM IGN-W/HEAT EXC-4E - WTR HTR-6GAL/110/LP/MTR/AUTO                   |
| 4   | 052009-06-000 | EA  | DOOR - WATER HEATER - 18" X 14.6" - BRIGHT WHITE<br>FROM: 00-00-00 THRU: 06-17-07                       |
| 4   | 125420-06-02A | EA  | DOOR - WATER HEATER - 18" X 14.6" - BRIGHT WHITE<br>FROM: 06-18-07 THRU: 99-99-99                       |
| 5   | 152239-01-01A | EA  | FLANGE/MOUNTING/RECESSED - 19.3" X 15.8" - BRIGHT WHITE   |
| 6   | 163269-01-02A | EA  | FAUCET/SHOWER -.5"MPT W/1.9" INLET PIPES- EXTERIOR/CHROME   |
| 7   | 075606-03-000 | EA  | PANEL - FAUCET SHOWER - SOFT WHITE  |
| 8   | 156167-02-000 | EA  | TANK - WATER - 36 GALLON - W/FITTINGS   |
|     | 042989-04-000 | EA  | FITTING - SPINWELD - 3/8"FPT - PLASTIC  |
|     | 042989-08-000 | EA  | FITTING - SPINWELD - 1"FPT - PLASTIC  |
| 9   | 137169-01-01A | EA  | WATER FILL/GRAVITY - W/DOOR - W/O LOCK - BRIGHT WHITE   |
|     | 138290-03-000 | EA  | CASE - W/CAM - W/O CYLINDER/KEY   |
| 10  | 160702-01-000 | EA  | PUMP - WATER - 3.0 GPM - W/1/2" MPT   |
| 11  | 131383-01-02A | EA  | SHOWER HEAD - W/60" HOSE & BRACKET - WHITE  |
| 12  | 132483-01-000 | EA  | VALVE/BALL - 1" - THREADED ENDS   |
| 12  | 132484-01-000 | EA  | ELBOW - 90 DEGREE - 1MPT X 1FPT - PLASTIC   |
| 13  | 140364-05-01A | EA  | FOAM - PAD - .5" X 12" X 15"  |
| 14  | 149164-01-01A | EA  | FAUCET - GALLEY - SINGLE CONTROL - CHROME   |
| 15  | 149477-03-02B | EA  | PANEL - WATER PUMP - E-COATED   |
| 16  | 156298-02-02B | EA  | BRACKET/MOUNTING - WATER PUMP - E-COATED  |
| 17  | 010230-06-000 | EA  | FILL - CITY WATER - W/CHECK VALVE - MPT - BRUSHED ALUM  |

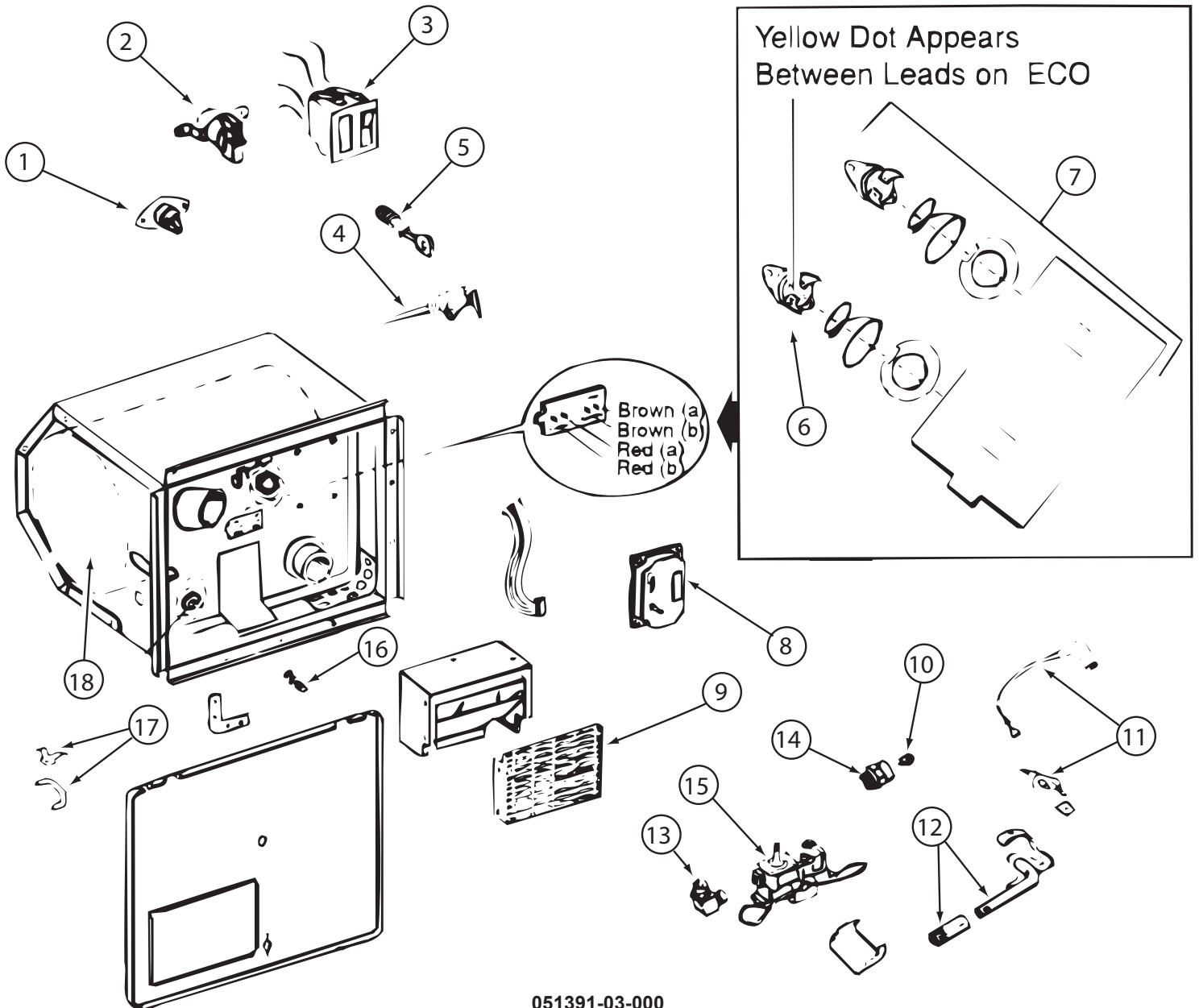
\*COMPONENT PARTS LISTED LATER IN THIS GROUP

**WATER & SEWAGE GROUP (CONTINUED)**  
**WATER SYSTEM (CONTINUED)**



| KEY | PART NUMBER   | U/M | DESCRIPTION  |
|-----|---------------|-----|--|
| 1   | 106208-01-02A | EA  | COMPARTMENT - EXTERIOR SHOWER - BRIGHT WHITE               |
| 2   | 131732-01-12B | EA  | BRACKET - SQUEEGEE - BRIGHT WHITE                          |
| 3   | 121577-04-01A | EA  | STRAP/PLATE - W/HOLE - 2.25" X 6.5" - BRIGHT WHITE         |
| 4   | 054250-09-000 | EA  | SUPPORT - DIMMER SWITCH - BRIGHT WHITE                     |
| 5   | 163269-01-01A | EA  | FAUCET/SHOWER -.5"MPT W/1.9" INLET PIPES- EXTERIOR/BRT WHT |
| 6   | 131383-01-02A | EA  | SHOWER HEAD - W/60" HOSE & BRACKET - WHITE                 |
| 7   | 126945-11-T11 | EA  | DOOR/STORAGE - W/O HARDWARE - 18" X 8.3"                   |
| 8   | 097111-02-04A | EA  | POCKET - LOCK - REAR DOOR - BLACK                          |
| 9   | 056795-01-000 | EA  | TAPE-SEAL, 1/8~ X 3/8~ WIDE - PRESS ON                     |
| 10  | 138290-02-000 | EA  | CASE - W/CAM - W/O CYLINDER/KEY                            |
| 11  | 081801-V3-000 | EA  | HINGE - DOOR - PIANO - 2" X 96" - BRIGHT WHITE             |
| 12  | 139325-01-000 | EA  | SPACER - LOCK - 6MM  |
| 13  | 139337-01-000 | EA  | GASKET - LOCK  |
| 14  | 112160-02-000 | FT  | SEAL - D SECTION - .2 X .3" - FOAM RUBBER                  |

**WATER & DRAINAGE GROUP (CONTINUED)**  
**COMPONENT PARTS FOR WATER SYSTEM**

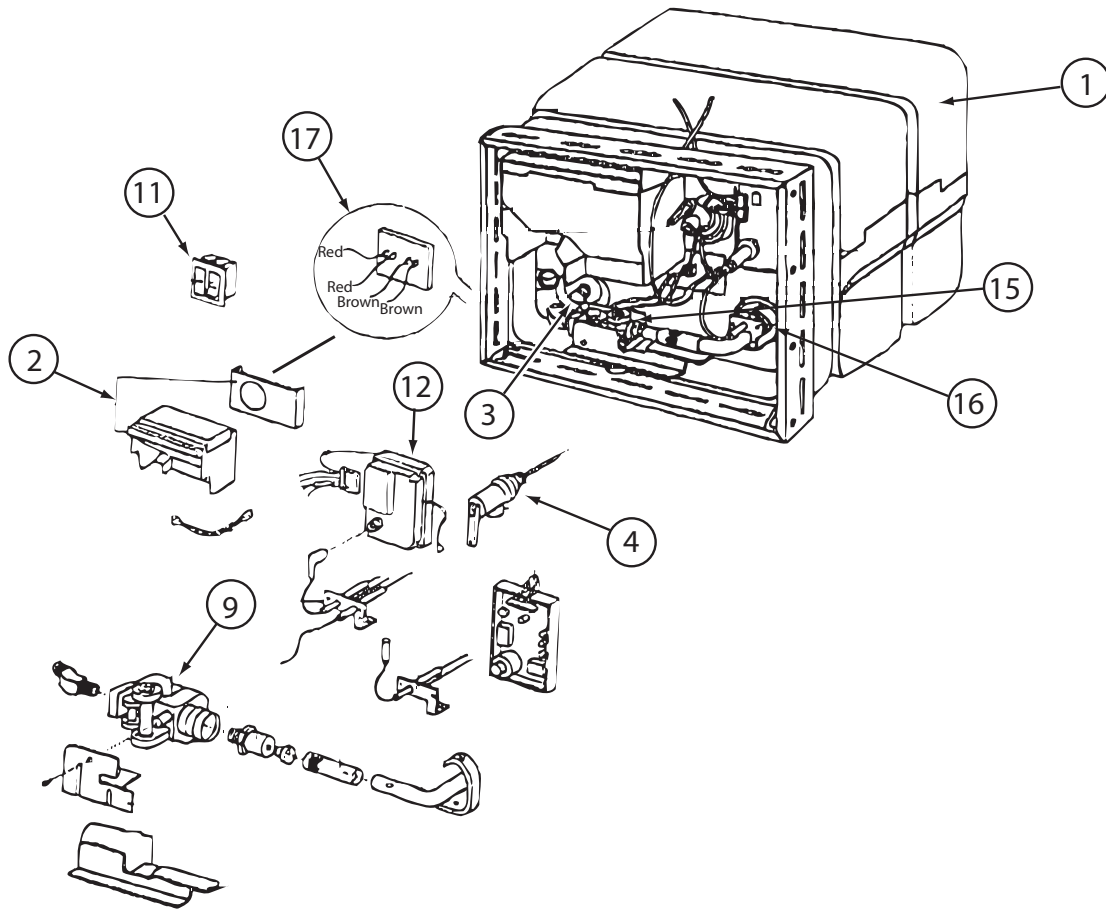


051391-03-000

| KEY | PART NUMBER   | U/M | DESCRIPTION                   | VENDOR NO.      |
|-----|---------------|-----|-------------------------------|-----------------|
| 3   | 051393-01-701 | EA  | SWITCH - REMOTE - W/LIGHT     | 91959           |
| 4   | 051391-01-704 | EA  | VALVE-RELIEF, 1/2" FITTING    | 91604           |
| 4   | 051391-03-701 | EA  | VALVE-RELIEF - 3/4" FITTING   | 90028           |
| 5   | 051391-01-705 | EA  | FASTENER-CAMLOCK              | 92609           |
| 6   | 051391-04-701 | EA  | THERMOSTAT 12V DC-120 PRESET  | 91470           |
| 7   | 051393-01-721 | EA  | THERMOSTAT W/ECO, 140 FRT MT  | 91447           |
| 9   | 051391-04-707 | EA  | KIT-EXHAUST, (FLUE & GASKET)  | 90960           |
| 10  | 051391-01-710 | EA  | ORIFICE-MAIN BURNER           | 92742           |
| 12  | 051391-04-703 | EA  | BURNER-MAIN/ELECTRONIC IG     | 91638           |
| 13  | 051391-01-714 | EA  | FITTING-ELBOW 45,3/8F X 3/8   | MPT 1044        |
| 14  | 051391-03-700 | EA  | HOLDER-ORIFICE                | 91563           |
| 16  | 051391-01-715 | EA  | PLUG-DRAIN, 1 EA = 2 PER PKG  | 91857           |
| 17  | 051391-01-700 | EA  | HINGE KIT, (PIN & CLIP)       | 92568&92559     |
| 18  | 051391-04-706 | EA  | TANK-G6A-4E/6E/7E/8E-FRT.MT   | 91641 - INNER   |
|     | 051391-01-717 | EA  | GRILLE-WATER HEATER DOOR      | 92640           |
|     | 051393-01-723 | EA  | SWITCH - THERMAL CUTOUT 2/PK  | 93866 WAS 93853 |
|     | 051393-01-724 | EA  | BOARD-CIRCUIT, SPADE TERMINAL | 93865           |
|     | 051393-01-725 | EA  | ELECTRODE-SGL SPADE CONNECT.  | 93868           |
|     | 051393-01-726 | EA  | VALVE/SOLENOID - W/O BRACKET  | 93870           |
|     | 111129-01-711 | EA  | BRACKET-CORNER, SET OF FOUR   | 91928           |

CONTACT WINNEBAGO PARTS SALES FOR UNLISTED COMPONENT(S)

**WATER & SEWAGE GROUP (CONTINUED)**  
**COMPONENT PARTS FOR WATER SYSTEM (CONTINUED)**



**145541-02-000**

| KEY | PART NUMBER   | U/M | DESCRIPTION                  | VENDOR NO.     |
|-----|---------------|-----|------------------------------|----------------|
| 1   | 145541-02-700 | EA  | TANK/SERVICE KIT PCS- 6 GAL  | 91053          |
| 2   | 051391-04-707 | EA  | KIT-EXHAUST, (FLUE & GASKET) | 90960          |
| 3   | 051391-01-715 | EA  | PLUG-DRAIN, 1 EA = 2 PER PKG | 91857          |
| 4   | 051391-01-704 | EA  | VALVE-RELIEF, 1/2" FITTING   | 91604          |
| 4   | 051931-03-701 | EA  | VALVE-RELIEF - 3/4" FITTING  | 90028          |
| 9   | 051393-01-726 | EA  | VALVE-SOLENOID - W/O BRACKET | 93870          |
| 11  | 051393-01-701 | EA  | SWITCH - REMOTE - W/LIGHT    | 91959          |
| 11  | 145541-01-701 | EA  | SWITCH - ON/OFF - WHITE      | 91859          |
| 12  | 145541-01-702 | EA  | CIRCUIT BOARD                | 91226          |
| 15  | 145541-01-703 | EA  | SWITCH - THERMAL CUT OFF     | 93866          |
| 16  | 051393-01-725 | EA  | ELECTRODE-SGL SPADE CONNECT. | 93868          |
| 17  | 051393-01-721 | EA  | THERMOSTAT W/ECO, 140 FRT MT | 91447          |
|     | 051391-05-706 | EA  | ELEMENT-HEATING 1500 WATT    | 92249 W/GASKET |
|     | 145541-01-704 | EA  | RELAY                        | 90061          |
|     | 145541-02-701 | EA  | JUNCTION BOX(PLASTIC) 6 GAL  | 91222          |

CONTACT WINNEBAGO PARTS SALES FOR UNLISTED COMPONENT(S)

**152311-01-01A**

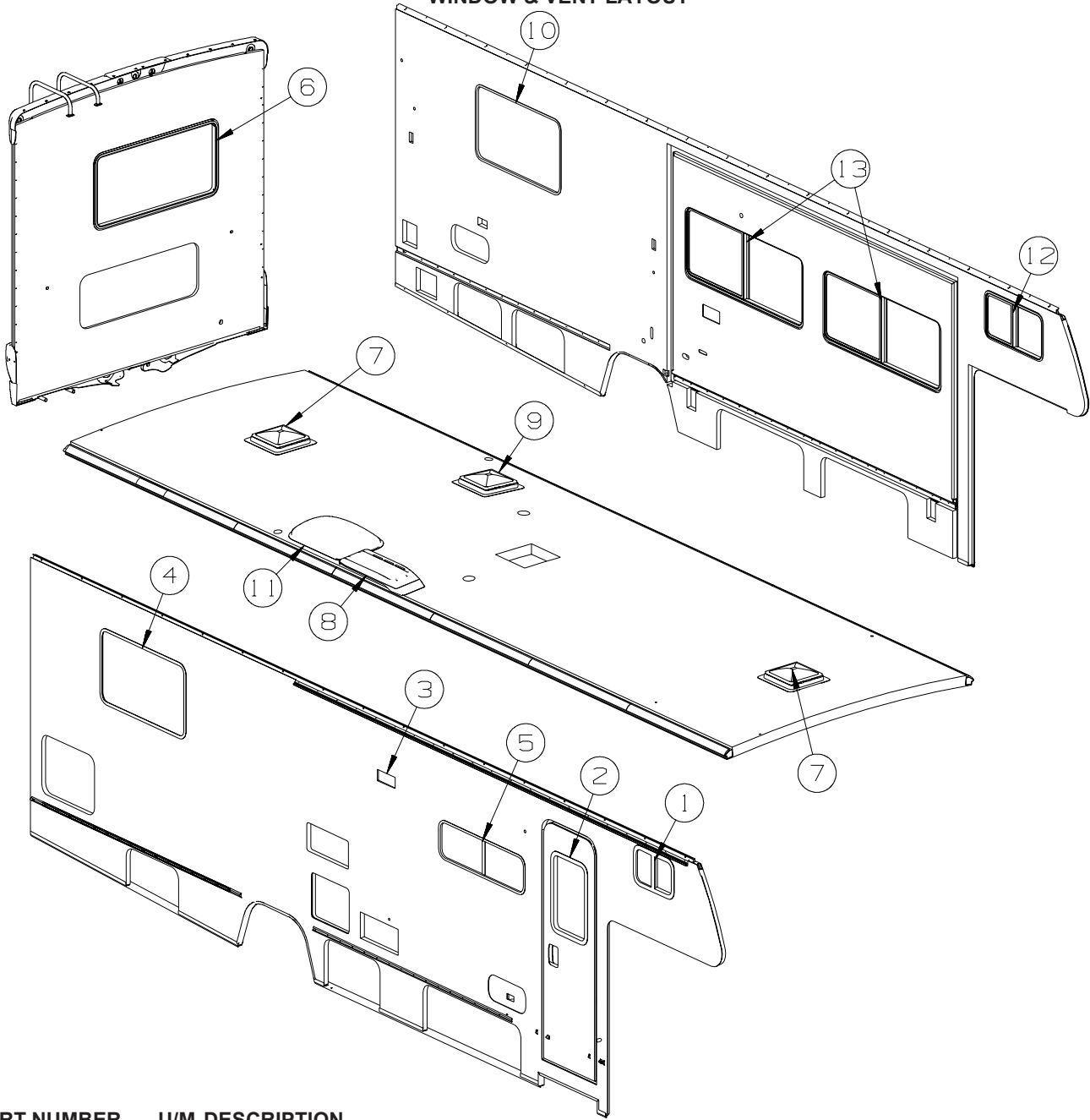
| KEY | PART NUMBER   | U/M | DESCRIPTION     | VENDOR NO.     |
|-----|---------------|-----|-----------------|----------------|
|     | 152311-01-700 | EA  | KNOB - CONTROL  | AF-0908-HANDLE |
|     | 152311-01-701 | EA  | BUTTON-HOT/COLD |                |
|     | 152311-02-701 | EA  | CARTRIDGE (KIT) |                |

**165730-01-01A**

| KEY | PART NUMBER   | U/M | DESCRIPTION | VENDOR NO. |
|-----|---------------|-----|-------------|------------|
|     | 165730-02-700 | EA  | CARTRIDGE   | CFG-40002  |

## WINDOW & VENTS GROUP

### WINDOW & VENT LAYOUT



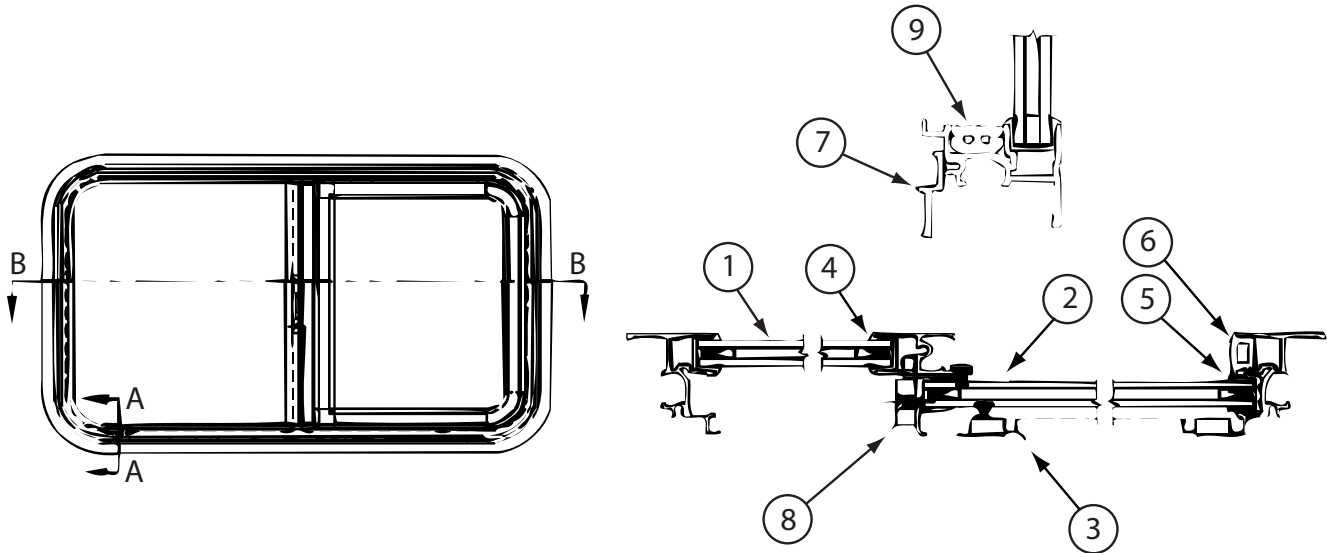
| KEY | PART NUMBER   | U/M | DESCRIPTION   |
|-----|---------------|-----|---|
| 1*  | 098647-78-02A | EA  | WINDOW - PASS HORIZ SLIDER W/TRIM - 12.5" X 19.9" -SLV/BLK                    |
| 1*  | 150648-31-02A | EA  | WINDOW-HORIZ SLIDER/FLUSH/THERMO/RH - 12.3" X 19.7"-SILVER - <b>DUAL PANE</b> |
| 2   | 117053-04-W21 | EA  | WINDOW - PICTURE/CLEAR - W/O TRIM - 17" X 26.4"                               |
|     | 002181-27-000 | EA  | GLASS - PICTURE WINDOW - 25.8"W X 16.4"H - CLEAR                              |
|     | 087561-01-000 | EA  | SEAL - GLASS - EXTERIOR - .5" WIDE - VINYL BLACK                              |
|     | 117054-02-03A | EA  | TRIM/RETAINER - INSIDE - 16.9" X 26.2" - BLACK                                |
| 2   | 150651-01-03A | EA  | WINDOW - STATIONARY/FLUSH/THERMO - 26.3" X 17" - SILVER - <b>DUAL PANE</b>    |
| 3   | 147821-01-01A | EA  | VENT - EXHAUST/RANGE HOOD - BRIGHT WHITE                                      |
| 3   | 147821-02-01A | EA  | SHROUD - EXHAUST VENT/RANGE HOOD - BRIGHT WHITE                               |
| 4*  | 098647-29-03A | EA  | WINDOW - PASS HORIZ SLIDER W/TRIM - CLEAR - 24.2" X 41"                       |
| 4*  | 161452-01-02A | EA  | WINDOW - TIPOUT/FLUSH/THERMO - 24.5" X 41.2" - SILVER - <b>DUAL PANE</b>      |
| 5*  | 098647-80-02A | EA  | WINDOW - PASS HORIZ SLIDER W/TRIM - 12.2"H X 41.2"W-SLV/BK                    |
| 5*  | 150648-26-02A | EA  | WINDOW-HORIZ SLIDER/FLUSH/THERMO/RH - 12.2"X 41.2" -SILVER - <b>DUAL PANE</b> |
| 6   | 078528-07-W21 | EA  | WINDOW - ESCAPE W/O INSIDE TRIM - CLEAR - 48.5"X 4.5"-GRAY                    |
|     | 002282-09-000 | EA  | WEATHERSTRIP - WINDOW - .125" X 130.5" - BLACK                                |
|     | 002285-01-000 | EA  | FILLER - WEATHERSTRIP - RUBBER - BLACK  |
|     | 076337-13-000 | EA  | GLASS - EGRESS - 45.5" X 21.5"  |
| 6   | 074816-16-000 | EA  | FRAME - WINDOW - INSIDE ESCAPE - BLACK  |
| 6*  | 150651-03-02A | EA  | WINDOW - STATIONARY/FLUSH/ESCAPE/THERMO - 24.7"X 48.7"-SLV - <b>DUAL PANE</b> |

**WINDOW & VENTS GROUP (CONTINUED)**  
**WINDOW & VENT LAYOUT (CONTINUED)**

| KEY | PART NUMBER   | U/M | DESCRIPTION  |
|-----|---------------|-----|--|
| 7*  | 122882-01-01A | EA  | VENT - ROOF - NONPOWERED - W/O INSIDE GARNISH                                    |
|     | 009440-01-000 | EA  | GEAR/ARM - LIFT - ROOF VENT COVER  |
| 7   | 122882-07-01A | EA  | GARNISH - ROOF VENT - 2.5" TO 4.1"   |
| 7*  | 123780-26-01A | EA  | FANTASTIC VENT-4"ROOF- W/FAN/DBL DOME-W/O THERM/PWR LIFT - VENT-POWER VENTILATOR |
| 8   | 149508-01-02A | EA  | CAP - ROOF/REFRIGERATOR VENT - WHITE   |
| 8   | 149508-02-02A | EA  | BASE - ROOF/REFRIGERATOR VENT - BRIGHT WHITE                                     |
| 9*  | 122882-02-01A | EA  | VENT - ROOF - W/FAN - W/O INSIDE GARNISH - UL                                    |
| 9*  | 122882-03-01A | EA  | VENT - ROOF - W/FAN - W/O INSIDE GARNISH - CANADIAN                              |
|     | 009440-01-000 | EA  | GEAR/ARM - LIFT - ROOF VENT COVER  |
|     | 048648-01-000 | EA  | MOTOR/ROOF VENT - W/RESISTER - 1/8"SHAFT - 12VOLT                                |
|     | 048649-01-000 | EA  | FAN BLADE - ROOF VENT - 6 BLADED - 6"RADIUS                                      |
| 9   | 122882-07-01A | EA  | GARNISH - ROOF VENT - 2.5" TO 4.1"   |
| 10* | 098647-30-03A | EA  | WINDOW - DRVR HORIZ SLIDER W/TRIM - CLEAR - 24.2" X 41"                          |
| 10* | 161452-01-02A | EA  | WINDOW - TIPOUT/FLUSH/THERMO - 24.5" X 41.2" - SILVER - DUAL PANE                |
| 11  | 122193-01-02A | EA  | PANEL - SKYLITE - INNER - W/LIGHT INDENTATION                                    |
| 11  | 138372-01-02B | EA  | TRIM - CORNER - SKYLIGHT - E-COATED  |
| 11  | 138379-02-01A | EA  | PANEL/SKYLIGHT OTR - RECT/4"H CTR DOME - 18.4"X 29.5"- WHT                       |
| 12* | 098647-32-03A | EA  | WINDOW - DRVR HORIZ SLIDER W/TRIM - CLEAR- 15.7" X 28.5"                         |
| 12* | 150648-05-03A | EA  | WINDOW-HORIZ SLIDER/FLUSH/THERMO/LH - 16" X 28.7" - SILVER - DUAL PANE           |
| 13* | 098647-74-02A | EA  | WINDOW - DRIVER HORIZ SLIDER W/TRIM - 23.6" X 57.5"                              |
| 13* | 150648-07-02A | EA  | WINDOW-HORIZ SLIDER/FLUSH/THERMO/LH - 23.8" X 57.7"-SILVER - DUAL PANE           |

\*COMPONENT PARTS LISTED LATER IN THIS GROUP

**WINDOW & VENTS GROUP (CONTINUED)**  
**COMPONENT PARTS FOR WINDOW & VENT LAYOUT**



**098647-29-03A, 098647-30-03A**

| KEY | PART NUMBER   | U/M | DESCRIPTION                  | VENDOR NO.        |
|-----|---------------|-----|------------------------------|-------------------|
| 1   | 098647-29-702 | EA  | GLASS - STATIONARY           | 096-019295        |
| 2   | 098647-29-703 | EA  | GLASS-SLIDING W/SASH & LATCH | H172-C8           |
| 3   | 098647-29-704 | EA  | SCREEN ASM - W/SEALS & CLIPS | 410-018864        |
| 4   | 098644-01-705 | FT  | GLAZING - STRIP              | 132-010231        |
| 5   | 098644-01-708 | FT  | CHANNEL - RUN PIERCED        | 122-016543        |
| 6   | 098644-01-717 | FT  | SPLINE - SCREEN              | 132-004716        |
| 7   | 098647-29-705 | EA  | RETAINER - TRIM              | CH04-66           |
| 8   | 098647-54-701 | EA  | LATCH REPAIR KIT (RED)       | B081-CK           |
| 9   | 098644-01-719 | EA  | STOP - SLIDER GLASS          | 132-014203        |
|     | 098647-01-706 | FT  | WEATHERSTRIP-GLASS(FIN SEAL) | 171-010668        |
|     | 098647-01-710 | FT  | TRACK - SCREEN SPACER        | 132-017135        |
|     | 098644-01-711 | FT  | WEATHERSTRIP-SCRN(FUZZY)BLK  | 171-017245/016965 |
|     | 098644-01-717 | FT  | SPLINE - SCREEN              | 132-004716        |
|     | 125582-01-701 | EA  | CLIP - SCREEN - PLASTIC      | 130-005153        |

CONTACT WINNEBAGO PART SALES FOR UNLISTED COMPONENT(S)

**098647-32-03A**

| KEY | PART NUMBER   | U/M | DESCRIPTION                  | VENDOR NO.        |
|-----|---------------|-----|------------------------------|-------------------|
| 1   | 098647-31-702 | EA  | GLASS - STATIONARY           | 096-019299        |
| 2   | 098647-31-703 | EA  | GLASS-SLIDING W/SASH & LATCH | H425-C8           |
| 3   | 098647-31-704 | EA  | SCREEN ASM - W/SEALS & CLIPS | 410-019128        |
| 4   | 098644-01-705 | FT  | GLAZING - STRIP              | 132-010231        |
| 5   | 098644-01-708 | FT  | CHANNEL - RUN PIERCED        | 122-016543        |
| 6   | 098644-01-717 | FT  | SPLINE - SCREEN              | 132-004716        |
| 7   | 098647-31-705 | EA  | RETAINER - TRIM              | CH29-66           |
| 8   | 098647-54-701 | EA  | LATCH REPAIR KIT (RED)       | B081-CK           |
| 9   | 098644-01-719 | EA  | STOP - SLIDER GLASS          | 132-014203        |
|     | 098647-01-706 | FT  | WEATHERSTRIP-GLASS(FIN SEAL) | 171-010668        |
|     | 098647-01-710 | FT  | TRACK - SCREEN SPACER        | 132-017135        |
|     | 098644-01-711 | FT  | WEATHERSTRIP-SCRN(FUZZY)BLK  | 171-017245/016965 |
|     | 098644-01-717 | FT  | SPLINE - SCREEN              | 132-004716        |
|     | 125582-01-701 | EA  | CLIP - SCREEN - PLASTIC      | 130-005153        |

CONTACT WINNEBAGO PART SALES FOR UNLISTED COMPONENT(S)

**WINDOW & VENTS GROUP (CONTINUED)**  
**COMPONENT PARTS FOR WINDOW & VENT LAYOUT (CONTINUED)**

**098647-74-02A**

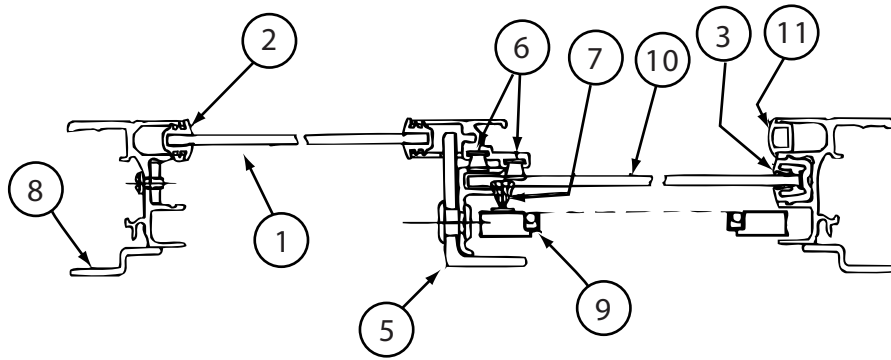
| <b>KEY</b>   | <b>PART NUMBER</b> | <b>U/M</b> | <b>DESCRIPTION</b>           | <b>VENDOR NO.</b> |
|--|--------------------|------------|------------------------------|-------------------|
| 1  | 098647-68-701      | EA         | GLASS - STATIONARY           | 096-029585        |
| 2  | 098647-74-700      | EA         | GLASS SLIDING W/SASH & LATCH | H493C8            |
| 3  | 098647-47-702      | EA         | SCREEN ASM                   | 410-025226        |
| 4  | 098644-01-705      | FT         | GLAZING - STRIP              | 132-010231        |
| 5  | 098644-01-708      | FT         | CHANNEL - RUN PIERCED        | 122-016543        |
| 6  | 098644-01-716      | FT         | PLUG - FILLER                | 132-014470        |
| 7  | 098647-47-704      | EA         | RETAINER - TRIM - BLACK      | H493-66           |
| 8  | 098644-01-700      | EA         | LATCH - REPAIR KIT (BLACK)   | B801-CK           |
| 8  | 098647-54-701      | EA         | LATCH - REPAIR KIT (RED)     | B081-CK           |
| 9  | 098644-01-719      | EA         | STOP - SLIDER GLASS          | 132-014203        |
|  | 098644-01-706      | FT         | WEATHERSTRIP - GLASS         | 171-010668        |
|  | 098644-01-710      | FT         | TRACK - SCREEN SPACER 12'    | 132-017135        |
|  | 098644-01-711      | FT         | WEATHERSTRIP - SCREEN BLACK  | 171-016965        |
|  | 098644-01-717      | FT         | SPLINE - SCREEN              | 132-004716        |
|  | 125582-01-701      | EA         | CLIP - SCREEN - PLASTIC      | 130-005153        |
| CONTACT WINNEBAGO PART SALES FOR UNLISTED COMPONENT(S) |                    |            |                              |                   |

**098647-78-02A**

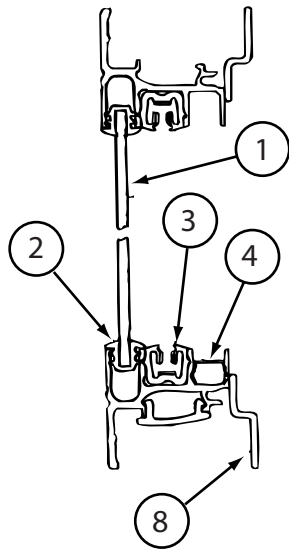
| <b>KEY</b>   | <b>PART NUMBER</b> | <b>U/M</b> | <b>DESCRIPTION</b>           | <b>VENDOR NO.</b> |
|--|--------------------|------------|------------------------------|-------------------|
| 1  | 098647-78-700      | EA         | GLASS - STATIONARY           | 096-036830        |
| 2  | 098647-78-703      | EA         | GLASS SLIDING W/SASH & LATCH | H996C8            |
| 3  | 098647-78-702      | EA         | SCREEN ASM                   | 410-036304        |
| 4  | 098644-01-705      | FT         | GLAZING - STRIP              | 132-010231        |
| 5  | 098644-01-708      | FT         | CHANNEL - RUN PIERCED        | 122-016543        |
| 6  | 098644-01-716      | FT         | PLUG - FILLER                | 132-014470        |
| 7  | 098647-78-701      | EA         | RETAINER - TRIM              | H996-66           |
| 8  | 098644-01-700      | EA         | LATCH - REPAIR KIT (BLACK)   | B801-CK           |
| 8  | 098647-54-701      | EA         | LATCH - REPAIR KIT (RED)     | B081-CK           |
| 9  | 098644-01-719      | EA         | STOP - SLIDER GLASS          | 132-014203        |
|  | 098644-01-706      | FT         | WEATHERSTRIP - GLASS         | 171-010668        |
|  | 098644-01-710      | FT         | TRACK - SCREEN SPACER 12'    | 132-017135        |
|  | 098644-01-711      | FT         | WEATHERSTRIP - SCREEN BLACK  | 171-016965        |
|  | 098644-01-717      | FT         | SPLINE - SCREEN              | 132-004716        |
|  | 125582-01-701      | EA         | CLIP - SCREEN - PLASTIC      | 130-005153        |
| CONTACT WINNEBAGO PART SALES FOR UNLISTED COMPONENT(S) |                    |            |                              |                   |



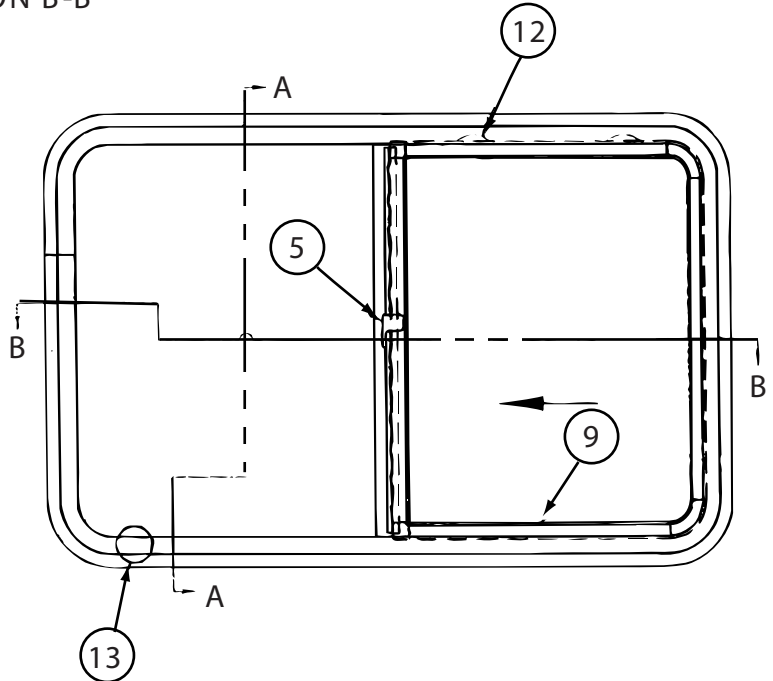
**WINDOW & VENTS GROUP (CONTINUED)**  
**COMPONENT PARTS FOR WINDOW & VENT LAYOUT (CONTINUED)**



CROSS SECTION B-B



CROSS SECTION A-A



**098647-80-01A/02A**

| KEY | PART NUMBER   | U/M | DESCRIPTION                  | VENDOR NO. |
|-----|---------------|-----|------------------------------|------------|
| 1   | 098647-80-700 | EA  | GLASS - STATIONARY           | 096-036925 |
| 2   | 098644-01-705 | FT  | GLAZING - STRIP              | 132-010231 |
| 3   | 098644-01-708 | FT  | CHANNEL - RUN PIERCED        | 122-016543 |
| 4   | 098644-01-710 | FT  | TRACK - SCREEN SPACER 12'    | 132-017135 |
| 5   | 098644-01-700 | EA  | LATCH - REPAIR KIT (BLACK)   | B801-CK    |
| 6   | 098644-01-706 | FT  | WEATHERSTRIP - GLASS         | 171-010668 |
| 7   | 098644-01-711 | FT  | WEATHERSTRIP - SCREEN BLACK  | 171-016965 |
| 8   | 098647-80-701 | EA  | RETAINER - TRIM              | H3075-66   |
| 9   | 098647-80-702 | EA  | SCREEN ASM                   | 410-036926 |
| 10  | 098647-80-703 | EA  | GLASS SLIDING W/SASH & LATCH | H1077C8    |
| 11  | 098644-01-716 | FT  | PLUG - FILLER                | 132-014470 |
| 12  | 125582-01-701 | EA  | CLIP - SCREEN - PLASTIC      | 130-005153 |
| 13  | 098644-01-719 | EA  | STOP - SLIDER GLASS          | 132-014203 |

**WINDOW & VENTS GROUP (CONTINUED)**  
**COMPONENT PARTS FOR WINDOW & VENT LAYOUT (CONTINUED)**

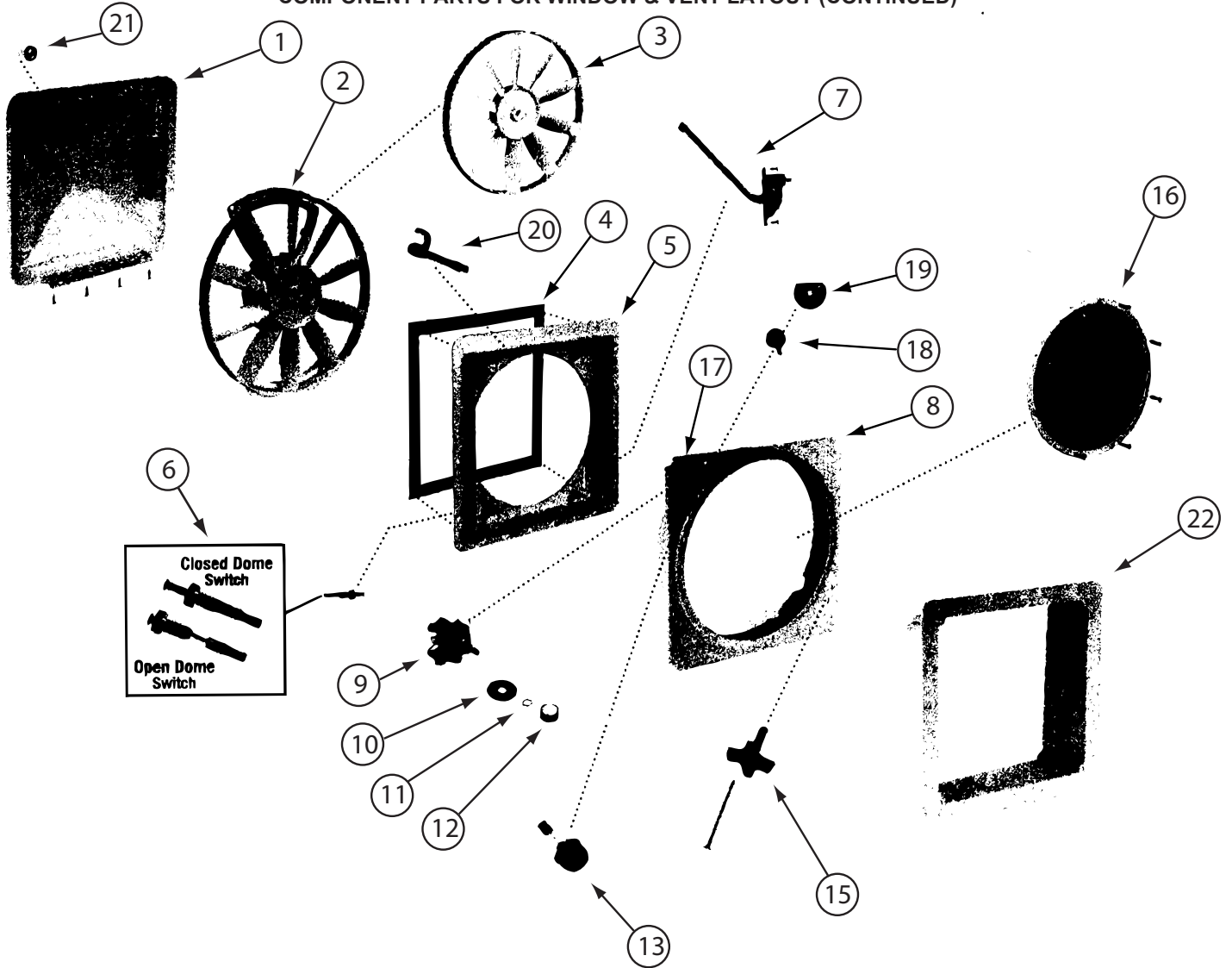
**122882-01-01A**

| <b>KEY</b> | <b>PART NUMBER</b> | <b>U/M</b> | <b>DESCRIPTION</b>     | <b>VENDOR NO.</b> |
|------------|--------------------|------------|------------------------|-------------------|
|            | 064470-01-700      | EA         | COVER - VENT           | J7291             |
|            | 064470-01-701      | EA         | SLIDE BAR - VENT LID   | JRP1291B          |
|            | 122882-01-700      | EA         | HANDLE - CRANK - BLACK | 90128             |
|            | 122882-01-701      | EA         | SCREEN                 | JRP-1124-B        |
|            | 122882-01-702      | EA         | HANDLE - CRANK - WHITE | JRP1031B          |

**122882-02-01A, 122882-03-01A**

| <b>KEY</b> | <b>PART NUMBER</b> | <b>U/M</b> | <b>DESCRIPTION</b>       | <b>VENDOR NO.</b> |
|------------|--------------------|------------|--------------------------|-------------------|
|            | 064470-01-700      | EA         | COVER - VENT             | J7291             |
|            | 064470-01-701      | EA         | SLIDE BAR - VENT LID     | JRP1291B          |
|            | 110051-03-700      | EA         | SWITCH-BLACK/PUSH BUTTON | 27-0164           |
|            | 122882-01-700      | EA         | HANDLE - CRANK - BLACK   | 90128             |
|            | 122882-01-701      | EA         | SCREEN                   | JRP-1124-B        |
|            | 122882-01-702      | EA         | HANDLE - CRANK - WHITE   | JRP1031B          |

**WINDOW & VENTS GROUP (CONTINUED)**  
**COMPONENT PARTS FOR WINDOW & VENT LAYOUT (CONTINUED)**

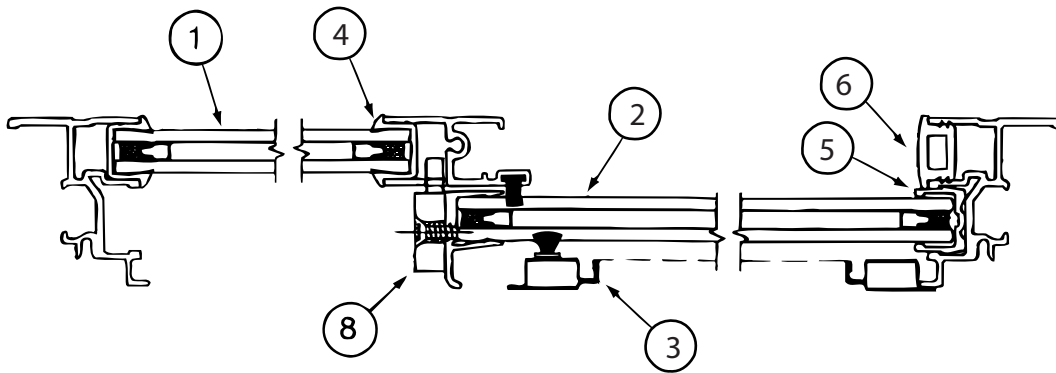


123780-26-01A

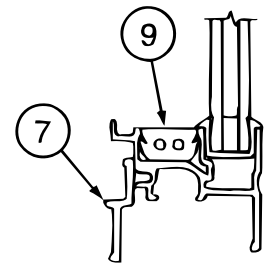
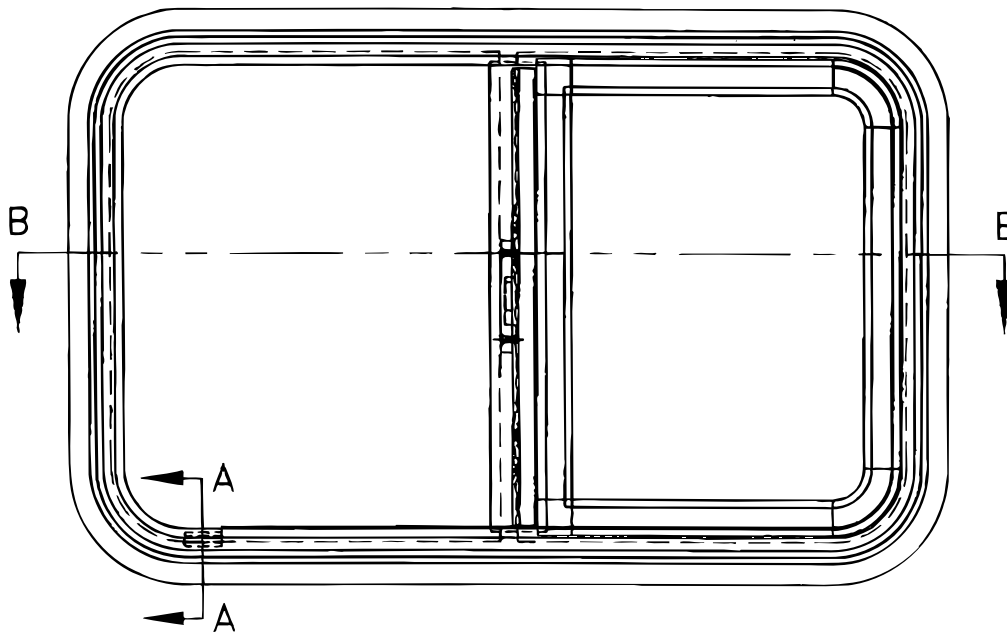
| KEY | PART NUMBER   | U/M | DESCRIPTION                  | VENDOR NO.          |
|-----|---------------|-----|------------------------------|---------------------|
| 1   | 123780-22-700 | EA  | COVER - VENT W/HINGE & SLIDE | K8020-81            |
| 2   | 123780-26-700 | EA  | MOTOR & FAN BLADE W/BRACKET  | XK8017-03 PANCAKE   |
| 3   | 123780-26-701 | EA  | BLADE/FAN - 12" OPAQUE WHT   | 8138-81 - 7MM       |
| 4   | 123780-22-701 | EA  | SEAL/RUBBER-4 1/2' W/GLUE    | K1144-09            |
| 5   | 123780-22-702 | EA  | BASE/MAIN - W/LOCK/SEAL/ARM  | XK8010-81 CLAMP STY |
| 6   | 084079-01-707 | EA  | SWITCH - SAFETY              | 1122-05             |
| 7   | 084079-01-702 | EA  | ARM LIFT ASSEMBLY, MANUAL    | 101105              |
| 8   | 123780-22-703 | EA  | SCREEN KIT W/RING/ARM/LOCK   | XK1220-81           |
| 9   | 084079-01-709 | EA  | SWITCH - MAIN - 3 SPEED      | 1031-05             |
| 13  | 123780-21-700 | EA  | FUSE HOLDER W/4 AMP FUSE     | K9018-09            |
| 15  | 123780-16-700 | EA  | KNOB-BLK/AUTOMATIC LIFT MTR  | K1140-09            |
| 16  | 123780-21-703 | EA  | SCREEN - POP N LOCK          | 2035-81             |
| 17  | 123780-22-704 | EA  | TRAVEL LOCK ASSEMBLY         | 4021-09             |
| 22  | 123780-22-705 | EA  | GARNISH-3 1/2"CLAMP STY-WHT  | XK2040-81           |

CONTACT WINNEBAGO PART SALES FOR UNLISTED COMPONENT(S)

**WINDOW & VENTS GROUP (CONTINUED)**  
**COMPONENT PARTS FOR WINDOW & VENT LAYOUT (CONTINUED)**



**CROSS SECTION B-B**



**CROSS SECTION A-A**

**150648-05-03A**

| KEY | PART NUMBER   | U/M | DESCRIPTION                  | VENDOR NO  |
|-----|---------------|-----|------------------------------|------------|
| 1   | 150648-05-702 | EA  | GLASS - STATIONARY           | 390-028308 |
| 2   | 112795-72-701 | EA  | GLASS-SLIDING W/SASH & LATCH | DC29-G8    |
| 3   | 150648-05-700 | EA  | SCREEN ASM                   | 410-031158 |
| 4   | 112795-01-705 | FT  | VINYL - GLAZING              | 132-027331 |
| 5   | 151069-01-700 | EA  | CHANNEL-RUN, SLIDING         | 122-030627 |
| 6   | 150648-01-703 | EA  | PLUG - FILLER                | 132-030308 |
| 7   | 150648-05-701 | EA  | RETAINER - TRIM              | CH29-67    |
| 8   | 150648-01-700 | EA  | LATCH-HORIZONTAL SLIDE-BLK   | FH3000-CK  |
| 8   | 150648-01-701 | EA  | LATCH-HORIZONTAL SLIDE-RED   | FH3003-CK  |
| 9   | 150648-01-704 | EA  | SLIDE STOP                   | 132-030866 |
|     | 150649-05-702 | FT  | FIN SEAL-F/LOCKING RAIL-BLK  | 171-062348 |

**WINDOW & VENTS GROUP (CONTINUED)**  
**COMPONENT PARTS FOR WINDOW & VENT LAYOUT (CONTINUED)**

**150648-07-02A**

| <b>KEY</b> | <b>PART NUMBER</b> | <b>U/M</b> | <b>DESCRIPTION</b>           | <b>VENDOR NO</b> |
|------------|--------------------|------------|------------------------------|------------------|
| 1          | 150648-07-701      | EA         | GLASS - STATIONARY           | 390-028314       |
| 2          | 112795-77-701      | EA         | GLASS-SLIDING W/SASH & LATCH | DH493-G8         |
| 3          | 150648-01-702      | EA         | SCREEN ASM                   | 410-031156       |
| 4          | 112795-01-705      | FT         | VINYL - GLAZING              | 132-027331       |
| 5          | 151069-01-700      | EA         | CHANNEL-RUN, SLIDING         | 122-030627       |
| 6          | 150648-01-703      | EA         | PLUG - FILLER                | 132-030308       |
| 7          | 150648-01-707      | EA         | RETAINER - TRIM              | H493-67          |
| 8          | 150648-01-700      | EA         | LATCH-HORIZONTAL SLIDE-BLK   | FH3000-CK        |
| 8          | 150648-01-701      | EA         | LATCH-HORIZONTAL SLIDE-RED   | FH3003-CK        |
| 9          | 150648-01-704      | EA         | SLIDE STOP                   | 132-030866       |
|            | 150649-05-702      | FT         | FIN SEAL-F/LOCKING RAIL-BLK  | 171-062348       |

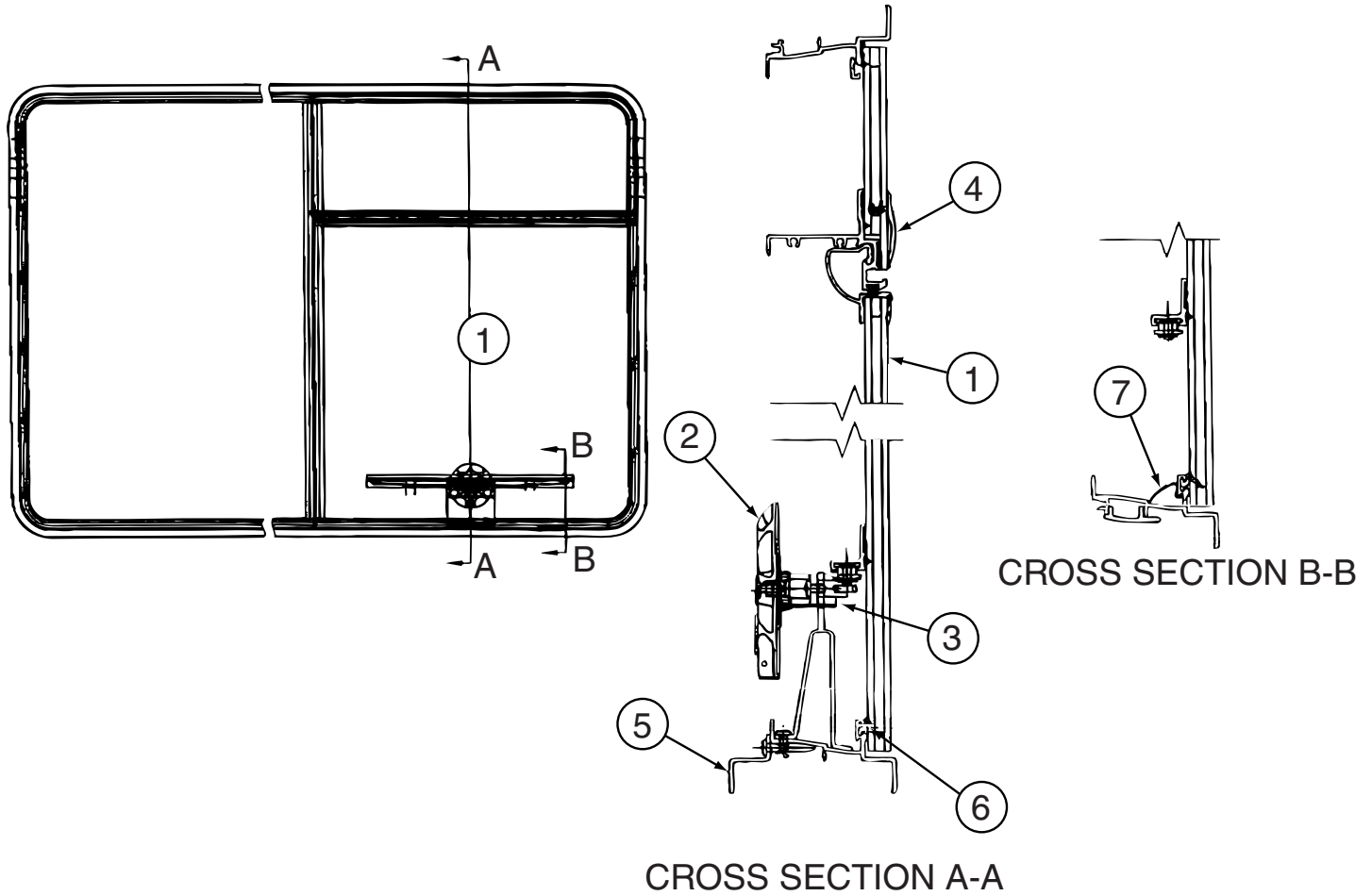
**150648-26-01A/02A, 150648-41-01A**

| <b>KEY</b> | <b>PART NUMBER</b> | <b>U/M</b> | <b>DESCRIPTION</b>           | <b>VENDOR NO</b> |
|------------|--------------------|------------|------------------------------|------------------|
| 1          | 150648-26-700      | EA         | GLASS - STATIONARY           | 390-036023       |
| 2          | 150648-26-701      | EA         | GLASS-SLIDING W/SASH & LATCH | FH3075G8         |
| 3          | 150648-26-702      | EA         | SCREEN ASM                   | 410-036025       |
| 4          | 112795-01-705      | FT         | VINYL - GLAZING              | 132-027331       |
| 5          | 151069-01-700      | EA         | CHANNEL-RUN, SLIDING         | 122-030627       |
| 6          | 150648-01-703      | EA         | PLUG - FILLER                | 132-030308       |
| 7          | 150648-26-703      | EA         | RETAINER - TRIM              | H3075-67         |
| 8          | 150648-01-700      | EA         | LATCH-HORIZONTAL SLIDE-BLK   | FH3000-CK        |
| 8          | 150648-01-701      | EA         | LATCH-HORIZONTAL SLIDE-RED   | FH3003-CK        |
| 9          | 150648-01-704      | EA         | SLIDE STOP                   | 132-030866       |
|            | 150649-05-702      | FT         | FIN SEAL-F/LOCKING RAIL-BLK  | 171-062348       |

**150648-31-01A/02A, 150648-32-01A**

| <b>KEY</b> | <b>PART NUMBER</b> | <b>U/M</b> | <b>DESCRIPTION</b>           | <b>VENDOR NO</b> |
|------------|--------------------|------------|------------------------------|------------------|
| 1          | 150648-31-700      | EA         | GLASS - STATIONARY           | 390-036848       |
| 2          | 150648-31-701      | EA         | GLASS-SLIDING W/PULL & LATCH | FH3093G8         |
| 3          | 150648-31-702      | EA         | SCREEN ASM                   | 410-036850       |
| 4          | 112795-01-705      | FT         | VINYL - GLAZING              | 132-027331       |
| 5          | 151069-01-700      | FT         | CHANNEL-RUN, SLIDING         | 122-030627       |
| 6          | 150648-01-703      | FT         | PLUG - FILLER                | 132-030308       |
| 7          | 150648-31-703      | EA         | RETAINER - TRIM              | H3093-67         |
| 8          | 150658-01-700      | EA         | LATCH-HORIZONTAL SLIDE-BLK   | FH3000-CK        |
| 8          | 150648-01-701      | EA         | LATCH-HORIZONTAL SLIDE-RED   | FH3003-CK        |
| 9          | 150648-01-704      | EA         | SLIDE STOP                   | 132-030866       |
|            | 150649-05-702      | FT         | FIN SEAL-F/LOCKING RAIL-BLK  | 171-062348       |

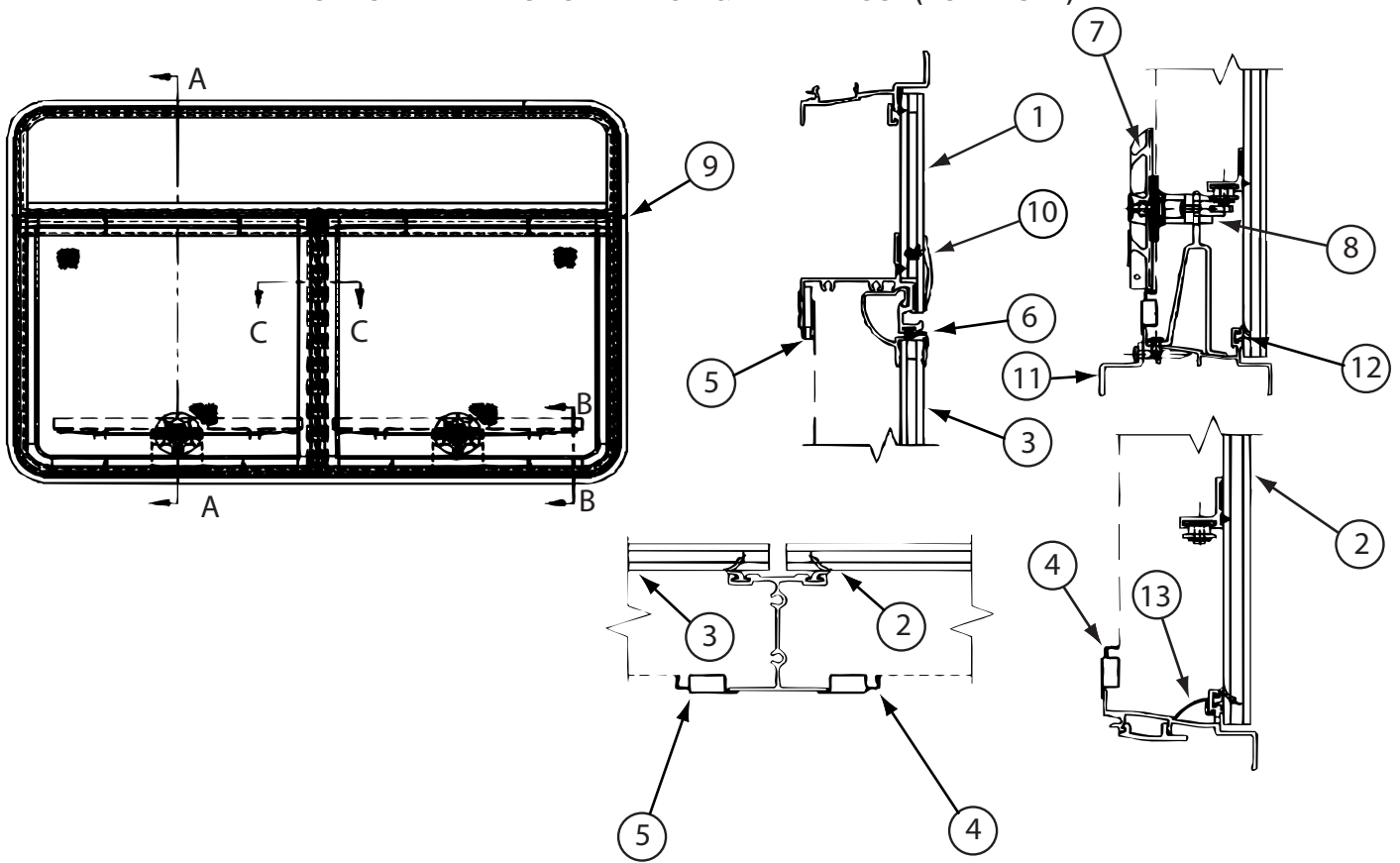
**WINDOW & VENTS GROUP (CONTINUED)**  
**COMPONENT PARTS FOR WINDOW & VENT LAYOUT (CONTINUED)**



150651-03-01A/02A

| KEY | PART NUMBER   | U/M | DESCRIPTION                 | VENDOR NO           |
|-----|---------------|-----|-----------------------------|---------------------|
| 1   | 150651-03-700 | EA  | GLASS-TIPOUT-W/HNG/GDE RAIL | DTH3049G8R RH F/INS |
| 2   | 150656-02-702 | EA  | HANDLE-DIAL                 | 410-016081E         |
| 3   | 150656-08-701 | EA  | OPERATOR - TIPOUT/LARGE     | 410-036141          |
| 4   | 150656-08-700 | EA  | SEAL/DUAL - WINDOW - 100"   | 132-030725          |
| 5   | 150651-03-701 | EA  | RETAINER - TRIM             | DTH3049-50          |
| 6   | 100322-01-701 | FT  | SEAL-VENT                   | 122-016071          |
| 7   | 150651-03-702 | EA  | COVER - DRAIN SLOT          | 132-030723          |

**WINDOW & VENTS GROUP (CONTINUED)**  
**COMPONENT PARTS FOR WINDOW & VENT LAYOUT (CONTINUED)**



161452-01-01A/02A

| KEY | PART NUMBER   | U/M | DESCRIPTION                | VENDOR NO.          |
|-----|---------------|-----|----------------------------|---------------------|
| 2   | 150656-03-700 | EA  | GLASS-TIPOUT-RH-W/HNG/RAIL | DTH3023G8R RH F/INS |
| 3   | 150656-03-701 | EA  | GLASS-TIPOUT-LH-W/HNG/RAIL | DTH3023G8L LH F/INS |
| 4   | 150656-03-702 | EA  | SCREEN ASM - RIGHT         | 410-031152          |
| 5   | 150656-03-703 | EA  | SCREEN ASM - LEFT          | 410-031151          |
| 6   | 098644-01-706 | FT  | WEATHERSTRIP - GLASS       | 171-010668          |
| 7   | 100322-01-718 | EA  | HANDLE-DIAL                | 410-016081          |
| 8   | 150656-08-701 | EA  | OPERATOR - TIPOUT/LARGE    | 410-036141          |
| 9   | 161452-01-700 | FT  | FELT SEAL                  | 160-014688          |
| 11  | 150656-03-704 | EA  | RETAINER - TRIM            | DTH3023-56          |
| 12  | 100322-01-701 | FT  | SEAL-VENT                  | 122-016071          |
| 13  | 150651-03-702 | FT  | COVER - DRAIN SLOT         | 132-030723          |

CONTACT WINNEBAGO PART SALES FOR UNLISTED COMPONENT(S)