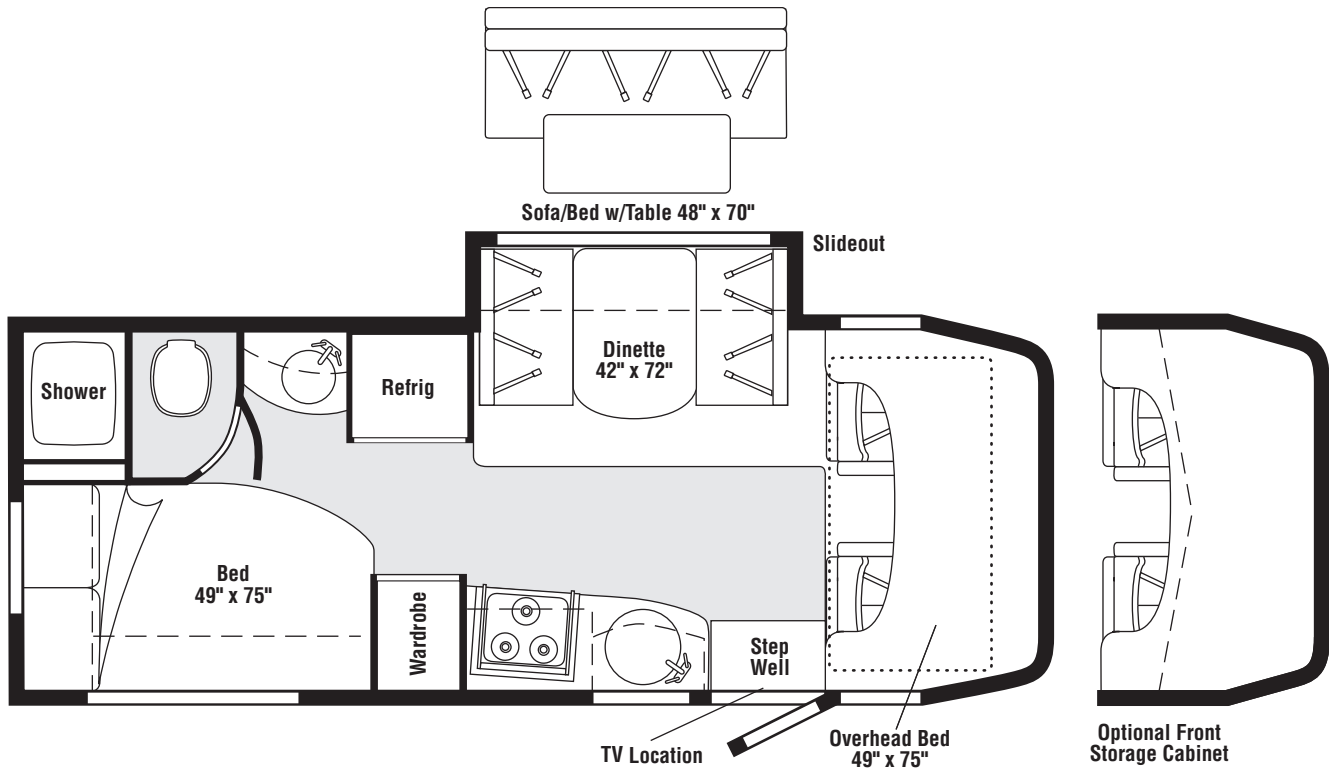


**2008**  
**VIEW**  
**WD524J**  
**500-SERIES**  
**WASHED MAPLE**  
**W13 MANCHESTER**  
**W15 CALYPSO SPICE**  
**W05 STONE FENCE**  
**HONEY CHERRY**  
**W14 MANCHESTER**  
**W16 CALYPSO SPICE**  
**W06 STONE FENCE**



**FLOORPLAN**

# CONTENTS

<b>FLOORPLAN</b> .....	<b>1</b>
<b>ACCESSORIES GROUP</b> .....	<b>6</b>
OPERATORS MANUAL .....	6
<b>AUDIO VIDEO GROUP</b> .....	<b>7</b>
RADIO SYSTEM .....	7
COMPONENT PARTS FOR RADIO SYSTEM .....	7
160885-01-000 .....	7
REAR MONITOR .....	8
COMPONENT PARTS FOR REAR MONITOR .....	8
136514-06-000 .....	8
136514-07-000 .....	8
<b>CABINET &amp; APPLIANCE GROUP</b> .....	<b>9</b>
CABINET & APPLIANCE LAYOUT .....	9
COMPONENT PARTS FOR CABINET & APPLIANCE LAYOUT .....	14
114030-04-01A .....	14
121568-06-01A, 121568-07-01A, 121568-08-01A .....	16
136354-06-01A, 136354-06-02A .....	21
150606-04-02A .....	22
161116-01-01A , 161116-02-01A .....	22
<b>CHASSIS GROUP</b> .....	<b>23</b>
FRAME .....	23
EXHAUST .....	24
HITCH .....	25
SPARE TIRE .....	25
WHEEL, TIRE, COVERS &/OR LINERS .....	26
COMPONENT PARTS FOR WHEEL, TIRE, COVERS &/OR LINERS .....	26
154970-02-000 .....	26
<b>CURTAIN &amp; CUSHION GROUP</b> .....	<b>27</b>
CURTAIN, CUSHION LAYOUT .....	27
HARDWARE .....	32
ACCESSORIES .....	34
FABRICS .....	35
<b>DRIVERS COMPARTMENT GROUP</b> .....	<b>38</b>
FRONT INTERIOR .....	38

# CONTENTS (CONTINUED)

<b>ELECTRICAL GROUP</b> .....	<b>42</b>
110V BODY WIRING .....	42
12V BODY WIRING .....	44
EXTERIOR LAMPS .....	48
SIDE TV/VCR .....	49
COMPONENT PARTS FOR WIRING .....	52
076319-23-000 .....	52
076319-25-000 .....	52
087694-01-000 .....	53
097917-01-06A .....	53
108354-01-01A .....	53
113589-02-000 .....	53
121935-01-01A .....	53
123775-01-02A .....	53
134940-06-01A .....	54
134940-07-01A .....	54
134940-10-01A .....	55
137417-01-01A, 137417-03-01A .....	56
137417-06-01A .....	56
152438-01-01A .....	56
156413-01-01A .....	56
158703-01-000 .....	56
163097-01-000 .....	56
163031-01-01A .....	56
164495-01-000 .....	56
CIRCUIT BREAKERS, FUSES & RELAYS .....	57
CONVERTER, INVERTER, LOAD CENTERS .....	57
COMPONENT PARTS FOR CONVERTER, INVERTER, LOAD CENTER .....	57
083208-07-000 .....	57
BOXES & CORDS .....	58
WIRE ASSEMBLIES .....	58
CONNECTORS & CONDUIT .....	59
CHASSIS .....	61
<b>EXTERIOR BODY GROUP</b> .....	<b>63</b>
GRAPHICS & PAINT .....	63
PANELS & TRIMS .....	65
FRONT END .....	69
STRUCTURAL COMPONENTS .....	70
AWNINGS .....	70
<b>EXTERIOR DOORS &amp; COMPARTMENTS GROUP</b> .....	<b>71</b>
DOOR & COMPARTMENT LAYOUT .....	71
COMPONENT PARTS FOR DOOR & COMPARTMENT LAYOUT .....	78
084103-08-000 .....	78
094707-04-01A .....	78
COMPARTMENT DOOR PIECE PARTS .....	79
ENTRY .....	84
SCREEN .....	85
LATCH - ENTRY .....	86
<b>EXTERIOR SLIDEOUT GROUP</b> .....	<b>87</b>
FRONT LEFT .....	87
COMPONENT PARTS FOR FRONT LEFT .....	94
148685-02-000 .....	94
162495-01-01A, 162495-02-01A .....	94
<b>GENERATOR GROUP</b> .....	<b>95</b>
GAS .....	95
DIESEL .....	96

## CONTENTS (CONTINUED)

<b>HEATING &amp; A/C GROUP</b> .....	<b>97</b>
FURNACE .....	97
COMPONENT PARTS FOR FURNACE .....	98
139980-01-000 .....	98
ROOF .....	100
COMPONENT PARTS FOR ROOF .....	100
131184-01-01A .....	100
131184-05-01A .....	101
131184-06-01A .....	102
131184-07-01A .....	103
148644-01-01A .....	104
148644-01-02A .....	105
148644-02-01A .....	106
<b>INTERIOR FINISH GROUP</b> .....	<b>107</b>
MOLDINGS & TRIMS .....	107
PANELING & LAMINATES .....	118
INTERIOR TRIM LAYOUT .....	119
FLOOR COVERINGS .....	120
HARDWARE .....	121
<b>LABELS GROUP</b> .....	<b>127</b>
<b>LP GROUP</b> .....	<b>133</b>
LP SYSTEM .....	133
COMPONENT PARTS FOR LP SYSTEM .....	133
144116-09-000 .....	133
<b>SEALANTS &amp; FASTENERS GROUP</b> .....	<b>134</b>
SEALANTS & ADHESIVES .....	134
BOLTS, NUTS AND WASHERS .....	135
SCREWS .....	137
CLAMPS, CLIPS, GROMMETS, RIVETS & PLUGS .....	140
MISCELLANEOUS FASTENERS .....	141
<b>WATER &amp; SEWAGE GROUP</b> .....	<b>142</b>
DRAINAGE SYSTEM .....	142
COMPONENT PARTS FOR DRAINAGE SYSTEM .....	144
062415-01-000 .....	144
147421-01-01A, 147421-02-01A .....	144
WATER SYSTEM .....	145
COMPONENT PARTS FOR WATER SYSTEM .....	151
051391-03-000 .....	151
075241-04-000, 075241-05-000, 075241-06-000 .....	152
098607-01-000 .....	152
144215-01-000 .....	152
145541-02-000 .....	153
151678-01-01A .....	153
151680-01-01A .....	153

## CONTENTS (CONTINUED)

<b>WINDOWS &amp; VENTS GROUP .....</b>	<b>154</b>
WINDOWS & VENTS LAYOUT .....	154
COMPONENT PARTS FOR WINDOWS & VENTS LAYOUT .....	156
098647-75-02A .....	156
098647-77-02A .....	157
104691-18-01A .....	158
104691-18-02A .....	159
104691-19-01A .....	160
104691-19-02A .....	161
122882-02-01A, 122882-03-01A .....	161
123780-03-01A .....	162
123780-26-01A .....	163
151075-03-01A .....	164
151075-03-02A .....	164
151075-04-01A .....	165
151075-04-02A .....	165
152882-01-01A .....	166
164922-25-01A .....	169
164922-25-02A .....	169
164922-27-01A .....	170
164922-27-02A .....	170

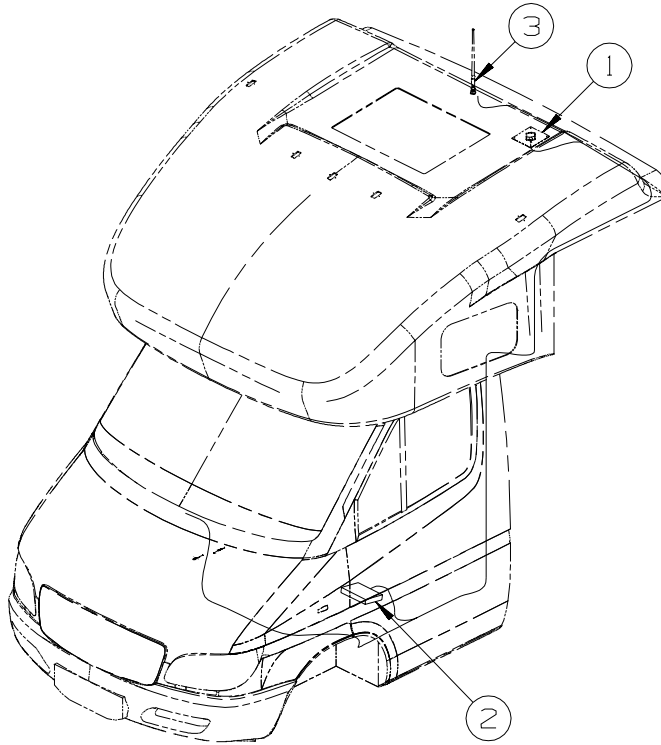
**ACCESSORIES GROUP**  
**OPERATORS MANUAL**

<b>KEY</b>	<b>PART NUMBER</b>	<b>U/M</b>	<b>DESCRIPTION</b>
	159887-01-000	EA	TOP LEVEL-500,2008
	158603-08-003	EA	MANUAL/OWNER - SUPPLEMENT - 500 SERIES - 2008
	159842-01-01A	EA	CASE - VINYL - F/MANUALS - W/SLEEVES - BLACK
	161500-08-005	EA	MANUAL/OWNER - VIEW - 500 SERIES - 2008

## AUDIO VIDEO GROUP RADIO SYSTEM

KEY	PART NUMBER	U/M	DESCRIPTION
*	160885-01-000	EA	RADIO - AM/FM/CD PLAYER-SATELLITE READY-SONY CDX-A251CMR05 FROM: 00-00-00 THRU: 03-18-07
	164339-01-000	EA	RADIO - AM/FM/CD PLAYER-SATELLITE READY-SONY CDX-GT610U1 FROM: 03-19-07 THRU: 03-05-08
	163142-08-000	EA	RADIO-AM/FM/CD/WB - SATELLITE READY - W/12 PIN AMP CNCTR FROM: 03-06-08 THRU: 99-99-99
	163142-09-000	EA	REMOTE CONTROL/RADIO (CREDIT CARD SIZE) FROM: 03-06-08 THRU: 99-99-99
	163142-12-000	EA	CABLE/INTERFACE - I-POD FROM: 03-06-08 THRU: 99-99-99
	168430-01-000	EA	BRACKET/MOUNT - RADIO/DASH - SPRINTER FROM: 03-06-08 THRU: 99-99-99

**\*COMPONENT PARTS LISTED LATER IN THIS GROUP**



KEY	PART NUMBER	U/M	DESCRIPTION
1	158494-01-000	EA	ANTENNA/SATELLITE - RADIO/SIRIUS - RADIO - SATELLITE
2	158494-02-000	EA	CABLE/ANTENNA - SATELLITE RADIO SIRIUS - RADIO - SATELLITE
2	160886-01-000	EA	RECEIVER - SATELLITE RADIO - SIRIUS - SONY SIR-SNY1W - RADIO - SATELLITE FROM: 00-00-00 THRU: 03-05-08
2	163142-06-000	EA	RECEIVER - SATELLITE RADIO - RADIO - SATELLITE FROM: 03-06-08 THRU: 99-99-99
3	090944-01-000	EA	ANTENNA - RADIO - 16" RUBBER - W/72" LEAD WIRE

### COMPONENT PARTS FOR RADIO SYSTEM

**160885-01-000**

KEY	PART NUMBER	U/M	DESCRIPTION	VENDOR NO.
	160885-01-700	EA	REMOTE	RCB172

**AUDIO VIDEO GROUP (CONTINUED)**  
**REAR MONITOR**

KEY	PART NUMBER	U/M	DESCRIPTION	
	136514-02-000	EA	CABLE - MONITOR/CAMERA	
				FROM: 00-00-00 THRU: 08-26-07
	136514-08-000	EA	CABLE - MONITOR/CAMERA - 50'	
				FROM: 08-27-07 THRU: 99-99-99
*	136514-06-000	EA	MONITOR/COLOR - 7" FLAT PANEL/REAR VIEW - W/PWR & INT CBL	
				FROM: 00-00-00 THRU: 12-03-06
*	136514-07-000	EA	TELEVISION SYST-REAR VIEW 7"	
				FROM: 12-04-06 THRU: 99-99-99
	144677-14-01A	EA	CAMERA - REAR VIEW W/BRACKET - WHITE - VBCS150	
	144677-14-02A	EA	CAMERA - REAR VIEW W/BRACKET - BLACK - VBCS150B	
	153383-02-02B	EA	BRACKET - MONITOR - E-COATED	
	149227-01-02B	EA	BRACKET - CAMERA - E-COATED - 524CL	
	149237-01-01A	EA	SHROUD - CAMERA/OUTER - BRIGHT WHITE - 524CL	
	154189-07-02A	EA	COVER/TRIM - WIRING - ALMOND - 524DL	

\*COMPONENT PARTS LISTED LATER IN THIS GROUP

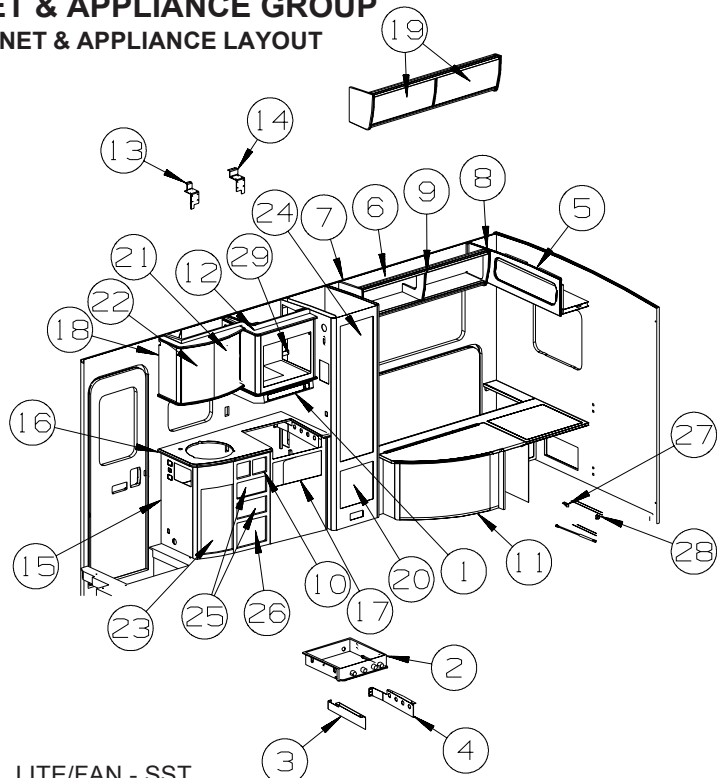
**COMPONENT PARTS FOR REAR MONITOR**

KEY	PART NUMBER	U/M	DESCRIPTION	VENDOR NO.
				<b>136514-06-000</b>
	136514-06-701	EA	CABLE - CONNECTION	P24NZ1201
				<b>136514-07-000</b>
	136514-07-700	EA	SUNSHIELD- #711 MONITOR ONLY	P4DBSECL769401



# CABINET & APPLIANCE GROUP

## CABINET & APPLIANCE LAYOUT



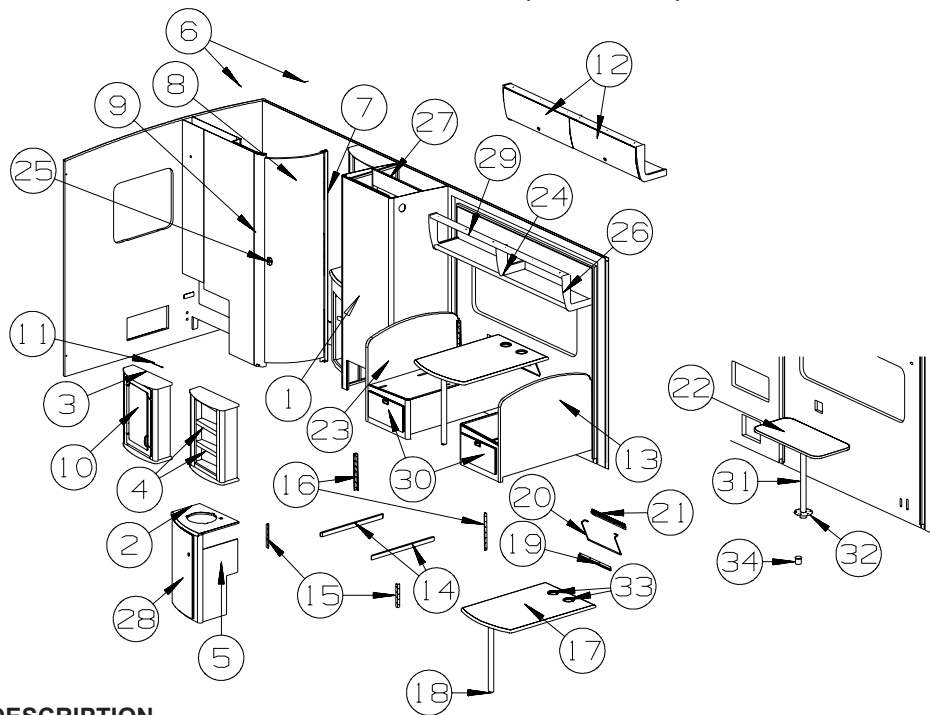
KEY	PART NUMBER	U/M	DESCRIPTION
1*	161116-02-01A	EA	HOOD - RANGE - W/DUAL LITE/FAN - SST
1*	136354-06-01A	EA	HOOD - RANGE - W/LITE/FAN - BLACK TEXTURED - CSA - <b>CANADIAN</b>
2*	114030-04-01A	EA	RANGE - 3 BRNR TOP/NEW STYLE KNOBS/GRATES-W/O OVEN-BLK
3	151755-05-02B	EA	BRACKET - TIEDOWN/RANGE TOP - E-COATED
4	151755-06-02B	EA	BRACKET - TIEDOWN/RANGE TOP - E-COATED
5	159289-01-T01	EA	CABINET - OVERHEAD/SHELF - REAR - WASHED MAPLE
5	159289-01-T02	EA	CABINET - OVERHEAD/SHELF - REAR - HONEY CHERRY
6	154393-01-T01	EA	CABINET - OVERHEAD/REAR - W/O DOORS/HDW - WASHED MAPLE
6	154393-01-T02	EA	CABINET - OVERHEAD/REAR - W/O DOORS/HDW - HONEY CHERRY
7	151919-08-T01	EA	END CAP - OVERHEAD CABINET - WASHED MAPLE
7	151919-08-T02	EA	END CAP - OVERHEAD CABINET - HONEY CHERRY
8	151919-10-T01	EA	END CAP - OVERHEAD CABINET - WASHED MAPLE
8	151919-10-T02	EA	END CAP - OVERHEAD CABINET - HONEY CHERRY
9	151919-02-T01	EA	END CAP - OVERHEAD CABINET - WASHED MAPLE
9	151919-02-T02	EA	END CAP - OVERHEAD CABINET - HONEY CHERRY
10	161079-01-W13	EA	DRAWER - BROKEN EDGE - 5.3"W X 19.7"D - W/O SLIDES/HDW - WASHED MAPLE
10	161079-01-W14	EA	DRAWER - BROKEN EDGE - 5.3"W X 19.7"D - W/O SLIDES/HDW - HONEY CHERRY
11	153393-01-T01	EA	CABINET - BED BASE - W/O DOORS/DRAWERS/HDW - WASHED MAPLE
11	153393-01-T02	EA	CABINET - BED BASE - W/O DOORS/DRAWERS/HDW - HONEY CHERRY
12	161213-01-W13	EA	CABINET - OVERHEAD/MICROWAVE - W/O DOORS/HDW - WASHED MAPLE
12	161213-01-W14	EA	CABINET - OVERHEAD/MICROWAVE - W/O DOORS/HDW - HONEY CHERRY
12	158681-01-U17	EA	CABINET - OVERHEAD/MICROWAVE - W/O DOORS/HDW - WASHED MAPLE - <b>CANADIAN</b>
12	158681-01-U18	EA	CABINET - OVERHEAD/MICROWAVE - W/O DOORS/HDW - HONEY CHERRY - <b>CANADIAN</b>
13	140185-20-02B	EA	BRACE - MICROWAVE CABINET - E-COATED
13	140185-13-02B	EA	BRACE - MICROWAVE CABINET - E-COATED - <b>CANADIAN</b>
14	140185-19-02B	EA	BRACE - MICROWAVE CABINET - E-COATED
14	140185-12-02B	EA	BRACE - MICROWAVE CABINET - E-COATED - <b>CANADIAN</b>
15	P59332-01-U17	EA	CABINET - GALLEY - W/O COUNTERTOP/DOORS/DRAWERS/HDW - WASHED MAPLE
15	P59332-01-U18	EA	CABINET - GALLEY - W/O COUNTERTOP/DOORS/DRAWERS/HDW - HONEY CHERRY
16	151681-05-U17	EA	COUNTERTOP - GALLEY - LAMINATED - WASHED MAPLE
			FROM: 00-00-00 THRU: 09-30-07
16	165380-02-W13	EA	COUNTERTOP - GALLEY - WASHED MAPLE
			FROM: 10-01-07 THRU: 99-99-99
16	151681-05-U18	EA	COUNTERTOP - GALLEY - LAMINATED - HONEY CHERRY
			FROM: 00-00-00 THRU: 09-30-07
16	165380-02-W14	EA	COUNTERTOP - GALLEY - HONEY CHERRY
			FROM: 10-01-07 THRU: 99-99-99
17	161079-05-W13	EA	DRAWER - BROKEN EDGE - 17.7"W X 19.4"D - W/O SLIDES/HDW - WASHED MAPLE
17	161079-05-W14	EA	DRAWER - BROKEN EDGE - 17.7"W X 19.4"D - W/O SLIDES/HDW - HONEY CHERRY
18	158209-01-U17	EA	CABINET - OVERHEAD/GALLEY - W/O DOORS/HDW - WASHED MAPLE
18	158209-01-U18	EA	CABINET - OVERHEAD/GALLEY - W/O DOORS/HDW - HONEY CHERRY

**CABINET & APPLIANCE GROUP (CONTINUED)**  
**CABINET & APPLIANCE LAYOUT (CONTINUED)**

<b>KEY</b>	<b>PART NUMBER</b>	<b>U/M</b>	<b>DESCRIPTION</b>
19	160278-02-W13	EA	DOOR - CURVED - 11.8" X 27.9" - W/O HDW - WASHED MAPLE
19	160278-02-W14	EA	DOOR - CURVED - 11.8" X 27.9" - W/O HDW - HONEY CHERRY
20	159321-01-T01	EA	DOOR - LOUVERED - 15.7" X 15.7" - W/O HDW - WASHED MAPLE
20	159321-01-T02	EA	DOOR - LOUVERED - 15.7" X 15.7" - W/O HDW - HONEY CHERRY
21	160278-07-W13	EA	DOOR - CURVED - 13" X 18.7" - W/O HDW - WASHED MAPLE
21	160278-07-W14	EA	DOOR - CURVED - 13" X 18.7" - W/O HDW - HONEY CHERRY
22	160278-08-W13	EA	DOOR - CURVED - 13" X 18.7" - W/O HDW
22	160278-08-W14	EA	DOOR - CURVED - 13" X 18.7" - W/O HDW
23	160278-14-W13	EA	DOOR - CURVED - 13.2" X 33" - W/O HDW - WASHED MAPLE
23	160278-14-W14	EA	DOOR - CURVED - 13.2" X 33" - W/O HDW - HONEY CHERRY
24	160280-03-W13	EA	DOOR - FLAT/SQUARE EDGE - 52.3" X 15.7" - W/O HDW - WASHED MAPLE
24	160280-03-W14	EA	DOOR - FLAT/SQUARE EDGE - 52.3" X 15.7" - W/O HDW - HONEY CHERRY
25	161079-10-W13	EA	DRAWER - BROKEN EDGE - 17.7"W X 11.6"D - W/O SLIDES/HDW - WASHED MAPLE
25	161079-10-W14	EA	DRAWER - BROKEN EDGE - 17.7"W X 11.6"D - W/O SLIDES/HDW - HONEY CHERRY
26	161079-11-W13	EA	DRAWER - BROKEN EDGE - 17.7"W X 11.6"D - W/O SLIDES/HDW - WASHED MAPLE
26	161079-11-W14	EA	DRAWER - BROKEN EDGE - 17.7"W X 11.6"D - W/O SLIDES/HDW - HONEY CHERRY
27	126263-06-02B	EA	BRACKET - GAS SPRING W/BALL STUD - E-COATED
28	126263-02-02B	EA	BRACKET - GAS SPRING W/BALL STUD - E-COATED
	057460-02-000	EA	BALL STUD - F/GAS SPRING .39" - 5/16"-18
29			SEE MICROWAVE INSTALLATION

**\*COMPONENT PARTS LISTED LATER IN THIS GROUP**

**CABINET & APPLIANCE GROUP (CONTINUED)**  
**CABINET & APPLIANCE LAYOUT (CONTINUED)**



KEY	PART NUMBER	U/M	DESCRIPTION
1*	121568-07-01A	EA	REFRIGERATOR - SMALL DBL DOOR-LH/2 WAY- 52.8"HX23.5"WX24"D
	116751-05-01A	EA	TRAY - REFRIGERATOR - BLACK
	054450-01-000	EA	LEVEL - REFRIGERATOR
2	151682-06-W13	EA	COUNTERTOP - LAVATORY - LAMINATED - WASHED MAPLE
2	151682-06-W14	EA	COUNTERTOP - LAVATORY - LAMINATED - HONEY CHERRY
3	160458-01-W13	EA	CABINET - OVERHEAD/MEDICINE - W/O DOORS/HDW - WASHED MAPLE
3	160458-01-W14	EA	CABINET - OVERHEAD/MEDICINE - W/O DOORS/HDW - HONEY CHERRY
4	160458-23-W13	EA	SHELF - W/WOOD MOLDING - WASHED MAPLE
4	160458-23-W14	EA	SHELF - W/WOOD MOLDING - HONEY CHERRY
5	P60418-01-W13	EA	CABINET - LAVATORY - W/O COUNTERTOP/DOORS/DRAWERS/HDW - WASHED MAPLE
5	P60418-01-W14	EA	CABINET - LAVATORY - W/O COUNTERTOP/DOORS/DRAWERS/HDW - HONEY CHERRY
6	154618-01-01A	FT	INSERT - VINYL/EXTRUSION - SILVER
7	154626-01-02A	EA	JAMB - BATH DOOR/EXTRUSION - 2.7"X 78.9" - DULL METALLIC
8	159831-01-T01	EA	DOOR - BATH - CURVED - 21.2" X 76.7" - W/O HDW - WASHED MAPLE
8	159831-01-T02	EA	DOOR - BATH - CURVED - 21.2" X 76.7" - W/O HDW - HONEY CHERRY
9	154627-01-02A	EA	JAMB - BATH DOOR/EXTRUSION - 4.2"X 79.6" - DULL METALLIC
10	159204-01-U17	EA	DOOR - MIRRORED - 15.7" X 25.2" - W/O HDW - WASHED MAPLE
10	159204-01-U18	EA	DOOR - MIRRORED - 15.7" X 25.2" - W/O HDW - HONEY CHERRY
	140374-72-000	EA	MIRROR - SAFETY GLASS - 11.8" X 21.2"
11	076767-04-000	EA	CABLE - STAINLESS STEEL - 5.9"
12	160278-03-W13	EA	DOOR - CURVED - 11.8" X 36.2" - W/O HDW - WASHED MAPLE
12	160278-03-W14	EA	DOOR - CURVED - 11.8" X 36.2" - W/O HDW - HONEY CHERRY
13	P52019-09-W13	EA	CABINET/DINETTE-RH-W/END CAP/BACK/FACE-W/O DOOR/SEAT BOARD - WASHED MAPLE
13	P52019-09-W14	EA	CABINET/DINETTE-RH-W/END CAP/BACK/FACE-W/O DOOR/SEAT BOARD - HONEY CHERRY
	096764-02-000	EA	SLIPNOT - ANTISLIP - 1"WIDE (180' ROLLS) - WHITE
14	081295-01-T01	EA	SUPPORT - BED/DINETTE - 28" LONG - WASHED MAPLE
14	081295-01-T02	EA	SUPPORT - BED/DINETTE - 28" LONG - HONEY CHERRY
15	122021-01-02A	EA	ANGLE - W/HOLES - 8.6" LONG - OFF WHITE
16	122021-02-02A	EA	ANGLE - W/HOLES - 13.7" LONG - OFF WHITE
17	151683-08-W13	EA	TABLE - DINETTE - 26.3" X 40.6" - WASHED MAPLE
17	151683-08-W14	EA	TABLE - DINETTE - 26.3" X 40.6" - HONEY CHERRY
18	143798-01-02A	EA	CATCH - FLOOR TO TABLE LEG - ALMOND
19	024281-12-000	EA	BRACKET/WALL - TABLE LIFT - 17.1" - ALMOND
20	024275-16-000	EA	ROD - TABLE LIFT - W/ARMS 8" & BASE ROD 18.5" - ALMOND
21	140921-02-02A	EA	BRACKET/TABLE SUPPORT - 18.5" - ALMOND
22	158092-01-U17	EA	TABLE - DINETTE - 16.9" X 35.7" - W/O HDW - WASHED MAPLE
22	158092-01-U18	EA	TABLE - DINETTE - 16.9" X 35.7" - W/O HDW - HONEY CHERRY
23	P52019-08-W13	EA	CABINET/DINETTE-LH-W/END CAP/BACK/FACE-W/O DOOR/SEAT BOARD - WASHED MAPLE
23	P52019-08-W14	EA	CABINET/DINETTE-LH-W/END CAP/BACK/FACE-W/O DOOR/SEAT BOARD - HONEY CHERRY
	096764-02-000	EA	SLIPNOT - ANTISLIP - 1"WIDE (180' ROLLS) - WHITE

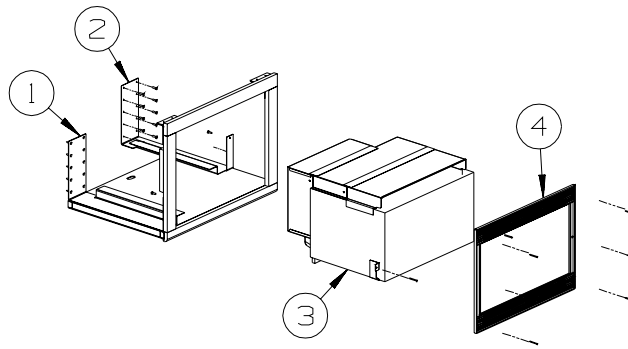
## CABINET & APPLIANCE GROUP (CONTINUED)

### CABINET & APPLIANCE LAYOUT (CONTINUED)

KEY	PART NUMBER	U/M	DESCRIPTION
24	151919-02-T01	EA	END CAP - OVERHEAD CABINET - WASHED MAPLE
24	151919-02-T02	EA	END CAP - OVERHEAD CABINET - HONEY CHERRY
25	058335-03-000	EA	LATCH W/O LOCK - BATHROOM DOOR - BLACK
26	151919-01-T01	EA	END CAP - OVERHEAD CABINET - WASHED MAPLE
26	151919-01-T02	EA	END CAP - OVERHEAD CABINET - HONEY CHERRY
27			REFRIGERATOR BABINET SEALS
	090329-01-000	FT	SEAL - "T" - REFRIGERATOR CABINET
28	160278-01-W13	EA	DOOR - CURVED - 16.3" X 31.3" - W/O HDW - WASHED MAPLE
28	160278-01-W14	EA	DOOR - CURVED - 16.3" X 31.3" - W/O HDW - HONEY CHERRY
29	151872-01-T01	EA	CABINET - OVERHEAD/COUCH - W/O DOORS/HDW - WASHED MAPLE
29	151872-01-T02	EA	CABINET - OVERHEAD/COUCH - W/O DOORS/HDW - HONEY CHERRY
30	159261-01-T01	EA	DOOR - FLAT/SQUARE EDGE - 18.9" X 9.6" - W/O HDW - WASHED MAPLE
30	159261-01-T02	EA	DOOR - FLAT/SQUARE EDGE - 18.9" X 9.6" - W/O HDW - HONEY CHERRY
31	155001-04-01A	EA	LEG - PEDESTAL TABLE - 29" - SILVER
32	155001-03-01A	EA	BASE - LEG MOUNT/FLOOR/TABLE - RECESSED - SILVER
33	064781-06-000	EA	HOLDER/CUP - TWO STEP - OFF WHITE
			FROM: 00-00-00 THRU: 04-29-07
33	164128-02-03A	EA	HOLDER/CUP - TWO STEP - ALMOND
			FROM: 04-30-07 THRU: 99-99-99
34	056093-01-U17	EA	PLUG - PEDESTAL TABLE
	042438-02-000	EA	DOWEL - WOOD - 2"DIAMETER X 2"

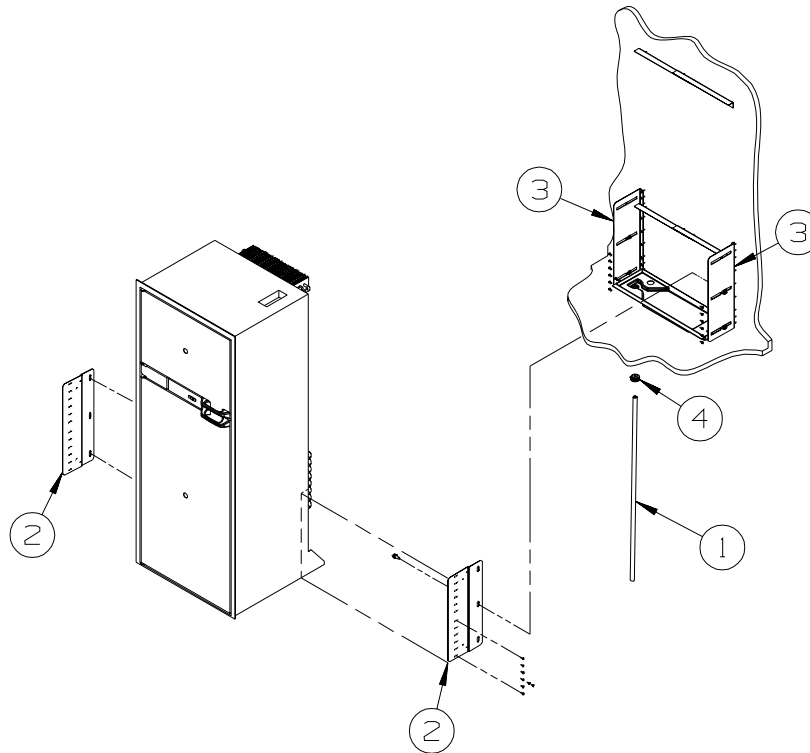
**\*COMPONENT PARTS LISTED LATER IN THIS GROUP**

**CABINET & APPLIANCE GROUP (CONTINUED)**  
**CABINET & APPLIANCE LAYOUT (CONTINUED)**



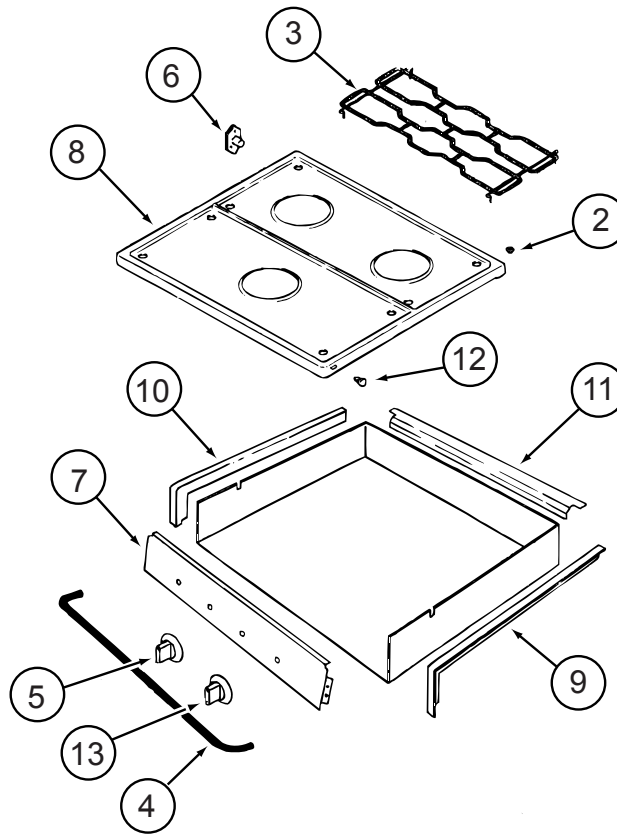
KEY	PART NUMBER	U/M	DESCRIPTION
1	149418-13-02B	EA	BRACKET - MICROWAVE - E-COATED
2	149418-14-02B	EA	BRACKET - MICROWAVE - E-COATED
3*	150606-04-02A	EA	OVEN - MICROWAVE/CONVECTION/SILVER - .9 CU FT - #R-820JS
3	150606-06-01A	EA	OVEN - MICROWAVE/CONVECTION/BLACK - .9 CU FT - #R820BK-CSA - CANADIAN
4	150606-05-02A	EA	TRIM KIT - MICROWAVE .9 CU FT - SILVER - MAGNADYNE #R820
4	150606-05-01A	EA	TRIM KIT - MICROWAVE .9 CU FT - BLACK - MAGNADYNE #R820 - CANADIAN

**\*COMPONENT PARTS LISTED LATER IN THIS GROUP**



KEY	PART NUMBER	U/M	DESCRIPTION
1	112176-01-000	FT	TUBING - VINYL - REINFORCED - 1/2" ID
2	150740-01-02B	EA	BRACKET/TIEDOWN - REFRIGERATOR - E-COATED
3	150740-02-02B	EA	BRACKET/TIEDOWN - REFRIGERATOR - E-COATED
4	152417-01-01A	EA	CLAMP/RATCHET - F/REFRIGERATOR DRIP TRAY HOSE - BLACK

**CABINET & APPLIANCE GROUP (CONTINUED)**  
**COMPONENT PARTS FOR CABINET & APPLIANCE LAYOUT**

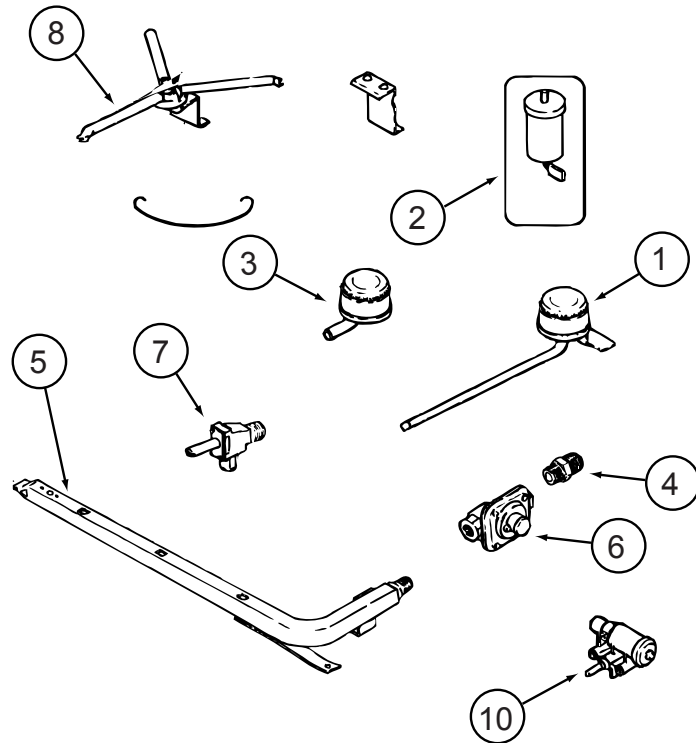


114030-04-01A

KEY	PART NUMBER	U/M	DESCRIPTION	VENDOR NO.
2	102020-01-709	EA	BUMPER-GRATE	8007P020-60
3	112881-04-702	EA	GRATE - BLACK	74007277
4	114030-02-700	EA	GUARD/FABRIC - TOWEL BAR	3609F006-70
5	128728-01-701	EA	KNOB - BURNER - REAR	74003941 (1 PER)
5	128728-01-702	EA	KNOB - BURNER - FRONT	74003942
6	128728-01-703	EA	PIN/T-NUT F/HINGE	7103P109-60
7	114030-04-700	EA	PANEL - MANIFOLD - BLACK	74007325
8	126023-01-728	EA	TOP - MAIN (BLACK)	74003323
9	114030-01-704	EA	TRIM - RIGHT/BLACK TEXTURED	74002839
10	114030-01-705	EA	TRIM - LEFT/BLACK TEXTURED	74002840
11	114030-01-706	EA	TRIM - REAR/BLACK TEXTURED	74002841
12	102020-01-724	EA	BUMPER - MAIN TOP	8003P008-60
13	128728-01-707	EA	KNOB - IGNITER	74003944

CONTACT WINNEBAGO PART SALES FOR UNLISTED COMPONENT(S)

**CABINET & APPLIANCE GROUP (CONTINUED)**  
**COMPONENT PARTS FOR CABINET & APPLIANCE LAYOUT (CONTINUED)**

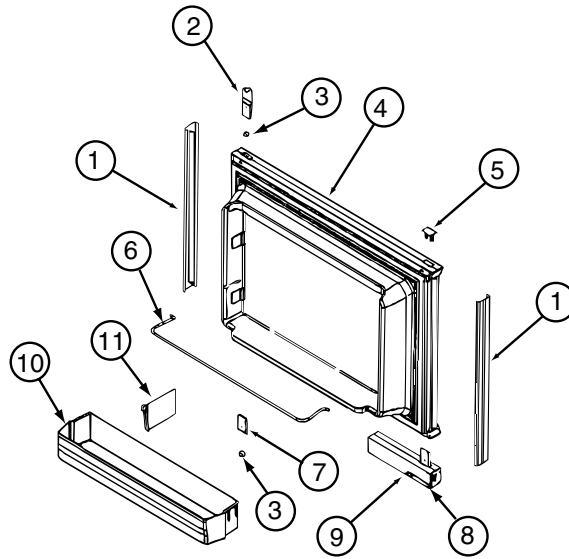


**114030-04-01A (CONTINUED)**

KEY	PART NUMBER	U/M	DESCRIPTION	VENDOR NO.
1	112881-04-700	EA	BURNER - TOP /LEFT REAR	74004584
1	126023-01-700	EA	BURNER - TOP (RT-REAR) 5100 BTU	74004583
2	112881-04-705	EA	PUSH RING (ELECTRODE MTG)	7104P002-60
2	126023-01-711	EA	ELECTRODE - IGNITER (ONLY)	7432P077-60
3	112881-04-701	EA	BURNER - TOP/FRONT	74004582
4	135065-03-700	EA	FITTING - HALF UNION	74004234
5	135065-01-702	EA	PIPE/MANIFOLD	74004642
6	126023-02-703	EA	REGULATOR - PRESSURE	74004235
7	126023-02-705	EA	VALVE - BURNER - REAR	74004362
7	126023-02-706	EA	VALVE - BURNER - FRONT	74004363
8	126023-01-736	EA	FLASH TUBE EXTENSION (REAR)	74003326
8	126023-01-737	EA	FLASH TUBE EXTENSION (FRONT)	74003327
10	126023-01-719	EA	IGNITER HEAD - TOP BURNER	74002413
	126023-02-702	EA	PIPE - MANIFOLD	74004360

CONTACT WINNEBAGO PART SALES FOR UNLISTED COMPONENT(S)

**CABINET & APPLIANCE GROUP (CONTINUED)**  
**COMPONENT PARTS FOR CABINET & APPLIANCE LAYOUT (CONTINUED)**



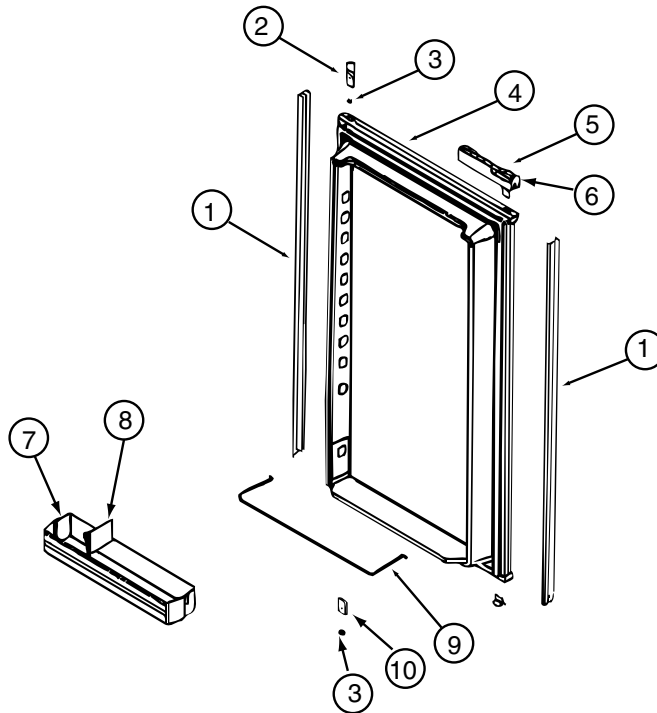
**121568-06-01A, 121568-07-01A, 121568-08-01A**

KEY	PART NUMBER	U/M	DESCRIPTION	VENDOR NO.
1	121568-03-700	EA	RETAINER-DOOR PNL/WAFFLE/BLK	619558-WDL-UPPER
2	120075-01-701	EA	HINGE-TOP RH/BOTTOM LH(DOOR)	618511
3	121568-03-701	EA	BUSHING - HINGE PIN/GRAY	619671
4	121568-03-702	EA	DOOR LINER-UPR/WAFFLED/BLACK	619627 - SMALL WDL
5	120075-01-702	EA	CAP, (HINGE PLUG)	618160
6	121568-01-700	EA	RAIL - DOOR UPPER	618618
7	120075-01-705	EA	HINGE-TOP LH/BOTTOM RH(DOOR)	618510
8	121568-03-705	EA	STORAGE LATCH - GRAY	619648
9	121568-03-721	EA	HANDLE/DOOR UPPER RH SWING	621465
9	121568-03-722	EA	HANDLE/DOOR LOWER RH SWING	621469
10	121568-01-701	EA	BIN - DOOR WHITE-WAFFLED LNR	618619 WDL

CONTACT WINNEBAGO PART SALES FOR UNLISTED COMPONENT(S)



**CABINET & APPLIANCE GROUP (CONTINUED)**  
**COMPONENT PARTS FOR CABINET & APPLIANCE LAYOUT (CONTINUED)**

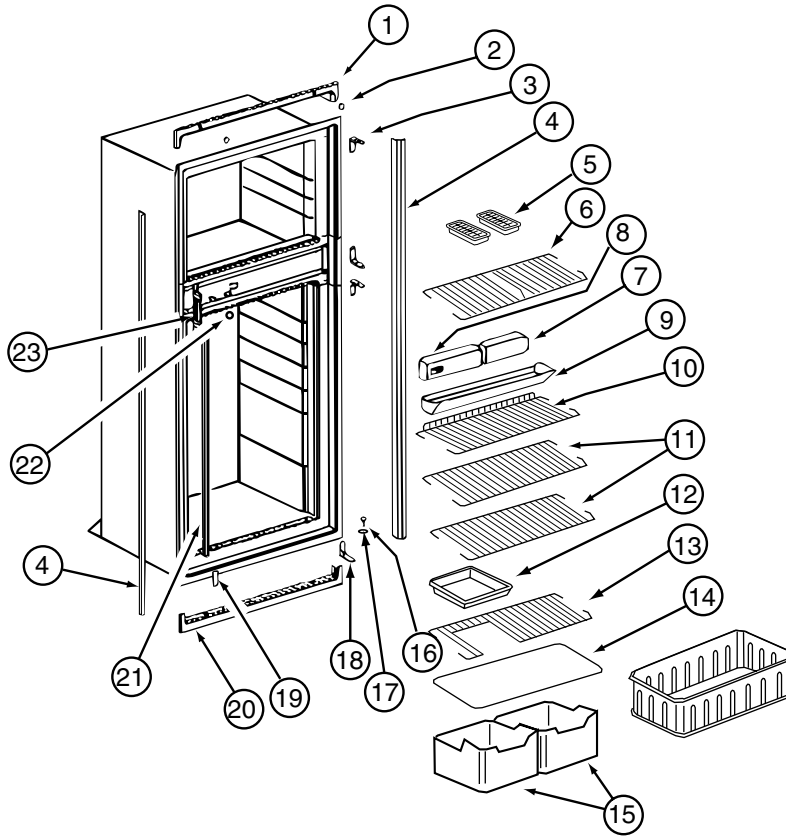


**121568-06-01A, 121568-07-01A, 121568-08-01A (CONTINUED)**

KEY	PART NUMBER	U/M	DESCRIPTION	VENDOR NO.
1	121568-03-706	EA	RETAINER-DOOR PNL/WAFFLE/BLK	619559-WDL-LOWER
2	120075-01-701	EA	HINGE-TOP RH/BOTTOM LH(DOOR)	618511
3	121568-03-701	EA	BUSHING - HINGE PIN/GRAY	619671
4	121568-03-707	EA	DOOR LINER-LWR/WAFFLED/B/TRM	619629
5	121568-03-722	EA	HANDLE/DOOR LOWER RH SWING	621469
6	121568-03-705	EA	STORAGE LATCH - GRAY	619648
7	121568-01-701	EA	BIN - DOOR WHITE-WAFFLED LNR	618619 WDL
9	121568-01-704	EA	RAIL - DOOR LOWER	618578
10	120075-01-705	EA	HINGE-TOP LH/BOTTOM RH(DOOR)	618510

CONTACT WINNEBAGO PART SALES FOR UNLISTED COMPONENT(S)

**CABINET & APPLIANCE GROUP (CONTINUED)**  
**COMPONENT PARTS FOR CABINET & APPLIANCE LAYOUT (CONTINUED)**

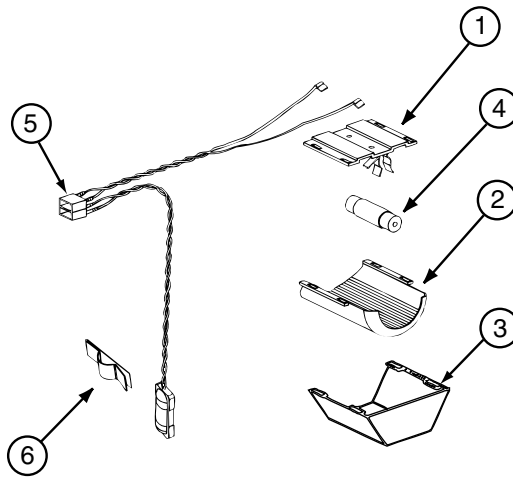


**121568-06-01A, 121568-07-01A, 121568-08-01A (CONTINUED)**

KEY	PART NUMBER	U/M	DESCRIPTION	VENDOR NO.
1	120075-01-713	EA	TRIM-TOP PIECE	619687
2	120075-01-714	EA	PLUG-HOLE (BLACK)	618170
3	121568-03-710	EA	HINGE/CABINET-TOP/RH-LWR/LH	619335 WAFFLED
4	121568-03-711	EA	TRIM - SIDE/BLACK	622295
6	121568-01-705	EA	SHELF - WIRE FREEZER	620250
7	121568-06-700	EA	FRONT BOX-N611	622002
8	121568-06-701	EA	CONTROL ASSY-OPTICAL/N611	621988 TO SN9056491
9	120075-01-720	EA	TRAY-DRIP	623250
9	120075-01-721	EA	LOUVER-DRIP TRAY	618176
11	121568-01-708	EA	SHELF - WIRE	620273
13	121568-01-707	EA	SHELF - WIRE - SHORT	620272
14	120075-01-725	EA	COVER-CRISPER - 18.5" WIDE	618158
15	121568-01-709	EA	CRISPER	618571
16	120075-01-727	EA	PIN-HINGE	618145
17	121568-03-701	EA	BUSHING - HINGE PIN/GRAY	619671
18	121568-03-715	EA	HINGE/CABINET-TOP/LH-LWR/RH	619336 WAFFLED
19	121568-03-716	EA	COVER - HINGE HOLES	619301
20	120075-01-729	EA	TRIM-BOTTOM PIECE	620958
21	121568-06-702	EA	CLIP - SHELF	61536522
22	121568-06-703	EA	HOLE PLUG - WHITE	620282
23	120075-01-732	EA	PLATE-STRIKE	618167

CONTACT WINNEBAGO PART SALES FOR UNLISTED COMPONENT(S)

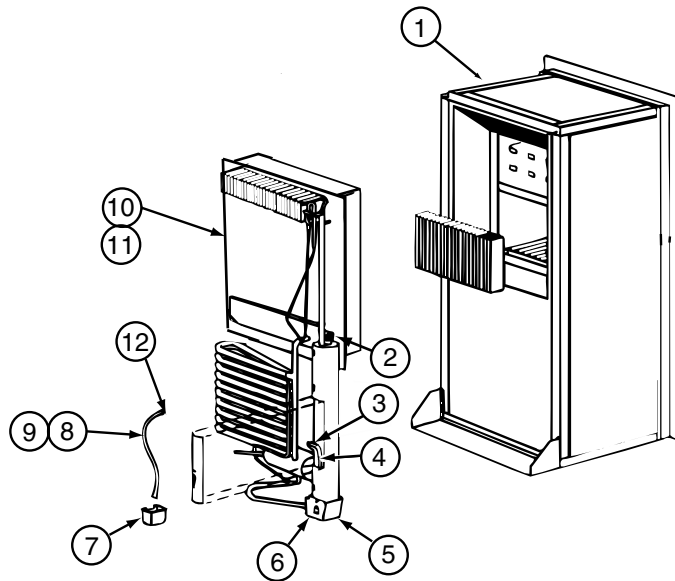
**CABINET & APPLIANCE GROUP (CONTINUED)**  
**COMPONENT PARTS FOR CABINET & APPLIANCE LAYOUT (CONTINUED)**



121568-03-01A, 121568-04-01A, 121568-05-01A, 121568-06-01A, 121568-07-01A, 121568-08-01A (CONTINUED)

KEY	PART NUMBER	U/M	DESCRIPTION	VENDOR NO.
1	084880-01-760	EA	CLIP (THERMISTER)	61689122
2	120075-01-735	EA	WIRE ASM - LAMP/THERMISTER	618548
3	084880-03-705	EA	BRACKET-LIGHT-INTERIOR	61629722
4	084880-03-706	EA	BULB-LAMP	61628922
6	084880-03-707	EA	COVER-LAMP, LENS	61627922

CONTACT WINNEBAGO PART SALES FOR UNLISTED COMPONENT(S)

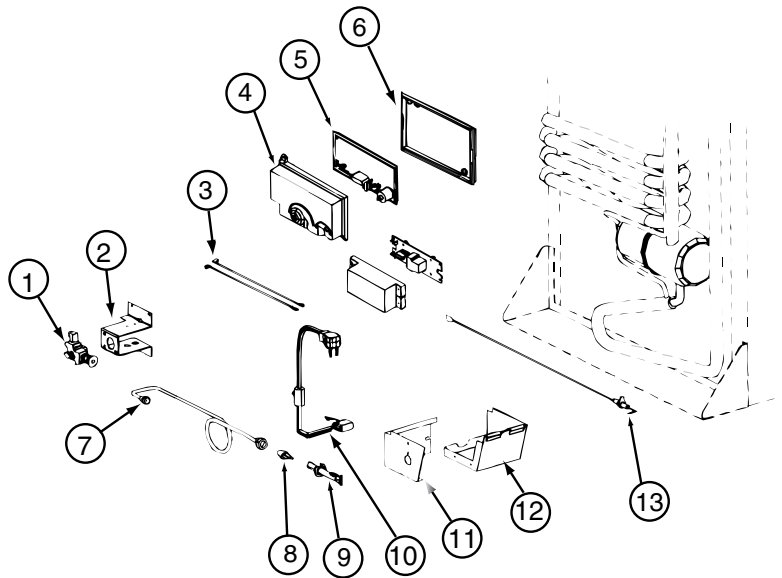


121568-06-01A, 121568-07-01A, 121568-08-01A (CONTINUED)

KEY	PART NUMBER	U/M	DESCRIPTION	VENDOR NO.
4	121568-06-704	EA	HEATER-AC/300W/120VAC	621702
10	120076-01-704	EA	COOLING UNIT, SERVICE PACK	618543

CONTACT WINNEBAGO PART SALES FOR UNLISTED COMPONENT(S)

**CABINET & APPLIANCE GROUP (CONTINUED)**  
**COMPONENT PARTS FOR CABINET & APPLIANCE LAYOUT (CONTINUED)**



**121568-06-01A, 121568-07-01A, 121568-08-01A (CONTINUED)**

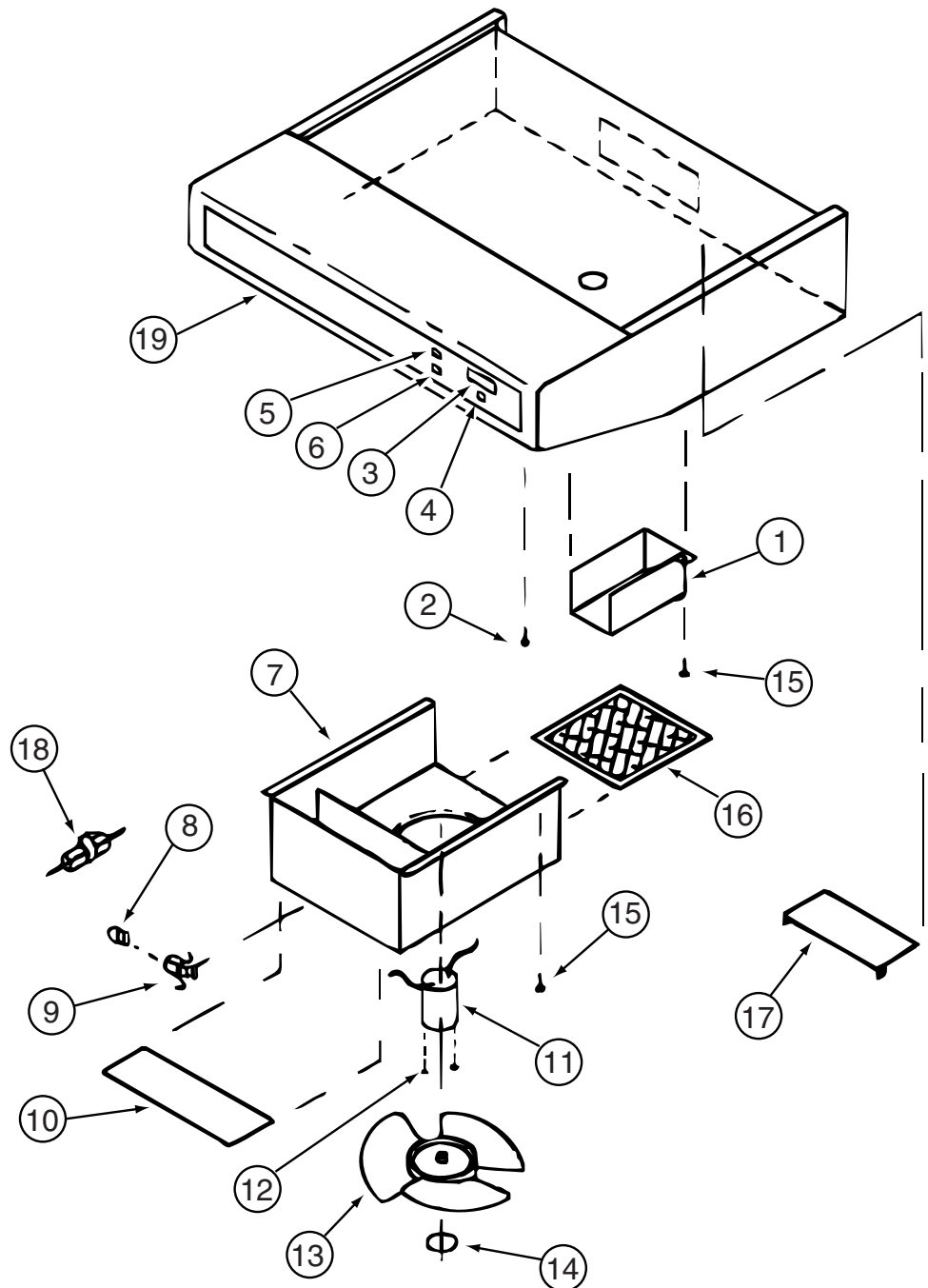
KEY	PART NUMBER	U/M	DESCRIPTION	VENDOR NO.
1	121568-06-705	EA	GAS VALVE/BRKT ASSY-COMBO	621439
1	121568-06-706	EA	GAS VALVE-COMBO/WRENCH FLAT	621329
4	120075-01-738	EA	COVER-POWER BOARD	618185
5	121568-06-707	EA	BOARD/POWER-N611	621991 = 621991001
6	120075-01-740	EA	BASE - POWER BOARD	618186
8	121568-06-708	EA	BURNER/ORFICE-ADAPTER KIT	621957
13	104137-06-715	EA	ELECTRODE-SPARK/SENSOR, SGL	61692222
	121569-08-704	EA	TUBE/BURNER - N8/N6	624682

CONTACT WINNEBAGO PART SALES FOR UNLISTED COMPONENT(S)

**121568-05-01A, 121568-07-01A, 121568-08-01A (CONTINUED)**

KEY	PART NUMBER	U/M	DESCRIPTION	VENDOR NO.
	121568-05-700	EA	FAN 12V KIT DBLE SIDEWALL	619020

**CABINET & APPLIANCE GROUP (CONTINUED)**  
**COMPONENT PARTS FOR CABINET & APPLIANCE LAYOUT (CONTINUED)**



136354-06-01A, 136354-06-02A

KEY	PART NUMBER	U/M	DESCRIPTION	VENDOR NO.
3	100258-10-700	EA	GAUGE-HOUR METER, SCREW ON	L0150-00 WAS 150
4	096983-01-702	EA	SWITCH - MOM/OFF/MOM/3 TERM	L0112-00
5	096983-01-700	EA	SWITCH/1 SPEED -ON/OFF- BLK	L0108-00
8	117806-01-000	EA	BULB-12V NO.912 1.0 AMPS	GENERAL MOTOR HOMES
9	092696-01-710	EA	HOLDER-LAMP	CB0267-02
10	096983-01-708	EA	LENS-LAMP	CC0179
11	136354-06-700	EA	MOTOR - FAN (CSA)	VC0535-02
13	136354-05-701	EA	BLADE-FAN 7" DIA	VD0216-00
16	096983-01-707	EA	FILTER-MESH	CC0246-00
17	100258-01-701	EA	DAMPER ASSEMBLY (METAL FLAP)	CA0565-00
19	100258-01-700	EA	LABEL-HOOD NOSE	CC0428-00

CONTACT WINNEBAGO PART SALES FOR UNLISTED COMPONENT(S)

**CABINET & APPLIANCE GROUP (CONTINUED)**  
**COMPONENT PARTS FOR CABINET & APPLIANCE LAYOUT (CONTINUED)**

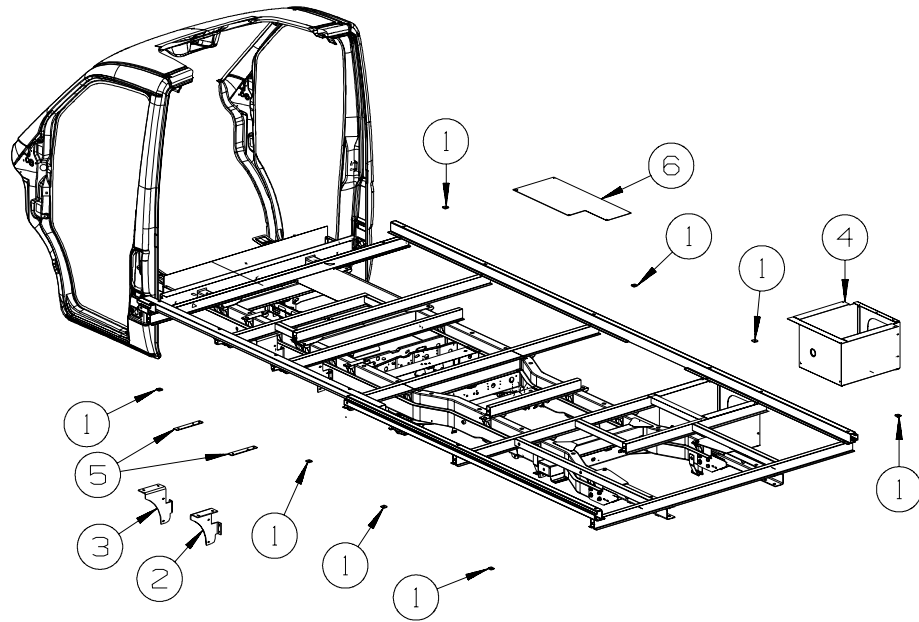
150606-04-02A

<b>KEY</b>	<b>PART NUMBER</b>	<b>U/M</b>	<b>DESCRIPTION</b>	<b>VENDOR NO.</b>
	150606-04-700	EA	RACK - BAKING	FAMI-A104WRM0
	150606-04-702	EA	PLATE/TURNTABLE	NTNT-A092WRH0

161116-01-01A , 161116-02-01A

<b>KEY</b>	<b>PART NUMBER</b>	<b>U/M</b>	<b>DESCRIPTION</b>	<b>VENDOR NO.</b>
	161116-01-700	EA	LIGHT/RND-CLEAR LENS W/BULB	W/WIRING/PLUG
	161116-02-700	EA	FILTER-ALUMINUM	02FP577295UL

# CHASSIS GROUP FRAME



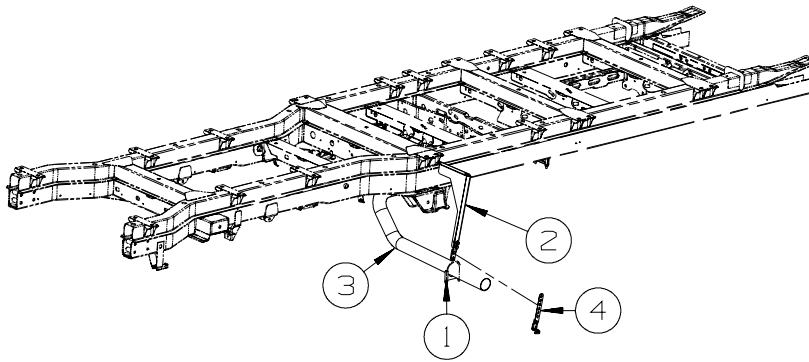
KEY	PART NUMBER	U/M	DESCRIPTION
1	135712-05-02B	EA	PLATE - BODY MOUNT - E-COATED
2	151504-01-02B	EA	BRACKET - SUPPORT/LP - E-COATED
3	151504-02-02B	EA	BRACKET - SUPPORT/LP - E-COATED
4	151616-02-02B	EA	COMPARTMENT - LUGGAGE - E-COATED
5	152208-01-02B	EA	STRAP - LP TANK MOUNTING - E-COATED
6	152218-02-02B	EA	SHIELD - HEAT - E-COATED
6	152218-06-02B	EA	SHIELD - HEAT - E-COATED

FROM: 00-00-00 THRU: 05-02-07

FROM: 05-03-07 THRU: 99-99-99

## CHASSIS GROUP (CONTINUED)

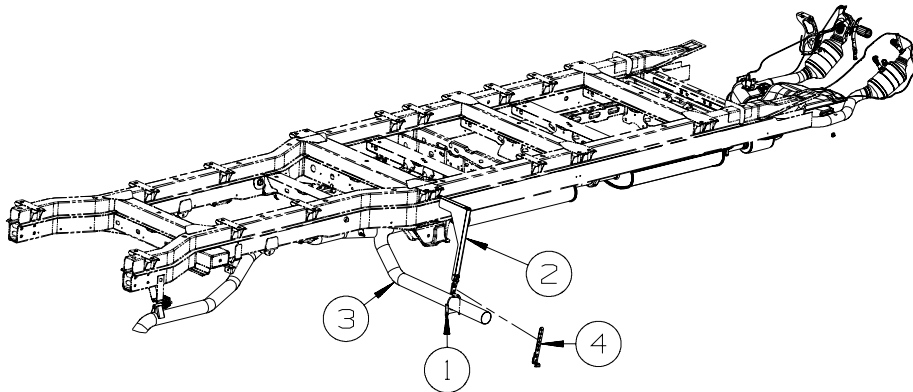
### EXHAUST



**DIESEL**

KEY	PART NUMBER	U/M	DESCRIPTION
1	094918-06-000	EA	CLAMP - EXHAUST - 3" - HEAVY DUTY - <b>NOT ILLUSTRATED</b> FROM: 00-00-00 THRU: 01-25-07
1	094918-01-000	EA	CLAMP - EXHAUST - 3" - GUILLOTINE STYLE FROM: 01-26-07 THRU: 99-99-99
2	152196-02-02B	EA	ANGLE/FORMED - EXHAUST HANGER - E-COATED - <b>NOT ILLUSTRATED</b> FROM: 00-00-00 THRU: 01-17-07
2	163815-01-02B	EA	BRACKET/FORMED - EXHAUST - E-COATED FROM: 01-18-07 THRU: 11-25-07
2	163815-03-02B	EA	BRACKET/FORMED - EXHAUST - E-COATED - <b>NOT ILLUSTRATED</b> FROM: 11-26-07 THRU: 99-99-99
3	160364-02-000	EA	PIPE - EXHAUST/TAIL - DIESEL
4	007131-01-000	EA	HANGER - TAILPIPE - 6 SLOTS FROM: 00-00-00 THRU: 11-25-07
4	167204-01-01A	EA	HANGER/TAILPIPE - BLACK - <b>NOT ILLUSTRATED</b> FROM: 11-26-07 THRU: 99-99-99

**GAS**



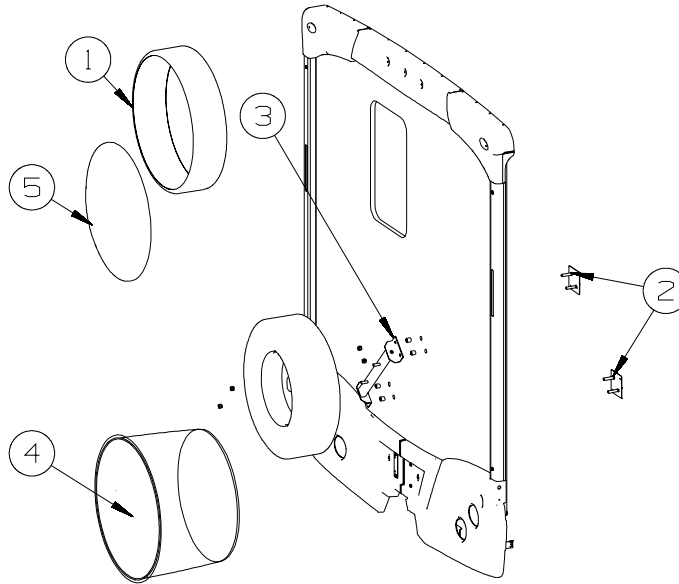
KEY	PART NUMBER	U/M	DESCRIPTION
1	094918-06-000	EA	CLAMP - EXHAUST - 3" - HEAVY DUTY - <b>NOT ILLUSTRATED</b> FROM: 00-00-00 THRU: 01-25-07
1	094918-01-000	EA	CLAMP - EXHAUST - 3" - GUILLOTINE STYLE FROM: 01-26-07 THRU: 99-99-99
2	152196-02-02B	EA	ANGLE/FORMED - EXHAUST HANGER - E-COATED - <b>NOT ILLUSTRATED</b> FROM: 00-00-00 THRU: 01-17-07
2	163815-01-02B	EA	BRACKET/FORMED - EXHAUST - E-COATED FROM: 01-18-07 THRU: 11-25-07
2	163815-03-02B	EA	BRACKET/FORMED - EXHAUST - E-COATED - <b>NOT ILLUSTRATED</b> FROM: 11-26-07 THRU: 99-99-99
3	160364-01-000	EA	PIPE - EXHAUST/TAIL - GAS
4	007131-01-000	EA	HANGER - TAILPIPE - 6 SLOTS FROM: 00-00-00 THRU: 11-25-07
4	167204-01-01A	EA	HANGER/TAILPIPE - BLACK - <b>NOT ILLUSTRATED</b> FROM: 11-26-07 THRU: 99-99-99



## CHASSIS GROUP (CONTINUED)

### HITCH

KEY	PART NUMBER	U/M	DESCRIPTION
	140441-04-02B	EA	PLATE - SKID - E-COATED
	154054-05-01A	EA	HITCH RECEIVER - BOLT ON CLASS II - BLACK - 524B, 524H, 524J
	154054-06-01A	EA	HITCH RECEIVER - BOLT ON CLASS III - BLACK - 524CL, 524DL

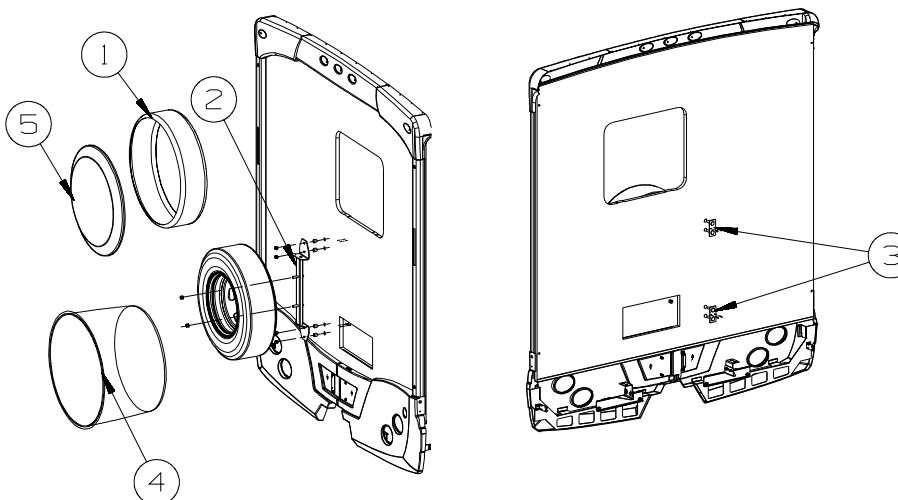


**524B  
524H**

**SPARE TIRE**

KEY	PART NUMBER	U/M	DESCRIPTION
1	149703-03-01A	EA	RING - TIRE COVER - SPARE - WHITE - FULL BODY PAINT
2	152910-02-12B	EA	BRACKET - SUPPORT - SPARE TIRE - E-COATED
3	152913-02-12B	EA	BRACKET/SUPPORT - SPARE TIRE - BRIGHT WHITE
4	163261-01-W13	EA	COVER - TIRE - 30" - W/VIEW LOGO
	073322-50-000	EA	COVER - UNIVERSAL LINER
5	149703-04-01A	EA	INSERT - 30" - TIRE COVER - SPARE - WHITE - FULL BODY PAINT
	143547-03-02B	EA	RETAINER - SPARE TIRE - E-COATED

FROM: 00-00-00 THRU: 11-11-07



**524J**

KEY	PART NUMBER	U/M	DESCRIPTION
1	149703-03-01A	EA	RING - TIRE COVER - SPARE - WHITE - FULL BODY PAINT
2	152913-01-12B	EA	BRACKET/SUPPORT - SPARE TIRE - E-COATED
3	154445-02-02B	EA	BRACKET/SUPPORT - SPARE TIRE - E-COATED
4	163261-01-W13	EA	COVER - TIRE - 30" - W/VIEW LOGO
	073322-50-000	EA	COVER - UNIVERSAL LINER
5	149703-04-01A	EA	INSERT - 30" - TIRE COVER - SPARE - WHITE - FULL BODY PAINT
	143547-03-02B	EA	RETAINER - SPARE TIRE - E-COATED

FROM: 00-00-00 THRU: 10-21-07

**CHASSIS GROUP (CONTINUED)**  
**WHEEL, TIRE, COVERS &/OR LINERS**

<b>KEY</b>	<b>PART NUMBER</b>	<b>U/M</b>	<b>DESCRIPTION</b>
*	154970-02-000	EA	LINER/WHEEL - 16" - SET OF 4 - DODGE SPRINTER - DICOR

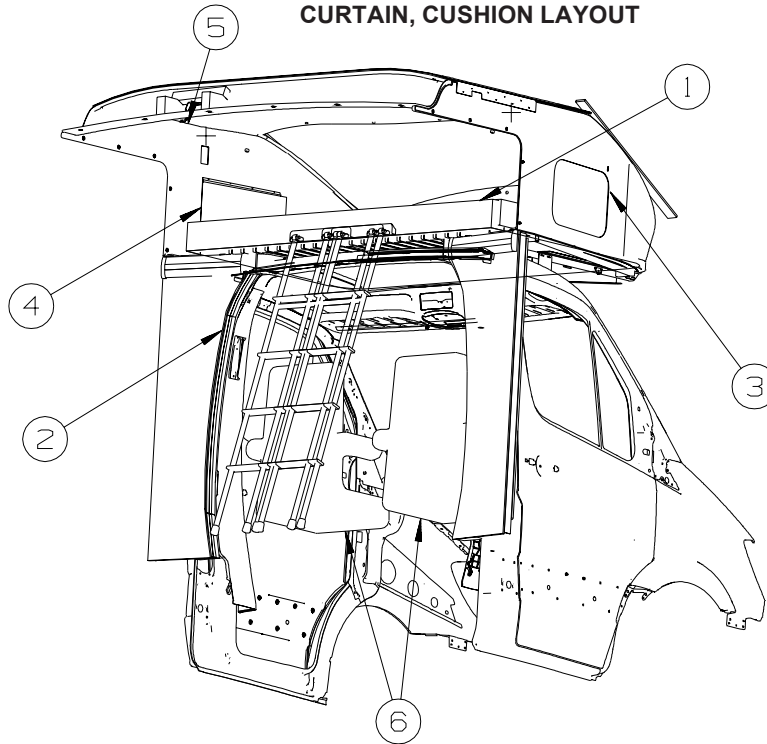
**\*COMPONENT PARTS LISTED LATER IN THIS GROUP**

**COMPONENT PARTS FOR WHEEL, TIRE, COVERS &/OR LINERS**

<b>KEY</b>	<b>PART NUMBER</b>	<b>U/M</b>	<b>DESCRIPTION</b>	<b>154970-02-000</b>	<b>VENDOR NO.</b>
	110435-01-711	EA	DECAL-CENTER CAP- 2" - QTY 2		
	154970-02-700	EA	COVER/WHEEL-FRONT W/LUG CVRS		
	154970-02-701	EA	LINER/WHEEL-REAR W/O HUB CVR		
	154970-02-702	EA	CAP/CENTER HUB/RR W/LUG CVRS		
	154970-02-703	EA	DECAL/CTR CAP 2"-PAIR & TOOL		

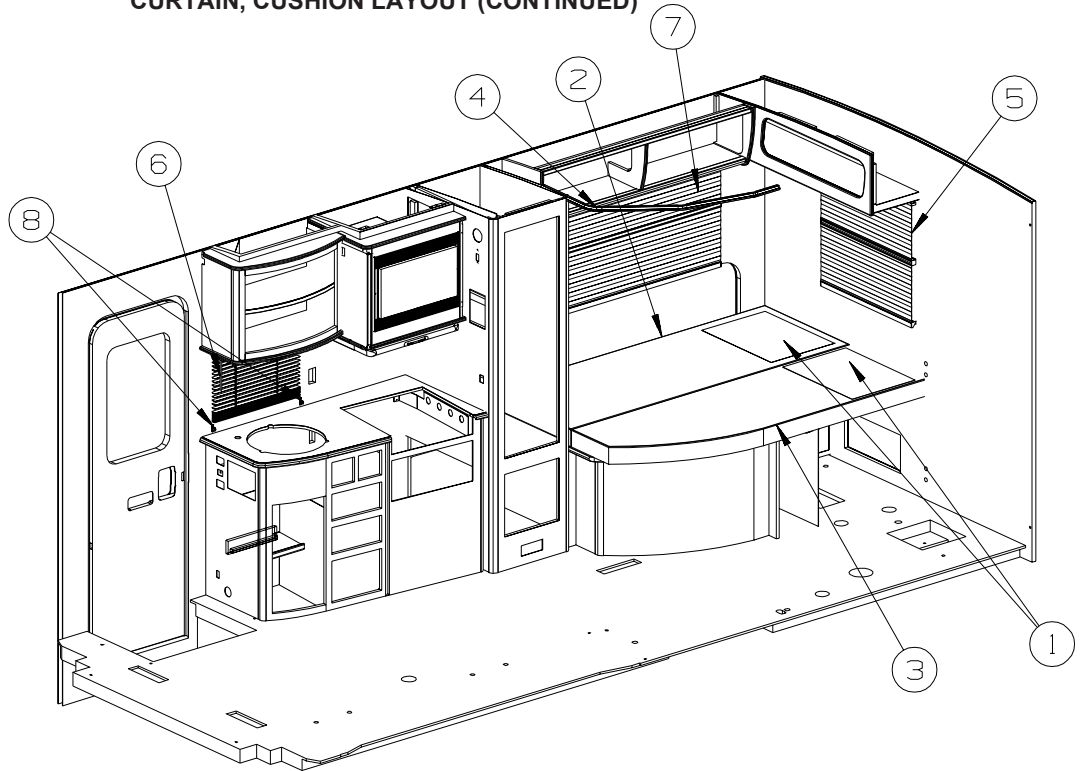
## CURTAIN & CUSHION GROUP

### CURTAIN, CUSHION LAYOUT



KEY	PART NUMBER	U/M	DESCRIPTION
1	155842-02-000	EA	STRAP/BUNK - W/2 CATCH HOOKS
1	153101-02-W13	EA	CUSHION - OVERHEAD BUNK - 49" X 76" X 5" (W13, W14)
1	153101-02-W15	EA	CUSHION - OVERHEAD BUNK - 49" X 76" X 5" (W15, W16)
1	153101-04-U15	EA	CUSHION - OVERHEAD BUNK - 49" X 76" X 5" (W05, W06)
	P53101-02-W13	EA	COVER - CUSHION/OVERHEAD BUNK - 49" X 76" X 5" (W13, W14)
	P53101-02-W15	EA	COVER - CUSHION/OVERHEAD BUNK - 49" X 76" X 5" (W15, W16)
	P53101-04-U15	EA	COVER - CUSHION/OVERHEAD BUNK - 49" X 76" X 5" (W05, W06)
2	076892-35-W13	EA	CURTAIN - CAB PRIVACY - 47.5" X 74" (W13, W14)
2	076892-37-W15	EA	CURTAIN - CAB PRIVACY - 55" X 84" (W15, W16)
2	076892-38-U15	EA	CURTAIN - CAB PRIVACY - 55" X 84" (W05, W06)
3	101034-68-W13	EA	CURTAIN - PRIVACY/RIGHT HAND - 15" X 21" (W13, W14)
3	101034-73-W15	EA	CURTAIN - PRIVACY/RIGHT HAND - 15" X 21" (W15, W16)
3	101034-75-U15	EA	CURTAIN - PRIVACY/RIGHT HAND - 15" X 21" (W05, W06)
3	156172-03-01A	EA	TRACK/WALL - 21" - BONE
3	156172-04-01A	EA	END CAP - WALL TRACK - CLEAR
4	101034-69-W13	EA	CURTAIN - PRIVACY/LEFT HAND - 15" X 21" (W13, W14)
4	101034-74-W15	EA	CURTAIN - PRIVACY/LEFT HAND - 15" X 21" (W15, W16)
4	101034-76-U15	EA	CURTAIN - PRIVACY/LEFT HAND - 15" X 21" (W05, W06)
4	156172-03-01A	EA	TRACK/WALL - 21" - BONE
4	156172-04-01A	EA	END CAP - WALL TRACK - CLEAR
5	154002-12-W13	EA	CURTAIN - PRIVACY/BUNK/LINED - 30" X 87.5" (W13, W14)
5	154002-13-W05	EA	CURTAIN - PRIVACY/BUNK - 30" X 87.5" (W15, W16)
5	154002-14-W15	EA	CURTAIN - PRIVACY/BUNK - 30" X 87.5" (W05, W06)
6	161568-02-W13	EA	COVER/BACK - CHAIR - LEATHER
6	161568-03-W13	EA	COVER/SEAT - CHAIR - LEATHER

**CURTAIN & CUSHION GROUP (CONTINUED)**  
**CURTAIN, CUSHION LAYOUT (CONTINUED)**

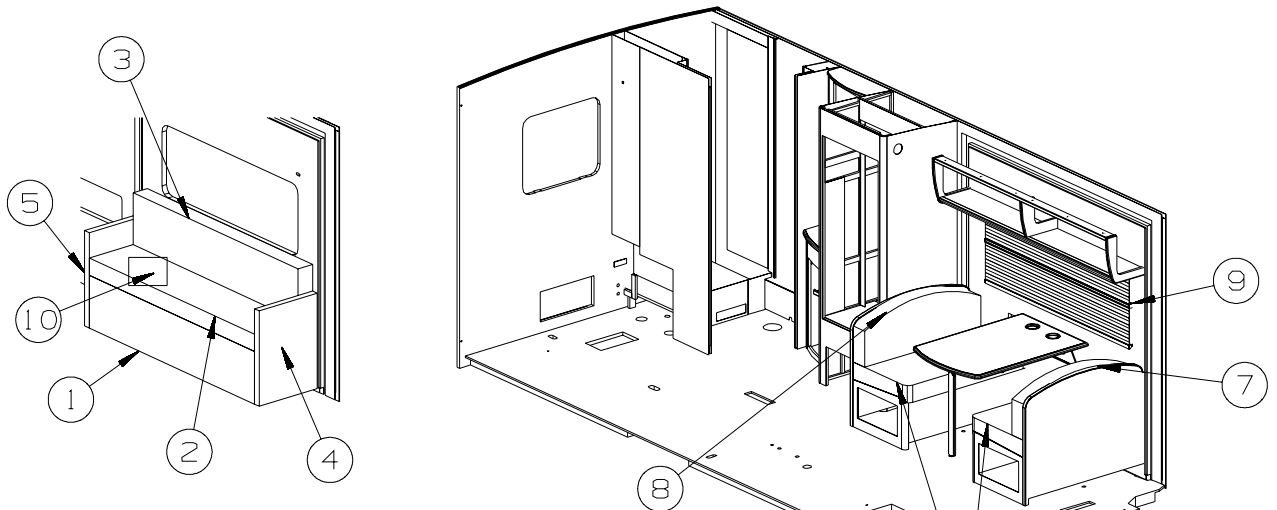


KEY	PART NUMBER	U/M	DESCRIPTION	
1	126211-09-W13	EA	PILLOW SHAM (W13, W14)	FROM: 00-00-00 THRU: 01-21-07
1	163918-01-W13	EA	PILLOW SHAM (W13, W14)	FROM: 01-22-07 THRU: 99-99-99
1	126211-09-W15	EA	PILLOW SHAM (W15, W16)	FROM: 00-00-00 THRU: 01-21-07
1	163918-01-W15	EA	PILLOW SHAM (W15, W16)	FROM: 01-22-07 THRU: 99-99-99
1	126211-09-U15	EA	PILLOW SHAM (W05, W06)	FROM: 00-00-00 THRU: 01-21-07
1	163918-01-W05	EA	PILLOW SHAM (W05, W06)	FROM: 01-22-07 THRU: 99-99-99
2	155541-01-W13	EA	MATTRESS/CUSHION - LEFT HAND - 28" X 75" (W13, W14)	
2	155541-01-W15	EA	MATTRESS/CUSHION - LEFT HAND - 28" X 75" (W15, W16)	
2	155541-01-U15	EA	MATTRESS/CUSHION - LEFT HAND - 28" X 75" (W05, W06)	
	P55541-01-W13	EA	COVER - MATTRESS/LEFT - 28" X 75" (W13, W14)	
	P55541-01-W15	EA	COVER - MATTRESS/LEFT - 28" X 75" (W15, W16)	
	P55541-01-U15	EA	COVER - MATTRESS/LEFT - 28" X 75" (W05, W06)	
3	155541-02-W13	EA	MATTRESS/CUSHION - RIGHT HAND W/RADIUS - 25" X 75" (W13, W14)	FROM: 00-00-00 THRU: 02-06-07
3	155541-06-W13	EA	MATTRESS/CUSHION - RIGHT HAND W/RADIUS - 25" X 75" (W13, W14)	FROM: 02-07-07 THRU: 99-99-99
3	155541-02-W15	EA	MATTRESS/CUSHION - RIGHT HAND W/RADIUS - 25" X 75" (W15, W16)	FROM: 00-00-00 THRU: 02-06-07
3	155541-06-W15	EA	MATTRESS/CUSHION - RIGHT HAND W/RADIUS - 25" X 75" (W15, W16)	FROM: 02-07-07 THRU: 99-99-99
3	155541-02-U15	EA	MATTRESS/CUSHION - RIGHT HAND W/RADIUS - 25" X 75" (W05, W06)	FROM: 00-00-00 THRU: 02-06-07
3	155541-06-W05	EA	MATTRESS/CUSHION - RIGHT HAND W/RADIUS - 25" X 75" (W05, W06)	FROM: 02-07-07 THRU: 99-99-99
	P55541-02-W13	EA	COVER - MATTRESS/RIGHT W/RADIUS - 25" X 75" (W13, W14)	FROM: 00-00-00 THRU: 02-06-07
	P55541-06-W13	EA	COVER - MATTRESS/RIGHT W/RADIUS - 25" X 75" (W13, W14)	FROM: 02-07-07 THRU: 99-99-99
	P55541-02-W15	EA	COVER - MATTRESS/RIGHT W/RADIUS - 25" X 75" (W15, W16)	FROM: 00-00-00 THRU: 02-06-07
	P55541-06-W15	EA	COVER - MATTRESS/RIGHT W/RADIUS - 25" X 75" (W15, W16)	FROM: 02-07-07 THRU: 99-99-99

**CURTAIN & CUSHION GROUP (CONTINUED)**  
**CURTAIN, CUSHION LAYOUT (CONTINUED)**

<b>KEY</b>	<b>PART NUMBER</b>	<b>U/M</b>	<b>DESCRIPTION</b>
	P55541-02-U15	EA	COVER - MATTRESS/RIGHT W/RADIUS - 25" X 75" (W05, W06) FROM: 00-00-00 THRU: 02-06-07
	P55541-06-W05	EA	COVER - MATTRESS/RIGHT W/RADIUS - 25" X 75" (W05, W06) FROM: 02-07-07 THRU: 99-99-99
4	101668-78-W13	EA	CURTAIN - TAPE TOP - 54" X 65" (W13, W14)
4	101668-81-W15	EA	CURTAIN - TAPE TOP - 54" X 65" (W15, W16)
4	101668-82-U15	EA	CURTAIN - TAPE TOP - 54" X 65" (W05, W06)
4	073260-25-W13	EA	TIEBACK - 3" X 18" (W13, W14)
4	073260-66-W15	EA	TIEBACK - 3" X 18" (W15, W16)
4	073260-67-U15	EA	TIEBACK - 3" X 18" (W05, W06)
5	140789-66-W13	EA	BLIND - DAY/NIGHTER - 30" X 28"
	097565-01-000	EA	BRACKET - MOUNTING - PLEATED BLIND FROM: 00-00-00 THRU: 07-23-07
6	111861-26-01A	EA	BLIND - MINI - 23" X 16" - ALUMINUM
	162496-01-01A	EA	BRACKET/BLIND - LEFT SIDE WHEN FACING WINDOW - CLEAR
	162496-02-01A	EA	BRACKET/BLIND - RIGHT SIDE WHEN FACING WINDOW - CLEAR
	102555-03-000	EA	BRACKET - (CLEAT TYPE) - F/BLIND HOLDOWN - MILKY WHITE
7	140789-03-W13	EA	BLIND - DAY/NIGHTER - 51" X 27"
	097565-01-000	EA	BRACKET - MOUNTING - PLEATED BLIND FROM: 00-00-00 THRU: 07-23-07
8	109441-01-000	EA	BRACKET/HOOK - BLIND HOLD DOWN

**CURTAIN & CUSHION GROUP (CONTINUED)**  
**CURTAIN, CUSHION LAYOUT (CONTINUED)**

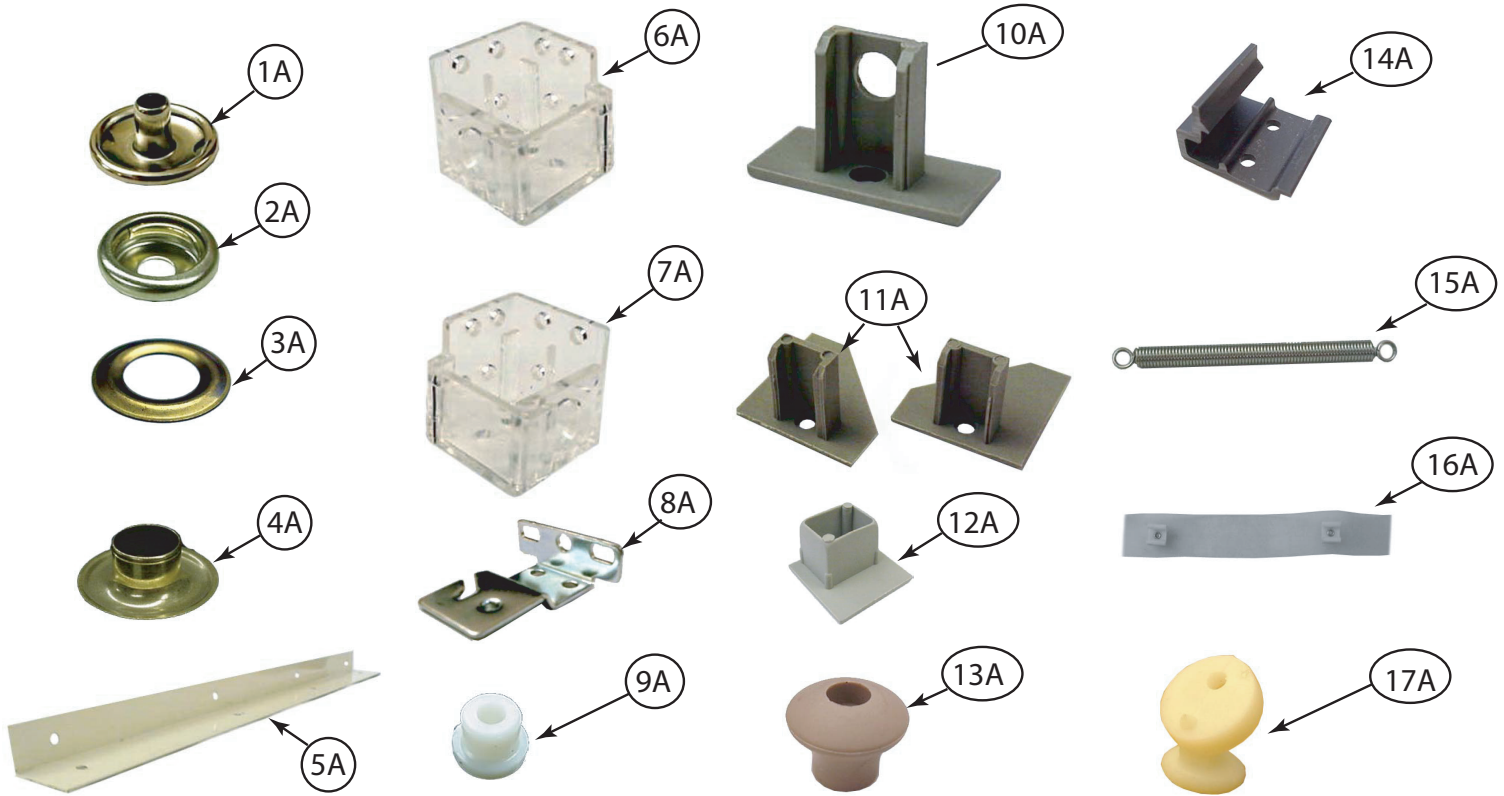


KEY	PART NUMBER	U/M	DESCRIPTION
1	116104-04-02B	EA	BRACKET - ZEE W/HOLES - 3.2" - E-COATED
1	127335-07-000	EA	LEG - SOFA/BED - 8"
1	155276-01-W13	EA	PANEL - FRONT KICK - SOFA/BED - FABRIC COVERED (W13, W14)
1	155276-01-W15	EA	PANEL - FRONT KICK - SOFA/BED - FABRIC COVERED (W15, W16)
1	155276-05-W15	EA	PANEL - FRONT KICK - SOFA/BED - FABRIC COVERED - 70" (W15, W16) FROM: 00-00-00 THRU: 07-08-07
1	155276-01-U15	EA	PANEL - FRONT KICK - SOFA/BED - FABRIC COVERED (W05, W06)
	121906-01-02B	EA	BRACKET - KICKBOARD - E-COATED
2	136278-12-W13	EA	SEAT - SOFA/BED - 70" (W13, W14)
2	136278-12-W15	EA	SEAT - SOFA/BED - 70" (W15, W16)
			FROM: 00-00-00 THRU: 07-08-07
2	136278-27-W15	EA	SEAT - SOFA/BED - 70" (W15, W16)
			FROM: 07-09-07 THRU: 99-99-99
2	136278-12-W05	EA	SEAT - SOFA/BED - 70" (W05, W06)
	P36278-12-W13	EA	COVER/SEAT - SOFA/BED - 70" (W13, W14)
	P36278-12-W15	EA	COVER/SEAT - SOFA/BED - 70" (W15, W16)
			FROM: 00-00-00 THRU: 07-08-07
	P36278-27-W15	EA	COVER/SEAT - SOFA/BED - 70" (W15, W16)
			FROM: 07-09-07 THRU: 99-99-99
	P36278-12-W05	EA	COVER/SEAT - SOFA/BED - 70" (W05, W06)
	151290-06-000	EA	FRAME - SEAT - 70"
	151290-21-000	EA	FRAME - BASE - 27.25" X 70"
3	161166-03-W13	EA	BACK - SOFA/BED - 70" (W13, W14)
3	161166-04-W15	EA	BACK - SOFA/BED - 70" (W15, W16)
			FROM: 00-00-00 THRU: 07-08-07
3	161166-06-W15	EA	BACK - SOFA/BED - 70" (W15, W16)
			FROM: 07-09-07 THRU: 99-99-99
3	161166-03-W05	EA	BACK - SOFA/BED - 70" (W05, W06)
	132870-01-000	EA	FRAME/BACK - 70" - CUSTOM LOUNGE
	161166-A3-W13	EA	COVER/BACK - SOFA/BED - 70" (W13, W14)
	161166-A4-W15	EA	COVER/BACK - SOFA/BED - 70" (W15, W16)
			FROM: 00-00-00 THRU: 07-08-07
	161166-A6-W15	EA	COVER/BACK - SOFA/BED - 70" (W15, W16)
			FROM: 07-09-07 THRU: 99-99-99
	161166-A3-W05	EA	COVER/BACK - SOFA/BED - 70" (W05, W06)
4	134282-08-W13	EA	PANEL - RIGHT END/FILLER - SOFA/BED - FABRIC COVERED (W13, W14)
4	134282-08-W15	EA	PANEL - RIGHT END/FILLER - SOFA/BED - FABRIC COVERED (W15, W16)
			FROM: 00-00-00 THRU: 07-08-07
4	134282-37-W15	EA	PANEL/RIGHT END/FILLER - SOFA/BED - FABRIC COVERED (W15, W16)
			FROM: 07-09-07 THRU: 99-99-99
4	134282-08-U15	EA	PANEL - RIGHT END/FILLER - SOFA/BED - FABRIC COVERED (W05, W06)
	101926-01-02A	EA	BRACKET - ZEE - 2" - BLACK
			FROM: 08-20-07 THRU: 99-99-99

**CURTAIN & CUSHION GROUP (CONTINUED)**  
**CURTAIN, CUSHION LAYOUT (CONTINUED)**

KEY	PART NUMBER	U/M	DESCRIPTION
5	134282-09-W13	EA	PANEL - LEFT END/FILLER - SOFA/BED - FABRIC COVERED (W13, W14)
5	134282-09-W15	EA	PANEL - LEFT END/FILLER - SOFA/BED - FABRIC COVERED (W15, W16)
			FROM: 00-00-00 THRU: 07-08-07
5	134282-38-W15	EA	PANEL/LEFT END/FILLER - SOFA/BED - FABRIC COVERED (W15, W16)
			FROM: 07-09-07 THRU: 99-99-99
5	134282-09-U15	EA	PANEL - LEFT END/FILLER - SOFA/BED - FABRIC COVERED (W05, W06)
	101926-01-02A	EA	BRACKET - ZEE - 2" - BLACK
			FROM: 08-20-07 THRU: 99-99-99
6	153671-01-W13	EA	CUSHION - SEAT - 21" X 42" X 5" (W13, W14)
6	153671-01-W15	EA	CUSHION - SEAT - 21" X 42" X 5" (W15, W16)
6	153671-01-W05	EA	CUSHION - SEAT - 21" X 42" X 5" (W05, W06)
	153671-A1-W13	EA	COVER/CUSHION - SEAT - 21" X 42" X 5" (W13, W14)
	153671-A1-W15	EA	COVER/CUSHION - SEAT - 21" X 42" X 5" (W15, W16)
	153671-A1-W05	EA	COVER/CUSHION - SEAT - 21" X 42" X 5" (W05, W06)
7	161303-21-W13	EA	CUSHION - BACK/RIGHT - 15.5" X 42" X 5" (W13, W14)
7	161303-25-W15	EA	CUSHION - BACK/RIGHT - 15.5" X 42" X 5" (W15, W16)
7	161303-21-W05	EA	CUSHION - BACK/RIGHT - 15.5" X 42" X 5" (W05, W06)
	161303-C1-W13	EA	COVER/BACK - RIGHT - 15.5" X 42" X 5" (W13, W14)
	161303-C5-W15	EA	COVER/BACK - RIGHT - 15.5" X 42" X 5" (W15, W16)
	161303-C1-W05	EA	COVER/BACK - RIGHT - 15.5" X 42" X 5" (W05, W06)
8	161303-22-W13	EA	CUSHION - BACK/LEFT - 15.5" X 42" X 5" (W13, W14)
8	161303-26-W15	EA	CUSHION - BACK/LEFT - 15.5" X 42" X 5" (W15, W16)
8	161303-22-W05	EA	CUSHION - BACK/LEFT - 15.5" X 42" X 5" (W05, W06)
	161303-C2-W13	EA	COVER/BACK - LEFT - 15.5" X 42" X 5" (W13, W14)
	161303-C6-W15	EA	COVER/BACK - LEFT - 15.5" X 42" X 5" (W15, W16)
	161303-C2-W05	EA	COVER/BACK - LEFT - 15.5" X 42" X 5" (W05, W06)
9	140789-81-W13	EA	BLIND - DAY/NIGHTER - 61" X 26.5"
	097565-01-000	EA	BRACKET - MOUNTING - PLEATED BLIND
			FROM: 00-00-00 THRU: 07-23-07
10	157810-12-W13	EA	PILLOW - 17" X 17" (W13, W14)
10	157810-13-W15	EA	PILLOW - 17" X 17" (W15, W16)
10	157810-14-W05	EA	PILLOW - 17" X 17" (W05, W06)

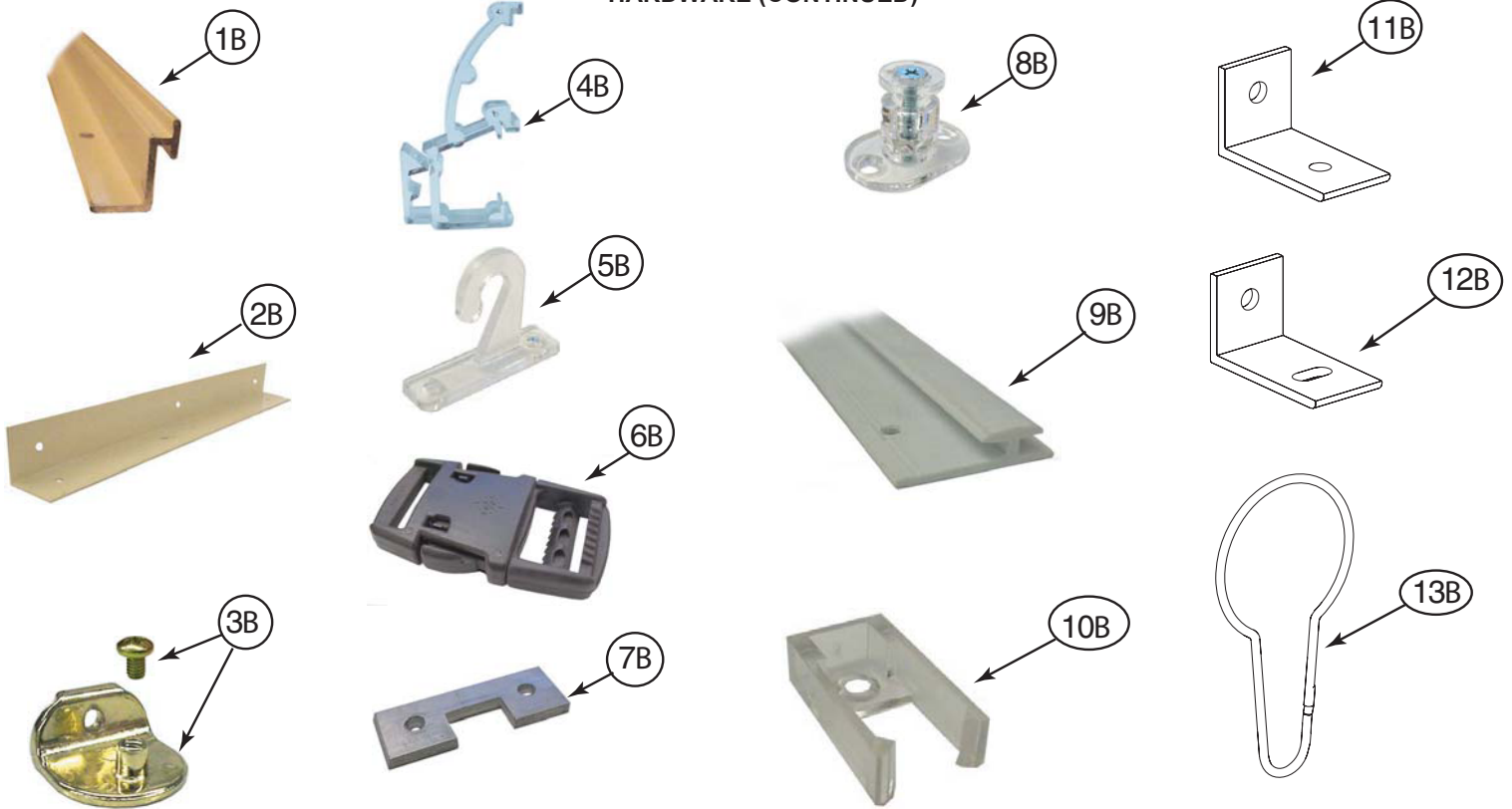
**CURTAIN & CUSHION GROUP (CONTINUED)**  
**HARDWARE**



KEY	PART NUMBER	U/M	DESCRIPTION
1A	029155-01-000	EA	CAP - SNAP - 5/32" OUTSIDE DIAMETER OF PIN
2A	029156-01-000	EA	SOCKET - SNAP - 9/16" O.D.
3A	046867-05-000	EA	WASHER - #0
4A	046867-04-000	EA	GROMMET - #0
5A	160457-01-01A	EA	BRACE - VALANCE - L-SHAPED - 20" - OFF WHITE
6A	162496-01-01A	EA	BRACKET/BLIND - LEFT SIDE WHEN FACING WINDOW - CLEAR
7A	162496-02-01A	EA	BRACKET/BLIND - RIGHT SIDE WHEN FACING WINDOW - CLEAR
8A	084434-01-000	EA	BRACKET - MOUNTING - ROLLER SHADE - 1 3/8"
9A	094896-02-000	EA	GROMMET - CORD/PLEATED BLIND - NYLON - GRAY
10A	094907-02-000	EA	END CAP - PLEATED BLIND/TOP - RH/LH - GRAY PLASTIC
11A	094907-04-000	EA	END CAP - PLEATED BLIND/BOTTOM - RH/LH
12A	094907-09-000	EA	END CAP/BLIND - CENTER RAIL - RH/LH
13A	097564-03-000	EA	HANDLE - KNOB - E-Z LIFT SHADE - TAN
14A	097565-01-000	EA	BRACKET - MOUNTING - PLEATED BLIND
15A	155748-01-000	EA	SPRING - EXTENSION - DAY/NIGHTER BLIND
16A	101031-01-000	YD	TAPE/GLIDE - 4.25" SPACING
17A	102555-03-000	EA	BRACKET - (CLEAT TYPE) - F/BLIND HOLDOWN - MILKY WHITE



**CURTAIN & CUSHION GROUP (CONTINUED)**  
**HARDWARE (CONTINUED)**



KEY	PART NUMBER	U/M	DESCRIPTION
1B	105450-14-01A	EA	TRACK - CURTAIN - 90" - OFF WHITE
2B	105648-01-02A	EA	BRACE - VALANCE - 14" - OFF WHITE
2B	105648-02-02A	EA	BRACE - VALANCE - 8.5" - OFF WHITE
3B	106544-01-000	EA	PULL - SHADE/BRASS
3B	106544-01-001	EA	SCREW - SHADE/BRASS
3B	106544-02-000	EA	PULL-SHADE - NICKEL
4B	109353-04-000	EA	CLIP - VALANCE SLAT MOUNTING - CLEAR PLASTIC
5B	109441-01-000	EA	BRACKET/HOOK - BLIND HOLD DOWN - LARGE - CLEAR
	109441-02-000	EA	SPACER/BRACKET - BLIND HOLD DOWN
6B	129491-01-000	EA	CATCH - SNAP HOOK - 1"
7B	130549-01-01A	EA	STOP - CURTAIN TRACK
8B	141634-01-000	EA	BRACKET-(BOBBIN TYPE) 7/8"H HOLDUPBASE(OVAL)-2 HOLE-CLEAR
9B	156172-02-01A	EA	TRACK/WALL - 32" - BONE
9B	156172-03-01A	EA	TRACK/WALL - 21" - BONE
10B	156172-04-01A	EA	END CAP - WALL TRACK - CLEAR
11B	154316-01-01A	EA	BRACE/ANGLE - W/HOLE - CASHMERE
12B	154316-02-01A	EA	BRACE/ANGLE - W/SLOT - CASHMERE
13B	159702-01-01A	EA	HOOK/RING - CURTAIN/SHOWER - NICKEL

**CURTAIN & CUSHION GROUP (CONTINUED)**  
**ACCESSORIES**

<b>KEY</b>	<b>PART NUMBER</b>	<b>U/M</b>	<b>DESCRIPTION</b>
	070578-19-T47	EA	BUTTON - #30 - SCREW/STUD - FABRIC COVERED (W13, W14)
	070578-19-W15	EA	BUTTON - #30 - SCREW/STUD - FABRIC COVERED (W15, W16)
	070578-19-W05	EA	BUTTON - #30 - SCREW/STUD - FABRIC COVERED (W05, W06)
	118337-19-W13	EA	BUTTON - #36 W/TACK (W13, W14)
	161506-05-W13	EA	BUTTON - #36 - FABRIC COVERED (W13, W14) FROM: 00-00-00 THRU: 01-21-07
	118337-19-W15	EA	BUTTON - #36 W/TACK (W15, W16) FROM: 01-22-07 THRU: 99-99-99
	161506-05-W15	EA	BUTTON - #36 - FABRIC COVERED (W15, W16) FROM: 00-00-00 THRU: 01-21-07
	118337-19-U15	EA	BUTTON - #36 W/TACK (W05, W06) FROM: 01-22-07 THRU: 99-99-99
	161506-05-W05	EA	BUTTON - #36 - FABRIC COVERED (W05, W06) FROM: 00-00-00 THRU: 01-21-07
	161506-06-W13	EA	BUTTON - #36 - FABRIC COVERED (W13, W14) FROM: 01-22-07 THRU: 99-99-99
	161506-06-W15	EA	BUTTON - #36 - FABRIC COVERED (W15, W16) FROM: 01-22-07 THRU: 99-99-99
	161506-06-W05	EA	BUTTON - #36 - FABRIC COVERED (W05, W06) FROM: 01-22-07 THRU: 99-99-99
	074494-07-000	EA	BUTTON - PIVOT - #36 (W05, W06) FROM: 01-22-07 THRU: 99-99-99
	074494-08-000	EA	BUTTON - PIVOT - #36 (W13, W14, W15, W16) FROM: 01-22-07 THRU: 99-99-99

## CURTAIN & CUSHION GROUP (CONTINUED)

### FABRICS

#### W13, W14

113979-09-01A CARPET-HEADLINER (SY) - CEILING  
FROM: 00-00-00 THRU: 01-13-08

113979-09-02A CARPET-HEADLINER (SY) - CEILING  
FROM: 01-14-08 THRU: 99-99-99

113979-10-01A CARPET-HEADLINER - SLDOUT (SY) - CEILING  
FROM: 00-00-00 THRU: 01-13-08

113979-10-02A CARPET-HEADLINER - SLDOUT (SY) - CEILING  
FROM: 01-14-08 THRU: 99-99-99

113979-11-01A CARPET-HEADLINER - SLDOUT (SY) - CEILING  
FROM: 00-00-00 THRU: 01-13-08

113979-11-02A CARPET-HEADLINER - SLDOUT (SY) - CEILING  
FROM: 01-14-08 THRU: 99-99-99

113979-16-01A CARPET - HEADLINER - 52" WIDE SLIDEOUT - CEILING  
FROM: 00-00-00 THRU: 06-03-07

113979-17-01A CARPET-HEADLINER (SY) 59"  
FROM: 06-04-07 THRU: 01-13-08

113979-16-02A CARPET - HEADLINER - 52" WIDE SLIDEOUT - CEILING  
FROM: 01-14-08 THRU: 99-99-99

087272-03-000 FABRIC-DRAPERY, MAIN

142523-24-000 FABRIC-UPHOSTERY,ACCENT PLAIN, "B"

142523-24-000 FABRIC-UPHL,SEAT INSERT

142523-24-000 FABRIC-UPHL,ULTRALEATHER , MAIN

142523-29-000 FABRIC-BOXING (ULTRA)

148797-H9-000 FABRIC-HEADLINER/PADS/BUNKS, TRANS PANELS

148797-H9-000 FABRIC-UPHLSTRY,PLAIN ACCENT

148797-M2-000 FABRIC-TRANS PANEL

148797-W6-000 FABRIC-UPHOSTERY MAIN ONE

148797-W6-000 FABRIC-SOFA BASE WRAP "A"

148797-W7-000 FABRIC-SOFA BASE WRAP "B"

148797-W7-000 FABRIC-UPHOSTERY ACCENT PATTERN

148797-W7-000 FABRIC-SLEEPER DECK

156773-20-000 FABRIC-UPHOSTERY,BEDSPREAD, MAIN

156773-21-000 FABRIC-UPHOSTERY,BEDSPREAD, PATTERN ACCENT

**CURTAIN & CUSHION GROUP (CONTINUED)**  
**FABRICS (CONTINUED)**

**W15, W16**

113979-09-01A CARPET-HEADLINER (SY) - CEILING  
FROM: 00-00-00 THRU: 01-13-08

113979-09-02A CARPET-HEADLINER (SY) - CEILING  
FROM: 01-14-08 THRU: 99-99-99

113979-10-01A CARPET-HEADLINER - SLDOUT (SY) - CEILING  
FROM: 00-00-00 THRU: 01-13-08

113979-10-02A CARPET-HEADLINER - SLDOUT (SY) - CEILING  
FROM: 01-14-08 THRU: 99-99-99

113979-11-01A CARPET-HEADLINER - SLDOUT (SY) - CEILING  
FROM: 00-00-00 THRU: 01-13-08

113979-11-02A CARPET-HEADLINER - SLDOUT (SY) - CEILING  
FROM: 01-14-08 THRU: 99-99-99

113979-16-01A CARPET - HEADLINER - 52" WIDE SLIDEOUT - CEILING  
FROM: 00-00-00 THRU: 06-03-07

113979-17-01A CARPET-HEADLINER (SY) 59"  
FROM: 06-04-07 THRU: 01-13-08

113979-16-02A CARPET - HEADLINER - 52" WIDE SLIDEOUT - CEILING  
FROM: 01-14-08 THRU: 99-99-99

087272-03-000 FABRIC-DRAPERY, MAIN

142523-24-000 FABRIC-UPHOSTERY,ACCENT PLAIN, "B"

142523-24-000 FABRIC-UPHL,ULTRALEATHER, MAIN

142523-29-000 FABRIC-BOXING (ULTRA)

148797-CG-000 FABRIC-SOFA BASE WRAP "B"

148797-CH-000 FABRIC-HEADLINER/PADS/BUNKS, TRANS PANELS

148797-W1-000 FABRIC-UPHOSTERY MAIN ONE

148797-W1-000 FABRIC-SOFA BASE WRAP "A"

148797-CG-000 FABRIC-UPHOSTERY ACCENT PATTERN

148797-CG-000 FABRIC-SLEEPER DECK

148797-CH-000 FABRIC-UPHLSTRY,PLAIN ACCENT

148797-U9-000 FABRIC-TRANS PANEL

156773-02-000 FABRIC-UPHOSTERY,BEDSPREAD, PATTERN ACCENT

156773-03-000 FABRIC-UPHOSTERY,BEDSPREAD, MAIN  
FROM: 00-00-00 THRU: 10-14-07

156773-G3-000 FABRIC-UPHOSTERY,BEDSPREAD, MAIN  
FROM: 10-15-07 THRU: 99-99-99

**CURTAIN & CUSHION GROUP (CONTINUED)**  
**FABRICS (CONTINUED)**

**W05, W06**

113979-09-01A CARPET-HEADLINER (SY) - CEILING  
FROM: 00-00-00 THRU: 01-13-08

113979-09-02A CARPET-HEADLINER (SY) - CEILING  
FROM: 01-14-08 THRU: 99-99-99

113979-10-01A CARPET-HEADLINER - SLDOUT (SY) - CEILING  
FROM: 00-00-00 THRU: 01-13-08

113979-10-02A CARPET-HEADLINER - SLDOUT (SY) - CEILING  
FROM: 01-14-08 THRU: 99-99-99

113979-11-01A CARPET-HEADLINER - SLDOUT (SY) - CEILING  
FROM: 00-00-00 THRU: 01-13-08

113979-11-02A CARPET-HEADLINER - SLDOUT (SY) - CEILING  
FROM: 01-14-08 THRU: 99-99-99

113979-16-01A CARPET - HEADLINER - 52" WIDE SLIDEOUT - CEILING  
FROM: 00-00-00 THRU: 06-03-07

113979-17-01A CARPET-HEADLINER (SY) 59"  
FROM: 06-04-07 THRU: 01-13-08

113979-16-02A CARPET - HEADLINER - 52" WIDE SLIDEOUT - CEILING  
FROM: 01-14-08 THRU: 99-99-99

087272-03-000 FABRIC-DRAPERY, MAIN

142523-24-000 FABRIC-UPHOSTERY,ACCENT PLAIN, "B"

142523-24-000 FABRIC-UPHL,ULTRALEATHER, MAIN

142523-29-000 FABRIC-BOXING (ULTRA)

148797-M2-000 FABRIC-TRANS PANEL

148797-U9-000 FABRIC-HEADLINER/PADS/BUNKS, TRANS PANELS

148797-U9-000 FABRIC-UPHOSTERY ACCENT PATTERN

148797-U7-000 FABRIC-UPHOSTERY MAIN ONE

148797-U7-000 FABRIC-UPHOSTERY,BEDSPREAD, PATTERN ACCENT

148797-U7-000 FABRIC-SOFA BASE WRAP "A"

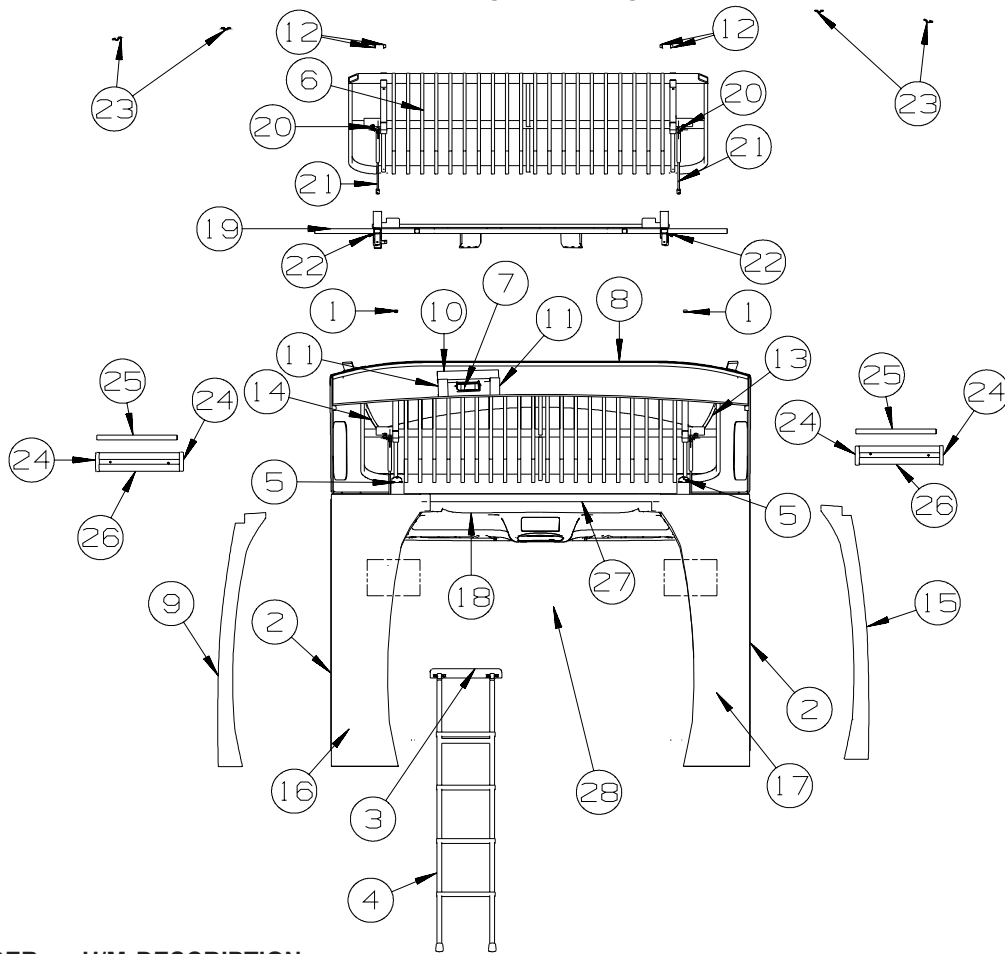
148797-U7-000 FABRIC-SOFA BASE WRAP "B"

148797-U9-000 FABRIC-UPHLSTRY,PLAIN ACCENT

156773-10-000 FABRIC-UPHOSTERY,BEDSPREAD, MAIN

156773-10-000 FABRIC-SLEEPER DECK

## DRIVERS COMPARTMENT GROUP FRONT INTERIOR

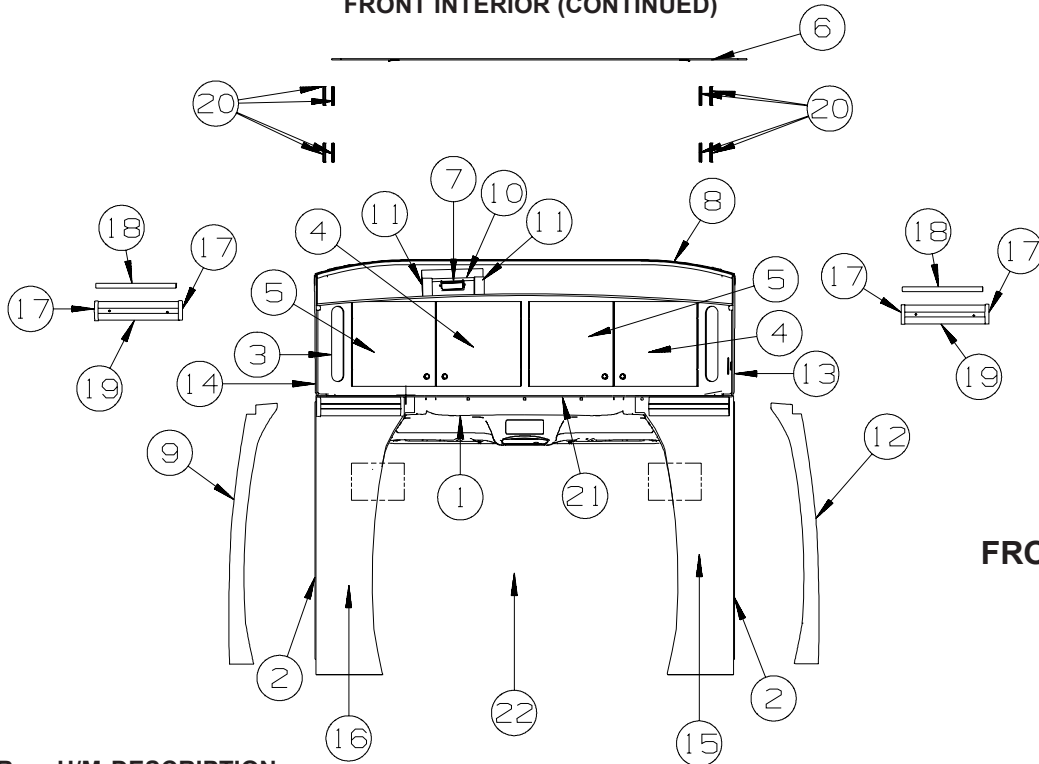


KEY	PART NUMBER	U/M	DESCRIPTION
1	120863-05-000	EA	BUMPER - RUBBER/RADIUS TOP - 3/4" X 3/8"
2	105290-01-000	EA	INSULATION - AIR POCKET W/FOIL - 4' WIDE
3	094658-04-T25	EA	HANDLE - BUNK - 1.1" X 2" X 14.9" - WASHED MAPLE
3	094658-04-T02	EA	HANDLE - BUNK - 1.1" X 2" X 14.2" - HONEY CHERRY
4	106025-07-01A	EA	LADDER - BUNK - 58.6" - BLACK
5	151554-05-02B	EA	HINGE/SLEEPER - FRAME - E-COATED
6	151565-01-T01	EA	FRAME - SLEEPER/BUNK
7	135803-03-01A	EA	LOUVER - A/C - OPEN FRAME
8	159982-01-12A	EA	PANEL/TRIM - CEILING CONTOUR - OFF WHITE
9	160391-01-W13	EA	PANEL/TRANSITION - FABRIC WRAPPED (W13, W14)
9	160391-01-W15	EA	PANEL/TRANSITION - FABRIC WRAPPED (W15, W16)
9	160391-01-W05	EA	PANEL/TRANSITION - FABRIC WRAPPED (W05, W06)
10	151838-02-02A	EA	FOAM - LPE, DUCT
11	151838-04-02A	EA	FOAM-LPE,DUCT,CHARCOAL GRAY
12	151839-01-01A	EA	BEARING/FLANGED - 3/8" TO 7/8" X 1/2" DEEP - BRONZE
13	160392-01-W13	EA	PANEL/TRIM - BUNK/RH
14	160392-02-W13	EA	PANEL/TRIM - BUNK/LH
15	160391-02-W13	EA	PANEL/TRANSITION - FABRIC WRAPPED (W13, W14)
15	160391-02-W15	EA	PANEL/TRANSITION - FABRIC WRAPPED (W15, W16)
15	160391-02-W05	EA	PANEL/TRANSITION - FABRIC WRAPPED (W05, W06)
16	160382-02-W13	EA	PANEL - TRANSITION - INNER/PASSENGER SIDE (W13, W14)
16	160382-02-W15	EA	PANEL - TRANSITION - INNER/PASSENGER SIDE (W15, W16)
16	160382-02-W05	EA	PANEL - TRANSITION - INNER/PASSENGER SIDE (W05, W06)
	070578-19-T47	EA	BUTTON - #30 - SCREW/STUD - FABRIC COVERED (W13, W14)
	070578-19-W15	EA	BUTTON - #30 - SCREW/STUD - FABRIC COVERED (W15, W16)
	070578-19-W05	EA	BUTTON - #30 - SCREW/STUD - FABRIC COVERED (W05, W06)
17	160382-01-W13	EA	PANEL - TRANSITION - INNER/DRIVER SIDE (W13, W14)
17	160382-01-W15	EA	PANEL - TRANSITION - INNER/DRIVER SIDE (W15, W16)
17	160382-01-W05	EA	PANEL - TRANSITION - INNER/DRIVER SIDE (W05, W06)
	070578-19-T47	EA	BUTTON - #30 - SCREW/STUD - FABRIC COVERED (W13, W14)
	070578-19-W15	EA	BUTTON - #30 - SCREW/STUD - FABRIC COVERED (W15, W16)
	070578-19-W05	EA	BUTTON - #30 - SCREW/STUD - FABRIC COVERED (W05, W06)

**DRIVERS COMPARTMENT GROUP (CONTINUED)**  
**FRONT INTERIOR (CONTINUED)**

KEY	PART NUMBER	U/M	DESCRIPTION
18	159984-01-12A	EA	PANEL/TRIM - HEADLINER - OFF WHITE
19	159420-01-02B	EA	SUPPORT - SLEEPER - E-COATED
20	126263-02-02B	EA	BRACKET - GAS SPRING W/BALL STUD - E-COATED
21	142569-14-000	EA	SPRING/GAS - 100 LB - 20" EXTENDED/12" COMPRESSED
22	126263-15-02B	EA	BRACKET - GAS SPRING W/BALL STUD - E-COATED
23	127960-01-01A	EA	RETAINER - EYE - 3/8" - STAINLESS STEEL
24	156636-05-U21	EA	MOLDING/BLOCK - .8" X 4" - HONEY CHERRY
25	M09520-83-U21	EA	MOLDING/TRIM - .3" X 1" X 78.9" - WASHED MAPLE
25	M09520-83-U22	EA	MOLDING/TRIM - .3" X 1" X 78.9" - HONEY CHERRY
26	Y00361-A2-438	EA	MOLDING - VINYL/CURVED - 3.9" X 96" - WASHED MAPLE
26	Y00361-82-438	EA	MOLDING - VINYL/CURVED - 3.9" X 96" - HONEY CHERRY
27	163887-01-W13	EA	PANEL - FABRIC COVERED (W13, W14, W05, W06) FROM: 01-12-07 THRU: 99-99-99
27	163887-01-W15	EA	PANEL - FABRIC COVERED (W15, W16) FROM: 01-12-07 THRU: 99-99-99
28	164519-01-01A	EA	BLIND/PLEATED - WINDSHIELD/PRIVACY - GRAY - CAB-WINDOW BLINDS FROM: 04-30-07 THRU: 99-99-99
28	164519-02-01A	EA	BLIND/PLEATED - CAB/SIDE WINDOWS/PRIVACY - RH & LH - GRAY - CAB-WINDOW BLINDS FROM: 04-30-07 THRU: 99-99-99
28	164519-03-01A	EA	SUPPORT/ROD - BLIND/PRIVACY - GRAY - CAB-WINDOW BLINDS FROM: 04-30-07 THRU: 99-99-99
	128131-01-01A	EA	SPACER/SWITCH - DOME - BLACK FROM: 00-00-00 THRU: 04-15-07

**DRIVERS COMPARTMENT GROUP (CONTINUED)**  
**FRONT INTERIOR (CONTINUED)**



**FRONT OVERHEAD  
CABINETS**

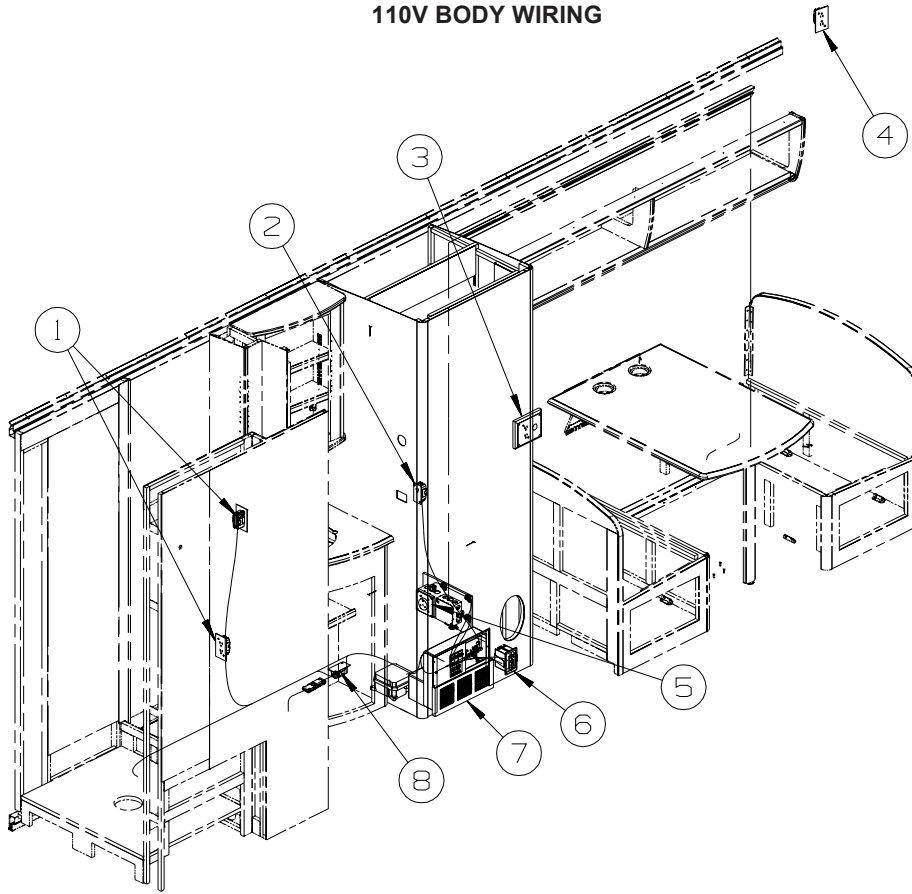
KEY	PART NUMBER	U/M	DESCRIPTION
1	159984-01-12A	EA	PANEL/TRIM - HEADLINER - OFF WHITE
2	105290-01-000	EA	INSULATION - AIR POCKET W/FOIL - 4' WIDE
3	160721-01-W13	EA	CABINET - OVERHEAD/FRONT - W/O DOORS/HDW - WASHED MAPLE
3	160721-01-W14	EA	CABINET - OVERHEAD/FRONT - W/O DOORS/HDW - HONEY CHERRY
4	160739-01-W13	EA	DOOR - CURVED - 17.7" X 17.7" - W/O HDW - WASHED MAPLE
4	160739-01-W14	EA	DOOR - CURVED - 17.7" X 17.7" - W/O HDW - HONEY CHERRY
5	160739-02-W13	EA	DOOR - CURVED - 17.7" X 17.7" - W/O HDW - WASHED MAPLE
5	160739-01-W14	EA	DOOR - CURVED - 17.7" X 17.7" - W/O HDW - HONEY CHERRY
6	160375-02-02B	EA	STRAP - TIEDOWN/TV - 31" - E-COATED
7	135803-03-01A	EA	LOUVER - A/C - OPEN FRAME
8	159982-01-12A	EA	PANEL/TRIM - CEILING CONTOUR - OFF WHITE
9	160391-01-W13	EA	PANEL/TRANSITION - FABRIC WRAPPED (W13, W14)
9	160391-01-W15	EA	PANEL/TRANSITION - FABRIC WRAPPED (W15, W16)
9	160391-01-W05	EA	PANEL/TRANSITION - FABRIC WRAPPED (W05, W06)
10	151838-02-02A	EA	FOAM - LPE, DUCT
11	151838-04-02A	EA	FOAM-LPE,DUCT,CHARCOAL GRAY
12	160382-01-W13	EA	PANEL - TRANSITION - INNER/DRIVER SIDE (W13, W14)
12	160382-01-W15	EA	PANEL - TRANSITION - INNER/DRIVER SIDE (W15, W16)
12	160382-01-W05	EA	PANEL - TRANSITION - INNER/DRIVER SIDE (W05, W06)
	070578-19-T47	EA	BUTTON - #30 - SCREW/STUD - FABRIC COVERED (W13, W14)
	070578-19-W15	EA	BUTTON - #30 - SCREW/STUD - FABRIC COVERED (W15, W16)
	070578-19-W05	EA	BUTTON - #30 - SCREW/STUD - FABRIC COVERED (W05, W06)
13	160392-05-W13	EA	PANEL/TRIM - BUNK/RH
14	160392-06-W13	EA	PANEL/TRIM - BUNK/LH
15	160391-02-W13	EA	PANEL/TRANSITION - FABRIC WRAPPED (W13, W14)
15	160391-02-W15	EA	PANEL/TRANSITION - FABRIC WRAPPED (W15, W16)
15	160391-02-W05	EA	PANEL/TRANSITION - FABRIC WRAPPED (W05, W06)
16	160382-02-W13	EA	PANEL - TRANSITION - INNER/PASSENGER SIDE (W13, W14)
16	160382-02-W15	EA	PANEL - TRANSITION - INNER/PASSENGER SIDE (W15, W16)
16	160382-02-W05	EA	PANEL - TRANSITION - INNER/PASSENGER SIDE (W05, W06)
	070578-19-T47	EA	BUTTON - #30 - SCREW/STUD - FABRIC COVERED (W13, W14)
	070578-19-W15	EA	BUTTON - #30 - SCREW/STUD - FABRIC COVERED (W15, W16)
	070578-19-W05	EA	BUTTON - #30 - SCREW/STUD - FABRIC COVERED (W05, W06)
17	156636-05-U21	EA	MOLDING/BLOCK - .8" X 4" - HONEY CHERRY
18	M09520-83-U21	EA	MOLDING/TRIM - .3" X 1" X 78.9" - WASHED MAPLE
18	M09520-83-U22	EA	MOLDING/TRIM - .3" X 1" X 78.9" - HONEY CHERRY
19	Y00361-A2-438	EA	MOLDING - VINYL/CURVED - 3.9" X 96" - WASHED MAPLE
19	Y00361-82-438	EA	MOLDING - VINYL/CURVED - 3.9" X 96" - HONEY CHERRY
20	146514-04-000	EA	CHANNEL/MOUNT - F/ROPE LIGHT



**DRIVERS COMPARTMENT GROUP (CONTINUED)**  
**FRONT INTERIOR (CONTINUED)**

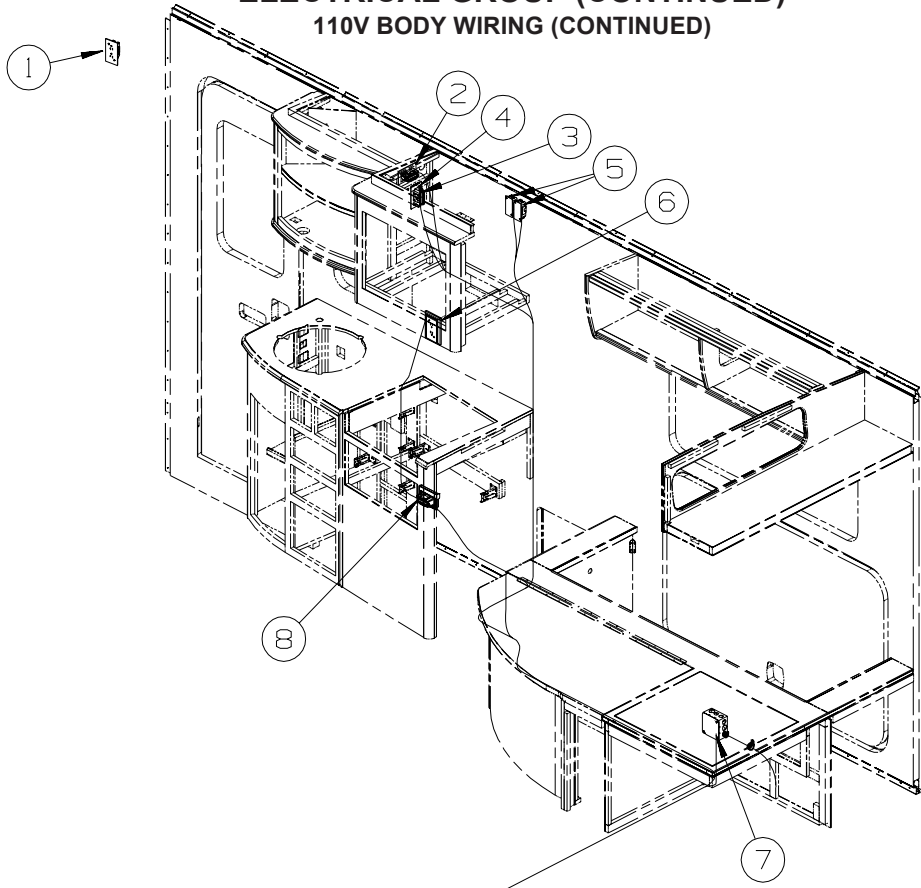
KEY	PART NUMBER	U/M	DESCRIPTION
21	163887-01-W13	EA	PANEL - FABRIC COVERED (W13, W14, W05, W06) FROM: 01-12-07 THRU: 99-99-99
21	163887-01-W15	EA	PANEL - FABRIC COVERED (W15, W16) FROM: 01-12-07 THRU: 99-99-99
22	164519-01-01A	EA	BLIND/PLEATED - WINDSHIELD/PRIVACY - GRAY - CAB-WINDOW BLINDS FROM: 04-30-07 THRU: 99-99-99
22	164519-02-01A	EA	BLIND/PLEATED - CAB/SIDE WINDOWS/PRIVACY - RH & LH - GRAY - CAB-WINDOW BLINDS FROM: 04-30-07 THRU: 99-99-99
22	164519-03-01A	EA	SUPPORT/ROD - BLIND/PRIVACY - GRAY - CAB-WINDOW BLINDS FROM: 04-30-07 THRU: 99-99-99
	128131-01-01A	EA	SPACER/SWITCH - DOME - BLACK FROM: 00-00-00 THRU: 04-15-07

## ELECTRICAL GROUP 110V BODY WIRING



KEY	PART NUMBER	U/M	DESCRIPTION
1	058708-06-000	EA	RECEPTACLE - DUPLEX - WHITE
1	058708-01-000	EA	RECEPTACLE - ELECTRIC - DOUBLE - BROWN
2	058707-01-000	EA	RECEPTACLE - ELECTRIC - SINGLE - BROWN
3	058708-06-000	EA	RECEPTACLE - DUPLEX - WHITE
3	058708-01-000	EA	RECEPTACLE - ELECTRIC - DOUBLE - BROWN
3	133713-04-21A	EA	SPACER/RECEPTACLE - VINYL - WASHED MAPLE
3	133713-04-23A	EA	SPACER/RECEPTACLE - VINYL - HONEY CHERRY
4	058708-06-000	EA	RECEPTACLE - DUPLEX - WHITE - <b>BUNK FRONT OVERHEAD-SINGLE</b>
4	058708-01-000	EA	RECEPTACLE - ELECTRIC - DOUBLE - BROWN - <b>BUNK FRONT OVERHEAD-SINGLE</b>
5	008054-01-000	EA	CORD - POWER - 10/3 WIRE - 30 AMP - 25'
6	163319-01-02A	EA	RECEPTACLE - GFCI - 15A 125V - BROWN
7	136481-01-000	EA	MODULE - AUTO ENERGY SELECTOR
8	058707-02-000	EA	RECEPTACLE - BLANK - JUNCTION BOX

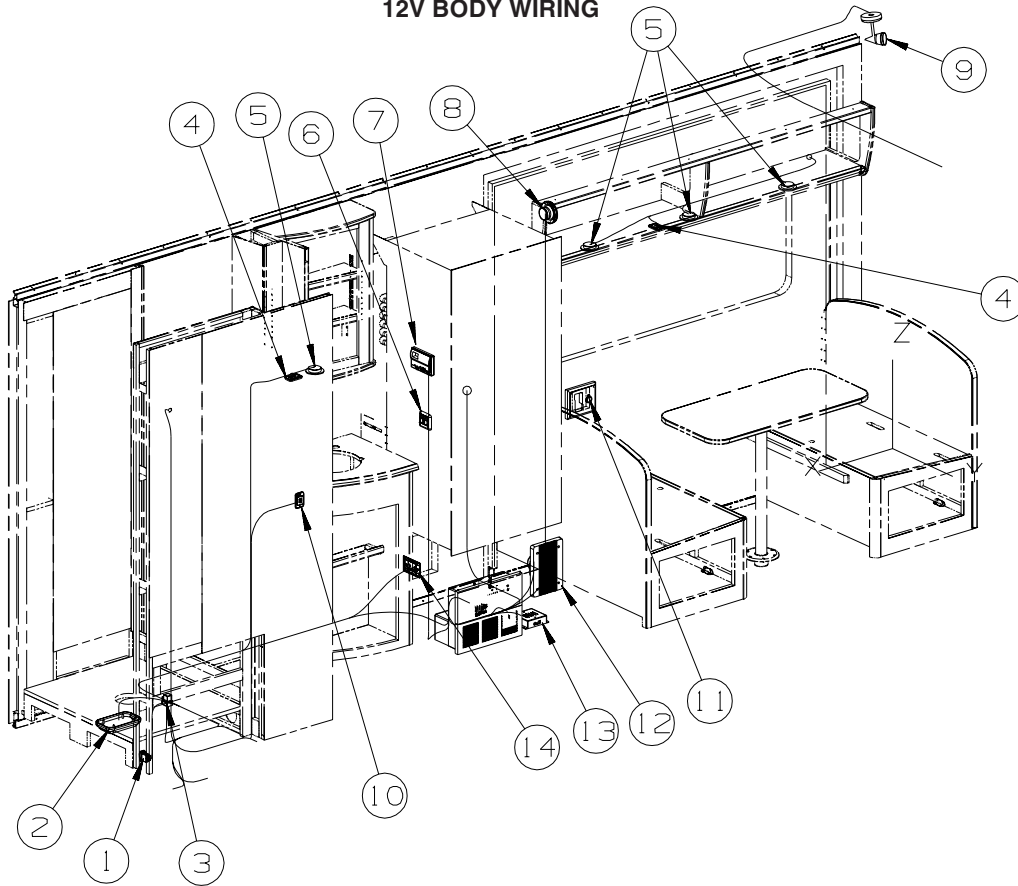
**ELECTRICAL GROUP (CONTINUED)**  
**110V BODY WIRING (CONTINUED)**



KEY	PART NUMBER	U/M	DESCRIPTION
1	058708-06-000	EA	RECEPTACLE - DUPLEX - WHITE - CABINET, FRONT CAB OVERHEAD
1	058708-01-000	EA	RECEPTACLE - ELECTRIC - DOUBLE - BROWN - CABINET, FRONT CAB OVERHEAD
2	058708-05-000	EA	RECEPTACLE - ELECTRIC - SINGLE - BROWN
2	160984-01-01A	EA	RECEPTACLE - ELECTRICAL - SINGLE/FLUSH - 20 AMP - BROWN - CANADIAN
3	058708-06-000	EA	RECEPTACLE - DUPLEX - WHITE
3	058708-01-000	EA	RECEPTACLE - ELECTRIC - DOUBLE - BROWN
4	158542-02-01A	EA	LABEL - RECEPTACLE - ELECTRONICS - WHITE/BLACK - CANADIAN
5	058707-02-000	EA	RECEPTACLE - BLANK - JUNCTION BOX
6	058708-06-000	EA	RECEPTACLE - DUPLEX - WHITE
6	058708-01-000	EA	RECEPTACLE - ELECTRIC - DOUBLE - BROWN
6	133713-01-21A	EA	SPACER/RECEPTACLE - VINYL - WASHED MAPLE
6	133713-01-23A	EA	SPACER/RECEPTACLE - VINYL - HONEY CHERRY
7	008289-01-000	EA	BOX - ELECTRIC/STEEL - 4" X 4" - GEN-3.6KW ONAN LP OR GEN-4.0KW ONAN GAS
8	131826-01-01A	EA	RECEPTACLE - EXTERIOR - W/COVER/GASKET - WHITE

## ELECTRICAL GROUP (CONTINUED)

### 12V BODY WIRING

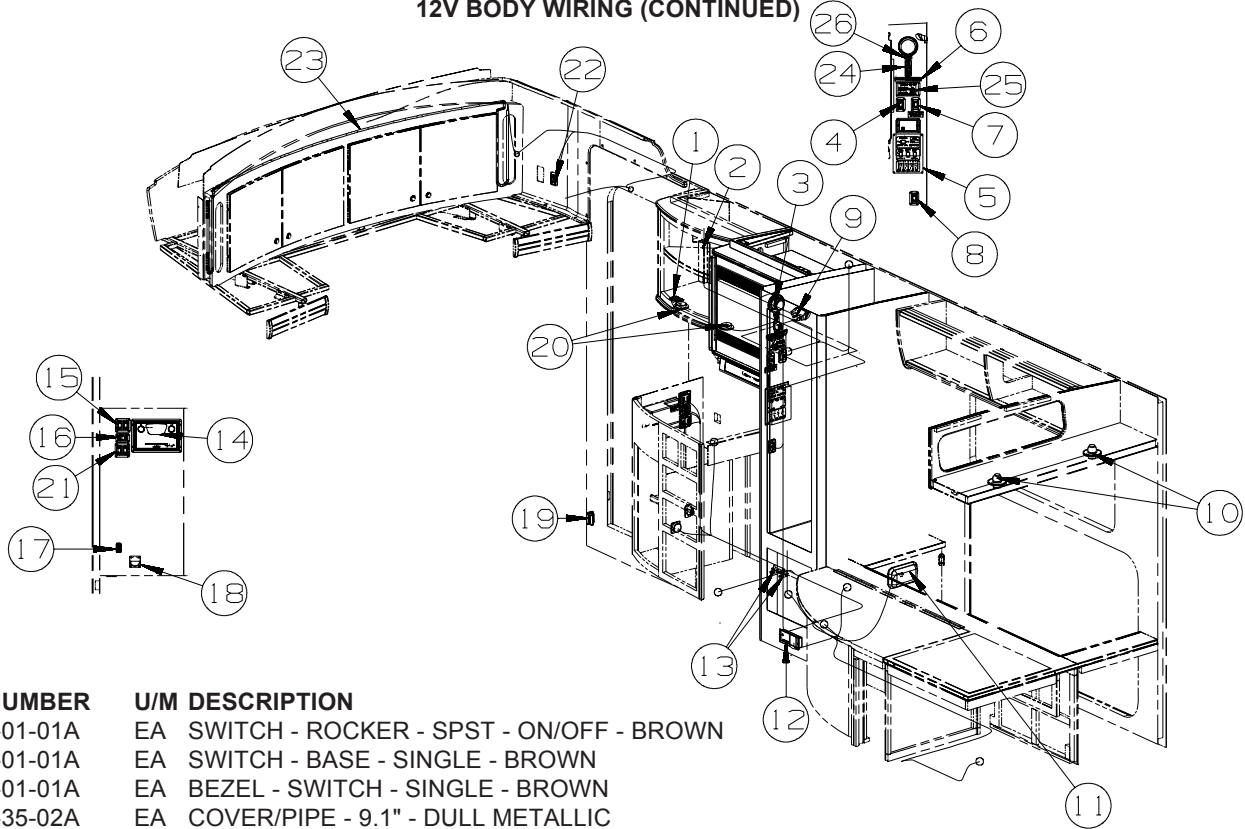


KEY	PART NUMBER	U/M	DESCRIPTION
1	108357-15-000	EA	SWITCH - ROCKER - DPDT - ON/NONE/ON - W/LIGHT W/O COVER
1	108356-04-01A	EA	COVER/ACTUATOR SWITCH - 2 ROWS DIMPLES W/LENS - BLACK
1	108355-01-000	EA	HOUSING - SWITCH
2*	137417-01-01A	EA	LIGHT - DOME - SINGLE - W/SWITCH/FROSTED LENS - WHITE
3	063912-02-000	EA	RELAY - CANISTER - SPDT - <b>DRAINAGE SYSTEM-HEATED</b>
4	135740-01-01A	EA	SWITCH - ROCKER - SPST - ON/OFF - BROWN
4	135741-01-01A	EA	SWITCH - BASE - SINGLE - BROWN
4	135742-01-01A	EA	BEZEL - SWITCH - SINGLE - BROWN
5*	123775-01-02A	EA	LIGHT - HALOGEN - ROUND - SATIN NICKEL
6	135740-01-01A	EA	SWITCH - ROCKER - SPST - ON/OFF - BROWN
6	135741-02-01A	EA	SWITCH - BASE - DOUBLE - BROWN
6	135742-14-02A	EA	BEZEL - SWITCH - MAKEUP/CEILING - BROWN
7	135618-03-01A	EA	THERMOSTAT - ROOF A/C & FURNACE - WHITE
7	135618-01-01A	EA	THERMOSTAT - HEAT PUMP/FURNACE - WHITE - <b>AC HEAT PUMP-HI EFF, LOW PFL</b>
8	160868-01-01A	EA	SPEAKER - ROUND/CEILING - W/O CASE - BLACK
8	160868-02-01A	EA	GRILLE/ROUND - SPEAKER - SILVER
9*	152438-01-01A	EA	LIGHT - READING/SWIVEL - W/SWITCH - SATIN NICKEL - <b>BUNK FRONT OVERHEAD-SINGLE</b>
10	135740-01-01A	EA	SWITCH - ROCKER - SPST - ON/OFF - BROWN
10	135741-01-01A	EA	SWITCH - BASE - SINGLE - BROWN
10	135742-07-02A	EA	BEZEL - SWITCH - CEILING - BROWN
11	132958-01-000	EA	RECEPTACLE - 12 VOLT - MOUNTING FLANGE - BLACK
12	124884-01-000	EA	SPEAKER - 6" X 9" - SUB-WOOFER - W/O GRILLE
12	151844-01-01A	EA	GRILLE - SPEAKER - 6" X 9" - SUB WOOFER - BLACK
13	150140-01-000	EA	CROSSOVER BOX - STANDARD STEREO TO DELUXE SOUND
13	150140-02-000	EA	CROSSOVER COIL - F/SUBWOOFER SPEAKER/LOW FREQUENCY
13	115539-01-000	EA	RELAY - RADIO/TV SPEAKER SWITCH W/WIRE - #SCLD-W-B-4PDT-C
14	149557-03-01A	EA	PLATE/WALL - DUAL COAXIAL/HORIZONTAL - WHITE

\*COMPONENT PARTS LISTED LATER IN THIS GROUP

## ELECTRICAL GROUP (CONTINUED)

### 12V BODY WIRING (CONTINUED)



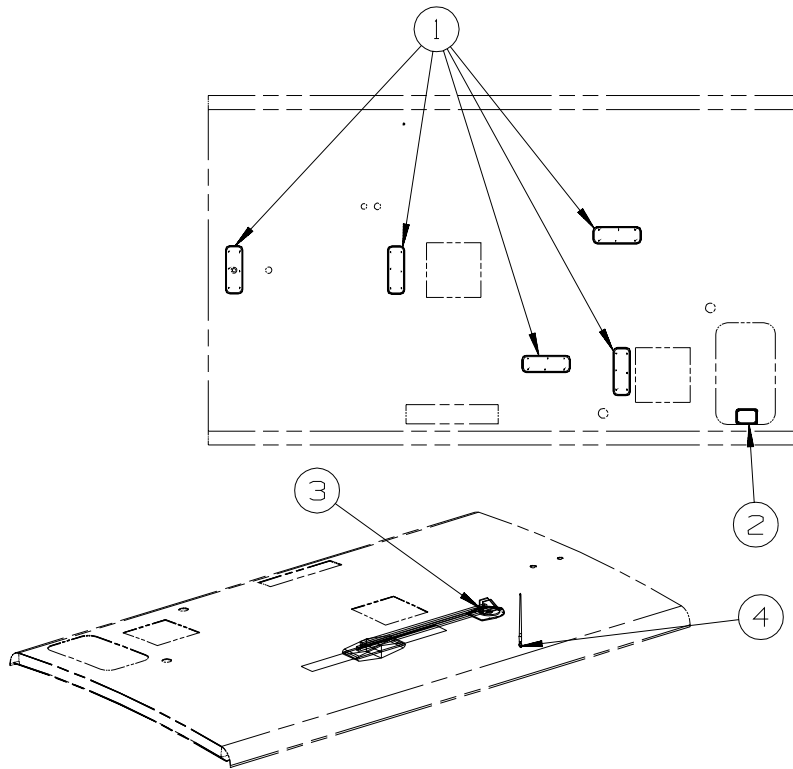
KEY	PART NUMBER	U/M	DESCRIPTION
1	135740-01-01A	EA	SWITCH - ROCKER - SPST - ON/OFF - BROWN
1	135741-01-01A	EA	SWITCH - BASE - SINGLE - BROWN
1	135742-01-01A	EA	BEZEL - SWITCH - SINGLE - BROWN
2	152078-35-02A	EA	COVER/PIPE - 9.1" - DULL METALLIC
3	160868-01-01A	EA	SPEAKER - ROUND/CEILING - W/O CASE - BLACK
3	160868-02-01A	EA	GRILLE/ROUND - SPEAKER - SILVER
4	138253-01-02A	EA	SWITCH - BLANK - BROWN
4	135741-01-01A	EA	SWITCH - BASE - SINGLE - BROWN
4	135742-01-01A	EA	BEZEL - SWITCH - SINGLE - BROWN
4	135740-06-01A	EA	SWITCH - ROCKER - ON/OFF - LIGHTED - RED - <b>WTR HTR-6GAL ELECTRIC/LP GAS</b>
4	135741-01-01A	EA	SWITCH - BASE - SINGLE - BROWN - <b>WTR HTR-6GAL ELECTRIC/LP GAS</b>
4	135742-35-02A	EA	BEZEL - SWITCH - WATER HEATER/110 VOLT - BROWN - <b>WTR HTR-6GAL ELECTRIC/LP GAS</b>
5*	134940-07-01A	EA	PANEL - MONITOR - 2 TANK
FROM: 00-00-00 THRU: 06-01-07			
5*	134940-06-01A	EA	PANEL - MONITOR - 2 TANK - W/GNRTR SWITCH
5*	134940-10-01A	EA	PANEL - MONITOR - 2 TANK - W/O GEN SWITCH - <b>GEN PREP KIT-DIESEL OR GEN-3.2 KW ONAN DSL</b>
6	144363-09-02B	EA	PLATE - SWITCH - E-COATED
7	138253-01-02A	EA	SWITCH - BLANK - BROWN
7	135740-06-01A	EA	SWITCH - ROCKER - ON/OFF - LIGHTED - RED - <b>DRAINAGE SYSTEM-HEATED</b>
7	135741-01-01A	EA	SWITCH - BASE - SINGLE - BROWN - <b>DRAINAGE SYSTEM-HEATED</b>
7	135742-01-01A	EA	BEZEL - SWITCH - SINGLE - BROWN - <b>DRAINAGE SYSTEM-HEATED</b>
7	134563-01-02A	EA	LABEL - SWITCH - HEATER - BLACK/WHITE - <b>DRAINAGE SYSTEM-HEATED</b>
8	135740-01-01A	EA	SWITCH - ROCKER - SPST - ON/OFF - BROWN
8	135741-01-01A	EA	SWITCH - BASE - SINGLE - BROWN
8	135742-07-02A	EA	BEZEL - SWITCH - CEILING - BROWN
9*	087694-01-000	EA	LIGHT - WARDROBE/CLOSET - W/SWITCH
10	132427-01-02A	EA	LIGHT - READING/SWIVEL - ROUND - NICKEL
11*	137417-01-01A	EA	LIGHT - DOME - SINGLE - W/SWITCH/FROSTED LENS - WHITE
12	150138-01-02A	EA	DETECTOR - LP GAS - BROWN
13	086233-01-000	EA	STUD - ISOLATED - 3/8" X 7/8" LONG
14*	156413-01-01A	EA	RADIO - WALL MOUNT - DVD/CD - W/ALARM - JENSEN AWM95 - <b>RADIO/AM/FM/CD/DVD, COACH</b>
FROM: 00-00-00 THRU: 01-01-07			
14*	163031-01-01A	EA	RADIO - WALL MOUNT - DVD/CD - W/ALARM - JENSEN AWM960 - <b>RADIO/AM/FM/CD/DVD, COACH</b>
FROM: 01-02-07 THRU: 99-99-99			
15	135740-01-01A	EA	SWITCH - ROCKER - SPST - ON/OFF - BROWN
15	135740-01-02A	EA	SWITCH - ROCKER - SPST - ON/OFF - WHITE
15	135741-02-01A	EA	SWITCH - BASE - DOUBLE - BROWN
15	135741-02-02A	EA	SWITCH - BASE - DOUBLE - WHITE
15	135742-19-02A	EA	BEZEL - SWITCH - CEILING/PORCH - BROWN
15	135742-19-01A	EA	BEZEL - SWITCH - CEILING/PORCH - WHITE

**ELECTRICAL GROUP (CONTINUED)**  
**12V BODY WIRING (CONTINUED)**

KEY	PART NUMBER	U/M	DESCRIPTION
16	135740-01-01A	EA	SWITCH - ROCKER - SPST - ON/OFF - BROWN - ENTRANCE STEP-ELEC.
16	135741-01-01A	EA	SWITCH - BASE - SINGLE - BROWN - ENTRANCE STEP-ELEC.
16	135742-11-02A	EA	BEZEL - SWITCH - STEP - BROWN - ENTRANCE STEP-ELEC.
17	108357-06-000	EA	SWITCH - ROCKER - DPDT - MOM/OFF/MOM - 6 TERM - W/O COVER
17	108355-01-000	EA	HOUSING - SWITCH
17	108356-11-01A	EA	COVER/ACTUATOR SWITCH - 3 GROOVES - AUX BATT - BLACK
17	098351-07-02A	EA	PLATE/SWITCH - 1 GANG - CHROME - GENERATOR SWITCH
18*	108354-01-01A	EA	LIGHT - COURTESY
19	116995-02-000	EA	SWITCH/MAGNET - ELECTRIC STEP - BLACK/WHITE- NORMALLY OPEN
20*	123775-01-02A	EA	LIGHT - HALOGEN - ROUND - SATIN NICKEL
21	135740-01-01A	EA	SW-ROCKER-SPST-ON/OFF-BN-TV-20"DC,COLOR,LCD W/REMOTE/RADIO/AM/FM/CD/DVD, COACH
21	135741-02-01A	EA	SWITCH-BASE - DOUBLE - BROWN-TV-20"DC,COLOR,LCD W/REMOTE/RADIO/AM/FM/CD/DVD, COACH
21	135742-55-02A	EA	BEZEL-SW-RADIO/TV/ON-TV-BN-TV-20"DC,COLOR,LCD W/REMOTE/RADIO/AM/FM/CD/DVD, COACH
22	135740-01-01A	EA	SWITCH - ROCKER - SPST - ON/OFF - BROWN - CABINET, FRONT CAB OVERHEAD
22	135741-01-01A	EA	SWITCH - BASE - SINGLE - BROWN - CABINET, FRONT CAB OVERHEAD
22	135742-50-02A	EA	BEZEL - SWITCH - ACCENT - BROWN - CABINET, FRONT CAB OVERHEAD
23	146514-03-000	EA	LIGHT - FLEX - ROPE/ROUND - W/O MOUNT CHANNEL
23	146514-02-000	EA	CONNECTOR - LIGHT
24	116549-01-000	EA	LABEL - WARNING - SLIDEOUT
24	108357-06-000	EA	SWITCH - ROCKER - DPDT - MOM/OFF/MOM - 6 TERM - W/O COVER FROM: 00-00-00 THRU: 04-01-07
24	108357-07-000	EA	SWITCH - ROCKER - SPDT - MOM/OFF/MOM - 3 TERM - W/O COVER FROM: 04-02-07 THRU: 99-99-99
24	108355-01-000	EA	HOUSING - SWITCH
24	108356-02-01A	EA	COVER/ACTUATOR SWITCH - 2 ROWS DIMPLES - BLACK FROM: 00-00-00 THRU: 04-01-07
24	108356-01-01A	EA	COVER/ACTUATOR SWITCH - 3 GROOVES - BLACK FROM: 04-02-07 THRU: 99-99-99
24	116220-01-000	EA	APPLIQUE - SWITCH/SLIDEOUT
25	163988-01-01A	EA	LABEL - SLIDEOUT CONTROL/MANUAL - BLACK/WHITE FROM: 02-19-07 THRU: 99-99-99
25*	163097-01-000	EA	SWITCH - SPST - KEY ACTIVATED - W/2 KEYS FROM: 02-19-07 THRU: 99-99-99
26	163992-01-01A	EA	LABEL - SLIDEOUT - DRIVER/FRONT - BLACK/WHITE FROM: 02-19-07 THRU: 99-99-99

\*COMPONENT PARTS LISTED LATER IN THIS GROUP

**ELECTRICAL GROUP (CONTINUED)**  
**12V BODY WIRING (CONTINUED)**

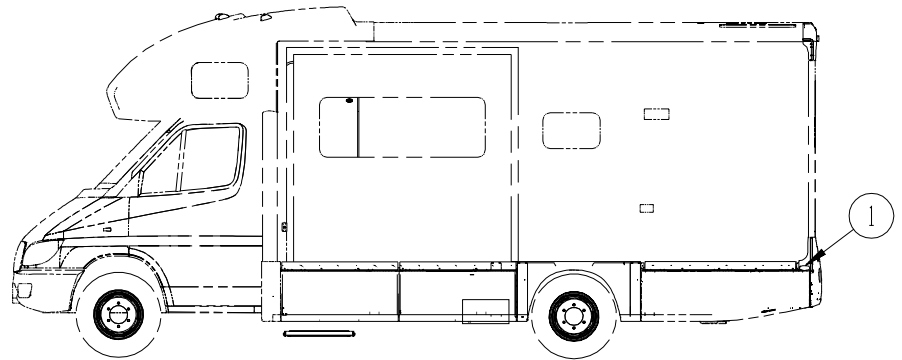
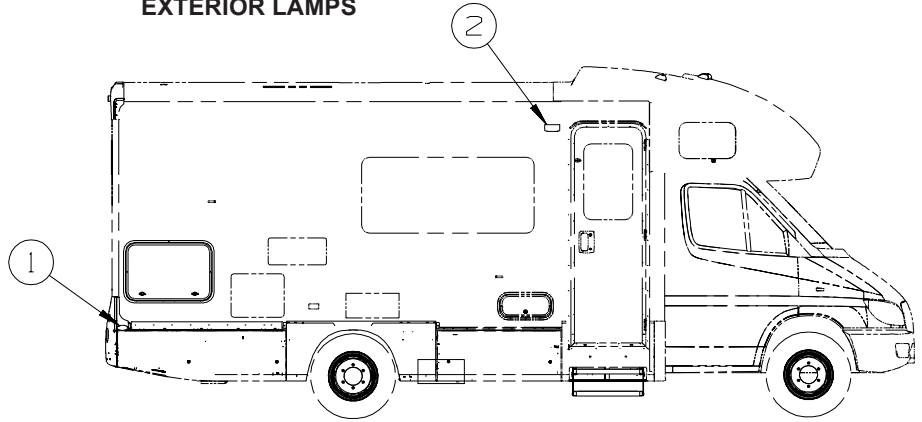


KEY	PART NUMBER	U/M	DESCRIPTION
1*	137417-06-01A	EA	LIGHT - DOME - DOUBLE - W/O SWITCH - W/FROSTED LENS-WHITE
2*	121935-01-01A	EA	LIGHT - DOME - SHOWER
3*	076319-25-000	EA	KIT - HARDWARE INTERIOR
3*	076319-23-000	EA	ANTENNA - TV ROOF MOUNT - 44.5" MAST
3	069726-02-000	EA	BUMPER - .88" OD X .40" THICK - BLACK
4	090944-01-000	EA	ANTENNA - RADIO - 16" RUBBER - W/72" LEAD WIRE - RADIO/AM/FM/CD/DVD, COACH
4	109889-04-000	EA	EXTENDER - ANTENNA SHAFT - 3.7" - RADIO/AM/FM/CD/DVD, COACH
4	147741-01-09B	EA	BRACKET - ANTENNA GROUND - GALVANIZED - RADIO/AM/FM/CD/DVD, COACH

**\*COMPONENT PARTS LISTED LATER IN THIS GROUP**

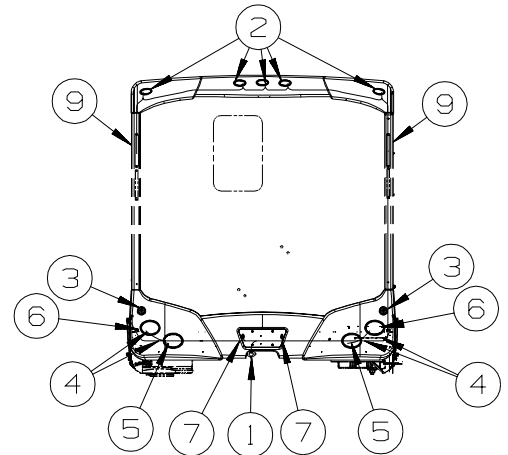
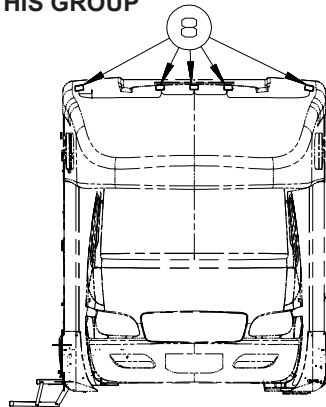
# ELECTRICAL GROUP (CONTINUED)

## EXTERIOR LAMPS



KEY	PART NUMBER	U/M	DESCRIPTION
1	147680-01-01A	EA	BASE - MARKER LAMP - WHITE
1	147680-03-01A	EA	LAMP - MARKER - LENS - RED
2*	097917-01-06A	EA	LIGHT - PORCH - ENTRY DOOR - BRIGHT WHITE
			FROM: 00-00-00 THRU: 02-10-08
2	097917-01-09A	EA	LIGHT - PORCH - ENTRY DOOR - WHITE
			FROM: 02-11-08 THRU: 99-99-99
2	097917-01-08A	EA	LIGHT/PORCH - CHROME - <b>FULL BODY PAINT</b>

\*COMPONENT PARTS LISTED LATER IN THIS GROUP



KEY	PART NUMBER	U/M	DESCRIPTION
1*	113589-01-000	EA	CONNECTOR - PLUG - TRAILER
2	147680-01-01A	EA	BASE - MARKER LAMP - WHITE
2	147680-03-01A	EA	LAMP - MARKER - LENS - RED
3	141514-01-000	EA	REFLECTOR - ROUND/RED
4	151934-01-02B	EA	CLAMP - TAIL LIGHT - E-COATED
5	152070-01-000	EA	LIGHT - STOP/TAIL/BACK UP
6	152070-02-000	EA	LIGHT - TURN - AMBER
7	087201-01-000	EA	LIGHT - HALF ROUND - 1" X 1.7" - PLASTIC - BLACK OR WHITE
8	132978-01-000	EA	LIGHT - CLEARANCE - AMBER
8	036196-01-000	EA	BULB - 12V - #194 - .27 AMP - BAYONETTE
8	067789-02-000	EA	SOCKET - LAMP
9	151076-01-000	EA	LIGHT - BRAKE - CENTER MOUNT
*	113589-02-000	EA	CONNECTOR - SOCKET - TRAILER

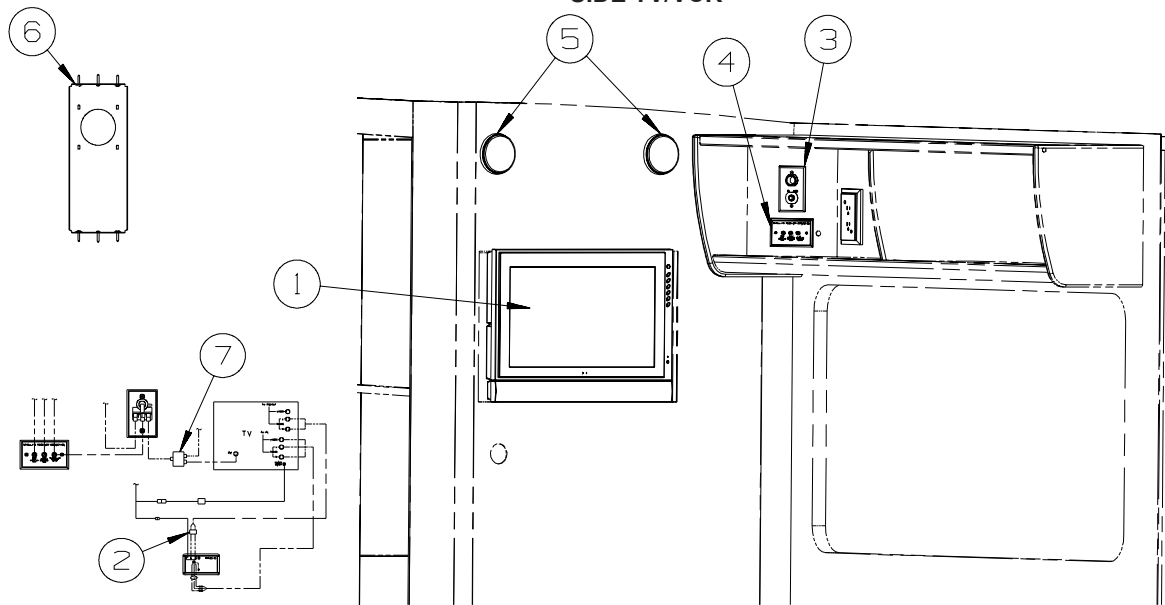
\*COMPONENT PARTS LISTED LATER IN THIS GROUP



# ELECTRICAL GROUP (CONTINUED)

## SIDE TV/VCR

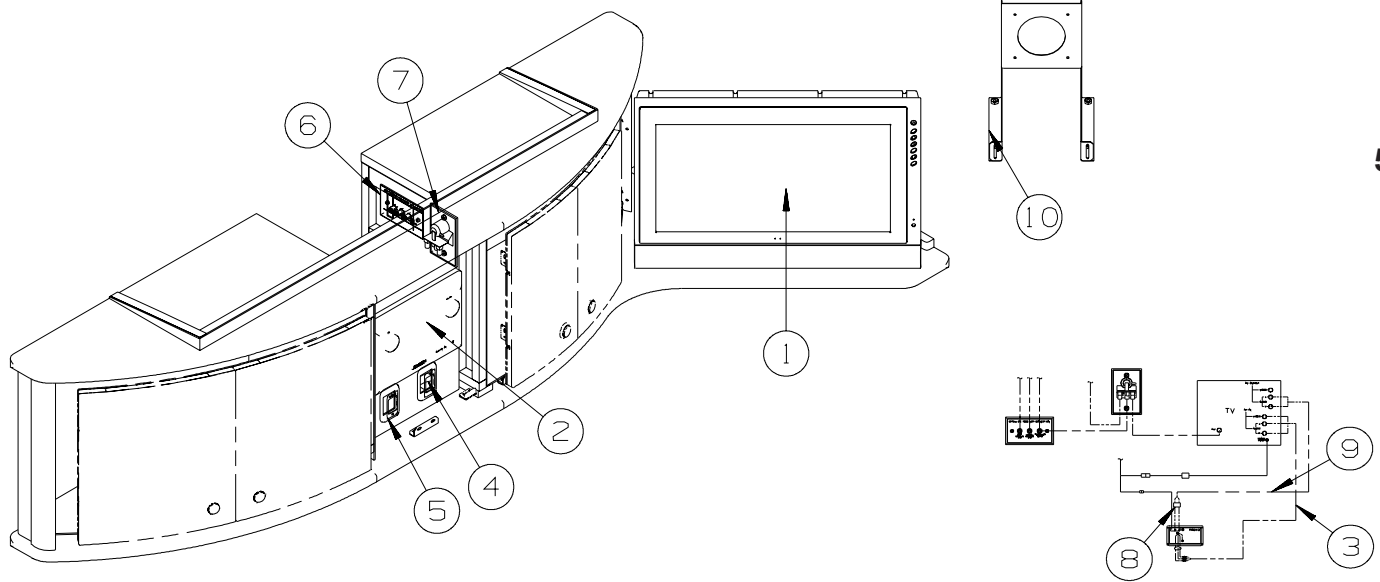
524B



KEY	PART NUMBER	U/M	DESCRIPTION
1*	158703-01-000	EA	TV - 20" - LCD 4:3 - SIDE SPEAKER - JENSEN JE2043 FROM: 00-00-00 THRU: 04-29-07
1*	164495-01-000	EA	TV - 19" - LCD 16:9 - BOTTOM SPEAKER - JENSEN JE1907DC FROM: 04-30-07 THRU: 99-99-99
2	123324-01-000	EA	FILTER - GROUND LOOP
3	086777-02-000	EA	WALLPLATE/TV CABLE W/ANTENNA SWITCH/BOOSTER - 2 TV - BLACK
4	149557-04-01A	EA	PLATE/WALL - TRIPLE COAXIAL/HORIZONTAL - WHITE
5	160868-01-01A	EA	SPEAKER - ROUND/CEILING - W/O CASE - BLACK
5	160868-02-01A	EA	GRILLE/ROUND - SPEAKER - SILVER
6	159552-01-02B	EA	BRACKET - TV - E-COATED - <b>NOT ILLUSTRATED</b> FROM: 00-00-00 THRU: 04-29-07
6	164708-01-02B	EA	BRACKET - TV - E-COATED FROM: 04-30-07 THRU: 99-99-99
7	086756-01-000	EA	SPLITTER - TV/2 WAY

\*COMPONENT PARTS LISTED LATER IN THIS GROUP

## ELECTRICAL GROUP (CONTINUED) SIDE TV/VCR (CONTINUED)

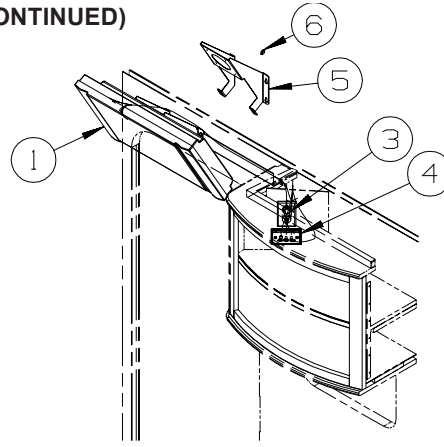


524H

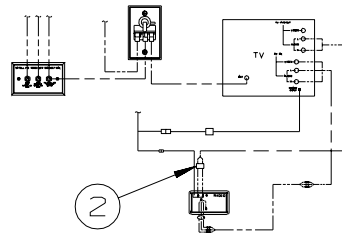
KEY	PART NUMBER	U/M	DESCRIPTION
1*	158703-01-000	EA	TV - 20" - LCD 4:3 - SIDE SPEAKER - JENSEN JE2043 FROM: 00-00-00 THRU: 04-29-07
1*	164495-01-000	EA	TV - 19" - LCD 16:9 - BOTTOM SPEAKER - JENSEN JE1907DC FROM: 04-30-07 THRU: 99-99-99
2*	156413-01-01A	EA	RADIO - WALL MOUNT - DVD/CD - W/ALARM - JENSEN AWM950 FROM: 00-00-00 THRU: 01-01-07
2*	163031-01-01A	EA	RADIO - WALL MOUNT - DVD/CD - W/ALARM - JENSEN AWM960 FROM: 01-02-07 THRU: 99-99-99
3	136860-03-000	EA	CABLE - RCA - SHIELDED - 3 MALE TO MALE CONNECTORS - 6'
4	135740-01-01A	EA	SWITCH - ROCKER - SPST - ON/OFF - BROWN
4	135741-01-01A	EA	SWITCH - BASE - SINGLE - BROWN
4	135742-45-02A	EA	BEZEL - SWITCH - TV - BROWN
5	135740-01-01A	EA	SWITCH - ROCKER - SPST - ON/OFF - BROWN
5	135741-01-01A	EA	SWITCH - BASE - SINGLE - BROWN
5	135742-40-02A	EA	BEZEL - SWITCH - RADIO/TV - BROWN
6	149557-04-01A	EA	PLATE/WALL - TRIPLE COAXIAL/HORIZONTAL - WHITE
7	086777-02-000	EA	WALLPLATE/TV CABLE W/ANTENNA SWITCH/BOOSTER - 2 TV - BLACK
8	123324-01-000	EA	FILTER - GROUND LOOP - ISOLATION TRANSFORMER
9	117420-02-000	EA	CABLE - W/MALE RCA ENDS - SHIELDED - 4'
10	162968-01-02B	EA	BRACKET - TV - E-COATED FROM: 00-00-00 THRU: 04-29-07
10	162968-02-02B	EA	BRACKET - TV - E-COATED - <b>NOT ILLUSTRATED</b> FROM: 04-30-07 THRU: 08-26-07
10	162968-03-02B	EA	BRACKET - TV - E-COATED - <b>NOT ILLUSTRATED</b> FROM: 08-27-07 THRU: 99-99-99
	115870-01-000	FT	SEAL/EDGE - TRIM

\*COMPONENT PARTS LISTED LATER IN THIS GROUP

**ELECTRICAL GROUP (CONTINUED)**  
**SIDE TV/VCR (CONTINUED)**



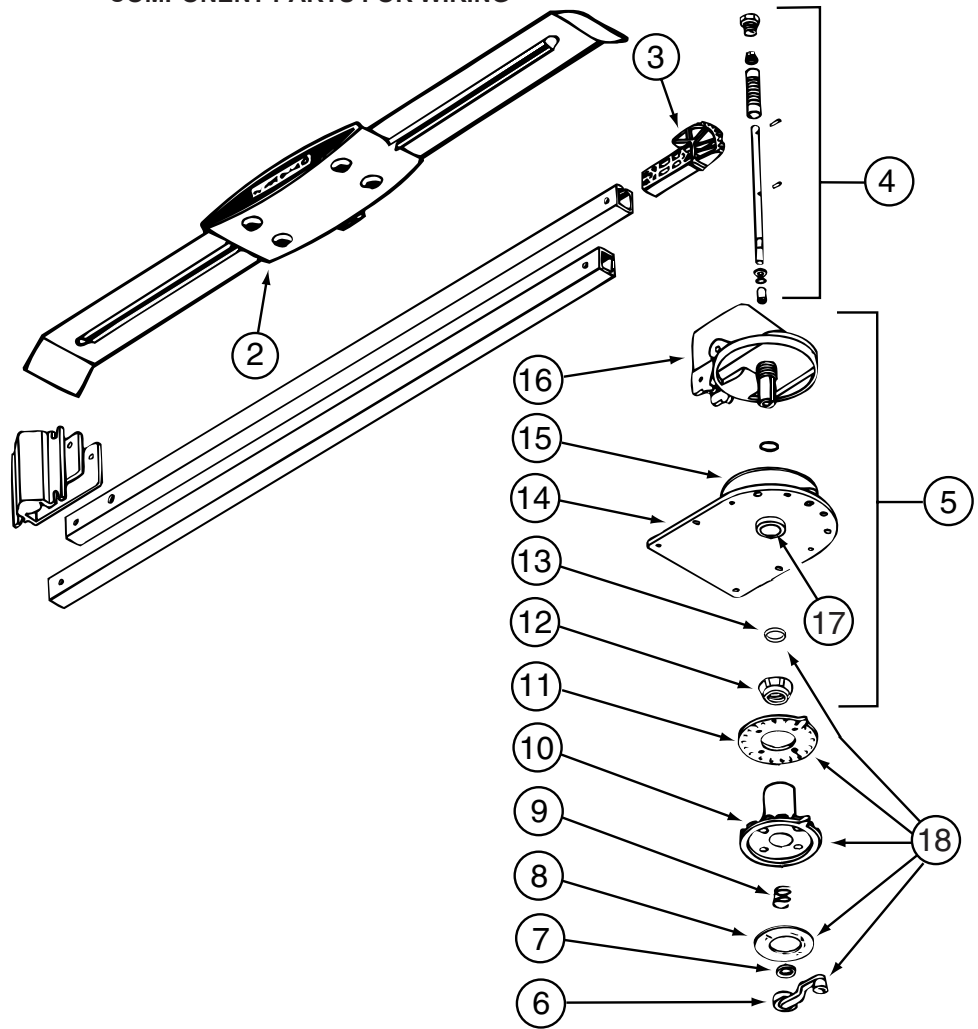
524J



KEY	PART NUMBER	U/M	DESCRIPTION
1*	158703-01-000	EA	TV - 20" - LCD 4:3 - SIDE SPEAKER - JENSEN JE2043 FROM: 00-00-00 THRU: 04-29-07
1*	164495-01-000	EA	TV - 19" - LCD 16:9 - BOTTOM SPEAKER - JENSEN JE1907DC FROM: 04-30-07 THRU: 99-99-99
2	123324-01-000	EA	FILTER - GROUND LOOP
3	086777-02-000	EA	WALLPLATE/TV CABLE W/ANTENNA SWITCH/BOOSTER - 2 TV - BLACK
4	149557-04-01A	EA	PLATE/WALL - TRIPLE COAXIAL/HORIZONTAL - WHITE
5	158394-02-02B	EA	BRACKET - TV - E-COATED FROM: 00-00-00 THRU: 04-29-07
5	158394-04-02B	EA	BRACKET - TV - E-COATED - <b>NOT ILLUSTRATED</b> FROM: 04-30-07 THRU: 99-99-99
6	115870-01-000	FT	SEAL/EDGE - TRIM

**\*COMPONENT PARTS LISTED LATER IN THIS GROUP**

**ELECTRICAL GROUP (CONTINUED)**  
**COMPONENT PARTS FOR WIRING**



**076319-23-000**

KEY	PART NUMBER	U/M	DESCRIPTION	VENDOR NO.
2	076319-01-700	EA	HEAD-ANTENNA, AMPLIFIED	RVSA U/V
3	076319-01-701	EA	GEAR-ELEVATING, PLASTIC	2200046
4	076319-01-702	EA	SHAFT ASM-ELEVATING	RP-4000
5	076319-01-711	EA	BASE & LIFT ASM	2762802
7	076319-01-705	EA	GROMMET-NYLON, 7/8"ID	3200658
8	076319-01-708	EA	DECAL-CRANK	5413002
9	076319-01-707	EA	SPRING-HANDLE	2160822
11	076319-01-712	EA	PLATE - CEILING	3200608
12	076319-01-715	EA	NUT (GEAR HOUSING)	2200047
14	076319-01-713	EA	PLATE-BASE, STEEL	3100523
15	076319-01-703	EA	BEARING-NYLON, 5"OD	3200656
16	076319-01-714	EA	HOUSING, ROTATING GEAR	2200049
17	076319-01-704	EA	BEARING-NYLON, 1.25"OD	3200657
18	076319-01-709	EA	HANDLE-HEAD DIRECTIONAL	200644
	076319-01-716	EA	TUBING, ELEVATING	RP-2900

CONTACT WINNEBAGO PART SALES FOR UNLISTED COMPONENT(S)

**076319-25-000**

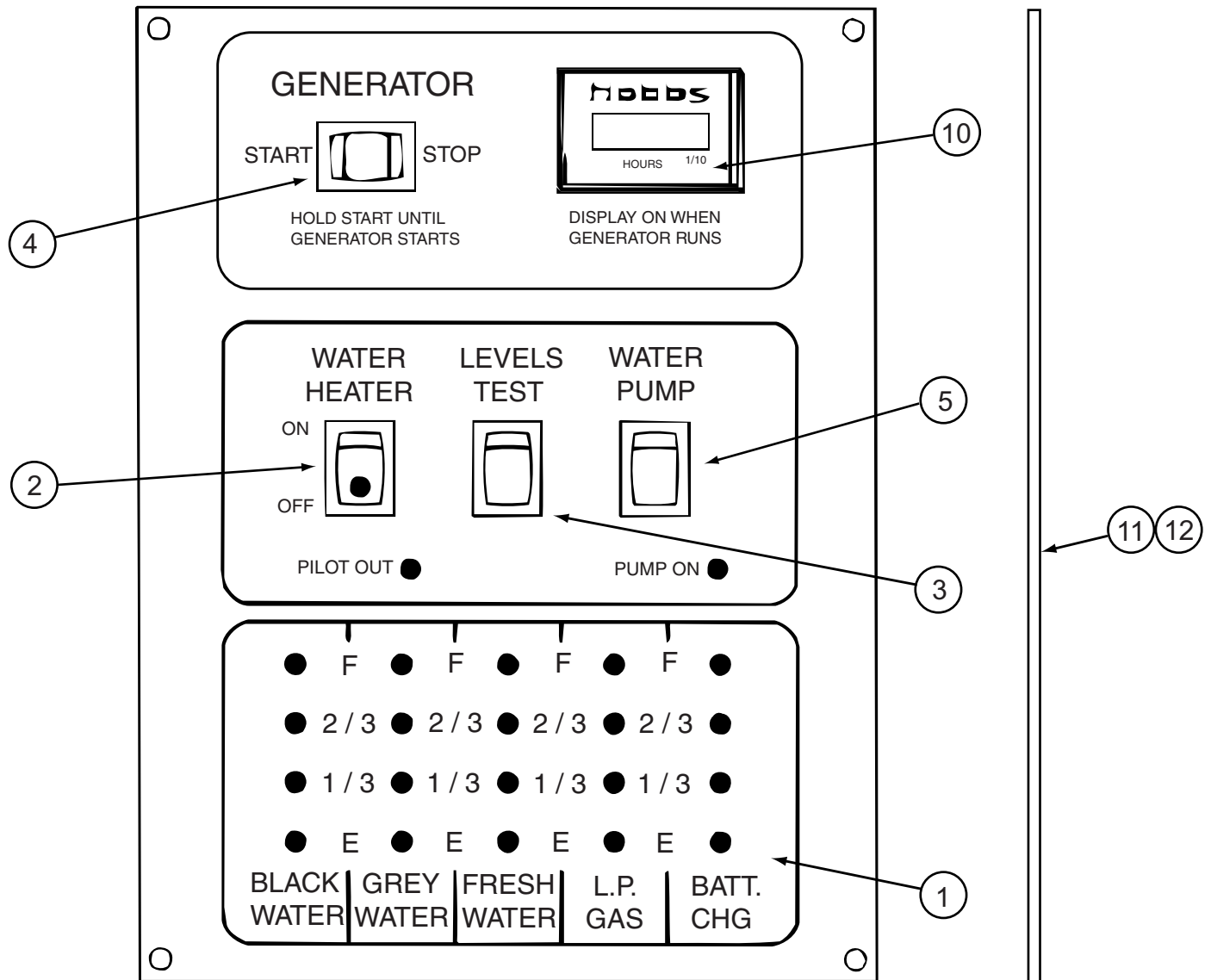
KEY	PART NUMBER	U/M	DESCRIPTION	VENDOR NO.
6	076319-01-706	EA	CRANK-W/SET SCREW UNIV/BEIGE	2750897
6	120233-01-710	EA	HANDLE-CRANK W/SCREW - WHITE	RP-6795
8	076319-01-708	EA	DECAL-CRANK	5413002
10	076319-25-700	EA	DIRECTIONAL HANDLE(WHITE)	3200612
11	076319-25-701	EA	PLATE - CEILING(WHITE)	3200609
13	120233-01-709	EA	WASHER-NYLON	RP-2658

CONTACT WINNEBAGO PART SALES FOR UNLISTED COMPONENT(S)

**ELECTRICAL GROUP (CONTINUED)**  
**COMPONENT PARTS FOR WIRING (CONTINUED)**

<b>087694-01-000</b>			
<b>KEY</b>	<b>PART NUMBER</b>	<b>U/M DESCRIPTION</b>	<b>VENDOR NO.</b>
	087694-01-700	EA BULB	GE561
<b>097917-01-06A</b>			
<b>KEY</b>	<b>PART NUMBER</b>	<b>U/M DESCRIPTION</b>	<b>VENDOR NO.</b>
	097917-01-700	EA LENS-LIGHT, CLEAR	30-78-021
<b>108354-01-01A</b>			
<b>KEY</b>	<b>PART NUMBER</b>	<b>U/M DESCRIPTION</b>	<b>VENDOR NO.</b>
	108354-01-700	EA BULB-COURTESY LIGHT	395-B
<b>113589-02-000</b>			
<b>KEY</b>	<b>PART NUMBER</b>	<b>U/M DESCRIPTION</b>	<b>VENDOR NO.</b>
	113589-03-700	EA ADAPTER 7 RND SPADE/4 FLAT	5290
<b>121935-01-01A</b>			
<b>KEY</b>	<b>PART NUMBER</b>	<b>U/M DESCRIPTION</b>	<b>VENDOR NO.</b>
	121935-01-700	EA LENS ONLY - W/CENTER HOLE	809511
<b>123775-01-02A</b>			
<b>KEY</b>	<b>PART NUMBER</b>	<b>U/M DESCRIPTION</b>	<b>VENDOR NO.</b>
	123775-01-702	EA BEZEL/LENS - SATIN NICKEL	99 953470

**ELECTRICAL GROUP (CONTINUED)**  
**COMPONENT PARTS FOR WIRING (CONTINUED)**



**134940-06-01A**

KEY	PART NUMBER	U/M	DESCRIPTION	VENDOR NO.
1	134940-01-702	EA	CHASSIS - SILKSCREENED	CC0558-00
2	134940-01-701	EA	SWITCH-SPST/ON-OFF/BLK W/LGT	L0109
3	096983-01-701	EA	SWITCH - SPST/MOM 2 TERMINAL	L0111-00
4	096983-01-702	EA	SWITCH - MOM/OFF/MOM/3 TERM	L0112-00
5	096983-01-703	EA	SWITCH - ON/ON	L0115-00
10	100258-10-701	EA	GAUGE-HR METER ONLY (LCD)	L0775-00
11	134940-06-700	EA	PC BOARD - SENSOR SYSTEM/RED	L5131-02

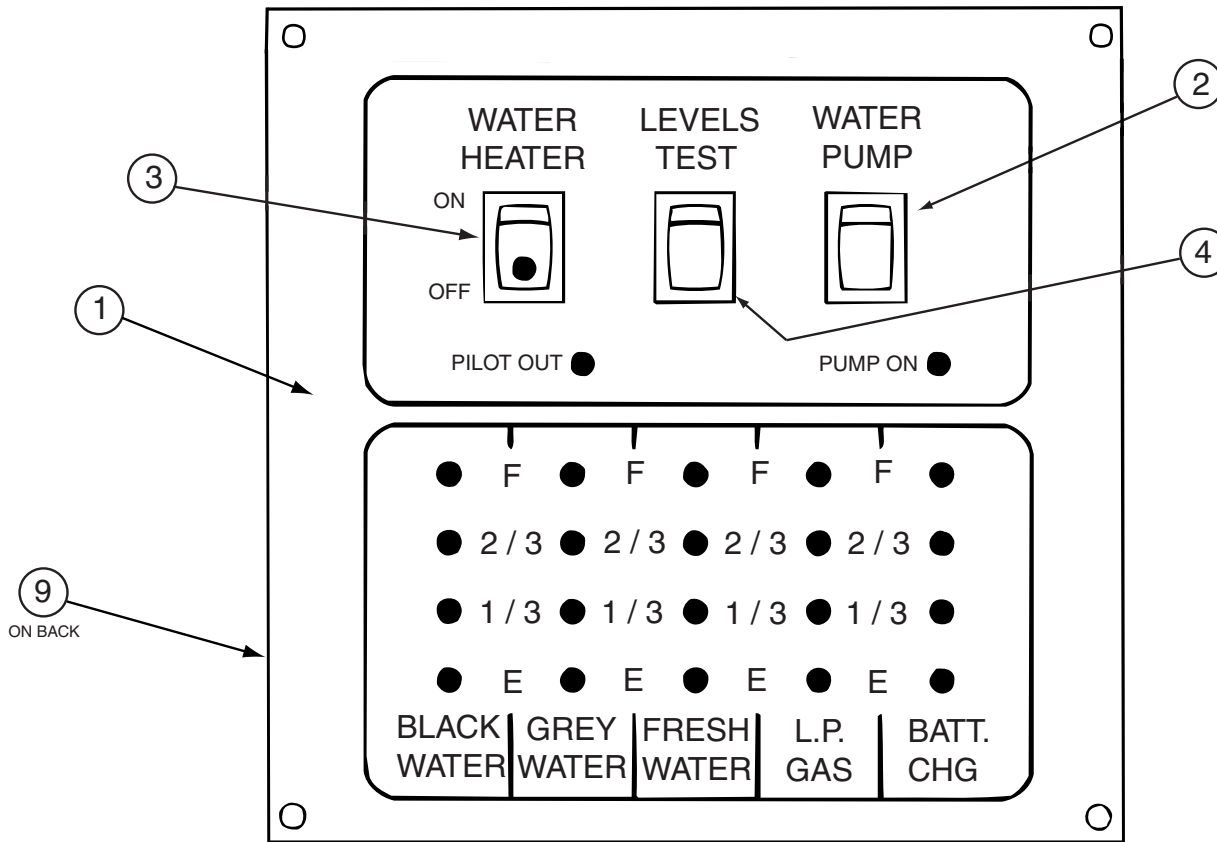
CONTACT WINNEBAGO PART SALES FOR UNLISTED COMPONENT(S)

**134940-07-01A**

KEY	PART NUMBER	U/M	DESCRIPTION	VENDOR NO.
1	134940-01-702	EA	CHASSIS - SILKSCREENED	CC0558-00
2	134940-01-701	EA	SWITCH-SPST/ON-OFF/BLK W/LGT	L0109
3	096983-01-701	EA	SWITCH - SPST/MOM 2 TERMINAL	L0111-00
4	096983-01-703	EA	SWITCH - ON/ON	L0115-00
5	134940-02-700	EA	SWITCH - DUMMY	L0118
11	134940-06-700	EA	PC BOARD - SENSOR SYSTEM/RED	L5131-02

CONTACT WINNEBAGO PART SALES FOR UNLISTED COMPONENT(S)

**ELECTRICAL GROUP (CONTINUED)**  
**COMPONENT PARTS FOR WIRING (CONTINUED)**



134940-10-01A

KEY	PART NUMBER	U/M	DESCRIPTION	VENDOR NO.
1	134940-10-700	EA	SILKSCREENED CHASSIS	CE0129-00
2	096983-01-703	EA	SWITCH - ON/ON	L0115-00
3	134940-01-701	EA	SWITCH-SPST/ON-OFF/BLK W/LGT	L0109
4	096983-01-701	EA	SWITCH - SPST/MOM 2 TERMINAL	L0111-00
9	134940-06-700	EA	PC BOARD - SENSOR SYSTEM/RED	L5131-02

CONTACT WINNEBAGO PART SALES FOR UNLISTED COMPONENT(S)

**ELECTRICAL GROUP (CONTINUED)**  
**COMPONENT PARTS FOR WIRING (CONTINUED)**

137417-01-01A, 137417-03-01A

<b>KEY</b>	<b>PART NUMBER</b>	<b>U/M</b>	<b>DESCRIPTION</b>	<b>VENDOR NO.</b>
	137417-01-700	EA	LENS - SINGLE (FROSTED)	810868

137417-06-01A

<b>KEY</b>	<b>PART NUMBER</b>	<b>U/M</b>	<b>DESCRIPTION</b>	<b>VENDOR NO.</b>
	137417-06-700	EA	LENS - DOUBLE WHITE	810867

152438-01-01A

<b>KEY</b>	<b>PART NUMBER</b>	<b>U/M</b>	<b>DESCRIPTION</b>	<b>VENDOR NO.</b>
	152438-01-700	EA	BULB W/LENS	B7031

156413-01-01A

<b>KEY</b>	<b>PART NUMBER</b>	<b>U/M</b>	<b>DESCRIPTION</b>	<b>VENDOR NO.</b>
	156413-01-700	EA	REMOTE	REMAWM950

158703-01-000

<b>KEY</b>	<b>PART NUMBER</b>	<b>U/M</b>	<b>DESCRIPTION</b>	<b>VENDOR NO.</b>
	158703-01-700	EA	REMOTE	PSVCJE2043

163097-01-000

<b>KEY</b>	<b>PART NUMBER</b>	<b>U/M</b>	<b>DESCRIPTION</b>	<b>VENDOR NO.</b>
	163097-01-700	EA	KEY - #2382 (ILLINOIS LOCK)	2382
	163097-01-701	EA	KEY - #2341 (MILLER DIAL)	PART SALES

163031-01-01A

<b>KEY</b>	<b>PART NUMBER</b>	<b>U/M</b>	<b>DESCRIPTION</b>	<b>VENDOR NO.</b>
	163031-01-700	EA	REMOTE	PSVCAWM960

164495-01-000

<b>KEY</b>	<b>PART NUMBER</b>	<b>U/M</b>	<b>DESCRIPTION</b>	<b>VENDOR NO.</b>
	164495-01-700	EA	REMOTE - TV	P301P19HS3409A



**ELECTRICAL GROUP (CONTINUED)**  
**CIRCUIT BREAKERS, FUSES & RELAYS**

KEY	PART NUMBER	U/M	DESCRIPTION
	062901-02-000	EA	FUSE - 5 AMP - AUTOMOTIVE
	062901-05-000	EA	FUSE - 15 AMP - AUTOMOTIVE
	062901-07-000	EA	FUSE - 25 AMP - AUTOMOTIVE
	062901-08-000	EA	FUSE - 30 AMP - AUTOMOTIVE
	063910-01-000	EA	HOUSING - RELAY
	063912-02-000	EA	RELAY - CANISTER - SPDT
	083209-01-000	EA	CIRCUIT BREAKER - 15 AMP - 120 VOLT - CANADIAN
	083209-02-000	EA	CIRCUIT BREAKER - 15/15 AMP - 120 VOLT
	083209-03-000	EA	CIRCUIT BREAKER - 15/20 AMP - 120 VOLT
	083209-04-000	EA	CIRCUIT BREAKER - 30 AMP - 120 VOLT
	083209-05-000	EA	CIRCUIT BREAKER - 20 AMP - 120 VOLT
	083209-06-000	EA	CIRCUIT BREAKER - 30/15 AMP - 120 VOLT
	083209-07-000	EA	CIRCUIT BREAKER - 20/20 AMP - 120 VOLT
	083209-10-000	EA	CIRCUIT BREAKER - 20/30 AMP - 120 VOLT
	083209-11-000	EA	CIRCUIT BREAKER - 20/15 AMP - 120 VOLT
	092786-03-000	EA	BUSS BAR - 6.9" LONG
	092786-06-000	EA	BUSS BAR
	093654-01-000	EA	CIRCUIT BREAKER - 6 AMP - 12 VOLT - PUSH BUTTON - WHITE
	093654-02-000	EA	CIRCUIT BREAKER - 15 AMP - 12 VOLT - PUSH BUTTON - WHITE
	093654-03-000	EA	CIRCUIT BREAKER - 20 AMP - 12 VOLT - PUSH BUTTON - WHITE
	093654-05-000	EA	CIRCUIT BREAKER - 10 AMP - 12 VOLT - PUSH BUTTON - WHITE
	093655-01-000	EA	CIRCUIT BREAKER - 25 AMP - 12 VOLT - PUSH BUTTON - WHITE
	093655-02-000	EA	CIRCUIT BREAKER - 30 AMP - 12 VOLT - PUSH BUTTON - WHITE
	093655-03-000	EA	CIRCUIT BREAKER - 40 AMP - 12 VOLT - PUSH BUTTON - WHITE
	100341-01-000	EA	FUSE HOLDER - IN LINE TYPE
	113482-01-000	EA	CIRCUIT BREAKER - 55 AMP - MANUAL
	115187-01-000	EA	FUSE - 300 AMP - NON-DELAY
	115187-02-000	EA	HOLDER - FUSE
	115187-03-000	EA	FUSE - 60 AMP - NON-DELAY
	122811-01-000	EA	CIRCUIT BREAKER - 20/50/50/20 AMP - 250V
	141789-01-000	EA	SPACER - CIRCUIT BREAKER

**CONVERTER, INVERTER, LOAD CENTERS**

KEY	PART NUMBER	U/M	DESCRIPTION
	024924-02-000	EA	RECEPTACLE - POWER CORD - W/PARTIAL PLATE
*	083208-07-000	EA	CONTROL CENTER - 45 AMP - 120V/12V - W/O BREAKERS

**\*COMPONENT PARTS LISTED LATER IN THIS GROUP**

**COMPONENT PARTS FOR CONVERTER, INVERTER, LOAD CENTER**

**083208-07-000**

KEY	PART NUMBER	U/M	DESCRIPTION	VENDOR NO.
	083208-06-701	EA	CONVERTER ONLY (LOWER UNIT)	7345R

## ELECTRICAL GROUP (CONTINUED)

### BOXES & CORDS

KEY	PART NUMBER	U/M	DESCRIPTION
	008054-01-000	EA	CORD - POWER - 10/3 WIRE - 30 AMP - 25'
	008289-01-000	EA	BOX - ELECTRIC/STEEL - 4" X 4" - 1/2" & 3/4" KNOCKOUTS
	008294-01-000	EA	COVER - ELECTRIC BOX - BLANK/STEEL - 4" X 4" - GRAY
	069238-01-000	EA	COVER - ELECTRICAL BOX - W/HOLE - 4" X 4" - GRAY
	133070-01-000	EA	BOX - ELECTRIC/PLASTIC - 3" X 2" X 2.8" - UL
	133070-02-000	EA	BOX - ELECTRIC/PLASTIC - 3" X 2" X 2.8" - CSA - CANADIAN
	091910-02-000	EA	BOX - ELECTRIC - 2.2" X 3.5" X 1.8" - PLASTIC - 524DL
	091910-01-000	EA	BOX - ELECTRIC - 3.8" X 3.5" X 1.8" - PLASTIC - 524DL - CANADIAN
	115832-01-000	FT	CORD - HEAVY DUTY - 14-2 W/GROUND

### WIRE ASSEMBLIES

KEY	PART NUMBER	U/M	DESCRIPTION
	077069-02-000	EA	CABLE/EXTENSION - RADIO ANTENNA - 96"
	077069-03-000	EA	CABLE/EXTENSION - RADIO ANTENNA - 260"
	117420-04-000	EA	CABLE - RCA - (MALE/MALE) - 50 FT
	136860-02-000	EA	CABLE - RCA - SHIELDED - 3 MALE TO MALE CONNECTORS - 50'
	134551-03-000	EA	WIRE ASSEMBLY - HEATER/TANKS - 3 PAD
	134551-11-000	EA	WIRE ASSEMBLY - HEATER/TANKS - 2 PAD -133.7"(LONGEST WIRE)
	134551-14-000	EA	WIRE ASSEMBLY - HEATER/TANKS - 4 PAD -155.3"(LONGEST WIRE)
	136514-02-000	EA	CABLE - MONITOR/CAMERA
	136860-02-000	EA	CABLE - RCA - SHIELDED - 3 MALE TO MALE CONNECTORS - 50'
	137135-03-000	EA	WIRE LOOM - DIGITAL ELEVATION SENSOR
	137135-04-000	EA	WIRE HARNESS - POWER - DIGITAL ELEVATION SENSOR
	145210-01-000	FT	CABLE - COAXIAL
	151316-02-000	EA	WIRE ASM - W/NON CONTACT SENSORS - GREY WATER - 23.6"
	151316-03-000	EA	WIRE ASM - W/NON CONTACT SENSORS - GREY WATER - 43.2"
	151316-05-000	EA	WIRE ASM - W/NON CONTACT SENSORS - GREY WATER - 70.8"
	151317-01-000	EA	WIRE ASM-W/NON CONTACT SENSORS-FRESH WATER/BLK TANK-3.9"
	151317-02-000	EA	WIRE ASM-W/NON CONTACT SENSORS-FRESH WATER/BLK TANK-23.6"
	151317-03-000	EA	WIRE ASM-W/NON CONTACT SENSORS-FRESH WATER/BLK TANK-43.2"
	151317-04-000	EA	WIRE ASM-W/NON CONTACT SENSORS-FRESH WATER/BLK TANK-62.9"
	151317-05-000	EA	WIRE ASM-W/NON CONTACT SENSORS-FRESH WATER/BLK TANK-70.8"
	151317-06-000	EA	WIRE ASM-W/NON CONTACT SENSORS-FRESH WATER/BLK TANK-78.6"
	153891-01-000	EA	WIRE ASM-HEATER,RELAY

**ELECTRICAL GROUP (CONTINUED)**  
**CONNECTORS & CONDUIT**

KEY	PART NUMBER	U/M	DESCRIPTION
	007940-01-000	EA	RECEPTACLE/SLIDE 16 TO 12 AWG - FEMALE END
	007940-02-000	EA	RECEPTACLE/SLIDE 10 AWG
	007954-01-000	EA	RECEPTACLE - HOUSING - 6 POSITION
	007956-05-000	EA	INSULATOR - SHRINK - 1/4"ID X 1 1/2"
	008311-01-000	EA	CONNECTOR - WIRE NUT - INSULATED - RED
	008312-01-000	EA	CONNECTOR - WIRE NUT - INSULATED - BLUE
	008313-01-000	EA	CONNECTOR - WIRE NUT - INSULATED - YELLOW
	008314-01-000	EA	CONNECTOR - WIRE NUT - INSULATED - GRAY
	008328-01-000	EA	TERMINAL - RING - 12/10 WIRE - #10 STUD FIT
	008331-01-000	EA	TERMINAL - RING - TONGUE - #4 WIRE - 3/8" STUD - COPPER
	008348-01-000	EA	TERMINAL - RING - 3/8" STUD 2 GA. WIRE
	008355-01-000	EA	CONNECTOR - CABLE CLAMPING - 3/4"
	008356-01-000	EA	CONNECTOR - PLASTIC - 3/8"
	008356-02-000	EA	CONNECTOR - PLASTIC - 21/32"
	035416-04-000	EA	TERMINAL - RING - #10 STUD FIT - INSULATED BARREL #16/14
	041953-01-000	FT	CONDUIT - CONVOLUTE SLIT - .5" ID - POLYETHYLENE
	041953-02-000	FT	CONDUIT - CONVOLUTE SLIT - .6" ID - POLYETHYLENE
	041953-03-000	FT	CONDUIT - CONVOLUTE SLIT - 1" ID (CLOTHES ROD COVER)
	041953-05-000	FT	CONDUIT - CONVOLUTE SLIT - .62" ID - POLYETHYLENE
	041953-06-000	FT	CONDUIT - CONVOLUTE SLIT - .4" ID - POLYETHYLENE
	041953-07-000	FT	CONDUIT - CONVOLUTE SLIT - .25" ID - POLYETHYLENE
	041953-08-000	FT	CONDUIT - CONVOLUTE SLIT - 1.5" ID - POLYETHYLENE
	041953-09-000	FT	CONDUIT - CONVOLUTE SLIT - .5" ID - NYLON
	041953-10-000	FT	CONDUIT - CONVOLUTE SLIT - .75" ID - NYLON
	041953-11-000	FT	CONDUIT - CONVOLUTE SLIT - 1.06" ID - NYLON
	041953-12-000	FT	CONDUIT - CONVOLUTE SOLID - 1.1" ID - NYLON
	041953-13-000	FT	CONDUIT - CONVOLUTE SLIT - 1.25" ID
	041953-14-000	FT	CONDUIT - CONVOLUTE SLIT - 1.5" ID
	041953-15-000	FT	CONDUIT - CONVOLUTE SLIT - 2"
	041953-16-000	FT	CONDUIT - CONVOLUTE SLIT - 2"
	047441-01-000	EA	TERMINAL-BATTERY, HORIZONTAL LUG
	047443-01-000	EA	TERMINAL - .250 RECEPTACLE FIT - INSULATED - 16/14 AWG
	047443-02-000	EA	TERMINAL - .250 RECEPTACLE FIT - INSULATED - 12/10 AWG
	047443-05-000	EA	TERMINAL - .250 RECEPTACLE FIT - 18GA AWG
	058028-01-000	EA	CONNECTOR - ELECTRICAL PIGTAIL - NYLON - CLEAR
	062036-01-000	EA	TERMINAL - PACK - CON - 12/10 AWG
	076319-12-000	EA	CONNECTOR - COAXIAL - ONE PIECE
	077479-02-000	EA	BOOT - BATTERY TERMINAL - SINGLE CABLE
	080015-02-000	EA	RECEPTACLE - FLAG - .185 - 16/14 GAUGE
	080015-03-000	EA	RECEPTACLE - FLAG - .250 - 14/16 GAUGE
	080015-04-000	EA	RECEPTACLE - FLAG - .187 - 16/14 GAUGE
	082109-01-000	EA	HOUSING - CONNECTOR - PACKARD
	082741-01-000	EA	CONNECTOR BODY - 2 CONNECTOR MALE
	087225-01-000	FT	SLEEVING - 1/2" - TYPE H
	088473-01-000	EA	HOUSING - PIN - 12 CAVITY (3 ROWS OF 4)
	088473-02-000	EA	HOUSING - PIN - 15 CAVITY (3 ROWS OF 5)
	088473-03-000	EA	HOUSING - PIN - 9 CAVITY (3 ROWS OF 3)
	088473-04-000	EA	HOUSING - PIN - 8 CAVITY IN-LINE
	088473-06-000	EA	HOUSING - PIN - 6 CAVITY (2 ROWS OF 3)
	088473-07-000	EA	HOUSING - PIN - 5 CAVITY - IN-LINE
	088473-08-000	EA	HOUSING - PIN - 4 CAVITY - IN-LINE
	088473-09-000	EA	HOUSING - PIN - 3 CAVITY - IN-LINE
	088473-10-000	EA	HOUSING - PIN - 2 CAVITY - IN-LINE
	088473-12-000	EA	HOUSING - PIN - 3 CAVITY - BLUE
	088473-13-000	EA	HOUSING - PIN - 3 CAVITY - GREEN
	088473-14-000	EA	HOUSING - PIN - 3 CAVITY - RED
	088474-01-000	EA	HOUSING - SOCKET - 12 CAVITY
	088474-02-000	EA	HOUSING - SOCKET - 15 CAVITY
	088474-03-000	EA	HOUSING - SOCKET - 9 CAVITY
	088474-06-000	EA	HOUSING - SOCKET - 6 CAVITY
	088474-07-000	EA	HOUSING - SOCKET - 5 CAVITY
	088474-08-000	EA	HOUSING - SOCKET - 4 CAVITY
	088474-09-000	EA	HOUSING - SOCKET - 3 CAVITY

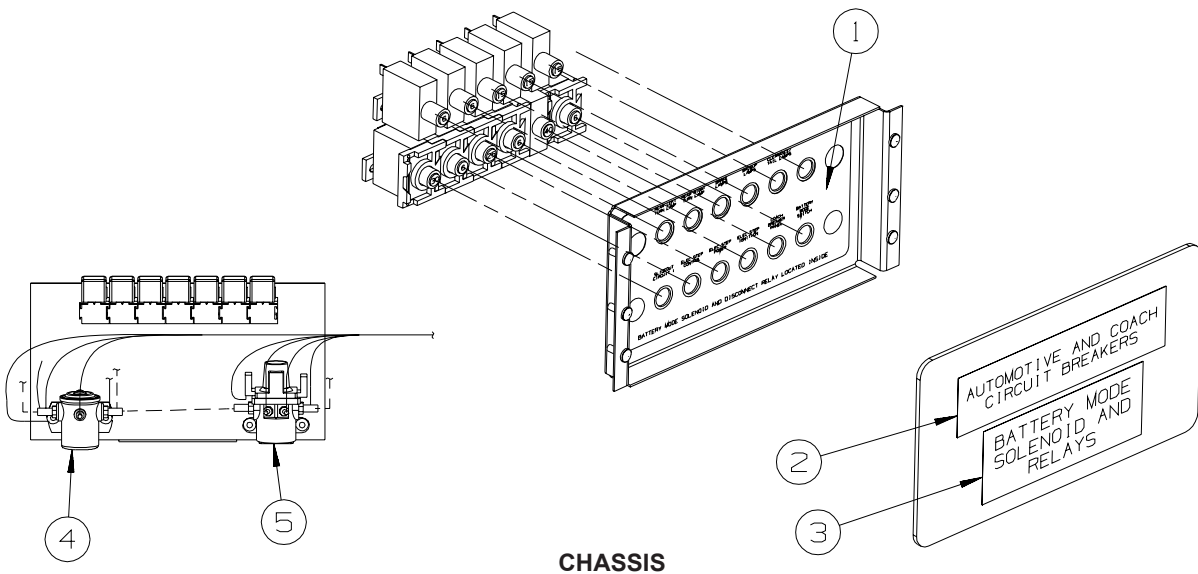
**ELECTRICAL GROUP (CONTINUED)**  
**CONNECTORS & CONDUIT (CONTINUED)**

KEY	PART NUMBER	U/M	DESCRIPTION
	088474-10-000	EA	HOUSING - SOCKET - 2 CAVITY
	088474-12-000	EA	HOUSING - SOCKET - 2 CAVITY - RED
	088475-01-000	EA	PIN - CONNECTOR - 14-20 AWG
	088475-02-000	EA	PIN - CONNECTOR - 10-12 AWG
	088476-01-000	EA	TERMINAL - ELECTRICAL
	088476-02-000	EA	SOCKET - CONNECTOR - 12-10 GA - PRE-TIN
	098261-01-000	EA	SOCKET - CONNECTOR - WEATHERPACK - 12 AWG
	098261-02-000	EA	SOCKET - CONNECTOR - WEATHERPACK - 14-18 AWG
	098262-01-000	EA	SEAL - CONNECTOR - WEATHERPACK
	098264-01-000	EA	HOUSING - 2 PIN - WEATHER PACK - MALE W/FEMALE PINS
	098264-02-000	EA	HOUSING - 2 PIN - WEATHER PACK - FEMALE W/MALE PINS
	098265-02-000	EA	PIN - CONNECTOR - WEATHER PACK
	102777-02-000	EA	TERMINAL - RING - #6 STUD - 10 AWG
	103608-01-000	EA	SOCKET - WEDGE BASE W/LEADS
	104100-01-000	EA	HOUSING - 1 POSITION - 75 AMPS
	104100-03-000	EA	TERMINAL - 75 AMP
	106007-02-000	EA	TERMINAL - FEMALE - 10-12 AWG
	110178-01-000	EA	HOUSING - WIPER MOTOR
	112823-01-000	EA	SPLICE - REDUCER - 16-14 TO 18-22
	113135-01-000	EA	TERMINAL - FEMALE - M/P - 14-16 - F/SEALED TERMINAL
	113308-01-000	EA	TERMINAL - FEMALE - M/P - 14-16 - 280
	113308-02-000	EA	TERMINAL - FEMALE - M/P - 14-18 - 280
	113468-01-000	EA	HOUSING - 2 POSITION-FEMALE-USED ON WIPER/WASHER WIRE ASM
	113468-02-000	EA	HOUSING - 2 POSITION - FEMALE
	116811-01-000	EA	TERMINAL - .110 RECEPTACLE - 16-14 AWG
	118571-01-000	EA	CONNECTOR - 3-WAY - MALE/SEALED
	118571-02-000	EA	CONNECTOR - 3-WAY - FEMALE/SEALED
	118571-05-000	EA	LOCK - SECONDARY - FEMALE
	118571-06-000	EA	LOCK - SECONDARY - MALE
	118599-02-000	EA	TERMINAL - MALE - M/P - 280/14-12
	118820-01-000	EA	INSULATOR - TERMINAL
	129233-01-000	EA	HOUSING - 2-POSITION/FEMALE - 280-SERIES
	129233-02-000	EA	HOUSING - 2-POSITION/FEMALE - 280-SERIES
	129233-03-000	EA	HOUSING - 2-POSITION/FEMALE - 280-SERIES
	131681-01-000	EA	CONNECTOR - 3/4" SO CORD - UL/CS
	137207-01-000	EA	HOUSING - PIN - 2 CAVITY/HIGH AMP
	137208-01-000	EA	HOUSING - SOCKET - 2 CAVITY/HIGH AMP
	137209-01-000	EA	PIN - CONNECTOR - 10AWG/HIGH AMP
	137210-01-000	EA	SOCKET - CONNECTOR - 10 AWG/HIGH AMP
	138996-04-000	EA	CONNECTOR - LAMP
	142520-01-000	EA	TERMINAL - FEMALE - MINI-FIT 16
	142522-01-000	EA	HOUSING - 4 PIN/MALE - MINI FIT
	142522-02-000	EA	HOUSING - 6 PIN/MALE - MINI FIT
	142522-03-000	EA	HOUSING - 8 PIN/MALE - MINI FIT
	142522-04-000	EA	HOUSING - 10 PIN/MALE - MINI FIT
	142522-05-000	EA	HOUSING - 12 PIN/MALE - MINI FIT
	142522-06-000	EA	HOUSING - 14 PIN/MALE - MINI FIT
	142524-01-000	EA	HOUSING - 4 PIN/FEMALE - WEATHER PACK
	142524-02-000	EA	HOUSING - 4 PIN/FEMALE - WEATHER PACK
	144283-01-000	EA	CONNECTOR - 110V - F/USE WITH SOW WIRE - BLUE
	144283-02-000	EA	CONNECTOR - 110V - F/USE WITH NM ROMEX WIRE - CLEAR
	145171-01-000	EA	CONNECTOR - COAXIAL
	148335-01-000	EA	HOUSING - 8-POSITION/MALE - 280-GT SERIES
	148335-02-000	EA	HOUSING - 4-POSITION/MALE - 280-GT SERIES
	148335-03-000	EA	HOUSING - 6-POSITION/MALE - 280-GT SERIES
	149683-01-000	EA	HOUSING - F/5 CAVITY RECEPTACLE - W/SQUARE GUIDE PIN
	149683-02-000	EA	HOUSING - F/5 CAVITY RECEPTACLE - W/ROUND GUIDE PIN
	149686-01-000	EA	TERMINAL - .250 RECEPTACLE
	149687-01-000	EA	HOUSING - 2 POSITION/MALE - PACKARD
	149687-02-000	EA	LOCK - F/2 POSITION HOUSING - PACKARD
	149688-01-000	EA	TERMINAL - MALE - 16 GAUGE WIRE
	156035-01-000	EA	HOUSING - 12-POSITION/FEMALE - 280-GT SERIES
	156041-01-000	EA	TERMINAL - FEMALE - 16-12 - 280-GT SERIES

## ELECTRICAL GROUP (CONTINUED)

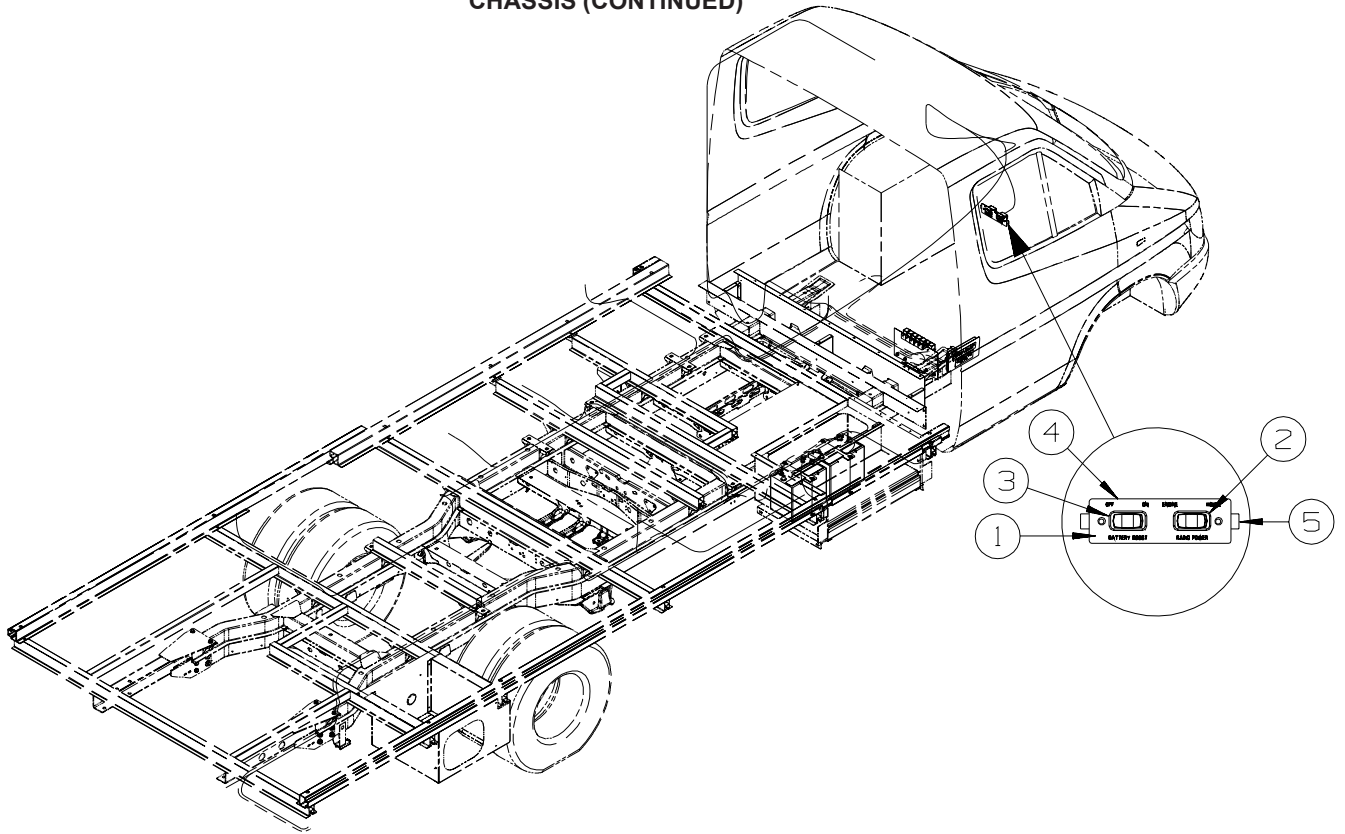
### CONNECTORS & CONDUIT (CONTINUED)

KEY	PART NUMBER	U/M	DESCRIPTION
	156043-01-000	EA	HOUSING - 2-POSITION/FEMALE - 480-MP SERIES
	156043-02-000	EA	LOCK - F/2 POSITION HOUSING - 480 SERIES
	156044-01-000	EA	TERMINAL - FEMALE - 16-12 - 280-GT - F/SEALED HOUSING
	156045-01-000	EA	HOUSING - 10-POSITION/FEMALE - 280-GT SERIES
	156045-02-000	EA	HOUSING - 4-POSITION/FEMALE - 280-GT SERIES
	156045-03-000	EA	HOUSING - 8-POSITION/FEMALE - 280-GT SERIES
	156045-04-000	EA	HOUSING - 6-POSITION/FEMALE - 280-GT SERIES
	156207-01-000	EA	HOUSING - 6-POSITION/MALE - 150-GT SERIES
	156208-01-000	EA	TERMINAL - MALE - 18-16 - 150-GT SERIES
	157590-01-000	EA	TERMINAL - FEMALE - M/P - 10-12 - 630
	157592-01-000	EA	HOUSING - 7-POSITION/FEMALE - M/P
	157592-02-000	EA	LOCK - SECONDARY - F/7 POSITION HOUSING
	157656-01-01A	EA	CONNECTOR - DASH LIGHT - BLACK
	158357-01-000	EA	HOUSING - 3 PIN/MALE - MINI FIT
	158373-01-000	EA	HOUSING - SOCKET - 16 CAVITY - MINI MATE-N-LOCK
	158374-01-000	EA	SOCKET - 16-20 CAVITY - MINI MATE-N-LOCK
	164687-01-000	EA	PIN - CONNECTOR - 16-14
	164685-01-000	EA	HOUSING - PIN - 7-POSITION
	164689-01-000	EA	SEAL - CONNECTOR
	168450-01-000	EA	CONNECTOR/ADAPTER - COAX

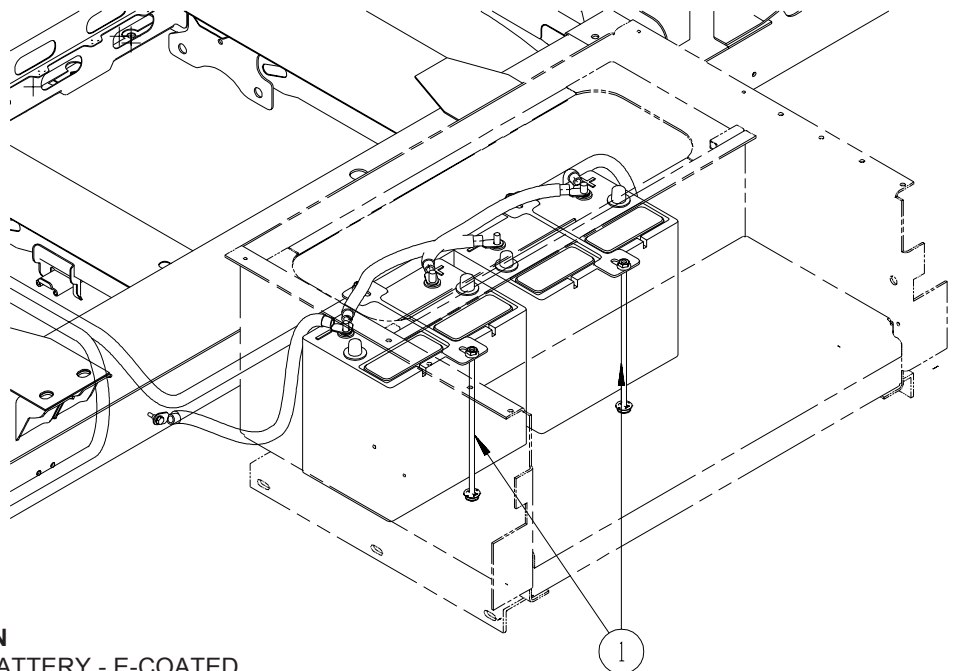


KEY	PART NUMBER	U/M	DESCRIPTION
1	093236-51-000	EA	LABEL - CIRCUIT BREAKER
2	098379-01-000	EA	LABEL - CIRCUIT BREAKER - FRONT BOX
3	098379-04-000	EA	LABEL - ELECTRICAL BOX - SIDE
4	008188-01-000	EA	SOLENOID - 3 POST - BATTERY CHANGE OVER
5	086273-01-000	EA	RELAY - BATTERY DISCONNECT

**ELECTRICAL GROUP (CONTINUED)**  
**CHASSIS (CONTINUED)**

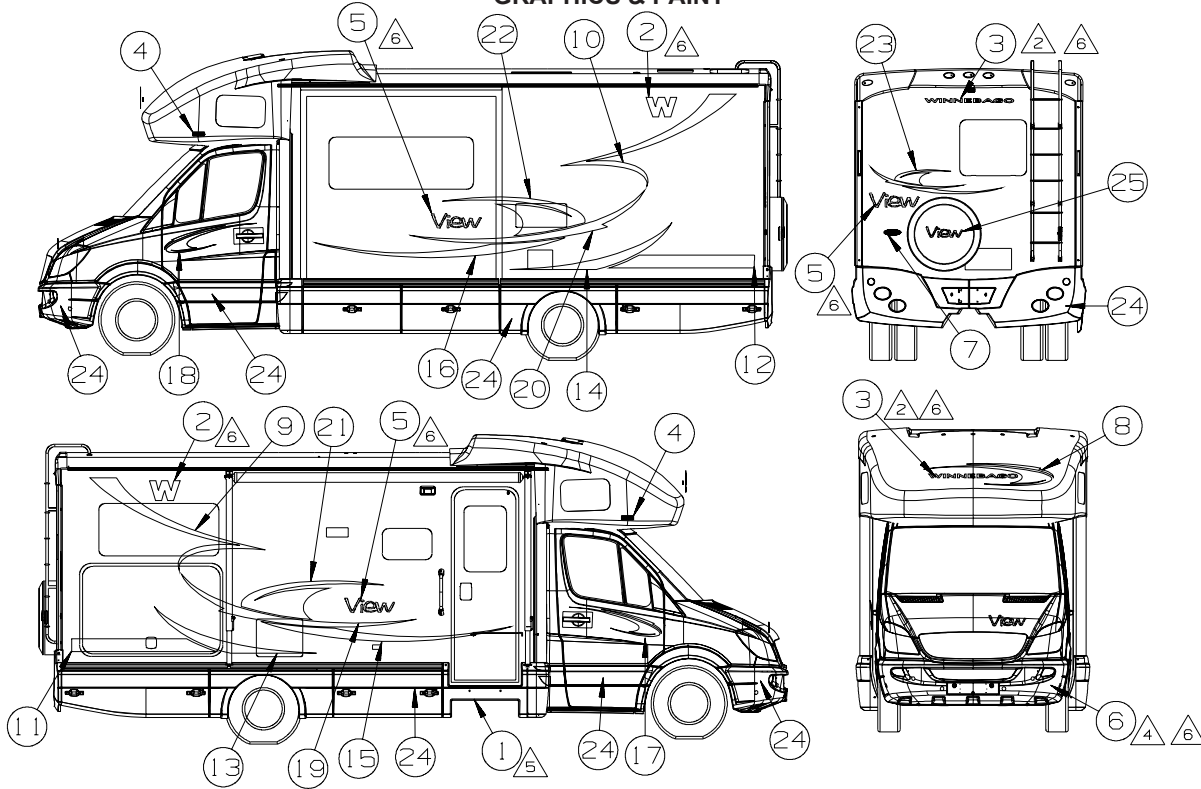


KEY	PART NUMBER	U/M	DESCRIPTION
1	132954-09-01A	EA	APPLIQUE - SWITCH - RADIO BOOST - BLACK
2	145638-07-01A	EA	SWITCH/ROCKER - DPDT (ON/ON) - BLACK
2	108355-02-000	EA	HOUSING - SWITCH - 12 POSITION
3	145638-04-01A	EA	SWITCH/ROCKER - SPDT (ON/ON) - BLACK
3	108355-02-000	EA	HOUSING - SWITCH - 12 POSITION
4	144363-13-04B	EA	PLATE - SWITCH - BLACK
5	152419-02-02B	EA	PLATE - SWITCH/1 HOLE - 1.8" X 8.3" - E-COATED



KEY	PART NUMBER	U/M	DESCRIPTION
1	160014-01-02B	EA	TIEDOWN - BATTERY - E-COATED

# EXTERIOR BODY GROUP GRAPHICS & PAINT



(27G) KEY	PART NUMBER	U/M	DESCRIPTION - MANCHESTER
1	109506-01-000	EA	FILM-URETHANE PROTECTANT
2	120700-10-CHT(21A)	EA	DECAL-LOGO W - BLACK MET
3	120702-03-CHT(16A)	EA	DECAL-LOGO WINNEBAGO - BLACK MET
4	132664-02-CHT(101A)	EA	DECAL-LOGO DOME WINNEBAGO - CHROME/RED/BLACK
5	151811-01-CHT(105A)	EA	DECAL-LOGO VIEW LG - BLACK MET
6	151811-02-CHT(105A)	EA	DECAL-LOGO VIEW SML - BLACK MET
7	151687-01-CHT(101A)	EA	DECAL-7/BEZEL-DOME NAMEPLATE WINNEBAGO - CHROME/RED
8	160368-01-CHT(101A)	EA	DECAL-FRT OVHD - KHAKI/OLYMPIC GOLD
9	160368-01-CHT(101A)	EA	DECAL-HOOK RH - OLYMPIC GOLD
10	160369-02-CHT(101A)	EA	DECAL-LOWER STRIPE RH - GRAY
11	160370-01-CHT(102A)	EA	DECAL-LOWER STRIPE LH - GRAY
12	160370-02-CHT(102A)	EA	DECAL-LOWER STRIPE LH - GRAY
13	160371-01-CHT(101A)	EA	DECAL-SPIKE RH - BLACK MET
14	160371-01-CHT(101A)	EA	DECAL-SPIKE LH - BLACK MET
15	160372-01-CHT(101A)	EA	DECAL-SWEEP LWR RH - KHAKI
16	160372-02-CHT(101A)	EA	DECAL-SWEEP LWR LH - KHAKI
17	160373-01-CHT(101A)	EA	DECAL-SWEEP DOOR RH - KHAKI/OLYMPIC GOLD
18	160373-02-CHT(101A)	EA	DECAL-SWEEP DOOR LH - KHAKI/OLYMPIC GOLD
19	160374-01-CHT(101A)	EA	DECAL-SWEEP MED RH - OLYMPIC GOLD
20	160374-02-CHT(101A)	EA	DECAL-SWEEP MID LH - OLYMPIC GOLD
21	160375-01-CHT(101A)	EA	DECAL-SWEEP UPPER RH - KHAKI
22	160375-02-CHT(101A)	EA	DECAL-SWEEP UPPER LH - KHAKI
23	160377-01-CHT(101A)	EA	DECAL-BACKWALL - KHAKI/OLYMPIC GOLD
24	-----	GL	COLORLED PLASTIC AND STEEL - STORM GRAY
25	163261-01-XXX	EA	COVER-TIRE - 30" VIEW LOGO
26	164510-01-CHT(101A)	EA	DECAL-WINGWALL RH - MATTE BLACK
27	164510-02-CHT(101A)	EA	DECAL-WINGWALL LH - MATTE BLACK

(92X) KEY	PART NUMBER	U/M	DESCRIPTION - CALYPSO SPICE
1	109506-01-000	EA	FILM-URETHANE PROTECTANT
2	120700-10-CHT(22A)	EA	DECAL-LOGO W - BLACK CHERRY
3	120702-03-CHT(167A)	EA	DECAL-LOGO WINNEBAGO - BLACK CHERRY
4	132664-02-CHT(101A)	EA	DECAL-LOGO DOME WINNEBAGO - CHROME/RED/BLACK
5	151811-01-CHT(106A)	EA	DECAL-LOGO VIEW LG - BLACK CHERRY
6	151811-02-CHT(106A)	EA	DECAL-LOGO VIEW SML - BLACK CHERRY
7	151687-01-CHT(101A)	EA	DECAL-7/BEZEL-DOME NAMEPLATE WINNEBAGO - CHROME/RED
8	160368-01-CHT(102A)	EA	DECAL-FRT OVHD - BURGUNDY/OLYMPIC GOLD
9	160368-01-CHT(101A)	EA	DECAL-HOOK RH - OLYMPIC GOLD
10	160369-02-CHT(101A)	EA	DECAL-LOWER STRIPE RH - GRAY
11	160370-01-CHT(102A)	EA	DECAL-LOWER STRIPE LH - GRAY
12	160370-02-CHT(102A)	EA	DECAL-LOWER STRIPE LH - GRAY
13	160371-01-CHT(102A)	EA	DECAL-SPIKE RH - BLACK CHERRY
14	160371-02-CHT(102A)	EA	DECAL-SPIKE LH - BLACK CHERRY
15	160372-01-CHT(102A)	EA	DECAL-SWEEP LWR RH - BURGUNDY
16	160372-02-CHT(102A)	EA	DECAL-SWEEP LWR LH - BURGUNDY
17	160373-01-CHT(102A)	EA	DECAL-SWEEP DOOR RH - BURGUNDY/OLYMPIC GOLD
18	160373-02-CHT(102A)	EA	DECAL-SWEEP DOOR LH - BURGUNDY/OLYMPIC GOLD
19	160374-01-CHT(101A)	EA	DECAL-SWEEP MED RH - OLYMPIC GOLD
20	160374-02-CHT(101A)	EA	DECAL-SWEEP MID LH - OLYMPIC GOLD
21	160375-01-CHT(102A)	EA	DECAL-SWEEP UPPER RH - BURGUNDY
22	160375-02-CHT(102A)	EA	DECAL-SWEEP UPPER LH - BURGUNDY
23	160377-01-CHT(102A)	EA	DECAL-BACKWALL - BURGUNDY/OLYMPIC GOLD
24	-----	GL	COLORLED PLASTIC AND STEEL - STORM GRAY
25	163261-01-XXX	EA	COVER-TIRE - 30" VIEW LOGO
26	164510-01-CHT(101A)	EA	DECAL-WINGWALL RH - MATTE BLACK
27	164510-02-CHT(101A)	EA	DECAL-WINGWALL LH - MATTE BLACK

△ ALIGN WINGWALL DECAL WITH RUB STRIP ON CAB DOOR. WRAP AROUND VALANCE CORNER.

△ EMBOSSED WITH LOGO.

△ LOGO IS TO BE ±1 MM ON A HORIZONTAL PLANE (END TO END).

△ FILM TO PROTECT BOTTOM OF DOOR FROM SCUFF MARKS.

△ LOCATE DECAL 120 MM LEFT OF HOOD EDGE AND 60 MM UP FROM FRONT EDGE OF HOOD.

△ CENTER DECAL VERTICALLY ON PART FEATURE.

△ CENTER ON UNIT.

1. APPLY PROTECTOR 116424-01-000 TO WATER HEATER LATCH.

(92X) EXTERIOR GRAPHICS PACKAGE #2

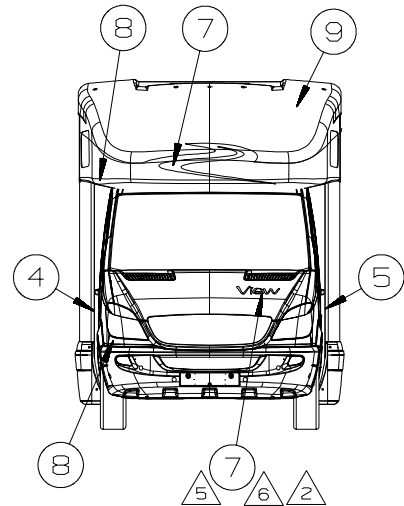
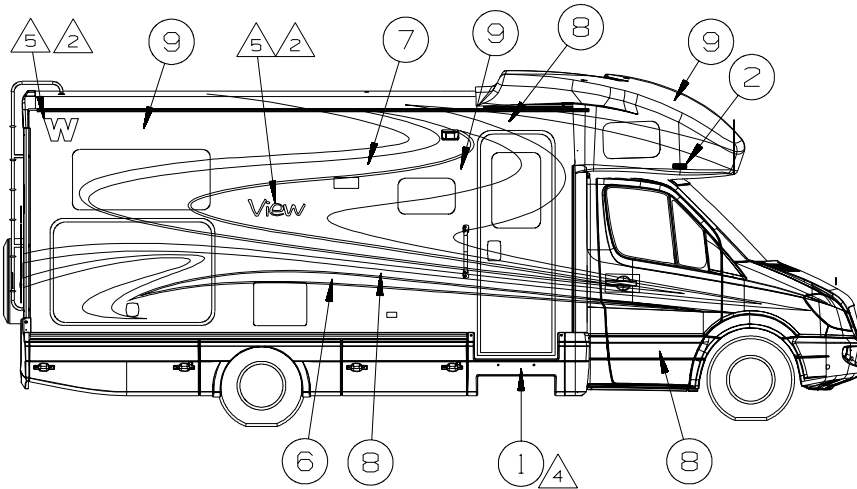
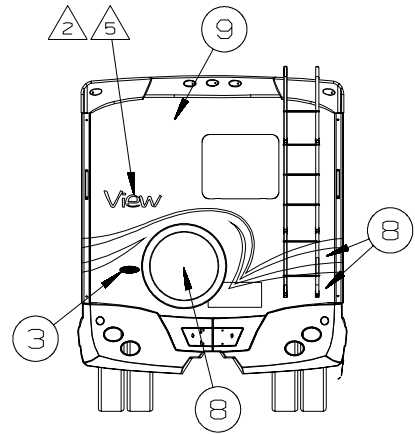
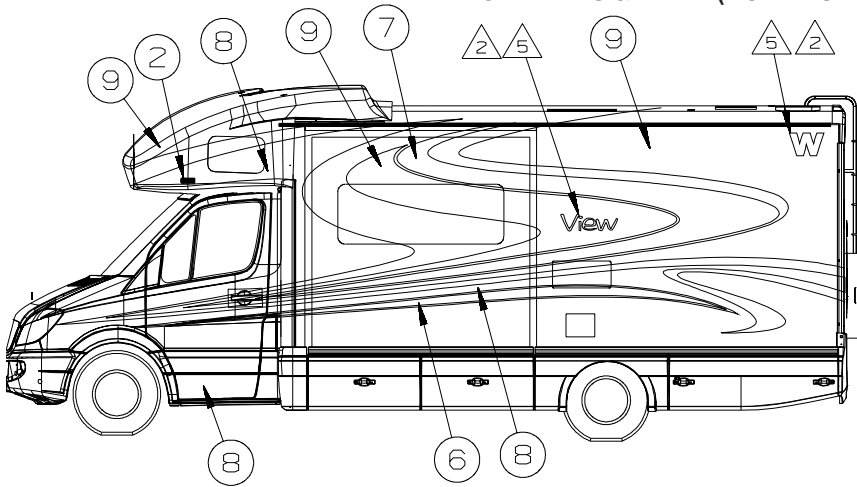
(27G) EXTERIOR GRAPHICS PACKAGE #1

NOTES:

# EXTERIOR BODY GROUP (CONTINUED)

## GRAPHICS & PAINT (CONTINUED)

## FULL BODY PAINT



KEY	PART NUMBER	U/M	DESCRIPTION
27A	109506-01-000	EA	FILM-URETHANE PROTECTANT
	132664-02-CHT(101A)	EA	DECAL-LOGO DOME WINNEBAGO - CHROME/RED/BLACK
	151687-01-CHT(101A)	EA	DECAL/BEZEL DOME NAMEPLATE WINNEBAGO - CHROME/RED
	166391-01-CHT(101A)	EA	FILM-URETHANE PROTECTANT TRANSITION PANEL RH
	166391-02-CHT(101A)	EA	FILM-URETHANE PROTECTANT TRANSITION PANEL LH
	.....	GL	PAINT-MED GARNET RED MET - SW #35894-7
	.....	GL	PAINT-LAGUNA MET - SW #58753-1
	.....	GL	PAINT-POWER PRL MET - SW #47605
	.....	GL	PAINT-SILVER MET - SW #43293
	.....	GL	PAINT-CLEARCOAT-SHERWIN WILLIAMS

KEY	PART NUMBER	U/M	DESCRIPTION
32A	109506-01-000	EA	FILM-URETHANE PROTECTANT
	132664-02-CHT(101A)	EA	DECAL-LOGO DOME WINNEBAGO - CHROME/RED/BLACK
	151687-01-CHT(101A)	EA	DECAL/BEZEL DOME NAMEPLATE WINNEBAGO - CHROME/RED
	166391-01-CHT(101A)	EA	FILM-URETHANE PROTECTANT TRANSITION PANEL RH
	166391-02-CHT(101A)	EA	FILM-URETHANE PROTECTANT TRANSITION PANEL LH
	.....	GL	PAINT-BLACK MIST MET - SW #40888
	.....	GL	PAINT-CHESTNUT PEARL MET - SW #62447-1
	.....	GL	PAINT-SANDSTONE BEIGE MET - SW #43482-3
	.....	GL	PAINT-LT PEARL STONE MET - SW #41824
	.....	GL	PAINT-CLEARCOAT-SHERWIN WILLIAMS

KEY	PART NUMBER	U/M	DESCRIPTION
24C	109506-01-000	EA	FILM-URETHANE PROTECTANT
	132664-02-CHT(101A)	EA	DECAL-LOGO DOME WINNEBAGO - CHROME/RED/BLACK
	151687-01-CHT(101A)	EA	DECAL/BEZEL DOME NAMEPLATE WINNEBAGO - CHROME/RED
	166391-01-CHT(101A)	EA	FILM-URETHANE PROTECTANT TRANSITION PANEL RH
	166391-02-CHT(101A)	EA	FILM-URETHANE PROTECTANT TRANSITION PANEL LH
	.....	GL	PAINT-LT GOLD MET - SW #51075
	.....	GL	PAINT-CYCLONE BLUE MET - SW #52925
	.....	GL	PAINT-STEEL BLUE MET - SW #63302
	.....	GL	PAINT-LT ADRIATIC MET - SW #48416-1
	.....	GL	PAINT-CLEARCOAT-SHERWIN WILLIAMS

- △ LOGO IS TO BE 21 MM ON A HORIZONTAL PLANE (END TO END).
- △ FILM TO PROTECT BOTTOM OF DOOR FROM SCUFF MARKS.
- △ CLEAR COAT TO BE APPLIED ON PAINTED AREAS TO PROTECT PAINT.
- △ LOGO LEFT AS BODY COLOR OR PAINTED ACCORDING TO DESIGN AND WHERE LOGO IS LOCATED.

1. APPLY PROTECTOR 116424-01-000 TO WATER HEATER DOOR LATCH.

- △ DIE CUT ACRYLIC FILM TO PROTECT FULL BODY PAINTED UNITS.
- 9. USE PROTECTIVE FILM 145487-02-000 TO COVER UNSEALED ROOF SEAMS.
- 8. END PANELS OF SLIDEOUT ROOMS WILL BE PAINTED WITH BASE COAT AND CLEAR COAT - THERE WILL BE NO COLORED DESIGN GRAPHICS ELEMENTS PAINTED ON END PANELS.
- 7. APPLY SEALER-BODY SEAM CLEAR 894401-04-000 TO HELP SECURE PAINT ON EDGES.
- △ LOCATE DECAL 120 MM LEFT OF HOOD EDGE AND 60 MM UP FROM HOOD EDGE.

24K EXT PROTECT MASK-TRANS PANEL  
 24C EXT FULL BODY PAINT PKG # 3  
 32A EXT FULL BODY PAINT PKG # 2  
 27A EXT FULL BODY PAINT PKG # 1

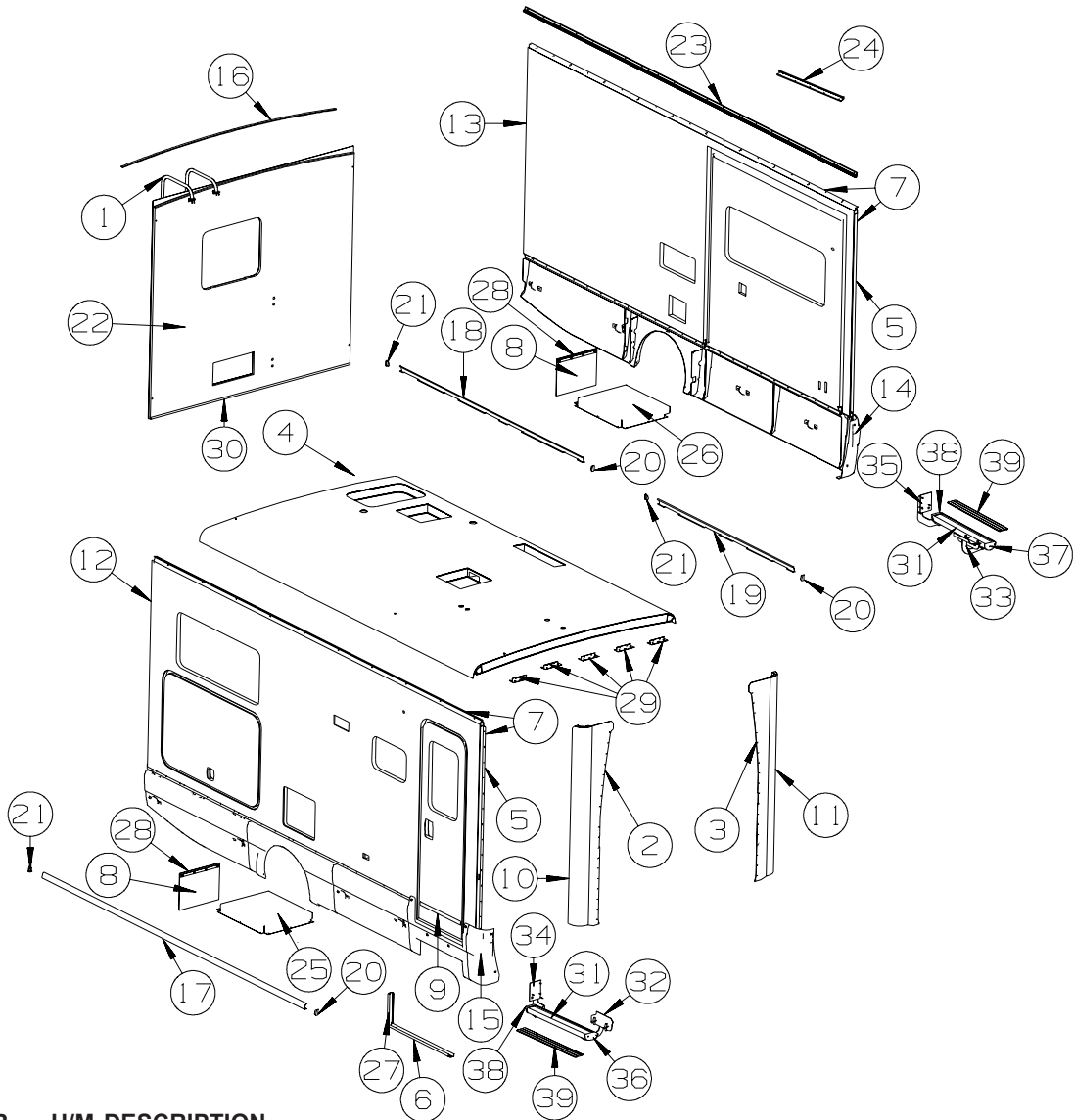
KEY	PART NUMBER	U/M	DESCRIPTION
	041561-03-000	EA	PAINT/SPRAY - 12 OZ. NET - OFF WHITE
	004308-01-000	EA	PAINT - BLACK SPRAY
	116424-01-000	EA	PROTECTOR - LATCH - WATER HEATER

**DUPONT COLOR CODES ARE NOW FOUND IN THE PAINT CODE MANUAL.  
 YOU CAN FIND THIS MANUAL ON YOUR DEALER INDEX WEBPAGE UNDER SERVICE.**



## EXTERIOR BODY GROUP (CONTINUED)

### PANELS & TRIMS

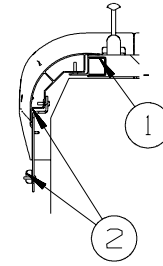
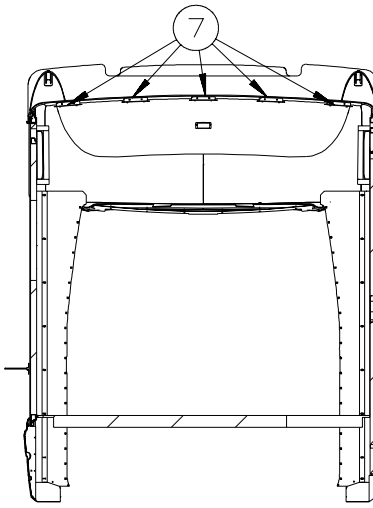
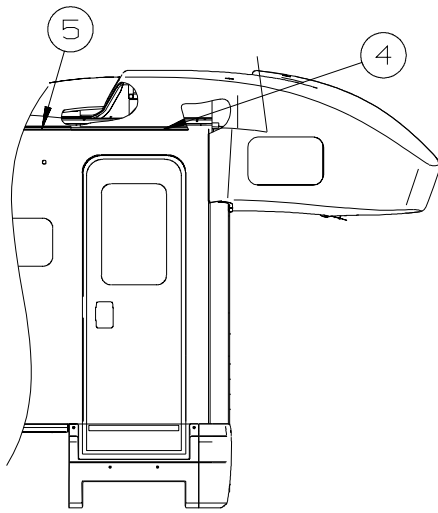


KEY	PART NUMBER	U/M	DESCRIPTION
1	152869-02-01A	EA	LADDER/FOLDING - 78.6"/129.7" - 10 STEP - BRUSHED ALUMINUM FROM: 00-00-00 THRU: 12-21-06
1	161113-11-01A	EA	LADDER - 7 STEP - 89.8" - BRUSHED ALUMINUM FROM: 12-22-06 THRU: 99-99-99
2	160072-01-02A	EA	PANEL/TRANSITION - PASSENGER - BRIGHT WHITE
2	160072-01-03A	EA	PANEL/TRANSITION - PASSENGER - BLACK
3	160072-02-02A	EA	PANEL/TRANSITION - DRIVER - BRIGHT WHITE
3	160072-02-03A	EA	PANEL/TRANSITION - DRIVER - BLACK
4	160160-01-W13	EA	ROOF - W/O LIGHTS/VENTS - W/WIRING
5	154585-01-01A	EA	SEAL - FOAM TAPE - ADHESIVE BACK - 3/8" X 3/8" - BLACK
6	137599-11-02A	EA	TRIM - SIDEWALL/LOWER - 36.2" - BRIGHT WHITE
6	137599-11-01A	EA	TRIM - SIDEWALL/LOWER - 36.2" - BLACK
7	056795-01-000	EA	TAPE-SEAL, 1/8~ X 3/8~ WIDE - PRESS ON
8	017516-01-000	EA	MUD FLAP - 14"H X 18"W - W/O MOUNTING HOLES - RUBBER - BLK
9	093673-01-06A	FT	TRIM/MOLDING - 1.4" WIDE X 8' LONG - BRIGHT WHITE
10	151222-04-01A	EA	TRANSITION - CORNER/RH - 75.9" - BRIGHT WHITE
10	151222-04-02A	EA	TRANSITION - CORNER/RH - 75.9" - BLACK
11	151222-05-01A	EA	TRANSITION - CORNER/LH - 75.9" - BRIGHT WHITE FROM: 00-00-00 THRU: 11-18-07
11	151222-04-01A	EA	TRANSITION - CORNER/RH - 75.9" - BRIGHT WHITE FROM: 11-19-07 THRU: 99-99-99
11	151222-05-02A	EA	TRANSITION - CORNER/LH - 75.9" - BLACK FROM: 00-00-00 THRU: 11-18-07
11	151222-04-02A	EA	TRANSITION - CORNER/RH - 75.9" - BLACK FROM: 11-19-07 THRU: 99-99-99

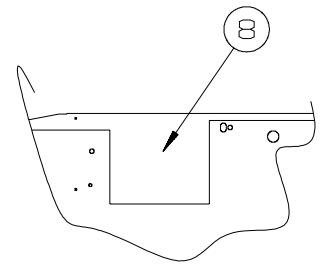
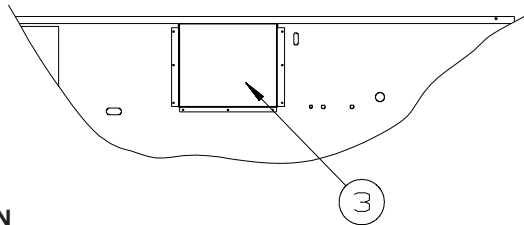
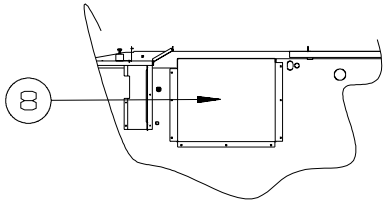
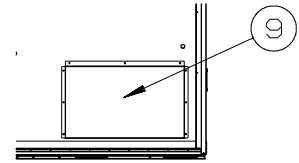
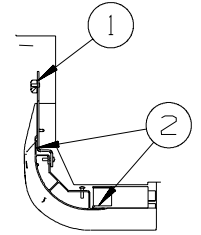
**EXTERIOR BODY GROUP (CONTINUED)**  
**PANELS & TRIMS (CONTINUED)**

<b>KEY</b>	<b>PART NUMBER</b>	<b>U/M</b>	<b>DESCRIPTION</b>
12	160158-01-W13	EA	SIDEWALL - PASSENGER - W/O WINDOWS/TRIMS (W13, W14, W05, W06)
12	160158-01-W15	EA	SIDEWALL - PASSENGER - W/O WINDOWS/TRIMS (W15, W16)
13	160157-01-W13	EA	SIDEWALL - DRIVER - W/O WINDOWS/TRIMS (W13, W14, W05, W06)
13	160157-01-W15	EA	SIDEWALL - DRIVER - W/O WINDOWS/TRIMS (W15, W16)
14	160650-01-W13	EA	PANEL/VALANCE - TRANSITION/DRIVER
14	160650-01-AA1	EA	PANEL/VALANCE - TRANSITION/DRIVER - <b>FULL BODY PAINT</b>
15	160651-01-W13	EA	PANEL/VALANCE - TRANSITION/PASSENGER
15	160651-01-AA1	EA	PANEL/VALANCE - TRANSITION/PASSENGER - <b>FULL BODY PAINT</b>
16	114248-02-04A	EA	ANGLE - PLASTIC - .7" X .4" X 96.7" - BEIGE
17	160622-03-01A	EA	TRIM - FEATURE/OUTER - NOTCHED - 2" X 151.9" - PEWTER
17	160622-03-03A	EA	TRIM - FEATURE/OUTER - NOTCHED - 2" X 151.9" - BLACK - <b>FULL BODY PAINT</b>
18	160622-02-01A	EA	TRIM - FEATURE/OUTER - NOTCHED - 2" X 105.4" - PEWTER
18	160622-02-03A	EA	TRIM - FEATURE/OUTER - NOTCHED - 2" X 105.4" - BLACK - <b>FULL BODY PAINT</b>
19	160622-01-01A	EA	TRIM - FEATURE/OUTER - NOTCHED - 2" X 78.2" - PEWTER
19	160622-01-03A	EA	TRIM - FEATURE/OUTER - NOTCHED - 2" X 78.2" - BLACK - <b>FULL BODY PAINT</b>
20	160633-01-02A	EA	CAP/END - TRIM - RH HAND - PEWTER
21	160633-02-02A	EA	CAP/END - TRIM - LH HAND - PEWTER
22	160161-01-W13	EA	BACKWALL - W/O WINDOW/TRIMS (W13, W14, W05, W06)
22	160161-01-W15	EA	BACKWALL - W/O WINDOW/TRIMS (W15, W16)
23	157284-01-01A	EA	RAIL - AWNING - 192" - BRIGHT WHITE
24	152036-01-01A	EA	RAIL - AWNING - 35.4" - BRIGHT WHITE
25	P51877-01-02B	EA	WHEELWELL - STEEL - W/UNDERCOTING
26	P51877-02-02B	EA	WHEELWELL - STEEL - W/UNDERCOTING
27	133100-08-02A	EA	TRIM - SIDEWALL - 12.5" - BRIGHT WHITE
27	133100-08-01A	EA	TRIM - SIDEWALL - 12.5" - BLACK
28	140922-01-02B	EA	RETAINER - MUD FLAP - 1" X 17.7" - E-COATED/BLACK
29	134774-03-02B	EA	BRACKET - CAP ATTACHMENT - E-COATED
30	103335-11-02A	EA	TRIM - BACKWALL - LOWER - 89.6" - BRIGHT WHITE
31	163241-01-02A	EA	STEP/RUNNING BOARD - CAB ENTRY - W/O END CAPS/HDW-SILVER
32	163340-01-01A	EA	BRACKET - STEP/RUNNING BOARD - RH/FRONT - BLACK
33	163340-02-01A	EA	BRACKET - STEP/RUNNING BOARD - LH/FRONT - BLACK
34	163341-01-01A	EA	BRACKET - STEP/RUNNING BOARD - RH/REAR - BLACK
35	163341-02-01A	EA	BRACKET - STEP/RUNNING BOARD - LH/REAR - BLACK
36	163254-01-01A	EA	END CAP - STEP/RUNNING BOARD - RIGHT/FRONT - BLACK
37	163254-02-01A	EA	END CAP - STEP/RUNNING BOARD - LEFT/FRONT - BLACK
38	163254-03-01A	EA	END CAP - STEP/RUNNING BOARD - REAR - BLACK
39	163252-01-01A	EA	TREAD - STEP/RUNNING BOARD - 32.2"
	038327-01-000	EA	TAPE - ANTI SLIP - 2" X 60' - ON FORWARD FACING SURFACES

**EXTERIOR BODY GROUP (CONTINUED)**  
**PANELS & TRIMS (CONTINUED)**



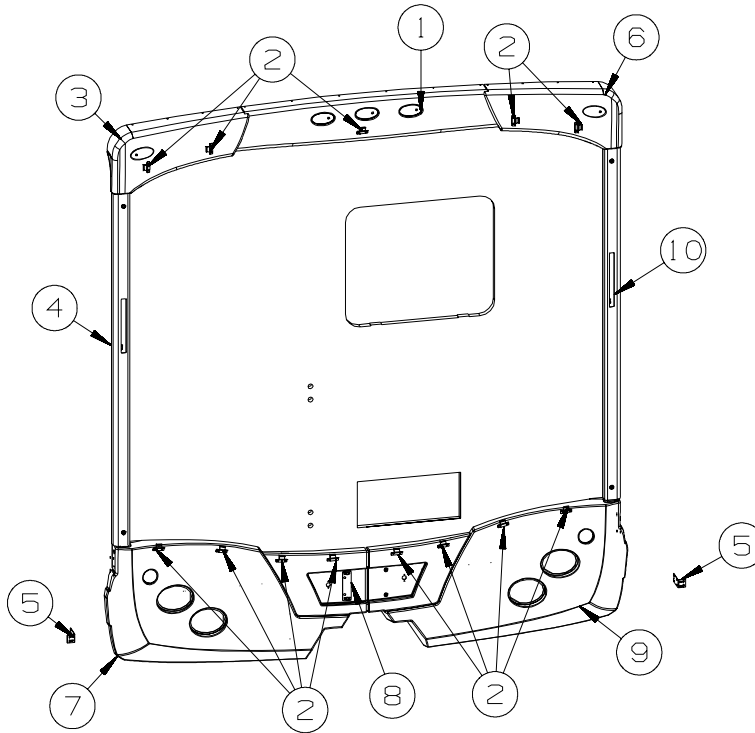
**BODY SECTIONS**



KEY	PART NUMBER	U/M DESCRIPTION
1	154585-01-01A	FT SEAL - FOAM TAPE - ADHESIVE BACK - 3/8" X 3/8" - BLACK
2	056795-01-000	FT TAPE-SEAL, 1/8~ X 3/8~ WIDE - PRESS ON
3	P51877-01-02B	EA WHEELWELL - STEEL - W/UNDERCOATING
4	152036-01-01A	EA RAIL - AWNING - 35.4" - BRIGHT WHITE
5	157284-01-01A	EA RAIL - AWNING - 192" - BRIGHT WHITE
6	P59724-01-02B	EA WHEELWELL - STEEL - W/UNDERCOATING - 523B
7	134774-03-02B	EA BRACKET - CAP ATTACHMENT - E-COATED
8	P51877-02-02B	EA WHEELWELL - STEEL - W/UNDERCOATING - 523H, 524J
9	P51877-03-02B	EA WHEELWELL - STEEL - W/UNDERCOATING

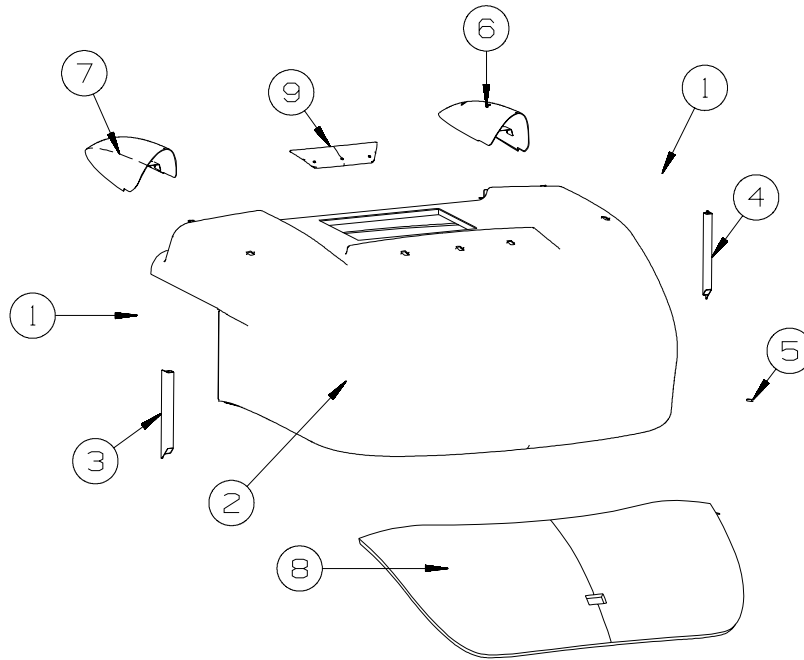
FROM: 05-02-07 THRU: 99-99-99

**EXTERIOR BODY GROUP (CONTINUED)**  
**PANELS & TRIMS (CONTINUED)**



KEY	PART NUMBER	U/M	DESCRIPTION
1	152238-02-W13	EA	TRIM/BACKWALL - UPPER/CENTER - W/O LIGHTS
1	152238-02-AA1	EA	TRIM/BACKWALL - UPPER/CENTER - W/O LIGHTS - FULL BODY PAINT
1	152238-01-W13	EA	TRIM/BACKWALL - UPPER/CENTER - W/O LIGHTS - REARVIEW MONITOR
1	152238-01-AA1	EA	TRIM/BACKWALL - UPPER/CENTER - W/O LIGHTS - REARVIEW MONITOR - FULL BODY PAINT
2	073050-04-000	EA	CLIP/MOUNTING - VALANCE PANEL
3	152232-02-W13	EA	TRIM/BACKWALL - UPPER/DRIVER - W/O LIGHTS
3	152232-02-AA1	EA	TRIM/BACKWALL - UPPER/DRIVER - W/O LIGHTS - FULL BODY PAINT
4	151933-04-02A	EA	TRIM - BACKWALL - DRIVER - PEWTER
4	151933-04-03A	EA	TRIM - BACKWALL - DRIVER - BLACK - FULL BODY PAINT
5	140309-05-02B	EA	ANGLE - FURNACE DOOR - E-COATED
6	152232-01-W13	EA	TRIM/BACKWALL - UPPER/PASSENGER - W/O LIGHTS
6	152232-01-AA1	EA	TRIM/BACKWALL - UPPER/PASSENGER - W/O LIGHTS - FULL BODY PAINT
7	160628-02-W13	EA	TRIM/BACKWALL - LOWER/DRIVER - W/O LIGHTS
7	160628-02-AA1	EA	TRIM/BACKWALL - LOWER/DRIVER - W/O LIGHTS - FULL BODY PAINT
8	161263-01-02B	EA	RETAINER - LICENSE PLATE - E-COATED
9	160628-01-W13	EA	TRIM/BACKWALL - LOWER/PASSENGER - W/O LIGHTS
9	160628-01-AA1	EA	TRIM/BACKWALL - LOWER/PASSENGER - W/O LIGHTS - FULL BODY PAINT
10	151933-03-02A	EA	TRIM - BACKWALL - PASSENGER - PEWTER
10	151933-03-03A	EA	TRIM - BACKWALL - PASSENGER - BLACK - FULL BODY PAINT

**EXTERIOR BODY GROUP (CONTINUED)**  
**FRONT END**



KEY	PART NUMBER	U/M	DESCRIPTION
1	153151-01-01A	FT	TRIM - ROOF CAP/SIDEWALL - BRIGHT WHITE
2	160591-01-W13	EA	ROOF CAP - FRONT - BRIGHT WHITE
2	160591-02-W13	EA	ROOF CAP - FRONT - BRT WHITE - <b>CABINET, FRONT CAB OVERHEAD OR ENTR CENTER-CABOVER</b>
	105290-01-000	SF	INSULATION - AIR POCKET W/FOIL - 4' WIDE
3	151686-03-01A	EA	TRIM/EXTRUDED - ALUMINUM/RH - 18.9" - BRIGHT WHITE
4	151686-04-01A	EA	TRIM/EXTRUDED - ALUMINUM/LH - 18.9" - BRIGHT WHITE
5	154585-01-01A	FT	SEAL - FOAM TAPE - ADHESIVE BACK - 3/8" X 3/8" - BLACK
6	160510-04-W13	EA	TRIM/ROOF - LEFT - PLASTIC - 9"W X 38.1"L X 5.8"H
6	160510-04-AA1	EA	TRIM/ROOF - LEFT - PLASTIC - 9"W X 38.1"L X 5.8"H - <b>FULL BODY PAINT</b>
7	160510-03-W13	EA	TRIM/ROOF - RIGHT - PLASTIC - 9"W X 38.1"L X 5.8"H
7	160510-03-AA1	EA	TRIM/ROOF - RIGHT - PLASTIC - 9"W X 38.1"L X 5.8"H - <b>FULL BODY PAINT</b>
8	160286-01-W13	EA	HEADLINER/MATERIAL - W/LAMINATED FOAM
			FROM: 00-00-00 THRU: 03-02-08
	152087-02-01A	EA	HEADLINER MATERIAL - W/LAMINATED FOAM - CREAM FOSS
			FROM: 00-00-00 THRU: 03-02-08
8	167068-01-01A	EA	HEADLINER - CARPET W/FOAM - OPAL GRAY
			FROM: 03-03-08 THRU: 99-99-99
9	167753-01-01A	EA	TRIM - ROOF CAP - BRIGHT WHITE
			FROM: 01-01-08 THRU: 99-99-99
	156622-01-01A	FT	SEALER - TAPE - 1/4"THICK X 3"WIDE X 100 FT

**EXTERIOR BODY GROUP (CONTINUED)**  
**STRUCTURAL COMPONENTS**

<b>KEY</b>	<b>PART NUMBER</b>	<b>U/M</b>	<b>DESCRIPTION</b>
	002726-01-001	EA	GARNISH - U-CHANNEL - 1.38" X 19' - SERRATED
	089297-01-000	SF	PLYWOOD - LUAN - OVERLAY GRADE - 4' X 8'
	100619-01-000	BF	FOAM - EXPANDED POLYSTYRENE - 1.34" X 48" X 96"
	100619-02-000	BF	FOAM - EXPANDED POLYSTYRENE - 1.5" X 48" X 96"
	100619-04-000	BF	FOAM - EXPANDED POLYSTYRENE - .5" X 48" X 96"
	100619-B3-000	BF	FOAM - EXPANDED POLYSTYRENE - .42" X 48" X 96"
	100619-05-000	BF	FOAM - EXPANDED POLYSTYRENE - .75" X 48" X 96"-1.5"DENSITY
	100619-05-017	EA	FOAM - EXPANDED POLYSTYRENE - .75" X 48" X 96"-1.5"DENSITY
	100619-16-000	BF	FOAM - EXPANDED POLYSTYRENE - .75" X 48" X 96"-2" DENSITY
	120107-01-000	EA	FOAM - ROOF COVE - 2.8" X 48" LONG
	120107-02-000	EA	FOAM - PLUG - ROOF TUBE - 2.2" X 2.9" X 1.8" LONG
	120107-03-000	EA	FOAM - PLUG - SIDEWALL TUBE - 1.2" X 2.1" X 1.8" LONG
	108535-10-01A	SF	FIBERGLASS SHEET - 99" X 500' ROLL - BRIGHT WHITE
	128782-17-01A	EA	FIBERGLASS SHEET - 30.9" X 74.7" - HIGH GLOSS - BRT WHITE
	128782-25-01A	EA	FIBERGLASS SHEET - 78.9" X 190.7" - HIGH GLOSS - BRT WHITE
	128782-20-01A	EA	FIBERGLASS SHEET - 78.9" X 185.9" - HIGH GLOSS - BRT WHITE
	159631-15-01A	EA	FIBERGLASS SHEET - 4" X 93.8" - BRIGHT WHITE
			FROM: 00-00-00 THRU: 01-14-07
	162931-15-01A	EA	FIBERGLASS SHEET - 4" X 93.8" - BRIGHT WHITE
			FROM: 01-15-07 THRU: 99-99-99
	116942-03-01A	LB	ALUMINUM - .7" X 40" X 158"
	164228-01-01A	EA	ALUFIBER - SIDEWALL SKIN - 75.8" X 190.7" - 524CL, 524DL
			FROM: 00-00-00 THRU: 01-06-08
	128782-25-01A	EA	FIBERGLASS SHEET - 78.9" X 190.7" - HIGH GLOSS - BRT WHITE - 524CL, 524DL
			FROM: 01-07-08 THRU: 99-99-99
	164228-02-01A	EA	ALUFIBER - BACKWALL SKIN - 80.4" X 90.2" - 524CL, 524DL
			FROM: 00-00-00 THRU: 01-06-08
	128782-14-01A	EA	FIBERGLASS SHEET - 102.4" X 99.2" - HIGH GLOSS - BRT WHITE - 524CL, 524DL
			FROM: 01-07-08 THRU: 99-99-99
	164228-03-01A	EA	ALUFIBER - SIDEWALL SKIN - 16.7" X 36.9" - 524CL, 524DL
			FROM: 00-00-00 THRU: 01-06-08
	128782-07-700	EA	FIBERGLASS SHEET - 27" X 80" - HIGH GLOSS - BRT WHT - 524CL, 524DL
			FROM: 01-07-08 THRU: 99-99-99
	164228-04-01A	EA	ALUFIBER - SIDEWALL SKIN - 47.9" X 95.8" - 524CL, 524DL
			FROM: 00-00-00 THRU: 01-06-08
	128782-14-700	EA	FIBERGLASS SHEET - 102.4" X 99.2" - HIGH GLOSS - BRT-WHITE - 524CL, 524DL
			FROM: 01-07-08 THRU: 99-99-99
	164228-06-01A	EA	ALUFIBER - SIDEWALL SKIN - 30" X 45.7" - 524DL
			FROM: 00-00-00 THRU: 01-06-08
	128782-07-701	EA	FIBERGLASS SHEET - 54" X 79" - HIGH GLOSS - BRT WHT - 524DL
			FROM: 01-07-08 THRU: 99-99-99

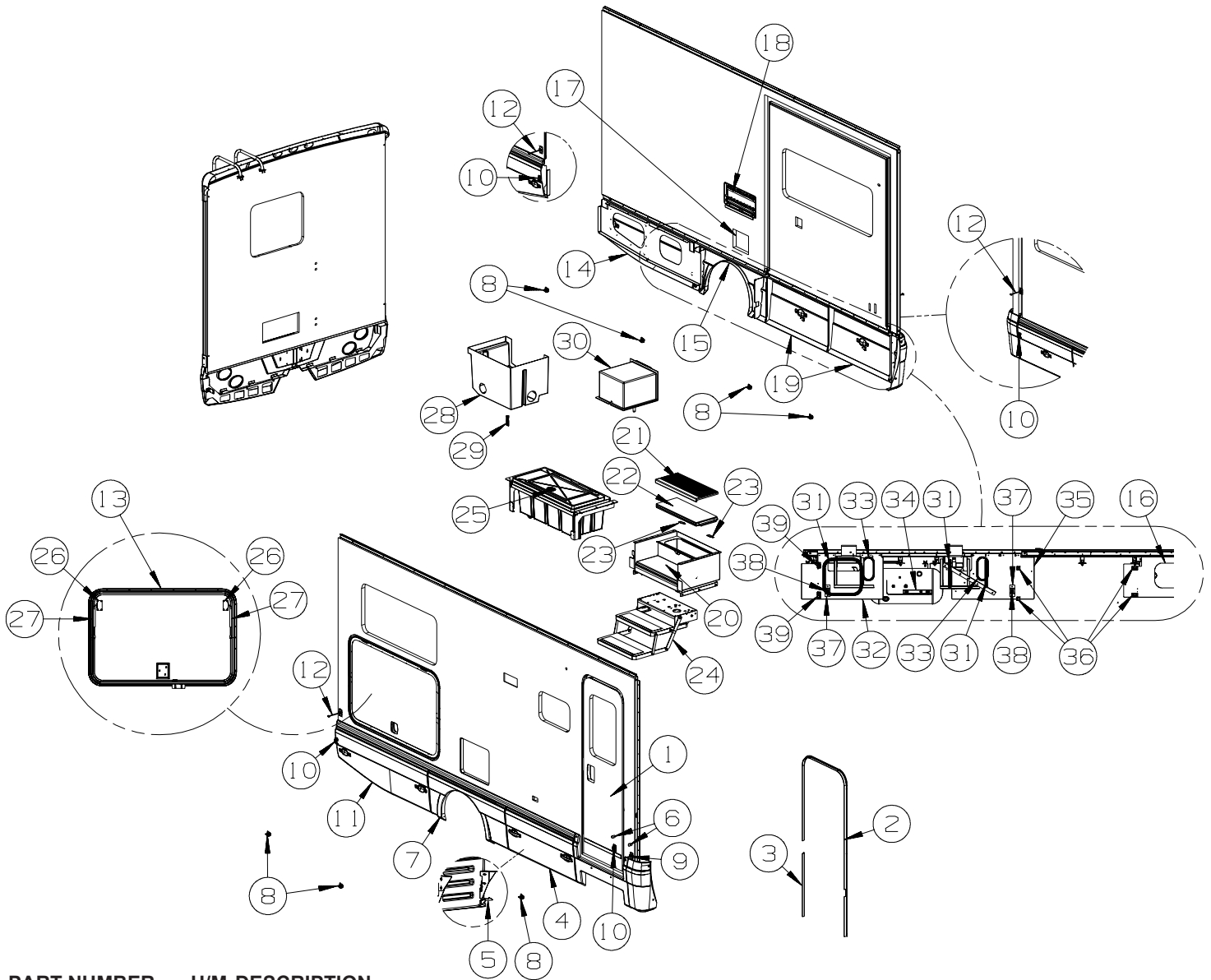
**AWNINGS**

<b>KEY</b>	<b>PART NUMBER</b>	<b>U/M</b>	<b>DESCRIPTION</b>
	113874-12-01A	EA	SCREW/LAG - AWNING - 1/4" X 2 3/4" STAINLESS STEEL
	127647-03-01A	EA	ROD/AWNING GUARD - ENTRY DOOR - 19.4" LONG
	127960-01-01A	EA	RETAINER - EYE - 3/8" - STAINLESS STEEL
	161739-01-02A	EA	BRACKET - AWNING - BRIGHT WHITE
	161739-01-01A	EA	BRACKET - AWNING - BLACK

**ORDER AWNINGS & REPAIR PARTS FROM DOMETIC. CALL #800-366-3842.**  
**THE DOMETIC AWNING INFORMATION YOU WILL NEED IS LOCATED ON THE MOTOR HOME NEAR**  
**THE TOP OF THE AWNING RAIL.**

# EXTERIOR DOORS & COMPARTMENTS GROUP

## DOOR & COMPARTMENT LAYOUT



KEY	PART NUMBER	U/M	DESCRIPTION
1	P32206-21-W13	EA	DOOR - ENTRY W/SCREEN DOOR - W/O WINDOW/LATCH (W13, W14, W05, W06)
1	P32206-21-W15	EA	DOOR - ENTRY W/SCREEN DOOR - W/O WINDOW/LATCH (W15, W16)
1	M09571-01-W13	EA	DOOR - ENTRY W/SCREEN DOOR - W/O WINDOW/LATCH (W13, W14, W05, W06) - <b>FULL BODY PAINT</b>
1	M09571-01-W15	EA	DOOR - ENTRY W/SCREEN DOOR - W/O WINDOW/LATCH (W15, W16) - <b>FULL BODY PAINT</b>
	138897-01-000	EA	SWITCH - 2 PIN/SPRING LOADED CONTACTS (EA=1 SWITCH)

**EXTERIOR DOORS & COMPARTMENTS GROUP (CONTINUED)**  
**DOOR & COMPARTMENT LAYOUT (CONTINUED)**

**KEY PART NUMBER U/M DESCRIPTION**

**ENTRY DOOR LOCK CYLINDERS**

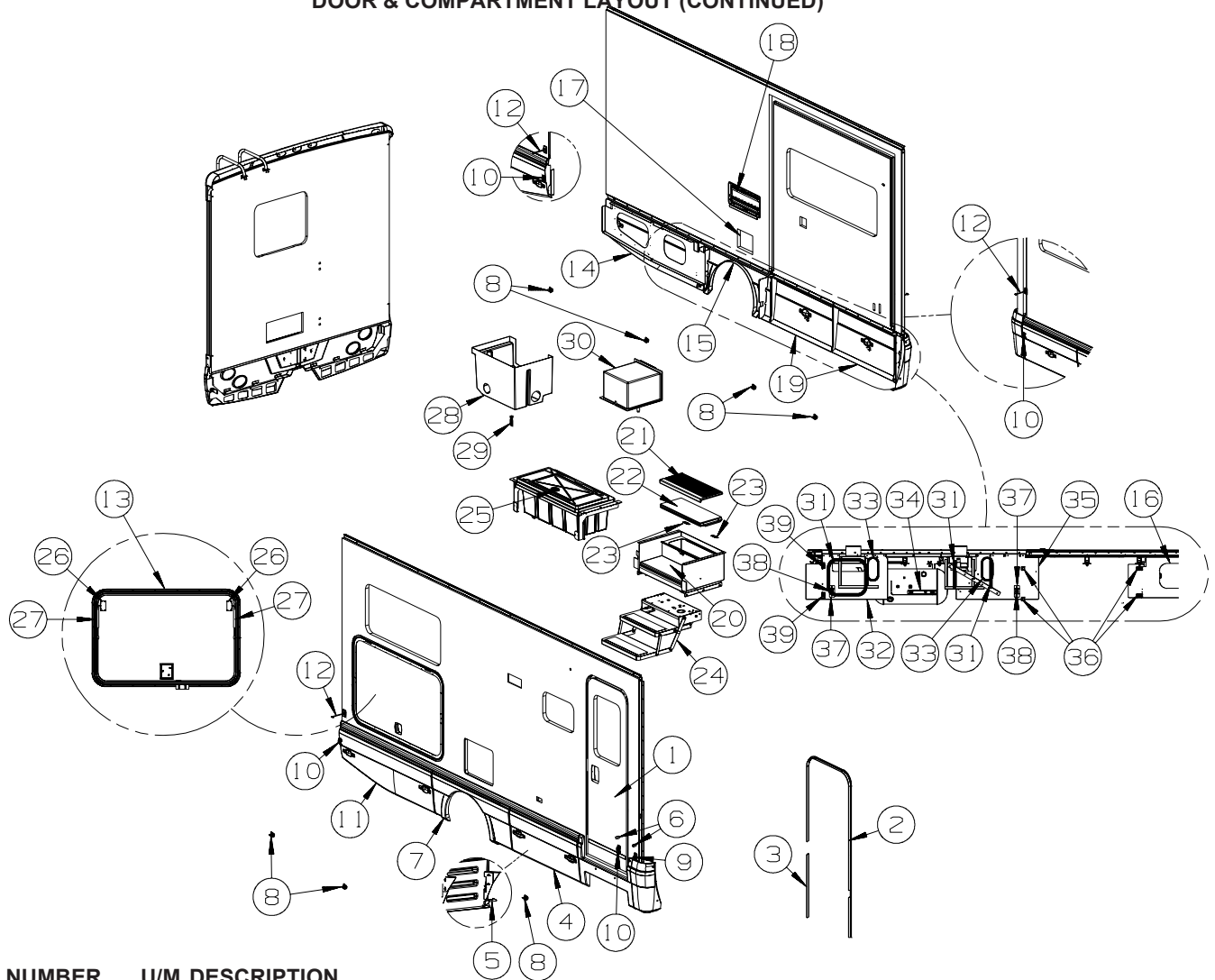
138287-11-000	EA	CYLINDER/LOCK - ENTRY DOOR - MASTER W/3M ICON - (3041)
138287-12-000	EA	CYLINDER/LOCK - ENTRY DOOR - MASTER W/3M ICON - (3042)
138287-13-000	EA	CYLINDER/LOCK - ENTRY DOOR - MASTER W/3M ICON - (3043)
138287-14-000	EA	CYLINDER/LOCK - ENTRY DOOR - MASTER W/3M ICON - (3044)
138287-15-000	EA	CYLINDER/LOCK - ENTRY DOOR - MASTER W/3M ICON - (3045)
138287-16-000	EA	CYLINDER/LOCK - ENTRY DOOR - MASTER W/3M ICON - (3046)
138287-17-000	EA	CYLINDER/LOCK - ENTRY DOOR - MASTER W/3M ICON - (3047)
138287-18-000	EA	CYLINDER/LOCK - ENTRY DOOR - MASTER W/3M ICON - (3048)
138287-19-000	EA	CYLINDER/LOCK - ENTRY DOOR - MASTER W/3M ICON - (3049)
138287-20-000	EA	CYLINDER/LOCK - ENTRY DOOR - MASTER W/3M ICON - (3050)
138288-11-000	EA	KEY - REVERSIBLE - #3041 - T/M 16169-02-3041
138288-12-000	EA	KEY - REVERSIBLE - #3042 - T/M 16169-02-3042
138288-13-000	EA	KEY - REVERSIBLE - #3043 - T/M 16169-02-3043
138288-14-000	EA	KEY - REVERSIBLE - #3044 - T/M 16169-02-3044
138288-15-000	EA	KEY - REVERSIBLE - #3045 - T/M 16169-02-3045
138288-16-000	EA	KEY - REVERSIBLE - #3046 - T/M 16169-02-3046
138288-17-000	EA	KEY - REVERSIBLE - #3047 - T/M 16169-02-3047
138288-18-000	EA	KEY - REVERSIBLE - #3048 - T/M 16169-02-3048
138288-19-000	EA	KEY - REVERSIBLE - #3049 - T/M 16169-02-3049
138288-20-000	EA	KEY - REVERSIBLE - #3050 - T/M 16169-02-3050
138292-01-000	EA	SEAL - LOCK CYLINDER

**VALANCE DOOR, WATER FILL & FUEL FILL DOOR LOCK CYLINDERS**

138289-11-000	EA	CYLINDER/LOCK - ACCESS DOORS - REDUCED SENSITIVITY (3041)
138289-12-000	EA	CYLINDER/LOCK - ACCESS DOORS - REDUCED SENSITIVITY (3042)
138289-13-000	EA	CYLINDER/LOCK - ACCESS DOORS - REDUCED SENSITIVITY (3043)
138289-14-000	EA	CYLINDER/LOCK - ACCESS DOORS - REDUCED SENSITIVITY (3044)
138289-15-000	EA	CYLINDER/LOCK - ACCESS DOORS - REDUCED SENSITIVITY (3045)
138289-16-000	EA	CYLINDER/LOCK - ACCESS DOORS - REDUCED SENSITIVITY (3046)
138289-17-000	EA	CYLINDER/LOCK - ACCESS DOORS - REDUCED SENSITIVITY (3047)
138289-18-000	EA	CYLINDER/LOCK - ACCESS DOORS - REDUCED SENSITIVITY (3048)
138289-19-000	EA	CYLINDER/LOCK - ACCESS DOORS - REDUCED SENSITIVITY (3049)
138289-20-000	EA	CYLINDER/LOCK - ACCESS DOORS - REDUCED SENSITIVITY (3050)
154066-50-001	EA	CASE/CYLINDER - LOCKING
154066-50-002	EA	CASE/CYLINDER - LOCKING
154066-50-003	EA	CASE/CYLINDER - LOCKING
154066-50-004	EA	CASE/CYLINDER - LOCKING
154066-50-005	EA	CASE/CYLINDER - LOCKING
154066-50-006	EA	CASE/CYLINDER - LOCKING
154066-50-007	EA	CASE/CYLINDER - LOCKING
154066-50-008	EA	CASE/CYLINDER - LOCKING
154066-50-009	EA	CASE/CYLINDER - LOCKING
154066-50-010	EA	CASE/CYLINDER - LOCKING
154066-51-001	EA	KEYS - SET OF TWO
154066-51-002	EA	KEYS - SET OF TWO
154066-51-003	EA	KEYS - SET OF TWO
154066-51-004	EA	KEYS - SET OF TWO
154066-51-005	EA	KEYS - SET OF TWO
154066-51-006	EA	KEYS - SET OF TWO
154066-51-007	EA	KEYS - SET OF TWO
154066-51-008	EA	KEYS - SET OF TWO
154066-51-009	EA	KEYS - SET OF TWO
154066-51-010	EA	KEYS - SET OF TWO
2	139100-09-01A	EA GARNISH/RADIUS - ENTRY DOOR - BRIGHT WHITE
2	139100-09-02A	EA GARNISH/RADIUS - ENTRY DOOR - BLACK
3	139101-07-01A	EA GARNISH/STRAIGHT - ENTRY DOOR - BRIGHT WHITE
3	139101-07-02A	EA GARNISH/STRAIGHT - ENTRY DOOR - BLACK



**EXTERIOR DOORS & COMPARTMENTS GROUP (CONTINUED)**  
**DOOR & COMPARTMENT LAYOUT (CONTINUED)**

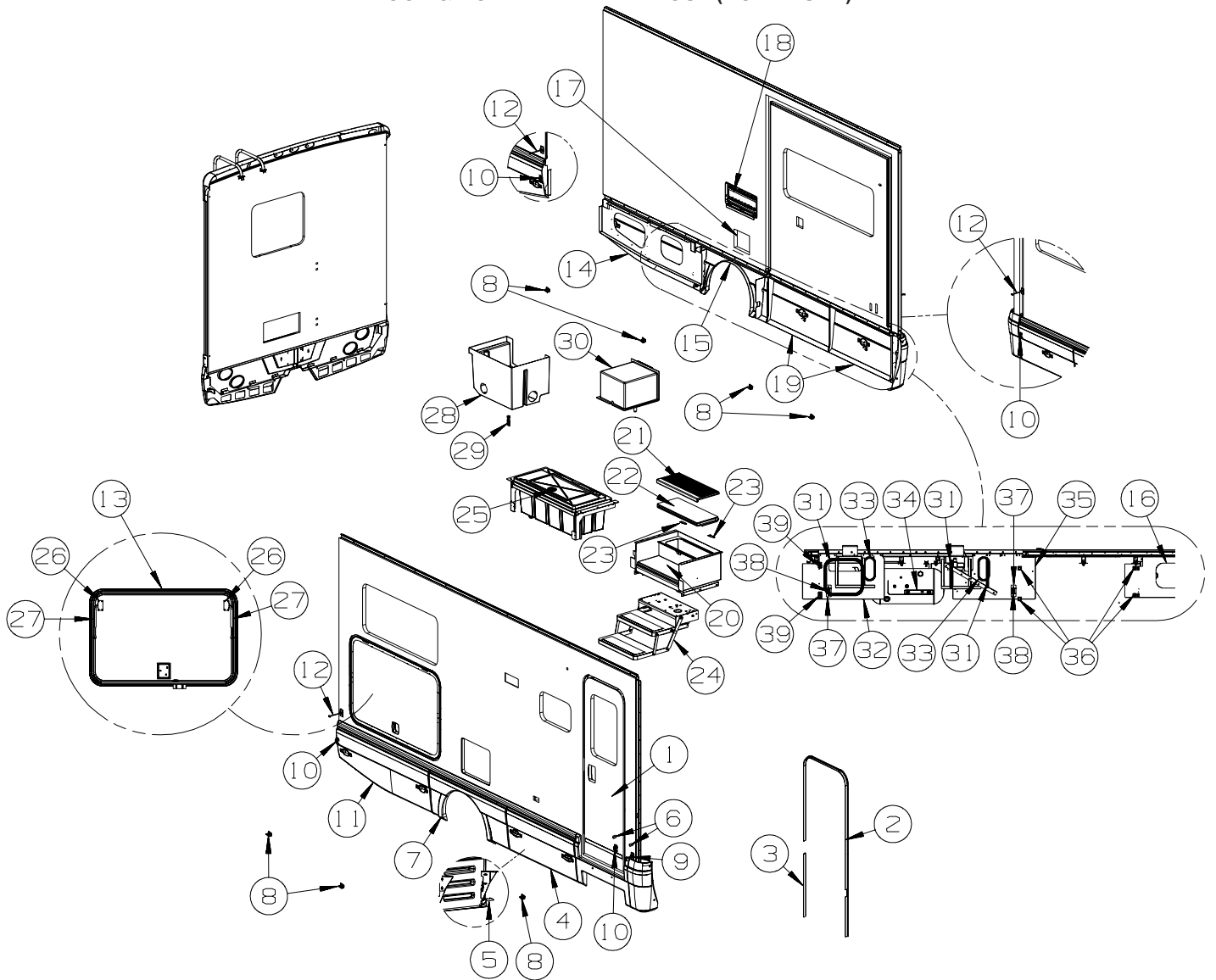


KEY	PART NUMBER	U/M	DESCRIPTION
4	160265-03-W13	EA	DOOR/STORAGE - DRVR - W/O HDW - 58.9" X 19.5" - W/TAPER
4	160265-03-W13	EA	DOOR/STORAGE - DRVR - W/O HDW - 58.9" X 19.5" - W/TAPER - <b>FULL BODY PAINT</b>
			FROM: 00-00-00 THRU: 04-06-08
4	160265-03-AA1	EA	DOOR/STORAGE - DRVR - W/O HDW - 58.9" X 19.5" - W/TAPER - <b>FULL BODY PAINT</b>
			FROM: 04-07-08 THRU: 99-99-99
	120494-01-02B	EA	SHIM - STRIKER - LUGGAGE DOOR - 1/16" - BLACK
	107721-07-000	FT	SEAL - ACCESS DOOR - .9"WIDE X 1.1"HIGH
	158297-01-000	FT	SEAL - BULB - .5" X .7" - ADHESIVE BACK - BLACK
5	159052-02-02B	EA	CATCH - DRAWER - W/ANGLE CATCH - E-COATED
5	100414-01-000	EA	SPRING-CATCH, 3/8" OD X 1.5" - EXTERIOR COMPARTMENTS
			FROM: 00-00-00 THRU: 05-01-07
5	164930-01-000	EA	SPRING/CATCH/EXT - 3/8"OD X 1.5" - EXTERIOR COMPARTMENTS
			FROM: 05-02-07 THRU: 99-99-99
6	120863-02-000	EA	BUMPER - RUBBER/RADIUS TOP - 1" X 1 1/2"
7	160620-01-W13	EA	PANEL - WHEEL LIP
7	160620-01-W13	EA	PANEL - WHEEL LIP - <b>FULL BODY PAINT</b>
			FROM: 00-00-00 THRU: 04-06-08
7	160620-01-AA1	EA	PANEL - WHEEL LIP - <b>FULL BODY PAINT</b>
			FROM: 04-07-08 THRU: 99-99-99
	158982-01-04B	EA	HINGE - CONTINUOUS - 2" X 8" - BLACK
8	160573-01-02B	EA	ANGLE/FORMED - STRIKER - 1.6" X 1.6" X 1.3" - E-COATED
			FROM: 00-00-00 THRU: 12-19-06 - <b>NOT ILLUSTRATED</b>
8	149358-01-01A	EA	BOLT - STRIKER - .375"DIAMETER
			FROM: 00-00-00 THRU: 12-19-06 - <b>NOT ILLUSTRATED</b>
8	163586-01-02B	EA	KEEPER - LATCH - E-COATED
			FROM: 12-20-06 THRU: 99-99-99

**EXTERIOR DOORS & COMPARTMENTS GROUP (CONTINUED)**  
**DOOR & COMPARTMENT LAYOUT (CONTINUED)**

KEY	PART NUMBER	U/M	DESCRIPTION
9	104099-01-04A	EA	CATCH - DOOR HOLDER - STRIKE - 3.9" - BRIGHT WHITE FROM: 00-00-00 THRU: 09-02-07
9	104099-03-04A	EA	CATCH - DOOR HOLDER - STRIKE - 6" - BRIGHT WHITE FROM: 09-03-07 THRU: 12-09-07
9	104099-03-05A	EA	CATCH - DOOR HOLDER - STRIKE - 6" - BLACK FROM: 00-00-00 THRU: 12-09-07
9	127960-01-01A	EA	RETAINER - EYE - 3/8" - STAINLESS STEEL - <b>NOT ILLUSTRATED</b> FROM: 12-10-07 THRU: 99-99-99
10	104099-02-05A	EA	CATCH/RETAINER - DOOR HOLDER - BLACK FROM: 00-00-00 THRU: 12-09-07
10	104099-02-06A	EA	CATCH/RETAINER - DOOR HOLDER - PEWTER FROM: 00-00-00 THRU: 12-09-07
10	127647-03-01A	EA	ROD/AWNING GUARD - ENTRY DOOR - 19.4" LONG - <b>NOT ILLUSTRATED</b> FROM: 12-10-07 THRU: 99-99-99
11	160265-02-W13	EA	DOOR/STORAGE - PASS - W/O HDW - 58.9" X 19.5" - W/TAPER
11	160265-02-W13	EA	DOOR/STORAGE - PASS - W/O HDW - 58.9" X 19.5" - W/TAPER - <b>FULL BODY PAINT</b> FROM: 00-00-00 THRU: 04-06-07
11	160265-02-AA1	EA	DOOR/STORAGE - PASS - W/O HDW - 58.9" X 19.5" - W/TAPER - <b>FULL BODY PAINT</b> FROM: 04-07-08 THRU: 99-99-99
	120494-01-02B	EA	SHIM - STRIKER - LUGGAGE DOOR - 1/16" - BLACK
	132892-08-01A	FT	SEAL - BULB/SINGLE - W/U CHANNEL - BLACK
12	104099-03-04A	EA	CATCH - DOOR HOLDER - STRIKE - 6" - BRIGHT WHITE
12	104099-03-05A	EA	CATCH - DOOR HOLDER - STRIKE - 6" - BLACK
13	154525-03-W13	EA	DOOR/STORAGE - 58.5" X 38.5" - W/O LATCH (W13, W14, W05, W06)
13	154525-03-W15	EA	DOOR/STORAGE - 58.5" X 38.5" - W/O LATCH (W15, W16)
13	154525-03-AA1	EA	DOOR/STORAGE - 58.5" X 38.5" - W/O LATCH (W13, W14, W05, W06) - <b>FULL BODY PAINT</b>
13	154525-03-AA2	EA	DOOR/STORAGE - 58.5" X 38.5" - W/O LATCH (W15, W16) - <b>FULL BODY PAINT</b>
	146556-01-000	FT	SEAL - D SECTION W/LEG
14	160265-01-W13	EA	DOOR/STORAGE - DRVR - W/O HDW - 58.9" X 19.5" - W/TAPER
14	160265-01-W13	EA	DOOR/STORAGE - DRVR - W/O HDW - 58.9" X 19.5" - W/TAPER - <b>FULL BODY PAINT</b> FROM: 00-00-00 THRU: 04-06-08
14	160265-01-AA1	EA	DOOR/STORAGE - DRVR - W/O HDW - 58.9" X 19.5" - W/TAPER - <b>FULL BODY PAINT</b> FROM: 04-07-08 THRU: 99-99-99
	107721-08-000	FT	SEAL - ACCESS DOOR - .9"WIDE X .9"HIGH
	120494-01-02B	EA	SHIM - STRIKER - LUGGAGE DOOR - 1/16" - BLACK
15	160620-02-W13	EA	PANEL - WHEEL LIP
15	160620-02-W13	EA	PANEL - WHEEL LIP - <b>FULL BODY PAINT</b> FROM: 00-00-00 THRU: 04-06-08
15	160620-02-AA1	EA	PANEL - WHEEL LIP - <b>FULL BODY PAINT</b> FROM: 04-07-08 THRU: 99-99-99
	158982-01-04B	EA	HINGE - CONTINUOUS - 2" X 8" - BLACK
16	152031-03-02B	EA	PLATE/SEAL - E-COATED
17	142894-01-01A	EA	DOOR/POWER CORD - W/HATCH - W/LOCK - BRIGHT WHITE
18*	084103-08-000	EA	DOOR - VENT - REFRIGERATOR - W/O JAMB - BRIGHT WHITE
18	084104-08-000	EA	JAMB - VENT DOOR/REFRIGERATOR - BRIGHT WHITE
19	160265-04-W13	EA	DOOR/STORAGE - W/O HDW - 39.1" X 19.5"
19	160265-04-W13	EA	DOOR/STORAGE - W/O HDW - 39.1" X 19.5" - <b>FULL BODY PAINT</b> FROM: 00-00-00 THRU: 04-06-08
19	160265-04-W13	EA	DOOR/STORAGE - W/O HDW - 39.1" X 19.5" - <b>FULL BODY PAINT</b> FROM: 04-07-08 THRU: 99-99-99
20	133114-03-01A	EA	TREAD - STEP/RUBBER - 27.1" X 10.1" - TAUPE
21	147781-01-01A	EA	TREAD/STEP - RUBBER - TAUPE
22	123330-05-02B	EA	SUPPORT - ENTRY STEP - E-COATED
23	146747-01-02B	EA	BRACKET/CATCH - E-COATED
24*	094707-04-01A	EA	STEP - ELECTRIC DOUBLE - KWIKEE
	116975-01-01A	EA	LATCH - W/O STRIKE - BLACK - NEW STYLE
25	151728-01-T01	EA	LID - COMPARTMENT/STORAGE
26	155616-02-12B	EA	BRACKET - GAS SPRING - BRIGHT WHITE
27	142569-21-000	EA	SPRING/GAS - 60 LB - 20" EXTENDED/12" COMPRESSED
28	151634-01-000	EA	COMPARTMENT - DRAINAGE
	132892-07-01A	EA	SEAL - BULB/SINGLE - W/U CHANNEL - .5" X 1" - BLACK
29	130377-02-000	EA	TUBE/DRAIN - KAZOO - 1 1/2" X 4"
30	153823-01-000	EA	BOX - POWER CORD

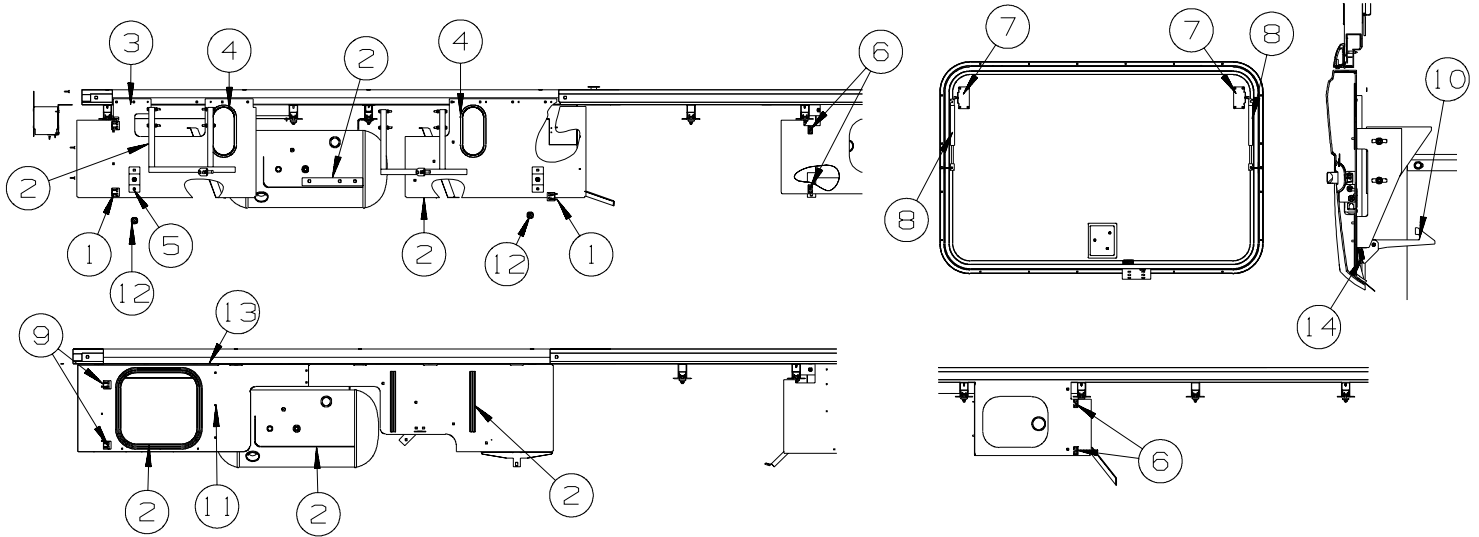
**EXTERIOR DOORS & COMPARTMENTS GROUP (CONTINUED)**  
**DOOR & COMPARTMENT LAYOUT (CONTINUED)**



KEY	PART NUMBER	U/M	DESCRIPTION
31	107721-07-000	FT	SEAL - ACCESS DOOR - .9"WIDE X 1.1"HIGH
32	160568-01-02B	EA	PANEL/CLOSEOUT - LP/Front - E-COATED
33	148331-01-01A	EA	PLUG - OVAL/LARGE - BLACK
34	154423-01-01A	EA	ANGLE - W/SLOTS - 11" - BLACK
	107721-07-000	FT	SEAL - ACCESS DOOR - .9"WIDE X 1.1"HIGH
35	160568-02-02B	EA	PANEL/CLOSEOUT - LP/REAR - E-COATED
36	140309-01-02B	EA	ANGLE - FURNACE DOOR - E-COATED
37	154814-02-02B	EA	BRACKET/FORMED - ADJUSTING BOLT - E-COATED
38	058786-01-000	EA	BOLT - HOOD ADJUSTMENT - 5/16"-18 X 1.5"-2"- W/BLACK PAD
39	140309-07-02B	EA	ANGLE - FURNACE DOOR - E-COATED

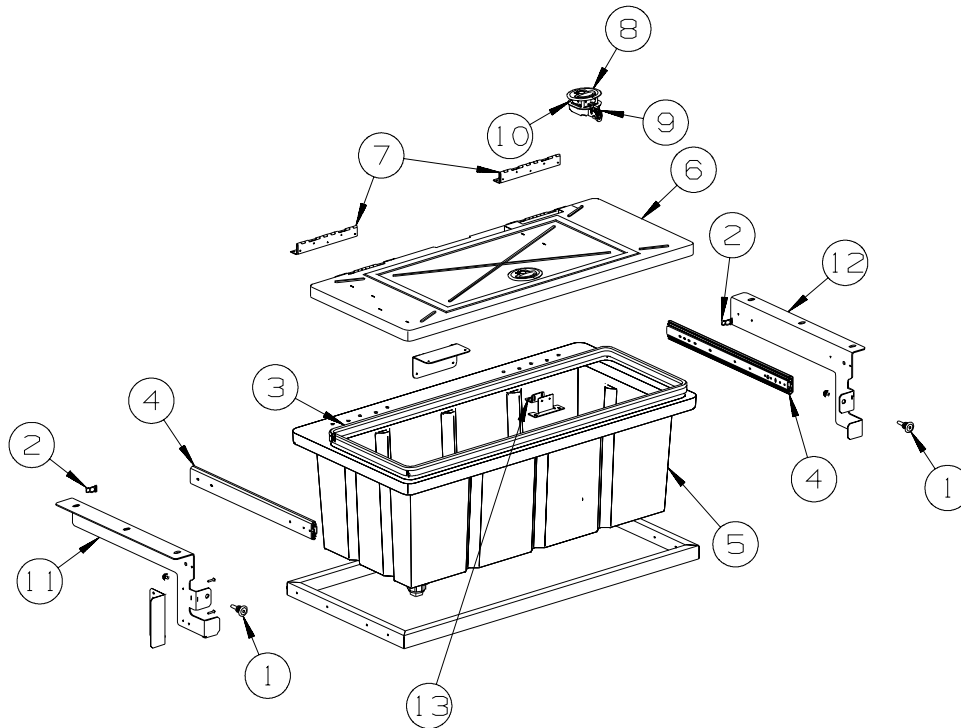
**\*COMPONENT PARTS LISTED LATER IN THIS GROUP**

**EXTERIOR DOORS & COMPARTMENTS GROUP (CONTINUED)**  
**DOOR & COMPARTMENT LAYOUT (CONTINUED)**



KEY	PART NUMBER	U/M	DESCRIPTION
1	140309-07-02B	EA	ANGLE - FURNACE DOOR - E-COATED
2	107721-07-000	FT	SEAL - ACCESS DOOR - .9"WIDE X 1.1"HIGH
3	160568-01-02B	EA	PANEL/CLOSEOUT - LP/FRONT - E-COATED
4	148331-01-01A	EA	PLUG - OVAL/LARGE - BLACK
5	154814-02-02B	EA	BRACKET/FORMED - ADJUSTING BOLT - E-COATED
6	140309-03-02B	EA	ANGLE - FURNACE DOOR - E-COATED
7	155616-02-12B	EA	BRACKET - GAS SPRING - BRIGHT WHITE
8	142569-21-000	EA	SPRING/GAS - 60 LB - 20" EXTENDED/12" COMPRESSED
9	140309-02-02B	EA	ANGLE - FURNACE DOOR - E-COATED
10	159052-02-02B	EA	CATCH - DRAWER - W/ANGLE CATCH - E-COATED
11	159508-03-02B	EA	PLATE/SEAL - E-COATED
12	058786-01-000	EA	BOLT - HOOD ADJUSTMENT - 5/16"-18 X 1.5"-2"- W/BLACK PAD
13	132892-08-01A	FT	SEAL - BULB/SINGLE - W/U CHANNEL - 1" X .8" - BLACK
14	100414-01-000	EA	SPRING-CATCH, 3/8" OD X 1.5" - EXTERIOR COMPARTMENTS
14	164930-01-000	EA	SPRING/CATCH/EXT - 3/8"OD X 1.5" - EXTERIOR COMPARTMENTS
			FROM: 00-00-00 THRU: 05-01-07
			FROM: 05-02-07 THRU: 99-99-99

**EXTERIOR DOORS & COMPARTMENTS GROUP (CONTINUED)**  
**DOOR & COMPARTMENT LAYOUT (CONTINUED)**



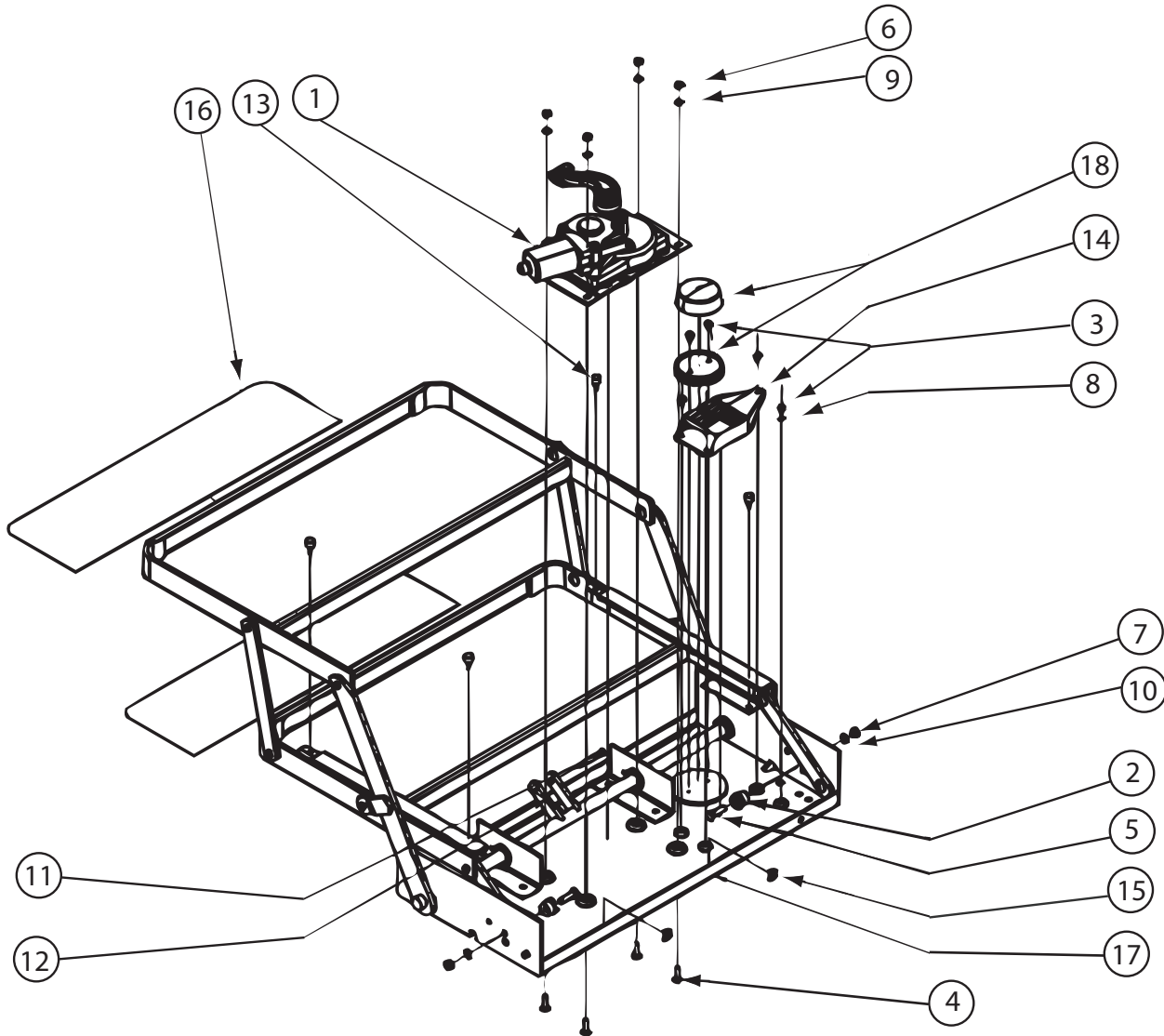
KEY	PART NUMBER	U/M	DESCRIPTION
1	058786-01-000	EA	BOLT - HOOD ADJUSTMENT - 5/16"-18 X 1.5"-2"- W/BLACK PAD
2	132892-04-01A	FT	SEAL - DOUBLE BULB - W/WIRED U CHANNEL - 1.3" X .8"-BLACK
3	132892-07-01A	FT	SEAL - BULB/SINGLE - W/U CHANNEL - .5" X 1" - BLACK
4	151463-02-000	EA	SLIDES - STORAGE COMPARTMENT (PAIR)
5	160748-02-000	EA	COMPARTMENT - STORAGE - PLASTIC
	160748-01-000	EA	COMPARTMENT - STORAGE - PLASTIC
5	151548-02-000	EA	COMPARTMENT - STORAGE - PLASTIC
	151548-01-000	EA	COMPARTMENT - STORAGE - PLASTIC
	010166-01-000	EA	PLUG/THREADED - 1 1/4"MPT - PLASTIC - BLACK - UL
	042989-03-000	EA	FITTING - SPINWELD - 1 1/4"NPT - PLASTIC
6	151728-01-T01	EA	LID - COMPARTMENT/STORAGE
6	151728-02-U17	EA	LID - COMPARTMENT/STORAGE
	151547-01-01A	EA	LID - COMPARTMENT/STORAGE - BLACK
7	101349-01-01A	EA	HINGE-PIANO - SPRING LOADED - STOCKER
8	152171-02-01A	EA	LATCH/PADDLE - NON-LOCKING - BLACK
9	152171-03-01A	EA	LATCH/INNER - BLACK
10	152171-06-01A	EA	GASKET - LATCH - FOAM
11	151737-03-02B	EA	BRACKET/SUPPORT - SLIDE - E-COATED
11	151737-05-02B	EA	BRACKET/SUPPORT - SLIDE - E-COATED
12	151737-04-02B	EA	BRACKET/SUPPORT - SLIDE - E-COATED
12	151737-06-02B	EA	BRACKET/SUPPORT - SLIDE - E-COATED
12	151737-07-02B	EA	BRACKET/SUPPORT - SLIDE - E-COATED
13	152171-05-01A	EA	KEEPER - LATCH - METAL

# EXTERIOR DOORS & COMPARTMENTS GROUP (CONTINUED)

## COMPONENT PARTS FOR DOOR & COMPARTMENT LAYOUT

084103-08-000

KEY	PART NUMBER	U/M	DESCRIPTION	VENDOR NO.
	084104-01-700	EA	LOCK-MALE, FASTENER	201-721-010
	084104-01-701	EA	LOCK-FEMALE, FASTENER	201-802-010

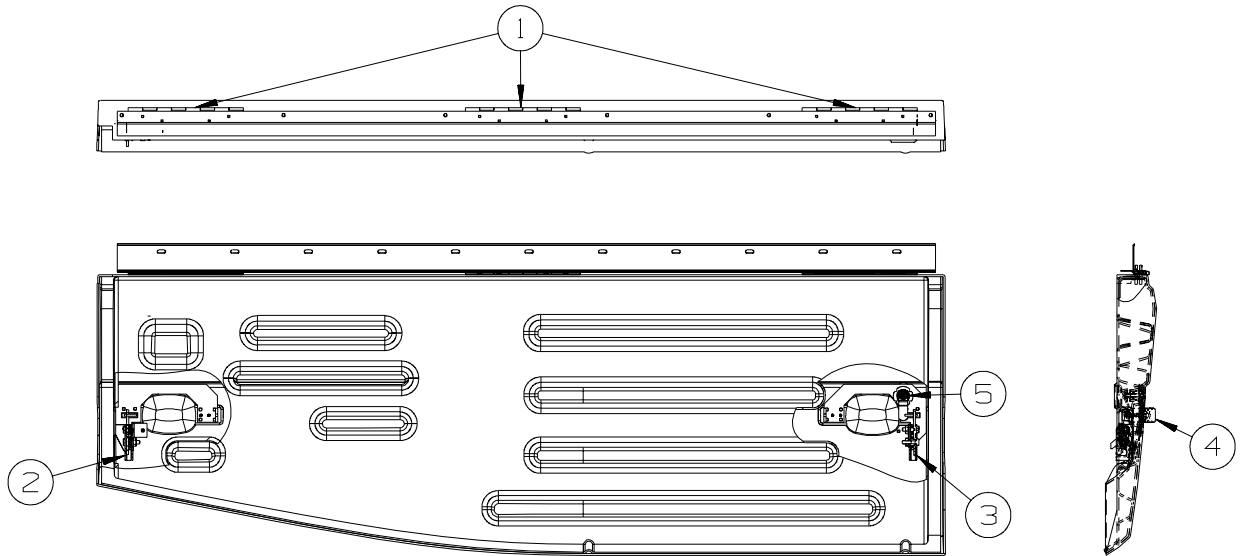


094707-04-01A

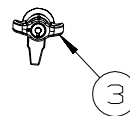
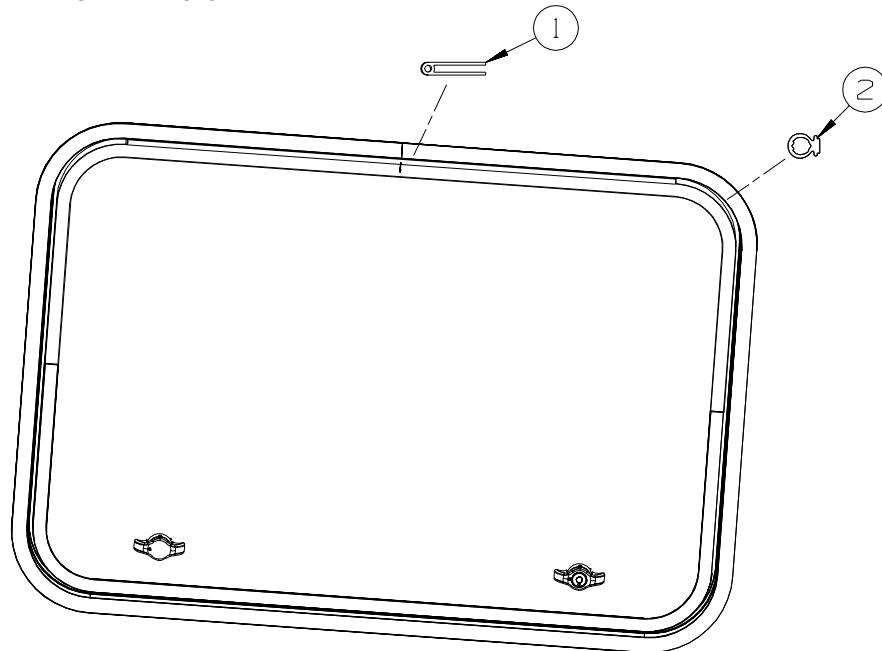
KEY	PART NUMBER	U/M	DESCRIPTION	VENDOR NO.
1	094707-04-701	EA	MOTOR "AM 214" F/IMGL STEPS	1101428
1	094707-04-703	EA	GEAR BOX W/LINKAGE-CURVED	1101425
2	143709-01-700	EA	CAM STOP	1102200
10	094707-04-712	EA	HARNASS/JUMPER W/DIODE	1510000015
12	094707-04-702	EA	COTTOR PIN - W/CLEVIS PIN	905205000
13	143709-01-701	EA	BUMPER - BLACK (RUBBER STOP)	1602000
14	094707-04-700	EA	CONTROL UNIT W/OVERRIDE	909510000
16	143709-01-702	EA	TREAD/NON-SKID 6" X 21" BLK	1915260
17	094707-04-704	EA	FRAME W/DBL STEP-32REINF SRS	3202082
18	088746-01-705	EA	LIGHT-UNDER STEP	9004
	094707-03-701	EA	PLUG - 4-WAY - PACKARD	909306
	094707-04-711	EA	KWIKTEST - W/4-WAY PIGTAIL	909518000

CONTACT WINNEBAGO PART SALES FOR UNLISTED COMPONENT(S)

**EXTERIOR DOORS & COMPARTMENTS GROUP (CONTINUED)**  
**COMPARTMENT DOOR PIECE PARTS**

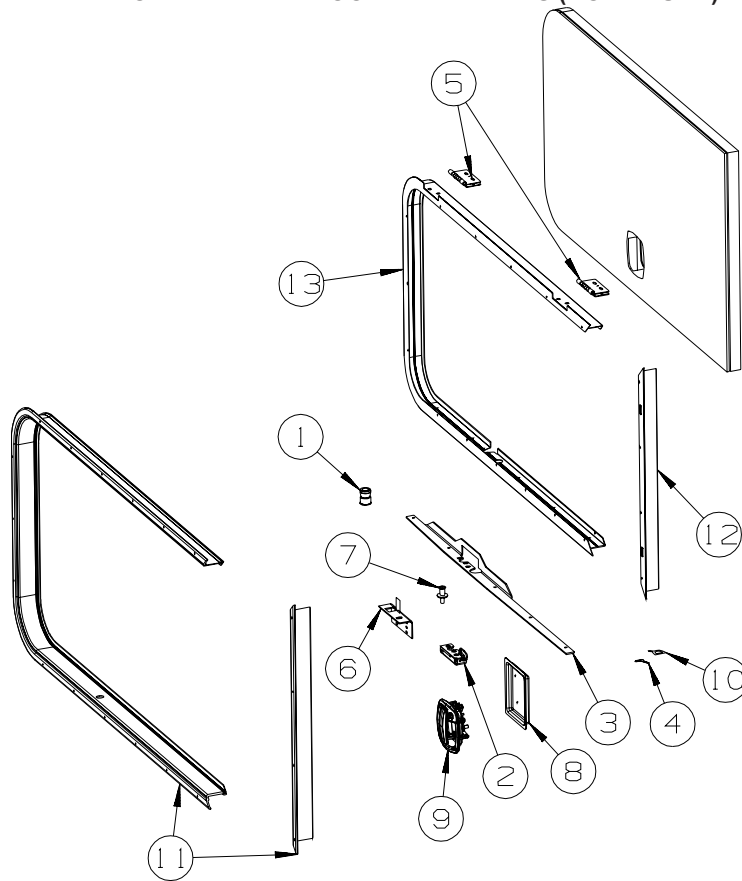


KEY	PART NUMBER	U/M DESCRIPTION
1	158982-01-04B	EA HINGE - CONTINUOUS - 2" X 8" - BLACK
2	149359-05-01A	EA LATCH - SINGLE ROTOR - MINI/RIGHT HAND - HOOD - ZINC
3	149359-06-01A	EA LATCH - SINGLE ROTOR - MINI/LEFT HAND - HOOD - ZINC
4	160558-01-02A	EA HANDLE/DOOR - COMPARTMENT - W/O LOCK - PEWTER
5	138290-04-000	EA CASE - W/CAM - W/O CYLINDER/KEY



KEY	PART NUMBER	U/M DESCRIPTION
1	081801-V3-000	EA HINGE - DOOR - PIANO - 2" X 96" - BRIGHT WHITE
2	156386-01-01A	FT SEAL - BULB - W/ADHESIVE BACK
3	154066-01-01A	EA LATCH - VISE ACTION/LOCKING - BLACK
	154066-13-000	EA HARDWARE KIT - W/PAWL/CAM - STRAIGHT
4	154066-02-01A	EA LATCH - VISE ACTION/NON-LOCKING - BLACK
	154066-13-000	EA HARDWARE KIT - W/PAWL/CAM - STRAIGHT

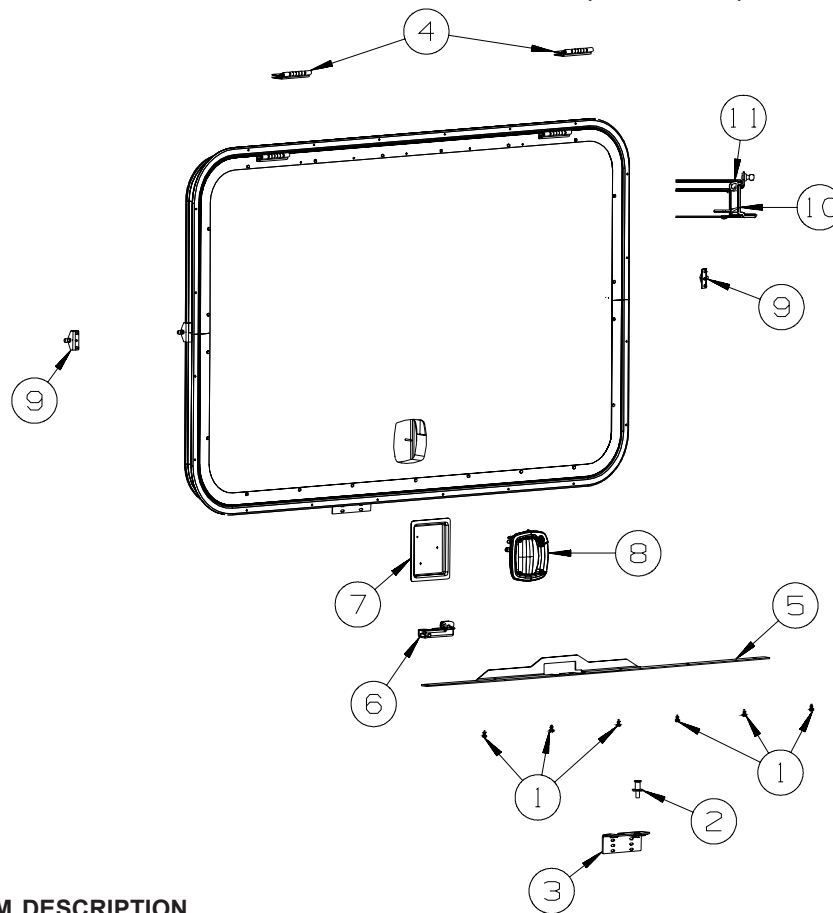
**EXTERIOR DOORS & COMPARTMENTS GROUP (CONTINUED)**  
**COMPARTMENT DOOR PIECE PARTS (CONTINUED)**



KEY	PART NUMBER	U/M	DESCRIPTION
1	072893-04-000	EA	NUTSERT - 10-32
2	112782-22-01A	EA	LATCH - SINGLE ROTOR
3	154530-03-02B	EA	STIFFENER/DOOR - FORMED - E-COATED
4	075671-04-000	FT	SEAL - SPONGE - LAZY T - W/ADHESIVE STRIP - .5" WIDE
5	106719-02-05A	EA	HINGE - STORAGE DOOR - 3.6" X 3.8" - BRIGHT WHITE
5	106719-02-03A	EA	HINGE - STORAGE DOOR - 3.6" X 3.8" - BLACK
6	137401-01-03B	EA	BRACKET - DOOR ANGLE - OFF WHITE
7	092927-14-000	EA	STRIKER - ROUND - JAMB MOUNTED
8	112782-25-02A	EA	COVER - LATCH PLATE - BRIGHT WHITE
8	112782-25-01A	EA	COVER - LATCH PLATE - BLACK
9	112782-24-01A	EA	LATCH/PADDLE - COMPT DOOR - W/O CYLINDER - BLACK
10	146556-01-000	FT	SEAL - D SECTION W/LEG
11	121898-22-01A	EA	JAMB - DOOR/ENTRANCE - BRIGHT WHITE
11	121898-22-02A	EA	JAMB - DOOR/ENTRANCE - BLACK
12	121893-01-01A	EA	FRAME - ENTRY DOOR/BOTTOM - BRIGHT WHITE
12	121893-01-02A	EA	FRAME - ENTRY DOOR/BOTTOM - BLACK
13	121894-32-01A	EA	FRAME - ENTRY DOOR - BRIGHT WHITE
13	121894-32-02A	EA	FRAME - ENTRY DOOR - BLACK

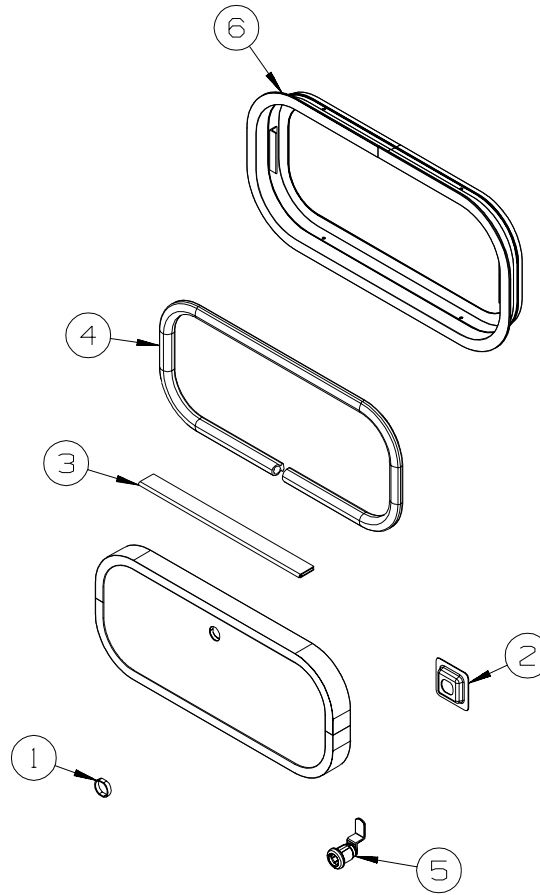


**EXTERIOR DOORS & COMPARTMENTS GROUP (CONTINUED)**  
**COMPARTMENT DOOR PIECE PARTS (CONTINUED)**



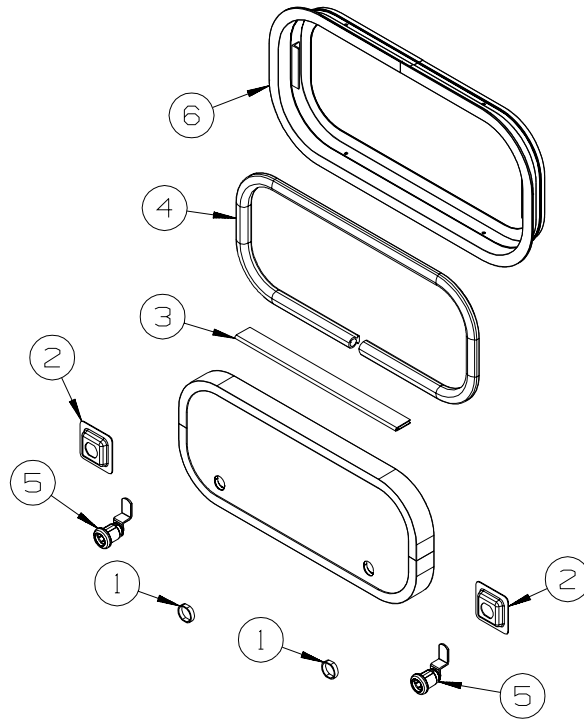
KEY	PART NUMBER	U/M	DESCRIPTION
1	072893-04-000	EA	NUTSERT - 10-32
2	092927-14-000	EA	STRIKER - ROUND - JAMB MOUNTED
3	137401-01-03B	EA	BRACKET - DOOR ANGLE - OFF WHITE
4	106719-02-05A	EA	HINGE - STORAGE DOOR - 3.6" X 3.8" - BRIGHT WHITE
4	106719-02-03A	EA	HINGE - STORAGE DOOR - 3.6" X 3.8" - BLACK
5	154530-04-03B	EA	STIFFENER/DOOR - FORMED - OFF WHITE
6	112782-22-01A	EA	LATCH - SINGLE ROTOR
7	112782-25-02A	EA	COVER - LATCH PLATE - BRIGHT WHITE
7	112782-25-01A	EA	COVER - LATCH PLATE - BLACK
8	112782-24-01A	EA	LATCH/PADDLE - COMPT DOOR - W/O CYLINDER - BLACK
9	126263-02-02B	EA	BRACKET - GAS SPRING W/BALL STUD - E-COATED
10	075671-04-000	FT	SEAL - SPONGE - LAZY T - W/ADHESIVE STRIP - .5" WIDE
11	146556-01-000	FT	SEAL - D SECTION W/LEG

**EXTERIOR DOORS & COMPARTMENTS GROUP (CONTINUED)**  
**COMPARTMENT DOOR PIECE PARTS (CONTINUED)**



KEY	PART NUMBER	U/M DESCRIPTION
1	139325-01-000	EA SPACER - LOCK - 6MM - ENTERTAINMENT CENTER
	139337-01-000	EA GASKET - LOCK - ENTERTAINMENT CENTER
1	144734-01-000	EA SPACER - COMPARTMENT DOOR LOCK - 9/16" DEEP
2	097111-02-04A	EA POCKET - LOCK - REAR DOOR - BLACK - ENTERTAINMENT CENTER
3	081801-V3-000	EA HINGE - DOOR - PIANO - 2" X 96" - BRIGHT WHITE
3	081801-FN-000	EA HINGE - DOOR - PIANO - 2" X 96" - BLACK
4	156386-01-01A	FT SEAL - BULB - W/ADHESIVE BACK
5	110506-40-000	EA CLIP-E, LOCK ASM - BRIGGS & STRATTON 93981
5	110506-41-000	EA WASHER-TENSION LOCK ASM - BRIGGS & STRATTON 37512
5	110506-42-000	EA NUT-LOCK ASM - BRIGGS & STRATTON 310878
5	110506-43-000	EA WASHER-FLAT, LOCK ASM - BRIGGS & STRATTON 82089
5	110506-44-000	EA GASKET-LOCK ASM - BRIGGS & STRATTON - #47701
5	110506-55-000	EA CASE/CYLINDER -TWIST -W/O CAM -1.25" -597312AA1 - TWIST LOCK
5	110506-66-000	EA CAM - LATCHING - DOG LEG - 1.5" LONG - TWIST LOCK
5	138290-02-000	EA CASE - W/CAM - W/O CYLINDER/KEY - ENTERTAINMENT CENTER
5	138637-04-000	EA LOCK ASM. - KEYED - 1.5" CASE (CYLINDER/CAM/HDWR PKG) - KEYED LOCK
	144474-01-000	EA ADAPTER - LOCK - 180 DEGREE - KEYED LOCK
	138637-63-000	EA CAM - LATCHING - DOG LEG - 1.5" LONG - KEYED LOCK
	138637-53-000	EA CASE/CYLINDER - LOCKING - W/O CAM/KEY - 1.5"
	138637-53-001	EA CASE/CYLINDER - LOCKING - W/O CAM/KEY - 1.5"
	138637-53-002	EA CASE/CYLINDER - LOCKING - W/O CAM/KEY - 1.5"
	138637-53-003	EA CASE/CYLINDER - LOCKING - W/O CAM/KEY - 1.5"
	138637-53-004	EA CASE/CYLINDER - LOCKING - W/O CAM/KEY - 1.5"
	138637-53-005	EA CASE/CYLINDER - LOCKING - W/O CAM/KEY - 1.5"
	138637-53-006	EA CASE/CYLINDER - LOCKING - W/O CAM/KEY - 1.5"
	138637-53-007	EA CASE/CYLINDER - LOCKING - W/O CAM/KEY - 1.5"
	138637-53-008	EA CASE/CYLINDER - LOCKING - W/O CAM/KEY - 1.5"
	138637-53-009	EA CASE/CYLINDER - LOCKING - W/O CAM/KEY - 1.5"
6	056795-01-000	FT TAPE-SEAL, 1/8~ X 3/8~ WIDE - PRESS ON

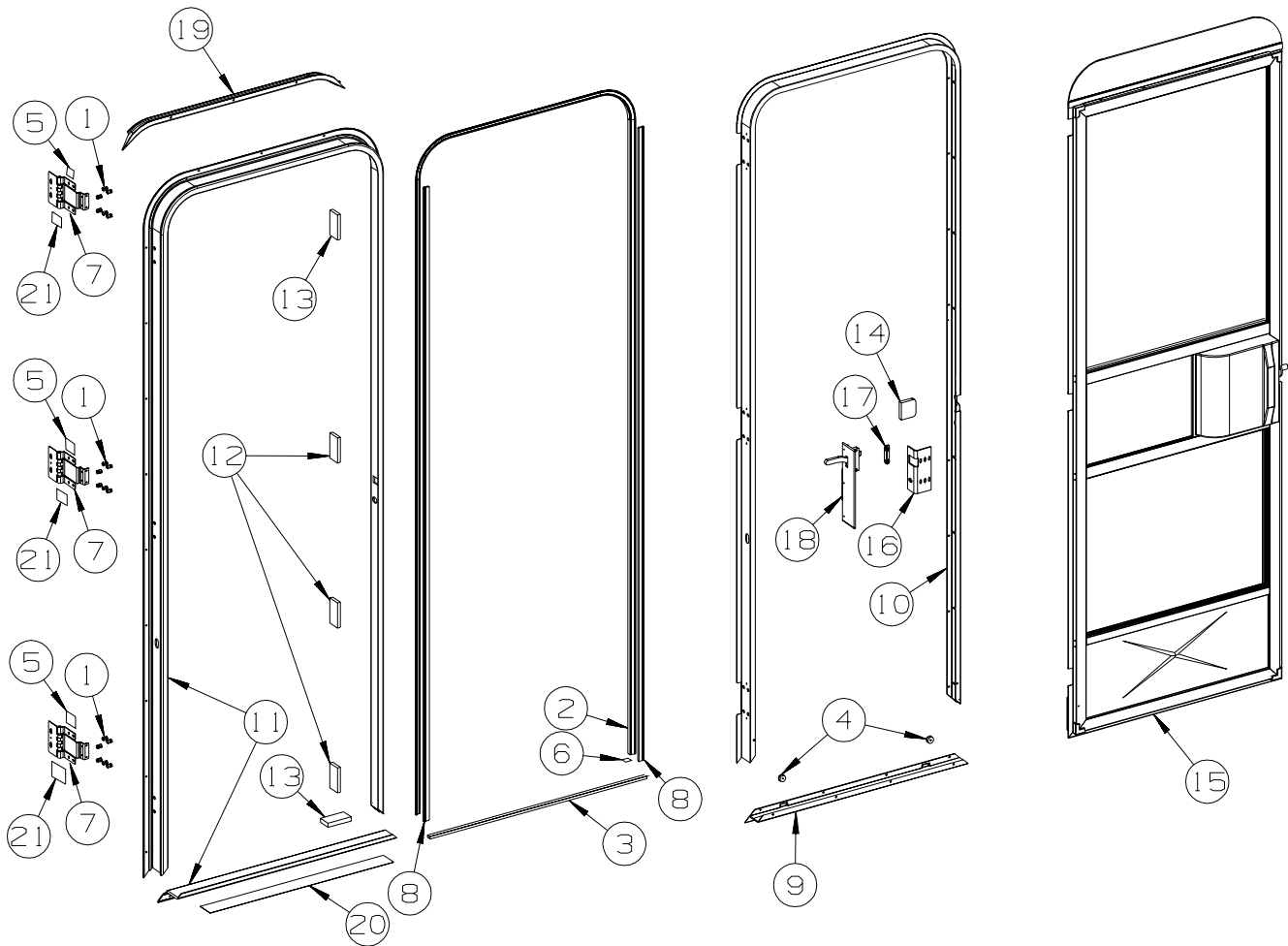
**EXTERIOR DOORS & COMPARTMENTS GROUP (CONTINUED)**  
**COMPARTMENT DOOR PIECE PARTS (CONTINUED)**



KEY	PART NUMBER	U/M	DESCRIPTION
1	144734-01-000	EA	SPACER - COMPARTMENT DOOR LOCK - 9/16" DEEP
1	139325-01-000	EA	SPACER - LOCK - 6MM - TRI/MARK KEY ONE
	139337-01-000	EA	GASKET - LOCK - TRI/MARK KEY ONE
2	097111-02-04A	EA	POCKET - LOCK - REAR DOOR - BLACK - TRI/MARK KEY ONE
3	081801-V3-000	EA	HINGE - DOOR - PIANO - 2" X 96" - BRIGHT WHITE
3	081801-FN-000	EA	HINGE - DOOR - PIANO - 2" X 96" - BLACK
4	156386-01-01A	FT	SEAL - BULB - .4" X .5" - W/ADHESIVE BACK
5	110506-27-000	EA	LOCK - TWIST - 1.6" - TWIST LOCK
	110506-55-000	EA	CASE/CYLINDER - TWIST LOCK - W/O CAM - 1.25" - 597312AA1 - TWIST LOCK
	110506-66-000	EA	CAM - LATCHING - DOG LEG - 1.5" LONG - TWIST LOCK
5	138290-02-000	EA	CASE - W/CAM - W/O CYLINDER/KEY - TRI/MARK KEY ONE
5	138637-04-000	EA	LOCK ASM. - KEYED - 1.5" CASE (CYLINDER/CAM/HDWR PKG) - KEYED LOCK
	110506-40-000	EA	CLIP-E, LOCK ASM - BRIGGS & STRATTON 93981- KEYED LOCK
	110506-41-000	EA	WASHER-TENSION LOCK ASM - BRIGGS & STRATTON 37512- KEYED LOCK
	110506-42-000	EA	NUT-LOCK ASM - BRIGGS & STRATTON 310878- KEYED LOCK
	110506-43-000	EA	WASHER-FLAT, LOCK ASM - BRIGGS & STRATTON 82089- KEYED LOCK
	110506-44-000	EA	GASKET-LOCK ASM - BRIGGS & STRATTON - #47701- KEYED LOCK
	110506-45-000	EA	WASHER - SPUR - BRIGGS & STRATTON - #94771 - KEYED LOCK
	144474-01-000	EA	ADAPTER - LOCK - 180 DEGREE- KEYED LOCK
	138637-63-000	EA	CAM - LATCHING - DOG LEG - 1 1/2" LONG- KEYED LOCK
	138637-53-000	EA	CASE/CYLINDER - LOCKING - W/O CAM/KEY - 1.5"- KEYED LOCK
	138637-53-001	EA	CASE/CYLINDER - LOCKING - W/O CAM/KEY - 1.5"- KEYED LOCK
	138637-53-002	EA	CASE/CYLINDER - LOCKING - W/O CAM/KEY - 1.5"- KEYED LOCK
	138637-53-003	EA	CASE/CYLINDER - LOCKING - W/O CAM/KEY - 1.5"- KEYED LOCK
	138637-53-004	EA	CASE/CYLINDER - LOCKING - W/O CAM/KEY - 1.5"- KEYED LOCK
	138637-53-005	EA	CASE/CYLINDER - LOCKING - W/O CAM/KEY - 1.5"- KEYED LOCK
	138637-53-006	EA	CASE/CYLINDER - LOCKING - W/O CAM/KEY - 1.5"- KEYED LOCK
	138637-53-007	EA	CASE/CYLINDER - LOCKING - W/O CAM/KEY - 1.5"- KEYED LOCK
	138637-53-008	EA	CASE/CYLINDER - LOCKING - W/O CAM/KEY - 1.5"- KEYED LOCK
	138637-53-009	EA	CASE/CYLINDER - LOCKING - W/O CAM/KEY - 1.5"- KEYED LOCK
6	056795-01-000	FT	TAPE-SEAL, 1/8" X 3/8" WIDE - PRESS ON

# EXTERIOR DOORS & COMPARTMENTS GROUP (CONTINUED)

## ENTRY

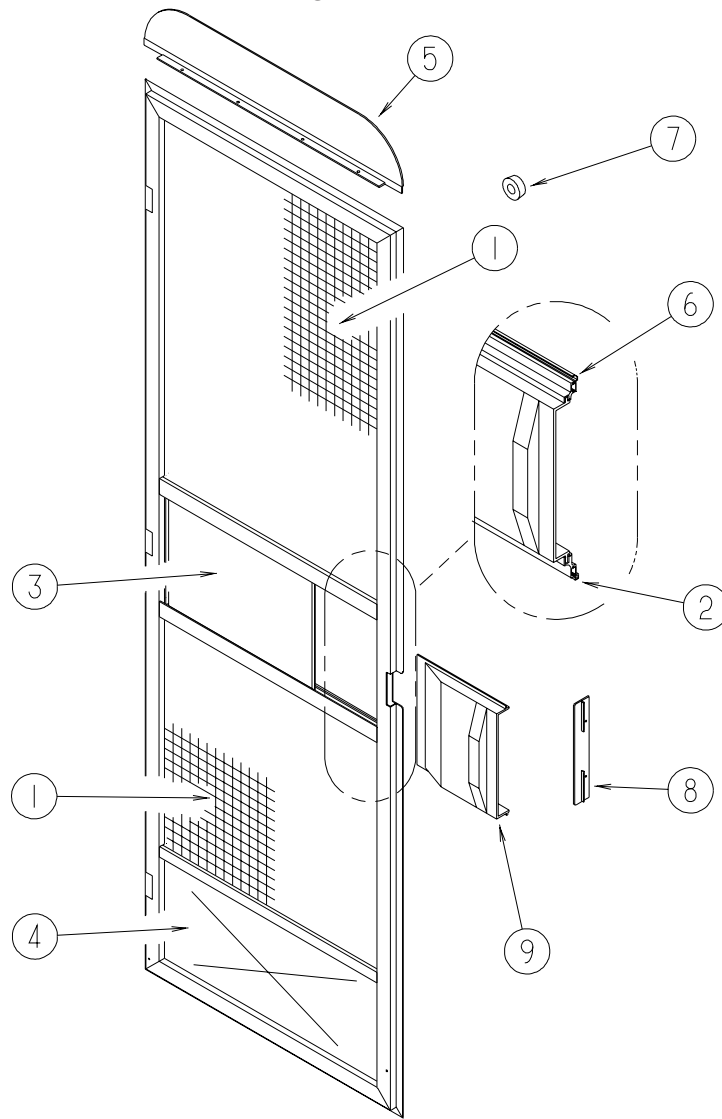


KEY	PART NUMBER	U/M	DESCRIPTION
1	039715-01-000	EA	NUT-SERT - 1/4" DIAMETER - 20 THREADS
2	075671-05-000	FT	SEAL - SPONGE - LAZY T - 1/2"W - W/ADHESIVE STRIP
3	075673-05-000	FT	SEAL/PILE - .5" HIGH W/ADHESIVE BACK - BLACK
4	081914-02-000	EA	BUMPER - RUBBER - ROUND - 5/16" DIA. X 13/64" THICK
5	100128-02-000	FT	SEAL - FOAM/ADHESIVE BACK - .37" WIDE X .37" THICK
6	104692-01-000	FT	SEAL - ADHESIVE BACKED FOAM - 3/4" THICK X 3/4" WIDE X 25'
7	106719-01-05A	EA	HINGE - ENTRY DOOR - BRIGHT WHITE
7	106719-01-08A	EA	HINGE - ENTRY DOOR - BLACK
8	118929-01-01A	FT	SEAL - PILE - PUSH ON
9	121893-01-01A	EA	FRAME - ENTRY DOOR/LOWER - BRIGHT WHITE
9	121893-01-04A	EA	FRAME - ENTRY DOOR/BOTTOM - BLACK
10	121894-31-01A	EA	FRAME - ENTRY DOOR - BRIGHT WHITE
10	121894-31-02A	EA	FRAME - ENTRY DOOR - BLACK
11	121898-21-01A	EA	JAMB - DOOR/ENTRANCE - BRIGHT WHITE
11	121898-21-02A	EA	JAMB - DOOR/ENTRANCE - BLACK
12	125724-01-000	EA	SHIM - DOOR, ENTRANCE
13	125724-02-000	EA	SHIM - DOOR, ENTRANCE
14	130096-05-000	EA	FOAM - SCREEN DOOR, RETAINER
15	P32208-06-S34	EA	DOOR - SCREEN - W/O STRIKE/SLIDER/HDW - BRIGHT WHITE
15	P32208-06-W37	EA	DOOR - SCREEN - W/O STRIKE/SLIDER/HDW - BLACK
16	137401-01-03B	EA	BRACKET - DOOR ANGLE - OFF WHITE
17	148364-01-12B	EA	STRIKE - SCREEN DOOR - BRIGHT WHITE
17	148364-01-04B	EA	STRIKE - SCREEN DOOR - BLACK
18	132915-01-01A	EA	LATCH - SCREEN DOOR - BLACK
19	139054-01-01A	EA	CAP - DRIP - JAMB MOUNTED - BRIGHT WHITE
19	139054-01-02A	EA	CAP - DRIP - JAMB MOUNTED - BLACK
20	038327-01-000	EA	TAPE - ANTI-SLIP - 2" X 60'
	168053-01-000	FT	SEAL - ENTRANCE DOOR

FROM: 02-18-08 THRU: 99-99-99

# EXTERIOR DOORS & COMPARTMENTS GROUP (CONTINUED)

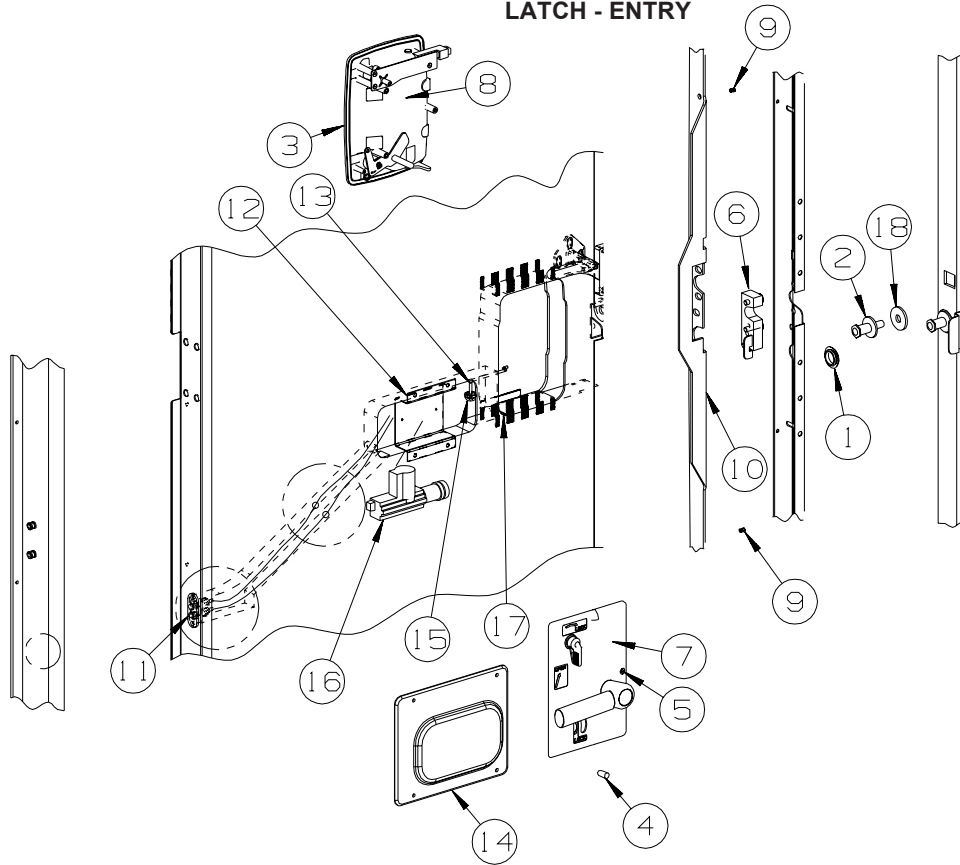
## SCREEN



KEY	PART NUMBER	U/M	DESCRIPTION
1	002293-02-000	SF	SCREEN - 26" - CHARCOAL
2	002294-01-000	FT	SPLINE - SCREENING - .13" X .14"
3	016454-21-000	EA	INSERT/CENTER - SCREEN DOOR
4	078552-03-000	EA	KICK PANEL - SCREEN DOOR - LOWER INSERT - UNPAINTED
5	078595-01-000	EA	TOP PLATE - SCREEN DOOR - CURVED TOP - 4.7" X 25.35"
6	078777-08-000	FT	CHANNEL - SLIDER - 4 FOOT INCREMENTS
7	120863-09-000	EA	BUMPER - RUBBER/RADIUS TOP - 3/4" X 3/8" - LT GRAY
8	132081-01-01A	EA	STRIKE - SLIDER - SCREEN DOOR - BRIGHT WHITE
8	132081-01-03A	EA	STRIKE - SLIDER - SCREEN DOOR - BLACK
9	132082-01-01A	EA	SLIDER - SCREEN DOOR - BRIGHT WHITE
9	132082-01-03A	EA	SLIDER - SCREEN DOOR - BLACK

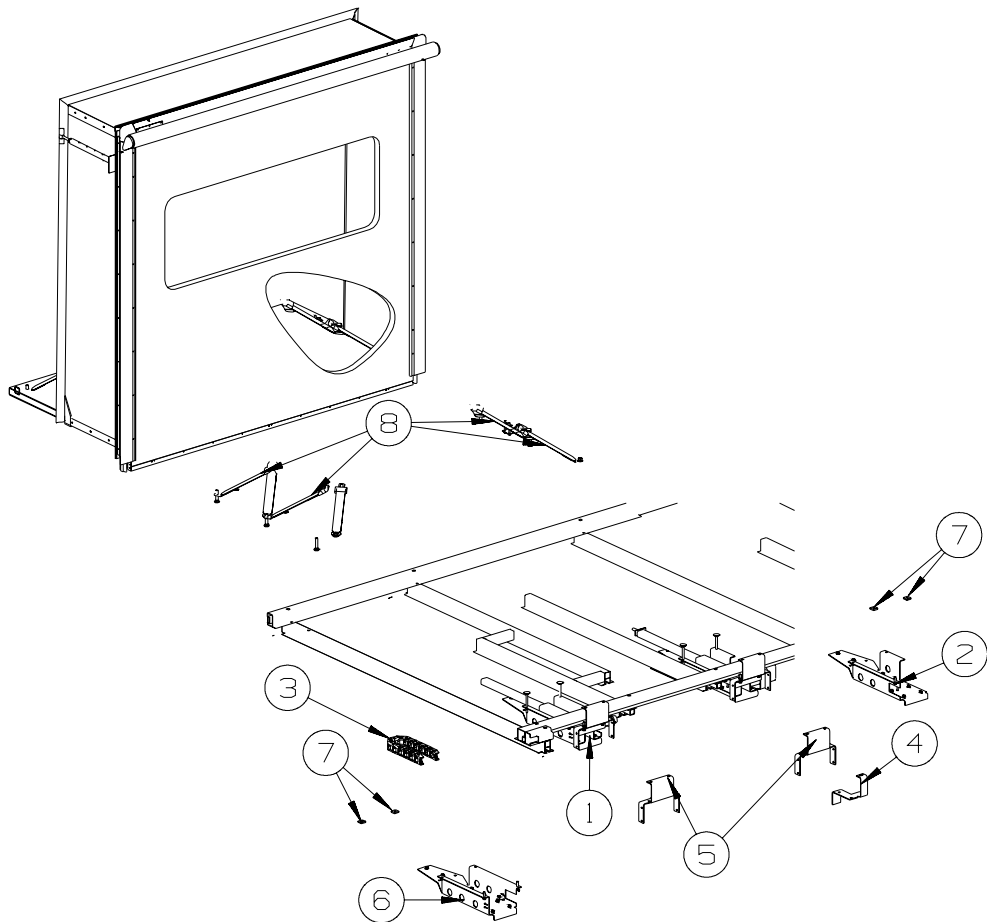
# EXTERIOR DOORS & COMPARTMENTS GROUP (CONTINUED)

## LATCH - ENTRY



KEY	PART NUMBER	U/M	DESCRIPTION
1	061420-14-000	EA	PLUG/PLASTIC - 7/8" DIAMETER - BLACK
2	092927-20-000	EA	STRIKER - BOLT
3	112782-04-01A	EA	GASKET
4	112782-05-01A	EA	CAP - VINYL - RED
5	112782-08-01A	EA	SCREW - MOUNTING/PLATE - ZINC
6	112782-22-01A	EA	LATCH - SINGLE ROTOR
7	112782-27-01A	EA	LATCH - INTERIOR PLATE
8	112782-20-01A	EA	LATCH - EXTERIOR - W/O LOCK CYLINDER W/ICON-REVERSIBLE KEY
9	072893-04-000	EA	NUTSERT - 10-32
10	132207-01-02B	EA	STIFFENER/DOOR - FORMED - E-COATED
10	132207-03-02B	EA	STIFFENER/DOOR - FORMED - E-COATED - VIEW, ASPECT, NAVION, CAMBRIA
11	138897-01-000	EA	SWITCH - 2 PIN/SPRING LOADED CONTACTS (EA=1 SWITCH)
12	113650-02-02B	EA	BRACKET - ACTUATOR - ELECTRIC - E-COATED
13	113651-01-01A	EA	ROD - CONTROL - MOTOR/LOCK
14	113960-01-01A	EA	COVER - ACTUATOR - POWER LOCK
15	147900-01-01A	EA	SPACER-STRIKE BOLT, MILL
16	138898-01-000	EA	ACTUATOR/LOCK - ELECTRIC
17	137230-01-01A	EA	SPACER- NOTCHED, MILL

## EXTERIOR SLIDEOUT GROUP FRONT LEFT

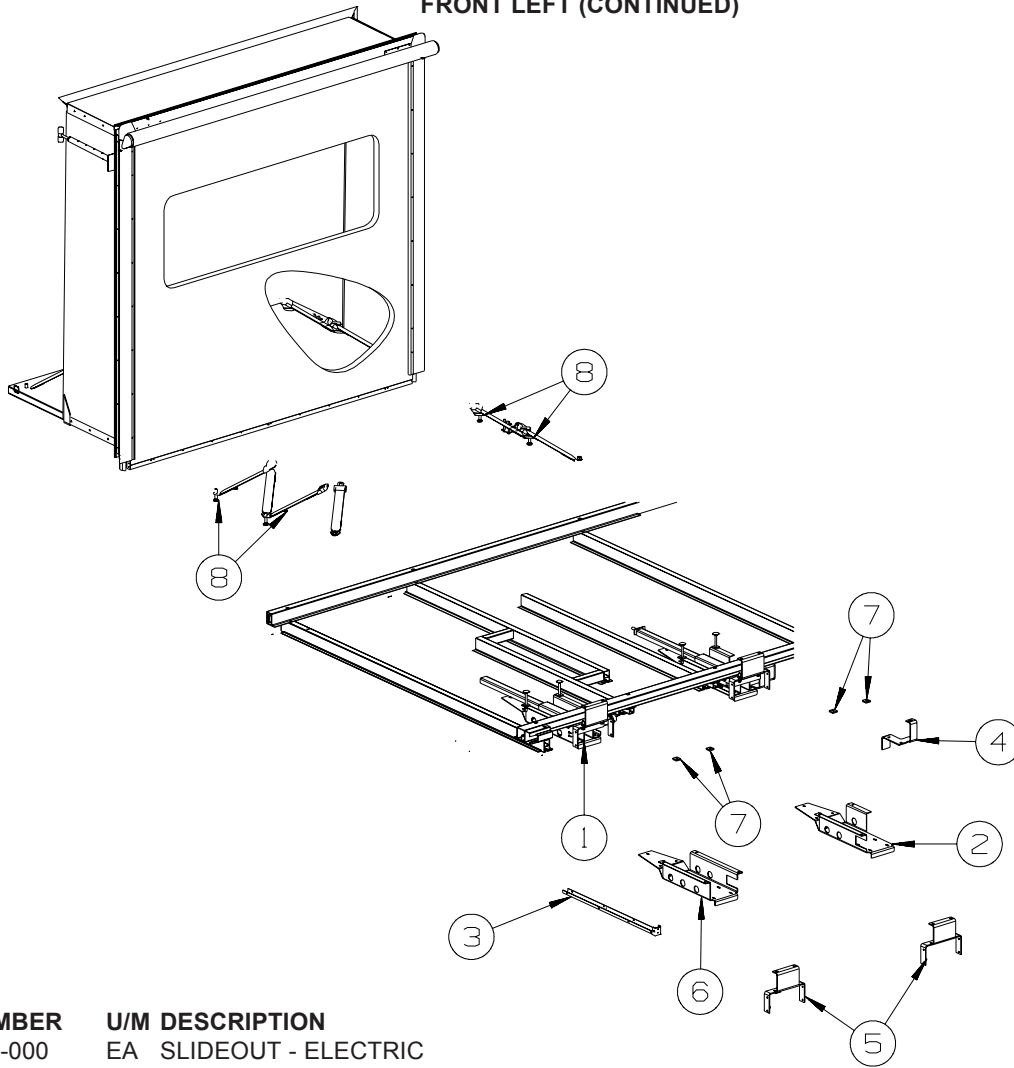


**DINETTE**

KEY	PART NUMBER	U/M	DESCRIPTION
1*	148685-02-000	EA	SLIDEOUT - ELECTRIC
2	151442-04-02B	EA	TRAY/MOUNTING - SLIDE MECHANISM - E-COATED
3	141019-03-02B	EA	SUPPORT - WIRE - E-COATED - <b>NOT ILLUSTRATED</b>
			FROM: 00-00-00 THRU: 04-08-07
3	143541-03-01A	EA	CARRIER/WIRING - F/SLIDEOUT ROOM - 13 LINKS
			FROM: 04-09-07 THRU: 99-99-99
4	151461-01-02B	EA	BRACKET/MOUNT - SLIDEOUT - E-COATED
5	151841-01-02B	EA	BRACKET/MOUNT - SLIDEOUT - E-COATED
6	154812-02-02B	EA	TRAY/MOUNTING - SLIDE MECHANISM - E-COATED - <b>NOT ILLUSTRATED</b>
			FROM: 00-00-00 THRU: 04-08-07
6	151442-03-02B	EA	TRAY/MOUNTING - SLIDE MECHANISM - E-COATED
			FROM: 04-09-07 THRU: 99-99-99
7	135712-05-02B	EA	PLATE - BODY MOUNT - E-COATED
8	160167-02-01A	EA	SEAT BELT - 2" X 90" - BLACK

**\*COMPONENT PARTS LISTED LATER IN THIS GROUP**

**EXTERIOR SLIDEOUT GROUP (CONTINUED)**  
**FRONT LEFT (CONTINUED)**



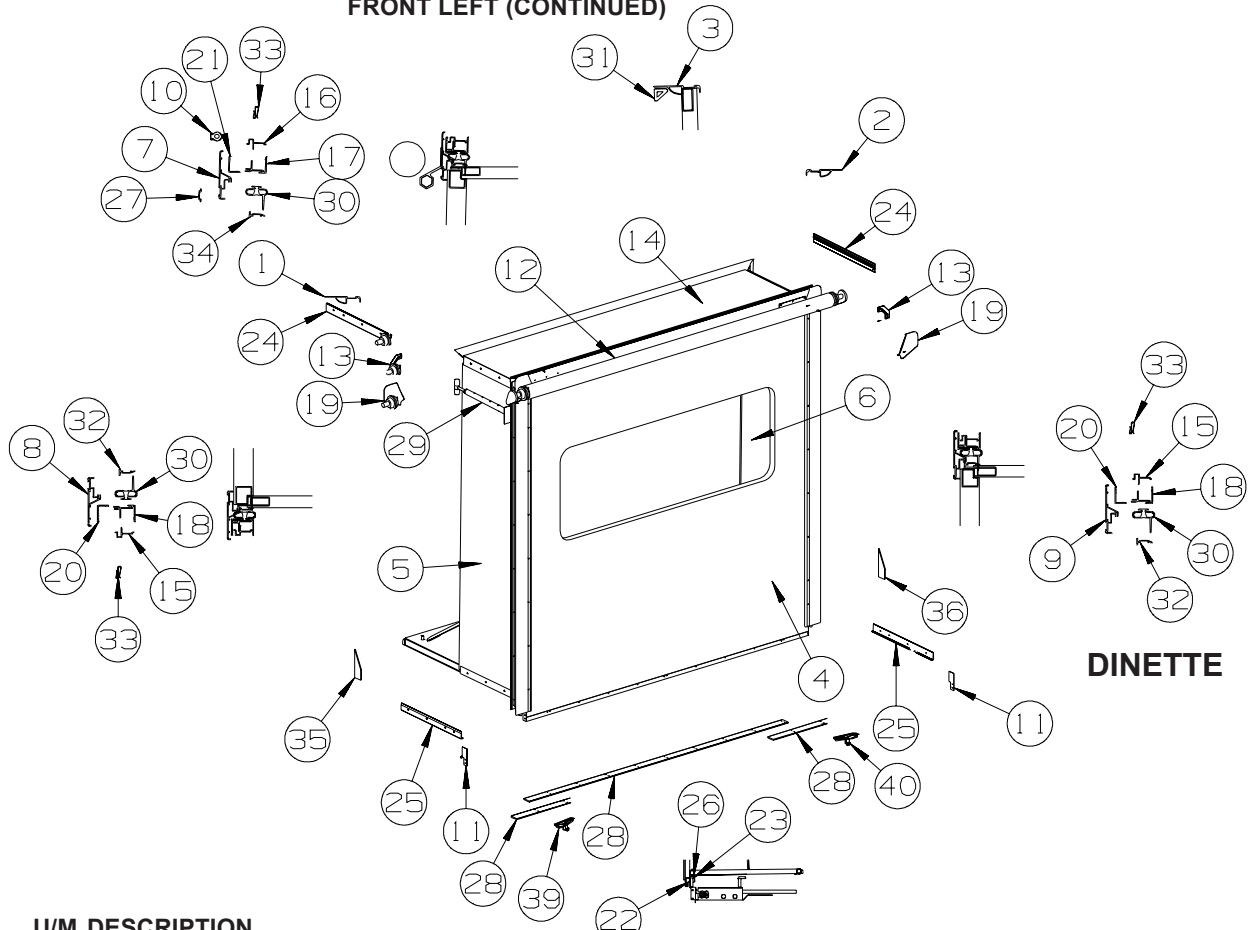
**SOFA/BED LH**

KEY	PART NUMBER	U/M	DESCRIPTION
1*	148685-02-000	EA	SLIDEOUT - ELECTRIC
2	151442-04-02B	EA	TRAY/MOUNTING - SLIDE MECHANISM - E-COATED
3	141019-03-02B	EA	SUPPORT - WIRE - E-COATED
3	143541-03-01A	EA	CARRIER/WIRING - F/SLIDEOUT ROOM - 13 LINKS - <b>NOT ILLUSTRATED</b> FROM: 00-00-00 THRU: 04-08-07 FROM: 04-09-07 THRU: 99-99-99
4	151461-01-02B	EA	BRACKET/MOUNT - SLIDEOUT - E-COATED
5	151841-01-02B	EA	BRACKET/MOUNT - SLIDEOUT - E-COATED
6	154812-02-02B	EA	TRAY/MOUNTING - SLIDE MECHANISM - E-COATED
6	151442-03-02B	EA	TRAY/MOUNTING - SLIDE MECHANISM - E-COATED - <b>NOT ILLUSTRATED</b> FROM: 00-00-00 THRU: 04-08-07 FROM: 04-09-07 THRU: 99-99-99
7	135712-05-02B	EA	PLATE - BODY MOUNT - E-COATED
8	160167-01-01A	EA	SEAT BELT - 2" X 102" - BLACK

**\*COMPONENT PARTS LISTED LATER IN THIS GROUP**



**EXTERIOR SLIDEOUT GROUP (CONTINUED)**  
**FRONT LEFT (CONTINUED)**



**DINETTE**

KEY	PART NUMBER	U/M	DESCRIPTION
1	139624-25-02A	EA	TRIM/SEAL - INNER/RIGHT HAND W/NOTCH - 73.3" - ALMOND
2	139624-26-02A	EA	TRIM/SEAL - INNER/LEFT HAND W/NOTCH - 73.3" - ALMOND
3	139624-04-02A	EA	TRIM/SEAL - INNER/TOP - 80.2" - ALMOND
4	160157-11-W13	EA	SLUG - F/SLIDEOUT (W13, W14, W05, W06)
4	160157-11-W15	EA	SLUG - F/SLIDEOUT (W15, W16)
5	154462-01-W13	EA	PANEL END - F/SLIDEOUT
5	162977-05-W13	EA	PANEL END - F/SLIDEOUT (W13, W14, W05, W06) FROM: 00-00-00 THRU: 02-25-07
5	162977-05-W15	EA	PANEL END - F/SLIDEOUT (W15, W16) FROM: 02-26-07 THRU: 99-99-99
6	154461-01-W13	EA	PANEL END - F/SLIDEOUT
6	162977-06-W13	EA	PANEL END - F/SLIDEOUT (W13, W14, W05, W06) FROM: 00-00-00 THRU: 02-25-07
6	162977-06-W13	EA	PANEL END - F/SLIDEOUT (W15, W16) FROM: 02-26-07 THRU: 99-99-99
7	156417-01-01A	EA	TRIM/SEAL - W/MITERED ENDS - 76.5" - BRIGHT WHITE - <b>NOT ILLUSTRATED</b> FROM: 00-00-00 THRU: 02-25-07
7	162052-01-01A	EA	TRIM/SEAL - W/MITERED ENDS - 78.4" - BRIGHT WHITE FROM: 02-26-07 THRU: 99-99-99
7	162052-01-02A	EA	TRIM/SEAL - W/MITERED ENDS - 78.4" - BLACK
8	156417-25-01A	EA	TRIM/SEAL - W/MITERED ENDS - 74.2" - BRIGHT WHITE - <b>NOT ILLUSTRATED</b> FROM: 00-00-00 THRU: 02-25-07
8	162052-25-01A	EA	TRIM/SEAL - W/MITERED ENDS - 74.2" - BRIGHT WHITE FROM: 02-26-07 THRU: 02-10-08
8	162052-71-01A	EA	TRIM/SEAL - W/MITERED ENDS - 73.9" - BRIGHT WHITE FROM: 02-11-08 THRU: 99-99-99
8	162052-25-02A	EA	TRIM/SEAL - W/MITERED ENDS - 74.2" - BLACK FROM: 00-00-00 THRU: 02-10-08
8	162052-71-02A	EA	TRIM/SEAL - W/MITERED ENDS - 73.9" - BLACK FROM: 02-11-08 THRU: 99-99-99

**EXTERIOR SLIDEOUT GROUP (CONTINUED)**  
**FRONT LEFT (CONTINUED)**

KEY	PART NUMBER	U/M	DESCRIPTION
9	156417-26-01A	EA	TRIM/SEAL - W/MITERED ENDS - 74.2" - BRIGHT WHITE - <b>NOT ILLUSTRATED</b> FROM: 00-00-00 THRU: 02-25-07
9	162052-26-01A	EA	TRIM/SEAL - W/MITERED ENDS - 74.2" - BRIGHT WHITE FROM: 02-26-07 THRU: 02-10-08
9	162052-72-01A	EA	TRIM/SEAL - W/MITERED ENDS - 73.9" - BRIGHT WHITE FROM: 02-11-08 THRU: 99-99-99
9	162052-26-02A	EA	TRIM/SEAL - W/MITERED ENDS - 74.2" - BLACK FROM: 00-00-00 THRU: 02-10-08
9	162052-72-02A	EA	TRIM/SEAL - W/MITERED ENDS - 73.9" - BRIGHT WHITE FROM: 02-11-08 THRU: 99-99-99
10	158297-01-000	FT	SEAL - D-SECTION/BULB/TEE - ADHESIVE BACK - BLACK
11	126546-03-03A	EA	COVER - END/SIDEWALL - BLACK
12			SLIDEOUT AWNING

**ORDER AWNINGS & REPAIR PARTS FROM DOMETIC. CALL #800-366-3842.**

**THE DOMETIC AWNING INFORMATION YOU WILL NEED IS LOCATED ON THE MOTOR HOME NEAR  
THE TOP OF THE AWNING RAIL.**

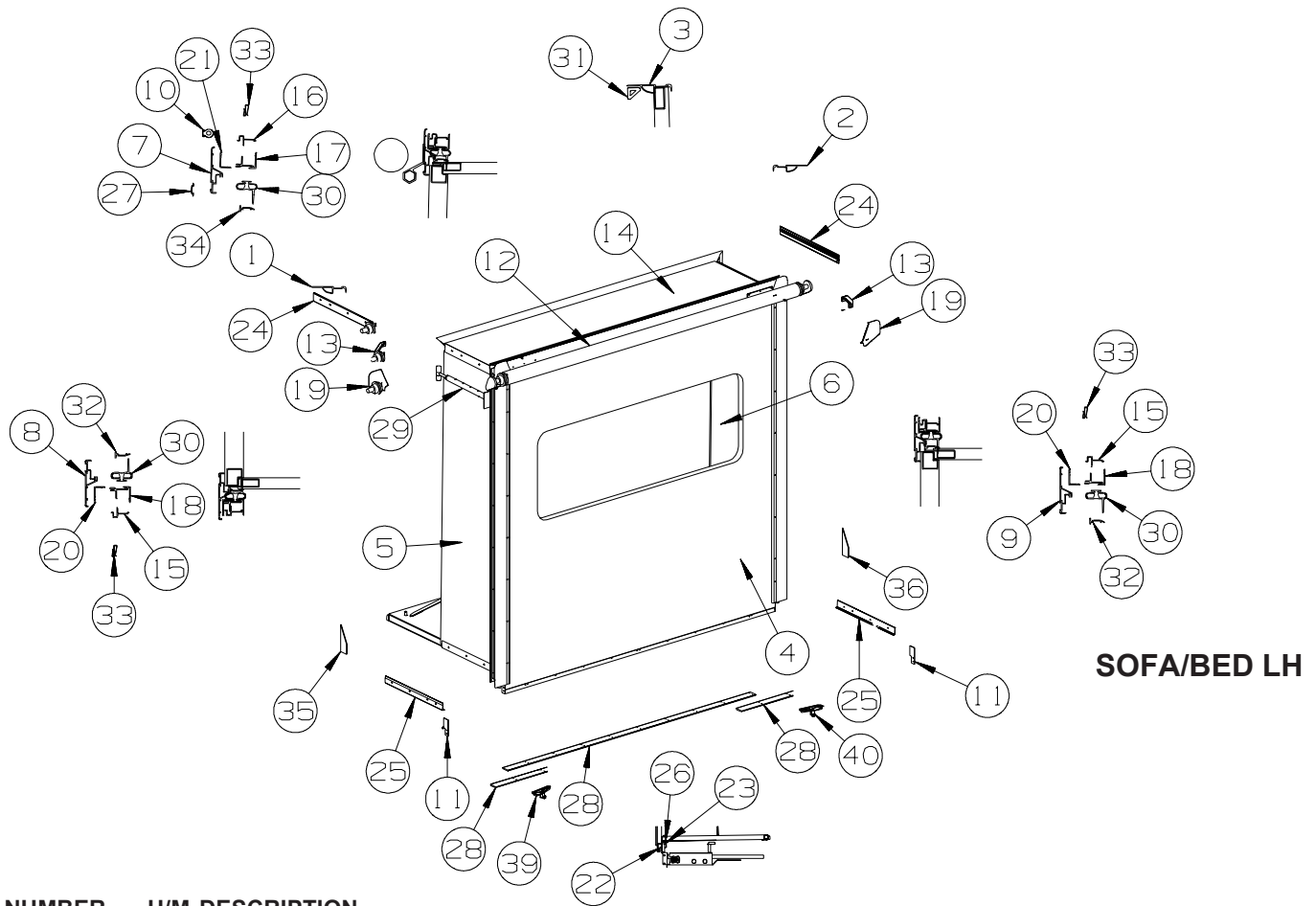
13	156416-01-02B	EA	BRACKET - CORNER TRIM/SLIDEOUT - 3.1"X 3.1" - E-COATED - <b>NOT ILLUSTRATED</b> FROM: 00-00-00 THRU: 01-06-07
13	160421-01-01A	EA	CORNER TRIM/SLIDEOUT - 3.1" X 3.1" - BLACK FROM: 01-07-07 THRU: 99-99-99
14	151822-01-W13	EA	ROOF - F/SLIDEOUT
15	142718-01-01A	EA	RETAINER - SIDEWALL/SLIDEOUT - 72.8"
16	142718-23-01A	EA	RETAINER - SIDEWALL/SLIDEOUT - 79.9"
17	151761-02-02A	EA	TRIM - SIDEWALL/SLIDEOUT/TOP - 81.2" - ALMOND
18	151760-16-02A	EA	TRIM - SIDEWALL/SLIDEOUT - 73.6" - ALMOND
19	156151-01-02A	EA	PROTECTOR - CORNER - SLIDEOUT - BRIGHT WHITE
19	156151-01-01A	EA	PROTECTOR - CORNER - SLIDEOUT - BLACK
20	136824-35-01A	EA	TRIM - SIDEWALL/SLIDEOUT - 74" - BRIGHT WHITE
20	136824-35-02A	EA	TRIM - SIDEWALL/SLIDEOUT - 74" - BLACK
21	136824-02-01A	EA	TRIM - SIDEWALL/SLIDEOUT - 81.2" - BRIGHT WHITE
21	136824-02-02A	EA	TRIM - SIDEWALL/SLIDEOUT - 81.2" - BLACK
22	128621-55-01A	EA	BRACKET/ZEE - SLIDEOUT - 74.8" - MILL
23	115075-03-000	FT	SEAL - WIPE - .25" X 2.9"
24	158375-06-01A	EA	TRIM - FEATURE STRIP - 20.2" - BRIGHT WHITE
24	158375-06-02A	EA	TRIM - FEATURE STRIP - 20.2" - BLACK
25	158030-01-01A	EA	TRIM - FEATURE STRIP/LOWER - 2.3" X 20" - BRIGHT WHITE FROM: 00-00-00 THRU: 02-25-07
25	163020-06-01A	EA	TRIM - FEATURE STRIP/LOWER - 2.3" X 19.8" - BRIGHT WHITE FROM: 02-26-07 THRU: 99-99-99
25	163020-06-02A	EA	TRIM - FEATURE STRIP/LOWER - 2.3" X 19.8" - BLACK FROM: 02-26-07 THRU: 99-99-99
26	089275-02-000	EA	STRIP - 3/4" X 84" BLACK POLYETHYLENE
27	105312-01-07A	EA	INSERT - FEATURE STRIP - VINYL - BRIGHT WHITE
28	152641-01-000	EA	SKID/GLIDE - SLIDEOUT ROOM - 1/4"X2"X95.5"- POLYETHYLENE
29*	162495-01-01A	EA	ROD - LOCK/SLIDEOUT ROOM - BLACK W/WHITE PLASTIC ENDS FROM: 11-27-06 THRU: 99-99-99
30	136978-01-01A	FT	SEAL - SLIDEOUT - SINGLE WIPE LIP - BLACK
31	146056-01-000	FT	SEAL - TRIANGLE - W/PSA
32	146606-48-01A	EA	TRIM/RETAINER - 69.3" - BRIGHT WHITE
32	146606-48-02A	EA	TRIM/RETAINER - 69.3" - BLACK
33	142549-01-000	EA	CLIP - "S" TYPE
34	146606-66-01A	EA	TRIM/RETAINER - 75.8" - BRIGHT WHITE
34	146606-66-02A	EA	TRIM/RETAINER - 75.8" - BLACK
35	157809-02-01A	EA	SEAL - FOAM BLOCK/LEFT SIDE - ADHESIVE BACK
36	157809-01-01A	EA	SEAL - FOAM BLOCK/RIGHT SIDE - ADHESIVE BACK
37	150697-03-02B	EA	BRACKET - RESTRAINT/CHILD - E-COATED
38	150700-01-02B	EA	PLATE/MOUNTING - RESTRAINT/CHILD - 1" X 2.3" - E-COATED
	151282-09-01A	EA	TRIM - CARPET EDGE/F-ANGLE - 75.4" - BLACK FROM: 00-00-00 THRU: 02-13-07
39	160471-01-01A	EA	PAN/DRAIN - FLOOR/RH SLIDEOUT - BLACK FROM: 08-20-07 THRU: 99-99-99

**EXTERIOR SLIDEOUT GROUP (CONTINUED)**  
**FRONT LEFT (CONTINUED)**

<b>KEY</b>	<b>PART NUMBER</b>	<b>U/M</b>	<b>DESCRIPTION</b>
40	160471-02-01A	EA	PAN/DRAIN - FLOOR/LH SLIDEOUT - BLACK FROM: 08-20-07 THRU: 99-99-99
	093681-39-01A	EA	FILM - 3.1" - MATTE BLACK - <b>FULL BODY PAINT</b>

**\*COMPONENT PARTS LISTED LATER IN THIS GROUP**

**EXTERIOR SLIDEOUT GROUP (CONTINUED)**  
**FRONT LEFT (CONTINUED)**



KEY	PART NUMBER	U/M	DESCRIPTION
1	139624-25-02A	EA	TRIM/SEAL - INNER/RIGHT HAND W/NOTCH - 73.3" - ALMOND
2	139624-26-02A	EA	TRIM/SEAL - INNER/LEFT HAND W/NOTCH - 73.3" - ALMOND
3	139624-04-02A	EA	TRIM/SEAL - INNER/TOP - 80.2" - ALMOND
4	160157-11-W13	EA	SLUG - F/SLIDEOUT (W13, W14, W05, W06)
4	160157-11-W15	EA	SLUG - F/SLIDEOUT (W15, W16)
5	154462-01-W13	EA	PANEL END - F/SLIDEOUT
			FROM: 00-00-00 THRU: 02-25-07
5	162977-05-W13	EA	PANEL END - F/SLIDEOUT (W13, W14, W05, W06)
			FROM: 02-26-07 THRU: 99-99-99
5	162977-05-W15	EA	PANEL END - F/SLIDEOUT (W15, W16)
			FROM: 02-26-07 THRU: 99-99-99
6	154461-01-W13	EA	PANEL END - F/SLIDEOUT
			FROM: 00-00-00 THRU: 02-25-07
6	162977-06-W13	EA	PANEL END - F/SLIDEOUT (W13, W14, W05, W06)
			FROM: 02-26-07 THRU: 99-99-99
6	162977-06-W13	EA	PANEL END - F/SLIDEOUT (W15, W16)
			FROM: 02-26-07 THRU: 99-99-99
7	156417-01-01A	EA	TRIM/SEAL - W/MITERED ENDS - 76.5" - BRIGHT WHITE - <b>NOT ILLUSTRATED</b>
			FROM: 00-00-00 THRU: 02-25-07
7	162052-01-01A	EA	TRIM/SEAL - W/MITERED ENDS - 78.4" - BRIGHT WHITE
			FROM: 02-26-07 THRU: 99-99-99
7	162052-01-02A	EA	TRIM/SEAL - W/MITERED ENDS - 78.4" - BLACK
8	156417-25-01A	EA	TRIM/SEAL - W/MITERED ENDS - 74.2" - BRIGHT WHITE - <b>NOT ILLUSTRATED</b>
			FROM: 00-00-00 THRU: 02-25-07
8	162052-25-01A	EA	TRIM/SEAL - W/MITERED ENDS - 74.2" - BRIGHT WHITE
			FROM: 02-26-07 THRU: 02-10-08
8	162052-71-01A	EA	TRIM/SEAL - W/MITERED ENDS - 73.9" - BRIGHT WHITE
			FROM: 02-11-08 THRU: 99-99-99
8	162052-25-02A	EA	TRIM/SEAL - W/MITERED ENDS - 74.2" - BLACK
			FROM: 00-00-00 THRU: 02-10-08
8	162052-71-02A	EA	TRIM/SEAL - W/MITERED ENDS - 73.9" - BLACK
			FROM: 02-11-08 THRU: 99-99-99

**EXTERIOR SLIDEOUT GROUP (CONTINUED)**  
**FRONT LEFT (CONTINUED)**

KEY	PART NUMBER	U/M	DESCRIPTION
9	156417-26-01A	EA	TRIM/SEAL - W/MITERED ENDS - 74.2" - BRIGHT WHITE - <b>NOT ILLUSTRATED</b> FROM: 00-00-00 THRU: 02-25-07
9	162052-26-01A	EA	TRIM/SEAL - W/MITERED ENDS - 74.2" - BRIGHT WHITE FROM: 02-26-07 THRU: 02-10-08
9	162052-72-01A	EA	TRIM/SEAL - W/MITERED ENDS - 73.9" - BRIGHT WHITE FROM: 02-11-08 THRU: 99-99-99
9	162052-26-02A	EA	TRIM/SEAL - W/MITERED ENDS - 74.2" - BLACK FROM: 00-00-00 THRU: 02-10-08
9	162052-72-02A	EA	TRIM/SEAL - W/MITERED ENDS - 73.9" - BLACK FROM: 02-11-08 THRU: 99-99-99
10	158297-01-000	FT	SEAL - D-SECTION/BULB/TEE - ADHESIVE BACK - BLACK
11	126546-03-03A	EA	COVER - END/SIDEWALL - BLACK
12			SLIDEOUT AWNING

**ORDER AWNINGS & REPAIR PARTS FROM DOMETIC. CALL #800-366-3842.**

**THE DOMETIC AWNING INFORMATION YOU WILL NEED IS LOCATED ON THE MOTOR HOME NEAR  
THE TOP OF THE AWNING RAIL.**

13	156416-01-02B	EA	BRACKET - CORNER TRIM/SLIDEOUT - 3.1" X 3.1" - E-COATED - <b>NOT ILLUSTRATED</b> FROM: 00-00-00 THRU: 01-06-07
13	160421-01-01A	EA	CORNER TRIM/SLIDEOUT - 3.1" X 3.1" - BLACK FROM: 01-07-07 THRU: 99-99-99
14	151822-01-W13	EA	ROOF - F/SLIDEOUT
15	142718-01-01A	EA	RETAINER - SIDEWALL/SLIDEOUT - 72.8"
16	142718-23-01A	EA	RETAINER - SIDEWALL/SLIDEOUT - 79.9"
17	151761-02-02A	EA	TRIM - SIDEWALL/SLIDEOUT/TOP - 81.2" - ALMOND
18	151760-16-02A	EA	TRIM - SIDEWALL/SLIDEOUT - 73.6" - ALMOND
19	156151-01-02A	EA	PROTECTOR - CORNER - SLIDEOUT - BRIGHT WHITE
19	156151-01-01A	EA	PROTECTOR - CORNER - SLIDEOUT - BLACK
20	136824-35-01A	EA	TRIM - SIDEWALL/SLIDEOUT - 74" - BRIGHT WHITE
20	136824-35-02A	EA	TRIM - SIDEWALL/SLIDEOUT - 74" - BLACK
21	136824-02-01A	EA	TRIM - SIDEWALL/SLIDEOUT - 81.2" - BRIGHT WHITE
21	136824-02-02A	EA	TRIM - SIDEWALL/SLIDEOUT - 81.2" - BLACK
22	128621-55-01A	EA	BRACKET/ZEE - SLIDEOUT - 74.8" - MILL
23	115075-03-000	FT	SEAL - WIPE - .25" X 2.9"
24	158375-06-01A	EA	TRIM - FEATURE STRIP - 20.2" - BRIGHT WHITE
24	158375-06-02A	EA	TRIM - FEATURE STRIP - 20.2" - BLACK
25	158030-01-01A	EA	TRIM - FEATURE STRIP/LOWER - 2.3" X 20" - BRIGHT WHITE FROM: 00-00-00 THRU: 02-25-07
25	163020-06-01A	EA	TRIM - FEATURE STRIP/LOWER - 2.3" X 19.8" - BRIGHT WHITE FROM: 02-26-07 THRU: 99-99-99
25	163020-06-02A	EA	TRIM - FEATURE STRIP/LOWER - 2.3" X 19.8" - BLACK FROM: 02-26-07 THRU: 99-99-99
26	089275-02-000	EA	STRIP - 3/4" X 84" BLACK POLYETHYLENE
27	105312-01-07A	EA	INSERT - FEATURE STRIP - VINYL - BRIGHT WHITE
28	152641-01-000	EA	SKID/GLIDE - SLIDEOUT ROOM - 1/4"X2"X95.5"- POLYETHYLENE
29*	162495-01-01A	EA	ROD - LOCK/SLIDEOUT ROOM - BLACK W/WHITE PLASTIC ENDS FROM: 11-27-06 THRU: 99-99-99
30	136978-01-01A	FT	SEAL - SLIDEOUT - SINGLE WIPE LIP - BLACK
31	146056-01-000	FT	SEAL - TRIANGLE - W/PSA
32	146606-48-01A	EA	TRIM/RETAINER - 69.3" - BRIGHT WHITE
32	146606-48-02A	EA	TRIM/RETAINER - 69.3" - BLACK
33	142549-01-000	EA	CLIP - "S" TYPE
34	146606-66-01A	EA	TRIM/RETAINER - 75.8" - BRIGHT WHITE
34	146606-66-02A	EA	TRIM/RETAINER - 75.8" - BLACK
35	157809-02-01A	EA	SEAL - FOAM BLOCK/LEFT SIDE - ADHESIVE BACK
36	157809-01-01A	EA	SEAL - FOAM BLOCK/RIGHT SIDE - ADHESIVE BACK
37	150697-03-02B	EA	BRACKET - RESTRAINT/CHILD - E-COATED
38	150700-01-02B	EA	PLATE/MOUNTING - RESTRAINT/CHILD - 1" X 2.3" - E-COATED
	151282-09-01A	EA	TRIM - CARPET EDGE/F-ANGLE - 75.4" - BLACK FROM: 00-00-00 THRU: 02-13-07
39	160471-01-01A	EA	PAN/DRAIN - FLOOR/RH SLIDEOUT - BLACK FROM: 08-20-07 THRU: 99-99-99

**EXTERIOR SLIDEOUT GROUP (CONTINUED)**  
**FRONT LEFT (CONTINUED)**

<b>KEY</b>	<b>PART NUMBER</b>	<b>U/M</b>	<b>DESCRIPTION</b>
40	160471-02-01A	EA	PAN/DRAIN - FLOOR/LH SLIDEOUT - BLACK
			FROM: 08-20-07 THRU: 99-99-99
	093681-39-01A	EA	FILM - 3.1" - MATTE BLACK - <b>FULL BODY PAINT</b>

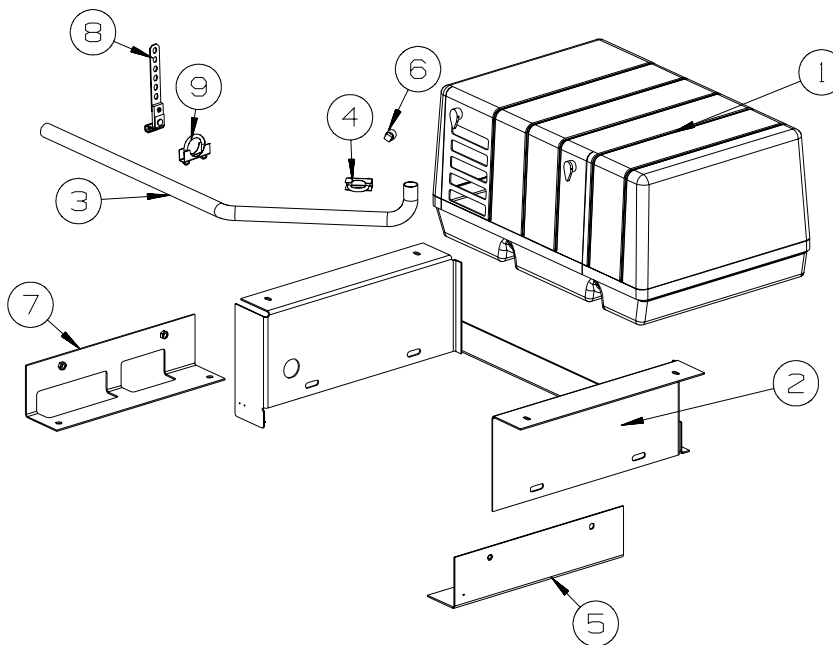
**\*COMPONENT PARTS LISTED LATER IN THIS GROUP**

**COMPONENT PARTS FOR FRONT LEFT**

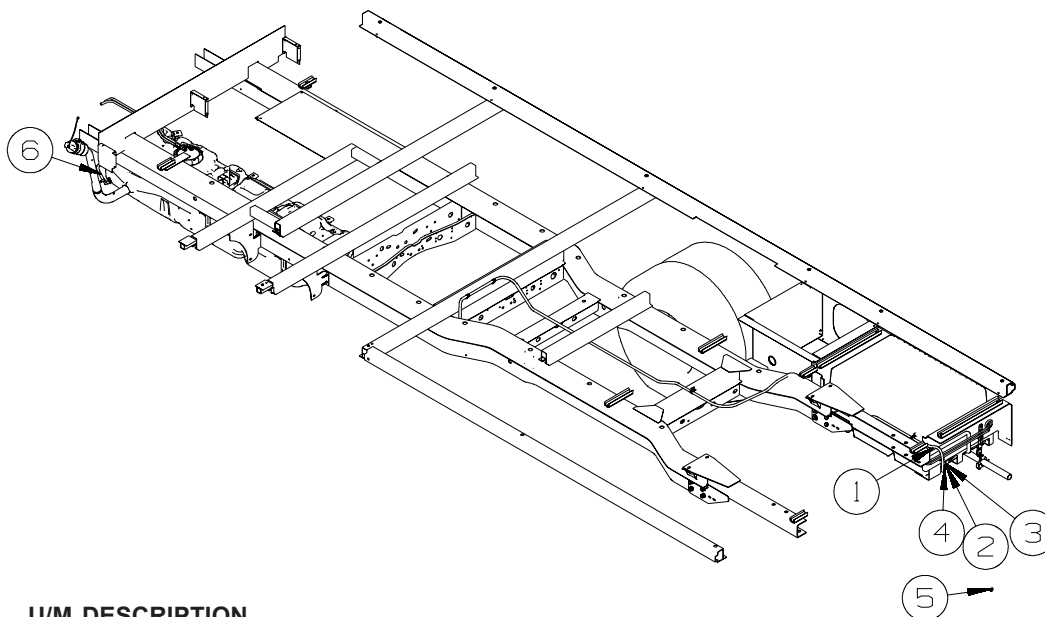
<b>148685-02-000</b>				
<b>KEY</b>	<b>PART NUMBER</b>	<b>U/M</b>	<b>DESCRIPTION</b>	<b>VENDOR NO.</b>
	148685-01-714	EA	POWERHEAD ASM. W/MOTOR	29002
	150661-01-707	EA	SET SCREW - 1/4"-20	608-6005
	150661-01-713	EA	ADAPTER - ADJUSTABLE SHAFT	28395
	150661-02-700	EA	COTTER PIN - .09" X .75"	625-0005
	150661-02-701	EA	BEARING	11536
	150661-02-702	EA	FLANGE BEARING	645-0007
	150661-02-703	EA	SHAFT - SLAVE SPROCKET	28400
	150661-02-704	EA	BEARING PAD	28968
	150661-02-705	EA	CLEVIS PIN - .25" X 1"	643-0019
	150661-02-706	EA	DRIVE SHAFT ASM.	28398
	150661-02-708	EA	CLEVIS PIN - .50" X 3"	643-0029
	150661-02-709	EA	SPROCKET	28404
	150661-02-710	EA	BEARING RACE - OUTER	26393
	150661-02-711	EA	ACTUATOR WASHER	617-0022
	150661-02-712	EA	ROLLER BEARING	26391
	150661-02-713	EA	BEARING PAD	28966
	150661-02-714	EA	DRIVE SHAFT - LONG	31112
	150661-02-715	EA	DRIVE SHAFT - SHORT	30812

<b>162495-01-01A, 162495-02-01A</b>				
<b>KEY</b>	<b>PART NUMBER</b>	<b>U/M</b>	<b>DESCRIPTION</b>	<b>VENDOR NO.</b>
	162495-01-700	EA	BUTTON-DBL. PLAS. SNAP	DP130

## GENERATOR GROUP GAS

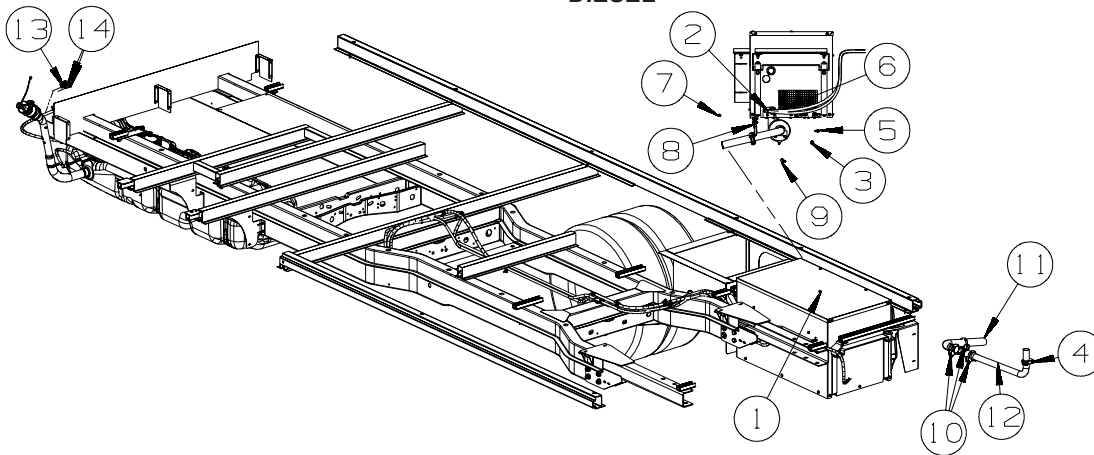


KEY	PART NUMBER	U/M	DESCRIPTION
1	109982-04-000	EA	GENERATOR - 3.6 MICROLITE - ONAN - GEN-3.6KW ONAN LP
1	109982-03-000	EA	GENERATOR - 4.0 MICROLITE - ONAN - GEN-4.0KW ONAN GAS
2	151797-02-02B	EA	COMPARTMENT - GENERATOR - E-COATED
3	151809-02-000	EA	PIPE - EXHAUST/GENERATOR
4	007125-04-000	EA	CLAMP - MUFFLER - 1.12"DIAMETER
5	114071-02-02B	EA	SUPPORT - GENERATOR - RIGHT
6	145609-01-000	EA	PLUG - BRASS - 1/2" MPT/HEX HEAD
7	114070-02-02B	EA	SUPPORT - GENERATOR - LEFT
8	007131-01-000	EA	HANGER - TAILPIPE - 6 SLOTS
9	007125-03-000	EA	CLAMP - MUFFLER - 1.5"DIAMETER



KEY	PART NUMBER	U/M	DESCRIPTION
1	128139-03-000	EA	HOSE - FUEL - LOW PERMEABILITY - 1/4" DIAMETER - GEN-4.0KW ONAN GAS
2	075155-04-000	EA	COUPLING - PIPE - 1/8" - BRASS - GEN-4.0KW ONAN GAS
3	114254-01-000	EA	ADAPTER - 1/4"BARB X 1/8"MPT - GEN-4.0KW ONAN GAS
4	114254-02-000	EA	ADAPTER - 5/16 SINGLE BARB X 1/8 MPT
5	165404-01-000	EA	CAP/PIPE - 1/8"NPT - BRASS
6	128139-04-000	EA	HOSE - FUEL - LOW PERMEABILITY - 5/16"ID

## GENERATOR GROUP (CONTINUED) DIESEL



KEY	PART NUMBER	U/M	DESCRIPTION
1	164592-01-000	EA	GENERATOR - 3.2KW - DIESEL - ONAN #HDZAA-6508A - GEN-3.2 KW ONAN DSL
2	128139-03-000	EA	HOSE - FUEL - LOW PERMEABILITY-1/4" DIAMTR - GEN PREP KIT-DIESEL OR GEN-3.2 KW ONAN DSL
3	165404-01-000	EA	CAP/PIPE - 1/8"NPT - BRASS - GEN PREP KIT-DIESEL
4	007125-04-000	EA	CLAMP - MUFFLER - 1.12"DIAMETER - GEN-3.2 KW ONAN DSL
5	114254-02-000	EA	ELBOW - 5/16 SINGLE BARB X 1/4 MPT - GEN PREP KIT-DIESEL OR GEN-3.2 KW ONAN DSL
6	128139-04-000	EA	HOSE - FUEL - LOW PERMEABILITY - 5/16"ID - GEN PREP KIT-DIESEL OR GEN-3.2 KW ONAN DSL
7	084884-01-000	EA	PLUG - BRASS - 3/8" - GEN PREP KIT-DIESEL
8	007131-01-000	EA	HANGER - TAILPIPE - 6 SLOTS - GEN-3.2 KW ONAN DSL
9	114253-04-000	EA	ELBOW - 5/16 SINGLE BARB X 1/8 MPT - GEN-3.2 KW ONAN DSL
10	007125-03-000	EA	CLAMP - MUFFLER - 1.5"DIAMETER - GEN-3.2 KW ONAN DSL
11	165531-01-000	EA	PIPE - EXHAUST/GENERATOR - GEN-3.2 KW ONAN DSL
12	165532-01-000	EA	PIPE - EXHAUST/GENERATOR - GEN-3.2 KW ONAN DSL
13	114254-04-000	EA	ADAPTER - 1/4 SINGLE BARB X 1/4 MPT - GEN PREP KIT-DIESEL OR GEN-3.2 KW ONAN DSL
14	114254-03-000	EA	ADAPTER - 3/8 SINGLE BARB X 1/4 MPT - GEN PREP KIT-DIESEL OR GEN-3.2 KW ONAN DSL



## HEATING & A/C GROUP

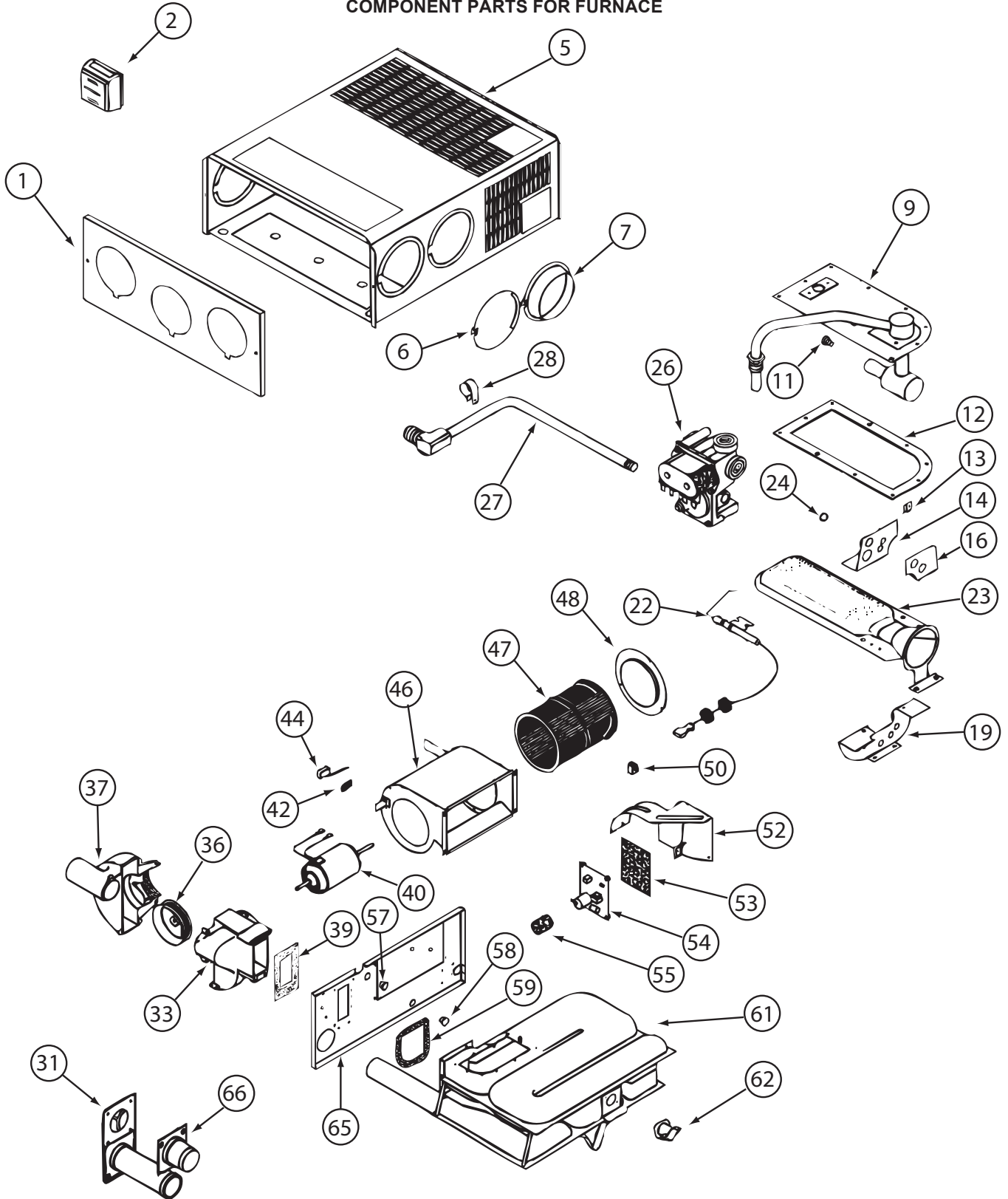
### FURNACE

KEY	PART NUMBER	U/M	DESCRIPTION
	098668-15-000	EA	PLATE - FACE - SUBURBAN FURNACE - 524H FROM: 00-00-00 THRU: 07-15-07
	139980-14-000	EA	PLATE/FACE - SUBURBAN FURNACE - 524H FROM: 07-16-07 THRU: 99-99-99
	093614-01-02A	EA	GRILLE - AIR RETURN - 15.9" X 7.9" - BEIGE
	098668-23-000	EA	DOOR - ACCESS - FURNACE - BRIGHT WHITE
	139980-10-03A	EA	DOOR - ACCESS/FURNACE - BLACK - 524CL, 524DL
*	139980-01-000	EA	FURNACE - 25000 BTU - SF QUIET - SUBURBAN SF-25 2320J
*	139980-01-000	EA	FURNACE - 25000 BTU - SF QUIET - SUBURBAN SF-25 2320J - 524CL, 524DL FROM: 00-00-00 THRU: 03-08-08
	139980-15-000	EA	FURNACE - 20000 BTU - SF QUIET - SUBURBAN SF-20 - 524CL, 524DL FROM: 03-09-08 THRU: 99-99-99
	143563-05-000	EA	GASKET - FIBERGLASS - SUBURBAN #071018
	056464-10-000	EA	REGISTER W/O DAMPER - 4" DIAMETER - PLASTIC - BEIGE
	056464-09-000	EA	REGISTER W/DAMPER - 4" DIAMETER - PLASTIC - BEIGE
	137965-01-02A	EA	REGISTER - 11.2" X 3.6"(9.7 X 2.1"R/O) W/O DAMPER-ANT PWTR
	137965-03-02A	EA	REGISTER - 11.2" X 3.6"(9.7 X 2.1"R/O) W/O DAMPER-ANT PWTR
	137965-04-02A	EA	REGISTER - 11.2" X 3.6"(9.7 X 2.1"R/O) W/DAMPER - ANT PWTR
	098668-26-000	EA	BOTTOM DUCT KIT - 40,000 BTU
	009198-02-000	FT	DUCT - HEAT - FLEXIBLE - 2" ID X 25'
	009198-01-000	FT	DUCT - HEAT - FLEXIBLE - 4" ID X 25'
	069636-02-000	EA	CONNECTOR - DUCT - 4" ID
	157225-01-02A	EA	OUTLET - DEFROSTER - W/SWIVEL - 2" SLEEVE/4"OD - WHITE
	157225-01-05A	EA	OUTLET - DEFROSTER - W/SWIVEL - 2" SLEEVE/4"OD -RIVERSTONE
	118761-01-000	EA	REDUCER - 4"-2" - GALVANIZED

\*COMPONENT PARTS LISTED LATER IN THIS GROUP

# HEATING & A/C GROUP (CONTINUED)

## COMPONENT PARTS FOR FURNACE



139980-01-000

**HEATING & A/C GROUP (CONTINUED)**  
**COMPONENT PARTS FOR FURNACE (CONTINUED)**

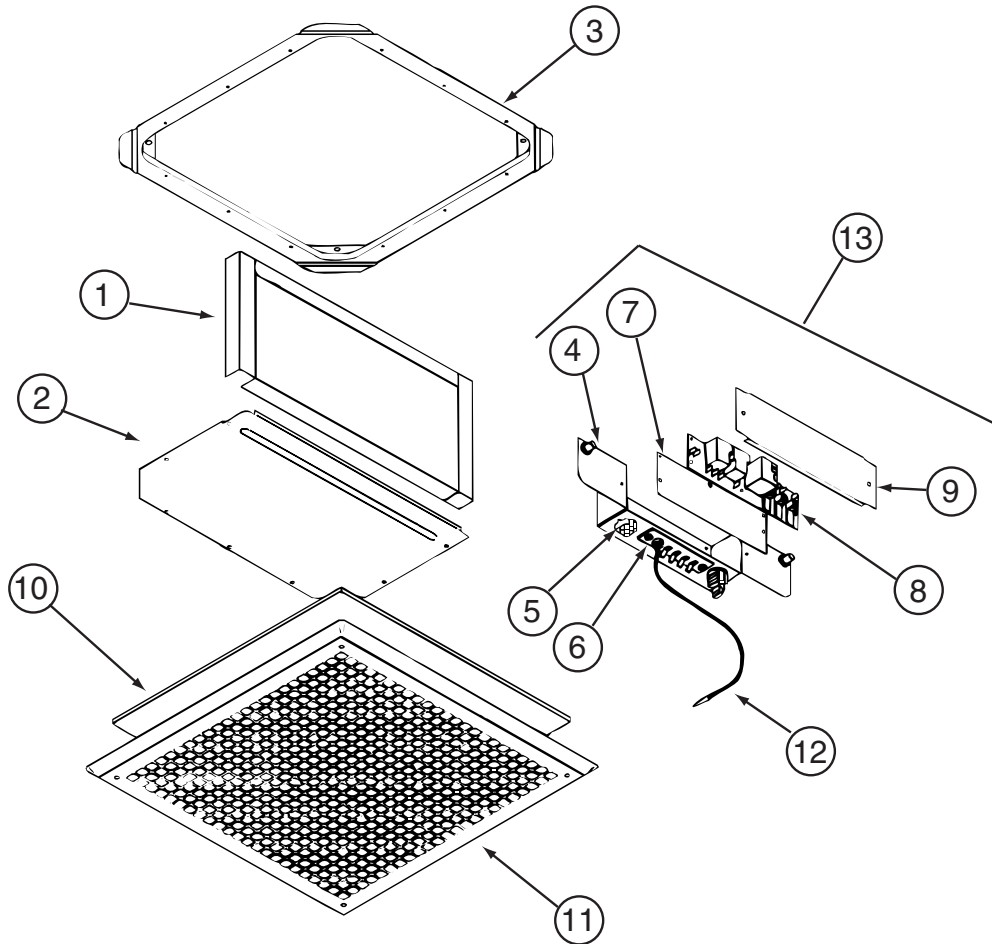
**139980-01-000 (CONTINUED)**

<b>KEY</b>	<b>PART NUMBER</b>	<b>U/M</b>	<b>DESCRIPTION</b>	<b>VENDOR NO.</b>
9	139980-01-700	EA	MANIFOLD ASSEMBLY	171571
11	090039-01-703	EA	ORIFICE-MAIN BURNER	180193
12	098668-22-703	EA	GASKET - BURNER ACCESS COVER	070811
22	139980-01-701	EA	ELECTRODE	232286
23	098668-01-703	EA	BURNER ASSEMBLY	010762
26	098668-01-718	EA	VALVE-GAS SF S.N.974903079	161122
27	139980-01-702	EA	PIPE ASSEMBLY/GAS INLET	171574
31	098668-01-707	EA	TUBE ASSEMBLY, EXHAUST W/CAP	260231
33	139980-01-703	EA	HOUSING/COMB. - FRONT/HALF	390852
36	098668-01-706	EA	WHEEL-COMBUSTION AIR	350184
37	139980-01-704	EA	HOUSING/COMB. - REAR/HALF	390848
39	139980-01-705	EA	GASKET/FIREWALL-COMB AIR	071084
40	139980-01-706	EA	MOTOR ASSEMBLY W/GASKET	232682
42	101990-01-714	EA	GASKET-MICROSWITCH	230877
44	098668-21-700	EA	SWITCH-MICRO-W/O FLAG 3 1/4"	232261
46	139980-01-708	EA	BLOWER ASSEMBLY - ROOM AIR	390739BK
47	098668-01-711	EA	WHEEL-BLOWER, ROOM AIR	350129
48	139980-01-709	EA	ORFICE RING	390696
50	139980-01-710	EA	SWITCH - ON/OFF	232351
52	139980-01-711	EA	PANEL ASSEMBLY-MODULE BD	101663
53	139980-01-712	EA	INSULATOR - MODULE BD	070807
54	098668-22-705	EA	MODULE BD W/RELAY TIME DELAY	520820
55	139980-01-713	EA	CAP/INSULATOR-MODULE BD	070973
57	139980-01-714	EA	BUSHING - UNIVERSAL	070362
58	139980-01-715	EA	BUSHING - STRAIN RELIEF	231809
59	098668-01-716	EA	GASKET-FIREWALL,CHAMBER SIDE	070808
61	139980-01-716	EA	CHAMBER ASSEMBLY - FINAL	021149BK
62	098668-21-701	EA	SWITCH - LIMIT	232504
66	098668-01-713	EA	TUBE ASSEMBLY, INTAKE	051248
	098668-19-700	EA	DOOR/CABINET ACCESS	101888
	139980-02-700	EA	BLOWER ASM-1/2 HOUSING/OUTER	390851
	139980-02-701	EA	BLOWER ASM-1/2 HOUSING/INNER	390872
			CONTACT WINNEBAGO PART SALES FOR UNLISTED COMPONENT(S)	

## HEATING & A/C GROUP (CONTINUED) ROOF

KEY	PART NUMBER	U/M	DESCRIPTION
	131184-02-01A	EA	BOARD - DIVIDER - SILVER
*	131184-01-01A	EA	CEILING ASSEMBLY - A/C DUCTED - WHITE FROM: 00-00-00 THRU: 07-22-07
*	131184-06-01A	EA	CEILING ASSEMBLY - A/C DUCTED - WHITE FROM: 07-23-07 THRU: 99-99-99
*	131184-05-01A	EA	CEILING ASSEMBLY - HEAT PUMP - WHITE - A/C HEAT PUMP - HI EFF, LOW PFL FROM: 00-00-00 THRU: 07-22-07
*	131184-07-01A	EA	CEILING ASSEMBLY - HEAT PUMP - DUCTED - WHITE - A/C HEAT PUMP - HI EFF, LOW PFL FROM: 07-23-07 THRU: 99-99-99
*	148644-01-01A	EA	A/C-ROOF - LOW PROFILE - ART WHITE - RVP 9203C876
*	148644-01-02A	EA	A/C-ROOF - LOW PROFILE - BLACK - RVP 9203C879 - FULL BODY PAINT
*	148644-02-01A	EA	A/C-ROOF-LOW PROFILE/HEAT PMP-ART WHT-RVP9003C876 - A/C HEAT PUMP - HI EFF, LOW PFL
*	148644-02-02A	EA	A/C-ROOF-BLACK - RVP 9003C879 - A/C HEAT PUMP - HI EFF, LOW PFL - FULL BODY PAINT

**\*COMPONENT PARTS LISTED LATER IN THIS GROUP**



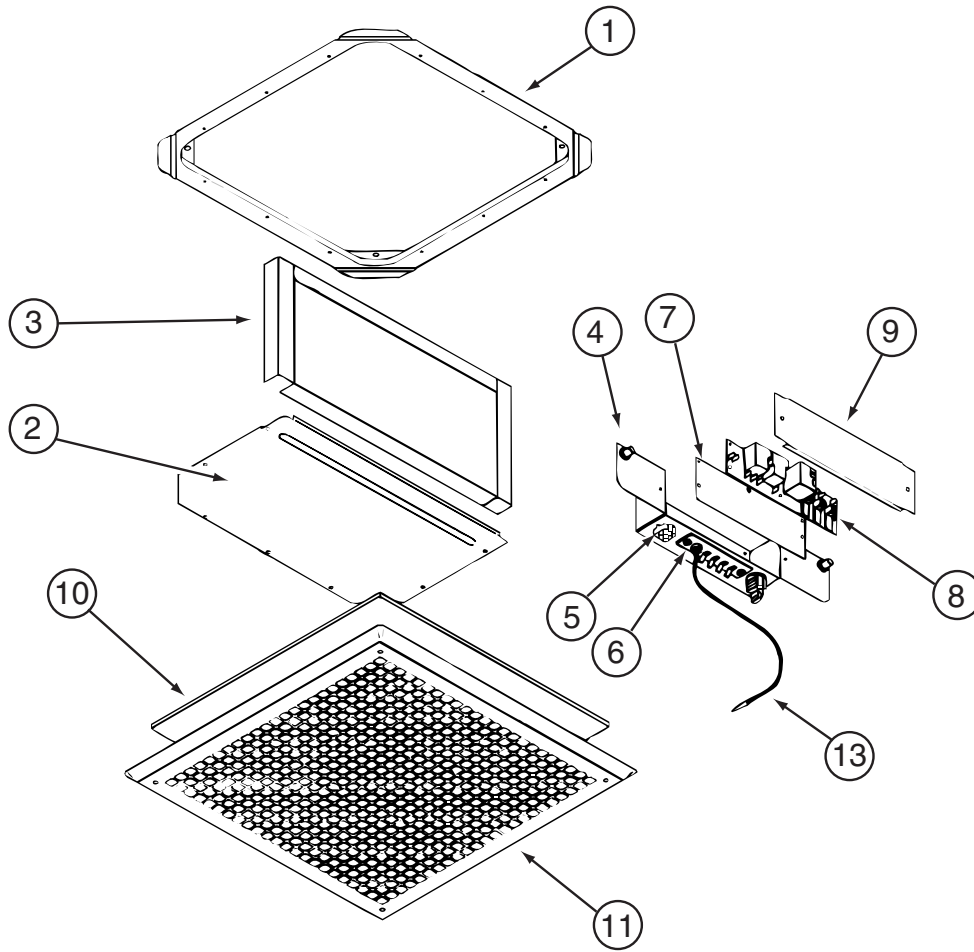
### COMPONENT PARTS FOR ROOF

#### 131184-01-01A

KEY	PART NUMBER	U/M	DESCRIPTION	VENDOR NO.
1	131184-01-707	EA	DUCT DIVIDER	8330-3501
5	131184-01-700	EA	PLUG ASSEMBLY	7330A389
6	131184-01-701	EA	TERMINAL BOARD	7330B3201
7	131184-01-702	EA	ISOLATOR - BLANK	7330C365
8	108892-01-702	EA	BOARD-P.C.	7330A3211
10	108892-01-703	EA	FILTER	6798A3761
11	108892-01-704	EA	GRILLE 16 3/8X16 3/8 RETURN	6798-3041
12	131184-01-704	EA	COIL SENSOR	7330-6111
13	131184-01-705	EA	JUNCTION BOX ASSEMBLY	7330B5551
	131184-01-703	EA	SMALL PARTS PKG	8330-5961

CONTACT WINNEBAGO PART SALES FOR UNLISTED COMPONENT(S)

**HEATING & A/C GROUP (CONTINUED)**  
**COMPONENT PARTS FOR ROOF (CONTINUED)**

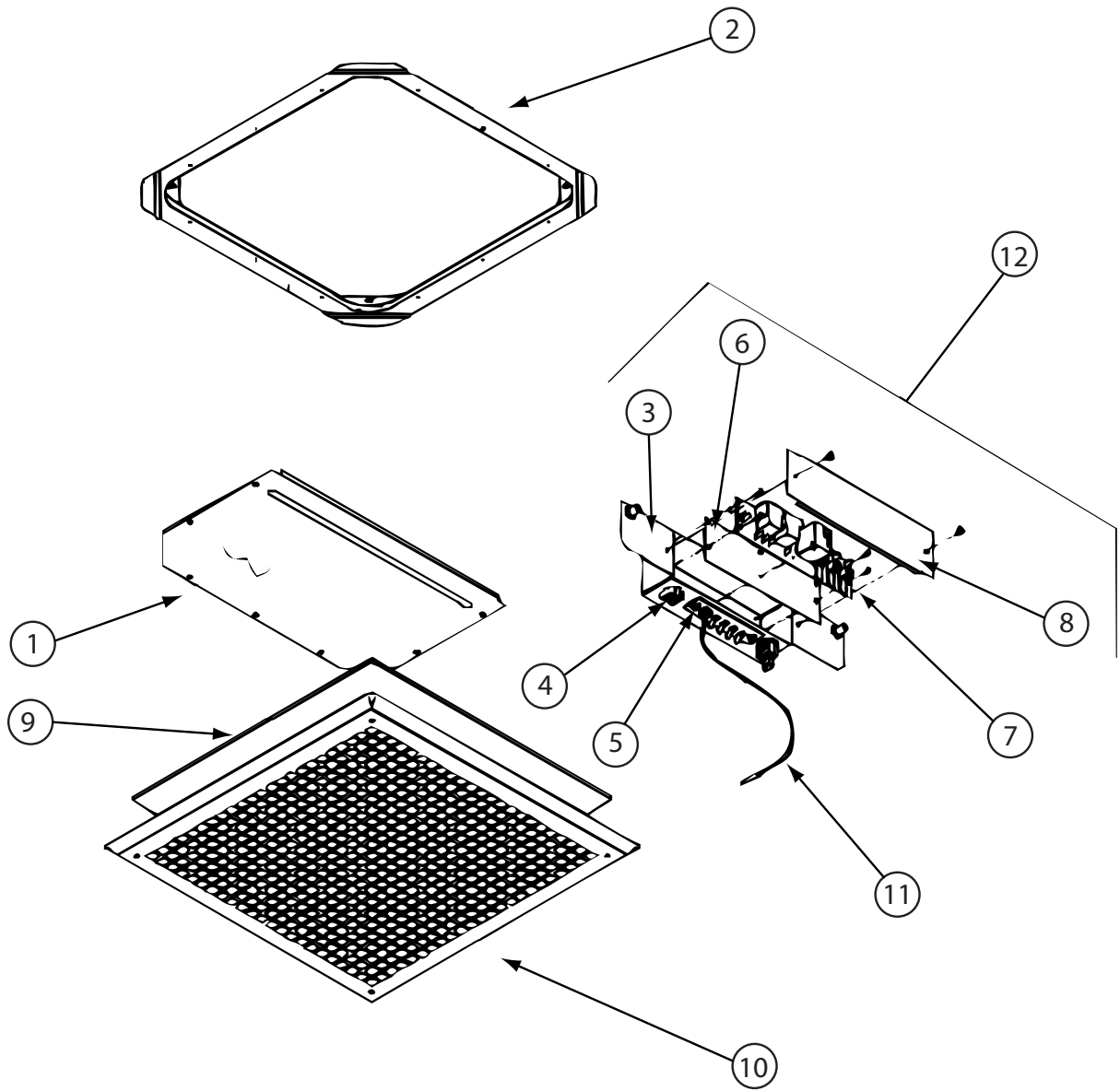


**131184-05-01A**

KEY	PART NUMBER	U/M	DESCRIPTION	VENDOR NO.
4	131184-05-700	EA	BOX - JUNCTION	8530-5091
5	131184-04-700	EA	PLUG ASSEMBLY	7530A340
6	131184-04-702	EA	BOARD - TERMINAL	7530B3201
7	131184-01-702	EA	ISOLATOR - BLANK	7330C365
8	131184-04-705	EA	BOARD - P.C.	7330B3311
10	108892-01-703	EA	FILTER	6798A3761
11	108892-01-704	EA	GRILLE 16 3/8X16 3/8 RETURN	6798-3041
13	105620-12-719	EA	COIL SENSOR	7330A3231
	131184-01-703	EA	SMALL PARTS PKG	8330-5961

CONTACT WINNEBAGO PART SALES FOR UNLISTED COMPONENT(S)

**HEATING & A/C GROUP (CONTINUED)**  
**COMPONENT PARTS FOR ROOF (CONTINUED)**

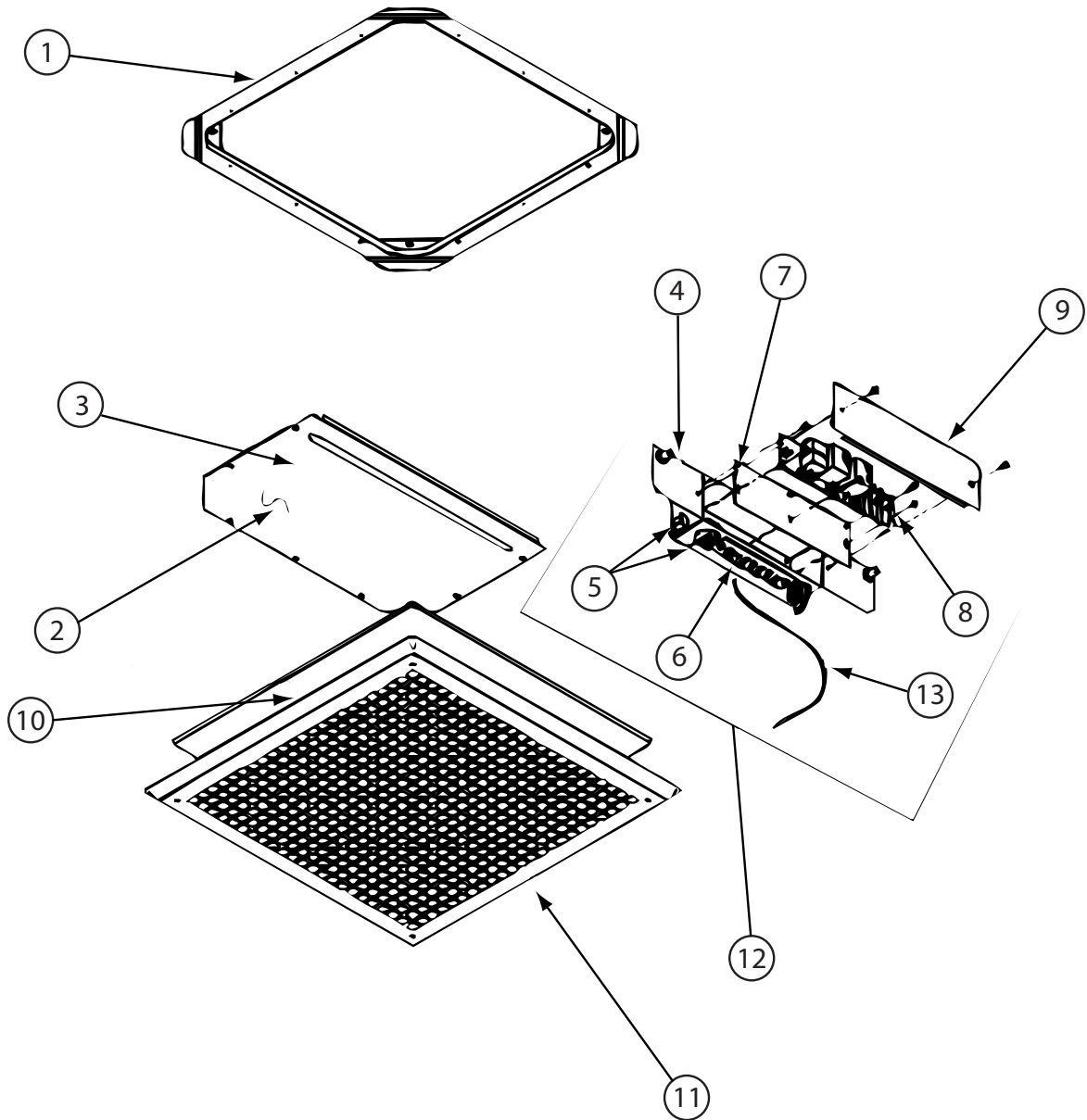


131184-06-01A

KEY	PART NUMBER	U/M	DESCRIPTION	VENDOR NO.
4	131184-01-700	EA	PLUG ASSEMBLY	7330A389
5	131184-01-701	EA	TERMINAL BOARD	7330B3201
6	131184-01-702	EA	ISOLATOR - BLANK	7330C365
7	131184-03-700	EA	BOARD - P.C.	7330D3211
9	108892-01-703	EA	FILTER	6798A3761
10	108892-01-704	EA	GRILLE 16 3/8X16 3/8 RETURN	6798-3041
11	105620-12-719	EA	COIL SENSOR	7330A3231
12	131184-01-705	EA	JUNCTION BOX ASSEMBLY	7330B5551
	131184-01-703	EA	SMALL PARTS PKG	8330-5961
	131184-01-706	EA	NUT/WING	1200-550

CONTACT WINNEBAGO PART SALES FOR UNLISTED COMPONENT(S)

**HEATING & A/C GROUP (CONTINUED)**  
**COMPONENT PARTS FOR ROOF (CONTINUED)**

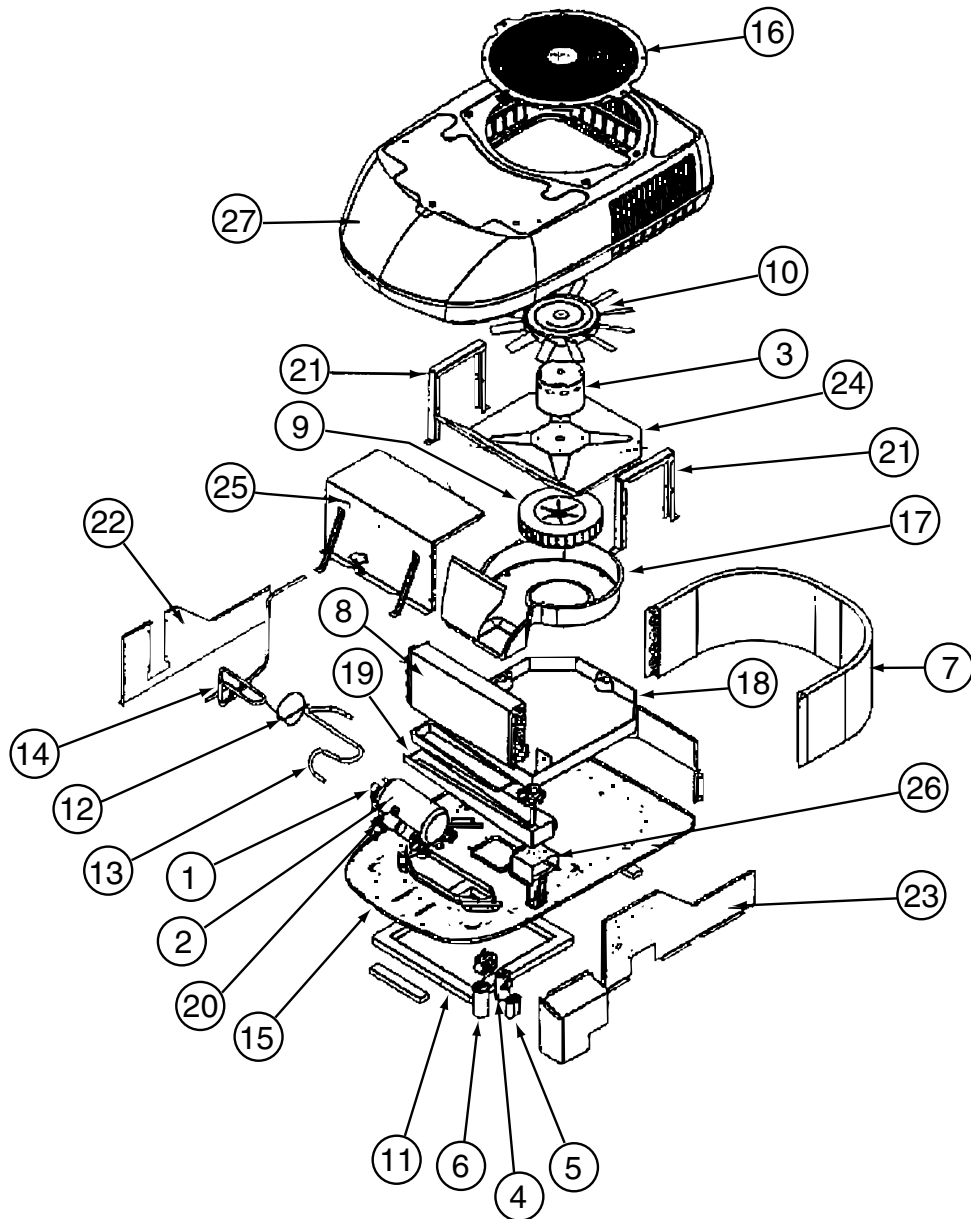


131184-07-01A

KEY	PART NUMBER	U/M	DESCRIPTION	VENDOR NO.
4	131184-04-703	EA	BOX - JUNCTION	7330-113
5	131184-04-700	EA	PLUG ASSEMBLY	7530A340
6	131184-04-702	EA	BOARD - TERMINAL	7530B3201
7	131184-01-702	EA	ISOLATOR - BLANK	7330C365
8	131184-04-705	EA	BOARD - P.C.	7330B3311
10	108892-01-703	EA	FILTER	6798A3761
11	108892-01-704	EA	GRILLE 16 3/8X16 3/8 RETURN	6798-3041
12	131184-04-706	EA	JUNCTION BOX ASM.(HEAT PUMP)	7530-508
13	105620-12-719	EA	COIL SENSOR	7330A3231
	131184-01-706	EA	NUT/WING	1200-550
	131184-07-700	EA	SMALL PARTS PKG	8330-5951

CONTACT WINNEBAGO PART SALES FOR UNLISTED COMPONENT(S)

**HEATING & A/C GROUP (CONTINUED)**  
**COMPONENT PARTS FOR ROOF (CONTINUED)**



148644-01-01A

KEY	PART NUMBER	U/M	DESCRIPTION	VENDOR NO.
1	148644-01-701	EA	OVERLOAD	1450-0131
2	148644-01-702	EA	COMPRESSOR	1450A2189
3	148644-01-703	EA	MOTOR - BLOWER	1468A3239
4	105620-10-705	EA	PTCR (START DEVICE) - W/CAP.	8333A9021
5	093763-01-704	EA	CAPACITOR - FAN (INDOOR MOTOR)	1499-5461
6	131188-01-701	EA	RUN CAP. (COMP-40MFD/370V)	1499-5721
7	148644-01-704	EA	COIL-CONDENSER	1452-1201
8	148644-01-705	EA	COIL - EVAPORATOR	1452-1211
9	147102-01-705	EA	BLOWER WHEEL	1472-1111
10	147102-01-706	EA	FAN BLADE	1472-5021
11	037648-01-714	EA	GASKET PACKAGE	8332-3301
27	148644-01-700	EA	SHROUD - (ARCTIC WHITE)	9233A5461
	148644-02-702	EA	GRILLE - F/FAN	9233A3151

CONTACT WINNEBAGO PART SALES FOR UNLISTED COMPONENT(S)



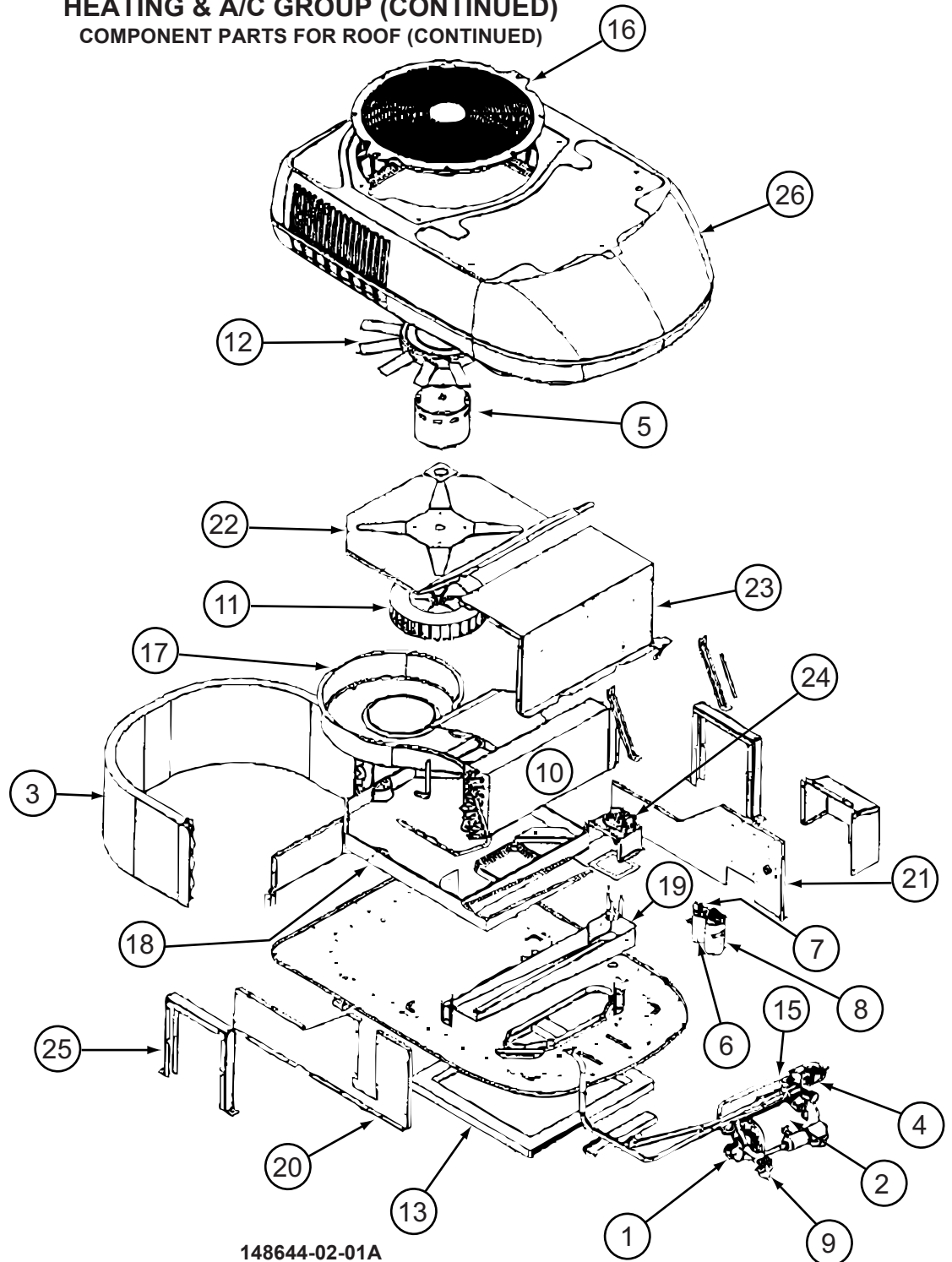
**HEATING & A/C GROUP (CONTINUED)**  
**COMPONENT PARTS FOR ROOF (CONTINUED)**

148644-01-02A

KEY	PART NUMBER	U/M	DESCRIPTION	VENDOR NO.
1	148644-01-701	EA	OVERLOAD	1450-013
2	148644-01-702	EA	COMPRESSOR	1450A2189
3	148644-01-703	EA	MOTOR - BLOWER	1468A3239
4	105620-01-705	EA	PTCR (START DEVICE) - W/CAP.	8333A9021
5	093763-01-704	EA	CAPACITOR-FAN (INDOOR MOTOR)	1499-5461
6	131188-01-701	EA	RUN CAP. (COMP-40MFD/370V)	1499-5721
7	148644-01-704	EA	COIL-CONDENSER	1452-1201
8	148644-01-705	EA	COIL - EVAPORATOR	1452-1211
9	147102-01-705	EA	BLOWER WHEEL	1472-1111
10	147102-01-706	EA	FAN BLADE	1472-5021
11	037648-01-714	EA	GASKET PACKAGE	8332-3301
27	148644-01-706	EA	SHROUD - (BLACK)	9233A5491
	148644-01-702	EA	GRILLE - F/FAN	9233A3151

CONTACT WINNEBAGO PART SALES FOR UNLISTED COMPONENT(S)

**HEATING & A/C GROUP (CONTINUED)**  
**COMPONENT PARTS FOR ROOF (CONTINUED)**

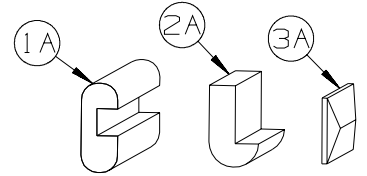


148644-02-01A

KEY	PART NUMBER	U/M	DESCRIPTION	VENDOR NO.
1	148644-01-701	EA	OVERLOAD	1450-0131
2	148644-01-702	EA	COMPRESSOR	1450A2189
3	148644-02-700	EA	COIL - CONDENSER	1452-1241
4	105620-12-708	EA	COIL - SOLENOID	1460-1081
5	148644-01-703	EA	MOTOR - BLOWER	1468A3239
6	105620-10-705	EA	PTCR (START DEVICE) - W/CAP.	8333A9021
7	093763-01-704	EA	CAPACITOR-FAN (INDOOR MOTOR)	1499-5461
8	131188-01-701	EA	RUN CAP. (COMP-40MFD/370V)	1499-5721
10	148644-02-701	EA	COIL - EVAPORATOR	1452-1261
11	147102-01-705	EA	BLOWER WHEEL	1472-1111
12	147102-01-706	EA	FAN BLADE	1472-5021
13	037648-01-714	EA	GASKET PACKAGE	8332-3301
16	148644-02-702	EA	GRILLE - F/FAN	9233A3151
26	148644-01-700	EA	SHROUD - (ARCTIC WHITE)	9233A5461

CONTACT WINNEBAGO PART SALES FOR UNLISTED COMPONENT(S)

**INTERIOR FINISH GROUP**  
**MOLDINGS & TRIMS**  
**WASHED MAPLE, HONEY CHERRY**

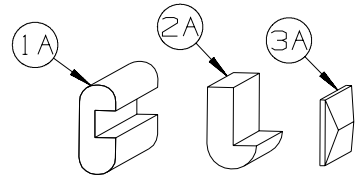


KEY	PART NUMBER	U/M	DESCRIPTION
1A	M09412-62-N42	EA	MOLDING/SHELF EDGE - .6" X 1.3" X 96" - PORTSMOUTH OAK
1A	M09412-62-M52	EA	MOLDING/SHELF EDGE - .6" X 1.3" X 96" - CONCERT CHERRY
1A	M09412-62-M62	EA	MOLDING/SHELF EDGE - .6" X 1.3" X 96" - WASHED MAPLE
1A	M09412-62-RC3	EA	MOLDING/SHELF EDGE - .6" X 1.3" X 96" - HONEY CHERRY
1A	M09412-62-SA3	EA	MOLDING/SHELF EDGE - .6" X 1.3" X 96" - SIERRA MAPLE
2A	M09511-43-T77	EA	MOLDING - TRIM - W/NOTCH - .8" X 1.4" X 86.3" - PORTSMOUT OAK
2A	M09525-80-UM1	EA	MOLDING - TRIM - W/NOTCH - .8" X 1.4" X 86.5" - CONCERT CHERRY
2A	M09525-80-U91	EA	MOLDING - TRIM - W/NOTCH - .8" X 1.4" X 86.5" - WASHED MAPLE
2A	M09525-80-U92	EA	MOLDING - TRIM - W/NOTCH - .8" X 1.4" X 86.5" - SIERRA MAPLE
2A	M09525-80-Y92	EA	MOLDING - TRIM - W/NOTCH - .8" X 1.4" X 86.5" - HONEY CHERRY
2A	M09501-85-TG3	EA	MOLDING/TRIM - W/NOTCH - .4" X 86.06" - HONEY CHERRY
2A	M09501-32-TG1	EA	MOLDING/TRIM - W/NOTCH - .8" X 2.5" X 86.2" - CONCERT CHERRY
2A	M09501-32-TG2	EA	MOLDING/TRIM - W/NOTCH - .8" X 2.5" X 86.2" - WASHED MAPLE
2A	M09501-32-TD3	EA	MOLDING/TRIM - W/NOTCH - .8" X 2.5" X 86.2" - SIERRA MAPLE
2A	M09501-32-TG3	EA	MOLDING/TRIM - W/NOTCH - .8" X 2.5" X 86.2" - HONEY CHERRY
2A	M09515-72-TD0	EA	MOLDING/TRIM - .8" X 2.2" X 86.1" - PORTSMOUTH OAK
2A	M09515-72-TD1	EA	MOLDING/TRIM - .8" X 2.2" X 86.1" - CONCERT CHERRY
2A	M09515-72-TD2	EA	MOLDING/TRIM - .8" X 2.2" X 86.1" - WASHED MAPLE
2A	M09515-72-TD3	EA	MOLDING/TRIM - .8" X 2.2" X 86.1" - SIERRA MAPLE
2A	M09511-44-T77	EA	MOLDING - TRIM - W/NOTCH - 1" X 86.4" - PORTSMOUTH OAK
2A	M09511-44-T78	EA	MOLDING - TRIM - W/NOTCH - 1" X 86.4" - CONCERT CHERRY
2A	M09511-44-T79	EA	MOLDING - TRIM - W/NOTCH - 1" X 86.4" - WASHED MAPLE
2A	M09511-44-T80	EA	MOLDING - TRIM - W/NOTCH - 1" X 86.4" - HONEY CHERRY
2A	M09438-25-RA3	EA	MOLDING - HARDWOOD-W/NOTCH - 1.4"X 80.2" - HONEY CHERRY
3A	M09477-63-S46	EA	MOLDING - TRIM/VEE-W/CUT ENDS - 1"X 64.1" - PORTSMOUTH OAK
3A	M09477-63-S47	EA	MOLDING - TRIM/VEE-W/CUT ENDS - 1"X 64.1" - CONCERT CHERRY
3A	M09477-63-S48	EA	MOLDING - TRIM/VEE-W/CUT ENDS - 1"X 64.1" - WASHED MAPLE
3A	M09477-63-W51	EA	MOLDING - TRIM/VEE-W/CUT ENDS - 1"X 64.1" - HONEY CHERRY
3A	M09477-64-S46	EA	MOLDING - TRIM/VEE-W/CUT ENDS - 1"X 14.9" - PORTSMOUTH OAK
3A	M09477-64-S47	EA	MOLDING - TRIM/VEE-W/CUT ENDS - 1"X 14.9" - CONCERT CHERRY
3A	M09477-64-S48	EA	MOLDING - TRIM/VEE-W/CUT ENDS - 1"X 14.9" - WASHED MAPLE
3A	M09477-64-W51	EA	MOLDING - TRIM/VEE-W/CUT ENDS - 1"X 14.9" - HONEY CHERRY
3A	M09501-30-SD0	EA	MOLDING - TRIM/VEE - .2" X 1" X 35.1" - PORTSMOUTH OAK
3A	M09501-30-SD1	EA	MOLDING - TRIM/VEE - .2" X 1" X 35.1" - CONCERT CHERRY
3A	M09501-30-SD2	EA	MOLDING - TRIM/VEE - .2" X 1" X 35.1" - WASHED MAPLE
3A	M09501-30-SD3	EA	MOLDING - TRIM/VEE - .2" X 1" X 35.1" - HONEY CHERRY
3A	M09515-97-WL4	EA	MOLDING - TRIM/VEE - .2" X 1" X 32.6" - CONCERT CHERRY
3A	M09515-97-WL5	EA	MOLDING - TRIM/VEE - .2" X 1" X 32.6" - WASHED MAPLE
3A	M09515-97-WL6	EA	MOLDING - TRIM/VEE - .2" X 1" X 32.6" - HONEY CHERRY
3A	M09534-17-UF3	EA	MOLDING - TRIM/VEE - .2" X 1" X 20.1" - SIERRA MAPLE
3A	M09534-17-UJ1	EA	MOLDING - TRIM/VEE - .2" X 1" X 20.1" - CONCERT CHERRY
3A	M09534-17-UJ2	EA	MOLDING - TRIM/VEE - .2" X 1" X 20.1" - WASHED MAPLE
3A	M09534-17-UJ3	EA	MOLDING - TRIM/VEE - .2" X 1" X 20.1" - HONEY CHERRY
3A	M09477-88-S34	EA	MOLDING - TRIM/VEE - .2" X 1" X 19.9" - WASHED MAPLE
3A	M09477-88-S35	EA	MOLDING - TRIM/VEE - .2" X 1" X 19.9" - SIERRA MAPLE
3A	M09568-03-W51	EA	MOLDING - TRIM/VEE - .2" X 1" X 19.8" - HONEY CHERRY
3A	M09568-03-W52	EA	MOLDING - TRIM/VEE - .2" X 1" X 19.8" - WASHED MAPLE
3A	M09565-51-W51	EA	MOLDING - TRIM/VEE - .2" X 1" X 19.4" - HONEY CHERRY
3A	M09565-51-W52	EA	MOLDING - TRIM/VEE - .2" X 1" X 19.4" - WASHED MAPLE
3A	M09553-79-W66	EA	MOLDING - TRIM/VEE - .2" X 1" X 15.6" - HONEY CHERRY
3A	M09515-10-W66	EA	MOLDING - TRIM/VEE - .2" X 1" X 15.4" - HONEY CHERRY
3A	M09501-63-T78	EA	MOLDING - TRIM/VEE - .2" X 1" X 15" - CONCERT CHERRY
3A	M09501-63-T79	EA	MOLDING - TRIM/VEE - .2" X 1" X 15" - WASHED MAPLE
3A	M09501-63-T80	EA	MOLDING - TRIM/VEE - .2" X 1" X 15" - SIERRA MAPLE
3A	M09501-63-W66	EA	MOLDING - TRIM/VEE - .2" X 1" X 15" - HONEY CHERRY
3A	M09553-09-W66	EA	MOLDING - TRIM/VEE - .2" X 1" X 13.4" - HONEY CHERRY
3A	M09566-04-WD3	EA	MOLDING - TRIM/VEE - .2" X 1" X 8.9" - HONEY CHERRY
3A	M09553-29-WH4	EA	MOLDING - TRIM/VEE - .4" X 1" X 94.4" - CONCERT CHERRY
3A	M09553-29-WH5	EA	MOLDING - TRIM/VEE - .4" X 1" X 94.4" - WASHED MAPLE
3A	M09553-29-WH6	EA	MOLDING - TRIM/VEE - .4" X 1" X 94.4" - SIERRA MAPLE
3A	M09565-04-WH4	EA	MOLDING - TRIM/VEE - .4" X 1" X 89.5" - CONCERT CHERRY

**INTERIOR FINISH GROUP (CONTINUED)**  
**MOLDINGS & TRIMS (CONTINUED)**

KEY	PART NUMBER	U/M	DESCRIPTION
3A	M09565-04-WH5	EA	MOLDING - TRIM/VEE - .4" X 1" X 89.5" - WASHED MAPLE
3A	M09565-04-WH6	EA	MOLDING - TRIM/VEE - .4" X 1" X 89.5" - SIERRA MAPLE
3A	M09544-86-W37	EA	MOLDING - TRIM/VEE - .4" X 1" X 88.1" - WASHED MAPLE
3A	M09544-86-W38	EA	MOLDING - TRIM/VEE - .4" X 1" X 88.1" - SIERRA MAPLE
3A	M09538-39-U67	EA	MOLDING - TRIM/VEE - .4" X 1" X 82.6" - WASHED MAPLE
3A	M09538-39-U68	EA	MOLDING - TRIM/VEE - .4" X 1" X 82.6" - SIERRA MAPLE
3A	M09553-62-WH4	EA	MOLDING - TRIM/VEE - .4" X 1" X 81.4" - CONCERT CHERRY
3A	M09553-62-WH5	EA	MOLDING - TRIM/VEE - .4" X 1" X 81.4" - WASHED MAPLE
3A	M09553-62-WH6	EA	MOLDING - TRIM/VEE - .4" X 1" X 81.4" - SIERRA MAPLE
3A	M09577-98-WH4	EA	MOLDING - TRIM/VEE - .4" X 1" X 80.2" - CONCERT CHERRY
3A	M09577-98-WH5	EA	MOLDING - TRIM/VEE - .4" X 1" X 80.2" - WASHED MAPLE
3A	M09577-98-WH6	EA	MOLDING - TRIM/VEE - .4" X 1" X 80.2" - SIERRA MAPLE
3A	M09544-37-W37	EA	MOLDING - TRIM/VEE - .4" X 1" X 78.8" - WASHED MAPLE
3A	M09544-37-W38	EA	MOLDING - TRIM/VEE - .4" X 1" X 78.8" - SIERRA MAPLE
3A	M09544-34-W37	EA	MOLDING - TRIM/VEE - .4" X 1" X 78.7" - WASHED MAPLE
3A	M09544-34-W38	EA	MOLDING - TRIM/VEE - .4" X 1" X 78.7" - SIERRA MAPLE
3A	M09538-37-U67	EA	MOLDING - TRIM/VEE - .4" X 1" X 77.5" - WASHED MAPLE
3A	M09538-37-U68	EA	MOLDING - TRIM/VEE - .4" X 1" X 77.5" - SIERRA MAPLE
3A	M09553-65-WH4	EA	MOLDING - TRIM/VEE - .4" X 1" X 77" - CONCERT CHERRY
3A	M09553-65-WH5	EA	MOLDING - TRIM/VEE - .4" X 1" X 77" - WASHED MAPLE
3A	M09553-65-WH6	EA	MOLDING - TRIM/VEE - .4" X 1" X 77" - SIERRA MAPLE
3A	M09553-64-WH4	EA	MOLDING - TRIM/VEE - .4" X 1" X 76.7" - CONCERT CHERRY
3A	M09553-64-WH5	EA	MOLDING - TRIM/VEE - .4" X 1" X 76.7" - WASHED MAPLE
3A	M09553-64-WH6	EA	MOLDING - TRIM/VEE - .4" X 1" X 76.7" - SIERRA MAPLE
3A	M09565-75-WH4	EA	MOLDING - TRIM/VEE - .4" X 1" X 75.9" - CONCERT CHERRY
3A	M09565-75-WH5	EA	MOLDING - TRIM/VEE - .4" X 1" X 75.9" - WASHED MAPLE
3A	M09565-75-WH6	EA	MOLDING - TRIM/VEE - .4" X 1" X 75.9" - SIERRA MAPLE
3A	M09565-02-WH4	EA	MOLDING - TRIM/VEE - .4" X 1" X 75.1" - CONCERT CHERRY
3A	M09565-02-WH5	EA	MOLDING - TRIM/VEE - .4" X 1" X 75.1" - WASHED MAPLE
3A	M09565-02-WH6	EA	MOLDING - TRIM/VEE - .4" X 1" X 75.1" - SIERRA MAPLE
3A	M09553-26-WH4	EA	MOLDING - TRIM/VEE - .4" X 1" X 74.1" - CONCERT CHERRY
3A	M09553-26-WH5	EA	MOLDING - TRIM/VEE - .4" X 1" X 74.1" - WASHED MAPLE
3A	M09553-26-WH6	EA	MOLDING - TRIM/VEE - .4" X 1" X 74.1" - SIERRA MAPLE
3A	M09538-91-WH4	EA	MOLDING - TRIM/VEE - .4" X 1" X 73.8" - CONCERT CHERRY
3A	M09538-91-WH5	EA	MOLDING - TRIM/VEE - .4" X 1" X 73.8" - WASHED MAPLE
3A	M09538-91-WH6	EA	MOLDING - TRIM/VEE - .4" X 1" X 73.8" - SIERRA MAPLE
3A	M09553-22-WH4	EA	MOLDING - TRIM/VEE - .4" X 1" X 73.2" - CONCERT CHERRY
3A	M09553-22-WH5	EA	MOLDING - TRIM/VEE - .4" X 1" X 73.2" - WASHED MAPLE
3A	M09553-22-WH6	EA	MOLDING - TRIM/VEE - .4" X 1" X 73.2" - SIERRA MAPLE
3A	M09565-97-WH4	EA	MOLDING - TRIM/VEE - .4" X 1" X 72.6" - CONCERT CHERRY
3A	M09565-97-WH5	EA	MOLDING - TRIM/VEE - .4" X 1" X 72.6" - WASHED MAPLE
3A	M09565-97-WH6	EA	MOLDING - TRIM/VEE - .4" X 1" X 72.6" - SIERRA MAPLE
3A	M09568-12-WH4	EA	MOLDING - TRIM/VEE - .4" X 1" X 71.9" - CONCERT CHERRY
3A	M09568-12-WH5	EA	MOLDING - TRIM/VEE - .4" X 1" X 71.9" - WASHED MAPLE
3A	M09568-12-WH6	EA	MOLDING - TRIM/VEE - .4" X 1" X 71.9" - SIERRA MAPLE
3A	M09565-01-WH4	EA	MOLDING - TRIM/VEE - .4" X 1" X 71.7" - CONCERT CHERRY
3A	M09565-01-WH5	EA	MOLDING - TRIM/VEE - .4" X 1" X 71.7" - WASHED MAPLE
3A	M09565-01-WH6	EA	MOLDING - TRIM/VEE - .4" X 1" X 71.7" - SIERRA MAPLE
3A	M09565-01-YR3	EA	MOLDING - TRIM/VEE - .4" X 1" X 71.7" - HONEY CHERRY
3A	M09544-15-WB4	EA	MOLDING - TRIM/VEE - .4" X 1" X 64.5" - CONCERT CHERRY
3A	M09544-15-WB5	EA	MOLDING - TRIM/VEE - .4" X 1" X 64.5" - WASHED MAPLE
3A	M09544-15-WB6	EA	MOLDING - TRIM/VEE - .4" X 1" X 64.5" - SIERRA MAPLE
3A	M09538-94-WH4	EA	MOLDING - TRIM/VEE - .4" X 1" X 71.1" - CONCERT CHERRY
3A	M09538-94-WH5	EA	MOLDING - TRIM/VEE - .4" X 1" X 71.1" - WASHED MAPLE
3A	M09538-94-WH6	EA	MOLDING - TRIM/VEE - .4" X 1" X 71.1" - SIERRA MAPLE
3A	M09565-78-WH4	EA	MOLDING - TRIM/VEE - .4" X 1" X 70.2" - CONCERT CHERRY
3A	M09565-78-WH5	EA	MOLDING - TRIM/VEE - .4" X 1" X 70.2" - WASHED MAPLE
3A	M09565-78-WH6	EA	MOLDING - TRIM/VEE - .4" X 1" X 70.2" - SIERRA MAPLE
3A	M09553-21-WH4	EA	MOLDING - TRIM/VEE - .4" X 1" X 70.1" - CONCERT CHERRY
3A	M09553-21-WH5	EA	MOLDING - TRIM/VEE - .4" X 1" X 70.1" - WASHED MAPLE
3A	M09553-21-WH6	EA	MOLDING - TRIM/VEE - .4" X 1" X 70.1" - SIERRA MAPLE
3A	M09501-92-T77	EA	MOLDING - TRIM/VEE - .4" X 1" X 70" - PORTSMOUTH OAK
3A	M09501-92-T78	EA	MOLDING - TRIM/VEE - .4" X 1" X 70" - CONCERT CHERRY
3A	M09501-92-T79	EA	MOLDING - TRIM/VEE - .4" X 1" X 70" - WASHED MAPLE

**INTERIOR FINISH GROUP (CONTINUED)**  
**MOLDINGS & TRIMS (CONTINUED)**



KEY	PART NUMBER	U/M	DESCRIPTION
3A	M09501-92-T80	EA	MOLDING - TRIM/VEE - .4" X 1" X 70" - SIERRA MAPLE
3A	M09538-27-WH4	EA	MOLDING - TRIM/VEE - .4" X 1" X 71.1" - CONCERT CHERRY
3A	M09538-27-U67	EA	MOLDING - TRIM/VEE - .4" X 1" X 71.1" - WASHED MAPLE
3A	M09538-27-U68	EA	MOLDING - TRIM/VEE - .4" X 1" X 71.1" - SIERRA MAPLE
3A	M09544-10-WH4	EA	MOLDING - TRIM/VEE - .4" X 1" X 68.2" - CONCERT CHERRY
3A	M09544-10-W91	EA	MOLDING - TRIM/VEE - .4" X 1" X 68.2" - WASHED MAPLE
3A	M09544-10-W92	EA	MOLDING - TRIM/VEE - .4" X 1" X 68.2" - SIERRA MAPLE
3A	M09553-03-WH4	EA	MOLDING - TRIM/VEE - .4" X 1" X 66.7" - CONCERT CHERRY
3A	M09553-03-WH5	EA	MOLDING - TRIM/VEE - .4" X 1" X 66.7" - WASHED MAPLE
3A	M09553-03-WH6	EA	MOLDING - TRIM/VEE - .4" X 1" X 66.7" - SIERRA MAPLE
3A	M09553-03-YR3	EA	MOLDING - TRIM/VEE - .4" X 1" X 66.7" - HONEY CHERRY
3A	M09538-93-WH4	EA	MOLDING - TRIM/VEE - .4" X 1" X 66.6" - CONCERT CHERRY
3A	M09538-93-WH5	EA	MOLDING - TRIM/VEE - .4" X 1" X 66.6" - WASHED MAPLE
3A	M09538-93-WH6	EA	MOLDING - TRIM/VEE - .4" X 1" X 66.6" - SIERRA MAPLE
3A	M09544-33-W37	EA	MOLDING - TRIM/VEE - .4" X 1" X 66.5" - SIERRA MAPLE
3A	M09544-33-W38	EA	MOLDING - TRIM/VEE - .4" X 1" X 66.5" - WASHED MAPLE
3A	M09553-02-WH4	EA	MOLDING - TRIM/VEE - .4" X 1" X 66.4" - CONCERT CHERRY
3A	M09553-02-WH5	EA	MOLDING - TRIM/VEE - .4" X 1" X 66.4" - WASHED MAPLE
3A	M09553-02-WH6	EA	MOLDING - TRIM/VEE - .4" X 1" X 66.4" - SIERRA MAPLE
3A	M09544-14-WB4	EA	MOLDING - TRIM/VEE - .4" X 1" X 64.5" - CONCERT CHERRY
3A	M09544-14-WB5	EA	MOLDING - TRIM/VEE - .4" X 1" X 64.5" - WASHED MAPLE
3A	M09544-14-WB6	EA	MOLDING - TRIM/VEE - .4" X 1" X 64.5" - SIERRA MAPLE
3A	M09515-78-T77	EA	MOLDING - TRIM/VEE - .4" X 1" X 64.1" - PORTSMOUTH OAK
3A	M09515-78-T78	EA	MOLDING - TRIM/VEE - .4" X 1" X 64.1" - CONCERT CHERRY
3A	M09515-78-T79	EA	MOLDING - TRIM/VEE - .4" X 1" X 64.1" - WASHED MAPLE
3A	M09515-78-T80	EA	MOLDING - TRIM/VEE - .4" X 1" X 64.1" - SIERRA MAPLE
3A	M09501-91-T77	EA	MOLDING - TRIM/VEE - .4" X 1" X 63.3" - PORTSMOUTH OAK
3A	M09501-91-T78	EA	MOLDING - TRIM/VEE - .4" X 1" X 63.3" - CONCERT CHERRY
3A	M09501-91-T79	EA	MOLDING - TRIM/VEE - .4" X 1" X 63.3" - WASHED MAPLE
3A	M09501-91-T80	EA	MOLDING - TRIM/VEE - .4" X 1" X 63.3" - SIERRA MAPLE
3A	M09503-91-T77	EA	MOLDING - TRIM/VEE - .4" X 1" X 63.1" - PORTSMOUTH OAK
3A	M09503-91-T78	EA	MOLDING - TRIM/VEE - .4" X 1" X 63.1" - CONCERT CHERRY
3A	M09503-91-T79	EA	MOLDING - TRIM/VEE - .4" X 1" X 63.1" - WASHED MAPLE
3A	M09503-91-T80	EA	MOLDING - TRIM/VEE - .4" X 1" X 63.1" - SIERRA MAPLE
3A	M09544-22-WB4	EA	MOLDING - TRIM/VEE - .4" X 1" X 61.7" - CONCERT CHERRY
3A	M09544-22-WB5	EA	MOLDING - TRIM/VEE - .4" X 1" X 61.7" - WASHED MAPLE
3A	M09544-22-WB6	EA	MOLDING - TRIM/VEE - .4" X 1" X 61.7" - SIERRA MAPLE
3A	M09583-41-WH4	EA	MOLDING - TRIM/VEE - .4" X 1" X 61" - CONCERT CHERRY
3A	M09583-41-WH5	EA	MOLDING - TRIM/VEE - .4" X 1" X 61" - WASHED MAPLE
3A	M09583-41-WH6	EA	MOLDING - TRIM/VEE - .4" X 1" X 61" - SIERRA MAPLE
3A	M09565-49-WH4	EA	MOLDING - TRIM/VEE - .4" X 1" X 58.7" - CONCERT CHERRY
3A	M09565-49-WH5	EA	MOLDING - TRIM/VEE - .4" X 1" X 58.7" - WASHED MAPLE
3A	M09565-49-WH6	EA	MOLDING - TRIM/VEE - .4" X 1" X 58.7" - SIERRA MAPLE
3A	M09544-36-W37	EA	MOLDING - TRIM/VEE - .4" X 1" X 52.6" - WASHED MAPLE
3A	M09544-36-W38	EA	MOLDING - TRIM/VEE - .4" X 1" X 52.6.5" - SIERRA MAPLE
3A	M09553-85-WB4	EA	MOLDING - TRIM/VEE - .4" X 1" X 43.4" - CONCERT CHERRY
3A	M09553-85-WB5	EA	MOLDING - TRIM/VEE - .4" X 1" X 43.4" - WASHED MAPLE
3A	M09553-85-WB6	EA	MOLDING - TRIM/VEE - .4" X 1" X 43.4" - SIERRA MAPLE
3A	M09553-28-WH4	EA	MOLDING - TRIM/VEE - .4" X 1" X 48" - CONCERT CHERRY
3A	M09553-28-WH5	EA	MOLDING - TRIM/VEE - .4" X 1" X 48" - WASHED MAPLE
3A	M09553-28-WH6	EA	MOLDING - TRIM/VEE - .4" X 1" X 48" - SIERRA MAPLE
3A	M09553-60-WH4	EA	MOLDING - TRIM/VEE - .4" X 1" X 47.2" - CONCERT CHERRY
3A	M09553-60-WH5	EA	MOLDING - TRIM/VEE - .4" X 1" X 47.2" - WASHED MAPLE
3A	M09553-60-WH6	EA	MOLDING - TRIM/VEE - .4" X 1" X 47.2" - SIERRA MAPLE
3A	M09544-24-WB4	EA	MOLDING - TRIM/VEE - .4" X 1" X 46.2" - CONCERT CHERRY
3A	M09544-24-WB5	EA	MOLDING - TRIM/VEE - .4" X 1" X 46.2" - WASHED MAPLE
3A	M09544-24-WB6	EA	MOLDING - TRIM/VEE - .4" X 1" X 46.2" - SIERRA MAPLE
3A	M09565-77-WH4	EA	MOLDING - TRIM/VEE - .4" X 1" X 42.5" - CONCERT CHERRY
3A	M09565-77-WH5	EA	MOLDING - TRIM/VEE - .4" X 1" X 42.5" - WASHED MAPLE
3A	M09565-77-WH6	EA	MOLDING - TRIM/VEE - .4" X 1" X 42.5" - SIERRA MAPLE
3A	M09544-35-W37	EA	MOLDING - TRIM/VEE - .4" X 1" X 66.5" - SIERRA MAPLE
3A	M09544-35-W38	EA	MOLDING - TRIM/VEE - .4" X 1" X 66.5" - WASHED MAPLE

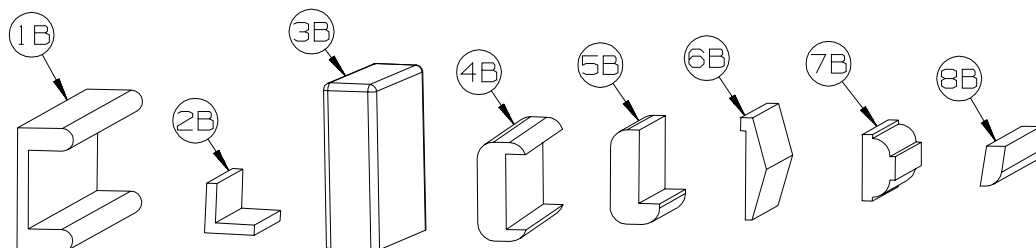
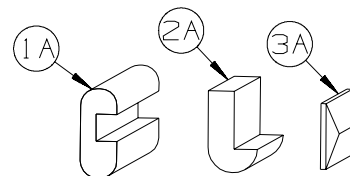
**INTERIOR FINISH GROUP (CONTINUED)**  
**MOLDINGS & TRIMS (CONTINUED)**

<b>KEY</b>	<b>PART NUMBER</b>	<b>U/M</b>	<b>DESCRIPTION</b>
3A	M09544-38-W37	EA	MOLDING - TRIM/VEE - .4" X 1" X 66.5" - SIERRA MAPLE
3A	M09544-38-W38	EA	MOLDING - TRIM/VEE - .4" X 1" X 66.5" - WASHED MAPLE
3A	M09565-03-WH4	EA	MOLDING - TRIM/VEE - .4" X 1" X 44.2" - CONCERT CHERRY
3A	M09565-03-WH5	EA	MOLDING - TRIM/VEE - .4" X 1" X 44.2" - WASHED MAPLE
3A	M09565-03-WH6	EA	MOLDING - TRIM/VEE - .4" X 1" X 44.2" - SIERRA MAPLE
3A	M09565-20-WH4	EA	MOLDING - TRIM/VEE - .4" X 1" X 43.2" - CONCERT CHERRY
3A	M09565-20-WH5	EA	MOLDING - TRIM/VEE - .4" X 1" X 43.2" - WASHED MAPLE
3A	M09565-20-WH6	EA	MOLDING - TRIM/VEE - .4" X 1" X 43.2" - SIERRA MAPLE
3A	M09553-24-WH4	EA	MOLDING - TRIM/VEE - .4" X 1" X 43" - CONCERT CHERRY
3A	M09553-24-WH5	EA	MOLDING - TRIM/VEE - .4" X 1" X 43" - WASHED MAPLE
3A	M09553-24-WH6	EA	MOLDING - TRIM/VEE - .4" X 1" X 43" - SIERRA MAPLE
3A	M09565-77-WH4	EA	MOLDING - TRIM/VEE - .4" X 1" X 42.5" - CONCERT CHERRY
3A	M09565-77-WH5	EA	MOLDING - TRIM/VEE - .4" X 1" X 42.5" - WASHED MAPLE
3A	M09565-77-WH6	EA	MOLDING - TRIM/VEE - .4" X 1" X 42.5" - SIERRA MAPLE
3A	M09565-50-WH4	EA	MOLDING - TRIM/VEE - .4" X 1" X 40.9" - CONCERT CHERRY
3A	M09565-50-WH5	EA	MOLDING - TRIM/VEE - .4" X 1" X 40.9" - WASHED MAPLE
3A	M09565-50-WH6	EA	MOLDING - TRIM/VEE - .4" X 1" X 40.9" - SIERRA MAPLE
3A	M09583-43-WH4	EA	MOLDING - TRIM/VEE - .4" X 1" X 40.1" - CONCERT CHERRY
3A	M09583-43-WH5	EA	MOLDING - TRIM/VEE - .4" X 1" X 40.1" - WASHED MAPLE
3A	M09583-43-WH6	EA	MOLDING - TRIM/VEE - .4" X 1" X 40.1" - SIERRA MAPLE
3A	M09565-76-WH4	EA	MOLDING - TRIM/VEE - .4" X 1" X 39.4" - CONCERT CHERRY
3A	M09565-76-WH5	EA	MOLDING - TRIM/VEE - .4" X 1" X 39.4" - WASHED MAPLE
3A	M09565-76-WH6	EA	MOLDING - TRIM/VEE - .4" X 1" X 39.4" - SIERRA MAPLE
3A	M09565-47-WH4	EA	MOLDING - TRIM/VEE - .4" X 1" X 38.9" - CONCERT CHERRY
3A	M09565-47-WH5	EA	MOLDING - TRIM/VEE - .4" X 1" X 38.9" - WASHED MAPLE
3A	M09565-47-WH6	EA	MOLDING - TRIM/VEE - .4" X 1" X 38.9" - SIERRA MAPLE
3A	M09553-27-WH4	EA	MOLDING - TRIM/VEE - .4" X 1" X 38.8" - CONCERT CHERRY
3A	M09553-27-WH5	EA	MOLDING - TRIM/VEE - .4" X 1" X 38.8" - WASHED MAPLE
3A	M09553-27-WH6	EA	MOLDING - TRIM/VEE - .4" X 1" X 38.8" - SIERRA MAPLE
3A	M09568-77-WH4	EA	MOLDING - TRIM/VEE - .4" X 1" X 37.5" - CONCERT CHERRY
3A	M09568-77-WH5	EA	MOLDING - TRIM/VEE - .4" X 1" X 37.5" - WASHED MAPLE
3A	M09568-77-WH6	EA	MOLDING - TRIM/VEE - .4" X 1" X 37.5" - SIERRA MAPLE
3A	M09553-23-WH4	EA	MOLDING - TRIM/VEE - .4" X 1" X 37" - CONCERT CHERRY
3A	M09553-23-WH5	EA	MOLDING - TRIM/VEE - .4" X 1" X 37" - WASHED MAPLE
3A	M09553-23-WH6	EA	MOLDING - TRIM/VEE - .4" X 1" X 37" - SIERRA MAPLE
3A	M09553-47-WB4	EA	MOLDING - TRIM/VEE - .4" X 1" X 35.9" - CONCERT CHERRY
3A	M09553-47-WB5	EA	MOLDING - TRIM/VEE - .4" X 1" X 35.9" - WASHED MAPLE
3A	M09553-47-WB6	EA	MOLDING - TRIM/VEE - .4" X 1" X 35.9" - SIERRA MAPLE
3A	M09553-47-W66	EA	MOLDING - TRIM/VEE - .4" X 1" X 35.9" - HONEY CHERRY
3A	M09568-48-U67	EA	MOLDING - TRIM/VEE - .4" X 1" X 35.4" - WASHED MAPLE
3A	M09568-48-U68	EA	MOLDING - TRIM/VEE - .4" X 1" X 35.4" - SIERRA MAPLE
3A	M09553-63-WH4	EA	MOLDING - TRIM/VEE - .4" X 1" X 35.1" - CONCERT CHERRY
3A	M09553-63-WH5	EA	MOLDING - TRIM/VEE - .4" X 1" X 35.1" - WASHED MAPLE
3A	M09553-63-WH6	EA	MOLDING - TRIM/VEE - .4" X 1" X 35.1" - SIERRA MAPLE
3A	M09553-63-W51	EA	MOLDING - TRIM/VEE - .4" X 1" X 35.1" - HONEY CHERRY
3A	M09565-94-WH4	EA	MOLDING - TRIM/VEE - .4" X 1" X 34.4" - CONCERT CHERRY
3A	M09565-94-WH5	EA	MOLDING - TRIM/VEE - .4" X 1" X 34.4" - WASHED MAPLE
3A	M09565-94-WH6	EA	MOLDING - TRIM/VEE - .4" X 1" X 34.4" - SIERRA MAPLE
3A	M09553-04-WH4	EA	MOLDING - TRIM/VEE - .4" X 1" X 34.2" - CONCERT CHERRY
3A	M09553-04-WH5	EA	MOLDING - TRIM/VEE - .4" X 1" X 34.2" - WASHED MAPLE
3A	M09553-04-WH6	EA	MOLDING - TRIM/VEE - .4" X 1" X 34.2" - SIERRA MAPLE
3A	M09566-02-U68	EA	MOLDING - TRIM/VEE - .4" X 1" X 32.7" - SIERRA MAPLE
3A	M09566-02-W51	EA	MOLDING - TRIM/VEE - .4" X 1" X 32.7" - HONEY CHERRY
3A	M09566-02-W52	EA	MOLDING - TRIM/VEE - .4" X 1" X 32.7" - WASHED MAPLE
3A	M09511-86-T77	EA	MOLDING - TRIM/VEE - .4" X 1" X 28.3" - PORTSMOUTH OAK
3A	M09511-86-T78	EA	MOLDING - TRIM/VEE - .4" X 1" X 28.3" - CONCERT CHERRY
3A	M09511-86-T79	EA	MOLDING - TRIM/VEE - .4" X 1" X 28.3" - WASHED MAPLE
3A	M09511-86-T80	EA	MOLDING - TRIM/VEE - .4" X 1" X 28.3" - SIERRA MAPLE
3A	M09553-61-WH4	EA	MOLDING - TRIM/VEE - .4" X 1" X 19.9" - CONCERT CHERRY
3A	M09553-61-WH5	EA	MOLDING - TRIM/VEE - .4" X 1" X 19.9" - WASHED MAPLE
3A	M09553-61-WH6	EA	MOLDING - TRIM/VEE - .4" X 1" X 19.9" - SIERRA MAPLE
3A	M09565-71-WH4	EA	MOLDING - TRIM/VEE - .4" X 1" X 11.4" - CONCERT CHERRY
3A	M09565-71-WH5	EA	MOLDING - TRIM/VEE - .4" X 1" X 11.4" - WASHED MAPLE
3A	M09565-71-WH6	EA	MOLDING - TRIM/VEE - .4" X 1" X 11.4" - SIERRA MAPLE

## INTERIOR FINISH GROUP (CONTINUED)

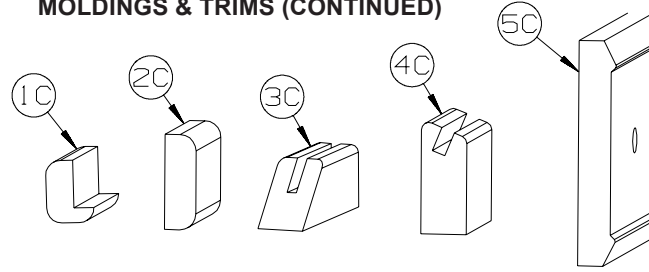
### MOLDINGS & TRIMS (CONTINUED)

KEY	PART NUMBER	U/M	DESCRIPTION
3A	M09583-42-WH4	EA	MOLDING - TRIM/VEE - .4" X 1" X 8.3" - CONCERT CHERRY
3A	M09583-42-WH5	EA	MOLDING - TRIM/VEE - .4" X 1" X 8.3" - WASHED MAPLE
3A	M09583-42-WH6	EA	MOLDING - TRIM/VEE - .4" X 1" X 8.3" - SIERRA MAPLE
3A	M09544-55-WB4	EA	MOLDING - TRIM/VEE - .4" X 1" X 6.5" - CONCERT CHERRY
3A	M09544-55-WB5	EA	MOLDING - TRIM/VEE - .4" X 1" X 6.5" - WASHED MAPLE
3A	M09544-55-WB6	EA	MOLDING - TRIM/VEE - .4" X 1" X 6.5" - SIERRA MAPLE
3A	M09544-56-WB4	EA	MOLDING - TRIM/VEE - .4" X 1" X 6.1" - CONCERT CHERRY
3A	M09544-56-WB5	EA	MOLDING - TRIM/VEE - .4" X 1" X 6.1" - WASHED MAPLE
3A	M09544-56-WB6	EA	MOLDING - TRIM/VEE - .4" X 1" X 6.1" - SIERRA MAPLE
3A	M09538-70-U68	EA	MOLDING - TRIM/VEE - .4" X 1" X 63.9" - SIERRA MAPLE
3A	M09538-70-U67	EA	MOLDING - TRIM/VEE - .4" X 1" X 63.9" - WASHED MAPLE



KEY	PART NUMBER	U/M	DESCRIPTION
1B	M09501-84-TG0	EA	MOLDING/TRIM - CAP/WALL - 2.2" X 85.9" - PORTSMOUTH OAK
1B	M09501-84-TG1	EA	MOLDING/TRIM - CAP/WALL - 2.2" X 85.9" - CONCERT CHERRY
1B	M09501-84-TG2	EA	MOLDING/TRIM - CAP/WALL - 2.2" X 85.9" - WASHED MAPLE
1B	M09501-84-TG3	EA	MOLDING/TRIM - CAP/WALL - 2.2" X 85.9" - HONEY CHERRY
1B	M09520-04-TD3	EA	MOLDING/TRIM - CAP/WALL - 2.2" X 80.5" - SIERRA MAPLE
2B	M09511-81-TA0	EA	MOLDING/TRIM - L SHAPE - .8"X .8"X 80.2" - PORTSMOUTH OAK
2B	M09511-81-TA1	EA	MOLDING/TRIM - L SHAPE - .8"X .8"X 80.2" - CONCERT CHERRY
2B	M09511-81-TA2	EA	MOLDING/TRIM - L SHAPE - .8"X .8"X 80.2" - WASHED MAPLE
2B	M09511-81-TA3	EA	MOLDING/TRIM - L SHAPE - .8"X .8"X 80.2" - SIERRA MAPLE
3B	M09515-81-T01	EA	MOLDING/HARDWOOD STRAIGHT - 74.3" - WASHED MAPLE
3B	M09515-81-T02	EA	MOLDING/HARDWOOD STRAIGHT - 74.3" - HONEY CHERRY
4B	M09511-42-T77	EA	MOLDING - TRIM - W/NOTCH - 1.5" X 86.4" - PORTSMOUTH OAK
4B	M09511-42-T78	EA	MOLDING - TRIM - W/NOTCH - 1.5" X 86.4" - CONCERT CHERRY
4B	M09511-42-T79	EA	MOLDING - TRIM - W/NOTCH - 1.5" X 86.4" - WASHED MAPLE
4B	M09511-42-T80	EA	MOLDING - TRIM - W/NOTCH - 1.5" X 86.4" - SIERRA MAPLE
4B	M09511-42-W66	EA	MOLDING - TRIM - W/NOTCH - 1.5" X 86.4" - HONEY CHERRY
5B	M09515-18-T77	EA	MOLDING - HARDWOOD-W/NOTCH - 1.4"X 86.2" - PORTSMOUTH OAK
5B	M09515-18-T78	EA	MOLDING - HARDWOOD-W/NOTCH - 1.4"X 86.2" - CONCERT CHERRY
5B	M09553-66-U22	EA	MOLDING - HARDWOOD-W/NOTCH - 1.4"X 96" - WASHED MAPLE
5B	M09515-18-T80	EA	MOLDING - HARDWOOD-W/NOTCH - 1.4"X 86.2" - SIERRA MAPLE
5B	M09553-66-U21	EA	MOLDING - HARDWOOD-W/NOTCH - 1.4"X 96" - HONEY CHERRY
6B	M09515-53-TG0	EA	MOLDING - TRIM/VEE - 1.5" X 73.9" - PORTSMOUTH OAK
6B	M09525-81-UJ1	EA	MOLDING - TRIM/VEE - 1.5" X 74.7" - CONCERT CHERRY
6B	M09525-81-UJ2	EA	MOLDING - TRIM/VEE - 1.5" X 74.7" - WASHED MAPLE
6B	M09552-81-UJ3	EA	MOLDING - TRIM/VEE - 1.5" X 74.7" - HONEY CHERRY
6B	M09553-53-WH6	EA	MOLDING - TRIM/VEE - NOTCHED - 1.5" X 20.6" - SIERRA MAPLE
7B	Y00076-32-438	EA	MOLDING/TRIM - .5" X 1" X 96" - CHERRY (UNSTAINED)
7B	Y00076-22-438	EA	MOLDING/TRIM - .5" X 1" X 96" - MAPLE (UNSTAINED)
8B	M09525-92-T77	EA	MOLDING/TRIM - .5" X 1" X 75.6" - PORTSMOUTH OAK
8B	M09525-92-T78	EA	MOLDING/TRIM - .5" X 1" X 75.6" - CONCERT CHERRY
8B	M09525-92-T79	EA	MOLDING/TRIM - .5" X 1" X 75.6" - WASHED MAPLE
8B	M09525-92-T80	EA	MOLDING/TRIM - .5" X 1" X 75.6" - SIERRA MAPLE
8B	Y00086-72-438	EA	MOLDING - VINYL WRAP - .7" X 1.6" X 96" - PORTSMOUTH OAK
8B	Y00086-D2-438	EA	MOLDING - VINYL WRAP - .7" X 1.6" X 96" - CONCERT CHERRY
8B	Y00086-A2-438	EA	MOLDING - VINYL WRAP - .7" X 1.6" X 96" - WASHED MAPLE
8B	Y00086-92-438	EA	MOLDING - VINYL WRAP - .7" X 1.6" X 96" - SIERRA MAPLE
8B	Y00086-82-438	EA	MOLDING - VINYL WRAP - .7" X 1.6" X 96" - HONEY CHERRY
8B	Y00087-72-438	EA	MOLDING - VINYL WRAP - .7" X 2.9" X 96" - PORTSMOUTH OAK
8B	Y00087-D2-438	EA	MOLDING - VINYL WRAP - .7" X 2.9" X 96" - CONCERT CHERRY
8B	Y00087-A2-438	EA	MOLDING - VINYL WRAP - .7" X 2.9" X 96" - WASHED MAPLE
8B	Y00087-92-438	EA	MOLDING - VINYL WRAP - .7" X 2.9" X 96" - SIERRA MAPLE
8B	Y00087-82-438	EA	MOLDING - VINYL WRAP - .7" X 2.9" X 96" - HONEY CHERRY

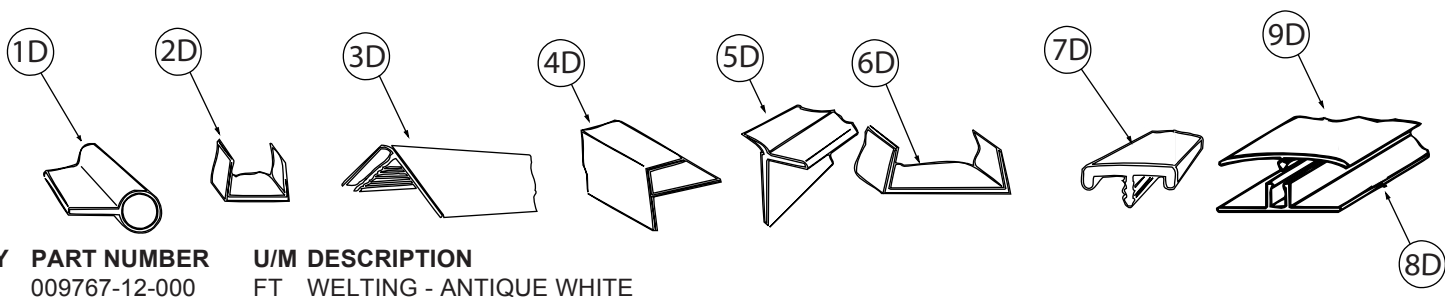
**INTERIOR FINISH GROUP (CONTINUED)**  
**MOLDINGS & TRIMS (CONTINUED)**



KEY	PART NUMBER	U/M	DESCRIPTION
1C	M09520-19-TD1	EA	MOLDING - TRIM - W/NOTCH - 1" X 86.3" - CONCERT CHERRY
1C	M09520-19-TD2	EA	MOLDING - TRIM - W/NOTCH - 1" X 86.3" - WASHED MAPLE
1C	M09520-19-TD3	EA	MOLDING - TRIM - W/NOTCH - 1" X 86.3" - HONEY CHERRY
1C	M09565-68-WH4	EA	MOLDING - HARDWOOD - .75" X 1.4" X 81.9" - CONCERT CHERRY
1C	M09565-68-WH5	EA	MOLDING - HARDWOOD - .75" X 1.4" X 81.9" - WASHED MAPLE
1C	M09565-68-WH6	EA	MOLDING - HARDWOOD - .75" X 1.4" X 81.9" - SIERRA MAPLE
2C	M09511-46-T77	EA	MOLDING/TRIM - .5" X 1.5" X 86.5" - PORTSMOUTH OAK
2C	M09511-46-T78	EA	MOLDING/TRIM - .5" X 1.5" X 86.5" - CONCERT CHERRY
2C	M09511-46-T79	EA	MOLDING/TRIM - .5" X 1.5" X 86.5" - WASHED MAPLE
2C	M09511-46-T80	EA	MOLDING/TRIM - .5" X 1.5" X 86.5" - SIERRA MAPLE
3C	Y00223-22-438	EA	MOLDING - HARDWOOD/MAPLE - .7" X 1" X 96" - UNSTAINED MAPLE
3C	Y00223-32-438	EA	MOLDING - HARDWOOD/CHERRY - .7" X 1" X 96" - UNSTAINED CHERRY
3C	Y00223-42-438	EA	MOLDING - HARDWOOD/CHERRY - .7" X 1" X 96" - UNSTAINED OAK
4C	Y00054-A2-438	EA	MOLDING - VINYL - W/SLOT - .7"X 1.9"X 96" - WASHED MAPLE
4C	Y00054-D2-438	EA	MOLDING - VINYL - W/SLOT - .7"X 1.9"X 96" - CONCERT CHERRY
4C	Y00054-22-438	EA	MOLDING - VINYL - W/SLOT - .7"X 1.9"X 96" - WASHED MAPLE
4C	Y00054-72-438	EA	MOLDING - VINYL - W/SLOT - .7"X 1.9"X 96" - PORTSMOUTH OAK
4C	Y00054-82-438	EA	MOLDING - VINYL - W/SLOT - .7"X 1.9"X 96" - HONEY CHERRY
4C	Y00054-92-438	EA	MOLDING - VINYL - W/SLOT - .7"X 1.9"X 96" - SIERRA MAPLE
4C	Y00276-A2-438	EA	MOLDING - VINYL - W/SLOT - .7"X 1.9"X 96" - WASHED MAPLE
4C	Y00276-D2-438	EA	MOLDING - VINYL - W/SLOT - .7"X 1.9"X 96" - CONCERT CHERRY
4C	Y00276-72-438	EA	MOLDING - VINYL - W/SLOT - .7"X 1.9"X 96" - PORTSMOUTH OAK
4C	Y00276-82-438	EA	MOLDING - VINYL - W/SLOT - .7"X 1.9"X 96" - HONEY CHERRY
4C	Y00276-92-438	EA	MOLDING - VINYL - W/SLOT - .7"X 1.9"X 96" - SIERRA MAPLE
5C	Y00152-A2-438	EA	MOLDING/TRIM - VINYL - .6" X 3.5" X 96" - WASHED MAPLE
5C	Y00152-D2-438	EA	MOLDING/TRIM - VINYL - .6" X 3.5" X 96" - CONCERT CHERRY
5C	Y00152-22-438	EA	MOLDING/TRIM - VINYL - .6" X 3.5" X 96" - WASHED MAPLE
5C	Y00152-72-438	EA	MOLDING/TRIM - VINYL - .6" X 3.5" X 96" - PORTSMOUTH OAK
5C	Y00152-92-438	EA	MOLDING/TRIM - VINYL - .6" X 3.5" X 96" - SIERRA MAPLE

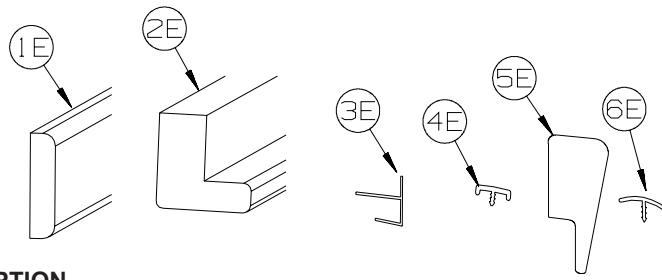


**INTERIOR FINISH GROUP (CONTINUED)**  
**MOLDINGS & TRIMS (CONTINUED)**



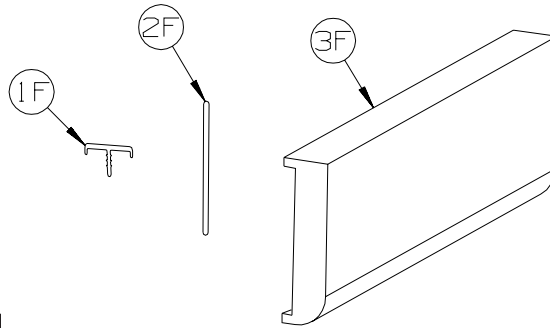
KEY	PART NUMBER	U/M	DESCRIPTION
1D	009767-12-000	FT	WELTING - ANTIQUE WHITE
2D	009778-25-000	FT	U-CHANNEL - 1" - BEIGE ILLUSION
2D	009778-26-000	FT	U-CHANNEL - 1 1/4" - BEIGE ILLUSION
2D	009778-38-000	FT	U-CHANNEL - 1" - BONE
2D	009778-32-000	FT	U-CHANNEL - 1" - PORTSMOUTH OAK
2D	009778-34-000	FT	U-CHANNEL - 1" - CONCERT CHERRY
2D	009778-27-000	FT	U-CHANNEL - 1" - WASHED MAPLE
2D	009778-35-000	FT	U-CHANNEL - 1" - HONEY CHERRY
2D	009778-36-000	FT	U-CHANNEL - 1" - SIERRA MAPLE
3D	009809-30-000	EA	MOLDING - CORNER - OUTSIDE - 1" X 84" - BEIGE ILLUSION
3D	009809-37-000	EA	MOLDING - CORNER - OUTSIDE - 1" X 84" - BONE
3D	009809-33-000	EA	MOLDING - CORNER - OUTSIDE - 1" X 84" - CONCERT CHERRY
3D	009809-31-000	EA	MOLDING - CORNER - OUTSIDE - 1" X 84" - WASHED MAPLE
3D	009809-35-000	EA	MOLDING - CORNER - OUTSIDE - 1" X 84" - SIERRA MAPLE
4D	009812-31-000	EA	MOLDING - CORNER - 1/2" W/1/4"CHAN X 84" - BEIGE ILLUSION
4D	009812-40-000	EA	MOLDING - CORNER - 1/2" W/1/4"CHAN X 84" - BONE
4D	009812-35-000	EA	MOLDING - CORNER - 1/2" W/1/4"CHAN X 84" - PORTSMOUTH OAK
4D	009812-36-000	EA	MOLDING - CORNER - 1/2" W/1/4"CHAN X 84" - CONCERT CHERRY
4D	009812-33-000	EA	MOLDING - CORNER - 1/2" W/1/4"CHAN X 84" - WASHED MAPLE
4D	009812-37-000	EA	MOLDING - CORNER - 1/2" W/1/4"CHAN X 84" - HONEY CHERRY
4D	009812-38-000	EA	MOLDING - CORNER - 1/2" W/1/4"CHAN X 84" - SIERRA MAPLE
5D	022992-11-000	FT	MOLDING - REVERSE COVE - T-SHAPED - IVORY
5D	022992-14-000	FT	MOLDING - REVERSE COVE - T-SHAPED - BRIGHT WHITE
5D	022992-18-000	FT	MOLDING - REVERSE COVE - T-SHAPED - BONE
6D	070504-42-000	FT	U-CHANNEL - PLASTIC - .13" X 84" - BEIGE ILLUSION
6D	070504-43-000	FT	U-CHANNEL - PLASTIC - .9" X 96" - BEIGE ILLUSION
6D	070504-69-000	FT	U-CHANNEL - PLASTIC - .13" X 84" - BONE
6D	070504-70-000	FT	U-CHANNEL - PLASTIC - .8" X 84" - BONE
6D	070504-57-000	FT	U-CHANNEL - PLASTIC - .13" X 96" - PORTSMOUTH OAK
6D	070504-58-000	FT	U-CHANNEL - PLASTIC - .9" X 96" - PORTSMOUTH OAK
6D	070504-60-000	FT	U-CHANNEL - PLASTIC - .13" X 84" - CONCERT CHERRY
6D	070504-61-000	FT	U-CHANNEL - PLASTIC - .9" X 84" - CONCERT CHERRY
6D	070504-50-000	FT	U-CHANNEL - PLASTIC - .13" X 96" - WASHED MAPLE
6D	070504-51-000	FT	U-CHANNEL - PLASTIC - .9" X 96" - WASHED MAPLE
6D	070504-62-000	FT	U-CHANNEL - PLASTIC - 1.65" X 84" - HONEY CHERRY
6D	070504-63-000	FT	U-CHANNEL - PLASTIC - .9" X 84" - HONEY CHERRY
6D	070504-65-000	FT	U-CHANNEL - PLASTIC - .07" X 96" - SIERRA MAPLE
6D	070504-66-000	FT	U-CHANNEL - PLASTIC - .8" X 84" - SIERRA MAPLE
7D	083620-25-000	FT	MOLDING-T - W/EDGE LIP - 7/8" FACE - BONE
7D	083620-20-000	FT	MOLDING-T - W/EDGE LIP - 7/8" FACE - PORTSMOUTH OAK
7D	083620-19-000	FT	MOLDING-T - W/EDGE LIP - 7/8" FACE - WASHED MAPLE
7D	083620-24-000	FT	MOLDING-T - W/EDGE LIP - 7/8" FACE - HONEY CHERRY
7D	083620-22-000	FT	MOLDING-T - W/EDGE LIP - 7/8" FACE - SIERRA MAPLE
8D	086229-01-000	EA	RETAINER - BATTEN - .75" X 92.1" - ANY COLOR
9D	086229-12-000	EA	BATTEN - 1.5" OFFSET X 96.8" - MODERN IVORY
9D	086229-20-000	EA	BATTEN - 1" X 96" - BEIGE

**INTERIOR FINISH GROUP (CONTINUED)**  
**MOLDINGS & TRIMS (CONTINUED)**



KEY	PART NUMBER	U/M	DESCRIPTION
1E	100818-01-12A	EA	MOLDING - VINYL WRAPPED - 1.6" X .4" X 84" - PORTSMOUTH OAK
1E	100818-01-23A	EA	MOLDING - VINYL WRAPPED - 1.6" X .4" X 84" - CONCERT CHERRY
1E	100818-01-21A	EA	MOLDING - VINYL WRAPPED - 1.6" X .4" X 84" - WASHED MAPLE
1E	100818-01-14A	EA	MOLDING - VINYL WRAPPED - 1.6" X .4" X 84" - HONEY CHERRY
1E	100818-01-22A	EA	MOLDING - VINYL WRAPPED - 1.6" X .4" X 84" - SIERRA MAPLE
2E	100819-01-23A	EA	MOLDING - VYL WRPPD-L-SHPD-1.5"X1.5"X84" - CONCERT CHERRY
2E	100819-01-21A	EA	MOLDING - VINYL WRAPPED-L-SHAPED-1.5"X1.5"X84" - WASHED MAPLE
2E	100819-01-14A	EA	MOLDING - VINYL WRAPPED-L-SHAPED-1.5"X1.5"X84" - HONEY CHERRY
2E	100819-01-22A	EA	MOLDING - VINYL WRAPPED-L-SHAPED-1.5"X1.5"X84" - SIERRA MAPLE
3E	103186-01-07A	FT	MOLDING/PLASTIC - 3/8" U-CHANNEL-3/4" FACE - BEIGE ILLUSION
3E	103186-01-09A	FT	MOLDING/PLASTIC - 3/8" U-CHANNEL-3/4" FACE - PORTSMOUTH OAK
3E	103186-01-10A	FT	MOLDING/PLASTIC - 3/8" U-CHANNEL-3/4" FACE - CONCERT CHERRY
3E	103186-01-08A	FT	MOLDING/PLASTIC - 3/8" U-CHANNEL-3/4" FACE- 8' - WASHED MAPLE
3E	103186-01-11A	FT	MOLDING/PLASTIC - 3/8" U-CHANNEL-3/4" FACE - HONEY CHERRY
3E	103186-01-12A	FT	MOLDING/PLASTIC - 3/8" U-CHANNEL-3/4" FACE - SIERRA MAPLE
3E	103186-02-07A	FT	MOLDING/PLASTIC-1" U-CHANNEL-1 3/8" FACE - BEIGE ILLUSION
3E	103186-02-09A	FT	MOLDING/PLASTIC - 1" U-CHANNEL-1 3/8" FACE - PORTSMOUTH OAK
3E	103186-02-10A	FT	MOLDING/PLASTIC - 1" U-CHANNEL-1 3/8" FACE - CONCERT CHERRY
3E	103186-02-08A	FT	MOLDING/PLASTIC - 1" U-CHANNEL-1 3/8" FACE - WASHED MAPLE
3E	103186-02-11A	FT	MOLDING/PLASTIC - 1" U-CHANNEL-1 3/8" FACE - HONEY CHERRY
3E	103186-02-12A	FT	MOLDING/PLASTIC - 1" U-CHANNEL-1 3/8" FACE - SIERRA MAPLE
4E	104676-02-08A	FT	MOLDING-T - W/EDGE LIP - 11/16" FACE - PORTSMOUTH OAK
4E	104676-02-12A	FT	MOLDING-T - W/EDGE LIP - 11/16" FACE - SIERRA MAPLE
5E	105004-01-12A	EA	MOLDING - VINYL WRAP - 1" X 96" - PORTSMOUTH OAK
5E	105004-01-21A	EA	MOLDING - VINYL WRAP - 1" X 96" - WASHED MAPLE
5E	105004-01-24A	EA	MOLDING - VINYL WRAP - 1" X 96" - HONEY CHERRY
5E	105004-01-22A	EA	MOLDING - VINYL WRAP - 1" X 96" - SIERRA MAPLE
6E	105709-02-000	FT	MOLDING-T - W/EDGE LIP 3/4" FACE - BEIGE ILLUSION

**INTERIOR FINISH GROUP (CONTINUED)**  
**MOLDINGS & TRIMS (CONTINUED)**

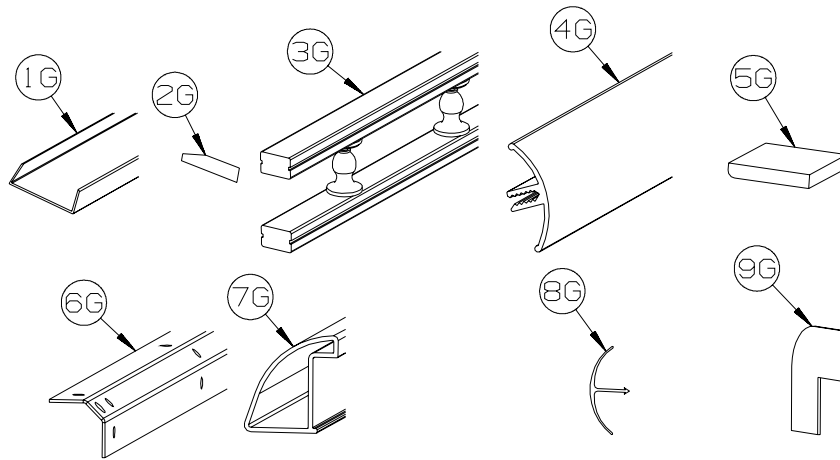


KEY	PART NUMBER	U/M	DESCRIPTION
1F	119520-01-01A	FT	MOLDING-T - OFFSET W/EDGE LIP - 1.3" FACE - OFF WHITE
1F	119520-03-02A	FT	MOLDING-T - OFFSET W/EDGE LIP - 1" FACE - CONCERT CHERRY
1F	119520-03-03A	FT	MOLDING-T - OFFSET W/EDGE LIP - 1" FACE - WASHED MAPLE
1F	119520-03-05A	FT	MOLDING-T - OFFSET W/EDGE LIP - 1" FACE - SIERRA MAPLE
1F	119520-03-06A	FT	MOLDING-T - OFFSET W/EDGE LIP - 1" FACE - HONEY CHERRY
2F	127842-01-01A	FT	SEAL - SIGHT SHIELD - 2" BLACK
	160300-A2-438	EA	LUMBER - VINYL WRAPPED - .7" X .75" X 96" - CONCERT CHERRY
	160300-D2-438	EA	LUMBER - VINYL WRAPPED - .7" X 1.5" X 96" - CONCERT CHERRY
	160300-E2-438	EA	LUMBER - VINYL WRAPPED - .7" X 2" X 96" - CONCERT CHERRY
	160300-F2-438	EA	LUMBER - VINYL WRAPPED - .7" X 2.5" X 96" - CONCERT CHERRY
	160300-G2-438	EA	LUMBER - VINYL WRAPPED - .7" X 3" X 96" - CONCERT CHERRY
	160300-H2-438	EA	LUMBER - VINYL WRAPPED - .7" X 3.5" X 96" - CONCERT CHERRY
	160300-J2-438	EA	LUMBER - VINYL WRAPPED - .7" X 5.5" X 96" - CONCERT CHERRY
	160300-K2-438	EA	LUMBER - VINYL WRAPPED - .7" X 3.9" X 96" - CONCERT CHERRY
	160300-R2-438	EA	LUMBER - VINYL WRAPPED - .7" X 3" X 96" - CONCERT CHERRY
3F	160301-D2-134	EA	MOLDING - VINYL WRAPPED - .7" X 1.6" X 84" - CONCERT CHERRY
3F	160301-D2-743	EA	MOLDING - VINYL WRAPPED - .7" X 1.6" X 108" - CONCERT CHERRY
3F	160301-F2-134	EA	MOLDING - VINYL WRAPPED - .7" X 2.5" X 84" - CONCERT CHERRY
3F	160301-F2-743	EA	MOLDING - VINYL WRAPPED - .7" X 2.5" X 108" - CONCERT CHERRY
3F	160301-F2-438	EA	MOLDING - VINYL WRAPPED - .7" X 2.5" X 96" - CONCERT CHERRY
	137894-A2-438	EA	LUMBER - VINYL WRAPPED - .7" X .75" X 96" - PORTSMOUTH OAK
	137894-D2-438	EA	LUMBER - VINYL WRAPPED - .7" X 1.5" X 96" - PORTSMOUTH OAK
	137894-E2-438	EA	LUMBER - VINYL WRAPPED - .7" X 2" X 96" - PORTSMOUTH OAK
	137894-F2-438	EA	LUMBER - VINYL WRAPPED - .7" X 2.5" X 96" - PORTSMOUTH OAK
	137894-G2-438	EA	LUMBER - VINYL WRAPPED - .7" X 3" X 96" - PORTSMOUTH OAK
	137894-H2-438	EA	LUMBER - VINYL WRAPPED - .7" X 3.5" X 96" - PORTSMOUTH OAK
	137894-J2-438	EA	LUMBER - VINYL WRAPPED - .7" X 5.5" X 96" - PORTSMOUTH OAK

**INTERIOR FINISH GROUP (CONTINUED)**  
**MOLDINGS & TRIMS (CONTINUED)**

KEY	PART NUMBER	U/M	DESCRIPTION
	137894-J2-743	EA	LUMBER - VINYL WRAPPED - .7" X 5.5" X 108" - PORTSMOUTH OAK
	137894-K2-438	EA	LUMBER - VINYL WRAPPED - .7" X 3.9" X 96" - PORTSMOUTH OAK
	137894-R2-438	EA	LUMBER - VINYL WRAPPED - .7" X 3" X 96" - PORTSMOUTH OAK
3F	137895-D2-134	EA	MOLDING - VINYL WRAP - .7" X 1.6" X 84" - PORTSMOUTH OAK
3F	137895-D2-743	EA	MOLDING - VINYL WRAP - .7" X 1.6" X 108" - PORTSMOUTH OAK
3F	137895-F2-134	EA	MOLDING - VINYL WRAP - .7" X 2.5" X 84" - PORTSMOUTH OAK
3F	137895-F2-438	EA	MOLDING - VINYL WRAP - .7" X 2.5" X 96" - PORTSMOUTH OAK
3F	137895-F2-743	EA	MOLDING - VINYL WRAP - .7" X 2.5" X 108" - PORTSMOUTH OAK
	146419-A2-438	EA	LUMBER - VINYL WRAPPED - .7" X .75" X 96" - HONEY CHERRY
	146419-D2-438	EA	LUMBER - VINYL WRAPPED - .7" X 1.5" X 96" - HONEY CHERRY
	146419-E2-438	EA	LUMBER - VINYL WRAPPED - .7" X 2" X 96" - HONEY CHERRY
	146419-F2-438	EA	LUMBER - VINYL WRAPPED - .7" X 2.5" X 96" - HONEY CHERRY
	146419-G2-438	EA	LUMBER - VINYL WRAPPED - .7" X 3" X 96" - HONEY CHERRY
	146419-H2-438	EA	LUMBER - VINYL WRAPPED - .7" X 3.5" X 96" - HONEY CHERRY
	146419-J2-438	EA	LUMBER - VINYL WRAPPED - .7" X 5.5" X 96" - HONEY CHERRY
	146419-J2-743	EA	LUMBER - VINYL WRAPPED - .7" X 5.5" X 108" - HONEY CHERRY
	146419-K2-438	EA	LUMBER - VINYL WRAPPED - .7" X 3.9" X 96" - HONEY CHERRY
	146419-R2-438	EA	LUMBER - VINYL WRAPPED - .7" X 3" X 96" - HONEY CHERRY
	146419-S2-438	EA	LUMBER - VINYL WRAPPED/FULL - .7"X 3.5"X 96" - HONEY CHERRY
	146419-T2-438	EA	LUMBER - VINYL WRAPPED/FULL - .7"X 5.5"X 96" - HONEY CHERRY
3F	146425-D2-134	EA	MOLDING - VINYL WRAPPED - .7" X 1.6" X 83.9" - HONEY CHERRY
3F	146425-F2-438	EA	MOLDING - VINYL WRAPPED - .7" X 2.6" X 96" - HONEY CHERRY
	149325-A2-438	EA	LUMBER - VINYL WRAPPED - .7" X .75" X 96" - WASHED MAPLE
	149325-D2-438	EA	LUMBER - VINYL WRAPPED - .7" X 1.5" X 96" - WASHED MAPLE
	149325-E2-438	EA	LUMBER - VINYL WRAPPED - .7" X 2" X 96" - WASHED MAPLE
	149325-F2-438	EA	LUMBER - VINYL WRAPPED - .7" X 2.5" X 96" - WASHED MAPLE
	149325-G2-438	EA	LUMBER - VINYL WRAPPED - .7" X 3" X 96" - WASHED MAPLE
	149325-H2-438	EA	LUMBER - VINYL WRAPPED - .7" X 3.5" X 96" - WASHED MAPLE
	149325-J2-438	EA	LUMBER - VINYL WRAPPED - .7" X 5.5" X 96" - WASHED MAPLE
	149325-J2-743	EA	LUMBER - VINYL WRAPPED - .7" X 5.5" X 108" - WASHED MAPLE
	149325-K2-438	EA	LUMBER - VINYL WRAPPED - .7" X 3.9" X 96" - WASHED MAPLE
	149325-R2-438	EA	LUMBER - VINYL WRAPPED - .7" X 3" X 96" - WASHED MAPLE
3F	149326-D2-134	EA	MOLDING - VINYL WRAPPED - .7" X 1.5" X 83.9" - WASHED MAPLE
3F	149326-D2-743	EA	MOLDING - VINYL WRAPPED - .7" X 1.5" X 108" - WASHED MAPLE
3F	149326-F2-134	EA	MOLDING - VINYL WRAPPED - .7" X 2.5" X 83.9" - WASHED MAPLE
3F	149326-F2-438	EA	MOLDING - VINYL WRAPPED - .7" X 2.5" X 96" - WASHED MAPLE
3F	149326-F2-743	EA	MOLDING - VINYL WRAPPED - .7" X 2.5" X 108" - WASHED MAPLE
	149330-A2-438	EA	LUMBER - VINYL WRAPPED - .7" X .75" X 96" - SIERRA MAPLE
	149330-D2-438	EA	LUMBER - VINYL WRAPPED - .7" X 1.5" X 96" - SIERRA MAPLE
	149330-E2-438	EA	LUMBER - VINYL WRAPPED - .7" X 2" X 96" - SIERRA MAPLE
	149330-F2-438	EA	LUMBER - VINYL WRAPPED - .7" X 2.5" X 96" - SIERRA MAPLE
	149330-G2-438	EA	LUMBER - VINYL WRAPPED - .7" X 3" X 96" - SIERRA MAPLE
	149330-H2-438	EA	LUMBER - VINYL WRAPPED - .7" X 3.5" X 96" - SIERRA MAPLE
	149330-J2-438	EA	LUMBER - VINYL WRAPPED - .7" X 5.5" X 96" - SIERRA MAPLE
	149330-J2-743	EA	LUMBER - VINYL WRAPPED - .7" X 5.5" X 108" - SIERRA MAPLE
	149330-K2-438	EA	LUMBER - VINYL WRAPPED - .7" X 3.9" X 96" - SIERRA MAPLE
	149330-R2-438	EA	LUMBER - VINYL WRAPPED - .7" X 3" X 96" - SIERRA MAPLE
3F	149331-D2-134	EA	MOLDING - VINYL WRAP - .7" X 1.5" X 83.9" - SIERRA MAPLE
3F	149331-D2-743	EA	MOLDING - VINYL WRAP - .7" X 1.5" X 108" - SIERRA MAPLE
3F	149331-F2-134	EA	MOLDING - VINYL WRAP - .7" X 2.5" X 83.9" - SIERRA MAPLE
3F	149331-F2-438	EA	MOLDING - VINYL WRAP - .7" X 2.5" X 96" - SIERRA MAPLE
3F	149331-F2-743	EA	MOLDING - VINYL WRAP - .7" X 2.5" X 108" - SIERRA MAPLE

**INTERIOR FINISH GROUP (CONTINUED)**  
**MOLDINGS & TRIMS (CONTINUED)**



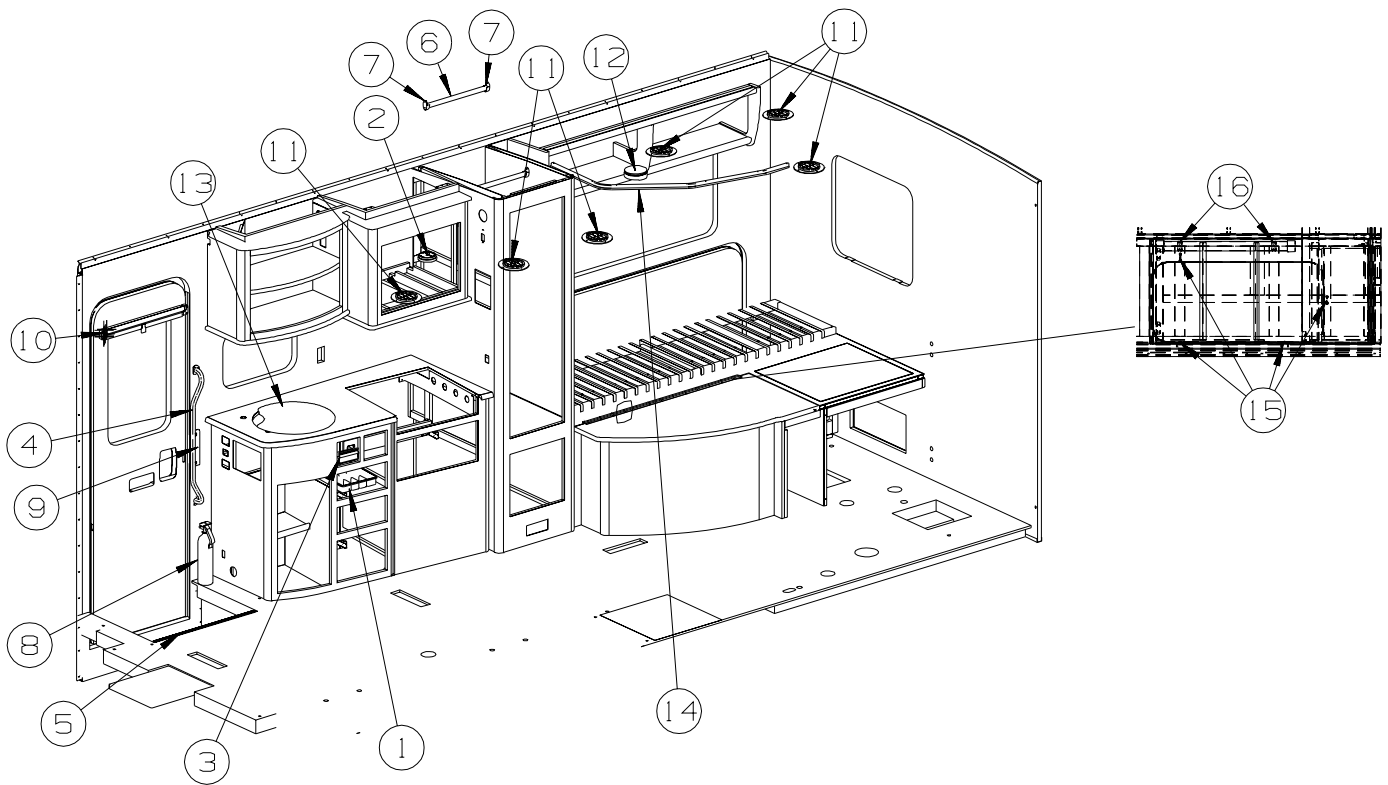
KEY	PART NUMBER	U/M	DESCRIPTION
1G	141260-01-01A	FT	U-CHANNEL - 1" - VILLAGE OAK
1G	141260-01-02A	FT	U-CHANNEL - 1" - GRADY BROWN
2G	146306-01-01A	FT	TRANSITION - CARPET/TILE
3G	150167-01-03A	EA	RAIL - DECORATIVE - 96" - WASHED MAPLE
3G	150167-01-07A	EA	RAIL - DECORATIVE - 96" - PORTSMOUTH OAK
3G	150167-01-08A	EA	RAIL - DECORATIVE - 96" - HONEY CHERRY
3G	150167-01-09A	EA	RAIL - DECORATIVE - 96" - SIERRA MAPLE
4G	151653-10-02A	EA	TRIM/RADIUS - CABINET CORNER - 79.6" - DULL METALLIC
4G	151653-13-02A	EA	TRIM/RADIUS - CABINET CORNER - 79.8" - DULL METALLIC
5G	M09568-04-W80	EA	MOLDING/TRIM - .3" X 1.5" X 73.6" - SIERRA MAPLE
5G	M09568-04-W79	EA	MOLDING/TRIM - .3" X 1.5" X 73.6" - WASHED MAPLE
6G	151861-01-02B	EA	ANGLE - SUPPORT/CORNER - 1.4" X 12.5" - E-COATED
6G	151861-02-02B	EA	ANGLE - SUPPORT/CORNER - 1.4" X 20.1" - E-COATED
6G	151861-03-02B	EA	ANGLE - SUPPORT/CORNER - 1.4" X 26.7" - E-COATED
6G	151861-04-02B	EA	ANGLE - SUPPORT/CORNER - 1.4" X 32.7" - E-COATED
6G	151861-05-02B	EA	ANGLE - SUPPORT/CORNER - 1.4" X 78.6" - E-COATED
6G	151861-06-02B	EA	ANGLE - SUPPORT/CORNER - 1.4" X 59" - E-COATED
6G	151861-08-02B	EA	ANGLE - SUPPORT/CORNER - 1.4" X 22.2" - E-COATED
6G	151861-09-02B	EA	ANGLE - SUPPORT/CORNER - 1.4" X 14.9" - E-COATED
7G	151893-01-02A	EA	TRIM/RADIUS - CABINET BOTTOM - 72.6" - DULL METALLIC
8G	156464-01-01A	FT	MOLDING - CORNER - RADIUS/PLASTIC - 8' - HONEY CHERRY
8G	156464-01-02A	FT	MOLDING - CORNER - RADIUS/PLASTIC - 8' - WASHED MAPLE
8G	156464-01-05A	FT	MOLDING - CORNER - RADIUS/PLASTIC - 8' - SIERRA MAPLE
8G	156464-01-06A	FT	MOLDING - CORNER - RADIUS/PLASTIC - 8' - CONCERT CHERRY
8G	156464-03-03A	FT	MOLDING - CORNER - RADIUS/PLASTIC - 8' - BONE
	081521-02-007	EA	MOUNT - METAL MOLDING - F/RADIUS CORNER MOLDING - 151.5"
9G	160989-01-06A	FT	CAP - CORNER - RADIUS MOLDING - PLASTIC - WASHED MAPLE
9G	160989-01-07A	FT	CAP - CORNER - RADIUS MOLDING - PLASTIC - HONEY CHERRY

**INTERIOR FINISH GROUP (CONTINUED)**  
**PANELING & LAMINATES**

KEY	PART NUMBER	U/M	DESCRIPTION
	000885-B4-000	SF	PARTICLE BOARD - 3/8" X 4' X 8'- WASHED MAPLE - 2 SIDED - WASHED MAPLE
	000885-B5-000	SF	PARTICLE BOARD - 3/8" X 4' X 8'- WASHED MAPLE - 1 SIDED - WASHED MAPLE
	000885-B6-000	SF	PARTICLE BOARD - 3/4" X 4' X 8'- WASHED MAPLE - 2 SIDED - WASHED MAPLE
	074498-A6-000	SF	LAMINATE - PLASTIC - HARDROCK MAPLE - 5' X 8'-WASHED MAPLE
	000885-A7-000	SF	PARTICLE BOARD - 3/4" X 4' X 8'- HONEY CHERRY - 2 SIDED - HONEY CHERRY
	000885-A8-000	SF	PARTICLE BOARD - 3/8" X 4' X 8'- HONEY CHERRY - 1 SIDED - HONEY CHERRY
	000885-A9-000	SF	PARTICLE BOARD - 3/8" X 4' X 8'- HONEY CHERRY - 2 SIDED - HONEY CHERRY
	000885-C3-000	SF	PARTICLE BOARD - 3/8" X 4' X 8' - WHITE THATCH EMB-1 SIDED
	057882-05-000	SF	TAMBOUR - 48" X 96" SHEET - UNFINISHED
	057882-06-000	SF	TAMBOUR - 48" X 96" SHEET - UNFINISHED
	074498-B9-000	SF	LAMINATE - PLASTIC - SUNSTONE - 5' X 8'
	074498-C0-000	SF	LAMINATE - PLASTIC - PUNCHED STAINLESS - 5' X 8'
	074498-C5-000	SF	LAMINATE - PLASTIC - AMBER GREEN - 5' X 8'
	074498-A2-000	SF	LAMINATE - PLASTIC - PHANTOM GRAY - 5' X 8'
	076325-71-000	FT	MOLDING - EDGE BAND - 1 5/16" X .038" - GRAY
	079653-39-000	EA	BATT STRIP - KERFED - WASHED MAPLE - 8' - WASHED MAPLE
	088263-J2-000	EA	BATT STRIP - DECORATIVE - NEAT - WASHED MAPLE
	079653-50-000	EA	BATT STRIP - KERFED - HONEY CHERRY - 8' - HONEY CHERRY
	088263-L0-000	EA	BATT STRIP - DECORATIVE - RAWHIDE HERITAGE (W13, W14, W05, W06) FROM: 00-00-00 THRU: 04-01-07
	088262-L2-000	EA	BATT STRIP - DECORATIVE - DISTRESSED CRACKLE (W13, W14, W05, W06) FROM: 04-02-07 THRU: 99-99-99
	088263-L0-000	EA	BATT STRIP - DECORATIVE - RAWHIDE HERITAGE (W15, W16) FROM: 00-00-00 THRU: 04-01-07
	088263-K3-000	EA	BATT STRIP - DECORATIVE - KURTA/CANVAS - 8' (W15, W16) FROM: 04-02-07 THRU: 99-99-99
	085284-J5-000	FT	BATT TAPE - ADHESIVE BACKED - DECORATIVE-NEAT - WASHED MAPLE
	085284-J6-000	FT	BATT TAPE - ADHESIVE BACKED - DECORATIVE - HONEY CHERRY
	085284-L4-000	FT	BATT TAPE - ADHESIVE BACKED - DECORATIVE - RAWHIDE HERITAGE (W13, W14, W05, W06) FROM: 00-00-00 THRU: 04-01-07
	085284-L6-000	FT	BATT TAPE - ADHESIVE BACKED - DECORATIVE - DIST CRACKLE (W13, W14, W05, W06) FROM: 04-02-07 THRU: 99-99-99
	085284-L4-000	FT	BATT TAPE - ADHESIVE BACKED - DECORATIVE - RAWHIDE HERITAGE (W15, W16) FROM: 00-00-00 THRU: 04-01-07
	085284-K7-000	FT	BATT TAPE - ADHESIVE BACKED - DECORATIVE - KURTA/CANVAS (W15, W16) FROM: 04-02-07 THRU: 99-99-99
	085284-M0-000	FT	BATT TAPE - ADHESIVE BACKED - DECORATIVE - BRAMBLE/TRAIL
	085284-M2-000	FT	BATT TAPE - ADHESIVE BACKED - DECORATIVE - GLACIER
	085284-M3-000	FT	BATT TAPE - ADHESIVE BACKED - DECORATIVE - TAUPE
	074497-49-000	SF	PANELING - WASHED MAPLE - 1/8" X 4' X 8' - WASHED MAPLE
	076773-20-000	SF	PANELING - 2 SIDED/WASHED MAPLE - 1/8" X 4' X 8' - WASHED MAPLE
	076773-25-000	SF	PANELING - 1 SIDE/NEAT WASHED MAPLE - 1/8" X 4' X 7' - WASHED MAPLE
	074497-47-000	SF	PANELING - HONEY CHERRY - 1/8" X 4' X 8' - HONEY CHERRY
	074497-49-000	SF	PANELING - WASHED MAPLE - 1/8" X 4' X 8'
	076773-18-000	SF	PANELING - 2 SIDED/HONEY CHERRY - 1/8" X 4' X 8' - HONEY CHERRY
	076773-23-000	SF	PANELING - 1 SIDE/HONEY CHERRY - 1/8" X 4' X 7' - HONEY CHERRY
	088272-N4-000	SF	PANELING - RAWHIDE HERITAGE - 4' X 7.4' (W13, W14, W05, W06) FROM: 00-00-00 THRU: 04-1-07
	088272-N7-000	SF	PANELING - DISTRESSED CRACKLE - 4' X 7.4' (W13, W14, W05, W06) FROM: 04-02-07 THRU: 99-99-99
	088272-N4-000	SF	PANELING - RAWHIDE HERITAGE - 4' X 7.4' (W15, W16) FROM: 00-00-00 THRU: 04-1-07
	088272-M7-000	SF	PANELING - KURTA/CANVAS - 4' X 7.4' (W15, W16) FROM: 04-02-07 THRU: 99-99-99
	088272-M9-000	SF	PANELING - WHITE THATCHED - 4' X 8'
	088272-P1-000	SF	PANELING - BRAMBLE/TRAIL - 4' X 7.4'
	088272-P3-000	SF	PANELING - GLACIER - 4' X 7.4'
	088272-P4-000	SF	PANELING - TAUPE - 4' X 7.4'

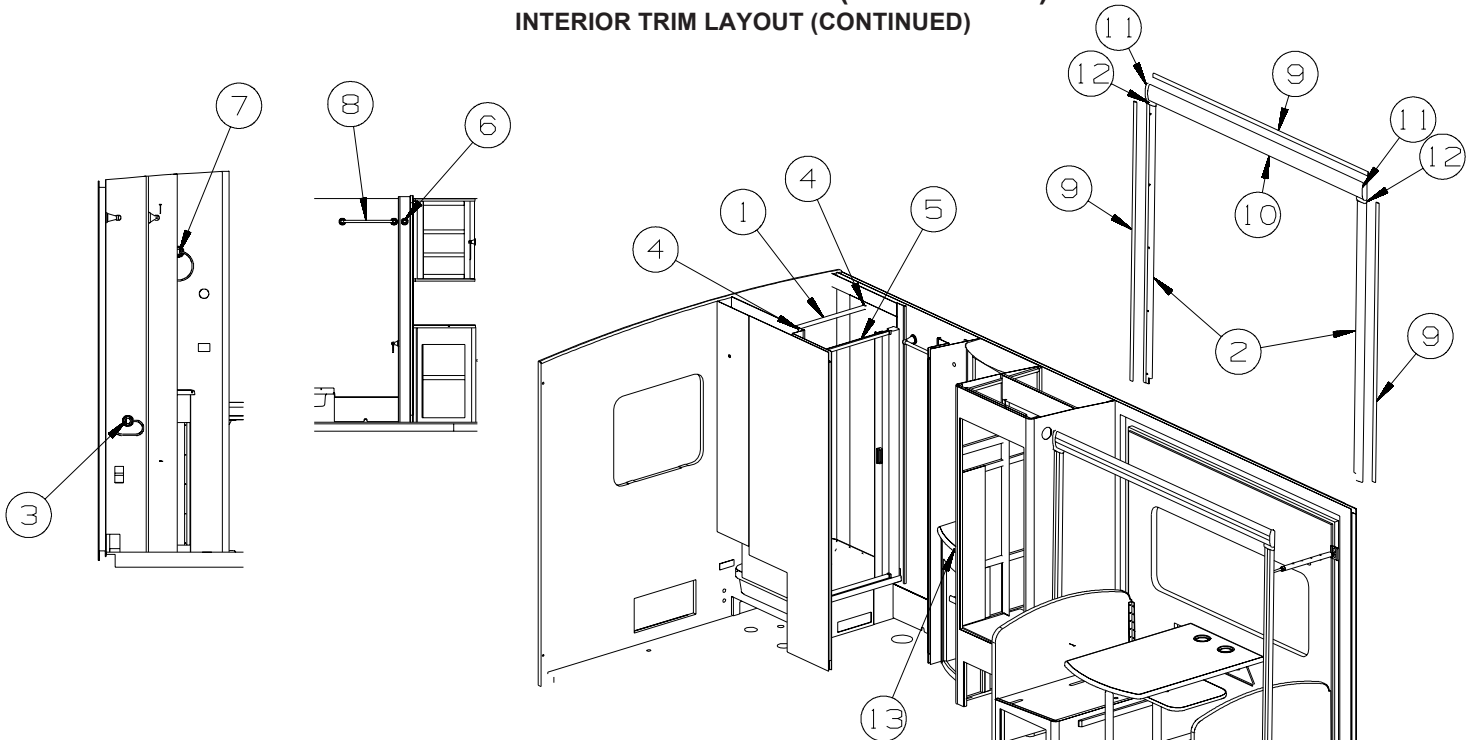
## INTERIOR FINISH GROUP (CONTINUED)

### INTERIOR TRIM LAYOUT



KEY	PART NUMBER	U/M	DESCRIPTION	
1	100081-01-01A	EA	TRAY - SILVERWARE - 9" X 13.3" RUBBERMAID ALMOND PLASTIC	
2	072852-01-000	EA	DETECTOR - SMOKE - W/9 VOLT BATTERY - US	
2	072852-02-000	EA	DETECTOR - SMOKE - W/9 VOLT BATTERY - <b>CANADIAN</b>	
2	077956-01-000	EA	LABEL - WARNING/SMOKE DETECTOR	
3	108128-01-01A	EA	TRAY - HIDDEN	
3	108127-01-01A	EA	CAP - TRAY	
4	137605-02-01A	EA	HAND RAIL - INTERIOR ENTRY DOOR - BLACK	
5	139955-22-02A	EA	TRIM - STEP/ENTRY - 27.7" - TITANIUM	
6	Y00136-21-218	EA	DOWEL - WOOD - CLOTHES ROD - 1"DIAMETER X 4'	
7	152301-01-01A	EA	FLANGE - PLASTIC - 1" CLOTHES ROD HOLDER - WHITE	
8	094499-06-000	EA	EXTINGUISHER/FIRE - DRY - 10BC - W/BACKET - UL/ULC - WHT	
9	148362-01-02A	EA	COVER - BRACKET/STRIKE - MEDIUM OAK	
9	140151-02-03A	EA	COVER - SCREW - MEDIUM OAK	
10	144628-03-01A	EA	SHADE - SCREEN DOOR - 20.3" X 33.4" - BRIGHT WHITE/TAUPE	
10	144628-03-02A	EA	SHADE - SCREEN DOOR - 20.3" X 33.4" - BLACK - <b>FULL BODY PAINT</b>	
11	120134-01-02A	EA	REGISTER - W/DAMPER - 4" PIPE/6.4" O.D. FACE - WHITE	
12	125136-02-000	EA	DETECTOR/CO - GAS MODEL - 9 VOLT	
13	152198-01-T01	EA	COVER - SINK - WASHED MAPLE	FROM: 00-00-00 THRU: 08-29-07
13	152198-02-W13	EA	COVER - SINK - WASHED MAPLE	FROM: 08-30-07 THRU: 99-99-99
13	152198-01-T02	EA	COVER - SINK - HONEY CHERRY	FROM: 00-00-00 THRU: 08-29-07
13	152198-02-W14	EA	COVER - SINK - HONEY CHERRY	FROM: 08-30-07 THRU: 99-99-99
14	154677-01-01A	EA	TRACK/CURTAIN - WRAPAROUND	
14	156172-04-01A	EA	END CAP - WALL TRACK - CLEAR	
15	127960-01-01A	EA	RETAINER - EYE - 3/8" - STAINLESS STEEL	
	076840-03-000	EA	HOLD DOWN CORD - BUNGEE 13"	
16	062046-01-000	EA	CLIP - LEG - PEDESTAL - 1.7" X 2.2" - DIA FROM 2" - 2.5"	

**INTERIOR FINISH GROUP (CONTINUED)**  
**INTERIOR TRIM LAYOUT (CONTINUED)**



KEY	PART NUMBER	U/M	DESCRIPTION
1	102075-09-02A	EA	ROD - SHOWER CURTAIN - 3/4"OD X 29.5" - SOFT WHITE
2	Y00360-A2-438	EA	MOLDING - VINYL/CURVED - 3" X 96" - WASHED MAPLE
2	Y00360-82-438	EA	MOLDING - VINYL/CURVED - 3" X 96" - HONEY CHERRY
3	140973-01-02A	EA	HOLDER - TOILET TISSUE - CHROME
4	113236-01-01A	EA	BRACKET - CLOTHES - ROD
5	151578-01-02A	EA	DOOR - SHOWER - 36.3" X 61.9" - WHT OPAQUE SCREEN/WHITE
6	145849-03-02A	EA	HOOK - ROBE - CHROME
7	132046-03-02A	EA	RING - TOWEL - CHROME
8	140849-01-02A	EA	BAR - TOWEL - 18" - CHROME
9	M09520-83-U21	EA	MOLDING/TRIM - .3" X 1" X 78.9" - WASHED MAPLE
9	M09520-83-U22	EA	MOLDING/TRIM - .3" X 1" X 78.9" - HONEY CHERRY
10	Y00361-A2-438	EA	MOLDING - VINYL/CURVED - 3.9" X 96" - WASHED MAPLE
10	Y00361-82-438	EA	MOLDING - VINYL/CURVED - 3.9" X 96" - HONEY CHERRY
11	156636-05-U21	EA	MOLDING/BLOCK - .8" X 4" - HONEY CHERRY
12	156636-04-U21	EA	MOLDING/BLOCK - .8" X 3.1" - HONEY CHERRY
13	081914-04-000	EA	BUMPER - RUBBER - ROUND - 1/2" DIA. X 1/8" THICK - CLEAR

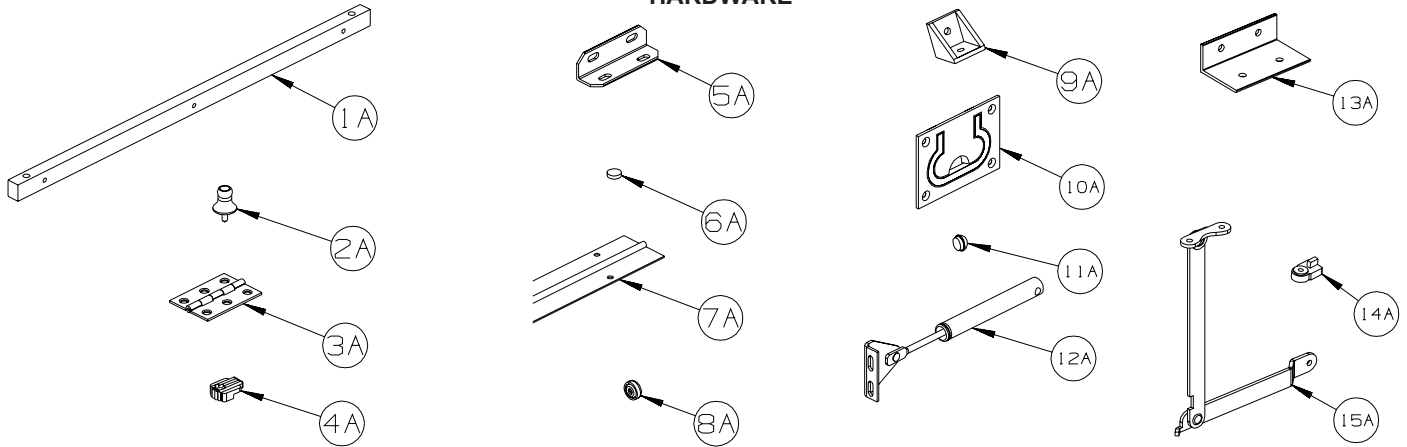
**FLOOR COVERINGS**

KEY	PART NUMBER	U/M	DESCRIPTION
	042720-40-000	SY	VINYL - FLOOR COVERING - 99" (8.3')WIDE-ADVANCMENT KAHIKI
	075233-01-000	SY	PAD - CARPET - 3/8" X 6'W ROLL - SOLD BY THE SQUARE YARD
	093486-01-000	SY	CARPET - COMPARTMENT - 72" WIDE - DARK GRAY
	152251-07-02A	SY	CARPET - 4 SQUARE YARD INCREMENTS - WARM PASTRY (W13, W14, W05, W06)
	152251-07-03A	SY	CARPET - 4 SQUARE YARD INCREMENTS - COLUMBIAN SUPREME (W15, W16)



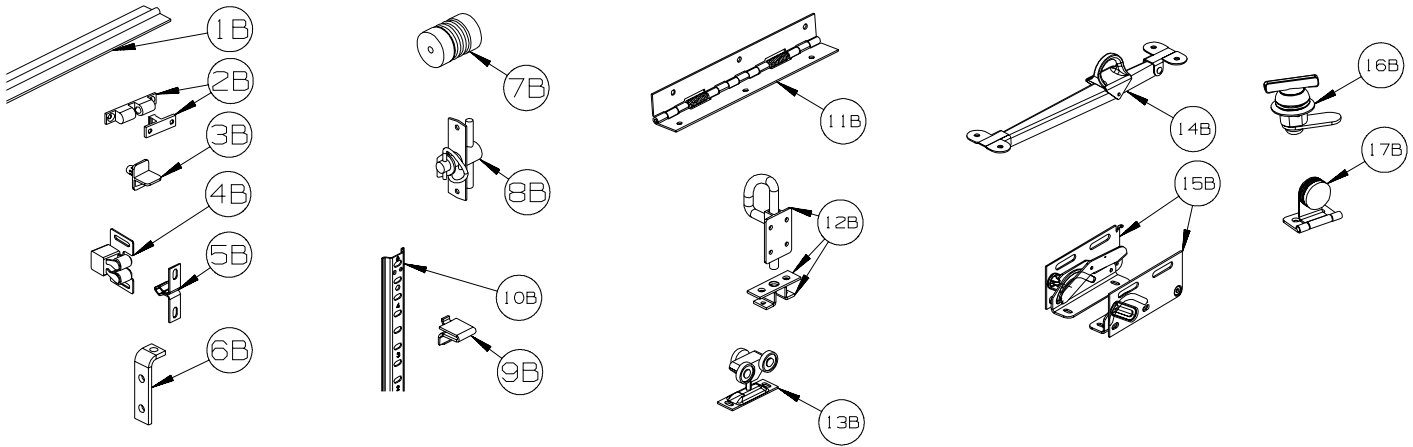
# INTERIOR FINISH GROUP (CONTINUED)

## HARDWARE



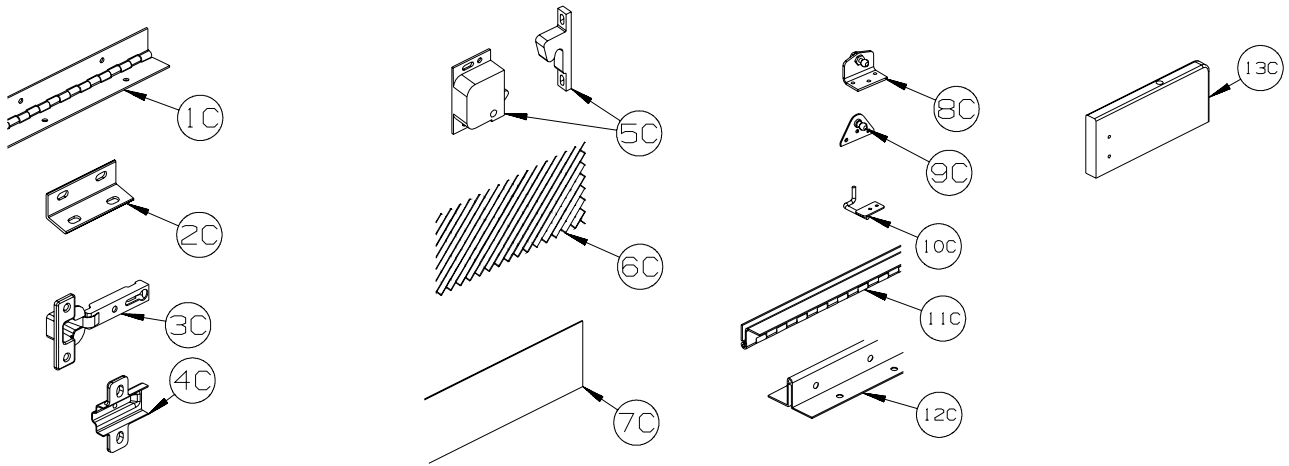
KEY	PART NUMBER	U/M	DESCRIPTION
1A	P34509-01-P14	EA	RAIL END - RH/LH - TOWEL RACK - CONCERT CHERRY
1A	P34509-01-J70	EA	RAIL END - RH/LH - TOWEL RACK - WASHED MAPLE
1A	P34509-01-RE0	EA	RAIL END - RH/LH - TOWEL RACK - HONEY CHERRY
1A	P34509-01-SA3	EA	RAIL END - RH/LH - TOWEL RACK - SIERRA MAPLE
2A	009013-01-000	EA	CATCH - BULLDOG - MALE/FEMALE
3A	009059-01-000	EA	HINGE - DOOR - 2" X 1.4" - BRASS
3A	009059-02-000	EA	HINGE - DOOR - 2" X 2.7" - BRASS
3A	009059-03-000	EA	HINGE - BRASS - 1.75"
3A	009059-04-000	EA	HINGE - 2" - ZINC
4A	009089-01-000	EA	CLIP - MIRROR
5A	016604-01-000	EA	BRACE - ANGLE - 2 1/2" - UNPAINTED METAL
5A	016604-05-000	EA	BRACE - ANGLE - 2 1/2" - OFF WHITE METAL
5A	016604-10-000	EA	BRACE - SEAT ANGLE - 2.5" - BLACK
6A	023320-01-000	EA	PAD - FELT 3/8" DIAMETER
7A	041389-19-000	EA	HINGE - PIANO - 1 1/2" X 71.9" - UNPAINTED
7A	041389-25-000	EA	HINGE - PIANO - 1 1/2" X 55" - UNPAINTED
7A	041389-32-000	EA	HINGE - PIANO - 68" - OFF WHITE
8A	166569-01-02A	EA	COVER - SCREW - #8 - BRIGHT WHITE
8A	166569-01-03A	EA	COVER - SCREW - #8 - SOFT WHITE
8A	166569-01-04A	EA	COVER - SCREW - #8 - CREAM
9A	065740-01-000	EA	BRACE - CABINET/CORNER - PLASTIC
10A	072871-01-000	EA	PULL - FLUSH - CHROME
11A	074045-13-000	EA	PLUG - 3/8" DOWEL-1/2" HEAD - PORTSMOUTH OAK
11A	074045-08-000	EA	PLUG - 3/8" DOWEL-1/2" HEAD - OAK/SALEM CHERRY - CONCERT CHERRY
11A	074045-12-000	EA	PLUG - 3/8" DOWEL-1/2" HEAD - WASHED MAPLE
11A	074045-14-000	EA	PLUG - 3/8" DOWEL-1/2" HEAD - HONEY CHERRY
11A	074045-15-000	EA	PLUG - 3/8" DOWEL-1/2" HEAD - SIERRA MAPLE
12A	074493-02-000	EA	SUPPORT/PISTON SPRING - CABINET DOOR - 26 LBS
12A	074493-03-000	EA	SUPPORT/PISTON SPRING - CABINET DOOR - 12 LBS
13A	156732-01-01A	EA	BRACE - ANGLE/COUCH - 2.5" - MILL
13A	156732-01-02A	EA	BRACE - ANGLE/COUCH - 2.5" - OFF WHITE
13A	156732-03-01A	EA	BRACE - ANGLE/COUCH - BLACK
14A	083204-03-000	EA	BUTTON - RETAINING MIRROR 5/16" TIP
15A	084412-01-000	EA	SUPPORT/HINGE KIT (LEFT & RIGHT HINGES)

**INTERIOR FINISH GROUP (CONTINUED)**  
**HARDWARE (CONTINUED)**



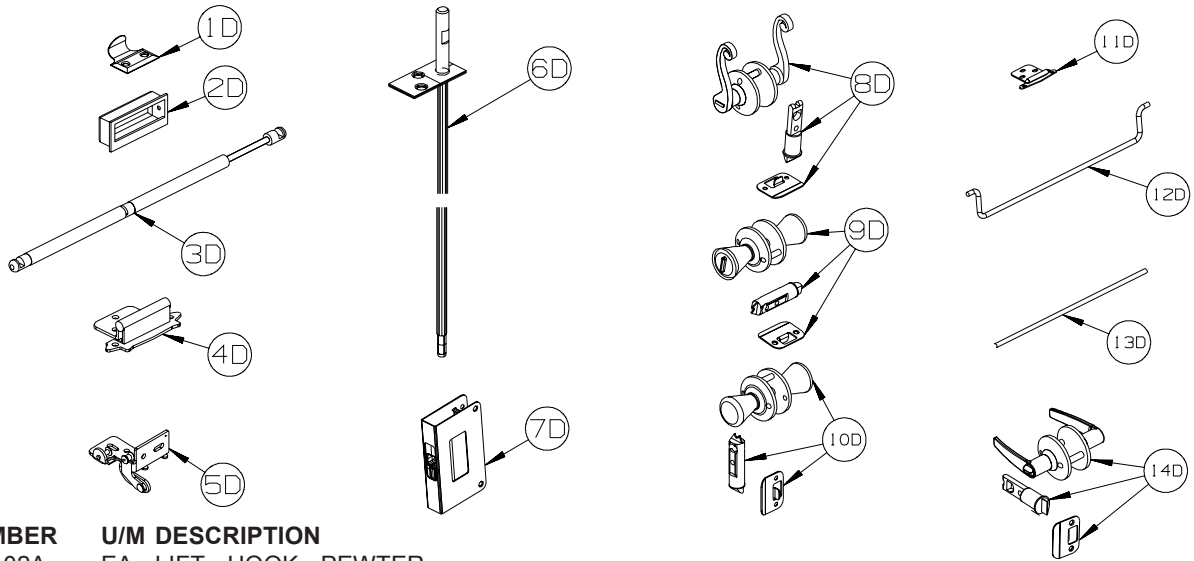
KEY	PART NUMBER	U/M	DESCRIPTION
1B	084413-01-000	EA	HINGE - 1" X 72" - ALUMINUM - W/HOLES
2B	084451-01-000	EA	CATCH & LATCH - 1.7" - BRASS
3B	092907-01-000	EA	SUPPORT - SHELF - PIN - 1/4" - CLEAR PLASTIC
4B	093586-03-000	EA	CATCH - SPRING ROLLER - .377"
4B	093586-06-000	EA	CATCH - W/STRIKE - SPRING ROLLER .236"/SPRINT STEEL .943"
5B	093586-04-000	EA	STRIKE - SPRING STEEL - 1.14"
6B	096826-01-01A	EA	BRACE - CABINET - 2" - E-COATED
6B	096826-02-01A	EA	BRACE - CABINET - 1" - E-COATED
7B	097872-04-000	EA	DOWEL - WOOD - 1" DIAMETER X 1.38" LONG - UNFINISHED
8B	098196-01-000	EA	LATCH - 1/4 TURN - T-BAR
9B	098979-01-000	EA	CLIP - ADJUSTABLE SHELF
10B	098980-01-000	EA	PILASTER - ADJUSTABLE SHELF - 18"
10B	098980-02-000	EA	PILASTER - ADJUSTABLE SHELF - 12"
10B	098980-03-000	EA	PILASTER - ADJUSTABLE SHELF - 9"
10B	098980-04-000	EA	PILASTER - ADJUSTABLE SHELF - 48"
10B	098980-05-000	EA	PILASTER - ADJUSTABLE SHELF - 15"
10B	098980-06-000	EA	PILASTER - ADJUSTABLE SHELF - 24"
11B	102920-01-02A	EA	HINGE - SPRING LOADED - NICKEL
11B	129753-01-01A	EA	HINGE - SPRING LOADED - 19" X 19" - BLACK
12B	103256-01-000	EA	LATCH COMPLETE (SLIDE)
13B	103874-01-000	EA	HANGER - SLIDING DOOR
14B	104181-01-01A	EA	SUPPORT - LEAF 5.3" EXTENDS TO 7.5" - SAFETY RING - METAL
15B	108126-01-000	EA	TRAY HINGE SET (QTY. 2 PER SET)
16B	100710-01-02A	EA	LOCK - GLASS DOOR/TWIST TYPE - NICKEL
17B	100711-01-02A	EA	HINGE - GLASS DOOR - BLACK

**INTERIOR FINISH GROUP (CONTINUED)**  
**HARDWARE (CONTINUED)**



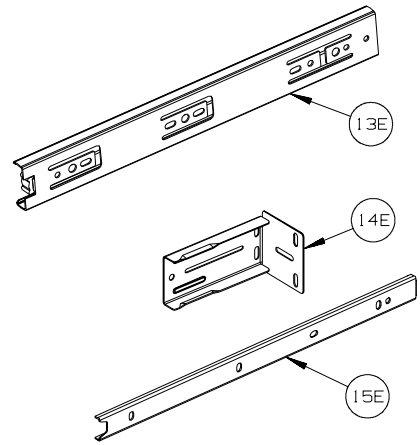
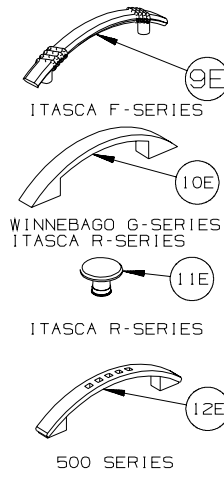
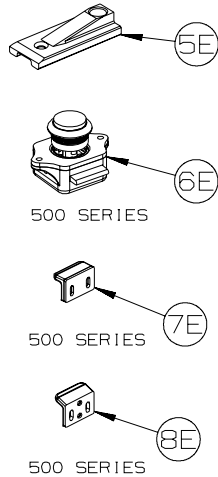
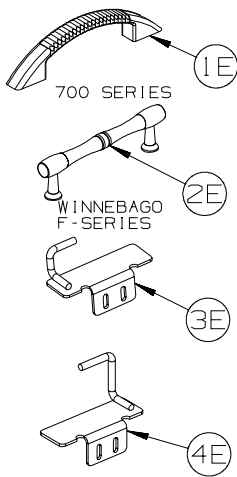
KEY	PART NUMBER	U/M	DESCRIPTION
1C	110496-01-02A	EA	HINGE - NICKEL - 2" X 32"
1C	110496-06-02A	EA	HINGE - NICKEL - 2" X 9.5"
1C	158921-01-04B	EA	HINGE - PIANO - TRUNK DOOR - 2" X 21.9" - BLACK
2C	111866-01-02A	EA	BRACE - SEAT - ANGLE - OFF WHITE
3C	114443-02-01A	EA	HINGE - CABINET DOOR - W/O CLIP - SILVER
4C	114443-03-01A	EA	CLIP - HINGE/CABINET DOOR - SILVER
5C	117095-02-01A	EA	LATCH - DOOR - GRABBER W/KEEPER - PLASTIC - BLK-10 LB PULL
5C	117095-03-01A	EA	LATCH - DOOR - GRABBER W/KEEPER - PLASTIC - BLK-15 LB PULL
6C	118200-01-01A	SF	MESH - PLASTIC 1/2" - 48" X LENGTH = SF - BLACK
7C	122717-06-01A	FT	PAD - NON-SKID - PSA - 5"W
8C	126263-06-02B	EA	BRACKET - GAS SPRING W/INSIDE BALL STUD - E-COATED
9C	126263-05-02B	EA	BRACKET - GAS SPRING W/BALL STUD - E-COATED
9C	126263-08-02B	EA	BRACKET - GAS SPRING W/CENTERED BALL STUD - E-COATED
10C	130798-01-02B	EA	GUIDE - POCKET DOOR - E-COATED
11C	134099-01-02A	EA	HINGE - PIANO - WRAP AROUND - 15.7" - NICKEL PLATED
12C	135538-03-02A	EA	HINGE - PIANO - FULL WRAP - 15.7" - CHROME
12C	135538-07-02A	EA	HINGE - PIANO - FULL WRAP - 9.8" - CHROME
13C	137445-03-T78	EA	STOP - F/SLIDING DOOR - CONCERT CHERRY
13C	137445-03-T79	EA	STOP - F/SLIDING DOOR - WASHED MAPLE
13C	137445-03-T80	EA	STOP - F/SLIDING DOOR - SIERRA MAPLE

**INTERIOR FINISH GROUP (CONTINUED)**  
**HARDWARE (CONTINUED)**



KEY	PART NUMBER	U/M	DESCRIPTION
1D	137463-01-02A	EA	LIFT - HOOK - PEWTER
2D	139136-02-02A	EA	HANDLE - .35" RECESSED - PEWTER
3D	142569-07-000	EA	SPRING/GAS - 20 LB - 20" EXTENDED/12" COMPRESSED
3D	142569-15-000	EA	SPRING/GAS - 120 LB - 20" EXTENDED/12" COMPRESSED
3D	142569-16-000	EA	SPRING/GAS - 90 LB - 20" EXTENDED/12" COMPRESSED
3D	142569-29-000	EA	SPRING/GAS - 20 LB - 9.9" EXTENDED/5.9" COMPRESSED
3D	142569-31-000	EA	SPRING/GAS - 30 LB - 11.8" EXTENDED/7.3" COMPRESSED
4D	143468-02-03A	EA	HINGE - SELF CLOSING - SATIN NICKEL
4D	143468-02-04A	EA	HINGE - SELF CLOSING - OIL RUBBED BRONZE
4D	143468-02-05A	EA	HINGE - SELF CLOSING - RUSTIC BRASS
5D	144488-01-01A	EA	HINGE - CABINET - ANTIQUE BRASS
5D	144488-01-02A	EA	HINGE - CABINET - NICKEL
6D	145939-05-02A	EA	ROD/LATCH - AISLE DOOR - NICKEL
7D	145939-04-02A	EA	LATCH/SLIDE - AISLE DOOR(1" THICK DOOR)-NICKEL/BLACK SLIDE
7D	145939-04-03A	EA	LATCH/SLIDE - AISLE DOOR(1" THICK DOOR)-OIL RUBBED BRONZE
8D	146064-01-02A	EA	LOCK/PRIVACY (LOCKING) LEVER STYLE - SATIN PEWTER
8D	146064-02-02A	EA	LOCK/PASSAGE (NON LOCKING) LEVER STYLE - PEWTER
9D	146064-05-01A	EA	LOCK/PRIVACY (LOCKING) "TULIP" STYLE KNOB - SATIN NICKEL
10D	146064-06-01A	EA	LOCK/PASSAGE (NON LOCKING) "TULIP" STYLE KNOB-SATIN NICKEL
11D	146553-01-03A	EA	HINGE - CABINET DOOR - SATIN NICKEL
12D	146801-01-02A	EA	ROD/TOWEL BAR (OFFSET) - PEWTER
13D	146840-03-02A	EA	ROD - .25" X 11.7" - PEWTER
13D	146840-04-02A	EA	ROD - .25" X 13.1" - PEWTER
14D	146064-08-01A	EA	LOCK/PASSAGE (NON LOCKING) LEVER STYLE - SATIN NICKEL
14D	146064-07-01A	EA	LOCK/PRIVACY (LOCKING) LEVER STYLE - SATIN NICKEL

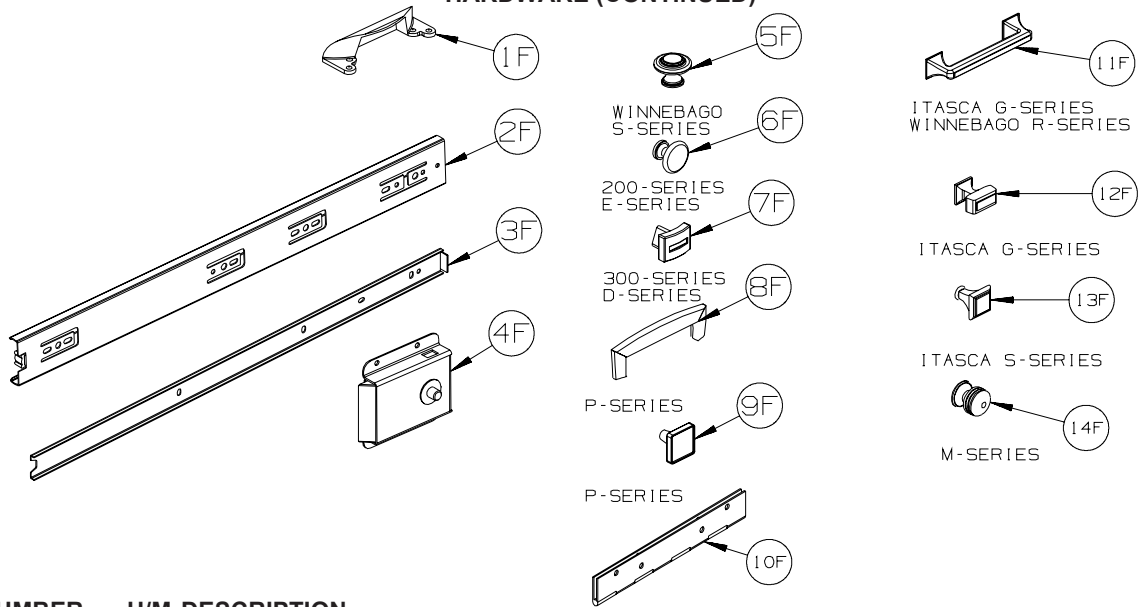
## INTERIOR FINISH GROUP (CONTINUED) HARDWARE (CONTINUED)



KEY	PART NUMBER	U/M	DESCRIPTION
1E	148816-01-02A	EA	PULL - CABINET DOOR - NICKEL - ASPECT, CAMBRIA 700-SERIES/ADVENTURER LIMITED EDITION
2E	149090-01-02A	EA	PULL - CABINET DOOR - NICKEL - VOYAGE F-SERIES
3E	149607-01-02B	EA	GUIDE - F/POCKET DOOR - 1.6" BENT ROD - E-COATED
3E	149607-03-02B	EA	GUIDE - F/POCKET DOOR - 2.9" BENT ROD - E-COATED
4E	149607-04-02B	EA	GUIDE - F/POCKET DOOR - E-COATED
5E	150983-01-01A	EA	STRIKE/BLOCK - WEDGE STYLE - F/SLIDE DOOR - 3" X 1.2" - BLACK
6E	151380-01-01A	EA	LATCH - CBNT DR - PUSH BTN - VIEW & NAVION 500-SERIES
6E	151380-01-02A	EA	LATCH - CABINET DOOR - PUSH BUTTON - BLACK - TOUR & ELLIPSE R-SERIES
7E	151380-02-01A	EA	STRIKE - CABINET DOOR - VIEW & NAVION 500-SERIES
8E	151380-03-01A	EA	STRIKE - CABINET DOOR - VIEW & NAVION 500-SERIES
9E	152302-01-01A	EA	PULL - CABINET DOOR - SATIN NICKEL - SUNRISE F-SERIES
10E	152304-01-01A	EA	PULL - CABINET DOOR - BRONZE- ADVENTURER G-SERIES, ELLIPSE R-SERIES
11E	152305-01-01A	EA	KNOB - DOOR/DRAWER - BRONZE - ELLIPSE R-SERIES
12E	152950-01-01A	EA	PULL - DOOR/DRAWER - BRUSHED NICKEL - VIEW & NAVION 500-SERIES
13E	153000-01-01A	EA	SLIDE - CABINET MOUNT - 11.8"
13E	153000-03-01A	EA	SLIDE - CABINET MOUNT - 13.8"
13E	153000-05-01A	EA	SLIDE - CABINET MOUNT - 15.7"
13E	153000-07-01A	EA	SLIDE - CABINET MOUNT - 17.7"
13E	153000-09-01A	EA	SLIDE - CABINET MOUNT - 19.7"
13E	153000-11-01A	EA	SLIDE - CABINET MOUNT - 21.6"
13E	153000-14-01A	EA	SLIDE - CABINET MOUNT - 23.6"
13E	153000-16-01A	EA	SLIDE - CABINET MOUNT - 7.9"
13E	153000-18-01A	EA	SLIDE - CABINET MOUNT - 9.8"
13E	153000-20-01A	EA	SLIDE - CABINET MOUNT - 25.6"
14E	153000-13-01A	EA	BACKSOCKET - DRAWER SLIDE
15E	153000-02-01A	EA	SLIDE - DRAWER MOUNT - 11.8"
15E	153000-04-01A	EA	SLIDE - DRAWER MOUNT - 13.8"
15E	153000-06-01A	EA	SLIDE - DRAWER MOUNT - 15.7"
15E	153000-08-01A	EA	SLIDE - DRAWER MOUNT - 17.7"
15E	153000-10-01A	EA	SLIDE - DRAWER MOUNT - 19.7"
15E	153000-12-01A	EA	SLIDE - DRAWER MOUNT - 21.6"
15E	153000-15-01A	EA	SLIDE - DRAWER MOUNT - 23.4"
15E	153000-17-01A	EA	SLIDE - DRAWER MOUNT - 7.7"
15E	153000-19-01A	EA	SLIDE - DRAWER MOUNT - 9.6"
15E	153000-21-01A	EA	SLIDE - DRAWER MOUNT - 25.4"

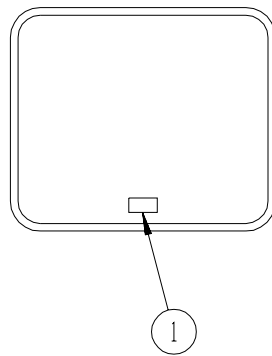
# INTERIOR FINISH GROUP (CONTINUED)

## HARDWARE (CONTINUED)

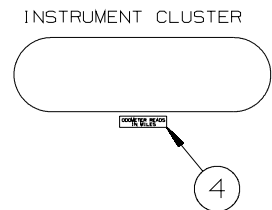
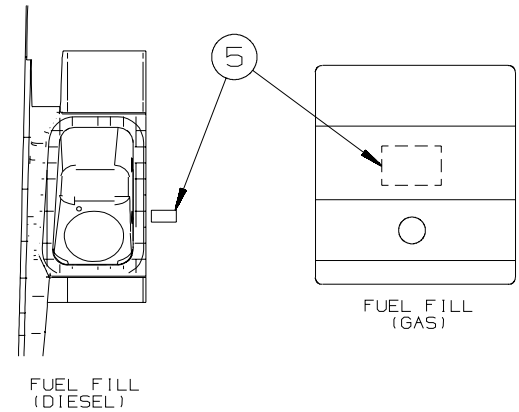
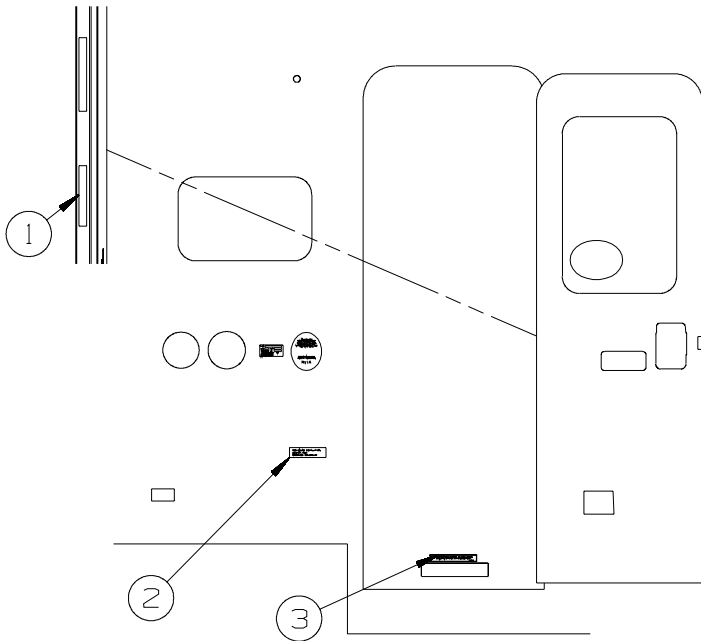


KEY	PART NUMBER	U/M	DESCRIPTION
1F	153308-01-01A	EA	PULL - VANITY STOOL - SATIN NICKEL
2F	153352-01-01A	EA	SLIDE - PANTRY - 19.7" - CABINET MOUNT
3F	153352-02-01A	EA	SLIDE - PANTRY - 19.5" - DRAWER MOUNT
4F	153353-01-01A	EA	LATCH - SLIDING/FLUSH - BLACK
5F	155803-01-01A	EA	KNOB CABINET DOOR - WROUGHT IRON - <b>VECTRA S-SERIES</b>
6F	155925-01-01A	EA	KNOB - DOOR/DRW - SATIN NICKEL - <b>ACCESS &amp; IMPULSE 200-SERIES/ VISTA &amp; SUNSTAR E-SERIES</b>
7F	156579-01-01A	EA	KNOB - DOOR/DRW - PEWTER - <b>OUTLOOK &amp; SPIRIT 300-SERIES/ SIGHTSEER &amp; SUNOVA D-SERIES</b>
8F	157246-01-01A	EA	PULL - CABINET DOOR/DRAWER - SATIN NICKEL - <b>JOURNEY &amp; MERIDIAN P-SERIES</b>
9F	157246-02-01A	EA	KNOB - CABINET DOOR/DRAWER-SATIN NICKEL - <b>JOURNEY &amp; MERIDIAN P-SERIES</b>
10F	158982-01-04B	EA	HINGE - CONTINUOUS - 2" X 8" - BLACK
10F	158982-01-01A	EA	HINGE - CONTINUOUS - 2" X 8" - ZINC
11F	162033-01-01A	EA	PULL - CABINET DOOR - BRUSHED NICKEL - <b>SUNCRUISER G-SERIES, TOUR R-SERIES</b>
12F	162033-02-01A	EA	KNOB - CABINET DOOR - BRUSHED NICKEL - <b>SUNCRUISER G-SERIES</b>
13F	162518-01-01A	EA	KNOB - DOOR/DRAWER - SATIN NICKEL - <b>HORIZON S-SERIES</b>
14F	163095-01-01A	EA	KNOB - CABINET DOOR - SATIN NICKEL - <b>DESTINATION &amp; LATTITUDE M-SERIES</b>

## LABELS GROUP

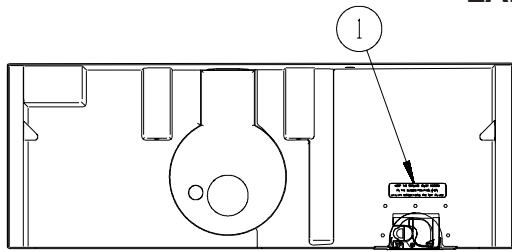


KEY	PART NUMBER	U/M DESCRIPTION
1	039290-01-000	EA LABEL - WARNING - EXIT

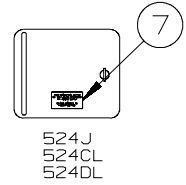
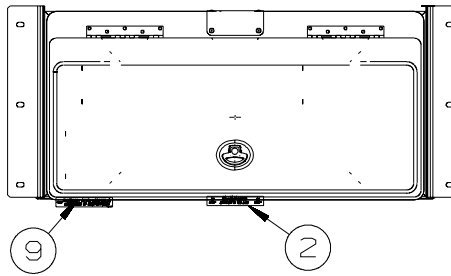


KEY	PART NUMBER	U/M DESCRIPTION
1	135869-01-01A	EA LABEL - MERCURY CONTENT - BLACK ON CLEAR
2	099509-01-000	EA LABEL - AWNING INSTALLATION
3	065748-01-000	EA LABEL - WARNING - BATTERY CHARGING - UL
4	155692-01-01A	EA LABEL - ODOMETER - READ IN MILE - BLACK/WHITE
4	155692-01-02A	EA LABEL - ODOMETER - READ IN MILE - WHITE/CLEAR
5	124519-01-01A	EA LABEL - WARNING/REFUELING - BLACK ON CLEAR
5	124519-01-02A	EA LABEL - WARNING/REFUELING - WHITE ON CLEAR
5	124519-02-01A	EA LABEL - WARNING/REFUELING - BLACK ON CLEAR - CANADIAN
5	124519-02-02A	EA LABEL - WARNING/REFUELING - WHITE ON CLEAR - CANADIAN

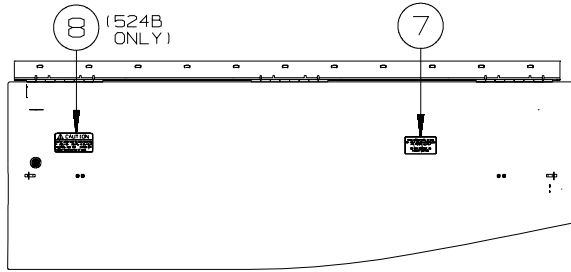
## LABELS GROUP (CONTINUED)



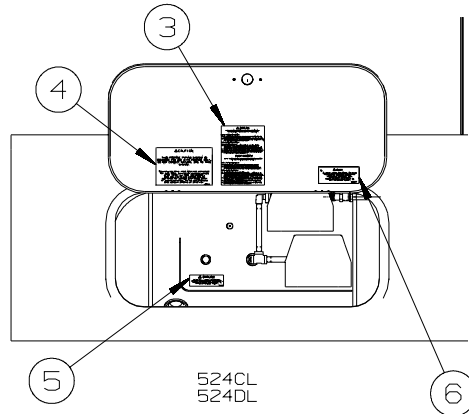
524H UTILITY COMPARTMENT



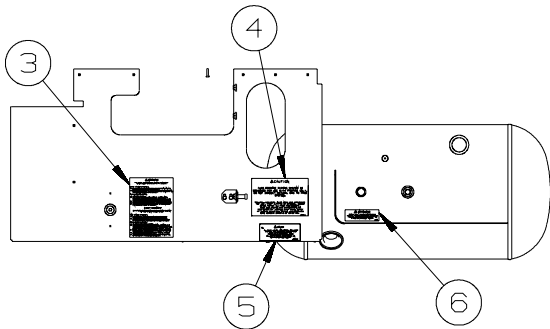
524J  
524CL  
524DL



524H & 524B



524CL  
524DL

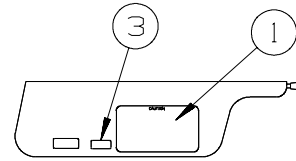
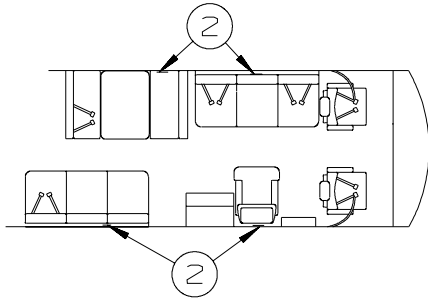


KEY	PART NUMBER	U/M	DESCRIPTION
1	123562-01-000	EA	LABEL - SERVICE/UTILITY ACCESS
2	154801-01-01A	EA	LABEL - NO STEP/MAX CARGO - WHITE/CLEAR
3	023769-01-000	EA	LABEL - WARNING - LPG - CANADIAN
4	124520-01-01A	EA	LABEL - LP GAS ONLY - BLACK ON CLEAR
5	124519-01-02A	EA	LABEL - WARNING/REFUELING - WHITE ON CLEAR
5	124519-01-01A	EA	LABEL - WARNING/REFUELING - BLACK ON CLEAR
6	079965-01-000	EA	LABEL - LPG - 80% CAPACITY
7	125306-01-02A	EA	LABEL - ELECTRICAL ENTRANCE - 110V 30 AMP - WHITE ON CLEAR
7	125306-01-01A	EA	LABEL - ELECTRICAL ENTRANCE - 110V 30 AMP - BLACK ON CLEAR
8	113402-01-000	EA	LABEL - CAUTION - WATER HEATER EXHAUST
9	163880-01-01A	EA	LABEL - CATCH/SECONDARY



## LABELS GROUP (CONTINUED)

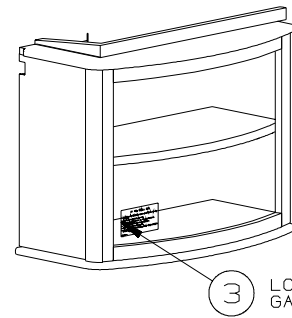
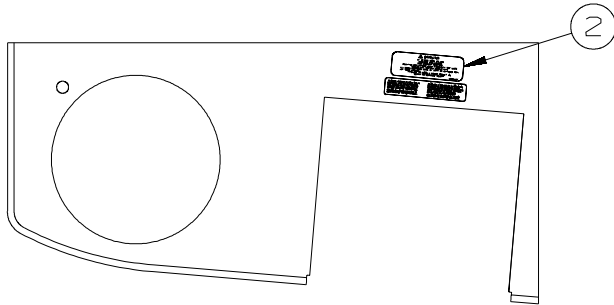
### TYPICAL SEAT AND BELT CONFIGURATIONS



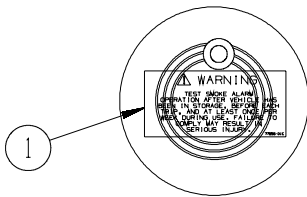
LABELS SHALL BE LOCATED ON OPPOSITE SIDE OF VISOR THAT THE AIR BAG LABEL IS INSTALLED ON

ATTACH LABEL ON OR NEXT TO:  
 +ANY SINGLE CHAIR WITHOUT BELTS.  
 +ANY DINETTE SEAT WITHOUT BELTS.  
 +ANY COUCH WITHOUT BELTS OR ANY SEATING POSITION ON THAT COUCH.  
 DO NOT ATTACH LABEL IF:  
 +DINETTE SEAT HAS AT LEAST ONE SET OF BELTS INSTALLED.

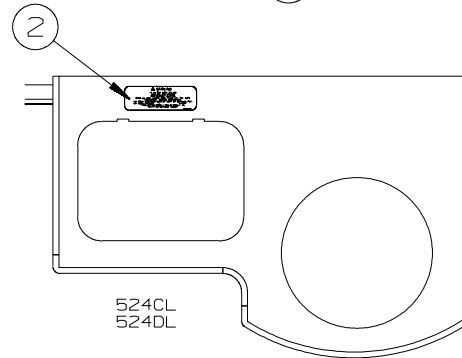
KEY	PART NUMBER	U/M	DESCRIPTION
1	056259-01-000	EA	LABEL - SAFETY CHECK LIST
2	134538-01-01A	EA	LABEL - OCCUPANCY - NO SEAT BELT - BLACK ON CLEAR - US
2	134538-02-01A	EA	LABEL - OCCUPANCY - NO SEAT BELT - BLACK ON CLEAR - CSA - <b>CANADIAN</b>
3	099689-01-000	EA	LABEL - WARNING - CANCER/TOXICITY



LOCATED ON SIDE OF GALLEY CABINET DOOR

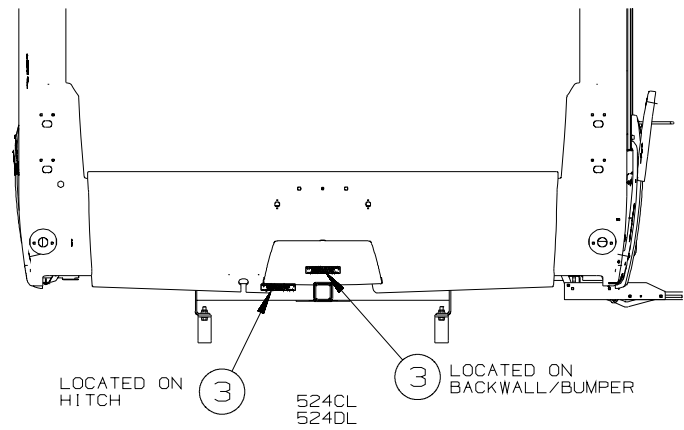
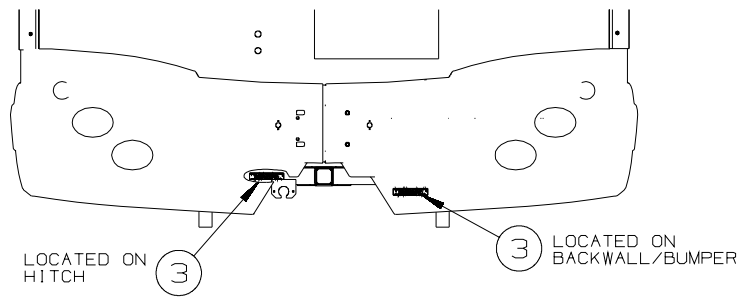
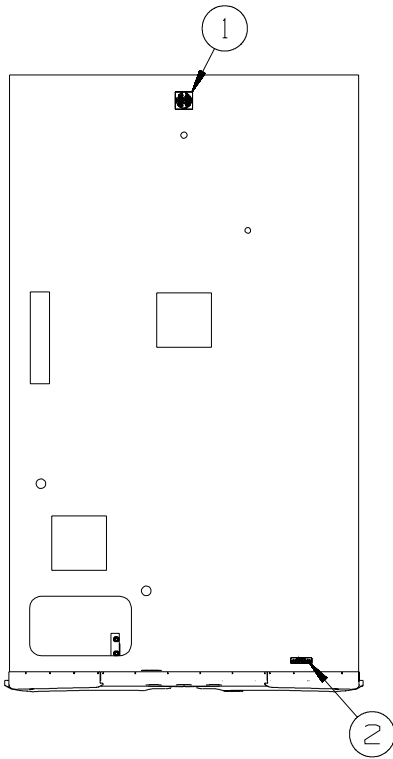


LABEL NOT TO COVER SENSOR OPENING



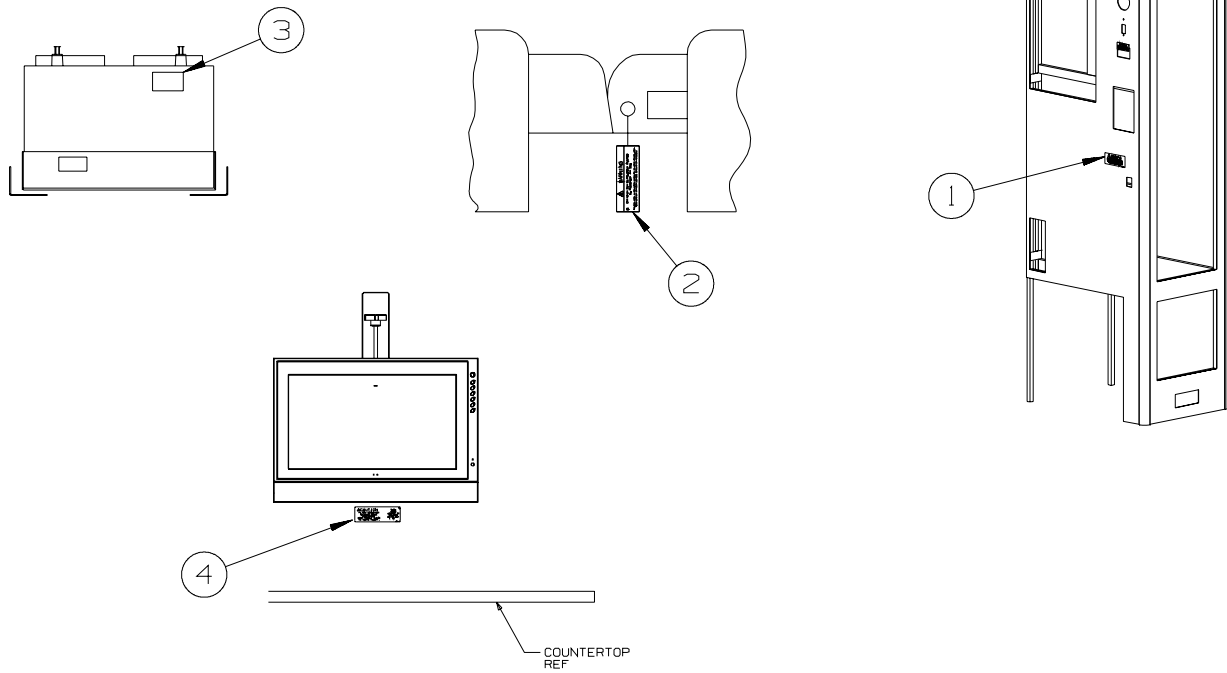
KEY	PART NUMBER	U/M	DESCRIPTION
1	077956-01-000	EA	LABEL - WARNING/SMOKE DETECTOR
2	134539-01-01A	EA	LABEL - WARNING - STOVE/HEATING - US - BLACK ON CLEAR
2	134540-01-01A	EA	LABEL - WARNING - STOVE/HEATING - CSA - BLACK ON CLEAR - <b>CANADIAN</b>
3	073998-01-000	EA	LABEL - LPG/ODOR WARNING

## LABELS GROUP (CONTINUED)



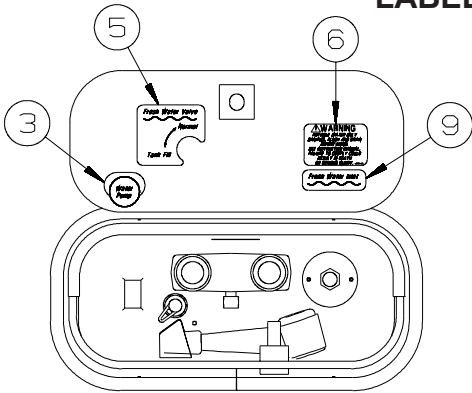
KEY	PART NUMBER	U/M	DESCRIPTION
1	120431-01-000	EA	LABEL - LOCATION - COAXIAL CABLE/SATELLITE ANTENNA
2	128218-01-01A	EA	LABEL - WARNING - SLIPPERY ROOF - <b>NOT ILLUSTRATED</b>
			FROM: 00-00-00 THRU: 01-24-07
2	163705-01-01A	EA	LABEL - WARNING - ROOF SLIPPERY - BLACK ON WHITE
			FROM: 01-25-07 THRU: 99-99-99
3	129669-01-01A	EA	LABEL - HITCH/VEHICLE RATE - 350 - WHITE ON CLEAR
4	129669-01-02A	EA	LABEL - HITCH/VEHICLE RATE - 350 - BLACK ON CLEAR

## LABELS GROUP (CONTINUED)

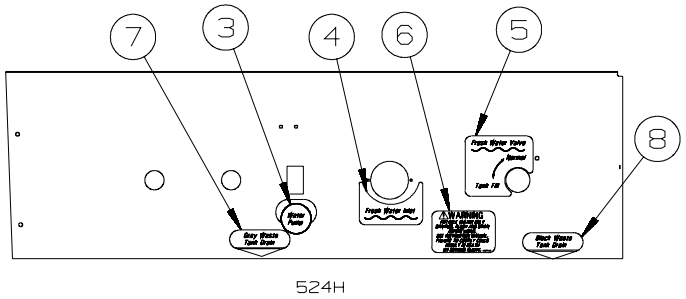


KEY	PART NUMBER	U/M	DESCRIPTION
1	143911-01-01A	EA	LABEL - CURTAIN SECUREMENT - BLACK ON CLEAR - <b>NOT ILLUSTRATED</b> FROM: 00-00-00 THRU: 01-24-07
1	143911-02-01A	EA	LABEL - CURTAIN SECUREMENT - BLACK ON CLEAR FROM: 01-25-07 THRU: 99-99-99
1	155196-01-01A	EA	LABEL - CURTAIN SECUREMENT - BLACK ON CLEAR - <b>CANADIAN</b>
2	126612-01-000	EA	LABEL - HANG TAG - AIR BAG - DASH
3	125320-01-01A	EA	FILM - PROTECTIVE
4	159837-01-01A	EA	LABEL - CAUTION - SWINGOUT TV - BLACK/CLEAR/RED FROM: 10-25-07 THRU: 99-99-99

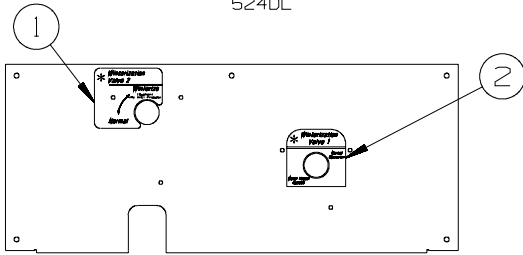
## LABELS GROUP (CONTINUED)



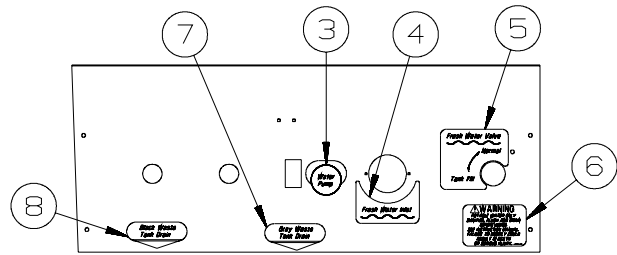
524CL  
524DL



524H



524J



524J

KEY	PART NUMBER	U/M	DESCRIPTION
1	152545-01-01A	EA	LABEL - WINTERIZATION
2	152539-01-01A	EA	LABEL - BYPASS
3	152544-03-01A	EA	LABEL - SWITCHES
4	152538-01-01A	EA	LABEL - FRESH WATER - PANTONE/CLEAR
5	152548-01-01A	EA	LABEL - VALVE/FRESH
6	128725-02-01A	EA	LABEL - POTABLE WATER ONLY - BLACK ON CLEAR
7	152541-03-01A	EA	LABEL - GRAY WASTE
8	152543-03-01A	EA	LABEL - BLACK WASTE
9	152548-02-01A	EA	LABEL - FRESH WATER - PANTONE/CLEAR

**LP GROUP  
LP SYSTEM**

<b>KEY</b>	<b>PART NUMBER</b>	<b>U/M</b>	<b>DESCRIPTION</b>
	144485-01-000	EA	COVER - LP REGULATOR
	045703-03-000	EA	HOSE - LP - 3/8"ID X 18" - 3/8"MPT X 1/2"F SWIVEL - US
	045703-07-000	EA	HOSE - LP - 3/8"ID X 10" - 3/8"MPT X 1/2"F SWIVEL - US
	045703-12-000	EA	HOSE - LP - 3/8"ID X 18" - 3/8"MPT X 1/2"F SWIVEL - CSA
	045703-21-000	EA	HOSE - LP - 3/8"ID X 60" - 1/2"F SWIVEL X3/8"F SWVL US/CSA
	045703-22-000	EA	HOSE - LP - 3/8"ID X 60" - 1/2"F SWIVEL X1/2"F SWVL US/CSA
	045703-29-000	EA	HOSE - LP - 3/8"ID X 79.7"-1/2"F SWIVEL X1/2"F SWVL US/CSA
	010323-01-000	EA	ADAPTER - 3/8"F X 1/2"MPT - BRASS
	010326-01-000	EA	ADAPTER - FLARE - W/CONE GASKET - 3/8"F X 1/2"F
	010329-01-000	EA	ADAPTER - 1/2"F X 1/2"MPT - BRASS
	024250-01-000	EA	ADAPTER - BRASS - 3/8"F X 1/2"FPT
	106150-05-000	EA	REGULATOR - TWO STAGE
	106150-06-000	EA	REGULATOR - TWO STAGE
	145639-01-02B	EA	BRACKET - REGULATOR - E-COATED
	151726-01-02B	EA	BRACKET/LP MOUNTING - E-COATED
	151726-02-02B	EA	BRACKET/LP MOUNTING - E-COATED
	151726-03-02B	EA	BRACKET/LP MOUNTING - E-COATED - 524B
			FROM: 00-00-00 THRU: 04-20-07
	164760-01-02B	EA	BRACKET/MOUNT - LP - E-COATED - 524B
			FROM: 04-21-07 THRU: 99-99-99
	152249-01-02B	EA	BRACKET - LP MOUNT - E-COATED
	010377-02-000	EA	NUT - 3/8" FLARE - FORGED - BRASS
	010380-02-000	EA	NUT - 1/2" FLARE - FORGED - BRASS
	040440-02-000	EA	TRANSMITTER - DIAL/BOLT-ON - 0-90 OHM 2 TERM(POWER/GROUND)
*	144116-09-000	EA	TANK - LP - 60 LB - 14"D X 29.75"L
	160240-01-02B	EA	PANEL/CLOSEOUT - LP - E-COATED
	151725-02-02B	EA	GUARD/ROCK - W/PANEL/STEEL - E-COATED
	151725-03-02B	EA	GUARD/ROCK - W/PANEL/STEEL - E-COATED
	151725-04-02B	EA	GUARD/ROCK - W/PANEL/STEEL - E-COATED
	151725-05-02B	EA	GUARD/ROCK - W/PANEL/STEEL - E-COATED
	151725-06-02B	EA	GUARD/ROCK - W/PANEL/STEEL - E-COATED
	160230-01-02B	EA	GUARD/ROCK - STEEL - W/BEND - 20.5" X 13"
	010589-01-000	EA	NIPPLE - PIPE - 1/2" X 1 1/2" - BLACK
	010589-03-000	EA	NIPPLE - PIPE - 1/2" X 2 1/2" - BLACK
	148919-02-000	EA	UNION-FLARE - 1/2" BRASS

**\*COMPONENT PARTS LISTED LATER IN THIS GROUP**

**COMPONENT PARTS FOR LP SYSTEM**

**144116-09-000**

<b>KEY</b>	<b>PART NUMBER</b>	<b>U/M</b>	<b>DESCRIPTION</b>	<b>VENDOR NO.</b>
	040421-01-712	EA	VALVE-SERV. W/O VAPOR RELIEF	V20373/V21202
	040421-01-713	EA	VALVE-RELIEF 1" W/SPRING 7"	V12560/V21207
	144116-01-700	EA	VALVE-OUTAGE(NO STEM REMOVE)	V20058
	144116-04-700	EA	FLOAT/SENDING UNIT W/O DIAL	G11530
	144116-04-701	EA	DIAL - TRANSMITER	G12845
	144116-09-700	EA	VALVE/FILL 80%	V20150

**SEALANTS & FASTENERS GROUP**  
**SEALANTS & ADHESIVES**

<b>KEY</b>	<b>PART NUMBER</b>	<b>U/M</b>	<b>DESCRIPTION</b>
	010405-02-000	EA	TAPE - THREAD SEALING - 3/8"
	064075-07-000	FT	SEAL - BULB - W/WIRED U CHANNEL - .3" X .5" CHANNEL-BLACK
	067788-01-000	EA	ADHESIVE - SPRAY - 3M - 19.5 OZ AEROSOL CAN
	069640-01-000	FT	SEALER - RIBBON - 1/4"DIAMETER X 30 FT - BLACK OR GRAY
	069640-02-000	FT	SEALER - TAPE - 1/8"THICK X 1/2"WIDE X 60 FT - GRAY
	069640-03-000	FT	SEALER - TAPE - 1/8"THICK X 3/4"WIDE X 60 FT - BLACK
	069640-07-000	FT	SEALER - TAPE - 3/32"THICK X 2"WIDE X 45 FT - GRAY
	069640-09-000	FT	SEALER - TAPE - 1/32"THICK X 2 1/2"WIDE X 80 FT - BRT WHT
	069640-10-000	FT	SEALER - TAPE - 1/32"THICK X 1 1/2"WIDE X 90 FT - GRAY
	069640-11-000	FT	SEALER - TAPE - 3/16"THICK X 3/8"WIDE X 40 FT - BLACK
	069640-13-000	FT	SEALER - TAPE - 3/32"THICK X 2"WIDE X 45 FT - BLACK
	069640-14-000	FT	SEALER - TAPE - 1/16"THICK X 1"WIDE X 100 FT - BLACK
	069640-15-000	FT	SEALER - TAPE - 1/16"THICK X 3/8"WIDE X 100 FT - BRT WHT
	069640-17-000	FT	SEALER - TAPE - 1/32"THICK X 1"WIDE X 150 FT - GRAY
	069640-18-000	FT	SEALER - TAPE - 1/8"THICK X 1/2"WIDE X 60 FT - BRT WHT
	069640-19-000	FT	SEALER - TAPE - 1/8"THICK X 3/4"WIDE X 60 FT - BRT WHT
	069640-20-000	FT	SEALER - TAPE - 1/8"THICK X 1/2"WIDE X 60 FT - BLACK
	069640-21-000	FT	SEALER - TAPE - 1/16"THICK X 1/2"WIDE X 100 FT - BRT WHT
	069640-22-000	FT	SEALER - TAPE - 1/32"THICK X 1/4"WIDE X 200 FT - BRT WHT
	069640-23-000	FT	SEALER - TAPE - 1/16"THICK X 3/4"WIDE X 100 FT - BRT WHT
	069640-27-000	FT	SEALER - TAPE - 1/16"THICK X 2 1/4"WIDE X 50 FT - BRT WHT
	069640-28-000	FT	SEALER - TAPE - 1/32"THICK X 1 7/8"WIDE X 90 FT - GRAY
	069640-30-000	FT	SEALER - TAPE - 1/32"THICK X 5/8"WIDE X 50 FT - GRAY
	069640-31-000	FT	SEALER - TAPE - 1/4"THICK X 3/4"WIDE X 15 FT - BLACK
	069640-32-000	FT	SEALER - TAPE - 1/16"THICK X 3/8"WIDE X 100 FT - BLACK
	069640-33-000	FT	SEALER - RIBBON - 3/8"DIAMETER X 20 FT - BLACK
	069640-34-000	FT	SEALER - RIBBON - 1/4"DIAMETER X 30 FT - BRIGHT WHITE
	069640-36-000	EA	SEALER - TAPE - 1/16"THICK X 1/2"WIDE X 100 FT - BLACK
	069640-37-000	FT	SEALER - TAPE - 1/16"THICK X 3/4"WIDE X 100 FT - BLACK
	069640-38-000	FT	SEALER - TAPE - 1/16"THICK X 3/4"WIDE X 100 FT - BRT WHT
	069640-39-000	FT	SEALER - TAPE - 1/16"THICK X 3"WIDE X 50 FT - BRT WHT
	069640-40-000	FT	SEALER - TAPE - 1/16"THICK X 3"WIDE X 50 FT - BRT WHT
	072889-28-000	EA	SEALANT/URETHANE-10 OZ TUBE W/NOZZLE-SELF LEVELING-BRT WHT
	072889-31-000	EA	SEALANT/URETHANE-10 OZ TUBE W/NOZZLE-SELF LEVELING - BLACK
	076322-02-000	FT	TAPE-DOUBLE COATED/ADHESIVE BK-.05"THK X 1"W X 108' - WHT
	076322-03-000	FT	TAPE-DOUBLE COATED/ADHESIVE BK-.05"THK X .5"W X 108' - WHT
	076322-05-000	FT	TAPE-DOUBLE COATED/ADHESIVE BK-.05"THK X .8"W X 108' - WHT
	076322-07-000	FT	TAPE-DOUBLE COATED/ADHESIVE BK-.05"THK X .5"W X 200' - BLK
	076322-13-000	FT	TAPE - FOAM/DOUBLE COATED - .020"THK X .75"W - CLEAR
	076322-21-000	FT	TAPE - FOAM/DOUBLE COATED - .045"THK X .50"W
	076322-22-000	FT	TAPE - FOAM/DOUBLE COATED - .045"THK X .75"W
	076322-23-000	FT	TAPE - FOAM/DOUBLE COATED - .045"THK X 1"W
	076322-25-000	FT	TAPE - FOAM/DOUBLE COATED - .025"THK X .5"W
	086276-01-000	EA	TAPE - DOUBLE SIDED - 1/2" WIDE X 108' LONG (SOLD BY ROLL)
	088479-01-000	EA	TAPE - ALUMINUM - 3"
	090340-01-000	FT	SEAL - FOAM - CLOSED CELL - 1/4" X 1/2" X 50'
	090340-02-000	FT	SEAL - FOAM - CLOSED CELL - 3/8" X 1/2" X 50'
	091255-02-000	FT	SEAL - ADHESIVE BACKED/FOAM - 3/64"THICK X 3/16"W X 1000'
	091255-03-000	FT	SEAL - ADHESIVE BACKED/FOAM - 1/4" THICK X 1/4"W X 1000'
	094401-01-000	EA	SEALER - BODY SEAM - FLEXICLEAR
	094401-04-000	EA	SEALER - BODY SEAM - CLEAR
	094401-05-000	EA	SEALER - BODY SEAM - 20OZ BLACK
	094401-06-000	EA	SEALER - BODY SEAM - 12OZ BLACK
	094401-07-000	EA	SEALER - BODY SEAM - CLEAR
	098408-01-000	FT	SEAL - SPONGE RUBBER - CLOSED CELL
	099069-01-000	FT	SEAL - RUBBER - CLOSED SPONGE - .5" WIDE X .12" THICK-BLK
	099418-01-000	FT	SEAL - D-SECTION/ADHESIVE BACK - .44" X .44" - BLK RUBBER
	100128-02-000	FT	SEAL - FOAM/ADHESIVE BACK - .37" WIDE X .37" THICK X 60'
	104692-01-000	FT	SEAL - ADHESIVE BACKED FOAM - 3/4" THICK X 3/4" WIDE X 25'
	107721-07-000	FT	SEAL - ACCESS DOOR - .9"WIDE X 1.1"HIGH
	112864-01-000	FT	SEAL - FOAM/BUTYL COVERED - 3/8" X 35'
	112864-02-000	FT	SEAL - FOAM/BUTYL COVERED - 5/16" X 44'
	112864-05-000	FT	SEAL - FOAM/BUTYL COVERED - 1/2" X 3/16"
	112901-02-000	EA	ADHESIVE - PLEXUS - MA330 - 50ML - GRAY

## SEALANTS & FASTENERS GROUP (CONTINUED)

### SEALANTS & ADHESIVES (CONTINUED)

KEY	PART NUMBER	U/M	DESCRIPTION
	112901-03-000	EA	ADHESIVE - PLEXUS - MA300 - 50ML - WHITE
	112902-03-000	EA	MIXER NOZZLE - F/GUN #00400102000 - SCOTCH-WELD & PLEXUS
	112902-04-000	EA	NOZZLE - ELEMENT - 1/4" X 3.5"
	113452-01-000	FT	SEAL/TRIM - FRONT - VINYL W/WIRE CARRIER - .020"
	113452-02-000	FT	SEAL/TRIM - FRONT - VINYL W/WIRE CARRIER - .027"
	113366-01-000	EA	ADHESIVE - INSTANT - 1 OZ
	115870-01-000	FT	SEAL/EDGE - TRIM
	120074-02-03A	EA	SILICONE - TUBE - W/O NOZZLE - LOW ODOR - SMOKEY WHITE
	120534-01-01A	EA	TAPE - SCOTCH - 3M - 1/2" FINE LINE
	123655-01-000	FT	SEAL - CLOSED CELL/FOAM
	123816-01-000	FT	TAPE - DOUBLE SIDED - 1" X .020" X 200' - CLEAR
	123816-02-000	FT	TAPE - DOUBLE SIDED - 1/2" X .035" X 200' - CLEAR
	123816-03-000	FT	TAPE - DOUBLE SIDED - 1/2" X .020" X 200' - CLEAR
	123816-04-000	FT	TAPE - DOUBLE SIDED - 6" X .0035" X 750' - CLEAR
	123816-06-000	FT	TAPE - DOUBLE SIDED - 3/4" X 3/4" X 200' - CLEAR
	123816-07-000	FT	TAPE - DOUBLE SIDED - 1 3/4" X 200' - CLEAR
	126427-01-000	EA	ADHESIVE - ALL PURPOSE - ABS/PVC
	126427-02-000	EA	PRIMER - CLEANER - FLEX PIPING
	131264-01-12A	EA	SILICONE - TUBE - W/NOZZLE - BONE
	131264-01-13A	EA	SILICONE - TUBE - W/NOZZLE - TRANSLUCENT
	131264-03-01A	EA	SILICONE - TUBE - W/O NOZZLE - SELF LEVELING -BRIGHT WHITE
	131264-04-02A	EA	SILICONE/SEALANT/ADHESIVE-FAST CURE F/GLASS/VINYL-SOFT WHT
	131264-05-01A	EA	SILICONE/SEALANT - ODORLESS - TUBE - W/NOZZLE - BLACK
	131264-05-02A	EA	SILICONE/SEALANT - ODORLESS - TUBE - W/NOZZLE - CLEAR
	131384-01-000	EA	ADHESIVE - JET WELD - 10 OZ CARTRIDGE
	132892-07-01A	FT	SEAL - BULB/SINGLE - W/U CHANNEL - .5" X 1" - BLACK
	152038-01-01A	EA	TAPE - PRESERVATION SEAL - 2" X 36YD ROLL - BLACK
	154585-01-01A	FT	SEAL - FOAM TAPE - ADHESIVE BACK - 3/8" X 3/8" - BLACK
	154585-02-01A	FT	SEAL - FOAM TAPE - ADHESIVE BACK - 3/4" X 1/2" - BLACK
	154585-03-01A	FT	SEAL - FOAM TAPE - ADHESIVE 2 SIDED - 1/8" X 3/4" - BLACK
	154585-04-01A	FT	SEAL - FOAM TAPE - ADHESIVE BACK - 5/8" X 1/8" - WHITE
	156622-01-01A	FT	SEALER - TAPE - 1/4"THICK X 3"WIDE X 100 FT - WHITE
	156622-02-01A	FT	SEALER - TAPE - 1/4"THICK X 2"WIDE X 100 FT - WHITE

### BOLTS, NUTS AND WASHERS

KEY	PART NUMBER	U/M	DESCRIPTION
	0MD54F-06-000	EA	NUT - HEX W/SERATED FLANGE
	000C12-04-08B	EA	BOLT - HEX - 1/4-20 X 1/2 - GRADE #5 - ZINC
	000C12-04-12A	EA	BOLT - HEX - 1/4-20 X 3/4 - PLAIN 5
	000C12-04-40B	EA	BOLT - HEX - 1/4-20 X 2 1/2 - GRADE #5 ZINC
	000C12-05-16B	EA	BOLT - HEX - 5/16 - 18X1 - GRADE #5 - ZINC
	000C12-05-40B	EA	BOLT - HEX - 5/16"-18 X 2.5" - GRADE #5 - ZINC
	000C12-06-28B	EA	BOLT-HEX-3/8-16X13/4 ZN 5 - 5185-01
	000C12-08-24B	EA	BOLT - HEX - 1/2-13 X 1 1/2 - GRADE #5 - ZINC
	000C12-08-28B	EA	BOLT - HEX - 1/2-13 X 1 3/4 - GRADE #5 - ZINC
	000C12-08-44B	EA	BOLT - HEX - 1/2-13 X 2 3/4 - GRADE #5 - ZINC
	000C13-07-40B	EA	BOLT - HEX - 7/16-20 X 2 1/2 - GRADE #5 - ZINC
	000C13-07-48B	EA	BOLT - HEX - 7/16-20 X 3 - GRADE #5 - ZINC
	000C14-10-32B	EA	BOLT - HEX - 5/8-11 X 2.0 - GRADE #8 - ZINC
	000C18-05-40A	EA	BOLT - ELEVATOR - 5/16-18 X 2 1/2 - PL
	000C26-04-10B	EA	BOLT - HEX - SERRATED FLANGE - 1/4-20 X 5/8 - ZINC
	000C26-04-12F	EA	BOLT - HEX - SERRATED FLANGE -1/4-20 X 3/4-STAINLESS STEEL
	000C26-04-14B	EA	BOLT - HEX - SERRATED FLANGE - 1/4-20 X 7/8 - ZINC
	000C26-04-18B	EA	BOLT - HEX - SERRATED FLANGE - 1/4-20 X 1 1/8 - ZINC
	000C26-05-12B	EA	BOLT - HEX - SERRATED FLANGE - 5/16-18 X 3/4 - ZINC
	000C26-06-12B	EA	BOLT - HEX - SERRATED FLANGE - 3/8-16 X 3/4 - ZINC
	000C26-06-20B	EA	BOLT - HEX - SERRATED FLANGE - 3/8-16 X 1 1/4 - ZINC
	000C26-06-28B	EA	BOLT - HEX - SERRATED FLANGE - 3/8-16 X 1 3/4 - ZINC
	000C26-06-40B	EA	BOLT - HEX - SERRATED FLANGE - 3/8-16 X 2 1/2 - ZINC
	000C26-08-24B	EA	BOLT - HEX - SERRATED FLANGE - 1/2-13 X 1 1/2 - ZINC
	000C26-08-28B	EA	BOLT - HEX - SERRATED FLANGE - 1/2-13 X 1 3/4 - ZINC
	000C27-08-48B	EA	BOLT-CARR 1/2-13X3.00 GR5 - 97 M-SERIES
	000D24-10-00B	EA	NUT - HEX - SELF LOCKING - 10-32 - ZINC

**SEALANTS & FASTENERS GROUP (CONTINUED)**  
**BOLTS, NUTS AND WASHERS (CONTINUED)**

KEY	PART NUMBER	U/M	DESCRIPTION
	000D27-05-00B	EA	NUT - HEX LOCK - 5-40 - ZINC
	000D28-10-00B	EA	NUT - HEX - W/NYLON LOCK - 10-32 - ZINC
	000D29-04-00B	EA	NUT - HEX - SELF LOCKING - 1/4 X 20 - ZINC
	000D29-04-00F	EA	NUT - HEX - SELF LOCKING - 1/4 X 20 - STAINLESS STEEL
	000D29-06-00B	EA	NUT - HEX - W/NYLON LOCK - 3/8-16 - ZINC
	000D29-09-00B	EA	NUT - HEX - SELF LOCKING - 9/16-12 - ZINC
	000D34-04-00B	EA	NUT - HEX - LOCKING - 1/4-20 - ZINC
	000D34-06-00B	EA	NUT - HEX - LOCKING - 3/8-16 GRADE C - ZINC
	000D39-04-00B	EA	NUT - HEX - LOCKING W/SERRATED FLANGE - 1/4-20 - ZINC
	000D39-05-00B	EA	NUT - HEX - LOCKING W/SERRATED FLANGE - 5/16-18 - ZINC
	000D39-06-00B	EA	NUT - HEX - LOCKING W/SERRATED FLANGE - 3/8-18 - ZINC
	000D39-06-00D	EA	NUT - HEX - LOCKING W/SERRATED FLANGE - 3/8"-16 BLACK
	000D39-07-00B	EA	NUT - HEX - LOCKING W/SERRATED FLANGE - 7/16-14 - ZINC
	000D39-08-00B	EA	NUT - HEX - LOCKING W/SERRATED FLANGE - 1/2-13 - ZINC
	000D44-07-00B	EA	NUT - HEX - LOCKING W/SERRATED FLANGE - 7/16-20 - ZINC
	000D44-08-00B	EA	NUT - HEX - LOCKING W/SERRATED FLANGE - 1/2-20 - ZINC
	000D46-04-00A	EA	NUT - HEX - WELD - 1/4-20 - PLAIN
	000D65-08-00B	EA	NUT - HEX - LOCKING W/SERRATED FLANGE - 8-32 - ZINC
	000D73-08-00C	EA	NUT - HEX FLANGE - 1/2-13
	000D75-09-00B	EA	NUT - HEX LOCKING - 9/16-12 - ZINC
	000D76-06-00B	EA	NUT - HEX FLANGE - 3/8-16
	000E11-04-00F	EA	WASHER - LOCKING - 1/4 MED SPLIT - STAINLESS STEEL
	000E11-07-00B	EA	WASHER - LOCKING - 7/16 MED SPLIT - ZINC
	000E11-08-00B	EA	WASHER - LOCKING - 1/2 MED SPLIT - ZINC
	000E13-17-00B	EA	WASHER - FLAT - 3/8 AR - ZINC
	000E13-18-00B	EA	WASHER - FLAT - 3/8 WIDE - ZINC
	000E13-20-00B	EA	WASHER - FLAT - 7/16 WIDE - ZINC
	000E13-22-00B	EA	WASHER - FLAT - 1/2 WIDE - ZINC
	000E13-26-00B	EA	WASHER - FLAT - 5/8 WIDE - ZINC
	000E14-10-00B	EA	WASHER - LOCKING - #10 EXTERNAL TOOTH - ZINC
	000E16-10-00B	EA	WASHER - HARDENED - 5/8 - FLAT - ZINC
	000G45-05-16B	EA	BOLT - LAG - 5/16-9 X 1 - ZINC
	039715-01-000	EA	NUT-SERT - 1/4" DIAMETER - 20 THREADS
	040921-01-000	EA	NUT - SPEED - U TYPE - #10-24 - BLACK
	040921-03-000	EA	NUT - SPEED - U TYPE - #10
	040921-04-000	EA	NUT - SPEED - U TYPE - #8-.59" LENGTH X .44" WIDTH
	040921-05-000	EA	NUT - SPEED - U-TYPE - 8-.67" X .44" WIDE
	040921-11-000	EA	NUT - SPEED - U-TYPE - 8-.59" LENGTH X .44" WIDTH - BLACK
	041322-01-000	EA	WASHER - FLANGE - 15/32"ID X 2 3/8"OD - F/SEAT BELT MTG
	044364-02-000	EA	NUT - SPEED - FLAT - ROUND
	044533-01-000	EA	WASHER - 1 3/8"OD - FOR BUTTONS - PLASTIC
	051387-06-000	EA	BOLT - CARRIAGE W/O HOLE - 5/16-18 X 9 1/2 - ZINC
	058716-02-000	EA	WASHER - FLAT NYLON
	064081-03-000	EA	NUT - WING 3/8-16 - W/WELD NUT
	077071-01-000	EA	WASHER - FENDER - 3/16"ID X 1"OD
	087234-01-000	EA	NUT - JACK - 1/4 X 20 THD - MOLLY
	088787-12-000	EA	STUD - WELD - 1/4 - 20 X 1.0 LG - MN
	106956-03-000	EA	BOLT - HEX TAP - 1/2-13NC X 3 - GRADE 5 - FULL THREAD/ZINC
	106956-10-000	EA	BOLT - HEX TAP - 9/16-12NC X 3 5/8 -GRD 5-FULL THREAD/ZINC
	106956-11-000	EA	BOLT - HEX TAP - 1/2-13NC X 2 1/2 - GRD 5-FULL THREAD/ZINC
	106956-13-000	EA	BOLT - HEX TAP - 1/2-20 X 2 1/2 - GRD 5-FULL THREAD/ZINC
	106956-14-000	EA	BOLT - HEX TAP - 5/16 -18NC X 1 1/2 - GRD 5-FULL THREAD/ZINC
	107397-01-000	EA	WASHER - FENDER - 3/4"ID X 1"OD
	108067-03-000	EA	STUD - WELD - 1/4 - 20 X 1/2 CD
	109917-01-000	EA	WASHER - 1.5" X 1.25"
	109917-03-000	EA	WASHER - 1" X .50"
	109917-04-000	EA	WASHER - 1" X .75"
	128444-01-000	EA	WASHER - SPRING - CONICAL
	135092-02-01A	EA	BOLT - HEX - SERRATED FLANGE - 1/2-20 X 2 1/2-GRADE 5 ZINC
	135092-05-01A	EA	BOLT - HEX - SERRATED FLANGE - 1/2-20 X 1 - GRADE 5 ZINC
	143399-01-01A	EA	NUT/RETAINING - 3/8"- 24 NFT
	147284-02-000	EA	NUT/SELF RETAINING - 5/16"-18
	148817-01-000	EA	WASHER/SPUR - LOCKING



# SEALANTS & FASTENERS GROUP (CONTINUED)

## SCREWS

KEY	PART NUMBER	U/M	DESCRIPTION
	0G1208-12-170	EA	SCREW - 8-18 X 3/4 POH - BRIGHT WHITE
	0G3908-08-170	EA	SCREW - SF/DR - 8-18 X 1/2 PPH - BRIGHT WHITE
	0G3908-16-170	EA	SCREW - SF/DR - 8-18 X 1 PPH - BRIGHT WHITE
	0G3908-24-170	EA	SCREW - SF/DR - 8-18 X 1 1/2 PPH - BRIGHT WHITE
	0G3910-10-420	EA	SCREW - SF/DR - 10-16 X .62 PPH - BRIARWOOD
	0G3910-12-170	EA	SCREW - SF/DR - 10-16 X 3/4 PPH - BRIGHT WHITE
	0G3910-24-170	EA	SCREW - SF/DR - 10-16 X 1 1/2 PPH - BRIGHT WHITE
	0G5508-08-370	EA	SCREW - SF/DR - 8-18 X .5 PWH - RIVERSTONE
	0G5508-08-380	EA	SCREW - SF/DR - 8-18 X .5 PWH - CASHMERE
	0G5508-08-420	EA	SCREW - SF/DR - 8-18 X .5 PWH - BRIARWOOD
	0G5508-08-450	EA	SCREW - SF/DR - 8-18 X .5 PWH - SADDLE
	0G5508-12-170	EA	SCREW - SF/DR - 8-18 X 3/4 PWH - BRIGHT WHITE
	0G5508-12-330	EA	SCREW - SF/DR - 8-18 X 3/4 PWH - PUTTY
	0G5508-12-380	EA	SCREW - SF/DR - 8-18 X 3/4 PWH - CASHMERE
	0G5508-12-450	EA	SCREW - SF/DR - 8-18 X 3/4 PWH - SADDLE
	0G5508-16-330	EA	SCREW - SF/DR - 8-18 X 1 PWH - PUTTY
	0G5508-16-370	EA	SCREW - SF/DR - 8-18 X 1 PWH - RIVERSTONE
	0G5508-16-380	EA	SCREW - SF/DR - 8-18 X 1 PWH - CASHMERE
	0G5508-16-450	EA	SCREW - SF/DR - 8-18 X 1 PWH - SADDLE
	0G6008-16-170	EA	SCREW - SF/DR - 8-18 X 1 POH - BRIGHT WHITE
	0G6012-32-170	EA	SCREW - SF/DR - 12-14 X 2 POH - BRIGHT WHITE
	0G6710-08-170	EA	SCREW - 10-12 X 1/2 PPH - BRIGHT WHITE
	0G6710-12-170	EA	SCREW - 10-12 X 3/4 PPH - BRIGHT WHITE
	0G6806-16-170	EA	SCREW - 6-18 X 1 POH - BRIGHT WHITE
	0G6810-24-280	EA	SCREW - 10-12 X 1 1/2 POH - SOFT WHITE
	000C20-06-24T	EA	SCREW - 3/8-16 X 1 1/2 - FLAT SOCKET
	000G11-06-08B	EA	SCREW - 6-20 X 1/2 PPH - ZINC
	000G11-06-10B	EA	SCREW - 6-20 X 5/8 PPH - ZINC
	000G11-06-10J	EA	SCREW - 6-20 X 5/8 PPH - BRASS
	000G11-07-08B	EA	SCREW - 7-19 X 1/2 PPH - ZINC
	000G11-08-06B	EA	SCREW - 8-18 X 3/8 PPH - ZINC
	000G11-08-08T	EA	SCREW - 8-18 X 1/2 PPH - FLUOROCARBON COATING
	000G11-08-12B	EA	SCREW - 8-18 X 3/4 PPH - ZINC
	000G11-08-12P	EA	SCREW - 8-18 X 3/4 PPH - DARK BROWN
	000G11-08-12S	EA	SCREW - 8-18 X 3/4 PPH - OFF WHITE
	000G11-08-12T	EA	SCREW - 8-18 X 3/4 PPH - BLACK MAGNESIUM
	000G11-08-20B	EA	SCREW - 8-18 X 1 1/4 PPH - ZINC
	000G11-08-20G	EA	SCREW - 8-18 X 1 1/4 - ANTIQUE BRASS
	000G11-10-12D	EA	SCREW - 10-16 X 3/4 PPH - BLACK
	000G11-10-32P	EA	SCREW-10,16X2.00 PPH DK BRN
	000G12-06-08T	EA	SCREW - 6-20 X 1/2 POH - BLACK
	000G12-10-16F	EA	SCREW - 10-16 X 1 POH - STAINLESS STEEL
	000G13-05-10B	EA	SCREW - 5-12 X 5/8 PFH - ZINC
	000G13-06-06I	EA	SCREW - 6-20 X 3/8 PFH - BLACK ZINC
	000G13-06-08B	EA	SCREW - 6-20 X 1/2 PFH - ZINC
	000G13-06-08G	EA	SCREW - 6-20 X 1/2 PFH - ANTIQUE BRASS
	000G13-06-10G	EA	SCREW - 6-20 X 5/8 PFH - ANTIQUE BRASS
	000G13-06-16E	EA	SCREW - 6-20 X 1 PFH - CHROME
	000G13-06-16J	EA	SCREW - 6-20 X 1 PFH - BRASS
	000G13-06-24J	EA	SCREW - 6-20 X 1 1/2 PFH - BRASS
	000G13-07-10H	EA	SCREW - 7-19 X 5/8 PFH - BLACK
	000G13-07-12B	EA	SCREW - 7-19 X 3/4 PFH - ZINC
	000G11-08-08B	EA	SCREW - 8-18 X 1/2 PPH - ZINC
	000G13-08-10B	EA	SCREW - 8-18 X 5/8 PFH - ZINC
	000G13-08-109	EA	SCREW - 8-18 X 5/8 PFH
	000G13-08-16B	EA	SCREW - 8-18 X 1 PFH - ZINC
	000G13-08-24B	EA	SCREW - 8-18 X 1 1/2 PFH - ZINC
	000G16-04-24B	EA	SCREW - MACHINE - 1/4-20 X 1 1/2 PPH
	000G18-08-16B	EA	SCREW - MACHINE - 8-32 X 1 PPH - ZINC
	000G18-08-22B	EA	SCREW - MACHINE - 8-32 X 1 3/8 PPH - ZINC
	000G18-08-24B	EA	SCREW - MACHINE - 8-32 X 1 1/2 PPH - ZINC
	000G19-10-08B	EA	SCREW - MACHINE - 10-32 X 1/2 PPH - ZINC
	000G19-10-10B	EA	SCREW - MACHINE - 10-32 X 5/8 - PPH - ZINC
	000G19-10-12F	EA	SCREW - MACHINE - 10-32 X 3/4 PPH - STAINLESS STEEL

**SEALANTS & FASTENERS GROUP (CONTINUED)**  
**SCREWS (CONTINUED)**

<b>KEY</b>	<b>PART NUMBER</b>	<b>U/M</b>	<b>DESCRIPTION</b>
	000G19-10-20B	EA	SCREW - MACHINE - 10-32 X 1 1/2 PPH - ZINC
	000G32-10-06B	EA	SCREW - 10-32 X 3/8 PPH - ZINC
	000G34-05-12B	EA	SCREW - HEX HEAD TAPPING - 5/16 X 3/4 LONG
	000G39-06-10T	EA	SCREW - SF/DR - 6-20 X 5/8 PPH - BLACK
	000G39-06-16T	EA	SCREW - SF/DR - 6-20 X 1 PPH - BLACK
	000G39-08-06B	EA	SCREW - SF/DR - 8-18 X 3/8 PPH - ZINC
	000G39-08-08B	EA	SCREW - SF/DR - 8-18 X 1/2 PPH - ZINC
	000G39-08-08S	EA	SCREW - SF/DR - 8-18 X 1/2 PPH - OFF WHITE
	000G39-08-08T	EA	SCREW - SF/DR - 8-18 X 1/2 PPH - BLACK
	000G39-08-12T	EA	SCREW - SF/DR - 8-18 X 3/4 PPH - BLACK
	000G39-08-16B	EA	SCREW - SF/DR - 8-18 X 1 PPH - ZINC
	000G39-08-16T	EA	SCREW - SF/DR - 6-20 X 1 PPH - BLACK
	000G39-08-24B	EA	SCREW - SF/DR - 8-18 X 1 1/2 PPH - ZINC
	000G39-08-24T	EA	SCREW - SF/DR - 8-18 X 1 1/2 PPH - BLACK
	000G39-08-32B	EA	SCREW - SF/DR - 8-18 X 2 PPH - ZINC
	000G39-08-169	EA	SCREW-SF/DR,8-18X1.00 PPH - FLUROCARBON SILVER
	000G39-10-08B	EA	SCREW - SF/DR - 10-16 X 1/2 PPH - ZINC
	000G39-10-10B	EA	SCREW - SF/DR - 10-16 X 5/8 PPH - ZINC
	000G39-10-12B	EA	SCREW - SF/DR - 10-16 X 3/4 PPH - ZINC
	000G39-10-12S	EA	SCREW - SF/DR - 10-16 X 3/4 PPH - OFF WHITE
	000G39-10-129	EA	SCREW - SF/DR - 10-16 X 3/4 PPH - FLUOROCARBON SILVER
	000G39-10-169	EA	SCREW - SF/DR - 10-16 X 1 PPH - FLUOROCARBON SILVER
	000G39-10-20B	EA	SCREW - SF/DR - 10-16 X 1 1/4 PPH - ZINC
	000G39-10-20T	EA	SCREW - SF/DR - 10-16 X 1 1/4 PPH - BLACK
	000G39-10-24B	EA	SCREW - SF/DR - 10-16 X 1 1/2 PPH - ZINC
	000G39-10-24T	EA	SCREW - SF/DR - 10-16 X 1 1/2" PPH - BLACK
	000G39-10-32B	EA	SCREW - SF/DR - 10-16 X 2 - PPH - ZINC
	000G39-10-48B	EA	SCREW - SF/DR - 10-16 X 3 - PPH - ZINC
	000G39-10-48T	EA	SCREW - SF/DR - 10-16 X 3 PPH - BLACK
	000G42-04-16B	EA	SCREW - SF/DR - 1/4-14 X 1 HWH - ZINC
	000G42-04-24B	EA	SCREW - SF/DR - 1/4-14 X 1 1/2 - ZINC
	000G52-06-05B	EA	SCREW - MACHINE - 6-32 X 5/16 PTH - ZINC
	000G52-06-06B	EA	SCREW - MACHINE - 6-32 X 3/8 PTH - ZINC
	000G54-04-14B	EA	SCREW - 1/4-20 X 7/8 PTH - TYPE 23 - ZINC PLATED
	000G55-08-12T	EA	SCREW - SF/DR - 8-18 X 3/4 PWH - BLACK
	000G55-08-16S	EA	SCREW - SF/DR - 8-18 X 1.00 PWH - OFF WHITE
	000G55-08-16T	EA	SCREW - SF/DR - 8-18 X 1 PWH - BLACK
	000G56-12-48B	EA	SCREW - WOOD - 12-11 X 3 POH - SPECIAL HARDENED
	000G60-08-16E	EA	SCREW - SF/DR - 8-1 X 1 POH - CHROME
	000G60-08-20F	EA	SCREW - SF/DR - 8-19X1.25 POH
	000G60-08-22B	EA	SCREW - SF/DR - 8-18 X 1.38 POH - ZINC
	000G60-10-20B	EA	SCREW - SF/DR - 10-16 X 1 1/4 POH - ZINC
	000G60-10-209	EA	SCREW - SF/DR - 10-16 X 1 1/4 POH - SILVER STALGAARD
	000G60-10-28T	EA	SCREW - SF/DR - 10-16 X 1 3/4 - BLACK
	000G62-06-12B	EA	SCREW-SF/DR,6-20X.75 PFH - ZINC
	000G62-06-249	EA	SCREW - SF/DR - 8-18 X 1.5 PPH - SILVER
	000G62-08-24B	EA	SCREW - SF/DR - 8-18 X 1 1/2 PFH
	000G62-08-24T	EA	SCREW - SF/DR - 8-18 X 1 1/2 PFH - BLACK
	000G67-08-32B	EA	SCREW - 8-15 X 2 PPH - ZINC
	000G67-10-08B	EA	SCREW - 10-12 X 1/2 PPH - ZINC
	000G67-10-08S	EA	SCREW - 10-12 X 1/2 PPH - OFF WHITE
	000G67-10-10B	EA	SCREW - 10-12 X 5/8 PPH - ZINC - TYPE A
	000G67-10-10D	EA	SCREW - 10-12 X 5/8 PPH - BLACK - TYPE A
	000G67-10-10P	EA	SCREW - 10-12 X 5/8 PPH - DARK BROWN
	000G67-10-10S	EA	SCREW - 10-12 X 5/8 PPH - OFF WHITE
	000G67-10-10T	EA	SCREW - 10-12 X 5/8 PPH - BLACK
	000G67-10-10V	EA	SCREW-10-12X5/8 PPH ZN O/W - TYPE A
	000G67-10-12P	EA	SCREW - 10-12 X 3/4 PPH - DARK BROWN
	000G67-10-24B	EA	SCREW - 10-12 X 1 1/2 PPH - ZINC
	000G68-06-10J	EA	SCREW - 6-18 X 5/8 POH - BRASS
	000G68-06-12B	EA	SCREW - 6-18 X 3/4 POH - ZINC & CLEAR
	000G68-06-12S	EA	SCREW - 6-18 X 3/4 POH
	029130-01-000	EA	SCREW - SNAP STUD - #8-16 X 5/8" LONG
	029130-02-000	EA	SCREW - SNAP STUD - #8-16 X 1 1/2" LONG

**SEALANTS & FASTENERS GROUP (CONTINUED)**  
**SCREWS (CONTINUED)**

KEY	PART NUMBER	U/M	DESCRIPTION
	029130-03-000	EA	SCREW - SNAP STUD - #8-16 X 1" LONG
	049465-03-000	EA	SCREW - 10-16 X 1 POH W/WASHER - OFF WHITE
	049465-17-000	EA	SCREW - 10-16 X 1 POH W/WASHER - BRIGHT WHITE
	049465-18-000	EA	SCREW - 10-16 X 1 POH W/WASHER - VW GRAY
	054434-02-000	EA	SCREW - SF/DR - 10-16 X 2 - ZINC
	054434-03-000	EA	SCREW - SF/DR - 10-16 X 2 - PWH - ZINC
	075908-01-000	EA	SCREW - MACHINE - 10-32 X .56 PTH - EXTERNAL TOOTH - ZINC
	076790-01-000	EA	SCREW - 6-20 X 1 1/4 PPH - BLACK
	076790-05-000	EA	SCREW - 6-20 X 1/2 PPH - BLACK - THREAD CUTTING/WOOD
	083554-01-000	EA	SCREW - DRYWALL - 8 X 1 1/4
	087721-01-000	EA	SCREW - FLAT HEAD - TAPPING - 1/4" X 1 1/4" LONG - ZINC
	093249-01-000	EA	CAP/SCREW - MOLDED/VINYL - BLACK
	095772-01-000	EA	SOCKET-SNAP FASTNER1" SF/DR - SELF DRIVER
	097974-01-000	EA	SCREW - PARTICLE BOARD - 7-9 X 3/4 PPH
	101618-01-000	EA	SCREW - 1/4-20 X 3/4 HEX - TAPPING - STALGARD TYPE F
	113563-01-01A	EA	SCREW - 8 X 5/8 LONG SHOULDER/WASHER HEAD
	113563-01-02A	EA	SCREW - 8 X 5/8 LONG SHOULDER/WASHER HEAD - BRIGHT WHITE
	118383-01-12A	EA	RETAINER/RECESSED - F/.22" SCREW - RIVERSTONE
	118383-01-14A	EA	RETAINER/RECESSED - F/.22" SCREW - PEWTER
	118383-01-15A	EA	RETAINER/RECESSED - F/.22" SCREW - BRIARWOOD
	118383-02-13A	EA	RETAINER/RECESSED - F/.27" SCREW - OFF WHITE
	118383-04-04A	EA	CAP - F/RECESSED RETAINER - BRIGHT WHITE
	118383-04-10A	EA	CAP - F/RECESSED RETAINER - RIVERSTONE
	118383-04-13A	EA	CAP - F/RECESSED RETAINER - OFF WHITE
	118383-04-14A	EA	CAP - F/RECESSED RETAINER - PEWTER
	118383-04-15A	EA	CAP - F/RECESSED RETAINER - BRIARWOOD
	134126-01-01A	EA	SCREW/NAIL - HEX HEAD - 3/4"
	140040-01-000	EA	SCREW - 1/4-20 X 1 - BUTTON HEAD/SOCKET - W/LOCTITE
	149753-01-01A	EA	RETAINER/RECESSED - F/.22" SCREW - BLACK
	149753-01-02A	EA	RETAINER/RECESSED - F/.22" SCREW - BRIGHT WHITE
	149753-02-01A	EA	CAP - F/RECESSED RETAINER - BLACK
	149753-02-02A	EA	CAP - F/RECESSED RETAINER - BRIGHT WHITE
	154938-01-01A	EA	SCREW - SF/DR - 10-16 X 3/4 PPH - W/SELF SEAL - BRIGHT WHITE
	154938-01-02A	EA	SCREW - SF/DR - 10-16 X 3/4 PPH - W/SELF SEAL - BLACK
	154938-02-01A	EA	SCREW - SF/DR - 8-18 X 1 PFH - W/SELF SEAL - BRIGHT WHITE
	154938-02-02A	EA	SCREW - SF/DR - 8-18 X 1 PFH - W/SELF SEAL - BLACK
	154938-02-03A	EA	SCREW - SF/DR - 8-18 X 1 PFH - W/SELF SEAL - SILVER
	154938-03-01A	EA	SCREW - SF/DR - 8-18 X 5/8 PFH - W/SELF SEAL - BRT WHT
	154938-03-02A	EA	SCREW - SF/DR - 8-18 X 5/8 PFH - W/SELF SEAL - BLACK
	154938-04-01A	EA	SCREW - SF/DR - 10-16 X 1" TPH - W/SELF SEAL - BRT WHT
	154938-04-02A	EA	SCREW - SF/DR - 10-16 X 1" TPH - W/SELF SEAL - BLACK
	154938-05-03A	EA	SCREW - SF/DR - 8-18 X 1.25" PFH - W/SELF SEAL - SILVER

## SEALANTS & FASTENERS GROUP (CONTINUED)

### CLAMPS, CLIPS, GROMMETS, RIVETS & PLUGS

KEY	PART NUMBER	U/M	DESCRIPTION
	000H14-06-03R	EA	RIVET - MANDREL BLIND - 3/16 ALUMINUM
	000H16-04-06R	EA	RIVET - POP ALUMINUM - 1/8 X .313 - .375
	000H16-06-10R	EA	RIVET - POP ALUMINUM - 3/16 X .501 - .625
	007161-01-000	EA	CLAMP - HOSE - SPRING TYPE - 1/2"
	008386-01-000	EA	GROMMET - SNAP - 3/8" DIAMETER - NYLON
	010495-01-000	EA	CLAMP - CABLE - 9/16"ID - BLACK
	010495-02-000	EA	CLAMP - CABLE - 3/8"ID - BLACK
	010495-04-000	EA	CLAMP - CABLE - 11/16"ID - WHITE
	010497-01-000	EA	CLAMP - CLOSED - 5/8"ID
	010497-02-000	EA	CLAMP - CLOSED - 1.5"ID
	010497-03-000	EA	CLAMP - CLOSED - 1"ID - CUSHIONED
	010497-04-000	EA	CLAMP - CLOSED - 1 5/8"ID
	010497-05-000	EA	CLAMP - CLOSED - 1/2"ID
	010497-07-000	EA	CLAMP - CLOSED - 3/8"ID
	010497-09-000	EA	CLAMP - CLOSED - 5/16"ID
	010497-10-000	EA	CLAMP - CLOSED - 7/8"ID
	010499-01-000	EA	CLAMP - CLOSED - 3/8"ID
	016188-03-000	EA	GROMMET - LP LINE - 3/8"HOLE X 2 1/2"LONG - RUBBER
	016188-04-000	EA	GROMMET - LP LINE - 1/2"HOLE X 2 1/2"LONG - RUBBER
	016188-05-000	EA	GROMMET - LP LINE - 3/8"HOLE X 1 1/4"LONG - RUBBER
	016188-06-000	EA	GROMMET - LP LINE - 3/8"HOLE X 3 1/4"LONG - RUBBER
	016188-07-000	EA	GROMMET - L/P LINE - 1/2"HOLE X 3 1/4"LONG
	016188-08-000	EA	GROMMET - LP LINE - 1/2"HOLE X 1 1/4"LONG - RUBBER
	016188-09-000	EA	GROMMET - LP LINE - .68"HOLE X 1 1/4"LONG - RUBBER
	016188-10-000	EA	GROMMET - LP GAS - .68" X 2.5"
	023942-01-000	EA	GROMMET - RUBBER - 2"OD
	041930-11-000	EA	RIVET - POP ALUMINUM - 1/8 X .188 - .250 - BRIGHT WHITE
	061420-04-000	EA	PLUG/PLASTIC - 1 1/4" DIAMETER
	061420-05-000	EA	PLUG/PLASTIC - 1 1/2" DIAMETER
	061420-09-000	EA	PLUG/PLASTIC - 1.00" DIAMETER
	061420-10-000	EA	PLUG/PLASTIC - 1 1/2" DIAMETER - BLACK
	061420-12-000	EA	PLUG/PLASTIC - 1.50" DIAMETER - RED
	061420-13-000	EA	PLUG/PLASTIC - 3/8" - FLUSH
	061420-14-000	EA	PLUG/PLASTIC - 7/8" DIAMETER - BLACK
	061420-15-000	EA	PLUG/PLASTIC - 2" DIAMETER - BLACK
	061420-16-000	EA	PLUG/PLASTIC - 2 1/8" DIAMETER - BLACK
	061420-18-000	EA	PLUG/PLASTIC - 1 3/4" DIAMETER - BLACK
	062401-01-000	EA	CLAMP - HOSE - WORMGEAR - .25" - 1"
	062401-02-000	EA	CLAMP - HOSE - WORMGEAR - 1.56" - 2.5" ID
	062401-03-000	EA	CLAMP - HOSE - WORMGEAR - .22" - 1" ID
	062401-04-000	EA	CLAMP - HOSE - WORMGEAR - .69" - 1.25" ID
	062401-06-000	EA	CLAMP - HOSE - WORMGEAR - .22" - .62" ID
	062401-09-000	EA	CLAMP - HOSE - WORMGEAR - 2.8" - 3.75" ID
	062401-11-000	EA	CLAMP - HOSE - WORMGEAR - 3.50" - 4.50" ID
	062401-13-000	EA	CLAMP - HOSE - WORMGEAR
	071015-11-000	EA	GROMMET - RUBBER - 1"ID FITS .12 MATERIAL - BLACK
	071015-13-000	EA	GROMMET - RUBBER - .62"ID X 1"OD W/.09" GROOVE - BLACK
	071015-20-000	EA	GROMMET - .38 ID FITS .06 MTL
	071015-22-000	EA	GROMMET - RUBBER - .62"ID X 1.12"OD W/.19" GROOVE - BLACK
	071015-26-000	EA	GROMMET - RUBBER - 1.5"ID X 2.1"OD W/.06" GROOVE - BLACK
	071015-29-000	EA	GROMMET - RUBBER - .3"ID X 1.3"OD W/.12" GROOVE - BLACK
	071015-30-000	EA	GROMMET - RUBBER - .3"ID X .81"OD W/.12" GROOVE - BLACK
	071015-39-000	EA	GROMMET - .75 ID FITS .06 MTL
	071015-41-000	EA	GROMMET - .125 ID FITS .188 MTL
	071015-42-000	EA	GROMMET - .25 ID FITS .06 MTL
	071015-43-000	EA	GROMMET-.25 ID,FITS .07 MATL, MINOR Z-4139
	071015-44-000	EA	GROMMET - .31 ID FITS .25 MTL
	075148-02-000	EA	CLAMP - GROUNDING - BRONZE SCREWS
	077955-01-000	EA	CLIP/J - 3/8" - VINYL COATED
	081211-03-000	EA	PLUG - PLASTIC - .50"DIAMETER - TRUSS HEAD - BLACK
	081211-04-000	EA	PLUG - PLASTIC - .46"DIAMETER - TRUSS HEAD - BLACK
	081211-06-000	EA	PLUG-PLASTIC,.468DIA,BLACK , HEYCO 1669
	083609-01-000	EA	CLAMP - WIRE - DUAL - EQUAL DIAMETERS - 5/8"
	083610-01-000	EA	CLAMP - WIRE - DUAL - UNEQUAL DIAMETERS - 3/4" & 1 1/4"

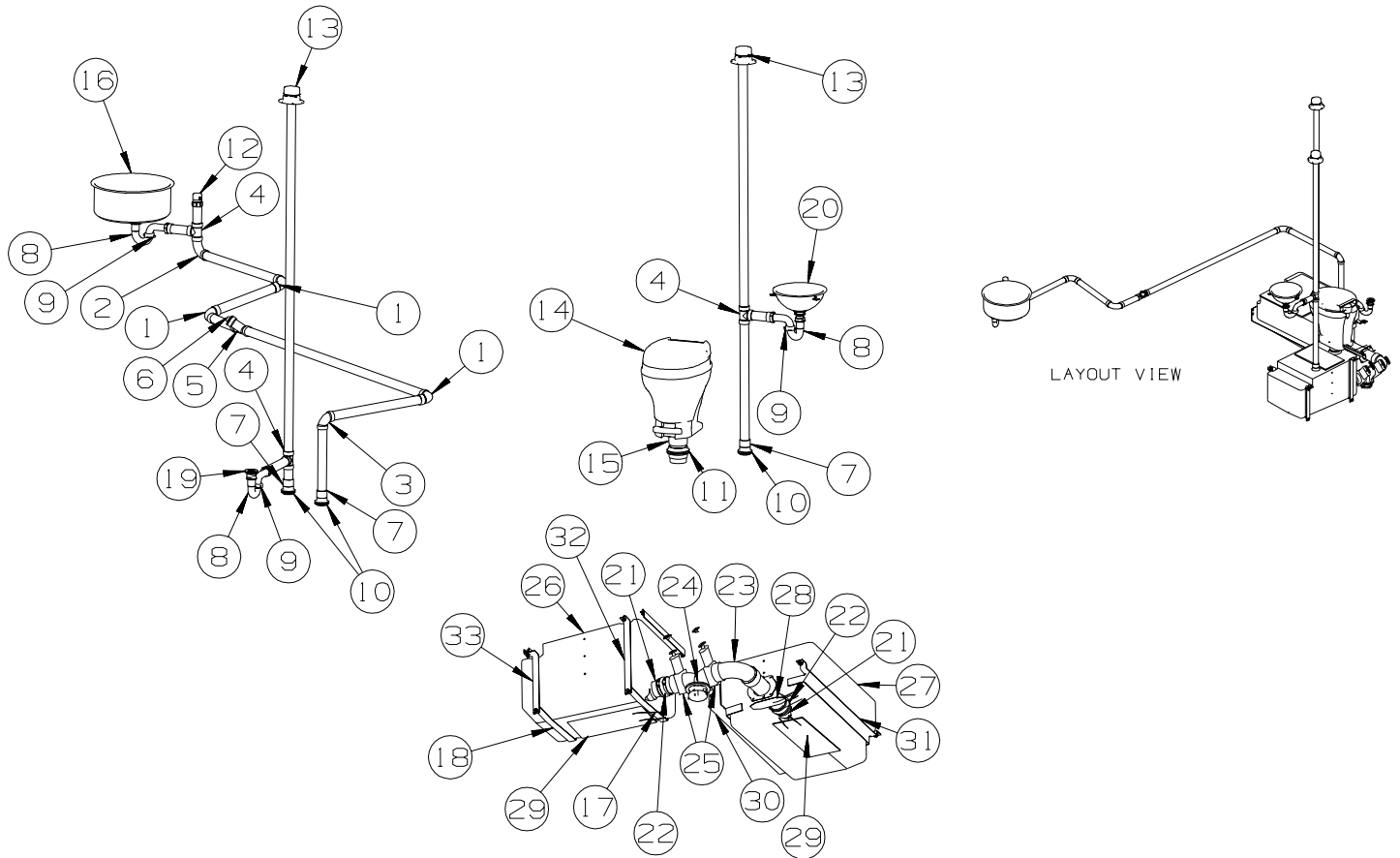
**SEALANTS & FASTENERS GROUP (CONTINUED)**  
**CLAMPS, CLIPS, GROMMETS, RIVETS & PLUGS (CONTINUED)**

<b>KEY</b>	<b>PART NUMBER</b>	<b>U/M</b>	<b>DESCRIPTION</b>
	083610-02-000	EA	CLAMP - WIRE - DUAL - UNEQUAL DIAMETERS - 3/4" & 2"
	083610-03-000	EA	CLAMP - WIRE - DUAL - EQUAL DIAMETERS - 2"
	083610-02-000	EA	CLAMP - WIRE - DUAL - UNEQUAL DIAMETERS - 3/4" & 2"
	083610-03-000	EA	CLAMP - WIRE - DUAL - EQUAL DIAMETERS - 2"
	088756-01-000	EA	GROMMET - WEB - 1 1/8"ID
	089329-02-000	EA	CLIP - SPRING
	091952-01-000	EA	CLIP - GRIPPER - 1" - BLACK VINYL COATED
	091952-02-000	EA	CLIP - GRIPPER - 3/4" - BLACK VINYL COATED
	091952-03-000	EA	CLIP - GRIPPER - 1/2" - BLACK VINYL COATED
	094362-02-000	EA	CLIP - XMAS TREE - BINDER HEAD - .9" LONG/ANY COLOR
	113133-02-01A	EA	RIVET - POP - ALUMINUM - 3/16 X .252 - .504 - BLACK
	114208-05-000	EA	GROMMET - EDGE LINER - FITS 2"
	118626-01-01A	EA	RIVET/POP - ALUMINUM - 3/16 X 1.2"(GRIP RANGE .1"-.4")
	118626-01-02A	EA	RIVET/POP - ALUMINUM - 3/16 X .08 - .375
	118626-02-01A	EA	RIVET/POP - ALUMINUM - 3/16 X .500 - .750
	118626-03-01A	EA	RIVET/POP - STAINLESS STEEL - 3/16 X .500 - .750
	137014-01-01A	EA	GROMMET - CABLE - ALMOND
	139118-02-01A	EA	GROMMET - SCREW - PLASTIC
	155498-01-01A	EA	CLAMP - CLOSED - 7/8"ID - VINYL DIP/GALVONIZED - BLACK

**MISCELLANEOUS FASTENERS**

<b>KEY</b>	<b>PART NUMBER</b>	<b>U/M</b>	<b>DESCRIPTION</b>
	008343-01-000	EA	TIE - WIRE - 6"
	008343-02-000	EA	TIE - WIRE - 14"
	008343-03-000	EA	TIE - WIRE - 7 1/2" - BLACK
	029094-04-000	YD	VELCRO TAPE/LOOP - 1"WIDE - W/ADHESIVE BACK - BLACK
	029096-03-000	YD	VELCRO TAPE/HOOK - 1"WIDE - BLACK
	029096-04-000	YD	VELCRO TAPE/HOOK - 1"WIDE - BLACK - W/ADHESIVE BACK (PSA)
	048394-02-000	YD	VELCRO TAPE - HOOK - ADHESIVE BACK - 3/4" WIDE - BEIGE
	085774-01-000	FT	FASTENER - DUAL LOCK - 1" WIDE - ADHESIVE BACK - BLACK
	085774-02-000	FT	FASTENER - DUAL HOOK - 1" WIDE - ADHESIVE BACK - BLACK
	088792-02-000	YD	VELCRO TAPE - LOOP - 3/4" - ADHESIVE BACK - BEIGE
	088792-04-000	YD	VELCRO TAPE - HOOK - 5/8" - NON-ADHESIVE BACK - WHITE
	088792-05-000	YD	VELCRO TAPE - LOOP - 5/8" - NON-ADHESIVE BACK - WHITE
	108046-02-000	EA	CABLE TIE - SCREW MOUNT 15"

# WATER & SEWAGE GROUP DRAINAGE SYSTEM

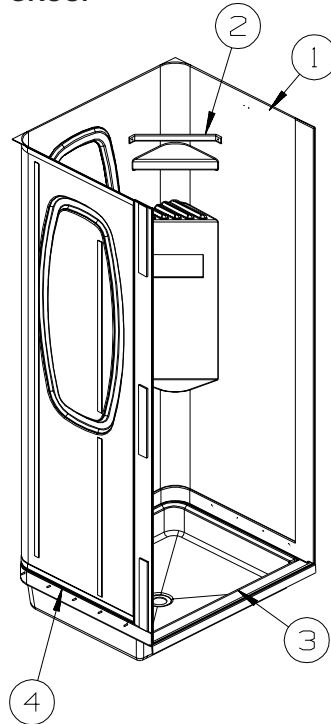


KEY	PART NUMBER	U/M	DESCRIPTION
1	010008-01-000	EA	ELBOW - 90 DEGREE - 1 1/2" HUB X HUB - PLASTIC
2	033761-01-000	EA	ELBOW - 90 DEGREE - TURN - 1 1/2" HUB X 1 1/2" SPIGOT
3	034250-01-000	EA	ELBOW - 90 DEGREE - LONG TURN - 1 1/2" HUB X HUB - ABS
4	010071-01-000	EA	TEE - SANITARY - 1 1/2" HUB X HUB X HUB - PLASTIC
5	010073-01-000	EA	WYE - 45 DEGREE - 1 1/2" HUB X HUB X HUB - PLASTIC
6	010122-01-000	EA	BUSHING/PLASTIC - REDUCER - 1 1/2"SMTH X 1 1/4"THD - BLACK
6	010166-01-000	EA	PLUG/THREADED - 1 1/4"MPT - PLASTIC - BLACK - UL
7	010115-01-000	EA	COUPLING - 1 1/2" HUB X HUB - PLASTIC
8	107538-02-000	EA	P-TRAP - PLASTIC - 1 1/2" W/EXTENSION ARM
8	011071-01-000	EA	P-TRAP - 1 1/2" - CSA - PLASTIC - <b>CANADIAN</b>
9	152146-01-000	EA	CONNECTOR - 1 1/2"P X 1 1/2"MPT
10	061607-01-000	EA	GROMMET - HOLDING TANK - 1 1/2" NPS
11	061607-02-000	EA	GROMMET - HOLDING TANK - 3" NPS
12	079968-01-000	EA	VENT - MECHANICAL/TRAP ARM - ANTI-SIPHON-2" X 7.3" PLASTIC
13	083558-03-000	EA	VENT - W/COVER - F/PLUMBING STACK - OFF WHITE
14*	147421-01-01A	EA	TOILET/AQUA MAGIC 5 (HIGH) FOOTFLUSH - W/SPRAY - WHITE
15	024676-01-000	EA	FLANGE/CLOSET - 4 X 3" - BLACK PLASTIC
16	151677-02-01A	EA	SINK - GALLEY - ROUND - STAINLESS STEEL - CSA
16	165118-01-01A	EA	SINK - GALLEY/ROUND - 16" - STAINLESS STEEL
			FROM: 00-00-00 THRU: 08-29-07
	066437-02-000	EA	STRAINER/BASKET - GALLEY SINK - 2.6" OD
			FROM: 08-30-07 THRU: 99-99-99
	092303-01-000	EA	STRAINER - W/BASKET - GALLEY SINK - 4" OD
			FROM: 00-00-00 THRU: 08-29-07
			FROM: 08-30-07 THRU: 99-99-99
	011069-06-000	EA	TAILPIECE - 1 1/2" X 1 1/4" X 2 1/2" - BRASS
	127440-02-01A	EA	WASHER - RUBBER - 1.8" X .1"
	130403-01-000	EA	NUT - SLIP - W/WINGS 1 1/2"
17	153148-01-02B	EA	STRAP/MOUNTING - HOLDING TANK - E-COATED
18	153148-06-02B	EA	STRAP/MOUNTING - HOLDING TANK - E-COATED
19	066440-01-000	EA	STRAINER - SHOWER DRAIN - W/RUBBER WASHER
	127440-02-01A	EA	WASHER - RUBBER - 1.8" X .1"
	130403-01-000	EA	NUT - SLIP - W/WINGS 1 1/2"

**WATER & SEWAGE GROUP (CONTINUED)**  
**DRAINAGE SYSTEM (CONTINUED)**

KEY	PART NUMBER	U/M	DESCRIPTION
20	151679-01-01A	EA	SINK - LAVATORY - STAINLESS STEEL
	163569-01-000	EA	STRAINER - W/BASKET/NUT/SEAL WASHER - 2"
	127440-02-01A	EA	WASHER - RUBBER - 1.8" X .1"
	130403-01-000	EA	NUT - SLIP - W/WINGS 1 1/2"
21	010129-03-000	EA	NIPPLE - 3" X 3" TOE - PLASTIC
22	078406-01-000	EA	COUPLER - 3" X 3" W/CLAMPS - RUBBER
23	041956-01-000	EA	ELBOW - 3" STREET - 90 DEGREE - PLASTIC
24	132892-07-01A	FT	SEAL - BULB/SINGLE - W/U CHANNEL - .5" X 1" - BLACK
25	136143-01-000	EA	VALVE - DUAL - 3" X 3"
25	139513-01-000	EA	HOSE - SEWER - 3" X 10' - W/BAYONET TYPE ADAPTER
	062416-01-000	EA	ADAPTER - SEWER HOSE TO 3" PIPE
26	152934-01-700	EA	TANK - HOLDING - 31 GALLON - W/3" NIPPLE - W/O FITTINGS
	049032-01-000	EA	PATCH - SPINWELD - 3/8" - PLASTIC
27	152935-01-700	EA	TANK - HOLDING - 38 GALLON - W/3" NIPPLE - W/O FITTINGS
	049032-01-000	EA	PATCH - SPINWELD - 3/8" - PLASTIC
28	133972-03-000	EA	PAD/ELBOW HEATING - 1.5" DIAMETER - <b>DRAINAGE SYSTEM-HEATED</b>
29	133972-04-000	EA	PAD/HEATER - HOLDING TANK - F/34 GALLON - <b>DRAINAGE SYSTEM-HEATED</b>
30	151890-04-02B	EA	BRACKET - HOLDING TANK - E-COATED
31	151890-05-02B	EA	BRACKET - HOLDING TANK - E-COATED
32	153147-02-02B	EA	STRAP/MOUNTING - HOLDING TANK - E-COATED
33	153147-04-02B	EA	STRAP/MOUNTING - HOLDING TANK - E-COATED

**\*COMPONENT PARTS LISTED LATER IN THIS GROUP**

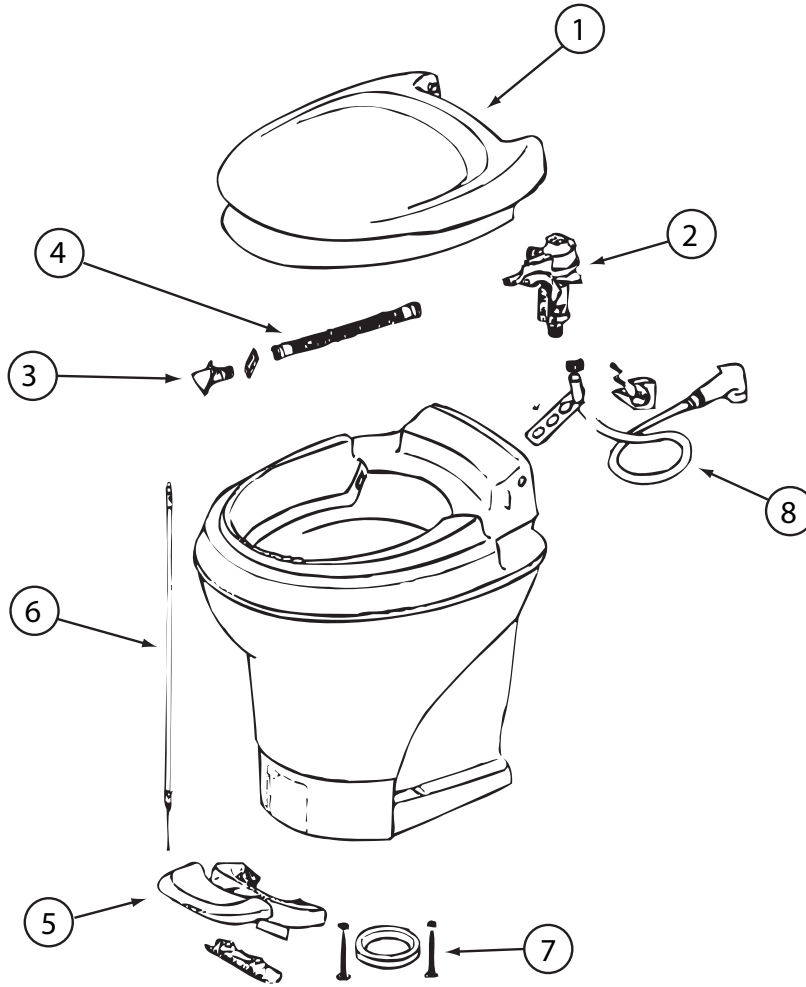


KEY	PART NUMBER	U/M	DESCRIPTION
1	147070-01-18A	EA	SURROUND - SHOWER - SOFT WHITE
2	113714-02-02A	EA	RETAINER - SHELF/SHOWER - 10.6" - SOFT WHITE
3	M02673-14-R28	EA	SHOWER PAN - W/STRAINER
4	154585-03-01A	FT	SEAL - FOAM TAPE - ADHESIVE 2 SIDED - 1/8" X 3/4" - BLACK

**WATER & SEWAGE GROUP (CONTINUED)**  
**COMPONENT PARTS FOR DRAINAGE SYSTEM**

062415-01-000

KEY	PART NUMBER	U/M DESCRIPTION	VENDOR NO.
	062415-01-700	EA STRING-SEWER CAP	V#SV7 STRAP



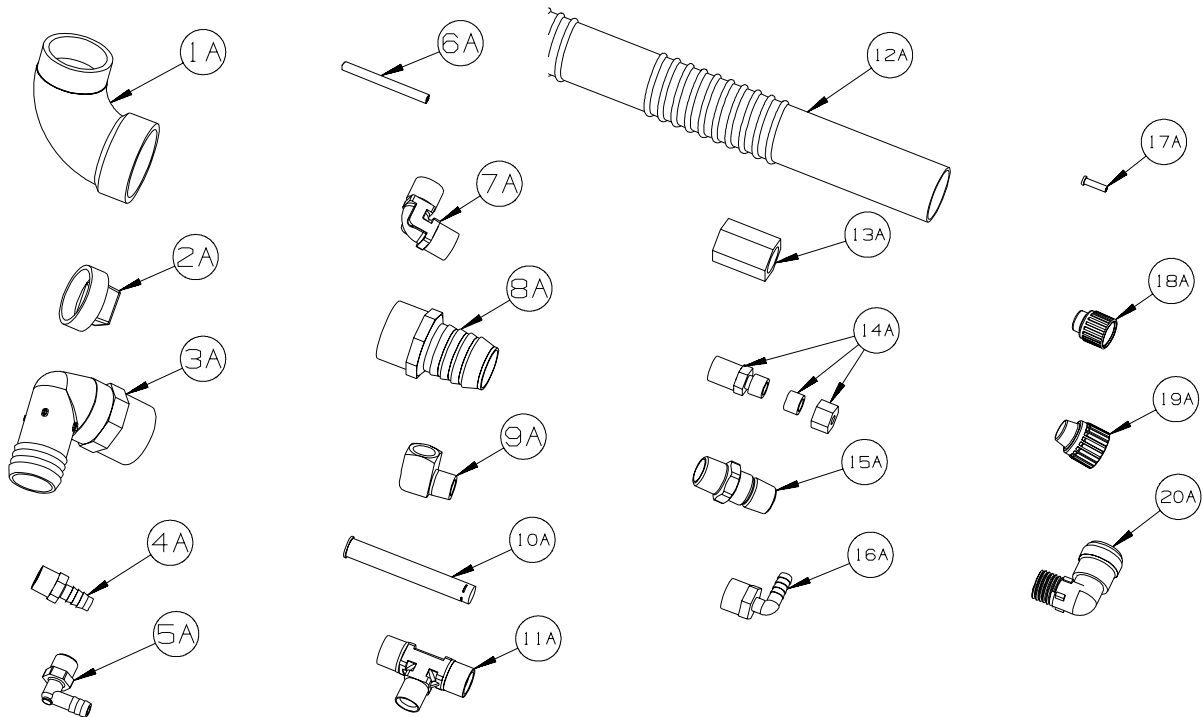
147421-01-01A, 147421-02-01A

KEY	PART NUMBER	U/M DESCRIPTION	VENDOR NO.
1	147421-01-700	EA SEAT & COVER ASSEMBLY(WHT)	31703
2	147421-01-701	EA WATER MODULE ASSEMBLY	31705
3	147421-01-702	EA NOZZLE ASSEMBLY	31706
4	147421-01-703	EA LINK - WATER MODULE	31621
5	147421-01-704	EA PEDAL - WHITE	31709
6	147421-01-705	EA FOOT CABLE	31711
7	063740-01-706	EA BOLT PACKAGE-FLOOR FLANGE	12524 THETFORD
8	147421-01-708	EA HAND SPRAY KIT - WHITE HEAD	33226
	147421-01-706	EA SEAL - BLADE	31708
	147421-01-707	EA CAP (UNIVERSAL BOLT) - WHITE	31713



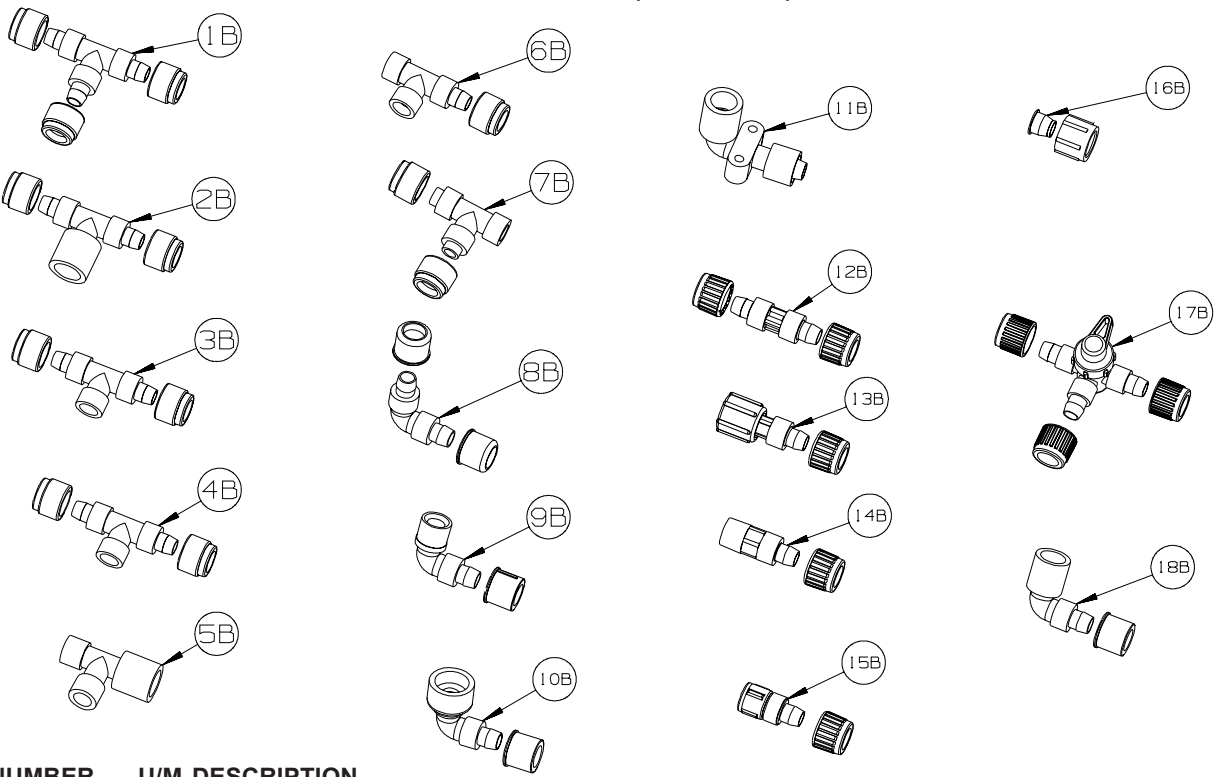
## WATER & SEWAGE GROUP (CONTINUED)

### WATER SYSTEM



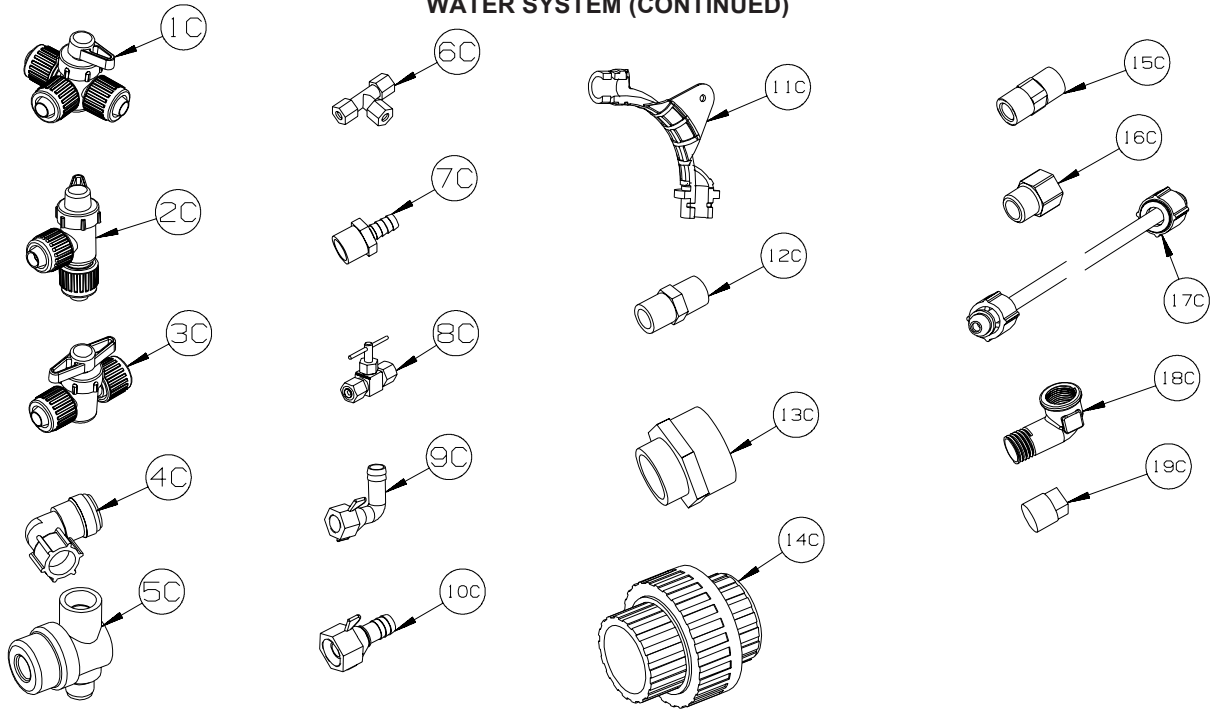
KEY	PART NUMBER	U/M	DESCRIPTION
1A	010009-01-000	EA	ELBOW - 90 DEGREE - 1/4 BEND - 1 1/2" PLASTIC
2A	010166-01-000	EA	PLUG/THREADED - 1 1/4"MPT - PLASTIC - BLACK - UL
3A	010219-01-000	EA	ELBOW - 1 1/4 MPT X 1 1/4 BARB - WATER FILL - PLASTIC
4A	010224-01-000	EA	ADAPTER - HOSE TO PIPE - 3/8 MPT X 3/8 BARB - PLASTIC
5A	035539-01-000	EA	ELBOW - 3/8 MPT X 3/8 BARB - PLASTIC
6A	039800-04-000	FT	TUBING - POLYBUTYL - 1/4"OD
6A	074462-02-000	FT	TUBING - VINYL - 3/8 ID X 20' - CLEAR
6A	112176-01-000	FT	TUBING - VINYL - REINFORCED - 1/2" ID
6A	124188-01-000	FT	TUBING - PEX - 1/2" ID X 20' - BLUE(COLD)
6A	124188-02-000	FT	TUBING - PEX - 1/2" ID X 20' - RED(HOT)
7A	039808-03-000	EA	ELBOW - 1/2" MPT X 1/2" MPT - PLASTIC
8A	044927-01-000	EA	ADAPTER - HOSE TO PIPE-1 1/4 MPTX1 1/4 BARB-BLACK PLASTIC
9A	065318-02-000	EA	ELBOW - 90 DEGREE - 3/8" MPT TO 3/8" FPT
10A	077954-02-000	EA	FILTER - WATER TANK - W/SCREEN IN TANK
11A	039798-01-000	EA	TEE - 1/2"MPT X 1/2"MPT X 1/2"MPT - PLASTIC
12A	079381-01-000	FT	TUBING - RIBBED FLEXIBLE/WATER FILL - 10 FT = 1EA-1.38ID
13A	101814-01-000	EA	COUPLING - FEMALE - 1/2" X 1/2" FPT - GRAY
14A	103798-01-000	EA	CONNECTOR - 1/4 OD X 3/8 MPT
15A	110438-02-000	EA	VALVE - CHECK - 1/2"MPT X 1/2"MPT - BRASS
16A	111223-02-000	EA	ELBOW - 1/2" MPT X 3/8" BARB - PLASTIC
16A	111223-04-000	EA	ELBOW - 1/2" MPT X 1/2" BARB - PLASTIC
16A	111888-01-000	EA	FERRULE - PLASTIC - .250 ID X .375 OD
17A	111888-02-000	EA	INSERT - BRASS - 1/4 COMP
18A	113697-01-000	EA	CAP - 3/8"P
19A	114427-01-000	EA	CAP - 1/2"P
20A	164906-01-000	EA	ELBOW - 90 DEGREE - 1/2" QUICK CONNECT X 1/2"MPT

**WATER & SEWAGE GROUP (CONTINUED)**  
**WATER SYSTEM (CONTINUED)**



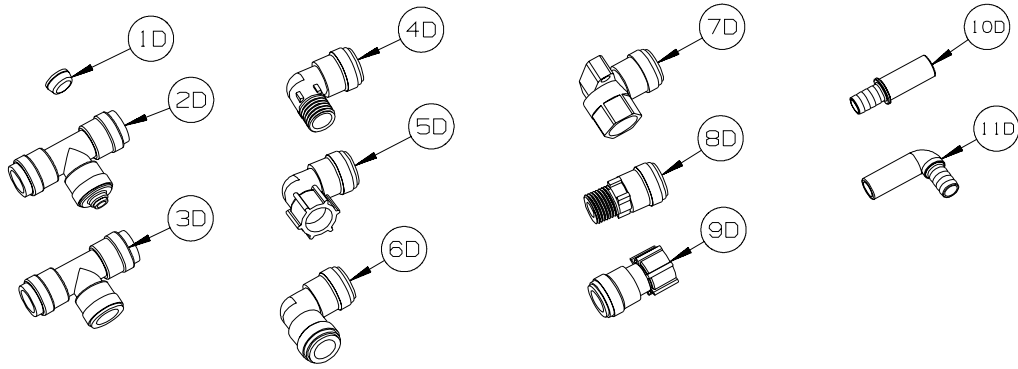
KEY	PART NUMBER	U/M	DESCRIPTION
1B	114428-01-000	EA	TEE - 1/2"P X 1/2"P X 1/2"P
2B	114428-02-000	EA	TEE - SWIVEL - 1/2"P X 1/2"P X 1/2"FPT
3B	114428-03-000	EA	TEE - 1/2"P X 1/2"P X 1/2"MPT
4B	114428-04-000	EA	TEE - 1/2"P X 1/2"P X 1/8"FPT
5B	114428-05-000	EA	TEE - 1/2" SWIVEL X 1/2" MPT X 1/2" MPT
6B	114428-06-000	EA	TEE - 1/2" P X 1/2" MPT X 1/2" MPT
7B	114428-07-000	EA	TEE - 1/2" P X 1/2" MPT X 1/2" P
8B	114429-01-000	EA	ELBOW - 1/2"P X 1/2"P
9B	114429-02-000	EA	ELBOW - 1/2"P X 1/2"MPT
9B	114429-04-000	EA	ELBOW - 1/2"P X 3/8"MPT
9B	114429-10-000	EA	ELBOW - SWIVEL - 1/2"MPT X 1/2"FPT
10B	114429-08-000	EA	ELBOW - SWIVEL - 1/2"P X 1/2"FPT
11B	114429-09-000	EA	ELBOW - 1/2"P X 1/2"FPT DROP EAR
12B	114430-01-000	EA	ADAPTER - 1/2"P X 1/2"P
13B	114430-02-000	EA	ADAPTER - SWIVEL - 1/2"P X 1/2"FPT
13B	114430-04-000	EA	ADAPTER - SWIVEL - 1/2"P X 3/8"MPT
14B	114430-03-000	EA	ADAPTER - 1/2"P X 1/2"MPT
15B	114430-06-000	EA	ADAPTER - 1/2"P X 3/8"FPT
15B	114430-09-000	EA	ADAPTER - 1/2"P X 1/2"FPT
16B	114430-10-000	EA	ADAPTER - NUT - PIPE CONNECTION - 1/2"
17B	114431-01-000	EA	VALVE - 180 DEGREE/CENTER DRAIN - 1/2"P - THREE WAY
18B	114429-11-000	EA	ELBOW - 1/2"P X 1/2"FPT

**WATER & SEWAGE GROUP (CONTINUED)**  
**WATER SYSTEM (CONTINUED)**



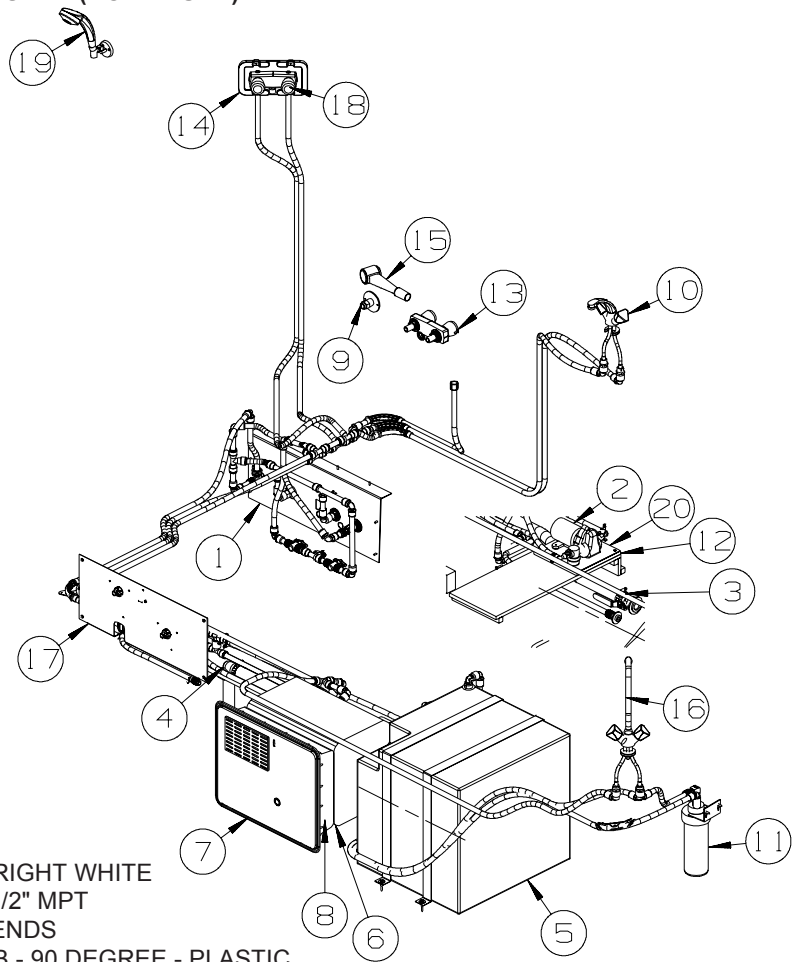
KEY	PART NUMBER	U/M	DESCRIPTION
1C	114431-02-000	EA	VALVE - WATER BYPASS - 1/2"P - THREE WAY (WATER HEATER)
2C	114431-03-000	EA	VALVE - 90 DEGREE DRAIN - 1/2"P
3C	114431-04-000	EA	VALVE - "INLINE SHUT-OFF" - 1/2"P
4C	164906-02-000	EA	ELBOW - 90 DEGREE - 1/2" QUICK CONNECT X 1/2"MPT - SWIVEL
5C	152925-01-01A	EA	FILTER - IN LINE - TWIST ON - 1/2" - BLACK
6C	118423-01-000	EA	FITTING - BRASS-TEE - 1/4" X 1/4" X 1/4"
7C	118809-01-000	EA	ADAPTER - 1/2" MPT X 3/8" BARB - PLASTIC
7C	118809-02-000	EA	ADAPTER - 1/2" MPT X 1/2" BARB - PLASTIC
8C	120868-01-000	EA	VALVE - NEEDLE - 1/4" COMPRESSION X 1/4" COMPRESSION
9C	123150-01-000	EA	ELBOW - 1/2 FPT X 1/2 BARB - SWIVEL
10C	123152-01-000	EA	ADAPTER - 1/2 FPT X 1/2 BARB - SWIVEL
11C	124184-01-000	EA	SUPPORT - WATER LINE - BEND
12C	132148-01-000	EA	CONNECTOR - 1/2" X 1/2"MPT - BRASS
13C	133835-01-000	EA	ADAPTER - REDUCING - 1 1/2" X 1 1/4"
14C	133889-01-000	EA	UNION - 1 1/2 DOUBLE SLIP - PVC
15C	135386-01-000	EA	NIPPLE - 1/2"
16C	136333-01-000	EA	ADAPTER - BRASS - 1/2"MPT X 1/2"FPT
17C	140821-01-000	EA	TUBE - WATER SUPPLY - 3/8" X 24"
17C	140821-02-000	EA	TUBE - WATER SUPPLY - 3/8" X 30"
17C	140821-03-000	EA	TUBE - WATER SUPPLY - 3/8" X 36"
17C	140821-04-000	EA	TUBE - WATER SUPPLY - 3/8" X 48"
17C	140821-05-000	EA	TUBE - WATER SUPPLY - 3/8" X 54"
17C	140821-06-000	EA	TUBE - WATER SUPPLY - 3/8" X 60"
17C	140821-07-000	EA	TUBE - WATER SUPPLY - 3/8" X 72"
17C	140821-08-000	EA	TUBE - WATER SUPPLY - 1/2" X 24"
17C	140821-09-000	EA	TUBE - WATER SUPPLY - 1/2" X 36"
17C	140821-10-000	EA	TUBE - WATER SUPPLY - 1/2" X 48"
18C	142812-01-000	EA	ELBOW - BRASS - 1/2"MPT X 1/2"FPT
19C	145609-01-000	EA	PLUG - BRASS - 1/2" MPT/HEX HEAD

**WATER & SEWAGE GROUP (CONTINUED)**  
**WATER SYSTEM (CONTINUED)**



KEY	PART NUMBER	U/M	DESCRIPTION
1D	116473-01-000	EA	FERRIL - RUBBER SEALING - WATER LINE
2D	160949-01-000	EA	CONNECTOR - 1/2" X 1/2" X 1/4" REDUCER
3D	160949-02-000	EA	CONNECTOR - 1/2"CTS X 1/2"CTS X 1/2"CTS
4D	164906-01-000	EA	ELBOW - 90 DEGREE - 1/2" QUICK CONNECT X 1/2"MPT
5D	164906-02-000	EA	ELBOW - 90 DEGREE - 1/2" QUICK CONNECT X 1/2"FPT - SWIVEL
6D	164906-03-000	EA	ELBOW - 90 DEGREE - 1/2" X 1/2" QUICK CONNECTS
7D	164906-04-000	EA	ELBOW - 90 DEGREE - 1/2"CTS X 1/2"FPT
8D	164907-01-000	EA	ADAPTER - STRAIGHT - 1/2" QUICK CONNECT X 1/2"MPT
9D	164907-02-000	EA	ADAPTER - STRAIGHT - 1/2" QUICK CONNECT X 1/2"FPT/SWIVEL
10D	166212-01-000	EA	UNION - HOSE/BARB - CTS X 1/2"B - SEA TECH #3511-1008
11D	166212-02-000	EA	ELBOW - HOSE/BARB - CTS X 1/2"B - SEA TECH #3512-1008

**WATER & SEWAGE GROUP (CONTINUED)**  
**WATER SYSTEM (CONTINUED)**



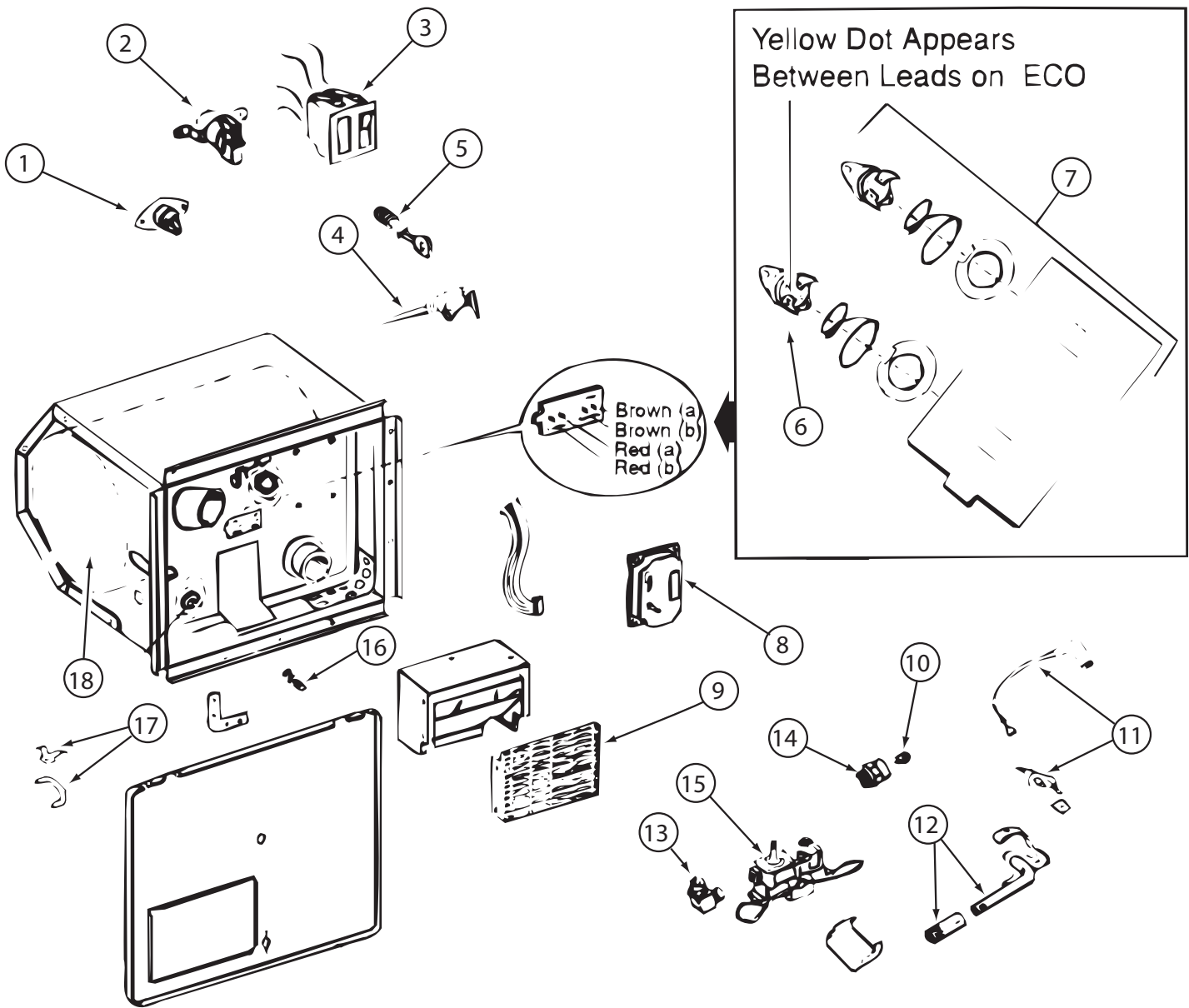
KEY	PART NUMBER	U/M	DESCRIPTION
1	151706-02-12B	EA	PANEL - SERVICE CENTER - BRIGHT WHITE
2	160702-01-000	EA	PUMP - WATER - 3.0 GPM - W/1/2" MPT
3	132483-01-000	EA	VALVE/BALL - 1" - THREADED ENDS
4	132781-01-000	EA	ELBOW - 1.3" BARB X 1.3" BARB - 90 DEGREE - PLASTIC
5	151550-05-000	EA	TANK - WATER - 28 GALLON - W/FITTINGS
	042989-04-000	EA	FITTING - SPINWELD - 3/8"FPT - PLASTIC
	042989-05-000	EA	FITTING - SPINWELD - 1/2"FPT - PLASTIC
	042989-08-000	EA	FITTING - SPINWELD - 1"FPT - PLASTIC
	049032-01-000	EA	PATCH - SPINWELD - 3/8" - PLASTIC
	077954-02-000	EA	FILTER - WATER TANK - W/SCREEN IN TANK
6*	051391-03-000	EA	WATER HEATER G6A-8E ELECTRONIC IGNITION
6*	145541-02-000	EA	WATER HEATER-6 GAL-GAS/ELEC/120'-REM IGN-W/HEAT EXC - <b>WTR HTR-6GAL ELECTRIC/LP GAS</b>
7	052009-06-000	EA	DOOR - WATER HEATER - BRIGHT WHITE - 18" X 14.6"
			FROM: 00-00-00 THRU: 06-17-07
7	125420-06-02A	EA	DOOR - WATER HEATER - 18" X 14.6" - BRIGHT WHITE
			FROM: 06-18-07 THRU: 99-99-99
7	125420-06-03A	EA	DOOR - WATER HEATER - 18" X 14.6" - BLACK
			FROM: 06-18-07 THRU: 99-99-99
	076767-03-000	EA	CABLE - STAINLESS STEEL - 18.5"
8	152239-01-01A	EA	FLANGE/MOUNTING/RECESSED - 19.3" X 15.8" - BRIGHT WHITE
8	152239-01-02A	EA	FLANGE/MOUNTING/RECESSED - 19.3" X 15.8" - BLACK
9	010230-06-000	EA	FILL - CITY WATER - W/CHECK VALVE - MPT - BRUSHED ALUM
10*	151680-01-01A	EA	FAUCET - LAVATORY/DUAL CONTROL - CHROME/BRASS
11	087200-01-000	EA	FILTER - WATER PURIFICATION - <b>WATER PURIFIER</b>
			FROM: 00-00-00 THRU: 01-28-07
11	087200-02-000	EA	CARTRIDGE - WATER FILTER - <b>WATER PURIFIER</b>
			FROM: 00-00-00 THRU: 01-28-07
11	160946-03-000	EA	FILTER SYSTEM - WATER PURIFICATION - AQUA-PURE - <b>WATER PURIFIER</b>
			FROM: 01-29-07 THRU: 99-99-99
12	140364-01-01A	EA	FOAM - PAD - .5" X 8" X 8"
13	163269-01-01A	EA	FAUCET/SHOWER -.5"MPT W/1.9" INLET PIPES- EXTERIOR/BRT WHT
14	075606-03-000	EA	PANEL - FAUCET SHOWER - SOFT WHITE
15	131383-01-02A	EA	SHOWER HEAD - W/60" HOSE & BRACKET - WHITE
16*	151678-01-01A	EA	FAUCET - GALLEY/DUAL CONTROL - CHROME
17	153917-01-12B	EA	PANEL - WINTERIZATION VALVE - BRIGHT WHITE

**WATER & SEWAGE GROUP (CONTINUED)**  
**WATER SYSTEM (CONTINUED)**

<b>KEY</b>	<b>PART NUMBER</b>	<b>U/M</b>	<b>DESCRIPTION</b>
18	163269-01-02A	EA	FAUCET/SHOWER -.5"MPT W/1.9" INLET PIPES- EXTERIOR/CHROME
19	129390-04-01A	EA	SHOWER HEAD - W/HOSE & BRACKET - WHITE
20	149477-02-02B	EA	PANEL - WATER PUMP - E-COATED

**\*COMPONENT PARTS LISTED LATER IN THIS GROUP**

**WATER & SEWAGE GROUP (CONTINUED)**  
**COMPONENT PARTS FOR WATER SYSTEM**



051391-03-000

KEY	PART NUMBER	U/M	DESCRIPTION	VENDOR NO.
3	051393-01-701	EA	SWITCH - REMOTE - W/LIGHT	91959
4	051391-01-704	EA	VALVE-RELIEF, 1/2" FITTING	91604
4	051391-03-701	EA	VALVE-RELIEF - 3/4" FITTING	90028
5	051391-01-705	EA	FASTENER-CAMLOCK	92609
6	051391-04-701	EA	THERMOSTAT 12V DC-120 PRESET	91470
7	051393-01-721	EA	THERMOSTAT W/ECO, 140 FRT MT	91447
9	051391-04-707	EA	KIT-EXHAUST, (FLUE & GASKET)	90960
10	051391-01-710	EA	ORIFICE-MAIN BURNER	92742
12	051391-04-703	EA	BURNER-MAIN/ELECTRONIC IG	91638
13	051391-01-714	EA	FITTING-ELBOW 45,3/8F X 3/8	MPT 1044
14	051391-03-700	EA	HOLDER-ORIFICE	91563
16	051391-01-715	EA	PLUG-DRAIN, 1 EA = 2 PER PKG	91857
17	051391-01-700	EA	HINGE KIT, (PIN & CLIP)	92568&92559
18	051391-04-706	EA	TANK-G6A-4E/6E/7E/8E-FRT.MT	91641 - INNER
	051391-01-717	EA	GRILLE-WATER HEATER DOOR	92640
	051393-01-723	EA	SWITCH - THERMAL CUTOUT 2/PK	93866 WAS 93853
	051393-01-724	EA	BOARD-CIRCUIT, SPADE TERMINAL	93865
	051393-01-725	EA	ELECTRODE-SGL SPADE CONNECT.	93868
	051393-01-726	EA	VALVE/SOLENOID - W/O BRACKET	93870
	111129-01-711	EA	BRACKET-CORNER, SET OF FOUR	91928

CONTACT WINNEBAGO PARTS SALES FOR UNLISTED COMPONENT(S)

**WATER & SEWAGE GROUP (CONTINUED)**  
**COMPONENT PARTS FOR WATER SYSTEM (CONTINUED)**

075241-04-000, 075241-05-000, 075241-06-000

<b>KEY</b>	<b>PART NUMBER</b>	<b>U/M</b>	<b>DESCRIPTION</b>	<b>VENDOR NO.</b>
	075240-05-700	EA	CARTRIDGE - WASHERLESS	9-P42

098607-01-000

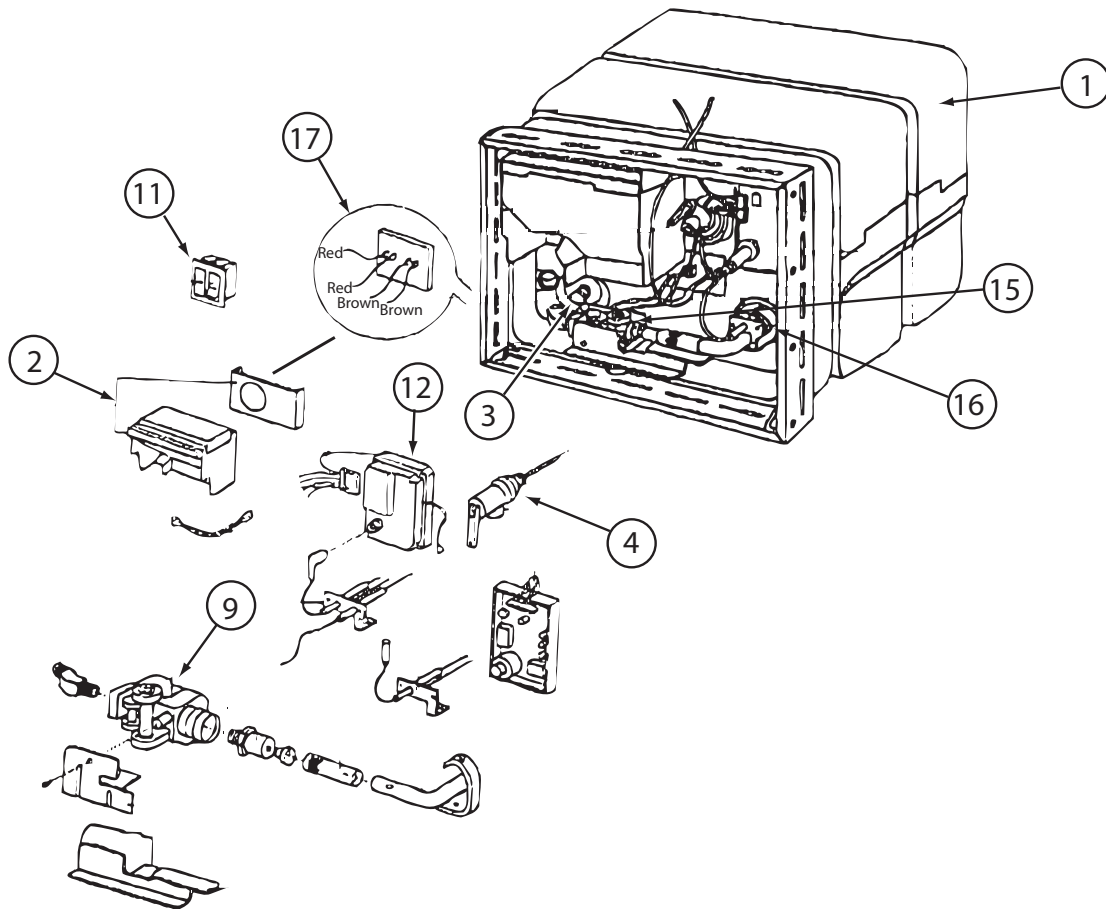
<b>KEY</b>	<b>PART NUMBER</b>	<b>U/M</b>	<b>DESCRIPTION</b>	<b>VENDOR NO.</b>
	098607-01-702	EA	DIAPHRAGM/DRIVE ASSEMBLY KIT	94-238-04
	098607-01-703	EA	VALVE KIT	94-232-00
	098607-01-705	EA	VALVE-CHECK, KIT	94-237-00
	098607-01-706	EA	HOUSING, W/SWITCH ONLY	94-231-20
	098607-01-707	EA	MOTOR W/BASEPLATE	11-148-04

144215-01-000

<b>KEY</b>	<b>PART NUMBER</b>	<b>U/M</b>	<b>DESCRIPTION</b>	<b>VENDOR NO.</b>
	144215-01-700	EA	VALVE ASSEMBLY	94-030-01
	144215-01-701	EA	DRIVE ASSEMBLY	94-030-02
	144215-01-702	EA	FITTING KIT - W/ORINGS	94-615-06



**WATER & SEWAGE GROUP (CONTINUED)**  
**COMPONENT PARTS FOR WATER SYSTEM (CONTINUED)**



**145541-02-000**

KEY	PART NUMBER	U/M	DESCRIPTION	VENDOR NO.
1	145541-02-700	EA	TANK/SERVICE KIT PCS- 6 GAL	91053
2	051391-04-707	EA	KIT-EXHAUST, (FLUE & GASKET)	90960
3	051391-01-715	EA	PLUG-DRAIN, 1 EA = 2 PER PKG	91857
4	051391-01-704	EA	VALVE-RELIEF, 1/2" FITTING	91604
4	051931-03-701	EA	VALVE-RELIEF - 3/4" FITTING	90028
9	051393-01-726	EA	VALVE-SOLENOID - W/O BRACKET	93870
11	051393-01-701	EA	SWITCH - REMOTE - W/LIGHT	91959
11	145541-01-701	EA	SWITCH - ON/OFF - WHITE	91859
12	145541-01-702	EA	CIRCUIT BOARD	91226
15	145541-01-703	EA	SWITCH - THERMAL CUT OFF	93866
16	051393-01-725	EA	ELECTRODE-SGL SPADE CONNECT.	93868
17	051393-01-721	EA	THERMOSTAT W/ECO, 140 FRT MT	91447
	051391-05-706	EA	ELEMENT-HEATING 1500 WATT	92249 W/GASKET
	145541-01-704	EA	RELAY	90061
	145541-02-701	EA	JUNCTION BOX(PLASTIC) 6 GAL	91222

**151678-01-01A**

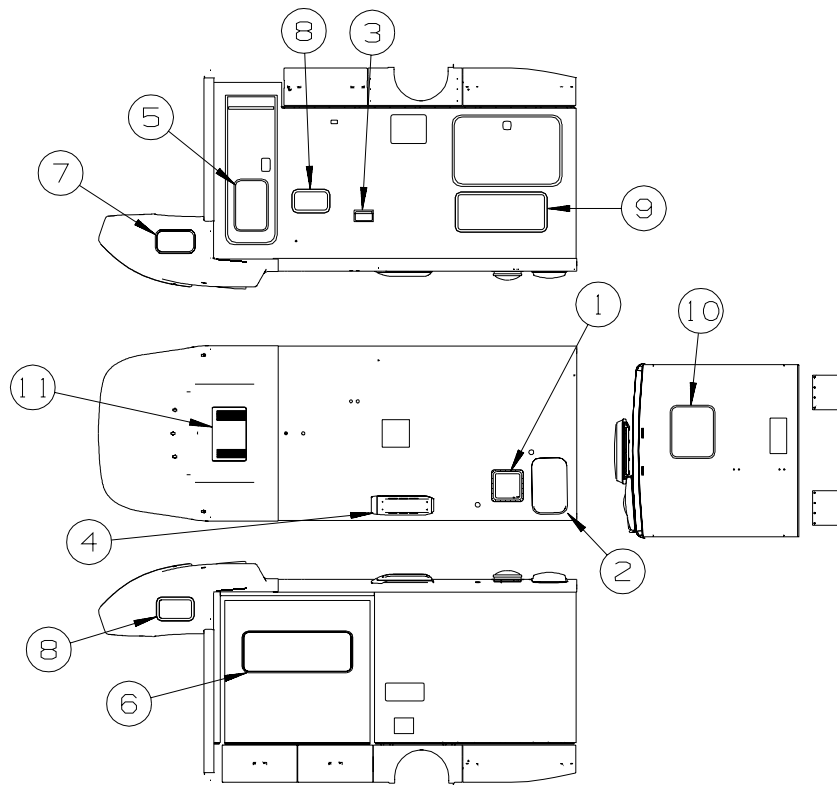
KEY	PART NUMBER	U/M	DESCRIPTION	VENDOR NO.
	151678-01-700	EA	ADAPTOR	10015
	151678-01-701	EA	CARTRIDGE	10417
	151678-01-702	EA	WASHER	10269
	151680-01-700	EA	KNOB	10185
	151680-01-701	EA	INDICATOR CAP - RED	10178
	151680-01-702	EA	INDICATOR CAP - BLUE	10177

**151680-01-01A**

KEY	PART NUMBER	U/M	DESCRIPTION	VENDOR NO.
	151678-01-700	EA	ADAPTOR W/WASHER (2 PER PKG)	10015
	151678-01-701	EA	CARTRIDGE	10417
	151680-01-700	EA	KNOB	10185
	151680-01-701	EA	INDICATOR CAP - RED	10178
	151680-01-702	EA	INDICATOR CAP - BLUE	10177

## WINDOWS & VENTS GROUP

### WINDOWS & VENTS LAYOUT



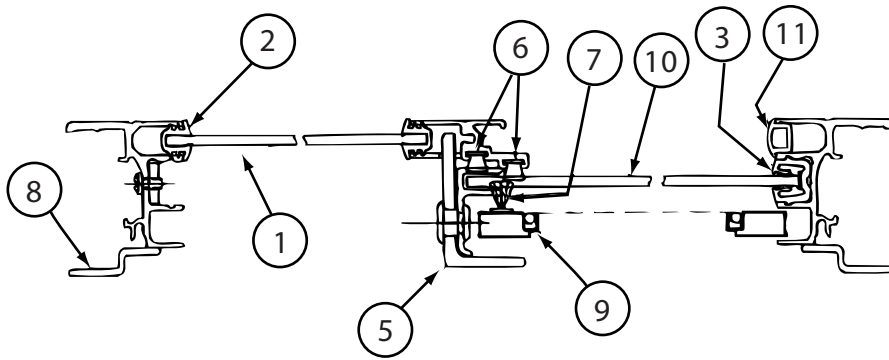
KEY	PART NUMBER	U/M	DESCRIPTION
1*	122882-02-01A	EA	VENT - ROOF - W/FAN - W/O INSIDE GARNISH - UL
1*	122882-03-01A	EA	VENT - ROOF - W/FAN - W/O INSIDE GARNISH - CSA - <b>CANADIAN</b>
	009440-01-000	EA	GEAR/ARM - LIFT - ROOF VENT COVER
	048648-01-000	EA	MOTOR/ROOF VENT - W/RESISTER - 1/8"SHAFT - 12VOLT
	048649-01-000	EA	FAN BLADE - ROOF VENT - 6 BLADED - 6"RADIUS
1	122882-07-01A	EA	GARNISH - ROOF VENT - 2.5" TO 4.1"
1*	123780-03-01A	EA	FANTASTIC VENT-3"4"ROOF-W/FAN-W/O THERM/PWR LIFT/WHT CVR - <b>POWER VENTILATOR-BATH</b> FROM: 00-00-00 THRU: 01-03-07
	009440-01-000	EA	GEAR/ARM - LIFT - ROOF VENT COVER FROM: 00-00-00 THRU: 01-03-07
1*	123780-26-01A	EA	FANTASTIC VENT-4"ROOF- W/FAN/DBL DOME-W/O THERM/PWR LIFT FROM: 01-04-07 THRU: 99-99-99
2	122193-01-02A	EA	PANEL - SKYLITE - INNER - W/LIGHT INDENTATION
2	138372-01-02B	EA	TRIM - CORNER - SKYLIGHT - E-COATED
2	138379-02-01A	EA	PANEL/SKYLIGHT OTR - RECT/4"H CTR DOME - 18.4"X 29.5"- WHT
3	147821-01-01A	EA	VENT - EXHAUST/RANGE HOOD - BRIGHT WHITE
3	147821-01-02A	EA	VENT - EXHAUST/RANGE HOOD - BLACK
3	147821-02-01A	EA	SHROUD - EXHAUST VENT/RANGE HOOD - BRIGHT WHITE
4	149508-01-02A	EA	CAP - ROOF/REFRIGERATOR VENT - WHITE
4	149508-02-02A	EA	BASE - ROOF/REFRIGERATOR VENT - BRIGHT WHITE
5*	151075-03-02A	EA	WINDOW - PICTURE - 26.3" X 17" - SLV/SLV
5*	151075-03-01A	EA	WINDOW - PICTURE - 26.3" X 17" - BLK/BLK - <b>FULL BODY PAINT</b>
6*	098647-75-02A	EA	WINDOW - DRIVER HORIZ SLIDER W/TRIM - 20.8" X 57.7" - GRAY FROM: 00-00-00 THRU: 09-10-07
6*	164922-25-02A	EA	WINDOW - HORIZ SLIDER/LH/ESCAPE - 20.6"H X 57.4"W-SLV/SLV FROM: 09-11-07 THRU: 99-99-99
6*	164922-25-01A	EA	WINDOW - HORIZ SLIDER/LH/ESCAPE - 20.6"H X 57.4"W-BLK/BLK - <b>FULL BODY PAINT</b> FROM: 09-11-07 THRU: 99-99-99
7*	098647-77-02A	EA	WINDOW - PASS HORIZ SLIDER W/TRIM - 12.5" X 19.9" - GRAY FROM: 00-00-00 THRU: 09-10-07
7*	164922-27-02A	EA	WINDOW - HORIZ SLIDER/RH - 12.3"H X 19.7"W - SLV/SLV FROM: 09-11-07 THRU: 99-99-99
7*	164922-27-01A	EA	WINDOW - HORIZ SLIDER/RH - 12.3"H X 19.7"W - BLK/BLK - <b>FULL BODY PAINT</b> FROM: 09-11-07 THRU: 99-99-99
8*	104691-18-02A	EA	WINDOW - TIPOUT/TINTED - W/TRIM - 12.5" X 19.9" - GRAY
8*	104691-18-01A	EA	WINDOW - TIPOUT/TINTED - W/TRIM - 12.5" X 19.9" - BLK/BLK - <b>FULL BODY PAINT</b>

**WINDOWS & VENTS GROUP (CONTINUED)**  
**WINDOWS & VENTS LAYOUT (CONTINUED)**

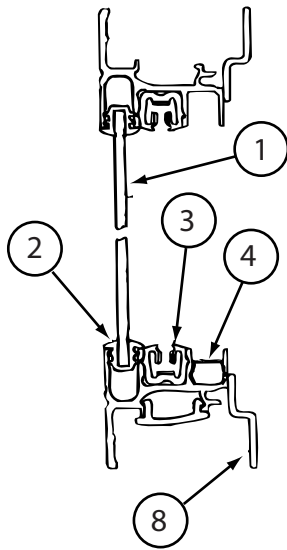
<b>KEY</b>	<b>PART NUMBER</b>	<b>U/M</b>	<b>DESCRIPTION</b>
9*	104691-19-02A	EA	WINDOW - SINGLE TIPOUT/TINTED - W/TRIM - 21" X 47.9"-GRAY
9*	104691-19-01A	EA	WINDOW - TIPOUT/TINTED - W/TRIM - 21" X 47.9" - BLK/BLK - <b>FULL BODY PAINT</b>
10*	151075-04-02A	EA	WINDOW - ESCAPE/PICTURE - 22.4" X 26.2" - SLV/SLV
10*	151075-04-01A	EA	WINDOW - ESCAPE/PICTURE - 22.4" X 26.2" - BLK/BLK - <b>FULL BODY PAINT</b>
11*	152882-01-01A	EA	PANEL - SKYLIGHT - 19.7" X 27.5" CUTOUT SIZE - OFF WHITE

**\*COMPONENT PARTS LISTED LATER IN THIS GROUP**

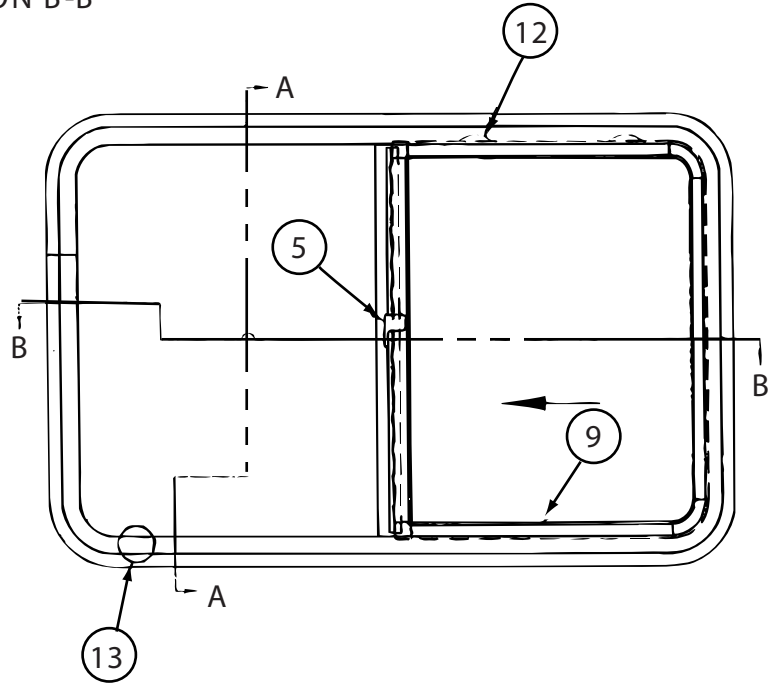
**WINDOWS & VENTS GROUP (CONTINUED)**  
**COMPONENT PARTS FOR WINDOWS & VENTS LAYOUT**



CROSS SECTION B-B



CROSS SECTION A-A



098647-75-02A

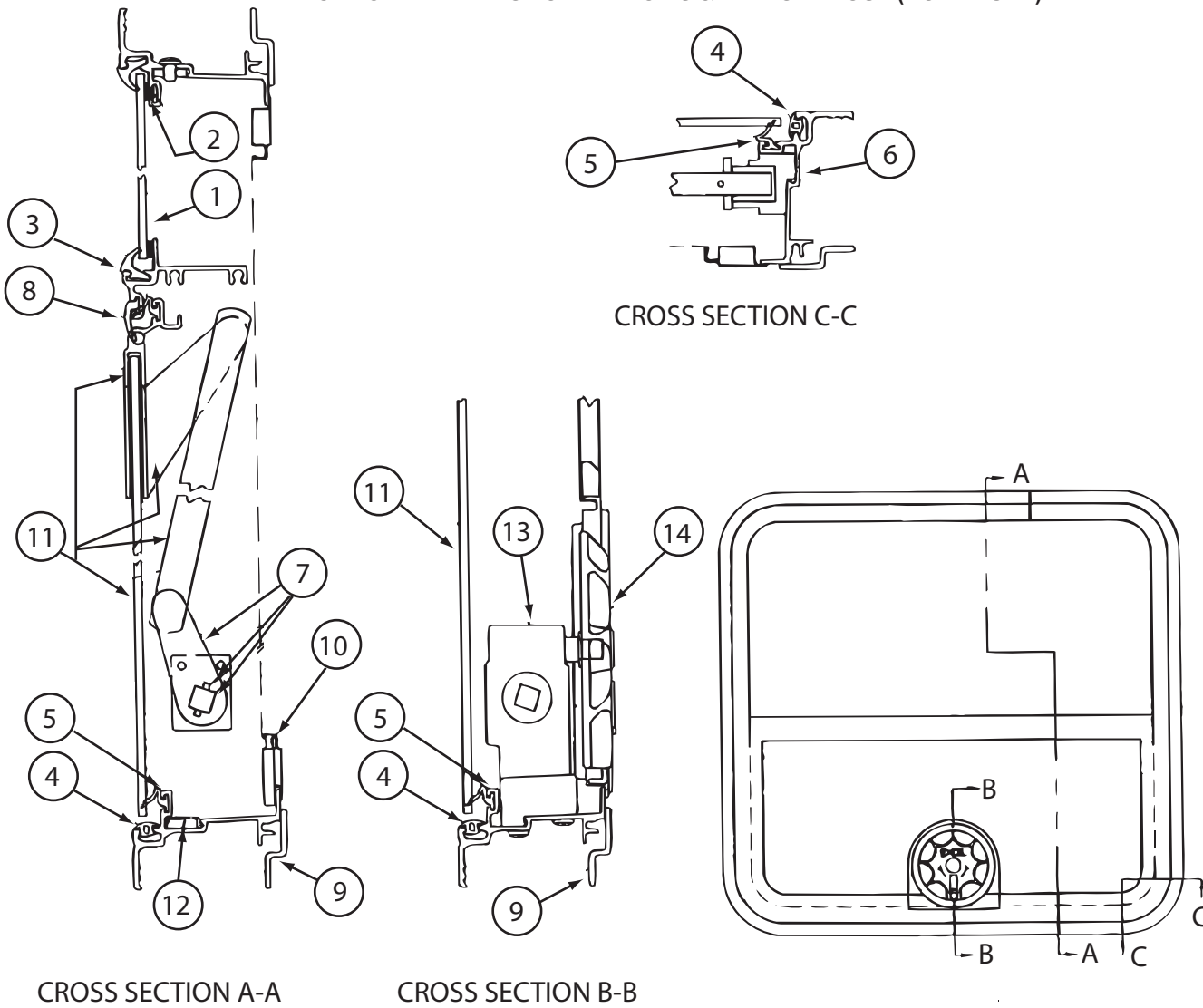
KEY	PART NUMBER	U/M	DESCRIPTION	VENDOR NO.
1	098647-75-700	EA	GLASS - STATIONARY	106-036069
2	098644-01-705	FT	GLAZING - STRIP	132-010231
3	098644-01-708	FT	CHANNEL - RUN PIERCED	122-016543
4	098644-01-710	FT	TRACK - SCREEN SPACER 12'	132-017135
5	098644-01-700	EA	LATCH - REPAIR KIT (BLACK)	B801-CK
6	098644-01-706	EA	WEATHERSTRIP - GLASS	171-010668
7	098644-01-711	FT	WEATHERSTRIP - SCREEN BLACK	171-016965
8	098647-75-701	EA	RETAINER - TRIM	S978-66
9	098647-75-702	EA	SCREEN ASM	410-036071
10	098647-75-703	EA	GLASS-SLIDING W/SASH & LATCH	H978G8
11	098644-01-716	FT	PLUG - FILLER	132-014470
12	125582-01-701	EA	CLIP - SCREEN - PLASTIC	130-005153
13	098644-01-719	EA	STOP - SLIDER GLASS	132-014203

**WINDOWS & VENTS GROUP (CONTINUED)**  
**COMPONENT PARTS FOR WINDOWS & VENTS LAYOUT (CONTINUED)**

098647-77-02A

<b>KEY</b>	<b>PART NUMBER</b>	<b>U/M</b>	<b>DESCRIPTION</b>	<b>VENDOR NO.</b>
1	098647-77-700	EA	GLASS - STATIONARY	106-036291
2	098644-01-705	FT	GLAZING - STRIP	132-010231
3	098644-01-708	FT	CHANNEL - RUN PIERCED	122-016543
4	098644-01-710	FT	TRACK - SCREEN SPACER 12'	132-017135
5	098644-01-700	EA	LATCH - REPAIR KIT (BLACK)	B801-CK
6	098644-01-706	EA	WEATHERSTRIP - GLASS	171-010668
7	098644-01-711	FT	WEATHERSTRIP - SCREEN BLACK	171-016965
8	098647-77-701	EA	RETAINER - TRIM	S996-66
9	098647-77-702	EA	SCREEN ASM	410-036034
10	098647-77-703	EA	GLASS-SLIDING W/SASH & LATCH	H996G8
11	098644-01-716	FT	PLUG - FILLER	132-014470
12	125582-01-701	EA	CLIP - SCREEN - PLASTIC	130-005153
13	098644-01-719	EA	STOP - SLIDER GLASS	132-014203

**WINDOWS & VENTS GROUP (CONTINUED)**  
**COMPONENT PARTS FOR WINDOWS & VENTS LAYOUT (CONTINUED)**



CROSS SECTION A-A

CROSS SECTION B-B

**104691-18-01A**

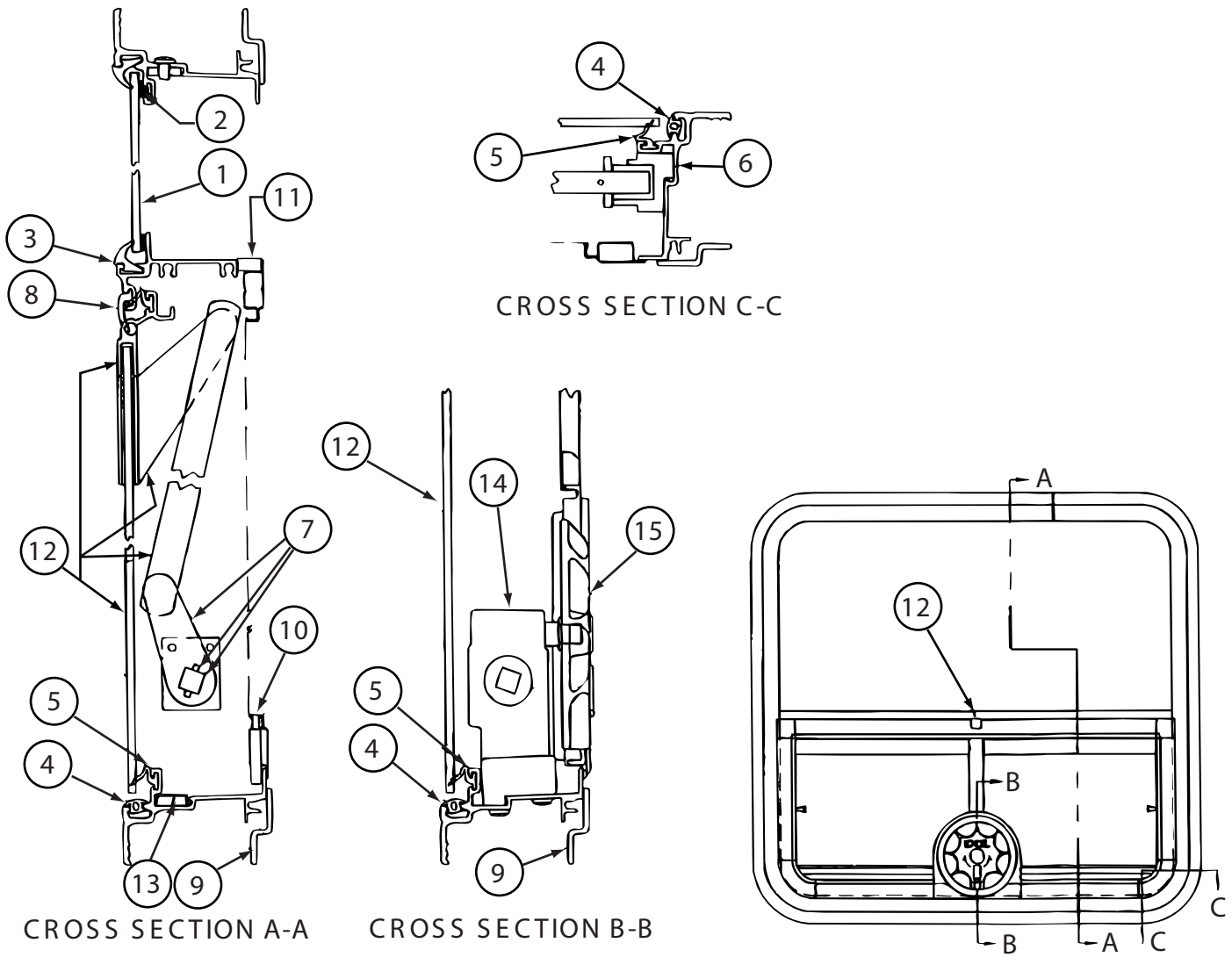
KEY	PART NUMBER	U/M	DESCRIPTION	VENDOR NO.
1	104691-18-700	EA	GLASS - STATIONARY	106-036333
2	100322-01-704	FT	TAPE-BUTYL	154-025932
3	100322-01-703	FT	VINYL-GLAZING, BUTYL	132-010723
4	116976-01-702	FT	FILLER PLUG	132-016065
5	100322-01-701	FT	SEAL-VENT	122-016071
6	112463-02-707	EA	SUPPORT - TORQUE BAR RH	132-015979
6	112463-02-708	EA	SUPPORT - TORQUE BAR LH	132-015978
7	104691-18-701	EA	OPERATOR & BAR ASSEMBLY	CH118-15
8	100322-01-702	EA	WEATHERSTRIP-HORIZ RAIL-148"	132-019631
9	104691-18-705	EA	RETAINER - TRIM - BLACK	CH118-59
10	104691-18-703	EA	SCREEN ASM - W/SEALS & CLIPS	410-036335
11	104691-18-704	EA	GLASS-TIPOUT - W/HINGE/RAIL	CH118G6
12	108919-01-706	EA	COVER - DRAIN SLOT	132-016064
13	112519-01-702	EA	OPERATOR/TRQ CTR SPRT-4 HOLE	410-016123
14	100322-01-718	EA	HANDLE-DIAL	410-016081

**WINDOWS & VENTS GROUP (CONTINUED)**  
**COMPONENT PARTS FOR WINDOWS & VENTS LAYOUT (CONTINUED)**

104691-18-02A

KEY	PART NUMBER	U/M	DESCRIPTION	VENDOR NO.
1	104691-18-700	EA	GLASS - STATIONARY	106-036333
2	100322-01-704	FT	TAPE-BUTYL	154-025932
3	100322-01-703	FT	VINYL-GLAZING, BUTYL	132-010723
4	116976-01-702	FT	FILLER PLUG	132-016065
5	100322-01-701	FT	SEAL-VENT	122-016071
6	112463-02-707	EA	SUPPORT - TORQUE BAR RH	132-015979
6	112463-02-708	EA	SUPPORT - TORQUE BAR LH	132-015978
7	104691-18-701	EA	OPERATOR & BAR ASSEMBLY	CH118-15
8	100322-01-702	EA	WEATHERSTRIP-HORIZ RAIL-148"	132-019631
9	104691-18-702	EA	RETAINER - TRIM - SILVER	CS118-59
10	104691-18-703	EA	SCREEN ASM - W/SEALS & CLIPS	410-036335
11	104691-18-704	EA	GLASS-TIPOUT - W/HINGE/RAIL	CH118G6
12	108919-01-706	EA	COVER - DRAIN SLOT	132-016064
13	112519-01-702	EA	OPERATOR/TRQ CTR SPRT-4 HOLE	410-016123
14	100322-01-718	EA	HANDLE-DIAL	410-016081

**WINDOWS & VENTS GROUP (CONTINUED)**  
**COMPONENT PARTS FOR WINDOWS & VENTS LAYOUT (CONTINUED)**



104691-19-01A

KEY	PART NUMBER	U/M	DESCRIPTION	VENDOR NO.
1	104691-19-700	EA	GLASS - STATIONARY	106-036305
2	100322-01-704	FT	TAPE-BUTYL	154-025932
3	100322-01-703	FT	VINYL-GLAZING, BUTYL	132-010723
4	116976-01-702	FT	FILLER PLUG	132-016065
5	100322-01-701	FT	SEAL-VENT	122-016071
6	112463-02-707	EA	SUPPORT - TORQUE BAR RH	132-015979
6	112463-02-708	EA	SUPPORT - TORQUE BAR LH	132-015978
7	104691-19-701	EA	OPERATOR & BAR ASSEMBLY	CH119-15
8	100322-01-702	EA	WEATHERSTRIP-HORIZ RAIL-148"	132-019631
9	104691-19-705	EA	RETAINER - TRIM - BLACK	CH119-59
10	104691-19-703	EA	SCREEN ASM - W/SEALS & CLIPS	410-017762
11	112463-02-709	EA	FOAM TAPE - F/SCREEN	138-017617
12	104691-19-704	EA	GLASS-TIPOUT - W/HINGE/RAIL	CH119G6
13	108929-01-706	EA	COVER - DRAIN SLOT	132-016064
14	112519-01-702	EA	OPERATOR/TRQ CTR SPRT-4 HOLE	410-016123
15	100322-01-718	EA	HANDLE-DIAL	410-016081



**WINDOWS & VENTS GROUP (CONTINUED)**  
**COMPONENT PARTS FOR WINDOWS & VENTS LAYOUT (CONTINUED)**

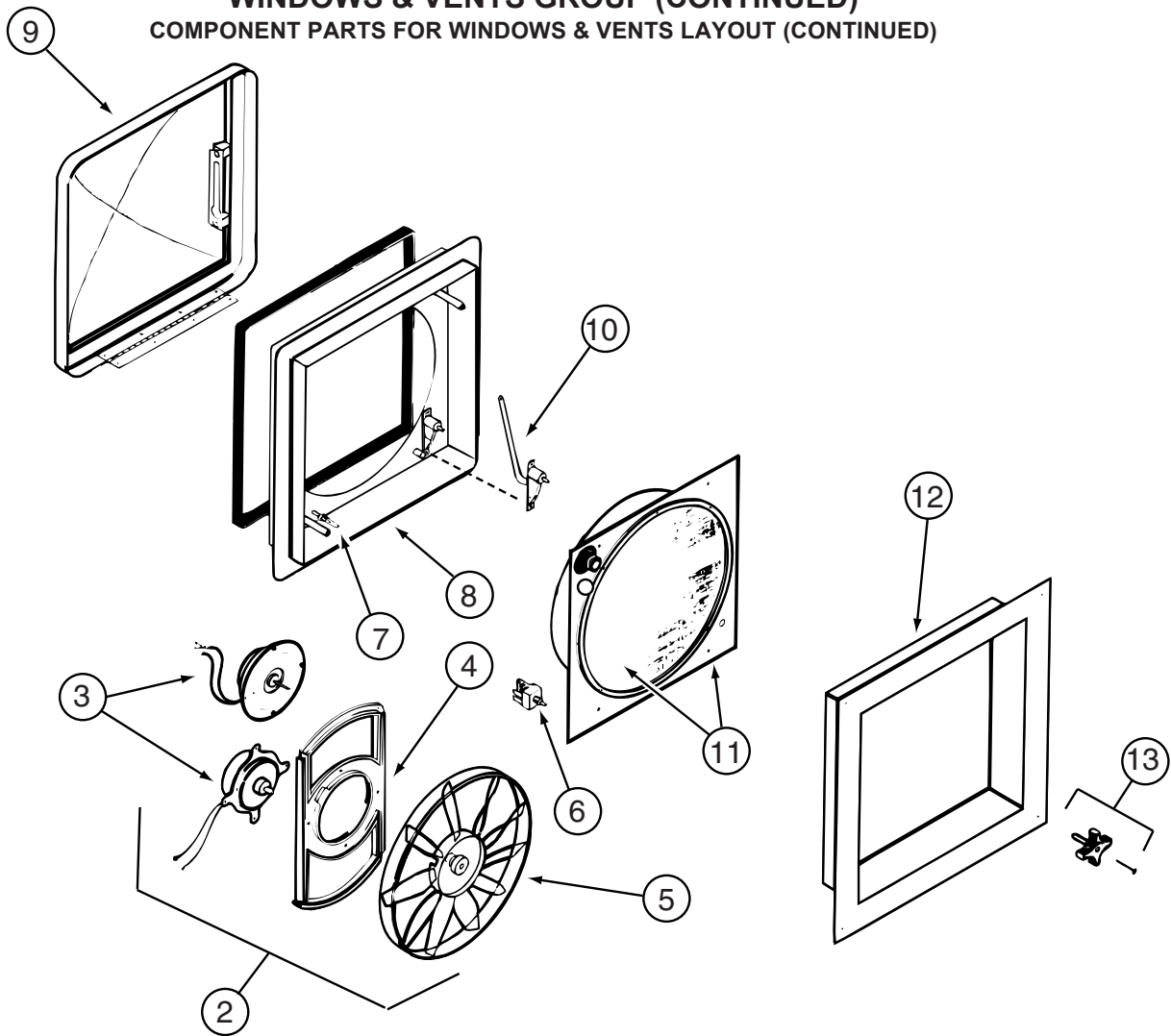
**104691-19-02A**

<b>KEY</b>	<b>PART NUMBER</b>	<b>U/M</b>	<b>DESCRIPTION</b>	<b>VENDOR NO.</b>
1	104691-19-700	EA	GLASS - STATIONARY	106-036305
2	100322-01-704	FT	TAPE-BUTYL	154-025932
3	100322-01-703	FT	VINYL-GLAZING, BUTYL	132-010723
4	116976-01-702	FT	FILLER PLUG	132-016065
5	100322-01-701	FT	SEAL-VENT	122-016071
6	112463-02-707	EA	SUPPORT - TORQUE BAR RH	132-015979
6	112463-02-708	EA	SUPPORT - TORQUE BAR LH	132-015978
7	104691-19-701	EA	OPERATOR & BAR ASSEMBLY	CH119-15
8	100322-01-702	EA	WEATHERSTRIP-HORIZ RAIL-148"	132-019631
9	104691-19-702	EA	RETAINER - TRIM	CS119-59
10	104691-19-703	EA	SCREEN ASM - W/SEALS & CLIPS	410-017762
11	112463-02-709	EA	FOAM TAPE - F/SCREEN	138-017617
12	104691-19-704	EA	GLASS-TIPOUT - W/HINGE/RAIL	CH119G6
13	108929-01-706	EA	COVER - DRAIN SLOT	132-016064
14	112519-01-702	EA	OPERATOR/TRQ CTR SPRT-4 HOLE	410-016123
15	100322-01-718	EA	HANDLE-DIAL	410-016081

**122882-02-01A, 122882-03-01A**

<b>KEY</b>	<b>PART NUMBER</b>	<b>U/M</b>	<b>DESCRIPTION</b>	<b>VENDOR NO.</b>
	064470-01-700	EA	COVER - VENT	J7291
	064470-01-701	EA	SLIDE BAR - VENT LID	JRP1291B
	110051-03-700	EA	SWITCH-BLACK/PUSH BUTTON	27-0164
	122882-01-700	EA	HANDLE - CRANK - BLACK	90128
	122882-01-701	EA	SCREEN	JRP-1124-B
	122882-01-702	EA	HANDLE - CRANK - WHITE	JRP1031B

**WINDOWS & VENTS GROUP (CONTINUED)**  
**COMPONENT PARTS FOR WINDOWS & VENTS LAYOUT (CONTINUED)**

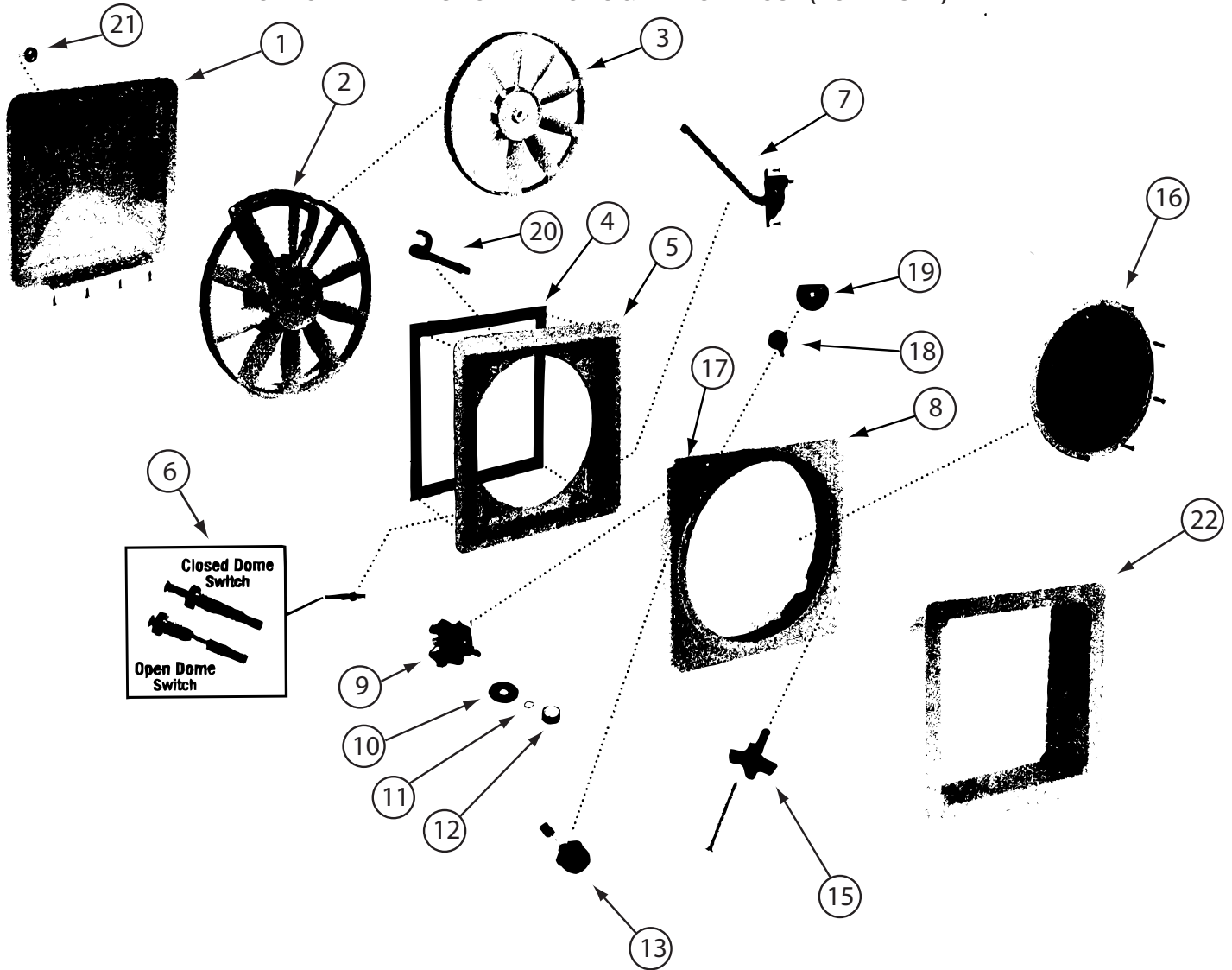


123780-03-01A

KEY	PART NUMBER	U/M	DESCRIPTION	VENDOR NO.
2	084079-11-700	EA	MOTOR & FAN BLADE W/BRACKET	K4017-09
3	084079-01-705	EA	MOTOR/EXT BRKT/FAN BLADE KIT	1080-00
4	084079-01-711	EA	MOTOR MOUNT (BOWTIE)	1015-00
5	084079-01-704	EA	BLADE-FAN	1138-00
6	084079-01-709	EA	SWITCH - MAIN - 3 SPEED	1031-05
7	084079-01-707	EA	SWITCH - SAFETY	1122-05
8	123780-05-700	EA	BASE/MAIN-BRT WHT W/GASKET	1010-81
9	123780-01-700	EA	COVER - VENT W/HINGE & SLIDE	1020K-81
10	009440-01-000	EA	GEAR-ARM-ROOF VENT	705221K38
11	123780-03-701	EA	SCREEN ASM 78-100MM W/SWITCH	1030BT-81
12	123780-03-700	EA	GARNISH - INT. 3"-4" BRT/WHT	2040-81
13	084079-01-703	EA	KNOB-LIFT	1140K-00
	084079-01-706	EA	PLUG, 12 VOLT	1090
	123780-01-702	EA	SCREEN INSERT (SCREEN RING)	K1035-81

CONTACT WINNEBAGO PART SALES FOR UNLISTED COMPONENT(S)

**WINDOWS & VENTS GROUP (CONTINUED)**  
**COMPONENT PARTS FOR WINDOWS & VENTS LAYOUT (CONTINUED)**

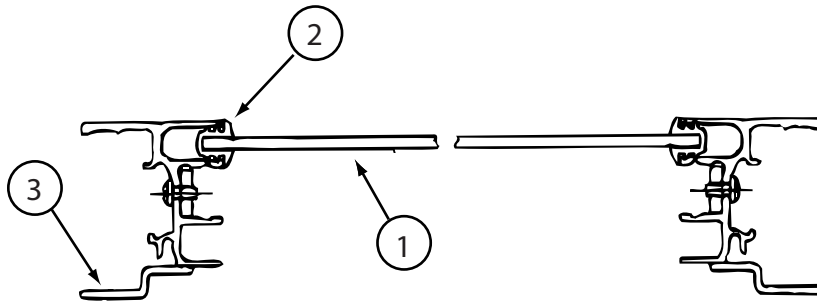


123780-26-01A

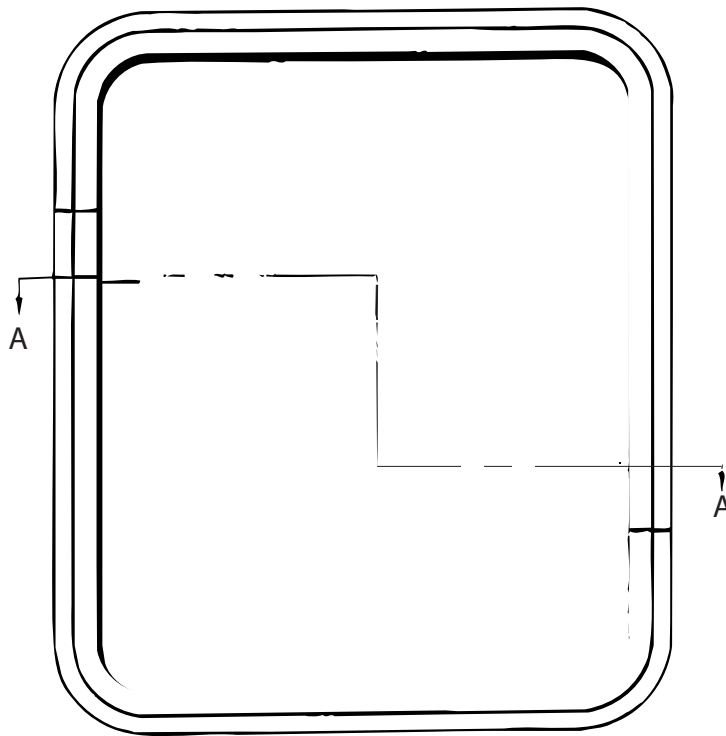
KEY	PART NUMBER	U/M	DESCRIPTION	VENDOR NO.
1	123780-22-700	EA	COVER - VENT W/HINGE & SLIDE	K8020-81
2	123780-26-700	EA	MOTOR & FAN BLADE W/BRACKET	XK8017-03 PANCAKE
3	123780-26-701	EA	BLADE/FAN - 12" OPAQUE WHT	8138-81 - 7MM
4	123780-22-701	EA	SEAL/RUBBER-4 1/2' W/GLUE	K1144-09
5	123780-22-702	EA	BASE/MAIN - W/LOCK/SEAL/ARM	XK8010-81 CLAMP STY
6	084079-01-707	EA	SWITCH - SAFETY	1122-05
7	084079-01-702	EA	ARM LIFT ASSEMBLY, MANUAL	101105
8	123780-22-703	EA	SCREEN KIT W/RING/ARM/LOCK	XK1220-81
9	084079-01-709	EA	SWITCH - MAIN - 3 SPEED	1031-05
13	123780-21-700	EA	FUSE HOLDER W/4 AMP FUSE	K9018-09
15	123780-16-700	EA	KNOB-BLK/AUTOMATIC LIFT MTR	K1140-09
16	123780-21-703	EA	SCREEN - POP N LOCK	2035-81
17	123780-22-704	EA	TRAVEL LOCK ASSEMBLY	4021-09
22	123780-22-705	EA	GARNISH-3 1/2"CLAMP STY-WHT	XK2040-81

CONTACT WINNEBAGO PART SALES FOR UNLISTED COMPONENT(S)

**WINDOWS & VENTS GROUP (CONTINUED)**  
**COMPONENT PARTS FOR WINDOWS & VENTS LAYOUT (CONTINUED)**



CROSS SECTION A-A



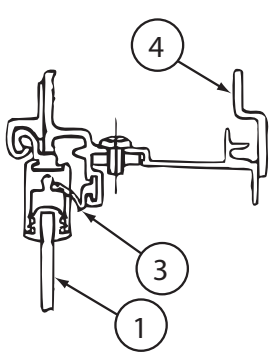
**151075-03-01A**

KEY	PART NUMBER	U/M	DESCRIPTION	VENDOR NO
1	151075-03-700	EA	GLASS - STATIONARY	106-019887
2	098644-01-705	FT	GLAZING - STRIP	132-010231
3	1137331-10-701	EA	RETAINER-TRIM	H416-66

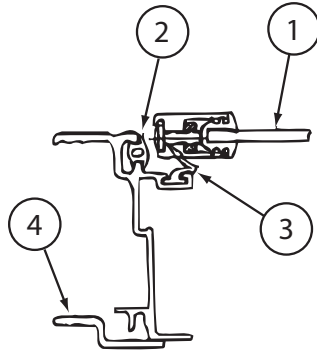
**151075-03-02A**

KEY	PART NUMBER	U/M	DESCRIPTION	VENDOR NO
1	151075-03-700	EA	GLASS - STATIONARY	106-019887
2	098644-01-705	FT	GLAZING - STRIP	132-010231
3	151075-03-701	EA	RETAINER - TRIM	S416-66

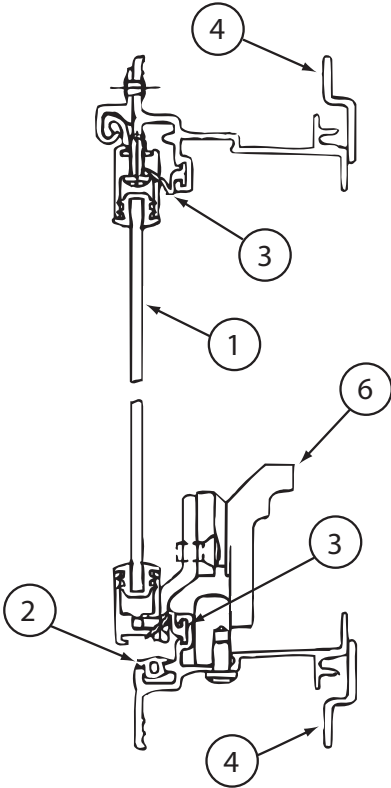
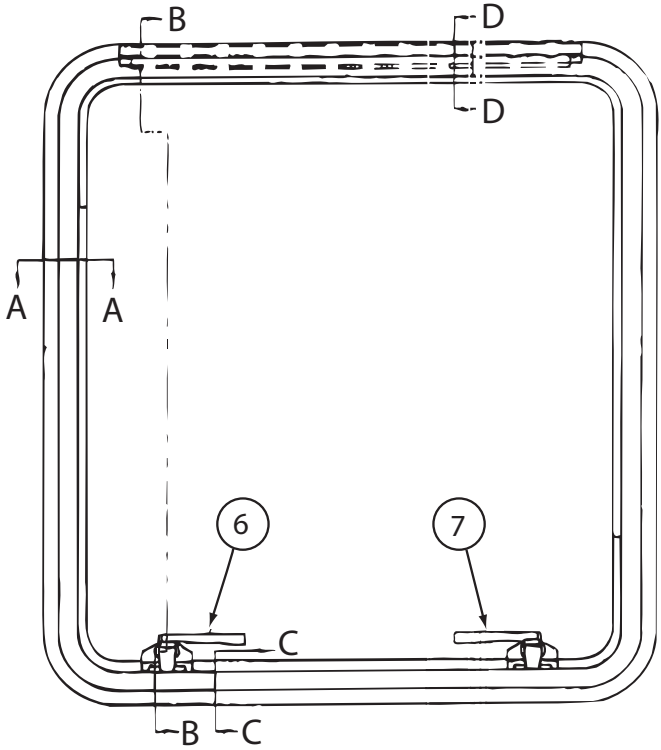
**WINDOWS & VENTS GROUP (CONTINUED)**  
**COMPONENT PARTS FOR WINDOWS & VENTS LAYOUT (CONTINUED)**



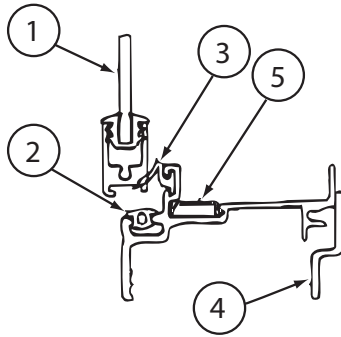
CROSS SECTION D-D



CROSS SECTION A-A



CROSS SECTION B-B



CROSS SECTION C-C

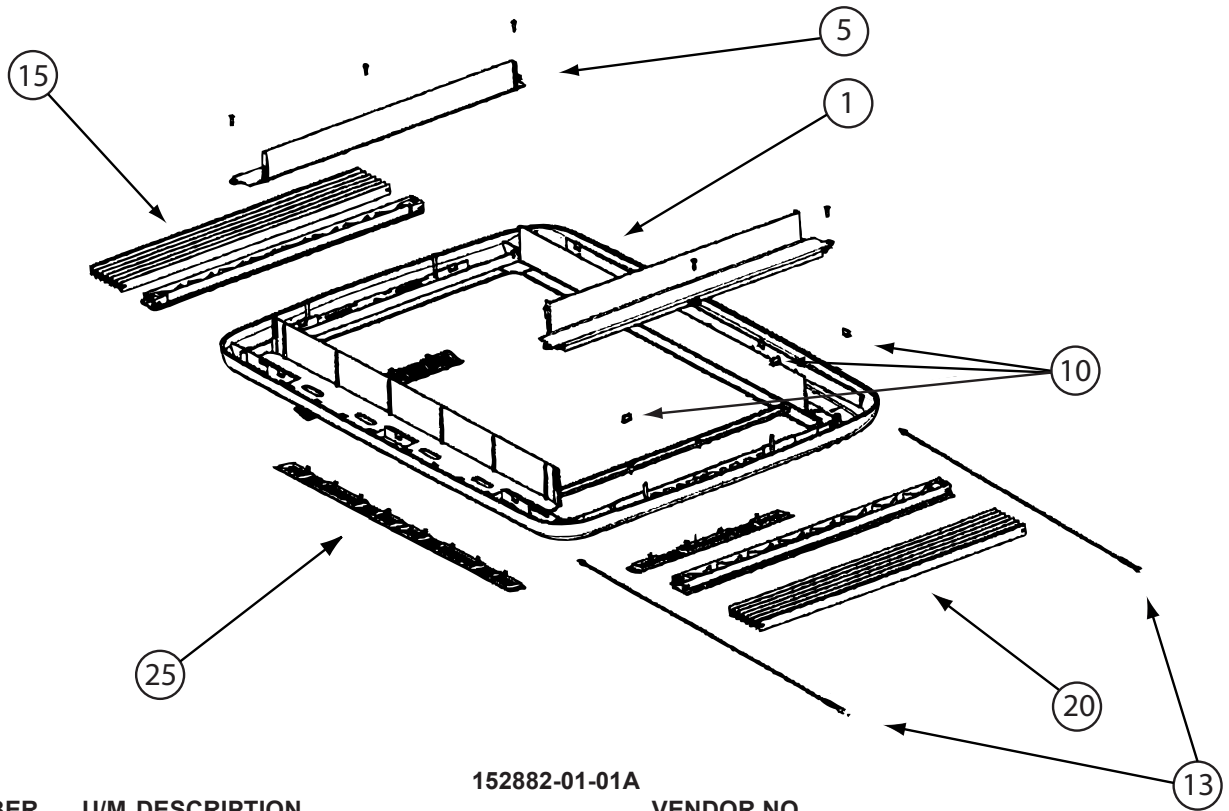
**151075-04-01A**

KEY	PART NUMBER	U/M	DESCRIPTION	VENDOR NO
1	151075-04-702	EA	GLASS-STATIONARY-SUB ASM	H956G8
2	116976-01-702	FT	FILLER PLUG	132-016065
3	100322-01-701	FT	SEAL-VENT	122-016071
4	151075-01-701	EA	RETAINER - TRIM	H956-53
5	108929-01-706	EA	COVER - DRAIN SLOT	132-016064
6	137867-05-707	EA	LOCK/CAM - LEFT	182-011294
7	137867-05-706	EA	LOCK/CAM - RIGHT	182-011293

**151075-04-02A**

KEY	PART NUMBER	U/M	DESCRIPTION	VENDOR NO
1	151075-04-700	EA	GLASS-STATIONARY-SUB ASM	S956G9
2	116976-01-702	FT	FILLER PLUG	132-016065
3	100322-01-701	FT	SEAL-VENT	122-016071
4	151075-04-701	EA	RETAINER - TRIM	S956-53
5	108929-01-706	EA	COVER - DRAIN SLOT	132-016064
6	137867-05-707	EA	LOCK/CAM - LEFT	182-011294
7	137867-05-706	EA	LOCK/CAM - RIGHT	182-011293

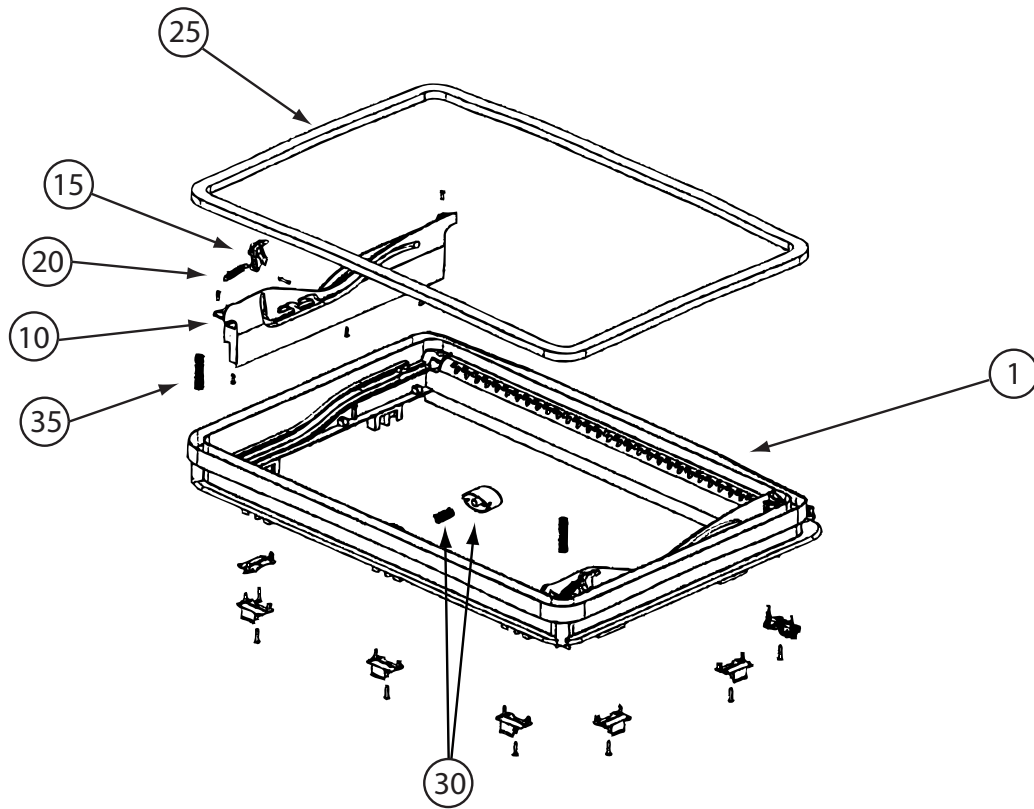
**WINDOWS & VENTS GROUP (CONTINUED)**  
**COMPONENT PARTS FOR WINDOWS & VENTS LAYOUT (CONTINUED)**



152882-01-01A

KEY	PART NUMBER	U/M	DESCRIPTION	VENDOR NO.
13	152882-01-703	EA	CORD	BG1715
15	152882-01-701	EA	FLY NET W/END ROD	BG1394
20	152882-01-702	EA	DARKENING SYSTEM W/END ROD	BG1393
25	152882-01-704	EA	VENTILATION GRIDS	560E35

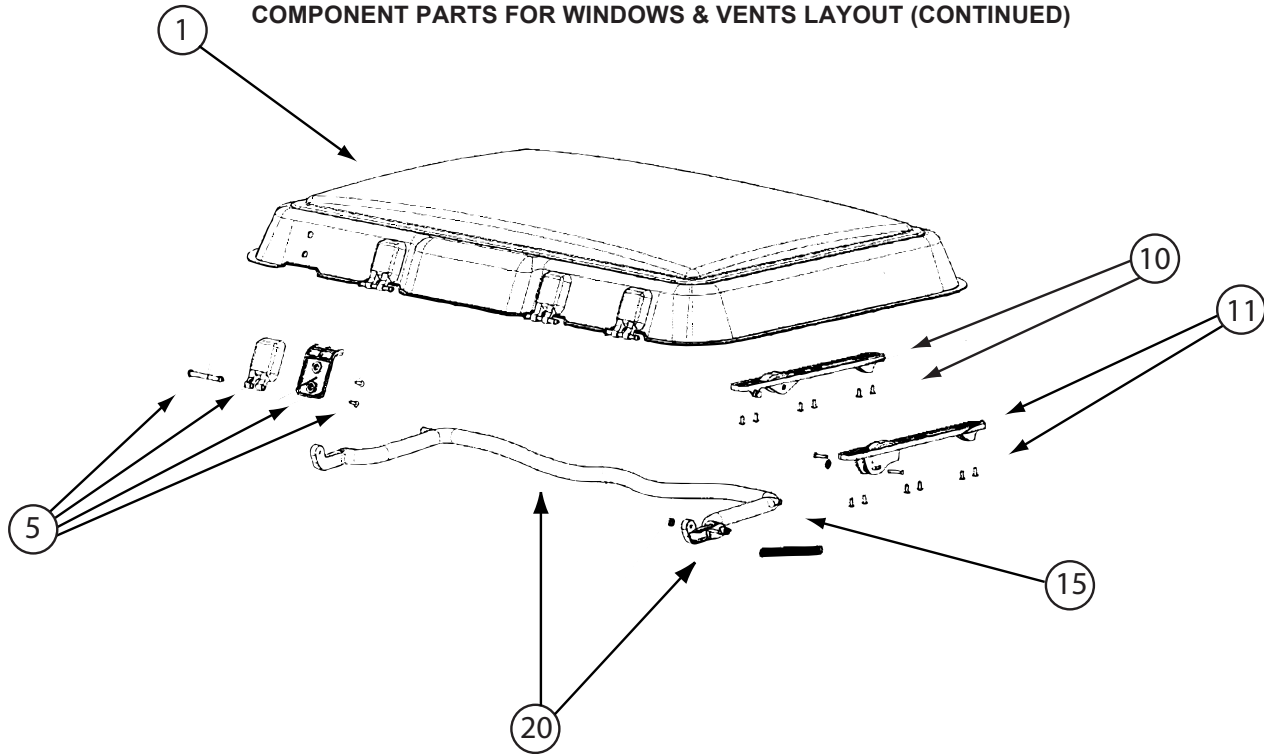
**WINDOWS & VENTS GROUP (CONTINUED)**  
**COMPONENT PARTS FOR WINDOWS & VENTS LAYOUT (CONTINUED)**



**152882-01-01A (CONTINUED)**

KEY	PART NUMBER	U/M	DESCRIPTION	VENDOR NO.
15	152882-01-710	EA	HOOK W/ASM.PARTS(1 EA=PKG 2)	BG1519 (LT/RT)
20	152882-01-711	EA	SPRING (1 EA = PKG 2)	BG1520 (LT/RT)
25	152882-01-705	EA	SEAL	BG1521
30	152882-01-706	EA	BUTTON W/SPRING	BG1522

**WINDOWS & VENTS GROUP (CONTINUED)**  
**COMPONENT PARTS FOR WINDOWS & VENTS LAYOUT (CONTINUED)**

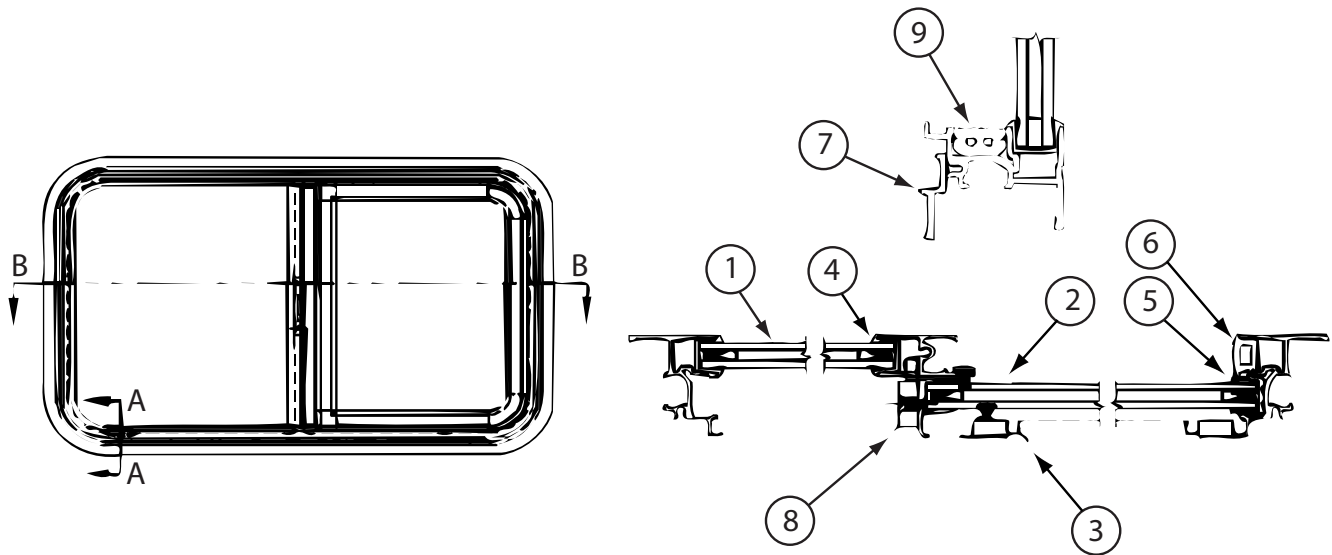


**152882-01-01A (CONTINUED)**

KEY	PART NUMBER	U/M	DESCRIPTION	VENDOR NO.
1	152882-01-700	EA	GLAZING DOME - W/O ASM PARTS	BG1512
5	152882-01-707	EA	HINGE W/FIXINGS	BG1513
10	152882-01-712	EA	CONNECTION PLATES	BG1514
15	152882-01-708	EA	SPRING F/OPERATING BAR	BG1515
20	152882-01-709	EA	OPERATING BAR	BG1516



**WINDOWS & VENTS GROUP (CONTINUED)**  
**COMPONENT PARTS FOR WINDOWS & VENTS LAYOUT (CONTINUED)**



**164922-25-01A**

KEY	PART NUMBER	U/M	DESCRIPTION	VENDOR NO.
1	098647-75-700	EA	GLASS - STATIONARY	106-036069
2	098647-75-703	EA	GLASS-SLIDING W/SASH & LATCH	H978G8
3	098647-75-702	EA	SCREEN ASM	410-036071
4	098644-01-705	FT	GLAZING - STRIP	132-010231
5	098644-01-708	FT	CHANNEL - RUN PIERCED	122-016543
6	098644-01-716	FT	PLUG - FILLER	132-014470
7	164922-25-700	EA	RETAINER - TRIM - BLACK	H97866
8	098644-01-700	EA	LATCH - REPAIR KIT (BLACK)	B801-CK
8	098647-54-701	EA	LATCH REPAIR KIT (RED)	B081-CK
9	098644-01-719	EA	STOP - SLIDER GLASS	132-014203
	098644-01-706	FT	WEATHERSTRIP-GLASS(FIN SEAL)	171-010668
	098644-01-710	FT	TRACK - SCREEN SPACER 12'	132-017135
	098644-01-711	FT	WEATHERSTRIP-SCRN(FUZZY)BLK	171-017245/016965
	098644-01-717	FT	SPLINE - SCREEN	132-004716
	125582-01-701	EA	CLIP - SCREEN - PLASTIC	130-005153

**164922-25-02A**

KEY	PART NUMBER	U/M	DESCRIPTION	VENDOR NO.
1	098647-75-700	EA	GLASS - STATIONARY	106-036069
2	098647-75-703	EA	GLASS-SLIDING W/SASH & LATCH	H978G8
3	098647-75-702	EA	SCREEN ASM	410-036071
4	098644-01-705	FT	GLAZING - STRIP	132-010231
5	098644-01-708	FT	CHANNEL - RUN PIERCED	122-016543
6	098644-01-716	FT	PLUG - FILLER	132-014470
7	098647-75-701	EA	RETAINER - TRIM - SILVER	S978-66
8	098644-01-700	EA	LATCH - REPAIR KIT (BLACK)	B801-CK
8	098647-54-701	EA	LATCH REPAIR KIT (RED)	B081-CK
9	098644-01-719	EA	STOP - SLIDER GLASS	132-014203
	098644-01-706	FT	WEATHERSTRIP-GLASS(FIN SEAL)	171-010668
	098644-01-710	FT	TRACK - SCREEN SPACER 12'	132-017135
	098644-01-711	FT	WEATHERSTRIP-SCRN(FUZZY)BLK	171-017245/016965
	098644-01-717	FT	SPLINE - SCREEN	132-004716
	125582-01-701	EA	CLIP - SCREEN - PLASTIC	130-005153

**WINDOWS & VENTS GROUP (CONTINUED)**  
**COMPONENT PARTS FOR WINDOWS & VENTS LAYOUT (CONTINUED)**

**164922-27-01A**

<b>KEY</b>	<b>PART NUMBER</b>	<b>U/M</b>	<b>DESCRIPTION</b>	<b>VENDOR NO.</b>
1	098647-77-700	EA	GLASS - STATIONARY	106-036291
2	098647-77-703	EA	GLASS SLIDING W/SASH & LATCH	H996G8
3	098647-78-702	EA	SCREEN ASM	410-036304
4	098644-01-705	FT	GLAZING - STRIP	132-010231
5	098644-01-708	FT	CHANNEL - RUN PIERCED	122-016543
6	098644-01-716	FT	PLUG - FILLER	132-014470
7	098647-78-701	EA	RETAINER - TRIM	H996-66
8	098644-01-700	EA	LATCH - REPAIR KIT (BLACK)	B801-CK
8	098647-54-701	EA	LATCH REPAIR KIT (RED)	B081-CK
9	098644-01-719	EA	STOP - SLIDER GLASS	132-014203
	098644-01-706	FT	WEATHERSTRIP-GLASS(FIN SEAL)	171-010668
	098644-01-710	FT	TRACK - SCREEN SPACER 12'	132-017135
	098644-01-711	FT	WEATHERSTRIP-SCRN(FUZZY)BLK	171-017245/016965
	098644-01-717	FT	SPLINE - SCREEN	132-004716
	125582-01-701	EA	CLIP - SCREEN - PLASTIC	130-005153

**164922-27-02A**

<b>KEY</b>	<b>PART NUMBER</b>	<b>U/M</b>	<b>DESCRIPTION</b>	<b>VENDOR NO.</b>
1	098647-77-700	EA	GLASS - STATIONARY	106-036291
2	098647-77-703	EA	GLASS SLIDING W/SASH & LATCH	H996G8
3	098647-78-702	EA	SCREEN ASM	410-036034
4	098644-01-705	FT	GLAZING - STRIP	132-010231
5	098644-01-708	FT	CHANNEL - RUN PIERCED	122-016543
6	098644-01-716	FT	PLUG - FILLER	132-014470
7	098647-77-701	EA	RETAINER - TRIM	S996-66
8	098644-01-700	EA	LATCH - REPAIR KIT (BLACK)	B801-CK
8	098647-54-701	EA	LATCH REPAIR KIT (RED)	B081-CK
9	098644-01-719	EA	STOP - SLIDER GLASS	132-014203
	098644-01-706	FT	WEATHERSTRIP-GLASS(FIN SEAL)	171-010668
	098644-01-710	FT	TRACK - SCREEN SPACER 12'	132-017135
	098644-01-711	FT	WEATHERSTRIP-SCRN(FUZZY)BLK	171-017245/016965
	098644-01-717	FT	SPLINE - SCREEN	132-004716
	125582-01-701	EA	CLIP - SCREEN - PLASTIC	130-005153