

**2008
VIEW**

WD524H

500-SERIES

WASHED MAPLE

W13 MANCHESTER

W15 CALYPSO SPICE

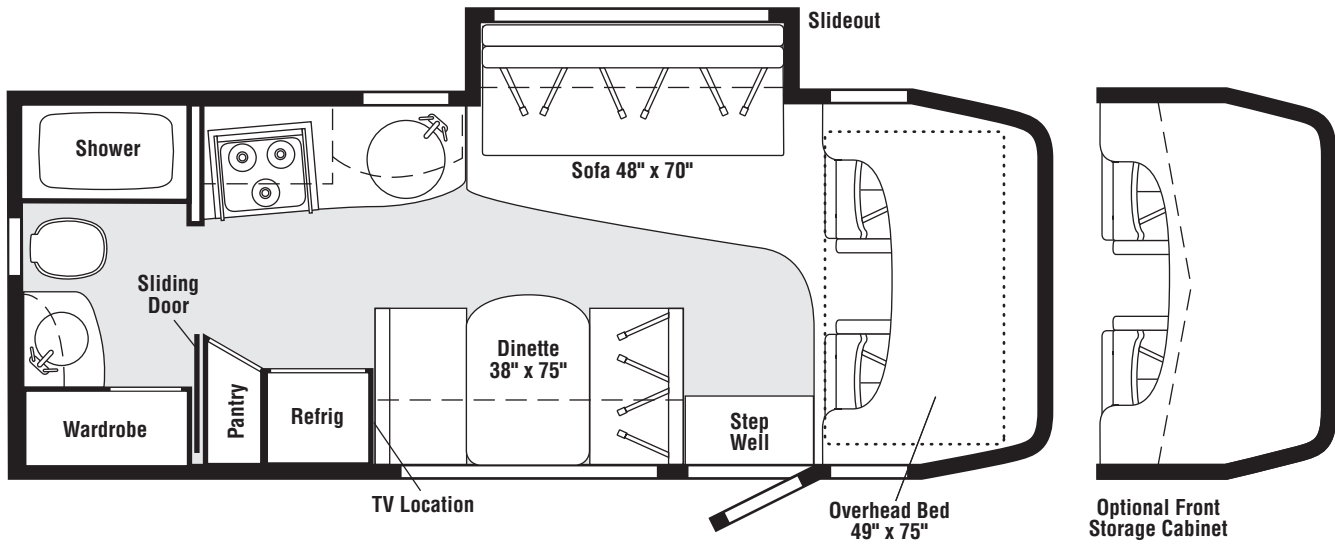
W05 STONE FENCE

HONEY CHERRY

W14 MANCHESTER

W16 CALYPSO SPICE

W06 STONE FENCE



FLOORPLAN

CONTENTS

FLOORPLAN	1
ACCESSORIES GROUP	6
OPERATORS MANUAL	6
AUDIO VIDEO GROUP	7
RADIO SYSTEM	7
COMPONENT PARTS FOR RADIO SYSTEM	7
160885-01-000	7
REAR MONITOR	8
COMPONENT PARTS FOR REAR MONITOR	8
136514-06-000	8
136514-07-000	8
CABINET & APPLIANCE GROUP	9
CABINET & APPLIANCE LAYOUT	9
COMPONENT PARTS FOR CABINET & APPLIANCE LAYOUT	14
114030-04-01A	14
121568-06-01A, 121568-07-01A, 121568-08-01A	16
150606-04-02A	20
161116-01-01A , 161116-02-01A	20
CHASSIS GROUP	21
FRAME	21
EXHAUST	22
HITCH	23
SPARE TIRE	23
WHEEL, TIRE, COVERS &/OR LINERS	24
COMPONENT PARTS FOR WHEEL, TIRE, COVERS &/OR LINERS	24
154970-02-000	24
CURTAIN & CUSHION GROUP	25
CURTAIN, CUSHION LAYOUT	25
HARDWARE	29
ACCESSORIES	31
FABRICS	32
DRIVERS COMPARTMENT GROUP	35
FRONT INTERIOR	35

CONTENTS (CONTINUED)

ELECTRICAL GROUP	39
110V BODY WIRING	39
12V BODY WIRING	41
EXTERIOR LAMPS	45
SIDE TV/VCR	46
COMPONENT PARTS FOR WIRING	49
076319-23-000	49
076319-25-000	49
087694-01-000	50
097917-01-06A	50
108354-01-01A	50
113589-02-000	50
121935-01-01A	50
123775-01-02A	50
134940-06-01A	51
134940-07-01A	51
134940-10-01A	52
137417-01-01A, 137417-03-01A	53
137417-06-01A	53
152438-01-01A	53
156413-01-01A	53
158703-01-000	53
163031-01-01A	53
164495-01-000	53
CIRCUIT BREAKERS, FUSES & RELAYS	54
CONVERTER, INVERTER, LOAD CENTERS	54
COMPONENT PARTS FOR CONVERTER, INVERTER, LOAD CENTER.....	54
083208-07-000	54
BOXES & CORDS	55
WIRE ASSEMBLIES	55
CONNECTORS & CONDUIT	56
CHASSIS	58
EXTERIOR BODY GROUP	60
GRAPHICS & PAINT	60
PANELS & TRIMS	62
FRONT END	66
STRUCTURAL COMPONENTS	67
AWNINGS	67
EXTERIOR DOORS & COMPARTMENTS GROUP	68
DOOR & COMPARTMENT LAYOUT	68
COMPONENT PARTS FOR DOOR & COMPARTMENT LAYOUT	74
084103-08-000	74
094707-04-01A	74
142226-02-01A	74
COMPARTMENT DOOR PIECE PARTS	75
ENTRY	79
SCREEN	80
LATCH - ENTRY	81
EXTERIOR SLIDEOUT GROUP	82
FRONT LEFT	82
COMPONENT PARTS FOR FRONT LEFT	85
148685-02-000	85
162495-01-01A, 162495-02-01A	85
GENERATOR GROUP	86
GAS	86
DIESEL	87

CONTENTS (CONTINUED)

HEATING & A/C GROUP	88
FURNACE	88
COMPONENT PARTS FOR FURNACE	89
139980-01-000	89
ROOF	91
COMPONENT PARTS FOR ROOF	91
131184-01-01A	91
131184-05-01A	92
131184-06-01A	93
131184-07-01A	94
148644-01-01A	95
148644-01-02A	96
148644-02-01A	97
INTERIOR FINISH GROUP	98
MOLDINGS & TRIMS	98
PANELING & LAMINATES	110
INTERIOR TRIM LAYOUT	111
FLOOR COVERINGS	112
HARDWARE	113
LABELS GROUP	119
LP GROUP	125
LP SYSTEM	125
COMPONENT PARTS FOR LP SYSTEM	125
144116-09-000	125
SEALANTS & FASTENERS GROUP	126
SEALANTS & ADHESIVES	126
BOLTS, NUTS AND WASHERS	127
SCREWS	129
CLAMPS, CLIPS, GROMMETS, RIVETS & PLUGS	132
MISCELLANEOUS FASTENERS	133
WATER & SEWAGE GROUP	134
DRAINAGE SYSTEM	134
COMPONENT PARTS FOR DRAINAGE SYSTEM	136
062415-01-000	136
147421-01-01A, 147421-02-01A	136
WATER SYSTEM	137
COMPONENT PARTS FOR WATER SYSTEM	143
051391-03-000	143
075241-04-000, 075241-05-000, 075241-06-000	144
098607-01-000	144
144215-01-000	144
145541-02-000	145
151678-01-01A	145
151680-01-01A	145

CONTENTS (CONTINUED)

WINDOWS & VENTS GROUP	146
WINDOWS & VENTS LAYOUT	146
COMPONENT PARTS FOR WINDOWS & VENTS LAYOUT	148
098647-75-02A	148
098647-76-02A	149
098647-77-02A	149
104691-18-01A	150
104691-18-02A	151
122882-02-01A, 122882-03-01A	152
123780-03-01A	152
123780-26-01A	153
151075-03-01A	154
151075-03-02A	154
152882-01-01A	155
164922-25-01A	158
164922-25-02A	158
164922-26-01A	159
164922-26-02A	159
164922-27-01A	160
164922-27-02A	160

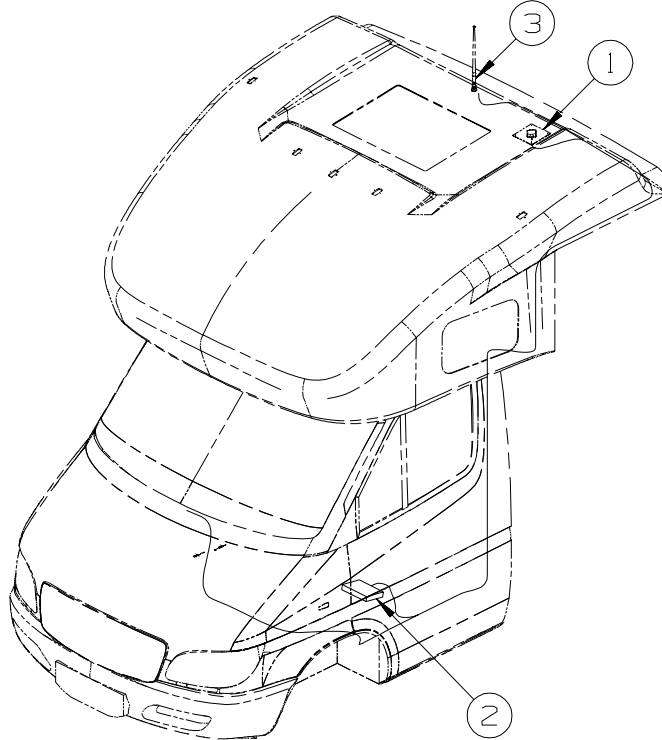
ACCESSORIES GROUP
OPERATORS MANUAL

KEY	PART NUMBER	U/M	DESCRIPTION
	159887-01-000	EA	TOP LEVEL-500,2008
	158603-08-003	EA	MANUAL/OWNER - SUPPLEMENT - 500 SERIES - 2008
	159842-01-01A	EA	CASE - VINYL - F/MANUALS - W/SLEEVES - BLACK
	161500-08-005	EA	MANUAL/OWNER - VIEW - 500 SERIES - 2008

AUDIO VIDEO GROUP RADIO SYSTEM

KEY	PART NUMBER	U/M	DESCRIPTION
*	160885-01-000	EA	RADIO - AM/FM/CD PLAYER-SATELLITE READY-SONY CDX-A251CMR05 FROM: 00-00-00 THRU: 03-18-07
	164339-01-000	EA	RADIO - AM/FM/CD PLAYER-SATELLITE READY-SONY CDX-GT610U1 FROM: 03-19-07 THRU: 03-05-08
	163142-08-000	EA	RADIO-AM/FM/CD/WB - SATELLITE READY - W/12 PIN AMP CNCTR FROM: 03-06-08 THRU: 99-99-99
	163142-09-000	EA	REMOTE CONTROL/RADIO (CREDIT CARD SIZE) FROM: 03-06-08 THRU: 99-99-99
	163142-12-000	EA	CABLE/INTERFACE - I-POD FROM: 03-06-08 THRU: 99-99-99
	168430-01-000	EA	BRACKET/MOUNT - RADIO/DASH - SPRINTER FROM: 03-06-08 THRU: 99-99-99

***COMPONENT PARTS LISTED LATER IN THIS GROUP**



KEY	PART NUMBER	U/M	DESCRIPTION
1	158494-01-000	EA	ANTENNA/SATELLITE - RADIO/SIRIUS - RADIO - SATELLITE
2	158494-02-000	EA	CABLE/ANTENNA - SATELLITE RADIO SIRIUS - RADIO - SATELLITE
2	160886-01-000	EA	RECEIVER - SATELLITE RADIO - SIRIUS - SONY SIR-SNY1W - RADIO - SATELLITE FROM: 00-00-00 THRU: 03-05-08
2	163142-06-000	EA	RECEIVER - SATELLITE RADIO - RADIO - SATELLITE FROM: 03-06-08 THRU: 99-99-99
3	090944-01-000	EA	ANTENNA - RADIO - 16" RUBBER - W/72" LEAD WIRE

COMPONENT PARTS FOR RADIO SYSTEM

160885-01-000

KEY	PART NUMBER	U/M	DESCRIPTION	VENDOR NO.
	160885-01-700	EA	REMOTE	RCB172

AUDIO VIDEO GROUP (CONTINUED)
REAR MONITOR

KEY	PART NUMBER	U/M	DESCRIPTION	
	136514-02-000	EA	CABLE - MONITOR/CAMERA	
				FROM: 00-00-00 THRU: 08-26-07
	136514-08-000	EA	CABLE - MONITOR/CAMERA - 50'	
				FROM: 08-27-07 THRU: 99-99-99
*	136514-06-000	EA	MONITOR/COLOR - 7" FLAT PANEL/REAR VIEW - W/PWR & INT CBL	
				FROM: 00-00-00 THRU: 12-03-06
*	136514-07-000	EA	TELEVISION SYST-REAR VIEW 7"	
				FROM: 12-04-06 THRU: 99-99-99
	144677-14-01A	EA	CAMERA - REAR VIEW W/BRACKET - WHITE - VBCS150	
	144677-14-02A	EA	CAMERA - REAR VIEW W/BRACKET - BLACK - VBCS150B	
	153383-02-02B	EA	BRACKET - MONITOR - E-COATED	
	149227-01-02B	EA	BRACKET - CAMERA - E-COATED - 524CL	
	149237-01-01A	EA	SHROUD - CAMERA/OUTER - BRIGHT WHITE - 524CL	
	154189-07-02A	EA	COVER/TRIM - WIRING - ALMOND - 524DL	

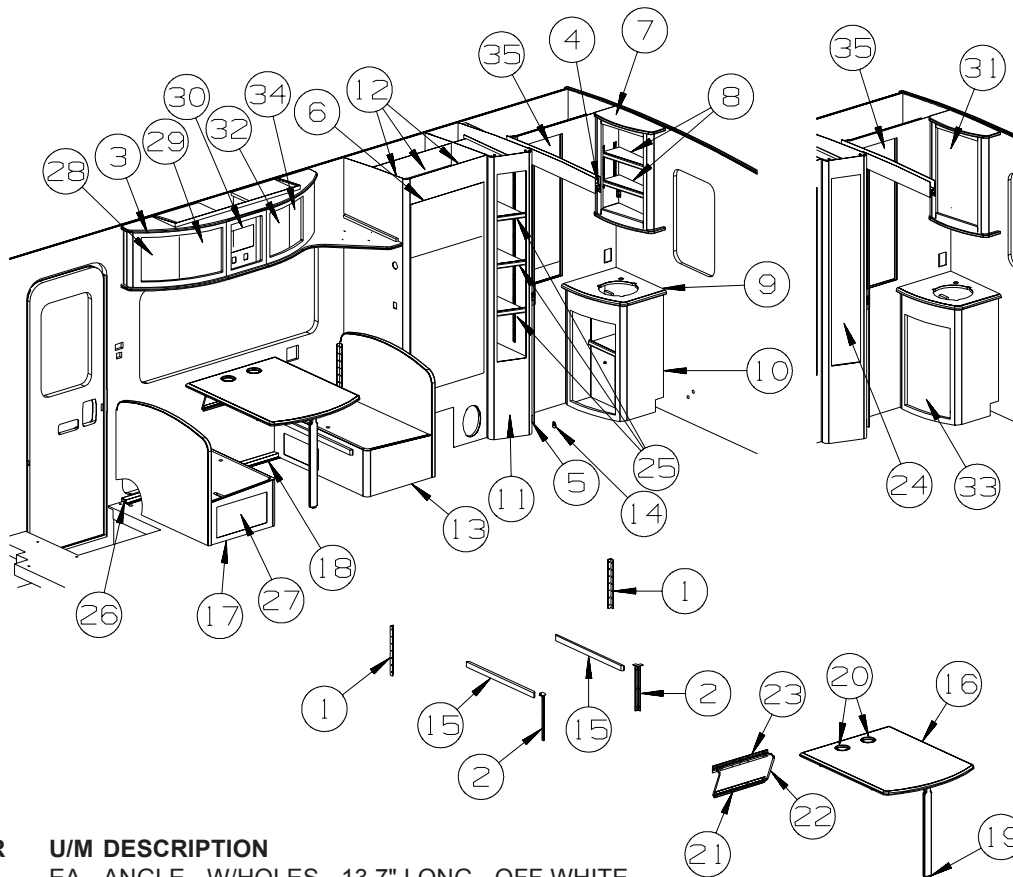
***COMPONENT PARTS LISTED LATER IN THIS GROUP**

COMPONENT PARTS FOR REAR MONITOR

KEY	PART NUMBER	U/M	DESCRIPTION	VENDOR NO.
				136514-06-000
	136514-06-701	EA	CABLE - CONNECTION	P24NZ1201
				136514-07-000
	136514-07-700	EA	SUNSHIELD- #711 MONITOR ONLY	P4DBSECL769401

CABINET & APPLIANCE GROUP

CABINET & APPLIANCE LAYOUT



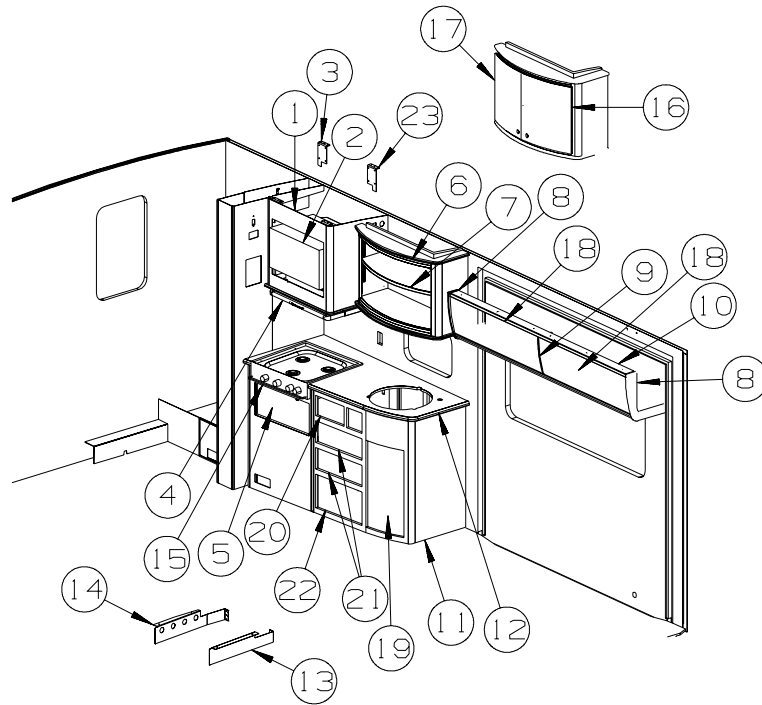
KEY	PART NUMBER	U/M	DESCRIPTION
1	122021-02-02A	EA	ANGLE - W/HOLES - 13.7" LONG - OFF WHITE
2	122021-01-02A	EA	ANGLE - W/HOLES - 8.6" LONG - OFF WHITE
3	160964-01-W13	EA	CABINET - OVERHEAD/DINETTE - W/O DOORS/HDW - WASHED MAPLE FROM: 00-00-00 THRU: 04-29-07
3	164701-01-W13	EA	CABINET - OVERHEAD/DINETTE - W/O DOORS/HDW - WASHED MAPLE FROM: 04-30-07 THRU: 99-99-99
3	160964-01-W14	EA	CABINET - OVERHEAD/DINETTE - W/O DOORS/HDW - HONEY CHERRY FROM: 00-00-00 THRU: 04-29-07
3	164701-01-W14	EA	CABINET - OVERHEAD/DINETTE - W/O DOORS/HDW - HONEY CHERRY FROM: 04-30-07 THRU: 99-99-99
4	145608-11-01A	EA	TRACK - DOOR - 55.4" - OFF WHITE
5	146047-01-S78	EA	DOOR - SLIDING - W/O HARDWARE - WASHED MAPLE
5	146047-01-T02	EA	DOOR - SLIDING - W/O HARDWARE - HONEY CHERRY
6*	121568-06-01A	EA	REFRIGERATOR - SMALL DBL DOOR-RH/2 WAY- 52.8"HX23.5"WX24"D
	116751-05-01A	EA	TRAY - REFRIGERATOR - BLACK
	054450-01-000	EA	LEVEL - REFRIGERATOR
7	152053-01-T01	EA	CABINET - MEDICINE - W/O DOORS/HDW - WASHED MAPLE
7	152053-01-T02	EA	CABINET - MEDICINE - W/O DOORS/HDW - HONEY CHERRY
8	152053-23-T01	EA	SHELF - W/WOOD MOLDING - WASHED MAPLE
8	152053-23-T02	EA	SHELF - W/WOOD MOLDING - HONEY CHERRY
9	151682-05-U17	EA	COUNTERTOP - LAVATORY - LAMINATED - WASHED MAPLE
9	151682-05-U18	EA	COUNTERTOP - LAVATORY - LAMINATED - HONEY CHERRY
10	P59891-01-U17	EA	CABINET - LAVATORY - W/O COUNTERTOP/DOORS/DRAWERS/HDW - WASHED MAPLE
10	P59891-01-U18	EA	CABINET - LAVATORY - W/O COUNTERTOP/DOORS/DRAWERS/HDW - HONEY CHERRY
11	159172-31-T01	EA	FACE/PANTRY - W/O MOLDINGS/HDW - WASHED MAPLE
11	159172-31-T02	EA	FACE/PANTRY - W/O MOLDINGS/HDW - HONEY CHERRY
12			REFRIGERATOR SEALS
	090329-01-000	EA	SEAL - "T" - REFRIGERATOR CABINET
13	P52019-02-T01	EA	CABINET/DINETTE-RH-W/END CAP/BACK/FACE-W/O DOOR/SEAT BOARD - WASHED MAPLE
13	P52019-02-T02	EA	CABINET/DINETTE-RH-W/END CAP/BACK/FACE-W/O DOOR/SEAT BOARD - HONEY CHERRY
	096764-02-000	EA	SLIPNOT - ANTISLIP - 1"WIDE (180' ROLLS) - WHITE
14	064467-01-000	EA	GUIDE - POCKET - SLIDING DOOR - WALL MOUNTED
15	081295-01-T01	EA	SUPPORT - BED/DINETTE - 28" LONG - WASHED MAPLE
15	081295-01-RE0	EA	SUPPORT - BED/DINETTE - 28" LONG - HONEY CHERRY
16	151683-01-W13	EA	TABLE - DINETTE - 30.2" X 38.7"
16	151683-01-W14	EA	TABLE - DINETTE - 30.2" X 38.7"

CABINET & APPLIANCE GROUP (CONTINUED)
CABINET & APPLIANCE LAYOUT (CONTINUED)

KEY	PART NUMBER	U/M	DESCRIPTION
17	P52019-01-T01	EA	CABINET/DINETTE-LH-W/END CAP/BACK/FACE-W/O DOOR/SEAT BOARD - WASHED MAPLE
17	P52019-01-T02	EA	CABINET/DINETTE-LH-W/END CAP/BACK/FACE-W/O DOOR/SEAT BOARD - HONEY CHERRY
	096764-02-000	EA	SLIPNOT - ANTISLIP - 1'WIDE (180' ROLLS) - WHITE
18	152078-31-02A	EA	COVER/PIPE - 30.5" - DULL METALLIC
19	143798-01-02A	EA	CATCH - FLOOR TO TABLE LEG - ALMOND
20	164128-02-03A	EA	HOLDER/CUP - TWO STEP - COLONIAL WHITE
21	024281-12-000	EA	BRACKET/WALL - TABLE LIFT - 17.1" - ALMOND
22	024275-16-000	EA	ROD - TABLE LIFT - W/ARMS 8" & BASE ROD 18.5" - ALMOND
23	140921-02-02A	EA	BRACKET/TABLE SUPPORT - 18.5" - ALMOND
24	160280-01-W13	EA	DOOR - FLAT/SQUARE EDGE - 54.1" X 8.8" - W/O HDW - WASHED MAPLE
24	160280-01-W14	EA	DOOR - FLAT/SQUARE EDGE - 54.1" X 8.8" - W/O HDW - HONEY CHERRY
25	159172-26-T01	EA	SHELF - W/WOOD MOLDING - WASHED MAPLE
25	159172-26-T02	EA	SHELF - W/WOOD MOLDING - HONEY CHERRY
26	152078-16-02A	EA	COVER - PIPE - 61" - DULL METALLIC
27	159261-01-T01	EA	DOOR - FLAT/SQUARE EDGE - 18.9" X 9.6" - W/O HDW - WASHED MAPLE
27	159261-01-T02	EA	DOOR - FLAT/SQUARE EDGE - 18.9" X 9.6" - W/O HDW - HONEY CHERRY
28	160278-19-W13	EA	DOOR - CURVED - 11.8" X 13.8" - W/O HDW - WASHED MAPLE
28	160278-19-W14	EA	DOOR - CURVED - 11.8" X 13.8" - W/O HDW - HONEY CHERRY
29	160278-18-W13	EA	DOOR - CURVED - 11.8" X 13.8" - W/O HDW - WASHED MAPLE
29	160278-18-W14	EA	DOOR - CURVED - 11.8" X 13.8" - W/O HDW - HONEY CHERRY
30	159204-04-W13	EA	DOOR - MIRRORED - 11.2" X 13.8" - W/O HDW - WASHED MAPLE
30	159204-04-W14	EA	DOOR - MIRRORED - 11.2" X 13.8" - W/O HDW - HONEY CHERRY
31	159204-01-U17	EA	DOOR - MIRRORED - 15.7" X 25.2" - W/O HDW - WASHED MAPLE
31	159204-01-U18	EA	DOOR - MIRRORED - 15.7" X 25.2" - W/O HDW - HONEY CHERRY
	140374-72-000	EA	MIRROR - SAFETY GLASS - 11.8" X 21.2"
	076767-04-000	EA	CABLE - STAINLESS STEEL - 5.9"
32	160278-21-W13	EA	DOOR - CURVED - 7.9" X 13.8" - W/O HDW - WASHED MAPLE
32	160278-21-W14	EA	DOOR - CURVED - 7.9" X 13.8" - W/O HDW - HONEY CHERRY
33	160278-01-W13	EA	DOOR - CURVED - 16.3" X 31.3" - W/O HDW - WASHE MAPLE
33	160278-01-W14	EA	DOOR - CURVED - 16.3" X 31.3" - W/O HDW - HONEY CHERRY
34	160278-20-W13	EA	DOOR - CURVED - 7.9" X 13.8" - W/O HDW - WASHED MAPLE
34	160278-20-W14	EA	DOOR - CURVED - 7.9" X 13.8" - W/O HDW - HONEY CHERRY
35	160280-02-W13	EA	DOOR - FLAT/SQUARE EDGE - 42.7" X 14.4" - W/O HDW - WASHED MAPLE
35	160280-02-W14	EA	DOOR - FLAT/SQUARE EDGE - 42.7" X 14.4" - W/O HDW - HONEY CHERRY

***COMPONENT PARTS LISTED LATER IN THIS GROUP**

CABINET & APPLIANCE GROUP (CONTINUED)
CABINET & APPLIANCE LAYOUT (CONTINUED)



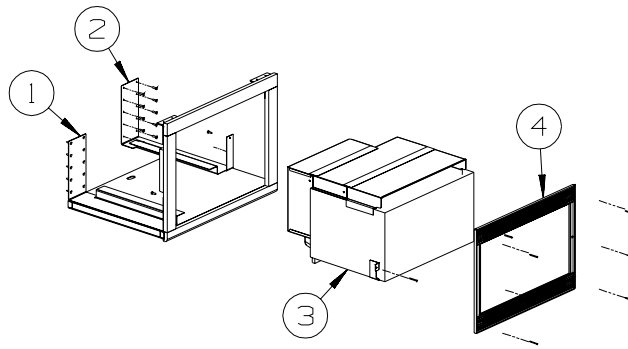
KEY	PART NUMBER	U/M	DESCRIPTION
1	160843-01-W13	EA	CABINET - OVERHEAD/MICROWAVE - W/O DOORS/HDW - WASHED MAPLE
1	160843-01-W14	EA	CABINET - OVERHEAD/MICROWAVE - W/O DOORS/HDW - HONEY CHERRY
1	152141-02-T01	EA	CABINET - OVERHEAD/MICROWAVE - W/O DOORS/HDW - WASHED MAPLE - CANADIAN
1	152141-02-T02	EA	CABINET - OVERHEAD/MICROWAVE - W/O DOORS/HDW - HONEY CHERRY - CANADIAN
2			SEE MICROWAVE INSTALLATION
3	140185-24-02B	EA	BRACE - MICROWAVE CABINET - E-COATED
3	140185-09-02B	EA	BRACE - MICROWAVE CABINET - E-COATED - CANADIAN
4*	161116-02-01A	EA	HOOD - RANGE - W/DUAL LITE/FAN - SST
4*	136354-06-01A	EA	HOOD - RANGE - W/LITE/FAN - BLACK TEXTURED - CSA - CANADIAN
5	161079-05-W13	EA	DRAWER - BROKEN EDGE - 17.7"W X 9.6"D - W/O SLIDES/HDW - WASHED MAPLE
5	161079-05-W14	EA	DRAWER - BROKEN EDGE - 17.7"W X 9.6"D - W/O SLIDES/HDW - HONEY CHERRY
6	152023-01-T01	EA	CABINET - OVHD/GALLEY - W/O DOORS/HDW - WASHED MAPLE
6	152023-01-T02	EA	CABINET - OVHD/GALLEY - W/O DOORS/HDW - HONEY CHERRY
7	152023-18-T01	EA	SHELF - W/T-MOLDING - WASHED MAPLE
7	152023-18-T02	EA	SHELF - W/T-MOLDING - HONEY CHERRY
8	151919-01-T01	EA	END CAP - OVERHEAD CABINET - WASHED MAPLE
8	151919-01-T02	EA	END CAP - OVERHEAD CABINET - HONEY CHERRY
9	151919-02-T01	EA	END CAP - OVERHEAD CABINET - WASHED MAPLE
9	151919-02-T02	EA	END CAP - OVERHEAD CABINET - HONEY CHERRY
10	151872-01-T01	EA	CABINET - OVHD/COUCH - W/O DOORS/HDW - WASHED MAPLE
10	151872-01-T02	EA	CABINET - OVHD/COUCH - W/O DOORS/HDW - HONEY CHERRY
11	P62330-01-W13	EA	CABINET - GALLEY - W/O COUNTERTOP/DOORS/DRAWERS/HDW - WASHED MAPLE
11	P62330-01-W14	EA	CABINET - GALLEY - W/O COUNTERTOP/DOORS/DRAWERS/HDW - HONEY CHERRY
12	151681-04-U17	EA	COUNTERTOP - GALLEY - LAMINATED - WASHED MAPLE
			FROM: 00-00-00 THRU: 09-30-07
12	165380-03-W13	EA	COUNTERTOP - GALLEY - WASHED MAPLE
			FROM: 10-01-07 THRU: 99-99-99
12	151681-04-U18	EA	COUNTERTOP - GALLEY - LAMINATED - HONEY CHERRY
			FROM: 00-00-00 THRU: 09-30-07
12	165380-03-W14	EA	COUNTERTOP - GALLEY - HONEY CHERRY
			FROM: 10-01-07 THRU: 99-99-99
13	151755-03-02B	EA	BRACKET - TIEDOWN/RANGE TOP - E-COATED
14	151755-04-02B	EA	BRACKET - TIEDOWN/RANGE TOP - E-COATED
15*	114030-04-01A	EA	RANGE - 3 BRNR TOP/NEW STYLE KNOBS/GRATES-W/O OVEN-BLK
16	160278-05-W13	EA	DOOR - CURVED - 15.5" X 18.7" - W/O HDW - WASHED MAPLE
16	160278-05-W14	EA	DOOR - CURVED - 15.5" X 18.7" - W/O HDW - HONEY CHERRY
17	160278-06-W13	EA	DOOR - CURVED - 15.5" X 18.7" - W/O HDW - WASHED MAPLE
17	160278-06-W14	EA	DOOR - CURVED - 15.5" X 18.7" - W/O HDW - HONEY CHERRY
18	160278-03-W13	EA	DOOR - CURVED - 11.8" X 36.2" - W/O HDW - WASHED MAPLE
18	160278-03-W14	EA	DOOR - CURVED - 11.8" X 36.2" - W/O HDW - HONEY CHERRY

CABINET & APPLIANCE GROUP (CONTINUED)
CABINET & APPLIANCE LAYOUT (CONTINUED)

KEY	PART NUMBER	U/M	DESCRIPTION
19	160278-13-W13	EA	DOOR - CURVED - 13.2" X 33" - W/O HDW - WASHED MAPLE
19	160278-13-W14	EA	DOOR - CURVED - 13.2" X 33" - W/O HDW - HONEY CHERRY
20	161079-02-W13	EA	DRAWER - BROKEN EDGE - 17.7"W X 9.6"D - W/O SLIDES/HDW - WASHED MAPLE
20	161079-02-W14	EA	DRAWER - BROKEN EDGE - 17.7"W X 9.6"D - W/O SLIDES/HDW - HONEY CHERRY
21	161079-03-W13	EA	DRAWER - BROKEN EDGE - 17.7"W X 9.6"D - W/O SLIDES/HDW - WASHED MAPLE
21	161079-03-W14	EA	DRAWER - BROKEN EDGE - 17.7"W X 9.6"D - W/O SLIDES/HDW - HONEY CHERRY
22	161079-04-W13	EA	DRAWER - BROKEN EDGE - 17.7"W X 9.6"D - W/O SLIDES/HDW - WASHED MAPLE
22	161079-04-W14	EA	DRAWER - BROKEN EDGE - 17.7"W X 9.6"D - W/O SLIDES/HDW - HONEY CHERRY
23	140185-23-02B	EA	BRACE - MICROWAVE CABINET - E-COATED
23	140185-10-02B	EA	BRACE - MICROWAVE CABINET - E-COATED - CANADIAN

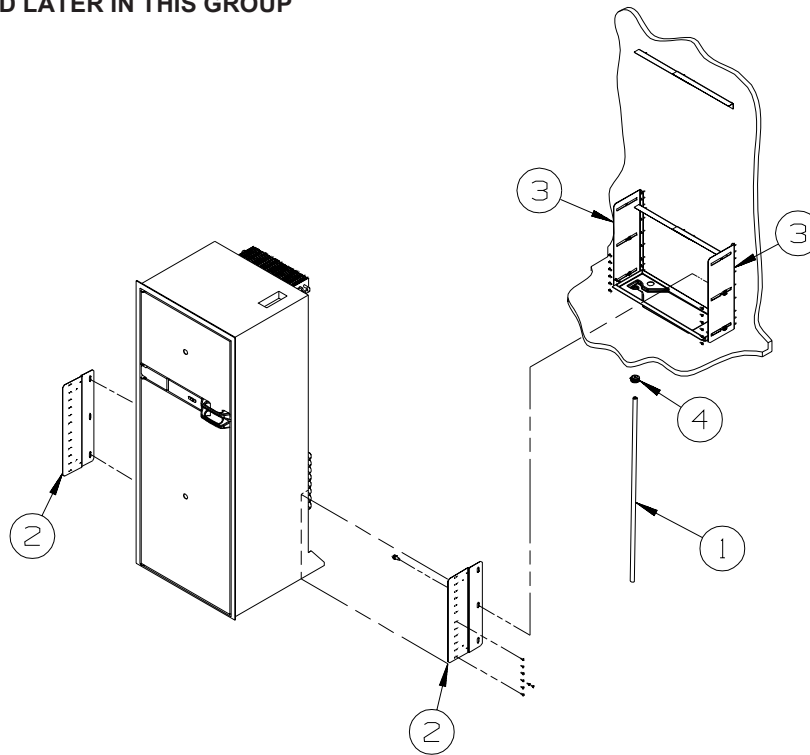
***COMPONENT PARTS LISTED LATER IN THIS GROUP**

CABINET & APPLIANCE GROUP (CONTINUED)
CABINET & APPLIANCE LAYOUT (CONTINUED)



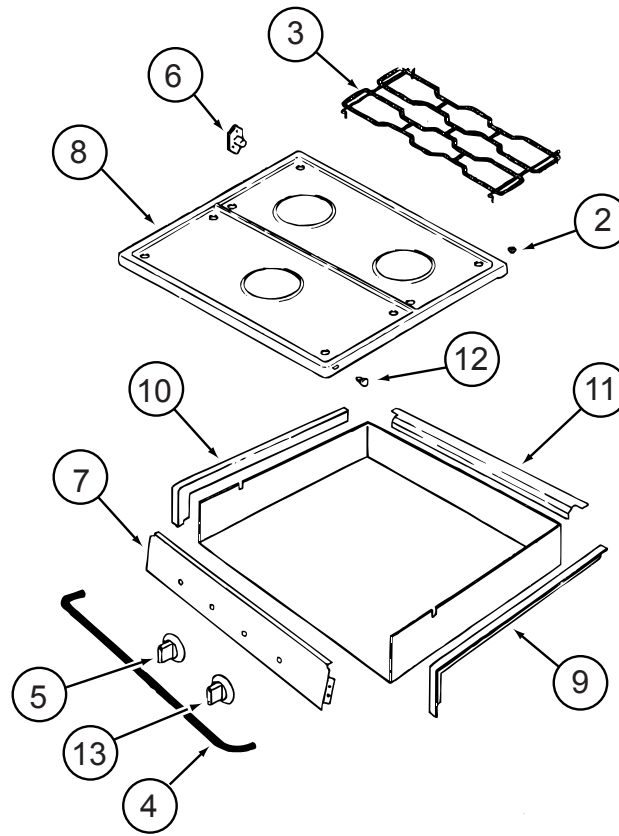
KEY	PART NUMBER	U/M	DESCRIPTION
1	149418-13-02B	EA	BRACKET - MICROWAVE - E-COATED
2	149418-14-02B	EA	BRACKET - MICROWAVE - E-COATED
3*	150606-04-02A	EA	OVEN - MICROWAVE/CONVECTION/SILVER - .9 CU FT - #R-820JS
3	150606-06-01A	EA	OVEN - MICROWAVE/CONVECTION/BLACK - .9 CU FT - #R820BK-CSA - CANADIAN
4	150606-05-02A	EA	TRIM KIT - MICROWAVE .9 CU FT - SILVER - MAGNADYNE #R820
4	150606-05-01A	EA	TRIM KIT - MICROWAVE .9 CU FT - BLACK - MAGNADYNE #R820 - CANADIAN

***COMPONENT PARTS LISTED LATER IN THIS GROUP**



KEY	PART NUMBER	U/M	DESCRIPTION
1	112176-01-000	FT	TUBING - VINYL - REINFORCED - 1/2" ID
2	150740-01-02B	EA	BRACKET/TIEDOWN - REFRIGERATOR - E-COATED
3	150740-02-02B	EA	BRACKET/TIEDOWN - REFRIGERATOR - E-COATED
4	152417-01-01A	EA	CLAMP/RATCHET - F/REFRIGERATOR DRIP TRAY HOSE - BLACK

CABINET & APPLIANCE GROUP (CONTINUED)
COMPONENT PARTS FOR CABINET & APPLIANCE LAYOUT

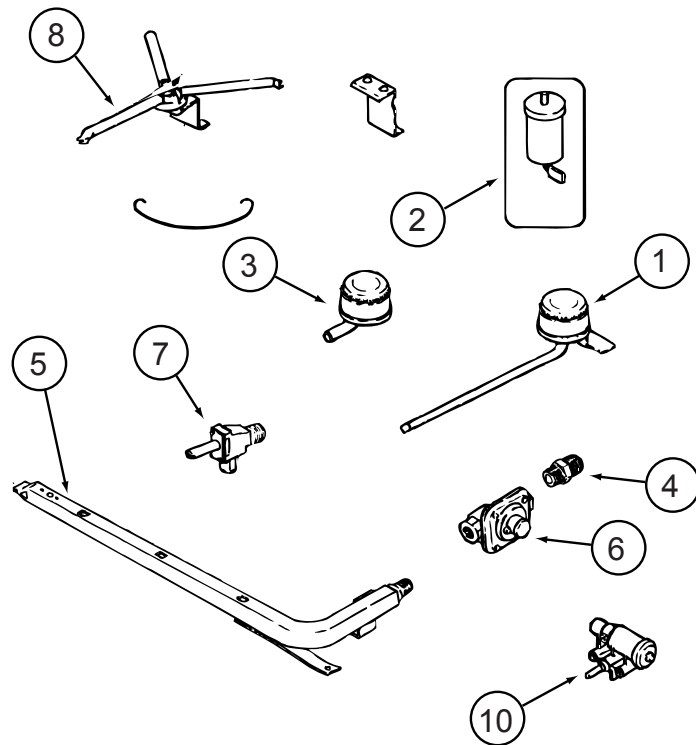


114030-04-01A

KEY	PART NUMBER	U/M	DESCRIPTION	VENDOR NO.
2	102020-01-709	EA	BUMPER-GRATE	8007P020-60
3	112881-04-702	EA	GRATE - BLACK	74007277
4	114030-02-700	EA	GUARD/FABRIC - TOWEL BAR	3609F006-70
5	128728-01-701	EA	KNOB - BURNER - REAR	74003941 (1 PER)
5	128728-01-702	EA	KNOB - BURNER - FRONT	74003942
6	128728-01-703	EA	PIN/T-NUT F/HINGE	7103P109-60
7	114030-04-700	EA	PANEL - MANIFOLD - BLACK	74007325
8	126023-01-728	EA	TOP - MAIN (BLACK)	74003323
9	114030-01-704	EA	TRIM - RIGHT/BLACK TEXTURED	74002839
10	114030-01-705	EA	TRIM - LEFT/BLACK TEXTURED	74002840
11	114030-01-706	EA	TRIM - REAR/BLACK TEXTURED	74002841
12	102020-01-724	EA	BUMPER - MAIN TOP	8003P008-60
13	128728-01-707	EA	KNOB - IGNITER	74003944

CONTACT WINNEBAGO PART SALES FOR UNLISTED COMPONENT(S)

CABINET & APPLIANCE GROUP (CONTINUED)
COMPONENT PARTS FOR CABINET & APPLIANCE LAYOUT (CONTINUED)

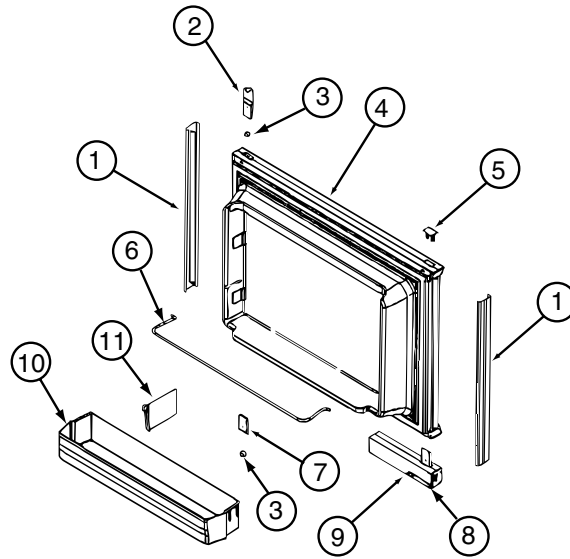


114030-04-01A (CONTINUED)

KEY	PART NUMBER	U/M	DESCRIPTION	VENDOR NO.
1	112881-04-700	EA	BURNER - TOP /LEFT REAR	74004584
1	126023-01-700	EA	BURNER - TOP (RT-REAR) 5100 BTU	74004583
2	112881-04-705	EA	PUSH RING (ELECTRODE MTG)	7104P002-60
2	126023-01-711	EA	ELECTRODE - IGNITER (ONLY)	7432P077-60
3	112881-04-701	EA	BURNER - TOP/FRONT	74004582
4	135065-03-700	EA	FITTING - HALF UNION	74004234
5	135065-01-702	EA	PIPE/MANIFOLD	74004642
6	126023-02-703	EA	REGULATOR - PRESSURE	74004235
7	126023-02-705	EA	VALVE - BURNER - REAR	74004362
7	126023-02-706	EA	VALVE - BURNER - FRONT	74004363
8	126023-01-736	EA	FLASH TUBE EXTENSION (REAR)	74003326
8	126023-01-737	EA	FLASH TUBE EXTENSION (FRONT)	74003327
10	126023-01-719	EA	IGNITER HEAD - TOP BURNER	74002413
	126023-02-702	EA	PIPE - MANIFOLD	74004360

CONTACT WINNEBAGO PART SALES FOR UNLISTED COMPONENT(S)

CABINET & APPLIANCE GROUP (CONTINUED)
COMPONENT PARTS FOR CABINET & APPLIANCE LAYOUT (CONTINUED)

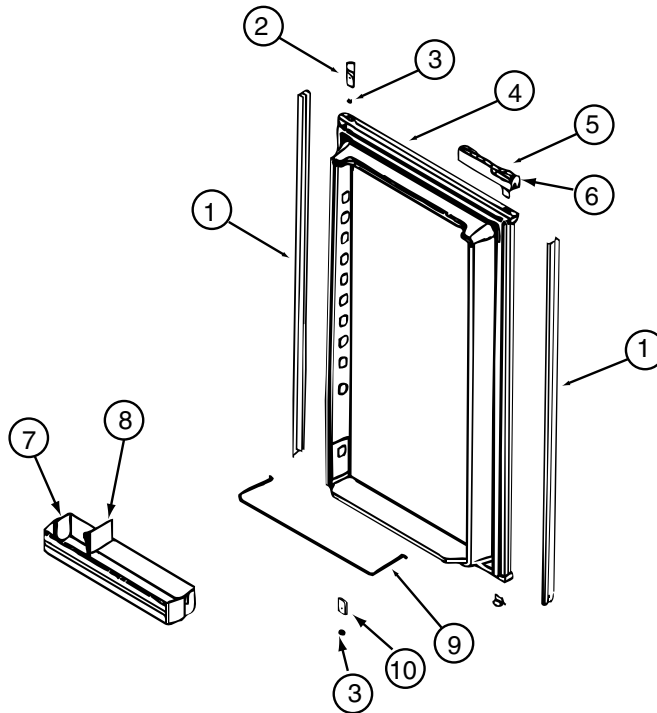


121568-06-01A, 121568-07-01A, 121568-08-01A

KEY	PART NUMBER	U/M	DESCRIPTION	VENDOR NO.
1	121568-03-700	EA	RETAINER-DOOR PNL/WAFFLE/BLK	619558-WDL-UPPER
2	120075-01-701	EA	HINGE-TOP RH/BOTTOM LH(DOOR)	618511
3	121568-03-701	EA	BUSHING - HINGE PIN/GRAY	619671
4	121568-03-702	EA	DOOR LINER-UPR/WAFFLED/BLACK	619627 - SMALL WDL
5	120075-01-702	EA	CAP, (HINGE PLUG)	618160
6	121568-01-700	EA	RAIL - DOOR UPPER	618618
7	120075-01-705	EA	HINGE-TOP LH/BOTTOM RH(DOOR)	618510
8	121568-03-705	EA	STORAGE LATCH - GRAY	619648
9	121568-03-721	EA	HANDLE/DOOR UPPER RH SWING	621465
9	121568-03-722	EA	HANDLE/DOOR LOWER RH SWING	621469
10	121568-01-701	EA	BIN - DOOR WHITE-WAFFLED LNR	618619 WDL

CONTACT WINNEBAGO PART SALES FOR UNLISTED COMPONENT(S)

CABINET & APPLIANCE GROUP (CONTINUED)
COMPONENT PARTS FOR CABINET & APPLIANCE LAYOUT (CONTINUED)

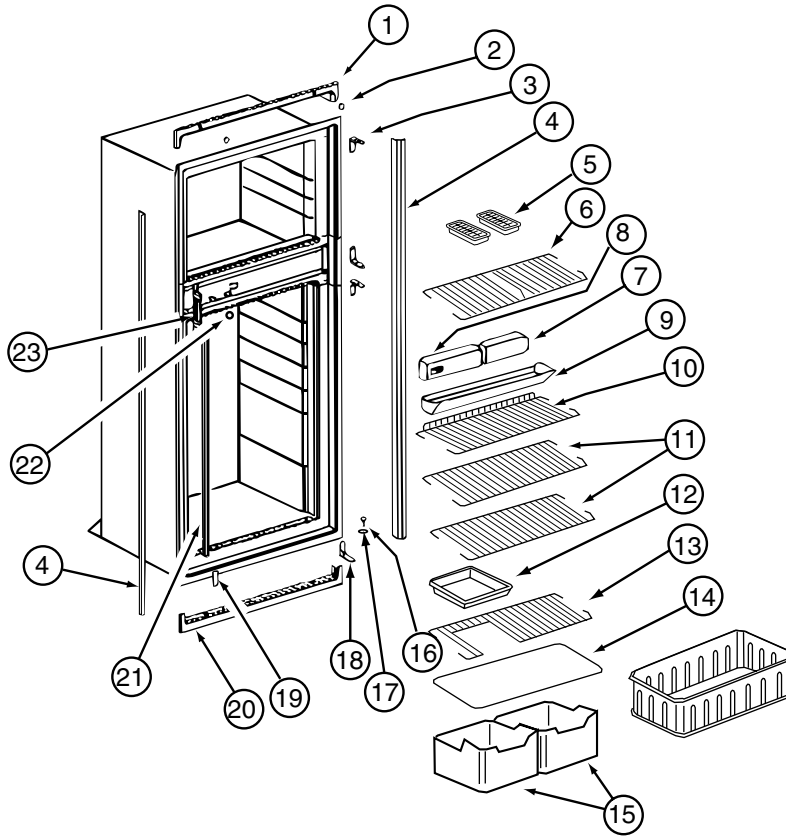


121568-06-01A, 121568-07-01A, 121568-08-01A (CONTINUED)

KEY	PART NUMBER	U/M	DESCRIPTION	VENDOR NO.
1	121568-03-706	EA	RETAINER-DOOR PNL/WAFFLE/BLK	619559-WDL-LOWER
2	120075-01-701	EA	HINGE-TOP RH/BOTTOM LH(DOOR)	618511
3	121568-03-701	EA	BUSHING - HINGE PIN/GRAY	619671
4	121568-03-707	EA	DOOR LINER-LWR/WAFFLED/B/TRM	619629
5	121568-03-722	EA	HANDLE/DOOR LOWER RH SWING	621469
6	121568-03-705	EA	STORAGE LATCH - GRAY	619648
7	121568-01-701	EA	BIN - DOOR WHITE-WAFFLED LNR	618619 WDL
9	121568-01-704	EA	RAIL - DOOR LOWER	618578
10	120075-01-705	EA	HINGE-TOP LH/BOTTOM RH(DOOR)	618510

CONTACT WINNEBAGO PART SALES FOR UNLISTED COMPONENT(S)

CABINET & APPLIANCE GROUP (CONTINUED)
COMPONENT PARTS FOR CABINET & APPLIANCE LAYOUT (CONTINUED)

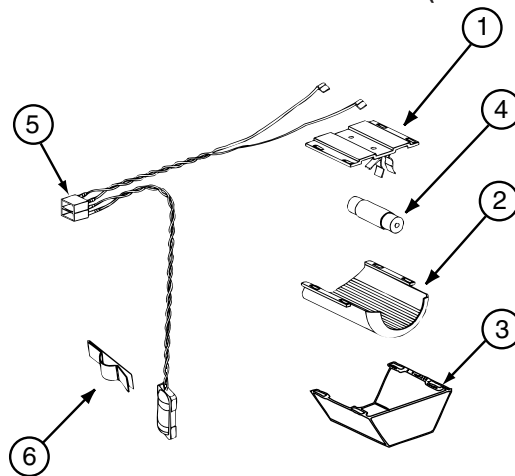


121568-06-01A, 121568-07-01A, 121568-08-01A (CONTINUED)

KEY	PART NUMBER	U/M	DESCRIPTION	VENDOR NO.
1	120075-01-713	EA	TRIM-TOP PIECE	619687
2	120075-01-714	EA	PLUG-HOLE (BLACK)	618170
3	121568-03-710	EA	HINGE/CABINET-TOP/RH-LWR/LH	619335 WAFFLED
4	121568-03-711	EA	TRIM - SIDE/BLACK	622295
6	121568-01-705	EA	SHELF - WIRE FREEZER	620250
7	121568-06-700	EA	FRONT BOX-N611	622002
8	121568-06-701	EA	CONTROL ASSY-OPTICAL/N611	621988 TO SN9056491
9	120075-01-720	EA	TRAY-DRIP	623250
9	120075-01-721	EA	LOUVER-DRIP TRAY	618176
11	121568-01-708	EA	SHELF - WIRE	620273
13	121568-01-707	EA	SHELF - WIRE - SHORT	620272
14	120075-01-725	EA	COVER-CRISPER - 18.5" WIDE	618158
15	121568-01-709	EA	CRISPER	618571
16	120075-01-727	EA	PIN-HINGE	618145
17	121568-03-701	EA	BUSHING - HINGE PIN/GRAY	619671
18	121568-03-715	EA	HINGE/CABINET-TOP/LH-LWR/RH	619336 WAFFLED
19	121568-03-716	EA	COVER - HINGE HOLES	619301
20	120075-01-729	EA	TRIM-BOTTOM PIECE	620958
21	121568-06-702	EA	CLIP - SHELF	61536522
22	121568-06-703	EA	HOLE PLUG - WHITE	620282
23	120075-01-732	EA	PLATE-STRIKE	618167

CONTACT WINNEBAGO PART SALES FOR UNLISTED COMPONENT(S)

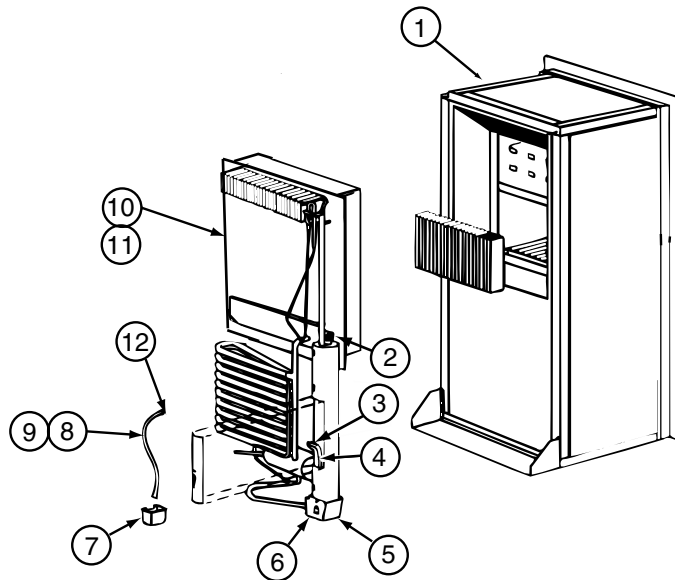
CABINET & APPLIANCE GROUP (CONTINUED)
COMPONENT PARTS FOR CABINET & APPLIANCE LAYOUT (CONTINUED)



121568-03-01A, 121568-04-01A, 121568-05-01A, 121568-06-01A, 121568-07-01A, 121568-08-01A (CONTINUED)

KEY	PART NUMBER	U/M	DESCRIPTION	VENDOR NO.
1	084880-01-760	EA	CLIP (THERMISTER)	61689122
2	120075-01-735	EA	WIRE ASM - LAMP/THERMISTER	618548
3	084880-03-705	EA	BRACKET-LIGHT-INTERIOR	61629722
4	084880-03-706	EA	BULB-LAMP	61628922
6	084880-03-707	EA	COVER-LAMP, LENS	61627922

CONTACT WINNEBAGO PART SALES FOR UNLISTED COMPONENT(S)

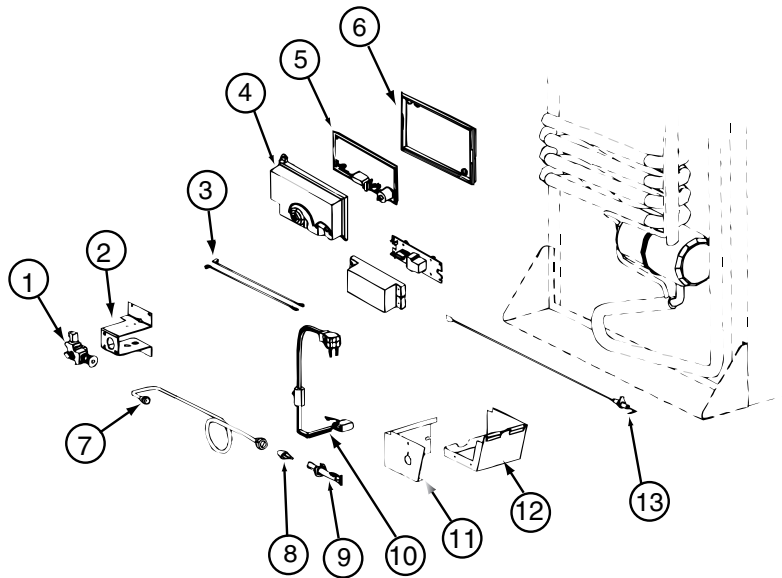


121568-06-01A, 121568-07-01A, 121568-08-01A (CONTINUED)

KEY	PART NUMBER	U/M	DESCRIPTION	VENDOR NO.
4	121568-06-704	EA	HEATER-AC/300W/120VAC	621702
10	120076-01-704	EA	COOLING UNIT, SERVICE PACK	618543

CONTACT WINNEBAGO PART SALES FOR UNLISTED COMPONENT(S)

CABINET & APPLIANCE GROUP (CONTINUED)
COMPONENT PARTS FOR CABINET & APPLIANCE LAYOUT (CONTINUED)



121568-06-01A, 121568-07-01A, 121568-08-01A (CONTINUED)

KEY	PART NUMBER	U/M	DESCRIPTION	VENDOR NO.
1	121568-06-705	EA	GAS VALVE/BRKT ASSY-COMBO	621439
1	121568-06-706	EA	GAS VALVE-COMBO/WRENCH FLAT	621329
4	120075-01-738	EA	COVER-POWER BOARD	618185
5	121568-06-707	EA	BOARD/POWER-N611	621991 = 621991001
6	120075-01-740	EA	BASE - POWER BOARD	618186
8	121568-06-708	EA	BURNER/ORFICE-ADAPTER KIT	621957
13	104137-06-715	EA	ELECTRODE-SPARK/SENSOR, SGL	61692222
	121569-08-704	EA	TUBE/BURNER - N8/N6	624682

CONTACT WINNEBAGO PART SALES FOR UNLISTED COMPONENT(S)

121568-05-01A, 121568-07-01A, 121568-08-01A (CONTINUED)

KEY	PART NUMBER	U/M	DESCRIPTION	VENDOR NO.
	121568-05-700	EA	FAN 12V KIT DBLE SIDEWALL	619020

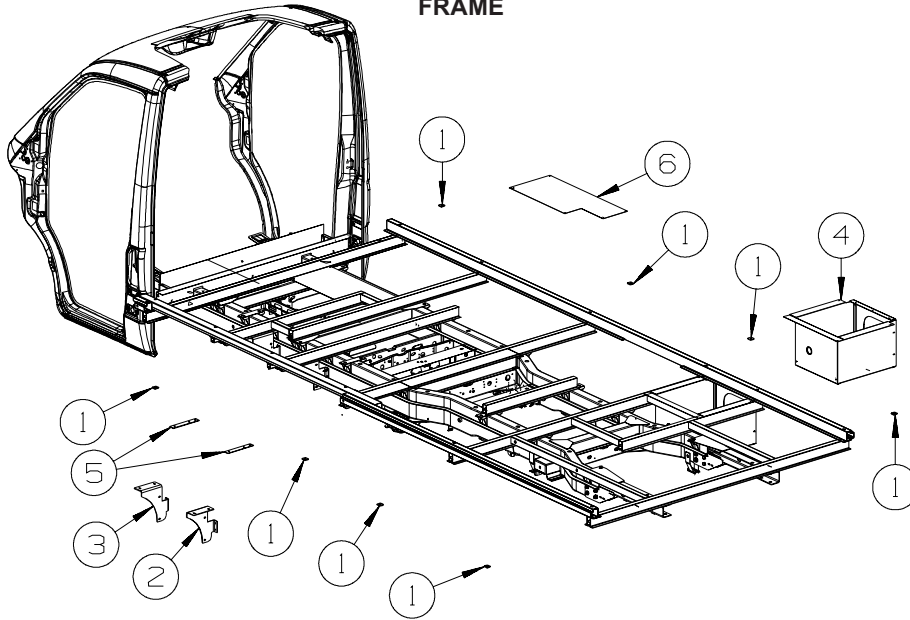
150606-04-02A

KEY	PART NUMBER	U/M	DESCRIPTION	VENDOR NO.
	150606-04-700	EA	RACK - BAKING	FAMI-A104WRM0
	150606-04-702	EA	PLATE/TURNTABLE	NTNT-A092WRH0

161116-01-01A, 161116-02-01A

KEY	PART NUMBER	U/M	DESCRIPTION	VENDOR NO.
	161116-01-700	EA	LIGHT/RND-CLEAR LENS W/BULB	W/WIRING/PLUG
	161116-02-700	EA	FILTER-ALUMINUM	02FP577295UL

CHASSIS GROUP FRAME



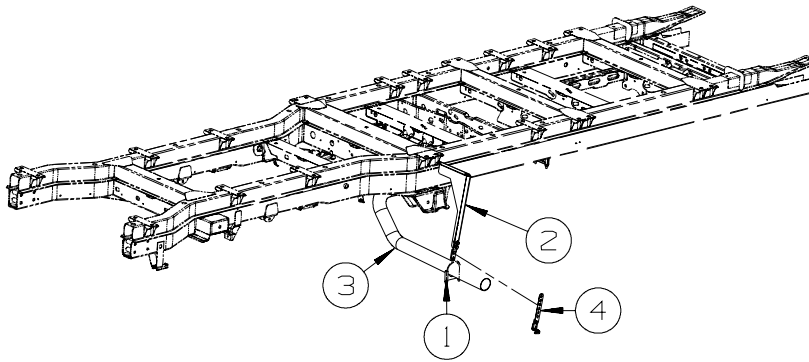
KEY	PART NUMBER	U/M	DESCRIPTION
1	135712-05-02B	EA	PLATE - BODY MOUNT - E-COATED
2	151504-01-02B	EA	BRACKET - SUPPORT/LP - E-COATED
3	151504-02-02B	EA	BRACKET - SUPPORT/LP - E-COATED
4	151616-02-02B	EA	COMPARTMENT - LUGGAGE - E-COATED
5	152208-01-02B	EA	STRAP - LP TANK MOUNTING - E-COATED
6	152218-02-02B	EA	SHIELD - HEAT - E-COATED
6	152218-06-02B	EA	SHIELD - HEAT - E-COATED

FROM: 00-00-00 THRU: 05-02-07

FROM: 05-03-07 THRU: 99-99-99

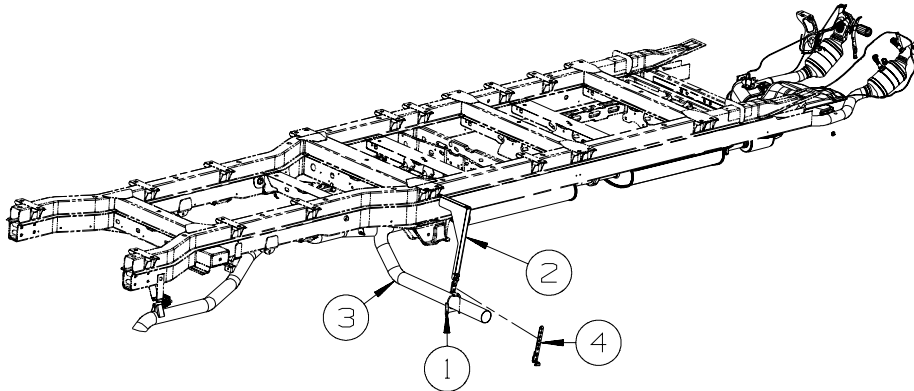
CHASSIS GROUP (CONTINUED)

EXHAUST



DIESEL

KEY	PART NUMBER	U/M	DESCRIPTION
1	094918-06-000	EA	CLAMP - EXHAUST - 3" - HEAVY DUTY - NOT ILLUSTRATED FROM: 00-00-00 THRU: 01-25-07
1	094918-01-000	EA	CLAMP - EXHAUST - 3" - GUILLOTINE STYLE FROM: 01-26-07 THRU: 99-99-99
2	152196-02-02B	EA	ANGLE/FORMED - EXHAUST HANGER - E-COATED - NOT ILLUSTRATED FROM: 00-00-00 THRU: 01-17-07
2	163815-01-02B	EA	BRACKET/FORMED - EXHAUST - E-COATED FROM: 01-18-07 THRU: 11-25-07
2	163815-03-02B	EA	BRACKET/FORMED - EXHAUST - E-COATED - NOT ILLUSTRATED FROM: 11-26-07 THRU: 99-99-99
3	160364-02-000	EA	PIPE - EXHAUST/TAIL - DIESEL
4	007131-01-000	EA	HANGER - TAILPIPE - 6 SLOTS FROM: 00-00-00 THRU: 11-25-07
4	167204-01-01A	EA	HANGER/TAILPIPE - BLACK - NOT ILLUSTRATED FROM: 11-26-07 THRU: 99-99-99



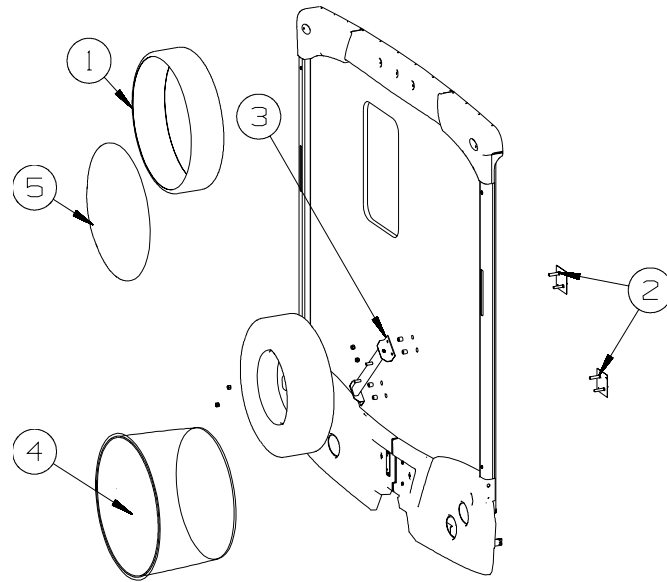
GAS

KEY	PART NUMBER	U/M	DESCRIPTION
1	094918-06-000	EA	CLAMP - EXHAUST - 3" - HEAVY DUTY - NOT ILLUSTRATED FROM: 00-00-00 THRU: 01-25-07
1	094918-01-000	EA	CLAMP - EXHAUST - 3" - GUILLOTINE STYLE FROM: 01-26-07 THRU: 99-99-99
2	152196-02-02B	EA	ANGLE/FORMED - EXHAUST HANGER - E-COATED - NOT ILLUSTRATED FROM: 00-00-00 THRU: 01-17-07
2	163815-01-02B	EA	BRACKET/FORMED - EXHAUST - E-COATED FROM: 01-18-07 THRU: 11-25-07
2	163815-03-02B	EA	BRACKET/FORMED - EXHAUST - E-COATED - NOT ILLUSTRATED FROM: 11-26-07 THRU: 99-99-99
3	160364-01-000	EA	PIPE - EXHAUST/TAIL - GAS
4	007131-01-000	EA	HANGER - TAILPIPE - 6 SLOTS FROM: 00-00-00 THRU: 11-25-07
4	167204-01-01A	EA	HANGER/TAILPIPE - BLACK - NOT ILLUSTRATED FROM: 11-26-07 THRU: 99-99-99

CHASSIS GROUP (CONTINUED)

HITCH

KEY	PART NUMBER	U/M	DESCRIPTION
	140441-04-02B	EA	PLATE - SKID - E-COATED
	154054-05-01A	EA	HITCH RECEIVER - BOLT ON CLASS II - BLACK - 524B, 524H, 524J
	154054-06-01A	EA	HITCH RECEIVER - BOLT ON CLASS III - BLACK - 524CL, 524DL

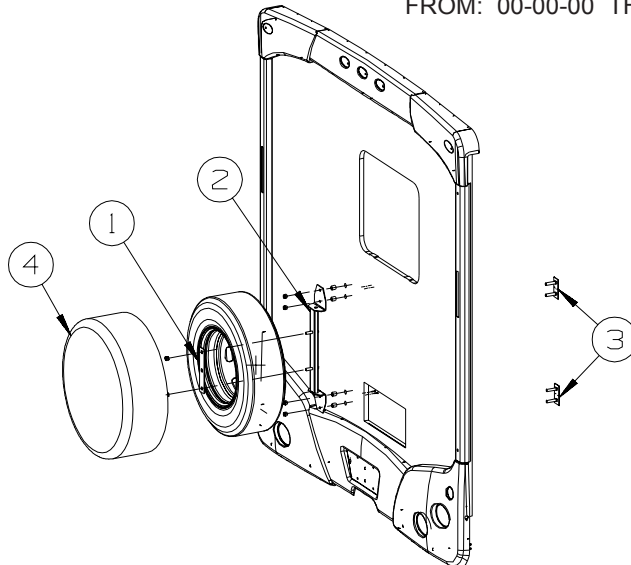


**524B
524H**

SPARE TIRE

KEY	PART NUMBER	U/M	DESCRIPTION
1	149703-03-01A	EA	RING - TIRE COVER - SPARE - WHITE - FULL BODY PAINT
2	152910-02-12B	EA	BRACKET - SUPPORT - SPARE TIRE - E-COATED
3	152913-02-12B	EA	BRACKET/SUPPORT - SPARE TIRE - BRIGHT WHITE
4	163261-01-W13	EA	COVER - TIRE - 30" - W/VIEW LOGO
	073322-50-000	EA	COVER - UNIVERSAL LINER
5	149703-04-01A	EA	INSERT - 30" - TIRE COVER - SPARE - WHITE - FULL BODY PAINT
	143547-03-02B	EA	RETAINER - SPARE TIRE - E-COATED

FROM: 00-00-00 THRU: 11-11-07



524J

KEY	PART NUMBER	U/M	DESCRIPTION
1	149703-03-01A	EA	RING - TIRE COVER - SPARE - WHITE - FULL BODY PAINT
2	152913-01-12B	EA	BRACKET/SUPPORT - SPARE TIRE - E-COATED
3	154445-02-02B	EA	BRACKET/SUPPORT - SPARE TIRE - E-COATED
4	163261-01-W13	EA	COVER - TIRE - 30" - W/VIEW LOGO
	073322-50-000	EA	COVER - UNIVERSAL LINER
5	149703-04-01A	EA	INSERT - 30" - TIRE COVER - SPARE - WHITE - FULL BODY PAINT
	143547-03-02B	EA	RETAINER - SPARE TIRE - E-COATED

FROM: 00-00-00 THRU: 10-21-07

CHASSIS GROUP (CONTINUED)
WHEEL, TIRE, COVERS &/OR LINERS

KEY	PART NUMBER	U/M	DESCRIPTION
*	154970-02-000	EA	LINER/WHEEL - 16" - SET OF 4 - DODGE SPRINTER - DICOR

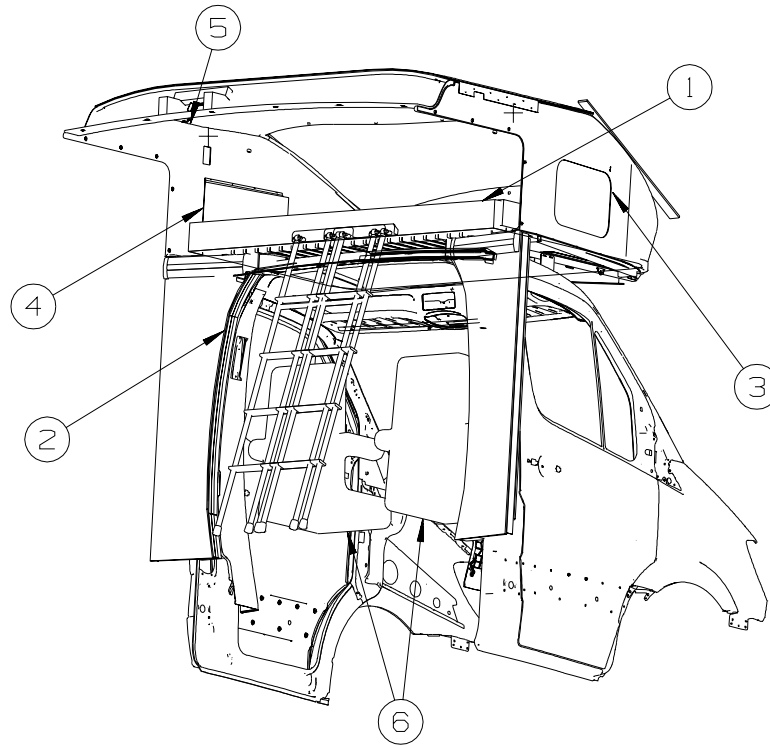
***COMPONENT PARTS LISTED LATER IN THIS GROUP**

COMPONENT PARTS FOR WHEEL, TIRE, COVERS &/OR LINERS

KEY	PART NUMBER	U/M	DESCRIPTION	154970-02-000	VENDOR NO.
	110435-01-711	EA	DECAL-CENTER CAP- 2" - QTY 2		
	154970-02-700	EA	COVER/WHEEL-FRONT W/LUG CVRS		
	154970-02-701	EA	LINER/WHEEL-REAR W/O HUB CVR		
	154970-02-702	EA	CAP/CENTER HUB/RR W/LUG CVRS		
	154970-02-703	EA	DECAL/CTR CAP 2"-PAIR & TOOL		

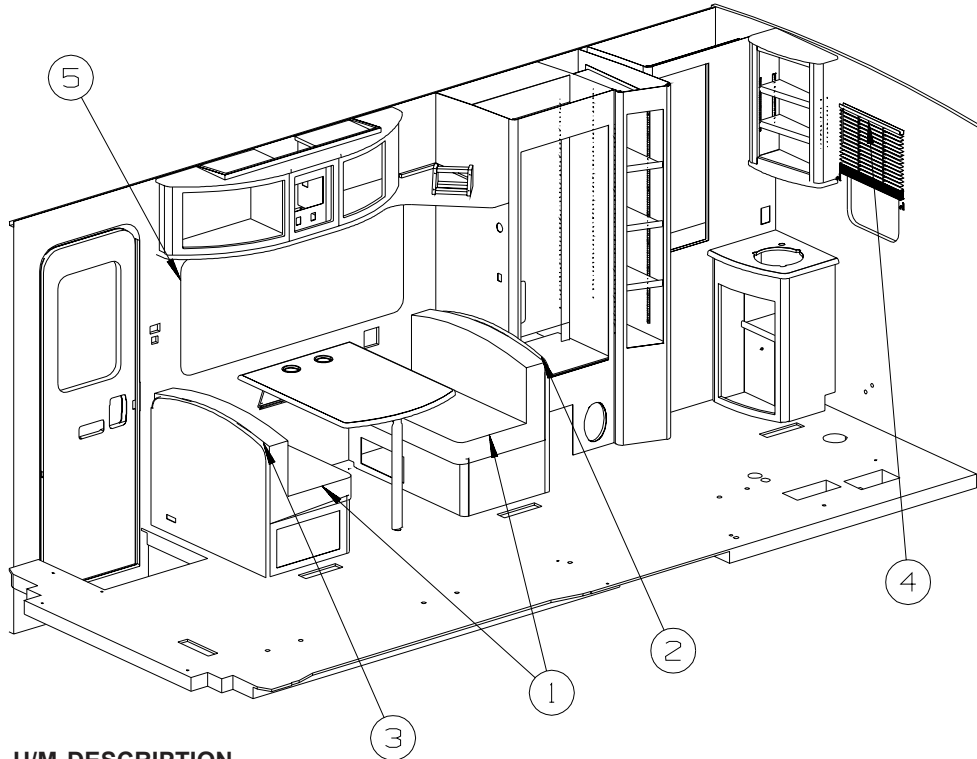
CURTAIN & CUSHION GROUP

CURTAIN, CUSHION LAYOUT



KEY	PART NUMBER	U/M	DESCRIPTION
1	155842-02-000	EA	STRAP/BUNK - W/2 CATCH HOOKS
1	153101-02-W13	EA	CUSHION - OVERHEAD BUNK - 49" X 76" X 5" (W13, W14)
1	153101-02-W15	EA	CUSHION - OVERHEAD BUNK - 49" X 76" X 5" (W15, W16)
1	153101-04-U15	EA	CUSHION - OVERHEAD BUNK - 49" X 76" X 5" (W05, W06)
	P53101-02-W13	EA	COVER - CUSHION/OVERHEAD BUNK - 49" X 76" X 5" (W13, W14)
	P53101-02-W15	EA	COVER - CUSHION/OVERHEAD BUNK - 49" X 76" X 5" (W15, W16)
	P53101-04-U15	EA	COVER - CUSHION/OVERHEAD BUNK - 49" X 76" X 5" (W05, W06)
2	076892-35-W13	EA	CURTAIN - CAB PRIVACY - 47.5" X 74" (W13, W14)
2	076892-37-W15	EA	CURTAIN - CAB PRIVACY - 55" X 84" (W15, W16)
2	076892-38-U15	EA	CURTAIN - CAB PRIVACY - 55" X 84" (W05, W06)
3	101034-68-W13	EA	CURTAIN - PRIVACY/RIGHT HAND - 15" X 21" (W13, W14)
3	101034-73-W15	EA	CURTAIN - PRIVACY/RIGHT HAND - 15" X 21" (W15, W16)
3	101034-75-U15	EA	CURTAIN - PRIVACY/RIGHT HAND - 15" X 21" (W05, W06)
3	156172-03-01A	EA	TRACK/WALL - 21" - BONE
3	156172-04-01A	EA	END CAP - WALL TRACK - CLEAR
4	101034-69-W13	EA	CURTAIN - PRIVACY/LEFT HAND - 15" X 21" (W13, W14)
4	101034-74-W15	EA	CURTAIN - PRIVACY/LEFT HAND - 15" X 21" (W15, W16)
4	101034-76-U15	EA	CURTAIN - PRIVACY/LEFT HAND - 15" X 21" (W05, W06)
4	156172-03-01A	EA	TRACK/WALL - 21" - BONE
4	156172-04-01A	EA	END CAP - WALL TRACK - CLEAR
5	154002-12-W13	EA	CURTAIN - PRIVACY/BUNK/LINED - 30" X 87.5" (W13, W14)
5	154002-13-W05	EA	CURTAIN - PRIVACY/BUNK - 30" X 87.5" (W15, W16)
5	154002-14-W15	EA	CURTAIN - PRIVACY/BUNK - 30" X 87.5" (W05, W06)
6	161568-02-W13	EA	COVER/BACK - CHAIR - LEATHER
6	161568-03-W13	EA	COVER/SEAT - CHAIR - LEATHER

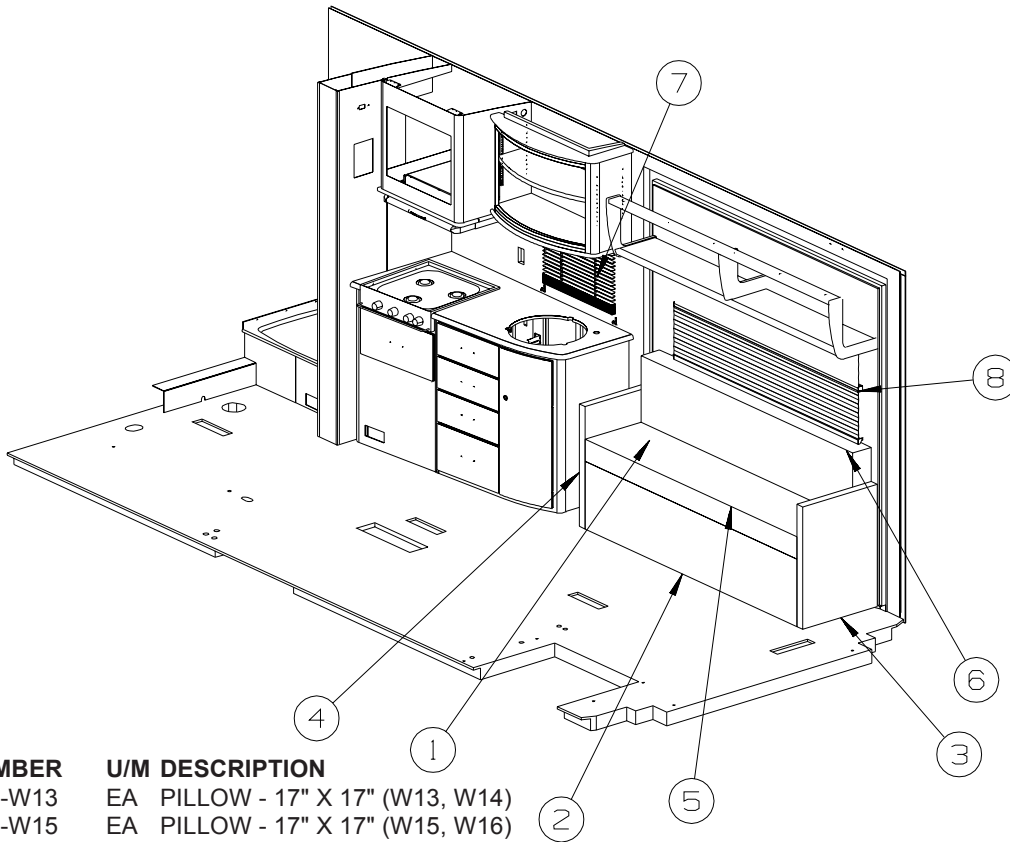
CURTAIN & CUSHION GROUP (CONTINUED)
CURTAIN, CUSHION LAYOUT (CONTINUED)



KEY	PART NUMBER	U/M	DESCRIPTION
1	153671-05-W13	EA	CUSHION - SEAT - 23" X 38" X 5" (W13, W14)
1	153671-05-W15	EA	CUSHION - SEAT - 23" X 38" X 5" (W15, W16)
1	153671-05-W05	EA	CUSHION - SEAT - 23" X 38" X 5" (W05, W06)
	153671-A5-W13	EA	COVER/CUSHION - SEAT - 23" X 38" X 5" (W13, W14)
	153671-A5-W15	EA	COVER/CUSHION - SEAT - 23" X 38" X 5" (W15, W16)
	153671-A5-W05	EA	COVER/CUSHION - SEAT - 23" X 38" X 5" (W05, W06)
2	161303-31-W13	EA	CUSHION - BACK/RIGHT - 15.5" X 38" X 5" (W13, W14)
2	161303-37-W15	EA	CUSHION - BACK/RIGHT - 15.5" X 38" X 5" (W15, W16)
2	161303-31-W05	EA	CUSHION - BACK/RIGHT - 15.5" X 38" X 5" (W05, W06)
	161303-D1-W13	EA	COVER/BACK - RIGHT - 15.5" X 38" X 5" (W13, W14)
	161303-D7-W15	EA	COVER/BACK - RIGHT - 15.5" X 38" X 5" (W15, W16)
	161303-D1-W05	EA	COVER/BACK - RIGHT - 15.5" X 38" X 5" (W05, W06)
3	161303-32-W13	EA	CUSHION - BACK/LEFT - 15.5" X 38" X 5" (W13, W14)
3	161303-38-W15	EA	CUSHION - BACK/LEFT - 15.5" X 38" X 5" (W15, W16)
3	161303-32-W05	EA	CUSHION - BACK/LEFT - 15.5" X 38" X 5" (W05, W06)
	161303-D2-W13	EA	COVER/BACK - LEFT - 15.5" X 38" X 5" (W13, W14)
	161303-D8-W15	EA	COVER/BACK - LEFT - 15.5" X 38" X 5" (W15, W16)
	161303-D2-W05	EA	COVER/BACK - LEFT - 15.5" X 38" X 5" (W05, W06)
4	111861-23-01A	EA	BLIND - MINI - 20" X 28" - ALUMINUM
	162496-01-01A	EA	BRACKET/BLIND - LEFT SIDE WHEN FACING WINDOW - CLEAR
	162496-02-01A	EA	BRACKET/BLIND - RIGHT SIDE WHEN FACING WINDOW - CLEAR
	102555-03-000	EA	BRACKET - (CLEAT TYPE) - F/BLIND HOLDDOWN - MILKY WHITE
	109441-01-000	EA	BRACKET/HOOK - BLIND HOLD DOWN
5	140789-82-W13	EA	BLIND - DAY/NIGHTER - 63" X 28.5"
	097565-01-000	EA	BRACKET - MOUNTING - PLEATED BLIND

FROM: 00-00-00 THRU: 07-23-07

CURTAIN & CUSHION GROUP (CONTINUED)
CURTAIN, CUSHION LAYOUT (CONTINUED)

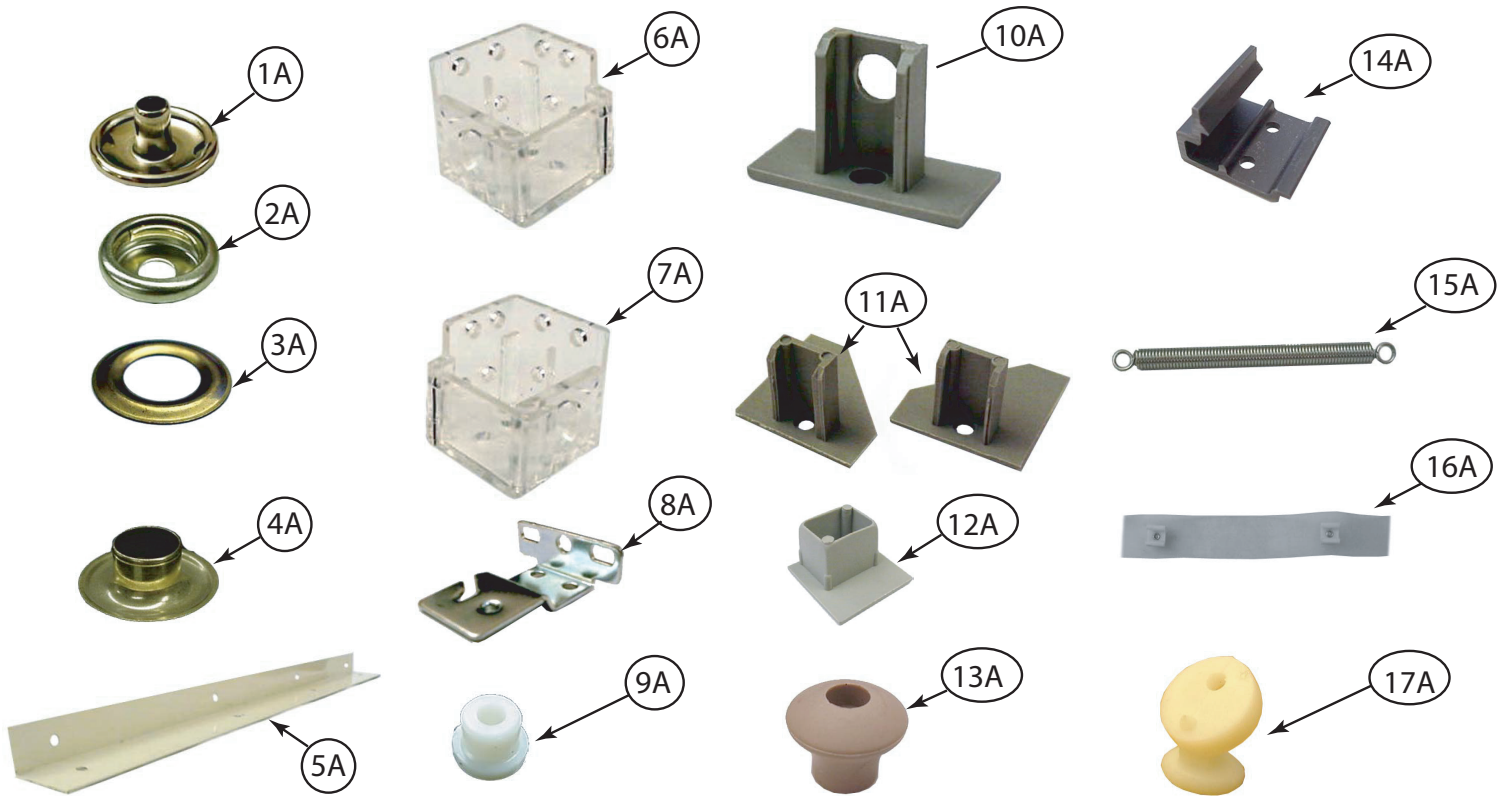


KEY	PART NUMBER	U/M	DESCRIPTION
1	157810-12-W13	EA	PILLOW - 17" X 17" (W13, W14)
1	157810-13-W15	EA	PILLOW - 17" X 17" (W15, W16)
1	157810-14-W05	EA	PILLOW - 17" X 17" (W05, W06)
2	116104-04-02B	EA	BRACKET - ZEE W/HOLES - 3.2" - E-COATED
2	127335-07-000	EA	LEG - SOFA/BED - 8"
2	155276-01-W13	EA	PANEL - FRONT KICK - SOFA/BED - FABRIC COVERED (W13, W14)
2	155276-01-W15	EA	PANEL - FRONT KICK - SOFA/BED - FABRIC COVERED (W15, W16)
2	155276-05-W15	EA	PANEL - FRONT KICK - SOFA/BED - FABRIC COVERED - 70" (W15, W16)
			FROM: 00-00-00 THRU: 07-08-07
			FROM: 07-09-07 THRU: 99-99-99
2	155276-01-U15	EA	PANEL - FRONT KICK - SOFA/BED - FABRIC COVERED (W05, W06)
	121906-01-02B	EA	BRACKET - KICKBOARD - E-COATED
3	134282-01-W13	EA	PANEL - RIGHT END/SHORT - SOFA/BED - FABRIC COVERED (W13, W14)
3	134282-01-W15	EA	PANEL - RIGHT END/SHORT - SOFA/BED - FABRIC COVERED (W15, W16)
			FROM: 00-00-00 THRU: 07-08-07
3	134282-28-W15	EA	PANEL/RIGHT END/SHORT - SOFA/BED - FABRIC COVERED (W15, W16)
			FROM: 07-09-07 THRU: 99-99-99
3	134282-01-U15	EA	PANEL - RIGHT END/SHORT - SOFA/BED - FABRIC COVERED (W05, W06)
	101926-01-02A	EA	BRACKET - ZEE - 2" - BLACK
4	134282-02-W13	EA	PANEL - LEFT END/SHORT - SOFA/BED - FABRIC COVERED (W13, W14)
4	134282-02-W15	EA	PANEL - LEFT END/FILLER - SOFA/BED - FABRIC COVERED (W15, W16)
			FROM: 00-00-00 THRU: 07-08-07
4	134282-29-W15	EA	PANEL/LEFT END/SHORT - SOFA/BED - FABRIC COVERED (W15, W16)
			FROM: 07-09-07 THRU: 99-99-99
4	134282-02-W05	EA	PANEL - LEFT END/SHORT - SOFA/BED - FABRIC COVERED (W05, W06)
	101926-01-02A	EA	BRACKET - ZEE - 2" - BLACK
5	136278-12-W13	EA	SEAT - SOFA/BED - 70" (W13, W14)
5	136278-12-W15	EA	SEAT - SOFA/BED - 70" (W15, W16)
			FROM: 00-00-00 THRU: 07-08-07
5	136278-27-W15	EA	SEAT - SOFA/BED - 70" (W15, W16)
			FROM: 07-09-07 THRU: 99-99-99
5	136278-12-W05	EA	SEAT - SOFA/BED - 70" (W05, W06)
	P36278-12-W13	EA	COVER/SEAT - SOFA/BED - 70" (W13, W14)
	P36278-12-W15	EA	COVER/SEAT - SOFA/BED - 70" (W15, W16)
			FROM: 00-00-00 THRU: 07-08-07
	P36278-27-W15	EA	COVER/SEAT - SOFA/BED - 70" (W15, W16)
			FROM: 07-09-07 THRU: 99-99-99
	P36278-12-W05	EA	COVER/SEAT - SOFA/BED - 70" (W05, W06)

CURTAIN & CUSHION GROUP (CONTINUED)
CURTAIN, CUSHION LAYOUT (CONTINUED)

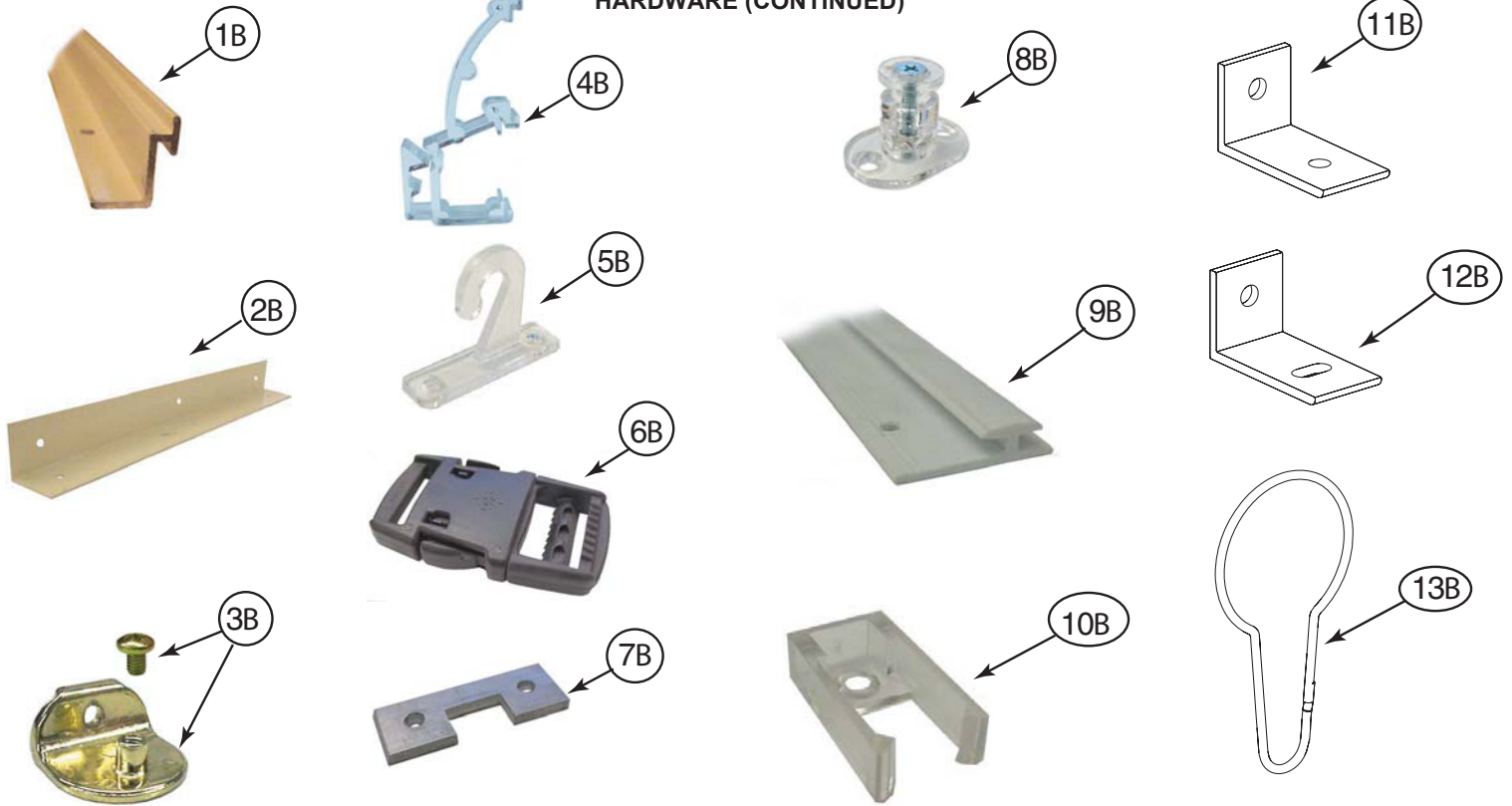
KEY	PART NUMBER	U/M	DESCRIPTION
	151290-06-000	EA	FRAME - SEAT - 70"
	151290-21-000	EA	FRAME - BASE - 27.25" X 70"
6	161166-03-W13	EA	BACK - SOFA/BED - 70" (W13, W14)
6	161166-04-W15	EA	BACK - SOFA/BED - 70" (W15, W16)
			FROM: 00-00-00 THRU: 07-08-07
6	161166-06-W15	EA	BACK - SOFA/BED - 70" (W15, W16)
			FROM: 07-09-07 THRU: 99-99-99
6	161166-03-W05	EA	BACK - SOFA/BED - 70" (W05, W06)
	132870-01-000	EA	FRAME/BACK - 70" - CUSTOM LOUNGE
	161166-A3-W13	EA	COVER/BACK - SOFA/BED - 70" (W13, W14)
	161166-A4-W15	EA	COVER/BACK - SOFA/BED - 70" (W15, W16)
			FROM: 00-00-00 THRU: 07-08-07
	161166-A6-W15	EA	COVER/BACK - SOFA/BED - 70" (W15, W16)
			FROM: 07-09-07 THRU: 99-99-99
	161166-A3-W05	EA	COVER/BACK - SOFA/BED - 70" (W05, W06)
7	111861-26-01A	EA	BLIND - MINI - 23" X 16" - ALUMINUM
	162496-01-01A	EA	BRACKET/BLIND - LEFT SIDE WHEN FACING WINDOW - CLEAR
	162496-02-01A	EA	BRACKET/BLIND - RIGHT SIDE WHEN FACING WINDOW - CLEAR
	102555-03-000	EA	BRACKET - (CLEAT TYPE) - F/BLIND HOLDOWN - MILKY WHITE
	109441-01-000	EA	BRACKET/HOOK - BLIND HOLD DOWN
8	140789-81-W13	EA	BLIND - DAY/NIGHTER - 61" X 26.5"

CURTAIN & CUSHION GROUP (CONTINUED)
HARDWARE



KEY	PART NUMBER	U/M	DESCRIPTION
1A	029155-01-000	EA	CAP - SNAP - 5/32" OUTSIDE DIAMETER OF PIN
2A	029156-01-000	EA	SOCKET - SNAP - 9/16" O.D.
3A	046867-05-000	EA	WASHER - #0
4A	046867-04-000	EA	GROMMET - #0
5A	160457-01-01A	EA	BRACE - VALANCE - L-SHAPED - 20" - OFF WHITE
6A	162496-01-01A	EA	BRACKET/BLIND - LEFT SIDE WHEN FACING WINDOW - CLEAR
7A	162496-02-01A	EA	BRACKET/BLIND - RIGHT SIDE WHEN FACING WINDOW - CLEAR
8A	084434-01-000	EA	BRACKET - MOUNTING - ROLLER SHADE - 1 3/8"
9A	094896-02-000	EA	GROMMET - CORD/PLEATED BLIND - NYLON - GRAY
10A	094907-02-000	EA	END CAP - PLEATED BLIND/TOP - RH/LH - GRAY PLASTIC
11A	094907-04-000	EA	END CAP - PLEATED BLIND/BOTTOM - RH/LH
12A	094907-09-000	EA	END CAP/BLIND - CENTER RAIL - RH/LH
13A	097564-03-000	EA	HANDLE - KNOB - E-Z LIFT SHADE - TAN
14A	097565-01-000	EA	BRACKET - MOUNTING - PLEATED BLIND
15A	155748-01-000	EA	SPRING - EXTENSION - DAY/NIGHTER BLIND
16A	101031-01-000	YD	TAPE/GLIDE - 4.25" SPACING
17A	102555-03-000	EA	BRACKET - (CLEAT TYPE) - F/BLIND HOLDOWN - MILKY WHITE

CURTAIN & CUSHION GROUP (CONTINUED)
HARDWARE (CONTINUED)



KEY	PART NUMBER	U/M	DESCRIPTION
1B	105450-14-01A	EA	TRACK - CURTAIN - 90" - OFF WHITE
2B	105648-01-02A	EA	BRACE - VALANCE - 14" - OFF WHITE
2B	105648-02-02A	EA	BRACE - VALANCE - 8.5" - OFF WHITE
3B	106544-01-000	EA	PULL - SHADE/BRASS
3B	106544-01-001	EA	SCREW - SHADE/BRASS
3B	106544-02-000	EA	PULL-SHADE - NICKEL
4B	109353-04-000	EA	CLIP - VALANCE SLAT MOUNTING - CLEAR PLASTIC
5B	109441-01-000	EA	BRACKET/HOOK - BLIND HOLD DOWN - LARGE - CLEAR
5B	109441-02-000	EA	SPACER/BRACKET - BLIND HOLD DOWN
6B	129491-01-000	EA	CATCH - SNAP HOOK - 1"
7B	130549-01-01A	EA	STOP - CURTAIN TRACK
8B	141634-01-000	EA	BRACKET-(BOBBIN TYPE) 7/8"H HOLDUPBASE(OVAL)-2 HOLE-CLEAR
9B	156172-02-01A	EA	TRACK/WALL - 32" - BONE
9B	156172-03-01A	EA	TRACK/WALL - 21" - BONE
10B	156172-04-01A	EA	END CAP - WALL TRACK - CLEAR
11B	154316-01-01A	EA	BRACE/ANGLE - W/HOLE - CASHMERE
12B	154316-02-01A	EA	BRACE/ANGLE - W/SLOT - CASHMERE
13B	159702-01-01A	EA	HOOK/RING - CURTAIN/SHOWER - NICKEL

CURTAIN & CUSHION GROUP (CONTINUED)
ACCESSORIES

KEY	PART NUMBER	U/M	DESCRIPTION
	070578-19-T47	EA	BUTTON - #30 - SCREW/STUD - FABRIC COVERED (W13, W14)
	070578-19-W15	EA	BUTTON - #30 - SCREW/STUD - FABRIC COVERED (W15, W16)
	070578-19-W05	EA	BUTTON - #30 - SCREW/STUD - FABRIC COVERED (W05, W06)
	118337-19-W13	EA	BUTTON - #36 W/TACK (W13, W14)
	161506-05-W13	EA	BUTTON - #36 - FABRIC COVERED (W13, W14) FROM: 00-00-00 THRU: 01-21-07
	118337-19-W15	EA	BUTTON - #36 W/TACK (W15, W16) FROM: 01-22-07 THRU: 99-99-99
	161506-05-W15	EA	BUTTON - #36 - FABRIC COVERED (W15, W16) FROM: 00-00-00 THRU: 01-21-07
	118337-19-U15	EA	BUTTON - #36 W/TACK (W05, W06) FROM: 01-22-07 THRU: 99-99-99
	161506-05-W05	EA	BUTTON - #36 - FABRIC COVERED (W05, W06) FROM: 00-00-00 THRU: 01-21-07
	161506-06-W13	EA	BUTTON - #36 - FABRIC COVERED (W13, W14) FROM: 01-22-07 THRU: 99-99-99
	161506-06-W15	EA	BUTTON - #36 - FABRIC COVERED (W15, W16) FROM: 01-22-07 THRU: 99-99-99
	161506-06-W05	EA	BUTTON - #36 - FABRIC COVERED (W05, W06) FROM: 01-22-07 THRU: 99-99-99
	074494-07-000	EA	BUTTON - PIVOT - #36 (W05, W06) FROM: 01-22-07 THRU: 99-99-99
	074494-08-000	EA	BUTTON - PIVOT - #36 (W13, W14, W15, W16) FROM: 01-22-07 THRU: 99-99-99

CURTAIN & CUSHION GROUP (CONTINUED)
FABRICS

W13, W14

113979-09-01A CARPET-HEADLINER (SY) - CEILING
FROM: 00-00-00 THRU: 01-13-08

113979-09-02A CARPET-HEADLINER (SY) - CEILING
FROM: 01-14-08 THRU: 99-99-99

113979-10-01A CARPET-HEADLINER - SLDOUT (SY) - CEILING
FROM: 00-00-00 THRU: 01-13-08

113979-10-02A CARPET-HEADLINER - SLDOUT (SY) - CEILING
FROM: 01-14-08 THRU: 99-99-99

113979-11-01A CARPET-HEADLINER - SLDOUT (SY) - CEILING
FROM: 00-00-00 THRU: 01-13-08

113979-11-02A CARPET-HEADLINER - SLDOUT (SY) - CEILING
FROM: 01-14-08 THRU: 99-99-99

113979-16-01A CARPET - HEADLINER - 52" WIDE SLIDEOUT - CEILING
FROM: 00-00-00 THRU: 06-03-07

113979-17-01A CARPET-HEADLINER (SY) 59"
FROM: 06-04-07 THRU: 01-13-08

113979-16-02A CARPET - HEADLINER - 52" WIDE SLIDEOUT - CEILING
FROM: 01-14-08 THRU: 99-99-99

087272-03-000 FABRIC-DRAPERY, MAIN

142523-24-000 FABRIC-UPHOSTERY,ACCENT PLAIN, "B"

142523-24-000 FABRIC-UPHL,SEAT INSERT

142523-24-000 FABRIC-UPHL,ULTRALEATHER , MAIN

142523-29-000 FABRIC-BOXING (ULTRA)

148797-H9-000 FABRIC-HEADLINER/PADS/BUNKS, TRANS PANELS

148797-H9-000 FABRIC-UPHLSTRY,PLAIN ACCENT

148797-M2-000 FABRIC-TRANS PANEL

148797-W6-000 FABRIC-UPHOSTERY MAIN ONE

148797-W6-000 FABRIC-SOFA BASE WRAP "A"

148797-W7-000 FABRIC-SOFA BASE WRAP "B"

148797-W7-000 FABRIC-UPHOSTERY ACCENT PATTERN

148797-W7-000 FABRIC-SLEEPER DECK

156773-20-000 FABRIC-UPHOSTERY,BEDSPREAD, MAIN

156773-21-000 FABRIC-UPHOSTERY,BEDSPREAD, PATTERN ACCENT

CURTAIN & CUSHION GROUP (CONTINUED)
FABRICS (CONTINUED)

W15, W16

113979-09-01A CARPET-HEADLINER (SY) - CEILING
FROM: 00-00-00 THRU: 01-13-08

113979-09-02A CARPET-HEADLINER (SY) - CEILING
FROM: 01-14-08 THRU: 99-99-99

113979-10-01A CARPET-HEADLINER - SLDOUT (SY) - CEILING
FROM: 00-00-00 THRU: 01-13-08

113979-10-02A CARPET-HEADLINER - SLDOUT (SY) - CEILING
FROM: 01-14-08 THRU: 99-99-99

113979-11-01A CARPET-HEADLINER - SLDOUT (SY) - CEILING
FROM: 00-00-00 THRU: 01-13-08

113979-11-02A CARPET-HEADLINER - SLDOUT (SY) - CEILING
FROM: 01-14-08 THRU: 99-99-99

113979-16-01A CARPET - HEADLINER - 52" WIDE SLIDEOUT - CEILING
FROM: 00-00-00 THRU: 06-03-07

113979-17-01A CARPET-HEADLINER (SY) 59"
FROM: 06-04-07 THRU: 01-13-08

113979-16-02A CARPET - HEADLINER - 52" WIDE SLIDEOUT - CEILING
FROM: 01-14-08 THRU: 99-99-99

087272-03-000 FABRIC-DRAPERY, MAIN

142523-24-000 FABRIC-UPHOSTERY,ACCENT PLAIN, "B"

142523-24-000 FABRIC-UPHL,ULTRALEATHER, MAIN

142523-29-000 FABRIC-BOXING (ULTRA)

148797-CG-000 FABRIC-SOFA BASE WRAP "B"

148797-CH-000 FABRIC-HEADLINER/PADS/BUNKS, TRANS PANELS

148797-W1-000 FABRIC-UPHOSTERY MAIN ONE

148797-W1-000 FABRIC-SOFA BASE WRAP "A"

148797-CG-000 FABRIC-UPHOSTERY ACCENT PATTERN

148797-CG-000 FABRIC-SLEEPER DECK

148797-CH-000 FABRIC-UPHLSTRY,PLAIN ACCENT

148797-U9-000 FABRIC-TRANS PANEL

156773-02-000 FABRIC-UPHOSTERY,BEDSPREAD, PATTERN ACCENT

156773-03-000 FABRIC-UPHOSTERY,BEDSPREAD, MAIN
FROM: 00-00-00 THRU: 10-14-07

156773-G3-000 FABRIC-UPHOSTERY,BEDSPREAD, MAIN
FROM: 10-15-07 THRU: 99-99-99

CURTAIN & CUSHION GROUP (CONTINUED)
FABRICS (CONTINUED)

W05, W06

113979-09-01A CARPET-HEADLINER (SY) - CEILING
FROM: 00-00-00 THRU: 01-13-08

113979-09-02A CARPET-HEADLINER (SY) - CEILING
FROM: 01-14-08 THRU: 99-99-99

113979-10-01A CARPET-HEADLINER - SLDOUT (SY) - CEILING
FROM: 00-00-00 THRU: 01-13-08

113979-10-02A CARPET-HEADLINER - SLDOUT (SY) - CEILING
FROM: 01-14-08 THRU: 99-99-99

113979-11-01A CARPET-HEADLINER - SLDOUT (SY) - CEILING
FROM: 00-00-00 THRU: 01-13-08

113979-11-02A CARPET-HEADLINER - SLDOUT (SY) - CEILING
FROM: 01-14-08 THRU: 99-99-99

113979-16-01A CARPET - HEADLINER - 52" WIDE SLIDEOUT - CEILING
FROM: 00-00-00 THRU: 06-03-07

113979-17-01A CARPET-HEADLINER (SY) 59"
FROM: 06-04-07 THRU: 01-13-08

113979-16-02A CARPET - HEADLINER - 52" WIDE SLIDEOUT - CEILING
FROM: 01-14-08 THRU: 99-99-99

087272-03-000 FABRIC-DRAPERY, MAIN

142523-24-000 FABRIC-UPHOSTERY,ACCENT PLAIN, "B"

142523-24-000 FABRIC-UPHL,ULTRALEATHER, MAIN

142523-29-000 FABRIC-BOXING (ULTRA)

148797-M2-000 FABRIC-TRANS PANEL

148797-U9-000 FABRIC-HEADLINER/PADS/BUNKS, TRANS PANELS

148797-U9-000 FABRIC-UPHOSTERY ACCENT PATTERN

148797-U7-000 FABRIC-UPHOSTERY MAIN ONE

148797-U7-000 FABRIC-UPHOSTERY,BEDSPREAD, PATTERN ACCENT

148797-U7-000 FABRIC-SOFA BASE WRAP "A"

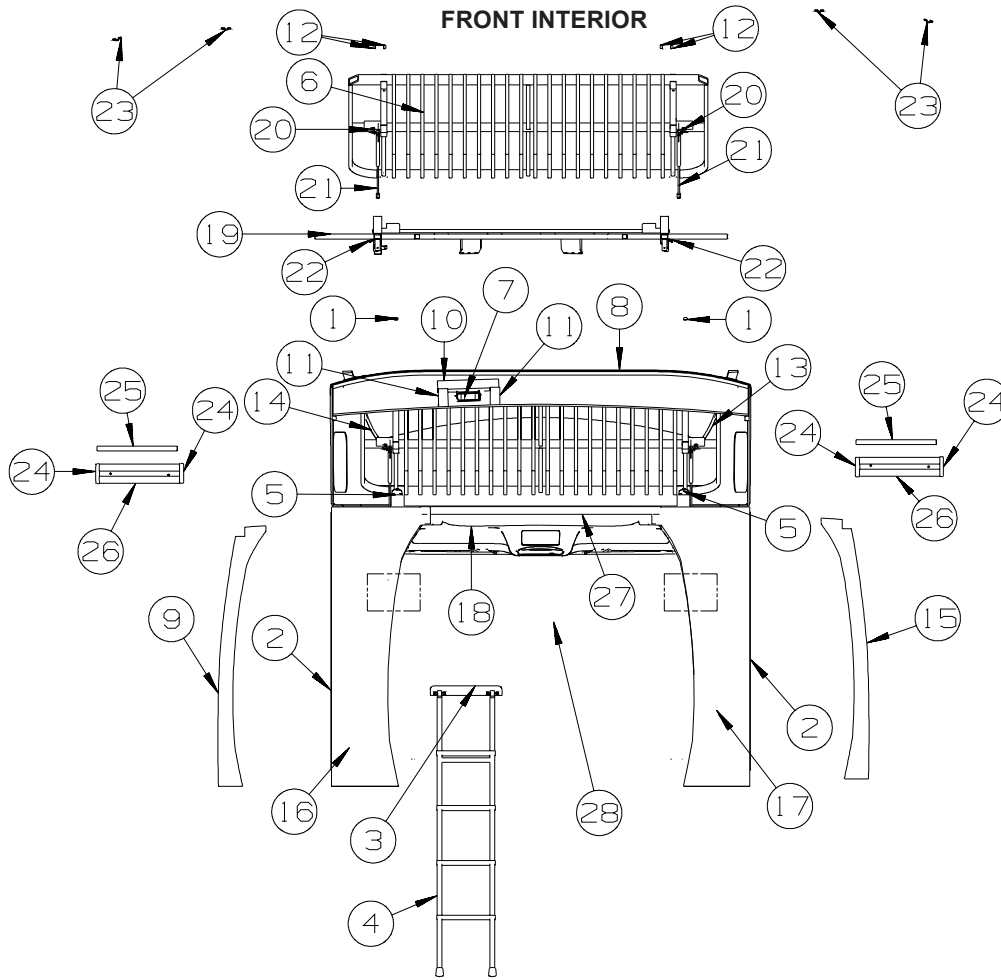
148797-U7-000 FABRIC-SOFA BASE WRAP "B"

148797-U9-000 FABRIC-UPHLSTRY,PLAIN ACCENT

156773-10-000 FABRIC-UPHOSTERY,BEDSPREAD, MAIN

156773-10-000 FABRIC-SLEEPER DECK

DRIVERS COMPARTMENT GROUP FRONT INTERIOR

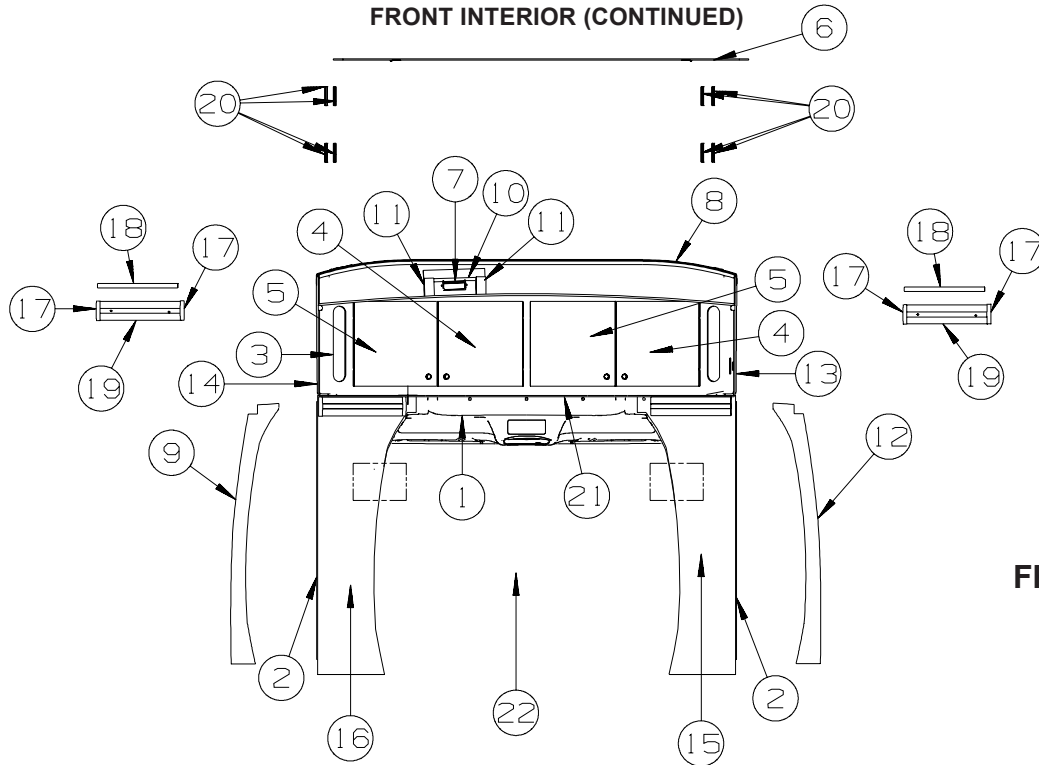


KEY	PART NUMBER	U/M DESCRIPTION
1	120863-05-000	EA BUMPER - RUBBER/RADIUS TOP - 3/4" X 3/8"
2	105290-01-000	EA INSULATION - AIR POCKET W/FOIL - 4' WIDE
3	094658-04-T25	EA HANDLE - BUNK - 1.1" X 2" X 14.9" - WASHED MAPLE
3	094658-04-T02	EA HANDLE - BUNK - 1.1" X 2" X 14.2" - HONEY CHERRY
4	106025-07-01A	EA LADDER - BUNK - 58.6" - BLACK
5	151554-05-02B	EA HINGE/SLEEPER - FRAME - E-COATED
6	151565-01-T01	EA FRAME - SLEEPER/BUNK
7	135803-03-01A	EA LOUVER - A/C - OPEN FRAME
8	159982-01-12A	EA PANEL/TRIM - CEILING CONTOUR - OFF WHITE
9	160391-01-W13	EA PANEL/TRANSITION - FABRIC WRAPPED (W13, W14)
9	160391-01-W15	EA PANEL/TRANSITION - FABRIC WRAPPED (W15, W16)
9	160391-01-W05	EA PANEL/TRANSITION - FABRIC WRAPPED (W05, W06)
10	151838-02-02A	EA FOAM - LPE, DUCT
11	151838-04-02A	EA FOAM-LPE,DUCT,CHARCOAL GRAY
12	151839-01-01A	EA BEARING/FLANGED - 3/8" TO 7/8" X 1/2" DEEP - BRONZE
13	160392-01-W13	EA PANEL/TRIM - BUNK/RH
14	160392-02-W13	EA PANEL/TRIM - BUNK/LH
15	160391-02-W13	EA PANEL/TRANSITION - FABRIC WRAPPED (W13, W14)
15	160391-02-W15	EA PANEL/TRANSITION - FABRIC WRAPPED (W15, W16)
15	160391-02-W05	EA PANEL/TRANSITION - FABRIC WRAPPED (W05, W06)
16	160382-02-W13	EA PANEL - TRANSITION - INNER/PASSENGER SIDE (W13, W14)
16	160382-02-W15	EA PANEL - TRANSITION - INNER/PASSENGER SIDE (W15, W16)
16	160382-02-W05	EA PANEL - TRANSITION - INNER/PASSENGER SIDE (W05, W06)
	070578-19-T47	EA BUTTON - #30 - SCREW/STUD - FABRIC COVERED (W13, W14)
	070578-19-W15	EA BUTTON - #30 - SCREW/STUD - FABRIC COVERED (W15, W16)
	070578-19-W05	EA BUTTON - #30 - SCREW/STUD - FABRIC COVERED (W05, W06)
17	160382-01-W13	EA PANEL - TRANSITION - INNER/DRIVER SIDE (W13, W14)
17	160382-01-W15	EA PANEL - TRANSITION - INNER/DRIVER SIDE (W15, W16)
17	160382-01-W05	EA PANEL - TRANSITION - INNER/DRIVER SIDE (W05, W06)
	070578-19-T47	EA BUTTON - #30 - SCREW/STUD - FABRIC COVERED (W13, W14)
	070578-19-W15	EA BUTTON - #30 - SCREW/STUD - FABRIC COVERED (W15, W16)
	070578-19-W05	EA BUTTON - #30 - SCREW/STUD - FABRIC COVERED (W05, W06)

DRIVERS COMPARTMENT GROUP (CONTINUED)
FRONT INTERIOR (CONTINUED)

KEY	PART NUMBER	U/M	DESCRIPTION
18	159984-01-12A	EA	PANEL/TRIM - HEADLINER - OFF WHITE
19	159420-01-02B	EA	SUPPORT - SLEEPER - E-COATED
20	126263-02-02B	EA	BRACKET - GAS SPRING W/BALL STUD - E-COATED
21	142569-14-000	EA	SPRING/GAS - 100 LB - 20" EXTENDED/12" COMPRESSED
22	126263-15-02B	EA	BRACKET - GAS SPRING W/BALL STUD - E-COATED
23	127960-01-01A	EA	RETAINER - EYE - 3/8" - STAINLESS STEEL
24	156636-05-U21	EA	MOLDING/BLOCK - .8" X 4" - HONEY CHERRY
25	M09520-83-U21	EA	MOLDING/TRIM - .3" X 1" X 78.9" - WASHED MAPLE
25	M09520-83-U22	EA	MOLDING/TRIM - .3" X 1" X 78.9" - HONEY CHERRY
26	Y00361-A2-438	EA	MOLDING - VINYL/CURVED - 3.9" X 96" - WASHED MAPLE
26	Y00361-82-438	EA	MOLDING - VINYL/CURVED - 3.9" X 96" - HONEY CHERRY
27	163887-01-W13	EA	PANEL - FABRIC COVERED (W13, W14, W05, W06) FROM: 01-12-07 THRU: 99-99-99
27	163887-01-W15	EA	PANEL - FABRIC COVERED (W15, W16) FROM: 01-12-07 THRU: 99-99-99
28	164519-01-01A	EA	BLIND/PLEATED - WINDSHIELD/PRIVACY - GRAY - CAB-WINDOW BLINDS FROM: 04-30-07 THRU: 99-99-99
28	164519-02-01A	EA	BLIND/PLEATED - CAB/SIDE WINDOWS/PRIVACY - RH & LH - GRAY - CAB-WINDOW BLINDS FROM: 04-30-07 THRU: 99-99-99
28	164519-03-01A	EA	SUPPORT/ROD - BLIND/PRIVACY - GRAY - CAB-WINDOW BLINDS FROM: 04-30-07 THRU: 99-99-99
	128131-01-01A	EA	SPACER/SWITCH - DOME - BLACK FROM: 00-00-00 THRU: 04-15-07

DRIVERS COMPARTMENT GROUP (CONTINUED)
FRONT INTERIOR (CONTINUED)



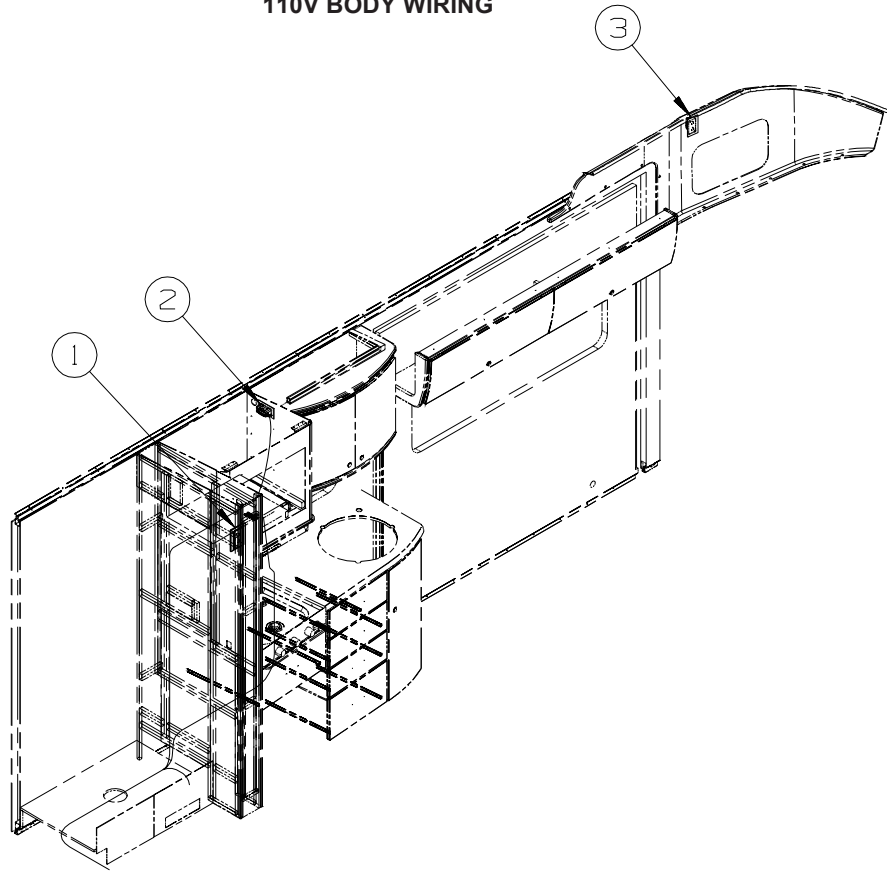
**FRONT OVERHEAD
CABINETS**

KEY	PART NUMBER	U/M	DESCRIPTION
1	159984-01-12A	EA	PANEL/TRIM - HEADLINER - OFF WHITE
2	105290-01-000	EA	INSULATION - AIR POCKET W/FOIL - 4' WIDE
3	160721-01-W13	EA	CABINET - OVERHEAD/FRONT - W/O DOORS/HDW - WASHED MAPLE
3	160721-01-W14	EA	CABINET - OVERHEAD/FRONT - W/O DOORS/HDW - HONEY CHERRY
4	160739-01-W13	EA	DOOR - CURVED - 17.7" X 17.7" - W/O HDW - WASHED MAPLE
4	160739-01-W14	EA	DOOR - CURVED - 17.7" X 17.7" - W/O HDW - HONEY CHERRY
5	160739-02-W13	EA	DOOR - CURVED - 17.7" X 17.7" - W/O HDW - WASHED MAPLE
5	160739-01-W14	EA	DOOR - CURVED - 17.7" X 17.7" - W/O HDW - HONEY CHERRY
6	160375-02-02B	EA	STRAP - TIEDOWN/TV - 31" - E-COATED
7	135803-03-01A	EA	LOUVER - A/C - OPEN FRAME
8	159982-01-12A	EA	PANEL/TRIM - CEILING CONTOUR - OFF WHITE
9	160391-01-W13	EA	PANEL/TRANSITION - FABRIC WRAPPED (W13, W14)
9	160391-01-W15	EA	PANEL/TRANSITION - FABRIC WRAPPED (W15, W16)
9	160391-01-W05	EA	PANEL/TRANSITION - FABRIC WRAPPED (W05, W06)
10	151838-02-02A	EA	FOAM - LPE, DUCT
11	151838-04-02A	EA	FOAM-LPE,DUCT,CHARCOAL GRAY
12	160382-01-W13	EA	PANEL - TRANSITION - INNER/DRIVER SIDE (W13, W14)
12	160382-01-W15	EA	PANEL - TRANSITION - INNER/DRIVER SIDE (W15, W16)
12	160382-01-W05	EA	PANEL - TRANSITION - INNER/DRIVER SIDE (W05, W06)
	070578-19-T47	EA	BUTTON - #30 - SCREW/STUD - FABRIC COVERED (W13, W14)
	070578-19-W15	EA	BUTTON - #30 - SCREW/STUD - FABRIC COVERED (W15, W16)
	070578-19-W05	EA	BUTTON - #30 - SCREW/STUD - FABRIC COVERED (W05, W06)
13	160392-05-W13	EA	PANEL/TRIM - BUNK/RH
14	160392-06-W13	EA	PANEL/TRIM - BUNK/LH
15	160391-02-W13	EA	PANEL/TRANSITION - FABRIC WRAPPED (W13, W14)
15	160391-02-W15	EA	PANEL/TRANSITION - FABRIC WRAPPED (W15, W16)
15	160391-02-W05	EA	PANEL/TRANSITION - FABRIC WRAPPED (W05, W06)
16	160382-02-W13	EA	PANEL - TRANSITION - INNER/PASSENGER SIDE (W13, W14)
16	160382-02-W15	EA	PANEL - TRANSITION - INNER/PASSENGER SIDE (W15, W16)
16	160382-02-W05	EA	PANEL - TRANSITION - INNER/PASSENGER SIDE (W05, W06)
	070578-19-T47	EA	BUTTON - #30 - SCREW/STUD - FABRIC COVERED (W13, W14)
	070578-19-W15	EA	BUTTON - #30 - SCREW/STUD - FABRIC COVERED (W15, W16)
	070578-19-W05	EA	BUTTON - #30 - SCREW/STUD - FABRIC COVERED (W05, W06)
17	156636-05-U21	EA	MOLDING/BLOCK - .8" X 4" - HONEY CHERRY
18	M09520-83-U21	EA	MOLDING/TRIM - .3" X 1" X 78.9" - WASHED MAPLE
18	M09520-83-U22	EA	MOLDING/TRIM - .3" X 1" X 78.9" - HONEY CHERRY
19	Y00361-A2-438	EA	MOLDING - VINYL/CURVED - 3.9" X 96" - WASHED MAPLE
19	Y00361-82-438	EA	MOLDING - VINYL/CURVED - 3.9" X 96" - HONEY CHERRY
20	146514-04-000	EA	CHANNEL/MOUNT - F/ROPE LIGHT

DRIVERS COMPARTMENT GROUP (CONTINUED)
FRONT INTERIOR (CONTINUED)

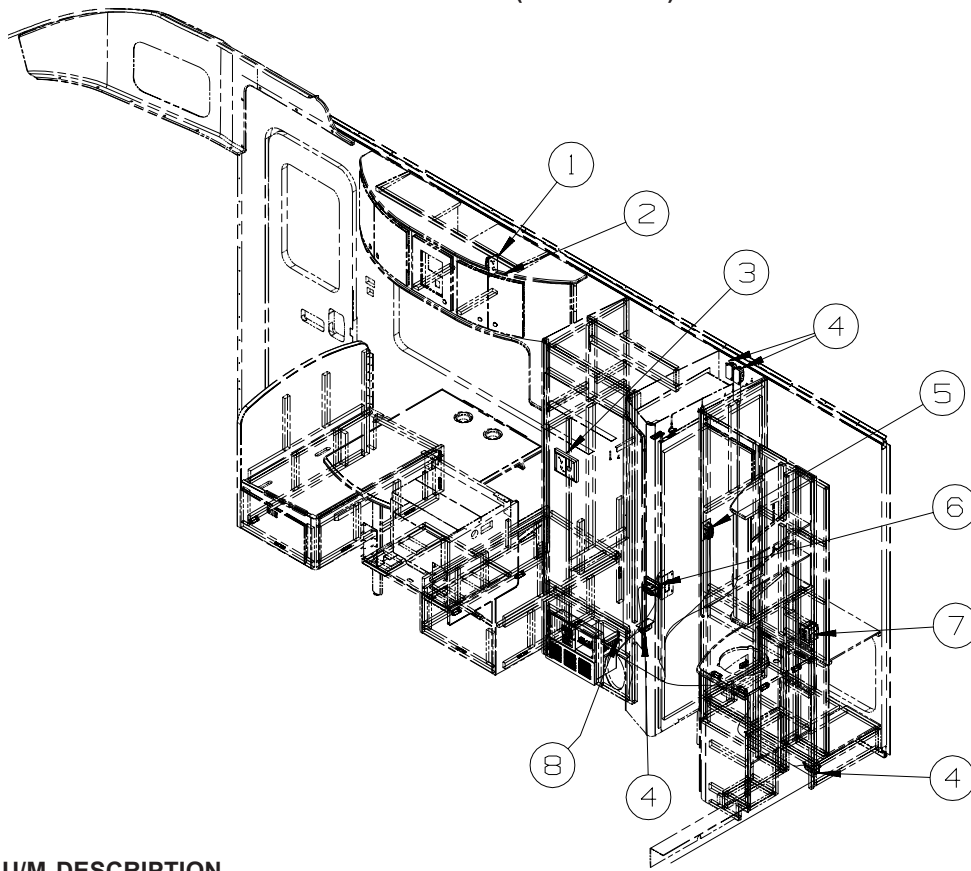
KEY	PART NUMBER	U/M	DESCRIPTION
21	163887-01-W13	EA	PANEL - FABRIC COVERED (W13, W14, W05, W06) FROM: 01-12-07 THRU: 99-99-99
21	163887-01-W15	EA	PANEL - FABRIC COVERED (W15, W16) FROM: 01-12-07 THRU: 99-99-99
22	164519-01-01A	EA	BLIND/PLEATED - WINDSHIELD/PRIVACY - GRAY - CAB-WINDOW BLINDS FROM: 04-30-07 THRU: 99-99-99
22	164519-02-01A	EA	BLIND/PLEATED - CAB/SIDE WINDOWS/PRIVACY - RH & LH - GRAY - CAB-WINDOW BLINDS FROM: 04-30-07 THRU: 99-99-99
22	164519-03-01A	EA	SUPPORT/ROD - BLIND/PRIVACY - GRAY - CAB-WINDOW BLINDS FROM: 04-30-07 THRU: 99-99-99
	128131-01-01A	EA	SPACER/SWITCH - DOME - BLACK FROM: 00-00-00 THRU: 04-15-07

ELECTRICAL GROUP
110V BODY WIRING



KEY	PART NUMBER	U/M	DESCRIPTION
1	133713-01-21A	EA	SPACER/RECEPTACLE - VINYL - WASHED MAPLE
1	133713-01-23A	EA	SPACER/RECEPTACLE - VINYL - HONEY CHERRY
1	058708-01-000	EA	RECEPTACLE - ELECTRIC - DOUBLE - BROWN
2	058708-05-000	EA	RECEPTACLE - ELECTRIC - SINGLE - BROWN
2	160984-01-01A	EA	RECEPTACLE - ELECTRICAL - SINGLE/FLUSH - 20 AMP - BROWN - CANADIAN
3	058708-01-000	EA	RECEPTACLE - ELECTRIC - DOUBLE - BROWN

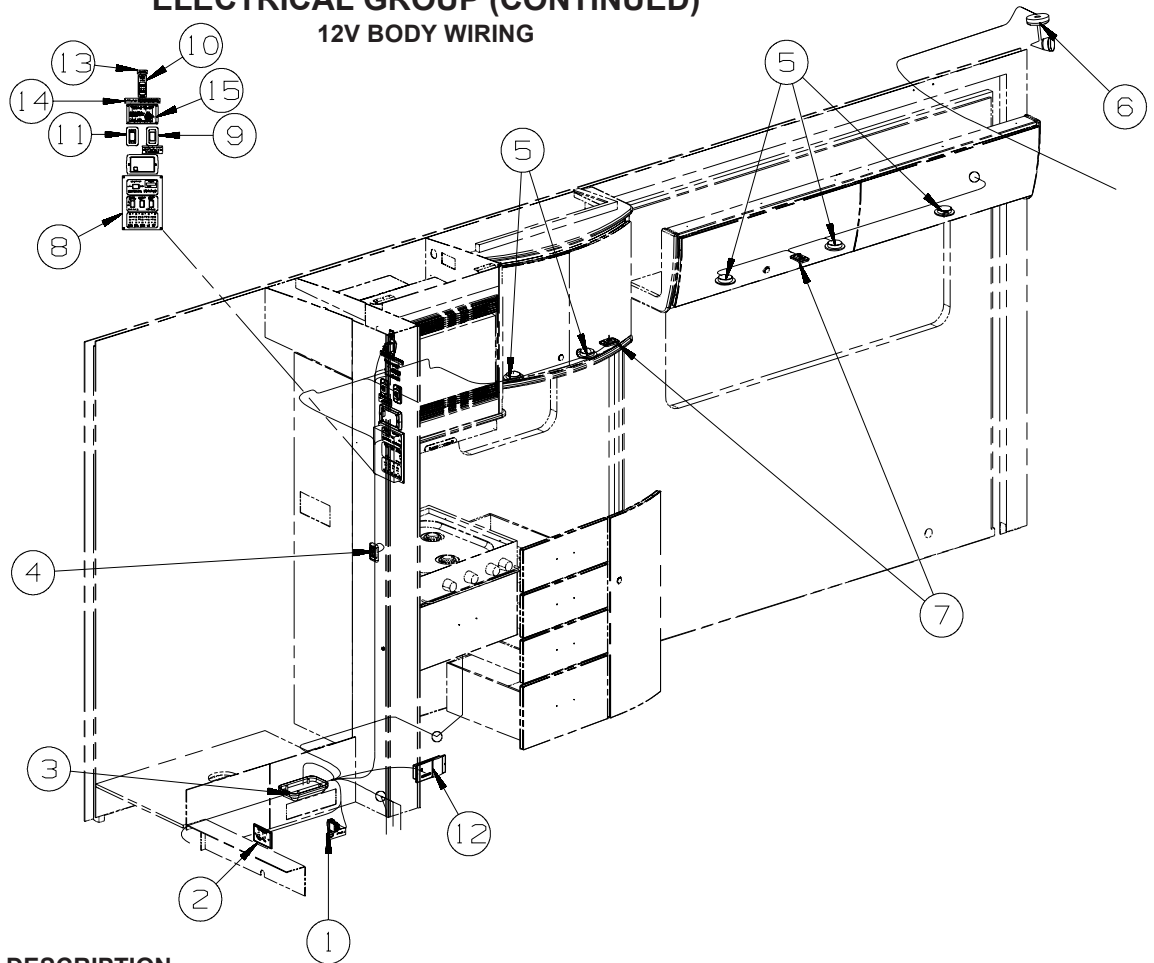
ELECTRICAL GROUP (CONTINUED)
110V BODY WIRING (CONTINUED)



KEY	PART NUMBER	U/M	DESCRIPTION
1	058708-01-000	EA	RECEPTACLE - ELECTRIC - DOUBLE - BROWN
2	158542-02-01A	EA	LABEL - RECEPTACLE - ELECTRONICS - WHITE/BLACK - CANADIAN
3	133713-04-21A	EA	SPACER/RECEPTACLE - VINYL - WASHED MAPLE
3	133713-04-23A	EA	SPACER/RECEPTACLE - VINYL - HONEY CHERRY
3	058708-01-000	EA	RECEPTACLE - ELECTRIC - DOUBLE - BROWN
4	058707-02-000	EA	RECEPTACLE - BLANK - JUNCTION BOX
5	058707-01-000	EA	RECEPTACLE - ELECTRIC - SINGLE - BROWN
6	131826-01-01A	EA	RECEPTACLE - EXTERIOR - W/COVER/GASKET - WHITE
7	163319-01-02A	EA	RECEPTACLE - GFCI - 15A 125V - BROWN
8	136481-01-000	EA	MODULE - AUTO ENERGY SELECTOR

ELECTRICAL GROUP (CONTINUED)

12V BODY WIRING



KEY	PART NUMBER	U/M	DESCRIPTION
1	108357-15-000	EA	SWITCH - ROCKER - DPDT - ON/NONE/ON - W/LIGHT W/O COVER
1	108356-04-02A	EA	COVER/ACTUATOR SWITCH - 2 ROWS DIMPLES W/LENS - BLACK
1	108355-01-000	EA	HOUSING - SWITCH
2	149557-03-01A	EA	PLATE/WALL - DUAL COAXIAL/HORIZONTAL - WHITE
3*	137417-01-01A	EA	LIGHT - DOME - SINGLE - W/SWITCH/FROSTED LENS - WHITE
4	135740-01-01A	EA	SWITCH - ROCKER - SPST - ON/OFF - BROWN
4	135741-01-01A	EA	SWITCH - BASE - SINGLE - BROWN
4	135742-07-02A	EA	BEZEL - SWITCH - CEILING - BROWN
5*	123775-01-02A	EA	LIGHT - HALOGEN - ROUND - SATIN NICKEL
6*	152438-01-01A	EA	LIGHT - READING/SWIVEL - W/SWITCH - SATIN NICKEL - BUNK FRONT OVERHEAD-SINGLE
7	135740-01-01A	EA	SWITCH - ROCKER - SPST - ON/OFF - BROWN
7	135741-01-01A	EA	SWITCH - BASE - SINGLE - BROWN
7	135742-01-01A	EA	BEZEL - SWITCH - SINGLE - BROWN
8*	134940-07-01A	EA	PANEL - MONITOR - 2 TANK
FROM: 00-00-00 THRU: 00-00-00 THRU: 06-01-07			
8*	134940-06-01A	EA	PANEL - MONITOR - 2 TANK - W/GNRTR SWITCH
8*	134940-10-01A	EA	PANEL - MONITOR - 2 TANK - W/O GEN SWITCH - GEN PREP KIT-DIESEL OR GEN-3.2 KW ONAN DSL
9	135740-06-01A	EA	SWITCH - ROCKER - ON/OFF - LIGHTED - RED - DRAINAGE SYSTEM HEATED
9	135741-01-01A	EA	SWITCH - BASE - SINGLE - BROWN - DRAINAGE SYSTEM HEATED
9	135742-01-01A	EA	BEZEL - SWITCH - SINGLE - BROWN - DRAINAGE SYSTEM HEATED
9	134563-01-02A	EA	LABEL - SWITCH - HEATER - BLACK/WHITE - DRAINAGE SYSTEM HEATED
9	138253-01-02A	EA	SWITCH - BLANK - BROWN
10	144363-09-02B	EA	PLATE - SWITCH - E-COATED
10	108357-06-000	EA	SWITCH - ROCKER - DPDT - MOM/OFF/MOM - 6 TERM - W/O COVER
FROM: 00-00-00 THRU: 04-01-07			
10	108357-07-000	EA	SWITCH - ROCKER - SPDT - MOM/OFF/MOM - 3 TERM - W/O COVER
FROM: 04-02-07 THRU: 99-99-99			
10	108355-01-000	EA	HOUSING - SWITCH
10	108356-02-01A	EA	COVER/ACTUATOR SWITCH - 2 ROWS DIMPLES - BLACK
FROM: 00-00-00 THRU: 04-01-07			
10	108356-01-01A	EA	COVER/ACTUATOR SWITCH - 3 GROOVES - BLACK
FROM: 04-02-07 THRU: 99-99-99			
10	116220-01-000	EA	APPLIQUE - SWITCH/SLIDEOUT

ELECTRICAL GROUP (CONTINUED)

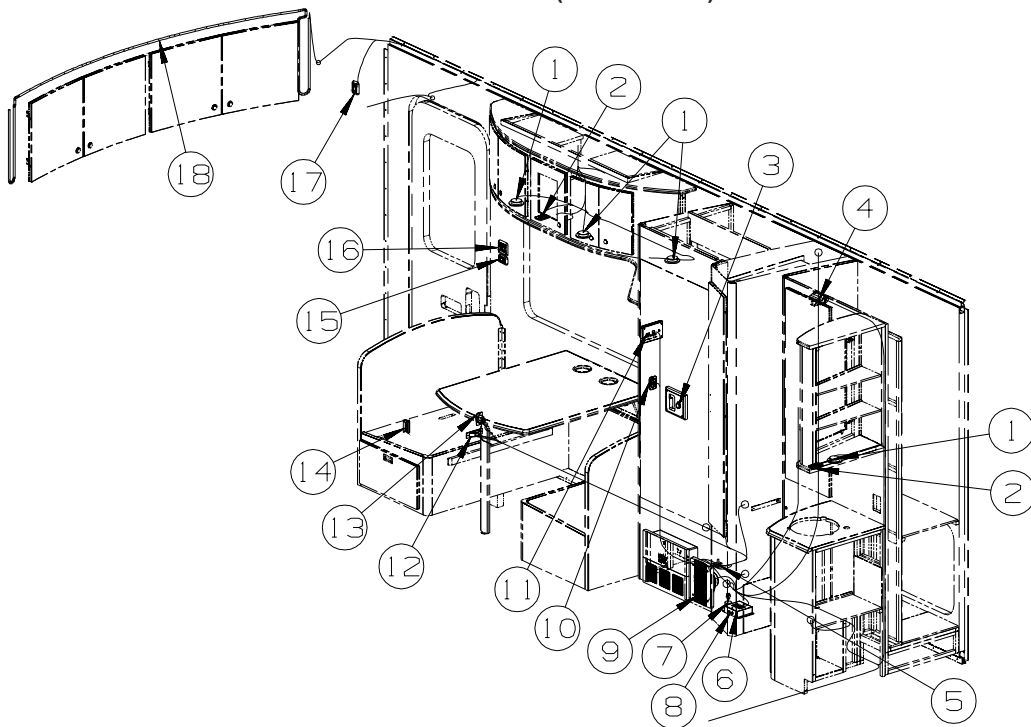
12V BODY WIRING (CONTINUED)

KEY	PART NUMBER	U/M	DESCRIPTION
11	135740-06-01A	EA	SWITCH - ROCKER - ON/OFF - LIGHTED - RED - WTR HTR-6GAL ELECTRIC/LP GAS
11	135741-01-01A	EA	SWITCH - BASE - SINGLE - BROWN - WTR HTR-6GAL ELECTRIC/LP GAS
11	135742-35-02A	EA	BEZEL - SWITCH - WATER HEATER/110 VOLT - BROWN - WTR HTR-6GAL ELECTRIC/LP GAS
12	150138-01-02A	EA	DETECTOR - LP GAS - BROWN
12	150138-01-01A	EA	DETECTOR - LP GAS - WHITE
13	163992-01-01A	EA	LABEL - SLIDEOUT - DRIVER/FRONT - BLACK/WHITE
14	116549-01-000	EA	LABEL - WARNING - SLIDEOUT
15	163988-01-01A	EA	LABEL - SLIDEOUT CONTROL/MANUAL - BLACK/WHITE
			FROM: 02-19-07 THRU: 99-99-99
15	163097-01-000	EA	SWITCH - SPST - KEY ACTIVATED - W/2 KEYS
			FROM: 02-19-07 THRU: 99-99-99

*COMPONENT PARTS LISTED LATER IN THIS GROUP

ELECTRICAL GROUP (CONTINUED)

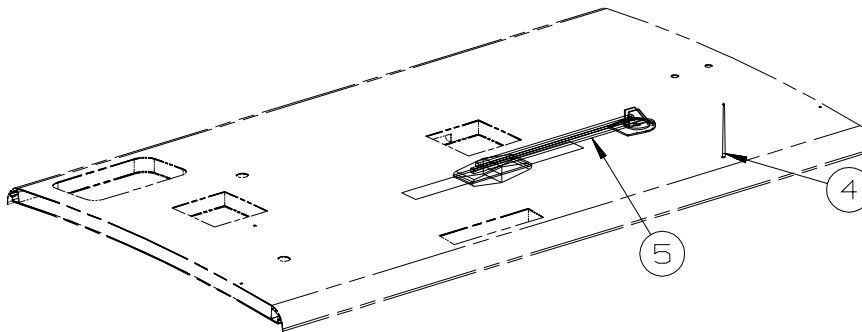
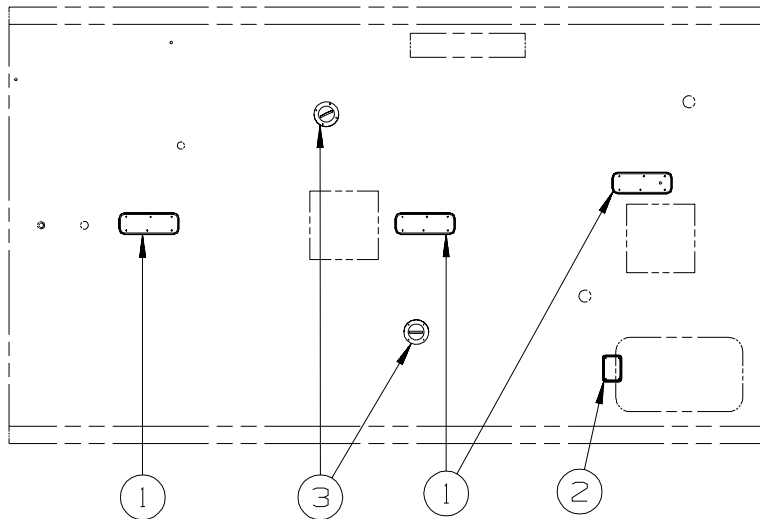
12V BODY WIRING (CONTINUED)



KEY	PART NUMBER	U/M	DESCRIPTION
1*	123775-01-02A	EA	LIGHT - HALOGEN - ROUND - SATIN NICKEL
2	135740-01-01A	EA	SWITCH - ROCKER - SPST - ON/OFF - BROWN
2	135741-01-01A	EA	SWITCH - BASE - SINGLE - BROWN
2	135742-01-01A	EA	BEZEL - SWITCH - SINGLE - BROWN
3	132958-01-000	EA	RECEPTACLE - 12 VOLT - MOUNTING FLANGE - BLACK
4*	087694-01-000	EA	LIGHT - WARDROBE/CLOSET - W/SWITCH
5	086233-01-000	EA	STUD - ISOLATED - 3/8" X 7/8" LONG
6	150140-01-000	EA	CROSSOVER BOX - STANDARD STEREO TO DELUXE SOUND
7	150140-02-000	EA	CROSSOVER COIL - F/SUBWOOFER SPEAKER/LOW FREQUENCY
8	115539-01-000	EA	RELAY - RADIO/TV SPEAKER SWITCH W/WIRE - #SCLD-W-B-4PDT-C
9	124884-01-000	EA	SPEAKER - 6" X 9" - SUB-WOOFER - W/O GRILLE
9	151844-01-01A	EA	GRILLE - SPEAKER - 6" X 9" - SUB WOOFER - BLACK
10	135740-01-01A	EA	SWITCH - ROCKER - SPST - ON/OFF - BROWN
10	135741-01-01A	EA	SWITCH - BASE - SINGLE - BROWN
10	135742-07-02A	EA	BEZEL - SWITCH - CEILING - BROWN
11	135618-03-01A	EA	THERMOSTAT - ROOF A/C & FURNACE - WHITE
11	135618-01-01A	EA	THERMOSTAT - HEAT PUMP/FURNACE - WHITE - AC HEAT PUMP-HI EFF, LOW PFL
12	061424-01-000	EA	LIGHT - AISLE - 12 VOLT - RECTANGULAR
13	108357-06-000	EA	SWITCH - ROCKER - DPDT - MOM/OFF/MOM - 6 TERM - W/O COVER
13	108355-01-000	EA	HOUSING - SWITCH
13	108356-11-01A	EA	COVER/ACTUATOR SWITCH - 3 GROOVES - AUX BATT - BLACK
13	098351-07-02A	EA	PLATE/SWITCH - 1 GANG - CHROME - GENERATOR SWITCH
14	116995-02-000	EA	SWITCH/MAGNET - ELECTRIC STEP - BLACK/WHITE- NORMALLY OPEN
15	135740-01-01A	EA	SWITCH - ROCKER - SPST - ON/OFF - BROWN - ENTRANCE STEP-ELEC.
15	135741-01-01A	EA	SWITCH - BASE - SINGLE - BROWN - ENTRANCE STEP-ELEC.
15	135742-11-02A	EA	BEZEL - SWITCH - STEP - BROWN - ENTRANCE STEP-ELEC.
16	135740-01-01A	EA	SWITCH - ROCKER - SPST - ON/OFF - BROWN
16	135741-02-01A	EA	SWITCH - BASE - DOUBLE - BROWN
16	135742-19-02A	EA	BEZEL - SWITCH - CEILING/PORCH - BROWN
17	135740-01-02A	EA	SWITCH - ROCKER - SPST - ON/OFF - WHITE
17	135741-01-02A	EA	SWITCH - BASE - SINGLE - WHITE
17	135742-50-01A	EA	BEZEL - SWITCH - ACCENT - WHITE
18	146514-03-000	EA	LIGHT - FLEX - ROPE/ROUND - W/O MOUNT CHANNEL
18	146514-02-000	EA	CONNECTOR - LIGHT

*COMPONENT PARTS LISTED LATER IN THIS GROUP

ELECTRICAL GROUP (CONTINUED)
12V BODY WIRING (CONTINUED)

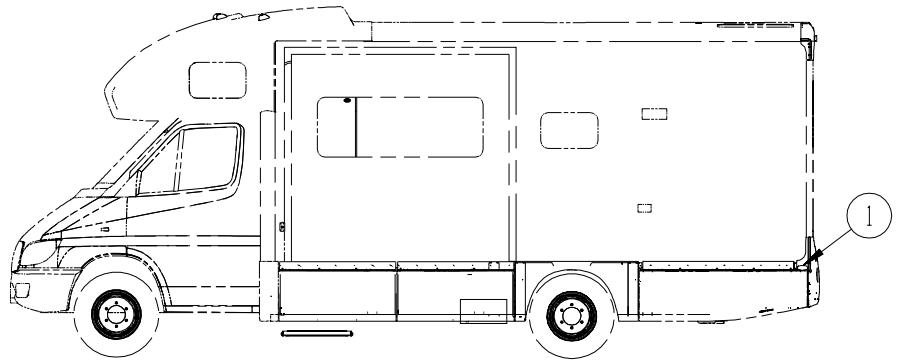
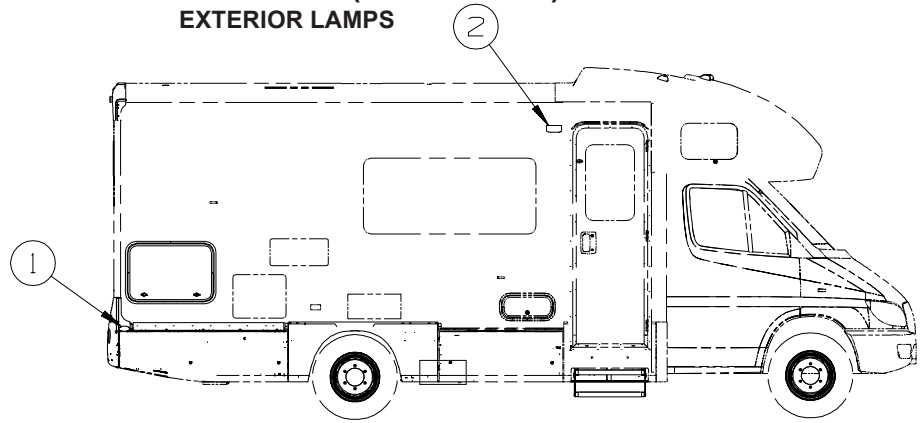


KEY	PART NUMBER	U/M	DESCRIPTION
1*	137417-06-01A	EA	LIGHT - DOME - DOUBLE - W/O SWITCH - W/FROSTED LENS-WHITE
2*	121935-01-01A	EA	LIGHT - DOME - SHOWER
3	160867-01-01A	EA	SPEAKER - ROUND/CEILING - CREAM - MAGNADYNE - LS3EYC-WN
4	090944-01-000	EA	ANTENNA - RADIO - 16" RUBBER - W/72" LEAD WIRE - RADIO/AM/FM/CD/DVD, COACH
4	109889-04-000	EA	EXTENDER - ANTENNA SHAFT - 3.7" - RADIO/AM/FM/CD/DVD, COACH
4	147741-01-09B	EA	BRACKET - ANTENNA GROUND - GALVANIZED - RADIO/AM/FM/CD/DVD, COACH
5*	076319-25-000	EA	KIT - HARDWARE INTERIOR
5*	076319-23-000	EA	ANTENNA - TV ROOF MOUNT - 44.5" MAST
5	069726-02-000	EA	BUMPER - .88" OD X .40" THICK - BLACK

***COMPONENT PARTS LISTED LATER IN THIS GROUP**

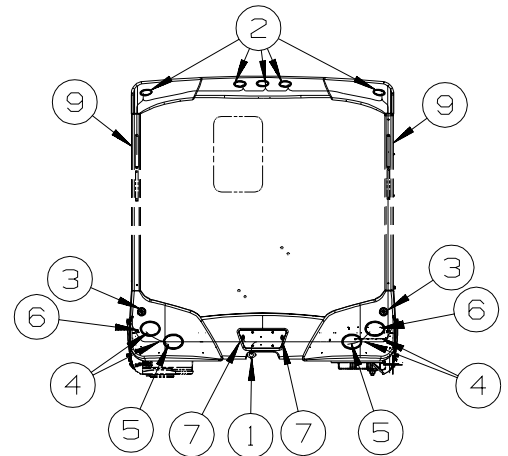
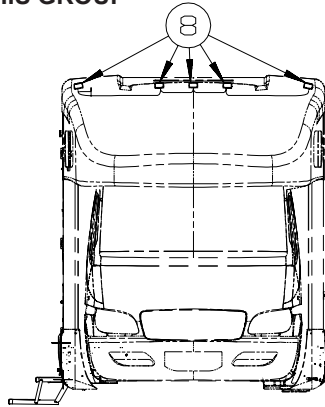
ELECTRICAL GROUP (CONTINUED)

EXTERIOR LAMPS



KEY	PART NUMBER	U/M	DESCRIPTION
1	147680-01-01A	EA	BASE - MARKER LAMP - WHITE
1	147680-03-01A	EA	LAMP - MARKER - LENS - RED
2*	097917-01-06A	EA	LIGHT - PORCH - ENTRY DOOR - BRIGHT WHITE FROM: 00-00-00 THRU: 02-10-08
2	097917-01-09A	EA	LIGHT - PORCH - ENTRY DOOR - WHITE FROM: 02-11-08 THRU: 99-99-99
2	097917-01-08A	EA	LIGHT/PORCH - CHROME - FULL BODY PAINT

*COMPONENT PARTS LISTED LATER IN THIS GROUP



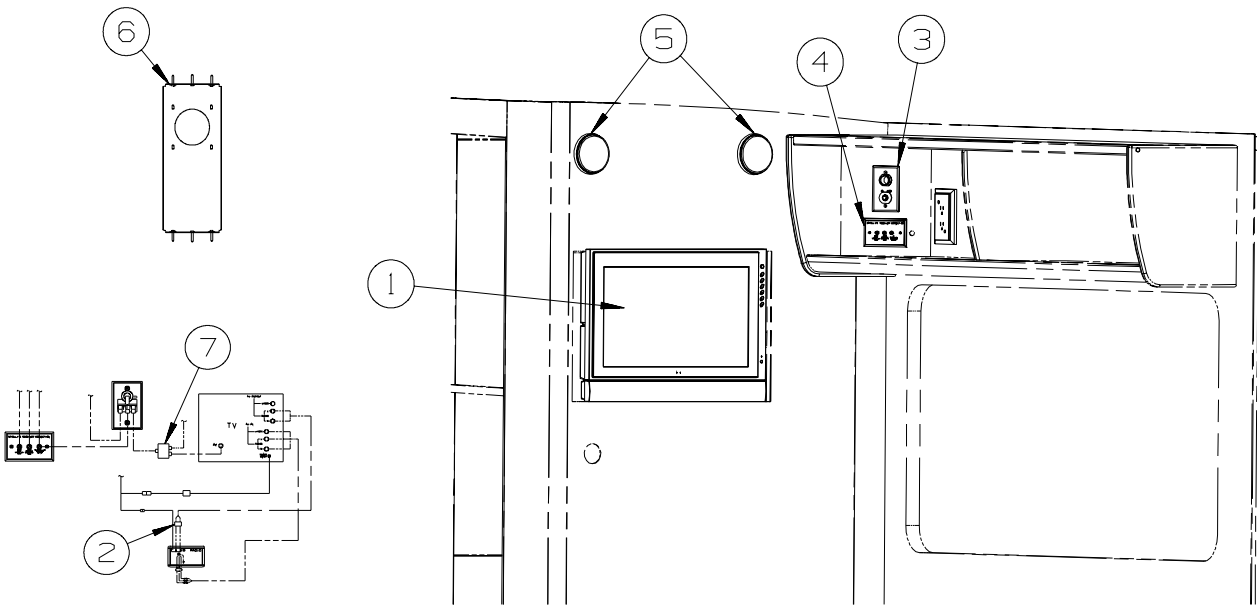
KEY	PART NUMBER	U/M	DESCRIPTION
1*	113589-01-000	EA	CONNECTOR - PLUG - TRAILER
2	147680-01-01A	EA	BASE - MARKER LAMP - WHITE
2	147680-03-01A	EA	LAMP - MARKER - LENS - RED
3	141514-01-000	EA	REFLECTOR - ROUND/RED
4	151934-01-02B	EA	CLAMP - TAIL LIGHT - E-COATED
5	152070-01-000	EA	LIGHT - STOP/TAIL/BACK UP
6	152070-02-000	EA	LIGHT - TURN - AMBER
7	087201-01-000	EA	LIGHT - HALF ROUND - 1" X 1.7" - PLASTIC - BLACK OR WHITE
8	132978-01-000	EA	LIGHT - CLEARANCE - AMBER
8	036196-01-000	EA	BULB - 12V - #194 - .27 AMP - BAYONETTE
8	067789-02-000	EA	SOCKET - LAMP
9	151076-01-000	EA	LIGHT - BRAKE - CENTER MOUNT
*	113589-02-000	EA	CONNECTOR - SOCKET - TRAILER

*COMPONENT PARTS LISTED LATER IN THIS GROUP

ELECTRICAL GROUP (CONTINUED)

SIDE TV/VCR

524B



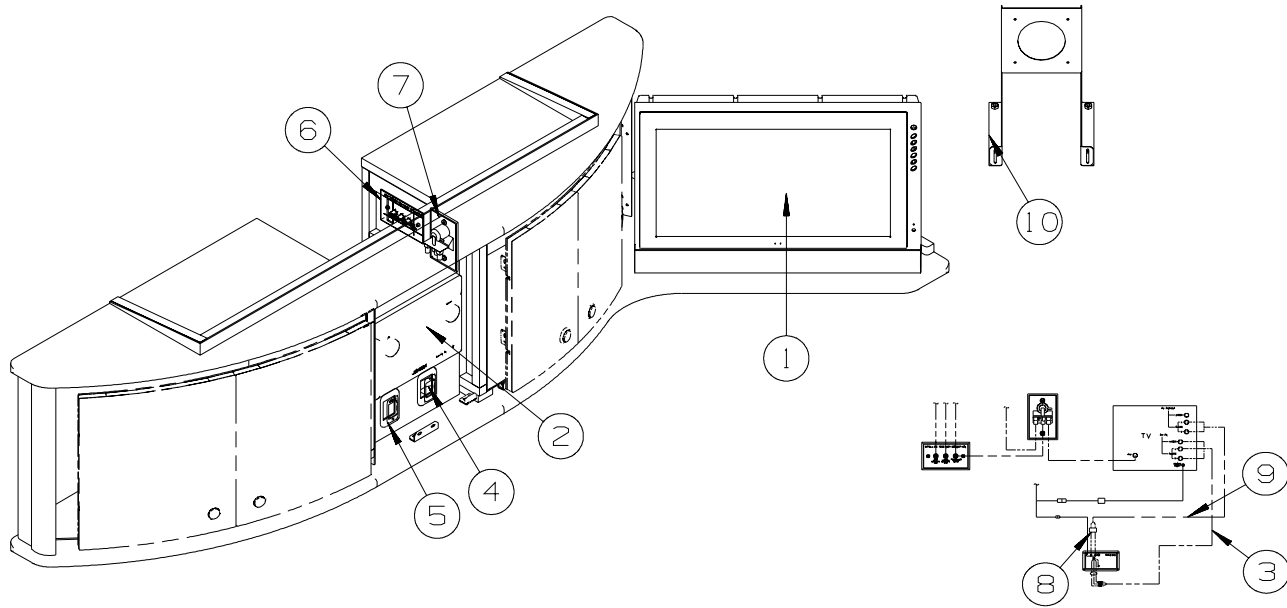
KEY	PART NUMBER	U/M	DESCRIPTION
1*	158703-01-000	EA	TV - 20" - LCD 4:3 - SIDE SPEAKER - JENSEN JE2043 FROM: 00-00-00 THRU: 04-29-07
1*	164495-01-000	EA	TV - 19" - LCD 16:9 - BOTTOM SPEAKER - JENSEN JE1907DC FROM: 04-30-07 THRU: 99-99-99
2	123324-01-000	EA	FILTER - GROUND LOOP
3	086777-02-000	EA	WALLPLATE/TV CABLE W/ANTENNA SWITCH/BOOSTER - 2 TV - BLACK
4	149557-04-01A	EA	PLATE/WALL - TRIPLE COAXIAL/HORIZONTAL - WHITE
5	160868-01-01A	EA	SPEAKER - ROUND/CEILING - W/O CASE - BLACK
5	160868-02-01A	EA	GRILLE/ROUND - SPEAKER - SILVER
6	159552-01-02B	EA	BRACKET - TV - E-COATED - NOT ILLUSTRATED FROM: 00-00-00 THRU: 04-29-07
6	164708-01-02B	EA	BRACKET - TV - E-COATED FROM: 04-30-07 THRU: 99-99-99
7	086756-01-000	EA	SPLITTER - TV/2 WAY

***COMPONENT PARTS LISTED LATER IN THIS GROUP**

ELECTRICAL GROUP (CONTINUED)

SIDE TV/VCR (CONTINUED)

524H

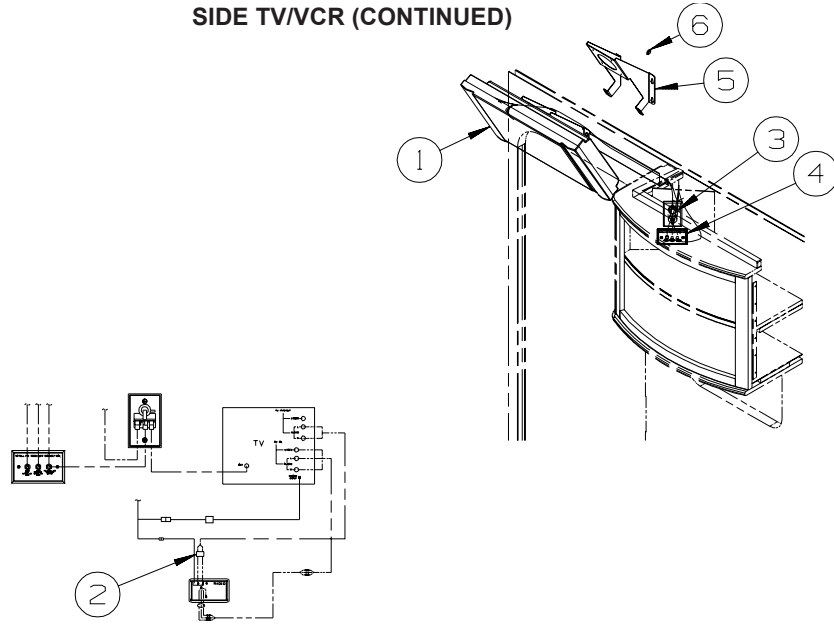


KEY	PART NUMBER	U/M	DESCRIPTION
1*	158703-01-000	EA	TV - 20" - LCD 4:3 - SIDE SPEAKER - JENSEN JE2043 FROM: 00-00-00 THRU: 04-29-07
1*	164495-01-000	EA	TV - 19" - LCD 16:9 - BOTTOM SPEAKER - JENSEN JE1907DC FROM: 04-30-07 THRU: 99-99-99
2*	156413-01-01A	EA	RADIO - WALL MOUNT - DVD/CD - W/ALARM - JENSEN AWM950 FROM: 00-00-00 THRU: 01-01-07
2*	163031-01-01A	EA	RADIO - WALL MOUNT - DVD/CD - W/ALARM - JENSEN AWM960 FROM: 01-02-07 THRU: 99-99-99
3	136860-03-000	EA	CABLE - RCA - SHIELDED - 3 MALE TO MALE CONNECTORS - 6'
4	135740-01-01A	EA	SWITCH - ROCKER - SPST - ON/OFF - BROWN
4	135741-01-01A	EA	SWITCH - BASE - SINGLE - BROWN
4	135742-45-02A	EA	BEZEL - SWITCH - TV - BROWN
5	135740-01-01A	EA	SWITCH - ROCKER - SPST - ON/OFF - BROWN
5	135741-01-01A	EA	SWITCH - BASE - SINGLE - BROWN
5	135742-40-02A	EA	BEZEL - SWITCH - RADIO/TV - BROWN
6	149557-04-01A	EA	PLATE/WALL - TRIPLE COAXIAL/HORIZONTAL - WHITE
7	086777-02-000	EA	WALLPLATE/TV CABLE W/ANTENNA SWITCH/BOOSTER - 2 TV - BLACK
8	123324-01-000	EA	FILTER - GROUND LOOP - ISOLATION TRANSFORMER
9	117420-02-000	EA	CABLE - W/MALE RCA ENDS - SHIELDED - 4'
10	162968-01-02B	EA	BRACKET - TV - E-COATED FROM: 00-00-00 THRU: 04-29-07
10	162968-02-02B	EA	BRACKET - TV - E-COATED - NOT ILLUSTRATED FROM: 04-30-07 THRU: 08-26-07
10	162968-03-02B	EA	BRACKET - TV - E-COATED - NOT ILLUSTRATED FROM: 08-27-07 THRU: 99-99-99
	115870-01-000	FT	SEAL/EDGE - TRIM

***COMPONENT PARTS LISTED LATER IN THIS GROUP**

ELECTRICAL GROUP (CONTINUED)
SIDE TV/VCR (CONTINUED)

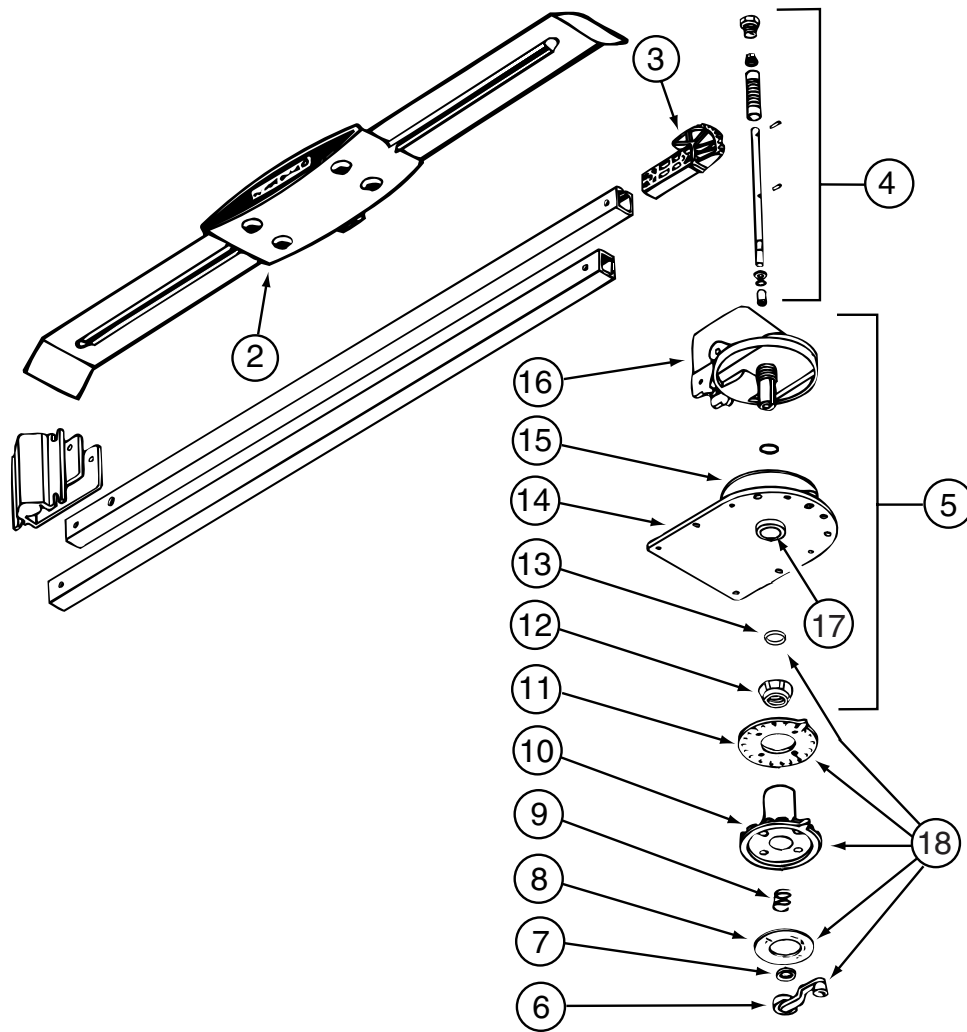
524J



KEY	PART NUMBER	U/M	DESCRIPTION
1*	158703-01-000	EA	TV - 20" - LCD 4:3 - SIDE SPEAKER - JENSEN JE2043 FROM: 00-00-00 THRU: 04-29-07
1*	164495-01-000	EA	TV - 19" - LCD 16:9 - BOTTOM SPEAKER - JENSEN JE1907DC FROM: 04-30-07 THRU: 99-99-99
2	123324-01-000	EA	FILTER - GROUND LOOP
3	086777-02-000	EA	WALLPLATE/TV CABLE W/ANTENNA SWITCH/BOOSTER - 2 TV - BLACK
4	149557-04-01A	EA	PLATE/WALL - TRIPLE COAXIAL/HORIZONTAL - WHITE
5	158394-02-02B	EA	BRACKET - TV - E-COATED FROM: 00-00-00 THRU: 04-29-07
5	158394-04-02B	EA	BRACKET - TV - E-COATED - NOT ILLUSTRATED FROM: 04-30-07 THRU: 99-99-99
6	115870-01-000	FT	SEAL/EDGE - TRIM

***COMPONENT PARTS LISTED LATER IN THIS GROUP**

ELECTRICAL GROUP (CONTINUED)
COMPONENT PARTS FOR WIRING



076319-23-000

KEY	PART NUMBER	U/M	DESCRIPTION	VENDOR NO.
2	076319-01-700	EA	HEAD-ANTENNA, AMPLIFIED	RVSA U/V
3	076319-01-701	EA	GEAR-ELEVATING, PLASTIC	2200046
4	076319-01-702	EA	SHAFT ASM-ELEVATING	RP-4000
5	076319-01-711	EA	BASE & LIFT ASM	2762802
7	076319-01-705	EA	GROMMET-NYLON, 7/8"ID	3200658
8	076319-01-708	EA	DECAL-CRANK	5413002
9	076319-01-707	EA	SPRING-HANDLE	2160822
11	076319-01-712	EA	PLATE - CEILING	3200608
12	076319-01-715	EA	NUT (GEAR HOUSING)	2200047
14	076319-01-713	EA	PLATE-BASE, STEEL	3100523
15	076319-01-703	EA	BEARING-NYLON, 5"OD	3200656
16	076319-01-714	EA	HOUSING, ROTATING GEAR	2200049
17	076319-01-704	EA	BEARING-NYLON, 1.25"OD	3200657
18	076319-01-709	EA	HANDLE-HEAD DIRECTIONAL	200644
	076319-01-716	EA	TUBING, ELEVATING	RP-2900

CONTACT WINNEBAGO PART SALES FOR UNLISTED COMPONENT(S)

076319-25-000

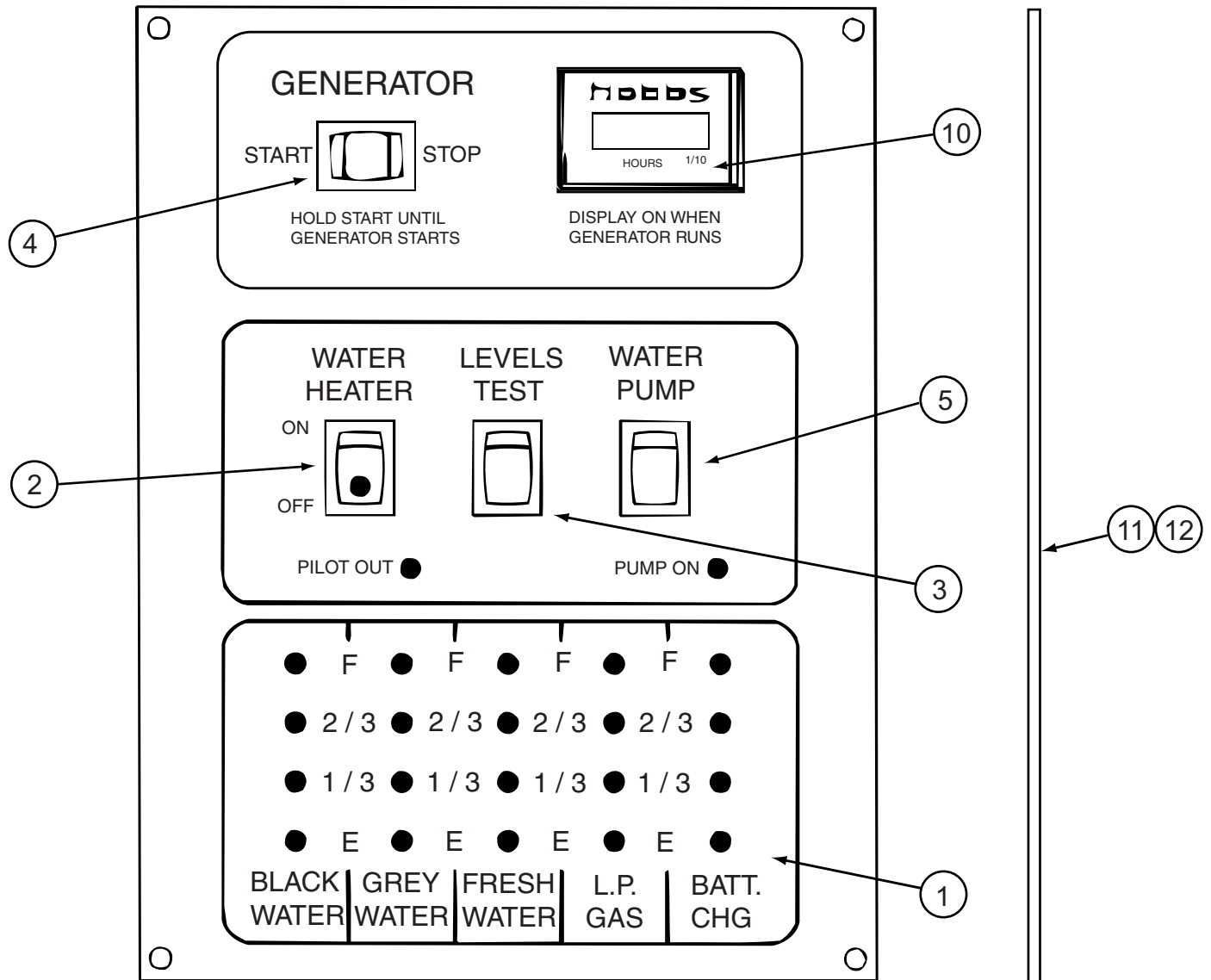
KEY	PART NUMBER	U/M	DESCRIPTION	VENDOR NO.
6	076319-01-706	EA	CRANK-W/SET SCREW UNIV/BEIGE	2750897
6	120233-01-710	EA	HANDLE-CRANK W/SCREW - WHITE	RP-6795
8	076319-01-708	EA	DECAL-CRANK	5413002
10	076319-25-700	EA	DIRECTIONAL HANDLE(WHITE)	3200612
11	076319-25-701	EA	PLATE - CEILING(WHITE)	3200609
13	120233-01-709	EA	WASHER-NYLON	RP-2658

CONTACT WINNEBAGO PART SALES FOR UNLISTED COMPONENT(S)

ELECTRICAL GROUP (CONTINUED)
COMPONENT PARTS FOR WIRING (CONTINUED)

087694-01-000			
KEY	PART NUMBER	U/M DESCRIPTION	VENDOR NO.
	087694-01-700	EA BULB	GE561
097917-01-06A			
KEY	PART NUMBER	U/M DESCRIPTION	VENDOR NO.
	097917-01-700	EA LENS-LIGHT, CLEAR	30-78-021
108354-01-01A			
KEY	PART NUMBER	U/M DESCRIPTION	VENDOR NO.
	108354-01-700	EA BULB-COURTESY LIGHT	395-B
113589-02-000			
KEY	PART NUMBER	U/M DESCRIPTION	VENDOR NO.
	113589-03-700	EA ADAPTER 7 RND SPADE/4 FLAT	5290
121935-01-01A			
KEY	PART NUMBER	U/M DESCRIPTION	VENDOR NO.
	121935-01-700	EA LENS ONLY - W/CENTER HOLE	809511
123775-01-02A			
KEY	PART NUMBER	U/M DESCRIPTION	VENDOR NO.
	123775-01-702	EA BEZEL/LENS - SATIN NICKEL	99 953470

ELECTRICAL GROUP (CONTINUED)
COMPONENT PARTS FOR WIRING (CONTINUED)



134940-06-01A

KEY	PART NUMBER	U/M	DESCRIPTION	VENDOR NO.
1	134940-01-702	EA	CHASSIS - SILKSCREENED	CC0558-00
2	134940-01-701	EA	SWITCH-SPST/ON-OFF/BLK W/LGT	L0109
3	096983-01-701	EA	SWITCH - SPST/MOM 2 TERMINAL	L0111-00
4	096983-01-702	EA	SWITCH - MOM/OFF/MOM/3 TERM	L0112-00
5	096983-01-703	EA	SWITCH - ON/ON	L0115-00
10	100258-10-701	EA	GAUGE-HR METER ONLY (LCD)	L0775-00
11	134940-06-700	EA	PC BOARD - SENSOR SYSTEM/RED	L5131-02

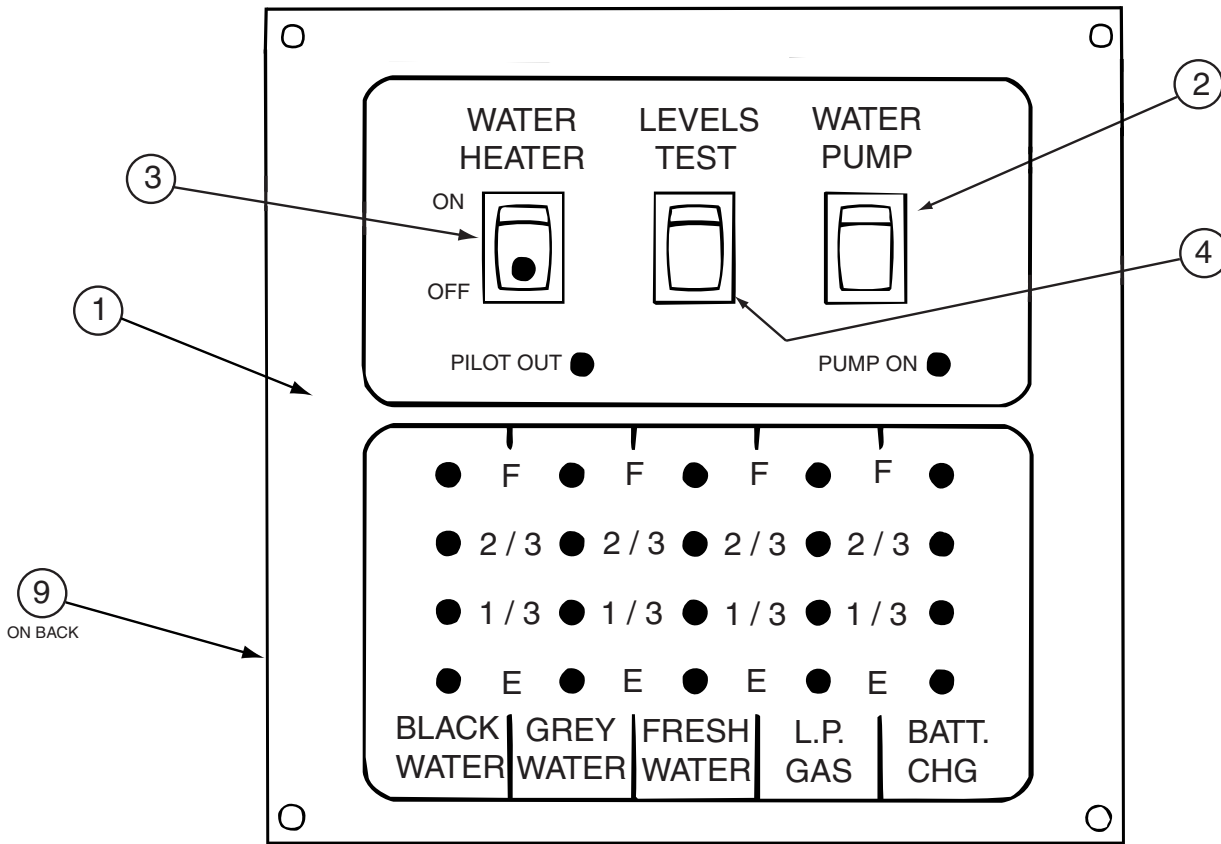
CONTACT WINNEBAGO PART SALES FOR UNLISTED COMPONENT(S)

134940-07-01A

KEY	PART NUMBER	U/M	DESCRIPTION	VENDOR NO.
1	134940-01-702	EA	CHASSIS - SILKSCREENED	CC0558-00
2	134940-01-701	EA	SWITCH-SPST/ON-OFF/BLK W/LGT	L0109
3	096983-01-701	EA	SWITCH - SPST/MOM 2 TERMINAL	L0111-00
4	096983-01-703	EA	SWITCH - ON/ON	L0115-00
5	134940-02-700	EA	SWITCH - DUMMY	L0118
11	134940-06-700	EA	PC BOARD - SENSOR SYSTEM/RED	L5131-02

CONTACT WINNEBAGO PART SALES FOR UNLISTED COMPONENT(S)

ELECTRICAL GROUP (CONTINUED)
COMPONENT PARTS FOR WIRING (CONTINUED)



134940-10-01A

KEY	PART NUMBER	U/M	DESCRIPTION	VENDOR NO.
1	134940-10-700	EA	SILKSCREENED CHASSIS	CE0129-00
2	096983-01-703	EA	SWITCH - ON/ON	L0115-00
3	134940-01-701	EA	SWITCH-SPST/ON-OFF/BLK W/LGT	L0109
4	096983-01-701	EA	SWITCH - SPST/MOM 2 TERMINAL	L0111-00
9	134940-06-700	EA	PC BOARD - SENSOR SYSTEM/RED	L5131-02

CONTACT WINNEBAGO PART SALES FOR UNLISTED COMPONENT(S)

ELECTRICAL GROUP (CONTINUED)
COMPONENT PARTS FOR WIRING (CONTINUED)

137417-01-01A, 137417-03-01A

KEY	PART NUMBER	U/M	DESCRIPTION	VENDOR NO.
	137417-01-700	EA	LENS - SINGLE (FROSTED)	810868

137417-06-01A

KEY	PART NUMBER	U/M	DESCRIPTION	VENDOR NO.
	137417-06-700	EA	LENS - DOUBLE WHITE	810867

152438-01-01A

KEY	PART NUMBER	U/M	DESCRIPTION	VENDOR NO.
	152438-01-700	EA	BULB W/LENS	B7031

156413-01-01A

KEY	PART NUMBER	U/M	DESCRIPTION	VENDOR NO.
	156413-01-700	EA	REMOTE	REMAWM950

158703-01-000

KEY	PART NUMBER	U/M	DESCRIPTION	VENDOR NO.
	158703-01-700	EA	REMOTE	PSVCJE2043

163031-01-01A

KEY	PART NUMBER	U/M	DESCRIPTION	VENDOR NO.
	163031-01-700	EA	REMOTE	PSVCAWM960

164495-01-000

KEY	PART NUMBER	U/M	DESCRIPTION	VENDOR NO.
	164495-01-700	EA	REMOTE - TV	P301P19HS3409A

ELECTRICAL GROUP (CONTINUED)
CIRCUIT BREAKERS, FUSES & RELAYS

KEY	PART NUMBER	U/M	DESCRIPTION
	062901-02-000	EA	FUSE - 5 AMP - AUTOMOTIVE
	062901-05-000	EA	FUSE - 15 AMP - AUTOMOTIVE
	062901-07-000	EA	FUSE - 25 AMP - AUTOMOTIVE
	062901-08-000	EA	FUSE - 30 AMP - AUTOMOTIVE
	063910-01-000	EA	HOUSING - RELAY
	063912-02-000	EA	RELAY - CANISTER - SPDT
	083209-01-000	EA	CIRCUIT BREAKER - 15 AMP - 120 VOLT - CANADIAN
	083209-02-000	EA	CIRCUIT BREAKER - 15/15 AMP - 120 VOLT
	083209-03-000	EA	CIRCUIT BREAKER - 15/20 AMP - 120 VOLT
	083209-04-000	EA	CIRCUIT BREAKER - 30 AMP - 120 VOLT
	083209-05-000	EA	CIRCUIT BREAKER - 20 AMP - 120 VOLT
	083209-06-000	EA	CIRCUIT BREAKER - 30/15 AMP - 120 VOLT
	083209-07-000	EA	CIRCUIT BREAKER - 20/20 AMP - 120 VOLT
	083209-10-000	EA	CIRCUIT BREAKER - 20/30 AMP - 120 VOLT
	083209-11-000	EA	CIRCUIT BREAKER - 20/15 AMP - 120 VOLT
	092786-03-000	EA	BUSS BAR - 6.9" LONG
	092786-06-000	EA	BUSS BAR
	093654-01-000	EA	CIRCUIT BREAKER - 6 AMP - 12 VOLT - PUSH BUTTON - WHITE
	093654-02-000	EA	CIRCUIT BREAKER - 15 AMP - 12 VOLT - PUSH BUTTON - WHITE
	093654-03-000	EA	CIRCUIT BREAKER - 20 AMP - 12 VOLT - PUSH BUTTON - WHITE
	093654-05-000	EA	CIRCUIT BREAKER - 10 AMP - 12 VOLT - PUSH BUTTON - WHITE
	093655-01-000	EA	CIRCUIT BREAKER - 25 AMP - 12 VOLT - PUSH BUTTON - WHITE
	093655-02-000	EA	CIRCUIT BREAKER - 30 AMP - 12 VOLT - PUSH BUTTON - WHITE
	093655-03-000	EA	CIRCUIT BREAKER - 40 AMP - 12 VOLT - PUSH BUTTON - WHITE
	100341-01-000	EA	FUSE HOLDER - IN LINE TYPE
	113482-01-000	EA	CIRCUIT BREAKER - 55 AMP - MANUAL
	115187-01-000	EA	FUSE - 300 AMP - NON-DELAY
	115187-02-000	EA	HOLDER - FUSE
	115187-03-000	EA	FUSE - 60 AMP - NON-DELAY
	122811-01-000	EA	CIRCUIT BREAKER - 20/50/50/20 AMP - 250V
	141789-01-000	EA	SPACER - CIRCUIT BREAKER

CONVERTER, INVERTER, LOAD CENTERS

KEY	PART NUMBER	U/M	DESCRIPTION
	024924-02-000	EA	RECEPTACLE - POWER CORD - W/PARTIAL PLATE
*	083208-07-000	EA	CONTROL CENTER - 45 AMP - 120V/12V - W/O BREAKERS

*COMPONENT PARTS LISTED LATER IN THIS GROUP

COMPONENT PARTS FOR CONVERTER, INVERTER, LOAD CENTER

083208-07-000

KEY	PART NUMBER	U/M	DESCRIPTION	VENDOR NO.
	083208-06-701	EA	CONVERTER ONLY (LOWER UNIT)	7345R

ELECTRICAL GROUP (CONTINUED)

BOXES & CORDS

KEY	PART NUMBER	U/M	DESCRIPTION
	008054-01-000	EA	CORD - POWER - 10/3 WIRE - 30 AMP - 25'
	008289-01-000	EA	BOX - ELECTRIC/STEEL - 4" X 4" - 1/2" & 3/4" KNOCKOUTS
	008294-01-000	EA	COVER - ELECTRIC BOX - BLANK/STEEL - 4" X 4" - GRAY
	069238-01-000	EA	COVER - ELECTRICAL BOX - W/HOLE - 4" X 4" - GRAY
	133070-01-000	EA	BOX - ELECTRIC/PLASTIC - 3" X 2" X 2.8" - UL
	133070-02-000	EA	BOX - ELECTRIC/PLASTIC - 3" X 2" X 2.8" - CSA - CANADIAN
	091910-02-000	EA	BOX - ELECTRIC - 2.2" X 3.5" X 1.8" - PLASTIC - 524DL
	091910-01-000	EA	BOX - ELECTRIC - 3.8" X 3.5" X 1.8" - PLASTIC - 524DL - CANADIAN
	115832-01-000	FT	CORD - HEAVY DUTY - 14-2 W/GROUND

WIRE ASSEMBLIES

KEY	PART NUMBER	U/M	DESCRIPTION
	077069-02-000	EA	CABLE/EXTENSION - RADIO ANTENNA - 96"
	077069-03-000	EA	CABLE/EXTENSION - RADIO ANTENNA - 260"
	117420-04-000	EA	CABLE - RCA - (MALE/MALE) - 50 FT
	136860-02-000	EA	CABLE - RCA - SHIELDED - 3 MALE TO MALE CONNECTORS - 50'
	134551-03-000	EA	WIRE ASSEMBLY - HEATER/TANKS - 3 PAD
	134551-11-000	EA	WIRE ASSEMBLY - HEATER/TANKS - 2 PAD -133.7"(LONGEST WIRE)
	134551-14-000	EA	WIRE ASSEMBLY - HEATER/TANKS - 4 PAD -155.3"(LONGEST WIRE)
	136514-02-000	EA	CABLE - MONITOR/CAMERA
	136860-02-000	EA	CABLE - RCA - SHIELDED - 3 MALE TO MALE CONNECTORS - 50'
	137135-03-000	EA	WIRE LOOM - DIGITAL ELEVATION SENSOR
	137135-04-000	EA	WIRE HARNESS - POWER - DIGITAL ELEVATION SENSOR
	145210-01-000	FT	CABLE - COAXIAL
	151316-02-000	EA	WIRE ASM - W/NON CONTACT SENSORS - GREY WATER - 23.6"
	151316-03-000	EA	WIRE ASM - W/NON CONTACT SENSORS - GREY WATER - 43.2"
	151316-05-000	EA	WIRE ASM - W/NON CONTACT SENSORS - GREY WATER - 70.8"
	151317-01-000	EA	WIRE ASM-W/NON CONTACT SENSORS-FRESH WATER/BLK TANK-3.9"
	151317-02-000	EA	WIRE ASM-W/NON CONTACT SENSORS-FRESH WATER/BLK TANK-23.6"
	151317-03-000	EA	WIRE ASM-W/NON CONTACT SENSORS-FRESH WATER/BLK TANK-43.2"
	151317-04-000	EA	WIRE ASM-W/NON CONTACT SENSORS-FRESH WATER/BLK TANK-62.9"
	151317-05-000	EA	WIRE ASM-W/NON CONTACT SENSORS-FRESH WATER/BLK TANK-70.8"
	151317-06-000	EA	WIRE ASM-W/NON CONTACT SENSORS-FRESH WATER/BLK TANK-78.6"
	153891-01-000	EA	WIRE ASM-HEATER,RELAY

ELECTRICAL GROUP (CONTINUED)
CONNECTORS & CONDUIT

KEY	PART NUMBER	U/M	DESCRIPTION
	007940-01-000	EA	RECEPTACLE/SLIDE 16 TO 12 AWG - FEMALE END
	007940-02-000	EA	RECEPTACLE/SLIDE 10 AWG
	007954-01-000	EA	RECEPTACLE - HOUSING - 6 POSITION
	007956-05-000	EA	INSULATOR - SHRINK - 1/4"ID X 1 1/2"
	008311-01-000	EA	CONNECTOR - WIRE NUT - INSULATED - RED
	008312-01-000	EA	CONNECTOR - WIRE NUT - INSULATED - BLUE
	008313-01-000	EA	CONNECTOR - WIRE NUT - INSULATED - YELLOW
	008314-01-000	EA	CONNECTOR - WIRE NUT - INSULATED - GRAY
	008328-01-000	EA	TERMINAL - RING - 12/10 WIRE - #10 STUD FIT
	008331-01-000	EA	TERMINAL - RING - TONGUE - #4 WIRE - 3/8" STUD - COPPER
	008348-01-000	EA	TERMINAL - RING - 3/8" STUD 2 GA. WIRE
	008355-01-000	EA	CONNECTOR - CABLE CLAMPING - 3/4"
	008356-01-000	EA	CONNECTOR - PLASTIC - 3/8"
	008356-02-000	EA	CONNECTOR - PLASTIC - 21/32"
	035416-04-000	EA	TERMINAL - RING - #10 STUD FIT - INSULATED BARREL #16/14
	041953-01-000	FT	CONDUIT - CONVOLUTE SLIT - .5" ID - POLYETHYLENE
	041953-02-000	FT	CONDUIT - CONVOLUTE SLIT - .6" ID - POLYETHYLENE
	041953-03-000	FT	CONDUIT - CONVOLUTE SLIT - 1" ID (CLOTHES ROD COVER)
	041953-05-000	FT	CONDUIT - CONVOLUTE SLIT - .62" ID - POLYETHYLENE
	041953-06-000	FT	CONDUIT - CONVOLUTE SLIT - .4" ID - POLYETHYLENE
	041953-07-000	FT	CONDUIT - CONVOLUTE SLIT - .25" ID - POLYETHYLENE
	041953-08-000	FT	CONDUIT - CONVOLUTE SLIT - 1.5" ID - POLYETHYLENE
	041953-09-000	FT	CONDUIT - CONVOLUTE SLIT - .5" ID - NYLON
	041953-10-000	FT	CONDUIT - CONVOLUTE SLIT - .75" ID - NYLON
	041953-11-000	FT	CONDUIT - CONVOLUTE SLIT - 1.06" ID - NYLON
	041953-12-000	FT	CONDUIT - CONVOLUTE SOLID - 1.1" ID - NYLON
	041953-13-000	FT	CONDUIT - CONVOLUTE SLIT - 1.25" ID
	041953-14-000	FT	CONDUIT - CONVOLUTE SLIT - 1.5" ID
	041953-15-000	FT	CONDUIT - CONVOLUTE SLIT - 2"
	041953-16-000	FT	CONDUIT - CONVOLUTE SLIT - 2"
	047441-01-000	EA	TERMINAL-BATTERY, HORIZONTAL LUG
	047443-01-000	EA	TERMINAL - .250 RECEPTACLE FIT - INSULATED - 16/14 AWG
	047443-02-000	EA	TERMINAL - .250 RECEPTACLE FIT - INSULATED - 12/10 AWG
	047443-05-000	EA	TERMINAL - .250 RECEPTACLE FIT - 18GA AWG
	058028-01-000	EA	CONNECTOR - ELECTRICAL PIGTAIL - NYLON - CLEAR
	062036-01-000	EA	TERMINAL - PACK - CON - 12/10 AWG
	076319-12-000	EA	CONNECTOR - COAXIAL - ONE PIECE
	077479-02-000	EA	BOOT - BATTERY TERMINAL - SINGLE CABLE
	080015-02-000	EA	RECEPTACLE - FLAG - .185 - 16/14 GAUGE
	080015-03-000	EA	RECEPTACLE - FLAG - .250 - 14/16 GAUGE
	080015-04-000	EA	RECEPTACLE - FLAG - .187 - 16/14 GAUGE
	082109-01-000	EA	HOUSING - CONNECTOR - PACKARD
	082741-01-000	EA	CONNECTOR BODY - 2 CONNECTOR MALE
	087225-01-000	FT	SLEEVING - 1/2" - TYPE H
	088473-01-000	EA	HOUSING - PIN - 12 CAVITY (3 ROWS OF 4)
	088473-02-000	EA	HOUSING - PIN - 15 CAVITY (3 ROWS OF 5)
	088473-03-000	EA	HOUSING - PIN - 9 CAVITY (3 ROWS OF 3)
	088473-04-000	EA	HOUSING - PIN - 8 CAVITY IN-LINE
	088473-06-000	EA	HOUSING - PIN - 6 CAVITY (2 ROWS OF 3)
	088473-07-000	EA	HOUSING - PIN - 5 CAVITY - IN-LINE
	088473-08-000	EA	HOUSING - PIN - 4 CAVITY - IN-LINE
	088473-09-000	EA	HOUSING - PIN - 3 CAVITY - IN-LINE
	088473-10-000	EA	HOUSING - PIN - 2 CAVITY - IN-LINE
	088473-12-000	EA	HOUSING - PIN - 3 CAVITY - BLUE
	088473-13-000	EA	HOUSING - PIN - 3 CAVITY - GREEN
	088473-14-000	EA	HOUSING - PIN - 3 CAVITY - RED
	088474-01-000	EA	HOUSING - SOCKET - 12 CAVITY
	088474-02-000	EA	HOUSING - SOCKET - 15 CAVITY
	088474-03-000	EA	HOUSING - SOCKET - 9 CAVITY
	088474-06-000	EA	HOUSING - SOCKET - 6 CAVITY
	088474-07-000	EA	HOUSING - SOCKET - 5 CAVITY
	088474-08-000	EA	HOUSING - SOCKET - 4 CAVITY
	088474-09-000	EA	HOUSING - SOCKET - 3 CAVITY

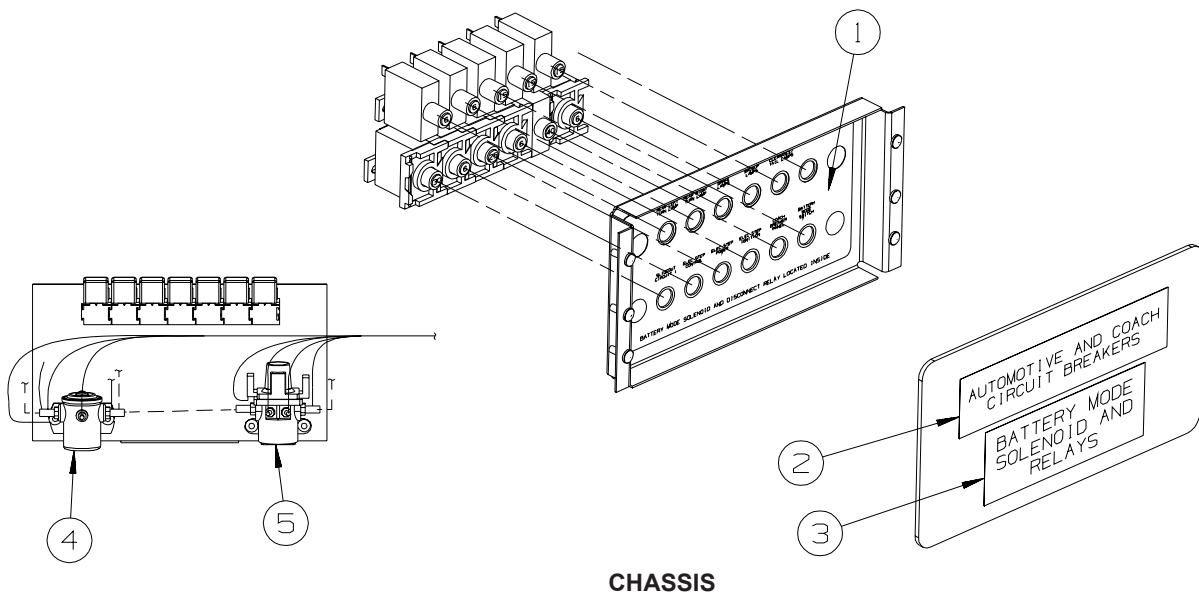
ELECTRICAL GROUP (CONTINUED)
CONNECTORS & CONDUIT (CONTINUED)

KEY	PART NUMBER	U/M	DESCRIPTION
	088474-10-000	EA	HOUSING - SOCKET - 2 CAVITY
	088474-12-000	EA	HOUSING - SOCKET - 2 CAVITY - RED
	088475-01-000	EA	PIN - CONNECTOR - 14-20 AWG
	088475-02-000	EA	PIN - CONNECTOR - 10-12 AWG
	088476-01-000	EA	TERMINAL - ELECTRICAL
	088476-02-000	EA	SOCKET - CONNECTOR - 12-10 GA - PRE-TIN
	098261-01-000	EA	SOCKET - CONNECTOR - WEATHERPACK - 12 AWG
	098261-02-000	EA	SOCKET - CONNECTOR - WEATHERPACK - 14-18 AWG
	098262-01-000	EA	SEAL - CONNECTOR - WEATHERPACK
	098264-01-000	EA	HOUSING - 2 PIN - WEATHER PACK - MALE W/FEMALE PINS
	098264-02-000	EA	HOUSING - 2 PIN - WEATHER PACK - FEMALE W/MALE PINS
	098265-02-000	EA	PIN - CONNECTOR - WEATHER PACK
	102777-02-000	EA	TERMINAL - RING - #6 STUD - 10 AWG
	103608-01-000	EA	SOCKET - WEDGE BASE W/LEADS
	104100-01-000	EA	HOUSING - 1 POSITION - 75 AMPS
	104100-03-000	EA	TERMINAL - 75 AMP
	106007-02-000	EA	TERMINAL - FEMALE - 10-12 AWG
	110178-01-000	EA	HOUSING - WIPER MOTOR
	112823-01-000	EA	SPLICE - REDUCER - 16-14 TO 18-22
	113135-01-000	EA	TERMINAL - FEMALE - M/P - 14-16 - F/SEALED TERMINAL
	113308-01-000	EA	TERMINAL - FEMALE - M/P - 14-16 - 280
	113308-02-000	EA	TERMINAL - FEMALE - M/P - 14-18 - 280
	113468-01-000	EA	HOUSING - 2 POSITION-FEMALE-USED ON WIPER/WASHER WIRE ASM
	113468-02-000	EA	HOUSING - 2 POSITION - FEMALE
	116811-01-000	EA	TERMINAL - .110 RECEPTACLE - 16-14 AWG
	118571-01-000	EA	CONNECTOR - 3-WAY - MALE/SEALED
	118571-02-000	EA	CONNECTOR - 3-WAY - FEMALE/SEALED
	118571-05-000	EA	LOCK - SECONDARY - FEMALE
	118571-06-000	EA	LOCK - SECONDARY - MALE
	118599-02-000	EA	TERMINAL - MALE - M/P - 280/14-12
	118820-01-000	EA	INSULATOR - TERMINAL
	129233-01-000	EA	HOUSING - 2-POSITION/FEMALE - 280-SERIES
	129233-02-000	EA	HOUSING - 2-POSITION/FEMALE - 280-SERIES
	129233-03-000	EA	HOUSING - 2-POSITION/FEMALE - 280-SERIES
	131681-01-000	EA	CONNECTOR - 3/4" SO CORD - UL/CS
	137207-01-000	EA	HOUSING - PIN - 2 CAVITY/HIGH AMP
	137208-01-000	EA	HOUSING - SOCKET - 2 CAVITY/HIGH AMP
	137209-01-000	EA	PIN - CONNECTOR - 10AWG/HIGH AMP
	137210-01-000	EA	SOCKET - CONNECTOR - 10 AWG/HIGH AMP
	138996-04-000	EA	CONNECTOR - LAMP
	142520-01-000	EA	TERMINAL - FEMALE - MINI-FIT 16
	142522-01-000	EA	HOUSING - 4 PIN/MALE - MINI FIT
	142522-02-000	EA	HOUSING - 6 PIN/MALE - MINI FIT
	142522-03-000	EA	HOUSING - 8 PIN/MALE - MINI FIT
	142522-04-000	EA	HOUSING - 10 PIN/MALE - MINI FIT
	142522-05-000	EA	HOUSING - 12 PIN/MALE - MINI FIT
	142522-06-000	EA	HOUSING - 14 PIN/MALE - MINI FIT
	142524-01-000	EA	HOUSING - 4 PIN/FEMALE - WEATHER PACK
	142524-02-000	EA	HOUSING - 4 PIN/FEMALE - WEATHER PACK
	144283-01-000	EA	CONNECTOR - 110V - F/USE WITH SOW WIRE - BLUE
	144283-02-000	EA	CONNECTOR - 110V - F/USE WITH NM ROMEX WIRE - CLEAR
	145171-01-000	EA	CONNECTOR - COAXIAL
	148335-01-000	EA	HOUSING - 8-POSITION/MALE - 280-GT SERIES
	148335-02-000	EA	HOUSING - 4-POSITION/MALE - 280-GT SERIES
	148335-03-000	EA	HOUSING - 6-POSITION/MALE - 280-GT SERIES
	149683-01-000	EA	HOUSING - F/5 CAVITY RECEPTACLE - W/SQUARE GUIDE PIN
	149683-02-000	EA	HOUSING - F/5 CAVITY RECEPTACLE - W/ROUND GUIDE PIN
	149686-01-000	EA	TERMINAL - .250 RECEPTACLE
	149687-01-000	EA	HOUSING - 2 POSITION/MALE - PACKARD
	149687-02-000	EA	LOCK - F/2 POSITION HOUSING - PACKARD
	149688-01-000	EA	TERMINAL - MALE - 16 GAUGE WIRE
	156035-01-000	EA	HOUSING - 12-POSITION/FEMALE - 280-GT SERIES
	156041-01-000	EA	TERMINAL - FEMALE - 16-12 - 280-GT SERIES

ELECTRICAL GROUP (CONTINUED)

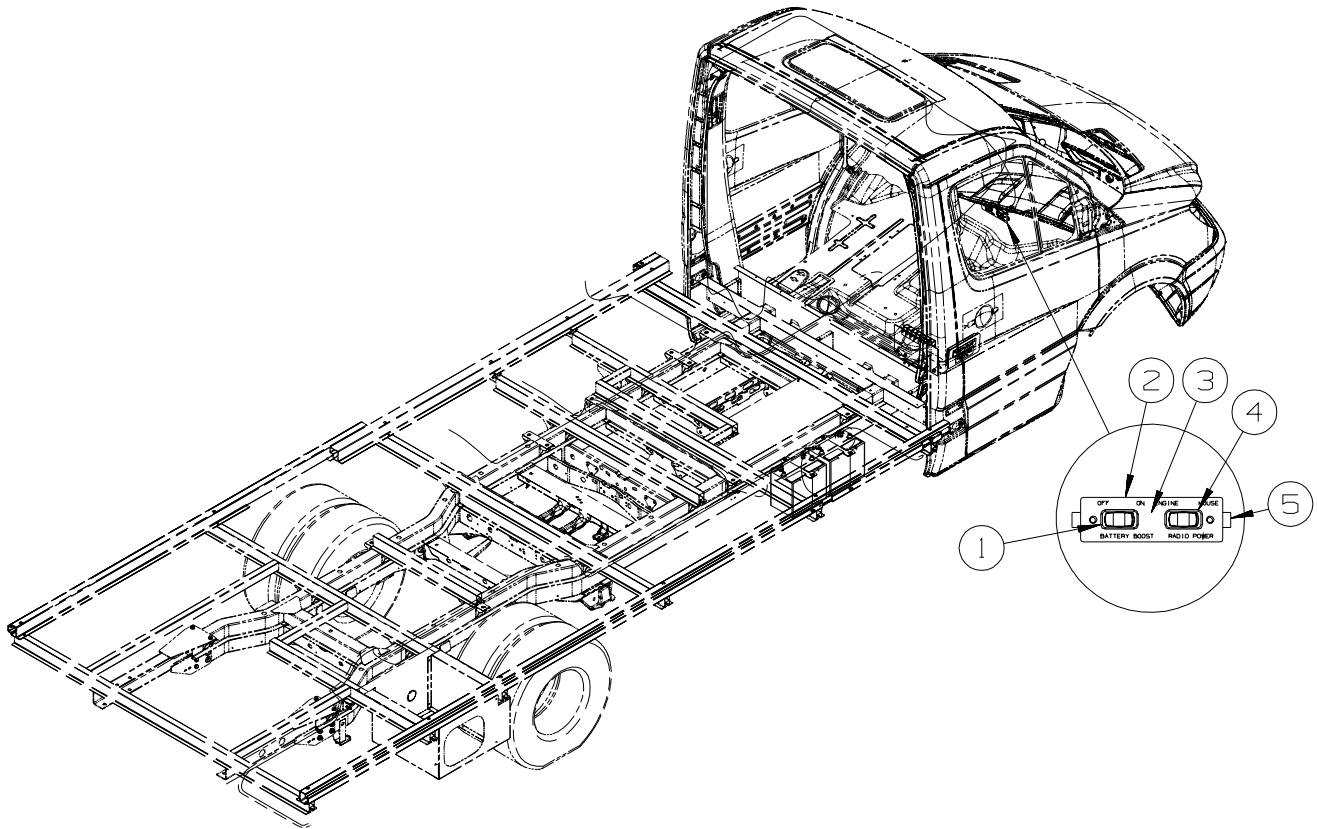
CONNECTORS & CONDUIT (CONTINUED)

KEY	PART NUMBER	U/M	DESCRIPTION
	156043-01-000	EA	HOUSING - 2-POSITION/FEMALE - 480-MP SERIES
	156043-02-000	EA	LOCK - F/2 POSITION HOUSING - 480 SERIES
	156044-01-000	EA	TERMINAL - FEMALE - 16-12 - 280-GT - F/SEALED HOUSING
	156045-01-000	EA	HOUSING - 10-POSITION/FEMALE - 280-GT SERIES
	156045-02-000	EA	HOUSING - 4-POSITION/FEMALE - 280-GT SERIES
	156045-03-000	EA	HOUSING - 8-POSITION/FEMALE - 280-GT SERIES
	156045-04-000	EA	HOUSING - 6-POSITION/FEMALE - 280-GT SERIES
	156207-01-000	EA	HOUSING - 6-POSITION/MALE - 150-GT SERIES
	156208-01-000	EA	TERMINAL - MALE - 18-16 - 150-GT SERIES
	157590-01-000	EA	TERMINAL - FEMALE - M/P - 10-12 - 630
	157592-01-000	EA	HOUSING - 7-POSITION/FEMALE - M/P
	157592-02-000	EA	LOCK - SECONDARY - F/7 POSITION HOUSING
	157656-01-01A	EA	CONNECTOR - DASH LIGHT - BLACK
	158357-01-000	EA	HOUSING - 3 PIN/MALE - MINI FIT
	158373-01-000	EA	HOUSING - SOCKET - 16 CAVITY - MINI MATE-N-LOCK
	158374-01-000	EA	SOCKET - 16-20 CAVITY - MINI MATE-N-LOCK
	164687-01-000	EA	PIN - CONNECTOR - 16-14
	164685-01-000	EA	HOUSING - PIN - 7-POSITION
	164689-01-000	EA	SEAL - CONNECTOR
	168450-01-000	EA	CONNECTOR/ADAPTER - COAX

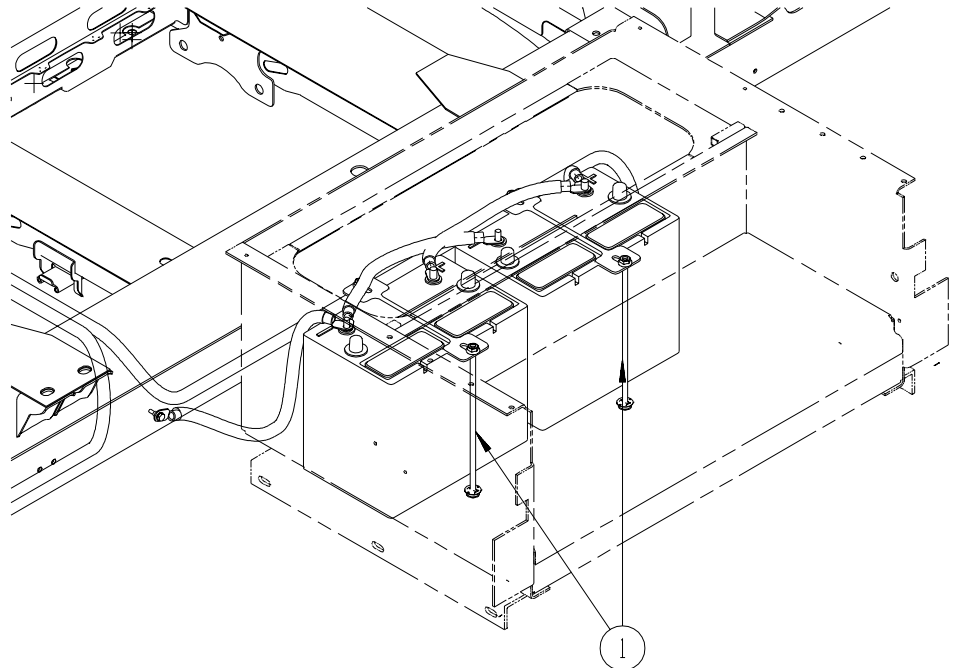


KEY	PART NUMBER	U/M	DESCRIPTION
1	093236-51-000	EA	LABEL - CIRCUIT BREAKER
2	098379-01-000	EA	LABEL - CIRCUIT BREAKER - FRONT BOX
3	098379-04-000	EA	LABEL - ELECTRICAL BOX - SIDE
4	008188-01-000	EA	SOLENOID - 3 POST - BATTERY CHANGE OVER
5	086273-01-000	EA	RELAY - BATTERY DISCONNECT

ELECTRICAL GROUP (CONTINUED)
CHASSIS (CONTINUED)

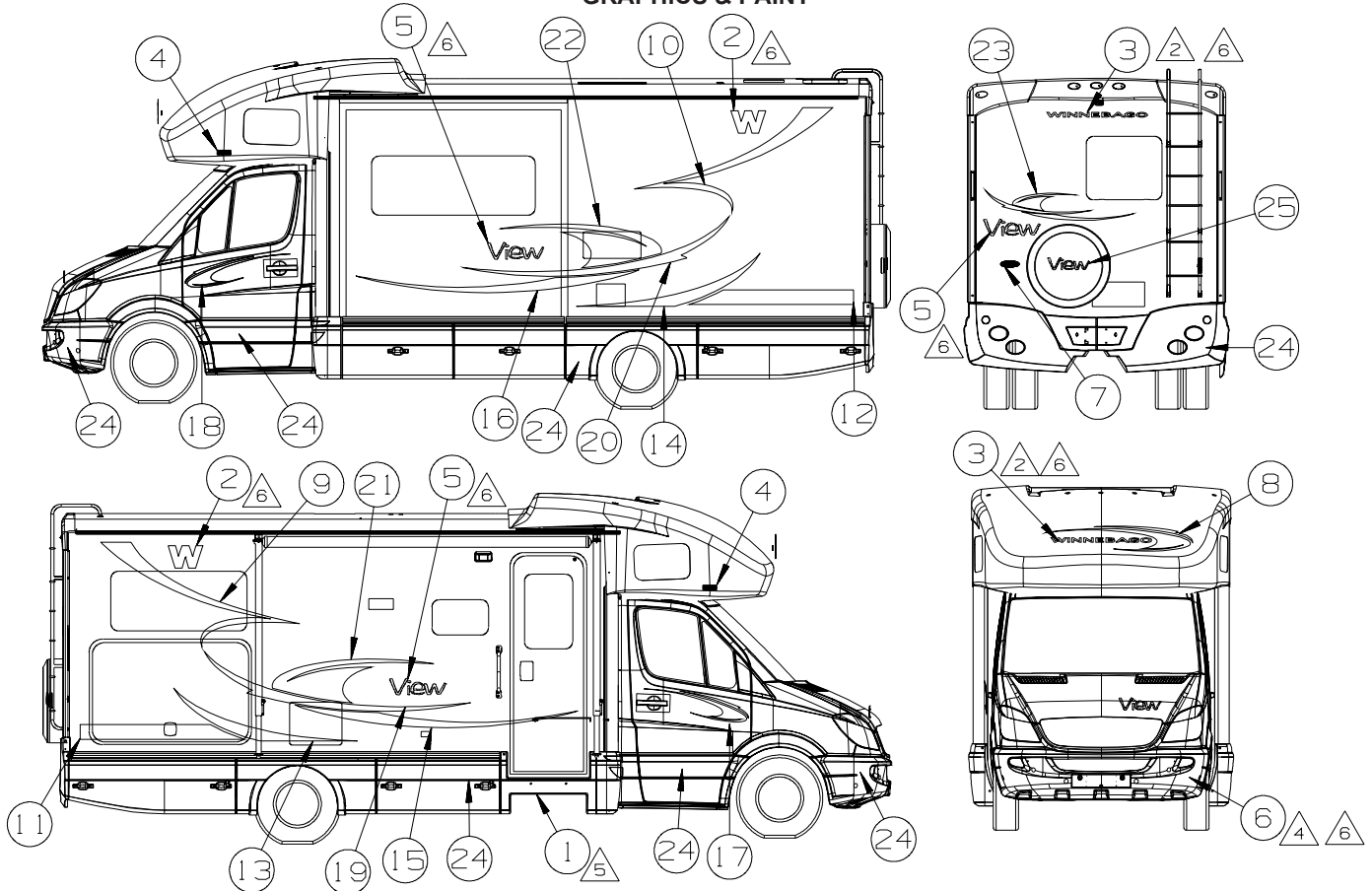


KEY	PART NUMBER	U/M	DESCRIPTION
1	145638-04-01A	EA	SWITCH/ROCKER - SPDT (ON/ON) - BLACK
1	108355-02-000	EA	HOUSING - SWITCH - 12 POSITION
2	144363-13-04B	EA	PLATE - SWITCH - BLACK
3	132954-09-01A	EA	APPLIQUE - SWITCH - RADIO BOOST - BLACK
4	145638-07-01A	EA	SWITCH/ROCKER - DPDT (ON/ON) - BLACK
4	108355-02-000	EA	HOUSING - SWITCH - 12 POSITION
5	152419-02-02B	EA	PLATE - SWITCH/1 HOLE - 1.8" X 8.3" - E-COATED



KEY	PART NUMBER	U/M	DESCRIPTION
1	160014-01-02B	EA	TIEDOWN - BATTERY - E-COATED

EXTERIOR BODY GROUP GRAPHICS & PAINT



(27b) KEY	PART NUMBER	U/M	DESCRIPTION - MANCHESTER
1	109506-01-000	EA	FILM-URETHANE PROTECTANT
2	120700-10-CHT(121A)	EA	DECAL-LOGO W - BLACK MET
3	120702-03-CHT(166A)	EA	DECAL-LOGO WINNEBAGO - BLACK MET
4	130664-02-CHT(101A)	EA	DECAL-LOGO DOME WINNEBAGO - CHROME/RED/BLACK
5	151611-01-CHT(105A)	EA	DECAL-LOGO VIEW LG - BLACK MET
6	151611-02-CHT(105A)	EA	DECAL-LOGO VIEW SML - BLACK MET
7	151687-01-CHT(101A)	EA	DECAL-/BEZEL-/DOME NAMEPLATE WINNEBAGO - CHROME/RED
8	160369-01-CHT(101A)	EA	DECAL-FRT DOME - KHAKI/OLYMPIC GOLD
9	160369-02-CHT(101A)	EA	DECAL-HOOK RH - OLYMPIC GOLD
10	160370-01-CHT(102A)	EA	DECAL-HOOK LH - OLYMPIC GOLD
11	160370-02-CHT(102A)	EA	DECAL-LOWER STRIPE RH - GRAY
12	160371-01-CHT(101A)	EA	DECAL-LOWER STRIPE LH - GRAY
13	160371-02-CHT(101A)	EA	DECAL-SPIKE RH - BLACK MET
14	160372-01-CHT(101A)	EA	DECAL-SPIKE LH - BLACK MET
15	160372-02-CHT(101A)	EA	DECAL-SWEEP LWR RH - KHAKI
16	160373-01-CHT(101A)	EA	DECAL-SWEEP DOOR RH - KHAKI/OLYMPIC GOLD
17	160373-02-CHT(101A)	EA	DECAL-SWEEP DOOR LH - KHAKI/OLYMPIC GOLD
18	160374-01-CHT(101A)	EA	DECAL-SWEEP MID RH - OLYMPIC GOLD
19	160374-02-CHT(101A)	EA	DECAL-SWEEP MID LH - OLYMPIC GOLD
20	160376-01-CHT(101A)	EA	DECAL-SWEEP UPPER RH - KHAKI
21	160376-02-CHT(101A)	EA	DECAL-SWEEP UPPER LH - KHAKI
22	160377-01-CHT(101A)	EA	DECAL-BACKWALL - KHAKI/OLYMPIC GOLD
23	163261-01-XXX	EA	COLORD PLASTIC AND STEEL - STORM GRAY
24	164510-01-CHT(101A)	EA	COVER-TIRE - 30"/VIEW LOGO
25	164510-02-CHT(101A)	EA	DECAL-WINGWALL RH - MATTE BLACK
26	164510-02-CHT(101A)	EA	DECAL-WINGWALL LH - MATTE BLACK

(92x) KEY	PART NUMBER	U/M	DESCRIPTION - CALYPSO SPICE
1	109506-01-000	EA	FILM-URETHANE PROTECTANT
2	120700-10-CHT(22A)	EA	DECAL-LOGO W - BLACK CHERRY
3	120702-03-CHT(167A)	EA	DECAL-LOGO WINNEBAGO - BLACK CHERRY
4	130664-02-CHT(101A)	EA	DECAL-LOGO DOME WINNEBAGO - CHROME/RED/BLACK
5	151611-01-CHT(106A)	EA	DECAL-LOGO VIEW LG - BLACK CHERRY
6	151611-02-CHT(106A)	EA	DECAL-LOGO VIEW SML - BLACK CHERRY
7	151687-01-CHT(101A)	EA	DECAL-/BEZEL-/DOME NAMEPLATE WINNEBAGO - CHROME/RED
8	160369-01-CHT(101A)	EA	DECAL-FRT DOME - BURGUNDY/OLYMPIC GOLD
9	160369-02-CHT(101A)	EA	DECAL-HOOK RH - OLYMPIC GOLD
10	160370-01-CHT(102A)	EA	DECAL-HOOK LH - OLYMPIC GOLD
11	160370-02-CHT(102A)	EA	DECAL-LOWER STRIPE RH - GRAY
12	160371-01-CHT(101A)	EA	DECAL-LOWER STRIPE LH - GRAY
13	160371-02-CHT(101A)	EA	DECAL-SPIKE RH - BLACK CHERRY
14	160372-01-CHT(101A)	EA	DECAL-SPIKE LH - BLACK CHERRY
15	160372-02-CHT(101A)	EA	DECAL-SWEEP LWR RH - BURGUNDY
16	160373-01-CHT(101A)	EA	DECAL-SWEEP DOOR RH - BURGUNDY/OLYMPIC GOLD
17	160373-02-CHT(101A)	EA	DECAL-SWEEP DOOR LH - BURGUNDY/OLYMPIC GOLD
18	160374-01-CHT(101A)	EA	DECAL-SWEEP MID RH - OLYMPIC GOLD
19	160374-02-CHT(101A)	EA	DECAL-SWEEP MID LH - OLYMPIC GOLD
20	160376-01-CHT(101A)	EA	DECAL-SWEEP UPPER RH - BURGUNDY
21	160376-02-CHT(101A)	EA	DECAL-SWEEP UPPER LH - BURGUNDY
22	160377-01-CHT(102A)	EA	DECAL-BACKWALL - BURGUNDY/OLYMPIC GOLD
23	163261-01-XXX	EA	COLORD PLASTIC AND STEEL - STORM GRAY
24	164510-01-CHT(101A)	EA	COVER-TIRE - 30"/VIEW LOGO
25	164510-01-CHT(101A)	EA	DECAL-WINGWALL RH - MATTE BLACK
26	164510-02-CHT(101A)	EA	DECAL-WINGWALL LH - MATTE BLACK

△ ALIGN WINGWALL DECAL WITH RUB STRIP ON CAB DOOR. WRAP AROUND VALANCE CORNER.

△ EMBOSSED #11TH LOGO.

△ LOGO IS TO BE ±1 MM ON A HORIZONTAL PLANE (END TO END).

△ FILM TO PROTECT BOTTOM OF DOOR FROM SCUFF MARKS.

△ LOCATE DECAL 120 MM LEFT OF HOOD EDGE AND 60 MM UP FROM FRONT EDGE OF HOOD.

△ CENTER DECAL VERTICALLY ON PART FEATURE.

△ CENTER ON UNIT.

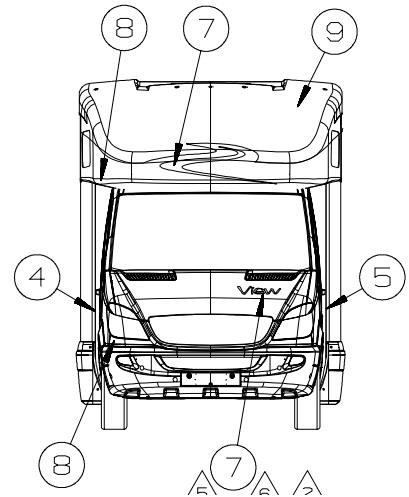
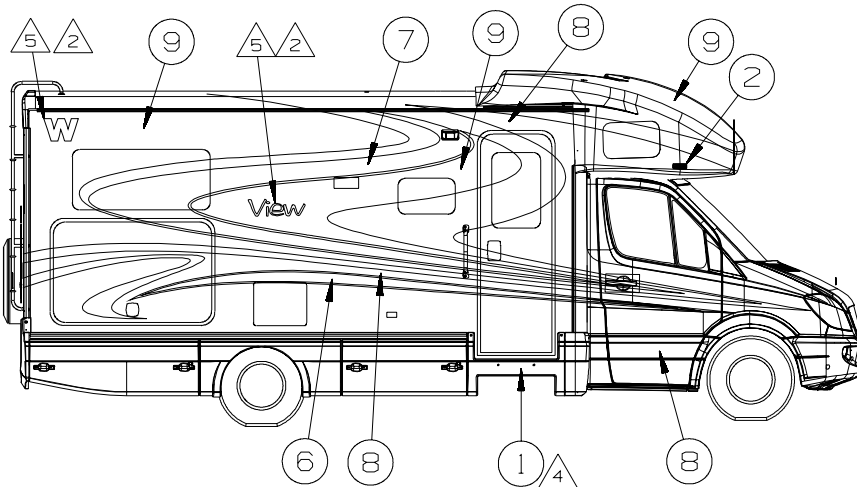
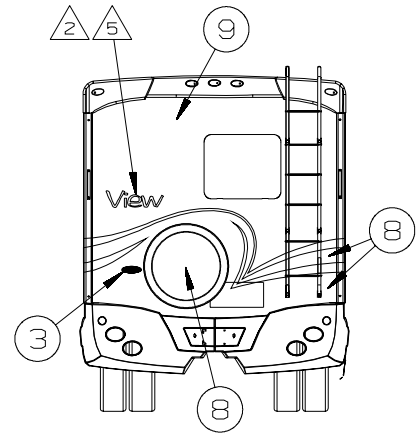
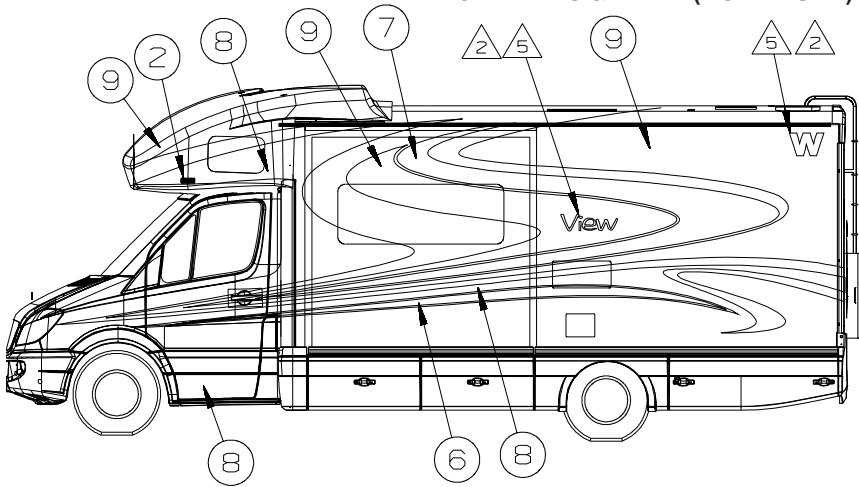
NOTES: 1. APPLY PROTECTOR 116424-01-000 TO WATER HEATER LATCH. (92x) EXTERIOR GRAPHICS PACKAGE #2 (27b) EXTERIOR GRAPHICS PACKAGE #1

NOTES:

EXTERIOR BODY GROUP (CONTINUED)

GRAPHICS & PAINT (CONTINUED)

FULL BODY PAINT



(27A) KEY	PART NUMBER	U/M	DESCRIPTION BAY MIST
1	109506-01-000	EA	FILM-URETHANE PROTECTANT
2	132664-02-CHT(01A)	EA	DECAL-LOGO DOMED WINNEBAGO - CHROME/RED/BLACK
24K	151687-01-CHT(01A)	EA	DECAL-BEZEL DOMED NAMEPLATE WINNEBAGO - CHROME/RED
24L	166391-01-CHT(01A)	EA	FILM-URETHANE PROTECTANT TRANSITION PANEL RH
24M	166391-02-CHT(01A)	EA	FILM-URETHANE PROTECTANT TRANSITION PANEL LH
24N	GL	PAINT-MED GARNET RED MET - SW #35894-7
24O	GL	PAINT-LAGUNA MET - SW #58753-1
24P	GL	PAINT-PEWTER PRL MET - SW #47605
24Q	GL	PAINT-SILVER MET - SW #43636
24R	GL	PAINT-CLEARCOAT-SHERWIN WILLIAMS

(92A) KEY	PART NUMBER	U/M	DESCRIPTION SAND
1	109506-01-000	EA	FILM-URETHANE PROTECTANT
2	132664-02-CHT(01A)	EA	DECAL-LOGO DOMED WINNEBAGO - CHROME/RED/BLACK
24K	151687-01-CHT(01A)	EA	DECAL-BEZEL DOMED NAMEPLATE WINNEBAGO - CHROME/RED
24L	166391-01-CHT(01A)	EA	FILM-URETHANE PROTECTANT TRANSITION PANEL RH
24M	166391-02-CHT(01A)	EA	FILM-URETHANE PROTECTANT TRANSITION PANEL LH
24N	GL	PAINT-BLACK MIST MET - SW #40888
24O	GL	PAINT-CHESTNUT PEARL MET - SW #52447-1
24P	GL	PAINT-SANSTONE BEIGE MET - SW #43482-3
24Q	GL	PAINT-LT PEARLSTONE MET - SW #41824
24R	GL	PAINT-CLEARCOAT-SHERWIN WILLIAMS

(24C) KEY	PART NUMBER	U/M	DESCRIPTION STEEL BLUE
1	109506-01-000	EA	FILM-URETHANE PROTECTANT
2	132664-02-CHT(01A)	EA	DECAL-LOGO DOMED WINNEBAGO - CHROME/RED/BLACK
24K	151687-01-CHT(01A)	EA	DECAL-BEZEL DOMED NAMEPLATE WINNEBAGO - CHROME/RED
24L	166391-01-CHT(01A)	EA	FILM-URETHANE PROTECTANT TRANSITION PANEL RH
24M	166391-02-CHT(01A)	EA	FILM-URETHANE PROTECTANT TRANSITION PANEL LH
24N	GL	PAINT-LI GOLD MET - SW #51076
24O	GL	PAINT-CYCLONE BLUE MET - SW #52925
24P	GL	PAINT-STEEL BLUE MET - SW #63302
24Q	GL	PAINT-LT ADRIATIC MET - SW #48416-1
24R	GL	PAINT-CLEARCOAT-SHERWIN WILLIAMS

- △ LOGO IS TO BE ±1 MM ON A HORIZONTAL PLANE (END TO END).
- △ FILM TO PROTECT BOTTOM OF DOOR FROM SCUFF MARKS.
- △ CLEAR COAT TO BE APPLIED ON PAINTED AREAS TO PROTECT PAINT.
- △ LOGO LEFT AS BODY COLOR OR PAINTED ACCORDING TO DESIGN AND WHERE LOGO IS LOCATED.

1. APPLY PROTECTOR 116424-01-000 TO WATER HEATER DOOR LATCH.

- △ DIE CUT ACRYLIC FILM TO PROTECT FULL BODY PAINTED UNITS.
- 9. USE PROTECTIVE FILM 145487-02-000 TO COVER UNSEALED ROOF SEAMS.
- 8. END PANELS OF SLIDEDOUT ROOMS WILL BE PAINTED WITH BASE COAT AND CLEAR COAT. THERE WILL BE NO COLORED DESIGN GRAPHICS ELEMENTS PAINTED ON END PANELS.
- 7. APPLY SEALER-BODY SEAM CLEAR 894401-04-000 TO HELP SECURE PAINT ON EDGES.
- △ LOCATE DECAL 120 MM LEFT OF HOOD EDGE AND 60 MM UP FROM HOOD EDGE.

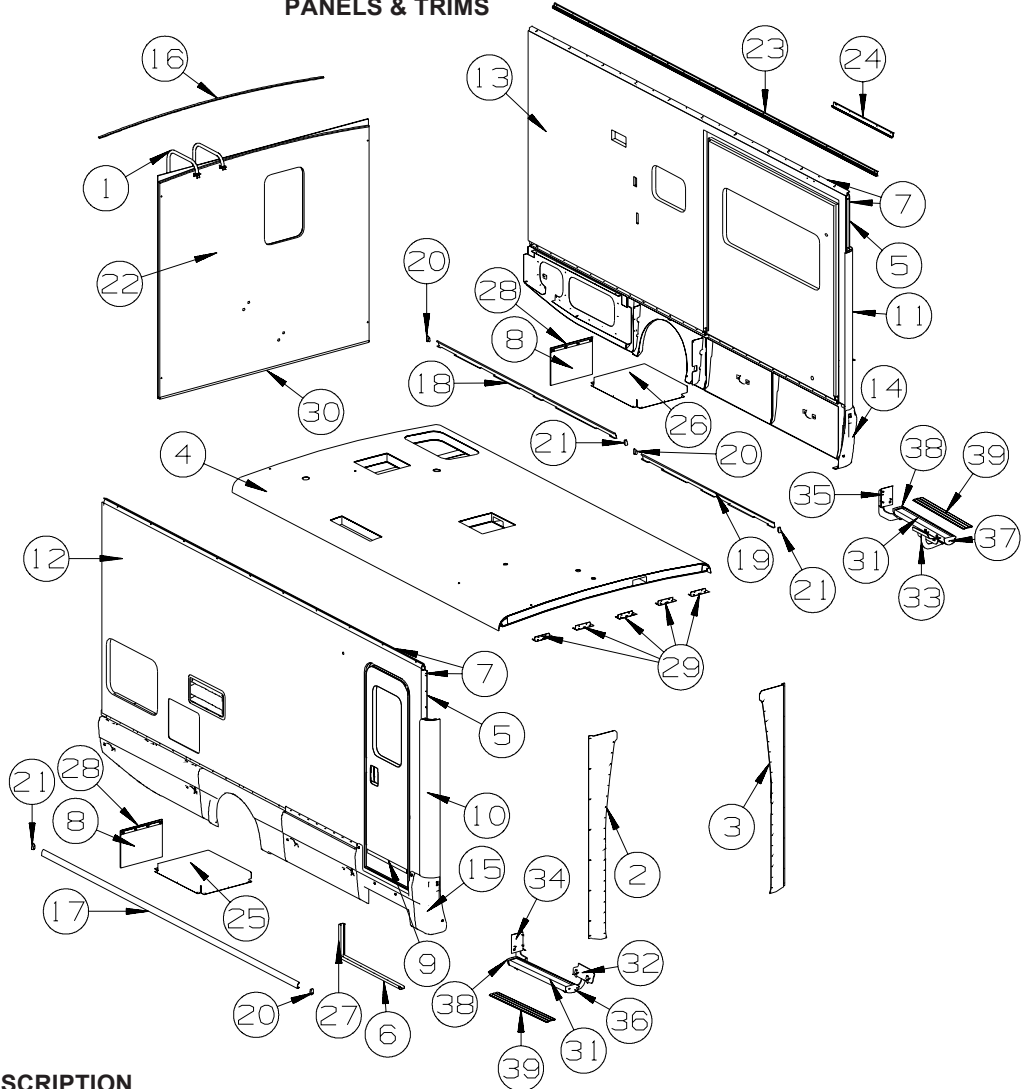
(24K) EXT PROTECT MASK-TRANS PANEL
(24L) EXT FULL BODY PAINT PKG # 3
(92A) EXT FULL BODY PAINT PKG # 2
(27A) EXT FULL BODY PAINT PKG # 1

KEY	PART NUMBER	U/M	DESCRIPTION
	041561-03-000	EA	PAINT/SPRAY - 12 OZ. NET - OFF WHITE
	004308-01-000	EA	PAINT - BLACK SPRAY
	116424-01-000	EA	PROTECTOR - LATCH - WATER HEATER

**DUPONT COLOR CODES ARE NOW FOUND IN THE PAINT CODE MANUAL.
YOU CAN FIND THIS MANUAL ON YOUR DEALER INDEX WEBPAGE UNDER SERVICE.**

EXTERIOR BODY GROUP (CONTINUED)

PANELS & TRIMS

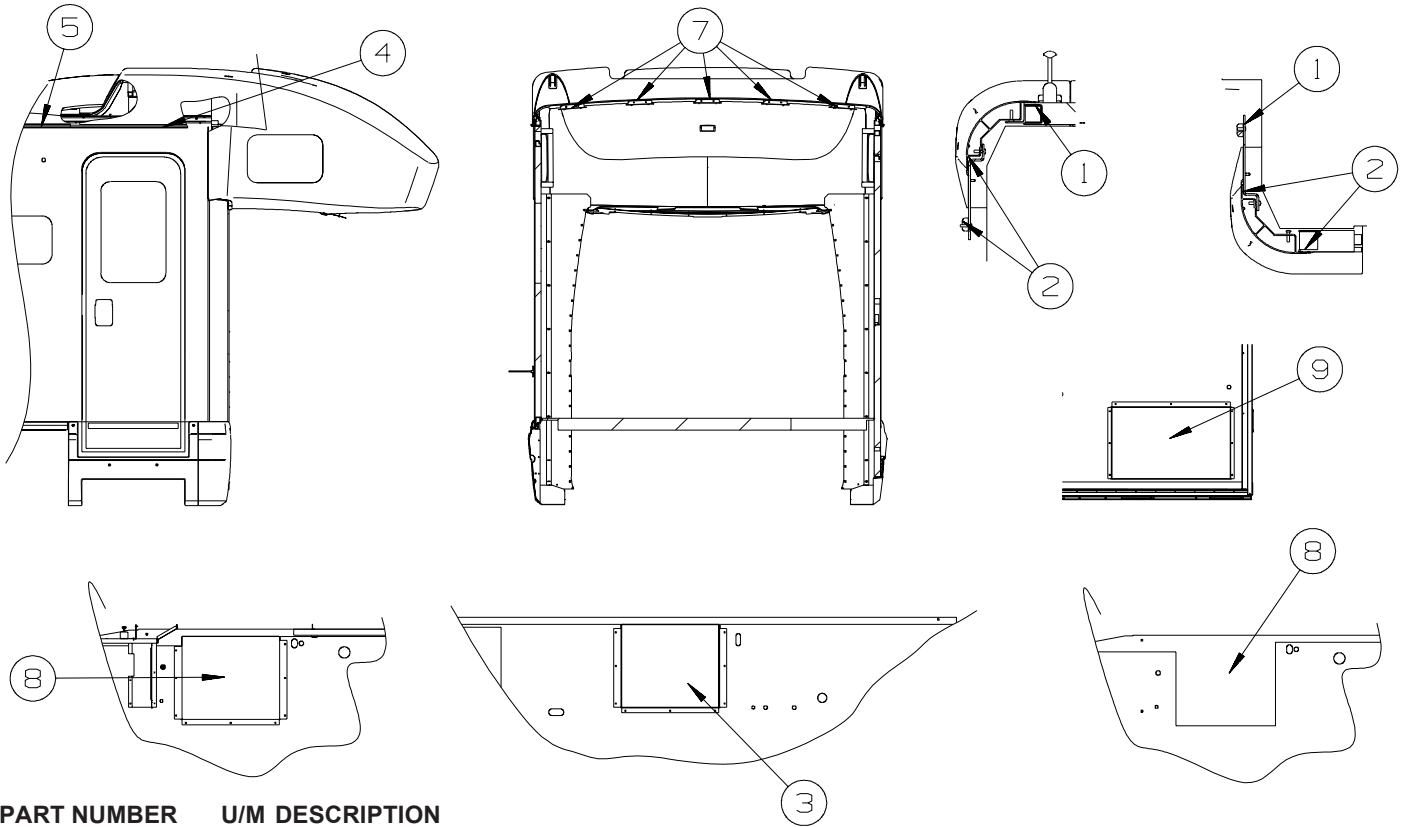


KEY	PART NUMBER	U/M	DESCRIPTION
1	152869-02-01A	EA	LADDER/FOLDING - 78.6"/129.7" - 10 STEP - BRUSHED ALUMINUM FROM: 00-00-00 THRU: 12-21-06
1	161113-11-01A	EA	LADDER - 7 STEP - 89.8" - BRUSHED ALUMINUM FROM: 12-22-06 THRU: 99-99-99
2	160072-01-02A	EA	PANEL/TRANSITION - PASSENGER - BRIGHT WHITE
2	160072-01-03A	EA	PANEL/TRANSITION - PASSENGER - BLACK
3	160072-02-02A	EA	PANEL/TRANSITION - DRIVER - BRIGHT WHITE
3	160072-02-03A	EA	PANEL/TRANSITION - DRIVER - BLACK
4	160813-01-W13	EA	ROOF - W/O LIGHTS/VENTS - W/WIRING
5	099069-01-000	FT	SEAL - FOAM TAPE - ADHESIVE BACK - 3/8" X 3/8" - BLACK
6	137599-11-02A	EA	TRIM - SIDEWALL/LOWER - 36.2" - BRIGHT WHITE
6	137599-11-01A	EA	TRIM - SIDEWALL/LOWER - 36.2" - BLACK
7	056795-01-000	EA	TAPE-SEAL, 1/8" X 3/8" WIDE - PRESS ON
8	017516-01-000	EA	MUD FLAP - 14"H X 18"W - W/O MOUNTING HOLES - RUBBER - BLK
9	093673-01-06A	FT	TRIM/MOLDING - 1.4" WIDE X 8' LONG - BRIGHT WHITE
10	151222-04-01A	EA	TRANSITION - CORNER/RH - 75.9" - BRIGHT WHITE
10	151222-04-02A	EA	TRANSITION - CORNER/RH - 75.9" - BLACK
11	151222-05-01A	EA	TRANSITION - CORNER/LH - 75.9" - BRIGHT WHITE FROM: 00-00-00 THRU: 11-18-07
11	151222-04-01A	EA	TRANSITION - CORNER/RH - 75.9" - BRIGHT WHITE FROM: 11-19-07 THRU: 99-99-99
11	151222-05-02A	EA	TRANSITION - CORNER/LH - 75.9" - BLACK FROM: 00-00-00 THRU: 11-18-07
11	151222-04-02A	EA	TRANSITION - CORNER/RH - 75.9" - BLACK FROM: 11-19-07 THRU: 99-99-99
12	160809-01-W13	EA	SIDEWALL - PASSENGER - W/O WINDOWS/TRIMS (W13, W14, W05, W06)
12	160809-01-W15	EA	SIDEWALL - PASSENGER - W/O WINDOWS/TRIMS (W15, W16)

EXTERIOR BODY GROUP (CONTINUED)
PANELS & TRIMS (CONTINUED)

KEY	PART NUMBER	U/M	DESCRIPTION
13	160810-01-W13	EA	SIDEWALL - DRIVER - W/O WINDOWS/TRIMS (W13, W14, W05, W06)
13	160810-01-W15	EA	SIDEWALL - DRIVER - W/O WINDOWS/TRIMS (W15, W16)
14	160650-01-W13	EA	PANEL/VALANCE - TRANSITION/DRIVER
14	160650-01-AA1	EA	PANEL/VALANCE - TRANSITION/DRIVER - FULL BODY PAINT
15	160651-01-W13	EA	PANEL/VALANCE - TRANSITION/PASSENGER
15	160651-01-AA1	EA	PANEL/VALANCE - TRANSITION/PASSENGER - FULL BODY PAINT
16	114248-02-04A	EA	ANGLE - PLASTIC - .7" X .4" X 96.7" - BEIGE
17	160622-03-01A	EA	TRIM - FEATURE/OUTER - NOTCHED - 2" X 151.9" - PEWTER
17	160622-03-03A	EA	TRIM - FEATURE/OUTER - NOTCHED - 2" X 151.9" - BLACK - FULL BODY PAINT
18	160622-02-01A	EA	TRIM - FEATURE/OUTER - NOTCHED - 2" X 105.4" - PEWTER
18	160622-02-03A	EA	TRIM - FEATURE/OUTER - NOTCHED - 2" X 105.4" - BLACK - FULL BODY PAINT
19	160622-01-01A	EA	TRIM - FEATURE/OUTER - NOTCHED - 2" X 78.2" - PEWTER
19	160622-01-03A	EA	TRIM - FEATURE/OUTER - NOTCHED - 2" X 78.2" - BLACK - FULL BODY PAINT
20	160633-01-02A	EA	CAP/END - TRIM - RH HAND - PEWTER
21	160633-02-02A	EA	CAP/END - TRIM - LH HAND - PEWTER
22	160814-01-W13	EA	BACKWALL - W/O WINDOW/TRIMS (W13, W14, W05, W06)
22	160814-01-W15	EA	BACKWALL - W/O WINDOW/TRIMS (W15, W16)
23	157284-01-01A	EA	RAIL - AWNING - 192" - BRIGHT WHITE
24	152036-01-01A	EA	RAIL - AWNING - 35.4" - BRIGHT WHITE
25	P51877-01-02B	EA	WHEELWELL - STEEL - W/UNDERCOTING
26	P51877-02-02B	EA	WHEELWELL - STEEL - W/UNDERCOTING
27	133100-08-02A	EA	TRIM - SIDEWALL - 12.5" - BRIGHT WHITE
27	133100-08-01A	EA	TRIM - SIDEWALL - 12.5" - BLACK
28	140922-01-02B	EA	RETAINER - MUD FLAP - 1" X 17.7" - E-COATED/BLACK
29	134774-03-02B	EA	BRACKET - CAP ATTACHMENT - E-COATED
30	103335-11-02A	EA	TRIM - BACKWALL - LOWER - 89.6" - BRIGHT WHITE
31	163241-01-02A	EA	STEP/RUNNING BOARD - CAB ENTRY - W/O END CAPS/HDW-SILVER
32	163340-01-01A	EA	BRACKET - STEP/RUNNING BOARD - RH/FRONT - BLACK
33	163340-02-01A	EA	BRACKET - STEP/RUNNING BOARD - LH/FRONT - BLACK
34	163341-01-01A	EA	BRACKET - STEP/RUNNING BOARD - RH/REAR - BLACK
35	163341-02-01A	EA	BRACKET - STEP/RUNNING BOARD - LH/REAR - BLACK
36	163254-01-01A	EA	END CAP - STEP/RUNNING BOARD - RIGHT/FRONT - BLACK
37	163254-02-01A	EA	END CAP - STEP/RUNNING BOARD - LEFT/FRONT - BLACK
38	163254-03-01A	EA	END CAP - STEP/RUNNING BOARD - REAR - BLACK
39	163252-01-01A	EA	TREAD - STEP/RUNNING BOARD - 32.2"
	038327-01-000	EA	TAPE - ANTI SLIP - 2" X 60' - ON FORWARD FACING SURFACES

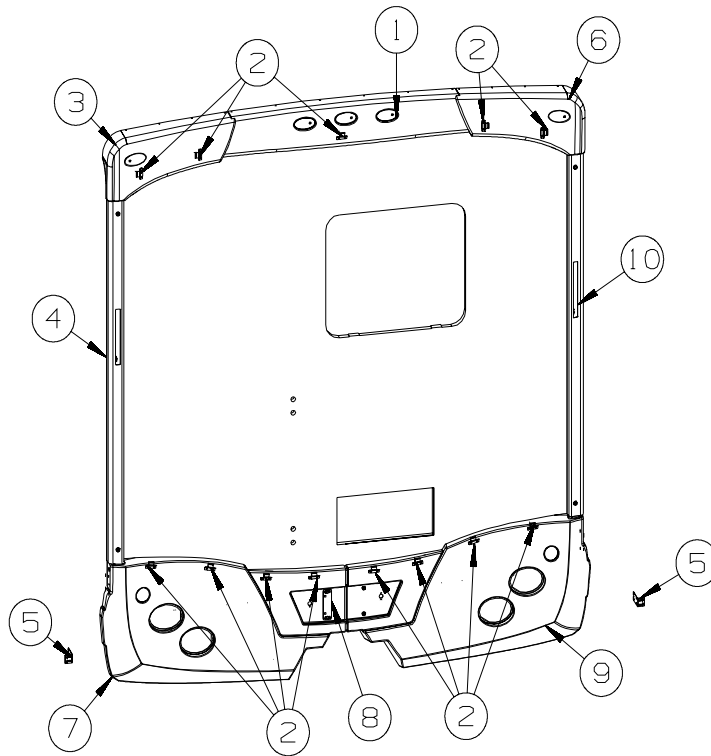
EXTERIOR BODY GROUP (CONTINUED)
PANELS & TRIMS (CONTINUED)



KEY	PART NUMBER	U/M DESCRIPTION
1	154585-01-01A	FT SEAL - FOAM TAPE - ADHESIVE BACK - 3/8" X 3/8" - BLACK
2	056795-01-000	FT TAPE-SEAL, 1/8~ X 3/8~ WIDE - PRESS ON
3	P51877-01-02B	EA WHEELWELL - STEEL - W/UNDERCOATING
4	152036-01-01A	EA RAIL - AWNING - 35.4" - BRIGHT WHITE
5	157284-01-01A	EA RAIL - AWNING - 192" - BRIGHT WHITE
6	P59724-01-02B	EA WHEELWELL - STEEL - W/UNDERCOATING - 523B
7	134774-03-02B	EA BRACKET - CAP ATTACHMENT - E-COATED
8	P51877-02-02B	EA WHEELWELL - STEEL - W/UNDERCOATING - 523H, 524J
9	P51877-03-02B	EA WHEELWELL - STEEL - W/UNDERCOATING

FROM: 05-02-07 THRU: 99-99-99

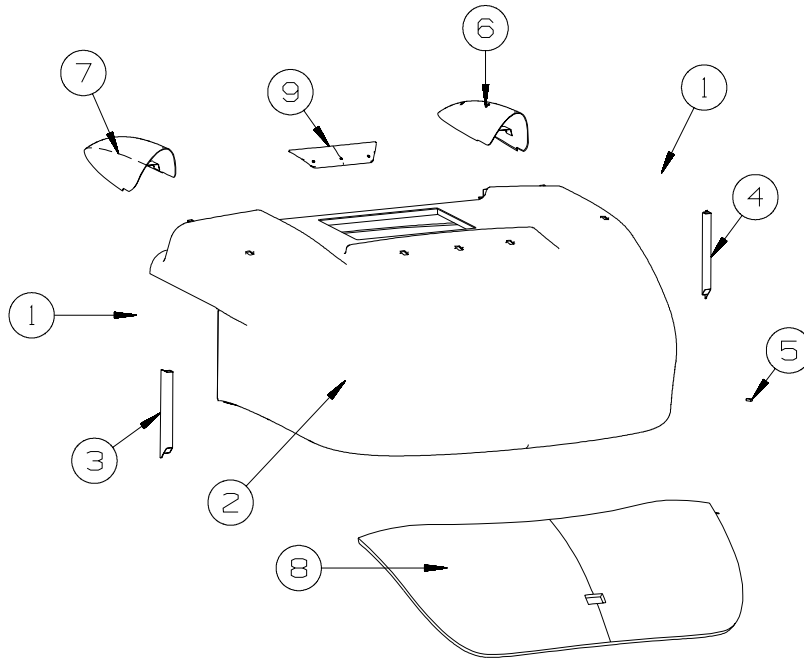
EXTERIOR BODY GROUP (CONTINUED)
PANELS & TRIMS (CONTINUED)



KEY	PART NUMBER	U/M	DESCRIPTION
1	152238-02-W13	EA	TRIM/BACKWALL - UPPER/CENTER - W/O LIGHTS
1	152238-02-AA1	EA	TRIM/BACKWALL - UPPER/CENTER - W/O LIGHTS - FULL BODY PAINT
1	152238-01-W13	EA	TRIM/BACKWALL - UPPER/CENTER - W/O LIGHTS - REARVIEW MONITOR
1	152238-01-AA1	EA	TRIM/BACKWALL - UPPER/CENTER - W/O LIGHTS - REARVIEW MONITOR - FULL BODY PAINT
2	073050-04-000	EA	CLIP/MOUNTING - VALANCE PANEL
3	152232-02-W13	EA	TRIM/BACKWALL - UPPER/DRIVER - W/O LIGHTS
3	152232-02-AA1	EA	TRIM/BACKWALL - UPPER/DRIVER - W/O LIGHTS - FULL BODY PAINT
4	151933-04-02A	EA	TRIM - BACKWALL - DRIVER - PEWTER
4	151933-04-03A	EA	TRIM - BACKWALL - DRIVER - BLACK - FULL BODY PAINT
5	140309-05-02B	EA	ANGLE - FURNACE DOOR - E-COATED
6	152232-01-W13	EA	TRIM/BACKWALL - UPPER/PASSENGER - W/O LIGHTS
6	152232-01-AA1	EA	TRIM/BACKWALL - UPPER/PASSENGER - W/O LIGHTS - FULL BODY PAINT
7	160628-02-W13	EA	TRIM/BACKWALL - LOWER/DRIVER - W/O LIGHTS
7	160628-02-AA1	EA	TRIM/BACKWALL - LOWER/DRIVER - W/O LIGHTS - FULL BODY PAINT
8	161263-01-02B	EA	RETAINER - LICENSE PLATE - E-COATED
9	160628-01-W13	EA	TRIM/BACKWALL - LOWER/PASSENGER - W/O LIGHTS
9	160628-01-AA1	EA	TRIM/BACKWALL - LOWER/PASSENGER - W/O LIGHTS - FULL BODY PAINT
10	151933-03-02A	EA	TRIM - BACKWALL - PASSENGER - PEWTER
10	151933-03-03A	EA	TRIM - BACKWALL - PASSENGER - BLACK - FULL BODY PAINT

EXTERIOR BODY GROUP (CONTINUED)

FRONT END



KEY	PART NUMBER	U/M	DESCRIPTION
1	153151-01-01A	FT	TRIM - ROOF CAP/SIDEWALL - BRIGHT WHITE
2	160591-01-W13	EA	ROOF CAP - FRONT - BRIGHT WHITE
2	160591-02-W13	EA	ROOF CAP - FRONT - BRT WHITE - CABINET, FRONT CAB OVERHEAD OR ENTR CENTER-CABOVER
	105290-01-000	SF	INSULATION - AIR POCKET W/FOIL - 4' WIDE
3	151686-03-01A	EA	TRIM/EXTRUDED - ALUMINUM/RH - 18.9" - BRIGHT WHITE
4	151686-04-01A	EA	TRIM/EXTRUDED - ALUMINUM/LH - 18.9" - BRIGHT WHITE
5	154585-01-01A	FT	SEAL - FOAM TAPE - ADHESIVE BACK - 3/8" X 3/8" - BLACK
6	160510-04-W13	EA	TRIM/ROOF - LEFT - PLASTIC - 9"W X 38.1"L X 5.8"H
6	160510-04-AA1	EA	TRIM/ROOF - LEFT - PLASTIC - 9"W X 38.1"L X 5.8"H - FULL BODY PAINT
7	160510-03-W13	EA	TRIM/ROOF - RIGHT - PLASTIC - 9"W X 38.1"L X 5.8"H
7	160510-03-AA1	EA	TRIM/ROOF - RIGHT - PLASTIC - 9"W X 38.1"L X 5.8"H - FULL BODY PAINT
8	160286-01-W13	EA	HEADLINER/MATERIAL - W/LAMINATED FOAM
			FROM: 00-00-00 THRU: 03-02-08
	152087-02-01A	EA	HEADLINER MATERIAL - W/LAMINATED FOAM - CREAM FOSS
			FROM: 00-00-00 THRU: 03-02-08
8	167068-01-01A	EA	HEADLINER - CARPET W/FOAM - OPAL GRAY
			FROM: 03-03-08 THRU: 99-99-99
9	167753-01-01A	EA	TRIM - ROOF CAP - BRIGHT WHITE
			FROM: 01-01-08 THRU: 99-99-99
	156622-01-01A	FT	SEALER - TAPE - 1/4"THICK X 3"WIDE X 100 FT

EXTERIOR BODY GROUP (CONTINUED)
STRUCTURAL COMPONENTS

KEY	PART NUMBER	U/M	DESCRIPTION
	002726-01-001	EA	GARNISH - U-CHANNEL - 1.38" X 19' - SERRATED
	089297-01-000	SF	PLYWOOD - LUAN - OVERLAY GRADE - 4' X 8'
	100619-01-000	BF	FOAM - EXPANDED POLYSTYRENE - 1.34" X 48" X 96"
	100619-02-000	BF	FOAM - EXPANDED POLYSTYRENE - 1.5" X 48" X 96"
	100619-04-000	BF	FOAM - EXPANDED POLYSTYRENE - .5" X 48" X 96"
	100619-B3-000	BF	FOAM - EXPANDED POLYSTYRENE - .42" X 48" X 96"
	100619-05-000	BF	FOAM - EXPANDED POLYSTYRENE - .75" X 48" X 96"-1.5"DENSITY
	100619-05-017	EA	FOAM - EXPANDED POLYSTYRENE - .75" X 48" X 96"-1.5"DENSITY
	100619-16-000	BF	FOAM - EXPANDED POLYSTYRENE - .75" X 48" X 96"-2" DENSITY
	120107-01-000	EA	FOAM - ROOF COVE - 2.8" X 48" LONG
	120107-02-000	EA	FOAM - PLUG - ROOF TUBE - 2.2" X 2.9" X 1.8" LONG
	120107-03-000	EA	FOAM - PLUG - SIDEWALL TUBE - 1.2" X 2.1" X 1.8" LONG
	108535-10-01A	SF	FIBERGLASS SHEET - 99" X 500' ROLL - BRIGHT WHITE
	128782-17-01A	EA	FIBERGLASS SHEET - 30.9" X 74.7" - HIGH GLOSS - BRT WHITE
	128782-25-01A	EA	FIBERGLASS SHEET - 78.9" X 190.7" - HIGH GLOSS - BRT WHITE
	128782-20-01A	EA	FIBERGLASS SHEET - 78.9" X 185.9" - HIGH GLOSS - BRT WHITE
	159631-15-01A	EA	FIBERGLASS SHEET - 4" X 93.8" - BRIGHT WHITE
			FROM: 00-00-00 THRU: 01-14-07
	162931-15-01A	EA	FIBERGLASS SHEET - 4" X 93.8" - BRIGHT WHITE
			FROM: 01-15-07 THRU: 99-99-99
	116942-03-01A	LB	ALUMINUM - .7" X 40" X 158"
	164228-01-01A	EA	ALUFIBER - SIDEWALL SKIN - 75.8" X 190.7" - 524CL, 524DL
			FROM: 00-00-00 THRU: 01-06-08
	128782-25-01A	EA	FIBERGLASS SHEET - 78.9" X 190.7" - HIGH GLOSS - BRT WHITE - 524CL, 524DL
			FROM: 01-07-08 THRU: 99-99-99
	164228-02-01A	EA	ALUFIBER - BACKWALL SKIN - 80.4" X 90.2" - 524CL, 524DL
			FROM: 00-00-00 THRU: 01-06-08
	128782-14-01A	EA	FIBERGLASS SHEET - 102.4" X 99.2" - HIGH GLOSS - BRT WHITE - 524CL, 524DL
			FROM: 01-07-08 THRU: 99-99-99
	164228-03-01A	EA	ALUFIBER - SIDEWALL SKIN - 16.7" X 36.9" - 524CL, 524DL
			FROM: 00-00-00 THRU: 01-06-08
	128782-07-700	EA	FIBERGLASS SHEET - 27" X 80" - HIGH GLOSS - BRT WHT - 524CL, 524DL
			FROM: 01-07-08 THRU: 99-99-99
	164228-04-01A	EA	ALUFIBER - SIDEWALL SKIN - 47.9" X 95.8" - 524CL, 524DL
			FROM: 00-00-00 THRU: 01-06-08
	128782-14-700	EA	FIBERGLASS SHEET - 102.4"X 99.2" - HIGH GLOSS - BRT-WHITE - 524CL, 524DL
			FROM: 01-07-08 THRU: 99-99-99
	164228-06-01A	EA	ALUFIBER - SIDEWALL SKIN - 30" X 45.7" - 524DL
			FROM: 00-00-00 THRU: 01-06-08
	128782-07-701	EA	FIBERGLASS SHEET - 54" X 79" - HIGH GLOSS - BRT WHT - 524DL
			FROM: 01-07-08 THRU: 99-99-99

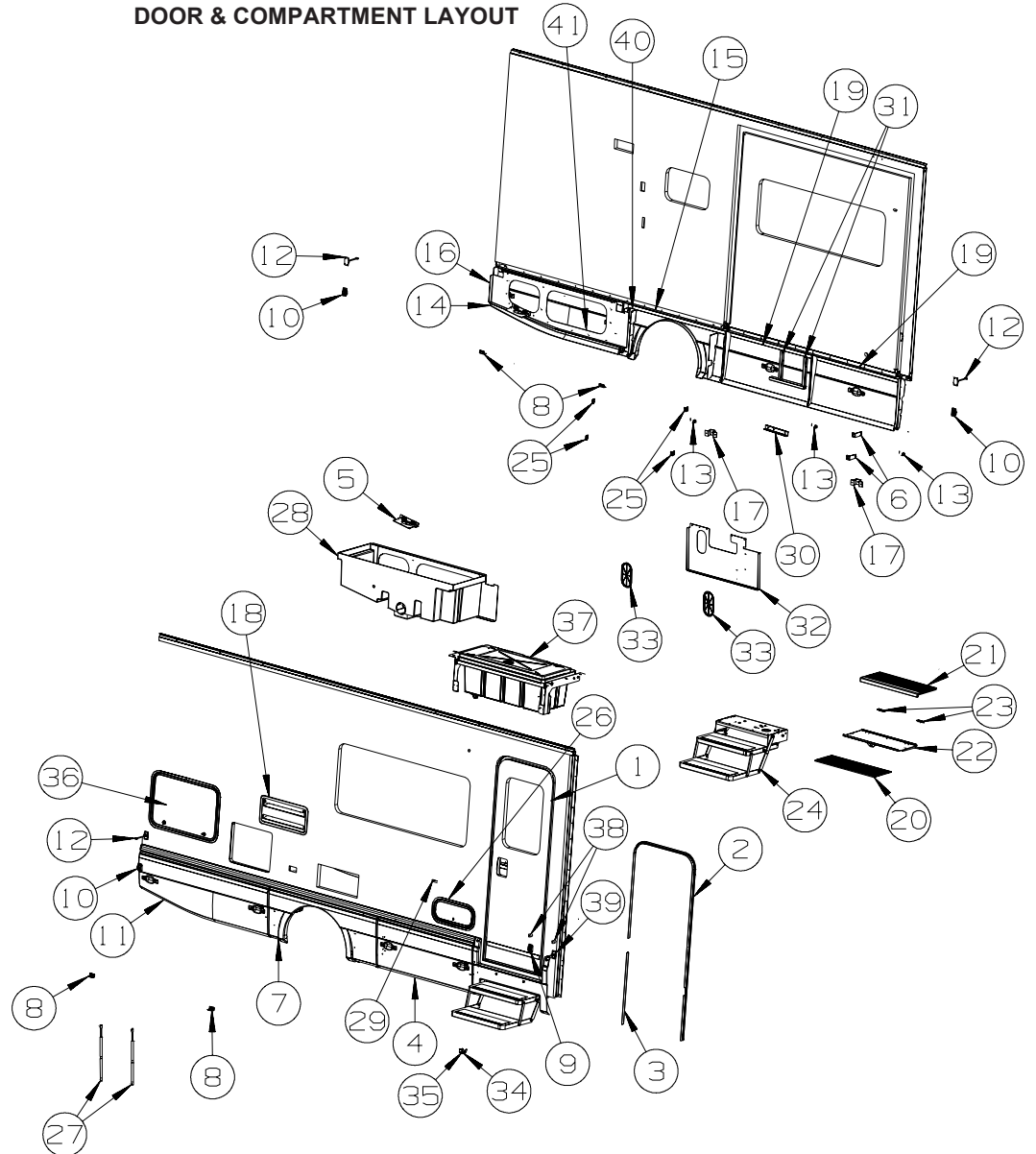
AWNINGS

ORDER AWNINGS & REPAIR PARTS FROM DOMETIC. CALL #800-366-3842.
THE DOMETIC AWNING INFORMATION YOU WILL NEED IS LOCATED ON THE MOTOR HOME NEAR
THE TOP OF THE AWNING RAIL.

KEY	PART NUMBER	U/M	DESCRIPTION
	113874-12-01A	EA	SCREW/LAG - AWNING - 1/4" X 2 3/4" STAINLESS STEEL
	127647-03-01A	EA	ROD/AWNING GUARD - ENTRY DOOR - 19.4" LONG
	127960-01-01A	EA	RETAINER - EYE - 3/8" - STAINLESS STEEL
	161739-01-02A	EA	BRACKET - AWNING - BRIGHT WHITE
	161739-01-01A	EA	BRACKET - AWNING - BLACK

EXTERIOR DOORS & COMPARTMENTS GROUP

DOOR & COMPARTMENT LAYOUT



KEY	PART NUMBER	U/M	DESCRIPTION
1	P32206-21-W13	EA	DOOR - ENTRY W/SCREEN DOOR - W/O WINDOW/LATCH (W13, W14, W05, W06)
1	P32206-21-W15	EA	DOOR - ENTRY W/SCREEN DOOR - W/O WINDOW/LATCH (W15, W16)
1	M09571-01-W13	EA	DOOR - ENTRY W/SCREEN DOOR - W/O WINDOW/LATCH (W13, W14, W05, W06) - FULL BODY PAINT
1	M09571-01-W15	EA	DOOR - ENTRY W/SCREEN DOOR - W/O WINDOW/LATCH (W15, W16) - FULL BODY PAINT

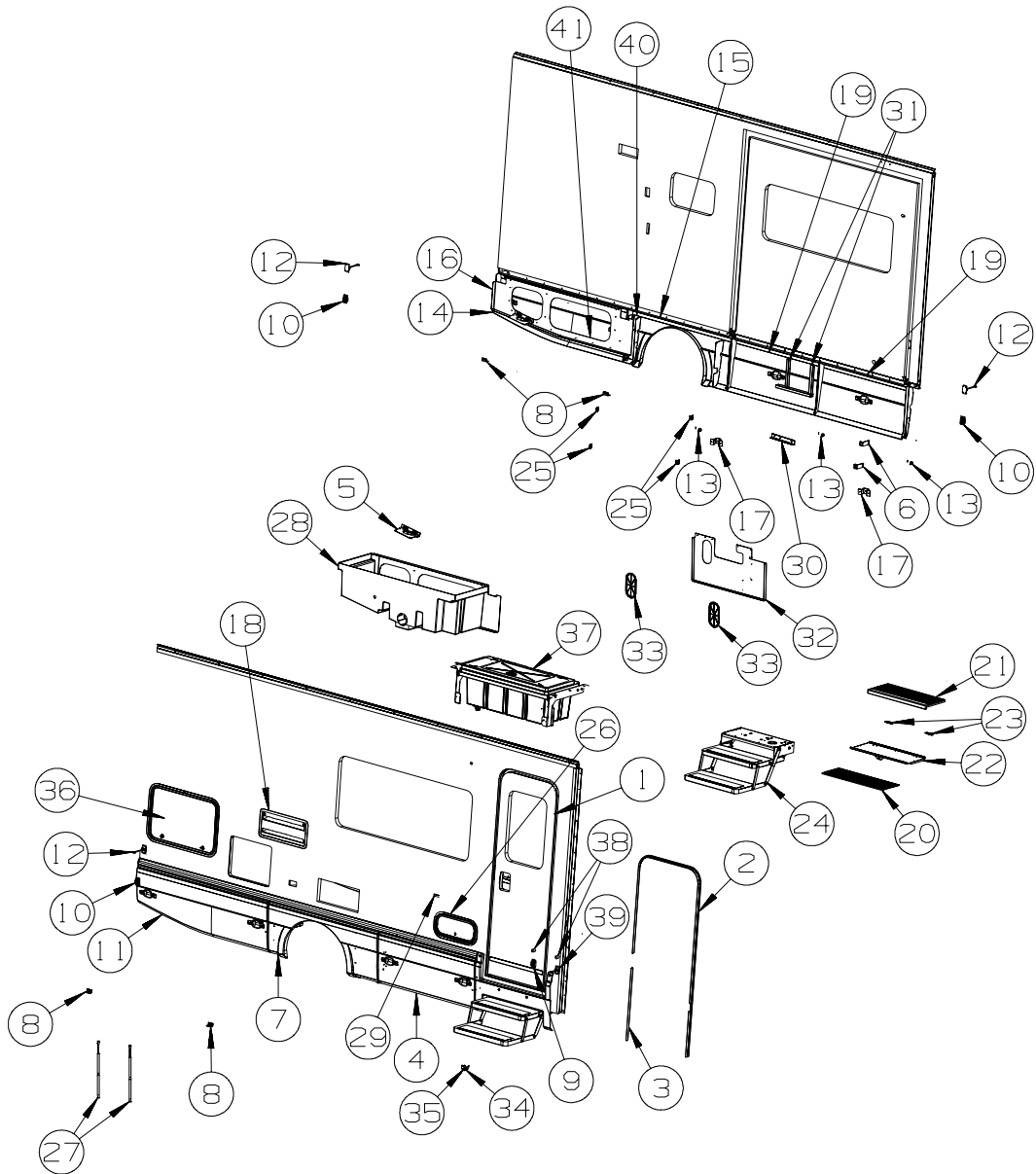
ENTRY DOOR LOCK CYLINDERS

138287-11-000	EA	CYLINDER/LOCK - ENTRY DOOR - MASTER W/3M ICON - (3041)
138287-12-000	EA	CYLINDER/LOCK - ENTRY DOOR - MASTER W/3M ICON - (3042)
138287-13-000	EA	CYLINDER/LOCK - ENTRY DOOR - MASTER W/3M ICON - (3043)
138287-14-000	EA	CYLINDER/LOCK - ENTRY DOOR - MASTER W/3M ICON - (3044)
138287-15-000	EA	CYLINDER/LOCK - ENTRY DOOR - MASTER W/3M ICON - (3045)
138287-16-000	EA	CYLINDER/LOCK - ENTRY DOOR - MASTER W/3M ICON - (3046)
138287-17-000	EA	CYLINDER/LOCK - ENTRY DOOR - MASTER W/3M ICON - (3047)
138287-18-000	EA	CYLINDER/LOCK - ENTRY DOOR - MASTER W/3M ICON - (3048)
138287-19-000	EA	CYLINDER/LOCK - ENTRY DOOR - MASTER W/3M ICON - (3049)
138287-20-000	EA	CYLINDER/LOCK - ENTRY DOOR - MASTER W/3M ICON - (3050)

EXTERIOR DOORS & COMPARTMENTS GROUP (CONTINUED)
DOOR & COMPARTMENT LAYOUT (CONTINUED)

KEY	PART NUMBER	U/M	DESCRIPTION
	138288-11-000	EA	KEY - REVERSIBLE - #3041 - T/M 16169-02-3041
	138288-12-000	EA	KEY - REVERSIBLE - #3042 - T/M 16169-02-3042
	138288-13-000	EA	KEY - REVERSIBLE - #3043 - T/M 16169-02-3043
	138288-14-000	EA	KEY - REVERSIBLE - #3044 - T/M 16169-02-3044
	138288-15-000	EA	KEY - REVERSIBLE - #3045 - T/M 16169-02-3045
	138288-16-000	EA	KEY - REVERSIBLE - #3046 - T/M 16169-02-3046
	138288-17-000	EA	KEY - REVERSIBLE - #3047 - T/M 16169-02-3047
	138288-18-000	EA	KEY - REVERSIBLE - #3048 - T/M 16169-02-3048
	138288-19-000	EA	KEY - REVERSIBLE - #3049 - T/M 16169-02-3049
	138288-20-000	EA	KEY - REVERSIBLE - #3050 - T/M 16169-02-3050
	138292-01-000	EA	SEAL - LOCK CYLINDER
VALANCE DOOR DOOR LOCK CYLINDERS			
	138289-11-000	EA	CYLINDER/LOCK - ACCESS DOORS - REDUCED SENSITIVITY (3041)
	138289-12-000	EA	CYLINDER/LOCK - ACCESS DOORS - REDUCED SENSITIVITY (3042)
	138289-13-000	EA	CYLINDER/LOCK - ACCESS DOORS - REDUCED SENSITIVITY (3043)
	138289-14-000	EA	CYLINDER/LOCK - ACCESS DOORS - REDUCED SENSITIVITY (3044)
	138289-15-000	EA	CYLINDER/LOCK - ACCESS DOORS - REDUCED SENSITIVITY (3045)
	138289-16-000	EA	CYLINDER/LOCK - ACCESS DOORS - REDUCED SENSITIVITY (3046)
	138289-17-000	EA	CYLINDER/LOCK - ACCESS DOORS - REDUCED SENSITIVITY (3047)
	138289-18-000	EA	CYLINDER/LOCK - ACCESS DOORS - REDUCED SENSITIVITY (3048)
	138289-19-000	EA	CYLINDER/LOCK - ACCESS DOORS - REDUCED SENSITIVITY (3049)
	138289-20-000	EA	CYLINDER/LOCK - ACCESS DOORS - REDUCED SENSITIVITY (3050)
2	139100-09-01A	EA	GARNISH/RADIUS - ENTRY DOOR - BRIGHT WHITE
2	139100-09-02A	EA	GARNISH/RADIUS - ENTRY DOOR - BLACK
3	139101-07-01A	EA	GARNISH/STRAIGHT - ENTRY DOOR - BRIGHT WHITE
3	139101-07-02A	EA	GARNISH/STRAIGHT - ENTRY DOOR - BLACK
4	160265-03-W13	EA	DOOR/STORAGE - DRVR - W/O HDW - 58.9" X 19.5" - W/TAPER
4	160265-03-W13	EA	DOOR/STORAGE - DRVR - W/O HDW - 58.9" X 19.5" - W/TAPER - FULL BODY PAINT FROM: 00-00-00 THRU: 04-06-08
4	160265-03-AA1	EA	DOOR/STORAGE - DRVR - W/O HDW - 58.9" X 19.5" - W/TAPER - FULL BODY PAINT FROM: 04-07-08 THRU: 99-99-99
	120494-01-02B	EA	SHIM - STRIKER - LUGGAGE DOOR - 1/16" - BLACK
	163586-01-01B	EA	KEEPER - LATCH - E-COATED
	076322-22-000	FT	TAPE - FOAM/DOUBLE COATED - .045" X .75"
	158297-01-000	FT	SEAL - BULB - .5" X .7" - ADHESIVE BACK - BLACK
	107721-07-000	FT	SEAL - ACCESS DOOR - .9"WIDE X 1.1"HIGH
5*	142226-02-01A	EA	HATCH - POWER
6	140309-07-02B	EA	ANGLE - FURNACE DOOR - E-COATED
7	160620-01-W13	EA	PANEL - WHEEL LIP
7	160620-01-W13	EA	PANEL - WHEEL LIP - FULL BODY PAINT FROM: 00-00-00 THRU: 04-06-08
7	160620-01-AA1	EA	PANEL - WHEEL LIP - FULL BODY PAINT FROM: 04-07-08 THRU: 99-99-99
	158982-01-04B	EA	HINGE - CONTINUOUS - 2" X 8" - BLACK
	076322-21-000	FT	TAPE - FOAM/DOUBLE COATED - .045"THK X .50"W
8	163586-01-02B	EA	KEEPER - LATCH - E-COATED
9	104099-02-06A	EA	CATCH/RETAINER - DOOR HOLDER - PEWTER FROM: 00-00-00 THRU: 12-02-07
9	104099-02-05A	EA	CATCH/RETAINER - DOOR HOLDER - BLACK - FULL BODY PAINT FROM: 00-00-00 THRU: 12-02-07
9	127647-03-01A	EA	ROD/AWNING GUARD - ENTRY DOOR - 19.4" LONG - NOT ILLUSTRATED FROM: 12-03-07 THRU: 99-99-99
9	127960-01-01A	EA	RETAINER - EYE - 3/8" - STAINLESS STEEL - NOT ILLUSTRATED FROM: 12-03-07 THRU: 99-99-99
10	104099-02-06A	EA	CATCH/RETAINER - DOOR HOLDER - PEWTER
10	104099-02-05A	EA	CATCH/RETAINER - DOOR HOLDER - BLACK - FULL BODY PAINT
11	160265-02-W13	EA	DOOR/STORAGE - PASS - W/O HDW - 58.9" X 19.5" - W/TAPER
11	160265-02-W13	EA	DOOR/STORAGE - PASS - W/O HDW - 58.9" X 19.5" - W/TAPER - FULL BODY PAINT FROM: 00-00-00 THRU: 04-06-08
11	160265-02-AA1	EA	DOOR/STORAGE - PASS - W/O HDW - 58.9" X 19.5" - W/TAPER - FULL BODY PAINT FROM: 04-07-08 THRU: 99-99-99
	120494-01-02B	EA	SHIM - STRIKER - LUGGAGE DOOR - 1/16" - BLACK
	132892-08-01A	EA	SEAL - BULB/SINGLE - W/U CHANNEL - 1" X .8" - BLACK

EXTERIOR DOORS & COMPARTMENTS GROUP (CONTINUED)
DOOR & COMPARTMENT LAYOUT (CONTINUED)



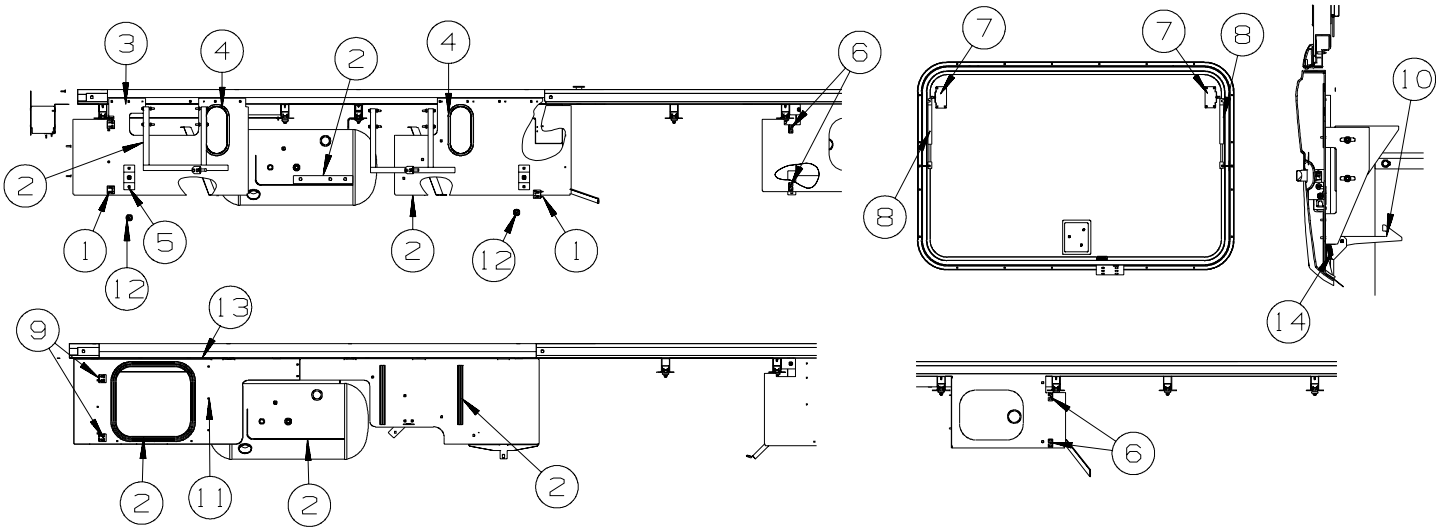
KEY	PART NUMBER	U/M	DESCRIPTION
12	104099-03-04A	EA	CATCH - DOOR HOLDER - STRIKE - 6" - BRIGHT WHITE
12	104099-03-05A	EA	CATCH - DOOR HOLDER - STRIKE - 6" - BLACK
13	058786-01-000	EA	BOLT - HOOD ADJUSTMENT - 5/16"-18 X 1.5"-2"- W/BLACK PAD
14	160265-01-W13	EA	DOOR/STORAGE - DRVR - W/O HDW - 58.9" X 19.5" - W/TAPER
14	160265-01-AA1	EA	DOOR/STORAGE - DRVR - W/O HDW - 58.9" X 19.5" - W/TAPER - FULL BODY PAINT
	120494-01-02B	EA	SHIM - STRIKER - LUGGAGE DOOR - 1/16" - BLACK
15	160620-02-W13	EA	PANEL - WHEEL LIP
15	160620-02-W13	EA	PANEL - WHEEL LIP - FULL BODY PAINT
			FROM: 00-00-00 THRU: 04-06-08
15	160620-02-AA1	EA	PANEL - WHEEL LIP - FULL BODY PAINT
			FROM: 04-07-08 THRU: 99-99-99
	158982-01-04B	EA	HINGE - CONTINUOUS - 2" X 8" - BLACK
	076322-21-000	FT	TAPE - FOAM/DOUBLE COATED - .045"THK X .50"W
16	152031-04-02B	EA	PLATE/SEAL - E-COATED
17	154814-02-02B	EA	BRACKET/FORMED - ADJUSTING BOLT - E-COATED
18*	084103-08-000	EA	DOOR - VENT - REFRIGERATOR - W/O JAMB - BRIGHT WHITE
18	084104-08-000	EA	JAMB - VENT DOOR/REFRIGERATOR - BRIGHT WHITE

EXTERIOR DOORS & COMPARTMENTS GROUP (CONTINUED)
DOOR & COMPARTMENT LAYOUT (CONTINUED)

KEY	PART NUMBER	U/M	DESCRIPTION
19	160265-04-W13	EA	DOOR/STORAGE - W/O HDW - 39.1" X 19.5"
19	160265-04-W13	EA	DOOR/STORAGE - W/O HDW - 39.1" X 19.5" FROM: 00-00-00 THRU: 04-06-08
19	160265-04-AA1	EA	DOOR/STORAGE - W/O HDW - 39.1" X 19.5" FROM: 04-07-08 THRU: 99-99-99
	163586-01-02B	EA	KEEPER - LATCH - E-COATED
	120494-01-02B	EA	SHIM - STRIKER - LUGGAGE DOOR - 1/16" - BLACK
20	133114-03-01A	EA	TREAD - STEP/RUBBER - 27.1" X 10.1" - TAUPE
21	147781-01-01A	EA	TREAD/STEP - RUBBER - TAUPE
22	123330-05-02B	EA	SUPPORT - ENTRY STEP - E-COATED
23	146747-01-02B	EA	BRACKET/CATCH - E-COATED
	116975-01-01A	EA	LATCH - W/O STRIKE - BLACK - NEW STYLE
24*	094707-04-01A	EA	STEP - ELECTRIC DOUBLE - KWIKEE
25	140309-01-02B	EA	ANGLE - FURNACE DOOR - E-COATED
26	126945-15-S34	EA	DOOR/STORAGE - W/O HARDWARE - 18" X 8.3"
26	126945-15-AA1	EA	DOOR/STORAGE - W/O HARDWARE - 18" X 8.3" - FULL BODY PAINT
27	142569-21-000	EA	SPRING/GAS - 60 LB - 20" EXTENDED/12" COMPRESSED
28	151549-01-000	EA	COMPARTMENT - DRAINAGE
	151549-02-000	EA	COMPARTMENT - DRAINAGE
29	102768-01-000	EA	HOLDER - COMPARTMENT/ENTRY DOOR - METAL - MILL FINISH
30	154423-01-01A	EA	ANGLE - W/SLOTS - 11" - BLACK
	107721-07-000	FT	SEAL - ACCESS DOOR - .9"WIDE X 1.1"HIGH
31	153363-02-W13	EA	MOUNTING TUBE - LP DOOR
	107721-07-000	FT	SEAL - ACCESS DOOR - .9"WIDE X 1.1"HIGH
32	160568-01-02B	EA	PANEL/CLOSEOUT - LP/FRONT - E-COATED
33	148331-01-01A	EA	PLUG - OVAL/LARGE - BLACK
34	159052-02-02B	EA	CATCH - DRAWER - W/ANGLE CATCH - E-COATED
35	100414-01-000	EA	SPRING-CATCH, 3/8" OD X 1.5" - EXTERIOR COMPARTMENTS FROM: 00-00-00 THRU: 05-01-07
35	164930-01-000	EA	SPRING/CATCH/EXT - 3/8"OD X 1.5" - EXTERIOR COMPARTMENTS FROM: 05-02-07 THRU: 99-99-99
36	126946-42-P07	EA	DOOR/STORAGE - W/O HARDWARE - 30" X 20.3" FROM: 00-00-00 THRU: 01-25-07
36	126946-93-W13	EA	DOOR/STORAGE - W/O HARDWARE - 30" X 20.3" FROM: 1-26-07 THRU: 99-99-99
36	126946-93-AA1	EA	DOOR/STORAGE - W/O HARDWARE - 30" X 20.3" - FULL BODY PAINT
37			SEE COMPARTMENT ILLUSTRATION ON THE FOLLOWING PAGES
38	120863-02-000	EA	BUMPER - RUBBER/RADIUS TOP - 1" X 1 1/2"
39	104099-01-04A	EA	CATCH - DOOR HOLDER - STRIKE - 3.9" - BRIGHT WHITE FROM: 00-00-00 THRU: 09-02-07
39	104099-03-04A	EA	CATCH - DOOR HOLDER - STRIKE - 6" - BRIGHT WHITE FROM: 09-03-07 THRU: 12-02-07
39	104099-03-05A	EA	CATCH - DOOR HOLDER - STRIKE - 6" - BLACK FROM: 09-03-07 THRU: 12-02-07
40	107721-08-000	FT	SEAL - ACCESS DOOR - .9"WIDE X .9"HIGH
41	132892-08-000	FT	SEAL - BULB/SINGLE - W/U CHANNEL - 1" X .8" - BLACK

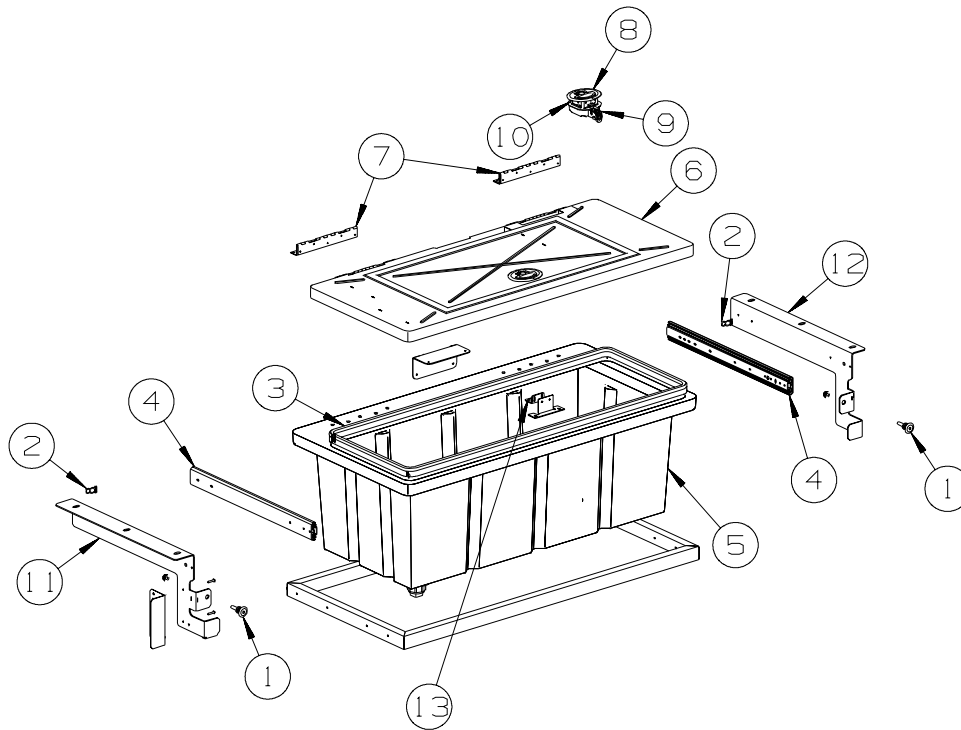
***COMPONENT PARTS LISTED LATER IN THIS GROUP**

EXTERIOR DOORS & COMPARTMENTS GROUP (CONTINUED)
DOOR & COMPARTMENT LAYOUT (CONTINUED)



KEY	PART NUMBER	U/M	DESCRIPTION
1	140309-07-02B	EA	ANGLE - FURNACE DOOR - E-COATED
2	107721-07-000	FT	SEAL - ACCESS DOOR - .9"WIDE X 1.1"HIGH
3	160568-01-02B	EA	PANEL/CLOSEOUT - LP/FRONT - E-COATED
4	148331-01-01A	EA	PLUG - OVAL/LARGE - BLACK
5	154814-02-02B	EA	BRACKET/FORMED - ADJUSTING BOLT - E-COATED
6	140309-03-02B	EA	ANGLE - FURNACE DOOR - E-COATED
7	155616-02-12B	EA	BRACKET - GAS SPRING - BRIGHT WHITE
8	142569-21-000	EA	SPRING/GAS - 60 LB - 20" EXTENDED/12" COMPRESSED
9	140309-02-02B	EA	ANGLE - FURNACE DOOR - E-COATED
10	159052-02-02B	EA	CATCH - DRAWER - W/ANGLE CATCH - E-COATED
11	159508-03-02B	EA	PLATE/SEAL - E-COATED
12	058786-01-000	EA	BOLT - HOOD ADJUSTMENT - 5/16"-18 X 1.5"-2" - W/BLACK PAD
13	132892-08-01A	FT	SEAL - BULB/SINGLE - W/U CHANNEL - 1" X .8" - BLACK
14	100414-01-000	EA	SPRING-CATCH, 3/8" OD X 1.5" - EXTERIOR COMPARTMENTS
			FROM: 00-00-00 THRU: 05-01-07
14	164930-01-000	EA	SPRING/CATCH/EXT - 3/8"OD X 1.5" - EXTERIOR COMPARTMENTS
			FROM: 05-02-07 THRU: 99-99-99

EXTERIOR DOORS & COMPARTMENTS GROUP (CONTINUED)
DOOR & COMPARTMENT LAYOUT (CONTINUED)



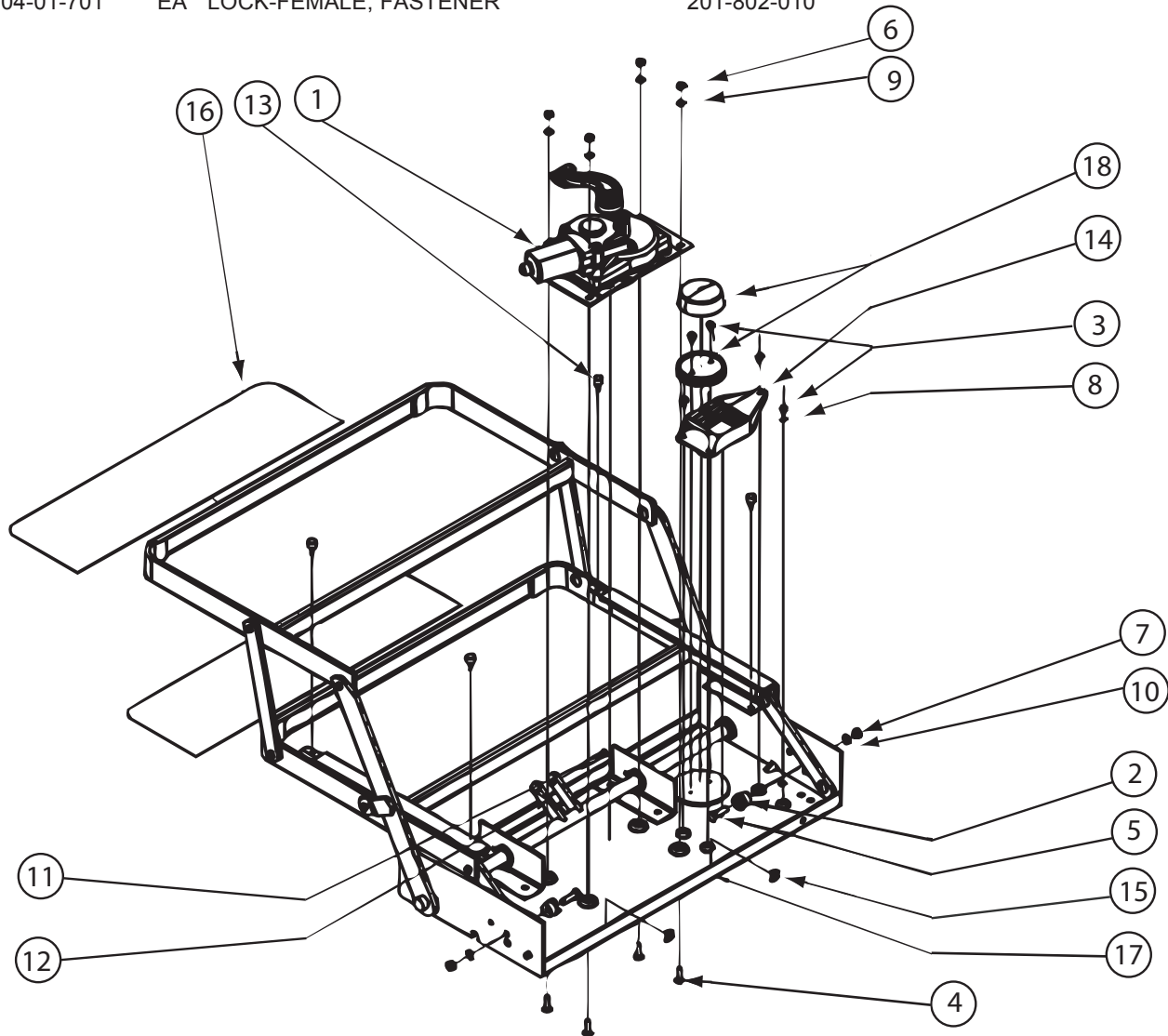
KEY	PART NUMBER	U/M	DESCRIPTION
1	058786-01-000	EA	BOLT - HOOD ADJUSTMENT - 5/16"-18 X 1.5"-2"- W/BLACK PAD
2	132892-04-01A	FT	SEAL - DOUBLE BULB - W/WIRED U CHANNEL - 1.3" X .8"-BLACK
3	132892-07-01A	FT	SEAL - BULB/SINGLE - W/U CHANNEL - .5" X 1" - BLACK
4	151463-02-000	EA	SLIDES - STORAGE COMPARTMENT (PAIR)
5	160748-02-000	EA	COMPARTMENT - STORAGE - PLASTIC
	160748-01-000	EA	COMPARTMENT - STORAGE - PLASTIC
5	151548-02-000	EA	COMPARTMENT - STORAGE - PLASTIC
	151548-01-000	EA	COMPARTMENT - STORAGE - PLASTIC
	010166-01-000	EA	PLUG/THREADED - 1 1/4"MPT - PLASTIC - BLACK - UL
	042989-03-000	EA	FITTING - SPINWELD - 1 1/4"NPT - PLASTIC
6	151728-01-T01	EA	LID - COMPARTMENT/STORAGE
6	151728-02-U17	EA	LID - COMPARTMENT/STORAGE
	151547-01-01A	EA	LID - COMPARTMENT/STORAGE - BLACK
7	101349-01-01A	EA	HINGE-PIANO - SPRING LOADED - STOCKER
8	152171-02-01A	EA	LATCH/PADDLE - NON-LOCKING - BLACK
9	152171-03-01A	EA	LATCH/INNER - BLACK
10	152171-06-01A	EA	GASKET - LATCH - FOAM
11	151737-03-02B	EA	BRACKET/SUPPORT - SLIDE - E-COATED
11	151737-05-02B	EA	BRACKET/SUPPORT - SLIDE - E-COATED
12	151737-04-02B	EA	BRACKET/SUPPORT - SLIDE - E-COATED
12	151737-06-02B	EA	BRACKET/SUPPORT - SLIDE - E-COATED
12	151737-07-02B	EA	BRACKET/SUPPORT - SLIDE - E-COATED
13	152171-05-01A	EA	KEEPER - LATCH - METAL

EXTERIOR DOORS & COMPARTMENTS GROUP (CONTINUED)

COMPONENT PARTS FOR DOOR & COMPARTMENT LAYOUT

084103-08-000

KEY	PART NUMBER	U/M	DESCRIPTION	VENDOR NO.
	084104-01-700	EA	LOCK-MALE, FASTENER	201-721-010
	084104-01-701	EA	LOCK-FEMALE, FASTENER	201-802-010



094707-04-01A

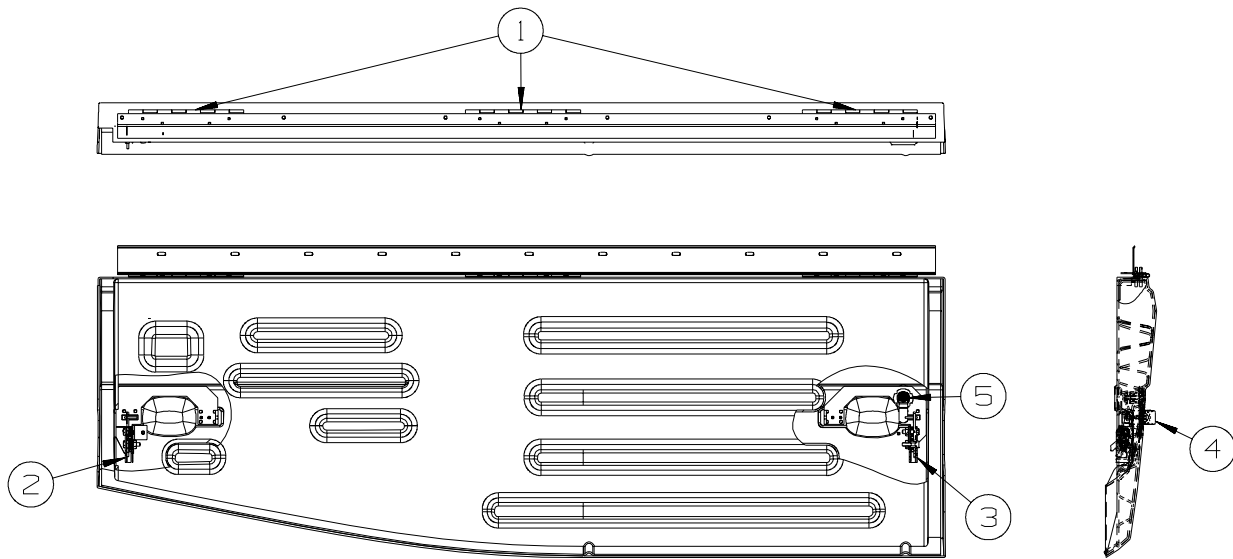
KEY	PART NUMBER	U/M	DESCRIPTION	VENDOR NO.
1	094707-04-701	EA	MOTOR "AM 214" F/IMGL STEPS	1101428
1	094707-04-703	EA	GEAR BOX W/LINKAGE-CURVED	1101425
2	143709-01-700	EA	CAM STOP	1102200
10	094707-04-712	EA	HARNES/JUMPER W/DIODE	1510000015
12	094707-04-702	EA	COTTOR PIN - W/CLEVIS PIN	905205000
13	143709-01-701	EA	BUMPER - BLACK (RUBBER STOP)	1602000
14	094707-04-700	EA	CONTROL UNIT W/OVERRIDE	909510000
16	143709-01-702	EA	TREAD/NON-SKID 6" X 21" BLK	1915260
17	094707-04-704	EA	FRAME W/DBL STEP-32REINF SRS	3202082
18	088746-01-705	EA	LIGHT-UNDER STEP	9004
	094707-03-701	EA	PLUG - 4-WAY - PACKARD	909306
	094707-04-711	EA	KWIKTEST - W/4-WAY PIGTAIL	909518000

CONTACT WINNEBAGO PART SALES FOR UNLISTED COMPONENT(S)

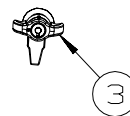
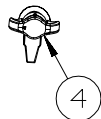
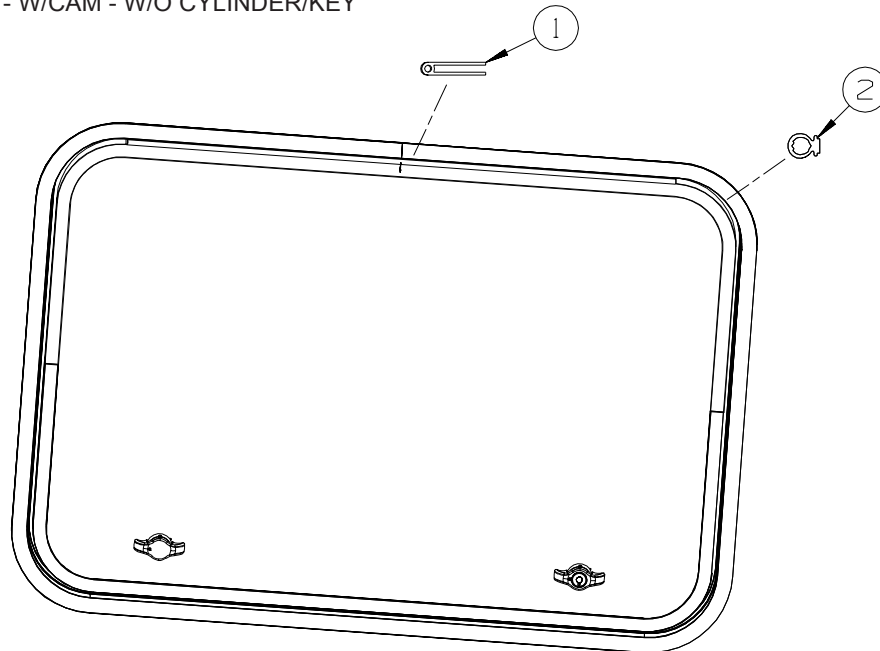
142226-02-01A

KEY	PART NUMBER	U/M	DESCRIPTION	VENDOR NO
	142226-02-700	EA	TAB/LOCKING - ESCAPE (RED)	9667709

EXTERIOR DOORS & COMPARTMENTS GROUP (CONTINUED)
COMPARTMENT DOOR PIECE PARTS

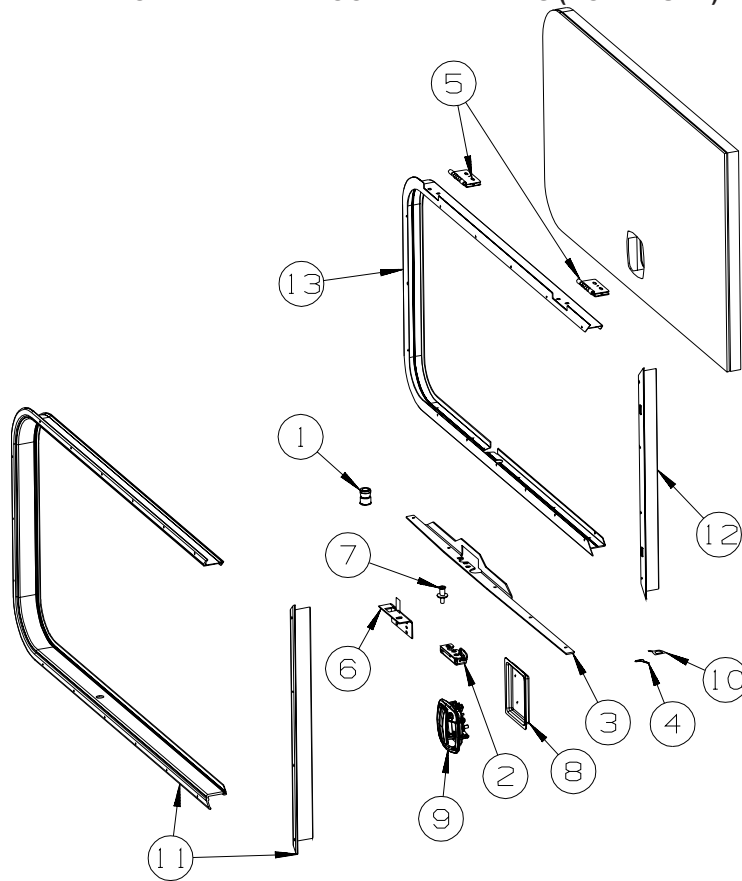


KEY	PART NUMBER	U/M	DESCRIPTION
1	158982-01-04B	EA	HINGE - CONTINUOUS - 2" X 8" - BLACK
2	149359-05-01A	EA	LATCH - SINGLE ROTOR - MINI/RIGHT HAND - HOOD - ZINC
3	149359-06-01A	EA	LATCH - SINGLE ROTOR - MINI/LEFT HAND - HOOD - ZINC
4	160558-01-02A	EA	HANDLE/DOOR - COMPARTMENT - W/O LOCK - PEWTER
5	138290-04-000	EA	CASE - W/CAM - W/O CYLINDER/KEY



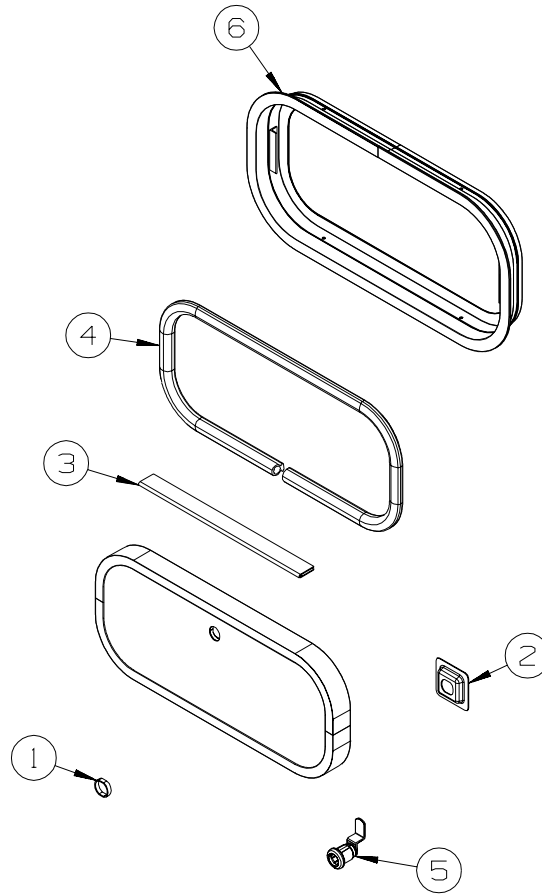
KEY	PART NUMBER	U/M	DESCRIPTION
1	081801-V3-000	EA	HINGE - DOOR - PIANO - 2" X 96" - BRIGHT WHITE
2	156386-01-01A	FT	SEAL - BULB - W/ADHESIVE BACK
3	154066-01-01A	EA	LATCH - VISE ACTION/LOCKING - BLACK
	154066-13-000	EA	HARDWARE KIT - W/PAWL/CAM - STRAIGHT
4	154066-02-01A	EA	LATCH - VISE ACTION/NON-LOCKING - BLACK
	154066-13-000	EA	HARDWARE KIT - W/PAWL/CAM - STRAIGHT

EXTERIOR DOORS & COMPARTMENTS GROUP (CONTINUED)
COMPARTMENT DOOR PIECE PARTS (CONTINUED)



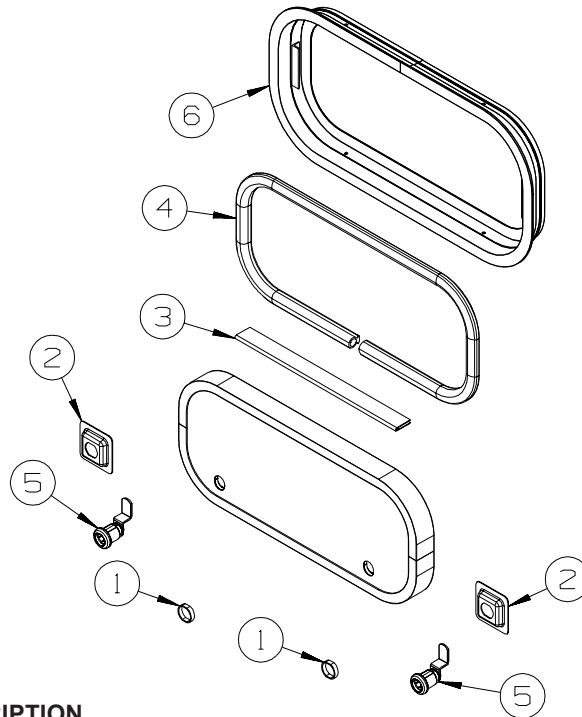
KEY	PART NUMBER	U/M	DESCRIPTION
1	072893-04-000	EA	NUTSERT - 10-32
2	112782-22-01A	EA	LATCH - SINGLE ROTOR
3	154530-03-02B	EA	STIFFENER/DOOR - FORMED - E-COATED
4	075671-04-000	FT	SEAL - SPONGE - LAZY T - W/ADHESIVE STRIP - .5" WIDE
5	106719-02-05A	EA	HINGE - STORAGE DOOR - 3.6" X 3.8" - BRIGHT WHITE
5	106719-02-03A	EA	HINGE - STORAGE DOOR - 3.6" X 3.8" - BLACK
6	137401-01-03B	EA	BRACKET - DOOR ANGLE - OFF WHITE
7	092927-14-000	EA	STRIKER - ROUND - JAMB MOUNTED
8	112782-25-02A	EA	COVER - LATCH PLATE - BRIGHT WHITE
8	112782-25-01A	EA	COVER - LATCH PLATE - BLACK
9	112782-24-01A	EA	LATCH/PADDLE - COMPT DOOR - W/O CYLINDER - BLACK
10	146556-01-000	FT	SEAL - D SECTION W/LEG
11	121898-22-01A	EA	JAMB - DOOR/ENTRANCE - BRIGHT WHITE
11	121898-22-02A	EA	JAMB - DOOR/ENTRANCE - BLACK
12	121893-01-01A	EA	FRAME - ENTRY DOOR/BOTTOM - BRIGHT WHITE
12	121893-01-02A	EA	FRAME - ENTRY DOOR/BOTTOM - BLACK
13	121894-32-01A	EA	FRAME - ENTRY DOOR - BRIGHT WHITE
13	121894-32-02A	EA	FRAME - ENTRY DOOR - BLACK

EXTERIOR DOORS & COMPARTMENTS GROUP (CONTINUED)
COMPARTMENT DOOR PIECE PARTS (CONTINUED)



KEY	PART NUMBER	U/M DESCRIPTION
1	139325-01-000	EA SPACER - LOCK - 6MM - ENTERTAINMENT CENTER
	139337-01-000	EA GASKET - LOCK - ENTERTAINMENT CENTER
1	144734-01-000	EA SPACER - COMPARTMENT DOOR LOCK - 9/16" DEEP
2	097111-02-04A	EA POCKET - LOCK - REAR DOOR - BLACK - ENTERTAINMENT CENTER
3	081801-V3-000	EA HINGE - DOOR - PIANO - 2" X 96" - BRIGHT WHITE
3	081801-FN-000	EA HINGE - DOOR - PIANO - 2" X 96" - BLACK
4	156386-01-01A	FT SEAL - BULB - W/ADHESIVE BACK
5	110506-40-000	EA CLIP-E, LOCK ASM - BRIGGS & STRATTON 93981
5	110506-41-000	EA WASHER-TENSION LOCK ASM - BRIGGS & STRATTON 37512
5	110506-42-000	EA NUT-LOCK ASM - BRIGGS & STRATTON 310878
5	110506-43-000	EA WASHER-FLAT, LOCK ASM - BRIGGS & STRATTON 82089
5	110506-44-000	EA GASKET-LOCK ASM - BRIGGS & STRATTON - #47701
5	110506-55-000	EA CASE/CYLINDER -TWIST -W/O CAM -1.25" -597312AA1 - TWIST LOCK
5	110506-66-000	EA CAM - LATCHING - DOG LEG - 1.5" LONG - TWIST LOCK
5	138290-02-000	EA CASE - W/CAM - W/O CYLINDER/KEY - ENTERTAINMENT CENTER
5	138637-04-000	EA LOCK ASM. - KEYED - 1.5" CASE (CYLINDER/CAM/HDWR PKG) - KEYED LOCK
	144474-01-000	EA ADAPTER - LOCK - 180 DEGREE - KEYED LOCK
	138637-63-000	EA CAM - LATCHING - DOG LEG - 1.5" LONG - KEYED LOCK
	138637-53-000	EA CASE/CYLINDER - LOCKING - W/O CAM/KEY - 1.5"
	138637-53-001	EA CASE/CYLINDER - LOCKING - W/O CAM/KEY - 1.5"
	138637-53-002	EA CASE/CYLINDER - LOCKING - W/O CAM/KEY - 1.5"
	138637-53-003	EA CASE/CYLINDER - LOCKING - W/O CAM/KEY - 1.5"
	138637-53-004	EA CASE/CYLINDER - LOCKING - W/O CAM/KEY - 1.5"
	138637-53-005	EA CASE/CYLINDER - LOCKING - W/O CAM/KEY - 1.5"
	138637-53-006	EA CASE/CYLINDER - LOCKING - W/O CAM/KEY - 1.5"
	138637-53-007	EA CASE/CYLINDER - LOCKING - W/O CAM/KEY - 1.5"
	138637-53-008	EA CASE/CYLINDER - LOCKING - W/O CAM/KEY - 1.5"
	138637-53-009	EA CASE/CYLINDER - LOCKING - W/O CAM/KEY - 1.5"
6	056795-01-000	FT TAPE-SEAL, 1/8~ X 3/8~ WIDE - PRESS ON

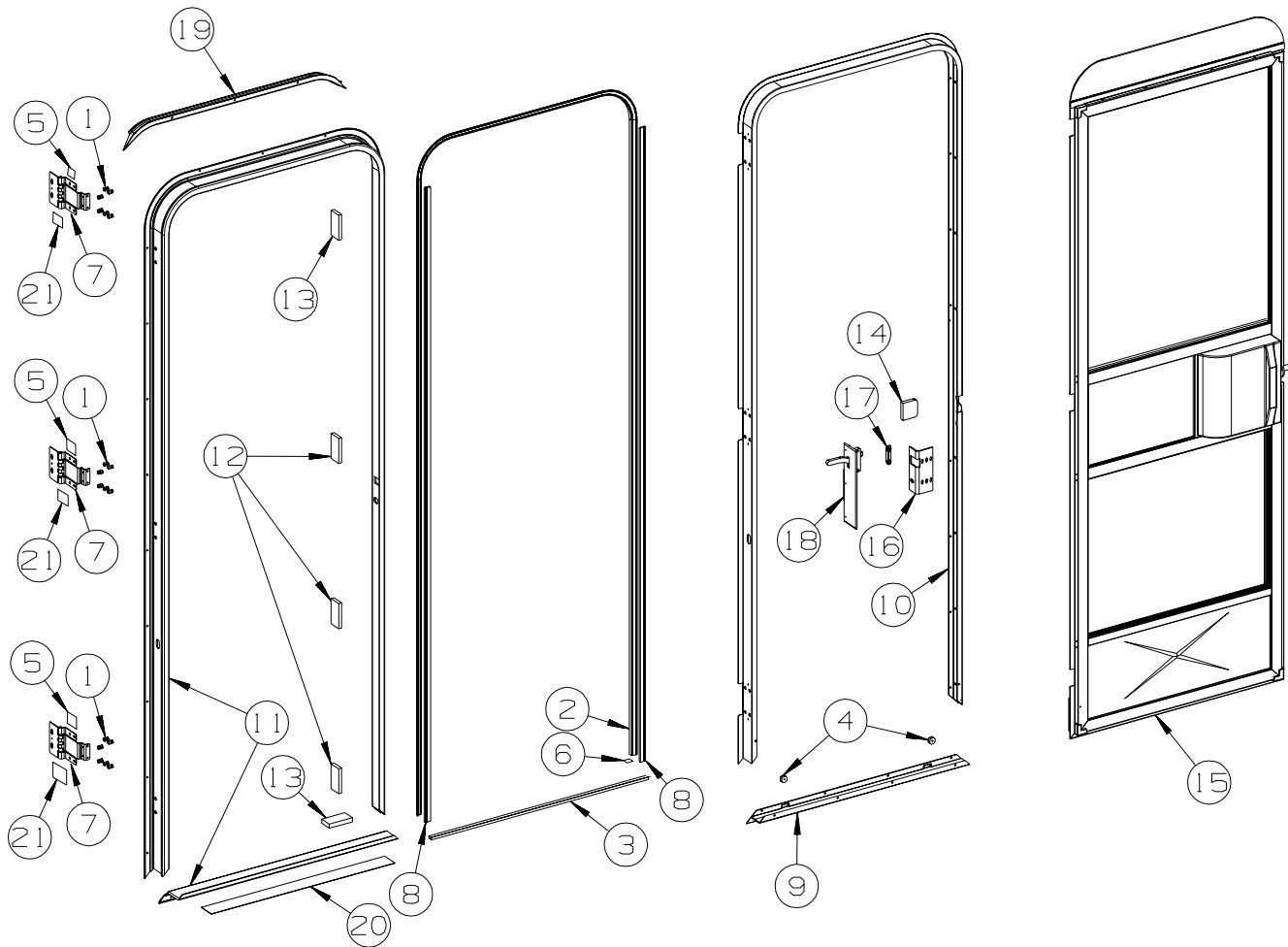
EXTERIOR DOORS & COMPARTMENTS GROUP (CONTINUED)
COMPARTMENT DOOR PIECE PARTS (CONTINUED)



KEY	PART NUMBER	U/M	DESCRIPTION
1	144734-01-000	EA	SPACER - COMPARTMENT DOOR LOCK - 9/16" DEEP
1	139325-01-000	EA	SPACER - LOCK - 6MM - TRI/MARK KEY ONE
	139337-01-000	EA	GASKET - LOCK - TRI/MARK KEY ONE
2	097111-02-04A	EA	POCKET - LOCK - REAR DOOR - BLACK - TRI/MARK KEY ONE
3	081801-V3-000	EA	HINGE - DOOR - PIANO - 2" X 96" - BRIGHT WHITE
3	081801-FN-000	EA	HINGE - DOOR - PIANO - 2" X 96" - BLACK
4	156386-01-01A	FT	SEAL - BULB - .4" X .5" - W/ADHESIVE BACK
5	110506-27-000	EA	LOCK - TWIST - 1.6" - TWIST LOCK
	110506-55-000	EA	CASE/CYLINDER - TWIST LOCK - W/O CAM - 1.25" - 597312AA1 - TWIST LOCK
	110506-66-000	EA	CAM - LATCHING - DOG LEG - 1.5" LONG - TWIST LOCK
5	138290-02-000	EA	CASE - W/CAM - W/O CYLINDER/KEY - TRI/MARK KEY ONE
5	138637-04-000	EA	LOCK ASM. - KEYED - 1.5" CASE (CYLINDER/CAM/HDWR PKG) - KEYED LOCK
	110506-40-000	EA	CLIP-E, LOCK ASM - BRIGGS & STRATTON 93981- KEYED LOCK
	110506-41-000	EA	WASHER-TENSION LOCK ASM - BRIGGS & STRATTON 37512- KEYED LOCK
	110506-42-000	EA	NUT-LOCK ASM - BRIGGS & STRATTON 310878- KEYED LOCK
	110506-43-000	EA	WASHER-FLAT, LOCK ASM - BRIGGS & STRATTON 82089- KEYED LOCK
	110506-44-000	EA	GASKET-LOCK ASM - BRIGGS & STRATTON - #47701- KEYED LOCK
	110506-45-000	EA	WASHER - SPUR - BRIGGS & STRATTON - #94771 - KEYED LOCK
	144474-01-000	EA	ADAPTER - LOCK - 180 DEGREE- KEYED LOCK
	138637-63-000	EA	CAM - LATCHING - DOG LEG - 1 1/2" LONG- KEYED LOCK
	138637-53-000	EA	CASE/CYLINDER - LOCKING - W/O CAM/KEY - 1.5"- KEYED LOCK
	138637-53-001	EA	CASE/CYLINDER - LOCKING - W/O CAM/KEY - 1.5"- KEYED LOCK
	138637-53-002	EA	CASE/CYLINDER - LOCKING - W/O CAM/KEY - 1.5"- KEYED LOCK
	138637-53-003	EA	CASE/CYLINDER - LOCKING - W/O CAM/KEY - 1.5"- KEYED LOCK
	138637-53-004	EA	CASE/CYLINDER - LOCKING - W/O CAM/KEY - 1.5"- KEYED LOCK
	138637-53-005	EA	CASE/CYLINDER - LOCKING - W/O CAM/KEY - 1.5"- KEYED LOCK
	138637-53-006	EA	CASE/CYLINDER - LOCKING - W/O CAM/KEY - 1.5"- KEYED LOCK
	138637-53-007	EA	CASE/CYLINDER - LOCKING - W/O CAM/KEY - 1.5"- KEYED LOCK
	138637-53-008	EA	CASE/CYLINDER - LOCKING - W/O CAM/KEY - 1.5"- KEYED LOCK
	138637-53-009	EA	CASE/CYLINDER - LOCKING - W/O CAM/KEY - 1.5"- KEYED LOCK
6	056795-01-000	FT	TAPE-SEAL, 1/8" X 3/8" WIDE - PRESS ON

EXTERIOR DOORS & COMPARTMENTS GROUP (CONTINUED)

ENTRY

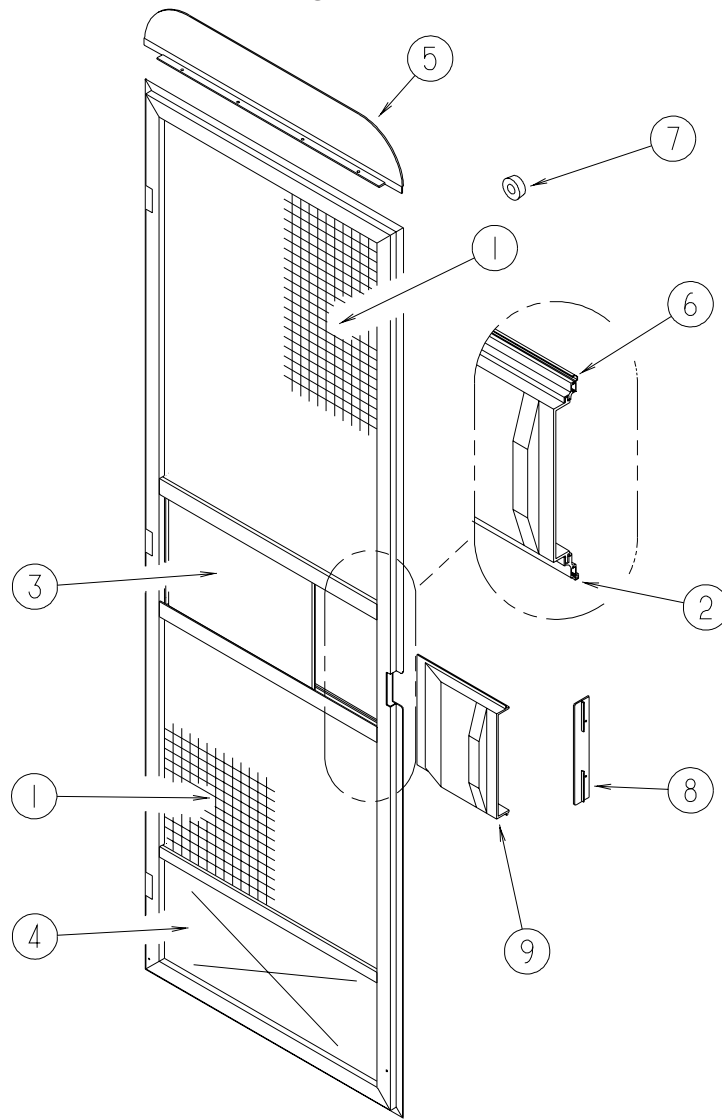


KEY	PART NUMBER	U/M	DESCRIPTION
1	039715-01-000	EA	NUT-SERT - 1/4" DIAMETER - 20 THREADS
2	075671-05-000	FT	SEAL - SPONGE - LAZY T - 1/2"W - W/ADHESIVE STRIP
3	075673-05-000	FT	SEAL/PILE - .5" HIGH W/ADHESIVE BACK - BLACK
4	081914-02-000	EA	BUMPER - RUBBER - ROUND - 5/16" DIA. X 13/64" THICK
5	100128-02-000	FT	SEAL - FOAM/ADHESIVE BACK - .37" WIDE X .37" THICK
6	104692-01-000	FT	SEAL - ADHESIVE BACKED FOAM - 3/4" THICK X 3/4" WIDE X 25'
7	106719-01-05A	EA	HINGE - ENTRY DOOR - BRIGHT WHITE
7	106719-01-08A	EA	HINGE - ENTRY DOOR - BLACK
8	118929-01-01A	FT	SEAL - PILE - PUSH ON
9	121893-01-01A	EA	FRAME - ENTRY DOOR/LOWER - BRIGHT WHITE
9	121893-01-04A	EA	FRAME - ENTRY DOOR/BOTTOM - BLACK
10	121894-31-01A	EA	FRAME - ENTRY DOOR - BRIGHT WHITE
10	121894-31-02A	EA	FRAME - ENTRY DOOR - BLACK
11	121898-21-01A	EA	JAMB - DOOR/ENTRANCE - BRIGHT WHITE
11	121898-21-02A	EA	JAMB - DOOR/ENTRANCE - BLACK
12	125724-01-000	EA	SHIM - DOOR, ENTRANCE
13	125724-02-000	EA	SHIM - DOOR, ENTRANCE
14	130096-05-000	EA	FOAM - SCREEN DOOR, RETAINER
15	P32208-06-S34	EA	DOOR - SCREEN - W/O STRIKE/SLIDER/HDW - BRIGHT WHITE
15	P32208-06-W37	EA	DOOR - SCREEN - W/O STRIKE/SLIDER/HDW - BLACK
16	137401-01-03B	EA	BRACKET - DOOR ANGLE - OFF WHITE
17	148364-01-12B	EA	STRIKE - SCREEN DOOR - BRIGHT WHITE
17	148364-01-04B	EA	STRIKE - SCREEN DOOR - BLACK
18	132915-01-01A	EA	LATCH - SCREEN DOOR - BLACK
19	139054-01-01A	EA	CAP - DRIP - JAMB MOUNTED - BRIGHT WHITE
19	139054-01-02A	EA	CAP - DRIP - JAMB MOUNTED - BLACK
20	038327-01-000	EA	TAPE - ANTI-SLIP - 2" X 60'
	168053-01-000	FT	SEAL - ENTRANCE DOOR

FROM: 02-18-08 THRU: 99-99-99

EXTERIOR DOORS & COMPARTMENTS GROUP (CONTINUED)

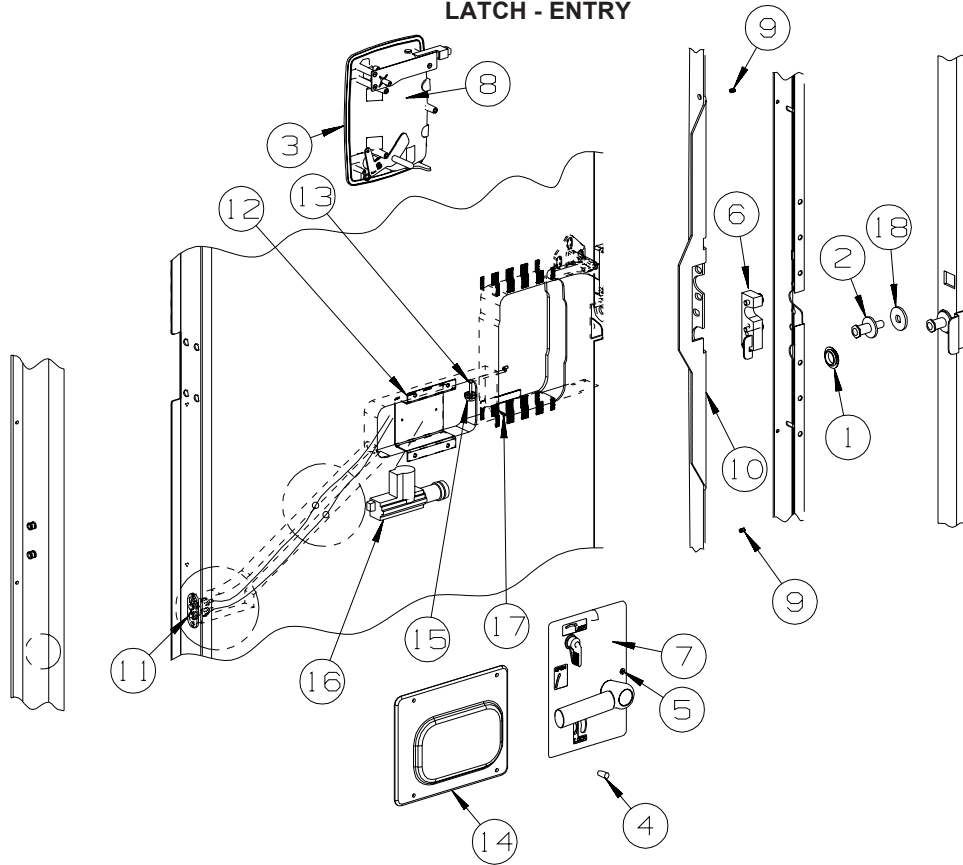
SCREEN



KEY	PART NUMBER	U/M	DESCRIPTION
1	002293-02-000	SF	SCREEN - 26" - CHARCOAL
2	002294-01-000	FT	SPLINE - SCREENING - .13" X .14"
3	016454-21-000	EA	INSERT/CENTER - SCREEN DOOR
4	078552-03-000	EA	KICK PANEL - SCREEN DOOR - LOWER INSERT - UNPAINTED
5	078595-01-000	EA	TOP PLATE - SCREEN DOOR - CURVED TOP - 4.7" X 25.35"
6	078777-08-000	FT	CHANNEL - SLIDER - 4 FOOT INCREMENTS
7	120863-09-000	EA	BUMPER - RUBBER/RADIUS TOP - 3/4" X 3/8" - LT GRAY
8	132081-01-01A	EA	STRIKE - SLIDER - SCREEN DOOR - BRIGHT WHITE
8	132081-01-03A	EA	STRIKE - SLIDER - SCREEN DOOR - BLACK
9	132082-01-01A	EA	SLIDER - SCREEN DOOR - BRIGHT WHITE
9	132082-01-03A	EA	SLIDER - SCREEN DOOR - BLACK

EXTERIOR DOORS & COMPARTMENTS GROUP (CONTINUED)

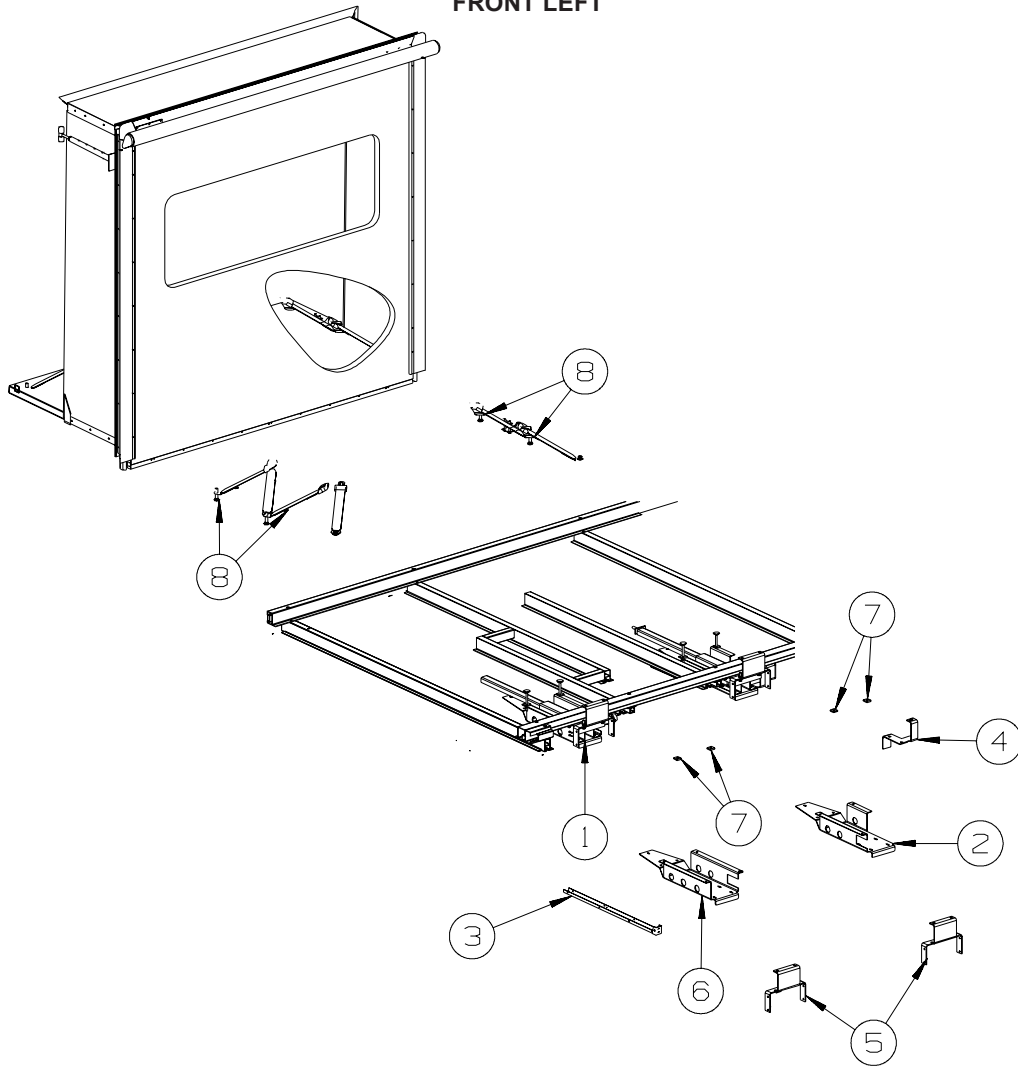
LATCH - ENTRY



KEY	PART NUMBER	U/M	DESCRIPTION
1	061420-14-000	EA	PLUG/PLASTIC - 7/8" DIAMETER - BLACK
2	092927-20-000	EA	STRIKER - BOLT
3	112782-04-01A	EA	GASKET
4	112782-05-01A	EA	CAP - VINYL - RED
5	112782-08-01A	EA	SCREW - MOUNTING/PLATE - ZINC
6	112782-22-01A	EA	LATCH - SINGLE ROTOR
7	112782-27-01A	EA	LATCH - INTERIOR PLATE
8	112782-20-01A	EA	LATCH - EXTERIOR - W/O LOCK CYLINDER W/ICON-REVERSIBLE KEY
9	072893-04-000	EA	NUTSERT - 10-32
10	132207-01-02B	EA	STIFFENER/DOOR - FORMED - E-COATED
10	132207-03-02B	EA	STIFFENER/DOOR - FORMED - E-COATED - VIEW, ASPECT, NAVION, CAMBRIA
11	138897-01-000	EA	SWITCH - 2 PIN/SPRING LOADED CONTACTS (EA=1 SWITCH)
12	113650-02-02B	EA	BRACKET - ACTUATOR - ELECTRIC - E-COATED
13	113651-01-01A	EA	ROD - CONTROL - MOTOR/LOCK
14	113960-01-01A	EA	COVER - ACTUATOR - POWER LOCK
15	147900-01-01A	EA	SPACER-STRIKE BOLT, MILL
16	138898-01-000	EA	ACTUATOR/LOCK - ELECTRIC
17	137230-01-01A	EA	SPACER- NOTCHED, MILL

EXTERIOR SLIDEOUT GROUP

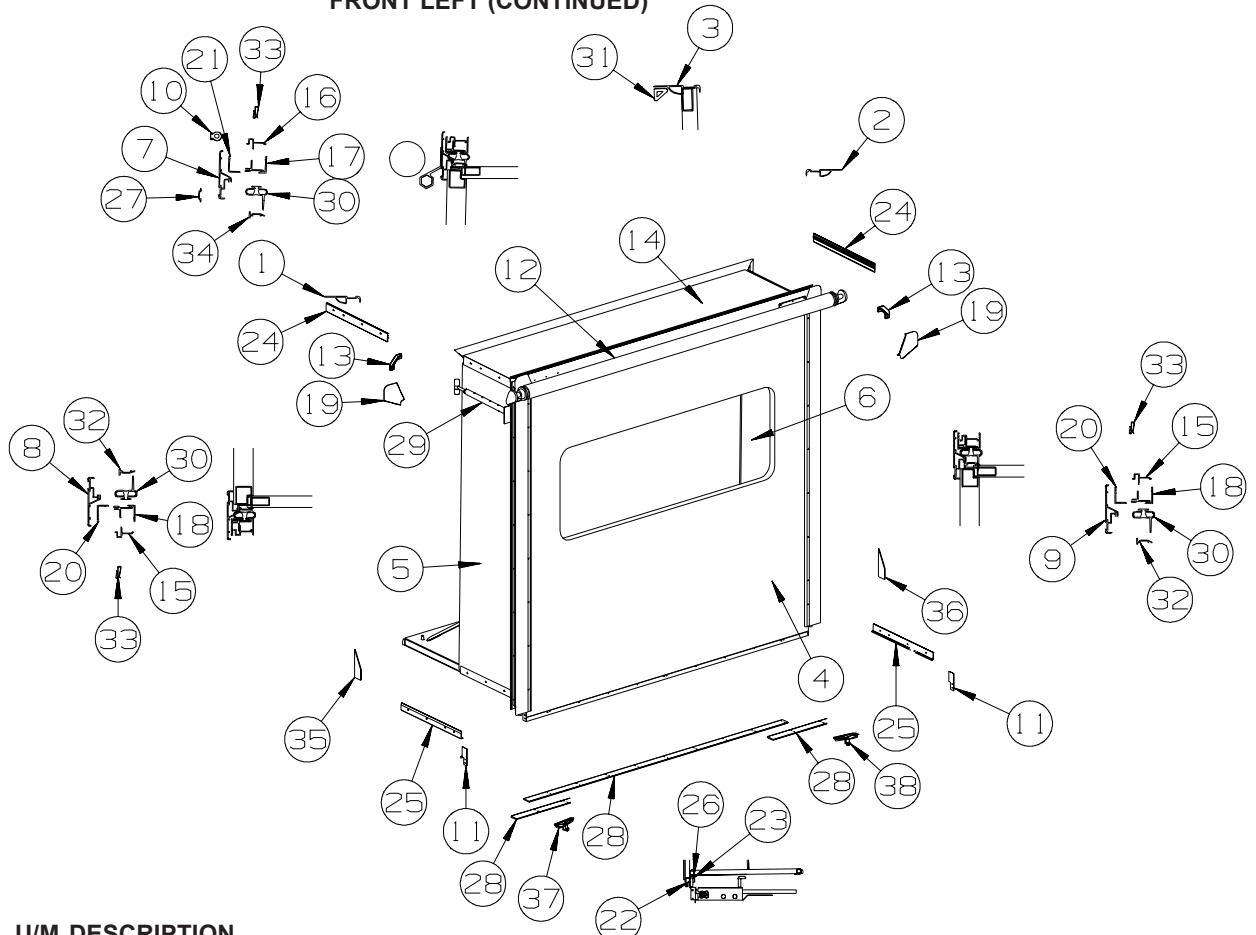
FRONT LEFT



KEY	PART NUMBER	U/M	DESCRIPTION
1*	148685-02-000	EA	SLIDEOUT - ELECTRIC
2	151442-04-02B	EA	TRAY/MOUNTING - SLIDE MECHANISM - E-COATED
3	141019-03-02B	EA	SUPPORT - WIRE - E-COATED
3	143541-03-01A	EA	CARRIER/WIRING - F/SLIDEOUT ROOM - 13 LINKS - NOT ILLUSTRATED FROM: 00-00-00 THRU: 04-08-07 FROM: 04-09-07 THRU: 99-99-99
4	151461-01-02B	EA	BRACKET/MOUNT - SLIDEOUT - E-COATED
5	151841-01-02B	EA	BRACKET/MOUNT - SLIDEOUT - E-COATED
6	154812-02-02B	EA	TRAY/MOUNTING - SLIDE MECHANISM - E-COATED
6	151442-03-02B	EA	TRAY/MOUNTING - SLIDE MECHANISM - E-COATED - NOT ILLUSTRATED FROM: 00-00-00 THRU: 04-08-07 FROM: 04-09-07 THRU: 99-99-99
7	135712-05-02B	EA	PLATE - BODY MOUNT - E-COATED
8	160167-01-01A	EA	SEAT BELT - 2" X 102" - BLACK

***COMPONENT PARTS LISTED LATER IN THIS GROUP**

EXTERIOR SLIDEOUT GROUP (CONTINUED)
FRONT LEFT (CONTINUED)



KEY	PART NUMBER	U/M	DESCRIPTION
1	139624-25-02A	EA	TRIM/SEAL - INNER/RIGHT HAND W/NOTCH - 73.3"- ALMOND
2	139624-26-02A	EA	TRIM/SEAL - INNER/LEFT HAND W/NOTCH - 73.3" - ALMOND
3	139624-04-02A	EA	TRIM/SEAL - INNER/TOP - 80.2" - ALMOND
4	160810-11-W13	EA	SLUG - F/SLIDEOUT (W13, W14, W05, W06)
4	160810-11-W15	EA	SLUG - F/SLIDEOUT (W15, W16)
5	154462-01-W13	EA	PANEL END - F/SLIDEOUT
			FROM: 00-00-00 THRU: 02-25-07
5	162977-05-W13	EA	PANEL END - F/SLIDEOUT (W13, W14, W05, W06)
			FROM: 02-26-07 THRU: 99-99-99
5	162977-05-W15	EA	PANEL END - F/SLIDEOUT (W15, W16)
			FROM: 02-26-07 THRU: 99-99-99
6	154461-01-W13	EA	PANEL END - F/SLIDEOUT
			FROM: 00-00-00 THRU: 02-25-07
6	162977-06-W13	EA	PANEL END - F/SLIDEOUT (W13, W14, W05, W06)
			FROM: 02-26-07 THRU: 99-99-99
6	162977-06-W13	EA	PANEL END - F/SLIDEOUT (W15, W16)
			FROM: 02-26-07 THRU: 99-99-99
7	156417-01-01A	EA	TRIM/SEAL - W/MITERED ENDS - 76.5" - BRIGHT WHITE - NOT ILLUSTRATED
			FROM: 00-00-00 THRU: 02-25-07
7	162052-01-01A	EA	TRIM/SEAL - W/MITERED ENDS - 78.4" - BRIGHT WHITE
			FROM: 02-26-07 THRU: 99-99-99
7	162052-01-02A	EA	TRIM/SEAL - W/MITERED ENDS - 78.4" - BLACK
8	156417-25-01A	EA	TRIM/SEAL - W/MITERED ENDS - 74.2" - BRIGHT WHITE - NOT ILLUSTRATED
			FROM: 00-00-00 THRU: 02-25-07
8	162052-25-01A	EA	TRIM/SEAL - W/MITERED ENDS - 74.2" - BRIGHT WHITE
			FROM: 02-26-07 THRU: 02-10-08
8	162052-71-01A	EA	TRIM/SEAL - W/MITERED ENDS - 73.9" - BRIGHT WHITE
			FROM: 02-11-08 THRU: 99-99-99
8	162052-25-02A	EA	TRIM/SEAL - W/MITERED ENDS - 74.2" - BLACK
			FROM: 00-00-00 THRU: 02-10-08
8	162052-71-02A	EA	TRIM/SEAL - W/MITERED ENDS - 73.9" - BLACK
			FROM: 02-11-08 THRU: 99-99-99

EXTERIOR SLIDEOUT GROUP (CONTINUED)
FRONT LEFT (CONTINUED)

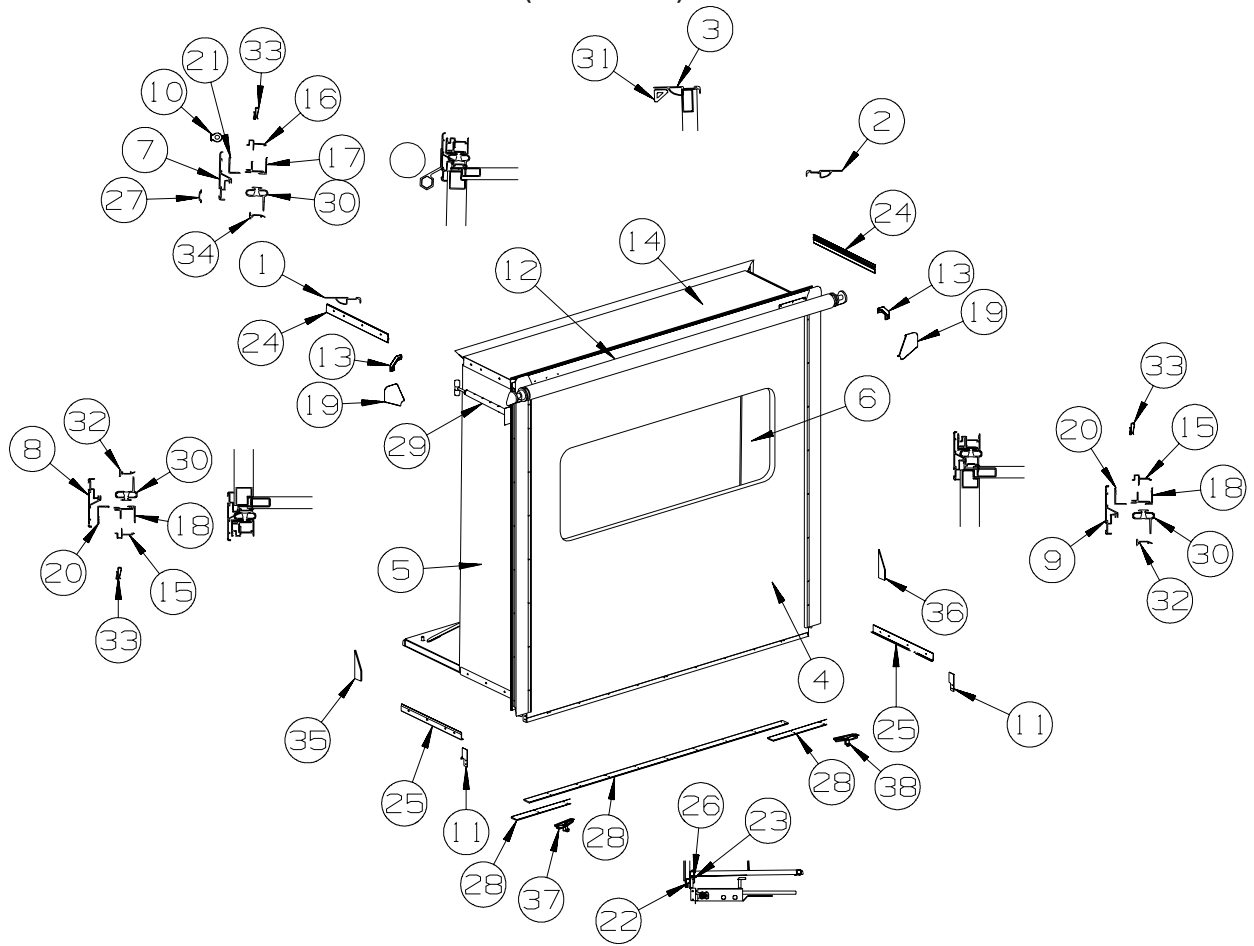
KEY	PART NUMBER	U/M	DESCRIPTION
9	156417-26-01A	EA	TRIM/SEAL - W/MITERED ENDS - 74.2" - BRIGHT WHITE - NOT ILLUSTRATED FROM: 00-00-00 THRU: 02-25-07
9	156417-26-01A	EA	TRIM/SEAL - W/MITERED ENDS - 74.2" - BRIGHT WHITE - NOT ILLUSTRATED FROM: 00-00-00 THRU: 02-25-07
9	162052-26-01A	EA	TRIM/SEAL - W/MITERED ENDS - 74.2" - BRIGHT WHITE FROM: 02-26-07 THRU: 02-10-08
9	162052-72-01A	EA	TRIM/SEAL - W/MITERED ENDS - 73.9" - BRIGHT WHITE FROM: 02-11-08 THRU: 99-99-99
9	162052-26-02A	EA	TRIM/SEAL - W/MITERED ENDS - 74.2" - BLACK FROM: 00-00-00 THRU: 02-10-08
9	162052-72-02A	EA	TRIM/SEAL - W/MITERED ENDS - 73.9" - BRIGHT WHITE FROM: 02-11-08 THRU: 99-99-99
10	158297-01-000	FT	SEAL - D-SECTION/BULB/TEE - ADHESIVE BACK - BLACK
11	126546-03-02A	EA	COVER - END/SIDEWALL - BRIGHT WHITE
11	126546-03-03A	EA	COVER - END/SIDEWALL - BLACK
12			SLIDEOUT AWNING

ORDER AWNINGS & REPAIR PARTS FROM DOMETIC. CALL #800-366-3842.

THE DOMETIC AWNING INFORMATION YOU WILL NEED IS LOCATED ON THE MOTOR HOME NEAR THE TOP OF THE AWNING RAIL.

13	156416-01-02B	EA	BRACKET - CORNER TRIM/SLIDEOUT - 3.1" X 3.1" - E-COATED - NOT ILLUSTRATED FROM: 00-00-00 THRU: 01-06-07
13	160421-01-01A	EA	CORNER TRIM/SLIDEOUT - 3.1" X 3.1" - BLACK FROM: 01-07-07 THRU: 99-99-99
14	151822-01-W13	EA	ROOF - F/SLIDEOUT
15	142718-01-01A	EA	RETAINER - SIDEWALL/SLIDEOUT - 72.8"
16	142718-23-01A	EA	RETAINER - SIDEWALL/SLIDEOUT - 79.9"
17	151761-02-02A	EA	TRIM - SIDEWALL/SLIDEOUT/TOP - 81.2" - ALMOND
18	151760-16-02A	EA	TRIM - SIDEWALL/SLIDEOUT - 73.6" - ALMOND
19	156151-01-02A	EA	PROTECTOR - CORNER - SLIDEOUT - BRIGHT WHITE
19	156151-01-01A	EA	PROTECTOR - CORNER - SLIDEOUT - BLACK
20	136824-35-01A	EA	TRIM - SIDEWALL/SLIDEOUT - 74" - BRIGHT WHITE
20	136824-35-02A	EA	TRIM - SIDEWALL/SLIDEOUT - 74" - BLACK
21	136824-02-01A	EA	TRIM - SIDEWALL/SLIDEOUT - 81.2" - BRIGHT WHITE
21	136824-02-02A	EA	TRIM - SIDEWALL/SLIDEOUT - 81.2" - BLACK
22	128621-55-01A	EA	BRACKET/ZEE - SLIDEOUT - 74.8" - MILL
23	115075-03-000	FT	SEAL - WIPE - .25" X 2.9"
24	158375-06-01A	EA	TRIM - FEATURE STRIP - 20.2" - BRIGHT WHITE
24	158375-06-02A	EA	TRIM - FEATURE STRIP - 20.2" - BLACK
25	158030-01-01A	EA	TRIM - FEATURE STRIP/LOWER - 2.3" X 20" - BRIGHT WHITE - NOT ILLUSTRATED FROM: 00-00-00 THRU: 02-25-07
25	163020-06-01A	EA	TRIM - FEATURE STRIP/LOWER - 2.3" X 19.8" - BRIGHT WHITE FROM: 02-26-07 THRU: 99-99-99
25	163020-06-02A	EA	TRIM - FEATURE STRIP/LOWER - 2.3" X 19.8" - BLACK
26	089275-02-000	EA	STRIP - 3/4" X 84" BLACK POLYETHYLENE
27	105312-01-07A	EA	INSERT - FEATURE STRIP - VINYL - BRIGHT WHITE
28	152641-01-000	EA	SKID/GLIDE - SLIDEOUT ROOM - 1/4"X2"X95.5"- POLYETHYLENE
29*	162495-01-01A	EA	ROD - LOCK/SLIDEOUT ROOM - BLACK W/WHITE PLASTIC ENDS FROM: 11-27-06 THRU: 99-99-99
30	136978-01-01A	FT	SEAL - SLIDEOUT - SINGLE WIPE LIP - BLACK
31	146056-01-000	FT	SEAL - TRIANGLE - W/PSA
32	146606-48-01A	EA	TRIM/RETAINER - 69.3" - BRIGHT WHITE
32	146606-48-02A	EA	TRIM/RETAINER - 69.3" - BLACK
33	142549-01-000	EA	CLIP - "S" TYPE
34	146606-66-01A	EA	TRIM/RETAINER - 75.8" - BRIGHT WHITE
34	146606-66-02A	EA	TRIM/RETAINER - 75.8" - BLACK
35	157809-02-01A	EA	SEAL - FOAM BLOCK/LEFT SIDE - ADHESIVE BACK
36	157809-01-01A	EA	SEAL - FOAM BLOCK/RIGHT SIDE - ADHESIVE BACK
	151282-09-01A	EA	TRIM - CARPET EDGE/F-ANGLE - 75.4" - BLACK FROM: 00-00-00 THRU: 02-13-07
37	160471-01-01A	EA	PAN/DRAIN - FLOOR/RH SLIDEOUT - BLACK FROM: 08-20-07 THRU: 99-99-99

EXTERIOR SLIDEOUT GROUP (CONTINUED)
FRONT LEFT (CONTINUED)



KEY	PART NUMBER	U/M	DESCRIPTION
38	160471-02-01A	EA	PAN/DRAIN - FLOOR/LH SLIDEOUT - BLACK
			FROM: 08-20-07 THRU: 99-99-99
	093681-39-01A	EA	FILM - 3.1" - MATTE BLACK - FULL BODY PAINT

***COMPONENT PARTS LISTED LATER IN THIS GROUP**

COMPONENT PARTS FOR FRONT LEFT

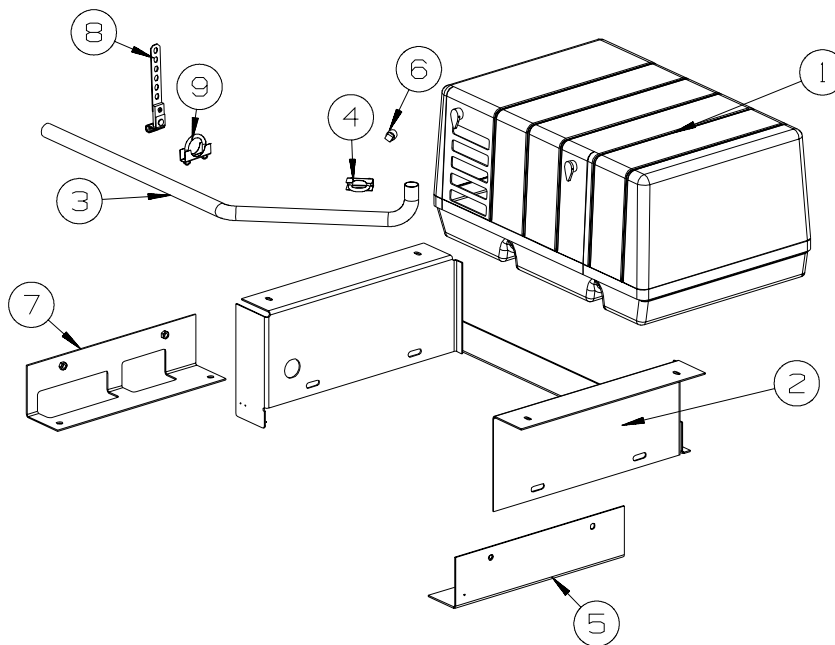
148685-02-000

KEY	PART NUMBER	U/M	DESCRIPTION	VENDOR NO.
	148685-01-714	EA	POWERHEAD ASM. W/MOTOR	29002
	150661-01-707	EA	SET SCREW - 1/4"-20	608-6005
	150661-01-713	EA	ADAPTER - ADJUSTABLE SHAFT	28395
	150661-02-700	EA	COTTER PIN - .09" X .75"	625-0005
	150661-02-701	EA	BEARING	11536
	150661-02-702	EA	FLANGE BEARING	645-0007
	150661-02-703	EA	SHAFT - SLAVE SPROCKET	28400
	150661-02-704	EA	BEARING PAD	28968
	150661-02-705	EA	CLEVIS PIN - .25" X 1"	643-0019
	150661-02-706	EA	DRIVE SHAFT ASM.	28398
	150661-02-708	EA	CLEVIS PIN - .50" X 3"	643-0029
	150661-02-709	EA	SPROCKET	28404
	150661-02-710	EA	BEARING RACE - OUTER	26393
	150661-02-711	EA	ACTUATOR WASHER	617-0022
	150661-02-712	EA	ROLLER BEARING	26391
	150661-02-713	EA	BEARING PAD	28966
	150661-02-714	EA	DRIVE SHAFT - LONG	31112
	150661-02-715	EA	DRIVE SHAFT - SHORT	30812

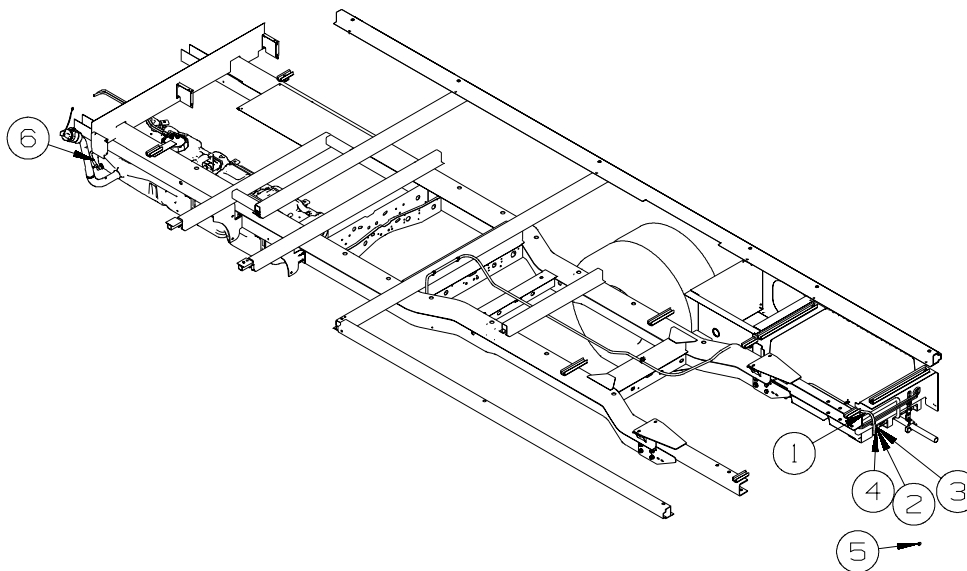
162495-01-01A, 162495-02-01A

KEY	PART NUMBER	U/M	DESCRIPTION	VENDOR NO.
	162495-01-700	EA	BUTTON-DBL. PLAS. SNAP	DP130

GENERATOR GROUP GAS



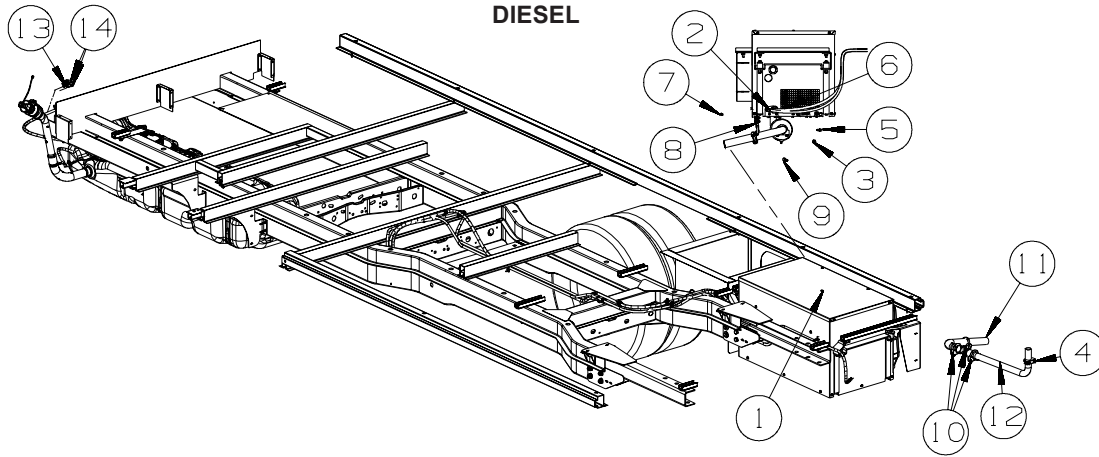
KEY	PART NUMBER	U/M	DESCRIPTION
1	109982-04-000	EA	GENERATOR - 3.6 MICROLITE - ONAN - GEN-3.6KW ONAN LP
1	109982-03-000	EA	GENERATOR - 4.0 MICROLITE - ONAN - GEN-4.0KW ONAN GAS
2	151797-02-02B	EA	COMPARTMENT - GENERATOR - E-COATED
3	151809-02-000	EA	PIPE - EXHAUST/GENERATOR
4	007125-04-000	EA	CLAMP - MUFFLER - 1.12"DIAMETER
5	114071-02-02B	EA	SUPPORT - GENERATOR - RIGHT
6	145609-01-000	EA	PLUG - BRASS - 1/2" MPT/HEX HEAD
7	114070-02-02B	EA	SUPPORT - GENERATOR - LEFT
8	007131-01-000	EA	HANGER - TAILPIPE - 6 SLOTS
9	007125-03-000	EA	CLAMP - MUFFLER - 1.5"DIAMETER



KEY	PART NUMBER	U/M	DESCRIPTION
1	128139-03-000	EA	HOSE - FUEL - LOW PERMEABILITY - 1/4" DIAMETER - GEN-4.0KW ONAN GAS
2	075155-04-000	EA	COUPLING - PIPE - 1/8" - BRASS - GEN-4.0KW ONAN GAS
3	114254-01-000	EA	ADAPTER - 1/4"BARB X 1/8"MPT - GEN-4.0KW ONAN GAS
4	114254-02-000	EA	ADAPTER - 5/16 SINGLE BARB X 1/8 MPT
5	165404-01-000	EA	CAP/PIPE - 1/8"NPT - BRASS
6	128139-04-000	EA	HOSE - FUEL - LOW PERMEABILITY - 5/16"ID

GENERATOR GROUP (CONTINUED)

DIESEL



KEY	PART NUMBER	U/M	DESCRIPTION
1	164592-01-000	EA	GENERATOR - 3.2KW - DIESEL - ONAN #HDZAA-6508A - GEN-3.2 KW ONAN DSL
2	128139-03-000	EA	HOSE - FUEL - LOW PERMEABILITY-1/4" DIAMTR - GEN PREP KIT-DIESEL OR GEN-3.2 KW ONAN DSL
3	165404-01-000	EA	CAP/PIPE - 1/8"NPT - BRASS - GEN PREP KIT-DIESEL
4	007125-04-000	EA	CLAMP - MUFLER - 1.12"DIAMETER - GEN-3.2 KW ONAN DSL
5	114254-02-000	EA	ELBOW - 5/16 SINGLE BARB X 1/4 MPT - GEN PREP KIT-DIESEL OR GEN-3.2 KW ONAN DSL
6	128139-04-000	EA	HOSE - FUEL - LOW PERMEABILITY - 5/16"ID - GEN PREP KIT-DIESEL OR GEN-3.2 KW ONAN DSL
7	084884-01-000	EA	PLUG - BRASS - 3/8" - GEN PREP KIT-DIESEL
8	007131-01-000	EA	HANGER - TAILPIPE - 6 SLOTS - GEN-3.2 KW ONAN DSL
9	114253-04-000	EA	ELBOW - 5/16 SINGLE BARB X 1/8 MPT - GEN-3.2 KW ONAN DSL
10	007125-03-000	EA	CLAMP - MUFLER - 1.5"DIAMETER - GEN-3.2 KW ONAN DSL
11	165531-01-000	EA	PIPE - EXHAUST/GENERATOR - GEN-3.2 KW ONAN DSL
12	165532-01-000	EA	PIPE - EXHAUST/GENERATOR - GEN-3.2 KW ONAN DSL
13	114254-04-000	EA	ADAPTER - 1/4 SINGLE BARB X 1/4 MPT - GEN PREP KIT-DIESEL OR GEN-3.2 KW ONAN DSL
14	114254-03-000	EA	ADAPTER - 3/8 SINGLE BARB X 1/4 MPT - GEN PREP KIT-DIESEL OR GEN-3.2 KW ONAN DSL

HEATING & A/C GROUP

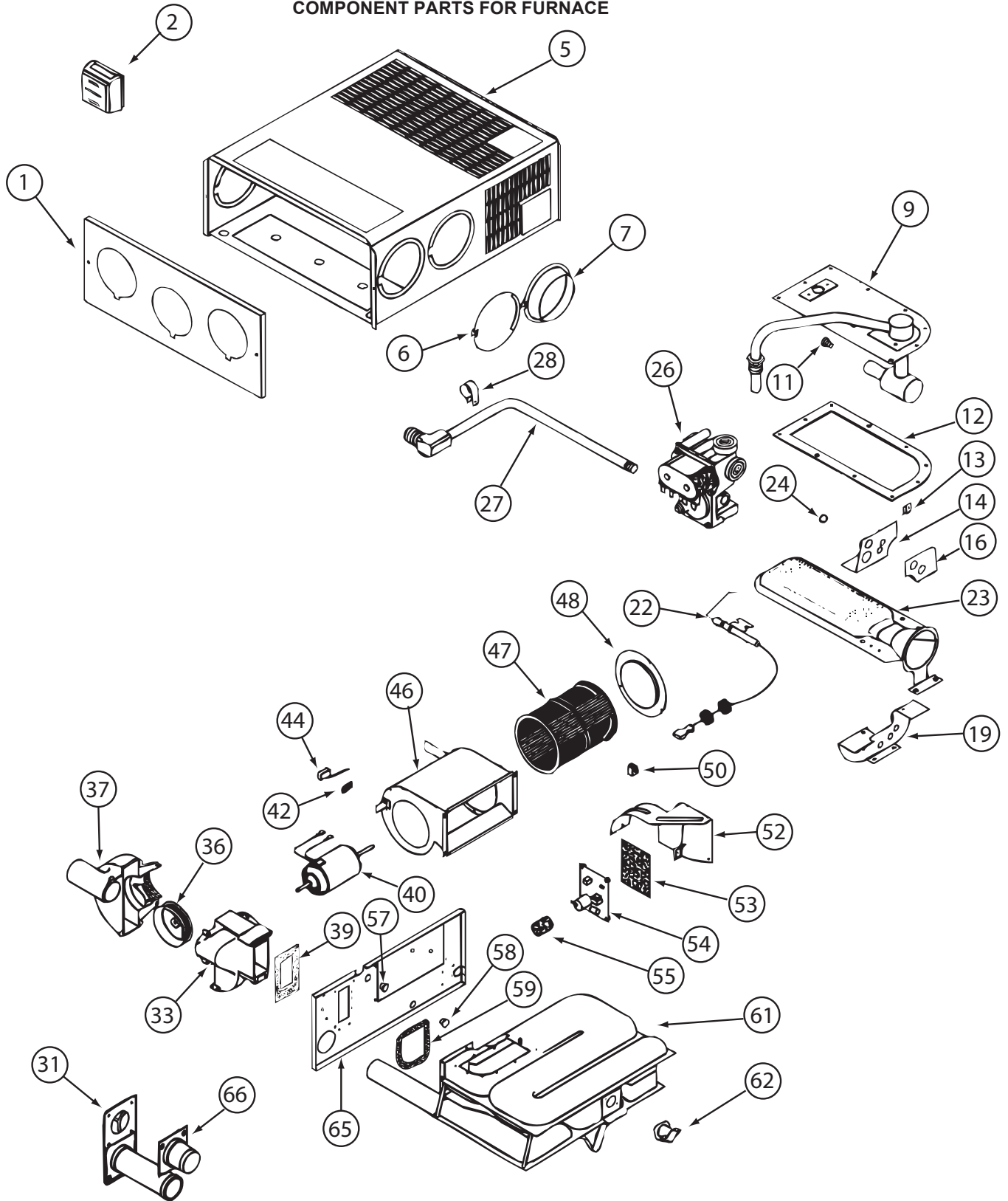
FURNACE

KEY	PART NUMBER	U/M	DESCRIPTION
	098668-15-000	EA	PLATE - FACE - SUBURBAN FURNACE - 524H FROM: 00-00-00 THRU: 07-15-07
	139980-14-000	EA	PLATE/FACE - SUBURBAN FURNACE - 524H FROM: 07-16-07 THRU: 99-99-99
	093614-01-02A	EA	GRILLE - AIR RETURN - 15.9" X 7.9" - BEIGE
	098668-23-000	EA	DOOR - ACCESS - FURNACE - BRIGHT WHITE
	139980-10-03A	EA	DOOR - ACCESS/FURNACE - BLACK - 524CL, 524DL
*	139980-01-000	EA	FURNACE - 25000 BTU - SF QUIET - SUBURBAN SF-25 2320J
*	139980-01-000	EA	FURNACE - 25000 BTU - SF QUIET - SUBURBAN SF-25 2320J - 524CL, 524DL FROM: 00-00-00 THRU: 03-08-08
	139980-15-000	EA	FURNACE - 20000 BTU - SF QUIET - SUBURBAN SF-20 - 524CL, 524DL FROM: 03-09-08 THRU: 99-99-99
	143563-05-000	EA	GASKET - FIBERGLASS - SUBURBAN #071018
	056464-10-000	EA	REGISTER W/O DAMPER - 4" DIAMETER - PLASTIC - BEIGE
	056464-09-000	EA	REGISTER W/DAMPER - 4" DIAMETER - PLASTIC - BEIGE
	137965-01-02A	EA	REGISTER - 11.2" X 3.6"(9.7 X 2.1"R/O) W/O DAMPER-ANT PWTR
	137965-03-02A	EA	REGISTER - 11.2" X 3.6"(9.7 X 2.1"R/O) W/O DAMPER-ANT PWTR
	137965-04-02A	EA	REGISTER - 11.2" X 3.6"(9.7 X 2.1"R/O) W/DAMPER - ANT PWTR
	098668-26-000	EA	BOTTOM DUCT KIT - 40,000 BTU
	009198-02-000	FT	DUCT - HEAT - FLEXIBLE - 2" ID X 25'
	009198-01-000	FT	DUCT - HEAT - FLEXIBLE - 4" ID X 25'
	069636-02-000	EA	CONNECTOR - DUCT - 4" ID
	157225-01-02A	EA	OUTLET - DEFROSTER - W/SWIVEL - 2" SLEEVE/4"OD - WHITE
	157225-01-05A	EA	OUTLET - DEFROSTER - W/SWIVEL - 2" SLEEVE/4"OD -RIVERSTONE
	118761-01-000	EA	REDUCER - 4"-2" - GALVANIZED

*COMPONENT PARTS LISTED LATER IN THIS GROUP

HEATING & A/C GROUP (CONTINUED)

COMPONENT PARTS FOR FURNACE



139980-01-000

HEATING & A/C GROUP (CONTINUED)
COMPONENT PARTS FOR FURNACE (CONTINUED)

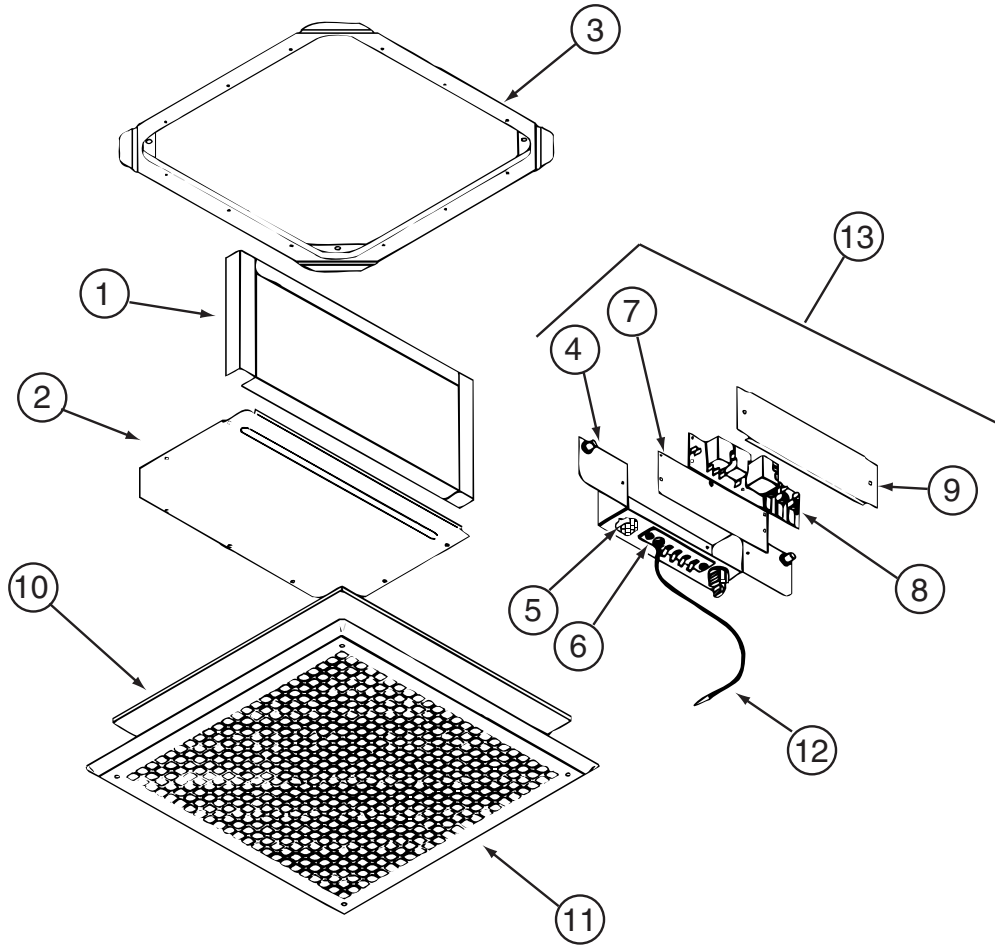
139980-01-000 (CONTINUED)

KEY	PART NUMBER	U/M	DESCRIPTION	VENDOR NO.
9	139980-01-700	EA	MANIFOLD ASSEMBLY	171571
11	090039-01-703	EA	ORIFICE-MAIN BURNER	180193
12	098668-22-703	EA	GASKET - BURNER ACCESS COVER	070811
22	139980-01-701	EA	ELECTRODE	232286
23	098668-01-703	EA	BURNER ASSEMBLY	010762
26	098668-01-718	EA	VALVE-GAS SF S.N.974903079	161122
27	139980-01-702	EA	PIPE ASSEMBLY/GAS INLET	171574
31	098668-01-707	EA	TUBE ASSEMBLY, EXHAUST W/CAP	260231
33	139980-01-703	EA	HOUSING/COMB. - FRONT/HALF	390852
36	098668-01-706	EA	WHEEL-COMBUSTION AIR	350184
37	139980-01-704	EA	HOUSING/COMB. - REAR/HALF	390848
39	139980-01-705	EA	GASKET/FIREWALL-COMB AIR	071084
40	139980-01-706	EA	MOTOR ASSEMBLY W/GASKET	232682
42	101990-01-714	EA	GASKET-MICROSWITCH	230877
44	098668-21-700	EA	SWITCH-MICRO-W/O FLAG 3 1/4"	232261
46	139980-01-708	EA	BLOWER ASSEMBLY - ROOM AIR	390739BK
47	098668-01-711	EA	WHEEL-BLOWER, ROOM AIR	350129
48	139980-01-709	EA	ORFICE RING	390696
50	139980-01-710	EA	SWITCH - ON/OFF	232351
52	139980-01-711	EA	PANEL ASSEMBLY-MODULE BD	101663
53	139980-01-712	EA	INSULATOR - MODULE BD	070807
54	098668-22-705	EA	MODULE BD W/RELAY TIME DELAY	520820
55	139980-01-713	EA	CAP/INSULATOR-MODULE BD	070973
57	139980-01-714	EA	BUSHING - UNIVERSAL	070362
58	139980-01-715	EA	BUSHING - STRAIN RELIEF	231809
59	098668-01-716	EA	GASKET-FIREWALL,CHAMBER SIDE	070808
61	139980-01-716	EA	CHAMBER ASSEMBLY - FINAL	021149BK
62	098668-21-701	EA	SWITCH - LIMIT	232504
66	098668-01-713	EA	TUBE ASSEMBLY, INTAKE	051248
	098668-19-700	EA	DOOR/CABINET ACCESS	101888
	139980-02-700	EA	BLOWER ASM-1/2 HOUSING/OUTER	390851
	139980-02-701	EA	BLOWER ASM-1/2 HOUSING/INNER	390872
			CONTACT WINNEBAGO PART SALES FOR UNLISTED COMPONENT(S)	

HEATING & A/C GROUP (CONTINUED) ROOF

KEY	PART NUMBER	U/M	DESCRIPTION
	131184-02-01A	EA	BOARD - DIVIDER - SILVER
*	131184-01-01A	EA	CEILING ASSEMBLY - A/C DUCTED - WHITE FROM: 00-00-00 THRU: 07-22-07
*	131184-06-01A	EA	CEILING ASSEMBLY - A/C DUCTED - WHITE FROM: 07-23-07 THRU: 99-99-99
*	131184-05-01A	EA	CEILING ASSEMBLY - HEAT PUMP - WHITE - A/C HEAT PUMP - HI EFF, LOW PFL FROM: 00-00-00 THRU: 07-22-07
*	131184-07-01A	EA	CEILING ASSEMBLY - HEAT PUMP - DUCTED - WHITE - A/C HEAT PUMP - HI EFF, LOW PFL FROM: 07-23-07 THRU: 99-99-99
*	148644-01-01A	EA	A/C-ROOF - LOW PROFILE - ART WHITE - RVP 9203C876
*	148644-01-02A	EA	A/C-ROOF - LOW PROFILE - BLACK - RVP 9203C879 - FULL BODY PAINT
*	148644-02-01A	EA	A/C-ROOF-LOW PROFILE/HEAT PMP-ART WHT-RVP9003C876 - A/C HEAT PUMP - HI EFF, LOW PFL
*	148644-02-02A	EA	A/C-ROOF-BLACK - RVP 9003C879 - A/C HEAT PUMP - HI EFF, LOW PFL - FULL BODY PAINT

*COMPONENT PARTS LISTED LATER IN THIS GROUP



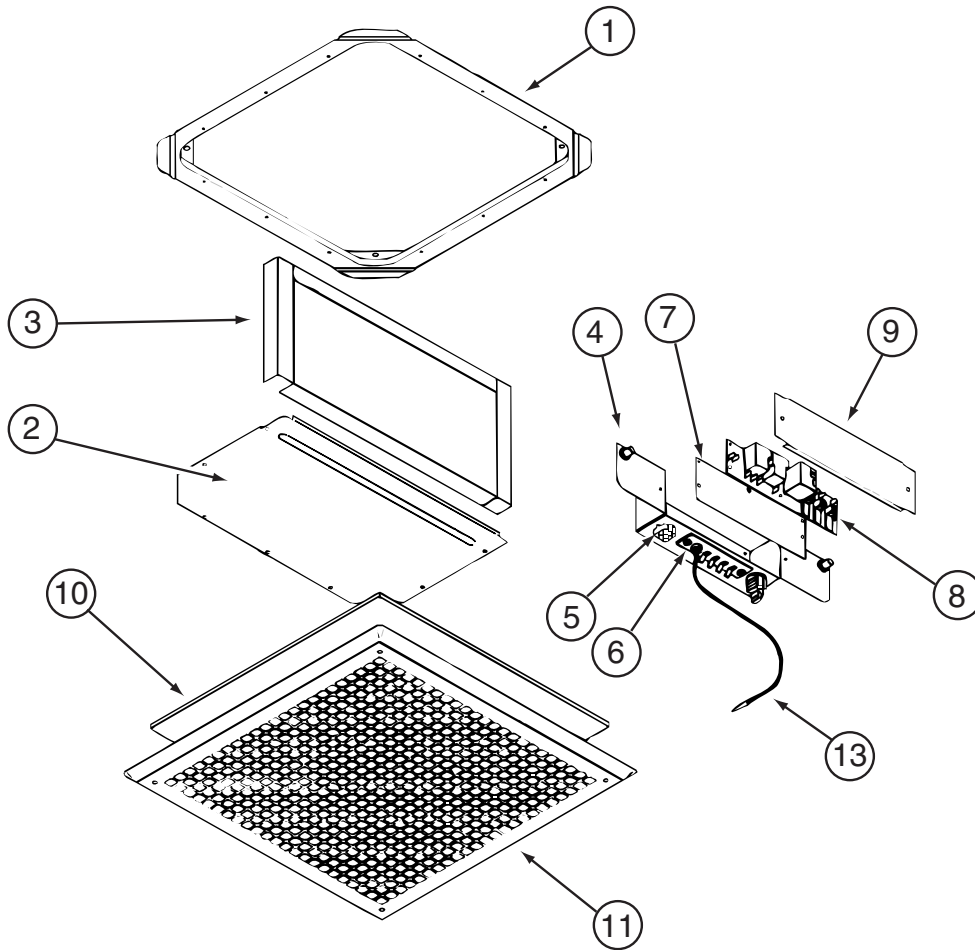
COMPONENT PARTS FOR ROOF

131184-01-01A

KEY	PART NUMBER	U/M	DESCRIPTION	VENDOR NO.
1	131184-01-707	EA	DUCT DIVIDER	8330-3501
5	131184-01-700	EA	PLUG ASSEMBLY	7330A389
6	131184-01-701	EA	TERMINAL BOARD	7330B3201
7	131184-01-702	EA	ISOLATOR - BLANK	7330C365
8	108892-01-702	EA	BOARD-P.C.	7330A3211
10	108892-01-703	EA	FILTER	6798A3761
11	108892-01-704	EA	GRILLE 16 3/8X16 3/8 RETURN	6798-3041
12	131184-01-704	EA	COIL SENSOR	7330-6111
13	131184-01-705	EA	JUNCTION BOX ASSEMBLY	7330B5551
	131184-01-703	EA	SMALL PARTS PKG	8330-5961

CONTACT WINNEBAGO PART SALES FOR UNLISTED COMPONENT(S)

HEATING & A/C GROUP (CONTINUED)
COMPONENT PARTS FOR ROOF (CONTINUED)

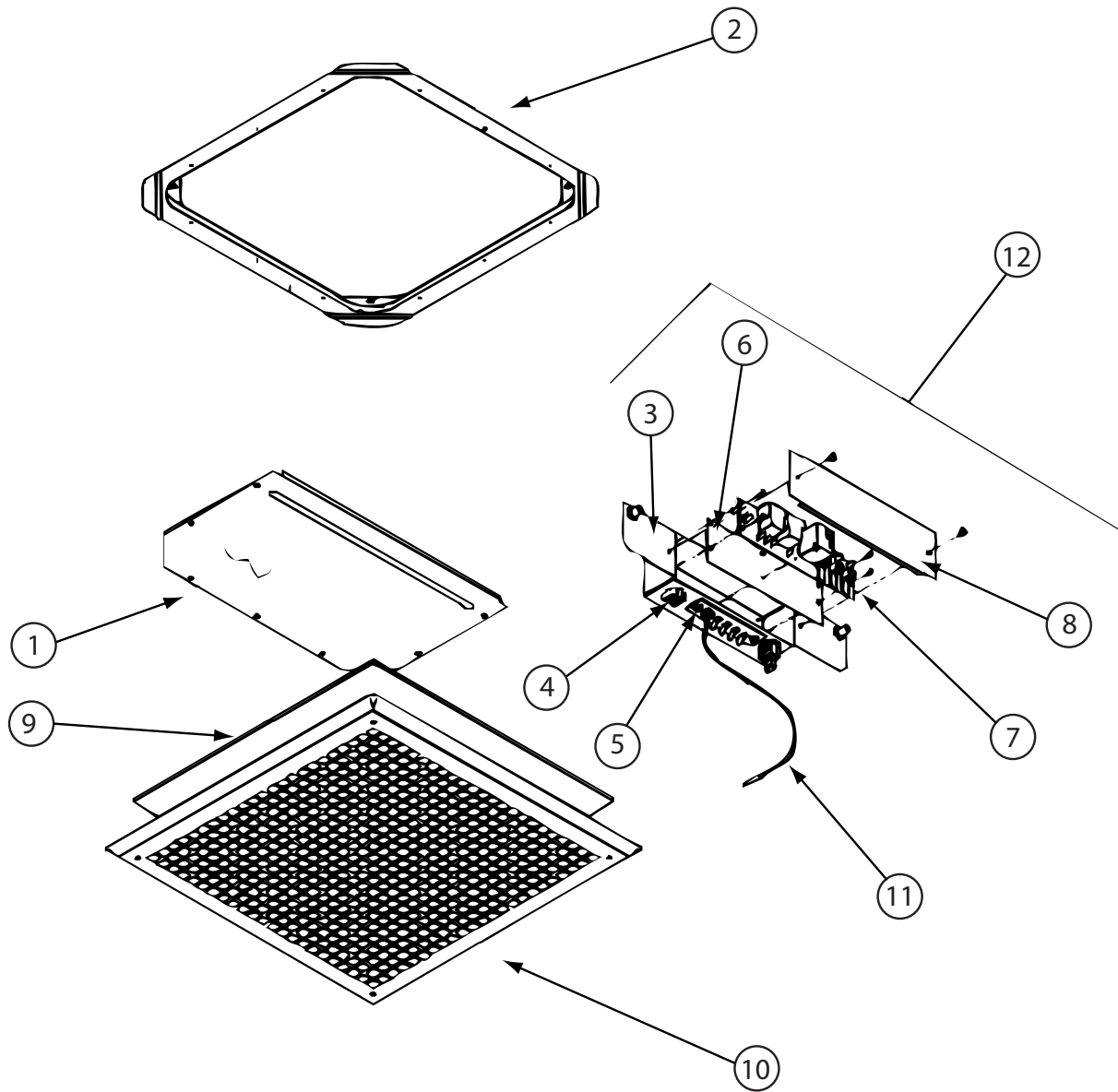


131184-05-01A

KEY	PART NUMBER	U/M	DESCRIPTION	VENDOR NO.
4	131184-05-700	EA	BOX - JUNCTION	8530-5091
5	131184-04-700	EA	PLUG ASSEMBLY	7530A340
6	131184-04-702	EA	BOARD - TERMINAL	7530B3201
7	131184-01-702	EA	ISOLATOR - BLANK	7330C365
8	131184-04-705	EA	BOARD - P.C.	7330B3311
10	108892-01-703	EA	FILTER	6798A3761
11	108892-01-704	EA	GRILLE 16 3/8X16 3/8 RETURN	6798-3041
13	105620-12-719	EA	COIL SENSOR	7330A3231
	131184-01-703	EA	SMALL PARTS PKG	8330-5961

CONTACT WINNEBAGO PART SALES FOR UNLISTED COMPONENT(S)

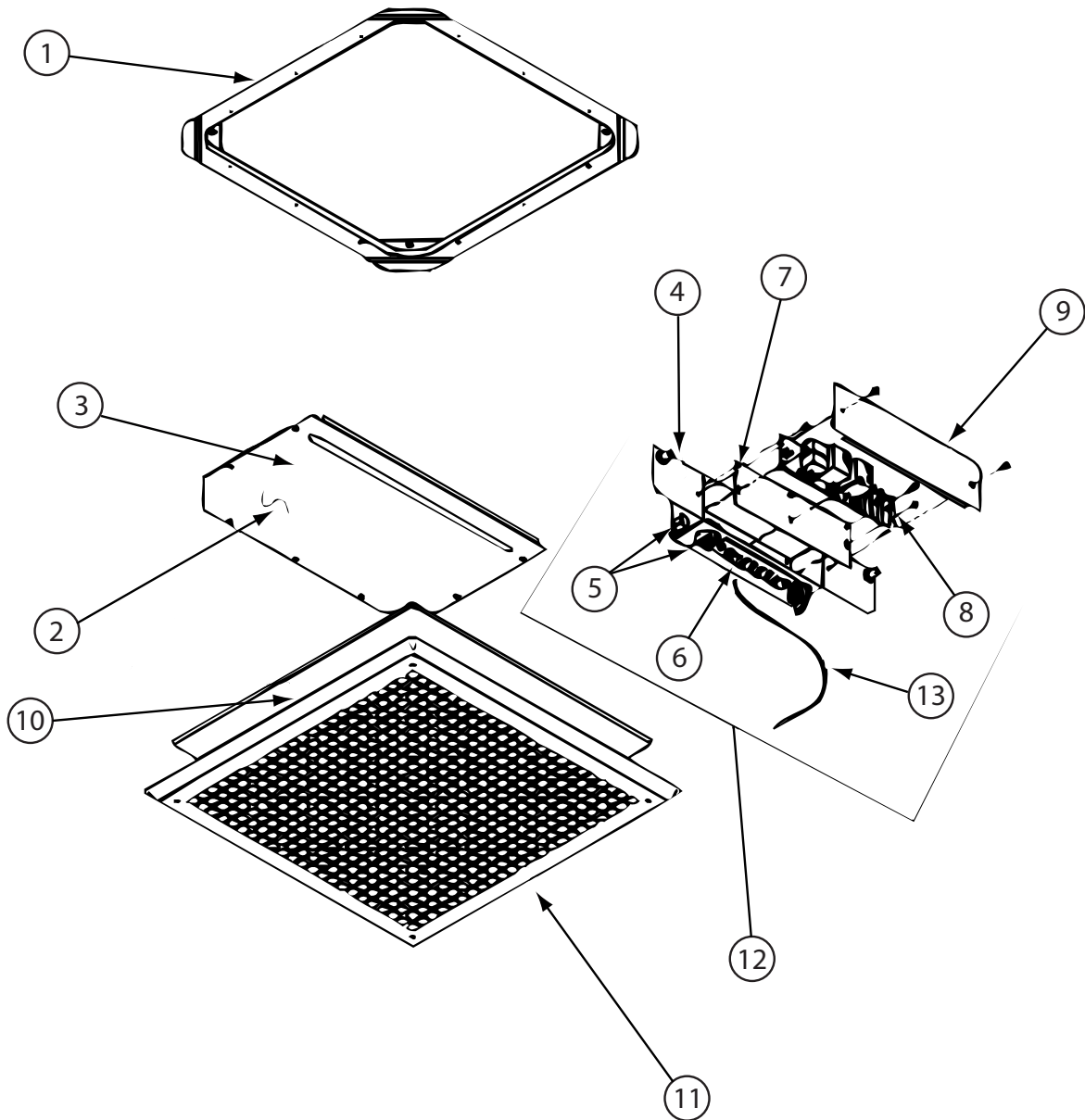
HEATING & A/C GROUP (CONTINUED)
COMPONENT PARTS FOR ROOF (CONTINUED)



131184-06-01A

KEY	PART NUMBER	U/M	DESCRIPTION	VENDOR NO.
4	131184-01-700	EA	PLUG ASSEMBLY	7330A389
5	131184-01-701	EA	TERMINAL BOARD	7330B3201
6	131184-01-702	EA	ISOLATOR - BLANK	7330C365
7	131184-03-700	EA	BOARD - P.C.	7330D3211
9	108892-01-703	EA	FILTER	6798A3761
10	108892-01-704	EA	GRILLE 16 3/8X16 3/8 RETURN	6798-3041
11	105620-12-719	EA	COIL SENSOR	7330A3231
12	131184-01-705	EA	JUNCTION BOX ASSEMBLY	7330B5551
	131184-01-703	EA	SMALL PARTS PKG	8330-5961
	131184-01-706	EA	NUT/WING	1200-550
			CONTACT WINNEBAGO PART SALES FOR UNLISTED COMPONENT(S)	

HEATING & A/C GROUP (CONTINUED)
COMPONENT PARTS FOR ROOF (CONTINUED)

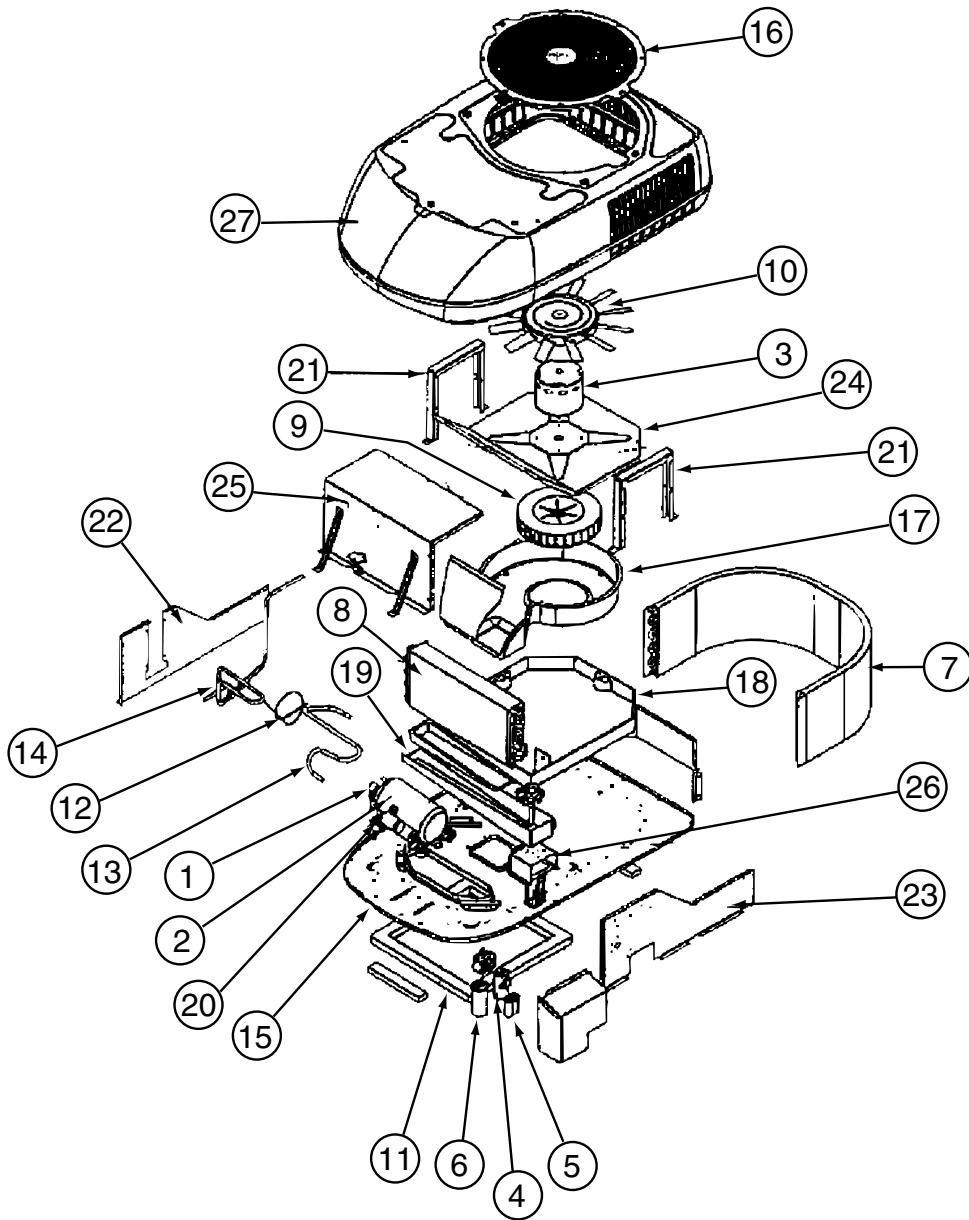


131184-07-01A

KEY	PART NUMBER	U/M	DESCRIPTION	VENDOR NO.
4	131184-04-703	EA	BOX - JUNCTION	7330-113
5	131184-04-700	EA	PLUG ASSEMBLY	7530A340
6	131184-04-702	EA	BOARD - TERMINAL	7530B3201
7	131184-01-702	EA	ISOLATOR - BLANK	7330C365
8	131184-04-705	EA	BOARD - P.C.	7330B3311
10	108892-01-703	EA	FILTER	6798A3761
11	108892-01-704	EA	GRILLE 16 3/8X16 3/8 RETURN	6798-3041
12	131184-04-706	EA	JUNCTION BOX ASM.(HEAT PUMP)	7530-508
13	105620-12-719	EA	COIL SENSOR	7330A3231
	131184-01-706	EA	NUT/WING	1200-550
	131184-07-700	EA	SMALL PARTS PKG	8330-5951

CONTACT WINNEBAGO PART SALES FOR UNLISTED COMPONENT(S)

HEATING & A/C GROUP (CONTINUED)
COMPONENT PARTS FOR ROOF (CONTINUED)



148644-01-01A

KEY	PART NUMBER	U/M	DESCRIPTION	VENDOR NO.
1	148644-01-701	EA	OVERLOAD	1450-0131
2	148644-01-702	EA	COMPRESSOR	1450A2189
3	148644-01-703	EA	MOTOR - BLOWER	1468A3239
4	105620-10-705	EA	PTCR (START DEVICE) - W/CAP.	8333A9021
5	093763-01-704	EA	CAPACITOR-FAN (INDOOR MOTOR)	1499-5461
6	131188-01-701	EA	RUN CAP. (COMP-40MFD/370V)	1499-5721
7	148644-01-704	EA	COIL-CONDENSER	1452-1201
8	148644-01-705	EA	COIL - EVAPORATOR	1452-1211
9	147102-01-705	EA	BLOWER WHEEL	1472-1111
10	147102-01-706	EA	FAN BLADE	1472-5021
11	037648-01-714	EA	GASKET PACKAGE	8332-3301
27	148644-01-700	EA	SHROUD - (ARCTIC WHITE)	9233A5461
	148644-02-702	EA	GRILLE - F/FAN	9233A3151

CONTACT WINNEBAGO PART SALES FOR UNLISTED COMPONENT(S)

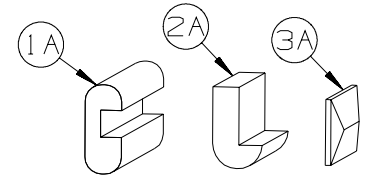
HEATING & A/C GROUP (CONTINUED)
COMPONENT PARTS FOR ROOF (CONTINUED)

148644-01-02A

KEY	PART NUMBER	U/M	DESCRIPTION	VENDOR NO.
1	148644-01-701	EA	OVERLOAD	1450-013
2	148644-01-702	EA	COMPRESSOR	1450A2189
3	148644-01-703	EA	MOTOR - BLOWER	1468A3239
4	105620-01-705	EA	PTCR (START DEVICE) - W/CAP.	8333A9021
5	093763-01-704	EA	CAPACITOR-FAN (INDOOR MOTOR)	1499-5461
6	131188-01-701	EA	RUN CAP. (COMP-40MFD/370V)	1499-5721
7	148644-01-704	EA	COIL-CONDENSER	1452-1201
8	148644-01-705	EA	COIL - EVAPORATOR	1452-1211
9	147102-01-705	EA	BLOWER WHEEL	1472-1111
10	147102-01-706	EA	FAN BLADE	1472-5021
11	037648-01-714	EA	GASKET PACKAGE	8332-3301
27	148644-01-706	EA	SHROUD - (BLACK)	9233A5491
	148644-01-702	EA	GRILLE - F/FAN	9233A3151

CONTACT WINNEBAGO PART SALES FOR UNLISTED COMPONENT(S)

INTERIOR FINISH GROUP
MOLDINGS & TRIMS
WASHED MAPLE, HONEY CHERRY



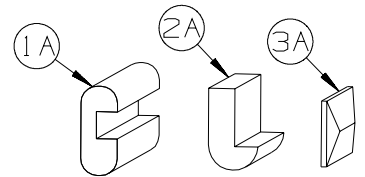
KEY	PART NUMBER	U/M	DESCRIPTION
1A	M09412-62-N42	EA	MOLDING/SHELF EDGE - .6" X 1.3" X 96" - PORTSMOUTH OAK
1A	M09412-62-M52	EA	MOLDING/SHELF EDGE - .6" X 1.3" X 96" - CONCERT CHERRY
1A	M09412-62-M62	EA	MOLDING/SHELF EDGE - .6" X 1.3" X 96" - WASHED MAPLE
1A	M09412-62-RC3	EA	MOLDING/SHELF EDGE - .6" X 1.3" X 96" - HONEY CHERRY
1A	M09412-62-SA3	EA	MOLDING/SHELF EDGE - .6" X 1.3" X 96" - SIERRA MAPLE
2A	M09511-43-T77	EA	MOLDING - TRIM - W/NOTCH - .8" X 1.4" X 86.3" - PORTSMOUT OAK
2A	M09525-80-UM1	EA	MOLDING - TRIM - W/NOTCH - .8" X 1.4" X 86.5" - CONCERT CHERRY
2A	M09525-80-U91	EA	MOLDING - TRIM - W/NOTCH - .8" X 1.4" X 86.5" - WASHED MAPLE
2A	M09525-80-U92	EA	MOLDING - TRIM - W/NOTCH - .8" X 1.4" X 86.5" - SIERRA MAPLE
2A	M09525-80-Y92	EA	MOLDING - TRIM - W/NOTCH - .8" X 1.4" X 86.5" - HONEY CHERRY
2A	M09501-85-TG3	EA	MOLDING/TRIM - W/NOTCH - 4" X 86.06" - HONEY CHERRY
2A	M09501-32-TG1	EA	MOLDING/TRIM - W/NOTCH - .8" X 2.5" X 86.2" - CONCERT CHERRY
2A	M09501-32-TG2	EA	MOLDING/TRIM - W/NOTCH - .8" X 2.5" X 86.2" - WASHED MAPLE
2A	M09501-32-TD3	EA	MOLDING/TRIM - W/NOTCH - .8" X 2.5" X 86.2" - SIERRA MAPLE
2A	M09501-32-TG3	EA	MOLDING/TRIM - W/NOTCH - .8" X 2.5" X 86.2" - HONEY CHERRY
2A	M09515-72-TD0	EA	MOLDING/TRIM - .8" X 2.2" X 86.1" - PORTSMOUTH OAK
2A	M09515-72-TD1	EA	MOLDING/TRIM - .8" X 2.2" X 86.1" - CONCERT CHERRY
2A	M09515-72-TD2	EA	MOLDING/TRIM - .8" X 2.2" X 86.1" - WASHED MAPLE
2A	M09515-72-TD3	EA	MOLDING/TRIM - .8" X 2.2" X 86.1" - SIERRA MAPLE
2A	M09511-44-T77	EA	MOLDING - TRIM - W/NOTCH - 1" X 86.4" - PORTSMOUTH OAK
2A	M09511-44-T78	EA	MOLDING - TRIM - W/NOTCH - 1" X 86.4" - CONCERT CHERRY
2A	M09511-44-T79	EA	MOLDING - TRIM - W/NOTCH - 1" X 86.4" - WASHED MAPLE
2A	M09511-44-T80	EA	MOLDING - TRIM - W/NOTCH - 1" X 86.4" - HONEY CHERRY
2A	M09438-25-RA3	EA	MOLDING - HARDWOOD-W/NOTCH - 1.4"X 80.2" - HONEY CHERRY
3A	M09477-63-S46	EA	MOLDING - TRIM/VEE-W/CUT ENDS - 1"X 64.1" - PORTSMOUTH OAK
3A	M09477-63-S47	EA	MOLDING - TRIM/VEE-W/CUT ENDS - 1"X 64.1" - CONCERT CHERRY
3A	M09477-63-S48	EA	MOLDING - TRIM/VEE-W/CUT ENDS - 1"X 64.1" - WASHED MAPLE
3A	M09477-63-W51	EA	MOLDING - TRIM/VEE-W/CUT ENDS - 1"X 64.1" - HONEY CHERRY
3A	M09477-64-S46	EA	MOLDING - TRIM/VEE-W/CUT ENDS - 1"X 14.9" - PORTSMOUTH OAK
3A	M09477-64-S47	EA	MOLDING - TRIM/VEE-W/CUT ENDS - 1"X 14.9" - CONCERT CHERRY
3A	M09477-64-S48	EA	MOLDING - TRIM/VEE-W/CUT ENDS - 1"X 14.9" - WASHED MAPLE
3A	M09477-64-W51	EA	MOLDING - TRIM/VEE-W/CUT ENDS - 1"X 14.9" - HONEY CHERRY
3A	M09501-30-SD0	EA	MOLDING - TRIM/VEE - .2" X 1" X 35.1" - PORTSMOUTH OAK
3A	M09501-30-SD1	EA	MOLDING - TRIM/VEE - .2" X 1" X 35.1" - CONCERT CHERRY
3A	M09501-30-SD2	EA	MOLDING - TRIM/VEE - .2" X 1" X 35.1" - WASHED MAPLE
3A	M09501-30-SD3	EA	MOLDING - TRIM/VEE - .2" X 1" X 35.1" - HONEY CHERRY
3A	M09515-97-WL4	EA	MOLDING - TRIM/VEE - .2" X 1" X 32.6" - CONCERT CHERRY
3A	M09515-97-WL5	EA	MOLDING - TRIM/VEE - .2" X 1" X 32.6" - WASHED MAPLE
3A	M09515-97-WL6	EA	MOLDING - TRIM/VEE - .2" X 1" X 32.6" - HONEY CHERRY
3A	M09534-17-UF3	EA	MOLDING - TRIM/VEE - .2" X 1" X 20.1" - SIERRA MAPLE
3A	M09534-17-UJ1	EA	MOLDING - TRIM/VEE - .2" X 1" X 20.1" - CONCERT CHERRY
3A	M09534-17-UJ2	EA	MOLDING - TRIM/VEE - .2" X 1" X 20.1" - WASHED MAPLE
3A	M09534-17-UJ3	EA	MOLDING - TRIM/VEE - .2" X 1" X 20.1" - HONEY CHERRY
3A	M09477-88-S34	EA	MOLDING - TRIM/VEE - .2" X 1" X 19.9" - WASHED MAPLE
3A	M09477-88-S35	EA	MOLDING - TRIM/VEE - .2" X 1" X 19.9" - SIERRA MAPLE
3A	M09568-03-W51	EA	MOLDING - TRIM/VEE - .2" X 1" X 19.8" - HONEY CHERRY
3A	M09568-03-W52	EA	MOLDING - TRIM/VEE - .2" X 1" X 19.8" - WASHED MAPLE
3A	M09565-51-W51	EA	MOLDING - TRIM/VEE - .2" X 1" X 19.4" - HONEY CHERRY
3A	M09565-51-W52	EA	MOLDING - TRIM/VEE - .2" X 1" X 19.4" - WASHED MAPLE
3A	M09553-79-W66	EA	MOLDING - TRIM/VEE - .2" X 1" X 15.6" - HONEY CHERRY
3A	M09515-10-W66	EA	MOLDING - TRIM/VEE - .2" X 1" X 15.4" - HONEY CHERRY
3A	M09501-63-T78	EA	MOLDING - TRIM/VEE - .2" X 1" X 15" - CONCERT CHERRY
3A	M09501-63-T79	EA	MOLDING - TRIM/VEE - .2" X 1" X 15" - WASHED MAPLE
3A	M09501-63-T80	EA	MOLDING - TRIM/VEE - .2" X 1" X 15" - SIERRA MAPLE
3A	M09501-63-W66	EA	MOLDING - TRIM/VEE - .2" X 1" X 15" - HONEY CHERRY
3A	M09553-09-W66	EA	MOLDING - TRIM/VEE - .2" X 1" X 13.4" - HONEY CHERRY
3A	M09566-04-WD3	EA	MOLDING - TRIM/VEE - .2" X 1" X 8.9" - HONEY CHERRY
3A	M09553-29-WH4	EA	MOLDING - TRIM/VEE - .4" X 1" X 94.4" - CONCERT CHERRY
3A	M09553-29-WH5	EA	MOLDING - TRIM/VEE - .4" X 1" X 94.4" - WASHED MAPLE
3A	M09553-29-WH6	EA	MOLDING - TRIM/VEE - .4" X 1" X 94.4" - SIERRA MAPLE
3A	M09565-04-WH4	EA	MOLDING - TRIM/VEE - .4" X 1" X 89.5" - CONCERT CHERRY

INTERIOR FINISH GROUP (CONTINUED)
MOLDINGS & TRIMS (CONTINUED)

KEY	PART NUMBER	U/M	DESCRIPTION
3A	M09565-04-WH5	EA	MOLDING - TRIM/VEE - .4" X 1" X 89.5" - WASHED MAPLE
3A	M09565-04-WH6	EA	MOLDING - TRIM/VEE - .4" X 1" X 89.5" - SIERRA MAPLE
3A	M09544-86-W37	EA	MOLDING - TRIM/VEE - .4" X 1" X 88.1" - WASHED MAPLE
3A	M09544-86-W38	EA	MOLDING - TRIM/VEE - .4" X 1" X 88.1" - SIERRA MAPLE
3A	M09538-39-U67	EA	MOLDING - TRIM/VEE - .4" X 1" X 82.6" - WASHED MAPLE
3A	M09538-39-U68	EA	MOLDING - TRIM/VEE - .4" X 1" X 82.6" - SIERRA MAPLE
3A	M09553-62-WH4	EA	MOLDING - TRIM/VEE - .4" X 1" X 81.4" - CONCERT CHERRY
3A	M09553-62-WH5	EA	MOLDING - TRIM/VEE - .4" X 1" X 81.4" - WASHED MAPLE
3A	M09553-62-WH6	EA	MOLDING - TRIM/VEE - .4" X 1" X 81.4" - SIERRA MAPLE
3A	M09577-98-WH4	EA	MOLDING - TRIM/VEE - .4" X 1" X 80.2" - CONCERT CHERRY
3A	M09577-98-WH5	EA	MOLDING - TRIM/VEE - .4" X 1" X 80.2" - WASHED MAPLE
3A	M09577-98-WH6	EA	MOLDING - TRIM/VEE - .4" X 1" X 80.2" - SIERRA MAPLE
3A	M09544-37-W37	EA	MOLDING - TRIM/VEE - .4" X 1" X 78.8" - WASHED MAPLE
3A	M09544-37-W38	EA	MOLDING - TRIM/VEE - .4" X 1" X 78.8" - SIERRA MAPLE
3A	M09544-34-W37	EA	MOLDING - TRIM/VEE - .4" X 1" X 78.7" - WASHED MAPLE
3A	M09544-34-W38	EA	MOLDING - TRIM/VEE - .4" X 1" X 78.7" - SIERRA MAPLE
3A	M09538-37-U67	EA	MOLDING - TRIM/VEE - .4" X 1" X 77.5" - WASHED MAPLE
3A	M09538-37-U68	EA	MOLDING - TRIM/VEE - .4" X 1" X 77.5" - SIERRA MAPLE
3A	M09553-65-WH4	EA	MOLDING - TRIM/VEE - .4" X 1" X 77" - CONCERT CHERRY
3A	M09553-65-WH5	EA	MOLDING - TRIM/VEE - .4" X 1" X 77" - WASHED MAPLE
3A	M09553-65-WH6	EA	MOLDING - TRIM/VEE - .4" X 1" X 77" - SIERRA MAPLE
3A	M09553-64-WH4	EA	MOLDING - TRIM/VEE - .4" X 1" X 76.7" - CONCERT CHERRY
3A	M09553-64-WH5	EA	MOLDING - TRIM/VEE - .4" X 1" X 76.7" - WASHED MAPLE
3A	M09553-64-WH6	EA	MOLDING - TRIM/VEE - .4" X 1" X 76.7" - SIERRA MAPLE
3A	M09565-75-WH4	EA	MOLDING - TRIM/VEE - .4" X 1" X 75.9" - CONCERT CHERRY
3A	M09565-75-WH5	EA	MOLDING - TRIM/VEE - .4" X 1" X 75.9" - WASHED MAPLE
3A	M09565-75-WH6	EA	MOLDING - TRIM/VEE - .4" X 1" X 75.9" - SIERRA MAPLE
3A	M09565-02-WH4	EA	MOLDING - TRIM/VEE - .4" X 1" X 75.1" - CONCERT CHERRY
3A	M09565-02-WH5	EA	MOLDING - TRIM/VEE - .4" X 1" X 75.1" - WASHED MAPLE
3A	M09565-02-WH6	EA	MOLDING - TRIM/VEE - .4" X 1" X 75.1" - SIERRA MAPLE
3A	M09553-26-WH4	EA	MOLDING - TRIM/VEE - .4" X 1" X 74.1" - CONCERT CHERRY
3A	M09553-26-WH5	EA	MOLDING - TRIM/VEE - .4" X 1" X 74.1" - WASHED MAPLE
3A	M09553-26-WH6	EA	MOLDING - TRIM/VEE - .4" X 1" X 74.1" - SIERRA MAPLE
3A	M09538-91-WH4	EA	MOLDING - TRIM/VEE - .4" X 1" X 73.8" - CONCERT CHERRY
3A	M09538-91-WH5	EA	MOLDING - TRIM/VEE - .4" X 1" X 73.8" - WASHED MAPLE
3A	M09538-91-WH6	EA	MOLDING - TRIM/VEE - .4" X 1" X 73.8" - SIERRA MAPLE
3A	M09553-22-WH4	EA	MOLDING - TRIM/VEE - .4" X 1" X 73.2" - CONCERT CHERRY
3A	M09553-22-WH5	EA	MOLDING - TRIM/VEE - .4" X 1" X 73.2" - WASHED MAPLE
3A	M09553-22-WH6	EA	MOLDING - TRIM/VEE - .4" X 1" X 73.2" - SIERRA MAPLE
3A	M09565-97-WH4	EA	MOLDING - TRIM/VEE - .4" X 1" X 72.6" - CONCERT CHERRY
3A	M09565-97-WH5	EA	MOLDING - TRIM/VEE - .4" X 1" X 72.6" - WASHED MAPLE
3A	M09565-97-WH6	EA	MOLDING - TRIM/VEE - .4" X 1" X 72.6" - SIERRA MAPLE
3A	M09568-12-WH4	EA	MOLDING - TRIM/VEE - .4" X 1" X 71.9" - CONCERT CHERRY
3A	M09568-12-WH5	EA	MOLDING - TRIM/VEE - .4" X 1" X 71.9" - WASHED MAPLE
3A	M09568-12-WH6	EA	MOLDING - TRIM/VEE - .4" X 1" X 71.9" - SIERRA MAPLE
3A	M09565-01-WH4	EA	MOLDING - TRIM/VEE - .4" X 1" X 71.7" - CONCERT CHERRY
3A	M09565-01-WH5	EA	MOLDING - TRIM/VEE - .4" X 1" X 71.7" - WASHED MAPLE
3A	M09565-01-WH6	EA	MOLDING - TRIM/VEE - .4" X 1" X 71.7" - SIERRA MAPLE
3A	M09565-01-YR3	EA	MOLDING - TRIM/VEE - .4" X 1" X 71.7" - HONEY CHERRY
3A	M09544-15-WB4	EA	MOLDING - TRIM/VEE - .4" X 1" X 64.5" - CONCERT CHERRY
3A	M09544-15-WB5	EA	MOLDING - TRIM/VEE - .4" X 1" X 64.5" - WASHED MAPLE
3A	M09544-15-WB6	EA	MOLDING - TRIM/VEE - .4" X 1" X 64.5" - SIERRA MAPLE
3A	M09538-94-WH4	EA	MOLDING - TRIM/VEE - .4" X 1" X 71.1" - CONCERT CHERRY
3A	M09538-94-WH5	EA	MOLDING - TRIM/VEE - .4" X 1" X 71.1" - WASHED MAPLE
3A	M09538-94-WH6	EA	MOLDING - TRIM/VEE - .4" X 1" X 71.1" - SIERRA MAPLE
3A	M09565-78-WH4	EA	MOLDING - TRIM/VEE - .4" X 1" X 70.2" - CONCERT CHERRY
3A	M09565-78-WH5	EA	MOLDING - TRIM/VEE - .4" X 1" X 70.2" - WASHED MAPLE
3A	M09565-78-WH6	EA	MOLDING - TRIM/VEE - .4" X 1" X 70.2" - SIERRA MAPLE
3A	M09553-21-WH4	EA	MOLDING - TRIM/VEE - .4" X 1" X 70.1" - CONCERT CHERRY
3A	M09553-21-WH5	EA	MOLDING - TRIM/VEE - .4" X 1" X 70.1" - WASHED MAPLE
3A	M09553-21-WH6	EA	MOLDING - TRIM/VEE - .4" X 1" X 70.1" - SIERRA MAPLE
3A	M09501-92-T77	EA	MOLDING - TRIM/VEE - .4" X 1" X 70" - PORTSMOUTH OAK
3A	M09501-92-T78	EA	MOLDING - TRIM/VEE - .4" X 1" X 70" - CONCERT CHERRY
3A	M09501-92-T79	EA	MOLDING - TRIM/VEE - .4" X 1" X 70" - WASHED MAPLE

INTERIOR FINISH GROUP (CONTINUED)
MOLDINGS & TRIMS (CONTINUED)

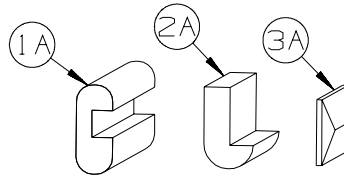
KEY	PART NUMBER	U/M	DESCRIPTION
3A	M09501-92-T80	EA	MOLDING - TRIM/VEE - .4" X 1" X 70" - SIERRA MAPLE
3A	M09538-27-WH4	EA	MOLDING - TRIM/VEE - .4" X 1" X 71.1" - CONCERT CHERRY
3A	M09538-27-U67	EA	MOLDING - TRIM/VEE - .4" X 1" X 71.1" - WASHED MAPLE
3A	M09538-27-U68	EA	MOLDING - TRIM/VEE - .4" X 1" X 71.1" - SIERRA MAPLE
3A	M09544-10-WH4	EA	MOLDING - TRIM/VEE - .4" X 1" X 68.2" - CONCERT CHERRY
3A	M09544-10-W91	EA	MOLDING - TRIM/VEE - .4" X 1" X 68.2" - WASHED MAPLE
3A	M09544-10-W92	EA	MOLDING - TRIM/VEE - .4" X 1" X 68.2" - SIERRA MAPLE
3A	M09553-03-WH4	EA	MOLDING - TRIM/VEE - .4" X 1" X 66.7" - CONCERT CHERRY
3A	M09553-03-WH5	EA	MOLDING - TRIM/VEE - .4" X 1" X 66.7" - WASHED MAPLE
3A	M09553-03-WH6	EA	MOLDING - TRIM/VEE - .4" X 1" X 66.7" - SIERRA MAPLE
3A	M09553-03-YR3	EA	MOLDING - TRIM/VEE - .4" X 1" X 66.7" - HONEY CHERRY
3A	M09538-93-WH4	EA	MOLDING - TRIM/VEE - .4" X 1" X 66.6" - CONCERT CHERRY
3A	M09538-93-WH5	EA	MOLDING - TRIM/VEE - .4" X 1" X 66.6" - WASHED MAPLE
3A	M09538-93-WH6	EA	MOLDING - TRIM/VEE - .4" X 1" X 66.6" - SIERRA MAPLE
3A	M09544-33-W37	EA	MOLDING - TRIM/VEE - .4" X 1" X 66.5" - SIERRA MAPLE
3A	M09544-33-W38	EA	MOLDING - TRIM/VEE - .4" X 1" X 66.5" - WASHED MAPLE
3A	M09553-02-WH4	EA	MOLDING - TRIM/VEE - .4" X 1" X 66.4" - CONCERT CHERRY
3A	M09553-02-WH5	EA	MOLDING - TRIM/VEE - .4" X 1" X 66.4" - WASHED MAPLE
3A	M09553-02-WH6	EA	MOLDING - TRIM/VEE - .4" X 1" X 66.4" - SIERRA MAPLE
3A	M09544-14-WB4	EA	MOLDING - TRIM/VEE - .4" X 1" X 64.5" - CONCERT CHERRY
3A	M09544-14-WB5	EA	MOLDING - TRIM/VEE - .4" X 1" X 64.5" - WASHED MAPLE
3A	M09544-14-WB6	EA	MOLDING - TRIM/VEE - .4" X 1" X 64.5" - SIERRA MAPLE
3A	M09515-78-T77	EA	MOLDING - TRIM/VEE - .4" X 1" X 64.1" - PORTSMOUTH OAK
3A	M09515-78-T78	EA	MOLDING - TRIM/VEE - .4" X 1" X 64.1" - CONCERT CHERRY
3A	M09515-78-T79	EA	MOLDING - TRIM/VEE - .4" X 1" X 64.1" - WASHED MAPLE
3A	M09515-78-T80	EA	MOLDING - TRIM/VEE - .4" X 1" X 64.1" - SIERRA MAPLE
3A	M09501-91-T77	EA	MOLDING - TRIM/VEE - .4" X 1" X 63.3" - PORTSMOUTH OAK
3A	M09501-91-T78	EA	MOLDING - TRIM/VEE - .4" X 1" X 63.3" - CONCERT CHERRY
3A	M09501-91-T79	EA	MOLDING - TRIM/VEE - .4" X 1" X 63.3" - WASHED MAPLE
3A	M09501-91-T80	EA	MOLDING - TRIM/VEE - .4" X 1" X 63.3" - SIERRA MAPLE
3A	M09503-91-T77	EA	MOLDING - TRIM/VEE - .4" X 1" X 63.1" - PORTSMOUTH OAK
3A	M09503-91-T78	EA	MOLDING - TRIM/VEE - .4" X 1" X 63.1" - CONCERT CHERRY
3A	M09503-91-T79	EA	MOLDING - TRIM/VEE - .4" X 1" X 63.1" - WASHED MAPLE
3A	M09503-91-T80	EA	MOLDING - TRIM/VEE - .4" X 1" X 63.1" - SIERRA MAPLE
3A	M09544-22-WB4	EA	MOLDING - TRIM/VEE - .4" X 1" X 61.7" - CONCERT CHERRY
3A	M09544-22-WB5	EA	MOLDING - TRIM/VEE - .4" X 1" X 61.7" - WASHED MAPLE
3A	M09544-22-WB6	EA	MOLDING - TRIM/VEE - .4" X 1" X 61.7" - SIERRA MAPLE
3A	M09583-41-WH4	EA	MOLDING - TRIM/VEE - .4" X 1" X 61" - CONCERT CHERRY
3A	M09583-41-WH5	EA	MOLDING - TRIM/VEE - .4" X 1" X 61" - WASHED MAPLE
3A	M09583-41-WH6	EA	MOLDING - TRIM/VEE - .4" X 1" X 61" - SIERRA MAPLE
3A	M09565-49-WH4	EA	MOLDING - TRIM/VEE - .4" X 1" X 58.7" - CONCERT CHERRY
3A	M09565-49-WH5	EA	MOLDING - TRIM/VEE - .4" X 1" X 58.7" - WASHED MAPLE
3A	M09565-49-WH6	EA	MOLDING - TRIM/VEE - .4" X 1" X 58.7" - SIERRA MAPLE
3A	M09544-36-W37	EA	MOLDING - TRIM/VEE - .4" X 1" X 52.6" - WASHED MAPLE
3A	M09544-36-W38	EA	MOLDING - TRIM/VEE - .4" X 1" X 52.6.5" - SIERRA MAPLE
3A	M09553-85-WB4	EA	MOLDING - TRIM/VEE - .4" X 1" X 43.4" - CONCERT CHERRY
3A	M09553-85-WB5	EA	MOLDING - TRIM/VEE - .4" X 1" X 43.4" - WASHED MAPLE
3A	M09553-85-WB6	EA	MOLDING - TRIM/VEE - .4" X 1" X 43.4" - SIERRA MAPLE
3A	M09553-28-WH4	EA	MOLDING - TRIM/VEE - .4" X 1" X 48" - CONCERT CHERRY
3A	M09553-28-WH5	EA	MOLDING - TRIM/VEE - .4" X 1" X 48" - WASHED MAPLE
3A	M09553-28-WH6	EA	MOLDING - TRIM/VEE - .4" X 1" X 48" - SIERRA MAPLE
3A	M09553-60-WH4	EA	MOLDING - TRIM/VEE - .4" X 1" X 47.2" - CONCERT CHERRY
3A	M09553-60-WH5	EA	MOLDING - TRIM/VEE - .4" X 1" X 47.2" - WASHED MAPLE
3A	M09553-60-WH6	EA	MOLDING - TRIM/VEE - .4" X 1" X 47.2" - SIERRA MAPLE
3A	M09544-24-WB4	EA	MOLDING - TRIM/VEE - .4" X 1" X 46.2" - CONCERT CHERRY
3A	M09544-24-WB5	EA	MOLDING - TRIM/VEE - .4" X 1" X 46.2" - WASHED MAPLE
3A	M09544-24-WB6	EA	MOLDING - TRIM/VEE - .4" X 1" X 46.2" - SIERRA MAPLE
3A	M09565-77-WH4	EA	MOLDING - TRIM/VEE - .4" X 1" X 42.5" - CONCERT CHERRY
3A	M09565-77-WH5	EA	MOLDING - TRIM/VEE - .4" X 1" X 42.5" - WASHED MAPLE
3A	M09565-77-WH6	EA	MOLDING - TRIM/VEE - .4" X 1" X 42.5" - SIERRA MAPLE
3A	M09544-35-W37	EA	MOLDING - TRIM/VEE - .4" X 1" X 66.5" - SIERRA MAPLE
3A	M09544-35-W38	EA	MOLDING - TRIM/VEE - .4" X 1" X 66.5" - WASHED MAPLE



INTERIOR FINISH GROUP (CONTINUED)
MOLDINGS & TRIMS (CONTINUED)

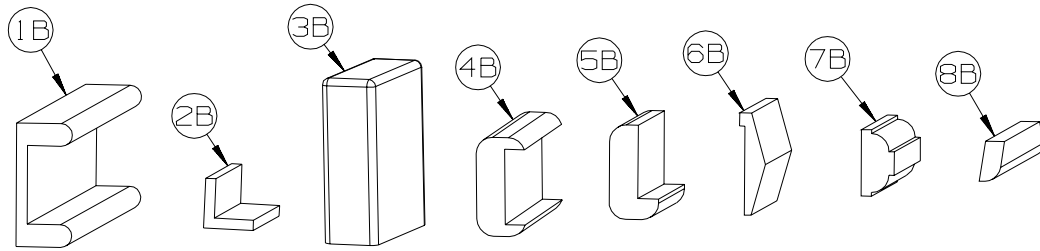
KEY	PART NUMBER	U/M	DESCRIPTION
3A	M09544-38-W37	EA	MOLDING - TRIM/VEE - .4" X 1" X 66.5" - SIERRA MAPLE
3A	M09544-38-W38	EA	MOLDING - TRIM/VEE - .4" X 1" X 66.5" - WASHED MAPLE
3A	M09565-03-WH4	EA	MOLDING - TRIM/VEE - .4" X 1" X 44.2" - CONCERT CHERRY
3A	M09565-03-WH5	EA	MOLDING - TRIM/VEE - .4" X 1" X 44.2" - WASHED MAPLE
3A	M09565-03-WH6	EA	MOLDING - TRIM/VEE - .4" X 1" X 44.2" - SIERRA MAPLE
3A	M09565-20-WH4	EA	MOLDING - TRIM/VEE - .4" X 1" X 43.2" - CONCERT CHERRY
3A	M09565-20-WH5	EA	MOLDING - TRIM/VEE - .4" X 1" X 43.2" - WASHED MAPLE
3A	M09565-20-WH6	EA	MOLDING - TRIM/VEE - .4" X 1" X 43.2" - SIERRA MAPLE
3A	M09553-24-WH4	EA	MOLDING - TRIM/VEE - .4" X 1" X 43" - CONCERT CHERRY
3A	M09553-24-WH5	EA	MOLDING - TRIM/VEE - .4" X 1" X 43" - WASHED MAPLE
3A	M09553-24-WH6	EA	MOLDING - TRIM/VEE - .4" X 1" X 43" - SIERRA MAPLE
3A	M09565-77-WH4	EA	MOLDING - TRIM/VEE - .4" X 1" X 42.5" - CONCERT CHERRY
3A	M09565-77-WH5	EA	MOLDING - TRIM/VEE - .4" X 1" X 42.5" - WASHED MAPLE
3A	M09565-77-WH6	EA	MOLDING - TRIM/VEE - .4" X 1" X 42.5" - SIERRA MAPLE
3A	M09565-50-WH4	EA	MOLDING - TRIM/VEE - .4" X 1" X 40.9" - CONCERT CHERRY
3A	M09565-50-WH5	EA	MOLDING - TRIM/VEE - .4" X 1" X 40.9" - WASHED MAPLE
3A	M09565-50-WH6	EA	MOLDING - TRIM/VEE - .4" X 1" X 40.9" - SIERRA MAPLE
3A	M09583-43-WH4	EA	MOLDING - TRIM/VEE - .4" X 1" X 40.1" - CONCERT CHERRY
3A	M09583-43-WH5	EA	MOLDING - TRIM/VEE - .4" X 1" X 40.1" - WASHED MAPLE
3A	M09583-43-WH6	EA	MOLDING - TRIM/VEE - .4" X 1" X 40.1" - SIERRA MAPLE
3A	M09565-76-WH4	EA	MOLDING - TRIM/VEE - .4" X 1" X 39.4" - CONCERT CHERRY
3A	M09565-76-WH5	EA	MOLDING - TRIM/VEE - .4" X 1" X 39.4" - WASHED MAPLE
3A	M09565-76-WH6	EA	MOLDING - TRIM/VEE - .4" X 1" X 39.4" - SIERRA MAPLE
3A	M09565-47-WH4	EA	MOLDING - TRIM/VEE - .4" X 1" X 38.9" - CONCERT CHERRY
3A	M09565-47-WH5	EA	MOLDING - TRIM/VEE - .4" X 1" X 38.9" - WASHED MAPLE
3A	M09565-47-WH6	EA	MOLDING - TRIM/VEE - .4" X 1" X 38.9" - SIERRA MAPLE
3A	M09553-27-WH4	EA	MOLDING - TRIM/VEE - .4" X 1" X 38.8" - CONCERT CHERRY
3A	M09553-27-WH5	EA	MOLDING - TRIM/VEE - .4" X 1" X 38.8" - WASHED MAPLE
3A	M09553-27-WH6	EA	MOLDING - TRIM/VEE - .4" X 1" X 38.8" - SIERRA MAPLE
3A	M09568-77-WH4	EA	MOLDING - TRIM/VEE - .4" X 1" X 37.5" - CONCERT CHERRY
3A	M09568-77-WH5	EA	MOLDING - TRIM/VEE - .4" X 1" X 37.5" - WASHED MAPLE
3A	M09568-77-WH6	EA	MOLDING - TRIM/VEE - .4" X 1" X 37.5" - SIERRA MAPLE
3A	M09553-23-WH4	EA	MOLDING - TRIM/VEE - .4" X 1" X 37" - CONCERT CHERRY
3A	M09553-23-WH5	EA	MOLDING - TRIM/VEE - .4" X 1" X 37" - WASHED MAPLE
3A	M09553-23-WH6	EA	MOLDING - TRIM/VEE - .4" X 1" X 37" - SIERRA MAPLE
3A	M09553-47-WB4	EA	MOLDING - TRIM/VEE - .4" X 1" X 35.9" - CONCERT CHERRY
3A	M09553-47-WB5	EA	MOLDING - TRIM/VEE - .4" X 1" X 35.9" - WASHED MAPLE
3A	M09553-47-WB6	EA	MOLDING - TRIM/VEE - .4" X 1" X 35.9" - SIERRA MAPLE
3A	M09553-47-W66	EA	MOLDING - TRIM/VEE - .4" X 1" X 35.9" - HONEY CHERRY
3A	M09568-48-U67	EA	MOLDING - TRIM/VEE - .4" X 1" X 35.4" - WASHED MAPLE
3A	M09568-48-U68	EA	MOLDING - TRIM/VEE - .4" X 1" X 35.4" - SIERRA MAPLE
3A	M09553-63-WH4	EA	MOLDING - TRIM/VEE - .4" X 1" X 35.1" - CONCERT CHERRY
3A	M09553-63-WH5	EA	MOLDING - TRIM/VEE - .4" X 1" X 35.1" - WASHED MAPLE
3A	M09553-63-WH6	EA	MOLDING - TRIM/VEE - .4" X 1" X 35.1" - SIERRA MAPLE
3A	M09553-63-W51	EA	MOLDING - TRIM/VEE - .4" X 1" X 35.1" - HONEY CHERRY
3A	M09565-94-WH4	EA	MOLDING - TRIM/VEE - .4" X 1" X 34.4" - CONCERT CHERRY
3A	M09565-94-WH5	EA	MOLDING - TRIM/VEE - .4" X 1" X 34.4" - WASHED MAPLE
3A	M09565-94-WH6	EA	MOLDING - TRIM/VEE - .4" X 1" X 34.4" - SIERRA MAPLE
3A	M09553-04-WH4	EA	MOLDING - TRIM/VEE - .4" X 1" X 34.2" - CONCERT CHERRY
3A	M09553-04-WH5	EA	MOLDING - TRIM/VEE - .4" X 1" X 34.2" - WASHED MAPLE
3A	M09553-04-WH6	EA	MOLDING - TRIM/VEE - .4" X 1" X 34.2" - SIERRA MAPLE
3A	M09566-02-U68	EA	MOLDING - TRIM/VEE - .4" X 1" X 32.7" - SIERRA MAPLE
3A	M09566-02-W51	EA	MOLDING - TRIM/VEE - .4" X 1" X 32.7" - HONEY CHERRY
3A	M09566-02-W52	EA	MOLDING - TRIM/VEE - .4" X 1" X 32.7" - WASHED MAPLE
3A	M09511-86-T77	EA	MOLDING - TRIM/VEE - .4" X 1" X 28.3" - PORTSMOUTH OAK
3A	M09511-86-T78	EA	MOLDING - TRIM/VEE - .4" X 1" X 28.3" - CONCERT CHERRY
3A	M09511-86-T79	EA	MOLDING - TRIM/VEE - .4" X 1" X 28.3" - WASHED MAPLE
3A	M09511-86-T80	EA	MOLDING - TRIM/VEE - .4" X 1" X 28.3" - SIERRA MAPLE
3A	M09553-61-WH4	EA	MOLDING - TRIM/VEE - .4" X 1" X 19.9" - CONCERT CHERRY
3A	M09553-61-WH5	EA	MOLDING - TRIM/VEE - .4" X 1" X 19.9" - WASHED MAPLE
3A	M09553-61-WH6	EA	MOLDING - TRIM/VEE - .4" X 1" X 19.9" - SIERRA MAPLE
3A	M09565-71-WH4	EA	MOLDING - TRIM/VEE - .4" X 1" X 11.4" - CONCERT CHERRY
3A	M09565-71-WH5	EA	MOLDING - TRIM/VEE - .4" X 1" X 11.4" - WASHED MAPLE
3A	M09565-71-WH6	EA	MOLDING - TRIM/VEE - .4" X 1" X 11.4" - SIERRA MAPLE

INTERIOR FINISH GROUP (CONTINUED)
MOLDINGS & TRIMS (CONTINUED)



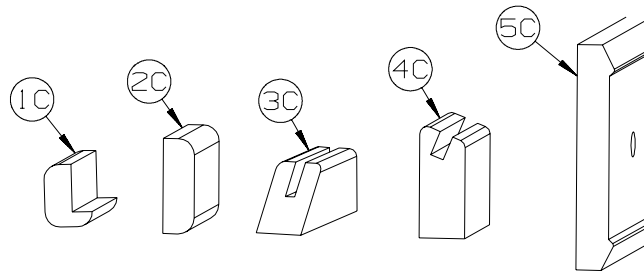
KEY	PART NUMBER	U/M	DESCRIPTION
3A	M09583-42-WH4	EA	MOLDING - TRIM/VEE - .4" X 1" X 8.3" - CONCERT CHERRY
3A	M09583-42-WH5	EA	MOLDING - TRIM/VEE - .4" X 1" X 8.3" - WASHED MAPLE
3A	M09583-42-WH6	EA	MOLDING - TRIM/VEE - .4" X 1" X 8.3" - SIERRA MAPLE
3A	M09544-55-WB4	EA	MOLDING - TRIM/VEE - .4" X 1" X 6.5" - CONCERT CHERRY
3A	M09544-55-WB5	EA	MOLDING - TRIM/VEE - .4" X 1" X 6.5" - WASHED MAPLE
3A	M09544-55-WB6	EA	MOLDING - TRIM/VEE - .4" X 1" X 6.5" - SIERRA MAPLE
3A	M09544-56-WB4	EA	MOLDING - TRIM/VEE - .4" X 1" X 6.1" - CONCERT CHERRY
3A	M09544-56-WB5	EA	MOLDING - TRIM/VEE - .4" X 1" X 6.1" - WASHED MAPLE
3A	M09544-56-WB6	EA	MOLDING - TRIM/VEE - .4" X 1" X 6.1" - SIERRA MAPLE
3A	M09538-70-U68	EA	MOLDING - TRIM/VEE - .4" X 1" X 63.9" - SIERRA MAPLE
3A	M09538-70-U67	EA	MOLDING - TRIM/VEE - .4" X 1" X 63.9" - WASHED MAPLE

INTERIOR FINISH GROUP (CONTINUED)
MOLDINGS & TRIMS (CONTINUED)



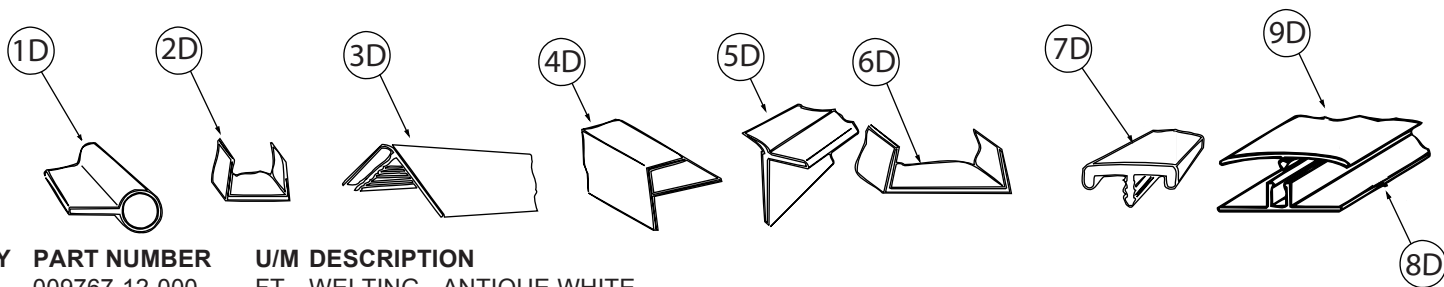
KEY	PART NUMBER	U/M	DESCRIPTION
1B	M09501-84-TG0	EA	MOLDING/TRIM - CAP/WALL - 2.2" X 85.9" - PORTSMOUTH OAK
1B	M09501-84-TG1	EA	MOLDING/TRIM - CAP/WALL - 2.2" X 85.9" - CONCERT CHERRY
1B	M09501-84-TG2	EA	MOLDING/TRIM - CAP/WALL - 2.2" X 85.9" - WASHED MAPLE
1B	M09501-84-TG3	EA	MOLDING/TRIM - CAP/WALL - 2.2" X 85.9" - HONEY CHERRY
1B	M09520-04-TD3	EA	MOLDING/TRIM - CAP/WALL - 2.2" X 80.5" - SIERRA MAPLE
2B	M09511-81-TA0	EA	MOLDING/TRIM - L SHAPE - .8"X .8"X 80.2" - PORTSMOUTH OAK
2B	M09511-81-TA1	EA	MOLDING/TRIM - L SHAPE - .8"X .8"X 80.2" - CONCERT CHERRY
2B	M09511-81-TA2	EA	MOLDING/TRIM - L SHAPE - .8"X .8"X 80.2" - WASHED MAPLE
2B	M09511-81-TA3	EA	MOLDING/TRIM - L SHAPE - .8"X .8"X 80.2" - SIERRA MAPLE
3B	M09515-81-T01	EA	MOLDING/HARDWOOD STRAIGHT - 74.3" - WASHED MAPLE
3B	M09515-81-T02	EA	MOLDING/HARDWOOD STRAIGHT - 74.3" - HONEY CHERRY
4B	M09511-42-T77	EA	MOLDING - TRIM - W/NOTCH - 1.5" X 86.4" - PORTSMOUTH OAK
4B	M09511-42-T78	EA	MOLDING - TRIM - W/NOTCH - 1.5" X 86.4" - CONCERT CHERRY
4B	M09511-42-T79	EA	MOLDING - TRIM - W/NOTCH - 1.5" X 86.4" - WASHED MAPLE
4B	M09511-42-T80	EA	MOLDING - TRIM - W/NOTCH - 1.5" X 86.4" - SIERRA MAPLE
4B	M09511-42-W66	EA	MOLDING - TRIM - W/NOTCH - 1.5" X 86.4" - HONEY CHERRY
5B	M09515-18-T77	EA	MOLDING - HARDWOOD-W/NOTCH - 1.4"X 86.2" - PORTSMOUTH OAK
5B	M09515-18-T78	EA	MOLDING - HARDWOOD-W/NOTCH - 1.4"X 86.2" - CONCERT CHERRY
5B	M09553-66-U22	EA	MOLDING - HARDWOOD-W/NOTCH - 1.4"X 96" - WASHED MAPLE
5B	M09515-18-T80	EA	MOLDING - HARDWOOD-W/NOTCH - 1.4"X 86.2" - SIERRA MAPLE
5B	M09553-66-U21	EA	MOLDING - HARDWOOD-W/NOTCH - 1.4"X 96" - HONEY CHERRY
6B	M09515-53-TG0	EA	MOLDING - TRIM/VEE - 1.5" X 73.9" - PORTSMOUTH OAK
6B	M09525-81-UJ1	EA	MOLDING - TRIM/VEE - 1.5" X 74.7" - CONCERT CHERRY
6B	M09525-81-UJ2	EA	MOLDING - TRIM/VEE - 1.5" X 74.7" - WASHED MAPLE
6B	M09552-81-UJ3	EA	MOLDING - TRIM/VEE - 1.5" X 74.7" - HONEY CHERRY
6B	M09553-53-WH6	EA	MOLDING - TRIM/VEE - NOTCHED - 1.5" X 20.6" - SIERRA MAPLE
7B	Y00076-32-438	EA	MOLDING/TRIM - .5" X 1" X 96" - CHERRY (UNSTAINED)
7B	Y00076-22-438	EA	MOLDING/TRIM - .5" X 1" X 96" - MAPLE (UNSTAINED)
8B	M09525-92-T77	EA	MOLDING/TRIM - .5" X 1" X 75.6" - PORTSMOUTH OAK
8B	M09525-92-T78	EA	MOLDING/TRIM - .5" X 1" X 75.6" - CONCERT CHERRY
8B	M09525-92-T79	EA	MOLDING/TRIM - .5" X 1" X 75.6" - WASHED MAPLE
8B	M09525-92-T80	EA	MOLDING/TRIM - .5" X 1" X 75.6" - SIERRA MAPLE
8B	Y00086-72-438	EA	MOLDING - VINYL WRAP - .7" X 1.6" X 96" - PORTSMOUTH OAK
8B	Y00086-D2-438	EA	MOLDING - VINYL WRAP - .7" X 1.6" X 96" - CONCERT CHERRY
8B	Y00086-A2-438	EA	MOLDING - VINYL WRAP - .7" X 1.6" X 96" - WASHED MAPLE
8B	Y00086-92-438	EA	MOLDING - VINYL WRAP - .7" X 1.6" X 96" - SIERRA MAPLE
8B	Y00086-82-438	EA	MOLDING - VINYL WRAP - .7" X 1.6" X 96" - HONEY CHERRY
8B	Y00087-72-438	EA	MOLDING - VINYL WRAP - .7" X 2.9" X 96" - PORTSMOUTH OAK
8B	Y00087-D2-438	EA	MOLDING - VINYL WRAP - .7" X 2.9" X 96" - CONCERT CHERRY
8B	Y00087-A2-438	EA	MOLDING - VINYL WRAP - .7" X 2.9" X 96" - WASHED MAPLE
8B	Y00087-92-438	EA	MOLDING - VINYL WRAP - .7" X 2.9" X 96" - SIERRA MAPLE
8B	Y00087-82-438	EA	MOLDING - VINYL WRAP - .7" X 2.9" X 96" - HONEY CHERRY

INTERIOR FINISH GROUP (CONTINUED)
MOLDINGS & TRIMS (CONTINUED)



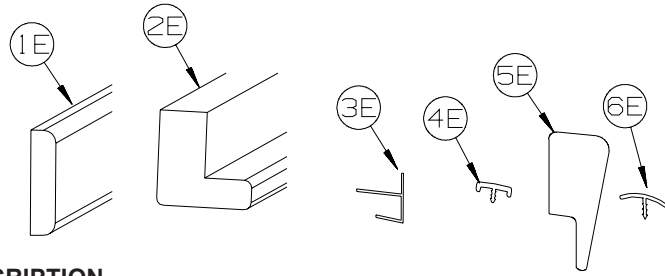
KEY	PART NUMBER	U/M	DESCRIPTION
1C	M09520-19-TD1	EA	MOLDING - TRIM - W/NOTCH - 1" X 86.3" - CONCERT CHERRY
1C	M09520-19-TD2	EA	MOLDING - TRIM - W/NOTCH - 1" X 86.3" - WASHED MAPLE
1C	M09520-19-TD3	EA	MOLDING - TRIM - W/NOTCH - 1" X 86.3" - HONEY CHERRY
1C	M09565-68-WH4	EA	MOLDING - HARDWOOD - .75" X 1.4" X 81.9" - CONCERT CHERRY
1C	M09565-68-WH5	EA	MOLDING - HARDWOOD - .75" X 1.4" X 81.9" - WASHED MAPLE
1C	M09565-68-WH6	EA	MOLDING - HARDWOOD - .75" X 1.4" X 81.9" - SIERRA MAPLE
2C	M09511-46-T77	EA	MOLDING/TRIM - .5" X 1.5" X 86.5" - PORTSMOUTH OAK
2C	M09511-46-T78	EA	MOLDING/TRIM - .5" X 1.5" X 86.5" - CONCERT CHERRY
2C	M09511-46-T79	EA	MOLDING/TRIM - .5" X 1.5" X 86.5" - WASHED MAPLE
2C	M09511-46-T80	EA	MOLDING/TRIM - .5" X 1.5" X 86.5" - SIERRA MAPLE
3C	Y00223-22-438	EA	MOLDING - HARDWOOD/MAPLE - .7" X 1" X 96" - UNSTAINED MAPLE
3C	Y00223-32-438	EA	MOLDING - HARDWOOD/CHERRY - .7" X 1" X 96" - UNSTAINED CHERRY
3C	Y00223-42-438	EA	MOLDING - HARDWOOD/CHERRY - .7" X 1" X 96" - UNSTAINED OAK
4C	Y00054-A2-438	EA	MOLDING - VINYL - W/SLOT - .7"X 1.9"X 96" - WASHED MAPLE
4C	Y00054-D2-438	EA	MOLDING - VINYL - W/SLOT - .7"X 1.9"X 96" - CONCERT CHERRY
4C	Y00054-22-438	EA	MOLDING - VINYL - W/SLOT - .7"X 1.9"X 96" - WASHED MAPLE
4C	Y00054-72-438	EA	MOLDING - VINYL - W/SLOT - .7"X 1.9"X 96" - PORTSMOUTH OAK
4C	Y00054-82-438	EA	MOLDING - VINYL - W/SLOT - .7"X 1.9"X 96" - HONEY CHERRY
4C	Y00054-92-438	EA	MOLDING - VINYL - W/SLOT - .7"X 1.9"X 96" - SIERRA MAPLE
4C	Y00276-A2-438	EA	MOLDING - VINYL - W/SLOT - .7"X 1.9"X 96" - WASHED MAPLE
4C	Y00276-D2-438	EA	MOLDING - VINYL - W/SLOT - .7"X 1.9"X 96" - CONCERT CHERRY
4C	Y00276-72-438	EA	MOLDING - VINYL - W/SLOT - .7"X 1.9"X 96" - PORTSMOUTH OAK
4C	Y00276-82-438	EA	MOLDING - VINYL - W/SLOT - .7"X 1.9"X 96" - HONEY CHERRY
4C	Y00276-92-438	EA	MOLDING - VINYL - W/SLOT - .7"X 1.9"X 96" - SIERRA MAPLE
5C	Y00152-A2-438	EA	MOLDING/TRIM - VINYL - .6" X 3.5" X 96" - WASHED MAPLE
5C	Y00152-D2-438	EA	MOLDING/TRIM - VINYL - .6" X 3.5" X 96" - CONCERT CHERRY
5C	Y00152-22-438	EA	MOLDING/TRIM - VINYL - .6" X 3.5" X 96" - WASHED MAPLE
5C	Y00152-72-438	EA	MOLDING/TRIM - VINYL - .6" X 3.5" X 96" - PORTSMOUTH OAK
5C	Y00152-92-438	EA	MOLDING/TRIM - VINYL - .6" X 3.5" X 96" - SIERRA MAPLE

INTERIOR FINISH GROUP (CONTINUED)
MOLDINGS & TRIMS (CONTINUED)



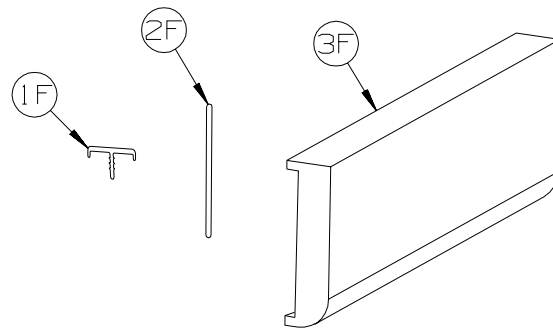
KEY	PART NUMBER	U/M	DESCRIPTION
1D	009767-12-000	FT	WELTING - ANTIQUE WHITE
2D	009778-25-000	FT	U-CHANNEL - 1" - BEIGE ILLUSION
2D	009778-26-000	FT	U-CHANNEL - 1 1/4" - BEIGE ILLUSION
2D	009778-38-000	FT	U-CHANNEL - 1" - BONE
2D	009778-32-000	FT	U-CHANNEL - 1" - PORTSMOUTH OAK
2D	009778-34-000	FT	U-CHANNEL - 1" - CONCERT CHERRY
2D	009778-27-000	FT	U-CHANNEL - 1" - WASHED MAPLE
2D	009778-35-000	FT	U-CHANNEL - 1" - HONEY CHERRY
2D	009778-36-000	FT	U-CHANNEL - 1" - SIERRA MAPLE
3D	009809-30-000	EA	MOLDING - CORNER - OUTSIDE - 1" X 84" - BEIGE ILLUSION
3D	009809-37-000	EA	MOLDING - CORNER - OUTSIDE - 1" X 84" - BONE
3D	009809-33-000	EA	MOLDING - CORNER - OUTSIDE - 1" X 84" - CONCERT CHERRY
3D	009809-31-000	EA	MOLDING - CORNER - OUTSIDE - 1" X 84" - WASHED MAPLE
3D	009809-35-000	EA	MOLDING - CORNER - OUTSIDE - 1" X 84" - SIERRA MAPLE
4D	009812-31-000	EA	MOLDING - CORNER - 1/2" W/1/4"CHAN X 84" - BEIGE ILLUSION
4D	009812-40-000	EA	MOLDING - CORNER - 1/2" W/1/4"CHAN X 84" - BONE
4D	009812-35-000	EA	MOLDING - CORNER - 1/2" W/1/4"CHAN X 84" - PORTSMOUTH OAK
4D	009812-36-000	EA	MOLDING - CORNER - 1/2" W/1/4"CHAN X 84" - CONCERT CHERRY
4D	009812-33-000	EA	MOLDING - CORNER - 1/2" W/1/4"CHAN X 84" - WASHED MAPLE
4D	009812-37-000	EA	MOLDING - CORNER - 1/2" W/1/4"CHAN X 84" - HONEY CHERRY
4D	009812-38-000	EA	MOLDING - CORNER - 1/2" W/1/4"CHAN X 84" - SIERRA MAPLE
5D	022992-11-000	FT	MOLDING - REVERSE COVE - T-SHAPED - IVORY
5D	022992-14-000	FT	MOLDING - REVERSE COVE - T-SHAPED - BRIGHT WHITE
5D	022992-18-000	FT	MOLDING - REVERSE COVE - T-SHAPED - BONE
6D	070504-42-000	FT	U-CHANNEL - PLASTIC - .13" X 84" - BEIGE ILLUSION
6D	070504-43-000	FT	U-CHANNEL - PLASTIC - .9" X 96" - BEIGE ILLUSION
6D	070504-69-000	FT	U-CHANNEL - PLASTIC - .13" X 84" - BONE
6D	070504-70-000	FT	U-CHANNEL - PLASTIC - .8" X 84" - BONE
6D	070504-57-000	FT	U-CHANNEL - PLASTIC - .13" X 96" - PORTSMOUTH OAK
6D	070504-58-000	FT	U-CHANNEL - PLASTIC - .9" X 96" - PORTSMOUTH OAK
6D	070504-60-000	FT	U-CHANNEL - PLASTIC - .13" X 84" - CONCERT CHERRY
6D	070504-61-000	FT	U-CHANNEL - PLASTIC - .9" X 84" - CONCERT CHERRY
6D	070504-50-000	FT	U-CHANNEL - PLASTIC - .13" X 96" - WASHED MAPLE
6D	070504-51-000	FT	U-CHANNEL - PLASTIC - .9" X 96" - WASHED MAPLE
6D	070504-62-000	FT	U-CHANNEL - PLASTIC - 1.65" X 84" - HONEY CHERRY
6D	070504-63-000	FT	U-CHANNEL - PLASTIC - .9" X 84" - HONEY CHERRY
6D	070504-65-000	FT	U-CHANNEL - PLASTIC - .07" X 96" - SIERRA MAPLE
6D	070504-66-000	FT	U-CHANNEL - PLASTIC - .8" X 84" - SIERRA MAPLE
7D	083620-25-000	FT	MOLDING-T - W/EDGE LIP - 7/8" FACE - BONE
7D	083620-20-000	FT	MOLDING-T - W/EDGE LIP - 7/8" FACE - PORTSMOUTH OAK
7D	083620-19-000	FT	MOLDING-T - W/EDGE LIP - 7/8" FACE - WASHED MAPLE
7D	083620-24-000	FT	MOLDING-T - W/EDGE LIP - 7/8" FACE - HONEY CHERRY
7D	083620-22-000	FT	MOLDING-T - W/EDGE LIP - 7/8" FACE - SIERRA MAPLE
8D	086229-01-000	EA	RETAINER - BATTEN - .75" X 92.1" - ANY COLOR
9D	086229-12-000	EA	BATTEN - 1.5" OFFSET X 96.8" - MODERN IVORY
9D	086229-20-000	EA	BATTEN - 1" X 96" - BEIGE

INTERIOR FINISH GROUP (CONTINUED)
MOLDINGS & TRIMS (CONTINUED)



KEY	PART NUMBER	U/M	DESCRIPTION
1E	100818-01-12A	EA	MOLDING - VINYL WRAPPED - 1.6" X .4" X 84" - PORTSMOUTH OAK
1E	100818-01-23A	EA	MOLDING - VINYL WRPPD - 1.6" X .4" X 84" - CONCERT CHERRY
1E	100818-01-21A	EA	MOLDING - VINYL WRAPPED - 1.6" X .4" X 84" - WASHED MAPLE
1E	100818-01-14A	EA	MOLDING - VINYL WRAPPED - 1.6" X .4" X 84" - HONEY CHERRY
1E	100818-01-22A	EA	MOLDING - VINYL WRAPPED - 1.6" X .4" X 84" - SIERRA MAPLE
2E	100819-01-23A	EA	MOLDING - VYL WRPPD-L-SHPD-1.5"X1.5"X84" - CONCERT CHERRY
2E	100819-01-21A	EA	MOLDING - VINYL WRAPPED-L-SHAPED-1.5"X1.5"X84" - WASHED MAPLE
2E	100819-01-14A	EA	MOLDING - VINYL WRAPPED-L-SHAPED-1.5"X1.5"X84" - HONEY CHERRY
2E	100819-01-22A	EA	MOLDING - VINYL WRAPPED-L-SHAPED-1.5"X1.5"X84" - SIERRA MAPLE
3E	103186-01-07A	FT	MOLDING/PLASTIC - 3/8" U-CHANNEL-3/4" FACE - BEIGE ILLUSION
3E	103186-01-09A	FT	MOLDING/PLASTIC - 3/8" U-CHANNEL-3/4" FACE - PORTSMOUTH OAK
3E	103186-01-10A	FT	MOLDING/PLASTIC - 3/8" U-CHANNEL-3/4" FACE - CONCERT CHERRY
3E	103186-01-08A	FT	MOLDING/PLASTIC - 3/8" U-CHANNEL-3/4" FACE- 8' - WASHED MAPLE
3E	103186-01-11A	FT	MOLDING/PLASTIC - 3/8" U-CHANNEL-3/4" FACE - HONEY CHERRY
3E	103186-01-12A	FT	MOLDING/PLASTIC - 3/8" U-CHANNEL-3/4" FACE - SIERRA MAPLE
3E	103186-02-07A	FT	MOLDING/PLASTIC-1" U-CHANNEL-1 3/8" FACE - BEIGE ILLUSION
3E	103186-02-09A	FT	MOLDING/PLASTIC - 1" U-CHANNEL-1 3/8" FACE - PORTSMOUTH OAK
3E	103186-02-10A	FT	MOLDING/PLASTIC - 1" U-CHANNEL-1 3/8" FACE - CONCERT CHERRY
3E	103186-02-08A	FT	MOLDING/PLASTIC - 1" U-CHANNEL-1 3/8" FACE - WASHED MAPLE
3E	103186-02-11A	FT	MOLDING/PLASTIC - 1" U-CHANNEL-1 3/8" FACE - HONEY CHERRY
3E	103186-02-12A	FT	MOLDING/PLASTIC - 1" U-CHANNEL-1 3/8" FACE - SIERRA MAPLE
4E	104676-02-08A	FT	MOLDING-T - W/EDGE LIP - 11/16" FACE - PORTSMOUTH OAK
4E	104676-02-12A	FT	MOLDING-T - W/EDGE LIP - 11/16" FACE - SIERRA MAPLE
5E	105004-01-12A	EA	MOLDING - VINYL WRAP - 1" X 96" - PORTSMOUTH OAK
5E	105004-01-21A	EA	MOLDING - VINYL WRAP - 1" X 96" - WASHED MAPLE
5E	105004-01-24A	EA	MOLDING - VINYL WRAP - 1" X 96" - HONEY CHERRY
5E	105004-01-22A	EA	MOLDING - VINYL WRAP - 1" X 96" - SIERRA MAPLE
6E	105709-02-000	FT	MOLDING-T - W/EDGE LIP 3/4" FACE - BEIGE ILLUSION

INTERIOR FINISH GROUP (CONTINUED)
MOLDINGS & TRIMS (CONTINUED)

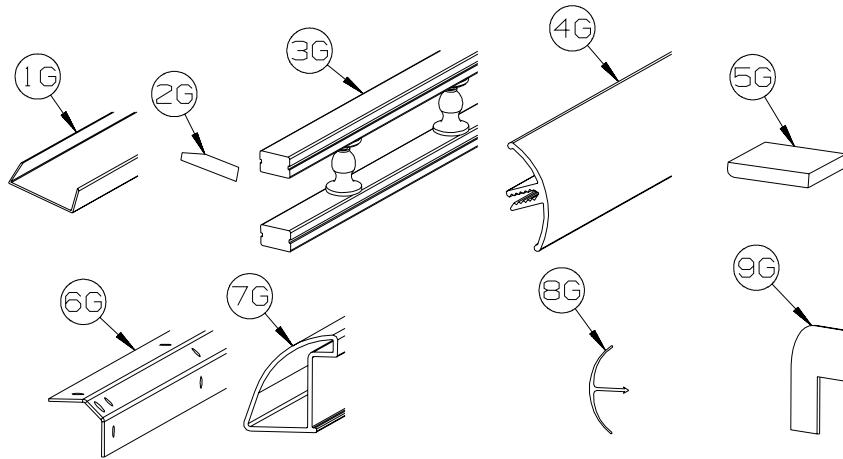


KEY	PART NUMBER	U/M	DESCRIPTION
1F	119520-01-01A	FT	MOLDING-T - OFFSET W/EDGE LIP - 1.3" FACE - OFF WHITE
1F	119520-03-02A	FT	MOLDING-T - OFFSET W/EDGE LIP - 1" FACE - CONCERT CHERRY
1F	119520-03-03A	FT	MOLDING-T - OFFSET W/EDGE LIP - 1" FACE - WASHED MAPLE
1F	119520-03-05A	FT	MOLDING-T - OFFSET W/EDGE LIP - 1" FACE - SIERRA MAPLE
1F	119520-03-06A	FT	MOLDING-T - OFFSET W/EDGE LIP - 1" FACE - HONEY CHERRY
2F	127842-01-01A	FT	SEAL - SIGHT SHIELD - 2" BLACK
	160300-A2-438	EA	LUMBER - VINYL WRAPPED - .7" X .75" X 96" - CONCERT CHERRY
	160300-D2-438	EA	LUMBER - VINYL WRAPPED - .7" X 1.5" X 96" - CONCERT CHERRY
	160300-E2-438	EA	LUMBER - VINYL WRAPPED - .7" X 2" X 96" - CONCERT CHERRY
	160300-F2-438	EA	LUMBER - VINYL WRAPPED - .7" X 2.5" X 96" - CONCERT CHERRY
	160300-G2-438	EA	LUMBER - VINYL WRAPPED - .7" X 3" X 96" - CONCERT CHERRY
	160300-H2-438	EA	LUMBER - VINYL WRAPPED - .7" X 3.5" X 96" - CONCERT CHERRY
	160300-J2-438	EA	LUMBER - VINYL WRAPPED - .7" X 5.5" X 96" - CONCERT CHERRY
	160300-K2-438	EA	LUMBER - VINYL WRAPPED - .7" X 3.9" X 96" - CONCERT CHERRY
	160300-R2-438	EA	LUMBER - VINYL WRAPPED - .7" X 3" X 96" - CONCERT CHERRY
3F	160301-D2-134	EA	MOLDING - VINYL WRAPPED - .7" X 1.6" X 84" - CONCERT CHERRY
3F	160301-D2-743	EA	MOLDING - VINYL WRAPPED - .7" X 1.6" X 108" - CONCERT CHERRY
3F	160301-F2-134	EA	MOLDING - VINYL WRAPPED - .7" X 2.5" X 84" - CONCERT CHERRY
3F	160301-F2-743	EA	MOLDING - VINYL WRAPPED - .7" X 2.5" X 108" - CONCERT CHERRY
3F	160301-F2-438	EA	MOLDING - VINYL WRAPPED - .7" X 2.5" X 96" - CONCERT CHERRY
	137894-A2-438	EA	LUMBER - VINYL WRAPPED - .7" X .75" X 96" - PORTSMOUTH OAK
	137894-D2-438	EA	LUMBER - VINYL WRAPPED - .7" X 1.5" X 96" - PORTSMOUTH OAK
	137894-E2-438	EA	LUMBER - VINYL WRAPPED - .7" X 2" X 96" - PORTSMOUTH OAK
	137894-F2-438	EA	LUMBER - VINYL WRAPPED - .7" X 2.5" X 96" - PORTSMOUTH OAK
	137894-G2-438	EA	LUMBER - VINYL WRAPPED - .7" X 3" X 96" - PORTSMOUTH OAK
	137894-H2-438	EA	LUMBER - VINYL WRAPPED - .7" X 3.5" X 96" - PORTSMOUTH OAK
	137894-J2-438	EA	LUMBER - VINYL WRAPPED - .7" X 5.5" X 96" - PORTSMOUTH OAK

INTERIOR FINISH GROUP (CONTINUED)
MOLDINGS & TRIMS (CONTINUED)

KEY	PART NUMBER	U/M	DESCRIPTION
	137894-J2-743	EA	LUMBER - VINYL WRAPPED - .7" X 5.5" X 108" - PORTSMOUTH OAK
	137894-K2-438	EA	LUMBER - VINYL WRAPPED - .7" X 3.9" X 96" - PORTSMOUTH OAK
	137894-R2-438	EA	LUMBER - VINYL WRAPPED - .7" X 3" X 96" - PORTSMOUTH OAK
3F	137895-D2-134	EA	MOLDING - VINYL WRAP - .7" X 1.6" X 84" - PORTSMOUTH OAK
3F	137895-D2-743	EA	MOLDING - VINYL WRAP - .7" X 1.6" X 108" - PORTSMOUTH OAK
3F	137895-F2-134	EA	MOLDING - VINYL WRAP - .7" X 2.5" X 84" - PORTSMOUTH OAK
3F	137895-F2-438	EA	MOLDING - VINYL WRAP - .7" X 2.5" X 96" - PORTSMOUTH OAK
3F	137895-F2-743	EA	MOLDING - VINYL WRAP - .7" X 2.5" X 108" - PORTSMOUTH OAK
	146419-A2-438	EA	LUMBER - VINYL WRAPPED - .7" X .75" X 96" - HONEY CHERRY
	146419-D2-438	EA	LUMBER - VINYL WRAPPED - .7" X 1.5" X 96" - HONEY CHERRY
	146419-E2-438	EA	LUMBER - VINYL WRAPPED - .7" X 2" X 96" - HONEY CHERRY
	146419-F2-438	EA	LUMBER - VINYL WRAPPED - .7" X 2.5" X 96" - HONEY CHERRY
	146419-G2-438	EA	LUMBER - VINYL WRAPPED - .7" X 3" X 96" - HONEY CHERRY
	146419-H2-438	EA	LUMBER - VINYL WRAPPED - .7" X 3.5" X 96" - HONEY CHERRY
	146419-J2-438	EA	LUMBER - VINYL WRAPPED - .7" X 5.5" X 96" - HONEY CHERRY
	146419-J2-743	EA	LUMBER - VINYL WRAPPED - .7" X 5.5" X 108" - HONEY CHERRY
	146419-K2-438	EA	LUMBER - VINYL WRAPPED - .7" X 3.9" X 96" - HONEY CHERRY
	146419-R2-438	EA	LUMBER - VINYL WRAPPED - .7" X 3" X 96" - HONEY CHERRY
	146419-S2-438	EA	LUMBER - VINYL WRAPPED/FULL - .7"X 3.5"X 96" - HONEY CHERRY
	146419-T2-438	EA	LUMBER - VINYL WRAPPED/FULL - .7"X 5.5"X 96" - HONEY CHERRY
3F	146425-D2-134	EA	MOLDING - VINYL WRAPPED - .7" X 1.6" X 83.9" - HONEY CHERRY
3F	146425-F2-438	EA	MOLDING - VINYL WRAPPED - .7" X 2.6" X 96" - HONEY CHERRY
	149325-A2-438	EA	LUMBER - VINYL WRAPPED - .7" X .75" X 96" - WASHED MAPLE
	149325-D2-438	EA	LUMBER - VINYL WRAPPED - .7" X 1.5" X 96" - WASHED MAPLE
	149325-E2-438	EA	LUMBER - VINYL WRAPPED - .7" X 2" X 96" - WASHED MAPLE
	149325-F2-438	EA	LUMBER - VINYL WRAPPED - .7" X 2.5" X 96" - WASHED MAPLE
	149325-G2-438	EA	LUMBER - VINYL WRAPPED - .7" X 3" X 96" - WASHED MAPLE
	149325-H2-438	EA	LUMBER - VINYL WRAPPED - .7" X 3.5" X 96" - WASHED MAPLE
	149325-J2-438	EA	LUMBER - VINYL WRAPPED - .7" X 5.5" X 96" - WASHED MAPLE
	149325-J2-743	EA	LUMBER - VINYL WRAPPED - .7" X 5.5" X 108" - WASHED MAPLE
	149325-K2-438	EA	LUMBER - VINYL WRAPPED - .7" X 3.9" X 96" - WASHED MAPLE
	149325-R2-438	EA	LUMBER - VINYL WRAPPED - .7" X 3" X 96" - WASHED MAPLE
3F	149326-D2-134	EA	MOLDING - VINYL WRAPPED - .7" X 1.5" X 83.9" - WASHED MAPLE
3F	149326-D2-743	EA	MOLDING - VINYL WRAPPED - .7" X 1.5" X 108" - WASHED MAPLE
3F	149326-F2-134	EA	MOLDING - VINYL WRAPPED - .7" X 2.5" X 83.9" - WASHED MAPLE
3F	149326-F2-438	EA	MOLDING - VINYL WRAPPED - .7" X 2.5" X 96" - WASHED MAPLE
3F	149326-F2-743	EA	MOLDING - VINYL WRAPPED - .7" X 2.5" X 108" - WASHED MAPLE
	149330-A2-438	EA	LUMBER - VINYL WRAPPED - .7" X .75" X 96" - SIERRA MAPLE
	149330-D2-438	EA	LUMBER - VINYL WRAPPED - .7" X 1.5" X 96" - SIERRA MAPLE
	149330-E2-438	EA	LUMBER - VINYL WRAPPED - .7" X 2" X 96" - SIERRA MAPLE
	149330-F2-438	EA	LUMBER - VINYL WRAPPED - .7" X 2.5" X 96" - SIERRA MAPLE
	149330-G2-438	EA	LUMBER - VINYL WRAPPED - .7" X 3" X 96" - SIERRA MAPLE
	149330-H2-438	EA	LUMBER - VINYL WRAPPED - .7" X 3.5" X 96" - SIERRA MAPLE
	149330-J2-438	EA	LUMBER - VINYL WRAPPED - .7" X 5.5" X 96" - SIERRA MAPLE
	149330-J2-743	EA	LUMBER - VINYL WRAPPED - .7" X 5.5" X 108" - SIERRA MAPLE
	149330-K2-438	EA	LUMBER - VINYL WRAPPED - .7" X 3.9" X 96" - SIERRA MAPLE
	149330-R2-438	EA	LUMBER - VINYL WRAPPED - .7" X 3" X 96" - SIERRA MAPLE
3F	149331-D2-134	EA	MOLDING - VINYL WRAP - .7" X 1.5" X 83.9" - SIERRA MAPLE
3F	149331-D2-743	EA	MOLDING - VINYL WRAP - .7" X 1.5" X 108" - SIERRA MAPLE
3F	149331-F2-134	EA	MOLDING - VINYL WRAP - .7" X 2.5" X 83.9" - SIERRA MAPLE
3F	149331-F2-438	EA	MOLDING - VINYL WRAP - .7" X 2.5" X 96" - SIERRA MAPLE
3F	149331-F2-743	EA	MOLDING - VINYL WRAP - .7" X 2.5" X 108" - SIERRA MAPLE

INTERIOR FINISH GROUP (CONTINUED)
MOLDINGS & TRIMS (CONTINUED)



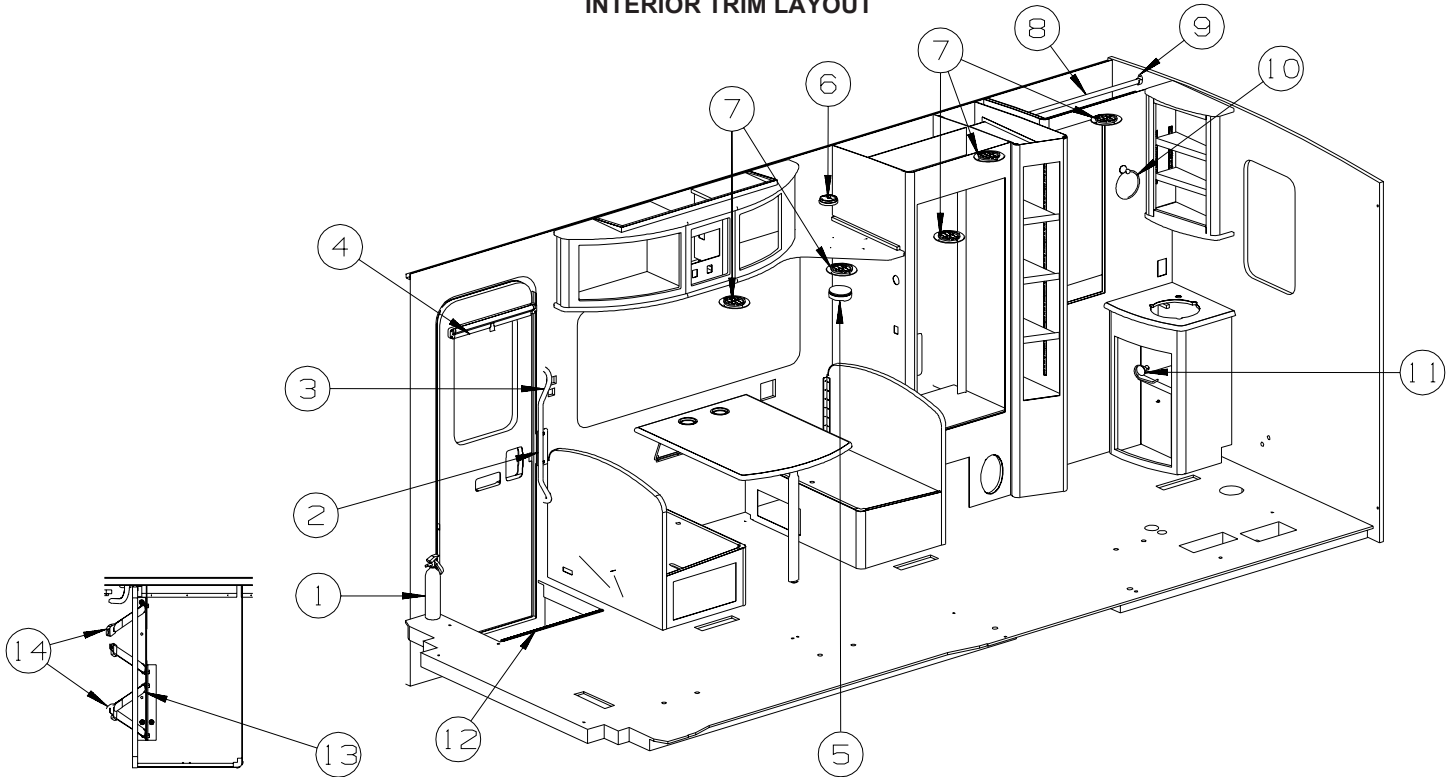
KEY	PART NUMBER	U/M	DESCRIPTION
1G	141260-01-01A	FT	U-CHANNEL - 1" - VILLAGE OAK
1G	141260-01-02A	FT	U-CHANNEL - 1" - GRADY BROWN
2G	146306-01-01A	FT	TRANSITION - CARPET/TILE
3G	150167-01-03A	EA	RAIL - DECORATIVE - 96" - WASHED MAPLE
3G	150167-01-07A	EA	RAIL - DECORATIVE - 96" - PORTSMOUTH OAK
3G	150167-01-08A	EA	RAIL - DECORATIVE - 96" - HONEY CHERRY
3G	150167-01-09A	EA	RAIL - DECORATIVE - 96" - SIERRA MAPLE
4G	151653-10-02A	EA	TRIM/RADIUS - CABINET CORNER - 79.6" - DULL METALLIC
4G	151653-13-02A	EA	TRIM/RADIUS - CABINET CORNER - 79.8" - DULL METALLIC
5G	M09568-04-W80	EA	MOLDING/TRIM - .3" X 1.5" X 73.6" - SIERRA MAPLE
5G	M09568-04-W79	EA	MOLDING/TRIM - .3" X 1.5" X 73.6" - WASHED MAPLE
6G	151861-01-02B	EA	ANGLE - SUPPORT/CORNER - 1.4" X 12.5" - E-COATED
6G	151861-02-02B	EA	ANGLE - SUPPORT/CORNER - 1.4" X 20.1" - E-COATED
6G	151861-03-02B	EA	ANGLE - SUPPORT/CORNER - 1.4" X 26.7" - E-COATED
6G	151861-04-02B	EA	ANGLE - SUPPORT/CORNER - 1.4" X 32.7" - E-COATED
6G	151861-05-02B	EA	ANGLE - SUPPORT/CORNER - 1.4" X 78.6" - E-COATED
6G	151861-06-02B	EA	ANGLE - SUPPORT/CORNER - 1.4" X 59" - E-COATED
6G	151861-08-02B	EA	ANGLE - SUPPORT/CORNER - 1.4" X 22.2" - E-COATED
6G	151861-09-02B	EA	ANGLE - SUPPORT/CORNER - 1.4" X 14.9" - E-COATED
7G	151893-01-02A	EA	TRIM/RADIUS - CABINET BOTTOM - 72.6" - DULL METALLIC
8G	156464-01-01A	FT	MOLDING - CORNER - RADIUS/PLASTIC - 8' - HONEY CHERRY
8G	156464-01-02A	FT	MOLDING - CORNER - RADIUS/PLASTIC - 8' - WASHED MAPLE
8G	156464-01-05A	FT	MOLDING - CORNER - RADIUS/PLASTIC - 8' - SIERRA MAPLE
8G	156464-01-06A	FT	MOLDING - CORNER - RADIUS/PLASTIC - 8' - CONCERT CHERRY
8G	156464-03-03A	FT	MOLDING - CORNER - RADIUS/PLASTIC - 8' - BONE
	081521-02-007	EA	MOUNT - METAL MOLDING - F/RADIUS CORNER MOLDING - 151.5"
9G	160989-01-06A	FT	CAP - CORNER - RADIUS MOLDING - PLASTIC - WASHED MAPLE
9G	160989-01-07A	FT	CAP - CORNER - RADIUS MOLDING - PLASTIC - HONEY CHERRY

INTERIOR FINISH GROUP (CONTINUED)
PANELING & LAMINATES

KEY	PART NUMBER	U/M	DESCRIPTION
	000885-B4-000	SF	PARTICLE BOARD - 3/8" X 4' X 8'- WASHED MAPLE - 2 SIDED - WASHED MAPLE
	000885-B5-000	SF	PARTICLE BOARD - 3/8" X 4' X 8'- WASHED MAPLE - 1 SIDED - WASHED MAPLE
	000885-B6-000	SF	PARTICLE BOARD - 3/4" X 4' X 8'- WASHED MAPLE - 2 SIDED - WASHED MAPLE
	074498-A6-000	SF	LAMINATE - PLASTIC - HARDROCK MAPLE - 5' X 8'-WASHED MAPLE
	000885-A7-000	SF	PARTICLE BOARD - 3/4" X 4' X 8'- HONEY CHERRY - 2 SIDED - HONEY CHERRY
	000885-A8-000	SF	PARTICLE BOARD - 3/8" X 4' X 8'- HONEY CHERRY - 1 SIDED - HONEY CHERRY
	000885-A9-000	SF	PARTICLE BOARD - 3/8" X 4' X 8'- HONEY CHERRY - 2 SIDED - HONEY CHERRY
	000885-C3-000	SF	PARTICLE BOARD - 3/8" X 4' X 8' - WHITE THATCH EMB-1 SIDED
	057882-05-000	SF	TAMBOUR - 48" X 96" SHEET - UNFINISHED
	057882-06-000	SF	TAMBOUR - 48" X 96" SHEET - UNFINISHED
	074498-B9-000	SF	LAMINATE - PLASTIC - SUNSTONE - 5' X 8'
	074498-C0-000	SF	LAMINATE - PLASTIC - PUNCHED STAINLESS - 5' X 8'
	074498-C5-000	SF	LAMINATE - PLASTIC - AMBER GREEN - 5' X 8'
	074498-A2-000	SF	LAMINATE - PLASTIC - PHANTOM GRAY - 5' X 8'
	076325-71-000	FT	MOLDING - EDGE BAND - 1 5/16" X .038" - GRAY
	079653-39-000	EA	BATT STRIP - KERFED - WASHED MAPLE - 8' - WASHED MAPLE
	088263-J2-000	EA	BATT STRIP - DECORATIVE - NEAT - WASHED MAPLE
	079653-50-000	EA	BATT STRIP - KERFED - HONEY CHERRY - 8' - HONEY CHERRY
	088263-L0-000	EA	BATT STRIP - DECORATIVE - RAWHIDE HERITAGE (W13, W14, W05, W06) FROM: 00-00-00 THRU: 04-01-07
	088262-L2-000	EA	BATT STRIP - DECORATIVE - DISTRESSED CRACKLE (W13, W14, W05, W06) FROM: 04-02-07 THRU: 99-99-99
	088263-L0-000	EA	BATT STRIP - DECORATIVE - RAWHIDE HERITAGE (W15, W16) FROM: 00-00-00 THRU: 04-01-07
	088263-K3-000	EA	BATT STRIP - DECORATIVE - KURTA/CANVAS - 8' (W15, W16) FROM: 04-02-07 THRU: 99-99-99
	085284-J5-000	FT	BATT TAPE - ADHESIVE BACKED - DECORATIVE-NEAT - WASHED MAPLE
	085284-J6-000	FT	BATT TAPE - ADHESIVE BACKED - DECORATIVE - HONEY CHERRY
	085284-L4-000	FT	BATT TAPE - ADHESIVE BACKED - DECORATIVE - RAWHIDE HERITAGE (W13, W14, W05, W06) FROM: 00-00-00 THRU: 04-01-07
	085284-L6-000	FT	BATT TAPE - ADHESIVE BACKED - DECORATIVE - DIST CRACKLE (W13, W14, W05, W06) FROM: 04-02-07 THRU: 99-99-99
	085284-L4-000	FT	BATT TAPE - ADHESIVE BACKED - DECORATIVE - RAWHIDE HERITAGE (W15, W16) FROM: 00-00-00 THRU: 04-01-07
	085284-K7-000	FT	BATT TAPE - ADHESIVE BACKED - DECORATIVE - KURTA/CANVAS (W15, W16) FROM: 04-02-07 THRU: 99-99-99
	085284-M0-000	FT	BATT TAPE - ADHESIVE BACKED - DECORATIVE - BRAMBLE/TRAIL
	085284-M2-000	FT	BATT TAPE - ADHESIVE BACKED - DECORATIVE - GLACIER
	085284-M3-000	FT	BATT TAPE - ADHESIVE BACKED - DECORATIVE - TAUPE
	074497-49-000	SF	PANELING - WASHED MAPLE - 1/8" X 4' X 8' - WASHED MAPLE
	076773-20-000	SF	PANELING - 2 SIDED/WASHED MAPLE - 1/8" X 4' X 8' - WASHED MAPLE
	076773-25-000	SF	PANELING - 1 SIDE/NEAT WASHED MAPLE - 1/8" X 4' X 7' - WASHED MAPLE
	074497-47-000	SF	PANELING - HONEY CHERRY - 1/8" X 4' X 8' - HONEY CHERRY
	074497-49-000	SF	PANELING - WASHED MAPLE - 1/8" X 4' X 8'
	076773-18-000	SF	PANELING - 2 SIDED/HONEY CHERRY - 1/8" X 4' X 8' - HONEY CHERRY
	076773-23-000	SF	PANELING - 1 SIDE/HONEY CHERRY - 1/8" X 4' X 7' - HONEY CHERRY
	088272-N4-000	SF	PANELING - RAWHIDE HERITAGE - 4' X 7.4' (W13, W14, W05, W06) FROM: 00-00-00 THRU: 04-1-07
	088272-N7-000	SF	PANELING - DISTRESSED CRACKLE - 4' X 7.4' (W13, W14, W05, W06) FROM: 04-02-07 THRU: 99-99-99
	088272-N4-000	SF	PANELING - RAWHIDE HERITAGE - 4' X 7.4' (W15, W16) FROM: 00-00-00 THRU: 04-1-07
	088272-M7-000	SF	PANELING - KURTA/CANVAS - 4' X 7.4' (W15, W16) FROM: 04-02-07 THRU: 99-99-99
	088272-M9-000	SF	PANELING - WHITE THATCHED - 4' X 8'
	088272-P1-000	SF	PANELING - BRAMBLE/TRAIL - 4' X 7.4'
	088272-P3-000	SF	PANELING - GLACIER - 4' X 7.4'
	088272-P4-000	SF	PANELING - TAUPE - 4' X 7.4'

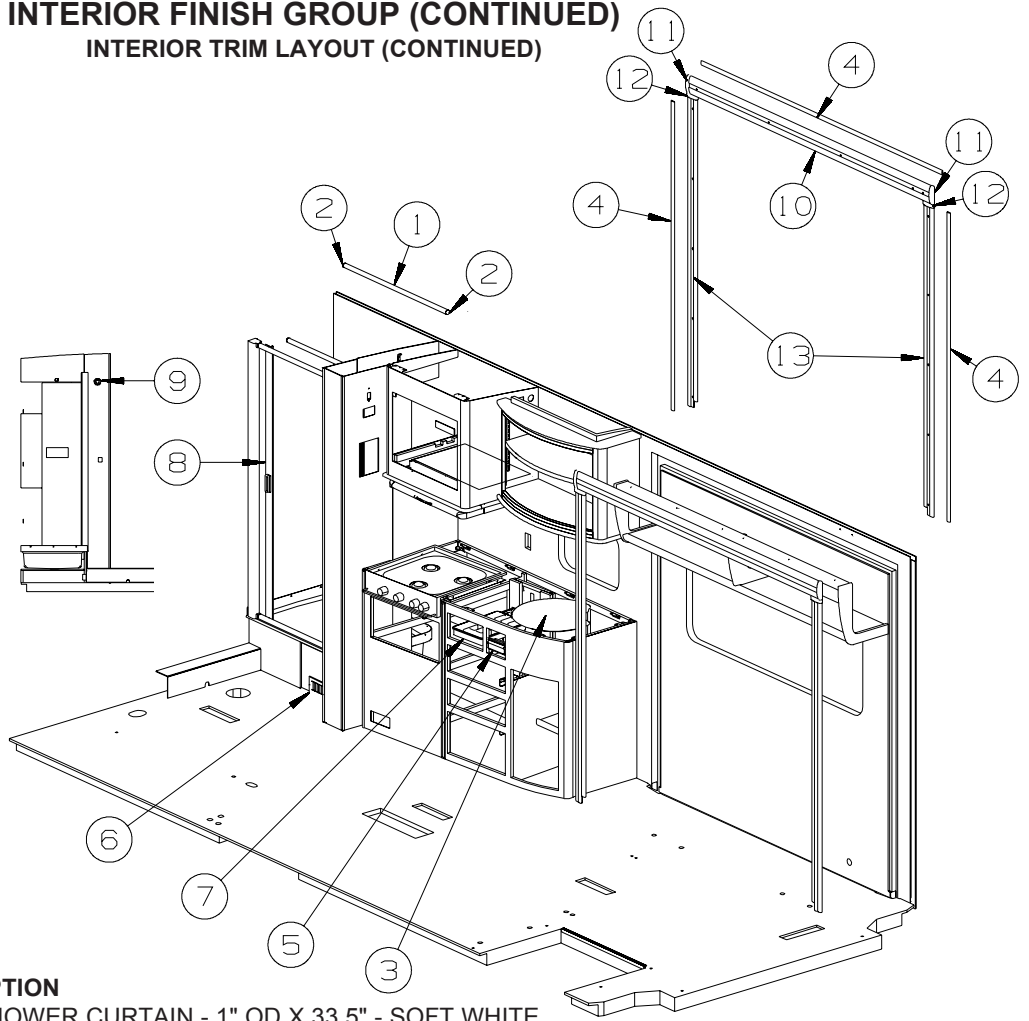
INTERIOR FINISH GROUP (CONTINUED)

INTERIOR TRIM LAYOUT



KEY	PART NUMBER	U/M	DESCRIPTION
1	094499-06-000	EA	EXTINGUISHER/FIRE - DRY - 10BC - W/BRACKET - UL/ULC - WHT
2	148362-01-02A	EA	COVER - BRACKET/STRIKE - MEDIUM OAK
2	140151-02-03A	EA	COVER - SCREW - MEDIUM OAK
3	137605-02-01A	EA	HAND RAIL - INTERIOR ENTRY DOOR - BLACK
4	144628-03-01A	EA	SHADE - SCREEN DOOR - 20.3" X 33.4" - BRIGHT WHITE/TAUPE
4	144628-03-02A	EA	SHADE - SCREEN DOOR - 20.1" X 33.4" - BLACK - FULL BODY PAINT
5	125136-02-000	EA	DETECTOR/CO - GAS MODEL - 9 VOLT
6	072852-01-000	EA	DETECTOR - SMOKE - W/9 VOLT BATTERY - US
6	072852-02-000	EA	DETECTOR - SMOKE - W/9 VOLT BATTERY - CANADIAN
6	077956-01-000	EA	LABEL - WARNING/SMOKE DETECTOR
7	120134-01-02A	EA	REGISTER - W/DAMPER - 4" PIPE/6.4" O.D. FACE - WHITE
8	Y00136-21-218	EA	DOWEL - WOOD - CLOTHES ROD - 1"DIAMETER X 4'
9	152301-01-01A	EA	FLANGE - PLASTIC - 1" CLOTHES ROD HOLDER - WHITE
10	132046-03-02A	EA	RING - TOWEL - CHROME
11	140973-01-02A	EA	HOLDER - TOILET TISSUE - CHROME
12	139955-22-02A	EA	TRIM - STEP/ENTRY - 27.7" - TITANIUM
13	151078-02-02B	EA	BRACKET - MOUNTING - SEAT BELT - E-COATED
14	160167-02-01A	EA	SEAT BELT - 2" X 90" - BLACK

INTERIOR FINISH GROUP (CONTINUED)
INTERIOR TRIM LAYOUT (CONTINUED)



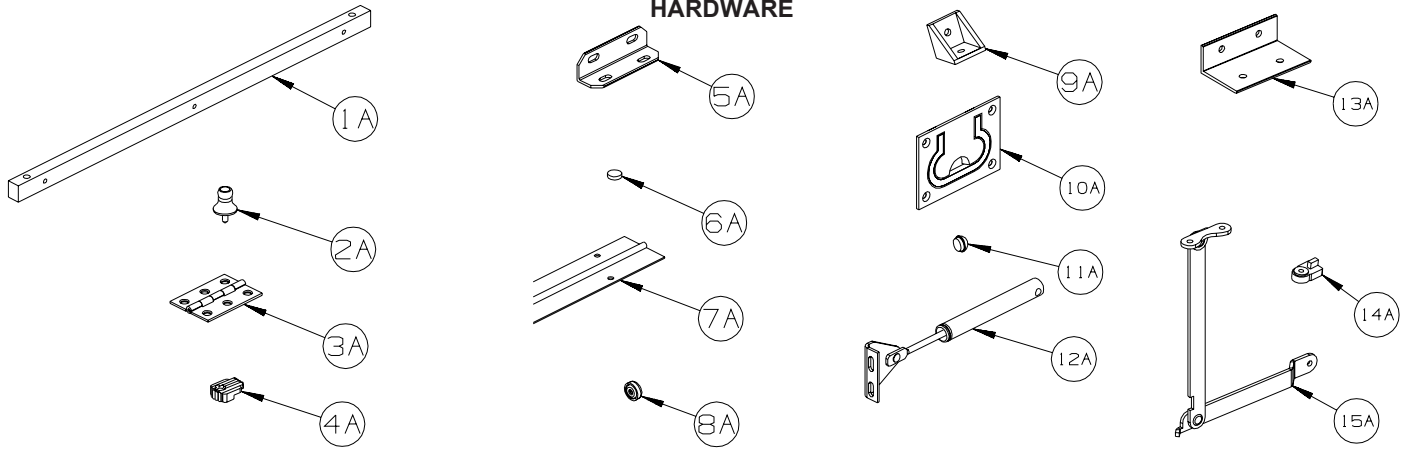
KEY	PART NUMBER	U/M	DESCRIPTION
1	102075-06-02A	EA	ROD - SHOWER CURTAIN - 1" OD X 33.5" - SOFT WHITE
2	081114-02-000	EA	CAP - INSERT/ROUND - 1" DIAMETER - WHITE PLASTIC
3	152198-01-T01	EA	COVER - SINK - WASHED MAPLE
3	152198-02-W13	EA	COVER - SINK - WASHED MAPLE
3	152198-01-T02	EA	COVER - SINK - HONEY CHERRY
3	152198-02-W14	EA	COVER - SINK - HONEY CHERRY
4	M09520-83-U21	EA	MOLDING/TRIM - .3" X 1" X 78.9" - WASHED MAPLE
4	M09520-83-U22	EA	MOLDING/TRIM - .3" X 1" X 78.9" - HONEY CHERRY
5	108128-01-01A	EA	TRAY - HIDDEN
5	108127-01-01A	EA	CAP - TRAY
6	137965-01-02A	EA	REGISTER - 11.2" X 3.6"(9.7 X 2.1"R/O) W/O DAMPER-ANT PWTR
7	100081-01-01A	EA	TRAY - SILVERWARE - 9" X 13.3" RUBBERMAID ALMOND PLASTIC
8	151578-01-02A	EA	DOOR - SHOWER - 36.3" X 61.9" - WHT OPAQUE SCREEN/WHITE
9	145849-03-02A	EA	HOOK - ROBE - CHROME
10	Y00361-A2-438	EA	MOLDING - VINYL/CURVED - 3.9" X 96" - WASHED MAPLE
10	Y00361-82-438	EA	MOLDING - VINYL/CURVED - 3.9" X 96" - HONEY CHERRY
11	156636-05-U21	EA	MOLDING/BLOCK - .8" X 4" - HONEY CHERRY
12	156636-04-U21	EA	MOLDING/BLOCK - .8" X 3.1" - HONEY CHERRY
13	Y00360-A2-438	EA	MOLDING - VINYL/CURVED - 3" X 96" - WASHED MAPLE
13	Y00360-82-438	EA	MOLDING - VINYL/CURVED - 3" X 96" - HONEY CHERRY

FLOOR COVERINGS

KEY	PART NUMBER	U/M	DESCRIPTION
	042720-40-000	SY	VINYL - FLOOR COVERING - 99" (8.3')WIDE-ADVANCMENT KAHIKI
	075233-01-000	SY	PAD - CARPET - 3/8" X 6'W ROLL - SOLD BY THE SQUARE YARD
	093486-01-000	SY	CARPET - COMPARTMENT - 72" WIDE - DARK GRAY
	152251-07-02A	SY	CARPET - 4 SQUARE YARD INCREMENTS - WARM PASTRY (W13, W14, W05, W06)
	152251-07-03A	SY	CARPET - 4 SQUARE YARD INCREMENTS - COLUMBIAN SUPREME (W15, W16)

INTERIOR FINISH GROUP (CONTINUED)

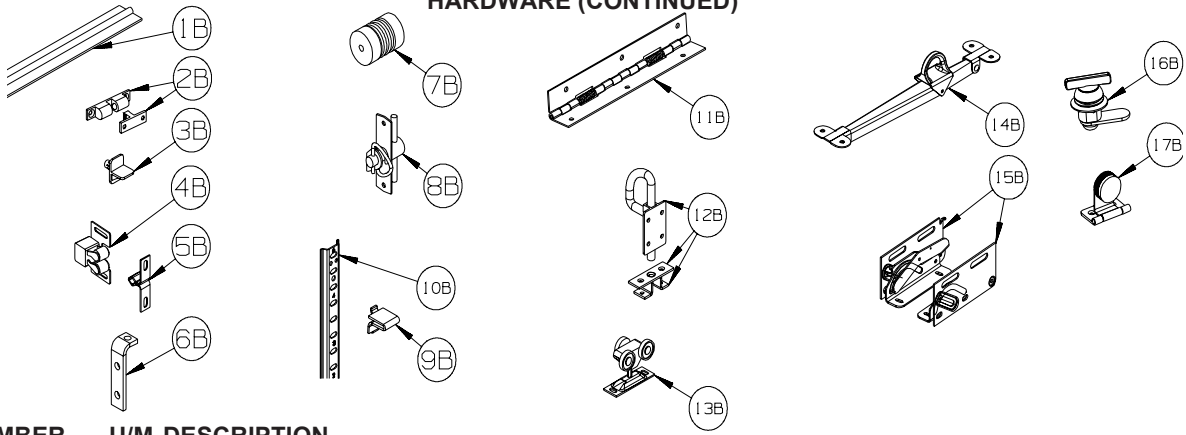
HARDWARE



KEY	PART NUMBER	U/M	DESCRIPTION
1A	P34509-01-P14	EA	RAIL END - RH/LH - TOWEL RACK - CONCERT CHERRY
1A	P34509-01-J70	EA	RAIL END - RH/LH - TOWEL RACK - WASHED MAPLE
1A	P34509-01-RE0	EA	RAIL END - RH/LH - TOWEL RACK - HONEY CHERRY
1A	P34509-01-SA3	EA	RAIL END - RH/LH - TOWEL RACK - SIERRA MAPLE
2A	009013-01-000	EA	CATCH - BULLDOG - MALE/FEMALE
3A	009059-01-000	EA	HINGE - DOOR - 2" X 1.4" - BRASS
3A	009059-02-000	EA	HINGE - DOOR - 2" X 2.7" - BRASS
3A	009059-03-000	EA	HINGE - BRASS - 1.75"
3A	009059-04-000	EA	HINGE - 2" - ZINC
4A	009089-01-000	EA	CLIP - MIRROR
5A	016604-01-000	EA	BRACE - ANGLE - 2 1/2" - UNPAINTED METAL
5A	016604-05-000	EA	BRACE - ANGLE - 2 1/2" - OFF WHITE METAL
5A	016604-10-000	EA	BRACE - SEAT ANGLE - 2.5" - BLACK
6A	023320-01-000	EA	PAD - FELT 3/8" DIAMETER
7A	041389-19-000	EA	HINGE - PIANO - 1 1/2" X 71.9" - UNPAINTED
7A	041389-25-000	EA	HINGE - PIANO - 1 1/2" X 55" - UNPAINTED
7A	041389-32-000	EA	HINGE - PIANO - 68" - OFF WHITE
8A	166569-01-02A	EA	COVER - SCREW - #8 - BRIGHT WHITE
8A	166569-01-03A	EA	COVER - SCREW - #8 - SOFT WHITE
8A	166569-01-04A	EA	COVER - SCREW - #8 - CREAM
9A	065740-01-000	EA	BRACE - CABINET/CORNER - PLASTIC
10A	072871-01-000	EA	PULL - FLUSH - CHROME
11A	074045-13-000	EA	PLUG - 3/8" DOWEL-1/2" HEAD - PORTSMOUTH OAK
11A	074045-08-000	EA	PLUG - 3/8" DOWEL-1/2" HEAD - OAK/SALEM CHERRY - CONCERT CHERRY
11A	074045-12-000	EA	PLUG - 3/8" DOWEL-1/2" HEAD - WASHED MAPLE
11A	074045-14-000	EA	PLUG - 3/8" DOWEL-1/2" HEAD - HONEY CHERRY
11A	074045-15-000	EA	PLUG - 3/8" DOWEL-1/2" HEAD - SIERRA MAPLE
12A	074493-02-000	EA	SUPPORT/PISTON SPRING - CABINET DOOR - 26 LBS
12A	074493-03-000	EA	SUPPORT/PISTON SPRING - CABINET DOOR - 12 LBS
13A	156732-01-01A	EA	BRACE - ANGLE/COUCH - 2.5" - MILL
13A	156732-01-02A	EA	BRACE - ANGLE/COUCH - 2.5" - OFF WHITE
13A	156732-03-01A	EA	BRACE - ANGLE/COUCH - BLACK
14A	083204-03-000	EA	BUTTON - RETAINING MIRROR 5/16" TIP
15A	084412-01-000	EA	SUPPORT/HINGE KIT (LEFT & RIGHT HINGES)

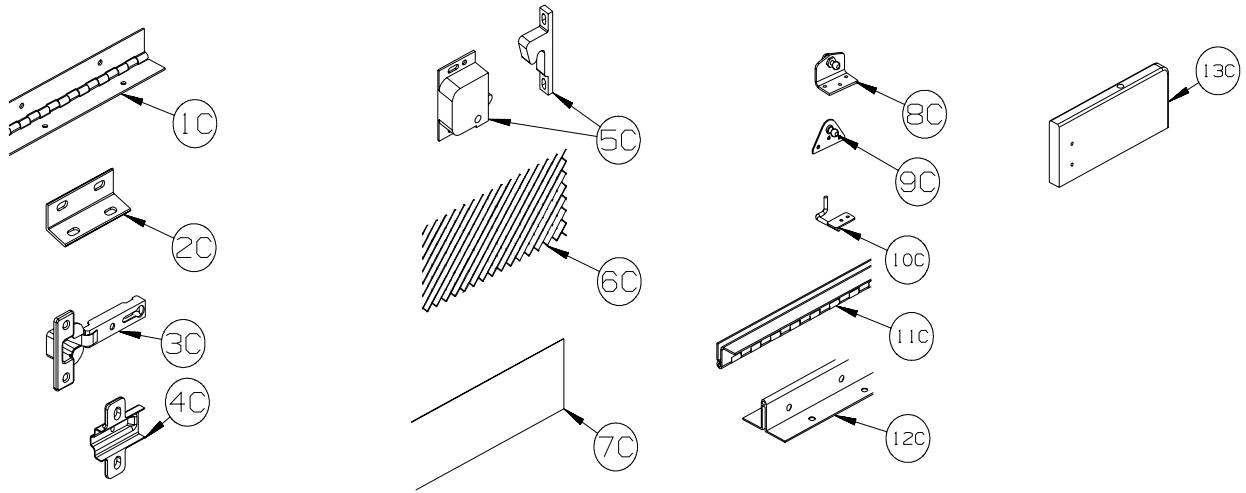
INTERIOR FINISH GROUP (CONTINUED)

HARDWARE (CONTINUED)



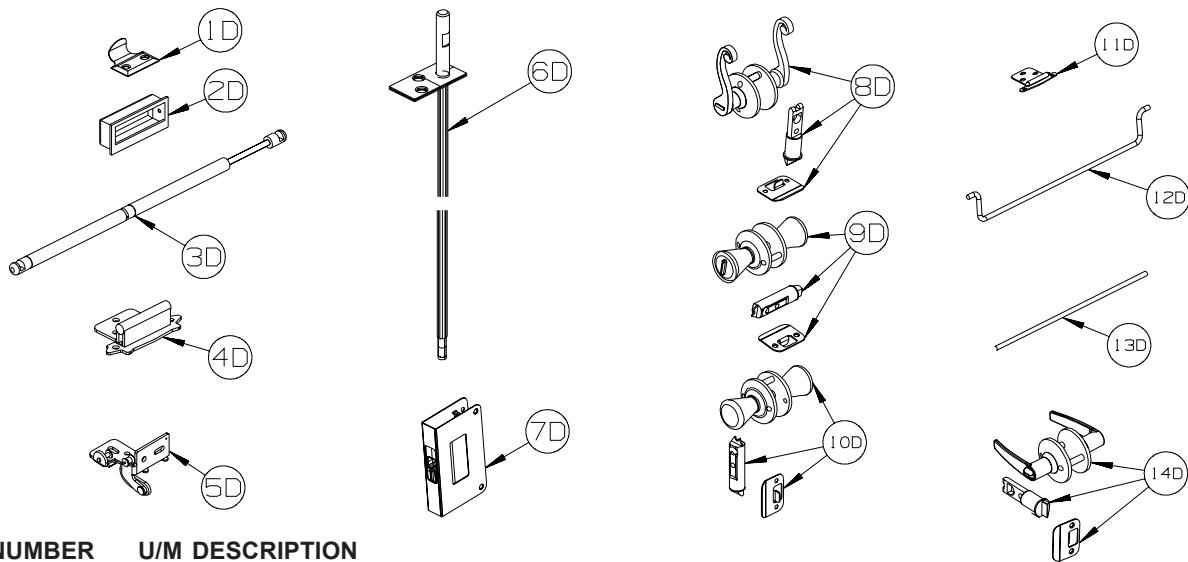
KEY	PART NUMBER	U/M	DESCRIPTION
1B	084413-01-000	EA	HINGE - 1" X 72" - ALUMINUM - W/HOLES
2B	084451-01-000	EA	CATCH & LATCH - 1.7" - BRASS
3B	092907-01-000	EA	SUPPORT - SHELF - PIN - 1/4" - CLEAR PLASTIC
4B	093586-03-000	EA	CATCH - SPRING ROLLER - .377"
4B	093586-06-000	EA	CATCH - W/STRIKE - SPRING ROLLER .236"/SPRINT STEEL .943"
5B	093586-04-000	EA	STRIKE - SPRING STEEL - 1.14"
6B	096826-01-01A	EA	BRACE - CABINET - 2" - E-COATED
6B	096826-02-01A	EA	BRACE - CABINET - 1" - E-COATED
7B	097872-04-000	EA	DOWEL - WOOD - 1" DIAMETER X 1.38" LONG - UNFINISHED
8B	098196-01-000	EA	LATCH - 1/4 TURN - T-BAR
9B	098979-01-000	EA	CLIP - ADJUSTABLE SHELF
10B	098980-01-000	EA	PILASTER - ADJUSTABLE SHELF - 18"
10B	098980-02-000	EA	PILASTER - ADJUSTABLE SHELF - 12"
10B	098980-03-000	EA	PILASTER - ADJUSTABLE SHELF - 9"
10B	098980-04-000	EA	PILASTER - ADJUSTABLE SHELF - 48"
10B	098980-05-000	EA	PILASTER - ADJUSTABLE SHELF - 15"
10B	098980-06-000	EA	PILASTER - ADJUSTABLE SHELF - 24"
11B	102920-01-02A	EA	HINGE - SPRING LOADED - NICKEL
11B	129753-01-01A	EA	HINGE - SPRING LOADED - 19" X 19" - BLACK
12B	103256-01-000	EA	LATCH COMPLETE (SLIDE)
13B	103874-01-000	EA	HANGER - SLIDING DOOR
14B	104181-01-01A	EA	SUPPORT - LEAF 5.3" EXTENDS TO 7.5" - SAFETY RING - METAL
15B	108126-01-000	EA	TRAY HINGE SET (QTY. 2 PER SET)
16B	100710-01-02A	EA	LOCK - GLASS DOOR/TWIST TYPE - NICKEL
17B	100711-01-02A	EA	HINGE - GLASS DOOR - BLACK

INTERIOR FINISH GROUP (CONTINUED)
HARDWARE (CONTINUED)



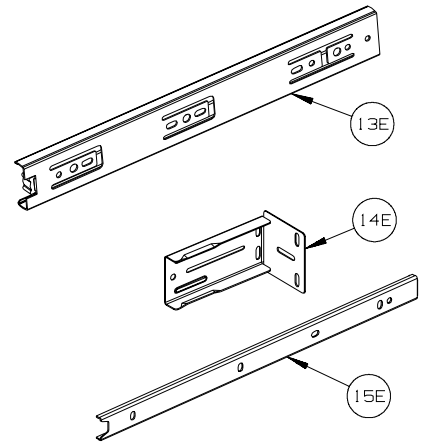
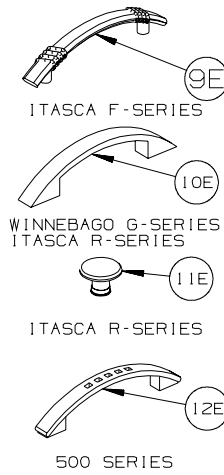
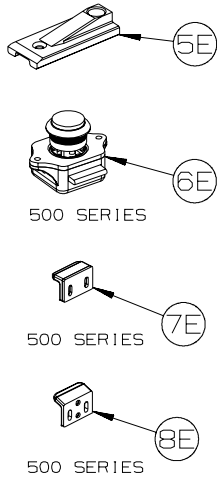
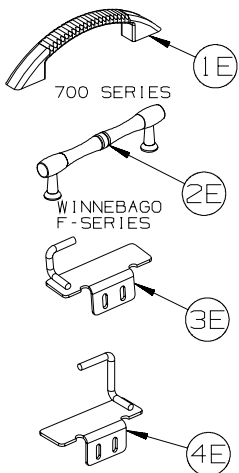
KEY	PART NUMBER	U/M	DESCRIPTION
1C	110496-01-02A	EA	HINGE - NICKEL - 2" X 32"
1C	110496-06-02A	EA	HINGE - NICKEL - 2" X 9.5"
1C	158921-01-04B	EA	HINGE - PIANO - TRUNK DOOR - 2" X 21.9" - BLACK
2C	111866-01-02A	EA	BRACE - SEAT - ANGLE - OFF WHITE
3C	114443-02-01A	EA	HINGE - CABINET DOOR - W/O CLIP - SILVER
4C	114443-03-01A	EA	CLIP - HINGE/CABINET DOOR - SILVER
5C	117095-02-01A	EA	LATCH - DOOR - GRABBER W/KEEPER - PLASTIC - BLK-10 LB PULL
5C	117095-03-01A	EA	LATCH - DOOR - GRABBER W/KEEPER - PLASTIC - BLK-15 LB PULL
6C	118200-01-01A	SF	MESH - PLASTIC 1/2" - 48" X LENGTH = SF - BLACK
7C	122717-06-01A	FT	PAD - NON-SKID - PSA - 5"W
8C	126263-06-02B	EA	BRACKET - GAS SPRING W/INSIDE BALL STUD - E-COATED
9C	126263-05-02B	EA	BRACKET - GAS SPRING W/BALL STUD - E-COATED
9C	126263-08-02B	EA	BRACKET - GAS SPRING W/CENTERED BALL STUD - E-COATED
10C	130798-01-02B	EA	GUIDE - POCKET DOOR - E-COATED
11C	134099-01-02A	EA	HINGE - PIANO - WRAP AROUND - 15.7" - NICKEL PLATED
12C	135538-03-02A	EA	HINGE - PIANO - FULL WRAP - 15.7" - CHROME
12C	135538-07-02A	EA	HINGE - PIANO - FULL WRAP - 9.8" - CHROME
13C	137445-03-T78	EA	STOP - F/SLIDING DOOR - CONCERT CHERRY
13C	137445-03-T79	EA	STOP - F/SLIDING DOOR - WASHED MAPLE
13C	137445-03-T80	EA	STOP - F/SLIDING DOOR - SIERRA MAPLE

INTERIOR FINISH GROUP (CONTINUED)
HARDWARE (CONTINUED)



KEY	PART NUMBER	U/M	DESCRIPTION
1D	137463-01-02A	EA	LIFT - HOOK - PEWTER
2D	139136-02-02A	EA	HANDLE - .35" RECESSED - PEWTER
3D	142569-07-000	EA	SPRING/GAS - 20 LB - 20" EXTENDED/12" COMPRESSED
3D	142569-15-000	EA	SPRING/GAS - 120 LB - 20" EXTENDED/12" COMPRESSED
3D	142569-16-000	EA	SPRING/GAS - 90 LB - 20" EXTENDED/12" COMPRESSED
3D	142569-29-000	EA	SPRING/GAS - 20 LB - 9.9" EXTENDED/5.9" COMPRESSED
3D	142569-31-000	EA	SPRING/GAS - 30 LB - 11.8" EXTENDED/7.3" COMPRESSED
4D	143468-02-03A	EA	HINGE - SELF CLOSING - SATIN NICKEL
4D	143468-02-04A	EA	HINGE - SELF CLOSING - OIL RUBBED BRONZE
4D	143468-02-05A	EA	HINGE - SELF CLOSING - RUSTIC BRASS
5D	144488-01-01A	EA	HINGE - CABINET - ANTIQUE BRASS
5D	144488-01-02A	EA	HINGE - CABINET - NICKEL
6D	145939-05-02A	EA	ROD/LATCH - AISLE DOOR - NICKEL
7D	145939-04-02A	EA	LATCH/SLIDE - AISLE DOOR(1" THICK DOOR)-NICKEL/BLACK SLIDE
7D	145939-04-03A	EA	LATCH/SLIDE - AISLE DOOR(1" THICK DOOR)-OIL RUBBED BRONZE
8D	146064-01-02A	EA	LOCK/PRIVACY (LOCKING) LEVER STYLE - SATIN PEWTER
8D	146064-02-02A	EA	LOCK/PASSAGE (NON LOCKING) LEVER STYLE - PEWTER
9D	146064-05-01A	EA	LOCK/PRIVACY (LOCKING) "TULIP" STYLE KNOB - SATIN NICKEL
10D	146064-06-01A	EA	LOCK/PASSAGE (NON LOCKING) "TULIP" STYLE KNOB-SATIN NICKEL
11D	146553-01-03A	EA	HINGE - CABINET DOOR - SATIN NICKEL
12D	146801-01-02A	EA	ROD/TOWEL BAR (OFFSET) - PEWTER
13D	146840-03-02A	EA	ROD - .25" X 11.7" - PEWTER
13D	146840-04-02A	EA	ROD - .25" X 13.1" - PEWTER
14D	146064-08-01A	EA	LOCK/PASSAGE (NON LOCKING) LEVER STYLE - SATIN NICKEL
14D	146064-07-01A	EA	LOCK/PRIVACY (LOCKING) LEVER STYLE - SATIN NICKEL

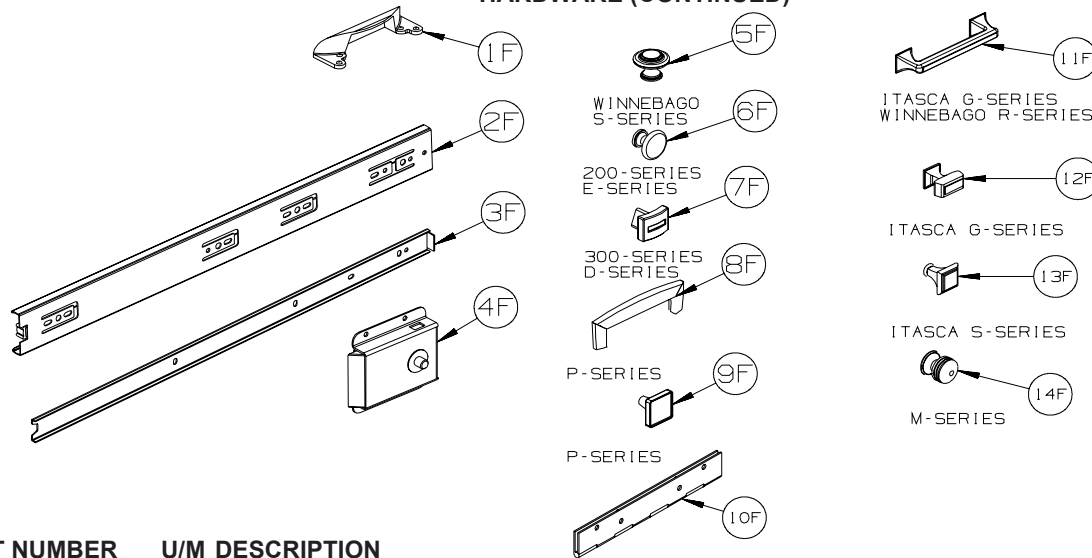
INTERIOR FINISH GROUP (CONTINUED) HARDWARE (CONTINUED)



KEY	PART NUMBER	U/M	DESCRIPTION
1E	148816-01-02A	EA	PULL - CABINET DOOR - NICKEL - ASPECT, CAMBRIA 700-SERIES/ADVENTURER LIMITED EDITION
2E	149090-01-02A	EA	PULL - CABINET DOOR - NICKEL - VOYAGE F-SERIES
3E	149607-01-02B	EA	GUIDE - F/POCKET DOOR - 1.6" BENT ROD - E-COATED
3E	149607-03-02B	EA	GUIDE - F/POCKET DOOR - 2.9" BENT ROD - E-COATED
4E	149607-04-02B	EA	GUIDE - F/POCKET DOOR - E-COATED
5E	150983-01-01A	EA	STRIKE/BLOCK - WEDGE STYLE - F/SLIDE DOOR - 3" X 1.2" - BLACK
6E	151380-01-01A	EA	LATCH - CBNT DR - PUSH BTN - VIEW & NAVION 500-SERIES
6E	151380-01-02A	EA	LATCH - CABINET DOOR - PUSH BUTTON - BLACK - TOUR & ELLIPSE R-SERIES
7E	151380-02-01A	EA	STRIKE - CABINET DOOR - VIEW & NAVION 500-SERIES
8E	151380-03-01A	EA	STRIKE - CABINET DOOR - VIEW & NAVION 500-SERIES
9E	152302-01-01A	EA	PULL - CABINET DOOR - SATIN NICKEL - SUNRISE F-SERIES
10E	152304-01-01A	EA	PULL - CABINET DOOR - BRONZE- ADVENTURER G-SERIES, ELLIPSE R-SERIES
11E	152305-01-01A	EA	KNOB - DOOR/DRAWER - BRONZE - ELLIPSE R-SERIES
12E	152950-01-01A	EA	PULL - DOOR/DRAWER - BRUSHED NICKEL - VIEW & NAVION 500-SERIES
13E	153000-01-01A	EA	SLIDE - CABINET MOUNT - 11.8"
13E	153000-03-01A	EA	SLIDE - CABINET MOUNT - 13.8"
13E	153000-05-01A	EA	SLIDE - CABINET MOUNT - 15.7"
13E	153000-07-01A	EA	SLIDE - CABINET MOUNT - 17.7"
13E	153000-09-01A	EA	SLIDE - CABINET MOUNT - 19.7"
13E	153000-11-01A	EA	SLIDE - CABINET MOUNT - 21.6"
13E	153000-14-01A	EA	SLIDE - CABINET MOUNT - 23.6"
13E	153000-16-01A	EA	SLIDE - CABINET MOUNT - 7.9"
13E	153000-18-01A	EA	SLIDE - CABINET MOUNT - 9.8"
13E	153000-20-01A	EA	SLIDE - CABINET MOUNT - 25.6"
14E	153000-13-01A	EA	BACKSOCKET - DRAWER SLIDE
15E	153000-02-01A	EA	SLIDE - DRAWER MOUNT - 11.8"
15E	153000-04-01A	EA	SLIDE - DRAWER MOUNT - 13.8"
15E	153000-06-01A	EA	SLIDE - DRAWER MOUNT - 15.7"
15E	153000-08-01A	EA	SLIDE - DRAWER MOUNT - 17.7"
15E	153000-10-01A	EA	SLIDE - DRAWER MOUNT - 19.7"
15E	153000-12-01A	EA	SLIDE - DRAWER MOUNT - 21.6"
15E	153000-15-01A	EA	SLIDE - DRAWER MOUNT - 23.4"
15E	153000-17-01A	EA	SLIDE - DRAWER MOUNT - 7.7"
15E	153000-19-01A	EA	SLIDE - DRAWER MOUNT - 9.6"
15E	153000-21-01A	EA	SLIDE - DRAWER MOUNT - 25.4"

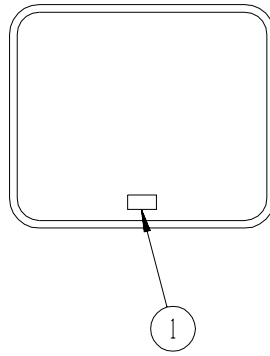
INTERIOR FINISH GROUP (CONTINUED)

HARDWARE (CONTINUED)

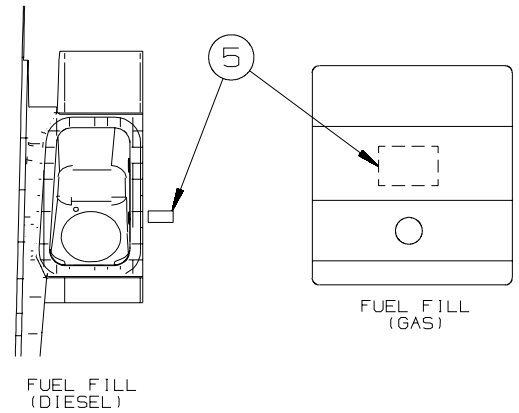
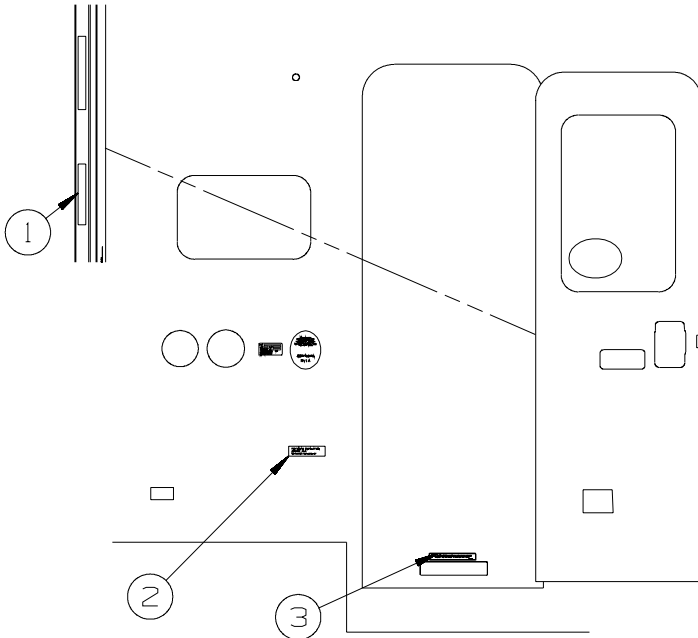


KEY	PART NUMBER	U/M	DESCRIPTION
1F	153308-01-01A	EA	PULL - VANITY STOOL - SATIN NICKEL
2F	153352-01-01A	EA	SLIDE - PANTRY - 19.7" - CABINET MOUNT
3F	153352-02-01A	EA	SLIDE - PANTRY - 19.5" - DRAWER MOUNT
4F	153353-01-01A	EA	LATCH - SLIDING/FLUSH - BLACK
5F	155803-01-01A	EA	KNOB CABINET DOOR - WROUGHT IRON - VECTRA S-SERIES
6F	155925-01-01A	EA	KNOB - DOOR/DRW - SATIN NICKEL - ACCESS & IMPULSE 200-SERIES/ VISTA & SUNSTAR E-SERIES
7F	156579-01-01A	EA	KNOB - DOOR/DRW - PEWTER - OUTLOOK & SPIRIT 300-SERIES/ SIGHTSEER & SUNOVA D-SERIES
8F	157246-01-01A	EA	PULL - CABINET DOOR/DRAWER - SATIN NICKEL - JOURNEY & MERIDIAN P-SERIES
9F	157246-02-01A	EA	KNOB - CABINET DOOR/DRAWER-SATIN NICKEL - JOURNEY & MERIDIAN P-SERIES
10F	158982-01-04B	EA	HINGE - CONTINUOUS - 2" X 8" - BLACK
10F	158982-01-01A	EA	HINGE - CONTINUOUS - 2" X 8" - ZINC
11F	162033-01-01A	EA	PULL - CABINET DOOR - BRUSHED NICKEL - SUNCRUISER G-SERIES, TOUR R-SERIES
12F	162033-02-01A	EA	KNOB - CABINET DOOR - BRUSHED NICKEL - SUNCRUISER G-SERIES
13F	162518-01-01A	EA	KNOB - DOOR/DRAWER - SATIN NICKEL - HORIZON S-SERIES
14F	163095-01-01A	EA	KNOB - CABINET DOOR - SATIN NICKEL - DESTINATION & LATTITUDE M-SERIES

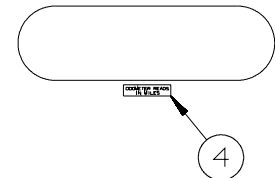
LABELS GROUP



KEY	PART NUMBER	U/M DESCRIPTION
1	039290-01-000	EA LABEL - WARNING - EXIT

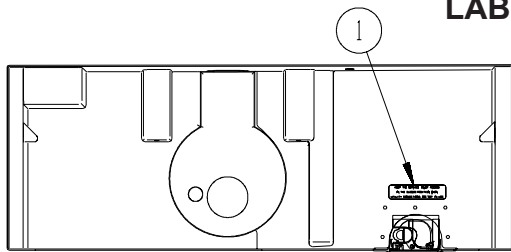


INSTRUMENT CLUSTER

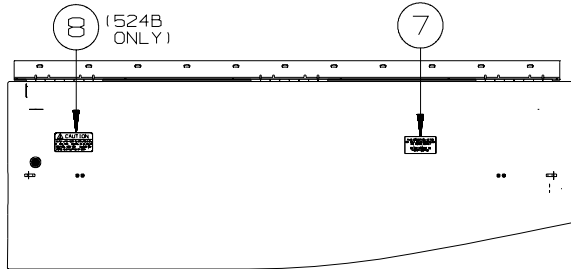
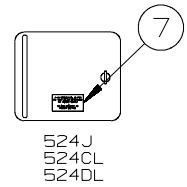
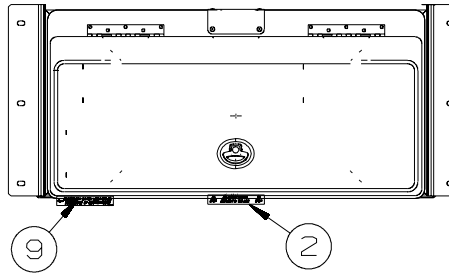


KEY	PART NUMBER	U/M DESCRIPTION
1	135869-01-01A	EA LABEL - MERCURY CONTENT - BLACK ON CLEAR
2	099509-01-000	EA LABEL - AWNING INSTALLATION
3	065748-01-000	EA LABEL - WARNING - BATTERY CHARGING - UL
4	155692-01-01A	EA LABEL - ODOMETER - READ IN MILE - BLACK/WHITE
4	155692-01-02A	EA LABEL - ODOMETER - READ IN MILE - WHITE/CLEAR
5	124519-01-01A	EA LABEL - WARNING/REFUELING - BLACK ON CLEAR
5	124519-01-02A	EA LABEL - WARNING/REFUELING - WHITE ON CLEAR
5	124519-02-01A	EA LABEL - WARNING/REFUELING - BLACK ON CLEAR - CANADIAN
5	124519-02-02A	EA LABEL - WARNING/REFUELING - WHITE ON CLEAR - CANADIAN

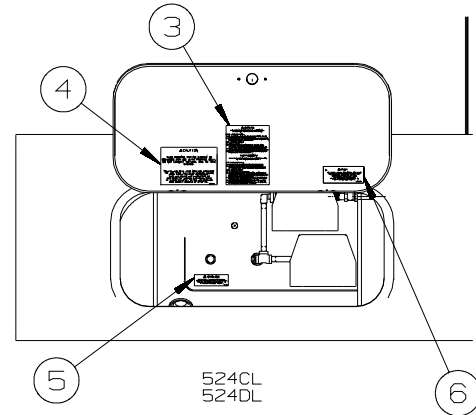
LABELS GROUP (CONTINUED)



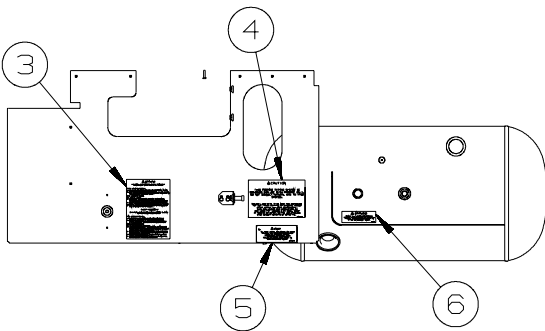
524H UTILITY COMPARTMENT



524H & 524B



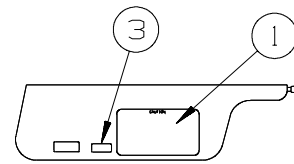
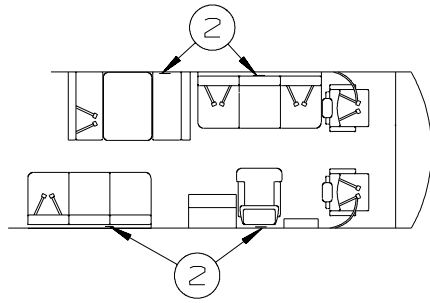
524CL
524DL



KEY	PART NUMBER	U/M DESCRIPTION
1	123562-01-000	EA LABEL - SERVICE/UTILITY ACCESS
2	154801-01-01A	EA LABEL - NO STEP/MAX CARGO - WHITE/CLEAR
3	023769-01-000	EA LABEL - WARNING - LPG - CANADIAN
4	124520-01-01A	EA LABEL - LP GAS ONLY - BLACK ON CLEAR
5	124519-01-02A	EA LABEL - WARNING/REFUELING - WHITE ON CLEAR
5	124519-01-01A	EA LABEL - WARNING/REFUELING - BLACK ON CLEAR
6	079965-01-000	EA LABEL - LPG - 80% CAPACITY
7	125306-01-02A	EA LABEL - ELECTRICAL ENTRANCE - 110V 30 AMP - WHITE ON CLEAR
7	125306-01-01A	EA LABEL - ELECTRICAL ENTRANCE - 110V 30 AMP - BLACK ON CLEAR
8	113402-01-000	EA LABEL - CAUTION - WATER HEATER EXHAUST
9	163880-01-01A	EA LABEL - CATCH/SECONDARY

LABELS GROUP (CONTINUED)

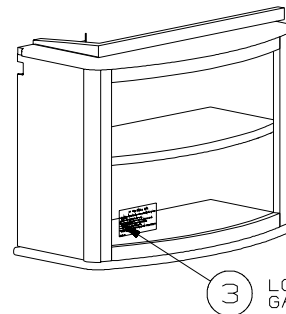
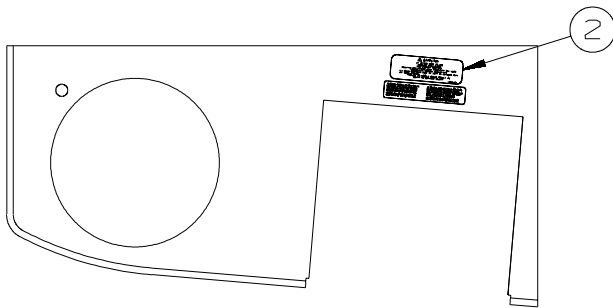
TYPICAL SEAT AND BELT CONFIGURATIONS



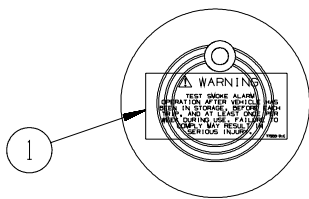
LABELS SHALL BE LOCATED ON OPPOSITE SIDE OF VISOR THAT THE AIR BAG LABEL IS INSTALLED ON.

ATTACH LABEL ON OR NEXT TO:
 +ANY SINGLE CHAIR WITHOUT BELTS.
 +ANY DINETTE SEAT WITHOUT BELTS.
 +ANY COUCH WITHOUT BELTS OR ANY SEATING POSITION ON THAT COUCH.
 DO NOT ATTACH LABEL IF:
 +DINETTE SEAT HAS AT LEAST ONE SET OF BELTS INSTALLED.

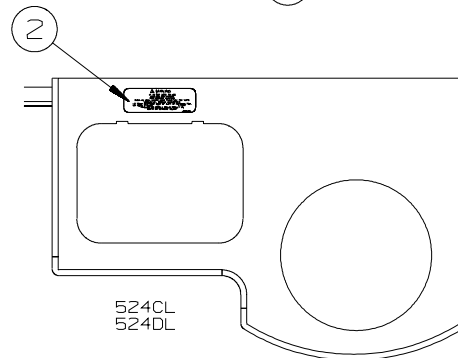
KEY	PART NUMBER	U/M DESCRIPTION
1	056259-01-000	EA LABEL - SAFETY CHECK LIST
2	134538-01-01A	EA LABEL - OCCUPANCY - NO SEAT BELT - BLACK ON CLEAR - US
2	134538-02-01A	EA LABEL - OCCUPANCY - NO SEAT BELT - BLACK ON CLEAR - CSA - CANADIAN
3	099689-01-000	EA LABEL - WARNING - CANCER/TOXICITY



LOCATED ON SIDE OF GALLEY CABINET DOOR

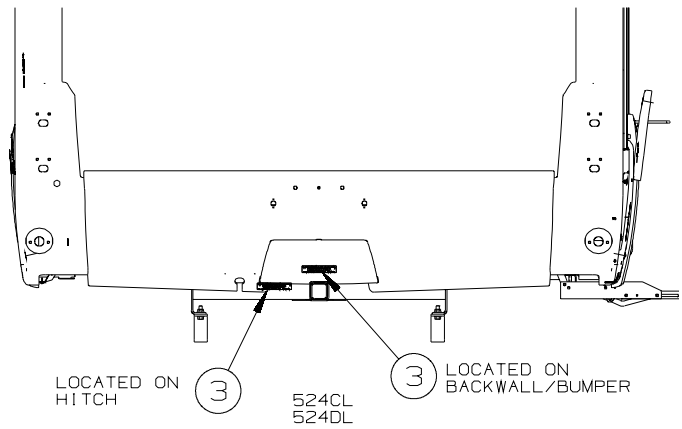
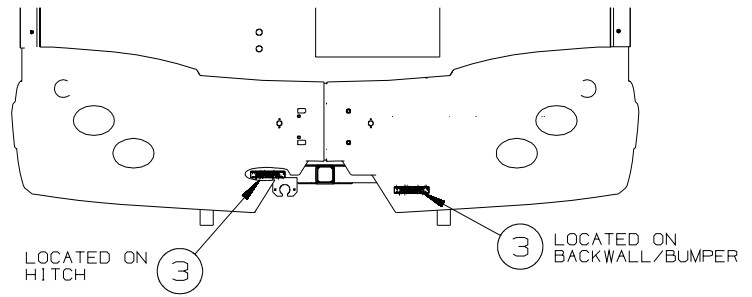
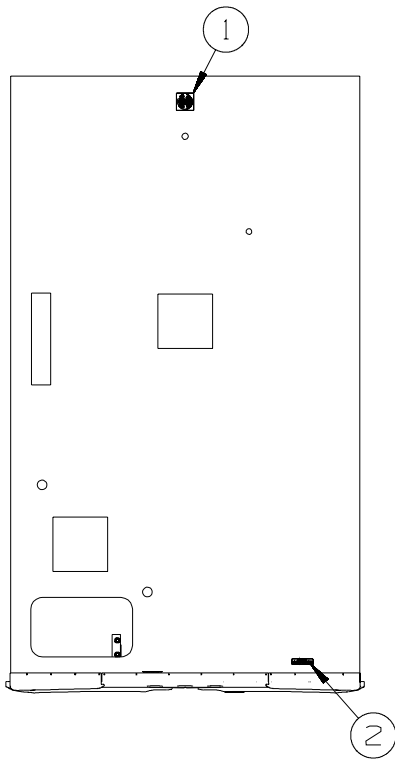


LABEL NOT TO COVER SENSOR OPENING



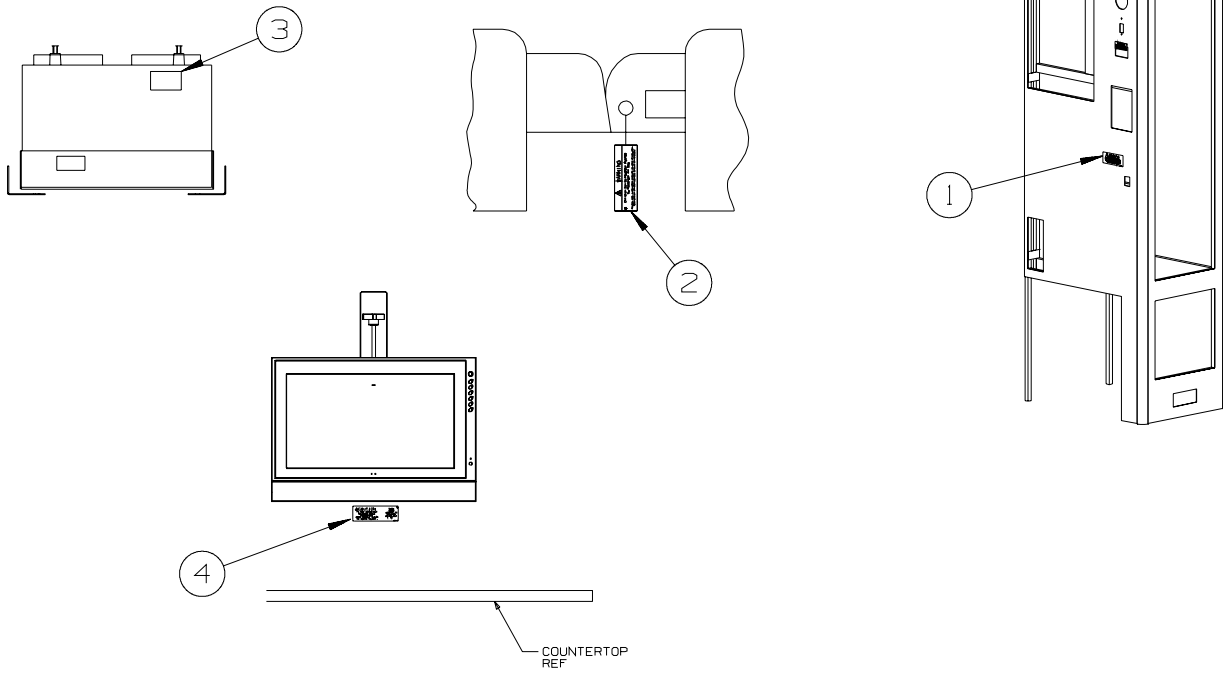
KEY	PART NUMBER	U/M DESCRIPTION
1	077956-01-000	EA LABEL - WARNING/SMOKE DETECTOR
2	134539-01-01A	EA LABEL - WARNING - STOVE/HEATING - US - BLACK ON CLEAR
2	134540-01-01A	EA LABEL - WARNING - STOVE/HEATING - CSA - BLACK ON CLEAR - CANADIAN
3	073998-01-000	EA LABEL - LPG/ODOR WARNING

LABELS GROUP (CONTINUED)



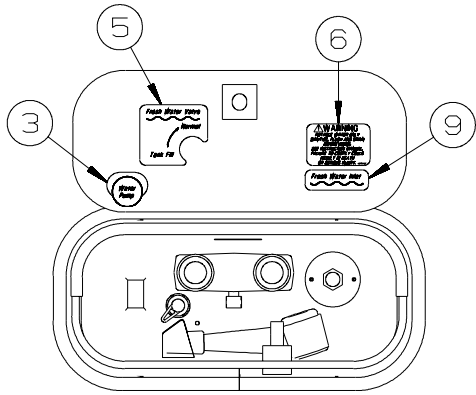
KEY	PART NUMBER	U/M	DESCRIPTION
1	120431-01-000	EA	LABEL - LOCATION - COAXIAL CABLE/SATELLITE ANTENNA
2	128218-01-01A	EA	LABEL - WARNING - SLIPPERY ROOF - NOT ILLUSTRATED
			FROM: 00-00-00 THRU: 01-24-07
2	163705-01-01A	EA	LABEL - WARNING - ROOF SLIPPERY - BLACK ON WHITE
			FROM: 01-25-07 THRU: 99-99-99
3	129669-01-01A	EA	LABEL - HITCH/VEHICLE RATE - 350 - WHITE ON CLEAR
4	129669-01-02A	EA	LABEL - HITCH/VEHICLE RATE - 350 - BLACK ON CLEAR

LABELS GROUP (CONTINUED)

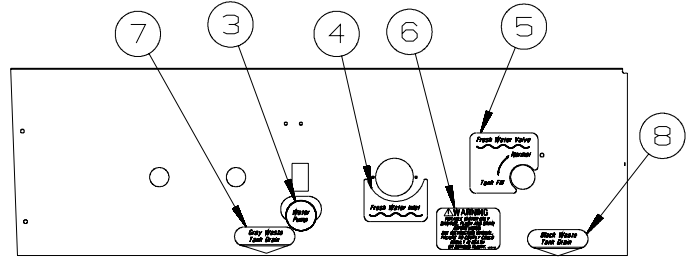


KEY	PART NUMBER	U/M	DESCRIPTION
1	143911-01-01A	EA	LABEL - CURTAIN SECUREMENT - BLACK ON CLEAR - NOT ILLUSTRATED FROM: 00-00-00 THRU: 01-24-07
1	143911-02-01A	EA	LABEL - CURTAIN SECUREMENT - BLACK ON CLEAR FROM: 01-25-07 THRU: 99-99-99
1	155196-01-01A	EA	LABEL - CURTAIN SECUREMENT - BLACK ON CLEAR - CANADIAN
2	126612-01-000	EA	LABEL - HANG TAG - AIR BAG - DASH
3	125320-01-01A	EA	FILM - PROTECTIVE
4	159837-01-01A	EA	LABEL - CAUTION - SWINGOUT TV - BLACK/CLEAR/RED FROM: 10-25-07 THRU: 99-99-99

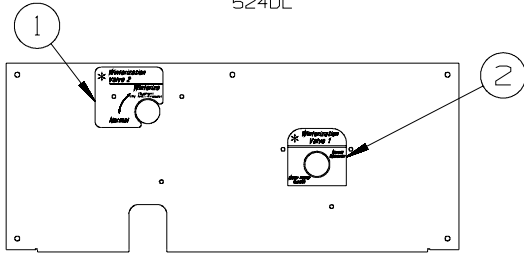
LABELS GROUP (CONTINUED)



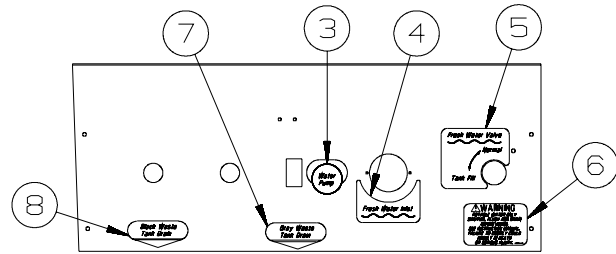
524CL
524DL



524H



524J



524J

KEY	PART NUMBER	U/M	DESCRIPTION
1	152545-01-01A	EA	LABEL - WINTERIZATION
2	152539-01-01A	EA	LABEL - BYPASS
3	152544-03-01A	EA	LABEL - SWITCHES
4	152538-01-01A	EA	LABEL - FRESH WATER - PANTONE/CLEAR
5	152548-01-01A	EA	LABEL - VALVE/FRESH
6	128725-02-01A	EA	LABEL - POTABLE WATER ONLY - BLACK ON CLEAR
7	152541-03-01A	EA	LABEL - GRAY WASTE
8	152543-03-01A	EA	LABEL - BLACK WASTE
9	152548-02-01A	EA	LABEL - FRESH WATER - PANTONE/CLEAR

**LP GROUP
LP SYSTEM**

KEY	PART NUMBER	U/M	DESCRIPTION
	144485-01-000	EA	COVER - LP REGULATOR
	045703-03-000	EA	HOSE - LP - 3/8"ID X 18" - 3/8"MPT X 1/2"F SWIVEL - US
	045703-07-000	EA	HOSE - LP - 3/8"ID X 10" - 3/8"MPT X 1/2"F SWIVEL - US
	045703-12-000	EA	HOSE - LP - 3/8"ID X 18" - 3/8"MPT X 1/2"F SWIVEL - CSA
	045703-21-000	EA	HOSE - LP - 3/8"ID X 60" - 1/2"F SWIVEL X3/8"F SWVL US/CSA
	045703-22-000	EA	HOSE - LP - 3/8"ID X 60" - 1/2"F SWIVEL X1/2"F SWVL US/CSA
	045703-29-000	EA	HOSE - LP - 3/8"ID X 79.7"-1/2"F SWIVEL X1/2"F SWVL US/CSA
	010323-01-000	EA	ADAPTER - 3/8"F X 1/2"MPT - BRASS
	010326-01-000	EA	ADAPTER - FLARE - W/CONE GASKET - 3/8"F X 1/2"F
	010329-01-000	EA	ADAPTER - 1/2"F X 1/2"MPT - BRASS
	024250-01-000	EA	ADAPTER - BRASS - 3/8"F X 1/2"FPT
	106150-05-000	EA	REGULATOR - TWO STAGE
	106150-06-000	EA	REGULATOR - TWO STAGE
	145639-01-02B	EA	BRACKET - REGULATOR - E-COATED
	151726-01-02B	EA	BRACKET/LP MOUNTING - E-COATED
	151726-02-02B	EA	BRACKET/LP MOUNTING - E-COATED
	151726-03-02B	EA	BRACKET/LP MOUNTING - E-COATED - 524B
			FROM: 00-00-00 THRU: 04-20-07
	164760-01-02B	EA	BRACKET/MOUNT - LP - E-COATED - 524B
			FROM: 04-21-07 THRU: 99-99-99
	152249-01-02B	EA	BRACKET - LP MOUNT - E-COATED
	010377-02-000	EA	NUT - 3/8" FLARE - FORGED - BRASS
	010380-02-000	EA	NUT - 1/2" FLARE - FORGED - BRASS
	040440-02-000	EA	TRANSMITTER - DIAL/BOLT-ON - 0-90 OHM 2 TERM(POWER/GROUND)
*	144116-09-000	EA	TANK - LP - 60 LB - 14"D X 29.75"L
	160240-01-02B	EA	PANEL/CLOSEOUT - LP - E-COATED
	151725-02-02B	EA	GUARD/ROCK - W/PANEL/STEEL - E-COATED
	151725-03-02B	EA	GUARD/ROCK - W/PANEL/STEEL - E-COATED
	151725-04-02B	EA	GUARD/ROCK - W/PANEL/STEEL - E-COATED
	151725-05-02B	EA	GUARD/ROCK - W/PANEL/STEEL - E-COATED
	151725-06-02B	EA	GUARD/ROCK - W/PANEL/STEEL - E-COATED
	160230-01-02B	EA	GUARD/ROCK - STEEL - W/BEND - 20.5" X 13"
	010589-01-000	EA	NIPPLE - PIPE - 1/2" X 1 1/2" - BLACK
	010589-03-000	EA	NIPPLE - PIPE - 1/2" X 2 1/2" - BLACK
	148919-02-000	EA	UNION-FLARE - 1/2" BRASS

*COMPONENT PARTS LISTED LATER IN THIS GROUP

COMPONENT PARTS FOR LP SYSTEM

KEY	PART NUMBER	U/M	DESCRIPTION	VENDOR NO.
			144116-09-000	
	040421-01-712	EA	VALVE-SERV. W/O VAPOR RELIEF	V20373/V21202
	040421-01-713	EA	VALVE-RELIEF 1" W/SPRING 7"	V12560/V21207
	144116-01-700	EA	VALVE-OUTAGE(NO STEM REMOVE)	V20058
	144116-04-700	EA	FLOAT/SENDING UNIT W/O DIAL	G11530
	144116-04-701	EA	DIAL - TRANSMITER	G12845
	144116-09-700	EA	VALVE/FILL 80%	V20150

SEALANTS & FASTENERS GROUP
SEALANTS & ADHESIVES

KEY	PART NUMBER	U/M	DESCRIPTION
	010405-02-000	EA	TAPE - THREAD SEALING - 3/8"
	064075-07-000	FT	SEAL - BULB - W/WIRED U CHANNEL - .3" X .5" CHANNEL-BLACK
	067788-01-000	EA	ADHESIVE - SPRAY - 3M - 19.5 OZ AEROSOL CAN
	069640-01-000	FT	SEALER - RIBBON - 1/4"DIAMETER X 30 FT - BLACK OR GRAY
	069640-02-000	FT	SEALER - TAPE - 1/8"THICK X 1/2"WIDE X 60 FT - GRAY
	069640-03-000	FT	SEALER - TAPE - 1/8"THICK X 3/4"WIDE X 60 FT - BLACK
	069640-07-000	FT	SEALER - TAPE - 3/32"THICK X 2"WIDE X 45 FT - GRAY
	069640-09-000	FT	SEALER - TAPE - 1/32"THICK X 2 1/2"WIDE X 80 FT - BRT WHT
	069640-10-000	FT	SEALER - TAPE - 1/32"THICK X 1 1/2"WIDE X 90 FT - GRAY
	069640-11-000	FT	SEALER - TAPE - 3/16"THICK X 3/8"WIDE X 40 FT - BLACK
	069640-13-000	FT	SEALER - TAPE - 3/32"THICK X 2"WIDE X 45 FT - BLACK
	069640-14-000	FT	SEALER - TAPE - 1/16"THICK X 1"WIDE X 100 FT - BLACK
	069640-15-000	FT	SEALER - TAPE - 1/16"THICK X 3/8"WIDE X 100 FT - BRT WHT
	069640-17-000	FT	SEALER - TAPE - 1/32"THICK X 1"WIDE X 150 FT - GRAY
	069640-18-000	FT	SEALER - TAPE - 1/8"THICK X 1/2"WIDE X 60 FT - BRT WHT
	069640-19-000	FT	SEALER - TAPE - 1/8"THICK X 3/4"WIDE X 60 FT - BRT WHT
	069640-20-000	FT	SEALER - TAPE - 1/8"THICK X 1/2"WIDE X 60 FT - BLACK
	069640-21-000	FT	SEALER - TAPE - 1/16"THICK X 1/2"WIDE X 100 FT - BRT WHT
	069640-22-000	FT	SEALER - TAPE - 1/32"THICK X 1/4"WIDE X 200 FT - BRT WHT
	069640-23-000	FT	SEALER - TAPE - 1/16"THICK X 3/4"WIDE X 100 FT - BRT WHT
	069640-27-000	FT	SEALER - TAPE - 1/16"THICK X 2 1/4"WIDE X 50 FT - BRT WHT
	069640-28-000	FT	SEALER - TAPE - 1/32"THICK X 1 7/8"WIDE X 90 FT - GRAY
	069640-30-000	FT	SEALER - TAPE - 1/32"THICK X 5/8"WIDE X 50 FT - GRAY
	069640-31-000	FT	SEALER - TAPE - 1/4"THICK X 3/4"WIDE X 15 FT - BLACK
	069640-32-000	FT	SEALER - TAPE - 1/16"THICK X 3/8"WIDE X 100 FT - BLACK
	069640-33-000	FT	SEALER - RIBBON - 3/8"DIAMETER X 20 FT - BLACK
	069640-34-000	FT	SEALER - RIBBON - 1/4"DIAMETER X 30 FT - BRIGHT WHITE
	069640-36-000	EA	SEALER - TAPE - 1/16"THICK X 1/2"WIDE X 100 FT - BLACK
	069640-37-000	FT	SEALER - TAPE - 1/16"THICK X 3/4"WIDE X 100 FT - BLACK
	069640-38-000	FT	SEALER - TAPE - 1/16"THICK X 3/4"WIDE X 100 FT - BRT WHT
	069640-39-000	FT	SEALER - TAPE - 1/16"THICK X 3"WIDE X 50 FT - BRT WHT
	069640-40-000	FT	SEALER - TAPE - 1/16"THICK X 3"WIDE X 50 FT - BRT WHT
	072889-28-000	EA	SEALANT/URETHANE-10 OZ TUBE W/NOZZLE-SELF LEVELING-BRT WHT
	072889-31-000	EA	SEALANT/URETHANE-10 OZ TUBE W/NOZZLE-SELF LEVELING - BLACK
	076322-02-000	FT	TAPE-DOUBLE COATED/ADHESIVE BK-.05"THK X 1"W X 108' - WHT
	076322-03-000	FT	TAPE-DOUBLE COATED/ADHESIVE BK-.05"THK X .5"W X 108' - WHT
	076322-05-000	FT	TAPE-DOUBLE COATED/ADHESIVE BK-.05"THK X .8"W X 108' - WHT
	076322-07-000	FT	TAPE-DOUBLE COATED/ADHESIVE BK-.05"THK X .5"W X 200' - BLK
	076322-13-000	FT	TAPE - FOAM/DOUBLE COATED - .020"THK X .75"W - CLEAR
	076322-21-000	FT	TAPE - FOAM/DOUBLE COATED - .045"THK X .50"W
	076322-22-000	FT	TAPE - FOAM/DOUBLE COATED - .045"THK X .75"W
	076322-23-000	FT	TAPE - FOAM/DOUBLE COATED - .045"THK X 1"W
	076322-25-000	FT	TAPE - FOAM/DOUBLE COATED - .025"THK X .5"W
	086276-01-000	EA	TAPE - DOUBLE SIDED - 1/2" WIDE X 108' LONG (SOLD BY ROLL)
	088479-01-000	EA	TAPE - ALUMINUM - 3"
	090340-01-000	FT	SEAL - FOAM - CLOSED CELL - 1/4" X 1/2" X 50'
	090340-02-000	FT	SEAL - FOAM - CLOSED CELL - 3/8" X 1/2" X 50'
	091255-02-000	FT	SEAL - ADHESIVE BACKED/FOAM - 3/64"THICK X 3/16"W X 1000'
	091255-03-000	FT	SEAL - ADHESIVE BACKED/FOAM - 1/4" THICK X 1/4"W X 1000'
	094401-01-000	EA	SEALER - BODY SEAM - FLEXICLEAR
	094401-04-000	EA	SEALER - BODY SEAM - CLEAR
	094401-05-000	EA	SEALER - BODY SEAM - 20OZ BLACK
	094401-06-000	EA	SEALER - BODY SEAM - 12OZ BLACK
	094401-07-000	EA	SEALER - BODY SEAM - CLEAR
	098408-01-000	FT	SEAL - SPONGE RUBBER - CLOSED CELL
	099069-01-000	FT	SEAL - RUBBER - CLOSED SPONGE - .5" WIDE X .12" THICK-BLK
	099418-01-000	FT	SEAL - D-SECTION/ADHESIVE BACK - .44" X .44" - BLK RUBBER
	100128-02-000	FT	SEAL - FOAM/ADHESIVE BACK - .37" WIDE X .37" THICK X 60'
	104692-01-000	FT	SEAL - ADHESIVE BACKED FOAM - 3/4" THICK X 3/4" WIDE X 25'
	107721-07-000	FT	SEAL - ACCESS DOOR - .9"WIDE X 1.1"HIGH
	112864-01-000	FT	SEAL - FOAM/BUTYL COVERED - 3/8" X 35'
	112864-02-000	FT	SEAL - FOAM/BUTYL COVERED - 5/16" X 44'
	112864-05-000	FT	SEAL - FOAM/BUTYL COVERED - 1/2" X 3/16"
	112901-02-000	EA	ADHESIVE - PLEXUS - MA330 - 50ML - GRAY

SEALANTS & FASTENERS GROUP (CONTINUED)

SEALANTS & ADHESIVES (CONTINUED)

KEY	PART NUMBER	U/M	DESCRIPTION
	112901-03-000	EA	ADHESIVE - PLEXUS - MA300 - 50ML - WHITE
	112902-03-000	EA	MIXER NOZZLE - F/GUN #00400102000 - SCOTCH-WELD & PLEXUS
	112902-04-000	EA	NOZZLE - ELEMENT - 1/4" X 3.5"
	113452-01-000	FT	SEAL/TRIM - FRONT - VINYL W/WIRE CARRIER - .020"
	113452-02-000	FT	SEAL/TRIM - FRONT - VINYL W/WIRE CARRIER - .027"
	113366-01-000	EA	ADHESIVE - INSTANT - 1 OZ
	115870-01-000	FT	SEAL/EDGE - TRIM
	120074-02-03A	EA	SILICONE - TUBE - W/O NOZZLE - LOW ODOR - SMOKEY WHITE
	120534-01-01A	EA	TAPE - SCOTCH - 3M - 1/2" FINE LINE
	123655-01-000	FT	SEAL - CLOSED CELL/FOAM
	123816-01-000	FT	TAPE - DOUBLE SIDED - 1" X .020" X 200' - CLEAR
	123816-02-000	FT	TAPE - DOUBLE SIDED - 1/2" X .035" X 200' - CLEAR
	123816-03-000	FT	TAPE - DOUBLE SIDED - 1/2" X .020" X 200' - CLEAR
	123816-04-000	FT	TAPE - DOUBLE SIDED - 6" X .0035" X 750' - CLEAR
	123816-06-000	FT	TAPE - DOUBLE SIDED - 3/4" X 3/4" X 200' - CLEAR
	123816-07-000	FT	TAPE - DOUBLE SIDED - 1 3/4" X 200' - CLEAR
	126427-01-000	EA	ADHESIVE - ALL PURPOSE - ABS/PVC
	126427-02-000	EA	PRIMER - CLEANER - FLEX PIPING
	131264-01-12A	EA	SILICONE - TUBE - W/NOZZLE - BONE
	131264-01-13A	EA	SILICONE - TUBE - W/NOZZLE - TRANSLUCENT
	131264-03-01A	EA	SILICONE - TUBE - W/O NOZZLE - SELF LEVELING -BRIGHT WHITE
	131264-04-02A	EA	SILICONE/SEALANT/ADHESIVE-FAST CURE F/GLASS/VINYL-SOFT WHT
	131264-05-01A	EA	SILICONE/SEALANT - ODORLESS - TUBE - W/NOZZLE - BLACK
	131264-05-02A	EA	SILICONE/SEALANT - ODORLESS - TUBE - W/NOZZLE - CLEAR
	131384-01-000	EA	ADHESIVE - JET WELD - 10 OZ CARTRIDGE
	132892-07-01A	FT	SEAL - BULB/SINGLE - W/U CHANNEL - .5" X 1" - BLACK
	152038-01-01A	EA	TAPE - PRESERVATION SEAL - 2" X 36YD ROLL - BLACK
	154585-01-01A	FT	SEAL - FOAM TAPE - ADHESIVE BACK - 3/8" X 3/8" - BLACK
	154585-02-01A	FT	SEAL - FOAM TAPE - ADHESIVE BACK - 3/4" X 1/2" - BLACK
	154585-03-01A	FT	SEAL - FOAM TAPE - ADHESIVE 2 SIDED - 1/8" X 3/4" - BLACK
	154585-04-01A	FT	SEAL - FOAM TAPE - ADHESIVE BACK - 5/8" X 1/8" - WHITE
	156622-01-01A	FT	SEALER - TAPE - 1/4"THICK X 3"WIDE X 100 FT - WHITE
	156622-02-01A	FT	SEALER - TAPE - 1/4"THICK X 2"WIDE X 100 FT - WHITE

BOLTS, NUTS AND WASHERS

KEY	PART NUMBER	U/M	DESCRIPTION
	0MD54F-06-000	EA	NUT - HEX W/SERATED FLANGE
	000C12-04-08B	EA	BOLT - HEX - 1/4-20 X 1/2 - GRADE #5 - ZINC
	000C12-04-12A	EA	BOLT - HEX - 1/4-20 X 3/4 - PLAIN 5
	000C12-04-40B	EA	BOLT - HEX - 1/4-20 X 2 1/2 - GRADE #5 ZINC
	000C12-05-16B	EA	BOLT - HEX - 5/16 - 18X1 - GRADE #5 - ZINC
	000C12-05-40B	EA	BOLT - HEX - 5/16"-18 X 2.5" - GRADE #5 - ZINC
	000C12-06-28B	EA	BOLT-HEX-3/8-16X13/4 ZN 5 - 5185-01
	000C12-08-24B	EA	BOLT - HEX - 1/2-13 X 1 1/2 - GRADE #5 - ZINC
	000C12-08-28B	EA	BOLT - HEX - 1/2-13 X 1 3/4 - GRADE #5 - ZINC
	000C12-08-44B	EA	BOLT - HEX - 1/2-13 X 2 3/4 - GRADE #5 - ZINC
	000C13-07-40B	EA	BOLT - HEX - 7/16-20 X 2 1/2 - GRADE #5 - ZINC
	000C13-07-48B	EA	BOLT - HEX - 7/16-20 X 3 - GRADE #5 - ZINC
	000C14-10-32B	EA	BOLT - HEX - 5/8-11 X 2.0 - GRADE #8 - ZINC
	000C18-05-40A	EA	BOLT - ELEVATOR - 5/16-18 X 2 1/2 - PL
	000C26-04-10B	EA	BOLT - HEX - SERRATED FLANGE - 1/4-20 X 5/8 - ZINC
	000C26-04-12F	EA	BOLT - HEX - SERRATED FLANGE -1/4-20 X 3/4-STAINLESS STEEL
	000C26-04-14B	EA	BOLT - HEX - SERRATED FLANGE - 1/4-20 X 7/8 - ZINC
	000C26-04-18B	EA	BOLT - HEX - SERRATED FLANGE - 1/4-20 X 1 1/8 - ZINC
	000C26-05-12B	EA	BOLT - HEX - SERRATED FLANGE - 5/16-18 X 3/4 - ZINC
	000C26-06-12B	EA	BOLT - HEX - SERRATED FLANGE - 3/8-16 X 3/4 - ZINC
	000C26-06-20B	EA	BOLT - HEX - SERRATED FLANGE - 3/8-16 X 1 1/4 - ZINC
	000C26-06-28B	EA	BOLT - HEX - SERRATED FLANGE - 3/8-16 X 1 3/4 - ZINC
	000C26-06-40B	EA	BOLT - HEX - SERRATED FLANGE - 3/8-16 X 2 1/2 - ZINC
	000C26-08-24B	EA	BOLT - HEX - SERRATED FLANGE - 1/2-13 X 1 1/2 - ZINC
	000C26-08-28B	EA	BOLT - HEX - SERRATED FLANGE - 1/2-13 X 1 3/4 - ZINC
	000C27-08-48B	EA	BOLT-CARR 1/2-13X3.00 GR5 - 97 M-SERIES
	000D24-10-00B	EA	NUT - HEX - SELF LOCKING - 10-32 - ZINC

SEALANTS & FASTENERS GROUP (CONTINUED)
BOLTS, NUTS AND WASHERS (CONTINUED)

KEY	PART NUMBER	U/M	DESCRIPTION
	000D27-05-00B	EA	NUT - HEX LOCK - 5-40 - ZINC
	000D28-10-00B	EA	NUT - HEX - W/NYLON LOCK - 10-32 - ZINC
	000D29-04-00B	EA	NUT - HEX - SELF LOCKING - 1/4 X 20 - ZINC
	000D29-04-00F	EA	NUT - HEX - SELF LOCKING - 1/4 X 20 - STAINLESS STEEL
	000D29-06-00B	EA	NUT - HEX - W/NYLON LOCK - 3/8-16 - ZINC
	000D29-09-00B	EA	NUT - HEX - SELF LOCKING - 9/16-12 - ZINC
	000D34-04-00B	EA	NUT - HEX - LOCKING - 1/4-20 - ZINC
	000D34-06-00B	EA	NUT - HEX - LOCKING - 3/8-16 GRADE C - ZINC
	000D39-04-00B	EA	NUT - HEX - LOCKING W/SERRATED FLANGE - 1/4-20 - ZINC
	000D39-05-00B	EA	NUT - HEX - LOCKING W/SERRATED FLANGE - 5/16-18 - ZINC
	000D39-06-00B	EA	NUT - HEX - LOCKING W/SERRATED FLANGE - 3/8-18 - ZINC
	000D39-06-00D	EA	NUT - HEX - LOCKING W/SERRATED FLANGE - 3/8"-16 BLACK
	000D39-07-00B	EA	NUT - HEX - LOCKING W/SERRATED FLANGE - 7/16-14 - ZINC
	000D39-08-00B	EA	NUT - HEX - LOCKING W/SERRATED FLANGE - 1/2-13 - ZINC
	000D44-07-00B	EA	NUT - HEX - LOCKING W/SERRATED FLANGE - 7/16-20 - ZINC
	000D44-08-00B	EA	NUT - HEX - LOCKING W/SERRATED FLANGE - 1/2-20 - ZINC
	000D46-04-00A	EA	NUT - HEX - WELD - 1/4-20 - PLAIN
	000D65-08-00B	EA	NUT - HEX - LOCKING W/SERRATED FLANGE - 8-32 - ZINC
	000D73-08-00C	EA	NUT - HEX FLANGE - 1/2-13
	000D75-09-00B	EA	NUT - HEX LOCKING - 9/16-12 - ZINC
	000D76-06-00B	EA	NUT - HEX FLANGE - 3/8-16
	000E11-04-00F	EA	WASHER - LOCKING - 1/4 MED SPLIT - STAINLESS STEEL
	000E11-07-00B	EA	WASHER - LOCKING - 7/16 MED SPLIT - ZINC
	000E11-08-00B	EA	WASHER - LOCKING - 1/2 MED SPLIT - ZINC
	000E13-17-00B	EA	WASHER - FLAT - 3/8 AR - ZINC
	000E13-18-00B	EA	WASHER - FLAT - 3/8 WIDE - ZINC
	000E13-20-00B	EA	WASHER - FLAT - 7/16 WIDE - ZINC
	000E13-22-00B	EA	WASHER - FLAT - 1/2 WIDE - ZINC
	000E13-26-00B	EA	WASHER - FLAT - 5/8 WIDE - ZINC
	000E14-10-00B	EA	WASHER - LOCKING - #10 EXTERNAL TOOTH - ZINC
	000E16-10-00B	EA	WASHER - HARDENED - 5/8 - FLAT - ZINC
	000G45-05-16B	EA	BOLT - LAG - 5/16-9 X 1 - ZINC
	039715-01-000	EA	NUT-SERT - 1/4" DIAMETER - 20 THREADS
	040921-01-000	EA	NUT - SPEED - U TYPE - #10-24 - BLACK
	040921-03-000	EA	NUT - SPEED - U TYPE - #10
	040921-04-000	EA	NUT - SPEED - U TYPE - #8-.59" LENGTH X .44" WIDTH
	040921-05-000	EA	NUT - SPEED - U-TYPE - 8-.67" X .44" WIDE
	040921-11-000	EA	NUT - SPEED - U-TYPE - 8-.59" LENGTH X .44" WIDTH - BLACK
	041322-01-000	EA	WASHER - FLANGE - 15/32"ID X 2 3/8"OD - F/SEAT BELT MTG
	044364-02-000	EA	NUT - SPEED - FLAT - ROUND
	044533-01-000	EA	WASHER - 1 3/8"OD - FOR BUTTONS - PLASTIC
	051387-06-000	EA	BOLT - CARRIAGE W/O HOLE - 5/16-18 X 9 1/2 - ZINC
	058716-02-000	EA	WASHER - FLAT NYLON
	064081-03-000	EA	NUT - WING 3/8-16 - W/WELD NUT
	077071-01-000	EA	WASHER - FENDER - 3/16"ID X 1"OD
	087234-01-000	EA	NUT - JACK - 1/4 X 20 THD - MOLLY
	088787-12-000	EA	STUD - WELD - 1/4 - 20 X 1.0 LG - MN
	106956-03-000	EA	BOLT - HEX TAP - 1/2-13NC X 3 - GRADE 5 - FULL THREAD/ZINC
	106956-10-000	EA	BOLT - HEX TAP - 9/16-12NC X 3 5/8 -GRD 5-FULL THREAD/ZINC
	106956-11-000	EA	BOLT - HEX TAP - 1/2-13NC X 2 1/2 - GRD 5-FULL THREAD/ZINC
	106956-13-000	EA	BOLT - HEX TAP - 1/2-20 X 2 1/2 - GRD 5-FULL THREAD/ZINC
	106956-14-000	EA	BOLT - HEX TAP - 5/16 -18NC X 1 1/2 - GRD 5-FULL THREAD/ZINC
	107397-01-000	EA	WASHER - FENDER - 3/4"ID X 1"OD
	108067-03-000	EA	STUD - WELD - 1/4 - 20 X 1/2 CD
	109917-01-000	EA	WASHER - 1.5" X 1.25"
	109917-03-000	EA	WASHER - 1" X .50"
	109917-04-000	EA	WASHER - 1" X .75"
	128444-01-000	EA	WASHER - SPRING - CONICAL
	135092-02-01A	EA	BOLT - HEX - SERRATED FLANGE - 1/2-20 X 2 1/2-GRADE 5 ZINC
	135092-05-01A	EA	BOLT - HEX - SERRATED FLANGE - 1/2-20 X 1 - GRADE 5 ZINC
	143399-01-01A	EA	NUT/RETAINING - 3/8"- 24 NFT
	147284-02-000	EA	NUT/SELF RETAINING - 5/16"-18
	148817-01-000	EA	WASHER/SPUR - LOCKING

SEALANTS & FASTENERS GROUP (CONTINUED)

SCREWS

KEY	PART NUMBER	U/M	DESCRIPTION
	0G1208-12-170	EA	SCREW - 8-18 X 3/4 POH - BRIGHT WHITE
	0G3908-08-170	EA	SCREW - SF/DR - 8-18 X 1/2 PPH - BRIGHT WHITE
	0G3908-16-170	EA	SCREW - SF/DR - 8-18 X 1 PPH - BRIGHT WHITE
	0G3908-24-170	EA	SCREW - SF/DR - 8-18 X 1 1/2 PPH - BRIGHT WHITE
	0G3910-10-420	EA	SCREW - SF/DR - 10-16 X .62 PPH - BRIARWOOD
	0G3910-12-170	EA	SCREW - SF/DR - 10-16 X 3/4 PPH - BRIGHT WHITE
	0G3910-24-170	EA	SCREW - SF/DR - 10-16 X 1 1/2 PPH - BRIGHT WHITE
	0G5508-08-370	EA	SCREW - SF/DR - 8-18 X .5 PWH - RIVERSTONE
	0G5508-08-380	EA	SCREW - SF/DR - 8-18 X .5 PWH - CASHMERE
	0G5508-08-420	EA	SCREW - SF/DR - 8-18 X .5 PWH - BRIARWOOD
	0G5508-08-450	EA	SCREW - SF/DR - 8-18 X .5 PWH - SADDLE
	0G5508-12-170	EA	SCREW - SF/DR - 8-18 X 3/4 PWH - BRIGHT WHITE
	0G5508-12-330	EA	SCREW - SF/DR - 8-18 X 3/4 PWH - PUTTY
	0G5508-12-380	EA	SCREW - SF/DR - 8-18 X 3/4 PWH - CASHMERE
	0G5508-12-450	EA	SCREW - SF/DR - 8-18 X 3/4 PWH - SADDLE
	0G5508-16-330	EA	SCREW - SF/DR - 8-18 X 1 PWH - PUTTY
	0G5508-16-370	EA	SCREW - SF/DR - 8-18 X 1 PWH - RIVERSTONE
	0G5508-16-380	EA	SCREW - SF/DR - 8-18 X 1 PWH - CASHMERE
	0G5508-16-450	EA	SCREW - SF/DR - 8-18 X 1 PWH - SADDLE
	0G6008-16-170	EA	SCREW - SF/DR - 8-18 X 1 POH - BRIGHT WHITE
	0G6012-32-170	EA	SCREW - SF/DR - 12-14 X 2 POH - BRIGHT WHITE
	0G6710-08-170	EA	SCREW - 10-12 X 1/2 PPH - BRIGHT WHITE
	0G6710-12-170	EA	SCREW - 10-12 X 3/4 PPH - BRIGHT WHITE
	0G6806-16-170	EA	SCREW - 6-18 X 1 POH - BRIGHT WHITE
	0G6810-24-280	EA	SCREW - 10-12 X 1 1/2 POH - SOFT WHITE
	000C20-06-24T	EA	SCREW - 3/8-16 X 1 1/2 - FLAT SOCKET
	000G11-06-08B	EA	SCREW - 6-20 X 1/2 PPH - ZINC
	000G11-06-10B	EA	SCREW - 6-20 X 5/8 PPH - ZINC
	000G11-06-10J	EA	SCREW - 6-20 X 5/8 PPH - BRASS
	000G11-07-08B	EA	SCREW - 7-19 X 1/2 PPH - ZINC
	000G11-08-06B	EA	SCREW - 8-18 X 3/8 PPH - ZINC
	000G11-08-08T	EA	SCREW - 8-18 X 1/2 PPH - FLUOROCARBON COATING
	000G11-08-12B	EA	SCREW - 8-18 X 3/4 PPH - ZINC
	000G11-08-12P	EA	SCREW - 8-18 X 3/4 PPH - DARK BROWN
	000G11-08-12S	EA	SCREW - 8-18 X 3/4 PPH - OFF WHITE
	000G11-08-12T	EA	SCREW - 8-18 X 3/4 PPH - BLACK MAGNESIUM
	000G11-08-20B	EA	SCREW - 8-18 X 1 1/4 PPH - ZINC
	000G11-08-20G	EA	SCREW - 8-18 X 1 1/4 - ANTIQUE BRASS
	000G11-10-12D	EA	SCREW - 10-16 X 3/4 PPH - BLACK
	000G11-10-32P	EA	SCREW-10,16X2.00 PPH DK BRN
	000G12-06-08T	EA	SCREW - 6-20 X 1/2 POH - BLACK
	000G12-10-16F	EA	SCREW - 10-16 X 1 POH - STAINLESS STEEL
	000G13-05-10B	EA	SCREW - 5-12 X 5/8 PFH - ZINC
	000G13-06-06I	EA	SCREW - 6-20 X 3/8 PFH - BLACK ZINC
	000G13-06-08B	EA	SCREW - 6-20 X 1/2 PFH - ZINC
	000G13-06-08G	EA	SCREW - 6-20 X 1/2 PFH - ANTIQUE BRASS
	000G13-06-10G	EA	SCREW - 6-20 X 5/8 PFH - ANTIQUE BRASS
	000G13-06-16E	EA	SCREW - 6-20 X 1 PFH - CHROME
	000G13-06-16J	EA	SCREW - 6-20 X 1 PFH - BRASS
	000G13-06-24J	EA	SCREW - 6-20 X 1 1/2 PFH - BRASS
	000G13-07-10H	EA	SCREW - 7-19 X 5/8 PFH - BLACK
	000G13-07-12B	EA	SCREW - 7-19 X 3/4 PFH - ZINC
	000G11-08-08B	EA	SCREW - 8-18 X 1/2 PPH - ZINC
	000G13-08-10B	EA	SCREW - 8-18 X 5/8 PFH - ZINC
	000G13-08-109	EA	SCREW - 8-18 X 5/8 PFH
	000G13-08-16B	EA	SCREW - 8-18 X 1 PFH - ZINC
	000G13-08-24B	EA	SCREW - 8-18 X 1 1/2 PFH - ZINC
	000G16-04-24B	EA	SCREW - MACHINE - 1/4-20 X 1 1/2 PPH
	000G18-08-16B	EA	SCREW - MACHINE - 8-32 X 1 PPH - ZINC
	000G18-08-22B	EA	SCREW - MACHINE - 8-32 X 1 3/8 PPH - ZINC
	000G18-08-24B	EA	SCREW - MACHINE - 8-32 X 1 1/2 PPH - ZINC
	000G19-10-08B	EA	SCREW - MACHINE - 10-32 X 1/2 PPH - ZINC
	000G19-10-10B	EA	SCREW - MACHINE - 10-32 X 5/8 - PPH - ZINC
	000G19-10-12F	EA	SCREW - MACHINE - 10-32 X 3/4 PPH - STAINLESS STEEL

SEALANTS & FASTENERS GROUP (CONTINUED)
SCREWS (CONTINUED)

KEY	PART NUMBER	U/M	DESCRIPTION
	000G19-10-20B	EA	SCREW - MACHINE - 10-32 X 1 1/2 PPH - ZINC
	000G32-10-06B	EA	SCREW - 10-32 X 3/8 PPH - ZINC
	000G34-05-12B	EA	SCREW - HEX HEAD TAPPING - 5/16 X 3/4 LONG
	000G39-06-10T	EA	SCREW - SF/DR - 6-20 X 5/8 PPH - BLACK
	000G39-06-16T	EA	SCREW - SF/DR - 6-20 X 1 PPH - BLACK
	000G39-08-06B	EA	SCREW - SF/DR - 8-18 X 3/8 PPH - ZINC
	000G39-08-08B	EA	SCREW - SF/DR - 8-18 X 1/2 PPH - ZINC
	000G39-08-08S	EA	SCREW - SF/DR - 8-18 X 1/2 PPH - OFF WHITE
	000G39-08-08T	EA	SCREW - SF/DR - 8-18 X 1/2 PPH - BLACK
	000G39-08-12T	EA	SCREW - SF/DR - 8-18 X 3/4 PPH - BLACK
	000G39-08-16B	EA	SCREW - SF/DR - 8-18 X 1 PPH - ZINC
	000G39-08-16T	EA	SCREW - SF/DR - 6-20 X 1 PPH - BLACK
	000G39-08-24B	EA	SCREW - SF/DR - 8-18 X 1 1/2 PPH - ZINC
	000G39-08-24T	EA	SCREW - SF/DR - 8-18 X 1 1/2 PPH - BLACK
	000G39-08-32B	EA	SCREW - SF/DR - 8-18 X 2 PPH - ZINC
	000G39-08-169	EA	SCREW-SF/DR,8-18X1.00 PPH - FLUROCARBON SILVER
	000G39-10-08B	EA	SCREW - SF/DR - 10-16 X 1/2 PPH - ZINC
	000G39-10-10B	EA	SCREW - SF/DR - 10-16 X 5/8 PPH - ZINC
	000G39-10-12B	EA	SCREW - SF/DR - 10-16 X 3/4 PPH - ZINC
	000G39-10-12S	EA	SCREW - SF/DR - 10-16 X 3/4 PPH - OFF WHITE
	000G39-10-129	EA	SCREW - SF/DR - 10-16 X 3/4 PPH - FLUOROCARBON SILVER
	000G39-10-169	EA	SCREW - SF/DR - 10-16 X 1 PPH - FLUOROCARBON SILVER
	000G39-10-20B	EA	SCREW - SF/DR - 10-16 X 1 1/4 PPH - ZINC
	000G39-10-20T	EA	SCREW - SF/DR - 10-16 X 1 1/4 PPH - BLACK
	000G39-10-24B	EA	SCREW - SF/DR - 10-16 X 1 1/2 PPH - ZINC
	000G39-10-24T	EA	SCREW - SF/DR - 10-16 X 1 1/2" PPH - BLACK
	000G39-10-32B	EA	SCREW - SF/DR - 10-16 X 2 - PPH - ZINC
	000G39-10-48B	EA	SCREW - SF/DR - 10-16 X 3 - PPH - ZINC
	000G39-10-48T	EA	SCREW - SF/DR - 10-16 X 3 PPH - BLACK
	000G42-04-16B	EA	SCREW - SF/DR - 1/4-14 X 1 HWH - ZINC
	000G42-04-24B	EA	SCREW - SF/DR - 1/4-14 X 1 1/2 - ZINC
	000G52-06-05B	EA	SCREW - MACHINE - 6-32 X 5/16 PTH - ZINC
	000G52-06-06B	EA	SCREW - MACHINE - 6-32 X 3/8 PTH - ZINC
	000G54-04-14B	EA	SCREW - 1/4-20 X 7/8 PTH - TYPE 23 - ZINC PLATED
	000G55-08-12T	EA	SCREW - SF/DR - 8-18 X 3/4 PWH - BLACK
	000G55-08-16S	EA	SCREW - SF/DR - 8-18 X 1.00 PWH - OFF WHITE
	000G55-08-16T	EA	SCREW - SF/DR - 8-18 X 1 PWH - BLACK
	000G56-12-48B	EA	SCREW - WOOD - 12-11 X 3 POH - SPECIAL HARDENED
	000G60-08-16E	EA	SCREW - SF/DR - 8-1 X 1 POH - CHROME
	000G60-08-20F	EA	SCREW - SF/DR - 8-19X1.25 POH
	000G60-08-22B	EA	SCREW - SF/DR - 8-18 X 1.38 POH - ZINC
	000G60-10-20B	EA	SCREW - SF/DR - 10-16 X 1 1/4 POH - ZINC
	000G60-10-209	EA	SCREW - SF/DR - 10-16 X 1 1/4 POH - SILVER STALGAARD
	000G60-10-28T	EA	SCREW - SF/DR - 10-16 X 1 3/4 - BLACK
	000G62-06-12B	EA	SCREW-SF/DR,6-20X.75 PFH - ZINC
	000G62-06-249	EA	SCREW - SF/DR - 8-18 X 1.5 PPH - SILVER
	000G62-08-24B	EA	SCREW - SF/DR - 8-18 X 1 1/2 PFH
	000G62-08-24T	EA	SCREW - SF/DR - 8-18 X 1 1/2 PFH - BLACK
	000G67-08-32B	EA	SCREW - 8-15 X 2 PPH - ZINC
	000G67-10-08B	EA	SCREW - 10-12 X 1/2 PPH - ZINC
	000G67-10-08S	EA	SCREW - 10-12 X 1/2 PPH - OFF WHITE
	000G67-10-10B	EA	SCREW - 10-12 X 5/8 PPH - ZINC - TYPE A
	000G67-10-10D	EA	SCREW - 10-12 X 5/8 PPH - BLACK - TYPE A
	000G67-10-10P	EA	SCREW - 10-12 X 5/8 PPH - DARK BROWN
	000G67-10-10S	EA	SCREW - 10-12 X 5/8 PPH - OFF WHITE
	000G67-10-10T	EA	SCREW - 10-12 X 5/8 PPH - BLACK
	000G67-10-10V	EA	SCREW-10-12X5/8 PPH ZN O/W - TYPE A
	000G67-10-12P	EA	SCREW - 10-12 X 3/4 PPH - DARK BROWN
	000G67-10-24B	EA	SCREW - 10-12 X 1 1/2 PPH - ZINC
	000G68-06-10J	EA	SCREW - 6-18 X 5/8 POH - BRASS
	000G68-06-12B	EA	SCREW - 6-18 X 3/4 POH - ZINC & CLEAR
	000G68-06-12S	EA	SCREW - 6-18 X 3/4 POH
	029130-01-000	EA	SCREW - SNAP STUD - #8-16 X 5/8" LONG
	029130-02-000	EA	SCREW - SNAP STUD - #8-16 X 1 1/2" LONG

SEALANTS & FASTENERS GROUP (CONTINUED)
SCREWS (CONTINUED)

KEY	PART NUMBER	U/M	DESCRIPTION
	029130-03-000	EA	SCREW - SNAP STUD - #8-16 X 1" LONG
	049465-03-000	EA	SCREW - 10-16 X 1 POH W/WASHER - OFF WHITE
	049465-17-000	EA	SCREW - 10-16 X 1 POH W/WASHER - BRIGHT WHITE
	049465-18-000	EA	SCREW - 10-16 X 1 POH W/WASHER - VW GRAY
	054434-02-000	EA	SCREW - SF/DR - 10-16 X 2 - ZINC
	054434-03-000	EA	SCREW - SF/DR - 10-16 X 2 - PWH - ZINC
	075908-01-000	EA	SCREW - MACHINE - 10-32 X .56 PTH - EXTERNAL TOOTH - ZINC
	076790-01-000	EA	SCREW - 6-20 X 1 1/4 PPH - BLACK
	076790-05-000	EA	SCREW - 6-20 X 1/2 PPH - BLACK - THREAD CUTTING/WOOD
	083554-01-000	EA	SCREW - DRYWALL - 8 X 1 1/4
	087721-01-000	EA	SCREW - FLAT HEAD - TAPPING - 1/4" X 1 1/4" LONG - ZINC
	093249-01-000	EA	CAP/SCREW - MOLDED/VINYL - BLACK
	095772-01-000	EA	SOCKET-SNAP FASTNER1" SF/DR - SELF DRIVER
	097974-01-000	EA	SCREW - PARTICLE BOARD - 7-9 X 3/4 PPH
	101618-01-000	EA	SCREW - 1/4-20 X 3/4 HEX - TAPPING - STALGARD TYPE F
	113563-01-01A	EA	SCREW - 8 X 5/8 LONG SHOULDER/WASHER HEAD
	113563-01-02A	EA	SCREW - 8 X 5/8 LONG SHOULDER/WASHER HEAD - BRIGHT WHITE
	118383-01-12A	EA	RETAINER/RECESSED - F/.22" SCREW - RIVERSTONE
	118383-01-14A	EA	RETAINER/RECESSED - F/.22" SCREW - PEWTER
	118383-01-15A	EA	RETAINER/RECESSED - F/.22" SCREW - BRIARWOOD
	118383-02-13A	EA	RETAINER/RECESSED - F/.27" SCREW - OFF WHITE
	118383-04-04A	EA	CAP - F/RECESSED RETAINER - BRIGHT WHITE
	118383-04-10A	EA	CAP - F/RECESSED RETAINER - RIVERSTONE
	118383-04-13A	EA	CAP - F/RECESSED RETAINER - OFF WHITE
	118383-04-14A	EA	CAP - F/RECESSED RETAINER - PEWTER
	118383-04-15A	EA	CAP - F/RECESSED RETAINER - BRIARWOOD
	134126-01-01A	EA	SCREW/NAIL - HEX HEAD - 3/4"
	140040-01-000	EA	SCREW - 1/4-20 X 1 - BUTTON HEAD/SOCKET - W/LOCTITE
	149753-01-01A	EA	RETAINER/RECESSED - F/.22" SCREW - BLACK
	149753-01-02A	EA	RETAINER/RECESSED - F/.22" SCREW - BRIGHT WHITE
	149753-02-01A	EA	CAP - F/RECESSED RETAINER - BLACK
	149753-02-02A	EA	CAP - F/RECESSED RETAINER - BRIGHT WHITE
	154938-01-01A	EA	SCREW - SF/DR - 10-16 X 3/4 PPH - W/SELF SEAL - BRIGHT WHITE
	154938-01-02A	EA	SCREW - SF/DR - 10-16 X 3/4 PPH - W/SELF SEAL - BLACK
	154938-02-01A	EA	SCREW - SF/DR - 8-18 X 1 PFH - W/SELF SEAL - BRIGHT WHITE
	154938-02-02A	EA	SCREW - SF/DR - 8-18 X 1 PFH - W/SELF SEAL - BLACK
	154938-02-03A	EA	SCREW - SF/DR - 8-18 X 1 PFH - W/SELF SEAL - SILVER
	154938-03-01A	EA	SCREW - SF/DR - 8-18 X 5/8 PFH - W/SELF SEAL - BRT WHT
	154938-03-02A	EA	SCREW - SF/DR - 8-18 X 5/8 PFH - W/SELF SEAL - BLACK
	154938-04-01A	EA	SCREW - SF/DR - 10-16 X 1" TPH - W/SELF SEAL - BRT WHT
	154938-04-02A	EA	SCREW - SF/DR - 10-16 X 1" TPH - W/SELF SEAL - BLACK
	154938-05-03A	EA	SCREW - SF/DR - 8-18 X 1.25" PFH - W/SELF SEAL - SILVER

SEALANTS & FASTENERS GROUP (CONTINUED)
CLAMPS, CLIPS, GROMMETS, RIVETS & PLUGS

KEY	PART NUMBER	U/M	DESCRIPTION
	000H14-06-03R	EA	RIVET - MANDREL BLIND - 3/16 ALUMINUM
	000H16-04-06R	EA	RIVET - POP ALUMINUM - 1/8 X .313 - .375
	000H16-06-10R	EA	RIVET - POP ALUMINUM - 3/16 X .501 - .625
	007161-01-000	EA	CLAMP - HOSE - SPRING TYPE - 1/2"
	008386-01-000	EA	GROMMET - SNAP - 3/8" DIAMETER - NYLON
	010495-01-000	EA	CLAMP - CABLE - 9/16"ID - BLACK
	010495-02-000	EA	CLAMP - CABLE - 3/8"ID - BLACK
	010495-04-000	EA	CLAMP - CABLE - 11/16"ID - WHITE
	010497-01-000	EA	CLAMP - CLOSED - 5/8"ID
	010497-02-000	EA	CLAMP - CLOSED - 1.5"ID
	010497-03-000	EA	CLAMP - CLOSED - 1"ID - CUSHIONED
	010497-04-000	EA	CLAMP - CLOSED - 1 5/8"ID
	010497-05-000	EA	CLAMP - CLOSED - 1/2"ID
	010497-07-000	EA	CLAMP - CLOSED - 3/8"ID
	010497-09-000	EA	CLAMP - CLOSED - 5/16"ID
	010497-10-000	EA	CLAMP - CLOSED - 7/8"ID
	010499-01-000	EA	CLAMP - CLOSED - 3/8"ID
	016188-03-000	EA	GROMMET - LP LINE - 3/8"HOLE X 2 1/2"LONG - RUBBER
	016188-04-000	EA	GROMMET - LP LINE - 1/2"HOLE X 2 1/2"LONG - RUBBER
	016188-05-000	EA	GROMMET - LP LINE - 3/8"HOLE X 1 1/4"LONG - RUBBER
	016188-06-000	EA	GROMMET - LP LINE - 3/8"HOLE X 3 1/4"LONG - RUBBER
	016188-07-000	EA	GROMMET - L/P LINE - 1/2"HOLE X 3 1/4"LONG
	016188-08-000	EA	GROMMET - LP LINE - 1/2"HOLE X 1 1/4"LONG - RUBBER
	016188-09-000	EA	GROMMET - LP LINE - .68"HOLE X 1 1/4"LONG - RUBBER
	016188-10-000	EA	GROMMET - LP GAS - .68" X 2.5"
	023942-01-000	EA	GROMMET - RUBBER - 2"OD
	041930-11-000	EA	RIVET - POP ALUMINUM - 1/8 X .188 - .250 - BRIGHT WHITE
	061420-04-000	EA	PLUG/PLASTIC - 1 1/4" DIAMETER
	061420-05-000	EA	PLUG/PLASTIC - 1 1/2" DIAMETER
	061420-09-000	EA	PLUG/PLASTIC - 1.00" DIAMETER
	061420-10-000	EA	PLUG/PLASTIC - 1 1/2" DIAMETER - BLACK
	061420-12-000	EA	PLUG/PLASTIC - 1.50" DIAMETER - RED
	061420-13-000	EA	PLUG/PLASTIC - 3/8" - FLUSH
	061420-14-000	EA	PLUG/PLASTIC - 7/8" DIAMETER - BLACK
	061420-15-000	EA	PLUG/PLASTIC - 2" DIAMETER - BLACK
	061420-16-000	EA	PLUG/PLASTIC - 2 1/8" DIAMETER - BLACK
	061420-18-000	EA	PLUG/PLASTIC - 1 3/4" DIAMETER - BLACK
	062401-01-000	EA	CLAMP - HOSE - WORMGEAR - .25" - 1"
	062401-02-000	EA	CLAMP - HOSE - WORMGEAR - 1.56" - 2.5" ID
	062401-03-000	EA	CLAMP - HOSE - WORMGEAR - .22" - 1" ID
	062401-04-000	EA	CLAMP - HOSE - WORMGEAR - .69" - 1.25" ID
	062401-06-000	EA	CLAMP - HOSE - WORMGEAR - .22" - .62" ID
	062401-09-000	EA	CLAMP - HOSE - WORMGEAR - 2.8" - 3.75" ID
	062401-11-000	EA	CLAMP - HOSE - WORMGEAR - 3.50" - 4.50" ID
	062401-13-000	EA	CLAMP - HOSE - WORMGEAR
	071015-11-000	EA	GROMMET - RUBBER - 1"ID FITS .12 MATERIAL - BLACK
	071015-13-000	EA	GROMMET - RUBBER - .62"ID X 1"OD W/.09" GROOVE - BLACK
	071015-20-000	EA	GROMMET - .38 ID FITS .06 MTL
	071015-22-000	EA	GROMMET - RUBBER - .62"ID X 1.12"OD W/.19" GROOVE - BLACK
	071015-26-000	EA	GROMMET - RUBBER - 1.5"ID X 2.1"OD W/.06" GROOVE - BLACK
	071015-29-000	EA	GROMMET - RUBBER - .3"ID X 1.3"OD W/.12" GROOVE - BLACK
	071015-30-000	EA	GROMMET - RUBBER - .3"ID X .81"OD W/.12" GROOVE - BLACK
	071015-39-000	EA	GROMMET - .75 ID FITS .06 MTL
	071015-41-000	EA	GROMMET - .125 ID FITS .188 MTL
	071015-42-000	EA	GROMMET - .25 ID FITS .06 MTL
	071015-43-000	EA	GROMMET-.25 ID,FITS .07 MATL, MINOR Z-4139
	071015-44-000	EA	GROMMET - .31 ID FITS .25 MTL
	075148-02-000	EA	CLAMP - GROUNDING - BRONZE SCREWS
	077955-01-000	EA	CLIP/J - 3/8" - VINYL COATED
	081211-03-000	EA	PLUG - PLASTIC - .50"DIAMETER - TRUSS HEAD - BLACK
	081211-04-000	EA	PLUG - PLASTIC - .46"DIAMETER - TRUSS HEAD - BLACK
	081211-06-000	EA	PLUG-PLASTIC,.468DIA,BLACK , HEYCO 1669
	083609-01-000	EA	CLAMP - WIRE - DUAL - EQUAL DIAMETERS - 5/8"
	083610-01-000	EA	CLAMP - WIRE - DUAL - UNEQUAL DIAMETERS - 3/4" & 1 1/4"

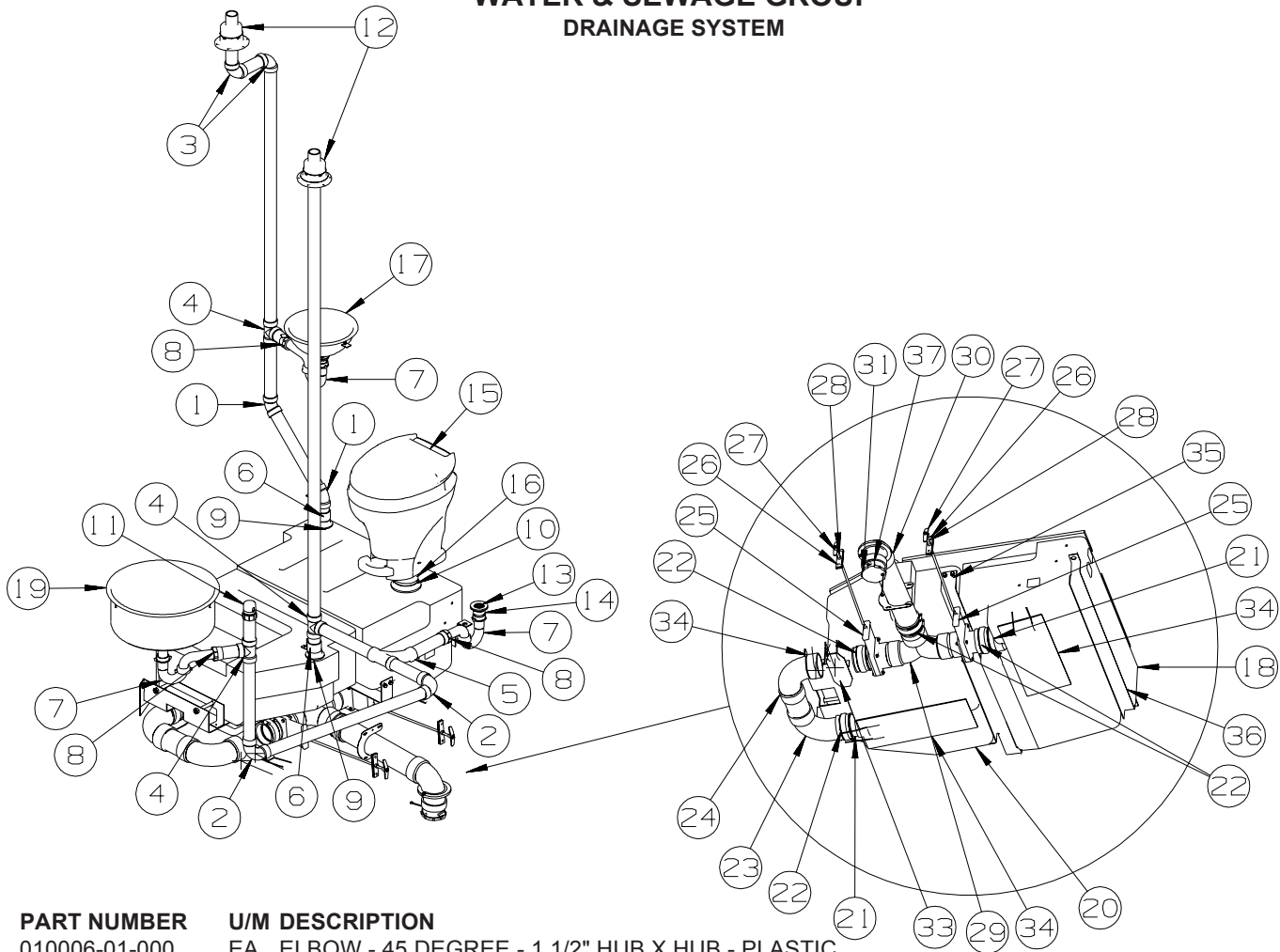
SEALANTS & FASTENERS GROUP (CONTINUED)
CLAMPS, CLIPS, GROMMETS, RIVETS & PLUGS (CONTINUED)

KEY	PART NUMBER	U/M	DESCRIPTION
	083610-02-000	EA	CLAMP - WIRE - DUAL - UNEQUAL DIAMETERS - 3/4" & 2"
	083610-03-000	EA	CLAMP - WIRE - DUAL - EQUAL DIAMETERS - 2"
	083610-02-000	EA	CLAMP - WIRE - DUAL - UNEQUAL DIAMETERS - 3/4" & 2"
	083610-03-000	EA	CLAMP - WIRE - DUAL - EQUAL DIAMETERS - 2"
	088756-01-000	EA	GROMMET - WEB - 1 1/8"ID
	089329-02-000	EA	CLIP - SPRING
	091952-01-000	EA	CLIP - GRIPPER - 1" - BLACK VINYL COATED
	091952-02-000	EA	CLIP - GRIPPER - 3/4" - BLACK VINYL COATED
	091952-03-000	EA	CLIP - GRIPPER - 1/2" - BLACK VINYL COATED
	094362-02-000	EA	CLIP - XMAS TREE - BINDER HEAD - .9" LONG/ANY COLOR
	113133-02-01A	EA	RIVET - POP - ALUMINUM - 3/16 X .252 - .504 - BLACK
	114208-05-000	EA	GROMMET - EDGE LINER - FITS 2"
	118626-01-01A	EA	RIVET/POP - ALUMINUM - 3/16 X 1.2"(GRIP RANGE .1"-.4")
	118626-01-02A	EA	RIVET/POP - ALUMINUM - 3/16 X .08 - .375
	118626-02-01A	EA	RIVET/POP - ALUMINUM - 3/16 X .500 - .750
	118626-03-01A	EA	RIVET/POP - STAINLESS STEEL - 3/16 X .500 - .750
	137014-01-01A	EA	GROMMET - CABLE - ALMOND
	139118-02-01A	EA	GROMMET - SCREW - PLASTIC
	155498-01-01A	EA	CLAMP - CLOSED - 7/8"ID - VINYL DIP/GALVONIZED - BLACK

MISCELLANEOUS FASTENERS

KEY	PART NUMBER	U/M	DESCRIPTION
	008343-01-000	EA	TIE - WIRE - 6"
	008343-02-000	EA	TIE - WIRE - 14"
	008343-03-000	EA	TIE - WIRE - 7 1/2" - BLACK
	029094-04-000	YD	VELCRO TAPE/LOOP - 1"WIDE - W/ADHESIVE BACK - BLACK
	029096-03-000	YD	VELCRO TAPE/HOOK - 1"WIDE - BLACK
	029096-04-000	YD	VELCRO TAPE/HOOK - 1"WIDE - BLACK - W/ADHESIVE BACK (PSA)
	048394-02-000	YD	VELCRO TAPE - HOOK - ADHESIVE BACK - 3/4" WIDE - BEIGE
	085774-01-000	FT	FASTENER - DUAL LOCK - 1" WIDE - ADHESIVE BACK - BLACK
	085774-02-000	FT	FASTENER - DUAL HOOK - 1" WIDE - ADHESIVE BACK - BLACK
	088792-02-000	YD	VELCRO TAPE - LOOP - 3/4" - ADHESIVE BACK - BEIGE
	088792-04-000	YD	VELCRO TAPE - HOOK - 5/8" - NON-ADHESIVE BACK - WHITE
	088792-05-000	YD	VELCRO TAPE - LOOP - 5/8" - NON-ADHESIVE BACK - WHITE
	108046-02-000	EA	CABLE TIE - SCREW MOUNT 15"

WATER & SEWAGE GROUP DRAINAGE SYSTEM

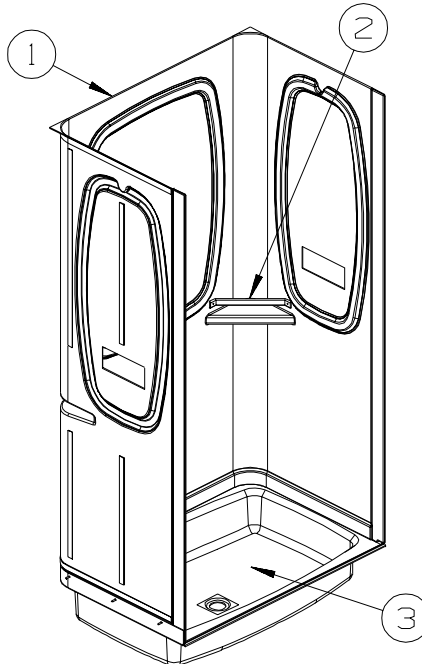


KEY	PART NUMBER	U/M	DESCRIPTION
1	010006-01-000	EA	ELBOW - 45 DEGREE - 1 1/2" HUB X HUB - PLASTIC
2	010008-01-000	EA	ELBOW - 90 DEGREE - 1 1/2" HUB X HUB - PLASTIC
3	034250-01-000	EA	ELBOW - 90 DEGREE - LONG TURN - 1 1/2" HUB X HUB - ABS
4	010071-01-000	EA	TEE - SANITARY - 1 1/2" HUB X HUB X HUB - PLASTIC
5	031365-02-000	EA	TEE - 1 1/2" EXTRA LONG TURN - PLASTIC
6	010115-01-000	EA	COUPLING - 1 1/2" HUB X HUB - PLASTIC
7	107538-02-000	EA	P-TRAP - PLASTIC - 1 1/2" W/EXTENSION ARM
7	011071-01-000	EA	P-TRAP - 1 1/2" - CSA - PLASTIC - CANADIAN
8	152146-01-000	EA	CONNECTOR - 1 1/2" P X 1 1/2" MPT
9	061607-01-000	EA	GROMMET - HOLDING TANK - 1 1/2" NPS
10	061607-02-000	EA	GROMMET - HOLDING TANK - 3" NPS
11	079968-01-000	EA	VENT - MECHANICAL/TRAP ARM - ANTI-SIPHON-2" X 7.3" PLASTIC
12	083558-03-000	EA	VENT - W/COVER - F/PLUMBING STACK - OFF WHITE
13	066440-01-000	EA	STRAINER - SHOWER DRAIN - W/RUBBER WASHER
14	011069-06-000	EA	TAILPIECE - 1 1/2" X 1 1/4" X 2 1/2" - BRASS
15*	147421-01-01A	EA	TOILET/AQUA MAGIC 5 (HIGH) FOOTFLUSH - W/SPRAY - WHITE
16	024676-01-000	EA	FLANGE/CLOSET - 4" X 3" - BLACK PLASTIC
17	151679-01-01A	EA	SINK - LAVATORY - STAINLESS STEEL
	011069-03-000	EA	TAILPIECE - TUB/SHOWER - 1 1/2" X 1 3/4" - PLASTIC
	127440-02-01A	EA	WASHER - RUBBER - 1.8" X .1"
	130403-01-000	EA	NUT - SLIP - W/WINGS 1 1/2"
18	151545-01-700	EA	TANK - HOLDING - 32 GALLON - W/3" NIPPLE - W/O FITTINGS
	049032-01-000	EA	PATCH - SPINWELD - 3/8" - PLASTIC

WATER & SEWAGE GROUP (CONTINUED)
DRAINAGE SYSTEM (CONTINUED)

KEY	PART NUMBER	U/M	DESCRIPTION
19	151677-02-01A	EA	SINK - GALLEY - ROUND - STAINLESS STEEL - CSA FROM: 00-00-00 THRU: 08-29-07
19	165118-01-01A	EA	SINK - GALLEY/ROUND - 16" - STAINLESS STEEL FROM: 08-30-07 THRU: 99-99-99
	066437-02-000	EA	STRAINER/BASKET - GALLEY SINK - 2.6" OD FROM: 00-00-00 THRU: 02-12-07
	163569-01-000	EA	STRAINER - W/BASKET/NUT/SEAL WASHER - 2" FROM: 02-13-07 THRU: 08-29-07
	092303-01-000	EA	STRAINER - W/BASKET - GALLEY SINK - 4" OD FROM: 08-30-07 THRU: 99-99-99
	127440-02-01A	EA	WASHER - RUBBER - 1.8" X .1"
	130403-01-000	EA	NUT - SLIP - W/WINGS 1 1/2"
20	160960-01-700	EA	TANK - HOLDING - W/3" NIPPLE - W/O FITTINGS
21	010129-03-000	EA	NIPPLE - 3" X 3" TOE - PLASTIC
22	078406-01-000	EA	COUPLER - 3" X 3" W/CLAMPS - RUBBER
23	041956-01-000	EA	ELBOW - 3" STREET - 90 DEGREE - PLASTIC
24	031126-01-000	EA	ELBOW - 1/4 BEND - 3" X 90" XLT - BLACK PLASTIC
25	062418-02-000	EA	VALVE-3",HUBXSPIGOT,W/O HNDL - VALTERRA T40 WINN
26	062419-05-000	EA	BRACKET - VALVE - LOCKING
27	062419-06-000	EA	HANDLE - T
28	062419-11-000	EA	HANDLE - EXTENSION - W/TAPPED END
29	010065-01-000	EA	TEE - 3" FEMALE - PLASTIC
30	010062-01-000	EA	ELBOW - 3 90 SPIGOT X HUB - PLASTIC
31	062417-01-000	EA	ADAPTER - TERMINATION - 3"
	132892-07-01A	FT	SEAL - BULB/SINGLE - W/U CHANNEL - .5" X 1" - BLACK
32*	062415-01-000	EA	CAP - SEWER - 3" DIAMETER
32	139513-01-000	EA	HOSE - SEWER - 3" X 10' - W/BAYONET TYPE ADAPTER
	062416-01-000	EA	ADAPTER - SEWER HOSE TO 3" PIPE
33	133972-03-000	EA	PAD/ELBOW HEATING - 1.5" DIAMETER - DRAINAGE SYSTEM-HEATED
34	133972-04-000	EA	PAD/HEATER - HOLDING TANK - F/34 GALLON - DRAINAGE SYSTEM-HEATED
34	151887-02-02B	EA	BRACKET - HOLDING TANK - E-COATED
35	151888-03-02B	EA	BRACKET - HOLDING TANK - E-COATED
36	151890-06-02B	EA	BRACKET - HOLDING TANK - E-COATED

***COMPONENT PARTS LISTED LATER IN THIS GROUP**

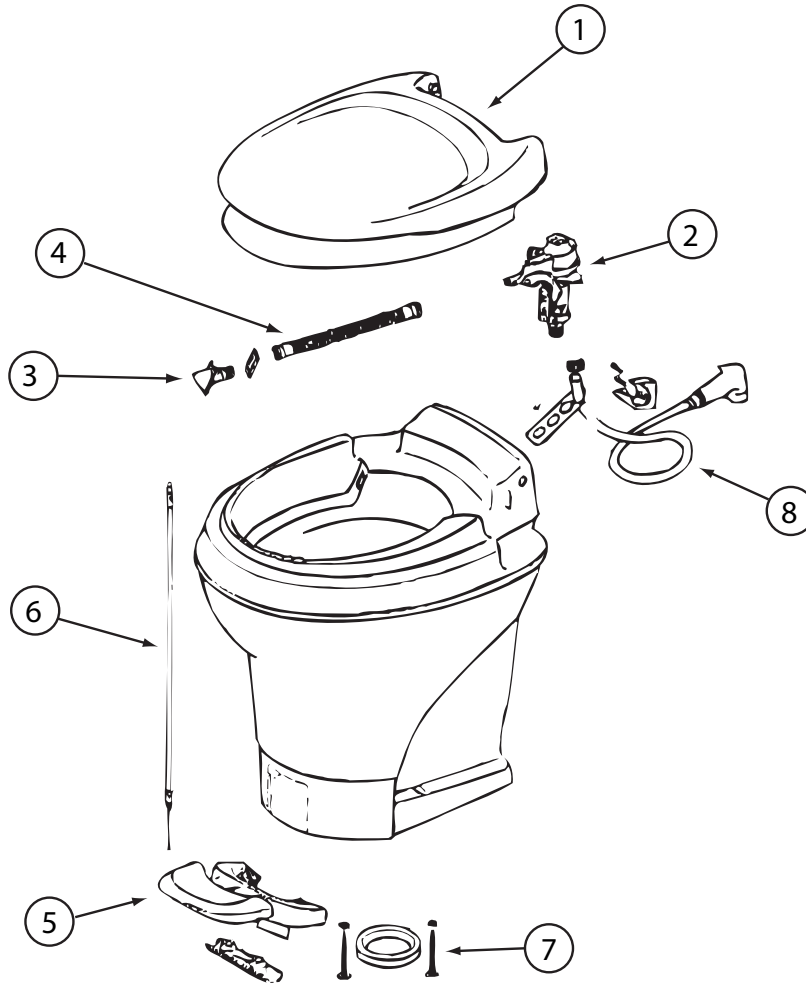


KEY	PART NUMBER	U/M	DESCRIPTION
1	147677-01-18A	EA	SURROUND - SHOWER/TUB
2	113714-04-02A	EA	RETAINER - SHELF/SHOWER - SOFT WHITE
3	M02630-87-S34	EA	SHOWER PAN - W/STRAINER
	154585-03-01A	FT	SEAL - FOAM TAPE - ADHESIVE 2 SIDED - 1/8" X 3/4" - BLACK

WATER & SEWAGE GROUP (CONTINUED)
COMPONENT PARTS FOR DRAINAGE SYSTEM

062415-01-000

KEY	PART NUMBER	U/M	DESCRIPTION	VENDOR NO.
	062415-01-700	EA	STRING-SEWER CAP	V#SV7 STRAP

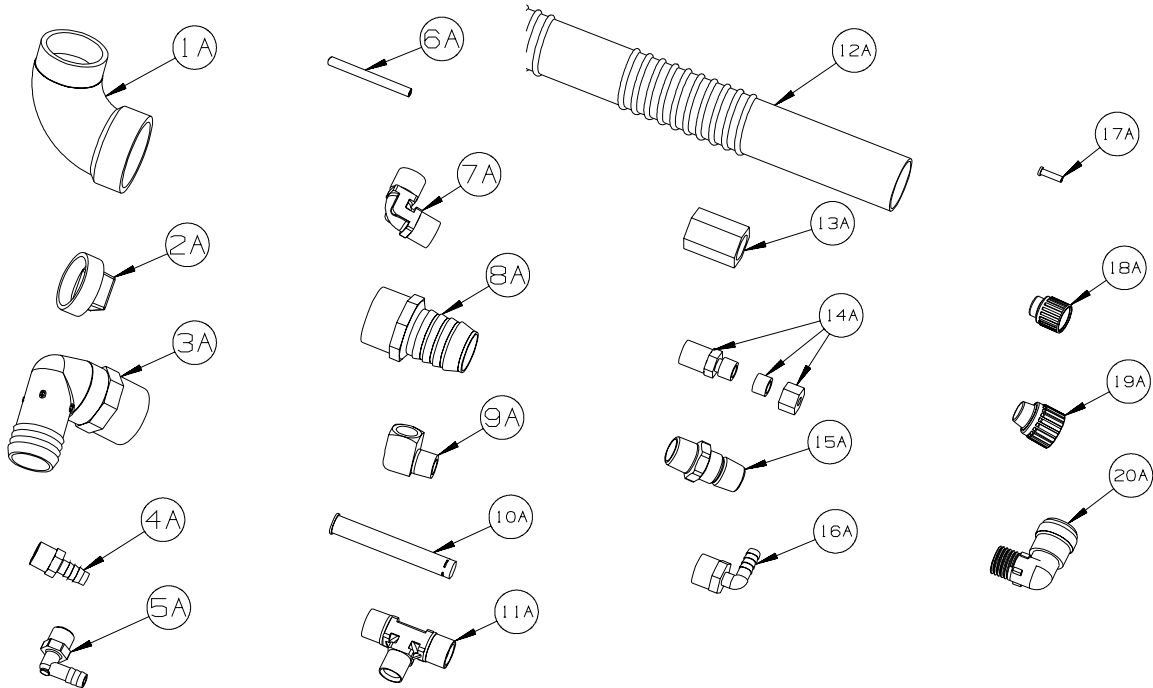


147421-01-01A, 147421-02-01A

KEY	PART NUMBER	U/M	DESCRIPTION	VENDOR NO.
1	147421-01-700	EA	SEAT & COVER ASSEMBLY(WHT)	31703
2	147421-01-701	EA	WATER MODULE ASSEMBLY	31705
3	147421-01-702	EA	NOZZLE ASSEMBLY	31706
4	147421-01-703	EA	LINK - WATER MODULE	31621
5	147421-01-704	EA	PEDAL - WHITE	31709
6	147421-01-705	EA	FOOT CABLE	31711
7	063740-01-706	EA	BOLT PACKAGE-FLOOR FLANGE	12524 THETFORD
8	147421-01-708	EA	HAND SPRAY KIT - WHITE HEAD	33226
	147421-01-706	EA	SEAL - BLADE	31708
	147421-01-707	EA	CAP (UNIVERSAL BOLT) - WHITE	31713

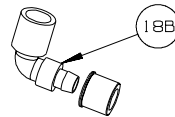
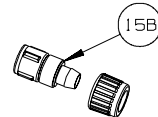
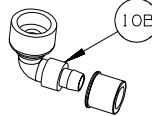
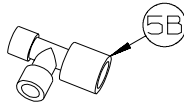
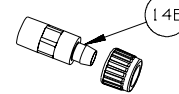
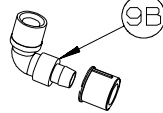
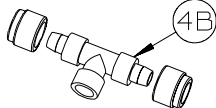
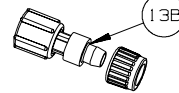
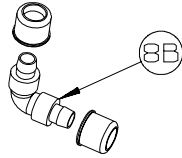
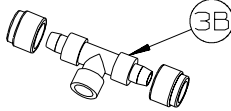
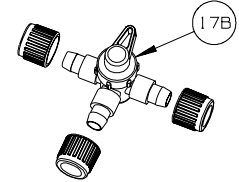
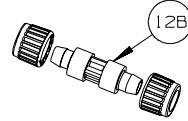
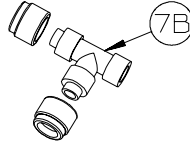
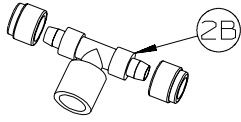
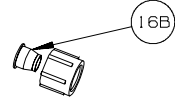
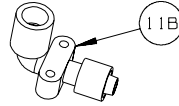
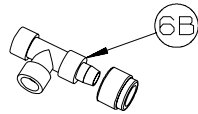
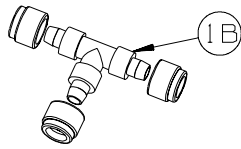
WATER & SEWAGE GROUP (CONTINUED)

WATER SYSTEM



KEY	PART NUMBER	U/M	DESCRIPTION
1A	010009-01-000	EA	ELBOW - 90 DEGREE - 1/4 BEND - 1 1/2" PLASTIC
2A	010166-01-000	EA	PLUG/THREADED - 1 1/4"MPT - PLASTIC - BLACK - UL
3A	010219-01-000	EA	ELBOW - 1 1/4 MPT X 1 1/4 BARB - WATER FILL - PLASTIC
4A	010224-01-000	EA	ADAPTER - HOSE TO PIPE - 3/8 MPT X 3/8 BARB - PLASTIC
5A	035539-01-000	EA	ELBOW - 3/8 MPT X 3/8 BARB - PLASTIC
6A	039800-04-000	FT	TUBING - POLYBUTYL - 1/4"OD
6A	074462-02-000	FT	TUBING - VINYL - 3/8 ID X 20' - CLEAR
6A	112176-01-000	FT	TUBING - VINYL - REINFORCED - 1/2" ID
6A	124188-01-000	FT	TUBING - PEX - 1/2" ID X 20' - BLUE(COLD)
6A	124188-02-000	FT	TUBING - PEX - 1/2" ID X 20' - RED(HOT)
7A	039808-03-000	EA	ELBOW - 1/2" MPT X 1/2" MPT - PLASTIC
8A	044927-01-000	EA	ADAPTER - HOSE TO PIPE-1 1/4 MPTX1 1/4 BARB-BLACK PLASTIC
9A	065318-02-000	EA	ELBOW - 90 DEGREE - 3/8" MPT TO 3/8" FPT
10A	077954-02-000	EA	FILTER - WATER TANK - W/SCREEN IN TANK
11A	039798-01-000	EA	TEE - 1/2"MPT X 1/2"MPT X 1/2"MPT - PLASTIC
12A	079381-01-000	FT	TUBING - RIBBED FLEXIBLE/WATER FILL - 10 FT = 1EA-1.38ID
13A	101814-01-000	EA	COUPLING - FEMALE - 1/2" X 1/2" FPT - GRAY
14A	103798-01-000	EA	CONNECTOR - 1/4 OD X 3/8 MPT
15A	110438-02-000	EA	VALVE - CHECK - 1/2"MPT X 1/2"MPT - BRASS
16A	111223-02-000	EA	ELBOW - 1/2" MPT X 3/8" BARB - PLASTIC
16A	111223-04-000	EA	ELBOW - 1/2" MPT X 1/2" BARB - PLASTIC
16A	111888-01-000	EA	FERRULE - PLASTIC - .250 ID X .375 OD
17A	111888-02-000	EA	INSERT - BRASS - 1/4 COMP
18A	113697-01-000	EA	CAP - 3/8"P
19A	114427-01-000	EA	CAP - 1/2"P
20A	164906-01-000	EA	ELBOW - 90 DEGREE - 1/2" QUICK CONNECT X 1/2"MPT

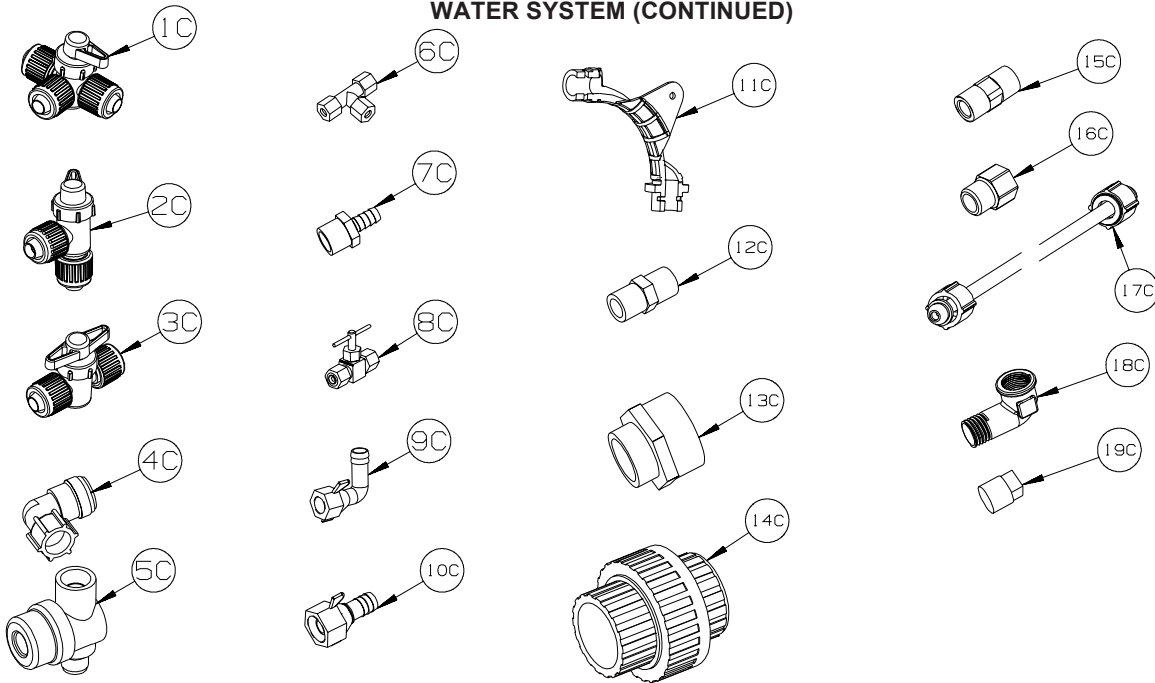
WATER & SEWAGE GROUP (CONTINUED)
WATER SYSTEM (CONTINUED)



KEY	PART NUMBER	U/M	DESCRIPTION
1B	114428-01-000	EA	TEE - 1/2"P X 1/2"P X 1/2"P
2B	114428-02-000	EA	TEE - SWIVEL - 1/2"P X 1/2"P X 1/2"FPT
3B	114428-03-000	EA	TEE - 1/2"P X 1/2"P X 1/2"MPT
4B	114428-04-000	EA	TEE - 1/2"P X 1/2"P X 1/8"FPT
5B	114428-05-000	EA	TEE - 1/2" SWIVEL X 1/2" MPT X 1/2" MPT
6B	114428-06-000	EA	TEE - 1/2" P X 1/2" MPT X 1/2" MPT
7B	114428-07-000	EA	TEE - 1/2" P X 1/2" MPT X 1/2" P
8B	114429-01-000	EA	ELBOW - 1/2"P X 1/2"P
9B	114429-02-000	EA	ELBOW - 1/2"P X 1/2"MPT
9B	114429-04-000	EA	ELBOW - 1/2"P X 3/8"MPT
9B	114429-10-000	EA	ELBOW - SWIVEL - 1/2"MPT X 1/2"FPT
10B	114429-08-000	EA	ELBOW - SWIVEL - 1/2"P X 1/2"FPT
11B	114429-09-000	EA	ELBOW - 1/2"P X 1/2"FPT DROP EAR
12B	114430-01-000	EA	ADAPTER - 1/2"P X 1/2"P
13B	114430-02-000	EA	ADAPTER - SWIVEL - 1/2"P X 1/2"FPT
13B	114430-04-000	EA	ADAPTER - SWIVEL - 1/2"P X 3/8"MPT
14B	114430-03-000	EA	ADAPTER - 1/2"P X 1/2"MPT
15B	114430-06-000	EA	ADAPTER - 1/2"P X 3/8"FPT
15B	114430-09-000	EA	ADAPTER - 1/2"P X 1/2"FPT
16B	114430-10-000	EA	ADAPTER - NUT - PIPE CONNECTION - 1/2"
17B	114431-01-000	EA	VALVE - 180 DEGREE/CENTER DRAIN - 1/2"P - THREE WAY
18B	114429-11-000	EA	ELBOW - 1/2"P X 1/2"FPT

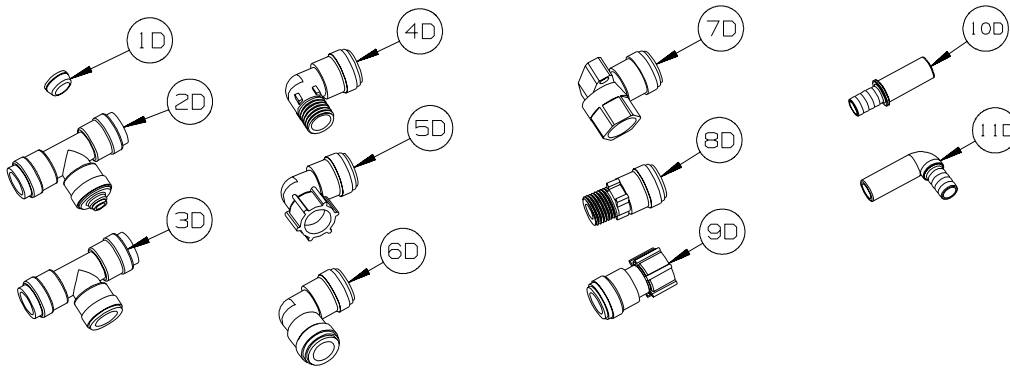
WATER & SEWAGE GROUP (CONTINUED)

WATER SYSTEM (CONTINUED)



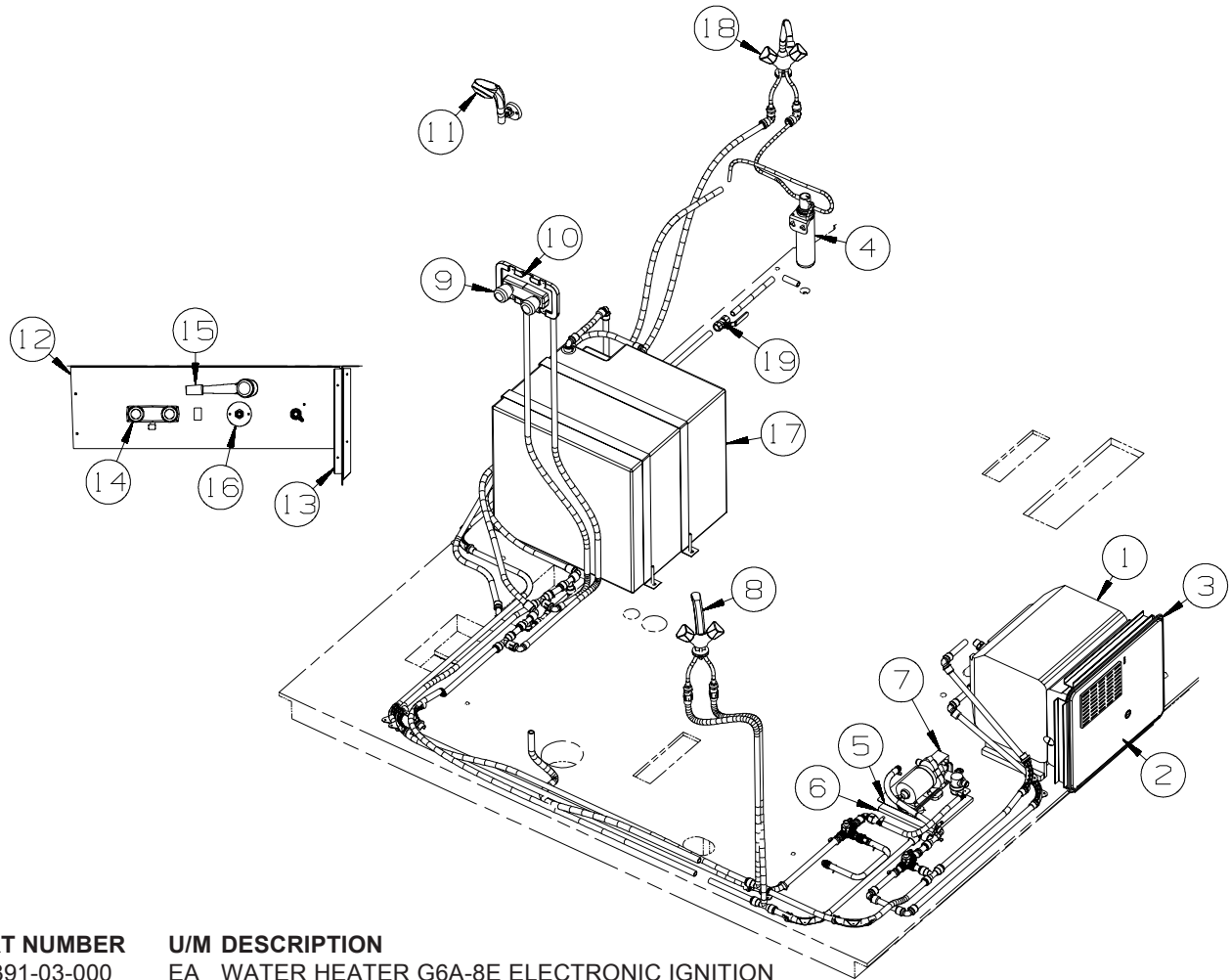
KEY	PART NUMBER	U/M	DESCRIPTION
1C	114431-02-000	EA	VALVE - WATER BYPASS - 1/2"P - THREE WAY (WATER HEATER)
2C	114431-03-000	EA	VALVE - 90 DEGREE DRAIN - 1/2"P
3C	114431-04-000	EA	VALVE - "INLINE SHUT-OFF" - 1/2"P
4C	164906-02-000	EA	ELBOW - 90 DEGREE - 1/2" QUICK CONNECT X 1/2"MPT - SWIVEL
5C	152925-01-01A	EA	FILTER - IN LINE - TWIST ON - 1/2" - BLACK
6C	118423-01-000	EA	FITTING - BRASS-TEE - 1/4" X 1/4" X 1/4"
7C	118809-01-000	EA	ADAPTER - 1/2" MPT X 3/8" BARB - PLASTIC
7C	118809-02-000	EA	ADAPTER - 1/2" MPT X 1/2" BARB - PLASTIC
8C	120868-01-000	EA	VALVE - NEEDLE - 1/4" COMPRESSION X 1/4" COMPRESSION
9C	123150-01-000	EA	ELBOW - 1/2 FPT X 1/2 BARB - SWIVEL
10C	123152-01-000	EA	ADAPTER - 1/2 FPT X 1/2 BARB - SWIVEL
11C	124184-01-000	EA	SUPPORT - WATER LINE - BEND
12C	132148-01-000	EA	CONNECTOR - 1/2" X 1/2"MPT - BRASS
13C	133835-01-000	EA	ADAPTER - REDUCING - 1 1/2" X 1 1/4"
14C	133889-01-000	EA	UNION - 1 1/2 DOUBLE SLIP - PVC
15C	135386-01-000	EA	NIPPLE - 1/2"
16C	136333-01-000	EA	ADAPTER - BRASS - 1/2"MPT X 1/2"FPT
17C	140821-01-000	EA	TUBE - WATER SUPPLY - 3/8" X 24"
17C	140821-02-000	EA	TUBE - WATER SUPPLY - 3/8" X 30"
17C	140821-03-000	EA	TUBE - WATER SUPPLY - 3/8" X 36"
17C	140821-04-000	EA	TUBE - WATER SUPPLY - 3/8" X 48"
17C	140821-05-000	EA	TUBE - WATER SUPPLY - 3/8" X 54"
17C	140821-06-000	EA	TUBE - WATER SUPPLY - 3/8" X 60"
17C	140821-07-000	EA	TUBE - WATER SUPPLY - 3/8" X 72"
17C	140821-08-000	EA	TUBE - WATER SUPPLY - 1/2" X 24"
17C	140821-09-000	EA	TUBE - WATER SUPPLY - 1/2" X 36"
17C	140821-10-000	EA	TUBE - WATER SUPPLY - 1/2" X 48"
18C	142812-01-000	EA	ELBOW - BRASS - 1/2"MPT X 1/2"FPT
19C	145609-01-000	EA	PLUG - BRASS - 1/2" MPT/HEX HEAD

WATER & SEWAGE GROUP (CONTINUED)
WATER SYSTEM (CONTINUED)



KEY	PART NUMBER	U/M	DESCRIPTION
1D	116473-01-000	EA	FERRIL - RUBBER SEALING - WATER LINE
2D	160949-01-000	EA	CONNECTOR - 1/2" X 1/2" X 1/4" REDUCER
3D	160949-02-000	EA	CONNECTOR - 1/2"CTS X 1/2"CTS X 1/2"CTS
4D	164906-01-000	EA	ELBOW - 90 DEGREE - 1/2" QUICK CONNECT X 1/2"MPT
5D	164906-02-000	EA	ELBOW - 90 DEGREE - 1/2" QUICK CONNECT X 1/2"FPT - SWIVEL
6D	164906-03-000	EA	ELBOW - 90 DEGREE - 1/2" X 1/2" QUICK CONNECTS
7D	164906-04-000	EA	ELBOW - 90 DEGREE - 1/2"CTS X 1/2"FPT
8D	164907-01-000	EA	ADAPTER - STRAIGHT - 1/2" QUICK CONNECT X 1/2"MPT
9D	164907-02-000	EA	ADAPTER - STRAIGHT - 1/2" QUICK CONNECT X 1/2"FPT/SWIVEL
10D	166212-01-000	EA	UNION - HOSE/BARB - CTS X 1/2"B - SEA TECH #3511-1008
11D	166212-02-000	EA	ELBOW - HOSE/BARB - CTS X 1/2"B - SEA TECH #3512-1008

WATER & SEWAGE GROUP (CONTINUED)
WATER SYSTEM (CONTINUED)



KEY	PART NUMBER	U/M	DESCRIPTION
1*	051391-03-000	EA	WATER HEATER G6A-8E ELECTRONIC IGNITION
1*	145541-02-000	EA	WATER HEATER-6 GAL-GAS/ELEC/120'-REM IGN-W/HEAT EXC - WTR HTR-6GAL ELECTRIC/LP GAS
2	052009-06-000	EA	DOOR - WATER HEATER - BRIGHT WHITE - 18" X 14.6"
2	125420-06-02A	EA	DOOR - WATER HEATER - 18" X 14.6" - BRIGHT WHITE FROM: 00-00-00 THRU: 06-17-07
2	125420-06-03A	EA	DOOR - WATER HEATER - 18" X 14.6" - BLACK
2	076767-03-000	EA	CABLE - STAINLESS STEEL - 18.5"
3	152239-01-01A	EA	FLANGE/MOUNTING/RECESSED - 19.3" X 15.8" - BRIGHT WHITE
3	152239-01-02A	EA	FLANGE/MOUNTING/RECESSED - 19.3" X 15.8" - BLACK
4	087200-02-000	EA	CARTRIDGE - WATER FILTER
4	087200-01-000	EA	FILTER - WATER PURIFICATION FROM: 00-00-00 THRU: 01-24-07
4	160946-03-000	EA	FILTER SYSTEM - WATER PURIFICATION - AQUA-PURE FROM: 00-00-00 THRU: 01-24-07 FROM: 01-25-07 THRU: 99-99-99
5	149477-02-02B	EA	PANEL - WATER PUMP - E-COATED
6	140364-01-01A	EA	FOAM - PAD - .5" X 8" X 8"
7	160702-01-000	EA	PUMP - WATER - 3.0 GPM - W/1/2" MPT
8*	151680-01-01A	EA	FAUCET - LAVATORY/DUAL CONTROL - CHROME/BRASS
9	163269-01-02A	EA	FAUCET/SHOWER -.5"MPT W/1.9" INLET PIPES- EXTERIOR/CHROME
10	075606-03-000	EA	PANEL - FAUCET SHOWER - SOFT WHITE
11	129390-04-01A	EA	SHOWER HEAD - W/HOSE & BRACKET - WHITE
12	151706-01-12B	EA	PANEL - SERVICE CENTER - BRIGHT WHITE
13	151707-01-12B	EA	PANEL - ELECTRICAL - BRIGHT WHITE
14	163269-01-01A	EA	FAUCET/SHOWER -.5"MPT W/1.9" INLET PIPES- EXTERIOR/BRT WHT
15	131383-01-02A	EA	SHOWER HEAD - W/60" HOSE & BRACKET - WHITE
16	010230-06-000	EA	FILL - CITY WATER - W/CHECK VALVE - MPT - BRUSHED ALUM
17	151550-06-000	EA	TANK - WATER - 28 GALLON - W/FITTINGS
	042989-04-000	EA	FITTING - SPINWELD - 3/8"FPT - PLASTIC
	042989-05-000	EA	FITTING - SPINWELD - 1/2"FPT - PLASTIC

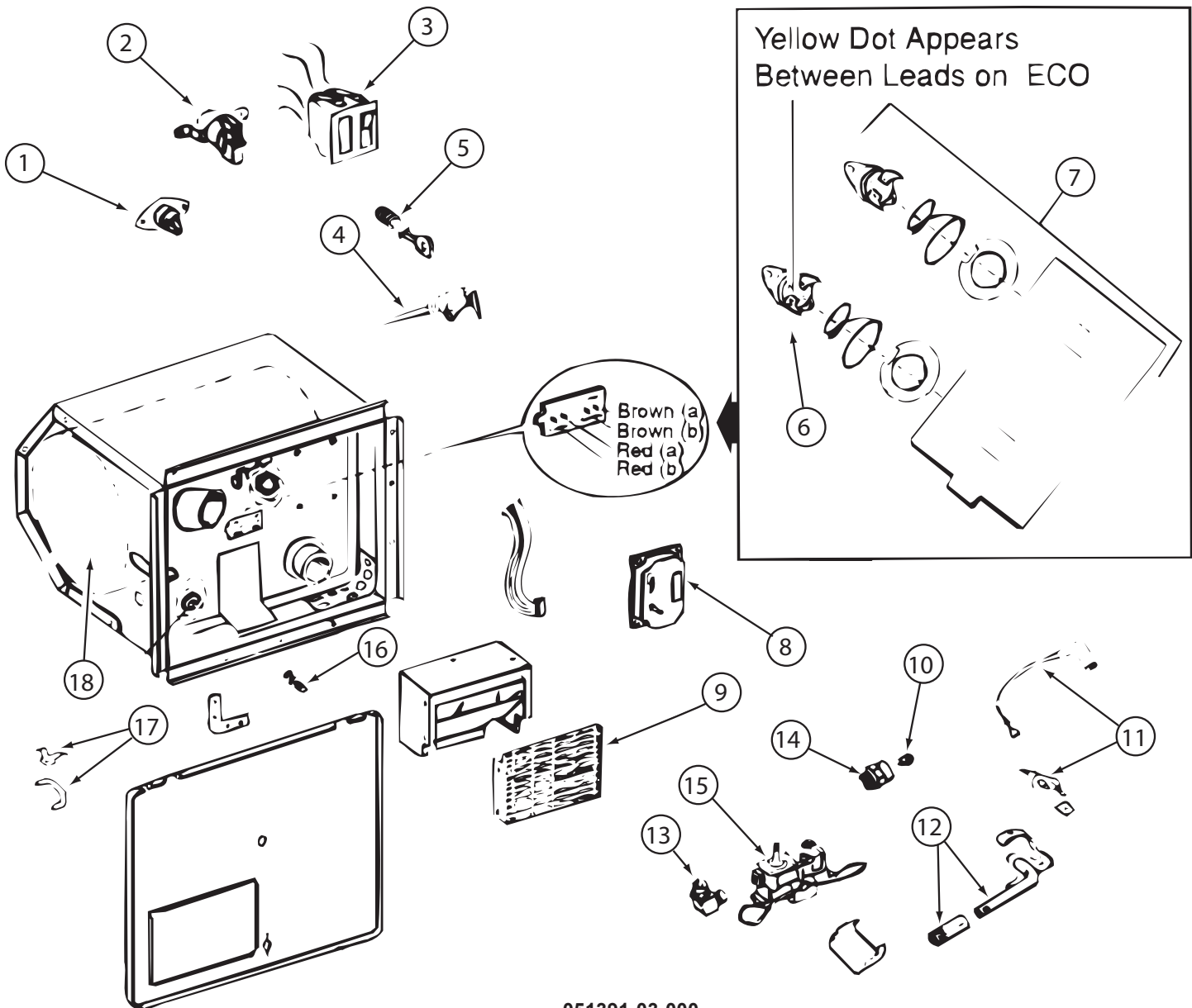
WATER & SEWAGE GROUP (CONTINUED)
WATER SYSTEM (CONTINUED)

KEY	PART NUMBER	U/M	DESCRIPTION
18*	151678-01-01A	EA	FAUCET - GALLEY/DUAL CONTROL - CHROME
19	132483-02-000	EA	VALVE/BALL - 1/2"FPT - BRASS

FROM: 01-24-07 THRU: 99-99-99

***COMPONENT PARTS LISTED LATER IN THIS GROUP**

WATER & SEWAGE GROUP (CONTINUED)
COMPONENT PARTS FOR WATER SYSTEM



051391-03-000

KEY	PART NUMBER	U/M	DESCRIPTION	VENDOR NO.
3	051393-01-701	EA	SWITCH - REMOTE - W/LIGHT	91959
4	051391-01-704	EA	VALVE-RELIEF, 1/2" FITTING	91604
4	051391-03-701	EA	VALVE-RELIEF - 3/4" FITTING	90028
5	051391-01-705	EA	FASTENER-CAMLOCK	92609
6	051391-04-701	EA	THERMOSTAT 12V DC-120 PRESET	91470
7	051393-01-721	EA	THERMOSTAT W/ECO, 140 FRT MT	91447
9	051391-04-707	EA	KIT-EXHAUST, (FLUE & GASKET)	90960
10	051391-01-710	EA	ORIFICE-MAIN BURNER	92742
12	051391-04-703	EA	BURNER-MAIN/ELECTRONIC IG	91638
13	051391-01-714	EA	FITTING-ELBOW 45,3/8F X 3/8	MPT 1044
14	051391-03-700	EA	HOLDER-ORIFICE	91563
16	051391-01-715	EA	PLUG-DRAIN, 1 EA = 2 PER PKG	91857
17	051391-01-700	EA	HINGE KIT, (PIN & CLIP)	92568&92559
18	051391-04-706	EA	TANK-G6A-4E/6E/7E/8E-FRT.MT	91641 - INNER
	051391-01-717	EA	GRILLE-WATER HEATER DOOR	92640
	051393-01-723	EA	SWITCH - THERMAL CUTOUT 2/PK	93866 WAS 93853
	051393-01-724	EA	BOARD-CIRCUIT, SPADE TERMINAL	93865
	051393-01-725	EA	ELECTRODE-SGL SPADE CONNECT.	93868
	051393-01-726	EA	VALVE/SOLENOID - W/O BRACKET	93870
	111129-01-711	EA	BRACKET-CORNER, SET OF FOUR	91928

CONTACT WINNEBAGO PARTS SALES FOR UNLISTED COMPONENT(S)

WATER & SEWAGE GROUP (CONTINUED)
COMPONENT PARTS FOR WATER SYSTEM (CONTINUED)

075241-04-000, 075241-05-000, 075241-06-000

KEY	PART NUMBER	U/M	DESCRIPTION	VENDOR NO.
	075240-05-700	EA	CARTRIDGE - WASHERLESS	9-P42

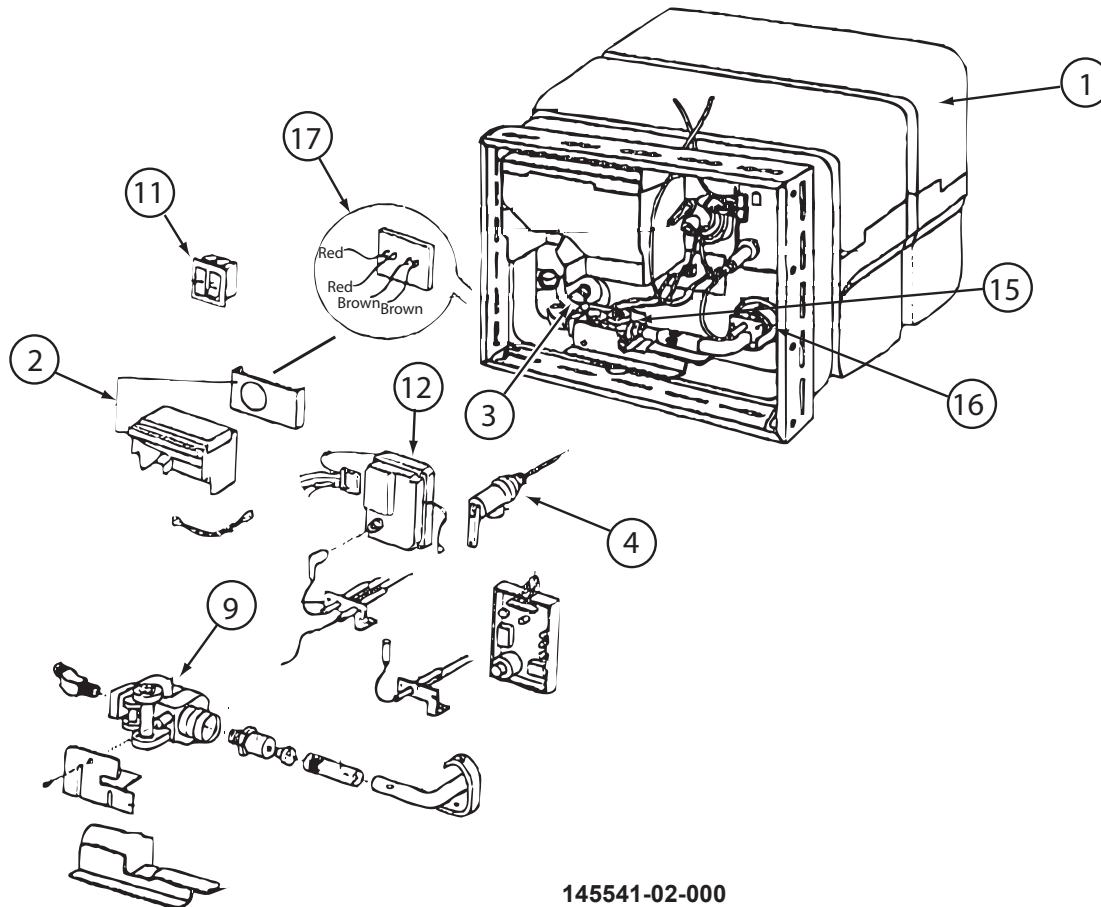
098607-01-000

KEY	PART NUMBER	U/M	DESCRIPTION	VENDOR NO.
	098607-01-702	EA	DIAPHRAGM/DRIVE ASSEMBLY KIT	94-238-04
	098607-01-703	EA	VALVE KIT	94-232-00
	098607-01-705	EA	VALVE-CHECK, KIT	94-237-00
	098607-01-706	EA	HOUSING, W/SWITCH ONLY	94-231-20
	098607-01-707	EA	MOTOR W/BASEPLATE	11-148-04

144215-01-000

KEY	PART NUMBER	U/M	DESCRIPTION	VENDOR NO.
	144215-01-700	EA	VALVE ASSEMBLY	94-030-01
	144215-01-701	EA	DRIVE ASSEMBLY	94-030-02
	144215-01-702	EA	FITTING KIT - W/ORINGS	94-615-06

WATER & SEWAGE GROUP (CONTINUED)
COMPONENT PARTS FOR WATER SYSTEM (CONTINUED)



145541-02-000

KEY	PART NUMBER	U/M	DESCRIPTION	VENDOR NO.
1	145541-02-700	EA	TANK/SERVICE KIT PCS- 6 GAL	91053
2	051391-04-707	EA	KIT-EXHAUST, (FLUE & GASKET)	90960
3	051391-01-715	EA	PLUG-DRAIN, 1 EA = 2 PER PKG	91857
4	051391-01-704	EA	VALVE-RELIEF, 1/2" FITTING	91604
4	051931-03-701	EA	VALVE-RELIEF - 3/4" FITTING	90028
9	051393-01-726	EA	VALVE-SOLENOID - W/O BRACKET	93870
11	051393-01-701	EA	SWITCH - REMOTE - W/LIGHT	91959
11	145541-01-701	EA	SWITCH - ON/OFF - WHITE	91859
12	145541-01-702	EA	CIRCUIT BOARD	91226
15	145541-01-703	EA	SWITCH - THERMAL CUT OFF	93866
16	051393-01-725	EA	ELECTRODE-SGL SPADE CONNECT.	93868
17	051393-01-721	EA	THERMOSTAT W/ECO, 140 FRT MT	91447
	051391-05-706	EA	ELEMENT-HEATING 1500 WATT	92249 W/GASKET
	145541-01-704	EA	RELAY	90061
	145541-02-701	EA	JUNCTION BOX(PLASTIC) 6 GAL	91222

CONTACT WINNEBAGO PARTS SALES FOR UNLISTED COMPONENT(S)

151678-01-01A

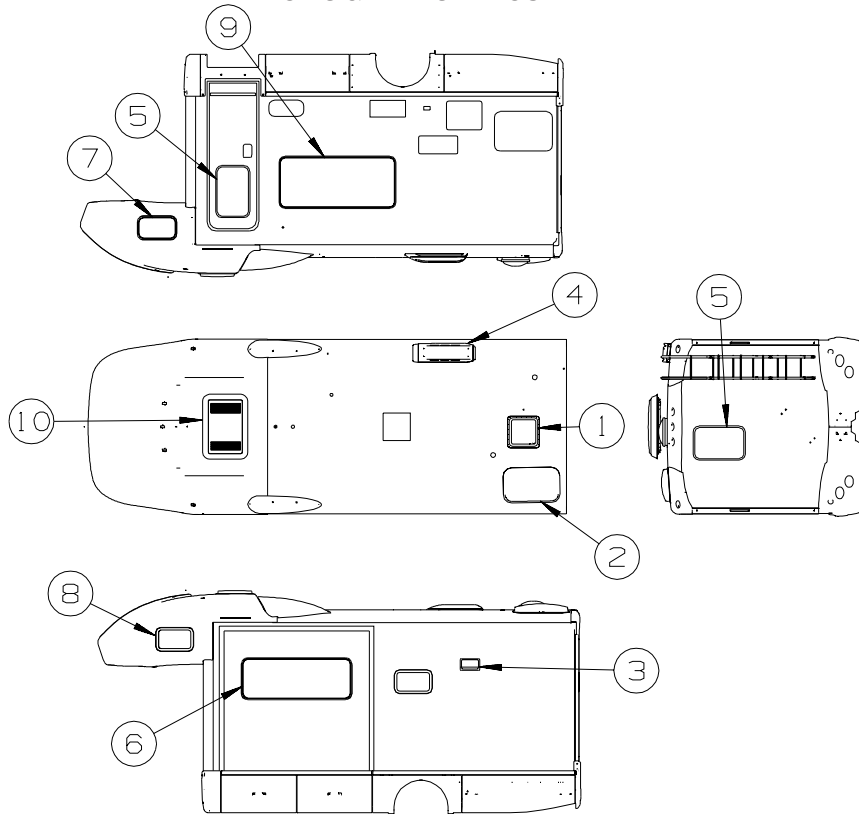
KEY	PART NUMBER	U/M	DESCRIPTION	VENDOR NO.
	151678-01-700	EA	ADAPTOR	10015
	151678-01-701	EA	CARTRIDGE	10417
	151678-01-702	EA	WASHER	10269
	151680-01-700	EA	KNOB	10185
	151680-01-701	EA	INDICATOR CAP - RED	10178
	151680-01-702	EA	INDICATOR CAP - BLUE	10177

151680-01-01A

KEY	PART NUMBER	U/M	DESCRIPTION	VENDOR NO.
	151678-01-700	EA	ADAPTOR W/WASHER (2 PER PKG)	10015
	151678-01-701	EA	CARTRIDGE	10417
	151680-01-700	EA	KNOB	10185
	151680-01-701	EA	INDICATOR CAP - RED	10178
	151680-01-702	EA	INDICATOR CAP - BLUE	10177

WINDOWS & VENTS GROUP

WINDOWS & VENTS LAYOUT



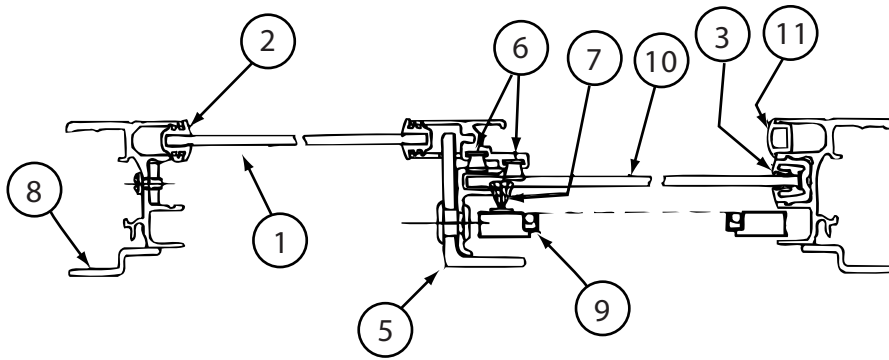
KEY	PART NUMBER	U/M DESCRIPTION
1*	122882-02-01A	EA VENT - ROOF - W/FAN - W/O INSIDE GARNISH - UL
1*	122882-03-01A	EA VENT - ROOF - W/FAN - W/O INSIDE GARNISH - CSA - CANADIAN
	009440-01-000	EA GEAR/ARM - LIFT - ROOF VENT COVER
	048648-01-000	EA MOTOR/ROOF VENT - W/RESISTER - 1/8"SHAFT - 12VOLT
	048649-01-000	EA FAN BLADE - ROOF VENT - 6 BLADED - 6"RADIUS
1	122882-07-01A	EA GARNISH - ROOF VENT - 2.5" TO 4.1"
1*	123780-03-01A	EA FANTASTIC VENT-3"/4"ROOF-W/FAN-W/O THERM/PWR LIFT/WHT CVR - POWER VENTILATOR-BATH
		FROM: 00-00-00 THRU: 01-03-07
	009440-01-000	EA GEAR/ARM - LIFT - ROOF VENT COVER
		FROM: 00-00-00 THRU: 01-03-07
1*	123780-26-01A	EA FANTASTIC VENT-4"ROOF- W/FAN/DBL DOME-W/O THERM/PWR LIFT
		FROM: 01-04-07 THRU: 99-99-99
2	122193-01-02A	EA PANEL - SKYLITE - INNER - W/LIGHT INDENTATION
2	138372-01-02B	EA TRIM - CORNER - SKYLIGHT - E-COATED
2	138379-02-01A	EA PANEL/SKYLIGHT OTR - RECT/4"H CTR DOME - 18.4"X 29.5"- WHT
3	147821-01-01A	EA VENT - EXHAUST/RANGE HOOD - BRIGHT WHITE
3	147821-01-02A	EA VENT - EXHAUST/RANGE HOOD - BLACK
3	147821-02-01A	EA SHROUD - EXHAUST VENT/RANGE HOOD - BRIGHT WHITE
4	149508-01-02A	EA CAP - ROOF/REFRIGERATOR VENT - WHITE
4	149508-02-02A	EA BASE - ROOF/REFRIGERATOR VENT - BRIGHT WHITE
4	149508-02-01A	EA BASE - ROOF/REFRIGERATOR VENT - BLACK
5*	151075-03-02A	EA WINDOW - PICTURE - 26.3" X 17" - SLV/SLV
5*	151075-03-01A	EA WINDOW - PICTURE - 26.3" X 17" - BLK/BLK - FULL BODY PAINT
6*	098647-75-02A	EA WINDOW - DRIVER HORIZ SLIDER W/TRIM - 20.8" X 57.7" - GRAY
		FROM: 00-00-00 THRU: 09-10-07
6*	164922-25-02A	EA WINDOW - HORIZ SLIDER/LH/ESCAPE - 20.6"H X 57.4"W-SLV/SLV
		FROM: 09-11-07 THRU: 99-99-99
6*	164922-25-01A	EA WINDOW - HORIZ SLIDER/LH/ESCAPE - 20.6"H X 57.4"W-BLK/BLK - FULL BODY PAINT
		FROM: 09-11-07 THRU: 99-99-99
7*	098647-77-02A	EA WINDOW - PASS HORIZ SLIDER W/TRIM - 12.5" X 19.9" - GRAY
		FROM: 00-00-00 THRU: 09-10-07
7*	164922-27-02A	EA WINDOW - HORIZ SLIDER/RH - 12.3"H X 19.7"W - SLV/SLV
		FROM: 09-11-07 THRU: 99-99-99
7*	164922-27-01A	EA WINDOW - HORIZ SLIDER/RH - 12.3"H X 19.7"W - BLK/BLK - FULL BODY PAINT
		FROM: 09-11-07 THRU: 99-99-99

WINDOWS & VENTS GROUP (CONTINUED)
WINDOWS & VENTS LAYOUT (CONTINUED)

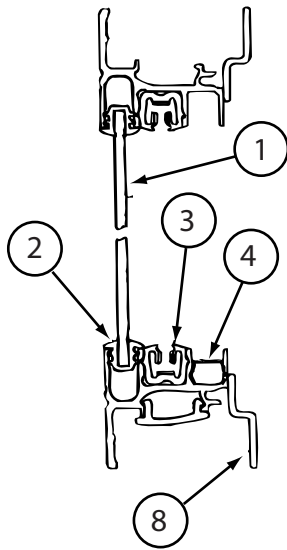
KEY	PART NUMBER	U/M	DESCRIPTION
8*	104691-18-02A	EA	WINDOW - TIPOUT/TINTED - W/TRIM - 12.5" X 19.9" - SLV/SLV
8*	104691-18-01A	EA	WINDOW - TIPOUT/TINTED - W/TRIM - 12.5" X 19.9" - BLK/BLK - FULL BODY PAINT
9*	098647-76-02A	EA	WINDOW - PASS HORIZ SLIDER W/TRIM - 26.3" X 59.9" - GRAY FROM: 00-00-00 THRU: 09-10-07
9*	164922-26-02A	EA	WINDOW - HORIZ SLIDER/RH - 26.1"H X 59.7"W - SLV/SLV FROM: 09-11-07 THRU: 99-99-99
9*	164922-26-01A	EA	WINDOW - HORIZ SLIDER/RH - 26.1"H X 59.7"W - BLK/BLK - FULL BODY PAINT FROM: 09-11-07 THRU: 99-99-99
10*	152882-01-01A	EA	PANEL - SKYLIGHT - 19.7" X 27.5" CUTOUT SIZE - OFF WHITE

***COMPONENT PARTS LISTED LATER IN THIS GROUP**

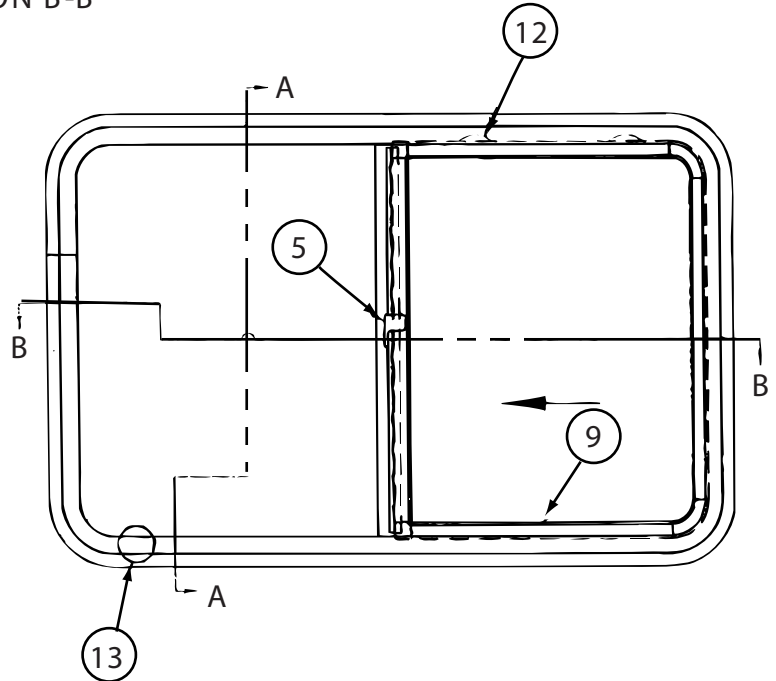
WINDOWS & VENTS GROUP (CONTINUED)
COMPONENT PARTS FOR WINDOWS & VENTS LAYOUT



CROSS SECTION B-B



CROSS SECTION A-A



098647-75-02A

KEY	PART NUMBER	U/M	DESCRIPTION	VENDOR NO.
1	098647-75-700	EA	GLASS - STATIONARY	106-036069
2	098644-01-705	FT	GLAZING - STRIP	132-010231
3	098644-01-708	FT	CHANNEL - RUN PIERCED	122-016543
4	098644-01-710	FT	TRACK - SCREEN SPACER 12'	132-017135
5	098644-01-700	EA	LATCH - REPAIR KIT (BLACK)	B801-CK
6	098644-01-706	EA	WEATHERSTRIP - GLASS	171-010668
7	098644-01-711	FT	WEATHERSTRIP - SCREEN BLACK	171-016965
8	098647-75-701	EA	RETAINER - TRIM	S978-66
9	098647-75-702	EA	SCREEN ASM	410-036071
10	098647-75-703	EA	GLASS-SLIDING W/SASH & LATCH	H978G8
11	098644-01-716	FT	PLUG - FILLER	132-014470
12	125582-01-701	EA	CLIP - SCREEN - PLASTIC	130-005153
13	098644-01-719	EA	STOP - SLIDER GLASS	132-014203

WINDOWS & VENTS GROUP (CONTINUED)
COMPONENT PARTS FOR WINDOWS & VENTS LAYOUT (CONTINUED)

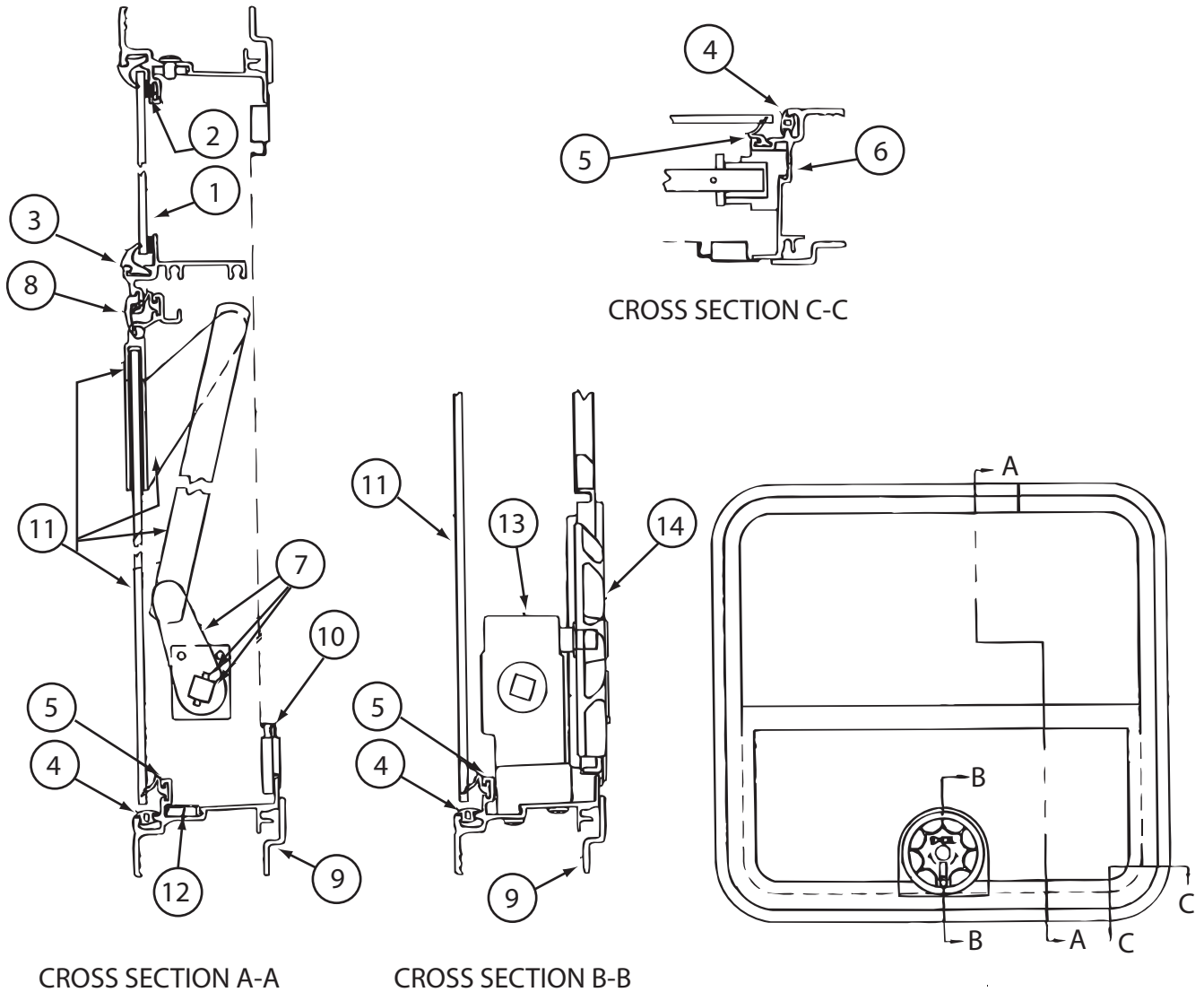
098647-76-02A

KEY	PART NUMBER	U/M	DESCRIPTION	VENDOR NO.
1	098647-76-700	EA	GLASS - STATIONARY	106-036072
2	098644-01-705	FT	GLAZING - STRIP	132-010231
3	098644-01-708	FT	CHANNEL - RUN PIERCED	122-016543
4	098644-01-710	FT	TRACK - SCREEN SPACER 12'	132-017135
5	098644-01-700	EA	LATCH - REPAIR KIT (BLACK)	B801-CK
6	098644-01-706	EA	WEATHERSTRIP - GLASS	171-010668
7	098644-01-711	FT	WEATHERSTRIP - SCREEN BLACK	171-016965
8	098647-76-701	EA	RETAINER - TRIM	S287-66
9	098647-23-704	EA	SCREEN ASM - W/SEALS & CLIPS	410-019066
10	098647-76-702	EA	GLASS-SLIDING W/SASH & LATCH	H287G8
11	098644-01-716	FT	PLUG - FILLER	132-014470
12	125582-01-701	EA	CLIP - SCREEN - PLASTIC	130-005153
13	098644-01-719	EA	STOP - SLIDER GLASS	132-014203

098647-77-02A

KEY	PART NUMBER	U/M	DESCRIPTION	VENDOR NO.
1	098647-77-700	EA	GLASS - STATIONARY	106-036291
2	098644-01-705	FT	GLAZING - STRIP	132-010231
3	098644-01-708	FT	CHANNEL - RUN PIERCED	122-016543
4	098644-01-710	FT	TRACK - SCREEN SPACER 12'	132-017135
5	098644-01-700	EA	LATCH - REPAIR KIT (BLACK)	B801-CK
6	098644-01-706	EA	WEATHERSTRIP - GLASS	171-010668
7	098644-01-711	FT	WEATHERSTRIP - SCREEN BLACK	171-016965
8	098647-77-701	EA	RETAINER - TRIM	S996-66
9	098647-77-702	EA	SCREEN ASM	410-036034
10	098647-77-703	EA	GLASS-SLIDING W/SASH & LATCH	H996G8
11	098644-01-716	FT	PLUG - FILLER	132-014470
12	125582-01-701	EA	CLIP - SCREEN - PLASTIC	130-005153
13	098644-01-719	EA	STOP - SLIDER GLASS	132-014203

WINDOWS & VENTS GROUP (CONTINUED)
COMPONENT PARTS FOR WINDOWS & VENTS LAYOUT (CONTINUED)



CROSS SECTION A-A

CROSS SECTION B-B

104691-18-01A

KEY	PART NUMBER	U/M	DESCRIPTION	VENDOR NO.
1	104691-18-700	EA	GLASS - STATIONARY	106-036333
2	100322-01-704	FT	TAPE-BUTYL	154-025932
3	100322-01-703	FT	VINYL-GLAZING, BUTYL	132-010723
4	116976-01-702	FT	FILLER PLUG	132-016065
5	100322-01-701	FT	SEAL-VENT	122-016071
6	112463-02-707	EA	SUPPORT - TORQUE BAR RH	132-015979
6	112463-02-708	EA	SUPPORT - TORQUE BAR LH	132-015978
7	104691-18-701	EA	OPERATOR & BAR ASSEMBLY	CH118-15
8	100322-01-702	EA	WEATHERSTRIP-HORIZ RAIL-148"	132-019631
9	104691-18-705	EA	RETAINER - TRIM - BLACK	CH118-59
10	104691-18-703	EA	SCREEN ASM - W/SEALS & CLIPS	410-036335
11	104691-18-704	EA	GLASS-TIPOUT - W/HINGE/RAIL	CH118G6
12	108919-01-706	EA	COVER - DRAIN SLOT	132-016064
13	112519-01-702	EA	OPERATOR/TRQ CTR SPRT-4 HOLE	410-016123
14	100322-01-718	EA	HANDLE-DIAL	410-016081

WINDOWS & VENTS GROUP (CONTINUED)
COMPONENT PARTS FOR WINDOWS & VENTS LAYOUT (CONTINUED)

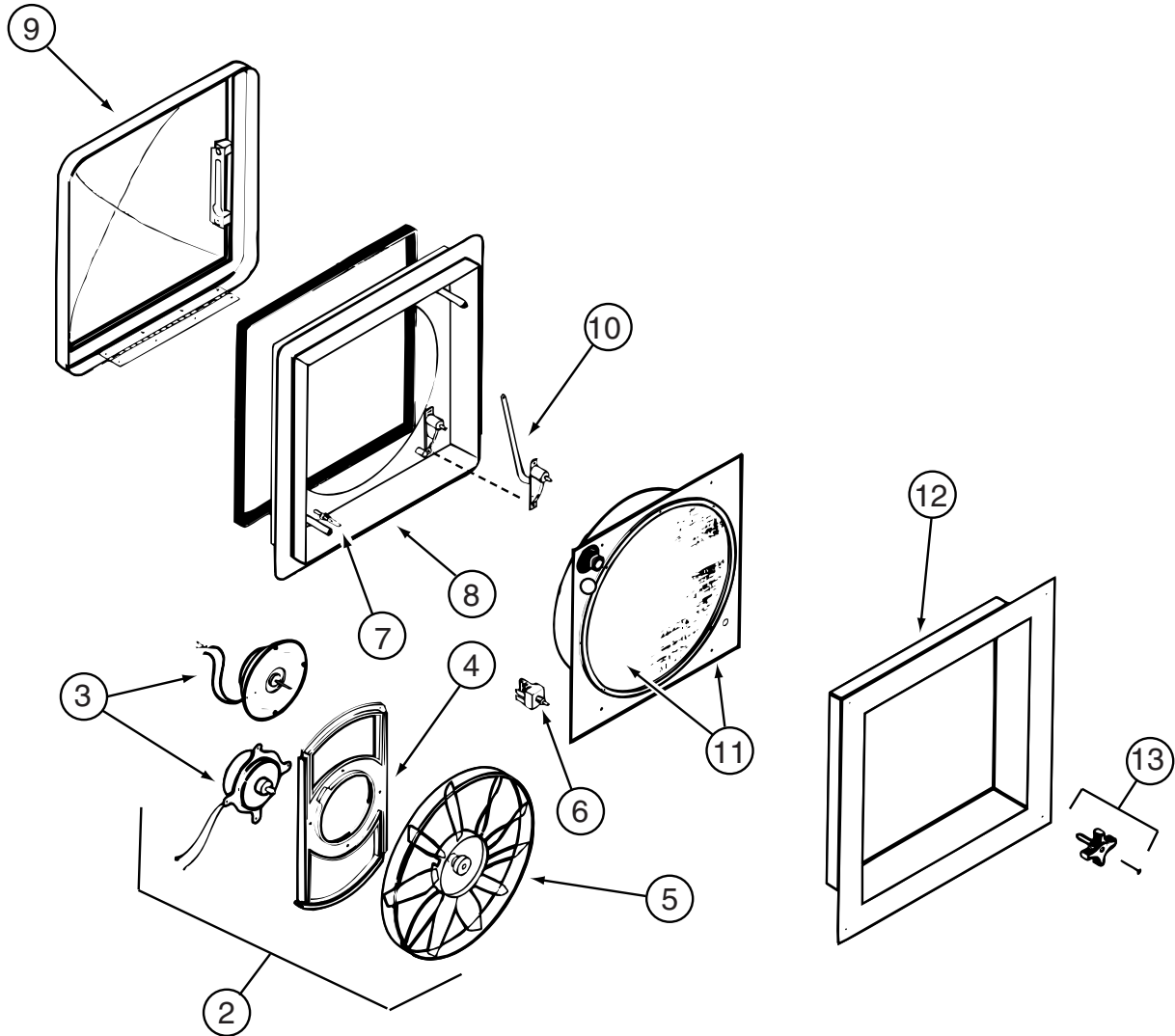
104691-18-02A

KEY	PART NUMBER	U/M	DESCRIPTION	VENDOR NO.
1	104691-18-700	EA	GLASS - STATIONARY	106-036333
2	100322-01-704	FT	TAPE-BUTYL	154-025932
3	100322-01-703	FT	VINYL-GLAZING, BUTYL	132-010723
4	116976-01-702	FT	FILLER PLUG	132-016065
5	100322-01-701	FT	SEAL-VENT	122-016071
6	112463-02-707	EA	SUPPORT - TORQUE BAR RH	132-015979
6	112463-02-708	EA	SUPPORT - TORQUE BAR LH	132-015978
7	104691-18-701	EA	OPERATOR & BAR ASSEMBLY	CH118-15
8	100322-01-702	EA	WEATHERSTRIP-HORIZ RAIL-148"	132-019631
9	104691-18-702	EA	RETAINER - TRIM - SILVER	CS118-59
10	104691-18-703	EA	SCREEN ASM - W/SEALS & CLIPS	410-036335
11	104691-18-704	EA	GLASS-TIPOUT - W/HINGE/RAIL	CH118G6
12	108919-01-706	EA	COVER - DRAIN SLOT	132-016064
13	112519-01-702	EA	OPERATOR/TRQ CTR SPRT-4 HOLE	410-016123
14	100322-01-718	EA	HANDLE-DIAL	410-016081

WINDOWS & VENTS GROUP (CONTINUED)
COMPONENT PARTS FOR WINDOWS & VENTS LAYOUT (CONTINUED)

122882-02-01A, 122882-03-01A

KEY	PART NUMBER	U/M	DESCRIPTION	VENDOR NO.
	064470-01-700	EA	COVER - VENT	J7291
	064470-01-701	EA	SLIDE BAR - VENT LID	JRP1291B
	110051-03-700	EA	SWITCH-BLACK/PUSH BUTTON	27-0164
	122882-01-700	EA	HANDLE - CRANK - BLACK	90128
	122882-01-701	EA	SCREEN	JRP-1124-B
	122882-01-702	EA	HANDLE - CRANK - WHITE	JRP1031B

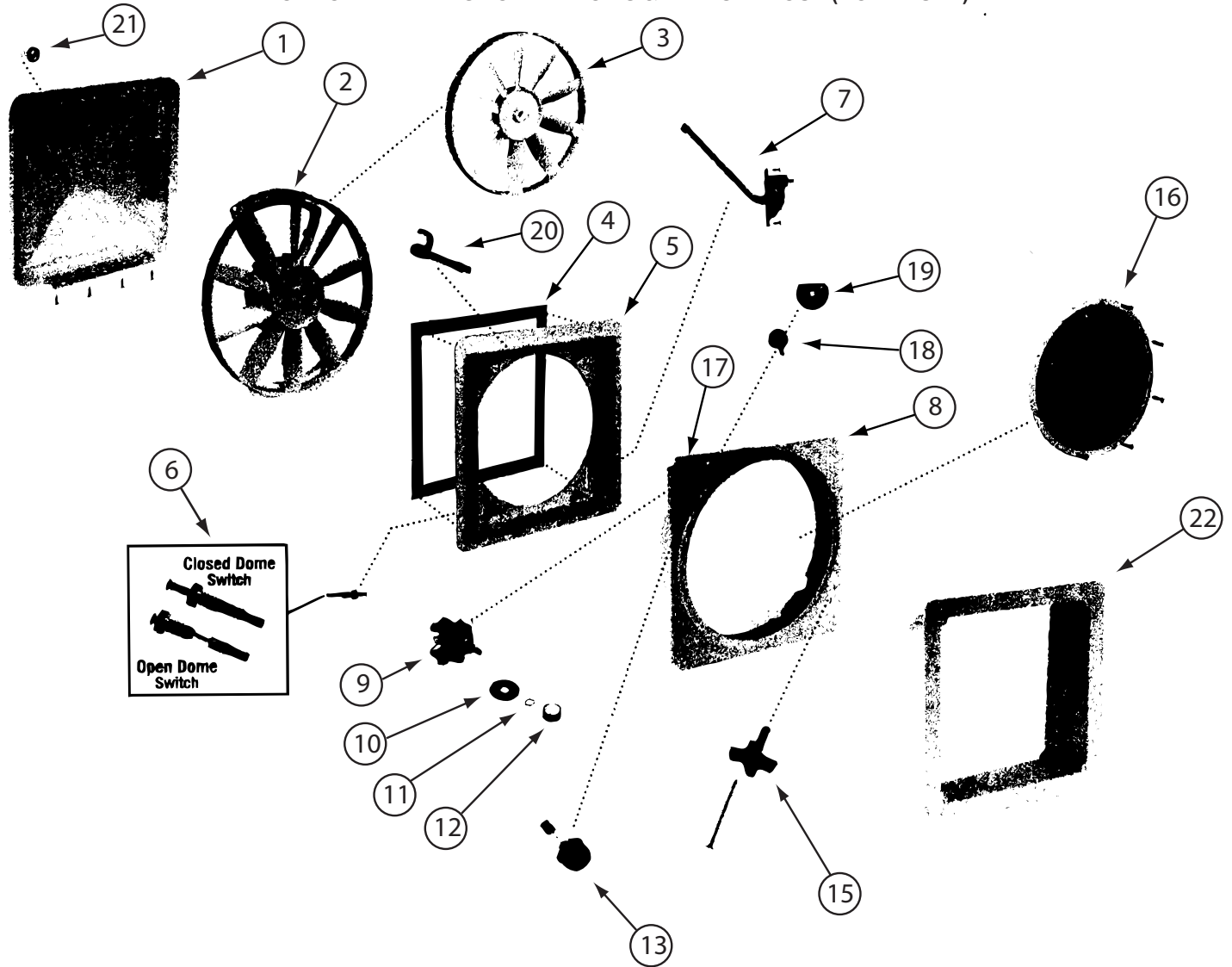


123780-03-01A

KEY	PART NUMBER	U/M	DESCRIPTION	VENDOR NO.
2	084079-11-700	EA	MOTOR & FAN BLADE W/BRACKET	K4017-09
3	084079-01-705	EA	MOTOR/EXT BRKT/FAN BLADE KIT	1080-00
4	084079-01-711	EA	MOTOR MOUNT (BOWTIE)	1015-00
5	084079-01-704	EA	BLADE-FAN	1138-00
6	084079-01-709	EA	SWITCH - MAIN - 3 SPEED	1031-05
7	084079-01-707	EA	SWITCH - SAFETY	1122-05
8	123780-05-700	EA	BASE/MAIN-BRT WHT W/GASKET	1010-81
9	123780-01-700	EA	COVER - VENT W/HINGE & SLIDE	1020K-81
10	009440-01-000	EA	GEAR-ARM-ROOF VENT	705221K38
11	123780-03-701	EA	SCREEN ASM 78-100MM W/SWITCH	1030BT-81
12	123780-03-700	EA	GARNISH - INT. 3"-4" BRT/WHT	2040-81
13	084079-01-703	EA	KNOB-LIFT	1140K-00
	084079-01-706	EA	PLUG, 12 VOLT	1090
	123780-01-702	EA	SCREEN INSERT (SCREEN RING)	K1035-81

CONTACT WINNEBAGO PART SALES FOR UNLISTED COMPONENT(S)

WINDOWS & VENTS GROUP (CONTINUED)
COMPONENT PARTS FOR WINDOWS & VENTS LAYOUT (CONTINUED)

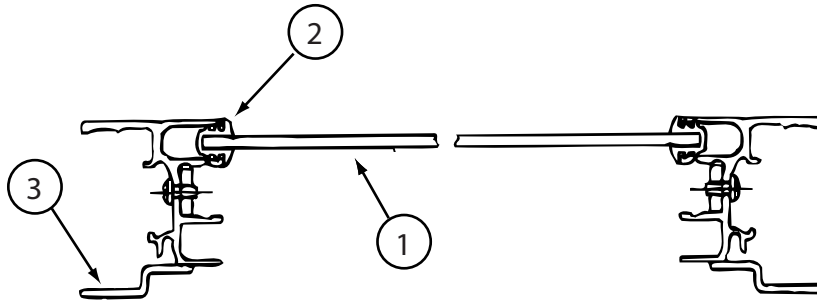


123780-26-01A

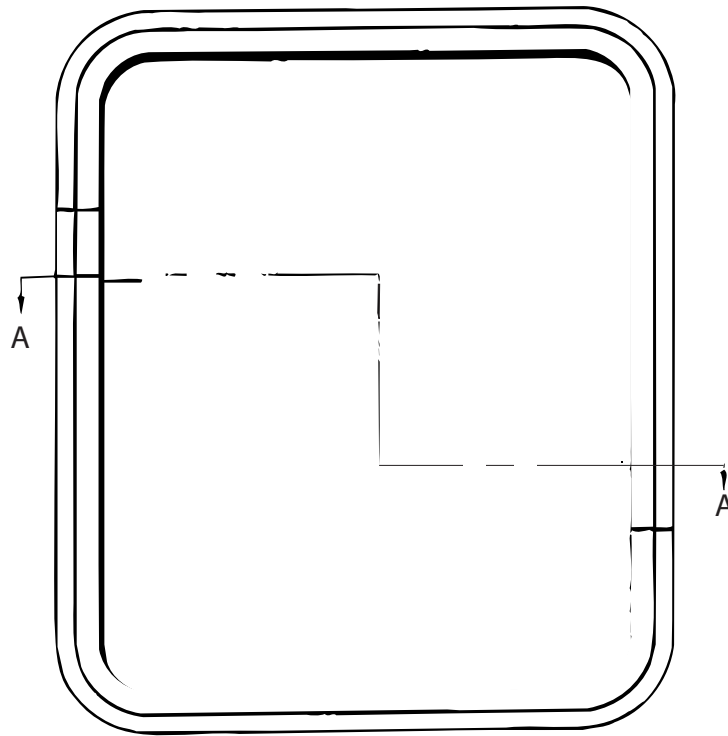
KEY	PART NUMBER	U/M	DESCRIPTION	VENDOR NO.
1	123780-22-700	EA	COVER - VENT W/HINGE & SLIDE	K8020-81
2	123780-26-700	EA	MOTOR & FAN BLADE W/BRACKET	XK8017-03 PANCAKE
3	123780-26-701	EA	BLADE/FAN - 12" OPAQUE WHT	8138-81 - 7MM
4	123780-22-701	EA	SEAL/RUBBER-4 1/2' W/GLUE	K1144-09
5	123780-22-702	EA	BASE/MAIN - W/LOCK/SEAL/ARM	XK8010-81 CLAMP STY
6	084079-01-707	EA	SWITCH - SAFETY	1122-05
7	084079-01-702	EA	ARM LIFT ASSEMBLY, MANUAL	101105
8	123780-22-703	EA	SCREEN KIT W/RING/ARM/LOCK	XK1220-81
9	084079-01-709	EA	SWITCH - MAIN - 3 SPEED	1031-05
13	123780-21-700	EA	FUSE HOLDER W/4 AMP FUSE	K9018-09
15	123780-16-700	EA	KNOB-BLK/AUTOMATIC LIFT MTR	K1140-09
16	123780-21-703	EA	SCREEN - POP N LOCK	2035-81
17	123780-22-704	EA	TRAVEL LOCK ASSEMBLY	4021-09
22	123780-22-705	EA	GARNISH-3 1/2"CLAMP STY-WHT	XK2040-81

CONTACT WINNEBAGO PART SALES FOR UNLISTED COMPONENT(S)

WINDOWS & VENTS GROUP (CONTINUED)
COMPONENT PARTS FOR WINDOWS & VENTS LAYOUT (CONTINUED)



CROSS SECTION A-A



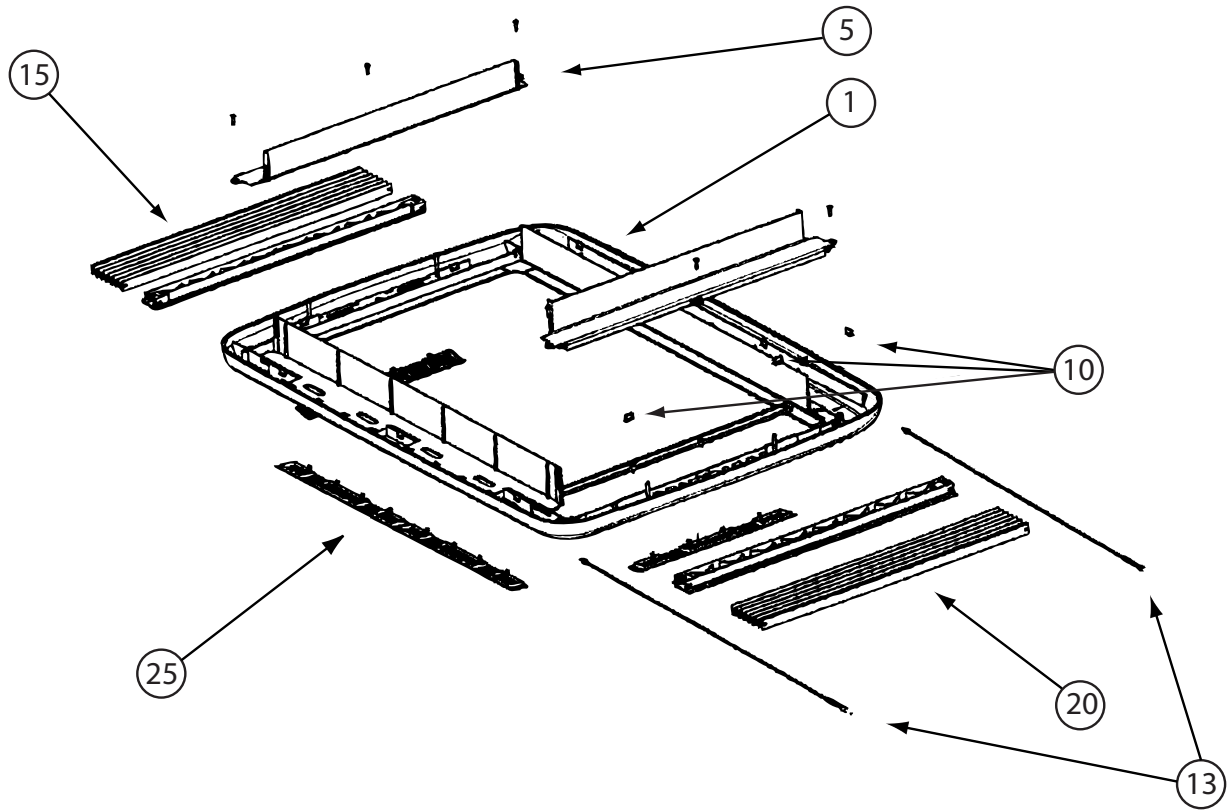
151075-03-01A

KEY	PART NUMBER	U/M	DESCRIPTION	VENDOR NO
1	151075-03-700	EA	GLASS - STATIONARY	106-019887
2	098644-01-705	FT	GLAZING - STRIP	132-010231
3	1137331-10-701	EA	RETAINER-TRIM	H416-66

151075-03-02A

KEY	PART NUMBER	U/M	DESCRIPTION	VENDOR NO
1	151075-03-700	EA	GLASS - STATIONARY	106-019887
2	098644-01-705	FT	GLAZING - STRIP	132-010231
3	151075-03-701	EA	RETAINER - TRIM	S416-66

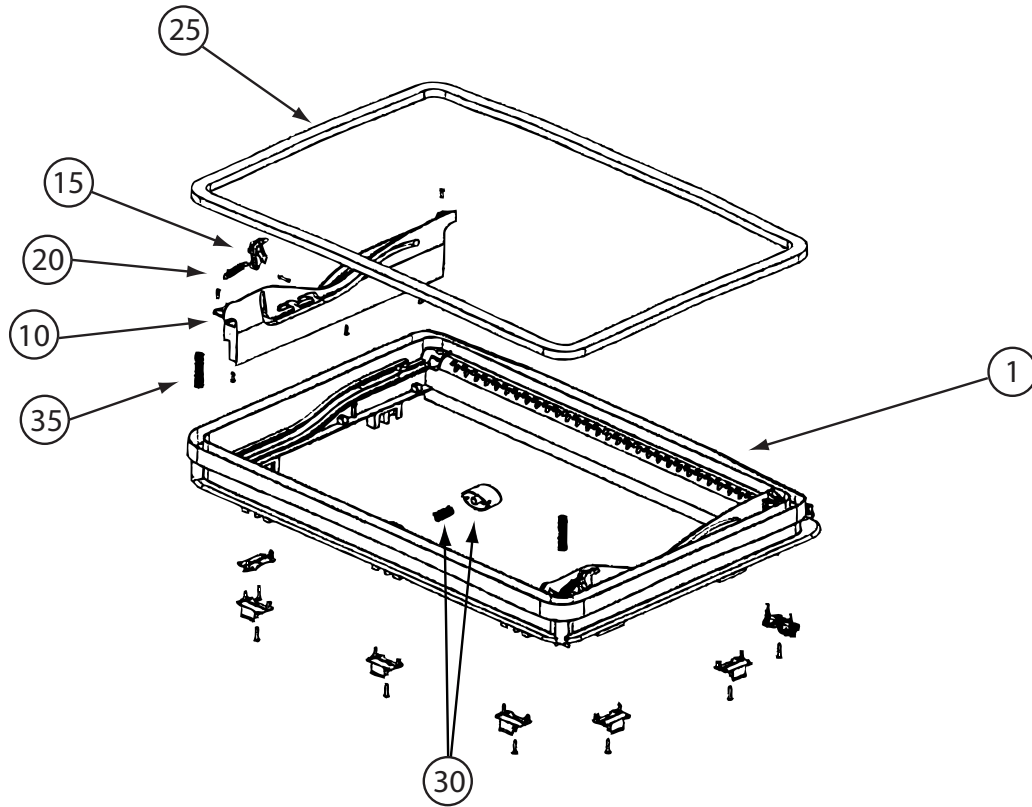
WINDOWS & VENTS GROUP (CONTINUED)
COMPONENT PARTS FOR WINDOWS & VENTS LAYOUT (CONTINUED)



152882-01-01A

KEY	PART NUMBER	U/M	DESCRIPTION	VENDOR NO.
13	152882-01-703	EA	CORD	BG1715
15	152882-01-701	EA	FLY NET W/END ROD	BG1394
20	152882-01-702	EA	DARKENING SYSTEM W/END ROD	BG1393
25	152882-01-704	EA	VENTILATION GRIDS	560E35

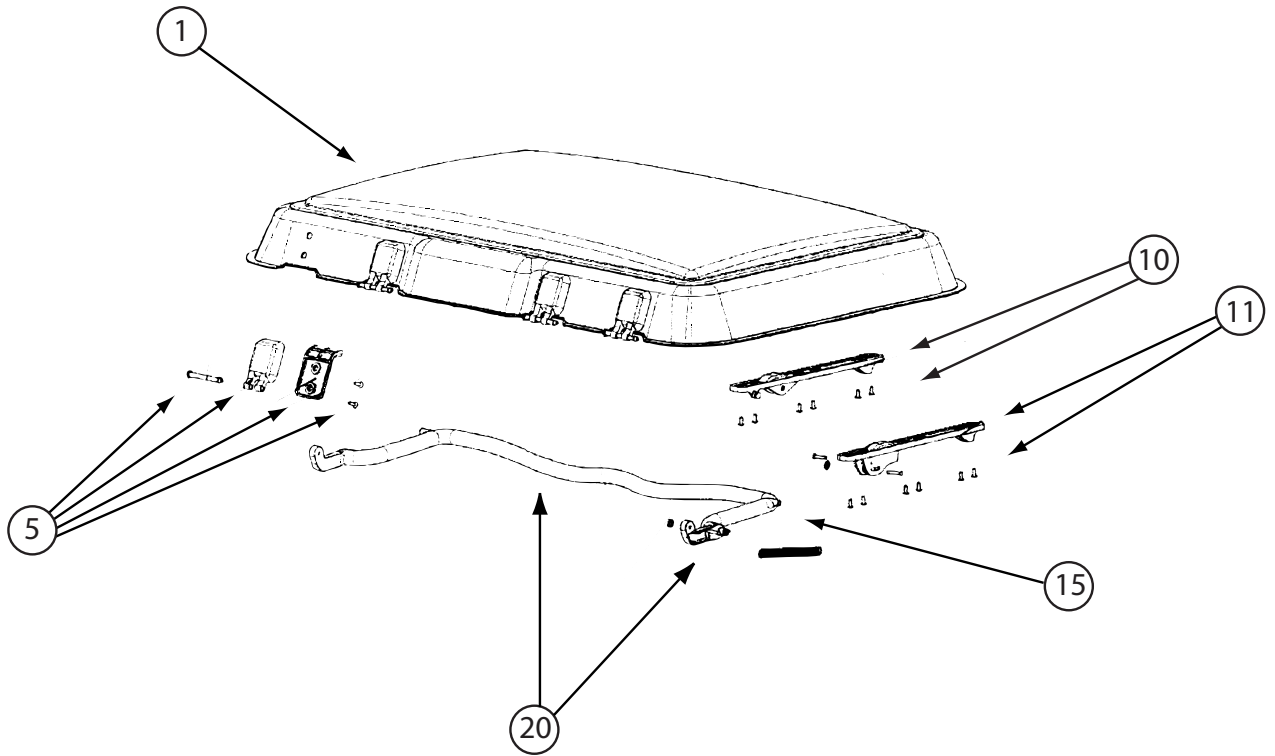
WINDOWS & VENTS GROUP (CONTINUED)
COMPONENT PARTS FOR WINDOWS & VENTS LAYOUT (CONTINUED)



152882-01-01A (CONTINUED)

KEY	PART NUMBER	U/M	DESCRIPTION	VENDOR NO.
15	152882-01-710	EA	HOOK W/ASM.PARTS(1 EA=PKG 2)	BG1519 (LT/RT)
20	152882-01-711	EA	SPRING (1 EA = PKG 2)	BG1520 (LT/RT)
25	152882-01-705	EA	SEAL	BG1521
30	152882-01-706	EA	BUTTON W/SPRING	BG1522

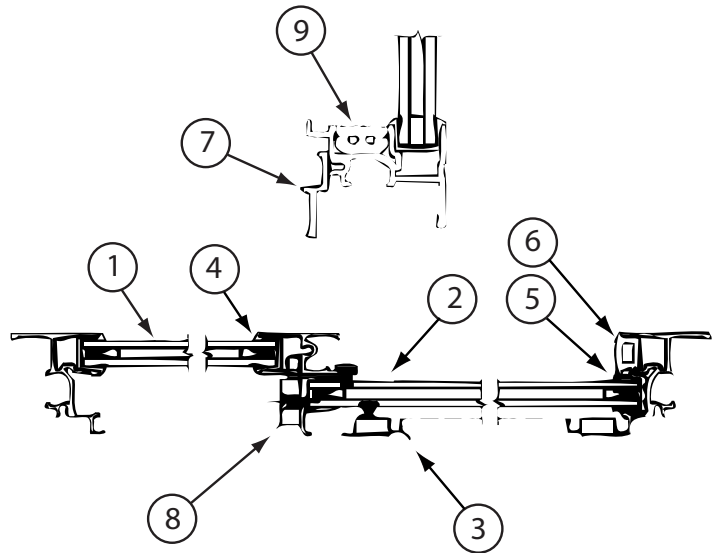
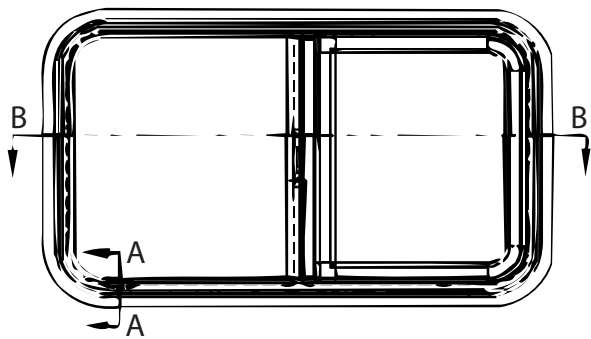
WINDOWS & VENTS GROUP (CONTINUED)
COMPONENT PARTS FOR WINDOWS & VENTS LAYOUT (CONTINUED)



152882-01-01A (CONTINUED)

KEY	PART NUMBER	U/M	DESCRIPTION	VENDOR NO.
1	152882-01-700	EA	GLAZING DOME - W/O ASM PARTS	BG1512
5	152882-01-707	EA	HINGE W/FIXINGS	BG1513
10	152882-01-712	EA	CONNECTION PLATES	BG1514
15	152882-01-708	EA	SPRING F/OPERATING BAR	BG1515
20	152882-01-709	EA	OPERATING BAR	BG1516

WINDOWS & VENTS GROUP (CONTINUED)
COMPONENT PARTS FOR WINDOWS & VENTS LAYOUT (CONTINUED)



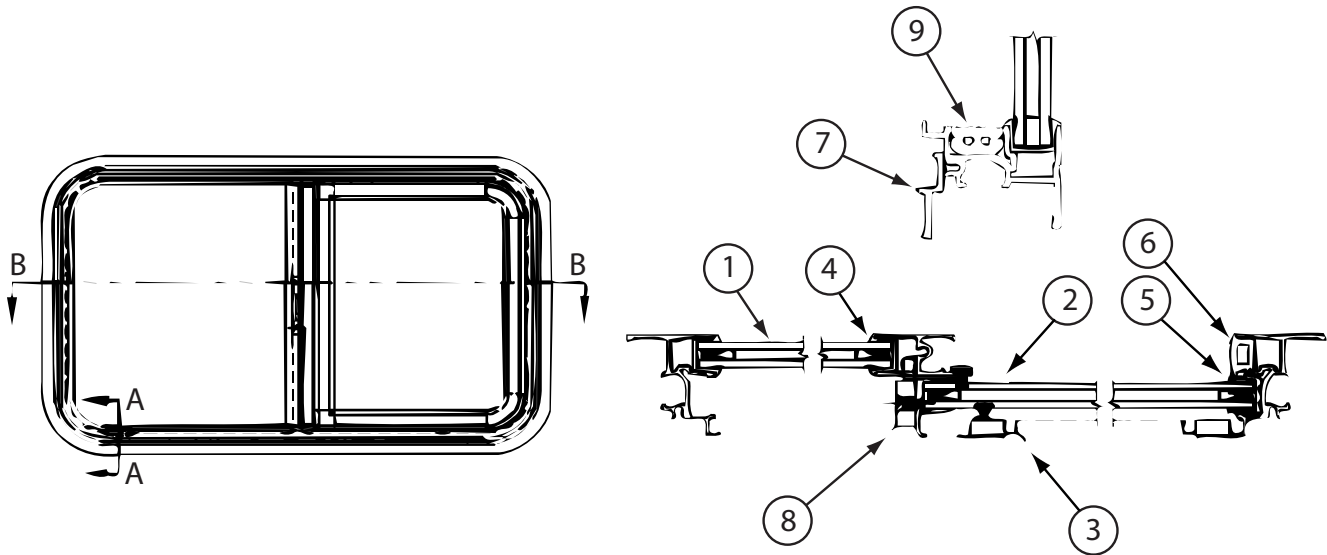
164922-25-01A

KEY	PART NUMBER	U/M	DESCRIPTION	VENDOR NO.
1	098647-75-700	EA	GLASS - STATIONARY	106-036069
2	098647-75-703	EA	GLASS-SLIDING W/SASH & LATCH	H978G8
3	098647-75-702	EA	SCREEN ASM	410-036071
4	098644-01-705	FT	GLAZING - STRIP	132-010231
5	098644-01-708	FT	CHANNEL - RUN PIERCED	122-016543
6	098644-01-716	FT	PLUG - FILLER	132-014470
7	164922-25-700	EA	RETAINER - TRIM - BLACK	H97866
8	098644-01-700	EA	LATCH - REPAIR KIT (BLACK)	B801-CK
8	098647-54-701	EA	LATCH REPAIR KIT (RED)	B081-CK
9	098644-01-719	EA	STOP - SLIDER GLASS	132-014203
	098644-01-706	FT	WEATHERSTRIP-GLASS(FIN SEAL)	171-010668
	098644-01-710	FT	TRACK - SCREEN SPACER 12'	132-017135
	098644-01-711	FT	WEATHERSTRIP-SCRN(FUZZY)BLK	171-017245/016965
	098644-01-717	FT	SPLINE - SCREEN	132-004716
	125582-01-701	EA	CLIP - SCREEN - PLASTIC	130-005153

164922-25-02A

KEY	PART NUMBER	U/M	DESCRIPTION	VENDOR NO.
1	098647-75-700	EA	GLASS - STATIONARY	106-036069
2	098647-75-703	EA	GLASS-SLIDING W/SASH & LATCH	H978G8
3	098647-75-702	EA	SCREEN ASM	410-036071
4	098644-01-705	FT	GLAZING - STRIP	132-010231
5	098644-01-708	FT	CHANNEL - RUN PIERCED	122-016543
6	098644-01-716	FT	PLUG - FILLER	132-014470
7	098647-75-701	EA	RETAINER - TRIM - SILVER	S978-66
8	098644-01-700	EA	LATCH - REPAIR KIT (BLACK)	B801-CK
8	098647-54-701	EA	LATCH REPAIR KIT (RED)	B081-CK
9	098644-01-719	EA	STOP - SLIDER GLASS	132-014203
	098644-01-706	FT	WEATHERSTRIP-GLASS(FIN SEAL)	171-010668
	098644-01-710	FT	TRACK - SCREEN SPACER 12'	132-017135
	098644-01-711	FT	WEATHERSTRIP-SCRN(FUZZY)BLK	171-017245/016965
	098644-01-717	FT	SPLINE - SCREEN	132-004716
	125582-01-701	EA	CLIP - SCREEN - PLASTIC	130-005153

WINDOWS & VENTS GROUP (CONTINUED)
COMPONENT PARTS FOR WINDOWS & VENTS LAYOUT (CONTINUED)



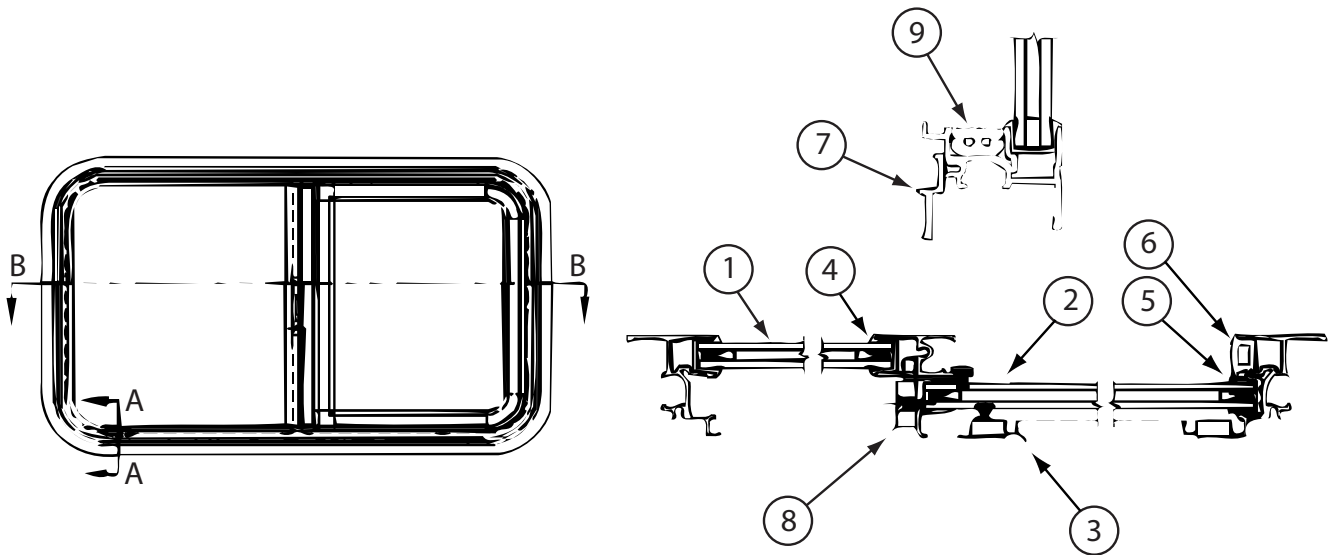
164922-26-01A

KEY	PART NUMBER	U/M	DESCRIPTION	VENDOR NO.
1	098647-76-700	EA	GLASS - STATIONARY	106-036072
2	098647-76-702	EA	COMMON PARTS-SEALS/LATCH-H/S	STRUCTURE-H&S SLIDE
3	098647-23-704	EA	SCREEN ASM - W/SEALS & CLIPS	410-019066
4	098644-01-705	FT	GLAZING - STRIP	132-010231
5	098644-01-708	FT	CHANNEL - RUN PIERCED	122-016543
6	098644-01-716	FT	PLUG - FILLER	132-014470
7	098647-27-704	EA	RETAINER - TRIM	H287-66
8	098644-01-700	EA	LATCH - REPAIR KIT (BLACK)	B801-CK
8	098647-54-701	EA	LATCH REPAIR KIT (RED)	B081-CK
9	098644-01-719	EA	STOP - SLIDER GLASS	132-014203
	098644-01-706	FT	WEATHERSTRIP-GLASS(FIN SEAL)	171-010668
	098644-01-710	FT	TRACK - SCREEN SPACER 12'	132-017135
	098644-01-711	FT	WEATHERSTRIP-SCRN(FUZZY)BLK	171-017245/016965
	098644-01-717	FT	SPLINE - SCREEN	132-004716
	125582-01-701	EA	CLIP - SCREEN - PLASTIC	130-005153

164922-26-02A

KEY	PART NUMBER	U/M	DESCRIPTION	VENDOR NO.
1	098647-76-700	EA	GLASS - STATIONARY	106-036072
2	098647-76-702	EA	COMMON PARTS-SEALS/LATCH-H/S	STRUCTURE-H&S SLIDE
3	098647-23-704	EA	SCREEN ASM - W/SEALS & CLIPS	410-019066
4	098644-01-705	FT	GLAZING - STRIP	132-010231
5	098644-01-708	FT	CHANNEL - RUN PIERCED	122-016543
6	098644-01-716	FT	PLUG - FILLER	132-014470
7	098647-76-701	EA	RETAINER - TRIM	S287-66
8	098644-01-700	EA	LATCH - REPAIR KIT (BLACK)	B801-CK
8	098647-54-701	EA	LATCH REPAIR KIT (RED)	B081-CK
9	098644-01-719	EA	STOP - SLIDER GLASS	132-014203
	098644-01-706	FT	WEATHERSTRIP-GLASS(FIN SEAL)	171-010668
	098644-01-710	FT	TRACK - SCREEN SPACER 12'	132-017135
	098644-01-711	FT	WEATHERSTRIP-SCRN(FUZZY)BLK	171-017245/016965
	098644-01-717	FT	SPLINE - SCREEN	132-004716
	125582-01-701	EA	CLIP - SCREEN - PLASTIC	130-005153

WINDOWS & VENTS GROUP (CONTINUED)
COMPONENT PARTS FOR WINDOWS & VENTS LAYOUT (CONTINUED)



164922-27-01A

KEY	PART NUMBER	U/M	DESCRIPTION	VENDOR NO.
1	098647-77-700	EA	GLASS - STATIONARY	106-036291
2	098647-77-703	EA	GLASS SLIDING W/SASH & LATCH	H996G8
3	098647-78-702	EA	SCREEN ASM	410-036304
4	098644-01-705	FT	GLAZING - STRIP	132-010231
5	098644-01-708	FT	CHANNEL - RUN PIERCED	122-016543
6	098644-01-716	FT	PLUG - FILLER	132-014470
7	098647-78-701	EA	RETAINER - TRIM	H996-66
8	098644-01-700	EA	LATCH - REPAIR KIT (BLACK)	B801-CK
8	098647-54-701	EA	LATCH REPAIR KIT (RED)	B081-CK
9	098644-01-719	EA	STOP - SLIDER GLASS	132-014203
	098644-01-706	FT	WEATHERSTRIP-GLASS(FIN SEAL)	171-010668
	098644-01-710	FT	TRACK - SCREEN SPACER 12'	132-017135
	098644-01-711	FT	WEATHERSTRIP-SCRN(FUZZY)BLK	171-017245/016965
	098644-01-717	FT	SPLINE - SCREEN	132-004716
	125582-01-701	EA	CLIP - SCREEN - PLASTIC	130-005153

164922-27-02A

KEY	PART NUMBER	U/M	DESCRIPTION	VENDOR NO.
1	098647-77-700	EA	GLASS - STATIONARY	106-036291
2	098647-77-703	EA	GLASS SLIDING W/SASH & LATCH	H996G8
3	098647-78-702	EA	SCREEN ASM	410-036034
4	098644-01-705	FT	GLAZING - STRIP	132-010231
5	098644-01-708	FT	CHANNEL - RUN PIERCED	122-016543
6	098644-01-716	FT	PLUG - FILLER	132-014470
7	098647-77-701	EA	RETAINER - TRIM	S996-66
8	098644-01-700	EA	LATCH - REPAIR KIT (BLACK)	B801-CK
8	098647-54-701	EA	LATCH REPAIR KIT (RED)	B081-CK
9	098644-01-719	EA	STOP - SLIDER GLASS	132-014203
	098644-01-706	FT	WEATHERSTRIP-GLASS(FIN SEAL)	171-010668
	098644-01-710	FT	TRACK - SCREEN SPACER 12'	132-017135
	098644-01-711	FT	WEATHERSTRIP-SCRN(FUZZY)BLK	171-017245/016965
	098644-01-717	FT	SPLINE - SCREEN	132-004716
	125582-01-701	EA	CLIP - SCREEN - PLASTIC	130-005153