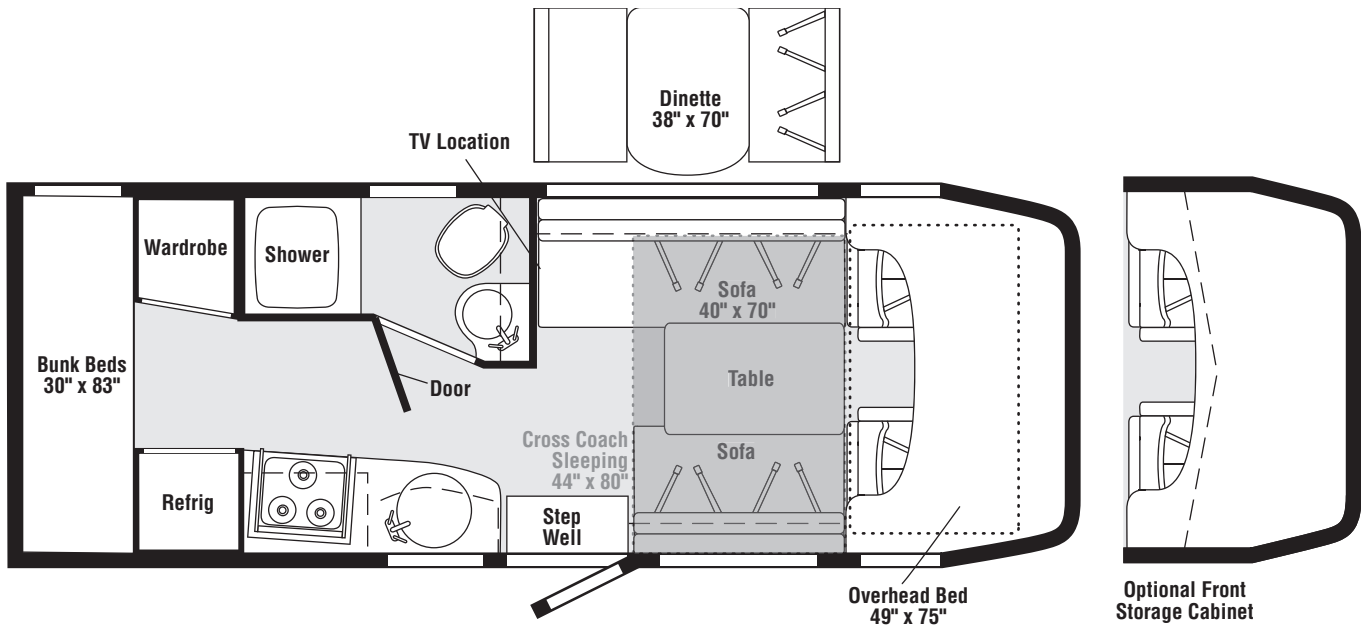


2008
VIEW
WD524B
500-SERIES
WASHED MAPLE
W13 MANCHESTER
W15 CALYPSO SPICE
W05 STONE FENCE
HONEY CHERRY
W14 MANCHESTER
W16 CALYPSO SPICE
W06 STONE FENCE



FLOORPLAN

CONTENTS

| | |
|---|-----------|
| FLOORPLAN | 1 |
| ACCESSORIES GROUP | 6 |
| OPERATORS MANUAL | 6 |
| AUDIO VIDEO GROUP | 7 |
| RADIO SYSTEM | 7 |
| COMPONENT PARTS FOR RADIO SYSTEM | 7 |
| 160885-01-000 | 7 |
| REAR MONITOR | 8 |
| COMPONENT PARTS FOR REAR MONITOR | 8 |
| 136514-06-000 | 8 |
| 136514-07-000 | 8 |
| CABINET & APPLIANCE GROUP | 9 |
| CABINET & APPLIANCE LAYOUT | 9 |
| COMPONENT PARTS FOR CABINET & APPLIANCE LAYOUT | 14 |
| 114030-04-01A | 14 |
| 121568-06-01A, 121568-07-01A, 121568-08-01A | 16 |
| 136354-06-01A, 136354-06-02A | 21 |
| 150606-04-02A | 21 |
| 158914-01-01A | 22 |
| 161116-01-01A , 161116-02-01A | 25 |
| CHASSIS GROUP | 26 |
| FRAME | 26 |
| EXHAUST | 27 |
| HITCH | 28 |
| SPARE TIRE | 28 |
| WHEEL, TIRE, COVERS &/OR LINERS | 29 |
| COMPONENT PARTS FOR WHEEL, TIRE, COVERS &/OR LINERS | 29 |
| 154970-02-000 | 29 |
| CURTAIN & CUSHION GROUP | 30 |
| CURTAIN, CUSHION LAYOUT | 30 |
| SOFA | 34 |
| HARDWARE | 35 |
| ACCESSORIES | 37 |
| FABRICS | 38 |
| DRIVERS COMPARTMENT GROUP | 41 |
| FRONT INTERIOR | 41 |

CONTENTS (CONTINUED)

| | |
|--|-----------|
| ELECTRICAL GROUP | 45 |
| 110V BODY WIRING | 45 |
| 12V BODY WIRING | 46 |
| EXTERIOR LAMPS | 49 |
| SIDE TV/VCR | 50 |
| COMPONENT PARTS FOR WIRING | 53 |
| 076319-23-000 | 53 |
| 076319-25-000 | 53 |
| 087694-01-000 | 54 |
| 097917-01-06A | 54 |
| 108354-01-01A | 54 |
| 113589-02-000 | 54 |
| 121935-01-01A | 54 |
| 123775-01-02A | 54 |
| 134940-06-01A | 55 |
| 134940-07-01A | 55 |
| 134940-10-01A | 56 |
| 137417-01-01A, 137417-03-01A | 57 |
| 137417-06-01A | 57 |
| 152438-01-01A | 57 |
| 156413-01-01A | 57 |
| 158703-01-000 | 57 |
| 163097-01-000 | 57 |
| 163031-01-01A | 57 |
| 164495-01-000 | 57 |
| CIRCUIT BREAKERS, FUSES & RELAYS | 58 |
| CONVERTER, INVERTER, LOAD CENTERS | 58 |
| COMPONENT PARTS FOR CONVERTER, INVERTER, LOAD CENTER | 58 |
| 083208-07-000 | 58 |
| BOXES & CORDS | 59 |
| WIRE ASSEMBLIES | 59 |
| CONNECTORS & CONDUIT | 60 |
| CHASSIS | 62 |
| EXTERIOR BODY GROUP | 64 |
| GRAPHICS & PAINT | 64 |
| PANELS & TRIMS | 66 |
| FRONT END | 70 |
| STRUCTURAL COMPONENTS | 71 |
| AWNINGS | 71 |
| EXTERIOR DOORS & COMPARTMENTS GROUP | 72 |
| DOOR & COMPARTMENT LAYOUT | 72 |
| COMPONENT PARTS FOR DOOR & COMPARTMENT LAYOUT | 78 |
| 084103-08-000 | 78 |
| 094707-04-01A | 78 |
| 142226-02-01A | 78 |
| COMPARTMENT DOOR PIECE PARTS | 79 |
| ENTRY | 82 |
| SCREEN | 83 |
| LATCH - ENTRY | 84 |
| GENERATOR GROUP | 85 |
| GAS | 85 |
| DIESEL | 86 |

CONTENTS (CONTINUED)

| | |
|---|------------|
| HEATING & A/C GROUP | 87 |
| FURNACE | 87 |
| COMPONENT PARTS FOR FURNACE | 88 |
| 139980-01-000 | 88 |
| ROOF | 90 |
| COMPONENT PARTS FOR ROOF | 90 |
| 131184-01-01A | 90 |
| 131184-05-01A | 91 |
| 131184-06-01A | 92 |
| 131184-07-01A | 93 |
| 148644-01-01A | 94 |
| 148644-01-02A | 95 |
| 148644-02-01A | 96 |
| INTERIOR FINISH GROUP | 97 |
| MOLDINGS & TRIMS | 97 |
| PANELING & LAMINATES | 109 |
| INTERIOR TRIM LAYOUT | 110 |
| FLOOR COVERINGS | 111 |
| HARDWARE | 112 |
| LABELS GROUP | 118 |
| LP GROUP | 124 |
| LP SYSTEM | 124 |
| COMPONENT PARTS FOR LP SYSTEM | 124 |
| 144116-09-000 | 124 |
| SEALANTS & FASTENERS GROUP | 125 |
| SEALANTS & ADHESIVES | 125 |
| BOLTS, NUTS AND WASHERS | 126 |
| SCREWS | 128 |
| CLAMPS, CLIPS, GROMMETS, RIVETS & PLUGS | 131 |
| MISCELLANEOUS FASTENERS | 132 |
| WATER & SEWAGE GROUP | 133 |
| DRAINAGE SYSTEM | 133 |
| COMPONENT PARTS FOR DRAINAGE SYSTEM | 135 |
| 062415-01-000 | 135 |
| 147421-01-01A, 147421-02-01A | 135 |
| WATER SYSTEM | 136 |
| COMPONENT PARTS FOR WATER SYSTEM | 141 |
| 051391-03-000 | 141 |
| 129390-04-01A | 142 |
| 145541-02-000 | 142 |
| 151678-01-01A | 142 |
| 151680-01-01A | 143 |

CONTENTS (CONTINUED)

| | |
|---|------------|
| WINDOWS & VENTS GROUP | 144 |
| WINDOWS & VENTS LAYOUT | 144 |
| COMPONENT PARTS FOR WINDOWS & VENTS | 146 |
| 098644-20-03A | 146 |
| 098647-81-02A | 147 |
| 098647-84-02A | 147 |
| 098647-85-02A | 148 |
| 098647-87-02A | 148 |
| 104691-18-01A | 149 |
| 104691-18-02A | 150 |
| 122882-02-01A, 122882-03-01A | 151 |
| 123780-03-01A | 151 |
| 123780-26-01A | 152 |
| 151075-03-01A | 153 |
| 151075-03-02A | 153 |
| 152882-01-01A | 154 |
| 164922-31-01A | 157 |
| 164922-31-02A | 157 |
| 164922-33-01A | 158 |
| 164922-33-02A | 158 |
| 164922-34-01A | 159 |
| 164922-34-02A | 159 |
| 164922-36-01A | 160 |
| 164922-36-02A | 160 |
| 164973-14-01A/03A | 161 |
| 164973-14-02A | 161 |

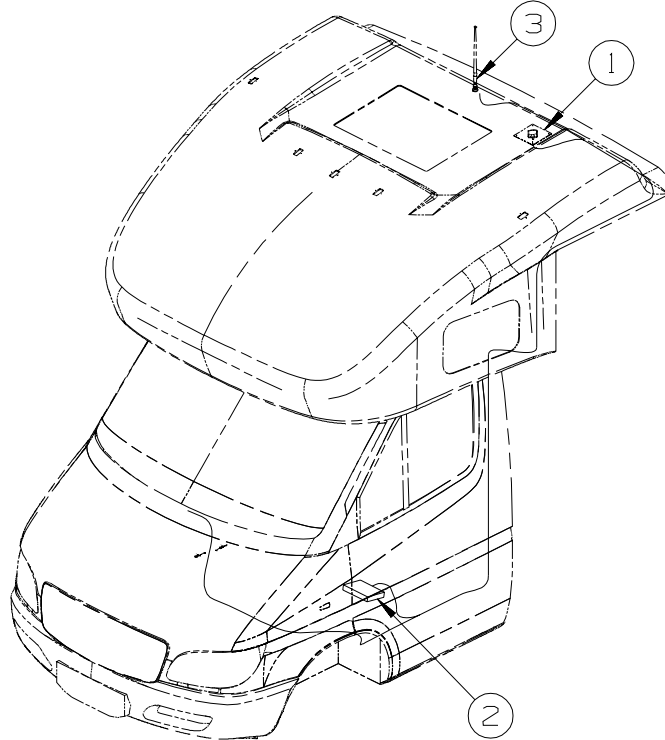
ACCESSORIES GROUP
OPERATORS MANUAL

| KEY | PART NUMBER | U/M | DESCRIPTION |
|------------|--------------------|------------|---|
| | 159887-01-000 | EA | TOP LEVEL-500,2008 |
| | 158603-08-003 | EA | MANUAL/OWNER - SUPPLEMENT - 500 SERIES - 2008 |
| | 159842-01-01A | EA | CASE - VINYL - F/MANUALS - W/SLEEVES - BLACK |
| | 161500-08-005 | EA | MANUAL/OWNER - VIEW - 500 SERIES - 2008 |

AUDIO VIDEO GROUP RADIO SYSTEM

| KEY | PART NUMBER | U/M | DESCRIPTION |
|-----|---------------|-----|---|
| * | 160885-01-000 | EA | RADIO - AM/FM/CD PLAYER-SATELLITE READY-SONY CDX-A251CMR05 FROM: 00-00-00 THRU: 03-18-07 |
| | 164339-01-000 | EA | RADIO - AM/FM/CD PLAYER-SATELLITE READY-SONY CDX-GT610UI FROM: 03-19-07 THRU: 03-05-08 |
| | 163142-08-000 | EA | RADIO-AM/FM/CD/WB - SATELLITE READY - W/12 PIN AMP CNCTR FROM: 03-06-08 THRU: 99-99-99 |
| | 163142-09-000 | EA | REMOTE CONTROL/RADIO (CREDIT CARD SIZE) FROM: 03-06-08 THRU: 99-99-99 |
| | 163142-12-000 | EA | CABLE/INTERFACE - I-POD FROM: 03-06-08 THRU: 99-99-99 |
| | 168430-01-000 | EA | BRACKET/MOUNT - RADIO/DASH - SPRINTER FROM: 03-06-08 THRU: 99-99-99 |

***COMPONENT PARTS LISTED LATER IN THIS GROUP**



| KEY | PART NUMBER | U/M | DESCRIPTION |
|-----|---------------|-----|---|
| 1 | 158494-01-000 | EA | ANTENNA/SATELLITE - RADIO/SIRIUS - RADIO - SATELLITE |
| 2 | 158494-02-000 | EA | CABLE/ANTENNA - SATELLITE RADIO SIRIUS - RADIO - SATELLITE |
| 2 | 160886-01-000 | EA | RECEIVER - SATELLITE RADIO - SIRIUS - SONY SIR-SNY1W - RADIO - SATELLITE FROM: 00-00-00 THRU: 03-05-08 |
| 2 | 163142-06-000 | EA | RECEIVER - SATELLITE RADIO - RADIO - SATELLITE FROM: 03-06-08 THRU: 99-99-99 |
| 3 | 090944-01-000 | EA | ANTENNA - RADIO - 16" RUBBER - W/72" LEAD WIRE |

COMPONENT PARTS FOR RADIO SYSTEM

160885-01-000

| KEY | PART NUMBER | U/M | DESCRIPTION | VENDOR NO. |
|-----|---------------|-----|-------------|------------|
| | 160885-01-700 | EA | REMOTE | RCB172 |

AUDIO VIDEO GROUP (CONTINUED)
REAR MONITOR

| KEY | PART NUMBER | U/M | DESCRIPTION | |
|-----|---------------|-----|---|-------------------------------|
| | 136514-02-000 | EA | CABLE - MONITOR/CAMERA | |
| | | | | FROM: 00-00-00 THRU: 08-26-07 |
| | 136514-08-000 | EA | CABLE - MONITOR/CAMERA - 50' | |
| | | | | FROM: 08-27-07 THRU: 99-99-99 |
| * | 136514-06-000 | EA | MONITOR/COLOR - 7" FLAT PANEL/REAR VIEW - W/PWR & INT CBL | |
| | | | | FROM: 00-00-00 THRU: 12-03-06 |
| * | 136514-07-000 | EA | TELEVISION SYST-REAR VIEW 7" | |
| | | | | FROM: 12-04-06 THRU: 99-99-99 |
| | 144677-14-01A | EA | CAMERA - REAR VIEW W/BRACKET - WHITE - VBCS150 | |
| | 144677-14-02A | EA | CAMERA - REAR VIEW W/BRACKET - BLACK - VBCS150B | |
| | 153383-02-02B | EA | BRACKET - MONITOR - E-COATED | |
| | 149227-01-02B | EA | BRACKET - CAMERA - E-COATED - 524CL | |
| | 149237-01-01A | EA | SHROUD - CAMERA/OUTER - BRIGHT WHITE - 524CL | |
| | 154189-07-02A | EA | COVER/TRIM - WIRING - ALMOND - 524DL | |

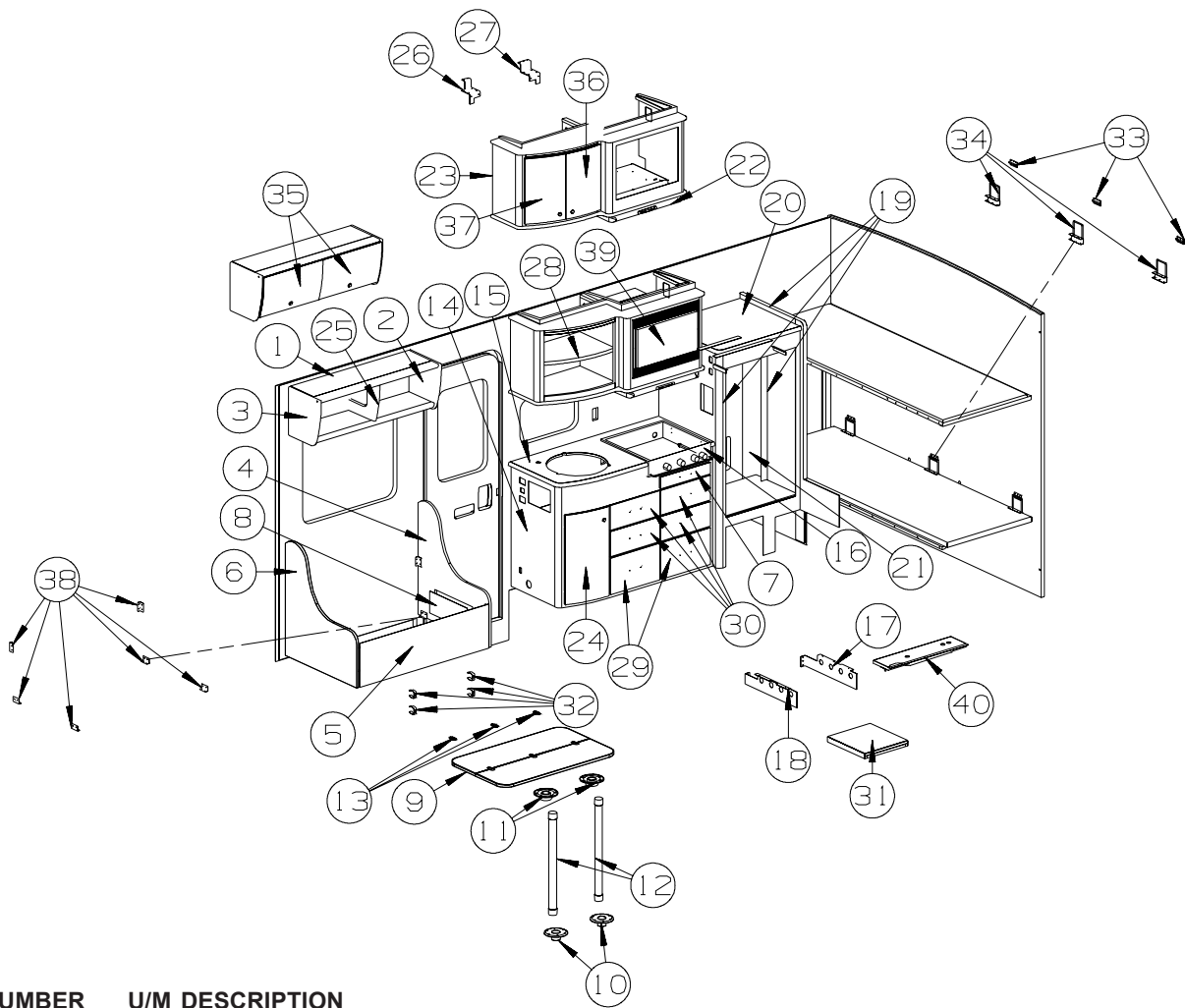
*COMPONENT PARTS LISTED LATER IN THIS GROUP

COMPONENT PARTS FOR REAR MONITOR

| KEY | PART NUMBER | U/M | DESCRIPTION | VENDOR NO. |
|-----|---------------|-----|------------------------------|----------------------|
| | | | | 136514-06-000 |
| | 136514-06-701 | EA | CABLE - CONNECTION | P24NZ1201 |
| | | | | 136514-07-000 |
| | 136514-07-700 | EA | SUNSHIELD- #711 MONITOR ONLY | P4DBSECL769401 |

CABINET & APPLIANCE GROUP

CABINET & APPLIANCE LAYOUT



| KEY | PART NUMBER | U/M | DESCRIPTION |
|-----|---------------|-----|--|
| 1 | 161599-01-W13 | EA | CABINET - OVERHEAD/COUCH - W/O DOORS/HDW - WASHED MAPLE |
| 1 | 161599-01-W14 | EA | CABINET - OVERHEAD/COUCH - W/O DOORS/HDW - HONEY CHERRY |
| 2 | 151919-11-U17 | EA | END CAP - OVERHEAD CABINET - WASHED MAPLE |
| 2 | 151919-11-U18 | EA | END CAP - OVERHEAD CABINET - HONEY CHERRY |
| 3 | 151919-12-U17 | EA | END CAP - OVERHEAD CABINET - WASHED MAPLE |
| 3 | 151919-12-U18 | EA | END CAP - OVERHEAD CABINET - HONEY CHERRY |
| 4 | 161642-11-W05 | EA | CABINET - COUCH END - LEFT END PANEL - FABRIC COVERED (W05, W06) |
| 4 | 161642-11-W13 | EA | CABINET - COUCH END - LEFT END PANEL - FABRIC COVERED (W13, W14) |
| 4 | 161642-11-W15 | EA | CABINET - COUCH END - LEFT END PANEL - FABRIC COVERED (W15, W16) |
| 5 | 161642-13-W05 | EA | CABINET - COUCH - FRONT - FABRIC COVERED (W05, W06) |
| 5 | 161642-13-W13 | EA | CABINET - COUCH - FRONT - FABRIC COVERED (W13, W14) |
| 5 | 161642-13-W15 | EA | CABINET - COUCH - FRONT - FABRIC COVERED (W15, W16) |
| 5 | 161642-18-W05 | EA | CABINET - COUCH - FRONT - FABRIC COVERED (W05, W06) - DINETTE |
| 5 | 161642-18-W13 | EA | CABINET - COUCH - FRONT - FABRIC COVERED (W13, W14) - DINETTE |
| 5 | 161642-18-W15 | EA | CABINET - COUCH - FRONT - FABRIC COVERED (W15, W16) - DINETTE |
| 6 | 161642-15-W05 | EA | CABINET - COUCH END - RIGHT END PANEL - FABRIC COVERED (W05, W06) |
| 6 | 161642-15-W13 | EA | CABINET - COUCH END - RIGHT END PANEL - FABRIC COVERED (W13, W14) |
| 6 | 161642-15-W15 | EA | CABINET - COUCH END - RIGHT END PANEL - FABRIC COVERED (W15, W16) |
| 7 | 159830-01-U17 | EA | CABINET/DRAWER - PULLOUT/COUNTERTOP - W/O HDW - WASHED MAPLE |
| 7 | 159830-01-U18 | EA | CABINET/DRAWER - PULLOUT/COUNTERTOP - W/O HDW - HONEY CHERRY |
| 8 | 137602-K4-T41 | EA | POCKET - FIRE EXTINGUISHER - WASHED MAPLE |
| 8 | 137602-K4-U18 | EA | POCKET - FIRE EXTINGUISHER - HONEY CHERRY |
| 9 | 159564-01-U17 | EA | TABLE - DINETTE/FOLDING - 23.5" X 39.2" - W/HDW - WASHED MAPLE |
| 9 | 159564-01-U18 | EA | TABLE - DINETTE/FOLDING - 23.5" X 39.2" - W/HDW - HONEY CHERRY |
| 10 | 155001-03-01A | EA | BASE - LEG MOUNT/FLOOR/TABLE - RECESSED - SILVER |
| 11 | 155001-02-01A | EA | BASE - LEG MOUNT/FLOOR/TABLE - RAISED - SILVER |
| 12 | 155001-04-01A | EA | LEG - PEDESTAL TABLE - 29" - SILVER |
| 13 | 111535-01-000 | EA | HINGE - TABLE/FOLDING |

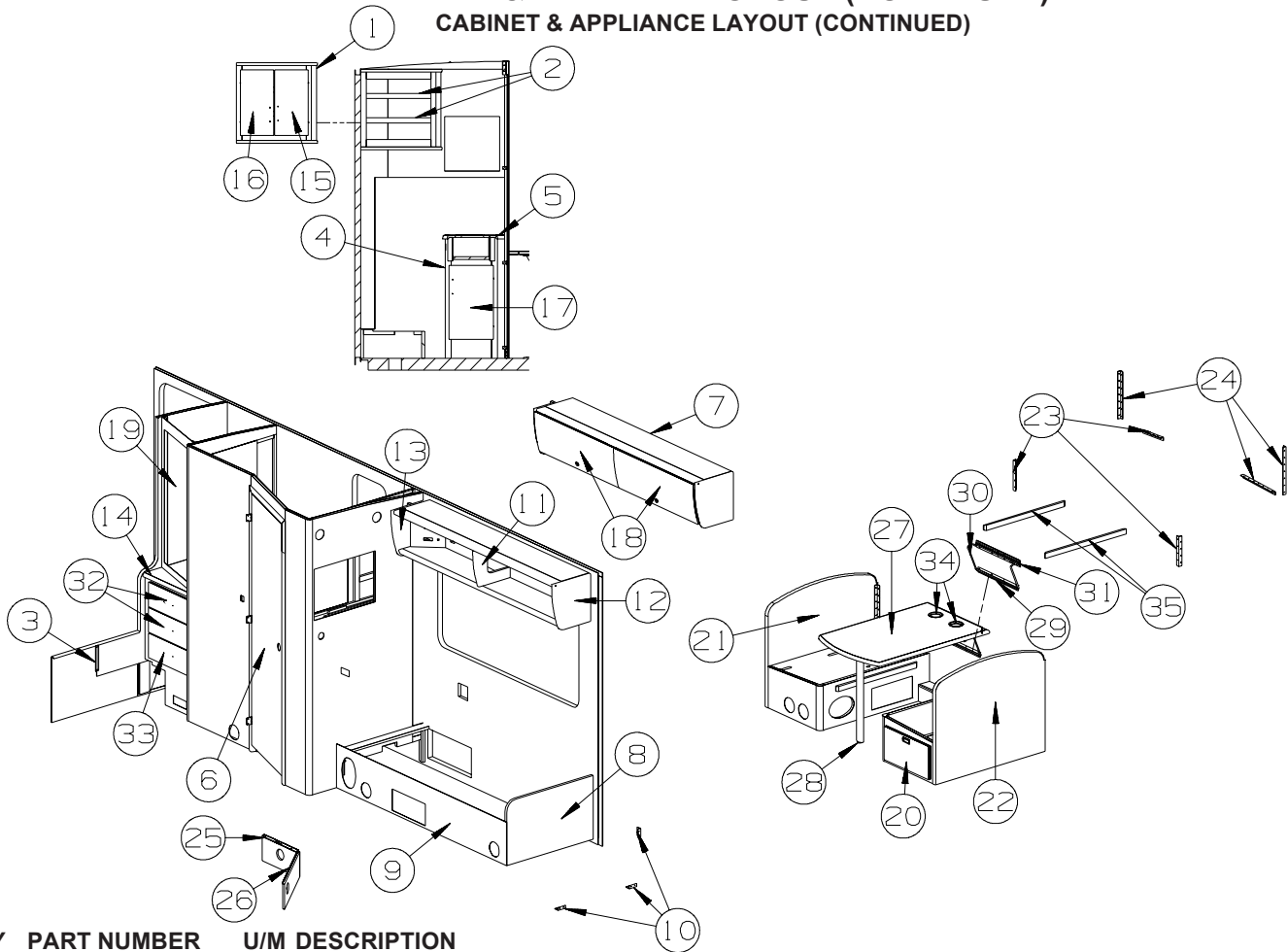
CABINET & APPLIANCE GROUP (CONTINUED)
CABINET & APPLIANCE LAYOUT (CONTINUED)

| KEY | PART NUMBER | U/M | DESCRIPTION |
|-----|---------------|-----|---|
| 14 | P58732-01-U17 | EA | CABINET - GALLEY - W/O COUNTERTOP/DOORS/DRAWERS/HDW - WASHED MAPLE |
| 14 | P58732-01-U18 | EA | CABINET - GALLEY - W/O COUNTERTOP/DOORS/DRAWERS/HDW - HONEY CHERRY |
| 15 | 151681-03-U13 | EA | COUNTERTOP - GALLEY - LAMINATED - WASHED MAPLE FROM: 00-00-00 THRU: 09-30-07 |
| 15 | 165380-01-W13 | EA | COUNTERTOP - GALLEY - WASHED MAPLE FROM: 10-01-07 THRU: 99-99-99 |
| 15 | 151681-03-U14 | EA | COUNTERTOP - GALLEY - LAMINATED - HONEY CHERRY FROM: 00-00-00 THRU: 09-30-07 |
| 15 | 165380-01-W14 | EA | COUNTERTOP - GALLEY - HONEY CHERRY FROM: 10-01-07 THRU: 99-99-99 |
| 16* | 114030-04-01A | EA | RANGE - 3 BRNR TOP/NEW STYLE KNOBS/GRATES-W/O OVEN-BLK |
| 17 | 151755-07-02B | EA | BRACKET - TIEDOWN/RANGE TOP - E-COATED |
| 18 | 151755-08-02B | EA | BRACKET - TIEDOWN/RANGE TOP - E-COATED |
| 19 | | | REFRIGERATOR CABINET SEALS |
| | 090329-01-000 | FT | SEAL - "T" - REFRIGERATOR CABINET |
| 20 | 158862-01-U17 | EA | COUNTERTOP - LAMINATED - WASHED MAPLE |
| 20 | 158862-01-U18 | EA | COUNTERTOP - LAMINATED - HONEY CHERRY |
| 21* | 158914-01-01A | EA | REFRIGERATOR - SMALL - SINGLE DOOR - RH HAND/2-WAY - BLACK |
| | 116751-15-01A | EA | TRAY - REFRIGERATOR - BLACK |
| | 054450-01-000 | EA | LEVEL - REFRIGERATOR |
| 22* | 161116-02-01A | EA | HOOD - RANGE - W/DUAL LITE/FAN - SST |
| 22* | 136354-06-01A | EA | HOOD - RANGE - W/LITE/FAN - BLACK TEXTURED - CSA - CANADIAN |
| 23 | 161570-01-W13 | EA | CABINET - OVERHEAD/GALLEY - W/O DOORS/HDW - WASHED MAPLE |
| 23 | 161570-01-W14 | EA | CABINET - OVERHEAD/GALLEY - W/O DOORS/HDW - HONEY CHERRY |
| 23 | 158734-01-U17 | EA | CABINET - OVERHEAD/GALLEY - W/O DOORS/HDW - WASHED MAPLE - CANADIAN |
| 23 | 158734-01-U18 | EA | CABINET - OVERHEAD/GALLEY - W/O DOORS/HDW - HONEY CHERRY - CANADIAN |
| 24 | 160278-15-W13 | EA | DOOR - CURVED - 13.2" X 33" - W/O HDW - WASHED MAPLE |
| 24 | 160278-15-W14 | EA | DOOR - CURVED - 13.2" X 33" - W/O HDW - HONEY CHERRY |
| 25 | 151919-02-T01 | EA | END CAP - OVERHEAD CABINET - WASHED MAPLE |
| 25 | 151919-02-T02 | EA | END CAP - OVERHEAD CABINET - HONEY CHERRY |
| 26 | 140185-22-02B | EA | BRACE - MICROWAVE CABINET - E-COATED |
| 26 | 140185-16-02B | EA | BRACE - MICROWAVE CABINET - E-COATED - CANADIAN |
| 27 | 140185-21-02B | EA | BRACE - MICROWAVE CABINET - E-COATED |
| 27 | 140185-15-02B | EA | BRACE - MICROWAVE CABINET - E-COATED - CANADIAN |
| 28 | 161570-28-W13 | EA | SHELF - W/T-MOLDING - WASHED MAPLE |
| 28 | 161570-28-W14 | EA | SHELF - W/T-MOLDING - HONEY CHERRY |
| 29 | 161079-07-W13 | EA | DRAWER - BROKEN EDGE - 14.7"W X 15.7"D - W/O SLIDES/HDW - WASHED MAPLE |
| 29 | 161079-07-W14 | EA | DRAWER - BROKEN EDGE - 14.7"W X 15.7"D - W/O SLIDES/HDW - HONEY CHERRY |
| 30 | 161079-06-W13 | EA | DRAWER - BROKEN EDGE - 14.7"W X 15.7"D - W/O SLIDES/HDW - WASHED MAPLE |
| 30 | 161079-06-W14 | EA | DRAWER - BROKEN EDGE - 14.7"W X 15.7"D - W/O SLIDES/HDW - HONEY CHERRY |
| 31 | 158862-03-U17 | EA | COUNTERTOP - LAMINATED |
| 32 | 062046-01-000 | EA | CLIP - LEG - PEDESTAL - 1.7" X 2.2" - DIA FROM 2" - 2.5" |
| 33 | 159811-01-01A | EA | BRACKET - BUNK LIFT - ALMOND |
| 34 | 159772-01-19B | EA | HANGER - BED/BUNK - ALMOND |
| 35 | 160278-17-W13 | EA | DOOR - CURVED - 11.8" X 20.1" - W/O HDW - WASHED MAPLE |
| 35 | 160278-17-W14 | EA | DOOR - CURVED - 11.8" X 20.1" - W/O HDW - HONEY CHERRY |
| 36 | 160278-11-W13 | EA | DOOR - CURVED - 11.2" X 18.7" - W/O HDW - WASHED MAPLE |
| 36 | 160278-11-W14 | EA | DOOR - CURVED - 11.2" X 18.7" - W/O HDW - HONEY CHERRY |
| 37 | 160278-12-W13 | EA | DOOR - CURVED - 11.2" X 18.7" - W/O HDW - WASHED MAPLE |
| 37 | 160278-12-W14 | EA | DOOR - CURVED - 11.2" X 18.7" - W/O HDW - HONEY CHERRY |
| 38 | 156732-01-02A | EA | BRACE - ANGLE/COUCH - 2.5" - OFF WHITE |
| 39 | | | SEE MICROWAVE INSTALLATION |
| 40 | 116751-15-01A | EA | TRAY - REFRIGERATOR - BLACK |

***COMPONENT PARTS LISTED LATER IN THIS GROUP**

CABINET & APPLIANCE GROUP (CONTINUED)

CABINET & APPLIANCE LAYOUT (CONTINUED)

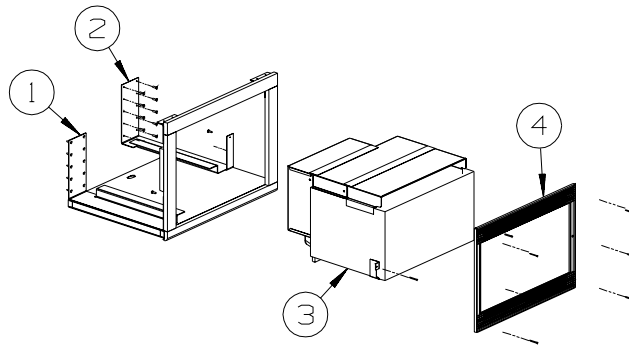


| KEY | PART NUMBER | U/M | DESCRIPTION |
|-----|---------------|-----|--|
| 1 | 159134-01-W13 | EA | CABINET - OVERHEAD/MEDICINE - W/O DOORS/HDW - WASHED MAPLE |
| 1 | 159134-01-W14 | EA | CABINET - OVERHEAD/MEDICINE - W/O DOORS/HDW - HONEY CHERRY |
| 2 | 159134-23-U17 | EA | SHELF - W/WOOD MOLDING - WASHED MAPLE |
| 2 | 159134-23-U18 | EA | SHELF - W/WOOD MOLDING - HONEY CHERRY |
| 3 | M09538-83-W13 | EA | MOLDING - TRIM/VEE - .2" X 1" X 7.3" - WASHED MAPLE |
| 3 | M09538-83-W14 | EA | MOLDING - TRIM/VEE - .2" X 1" X 7.3" - HONEY CHERRY |
| 4 | 158738-01-U17 | EA | CABINET - LAVATORY - W/O COUNTERTOP/DOORS/DRAWERS/HDW - WASHED MAPLE |
| 4 | 158738-01-U18 | EA | CABINET - LAVATORY - W/O COUNTERTOP/DOORS/DRAWERS/HDW - HONEY CHERRY |
| 5 | 151682-03-U13 | EA | COUNTERTOP - LAVATORY - LAMINATED - WASHED MAPLE |
| 5 | 151682-03-U14 | EA | COUNTERTOP - LAVATORY - LAMINATED - SIERRA MAPLE |
| 6 | 144645-03-RW4 | EA | DOOR - BATH - W/O FRAME (PICTURE)/TOWEL RACK/HDW - WASHED MAPLE |
| 6 | 144645-03-U18 | EA | DOOR - BATH - W/O FRAME (PICTURE)/TOWEL RACK/HDW - HONEY CHERRY |
| 7 | 161600-01-W13 | EA | CABINET - OVERHEAD/COUCH - W/O DOORS/HDW - WASHED MAPLE |
| 7 | 161600-01-W14 | EA | CABINET - OVERHEAD/COUCH - W/O DOORS/HDW - HONEY CHERRY |
| 8 | 161643-11-W05 | EA | CABINET - COUCH END - LEFT END PANEL - FABRIC COVERED (W05, W06) |
| 8 | 161643-11-W13 | EA | CABINET - COUCH END - LEFT END PANEL - FABRIC COVERED (W13, W14) |
| 8 | 161643-11-W15 | EA | CABINET - COUCH END - LEFT END PANEL - FABRIC COVERED (W15, W16) |
| 9 | 161643-13-W05 | EA | CABINET - COUCH - FRONT - FABRIC COVERED (W05, W06) |
| 9 | 161643-13-W13 | EA | CABINET - COUCH - FRONT - FABRIC COVERED (W13, W14) |
| 9 | 161643-13-W15 | EA | CABINET - COUCH - FRONT - FABRIC COVERED (W15, W16) |
| 10 | 156732-01-02A | EA | BRACE - ANGLE/COUCH - 2.5" - OFF WHITE |
| 11 | 151919-02-T01 | EA | END CAP - OVERHEAD CABINET - WASHED MAPLE |
| 11 | 151919-02-T02 | EA | END CAP - OVERHEAD CABINET - HONEY CHERRY |
| 12 | 151919-11-U17 | EA | END CAP - OVERHEAD CABINET - WASHED MAPLE |
| 12 | 151919-11-U18 | EA | END CAP - OVERHEAD CABINET - HONEY CHERRY |
| 13 | 151919-13-U17 | EA | END CAP - OVERHEAD CABINET - WASHED MAPLE |
| 13 | 151919-13-U18 | EA | END CAP - OVERHEAD CABINET - HONEY CHERRY |
| 14 | 158862-04-W13 | EA | COUNTERTOP - LAMINATED - WASHED MAPLE |
| 14 | 158862-04-W14 | EA | COUNTERTOP - LAMINATED - HONEY CHERRY |
| 15 | 160280-04-W13 | EA | DOOR - FLAT/SQUARE EDGE - 17.7" X 9" - W/O HDW - WASHED MAPLE |
| 15 | 160280-04-W14 | EA | DOOR - FLAT/SQUARE EDGE - 17.7" X 9" - W/O HDW - HONEY CHERRY |
| 16 | 160280-05-W13 | EA | DOOR - FLAT/SQUARE EDGE - 17.7" X 9" - W/O HDW - WASHED MAPLE |
| 16 | 160280-05-W14 | EA | DOOR - FLAT/SQUARE EDGE - 17.7" X 9" - W/O HDW - HONEY CHERRY |

CABINET & APPLIANCE GROUP (CONTINUED)
CABINET & APPLIANCE LAYOUT (CONTINUED)

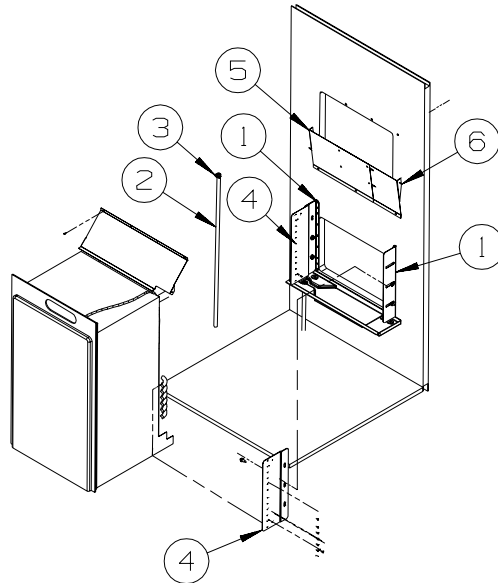
| KEY | PART NUMBER | U/M | DESCRIPTION |
|-----|---------------|-----|---|
| 17 | 160280-06-W13 | EA | DOOR - FLAT/SQUARE EDGE - 19.90 X 12" - W/O HDW - WASHED MAPLE |
| 17 | 160280-06-W14 | EA | DOOR - FLAT/SQUARE EDGE - 19.90 X 12" - W/O HDW - HONEY CHERRY |
| 18 | 160278-09-W13 | EA | DOOR - CURVED - 11.8" X 33.6" - W/O HDW - WASHED MAPLE |
| 18 | 160278-09-W14 | EA | DOOR - CURVED - 11.8" X 33.6" - W/O HDW - HONEY CHERRY |
| 19 | 160280-07-W13 | EA | DOOR - FLAT/SQUARE EDGE - 39.3" X 18.3" - W/O HDW - WASHED MAPLE |
| 19 | 160280-07-W14 | EA | DOOR - FLAT/SQUARE EDGE - 39.3" X 18.3" - W/O HDW - HONEY CHERRY |
| 20 | 159261-01-T01 | EA | DOOR - FLAT/SQUARE EDGE - 18.9" X 9.6" - W/O HDW - WASHED MAPLE - DINETTE |
| 20 | 159261-01-T02 | EA | DOOR - FLAT/SQUARE EDGE - 18.9" X 9.6" - W/O HDW - HONEY CHERRY - DINETTE |
| 21 | P61650-01-W13 | EA | CABINET/DINETTE-LH-W/END CAP/BACK/FACE-W/O DR/SEAT BOARD - WASHED MAPLE - DINETTE |
| 21 | P61650-01-W14 | EA | CABINET/DINETTE-LH-W/END CAP/BACK/FACE-W/O DR/SEAT BOARD - HONEY CHERRY - DINETTE |
| | 096764-02-000 | EA | SLIPNOT - ANTISLIP - 1'WIDE (180' ROLLS) - WHITE |
| 22 | P61650-02-W13 | EA | CABINET/DINETTE-RH-W/END CAP/BACK/FACE-W/O DR/SEAT BOARD - WASHED MAPLE - DINETTE |
| 22 | P61650-02-W14 | EA | CABINET/DINETTE-RH-W/END CAP/BACK/FACE-W/O DR/SEAT BOARD - HONEY CHERRY - DINETTE |
| | 096764-02-000 | EA | SLIPNOT - ANTISLIP - 1'WIDE (180' ROLLS) - WHITE |
| 23 | 122021-01-02A | EA | ANGLE - W/HOLES - 8.6" LONG - OFF WHITE - DINETTE |
| 24 | 122021-02-02A | EA | ANGLE - W/HOLES - 13.7" LONG - OFF WHITE - DINETTE |
| 25 | 157799-05-01A | EA | TRIM - PLATFORM - 14.5" - SOFT WHITE |
| 26 | 157799-06-01A | EA | TRIM - PLATFORM - 23" - SOFT WHITE |
| 27 | 151683-07-W13 | EA | TABLE - DINETTE - 26.3" X 40.6" - WASHED MAPLE - DINETTE |
| 27 | 151683-07-W14 | EA | TABLE - DINETTE - 26.3" X 40.6" - HONEY CHERRY - DINETTE |
| 28 | 143798-01-02A | EA | CATCH - FLOOR TO TABLE LEG - ALMOND - DINETTE |
| 29 | 024281-12-000 | EA | BRACKET/WALL - TABLE LIFT - 17.1" - ALMOND - DINETTE |
| 30 | 024275-16-000 | EA | ROD - TABLE LIFT - W/ARMS 8" & BASE ROD 18.5" - ALMOND - DINETTE |
| 31 | 140921-02-02A | EA | BRACKET/TABLE SUPPORT - 18.5" - ALMOND - DINETTE |
| 32 | 161079-08-W13 | EA | DRAWER - BROKEN EDGE - 14.7"W X 21.6"D - W/O SLIDES/HDW - WASHED MAPLE |
| 32 | 161079-08-W14 | EA | DRAWER - BROKEN EDGE - 14.7"W X 21.6"D - W/O SLIDES/HDW - HONEY CHERRY |
| 33 | 161079-09-W13 | EA | DRAWER - BROKEN EDGE - 14.7"W X 9.8"D - W/O SLIDES/HDW - WASHED MAPLE |
| 33 | 161079-09-W14 | EA | DRAWER - SQUARE EDGE - 14.7"W X 9.8"D - W/O SLIDES/HDW - HONEY CHERRY |
| 34 | 064781-06-000 | EA | HOLDER/CUP - TWO STEP - OFF WHITE - DINETTE |
| | | | FROM: 00-00-00 THRU: 04-29-07 |
| 34 | 164128-02-03A | EA | HOLDER/CUP - TWO STEP - ALMOND - DINETTE |
| | | | FROM: 04-30-07 THRU: 99-99-99 |
| 35 | 081295-01-T01 | EA | SUPPORT - BED/DINETTE - 28" LONG - WASHED MAPLE - DINETTE |
| 35 | 081295-01-RE0 | EA | SUPPORT - BED/DINETTE - 28" LONG - HONEY CHERRY - DINETTE |

CABINET & APPLIANCE GROUP (CONTINUED)
CABINET & APPLIANCE LAYOUT (CONTINUED)



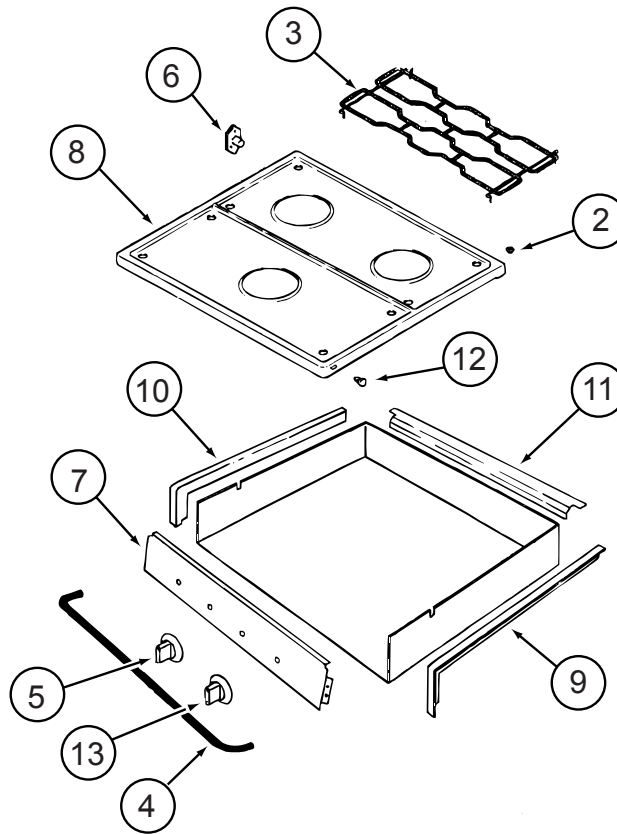
| KEY | PART NUMBER | U/M | DESCRIPTION |
|-----|---------------|-----|---|
| 1 | 149418-13-02B | EA | BRACKET - MICROWAVE - E-COATED |
| 2 | 149418-14-02B | EA | BRACKET - MICROWAVE - E-COATED |
| 3* | 150606-04-02A | EA | OVEN - MICROWAVE/CONVECTION/SILVER - .9 CU FT - #R-820JS |
| 3 | 150606-06-01A | EA | OVEN - MICROWAVE/CONVECTION/BLACK - .9 CU FT - #R820BK-CSA - CANADIAN |
| 4 | 150606-05-02A | EA | TRIM KIT - MICROWAVE .9 CU FT - SILVER - MAGNADYNE #R820 |
| 4 | 150606-05-01A | EA | TRIM KIT - MICROWAVE .9 CU FT - BLACK - MAGNADYNE #R820 - CANADIAN |

***COMPONENT PARTS LISTED LATER IN THIS GROUP**



| KEY | PART NUMBER | U/M | DESCRIPTION |
|-----|---------------|-----|--|
| 1 | 150740-02-02B | EA | BRACKET - REFRIGERATOR - E-COATED - NOT ILLUSTRATED FROM: 00-00-00 THRU: 05-21-06 |
| 1 | 160133-02-02B | EA | BRACKET/TIEDOWN - REFRIGERATOR - E-COATED FROM: 05-22-06 THRU: 99-99-99 |
| 2 | 112176-01-000 | FT | TUBING - VINYL - REINFORCED - 1/2" ID |
| 3 | 152417-01-01A | EA | CLAMP/RATCHET - F/REFRIDGERATOR DRIP TRAY HOSE - BLACK |
| 4 | 160133-01-02B | EA | BRACKET-REFRIGERATOR |
| 5 | 143195-01-02B | EA | BAFFLE - REFRIGERATOR - E-COATED |
| 6 | 143195-02-02B | EA | BAFFLE - REFRIGERATOR - E-COATED |

CABINET & APPLIANCE GROUP (CONTINUED)
COMPONENT PARTS FOR CABINET & APPLIANCE LAYOUT

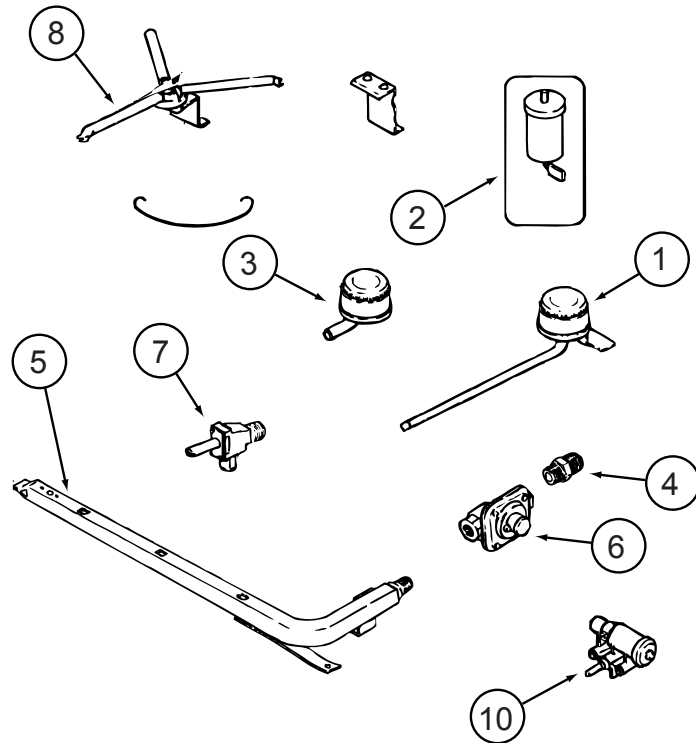


114030-04-01A

| KEY | PART NUMBER | U/M | DESCRIPTION | VENDOR NO. |
|-----|---------------|-----|-----------------------------|------------------|
| 2 | 102020-01-709 | EA | BUMPER-GRATE | 8007P020-60 |
| 3 | 112881-04-702 | EA | GRATE - BLACK | 74007277 |
| 4 | 114030-02-700 | EA | GUARD/FABRIC - TOWEL BAR | 3609F006-70 |
| 5 | 128728-01-701 | EA | KNOB - BURNER - REAR | 74003941 (1 PER) |
| 5 | 128728-01-702 | EA | KNOB - BURNER - FRONT | 74003942 |
| 6 | 128728-01-703 | EA | PIN/T-NUT F/HINGE | 7103P109-60 |
| 7 | 114030-04-700 | EA | PANEL - MANIFOLD - BLACK | 74007325 |
| 8 | 126023-01-728 | EA | TOP - MAIN (BLACK) | 74003323 |
| 9 | 114030-01-704 | EA | TRIM - RIGHT/BLACK TEXTURED | 74002839 |
| 10 | 114030-01-705 | EA | TRIM - LEFT/BLACK TEXTURED | 74002840 |
| 11 | 114030-01-706 | EA | TRIM - REAR/BLACK TEXTURED | 74002841 |
| 12 | 102020-01-724 | EA | BUMPER - MAIN TOP | 8003P008-60 |
| 13 | 128728-01-707 | EA | KNOB - IGNITER | 74003944 |

CONTACT WINNEBAGO PART SALES FOR UNLISTED COMPONENT(S)

CABINET & APPLIANCE GROUP (CONTINUED)
COMPONENT PARTS FOR CABINET & APPLIANCE LAYOUT (CONTINUED)

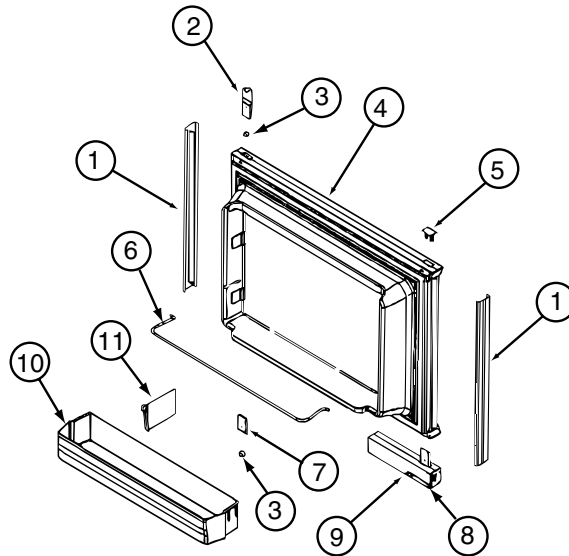


114030-04-01A (CONTINUED)

| KEY | PART NUMBER | U/M | DESCRIPTION | VENDOR NO. |
|-----|---------------|-----|---------------------------------|-------------|
| 1 | 112881-04-700 | EA | BURNER - TOP /LEFT REAR | 74004584 |
| 1 | 126023-01-700 | EA | BURNER - TOP (RT-REAR) 5100 BTU | 74004583 |
| 2 | 112881-04-705 | EA | PUSH RING (ELECTRODE MTG) | 7104P002-60 |
| 2 | 126023-01-711 | EA | ELECTRODE - IGNITER (ONLY) | 7432P077-60 |
| 3 | 112881-04-701 | EA | BURNER - TOP/FRONT | 74004582 |
| 4 | 135065-03-700 | EA | FITTING - HALF UNION | 74004234 |
| 5 | 135065-01-702 | EA | PIPE/MANIFOLD | 74004642 |
| 6 | 126023-02-703 | EA | REGULATOR - PRESSURE | 74004235 |
| 7 | 126023-02-705 | EA | VALVE - BURNER - REAR | 74004362 |
| 7 | 126023-02-706 | EA | VALVE - BURNER - FRONT | 74004363 |
| 8 | 126023-01-736 | EA | FLASH TUBE EXTENSION (REAR) | 74003326 |
| 8 | 126023-01-737 | EA | FLASH TUBE EXTENSION (FRONT) | 74003327 |
| 10 | 126023-01-719 | EA | IGNITER HEAD - TOP BURNER | 74002413 |
| | 126023-02-702 | EA | PIPE - MANIFOLD | 74004360 |

CONTACT WINNEBAGO PART SALES FOR UNLISTED COMPONENT(S)

CABINET & APPLIANCE GROUP (CONTINUED)
COMPONENT PARTS FOR CABINET & APPLIANCE LAYOUT (CONTINUED)

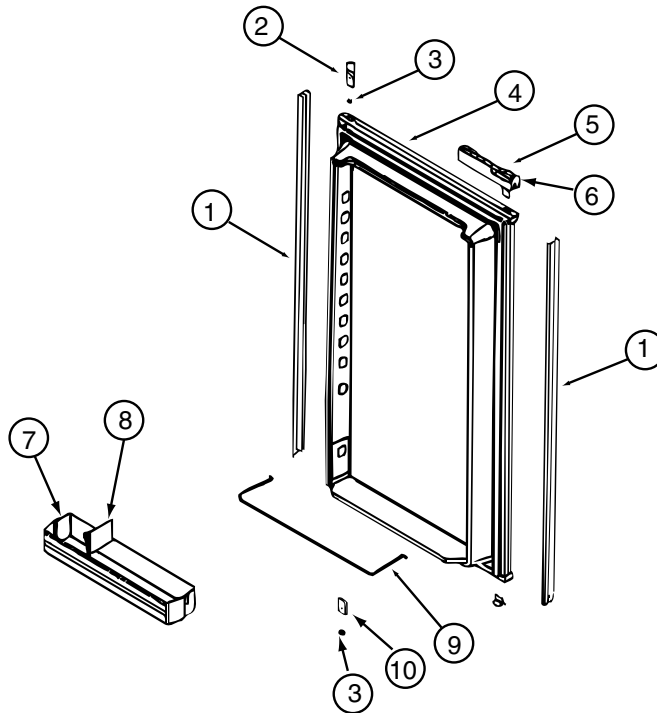


121568-06-01A, 121568-07-01A, 121568-08-01A

| KEY | PART NUMBER | U/M | DESCRIPTION | VENDOR NO. |
|------------|--------------------|------------|------------------------------|--------------------|
| 1 | 121568-03-700 | EA | RETAINER-DOOR PNL/WAFFLE/BLK | 619558-WDL-UPPER |
| 2 | 120075-01-701 | EA | HINGE-TOP RH/BOTTOM LH(DOOR) | 618511 |
| 3 | 121568-03-701 | EA | BUSHING - HINGE PIN/GRAY | 619671 |
| 4 | 121568-03-702 | EA | DOOR LINER-UPR/WAFFLED/BLACK | 619627 - SMALL WDL |
| 5 | 120075-01-702 | EA | CAP, (HINGE PLUG) | 618160 |
| 6 | 121568-01-700 | EA | RAIL - DOOR UPPER | 618618 |
| 7 | 120075-01-705 | EA | HINGE-TOP LH/BOTTOM RH(DOOR) | 618510 |
| 8 | 121568-03-705 | EA | STORAGE LATCH - GRAY | 619648 |
| 9 | 121568-03-721 | EA | HANDLE/DOOR UPPER RH SWING | 621465 |
| 9 | 121568-03-722 | EA | HANDLE/DOOR LOWER RH SWING | 621469 |
| 10 | 121568-01-701 | EA | BIN - DOOR WHITE-WAFFLED LNR | 618619 WDL |

CONTACT WINNEBAGO PART SALES FOR UNLISTED COMPONENT(S)

CABINET & APPLIANCE GROUP (CONTINUED)
COMPONENT PARTS FOR CABINET & APPLIANCE LAYOUT (CONTINUED)

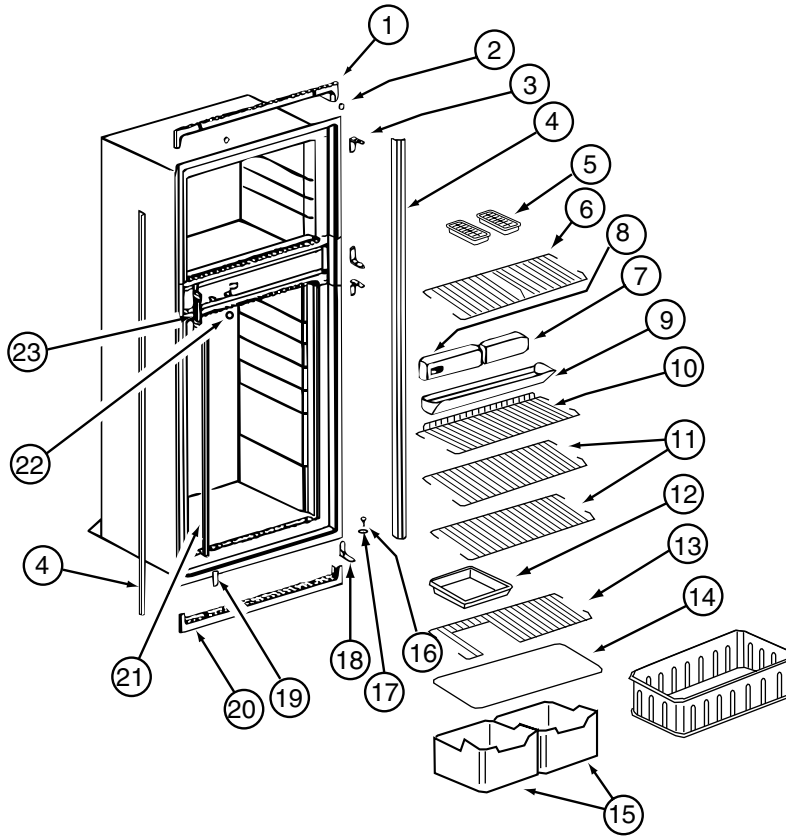


121568-06-01A, 121568-07-01A, 121568-08-01A (CONTINUED)

| KEY | PART NUMBER | U/M | DESCRIPTION | VENDOR NO. |
|-----|---------------|-----|------------------------------|------------------|
| 1 | 121568-03-706 | EA | RETAINER-DOOR PNL/WAFFLE/BLK | 619559-WDL-LOWER |
| 2 | 120075-01-701 | EA | HINGE-TOP RH/BOTTOM LH(DOOR) | 618511 |
| 3 | 121568-03-701 | EA | BUSHING - HINGE PIN/GRAY | 619671 |
| 4 | 121568-03-707 | EA | DOOR LINER-LWR/WAFFLED/B/TRM | 619629 |
| 5 | 121568-03-722 | EA | HANDLE/DOOR LOWER RH SWING | 621469 |
| 6 | 121568-03-705 | EA | STORAGE LATCH - GRAY | 619648 |
| 7 | 121568-01-701 | EA | BIN - DOOR WHITE-WAFFLED LNR | 618619 WDL |
| 9 | 121568-01-704 | EA | RAIL - DOOR LOWER | 618578 |
| 10 | 120075-01-705 | EA | HINGE-TOP LH/BOTTOM RH(DOOR) | 618510 |

CONTACT WINNEBAGO PART SALES FOR UNLISTED COMPONENT(S)

CABINET & APPLIANCE GROUP (CONTINUED)
COMPONENT PARTS FOR CABINET & APPLIANCE LAYOUT (CONTINUED)

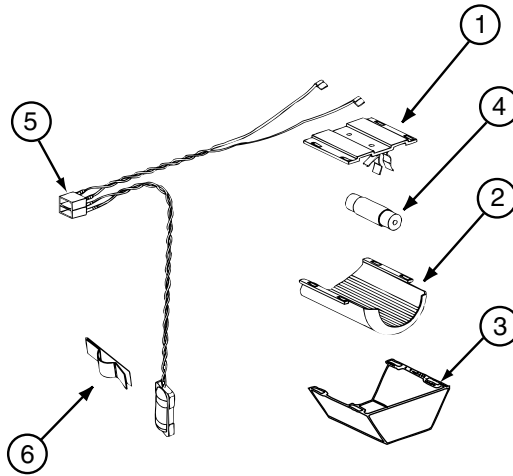


121568-06-01A, 121568-07-01A, 121568-08-01A (CONTINUED)

| KEY | PART NUMBER | U/M | DESCRIPTION | VENDOR NO. |
|-----|---------------|-----|-----------------------------|---------------------|
| 1 | 120075-01-713 | EA | TRIM-TOP PIECE | 619687 |
| 2 | 120075-01-714 | EA | PLUG-HOLE (BLACK) | 618170 |
| 3 | 121568-03-710 | EA | HINGE/CABINET-TOP/RH-LWR/LH | 619335 WAFFLED |
| 4 | 121568-03-711 | EA | TRIM - SIDE/BLACK | 622295 |
| 6 | 121568-01-705 | EA | SHELF - WIRE FREEZER | 620250 |
| 7 | 121568-06-700 | EA | FRONT BOX-N611 | 622002 |
| 8 | 121568-06-701 | EA | CONTROL ASSY-OPTICAL/N611 | 621988 TO SN9056491 |
| 9 | 120075-01-720 | EA | TRAY-DRIP | 623250 |
| 9 | 120075-01-721 | EA | LOUVER-DRIP TRAY | 618176 |
| 11 | 121568-01-708 | EA | SHELF - WIRE | 620273 |
| 13 | 121568-01-707 | EA | SHELF - WIRE - SHORT | 620272 |
| 14 | 120075-01-725 | EA | COVER-CRISPER - 18.5" WIDE | 618158 |
| 15 | 121568-01-709 | EA | CRISPER | 618571 |
| 16 | 120075-01-727 | EA | PIN-HINGE | 618145 |
| 17 | 121568-03-701 | EA | BUSHING - HINGE PIN/GRAY | 619671 |
| 18 | 121568-03-715 | EA | HINGE/CABINET-TOP/LH-LWR/RH | 619336 WAFFLED |
| 19 | 121568-03-716 | EA | COVER - HINGE HOLES | 619301 |
| 20 | 120075-01-729 | EA | TRIM-BOTTOM PIECE | 620958 |
| 21 | 121568-06-702 | EA | CLIP - SHELF | 61536522 |
| 22 | 121568-06-703 | EA | HOLE PLUG - WHITE | 620282 |
| 23 | 120075-01-732 | EA | PLATE-STRIKE | 618167 |

CONTACT WINNEBAGO PART SALES FOR UNLISTED COMPONENT(S)

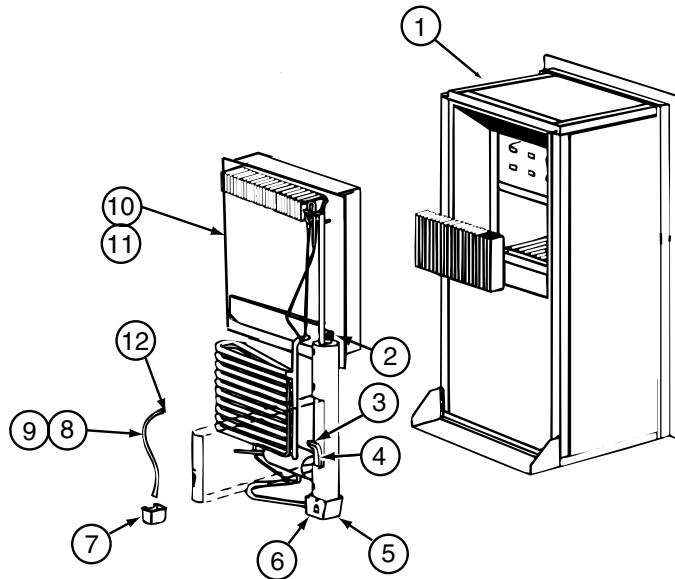
CABINET & APPLIANCE GROUP (CONTINUED)
COMPONENT PARTS FOR CABINET & APPLIANCE LAYOUT (CONTINUED)



121568-03-01A, 121568-04-01A, 121568-05-01A, 121568-06-01A, 121568-07-01A, 121568-08-01A (CONTINUED)

| KEY | PART NUMBER | U/M | DESCRIPTION | VENDOR NO. |
|-----|---------------|-----|----------------------------|------------|
| 1 | 084880-01-760 | EA | CLIP (THERMISTER) | 61689122 |
| 2 | 120075-01-735 | EA | WIRE ASM - LAMP/THERMISTER | 618548 |
| 3 | 084880-03-705 | EA | BRACKET-LIGHT-INTERIOR | 61629722 |
| 4 | 084880-03-706 | EA | BULB-LAMP | 61628922 |
| 6 | 084880-03-707 | EA | COVER-LAMP, LENS | 61627922 |

CONTACT WINNEBAGO PART SALES FOR UNLISTED COMPONENT(S)

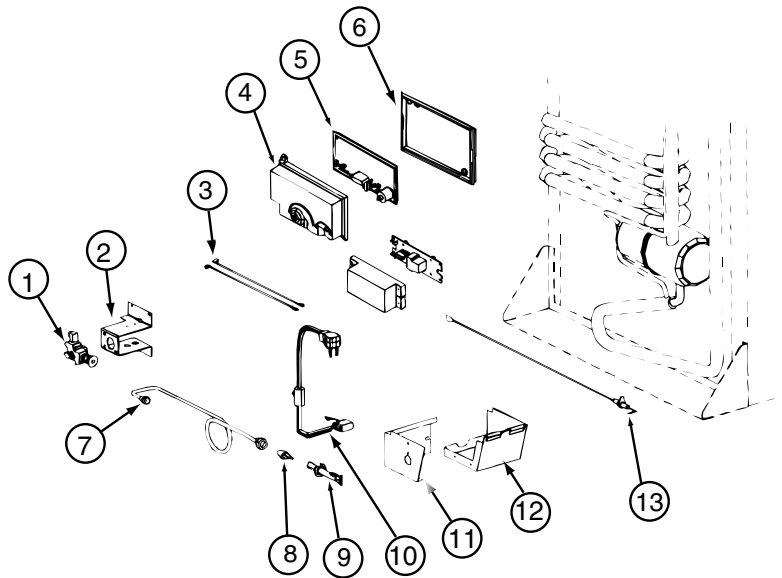


121568-06-01A, 121568-07-01A, 121568-08-01A (CONTINUED)

| KEY | PART NUMBER | U/M | DESCRIPTION | VENDOR NO. |
|-----|---------------|-----|----------------------------|------------|
| 4 | 121568-06-704 | EA | HEATER-AC/300W/120VAC | 621702 |
| 10 | 120076-01-704 | EA | COOLING UNIT, SERVICE PACK | 618543 |

CONTACT WINNEBAGO PART SALES FOR UNLISTED COMPONENT(S)

CABINET & APPLIANCE GROUP (CONTINUED)
COMPONENT PARTS FOR CABINET & APPLIANCE LAYOUT (CONTINUED)



121568-06-01A, 121568-07-01A, 121568-08-01A (CONTINUED)

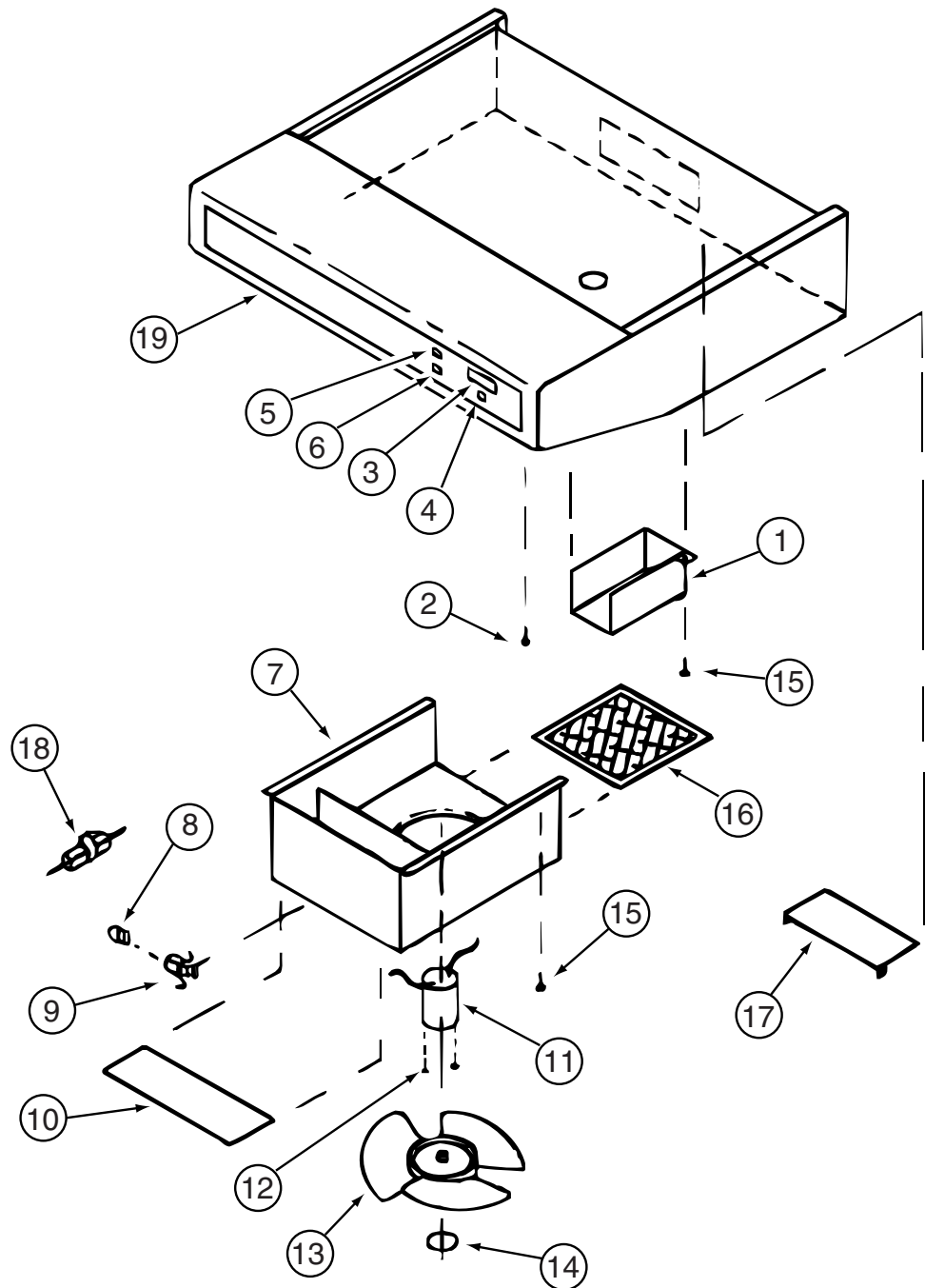
| KEY | PART NUMBER | U/M | DESCRIPTION | VENDOR NO. |
|-----|---------------|-----|-----------------------------|--------------------|
| 1 | 121568-06-705 | EA | GAS VALVE/BRKT ASSY-COMBO | 621439 |
| 1 | 121568-06-706 | EA | GAS VALVE-COMBO/WRENCH FLAT | 621329 |
| 4 | 120075-01-738 | EA | COVER-POWER BOARD | 618185 |
| 5 | 121568-06-707 | EA | BOARD/POWER-N611 | 621991 = 621991001 |
| 6 | 120075-01-740 | EA | BASE - POWER BOARD | 618186 |
| 8 | 121568-06-708 | EA | BURNER/ORFICE-ADAPTER KIT | 621957 |
| 13 | 104137-06-715 | EA | ELECTRODE-SPARK/SENSOR, SGL | 61692222 |
| | 121569-08-704 | EA | TUBE/BURNER - N8/N6 | 624682 |

CONTACT WINNEBAGO PART SALES FOR UNLISTED COMPONENT(S)

121568-05-01A, 121568-07-01A, 121568-08-01A (CONTINUED)

| KEY | PART NUMBER | U/M | DESCRIPTION | VENDOR NO. |
|-----|---------------|-----|---------------------------|------------|
| | 121568-05-700 | EA | FAN 12V KIT DBLE SIDEWALL | 619020 |

CABINET & APPLIANCE GROUP (CONTINUED)
COMPONENT PARTS FOR CABINET & APPLIANCE LAYOUT (CONTINUED)



136354-06-01A, 136354-06-02A

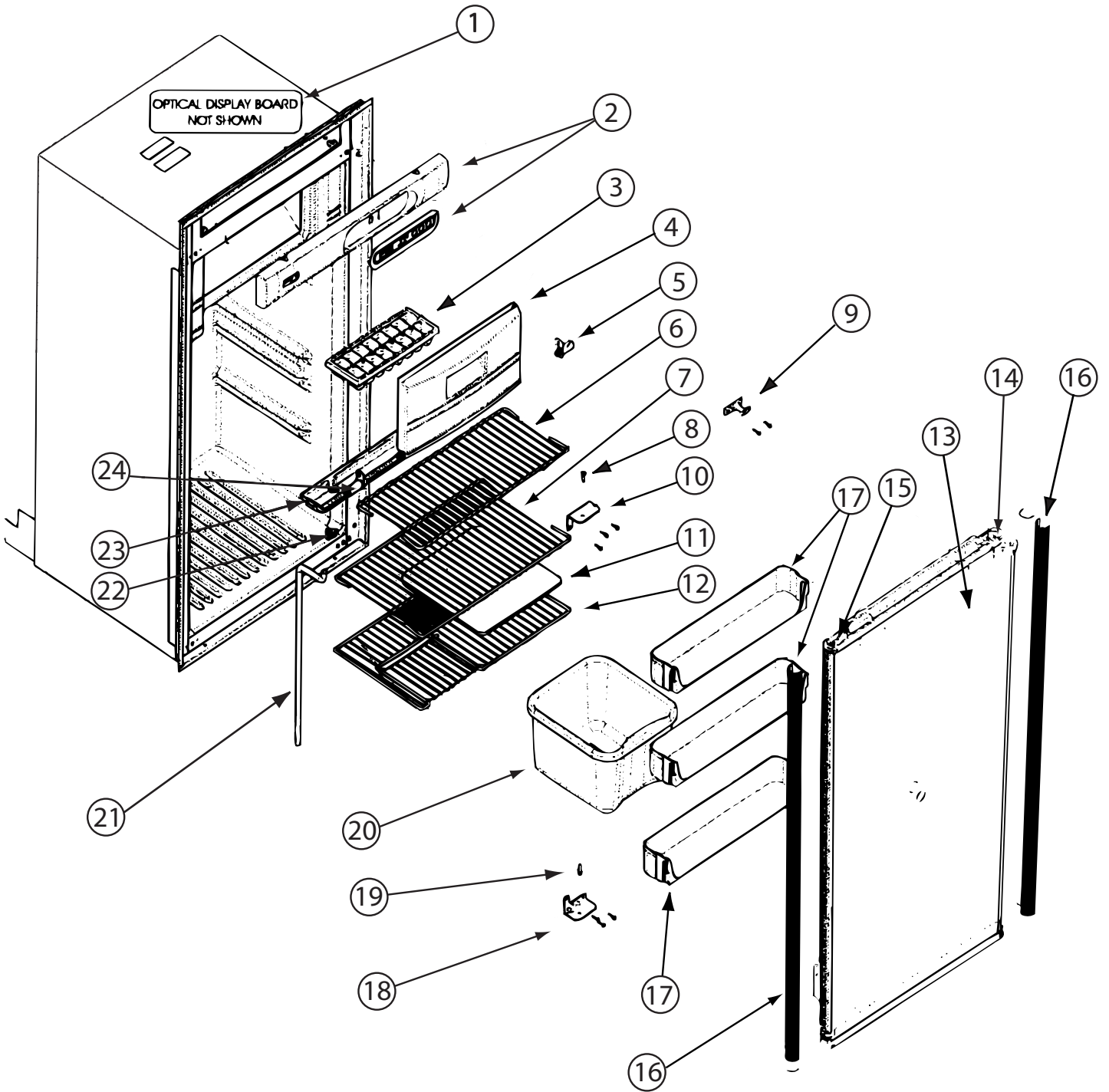
| KEY | PART NUMBER | U/M | DESCRIPTION | VENDOR NO. |
|-----|---------------|-----|------------------------------|---------------------|
| 3 | 100258-10-700 | EA | GAUGE-HOUR METER, SCREW ON | L0150-00 WAS 150 |
| 4 | 096983-01-702 | EA | SWITCH - MOM/OFF/MOM/3 TERM | L0112-00 |
| 5 | 096983-01-700 | EA | SWITCH/1 SPEED -ON/OFF- BLK | L0108-00 |
| 8 | 117806-01-000 | EA | BULB-12V NO.912 1.0 AMPS | GENERAL MOTOR HOMES |
| 9 | 092696-01-710 | EA | HOLDER-LAMP | CB0267-02 |
| 10 | 096983-01-708 | EA | LENS-LAMP | CC0179 |
| 11 | 136354-06-700 | EA | MOTOR - FAN (CSA) | VC0535-02 |
| 13 | 136354-05-701 | EA | BLADE-FAN 7" DIA | VD0216-00 |
| 16 | 096983-01-707 | EA | FILTER-MESH | CC0246-00 |
| 17 | 100258-01-701 | EA | DAMPER ASSEMBLY (METAL FLAP) | CA0565-00 |
| 19 | 100258-01-700 | EA | LABEL-HOOD NOSE | CC0428-00 |

CONTACT WINNEBAGO PART SALES FOR UNLISTED COMPONENT(S)

150606-04-02A

| KEY | PART NUMBER | U/M | DESCRIPTION | VENDOR NO. |
|-----|---------------|-----|-----------------|---------------|
| | 150606-04-700 | EA | RACK - BAKING | FAMI-A104WRM0 |
| | 150606-04-702 | EA | PLATE/TURNTABLE | NTNT-A092WRH0 |

CABINET & APPLIANCE GROUP (CONTINUED)
COMPONENT PARTS FOR CABINET & APPLIANCE LAYOUT (CONTINUED)



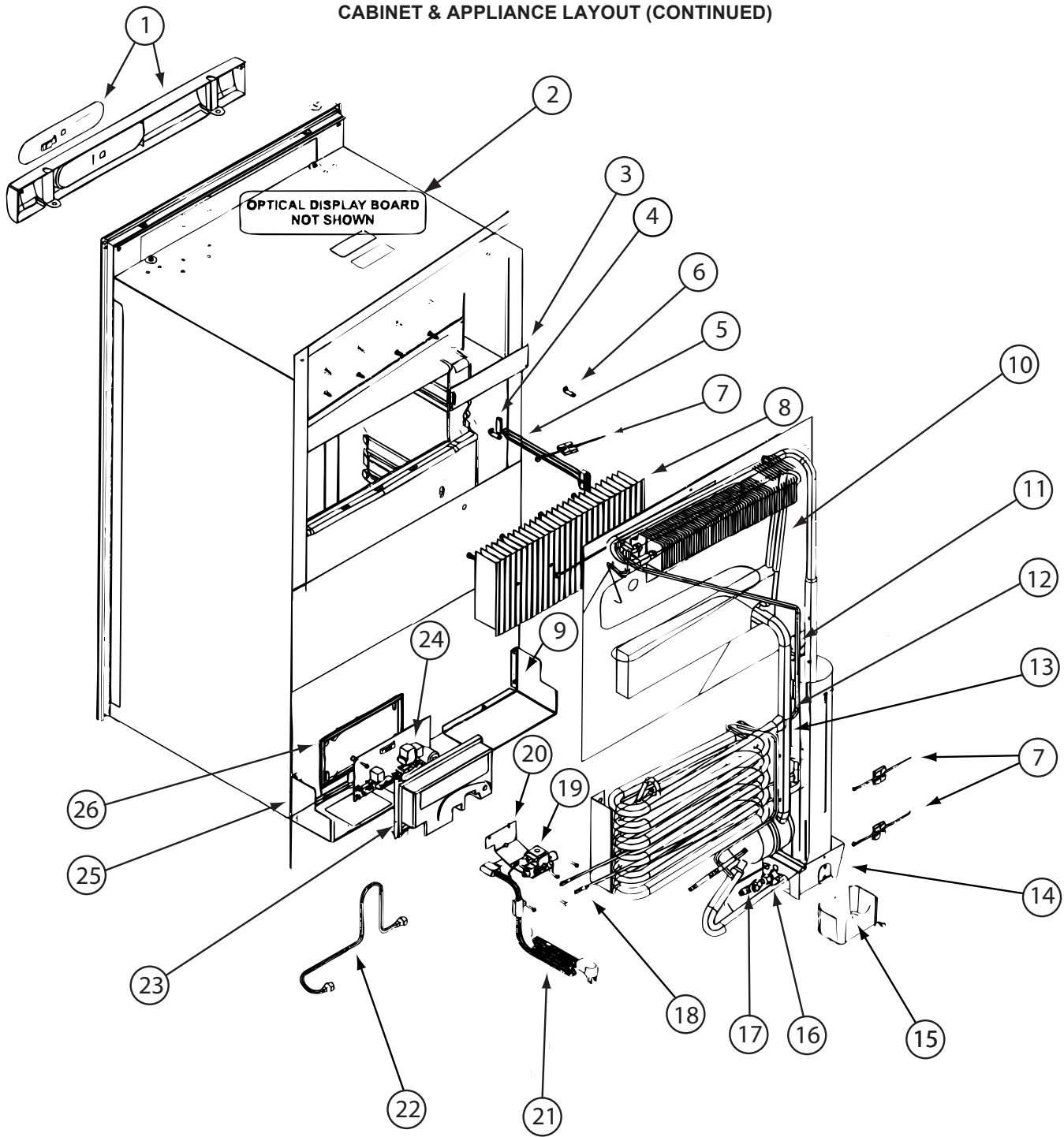
158914-01-01A

CABINET & APPLIANCE GROUP (CONTINUED)
COMPONENT PARTS FOR CABINET & APPLIANCE LAYOUT (CONTINUED)

158914-01-01A (CONTINUED)

| KEY | PART NUMBER | U/M | DESCRIPTION | VENDOR NO. |
|------------|--------------------|------------|------------------------------|---------------------|
| 1 | 158914-01-700 | EA | BOARD/OPTICAL DISPLAY | 622257/#9140558 DWN |
| 1 | 158914-01-701 | EA | BOARD/OPTICAL DISPLAY | 628663/#9140559 UP |
| 2 | 158914-01-702 | EA | CONTROL PANEL/OPTCL OVERLAY | 627469 |
| 3 | 104137-06-724 | EA | ICE TRAY | 61630422 |
| 4 | 131147-01-705 | EA | FREEZER DOOR | 619117 |
| 5 | 102621-04-703 | EA | HOLDER-SPRING, RH WHITE EVAP | 619041 |
| 6 | 138809-01-705 | EA | SHELF-WIRE/TOP/SHORT | 620156 |
| 7 | 158914-01-703 | EA | SHELF - WIRE/MIDDLE | 620155 |
| 8 | 125242-03-715 | EA | HINGE PIN/UPR-WRAPPED DOORS | 623899 |
| 9 | 158914-01-704 | EA | LATCH - DOOR/BLACK | 627677 |
| 10 | 158914-01-705 | EA | HINGE/CABT-TOP/LH-LWR/RH-BLK | 626729 |
| 11 | 158914-01-706 | EA | COVER/CRISPER | 621412 |
| 12 | 138809-01-706 | EA | SHELF-WIRE/LOWER/FLIPPER | 620178 |
| 13 | 158914-01-708 | EA | DOOR - F/N512 - BLACK | 627472 |
| 14 | 158914-01-709 | EA | PLATE/LATCH - DOOR - BLACK | 627571 |
| 15 | 158914-01-710 | EA | FILLER/PLATE - DOOR - BLACK | 627572 |
| 16 | 158914-01-711 | EA | PANEL RETAINER - BLACK | 626735 |
| 17 | 120075-25-701 | EA | DOOR BIN-WHITE F/SMOOTH LNR | 624863 SDL |
| 18 | 158914-01-712 | EA | HINGE/CABT-TOP/RH-LWR/LH-BLK | 626728 |
| 19 | 113737-01-710 | EA | PIN-HINGE, BOTTOM | 61550722 |
| 20 | 158914-01-713 | EA | BIN - CRISPER | 621309 |
| 21 | 158914-01-714 | EA | DRAIN HOSE | 622393 |
| 22 | 125242-01-750 | EA | CLIP | 61409622 |
| 23 | 158914-01-715 | EA | DRIP TRAY - INSIDE | 622858 |
| 24 | 102621-04-707 | EA | HOLDER-SPRING, LH WHITE EVAP | 619042 |
| | 102621-04-708 | EA | CLIP-MTG.,LH WHITE EVAP DOOR | 61633030 |
| | 102621-04-709 | EA | CLIP-MTG.,RH WHITE EVAP DOOR | 61632930 |
| | 158914-01-707 | EA | CAP/CLEAR - FLIPPER SHELF | 618065 |
| | 158914-01-716 | EA | PLUG - DRIP TRAY - WHITE | 622754 |

CABINET & APPLIANCE GROUP (CONTINUED)
CABINET & APPLIANCE LAYOUT (CONTINUED)



158914-01-01A (CONTINUED)

CABINET & APPLIANCE GROUP (CONTINUED)
COMPONENT PARTS FOR CABINET & APPLIANCE LAYOUT (CONTINUED)

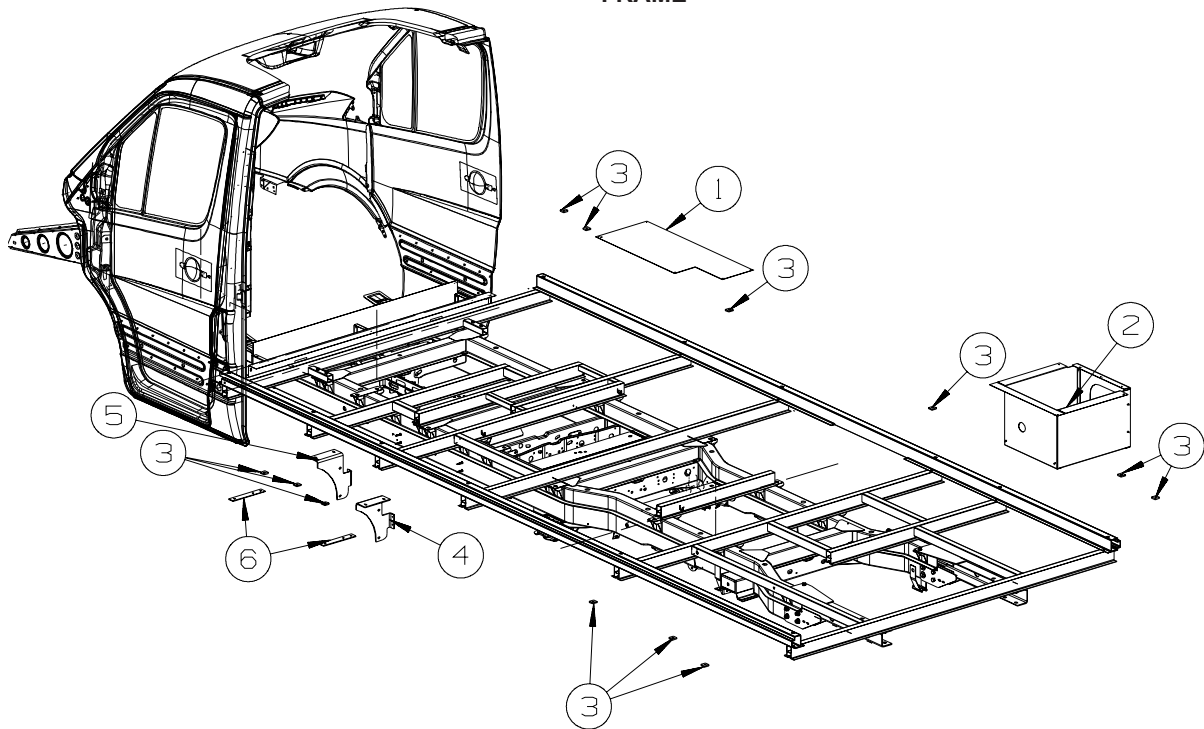
158914-01-01A (CONTINUED)

| KEY | PART NUMBER | U/M | DESCRIPTION | VENDOR NO. |
|------------|--------------------|------------|------------------------------|---------------------|
| 1 | 158914-01-702 | EA | CONTROL PANEL/OPTCL OVERLAY | 627469 |
| 2 | 158914-01-700 | EA | BOARD/OPTICAL DISPLAY | 622257/#9140558 DWN |
| 2 | 158914-01-701 | EA | BOARD/OPTICAL DISPLAY | 628663/#9140559 UP |
| 3 | 158914-01-717 | EA | COVER/REAR - OPTICAL DISPLAY | 622261 |
| 4 | 084880-01-760 | EA | CLIP (THERMISTER) | 61689122 |
| 5 | 158914-01-718 | EA | THERMISTER-SN 9140558 & DOWN | 621785 |
| 5 | 158914-01-719 | EA | THERMISTER-SN 9140559 & UP | 628760 |
| 10 | 158914-01-720 | EA | COOLING UNIT | 621427 |
| 12 | 158914-01-721 | EA | HEATER-AC/200W/110VAC | 61562522 |
| 16 | 138809-01-724 | EA | BURNER/ORFICE ADAPTER KIT | 621955 |
| 19 | 121569-08-703 | EA | GAS VALVE - SOLENOID | 628741 |
| 19 | 158914-01-722 | EA | GAS VALVE W/BRACKET ASM. | 628995 |
| 21 | 121569-07-700 | EA | CORD - AC POWER | 61554422 |
| 22 | 158914-01-723 | EA | TUBE/BURNER | 626672 |
| 23 | 121569-08-702 | EA | COVER-POWER BOARD | 618185 |
| 23 | 120075-01-738 | EA | COVER-POWER BOARD | 618185 |
| 24 | 121568-03-719 | EA | POWER - BOARD - 2-WAY | 621267=621267001 |
| 24 | 121568-06-709 | EA | BOARD/POWER-N611/N822F | 628661 |
| 26 | 120075-01-740 | EA | BASE - POWER BOARD | 618186 |
| 26 | 121569-08-701 | EA | BASE - POWER BOARD | 628674 |
| | 104137-06-715 | EA | ELECTRODE-SPARK/SENSOR, SGL | 61692222 |

161116-01-01A , 161116-02-01A

| KEY | PART NUMBER | U/M | DESCRIPTION | VENDOR NO. |
|------------|--------------------|------------|-----------------------------|-------------------|
| | 161116-01-700 | EA | LIGHT/RND-CLEAR LENS W/BULB | W/WIRING/PLUG |
| | 161116-02-700 | EA | FILTER-ALUMINUM | 02FP577295UL |

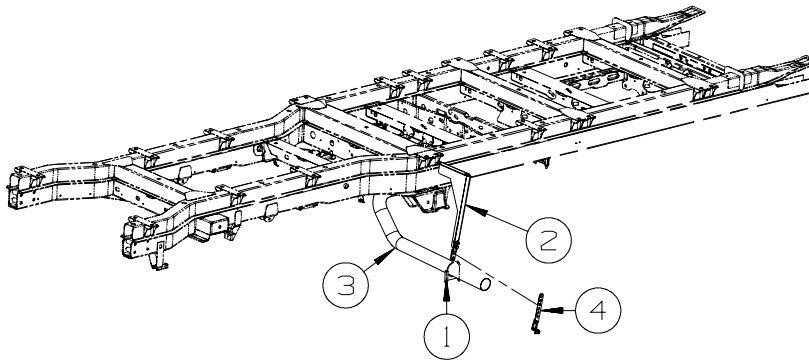
CHASSIS GROUP FRAME



| KEY | PART NUMBER | U/M | DESCRIPTION |
|-----|---------------|-----|-------------------------------------|
| 1 | 152218-02-02B | EA | SHIELD - HEAT - E-COATED |
| | | | FROM: 00-00-00 THRU: 05-02-07 |
| 1 | 152218-06-02B | EA | SHIELD - HEAT - E-COATED |
| | | | FROM: 05-03-07 THRU: 99-99-99 |
| 2 | 151616-02-02B | EA | COMPARTMENT - LUGGAGE - E-COATED |
| 3 | 135712-05-02B | EA | PLATE - BODY MOUNT - E-COATED |
| 4 | 151504-01-02B | EA | BRACKET - SUPPORT/LP - E-COATED |
| 5 | 151504-02-02B | EA | BRACKET - SUPPORT/LP - E-COATED |
| 6 | 152208-01-02B | EA | STRAP - LP TANK MOUNTING - E-COATED |

CHASSIS GROUP (CONTINUED)

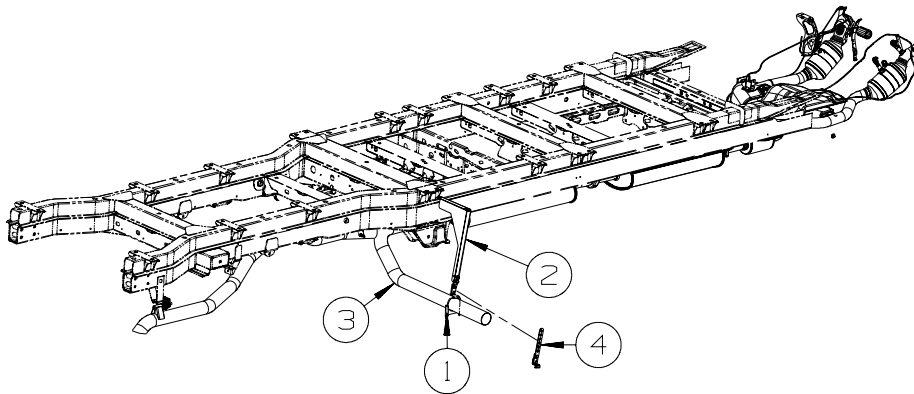
EXHAUST



DIESEL

| KEY | PART NUMBER | U/M | DESCRIPTION |
|-----|---------------|-----|--|
| 1 | 094918-06-000 | EA | CLAMP - EXHAUST - 3" - HEAVY DUTY - NOT ILLUSTRATED FROM: 00-00-00 THRU: 01-25-07 |
| 1 | 094918-01-000 | EA | CLAMP - EXHAUST - 3" - GUILLOTINE STYLE FROM: 01-26-07 THRU: 99-99-99 |
| 2 | 152196-02-02B | EA | ANGLE/FORMED - EXHAUST HANGER - E-COATED - NOT ILLUSTRATED FROM: 00-00-00 THRU: 01-17-07 |
| 2 | 163815-01-02B | EA | BRACKET/FORMED - EXHAUST - E-COATED FROM: 01-18-07 THRU: 11-25-07 |
| 2 | 163815-03-02B | EA | BRACKET/FORMED - EXHAUST - E-COATED - NOT ILLUSTRATED FROM: 11-26-07 THRU: 99-99-99 |
| 3 | 160364-02-000 | EA | PIPE - EXHAUST/TAIL - DIESEL |
| 4 | 007131-01-000 | EA | HANGER - TAILPIPE - 6 SLOTS FROM: 00-00-00 THRU: 11-25-07 |
| 4 | 167204-01-01A | EA | HANGER/TAILPIPE - BLACK - NOT ILLUSTRATED FROM: 11-26-07 THRU: 99-99-99 |

GAS

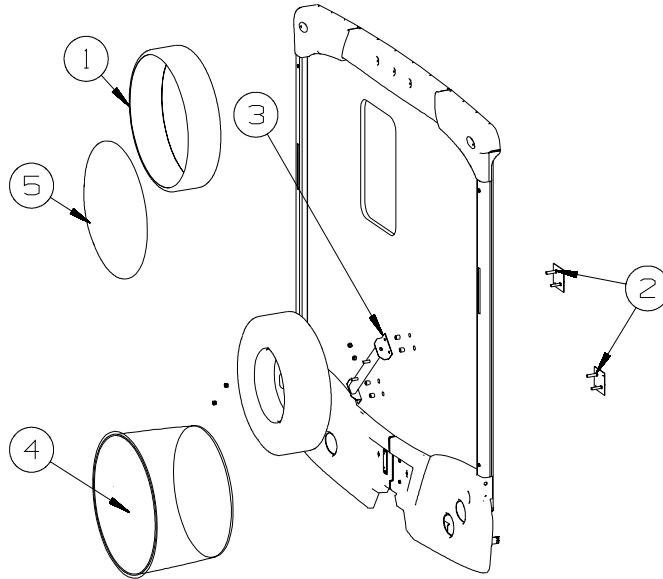


| KEY | PART NUMBER | U/M | DESCRIPTION |
|-----|---------------|-----|--|
| 1 | 094918-06-000 | EA | CLAMP - EXHAUST - 3" - HEAVY DUTY - NOT ILLUSTRATED FROM: 00-00-00 THRU: 01-25-07 |
| 1 | 094918-01-000 | EA | CLAMP - EXHAUST - 3" - GUILLOTINE STYLE FROM: 01-26-07 THRU: 99-99-99 |
| 2 | 152196-02-02B | EA | ANGLE/FORMED - EXHAUST HANGER - E-COATED - NOT ILLUSTRATED FROM: 00-00-00 THRU: 01-17-07 |
| 2 | 163815-01-02B | EA | BRACKET/FORMED - EXHAUST - E-COATED FROM: 01-18-07 THRU: 11-25-07 |
| 2 | 163815-03-02B | EA | BRACKET/FORMED - EXHAUST - E-COATED - NOT ILLUSTRATED FROM: 11-26-07 THRU: 99-99-99 |
| 3 | 160364-01-000 | EA | PIPE - EXHAUST/TAIL - GAS |
| 4 | 007131-01-000 | EA | HANGER - TAILPIPE - 6 SLOTS FROM: 00-00-00 THRU: 11-25-07 |
| 4 | 167204-01-01A | EA | HANGER/TAILPIPE - BLACK - NOT ILLUSTRATED FROM: 11-26-07 THRU: 99-99-99 |

CHASSIS GROUP (CONTINUED)

HITCH

| KEY | PART NUMBER | U/M DESCRIPTION |
|-----|---------------|---|
| | 140441-04-02B | EA PLATE - SKID - E-COATED |
| | 154054-05-01A | EA HITCH RECEIVER - BOLT ON CLASS II - BLACK - 524B, 524H, 524J |
| | 154054-06-01A | EA HITCH RECEIVER - BOLT ON CLASS III - BLACK - 524CL, 524DL |

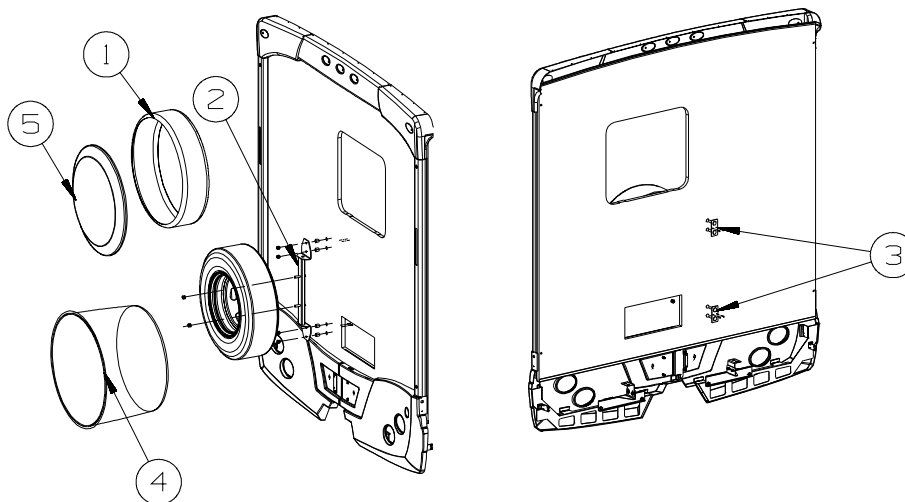


**524B
524H**

SPARE TIRE

| KEY | PART NUMBER | U/M DESCRIPTION |
|-----|---------------|--|
| 1 | 149703-03-01A | EA RING - TIRE COVER - SPARE - WHITE - FULL BODY PAINT |
| 2 | 152910-02-12B | EA BRACKET - SUPPORT - SPARE TIRE - E-COATED |
| 3 | 152913-02-12B | EA BRACKET/SUPPORT - SPARE TIRE - BRIGHT WHITE |
| 4 | 163261-01-W13 | EA COVER - TIRE - 30" - W/VIEW LOGO |
| | 073322-50-000 | EA COVER - UNIVERSAL LINER |
| 5 | 149703-04-01A | EA INSERT - 30" - TIRE COVER - SPARE - WHITE - FULL BODY PAINT |
| | 143547-03-02B | EA RETAINER - SPARE TIRE - E-COATED |

FROM: 00-00-00 THRU: 11-11-07



524J

| KEY | PART NUMBER | U/M DESCRIPTION |
|-----|---------------|--|
| 1 | 149703-03-01A | EA RING - TIRE COVER - SPARE - WHITE - FULL BODY PAINT |
| 2 | 152913-01-12B | EA BRACKET/SUPPORT - SPARE TIRE - E-COATED |
| 3 | 154445-02-02B | EA BRACKET/SUPPORT - SPARE TIRE - E-COATED |
| 4 | 163261-01-W13 | EA COVER - TIRE - 30" - W/VIEW LOGO |
| | 073322-50-000 | EA COVER - UNIVERSAL LINER |
| 5 | 149703-04-01A | EA INSERT - 30" - TIRE COVER - SPARE - WHITE - FULL BODY PAINT |
| | 143547-03-02B | EA RETAINER - SPARE TIRE - E-COATED |

FROM: 00-00-00 THRU: 10-21-07

CHASSIS GROUP (CONTINUED)
WHEEL, TIRE, COVERS &/OR LINERS

| KEY | PART NUMBER | U/M | DESCRIPTION |
|------------|--------------------|------------|---|
| * | 154970-02-000 | EA | LINER/WHEEL - 16" - SET OF 4 - DODGE SPRINTER - DICOR |

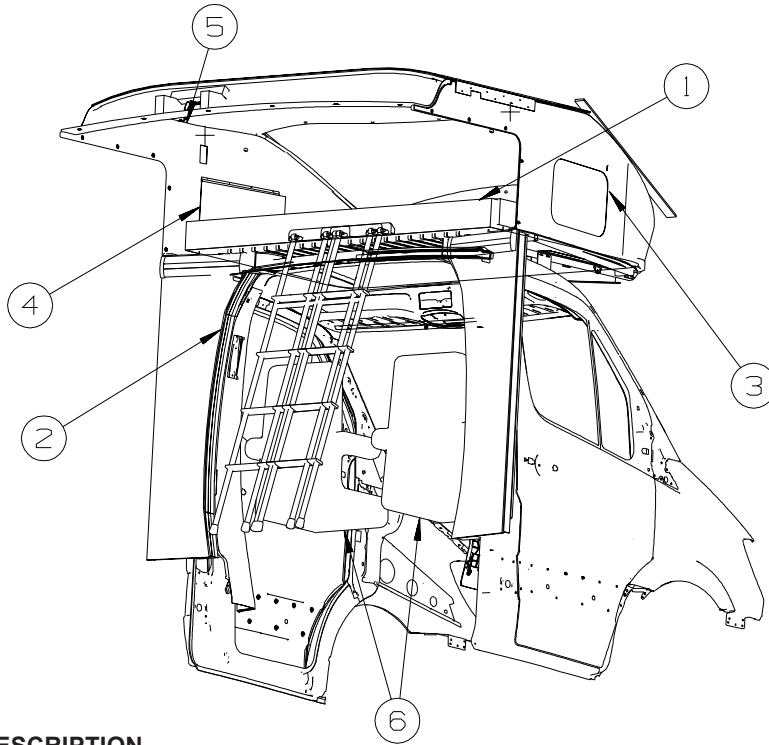
***COMPONENT PARTS LISTED LATER IN THIS GROUP**

COMPONENT PARTS FOR WHEEL, TIRE, COVERS &/OR LINERS

| KEY | PART NUMBER | U/M | DESCRIPTION | VENDOR NO. |
|------------|--------------------|------------|------------------------------|-------------------|
| | | | 154970-02-000 | |
| | 110435-01-711 | EA | DECAL-CENTER CAP- 2" - QTY 2 | |
| | 154970-02-700 | EA | COVER/WHEEL-FRONT W/LUG CVRS | |
| | 154970-02-701 | EA | LINER/WHEEL-REAR W/O HUB CVR | |
| | 154970-02-702 | EA | CAP/CENTER HUB/RR W/LUG CVRS | |
| | 154970-02-703 | EA | DECAL/CTR CAP 2"-PAIR & TOOL | |

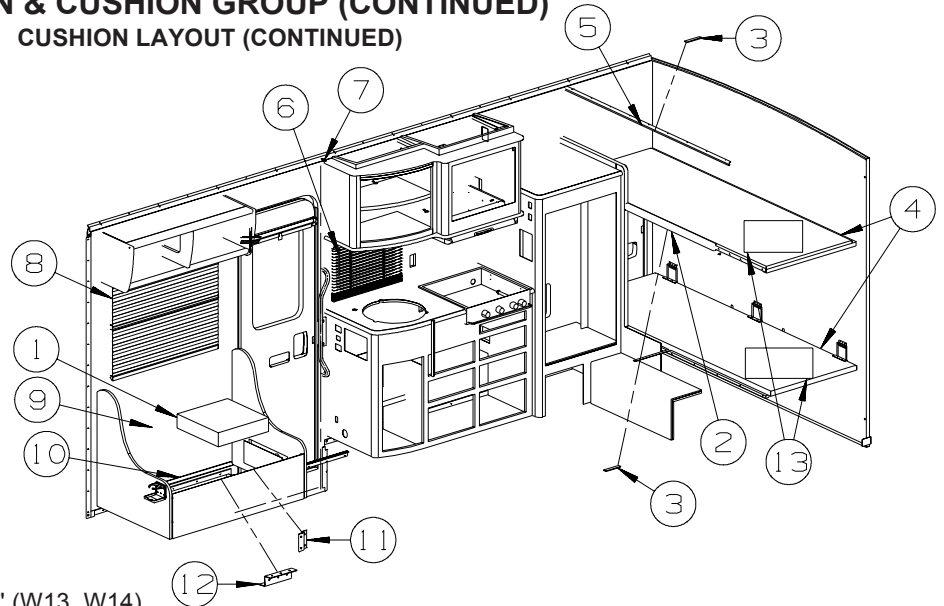
CURTAIN & CUSHION GROUP

CURTAIN, CUSHION LAYOUT



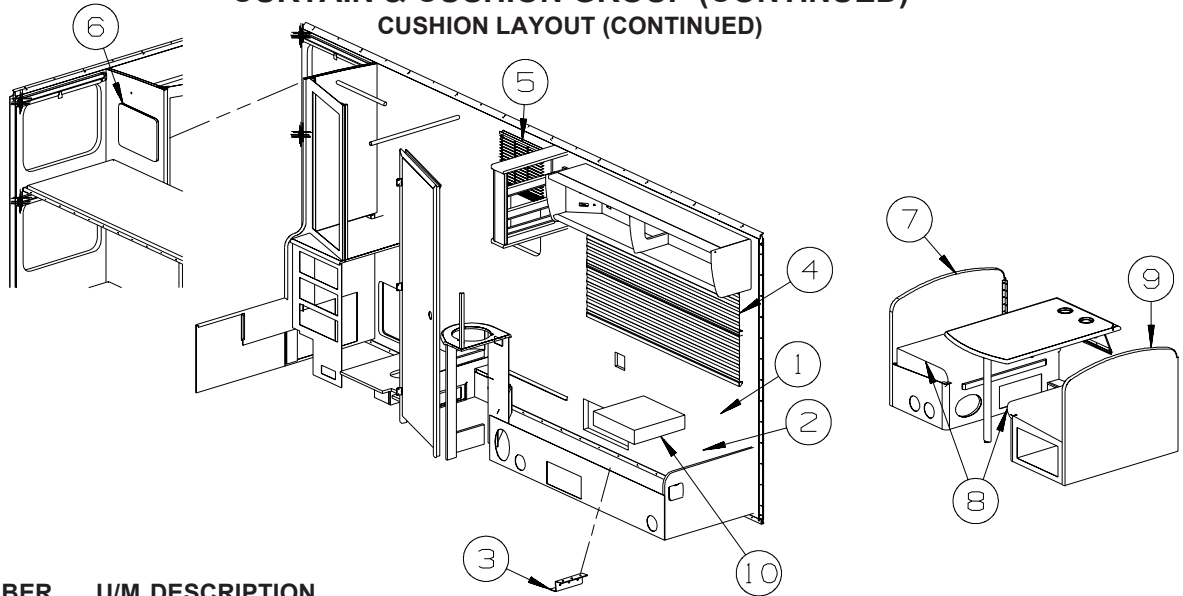
| KEY | PART NUMBER | U/M | DESCRIPTION |
|-----|---------------|-----|---|
| 1 | 155842-02-000 | EA | STRAP/BUNK - W/2 CATCH HOOKS |
| 1 | 153101-02-W13 | EA | CUSHION - OVERHEAD BUNK - 49" X 76" X 5" (W13, W14) |
| 1 | 153101-02-W15 | EA | CUSHION - OVERHEAD BUNK - 49" X 76" X 5" (W15, W16) |
| 1 | 153101-04-U15 | EA | CUSHION - OVERHEAD BUNK - 49" X 76" X 5" (W05, W06) |
| | P53101-02-W13 | EA | COVER - CUSHION/OVERHEAD BUNK - 49" X 76" X 5" (W13, W14) |
| | P53101-02-W15 | EA | COVER - CUSHION/OVERHEAD BUNK - 49" X 76" X 5" (W15, W16) |
| | P53101-04-U15 | EA | COVER - CUSHION/OVERHEAD BUNK - 49" X 76" X 5" (W05, W06) |
| 2 | 076892-35-W13 | EA | CURTAIN - CAB PRIVACY - 47.5" X 74" (W13, W14) |
| 2 | 076892-37-W15 | EA | CURTAIN - CAB PRIVACY - 55" X 84" (W15, W16) |
| 2 | 076892-38-U15 | EA | CURTAIN - CAB PRIVACY - 55" X 84" (W05, W06) |
| 3 | 101034-68-W13 | EA | CURTAIN - PRIVACY/RIGHT HAND - 15" X 21" (W13, W14) |
| 3 | 101034-73-W15 | EA | CURTAIN - PRIVACY/RIGHT HAND - 15" X 21" (W15, W16) |
| 3 | 101034-75-U15 | EA | CURTAIN - PRIVACY/RIGHT HAND - 15" X 21" (W05, W06) |
| 3 | 156172-03-01A | EA | TRACK/WALL - 21" - BONE |
| 3 | 156172-04-01A | EA | END CAP - WALL TRACK - CLEAR |
| 4 | 101034-69-W13 | EA | CURTAIN - PRIVACY/LEFT HAND - 15" X 21" (W13, W14) |
| 4 | 101034-74-W15 | EA | CURTAIN - PRIVACY/LEFT HAND - 15" X 21" (W15, W16) |
| 4 | 101034-76-U15 | EA | CURTAIN - PRIVACY/LEFT HAND - 15" X 21" (W05, W06) |
| 4 | 156172-03-01A | EA | TRACK/WALL - 21" - BONE |
| 4 | 156172-04-01A | EA | END CAP - WALL TRACK - CLEAR |
| 5 | 154002-12-W13 | EA | CURTAIN - PRIVACY/BUNK/LINED - 30" X 87.5" (W13, W14) |
| 5 | 154002-13-W05 | EA | CURTAIN - PRIVACY/BUNK - 30" X 87.5" (W15, W16) |
| 5 | 154002-14-W15 | EA | CURTAIN - PRIVACY/BUNK - 30" X 87.5" (W05, W06) |
| 6 | 161568-02-W13 | EA | COVER/BACK - CHAIR - LEATHER |
| 6 | 161568-03-W13 | EA | COVER/SEAT - CHAIR - LEATHER |

CURTAIN & CUSHION GROUP (CONTINUED)
CUSHION LAYOUT (CONTINUED)



| KEY | PART NUMBER | U/M | DESCRIPTION |
|-------------------------------|---------------|-----|--|
| 1 | 157810-12-W13 | EA | PILLOW - 17" X 17" (W13, W14) |
| 1 | 157810-13-W15 | EA | PILLOW - 17" X 17" (W15, W16) |
| 1 | 157810-14-W05 | EA | PILLOW - 17" X 17" (W05, W06) |
| 2 | 160309-04-W13 | EA | CURTAIN - 42" X 29.5" - W/SNAPS (W13, W14) |
| 2 | 160309-02-W15 | EA | CURTAIN - 42" X 29.5" - W/SNAPS (W15, W16) |
| 2 | 160309-02-U15 | EA | CURTAIN - 42" X 29.5" - W/SNAPS (W05, W06) |
| 3 | 155842-02-000 | EA | STRAP/BUNK - W/2 CATCH HOOKS |
| 4 | 157489-06-W13 | EA | CUSHION - BUNK - 29.5" X 82.5" X 4" (W13, W14) |
| 4 | 157489-06-W15 | EA | CUSHION - BUNK - 29.5" X 82.5" X 4" (W15, W16) |
| 4 | 157489-08-U15 | EA | CUSHION - BUNK - 29.5" X 82.5" X 4" (W05, W06) |
| | 157489-A6-W13 | EA | COVER/CUSHION - BUNK - 29.5" X 82.5" X 4" (W13, W14) |
| | 157489-A6-W15 | EA | COVER/CUSHION - BUNK - 29.5" X 82.5" X 4" (W15, W16) |
| | 157489-A8-U15 | EA | COVER/CUSHION - BUNK - 29.5" X 82.5" X 4" (W05, W06) |
| 5 | 164266-02-W13 | EA | CURTAIN - TAPE TOP - 23" X 76" (W13, W14) |
| 5 | 164266-01-W15 | EA | CURTAIN - TAPE TOP - 23" X 76" (W15, W16) |
| 5 | 164266-01-W05 | EA | CURTAIN - TAPE TOP - 23" X 76" (W05, W06) |
| 6 | 111861-26-01A | EA | BLIND - MINI - 23" X 16" - ALUMINUM |
| | 109353-10-06A | EA | BLIND - SLAT - 30.5" |
| | 162496-01-01A | EA | BRACKET/BLIND - LEFT SIDE WHEN FACING WINDOW - CLEAR |
| | 162496-02-01A | EA | BRACKET/BLIND - RIGHT SIDE WHEN FACING WINDOW - CLEAR |
| | 102555-03-000 | EA | BRACKET - (CLEAT TYPE) - F/BLIND HOLDOWN - MILKY WHITE |
| | 109441-01-000 | EA | BRACKET/HOOK - BLIND HOLD DOWN - LARGE - CLEAR |
| 7 | 154002-07-W13 | EA | CURTAIN - PRIVACY/BUNK - 58" X 50" (W13, W14) |
| 7 | 154002-09-W15 | EA | CURTAIN - PRIVACY/BUNK - 58" X 50" (W15, W16) |
| 7 | 154002-08-U15 | EA | CURTAIN - PRIVACY/BUNK - 58" X 50" (W05, W06) |
| 8 | 140789-A1-W17 | EA | BLIND - DAY/NIGHTER - 35.5" X 28.5" |
| | 097565-01-000 | EA | BRACKET - MOUNTING - PLEATED BLIND |
| FROM: 00-00-00 THRU: 07-23-07 | | | |
| 9 | 161166-07-W13 | EA | BACK - SOFA/BED - 44" (W13, W14) |
| 9 | 161166-07-W15 | EA | BACK - SOFA/BED - 44" (W15, W16) |
| 9 | 161166-08-W05 | EA | BACK - SOFA/BED - 44" (W05, W06) |
| | 161166-A7-W13 | EA | COVER/BACK - SOFA/BED - 44" (W13, W14) |
| | 161166-A7-W15 | EA | COVER/BACK - SOFA/BED - 44" (W15, W16) |
| | 161166-A8-W05 | EA | COVER/BACK - SOFA/BED - 44" (W05, W06) |
| 10 | 149812-17-W13 | EA | SEAT - SOFA/BED - 44" (W13, W14) |
| 10 | 149812-17-W15 | EA | SEAT - SOFA/BED - 44" (W15, W16) |
| 10 | 149812-18-W05 | EA | SEAT - SOFA/BED - 44" (W05, W06) |
| | P49812-17-W13 | EA | COVER - SEAT - SOFA/BED - 44" (W13, W14) |
| | P49812-17-W15 | EA | COVER - SEAT - SOFA/BED - 44" (W15, W15) |
| | P49812-18-W05 | EA | COVER - SEAT - SOFA/BED - 44" (W05, W06) |
| 11 | 101926-01-02A | EA | BRACKET - ZEE - 2" - BLACK |
| 12 | 116104-04-02B | EA | BRACKET - ZEE W/HOLES - 3.2" - E-COATED |
| 13 | 126211-09-W13 | EA | PILLOW SHAM (W13, W14) |
| 13 | 126211-09-W15 | EA | PILLOW SHAM (W15, W15) |
| 13 | 126211-09-U15 | EA | PILLOW SHAM (W05, W06) |

CURTAIN & CUSHION GROUP (CONTINUED)
CUSHION LAYOUT (CONTINUED)



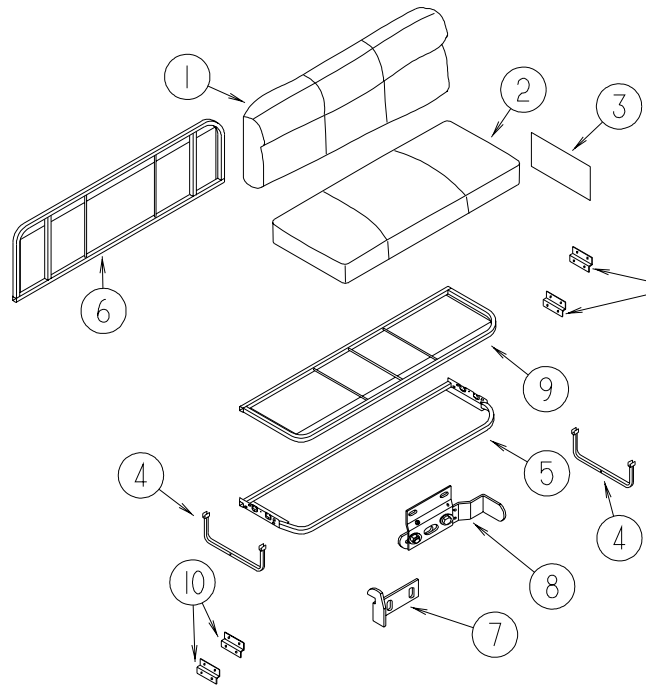
| KEY | PART NUMBER | U/M | DESCRIPTION |
|-----|---------------|-----|--|
| 1 | 161166-10-W13 | EA | BACK - SOFA/BED - 70" (W13, W14) |
| 1 | 161166-11-W15 | EA | BACK - SOFA/BED - 70" (W15, W16) |
| | | | FROM: 00-00-00 THRU: 07-08-07 |
| 1 | 161166-12-W15 | EA | BACK - SOFA/BED - 70" (W15, W16) |
| | | | FROM: 07-09-07 THRU: 99-99-99 |
| 1 | 161166-10-W05 | EA | BACK - SOFA/BED - 70" (W05, W06) |
| | 161166-B0-W13 | EA | COVER/BACK - SOFA/BED - 70" (W13, W14) |
| | 161166-B1-W15 | EA | COVER/BACK - SOFA/BED - 70" (W15, W16) |
| | | | FROM: 00-00-00 THRU: 07-08-07 |
| | 161166-B2-W15 | EA | COVER/BACK - SOFA/BED - 70" (W15, W16) |
| | | | FROM: 07-09-07 THRU: 99-99-99 |
| | 161166-B0-W05 | EA | COVER/BACK - SOFA/BED - 70" (W05, W06) |
| 2 | 149812-03-W13 | EA | SEAT - SOFA/BED - 70" (W13, W14) |
| 2 | 149812-03-W15 | EA | SEAT - SOFA/BED - 70" (W15, W16) |
| | | | FROM: 00-00-00 THRU: 07-08-07 |
| 2 | 149812-16-W15 | EA | SEAT - SOFA/BED - 70" (W15, W16) |
| | | | FROM: 07-09-07 THRU: 99-99-99 |
| 2 | 149812-03-W05 | EA | SEAT - SOFA/BED - 70" (W05, W06) |
| | P49812-03-W13 | EA | COVER - SEAT - SOFA/BED - 70" (W13, W14) |
| | P49812-03-W15 | EA | COVER - SEAT - SOFA/BED - 70" (W15, W16) |
| | | | FROM: 00-00-00 THRU: 07-08-07 |
| | P49812-16-W15 | EA | COVER - SEAT - SOFA/BED - 70" (W15, W16) |
| | | | FROM: 07-09-07 THRU: 99-99-99 |
| | P49812-03-W05 | EA | COVER - SEAT - SOFA/BED - 70" (W05, W06) |
| 3 | 116104-04-02B | EA | BRACKET - ZEE W/HOLES - 3.2" - E-COATED |
| 4 | 140789-82-W13 | EA | BLIND - DAY/NIGHTER - 63" X 28.5" |
| | 097565-01-000 | EA | BRACKET - MOUNTING - PLEATED BLIND |
| | | | FROM: 00-00-00 THRU: 07-23-07 |
| 5 | 111861-30-01A | EA | BLIND - MINI - 17" X 34" - ALUMINUM |
| | 109353-10-06A | EA | BLIND - SLAT - 30.5" |
| | 162496-01-01A | EA | BRACKET/BLIND - LEFT SIDE WHEN FACING WINDOW - CLEAR |
| | 162496-02-01A | EA | BRACKET/BLIND - RIGHT SIDE WHEN FACING WINDOW - CLEAR |
| | 102555-03-000 | EA | BRACKET - (CLEAT TYPE) - F/BLIND HOLDOWN - MILKY WHITE |
| | 109441-01-000 | EA | BRACKET/HOOK - BLIND HOLD DOWN - LARGE - CLEAR |
| 6 | 159969-02-W13 | EA | POCKET/MAP - 12" X 16" (W13, W14) |
| 6 | 159969-02-W15 | EA | POCKET/MAP - 12" X 16" (W15, W16) |
| 6 | 159969-03-U15 | EA | POCKET/MAP - 12" X 16" (W05, W06) |
| 7 | 161303-32-W13 | EA | CUSHION - BACK/LEFT - 15.5" X 38" X 5" (W13, W14) |
| 7 | 161303-36-W15 | EA | CUSHION - BACK/LEFT - 15.5" X 38" X 5" (W15, W16) |
| 7 | 161303-32-W05 | EA | CUSHION - BACK/LEFT - 15.5" X 38" X 5" (W05, W06) |
| | 161303-D2-W13 | EA | COVER/BACK - LEFT - 15.5" X 38" X 5" (W13, W14) |
| | 161303-D6-W15 | EA | COVER/BACK - LEFT - 15.5" X 38" X 5" (W15, W16) |
| | 161303-D2-W05 | EA | COVER/BACK - LEFT - 15.5" X 38" X 5" (W05, W06) |

CURTAIN & CUSHION GROUP (CONTINUED)
CUSHION LAYOUT (CONTINUED)

| KEY | PART NUMBER | U/M | DESCRIPTION |
|------------|--------------------|------------|--|
| 8 | 153671-16-W13 | EA | CUSHION - SEAT - 21" X 38" X 5" (W13, W14) |
| 8 | 153671-16-W15 | EA | CUSHION - SEAT - 21" X 38" X 5" (W15, W16) |
| 8 | 153671-16-W05 | EA | CUSHION - SEAT - 21" X 38" X 5" (W05, W06) |
| | 153671-B6-W13 | EA | COVER/CUSHION - SEAT - 21" X 38" X 5" (W13, W14) |
| | 153671-B6-W15 | EA | COVER/CUSHION - SEAT - 21" X 38" X 5" (W15, W16) |
| | 153671-B6-W05 | EA | COVER/CUSHION - SEAT - 21" X 38" X 5" (W05, W06) |
| 9 | 161303-11-W13 | EA | CUSHION - BACK/RIGHT - 15.5" X 38" X 5" (W13, W14) |
| 9 | 161303-17-W15 | EA | CUSHION - BACK/RIGHT - 15.5" X 38" X 5" (W15, W16) |
| 9 | 161303-11-W05 | EA | CUSHION - BACK/RIGHT - 15.5" X 38" X 5" (W05, W06) |
| | 161303-B1-W13 | EA | COVER/BACK - RIGHT - 15.5" X 38" X 5" (W13, W14) |
| | 161303-B7-W15 | EA | COVER/BACK - RIGHT - 15.5" X 38" X 5" (W15, W16) |
| | 161303-B1-W05 | EA | COVER/BACK - RIGHT - 15.5" X 38" X 5" (W05, W06) |
| 10 | 157810-12-W13 | EA | PILLOW - 17" X 17" (W13, W14) |
| 10 | 157810-13-W15 | EA | PILLOW - 17" X 17" (W15, W16) |
| 10 | 157810-14-W05 | EA | PILLOW - 17" X 17" (W05, W06) |

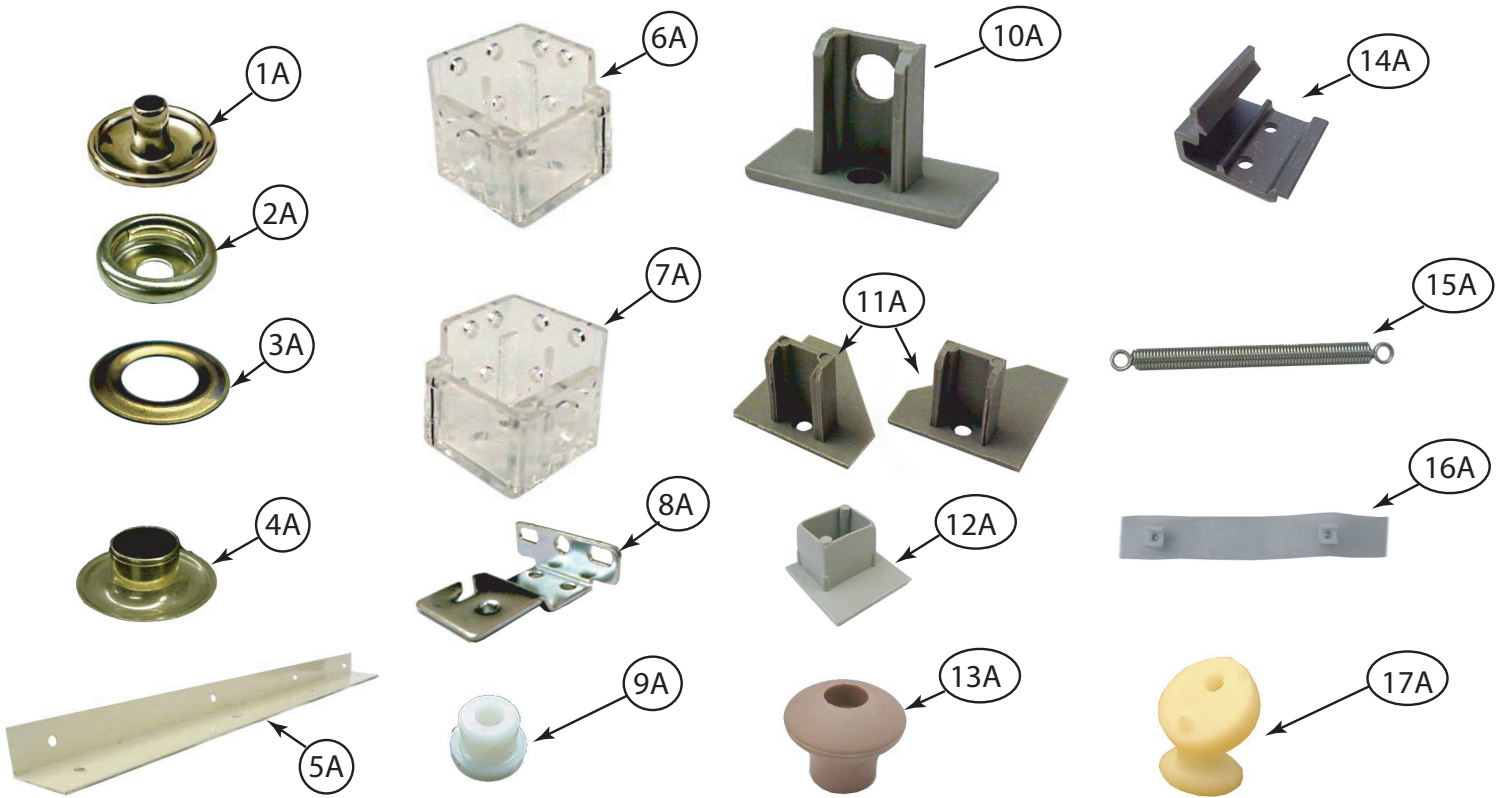
CURTAIN & CUSHION GROUP (CONTINUED)

SOFA



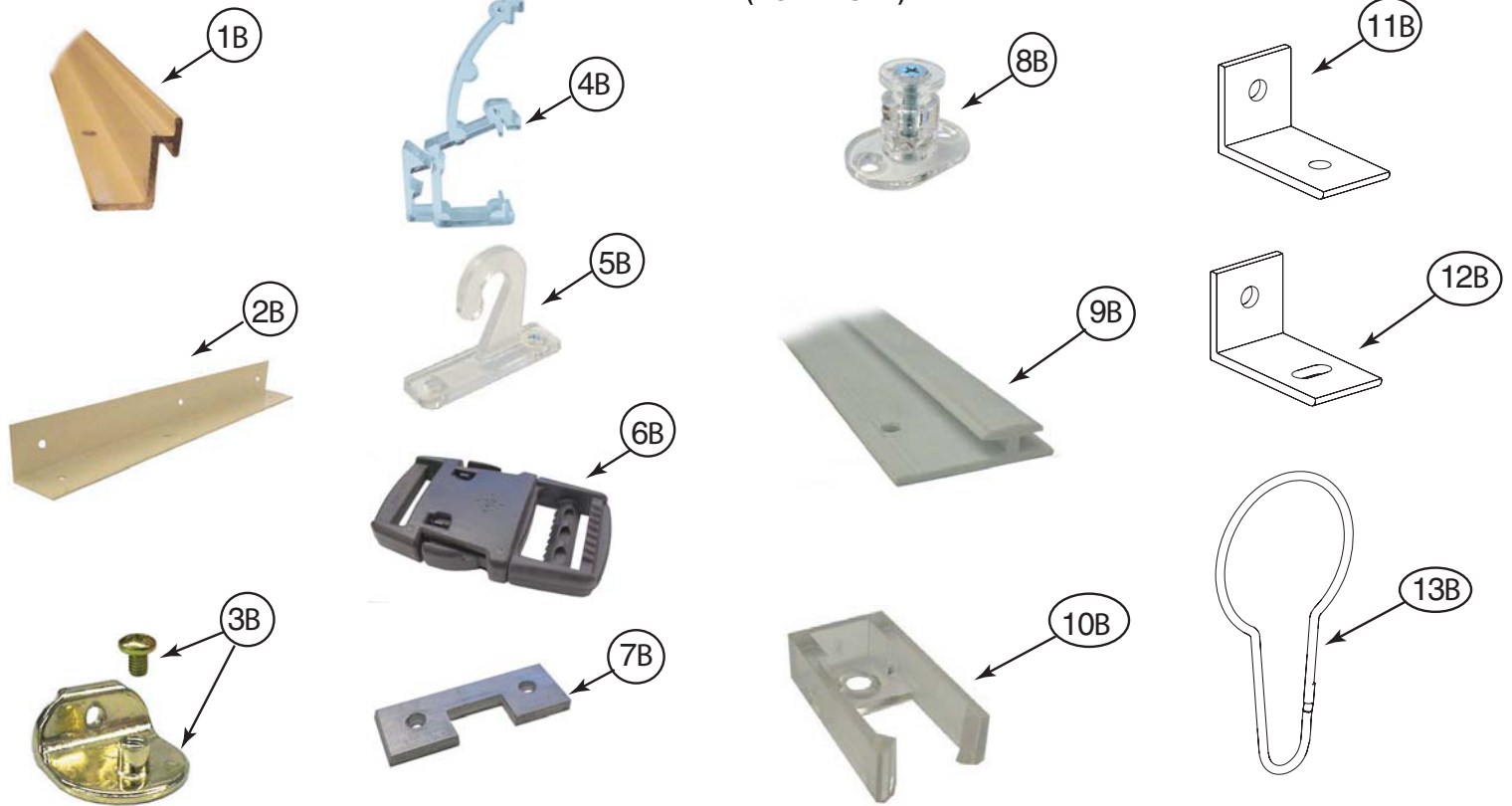
| KEY | PART NUMBER | U/M | DESCRIPTION |
|-----|---------------|-----|--|
| 1 | 161166-10-W13 | EA | BACK - SOFA/BED - 70" (W13, W14) |
| 1 | 161166-11-W15 | EA | BACK - SOFA/BED - 70" (W15, W16) |
| 1 | 161166-10-W05 | EA | BACK - SOFA/BED - 70" (W05, W06) |
| | 161166-B1-W15 | EA | COVER/BACK - SOFA/BED - 70" (W13, W14) |
| | 161166-B0-W13 | EA | COVER/BACK - SOFA/BED - 70" (W15, W16) |
| | 161166-B0-W05 | EA | COVER/BACK - SOFA/BED - 70" (W05, W06) |
| 2 | 149812-03-W13 | EA | SEAT - SOFA/BED - 70" (W13, W14) |
| 2 | 149812-03-W15 | EA | SEAT - SOFA/BED - 70" (W15, W16) |
| 2 | 149812-03-W05 | EA | SEAT - SOFA/BED - 70" (W05, W06) |
| | P49812-03-W13 | EA | COVER - SEAT - SOFA/BED - 70" (W13, W14) |
| | P49812-03-W15 | EA | COVER - SEAT - SOFA/BED - 70" (W15, W16) |
| | P49812-03-W05 | EA | COVER - SEAT - SOFA/BED - 70" (W05, W06) |
| 3 | NOT USED | | |
| 4 | NOT USED | | |
| 5 | 101085-12-000 | EA | FRAME - BASE - SOFA/BED - 20" X 70" |
| 6 | 101085-14-000 | EA | FRAME - BACK - SOFA/BED - 16" X 67.5" |
| 7 | NOT USED | | |
| 8 | NOT USED | | |
| 9 | 101085-13-000 | EA | FRAME - SEAT - SOFA/BED - 27.25" X 70" |
| 10 | NOT USED | | |

CURTAIN & CUSHION GROUP (CONTINUED)
HARDWARE



| KEY | PART NUMBER | U/M | DESCRIPTION |
|-----|---------------|-----|--|
| 1A | 029155-01-000 | EA | CAP - SNAP - 5/32" OUTSIDE DIAMETER OF PIN |
| 2A | 029156-01-000 | EA | SOCKET - SNAP - 9/16" O.D. |
| 3A | 046867-05-000 | EA | WASHER - #0 |
| 4A | 046867-04-000 | EA | GROMMET - #0 |
| 5A | 160457-01-01A | EA | BRACE - VALANCE - L-SHAPED - 20" - OFF WHITE |
| 6A | 162496-01-01A | EA | BRACKET/BLIND - LEFT SIDE WHEN FACING WINDOW - CLEAR |
| 7A | 162496-02-01A | EA | BRACKET/BLIND - RIGHT SIDE WHEN FACING WINDOW - CLEAR |
| 8A | 084434-01-000 | EA | BRACKET - MOUNTING - ROLLER SHADE - 1 3/8" |
| 9A | 094896-02-000 | EA | GROMMET - CORD/PLEATED BLIND - NYLON - GRAY |
| 10A | 094907-02-000 | EA | END CAP - PLEATED BLIND/TOP - RH/LH - GRAY PLASTIC |
| 11A | 094907-04-000 | EA | END CAP - PLEATED BLIND/BOTTOM - RH/LH |
| 12A | 094907-09-000 | EA | END CAP/BLIND - CENTER RAIL - RH/LH |
| 13A | 097564-03-000 | EA | HANDLE - KNOB - E-Z LIFT SHADE - TAN |
| 14A | 097565-01-000 | EA | BRACKET - MOUNTING - PLEATED BLIND |
| 15A | 155748-01-000 | EA | SPRING - EXTENSION - DAY/NIGHTER BLIND |
| 16A | 101031-01-000 | YD | TAPE/GLIDE - 4.25" SPACING |
| 17A | 102555-03-000 | EA | BRACKET - (CLEAT TYPE) - F/BLIND HOLDOWN - MILKY WHITE |

CURTAIN & CUSHION GROUP (CONTINUED)
HARDWARE (CONTINUED)



| KEY | PART NUMBER | U/M | DESCRIPTION |
|-----|---------------|-----|---|
| 1B | 105450-14-01A | EA | TRACK - CURTAIN - 90" - OFF WHITE |
| 2B | 105648-01-02A | EA | BRACE - VALANCE - 14" - OFF WHITE |
| 2B | 105648-02-02A | EA | BRACE - VALANCE - 8.5" - OFF WHITE |
| 3B | 106544-01-000 | EA | PULL - SHADE/BRASS |
| 3B | 106544-01-001 | EA | SCREW - SHADE/BRASS |
| 3B | 106544-02-000 | EA | PULL-SHADE - NICKEL |
| 4B | 109353-04-000 | EA | CLIP - VALANCE SLAT MOUNTING - CLEAR PLASTIC |
| 5B | 109441-01-000 | EA | BRACKET/HOOK - BLIND HOLD DOWN - LARGE - CLEAR |
| | 109441-02-000 | EA | SPACER/BRACKET - BLIND HOLD DOWN |
| 6B | 129491-01-000 | EA | CATCH - SNAP HOOK - 1" |
| 7B | 130549-01-01A | EA | STOP - CURTAIN TRACK |
| 8B | 141634-01-000 | EA | BRACKET-(BOBBIN TYPE) 7/8"H HOLDUPBASE(OVAL)-2 HOLE-CLEAR |
| 9B | 156172-02-01A | EA | TRACK/WALL - 32" - BONE |
| 9B | 156172-03-01A | EA | TRACK/WALL - 21" - BONE |
| 10B | 156172-04-01A | EA | END CAP - WALL TRACK - CLEAR |
| 11B | 154316-01-01A | EA | BRACE/ANGLE - W/HOLE - CASHMERE |
| 12B | 154316-02-01A | EA | BRACE/ANGLE - W/SLOT - CASHMERE |
| 13B | 159702-01-01A | EA | HOOK/RING - CURTAIN/SHOWER - NICKEL |

CURTAIN & CUSHION GROUP (CONTINUED)
ACCESSORIES

| KEY | PART NUMBER | U/M | DESCRIPTION |
|-----|---------------|-----|--|
| | 070578-19-T47 | EA | BUTTON - #30 - SCREW/STUD - FABRIC COVERED (W13, W14) |
| | 070578-19-W15 | EA | BUTTON - #30 - SCREW/STUD - FABRIC COVERED (W15, W16) |
| | 070578-19-W05 | EA | BUTTON - #30 - SCREW/STUD - FABRIC COVERED (W05, W06) |
| | 118337-19-W13 | EA | BUTTON - #36 W/TACK (W13, W14) |
| | 161506-05-W13 | EA | BUTTON - #36 - FABRIC COVERED (W13, W14) FROM: 00-00-00 THRU: 01-21-07 |
| | 118337-19-W15 | EA | BUTTON - #36 W/TACK (W15, W16) FROM: 01-22-07 THRU: 99-99-99 |
| | 161506-05-W15 | EA | BUTTON - #36 - FABRIC COVERED (W15, W16) FROM: 00-00-00 THRU: 01-21-07 |
| | 118337-19-U15 | EA | BUTTON - #36 W/TACK (W05, W06) FROM: 01-22-07 THRU: 99-99-99 |
| | 161506-05-W05 | EA | BUTTON - #36 - FABRIC COVERED (W05, W06) FROM: 00-00-00 THRU: 01-21-07 |
| | 161506-06-W13 | EA | BUTTON - #36 - FABRIC COVERED (W13, W14) FROM: 01-22-07 THRU: 99-99-99 |
| | 161506-06-W15 | EA | BUTTON - #36 - FABRIC COVERED (W15, W16) FROM: 01-22-07 THRU: 99-99-99 |
| | 161506-06-W05 | EA | BUTTON - #36 - FABRIC COVERED (W05, W06) FROM: 01-22-07 THRU: 99-99-99 |
| | 074494-07-000 | EA | BUTTON - PIVOT - #36 (W05, W06) FROM: 01-22-07 THRU: 99-99-99 |
| | 074494-08-000 | EA | BUTTON - PIVOT - #36 (W13, W14, W15, W16) FROM: 01-22-07 THRU: 99-99-99 |

CURTAIN & CUSHION GROUP (CONTINUED)
FABRICS

W17, W18

113979-09-01A CARPET-HEADLINER (SY) - CEILING
FROM: 00-00-00 THRU: 01-13-08

113979-09-02A CARPET-HEADLINER (SY) - CEILING
FROM: 01-14-08 THRU: 99-99-99

113979-10-01A CARPET-HEADLINER - SLDOUT (SY) - CEILING
FROM: 00-00-00 THRU: 01-13-08

113979-10-02A CARPET-HEADLINER - SLDOUT (SY) - CEILING
FROM: 01-14-08 THRU: 99-99-99

113979-11-01A CARPET-HEADLINER - SLDOUT (SY) - CEILING
FROM: 00-00-00 THRU: 01-13-08

113979-11-02A CARPET-HEADLINER - SLDOUT (SY) - CEILING
FROM: 01-14-08 THRU: 99-99-99

113979-16-01A CARPET - HEADLINER - 52" WIDE SLIDEOUT - CEILING
FROM: 00-00-00 THRU: 06-03-07

113979-17-01A CARPET-HEADLINER (SY) 59"
FROM: 06-04-07 THRU: 01-13-08

113979-16-02A CARPET - HEADLINER - 52" WIDE SLIDEOUT - CEILING
FROM: 01-14-08 THRU: 99-99-99

087272-03-000 FABRIC-DRAPERY, MAIN

142523-24-000 FABRIC-UPHOSTERY,ACCENT PLAIN, "B"

142523-24-000 FABRIC-UPHL,ULTRALEATHER, MAIN

142523-29-000 FABRIC-BOXING (ULTRA)

148797-H9-000 FABRIC-HEADLINER/PADS/BUNKS, TRANS PANELS

148797-H9-000 FABRIC-UPHLSTRY,PLAIN ACCENT

148797-H9-000 FABRIC-SLEEPER DECK

148797-H9-000 FABRIC-DINETTE WRAP, DINETTES

148797-M2-000 FABRIC-TRANS PANELS, ACCENT

148797-W8-000 FABRIC-UPHOSTERY MAIN ONE

148797-W8-000 FABRIC-SOFA BASE WRAP "A"

148797-H9-000 FABRIC-SOFA BASE WRAP "B"

148797-Y3-000 FABRIC-UPHOSTERY ACCENT PATTERN

148797-Y3-000 FABRIC-UPHOSTERY,BEDSPREAD, PATTERN ACCENT

148797-Y3-000 FABRIC-BEDRM CAB ACC.

156773-87-000 FABRIC-UPHOSTERY,BEDSPREAD, MAIN

CURTAIN & CUSHION GROUP (CONTINUED)
FABRICS (CONTINUED)

W19, W20

113979-09-01A CARPET-HEADLINER (SY) - CEILING
FROM: 00-00-00 THRU: 01-13-08

113979-09-02A CARPET-HEADLINER (SY) - CEILING
FROM: 01-14-08 THRU: 99-99-99

113979-10-01A CARPET-HEADLINER - SLDOUT (SY) - CEILING
FROM: 00-00-00 THRU: 01-13-08

113979-10-02A CARPET-HEADLINER - SLDOUT (SY) - CEILING
FROM: 01-14-08 THRU: 99-99-99

113979-11-01A CARPET-HEADLINER - SLDOUT (SY) - CEILING
FROM: 00-00-00 THRU: 01-13-08

113979-11-02A CARPET-HEADLINER - SLDOUT (SY) - CEILING
FROM: 01-14-08 THRU: 99-99-99

113979-16-01A CARPET - HEADLINER - 52" WIDE SLIDEOUT - CEILING
FROM: 00-00-00 THRU: 06-03-07

113979-17-01A CARPET-HEADLINER (SY) 59"
FROM: 06-04-07 THRU: 01-13-08

113979-16-02A CARPET - HEADLINER - 52" WIDE SLIDEOUT - CEILING
FROM: 01-14-08 THRU: 99-99-99

087272-03-000 FABRIC-DRAPERY, MAIN

142523-24-000 FABRIC-ULTRA,ACCENT,PLAIN, "B"

142523-24-000 FABRIC-UPHL,ULTRALEATHER, MAIN

142523-29-000 FABRIC-BOXING (ULTRA)

148797-H9-000 FABRIC-TRANS PANELS, ACCENT

148797-Y4-000 FABRIC-HEADLINER/PADS/BUNKS, TRANS PANELS

148797-Y4-000 FABRIC-DINETTE WRAP, DINETTES

148797-Y4-000 FABRIC-SLEEPER DECK

148797-Y4-000 FABRIC-BEDRM CAB ACC.

148797-Y4-000 FABRIC-UPHOSTERY MAIN ONE, MAIN

148797-Y4-000 FABRIC-UPHLSTRY,PLAIN ACCENT

148797-Y4-000 FABRIC-SOFA BASE WRAP "A"

148797-Y5-000 FABRIC-SOFA BASE WRAP "B"

148797-Y5-000 FABRIC-UPHOLSTERY ACCENT, PATTERN

148797-Y5-000 FABRIC-UPHOSTERY,BEDSPREAD, PATTERN ACCENT A

156773-35-000 FABRIC-UPHOSTERY,BEDSPREAD , MAIN

CURTAIN & CUSHION GROUP (CONTINUED)
FABRICS (CONTINUED)

W11, W12

113979-09-01A CARPET-HEADLINER (SY) - CEILING
FROM: 00-00-00 THRU: 01-13-08

113979-09-02A CARPET-HEADLINER (SY) - CEILING
FROM: 01-14-08 THRU: 99-99-99

113979-10-01A CARPET-HEADLINER - SLDOUT (SY) - CEILING
FROM: 00-00-00 THRU: 01-13-08

113979-10-02A CARPET-HEADLINER - SLDOUT (SY) - CEILING
FROM: 01-14-08 THRU: 99-99-99

113979-11-01A CARPET-HEADLINER - SLDOUT (SY) - CEILING
FROM: 00-00-00 THRU: 01-13-08

113979-11-02A CARPET-HEADLINER - SLDOUT (SY) - CEILING
FROM: 01-14-08 THRU: 99-99-99

113979-16-01A CARPET - HEADLINER - 52" WIDE SLIDEOUT - CEILING
FROM: 00-00-00 THRU: 06-03-07

113979-17-01A CARPET-HEADLINER (SY) 59"
FROM: 06-04-07 THRU: 01-13-08

113979-16-02A CARPET - HEADLINER - 52" WIDE SLIDEOUT - CEILING
FROM: 01-14-08 THRU: 99-99-99

087272-03-000 FABRIC-DRAPERY, MAIN

142523-24-000 FABRIC-ULTRA,ACCENT,PLAIN, "B"

142523-24-000 FABRIC-UPHL,ULTRALEATHER, MAIN

142523-29-000 FABRIC-BOXING (ULTRA)

148797-H9-000 FABRIC-TRANS PANELS, ACCENT

148797-M2-000 FABRIC-HEADLINER/PADS/BUNKS, TRANS PANELS

148797-M2-000 FABRIC-SLEEPER DECK

148797-V0-000 FABRIC-UPHOSTERY MAIN ONE, MAIN

148797-V0-000 FABRIC-BEDRM CAB ACC.

148797-V0-000 FABRIC-DINETTE WRAP, DINETTES

148797-V0-000 FABRIC-SOFA BASE WRAP "B"

148797-V1-000 FABRIC-UPHLSTRY,PLAIN ACCENT

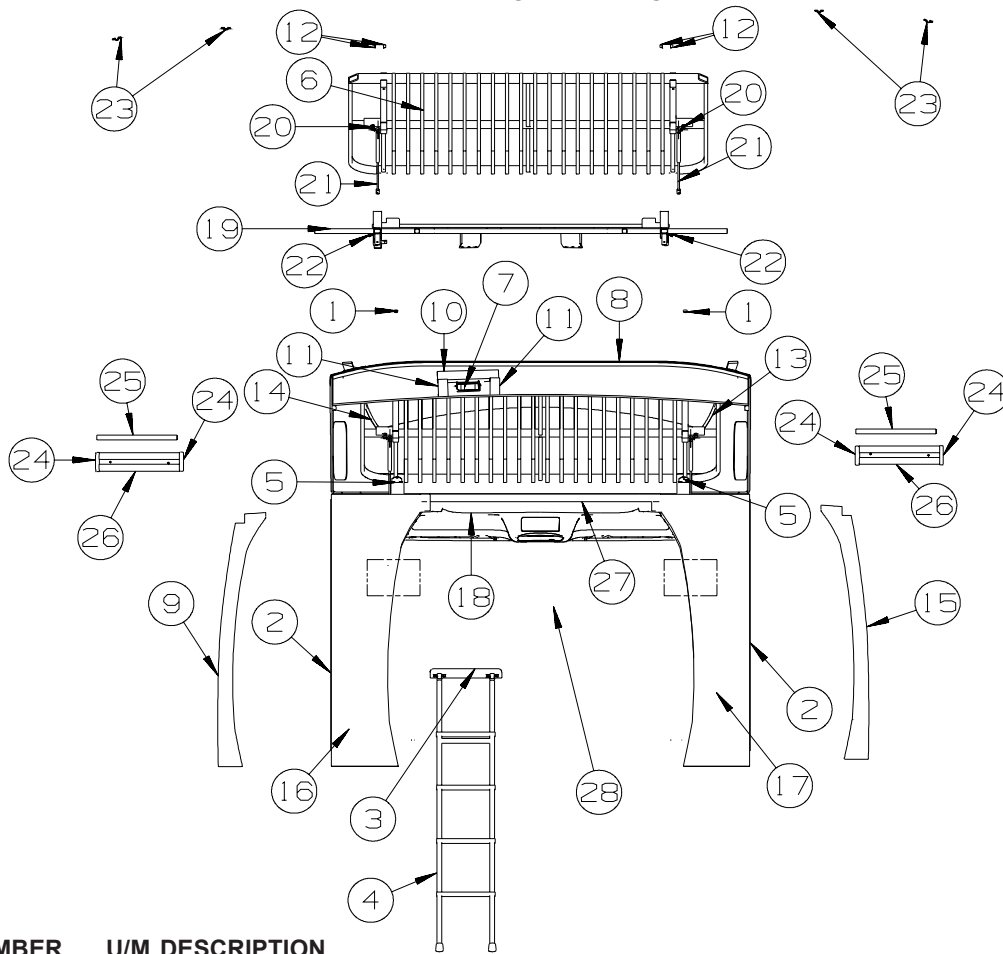
148797-V1-000 FABRIC-SOFA BASE WRAP "A"

148797-V2-000 FABRIC-UPHOLSTERY ACCENT, PATTERN

148797-V2-000 FABRIC-UPHOSTERY,BEDSPREAD, PATTERN ACCENT A

156773-11-000 FABRIC-UPHOSTERY,BEDSPREAD, MAIN

DRIVERS COMPARTMENT GROUP FRONT INTERIOR

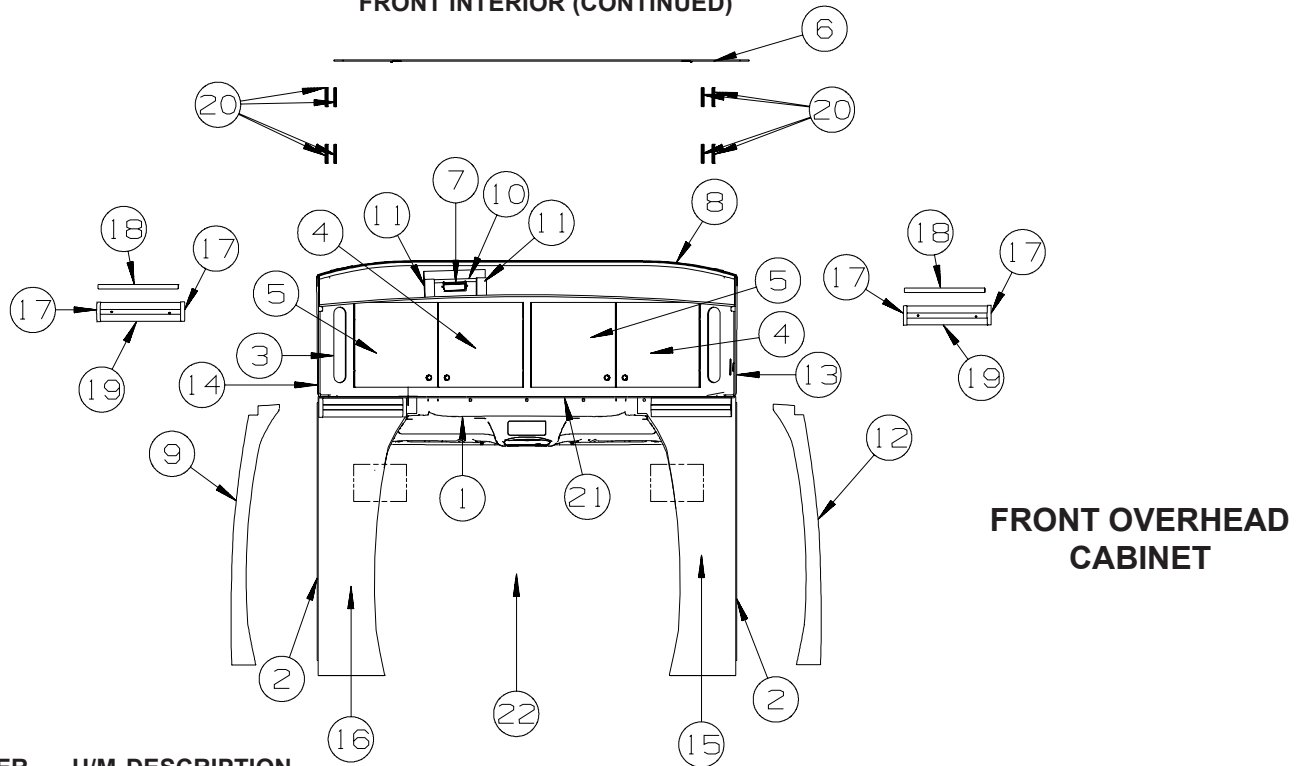


| KEY | PART NUMBER | U/M | DESCRIPTION |
|-----|---------------|-----|---|
| 1 | 120863-05-000 | EA | BUMPER - RUBBER/RADIUS TOP - 3/4" X 3/8" |
| 2 | 105290-01-000 | EA | INSULATION - AIR POCKET W/FOIL - 4' WIDE |
| 3 | 094658-04-T25 | EA | HANDLE - BUNK - 1.1" X 2" X 14.9" - WASHED MAPLE |
| 3 | 094658-04-T02 | EA | HANDLE - BUNK - 1.1" X 2" X 14.2" - HONEY CHERRY |
| 4 | 106025-07-01A | EA | LADDER - BUNK - 58.6"- BLACK |
| 5 | 151554-05-02B | EA | HINGE/SLEEPER - FRAME - E-COATED |
| 6 | 151565-01-T01 | EA | FRAME - SLEEPER/BUNK |
| 7 | 135803-03-01A | EA | LOUVER - A/C - OPEN FRAME |
| 8 | 159982-01-12A | EA | PANEL/TRIM - CEILING CONTOUR - OFF WHITE |
| 9 | 160391-01-W13 | EA | PANEL/TRANSITION - FABRIC WRAPPED (W13, W14) |
| 9 | 160391-01-W15 | EA | PANEL/TRANSITION - FABRIC WRAPPED (W15, W16) |
| 9 | 160391-01-W05 | EA | PANEL/TRANSITION - FABRIC WRAPPED (W05, W06) |
| 10 | 151838-02-02A | EA | FOAM - LPE, DUCT |
| 11 | 151838-04-02A | EA | FOAM-LPE,DUCT,CHARCOAL GRAY |
| 12 | 151839-01-01A | EA | BEARING/FLANGED - 3/8" TO 7/8" X 1/2" DEEP - BRONZE |
| 13 | 160392-01-W13 | EA | PANEL/TRIM - BUNK/RH |
| 14 | 160392-02-W13 | EA | PANEL/TRIM - BUNK/LH |
| 15 | 160391-02-W13 | EA | PANEL/TRANSITION - FABRIC WRAPPED (W13, W14) |
| 15 | 160391-02-W15 | EA | PANEL/TRANSITION - FABRIC WRAPPED (W15, W16) |
| 15 | 160391-02-W05 | EA | PANEL/TRANSITION - FABRIC WRAPPED (W05, W06) |
| 16 | 160382-02-W13 | EA | PANEL - TRANSITION - INNER/PASSENGER SIDE (W13, W14) |
| 16 | 160382-02-W15 | EA | PANEL - TRANSITION - INNER/PASSENGER SIDE (W15, W16) |
| 16 | 160382-02-W05 | EA | PANEL - TRANSITION - INNER/PASSENGER SIDE (W05, W06) |
| | 070578-19-T47 | EA | BUTTON - #30 - SCREW/STUD - FABRIC COVERED (W13, W14) |
| | 070578-19-W15 | EA | BUTTON - #30 - SCREW/STUD - FABRIC COVERED (W15, W16) |
| | 070578-19-W05 | EA | BUTTON - #30 - SCREW/STUD - FABRIC COVERED (W05, W06) |
| 17 | 160382-01-W13 | EA | PANEL - TRANSITION - INNER/DRIVER SIDE (W13, W14) |
| 17 | 160382-01-W15 | EA | PANEL - TRANSITION - INNER/DRIVER SIDE (W15, W16) |
| 17 | 160382-01-W05 | EA | PANEL - TRANSITION - INNER/DRIVER SIDE (W05, W06) |
| | 070578-19-T47 | EA | BUTTON - #30 - SCREW/STUD - FABRIC COVERED (W13, W14) |
| | 070578-19-W15 | EA | BUTTON - #30 - SCREW/STUD - FABRIC COVERED (W15, W16) |
| | 070578-19-W05 | EA | BUTTON - #30 - SCREW/STUD - FABRIC COVERED (W05, W06) |

DRIVERS COMPARTMENT GROUP (CONTINUED)
FRONT INTERIOR (CONTINUED)

| KEY | PART NUMBER | U/M | DESCRIPTION |
|-----|---------------|-----|--|
| 18 | 159984-01-12A | EA | PANEL/TRIM - HEADLINER - OFF WHITE |
| 19 | 159420-01-02B | EA | SUPPORT - SLEEPER - E-COATED |
| 20 | 126263-02-02B | EA | BRACKET - GAS SPRING W/BALL STUD - E-COATED |
| 21 | 142569-14-000 | EA | SPRING/GAS - 100 LB - 20" EXTENDED/12" COMPRESSED |
| 22 | 126263-15-02B | EA | BRACKET - GAS SPRING W/BALL STUD - E-COATED |
| 23 | 127960-01-01A | EA | RETAINER - EYE - 3/8" - STAINLESS STEEL |
| 24 | 156636-05-U21 | EA | MOLDING/BLOCK - .8" X 4" - HONEY CHERRY |
| 25 | M09520-83-U21 | EA | MOLDING/TRIM - .3" X 1" X 78.9" - WASHED MAPLE |
| 25 | M09520-83-U22 | EA | MOLDING/TRIM - .3" X 1" X 78.9" - HONEY CHERRY |
| 26 | Y00361-A2-438 | EA | MOLDING - VINYL/CURVED - 3.9" X 96" - WASHED MAPLE |
| 26 | Y00361-82-438 | EA | MOLDING - VINYL/CURVED - 3.9" X 96" - HONEY CHERRY |
| 27 | 163887-01-W13 | EA | PANEL - FABRIC COVERED (W13, W14, W05, W06) FROM: 01-12-07 THRU: 99-99-99 |
| 27 | 163887-01-W15 | EA | PANEL - FABRIC COVERED (W15, W16) FROM: 01-12-07 THRU: 99-99-99 |
| 28 | 164519-01-01A | EA | BLIND/PLEATED - WINDSHIELD/PRIVACY - GRAY - CAB-WINDOW BLINDS FROM: 04-30-07 THRU: 99-99-99 |
| 28 | 164519-02-01A | EA | BLIND/PLEATED - CAB/SIDE WINDOWS/PRIVACY - RH & LH - GRAY - CAB-WINDOW BLINDS FROM: 04-30-07 THRU: 99-99-99 |
| 28 | 164519-03-01A | EA | SUPPORT/ROD - BLIND/PRIVACY - GRAY - CAB-WINDOW BLINDS FROM: 04-30-07 THRU: 99-99-99 |
| | 128131-01-01A | EA | SPACER/SWITCH - DOME - BLACK FROM: 00-00-00 THRU: 04-15-07 |

DRIVERS COMPARTMENT GROUP (CONTINUED)
FRONT INTERIOR (CONTINUED)

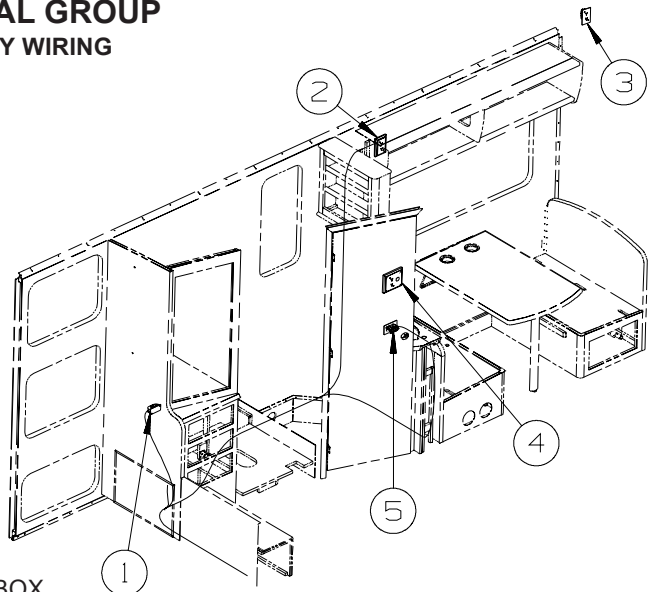


| KEY | PART NUMBER | U/M | DESCRIPTION |
|-----|---------------|-----|---|
| 1 | 159984-01-12A | EA | PANEL/TRIM - HEADLINER - OFF WHITE |
| 2 | 105290-01-000 | EA | INSULATION - AIR POCKET W/FOIL - 4' WIDE |
| 3 | 160721-01-W13 | EA | CABINET - OVERHEAD/FRONT - W/O DOORS/HDW - WASHED MAPLE |
| 3 | 160721-01-W14 | EA | CABINET - OVERHEAD/FRONT - W/O DOORS/HDW - HONEY CHERRY |
| 4 | 160739-01-W13 | EA | DOOR - CURVED - 17.7" X 17.7" - W/O HDW - WASHED MAPLE |
| 4 | 160739-01-W14 | EA | DOOR - CURVED - 17.7" X 17.7" - W/O HDW - HONEY CHERRY |
| 5 | 160739-02-W13 | EA | DOOR - CURVED - 17.7" X 17.7" - W/O HDW - WASHED MAPLE |
| 5 | 160739-01-W14 | EA | DOOR - CURVED - 17.7" X 17.7" - W/O HDW - HONEY CHERRY |
| 6 | 160375-02-02B | EA | STRAP - TIEDOWN/TV - 31" - E-COATED |
| 7 | 135803-03-01A | EA | LOUVER - A/C - OPEN FRAME |
| 8 | 159982-01-12A | EA | PANEL/TRIM - CEILING CONTOUR - OFF WHITE |
| 9 | 160391-01-W13 | EA | PANEL/TRANSITION - FABRIC WRAPPED (W13, W14) |
| 9 | 160391-01-W15 | EA | PANEL/TRANSITION - FABRIC WRAPPED (W15, W16) |
| 9 | 160391-01-W05 | EA | PANEL/TRANSITION - FABRIC WRAPPED (W05, W06) |
| 10 | 151838-02-02A | EA | FOAM - LPE, DUCT |
| 11 | 151838-04-02A | EA | FOAM-LPE,DUCT,CHARCOAL GRAY |
| 12 | 160382-01-W13 | EA | PANEL - TRANSITION - INNER/DRIVER SIDE (W13, W14) |
| 12 | 160382-01-W15 | EA | PANEL - TRANSITION - INNER/DRIVER SIDE (W15, W16) |
| 12 | 160382-01-W05 | EA | PANEL - TRANSITION - INNER/DRIVER SIDE (W05, W06) |
| | 070578-19-T47 | EA | BUTTON - #30 - SCREW/STUD - FABRIC COVERED (W13, W14) |
| | 070578-19-W15 | EA | BUTTON - #30 - SCREW/STUD - FABRIC COVERED (W15, W16) |
| | 070578-19-W05 | EA | BUTTON - #30 - SCREW/STUD - FABRIC COVERED (W05, W06) |
| 13 | 160392-05-W13 | EA | PANEL/TRIM - BUNK/RH |
| 14 | 160392-06-W13 | EA | PANEL/TRIM - BUNK/LH |
| 15 | 160391-02-W13 | EA | PANEL/TRANSITION - FABRIC WRAPPED (W13, W14) |
| 15 | 160391-02-W15 | EA | PANEL/TRANSITION - FABRIC WRAPPED (W15, W16) |
| 15 | 160391-02-W05 | EA | PANEL/TRANSITION - FABRIC WRAPPED (W05, W06) |
| 16 | 160382-02-W13 | EA | PANEL - TRANSITION - INNER/PASSENGER SIDE (W13, W14) |
| 16 | 160382-02-W15 | EA | PANEL - TRANSITION - INNER/PASSENGER SIDE (W15, W16) |
| 16 | 160382-02-W05 | EA | PANEL - TRANSITION - INNER/PASSENGER SIDE (W05, W06) |
| | 070578-19-T47 | EA | BUTTON - #30 - SCREW/STUD - FABRIC COVERED (W13, W14) |
| | 070578-19-W15 | EA | BUTTON - #30 - SCREW/STUD - FABRIC COVERED (W15, W16) |
| | 070578-19-W05 | EA | BUTTON - #30 - SCREW/STUD - FABRIC COVERED (W05, W06) |
| 17 | 156636-05-U21 | EA | MOLDING/BLOCK - .8" X 4" - HONEY CHERRY |
| 18 | M09520-83-U21 | EA | MOLDING/TRIM - .3" X 1" X 78.9" - WASHED MAPLE |
| 18 | M09520-83-U22 | EA | MOLDING/TRIM - .3" X 1" X 78.9" - HONEY CHERRY |
| 19 | Y00361-A2-438 | EA | MOLDING - VINYL/CURVED - 3.9" X 96" - WASHED MAPLE |
| 19 | Y00361-82-438 | EA | MOLDING - VINYL/CURVED - 3.9" X 96" - HONEY CHERRY |
| 20 | 146514-04-000 | EA | CHANNEL/MOUNT - F/ROPE LIGHT |

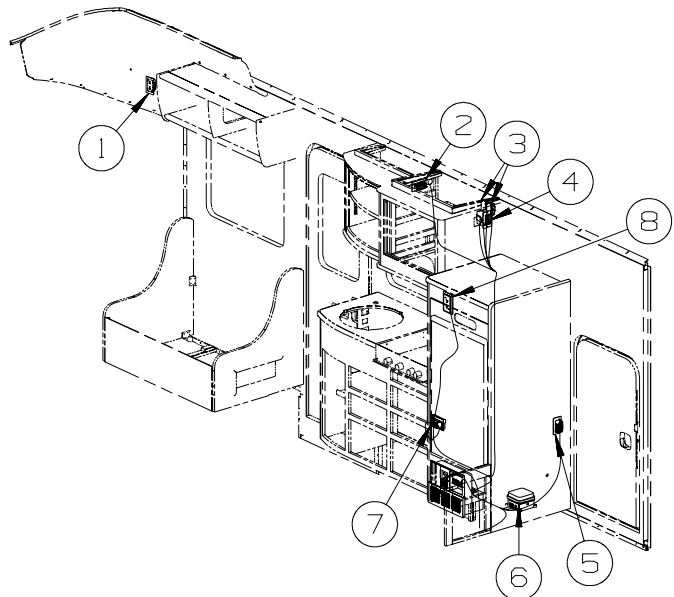
DRIVERS COMPARTMENT GROUP (CONTINUED)
FRONT INTERIOR (CONTINUED)

| KEY | PART NUMBER | U/M | DESCRIPTION |
|------------|--------------------|------------|--|
| 21 | 163887-01-W13 | EA | PANEL - FABRIC COVERED (W13, W14, W05, W06) FROM: 01-12-07 THRU: 99-99-99 |
| 21 | 163887-01-W15 | EA | PANEL - FABRIC COVERED (W15, W16) FROM: 01-12-07 THRU: 99-99-99 |
| 22 | 164519-01-01A | EA | BLIND/PLEATED - WINDSHIELD/PRIVACY - GRAY - CAB-WINDOW BLINDS FROM: 04-30-07 THRU: 99-99-99 |
| 22 | 164519-02-01A | EA | BLIND/PLEATED - CAB/SIDE WINDOWS/PRIVACY - RH & LH - GRAY - CAB-WINDOW BLINDS FROM: 04-30-07 THRU: 99-99-99 |
| 22 | 164519-03-01A | EA | SUPPORT/ROD - BLIND/PRIVACY - GRAY - CAB-WINDOW BLINDS FROM: 04-30-07 THRU: 99-99-99 |
| | 128131-01-01A | EA | SPACER/SWITCH - DOME - BLACK FROM: 00-00-00 THRU: 04-15-07 |

ELECTRICAL GROUP 110V BODY WIRING



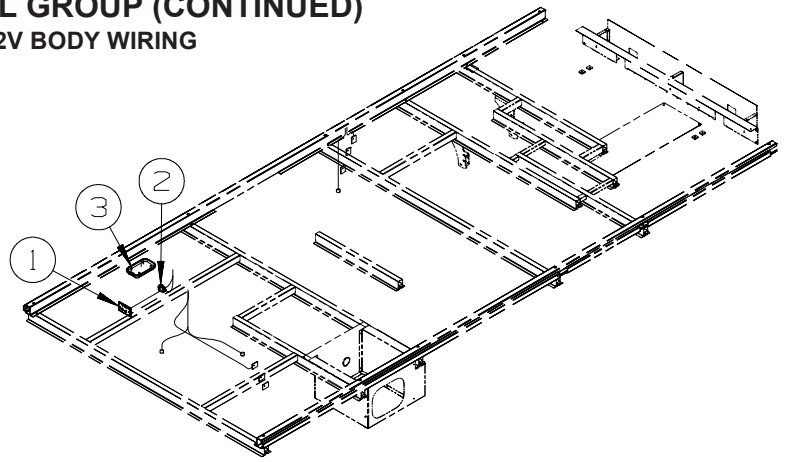
| KEY | PART NUMBER | U/M | DESCRIPTION |
|-----|---------------|-----|--|
| 1 | 058707-02-000 | EA | RECEPTACLE - BLANK - JUNCTION BOX |
| 2 | 158708-01-000 | EA | RECEPTACLE - ELECTRIC - DOUBLE - BROWN |
| 2 | 158708-06-000 | EA | RECEPTACLE - DUPLEX - WHITE |
| 2 | 133713-01-21A | EA | SPACER/RECEPTACLE - VINYL - WASHED MAPLE |
| 2 | 133713-01-23A | EA | SPACER/RECEPTACLE - VINYL - HONEY CHERRY |
| 2 | 158542-02-01A | EA | LABEL - RECEPTACLE - ELECTRONICS - WHITE/BLACK - CANADIAN |
| 3 | 158708-01-000 | EA | RECEPTACLE - ELECTRIC - DOUBLE - BROWN - BUNK FRONT OVERHEAD-SINGLE |
| 3 | 158708-06-000 | EA | RECEPTACLE - DUPLEX - WHITE - BUNK FRONT OVERHEAD-SINGLE |
| 4 | 158708-01-000 | EA | RECEPTACLE - ELECTRIC - DOUBLE - BROWN |
| 4 | 158708-06-000 | EA | RECEPTACLE - DUPLEX - WHITE |
| 4 | 133713-04-21A | EA | SPACER/RECEPTACLE - VINYL - WASHED MAPLE |
| 4 | 133713-04-23A | EA | SPACER/RECEPTACLE - VINYL - HONEY CHERRY |
| 5 | 158708-01-000 | EA | RECEPTACLE - ELECTRIC - DOUBLE - BROWN |
| 5 | 158708-06-000 | EA | RECEPTACLE - DUPLEX - WHITE |



| KEY | PART NUMBER | U/M | DESCRIPTION |
|-----|---------------|-----|--|
| 1 | 158708-01-000 | EA | RECEPTACLE - ELECTRIC - DOUBLE - BROWN - CABINET, FRONT CAB OVERHEAD |
| 1 | 158708-06-000 | EA | RECEPTACLE - DUPLEX - WHITE - CABINET, FRONT CAB OVERHEAD |
| 2 | 058708-05-000 | EA | RECEPTACLE - ELECTRICAL - SINGLE - BROWN |
| 2 | 160984-01-01A | EA | RECEPTACLE - ELECTRICAL - SINGLE/FLUSH - 20 AMP - BROWN - CANADIAN |
| 3 | 058707-02-000 | EA | RECEPTACLE - BLANK - JUNCTION BOX |
| 4 | 163319-01-02A | EA | RECEPTACLE - GFCI - 15A 125V - BROWN |
| 5 | 058707-01-000 | EA | RECEPTACLE - ELECTRIC - SINGLE - BROWN |
| 6 | 136481-01-000 | EA | MODULE - AUTO ENERGY SELECTOR |
| 7 | 131826-01-01A | EA | RECEPTACLE - EXTERIOR - W/COVER/GASKET - WHITE - EXT RECEPTACLE DPLX 120VAC |
| 8 | 158708-01-000 | EA | RECEPTACLE - ELECTRIC - DOUBLE - BROWN |
| 8 | 158708-06-000 | EA | RECEPTACLE - DUPLEX - WHITE |
| 8 | 133713-01-21A | EA | SPACER/RECEPTACLE - VINYL - WASHED MAPLE |
| 8 | 133713-01-23A | EA | SPACER/RECEPTACLE - VINYL - HONEY CHERRY |

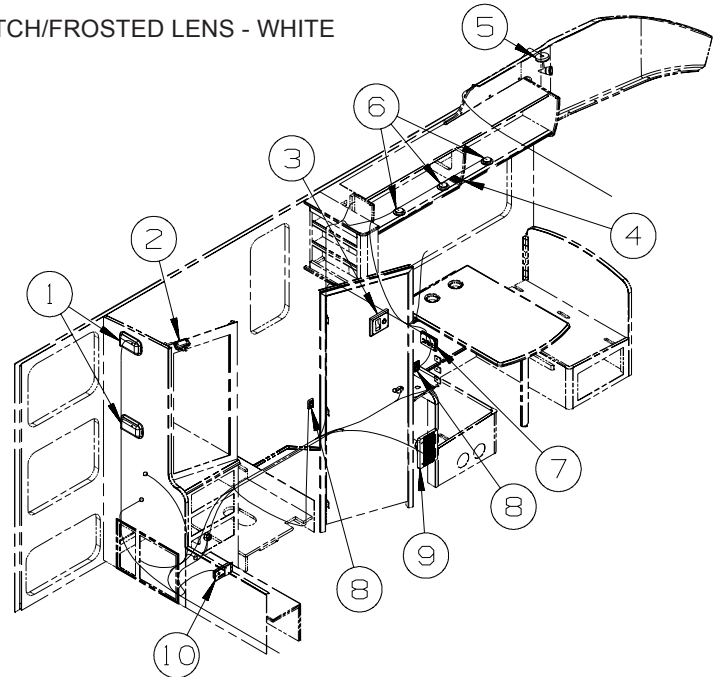
ELECTRICAL GROUP (CONTINUED)

12V BODY WIRING



| KEY | PART NUMBER | U/M | DESCRIPTION |
|-----|---------------|-----|---|
| 1 | 149557-03-01A | EA | PLATE/WALL - DUAL COAXIAL/HORIZONTAL - WHITE |
| 2 | 108357-15-000 | EA | SWITCH - ROCKER - DPDT - ON/NONE/ON - W/LIGHT W/O COVER |
| 2 | 108356-04-01A | EA | COVER/ACTUATOR SWITCH - 2 ROWS DIMPLES W/LENS - BLACK |
| 2 | 108355-01-000 | EA | HOUSING - SWITCH |
| 3* | 137417-01-01A | EA | LIGHT - DOME - SINGLE - W/SWITCH/FROSTED LENS - WHITE |

***COMPONENT PARTS LISTED LATER IN THIS GROUP**

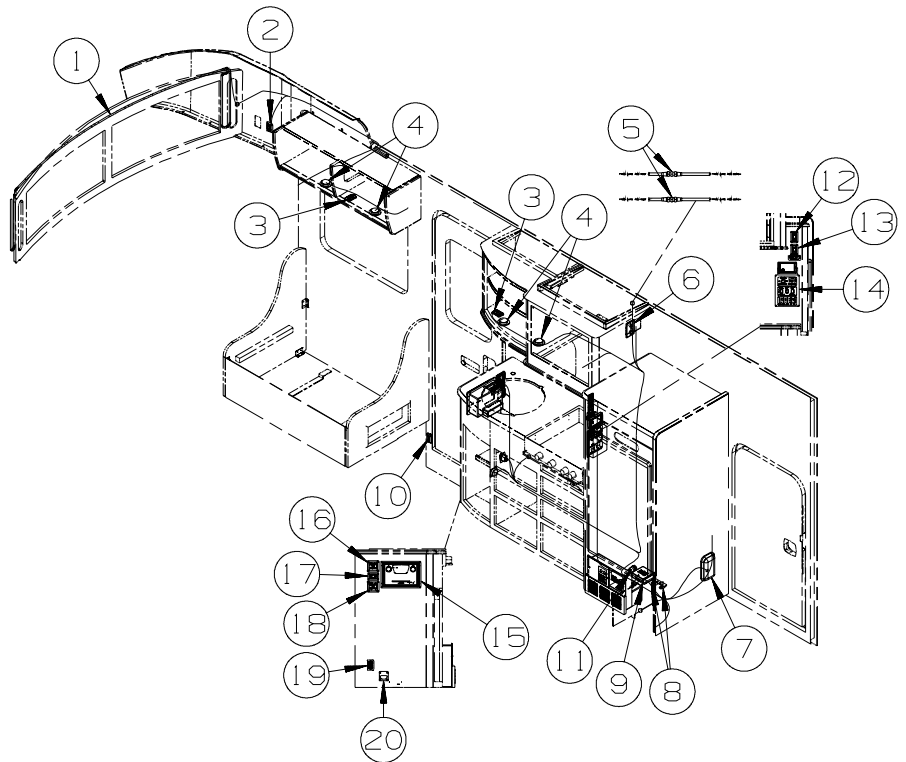


| KEY | PART NUMBER | U/M | DESCRIPTION |
|-----|---------------|-----|--|
| 1* | 137417-01-01A | EA | LIGHT - DOME - SINGLE - W/SWITCH/FROSTED LENS - WHITE |
| 2* | 087694-01-000 | EA | LIGHT - WARDROBE/CLOSET - W/SWITCH |
| 3 | 132958-01-000 | EA | RECEPTACLE - 12 VOLT - MOUNTING FLANGE - BLACK |
| 4 | 135740-01-01A | EA | SWITCH - ROCKER - SPST - ON/OFF - BROWN |
| 4 | 135741-01-01A | EA | SWITCH - BASE - SINGLE - BROWN |
| 4 | 135742-01-01A | EA | BEZEL - SWITCH - SINGLE - BROWN |
| 5* | 152438-01-01A | EA | LIGHT - READING/SWIVEL - W/SWITCH - SATIN NICKEL - BUNK FRONT OVERHEAD-SINGLE |
| 6* | 123775-01-02A | EA | LIGHT - HALOGEN - ROUND - SATIN NICKEL |
| 7 | 135618-03-01A | EA | THERMOSTAT - ROOF A/C & FURNACE - WHITE - A/C ROOF-HI EFF LOW PROFILE |
| 7 | 135618-01-01A | EA | THERMOSTAT - HEAT PUMP/FURNACE - WHITE - AC HEAT PUMP-HI EFF, LOW PFL |
| 8 | 135740-01-01A | EA | SWITCH - ROCKER - SPST - ON/OFF - BROWN |
| 8 | 135741-01-01A | EA | SWITCH - BASE - SINGLE - BROWN |
| 8 | 135742-07-02A | EA | BEZEL - SWITCH - CEILING - BROWN |
| 9 | 124884-01-000 | EA | SPEAKER - 6" X 9" - SUB-WOOFER - W/O GRILLE |
| 9 | 151844-01-01A | EA | GRILLE - SPEAKER - 6" X 9" - SUB WOOFER - BLACK |
| 10 | 150138-01-02A | EA | DETECTOR - LP GAS - BROWN |

***COMPONENT PARTS LISTED LATER IN THIS GROUP**

ELECTRICAL GROUP (CONTINUED)

12V BODY WIRING (CONTINUED)



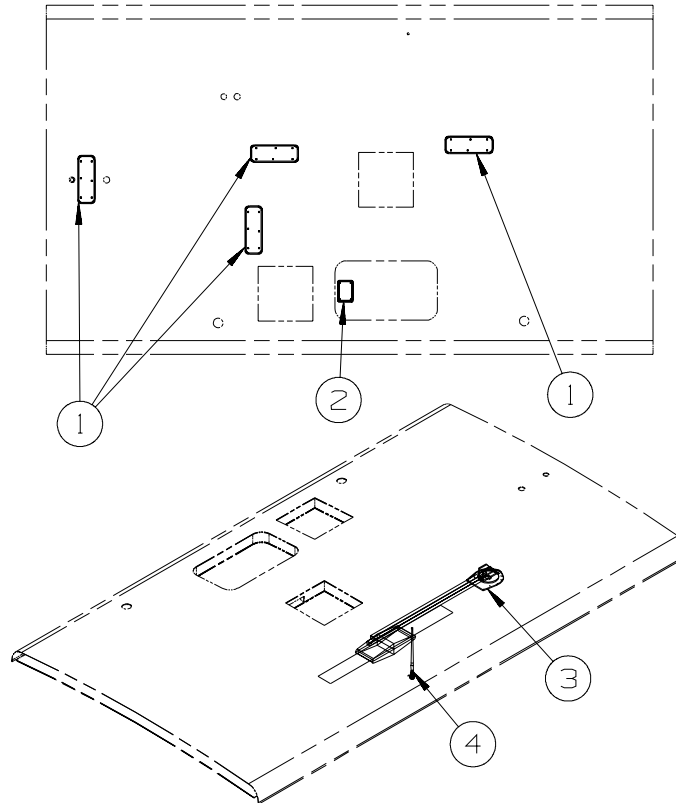
| KEY | PART NUMBER | U/M | DESCRIPTION |
|-------------------------------|---------------|-----|--|
| 1 | 146514-02-000 | EA | CONNECTOR - LIGHT - CABINET, FRONT CAB OVERHEAD |
| 1 | 146514-03-000 | FT | LIGHT - FLEX - ROPE/ROUND - W/O MOUNT CHANNEL - CABINET, FRONT CAB OVERHEAD |
| 1 | 146514-04-000 | EA | CHANNEL/MOUNT - F/ROPE LIGHT - CABINET, FRONT CAB OVERHEAD |
| 2 | 135740-01-01A | EA | SWITCH - ROCKER - SPST - ON/OFF - BROWN - CABINET, FRONT CAB OVERHEAD |
| 2 | 135741-01-01A | EA | SWITCH - BASE - SINGLE - BROWN - CABINET, FRONT CAB OVERHEAD |
| 2 | 135742-50-02A | EA | BEZEL - SWITCH - ACCENT - BROWN - CABINET, FRONT CAB OVERHEAD |
| 3 | 135740-01-01A | EA | SWITCH - ROCKER - SPST - ON/OFF - BROWN |
| 3 | 135741-01-01A | EA | SWITCH - BASE - SINGLE - BROWN |
| 3 | 135742-01-01A | EA | BEZEL - SWITCH - SINGLE - BROWN |
| 4* | 123775-01-02A | EA | LIGHT - HALOGEN - ROUND - SATIN NICKEL |
| 5 | 082134-01-000 | EA | ADAPTER - TV - CABLE TO CABLE |
| 6 | 076319-09-000 | EA | WALLPLATE - TV CABLE RECEPTACLE - SINGLE - BROWN |
| 7* | 137417-01-01A | EA | LIGHT - DOME - SINGLE - W/SWITCH/FROSTED LENS - WHITE |
| 8 | 086233-01-000 | EA | STUD - ISOLATED - 3/8" X 7/8" LONG |
| 9 | 150140-01-000 | EA | CROSSOVER BOX - STANDARD STEREO TO DELUXE SOUND |
| | 115539-01-000 | EA | RELAY - RADIO/TV SPEAKER SWITCH W/WIRE - #SCLD-W-B-4PDT-C |
| 10 | 116995-02-000 | EA | SWITCH/MAGNET - ELECTRIC STEP - BLACK/WHITE- NORMALLY OPEN |
| 11 | 150140-02-000 | EA | CROSSOVER COIL - F/SUBWOOFER SPEAKER/LOW FREQUENCY |
| 12 | 135740-06-01A | EA | SWITCH - ROCKER - ON/OFF - LIGHTED - RED - WTR HTR-6GAL ELECTRIC/LP GAS |
| 12 | 135741-01-01A | EA | SWITCH - BASE - SINGLE - BROWN - WTR HTR-6GAL ELECTRIC/LP GAS |
| 12 | 135742-35-02A | EA | BEZEL - SWITCH - WATER HEATER/110 VOLT - BROWN - WTR HTR-6GAL ELECTRIC/LP GAS |
| 12 | 138253-01-02A | EA | SWITCH - BLANK - BROWN - WATER HEATER-ELEC. IGNITION |
| 12 | 135741-01-01A | EA | SWITCH - BASE - SINGLE - BROWN - WATER HEATER-ELEC. IGNITION |
| 12 | 135742-01-01A | EA | BEZEL - SWITCH - SINGLE - BROWN - WATER HEATER-ELEC. IGNITION |
| 13 | 138253-01-02A | EA | SWITCH - BLANK - BROWN |
| 13 | 135740-06-01A | EA | SW.-ROCKER-ON/OFF-LIGHT-RED-DRAINAGE SYSTEM-HEATED/DRAINAGE SYSTEM/HEAT-PREWIRE |
| 13 | 135741-01-01A | EA | SWITCH - BASE - SINGLE-BROWN-DRAINAGE SYSTEM-HEATED/DRAINAGE SYSTEM/HEAT-PREWIRE |
| 13 | 135742-01-01A | EA | BEZEL - SWITCH-SINGLE-BROWN-DRAINAGE SYSTEM-HEATED/DRAINAGE SYSTEM/HEAT-PREWIRE |
| 13 | 134563-01-02A | EA | LABEL-SWITCH-HEATER-BLK/WHT-DRAINAGE SYSTEM-HEATED/DRAINAGE SYSTEM/HEAT-PREWIRE |
| 14* | 134940-07-01A | EA | PANEL - MONITOR - 2 TANK |
| FROM: 00-00-00 THRU: 06-01-07 | | | |
| 14* | 134940-06-01A | EA | PANEL - MONITOR - 2 TANK - W/GENERATOR SWITCH |
| 14* | 134940-10-01A | EA | PANEL - MONITOR - 2 TANK - GEN PREP KIT-DIESEL OR GEN-3.2 KW ONAN DIESEL |
| 15* | 163031-01-01A | EA | RADIO - WALL MOUNT - DVD/CD - W/ALARM - JENSEN AWM960 |
| 16 | 135740-01-01A | EA | SWITCH - ROCKER - SPST - ON/OFF - BROWN |
| 16 | 135741-02-01A | EA | SWITCH - BASE - DOUBLE - BROWN |
| 16 | 135742-19-02A | EA | BEZEL - SWITCH - CEILING/PORCH - BROWN |

ELECTRICAL GROUP (CONTINUED)

12V BODY WIRING (CONTINUED)

| KEY | PART NUMBER | U/M | DESCRIPTION |
|-----|---------------|-----|--|
| 17 | 135740-01-01A | EA | SWITCH - ROCKER - SPST - ON/OFF - BROWN - ENTRANCE STEP-ELEC. |
| 17 | 135741-01-01A | EA | SWITCH - BASE - SINGLE - BROWN - ENTRANCE STEP-ELEC. |
| 17 | 135742-11-02A | EA | BEZEL - SWITCH - STEP - BROWN - ENTRANCE STEP-ELEC. |
| 18 | 135740-01-01A | EA | SW-ROCKER-SPST-ON/OFF-BRN-TV-20"DC,COLOR,LCD W/REMOTE/RADIO/AM/FM/CD/DVD PLAYER |
| 18 | 135741-02-01A | EA | SWITCH - BASE - DOUBLE - BRN-TV-20"DC,COLOR,LCD W/REMOTE/RADIO/AM/FM/CD/DVD PLAYER |
| 18 | 135742-55-02A | EA | BEZEL-SW-RADIO/TV/ON-TV-BRN-TV-20"DC,COLOR,LCD W/REMOTE/RADIO/AM/FM/CD/DVD PLAYER |
| 19 | 108357-06-000 | EA | SWITCH - ROCKER - DPDT - MOM/OFF/MOM - 6 TERM - W/O COVER |
| 19 | 108356-11-01A | EA | COVER/ACTUATOR SWITCH - 3 GROOVES - AUX BATT - BLACK |
| 19 | 108355-01-000 | EA | HOUSING - SWITCH |
| 19 | 098351-07-02A | EA | PLATE/SWITCH - 1 GANG - CHROME - GENERATOR SWITCH |
| 20* | 108354-01-01A | EA | LIGHT - COURTESY |

*COMPONENT PARTS LISTED LATER IN THIS GROUP

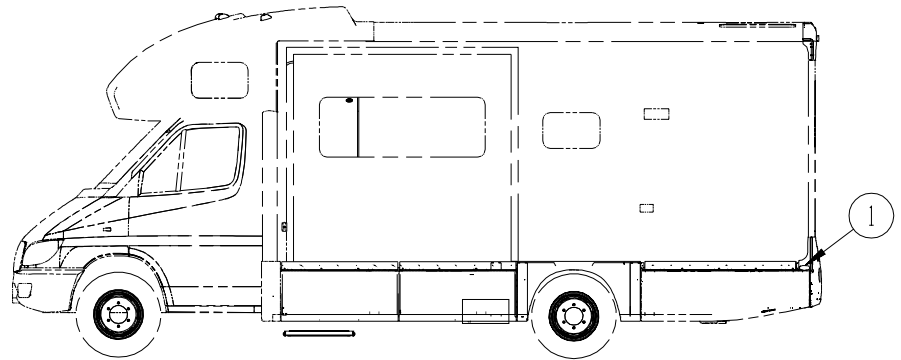
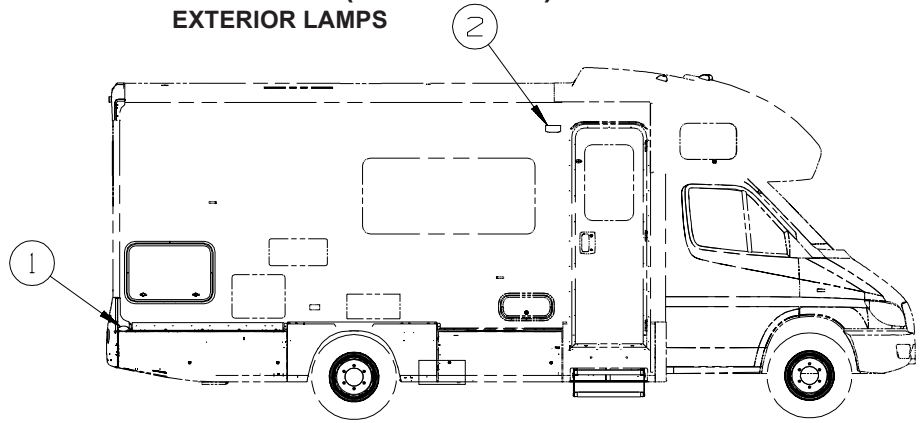


| KEY | PART NUMBER | U/M | DESCRIPTION |
|-----|---------------|-----|---|
| 1* | 137417-06-01A | EA | LIGHT - DOME - DOUBLE - W/O SWITCH - W/FROSTED LENS-WHITE |
| 2* | 121935-01-01A | EA | LIGHT - DOME - SHOWER - W/HOLE IN LENS |
| 3* | 076319-23-000 | EA | ANTENNA - TV ROOF MOUNT - 44.5" MAST |
| 3* | 076319-25-000 | EA | KIT - HARDWARE INTERIOR |
| 3 | 069726-02-000 | EA | BUMPER - .88" OD X .40" THICK - BLACK |
| 4 | 090944-01-000 | EA | ANTENNA - RADIO - 16" RUBBER - W/72" LEAD WIRE |
| 4 | 109889-04-000 | EA | EXTENDER - ANTENNA SHAFT - 3.7" |
| 4 | 147741-01-09B | EA | BRACKET - ANTENNA GROUND - GALVANIZED |

*COMPONENT PARTS LISTED LATER IN THIS GROUP

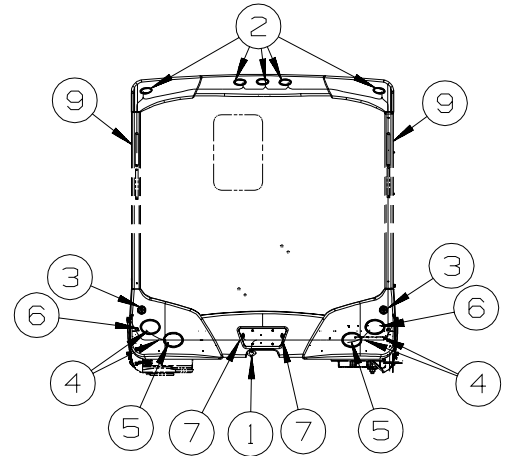
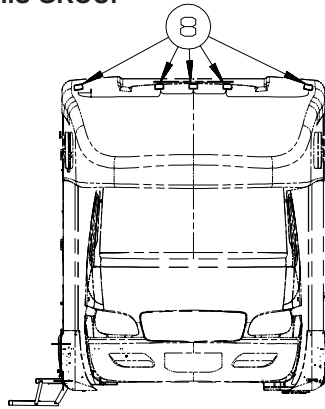
ELECTRICAL GROUP (CONTINUED)

EXTERIOR LAMPS



| KEY | PART NUMBER | U/M DESCRIPTION |
|-----|---------------|--|
| 1 | 147680-01-01A | EA BASE - MARKER LAMP - WHITE |
| 1 | 147680-03-01A | EA LAMP - MARKER - LENS - RED |
| 2* | 097917-01-06A | EA LIGHT - PORCH - ENTRY DOOR - BRIGHT WHITE |
| | | FROM: 00-00-00 THRU: 02-10-08 |
| 2 | 097917-01-09A | EA LIGHT - PORCH - ENTRY DOOR - WHITE |
| | | FROM: 02-11-08 THRU: 99-99-99 |
| 2 | 097917-01-08A | EA LIGHT/PORCH - CHROME - FULL BODY PAINT |

***COMPONENT PARTS LISTED LATER IN THIS GROUP**



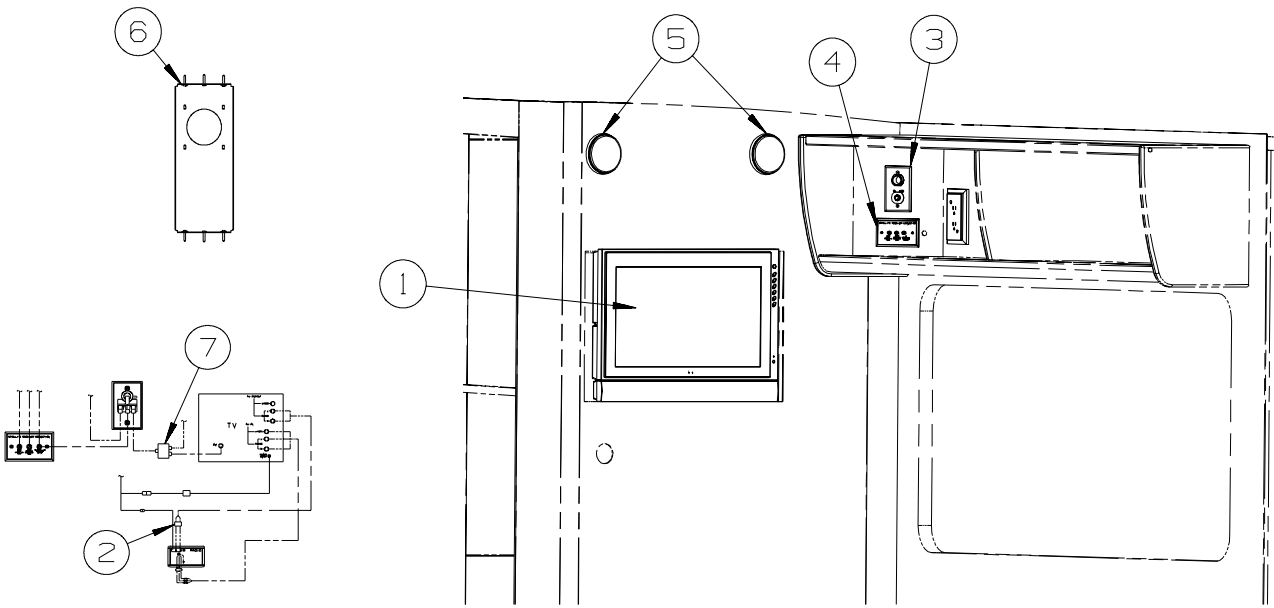
| KEY | PART NUMBER | U/M DESCRIPTION |
|-----|---------------|--|
| 1* | 113589-01-000 | EA CONNECTOR - PLUG - TRAILER |
| 2 | 147680-01-01A | EA BASE - MARKER LAMP - WHITE |
| 2 | 147680-03-01A | EA LAMP - MARKER - LENS - RED |
| 3 | 141514-01-000 | EA REFLECTOR - ROUND/RED |
| 4 | 151934-01-02B | EA CLAMP - TAIL LIGHT - E-COATED |
| 5 | 152070-01-000 | EA LIGHT - STOP/TAIL/BACK UP |
| 6 | 152070-02-000 | EA LIGHT - TURN - AMBER |
| 7 | 087201-01-000 | EA LIGHT - HALF ROUND - 1" X 1.7" - PLASTIC - BLACK OR WHITE |
| 8 | 132978-01-000 | EA LIGHT - CLEARANCE - AMBER |
| 8 | 036196-01-000 | EA BULB - 12V - #194 - .27 AMP - BAYONETTE |
| 8 | 067789-02-000 | EA SOCKET - LAMP |
| 9 | 151076-01-000 | EA LIGHT - BRAKE - CENTER MOUNT |
| * | 113589-02-000 | EA CONNECTOR - SOCKET - TRAILER |

***COMPONENT PARTS LISTED LATER IN THIS GROUP**

ELECTRICAL GROUP (CONTINUED)

SIDE TV/VCR

524B

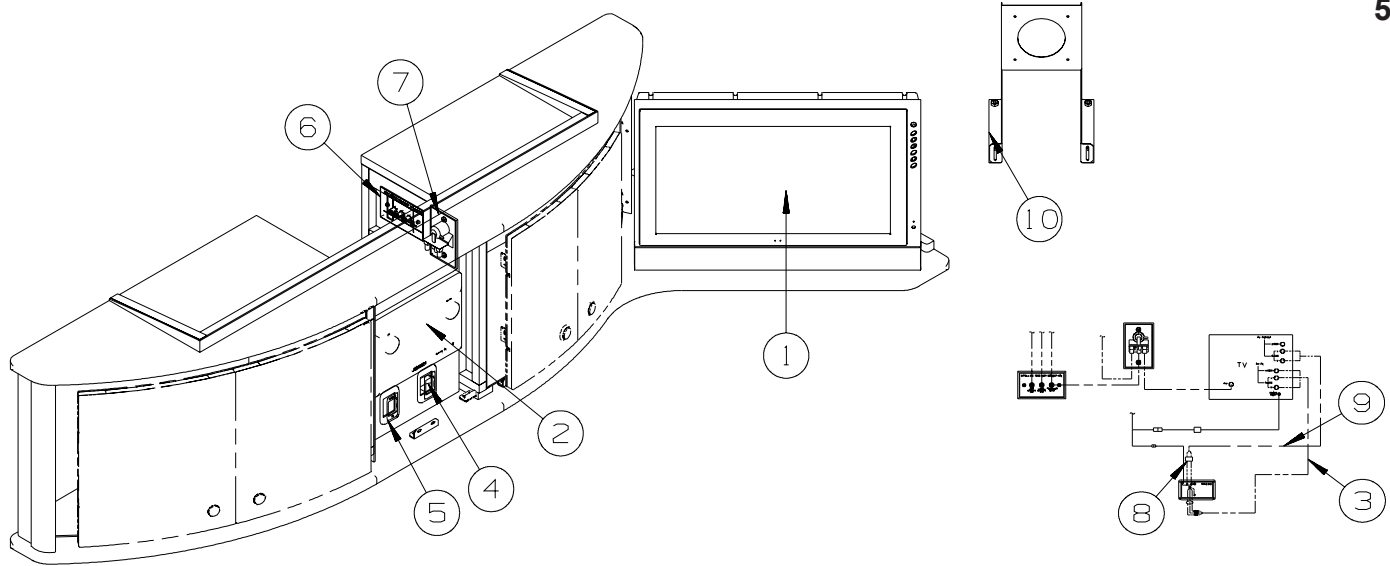


| KEY | PART NUMBER | U/M | DESCRIPTION |
|-----|---------------|-----|---|
| 1* | 158703-01-000 | EA | TV - 20" - LCD 4:3 - SIDE SPEAKER - JENSEN JE2043 FROM: 00-00-00 THRU: 04-29-07 |
| 1* | 164495-01-000 | EA | TV - 19" - LCD 16:9 - BOTTOM SPEAKER - JENSEN JE1907DC FROM: 04-30-07 THRU: 99-99-99 |
| 2 | 123324-01-000 | EA | FILTER - GROUND LOOP |
| 3 | 086777-02-000 | EA | WALLPLATE/TV CABLE W/ANTENNA SWITCH/BOOSTER - 2 TV - BLACK |
| 4 | 149557-04-01A | EA | PLATE/WALL - TRIPLE COAXIAL/HORIZONTAL - WHITE |
| 5 | 160868-01-01A | EA | SPEAKER - ROUND/CEILING - W/O CASE - BLACK |
| 5 | 160868-02-01A | EA | GRILLE/ROUND - SPEAKER - SILVER |
| 6 | 159552-01-02B | EA | BRACKET - TV - E-COATED - NOT ILLUSTRATED FROM: 00-00-00 THRU: 04-29-07 |
| 6 | 164708-01-02B | EA | BRACKET - TV - E-COATED FROM: 04-30-07 THRU: 99-99-99 |
| 7 | 086756-01-000 | EA | SPLITTER - TV/2 WAY |

*COMPONENT PARTS LISTED LATER IN THIS GROUP

ELECTRICAL GROUP (CONTINUED)
SIDE TV/VCR (CONTINUED)

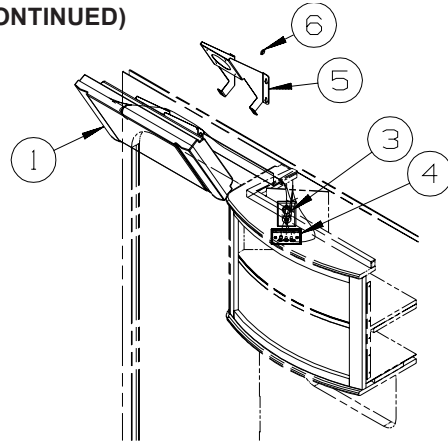
524H



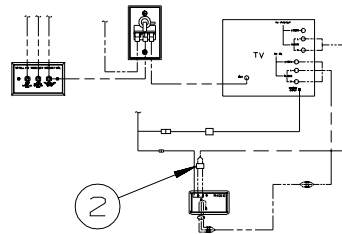
| KEY | PART NUMBER | U/M | DESCRIPTION |
|-----|---------------|-----|---|
| 1* | 158703-01-000 | EA | TV - 20" - LCD 4:3 - SIDE SPEAKER - JENSEN JE2043 FROM: 00-00-00 THRU: 04-29-07 |
| 1* | 164495-01-000 | EA | TV - 19" - LCD 16:9 - BOTTOM SPEAKER - JENSEN JE1907DC FROM: 04-30-07 THRU: 99-99-99 |
| 2* | 156413-01-01A | EA | RADIO - WALL MOUNT - DVD/CD - W/ALARM - JENSEN AWM950 FROM: 00-00-00 THRU: 01-01-07 |
| 2* | 163031-01-01A | EA | RADIO - WALL MOUNT - DVD/CD - W/ALARM - JENSEN AWM960 FROM: 01-02-07 THRU: 99-99-99 |
| 3 | 136860-03-000 | EA | CABLE - RCA - SHIELDED - 3 MALE TO MALE CONNECTORS - 6' |
| 4 | 135740-01-01A | EA | SWITCH - ROCKER - SPST - ON/OFF - BROWN |
| 4 | 135741-01-01A | EA | SWITCH - BASE - SINGLE - BROWN |
| 4 | 135742-45-02A | EA | BEZEL - SWITCH - TV - BROWN |
| 5 | 135740-01-01A | EA | SWITCH - ROCKER - SPST - ON/OFF - BROWN |
| 5 | 135741-01-01A | EA | SWITCH - BASE - SINGLE - BROWN |
| 5 | 135742-40-02A | EA | BEZEL - SWITCH - RADIO/TV - BROWN |
| 6 | 149557-04-01A | EA | PLATE/WALL - TRIPLE COAXIAL/HORIZONTAL - WHITE |
| 7 | 086777-02-000 | EA | WALLPLATE/TV CABLE W/ANTENNA SWITCH/BOOSTER - 2 TV - BLACK |
| 8 | 123324-01-000 | EA | FILTER - GROUND LOOP - ISOLATION TRANSFORMER |
| 9 | 117420-02-000 | EA | CABLE - W/MALE RCA ENDS - SHIELDED - 4' |
| 10 | 162968-01-02B | EA | BRACKET - TV - E-COATED FROM: 00-00-00 THRU: 04-29-07 |
| 10 | 162968-02-02B | EA | BRACKET - TV - E-COATED - NOT ILLUSTRATED FROM: 04-30-07 THRU: 08-26-07 |
| 10 | 162968-03-02B | EA | BRACKET - TV - E-COATED - NOT ILLUSTRATED FROM: 08-27-07 THRU: 99-99-99 |
| | 115870-01-000 | FT | SEAL/EDGE - TRIM |

*COMPONENT PARTS LISTED LATER IN THIS GROUP

ELECTRICAL GROUP (CONTINUED)
SIDE TV/VCR (CONTINUED)



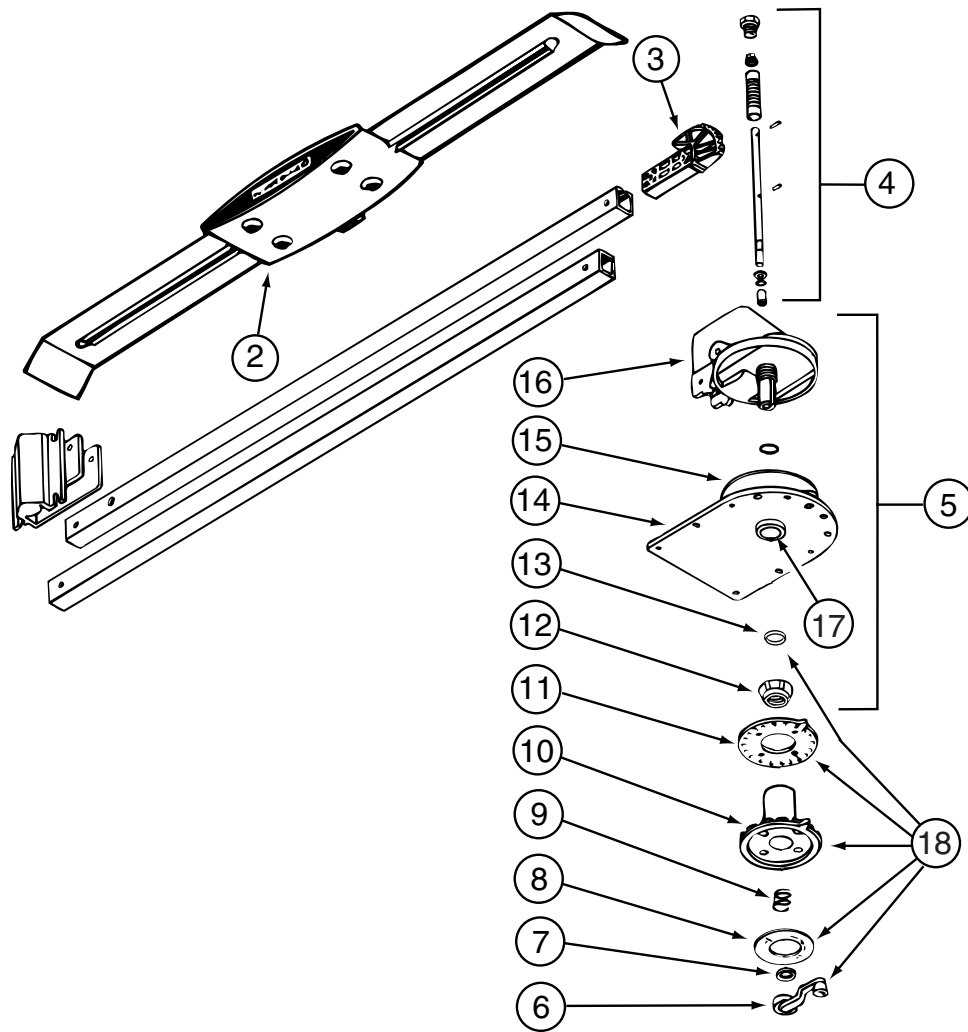
524J



| KEY | PART NUMBER | U/M | DESCRIPTION |
|-----|---------------|-----|---|
| 1* | 158703-01-000 | EA | TV - 20" - LCD 4:3 - SIDE SPEAKER - JENSEN JE2043 FROM: 00-00-00 THRU: 04-29-07 |
| 1* | 164495-01-000 | EA | TV - 19" - LCD 16:9 - BOTTOM SPEAKER - JENSEN JE1907DC FROM: 04-30-07 THRU: 99-99-99 |
| 2 | 123324-01-000 | EA | FILTER - GROUND LOOP |
| 3 | 086777-02-000 | EA | WALLPLATE/TV CABLE W/ANTENNA SWITCH/BOOSTER - 2 TV - BLACK |
| 4 | 149557-04-01A | EA | PLATE/WALL - TRIPLE COAXIAL/HORIZONTAL - WHITE |
| 5 | 158394-02-02B | EA | BRACKET - TV - E-COATED FROM: 00-00-00 THRU: 04-29-07 |
| 5 | 158394-04-02B | EA | BRACKET - TV - E-COATED - NOT ILLUSTRATED FROM: 04-30-07 THRU: 99-99-99 |
| 6 | 115870-01-000 | FT | SEAL/EDGE - TRIM |

***COMPONENT PARTS LISTED LATER IN THIS GROUP**

ELECTRICAL GROUP (CONTINUED)
COMPONENT PARTS FOR WIRING



076319-23-000

| KEY | PART NUMBER | U/M | DESCRIPTION | VENDOR NO. |
|-----|---------------|-----|-------------------------|------------|
| 2 | 076319-01-700 | EA | HEAD-ANTENNA, AMPLIFIED | RVSA U/V |
| 3 | 076319-01-701 | EA | GEAR-ELEVATING, PLASTIC | 2200046 |
| 4 | 076319-01-702 | EA | SHAFT ASM-ELEVATING | RP-4000 |
| 5 | 076319-01-711 | EA | BASE & LIFT ASM | 2762802 |
| 7 | 076319-01-705 | EA | GROMMET-NYLON, 7/8"ID | 3200658 |
| 8 | 076319-01-708 | EA | DECAL-CRANK | 5413002 |
| 9 | 076319-01-707 | EA | SPRING-HANDLE | 2160822 |
| 11 | 076319-01-712 | EA | PLATE - CEILING | 3200608 |
| 12 | 076319-01-715 | EA | NUT (GEAR HOUSING) | 2200047 |
| 14 | 076319-01-713 | EA | PLATE-BASE, STEEL | 3100523 |
| 15 | 076319-01-703 | EA | BEARING-NYLON, 5"OD | 3200656 |
| 16 | 076319-01-714 | EA | HOUSING, ROTATING GEAR | 2200049 |
| 17 | 076319-01-704 | EA | BEARING-NYLON, 1.25"OD | 3200657 |
| 18 | 076319-01-709 | EA | HANDLE-HEAD DIRECTIONAL | 200644 |
| | 076319-01-716 | EA | TUBING, ELEVATING | RP-2900 |

CONTACT WINNEBAGO PART SALES FOR UNLISTED COMPONENT(S)

076319-25-000

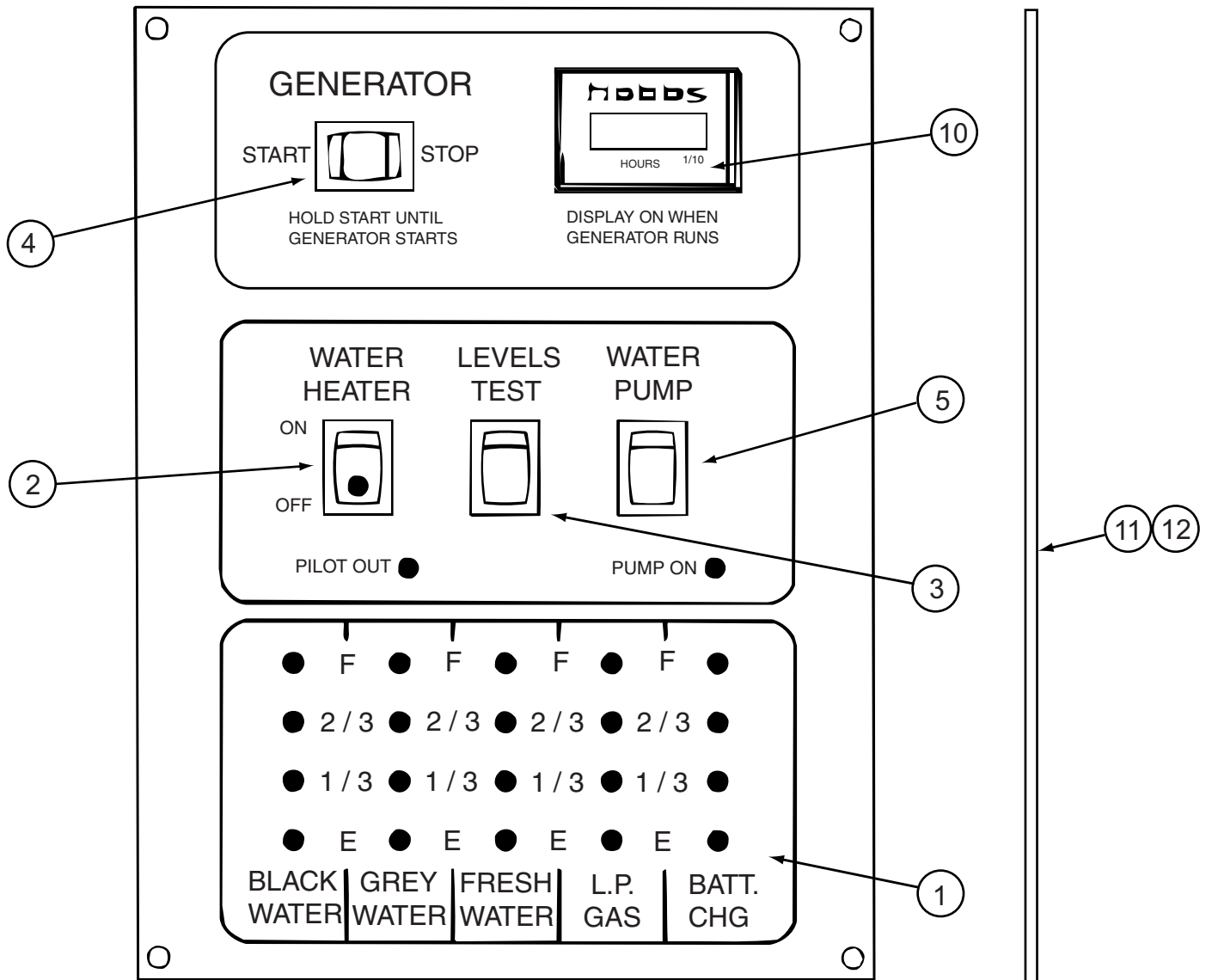
| KEY | PART NUMBER | U/M | DESCRIPTION | VENDOR NO. |
|-----|---------------|-----|------------------------------|------------|
| 6 | 076319-01-706 | EA | CRANK-W/SET SCREW UNIV/BEIGE | 2750897 |
| 6 | 120233-01-710 | EA | HANDLE-CRANK W/SCREW - WHITE | RP-6795 |
| 8 | 076319-01-708 | EA | DECAL-CRANK | 5413002 |
| 10 | 076319-25-700 | EA | DIRECTIONAL HANDLE(WHITE) | 3200612 |
| 11 | 076319-25-701 | EA | PLATE - CEILING(WHITE) | 3200609 |
| 13 | 120233-01-709 | EA | WASHER-NYLON | RP-2658 |

CONTACT WINNEBAGO PART SALES FOR UNLISTED COMPONENT(S)

ELECTRICAL GROUP (CONTINUED)
COMPONENT PARTS FOR WIRING (CONTINUED)

| 087694-01-000 | | | |
|----------------------|--------------------|-------------------------------|-------------------|
| KEY | PART NUMBER | U/M DESCRIPTION | VENDOR NO. |
| | 087694-01-700 | EA BULB | GE561 |
| 097917-01-06A | | | |
| KEY | PART NUMBER | U/M DESCRIPTION | VENDOR NO. |
| | 097917-01-700 | EA LENS-LIGHT, CLEAR | 30-78-021 |
| 108354-01-01A | | | |
| KEY | PART NUMBER | U/M DESCRIPTION | VENDOR NO. |
| | 108354-01-700 | EA BULB-COURTESY LIGHT | 395-B |
| 113589-02-000 | | | |
| KEY | PART NUMBER | U/M DESCRIPTION | VENDOR NO. |
| | 113589-03-700 | EA ADAPTER 7 RND SPADE/4 FLAT | 5290 |
| 121935-01-01A | | | |
| KEY | PART NUMBER | U/M DESCRIPTION | VENDOR NO. |
| | 121935-01-700 | EA LENS ONLY - W/CENTER HOLE | 809511 |
| 123775-01-02A | | | |
| KEY | PART NUMBER | U/M DESCRIPTION | VENDOR NO. |
| | 123775-01-702 | EA BEZEL/LENS - SATIN NICKEL | 99 953470 |

ELECTRICAL GROUP (CONTINUED)
COMPONENT PARTS FOR WIRING (CONTINUED)



134940-06-01A

| KEY | PART NUMBER | U/M | DESCRIPTION | VENDOR NO. |
|-----|---------------|-----|------------------------------|------------|
| 1 | 134940-01-702 | EA | CHASSIS - SILKSCREENED | CC0558-00 |
| 2 | 134940-01-701 | EA | SWITCH-SPST/ON-OFF/BLK W/LGT | L0109 |
| 3 | 096983-01-701 | EA | SWITCH - SPST/MOM 2 TERMINAL | L0111-00 |
| 4 | 096983-01-702 | EA | SWITCH - MOM/OFF/MOM/3 TERM | L0112-00 |
| 5 | 096983-01-703 | EA | SWITCH - ON/ON | L0115-00 |
| 10 | 100258-10-701 | EA | GAUGE-HR METER ONLY (LCD) | L0775-00 |
| 11 | 134940-06-700 | EA | PC BOARD - SENSOR SYSTEM/RED | L5131-02 |

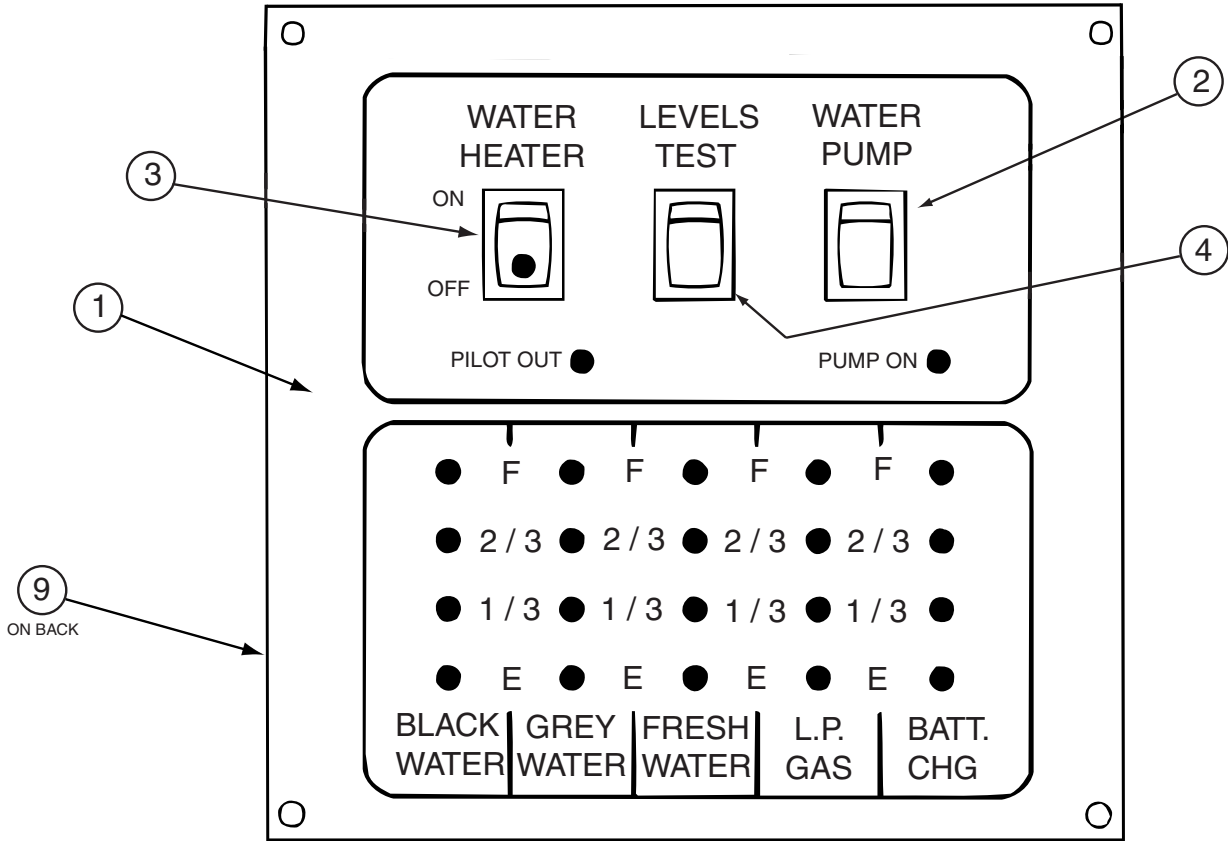
CONTACT WINNEBAGO PART SALES FOR UNLISTED COMPONENT(S)

134940-07-01A

| KEY | PART NUMBER | U/M | DESCRIPTION | VENDOR NO. |
|-----|---------------|-----|------------------------------|------------|
| 1 | 134940-01-702 | EA | CHASSIS - SILKSCREENED | CC0558-00 |
| 2 | 134940-01-701 | EA | SWITCH-SPST/ON-OFF/BLK W/LGT | L0109 |
| 3 | 096983-01-701 | EA | SWITCH - SPST/MOM 2 TERMINAL | L0111-00 |
| 4 | 096983-01-703 | EA | SWITCH - ON/ON | L0115-00 |
| 5 | 134940-02-700 | EA | SWITCH - DUMMY | L0118 |
| 11 | 134940-06-700 | EA | PC BOARD - SENSOR SYSTEM/RED | L5131-02 |

CONTACT WINNEBAGO PART SALES FOR UNLISTED COMPONENT(S)

ELECTRICAL GROUP (CONTINUED)
COMPONENT PARTS FOR WIRING (CONTINUED)



134940-10-01A

| KEY | PART NUMBER | U/M | DESCRIPTION | VENDOR NO. |
|-----|---------------|-----|------------------------------|------------|
| 1 | 134940-10-700 | EA | SILKSCREENED CHASSIS | CE0129-00 |
| 2 | 096983-01-703 | EA | SWITCH - ON/ON | L0115-00 |
| 3 | 134940-01-701 | EA | SWITCH-SPST/ON-OFF/BLK W/LGT | L0109 |
| 4 | 096983-01-701 | EA | SWITCH - SPST/MOM 2 TERMINAL | L0111-00 |
| 9 | 134940-06-700 | EA | PC BOARD - SENSOR SYSTEM/RED | L5131-02 |

CONTACT WINNEBAGO PART SALES FOR UNLISTED COMPONENT(S)

ELECTRICAL GROUP (CONTINUED)
COMPONENT PARTS FOR WIRING (CONTINUED)

137417-01-01A, 137417-03-01A

| KEY | PART NUMBER | U/M | DESCRIPTION | VENDOR NO. |
|------------|--------------------|------------|-------------------------|-------------------|
| | 137417-01-700 | EA | LENS - SINGLE (FROSTED) | 810868 |

137417-06-01A

| KEY | PART NUMBER | U/M | DESCRIPTION | VENDOR NO. |
|------------|--------------------|------------|---------------------|-------------------|
| | 137417-06-700 | EA | LENS - DOUBLE WHITE | 810867 |

152438-01-01A

| KEY | PART NUMBER | U/M | DESCRIPTION | VENDOR NO. |
|------------|--------------------|------------|--------------------|-------------------|
| | 152438-01-700 | EA | BULB W/LENS | B7031 |

156413-01-01A

| KEY | PART NUMBER | U/M | DESCRIPTION | VENDOR NO. |
|------------|--------------------|------------|--------------------|-------------------|
| | 156413-01-700 | EA | REMOTE | REMAWM950 |

158703-01-000

| KEY | PART NUMBER | U/M | DESCRIPTION | VENDOR NO. |
|------------|--------------------|------------|--------------------|-------------------|
| | 158703-01-700 | EA | REMOTE | PSVCJE2043 |

163097-01-000

| KEY | PART NUMBER | U/M | DESCRIPTION | VENDOR NO. |
|------------|--------------------|------------|-----------------------------|-------------------|
| | 163097-01-700 | EA | KEY - #2382 (ILLINOIS LOCK) | 2382 |
| | 163097-01-701 | EA | KEY - #2341 (MILLER DIAL) | PART SALES |

163031-01-01A

| KEY | PART NUMBER | U/M | DESCRIPTION | VENDOR NO. |
|------------|--------------------|------------|--------------------|-------------------|
| | 163031-01-700 | EA | REMOTE | PSVCAWM960 |

164495-01-000

| KEY | PART NUMBER | U/M | DESCRIPTION | VENDOR NO. |
|------------|--------------------|------------|--------------------|-------------------|
| | 164495-01-700 | EA | REMOTE - TV | P301P19HS3409A |

ELECTRICAL GROUP (CONTINUED)
CIRCUIT BREAKERS, FUSES & RELAYS

| KEY | PART NUMBER | U/M | DESCRIPTION |
|------------|--------------------|------------|--|
| | 062901-02-000 | EA | FUSE - 5 AMP - AUTOMOTIVE |
| | 062901-05-000 | EA | FUSE - 15 AMP - AUTOMOTIVE |
| | 062901-07-000 | EA | FUSE - 25 AMP - AUTOMOTIVE |
| | 062901-08-000 | EA | FUSE - 30 AMP - AUTOMOTIVE |
| | 063910-01-000 | EA | HOUSING - RELAY |
| | 063912-02-000 | EA | RELAY - CANISTER - SPDT |
| | 083209-01-000 | EA | CIRCUIT BREAKER - 15 AMP - 120 VOLT - CANADIAN |
| | 083209-02-000 | EA | CIRCUIT BREAKER - 15/15 AMP - 120 VOLT |
| | 083209-03-000 | EA | CIRCUIT BREAKER - 15/20 AMP - 120 VOLT |
| | 083209-04-000 | EA | CIRCUIT BREAKER - 30 AMP - 120 VOLT |
| | 083209-05-000 | EA | CIRCUIT BREAKER - 20 AMP - 120 VOLT |
| | 083209-06-000 | EA | CIRCUIT BREAKER - 30/15 AMP - 120 VOLT |
| | 083209-07-000 | EA | CIRCUIT BREAKER - 20/20 AMP - 120 VOLT |
| | 083209-10-000 | EA | CIRCUIT BREAKER - 20/30 AMP - 120 VOLT |
| | 083209-11-000 | EA | CIRCUIT BREAKER - 20/15 AMP - 120 VOLT |
| | 092786-03-000 | EA | BUSS BAR - 6.9" LONG |
| | 092786-06-000 | EA | BUSS BAR |
| | 093654-01-000 | EA | CIRCUIT BREAKER - 6 AMP - 12 VOLT - PUSH BUTTON - WHITE |
| | 093654-02-000 | EA | CIRCUIT BREAKER - 15 AMP - 12 VOLT - PUSH BUTTON - WHITE |
| | 093654-03-000 | EA | CIRCUIT BREAKER - 20 AMP - 12 VOLT - PUSH BUTTON - WHITE |
| | 093654-05-000 | EA | CIRCUIT BREAKER - 10 AMP - 12 VOLT - PUSH BUTTON - WHITE |
| | 093655-01-000 | EA | CIRCUIT BREAKER - 25 AMP - 12 VOLT - PUSH BUTTON - WHITE |
| | 093655-02-000 | EA | CIRCUIT BREAKER - 30 AMP - 12 VOLT - PUSH BUTTON - WHITE |
| | 093655-03-000 | EA | CIRCUIT BREAKER - 40 AMP - 12 VOLT - PUSH BUTTON - WHITE |
| | 100341-01-000 | EA | FUSE HOLDER - IN LINE TYPE |
| | 113482-01-000 | EA | CIRCUIT BREAKER - 55 AMP - MANUAL |
| | 115187-01-000 | EA | FUSE - 300 AMP - NON-DELAY |
| | 115187-02-000 | EA | HOLDER - FUSE |
| | 115187-03-000 | EA | FUSE - 60 AMP - NON-DELAY |
| | 122811-01-000 | EA | CIRCUIT BREAKER - 20/50/50/20 AMP - 250V |
| | 141789-01-000 | EA | SPACER - CIRCUIT BREAKER |

CONVERTER, INVERTER, LOAD CENTERS

| KEY | PART NUMBER | U/M | DESCRIPTION |
|------------|--------------------|------------|---|
| | 024924-02-000 | EA | RECEPTACLE - POWER CORD - W/PARTIAL PLATE |
| * | 083208-07-000 | EA | CONTROL CENTER - 45 AMP - 120V/12V - W/O BREAKERS |

***COMPONENT PARTS LISTED LATER IN THIS GROUP**

COMPONENT PARTS FOR CONVERTER, INVERTER, LOAD CENTER

| KEY | PART NUMBER | U/M | DESCRIPTION | VENDOR NO. |
|------------|--------------------|------------|-----------------------------|-------------------|
| | 083208-06-701 | EA | CONVERTER ONLY (LOWER UNIT) | 7345R |

ELECTRICAL GROUP (CONTINUED)

BOXES & CORDS

| KEY | PART NUMBER | U/M | DESCRIPTION |
|-----|---------------|-----|--|
| | 008054-01-000 | EA | CORD - POWER - 10/3 WIRE - 30 AMP - 25' |
| | 008289-01-000 | EA | BOX - ELECTRIC/STEEL - 4" X 4" - 1/2" & 3/4" KNOCKOUTS |
| | 008294-01-000 | EA | COVER - ELECTRIC BOX - BLANK/STEEL - 4" X 4" - GRAY |
| | 069238-01-000 | EA | COVER - ELECTRICAL BOX - W/HOLE - 4" X 4" - GRAY |
| | 133070-01-000 | EA | BOX - ELECTRIC/PLASTIC - 3" X 2" X 2.8" - UL |
| | 133070-02-000 | EA | BOX - ELECTRIC/PLASTIC - 3" X 2" X 2.8" - CSA - CANADIAN |
| | 091910-02-000 | EA | BOX - ELECTRIC - 2.2" X 3.5" X 1.8" - PLASTIC - 524DL |
| | 091910-01-000 | EA | BOX - ELECTRIC - 3.8" X 3.5" X 1.8" - PLASTIC - 524DL - CANADIAN |
| | 115832-01-000 | FT | CORD - HEAVY DUTY - 14-2 W/GROUND |

WIRE ASSEMBLIES

| KEY | PART NUMBER | U/M | DESCRIPTION |
|-----|---------------|-----|--|
| | 077069-02-000 | EA | CABLE/EXTENSION - RADIO ANTENNA - 96" |
| | 077069-03-000 | EA | CABLE/EXTENSION - RADIO ANTENNA - 260" |
| | 117420-04-000 | EA | CABLE - RCA - (MALE/MALE) - 50 FT |
| | 136860-02-000 | EA | CABLE - RCA - SHIELDED - 3 MALE TO MALE CONNECTORS - 50' |
| | 134551-03-000 | EA | WIRE ASSEMBLY - HEATER/TANKS - 3 PAD |
| | 134551-11-000 | EA | WIRE ASSEMBLY - HEATER/TANKS - 2 PAD -133.7"(LONGEST WIRE) |
| | 134551-14-000 | EA | WIRE ASSEMBLY - HEATER/TANKS - 4 PAD -155.3"(LONGEST WIRE) |
| | 136514-02-000 | EA | CABLE - MONITOR/CAMERA |
| | 136860-02-000 | EA | CABLE - RCA - SHIELDED - 3 MALE TO MALE CONNECTORS - 50' |
| | 137135-03-000 | EA | WIRE LOOM - DIGITAL ELEVATION SENSOR |
| | 137135-04-000 | EA | WIRE HARNESS - POWER - DIGITAL ELEVATION SENSOR |
| | 145210-01-000 | FT | CABLE - COAXIAL |
| | 151316-02-000 | EA | WIRE ASM - W/NON CONTACT SENSORS - GREY WATER - 23.6" |
| | 151316-03-000 | EA | WIRE ASM - W/NON CONTACT SENSORS - GREY WATER - 43.2" |
| | 151316-05-000 | EA | WIRE ASM - W/NON CONTACT SENSORS - GREY WATER - 70.8" |
| | 151317-01-000 | EA | WIRE ASM-W/NON CONTACT SENSORS-FRESH WATER/BLK TANK-3.9" |
| | 151317-02-000 | EA | WIRE ASM-W/NON CONTACT SENSORS-FRESH WATER/BLK TANK-23.6" |
| | 151317-03-000 | EA | WIRE ASM-W/NON CONTACT SENSORS-FRESH WATER/BLK TANK-43.2" |
| | 151317-04-000 | EA | WIRE ASM-W/NON CONTACT SENSORS-FRESH WATER/BLK TANK-62.9" |
| | 151317-05-000 | EA | WIRE ASM-W/NON CONTACT SENSORS-FRESH WATER/BLK TANK-70.8" |
| | 151317-06-000 | EA | WIRE ASM-W/NON CONTACT SENSORS-FRESH WATER/BLK TANK-78.6" |
| | 153891-01-000 | EA | WIRE ASM-HEATER,RELAY |

ELECTRICAL GROUP (CONTINUED)
CONNECTORS & CONDUIT

| KEY | PART NUMBER | U/M | DESCRIPTION |
|-----|---------------|-----|--|
| | 007940-01-000 | EA | RECEPTACLE/SLIDE 16 TO 12 AWG - FEMALE END |
| | 007940-02-000 | EA | RECEPTACLE/SLIDE 10 AWG |
| | 007954-01-000 | EA | RECEPTACLE - HOUSING - 6 POSITION |
| | 007956-05-000 | EA | INSULATOR - SHRINK - 1/4"ID X 1 1/2" |
| | 008311-01-000 | EA | CONNECTOR - WIRE NUT - INSULATED - RED |
| | 008312-01-000 | EA | CONNECTOR - WIRE NUT - INSULATED - BLUE |
| | 008313-01-000 | EA | CONNECTOR - WIRE NUT - INSULATED - YELLOW |
| | 008314-01-000 | EA | CONNECTOR - WIRE NUT - INSULATED - GRAY |
| | 008328-01-000 | EA | TERMINAL - RING - 12/10 WIRE - #10 STUD FIT |
| | 008331-01-000 | EA | TERMINAL - RING - TONGUE - #4 WIRE - 3/8" STUD - COPPER |
| | 008348-01-000 | EA | TERMINAL - RING - 3/8" STUD 2 GA. WIRE |
| | 008355-01-000 | EA | CONNECTOR - CABLE CLAMPING - 3/4" |
| | 008356-01-000 | EA | CONNECTOR - PLASTIC - 3/8" |
| | 008356-02-000 | EA | CONNECTOR - PLASTIC - 21/32" |
| | 035416-04-000 | EA | TERMINAL - RING - #10 STUD FIT - INSULATED BARREL #16/14 |
| | 041953-01-000 | FT | CONDUIT - CONVOLUTE SLIT - .5" ID - POLYETHYLENE |
| | 041953-02-000 | FT | CONDUIT - CONVOLUTE SLIT - .6" ID - POLYETHYLENE |
| | 041953-03-000 | FT | CONDUIT - CONVOLUTE SLIT - 1" ID (CLOTHES ROD COVER) |
| | 041953-05-000 | FT | CONDUIT - CONVOLUTE SLIT - .62" ID - POLYETHYLENE |
| | 041953-06-000 | FT | CONDUIT - CONVOLUTE SLIT - .4" ID - POLYETHYLENE |
| | 041953-07-000 | FT | CONDUIT - CONVOLUTE SLIT - .25" ID - POLYETHYLENE |
| | 041953-08-000 | FT | CONDUIT - CONVOLUTE SLIT - 1.5" ID - POLYETHYLENE |
| | 041953-09-000 | FT | CONDUIT - CONVOLUTE SLIT - .5" ID - NYLON |
| | 041953-10-000 | FT | CONDUIT - CONVOLUTE SLIT - .75" ID - NYLON |
| | 041953-11-000 | FT | CONDUIT - CONVOLUTE SLIT - 1.06" ID - NYLON |
| | 041953-12-000 | FT | CONDUIT - CONVOLUTE SOLID - 1.1" ID - NYLON |
| | 041953-13-000 | FT | CONDUIT - CONVOLUTE SLIT - 1.25" ID |
| | 041953-14-000 | FT | CONDUIT - CONVOLUTE SLIT - 1.5" ID |
| | 041953-15-000 | FT | CONDUIT - CONVOLUTE SLIT - 2" |
| | 041953-16-000 | FT | CONDUIT - CONVOLUTE SLIT - 2" |
| | 047441-01-000 | EA | TERMINAL-BATTERY, HORIZONTAL LUG |
| | 047443-01-000 | EA | TERMINAL - .250 RECEPTACLE FIT - INSULATED - 16/14 AWG |
| | 047443-02-000 | EA | TERMINAL - .250 RECEPTACLE FIT - INSULATED - 12/10 AWG |
| | 047443-05-000 | EA | TERMINAL - .250 RECEPTACLE FIT - 18GA AWG |
| | 058028-01-000 | EA | CONNECTOR - ELECTRICAL PIGTAIL - NYLON - CLEAR |
| | 062036-01-000 | EA | TERMINAL - PACK - CON - 12/10 AWG |
| | 076319-12-000 | EA | CONNECTOR - COAXIAL - ONE PIECE |
| | 077479-02-000 | EA | BOOT - BATTERY TERMINAL - SINGLE CABLE |
| | 080015-02-000 | EA | RECEPTACLE - FLAG - .185 - 16/14 GAUGE |
| | 080015-03-000 | EA | RECEPTACLE - FLAG - .250 - 14/16 GAUGE |
| | 080015-04-000 | EA | RECEPTACLE - FLAG - .187 - 16/14 GAUGE |
| | 082109-01-000 | EA | HOUSING - CONNECTOR - PACKARD |
| | 082741-01-000 | EA | CONNECTOR BODY - 2 CONNECTOR MALE |
| | 087225-01-000 | FT | SLEEVING - 1/2" - TYPE H |
| | 088473-01-000 | EA | HOUSING - PIN - 12 CAVITY (3 ROWS OF 4) |
| | 088473-02-000 | EA | HOUSING - PIN - 15 CAVITY (3 ROWS OF 5) |
| | 088473-03-000 | EA | HOUSING - PIN - 9 CAVITY (3 ROWS OF 3) |
| | 088473-04-000 | EA | HOUSING - PIN - 8 CAVITY IN-LINE |
| | 088473-06-000 | EA | HOUSING - PIN - 6 CAVITY (2 ROWS OF 3) |
| | 088473-07-000 | EA | HOUSING - PIN - 5 CAVITY - IN-LINE |
| | 088473-08-000 | EA | HOUSING - PIN - 4 CAVITY - IN-LINE |
| | 088473-09-000 | EA | HOUSING - PIN - 3 CAVITY - IN-LINE |
| | 088473-10-000 | EA | HOUSING - PIN - 2 CAVITY - IN-LINE |
| | 088473-12-000 | EA | HOUSING - PIN - 3 CAVITY - BLUE |
| | 088473-13-000 | EA | HOUSING - PIN - 3 CAVITY - GREEN |
| | 088473-14-000 | EA | HOUSING - PIN - 3 CAVITY - RED |
| | 088474-01-000 | EA | HOUSING - SOCKET - 12 CAVITY |
| | 088474-02-000 | EA | HOUSING - SOCKET - 15 CAVITY |
| | 088474-03-000 | EA | HOUSING - SOCKET - 9 CAVITY |
| | 088474-06-000 | EA | HOUSING - SOCKET - 6 CAVITY |
| | 088474-07-000 | EA | HOUSING - SOCKET - 5 CAVITY |
| | 088474-08-000 | EA | HOUSING - SOCKET - 4 CAVITY |
| | 088474-09-000 | EA | HOUSING - SOCKET - 3 CAVITY |

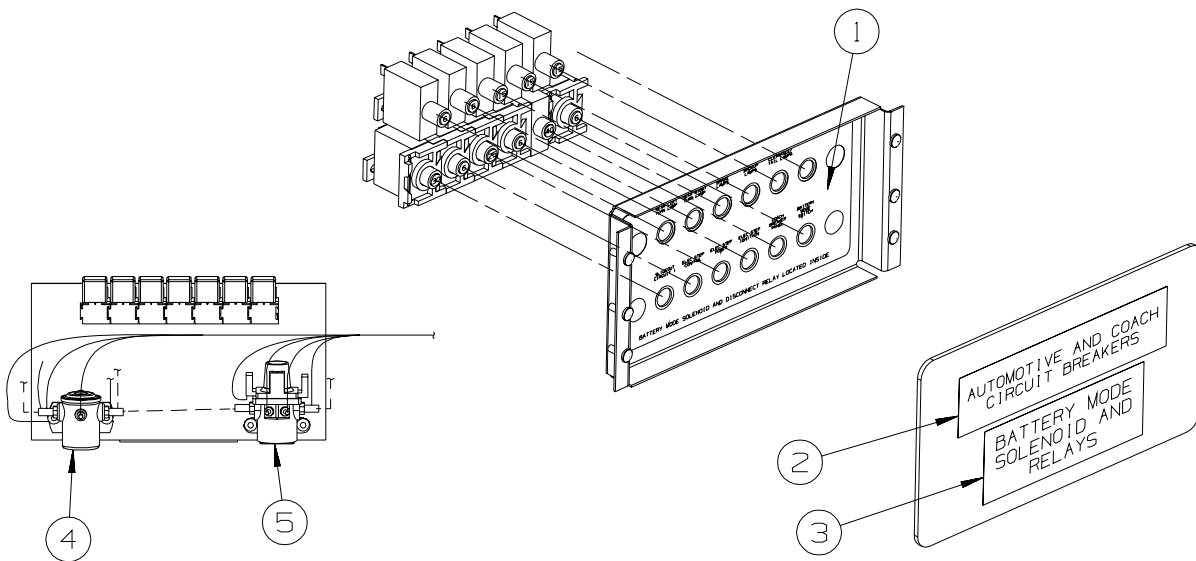
ELECTRICAL GROUP (CONTINUED)
CONNECTORS & CONDUIT (CONTINUED)

| KEY | PART NUMBER | U/M | DESCRIPTION |
|-----|---------------|-----|---|
| | 088474-10-000 | EA | HOUSING - SOCKET - 2 CAVITY |
| | 088474-12-000 | EA | HOUSING - SOCKET - 2 CAVITY - RED |
| | 088475-01-000 | EA | PIN - CONNECTOR - 14-20 AWG |
| | 088475-02-000 | EA | PIN - CONNECTOR - 10-12 AWG |
| | 088476-01-000 | EA | TERMINAL - ELECTRICAL |
| | 088476-02-000 | EA | SOCKET - CONNECTOR - 12-10 GA - PRE-TIN |
| | 098261-01-000 | EA | SOCKET - CONNECTOR - WEATHERPACK - 12 AWG |
| | 098261-02-000 | EA | SOCKET - CONNECTOR - WEATHERPACK - 14-18 AWG |
| | 098262-01-000 | EA | SEAL - CONNECTOR - WEATHERPACK |
| | 098264-01-000 | EA | HOUSING - 2 PIN - WEATHER PACK - MALE W/FEMALE PINS |
| | 098264-02-000 | EA | HOUSING - 2 PIN - WEATHER PACK - FEMALE W/MALE PINS |
| | 098265-02-000 | EA | PIN - CONNECTOR - WEATHER PACK |
| | 102777-02-000 | EA | TERMINAL - RING - #6 STUD - 10 AWG |
| | 103608-01-000 | EA | SOCKET - WEDGE BASE W/LEADS |
| | 104100-01-000 | EA | HOUSING - 1 POSITION - 75 AMPS |
| | 104100-03-000 | EA | TERMINAL - 75 AMP |
| | 106007-02-000 | EA | TERMINAL - FEMALE - 10-12 AWG |
| | 110178-01-000 | EA | HOUSING - WIPER MOTOR |
| | 112823-01-000 | EA | SPLICE - REDUCER - 16-14 TO 18-22 |
| | 113135-01-000 | EA | TERMINAL - FEMALE - M/P - 14-16 - F/SEALED TERMINAL |
| | 113308-01-000 | EA | TERMINAL - FEMALE - M/P - 14-16 - 280 |
| | 113308-02-000 | EA | TERMINAL - FEMALE - M/P - 14-18 - 280 |
| | 113468-01-000 | EA | HOUSING - 2 POSITION-FEMALE-USED ON WIPER/WASHER WIRE ASM |
| | 113468-02-000 | EA | HOUSING - 2 POSITION - FEMALE |
| | 116811-01-000 | EA | TERMINAL - .110 RECEPTACLE - 16-14 AWG |
| | 118571-01-000 | EA | CONNECTOR - 3-WAY - MALE/SEALED |
| | 118571-02-000 | EA | CONNECTOR - 3-WAY - FEMALE/SEALED |
| | 118571-05-000 | EA | LOCK - SECONDARY - FEMALE |
| | 118571-06-000 | EA | LOCK - SECONDARY - MALE |
| | 118599-02-000 | EA | TERMINAL - MALE - M/P - 280/14-12 |
| | 118820-01-000 | EA | INSULATOR - TERMINAL |
| | 129233-01-000 | EA | HOUSING - 2-POSITION/FEMALE - 280-SERIES |
| | 129233-02-000 | EA | HOUSING - 2-POSITION/FEMALE - 280-SERIES |
| | 129233-03-000 | EA | HOUSING - 2-POSITION/FEMALE - 280-SERIES |
| | 131681-01-000 | EA | CONNECTOR - 3/4" SO CORD - UL/CS |
| | 137207-01-000 | EA | HOUSING - PIN - 2 CAVITY/HIGH AMP |
| | 137208-01-000 | EA | HOUSING - SOCKET - 2 CAVITY/HIGH AMP |
| | 137209-01-000 | EA | PIN - CONNECTOR - 10AWG/HIGH AMP |
| | 137210-01-000 | EA | SOCKET - CONNECTOR - 10 AWG/HIGH AMP |
| | 138996-04-000 | EA | CONNECTOR - LAMP |
| | 142520-01-000 | EA | TERMINAL - FEMALE - MINI-FIT 16 |
| | 142522-01-000 | EA | HOUSING - 4 PIN/MALE - MINI FIT |
| | 142522-02-000 | EA | HOUSING - 6 PIN/MALE - MINI FIT |
| | 142522-03-000 | EA | HOUSING - 8 PIN/MALE - MINI FIT |
| | 142522-04-000 | EA | HOUSING - 10 PIN/MALE - MINI FIT |
| | 142522-05-000 | EA | HOUSING - 12 PIN/MALE - MINI FIT |
| | 142522-06-000 | EA | HOUSING - 14 PIN/MALE - MINI FIT |
| | 142524-01-000 | EA | HOUSING - 4 PIN/FEMALE - WEATHER PACK |
| | 142524-02-000 | EA | HOUSING - 4 PIN/FEMALE - WEATHER PACK |
| | 144283-01-000 | EA | CONNECTOR - 110V - F/USE WITH SOW WIRE - BLUE |
| | 144283-02-000 | EA | CONNECTOR - 110V - F/USE WITH NM ROMEX WIRE - CLEAR |
| | 145171-01-000 | EA | CONNECTOR - COAXIAL |
| | 148335-01-000 | EA | HOUSING - 8-POSITION/MALE - 280-GT SERIES |
| | 148335-02-000 | EA | HOUSING - 4-POSITION/MALE - 280-GT SERIES |
| | 148335-03-000 | EA | HOUSING - 6-POSITION/MALE - 280-GT SERIES |
| | 149683-01-000 | EA | HOUSING - F/5 CAVITY RECEPTACLE - W/SQUARE GUIDE PIN |
| | 149683-02-000 | EA | HOUSING - F/5 CAVITY RECEPTACLE - W/ROUND GUIDE PIN |
| | 149686-01-000 | EA | TERMINAL - .250 RECEPTACLE |
| | 149687-01-000 | EA | HOUSING - 2 POSITION/MALE - PACKARD |
| | 149687-02-000 | EA | LOCK - F/2 POSITION HOUSING - PACKARD |
| | 149688-01-000 | EA | TERMINAL - MALE - 16 GAUGE WIRE |
| | 156035-01-000 | EA | HOUSING - 12-POSITION/FEMALE - 280-GT SERIES |
| | 156041-01-000 | EA | TERMINAL - FEMALE - 16-12 - 280-GT SERIES |

ELECTRICAL GROUP (CONTINUED)

CONNECTORS & CONDUIT (CONTINUED)

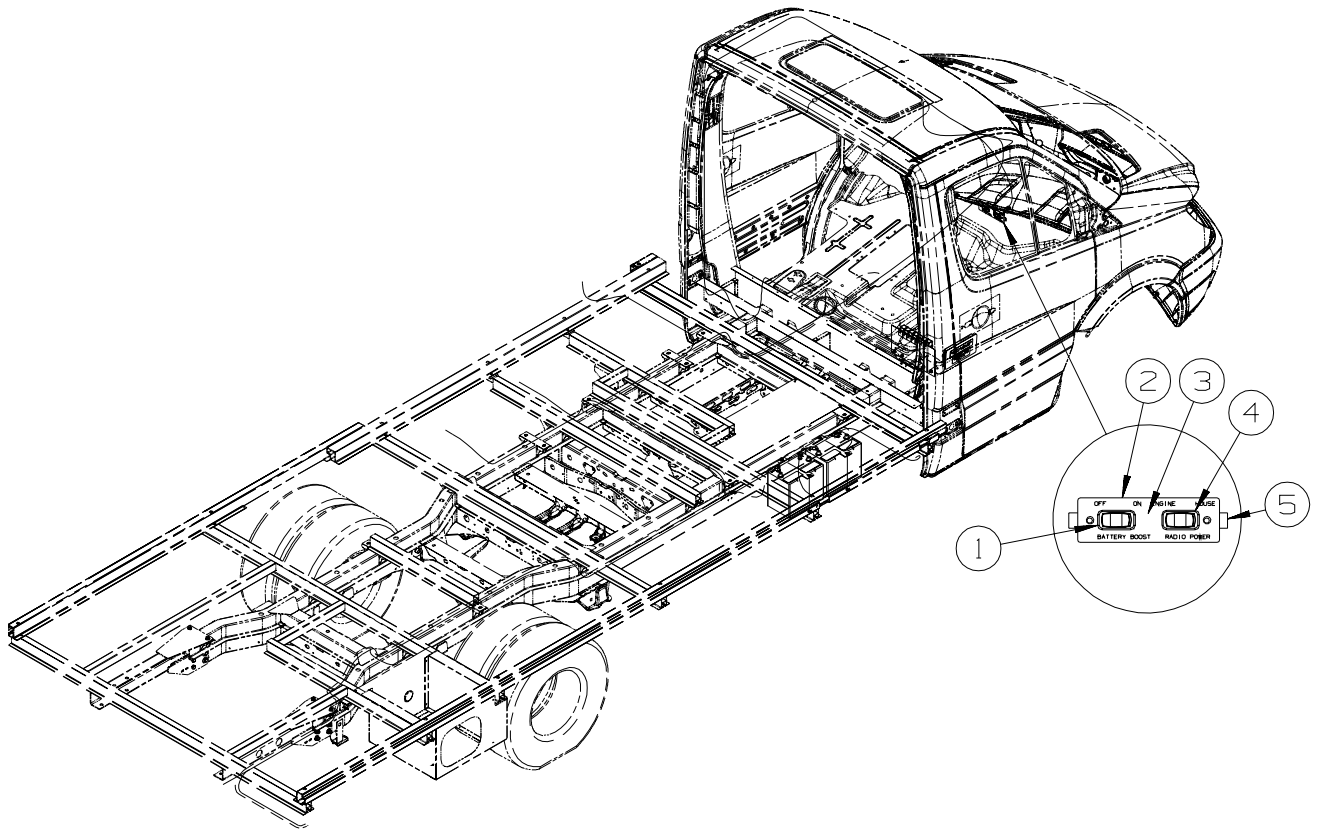
| KEY | PART NUMBER | U/M | DESCRIPTION |
|-----|---------------|-----|---|
| | 156043-01-000 | EA | HOUSING - 2-POSITION/FEMALE - 480-MP SERIES |
| | 156043-02-000 | EA | LOCK - F/2 POSITION HOUSING - 480 SERIES |
| | 156044-01-000 | EA | TERMINAL - FEMALE - 16-12 - 280-GT - F/SEALED HOUSING |
| | 156045-01-000 | EA | HOUSING - 10-POSITION/FEMALE - 280-GT SERIES |
| | 156045-02-000 | EA | HOUSING - 4-POSITION/FEMALE - 280-GT SERIES |
| | 156045-03-000 | EA | HOUSING - 8-POSITION/FEMALE - 280-GT SERIES |
| | 156045-04-000 | EA | HOUSING - 6-POSITION/FEMALE - 280-GT SERIES |
| | 156207-01-000 | EA | HOUSING - 6-POSITION/MALE - 150-GT SERIES |
| | 156208-01-000 | EA | TERMINAL - MALE - 18-16 - 150-GT SERIES |
| | 157590-01-000 | EA | TERMINAL - FEMALE - M/P - 10-12 - 630 |
| | 157592-01-000 | EA | HOUSING - 7-POSITION/FEMALE - M/P |
| | 157592-02-000 | EA | LOCK - SECONDARY - F/7 POSITION HOUSING |
| | 157656-01-01A | EA | CONNECTOR - DASH LIGHT - BLACK |
| | 158357-01-000 | EA | HOUSING - 3 PIN/MALE - MINI FIT |
| | 158373-01-000 | EA | HOUSING - SOCKET - 16 CAVITY - MINI MATE-N-LOCK |
| | 158374-01-000 | EA | SOCKET - 16-20 CAVITY - MINI MATE-N-LOCK |
| | 164687-01-000 | EA | PIN - CONNECTOR - 16-14 |
| | 164685-01-000 | EA | HOUSING - PIN - 7-POSITION |
| | 164689-01-000 | EA | SEAL - CONNECTOR |
| | 168450-01-000 | EA | CONNECTOR/ADAPTER - COAX |



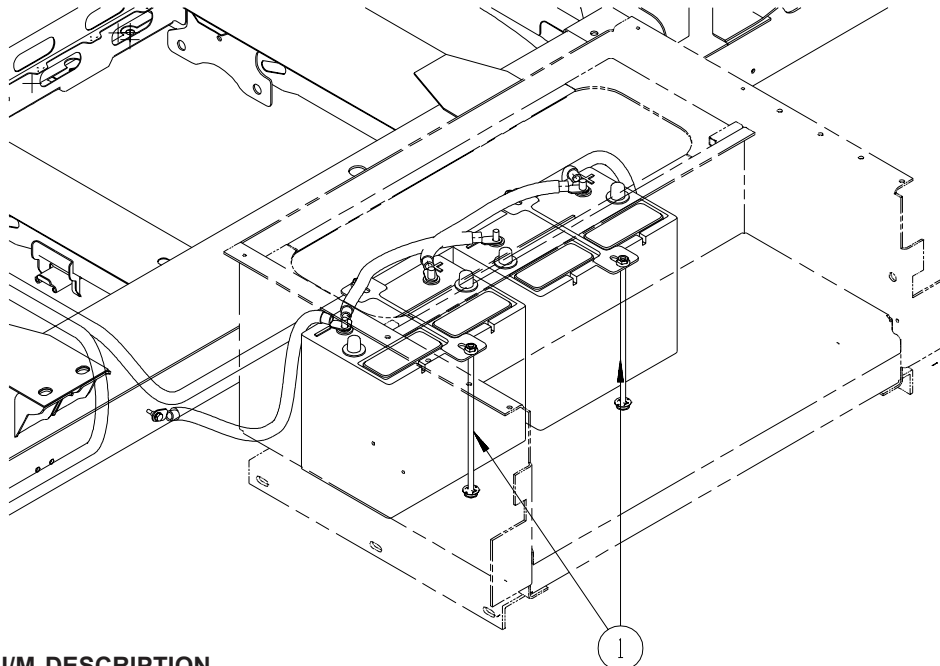
CHASSIS

| KEY | PART NUMBER | U/M | DESCRIPTION |
|-----|---------------|-----|---|
| 1 | 093236-51-000 | EA | LABEL - CIRCUIT BREAKER |
| 2 | 098379-01-000 | EA | LABEL - CIRCUIT BREAKER - FRONT BOX |
| 3 | 098379-04-000 | EA | LABEL - ELECTRICAL BOX - SIDE |
| 4 | 008188-01-000 | EA | SOLENOID - 3 POST - BATTERY CHANGE OVER |
| 5 | 086273-01-000 | EA | RELAY - BATTERY DISCONNECT |

ELECTRICAL GROUP (CONTINUED)
CHASSIS (CONTINUED)

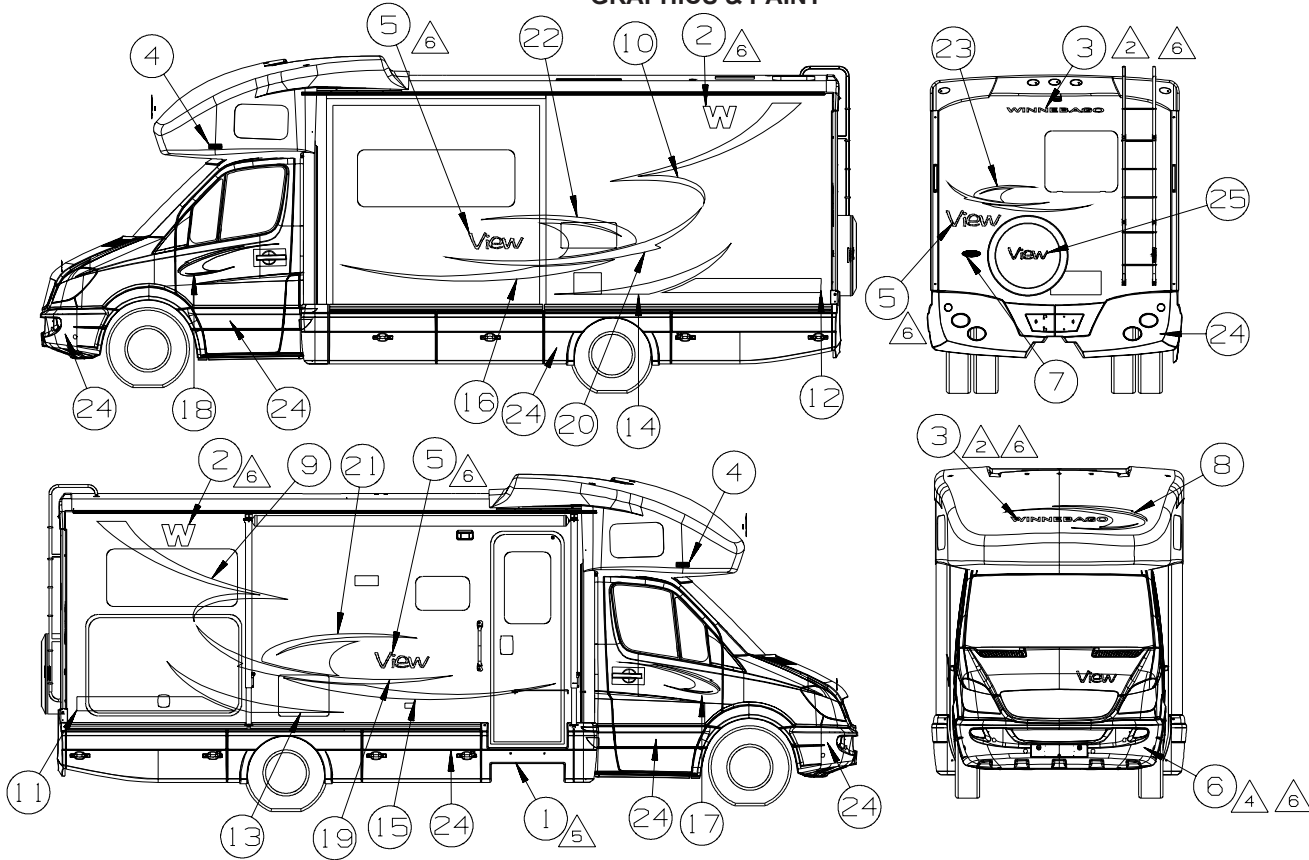


| KEY | PART NUMBER | U/M DESCRIPTION |
|-----|---------------|---|
| 1 | 145638-04-01A | EA SWITCH/ROCKER - SPDT (ON/ON) - BLACK |
| 1 | 108355-02-000 | EA HOUSING - SWITCH - 12 POSITION |
| 2 | 144363-13-04B | EA PLATE - SWITCH - BLACK |
| 3 | 132954-09-01A | EA APPLIQUE - SWITCH - RADIO BOOST - BLACK |
| 4 | 145638-07-01A | EA SWITCH/ROCKER - DPDT (ON/ON) - BLACK |
| 4 | 108355-02-000 | EA HOUSING - SWITCH - 12 POSITION |
| 5 | 152419-02-02B | EA PLATE - SWITCH/1 HOLE - 1.8" X 8.3" - E-COATED |



| KEY | PART NUMBER | U/M DESCRIPTION |
|-----|---------------|---------------------------------|
| 1 | 160014-01-02B | EA TIEDOWN - BATTERY - E-COATED |

EXTERIOR BODY GROUP GRAPHICS & PAINT



| (276) KEY | PART NUMBER | U/M | DESCRIPTION - MANCHESTER |
|-----------|--------------------|-----|---|
| 1 | 109506-01-000 | EA | FILM-URETHANE PROTECTANT |
| 2 | 120700-10-CHT(21A) | EA | DECAL-LOGO W - BLACK MET |
| 3 | 120702-03-CHT(66A) | EA | DECAL-LOGO WINNEBAGO - BLACK MET |
| 4 | 132664-02-CHT(01A) | EA | DECAL-LOGO DOMED WINNEBAGO - CHROME/RED/BLACK |
| 5 | 151811-01-CHT(05A) | EA | DECAL-LOGO VIEW LG - BLACK MET |
| 6 | 151811-02-CHT(05A) | EA | DECAL-LOGO VIEW SML - BLACK MET |
| 7 | 151687-01-CHT(01A) | EA | DECAL-/BEZEL-DOMED NAMEPLATE WINNEBAGO - CHROME/RED |
| 8 | 160368-01-CHT(01A) | EA | DECAL-FRT DVHD - KHAKI/OLYMPIC GOLD |
| 9 | 160369-01-CHT(01A) | EA | DECAL-HOOK RH - OLYMPIC GOLD |
| 10 | 160369-02-CHT(01A) | EA | DECAL-HOOK LH - OLYMPIC GOLD |
| 11 | 160370-01-CHT(02A) | EA | DECAL-LOWER STRIPE RH - GRAY |
| 12 | 160370-02-CHT(02A) | EA | DECAL-LOWER STRIPE LH - GRAY |
| 13 | 160371-01-CHT(01A) | EA | DECAL-SPIKE RH - BLACK MET |
| 14 | 160371-02-CHT(01A) | EA | DECAL-SPIKE LH - BLACK MET |
| 15 | 160372-01-CHT(01A) | EA | DECAL-SWEEP LWR RH - KHAKI |
| 16 | 160372-02-CHT(01A) | EA | DECAL-SWEEP LWR LH - KHAKI |
| 17 | 160373-01-CHT(01A) | EA | DECAL-SWEEP DOOR RH - KHAKI/OLYMPIC GOLD |
| 18 | 160373-02-CHT(01A) | EA | DECAL-SWEEP DOOR LH - KHAKI/OLYMPIC GOLD |
| 19 | 160374-01-CHT(01A) | EA | DECAL-SWEEP MID RH - OLYMPIC GOLD |
| 20 | 160374-02-CHT(01A) | EA | DECAL-SWEEP MID LH - OLYMPIC GOLD |
| 21 | 160375-01-CHT(01A) | EA | DECAL-SWEEP UPPER RH - KHAKI |
| 22 | 160375-02-CHT(01A) | EA | DECAL-SWEEP UPPER LH - KHAKI |
| 23 | 160377-01-CHT(01A) | EA | DECAL-BACKWALL - KHAKI/OLYMPIC GOLD |
| 24 | --- | GL | COLORD PLASTIC AND STEEL - STORM GRAY |
| 25 | 163261-01-XXX | EA | COVER-TIRE - 30"/VIEW LOGO |
| 26 | 164510-01-CHT(01A) | EA | DECAL-WINGWALL RH - MATTE BLACK |
| 27 | 164510-02-CHT(01A) | EA | DECAL-WINGWALL LH - MATTE BLACK |

| (92X) KEY | PART NUMBER | U/M | DESCRIPTION - CALYPSO SPICE |
|-----------|--------------------|-----|---|
| 1 | 109506-01-000 | EA | FILM-URETHANE PROTECTANT |
| 2 | 120700-10-CHT(22A) | EA | DECAL-LOGO W - BLACK CHERRY |
| 3 | 120702-03-CHT(67A) | EA | DECAL-LOGO WINNEBAGO - BLACK CHERRY |
| 4 | 132664-02-CHT(01A) | EA | DECAL-LOGO DOMED WINNEBAGO - CHROME/RED/BLACK |
| 5 | 151811-01-CHT(06A) | EA | DECAL-LOGO VIEW LG - BLACK CHERRY |
| 6 | 151811-02-CHT(06A) | EA | DECAL-LOGO VIEW SML - BLACK CHERRY |
| 7 | 151687-01-CHT(01A) | EA | DECAL-/BEZEL-DOMED NAMEPLATE WINNEBAGO - CHROME/RED |
| 8 | 160368-01-CHT(02A) | EA | DECAL-FRT DVHD - BURGUNDY/OLYMPIC GOLD |
| 9 | 160369-01-CHT(01A) | EA | DECAL-HOOK RH - OLYMPIC GOLD |
| 10 | 160369-02-CHT(01A) | EA | DECAL-HOOK LH - OLYMPIC GOLD |
| 11 | 160370-01-CHT(02A) | EA | DECAL-LOWER STRIPE RH - GRAY |
| 12 | 160370-02-CHT(02A) | EA | DECAL-LOWER STRIPE LH - GRAY |
| 13 | 160371-01-CHT(02A) | EA | DECAL-SPIKE RH - BLACK CHERRY |
| 14 | 160371-02-CHT(02A) | EA | DECAL-SPIKE LH - BLACK CHERRY |
| 15 | 160372-01-CHT(02A) | EA | DECAL-SWEEP LWR RH - BURGUNDY |
| 16 | 160372-02-CHT(02A) | EA | DECAL-SWEEP LWR LH - BURGUNDY |
| 17 | 160373-01-CHT(02A) | EA | DECAL-SWEEP DOOR RH - BURGUNDY/OLYMPIC GOLD |
| 18 | 160373-02-CHT(02A) | EA | DECAL-SWEEP DOOR LH - BURGUNDY/OLYMPIC GOLD |
| 19 | 160374-01-CHT(01A) | EA | DECAL-SWEEP MID RH - OLYMPIC GOLD |
| 20 | 160374-02-CHT(01A) | EA | DECAL-SWEEP MID LH - OLYMPIC GOLD |
| 21 | 160375-01-CHT(02A) | EA | DECAL-SWEEP UPPER RH - BURGUNDY |
| 22 | 160375-02-CHT(02A) | EA | DECAL-SWEEP UPPER LH - BURGUNDY |
| 23 | 160377-01-CHT(02A) | EA | DECAL-BACKWALL - BURGUNDY/OLYMPIC GOLD |
| 24 | --- | GL | COLORD PLASTIC AND STEEL - STORM GRAY |
| 25 | 163261-01-XXX | EA | COVER-TIRE - 30"/VIEW LOGO |
| 26 | 164510-01-CHT(01A) | EA | DECAL-WINGWALL RH - MATTE BLACK |
| 27 | 164510-02-CHT(01A) | EA | DECAL-WINGWALL LH - MATTE BLACK |

△ ALIGN WINGWALL DECAL WITH RUB STRIP ON CAB DOOR. WRAP AROUND VALANCE CORNER.

△ EMBOSSED WITH LOGO.

△ LOGO IS TO BE ±1 MM ON A HORIZONTAL PLANE (END TO END).

△ FILM TO PROTECT BOTTOM OF DOOR FROM SCUFF MARKS.

△ LOCATE DECAL 120 MM LEFT OF HOOD EDGE AND 60 MM UP FROM FRONT EDGE OF HOOD.

△ CENTER DECAL VERTICALLY ON PART FEATURE.

△ CENTER ON UNIT.

1. APPLY PROTECTOR 116424-01-000 TO WATER HEATER LATCH.

(92X) EXTERIOR GRAPHICS PACKAGE #2

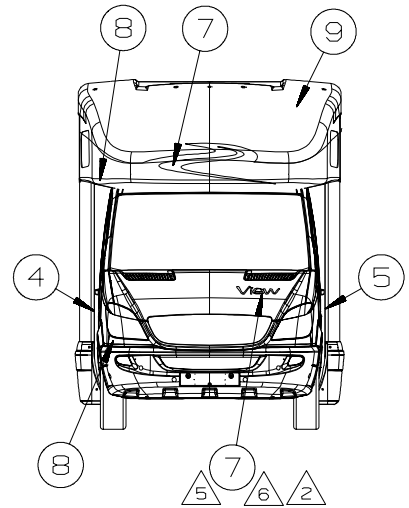
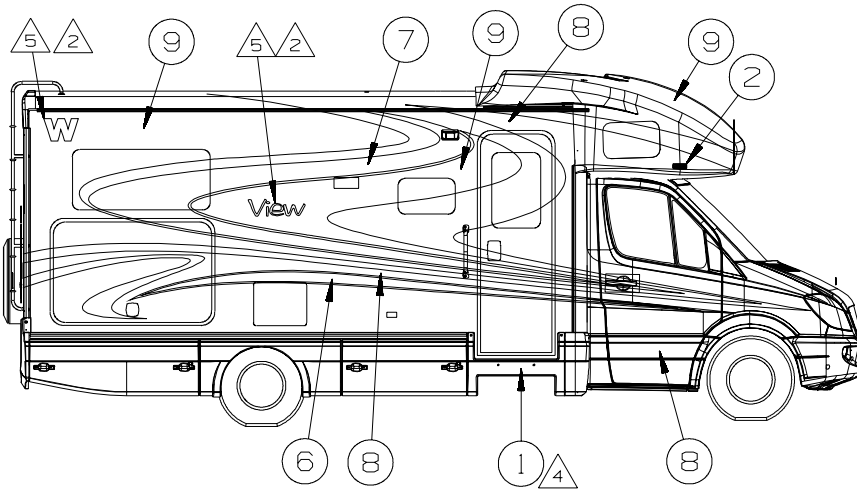
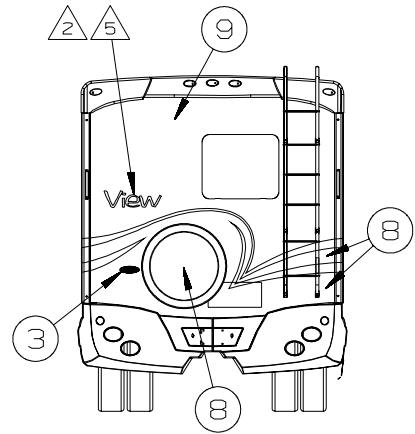
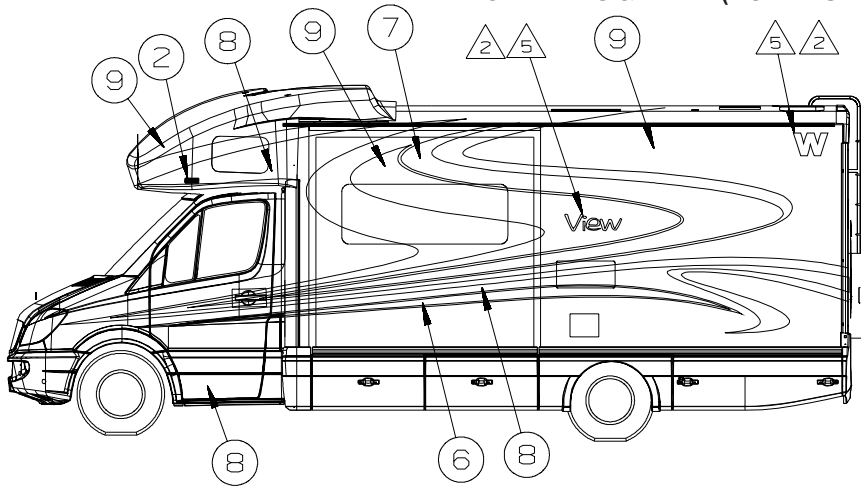
(276) EXTERIOR GRAPHICS PACKAGE #1

NOTES:

EXTERIOR BODY GROUP (CONTINUED)

GRAPHICS & PAINT (CONTINUED)

FULL BODY PAINT



| KEY | PART NUMBER | U/M | DESCRIPTION BAY MIST |
|-----|---------------------|-----|---|
| 1 | 109506-01-000 | EA | FILM-URETHANE PROTECTANT |
| 2 | 132684-02-CHT(101A) | EA | DECAL-LOGO DOME WINNEBAGO - CHROME/RED/BLACK |
| 3 | 151687-01-CHT(101A) | EA | DECAL-BEZEL DOME NAMEPLATE WINNEBAGO - CHROME/RED |
| 4 | 166391-01-CHT(101A) | EA | FILM-URETHANE PROTECTANT TRANSITION PANEL RH |
| 5 | 166391-02-CHT(101A) | EA | FILM-URETHANE PROTECTANT TRANSITION PANEL LH |
| 6 | | GL | PAINT-MED GARNET RED MET - SW #5284-7 |
| 7 | | GL | PAINT-LAGUNA MET - SW #52753-1 |
| 8 | | GL | PAINT-PEPPER PSL MET - SW #47605 |
| 9 | | GL | PAINT-SILVER MET - SW #43638 |
| 10 | | GL | PAINT-CLEARCOAT-SHERWIN WILLIAMS |

| KEY | PART NUMBER | U/M | DESCRIPTION SAND |
|-----|---------------------|-----|---|
| 1 | 109506-01-000 | EA | FILM-URETHANE PROTECTANT |
| 2 | 132684-02-CHT(101A) | EA | DECAL-LOGO DOME WINNEBAGO - CHROME/RED/BLACK |
| 3 | 151687-01-CHT(101A) | EA | DECAL-BEZEL DOME NAMEPLATE WINNEBAGO - CHROME/RED |
| 4 | 166391-01-CHT(101A) | EA | FILM-URETHANE PROTECTANT TRANSITION PANEL RH |
| 5 | 166391-02-CHT(101A) | EA | FILM-URETHANE PROTECTANT TRANSITION PANEL LH |
| 6 | | GL | PAINT-CHESTNUT PEARL MET - SW #422447-1 |
| 7 | | GL | PAINT-BLACK MIST MET - SW #40888 |
| 8 | | GL | PAINT-SANDSTONE BEIGE MET - SW #43482-3 |
| 9 | | GL | PAINT-LT PEARLSTONE MET - SW #41824 |
| 10 | | GL | PAINT-CLEARCOAT-SHERWIN WILLIAMS |

| KEY | PART NUMBER | U/M | DESCRIPTION STEEL BLUE |
|-----|---------------------|-----|---|
| 1 | 109506-01-000 | EA | FILM-URETHANE PROTECTANT |
| 2 | 132684-02-CHT(101A) | EA | DECAL-LOGO DOME WINNEBAGO - CHROME/RED/BLACK |
| 3 | 151687-01-CHT(101A) | EA | DECAL-BEZEL DOME NAMEPLATE WINNEBAGO - CHROME/RED |
| 4 | 166391-01-CHT(101A) | EA | FILM-URETHANE PROTECTANT TRANSITION PANEL RH |
| 5 | 166391-02-CHT(101A) | EA | FILM-URETHANE PROTECTANT TRANSITION PANEL LH |
| 6 | | GL | PAINT-GOLD MET - SW #51076 |
| 7 | | GL | PAINT-CYCLONE BLUE MET - SW #52925 |
| 8 | | GL | PAINT-STEEL BLUE MET - SW #53302 |
| 9 | | GL | PAINT-LT ADRIATIC MET - SW #45416-1 |
| 10 | | GL | PAINT-CLEARCOAT-SHERWIN WILLIAMS |

- ▲ LOGO IS TO BE 1 MM ON A HORIZONTAL PLANE (END TO END).
- ▲ FILM TO PROTECT BOTTOM OF DOOR FROM SOUFF MARKS.
- ▲ CLEAR COAT TO BE APPLIED ON PAINTED AREAS TO PROTECT PAINT.
- ▲ LOGO LEFT AS BODY COLOR OR PAINTED ACCORDING TO DESIGN AND WHERE LOGO IS LOCATED.
- 1. APPLY PROTECTOR 116424-01-000 TO WATER HEATER DOOR LATCH.

NOTES:

- ▲ DIE CUT ACRYLIC FILM TO PROTECT FULL BODY PAINTED UNITS. UNSEALED ROOF SEAMS.
- 9. USE PROTECTIVE FILM 145487-02-000 TO COVER.
- 8. END PANELS OF SLIDOUT ROOMS WILL BE PAINTED WITH BASE COAT AND CLEAR COAT. THERE WILL BE NO COLORED DESIGN GRAPHICS ELEMENTS PAINTED ON END PANELS.
- 7. APPLY SEALER BODY SEAM CLEAR 694401-04-000 TO HELP SECURE PAINT ON EDGES.
- ▲ LOCATE DECAL 120 MM LEFT OF HOOD EDGE AND 60 MM UP FROM HOOD EDGE.

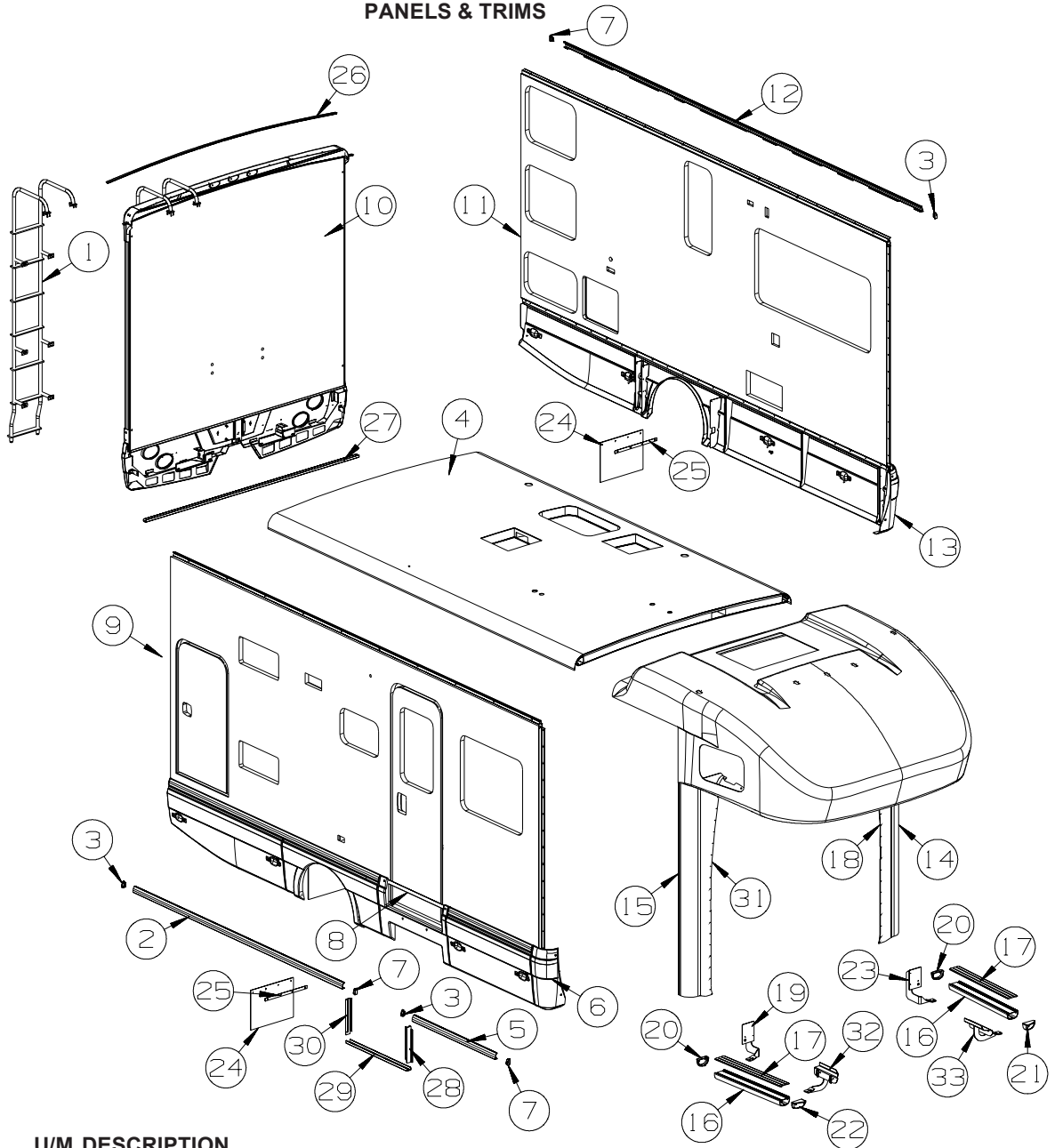
- Ⓢ EXT PROTECT MISC TRNG PANE.
- Ⓢ EXT FULL BODY PAINT PG # 3
- Ⓢ EXT FULL BODY PAINT PG # 2
- Ⓢ EXT FULL BODY PAINT PG # 1

| KEY | PART NUMBER | U/M | DESCRIPTION |
|-----|---------------|-----|--------------------------------------|
| | 041561-03-000 | EA | PAINT/SPRAY - 12 OZ. NET - OFF WHITE |
| | 004308-01-000 | EA | PAINT - BLACK SPRAY |
| | 116424-01-000 | EA | PROTECTOR - LATCH - WATER HEATER |

DUPONT COLOR CODES ARE NOW FOUND IN THE PAINT CODE MANUAL. YOU CAN FIND THIS MANUAL ON YOUR DEALER INDEX WEBPAGE UNDER SERVICE.

EXTERIOR BODY GROUP (CONTINUED)

PANELS & TRIMS

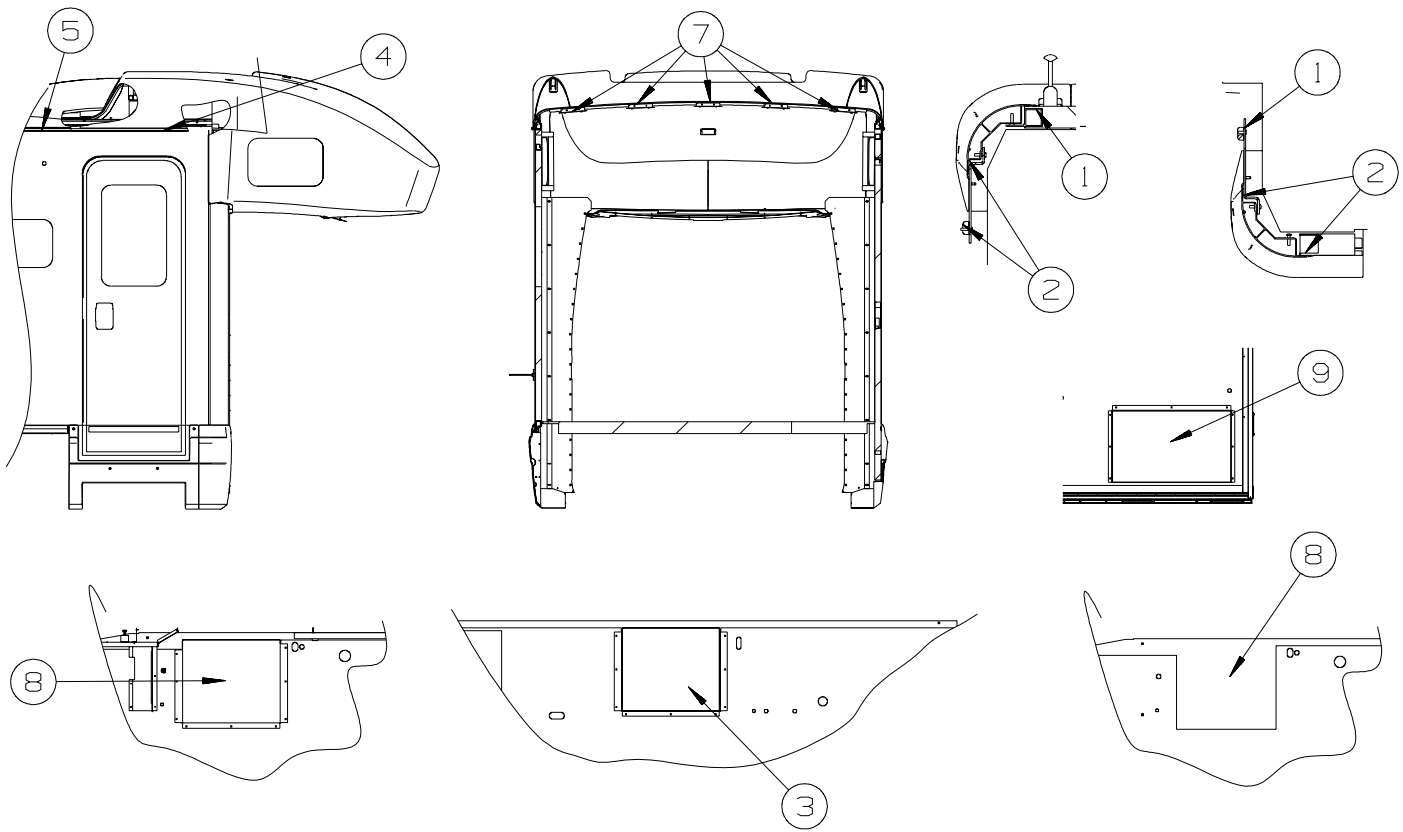


| KEY | PART NUMBER | U/M | DESCRIPTION |
|-----|---------------|-----|---|
| 1 | 161113-11-01A | EA | LADDER - 7 STEP - 89.8" - BRUSHED ALUMINUM |
| 2 | 160622-06-01A | EA | TRIM - FEATURE/OUTER - NOTCHED - 2" X 108" - PEWTER |
| 3 | 160633-02-02A | EA | CAP/END - TRIM - LH HAND - PEWTER |
| 4 | 160980-01-W13 | EA | ROOF - W/O LIGHTS/VENTS - W/WIRING |
| 5 | 160622-05-01A | EA | TRIM - FEATURE/OUTER - NOTCHED - 2" X 42.9" - PEWTER |
| 6 | 161407-01-W13 | EA | VALANCE/PANEL - TRANSITION/PASSENGER |
| 7 | 160633-01-02A | EA | CAP/END - TRIM - RH HAND - PEWTER |
| 8 | 093673-01-06A | FT | TRIM/MOLDING - 1.4" WIDE X 8' LONG - BRIGHT WHITE |
| 9 | 160976-01-W13 | EA | SIDEWALL - PASSENGER - W/O WINDOWS/TRIMS (W13, W14, W05, W06) |
| 9 | 160976-01-W15 | EA | SIDEWALL - PASSENGER - W/O WINDOWS/TRIMS (W15, W16) |
| 10 | 160979-01-W13 | EA | BACKWALL - W/O WINDOW/TRIMS (W13, W14, W05, W06) |
| 10 | 160979-01-W15 | EA | BACKWALL - W/O WINDOW/TRIMS (W15, W16) |
| 11 | 160975-01-W13 | EA | SIDEWALL - DRIVER - W/O WINDOWS/TRIMS (W13, W14, W05, W06) |
| 11 | 160975-01-W15 | EA | SIDEWALL - DRIVER - W/O WINDOWS/TRIMS (W15, W16) |
| 12 | 160622-04-01A | EA | TRIM - FEATURE/OUTER - NOTCHED - 2" X 184.1" - PEWTER |
| 13 | 160650-01-W13 | EA | PANEL/VALANCE - TRANSITION/DRIVER |

EXTERIOR BODY GROUP (CONTINUED)
PANELS & TRIMS (CONTINUED)

| KEY | PART NUMBER | U/M | DESCRIPTION |
|-----|---------------|-----|--|
| 14 | 151222-05-01A | EA | TRANSITION - CORNER/LH - 75.9" - BRIGHT WHITE FROM: 00-00-00 THRU: 11-05-07 |
| 14 | 151222-04-01A | EA | TRANSITION - CORNER/RH - 75.9" - BRIGHT WHITE FROM: 11-06-07 THRU: 99-99-99 |
| 14 | 151222-05-02A | EA | TRANSITION - CORNER/LH - 75.9" - BLACK FROM: 00-00-00 THRU: 11-05-07 |
| 14 | 151222-04-02A | EA | TRANSITION - CORNER/RH - 75.9" - BLACK FROM: 11-06-07 THRU: 99-99-99 |
| 15 | 151222-04-01A | EA | TRANSITION - CORNER/RH - 75.9" - BRIGHT WHITE |
| 15 | 151222-04-02A | EA | TRANSITION - CORNER/RH - 75.9" - BLACK |
| 16 | 163241-01-02A | EA | STEP/RUNNING BOARD - CAB ENTRY - W/O END CAPS/HDW-SILVER |
| 17 | 163252-01-01A | EA | TREAD - STEP/RUNNING BOARD - 32.2" |
| | 038327-01-000 | EA | TAPE - ANTI SLIP - 2" X 60' - ON FORWARD FACING SURFACES |
| 18 | 160072-02-02A | EA | PANEL/TRANSITION - DRIVER - BRIGHT WHITE |
| 19 | 163341-01-01A | EA | BRACKET - STEP/RUNNING BOARD - RH/REAR - BLACK |
| 20 | 163254-03-01A | EA | END CAP - STEP/RUNNING BOARD - REAR - BLACK |
| 21 | 163254-02-01A | EA | END CAP - STEP/RUNNING BOARD - LEFT/FRONT - BLACK |
| 22 | 163254-01-01A | EA | END CAP - STEP/RUNNING BOARD - RIGHT/FRONT - BLACK |
| 23 | 163341-02-01A | EA | BRACKET - STEP/RUNNING BOARD - LH/REAR - BLACK |
| 24 | 017516-01-000 | EA | MUD FLAP - 14"H X 18"W - W/O MOUNTING HOLES - RUBBER - BLK |
| 25 | 140922-01-02B | EA | RETAINER - MUD FLAP - 1" X 17.7" - E-COATED/BLACK |
| 26 | 114248-02-04A | EA | ANGLE - PLASTIC - .7" X .4" X 96.7" - BEIGE |
| 27 | 103335-11-02A | EA | TRIM - BACKWALL - LOWER - 89.6" - BRIGHT WHITE |
| 28 | 133100-11-02A | EA | TRIM - SIDEWALL - 12.5" - BRIGHT WHITE |
| 28 | 133100-11-01A | EA | TRIM - SIDEWALL - 12.5" - BLACK |
| 29 | 137599-10-02A | EA | TRIM - SIDEWALL/LOWER - 34.5" - BRIGHT WHITE |
| 29 | 137599-10-01A | EA | TRIM - SIDEWALL/LOWER - 34.5" - BLACK |
| 30 | 133100-08-02A | EA | TRIM - SIDEWALL - 12.5" - BRIGHT WHITE |
| 30 | 133100-08-01A | EA | TRIM - SIDEWALL - 12.5" - BLACK |
| 31 | 160072-01-02A | EA | PANEL/TRANSITION - PASSENGER - BRIGHT WHITE |
| 32 | 163340-01-01A | EA | BRACKET - STEP/RUNNING BOARD - RH/FRONT - BLACK |
| 33 | 163340-02-01A | EA | BRACKET - STEP/RUNNING BOARD - LH/FRONT - BLACK |

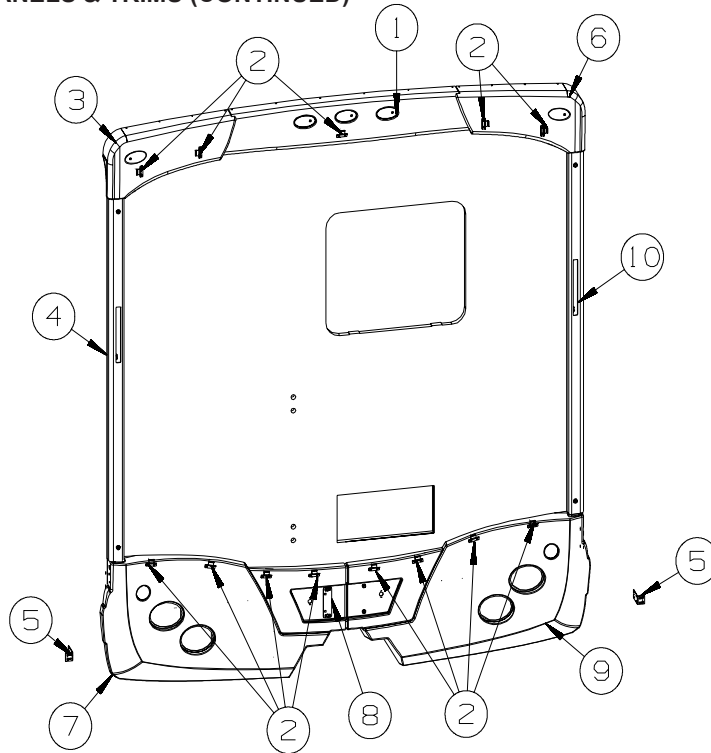
EXTERIOR BODY GROUP (CONTINUED)
PANELS & TRIMS (CONTINUED)



| KEY | PART NUMBER | U/M | DESCRIPTION |
|-----|---------------|-----|--|
| 1 | 154585-01-01A | FT | SEAL - FOAM TAPE - ADHESIVE BACK - 3/8" X 3/8" - BLACK |
| 2 | 056795-01-000 | FT | TAPE-SEAL, 1/8~ X 3/8~ WIDE - PRESS ON |
| 3 | P51877-01-02B | EA | WHEELWELL - STEEL - W/UNDERCOATING |
| 4 | 152036-01-01A | EA | RAIL - AWNING - 35.4" - BRIGHT WHITE |
| 5 | 157284-01-01A | EA | RAIL - AWNING - 192" - BRIGHT WHITE |
| 6 | P59724-01-02B | EA | WHEELWELL - STEEL - W/UNDERCOATING - 523B |
| 7 | 134774-03-02B | EA | BRACKET - CAP ATTACHMENT - E-COATED |
| 8 | P51877-02-02B | EA | WHEELWELL - STEEL - W/UNDERCOATING - 523H, 524J |
| 9 | P51877-03-02B | EA | WHEELWELL - STEEL - W/UNDERCOATING |

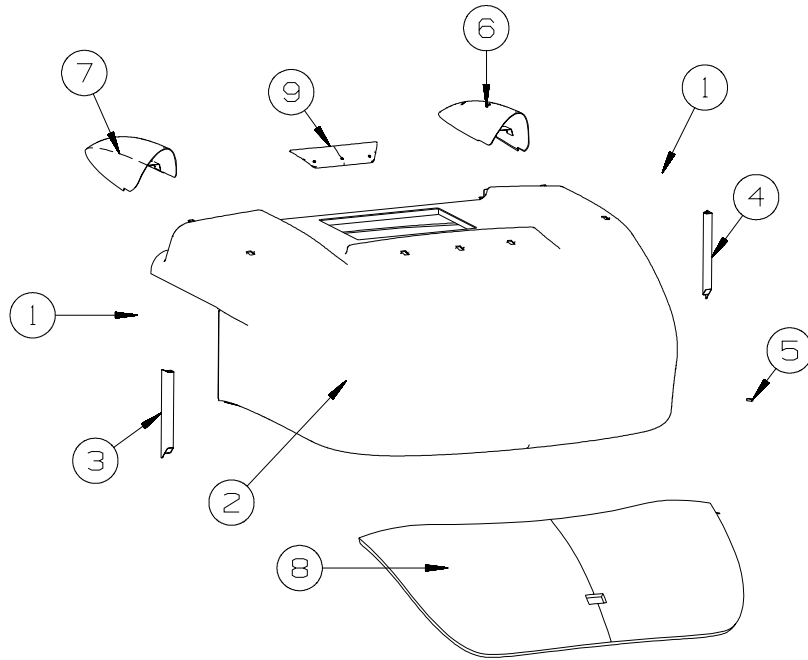
FROM: 05-02-07 THRU: 99-99-99

EXTERIOR BODY GROUP (CONTINUED)
PANELS & TRIMS (CONTINUED)



| KEY | PART NUMBER | U/M | DESCRIPTION |
|-----|---------------|-----|---|
| 1 | 152238-02-W13 | EA | TRIM/BACKWALL - UPPER/CENTER - W/O LIGHTS |
| 1 | 152238-02-AA1 | EA | TRIM/BACKWALL - UPPER/CENTER - W/O LIGHTS - FULL BODY PAINT |
| 1 | 152238-01-W13 | EA | TRIM/BACKWALL - UPPER/CENTER - W/O LIGHTS - REARVIEW MONITOR |
| 1 | 152238-01-AA1 | EA | TRIM/BACKWALL - UPPER/CENTER - W/O LIGHTS - REARVIEW MONITOR - FULL BODY PAINT |
| 2 | 073050-04-000 | EA | CLIP/MOUNTING - VALANCE PANEL |
| 3 | 152232-02-W13 | EA | TRIM/BACKWALL - UPPER/DRIVER - W/O LIGHTS |
| 3 | 152232-02-AA1 | EA | TRIM/BACKWALL - UPPER/DRIVER - W/O LIGHTS - FULL BODY PAINT |
| 4 | 151933-04-02A | EA | TRIM - BACKWALL - DRIVER - PEWTER |
| 4 | 151933-04-03A | EA | TRIM - BACKWALL - DRIVER - BLACK - FULL BODY PAINT |
| 5 | 140309-05-02B | EA | ANGLE - FURNACE DOOR - E-COATED |
| 6 | 152232-01-W13 | EA | TRIM/BACKWALL - UPPER/PASSENGER - W/O LIGHTS |
| 6 | 152232-01-AA1 | EA | TRIM/BACKWALL - UPPER/PASSENGER - W/O LIGHTS - FULL BODY PAINT |
| 7 | 160628-02-W13 | EA | TRIM/BACKWALL - LOWER/DRIVER - W/O LIGHTS |
| 7 | 160628-02-AA1 | EA | TRIM/BACKWALL - LOWER/DRIVER - W/O LIGHTS - FULL BODY PAINT |
| 8 | 161263-01-02B | EA | RETAINER - LICENSE PLATE - E-COATED |
| 9 | 160628-01-W13 | EA | TRIM/BACKWALL - LOWER/PASSENGER - W/O LIGHTS |
| 9 | 160628-01-AA1 | EA | TRIM/BACKWALL - LOWER/PASSENGER - W/O LIGHTS - FULL BODY PAINT |
| 10 | 151933-03-02A | EA | TRIM - BACKWALL - PASSENGER - PEWTER |
| 10 | 151933-03-03A | EA | TRIM - BACKWALL - PASSENGER - BLACK - FULL BODY PAINT |

EXTERIOR BODY GROUP (CONTINUED)
FRONT END



| KEY | PART NUMBER | U/M | DESCRIPTION |
|-----|---------------|-----|--|
| 1 | 153151-01-01A | FT | TRIM - ROOF CAP/SIDEWALL - BRIGHT WHITE |
| 2 | 160591-01-W13 | EA | ROOF CAP - FRONT - BRIGHT WHITE |
| 2 | 160591-02-W13 | EA | ROOF CAP - FRONT - BRT WHITE - CABINET, FRONT CAB OVERHEAD OR ENTR CENTER-CABOVER |
| | 105290-01-000 | SF | INSULATION - AIR POCKET W/FOIL - 4' WIDE |
| 3 | 151686-03-01A | EA | TRIM/EXTRUDED - ALUMINUM/RH - 18.9" - BRIGHT WHITE |
| 4 | 151686-04-01A | EA | TRIM/EXTRUDED - ALUMINUM/LH - 18.9" - BRIGHT WHITE |
| 5 | 154585-01-01A | FT | SEAL - FOAM TAPE - ADHESIVE BACK - 3/8" X 3/8" - BLACK |
| 6 | 160510-04-W13 | EA | TRIM/ROOF - LEFT - PLASTIC - 9"W X 38.1"L X 5.8"H |
| 6 | 160510-04-AA1 | EA | TRIM/ROOF - LEFT - PLASTIC - 9"W X 38.1"L X 5.8"H - FULL BODY PAINT |
| 7 | 160510-03-W13 | EA | TRIM/ROOF - RIGHT - PLASTIC - 9"W X 38.1"L X 5.8"H |
| 7 | 160510-03-AA1 | EA | TRIM/ROOF - RIGHT - PLASTIC - 9"W X 38.1"L X 5.8"H - FULL BODY PAINT |
| 8 | 160286-01-W13 | EA | HEADLINER/MATERIAL - W/LAMINATED FOAM |
| | | | FROM: 00-00-00 THRU: 03-02-08 |
| | 152087-02-01A | EA | HEADLINER MATERIAL - W/LAMINATED FOAM - CREAM FOSS |
| | | | FROM: 00-00-00 THRU: 03-02-08 |
| 8 | 167068-01-01A | EA | HEADLINER - CARPET W/FOAM - OPAL GRAY |
| | | | FROM: 03-03-08 THRU: 99-99-99 |
| 9 | 167753-01-01A | EA | TRIM - ROOF CAP - BRIGHT WHITE |
| | | | FROM: 01-01-08 THRU: 99-99-99 |
| | 156622-01-01A | FT | SEALER - TAPE - 1/4"THICK X 3"WIDE X 100 FT |

EXTERIOR BODY GROUP (CONTINUED)
STRUCTURAL COMPONENTS

| KEY | PART NUMBER | U/M DESCRIPTION |
|-----|---------------|--|
| | 002726-01-001 | EA GARNISH - U-CHANNEL - 1.38" X 19' - SERRATED |
| | 089297-01-000 | SF PLYWOOD - LUAN - OVERLAY GRADE - 4' X 8' |
| | 100619-01-000 | BF FOAM - EXPANDED POLYSTYRENE - 1.34" X 48" X 96" |
| | 100619-02-000 | BF FOAM - EXPANDED POLYSTYRENE - 1.5" X 48" X 96" |
| | 100619-04-000 | BF FOAM - EXPANDED POLYSTYRENE - .5" X 48" X 96" |
| | 100619-B3-000 | BF FOAM - EXPANDED POLYSTYRENE - .42" X 48" X 96" |
| | 100619-05-000 | BF FOAM - EXPANDED POLYSTYRENE - .75" X 48" X 96"-1.5"DENSITY |
| | 100619-05-017 | EA FOAM - EXPANDED POLYSTYRENE - .75" X 48" X 96"-1.5"DENSITY |
| | 100619-16-000 | BF FOAM - EXPANDED POLYSTYRENE - .75" X 48" X 96"-2" DENSITY |
| | 120107-01-000 | EA FOAM - ROOF COVE - 2.8" X 48" LONG |
| | 120107-02-000 | EA FOAM - PLUG - ROOF TUBE - 2.2" X 2.9" X 1.8" LONG |
| | 120107-03-000 | EA FOAM - PLUG - SIDEWALL TUBE - 1.2" X 2.1" X 1.8" LONG |
| | 108535-10-01A | SF FIBERGLASS SHEET - 99" X 500' ROLL - BRIGHT WHITE |
| | 128782-17-01A | EA FIBERGLASS SHEET - 30.9" X 74.7" - HIGH GLOSS - BRT WHITE |
| | 128782-25-01A | EA FIBERGLASS SHEET - 78.9" X 190.7" - HIGH GLOSS - BRT WHITE |
| | 128782-20-01A | EA FIBERGLASS SHEET - 78.9" X 185.9" - HIGH GLOSS - BRT WHITE |
| | 159631-15-01A | EA FIBERGLASS SHEET - 4" X 93.8" - BRIGHT WHITE |
| | | FROM: 00-00-00 THRU: 01-14-07 |
| | 162931-15-01A | EA FIBERGLASS SHEET - 4" X 93.8" - BRIGHT WHITE |
| | | FROM: 01-15-07 THRU: 99-99-99 |
| | 116942-03-01A | LB ALUMINUM - .7" X 40" X 158" |
| | 164228-01-01A | EA ALUFIBER - SIDEWALL SKIN - 75.8" X 190.7" - 524CL, 524DL |
| | | FROM: 00-00-00 THRU: 01-06-08 |
| | 128782-25-01A | EA FIBERGLASS SHEET - 78.9" X 190.7" - HIGH GLOSS - BRT WHITE - 524CL, 524DL |
| | | FROM: 01-07-08 THRU: 99-99-99 |
| | 164228-02-01A | EA ALUFIBER - BACKWALL SKIN - 80.4" X 90.2" - 524CL, 524DL |
| | | FROM: 00-00-00 THRU: 01-06-08 |
| | 128782-14-01A | EA FIBERGLASS SHEET - 102.4" X 99.2" - HIGH GLOSS - BRT WHITE - 524CL, 524DL |
| | | FROM: 01-07-08 THRU: 99-99-99 |
| | 164228-03-01A | EA ALUFIBER - SIDEWALL SKIN - 16.7" X 36.9" - 524CL, 524DL |
| | | FROM: 00-00-00 THRU: 01-06-08 |
| | 128782-07-700 | EA FIBERGLASS SHEET - 27" X 80" - HIGH GLOSS - BRT WHT - 524CL, 524DL |
| | | FROM: 01-07-08 THRU: 99-99-99 |
| | 164228-04-01A | EA ALUFIBER - SIDEWALL SKIN - 47.9" X 95.8" - 524CL, 524DL |
| | | FROM: 00-00-00 THRU: 01-06-08 |
| | 128782-14-700 | EA FIBERGLASS SHEET - 102.4" X 99.2" - HIGH GLOSS - BRT-WHITE - 524CL, 524DL |
| | | FROM: 01-07-08 THRU: 99-99-99 |
| | 164228-06-01A | EA ALUFIBER - SIDEWALL SKIN - 30" X 45.7" - 524DL |
| | | FROM: 00-00-00 THRU: 01-06-08 |
| | 128782-07-701 | EA FIBERGLASS SHEET - 54" X 79" - HIGH GLOSS - BRT WHT - 524DL |
| | | FROM: 01-07-08 THRU: 99-99-99 |

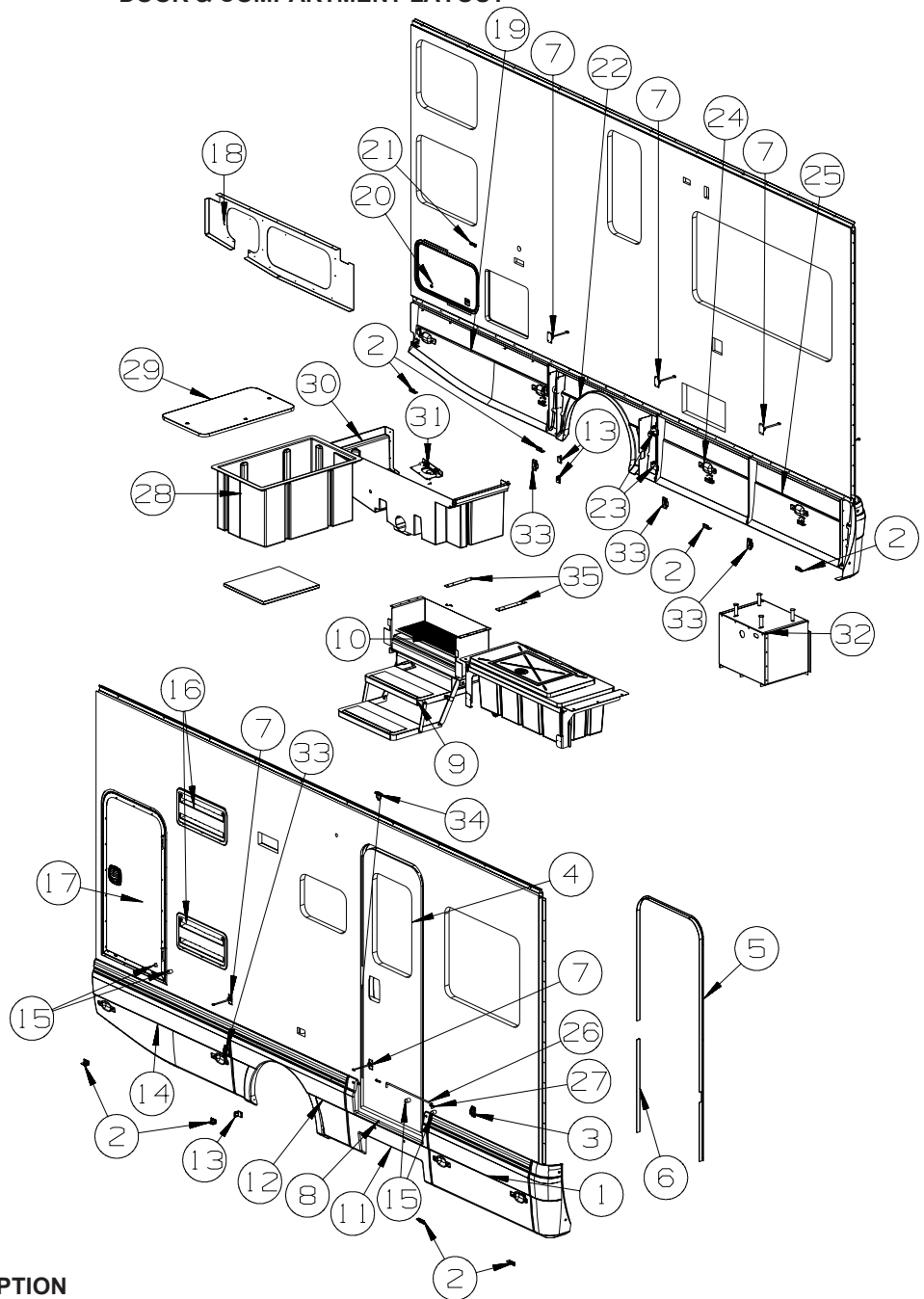
AWNINGS

ORDER AWNINGS & REPAIR PARTS FROM DOMETIC. CALL #800-366-3842.
THE DOMETIC AWNING INFORMATION YOU WILL NEED IS LOCATED ON THE MOTOR HOME NEAR
THE TOP OF THE AWNING RAIL.

| KEY | PART NUMBER | U/M DESCRIPTION |
|-----|---------------|---|
| | 113874-12-01A | EA SCREW/LAG - AWNING - 1/4" X 2 3/4" STAINLESS STEEL |
| | 127647-03-01A | EA ROD/AWNING GUARD - ENTRY DOOR - 19.4" LONG |
| | 127960-01-01A | EA RETAINER - EYE - 3/8" - STAINLESS STEEL |
| | 161739-01-02A | EA BRACKET - AWNING - BRIGHT WHITE |
| | 161739-01-01A | EA BRACKET - AWNING - BLACK |

EXTERIOR DOORS & COMPARTMENTS GROUP

DOOR & COMPARTMENT LAYOUT



| KEY | PART NUMBER | U/M | DESCRIPTION |
|-----|---------------|-----|--|
| 1 | 160265-03-W13 | EA | DOOR/STORAGE - W/O HDW - 43.4" X 19.5" |
| 1 | 160265-03-AA1 | EA | DOOR/STORAGE - W/O HDW - 43.4" X 19.5" - FULL BODY PAINT |
| | 158297-01-000 | FT | SEAL - BULB - .5" X .7" - ADHESIVE BACK - BLACK |
| | 107721-07-000 | FT | SEAL - ACCESS DOOR - .9"WIDE X 1.1"HIGH |
| 2 | 163586-01-02B | EA | KEEPER - LATCH - E-COATED |
| 3 | 104099-02-06A | EA | CATCH/RETAINER - DOOR HOLDER - PEWTER |
| 4 | P32206-21-W13 | EA | DOOR - ENTRY W/SCREEN DOOR - W/O WINDOW/LATCH (W05, W06, W13, W14) |
| 4 | P32206-21-W15 | EA | DOOR - ENTRY W/SCREEN DOOR - W/O WINDOW/LATCH (W15, W16) |
| 4 | M09571-01-W13 | EA | DOOR - ENTRY W/SCREEN DOOR - W/O WINDOW/LATCH (W05, W06, W13, W14) |
| 4 | M09571-01-W15 | EA | DOOR - ENTRY W/SCREEN DOOR - W/O WINDOW/LATCH (W15, W16) |

EXTERIOR DOORS & COMPARTMENTS GROUP (CONTINUED)
DOOR & COMPARTMENT LAYOUT (CONTINUED)

KEY PART NUMBER U/M DESCRIPTION

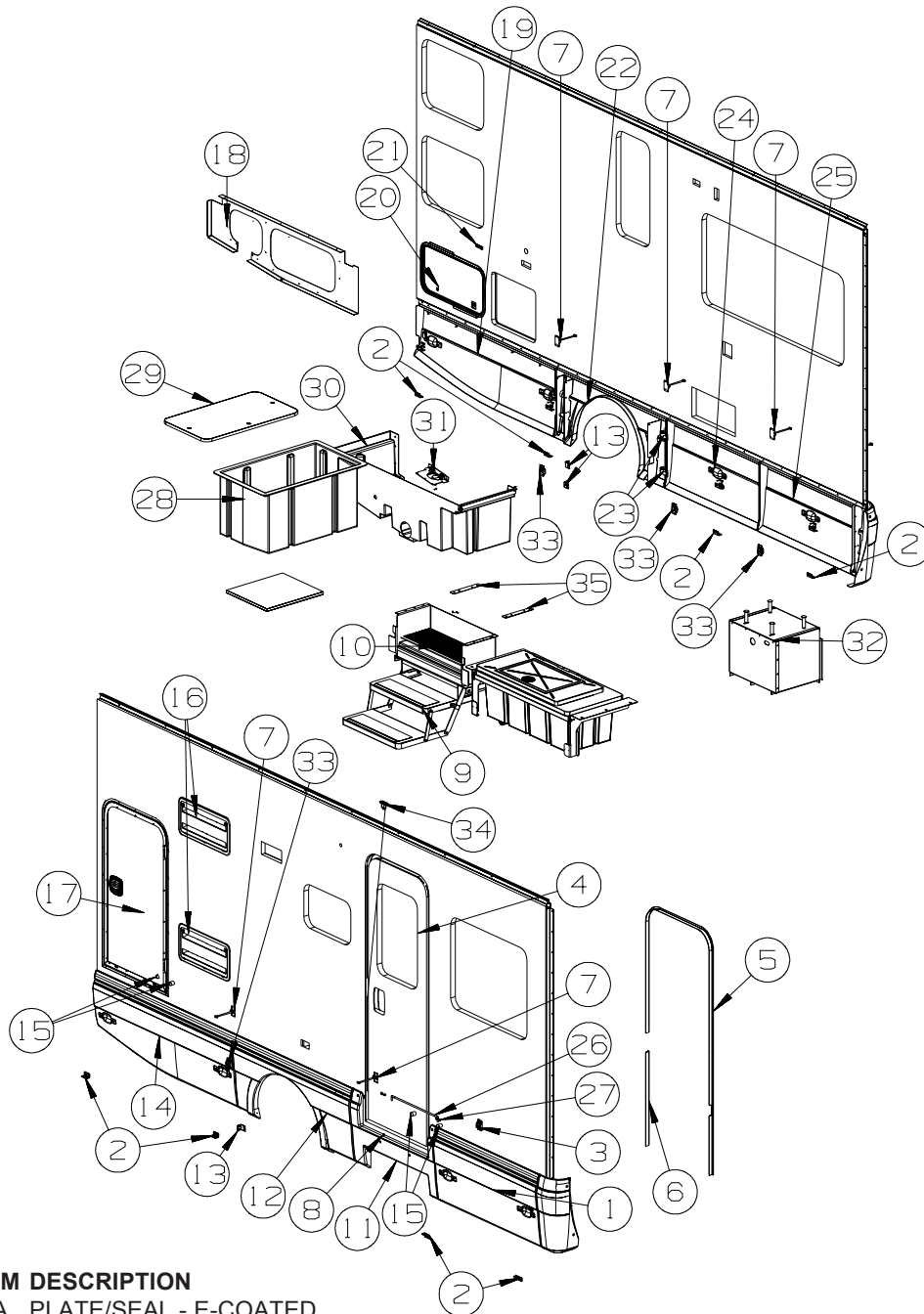
ENTRY DOOR LOCK CYLINDERS

| | | |
|---------------|----|--|
| 138287-11-000 | EA | CYLINDER/LOCK - ENTRY DOOR - MASTER W/3M ICON - (3041) |
| 138287-12-000 | EA | CYLINDER/LOCK - ENTRY DOOR - MASTER W/3M ICON - (3042) |
| 138287-13-000 | EA | CYLINDER/LOCK - ENTRY DOOR - MASTER W/3M ICON - (3043) |
| 138287-14-000 | EA | CYLINDER/LOCK - ENTRY DOOR - MASTER W/3M ICON - (3044) |
| 138287-15-000 | EA | CYLINDER/LOCK - ENTRY DOOR - MASTER W/3M ICON - (3045) |
| 138287-16-000 | EA | CYLINDER/LOCK - ENTRY DOOR - MASTER W/3M ICON - (3046) |
| 138287-17-000 | EA | CYLINDER/LOCK - ENTRY DOOR - MASTER W/3M ICON - (3047) |
| 138287-18-000 | EA | CYLINDER/LOCK - ENTRY DOOR - MASTER W/3M ICON - (3048) |
| 138287-19-000 | EA | CYLINDER/LOCK - ENTRY DOOR - MASTER W/3M ICON - (3049) |
| 138287-20-000 | EA | CYLINDER/LOCK - ENTRY DOOR - MASTER W/3M ICON - (3050) |
| 138292-01-000 | EA | SEAL - LOCK CYLINDER |

VALANCE DOOR LOCK CYLINDERS

| | | |
|---------------|---------------|---|
| 138289-11-000 | EA | CYLINDER/LOCK - ACCESS DOORS - REDUCED SENSITIVITY (3041) |
| 138289-12-000 | EA | CYLINDER/LOCK - ACCESS DOORS - REDUCED SENSITIVITY (3042) |
| 138289-13-000 | EA | CYLINDER/LOCK - ACCESS DOORS - REDUCED SENSITIVITY (3043) |
| 138289-14-000 | EA | CYLINDER/LOCK - ACCESS DOORS - REDUCED SENSITIVITY (3044) |
| 138289-15-000 | EA | CYLINDER/LOCK - ACCESS DOORS - REDUCED SENSITIVITY (3045) |
| 138289-16-000 | EA | CYLINDER/LOCK - ACCESS DOORS - REDUCED SENSITIVITY (3046) |
| 138289-17-000 | EA | CYLINDER/LOCK - ACCESS DOORS - REDUCED SENSITIVITY (3047) |
| 138289-18-000 | EA | CYLINDER/LOCK - ACCESS DOORS - REDUCED SENSITIVITY (3048) |
| 138289-19-000 | EA | CYLINDER/LOCK - ACCESS DOORS - REDUCED SENSITIVITY (3049) |
| 138289-20-000 | EA | CYLINDER/LOCK - ACCESS DOORS - REDUCED SENSITIVITY (3050) |
| 138288-11-000 | EA | KEY - REVERSIBLE - #3041 - T/M 16169-02-3041 |
| 138288-12-000 | EA | KEY - REVERSIBLE - #3042 - T/M 16169-02-3042 |
| 138288-13-000 | EA | KEY - REVERSIBLE - #3043 - T/M 16169-02-3043 |
| 138288-14-000 | EA | KEY - REVERSIBLE - #3044 - T/M 16169-02-3044 |
| 138288-15-000 | EA | KEY - REVERSIBLE - #3045 - T/M 16169-02-3045 |
| 138288-16-000 | EA | KEY - REVERSIBLE - #3046 - T/M 16169-02-3046 |
| 138288-17-000 | EA | KEY - REVERSIBLE - #3047 - T/M 16169-02-3047 |
| 138288-18-000 | EA | KEY - REVERSIBLE - #3048 - T/M 16169-02-3048 |
| 138288-19-000 | EA | KEY - REVERSIBLE - #3049 - T/M 16169-02-3049 |
| 138288-20-000 | EA | KEY - REVERSIBLE - #3050 - T/M 16169-02-3050 |
| 5 | 139100-09-01A | EA GARNISH/RADIUS - ENTRY DOOR - BRIGHT WHITE |
| 5 | 139100-09-02A | EA GARNISH/RADIUS - ENTRY DOOR - BLACK |
| 6 | 139101-07-01A | EA GARNISH/STRAIGHT - ENTRY DOOR - BRIGHT WHITE |
| 6 | 139101-07-02A | EA GARNISH/STRAIGHT - ENTRY DOOR - BLACK |
| 7 | 104099-03-04A | EA CATCH - DOOR HOLDER - STRIKE - 6" - BRIGHT WHITE |
| 7 | 104099-03-05A | EA CATCH - DOOR HOLDER - STRIKE - 6" - BLACK |
| 8 | 153498-01-01A | EA BUMPER - RUBBER - WHITE |
| 9* | 094707-04-01A | EA STEP - ELECTRIC DOUBLE - KWIKEE |
| 10 | 133114-03-01A | EA TREAD - STEP/RUBBER - 27.1" X 10.1" - TAUPE |
| | 116975-01-01A | EA LATCH - W/O STRIKE - BLACK - NEW STYLE |
| 11 | 161405-01-W13 | EA VALANCE/PANEL - ENTRANCE DOOR - W/O HDW |
| 12 | 160620-03-W13 | EA PANEL - WHEEL LIP |
| | | FROM: 00-00-00 THRU: 02-06-07 |
| 12 | 160620-01-W13 | EA PANEL - WHEEL LIP |
| | | FROM: 02-07-07 THRU: 99-99-99 |
| 12 | 160620-01-AA1 | EA PANEL - WHEEL LIP - FULL BODY PAINT |
| 13 | 140309-03-02B | EA ANGLE - FURNACE DOOR - E-COATED |
| 14 | 160265-02-W13 | EA DOOR/STORAGE - PASS - W/O HDW - 58.9" X 19.5" - W/TAPER |
| 14 | 160265-02-AA1 | EA DOOR/STORAGE - PASS - W/O HDW - 58.9" X 19.5" - W/TAPER - FULL BODY PAINT |
| | 132892-08-01A | FT SEAL - BULB/SINGLE - W/U CHANNEL - 1" X .8" - BLACK |
| 15 | 117046-02-000 | EA BUMPER - RUBBER/ROUND END - 1.5" |
| 16* | 084103-08-000 | EA DOOR - VENT - REFRIGERATOR - W/O JAMB - BRIGHT WHITE |
| 16 | 084104-08-000 | EA JAMB - VENT DOOR/REFRIGERATOR - BRIGHT WHITE |
| 17 | 159033-02-W13 | EA DOOR/STORAGE - W/O PADDLE LATCH/HDW - 49.8" X 28.2" (W05, W06, W13, W14) |
| 17 | 159033-02-W15 | EA DOOR/STORAGE - W/O PADDLE LATCH/HDW - 49.8" X 28.2" (W15, W16) |
| 17 | 159033-02-AA1 | EA DOOR/STRG - W/O PADDLE LATCH/HDW - 49.8" X 28.2" (W05, W06, W13, W14) - FULL BODY PAINT |
| 17 | 159033-02-AA2 | EA DOOR/STORAGE - W/O PADDLE LATCH/HDW - 49.8" X 28.2" (W15, W16) - FULL BODY PAINT |

EXTERIOR DOORS & COMPARTMENTS GROUP (CONTINUED)
DOOR & COMPARTMENT LAYOUT (CONTINUED)



| KEY | PART NUMBER | U/M | DESCRIPTION |
|-----|---------------|-----|--|
| 18 | 152031-04-02B | EA | PLATE/SEAL - E-COATED |
| | 107721-07-000 | FT | SEAL - ACCESS DOOR - .9"WIDE X 1.1"HIGH |
| | 107721-08-000 | FT | SEAL - ACCESS DOOR - .9"WIDE X .9"HIGH |
| | 132892-07-01A | FT | SEAL - BULB/SINGLE - W/U CHANNEL - .5" X 1" - BLACK |
| 19 | 160265-01-W13 | EA | DOOR/STORAGE - DRVR - W/O HDW - 58.9" X 19.5" - W/TAPER |
| 19 | 160265-01-AA1 | EA | DOOR/STORAGE - DRVR - W/O HDW - 58.9" X 19.5" - W/TAPER - FULL BODY PAINT |
| | 076767-16-000 | EA | CABLE - STAINLESS STEEL - 9.8" |
| 20 | 154890-02-U17 | EA | DOOR - STORAGE - W/O HARDWARE - 28.5" X 15.8" |
| | | | FROM: 00-00-00 THRU: 01-25-07 |
| 20 | 126946-94-W13 | EA | DOOR/STORAGE - W/O HARDWARE - 27.1" X 14.4" |
| | | | FROM: 01-26-07 THRU: 99-99-99 |
| 20 | 126946-94-AA1 | EA | DOOR/STORAGE - W/O HARDWARE - 27.1" X 14.4" - FULL BODY PAINT |
| 21 | 102768-01-000 | EA | HOLDER - COMPARTMENT/ENTRY DOOR - METAL - MILL FINISH |
| 22 | 160620-02-W13 | EA | PANEL - WHEEL LIP |
| 22 | 160620-02-AA1 | EA | PANEL - WHEEL LIP - FULL BODY PAINT |
| 23 | 140309-05-02B | EA | ANGLE - FURNACE DOOR - E-COATED |
| 24 | 160265-04-W13 | EA | DOOR/STORAGE - W/O HDW - 39.1" X 19.5" |
| 24 | 160265-04-AA1 | EA | DOOR/STORAGE - W/O HDW - 39.1" X 19.5" - FULL BODY PAINT |
| | 076767-16-000 | EA | CABLE - STAINLESS STEEL - 9.8" |

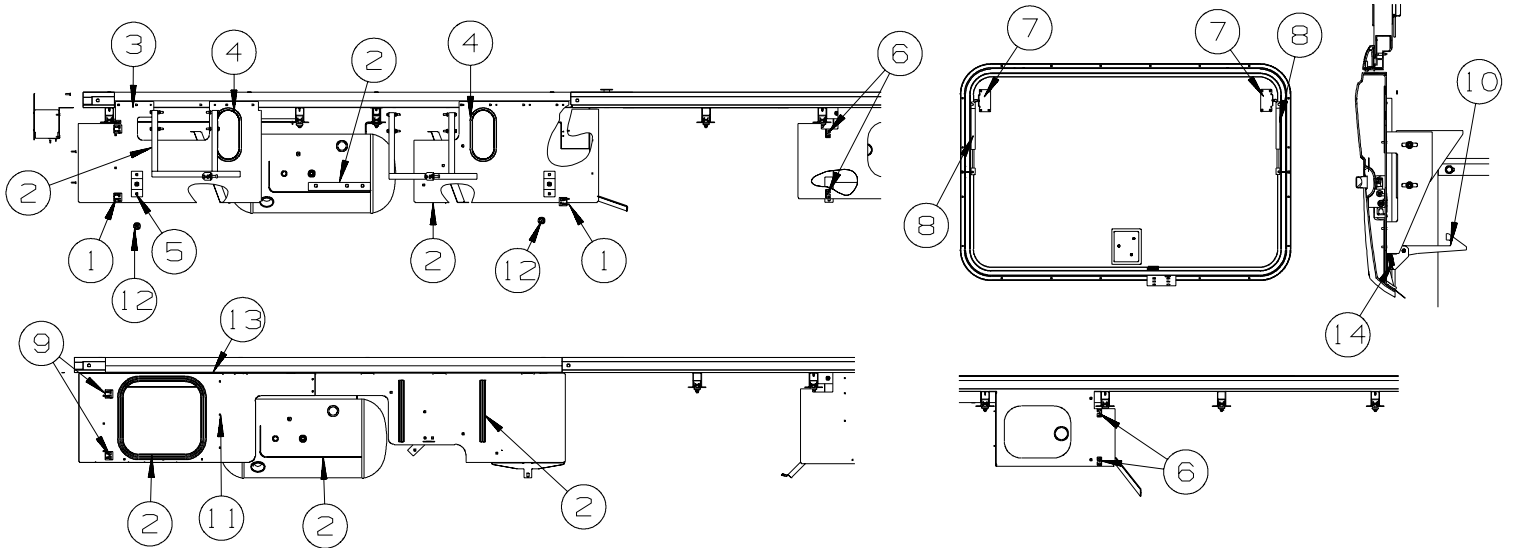
EXTERIOR DOORS & COMPARTMENTS GROUP (CONTINUED)
DOOR & COMPARTMENT LAYOUT (CONTINUED)

| KEY | PART NUMBER | U/M | DESCRIPTION |
|-----|---------------|-----|--|
| 25 | 160265-04-W13 | EA | DOOR/STORAGE - W/O HDW - 39.1" X 19.5" |
| 25 | 160265-04-AA1 | EA | DOOR/STORAGE - W/O HDW - 39.1" X 19.5" - FULL BODY PAINT |
| 26 | 127647-03-01A | EA | ROD/AWNING GUARD - ENTRY DOOR - 19.4" LONG |
| 27 | 127960-01-01A | EA | RETAINER - EYE - 3/8" - STAINLESS STEEL |
| 28 | 159021-01-01A | EA | COMPARTMENT - TRUNK |
| 29 | 158154-04-U17 | EA | TABLE - 32.2" X 18.4" - W/O HDW |
| 30 | 151549-02-000 | EA | COMPARTMENT - DRAINAGE |
| 31* | 142226-02-01A | EA | HATCH - POWER |
| 32 | 150496-02-02B | EA | COMPARTMENT - BATTERY - E-COATED |
| 33 | 104099-02-04A | EA | CATCH/RETAINER - DOOR HOLDER - BRIGHT WHITE |
| 33 | 104099-02-05A | EA | CATCH/RETAINER - DOOR HOLDER - BLACK |
| 34 | 138897-01-000 | EA | SWITCH - 2 PIN/SPRING LOADED CONTACTS (EA=1 SWITCH) |
| 35 | 143130-02-02B | EA | PLATE - BACKING - RIGHT/LEFT - E-COATED |
| | 149358-01-01A | EA | BOLT - STRIKER - .375"DIAMETER |

FROM: 00-00-00 THRU: 01-31-07

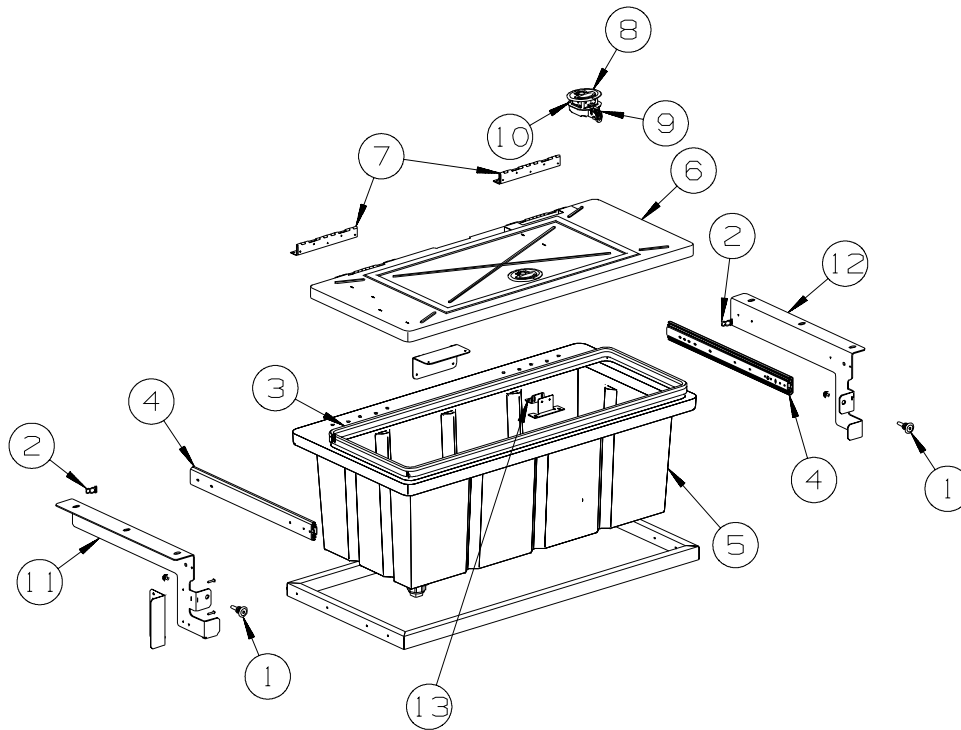
***COMPONENT PARTS LISTED LATER IN THIS GROUP**

EXTERIOR DOORS & COMPARTMENTS GROUP (CONTINUED)
DOOR & COMPARTMENT LAYOUT (CONTINUED)



| KEY | PART NUMBER | U/M | DESCRIPTION |
|-----|---------------|-----|--|
| 1 | 140309-07-02B | EA | ANGLE - FURNACE DOOR - E-COATED |
| 2 | 107721-07-000 | FT | SEAL - ACCESS DOOR - .9"WIDE X 1.1"HIGH |
| 3 | 160568-01-02B | EA | PANEL/CLOSEOUT - LP/FRONT - E-COATED |
| 4 | 148331-01-01A | EA | PLUG - OVAL/LARGE - BLACK |
| 5 | 154814-02-02B | EA | BRACKET/FORMED - ADJUSTING BOLT - E-COATED |
| 6 | 140309-03-02B | EA | ANGLE - FURNACE DOOR - E-COATED |
| 7 | 155616-02-12B | EA | BRACKET - GAS SPRING - BRIGHT WHITE |
| 8 | 142569-21-000 | EA | SPRING/GAS - 60 LB - 20" EXTENDED/12" COMPRESSED |
| 9 | 140309-02-02B | EA | ANGLE - FURNACE DOOR - E-COATED |
| 10 | 159052-02-02B | EA | CATCH - DRAWER - W/ANGLE CATCH - E-COATED |
| 11 | 159508-03-02B | EA | PLATE/SEAL - E-COATED |
| 12 | 058786-01-000 | EA | BOLT - HOOD ADJUSTMENT - 5/16"-18 X 1.5"-2"- W/BLACK PAD |
| 13 | 132892-08-01A | FT | SEAL - BULB/SINGLE - W/U CHANNEL - 1" X .8" - BLACK |
| 14 | 100414-01-000 | EA | SPRING-CATCH, 3/8" OD X 1.5" - EXTERIOR COMPARTMENTS |
| | | | FROM: 00-00-00 THRU: 05-01-07 |
| 14 | 164930-01-000 | EA | SPRING/CATCH/EXT - 3/8"OD X 1.5" - EXTERIOR COMPARTMENTS |
| | | | FROM: 05-02-07 THRU: 99-99-99 |

EXTERIOR DOORS & COMPARTMENTS GROUP (CONTINUED)
DOOR & COMPARTMENT LAYOUT (CONTINUED)



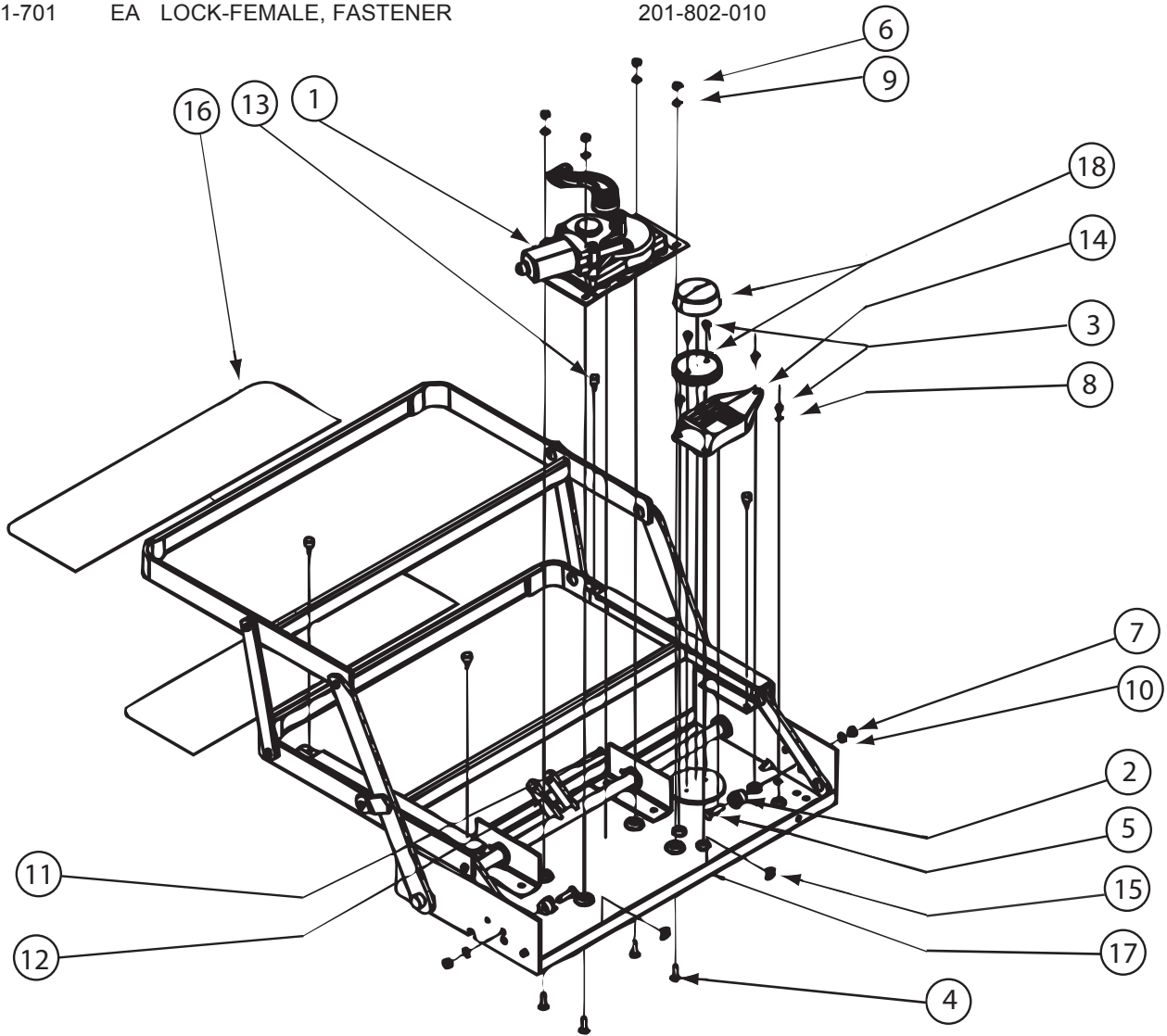
| KEY | PART NUMBER | U/M | DESCRIPTION |
|-----|---------------|-----|---|
| 1 | 058786-01-000 | EA | BOLT - HOOD ADJUSTMENT - 5/16"-18 X 1.5"-2"- W/BLACK PAD |
| 2 | 132892-04-01A | FT | SEAL - DOUBLE BULB - W/WIRED U CHANNEL - 1.3" X .8"-BLACK |
| 3 | 132892-07-01A | FT | SEAL - BULB/SINGLE - W/U CHANNEL - .5" X 1" - BLACK |
| 4 | 151463-02-000 | EA | SLIDES - STORAGE COMPARTMENT (PAIR) |
| 5 | 160748-02-000 | EA | COMPARTMENT - STORAGE - PLASTIC |
| | 160748-01-000 | EA | COMPARTMENT - STORAGE - PLASTIC |
| 5 | 151548-02-000 | EA | COMPARTMENT - STORAGE - PLASTIC |
| | 151548-01-000 | EA | COMPARTMENT - STORAGE - PLASTIC |
| | 010166-01-000 | EA | PLUG/THREADED - 1 1/4"MPT - PLASTIC - BLACK - UL |
| | 042989-03-000 | EA | FITTING - SPINWELD - 1 1/4"NPT - PLASTIC |
| 6 | 151728-01-T01 | EA | LID - COMPARTMENT/STORAGE |
| 6 | 151728-02-U17 | EA | LID - COMPARTMENT/STORAGE |
| | 151547-01-01A | EA | LID - COMPARTMENT/STORAGE - BLACK |
| 7 | 101349-01-01A | EA | HINGE-PIANO - SPRING LOADED - STOCKER |
| 8 | 152171-02-01A | EA | LATCH/PADDLE - NON-LOCKING - BLACK |
| 9 | 152171-03-01A | EA | LATCH/INNER - BLACK |
| 10 | 152171-06-01A | EA | GASKET - LATCH - FOAM |
| 11 | 151737-03-02B | EA | BRACKET/SUPPORT - SLIDE - E-COATED |
| 11 | 151737-05-02B | EA | BRACKET/SUPPORT - SLIDE - E-COATED |
| 12 | 151737-04-02B | EA | BRACKET/SUPPORT - SLIDE - E-COATED |
| 12 | 151737-06-02B | EA | BRACKET/SUPPORT - SLIDE - E-COATED |
| 12 | 151737-07-02B | EA | BRACKET/SUPPORT - SLIDE - E-COATED |
| 13 | 152171-05-01A | EA | KEEPER - LATCH - METAL |

EXTERIOR DOORS & COMPARTMENTS GROUP (CONTINUED)

COMPONENT PARTS FOR DOOR & COMPARTMENT LAYOUT

084103-08-000

| KEY | PART NUMBER | U/M | DESCRIPTION | VENDOR NO. |
|-----|---------------|-----|-----------------------|-------------|
| | 084104-01-700 | EA | LOCK-MALE, FASTENER | 201-721-010 |
| | 084104-01-701 | EA | LOCK-FEMALE, FASTENER | 201-802-010 |



094707-04-01A

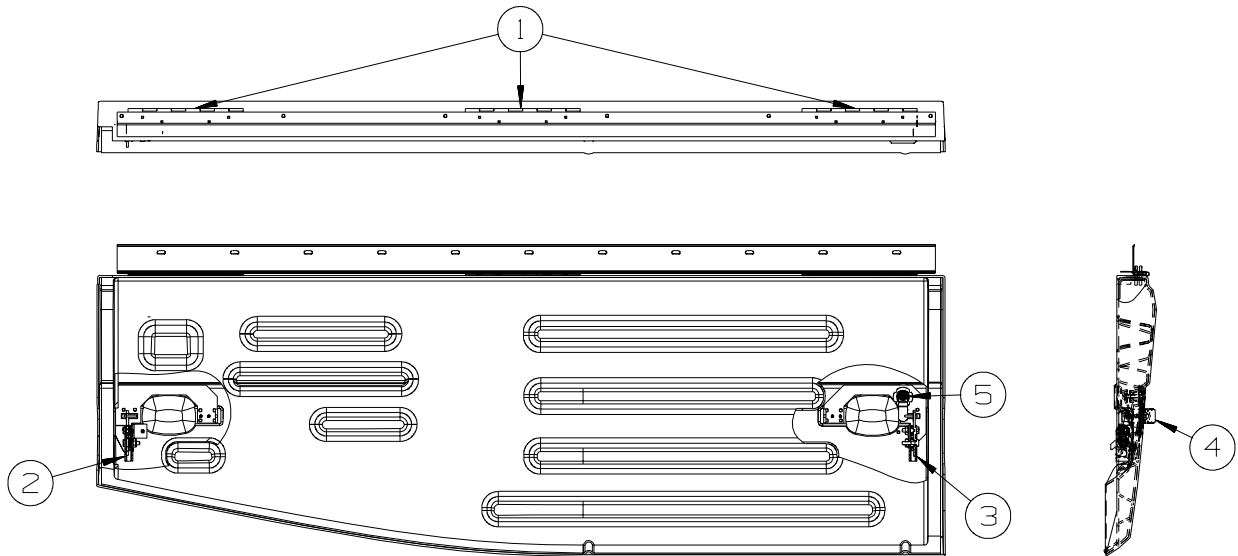
| KEY | PART NUMBER | U/M | DESCRIPTION | VENDOR NO. |
|-----|---------------|-----|------------------------------|------------|
| 1 | 094707-04-701 | EA | MOTOR "AM 214" F/IMGL STEPS | 1101428 |
| 1 | 094707-04-703 | EA | GEAR BOX W/LINKAGE-CURVED | 1101425 |
| 2 | 143709-01-700 | EA | CAM STOP | 1102200 |
| 10 | 094707-04-712 | EA | HARNESS/JUMPER W/DIODE | 1510000015 |
| 12 | 094707-04-702 | EA | COTTOR PIN - W/CLEVIS PIN | 905205000 |
| 13 | 143709-01-701 | EA | BUMPER - BLACK (RUBBER STOP) | 1602000 |
| 14 | 094707-04-700 | EA | CONTROL UNIT W/OVERRIDE | 909510000 |
| 16 | 143709-01-702 | EA | TREAD/NON-SKID 6" X 21" BLK | 1915260 |
| 17 | 094707-04-704 | EA | FRAME W/DBL STEP-32REINF SRS | 3202082 |
| 18 | 088746-01-705 | EA | LIGHT-UNDER STEP | 9004 |
| | 094707-03-701 | EA | PLUG - 4-WAY - PACKARD | 909306 |
| | 094707-04-711 | EA | KWIKTEST - W/4-WAY PIGTAIL | 909518000 |

CONTACT WINNEBAGO PART SALES FOR UNLISTED COMPONENT(S)

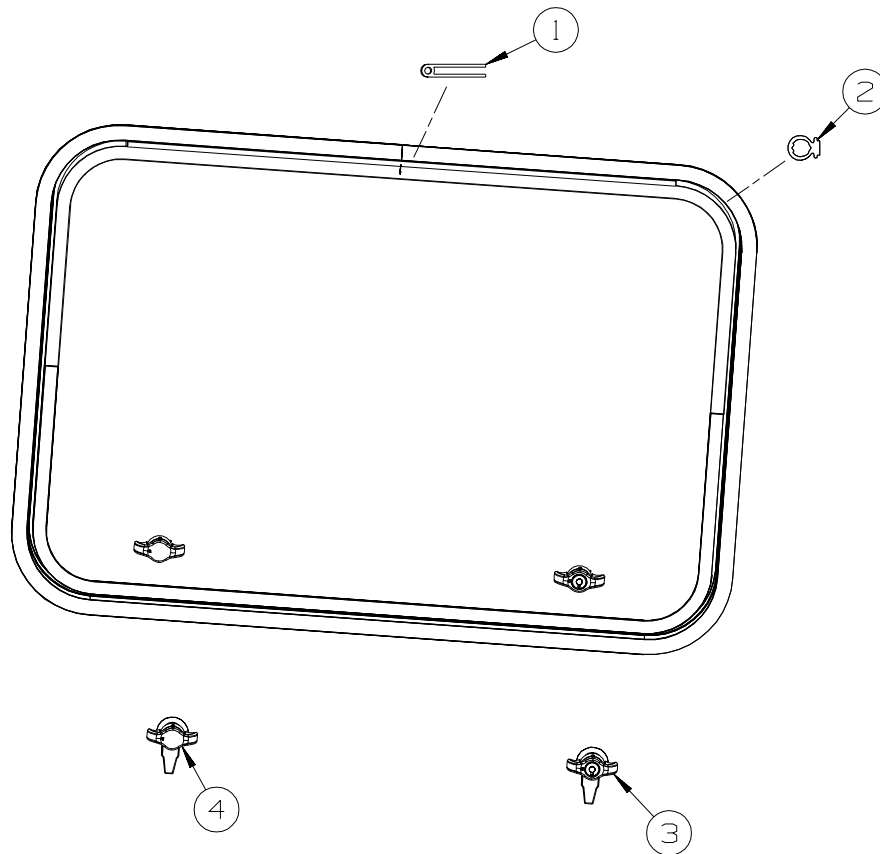
142226-02-01A

| KEY | PART NUMBER | U/M | DESCRIPTION | VENDOR NO |
|-----|---------------|-----|----------------------------|-----------|
| | 142226-02-700 | EA | TAB/LOCKING - ESCAPE (RED) | 9667709 |

EXTERIOR DOORS & COMPARTMENTS GROUP (CONTINUED)
COMPARTMENT DOOR PIECE PARTS

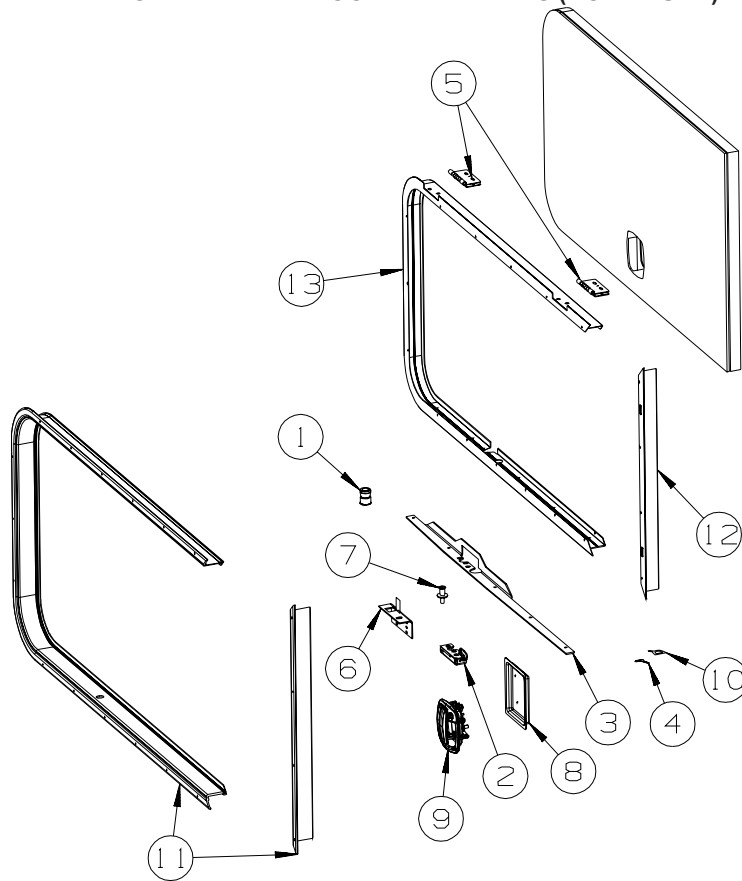


| KEY | PART NUMBER | U/M DESCRIPTION |
|-----|---------------|---|
| 1 | 158982-01-04B | EA HINGE - CONTINUOUS - 2" X 8" - BLACK |
| 2 | 149359-05-01A | EA LATCH - SINGLE ROTOR - MINI/RIGHT HAND - HOOD - ZINC |
| 3 | 149359-06-01A | EA LATCH - SINGLE ROTOR - MINI/LEFT HAND - HOOD - ZINC |
| 4 | 160558-01-02A | EA HANDLE/DOOR - COMPARTMENT - W/O LOCK - PEWTER |
| 5 | 138290-04-000 | EA CASE - W/CAM - W/O CYLINDER/KEY |



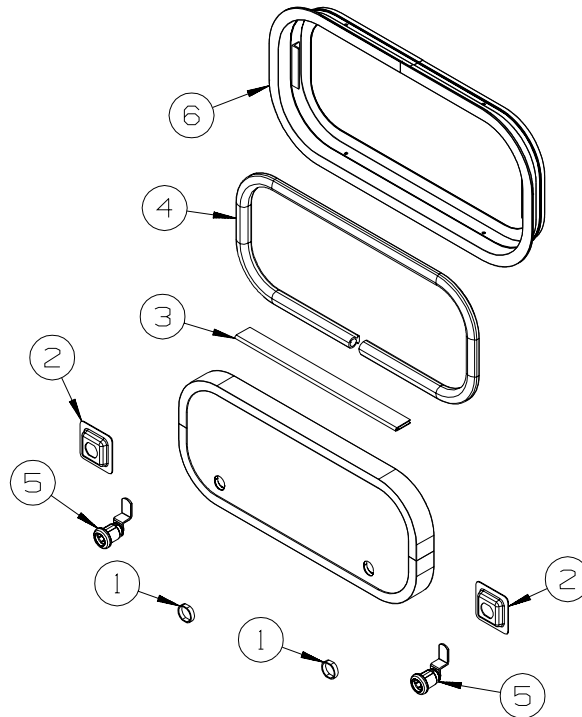
| KEY | PART NUMBER | U/M DESCRIPTION |
|-----|---------------|---|
| 1 | 081801-V3-000 | EA HINGE - DOOR - PIANO - 2" X 96" - BRIGHT WHITE |
| 2 | 156386-01-01A | FT SEAL - BULB - W/ADHESIVE BACK |
| 3 | 154066-01-01A | EA LATCH - VISE ACTION/LOCKING - BLACK |
| | 154066-13-000 | EA HARDWARE KIT - W/PAWL/CAM - STRAIGHT |
| 4 | 154066-02-01A | EA LATCH - VISE ACTION/NON-LOCKING - BLACK |
| | 154066-13-000 | EA HARDWARE KIT - W/PAWL/CAM - STRAIGHT |

EXTERIOR DOORS & COMPARTMENTS GROUP (CONTINUED)
COMPARTMENT DOOR PIECE PARTS (CONTINUED)



| KEY | PART NUMBER | U/M | DESCRIPTION |
|-----|---------------|-----|--|
| 1 | 072893-04-000 | EA | NUTSERT - 10-32 |
| 2 | 112782-22-01A | EA | LATCH - SINGLE ROTOR |
| 3 | 154530-03-02B | EA | STIFFENER/DOOR - FORMED - E-COATED |
| 4 | 075671-04-000 | FT | SEAL - SPONGE - LAZY T - W/ADHESIVE STRIP - .5" WIDE |
| 5 | 106719-02-05A | EA | HINGE - STORAGE DOOR - 3.6" X 3.8" - BRIGHT WHITE |
| 5 | 106719-02-03A | EA | HINGE - STORAGE DOOR - 3.6" X 3.8" - BLACK |
| 6 | 137401-01-03B | EA | BRACKET - DOOR ANGLE - OFF WHITE |
| 7 | 092927-14-000 | EA | STRIKER - ROUND - JAMB MOUNTED |
| 8 | 112782-25-02A | EA | COVER - LATCH PLATE - BRIGHT WHITE |
| 8 | 112782-25-01A | EA | COVER - LATCH PLATE - BLACK |
| 9 | 112782-24-01A | EA | LATCH/PADDLE - COMPT DOOR - W/O CYLINDER - BLACK |
| 10 | 146556-01-000 | FT | SEAL - D SECTION W/LEG |
| 11 | 121898-22-01A | EA | JAMB - DOOR/ENTRANCE - BRIGHT WHITE |
| 11 | 121898-22-02A | EA | JAMB - DOOR/ENTRANCE - BLACK |
| 12 | 121893-01-01A | EA | FRAME - ENTRY DOOR/BOTTOM - BRIGHT WHITE |
| 12 | 121893-01-02A | EA | FRAME - ENTRY DOOR/BOTTOM - BLACK |
| 13 | 121894-32-01A | EA | FRAME - ENTRY DOOR - BRIGHT WHITE |
| 13 | 121894-32-02A | EA | FRAME - ENTRY DOOR - BLACK |

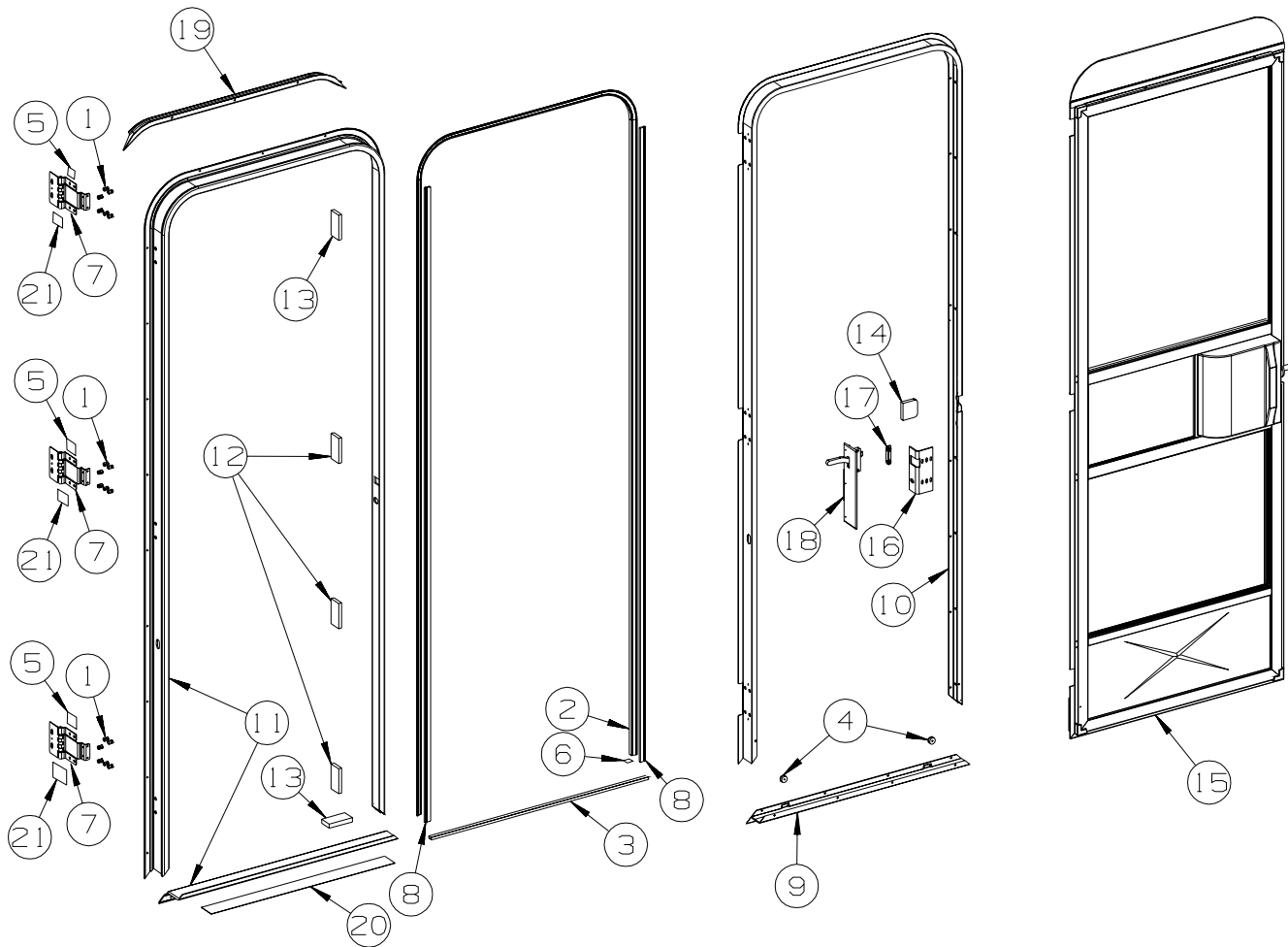
EXTERIOR DOORS & COMPARTMENTS GROUP (CONTINUED)
COMPARTMENT DOOR PIECE PARTS (CONTINUED)



| KEY | PART NUMBER | U/M | DESCRIPTION |
|-----|---------------|-----|---|
| 1 | 144734-01-000 | EA | SPACER - COMPARTMENT DOOR LOCK - 9/16" DEEP |
| 1 | 139325-01-000 | EA | SPACER - LOCK - 6MM - TRI/MARK KEY ONE |
| | 139337-01-000 | EA | GASKET - LOCK - TRI/MARK KEY ONE |
| 2 | 097111-02-04A | EA | POCKET - LOCK - REAR DOOR - BLACK - TRI/MARK KEY ONE |
| 3 | 081801-V3-000 | EA | HINGE - DOOR - PIANO - 2" X 96" - BRIGHT WHITE |
| 3 | 081801-FN-000 | EA | HINGE - DOOR - PIANO - 2" X 96" - BLACK |
| 4 | 156386-01-01A | FT | SEAL - BULB - .4" X .5" - W/ADHESIVE BACK |
| 5 | 110506-27-000 | EA | LOCK - TWIST - 1.6" - TWIST LOCK |
| | 110506-55-000 | EA | CASE/CYLINDER - TWIST LOCK - W/O CAM - 1.25" - 597312AA1 - TWIST LOCK |
| | 110506-66-000 | EA | CAM - LATCHING - DOG LEG - 1.5" LONG - TWIST LOCK |
| 5 | 138290-02-000 | EA | CASE - W/CAM - W/O CYLINDER/KEY - TRI/MARK KEY ONE |
| 5 | 138637-04-000 | EA | LOCK ASM. - KEYED - 1.5" CASE (CYLINDER/CAM/HDWR PKG) - KEYED LOCK |
| | 110506-40-000 | EA | CLIP-E, LOCK ASM - BRIGGS & STRATTON 93981- KEYED LOCK |
| | 110506-41-000 | EA | WASHER-TENSION LOCK ASM - BRIGGS & STRATTON 37512- KEYED LOCK |
| | 110506-42-000 | EA | NUT-LOCK ASM - BRIGGS & STRATTON 310878- KEYED LOCK |
| | 110506-43-000 | EA | WASHER-FLAT, LOCK ASM - BRIGGS & STRATTON 82089- KEYED LOCK |
| | 110506-44-000 | EA | GASKET-LOCK ASM - BRIGGS & STRATTON - #47701- KEYED LOCK |
| | 110506-45-000 | EA | WASHER - SPUR - BRIGGS & STRATTON - #94771 - KEYED LOCK |
| | 144474-01-000 | EA | ADAPTER - LOCK - 180 DEGREE- KEYED LOCK |
| | 138637-63-000 | EA | CAM - LATCHING - DOG LEG - 1 1/2" LONG- KEYED LOCK |
| | 138637-53-000 | EA | CASE/CYLINDER - LOCKING - W/O CAM/KEY - 1.5"- KEYED LOCK |
| | 138637-53-001 | EA | CASE/CYLINDER - LOCKING - W/O CAM/KEY - 1.5"- KEYED LOCK |
| | 138637-53-002 | EA | CASE/CYLINDER - LOCKING - W/O CAM/KEY - 1.5"- KEYED LOCK |
| | 138637-53-003 | EA | CASE/CYLINDER - LOCKING - W/O CAM/KEY - 1.5"- KEYED LOCK |
| | 138637-53-004 | EA | CASE/CYLINDER - LOCKING - W/O CAM/KEY - 1.5"- KEYED LOCK |
| | 138637-53-005 | EA | CASE/CYLINDER - LOCKING - W/O CAM/KEY - 1.5"- KEYED LOCK |
| | 138637-53-006 | EA | CASE/CYLINDER - LOCKING - W/O CAM/KEY - 1.5"- KEYED LOCK |
| | 138637-53-007 | EA | CASE/CYLINDER - LOCKING - W/O CAM/KEY - 1.5"- KEYED LOCK |
| | 138637-53-008 | EA | CASE/CYLINDER - LOCKING - W/O CAM/KEY - 1.5"- KEYED LOCK |
| | 138637-53-009 | EA | CASE/CYLINDER - LOCKING - W/O CAM/KEY - 1.5"- KEYED LOCK |
| 6 | 056795-01-000 | FT | TAPE-SEAL, 1/8" X 3/8" WIDE - PRESS ON |

EXTERIOR DOORS & COMPARTMENTS GROUP (CONTINUED)

ENTRY

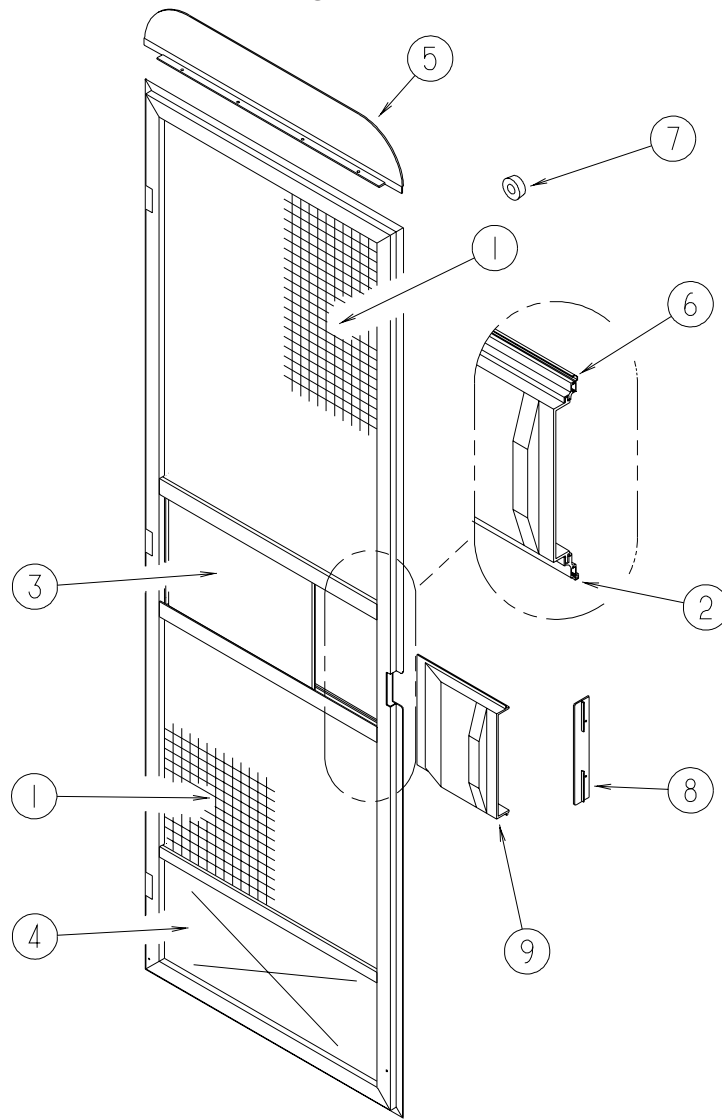


| KEY | PART NUMBER | U/M | DESCRIPTION |
|-----|---------------|-----|--|
| 1 | 039715-01-000 | EA | NUT-SERT - 1/4" DIAMETER - 20 THREADS |
| 2 | 075671-05-000 | FT | SEAL - SPONGE - LAZY T - 1/2"W - W/ADHESIVE STRIP |
| 3 | 075673-05-000 | FT | SEAL/PILE - .5" HIGH W/ADHESIVE BACK - BLACK |
| 4 | 081914-02-000 | EA | BUMPER - RUBBER - ROUND - 5/16" DIA. X 13/64" THICK |
| 5 | 100128-02-000 | FT | SEAL - FOAM/ADHESIVE BACK - .37" WIDE X .37" THICK |
| 6 | 104692-01-000 | FT | SEAL - ADHESIVE BACKED FOAM - 3/4" THICK X 3/4" WIDE X 25' |
| 7 | 106719-01-05A | EA | HINGE - ENTRY DOOR - BRIGHT WHITE |
| 7 | 106719-01-08A | EA | HINGE - ENTRY DOOR - BLACK |
| 8 | 118929-01-01A | FT | SEAL - PILE - PUSH ON |
| 9 | 121893-01-01A | EA | FRAME - ENTRY DOOR/LOWER - BRIGHT WHITE |
| 9 | 121893-01-04A | EA | FRAME - ENTRY DOOR/BOTTOM - BLACK |
| 10 | 121894-31-01A | EA | FRAME - ENTRY DOOR - BRIGHT WHITE |
| 10 | 121894-31-02A | EA | FRAME - ENTRY DOOR - BLACK |
| 11 | 121898-21-01A | EA | JAMB - DOOR/ENTRANCE - BRIGHT WHITE |
| 11 | 121898-21-02A | EA | JAMB - DOOR/ENTRANCE - BLACK |
| 12 | 125724-01-000 | EA | SHIM - DOOR, ENTRANCE |
| 13 | 125724-02-000 | EA | SHIM - DOOR, ENTRANCE |
| 14 | 130096-05-000 | EA | FOAM - SCREEN DOOR, RETAINER |
| 15 | P32208-06-S34 | EA | DOOR - SCREEN - W/O STRIKE/SLIDER/HDW - BRIGHT WHITE |
| 15 | P32208-06-W37 | EA | DOOR - SCREEN - W/O STRIKE/SLIDER/HDW - BLACK |
| 16 | 137401-01-03B | EA | BRACKET - DOOR ANGLE - OFF WHITE |
| 17 | 148364-01-12B | EA | STRIKE - SCREEN DOOR - BRIGHT WHITE |
| 17 | 148364-01-04B | EA | STRIKE - SCREEN DOOR - BLACK |
| 18 | 132915-01-01A | EA | LATCH - SCREEN DOOR - BLACK |
| 19 | 139054-01-01A | EA | CAP - DRIP - JAMB MOUNTED - BRIGHT WHITE |
| 19 | 139054-01-02A | EA | CAP - DRIP - JAMB MOUNTED - BLACK |
| 20 | 038327-01-000 | EA | TAPE - ANTI-SLIP - 2" X 60' |
| | 168053-01-000 | FT | SEAL - ENTRANCE DOOR |

FROM: 02-18-08 THRU: 99-99-99

EXTERIOR DOORS & COMPARTMENTS GROUP (CONTINUED)

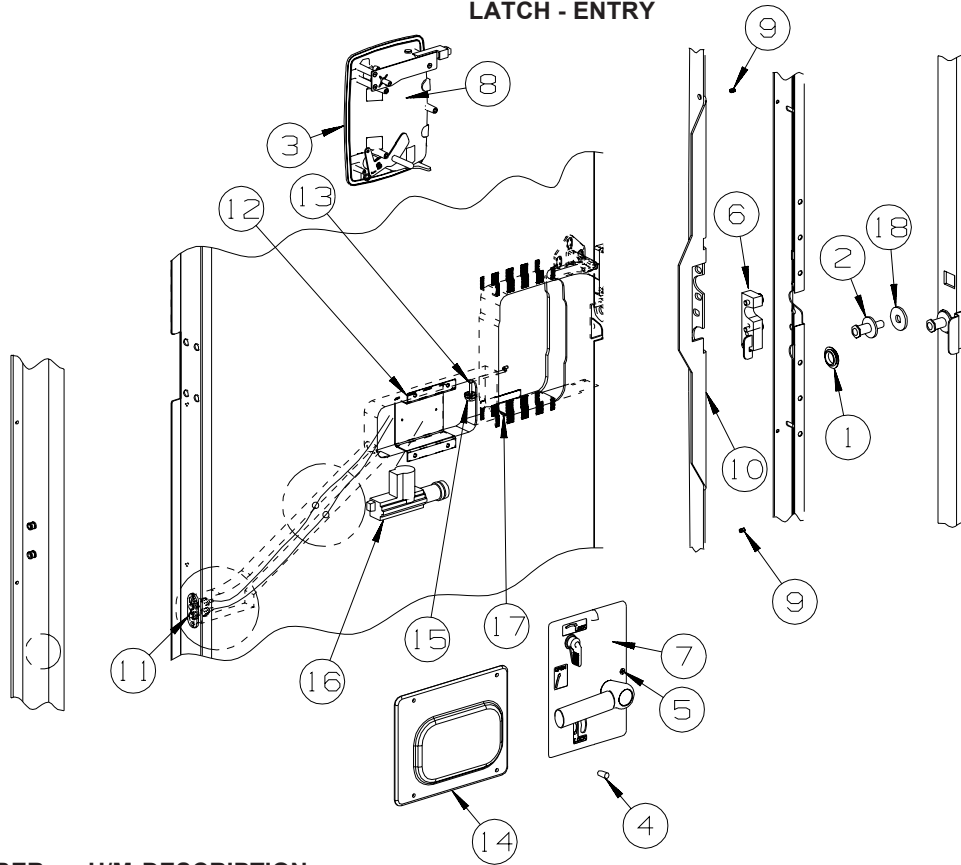
SCREEN



| KEY | PART NUMBER | U/M DESCRIPTION |
|-----|---------------|---|
| 1 | 002293-02-000 | SF SCREEN - 26" - CHARCOAL |
| 2 | 002294-01-000 | FT SPLINE - SCREENING - .13" X .14" |
| 3 | 016454-21-000 | EA INSERT/CENTER - SCREEN DOOR |
| 4 | 078552-03-000 | EA KICK PANEL - SCREEN DOOR - LOWER INSERT - UNPAINTED |
| 5 | 078595-01-000 | EA TOP PLATE - SCREEN DOOR - CURVED TOP - 4.7" X 25.35" |
| 6 | 078777-08-000 | FT CHANNEL - SLIDER - 4 FOOT INCREMENTS |
| 7 | 120863-09-000 | EA BUMPER - RUBBER/RADIUS TOP - 3/4" X 3/8" - LT GRAY |
| 8 | 132081-01-01A | EA STRIKE - SLIDER - SCREEN DOOR - BRIGHT WHITE |
| 8 | 132081-01-03A | EA STRIKE - SLIDER - SCREEN DOOR - BLACK |
| 9 | 132082-01-01A | EA SLIDER - SCREEN DOOR - BRIGHT WHITE |
| 9 | 132082-01-03A | EA SLIDER - SCREEN DOOR - BLACK |

EXTERIOR DOORS & COMPARTMENTS GROUP (CONTINUED)

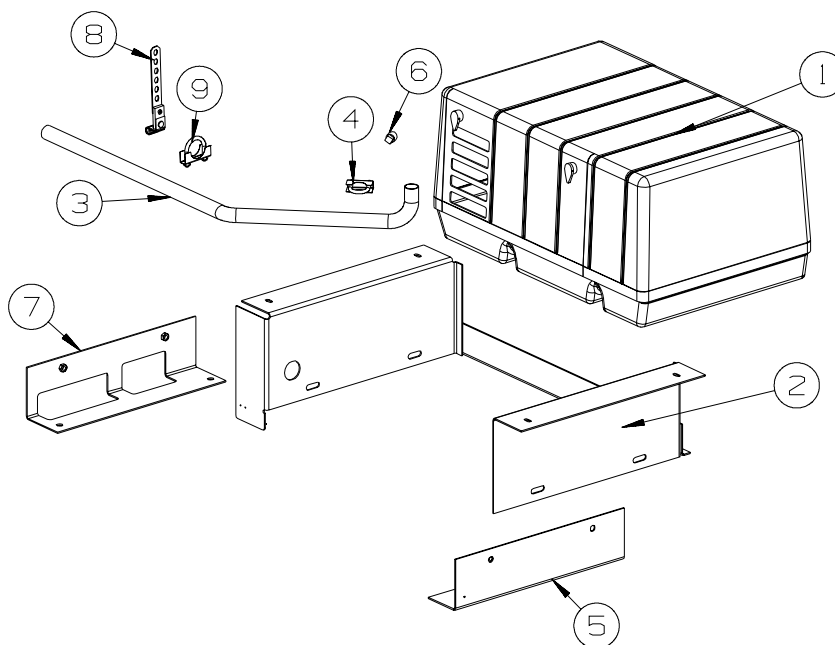
LATCH - ENTRY



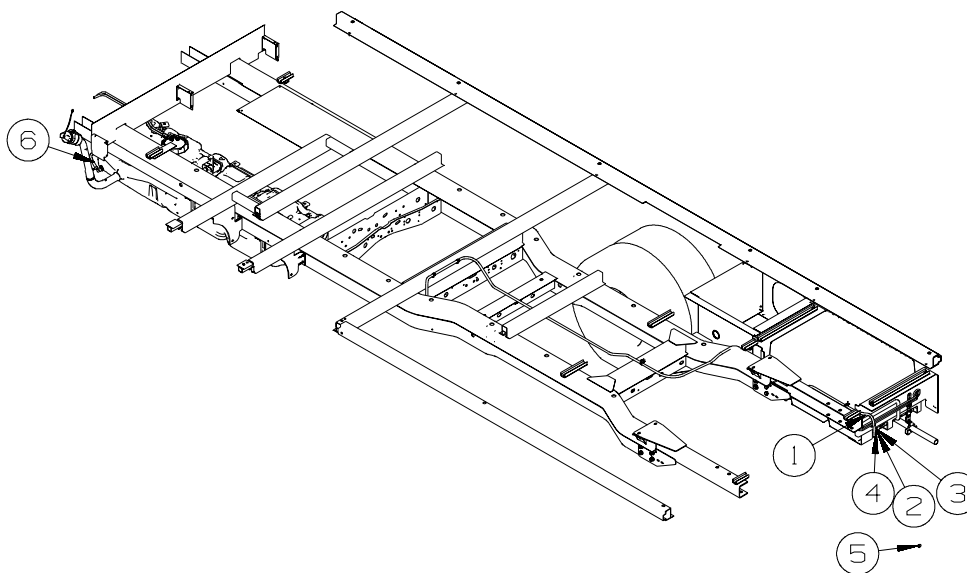
| KEY | PART NUMBER | U/M | DESCRIPTION |
|-----|---------------|-----|--|
| 1 | 061420-14-000 | EA | PLUG/PLASTIC - 7/8" DIAMETER - BLACK |
| 2 | 092927-20-000 | EA | STRIKER - BOLT |
| 3 | 112782-04-01A | EA | GASKET |
| 4 | 112782-05-01A | EA | CAP - VINYL - RED |
| 5 | 112782-08-01A | EA | SCREW - MOUNTING/PLATE - ZINC |
| 6 | 112782-22-01A | EA | LATCH - SINGLE ROTOR |
| 7 | 112782-27-01A | EA | LATCH - INTERIOR PLATE |
| 8 | 112782-20-01A | EA | LATCH - EXTERIOR - W/O LOCK CYLINDER W/ICON-REVERSIBLE KEY |
| 9 | 072893-04-000 | EA | NUTSERT - 10-32 |
| 10 | 132207-01-02B | EA | STIFFENER/DOOR - FORMED - E-COATED |
| 10 | 132207-03-02B | EA | STIFFENER/DOOR - FORMED - E-COATED - VIEW, ASPECT, NAVION, CAMBRIA |
| 11 | 138897-01-000 | EA | SWITCH - 2 PIN/SPRING LOADED CONTACTS (EA=1 SWITCH) |
| 12 | 113650-02-02B | EA | BRACKET - ACTUATOR - ELECTRIC - E-COATED |
| 13 | 113651-01-01A | EA | ROD - CONTROL - MOTOR/LOCK |
| 14 | 113960-01-01A | EA | COVER - ACTUATOR - POWER LOCK |
| 15 | 147900-01-01A | EA | SPACER-STRIKE BOLT, MILL |
| 16 | 138898-01-000 | EA | ACTUATOR/LOCK - ELECTRIC |
| 17 | 137230-01-01A | EA | SPACER- NOTCHED, MILL |

GENERATOR GROUP

GAS

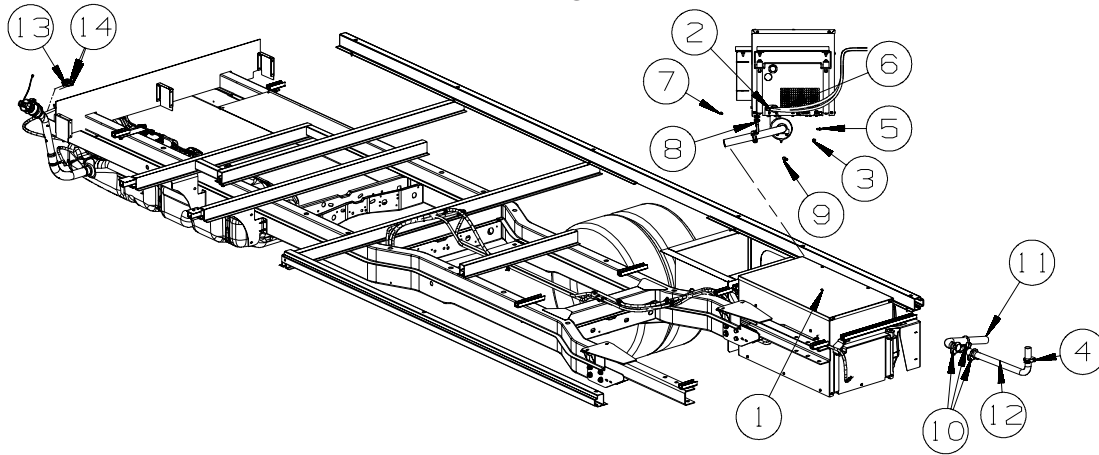


| KEY | PART NUMBER | U/M | DESCRIPTION |
|-----|---------------|-----|---|
| 1 | 109982-04-000 | EA | GENERATOR - 3.6 MICROLITE - ONAN - GEN-3.6KW ONAN LP |
| 1 | 109982-03-000 | EA | GENERATOR - 4.0 MICROLITE - ONAN - GEN-4.0KW ONAN GAS |
| 2 | 151797-02-02B | EA | COMPARTMENT - GENERATOR - E-COATED |
| 3 | 151809-02-000 | EA | PIPE - EXHAUST/GENERATOR |
| 4 | 007125-04-000 | EA | CLAMP - MUFFLER - 1.12"DIAMETER |
| 5 | 114071-02-02B | EA | SUPPORT - GENERATOR - RIGHT |
| 6 | 145609-01-000 | EA | PLUG - BRASS - 1/2" MPT/HEX HEAD |
| 7 | 114070-02-02B | EA | SUPPORT - GENERATOR - LEFT |
| 8 | 007131-01-000 | EA | HANGER - TAILPIPE - 6 SLOTS |
| 9 | 007125-03-000 | EA | CLAMP - MUFFLER - 1.5"DIAMETER |



| KEY | PART NUMBER | U/M | DESCRIPTION |
|-----|---------------|-----|---|
| 1 | 128139-03-000 | EA | HOSE - FUEL - LOW PERMEABILITY - 1/4" DIAMETER - GEN-4.0KW ONAN GAS |
| 2 | 075155-04-000 | EA | COUPLING - PIPE - 1/8" - BRASS - GEN-4.0KW ONAN GAS |
| 3 | 114254-01-000 | EA | ADAPTER - 1/4"BARB X 1/8"MPT - GEN-4.0KW ONAN GAS |
| 4 | 114254-02-000 | EA | ADAPTER - 5/16 SINGLE BARB X 1/8 MPT |
| 5 | 165404-01-000 | EA | CAP/PIPE - 1/8"NPT - BRASS |
| 6 | 128139-04-000 | EA | HOSE - FUEL - LOW PERMEABILITY - 5/16"ID |

GENERATOR GROUP (CONTINUED) DIESEL



| KEY | PART NUMBER | U/M | DESCRIPTION |
|-----|---------------|-----|---|
| 1 | 164592-01-000 | EA | GENERATOR - 3.2KW - DIESEL - ONAN #HDZAA-6508A - GEN-3.2 KW ONAN DSL |
| 2 | 128139-03-000 | EA | HOSE - FUEL - LOW PERMEABILITY-1/4" DIAMTR - GEN PREP KIT-DIESEL OR GEN-3.2 KW ONAN DSL |
| 3 | 165404-01-000 | EA | CAP/PIPE - 1/8"NPT - BRASS - GEN PREP KIT-DIESEL |
| 4 | 007125-04-000 | EA | CLAMP - MUFFLER - 1.12"DIAMETER - GEN-3.2 KW ONAN DSL |
| 5 | 114254-02-000 | EA | ELBOW - 5/16 SINGLE BARB X 1/4 MPT - GEN PREP KIT-DIESEL OR GEN-3.2 KW ONAN DSL |
| 6 | 128139-04-000 | EA | HOSE - FUEL - LOW PERMEABILITY - 5/16"ID - GEN PREP KIT-DIESEL OR GEN-3.2 KW ONAN DSL |
| 7 | 084884-01-000 | EA | PLUG - BRASS - 3/8" - GEN PREP KIT-DIESEL |
| 8 | 007131-01-000 | EA | HANGER - TAILPIPE - 6 SLOTS - GEN-3.2 KW ONAN DSL |
| 9 | 114253-04-000 | EA | ELBOW - 5/16 SINGLE BARB X 1/8 MPT - GEN-3.2 KW ONAN DSL |
| 10 | 007125-03-000 | EA | CLAMP - MUFFLER - 1.5"DIAMETER - GEN-3.2 KW ONAN DSL |
| 11 | 165531-01-000 | EA | PIPE - EXHAUST/GENERATOR - GEN-3.2 KW ONAN DSL |
| 12 | 165532-01-000 | EA | PIPE - EXHAUST/GENERATOR - GEN-3.2 KW ONAN DSL |
| 13 | 114254-04-000 | EA | ADAPTER - 1/4 SINGLE BARB X 1/4 MPT - GEN PREP KIT-DIESEL OR GEN-3.2 KW ONAN DSL |
| 14 | 114254-03-000 | EA | ADAPTER - 3/8 SINGLE BARB X 1/4 MPT - GEN PREP KIT-DIESEL OR GEN-3.2 KW ONAN DSL |

HEATING & A/C GROUP

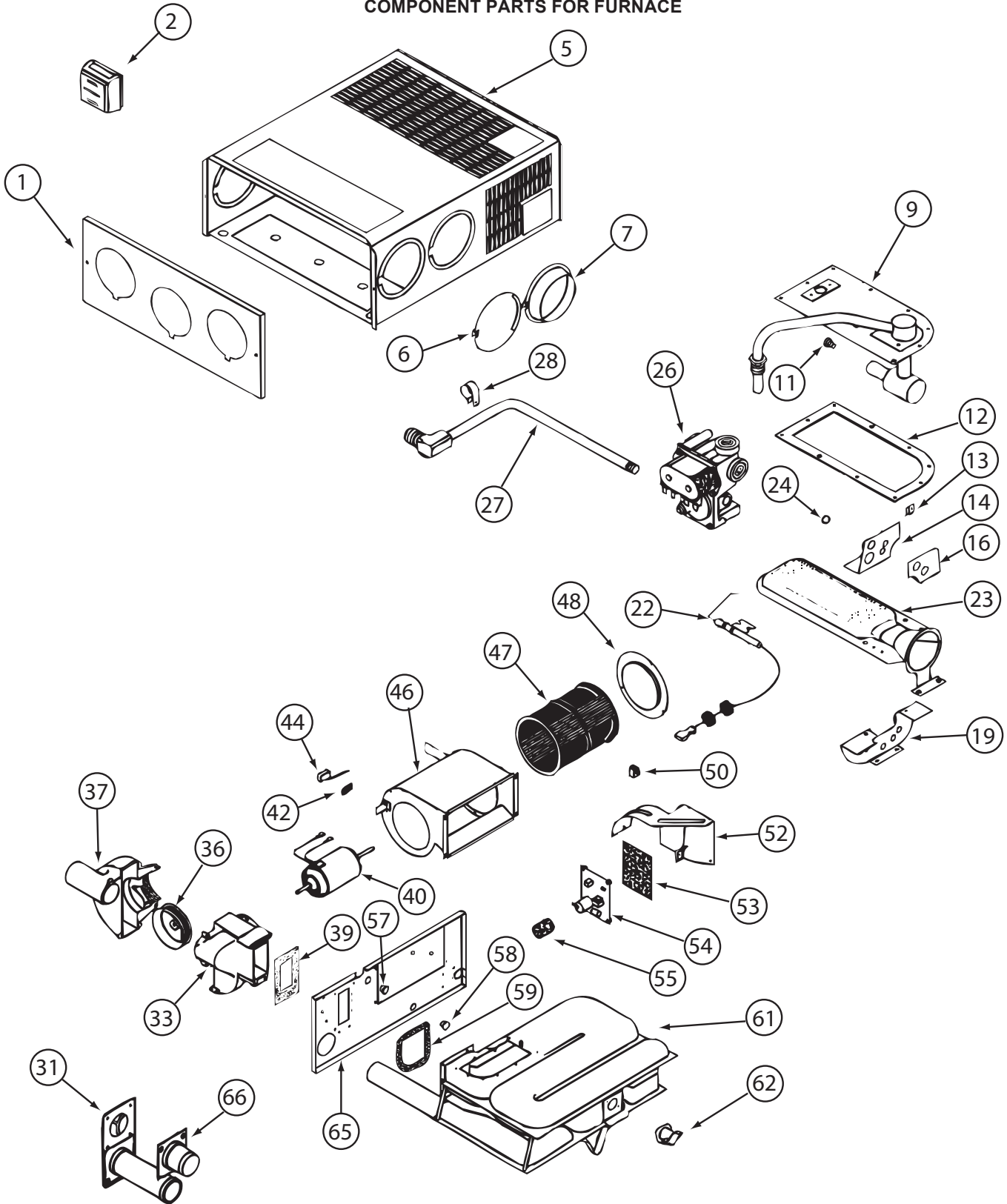
FURNACE

| KEY | PART NUMBER | U/M | DESCRIPTION |
|-----|---------------|-----|---|
| | 098668-15-000 | EA | PLATE - FACE - SUBURBAN FURNACE - 524H FROM: 00-00-00 THRU: 07-15-07 |
| | 139980-14-000 | EA | PLATE/FACE - SUBURBAN FURNACE - 524H FROM: 07-16-07 THRU: 99-99-99 |
| | 093614-01-02A | EA | GRILLE - AIR RETURN - 15.9" X 7.9" - BEIGE |
| | 098668-23-000 | EA | DOOR - ACCESS - FURNACE - BRIGHT WHITE |
| | 139980-10-03A | EA | DOOR - ACCESS/FURNACE - BLACK - 524CL, 524DL |
| * | 139980-01-000 | EA | FURNACE - 25000 BTU - SF QUIET - SUBURBAN SF-25 2320J |
| * | 139980-01-000 | EA | FURNACE - 25000 BTU - SF QUIET - SUBURBAN SF-25 2320J - 524CL, 524DL FROM: 00-00-00 THRU: 03-08-08 |
| | 139980-15-000 | EA | FURNACE - 20000 BTU - SF QUIET - SUBURBAN SF-20 - 524CL, 524DL FROM: 03-09-08 THRU: 99-99-99 |
| | 143563-05-000 | EA | GASKET - FIBERGLASS - SUBURBAN #071018 |
| | 056464-10-000 | EA | REGISTER W/O DAMPER - 4" DIAMETER - PLASTIC - BEIGE |
| | 056464-09-000 | EA | REGISTER W/DAMPER - 4" DIAMETER - PLASTIC - BEIGE |
| | 137965-01-02A | EA | REGISTER - 11.2" X 3.6"(9.7 X 2.1"R/O) W/O DAMPER-ANT PWTR |
| | 137965-03-02A | EA | REGISTER - 11.2" X 3.6"(9.7 X 2.1"R/O) W/O DAMPER-ANT PWTR |
| | 137965-04-02A | EA | REGISTER - 11.2" X 3.6"(9.7 X 2.1"R/O) W/DAMPER - ANT PWTR |
| | 098668-26-000 | EA | BOTTOM DUCT KIT - 40,000 BTU |
| | 009198-02-000 | FT | DUCT - HEAT - FLEXIBLE - 2" ID X 25' |
| | 009198-01-000 | FT | DUCT - HEAT - FLEXIBLE - 4" ID X 25' |
| | 069636-02-000 | EA | CONNECTOR - DUCT - 4" ID |
| | 157225-01-02A | EA | OUTLET - DEFROSTER - W/SWIVEL - 2" SLEEVE/4"OD - WHITE |
| | 157225-01-05A | EA | OUTLET - DEFROSTER - W/SWIVEL - 2" SLEEVE/4"OD -RIVERSTONE |
| | 118761-01-000 | EA | REDUCER - 4"-2" - GALVANIZED |

*COMPONENT PARTS LISTED LATER IN THIS GROUP

HEATING & A/C GROUP (CONTINUED)

COMPONENT PARTS FOR FURNACE



139980-01-000

HEATING & A/C GROUP (CONTINUED)
COMPONENT PARTS FOR FURNACE (CONTINUED)

139980-01-000 (CONTINUED)

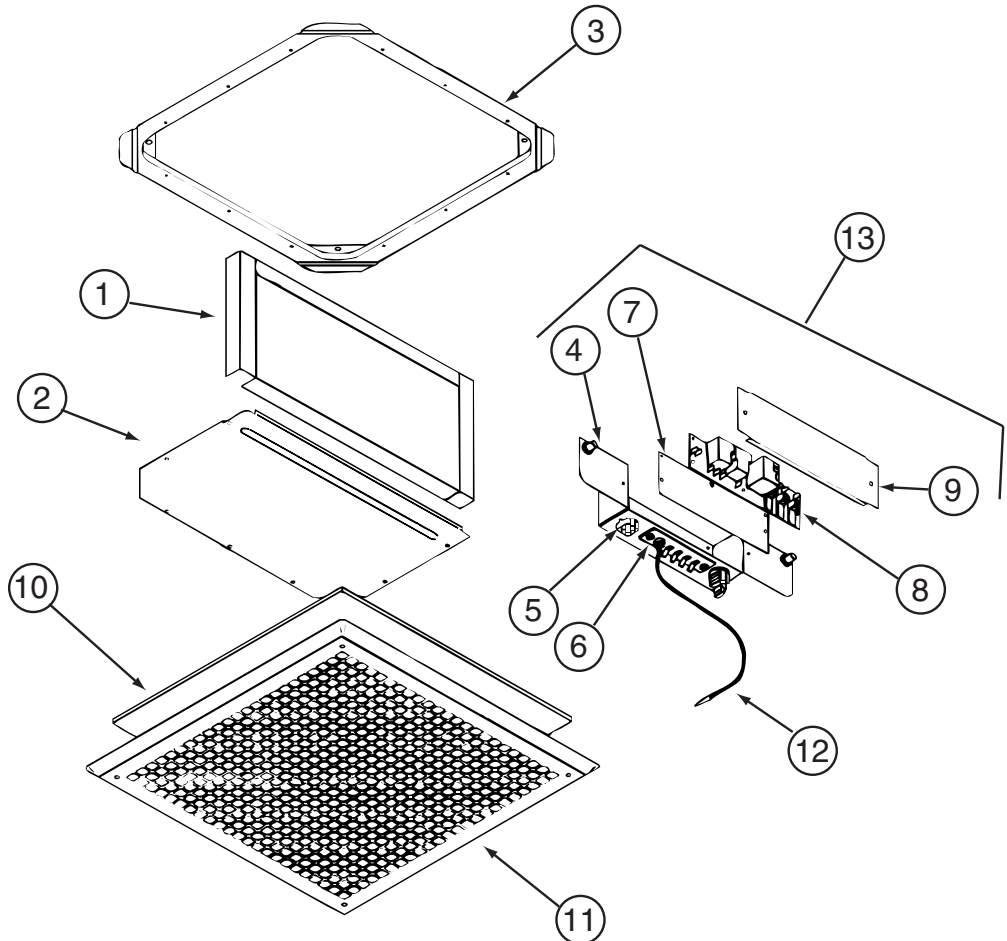
| KEY | PART NUMBER | U/M | DESCRIPTION | VENDOR NO. |
|------------|--------------------|------------|--|-------------------|
| 9 | 139980-01-700 | EA | MANIFOLD ASSEMBLY | 171571 |
| 11 | 090039-01-703 | EA | ORIFICE-MAIN BURNER | 180193 |
| 12 | 098668-22-703 | EA | GASKET - BURNER ACCESS COVER | 070811 |
| 22 | 139980-01-701 | EA | ELECTRODE | 232286 |
| 23 | 098668-01-703 | EA | BURNER ASSEMBLY | 010762 |
| 26 | 098668-01-718 | EA | VALVE-GAS SF S.N.974903079 | 161122 |
| 27 | 139980-01-702 | EA | PIPE ASSEMBLY/GAS INLET | 171574 |
| 31 | 098668-01-707 | EA | TUBE ASSEMBLY, EXHAUST W/CAP | 260231 |
| 33 | 139980-01-703 | EA | HOUSING/COMB. - FRONT/HALF | 390852 |
| 36 | 098668-01-706 | EA | WHEEL-COMBUSTION AIR | 350184 |
| 37 | 139980-01-704 | EA | HOUSING/COMB. - REAR/HALF | 390848 |
| 39 | 139980-01-705 | EA | GASKET/FIREWALL-COMB AIR | 071084 |
| 40 | 139980-01-706 | EA | MOTOR ASSEMBLY W/GASKET | 232682 |
| 42 | 101990-01-714 | EA | GASKET-MICROSWITCH | 230877 |
| 44 | 098668-21-700 | EA | SWITCH-MICRO-W/O FLAG 3 1/4" | 232261 |
| 46 | 139980-01-708 | EA | BLOWER ASSEMBLY - ROOM AIR | 390739BK |
| 47 | 098668-01-711 | EA | WHEEL-BLOWER, ROOM AIR | 350129 |
| 48 | 139980-01-709 | EA | ORFICE RING | 390696 |
| 50 | 139980-01-710 | EA | SWITCH - ON/OFF | 232351 |
| 52 | 139980-01-711 | EA | PANEL ASSEMBLY-MODULE BD | 101663 |
| 53 | 139980-01-712 | EA | INSULATOR - MODULE BD | 070807 |
| 54 | 098668-22-705 | EA | MODULE BD W/RELAY TIME DELAY | 520820 |
| 55 | 139980-01-713 | EA | CAP/INSULATOR-MODULE BD | 070973 |
| 57 | 139980-01-714 | EA | BUSHING - UNIVERSAL | 070362 |
| 58 | 139980-01-715 | EA | BUSHING - STRAIN RELIEF | 231809 |
| 59 | 098668-01-716 | EA | GASKET-FIREWALL,CHAMBER SIDE | 070808 |
| 61 | 139980-01-716 | EA | CHAMBER ASSEMBLY - FINAL | 021149BK |
| 62 | 098668-21-701 | EA | SWITCH - LIMIT | 232504 |
| 66 | 098668-01-713 | EA | TUBE ASSEMBLY, INTAKE | 051248 |
| | 098668-19-700 | EA | DOOR/CABINET ACCESS | 101888 |
| | 139980-02-700 | EA | BLOWER ASM-1/2 HOUSING/OUTER | 390851 |
| | 139980-02-701 | EA | BLOWER ASM-1/2 HOUSING/INNER | 390872 |
| | | | CONTACT WINNEBAGO PART SALES FOR UNLISTED COMPONENT(S) | |

HEATING & A/C GROUP (CONTINUED)

ROOF

| KEY | PART NUMBER | U/M | DESCRIPTION |
|-----|---------------|-----|--|
| | 131184-02-01A | EA | BOARD - DIVIDER - SILVER |
| * | 131184-01-01A | EA | CEILING ASSEMBLY - A/C DUCTED - WHITE FROM: 00-00-00 THRU: 07-22-07 |
| * | 131184-06-01A | EA | CEILING ASSEMBLY - A/C DUCTED - WHITE FROM: 07-23-07 THRU: 99-99-99 |
| * | 131184-05-01A | EA | CEILING ASSEMBLY - HEAT PUMP - WHITE - A/C HEAT PUMP - HI EFF, LOW PFL FROM: 00-00-00 THRU: 07-22-07 |
| * | 131184-07-01A | EA | CEILING ASSEMBLY - HEAT PUMP - DUCTED - WHITE - A/C HEAT PUMP - HI EFF, LOW PFL FROM: 07-23-07 THRU: 99-99-99 |
| * | 148644-01-01A | EA | A/C-ROOF - LOW PROFILE - ART WHITE - RVP 9203C876 |
| * | 148644-01-02A | EA | A/C-ROOF - LOW PROFILE - BLACK - RVP 9203C879 - FULL BODY PAINT |
| * | 148644-02-01A | EA | A/C-ROOF-LOW PROFILE/HEAT PMP-ART WHT-RVP9003C876 - A/C HEAT PUMP - HI EFF, LOW PFL |
| * | 148644-02-02A | EA | A/C-ROOF-BLACK - RVP 9003C879 - A/C HEAT PUMP - HI EFF, LOW PFL - FULL BODY PAINT |

*COMPONENT PARTS LISTED LATER IN THIS GROUP



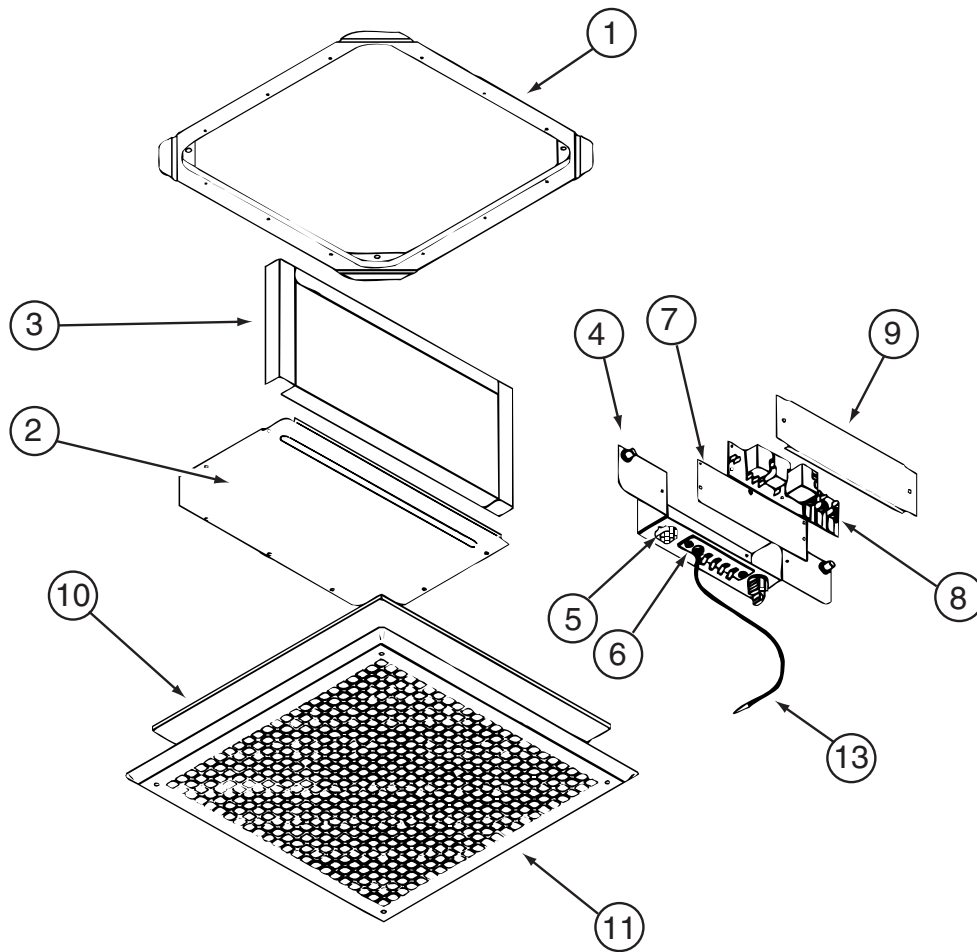
COMPONENT PARTS FOR ROOF

131184-01-01A

| KEY | PART NUMBER | U/M | DESCRIPTION | VENDOR NO. |
|-----|---------------|-----|-----------------------------|------------|
| 1 | 131184-01-707 | EA | DUCT DIVIDER | 8330-3501 |
| 5 | 131184-01-700 | EA | PLUG ASSEMBLY | 7330A389 |
| 6 | 131184-01-701 | EA | TERMINAL BOARD | 7330B3201 |
| 7 | 131184-01-702 | EA | ISOLATOR - BLANK | 7330C365 |
| 8 | 108892-01-702 | EA | BOARD-P.C. | 7330A3211 |
| 10 | 108892-01-703 | EA | FILTER | 6798A3761 |
| 11 | 108892-01-704 | EA | GRILLE 16 3/8X16 3/8 RETURN | 6798-3041 |
| 12 | 131184-01-704 | EA | COIL SENSOR | 7330-6111 |
| 13 | 131184-01-705 | EA | JUNCTION BOX ASSEMBLY | 7330B5551 |
| | 131184-01-703 | EA | SMALL PARTS PKG | 8330-5961 |

CONTACT WINNEBAGO PART SALES FOR UNLISTED COMPONENT(S)

HEATING & A/C GROUP (CONTINUED)
COMPONENT PARTS FOR ROOF (CONTINUED)

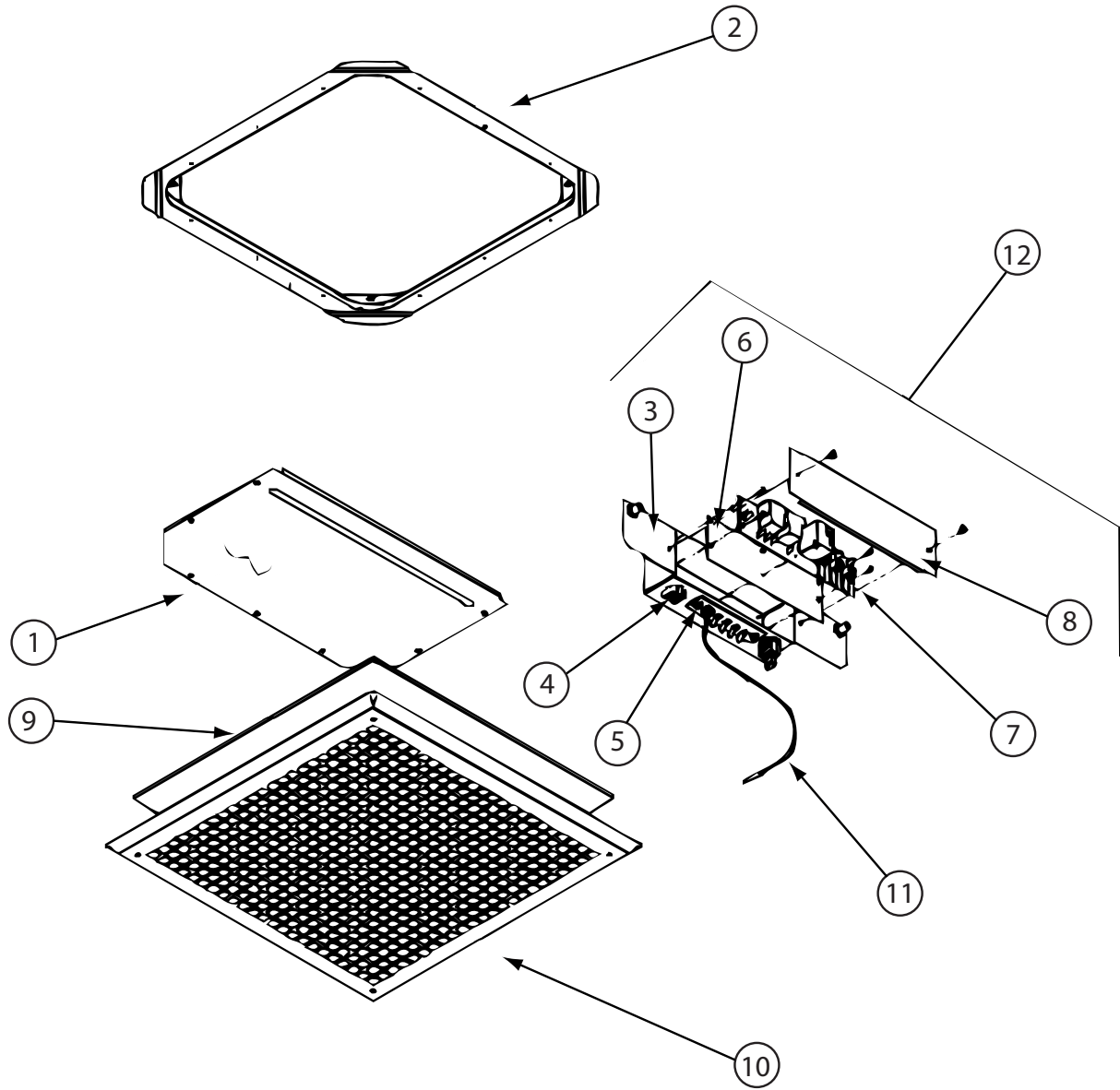


131184-05-01A

| KEY | PART NUMBER | U/M | DESCRIPTION | VENDOR NO. |
|-----|---------------|-----|-----------------------------|------------|
| 4 | 131184-05-700 | EA | BOX - JUNCTION | 8530-5091 |
| 5 | 131184-04-700 | EA | PLUG ASSEMBLY | 7530A340 |
| 6 | 131184-04-702 | EA | BOARD - TERMINAL | 7530B3201 |
| 7 | 131184-01-702 | EA | ISOLATOR - BLANK | 7330C365 |
| 8 | 131184-04-705 | EA | BOARD - P.C. | 7330B3311 |
| 10 | 108892-01-703 | EA | FILTER | 6798A3761 |
| 11 | 108892-01-704 | EA | GRILLE 16 3/8X16 3/8 RETURN | 6798-3041 |
| 13 | 105620-12-719 | EA | COIL SENSOR | 7330A3231 |
| | 131184-01-703 | EA | SMALL PARTS PKG | 8330-5961 |

CONTACT WINNEBAGO PART SALES FOR UNLISTED COMPONENT(S)

HEATING & A/C GROUP (CONTINUED)
COMPONENT PARTS FOR ROOF (CONTINUED)

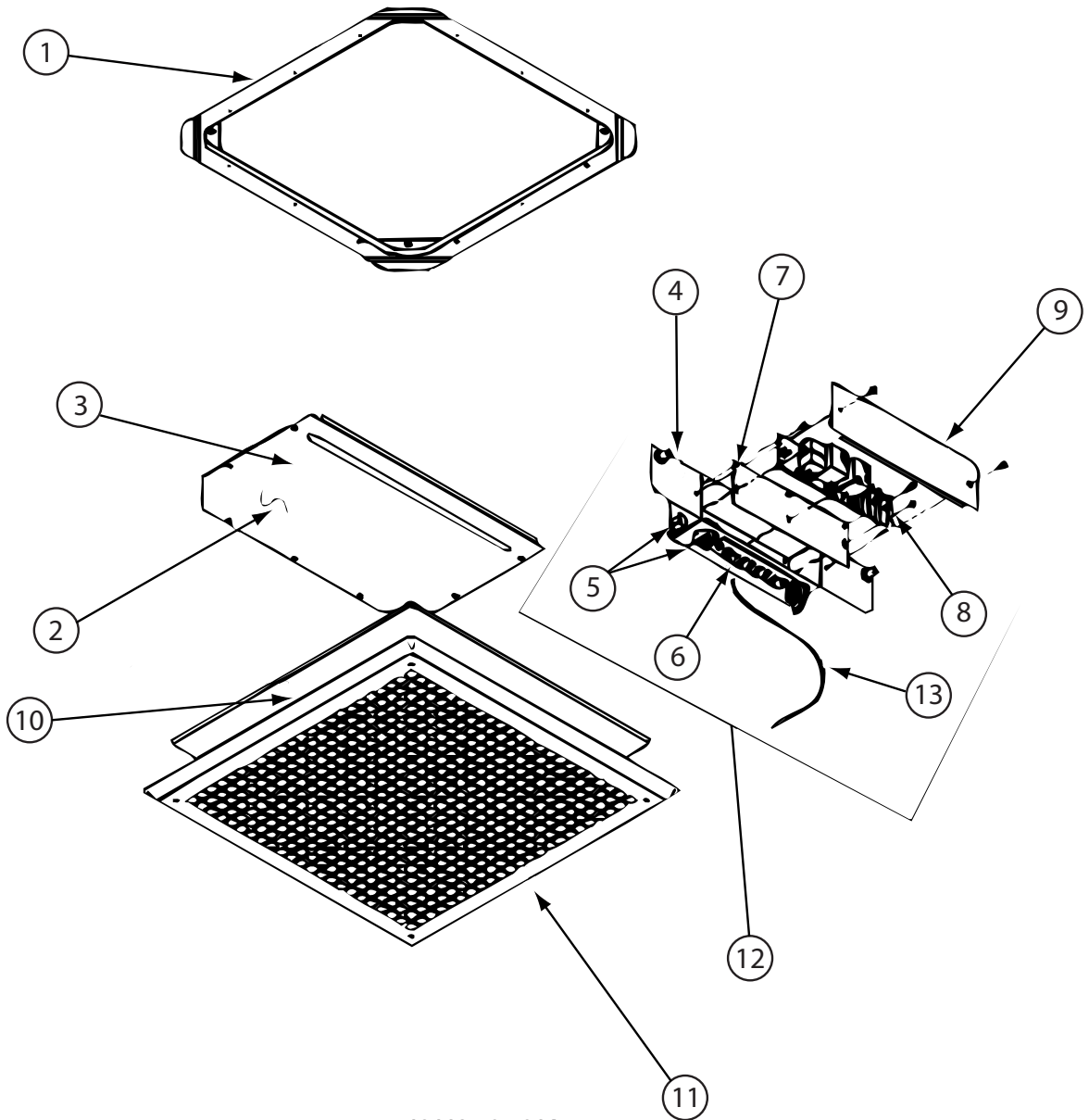


131184-06-01A

| KEY | PART NUMBER | U/M | DESCRIPTION | VENDOR NO. |
|-----|---------------|-----|-----------------------------|------------|
| 4 | 131184-01-700 | EA | PLUG ASSEMBLY | 7330A389 |
| 5 | 131184-01-701 | EA | TERMINAL BOARD | 7330B3201 |
| 6 | 131184-01-702 | EA | ISOLATOR - BLANK | 7330C365 |
| 7 | 131184-03-700 | EA | BOARD - P.C. | 7330D3211 |
| 9 | 108892-01-703 | EA | FILTER | 6798A3761 |
| 10 | 108892-01-704 | EA | GRILLE 16 3/8X16 3/8 RETURN | 6798-3041 |
| 11 | 105620-12-719 | EA | COIL SENSOR | 7330A3231 |
| 12 | 131184-01-705 | EA | JUNCTION BOX ASSEMBLY | 7330B5551 |
| | 131184-01-703 | EA | SMALL PARTS PKG | 8330-5961 |
| | 131184-01-706 | EA | NUT/WING | 1200-550 |

CONTACT WINNEBAGO PART SALES FOR UNLISTED COMPONENT(S)

HEATING & A/C GROUP (CONTINUED)
COMPONENT PARTS FOR ROOF (CONTINUED)

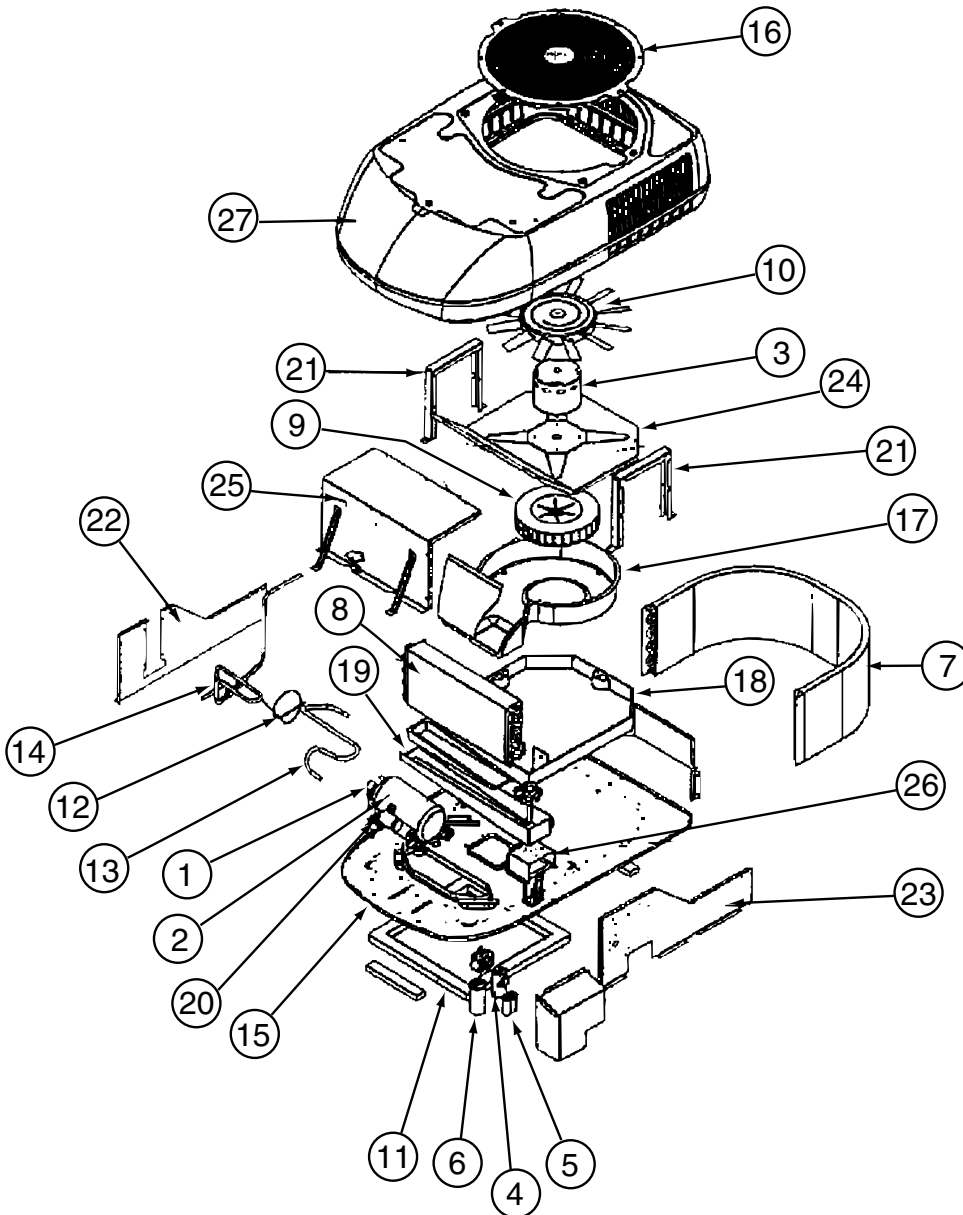


131184-07-01A

| KEY | PART NUMBER | U/M | DESCRIPTION | VENDOR NO. |
|-----|---------------|-----|------------------------------|------------|
| 4 | 131184-04-703 | EA | BOX - JUNCTION | 7330-113 |
| 5 | 131184-04-700 | EA | PLUG ASSEMBLY | 7530A340 |
| 6 | 131184-04-702 | EA | BOARD - TERMINAL | 7530B3201 |
| 7 | 131184-01-702 | EA | ISOLATOR - BLANK | 7330C365 |
| 8 | 131184-04-705 | EA | BOARD - P.C. | 7330B3311 |
| 10 | 108892-01-703 | EA | FILTER | 6798A3761 |
| 11 | 108892-01-704 | EA | GRILLE 16 3/8X16 3/8 RETURN | 6798-3041 |
| 12 | 131184-04-706 | EA | JUNCTION BOX ASM.(HEAT PUMP) | 7530-508 |
| 13 | 105620-12-719 | EA | COIL SENSOR | 7330A3231 |
| | 131184-01-706 | EA | NUT/WING | 1200-550 |
| | 131184-07-700 | EA | SMALL PARTS PKG | 8330-5951 |

CONTACT WINNEBAGO PART SALES FOR UNLISTED COMPONENT(S)

HEATING & A/C GROUP (CONTINUED)
COMPONENT PARTS FOR ROOF (CONTINUED)



148644-01-01A

| KEY | PART NUMBER | U/M | DESCRIPTION | VENDOR NO. |
|-----|---------------|-----|------------------------------|------------|
| 1 | 148644-01-701 | EA | OVERLOAD | 1450-0131 |
| 2 | 148644-01-702 | EA | COMPRESSOR | 1450A2189 |
| 3 | 148644-01-703 | EA | MOTOR - BLOWER | 1468A3239 |
| 4 | 105620-10-705 | EA | PTCR (START DEVICE) - W/CAP. | 8333A9021 |
| 5 | 093763-01-704 | EA | CAPACITOR-FAN (INDOOR MOTOR) | 1499-5461 |
| 6 | 131188-01-701 | EA | RUN CAP. (COMP-40MFD/370V) | 1499-5721 |
| 7 | 148644-01-704 | EA | COIL-CONDENSER | 1452-1201 |
| 8 | 148644-01-705 | EA | COIL - EVAPORATOR | 1452-1211 |
| 9 | 147102-01-705 | EA | BLOWER WHEEL | 1472-1111 |
| 10 | 147102-01-706 | EA | FAN BLADE | 1472-5021 |
| 11 | 037648-01-714 | EA | GASKET PACKAGE | 8332-3301 |
| 27 | 148644-01-700 | EA | SHROUD - (ARCTIC WHITE) | 9233A5461 |
| | 148644-02-702 | EA | GRILLE - F/FAN | 9233A3151 |

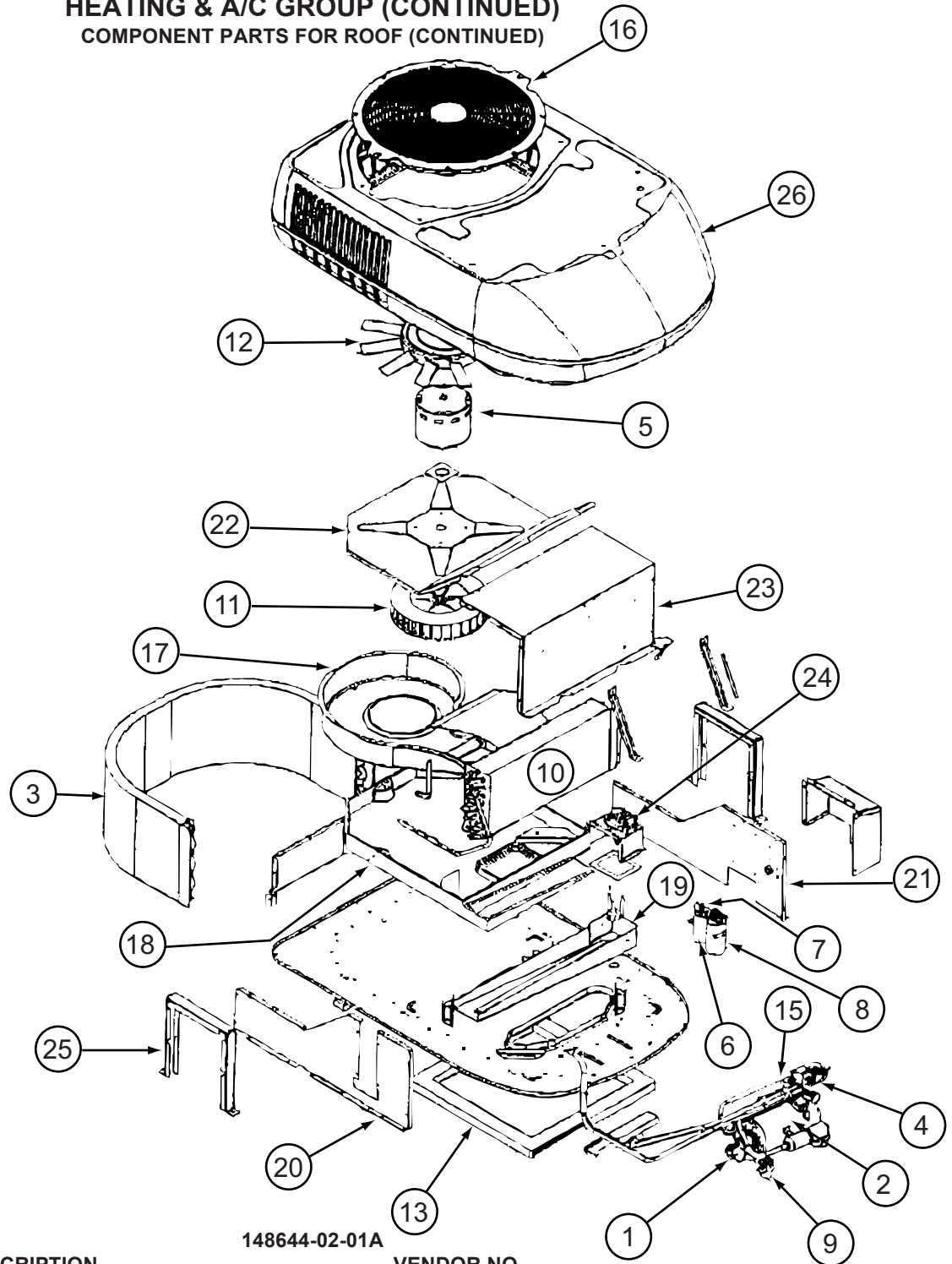
CONTACT WINNEBAGO PART SALES FOR UNLISTED COMPONENT(S)

HEATING & A/C GROUP (CONTINUED)
COMPONENT PARTS FOR ROOF (CONTINUED)

148644-01-02A

| KEY | PART NUMBER | U/M | DESCRIPTION | VENDOR NO. |
|------------|--------------------|------------|--|-------------------|
| 1 | 148644-01-701 | EA | OVERLOAD | 1450-013 |
| 2 | 148644-01-702 | EA | COMPRESSOR | 1450A2189 |
| 3 | 148644-01-703 | EA | MOTOR - BLOWER | 1468A3239 |
| 4 | 105620-01-705 | EA | PTCR (START DEVICE) - W/CAP. | 8333A9021 |
| 5 | 093763-01-704 | EA | CAPACITOR-FAN (INDOOR MOTOR) | 1499-5461 |
| 6 | 131188-01-701 | EA | RUN CAP. (COMP-40MFD/370V) | 1499-5721 |
| 7 | 148644-01-704 | EA | COIL-CONDENSER | 1452-1201 |
| 8 | 148644-01-705 | EA | COIL - EVAPORATOR | 1452-1211 |
| 9 | 147102-01-705 | EA | BLOWER WHEEL | 1472-1111 |
| 10 | 147102-01-706 | EA | FAN BLADE | 1472-5021 |
| 11 | 037648-01-714 | EA | GASKET PACKAGE | 8332-3301 |
| 27 | 148644-01-706 | EA | SHROUD - (BLACK) | 9233A5491 |
| | 148644-01-702 | EA | GRILLE - F/FAN | 9233A3151 |
| | | | CONTACT WINNEBAGO PART SALES FOR UNLISTED COMPONENT(S) | |

HEATING & A/C GROUP (CONTINUED)
COMPONENT PARTS FOR ROOF (CONTINUED)

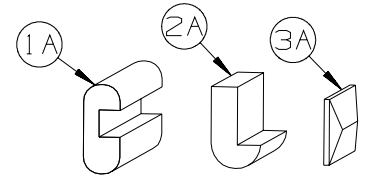


148644-02-01A

| KEY | PART NUMBER | U/M | DESCRIPTION | VENDOR NO. |
|-----|---------------|-----|------------------------------|------------|
| 1 | 148644-01-701 | EA | OVERLOAD | 1450-0131 |
| 2 | 148644-01-702 | EA | COMPRESSOR | 1450A2189 |
| 3 | 148644-02-700 | EA | COIL - CONDENSER | 1452-1241 |
| 4 | 105620-12-708 | EA | COIL - SOLENOID | 1460-1081 |
| 5 | 148644-01-703 | EA | MOTOR - BLOWER | 1468A3239 |
| 6 | 105620-10-705 | EA | PTCR (START DEVICE) - W/CAP. | 8333A9021 |
| 7 | 093763-01-704 | EA | CAPACITOR-FAN (INDOOR MOTOR) | 1499-5461 |
| 8 | 131188-01-701 | EA | RUN CAP. (COMP-40MFD/370V) | 1499-5721 |
| 10 | 148644-02-701 | EA | COIL - EVAPORATOR | 1452-1261 |
| 11 | 147102-01-705 | EA | BLOWER WHEEL | 1472-1111 |
| 12 | 147102-01-706 | EA | FAN BLADE | 1472-5021 |
| 13 | 037648-01-714 | EA | GASKET PACKAGE | 8332-3301 |
| 16 | 148644-02-702 | EA | GRILLE - F/FAN | 9233A3151 |
| 26 | 148644-01-700 | EA | SHROUD - (ARCTIC WHITE) | 9233A5461 |

CONTACT WINNEBAGO PART SALES FOR UNLISTED COMPONENT(S)

INTERIOR FINISH GROUP
MOLDINGS & TRIMS
WASHED MAPLE, HONEY CHERRY



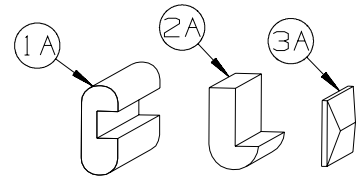
| KEY | PART NUMBER | U/M | DESCRIPTION |
|-----|---------------|-----|--|
| 1A | M09412-62-N42 | EA | MOLDING/SHELF EDGE - .6" X 1.3" X 96" - PORTSMOUTH OAK |
| 1A | M09412-62-M52 | EA | MOLDING/SHELF EDGE - .6" X 1.3" X 96" - CONCERT CHERRY |
| 1A | M09412-62-M62 | EA | MOLDING/SHELF EDGE - .6" X 1.3" X 96" - WASHED MAPLE |
| 1A | M09412-62-RC3 | EA | MOLDING/SHELF EDGE - .6" X 1.3" X 96" - HONEY CHERRY |
| 1A | M09412-62-SA3 | EA | MOLDING/SHELF EDGE - .6" X 1.3" X 96" - SIERRA MAPLE |
| 2A | M09511-43-T77 | EA | MOLDING - TRIM - W/NOTCH - .8" X 1.4" X 86.3" - PORTSMOUT OAK |
| 2A | M09525-80-UM1 | EA | MOLDING - TRIM - W/NOTCH - .8" X 1.4" X 86.5" - CONCERT CHERRY |
| 2A | M09525-80-U91 | EA | MOLDING - TRIM - W/NOTCH - .8" X 1.4" X 86.5" - WASHED MAPLE |
| 2A | M09525-80-U92 | EA | MOLDING - TRIM - W/NOTCH - .8" X 1.4" X 86.5" - SIERRA MAPLE |
| 2A | M09525-80-Y92 | EA | MOLDING - TRIM - W/NOTCH - .8" X 1.4" X 86.5" - HONEY CHERRY |
| 2A | M09501-85-TG3 | EA | MOLDING/TRIM - W/NOTCH - 4" X 86.06" - HONEY CHERRY |
| 2A | M09501-32-TG1 | EA | MOLDING/TRIM - W/NOTCH - .8" X 2.5" X 86.2" - CONCERT CHERRY |
| 2A | M09501-32-TG2 | EA | MOLDING/TRIM - W/NOTCH - .8" X 2.5" X 86.2" - WASHED MAPLE |
| 2A | M09501-32-TD3 | EA | MOLDING/TRIM - W/NOTCH - .8" X 2.5" X 86.2" - SIERRA MAPLE |
| 2A | M09501-32-TG3 | EA | MOLDING/TRIM - W/NOTCH - .8" X 2.5" X 86.2" - HONEY CHERRY |
| 2A | M09515-72-TD0 | EA | MOLDING/TRIM - .8" X 2.2" X 86.1" - PORTSMOUTH OAK |
| 2A | M09515-72-TD1 | EA | MOLDING/TRIM - .8" X 2.2" X 86.1" - CONCERT CHERRY |
| 2A | M09515-72-TD2 | EA | MOLDING/TRIM - .8" X 2.2" X 86.1" - WASHED MAPLE |
| 2A | M09515-72-TD3 | EA | MOLDING/TRIM - .8" X 2.2" X 86.1" - SIERRA MAPLE |
| 2A | M09511-44-T77 | EA | MOLDING - TRIM - W/NOTCH - 1" X 86.4" - PORTSMOUTH OAK |
| 2A | M09511-44-T78 | EA | MOLDING - TRIM - W/NOTCH - 1" X 86.4" - CONCERT CHERRY |
| 2A | M09511-44-T79 | EA | MOLDING - TRIM - W/NOTCH - 1" X 86.4" - WASHED MAPLE |
| 2A | M09511-44-T80 | EA | MOLDING - TRIM - W/NOTCH - 1" X 86.4" - HONEY CHERRY |
| 2A | M09438-25-RA3 | EA | MOLDING - HARDWOOD-W/NOTCH - 1.4"X 80.2" - HONEY CHERRY |
| 3A | M09477-63-S46 | EA | MOLDING - TRIM/VEE-W/CUT ENDS - 1"X 64.1" - PORTSMOUTH OAK |
| 3A | M09477-63-S47 | EA | MOLDING - TRIM/VEE-W/CUT ENDS - 1"X 64.1" - CONCERT CHERRY |
| 3A | M09477-63-S48 | EA | MOLDING - TRIM/VEE-W/CUT ENDS - 1"X 64.1" - WASHED MAPLE |
| 3A | M09477-63-W51 | EA | MOLDING - TRIM/VEE-W/CUT ENDS - 1"X 64.1" - HONEY CHERRY |
| 3A | M09477-64-S46 | EA | MOLDING - TRIM/VEE-W/CUT ENDS - 1"X 14.9" - PORTSMOUTH OAK |
| 3A | M09477-64-S47 | EA | MOLDING - TRIM/VEE-W/CUT ENDS - 1"X 14.9" - CONCERT CHERRY |
| 3A | M09477-64-S48 | EA | MOLDING - TRIM/VEE-W/CUT ENDS - 1"X 14.9" - WASHED MAPLE |
| 3A | M09477-64-W51 | EA | MOLDING - TRIM/VEE-W/CUT ENDS - 1"X 14.9" - HONEY CHERRY |
| 3A | M09501-30-SD0 | EA | MOLDING - TRIM/VEE - .2" X 1" X 35.1" - PORTSMOUTH OAK |
| 3A | M09501-30-SD1 | EA | MOLDING - TRIM/VEE - .2" X 1" X 35.1" - CONCERT CHERRY |
| 3A | M09501-30-SD2 | EA | MOLDING - TRIM/VEE - .2" X 1" X 35.1" - WASHED MAPLE |
| 3A | M09501-30-SD3 | EA | MOLDING - TRIM/VEE - .2" X 1" X 35.1" - HONEY CHERRY |
| 3A | M09515-97-WL4 | EA | MOLDING - TRIM/VEE - .2" X 1" X 32.6" - CONCERT CHERRY |
| 3A | M09515-97-WL5 | EA | MOLDING - TRIM/VEE - .2" X 1" X 32.6" - WASHED MAPLE |
| 3A | M09515-97-WL6 | EA | MOLDING - TRIM/VEE - .2" X 1" X 32.6" - HONEY CHERRY |
| 3A | M09534-17-UF3 | EA | MOLDING - TRIM/VEE - .2" X 1" X 20.1" - SIERRA MAPLE |
| 3A | M09534-17-UJ1 | EA | MOLDING - TRIM/VEE - .2" X 1" X 20.1" - CONCERT CHERRY |
| 3A | M09534-17-UJ2 | EA | MOLDING - TRIM/VEE - .2" X 1" X 20.1" - WASHED MAPLE |
| 3A | M09534-17-UJ3 | EA | MOLDING - TRIM/VEE - .2" X 1" X 20.1" - HONEY CHERRY |
| 3A | M09477-88-S34 | EA | MOLDING - TRIM/VEE - .2" X 1" X 19.9" - WASHED MAPLE |
| 3A | M09477-88-S35 | EA | MOLDING - TRIM/VEE - .2" X 1" X 19.9" - SIERRA MAPLE |
| 3A | M09568-03-W51 | EA | MOLDING - TRIM/VEE - .2" X 1" X 19.8" - HONEY CHERRY |
| 3A | M09568-03-W52 | EA | MOLDING - TRIM/VEE - .2" X 1" X 19.8" - WASHED MAPLE |
| 3A | M09565-51-W51 | EA | MOLDING - TRIM/VEE - .2" X 1" X 19.4" - HONEY CHERRY |
| 3A | M09565-51-W52 | EA | MOLDING - TRIM/VEE - .2" X 1" X 19.4" - WASHED MAPLE |
| 3A | M09553-79-W66 | EA | MOLDING - TRIM/VEE - .2" X 1" X 15.6" - HONEY CHERRY |
| 3A | M09515-10-W66 | EA | MOLDING - TRIM/VEE - .2" X 1" X 15.4" - HONEY CHERRY |
| 3A | M09501-63-T78 | EA | MOLDING - TRIM/VEE - .2" X 1" X 15" - CONCERT CHERRY |
| 3A | M09501-63-T79 | EA | MOLDING - TRIM/VEE - .2" X 1" X 15" - WASHED MAPLE |
| 3A | M09501-63-T80 | EA | MOLDING - TRIM/VEE - .2" X 1" X 15" - SIERRA MAPLE |
| 3A | M09501-63-W66 | EA | MOLDING - TRIM/VEE - .2" X 1" X 15" - HONEY CHERRY |
| 3A | M09553-09-W66 | EA | MOLDING - TRIM/VEE - .2" X 1" X 13.4" - HONEY CHERRY |
| 3A | M09566-04-WD3 | EA | MOLDING - TRIM/VEE - .2" X 1" X 8.9" - HONEY CHERRY |
| 3A | M09553-29-WH4 | EA | MOLDING - TRIM/VEE - .4" X 1" X 94.4" - CONCERT CHERRY |
| 3A | M09553-29-WH5 | EA | MOLDING - TRIM/VEE - .4" X 1" X 94.4" - WASHED MAPLE |
| 3A | M09553-29-WH6 | EA | MOLDING - TRIM/VEE - .4" X 1" X 94.4" - SIERRA MAPLE |
| 3A | M09565-04-WH4 | EA | MOLDING - TRIM/VEE - .4" X 1" X 89.5" - CONCERT CHERRY |

INTERIOR FINISH GROUP (CONTINUED)
MOLDINGS & TRIMS (CONTINUED)

| KEY | PART NUMBER | U/M | DESCRIPTION |
|-----|---------------|-----|--|
| 3A | M09565-04-WH5 | EA | MOLDING - TRIM/VEE - .4" X 1" X 89.5" - WASHED MAPLE |
| 3A | M09565-04-WH6 | EA | MOLDING - TRIM/VEE - .4" X 1" X 89.5" - SIERRA MAPLE |
| 3A | M09544-86-W37 | EA | MOLDING - TRIM/VEE - .4" X 1" X 88.1" - WASHED MAPLE |
| 3A | M09544-86-W38 | EA | MOLDING - TRIM/VEE - .4" X 1" X 88.1" - SIERRA MAPLE |
| 3A | M09538-39-U67 | EA | MOLDING - TRIM/VEE - .4" X 1" X 82.6" - WASHED MAPLE |
| 3A | M09538-39-U68 | EA | MOLDING - TRIM/VEE - .4" X 1" X 82.6" - SIERRA MAPLE |
| 3A | M09553-62-WH4 | EA | MOLDING - TRIM/VEE - .4" X 1" X 81.4" - CONCERT CHERRY |
| 3A | M09553-62-WH5 | EA | MOLDING - TRIM/VEE - .4" X 1" X 81.4" - WASHED MAPLE |
| 3A | M09553-62-WH6 | EA | MOLDING - TRIM/VEE - .4" X 1" X 81.4" - SIERRA MAPLE |
| 3A | M09577-98-WH4 | EA | MOLDING - TRIM/VEE - .4" X 1" X 80.2" - CONCERT CHERRY |
| 3A | M09577-98-WH5 | EA | MOLDING - TRIM/VEE - .4" X 1" X 80.2" - WASHED MAPLE |
| 3A | M09577-98-WH6 | EA | MOLDING - TRIM/VEE - .4" X 1" X 80.2" - SIERRA MAPLE |
| 3A | M09544-37-W37 | EA | MOLDING - TRIM/VEE - .4" X 1" X 78.8" - WASHED MAPLE |
| 3A | M09544-37-W38 | EA | MOLDING - TRIM/VEE - .4" X 1" X 78.8" - SIERRA MAPLE |
| 3A | M09544-34-W37 | EA | MOLDING - TRIM/VEE - .4" X 1" X 78.7" - WASHED MAPLE |
| 3A | M09544-34-W38 | EA | MOLDING - TRIM/VEE - .4" X 1" X 78.7" - SIERRA MAPLE |
| 3A | M09538-37-U67 | EA | MOLDING - TRIM/VEE - .4" X 1" X 77.5" - WASHED MAPLE |
| 3A | M09538-37-U68 | EA | MOLDING - TRIM/VEE - .4" X 1" X 77.5" - SIERRA MAPLE |
| 3A | M09553-65-WH4 | EA | MOLDING - TRIM/VEE - .4" X 1" X 77" - CONCERT CHERRY |
| 3A | M09553-65-WH5 | EA | MOLDING - TRIM/VEE - .4" X 1" X 77" - WASHED MAPLE |
| 3A | M09553-65-WH6 | EA | MOLDING - TRIM/VEE - .4" X 1" X 77" - SIERRA MAPLE |
| 3A | M09553-64-WH4 | EA | MOLDING - TRIM/VEE - .4" X 1" X 76.7" - CONCERT CHERRY |
| 3A | M09553-64-WH5 | EA | MOLDING - TRIM/VEE - .4" X 1" X 76.7" - WASHED MAPLE |
| 3A | M09553-64-WH6 | EA | MOLDING - TRIM/VEE - .4" X 1" X 76.7" - SIERRA MAPLE |
| 3A | M09565-75-WH4 | EA | MOLDING - TRIM/VEE - .4" X 1" X 75.9" - CONCERT CHERRY |
| 3A | M09565-75-WH5 | EA | MOLDING - TRIM/VEE - .4" X 1" X 75.9" - WASHED MAPLE |
| 3A | M09565-75-WH6 | EA | MOLDING - TRIM/VEE - .4" X 1" X 75.9" - SIERRA MAPLE |
| 3A | M09565-02-WH4 | EA | MOLDING - TRIM/VEE - .4" X 1" X 75.1" - CONCERT CHERRY |
| 3A | M09565-02-WH5 | EA | MOLDING - TRIM/VEE - .4" X 1" X 75.1" - WASHED MAPLE |
| 3A | M09565-02-WH6 | EA | MOLDING - TRIM/VEE - .4" X 1" X 75.1" - SIERRA MAPLE |
| 3A | M09553-26-WH4 | EA | MOLDING - TRIM/VEE - .4" X 1" X 74.1" - CONCERT CHERRY |
| 3A | M09553-26-WH5 | EA | MOLDING - TRIM/VEE - .4" X 1" X 74.1" - WASHED MAPLE |
| 3A | M09553-26-WH6 | EA | MOLDING - TRIM/VEE - .4" X 1" X 74.1" - SIERRA MAPLE |
| 3A | M09538-91-WH4 | EA | MOLDING - TRIM/VEE - .4" X 1" X 73.8" - CONCERT CHERRY |
| 3A | M09538-91-WH5 | EA | MOLDING - TRIM/VEE - .4" X 1" X 73.8" - WASHED MAPLE |
| 3A | M09538-91-WH6 | EA | MOLDING - TRIM/VEE - .4" X 1" X 73.8" - SIERRA MAPLE |
| 3A | M09553-22-WH4 | EA | MOLDING - TRIM/VEE - .4" X 1" X 73.2" - CONCERT CHERRY |
| 3A | M09553-22-WH5 | EA | MOLDING - TRIM/VEE - .4" X 1" X 73.2" - WASHED MAPLE |
| 3A | M09553-22-WH6 | EA | MOLDING - TRIM/VEE - .4" X 1" X 73.2" - SIERRA MAPLE |
| 3A | M09565-97-WH4 | EA | MOLDING - TRIM/VEE - .4" X 1" X 72.6" - CONCERT CHERRY |
| 3A | M09565-97-WH5 | EA | MOLDING - TRIM/VEE - .4" X 1" X 72.6" - WASHED MAPLE |
| 3A | M09565-97-WH6 | EA | MOLDING - TRIM/VEE - .4" X 1" X 72.6" - SIERRA MAPLE |
| 3A | M09568-12-WH4 | EA | MOLDING - TRIM/VEE - .4" X 1" X 71.9" - CONCERT CHERRY |
| 3A | M09568-12-WH5 | EA | MOLDING - TRIM/VEE - .4" X 1" X 71.9" - WASHED MAPLE |
| 3A | M09568-12-WH6 | EA | MOLDING - TRIM/VEE - .4" X 1" X 71.9" - SIERRA MAPLE |
| 3A | M09565-01-WH4 | EA | MOLDING - TRIM/VEE - .4" X 1" X 71.7" - CONCERT CHERRY |
| 3A | M09565-01-WH5 | EA | MOLDING - TRIM/VEE - .4" X 1" X 71.7" - WASHED MAPLE |
| 3A | M09565-01-WH6 | EA | MOLDING - TRIM/VEE - .4" X 1" X 71.7" - SIERRA MAPLE |
| 3A | M09565-01-YR3 | EA | MOLDING - TRIM/VEE - .4" X 1" X 71.7" - HONEY CHERRY |
| 3A | M09544-15-WB4 | EA | MOLDING - TRIM/VEE - .4" X 1" X 64.5" - CONCERT CHERRY |
| 3A | M09544-15-WB5 | EA | MOLDING - TRIM/VEE - .4" X 1" X 64.5" - WASHED MAPLE |
| 3A | M09544-15-WB6 | EA | MOLDING - TRIM/VEE - .4" X 1" X 64.5" - SIERRA MAPLE |
| 3A | M09538-94-WH4 | EA | MOLDING - TRIM/VEE - .4" X 1" X 71.1" - CONCERT CHERRY |
| 3A | M09538-94-WH5 | EA | MOLDING - TRIM/VEE - .4" X 1" X 71.1" - WASHED MAPLE |
| 3A | M09538-94-WH6 | EA | MOLDING - TRIM/VEE - .4" X 1" X 71.1" - SIERRA MAPLE |
| 3A | M09565-78-WH4 | EA | MOLDING - TRIM/VEE - .4" X 1" X 70.2" - CONCERT CHERRY |
| 3A | M09565-78-WH5 | EA | MOLDING - TRIM/VEE - .4" X 1" X 70.2" - WASHED MAPLE |
| 3A | M09565-78-WH6 | EA | MOLDING - TRIM/VEE - .4" X 1" X 70.2" - SIERRA MAPLE |
| 3A | M09553-21-WH4 | EA | MOLDING - TRIM/VEE - .4" X 1" X 70.1" - CONCERT CHERRY |
| 3A | M09553-21-WH5 | EA | MOLDING - TRIM/VEE - .4" X 1" X 70.1" - WASHED MAPLE |
| 3A | M09553-21-WH6 | EA | MOLDING - TRIM/VEE - .4" X 1" X 70.1" - SIERRA MAPLE |
| 3A | M09501-92-T77 | EA | MOLDING - TRIM/VEE - .4" X 1" X 70" - PORTSMOUTH OAK |
| 3A | M09501-92-T78 | EA | MOLDING - TRIM/VEE - .4" X 1" X 70" - CONCERT CHERRY |
| 3A | M09501-92-T79 | EA | MOLDING - TRIM/VEE - .4" X 1" X 70" - WASHED MAPLE |

INTERIOR FINISH GROUP (CONTINUED)
MOLDINGS & TRIMS (CONTINUED)

| KEY | PART NUMBER | U/M | DESCRIPTION |
|-----|---------------|-----|--|
| 3A | M09501-92-T80 | EA | MOLDING - TRIM/VEE - .4" X 1" X 70" - SIERRA MAPLE |
| 3A | M09538-27-WH4 | EA | MOLDING - TRIM/VEE - .4" X 1" X 71.1" - CONCERT CHERRY |
| 3A | M09538-27-U67 | EA | MOLDING - TRIM/VEE - .4" X 1" X 71.1" - WASHED MAPLE |
| 3A | M09538-27-U68 | EA | MOLDING - TRIM/VEE - .4" X 1" X 71.1" - SIERRA MAPLE |
| 3A | M09544-10-WH4 | EA | MOLDING - TRIM/VEE - .4" X 1" X 68.2" - CONCERT CHERRY |
| 3A | M09544-10-W91 | EA | MOLDING - TRIM/VEE - .4" X 1" X 68.2" - WASHED MAPLE |
| 3A | M09544-10-W92 | EA | MOLDING - TRIM/VEE - .4" X 1" X 68.2" - SIERRA MAPLE |
| 3A | M09553-03-WH4 | EA | MOLDING - TRIM/VEE - .4" X 1" X 66.7" - CONCERT CHERRY |
| 3A | M09553-03-WH5 | EA | MOLDING - TRIM/VEE - .4" X 1" X 66.7" - WASHED MAPLE |
| 3A | M09553-03-WH6 | EA | MOLDING - TRIM/VEE - .4" X 1" X 66.7" - SIERRA MAPLE |
| 3A | M09553-03-YR3 | EA | MOLDING - TRIM/VEE - .4" X 1" X 66.7" - HONEY CHERRY |
| 3A | M09538-93-WH4 | EA | MOLDING - TRIM/VEE - .4" X 1" X 66.6" - CONCERT CHERRY |
| 3A | M09538-93-WH5 | EA | MOLDING - TRIM/VEE - .4" X 1" X 66.6" - WASHED MAPLE |
| 3A | M09538-93-WH6 | EA | MOLDING - TRIM/VEE - .4" X 1" X 66.6" - SIERRA MAPLE |
| 3A | M09544-33-W37 | EA | MOLDING - TRIM/VEE - .4" X 1" X 66.5" - SIERRA MAPLE |
| 3A | M09544-33-W38 | EA | MOLDING - TRIM/VEE - .4" X 1" X 66.5" - WASHED MAPLE |
| 3A | M09553-02-WH4 | EA | MOLDING - TRIM/VEE - .4" X 1" X 66.4" - CONCERT CHERRY |
| 3A | M09553-02-WH5 | EA | MOLDING - TRIM/VEE - .4" X 1" X 66.4" - WASHED MAPLE |
| 3A | M09553-02-WH6 | EA | MOLDING - TRIM/VEE - .4" X 1" X 66.4" - SIERRA MAPLE |
| 3A | M09544-14-WB4 | EA | MOLDING - TRIM/VEE - .4" X 1" X 64.5" - CONCERT CHERRY |
| 3A | M09544-14-WB5 | EA | MOLDING - TRIM/VEE - .4" X 1" X 64.5" - WASHED MAPLE |
| 3A | M09544-14-WB6 | EA | MOLDING - TRIM/VEE - .4" X 1" X 64.5" - SIERRA MAPLE |
| 3A | M09515-78-T77 | EA | MOLDING - TRIM/VEE - .4" X 1" X 64.1" - PORTSMOUTH OAK |
| 3A | M09515-78-T78 | EA | MOLDING - TRIM/VEE - .4" X 1" X 64.1" - CONCERT CHERRY |
| 3A | M09515-78-T79 | EA | MOLDING - TRIM/VEE - .4" X 1" X 64.1" - WASHED MAPLE |
| 3A | M09515-78-T80 | EA | MOLDING - TRIM/VEE - .4" X 1" X 64.1" - SIERRA MAPLE |
| 3A | M09501-91-T77 | EA | MOLDING - TRIM/VEE - .4" X 1" X 63.3" - PORTSMOUTH OAK |
| 3A | M09501-91-T78 | EA | MOLDING - TRIM/VEE - .4" X 1" X 63.3" - CONCERT CHERRY |
| 3A | M09501-91-T79 | EA | MOLDING - TRIM/VEE - .4" X 1" X 63.3" - WASHED MAPLE |
| 3A | M09501-91-T80 | EA | MOLDING - TRIM/VEE - .4" X 1" X 63.3" - SIERRA MAPLE |
| 3A | M09503-91-T77 | EA | MOLDING - TRIM/VEE - .4" X 1" X 63.1" - PORTSMOUTH OAK |
| 3A | M09503-91-T78 | EA | MOLDING - TRIM/VEE - .4" X 1" X 63.1" - CONCERT CHERRY |
| 3A | M09503-91-T79 | EA | MOLDING - TRIM/VEE - .4" X 1" X 63.1" - WASHED MAPLE |
| 3A | M09503-91-T80 | EA | MOLDING - TRIM/VEE - .4" X 1" X 63.1" - SIERRA MAPLE |
| 3A | M09544-22-WB4 | EA | MOLDING - TRIM/VEE - .4" X 1" X 61.7" - CONCERT CHERRY |
| 3A | M09544-22-WB5 | EA | MOLDING - TRIM/VEE - .4" X 1" X 61.7" - WASHED MAPLE |
| 3A | M09544-22-WB6 | EA | MOLDING - TRIM/VEE - .4" X 1" X 61.7" - SIERRA MAPLE |
| 3A | M09583-41-WH4 | EA | MOLDING - TRIM/VEE - .4" X 1" X 61" - CONCERT CHERRY |
| 3A | M09583-41-WH5 | EA | MOLDING - TRIM/VEE - .4" X 1" X 61" - WASHED MAPLE |
| 3A | M09583-41-WH6 | EA | MOLDING - TRIM/VEE - .4" X 1" X 61" - SIERRA MAPLE |
| 3A | M09565-49-WH4 | EA | MOLDING - TRIM/VEE - .4" X 1" X 58.7" - CONCERT CHERRY |
| 3A | M09565-49-WH5 | EA | MOLDING - TRIM/VEE - .4" X 1" X 58.7" - WASHED MAPLE |
| 3A | M09565-49-WH6 | EA | MOLDING - TRIM/VEE - .4" X 1" X 58.7" - SIERRA MAPLE |
| 3A | M09544-36-W37 | EA | MOLDING - TRIM/VEE - .4" X 1" X 52.6" - WASHED MAPLE |
| 3A | M09544-36-W38 | EA | MOLDING - TRIM/VEE - .4" X 1" X 52.6.5" - SIERRA MAPLE |
| 3A | M09553-85-WB4 | EA | MOLDING - TRIM/VEE - .4" X 1" X 43.4" - CONCERT CHERRY |
| 3A | M09553-85-WB5 | EA | MOLDING - TRIM/VEE - .4" X 1" X 43.4" - WASHED MAPLE |
| 3A | M09553-85-WB6 | EA | MOLDING - TRIM/VEE - .4" X 1" X 43.4" - SIERRA MAPLE |
| 3A | M09553-28-WH4 | EA | MOLDING - TRIM/VEE - .4" X 1" X 48" - CONCERT CHERRY |
| 3A | M09553-28-WH5 | EA | MOLDING - TRIM/VEE - .4" X 1" X 48" - WASHED MAPLE |
| 3A | M09553-28-WH6 | EA | MOLDING - TRIM/VEE - .4" X 1" X 48" - SIERRA MAPLE |
| 3A | M09553-60-WH4 | EA | MOLDING - TRIM/VEE - .4" X 1" X 47.2" - CONCERT CHERRY |
| 3A | M09553-60-WH5 | EA | MOLDING - TRIM/VEE - .4" X 1" X 47.2" - WASHED MAPLE |
| 3A | M09553-60-WH6 | EA | MOLDING - TRIM/VEE - .4" X 1" X 47.2" - SIERRA MAPLE |
| 3A | M09544-24-WB4 | EA | MOLDING - TRIM/VEE - .4" X 1" X 46.2" - CONCERT CHERRY |
| 3A | M09544-24-WB5 | EA | MOLDING - TRIM/VEE - .4" X 1" X 46.2" - WASHED MAPLE |
| 3A | M09544-24-WB6 | EA | MOLDING - TRIM/VEE - .4" X 1" X 46.2" - SIERRA MAPLE |
| 3A | M09565-77-WH4 | EA | MOLDING - TRIM/VEE - .4" X 1" X 42.5" - CONCERT CHERRY |
| 3A | M09565-77-WH5 | EA | MOLDING - TRIM/VEE - .4" X 1" X 42.5" - WASHED MAPLE |
| 3A | M09565-77-WH6 | EA | MOLDING - TRIM/VEE - .4" X 1" X 42.5" - SIERRA MAPLE |
| 3A | M09544-35-W37 | EA | MOLDING - TRIM/VEE - .4" X 1" X 66.5" - SIERRA MAPLE |
| 3A | M09544-35-W38 | EA | MOLDING - TRIM/VEE - .4" X 1" X 66.5" - WASHED MAPLE |

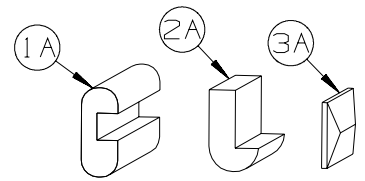


INTERIOR FINISH GROUP (CONTINUED)
MOLDINGS & TRIMS (CONTINUED)

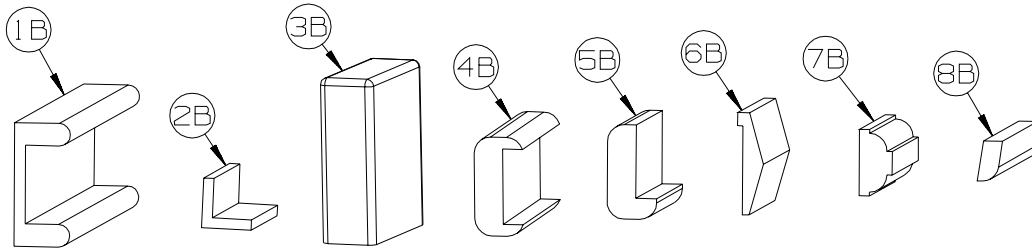
| KEY | PART NUMBER | U/M | DESCRIPTION |
|-----|---------------|-----|--|
| 3A | M09544-38-W37 | EA | MOLDING - TRIM/VEE - .4" X 1" X 66.5" - SIERRA MAPLE |
| 3A | M09544-38-W38 | EA | MOLDING - TRIM/VEE - .4" X 1" X 66.5" - WASHED MAPLE |
| 3A | M09565-03-WH4 | EA | MOLDING - TRIM/VEE - .4" X 1" X 44.2" - CONCERT CHERRY |
| 3A | M09565-03-WH5 | EA | MOLDING - TRIM/VEE - .4" X 1" X 44.2" - WASHED MAPLE |
| 3A | M09565-03-WH6 | EA | MOLDING - TRIM/VEE - .4" X 1" X 44.2" - SIERRA MAPLE |
| 3A | M09565-20-WH4 | EA | MOLDING - TRIM/VEE - .4" X 1" X 43.2" - CONCERT CHERRY |
| 3A | M09565-20-WH5 | EA | MOLDING - TRIM/VEE - .4" X 1" X 43.2" - WASHED MAPLE |
| 3A | M09565-20-WH6 | EA | MOLDING - TRIM/VEE - .4" X 1" X 43.2" - SIERRA MAPLE |
| 3A | M09553-24-WH4 | EA | MOLDING - TRIM/VEE - .4" X 1" X 43" - CONCERT CHERRY |
| 3A | M09553-24-WH5 | EA | MOLDING - TRIM/VEE - .4" X 1" X 43" - WASHED MAPLE |
| 3A | M09553-24-WH6 | EA | MOLDING - TRIM/VEE - .4" X 1" X 43" - SIERRA MAPLE |
| 3A | M09565-77-WH4 | EA | MOLDING - TRIM/VEE - .4" X 1" X 42.5" - CONCERT CHERRY |
| 3A | M09565-77-WH5 | EA | MOLDING - TRIM/VEE - .4" X 1" X 42.5" - WASHED MAPLE |
| 3A | M09565-77-WH6 | EA | MOLDING - TRIM/VEE - .4" X 1" X 42.5" - SIERRA MAPLE |
| 3A | M09565-50-WH4 | EA | MOLDING - TRIM/VEE - .4" X 1" X 40.9" - CONCERT CHERRY |
| 3A | M09565-50-WH5 | EA | MOLDING - TRIM/VEE - .4" X 1" X 40.9" - WASHED MAPLE |
| 3A | M09565-50-WH6 | EA | MOLDING - TRIM/VEE - .4" X 1" X 40.9" - SIERRA MAPLE |
| 3A | M09583-43-WH4 | EA | MOLDING - TRIM/VEE - .4" X 1" X 40.1" - CONCERT CHERRY |
| 3A | M09583-43-WH5 | EA | MOLDING - TRIM/VEE - .4" X 1" X 40.1" - WASHED MAPLE |
| 3A | M09583-43-WH6 | EA | MOLDING - TRIM/VEE - .4" X 1" X 40.1" - SIERRA MAPLE |
| 3A | M09565-76-WH4 | EA | MOLDING - TRIM/VEE - .4" X 1" X 39.4" - CONCERT CHERRY |
| 3A | M09565-76-WH5 | EA | MOLDING - TRIM/VEE - .4" X 1" X 39.4" - WASHED MAPLE |
| 3A | M09565-76-WH6 | EA | MOLDING - TRIM/VEE - .4" X 1" X 39.4" - SIERRA MAPLE |
| 3A | M09565-47-WH4 | EA | MOLDING - TRIM/VEE - .4" X 1" X 38.9" - CONCERT CHERRY |
| 3A | M09565-47-WH5 | EA | MOLDING - TRIM/VEE - .4" X 1" X 38.9" - WASHED MAPLE |
| 3A | M09565-47-WH6 | EA | MOLDING - TRIM/VEE - .4" X 1" X 38.9" - SIERRA MAPLE |
| 3A | M09553-27-WH4 | EA | MOLDING - TRIM/VEE - .4" X 1" X 38.8" - CONCERT CHERRY |
| 3A | M09553-27-WH5 | EA | MOLDING - TRIM/VEE - .4" X 1" X 38.8" - WASHED MAPLE |
| 3A | M09553-27-WH6 | EA | MOLDING - TRIM/VEE - .4" X 1" X 38.8" - SIERRA MAPLE |
| 3A | M09568-77-WH4 | EA | MOLDING - TRIM/VEE - .4" X 1" X 37.5" - CONCERT CHERRY |
| 3A | M09568-77-WH5 | EA | MOLDING - TRIM/VEE - .4" X 1" X 37.5" - WASHED MAPLE |
| 3A | M09568-77-WH6 | EA | MOLDING - TRIM/VEE - .4" X 1" X 37.5" - SIERRA MAPLE |
| 3A | M09553-23-WH4 | EA | MOLDING - TRIM/VEE - .4" X 1" X 37" - CONCERT CHERRY |
| 3A | M09553-23-WH5 | EA | MOLDING - TRIM/VEE - .4" X 1" X 37" - WASHED MAPLE |
| 3A | M09553-23-WH6 | EA | MOLDING - TRIM/VEE - .4" X 1" X 37" - SIERRA MAPLE |
| 3A | M09553-47-WB4 | EA | MOLDING - TRIM/VEE - .4" X 1" X 35.9" - CONCERT CHERRY |
| 3A | M09553-47-WB5 | EA | MOLDING - TRIM/VEE - .4" X 1" X 35.9" - WASHED MAPLE |
| 3A | M09553-47-WB6 | EA | MOLDING - TRIM/VEE - .4" X 1" X 35.9" - SIERRA MAPLE |
| 3A | M09553-47-W66 | EA | MOLDING - TRIM/VEE - .4" X 1" X 35.9" - HONEY CHERRY |
| 3A | M09568-48-U67 | EA | MOLDING - TRIM/VEE - .4" X 1" X 35.4" - WASHED MAPLE |
| 3A | M09568-48-U68 | EA | MOLDING - TRIM/VEE - .4" X 1" X 35.4" - SIERRA MAPLE |
| 3A | M09553-63-WH4 | EA | MOLDING - TRIM/VEE - .4" X 1" X 35.1" - CONCERT CHERRY |
| 3A | M09553-63-WH5 | EA | MOLDING - TRIM/VEE - .4" X 1" X 35.1" - WASHED MAPLE |
| 3A | M09553-63-WH6 | EA | MOLDING - TRIM/VEE - .4" X 1" X 35.1" - SIERRA MAPLE |
| 3A | M09553-63-W51 | EA | MOLDING - TRIM/VEE - .4" X 1" X 35.1" - HONEY CHERRY |
| 3A | M09565-94-WH4 | EA | MOLDING - TRIM/VEE - .4" X 1" X 34.4" - CONCERT CHERRY |
| 3A | M09565-94-WH5 | EA | MOLDING - TRIM/VEE - .4" X 1" X 34.4" - WASHED MAPLE |
| 3A | M09565-94-WH6 | EA | MOLDING - TRIM/VEE - .4" X 1" X 34.4" - SIERRA MAPLE |
| 3A | M09553-04-WH4 | EA | MOLDING - TRIM/VEE - .4" X 1" X 34.2" - CONCERT CHERRY |
| 3A | M09553-04-WH5 | EA | MOLDING - TRIM/VEE - .4" X 1" X 34.2" - WASHED MAPLE |
| 3A | M09553-04-WH6 | EA | MOLDING - TRIM/VEE - .4" X 1" X 34.2" - SIERRA MAPLE |
| 3A | M09566-02-U68 | EA | MOLDING - TRIM/VEE - .4" X 1" X 32.7" - SIERRA MAPLE |
| 3A | M09566-02-W51 | EA | MOLDING - TRIM/VEE - .4" X 1" X 32.7" - HONEY CHERRY |
| 3A | M09566-02-W52 | EA | MOLDING - TRIM/VEE - .4" X 1" X 32.7" - WASHED MAPLE |
| 3A | M09511-86-T77 | EA | MOLDING - TRIM/VEE - .4" X 1" X 28.3" - PORTSMOUTH OAK |
| 3A | M09511-86-T78 | EA | MOLDING - TRIM/VEE - .4" X 1" X 28.3" - CONCERT CHERRY |
| 3A | M09511-86-T79 | EA | MOLDING - TRIM/VEE - .4" X 1" X 28.3" - WASHED MAPLE |
| 3A | M09511-86-T80 | EA | MOLDING - TRIM/VEE - .4" X 1" X 28.3" - SIERRA MAPLE |
| 3A | M09553-61-WH4 | EA | MOLDING - TRIM/VEE - .4" X 1" X 19.9" - CONCERT CHERRY |
| 3A | M09553-61-WH5 | EA | MOLDING - TRIM/VEE - .4" X 1" X 19.9" - WASHED MAPLE |
| 3A | M09553-61-WH6 | EA | MOLDING - TRIM/VEE - .4" X 1" X 19.9" - SIERRA MAPLE |
| 3A | M09565-71-WH4 | EA | MOLDING - TRIM/VEE - .4" X 1" X 11.4" - CONCERT CHERRY |
| 3A | M09565-71-WH5 | EA | MOLDING - TRIM/VEE - .4" X 1" X 11.4" - WASHED MAPLE |
| 3A | M09565-71-WH6 | EA | MOLDING - TRIM/VEE - .4" X 1" X 11.4" - SIERRA MAPLE |

INTERIOR FINISH GROUP (CONTINUED)
MOLDINGS & TRIMS (CONTINUED)

| KEY | PART NUMBER | U/M | DESCRIPTION |
|-----|---------------|-----|---|
| 3A | M09583-42-WH4 | EA | MOLDING - TRIM/VEE - .4" X 1" X 8.3" - CONCERT CHERRY |
| 3A | M09583-42-WH5 | EA | MOLDING - TRIM/VEE - .4" X 1" X 8.3" - WASHED MAPLE |
| 3A | M09583-42-WH6 | EA | MOLDING - TRIM/VEE - .4" X 1" X 8.3" - SIERRA MAPLE |
| 3A | M09544-55-WB4 | EA | MOLDING - TRIM/VEE - .4" X 1" X 6.5" - CONCERT CHERRY |
| 3A | M09544-55-WB5 | EA | MOLDING - TRIM/VEE - .4" X 1" X 6.5" - WASHED MAPLE |
| 3A | M09544-55-WB6 | EA | MOLDING - TRIM/VEE - .4" X 1" X 6.5" - SIERRA MAPLE |
| 3A | M09544-56-WB4 | EA | MOLDING - TRIM/VEE - .4" X 1" X 6.1" - CONCERT CHERRY |
| 3A | M09544-56-WB5 | EA | MOLDING - TRIM/VEE - .4" X 1" X 6.1" - WASHED MAPLE |
| 3A | M09544-56-WB6 | EA | MOLDING - TRIM/VEE - .4" X 1" X 6.1" - SIERRA MAPLE |
| 3A | M09538-70-U68 | EA | MOLDING - TRIM/VEE - .4" X 1" X 63.9" - SIERRA MAPLE |
| 3A | M09538-70-U67 | EA | MOLDING - TRIM/VEE - .4" X 1" X 63.9" - WASHED MAPLE |

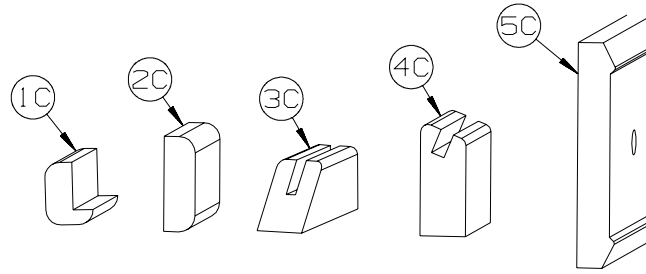


INTERIOR FINISH GROUP (CONTINUED)
MOLDINGS & TRIMS (CONTINUED)



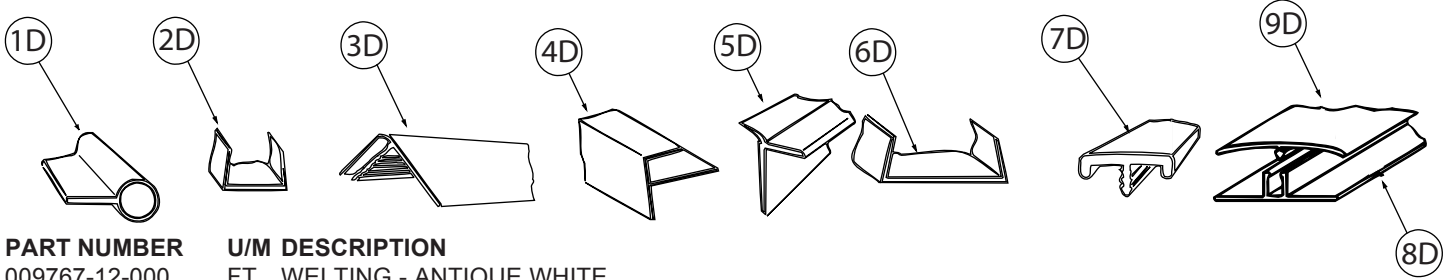
| KEY | PART NUMBER | U/M | DESCRIPTION |
|-----|---------------|-----|--|
| 1B | M09501-84-TG0 | EA | MOLDING/TRIM - CAP/WALL - 2.2" X 85.9" - PORTSMOUTH OAK |
| 1B | M09501-84-TG1 | EA | MOLDING/TRIM - CAP/WALL - 2.2" X 85.9" - CONCERT CHERRY |
| 1B | M09501-84-TG2 | EA | MOLDING/TRIM - CAP/WALL - 2.2" X 85.9" - WASHED MAPLE |
| 1B | M09501-84-TG3 | EA | MOLDING/TRIM - CAP/WALL - 2.2" X 85.9" - HONEY CHERRY |
| 1B | M09520-04-TD3 | EA | MOLDING/TRIM - CAP/WALL - 2.2" X 80.5" - SIERRA MAPLE |
| 2B | M09511-81-TA0 | EA | MOLDING/TRIM - L SHAPE - .8"X .8"X 80.2" - PORTSMOUTH OAK |
| 2B | M09511-81-TA1 | EA | MOLDING/TRIM - L SHAPE - .8"X .8"X 80.2" - CONCERT CHERRY |
| 2B | M09511-81-TA2 | EA | MOLDING/TRIM - L SHAPE - .8"X .8"X 80.2" - WASHED MAPLE |
| 2B | M09511-81-TA3 | EA | MOLDING/TRIM - L SHAPE - .8"X .8"X 80.2" - SIERRA MAPLE |
| 3B | M09515-81-T01 | EA | MOLDING/HARDWOOD STRAIGHT - 74.3" - WASHED MAPLE |
| 3B | M09515-81-T02 | EA | MOLDING/HARDWOOD STRAIGHT - 74.3" - HONEY CHERRY |
| 4B | M09511-42-T77 | EA | MOLDING - TRIM - W/NOTCH - 1.5" X 86.4" - PORTSMOUTH OAK |
| 4B | M09511-42-T78 | EA | MOLDING - TRIM - W/NOTCH - 1.5" X 86.4" - CONCERT CHERRY |
| 4B | M09511-42-T79 | EA | MOLDING - TRIM - W/NOTCH - 1.5" X 86.4" - WASHED MAPLE |
| 4B | M09511-42-T80 | EA | MOLDING - TRIM - W/NOTCH - 1.5" X 86.4" - SIERRA MAPLE |
| 4B | M09511-42-W66 | EA | MOLDING - TRIM - W/NOTCH - 1.5" X 86.4" - HONEY CHERRY |
| 5B | M09515-18-T77 | EA | MOLDING - HARDWOOD-W/NOTCH - 1.4"X 86.2" - PORTSMOUTH OAK |
| 5B | M09515-18-T78 | EA | MOLDING - HARDWOOD-W/NOTCH - 1.4"X 86.2" - CONCERT CHERRY |
| 5B | M09553-66-U22 | EA | MOLDING - HARDWOOD-W/NOTCH - 1.4"X 96" - WASHED MAPLE |
| 5B | M09515-18-T80 | EA | MOLDING - HARDWOOD-W/NOTCH - 1.4"X 86.2" - SIERRA MAPLE |
| 5B | M09553-66-U21 | EA | MOLDING - HARDWOOD-W/NOTCH - 1.4"X 96" - HONEY CHERRY |
| 6B | M09515-53-TG0 | EA | MOLDING - TRIM/VEE - 1.5" X 73.9" - PORTSMOUTH OAK |
| 6B | M09525-81-UJ1 | EA | MOLDING - TRIM/VEE - 1.5" X 74.7" - CONCERT CHERRY |
| 6B | M09525-81-UJ2 | EA | MOLDING - TRIM/VEE - 1.5" X 74.7" - WASHED MAPLE |
| 6B | M09552-81-UJ3 | EA | MOLDING - TRIM/VEE - 1.5" X 74.7" - HONEY CHERRY |
| 6B | M09553-53-WH6 | EA | MOLDING - TRIM/VEE - NOTCHED - 1.5" X 20.6" - SIERRA MAPLE |
| 7B | Y00076-32-438 | EA | MOLDING/TRIM - .5" X 1" X 96" - CHERRY (UNSTAINED) |
| 7B | Y00076-22-438 | EA | MOLDING/TRIM - .5" X 1" X 96" - MAPLE (UNSTAINED) |
| 8B | M09525-92-T77 | EA | MOLDING/TRIM - .5" X 1" X 75.6" - PORTSMOUTH OAK |
| 8B | M09525-92-T78 | EA | MOLDING/TRIM - .5" X 1" X 75.6" - CONCERT CHERRY |
| 8B | M09525-92-T79 | EA | MOLDING/TRIM - .5" X 1" X 75.6" - WASHED MAPLE |
| 8B | M09525-92-T80 | EA | MOLDING/TRIM - .5" X 1" X 75.6" - SIERRA MAPLE |
| 8B | Y00086-72-438 | EA | MOLDING - VINYL WRAP - .7" X 1.6" X 96" - PORTSMOUTH OAK |
| 8B | Y00086-D2-438 | EA | MOLDING - VINYL WRAP - .7" X 1.6" X 96" - CONCERT CHERRY |
| 8B | Y00086-A2-438 | EA | MOLDING - VINYL WRAP - .7" X 1.6" X 96" - WASHED MAPLE |
| 8B | Y00086-92-438 | EA | MOLDING - VINYL WRAP - .7" X 1.6" X 96" - SIERRA MAPLE |
| 8B | Y00086-82-438 | EA | MOLDING - VINYL WRAP - .7" X 1.6" X 96" - HONEY CHERRY |
| 8B | Y00087-72-438 | EA | MOLDING - VINYL WRAP - .7" X 2.9" X 96" - PORTSMOUTH OAK |
| 8B | Y00087-D2-438 | EA | MOLDING - VINYL WRAP - .7" X 2.9" X 96" - CONCERT CHERRY |
| 8B | Y00087-A2-438 | EA | MOLDING - VINYL WRAP - .7" X 2.9" X 96" - WASHED MAPLE |
| 8B | Y00087-92-438 | EA | MOLDING - VINYL WRAP - .7" X 2.9" X 96" - SIERRA MAPLE |
| 8B | Y00087-82-438 | EA | MOLDING - VINYL WRAP - .7" X 2.9" X 96" - HONEY CHERRY |

INTERIOR FINISH GROUP (CONTINUED)
MOLDINGS & TRIMS (CONTINUED)



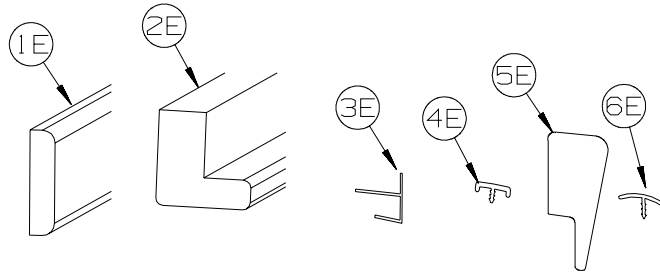
| KEY | PART NUMBER | U/M | DESCRIPTION |
|-----|---------------|-----|---|
| 1C | M09520-19-TD1 | EA | MOLDING - TRIM - W/NOTCH - 1" X 86.3" - CONCERT CHERRY |
| 1C | M09520-19-TD2 | EA | MOLDING - TRIM - W/NOTCH - 1" X 86.3" - WASHED MAPLE |
| 1C | M09520-19-TD3 | EA | MOLDING - TRIM - W/NOTCH - 1" X 86.3" - HONEY CHERRY |
| 1C | M09565-68-WH4 | EA | MOLDING - HARDWOOD - .75" X 1.4" X 81.9" - CONCERT CHERRY |
| 1C | M09565-68-WH5 | EA | MOLDING - HARDWOOD - .75" X 1.4" X 81.9" - WASHED MAPLE |
| 1C | M09565-68-WH6 | EA | MOLDING - HARDWOOD - .75" X 1.4" X 81.9" - SIERRA MAPLE |
| 2C | M09511-46-T77 | EA | MOLDING/TRIM - .5" X 1.5" X 86.5" - PORTSMOUTH OAK |
| 2C | M09511-46-T78 | EA | MOLDING/TRIM - .5" X 1.5" X 86.5" - CONCERT CHERRY |
| 2C | M09511-46-T79 | EA | MOLDING/TRIM - .5" X 1.5" X 86.5" - WASHED MAPLE |
| 2C | M09511-46-T80 | EA | MOLDING/TRIM - .5" X 1.5" X 86.5" - SIERRA MAPLE |
| 3C | Y00223-22-438 | EA | MOLDING - HARDWOOD/MAPLE - .7" X 1" X 96" - UNSTAINED MAPLE |
| 3C | Y00223-32-438 | EA | MOLDING - HARDWOOD/CHERRY - .7" X 1" X 96" - UNSTAINED CHERRY |
| 3C | Y00223-42-438 | EA | MOLDING - HARDWOOD/CHERRY - .7" X 1" X 96" - UNSTAINED OAK |
| 4C | Y00054-A2-438 | EA | MOLDING - VINYL - W/SLOT - .7"X 1.9"X 96" - WASHED MAPLE |
| 4C | Y00054-D2-438 | EA | MOLDING - VINYL - W/SLOT - .7"X 1.9"X 96" - CONCERT CHERRY |
| 4C | Y00054-22-438 | EA | MOLDING - VINYL - W/SLOT - .7"X 1.9"X 96" - WASHED MAPLE |
| 4C | Y00054-72-438 | EA | MOLDING - VINYL - W/SLOT - .7"X 1.9"X 96" - PORTSMOUTH OAK |
| 4C | Y00054-82-438 | EA | MOLDING - VINYL - W/SLOT - .7"X 1.9"X 96" - HONEY CHERRY |
| 4C | Y00054-92-438 | EA | MOLDING - VINYL - W/SLOT - .7"X 1.9"X 96" - SIERRA MAPLE |
| 4C | Y00276-A2-438 | EA | MOLDING - VINYL - W/SLOT - .7"X 1.9"X 96" - WASHED MAPLE |
| 4C | Y00276-D2-438 | EA | MOLDING - VINYL - W/SLOT - .7"X 1.9"X 96" - CONCERT CHERRY |
| 4C | Y00276-72-438 | EA | MOLDING - VINYL - W/SLOT - .7"X 1.9"X 96" - PORTSMOUTH OAK |
| 4C | Y00276-82-438 | EA | MOLDING - VINYL - W/SLOT - .7"X 1.9"X 96" - HONEY CHERRY |
| 4C | Y00276-92-438 | EA | MOLDING - VINYL - W/SLOT - .7"X 1.9"X 96" - SIERRA MAPLE |
| 5C | Y00152-A2-438 | EA | MOLDING/TRIM - VINYL - .6" X 3.5" X 96" - WASHED MAPLE |
| 5C | Y00152-D2-438 | EA | MOLDING/TRIM - VINYL - .6" X 3.5" X 96" - CONCERT CHERRY |
| 5C | Y00152-22-438 | EA | MOLDING/TRIM - VINYL - .6" X 3.5" X 96" - WASHED MAPLE |
| 5C | Y00152-72-438 | EA | MOLDING/TRIM - VINYL - .6" X 3.5" X 96" - PORTSMOUTH OAK |
| 5C | Y00152-92-438 | EA | MOLDING/TRIM - VINYL - .6" X 3.5" X 96" - SIERRA MAPLE |

INTERIOR FINISH GROUP (CONTINUED)
MOLDINGS & TRIMS (CONTINUED)



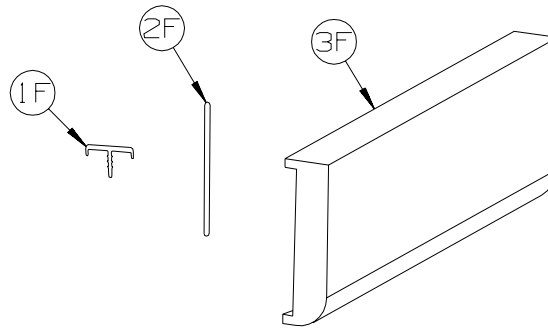
| KEY | PART NUMBER | U/M | DESCRIPTION |
|-----|---------------|-----|---|
| 1D | 009767-12-000 | FT | WELTING - ANTIQUE WHITE |
| 2D | 009778-25-000 | FT | U-CHANNEL - 1" - BEIGE ILLUSION |
| 2D | 009778-26-000 | FT | U-CHANNEL - 1 1/4" - BEIGE ILLUSION |
| 2D | 009778-38-000 | FT | U-CHANNEL - 1" - BONE |
| 2D | 009778-32-000 | FT | U-CHANNEL - 1" - PORTSMOUTH OAK |
| 2D | 009778-34-000 | FT | U-CHANNEL - 1" - CONCERT CHERRY |
| 2D | 009778-27-000 | FT | U-CHANNEL - 1" - WASHED MAPLE |
| 2D | 009778-35-000 | FT | U-CHANNEL - 1" - HONEY CHERRY |
| 2D | 009778-36-000 | FT | U-CHANNEL - 1" - SIERRA MAPLE |
| 3D | 009809-30-000 | EA | MOLDING - CORNER - OUTSIDE - 1" X 84" - BEIGE ILLUSION |
| 3D | 009809-37-000 | EA | MOLDING - CORNER - OUTSIDE - 1" X 84" - BONE |
| 3D | 009809-33-000 | EA | MOLDING - CORNER - OUTSIDE - 1" X 84" - CONCERT CHERRY |
| 3D | 009809-31-000 | EA | MOLDING - CORNER - OUTSIDE - 1" X 84" - WASHED MAPLE |
| 3D | 009809-35-000 | EA | MOLDING - CORNER - OUTSIDE - 1" X 84" - SIERRA MAPLE |
| 4D | 009812-31-000 | EA | MOLDING - CORNER - 1/2" W/1/4"CHAN X 84" - BEIGE ILLUSION |
| 4D | 009812-40-000 | EA | MOLDING - CORNER - 1/2" W/1/4"CHAN X 84" - BONE |
| 4D | 009812-35-000 | EA | MOLDING - CORNER - 1/2" W/1/4"CHAN X 84" - PORTSMOUTH OAK |
| 4D | 009812-36-000 | EA | MOLDING - CORNER - 1/2" W/1/4"CHAN X 84" - CONCERT CHERRY |
| 4D | 009812-33-000 | EA | MOLDING - CORNER - 1/2" W/1/4"CHAN X 84" - WASHED MAPLE |
| 4D | 009812-37-000 | EA | MOLDING - CORNER - 1/2" W/1/4"CHAN X 84" - HONEY CHERRY |
| 4D | 009812-38-000 | EA | MOLDING - CORNER - 1/2" W/1/4"CHAN X 84" - SIERRA MAPLE |
| 5D | 022992-11-000 | FT | MOLDING - REVERSE COVE - T-SHAPED - IVORY |
| 5D | 022992-14-000 | FT | MOLDING - REVERSE COVE - T-SHAPED - BRIGHT WHITE |
| 5D | 022992-18-000 | FT | MOLDING - REVERSE COVE - T-SHAPED - BONE |
| 6D | 070504-42-000 | FT | U-CHANNEL - PLASTIC - .13" X 84" - BEIGE ILLUSION |
| 6D | 070504-43-000 | FT | U-CHANNEL - PLASTIC - .9" X 96" - BEIGE ILLUSION |
| 6D | 070504-69-000 | FT | U-CHANNEL - PLASTIC - .13" X 84" - BONE |
| 6D | 070504-70-000 | FT | U-CHANNEL - PLASTIC - .8" X 84" - BONE |
| 6D | 070504-57-000 | FT | U-CHANNEL - PLASTIC - .13" X 96" - PORTSMOUTH OAK |
| 6D | 070504-58-000 | FT | U-CHANNEL - PLASTIC - .9" X 96" - PORTSMOUTH OAK |
| 6D | 070504-60-000 | FT | U-CHANNEL - PLASTIC - .13" X 84" - CONCERT CHERRY |
| 6D | 070504-61-000 | FT | U-CHANNEL - PLASTIC - .9" X 84" - CONCERT CHERRY |
| 6D | 070504-50-000 | FT | U-CHANNEL - PLASTIC - .13" X 96" - WASHED MAPLE |
| 6D | 070504-51-000 | FT | U-CHANNEL - PLASTIC - .9" X 96" - WASHED MAPLE |
| 6D | 070504-62-000 | FT | U-CHANNEL - PLASTIC - 1.65" X 84" - HONEY CHERRY |
| 6D | 070504-63-000 | FT | U-CHANNEL - PLASTIC - .9" X 84" - HONEY CHERRY |
| 6D | 070504-65-000 | FT | U-CHANNEL - PLASTIC - .07" X 96" - SIERRA MAPLE |
| 6D | 070504-66-000 | FT | U-CHANNEL - PLASTIC - .8" X 84" - SIERRA MAPLE |
| 7D | 083620-25-000 | FT | MOLDING-T - W/EDGE LIP - 7/8" FACE - BONE |
| 7D | 083620-20-000 | FT | MOLDING-T - W/EDGE LIP - 7/8" FACE - PORTSMOUTH OAK |
| 7D | 083620-19-000 | FT | MOLDING-T - W/EDGE LIP - 7/8" FACE - WASHED MAPLE |
| 7D | 083620-24-000 | FT | MOLDING-T - W/EDGE LIP - 7/8" FACE - HONEY CHERRY |
| 7D | 083620-22-000 | FT | MOLDING-T - W/EDGE LIP - 7/8" FACE - SIERRA MAPLE |
| 8D | 086229-01-000 | EA | RETAINER - BATTEN - .75" X 92.1" - ANY COLOR |
| 9D | 086229-12-000 | EA | BATTEN - 1.5" OFFSET X 96.8" - MODERN IVORY |
| 9D | 086229-20-000 | EA | BATTEN - 1" X 96" - BEIGE |

INTERIOR FINISH GROUP (CONTINUED)
MOLDINGS & TRIMS (CONTINUED)



| KEY | PART NUMBER | U/M | DESCRIPTION |
|-----|---------------|-----|---|
| 1E | 100818-01-12A | EA | MOLDING - VINYL WRAPPED - 1.6" X .4" X 84" - PORTSMOUTH OAK |
| 1E | 100818-01-23A | EA | MOLDING - VINYL WRPPD - 1.6" X .4" X 84" - CONCERT CHERRY |
| 1E | 100818-01-21A | EA | MOLDING - VINYL WRAPPED - 1.6" X .4" X 84" - WASHED MAPLE |
| 1E | 100818-01-14A | EA | MOLDING - VINYL WRAPPED - 1.6" X .4" X 84" - HONEY CHERRY |
| 1E | 100818-01-22A | EA | MOLDING - VINYL WRAPPED - 1.6" X .4" X 84" - SIERRA MAPLE |
| 2E | 100819-01-23A | EA | MOLDING - VYL WRPPD-L-SHPD-1.5"X1.5"X84" - CONCERT CHERRY |
| 2E | 100819-01-21A | EA | MOLDING - VINYL WRAPPED-L-SHAPED-1.5"X1.5"X84" - WASHED MAPLE |
| 2E | 100819-01-14A | EA | MOLDING - VINYL WRAPPED-L-SHAPED-1.5"X1.5"X84" - HONEY CHERRY |
| 2E | 100819-01-22A | EA | MOLDING - VINYL WRAPPED-L-SHAPED-1.5"X1.5"X84" - SIERRA MAPLE |
| 3E | 103186-01-07A | FT | MOLDING/PLASTIC - 3/8" U-CHANNEL-3/4" FACE - BEIGE ILLUSION |
| 3E | 103186-01-09A | FT | MOLDING/PLASTIC - 3/8" U-CHANNEL-3/4" FACE - PORTSMOUTH OAK |
| 3E | 103186-01-10A | FT | MOLDING/PLASTIC - 3/8" U-CHANNEL-3/4" FACE - CONCERT CHERRY |
| 3E | 103186-01-08A | FT | MOLDING/PLASTIC - 3/8" U-CHANNEL-3/4" FACE- 8' - WASHED MAPLE |
| 3E | 103186-01-11A | FT | MOLDING/PLASTIC - 3/8" U-CHANNEL-3/4" FACE - HONEY CHERRY |
| 3E | 103186-01-12A | FT | MOLDING/PLASTIC - 3/8" U-CHANNEL-3/4" FACE - SIERRA MAPLE |
| 3E | 103186-02-07A | FT | MOLDING/PLASTIC-1" U-CHANNEL-1 3/8" FACE - BEIGE ILLUSION |
| 3E | 103186-02-09A | FT | MOLDING/PLASTIC - 1" U-CHANNEL-1 3/8" FACE - PORTSMOUTH OAK |
| 3E | 103186-02-10A | FT | MOLDING/PLASTIC - 1" U-CHANNEL-1 3/8" FACE - CONCERT CHERRY |
| 3E | 103186-02-08A | FT | MOLDING/PLASTIC - 1" U-CHANNEL-1 3/8" FACE - WASHED MAPLE |
| 3E | 103186-02-11A | FT | MOLDING/PLASTIC - 1" U-CHANNEL-1 3/8" FACE - HONEY CHERRY |
| 3E | 103186-02-12A | FT | MOLDING/PLASTIC - 1" U-CHANNEL-1 3/8" FACE - SIERRA MAPLE |
| 4E | 104676-02-08A | FT | MOLDING-T - W/EDGE LIP - 11/16" FACE - PORTSMOUTH OAK |
| 4E | 104676-02-12A | FT | MOLDING-T - W/EDGE LIP - 11/16" FACE - SIERRA MAPLE |
| 5E | 105004-01-12A | EA | MOLDING - VINYL WRAP - 1" X 96" - PORTSMOUTH OAK |
| 5E | 105004-01-21A | EA | MOLDING - VINYL WRAP - 1" X 96" - WASHED MAPLE |
| 5E | 105004-01-24A | EA | MOLDING - VINYL WRAP - 1" X 96" - HONEY CHERRY |
| 5E | 105004-01-22A | EA | MOLDING - VINYL WRAP - 1" X 96" - SIERRA MAPLE |
| 6E | 105709-02-000 | FT | MOLDING-T - W/EDGE LIP 3/4" FACE - BEIGE ILLUSION |

INTERIOR FINISH GROUP (CONTINUED)
MOLDINGS & TRIMS (CONTINUED)

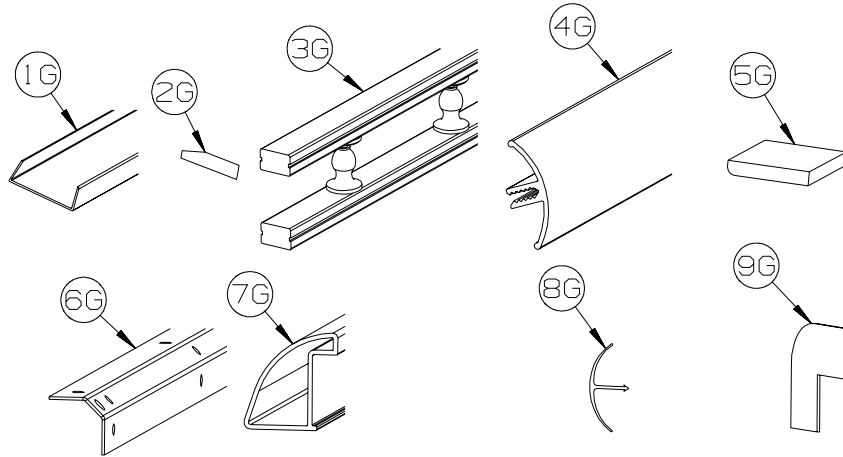


| KEY | PART NUMBER | U/M | DESCRIPTION |
|-----|---------------|-----|--|
| 1F | 119520-01-01A | FT | MOLDING-T - OFFSET W/EDGE LIP - 1.3" FACE - OFF WHITE |
| 1F | 119520-03-02A | FT | MOLDING-T - OFFSET W/EDGE LIP - 1" FACE - CONCERT CHERRY |
| 1F | 119520-03-03A | FT | MOLDING-T - OFFSET W/EDGE LIP - 1" FACE - WASHED MAPLE |
| 1F | 119520-03-05A | FT | MOLDING-T - OFFSET W/EDGE LIP - 1" FACE - SIERRA MAPLE |
| 1F | 119520-03-06A | FT | MOLDING-T - OFFSET W/EDGE LIP - 1" FACE - HONEY CHERRY |
| 2F | 127842-01-01A | FT | SEAL - SIGHT SHIELD - 2" BLACK |
| | 160300-A2-438 | EA | LUMBER - VINYL WRAPPED - .7" X .75" X 96" - CONCERT CHERRY |
| | 160300-D2-438 | EA | LUMBER - VINYL WRAPPED - .7" X 1.5" X 96" - CONCERT CHERRY |
| | 160300-E2-438 | EA | LUMBER - VINYL WRAPPED - .7" X 2" X 96" - CONCERT CHERRY |
| | 160300-F2-438 | EA | LUMBER - VINYL WRAPPED - .7" X 2.5" X 96" - CONCERT CHERRY |
| | 160300-G2-438 | EA | LUMBER - VINYL WRAPPED - .7" X 3" X 96" - CONCERT CHERRY |
| | 160300-H2-438 | EA | LUMBER - VINYL WRAPPED - .7" X 3.5" X 96" - CONCERT CHERRY |
| | 160300-J2-438 | EA | LUMBER - VINYL WRAPPED - .7" X 5.5" X 96" - CONCERT CHERRY |
| | 160300-K2-438 | EA | LUMBER - VINYL WRAPPED - .7" X 3.9" X 96" - CONCERT CHERRY |
| | 160300-R2-438 | EA | LUMBER - VINYL WRAPPED - .7" X 3" X 96" - CONCERT CHERRY |
| 3F | 160301-D2-134 | EA | MOLDING - VINYL WRAPPED - .7" X 1.6" X 84" - CONCERT CHERRY |
| 3F | 160301-D2-743 | EA | MOLDING - VINYL WRAPPED - .7" X 1.6" X 108" - CONCERT CHERRY |
| 3F | 160301-F2-134 | EA | MOLDING - VINYL WRAPPED - .7" X 2.5" X 84" - CONCERT CHERRY |
| 3F | 160301-F2-743 | EA | MOLDING - VINYL WRAPPED - .7" X 2.5" X 108" - CONCERT CHERRY |
| 3F | 160301-F2-438 | EA | MOLDING - VINYL WRAPPED - .7" X 2.5" X 96" - CONCERT CHERRY |
| | 137894-A2-438 | EA | LUMBER - VINYL WRAPPED - .7" X .75" X 96" - PORTSMOUTH OAK |
| | 137894-D2-438 | EA | LUMBER - VINYL WRAPPED - .7" X 1.5" X 96" - PORTSMOUTH OAK |
| | 137894-E2-438 | EA | LUMBER - VINYL WRAPPED - .7" X 2" X 96" - PORTSMOUTH OAK |
| | 137894-F2-438 | EA | LUMBER - VINYL WRAPPED - .7" X 2.5" X 96" - PORTSMOUTH OAK |
| | 137894-G2-438 | EA | LUMBER - VINYL WRAPPED - .7" X 3" X 96" - PORTSMOUTH OAK |
| | 137894-H2-438 | EA | LUMBER - VINYL WRAPPED - .7" X 3.5" X 96" - PORTSMOUTH OAK |
| | 137894-J2-438 | EA | LUMBER - VINYL WRAPPED - .7" X 5.5" X 96" - PORTSMOUTH OAK |

INTERIOR FINISH GROUP (CONTINUED)
MOLDINGS & TRIMS (CONTINUED)

| KEY | PART NUMBER | U/M | DESCRIPTION |
|-----|---------------|-----|---|
| | 137894-J2-743 | EA | LUMBER - VINYL WRAPPED - .7" X 5.5" X 108" - PORTSMOUTH OAK |
| | 137894-K2-438 | EA | LUMBER - VINYL WRAPPED - .7" X 3.9" X 96" - PORTSMOUTH OAK |
| | 137894-R2-438 | EA | LUMBER - VINYL WRAPPED - .7" X 3" X 96" - PORTSMOUTH OAK |
| 3F | 137895-D2-134 | EA | MOLDING - VINYL WRAP - .7" X 1.6" X 84" - PORTSMOUTH OAK |
| 3F | 137895-D2-743 | EA | MOLDING - VINYL WRAP - .7" X 1.6" X 108" - PORTSMOUTH OAK |
| 3F | 137895-F2-134 | EA | MOLDING - VINYL WRAP - .7" X 2.5" X 84" - PORTSMOUTH OAK |
| 3F | 137895-F2-438 | EA | MOLDING - VINYL WRAP - .7" X 2.5" X 96" - PORTSMOUTH OAK |
| 3F | 137895-F2-743 | EA | MOLDING - VINYL WRAP - .7" X 2.5" X 108" - PORTSMOUTH OAK |
| | 146419-A2-438 | EA | LUMBER - VINYL WRAPPED - .7" X .75" X 96" - HONEY CHERRY |
| | 146419-D2-438 | EA | LUMBER - VINYL WRAPPED - .7" X 1.5" X 96" - HONEY CHERRY |
| | 146419-E2-438 | EA | LUMBER - VINYL WRAPPED - .7" X 2" X 96" - HONEY CHERRY |
| | 146419-F2-438 | EA | LUMBER - VINYL WRAPPED - .7" X 2.5" X 96" - HONEY CHERRY |
| | 146419-G2-438 | EA | LUMBER - VINYL WRAPPED - .7" X 3" X 96" - HONEY CHERRY |
| | 146419-H2-438 | EA | LUMBER - VINYL WRAPPED - .7" X 3.5" X 96" - HONEY CHERRY |
| | 146419-J2-438 | EA | LUMBER - VINYL WRAPPED - .7" X 5.5" X 96" - HONEY CHERRY |
| | 146419-J2-743 | EA | LUMBER - VINYL WRAPPED - .7" X 5.5" X 108" - HONEY CHERRY |
| | 146419-K2-438 | EA | LUMBER - VINYL WRAPPED - .7" X 3.9" X 96" - HONEY CHERRY |
| | 146419-R2-438 | EA | LUMBER - VINYL WRAPPED - .7" X 3" X 96" - HONEY CHERRY |
| | 146419-S2-438 | EA | LUMBER - VINYL WRAPPED/FULL - .7"X 3.5"X 96" - HONEY CHERRY |
| | 146419-T2-438 | EA | LUMBER - VINYL WRAPPED/FULL - .7"X 5.5"X 96" - HONEY CHERRY |
| 3F | 146425-D2-134 | EA | MOLDING - VINYL WRAPPED - .7" X 1.6" X 83.9" - HONEY CHERRY |
| 3F | 146425-F2-438 | EA | MOLDING - VINYL WRAPPED - .7" X 2.6" X 96" - HONEY CHERRY |
| | 149325-A2-438 | EA | LUMBER - VINYL WRAPPED - .7" X .75" X 96" - WASHED MAPLE |
| | 149325-D2-438 | EA | LUMBER - VINYL WRAPPED - .7" X 1.5" X 96" - WASHED MAPLE |
| | 149325-E2-438 | EA | LUMBER - VINYL WRAPPED - .7" X 2" X 96" - WASHED MAPLE |
| | 149325-F2-438 | EA | LUMBER - VINYL WRAPPED - .7" X 2.5" X 96" - WASHED MAPLE |
| | 149325-G2-438 | EA | LUMBER - VINYL WRAPPED - .7" X 3" X 96" - WASHED MAPLE |
| | 149325-H2-438 | EA | LUMBER - VINYL WRAPPED - .7" X 3.5" X 96" - WASHED MAPLE |
| | 149325-J2-438 | EA | LUMBER - VINYL WRAPPED - .7" X 5.5" X 96" - WASHED MAPLE |
| | 149325-J2-743 | EA | LUMBER - VINYL WRAPPED - .7" X 5.5" X 108" - WASHED MAPLE |
| | 149325-K2-438 | EA | LUMBER - VINYL WRAPPED - .7" X 3.9" X 96" - WASHED MAPLE |
| | 149325-R2-438 | EA | LUMBER - VINYL WRAPPED - .7" X 3" X 96" - WASHED MAPLE |
| 3F | 149326-D2-134 | EA | MOLDING - VINYL WRAPPED - .7" X 1.5" X 83.9" - WASHED MAPLE |
| 3F | 149326-D2-743 | EA | MOLDING - VINYL WRAPPED - .7" X 1.5" X 108" - WASHED MAPLE |
| 3F | 149326-F2-134 | EA | MOLDING - VINYL WRAPPED - .7" X 2.5" X 83.9" - WASHED MAPLE |
| 3F | 149326-F2-438 | EA | MOLDING - VINYL WRAPPED - .7" X 2.5" X 96" - WASHED MAPLE |
| 3F | 149326-F2-743 | EA | MOLDING - VINYL WRAPPED - .7" X 2.5" X 108" - WASHED MAPLE |
| | 149330-A2-438 | EA | LUMBER - VINYL WRAPPED - .7" X .75" X 96" - SIERRA MAPLE |
| | 149330-D2-438 | EA | LUMBER - VINYL WRAPPED - .7" X 1.5" X 96" - SIERRA MAPLE |
| | 149330-E2-438 | EA | LUMBER - VINYL WRAPPED - .7" X 2" X 96" - SIERRA MAPLE |
| | 149330-F2-438 | EA | LUMBER - VINYL WRAPPED - .7" X 2.5" X 96" - SIERRA MAPLE |
| | 149330-G2-438 | EA | LUMBER - VINYL WRAPPED - .7" X 3" X 96" - SIERRA MAPLE |
| | 149330-H2-438 | EA | LUMBER - VINYL WRAPPED - .7" X 3.5" X 96" - SIERRA MAPLE |
| | 149330-J2-438 | EA | LUMBER - VINYL WRAPPED - .7" X 5.5" X 96" - SIERRA MAPLE |
| | 149330-J2-743 | EA | LUMBER - VINYL WRAPPED - .7" X 5.5" X 108" - SIERRA MAPLE |
| | 149330-K2-438 | EA | LUMBER - VINYL WRAPPED - .7" X 3.9" X 96" - SIERRA MAPLE |
| | 149330-R2-438 | EA | LUMBER - VINYL WRAPPED - .7" X 3" X 96" - SIERRA MAPLE |
| 3F | 149331-D2-134 | EA | MOLDING - VINYL WRAP - .7" X 1.5" X 83.9" - SIERRA MAPLE |
| 3F | 149331-D2-743 | EA | MOLDING - VINYL WRAP - .7" X 1.5" X 108" - SIERRA MAPLE |
| 3F | 149331-F2-134 | EA | MOLDING - VINYL WRAP - .7" X 2.5" X 83.9" - SIERRA MAPLE |
| 3F | 149331-F2-438 | EA | MOLDING - VINYL WRAP - .7" X 2.5" X 96" - SIERRA MAPLE |
| 3F | 149331-F2-743 | EA | MOLDING - VINYL WRAP - .7" X 2.5" X 108" - SIERRA MAPLE |

INTERIOR FINISH GROUP (CONTINUED)
MOLDINGS & TRIMS (CONTINUED)



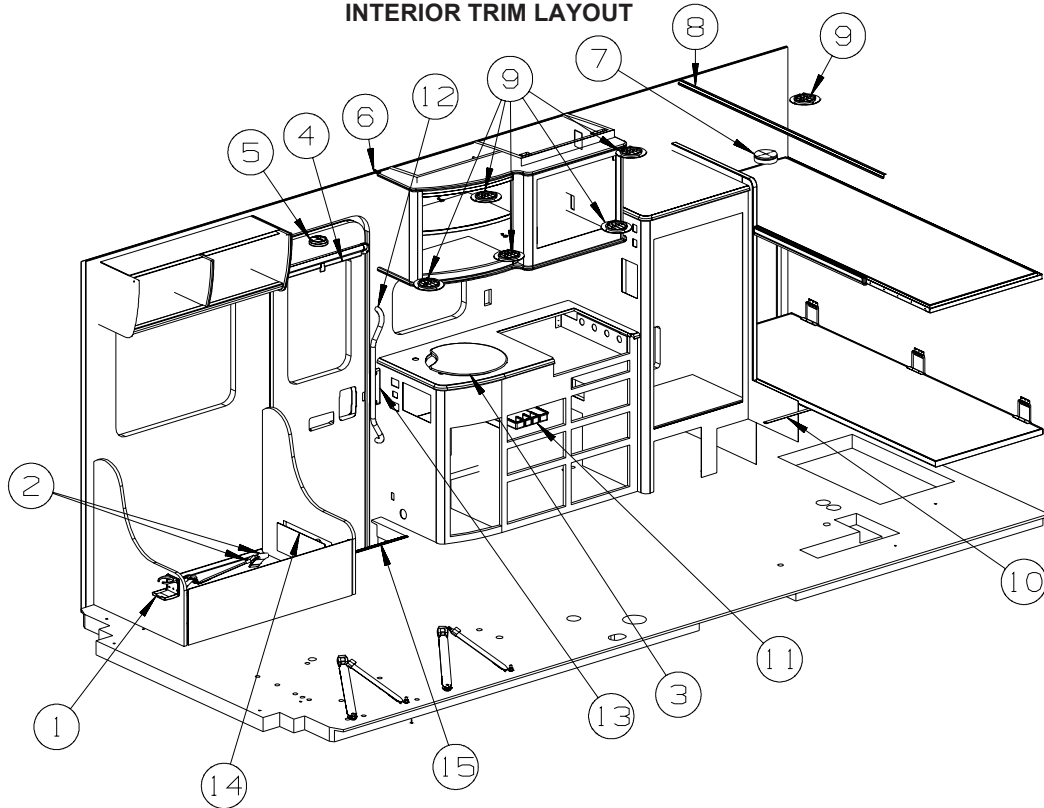
| KEY | PART NUMBER | U/M | DESCRIPTION |
|-----|---------------|-----|--|
| 1G | 141260-01-01A | FT | U-CHANNEL - 1" - VILLAGE OAK |
| 1G | 141260-01-02A | FT | U-CHANNEL - 1" - GRADY BROWN |
| 2G | 146306-01-01A | FT | TRANSITION - CARPET/TILE |
| 3G | 150167-01-03A | EA | RAIL - DECORATIVE - 96" - WASHED MAPLE |
| 3G | 150167-01-07A | EA | RAIL - DECORATIVE - 96" - PORTSMOUTH OAK |
| 3G | 150167-01-08A | EA | RAIL - DECORATIVE - 96" - HONEY CHERRY |
| 3G | 150167-01-09A | EA | RAIL - DECORATIVE - 96" - SIERRA MAPLE |
| 4G | 151653-10-02A | EA | TRIM/RADIUS - CABINET CORNER - 79.6" - DULL METALLIC |
| 4G | 151653-13-02A | EA | TRIM/RADIUS - CABINET CORNER - 79.8" - DULL METALLIC |
| 5G | M09568-04-W80 | EA | MOLDING/TRIM - .3" X 1.5" X 73.6" - SIERRA MAPLE |
| 5G | M09568-04-W79 | EA | MOLDING/TRIM - .3" X 1.5" X 73.6" - WASHED MAPLE |
| 6G | 151861-01-02B | EA | ANGLE - SUPPORT/CORNER - 1.4" X 12.5" - E-COATED |
| 6G | 151861-02-02B | EA | ANGLE - SUPPORT/CORNER - 1.4" X 20.1" - E-COATED |
| 6G | 151861-03-02B | EA | ANGLE - SUPPORT/CORNER - 1.4" X 26.7" - E-COATED |
| 6G | 151861-04-02B | EA | ANGLE - SUPPORT/CORNER - 1.4" X 32.7" - E-COATED |
| 6G | 151861-05-02B | EA | ANGLE - SUPPORT/CORNER - 1.4" X 78.6" - E-COATED |
| 6G | 151861-06-02B | EA | ANGLE - SUPPORT/CORNER - 1.4" X 59" - E-COATED |
| 6G | 151861-08-02B | EA | ANGLE - SUPPORT/CORNER - 1.4" X 22.2" - E-COATED |
| 6G | 151861-09-02B | EA | ANGLE - SUPPORT/CORNER - 1.4" X 14.9" - E-COATED |
| 7G | 151893-01-02A | EA | TRIM/RADIUS - CABINET BOTTOM - 72.6" - DULL METALLIC |
| 8G | 156464-01-01A | FT | MOLDING - CORNER - RADIUS/PLASTIC - 8' - HONEY CHERRY |
| 8G | 156464-01-02A | FT | MOLDING - CORNER - RADIUS/PLASTIC - 8' - WASHED MAPLE |
| 8G | 156464-01-05A | FT | MOLDING - CORNER - RADIUS/PLASTIC - 8' - SIERRA MAPLE |
| 8G | 156464-01-06A | FT | MOLDING - CORNER - RADIUS/PLASTIC - 8' - CONCERT CHERRY |
| 8G | 156464-03-03A | FT | MOLDING - CORNER - RADIUS/PLASTIC - 8' - BONE |
| | 081521-02-007 | EA | MOUNT - METAL MOLDING - F/RADIUS CORNER MOLDING - 151.5" |
| 9G | 160989-01-06A | FT | CAP - CORNER - RADIUS MOLDING - PLASTIC - WASHED MAPLE |
| 9G | 160989-01-07A | FT | CAP - CORNER - RADIUS MOLDING - PLASTIC - HONEY CHERRY |

INTERIOR FINISH GROUP (CONTINUED)
PANELING & LAMINATES

| KEY | PART NUMBER | U/M | DESCRIPTION |
|-----|---------------|-----|---|
| | 000885-B4-000 | SF | PARTICLE BOARD - 3/8" X 4' X 8'- WASHED MAPLE - 2 SIDED - WASHED MAPLE |
| | 000885-B5-000 | SF | PARTICLE BOARD - 3/8" X 4' X 8'- WASHED MAPLE - 1 SIDED - WASHED MAPLE |
| | 000885-B6-000 | SF | PARTICLE BOARD - 3/4" X 4' X 8'- WASHED MAPLE - 2 SIDED - WASHED MAPLE |
| | 074498-A6-000 | SF | LAMINATE - PLASTIC - HARDROCK MAPLE - 5' X 8'-WASHED MAPLE |
| | 000885-A7-000 | SF | PARTICLE BOARD - 3/4" X 4' X 8'- HONEY CHERRY - 2 SIDED - HONEY CHERRY |
| | 000885-A8-000 | SF | PARTICLE BOARD - 3/8" X 4' X 8'- HONEY CHERRY - 1 SIDED - HONEY CHERRY |
| | 000885-A9-000 | SF | PARTICLE BOARD - 3/8" X 4' X 8'- HONEY CHERRY - 2 SIDED - HONEY CHERRY |
| | 000885-C3-000 | SF | PARTICLE BOARD - 3/8" X 4' X 8' - WHITE THATCH EMB-1 SIDED |
| | 057882-05-000 | SF | TAMBOUR - 48" X 96" SHEET - UNFINISHED |
| | 057882-06-000 | SF | TAMBOUR - 48" X 96" SHEET - UNFINISHED |
| | 074498-B9-000 | SF | LAMINATE - PLASTIC - SUNSTONE - 5' X 8' |
| | 074498-C0-000 | SF | LAMINATE - PLASTIC - PUNCHED STAINLESS - 5' X 8' |
| | 074498-C5-000 | SF | LAMINATE - PLASTIC - AMBER GREEN - 5' X 8' |
| | 074498-A2-000 | SF | LAMINATE - PLASTIC - PHANTOM GRAY - 5' X 8' |
| | 076325-71-000 | FT | MOLDING - EDGE BAND - 1 5/16" X .038" - GRAY |
| | 079653-39-000 | EA | BATT STRIP - KERFED - WASHED MAPLE - 8' - WASHED MAPLE |
| | 088263-J2-000 | EA | BATT STRIP - DECORATIVE - NEAT - WASHED MAPLE |
| | 079653-50-000 | EA | BATT STRIP - KERFED - HONEY CHERRY - 8' - HONEY CHERRY |
| | 088263-L0-000 | EA | BATT STRIP - DECORATIVE - RAWHIDE HERITAGE (W13, W14, W05, W06) FROM: 00-00-00 THRU: 04-01-07 |
| | 088262-L2-000 | EA | BATT STRIP - DECORATIVE - DISTRESSED CRACKLE (W13, W14, W05, W06) FROM: 04-02-07 THRU: 99-99-99 |
| | 088263-L0-000 | EA | BATT STRIP - DECORATIVE - RAWHIDE HERITAGE (W15, W16) FROM: 00-00-00 THRU: 04-01-07 |
| | 088263-K3-000 | EA | BATT STRIP - DECORATIVE - KURTA/CANVAS - 8' (W15, W16) FROM: 04-02-07 THRU: 99-99-99 |
| | 085284-J5-000 | FT | BATT TAPE - ADHESIVE BACKED - DECORATIVE-NEAT - WASHED MAPLE |
| | 085284-J6-000 | FT | BATT TAPE - ADHESIVE BACKED - DECORATIVE - HONEY CHERRY |
| | 085284-L4-000 | FT | BATT TAPE - ADHESIVE BACKED - DECORATIVE - RAWHIDE HERITAGE (W13, W14, W05, W06) FROM: 00-00-00 THRU: 04-01-07 |
| | 085284-L6-000 | FT | BATT TAPE - ADHESIVE BACKED - DECORATIVE - DIST CRACKLE (W13, W14, W05, W06) FROM: 04-02-07 THRU: 99-99-99 |
| | 085284-L4-000 | FT | BATT TAPE - ADHESIVE BACKED - DECORATIVE - RAWHIDE HERITAGE (W15, W16) FROM: 00-00-00 THRU: 04-01-07 |
| | 085284-K7-000 | FT | BATT TAPE - ADHESIVE BACKED - DECORATIVE - KURTA/CANVAS (W15, W16) FROM: 04-02-07 THRU: 99-99-99 |
| | 085284-M0-000 | FT | BATT TAPE - ADHESIVE BACKED - DECORATIVE - BRAMBLE/TRAIL |
| | 085284-M2-000 | FT | BATT TAPE - ADHESIVE BACKED - DECORATIVE - GLACIER |
| | 085284-M3-000 | FT | BATT TAPE - ADHESIVE BACKED - DECORATIVE - TAUPE |
| | 074497-49-000 | SF | PANELING - WASHED MAPLE - 1/8" X 4' X 8' - WASHED MAPLE |
| | 076773-20-000 | SF | PANELING - 2 SIDED/WASHED MAPLE - 1/8" X 4' X 8' - WASHED MAPLE |
| | 076773-25-000 | SF | PANELING - 1 SIDE/NEAT WASHED MAPLE - 1/8" X 4' X 7' - WASHED MAPLE |
| | 074497-47-000 | SF | PANELING - HONEY CHERRY - 1/8" X 4' X 8' - HONEY CHERRY |
| | 074497-49-000 | SF | PANELING - WASHED MAPLE - 1/8" X 4' X 8' |
| | 076773-18-000 | SF | PANELING - 2 SIDED/HONEY CHERRY - 1/8" X 4' X 8' - HONEY CHERRY |
| | 076773-23-000 | SF | PANELING - 1 SIDE/HONEY CHERRY - 1/8" X 4' X 7' - HONEY CHERRY |
| | 088272-N4-000 | SF | PANELING - RAWHIDE HERITAGE - 4' X 7.4' (W13, W14, W05, W06) FROM: 00-00-00 THRU: 04-1-07 |
| | 088272-N7-000 | SF | PANELING - DISTRESSED CRACKLE - 4' X 7.4' (W13, W14, W05, W06) FROM: 04-02-07 THRU: 99-99-99 |
| | 088272-N4-000 | SF | PANELING - RAWHIDE HERITAGE - 4' X 7.4' (W15, W16) FROM: 00-00-00 THRU: 04-1-07 |
| | 088272-M7-000 | SF | PANELING - KURTA/CANVAS - 4' X 7.4' (W15, W16) FROM: 04-02-07 THRU: 99-99-99 |
| | 088272-M9-000 | SF | PANELING - WHITE THATCHED - 4' X 8' |
| | 088272-P1-000 | SF | PANELING - BRAMBLE/TRAIL - 4' X 7.4' |
| | 088272-P3-000 | SF | PANELING - GLACIER - 4' X 7.4' |
| | 088272-P4-000 | SF | PANELING - TAUPE - 4' X 7.4' |

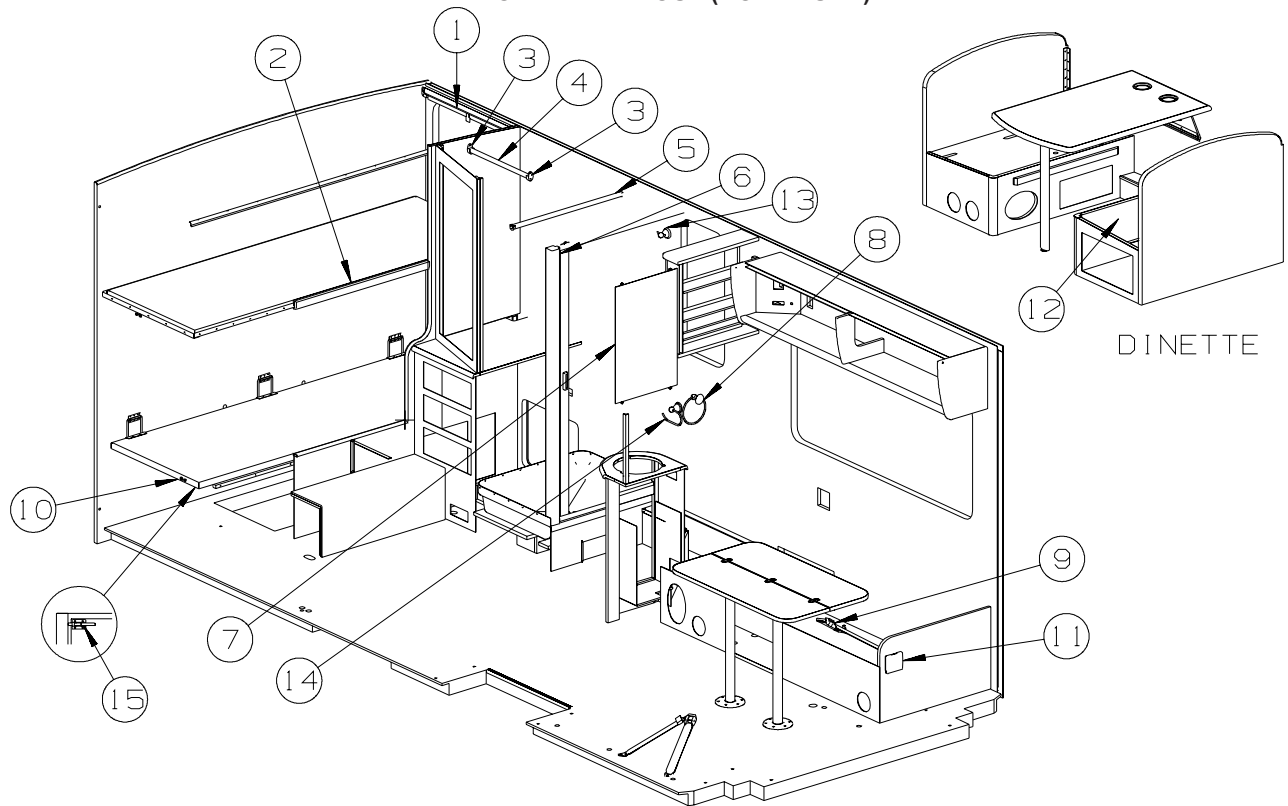
INTERIOR FINISH GROUP (CONTINUED)

INTERIOR TRIM LAYOUT



| KEY | PART NUMBER | U/M | DESCRIPTION |
|-----|---------------|-----|---|
| 1 | 118718-01-03A | EA | HOLDER/DRINK - COLLAPSIBLE MUG - ALMOND |
| 2 | 160167-01-01A | EA | SEAT BELT - 2" X 102" - BLACK |
| 3 | 152198-01-T01 | EA | COVER - SINK - WASHED MAPLE |
| | | | FROM: 00-00-00 THRU: 08-29-07 |
| 3 | 152198-02-W13 | EA | COVER - SINK - WASHED MAPLE |
| | | | FROM: 08-30-07 THRU: 99-99-99 |
| 3 | 152198-01-T02 | EA | COVER - SINK - HONEY CHERRY |
| | | | FROM: 00-00-00 THRU: 08-29-07 |
| 3 | 152198-02-W14 | EA | COVER - SINK - HONEY CHERRY |
| | | | FROM: 08-30-07 THRU: 99-99-99 |
| 4 | 144628-03-01A | EA | SHADE - SCREEN DOOR - 20.1" X 33.4" - BRIGHT WHITE/TAUPE |
| 4 | 144628-03-02A | EA | SHADE - SCREEN DOOR - 20.3" X 33.4" - BLACK - FULL BODY PAINT |
| 5 | 072852-01-000 | EA | DETECTOR - SMOKE - W/9 VOLT BATTERY - US |
| 5 | 072852-02-000 | EA | DETECTOR - SMOKE - W/9 VOLT BATTERY - CANADIAN |
| 5 | 077956-01-000 | EA | LABEL - WARNING/SMOKE DETECTOR |
| 6 | 127960-01-01A | EA | RETAINER - EYE - 3/8" - STAINLESS STEEL |
| 7 | 125136-02-000 | EA | DETECTOR/CO - GAS MODEL - 9 VOLT |
| 8 | 105450-17-01A | EA | TRACK - CURTAIN - 67.6" - OFF WHITE |
| 8 | 156172-04-01A | EA | END CAP - WALL TRACK - CLEAR |
| 9 | 120134-01-02A | EA | REGISTER - W/DAMPER - 4" PIPE/6.4" O.D. FACE - WHITE |
| 10 | 160135-01-01A | EA | STRAP - CLEAR - 13.8" |
| 11 | 100081-01-01A | EA | TRAY - SILVERWARE - 9" X 13.3" RUBBERMAID ALMOND PLASTIC |
| 12 | 137605-02-01A | EA | HAND RAIL - INTERIOR ENTRY DOOR - BLACK |
| 13 | 148362-01-02A | EA | COVER - BRACKET/STRIKE - MEDIUM OAK |
| 13 | 140151-02-03A | EA | COVER - SCREW - MEDIUM OAK |
| 14 | 094499-06-000 | EA | EXTINGUISHER/FIRE - DRY - 10BC - W/BRACKET - UL/ULC - WHT |
| 15 | 139955-22-02A | EA | TRIM - STEP/ENTRY - 27.7" - TITANIUM |

INTERIOR FINISH GROUP (CONTINUED)
INTERIOR TRIM LAYOUT (CONTINUED)



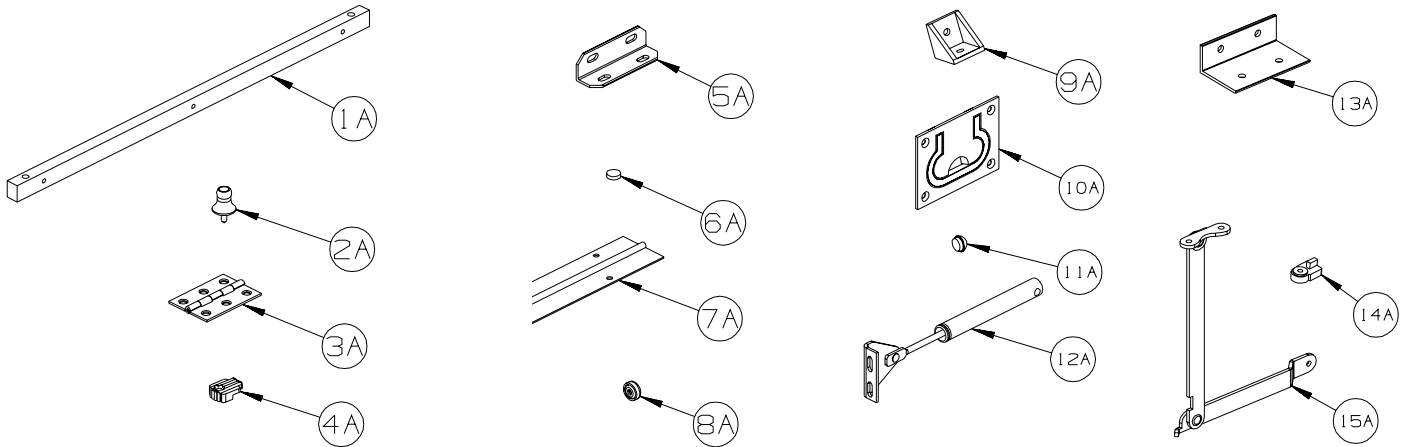
| KEY | PART NUMBER | U/M | DESCRIPTION |
|-----|---------------|-----|--|
| 1 | 144628-04-01A | EA | SHADE - SCREEN DOOR - 27.1" X 23.6" - BRIGHT WHITE/TAUPE |
| 2 | 160137-01-W13 | EA | TRIM - BUNK - W/FABRIC - 35.7" (W13) |
| 2 | 160137-01-W14 | EA | TRIM - BUNK - W/FABRIC - 35.7" (W14) |
| 2 | 160137-01-W15 | EA | TRIM - BUNK - W/FABRIC - 35.7" (W15) |
| 2 | 160137-01-W16 | EA | TRIM - BUNK - W/FABRIC - 35.7" (W16) |
| 2 | 160137-01-W05 | EA | TRIM - BUNK - W/FABRIC - 35.7" (W05) |
| 2 | 160137-01-W05 | EA | TRIM - BUNK - W/FABRIC - 35.7" (W06) |
| 3 | 152301-01-01A | EA | FLANGE - PLASTIC - 1" CLOTHES ROD HOLDER - WHITE |
| 4 | Y00136-21-218 | EA | DOWEL - WOOD - CLOTHES ROD - 1"DIAMETER X 4' |
| 5 | 102075-09-02A | EA | ROD - SHOWER CURTAIN - 3/4"OD X 29.5" - SOFT WHITE |
| 5 | 113236-01-01A | EA | BRACKET - CLOTHES - ROD |
| 6 | 151578-01-02A | EA | DOOR - SHOWER - 36.3" X 61.9" - WHT OPAQUE SCREEN/WHITE |
| 7 | 113195-17-01A | EA | MIRROR - BEVELED SAFETY GLASS - CLEAR - 16.6" X 26.2" |
| 8 | 132046-03-02A | EA | RING - TOWEL - CHROME |
| 9 | 160167-01-01A | EA | SEAT BELT - 2" X 102" - BLACK |
| 10 | 127960-01-01A | EA | RETAINER - EYE - 3/8" - STAINLESS STEEL |
| 11 | 118718-01-03A | EA | HOLDER/DRINK - COLLAPSIBLE MUG - ALMOND |
| 12 | 160167-02-01A | EA | SEAT BELT - 2" X 90" - BLACK - DINETTE |
| 13 | 145849-03-02A | EA | HOOK - ROBE - CHROME |
| 14 | 140973-01-02A | EA | HOLDER - TOILET TISSUE - CHROME |
| 15 | 103256-01-000 | EA | LATCH COMPLETE (SLIDE) |

FLOOR COVERINGS

| KEY | PART NUMBER | U/M | DESCRIPTION |
|-----|---------------|-----|--|
| | 042720-40-000 | SY | VINYL - FLOOR COVERING - 99" (8.3')WIDE-ADVANCMENT KAHIKI |
| | 075233-01-000 | SY | PAD - CARPET - 3/8" X 6'W ROLL - SOLD BY THE SQUARE YARD |
| | 093486-01-000 | SY | CARPET - COMPARTMENT - 72" WIDE - DARK GRAY |
| | 152251-07-02A | SY | CARPET - 4 SQUARE YARD INCREMENTS - WARM PASTRY (W13, W14, W05, W06) |
| | 152251-07-03A | SY | CARPET - 4 SQUARE YARD INCREMENTS - COLUMBIAN SUPREME (W15, W16) |

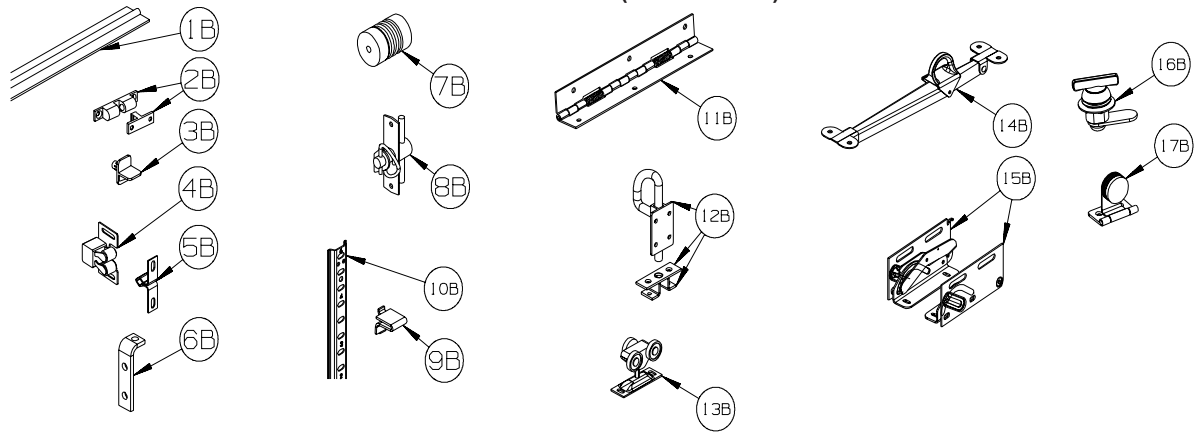
INTERIOR FINISH GROUP (CONTINUED)

HARDWARE



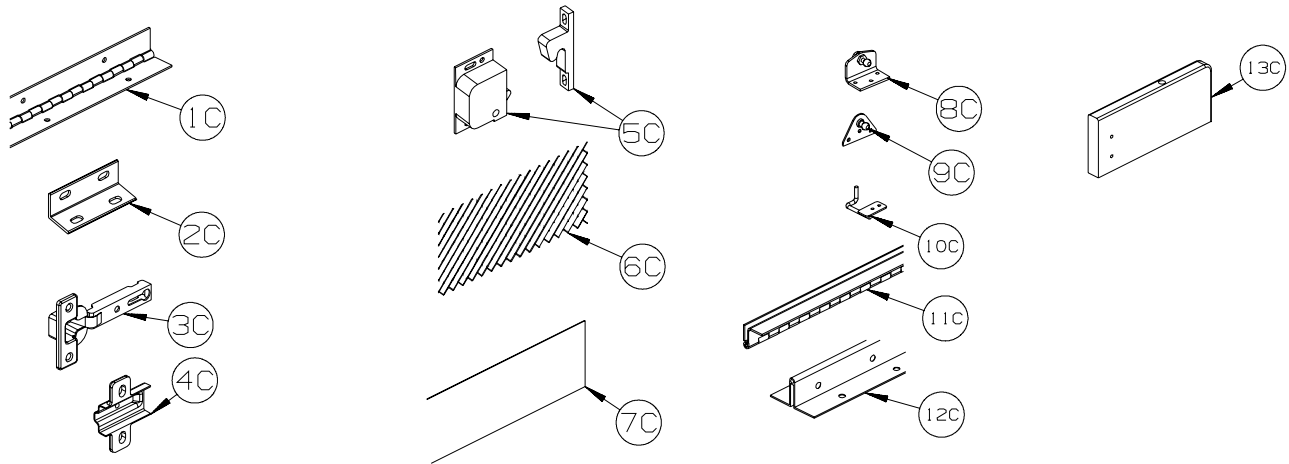
| KEY | PART NUMBER | U/M | DESCRIPTION |
|-----|---------------|-----|---|
| 1A | P34509-01-P14 | EA | RAIL END - RH/LH - TOWEL RACK - CONCERT CHERRY |
| 1A | P34509-01-J70 | EA | RAIL END - RH/LH - TOWEL RACK - WASHED MAPLE |
| 1A | P34509-01-RE0 | EA | RAIL END - RH/LH - TOWEL RACK - HONEY CHERRY |
| 1A | P34509-01-SA3 | EA | RAIL END - RH/LH - TOWEL RACK - SIERRA MAPLE |
| 2A | 009013-01-000 | EA | CATCH - BULLDOG - MALE/FEMALE |
| 3A | 009059-01-000 | EA | HINGE - DOOR - 2" X 1.4" - BRASS |
| 3A | 009059-02-000 | EA | HINGE - DOOR - 2" X 2.7" - BRASS |
| 3A | 009059-03-000 | EA | HINGE - BRASS - 1.75" |
| 3A | 009059-04-000 | EA | HINGE - 2" - ZINC |
| 4A | 009089-01-000 | EA | CLIP - MIRROR |
| 5A | 016604-01-000 | EA | BRACE - ANGLE - 2 1/2" - UNPAINTED METAL |
| 5A | 016604-05-000 | EA | BRACE - ANGLE - 2 1/2" - OFF WHITE METAL |
| 5A | 016604-10-000 | EA | BRACE - SEAT ANGLE - 2.5" - BLACK |
| 6A | 023320-01-000 | EA | PAD - FELT 3/8" DIAMETER |
| 7A | 041389-19-000 | EA | HINGE - PIANO - 1 1/2" X 71.9" - UNPAINTED |
| 7A | 041389-25-000 | EA | HINGE - PIANO - 1 1/2" X 55" - UNPAINTED |
| 7A | 041389-32-000 | EA | HINGE - PIANO - 68" - OFF WHITE |
| 8A | 166569-01-02A | EA | COVER - SCREW - #8 - BRIGHT WHITE |
| 8A | 166569-01-03A | EA | COVER - SCREW - #8 - SOFT WHITE |
| 8A | 166569-01-04A | EA | COVER - SCREW - #8 - CREAM |
| 9A | 065740-01-000 | EA | BRACE - CABINET/CORNER - PLASTIC |
| 10A | 072871-01-000 | EA | PULL - FLUSH - CHROME |
| 11A | 074045-13-000 | EA | PLUG - 3/8" DOWEL-1/2" HEAD - PORTSMOUTH OAK |
| 11A | 074045-08-000 | EA | PLUG - 3/8" DOWEL-1/2" HEAD - OAK/SALEM CHERRY - CONCERT CHERRY |
| 11A | 074045-12-000 | EA | PLUG - 3/8" DOWEL-1/2" HEAD - WASHED MAPLE |
| 11A | 074045-14-000 | EA | PLUG - 3/8" DOWEL-1/2" HEAD - HONEY CHERRY |
| 11A | 074045-15-000 | EA | PLUG - 3/8" DOWEL-1/2" HEAD - SIERRA MAPLE |
| 12A | 074493-02-000 | EA | SUPPORT/PISTON SPRING - CABINET DOOR - 26 LBS |
| 12A | 074493-03-000 | EA | SUPPORT/PISTON SPRING - CABINET DOOR - 12 LBS |
| 13A | 156732-01-01A | EA | BRACE - ANGLE/COUCH - 2.5" - MILL |
| 13A | 156732-01-02A | EA | BRACE - ANGLE/COUCH - 2.5" - OFF WHITE |
| 13A | 156732-03-01A | EA | BRACE - ANGLE/COUCH - BLACK |
| 14A | 083204-03-000 | EA | BUTTON - RETAINING MIRROR 5/16" TIP |
| 15A | 084412-01-000 | EA | SUPPORT/HINGE KIT (LEFT & RIGHT HINGES) |

INTERIOR FINISH GROUP (CONTINUED)
HARDWARE (CONTINUED)



| KEY | PART NUMBER | U/M | DESCRIPTION |
|-----|---------------|-----|---|
| 1B | 084413-01-000 | EA | HINGE - 1" X 72" - ALUMINUM - W/HOLES |
| 2B | 084451-01-000 | EA | CATCH & LATCH - 1.7" - BRASS |
| 3B | 092907-01-000 | EA | SUPPORT - SHELF - PIN - 1/4" - CLEAR PLASTIC |
| 4B | 093586-03-000 | EA | CATCH - SPRING ROLLER - .377" |
| 4B | 093586-06-000 | EA | CATCH - W/STRIKE - SPRING ROLLER .236"/SPRINT STEEL .943" |
| 5B | 093586-04-000 | EA | STRIKE - SPRING STEEL - 1.14" |
| 6B | 096826-01-01A | EA | BRACE - CABINET - 2" - E-COATED |
| 6B | 096826-02-01A | EA | BRACE - CABINET - 1" - E-COATED |
| 7B | 097872-04-000 | EA | DOWEL - WOOD - 1" DIAMETER X 1.38" LONG - UNFINISHED |
| 8B | 098196-01-000 | EA | LATCH - 1/4 TURN - T-BAR |
| 9B | 098979-01-000 | EA | CLIP - ADJUSTABLE SHELF |
| 10B | 098980-01-000 | EA | PILASTER - ADJUSTABLE SHELF - 18" |
| 10B | 098980-02-000 | EA | PILASTER - ADJUSTABLE SHELF - 12" |
| 10B | 098980-03-000 | EA | PILASTER - ADJUSTABLE SHELF - 9" |
| 10B | 098980-04-000 | EA | PILASTER - ADJUSTABLE SHELF - 48" |
| 10B | 098980-05-000 | EA | PILASTER - ADJUSTABLE SHELF - 15" |
| 10B | 098980-06-000 | EA | PILASTER - ADJUSTABLE SHELF - 24" |
| 11B | 102920-01-02A | EA | HINGE - SPRING LOADED - NICKEL |
| 11B | 129753-01-01A | EA | HINGE - SPRING LOADED - 19" X 19" - BLACK |
| 12B | 103256-01-000 | EA | LATCH COMPLETE (SLIDE) |
| 13B | 103874-01-000 | EA | HANGER - SLIDING DOOR |
| 14B | 104181-01-01A | EA | SUPPORT - LEAF 5.3" EXTENDS TO 7.5" - SAFETY RING - METAL |
| 15B | 108126-01-000 | EA | TRAY HINGE SET (QTY. 2 PER SET) |
| 16B | 100710-01-02A | EA | LOCK - GLASS DOOR/TWIST TYPE - NICKEL |
| 17B | 100711-01-02A | EA | HINGE - GLASS DOOR - BLACK |

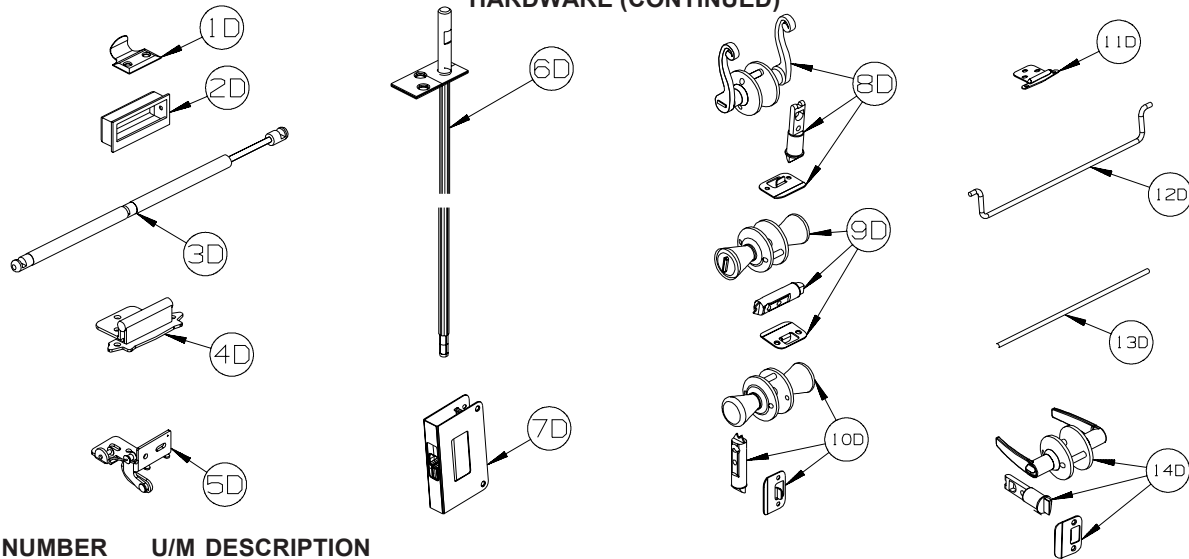
INTERIOR FINISH GROUP (CONTINUED)
HARDWARE (CONTINUED)



| KEY | PART NUMBER | U/M | DESCRIPTION |
|-----|---------------|-----|--|
| 1C | 110496-01-02A | EA | HINGE - NICKEL - 2" X 32" |
| 1C | 110496-06-02A | EA | HINGE - NICKEL - 2" X 9.5" |
| 1C | 158921-01-04B | EA | HINGE - PIANO - TRUNK DOOR - 2" X 21.9" - BLACK |
| 2C | 111866-01-02A | EA | BRACE - SEAT - ANGLE - OFF WHITE |
| 3C | 114443-02-01A | EA | HINGE - CABINET DOOR - W/O CLIP - SILVER |
| 4C | 114443-03-01A | EA | CLIP - HINGE/CABINET DOOR - SILVER |
| 5C | 117095-02-01A | EA | LATCH - DOOR - GRABBER W/KEEPER - PLASTIC - BLK-10 LB PULL |
| 5C | 117095-03-01A | EA | LATCH - DOOR - GRABBER W/KEEPER - PLASTIC - BLK-15 LB PULL |
| 6C | 118200-01-01A | SF | MESH - PLASTIC 1/2" - 48" X LENGTH = SF - BLACK |
| 7C | 122717-06-01A | FT | PAD - NON-SKID - PSA - 5"W |
| 8C | 126263-06-02B | EA | BRACKET - GAS SPRING W/INSIDE BALL STUD - E-COATED |
| 9C | 126263-05-02B | EA | BRACKET - GAS SPRING W/BALL STUD - E-COATED |
| 9C | 126263-08-02B | EA | BRACKET - GAS SPRING W/CENTERED BALL STUD - E-COATED |
| 10C | 130798-01-02B | EA | GUIDE - POCKET DOOR - E-COATED |
| 11C | 134099-01-02A | EA | HINGE - PIANO - WRAP AROUND - 15.7" - NICKEL PLATED |
| 12C | 135538-03-02A | EA | HINGE - PIANO - FULL WRAP - 15.7" - CHROME |
| 12C | 135538-07-02A | EA | HINGE - PIANO - FULL WRAP - 9.8" - CHROME |
| 13C | 137445-03-T78 | EA | STOP - F/SLIDING DOOR - CONCERT CHERRY |
| 13C | 137445-03-T79 | EA | STOP - F/SLIDING DOOR - WASHED MAPLE |
| 13C | 137445-03-T80 | EA | STOP - F/SLIDING DOOR - SIERRA MAPLE |

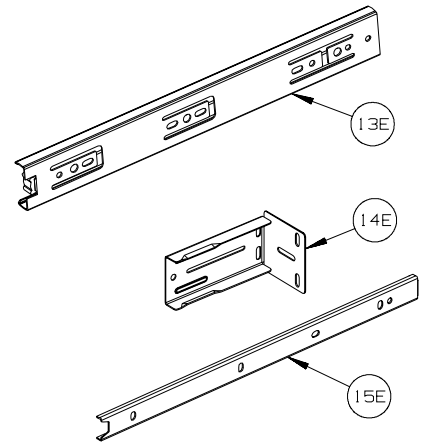
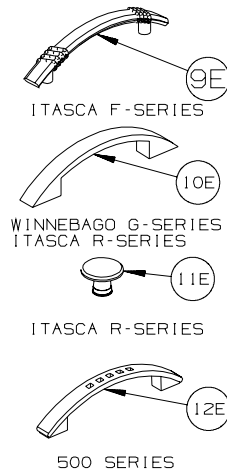
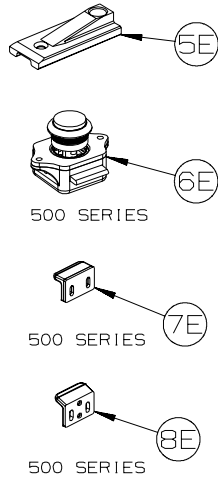
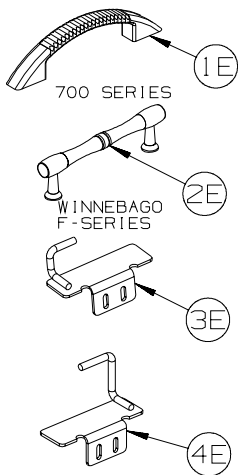
INTERIOR FINISH GROUP (CONTINUED)

HARDWARE (CONTINUED)



| KEY | PART NUMBER | U/M | DESCRIPTION |
|-----|---------------|-----|--|
| 1D | 137463-01-02A | EA | LIFT - HOOK - PEWTER |
| 2D | 139136-02-02A | EA | HANDLE - .35" RECESSED - PEWTER |
| 3D | 142569-07-000 | EA | SPRING/GAS - 20 LB - 20" EXTENDED/12" COMPRESSED |
| 3D | 142569-15-000 | EA | SPRING/GAS - 120 LB - 20" EXTENDED/12" COMPRESSED |
| 3D | 142569-16-000 | EA | SPRING/GAS - 90 LB - 20" EXTENDED/12" COMPRESSED |
| 3D | 142569-29-000 | EA | SPRING/GAS - 20 LB - 9.9" EXTENDED/5.9" COMPRESSED |
| 3D | 142569-31-000 | EA | SPRING/GAS - 30 LB - 11.8" EXTENDED/7.3" COMPRESSED |
| 4D | 143468-02-03A | EA | HINGE - SELF CLOSING - SATIN NICKEL |
| 4D | 143468-02-04A | EA | HINGE - SELF CLOSING - OIL RUBBED BRONZE |
| 4D | 143468-02-05A | EA | HINGE - SELF CLOSING - RUSTIC BRASS |
| 5D | 144488-01-01A | EA | HINGE - CABINET - ANTIQUE BRASS |
| 5D | 144488-01-02A | EA | HINGE - CABINET - NICKEL |
| 6D | 145939-05-02A | EA | ROD/LATCH - AISLE DOOR - NICKEL |
| 7D | 145939-04-02A | EA | LATCH/SLIDE - AISLE DOOR(1" THICK DOOR)-NICKEL/BLACK SLIDE |
| 7D | 145939-04-03A | EA | LATCH/SLIDE - AISLE DOOR(1" THICK DOOR)-OIL RUBBED BRONZE |
| 8D | 146064-01-02A | EA | LOCK/PRIVACY (LOCKING) LEVER STYLE - SATIN PEWTER |
| 8D | 146064-02-02A | EA | LOCK/PASSAGE (NON LOCKING) LEVER STYLE - PEWTER |
| 9D | 146064-05-01A | EA | LOCK/PRIVACY (LOCKING) "TULIP" STYLE KNOB - SATIN NICKEL |
| 10D | 146064-06-01A | EA | LOCK/PASSAGE (NON LOCKING) "TULIP" STYLE KNOB-SATIN NICKEL |
| 11D | 146553-01-03A | EA | HINGE - CABINET DOOR - SATIN NICKEL |
| 12D | 146801-01-02A | EA | ROD/TOWEL BAR (OFFSET) - PEWTER |
| 13D | 146840-03-02A | EA | ROD - .25" X 11.7" - PEWTER |
| 13D | 146840-04-02A | EA | ROD - .25" X 13.1" - PEWTER |
| 14D | 146064-08-01A | EA | LOCK/PASSAGE (NON LOCKING) LEVER STYLE - SATIN NICKEL |
| 14D | 146064-07-01A | EA | LOCK/PRIVACY (LOCKING) LEVER STYLE - SATIN NICKEL |

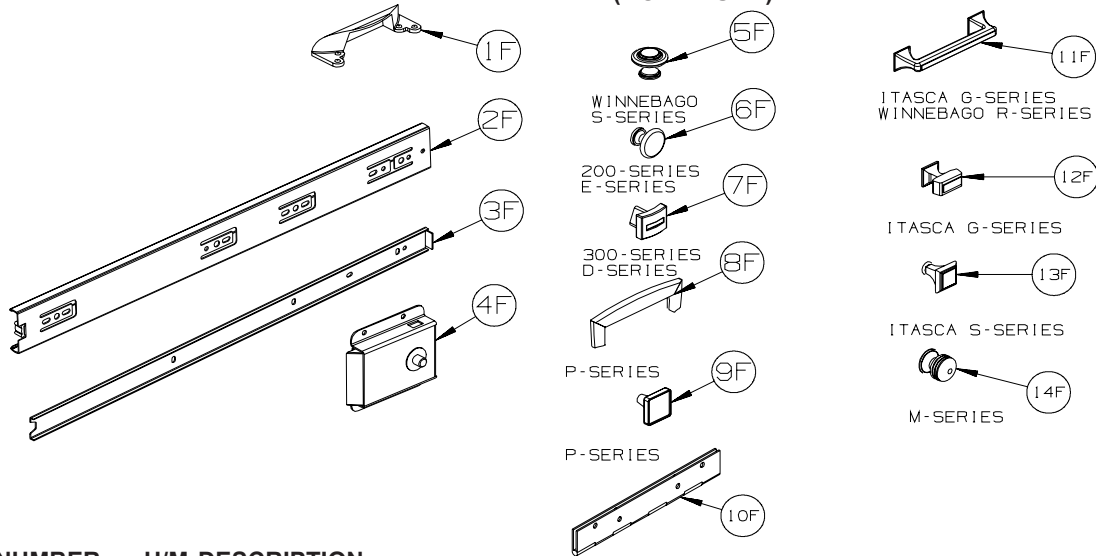
INTERIOR FINISH GROUP (CONTINUED) HARDWARE (CONTINUED)



| KEY | PART NUMBER | U/M | DESCRIPTION |
|-----|---------------|-----|---|
| 1E | 148816-01-02A | EA | PULL - CABINET DOOR - NICKEL - ASPECT, CAMBRIA 700-SERIES/ADVENTURER LIMITED EDITION |
| 2E | 149090-01-02A | EA | PULL - CABINET DOOR - NICKEL - VOYAGE F-SERIES |
| 3E | 149607-01-02B | EA | GUIDE - F/POCKET DOOR - 1.6" BENT ROD - E-COATED |
| 3E | 149607-03-02B | EA | GUIDE - F/POCKET DOOR - 2.9" BENT ROD - E-COATED |
| 4E | 149607-04-02B | EA | GUIDE - F/POCKET DOOR - E-COATED |
| 5E | 150983-01-01A | EA | STRIKE/BLOCK - WEDGE STYLE - F/SLIDE DOOR - 3" X 1.2" - BLACK |
| 6E | 151380-01-01A | EA | LATCH - CBNT DR - PUSH BTN - VIEW & NAVION 500-SERIES |
| 6E | 151380-01-02A | EA | LATCH - CABINET DOOR - PUSH BUTTON - BLACK - TOUR & ELLIPSE R-SERIES |
| 7E | 151380-02-01A | EA | STRIKE - CABINET DOOR - VIEW & NAVION 500-SERIES |
| 8E | 151380-03-01A | EA | STRIKE - CABINET DOOR - VIEW & NAVION 500-SERIES |
| 9E | 152302-01-01A | EA | PULL - CABINET DOOR - SATIN NICKEL - SUNRISE F-SERIES |
| 10E | 152304-01-01A | EA | PULL - CABINET DOOR - BRONZE- ADVENTURER G-SERIES, ELLIPSE R-SERIES |
| 11E | 152305-01-01A | EA | KNOB - DOOR/DRAWER - BRONZE - ELLIPSE R-SERIES |
| 12E | 152950-01-01A | EA | PULL - DOOR/DRAWER - BRUSHED NICKEL - VIEW & NAVION 500-SERIES |
| 13E | 153000-01-01A | EA | SLIDE - CABINET MOUNT - 11.8" |
| 13E | 153000-03-01A | EA | SLIDE - CABINET MOUNT - 13.8" |
| 13E | 153000-05-01A | EA | SLIDE - CABINET MOUNT - 15.7" |
| 13E | 153000-07-01A | EA | SLIDE - CABINET MOUNT - 17.7" |
| 13E | 153000-09-01A | EA | SLIDE - CABINET MOUNT - 19.7" |
| 13E | 153000-11-01A | EA | SLIDE - CABINET MOUNT - 21.6" |
| 13E | 153000-14-01A | EA | SLIDE - CABINET MOUNT - 23.6" |
| 13E | 153000-16-01A | EA | SLIDE - CABINET MOUNT - 7.9" |
| 13E | 153000-18-01A | EA | SLIDE - CABINET MOUNT - 9.8" |
| 13E | 153000-20-01A | EA | SLIDE - CABINET MOUNT - 25.6" |
| 14E | 153000-13-01A | EA | BACKSOCKET - DRAWER SLIDE |
| 15E | 153000-02-01A | EA | SLIDE - DRAWER MOUNT - 11.8" |
| 15E | 153000-04-01A | EA | SLIDE - DRAWER MOUNT - 13.8" |
| 15E | 153000-06-01A | EA | SLIDE - DRAWER MOUNT - 15.7" |
| 15E | 153000-08-01A | EA | SLIDE - DRAWER MOUNT - 17.7" |
| 15E | 153000-10-01A | EA | SLIDE - DRAWER MOUNT - 19.7" |
| 15E | 153000-12-01A | EA | SLIDE - DRAWER MOUNT - 21.6" |
| 15E | 153000-15-01A | EA | SLIDE - DRAWER MOUNT - 23.4" |
| 15E | 153000-17-01A | EA | SLIDE - DRAWER MOUNT - 7.7" |
| 15E | 153000-19-01A | EA | SLIDE - DRAWER MOUNT - 9.6" |
| 15E | 153000-21-01A | EA | SLIDE - DRAWER MOUNT - 25.4" |

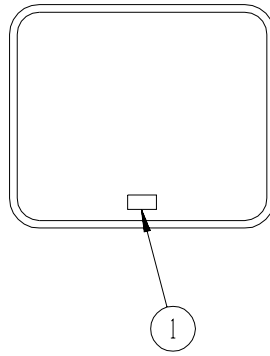
INTERIOR FINISH GROUP (CONTINUED)

HARDWARE (CONTINUED)

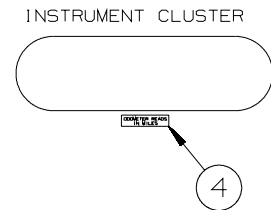
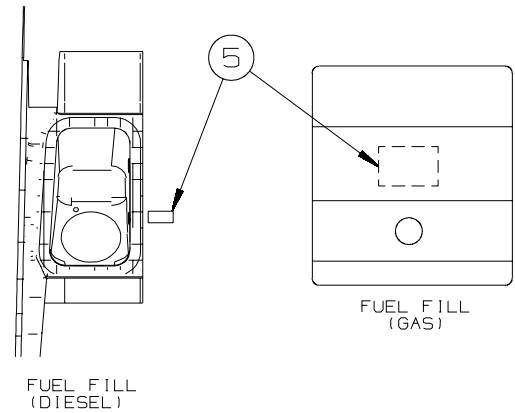
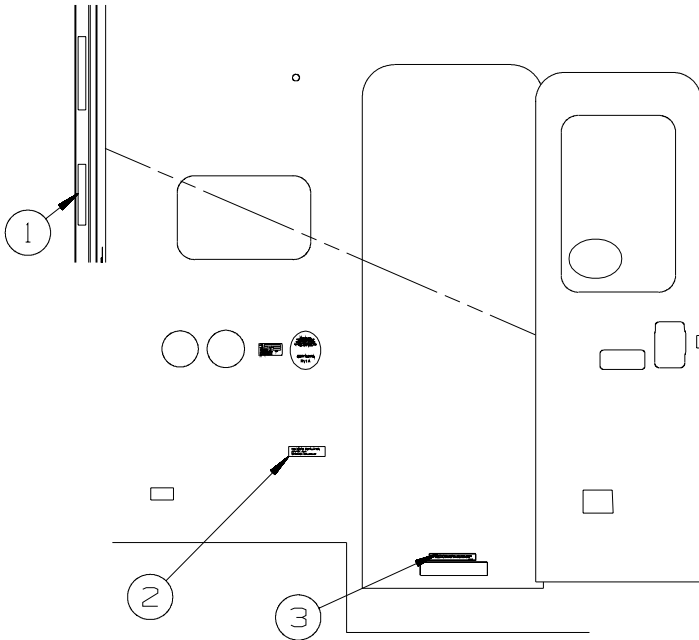


| KEY | PART NUMBER | U/M | DESCRIPTION |
|-----|---------------|-----|---|
| 1F | 153308-01-01A | EA | PULL - VANITY STOOL - SATIN NICKEL |
| 2F | 153352-01-01A | EA | SLIDE - PANTRY - 19.7" - CABINET MOUNT |
| 3F | 153352-02-01A | EA | SLIDE - PANTRY - 19.5" - DRAWER MOUNT |
| 4F | 153353-01-01A | EA | LATCH - SLIDING/FLUSH - BLACK |
| 5F | 155803-01-01A | EA | KNOB CABINET DOOR - WROUGHT IRON - VECTRA S-SERIES |
| 6F | 155925-01-01A | EA | KNOB - DOOR/DRW - SATIN NICKEL - ACCESS & IMPULSE 200-SERIES/ VISTA & SUNSTAR E-SERIES |
| 7F | 156579-01-01A | EA | KNOB - DOOR/DRW - PEWTER - OUTLOOK & SPIRIT 300-SERIES/ SIGHTSEER & SUNOVA D-SERIES |
| 8F | 157246-01-01A | EA | PULL - CABINET DOOR/DRAWER - SATIN NICKEL - JOURNEY & MERIDIAN P-SERIES |
| 9F | 157246-02-01A | EA | KNOB - CABINET DOOR/DRAWER-SATIN NICKEL - JOURNEY & MERIDIAN P-SERIES |
| 10F | 158982-01-04B | EA | HINGE - CONTINUOUS - 2" X 8" - BLACK |
| 10F | 158982-01-01A | EA | HINGE - CONTINUOUS - 2" X 8" - ZINC |
| 11F | 162033-01-01A | EA | PULL - CABINET DOOR - BRUSHED NICKEL - SUNCRUISER G-SERIES, TOUR R-SERIES |
| 12F | 162033-02-01A | EA | KNOB - CABINET DOOR - BRUSHED NICKEL - SUNCRUISER G-SERIES |
| 13F | 162518-01-01A | EA | KNOB - DOOR/DRAWER - SATIN NICKEL - HORIZON S-SERIES |
| 14F | 163095-01-01A | EA | KNOB - CABINET DOOR - SATIN NICKEL - DESTINATION & LATTITUDE M-SERIES |

LABELS GROUP

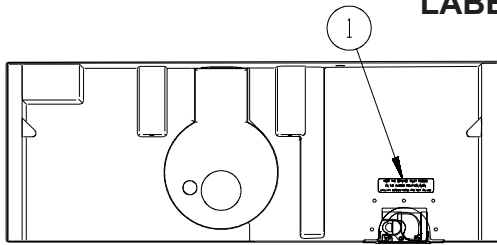


| KEY | PART NUMBER | U/M DESCRIPTION |
|-----|---------------|---------------------------|
| 1 | 039290-01-000 | EA LABEL - WARNING - EXIT |

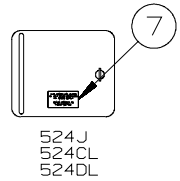
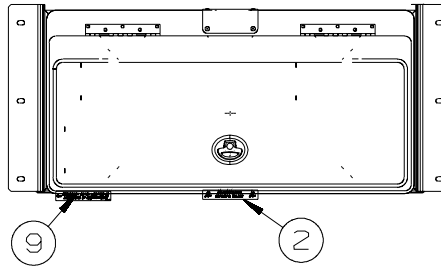


| KEY | PART NUMBER | U/M DESCRIPTION |
|-----|---------------|--|
| 1 | 135869-01-01A | EA LABEL - MERCURY CONTENT - BLACK ON CLEAR |
| 2 | 099509-01-000 | EA LABEL - AWNING INSTALLATION |
| 3 | 065748-01-000 | EA LABEL - WARNING - BATTERY CHARGING - UL |
| 4 | 155692-01-01A | EA LABEL - ODOMETER - READ IN MILE - BLACK/WHITE |
| 4 | 155692-01-02A | EA LABEL - ODOMETER - READ IN MILE - WHITE/CLEAR |
| 5 | 124519-01-01A | EA LABEL - WARNING/REFUELING - BLACK ON CLEAR |
| 5 | 124519-01-02A | EA LABEL - WARNING/REFUELING - WHITE ON CLEAR |
| 5 | 124519-02-01A | EA LABEL - WARNING/REFUELING - BLACK ON CLEAR - CANADIAN |
| 5 | 124519-02-02A | EA LABEL - WARNING/REFUELING - WHITE ON CLEAR - CANADIAN |

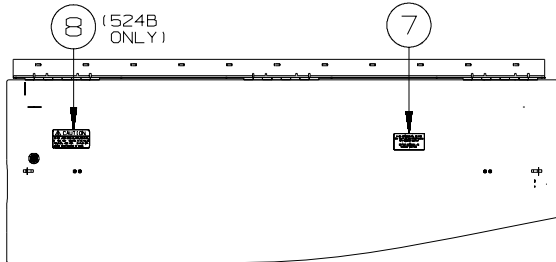
LABELS GROUP (CONTINUED)



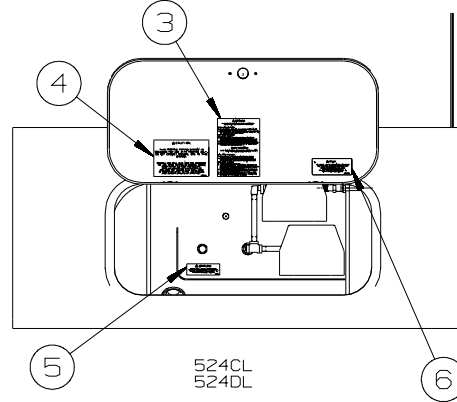
524H UTILITY COMPARTMENT



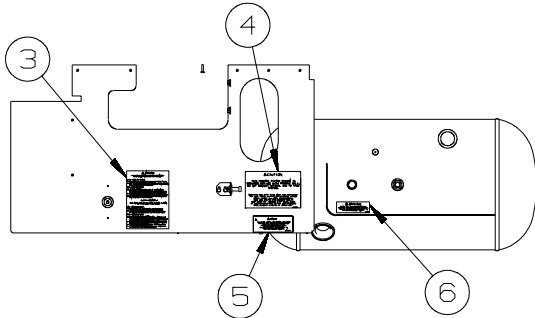
524J
524CL
524DL



524H & 524B



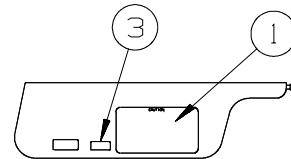
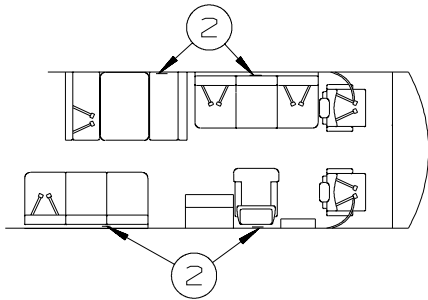
524CL
524DL



| KEY | PART NUMBER | U/M DESCRIPTION |
|-----|---------------|---|
| 1 | 123562-01-000 | EA LABEL - SERVICE/UTILITY ACCESS |
| 2 | 154801-01-01A | EA LABEL - NO STEP/MAX CARGO - WHITE/CLEAR |
| 3 | 023769-01-000 | EA LABEL - WARNING - LPG - CANADIAN |
| 4 | 124520-01-01A | EA LABEL - LP GAS ONLY - BLACK ON CLEAR |
| 5 | 124519-01-02A | EA LABEL - WARNING/REFUELING - WHITE ON CLEAR |
| 5 | 124519-01-01A | EA LABEL - WARNING/REFUELING - BLACK ON CLEAR |
| 6 | 079965-01-000 | EA LABEL - LPG - 80% CAPACITY |
| 7 | 125306-01-02A | EA LABEL - ELECTRICAL ENTRANCE - 110V 30 AMP - WHITE ON CLEAR |
| 7 | 125306-01-01A | EA LABEL - ELECTRICAL ENTRANCE - 110V 30 AMP - BLACK ON CLEAR |
| 8 | 113402-01-000 | EA LABEL - CAUTION - WATER HEATER EXHAUST |
| 9 | 163880-01-01A | EA LABEL - CATCH/SECONDARY |

LABELS GROUP (CONTINUED)

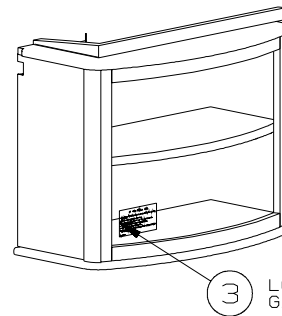
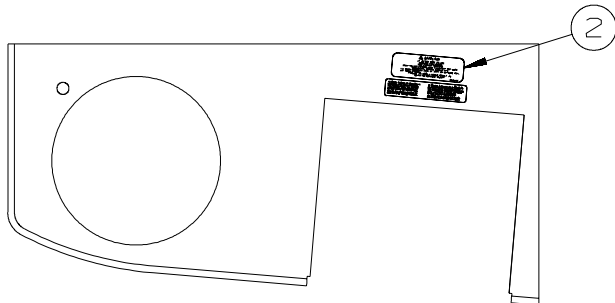
TYPICAL SEAT AND BELT CONFIGURATIONS



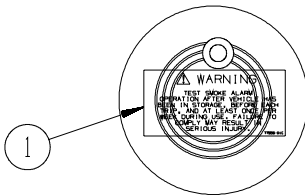
LABELS SHALL BE LOCATED ON OPPOSITE SIDE OF VISOR THAT THE AIR BAG LABEL IS INSTALLED ON.

ATTACH LABEL ON OR NEXT TO:
 +ANY SINGLE CHAIR WITHOUT BELTS.
 +ANY DINETTE SEAT WITHOUT BELTS.
 +ANY COUCH WITHOUT BELTS OR ANY SEATING POSITION ON THAT COUCH.
 DO NOT ATTACH LABEL IF:
 +DINETTE SEAT HAS AT LEAST ONE SET OF BELTS INSTALLED.

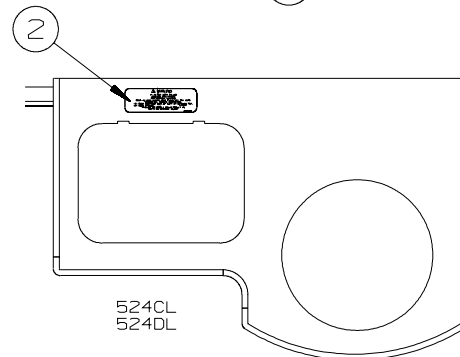
| KEY | PART NUMBER | U/M DESCRIPTION |
|-----|---------------|--|
| 1 | 056259-01-000 | EA LABEL - SAFETY CHECK LIST |
| 2 | 134538-01-01A | EA LABEL - OCCUPANCY - NO SEAT BELT - BLACK ON CLEAR - US |
| 2 | 134538-02-01A | EA LABEL - OCCUPANCY - NO SEAT BELT - BLACK ON CLEAR - CSA - CANADIAN |
| 3 | 099689-01-000 | EA LABEL - WARNING - CANCER/TOXICITY |



LOCATED ON SIDE OF GALLEY CABINET DOOR

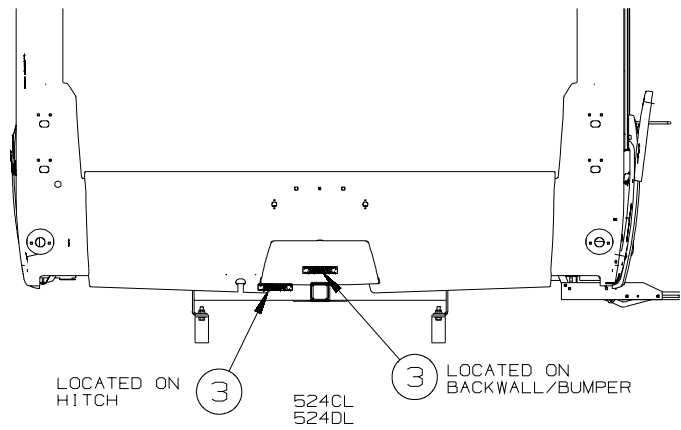
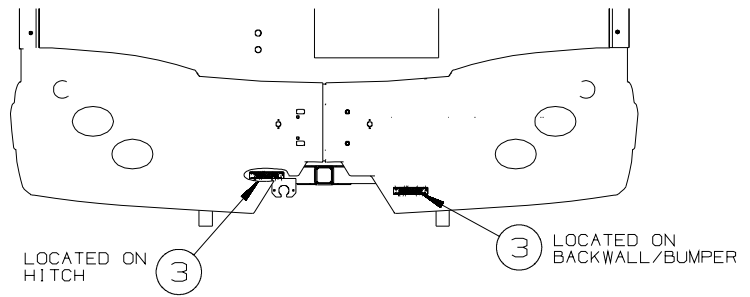
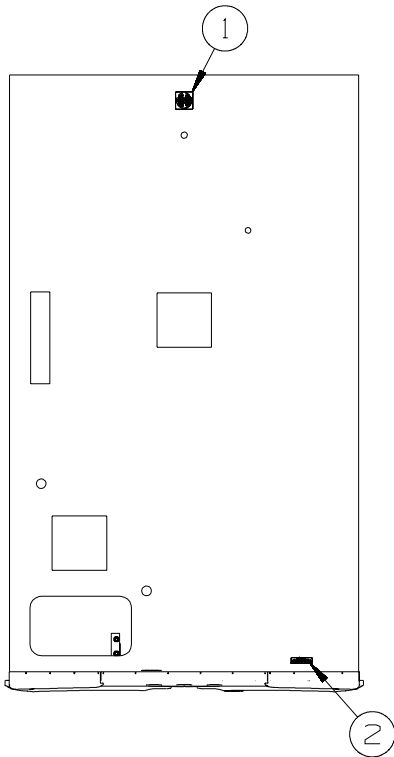


LABEL NOT TO COVER SENSOR OPENING



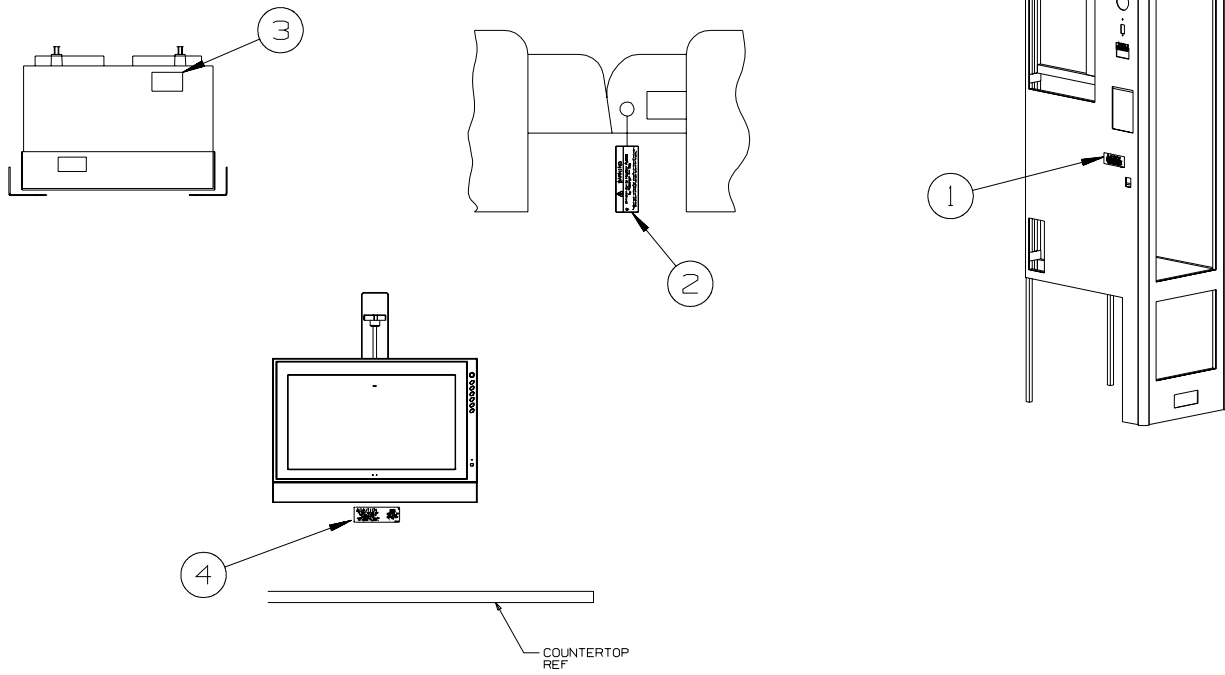
| KEY | PART NUMBER | U/M DESCRIPTION |
|-----|---------------|---|
| 1 | 077956-01-000 | EA LABEL - WARNING/SMOKE DETECTOR |
| 2 | 134539-01-01A | EA LABEL - WARNING - STOVE/HEATING - US - BLACK ON CLEAR |
| 2 | 134540-01-01A | EA LABEL - WARNING - STOVE/HEATING - CSA - BLACK ON CLEAR - CANADIAN |
| 3 | 073998-01-000 | EA LABEL - LPG/ODOR WARNING |

LABELS GROUP (CONTINUED)



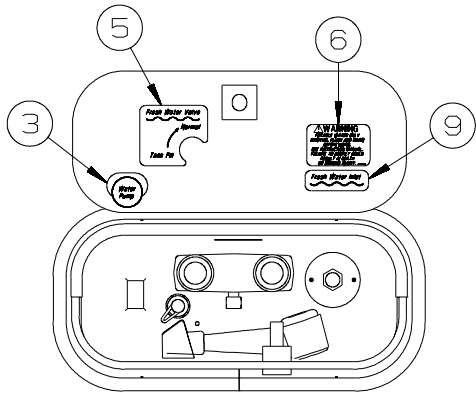
| KEY | PART NUMBER | U/M | DESCRIPTION |
|-----|---------------|-----|--|
| 1 | 120431-01-000 | EA | LABEL - LOCATION - COAXIAL CABLE/SATELLITE ANTENNA |
| 2 | 128218-01-01A | EA | LABEL - WARNING - SLIPPERY ROOF - NOT ILLUSTRATED |
| | | | FROM: 00-00-00 THRU: 01-24-07 |
| 2 | 163705-01-01A | EA | LABEL - WARNING - ROOF SLIPPERY - BLACK ON WHITE |
| | | | FROM: 01-25-07 THRU: 99-99-99 |
| 3 | 129669-01-01A | EA | LABEL - HITCH/VEHICLE RATE - 350 - WHITE ON CLEAR |
| 4 | 129669-01-02A | EA | LABEL - HITCH/VEHICLE RATE - 350 - BLACK ON CLEAR |

LABELS GROUP (CONTINUED)

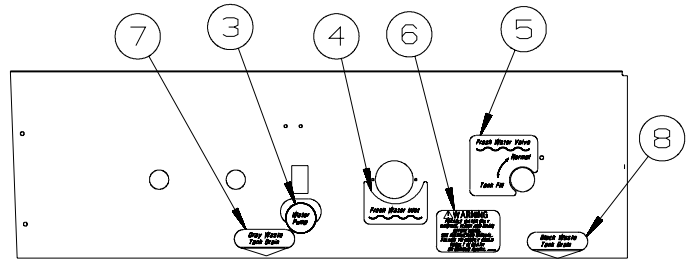


| KEY | PART NUMBER | U/M | DESCRIPTION |
|-----|---------------|-----|---|
| 1 | 143911-01-01A | EA | LABEL - CURTAIN SECUREMENT - BLACK ON CLEAR - NOT ILLUSTRATED FROM: 00-00-00 THRU: 01-24-07 |
| 1 | 143911-02-01A | EA | LABEL - CURTAIN SECUREMENT - BLACK ON CLEAR FROM: 01-25-07 THRU: 99-99-99 |
| 1 | 155196-01-01A | EA | LABEL - CURTAIN SECUREMENT - BLACK ON CLEAR - CANADIAN |
| 2 | 126612-01-000 | EA | LABEL - HANG TAG - AIR BAG - DASH |
| 3 | 125320-01-01A | EA | FILM - PROTECTIVE |
| 4 | 159837-01-01A | EA | LABEL - CAUTION - SWINGOUT TV - BLACK/CLEAR/RED FROM: 10-25-07 THRU: 99-99-99 |

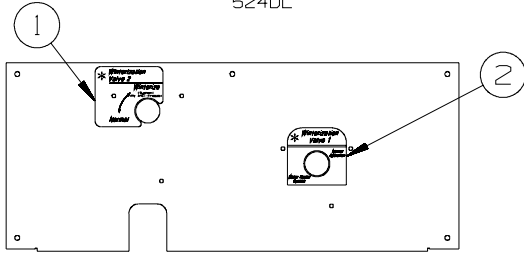
LABELS GROUP (CONTINUED)



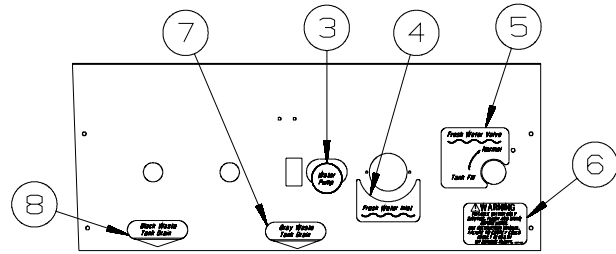
524CL
524DL



524H



524J



524J

| KEY | PART NUMBER | U/M | DESCRIPTION |
|-----|---------------|-----|---|
| 1 | 152545-01-01A | EA | LABEL - WINTERIZATION |
| 2 | 152539-01-01A | EA | LABEL - BYPASS |
| 3 | 152544-03-01A | EA | LABEL - SWITCHES |
| 4 | 152538-01-01A | EA | LABEL - FRESH WATER - PANTONE/CLEAR |
| 5 | 152548-01-01A | EA | LABEL - VALVE/FRESH |
| 6 | 128725-02-01A | EA | LABEL - POTABLE WATER ONLY - BLACK ON CLEAR |
| 7 | 152541-03-01A | EA | LABEL - GRAY WASTE |
| 8 | 152543-03-01A | EA | LABEL - BLACK WASTE |
| 9 | 152548-02-01A | EA | LABEL - FRESH WATER - PANTONE/CLEAR |

**LP GROUP
LP SYSTEM**

| KEY | PART NUMBER | U/M | DESCRIPTION |
|-----|---------------|-----|--|
| | 144485-01-000 | EA | COVER - LP REGULATOR |
| | 045703-03-000 | EA | HOSE - LP - 3/8"ID X 18" - 3/8"MPT X 1/2"F SWIVEL - US |
| | 045703-07-000 | EA | HOSE - LP - 3/8"ID X 10" - 3/8"MPT X 1/2"F SWIVEL - US |
| | 045703-12-000 | EA | HOSE - LP - 3/8"ID X 18" - 3/8"MPT X 1/2"F SWIVEL - CSA |
| | 045703-21-000 | EA | HOSE - LP - 3/8"ID X 60" - 1/2"F SWIVEL X3/8"F SWVL US/CSA |
| | 045703-22-000 | EA | HOSE - LP - 3/8"ID X 60" - 1/2"F SWIVEL X1/2"F SWVL US/CSA |
| | 045703-29-000 | EA | HOSE - LP - 3/8"ID X 79.7"-1/2"F SWIVEL X1/2"F SWVL US/CSA |
| | 010323-01-000 | EA | ADAPTER - 3/8"F X 1/2"MPT - BRASS |
| | 010326-01-000 | EA | ADAPTER - FLARE - W/CONE GASKET - 3/8"F X 1/2"F |
| | 010329-01-000 | EA | ADAPTER - 1/2"F X 1/2"MPT - BRASS |
| | 024250-01-000 | EA | ADAPTER - BRASS - 3/8"F X 1/2"FPT |
| | 106150-05-000 | EA | REGULATOR - TWO STAGE |
| | 106150-06-000 | EA | REGULATOR - TWO STAGE |
| | 145639-01-02B | EA | BRACKET - REGULATOR - E-COATED |
| | 151726-01-02B | EA | BRACKET/LP MOUNTING - E-COATED |
| | 151726-02-02B | EA | BRACKET/LP MOUNTING - E-COATED |
| | 151726-03-02B | EA | BRACKET/LP MOUNTING - E-COATED - 524B |
| | | | FROM: 00-00-00 THRU: 04-20-07 |
| | 164760-01-02B | EA | BRACKET/MOUNT - LP - E-COATED - 524B |
| | | | FROM: 04-21-07 THRU: 99-99-99 |
| | 152249-01-02B | EA | BRACKET - LP MOUNT - E-COATED |
| | 010377-02-000 | EA | NUT - 3/8" FLARE - FORGED - BRASS |
| | 010380-02-000 | EA | NUT - 1/2" FLARE - FORGED - BRASS |
| | 040440-02-000 | EA | TRANSMITTER - DIAL/BOLT-ON - 0-90 OHM 2 TERM(POWER/GROUND) |
| * | 144116-09-000 | EA | TANK - LP - 60 LB - 14"D X 29.75"L |
| | 160240-01-02B | EA | PANEL/CLOSEOUT - LP - E-COATED |
| | 151725-02-02B | EA | GUARD/ROCK - W/PANEL/STEEL - E-COATED |
| | 151725-03-02B | EA | GUARD/ROCK - W/PANEL/STEEL - E-COATED |
| | 151725-04-02B | EA | GUARD/ROCK - W/PANEL/STEEL - E-COATED |
| | 151725-05-02B | EA | GUARD/ROCK - W/PANEL/STEEL - E-COATED |
| | 151725-06-02B | EA | GUARD/ROCK - W/PANEL/STEEL - E-COATED |
| | 160230-01-02B | EA | GUARD/ROCK - STEEL - W/BEND - 20.5" X 13" |
| | 010589-01-000 | EA | NIPPLE - PIPE - 1/2" X 1 1/2" - BLACK |
| | 010589-03-000 | EA | NIPPLE - PIPE - 1/2" X 2 1/2" - BLACK |
| | 148919-02-000 | EA | UNION-FLARE - 1/2" BRASS |

***COMPONENT PARTS LISTED LATER IN THIS GROUP**

COMPONENT PARTS FOR LP SYSTEM

| KEY | PART NUMBER | U/M | DESCRIPTION | VENDOR NO. |
|-----|---------------|-----|------------------------------|---------------|
| | | | 144116-09-000 | |
| | 040421-01-712 | EA | VALVE-SERV. W/O VAPOR RELIEF | V20373/V21202 |
| | 040421-01-713 | EA | VALVE-RELIEF 1" W/SPRING 7" | V12560/V21207 |
| | 144116-01-700 | EA | VALVE-OUTAGE(NO STEM REMOVE) | V20058 |
| | 144116-04-700 | EA | FLOAT/SENDING UNIT W/O DIAL | G11530 |
| | 144116-04-701 | EA | DIAL - TRANSMITER | G12845 |
| | 144116-09-700 | EA | VALVE/FILL 80% | V20150 |

SEALANTS & FASTENERS GROUP
SEALANTS & ADHESIVES

| KEY | PART NUMBER | U/M | DESCRIPTION |
|------------|--------------------|------------|--|
| | 010405-02-000 | EA | TAPE - THREAD SEALING - 3/8" |
| | 064075-07-000 | FT | SEAL - BULB - W/WIRED U CHANNEL - .3" X .5" CHANNEL-BLACK |
| | 067788-01-000 | EA | ADHESIVE - SPRAY - 3M - 19.5 OZ AEROSOL CAN |
| | 069640-01-000 | FT | SEALER - RIBBON - 1/4"DIAMETER X 30 FT - BLACK OR GRAY |
| | 069640-02-000 | FT | SEALER - TAPE - 1/8"THICK X 1/2"WIDE X 60 FT - GRAY |
| | 069640-03-000 | FT | SEALER - TAPE - 1/8"THICK X 3/4"WIDE X 60 FT - BLACK |
| | 069640-07-000 | FT | SEALER - TAPE - 3/32"THICK X 2"WIDE X 45 FT - GRAY |
| | 069640-09-000 | FT | SEALER - TAPE - 1/32"THICK X 2 1/2"WIDE X 80 FT - BRT WHT |
| | 069640-10-000 | FT | SEALER - TAPE - 1/32"THICK X 1 1/2"WIDE X 90 FT - GRAY |
| | 069640-11-000 | FT | SEALER - TAPE - 3/16"THICK X 3/8"WIDE X 40 FT - BLACK |
| | 069640-13-000 | FT | SEALER - TAPE - 3/32"THICK X 2"WIDE X 45 FT - BLACK |
| | 069640-14-000 | FT | SEALER - TAPE - 1/16"THICK X 1"WIDE X 100 FT - BLACK |
| | 069640-15-000 | FT | SEALER - TAPE - 1/16"THICK X 3/8"WIDE X 100 FT - BRT WHT |
| | 069640-17-000 | FT | SEALER - TAPE - 1/32"THICK X 1"WIDE X 150 FT - GRAY |
| | 069640-18-000 | FT | SEALER - TAPE - 1/8"THICK X 1/2"WIDE X 60 FT - BRT WHT |
| | 069640-19-000 | FT | SEALER - TAPE - 1/8"THICK X 3/4"WIDE X 60 FT - BRT WHT |
| | 069640-20-000 | FT | SEALER - TAPE - 1/8"THICK X 1/2"WIDE X 60 FT - BLACK |
| | 069640-21-000 | FT | SEALER - TAPE - 1/16"THICK X 1/2"WIDE X 100 FT - BRT WHT |
| | 069640-22-000 | FT | SEALER - TAPE - 1/32"THICK X 1/4"WIDE X 200 FT - BRT WHT |
| | 069640-23-000 | FT | SEALER - TAPE - 1/16"THICK X 3/4"WIDE X 100 FT - BRT WHT |
| | 069640-27-000 | FT | SEALER - TAPE - 1/16"THICK X 2 1/4"WIDE X 50 FT - BRT WHT |
| | 069640-28-000 | FT | SEALER - TAPE - 1/32"THICK X 1 7/8"WIDE X 90 FT - GRAY |
| | 069640-30-000 | FT | SEALER - TAPE - 1/32"THICK X 5/8"WIDE X 50 FT - GRAY |
| | 069640-31-000 | FT | SEALER - TAPE - 1/4"THICK X 3/4"WIDE X 15 FT - BLACK |
| | 069640-32-000 | FT | SEALER - TAPE - 1/16"THICK X 3/8"WIDE X 100 FT - BLACK |
| | 069640-33-000 | FT | SEALER - RIBBON - 3/8"DIAMETER X 20 FT - BLACK |
| | 069640-34-000 | FT | SEALER - RIBBON - 1/4"DIAMETER X 30 FT - BRIGHT WHITE |
| | 069640-36-000 | EA | SEALER - TAPE - 1/16"THICK X 1/2"WIDE X 100 FT - BLACK |
| | 069640-37-000 | FT | SEALER - TAPE - 1/16"THICK X 3/4"WIDE X 100 FT - BLACK |
| | 069640-38-000 | FT | SEALER - TAPE - 1/16"THICK X 3/4"WIDE X 100 FT - BRT WHT |
| | 069640-39-000 | FT | SEALER - TAPE - 1/16"THICK X 3"WIDE X 50 FT - BRT WHT |
| | 069640-40-000 | FT | SEALER - TAPE - 1/16"THICK X 3"WIDE X 50 FT - BRT WHT |
| | 072889-28-000 | EA | SEALANT/URETHANE-10 OZ TUBE W/NOZZLE-SELF LEVELING-BRT WHT |
| | 072889-31-000 | EA | SEALANT/URETHANE-10 OZ TUBE W/NOZZLE-SELF LEVELING - BLACK |
| | 076322-02-000 | FT | TAPE-DOUBLE COATED/ADHESIVE BK-.05"THK X 1"W X 108' - WHT |
| | 076322-03-000 | FT | TAPE-DOUBLE COATED/ADHESIVE BK-.05"THK X .5"W X 108' - WHT |
| | 076322-05-000 | FT | TAPE-DOUBLE COATED/ADHESIVE BK-.05"THK X .8"W X 108' - WHT |
| | 076322-07-000 | FT | TAPE-DOUBLE COATED/ADHESIVE BK-.05"THK X .5"W X 200' - BLK |
| | 076322-13-000 | FT | TAPE - FOAM/DOUBLE COATED - .020"THK X .75"W - CLEAR |
| | 076322-21-000 | FT | TAPE - FOAM/DOUBLE COATED - .045"THK X .50"W |
| | 076322-22-000 | FT | TAPE - FOAM/DOUBLE COATED - .045"THK X .75"W |
| | 076322-23-000 | FT | TAPE - FOAM/DOUBLE COATED - .045"THK X 1"W |
| | 076322-25-000 | FT | TAPE - FOAM/DOUBLE COATED - .025"THK X .5"W |
| | 086276-01-000 | EA | TAPE - DOUBLE SIDED - 1/2" WIDE X 108' LONG (SOLD BY ROLL) |
| | 088479-01-000 | EA | TAPE - ALUMINUM - 3" |
| | 090340-01-000 | FT | SEAL - FOAM - CLOSED CELL - 1/4" X 1/2" X 50' |
| | 090340-02-000 | FT | SEAL - FOAM - CLOSED CELL - 3/8" X 1/2" X 50' |
| | 091255-02-000 | FT | SEAL - ADHESIVE BACKED/FOAM - 3/64"THICK X 3/16"W X 1000' |
| | 091255-03-000 | FT | SEAL - ADHESIVE BACKED/FOAM - 1/4" THICK X 1/4"W X 1000' |
| | 094401-01-000 | EA | SEALER - BODY SEAM - FLEXICLEAR |
| | 094401-04-000 | EA | SEALER - BODY SEAM - CLEAR |
| | 094401-05-000 | EA | SEALER - BODY SEAM - 20OZ BLACK |
| | 094401-06-000 | EA | SEALER - BODY SEAM - 12OZ BLACK |
| | 094401-07-000 | EA | SEALER - BODY SEAM - CLEAR |
| | 098408-01-000 | FT | SEAL - SPONGE RUBBER - CLOSED CELL |
| | 099069-01-000 | FT | SEAL - RUBBER - CLOSED SPONGE - .5" WIDE X .12" THICK-BLK |
| | 099418-01-000 | FT | SEAL - D-SECTION/ADHESIVE BACK - .44" X .44" - BLK RUBBER |
| | 100128-02-000 | FT | SEAL - FOAM/ADHESIVE BACK - .37" WIDE X .37" THICK X 60' |
| | 104692-01-000 | FT | SEAL - ADHESIVE BACKED FOAM - 3/4" THICK X 3/4" WIDE X 25' |
| | 107721-07-000 | FT | SEAL - ACCESS DOOR - .9"WIDE X 1.1"HIGH |
| | 112864-01-000 | FT | SEAL - FOAM/BUTYL COVERED - 3/8" X 35' |
| | 112864-02-000 | FT | SEAL - FOAM/BUTYL COVERED - 5/16" X 44' |
| | 112864-05-000 | FT | SEAL - FOAM/BUTYL COVERED - 1/2" X 3/16" |
| | 112901-02-000 | EA | ADHESIVE - PLEXUS - MA330 - 50ML - GRAY |

SEALANTS & FASTENERS GROUP (CONTINUED)

SEALANTS & ADHESIVES (CONTINUED)

| KEY | PART NUMBER | U/M | DESCRIPTION |
|-----|---------------|-----|--|
| | 112901-03-000 | EA | ADHESIVE - PLEXUS - MA300 - 50ML - WHITE |
| | 112902-03-000 | EA | MIXER NOZZLE - F/GUN #00400102000 - SCOTCH-WELD & PLEXUS |
| | 112902-04-000 | EA | NOZZLE - ELEMENT - 1/4" X 3.5" |
| | 113452-01-000 | FT | SEAL/TRIM - FRONT - VINYL W/WIRE CARRIER - .020" |
| | 113452-02-000 | FT | SEAL/TRIM - FRONT - VINYL W/WIRE CARRIER - .027" |
| | 113366-01-000 | EA | ADHESIVE - INSTANT - 1 OZ |
| | 115870-01-000 | FT | SEAL/EDGE - TRIM |
| | 120074-02-03A | EA | SILICONE - TUBE - W/O NOZZLE - LOW ODOR - SMOKEY WHITE |
| | 120534-01-01A | EA | TAPE - SCOTCH - 3M - 1/2" FINE LINE |
| | 123655-01-000 | FT | SEAL - CLOSED CELL/FOAM |
| | 123816-01-000 | FT | TAPE - DOUBLE SIDED - 1" X .020" X 200' - CLEAR |
| | 123816-02-000 | FT | TAPE - DOUBLE SIDED - 1/2" X .035" X 200' - CLEAR |
| | 123816-03-000 | FT | TAPE - DOUBLE SIDED - 1/2" X .020" X 200' - CLEAR |
| | 123816-04-000 | FT | TAPE - DOUBLE SIDED - 6" X .0035" X 750' - CLEAR |
| | 123816-06-000 | FT | TAPE - DOUBLE SIDED - 3/4" X 3/4" X 200' - CLEAR |
| | 123816-07-000 | FT | TAPE - DOUBLE SIDED - 1 3/4" X 200' - CLEAR |
| | 126427-01-000 | EA | ADHESIVE - ALL PURPOSE - ABS/PVC |
| | 126427-02-000 | EA | PRIMER - CLEANER - FLEX PIPING |
| | 131264-01-12A | EA | SILICONE - TUBE - W/NOZZLE - BONE |
| | 131264-01-13A | EA | SILICONE - TUBE - W/NOZZLE - TRANSLUCENT |
| | 131264-03-01A | EA | SILICONE - TUBE - W/O NOZZLE - SELF LEVELING -BRIGHT WHITE |
| | 131264-04-02A | EA | SILICONE/SEALANT/ADHESIVE-FAST CURE F/GLASS/VINYL-SOFT WHT |
| | 131264-05-01A | EA | SILICONE/SEALANT - ODORLESS - TUBE - W/NOZZLE - BLACK |
| | 131264-05-02A | EA | SILICONE/SEALANT - ODORLESS - TUBE - W/NOZZLE - CLEAR |
| | 131384-01-000 | EA | ADHESIVE - JET WELD - 10 OZ CARTRIDGE |
| | 132892-07-01A | FT | SEAL - BULB/SINGLE - W/U CHANNEL - .5" X 1" - BLACK |
| | 152038-01-01A | EA | TAPE - PRESERVATION SEAL - 2" X 36YD ROLL - BLACK |
| | 154585-01-01A | FT | SEAL - FOAM TAPE - ADHESIVE BACK - 3/8" X 3/8" - BLACK |
| | 154585-02-01A | FT | SEAL - FOAM TAPE - ADHESIVE BACK - 3/4" X 1/2" - BLACK |
| | 154585-03-01A | FT | SEAL - FOAM TAPE - ADHESIVE 2 SIDED - 1/8" X 3/4" - BLACK |
| | 154585-04-01A | FT | SEAL - FOAM TAPE - ADHESIVE BACK - 5/8" X 1/8" - WHITE |
| | 156622-01-01A | FT | SEALER - TAPE - 1/4"THICK X 3"WIDE X 100 FT - WHITE |
| | 156622-02-01A | FT | SEALER - TAPE - 1/4"THICK X 2"WIDE X 100 FT - WHITE |

BOLTS, NUTS AND WASHERS

| KEY | PART NUMBER | U/M | DESCRIPTION |
|-----|---------------|-----|--|
| | 0MD54F-06-000 | EA | NUT - HEX W/SERATED FLANGE |
| | 000C12-04-08B | EA | BOLT - HEX - 1/4-20 X 1/2 - GRADE #5 - ZINC |
| | 000C12-04-12A | EA | BOLT - HEX - 1/4-20 X 3/4 - PLAIN 5 |
| | 000C12-04-40B | EA | BOLT - HEX - 1/4-20 X 2 1/2 - GRADE #5 ZINC |
| | 000C12-05-16B | EA | BOLT - HEX - 5/16 - 18X1 - GRADE #5 - ZINC |
| | 000C12-05-40B | EA | BOLT - HEX - 5/16"-18 X 2.5" - GRADE #5 - ZINC |
| | 000C12-06-28B | EA | BOLT-HEX-3/8-16X13/4 ZN 5 - 5185-01 |
| | 000C12-08-24B | EA | BOLT - HEX - 1/2-13 X 1 1/2 - GRADE #5 - ZINC |
| | 000C12-08-28B | EA | BOLT - HEX - 1/2-13 X 1 3/4 - GRADE #5 - ZINC |
| | 000C12-08-44B | EA | BOLT - HEX - 1/2-13 X 2 3/4 - GRADE #5 - ZINC |
| | 000C13-07-40B | EA | BOLT - HEX - 7/16-20 X 2 1/2 - GRADE #5 - ZINC |
| | 000C13-07-48B | EA | BOLT - HEX - 7/16-20 X 3 - GRADE #5 - ZINC |
| | 000C14-10-32B | EA | BOLT - HEX - 5/8-11 X 2.0 - GRADE #8 - ZINC |
| | 000C18-05-40A | EA | BOLT - ELEVATOR - 5/16-18 X 2 1/2 - PL |
| | 000C26-04-10B | EA | BOLT - HEX - SERRATED FLANGE - 1/4-20 X 5/8 - ZINC |
| | 000C26-04-12F | EA | BOLT - HEX - SERRATED FLANGE -1/4-20 X 3/4-STAINLESS STEEL |
| | 000C26-04-14B | EA | BOLT - HEX - SERRATED FLANGE - 1/4-20 X 7/8 - ZINC |
| | 000C26-04-18B | EA | BOLT - HEX - SERRATED FLANGE - 1/4-20 X 1 1/8 - ZINC |
| | 000C26-05-12B | EA | BOLT - HEX - SERRATED FLANGE - 5/16-18 X 3/4 - ZINC |
| | 000C26-06-12B | EA | BOLT - HEX - SERRATED FLANGE - 3/8-16 X 3/4 - ZINC |
| | 000C26-06-20B | EA | BOLT - HEX - SERRATED FLANGE - 3/8-16 X 1 1/4 - ZINC |
| | 000C26-06-28B | EA | BOLT - HEX - SERRATED FLANGE - 3/8-16 X 1 3/4 - ZINC |
| | 000C26-06-40B | EA | BOLT - HEX - SERRATED FLANGE - 3/8-16 X 2 1/2 - ZINC |
| | 000C26-08-24B | EA | BOLT - HEX - SERRATED FLANGE - 1/2-13 X 1 1/2 - ZINC |
| | 000C26-08-28B | EA | BOLT - HEX - SERRATED FLANGE - 1/2-13 X 1 3/4 - ZINC |
| | 000C27-08-48B | EA | BOLT-CARR 1/2-13X3.00 GR5 - 97 M-SERIES |
| | 000D24-10-00B | EA | NUT - HEX - SELF LOCKING - 10-32 - ZINC |

SEALANTS & FASTENERS GROUP (CONTINUED)
BOLTS, NUTS AND WASHERS (CONTINUED)

| KEY | PART NUMBER | U/M | DESCRIPTION |
|-----|---------------|-----|--|
| | 000D27-05-00B | EA | NUT - HEX LOCK - 5-40 - ZINC |
| | 000D28-10-00B | EA | NUT - HEX - W/NYLON LOCK - 10-32 - ZINC |
| | 000D29-04-00B | EA | NUT - HEX - SELF LOCKING - 1/4 X 20 - ZINC |
| | 000D29-04-00F | EA | NUT - HEX - SELF LOCKING - 1/4 X 20 - STAINLESS STEEL |
| | 000D29-06-00B | EA | NUT - HEX - W/NYLON LOCK - 3/8-16 - ZINC |
| | 000D29-09-00B | EA | NUT - HEX - SELF LOCKING - 9/16-12 - ZINC |
| | 000D34-04-00B | EA | NUT - HEX - LOCKING - 1/4-20 - ZINC |
| | 000D34-06-00B | EA | NUT - HEX - LOCKING - 3/8-16 GRADE C - ZINC |
| | 000D39-04-00B | EA | NUT - HEX - LOCKING W/SERRATED FLANGE - 1/4-20 - ZINC |
| | 000D39-05-00B | EA | NUT - HEX - LOCKING W/SERRATED FLANGE - 5/16-18 - ZINC |
| | 000D39-06-00B | EA | NUT - HEX - LOCKING W/SERRATED FLANGE - 3/8-18 - ZINC |
| | 000D39-06-00D | EA | NUT - HEX - LOCKING W/SERRATED FLANGE - 3/8"-16 BLACK |
| | 000D39-07-00B | EA | NUT - HEX - LOCKING W/SERRATED FLANGE - 7/16-14 - ZINC |
| | 000D39-08-00B | EA | NUT - HEX - LOCKING W/SERRATED FLANGE - 1/2-13 - ZINC |
| | 000D44-07-00B | EA | NUT - HEX - LOCKING W/SERRATED FLANGE - 7/16-20 - ZINC |
| | 000D44-08-00B | EA | NUT - HEX - LOCKING W/SERRATED FLANGE - 1/2-20 - ZINC |
| | 000D46-04-00A | EA | NUT - HEX - WELD - 1/4-20 - PLAIN |
| | 000D65-08-00B | EA | NUT - HEX - LOCKING W/SERRATED FLANGE - 8-32 - ZINC |
| | 000D73-08-00C | EA | NUT - HEX FLANGE - 1/2-13 |
| | 000D75-09-00B | EA | NUT - HEX LOCKING - 9/16-12 - ZINC |
| | 000D76-06-00B | EA | NUT - HEX FLANGE - 3/8-16 |
| | 000E11-04-00F | EA | WASHER - LOCKING - 1/4 MED SPLIT - STAINLESS STEEL |
| | 000E11-07-00B | EA | WASHER - LOCKING - 7/16 MED SPLIT - ZINC |
| | 000E11-08-00B | EA | WASHER - LOCKING - 1/2 MED SPLIT - ZINC |
| | 000E13-17-00B | EA | WASHER - FLAT - 3/8 AR - ZINC |
| | 000E13-18-00B | EA | WASHER - FLAT - 3/8 WIDE - ZINC |
| | 000E13-20-00B | EA | WASHER - FLAT - 7/16 WIDE - ZINC |
| | 000E13-22-00B | EA | WASHER - FLAT - 1/2 WIDE - ZINC |
| | 000E13-26-00B | EA | WASHER - FLAT - 5/8 WIDE - ZINC |
| | 000E14-10-00B | EA | WASHER - LOCKING - #10 EXTERNAL TOOTH - ZINC |
| | 000E16-10-00B | EA | WASHER - HARDENED - 5/8 - FLAT - ZINC |
| | 000G45-05-16B | EA | BOLT - LAG - 5/16-9 X 1 - ZINC |
| | 039715-01-000 | EA | NUT-SERT - 1/4" DIAMETER - 20 THREADS |
| | 040921-01-000 | EA | NUT - SPEED - U TYPE - #10-24 - BLACK |
| | 040921-03-000 | EA | NUT - SPEED - U TYPE - #10 |
| | 040921-04-000 | EA | NUT - SPEED - U TYPE - #8-.59" LENGTH X .44" WIDTH |
| | 040921-05-000 | EA | NUT - SPEED - U-TYPE - 8-.67" X .44" WIDE |
| | 040921-11-000 | EA | NUT - SPEED - U-TYPE - 8-.59" LENGTH X .44" WIDTH - BLACK |
| | 041322-01-000 | EA | WASHER - FLANGE - 15/32"ID X 2 3/8"OD - F/SEAT BELT MTG |
| | 044364-02-000 | EA | NUT - SPEED - FLAT - ROUND |
| | 044533-01-000 | EA | WASHER - 1 3/8"OD - FOR BUTTONS - PLASTIC |
| | 051387-06-000 | EA | BOLT - CARRIAGE W/O HOLE - 5/16-18 X 9 1/2 - ZINC |
| | 058716-02-000 | EA | WASHER - FLAT NYLON |
| | 064081-03-000 | EA | NUT - WING 3/8-16 - W/WELD NUT |
| | 077071-01-000 | EA | WASHER - FENDER - 3/16"ID X 1"OD |
| | 087234-01-000 | EA | NUT - JACK - 1/4 X 20 THD - MOLLY |
| | 088787-12-000 | EA | STUD - WELD - 1/4 - 20 X 1.0 LG - MN |
| | 106956-03-000 | EA | BOLT - HEX TAP - 1/2-13NC X 3 - GRADE 5 - FULL THREAD/ZINC |
| | 106956-10-000 | EA | BOLT - HEX TAP - 9/16-12NC X 3 5/8 -GRD 5-FULL THREAD/ZINC |
| | 106956-11-000 | EA | BOLT - HEX TAP - 1/2-13NC X 2 1/2 - GRD 5-FULL THREAD/ZINC |
| | 106956-13-000 | EA | BOLT - HEX TAP - 1/2-20 X 2 1/2 - GRD 5-FULL THREAD/ZINC |
| | 106956-14-000 | EA | BOLT - HEX TAP - 5/16 -18NC X 1 1/2 - GRD 5-FULL THREAD/ZINC |
| | 107397-01-000 | EA | WASHER - FENDER - 3/4"ID X 1"OD |
| | 108067-03-000 | EA | STUD - WELD - 1/4 - 20 X 1/2 CD |
| | 109917-01-000 | EA | WASHER - 1.5" X 1.25" |
| | 109917-03-000 | EA | WASHER - 1" X .50" |
| | 109917-04-000 | EA | WASHER - 1" X .75" |
| | 128444-01-000 | EA | WASHER - SPRING - CONICAL |
| | 135092-02-01A | EA | BOLT - HEX - SERRATED FLANGE - 1/2-20 X 2 1/2-GRADE 5 ZINC |
| | 135092-05-01A | EA | BOLT - HEX - SERRATED FLANGE - 1/2-20 X 1 - GRADE 5 ZINC |
| | 143399-01-01A | EA | NUT/RETAINING - 3/8"- 24 NFT |
| | 147284-02-000 | EA | NUT/SELF RETAINING - 5/16"-18 |
| | 148817-01-000 | EA | WASHER/SPUR - LOCKING |

SEALANTS & FASTENERS GROUP (CONTINUED)

SCREWS

| KEY | PART NUMBER | U/M | DESCRIPTION |
|-----|---------------|-----|---|
| | 0G1208-12-170 | EA | SCREW - 8-18 X 3/4 POH - BRIGHT WHITE |
| | 0G3908-08-170 | EA | SCREW - SF/DR - 8-18 X 1/2 PPH - BRIGHT WHITE |
| | 0G3908-16-170 | EA | SCREW - SF/DR - 8-18 X 1 PPH - BRIGHT WHITE |
| | 0G3908-24-170 | EA | SCREW - SF/DR - 8-18 X 1 1/2 PPH - BRIGHT WHITE |
| | 0G3910-10-420 | EA | SCREW - SF/DR - 10-16 X .62 PPH - BRIARWOOD |
| | 0G3910-12-170 | EA | SCREW - SF/DR - 10-16 X 3/4 PPH - BRIGHT WHITE |
| | 0G3910-24-170 | EA | SCREW - SF/DR - 10-16 X 1 1/2 PPH - BRIGHT WHITE |
| | 0G5508-08-370 | EA | SCREW - SF/DR - 8-18 X .5 PWH - RIVERSTONE |
| | 0G5508-08-380 | EA | SCREW - SF/DR - 8-18 X .5 PWH - CASHMERE |
| | 0G5508-08-420 | EA | SCREW - SF/DR - 8-18 X .5 PWH - BRIARWOOD |
| | 0G5508-08-450 | EA | SCREW - SF/DR - 8-18 X .5 PWH - SADDLE |
| | 0G5508-12-170 | EA | SCREW - SF/DR - 8-18 X 3/4 PWH - BRIGHT WHITE |
| | 0G5508-12-330 | EA | SCREW - SF/DR - 8-18 X 3/4 PWH - PUTTY |
| | 0G5508-12-380 | EA | SCREW - SF/DR - 8-18 X 3/4 PWH - CASHMERE |
| | 0G5508-12-450 | EA | SCREW - SF/DR - 8-18 X 3/4 PWH - SADDLE |
| | 0G5508-16-330 | EA | SCREW - SF/DR - 8-18 X 1 PWH - PUTTY |
| | 0G5508-16-370 | EA | SCREW - SF/DR - 8-18 X 1 PWH - RIVERSTONE |
| | 0G5508-16-380 | EA | SCREW - SF/DR - 8-18 X 1 PWH - CASHMERE |
| | 0G5508-16-450 | EA | SCREW - SF/DR - 8-18 X 1 PWH - SADDLE |
| | 0G6008-16-170 | EA | SCREW - SF/DR - 8-18 X 1 POH - BRIGHT WHITE |
| | 0G6012-32-170 | EA | SCREW - SF/DR - 12-14 X 2 POH - BRIGHT WHITE |
| | 0G6710-08-170 | EA | SCREW - 10-12 X 1/2 PPH - BRIGHT WHITE |
| | 0G6710-12-170 | EA | SCREW - 10-12 X 3/4 PPH - BRIGHT WHITE |
| | 0G6806-16-170 | EA | SCREW - 6-18 X 1 POH - BRIGHT WHITE |
| | 0G6810-24-280 | EA | SCREW - 10-12 X 1 1/2 POH - SOFT WHITE |
| | 000C20-06-24T | EA | SCREW - 3/8-16 X 1 1/2 - FLAT SOCKET |
| | 000G11-06-08B | EA | SCREW - 6-20 X 1/2 PPH - ZINC |
| | 000G11-06-10B | EA | SCREW - 6-20 X 5/8 PPH - ZINC |
| | 000G11-06-10J | EA | SCREW - 6-20 X 5/8 PPH - BRASS |
| | 000G11-07-08B | EA | SCREW - 7-19 X 1/2 PPH - ZINC |
| | 000G11-08-06B | EA | SCREW - 8-18 X 3/8 PPH - ZINC |
| | 000G11-08-08T | EA | SCREW - 8-18 X 1/2 PPH - FLUOROCARBON COATING |
| | 000G11-08-12B | EA | SCREW - 8-18 X 3/4 PPH - ZINC |
| | 000G11-08-12P | EA | SCREW - 8-18 X 3/4 PPH - DARK BROWN |
| | 000G11-08-12S | EA | SCREW - 8-18 X 3/4 PPH - OFF WHITE |
| | 000G11-08-12T | EA | SCREW - 8-18 X 3/4 PPH - BLACK MAGNESIUM |
| | 000G11-08-20B | EA | SCREW - 8-18 X 1 1/4 PPH - ZINC |
| | 000G11-08-20G | EA | SCREW - 8-18 X 1 1/4 - ANTIQUE BRASS |
| | 000G11-10-12D | EA | SCREW - 10-16 X 3/4 PPH - BLACK |
| | 000G11-10-32P | EA | SCREW-10,16X2.00 PPH DK BRN |
| | 000G12-06-08T | EA | SCREW - 6-20 X 1/2 POH - BLACK |
| | 000G12-10-16F | EA | SCREW - 10-16 X 1 POH - STAINLESS STEEL |
| | 000G13-05-10B | EA | SCREW - 5-12 X 5/8 PFH - ZINC |
| | 000G13-06-06I | EA | SCREW - 6-20 X 3/8 PFH - BLACK ZINC |
| | 000G13-06-08B | EA | SCREW - 6-20 X 1/2 PFH - ZINC |
| | 000G13-06-08G | EA | SCREW - 6-20 X 1/2 PFH - ANTIQUE BRASS |
| | 000G13-06-10G | EA | SCREW - 6-20 X 5/8 PFH - ANTIQUE BRASS |
| | 000G13-06-16E | EA | SCREW - 6-20 X 1 PFH - CHROME |
| | 000G13-06-16J | EA | SCREW - 6-20 X 1 PFH - BRASS |
| | 000G13-06-24J | EA | SCREW - 6-20 X 1 1/2 PFH - BRASS |
| | 000G13-07-10H | EA | SCREW - 7-19 X 5/8 PFH - BLACK |
| | 000G13-07-12B | EA | SCREW - 7-19 X 3/4 PFH - ZINC |
| | 000G11-08-08B | EA | SCREW - 8-18 X 1/2 PPH - ZINC |
| | 000G13-08-10B | EA | SCREW - 8-18 X 5/8 PFH - ZINC |
| | 000G13-08-109 | EA | SCREW - 8-18 X 5/8 PFH |
| | 000G13-08-16B | EA | SCREW - 8-18 X 1 PFH - ZINC |
| | 000G13-08-24B | EA | SCREW - 8-18 X 1 1/2 PFH - ZINC |
| | 000G16-04-24B | EA | SCREW - MACHINE - 1/4-20 X 1 1/2 PPH |
| | 000G18-08-16B | EA | SCREW - MACHINE - 8-32 X 1 PPH - ZINC |
| | 000G18-08-22B | EA | SCREW - MACHINE - 8-32 X 1 3/8 PPH - ZINC |
| | 000G18-08-24B | EA | SCREW - MACHINE - 8-32 X 1 1/2 PPH - ZINC |
| | 000G19-10-08B | EA | SCREW - MACHINE - 10-32 X 1/2 PPH - ZINC |
| | 000G19-10-10B | EA | SCREW - MACHINE - 10-32 X 5/8 - PPH - ZINC |
| | 000G19-10-12F | EA | SCREW - MACHINE - 10-32 X 3/4 PPH - STAINLESS STEEL |

SEALANTS & FASTENERS GROUP (CONTINUED)
SCREWS (CONTINUED)

| KEY | PART NUMBER | U/M | DESCRIPTION |
|------------|--------------------|------------|---|
| | 000G19-10-20B | EA | SCREW - MACHINE - 10-32 X 1 1/2 PPH - ZINC |
| | 000G32-10-06B | EA | SCREW - 10-32 X 3/8 PPH - ZINC |
| | 000G34-05-12B | EA | SCREW - HEX HEAD TAPPING - 5/16 X 3/4 LONG |
| | 000G39-06-10T | EA | SCREW - SF/DR - 6-20 X 5/8 PPH - BLACK |
| | 000G39-06-16T | EA | SCREW - SF/DR - 6-20 X 1 PPH - BLACK |
| | 000G39-08-06B | EA | SCREW - SF/DR - 8-18 X 3/8 PPH - ZINC |
| | 000G39-08-08B | EA | SCREW - SF/DR - 8-18 X 1/2 PPH - ZINC |
| | 000G39-08-08S | EA | SCREW - SF/DR - 8-18 X 1/2 PPH - OFF WHITE |
| | 000G39-08-08T | EA | SCREW - SF/DR - 8-18 X 1/2 PPH - BLACK |
| | 000G39-08-12T | EA | SCREW - SF/DR - 8-18 X 3/4 PPH - BLACK |
| | 000G39-08-16B | EA | SCREW - SF/DR - 8-18 X 1 PPH - ZINC |
| | 000G39-08-16T | EA | SCREW - SF/DR - 6-20 X 1 PPH - BLACK |
| | 000G39-08-24B | EA | SCREW - SF/DR - 8-18 X 1 1/2 PPH - ZINC |
| | 000G39-08-24T | EA | SCREW - SF/DR - 8-18 X 1 1/2 PPH - BLACK |
| | 000G39-08-32B | EA | SCREW - SF/DR - 8-18 X 2 PPH - ZINC |
| | 000G39-08-169 | EA | SCREW-SF/DR,8-18X1.00 PPH - FLUROCARBON SILVER |
| | 000G39-10-08B | EA | SCREW - SF/DR - 10-16 X 1/2 PPH - ZINC |
| | 000G39-10-10B | EA | SCREW - SF/DR - 10-16 X 5/8 PPH - ZINC |
| | 000G39-10-12B | EA | SCREW - SF/DR - 10-16 X 3/4 PPH - ZINC |
| | 000G39-10-12S | EA | SCREW - SF/DR - 10-16 X 3/4 PPH - OFF WHITE |
| | 000G39-10-129 | EA | SCREW - SF/DR - 10-16 X 3/4 PPH - FLUOROCARBON SILVER |
| | 000G39-10-169 | EA | SCREW - SF/DR - 10-16 X 1 PPH - FLUOROCARBON SILVER |
| | 000G39-10-20B | EA | SCREW - SF/DR - 10-16 X 1 1/4 PPH - ZINC |
| | 000G39-10-20T | EA | SCREW - SF/DR - 10-16 X 1 1/4 PPH - BLACK |
| | 000G39-10-24B | EA | SCREW - SF/DR - 10-16 X 1 1/2 PPH - ZINC |
| | 000G39-10-24T | EA | SCREW - SF/DR - 10-16 X 1 1/2" PPH - BLACK |
| | 000G39-10-32B | EA | SCREW - SF/DR - 10-16 X 2 - PPH - ZINC |
| | 000G39-10-48B | EA | SCREW - SF/DR - 10-16 X 3 - PPH - ZINC |
| | 000G39-10-48T | EA | SCREW - SF/DR - 10-16 X 3 PPH - BLACK |
| | 000G42-04-16B | EA | SCREW - SF/DR - 1/4-14 X 1 HWH - ZINC |
| | 000G42-04-24B | EA | SCREW - SF/DR - 1/4-14 X 1 1/2 - ZINC |
| | 000G52-06-05B | EA | SCREW - MACHINE - 6-32 X 5/16 PTH - ZINC |
| | 000G52-06-06B | EA | SCREW - MACHINE - 6-32 X 3/8 PTH - ZINC |
| | 000G54-04-14B | EA | SCREW - 1/4-20 X 7/8 PTH - TYPE 23 - ZINC PLATED |
| | 000G55-08-12T | EA | SCREW - SF/DR - 8-18 X 3/4 PWH - BLACK |
| | 000G55-08-16S | EA | SCREW - SF/DR - 8-18 X 1.00 PWH - OFF WHITE |
| | 000G55-08-16T | EA | SCREW - SF/DR - 8-18 X 1 PWH - BLACK |
| | 000G56-12-48B | EA | SCREW - WOOD - 12-11 X 3 POH - SPECIAL HARDENED |
| | 000G60-08-16E | EA | SCREW - SF/DR - 8-1 X 1 POH - CHROME |
| | 000G60-08-20F | EA | SCREW - SF/DR - 8-19X1.25 POH |
| | 000G60-08-22B | EA | SCREW - SF/DR - 8-18 X 1.38 POH - ZINC |
| | 000G60-10-20B | EA | SCREW - SF/DR - 10-16 X 1 1/4 POH - ZINC |
| | 000G60-10-209 | EA | SCREW - SF/DR - 10-16 X 1 1/4 POH - SILVER STALGAARD |
| | 000G60-10-28T | EA | SCREW - SF/DR - 10-16 X 1 3/4 - BLACK |
| | 000G62-06-12B | EA | SCREW-SF/DR,6-20X.75 PFH - ZINC |
| | 000G62-06-249 | EA | SCREW - SF/DR - 8-18 X 1.5 PPH - SILVER |
| | 000G62-08-24B | EA | SCREW - SF/DR - 8-18 X 1 1/2 PFH |
| | 000G62-08-24T | EA | SCREW - SF/DR - 8-18 X 1 1/2 PFH - BLACK |
| | 000G67-08-32B | EA | SCREW - 8-15 X 2 PPH - ZINC |
| | 000G67-10-08B | EA | SCREW - 10-12 X 1/2 PPH - ZINC |
| | 000G67-10-08S | EA | SCREW - 10-12 X 1/2 PPH - OFF WHITE |
| | 000G67-10-10B | EA | SCREW - 10-12 X 5/8 PPH - ZINC - TYPE A |
| | 000G67-10-10D | EA | SCREW - 10-12 X 5/8 PPH - BLACK - TYPE A |
| | 000G67-10-10P | EA | SCREW - 10-12 X 5/8 PPH - DARK BROWN |
| | 000G67-10-10S | EA | SCREW - 10-12 X 5/8 PPH - OFF WHITE |
| | 000G67-10-10T | EA | SCREW - 10-12 X 5/8 PPH - BLACK |
| | 000G67-10-10V | EA | SCREW-10-12X5/8 PPH ZN O/W - TYPE A |
| | 000G67-10-12P | EA | SCREW - 10-12 X 3/4 PPH - DARK BROWN |
| | 000G67-10-24B | EA | SCREW - 10-12 X 1 1/2 PPH - ZINC |
| | 000G68-06-10J | EA | SCREW - 6-18 X 5/8 POH - BRASS |
| | 000G68-06-12B | EA | SCREW - 6-18 X 3/4 POH - ZINC & CLEAR |
| | 000G68-06-12S | EA | SCREW - 6-18 X 3/4 POH |
| | 029130-01-000 | EA | SCREW - SNAP STUD - #8-16 X 5/8" LONG |
| | 029130-02-000 | EA | SCREW - SNAP STUD - #8-16 X 1 1/2" LONG |

SEALANTS & FASTENERS GROUP (CONTINUED)
SCREWS (CONTINUED)

| KEY | PART NUMBER | U/M | DESCRIPTION |
|------------|--------------------|------------|--|
| | 029130-03-000 | EA | SCREW - SNAP STUD - #8-16 X 1" LONG |
| | 049465-03-000 | EA | SCREW - 10-16 X 1 POH W/WASHER - OFF WHITE |
| | 049465-17-000 | EA | SCREW - 10-16 X 1 POH W/WASHER - BRIGHT WHITE |
| | 049465-18-000 | EA | SCREW - 10-16 X 1 POH W/WASHER - VW GRAY |
| | 054434-02-000 | EA | SCREW - SF/DR - 10-16 X 2 - ZINC |
| | 054434-03-000 | EA | SCREW - SF/DR - 10-16 X 2 - PWH - ZINC |
| | 075908-01-000 | EA | SCREW - MACHINE - 10-32 X .56 PTH - EXTERNAL TOOTH - ZINC |
| | 076790-01-000 | EA | SCREW - 6-20 X 1 1/4 PPH - BLACK |
| | 076790-05-000 | EA | SCREW - 6-20 X 1/2 PPH - BLACK - THREAD CUTTING/WOOD |
| | 083554-01-000 | EA | SCREW - DRYWALL - 8 X 1 1/4 |
| | 087721-01-000 | EA | SCREW - FLAT HEAD - TAPPING - 1/4" X 1 1/4" LONG - ZINC |
| | 093249-01-000 | EA | CAP/SCREW - MOLDED/VINYL - BLACK |
| | 095772-01-000 | EA | SOCKET-SNAP FASTNER1" SF/DR - SELF DRIVER |
| | 097974-01-000 | EA | SCREW - PARTICLE BOARD - 7-9 X 3/4 PPH |
| | 101618-01-000 | EA | SCREW - 1/4-20 X 3/4 HEX - TAPPING - STALGARD TYPE F |
| | 113563-01-01A | EA | SCREW - 8 X 5/8 LONG SHOULDER/WASHER HEAD |
| | 113563-01-02A | EA | SCREW - 8 X 5/8 LONG SHOULDER/WASHER HEAD - BRIGHT WHITE |
| | 118383-01-12A | EA | RETAINER/RECESSED - F/.22" SCREW - RIVERSTONE |
| | 118383-01-14A | EA | RETAINER/RECESSED - F/.22" SCREW - PEWTER |
| | 118383-01-15A | EA | RETAINER/RECESSED - F/.22" SCREW - BRIARWOOD |
| | 118383-02-13A | EA | RETAINER/RECESSED - F/.27" SCREW - OFF WHITE |
| | 118383-04-04A | EA | CAP - F/RECESSED RETAINER - BRIGHT WHITE |
| | 118383-04-10A | EA | CAP - F/RECESSED RETAINER - RIVERSTONE |
| | 118383-04-13A | EA | CAP - F/RECESSED RETAINER - OFF WHITE |
| | 118383-04-14A | EA | CAP - F/RECESSED RETAINER - PEWTER |
| | 118383-04-15A | EA | CAP - F/RECESSED RETAINER - BRIARWOOD |
| | 134126-01-01A | EA | SCREW/NAIL - HEX HEAD - 3/4" |
| | 140040-01-000 | EA | SCREW - 1/4-20 X 1 - BUTTON HEAD/SOCKET - W/LOCTITE |
| | 149753-01-01A | EA | RETAINER/RECESSED - F/.22" SCREW - BLACK |
| | 149753-01-02A | EA | RETAINER/RECESSED - F/.22" SCREW - BRIGHT WHITE |
| | 149753-02-01A | EA | CAP - F/RECESSED RETAINER - BLACK |
| | 149753-02-02A | EA | CAP - F/RECESSED RETAINER - BRIGHT WHITE |
| | 154938-01-01A | EA | SCREW - SF/DR - 10-16 X 3/4 PPH - W/SELF SEAL - BRIGHT WHITE |
| | 154938-01-02A | EA | SCREW - SF/DR - 10-16 X 3/4 PPH - W/SELF SEAL - BLACK |
| | 154938-02-01A | EA | SCREW - SF/DR - 8-18 X 1 PFH - W/SELF SEAL - BRIGHT WHITE |
| | 154938-02-02A | EA | SCREW - SF/DR - 8-18 X 1 PFH - W/SELF SEAL - BLACK |
| | 154938-02-03A | EA | SCREW - SF/DR - 8-18 X 1 PFH - W/SELF SEAL - SILVER |
| | 154938-03-01A | EA | SCREW - SF/DR - 8-18 X 5/8 PFH - W/SELF SEAL - BRT WHT |
| | 154938-03-02A | EA | SCREW - SF/DR - 8-18 X 5/8 PFH - W/SELF SEAL - BLACK |
| | 154938-04-01A | EA | SCREW - SF/DR - 10-16 X 1" TPH - W/SELF SEAL - BRT WHT |
| | 154938-04-02A | EA | SCREW - SF/DR - 10-16 X 1" TPH - W/SELF SEAL - BLACK |
| | 154938-05-03A | EA | SCREW - SF/DR - 8-18 X 1.25" PFH - W/SELF SEAL - SILVER |

SEALANTS & FASTENERS GROUP (CONTINUED)
CLAMPS, CLIPS, GROMMETS, RIVETS & PLUGS

| KEY | PART NUMBER | U/M | DESCRIPTION |
|-----|---------------|-----|---|
| | 000H14-06-03R | EA | RIVET - MANDREL BLIND - 3/16 ALUMINUM |
| | 000H16-04-06R | EA | RIVET - POP ALUMINUM - 1/8 X .313 - .375 |
| | 000H16-06-10R | EA | RIVET - POP ALUMINUM - 3/16 X .501 - .625 |
| | 007161-01-000 | EA | CLAMP - HOSE - SPRING TYPE - 1/2" |
| | 008386-01-000 | EA | GROMMET - SNAP - 3/8" DIAMETER - NYLON |
| | 010495-01-000 | EA | CLAMP - CABLE - 9/16"ID - BLACK |
| | 010495-02-000 | EA | CLAMP - CABLE - 3/8"ID - BLACK |
| | 010495-04-000 | EA | CLAMP - CABLE - 11/16"ID - WHITE |
| | 010497-01-000 | EA | CLAMP - CLOSED - 5/8"ID |
| | 010497-02-000 | EA | CLAMP - CLOSED - 1.5"ID |
| | 010497-03-000 | EA | CLAMP - CLOSED - 1"ID - CUSHIONED |
| | 010497-04-000 | EA | CLAMP - CLOSED - 1 5/8"ID |
| | 010497-05-000 | EA | CLAMP - CLOSED - 1/2"ID |
| | 010497-07-000 | EA | CLAMP - CLOSED - 3/8"ID |
| | 010497-09-000 | EA | CLAMP - CLOSED - 5/16"ID |
| | 010497-10-000 | EA | CLAMP - CLOSED - 7/8"ID |
| | 010499-01-000 | EA | CLAMP - CLOSED - 3/8"ID |
| | 016188-03-000 | EA | GROMMET - LP LINE - 3/8"HOLE X 2 1/2"LONG - RUBBER |
| | 016188-04-000 | EA | GROMMET - LP LINE - 1/2"HOLE X 2 1/2"LONG - RUBBER |
| | 016188-05-000 | EA | GROMMET - LP LINE - 3/8"HOLE X 1 1/4"LONG - RUBBER |
| | 016188-06-000 | EA | GROMMET - LP LINE - 3/8"HOLE X 3 1/4"LONG - RUBBER |
| | 016188-07-000 | EA | GROMMET - L/P LINE - 1/2"HOLE X 3 1/4"LONG |
| | 016188-08-000 | EA | GROMMET - LP LINE - 1/2"HOLE X 1 1/4"LONG - RUBBER |
| | 016188-09-000 | EA | GROMMET - LP LINE - .68"HOLE X 1 1/4"LONG - RUBBER |
| | 016188-10-000 | EA | GROMMET - LP GAS - .68" X 2.5" |
| | 023942-01-000 | EA | GROMMET - RUBBER - 2"OD |
| | 041930-11-000 | EA | RIVET - POP ALUMINUM - 1/8 X .188 - .250 - BRIGHT WHITE |
| | 061420-04-000 | EA | PLUG/PLASTIC - 1 1/4" DIAMETER |
| | 061420-05-000 | EA | PLUG/PLASTIC - 1 1/2" DIAMETER |
| | 061420-09-000 | EA | PLUG/PLASTIC - 1.00" DIAMETER |
| | 061420-10-000 | EA | PLUG/PLASTIC - 1 1/2" DIAMETER - BLACK |
| | 061420-12-000 | EA | PLUG/PLASTIC - 1.50" DIAMETER - RED |
| | 061420-13-000 | EA | PLUG/PLASTIC - 3/8" - FLUSH |
| | 061420-14-000 | EA | PLUG/PLASTIC - 7/8" DIAMETER - BLACK |
| | 061420-15-000 | EA | PLUG/PLASTIC - 2" DIAMETER - BLACK |
| | 061420-16-000 | EA | PLUG/PLASTIC - 2 1/8" DIAMETER - BLACK |
| | 061420-18-000 | EA | PLUG/PLASTIC - 1 3/4" DIAMETER - BLACK |
| | 062401-01-000 | EA | CLAMP - HOSE - WORMGEAR - .25" - 1" |
| | 062401-02-000 | EA | CLAMP - HOSE - WORMGEAR - 1.56" - 2.5" ID |
| | 062401-03-000 | EA | CLAMP - HOSE - WORMGEAR - .22" - 1" ID |
| | 062401-04-000 | EA | CLAMP - HOSE - WORMGEAR - .69" - 1.25" ID |
| | 062401-06-000 | EA | CLAMP - HOSE - WORMGEAR - .22" - .62" ID |
| | 062401-09-000 | EA | CLAMP - HOSE - WORMGEAR - 2.8" - 3.75" ID |
| | 062401-11-000 | EA | CLAMP - HOSE - WORMGEAR - 3.50" - 4.50" ID |
| | 062401-13-000 | EA | CLAMP - HOSE - WORMGEAR |
| | 071015-11-000 | EA | GROMMET - RUBBER - 1"ID FITS .12 MATERIAL - BLACK |
| | 071015-13-000 | EA | GROMMET - RUBBER - .62"ID X 1"OD W/.09" GROOVE - BLACK |
| | 071015-20-000 | EA | GROMMET - .38 ID FITS .06 MTL |
| | 071015-22-000 | EA | GROMMET - RUBBER - .62"ID X 1.12"OD W/.19" GROOVE - BLACK |
| | 071015-26-000 | EA | GROMMET - RUBBER - 1.5"ID X 2.1"OD W/.06" GROOVE - BLACK |
| | 071015-29-000 | EA | GROMMET - RUBBER - .3"ID X 1.3"OD W/.12" GROOVE - BLACK |
| | 071015-30-000 | EA | GROMMET - RUBBER - .3"ID X .81"OD W/.12" GROOVE - BLACK |
| | 071015-39-000 | EA | GROMMET - .75 ID FITS .06 MTL |
| | 071015-41-000 | EA | GROMMET - .125 ID FITS .188 MTL |
| | 071015-42-000 | EA | GROMMET - .25 ID FITS .06 MTL |
| | 071015-43-000 | EA | GROMMET-.25 ID,FITS .07 MATL, MINOR Z-4139 |
| | 071015-44-000 | EA | GROMMET - .31 ID FITS .25 MTL |
| | 075148-02-000 | EA | CLAMP - GROUNDING - BRONZE SCREWS |
| | 077955-01-000 | EA | CLIP/J - 3/8" - VINYL COATED |
| | 081211-03-000 | EA | PLUG - PLASTIC - .50"DIAMETER - TRUSS HEAD - BLACK |
| | 081211-04-000 | EA | PLUG - PLASTIC - .46"DIAMETER - TRUSS HEAD - BLACK |
| | 081211-06-000 | EA | PLUG-PLASTIC,.468DIA,BLACK , HEYCO 1669 |
| | 083609-01-000 | EA | CLAMP - WIRE - DUAL - EQUAL DIAMETERS - 5/8" |
| | 083610-01-000 | EA | CLAMP - WIRE - DUAL - UNEQUAL DIAMETERS - 3/4" & 1 1/4" |

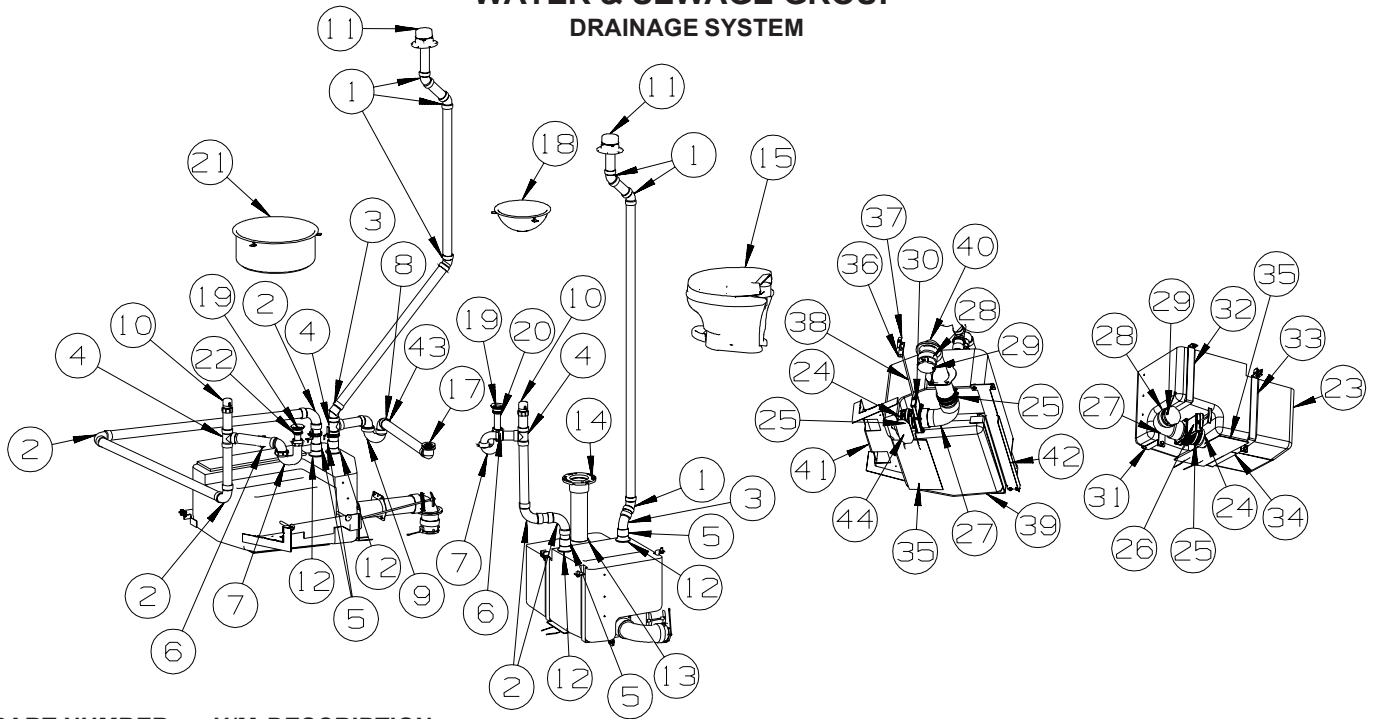
SEALANTS & FASTENERS GROUP (CONTINUED)
CLAMPS, CLIPS, GROMMETS, RIVETS & PLUGS (CONTINUED)

| KEY | PART NUMBER | U/M | DESCRIPTION |
|------------|--------------------|------------|--|
| | 083610-02-000 | EA | CLAMP - WIRE - DUAL - UNEQUAL DIAMETERS - 3/4" & 2" |
| | 083610-03-000 | EA | CLAMP - WIRE - DUAL - EQUAL DIAMETERS - 2" |
| | 083610-02-000 | EA | CLAMP - WIRE - DUAL - UNEQUAL DIAMETERS - 3/4" & 2" |
| | 083610-03-000 | EA | CLAMP - WIRE - DUAL - EQUAL DIAMETERS - 2" |
| | 088756-01-000 | EA | GROMMET - WEB - 1 1/8"ID |
| | 089329-02-000 | EA | CLIP - SPRING |
| | 091952-01-000 | EA | CLIP - GRIPPER - 1" - BLACK VINYL COATED |
| | 091952-02-000 | EA | CLIP - GRIPPER - 3/4" - BLACK VINYL COATED |
| | 091952-03-000 | EA | CLIP - GRIPPER - 1/2" - BLACK VINYL COATED |
| | 094362-02-000 | EA | CLIP - XMAS TREE - BINDER HEAD - .9" LONG/ANY COLOR |
| | 113133-02-01A | EA | RIVET - POP - ALUMINUM - 3/16 X .252 - .504 - BLACK |
| | 114208-05-000 | EA | GROMMET - EDGE LINER - FITS 2" |
| | 118626-01-01A | EA | RIVET/POP - ALUMINUM - 3/16 X 1.2"(GRIP RANGE .1"-.4") |
| | 118626-01-02A | EA | RIVET/POP - ALUMINUM - 3/16 X .08 - .375 |
| | 118626-02-01A | EA | RIVET/POP - ALUMINUM - 3/16 X .500 - .750 |
| | 118626-03-01A | EA | RIVET/POP - STAINLESS STEEL - 3/16 X .500 - .750 |
| | 137014-01-01A | EA | GROMMET - CABLE - ALMOND |
| | 139118-02-01A | EA | GROMMET - SCREW - PLASTIC |
| | 155498-01-01A | EA | CLAMP - CLOSED - 7/8"ID - VINYL DIP/GALVONIZED - BLACK |

MISCELLANEOUS FASTENERS

| KEY | PART NUMBER | U/M | DESCRIPTION |
|------------|--------------------|------------|---|
| | 008343-01-000 | EA | TIE - WIRE - 6" |
| | 008343-02-000 | EA | TIE - WIRE - 14" |
| | 008343-03-000 | EA | TIE - WIRE - 7 1/2" - BLACK |
| | 029094-04-000 | YD | VELCRO TAPE/LOOP - 1"WIDE - W/ADHESIVE BACK - BLACK |
| | 029096-03-000 | YD | VELCRO TAPE/HOOK - 1"WIDE - BLACK |
| | 029096-04-000 | YD | VELCRO TAPE/HOOK - 1"WIDE - BLACK - W/ADHESIVE BACK (PSA) |
| | 048394-02-000 | YD | VELCRO TAPE - HOOK - ADHESIVE BACK - 3/4" WIDE - BEIGE |
| | 085774-01-000 | FT | FASTENER - DUAL LOCK - 1" WIDE - ADHESIVE BACK - BLACK |
| | 085774-02-000 | FT | FASTENER - DUAL HOOK - 1" WIDE - ADHESIVE BACK - BLACK |
| | 088792-02-000 | YD | VELCRO TAPE - LOOP - 3/4" - ADHESIVE BACK - BEIGE |
| | 088792-04-000 | YD | VELCRO TAPE - HOOK - 5/8" - NON-ADHESIVE BACK - WHITE |
| | 088792-05-000 | YD | VELCRO TAPE - LOOP - 5/8" - NON-ADHESIVE BACK - WHITE |
| | 108046-02-000 | EA | CABLE TIE - SCREW MOUNT 15" |

WATER & SEWAGE GROUP DRAINAGE SYSTEM

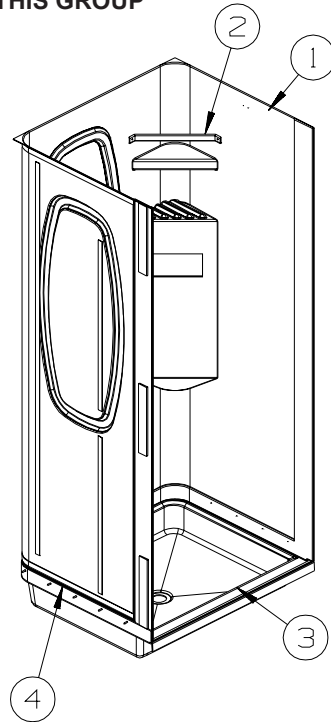


| KEY | PART NUMBER | U/M | DESCRIPTION |
|-----|---------------|-----|--|
| 1 | 010006-01-000 | EA | ELBOW - 45 DEGREE - 1 1/2" HUB X HUB - PLASTIC |
| 2 | 010008-01-000 | EA | ELBOW - 90 DEGREE - 1 1/2" HUB X HUB - PLASTIC |
| 3 | 010051-01-000 | EA | ELBOW - 45 DEGREE - 1 1/2" SPIGOT X HUB - PLASTIC |
| 4 | 010071-01-000 | EA | TEE - SANITARY - 1 1/2" HUB X HUB X HUB - PLASTIC |
| 5 | 010115-01-000 | EA | COUPLING - 1 1/2" HUB X HUB - PLASTIC |
| 6 | 152146-01-000 | EA | CONNECTOR - 1 1/2" P X 1 1/2" MPT |
| 7 | 107538-02-000 | EA | P-TRAP - PLASTIC - 1 1/2" W/EXTENSION ARM |
| 7 | 011071-01-000 | EA | P-TRAP - 1 1/2" - CSA - PLASTIC - CANADIAN |
| 8 | 010009-01-000 | EA | ELBOW - 90 DEGREE - 1/4 BEND - 1 1/2" - PLASTIC |
| 9 | 037763-01-000 | EA | P-TRAP - PLASTIC - 1 1/2" HXH W/UNION |
| 10 | 079968-01-000 | EA | VENT - MECHANICAL/TRAP ARM - ANTI-SIPHON-2" X 7.3" PLASTIC |
| 11 | 083558-03-000 | EA | VENT - W/COVER - F/PLUMBING STACK - OFF WHITE |
| 12 | 061607-01-000 | EA | GROMMET - HOLDING TANK - 1 1/2" NPS |
| 13 | 061607-02-000 | EA | GROMMET - HOLDING TANK - 3" NPS |
| 14 | 024676-01-000 | EA | FLANGE/CLOSET - 4" X 3" - BLACK PLASTIC |
| 15* | 147421-02-01A | EA | TOILET/AQUA MAGIC 5 (LOW) FOOTFLUSH - W/SPRAY - WHITE |
| 16 | 131486-01-000 | EA | ELBOW - DRAIN 1 1/2" - LOW PROFILE - TUB DRAIN |
| 17 | 066440-01-000 | EA | STRAINER - SHOWER DRAIN - W/RUBBER WASHER |
| 18 | 151679-01-01A | EA | SINK - LAVATORY - STAINLESS STEEL |
| 19 | 066437-02-000 | EA | STRAINER/BASKET - GALLEY SINK - 2.6" OD |
| 19 | 163569-01-000 | EA | STRAINER - W/BASKET/NUT/SEAL WASHER - 2" FROM: 00-00-00 THRU: 02-12-07 |
| 19 | 092303-01-000 | EA | STRAINER - W/BASKET - GALLEY SINK - 4" OD FROM: 02-13-07 THRU: 08-29-07 |
| 19 | 092303-01-000 | EA | STRAINER - W/BASKET - GALLEY SINK - 4" OD FROM: 08-30-07 THRU: 99-99-99 |
| 20 | 011069-05-000 | EA | TAILPIECE - 1 1/2" X 1 1/4" X 6" - PLASTIC |
| | 127440-02-01A | EA | WASHER - RUBBER - 1.8" X .1" |
| | 130403-01-000 | EA | NUT - SLIP - W/WINGS 1 1/2" |
| 21 | 151677-02-01A | EA | SINK - GALLEY - ROUND - STAINLESS STEEL - CSA FROM: 00-00-00 THRU: 08-29-07 |
| 21 | 165118-01-01A | EA | SINK - GALLEY/ROUND - 16" - STAINLESS STEEL FROM: 08-30-07 THRU: 99-99-99 |
| 22 | 011069-06-000 | EA | TAILPIECE - 1 1/2" X 1 1/4" X 2 1/2" - BRASS |
| | 127440-02-01A | EA | WASHER - RUBBER - 1.8" X .1" |
| | 130403-01-000 | EA | NUT - SLIP - W/WINGS 1 1/2" |
| 23 | 158853-01-700 | EA | TANK - HOLDING W/3" NIPPLE |
| | 049032-01-000 | EA | PATCH - SPINWELD - 3/8" - PLASTIC |
| 24 | 010129-03-000 | EA | NIPPLE - 3" X 3" TOE - PLASTIC |
| 25 | 078406-01-000 | EA | COUPLER - 3" X 3" W/CLAMPS - RUBBER |
| 26 | 062418-03-000 | EA | VALVE- 3" SPIGOT X 3" SPIGOT |
| 27 | 041956-01-000 | EA | ELBOW - 3" STREET - 90 DEGREE - PLASTIC |

WATER & SEWAGE GROUP (CONTINUED)
DRAINAGE SYSTEM (CONTINUED)

| KEY | PART NUMBER | U/M | DESCRIPTION |
|------------|--------------------|------------|--|
| 28 | 062417-01-000 | EA | ADAPTER - TERMINATION - 3" |
| 29* | 062415-01-000 | EA | CAP - SEWER - 3" DIAMETER |
| | 139513-01-000 | EA | HOSE - SEWER - 3" X 10' - W/BAYONET TYPE ADAPTER |
| | 062416-01-000 | EA | ADAPTER - SEWER HOSE TO 3" PIPE |
| 30 | 062418-02-000 | EA | VALVE-3",HUBXSPIGOT,W/O HNDL - VALTERRA T40 WINN |
| 31 | 153148-05-02B | EA | STRAP/MOUNTING - HOLDING TANK - E-COATED |
| 32 | 153148-04-02B | EA | STRAP/MOUNTING - HOLDING TANK - E-COATED |
| 33 | 153148-07-02B | EA | STRAP/MOUNTING - HOLDING TANK - E-COATED |
| 34 | 153148-03-02B | EA | STRAP/MOUNTING - HOLDING TANK - E-COATED |
| 35 | 133972-04-000 | EA | PAD/HEATER - HOLDING TANK - F/34 GALLON - DRAINAGE SYSTEM-HEATED |
| 36 | 062419-05-000 | EA | BRACKET - VALVE - LOCKING |
| 37 | 062419-06-000 | EA | HANDLE - T |
| 38 | 062419-11-000 | EA | HANDLE - EXTENSION - W/TAPPED END |
| 39 | 160960-01-700 | EA | TANK - HOLDING - W/3" NIPPLE - W/O FITTINGS |
| 40 | 031126-01-000 | EA | ELBOW - 1/4 BEND - 3" X 90" XLT - BLACK PLASTIC |
| 41 | 151887-02-02B | EA | BRACKET - HOLDING TANK - E-COATED |
| 42 | 151888-04-02B | EA | BRACKET - HOLDING TANK - E-COATED |
| 43 | 126424-01-000 | EA | ADAPTER - 1 1/2" MPT X 1 1/2" HUB |
| | | | FROM: 01-31-07 THRU: 99-99-99 |
| 43 | 126425-02-000 | EA | ADAPTER - SWIVEL - 1 1/2 FPT X SPIGOT |
| | | | FROM: 01-31-07 THRU: 99-99-99 |
| | 127440-02-01A | EA | WASHER - RUBBER - 1.8" X .1" |
| 44 | 133972-03-000 | EA | PAD/ELBOW HEATING - 1.5" DIAMETER |

***COMPONENT PARTS LISTED LATER IN THIS GROUP**

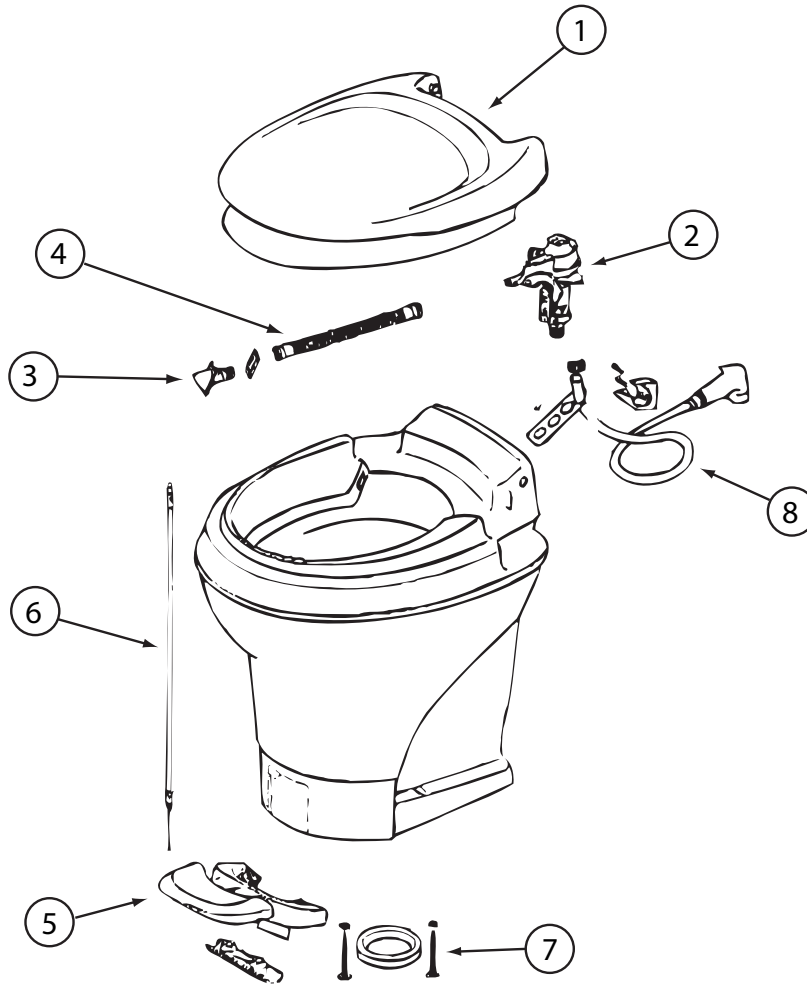


| KEY | PART NUMBER | U/M | DESCRIPTION |
|------------|--------------------|------------|---|
| 1 | 147070-01-18A | EA | SURROUND - SHOWER - SOFT WHITE |
| 2 | 113714-02-02A | EA | RETAINER - SHELF/SHOWER - 10.6" - SOFT WHITE |
| 3 | M02673-14-R28 | EA | SHOWER PAN - W/STRAINER |
| 4 | 154585-03-01A | FT | SEAL - FOAM TAPE - ADHESIVE 2 SIDED - 1/8" X 3/4" - BLACK |

WATER & SEWAGE GROUP (CONTINUED)
COMPONENT PARTS FOR DRAINAGE SYSTEM

062415-01-000

| KEY | PART NUMBER | U/M | DESCRIPTION | VENDOR NO. |
|-----|---------------|-----|------------------|-------------|
| | 062415-01-700 | EA | STRING-SEWER CAP | V#SV7 STRAP |

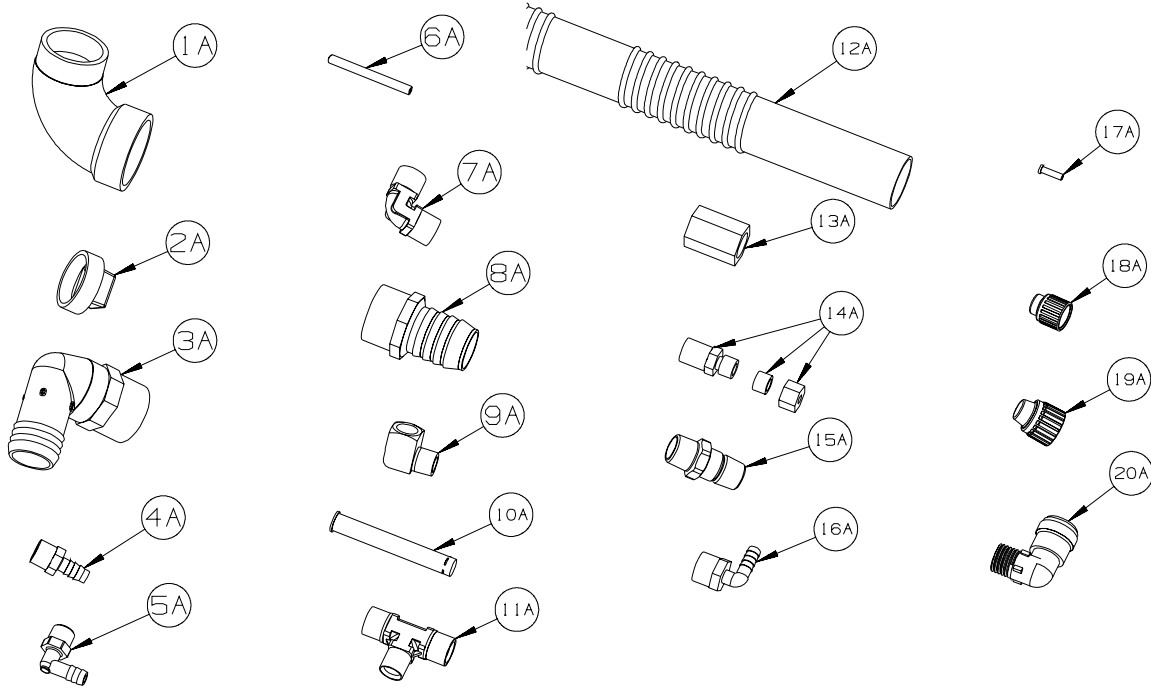


147421-01-01A, 147421-02-01A

| KEY | PART NUMBER | U/M | DESCRIPTION | VENDOR NO. |
|-----|---------------|-----|------------------------------|----------------|
| 1 | 147421-01-700 | EA | SEAT & COVER ASSEMBLY(WHT) | 31703 |
| 2 | 147421-01-701 | EA | WATER MODULE ASSEMBLY | 31705 |
| 3 | 147421-01-702 | EA | NOZZLE ASSEMBLY | 31706 |
| 4 | 147421-01-703 | EA | LINK - WATER MODULE | 31621 |
| 5 | 147421-01-704 | EA | PEDAL - WHITE | 31709 |
| 6 | 147421-01-705 | EA | FOOT CABLE | 31711 |
| 7 | 063740-01-706 | EA | BOLT PACKAGE-FLOOR FLANGE | 12524 THETFORD |
| 8 | 147421-01-708 | EA | HAND SPRAY KIT - WHITE HEAD | 33226 |
| | 147421-01-706 | EA | SEAL - BLADE | 31708 |
| | 147421-01-707 | EA | CAP (UNIVERSAL BOLT) - WHITE | 31713 |

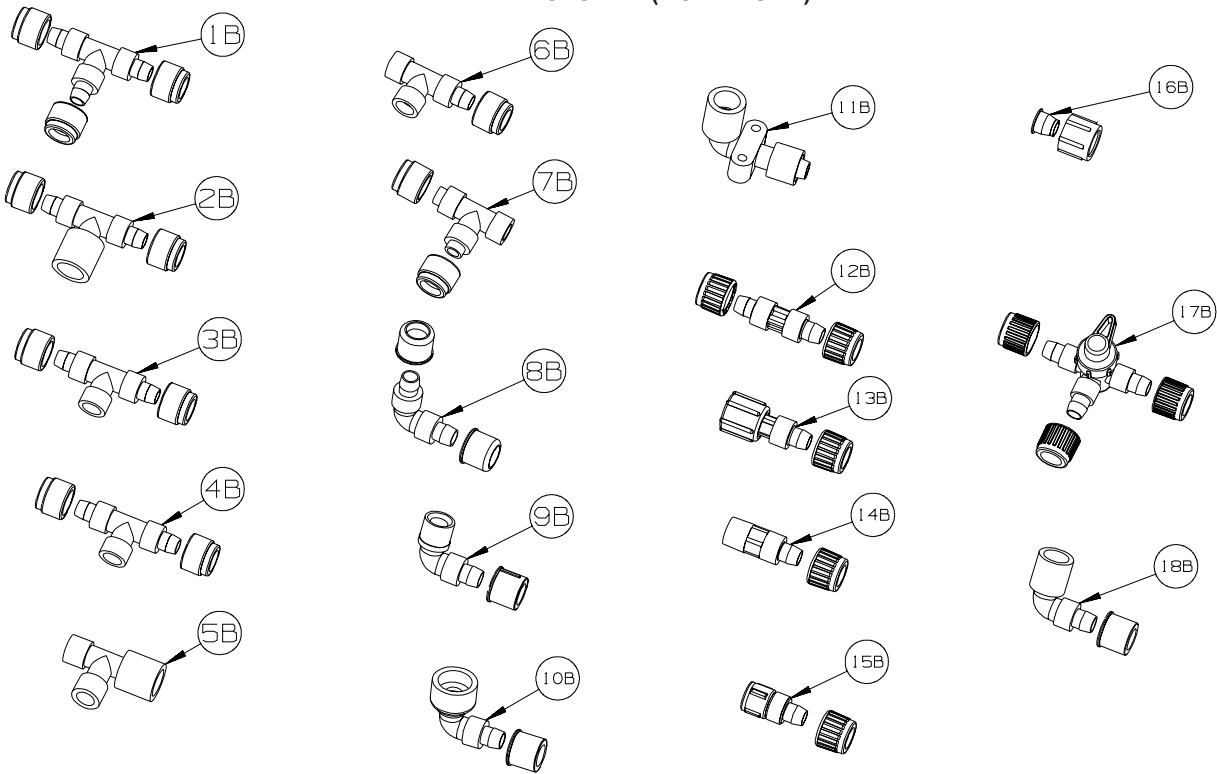
WATER & SEWAGE GROUP (CONTINUED)

WATER SYSTEM



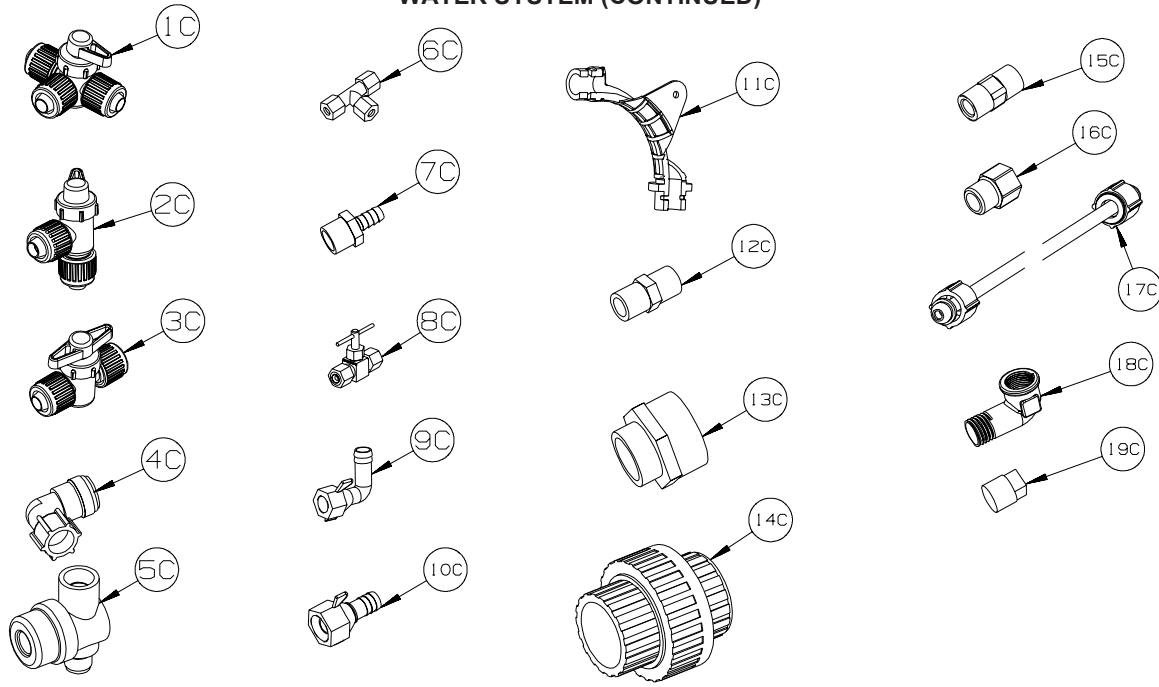
| KEY | PART NUMBER | U/M | DESCRIPTION |
|-----|---------------|-----|---|
| 1A | 010009-01-000 | EA | ELBOW - 90 DEGREE - 1/4 BEND - 1 1/2" PLASTIC |
| 2A | 010166-01-000 | EA | PLUG/THREADED - 1 1/4"MPT - PLASTIC - BLACK - UL |
| 3A | 010219-01-000 | EA | ELBOW - 1 1/4 MPT X 1 1/4 BARB - WATER FILL - PLASTIC |
| 4A | 010224-01-000 | EA | ADAPTER - HOSE TO PIPE - 3/8 MPT X 3/8 BARB - PLASTIC |
| 5A | 035539-01-000 | EA | ELBOW - 3/8 MPT X 3/8 BARB - PLASTIC |
| 6A | 039800-04-000 | FT | TUBING - POLYBUTYL - 1/4"OD |
| 6A | 074462-02-000 | FT | TUBING - VINYL - 3/8 ID X 20' - CLEAR |
| 6A | 112176-01-000 | FT | TUBING - VINYL - REINFORCED - 1/2" ID |
| 6A | 124188-01-000 | FT | TUBING - PEX - 1/2" ID X 20' - BLUE(COLD) |
| 6A | 124188-02-000 | FT | TUBING - PEX - 1/2" ID X 20' - RED(HOT) |
| 7A | 039808-03-000 | EA | ELBOW - 1/2" MPT X 1/2" MPT - PLASTIC |
| 8A | 044927-01-000 | EA | ADAPTER - HOSE TO PIPE-1 1/4 MPTX1 1/4 BARB-BLACK PLASTIC |
| 9A | 065318-02-000 | EA | ELBOW - 90 DEGREE - 3/8" MPT TO 3/8" FPT |
| 10A | 077954-02-000 | EA | FILTER - WATER TANK - W/SCREEN IN TANK |
| 11A | 039798-01-000 | EA | TEE - 1/2"MPT X 1/2"MPT X 1/2"MPT - PLASTIC |
| 12A | 079381-01-000 | FT | TUBING - RIBBED FLEXIBLE/WATER FILL - 10 FT = 1EA-1.38ID |
| 13A | 101814-01-000 | EA | COUPLING - FEMALE - 1/2" X 1/2" FPT - GRAY |
| 14A | 103798-01-000 | EA | CONNECTOR - 1/4 OD X 3/8 MPT |
| 15A | 110438-02-000 | EA | VALVE - CHECK - 1/2"MPT X 1/2"MPT - BRASS |
| 16A | 111223-02-000 | EA | ELBOW - 1/2" MPT X 3/8" BARB - PLASTIC |
| 16A | 111223-04-000 | EA | ELBOW - 1/2" MPT X 1/2" BARB - PLASTIC |
| 16A | 111888-01-000 | EA | FERRULE - PLASTIC - .250 ID X .375 OD |
| 17A | 111888-02-000 | EA | INSERT - BRASS - 1/4 COMP |
| 18A | 113697-01-000 | EA | CAP - 3/8"P |
| 19A | 114427-01-000 | EA | CAP - 1/2"P |
| 20A | 164906-01-000 | EA | ELBOW - 90 DEGREE - 1/2" QUICK CONNECT X 1/2"MPT |

WATER & SEWAGE GROUP (CONTINUED)
WATER SYSTEM (CONTINUED)



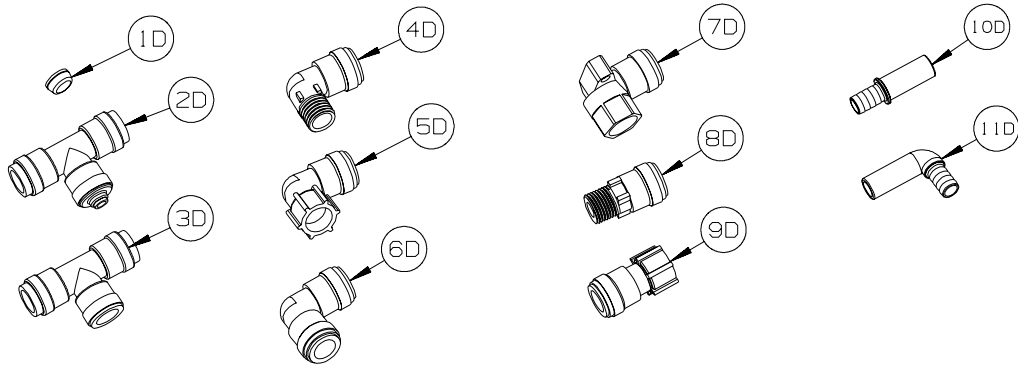
| KEY | PART NUMBER | U/M | DESCRIPTION |
|-----|---------------|-----|---|
| 1B | 114428-01-000 | EA | TEE - 1/2"P X 1/2"P X 1/2"P |
| 2B | 114428-02-000 | EA | TEE - SWIVEL - 1/2"P X 1/2"P X 1/2"FPT |
| 3B | 114428-03-000 | EA | TEE - 1/2"P X 1/2"P X 1/2"MPT |
| 4B | 114428-04-000 | EA | TEE - 1/2"P X 1/2"P X 1/8"FPT |
| 5B | 114428-05-000 | EA | TEE - 1/2" SWIVEL X 1/2" MPT X 1/2" MPT |
| 6B | 114428-06-000 | EA | TEE - 1/2" P X 1/2" MPT X 1/2" MPT |
| 7B | 114428-07-000 | EA | TEE - 1/2" P X 1/2" MPT X 1/2" P |
| 8B | 114429-01-000 | EA | ELBOW - 1/2"P X 1/2"P |
| 9B | 114429-02-000 | EA | ELBOW - 1/2"P X 1/2"MPT |
| 9B | 114429-04-000 | EA | ELBOW - 1/2"P X 3/8"MPT |
| 9B | 114429-10-000 | EA | ELBOW - SWIVEL - 1/2"MPT X 1/2"FPT |
| 10B | 114429-08-000 | EA | ELBOW - SWIVEL - 1/2"P X 1/2"FPT |
| 11B | 114429-09-000 | EA | ELBOW - 1/2"P X 1/2"FPT DROP EAR |
| 12B | 114430-01-000 | EA | ADAPTER - 1/2"P X 1/2"P |
| 13B | 114430-02-000 | EA | ADAPTER - SWIVEL - 1/2"P X 1/2"FPT |
| 13B | 114430-04-000 | EA | ADAPTER - SWIVEL - 1/2"P X 3/8"MPT |
| 14B | 114430-03-000 | EA | ADAPTER - 1/2"P X 1/2"MPT |
| 15B | 114430-06-000 | EA | ADAPTER - 1/2"P X 3/8"FPT |
| 15B | 114430-09-000 | EA | ADAPTER - 1/2"P X 1/2"FPT |
| 16B | 114430-10-000 | EA | ADAPTER - NUT - PIPE CONNECTION - 1/2" |
| 17B | 114431-01-000 | EA | VALVE - 180 DEGREE/CENTER DRAIN - 1/2"P - THREE WAY |
| 18B | 114429-11-000 | EA | ELBOW - 1/2"P X 1/2"FPT |

WATER & SEWAGE GROUP (CONTINUED)
WATER SYSTEM (CONTINUED)



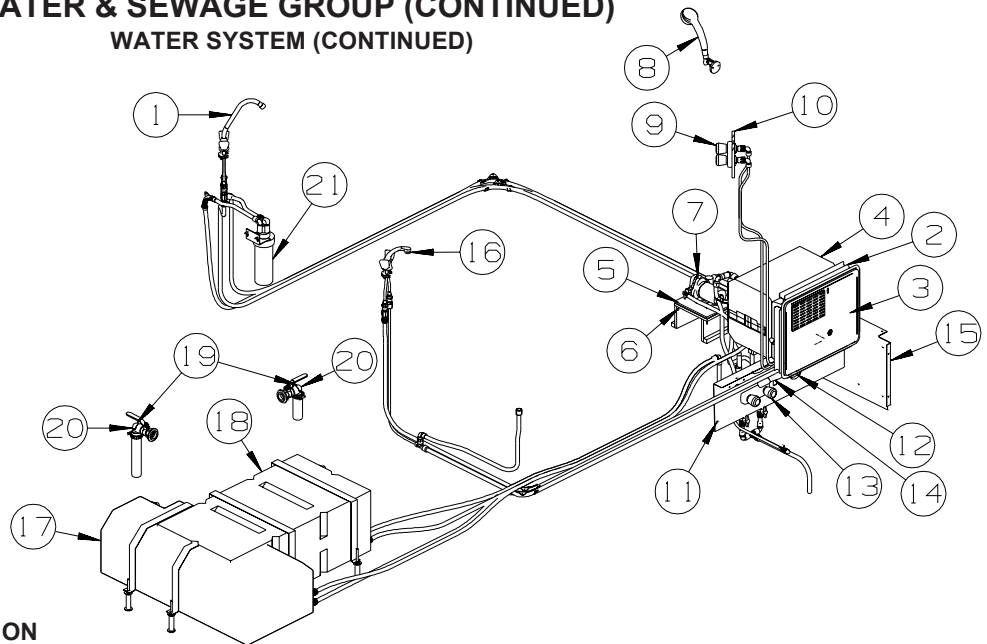
| KEY | PART NUMBER | U/M | DESCRIPTION |
|-----|---------------|-----|---|
| 1C | 114431-02-000 | EA | VALVE - WATER BYPASS - 1/2"P - THREE WAY (WATER HEATER) |
| 2C | 114431-03-000 | EA | VALVE - 90 DEGREE DRAIN - 1/2"P |
| 3C | 114431-04-000 | EA | VALVE - "INLINE SHUT-OFF" - 1/2"P |
| 4C | 164906-02-000 | EA | ELBOW - 90 DEGREE - 1/2" QUICK CONNECT X 1/2"MPT - SWIVEL |
| 5C | 152925-01-01A | EA | FILTER - IN LINE - TWIST ON - 1/2" - BLACK |
| 6C | 118423-01-000 | EA | FITTING - BRASS-TEE - 1/4C X 1/4C X 1/4C |
| 7C | 118809-01-000 | EA | ADAPTER - 1/2" MPT X 3/8" BARB - PLASTIC |
| 7C | 118809-02-000 | EA | ADAPTER - 1/2" MPT X 1/2" BARB - PLASTIC |
| 8C | 120868-01-000 | EA | VALVE - NEEDLE - 1/4" COMPRESSION X 1/4" COMPRESSION |
| 9C | 123150-01-000 | EA | ELBOW - 1/2 FPT X 1/2 BARB - SWIVEL |
| 10C | 123152-01-000 | EA | ADAPTER - 1/2 FPT X 1/2 BARB - SWIVEL |
| 11C | 124184-01-000 | EA | SUPPORT - WATER LINE - BEND |
| 12C | 132148-01-000 | EA | CONNECTOR - 1/2" X 1/2"MPT - BRASS |
| 13C | 133835-01-000 | EA | ADAPTER - REDUCING - 1 1/2" X 1 1/4" |
| 14C | 133889-01-000 | EA | UNION - 1 1/2 DOUBLE SLIP - PVC |
| 15C | 135386-01-000 | EA | NIPPLE - 1/2" |
| 16C | 136333-01-000 | EA | ADAPTER - BRASS - 1/2"MPT X 1/2"FPT |
| 17C | 140821-01-000 | EA | TUBE - WATER SUPPLY - 3/8" X 24" |
| 17C | 140821-02-000 | EA | TUBE - WATER SUPPLY - 3/8" X 30" |
| 17C | 140821-03-000 | EA | TUBE - WATER SUPPLY - 3/8" X 36" |
| 17C | 140821-04-000 | EA | TUBE - WATER SUPPLY - 3/8" X 48" |
| 17C | 140821-05-000 | EA | TUBE - WATER SUPPLY - 3/8" X 54" |
| 17C | 140821-06-000 | EA | TUBE - WATER SUPPLY - 3/8" X 60" |
| 17C | 140821-07-000 | EA | TUBE - WATER SUPPLY - 3/8" X 72" |
| 17C | 140821-08-000 | EA | TUBE - WATER SUPPLY - 1/2" X 24" |
| 17C | 140821-09-000 | EA | TUBE - WATER SUPPLY - 1/2" X 36" |
| 17C | 140821-10-000 | EA | TUBE - WATER SUPPLY - 1/2" X 48" |
| 18C | 142812-01-000 | EA | ELBOW - BRASS - 1/2"MPT X 1/2"FPT |
| 19C | 145609-01-000 | EA | PLUG - BRASS - 1/2" MPT/HEX HEAD |

WATER & SEWAGE GROUP (CONTINUED)
WATER SYSTEM (CONTINUED)



| KEY | PART NUMBER | U/M | DESCRIPTION |
|-----|---------------|-----|---|
| 1D | 116473-01-000 | EA | FERRIL - RUBBER SEALING - WATER LINE |
| 2D | 160949-01-000 | EA | CONNECTOR - 1/2" X 1/2" X 1/4" REDUCER |
| 3D | 160949-02-000 | EA | CONNECTOR - 1/2"CTS X 1/2"CTS X 1/2"CTS |
| 4D | 164906-01-000 | EA | ELBOW - 90 DEGREE - 1/2" QUICK CONNECT X 1/2"MPT |
| 5D | 164906-02-000 | EA | ELBOW - 90 DEGREE - 1/2" QUICK CONNECT X 1/2"FPT - SWIVEL |
| 6D | 164906-03-000 | EA | ELBOW - 90 DEGREE - 1/2" X 1/2" QUICK CONNECTS |
| 7D | 164906-04-000 | EA | ELBOW - 90 DEGREE - 1/2"CTS X 1/2"FPT |
| 8D | 164907-01-000 | EA | ADAPTER - STRAIGHT - 1/2" QUICK CONNECT X 1/2"MPT |
| 9D | 164907-02-000 | EA | ADAPTER - STRAIGHT - 1/2" QUICK CONNECT X 1/2"FPT/SWIVEL |
| 10D | 166212-01-000 | EA | UNION - HOSE/BARB - CTS X 1/2"B - SEA TECH #3511-1008 |
| 11D | 166212-02-000 | EA | ELBOW - HOSE/BARB - CTS X 1/2"B - SEA TECH #3512-1008 |

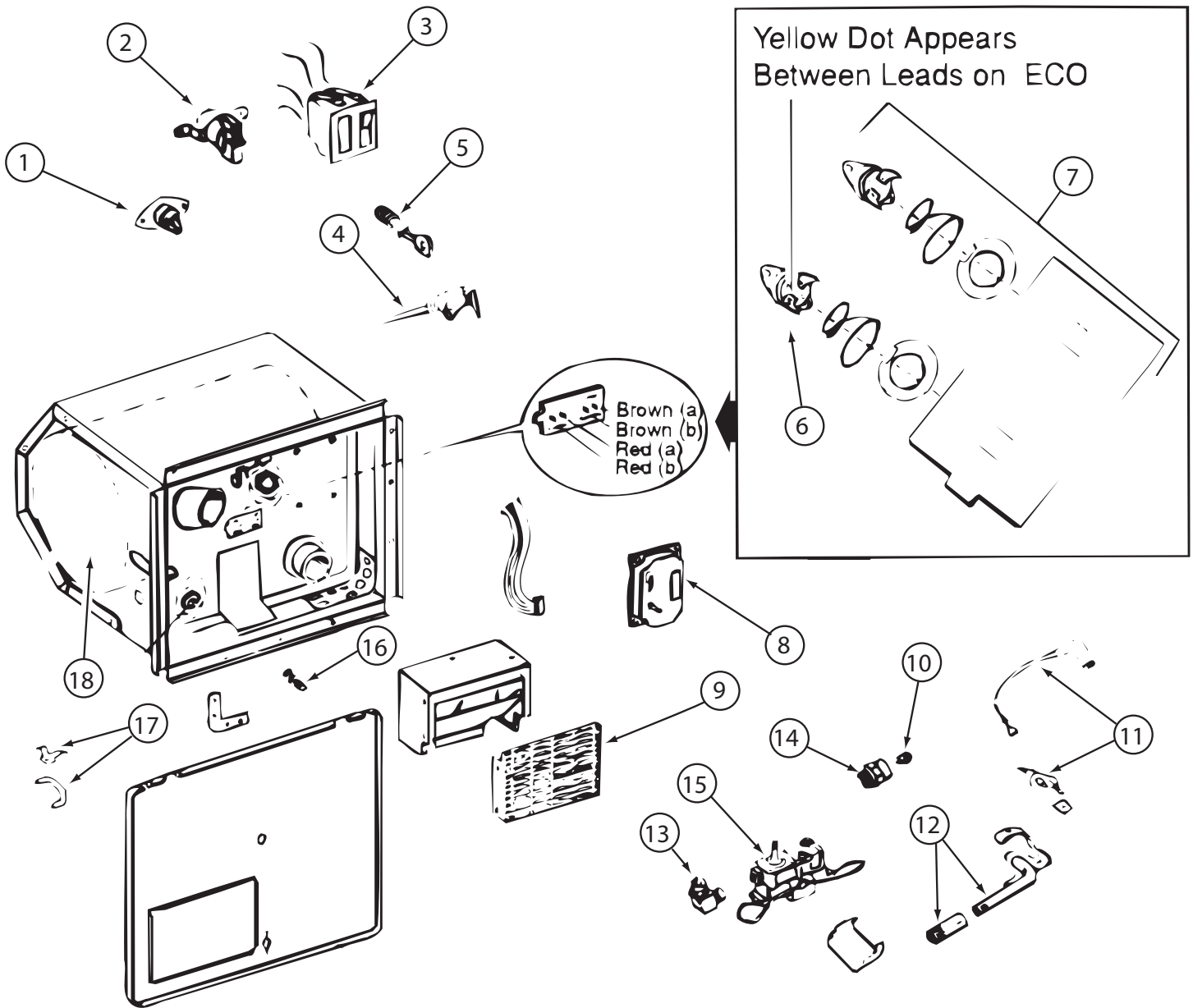
WATER & SEWAGE GROUP (CONTINUED)
WATER SYSTEM (CONTINUED)



| KEY | PART NUMBER | U/M | DESCRIPTION |
|-----|---------------|-----|---|
| 1* | 151678-01-01A | EA | FAUCET - GALLEY/DUAL CONTROL - CHROME |
| 2 | 152239-01-01A | EA | FLANGE/MOUNTING/RECESSED - 19.3" X 15.8" - BRIGHT WHITE |
| 2 | 152239-01-02A | EA | FLANGE/MOUNTING/RECESSED - 19.3" X 15.8" - BLACK |
| 3 | 052009-06-000 | EA | DOOR - WATER HEATER - BRIGHT WHITE - 18" X 14.6" |
| 3 | 125420-06-02A | EA | DOOR - WATER HEATER - 18" X 14.6" - BRIGHT WHITE FROM: 00-00-00 THRU: 06-17-07 |
| 3 | 125420-06-03A | EA | DOOR - WATER HEATER - 18" X 14.6" - BLACK FROM: 06-18-07 THRU: 99-99-99 |
| 3 | 076767-03-000 | EA | CABLE - STAINLESS STEEL - 18.5" |
| 4* | 051391-03-000 | EA | WATER HEATER G6A-8E ELECTRONIC IGNITION |
| 4* | 145541-02-000 | EA | WATER HEATER-6 GAL-120'-REM IGN-W/HEAT EXC-4E - WTR HTR-6GAL ELECTRIC/LP GAS |
| 5 | 149477-02-02B | EA | PANEL - WATER PUMP - E-COATED |
| 6 | 140364-01-01A | EA | FOAM - PAD - .5" X 8" X 8" |
| 7 | 160702-01-000 | EA | PUMP - WATER - 3.0 GPM - W/1/2" MPT |
| 8* | 129390-04-01A | EA | SHOWER HEAD - W/HOSE & BRACKET - WHITE |
| 9 | 163269-01-02A | EA | FAUCET/SHOWER -.5"MPT W/1.9" INLET PIPES- EXTERIOR/CHROME |
| 10 | 075606-03-000 | EA | PANEL - FAUCET SHOWER - SOFT WHITE |
| 11 | 151706-03-12B | EA | PANEL - SERVICE CENTER - BRIGHT WHITE |
| 12 | 010230-06-000 | EA | FILL - CITY WATER - W/CHECK VALVE - MPT - BRUSHED ALUM |
| 13 | 061420-09-000 | EA | PLUG/PLASTIC - 1.00" DIAMETER |
| 13 | 163269-01-01A | EA | FAUCET/SHOWER -.5"MPT W/1.9" INLET PIPES- EXTERIOR/BRT WHT - EXTERIOR WASH STATION |
| 14 | 131383-01-02A | EA | SHOWER HEAD - W/60" HOSE & BRACKET - WHITE - EXTERIOR WASH STATION |
| 15 | 151707-01-12B | EA | PANEL - ELECTRICAL - BRIGHT WHITE |
| 16* | 151680-01-01A | EA | FAUCET - LAVATORY/DUAL CONTROL - CHROME/BRASS |
| 17 | 045195-08-000 | EA | TANK - WATER - 27 GALLON - W/FITTINGS - 34.5" X 18" X 12" |
| | 042989-04-000 | EA | FITTING - SPINWELD - 3/8"FPT - PLASTIC |
| | 042989-05-000 | EA | FITTING - SPINWELD - 1/2"FPT - PLASTIC |
| | 042989-08-000 | EA | FITTING - SPINWELD - 1"FPT - PLASTIC |
| | 049032-01-000 | EA | PATCH - SPINWELD - 3/8" - PLASTIC |
| | 077954-02-000 | EA | FILTER - WATER TANK - W/SCREEN IN TANK |
| 18 | 159338-02-000 | EA | TANK - WATER - W/FITTINGS - DINETTE |
| | 042989-04-000 | EA | FITTING - SPINWELD - 3/8"FPT - PLASTIC |
| | 042989-05-000 | EA | FITTING - SPINWELD - 1/2"FPT - PLASTIC |
| | 042989-08-000 | EA | FITTING - SPINWELD - 1"FPT - PLASTIC |
| 19 | 132483-01-000 | EA | VALVE/BALL - 1" - THREADED ENDS |
| 20 | 132484-01-000 | EA | ELBOW - 90 DEGREE - 1MPT X 1FPT - PLASTIC |
| 21 | 087200-01-000 | EA | FILTER - WATER PURIFICATION - WATER PURIFIER FROM: 00-00-00 THRU: 01-30-07 |
| 21 | 087200-02-000 | EA | CARTRIDGE - WATER FILTER - WATER PURIFIER FROM: 00-00-00 THRU: 01-30-07 |
| 21 | 160946-03-000 | EA | FILTER SYSTEM - WATER PURIFICATION - AQUA-PURE - WATER PURIFIER FROM: 01-31-07 THRU: 99-99-99 |
| | 065318-02-000 | EA | ELBOW - 90 DEGREE - 3/8" MPT TO 3/8" FPT - WATER PURIFIER FROM: 00-00-00 THRU: 01-30-07 |

*COMPONENT PARTS LISTED LATER IN THIS GROUP

WATER & SEWAGE GROUP (CONTINUED)
COMPONENT PARTS FOR WATER SYSTEM



051391-03-000

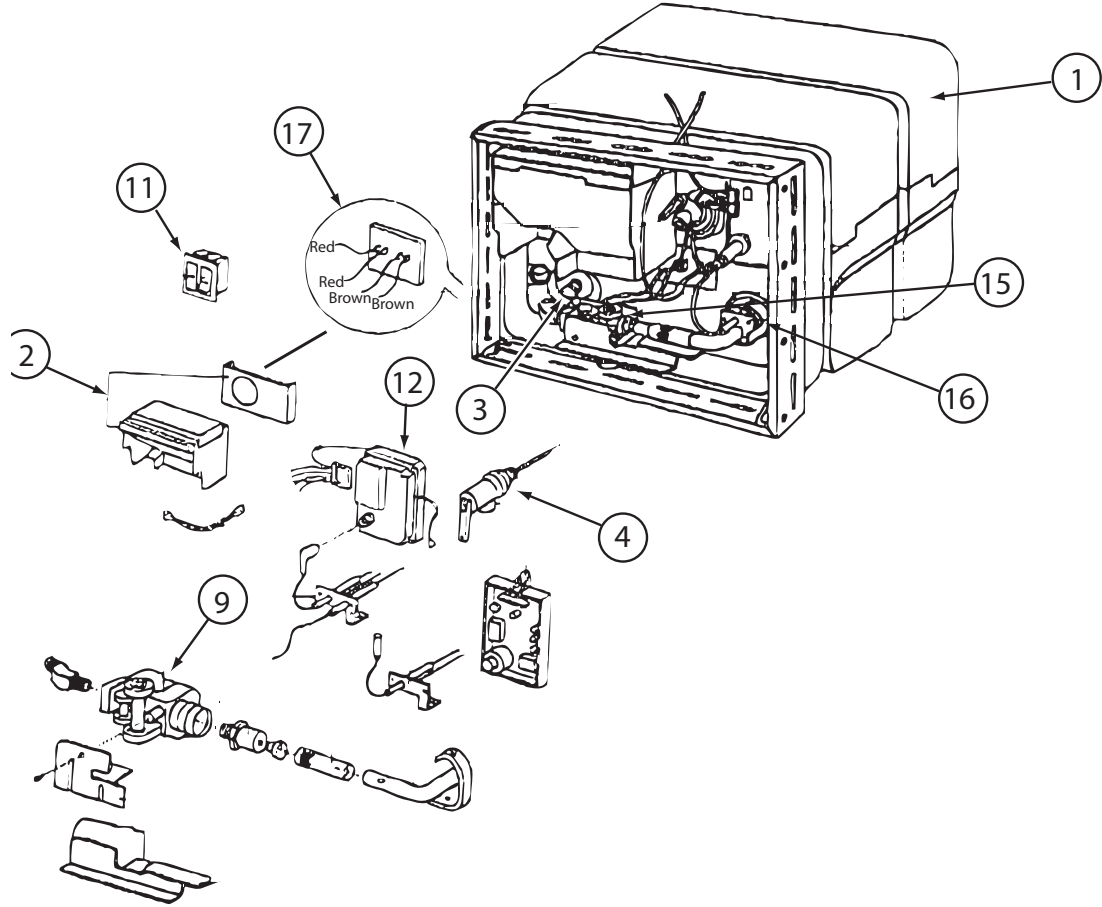
| KEY | PART NUMBER | U/M | DESCRIPTION | VENDOR NO. |
|-----|---------------|-----|------------------------------|-----------------|
| 3 | 051393-01-701 | EA | SWITCH - REMOTE - W/LIGHT | 91959 |
| 4 | 051391-01-704 | EA | VALVE-RELIEF, 1/2" FITTING | 91604 |
| 4 | 051391-03-701 | EA | VALVE-RELIEF - 3/4" FITTING | 90028 |
| 5 | 051391-01-705 | EA | FASTENER-CAMLOCK | 92609 |
| 6 | 051391-04-701 | EA | THERMOSTAT 12V DC-120 PRESET | 91470 |
| 7 | 051393-01-721 | EA | THERMOSTAT W/ECO, 140 FRT MT | 91447 |
| 9 | 051391-04-707 | EA | KIT-EXHAUST, (FLUE & GASKET) | 90960 |
| 10 | 051391-01-710 | EA | ORIFICE-MAIN BURNER | 92742 |
| 12 | 051391-04-703 | EA | BURNER-MAIN/ELECTRONIC IG | 91638 |
| 13 | 051391-01-714 | EA | FITTING-ELBOW 45,3/8F X 3/8 | MPT 1044 |
| 14 | 051391-03-700 | EA | HOLDER-ORIFICE | 91563 |
| 16 | 051391-01-715 | EA | PLUG-DRAIN, 1 EA = 2 PER PKG | 91857 |
| 17 | 051391-01-700 | EA | HINGE KIT, (PIN & CLIP) | 92568&92559 |
| 18 | 051391-04-706 | EA | TANK-G6A-4E/6E/7E/8E-FRT.MT | 91641 - INNER |
| | 051391-01-717 | EA | GRILLE-WATER HEATER DOOR | 92640 |
| | 051393-01-723 | EA | SWITCH - THERMAL CUTOUT 2/PK | 93866 WAS 93853 |
| | 051393-01-724 | EA | BOARD-CIRCUIT,SPADE TERMINAL | 93865 |
| | 051393-01-725 | EA | ELECTRODE-SGL SPADE CONNECT. | 93868 |
| | 051393-01-726 | EA | VALVE/SOLENOID - W/O BRACKET | 93870 |
| | 111129-01-711 | EA | BRACKET-CORNER, SET OF FOUR | 91928 |

CONTACT WINNEBAGO PARTS SALES FOR UNLISTED COMPONENT(S)

WATER & SEWAGE GROUP (CONTINUED)
COMPONENT PARTS FOR WATER SYSTEM (CONTINUED)

129390-04-01A

| KEY | PART NUMBER | U/M DESCRIPTION | VENDOR NO. |
|-----|---------------|-----------------------------|------------|
| | 129390-04-700 | EA CONNECTOR-SWIVEL - WHITE | A-4002PK |



145541-02-000

| KEY | PART NUMBER | U/M DESCRIPTION | VENDOR NO. |
|-----|---------------|---------------------------------|----------------|
| 1 | 145541-02-700 | EA TANK/SERVICE KIT PCS- 6 GAL | 91053 |
| 2 | 051391-04-707 | EA KIT-EXHAUST, (FLUE & GASKET) | 90960 |
| 3 | 051391-01-715 | EA PLUG-DRAIN, 1 EA = 2 PER PKG | 91857 |
| 4 | 051391-01-704 | EA VALVE-RELIEF, 1/2" FITTING | 91604 |
| 4 | 051391-03-701 | EA VALVE-RELIEF - 3/4" FITTING | 90028 |
| 9 | 051393-01-726 | EA VALVE-SOLENOID - W/O BRACKET | 93870 |
| 11 | 051393-01-701 | EA SWITCH - REMOTE - W/LIGHT | 91959 |
| 11 | 145541-01-701 | EA SWITCH - ON/OFF - WHITE | 91859 |
| 12 | 145541-01-702 | EA CIRCUIT BOARD | 91226 |
| 15 | 145541-01-703 | EA SWITCH - THERMAL CUT OFF | 93866 |
| 16 | 051393-01-725 | EA ELECTRODE-SGL SPADE CONNECT. | 93868 |
| 17 | 051393-01-721 | EA THERMOSTAT W/ECO, 140 FRT MT | 91447 |
| | 051391-05-706 | EA ELEMENT-HEATING 1500 WATT | 92249 W/GASKET |
| | 145541-01-704 | EA RELAY | 90061 |
| | 145541-02-701 | EA JUNCTION BOX(PLASTIC) 6 GAL | 91222 |

CONTACT WINNEBAGO PARTS SALES FOR UNLISTED COMPONENT(S)

151678-01-01A

| KEY | PART NUMBER | U/M DESCRIPTION | VENDOR NO. |
|-----|---------------|-------------------------|------------|
| | 151678-01-700 | EA ADAPTOR | 10015 |
| | 151678-01-701 | EA CARTRIDGE | 10417 |
| | 151678-01-702 | EA WASHER | 10269 |
| | 151680-01-700 | EA KNOB | 10185 |
| | 151680-01-701 | EA INDICATOR CAP - RED | 10178 |
| | 151680-01-702 | EA INDICATOR CAP - BLUE | 10177 |

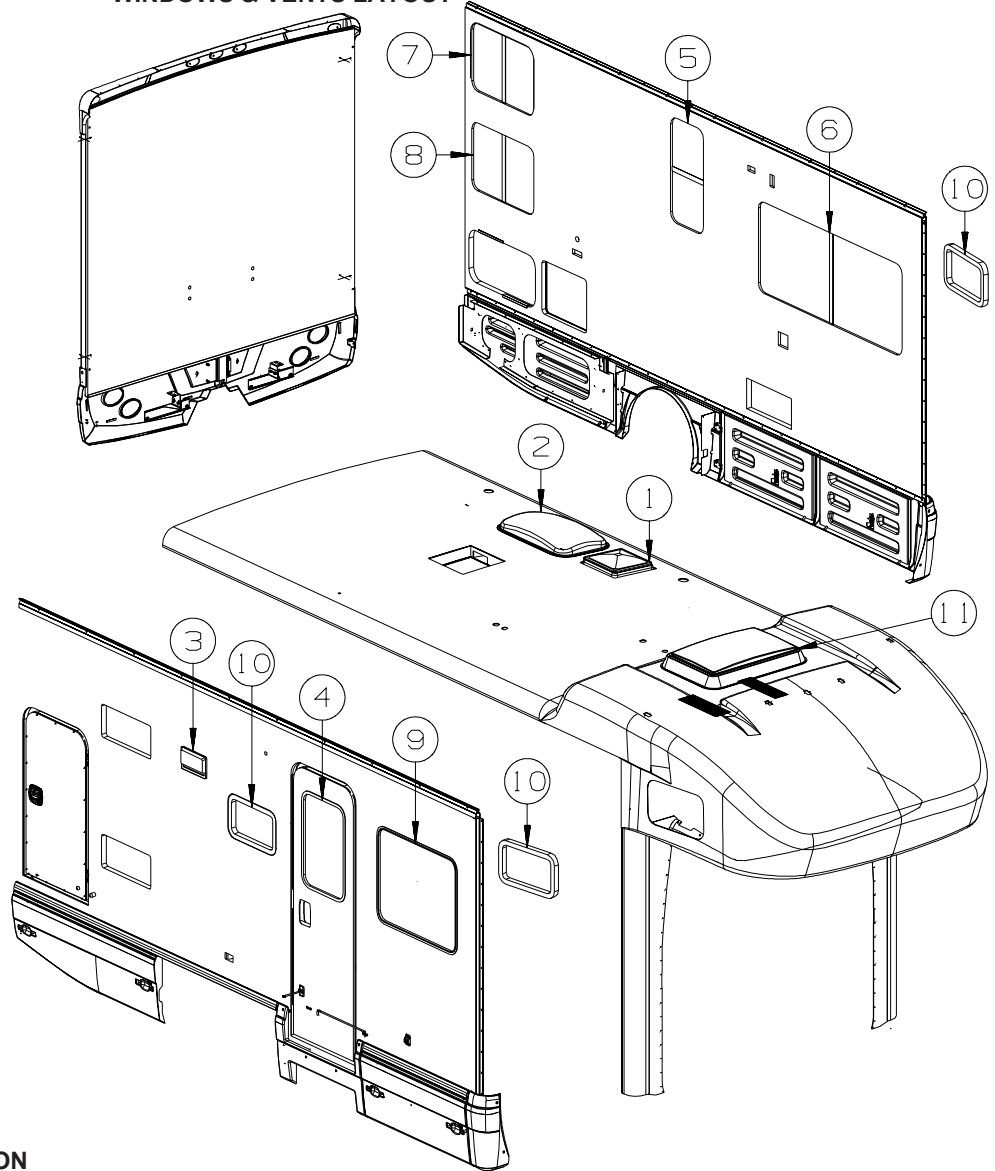
WATER & SEWAGE GROUP (CONTINUED)
COMPONENT PARTS FOR WATER SYSTEM (CONTINUED)

151680-01-01A

| KEY | PART NUMBER | U/M | DESCRIPTION | VENDOR NO. |
|------------|--------------------|------------|------------------------------|-------------------|
| | 151678-01-700 | EA | ADAPTOR W/WASHER (2 PER PKG) | 10015 |
| | 151678-01-701 | EA | CARTRIDGE | 10417 |
| | 151680-01-700 | EA | KNOB | 10185 |
| | 151680-01-701 | EA | INDICATOR CAP - RED | 10178 |
| | 151680-01-702 | EA | INDICATOR CAP - BLUE | 10177 |

WINDOWS & VENTS GROUP

WINDOWS & VENTS LAYOUT



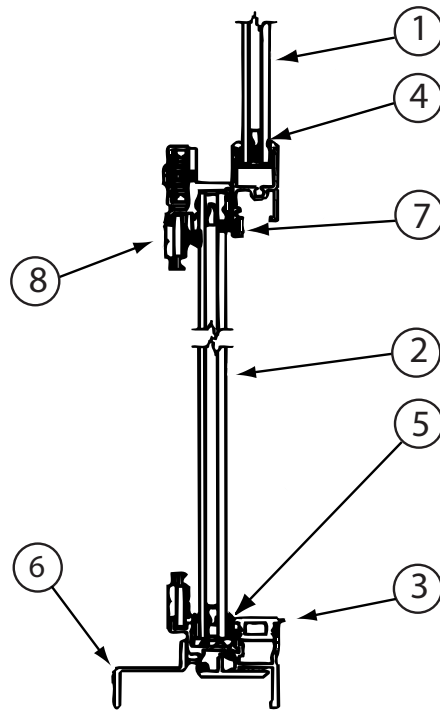
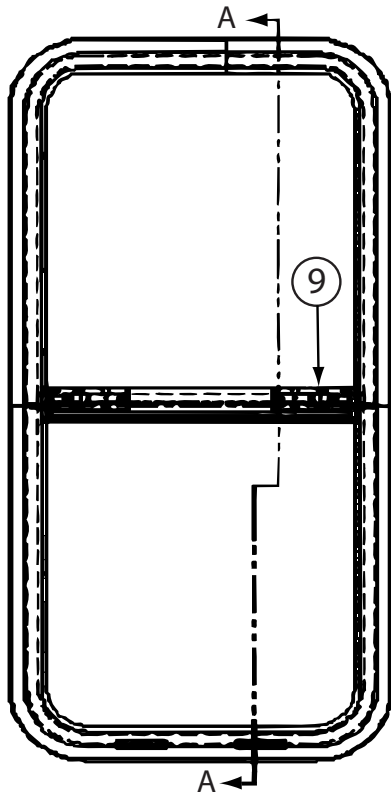
| KEY | PART NUMBER | U/M | DESCRIPTION |
|-----|---------------|-----|--|
| 1* | 122882-02-01A | EA | VENT - ROOF - W/FAN - W/O INSIDE GARNISH - UL |
| 1* | 122882-03-01A | EA | VENT - ROOF - W/FAN - W/O INSIDE GARNISH - CSA - CANADIAN |
| | 009440-01-000 | EA | GEAR/ARM - LIFT - ROOF VENT COVER |
| | 048648-01-000 | EA | MOTOR/ROOF VENT - W/RESISTER - 1/8"SHAFT - 12VOLT |
| | 048649-01-000 | EA | FAN BLADE - ROOF VENT - 6 BLADED - 6"RADIUS |
| 1 | 122882-07-01A | EA | GARNISH - ROOF VENT - 2.5" TO 4.1" |
| 1* | 123780-03-01A | EA | FANTASTIC VENT-3"4"ROOF-W/FAN-W/O THERM/PWR LIFT/WHT CVR - POWER VENT |
| | | | FROM: 00-00-00 THRU: 01-03-07 |
| | 009440-01-000 | EA | GEAR/ARM - LIFT - ROOF VENT COVER |
| | | | FROM: 00-00-00 THRU: 01-03-07 |
| 1* | 123780-26-01A | EA | FANTASTIC VENT-4"ROOF- W/FAN/DBL DOME-W/O THERM/PWR LIFT |
| | | | FROM: 01-04-07 THRU: 99-99-99 |
| 2 | 122193-01-02A | EA | PANEL - SKYLITE - INNER - W/LIGHT INDENTATION |
| 2 | 138372-01-02B | EA | TRIM - CORNER - SKYLIGHT - E-COATED |
| 2 | 138379-02-01A | EA | PANEL/SKYLIGHT OTR - RECT/4"H CTR DOME - 18.4"X 29.5"- WHT |
| 3 | 147821-01-01A | EA | VENT - EXHAUST/RANGE HOOD - BRIGHT WHITE |
| 3 | 147821-01-02A | EA | VENT - EXHAUST/RANGE HOOD - BLACK |
| 3 | 147821-02-01A | EA | SHROUD - EXHAUST VENT/RANGE HOOD - BRIGHT WHITE |
| 4* | 151075-03-02A | EA | WINDOW - ESCAPE/PICTURE - 26.3" X 17" - 31% TINT |
| 4* | 151075-03-01A | EA | WINDOW - PICTURE - 26.3" X 17" - BLK/BLK - FULL BODY PAINT |
| 5* | 098644-20-03A | EA | WINDOW - VERTICAL SLIDER W/TRIM - 30.2"H X 14.3"W - GRAY |
| | | | FROM: 00-00-00 THRU: 11-18-07 |
| 5* | 164973-14-02A | EA | WINDOW - RAISED SLIDER - 30.2"H X 14.3"W - SLV/SLV |
| | | | FROM: 11-19-07 THRU: 99-99-99 |
| 5* | 164973-14-01A | EA | WINDOW - RAISED SLIDER - 30.2"H X 14.3"W - BLK/BLK - FULL BODY PAINT |

WINDOWS & VENTS GROUP (CONTINUED)
WINDOWS & VENTS LAYOUT (CONTINUED)

| KEY | PART NUMBER | U/M | DESCRIPTION |
|------------|--------------------|------------|---|
| 6* | 098647-81-02A | EA | WINDOW - DRVR HORIZ SLIDER/ESCAPE-W/TRIM-26.3"HX59.9"W-GRY FROM: 00-00-00 THRU: 11-18-07 |
| 6* | 164922-31-02A | EA | WINDOW - HORIZ SLIDER/LH/ESCAPE - 26.1"H X 59.7"W-SLV/SLV FROM: 11-19-07 THRU: 99-99-99 |
| 6* | 164922-31-01A | EA | WINDOW - HORIZ SLIDER/LH/ESCAPE - 26.1"H X 59.7"W-BLK/BLK - FULL BODY PAINT |
| 7* | 098647-84-02A | EA | WINDOW - DRVR HORIZ SLIDER/ESCAPE-W/TRIM-19"HX25.7"W-GRAY FROM: 00-00-00 THRU: 11-18-07 |
| 7* | 164922-33-02A | EA | WINDOW - HORIZ SLIDER/LH/ESCAPE - 19.5"H X 25.9"W-SLV/SLV FROM: 11-19-07 THRU: 99-99-99 |
| 7* | 164922-33-01A | EA | WINDOW - HORIZ SLIDER/LH/ESCAPE - 19.5"H X 25.9"W-BLK/BLK - FULL BODY PAINT |
| 8* | 098647-85-02A | EA | WINDOW - DRVR HORIZ SLIDER W/TRIM - 19"H X 25.7"W - GRAY FROM: 00-00-00 THRU: 11-18-07 |
| 8* | 164922-34-02A | EA | WINDOW - HORIZ SLIDER/LH - 19.5"H X 25.9"W - SLV/SLV FROM: 11-19-08 THRU: 99-99-99 |
| 8* | 164922-34-01A | EA | WINDOW - HORIZ SLIDER/LH - 19.5"H X 25.9"W - BLK/BLK - FULL BODY PAINT |
| 9* | 098647-87-02A | EA | WINDOW - PASS HORIZ SLIDER W/TRIM - 26.1"H X 32.2"W-GRAY FROM: 00-00-00 THRU: 11-18-07 |
| 9* | 164922-36-02A | EA | WINDOW - HORIZ SLIDER/RH - 26.1"H X 32"W - SLV/SLV FROM: 11-19-07 THRU: 99-99-99 |
| 9* | 164922-36-01A | EA | WINDOW - HORIZ SLIDER/RH - 26.1"H X 32"W - BLK/BLK - FULL BODY PAINT |
| 10* | 104691-18-02A | EA | WINDOW - TIPOUT/TINTED - W/TRIM - 12.5" X 19.9" - SLV/SLV |
| 10* | 104691-18-01A | EA | WINDOW - TIPOUT/TINTED - W/TRIM - 12.5" X 19.9" - BLK/BLK - FULL BODY PAINT |
| 11* | 152882-01-01A | EA | SKYLIGHT/WINDOW DOME - 19.7" X 27.5" CUTOUT SIZE-OFF WHITE |

***COMPONENT PARTS LISTED LATER IN THIS GROUP**

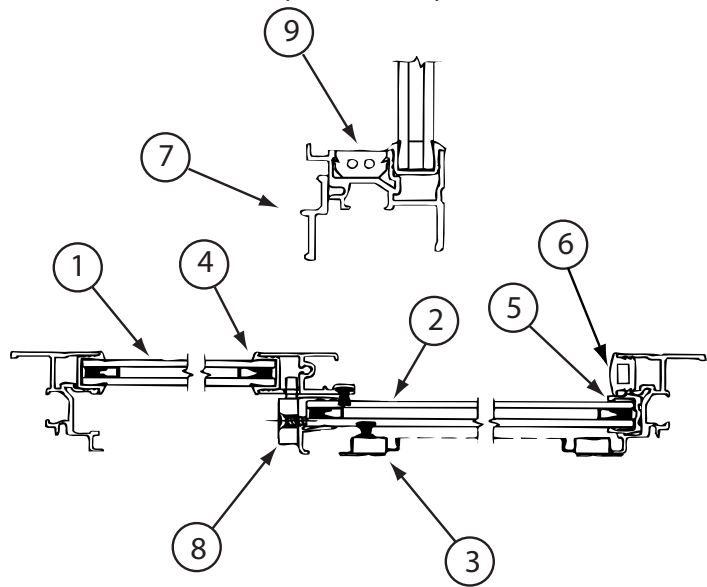
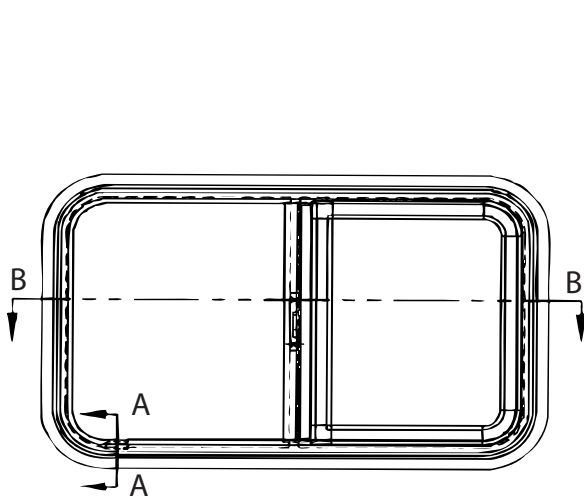
WINDOWS & VENTS GROUP (CONTINUED)
COMPONENT PARTS FOR WINDOWS & VENTS



098644-20-03A

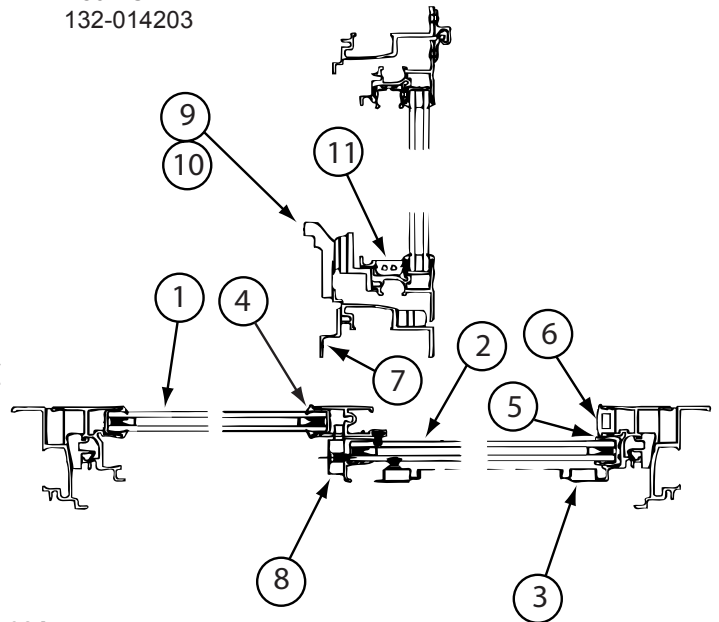
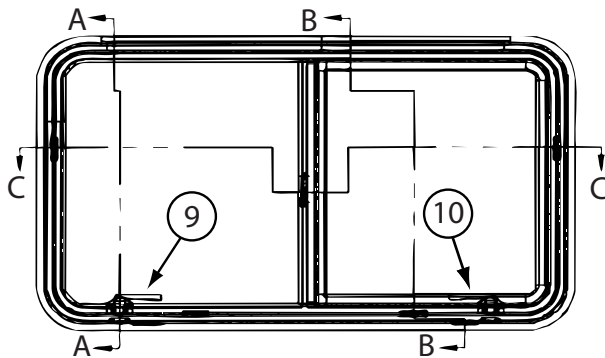
| KEY | PART NUMBER | U/M | DESCRIPTION | VENDOR NO. |
|-----|---------------|-----|------------------------------|------------|
| 1 | 098644-20-700 | EA | GLASS - STATIONARY | 106-037128 |
| 2 | 098644-07-703 | EA | GLASS-SLIDING W/SASH & LATCH | H170G9 |
| 3 | 098644-01-716 | FT | PLUG - FILLER | 132-014470 |
| 4 | 098644-01-705 | FT | GLAZING - STRIP | 132-010231 |
| 5 | 098644-01-708 | FT | CHANNEL - RUN PIERCED | 122-016543 |
| 6 | 098644-20-701 | EA | RETAINER - TRIM | CS02-66 |
| 7 | 098644-20-702 | EA | WEATHERSTRIP F/LOCKING RAIL | H17019 |
| 8 | 098644-07-704 | EA | SCREEN ASM - W/SEALS & CLIPS | 410-018863 |
| 9 | 098644-01-700 | EA | LATCH - REPAIR KIT (BLACK) | B801-CK |

WINDOWS & VENTS GROUP (CONTINUED)
COMPONENT PARTS FOR WINDOWS & VENTS (CONTINUED)



098647-81-02A

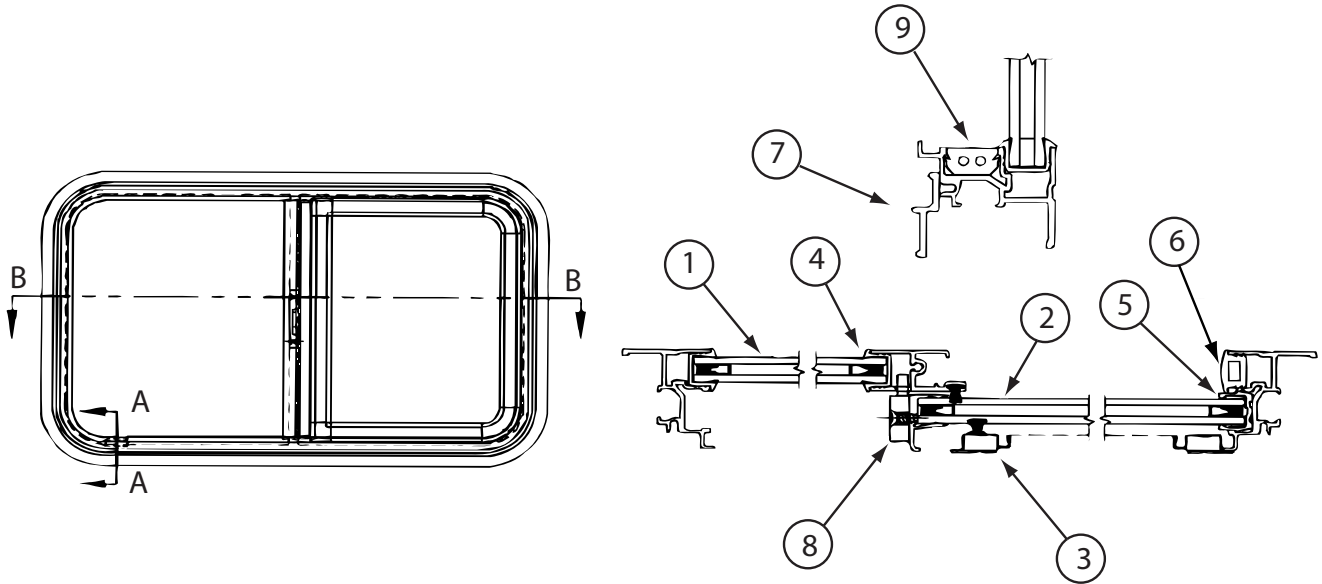
| KEY | PART NUMBER | U/M | DESCRIPTION | VENDOR NO. |
|-----|---------------|-----|------------------------------|------------|
| 1 | 098647-76-700 | EA | GLASS - STATIONARY | 106-036072 |
| 2 | 098647-76-702 | EA | GLASS SLIDING W/SASH & LATCH | H287G8 |
| 3 | 098647-23-704 | EA | SCREEN ASM - W/SEALS & CLIPS | 410-019066 |
| 4 | 098644-01-705 | FT | GLAZING - STRIP | 132-010231 |
| 5 | 098644-01-708 | FT | CHANNEL - RUN PIERCED | 122-016543 |
| 6 | 098644-01-716 | FT | PLUG - FILLER | 132-014470 |
| 7 | 098647-76-701 | EA | RETAINER - TRIM | S287-66 |
| 8 | 098644-01-700 | EA | LATCH - REPAIR KIT (BLACK) | B801-CK |
| 9 | 098644-01-719 | EA | STOP - SLIDER GLASS | 132-014203 |



098647-84-02A

| KEY | PART NUMBER | U/M | DESCRIPTION | VENDOR NO. |
|-----|---------------|-----|------------------------------|------------|
| 1 | 098647-84-700 | EA | GLASS - STATIONARY | 106-037147 |
| 2 | 098647-84-701 | EA | GLASS-SLIDING W/LATCH & HNDL | H1095G8 |
| 3 | 098647-84-702 | EA | SCREEN ASM | 410-037148 |
| 4 | 098644-01-705 | FT | GLAZING - STRIP | 132-010231 |
| 5 | 098644-01-708 | FT | CHANNEL - RUN PIERCED | 122-016543 |
| 6 | 098644-01-716 | FT | PLUG - FILLER | 132-014470 |
| 7 | 098647-84-703 | EA | RETAINER - TRIM | S1095-64 |
| 8 | 098644-01-700 | EA | LATCH - REPAIR KIT (BLACK) | B801-CK |
| 9 | 112898-06-707 | EA | HANDLE/RH-EGRESS(SLD)ESC-RED | 182-025911 |
| 10 | 112898-06-708 | EA | HANDLE/LH-EGRESS(SLD)ESC-RED | 182-025912 |
| 11 | 098644-01-719 | EA | STOP - SLIDER GLASS | 132-014203 |

WINDOWS & VENTS GROUP (CONTINUED)
COMPONENT PARTS FOR WINDOWS & VENTS (CONTINUED)



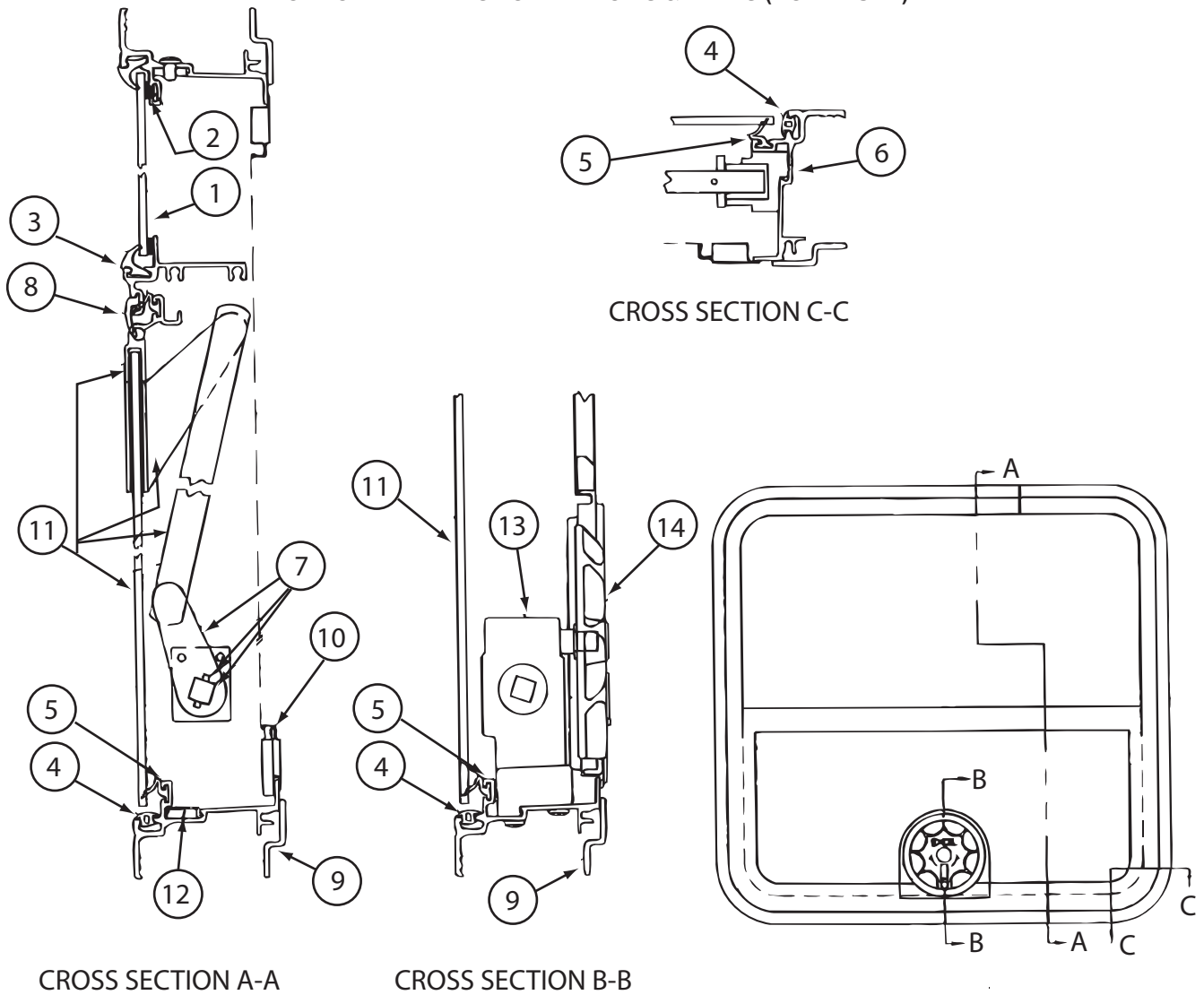
098647-85-02A

| KEY | PART NUMBER | U/M | DESCRIPTION | VENDOR NO. |
|-----|---------------|-----|------------------------------|------------|
| 1 | 098647-85-700 | EA | GLASS - STATIONARY | 106-037141 |
| 2 | 098647-85-701 | EA | GLASS-SLIDING W/LATCH & HNDL | S1094G8 |
| 3 | 098647-85-702 | EA | SCREEN ASM | 410-037142 |
| 4 | 098644-01-705 | FT | GLAZING - STRIP | 132-010231 |
| 5 | 098644-01-708 | FT | CHANNEL - RUN PIERCED | 122-016543 |
| 6 | 098644-01-716 | FT | PLUG - FILLER | 132-014470 |
| 7 | 098647-85-703 | EA | RETAINER - TRIM | S1094-66 |
| 8 | 098644-01-700 | EA | LATCH - REPAIR KIT (BLACK) | B801-CK |
| 9 | 098644-01-719 | EA | STOP - SLIDER GLASS | 132-014203 |

098647-87-02A

| KEY | PART NUMBER | U/M | DESCRIPTION | VENDOR NO. |
|-----|---------------|-----|------------------------------|------------|
| 1 | 098647-87-700 | EA | GLASS - STATIONARY | 106-037270 |
| 2 | 098647-87-701 | EA | GLASS-SLIDING W/LATCH & HNDL | S1110G8 |
| 3 | 098647-87-702 | EA | SCREEN ASM | 410-037271 |
| 4 | 098644-01-705 | FT | GLAZING - STRIP | 132-010231 |
| 5 | 098644-01-708 | FT | CHANNEL - RUN PIERCED | 122-016543 |
| 6 | 098644-01-716 | FT | PLUG - FILLER | 132-014470 |
| 7 | 098647-87-703 | EA | RETAINER - TRIM | S1110-66 |
| 8 | 098644-01-700 | EA | LATCH - REPAIR KIT (BLACK) | B801-CK |
| 9 | 098644-01-719 | EA | STOP - SLIDER GLASS | 132-014203 |

WINDOWS & VENTS GROUP (CONTINUED)
COMPONENT PARTS FOR WINDOWS & VENTS (CONTINUED)



CROSS SECTION A-A

CROSS SECTION B-B

104691-18-01A

| KEY | PART NUMBER | U/M | DESCRIPTION | VENDOR NO. |
|-----|---------------|-----|------------------------------|------------|
| 1 | 104691-18-700 | EA | GLASS - STATIONARY | 106-036333 |
| 2 | 100322-01-704 | FT | TAPE-BUTYL | 154-025932 |
| 3 | 100322-01-703 | FT | VINYL-GLAZING, BUTYL | 132-010723 |
| 4 | 116976-01-702 | FT | FILLER PLUG | 132-016065 |
| 5 | 100322-01-701 | FT | SEAL-VENT | 122-016071 |
| 6 | 112463-02-707 | EA | SUPPORT - TORQUE BAR RH | 132-015979 |
| 6 | 112463-02-708 | EA | SUPPORT - TORQUE BAR LH | 132-015978 |
| 7 | 104691-18-701 | EA | OPERATOR & BAR ASSEMBLY | CH118-15 |
| 8 | 100322-01-702 | EA | WEATHERSTRIP-HORIZ RAIL-148" | 132-019631 |
| 9 | 104691-18-705 | EA | RETAINER - TRIM - BLACK | CH118-59 |
| 10 | 104691-18-703 | EA | SCREEN ASM - W/SEALS & CLIPS | 410-036335 |
| 11 | 104691-18-704 | EA | GLASS-TIPOUT - W/HINGE/RAIL | CH118G6 |
| 12 | 108919-01-706 | EA | COVER - DRAIN SLOT | 132-016064 |
| 13 | 112519-01-702 | EA | OPERATOR/TRQ CTR SPRT-4 HOLE | 410-016123 |
| 14 | 100322-01-718 | EA | HANDLE-DIAL | 410-016081 |

WINDOWS & VENTS GROUP (CONTINUED)
COMPONENT PARTS FOR WINDOWS & VENTS (CONTINUED)

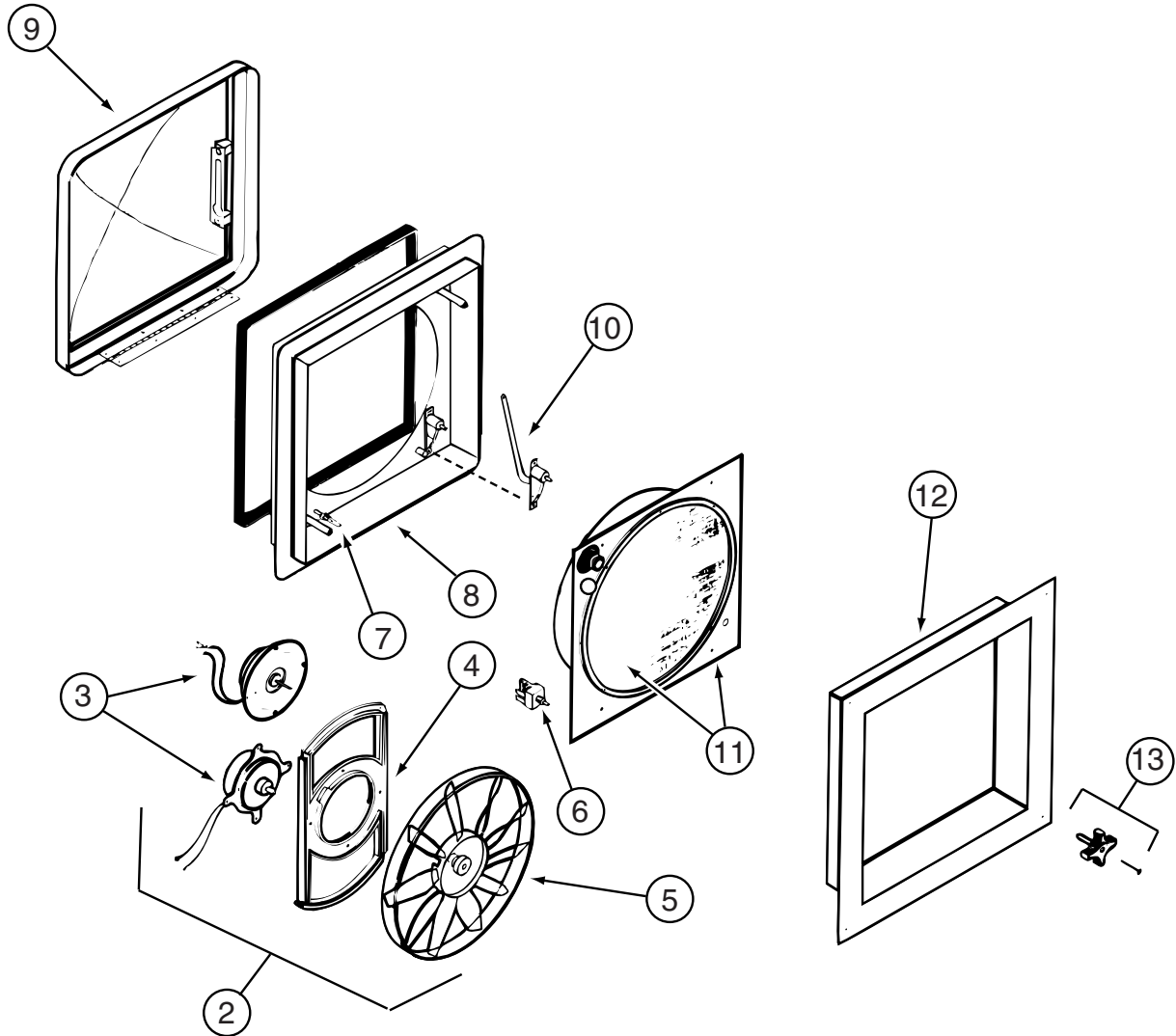
104691-18-02A

| KEY | PART NUMBER | U/M | DESCRIPTION | VENDOR NO. |
|-----|---------------|-----|------------------------------|------------|
| 1 | 104691-18-700 | EA | GLASS - STATIONARY | 106-036333 |
| 2 | 100322-01-704 | FT | TAPE-BUTYL | 154-025932 |
| 3 | 100322-01-703 | FT | VINYL-GLAZING, BUTYL | 132-010723 |
| 4 | 116976-01-702 | FT | FILLER PLUG | 132-016065 |
| 5 | 100322-01-701 | FT | SEAL-VENT | 122-016071 |
| 6 | 112463-02-707 | EA | SUPPORT - TORQUE BAR RH | 132-015979 |
| 6 | 112463-02-708 | EA | SUPPORT - TORQUE BAR LH | 132-015978 |
| 7 | 104691-18-701 | EA | OPERATOR & BAR ASSEMBLY | CH118-15 |
| 8 | 100322-01-702 | EA | WEATHERSTRIP-HORIZ RAIL-148" | 132-019631 |
| 9 | 104691-18-702 | EA | RETAINER - TRIM - SILVER | CS118-59 |
| 10 | 104691-18-703 | EA | SCREEN ASM - W/SEALS & CLIPS | 410-036335 |
| 11 | 104691-18-704 | EA | GLASS-TIPOUT - W/HINGE/RAIL | CH118G6 |
| 12 | 108919-01-706 | EA | COVER - DRAIN SLOT | 132-016064 |
| 13 | 112519-01-702 | EA | OPERATOR/TRQ CTR SPRT-4 HOLE | 410-016123 |
| 14 | 100322-01-718 | EA | HANDLE-DIAL | 410-016081 |

WINDOWS & VENTS GROUP (CONTINUED)
COMPONENT PARTS FOR WINDOWS & VENTS (CONTINUED)

122882-02-01A, 122882-03-01A

| KEY | PART NUMBER | U/M | DESCRIPTION | VENDOR NO. |
|-----|---------------|-----|--------------------------|------------|
| | 064470-01-700 | EA | COVER - VENT | J7291 |
| | 064470-01-701 | EA | SLIDE BAR - VENT LID | JRP1291B |
| | 110051-03-700 | EA | SWITCH-BLACK/PUSH BUTTON | 27-0164 |
| | 122882-01-700 | EA | HANDLE - CRANK - BLACK | 90128 |
| | 122882-01-701 | EA | SCREEN | JRP-1124-B |
| | 122882-01-702 | EA | HANDLE - CRANK - WHITE | JRP1031B |

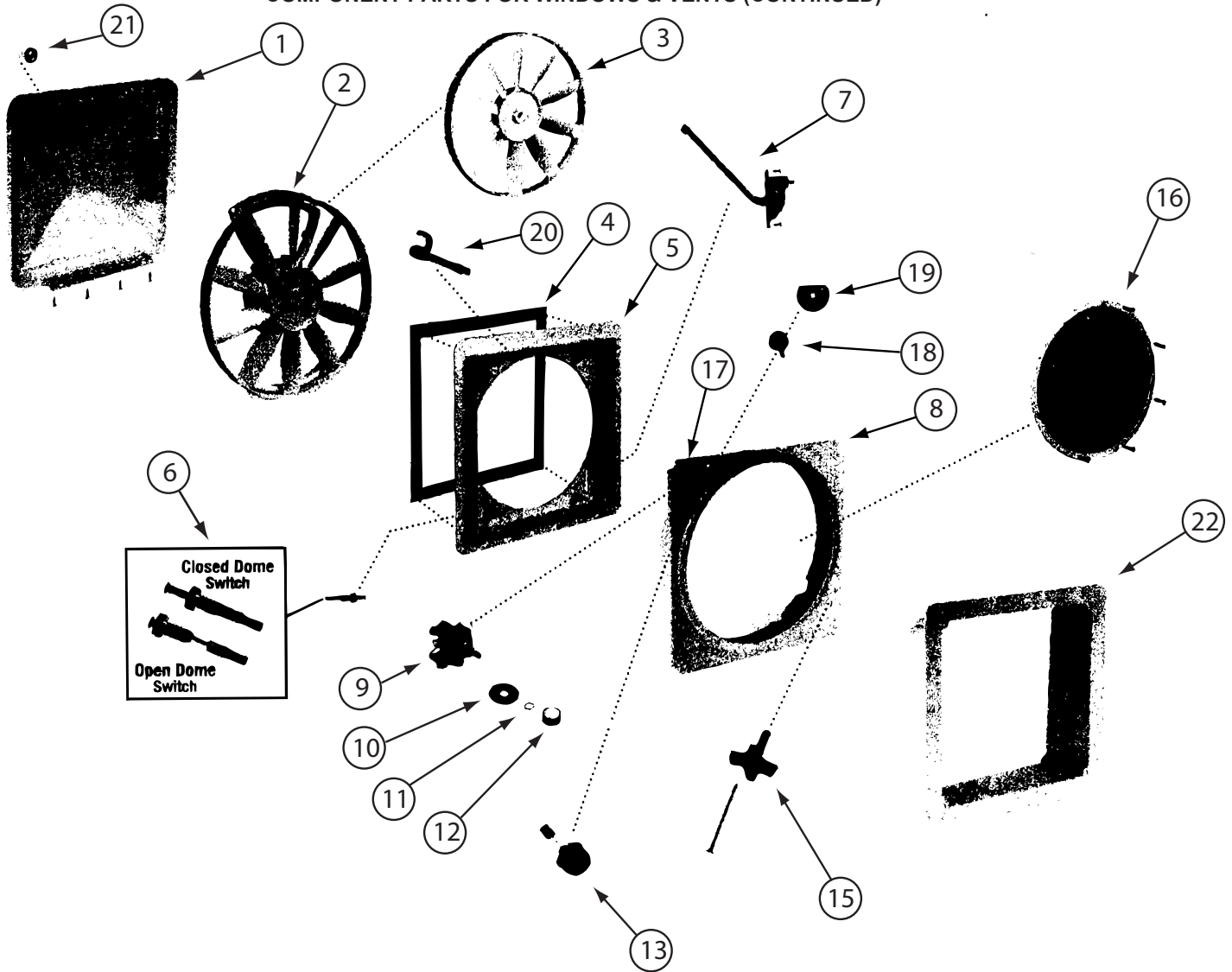


123780-03-01A

| KEY | PART NUMBER | U/M | DESCRIPTION | VENDOR NO. |
|-----|---------------|-----|------------------------------|------------|
| 2 | 084079-11-700 | EA | MOTOR & FAN BLADE W/BRACKET | K4017-09 |
| 3 | 084079-01-705 | EA | MOTOR/EXT BRKT/FAN BLADE KIT | 1080-00 |
| 4 | 084079-01-711 | EA | MOTOR MOUNT (BOWTIE) | 1015-00 |
| 5 | 084079-01-704 | EA | BLADE-FAN | 1138-00 |
| 6 | 084079-01-709 | EA | SWITCH - MAIN - 3 SPEED | 1031-05 |
| 7 | 084079-01-707 | EA | SWITCH - SAFETY | 1122-05 |
| 8 | 123780-05-700 | EA | BASE/MAIN-BRT WHT W/GASKET | 1010-81 |
| 9 | 123780-01-700 | EA | COVER - VENT W/HINGE & SLIDE | 1020K-81 |
| 10 | 009440-01-000 | EA | GEAR-ARM-ROOF VENT | 705221K38 |
| 11 | 123780-03-701 | EA | SCREEN ASM 78-100MM W/SWITCH | 1030BT-81 |
| 12 | 123780-03-700 | EA | GARNISH - INT. 3"-4" BRT/WHT | 2040-81 |
| 13 | 084079-01-703 | EA | KNOB-LIFT | 1140K-00 |
| | 084079-01-706 | EA | PLUG, 12 VOLT | 1090 |
| | 123780-01-702 | EA | SCREEN INSERT (SCREEN RING) | K1035-81 |

CONTACT WINNEBAGO PART SALES FOR UNLISTED COMPONENT(S)

WINDOWS & VENTS GROUP (CONTINUED)
COMPONENT PARTS FOR WINDOWS & VENTS (CONTINUED)

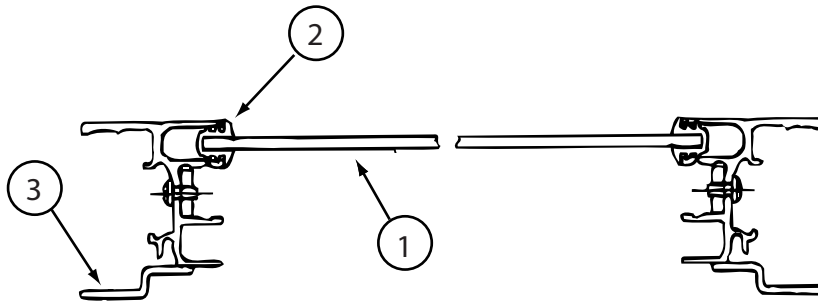


123780-26-01A

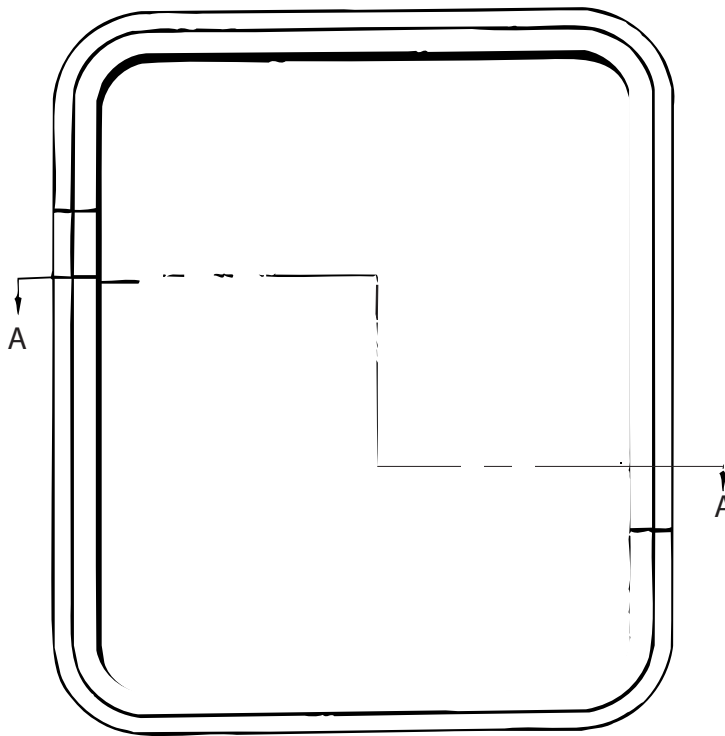
| KEY | PART NUMBER | U/M | DESCRIPTION | VENDOR NO. |
|-----|---------------|-----|------------------------------|---------------------|
| 1 | 123780-22-700 | EA | COVER - VENT W/HINGE & SLIDE | K8020-81 |
| 2 | 123780-26-700 | EA | MOTOR & FAN BLADE W/BRACKET | XK8017-03 PANCAKE |
| 3 | 123780-26-701 | EA | BLADE/FAN - 12" OPAQUE WHT | 8138-81 - 7MM |
| 4 | 123780-22-701 | EA | SEAL/RUBBER-4 1/2' W/GLUE | K1144-09 |
| 5 | 123780-22-702 | EA | BASE/MAIN - W/LOCK/SEAL/ARM | XK8010-81 CLAMP STY |
| 6 | 084079-01-707 | EA | SWITCH - SAFETY | 1122-05 |
| 7 | 084079-01-702 | EA | ARM LIFT ASSEMBLY, MANUAL | 101105 |
| 8 | 123780-22-703 | EA | SCREEN KIT W/RING/ARM/LOCK | XK1220-81 |
| 9 | 084079-01-709 | EA | SWITCH - MAIN - 3 SPEED | 1031-05 |
| 13 | 123780-21-700 | EA | FUSE HOLDER W/4 AMP FUSE | K9018-09 |
| 15 | 123780-16-700 | EA | KNOB-BLK/AUTOMATIC LIFT MTR | K1140-09 |
| 16 | 123780-21-703 | EA | SCREEN - POP N LOCK | 2035-81 |
| 17 | 123780-22-704 | EA | TRAVEL LOCK ASSEMBLY | 4021-09 |
| 22 | 123780-22-705 | EA | GARNISH-3 1/2"CLAMP STY-WHT | XK2040-81 |

CONTACT WINNEBAGO PART SALES FOR UNLISTED COMPONENT(S)

WINDOWS & VENTS GROUP (CONTINUED)
COMPONENT PARTS FOR WINDOWS & VENTS (CONTINUED)



CROSS SECTION A-A



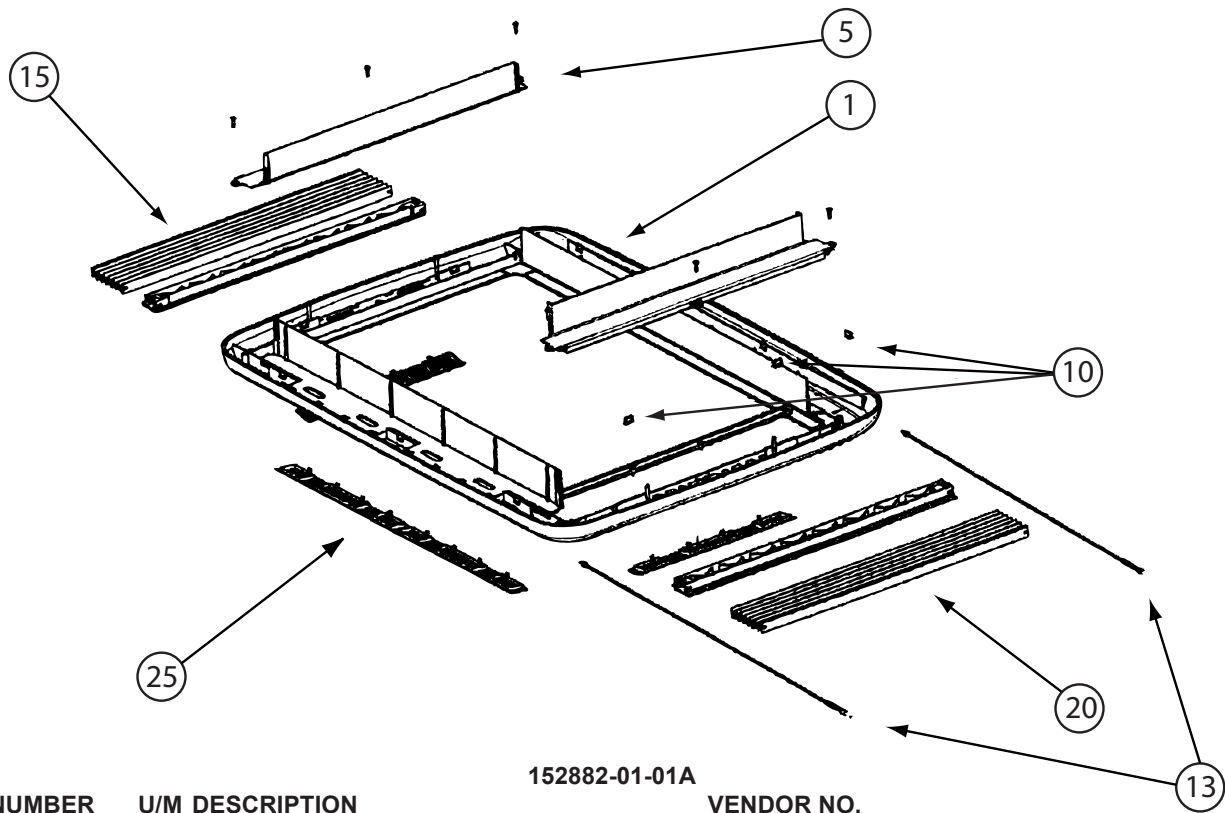
151075-03-01A

| KEY | PART NUMBER | U/M | DESCRIPTION | VENDOR NO |
|-----|----------------|-----|--------------------|------------|
| 1 | 151075-03-700 | EA | GLASS - STATIONARY | 106-019887 |
| 2 | 098644-01-705 | FT | GLAZING - STRIP | 132-010231 |
| 3 | 1137331-10-701 | EA | RETAINER-TRIM | H416-66 |

151075-03-02A

| KEY | PART NUMBER | U/M | DESCRIPTION | VENDOR NO |
|-----|---------------|-----|--------------------|------------|
| 1 | 151075-03-700 | EA | GLASS - STATIONARY | 106-019887 |
| 2 | 098644-01-705 | FT | GLAZING - STRIP | 132-010231 |
| 3 | 151075-03-701 | EA | RETAINER - TRIM | S416-66 |

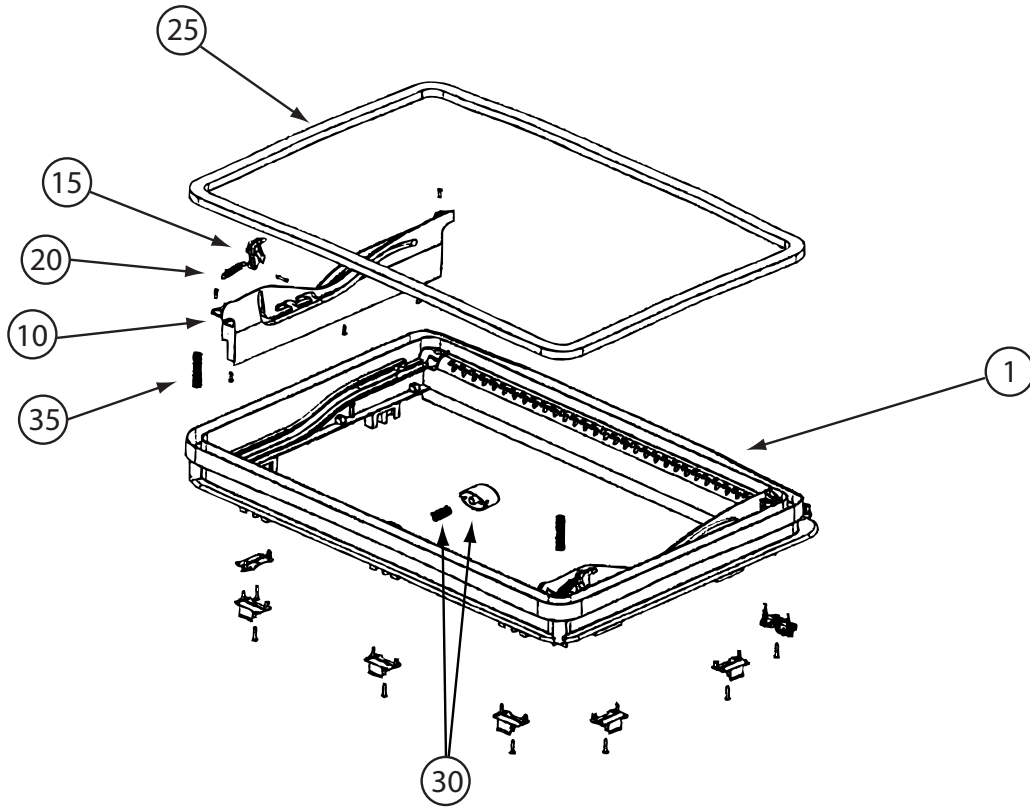
WINDOWS & VENTS GROUP (CONTINUED)
COMPONENT PARTS FOR WINDOWS & VENTS (CONTINUED)



152882-01-01A

| KEY | PART NUMBER | U/M | DESCRIPTION | VENDOR NO. |
|-----|---------------|-----|----------------------------|------------|
| 13 | 152882-01-703 | EA | CORD | BG1715 |
| 15 | 152882-01-701 | EA | FLY NET W/END ROD | BG1394 |
| 20 | 152882-01-702 | EA | DARKENING SYSTEM W/END ROD | BG1393 |
| 25 | 152882-01-704 | EA | VENTILATION GRIDS | 560E35 |

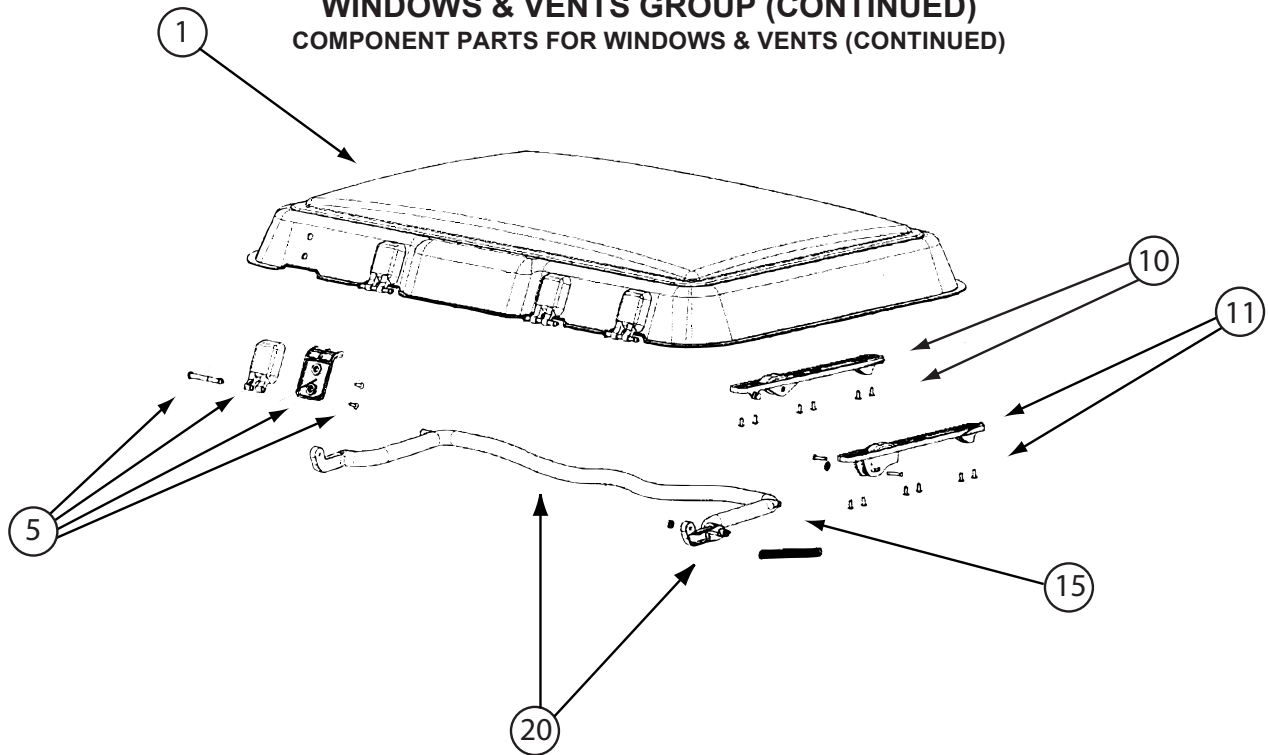
WINDOWS & VENTS GROUP (CONTINUED)
COMPONENT PARTS FOR WINDOWS & VENTS (CONTINUED)



152882-01-01A (CONTINUED)

| KEY | PART NUMBER | U/M | DESCRIPTION | VENDOR NO. |
|-----|---------------|-----|------------------------------|----------------|
| 15 | 152882-01-710 | EA | HOOK W/ASM.PARTS(1 EA=PKG 2) | BG1519 (LT/RT) |
| 20 | 152882-01-711 | EA | SPRING (1 EA = PKG 2) | BG1520 (LT/RT) |
| 25 | 152882-01-705 | EA | SEAL | BG1521 |
| 30 | 152882-01-706 | EA | BUTTON W/SPRING | BG1522 |

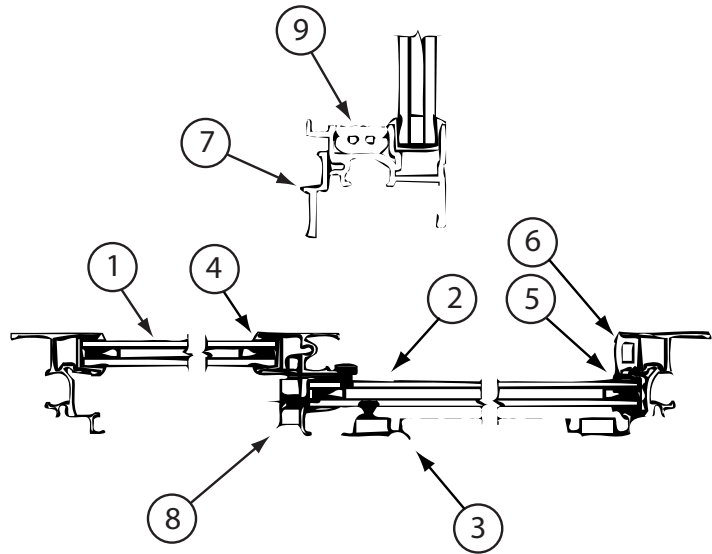
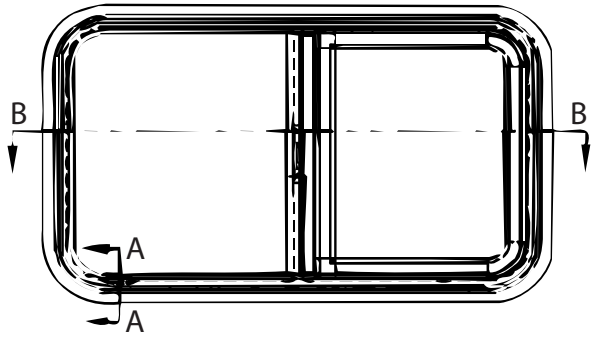
WINDOWS & VENTS GROUP (CONTINUED)
COMPONENT PARTS FOR WINDOWS & VENTS (CONTINUED)



152882-01-01A (CONTINUED)

| KEY | PART NUMBER | U/M | DESCRIPTION | VENDOR NO. |
|-----|---------------|-----|------------------------------|------------|
| 1 | 152882-01-700 | EA | GLAZING DOME - W/O ASM PARTS | BG1512 |
| 5 | 152882-01-707 | EA | HINGE W/FIXINGS | BG1513 |
| 10 | 152882-01-712 | EA | CONNECTION PLATES | BG1514 |
| 15 | 152882-01-708 | EA | SPRING F/OPERATING BAR | BG1515 |
| 20 | 152882-01-709 | EA | OPERATING BAR | BG1516 |

WINDOWS & VENTS GROUP (CONTINUED)
COMPONENT PARTS FOR WINDOWS & VENTS LAYOUT (CONTINUED)



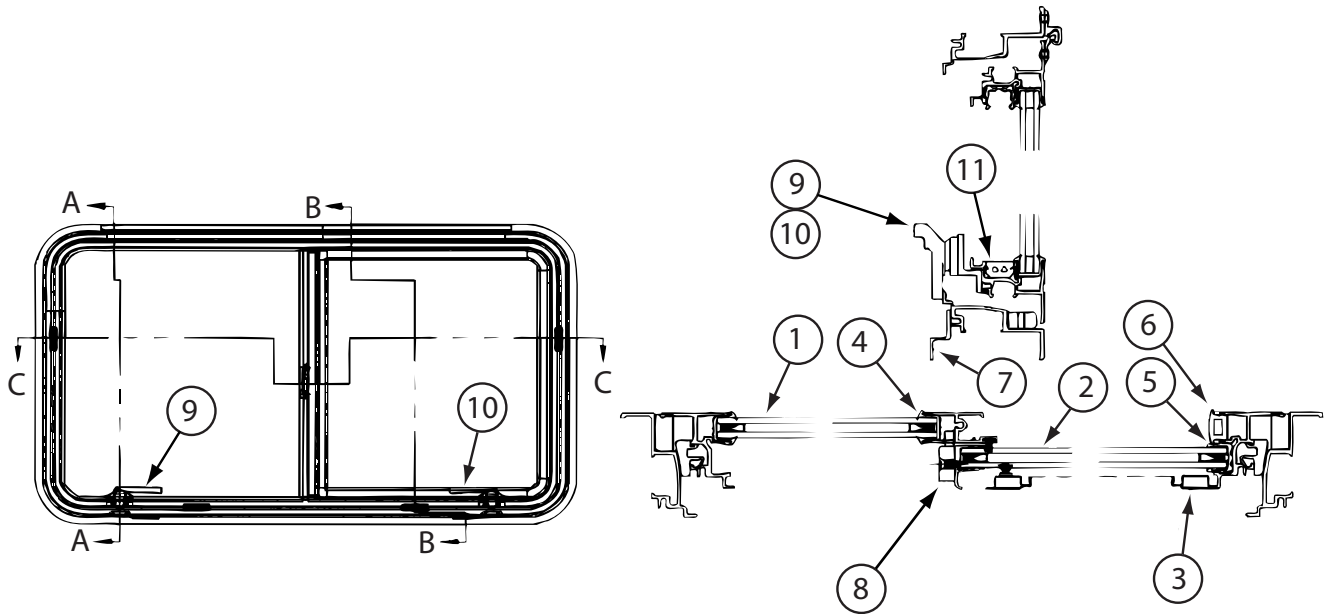
164922-31-01A

| KEY | PART NUMBER | U/M | DESCRIPTION | VENDOR NO. |
|-----|---------------|-----|------------------------------|-------------------|
| 1 | 098647-76-700 | EA | GLASS - STATIONARY | 106-036072 |
| 2 | 098647-76-702 | EA | GLASS SLIDING W/SASH & LATCH | H287G8 |
| 3 | 098647-23-704 | EA | SCREEN ASM - W/SEALS & CLIPS | 410-019066 |
| 4 | 098644-01-705 | FT | GLAZING - STRIP | 132-010231 |
| 5 | 098644-01-708 | FT | CHANNEL - RUN PIERCED | 122-016543 |
| 6 | 098644-01-716 | FT | PLUG - FILLER | 132-014470 |
| 7 | 098647-27-704 | EA | RETAINER - TRIM | H287-66 |
| 8 | 098644-01-700 | EA | LATCH - REPAIR KIT (BLACK) | B801-CK |
| 8 | 098647-54-701 | EA | LATCH REPAIR KIT (RED) | B081-CK |
| 9 | 098644-01-719 | EA | STOP - SLIDER GLASS | 132-014203 |
| | 098644-01-706 | FT | WEATHERSTRIP-GLASS(FIN SEAL) | 171-010668 |
| | 098644-01-710 | FT | TRACK - SCREEN SPACER 12' | 132-017135 |
| | 098644-01-711 | FT | WEATHERSTRIP-SCRN(FUZZY)BLK | 171-017245/016965 |
| | 098644-01-717 | FT | SPLINE - SCREEN | 132-004716 |
| | 125582-01-701 | EA | CLIP - SCREEN - PLASTIC | 130-005153 |

164922-31-02A

| KEY | PART NUMBER | U/M | DESCRIPTION | VENDOR NO. |
|-----|---------------|-----|------------------------------|-------------------|
| 1 | 098647-76-700 | EA | GLASS - STATIONARY | 106-036072 |
| 2 | 098647-76-702 | EA | GLASS SLIDING W/SASH & LATCH | H287G8 |
| 3 | 098647-23-704 | EA | SCREEN ASM - W/SEALS & CLIPS | 410-019066 |
| 4 | 098644-01-705 | FT | GLAZING - STRIP | 132-010231 |
| 5 | 098644-01-708 | FT | CHANNEL - RUN PIERCED | 122-016543 |
| 6 | 098644-01-716 | FT | PLUG - FILLER | 132-014470 |
| 7 | 098647-76-701 | EA | RETAINER - TRIM | S287-66 |
| 8 | 098644-01-700 | EA | LATCH - REPAIR KIT (BLACK) | B801-CK |
| 8 | 098647-54-701 | EA | LATCH REPAIR KIT (RED) | B081-CK |
| 9 | 098644-01-719 | EA | STOP - SLIDER GLASS | 132-014203 |
| | 098644-01-706 | FT | WEATHERSTRIP-GLASS(FIN SEAL) | 171-010668 |
| | 098644-01-710 | FT | TRACK - SCREEN SPACER 12' | 132-017135 |
| | 098644-01-711 | FT | WEATHERSTRIP-SCRN(FUZZY)BLK | 171-017245/016965 |
| | 098644-01-717 | FT | SPLINE - SCREEN | 132-004716 |
| | 125582-01-701 | EA | CLIP - SCREEN - PLASTIC | 130-005153 |

WINDOWS & VENTS GROUP (CONTINUED)
COMPONENT PARTS FOR WINDOWS & VENTS LAYOUT (CONTINUED)



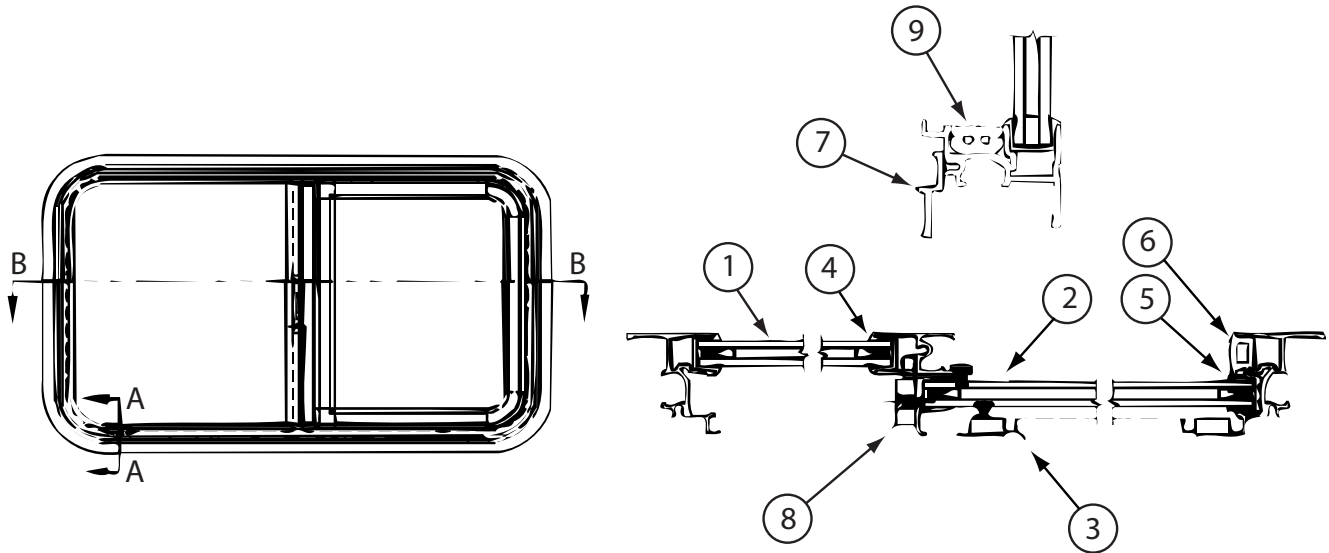
164922-33-01A

| KEY | PART NUMBER | U/M | DESCRIPTION | VENDOR NO. |
|-----|---------------|-----|------------------------------|---------------------|
| 1 | 098647-84-700 | EA | GLASS - STATIONARY | 106-037147 |
| 2 | 098647-84-701 | EA | GLASS-SLIDING W/LATCH & HNDL | H1095G8 |
| 3 | 098647-84-702 | EA | SCREEN ASM | 410-037148 |
| 4 | 098644-01-705 | FT | GLAZING - STRIP | 132-010231 |
| 5 | 098644-01-708 | FT | CHANNEL - RUN PIERCED | 122-016543 |
| 6 | 098644-01-716 | FT | PLUG - FILLER | 132-014470 |
| 7 | 164922-33-700 | EA | RETAINER - TRIM - BLACK | H1095-64-NOT SET UP |
| 8 | 098644-01-700 | EA | LATCH - REPAIR KIT (BLACK) | B801-CK |
| 8 | 098647-54-701 | EA | LATCH REPAIR KIT (RED) | B081-CK |
| 9 | 112898-06-707 | EA | HANDLE/RH-EGRESS(SLD)ESC-RED | 182-025911 |
| 10 | 112898-06-708 | EA | HANDLE/LH-EGRESS(SLD)ESC-RED | 182-025912 |
| 11 | 098644-01-719 | EA | STOP - SLIDER GLASS | 132-014203 |
| | 098644-01-706 | FT | WEATHERSTRIP-GLASS(FIN SEAL) | 171-010668 |
| | 098644-01-710 | FT | TRACK - SCREEN SPACER 12' | 132-017135 |
| | 098644-01-711 | FT | WEATHERSTRIP-SCRN(FUZZY)BLK | 171-017245/016965 |
| | 098644-01-717 | FT | SPLINE - SCREEN | 132-004716 |
| | 125582-01-701 | EA | CLIP - SCREEN - PLASTIC | 130-005153 |

164922-33-02A

| KEY | PART NUMBER | U/M | DESCRIPTION | VENDOR NO. |
|-----|---------------|-----|------------------------------|-------------------|
| 1 | 098647-84-700 | EA | GLASS - STATIONARY | 106-037147 |
| 2 | 098647-84-701 | EA | GLASS-SLIDING W/LATCH & HNDL | H1095G8 |
| 3 | 098647-84-702 | EA | SCREEN ASM | 410-037148 |
| 4 | 098644-01-705 | FT | GLAZING - STRIP | 132-010231 |
| 5 | 098644-01-708 | FT | CHANNEL - RUN PIERCED | 122-016543 |
| 6 | 098644-01-716 | FT | PLUG - FILLER | 132-014470 |
| 7 | 098647-84-703 | EA | RETAINER - TRIM | S1095-64 |
| 8 | 098644-01-700 | EA | LATCH - REPAIR KIT (BLACK) | B801-CK |
| 8 | 098647-54-701 | EA | LATCH REPAIR KIT (RED) | B081-CK |
| 9 | 112898-06-707 | EA | HANDLE/RH-EGRESS(SLD)ESC-RED | 182-025911 |
| 10 | 112898-06-708 | EA | HANDLE/LH-EGRESS(SLD)ESC-RED | 182-025912 |
| 11 | 098644-01-719 | EA | STOP - SLIDER GLASS | 132-014203 |
| | 098644-01-706 | FT | WEATHERSTRIP-GLASS(FIN SEAL) | 171-010668 |
| | 098644-01-710 | FT | TRACK - SCREEN SPACER 12' | 132-017135 |
| | 098644-01-711 | FT | WEATHERSTRIP-SCRN(FUZZY)BLK | 171-017245/016965 |
| | 098644-01-717 | FT | SPLINE - SCREEN | 132-004716 |
| | 125582-01-701 | EA | CLIP - SCREEN - PLASTIC | 130-005153 |

WINDOWS & VENTS GROUP (CONTINUED)
COMPONENT PARTS FOR WINDOWS & VENTS LAYOUT (CONTINUED)



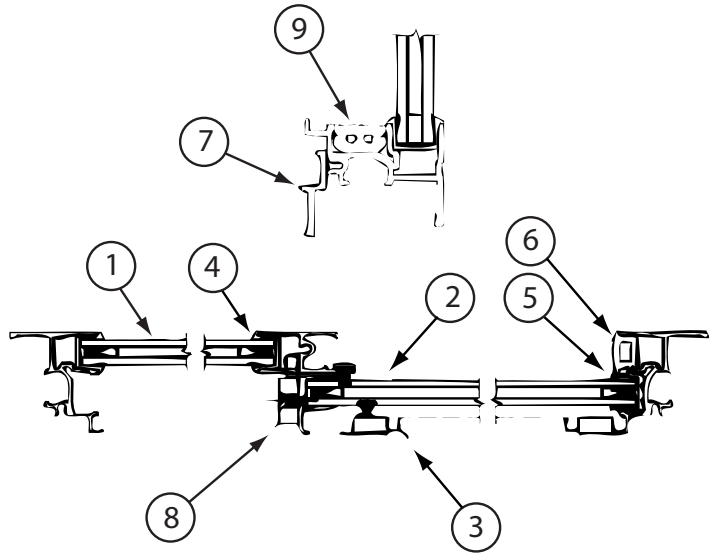
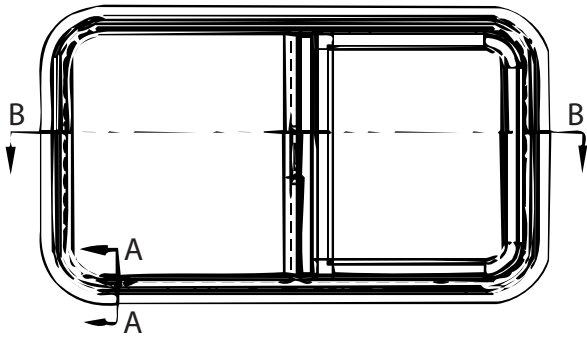
164922-34-01A

| KEY | PART NUMBER | U/M | DESCRIPTION | VENDOR NO. |
|-----|---------------|-----|------------------------------|---------------------|
| 1 | 098647-85-700 | EA | GLASS - STATIONARY | 106-037141 |
| 2 | 098647-85-701 | EA | GLASS-SLIDING W/LATCH & HNDL | S1094G8 |
| 3 | 098647-85-702 | EA | SCREEN ASM | 410-037142 |
| 4 | 098644-01-705 | FT | GLAZING - STRIP | 132-010231 |
| 5 | 098644-01-708 | FT | CHANNEL - RUN PIERCED | 122-016543 |
| 6 | 098644-01-716 | FT | PLUG - FILLER | 132-014470 |
| 7 | 164922-34-700 | EA | RETAINER - TRIM - BLACK | H1094-66 NOT SET UP |
| 8 | 098644-01-700 | EA | LATCH - REPAIR KIT (BLACK) | B801-CK |
| 8 | 098647-54-701 | EA | LATCH REPAIR KIT (RED) | B081-CK |
| 9 | 098644-01-719 | EA | STOP - SLIDER GLASS | 132-014203 |
| | 098644-01-706 | FT | WEATHERSTRIP-GLASS(FIN SEAL) | 171-010668 |
| | 098644-01-710 | FT | TRACK - SCREEN SPACER 12' | 132-017135 |
| | 098644-01-711 | FT | WEATHERSTRIP-SCRN(FUZZY)BLK | 171-017245/016965 |
| | 098644-01-717 | FT | SPLINE - SCREEN | 132-004716 |
| | 125582-01-701 | EA | CLIP - SCREEN - PLASTIC | 130-005153 |

164922-34-02A

| KEY | PART NUMBER | U/M | DESCRIPTION | VENDOR NO. |
|-----|---------------|-----|------------------------------|-------------------|
| 1 | 098647-85-700 | EA | GLASS - STATIONARY | 106-037141 |
| 2 | 098647-85-701 | EA | GLASS-SLIDING W/LATCH & HNDL | S1094G8 |
| 3 | 098647-85-702 | EA | SCREEN ASM | 410-037142 |
| 4 | 098644-01-705 | FT | GLAZING - STRIP | 132-010231 |
| 5 | 098644-01-708 | FT | CHANNEL - RUN PIERCED | 122-016543 |
| 6 | 098644-01-716 | FT | PLUG - FILLER | 132-014470 |
| 7 | 098647-85-703 | EA | RETAINER - TRIM | S1094-66 |
| 8 | 098644-01-700 | EA | LATCH - REPAIR KIT (BLACK) | B801-CK |
| 8 | 098647-54-701 | EA | LATCH REPAIR KIT (RED) | B081-CK |
| 9 | 098644-01-719 | EA | STOP - SLIDER GLASS | 132-014203 |
| | 098644-01-706 | FT | WEATHERSTRIP-GLASS(FIN SEAL) | 171-010668 |
| | 098644-01-710 | FT | TRACK - SCREEN SPACER 12' | 132-017135 |
| | 098644-01-711 | FT | WEATHERSTRIP-SCRN(FUZZY)BLK | 171-017245/016965 |
| | 098644-01-717 | FT | SPLINE - SCREEN | 132-004716 |
| | 125582-01-701 | EA | CLIP - SCREEN - PLASTIC | 130-005153 |

WINDOWS & VENTS GROUP (CONTINUED)
COMPONENT PARTS FOR WINDOWS & VENTS LAYOUT (CONTINUED)



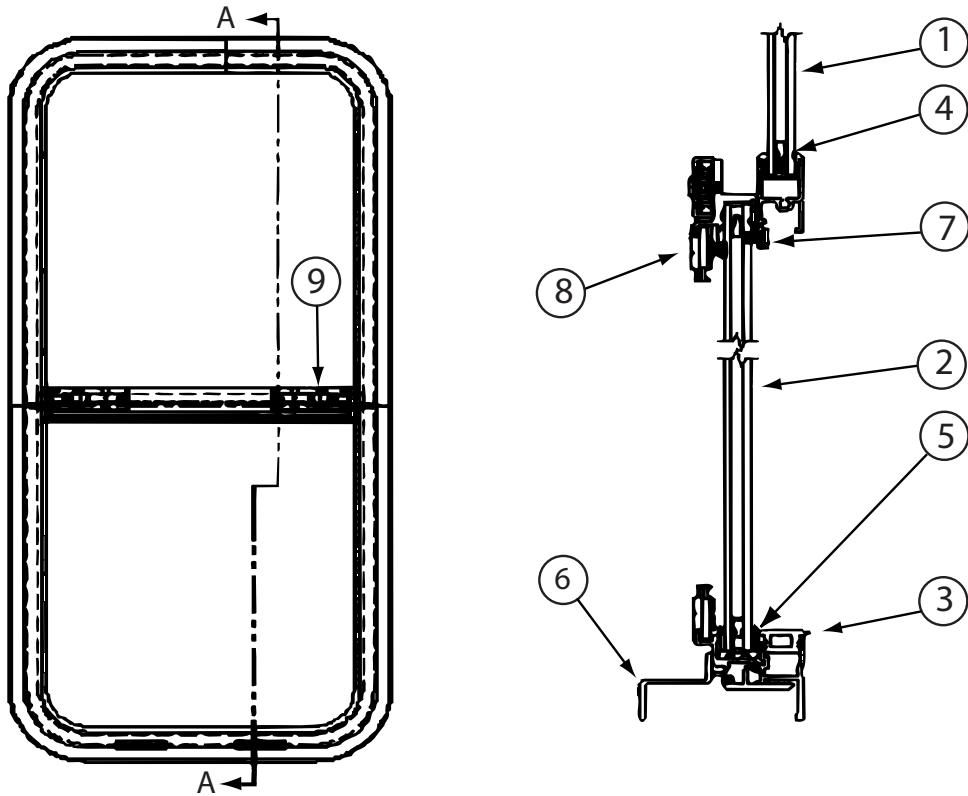
164922-36-01A

| KEY | PART NUMBER | U/M | DESCRIPTION | VENDOR NO. |
|-----|---------------|-----|------------------------------|---------------------|
| 1 | 098647-87-700 | EA | GLASS - STATIONARY | 106-037270 |
| 2 | 098647-87-701 | EA | GLASS-SLIDING W/LATCH & HNDL | S1110G8 |
| 3 | 098647-87-702 | EA | SCREEN ASM | 410-037271 |
| 4 | 098644-01-705 | FT | GLAZING - STRIP | 132-010231 |
| 5 | 098644-01-708 | FT | CHANNEL - RUN PIERCED | 122-016543 |
| 6 | 098644-01-716 | FT | PLUG - FILLER | 132-014470 |
| 7 | 164922-36-700 | EA | RETAINER - TRIM - BLACK | H1110-66 NOT SET UP |
| 8 | 098644-01-700 | EA | LATCH - REPAIR KIT (BLACK) | B801-CK |
| 8 | 098647-54-701 | EA | LATCH REPAIR KIT (RED) | B081-CK |
| 9 | 098644-01-719 | EA | STOP - SLIDER GLASS | 132-014203 |
| | 098644-01-706 | FT | WEATHERSTRIP-GLASS(FIN SEAL) | 171-010668 |
| | 098644-01-710 | FT | TRACK - SCREEN SPACER 12' | 132-017135 |
| | 098644-01-717 | FT | SPLINE - SCREEN | 132-004716 |
| | 125582-01-701 | EA | CLIP - SCREEN - PLASTIC | 130-005153 |

164922-36-02A

| KEY | PART NUMBER | U/M | DESCRIPTION | VENDOR NO. |
|-----|---------------|-----|------------------------------|-------------------|
| 1 | 098647-87-700 | EA | GLASS - STATIONARY | 106-037270 |
| 2 | 098647-87-701 | EA | GLASS-SLIDING W/LATCH & HNDL | S1110G8 |
| 3 | 098647-87-702 | EA | SCREEN ASM | 410-037271 |
| 4 | 098644-01-705 | FT | GLAZING - STRIP | 132-010231 |
| 5 | 098644-01-708 | FT | CHANNEL - RUN PIERCED | 122-016543 |
| 6 | 098644-01-716 | FT | PLUG - FILLER | 132-014470 |
| 7 | 098647-87-703 | EA | RETAINER - TRIM | S1110-66 |
| 8 | 098644-01-700 | EA | LATCH - REPAIR KIT (BLACK) | B801-CK |
| 8 | 098647-54-701 | EA | LATCH REPAIR KIT (RED) | B081-CK |
| 9 | 098644-01-719 | EA | STOP - SLIDER GLASS | 132-014203 |
| | 098644-01-706 | FT | WEATHERSTRIP-GLASS(FIN SEAL) | 171-010668 |
| | 098644-01-710 | FT | TRACK - SCREEN SPACER 12' | 132-017135 |
| | 098644-01-711 | FT | WEATHERSTRIP-SCRN(FUZZY)BLK | 171-017245/016965 |
| | 098644-01-717 | FT | SPLINE - SCREEN | 132-004716 |
| | 125582-01-701 | EA | CLIP - SCREEN - PLASTIC | 130-005153 |

WINDOWS & VENTS GROUP (CONTINUED)
COMPONENT PARTS FOR WINDOWS & VENTS (CONTINUED)



164973-14-01A/03A

| KEY | PART NUMBER | U/M | DESCRIPTION | VENDOR NO. |
|-----|---------------|-----|------------------------------|-------------------|
| 1 | 098644-20-700 | EA | GLASS - STATIONARY | 106-037128 |
| 2 | 164973-14-702 | EA | GLASS-SLIDING-W/LATCH/HANDLE | H170G8 |
| 3 | 098644-01-716 | FT | PLUG - FILLER | 132-014470 |
| 4 | 098644-01-705 | FT | GLAZING - STRIP | 132-010231 |
| 5 | 098644-01-708 | FT | CHANNEL - RUN PIERCED | 122-016543 |
| 6 | 098644-07-705 | EA | RETAINER - TRIM - BLACK | CH02-66 |
| 7 | 098644-01-706 | FT | WEATHERSTRIP-GLASS(FIN SEAL) | 171-010668 |
| 8 | 098644-07-704 | EA | SCREEN ASM - W/SEALS & CLIPS | 410-018863 |
| 9 | 098644-01-700 | EA | LATCH - REPAIR KIT (BLACK) | B801-CK |
| | 098644-01-710 | FT | TRACK - SCREEN SPACER 12' | 132-017135 |
| | 098644-01-711 | FT | WEATHERSTRIP-SCRN(FUZZY)BLK | 171-017245/016965 |
| | 098644-01-717 | FT | SPLINE - SCREEN | 132-004716 |
| | 112898-04-703 | EA | VERTICAL LATCH/HOLD UP/OPEN | DH343-CK |

164973-14-02A

| KEY | PART NUMBER | U/M | DESCRIPTION | VENDOR NO. |
|-----|---------------|-----|------------------------------|-------------------|
| 1 | 098644-20-700 | EA | GLASS - STATIONARY | 106-037128 |
| 2 | 098644-07-703 | EA | GLASS-SLIDING W/SASH & LATCH | H170G9 |
| 3 | 098644-01-716 | FT | PLUG - FILLER | 132-014470 |
| 4 | 098644-01-705 | FT | GLAZING - STRIP | 132-010231 |
| 5 | 098644-01-708 | FT | CHANNEL - RUN PIERCED | 122-016543 |
| 6 | 098644-20-701 | EA | RETAINER - TRIM - SILVER | CS02-66 |
| 7 | 098644-01-706 | FT | WEATHERSTRIP-GLASS(FIN SEAL) | 171-010668 |
| 8 | 098644-07-704 | EA | SCREEN ASM - W/SEALS & CLIPS | 410-018863 |
| 9 | 098644-01-700 | EA | LATCH - REPAIR KIT (BLACK) | B801-CK |
| | 098644-01-710 | FT | TRACK - SCREEN SPACER 12' | 132-017135 |
| | 098644-01-711 | FT | WEATHERSTRIP-SCRN(FUZZY)BLK | 171-017245/016965 |
| | 098644-01-717 | FT | SPLINE - SCREEN | 132-004716 |
| | 112898-04-703 | EA | VERTICAL LATCH/HOLD UP/OPEN | DH343-CK |