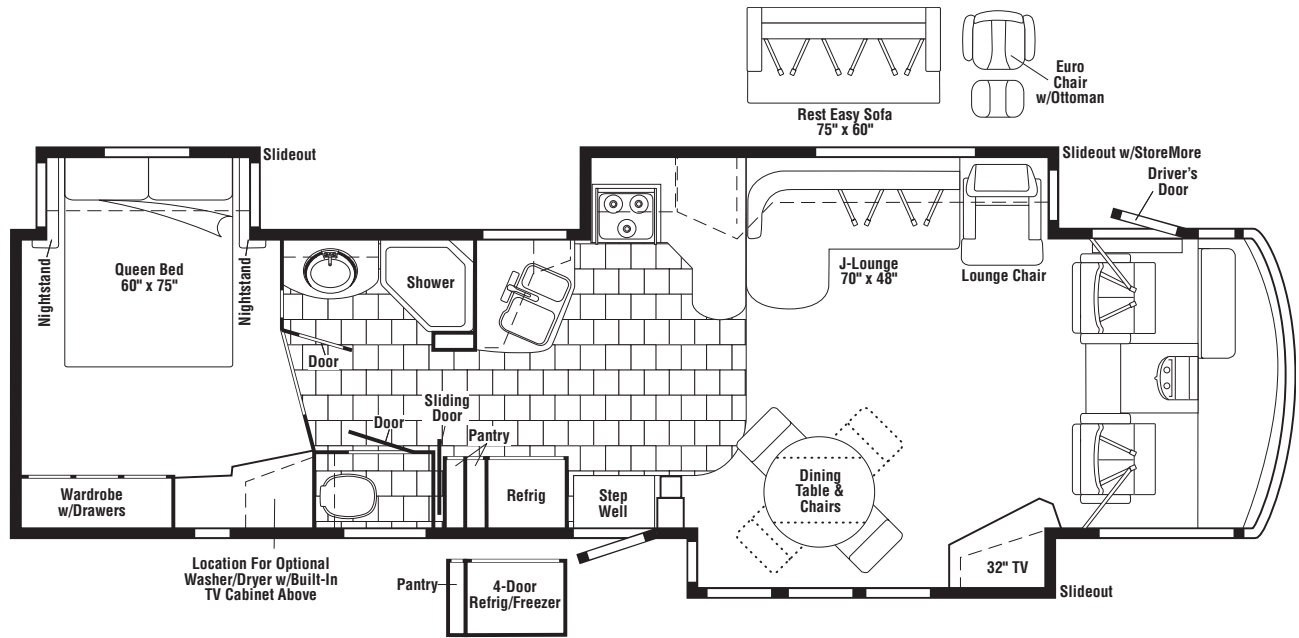


**2008
SUNCRUISER
IPG38J
G-SERIES**

**CONCERT CHERRY
WB4 HARBOR LIGHTS
WC0 PAISLEY COURT
WC4 BRIGHTON BAY
WASHED MAPLE
WB5 HARBOR LIGHTS
WC1 PAISLEY LIGHTS
WC5 BRIGHTON BAY
SIERRA MAPLE
WB6 HARBOR LIGHTS
WC2 PAISLEY LIGHTS
WC6 BRIGHTON BAY**



FLOORPLAN

CONTENTS

| | |
|--|-----------|
| FLOORPLAN | 1 |
| ACCESSORIES GROUP | 6 |
| OPERATORS MANUAL | 6 |
| AUDIO VIDEO GROUP | 7 |
| RADIO SYSTEM | 7 |
| REAR MONITOR | 8 |
| COMPONENT PARTS FOR REAR MONITOR | 8 |
| 144677-10-01A | 8 |
| 144677-10-02A, 144677-11-02A | 8 |
| 144677-11-01A | 8 |
| CABINET & APPLIANCE GROUP | 9 |
| CABINET & APPLIANCE LAYOUT | 9 |
| COMPONENT PARTS FOR CABINET & APPLIANCE LAYOUT | 21 |
| 119267-17-01A | 21 |
| 120075-12-01A, 120075-13-01A, 120075-14-01A, 120075-15-01A | 21 |
| 120075-23-01A | 27 |
| 121569-05-01A, 121569-06-01A, 121569-07-01A | 34 |
| 125242-05-02A | 39 |
| 126022-01-01A, 126022-02-01A, 126022-03-01A | 45 |
| 135065-03-01A, 135065-03-03A, 135065-04-01A | 46 |
| 151277-03-01A, 151279-01-01A, 151279-02-01A/02A, 151279-03-01A | 48 |
| CHASSIS GROUP | 51 |
| FRAME | 51 |
| FRONT END | 53 |
| DRIVETRAIN | 55 |
| EXHAUST | 56 |
| FUEL | 60 |
| HYDRAULIC LEVELING | 63 |
| COMPONENT PARTS FOR HYDRAULIC LEVELING | 64 |
| 100536-57-000 | 64 |
| 153452-18-000 | 64 |
| 153452-19-000 | 64 |
| 153452-20-000 | 65 |
| 153452-21-000 | 65 |
| WHEEL, TIRE, COVERS &/OR LINERS | 66 |
| COMPONENT PARTS FOR WHEEL, TIRE, COVERS &/OR LINERS | 66 |
| 150723-01-000 | 66 |
| BRAKE | 66 |
| BRAKELINE | 66 |
| CURTAIN & CUSHION GROUP | 67 |
| CURTAIN, CUSHION LAYOUT | 67 |
| BUCKET SEATS | 74 |
| COMPONENT PARTS FOR BUCKET SEATS | 74 |
| 122611-02-000 | 74 |
| LOUNGE CHAIR | 75 |
| SOFA | 77 |
| COMPONENT PARTS FOR SOFA | 82 |
| 136534-02-000, 136534-03-000, 136534-13-000, 136534-15-000 | 82 |
| HARDWARE | 83 |
| FABRICS | 85 |
| DRIVERS COMPARTMENT GROUP | 86 |
| DASH | 86 |
| MOTOR COVER | 87 |
| BEVERAGE TRAY | 88 |
| FRONT INTERIOR | 89 |
| COMPONENT PARTS FOR FRONT INTERIOR | 95 |
| 147767-01-000, 147767-02-000 | 95 |
| CABINETS | 96 |

CONTENTS (CONTINUED)

| | |
|--|------------|
| ELECTRICAL GROUP | 101 |
| 110V BODY WIRING | 101 |
| 12V BODY WIRING | 103 |
| EXTERIOR LAMPS | 110 |
| FRONT END | 113 |
| FRONT TV/DVD | 115 |
| SIDE TV/DVD | 116 |
| COMPONENT PARTS FOR WIRING | 119 |
| 076319-23-000 | 119 |
| 076319-25-000 | 119 |
| 086280-01-000 | 120 |
| 087694-01-000 | 120 |
| 093575-23-03A | 120 |
| 097917-01-06A | 120 |
| 108354-01-01A | 120 |
| 119258-35-03A | 120 |
| 123775-01-02A | 120 |
| 133004-05-01A | 121 |
| 137417-01-01A, 137417-03-01A | 121 |
| 137417-02-01A | 121 |
| 137417-05-01A | 122 |
| 137417-06-01A | 122 |
| 141454-03-01A | 122 |
| 146048-01-01A | 123 |
| 146298-02-000 | 123 |
| 149040-03-000 | 123 |
| 149040-04-000 | 123 |
| 153464-03-01A, 153464-06-01A | 123 |
| 154506-01-01A, 154506-03-01A | 124 |
| 156413-01-01A | 125 |
| 158836-01-000 | 125 |
| 163031-01-01A | 125 |
| 163097-01-000 | 125 |
| 164226-01-000 | 125 |
| 164227-01-000 | 125 |
| 164270-01-000 | 125 |
| 166332-01-000 | 125 |
| CIRCUIT BREAKERS, FUSES & RELAYS | 125 |
| CONVERTER, INVERTER, LOAD CENTERS | 126 |
| BOXES & CORDS | 127 |
| WIRE ASSEMBLIES | 127 |
| CONNECTORS & CONDUIT | 128 |
| CHASSIS | 130 |
| EXTERIOR BODY GROUP | 133 |
| GRAPHICS & PAINT | 133 |
| PANELS & TRIMS | 135 |
| COMPONENT PARTS FOR PANELS & TRIMS | 138 |
| 142721-01-01A, 142721-02-01A | 138 |
| 142721-01-02A, 142721-02-02A | 138 |
| FRONT END | 139 |
| LADDER | 140 |
| STRUCTURAL COMPONENTS | 141 |
| AWNINGS | 141 |

CONTENTS (CONTINUED)

| | |
|--|------------|
| EXTERIOR DOORS & COMPARTMENTS GROUP | 142 |
| DOOR & COMPARTMENT LAYOUT | 142 |
| COMPONENT PARTS FOR DOOR & COMPARTMENT LAYOUT | 148 |
| 084103-08-000 | 148 |
| 142226-02-01A | 148 |
| 143709-02-01A | 148 |
| COMPARTMENT DOOR PIECE PARTS | 149 |
| DRIVERS | 151 |
| COMPONENT PARTS FOR DRIVERS | 152 |
| 108354-01-01A | 152 |
| 125581-09-01A | 152 |
| ENTRY | 154 |
| SCREEN | 155 |
| LATCH | 156 |
| EXTERIOR SLIDEOUT GROUP | 157 |
| FRONT LEFT | 157 |
| COMPONENT PARTS FOR FRONT LEFT | 160 |
| 100536-58-000 | 160 |
| 151323-01-000, 151323-02-000, 151323-03-000 | 160 |
| 153651-04-01A | 160 |
| 155476-02-000 | 160 |
| FRONT RIGHT | 160 |
| COMPONENT PARTS FOR FRONT RIGHT | 162 |
| 100536-42-000 | 162 |
| 153651-04-01A | 162 |
| 155325-01-000 | 162 |
| 155325-03-000 | 162 |
| LEFT REAR | 163 |
| COMPONENT PARTS FOR LEFT REAR | 165 |
| 100536-59-000 | 165 |
| 137390-01-000 | 165 |
| GENERATOR GROUP | 166 |
| GAS | 166 |
| HEATING & A/C GROUP | 167 |
| AUTOMOTIVE | 167 |
| COMPONENT PARTS FOR AUTOMOTIVE | 169 |
| 103930-44-000 | 169 |
| 103930-45-000 | 169 |
| 103930-46-000 | 169 |
| 103930-47-000 | 169 |
| 103930-49-000 | 170 |
| 103930-55-000 | 171 |
| FURNACE | 172 |
| COMPONENT PARTS FOR FURNACE | 173 |
| 143563-01-000 | 173 |
| 143563-02-000 | 175 |
| REAR HEATER | 177 |
| COMPONENT PARTS FOR REAR HEATER | 177 |
| 147610-01-000 | 177 |
| CENTRAL | 177 |
| COMPONENT PARTS FOR CENTRAL | 179 |
| 105620-12-000 | 179 |
| INTERIOR FINISH GROUP | 181 |
| MOLDINGS & TRIMS | 181 |
| PANELING & LAMINATES | 191 |
| INTERIOR TRIM LAYOUT | 192 |
| COMPONENT PARTS FOR INTERIOR TRIM LAYOUT | 196 |
| 158076-03-01A | 196 |
| FLOOR COVERINGS | 197 |
| HARDWARE | 198 |
| LABELS GROUP | 204 |

CONTENTS (CONTINUED)

| | |
|--|------------|
| LP GROUP | 208 |
| LP SYSTEM | 208 |
| COMPONENT PARTS FOR LP SYSTEM | 208 |
| 144116-01-000 | 208 |
| SEALANTS & FASTENERS GROUP | 209 |
| SEALANTS & ADHESIVES | 209 |
| BOLTS, NUTS AND WASHERS | 210 |
| SCREWS | 212 |
| CLAMPS, CLIPS, GROMMETS, RIVETS & PLUGS | 215 |
| MISCELLANEOUS FASTENERS | 216 |
| WATER & SEWAGE GROUP | 217 |
| DRAINAGE SYSTEM | 217 |
| COMPONENT PARTS FOR DRAINAGE SYSTEM | 218 |
| 062415-01-000 | 218 |
| 144728-01-000 | 218 |
| 160815-01-01A | 219 |
| WATER SYSTEM | 220 |
| COMPONENT PARTS FOR WATER SYSTEM | 225 |
| 103635-01-000 | 225 |
| 123744-03-01A | 225 |
| 125420-01-02A, 125420-01-03A, 125420-03-03A, 125420-04-03A | 225 |
| 129390-03-02A | 225 |
| 144596-01-01A | 225 |
| 145541-01-000 | 226 |
| 152311-01-01A | 226 |
| 152311-02-01A | 226 |
| 155482-01-01A | 226 |
| WINDOW & VENTS GROUP | 227 |
| WINDOW & VENT LAYOUT | 227 |
| COMPONENT PARTS FOR WINDOW & VENT LAYOUT | 228 |
| 150648-07-01A, 150648-22-01A | 228 |
| 150648-13-01A, 150648-18-01A | 229 |
| 150649-02-01A | 229 |
| 150649-08-01A | 230 |
| 150649-10-01A | 230 |
| 150649-19-01A | 230 |
| 150649-22-01A | 230 |
| 150651-07-01A | 231 |
| 151072-01-01A | 232 |
| 151073-01-01A | 233 |
| 151074-01-01A | 233 |
| 161452-02-01A | 234 |
| 161452-04-01A | 234 |
| WINDSHIELD & WIPER GROUP | 235 |
| WINDSHIELD | 235 |
| WIPER | 236 |
| COMPONENT PARTS FOR WIPER | 236 |
| 149401-03-000 | 236 |
| 157531-01-000 | 236 |

ACCESSORIES GROUP
OPERATORS MANUAL

| KEY | PART NUMBER | U/M | DESCRIPTION |
|------------|--------------------|------------|--|
| | 160864-01-000 | DW | TOP LEVEL-G, 2008 |
| | 158603-08-008 | EA | MANUAL/OWNER - SUPPLEMENT - G-SERIES - 2008 |
| | 159842-01-01A | EA | CASE - VINYL - F/MANUALS - W/SLEEVES - BLACK |
| | 161500-08-014 | EA | MANUAL/OWNER - SUNCRUISER - G SERIES - 2008 |

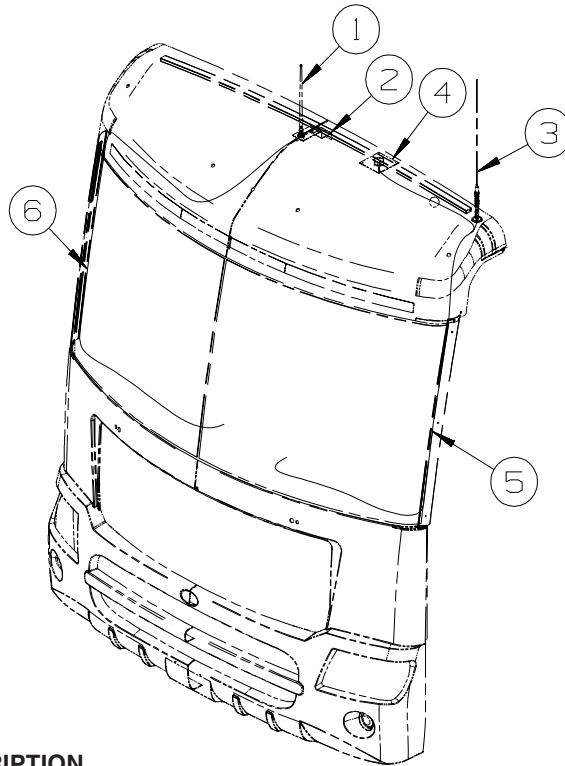
**AUDIO VIDEO GROUP
RADIO SYSTEM**

DASH

| KEY | PART NUMBER | U/M | DESCRIPTION |
|-----|---------------|-----|---|
| | 163142-03-000 | EA | REMOTE CONTROL/RADIO (CREDIT CARD SIZE) FROM: 00-00-00 THRU: 01-28-07 |
| | 163142-09-000 | EA | REMOTE CONTROL/RADIO (CREDIT CARD SIZE) FROM: 01-29-07 THRU: 99-99-99 |
| | 163142-04-000 | EA | REMOTE CONTROL/RADIO (STEERING WHEEL MOUNT) FROM: 00-00-00 THRU: 01-28-07 |
| | 163142-10-000 | EA | REMOTE CONTROL/RADIO (STEERING WHEEL MOUNT) FROM: 01-29-07 THRU: 99-99-99 |
| | 163142-02-000 | EA | RADIO-AM/FM/CD/WB - W/12 PIN AMP CONNECTOR - SATLT READY FROM: 00-00-00 THRU: 01-28-07 |
| | 163142-08-000 | EA | RADIO-AM/FM/CD/WB - SATELLITE READY - W/12 PIN AMP CNCTR FROM: 01-29-07 THRU: 99-99-99 |
| | 163142-05-000 | EA | RECEIVER (EYE) - INFRARED FROM: 00-00-00 THRU: 01-28-07 |
| | 163142-11-000 | EA | RECEIVER (EYE) - INFRARED FROM: 01-29-07 THRU: 99-99-99 |
| | 163142-12-000 | EA | CABLE/INTERFACE - I-POD |

CD CHANGER

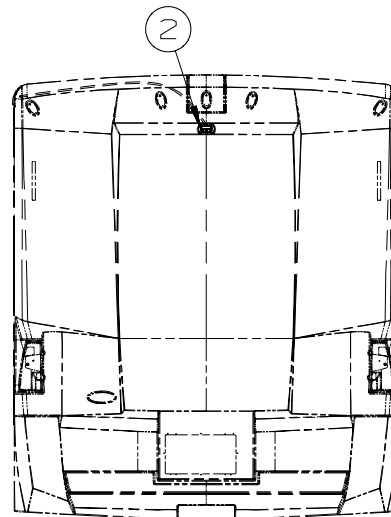
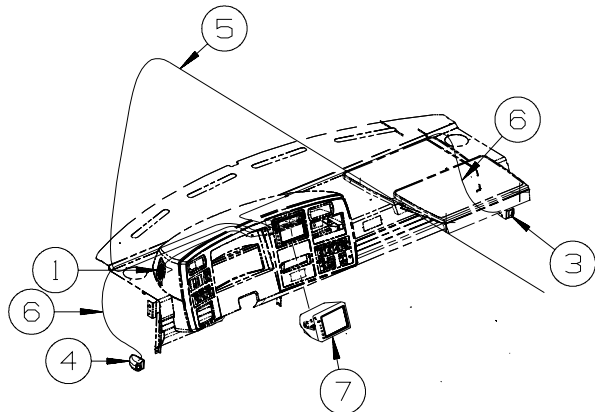
| KEY | PART NUMBER | U/M | DESCRIPTION |
|-----|---------------|-----|---|
| | 163141-01-000 | EA | CHANGER - 10 DISC COMPACT - JENSEN MCD10G |



| KEY | PART NUMBER | U/M | DESCRIPTION |
|-----|---------------|-----|---|
| 1 | 090944-02-000 | EA | ANTENNA - RADIO - 16" RUBBER - W/O LEAD WIRE |
| 2 | 115916-01-01B | EA | BRACKET - ANTENNA MOUNT |
| 3 | NA | EA | ANTENNA - CB - W/O CABLE |
| 4 | 158494-01-000 | EA | ANTENNA/SATELLITE - RADIO/SIRIUS - SATELLITE RADIO |
| 5 | NA | EA | CABLE - CB - COAX |
| 6 | 090944-03-000 | EA | CABLE - ANTENNA |

AUDIO VIDEO GROUP (CONTINUED)

REAR MONITOR



| KEY | PART NUMBER | U/M | DESCRIPTION |
|-----|---------------|-----|---|
| 1 | 098819-01-000 | EA | SPEAKER - 4" - 2 WATT - 8 OHM |
| 1 | 093214-01-06A | EA | GRILLE - SPEAKER - 4" - BRIARWOOD |
| 2 | 144677-14-01A | EA | CAMERA - REAR VIEW W/BRACKET - WHITE - VBCS150 - WHITE |
| 2 | 144677-14-02A | EA | CAMERA - REAR VIEW W/BRACKET - BLACK - VBCS150B - BLACK |
| 3* | 144677-10-01A | EA | CAMERA - REAR VIEW - BLK/WHT - WALL MOUNT/RH - BRIGHT WHITE - VIDEO CAMERA SYSTEM |
| 3* | 144677-10-02A | EA | CAMERA - RR VIEW - BK/WT - WALL MNT/RH - PRIMED - VIDEO CAMERA SYSTEM/FULL BODY PAINT |
| 4* | 144677-11-01A | EA | CAMERA - REAR VIEW - BLK/WHT - WALL MOUNT/LH - BRIGHT WHITE - VIDEO CAMERA SYSTEM |
| 4* | 144677-11-02A | EA | CAMERA - RR VIEW - BK/WT - WALL MNT/LH - PRIMED - VIDEO CAMERA SYSTEM/FULL BODY PAINT |
| 5 | 136514-02-000 | EA | CABLE - MONITOR/CAMERA |
| 6 | 144677-12-000 | EA | CABLE - MONITOR/CAMERA - 12' - VIDEO CAMERA SYSTEM |
| 7 | 144677-06-000 | EA | MONITOR/BLACK & WHITE - 7" - 3 PIN/MECH CONTROLS - RESIZED |
| 7 | 144677-08-000 | EA | MONITOR/BLACK & WHITE - 7" - W/O SIDE CAMERAS/WIRE ASM/CABLE - VIDEO CAMERA SYSTEM |

*COMPONENT PARTS LISTED LATER IN THIS GROUP

COMPONENT PARTS FOR REAR MONITOR

144677-10-01A

| KEY | PART NUMBER | U/M | DESCRIPTION | VENDOR NO. |
|-----|---------------|-----|----------------------------|---------------|
| | 144677-10-700 | EA | HOUSING/CAMERA-RT/LT-WHITE | SIDHSGWHT |
| | 144677-10-702 | EA | SERVICE PACK-SCREW COVER | PSVCSIDHSGWHT |
| | 144677-10-703 | EA | ERVICE PACK-SCREW COVER | PSVCSIDHSGGPR |

144677-10-02A, 144677-11-02A

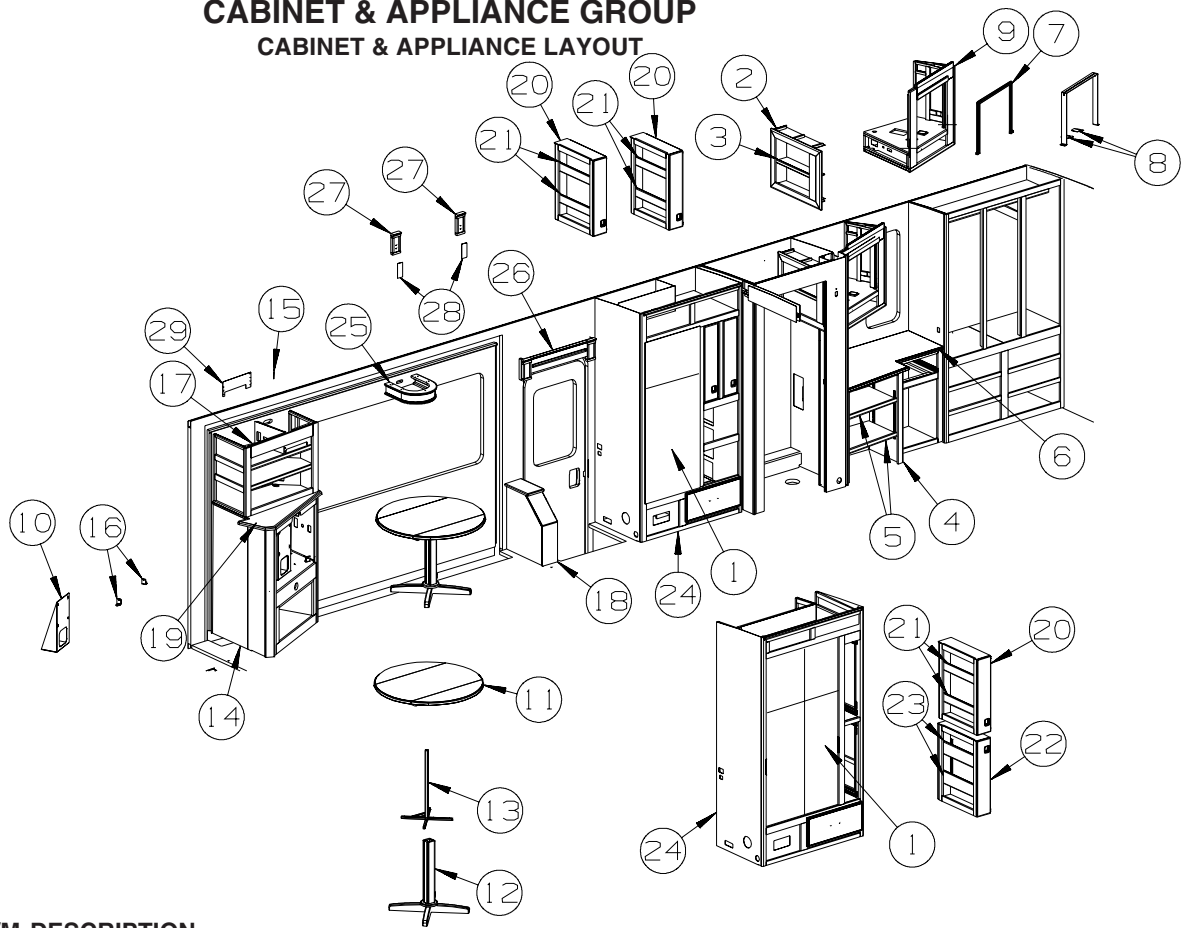
| KEY | PART NUMBER | U/M | DESCRIPTION | VENDOR NO. |
|-----|---------------|-----|-----------------------------|------------|
| | 144677-10-701 | EA | HOUSING/CAMERA-RT/LT-PRIMED | SIDHSGGTR |

144677-11-01A

| KEY | PART NUMBER | U/M | DESCRIPTION | VENDOR NO. |
|-----|---------------|-----|----------------------------|------------|
| | 144677-10-700 | EA | HOUSING/CAMERA-RT/LT-WHITE | SIDHSGWHT |

CABINET & APPLIANCE GROUP

CABINET & APPLIANCE LAYOUT



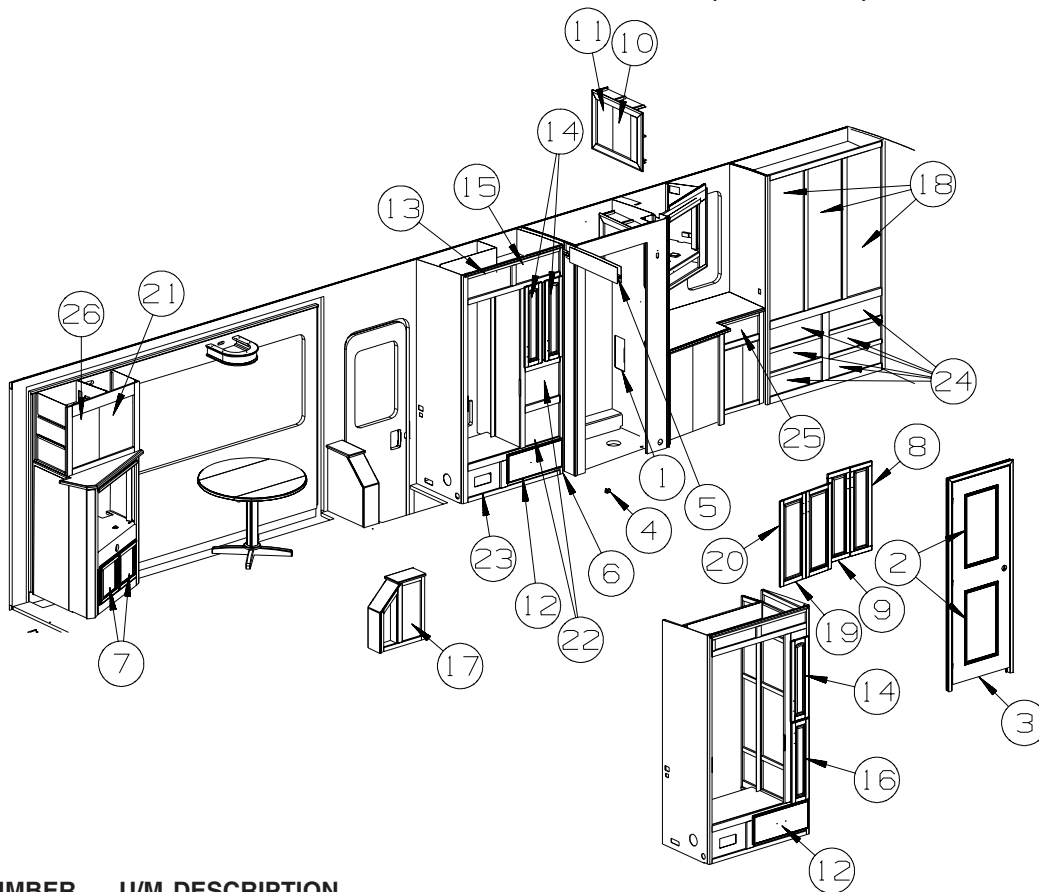
| KEY | PART NUMBER | U/M | DESCRIPTION |
|-----|---------------|-----|--|
| 1* | 121569-05-01A | EA | REFRIGERATOR-LARGE DBL DOOR/2 WAY/NON-FLUSH HANDLE-BLK RH |
| 1* | 120075-13-01A | EA | REFRG-LGE DBL DR-2-WAY/RH/ICE MAKER/RSD HDL-BLACKR - REFRIGERATOR W/ICEMAKER |
| 1* | 125242-05-02A | EA | REFRIGERATOR - 4 DOOR - W/ICE MAKER - TITAN - 4 DOOR REFRIGERATOR |
| | 158456-01-01A | EA | INSERT/REFRIGERATOR DOOR - 21.5"W X 14.5"H - TITANIUM SST |
| | 158456-03-01A | EA | INSERT/REFRIGERATOR DOOR - 21.5"W X 38.5"H - TITANIUM SST |
| | 054450-01-000 | EA | LEVEL - REFRIGERATOR |
| | 116751-05-01A | EA | TRAY - REFRIGERATOR - BLACK |
| | 118871-02-01A | EA | TRAY - REFRIGERATOR - SIDE/SIDE - BLACK - 34.4" LONG - 4 DOOR REFRIGERATOR |
| 2 | 152711-01-UM1 | EA | CABINET - LINEN - W/O COUNTERTOP/DOORS/HDW - CONCERT CHERRY |
| 2 | 152711-01-T79 | EA | CABINET - LINEN - W/O COUNTERTOP/DOORS/HDW - WASHED MAPLE |
| 2 | 152711-01-T80 | EA | CABINET - LINEN - W/O COUNTERTOP/DOORS/HDW - SIERRA MAPLE |
| 3 | 152711-15-T78 | EA | SHELF - W/WOOD MOLDING - CONCERT CHERRY |
| 3 | 152711-15-T79 | EA | SHELF - W/WOOD MOLDING - WASHED MAPLE |
| 3 | 152711-15-T80 | EA | SHELF - W/WOOD MOLDING - SIERRA MAPLE |
| 4 | P52660-01-UM1 | EA | CABINET - HAMPER/STORAGE-WO COUNTERTOP/DOORS/DRAWERS/HDW - CONCERT CHERRY |
| 4 | P52660-01-T79 | EA | CABINET - HAMPER/STORAGE-WO COUNTERTOP/DOORS/DRAWERS/HDW - WASHED MAPLE |
| 4 | P52660-01-T80 | EA | CABINET - HAMPER/STORAGE-WO COUNTERTOP/DOORS/DRAWERS/HDW - SIERRA MAPLE |
| 4 | P52660-02-UM1 | EA | CABINET - HAMPER/STORAGE-W/O CNTRTP/DRS/DWR/HDW - CONCERT CHERRY - WASHER DRYER |
| 4 | P52660-02-T79 | EA | CABINET - HAMPER/STORAGE-W/O CNTRTP/DRS/DWR/HDW - WASHED MAPLE - WASHER DRYER |
| 4 | P52660-02-T80 | EA | CABINET - HAMPER/STORAGE-W/O CNTRTP/DRS/DWR/HDW - SIERRA MAPLE - WASHER DRYER |
| 5 | 152660-20-T78 | EA | SHELF - W/MOLDING - CONCERT CHERRY |
| 5 | 152660-20-T79 | EA | SHELF - W/MOLDING - WASHED MAPLE |
| 5 | 152660-20-T80 | EA | SHELF - W/MOLDING - SIERRA MAPLE |
| 6 | 140889-45-U90 | EA | COUNTERTOP - LAMINATED - CONCERT CHERRY |
| 6 | 140889-45-U91 | EA | COUNTERTOP - LAMINATED - WASHED MAPLE |
| 6 | 140889-45-U92 | EA | COUNTERTOP - LAMINATED - SIERRA MAPLE |
| 7 | 151954-06-02B | EA | BRACKET/HOLD DOWN - TV - E-COATED |
| 8 | 159879-01-02B | EA | ZEE BRACKET W/HOLES |
| 9 | 159997-03-WA0 | EA | CABINET - OVERHEAD/TV/REAR/RH - W/O DOORS/HDW- CONCERT CHERRY |
| 9 | 159997-03-W91 | EA | CABINET - OVERHEAD/TV/REAR/RH - W/O DOORS/HARDWARE - WASHED MAPLE |
| 9 | 159997-03-W92 | EA | CABINET - OVERHEAD/TV/REAR/RH - W/O DOORS/HARDWARE - SIERRA MAPLE |
| 10 | 164224-01-02B | EA | BRACKET - TV - 32" - E-COATED |
| 11 | 149677-11-T78 | EA | TABLE TOP ONLY - ROUND DROP LEAF - W/O PEDESTAL - CONCERT CHERRY |
| 11 | 149677-11-T79 | EA | TABLE TOP ONLY - ROUND DROP LEAF - W/O PEDESTAL - WASHED MAPLE |
| 11 | 149677-11-T00 | EA | TABLE TOP ONLY - ROUND DROP LEAF - W/O PEDESTAL - SIERRA MAPLE |

CABINET & APPLIANCE GROUP (CONTINUED)
CABINET & APPLIANCE LAYOUT (CONTINUED)

| KEY | PART NUMBER | U/M | DESCRIPTION |
|-----|---------------|-----|---|
| 12 | 149677-13-S65 | EA | PEDESTAL - TABLE LEG - CONCERT CHERRY |
| 12 | 149677-13-S66 | EA | PEDESTAL - TABLE LEG - WASHED MAPLE |
| 12 | 149677-13-S67 | EA | PEDESTAL - TABLE LEG - SIERRA MAPLE |
| 13 | 149810-01-02B | EA | BASE/FRAME - F/TABLE PEDESTAL - E-COATED |
| 14 | P64278-01-WA0 | EA | CABINET - TV/RIGHT HAND - W/O DOORS/HDW - CONCERT CHERRY |
| 14 | P64278-01-W91 | EA | CABINET - TV/RIGHT HAND - W/O DOORS/HDW - WASHED MAPLE |
| 14 | P64278-01-W92 | EA | CABINET - TV/RIGHT HAND - W/O DOORS/HDW - SIERRA MAPLE |
| 15 | 115075-03-000 | FT | SEAL - WIPE - .25" X 2.9" |
| 16 | 147994-03-02B | EA | BRACKET - TV - E-COATED |
| 17 | 160187-01-UM1 | EA | CABINET - OVERHEAD/ENTERTAINMENT CENTER - W/O DOORS/HDW - CONCERT CHERRY |
| 17 | 160187-01-U91 | EA | CABINET - OVERHEAD/ENTERTAINMENT CENTER - W/O DOORS/HDW - WASHED MAPLE |
| 17 | 160187-01-U92 | EA | CABINET - OVERHEAD/ENTERTAINMENT CENTER - W/O DOORS/HDW - SIERRA MAPLE |
| 18 | 152303-01-WB4 | EA | CABINET - STORAGE - W/O DOORS/HARDWARE |
| 18 | 152303-01-WB5 | EA | CABINET - STORAGE - W/O DOORS/HARDWARE |
| 18 | 152303-01-WB6 | EA | CABINET - STORAGE - W/O DOORS/HARDWARE |
| 18 | 152303-01-WC0 | EA | CABINET - STORAGE - W/O DOORS/HARDWARE |
| 18 | 152303-01-WC1 | EA | CABINET - STORAGE - W/O DOORS/HARDWARE |
| 18 | 152303-01-WC2 | EA | CABINET - STORAGE - W/O DOORS/HARDWARE |
| 18 | 152303-01-WC4 | EA | CABINET - STORAGE - W/O DOORS/HARDWARE |
| 18 | 152303-01-WC5 | EA | CABINET - STORAGE - W/O DOORS/HARDWARE |
| 18 | 152303-01-WC6 | EA | CABINET - STORAGE - W/O DOORS/HARDWARE |
| 19 | 140889-20-S65 | EA | COUNTERTOP - ENTERTAINMENT CENTER - EGGSHELL/CHERRY - CONCERT CHERRY |
| 19 | 140889-20-S74 | EA | COUNTERTOP - ENTERTAINMENT CENTER -HRD ROCK MPL/WASHED MPL - WASHED MAPLE |
| 19 | 140889-20-S67 | EA | COUNTERTOP - ENTERTAINMENT CENTER - EGGSHELL/SIERRA MAPLE - SIERRA MAPLE |
| 20 | 153343-01-SD1 | EA | CABINET - PANTRY/SLIDE - W/O DOORS/DRAWERS/HDW - CONCERT CHERRY |
| 20 | 153343-01-SD2 | EA | CABINET - PANTRY/SLIDE - W/O DOORS/DRAWERS/HDW - WASHED MAPLE |
| 20 | 153343-01-S67 | EA | CABINET - PANTRY/SLIDE - W/O DOORS/DRAWERS/HDW - SIERRA MAPLE |
| 21 | 153343-21-SD1 | EA | SHELF - W/WOOD MOLDING - CONCERT CHERRY |
| 21 | 153343-21-SD2 | EA | SHELF - W/WOOD MOLDING - WASHED MAPLE |
| 21 | 153343-21-S67 | EA | SHELF - W/WOOD MOLDING - SIERRA MAPLE |
| 22 | 153343-03-SD1 | EA | CABINET - PANTRY/SLIDE - W/O DOORS/DRAWERS/HDW - CONCERT CHERRY |
| 22 | 153343-03-SD2 | EA | CABINET - PANTRY/SLIDE - W/O DOORS/DRAWERS/HDW - WASHED MAPLE |
| 22 | 153343-03-S67 | EA | CABINET - PANTRY/SLIDE - W/O DOORS/DRAWERS/HDW - SIERRA MAPLE |
| 23 | 153343-27-SD1 | EA | SHELF - W/WOOD MOLDING - CONCERT CHERRY |
| 23 | 153343-27-SD2 | EA | SHELF - W/WOOD MOLDING - WASHED MAPLE |
| 23 | 153343-27-S67 | EA | SHELF - W/WOOD MOLDING - SIERRA MAPLE |
| 24 | | | REFRIGERATOR CABINET SEALS |
| | 090329-01-000 | FT | SEAL - "T" - REFRIGERATOR CABINET |
| | 100128-02-000 | FT | SEAL - FOAM/ADHESIVE BACK - .37" WIDE X .37" THICK X 60' |
| | 154585-02-01A | FT | SEAL - FOAM TAPE - ADHESIVE BACK - 3/4" X 1/2" - BLACK |
| 25 | 156788-01-WB4 | EA | CABINET - OVERHEAD/LIGHT - W/O DOORS/HDW |
| 25 | 156788-01-WB5 | EA | CABINET - OVERHEAD/LIGHT - W/O DOORS/HDW |
| 25 | 156788-01-WB6 | EA | CABINET - OVERHEAD/LIGHT - W/O DOORS/HDW |
| 25 | 156788-01-WC0 | EA | CABINET - OVERHEAD/LIGHT - W/O DOORS/HDW |
| 25 | 156788-01-WC1 | EA | CABINET - OVERHEAD/LIGHT - W/O DOORS/HDW |
| 25 | 156788-01-WC2 | EA | CABINET - OVERHEAD/LIGHT - W/O DOORS/HDW |
| 25 | 156788-01-WC4 | EA | CABINET - OVERHEAD/LIGHT - W/O DOORS/HDW |
| 25 | 156788-01-WC5 | EA | CABINET - OVERHEAD/LIGHT - W/O DOORS/HDW |
| 25 | 156788-01-WC6 | EA | CABINET - OVERHEAD/LIGHT - W/O DOORS/HDW |
| 26 | 162378-02-WB4 | EA | CABINET - OVERHEAD/ENTRY DOOR - W/O DOORS/HDW - CONCERT CHERRY |
| 26 | 162378-02-WB5 | EA | CABINET - OVERHEAD/ENTRY DOOR - W/O DOORS/HDW - WASHED MAPLE |
| 26 | 162378-02-WB6 | EA | CABINET - OVERHEAD/ENTRY DOOR - W/O DOORS/HDW - SIERRA MAPLE |
| 27 | 152988-01-T78 | EA | MOLDING - TRIM - SLIDEOUT/CORNER - CONCERT CHERRY |
| 27 | 152988-01-T79 | EA | MOLDING - TRIM - SLIDEOUT/CORNER - WASHED MAPLE |
| 27 | 152988-01-T80 | EA | MOLDING - TRIM - SLIDEOUT/CORNER - SIERRA MAPLE |
| 28 | 154102-03-01A | EA | INSERT/LAMINATE - 2.3" X 5.5" - SATIN OXID |
| 29 | 146807-03-04B | EA | PANEL - ENTERTAINMENT - BLACK |

***COMPONENT PARTS LISTED LATER IN THIS GROUP**

CABINET & APPLIANCE GROUP (CONTINUED)
CABINET & APPLIANCE LAYOUT (CONTINUED)



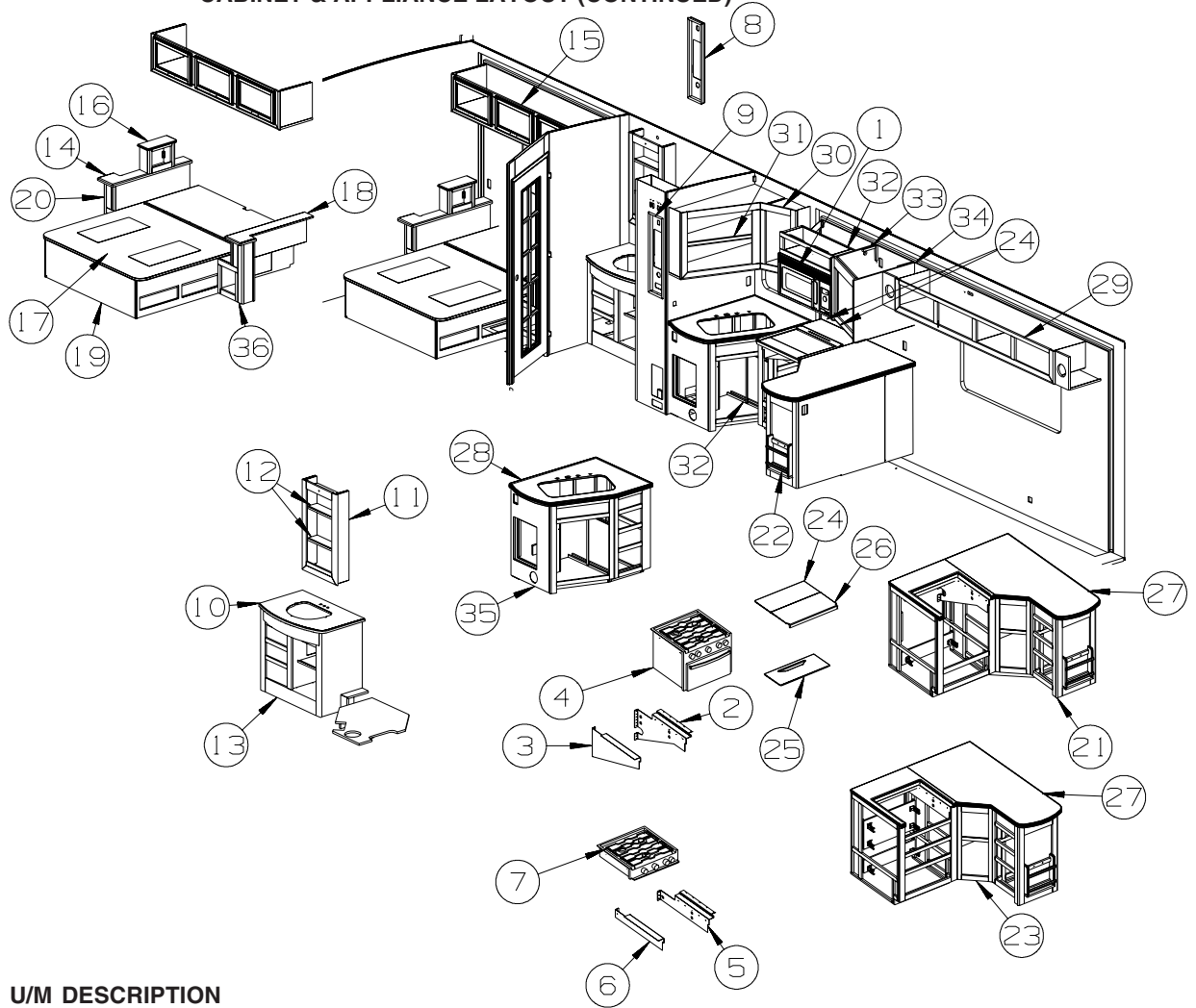
| KEY | PART NUMBER | U/M | DESCRIPTION |
|-----|---------------|-----|--|
| 1 | 161082-56-WB4 | EA | FACE /DRAWER - SOLID PANEL - 6.1" X 13" - W/O HDW - CONCERT CHERRY |
| 1 | 161082-56-WB5 | EA | FACE /DRAWER - SOLID PANEL - 6.1" X 13" - W/O HDW - WASHED MAPLE |
| 1 | 161082-56-WB6 | EA | FACE /DRAWER - SOLID PANEL - 6.1" X 13" - W/O HDW - SIERRA MAPLE |
| 2 | 141993-03-P64 | EA | FRAME/PICTURE - F/BATH DOOR - 15" X 27.8" - CONCERT CHERRY |
| 2 | 141993-03-P28 | EA | FRAME/PICTURE - F/BATH DOOR - 15" X 27.8" - WASHED MAPLE |
| 2 | 141993-03-S67 | EA | FRAME/PICTURE - F/BATH DOOR - 15" X 27.8" - SIERRA MAPLE |
| 3 | 153095-01-T78 | EA | DOOR - BATH - 25.6" X 75.7" - W/O HDW - CONCERT CHERRY |
| 3 | 153095-01-T79 | EA | DOOR - BATH - 25.6" X 75.7" - W/O HDW - WASHED MAPLE |
| 3 | 153095-01-T80 | EA | DOOR - BATH - 25.6" X 75.7" - W/O HDW - SIERRA MAPLE |
| 4 | 064467-01-000 | EA | GUIDE - POCKET - SLIDING DOOR - WALL MOUNTED |
| 5 | 145608-16-01A | EA | TRACK - DOOR - 54" - OFF WHITE |
| 6 | 153092-02-T78 | EA | DOOR - SLIDING - W/O HARDWARE - CONCERT CHERRY |
| 6 | 153092-02-T79 | EA | DOOR - SLIDING - W/O HARDWARE - WASHED MAPLE |
| 6 | 153092-02-T80 | EA | DOOR - SLIDING - W/O HARDWARE - SIERRA MAPLE |
| 7 | 160268-A0-WB4 | EA | DOOR - FLAT PANEL/SQUARE EDGE - 14.4" X 14.4" - W/O HDW - CONCERT CHERRY |
| 7 | 160268-A0-WB5 | EA | DOOR - FLAT PANEL/SQUARE EDGE - 14.4" X 14.4" - W/O HDW - WASHED MAPLE |
| 7 | 160268-A0-WB6 | EA | DOOR - FLAT PANEL/SQUARE EDGE - 14.4" X 14.4" - W/O HDW - SIERRA MAPLE |
| 8 | 160268-20-WB4 | EA | DOOR - FLAT PANEL/SQUARE EDGE - 9.8" X 33.4" - W/O HDW - CONCERT CHERRY |
| 8 | 160268-20-WB5 | EA | DOOR - FLAT PANEL/SQUARE EDGE - 9.8" X 33.4" - W/O HDW - WASHED MAPLE |
| 8 | 160268-20-WB6 | EA | DOOR - FLAT PANEL/SQUARE EDGE - 9.8" X 33.4" - W/O HDW - SIERRA MAPLE |
| 9 | 160268-21-WB4 | EA | DOOR - FLAT PANEL/SQUARE EDGE - 9.8" X 33.4" - W/O HDW - CONCERT CHERRY |
| 9 | 160268-21-WB5 | EA | DOOR - FLAT PANEL/SQUARE EDGE - 9.8" X 33.4" - W/O HDW - WASHED MAPLE |
| 9 | 160268-21-WB6 | EA | DOOR - FLAT PANEL/SQUARE EDGE - 9.8" X 33.4" - W/O HDW - SIERRA MAPLE |
| 10 | 160268-36-WB4 | EA | DOOR - FLAT PANEL/SQUARE EDGE - 10.6" X 19.9" - W/O HDW - CONCERT CHERRY |
| 10 | 160268-36-WB5 | EA | DOOR - FLAT PANEL/SQUARE EDGE - 10.6" X 19.9" - W/O HDW - WASHED MAPLE |
| 10 | 160268-36-WB6 | EA | DOOR - FLAT PANEL/SQUARE EDGE - 10.6" X 19.9" - W/O HDW - SIERRA MAPLE |
| 11 | 160268-35-WB4 | EA | DOOR - FLAT PANEL/SQUARE EDGE - 10.6" X 19.9" - W/O HDW - CONCERT CHERRY |
| 11 | 160268-35-WB5 | EA | DOOR - FLAT PANEL/SQUARE EDGE - 10.6" X 19.9" - W/O HDW - WASHED MAPLE |
| 11 | 160268-35-WB6 | EA | DOOR - FLAT PANEL/SQUARE EDGE - 10.6" X 19.9" - W/O HDW - SIERRA MAPLE |
| 12 | 160268-F3-WB4 | EA | DOOR - FLAT PANEL/SQUARE EDGE - 16.5" X 10.8" - W/O HDW - CONCERT CHERRY |
| 12 | 160268-F3-WB5 | EA | DOOR - FLAT PANEL/SQUARE EDGE - 16.5" X 10.8" - W/O HDW - WASHED MAPLE |
| 12 | 160268-F3-WB6 | EA | DOOR - FLAT PANEL/SQUARE EDGE - 16.5" X 10.8" - W/O HDW - SIERRA MAPLE |

CABINET & APPLIANCE GROUP (CONTINUED)
CABINET & APPLIANCE LAYOUT (CONTINUED)

| KEY | PART NUMBER | U/M | DESCRIPTION |
|-----|---------------|-----|--|
| 13 | 160268-F1-WB4 | EA | DOOR - FLAT PANEL/SQUARE EDGE - 9.8" X 42.1" - W/O HDW - CONCERT CHERRY |
| 13 | 160268-F1-WB5 | EA | DOOR - FLAT PANEL/SQUARE EDGE - 9.8" X 42.1" - W/O HDW - WASHED MAPLE |
| 13 | 160268-F1-WB6 | EA | DOOR - FLAT PANEL/SQUARE EDGE - 9.8" X 42.1" - W/O HDW - SIERRA MAPLE |
| 14 | 154289-12-WB4 | EA | DOOR - RAISED/HARDWOOD/BROKEN EDGE - 7.9" X 30.3" - W/O HDW - CONCERT CHERRY |
| 14 | 154289-12-WB5 | EA | DOOR - RAISED/HARDWOOD/BROKEN EDGE - 7.9" X 30.3" - W/O HDW - WASHED MAPLE |
| 14 | 154289-12-WB6 | EA | DOOR - RAISED/HARDWOOD/BROKEN EDGE - 7.9" X 30.3" - W/O HDW - SIERRA MAPLE |
| 15 | 145298-86-WB4 | EA | DOOR - SOLID PANEL/BROKEN EDGE - 5.9" X 41.9" - W/O HDW - CONCERT CHERRY |
| 15 | 145298-86-WB5 | EA | DOOR - SOLID PANEL/BROKEN EDGE - 5.9" X 41.9" - W/O HDW - WASHED MAPLE |
| 15 | 145298-86-WB6 | EA | DOOR - SOLID PANEL/BROKEN EDGE - 5.9" X 41.9" - W/O HDW - SIERRA MAPLE |
| 16 | 154289-11-WB4 | EA | DOOR - RAISED/HARDWOOD/BROKEN EDGE - 7.9" X 30.3" - W/O HDW - CONCERT CHERRY |
| 16 | 154289-11-WB5 | EA | DOOR - RAISED/HARDWOOD/BROKEN EDGE - 7.9" X 30.3" - W/O HDW - WASHED MAPLE |
| 16 | 154289-11-WB6 | EA | DOOR - RAISED/HARDWOOD/BROKEN EDGE - 7.9" X 30.3" - W/O HDW - SIERRA MAPLE |
| 17 | 160268-09-WB4 | EA | DOOR - FLAT PANEL/SQUARE EDGE - 9.2" X 21.8" - W/O HDW - CONCERT CHERRY |
| 17 | 160268-09-WB5 | EA | DOOR - FLAT PANEL/SQUARE EDGE - 9.2" X 21.8" - W/O HDW - WASHED MAPLE |
| 17 | 160268-09-WB6 | EA | DOOR - FLAT PANEL/SQUARE EDGE - 9.2" X 21.8" - W/O HDW - SIERRA MAPLE |
| 18 | 161215-01-WB4 | EA | DOOR - W/MIRROR - 16.7" X 54.4" - W/O HARDWARE - CONCERT CHERRY |
| 18 | 161215-01-WB5 | EA | DOOR - W/MIRROR - 16.7" X 54.4" - W/O HARDWARE - WASHED MAPLE |
| 18 | 161215-01-WB6 | EA | DOOR - W/MIRROR - 16.7" X 54.4" - W/O HARDWARE - SIERRA MAPLE |
| | 140374-88-000 | EA | MIRROR - SAFETY GLASS - 12.4" X 43.7" |
| | 076767-04-000 | EA | CABLE - STAINLESS STEEL - 5.9" |
| 19 | 160268-F0-WB4 | EA | DOOR - FLAT PANEL/SQUARE EDGE - 12.4" X 32.2" - W/O HDW - CONCERT CHERRY |
| 19 | 160268-F0-WB5 | EA | DOOR - FLAT PANEL/SQUARE EDGE - 12.4" X 32.2" - W/O HDW - WASHED MAPLE |
| 19 | 160268-F0-WB6 | EA | DOOR - FLAT PANEL/SQUARE EDGE - 12.4" X 32.2" - W/O HDW - SIERRA MAPLE |
| | 076767-04-000 | EA | CABLE - STAINLESS STEEL - 5.9" |
| 20 | 160268-E9-WB4 | EA | DOOR - FLAT PANEL/SQUARE EDGE - 12.4" X 32.2" - W/O HDW - CONCERT CHERRY |
| 20 | 160268-E9-WB5 | EA | DOOR - FLAT PANEL/SQUARE EDGE - 12.4" X 32.2" - W/O HDW - WASHED MAPLE |
| 20 | 160268-E9-WB6 | EA | DOOR - FLAT PANEL/SQUARE EDGE - 12.4" X 32.2" - W/O HDW - SIERRA MAPLE |
| 21 | 161605-24-WB4 | EA | DOOR - FLAT PANEL/SQUARE EDGE - 15.7" X 20.4" - W/O HDW - CONCERT CHERRY |
| 21 | 161605-24-WB5 | EA | DOOR - FLAT PANEL/SQUARE EDGE - 15.7" X 20.4" - W/O HDW - WASHED MAPLE |
| 21 | 161605-24-WB6 | EA | DOOR - FLAT PANEL/SQUARE EDGE - 15.7" X 20.4" - W/O HDW - SIERRA MAPLE |
| 22 | 161077-19-WB4 | EA | DRAWER - BROKEN EDGE - 14.7"W X 21.6"D - W/O SLIDES/HDW - CONCERT CHERRY |
| 22 | 161077-19-WB5 | EA | DRAWER - BROKEN EDGE - 14.7"W X 21.6"D - W/O SLIDES/HDW - WASHED MAPLE |
| 22 | 161077-19-WB6 | EA | DRAWER - BROKEN EDGE - 14.7"W X 21.6"D - W/O SLIDES/HDW - SIERRA MAPLE |
| 23 | 161077-20-WB4 | EA | DRAWER - BROKEN EDGE - 14.7"W X 11.8"D - W/O SLIDES/HDW - CONCERT CHERRY |
| 23 | 161077-20-WB5 | EA | DRAWER - BROKEN EDGE - 14.7"W X 11.8"D - W/O SLIDES/HDW - WASHED MAPLE |
| 23 | 161077-20-WB6 | EA | DRAWER - BROKEN EDGE - 14.7"W X 11.8"D - W/O SLIDES/HDW - SIERRA MAPLE |
| 24 | 161077-52-WB4 | EA | DRAWER - BROKEN EDGE - 22.6"W X 17.7"D - W/O SLIDES/HDW - CONCERT CHERRY |
| 24 | 161077-52-WB5 | EA | DRAWER - BROKEN EDGE - 22.6"W X 17.7"D - W/O SLIDES/HDW - WASHED MAPLE |
| 24 | 161077-52-WB6 | EA | DRAWER - BROKEN EDGE - 22.6"W X 17.7"D - W/O SLIDES/HDW - SIERRA MAPLE |
| 25 | 161075-C6-WA0 | EA | DRAWER/BOX - W/O FACE - 17.9"W X 17.7"D - W/O SLIDES/HDW |
| 26 | 161605-25-WB4 | EA | DOOR - FLAT PANEL/SQUARE EDGE - 15.7" X 20.4" - W/O HDW - CONCERT CHERRY |
| 26 | 161605-25-WB5 | EA | DOOR - FLAT PANEL/SQUARE EDGE - 15.7" X 20.4" - W/O HDW - WASHED MAPLE |
| 26 | 161605-25-WB6 | EA | DOOR - FLAT PANEL/SQUARE EDGE - 15.7" X 20.4" - W/O HDW - SIERRA MAPLE |

CABINET & APPLIANCE GROUP (CONTINUED)

CABINET & APPLIANCE LAYOUT (CONTINUED)



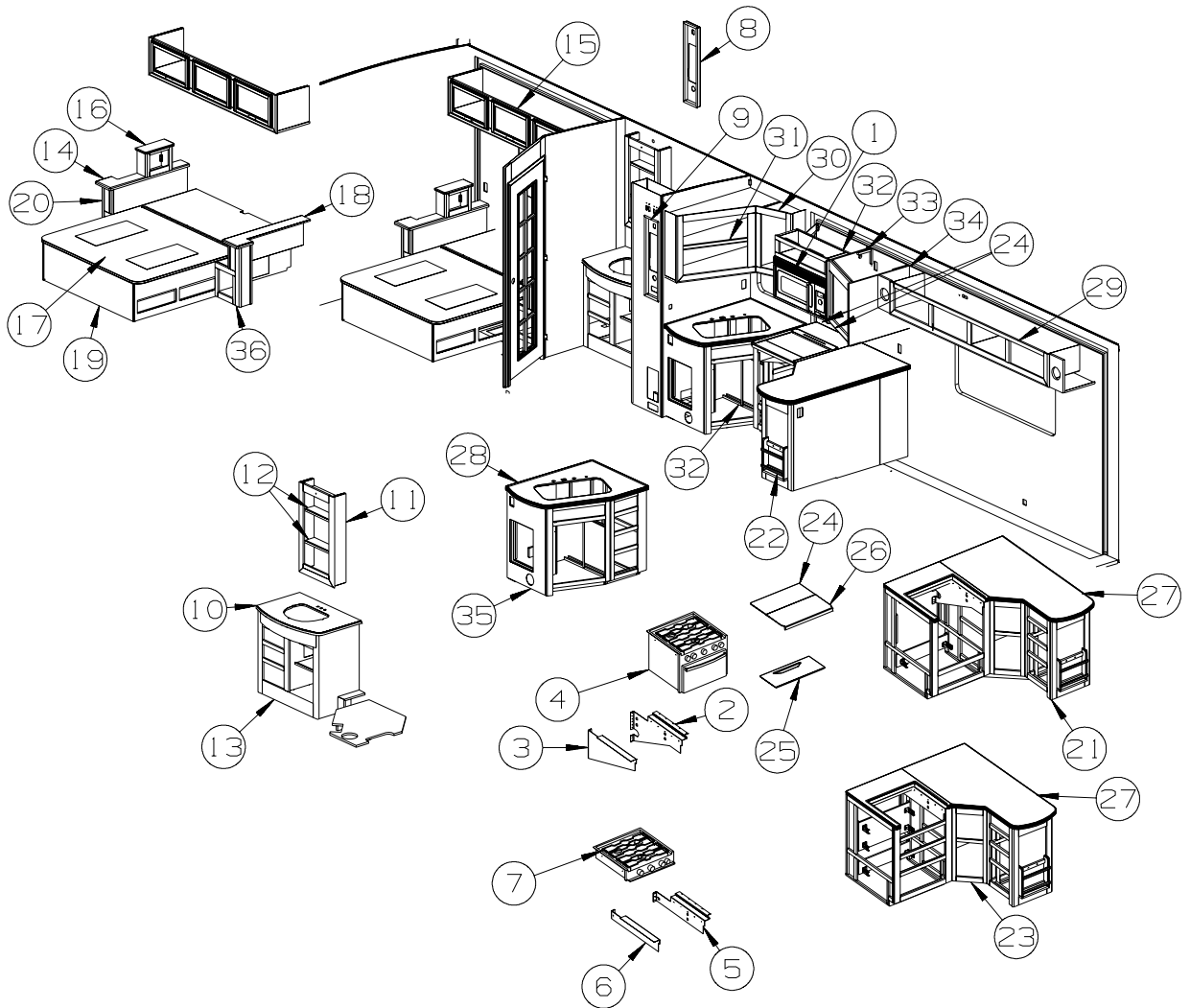
| KEY | PART NUMBER | U/M | DESCRIPTION |
|-----|---------------|-----|--|
| 1* | 119267-17-01A | EA | OVEN - MICROWAVE/CONVECTION W/HOOD US - #R-1880LST |
| 2 | 136382-46-02B | EA | BRACKET - TIEDOWN - OVEN - E-COATED |
| 3 | 136382-47-02B | EA | BRACKET - TIEDOWN - OVEN - E-COATED |
| 4* | 151279-02-01A | EA | RANGE-22"-3 BURNER/SEALED-MERCURY FREE-BLK DOOR/GLASS - RANGE W/OVEN |
| 4* | 151279-03-01A | EA | RANGE-22"-3 BURNER/SEALED-MERCURY FREE-BLK DOOR/GLASS - RANGE W/OVEN/ CANADIAN |
| 5 | 106936-74-02B | EA | BRACKET - TIEDOWN - RANGE/FRONT - E-COATED |
| 6 | 106936-75-02B | EA | BRACKET - TIEDOWN - RANGE/FRONT - E-COATED |
| 7* | 135065-03-01A | EA | RANGE-3 BURNER (SEALED)-W/O OVEN-NEW STYLE KNOBS-BLK GLASS |
| 7* | 135065-04-01A | EA | RANGE - 3 BURNER (SEALED) - W/O OVEN - CSA - BLACK TOP - CANADIAN |
| | 109506-12-000 | EA | FILM/ABRASION-RESISTANT - TRANSPARENT - 1" DIA. |
| 8 | 137602-F7-T60 | EA | POCKET - MONITOR PANEL - CONCERT CHERRY |
| 8 | 137602-F7-T61 | EA | POCKET - MONITOR PANEL - WASHED MAPLE |
| 8 | 137602-F7-TP0 | EA | POCKET - MONITOR PANEL - SIERRA MAPLE |
| 9 | 137602-F5-T60 | EA | POCKET - MONITOR PANEL - CONCERT CHERRY - DC/AC INVERTER |
| 9 | 137602-F5-T61 | EA | POCKET - MONITOR PANEL - WASHED MAPLE - DC/AC INVERTER |
| 9 | 137602-F5-TP0 | EA | POCKET - MONITOR PANEL - SIERRA MAPLE - DC/AC INVERTER |
| 10 | 163369-01-WA0 | EA | COUNTERTOP - LAVATORY (WB4, WB5, WB6) |
| 10 | 163369-01-WC0 | EA | COUNTERTOP - LAVATORY (WC0, WC1, WC2) |
| 10 | 163369-01-WA4 | EA | COUNTERTOP - LAVATORY (WC4, WC5, WC5) |
| 11 | 158160-01-UM1 | EA | CABINET - OVERHEAD/MEDICINE - W/O DOORS/HDW - CONCERT CHERRY |
| 11 | 158160-01-U67 | EA | CABINET - OVERHEAD/MEDICINE - W/O DOORS/HDW - WASHED MAPLE |
| 11 | 158160-01-U68 | EA | CABINET - OVERHEAD/MEDICINE - W/O DOORS/HDW - SIERRA MAPLE |
| 12 | 158160-16-U90 | EA | SHELF - W/PLASTIC EDGE MOLDING - CONCERT CHERRY |
| 12 | 158160-16-U67 | EA | SHELF - W/PLASTIC EDGE MOLDING - WASHED MAPLE |
| 12 | 158160-16-U68 | EA | SHELF - W/PLASTIC EDGE MOLDING - SIERRA MAPLE |
| 13 | P53387-01-UM1 | EA | CABINET - LAVATORY - W/O COUNTERTOP/DOORS/DWR/HDW - CONCERT CHERRY |
| 13 | P53387-01-T79 | EA | CABINET - LAVATORY - W/O COUNTERTOP/DOORS/DRAWERS/HDW - WASHED MAPLE |
| 13 | P53387-01-T80 | EA | CABINET - LAVATORY - W/O COUNTERTOP/DOORS/DRAWERS/HDW - SIERRA MAPLE |

CABINET & APPLIANCE GROUP (CONTINUED)
CABINET & APPLIANCE LAYOUT (CONTINUED)

| KEY | PART NUMBER | U/M | DESCRIPTION |
|-----|---------------|-----|--|
| 14 | 145182-41-UA1 | EA | COUNTERTOP - LAMINATED - CONCERT CHERRY |
| 14 | 145182-41-UA2 | EA | COUNTERTOP - LAMINATED - WASHED MAPLE |
| 14 | 145182-41-UA3 | EA | COUNTERTOP - LAMINATED - SIERRA MAPLE |
| 14 | 145182-33-T90 | EA | COUNTERTOP - LAMINATED - CONCERT CHERRY - REAR STEREO |
| 14 | 145182-33-T91 | EA | COUNTERTOP - LAMINATED - WASHED MAPLE - REAR STEREO |
| 14 | 145182-33-T92 | EA | COUNTERTOP - LAMINATED - SIERRA MAPLE - REAR STEREO |
| 15 | 156643-01-UM1 | EA | CABINET - OVERHEAD/REAR/RIGHT HAND - W/O DOORS/HDW - CONCERT CHERRY |
| 15 | 156643-01-U91 | EA | CABINET - OVERHEAD/REAR/RIGHT HAND - W/O DOORS/HDW - WASHED MAPLE |
| 15 | 156643-01-U92 | EA | CABINET - OVERHEAD/REAR/RIGHT HAND - W/O DOORS/HDW - SIERRA MAPLE |
| 15 | 156643-02-UM1 | EA | CABINET - OVERHEAD/REAR/RH - W/O DRS/HDW - CONCERT CHERRY - REAR STEREO W/CD/DVD |
| 15 | 156643-02-U91 | EA | CABINET - OVERHEAD/REAR/RH - W/O DRS/HDW - WASHED MAPLE - REAR STEREO W/CD/DVD |
| 15 | 156643-02-U92 | EA | CABINET - OVERHEAD/REAR/RH - W/O DRS/HDW - SIERRA MAPLE - REAR STEREO W/CD/DVD |
| 16 | 159136-01-U90 | EA | CABINET - RADIO - W/O HDW - CONCERT CHERRY |
| 16 | 159136-01-U91 | EA | CABINET - RADIO - W/O HDW - WASHED MAPLE |
| 16 | 159136-01-U92 | EA | CABINET - RADIO - W/O HDW - SIERRA MAPLE |
| 17 | 137406-01-N42 | EA | BEDBOARD - W/HINGE/T-MOLDING/SLIPNOT - FLIP-UP |
| | 096764-02-000 | FT | SLIPNOT - ANTISLIP - 1' WIDE (180' ROLLS) |
| 18 | 145182-35-T90 | EA | COUNTERTOP - LAMINATED - CONCERT CHERRY |
| 18 | 145182-35-T91 | EA | COUNTERTOP - LAMINATED - WASHED MAPLE |
| 18 | 145182-35-T92 | EA | COUNTERTOP - LAMINATED - SIERRA MAPLE |
| 19 | 149148-01-S65 | EA | CABINET/BASE - W/O DOORS/HARDWARE - F/QUEEN BED - CONCERT CHERRY |
| 19 | 149148-01-S66 | EA | CABINET/BASE - W/O DOORS/HARDWARE - F/QUEEN BED - WASHED MAPLE |
| 19 | 149148-01-S67 | EA | CABINET/BASE - W/O DOORS/HARDWARE - F/QUEEN BED - SIERRA MAPLE |
| 20 | 153246-01-UM1 | EA | CABINET - NIGHTSTAND/LH - W/O CNTRTP/DRS/DWR/HDW - CONCERT CHERRY |
| 20 | 153246-01-T79 | EA | CABINET - NIGHTSTAND/LH - W/O COUNTERTOP/DOORS/DRAWERS/HDW - WASHED MAPLE |
| 20 | 153246-01-T80 | EA | CABINET - NIGHTSTAND/LH - W/O COUNTERTOP/DOORS/DRAWERS/HDW - SIERRA MAPLE |
| 21 | P63183-01-WA0 | EA | CABINET - GALLEY - W/O COUNTERTOP/DOORS/DRAWERS/HDW - CONCERT CHERRY |
| 21 | P63183-01-WA1 | EA | CABINET - GALLEY - W/O COUNTERTOP/DOORS/DRAWERS/HDW - WASHED MAPLE |
| 21 | P63183-01-WA2 | EA | CABINET - GALLEY - W/O COUNTERTOP/DOORS/DRAWERS/HDW - SIERRA MAPLE |
| 22 | 140304-03-R39 | EA | CABINET - MAGAZINE RACK - CHERRY - CONCERT CHERRY |
| 22 | 140304-03-R46 | EA | CABINET - MAGAZINE RACK - WASHED MAPLE |
| 22 | 140304-03-S67 | EA | CABINET - MAGAZINE RACK - SIERRA MAPLE |
| 23 | P63183-02-WA0 | EA | CABINET - GALLEY - W/O COUNTERTOP/DOORS/DRAWERS/HDW - CONCERT CHERRY |
| 23 | P63183-02-WA1 | EA | CABINET - GALLEY - W/O COUNTERTOP/DOORS/DRAWERS/HDW - WASHED MAPLE |
| 23 | P63183-02-WA2 | EA | CABINET - GALLEY - W/O COUNTERTOP/DOORS/DRAWERS/HDW - SIERRA MAPLE |
| 24 | 161674-03-WA0 | EA | COVER - STOVE TOP - CORIAN (WB4, WB5, WB6) |
| 24 | 161674-03-WC0 | EA | COVER - STOVE TOP - CORIAN (WC0, WC1, WC2) |
| 24 | 161674-03-WA4 | EA | COVER - STOVE TOP - CORIAN (WC4, WC5, WC6) |
| 25 | 161674-04-WA0 | EA | COVER - STOVE TOP - CORIAN (WB4, WB5, WB6) - RANGE W/OVEN |
| 25 | 161674-04-WC0 | EA | COVER - STOVE TOP - CORIAN (WC0, WC1, WC2) - RANGE W/OVEN |
| 25 | 161674-04-WA4 | EA | COVER - STOVE TOP - CORIAN (WC4, WC5, WC6) - RANGE W/OVEN |
| 26 | 161674-10-WA0 | EA | COVER - STOVE TOP - CORIAN (WB4, WB5, WB6) |
| 26 | 161674-10-WC0 | EA | COVER - STOVE TOP - CORIAN (WC0, WC1, WC2) |
| 26 | 161674-10-WA4 | EA | COVER - STOVE TOP - CORIAN (WC4, WC5, WC6) |
| 27 | 163180-01-WA0 | EA | COUNTERTOP - GALLEY (WB4, WB5, WB6) |
| 27 | 163180-01-WC0 | EA | COUNTERTOP - GALLEY (WC0, WC1, WC2) |
| 27 | 163180-01-W91 | EA | COUNTERTOP - GALLEY (WC4, WC5, WC6) |
| 28 | 163147-01-WA0 | EA | COUNTERTOP - GALLEY (WB4, WB5, WB6) |
| 28 | 163147-01-WC0 | EA | COUNTERTOP - GALLEY (WC0, WC1, WC2) |
| 28 | 163147-01-WA4 | EA | COUNTERTOP - GALLEY (WC4, WC5, WC6) |
| 29 | 156649-01-UM1 | EA | CABINET - OVERHEAD/COUCH - W/O DOORS/HDW - CONCERT CHERRY |
| 29 | 156649-01-U91 | EA | CABINET - OVERHEAD/COUCH - W/O DOORS/HDW - WASHED MAPLE |
| 29 | 156649-01-U92 | EA | CABINET - OVERHEAD/COUCH - W/O DOORS/HDW - SIERRA MAPLE |
| 30 | 153127-02-UM1 | EA | CABINET - OVERHEAD/GALLEY/REAR - W/O DOORS/HDW - CONCERT CHERRY |
| 30 | 153127-02-U91 | EA | CABINET - OVERHEAD/GALLEY/REAR - W/O DOORS/HDW - WASHED MAPLE |
| 30 | 153127-02-U92 | EA | CABINET - OVERHEAD/GALLEY/REAR - W/O DOORS/HDW - SIERRA MAPLE |
| 31 | 153127-17-UM1 | EA | SHELF - CABINET - OVERHEAD/GALLEY/REAR - CONCERT CHERRY |
| 31 | 153127-17-T79 | EA | SHELF - CABINET - OVERHEAD/GALLEY/REAR - WASHED MAPLE |
| 31 | 153127-17-T80 | EA | SHELF - CABINET - OVERHEAD/GALLEY/REAR - SIERRA MAPLE |
| 32 | 163336-01-WA0 | EA | CABINET - OVERHEAD/MICROWAVE - W/O DOORS/HDW - CONCERT CHERRY |
| 32 | 163336-01-W91 | EA | CABINET - OVERHEAD/MICROWAVE - W/O DOORS/HDW - WASHED MAPLE |
| 32 | 163336-01-W92 | EA | CABINET - OVERHEAD/MICROWAVE - W/O DOORS/HDW - SIERRA MAPLE |

CABINET & APPLIANCE GROUP (CONTINUED)

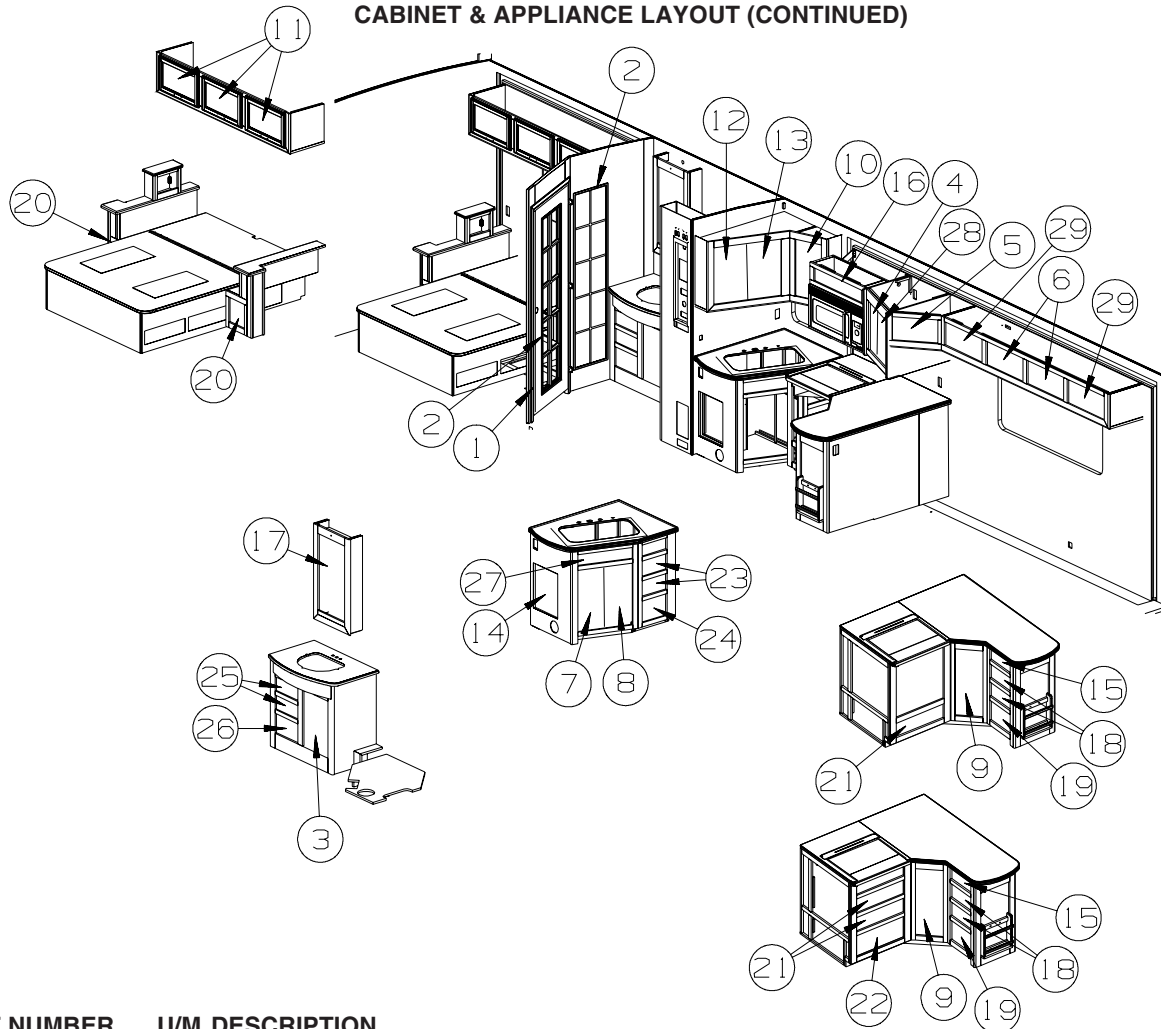
CABINET & APPLIANCE LAYOUT (CONTINUED)



| KEY | PART NUMBER | U/M | DESCRIPTION |
|-----|---------------|-----|--|
| 33 | 163336-28-WA0 | EA | END CAP - OVERHEAD CABINET - CONCERT CHERRY |
| 33 | 163336-28-WA1 | EA | END CAP - OVERHEAD CABINET - WASHED MAPLE |
| 33 | 163336-28-WA2 | EA | END CAP - OVERHEAD CABINET - SIERRA MAPLE |
| 34 | 163336-29-WA0 | EA | END CAP - OVERHEAD CABINET - CONCERT CHERRY |
| 34 | 163336-29-WA1 | EA | END CAP - OVERHEAD CABINET - WASHED MAPLE |
| 34 | 163336-29-WA2 | EA | END CAP - OVERHEAD CABINET - SIERRA MAPLE |
| 35 | P63280-01-WA0 | EA | CABINET - GALLEY - W/O COUNTERTOP/DRS/DRAWERS/HDW - CONCERT CHERRY |
| 35 | P63280-01-WA1 | EA | CABINET - GALLEY - W/O COUNTERTOP/DOORS/DRAWERS/HDW - WASHED MAPLE |
| 35 | P63280-01-WA2 | EA | CABINET - GALLEY - W/O COUNTERTOP/DOORS/DRAWERS/HDW - SIERRA MAPLE |
| | 057534-12-000 | EA | TIEBACK - CLEAR PLASTIC - 22" |
| 36 | 153246-02-UM1 | EA | CABINET - NIGHTSTAND - W/O COUNTERTOP/DOORS/DRAWERS/HDW - CONCERT CHERRY |
| 36 | 153246-02-T79 | EA | CABINET - NIGHTSTAND - W/O COUNTERTOP/DOORS/DRAWERS/HDW - WASHED MAPLE |
| 36 | 153246-02-T80 | EA | CABINET - NIGHTSTAND - W/O COUNTERTOP/DOORS/DRAWERS/HDW - SIERRA MAPLE |

CABINET & APPLIANCE GROUP (CONTINUED)

CABINET & APPLIANCE LAYOUT (CONTINUED)

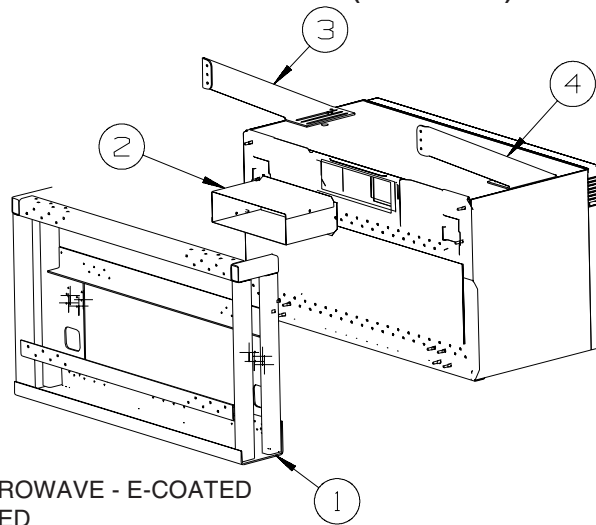


| KEY | PART NUMBER | U/M | DESCRIPTION |
|-----|---------------|-----|--|
| 1 | P47332-03-UM1 | EA | DOOR - (PASSAGE) - W/GLASS - W/O HARDWARE - CONCERT CHERRY |
| 1 | P47332-03-T79 | EA | DOOR - (PASSAGE) - W/GLASS - W/O HARDWAR - WASHED MAPLE |
| 1 | P47332-03-T80 | EA | DOOR - (PASSAGE) - W/GLASS - W/O HARDWARE - SIERRA MAPLE |
| 2 | 147399-01-R39 | EA | GLASS/INSERT - F/PASSAGE DOOR - BLACK CHERRY/CHERRY - CONCERT CHERRY |
| 2 | 147399-01-R46 | EA | GLASS/INSERT - F/PASSAGE DOOR - WASHED MAPLE |
| 2 | 147399-01-S67 | EA | GLASS/INSERT - F/PASSAGE DOOR - HONEY MAPLE - SIERRA MAPLE |
| 3 | 160268-C0-WB4 | EA | DOOR - FLAT PANEL/SQUARE EDGE - 15.3" X 25.6" - W/O HDW - CONCERT CHERRY |
| 3 | 160268-C0-WB5 | EA | DOOR - FLAT PANEL/SQUARE EDGE - 15.3" X 25.6" - W/O HDW - WASHED MAPLE |
| 3 | 160268-C0-WB6 | EA | DOOR - FLAT PANEL/SQUARE EDGE - 15.3" X 25.6" - W/O HDW - SIERRA MAPLE |
| 4 | 161605-18-WB4 | EA | DOOR - FLAT PANEL/SQUARE EDGE - 10" X 19.1" - W/O HDW - CONCERT CHERRY |
| 4 | 161605-18-WB5 | EA | DOOR - FLAT PANEL/SQUARE EDGE - 10" X 19.1" - W/O HDW - WASHED MAPLE |
| 4 | 161605-18-WB6 | EA | DOOR - FLAT PANEL/SQUARE EDGE - 10" X 19.1" - W/O HDW - SIERRA MAPLE |
| 5 | 160268-37-WB4 | EA | DOOR - FLAT PANEL/SQUARE EDGE - 10.8" X 16.5" - W/O HDW - CONCERT CHERRY |
| 5 | 160268-37-WB5 | EA | DOOR - FLAT PANEL/SQUARE EDGE - 10.8" X 16.5" - W/O HDW - WASHED MAPLE |
| 5 | 160268-37-WB6 | EA | DOOR - FLAT PANEL/SQUARE EDGE - 10.8" X 16.5" - W/O HDW - SIERRA MAPLE |
| 6 | 161605-20-WB4 | EA | DOOR - FLAT PANEL/SQUARE EDGE - 10.8" X 21.8" - W/O HDW - CONCERT CHERRY |
| 6 | 161605-20-WB5 | EA | DOOR - FLAT PANEL/SQUARE EDGE - 10.8" X 21.8" - W/O HDW - WASHED MAPLE |
| 6 | 161605-20-WB6 | EA | DOOR - FLAT PANEL/SQUARE EDGE - 10.8" X 21.8" - W/O HDW - SIERRA MAPLE |
| 7 | 160268-44-WB4 | EA | DOOR - FLAT PANEL/SQUARE EDGE - 10.8" X 23.8" - W/O HDW - CONCERT CHERRY |
| 7 | 160268-44-WB5 | EA | DOOR - FLAT PANEL/SQUARE EDGE - 10.8" X 23.8" - W/O HDW - WASHED MAPLE |
| 7 | 160268-44-WB6 | EA | DOOR - FLAT PANEL/SQUARE EDGE - 10.8" X 23.8" - W/O HDW - SIERRA MAPLE |
| 8 | 160268-45-WB4 | EA | DOOR - FLAT PANEL/SQUARE EDGE - 10.8" X 23.8" - W/O HDW - CONCERT CHERRY |
| 8 | 160268-45-WB5 | EA | DOOR - FLAT PANEL/SQUARE EDGE - 10.8" X 23.8" - W/O HDW - WASHED MAPLE |
| 8 | 160268-45-WB6 | EA | DOOR - FLAT PANEL/SQUARE EDGE - 10.8" X 23.8" - W/O HDW - SIERRA MAPLE |
| 9 | 160268-48-WB4 | EA | DOOR - FLAT PANEL/SQUARE EDGE - 10.8" X 27.9" - W/O HDW - CONCERT CHERRY |
| 9 | 160268-48-WB5 | EA | DOOR - FLAT PANEL/SQUARE EDGE - 10.8" X 27.9" - W/O HDW - WASHED MAPLE |
| 9 | 160268-48-WB6 | EA | DOOR - FLAT PANEL/SQUARE EDGE - 10.8" X 27.9" - W/O HDW - SIERRA MAPLE |
| 10 | 161605-06-WB4 | EA | DOOR - FLAT PANEL/SQUARE EDGE - 12" X 21.8" - W/O HDW - CONCERT CHERRY |
| 10 | 161605-06-WB5 | EA | DOOR - FLAT PANEL/SQUARE EDGE - 12" X 21.8" - W/O HDW - WASHED MAPLE |
| 10 | 161605-06-WB6 | EA | DOOR - FLAT PANEL/SQUARE EDGE - 12" X 21.8" - W/O HDW - SIERRA MAPLE |

CABINET & APPLIANCE GROUP (CONTINUED)
CABINET & APPLIANCE LAYOUT (CONTINUED)

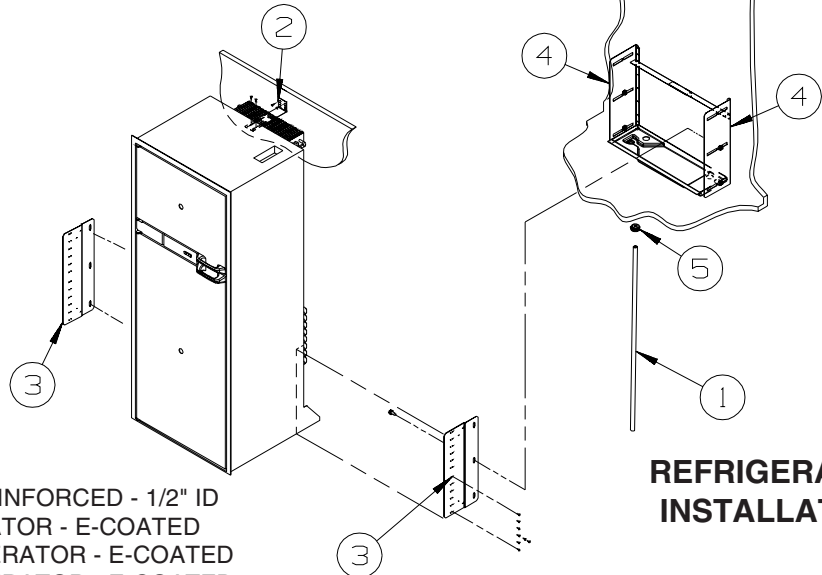
| KEY | PART NUMBER | U/M | DESCRIPTION |
|-----|---------------|-----|--|
| 11 | 160268-85-WB4 | EA | DOOR - FLAT PANEL/SQUARE EDGE - 12.8" X 21.8" - W/O HDW - CONCERT CHERRY |
| 11 | 160268-85-WB5 | EA | DOOR - FLAT PANEL/SQUARE EDGE - 12.8" X 21.8" - W/O HDW - WASHED MAPLE |
| 11 | 160268-85-WB6 | EA | DOOR - FLAT PANEL/SQUARE EDGE - 12.8" X 21.8" - W/O HDW - SIERRA MAPLE |
| 12 | 161605-16-WB4 | EA | DOOR - FLAT PANEL/SQUARE EDGE - 12.8" X 21.8" - W/O HDW - CONCERT CHERRY |
| 12 | 161605-16-WB5 | EA | DOOR - FLAT PANEL/SQUARE EDGE - 12.8" X 21.8" - W/O HDW - WASHED MAPLE |
| 12 | 161605-16-WB6 | EA | DOOR - FLAT PANEL/SQUARE EDGE - 12.8" X 21.8" - W/O HDW - SIERRA MAPLE |
| 13 | 161605-17-WB4 | EA | DOOR - FLAT PANEL/SQUARE EDGE - 12.8" X 21.8" - W/O HDW - CONCERT CHERRY |
| 13 | 161605-17-WB5 | EA | DOOR - FLAT PANEL/SQUARE EDGE - 12.8" X 21.8" - W/O HDW - WASHED MAPLE |
| 13 | 161605-17-WB6 | EA | DOOR - FLAT PANEL/SQUARE EDGE - 12.8" X 21.8" - W/O HDW - W/O HDW - SIERRA MAPLE |
| 14 | 160268-A4-WB4 | EA | DOOR - FLAT PANEL/SQUARE EDGE - 14.3" X 17.9" - W/O HDW - CONCERT CHERRY |
| 14 | 160268-A4-WB5 | EA | DOOR - FLAT PANEL/SQUARE EDGE - 14.3" X 17.9" - W/O HDW - WASHED MAPLE |
| 14 | 160268-A4-WB6 | EA | DOOR - FLAT PANEL/SQUARE EDGE - 14.3" X 17.9" - W/O HDW - SIERRA MAPLE |
| 15 | 161082-95-WB4 | EA | FACE/DRAWER - SOLID PANEL - 3.5" X 13"-W/O HDW - CONCERT CHERRY |
| 15 | 161082-95-WB5 | EA | FACE/DRAWER - SOLID PANEL - 3.5" X 13"-W/O HDW - WASHED MAPLE |
| 15 | 161082-95-WB6 | EA | FACE/DRAWER - SOLID PANE - 3.5" X 13"-W/O HDW - SIERRA MAPLE |
| 16 | 145298-87-WB4 | EA | DOOR - SOLID PANEL/BROKEN EDGE - 5.9" X 27.5" - W/O HDW - CONCERT CHERRY |
| 16 | 145298-87-WB5 | EA | DOOR - SOLID PANEL/BROKEN EDGE - 5.9" X 27.5" - W/O HDW - WASHED MAPLE |
| 16 | 145298-87-WB6 | EA | DOOR - SOLID PANEL/BROKEN EDGE - 5.9" X 27.5" - W/O HDW - SIERRA MAPLE |
| 17 | 145576-B1-T90 | EA | DOOR - MIRRORED - 15.6" X 29.5" - W/O HARDWARE - CONCERT CHERRY |
| 17 | 145576-B1-T91 | EA | DOOR - MIRRORED - 15.6" X 29.5" - W/O HARDWARE - WASHED MAPLE |
| 17 | 145576-B1-T92 | EA | DOOR - MIRRORED - 15.6" X 29.5" - W/O HARDWARE - SIERRA MAPLE |
| | 093606-50-000 | EA | MIRROR - BEVELED EDGE - 15.6" X 29.5" |
| 18 | 161077-56-WB4 | EA | DRAWER - BROKEN EDGE - 10.8"W X 15.7"D - W/O SLIDES/HDW - CONCERT CHERRY |
| 18 | 161077-56-WB5 | EA | DRAWER - BROKEN EDGE - 10.8"W X 15.7"D - W/O SLIDES/HDW - WASHED MAPLE |
| 18 | 161077-56-WB6 | EA | DRAWER - BROKEN EDGE - 10.8"W X 15.7"D - W/O SLIDES/HDW - SIERRA MAPLE |
| 19 | 161077-53-WB4 | EA | DRAWER - BROKEN EDGE - 10.8"W X 15.7"D - W/O SLIDES/HDW - CONCERT CHERRY |
| 19 | 161077-53-WB5 | EA | DRAWER - BROKEN EDGE - 10.8"W X 15.7"D - W/O SLIDES/HDW - WASHED MAPLE |
| 19 | 161077-53-WB6 | EA | DRAWER - BROKEN EDGE - 10.8"W X 15.7"D - W/O SLIDES/HDW - SIERRA MAPLE |
| 20 | 161077-04-WA0 | EA | DRAWER - BROKEN EDGE - 7.6"W X 23.6"D - W/O SLIDES/HDW - CONCERT CHERRY |
| 20 | 161077-04-WA1 | EA | DRAWER - BROKEN EDGE - 7.6"W X 23.6"D - W/O SLIDES/HDW - WASHED MAPLE |
| 20 | 161077-04-WA2 | EA | DRAWER - BROKEN EDGE - 7.6"W X 23.6"D - W/O SLIDES/HDW - SIERRA MAPLE |
| 21 | 161077-12-WH4 | EA | DRAWER - BROKEN EDGE - 19.8"W X 21.6"D - W/O SLIDES/HDW - CONCERT CHERRY |
| 21 | 161077-12-WH5 | EA | DRAWER - BROKEN EDGE - 19.8"W X 21.6"D - W/O SLIDES/HDW - WASHED MAPLE |
| 21 | 161077-12-WH6 | EA | DRAWER - BROKEN EDGE - 19.8"W X 21.6"D - W/O SLIDES/HDW - SIERRA MAPLE |
| 22 | 161077-47-WB4 | EA | DRAWER - BROKEN EDGE - 19.8"W X 21.6"D - W/O SLIDES/HDW - CONCERT CHERRY |
| 22 | 161077-47-WB5 | EA | DRAWER - BROKEN EDGE - 19.8"W X 21.6"D - W/O SLIDES/HDW - WASHED MAPLE |
| 22 | 161077-47-WB6 | EA | DRAWER - BROKEN EDGE - 19.8"W X 21.6"D - W/O SLIDES/HDW - SIERRA MAPLE |
| 23 | 161077-54-WH4 | EA | DRAWER - BROKEN EDGE - 10"W X 21.6"D - W/O SLIDES/HDW - CONCERT CHERRY |
| 23 | 161077-54-WH5 | EA | DRAWER - BROKEN EDGE - 10"W X 21.6"D - W/O SLIDES/HDW - WASHED MAPLE |
| 23 | 161077-54-WH6 | EA | DRAWER - BROKEN EDGE - 10"W X 21.6"D - W/O SLIDES/HDW - SIERRA MAPLE |
| 24 | 161077-55-WB4 | EA | DRAWER - BROKEN EDGE - 10"W X 21.6"D - W/O SLIDES/HDW - CONCERT CHERRY |
| 24 | 161077-55-WB5 | EA | DRAWER - BROKEN EDGE - 10"W X 21.6"D - W/O SLIDES/HDW - WASHED MAPLE |
| 24 | 161077-55-WB6 | EA | DRAWER - BROKEN EDGE - 10"W X 21.6"D - W/O SLIDES/HDW - SIERRA MAPLE |
| 25 | 161077-50-WB4 | EA | DRAWER - BROKEN EDGE - 11.6"W X 15.7"D - W/O SLIDES/HDW - CONCERT CHERRY |
| 25 | 161077-50-WB5 | EA | DRAWER - BROKEN EDGE - 11.6"W X 15.7"D - W/O SLIDES/HDW - WASHED MAPLE |
| 25 | 161077-50-WB6 | EA | DRAWER - BROKEN EDGE - 11.6"W X 15.7"D - W/O SLIDES/HDW - SIERRA MAPLE |
| 26 | 161077-51-WB4 | EA | DRAWER - BROKEN EDGE - 11.6"W X 15.7"D - W/O SLIDES/HDW - CONCERT CHERRY |
| 26 | 161077-51-WB5 | EA | DRAWER - BROKEN EDGE - 11.6"W X 15.7"D - W/O SLIDES/HDW - WASHED MAPLE |
| 26 | 161077-51-WB6 | EA | DRAWER - BROKEN EDGE - 11.6"W X 15.7"D - W/O SLIDES/HDW - SIERRA MAPLE |
| 27 | 146910-33-WB4 | EA | DRAWER - TIPOUT - W/HIDDEN TRAY - CONCERT CHERRY |
| 27 | 146910-33-WB5 | EA | DRAWER - TIPOUT - W/HIDDEN TRAY - WASHED MAPLE |
| 27 | 146910-33-WB6 | EA | DRAWER - TIPOUT - W/HIDDEN TRAY - SIERRA MAPLE |
| | 108127-01-01A | EA | CAP - TRAY |
| | 108128-01-01A | EA | TRAY - HIDDEN |
| 28 | 161605-19-WB4 | EA | DOOR - FLAT PANEL/SQUARE EDGE - 10" X 19.1" - W/O HDW - CONCERT CHERRY |
| 28 | 161605-19-WB5 | EA | DOOR - FLAT PANEL/SQUARE EDGE - 10" X 19.1" - W/O HDW - WASHED MAPLE |
| 28 | 161605-19-WB6 | EA | DOOR - FLAT PANEL/SQUARE EDGE - 10" X 19.1" - W/O HDW - SIERRA MAPLE |
| 29 | 160268-40-WB4 | EA | DOOR - FLAT PANEL/SQUARE EDGE - 10.8" X 21.8" - W/O HDW - CONCERT CHERRY |
| 29 | 160268-40-WB5 | EA | DOOR - FLAT PANEL/SQUARE EDGE - 10.8" X 21.8" - W/O HDW - WASHED MAPLE |
| 29 | 160268-40-WB6 | EA | DOOR - FLAT PANEL/SQUARE EDGE - 10.8" X 21.8" - W/O HDW - SIERRA MAPLE |

CABINET & APPLIANCE GROUP (CONTINUED)
CABINET & APPLIANCE LAYOUT (CONTINUED)



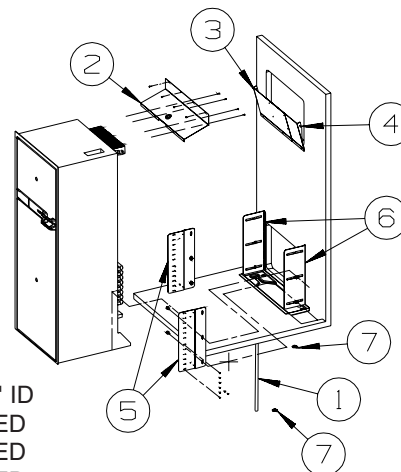
**MICROWAVE
INSTALLATION**

| KEY | PART NUMBER | U/M | DESCRIPTION |
|-----|---------------|-----|--|
| 1 | 137824-06-02B | EA | BRACKET - MICROWAVE - E-COATED |
| 2 | 140093-06-02B | EA | DUCT - E-COATED |
| 3 | 153314-01-02B | EA | BRACKET/SUPPORT - MICROWAVE - E-COATED |
| 4 | 153314-02-02B | EA | BRACKET/SUPPORT - MICROWAVE - E-COATED |



**REFRIGERATOR
INSTALLATION**

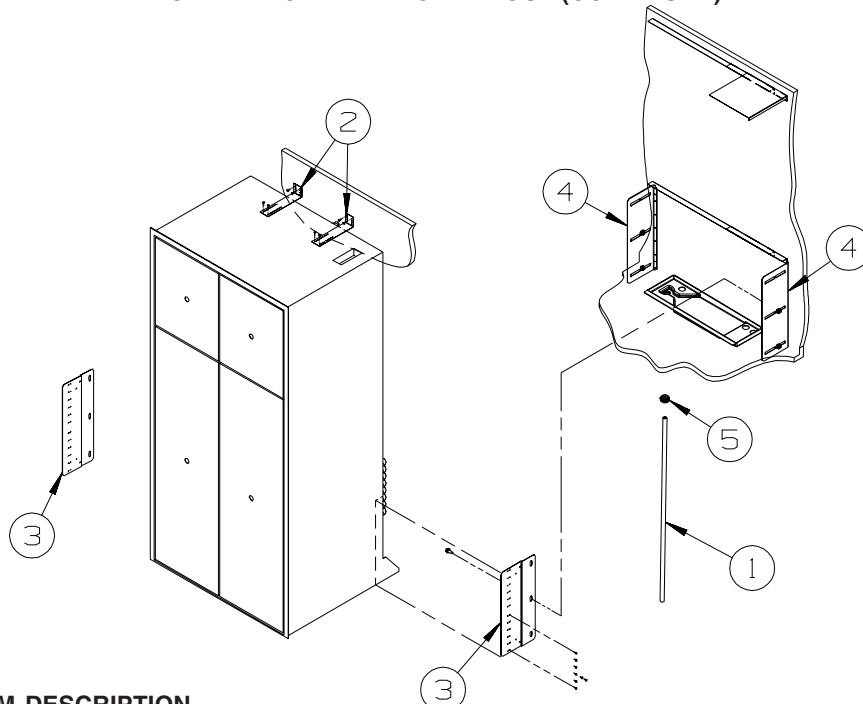
| KEY | PART NUMBER | U/M | DESCRIPTION |
|-----|---------------|-----|---|
| 1 | 112176-01-000 | FT | TUBING - VINYL - REINFORCED - 1/2" ID |
| 2 | 145445-02-02B | EA | STRAP - REFRIGERATOR - E-COATED |
| 3 | 150740-01-02B | EA | BRACKET - REFRIGERATOR - E-COATED |
| 4 | 150740-02-02B | EA | BRACKET - REFRIGERATOR - E-COATED |
| 5 | 152417-01-01A | EA | CLAMP/RATCHET - F/REFRIGERATOR DRIP TRAY HOSE - BLACK |



**G38T
REFRIGERATOR
INSTALLATION**

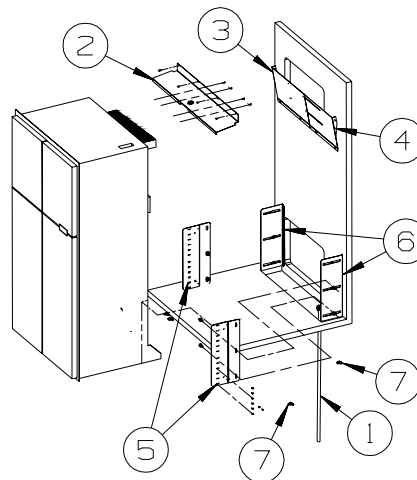
| KEY | PART NUMBER | U/M | DESCRIPTION |
|-----|---------------|-----|--|
| 1 | 112176-01-000 | FT | TUBING - VINYL - REINFORCED - 1/2" ID |
| 2 | 136966-04-02B | EA | BAFFLE - REFRIGERATOR - E-COATED |
| 3 | 143195-03-02B | EA | BAFFLE - REFRIGERATOR - E-COATED |
| 4 | 143195-04-02B | EA | BAFFLE - REFRIGERATOR - E-COATED |
| 5 | 150740-01-02B | EA | BRACKET - REFRIGERATOR - E-COATED |
| 6 | 150740-02-02B | EA | BRACKET - REFRIGERATOR - E-COATED |
| 7 | 152417-01-01A | EA | CLAMP/RATCHET - F/REFRIDGERATOR DRIP TRAY HOSE - BLACK |

CABINET & APPLIANCE GROUP (CONTINUED)
CABINET & APPLIANCE LAYOUT (CONTINUED)



**4 DOOR
 REFRIGERATOR
 INSTALLATION**

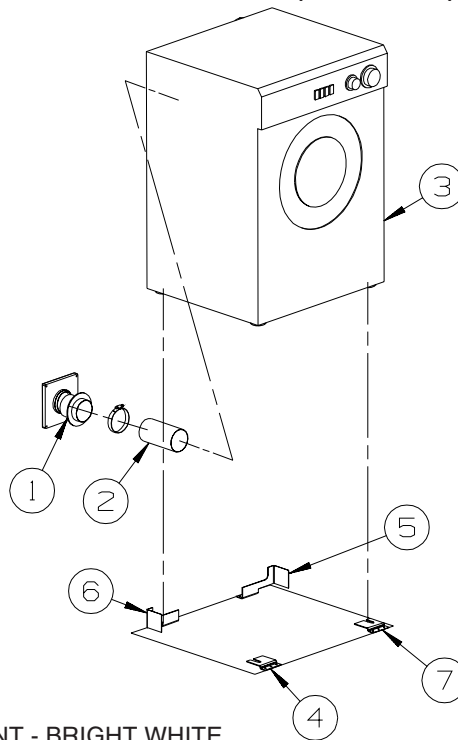
| KEY | PART NUMBER | U/M | DESCRIPTION |
|-----|---------------|-----|--|
| 1 | 112176-01-000 | FT | TUBING - VINYL - REINFORCED - 1/2" ID |
| 2 | 145445-02-02B | EA | STRAP - REFRIGERATOR - E-COATED |
| 3 | 150740-01-02B | EA | BRACKET - REFRIGERATOR - E-COATED |
| 4 | 150740-02-02B | EA | BRACKET - REFRIGERATOR - E-COATED |
| 5 | 152417-01-01A | EA | CLAMP/RATCHET - F/REFRIDGERATOR DRIP TRAY HOSE - BLACK |



**G38T
 4 DOOR
 REFRIGERATOR
 INSTALLATION**

| KEY | PART NUMBER | U/M | DESCRIPTION |
|-----|---------------|-----|--|
| 1 | 112176-01-000 | FT | TUBING - VINYL - REINFORCED - 1/2" ID |
| 2 | 136966-05-02B | EA | BAFFLE - REFRIGERATOR - E-COATED |
| 3 | 143195-01-02B | EA | BAFFLE - REFRIGERATOR - E-COATED |
| 4 | 143195-02-02B | EA | BAFFLE - REFRIGERATOR - E-COATED |
| 5 | 150740-01-02B | EA | BRACKET - REFRIGERATOR - E-COATED |
| 6 | 150740-02-02B | EA | BRACKET - REFRIGERATOR - E-COATED |
| 7 | 152417-01-01A | EA | CLAMP/RATCHET - F/REFRIDGERATOR DRIP TRAY HOSE - BLACK |

CABINET & APPLIANCE GROUP (CONTINUED)
CABINET & APPLIANCE LAYOUT (CONTINUED)



**WASHER DRYER
INSTALLATION**

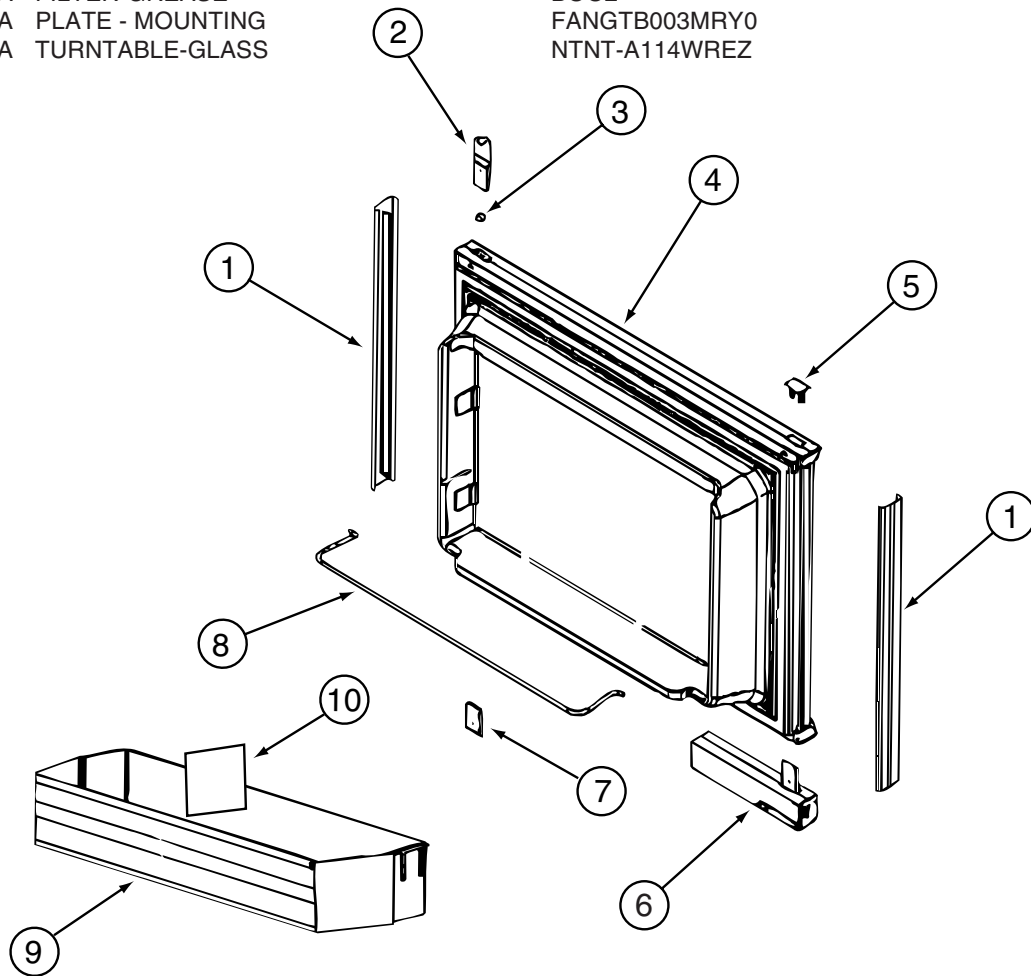
| KEY | PART NUMBER | U/M | DESCRIPTION |
|-----|---------------|-----|---|
| 1 | 146292-01-01A | EA | COVER - DRYER VENT - BRIGHT WHITE |
| 1 | 146292-01-02A | EA | COVER - DRYER VENT - BLACK - FULL BODY PAINT |
| 1 | 146292-02-01A | EA | DRYER VENT - INNER - BRIGHT WHITE |
| 1 | 146292-02-02A | EA | DRYER VENT - INNER - BLACK - FULL BODY PAINT |
| 2 | 116653-02-000 | FT | DUCT - FLEXIBLE - 3' COMPRESSED/8' EXTENDED |
| 3 | 153204-01-01A | EA | WASHER/DRYER - VENTED - UL/CSA - WHITE |
| | | | FROM: 00-00-00 THRU: 12-02-07 |
| 3 | 167453-01-01A | EA | WASHER/DRYER - VENTED - UL/CSA - WHITE |
| | | | FROM: 12-03-07 THRU: 99-99-99 |
| 4 | 111913-02-04B | EA | BRACKET/WASHER - TIE DOWN - BLACK |
| 5 | 113795-01-02B | EA | BRACKET - WASHER - E-COATED |
| 6 | 113795-02-02B | EA | BRACKET - WASHER - E-COATED |
| 7 | 111913-03-04B | EA | BRACKET/WASHER - TIE DOWN - BLACK |
| | 157665-01-000 | GL | RV ANTIFREEZE-50 POTABLE WTR |

CABINET & APPLIANCE GROUP (CONTINUED)
COMPONENT PARTS FOR CABINET & APPLIANCE LAYOUT

119267-17-01A

| KEY | PART NUMBER | U/M | DESCRIPTION |
|-----|---------------|-----|------------------|
| | 119267-04-700 | EA | FILTER-GREASE |
| | 119267-04-703 | EA | PLATE - MOUNTING |
| | 119267-17-700 | EA | TURNTABLE-GLASS |

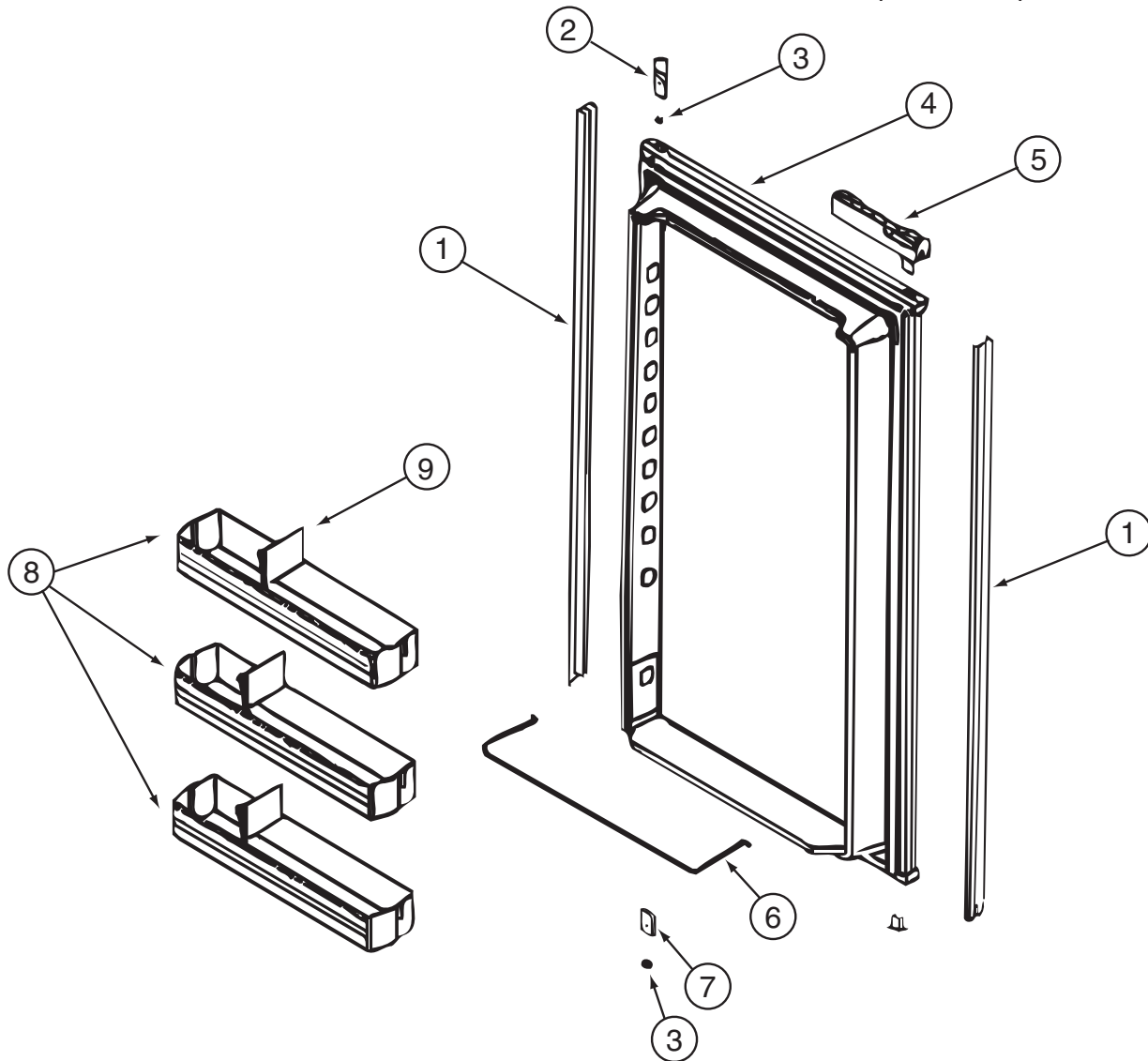
| VENDOR NO. |
|---------------|
| BOO2 |
| FANGTB003MRY0 |
| NTNT-A114WREZ |



120075-12-01A, 120075-13-01A, 120075-14-01A, 120075-15-01A

| KEY | PART NUMBER | U/M | DESCRIPTION | VENDOR NO. |
|-----|---------------|-----|--------------------------------|--------------------|
| 1 | 121568-03-700 | EA | RETAINER - DOOR PNL/WAFFLE/BLK | 619558-WDL-UPPER |
| 2 | 120075-01-701 | EA | HINGE-TOP RH/BOTTOM LH(DOOR) | 618511 |
| 3 | 121568-03-701 | EA | BUSHING - HINGE PIN/GRAY | 619671 |
| 4 | 121568-03-702 | EA | DOOR LINER-UPR/WAFFLED/BLACK | 619627 - SMALL WDL |
| 5 | 120075-01-702 | EA | CAP, (HINGE PLUG) | 618160 |
| 6 | 120075-12-700 | EA | HANDLE(CONTOUR)TOP LH/BTM RH | 621105 |
| 6 | 120075-12-701 | EA | HANDLE(CONTOUR)TOP RH/BTM LH | 621104 |
| 6 | 121568-03-703 | EA | HANDLE/FLUSH-TOP/RH-LWR/LH | 619865 |
| 6 | 121568-03-708 | EA | HANDLE/FLUSH-TOP/LH-LWR/RH | 619866 |
| 7 | 120075-01-705 | EA | HINGE-TOP LH/BOTTOM RH(DOOR) | 618510 |
| 8 | 121568-01-700 | EA | RAIL - DOOR UPPER | 618618 |
| 9 | 120075-07-700 | EA | DOOR BIN - SMALL/CLEAR F/WDL | 619006 WDL |
| 10 | 120075-07-701 | EA | DIVIDER/DOOR BIN CLEAR | 619008 WDL & SDL |
| | 121568-03-704 | EA | TRAVEL LATCH - GRAY | 619647 |
| | 121568-03-705 | EA | STORAGE LATCH - GRAY | 619648 |

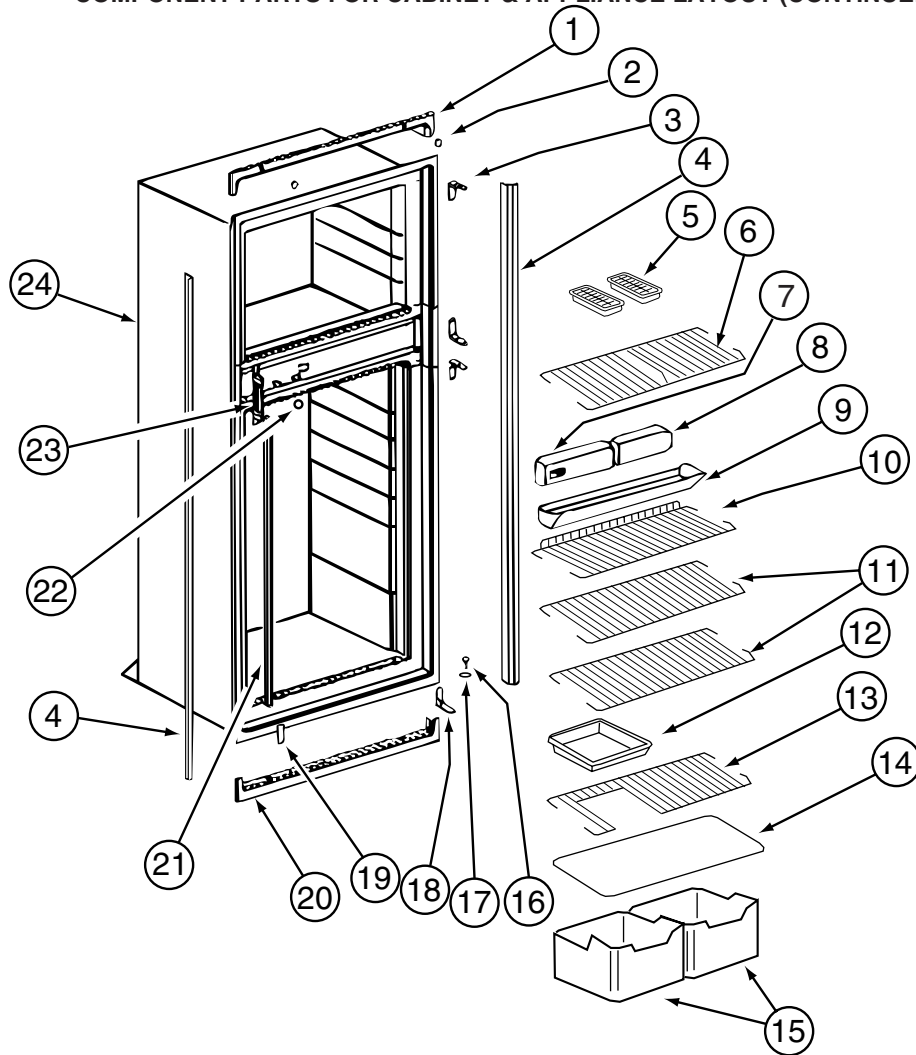
CABINET & APPLIANCE GROUP (CONTINUED)
COMPONENT PARTS FOR CABINET & APPLIANCE LAYOUT (CONTINUED)



120075-12-01A, 120075-13-01A, 120075-14-01A, 120075-15-01A (CONTINUED)

| KEY | PART NUMBER | U/M | DESCRIPTION | VENDOR NO. |
|-----|---------------|-----|------------------------------|--------------------|
| 1 | 120075-07-702 | EA | RETAINER-DOOR PNL/WAFFLE/BLK | 619560-WDL-LOWER |
| 2 | 120075-01-701 | EA | HINGE-TOP RH/BOTTOM LH(DOOR) | 618511 |
| 3 | 121568-03-701 | EA | BUSHING - HINGE PIN/GRAY | 619671 |
| 4 | 120075-07-703 | EA | DOOR LINER-LWR/WAFFLED/BLACK | 619631 - LARGE WDL |
| 5 | 120075-12-700 | EA | HANDLE(CONTOUR)TOP LH/BTM RH | 621105 |
| 5 | 120075-12-701 | EA | HANDLE(CONTOUR)TOP RH/BTM LH | 621104 |
| 5 | 121568-03-703 | EA | HANDLE/FLUSH-TOP/RH-LWR/LH | 619865 |
| 5 | 121568-03-708 | EA | HANDLE/FLUSH-TOP/LH-LWR/RH | 619866 |
| 6 | 121568-01-704 | EA | RAIL - DOOR LOWER | 618578 |
| 7 | 120075-01-705 | EA | HINGE-TOP LH/BOTTOM RH(DOOR) | 618510 |
| 8 | 120075-07-700 | EA | DOOR BIN - SMALL/CLEAR F/WDL | 619006 WDL |
| 8 | 120075-07-704 | EA | DOOR BIN - LARGE/CLEAR F/WDL | 619005 WDL |
| 9 | 120075-07-701 | EA | DIVIDER/DOOR BIN CLEAR | 619008 WDL & SDL |
| | 121568-03-704 | EA | TRAVEL LATCH - GRAY | 619647 |
| | 121568-03-705 | EA | STORAGE LATCH - GRAY | 619648 |

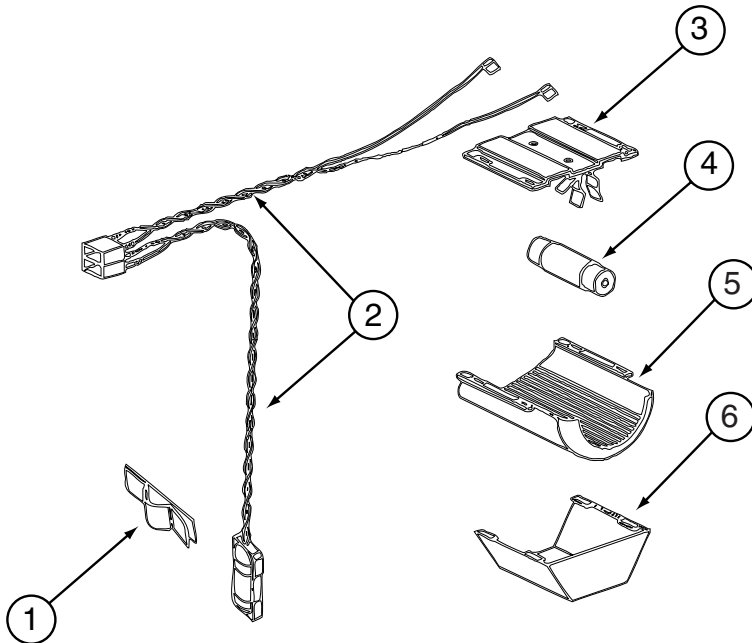
CABINET & APPLIANCE GROUP (CONTINUED)
COMPONENT PARTS FOR CABINET & APPLIANCE LAYOUT (CONTINUED)



120075-09-01A, 120075-10-01A, 120075-12-01A, 120075-13-01A, 120075-14-01A, 120075-15-01A (CONTINUED)

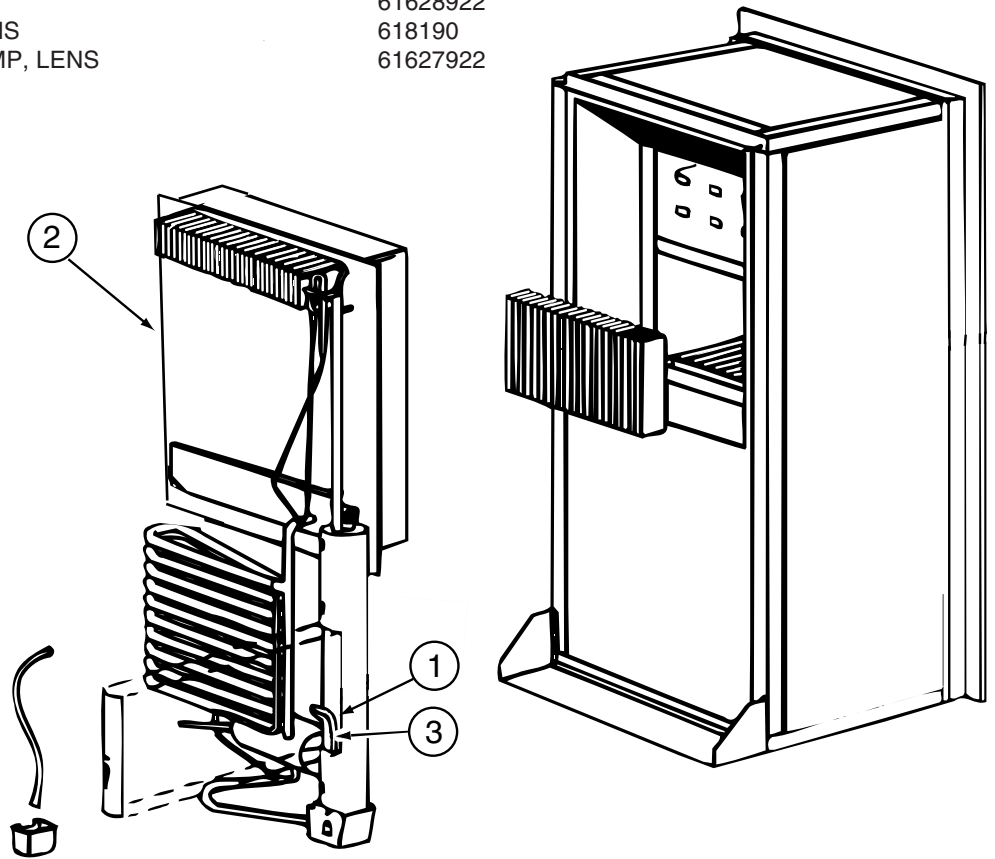
| KEY | PART NUMBER | U/M | DESCRIPTION | VENDOR NO. |
|-----|---------------|-----|--------------------------------|----------------|
| 1 | 121568-03-709 | EA | TRIM - TOP/BLACK | 619687 |
| 2 | 120075-01-714 | EA | PLUG-HOLE (BLACK) | 618170 |
| 3 | 121568-03-710 | EA | HINGE/CABINET-TOP/RH-LWR/LH | 619335 WAFFLED |
| 4 | 120075-07-705 | EA | TRIM - SIDE - BLACK | 622296 |
| 5 | 104137-06-724 | EA | ICE TRAY | 61630422 |
| 6 | 120075-07-706 | EA | SHELF - WIRE F/ICEMAKER MODELS | 620249 |
| 7 | 120075-07-707 | EA | CONTROL BOX - BLACK | 619665 |
| 8 | 121568-03-713 | EA | FRONT BOX/DECORATIVE-BLACK | 619282 |
| 9 | 120075-01-720 | EA | TRAY-DRIP | 623250 |
| 10 | 120075-01-722 | EA | SHELF-WIRE, SHORT | 620269 |
| 11 | 120075-01-723 | EA | SHELF-WIRE | 620270 |
| 12 | 104137-06-718 | EA | SHELF-TRAY, WHITE, W/CUTOUT | 617756 |
| 13 | 120075-01-724 | EA | SHELF-WIRE, W/CUTOUT | 620268 |
| 14 | 120075-01-725 | EA | COVER-CRISPER | 618158 |
| 15 | 120075-07-708 | EA | CRISPER/ICE BIN | 619007 |
| 16 | 120075-01-727 | EA | PIN-HINGE | 618145 |
| 17 | 121568-03-701 | EA | BUSHING - HINGE PIN/GRAY | 619671 |
| 18 | 121568-03-715 | EA | HINGE/CABINET-TOP/LH-LWR/RH | 619336 WAFFLED |
| 19 | 121568-03-716 | EA | COVER - HINGE HOLES | 619301 |
| 20 | 120075-01-729 | EA | TRIM-BOTTOM PIECE | 620958 |
| 21 | 120075-01-730 | EA | RETAINER-SHELF(SER#926684 DN) | 618181 |
| 22 | 121568-03-717 | EA | HOLE PLUG - WHITE | 619561 |
| 23 | 120075-01-732 | EA | PLATE-STRIKE | 618167 |
| 24 | 120075-09-700 | EA | CABINET - FOAMED | 619660 |
| | 120075-01-721 | EA | LOUVER-DRIP TRAY | 618176 |

CABINET & APPLIANCE GROUP (CONTINUED)
COMPONENT PARTS FOR CABINET & APPLIANCE LAYOUT (CONTINUED)



120075-09-01A, 120075-10-01A, 120075-12-01A, 120075-13-01A, 120075-14-01A, 120075-15-01A (CONTINUED)

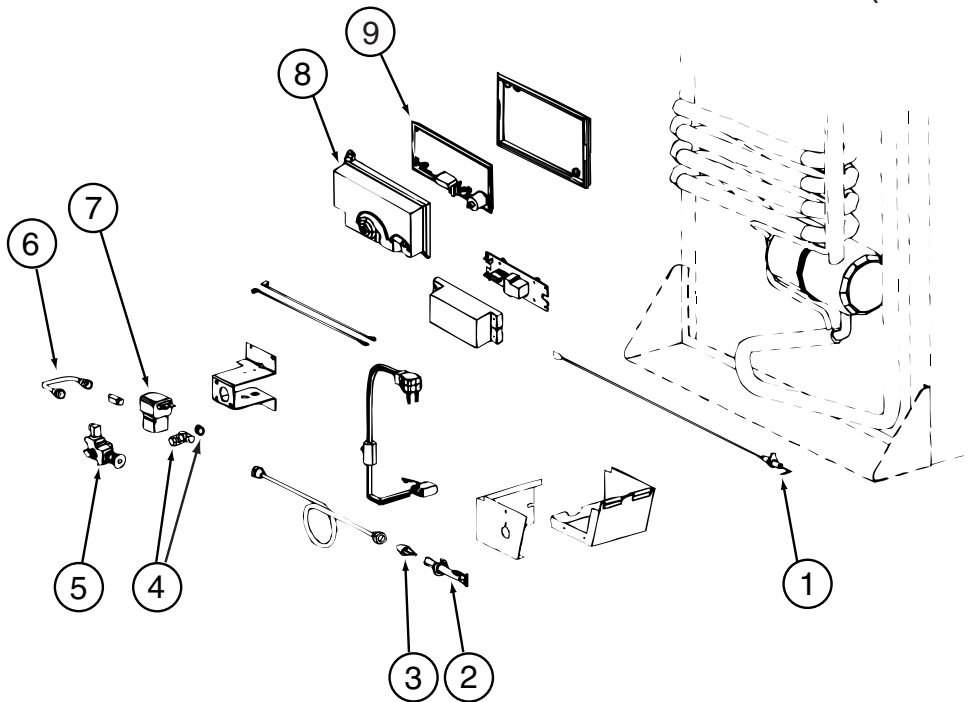
| KEY | PART NUMBER | U/M | DESCRIPTION | VENDOR NO. |
|-----|---------------|-----|------------------------------|------------|
| 1 | 084880-01-760 | EA | CLIP (THERMISTER) | 61689122 |
| 2 | 120075-01-735 | EA | THERMISTER W/LAMP & WIRE/ASM | 618548 |
| 3 | 084880-03-705 | EA | BRACKET-LIGHT-INTERIOR | 61629722 |
| 4 | 084880-03-706 | EA | BULB-LAMP | 61628922 |
| 5 | 120075-01-734 | EA | COVER-LENS | 618190 |
| 6 | 084880-03-707 | EA | COVER-LAMP, LENS | 61627922 |



120075-09-01A, 120075-10-01A, 120075-12-01A, 120075-13-01A, 120075-14-01A, 120075-15-01A (CONTINUED)

| KEY | PART NUMBER | U/M | DESCRIPTION | VENDOR NO. |
|-----|---------------|-----|----------------------------|------------|
| 1 | 088248-01-710 | EA | HEATER DC (HORIZONTAL) | 61562822 |
| 2 | 120075-01-736 | EA | COOLING UNIT, SERVICE PACK | 618542 |
| 3 | 088248-01-709 | EA | HEATER-AC (HORIZONTAL) | 61562722 |

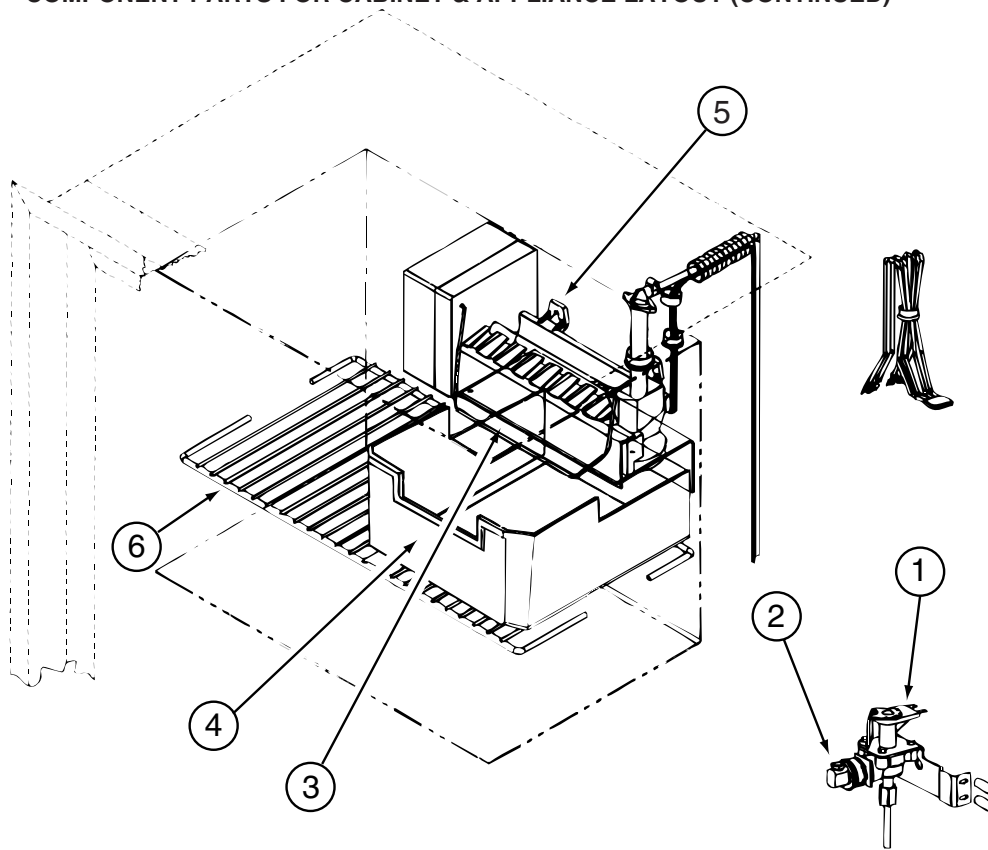
CABINET & APPLIANCE GROUP (CONTINUED)
COMPONENT PARTS FOR CABINET & APPLIANCE LAYOUT (CONTINUED)



120075-09-01A, 120075-10-01A, 120075-12-01A, 120075-13-01A, 120075-14-01A, 120075-15-01A (CONTINUED)

| KEY | PART NUMBER | U/M | DESCRIPTION | VENDOR NO. |
|-----|---------------|-----|------------------------------|-----------------|
| 1 | 104137-06-715 | EA | ELECTRODE-SPARK/SENSOR, SGL | 61692222 |
| 2 | 104137-06-714 | EA | BURNER ASSEMBLY, 5-SLOT | 61705222 |
| 3 | 120075-01-737 | EA | ORIFICE - JEWEL - .0155 | 618284 |
| 4 | 113737-01-702 | EA | PLUG 1/8" F/PRESSURE TAP | 61445322 |
| 4 | 113737-01-716 | EA | TAP-PRESSURE | 61594422 |
| 5 | 104137-06-709 | EA | VALVE-SHUT OFF/MAN-OLD STYLE | 61694922 |
| 5 | 104137-06-734 | EA | VALVE-SHUT OFF/MAN-NEW STYLE | 618696 |
| 6 | 113737-01-750 | EA | TUBE-UNION | 61694622 |
| 7 | 084880-01-718 | EA | KIT-GAS VALVE/SOLENOID/TUBE | 621447 |
| 8 | 120075-01-738 | EA | COVER-POWER BOARD | 618185 |
| 9 | 120075-07-710 | EA | POWER - BOARD - 2-WAY | 619360 = 621269 |
| | 120075-01-744 | EA | KIT - GAS VALVE/BURNER TUBE | 620609 |

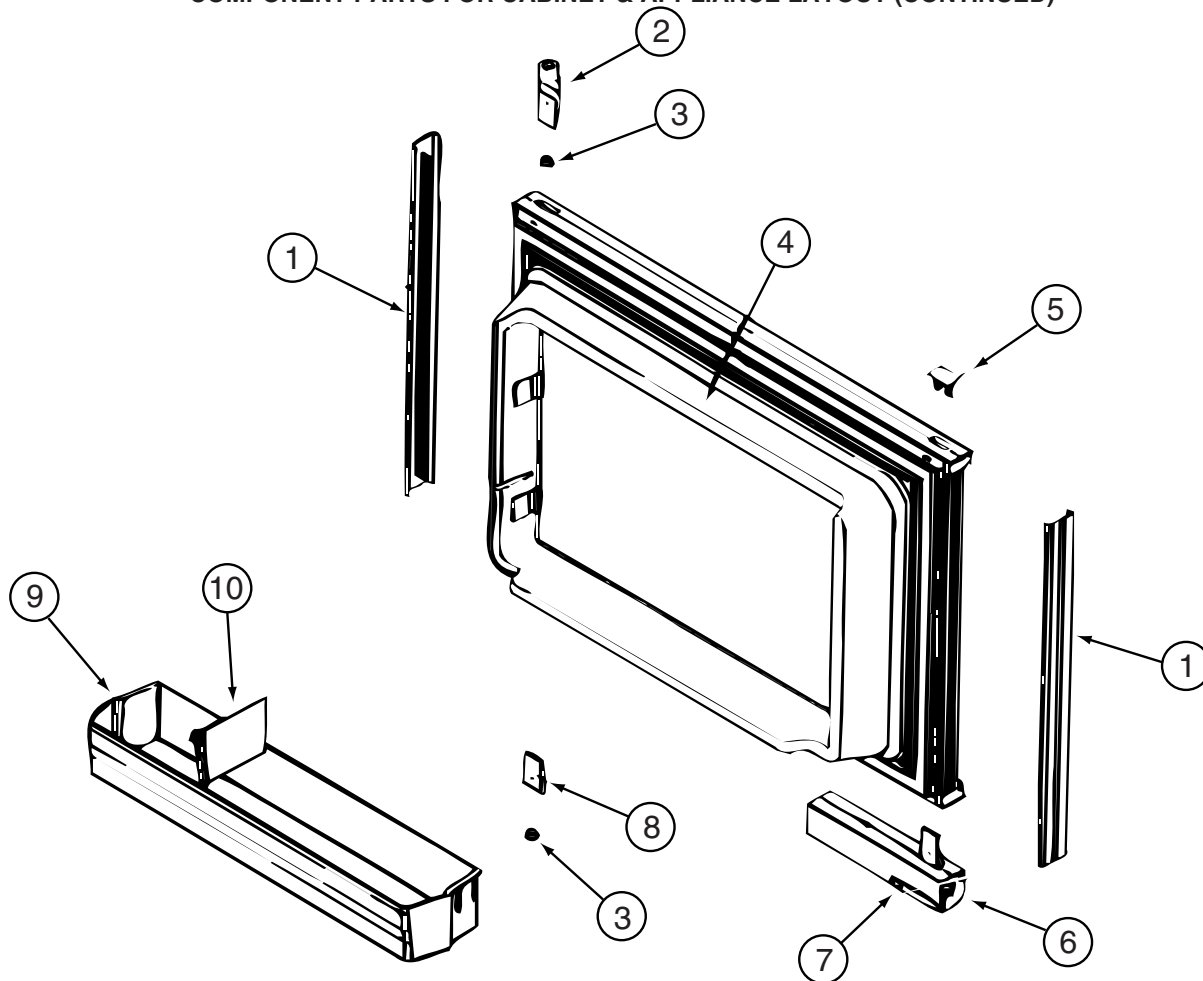
CABINET & APPLIANCE GROUP (CONTINUED)
COMPONENT PARTS FOR CABINET & APPLIANCE LAYOUT (CONTINUED)



120075-09-01A, 120075-10-01A, 120075-13-01A, 120075-14-01A (CONTINUED)

| KEY | PART NUMBER | U/M | DESCRIPTION | VENDOR NO. |
|-----|---------------|-----|---------------------------|------------|
| 1 | 120075-09-701 | EA | WATER VALVE W/BACKET | 618253 |
| 2 | 120075-03-702 | EA | NUT/COMPRESSION - FITTING | 61678722 |
| 3 | 120075-03-703 | EA | ARM-SHUT OFF | 61656922 |
| 4 | 120075-03-704 | EA | BIN-ICE CUBE | 618154 |
| 5 | 094039-07-706 | EA | ICE MAKER W/O PLATES | 61656522 |
| 6 | 120075-01-717 | EA | SHELF-FREEZER, WIRE | 618172 |

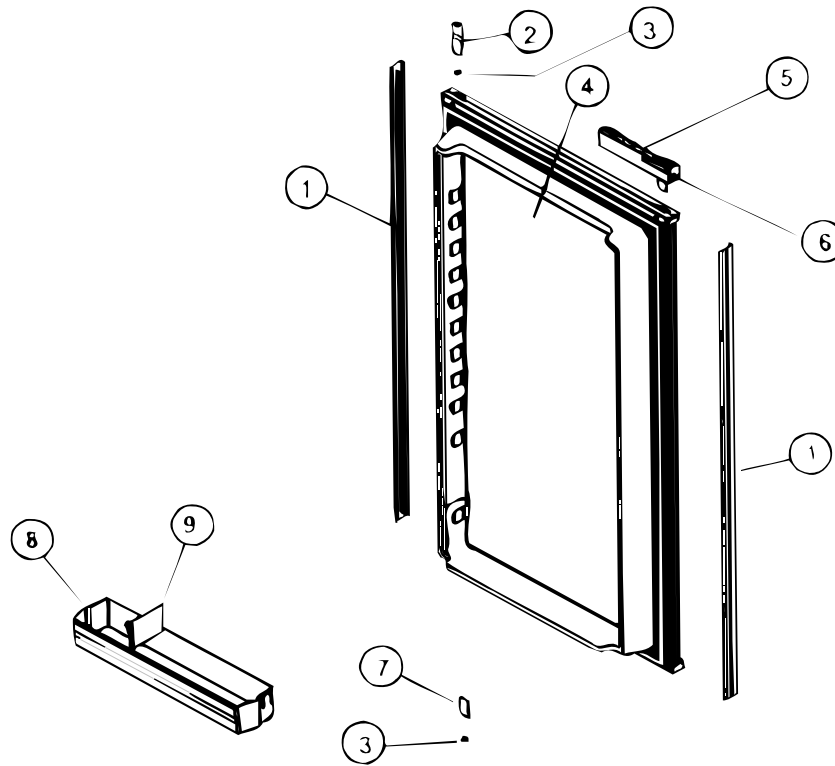
CABINET & APPLIANCE GROUP (CONTINUED)
COMPONENT PARTS FOR CABINET & APPLIANCE LAYOUT (CONTINUED)



120075-23-01A

| KEY | PART NUMBER | U/M | DESCRIPTION | VENDOR NO. |
|-----|---------------|-----|------------------------------|---------------------|
| 1 | 121568-03-700 | EA | RETAINER - DOOR PANEL/BLACK | 619558 |
| 2 | 120075-01-701 | EA | HINGE-TOP RH/BOTTOM LH(DOOR) | 618511 |
| 3 | 121568-03-701 | EA | BUSHING - HINGE PIN/GRAY | 619671 |
| 4 | 121568-03-702 | EA | DOOR LINER - W/TRIM/BLACK | 619627 - SMALL DOOR |
| 5 | 120075-01-702 | EA | CAP, (HINGE PLUG) | 618160 |
| 6 | 120075-12-700 | EA | HANDLE(CONTOUR)TOP LH/BTM RH | 621105 |
| 6 | 120075-12-701 | EA | HANDLE(CONTOUR)TOP RH/BTM LH | 621104 |
| 7 | 121568-03-705 | EA | STORAGE LATCH - GRAY | 619648 |
| 8 | 120075-01-705 | EA | HINGE-TOP LH/BOTTOM RH(DOOR) | 618510 |
| 9 | 120075-07-700 | EA | DOOR BIN - SMALL/CLEAR | 619006 |
| 10 | 120075-07-701 | EA | DIVIDER/DOOR BIN CLEAR | 619008 |

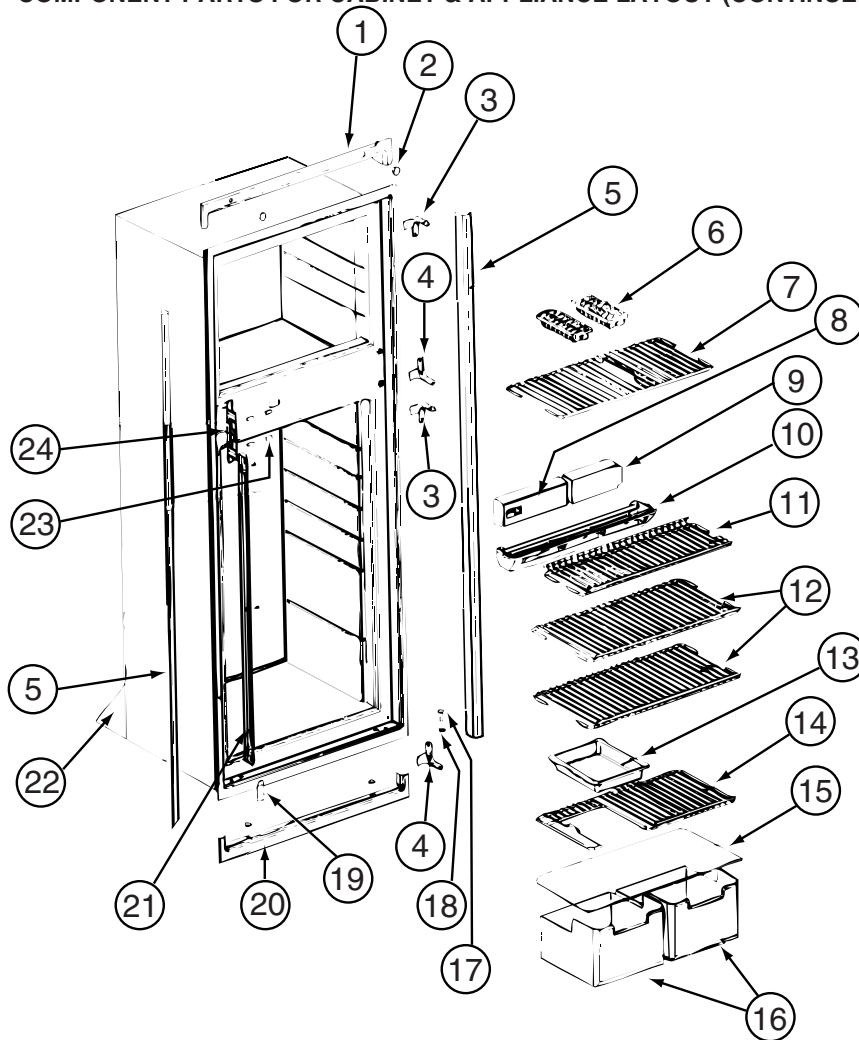
CABINET & APPLIANCE GROUP (CONTINUED)
COMPONENT PARTS FOR CABINET & APPLIANCE LAYOUT (CONTINUED)



120075-23-01A (CONTINUED)

| KEY | PART NUMBER | U/M | DESCRIPTION | VENDOR NO. |
|-----|---------------|-----|------------------------------|---------------------|
| 1 | 120075-07-702 | EA | RETAINER - DOOR PANEL/BLACK | 619560 |
| 2 | 120075-01-701 | EA | HINGE-TOP RH/BOTTOM LH(DOOR) | 618511 |
| 3 | 121568-03-701 | EA | BUSHING - HINGE PIN/GRAY | 619671 |
| 4 | 120075-07-703 | EA | DOOR LINER - BLACK | 619631 - LARGE DOOR |
| 5 | 120075-12-700 | EA | HANDLE(CONTOUR)TOP LH/BTM RH | 621105 |
| 5 | 120075-12-701 | EA | HANDLE(CONTOUR)TOP RH/BTM LH | 621104 |
| 6 | 121568-03-705 | EA | STORAGE LATCH - GRAY | 619648 |
| 7 | 120075-01-705 | EA | HINGE-TOP LH/BOTTOM RH(DOOR) | 618510 |
| 8 | 120075-07-700 | EA | DOOR BIN - SMALL/CLEAR | 619006 |
| 8 | 120075-07-704 | EA | DOOR BIN - LARGE/CLEAR | 619005 |
| 9 | 120075-07-701 | EA | DIVIDER/DOOR BIN CLEAR | 619008 |

CABINET & APPLIANCE GROUP (CONTINUED)
COMPONENT PARTS FOR CABINET & APPLIANCE LAYOUT (CONTINUED)

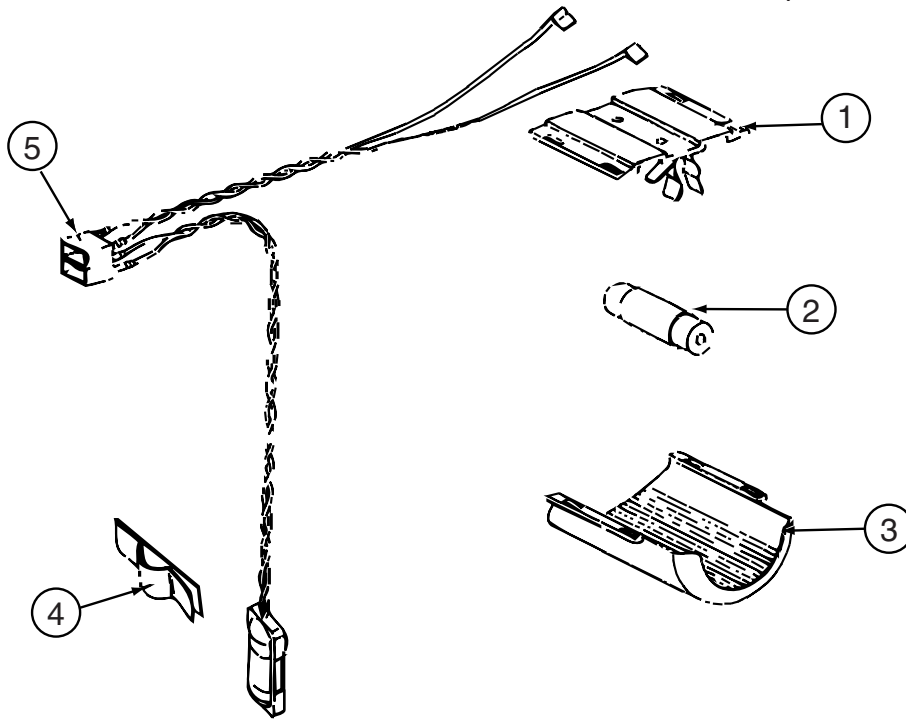


120075-16, 120075-17, 120075-18, 120075-19, 120075-20, 120075-21, 120075-22, 120075-23-01A (CONTINUED)

| KEY | PART NUMBER | U/M | DESCRIPTION | VENDOR NO. |
|-----|---------------|-----|------------------------------|------------|
| 1 | 120075-20-700 | EA | TRIM/TOP ASM W/INSERTS-BLACK | 622319 |
| 2 | 120075-01-714 | EA | PLUG-HOLE (BLACK) | 618170 |
| 3 | 121568-03-710 | EA | HINGE/CABINET-TOP/RH-LWR/LH | 619335 |
| 4 | 121568-03-715 | EA | HINGE/CABINET-TOP/LH-LWR/RH | 619336 |
| 5 | 120075-07-705 | EA | TRIM - SIDE - BLACK | 622296 |
| 6 | 104137-06-724 | EA | ICE TRAY | 61630422 |
| 7 | 121568-03-712 | EA | SHELF-WIRE FREEZER | 620250 |
| 7 | 120075-07-706 | EA | SHELF-WIRE F/ICEMAKER MODELS | 620250 |
| 8 | 120075-07-707 | EA | CONTROL BOX - BLACK | 619665 |
| 9 | 121568-03-713 | EA | FRONT BOX/DECORATIVE-BLACK | 619282 |
| 10 | 120075-20-701 | EA | TRAY/DRIP(INSIDE 1 PC)LOUVER | 623250 |
| 11 | 120075-01-722 | EA | SHELF-WIRE, SHORT | 620269 |
| 12 | 120075-01-723 | EA | SHELF-WIRE | 620270 |
| 13 | 104137-06-718 | EA | SHELF-TRAY, WHITE, W/CUTOUT | 617756 |
| 14 | 120075-20-703 | EA | SHELF - WIRE W/CUTOUT | 620268 |
| 15 | 120075-01-725 | EA | COVER-CRISPER | 618158 |
| 16 | 120075-07-708 | EA | CRISPER/ICE BIN | 619007 |
| 17 | 120075-01-727 | EA | PIN-HINGE | 618145 |
| 18 | 121568-03-701 | EA | BUSHING - HINGE PIN/GRAY | 619671 |
| 19 | 121568-03-716 | EA | COVER - HINGE HOLES | 619301 |
| 20 | 120075-20-702 | EA | TRIM PC(FOAM/TAPE)BTM BLACK | 622323 |
| 21 | 120075-01-730 | EA | RETAINER-SHELF(SER#926684 DN | 618181 |
| 21 | 125242-02-720 | EA | RETAINER/SHELF(SER#926685 UP | 622033 |
| 23 | 121568-06-703 | EA | HOLE PLUG - WHITE | 620282 |
| 24 | 120075-01-732 | EA | PLATE-STRIKE | 618167 |

CONTACT WINNEBAGO PART SALES FOR UNLISTED COMPONENT(S)

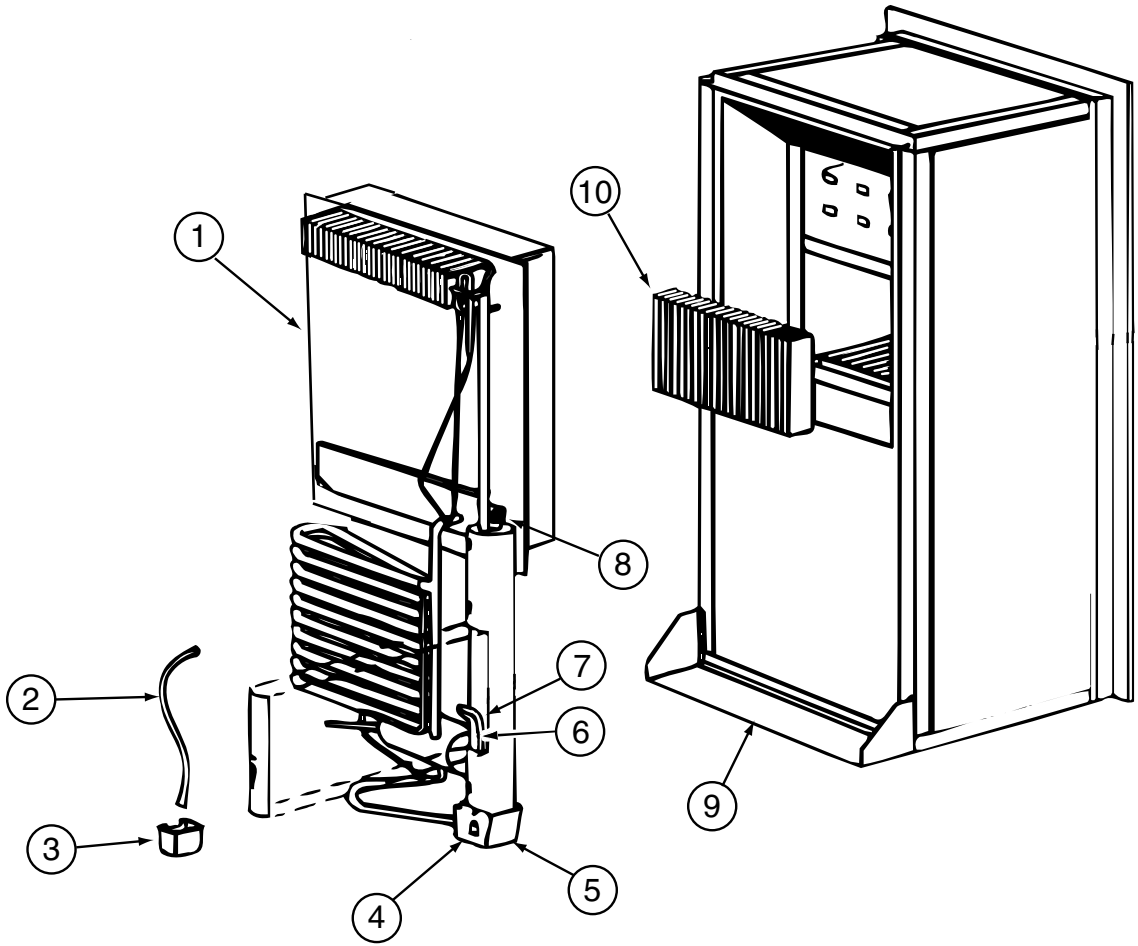
CABINET & APPLIANCE GROUP (CONTINUED)
COMPONENT PARTS FOR CABINET & APPLIANCE LAYOUT (CONTINUED)



120075-16, 120075-17, 120075-18, 120075-19, 120075-20, 120075-21, 120075-22, 120075-23, 121569-08-01A (CONTINUED)

| KEY | PART NUMBER | U/M | DESCRIPTION | VENDOR NO. |
|-----|---------------|-----|------------------------------|------------|
| 1 | 084880-03-705 | EA | BRACKET-LIGHT-INTERIOR | 61629722 |
| 2 | 084880-03-706 | EA | BULB-LAMP | 61628922 |
| 3 | 125242-02-708 | EA | COVER/LAMP BRACKET | 621827 |
| 4 | 084880-01-760 | EA | CLIP (THERMISTER) | 61689122 |
| 5 | 120075-01-735 | EA | THERMISTER W/LAMP & WIRE/ASM | 618548 |

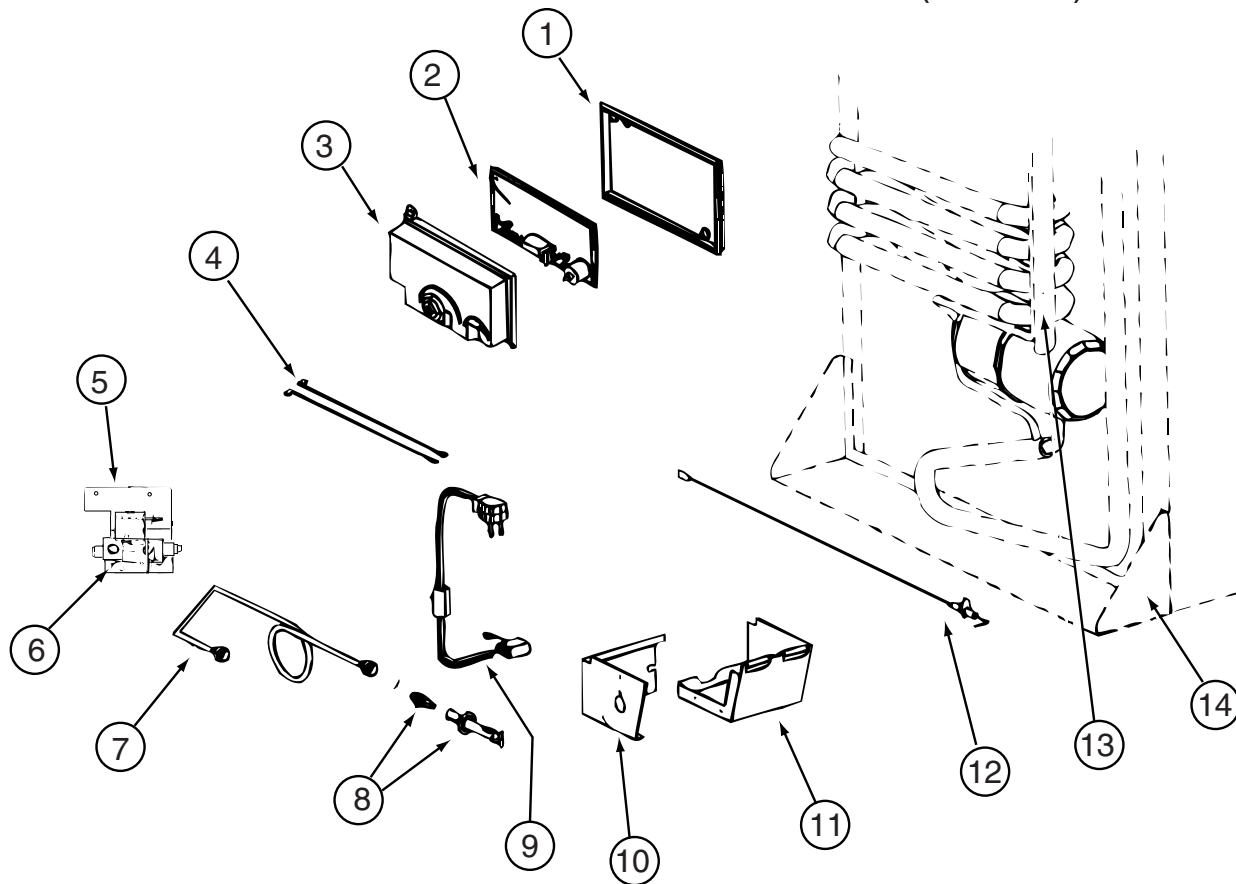
CABINET & APPLIANCE GROUP (CONTINUED)
COMPONENT PARTS FOR CABINET & APPLIANCE LAYOUT (CONTINUED)



120075-16, 120075-17, 120075-18, 120075-19, 120075-20, 120075-21, 120075-22, 120075-23-01A (CONTINUED)

| KEY | PART NUMBER | U/M | DESCRIPTION | VENDOR NO. |
|--|---------------|-----|----------------------------|------------|
| 1 | 120075-01-736 | EA | COOLING UNIT, SERVICE PACK | 618542 |
| 6 | 121568-06-704 | EA | HEATER-AC/300W/120VAC | 621702 |
| CONTACT WINNEBAGO PART SALES FOR UNLISTED COMPONENT(S) | | | | |

CABINET & APPLIANCE GROUP (CONTINUED)
COMPONENT PARTS FOR CABINET & APPLIANCE LAYOUT (CONTINUED)

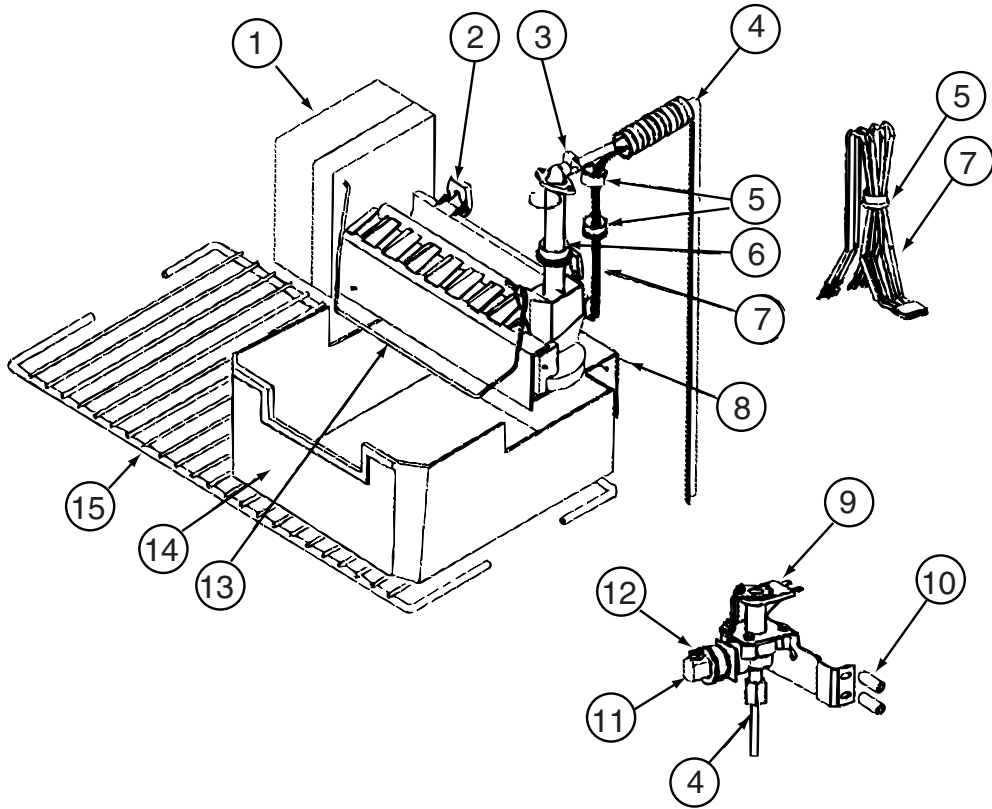


120075-16, 120075-17, 120075-18, 120075-19, 120075-20, 120075-21, 120075-22, 120075-23-01A (CONTINUED)

| KEY | PART NUMBER | U/M | DESCRIPTION | VENDOR NO. |
|-----|---------------|-----|-----------------------------|------------|
| 1 | 120075-01-740 | EA | COVER-BASE, POWER BOARD | 618186 |
| 2 | 120075-20-704 | EA | KIT-POWER BOARD/EG2-2 WAY | 621269001 |
| 3 | 120075-01-738 | EA | COVER-POWER BOARD | 618185 |
| 4 | 125242-02-709 | EA | WIRE/WHITE/9"/GAS VALVE | 621448 |
| 5 | 125242-02-710 | EA | GAS VALVE/BRKT/WIRES COMB. | 621334 |
| 6 | 121568-06-706 | EA | GAS VALVE-COMBO/WRENCH FLAT | 621329 |
| 7 | 120075-20-705 | EA | TUBE/BURNER - N8/N6 | 620033 |
| 8 | 121568-06-708 | EA | BURNER/ORFICE-ADAPTER KIT | 621957 |
| 12 | 104137-06-715 | EA | ELECTRODE-SPARK/SENSOR, SGL | 61692222 |

CONTACT WINNEBAGO PART SALES FOR UNLISTED COMPONENT(S)

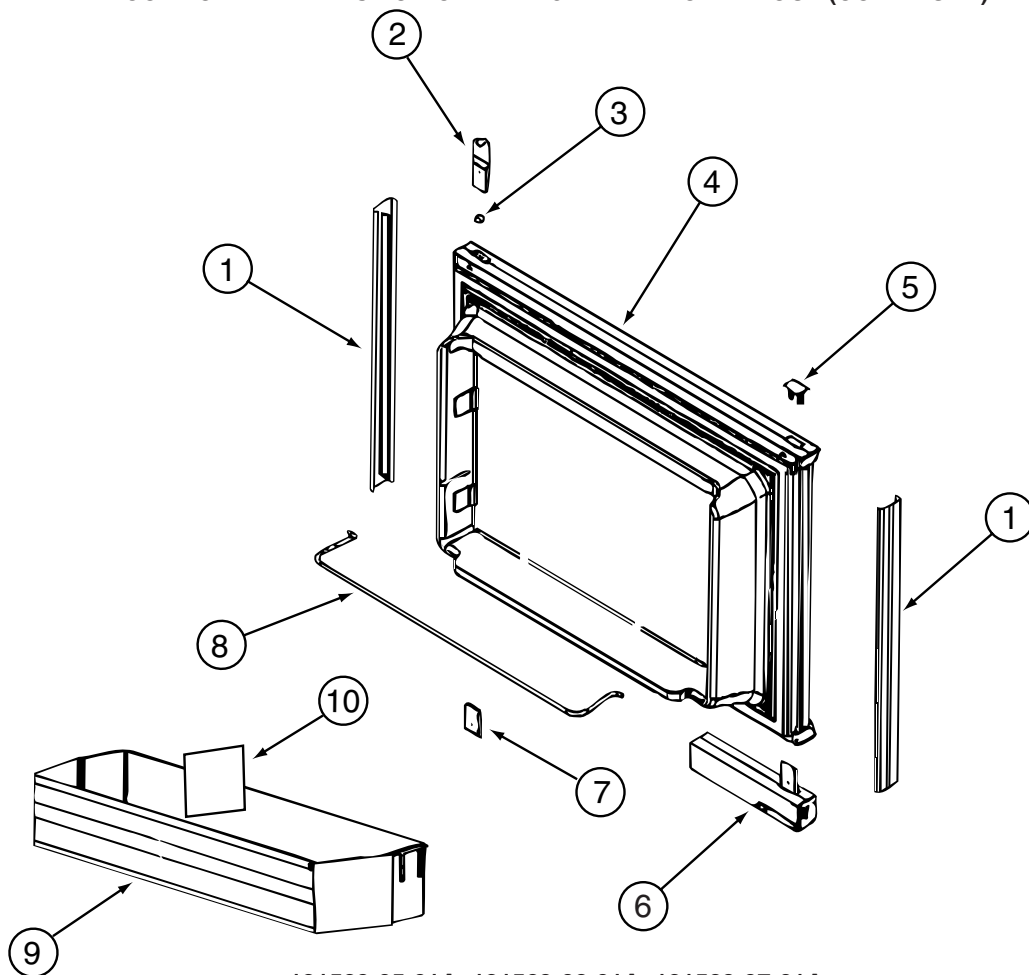
CABINET & APPLIANCE GROUP (CONTINUED)
COMPONENT PARTS FOR CABINET & APPLIANCE LAYOUT (CONTINUED)



120075-16-01A, 120075-17-01A, 120075-18-01A, 120075-19-01A, 120075-20-01A, 120075-23-01A (CONTINUED)

| KEY | PART NUMBER | U/M | DESCRIPTION | VENDOR NO. |
|--|---------------|-----|------------------------------|------------|
| 2 | 094039-07-706 | EA | ICE MAKER W/O PLATES | 61656522 |
| 9 | 120075-03-701 | EA | VALVE ASM., WATER, W/BACKET | 618253 |
| 13 | 120075-03-703 | EA | ARM-SHUT OFF | 61656922 |
| 14 | 120075-07-708 | EA | CRISPER/ICE BIN | 619007 |
| 15 | 120075-07-706 | EA | SHELF-WIRE F/ICEMAKER MODELS | 620249 |
| CONTACT WINNEBAGO PART SALES FOR UNLISTED COMPONENT(S) | | | | |

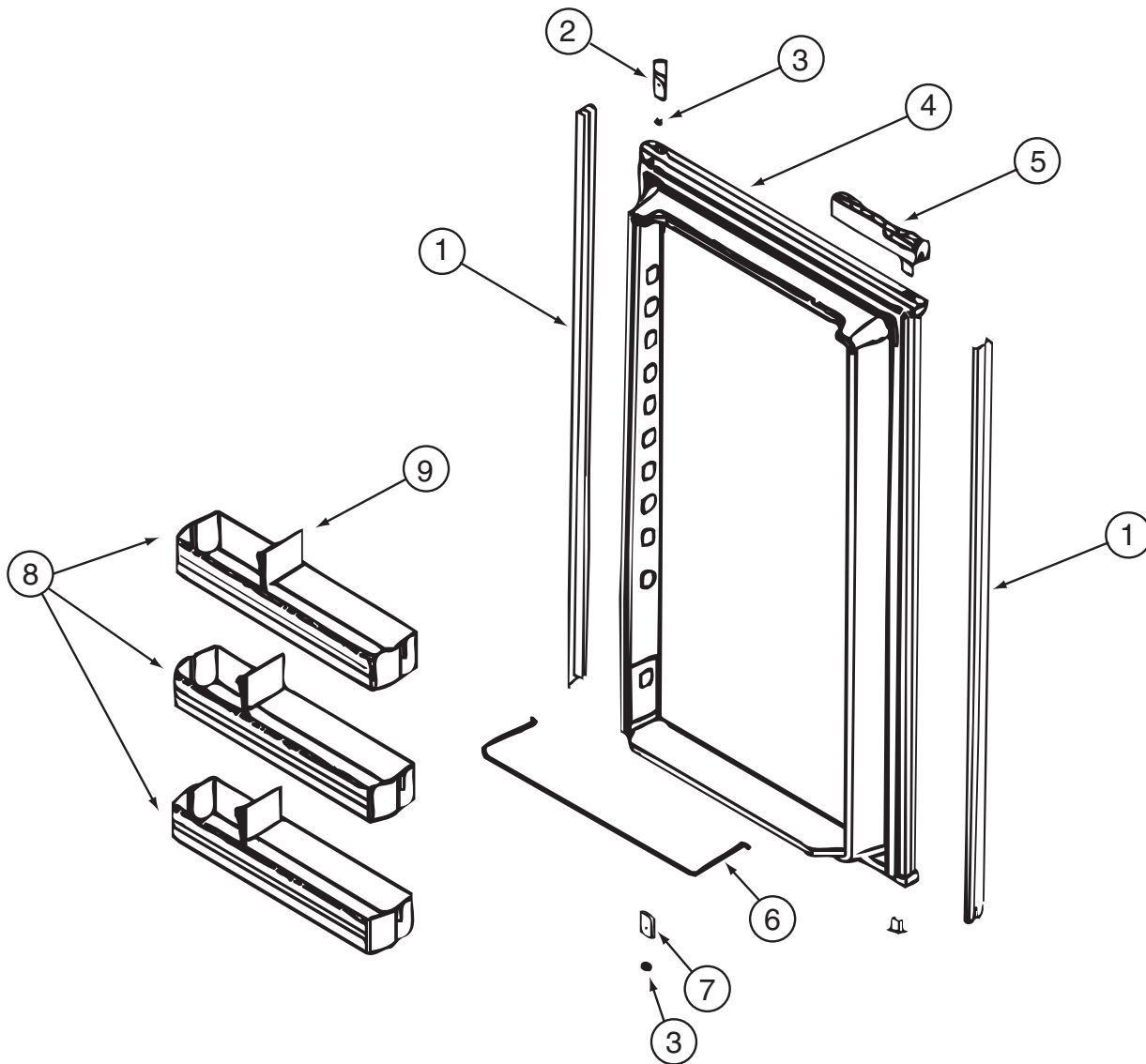
CABINET & APPLIANCE GROUP (CONTINUED)
COMPONENT PARTS FOR CABINET & APPLIANCE LAYOUT (CONTINUED)



121569-05-01A, 121569-06-01A, 121569-07-01A

| KEY | PART NUMBER | U/M | DESCRIPTION | VENDOR NO. |
|-----|---------------|-----|--------------------------------|--------------------|
| 1 | 121568-03-700 | EA | RETAINER - DOOR PNL/WAFFLE/BLK | 619558-WDL-UPPER |
| 2 | 120075-01-701 | EA | HINGE-TOP RH/BOTTOM LH(DOOR) | 618511 |
| 3 | 121568-03-701 | EA | BUSHING - HINGE PIN/GRAY | 619671 |
| 4 | 121568-03-702 | EA | DOOR LINER-UPR/WAFFLED/BLACK | 619627 - SMALL WDL |
| 5 | 120075-01-702 | EA | CAP, (HINGE PLUG) | 618160 |
| 6 | 120075-12-700 | EA | HANDLE(CONTOUR)TOP LH/BTM RH | 621105 |
| 7 | 120075-01-705 | EA | HINGE-TOP LH/BOTTOM RH(DOOR) | 618510 |
| 8 | 121568-01-700 | EA | RAIL - DOOR UPPER | 618618 |
| 9 | 120075-07-700 | EA | DOOR BIN - SMALL/CLEAR F/WDL | 619006 WDL |
| 10 | 120075-07-701 | EA | DIVIDER/DOOR BIN CLEAR | 619008 WDL & SDL |
| | 121568-03-705 | EA | STORAGE LATCH - GRAY | 619648 |

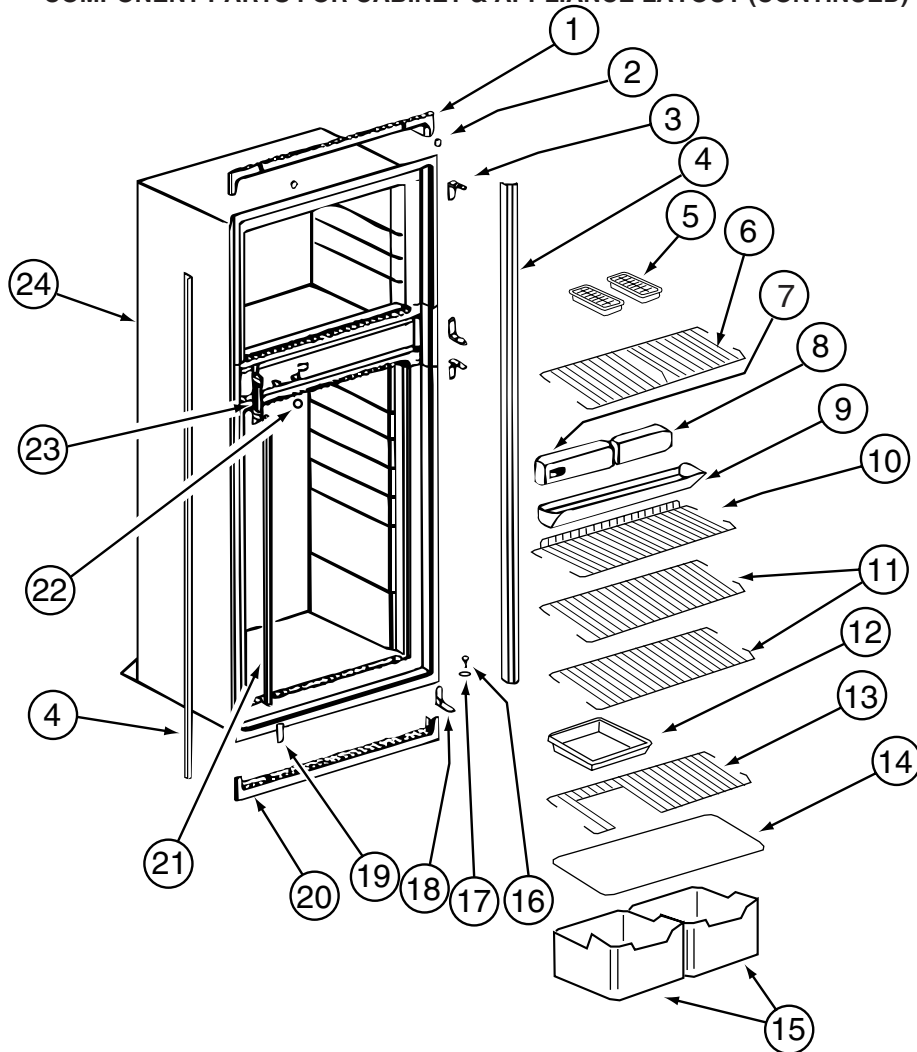
CABINET & APPLIANCE GROUP (CONTINUED)
COMPONENT PARTS FOR CABINET & APPLIANCE LAYOUT (CONTINUED)



121569-05-01A, 121569-06-01A, 121569-07-01A (CONTINUED)

| KEY | PART NUMBER | U/M | DESCRIPTION | VENDOR NO. |
|-----|---------------|-----|--------------------------------|-------------------|
| 1 | 120075-07-702 | EA | RETAINER - DOOR PNL/WAFFLE/BLK | 619560 -WDL-LOWER |
| 2 | 120075-01-701 | EA | HINGE-TOP RH/BOTTOM LH(DOOR) | 618511 |
| 3 | 121568-03-701 | EA | BUSHING - HINGE PIN/GRAY | 619671 |
| 4 | 120075-07-703 | EA | DOOR LINER-LWR/WAFFLED/BLACK | 619631 LARGE WDL |
| 5 | 120075-12-701 | EA | HANDLE(CONTOUR)TOP RH/BTM LH | 621104 |
| 6 | 121568-01-704 | EA | RAIL - DOOR LOWER | 618578 |
| 7 | 120075-01-705 | EA | HINGE-TOP LH/BOTTOM RH(DOOR) | 618510 |
| 8 | 121568-01-701 | EA | BIN - DOOR WHITE-WAFFLED LNR | 618619 WDL |
| 9 | 120075-07-701 | EA | DIVIDER/DOOR BIN CLEAR | 619008 WDL & SDL |
| | 121568-03-705 | EA | STORAGE LATCH - GRAY | 619648 |

CABINET & APPLIANCE GROUP (CONTINUED)
COMPONENT PARTS FOR CABINET & APPLIANCE LAYOUT (CONTINUED)

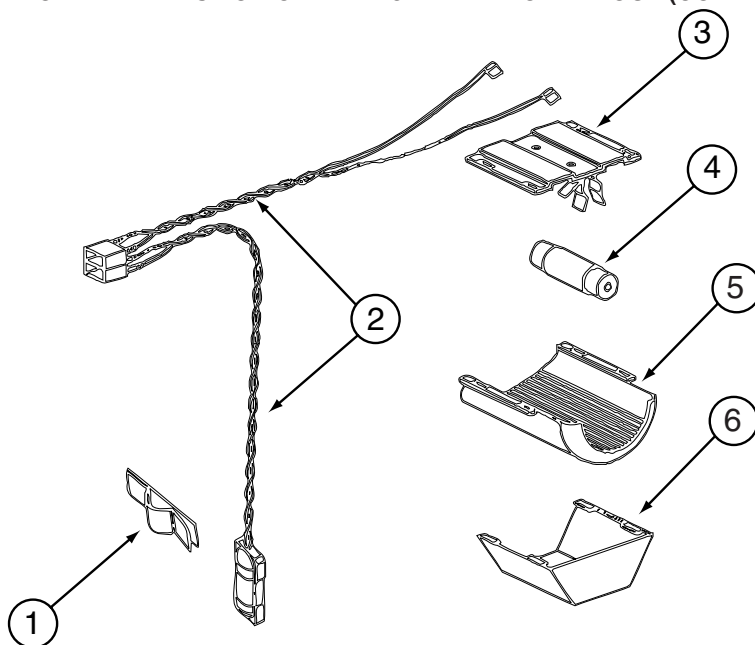


121569-03-01A, 121569-04-01A, 121569-05-01A, 121569-06-01A, 121569-07-01A (CONTINUED)

| KEY | PART NUMBER | U/M | DESCRIPTION | VENDOR NO. |
|-----|---------------|-----|-------------------------------|----------------|
| 1 | 121568-03-709 | EA | TRIM - TOP/BLACK | 619687 |
| 2 | 120075-01-714 | EA | PLUG-HOLE (BLACK) | 618170 |
| 3 | 121568-03-710 | EA | HINGE/CABINET-TOP/RH-LWR/LH | 619335 WAFFLED |
| 4 | 120075-07-705 | EA | TRIM - SIDE - BLACK | 622296 |
| 6 | 121568-03-712 | EA | SHELF - WIRE/FREEZER | 620250 |
| 7 | 121568-03-714 | EA | CONTROL ASM-SER#9126824 &DWN | 619350 |
| 8 | 121568-03-713 | EA | FRONT BOX/DECORATIVE-BLACK | 619282 |
| 9 | 120075-01-720 | EA | TRAY-DRIP | 623250 |
| 10 | 121568-01-707 | EA | SHELF - WIRE - SHORT | 620272 |
| 11 | 121568-01-708 | EA | SHELF - WIRE | 620273 |
| 14 | 120075-01-725 | EA | COVER-CRISPER - 18.5" WIDE | 618158 |
| 15 | 121568-01-709 | EA | CRISPER | 618571 |
| 16 | 120075-01-727 | EA | PIN-HINGE | 618145 |
| 18 | 121568-03-715 | EA | HINGE/CABINET-TOP/LH-LWR/RH | 619336 WAFFLED |
| 19 | 121568-03-716 | EA | COVER - HINGE HOLES | 619301 |
| 20 | 120075-01-729 | EA | TRIM-BOTTOM PIECE | 620958 |
| 21 | 120075-01-730 | EA | RETAINER-SHELF(SER#926684 DN) | 618181 |
| 22 | 121568-03-717 | EA | HOLE PLUG - WHITE | 619561 |
| 23 | 120075-01-732 | EA | PLATE-STRIKE | 618167 |
| 24 | 120075-07-709 | EA | CABINET - FOAMED | 619347 |
| | 120075-01-721 | EA | LOUVER-DRIP TRAY | 618176 |

CONTACT WINNEBAGO PART SALES FOR UNLISTED COMPONENT(S)

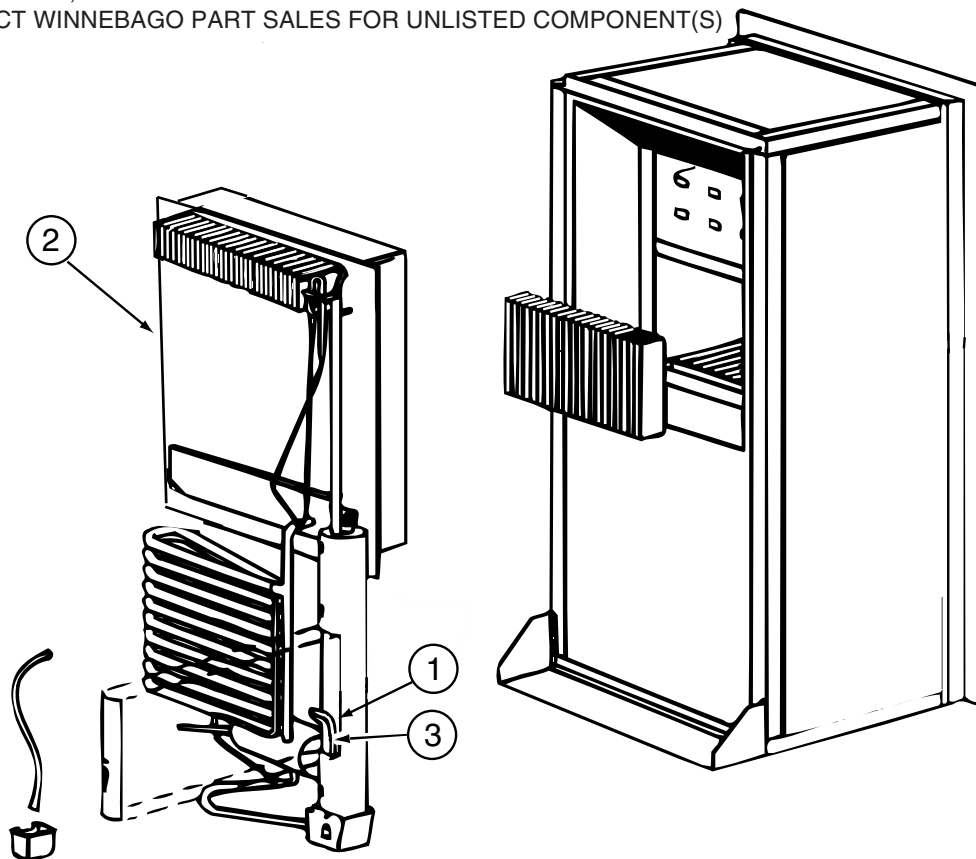
CABINET & APPLIANCE GROUP (CONTINUED)
COMPONENT PARTS FOR CABINET & APPLIANCE LAYOUT (CONTINUED)



121569-03-01A, 121569-04-01A, 121569-05-01A, 121569-06-01A, 121569-07-01A (CONTINUED)

| KEY | PART NUMBER | U/M | DESCRIPTION | VENDOR NO. |
|-----|---------------|-----|------------------------------|------------|
| 1 | 084880-01-760 | EA | CLIP (THERMISTER) | 61689122 |
| 2 | 120075-01-735 | EA | THERMISTER W/LAMP & WIRE/ASM | 618548 |
| 3 | 084880-03-705 | EA | BRACKET-LIGHT-INTERIOR | 61629722 |
| 4 | 084880-03-706 | EA | BULB-LAMP | 61628922 |
| 6 | 084880-03-707 | EA | COVER-LAMP, LENS | 61627922 |

CONTACT WINNEBAGO PART SALES FOR UNLISTED COMPONENT(S)

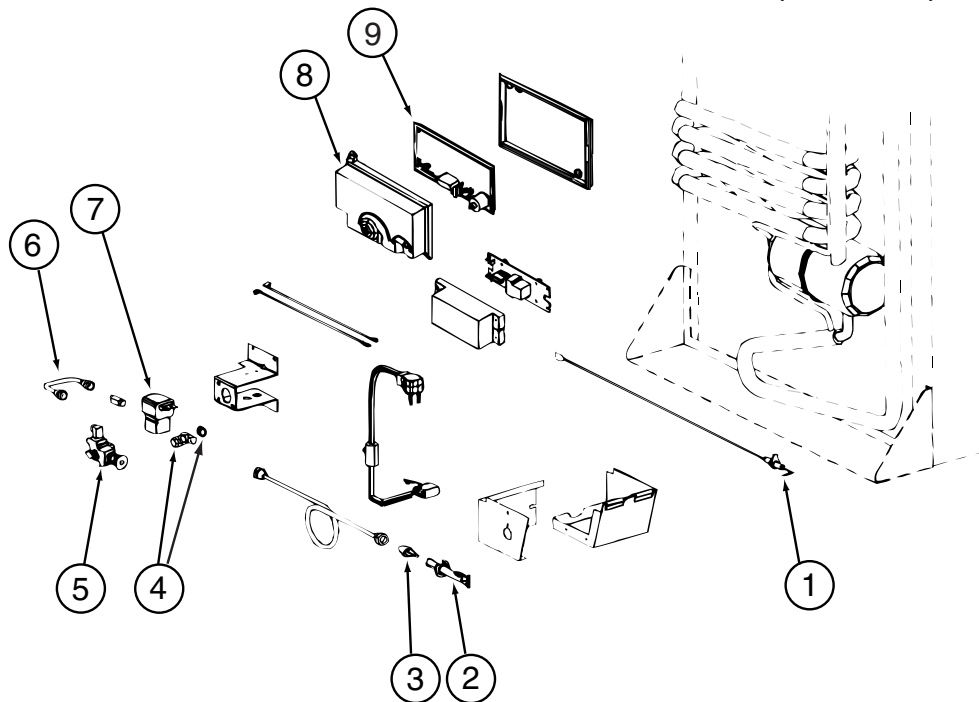


121569-03-01A, 121569-04-01A, 121569-05-01A, 121569-06-01A, 121569-07-01A (CONTINUED)

| KEY | PART NUMBER | U/M | DESCRIPTION | VENDOR NO. |
|-----|---------------|-----|-----------------------------|------------|
| 2 | 120075-01-736 | EA | COOLING UNIT, SERVICE PACK | 618542 |
| 3 | 088248-01-709 | EA | HEATER-AC (HORIZONTAL) | 61562722 |
| | 120075-01-744 | EA | KIT - GAS VALVE/BURNER TUBE | 620609 |

CONTACT WINNEBAGO PART SALES FOR UNLISTED COMPONENT(S)

CABINET & APPLIANCE GROUP (CONTINUED)
COMPONENT PARTS FOR CABINET & APPLIANCE LAYOUT (CONTINUED)

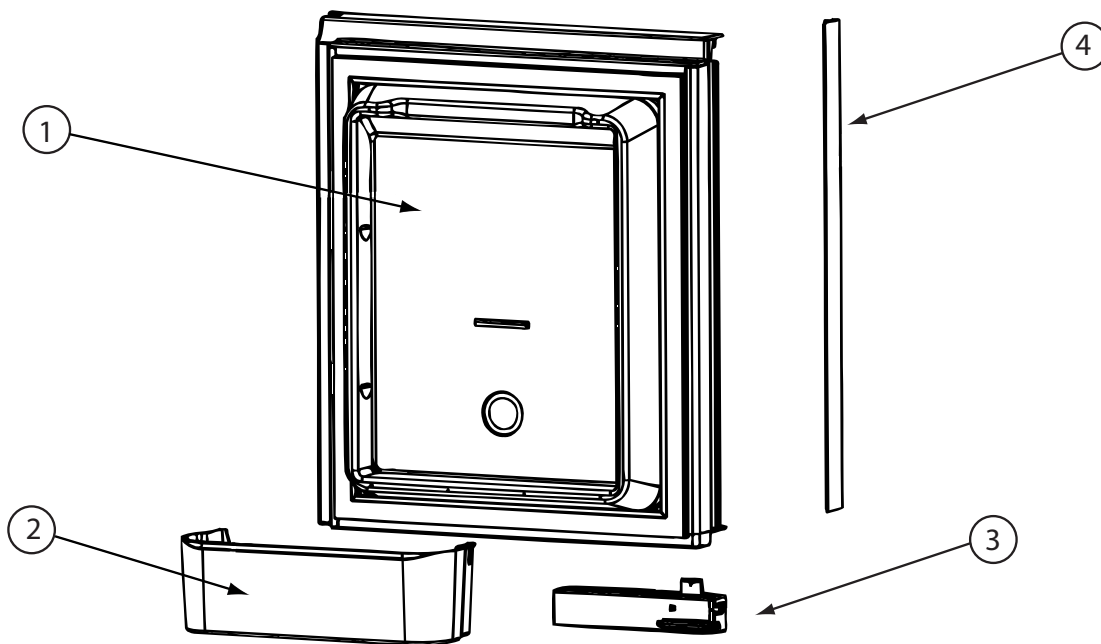


121569-03-01A, 121569-04-01A, 121569-05-01A, 121569-06-01A, 121569-07-01A (CONTINUED)

| KEY | PART NUMBER | U/M | DESCRIPTION | VENDOR NO. |
|-----|---------------|-----|-----------------------------|------------------|
| 1 | 104137-06-715 | EA | ELECTRODE-SPARK/SENSOR, SGL | 61692222 |
| 2 | 104137-06-714 | EA | BURNER ASSEMBLY, 5-SLOT | 61705222 |
| 3 | 120075-01-737 | EA | ORIFICE - JEWEL - .0155 | 618284 |
| 4 | 113737-01-702 | EA | PLUG 1/8" F/PRESSURE TAP | 61445322 |
| 4 | 113737-01-716 | EA | TAP-PRESSURE | 61594422 |
| 6 | 113737-01-750 | EA | TUBE-UNION | 61694622 |
| 7 | 084880-01-718 | EA | KIT-GAS VALVE/SOLENOID/TUBE | 621447 |
| 8 | 120075-01-738 | EA | COVER-POWER BOARD | 618185 |
| 9 | 121568-03-719 | EA | POWER - BOARD - 2-WAY | 621267-632168001 |
| | 121568-03-720 | EA | VALVE/SOLENOID-MAN SHUT OFF | 618696 |
| | 121569-07-700 | EA | CORD - AC POWER | 61554422 |

CONTACT WINNEBAGO PART SALES FOR UNLISTED COMPONENT(S)

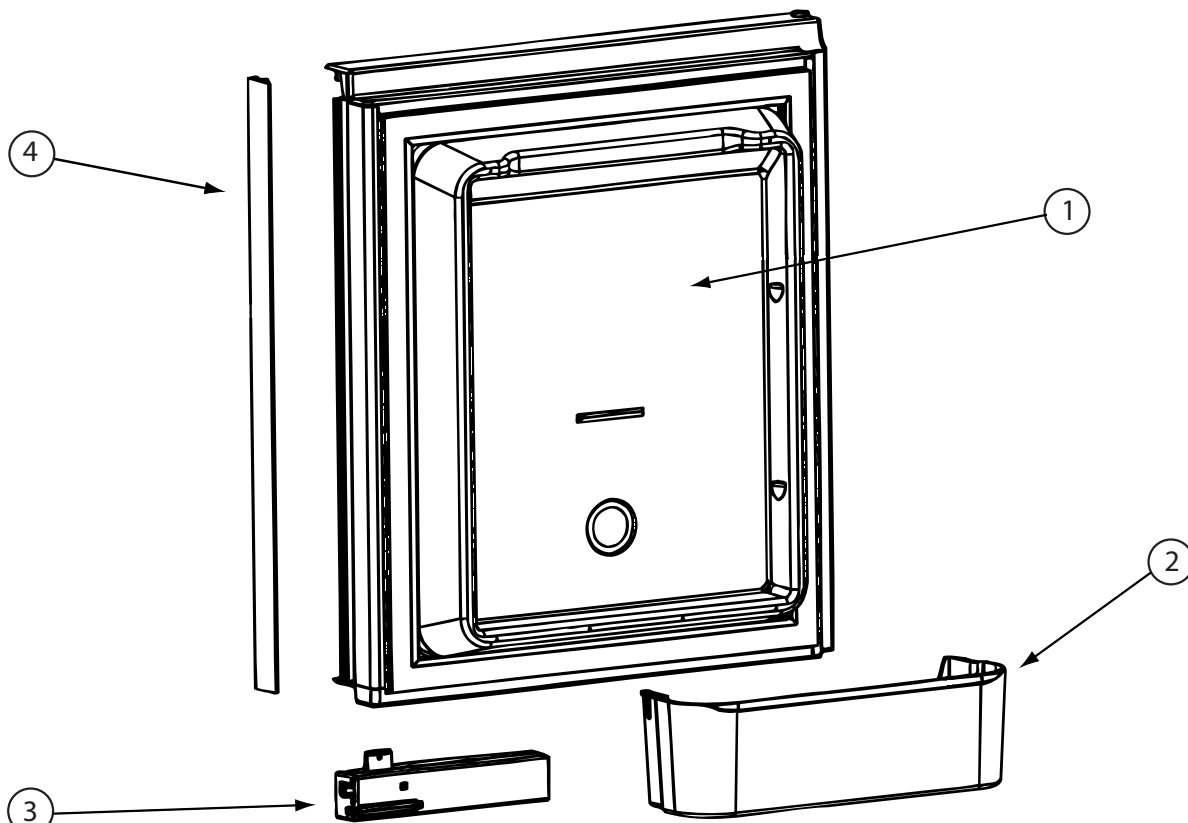
CABINET & APPLIANCE GROUP (CONTINUED)
COMPONENT PARTS FOR CABINET & APPLIANCE LAYOUT (CONTINUED)



125242-05-02A

| KEY | PART NUMBER | U/M | DESCRIPTION | VENDOR NO. |
|-----|---------------|-----|------------------------------|------------|
| 1 | 125242-05-700 | EA | LINER-DOOR/UPPER RH/WRP WPM | 62913401 |
| 2 | 125242-05-701 | EA | BIN - DOOR SHELF | 628686 |
| 3 | 125242-02-701 | EA | HANDLE(CONTOUR)TOP RH LWR LH | 621106 |
| | 125242-02-722 | EA | LATCH-STORAGE DR/BLK POINTED | 619374 |

CONTACT WINNEBAGO PART SALES FOR UNLISTED COMPONENT(S)

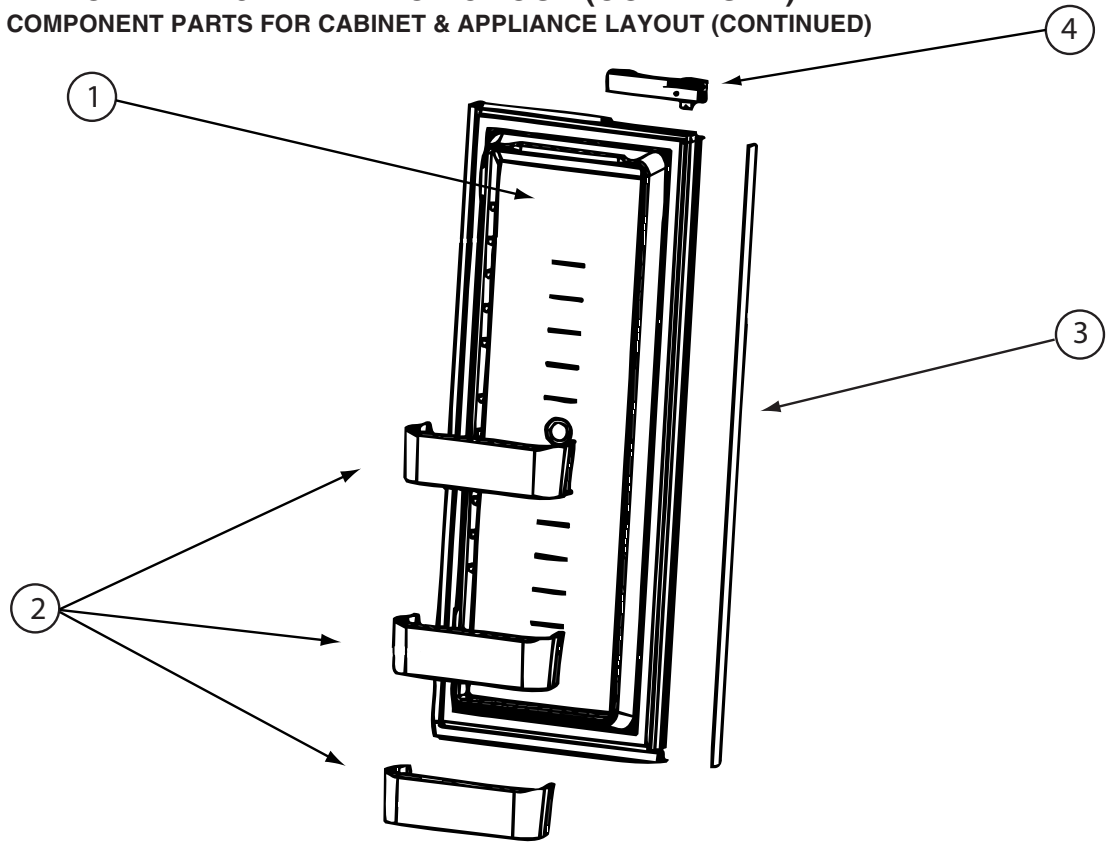


125242-05-02A (CONTINUED)

| KEY | PART NUMBER | U/M | DESCRIPTION | VENDOR NO. |
|-----|---------------|-----|------------------------------|------------|
| 1 | 125242-05-702 | EA | LINER-DOOR/UPPER LH/WRP WPM | 62913301 |
| 2 | 125242-05-701 | EA | BIN - DOOR SHELF | 628686 |
| 3 | 125242-02-700 | EA | HANDLE(CONTOUR)TOP LH BTM RH | 621107 |
| | 125242-02-722 | EA | LATCH-STORAGE DR/BLK POINTED | 619374 |

CONTACT WINNEBAGO PART SALES FOR UNLISTED COMPONENT(S)

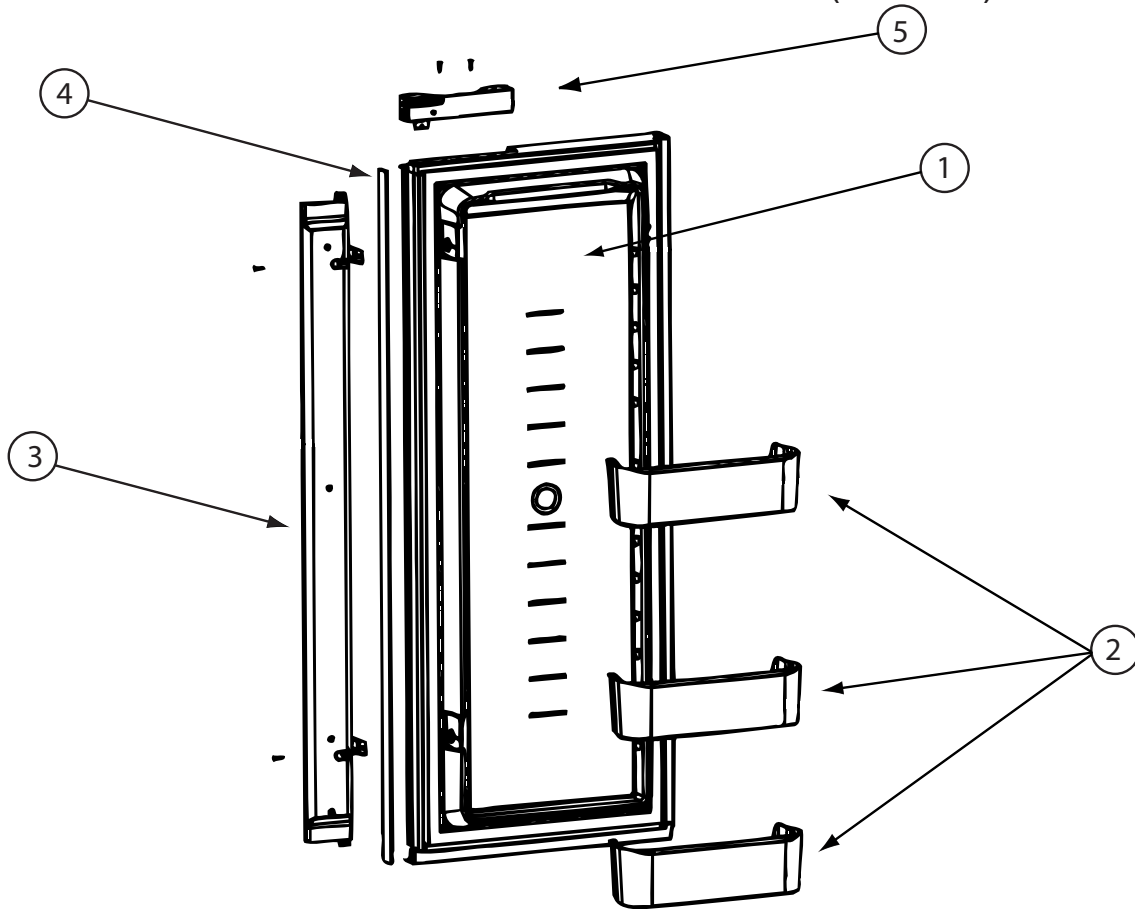
CABINET & APPLIANCE GROUP (CONTINUED)
COMPONENT PARTS FOR CABINET & APPLIANCE LAYOUT (CONTINUED)



125242-05-02A (CONTINUED)

| KEY | PART NUMBER | U/M | DESCRIPTION | VENDOR NO. |
|--|---------------|-----|------------------------------|------------|
| 1 | 125242-05-703 | EA | LINER-DOOR/LOWER RH/WRP WPM | 62913601 |
| 2 | 125242-05-701 | EA | BIN - DOOR SHELF | 628686 |
| 4 | 125242-02-700 | EA | HANDLE(CONTOUR)TOP LH BTM RH | 621107 |
| | 125242-02-722 | EA | LATCH-STORAGE DR/BLK POINTED | 619374 |
| CONTACT WINNEBAGO PART SALES FOR UNLISTED COMPONENT(S) | | | | |

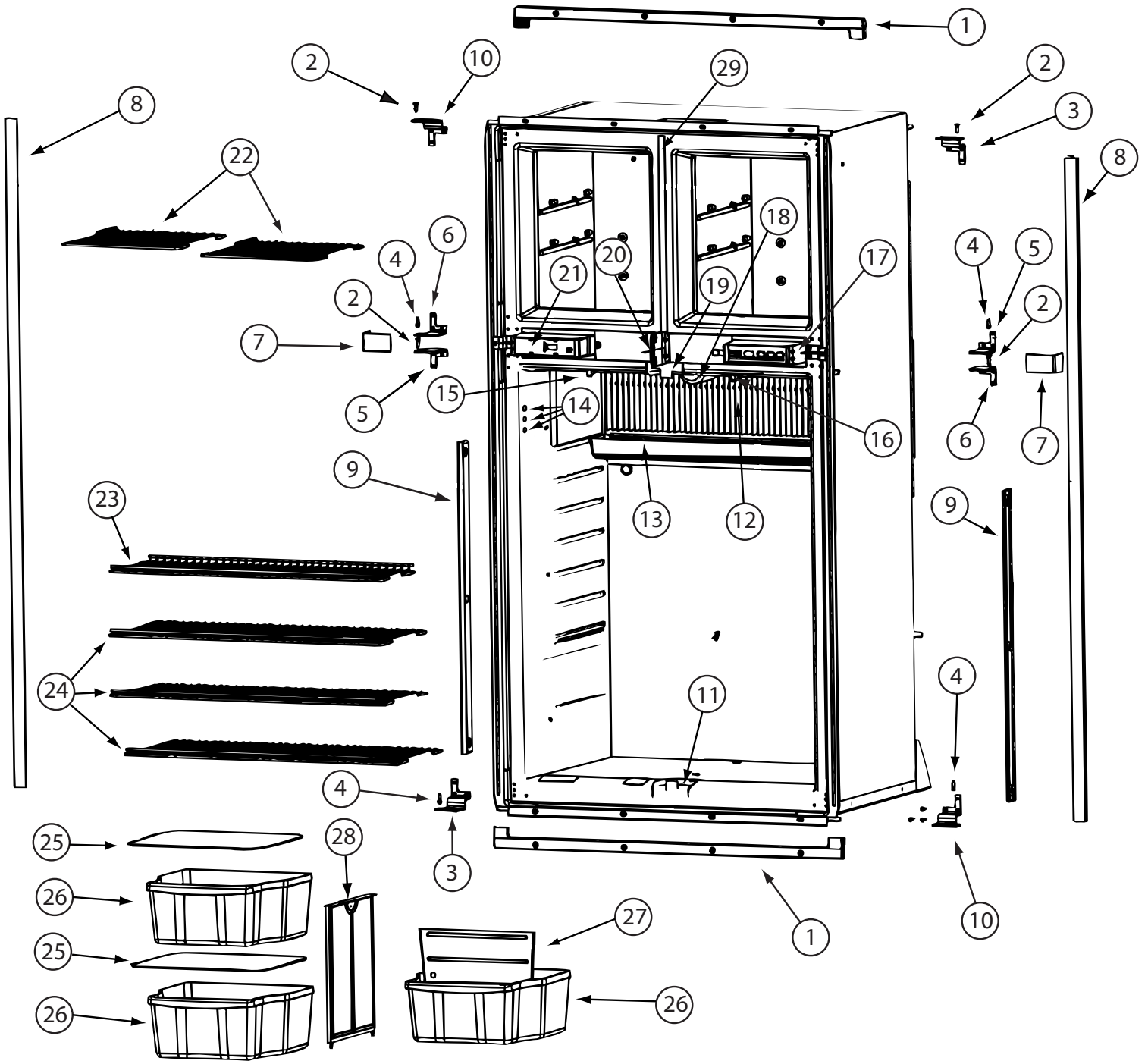
CABINET & APPLIANCE GROUP (CONTINUED)
COMPONENT PARTS FOR CABINET & APPLIANCE LAYOUT (CONTINUED)



125242-05-02A (CONTINUED)

| KEY | PART NUMBER | U/M | DESCRIPTION | VENDOR NO. |
|--|---------------|-----|------------------------------|------------|
| 1 | 125242-05-704 | EA | LINER-DOOR/LOWER LH/WRP WPM | 62913501 |
| 2 | 125242-05-701 | EA | BIN - DOOR SHELF | 628686 |
| 3 | 125242-05-705 | EA | FLAPPER ASM | 629049 |
| 5 | 125242-02-701 | EA | HANDLE(CONTOUR)TOP RH LWR LH | 621106 |
| | 125242-02-722 | EA | LATCH-STORAGE DR/BLK POINTED | 619374 |
| CONTACT WINNEBAGO PART SALES FOR UNLISTED COMPONENT(S) | | | | |

CABINET & APPLIANCE GROUP (CONTINUED)
COMPONENT PARTS FOR CABINET & APPLIANCE LAYOUT (CONTINUED)



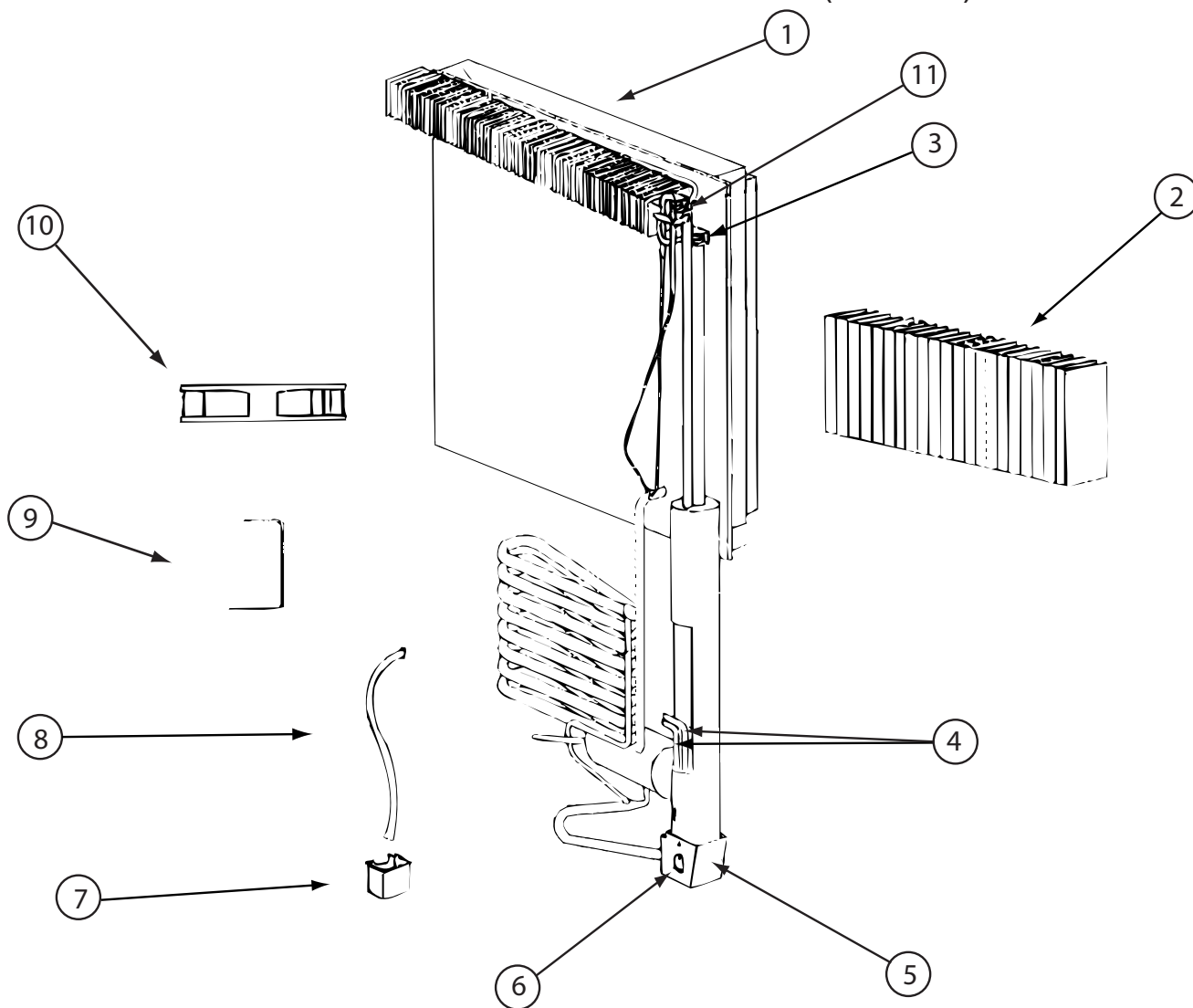
125242-05-02A (CONTINUED)

CABINET & APPLIANCE GROUP (CONTINUED)
COMPONENT PARTS FOR CABINET & APPLIANCE LAYOUT (CONTINUED)

125242-05-02A (CONTINUED)

| KEY | PART NUMBER | U/M | DESCRIPTION | VENDOR NO. |
|------------|--------------------|------------|-------------------------------|---------------------|
| 1 | 125242-01-767 | EA | KIT INSTALL(U TRIM PCS)HDW | 623528 |
| 2 | 125242-03-715 | EA | HINGE PIN/UPR-WRAPPED DOORS | 623899 |
| 3 | 125242-05-707 | EA | HINGE-OUTER/UPPER RH/LWR LH | 628946 |
| 4 | 113737-01-710 | EA | PIN-HINGE, BOTTOM | 61550722 |
| 5 | 125242-05-708 | EA | HINGE-INNER/UPPER RH/LWR LH | 624363 |
| 6 | 125242-05-709 | EA | HINGE-INNER/UPPER LH/LWR RH | 624364 |
| 7 | 125242-05-710 | EA | COVER - HINGE | 627955 |
| 8 | 125242-01-766 | EA | TRIM-LT/RT HAND-SCREW ON | 623254 |
| 9 | 125242-02-720 | EA | RETAINER/SHELF(SER#926685 UP) | 622033 |
| 10 | 125242-05-711 | EA | HINGE-OUTER/UPPER LH/LWR RH | 628945 |
| 11 | 125242-05-712 | EA | GUIDE BLOCK-FLAPPER/BTM/BLK | 629112 |
| 12 | 125242-05-713 | EA | FINS | 618785 |
| 13 | 125242-01-712 | EA | DRIP TRAY | 618774 |
| 14 | 125242-03-706 | EA | PROBE - CONTACT/LARGE | 620689 |
| 15 | 125242-01-768 | EA | SWITCH - DOOR LIGHT | 623918 |
| 16 | 125242-02-706 | EA | LAMP/WIRE ASM/SER#849677 UP | 620871 |
| 17 | 125242-05-706 | EA | CONTROL ASM - OPTICAL | 629113 |
| 18 | 125242-02-708 | EA | COVER/LAMP BRACKET | 621827 |
| 19 | 125242-05-714 | EA | GUIDE BLOCK-FLAPPER/TOP/BLK | 629111 |
| 20 | 125242-05-715 | EA | PLATE/STRIKE - BLACK | 628473 |
| 21 | 125242-05-716 | EA | BOX/FRONT - DUMMY | 624366 |
| 22 | 125242-01-725 | EA | SHELF-FREEZER (WIRE) | 618847 |
| 23 | 125242-01-727 | EA | SHELF-WIRE (SHORT) | 618849 |
| 24 | 125242-01-726 | EA | SHELF-WIRE (LONG) | 618848 |
| 25 | 125242-01-706 | EA | COVER-CRISPER | 618757 |
| 26 | 125242-05-717 | EA | BIN - BOTTLE/CRISPER | 628688 |
| 27 | 125242-05-718 | EA | DIVIDER - BOTTLE/CRISPER | 628694 |
| 28 | 125242-01-749 | EA | SUPPORT - WALL | 618840 |
| 29 | 125242-02-741 | EA | STRIP-FREEZER-BLACK | 625210 #1291391 &UP |
| | 084880-03-705 | EA | BRACKET-LIGHT-INTERIOR | 61629722 |
| | 084880-03-706 | EA | BULB-LAMP | 61628922 |
| | 120075-01-714 | EA | PLUG-HOLE (BLACK) | 618170 |
| | 125242-05-725 | EA | PLATE - F/DUMMY BOX | 628460 |

CABINET & APPLIANCE GROUP (CONTINUED)
COMPONENT PARTS FOR CABINET & APPLIANCE LAYOUT (CONTINUED)

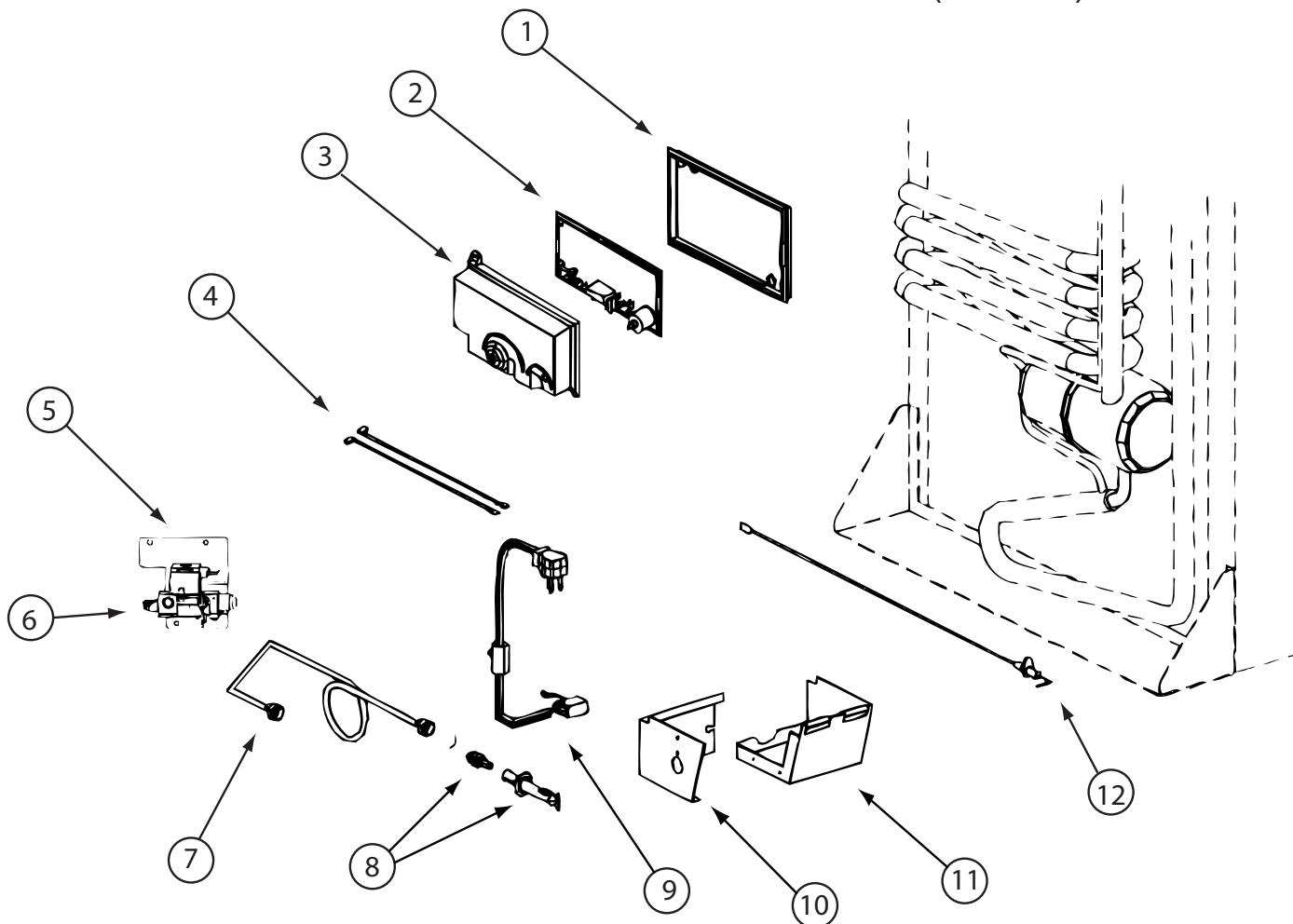


125242-05-02A (CONTINUED)

| KEY | PART NUMBER | U/M | DESCRIPTION | VENDOR NO. |
|-----|---------------|-----|------------------------------|------------|
| 1 | 125242-05-719 | EA | COOLING UNIT - SN 8835498 UP | 629507 |
| 2 | 125242-05-713 | EA | FINS | 618785 |
| 4 | 125242-01-732 | EA | HEATER AC - 225W/110VAC | 618872 |
| 5 | 125242-01-739 | EA | BASE-BURNER BOX | 618902 |
| 6 | 125242-01-740 | EA | COVER-BURNER BOX | 618910 |
| 9 | 125242-05-721 | EA | BRACKET-DC FAN-SN 9144576 UP | 628747 |
| 10 | 125242-05-722 | EA | FAN-EXTRNL DC-SN 9144576 UP | 628685 |
| 11 | 113737-01-754 | EA | THERMOSTAT (FAN 12V DC) | 618093 |
| | 125242-01-742 | EA | WIRE ASM.-BAFFLE 55.15" | 618915 |
| | 125242-05-720 | EA | SWITCH-THERMAL | 628118 |

CONTACT WINNEBAGO PART SALES FOR UNLISTED COMPONENT(S)

CABINET & APPLIANCE GROUP (CONTINUED)
COMPONENT PARTS FOR CABINET & APPLIANCE LAYOUT (CONTINUED)



125242-03-02A, 125242-05-02A, 125242-06-01A (CONTINUED)

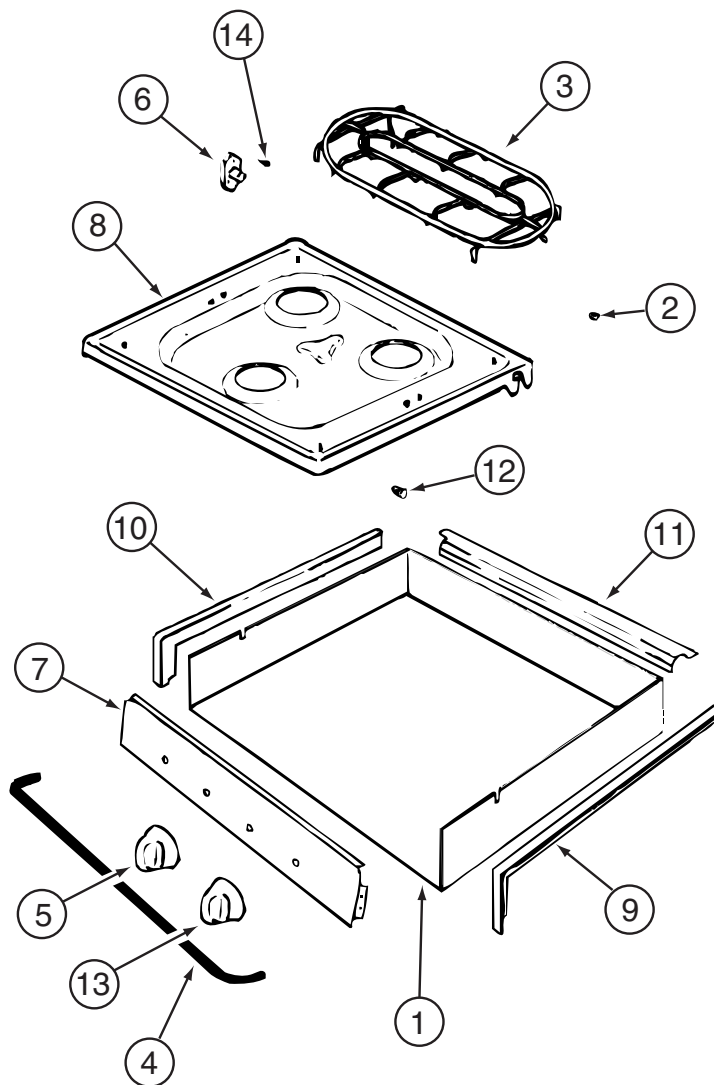
| KEY | PART NUMBER | U/M | DESCRIPTION | VENDOR NO. |
|-----|---------------|-----|------------------------------|------------|
| 1 | 121569-08-701 | EA | BASE - POWER BOARD | 628674 |
| 2 | 121568-06-709 | EA | BOARD/POWER-N611/N822F/1201 | 628661 |
| 3 | 121569-08-702 | EA | COVER-POWER BOARD | 628677 |
| 4 | 125242-02-709 | EA | WIRE/WHITE/9"/GAS VALVE | 621448 |
| 6 | 121569-08-703 | EA | GAS VALVE - SOLENOID | 628741 |
| 7 | 125242-05-723 | EA | BURNER TUBE | 624683 |
| 8 | 125242-02-743 | EA | BURNER ORF ADAP-7 SLOT BRNR | 629013 |
| 9 | 121569-05-732 | EA | CORD - AC POWER- W/ICE MAKER | 618406 |
| 10 | 125242-01-740 | EA | COVER-BURNER BOX | 618910 |
| 11 | 125242-01-739 | EA | BASE-BURNER BOX | 618902 |
| 12 | 104137-06-715 | EA | ELECTRODE-SPARK/SENSOR, SGL | 61692222 |

CONTACT WINNEBAGO PART SALES FOR UNLISTED COMPONENT(S)

126022-01-01A, 126022-02-01A, 126022-03-01A

| KEY | PART NUMBER | U/M | DESCRIPTION | VENDOR NO. |
|-----|---------------|-----|------------------------------|-------------------|
| | 114030-01-707 | EA | PLUG BUTTON BLACK | 74002628 |
| | 126022-01-700 | EA | BUMPER - RANGE BIFOLD COVER | MAGIC 8003P007-60 |
| | 126022-01-701 | EA | HINGE-RANGE BIFOLD COVER-22" | MAGIC 3418F067-34 |

CABINET & APPLIANCE GROUP (CONTINUED)
COMPONENT PARTS FOR CABINET & APPLIANCE LAYOUT (CONTINUED)

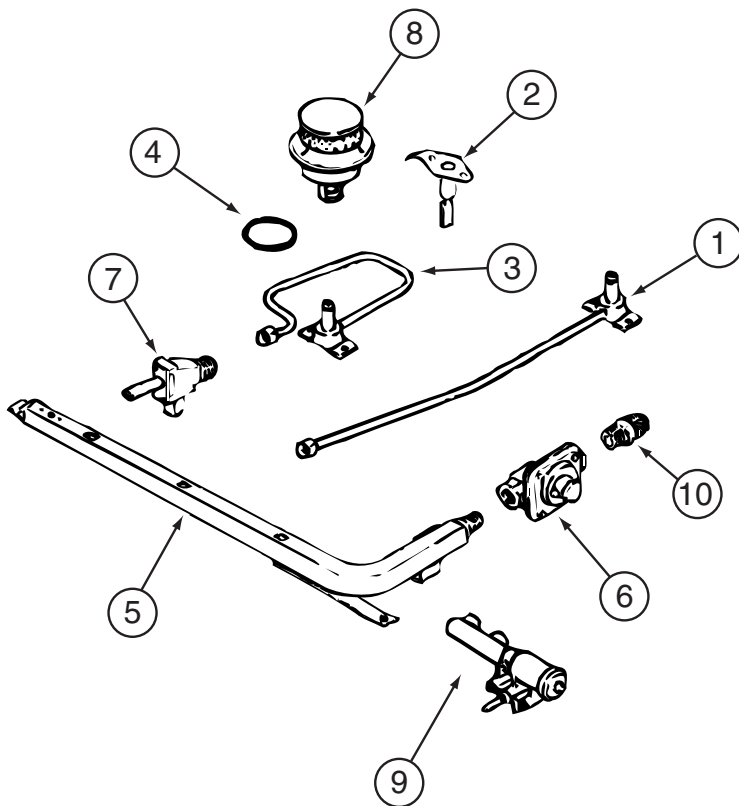


135065-03-01A, 135065-03-03A, 135065-04-01A

| KEY | PART NUMBER | U/M | DESCRIPTION | VENDOR NO. |
|-----|---------------|-----|------------------------------|--------------|
| 2 | 102020-01-709 | EA | BUMPER-GRATE | 8007-P020-60 |
| 3 | 135065-03-703 | EA | GRATE - BLACK(SEALED BURNER) | 74007304 |
| 4 | 114030-02-700 | EA | GUARD/FABRIC - TOWEL BAR | 3609F006-70 |
| 5 | 128728-01-701 | EA | KNOB - BURNER - REAR | 74003941 |
| 5 | 128728-01-702 | EA | KNOB - BURNER - FRONT | 74003942 |
| 6 | 128728-01-703 | EA | PIN/T-NUT F/HINGE | 7103P109-60 |
| 7 | 135065-03-704 | EA | PANEL - MANIFOLD (BLACK) | 74007330 |
| 8 | 128728-01-705 | EA | TOP - MAIN - BLACK | 74003928 |
| 8 | 135065-03-715 | EA | TOP - MAIN - STAINLESS STEEL | 74007299 |
| 9 | 114030-01-704 | EA | TRIM - RIGHT/BLACK TEXTURED | 74002839 |
| 10 | 114030-01-705 | EA | TRIM - LEFT/BLACK TEXTURED | 74002840 |
| 11 | 114030-01-706 | EA | TRIM - REAR/BLACK TEXTURED | 74002841 |
| 12 | 102020-01-724 | EA | BUMPER-MAIN TOP | 8003P008-60 |
| 13 | 128728-01-707 | EA | KNOB - IGNITOR | 74003944 |

CONTACT WINNEBAGO PART SALES FOR UNLISTED COMPONENT(S)

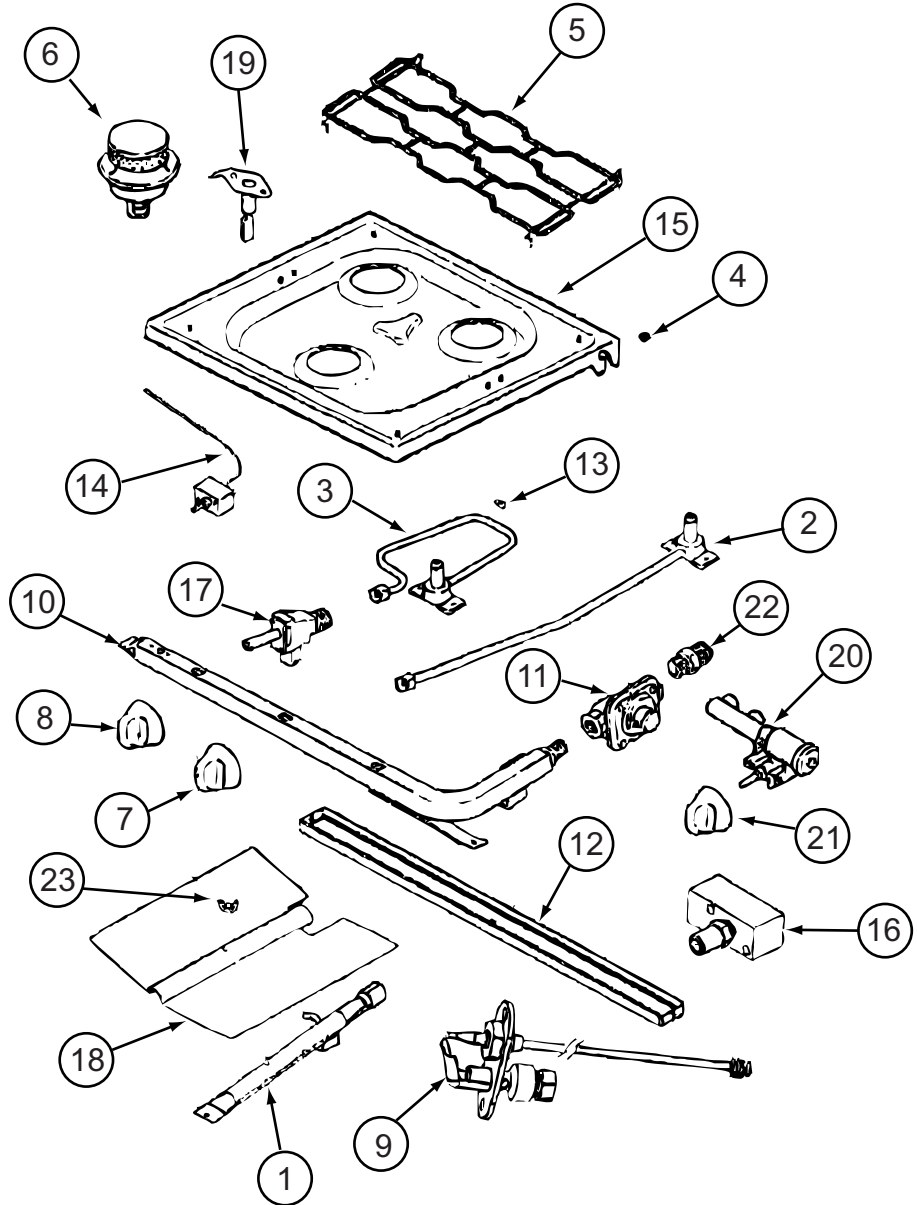
CABINET & APPLIANCE GROUP (CONTINUED)
COMPONENT PARTS FOR CABINET & APPLIANCE LAYOUT (CONTINUED)



135065-03-01A, 135065-03-03A, 135065-04-01A (CONTINUED)

| KEY | PART NUMBER | U/M | DESCRIPTION | VENDOR NO. |
|-----|---------------|-----|------------------------------|------------|
| 1 | 128728-01-708 | EA | FITTING W/ORFICE/TUBE - REAR | 74003931 |
| 2 | 135065-01-701 | EA | IGNITOR/PORCELAIN-TOP BURNER | 74004053 |
| 3 | 128728-01-710 | EA | FITTING W/ORFICE/TUBE - FRT | 74003930 |
| 4 | 135065-03-700 | EA | FITTING - HALF UNION | 74004234 |
| 5 | 135065-01-702 | EA | PIPE/MANIFOLD | 74004642 |
| 6 | 126023-02-703 | EA | REGULATOR - PRESSURE | 74004235 |
| 7 | 135065-01-703 | EA | VALVE/BURNER - REAR | 74004643 |
| 7 | 135065-01-704 | EA | VALVE/BURNER-FRT-HI | 74004644 |
| 7 | 135065-03-701 | EA | SCREW - VALVE | 71003231 |
| 8 | 135065-03-702 | EA | SEALED BURNER ASM.(BLACK) RV | 74003967 |
| 9 | 128728-01-716 | EA | BURNER - IGNITOR | 74003946 |
| 9 | 128728-01-717 | EA | WIRES - IGNITOR | 74003947 |

CABINET & APPLIANCE GROUP (CONTINUED)
COMPONENT PARTS FOR CABINET & APPLIANCE LAYOUT (CONTINUED)



151277-03-01A, 151279-01-01A, 151279-02-01A/02A, 151279-03-01A

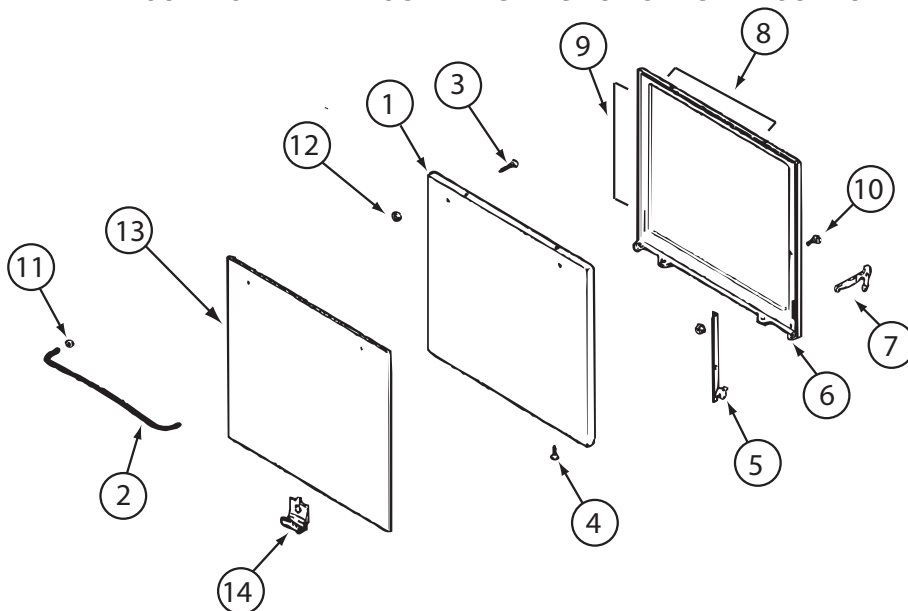
CABINET & APPLIANCE GROUP (CONTINUED)

COMPONENT PARTS FOR CABINET & APPLIANCE LAYOUT (CONTINUED)

151277-03-01A, 151279-01-01A, 151279-02-01A/02A, 151279-03-01A (CONTINUED)

| KEY | PART NUMBER | U/M | DESCRIPTION | VENDOR NO. |
|-----|---------------|-----|---------------------------------------|------------------|
| 1 | 151279-02-700 | EA | BURNER - OVEN - W/SHUTTER | 74009853 |
| 2 | 128728-01-708 | EA | FITTING W/ORFICE/TUBE - REAR | 74003931 |
| 3 | 128728-01-710 | EA | FITTING W/ORFICE/TUBE - FRT | 74003930 |
| 4 | 102020-01-709 | EA | BUMPER-GRATE | 8007P020-60 |
| 5 | 135065-03-703 | EA | GRATE - BLACK(SEALED BURNER) | 74007304 |
| 6 | 135065-03-702 | EA | SEALED BURNER ASM.(BLACK) RV | 74003967 |
| 7 | 128728-01-701 | EA | KNOB - BURNER - REAR | 74003941 (1 PER) |
| 7 | 128728-01-702 | EA | KNOB - BURNER - FRONT | 74003942 |
| 8 | 151279-02-701 | EA | KNOB - THERMOSTAT - BLACK | 74009858 |
| 9 | 112881-04-706 | EA | PILOT-OVEN (151279-01-01A ONLY) | 74006334 |
| 9 | 151279-01-700 | EA | PILOT-BURNER-16" (151279-01-01A ONLY) | 74009852 |
| 9 | 151279-02-705 | EA | PILOT - OVEN - 22" SERIES | 74010544 |
| 10 | 151279-02-702 | EA | PIPE - MANIFOLD | 74009856 |
| 11 | 112881-03-701 | EA | REGULATOR KIT W/FITTINGS | 12001285 |
| 11 | 126023-02-703 | EA | REGULATOR - PRESSURE | 74004235 |
| 13 | 102020-01-724 | EA | BUMPER-MAIN TOP | 8003P008-60 |
| 14 | 151279-02-703 | EA | THERMOSTAT | 74009855 |
| 15 | 128728-01-705 | EA | TOP - MAIN - BLACK | 74003928 |
| 15 | 135065-03-715 | EA | TOP - MAIN - STAINLESS STEEL | 74007299 |
| 15 | 151277-03-705 | EA | TOP-MAIN SNGL GRT/SEALED-BLK | 2001F300-09 |
| 16 | 151279-02-704 | EA | ELBOW BLOCK ASM (VALVE-OVEN) | 74009864 |
| 17 | 135065-01-703 | EA | VALVE/BURNER - REAR | 74004643 |
| 17 | 135065-01-704 | EA | VALVE/BURNER-FRT-HI | 74004644 |
| 18 | 135656-01-701 | EA | MIXER/AIR | 3411F003-34 |
| 19 | 135065-01-701 | EA | IGNITOR/PORCELAIN-TOP BURNER | 74004053 |
| 20 | 128728-01-716 | EA | IGNITOR - F/BURNERS | 74003946 |
| 20 | 128728-01-717 | EA | WIRES - IGNITOR | 74003947 |
| 21 | 128728-01-707 | EA | KNOB - IGNITOR | 74003944 |
| 22 | 135065-03-700 | EA | FITTING - HALF UNION | 74004234 |

CONTACT WINNEBAGO PART SALES FOR UNLISTED COMPONENT(S)

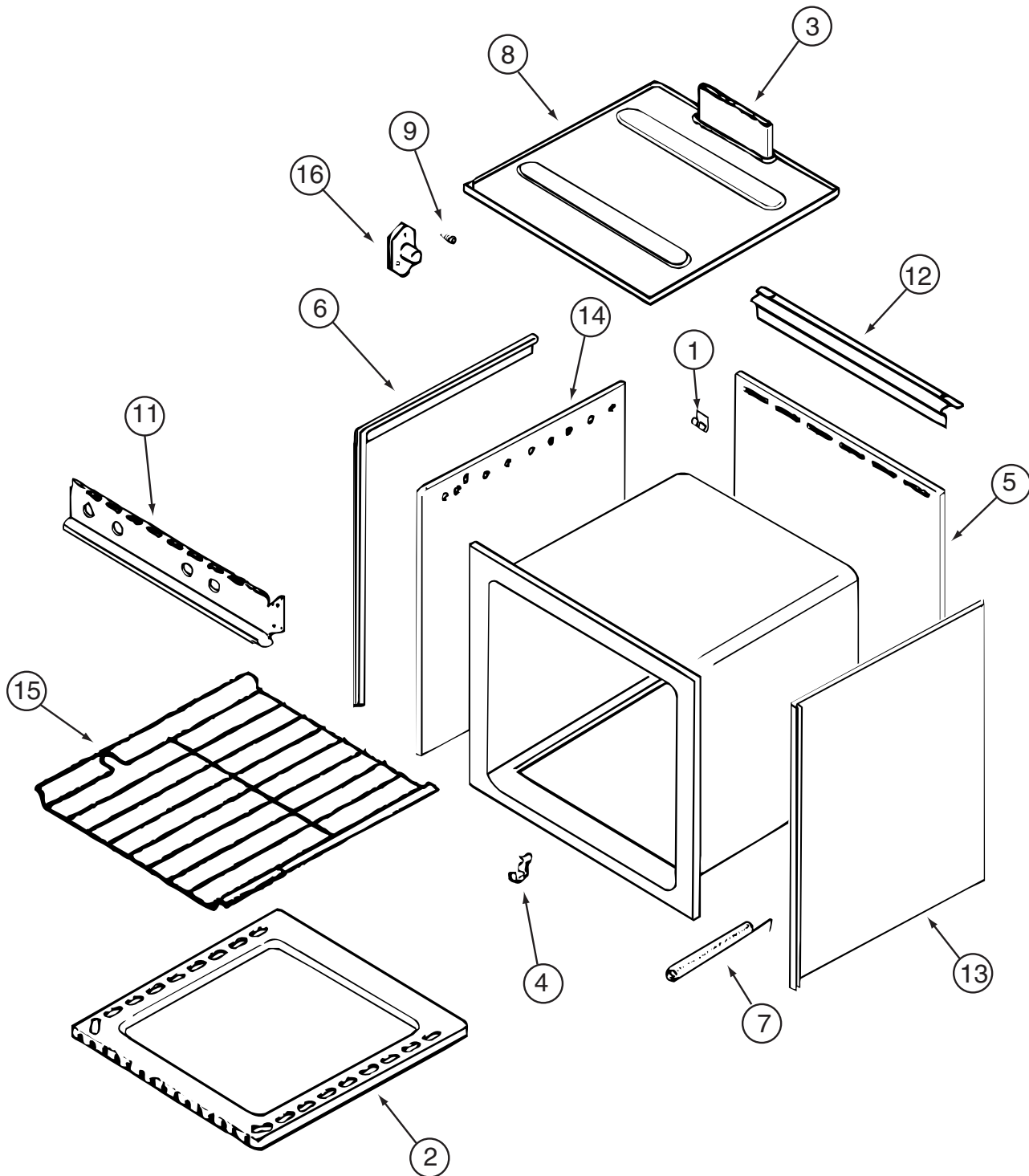


150778-01-01A, 151277-03-01A, 151279-02-01A, 151279-03-01A (CONTINUED)

| KEY | PART NUMBER | U/M | DESCRIPTION | VENDOR NO. |
|-----|---------------|-----|-------------------------|-------------|
| 1 | 126023-01-712 | EA | PANEL - DOOR (BLACK) | 74001190 |
| 2 | 128727-01-701 | EA | HANDLE - OVEN DOOR | 74003929 |
| 5 | 151277-01-704 | EA | HINGE KIT-OVEN DR/LT | 12400028 |
| 5 | 151277-01-705 | EA | HINGE KIT-OVEN DR/RT | 12400029 |
| 8 | 126023-01-732 | EA | SEAL/OVEN DR TOP | 7212P014-60 |
| 9 | 135066-03-714 | EA | SEAL - OVEN DOOR SIDES | 7212P039-60 |
| 10 | 151277-03-707 | EA | DOOR LINING | 74004228 |
| 13 | 102020-01-725 | EA | GLASS OUTER | 7902P266-60 |
| 14 | 126023-01-738 | EA | CLIP - GLASS OVEN/BLACK | 7112P093-60 |

CONTACT WINNEBAGO PART SALES FOR UNLISTED COMPONENT(S)

CABINET & APPLIANCE GROUP (CONTINUED)
COMPONENT PARTS FOR CABINET & APPLIANCE LAYOUT (CONTINUED)

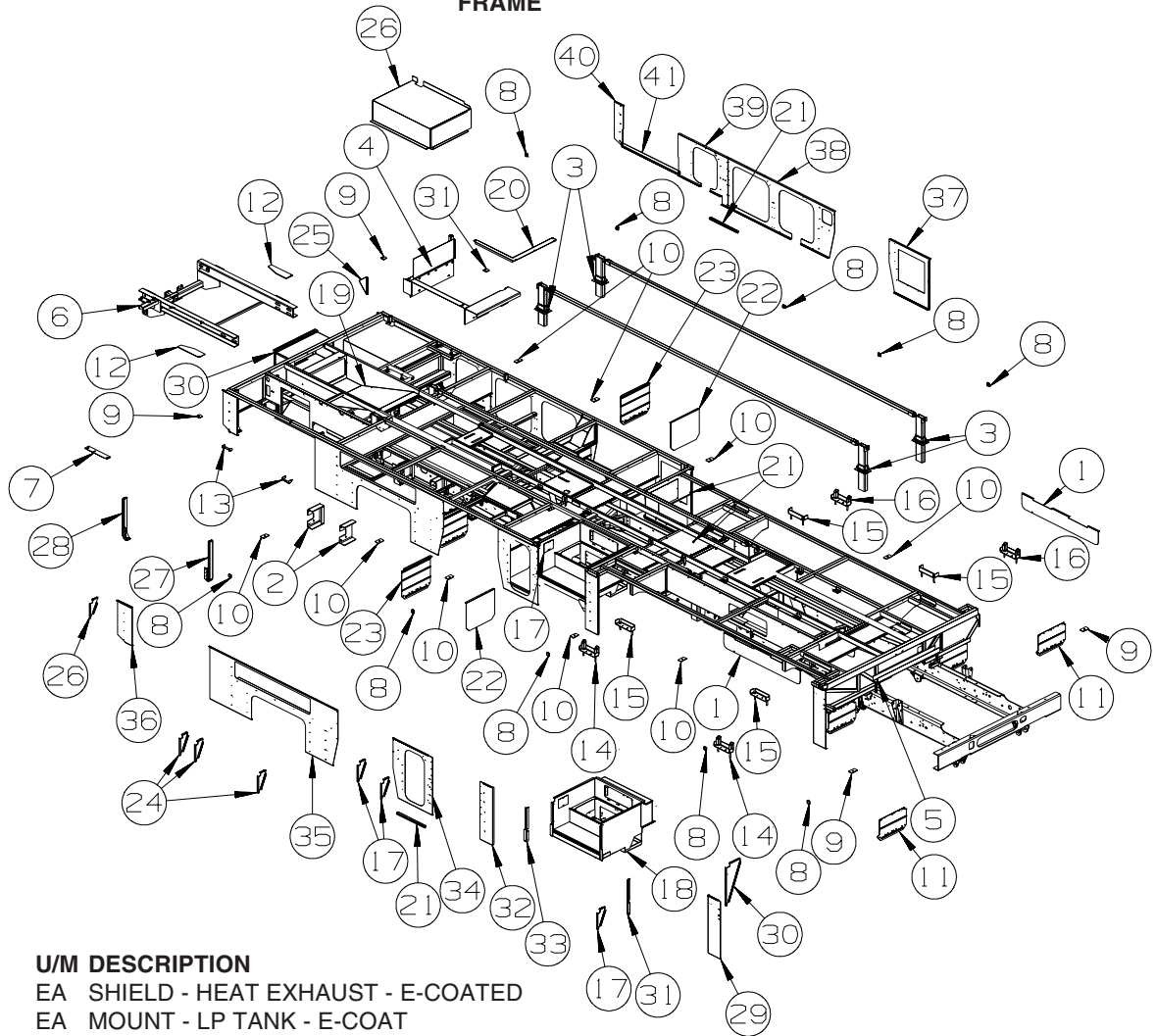


135066-03-01A/04A, 150778-01-01A, 151277-03-01A, 151279-02-01A/02A, 151279-03-01A (CONTINUED)

| KEY | PART NUMBER | U/M | DESCRIPTION | VENDOR NO. |
|-----|---------------|-----|------------------------------|-------------|
| 1 | 112881-03-702 | EA | CLIP - MAIN TOP | 74003998 |
| 2 | 126023-01-731 | EA | BOTTOM - OVEN | 2205F016-19 |
| 3 | 126023-01-718 | EA | FLUE BOX ASSEMBLY | 4006W075-80 |
| 6 | 126023-01-713 | EA | TRIM - SIDE (RIGHT) BLACK | 74002827 |
| 6 | 126023-01-714 | EA | TRIM - SIDE (LEFT) BLACK | 74002828 |
| 7 | 135066-03-708 | EA | SPRING - OVEN DOOR | 7803P053-60 |
| 9 | 128728-01-703 | EA | PIN/T-NUT F/HINGE | 7103P109-60 |
| 11 | 135066-03-701 | EA | PANEL - MANIFOLD - BLACK | 74007306 |
| 12 | 112881-01-721 | EA | DEFLECTOR/FLUE-BLK-SEALED BR | 74002829 |
| 15 | 126023-01-716 | EA | RACK - OVEN | 74003106 |

CONTACT WINNEBAGO PART SALES FOR UNLISTED COMPONENT(S)

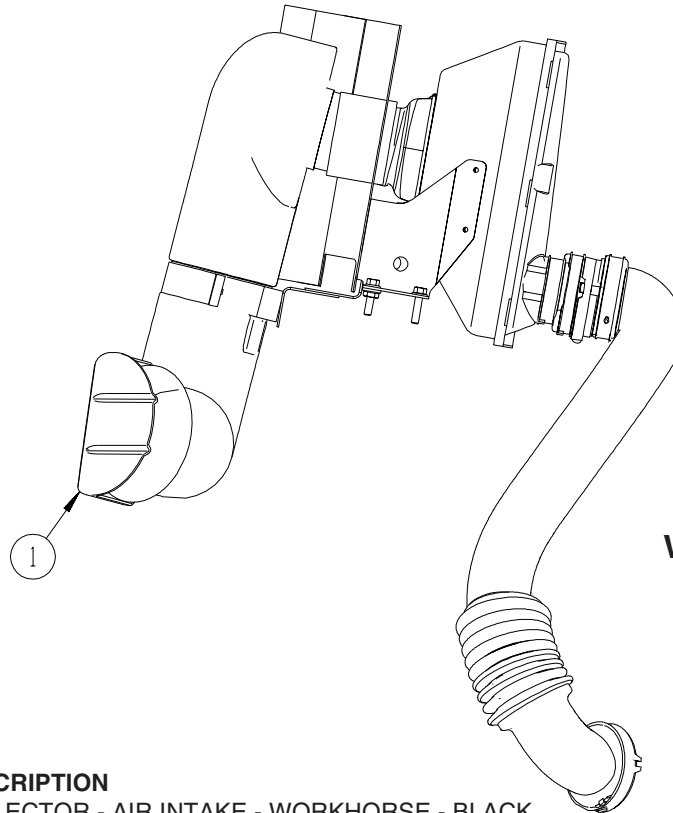
CHASSIS GROUP FRAME



| KEY | PART NUMBER | U/M | DESCRIPTION |
|-----|---------------|-----|--|
| 1 | 149346-01-02B | EA | SHIELD - HEAT EXHAUST - E-COATED |
| 2 | 120867-01-02B | EA | MOUNT - LP TANK - E-COAT |
| 3 | 139724-01-01A | EA | BOOT - TOWER - BLACK |
| 4 | 138113-10-02B | EA | OUTRIGGER/GENERATOR - E-COATED |
| 5 | 113452-01-000 | FT | SEAL/TRIM - FRONT - VINYL W/WIRE CARRIER - .020" |
| 6 | 154052-08-01A | EA | CLIP/REAR EXTENSION RAIL - W/HITCH/TIRE CARRIER |
| 7 | 136538-01-02B | EA | SHIM - HITCH - E-COATED |
| 8 | 119845-01-01A | EA | PLUG/PLASTIC - 1 1/2" SQUARE - BLACK |
| 9 | 135712-02-02B | EA | PLATE - BODY MOUNT - E-COATED - WORKHORSE |
| 10 | 135712-01-02B | EA | PLATE - BODY MOUNT - E-COATED |
| 11 | 136388-07-02B | EA | GUARD/ROCK - STEEL - 18" X 11" - E-COATED |
| 12 | 133095-01-02B | EA | PLATE - CLIP - E-COATED |
| 13 | 156785-05-02B | EA | BRACKET - A/C SUPPORT - E-COATED |
| 14 | 152558-02-02B | EA | BRACKET/MOUNT - F/SLIDEOUT - E-COATED |
| 15 | 152558-01-02B | EA | BRACKET/MOUNT - F/SLIDEOUT - E-COATED |
| 16 | 152558-06-02B | EA | BRACKET/MOUNT - F/SLIDEOUT - E-COATED |
| 17 | 123440-17-02B | EA | SUPPORT - PANEL - 17.8"/14.5" X 4.7" - E-COATED |
| 18 | 161763-01-02B | EA | BOX/ENTRANCE STEP - E-COATED |
| | | | FROM: 00-00-00 THRU: 11-11-07 |
| 18 | 161763-03-02B | EA | BOX/ENTRANCE STEP - E-COATED |
| | | | FROM: 11-12-07 THRU: 99-99-99 |
| | 158431-14-02B | EA | PLATE - SWITCH - E-COATED |
| | | | FROM: 11-12-07 THRU: 99-99-99 |
| 19 | 144746-09-02B | EA | COMPARTMENT - FURNACE - E-COATED |
| 20 | 152274-02-02B | EA | SUPPORT/COMPARTMENT - POWER CORD - E-COATED |
| 21 | 126516-01-01A | FT | TRIM - VINYL/EXTRUDED - 8' |

CHASSIS GROUP (CONTINUED)
FRAME (CONTINUED)

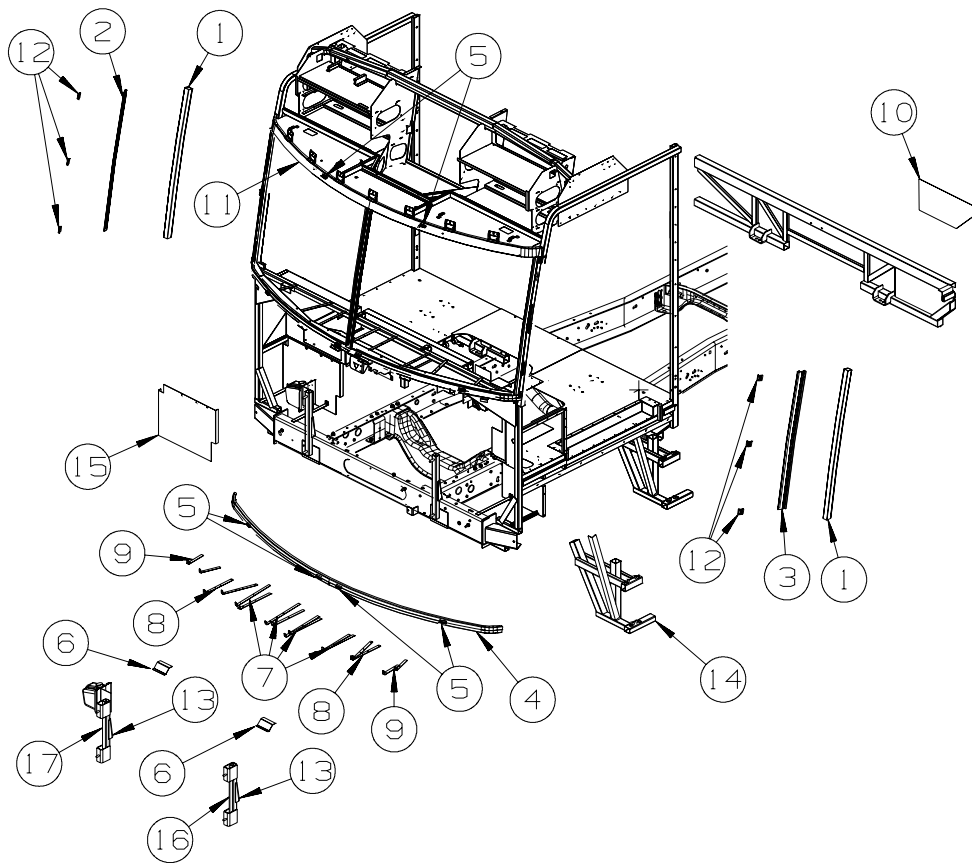
| KEY | PART NUMBER | U/M | DESCRIPTION |
|-----|---------------|-----|---|
| 22 | 134191-01-02B | EA | GUARD/ROCK - STEEL - W/BEND - 18"W X 14.9"H - E-COATED FROM: 00-00-00 THRU: 12-16-07 |
| 22 | 136391-02-02B | EA | GUARD/ROCK - STEEL - W/ANGLE - 18"W X 15"H - E-COATED FROM: 12-17-07 THRU: 01-27-08 |
| 22 | 136391-04-02B | EA | GUARD/ROCK - STEEL - W/ANGLE - 18"W X 15"H - E-COATED FROM: 01-28-08 THRU: 99-99-99 |
| 23 | 136391-04-02B | EA | GUARD/ROCK - STEEL - W/ANGLE - 18"W X 16.7"H - E-COATED |
| 24 | 123440-16-02B | EA | SUPPORT - PANEL - 13.8"/10.6" X 4.7" - E-COATED |
| 25 | 123440-07-02B | EA | SUPPORT - PANEL - 8.7" X 4.7" - E-COATED |
| 26 | 123440-06-02B | EA | SUPPORT - PANEL - 8.7"/5.5" X 4.7" - E-COATED |
| 27 | 133833-01-02B | EA | HANGER - A/C - E-COATED |
| 28 | 133833-02-02B | EA | HANGER - A/C - E-COATED |
| 29 | 152068-08-02B | EA | PLATE/SEAL - E-COATED |
| 30 | 123440-13-02B | EA | SUPPORT - PANEL - 20.9"/19.5" X 8.8" - SLIDEOUT - E-COATED |
| 31 | 136814-01-02B | EA | ANGLE/FILLER - STEP/RH HAND - E-COATED |
| 32 | 152068-09-02B | EA | PLATE/SEAL - E-COATED |
| 33 | 136814-02-02B | EA | ANGLE/FILLER - STEP/LH HAND - E-COATED |
| 34 | 152068-56-02B | EA | PLATE/SEAL - E-COATED |
| 35 | 156780-03-02B | EA | PANEL/SEAL PLANE - E-COATED |
| 36 | 156780-01-02B | EA | PANEL/SEAL PLANE - E-COATED |
| 37 | 152068-12-02B | EA | PLATE/SEAL - E-COATED |
| 38 | 156780-23-02B | EA | PANEL/SEAL PLANE - E-COATED |
| 39 | 152068-57-02B | EA | PLATE/SEAL - E-COATED |
| 40 | 152068-07-02B | EA | PLATE/SEAL - E-COATED |
| 41 | 133612-05-02B | EA | ZEE/SEAL PLANE - BOTTOM - E-COATED |



| KEY | PART NUMBER | U/M | DESCRIPTION |
|-----|---------------|-----|--|
| 1 | 154181-01-10A | EA | DEFLECTOR - AIR INTAKE - WORKHORSE - BLACK |

CHASSIS GROUP (CONTINUED)

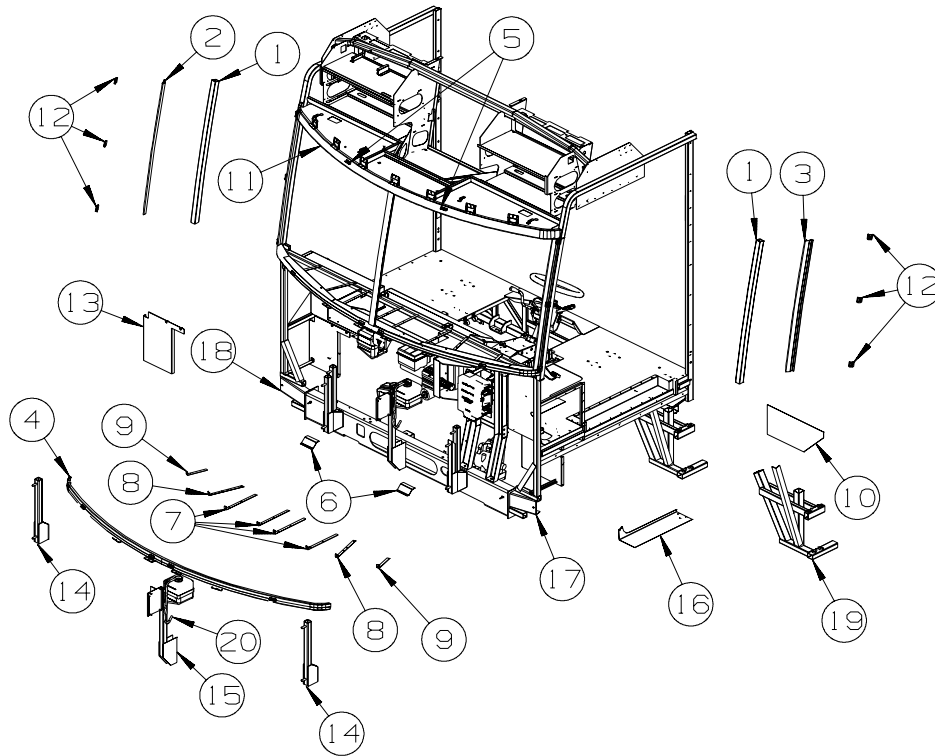
FRONT END



FORD

| KEY | PART NUMBER | U/M | DESCRIPTION |
|-----|---------------|-----|---|
| 1 | 117273-01-01A | EA | TUBE - SUPPORT - A-PILLAR |
| 2 | 121269-05-01B | EA | FRAME - WINDSHIELD - A-PILLAR - MILL |
| 3 | 121269-06-01B | EA | FRAME - WINDSHIELD - A-PILLAR - MILL |
| 4 | 124974-01-01B | EA | SUPPORT-WINDSHIELD,LOWER,MLL |
| 5 | 126289-65-01B | EA | ANGLE - FORMED |
| 6 | 134202-01-01B | EA | REINFORCEMENT - SUPPORT - LOWER WINDSHIELD/MIDDLE |
| 7 | 137047-04-01B | EA | STRAP - DEFROSTER PLENUM |
| 8 | 137047-05-01B | EA | STRAP - DEFROSTER PLENUM |
| 9 | 137047-06-01B | EA | STRAP - DEFROSTER PLENUM |
| 10 | 137496-01-01B | EA | PANEL - SPLASH GUARD |
| 11 | 124975-01-01B | EA | SUPPORT-WINDSHIELD,UPPER,MLL |
| 12 | 148935-01-01B | EA | BRACKET - WINDSHIELD - MILL |
| 13 | 117622-01-02B | EA | BRACE - TUBE/BUMPER - VERTICAL - E-COATED |
| 14 | 138340-03-02B | EA | SUPPORT/STEP - DRIVER - E-COATED |
| 15 | 144679-02-02B | EA | SHIELD/SPLASH - HEADLIGHT - E-COATED |
| 16 | 152916-01-02B | EA | SUPPORT - FRONT - E-COATED |
| 17 | 152916-02-02B | EA | SUPPORT - FRONT - E-COATED |

CHASSIS GROUP (CONTINUED)
FRONT END (CONTINUED)



WORKHORSE

| KEY | PART NUMBER | U/M | DESCRIPTION |
|-----|---------------|-----|---|
| 1 | 117273-01-01A | EA | TUBE - SUPPORT - A-PILLAR |
| 2 | 121269-05-01B | EA | FRAME - WINDSHIELD - A-PILLAR - MILL |
| 3 | 121269-06-01B | EA | FRAME - WINDSHIELD - A-PILLAR - MILL |
| 4 | 124974-01-01B | EA | SUPPORT-WINDSHIELD,LOWER,MLL |
| 5 | 126289-65-01B | EA | ANGLE - FORMED |
| 6 | 134202-01-01B | EA | REINFORCEMENT - SUPPORT - LOWER WINDSHIELD/MIDDLE |
| 7 | 137047-04-01B | EA | STRAP - DEFROSTER PLENUM |
| 8 | 137047-05-01B | EA | STRAP - DEFROSTER PLENUM |
| 9 | 137047-06-01B | EA | STRAP - DEFROSTER PLENUM |
| 10 | 137496-01-01B | EA | PANEL - SPLASH GUARD |
| 11 | 124975-01-01B | EA | SUPPORT-WINDSHIELD,UPPER,MLL |
| 12 | 148935-01-01B | EA | BRACKET - WINDSHIELD - MILL |
| 13 | 121962-02-02B | EA | SHIELD/SPLASH - HEADLIGHT - E-COATED |
| 14 | 134807-13-02B | EA | SUPPORT - FRONT - E-COATED |
| 15 | 134807-14-02B | EA | SUPPORT - FRONT/RESERVOIR - E-COATED |
| 16 | 137041-01-02B | EA | ANGLE/FILLER - MOTOR COVER - E-COATED |
| 17 | 137048-01-02B | EA | CHANNEL/SUPPORT - FRONT END - E-COATED |
| 18 | 137048-02-02B | EA | CHANNEL/SUPPORT - FRONT END - E-COATED |
| 19 | 138340-03-02B | EA | SUPPORT/STEP - DRIVER - E-COATED |
| 20 | 044317-01-000 | FT | HOSE - FUEL - 3/8" ID |

CHASSIS GROUP (CONTINUED)
DRIVETRAIN

24,000 GVWR FORD CHASSIS (G37B, G38J)

| KEY | PART NUMBER | U/M | DESCRIPTION |
|------------|--------------------|------------|---|
| | 167028-03-000 | EA | DRIVESHAFT - BALANCED - 248" WB - F53FD - 24,000 GVWR |
| | 115043-03-000 | EA | BUSHING - DRIVESHAFT |

24,000 GVWR FORD CHASSIS (G38T)

| KEY | PART NUMBER | U/M | DESCRIPTION |
|------------|--------------------|------------|---|
| | 167028-04-000 | EA | DRIVESHAFT - BALANCED - 266" WB - F53FD - 24,000 GVWR |

24,000 GVWR WORKHORSE 248 WHEELBASE (G37B, G38J)

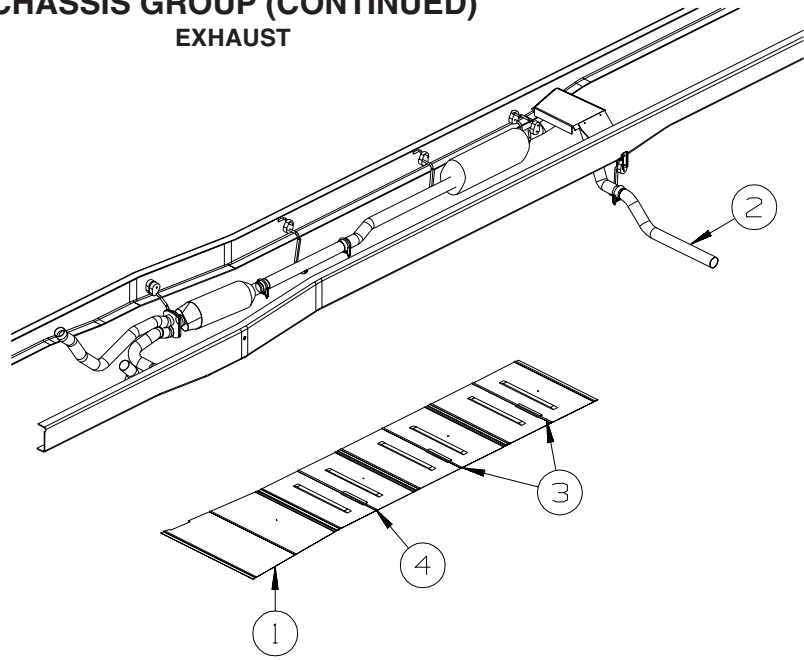
| KEY | PART NUMBER | U/M | DESCRIPTION |
|------------|--------------------|------------|---|
| | 128528-03-000 | EA | BOLT - U-JOINT - 3/8-24 X 3/4 |
| | 128528-04-000 | EA | STRAP - BEARING - 1480 JOINT |
| | 138126-05-000 | EA | DRIVESHAFT - BALANCED - 4 SECTION - WH W24 - 248" WB |
| | 138616-01-02B | EA | BRACKET/BEARING MOUNT - FRONT/248" WHEEL BASE - E-COATED |
| | 138616-02-02B | EA | BRACKET/BEARING MOUNT - MID-RR/248" WHEEL BASE - E-COATED |

24,000 GVWR WORKHORSE 266 WHEELBASE (G38T)

| KEY | PART NUMBER | U/M | DESCRIPTION |
|------------|--------------------|------------|---|
| | 128528-03-000 | EA | BOLT - U-JOINT - 3/8-24 X 3/4 |
| | 128528-04-000 | EA | STRAP - BEARING - 1480 JOINT |
| | 138126-06-000 | EA | DRIVESHAFT- BALANCED - 4 SECTION - WH24 - 266" WB |

CHASSIS GROUP (CONTINUED)

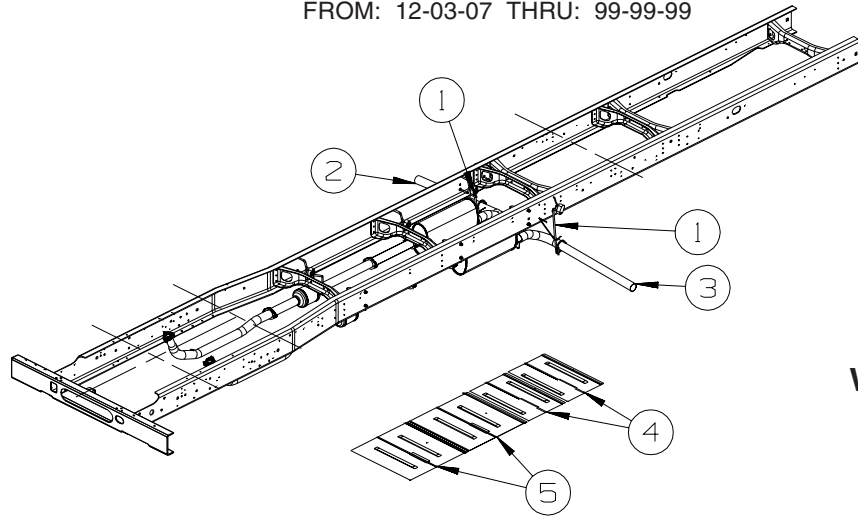
EXHAUST



**FORD
G33V**

208" WHEELBASE

| KEY | PART NUMBER | U/M | DESCRIPTION |
|-----|---------------|-----|--|
| 1 | 128756-01-02B | EA | SHIELD - HEAT/EXHAUST - 33.9" X 16.9" - E-COATED |
| 2 | 129726-04-000 | EA | PIPE - EXHAUST |
| 3 | 143712-05-02B | EA | SHIELD/HEAT - EXHAUST - E-COATED |
| 3 | 143712-07-02B | EA | SHIELD/HEAT - EXHAUST - E-COATED - QUANTITY 1 NOT ILLUSTRATED FROM: 00-00-00 THRU: 12-02-07 FROM: 12-03-07 THRU: 99-99-99 |
| 4 | 143712-07-02B | EA | SHIELD/HEAT - EXHAUST - E-COATED |
| 4 | 143712-02-02B | EA | SHIELD/HEAT - EXHAUST - E-COATED - QUANTITY 3 NOT ILLUSTRATED FROM: 00-00-00 THRU: 12-02-07 FROM: 12-03-07 THRU: 99-99-99 |



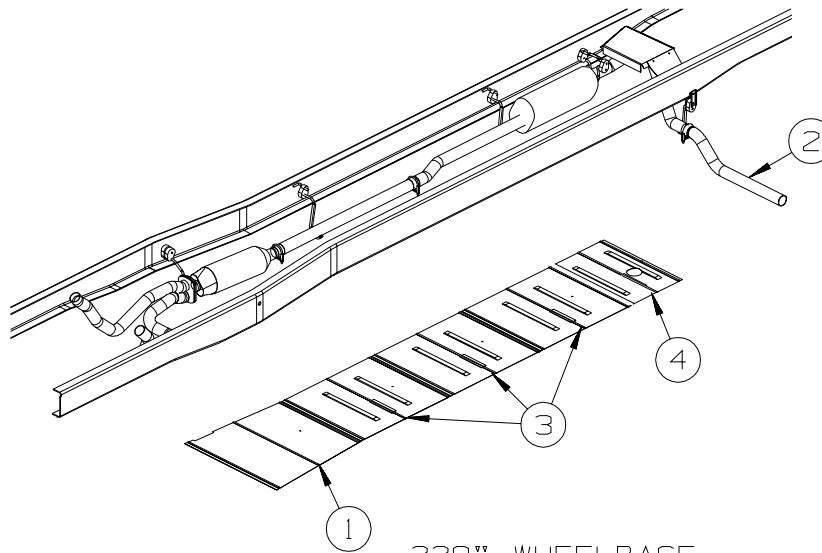
**WORKHORSE
G33V**

| KEY | PART NUMBER | U/M | DESCRIPTION |
|-----|---------------|-----|--|
| 1 | 122392-09-02B | EA | HANGER - TAILPIPE - E-COATED |
| | 094918-06-000 | EA | CLAMP - EXHAUST - 3" -HEAVY DUTY |
| 2 | 122529-04-000 | EA | PIPE - EXHAUST - RH |
| 3 | 122529-05-000 | EA | PIPE - EXHAUST, LH |
| 4 | 143712-01-02B | EA | SHIELD/HEAT - EXHAUST - E-COATED |
| 5 | 143712-02-02B | EA | SHIELD - HEAT/EXHAUST - E-COATED |
| | 165850-02-02B | EA | SHIELD - HEAT/EXHAUST - E-COATED - ADDED TOWARDS THE FRONT FROM: 01-07-08 THRU: 99-99-99 |
| | 167873-01-02B | EA | PANEL - ACCESS, SHIELD - TO SLIDEOUT HOSES FROM: 01-07-08 THRU: 99-99-99 |

G33V

208 INCH WHEELBASE

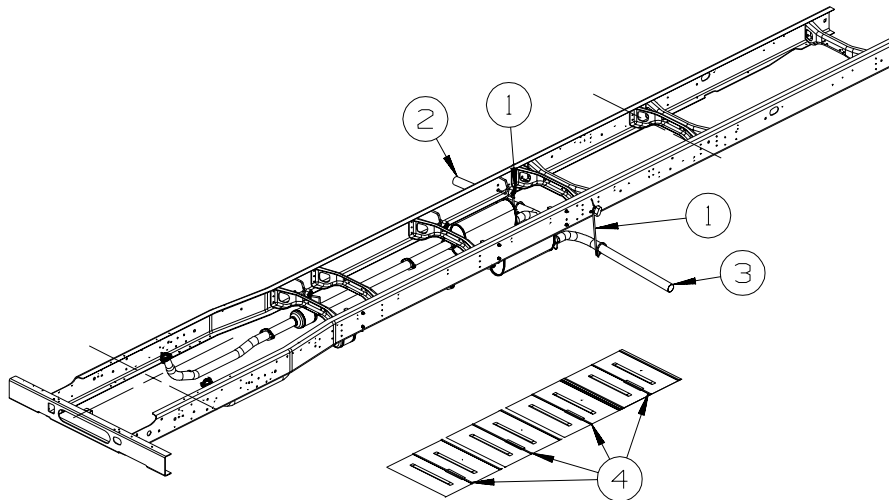
CHASSIS GROUP (CONTINUED)
EXHAUST (CONTINUED)



FORD
G35A, G35L

| KEY | PART NUMBER | U/M | DESCRIPTION |
|-----|---------------|-----|--|
| 1 | 128756-01-02B | EA | SHIELD - HEAT/EXHAUST - 33.9" X 16.9" - E-COATED |
| 2 | 129726-04-000 | EA | PIPE - EXHAUST |
| 3 | 143712-05-02B | EA | SHIELD/HEAT - EXHAUST - E-COATED |
| 4 | 143712-07-02B | EA | SHIELD/HEAT - EXHAUST - E-COATED |
| 4 | 143712-02-02B | EA | SHIELD/HEAT - EXHAUST - E-COATED |

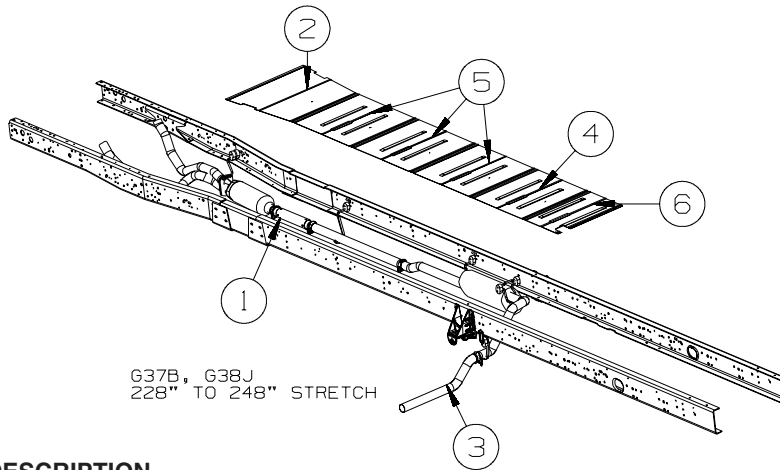
FROM: 00-00-00 THRU: 12-02-07
 FROM: 12-03-07 THRU: 99-99-99



WORKHORSE
G35A, G35L

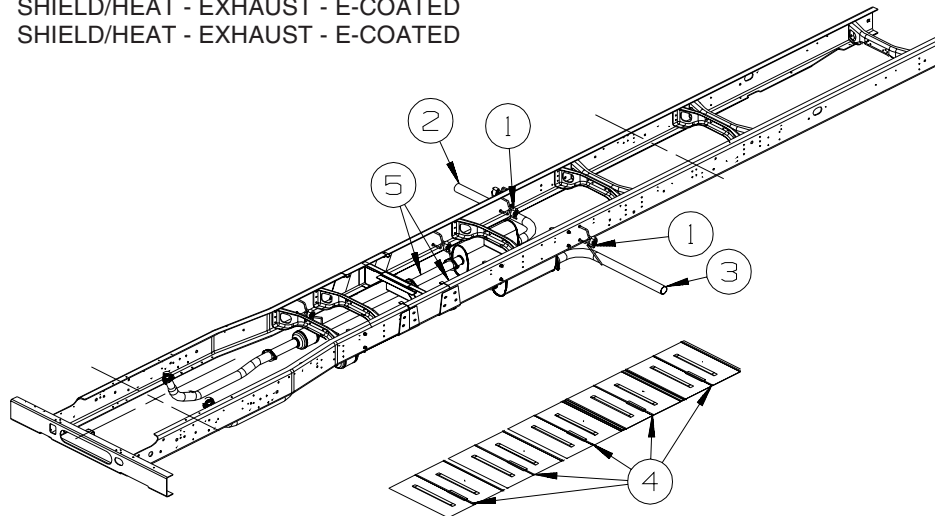
| KEY | PART NUMBER | U/M | DESCRIPTION |
|-----|---------------|-----|---|
| 1 | 122392-09-02B | EA | HANGER - TAILPIPE - E-COATED |
| | 094918-06-000 | EA | CLAMP - EXHAUST - 3" -HEAVY DUTY |
| 2 | 122529-04-000 | EA | PIPE - EXHAUST - RH |
| 3 | 122529-05-000 | EA | PIPE - EXHAUST, LH |
| 4 | 143712-02-02B | EA | SHIELD - HEAT/EXHAUST - E-COATED |
| | 165850-02-02B | EA | SHIELD - HEAT/EXHAUST - E-COATED - ADDED TOWARDS THE FRONT |
| | | | FROM: 01-07-08 THRU: 99-99-99 |
| | 167873-01-02B | EA | PANEL - ACCESS, SHIELD - TO SLIDEOUT HOSES |
| | | | FROM: 01-07-08 THRU: 99-99-99 |

CHASSIS GROUP (CONTINUED)
EXHAUST (CONTINUED)



FORD
G37B, G38J

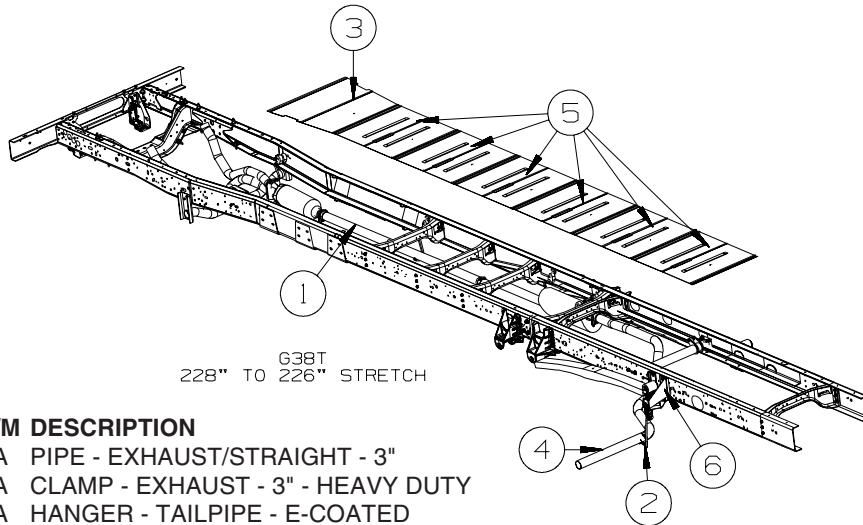
| KEY | PART NUMBER | U/M | DESCRIPTION |
|-----|---------------|-----|--|
| 1 | 112012-03-000 | EA | PIPE - EXHAUST - 3" DIAMETER - FORD CHASSIS |
| | 094918-06-000 | EA | CLAMP - EXHAUST - 3" - HEAVY DUTY |
| 2 | 128756-01-02B | EA | SHIELD - HEAT/EXHAUST - 33.9" X 16.9" - E-COATED |
| 3 | 129726-04-000 | EA | PIPE - EXHAUST |
| 4 | 143712-02-02B | EA | SHIELD/HEAT - EXHAUST - E-COATED |
| 5 | 143712-05-02B | EA | SHIELD/HEAT - EXHAUST - E-COATED |
| 6 | 143712-07-02B | EA | SHIELD/HEAT - EXHAUST - E-COATED |



WORKHORSE
G37B, G38J

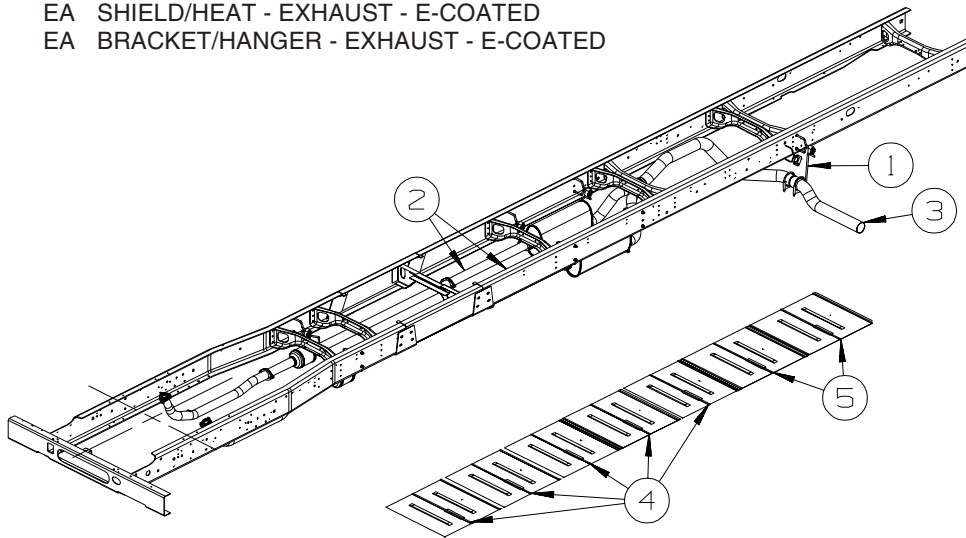
| KEY | PART NUMBER | U/M | DESCRIPTION |
|-----|---------------|-----|--|
| 1 | 122392-09-02B | EA | HANGER - TAILPIPE - E-COATED |
| | 094918-06-000 | EA | CLAMP - EXHAUST - 3" - HEAVY DUTY |
| 2 | 122529-04-000 | EA | PIPE - EXHAUST - RH |
| 3 | 122529-05-000 | EA | PIPE - EXHAUST, LH |
| 4 | 143712-02-02B | EA | SHIELD - HEAT/EXHAUST - E-COATED |
| 5 | 137652-06-000 | EA | PIPE - EXHAUST - W/FLANGES |
| | 165850-02-02B | EA | SHIELD - HEAT/EXHAUST - E-COATED - ADDED TOWARDS THE FRONT FROM: 01-07-08 THRU: 99-99-99 |
| | 167873-01-02B | EA | PANEL - ACCESS, SHIELD - TO SLIDEOUT HOSES FROM: 01-07-08 THRU: 99-99-99 |

CHASSIS GROUP (CONTINUED)
EXHAUST (CONTINUED)



**FORD
G38T**

| KEY | PART NUMBER | U/M | DESCRIPTION |
|-----|---------------|-----|--|
| 1 | 098762-27-000 | EA | PIPE - EXHAUST/STRAIGHT - 3" |
| | 094918-06-000 | EA | CLAMP - EXHAUST - 3" - HEAVY DUTY |
| 2 | 122392-11-02B | EA | HANGER - TAILPIPE - E-COATED |
| | 094918-06-000 | EA | CLAMP - EXHAUST - 3" - HEAVY DUTY |
| 3 | 128756-01-02B | EA | SHIELD - HEAT/EXHAUST - 33.9" X 16.9" - E-COATED |
| 4 | 137925-06-000 | EA | PIPE - EXHAUST - LEFT HAND |
| 5 | 143712-05-02B | EA | SHIELD/HEAT - EXHAUST - E-COATED |
| 6 | 167109-01-02B | EA | BRACKET/HANGER - EXHAUST - E-COATED |

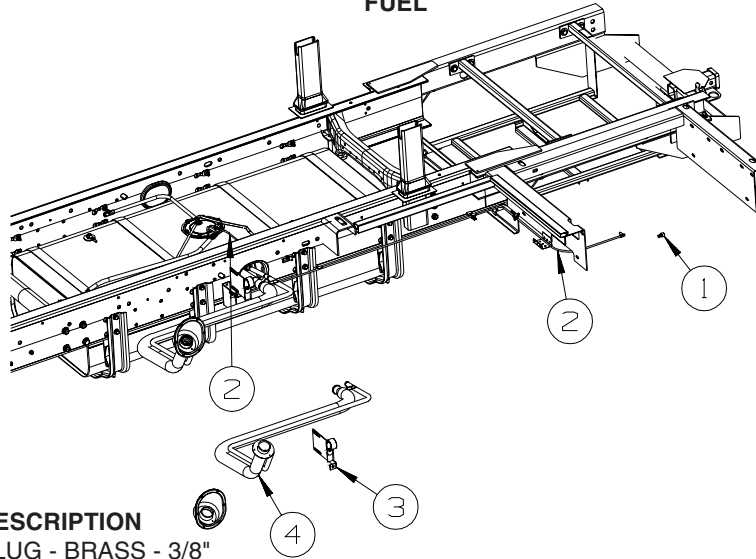


**WORKHORSE
G38T**

| KEY | PART NUMBER | U/M | DESCRIPTION |
|-----|---------------|-----|--|
| 1 | 122392-15-02B | EA | HANGER - TAILPIPE - E-COATED |
| | 094918-05-000 | EA | CLAMP - EXHAUST - 4 7/16" - GUILLOTINE STYLE |
| 2 | 137652-07-000 | EA | PIPE - EXHAUST W/FLANGES |
| 3 | 154358-01-000 | EA | PIPE - EXHAUST - 4" DIAMETER - WORKHORSE |
| 4 | 143712-02-02B | EA | SHIELD - HEAT/EXHAUST - E-COATED |
| 5 | 143712-05-02B | EA | SHIELD - HEAT/EXHAUST - E-COATED |
| | 165850-02-02B | EA | SHIELD - HEAT/EXHAUST - E-COATED - ADDED TOWARDS THE FRONT FROM: 01-07-08 THRU: 99-99-99 |
| | 167873-01-02B | EA | PANEL - ACCESS, SHIELD - TO SLIDEOUT HOSES FROM: 01-07-08 THRU: 99-99-99 |

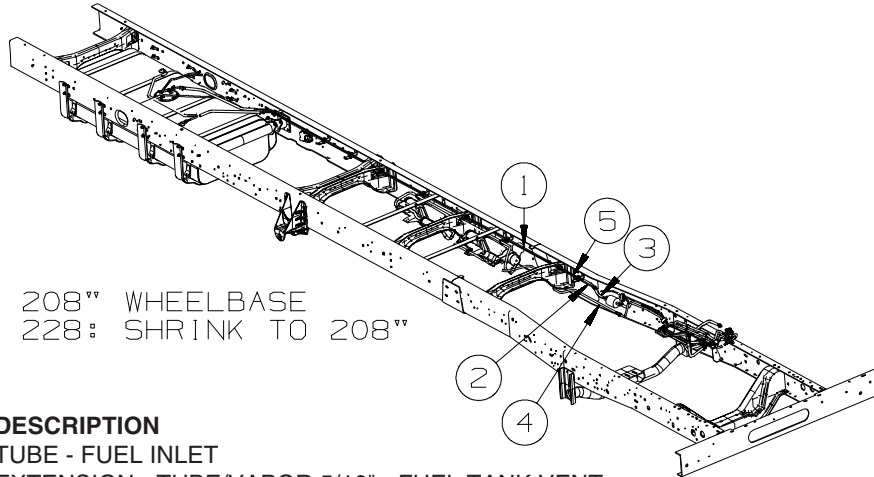
CHASSIS GROUP (CONTINUED)

FUEL



**FORD FUEL
FILL**

| KEY | PART NUMBER | U/M | DESCRIPTION |
|-----|---------------|-----|--|
| 1 | 084884-01-000 | EA | PLUG - BRASS - 3/8" |
| 2 | 128139-03-000 | FT | HOSE - FUEL - LOW PERMEABILITY - 1/4" DIAMETER |
| 3 | 140728-02-02B | EA | BRACKET - FUEL FILL - E-COATED |
| 4 | 153027-01-000 | EA | NECK - FUEL FILL |

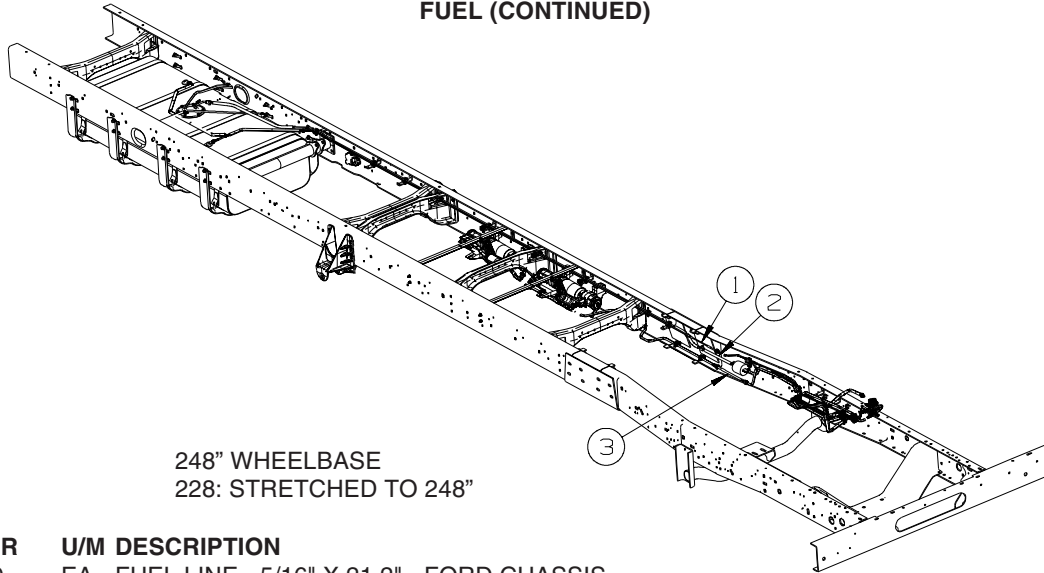


**FORD FUEL
SUPPLY
G33V**

208" WHEELBASE
228: SHRINK TO 208"

| KEY | PART NUMBER | U/M | DESCRIPTION |
|-----|---------------|-----|---|
| 1 | 155383-01-000 | EA | TUBE - FUEL INLET |
| 2 | 155360-02-000 | EA | EXTENSION - TUBE/VAPOR 5/16" - FUEL TANK VENT |
| 3 | 129494-03-000 | EA | FUEL LINE - 5/16" X 21.2" - FORD CHASSIS |
| 4 | 155359-04-000 | EA | EXTENSION - TUBE/VAPOR 1/2" - EMISSION CANISTER |
| 5 | 155384-01-000 | EA | TUBE/VAPOR - TANK |

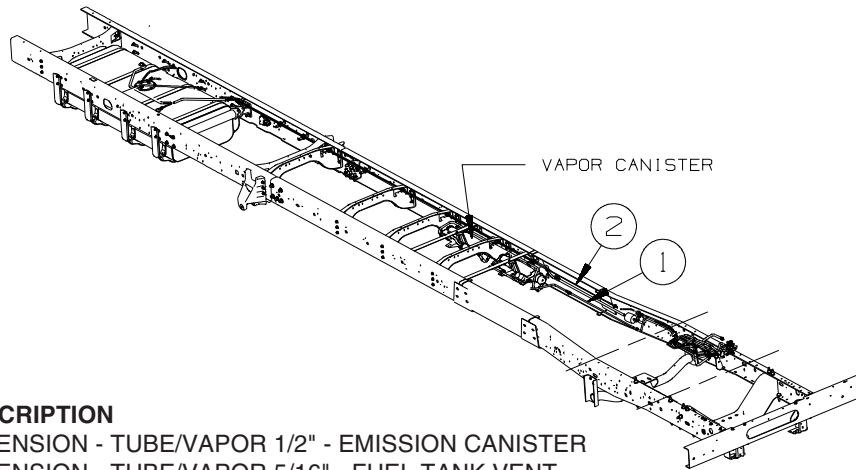
CHASSIS GROUP (CONTINUED)
FUEL (CONTINUED)



**FORD FUEL
SUPPLY
G37B, G38J**

248" WHEELBASE
228: STRETCHED TO 248"

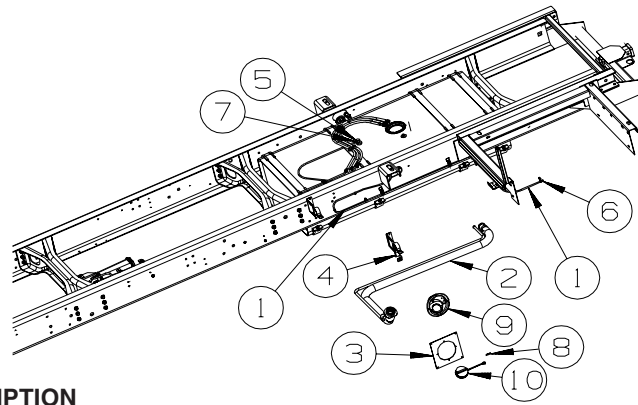
| KEY | PART NUMBER | U/M | DESCRIPTION |
|-----|---------------|-----|---|
| 1 | 129494-03-000 | EA | FUEL LINE - 5/16" X 21.2" - FORD CHASSIS |
| 2 | 155359-01-000 | EA | EXTENSION - TUBE/VAPOR 1/2" - EMISSION CANISTER |
| 3 | 155360-02-000 | EA | EXTENSION - TUBE/VAPOR 5/16" - FUEL TANK VENT |



**FORD FUEL
SUPPLY
G38T**

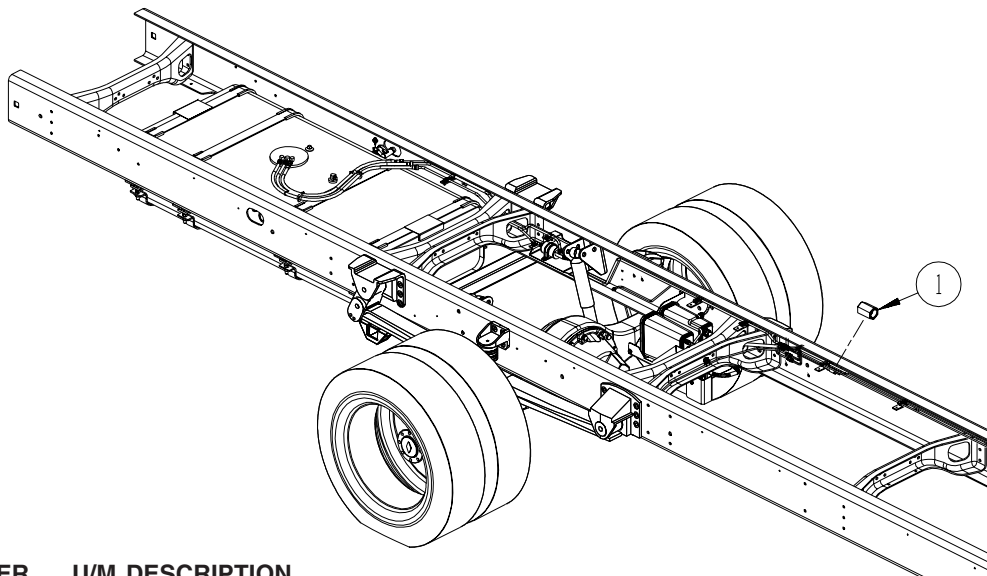
| KEY | PART NUMBER | U/M | DESCRIPTION |
|-----|---------------|-----|---|
| 1 | 155359-04-000 | EA | EXTENSION - TUBE/VAPOR 1/2" - EMISSION CANISTER |
| 2 | 155360-03-000 | EA | EXTENSION - TUBE/VAPOR 5/16" - FUEL TANK VENT |

CHASSIS GROUP (CONTINUED)
FUEL (CONTINUED)



**WORKHORSE
 FUEL FILL**

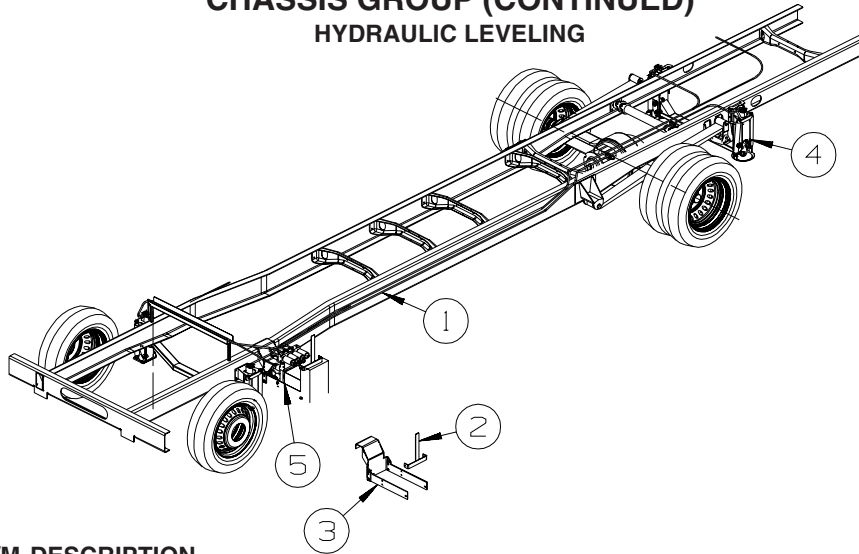
| KEY | PART NUMBER | U/M | DESCRIPTION |
|-----|---------------|-----|---|
| 1 | 128139-03-000 | FT | HOSE - FUEL - LOW PERMEABILITY - 1/4" DIAMETER |
| 2 | 136300-02-000 | EA | NECK - FUEL FILL |
| 3 | 139138-01-02B | EA | PLATE - FUEL FILL - E-COATED |
| 4 | 140728-03-02B | EA | BRACKET - FUEL FILL - E-COATED |
| 5 | 068382-06-000 | EA | BUSHING - BRASS - 3/8"MPT X 1/8"FPT |
| 6 | 084884-01-000 | EA | PLUG - BRASS - 3/8" |
| 7 | 114254-01-000 | EA | ADAPTER - 1/4 BARB X 1/8 MPT |
| 8 | 099069-01-000 | EA | SEAL - RUBBER - CLOSED SPONGE - .5" WIDE X .12" THICK-BLK |
| 9 | 128299-02-01A | EA | SHROUD - FUEL FILL |
| 10 | 163743-01-000 | EA | CAP - FUEL FILL - 1/4 TURN - WORKHORSE |



**WORKHORSE
 FUEL SUPPLY**

| KEY | PART NUMBER | U/M | DESCRIPTION |
|-----|---------------|-----|---|
| 1 | 098779-02-000 | EA | COUPLER - FUEL LINE - 1.2" LONG X 16MM THREAD - STRETCHED CHASSIS ONLY |

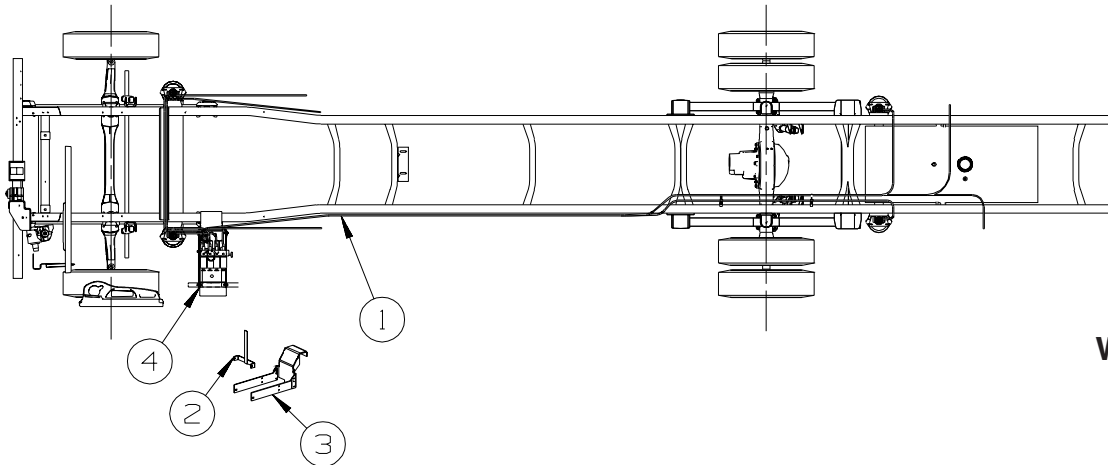
CHASSIS GROUP (CONTINUED) HYDRAULIC LEVELING



FORD

| KEY | PART NUMBER | U/M | DESCRIPTION |
|-----|---------------|-----|---|
| 1 | 100536-72-000 | EA | HOSE KIT - F/LEVELING JACKS |
| 2 | 149900-01-02B | EA | BRACKET - PUMP/LEVELING SYSTEM - E-COATED |
| 3 | 150001-01-02B | EA | BRACKET - PUMP/LEVELING SYSTEM - E-COATED |
| 4 | 128571-08-000 | EA | JACK/CROSSMEMBER ASSEMBLY - REAR - 625 - FORD |
| 5* | 153452-20-000 | EA | LEVELING SYSTEM - 625 SYSTEM W/2 SLIDEOUTS - FORD - G33V, G35L |
| 5* | 153452-21-000 | EA | LEVELING SYSTEM - 625 SYSTEM W/3 SLIDEOUTS - FORD - G35A |
| 5 | 153452-38-000 | EA | LEVELING SYSTEM - 625 SYSTEM W/3 SLIDEOUTS - FORD - G37B, G38J, G35A W/2008 CHASSIS |
| 5 | 153452-39-000 | EA | LEVELING SYSTEM - 625 SYSTEM W/2 SLIDEOUTS - FORD - G38T, G35L W/2008 CHASSIS |

***COMPONENT PARTS LISTED LATER IN THIS GROUP**



WORKHORSE

| KEY | PART NUMBER | U/M | DESCRIPTION |
|-----|---------------|-----|--|
| 1* | 100536-57-000 | EA | HOSE KIT - F/LEVELING JACKS - G37B, G38J, G38T |
| 1 | 100536-72-000 | EA | HOSE KIT - F/LEVELING JACKS - G33V, G35A, G35L |
| 2 | 149900-01-02B | EA | BRACKET - PUMP/LEVELING SYSTEM - E-COATED |
| 3 | 150001-01-02B | EA | BRACKET - PUMP/LEVELING SYSTEM - E-COATED |
| 4* | 153452-18-000 | EA | LEVELING SYSTEM - 625 SYSTEM W/2 SLIDEOUTS - WORKHORSE - DOUBLE SLIDEOUT ROOMS |
| 4* | 153452-19-000 | EA | LEVELING SYSTEM - 625 SYSTEM W/3 SLIDEOUTS - WORKHORSE - TRIPLE SLIDEOUT ROOMS |

***COMPONENT PARTS LISTED LATER IN THIS GROUP**

CHASSIS GROUP (CONTINUED)
COMPONENT PARTS FOR HYDRAULIC LEVELING

100536-57-000

| KEY | PART NUMBER | U/M | DESCRIPTION | VENDOR NO. |
|------------|--------------------|------------|------------------------------|-------------------|
| | 100536-09-700 | EA | HOSE-HYDRAULIC-324" | RAP91489/AP2464 |
| | 100536-26-700 | EA | HOSE - HYDRAULIC-1/4" X 100" | RAP90077/AP7832 |
| | 115767-01-705 | EA | HOSE-HYDRAULIC - 1/4" X 60" | RAP4073/AP4073 |
| | 135250-02-700 | EA | HOSE-HYDRAULIC - 1/4" X 300" | RAP90806/AP4064 |

153452-18-000

| KEY | PART NUMBER | U/M | DESCRIPTION | VENDOR NO. |
|------------|--------------------|------------|------------------------------|-------------------|
| | 100532-03-716 | EA | SOLENOID-CONTINUOUS DUTY | RAP7505 |
| | 100532-03-717 | EA | VALVE-PRESS., RETURN SHUTTLE | RAP7964 |
| | 100532-03-726 | EA | SWITCH - PRESSURE | RAP8003 |
| | 100532-09-705 | EA | SWITCH-PRESS - 3000 LB. | RAP0993 |
| | 100532-09-710 | EA | SOLENOID-INTERMITENT DUTY | RAP0533 |
| | 100532-12-707 | EA | PRING KIT (PAIR) | R3847 |
| | 100532-32-704 | EA | CHIME - JACK WARNING | RAP90681/AP19765 |
| | 100532-53-700 | EA | CYLINDER W/O FOOT - 9K | RAP90491/AP15891 |
| | 131306-02-701 | EA | FOOT/JACK - 9K & 12K | RAP8464/AP17525 |
| | 131306-11-704 | EA | PRESSURE SWITCH - 50 PSI | RAP2082 |
| | 131306-12-702 | EA | VALVE-PRESS SOLENOID (SMALL) | RAP90729/AP24604 |
| | 144226-01-700 | EA | SWITCH - WARNING/MAGNETIC | RAP90968/AP26641 |
| | 144226-08-702 | EA | SENSOR/BI-AXIS - PROGRAMABLE | RAP91172/AP28010 |
| | 153452-18-700 | EA | CYLINDER W/O FOOT - 6K | RAP91661 |
| | 153452-18-701 | EA | FOOT - 6K JACK | RAP8126 |
| | 153452-18-702 | EA | BRACKET - 9K JACK MOUNT | RAP90844 |
| | 153452-18-703 | EA | ENCLOSURE BOX W/SENSING UNIT | RAP91763/AP36467 |
| | 153452-18-704 | EA | PUMP/MOTOR/TANK ASM. | RAP91281/AP38255 |
| | 153452-18-705 | EA | MOTOR ONLY - 3.7" MONARCH | RAP91249 |
| | 153452-18-706 | EA | BRACKET/MOUNT - FRONT JACK | AP34580 |
| | 153452-18-707 | EA | CROSSMEMBER/FRONT - FORD | AP34549 |
| | 157770-01-703 | EA | TOUCH PAD - 625 FORD C BODY | RAP91864/AP36468 |

153452-19-000

| KEY | PART NUMBER | U/M | DESCRIPTION | VENDOR NO. |
|------------|--------------------|------------|------------------------------|-------------------|
| | 100532-03-716 | EA | SOLENOID-CONTINUOUS DUTY | RAP7505 |
| | 100532-03-717 | EA | VALVE-PRESS., RETURN SHUTTLE | RAP7964 |
| | 100532-03-726 | EA | SWITCH - PRESSURE | RAP8003 |
| | 100532-09-705 | EA | SWITCH-PRESS - 3000 LB. | RAP0993 |
| | 100532-09-710 | EA | SOLENOID-INTERMITENT DUTY | RAP0533 |
| | 100532-12-707 | EA | PRING KIT (PAIR) | R3847 |
| | 100532-32-704 | EA | CHIME - JACK WARNING | RAP90681/AP19765 |
| | 100532-53-700 | EA | CYLINDER W/O FOOT - 9K | RAP90491/AP15891 |
| | 131306-02-701 | EA | FOOT/JACK - 9K & 12K | RAP8464/AP17525 |
| | 131306-09-701 | EA | VELOCITY VALVE - SINGLE | RAP90279/AP11578 |
| | 131306-11-704 | EA | PRESSURE SWITCH - 50 PSI | RAP2082 |
| | 131306-12-702 | EA | VALVE-PRESS SOLENOID (SMALL) | RAP90729/AP24604 |
| | 144226-01-700 | EA | SWITCH - WARNING/MAGNETIC | RAP90968/AP26641 |
| | 144226-08-702 | EA | SENSOR/BI-AXIS - PROGRAMABLE | RAP91172/AP28010 |
| | 153452-18-700 | EA | CYLINDER W/O FOOT - 6K | RAP91661 |
| | 153452-18-701 | EA | FOOT - 6K JACK | RAP8126 |
| | 153452-18-702 | EA | BRACKET - 9K JACK MOUNT | RAP90844 |
| | 153452-18-704 | EA | PUMP/MOTOR/TANK ASM. | RAP91281/AP38255 |
| | 153452-18-705 | EA | MOTOR ONLY - 3.7" MONARCH | RAP91249 |
| | 153452-19-700 | EA | ENCLOSURE BOX W/SENSING UNIT | RAP91765/AP36765 |
| | 153452-19-701 | EA | MANIFOLD | AP36817 |
| | 153452-19-702 | EA | STUD/BOLT | P11767 |
| | 157770-01-703 | EA | TOUCH PAD - 625 FORD C BODY | RAP91864/AP36468 |

CHASSIS GROUP (CONTINUED)
COMPONENT PARTS FOR HYDRAULIC LEVELING (CONTINUED)

153452-20-000

| KEY | PART NUMBER | U/M | DESCRIPTION | VENDOR NO. |
|------------|--------------------|------------|------------------------------|-------------------|
| | 100532-03-716 | EA | SOLENOID-CONTINUOUS DUTY | RAP7505 |
| | 100532-03-717 | EA | VALVE-PRESS., RETURN SHUTTLE | RAP7964 |
| | 100532-03-726 | EA | SWITCH - PRESSURE | RAP8003 |
| | 100532-09-705 | EA | SWITCH-PRESS - 3000 LB. | RAP0993 |
| | 100532-09-710 | EA | SOLENOID-INTERMITENT DUTY | RAP0533 |
| | 100532-12-707 | EA | PRING KIT (PAIR) | R3847 |
| | 100532-32-704 | EA | CHIME - JACK WARNING | RAP90681/AP19765 |
| | 131306-02-700 | EA | FOOT - 6K JACK | RAP2004/AP13882 |
| | 131306-11-704 | EA | PRESSURE SWITCH - 50 PSI | RAP2082 |
| | 131306-12-702 | EA | VALVE-PRESS SOLENOID (SMALL) | RAP90729/AP24604 |
| | 144226-01-700 | EA | SWITCH - WARNING/MAGNETIC | RAP90968/AP26641 |
| | 144226-08-702 | EA | SENSOR/BI-AXIS - PROGRAMABLE | RAP91172/AP28010 |
| | 144226-29-700 | EA | CYLINDER - 6K (325) | RAP91184/AP31656 |
| | 144226-29-701 | EA | CYLINDER - 9K (325) | RAP91185/AP31982 |
| | 153452-18-703 | EA | ENCLOSURE BOX W/SENSING UNIT | RAP91763/AP36467 |
| | 153452-18-704 | EA | PUMP/MOTOR/TANK ASM. | RAP91281/AP38255 |
| | 153452-18-705 | EA | MOTOR ONLY - 3.7" MONARCH | RAP91249 |
| | 153452-20-700 | EA | BRACKET - 6K JACK MOUNT | RAP91709 |
| | 157770-01-703 | EA | TOUCH PAD - 625 FORD C BODY | RAP91864/AP36468 |

153452-21-000

| KEY | PART NUMBER | U/M | DESCRIPTION | VENDOR NO. |
|------------|--------------------|------------|------------------------------|-------------------|
| | 100532-03-716 | EA | SOLENOID-CONTINUOUS DUTY | RAP7505 |
| | 100532-03-717 | EA | VALVE-PRESS., RETURN SHUTTLE | RAP7964 |
| | 100532-03-726 | EA | SWITCH - PRESSURE | RAP8003 |
| | 100532-09-705 | EA | SWITCH-PRESS - 3000 LB. | RAP0993 |
| | 100532-09-710 | EA | SOLENOID-INTERMITENT DUTY | RAP0533 |
| | 100532-12-707 | EA | PRING KIT (PAIR) | R3847 |
| | 100532-32-704 | EA | CHIME - JACK WARNING | RAP90681/AP19765 |
| | 131306-02-700 | EA | FOOT - 6K JACK | RAP2004/AP13882 |
| | 131306-09-701 | EA | VELOCITY VALVE - SINGLE | RAP90279/AP11578 |
| | 131306-11-704 | EA | PRESSURE SWITCH - 50 PSI | RAP2082 |
| | 131306-12-702 | EA | VALVE-PRESS SOLENOID (SMALL) | RAP90729/AP24604 |
| | 144226-01-700 | EA | SWITCH - WARNING/MAGNETIC | RAP90968/AP26641 |
| | 144226-08-702 | EA | SENSOR/BI-AXIS - PROGRAMABLE | RAP91172/AP28010 |
| | 144226-29-700 | EA | CYLINDER - 6K (325) | RAP91184/AP31656 |
| | 144226-29-701 | EA | CYLINDER - 9K (325) | RAP91185/AP31982 |
| | 153452-18-704 | EA | PUMP/MOTOR/TANK ASM. | RAP91281/AP38255 |
| | 153452-18-705 | EA | MOTOR ONLY - 3.7" MONARCH | RAP91249 |
| | 153452-19-700 | EA | ENCLOSURE BOX W/SENSING UNIT | RAP91765/AP36765 |
| | 153452-20-700 | EA | BRACKET - 6K JACK MOUNT | RAP91709 |
| | 157770-01-703 | EA | TOUCH PAD - 625 FORD C BODY | RAP91864/AP36468 |

CHASSIS GROUP (CONTINUED)
WHEEL, TIRE, COVERS &/OR LINERS

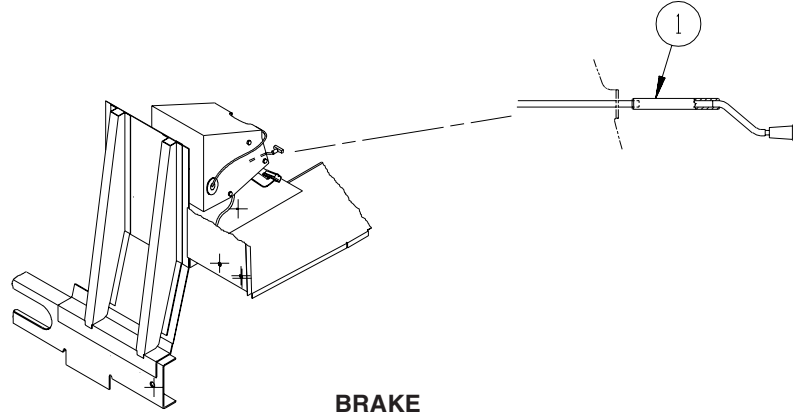
| KEY | PART NUMBER | U/M | DESCRIPTION |
|-----|---------------|-----|---|
| * | 150723-01-000 | EA | COVER/HUB-SET-FT & RR HUBS/NUT CVRS/TOOL - FORD ALUMINUM WHEELS |

***COMPONENT PARTS LISTED LATER IN THIS GROUP**

COMPONENT PARTS FOR WHEEL, TIRE, COVERS &/OR LINERS

150723-01-000

| KEY | PART NUMBER | U/M | DESCRIPTION | VENDOR NO. |
|-----|---------------|-----|------------------------------|---------------------|
| | 110435-04-705 | EA | DECAL-CTR HUB 2 3/4" DIAMOND | 2 3/4 DECAL DIAMOND |
| | 110435-05-700 | EA | CAP-CENTER 4.50"D W/O DECAL | V22510-POC |
| | 145580-01-702 | EA | COVER-LUG NUT/JAM NUT 22M | V19582-EJN |
| | 145580-01-703 | EA | TOOL-INSTALLATION | V22501-TOL |
| | 150723-01-700 | EA | COVER - HUB/FRONT W/CAP | VAC8275-FHC |
| | 150723-01-701 | EA | COVER - HUB/REAR | VAC8275-RHC |



BRAKE

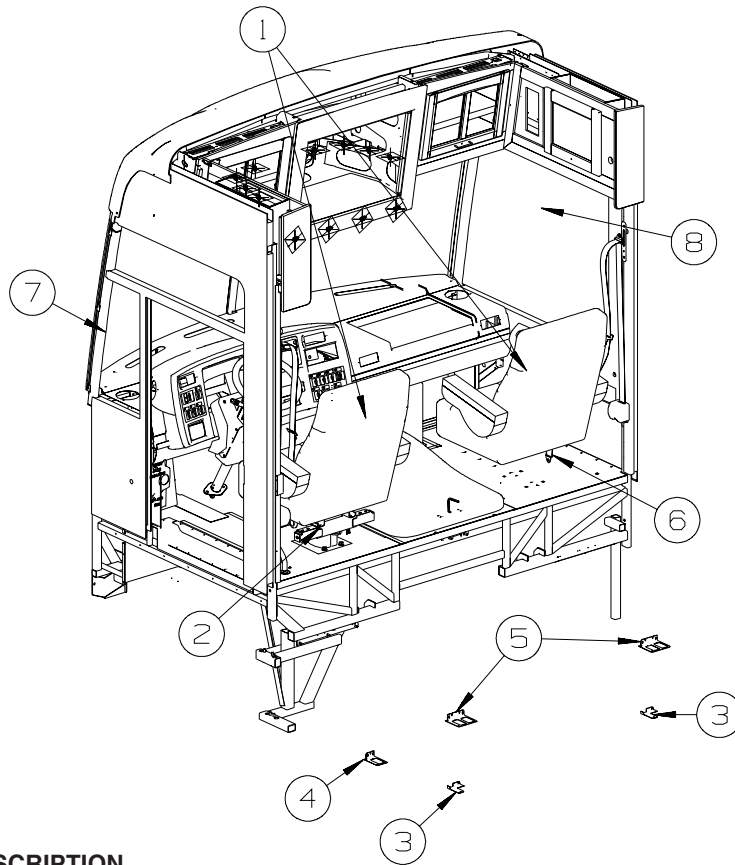
| KEY | PART NUMBER | U/M | DESCRIPTION |
|-----|---------------|-----|--------------------------|
| 1 | 113007-01-000 | EA | PIN - SPRING - .375 X 3" |

BRAKELINE

| KEY | PART NUMBER | U/M | DESCRIPTION |
|-----|---------------|-----|-------------------------------|
| | 075466-01-000 | EA | UNION - INVERTED FLAIR - 1/4" |

CURTAIN & CUSHION GROUP

CURTAIN, CUSHION LAYOUT

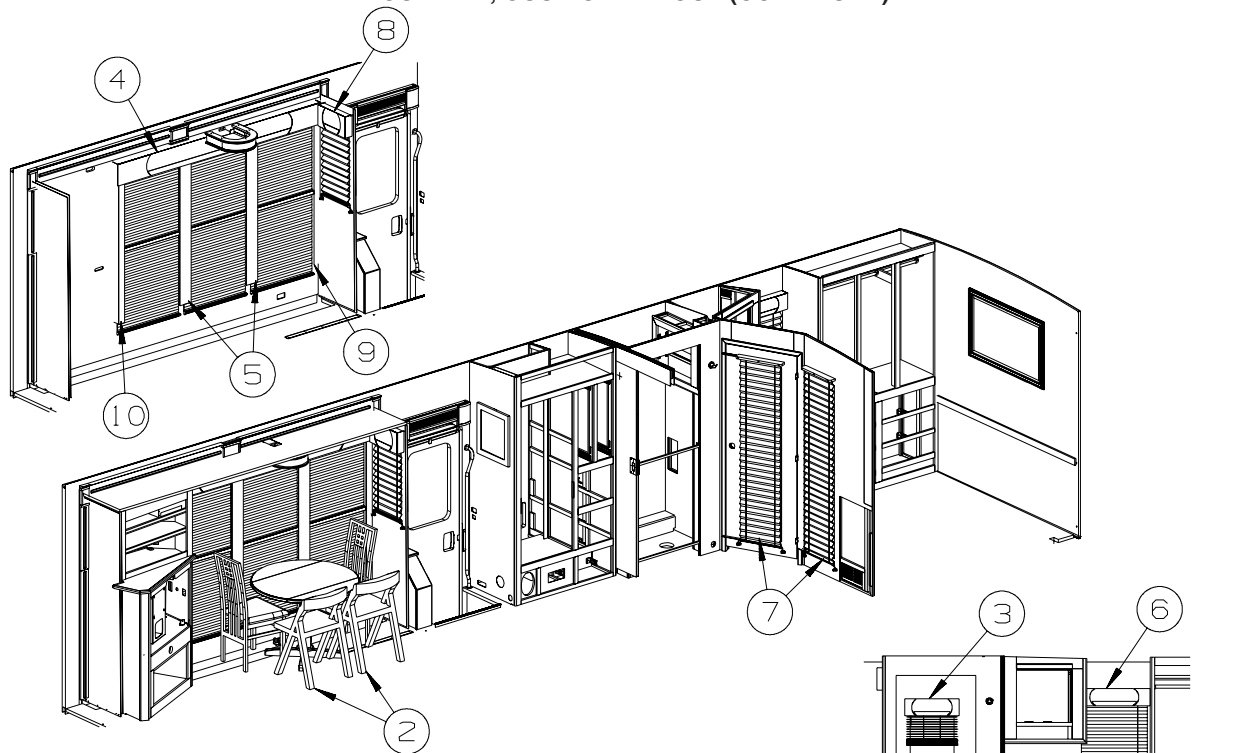


| KEY | PART NUMBER | U/M | DESCRIPTION |
|-----|---------------|-----|--|
| 1 | 162621-01-WB4 | EA | SEAT - DRIVER/PASSENGER - W/LUMBAR (WB4, WB5, WB6, WC4, WC5, WC6) FROM: 00-00-00 THRU: 09-16-07 |
| 1 | 162621-02-WB4 | EA | SEAT - DRIVER/PASSENGER - W/LUMBAR (WB4, WB5, WB6, WC4, WC5, WC6) FROM: 09-17-07 THRU: 99-99-99 |
| 1 | 162621-01-WC0 | EA | SEAT - DRIVER/PASSENGER - W/LUMBAR (WC0, WC1, WC2) FROM: 00-00-00 THRU: 09-16-07 |
| 1 | 162621-02-WC0 | EA | SEAT - DRIVER/PASSENGER - W/LUMBAR (WC0, WC1, WC2) FROM: 09-17-07 THRU: 99-99-99 |
| | 152337-01-000 | EA | PROTECTOR - SEAT - CLEAR VINYL |
| 2 | 148630-16-WA4 | EA | SKIRT - F/6-WAY POWER - LEATHER (WB4, WB5, WB6, WC4, WC5, WC6) - DRIVER'S POWERED SEAT |
| 2 | 148630-16-WA0 | EA | SKIRT - F/6-WAY POWER - LEATHER (WC0, WC1, WC2) - DRIVER'S POWERED SEAT |
| 2 | 108049-02-000 | EA | CLIP - CABLE/PEDESTAL |
| 2 | 108049-04-000 | EA | CABLE - W/MINI LEVER ACTION SWITCH - 28" SHEATH/30" CABLE |
| 2 | 128699-01-02B | EA | BRACKET - SEAT SWITCH - E-COATED |
| 3 | 117125-01-02B | EA | BRACKET - CABLE MOUNT - ADJUSTER W/LOCK |
| 4 | 127159-01-02B | EA | BRACKET - SEAT RELEASE - SINGLE REMOTE - E-COATED - DRIVER'S POWERED SEAT |
| 5 | 127159-02-02B | EA | BRACKET - SEAT RELEASE - DUAL REMOTE - E-COATED |
| 6 | 148630-15-WA4 | EA | SKIRT - W/SEAT BELT SLOT - LEATHER (WB4, WB5, WB6, WC4, WC5, WC6) |
| 6 | 148630-15-WA0 | EA | SKIRT - W/SEAT BELT SLOT - LEATHER (WC0, WC1, WC2) |
| 7 | 163172-13-WB4 | EA | CURTAIN - DRIVER/FRONT WRAP/PRIVACY - 41.9" X 114.8" (WB4, WB5, WB6) |
| 7 | 163172-13-WC0 | EA | CURTAIN - DRIVER/FRONT WRAP/PRIVACY - 41.9" X 114.8" (WC0, WC1, WC2) |
| 7 | 163172-13-WC4 | EA | CURTAIN - DRIVER/FRONT WRAP/PRIVACY - 41.9" X 114.8" (WC4, WC5, WC6) |
| | 164129-01-000 | EA | CARRIER - WHEELED W/HOOK - FRONT WRAP CURTAIN |
| 7 | 073260-42-WB4 | EA | TIEBACK - 6" X 18" (WB4, WB5, WB6) FROM: 00-00-00 THRU: 06-03-07 |
| 7 | 165138-01-WB4 | EA | TIEBACK - 6" X 18" (WB4, WB5, WB6) FROM: 06-04-07 THRU: 99-99-99 |
| 7 | 073260-42-WC0 | EA | TIEBACK - 6" X 18" (WC0, WC1, WC2) FROM: 00-00-00 THRU: 06-03-07 |
| 7 | 165138-01-WC0 | EA | TIEBACK - 6" X 18" (WC0, WC1, WC2) FROM: 06-04-07 THRU: 99-99-99 |
| 7 | 073260-42-WC4 | EA | TIEBACK - 6" X 18" (WC4, WC5, WC6) FROM: 00-00-00 THRU: 06-03-07 |
| 7 | 165138-01-WC4 | EA | TIEBACK - 6" X 18" (WC4, WC5, WC6) FROM: 06-04-07 THRU: 99-99-99 |

CURTAIN & CUSHION GROUP (CONTINUED)
CURTAIN, CUSHION LAYOUT (CONTINUED)

| KEY | PART NUMBER | U/M | DESCRIPTION |
|-----|---------------|-----|---|
| 8 | 163172-14-WB4 | EA | CURTAIN - PASSENGER/FRONT WRAP/PRIVACY - 41.9" X 114.8" (WB4, WB5, WB6) |
| 8 | 163172-14-WC0 | EA | CURTAIN - PASSENGER/FRONT WRAP/PRIVACY - 41.9" X 114.8" (WC0, WC1, WC2) |
| 8 | 163172-14-WC4 | EA | CURTAIN - PASSENGER/FRONT WRAP/PRIVACY - 41.9" X 114.8" (WC4, WC5, WC6) |
| | 164129-01-000 | EA | CARRIER - WHEELED W/HOOK - FRONT WRAP CURTAIN |
| 8 | 073260-42-WB4 | EA | TIEBACK - 6" X 18" (WB4, WB5, WB6) FROM: 00-00-00 THRU: 06-03-07 |
| 8 | 165138-01-WB4 | EA | TIEBACK - 6" X 18" (WB4, WB5, WB6) FROM: 06-04-07 THRU: 99-99-99 |
| 8 | 073260-42-WC0 | EA | TIEBACK - 6" X 18" (WC0, WC1, WC2) FROM: 00-00-00 THRU: 06-03-07 |
| 8 | 165138-01-WC0 | EA | TIEBACK - 6" X 18" (WC0, WC1, WC2) FROM: 06-04-07 THRU: 99-99-99 |
| 8 | 073260-42-WC4 | EA | TIEBACK - 6" X 18" (WC4, WC5, WC6) FROM: 00-00-00 THRU: 06-03-078 |
| 8 | 165138-01-WC4 | EA | TIEBACK - 6" X 18" (WC4, WC5, WC6) FROM: 06-04-07 THRU: 99-99-99 |

CURTAIN & CUSHION GROUP (CONTINUED)
CURTAIN, CUSHION LAYOUT (CONTINUED)

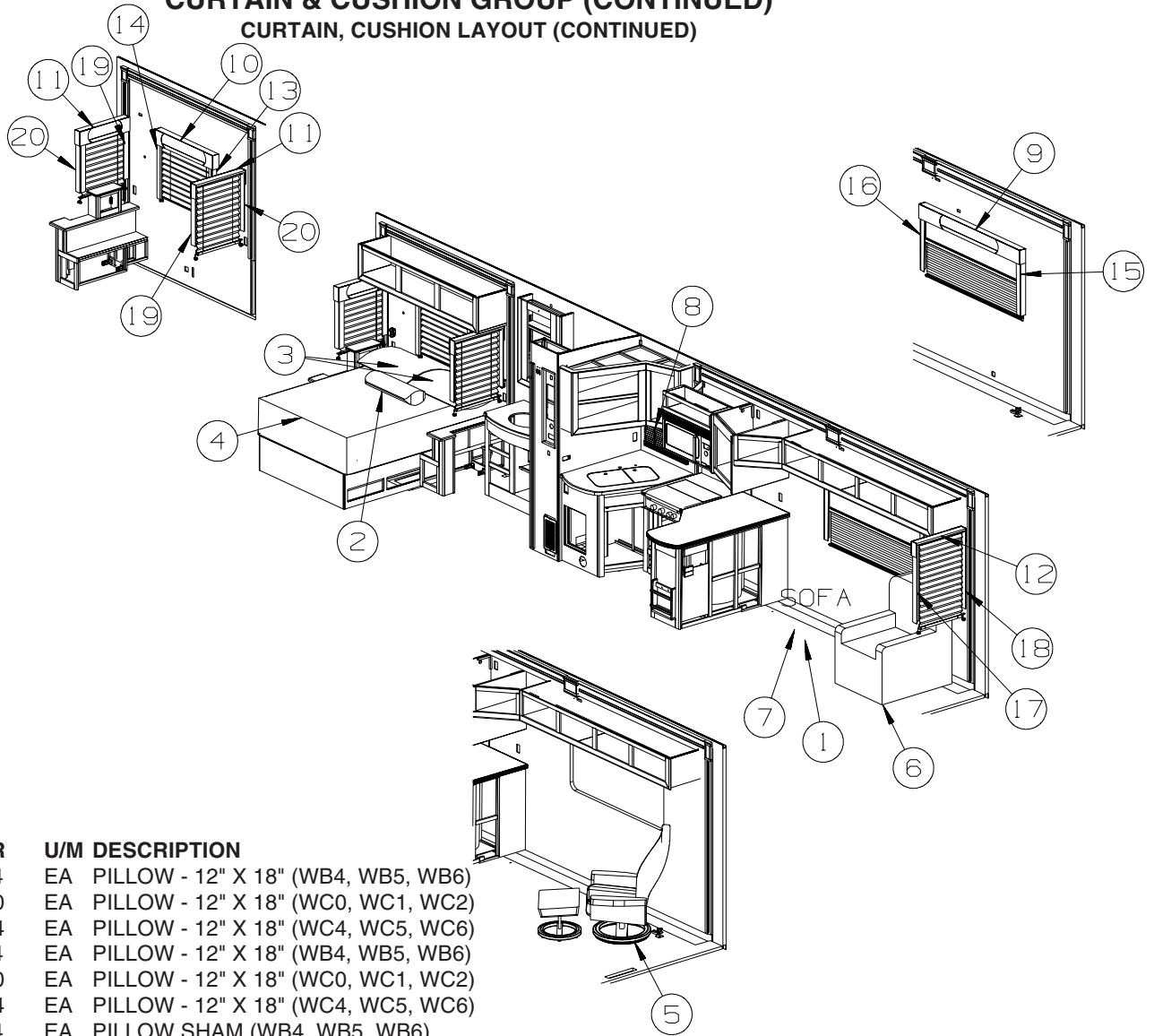


| KEY | PART NUMBER | U/M | DESCRIPTION |
|-----|---------------|-----|--|
| 1 | 119957-02-000 | EA | COVER/BAG - HAMPER |
| 2 | 157868-03-WB4 | EA | CHAIR - FOLDING |
| 2 | 157868-03-WB5 | EA | CHAIR - FOLDING |
| 2 | 157868-03-WB6 | EA | CHAIR - FOLDING |
| 2 | 157868-03-WC0 | EA | CHAIR - FOLDING |
| 2 | 157868-03-WC1 | EA | CHAIR - FOLDING |
| 2 | 157868-03-WC2 | EA | CHAIR - FOLDING |
| 2 | 157868-03-WC4 | EA | CHAIR - FOLDING |
| 2 | 157868-03-WC5 | EA | CHAIR - FOLDING |
| 2 | 157868-03-WC6 | EA | CHAIR - FOLDING |
| | 162618-01-WB4 | EA | CHAIR - DINING |
| | 162618-01-WB5 | EA | CHAIR - DINING |
| | 162618-01-WB6 | EA | CHAIR - DINING |
| | 162618-01-WC0 | EA | CHAIR - DINING |
| | 162618-01-WC1 | EA | CHAIR - DINING |
| | 162618-01-WC2 | EA | CHAIR - DINING |
| | 162618-01-WC4 | EA | CHAIR - DINING |
| | 162618-01-WC5 | EA | CHAIR - DINING |
| | 162618-01-WC6 | EA | CHAIR - DINING |
| | 099856-13-000 | EA | STRAP - TIEDOWN - 143.5" |
| 3 | 163038-18-WB4 | EA | VALANCE - 19" X 6" (WB4, WB5, WB6) |
| 3 | 163038-21-WC0 | EA | VALANCE - 19" X 6" (WC0, WC1, WC2) |
| 3 | 163038-24-WC4 | EA | VALANCE - 19" X 6" (WC4, WC5, WC6) |
| 3 | 109041-81-01A | EA | BLIND - MINI - 17.5" X 30" |
| | 102555-03-000 | EA | BRACKET - (CLEAT TYPE) - F/BLIND HOLDOWN - MILKY WHITE |
| | 162496-01-01A | EA | BRACKET/BLIND - LEFT SIDE WHEN FACING WINDOW - CLEAR |
| | 162496-02-01A | EA | BRACKET/BLIND - RIGHT SIDE WHEN FACING WINDOW - CLEAR |
| | 109441-01-000 | EA | BRACKET/HOOK - BLIND HOLD DOWN - LARGE - CLEAR |
| 4 | 163038-40-WB4 | EA | VALANCE - 91" X 8" (WB4, WB5, WB6) |
| 4 | 163038-42-WC0 | EA | VALANCE - 91" X 8" (WC0, WC1, WC2) |
| 4 | 163038-44-WC4 | EA | VALANCE - 91" X 8" (WC4, WC5, WC6) |
| | 105648-01-02A | EA | BRACE - VALANCE - 14" - OFF WHITE |
| 4 | 140789-78-WA0 | EA | BLIND - DAY/NIGHTER - 27.5" X 62" |
| | 097565-01-000 | EA | BRACKET - MOUNTING - PLEATED BLIND |
| 5 | 155514-18-WB4 | EA | LEG - CENTER - 57" (WB4, WB5, WB6) |
| 5 | 155514-12-WC0 | EA | LEG - CENTER - 57" (WC0, WC1, WC2) |
| 5 | 155514-18-WC4 | EA | LEG - CENTER - 57" (WC4, WC5, WC6) |
| | 154316-01-01A | EA | BRACE/ANGLE - W/HOLE - CASHMERE |

CURTAIN & CUSHION GROUP (CONTINUED)
CURTAIN, CUSHION LAYOUT (CONTINUED)

| KEY | PART NUMBER | U/M | DESCRIPTION |
|------------|--------------------|------------|------------------------------------|
| 6 | 163038-17-WB4 | EA | VALANCE - 25" X 6" (WB4, WB5, WB6) |
| 6 | 163038-20-WC0 | EA | VALANCE - 25" X 6" (WC0, WC1, WC2) |
| 6 | 163038-23-WC4 | EA | VALANCE - 25" X 6" (WC4, WC5, WC6) |
| 6 | 157506-24-WA0 | EA | BLIND - PLEATED - 23" X 36" |
| | 097565-01-000 | EA | BRACKET - MOUNTING - PLEATED BLIND |
| 7 | 157506-46-WB4 | EA | BLIND - PLEATED - 15.5" X 70" |
| | 097565-01-000 | EA | BRACKET - MOUNTING - PLEATED BLIND |
| 8 | 163038-41-WB4 | EA | VALANCE - 15" X 8" (WB4, WB5, WB6) |
| 8 | 163038-43-WC0 | EA | VALANCE - 15" X 8" (WC0, WC1, WC2) |
| 8 | 163038-45-WC4 | EA | VALANCE - 15" X 8" (WC4, WC5, WC6) |
| 8 | 157506-47-WA0 | EA | BLIND - PLEATED - 14.5" X 32" |
| | 097565-01-000 | EA | BRACKET - MOUNTING - PLEATED BLIND |
| 9 | 152445-A3-WB4 | EA | LEG - RIGHT - 57" (WB4, WB5, WB6) |
| 9 | 152445-43-WC0 | EA | LEG - RIGHT - 57" (WC0, WC1, WC2) |
| 9 | 152445-A3-WC4 | EA | LEG - RIGHT - 57" (WC4, WC5, WC6) |
| | 154316-01-01A | EA | BRACE/ANGLE - W/HOLE - CASHMERE |
| 10 | 152445-A4-WB4 | EA | LEG - LEFT - 57" (WB4, WB5, WB6) |
| 10 | 152445-44-WC0 | EA | LEG - LEFT - 57" (WC0, WC1, WC2) |
| 10 | 152445-A4-WC4 | EA | LEG - LEFT - 57" (WC4, WC5, WC6) |
| | 154316-01-01A | EA | BRACE/ANGLE - W/HOLE - CASHMERE |

CURTAIN & CUSHION GROUP (CONTINUED)
CURTAIN, CUSHION LAYOUT (CONTINUED)

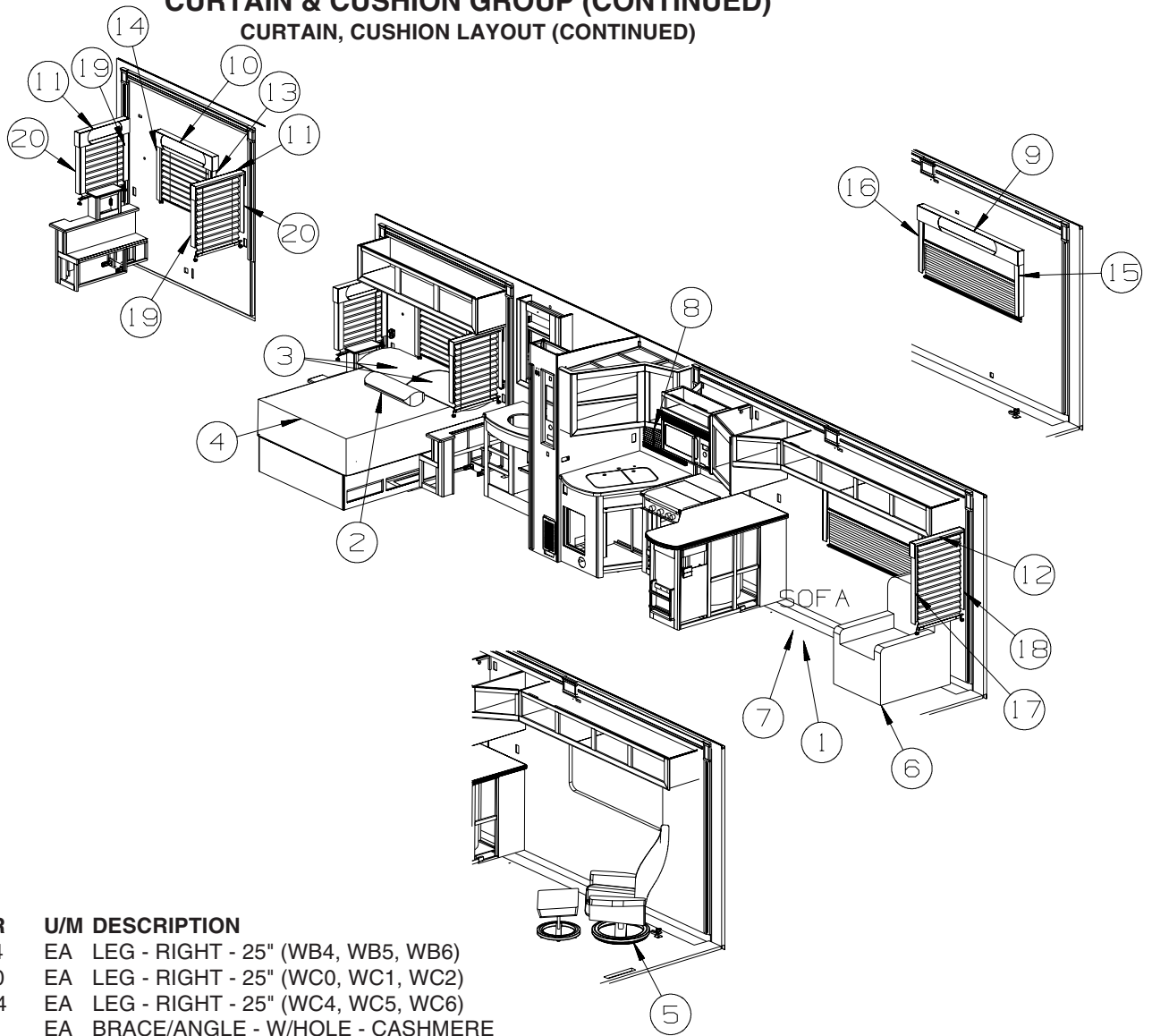


| KEY | PART NUMBER | U/M | DESCRIPTION |
|-----|---------------|-----|--|
| 1 | 163042-01-WB4 | EA | PILLOW - 12" X 18" (WB4, WB5, WB6) |
| 1 | 163042-02-WC0 | EA | PILLOW - 12" X 18" (WC0, WC1, WC2) |
| 1 | 163042-02-WC4 | EA | PILLOW - 12" X 18" (WC4, WC5, WC6) |
| 2 | 163042-03-WB4 | EA | PILLOW - 12" X 18" (WB4, WB5, WB6) |
| 2 | 163042-04-WC0 | EA | PILLOW - 12" X 18" (WC0, WC1, WC2) |
| 2 | 163042-05-WC4 | EA | PILLOW - 12" X 18" (WC4, WC5, WC6) |
| 3 | 163093-01-WB4 | EA | PILLOW SHAM (WB4, WB5, WB6) |
| 3 | 163093-01-WC0 | EA | PILLOW SHAM (WC0, WC1, WC2) |
| 3 | 163093-01-WC4 | EA | PILLOW SHAM (WC4, WC5, WC6) |
| 4 | 162699-01-WB4 | EA | BEDSPREAD/CAP - 60" X 75" (WB4, WB5, WB6) |
| 4 | 162699-02-WC0 | EA | BEDSPREAD/CAP - 60" X 75" (WC0, WC1, WC2) |
| 4 | 162699-01-WC4 | EA | BEDSPREAD/CAP - 60" X 75" (WC4, WC5, WC6) |
| 5 | 165316-02-WB4 | EA | CHAIR/EURO-APOLLO-W/OTTOMAN-ULTRALTHR (WB4, WB5, WB6, WC4, WC5, WC6) - EURO CHAIR |
| 5 | 165316-02-W99 | EA | CHAIR/EURO - APOLLO - W/OTTOMAN - ULTRA LEATHER (WC0, WC1, WC2) - EURO CHAIR |
| 6 | 158317-04-WB4 | EA | CHAIR/RECLINER - W/FOOTREST (WB4, WB5, WB6) |
| 6 | 158317-06-WB4 | EA | CHAIR/RECLINER - W/FOOTREST (WB4, WB5, WB6) FROM: 00-00-00 THRU: 11-02-07 |
| 6 | 158317-04-WC0 | EA | CHAIR/RECLINER - W/FOOTREST (WC0, WC1, WC2) FROM: 11-03-07 THRU: 99-99-99 |
| 6 | 158317-06-WC0 | EA | CHAIR/RECLINER - W/FOOTREST (WC0, WC1, WC2) FROM: 00-00-00 THRU: 11-02-07 |
| 6 | 158317-04-WC4 | EA | CHAIR/RECLINER - W/FOOTREST (WC4, WC5, WC6) FROM: 11-03-07 THRU: 99-99-99 |
| 6 | 158317-06-WC4 | EA | CHAIR/RECLINER - W/FOOTREST (WC4, WC5, WC6) FROM: 00-00-00 THRU: 11-02-07 |
| 6 | 158317-03-WB4 | EA | CHAIR/RECLINER - W/FOOTREST - LEATHER (WB4, WB5, WB6, WC4, WC5, WC6) - ULTRALEATHER FROM: 11-03-07 THRU: 99-99-99 |
| 6 | 158317-05-WB4 | EA | CHAIR/RECLINER - W/FOOTREST - LEATHER (WB4, WB5, WB6, WC4, WC5, WC6) - ULTRALEATHER FROM: 00-00-00 THRU: 11-02-07 |
| 6 | 158317-03-WC0 | EA | CHAIR/RECLINER - W/FOOTREST - LEATHER (WC0, WC1, WC2) - ULTRALEATHER FROM: 11-03-07 THRU: 99-99-99 |
| 6 | 158317-05-WC0 | EA | CHAIR/RECLINER - W/FOOTREST - LEATHER (WC0, WC1, WC2) - ULTRALEATHER FROM: 00-00-00 THRU: 11-02-07 |
| 6 | 158317-05-WC0 | EA | CHAIR/RECLINER - W/FOOTREST - LEATHER (WC0, WC1, WC2) - ULTRALEATHER FROM: 11-03-07 THRU: 99-99-99 |

CURTAIN & CUSHION GROUP (CONTINUED)
CURTAIN, CUSHION LAYOUT (CONTINUED)

| KEY | PART NUMBER | U/M | DESCRIPTION |
|-----|---------------|-----|---|
| 7 | 158852-01-WB4 | EA | SOFA - J-LOUNGE - COMPLETE - FLAT FLOOR (WB4, WB5, WB6) |
| 7 | 158852-01-WC0 | EA | SOFA - J-LOUNGE - COMPLETE - FLAT FLOOR (WC0, WC1, WC2) |
| 7 | 158852-01-WC4 | EA | SOFA - J-LOUNGE - COMPLETE - FLAT FLOOR (WC4, WC5, WC6) |
| 7 | 158852-08-WB4 | EA | SOFA - J-LOUNGE - 142"-75" - COMPLETE (WB4, WB5, WB6, WC4, WC5, WC6) - ULTRALEATHER |
| 7 | 158852-08-WC0 | EA | SOFA - J-LOUNGE - 142"-75" - COMPLETE (WC0, WC1, WC2) - ULTRALEATHER |
| 7 | 158298-01-WB4 | EA | SOFA/SLEEPER - REST EASY - #842/#842 NARROW ARMS - FLT FLR (WB4, WB5, WB6) |
| 7 | 158298-01-WC0 | EA | SOFA/SLEEPER - REST EASY - #842/#842 NARROW ARMS - FLT FLR (WC0, WC1, WC2) |
| 7 | 158298-01-WC4 | EA | SOFA/SLEEPER - REST EASY - #842/#842 NARROW ARMS - FLT FLR (WC4, WC5, WC6) |
| 7 | 158298-02-WB4 | EA | SOFA/SLPR - RT EY - #842/#842 NRW ARMS-FLT (WB4, WB5, WB6, WC4, WC5, WC6) - ULTRALEATHER |
| 7 | 158298-02-WC0 | EA | SOFA/SLEEPER - REST EASY - #842/#842 NARROW ARMS-FLT (WC0, WC1, WC2) - ULTRALEATHER |
| 7 | 158298-03-WB4 | EA | SOFA/SLEEPER - REST EASY/DL - #842/842 WIDE ARMS-FLT (WB4, WB5, WB6) - DUAL REST EASY |
| 7 | 158298-03-WC0 | EA | SOFA/SLEEPER - REST EASY/DL - #842/842 WIDE ARMS-FLT (WC0, WC1, WC2) - DUAL REST EASY |
| 7 | 158298-03-WC4 | EA | SOFA/SLEEPER - REST EASY/DL - #842/842 WIDE ARMS-FLT (WC4, WC5, WC6) - DUAL REST EASY |
| 7 | 158298-04-WB4 | EA | SOFA/SR-R E/DL-842 AM-FLT (WB4, WB5, WB6, WC4, WC5, WC6) - DUAL REST EASY/ULTRALEATHER |
| 7 | 158298-04-WC0 | EA | SOFA/SLPR-RT EY/DL-#842/#842 ARMS-FLT (WC0, WC1, WC2) - DUAL REST EASY/ULTRALEATHER |
| 8 | 109041-72-02A | EA | BLIND - MINI - 26" X 13.5" |
| | 102555-03-000 | EA | BRACKET - (CLEAT TYPE) - F/BLIND HOLDOWN - MILKY WHITE |
| | 162496-01-01A | EA | BRACKET/BLIND - LEFT SIDE WHEN FACING WINDOW - CLEAR |
| | 162496-02-01A | EA | BRACKET/BLIND - RIGHT SIDE WHEN FACING WINDOW - CLEAR |
| | 109441-01-000 | EA | BRACKET/HOOK - BLIND HOLD DOWN - LARGE - CLEAR |
| 9 | 163038-01-WB4 | EA | VALANCE - 62" X 6" (WB4, WB5, WB6) |
| 9 | 163038-06-WC0 | EA | VALANCE - 62" X 6" (WC0, WC1, WC2) |
| 9 | 163038-11-WC4 | EA | VALANCE - 62" X 6" (WC4, WC5, WC6) |
| 9 | 140789-69-WA0 | EA | BLIND - DAY/NIGHTER - 59" X 30" |
| | 097565-01-000 | EA | BRACKET - MOUNTING - PLEATED BLIND |
| 10 | 163038-34-WB4 | EA | VALANCE - 35" X 6" (WB4, WB5, WB6) |
| 10 | 163038-35-WC0 | EA | VALANCE - 35" X 6" (WC0, WC1, WC2) |
| 10 | 163038-36-WC4 | EA | VALANCE - 35" X 6" (WC4, WC5, WC6) |
| 10 | 157506-31-WA0 | EA | BLIND - PLEATED - 32" X 28.5" |
| | 097565-01-000 | EA | BRACKET - MOUNTING - PLEATED BLIND |
| 11 | 163038-17-WB4 | EA | VALANCE - 25" X 6" (WB4, WB5, WB6) |
| 11 | 163038-20-WC0 | EA | VALANCE - 25" X 6" (WC0, WC1, WC2) |
| 11 | 163038-23-WC4 | EA | VALANCE - 25" X 6" (WC4, WC5, WC6) |
| 11 | 157506-34-WA0 | EA | BLIND - PLEATED - 21" X 29" |
| | 097565-01-000 | EA | BRACKET - MOUNTING - PLEATED BLIND |
| 12 | 163038-02-WB4 | EA | VALANCE - 25" X 6" (WB4, WB5, WB6) |
| 12 | 163038-07-WC0 | EA | VALANCE - 25" X 6" (WC0, WC1, WC2) |
| 12 | 163038-12-WC4 | EA | VALANCE - 25" X 6" (WC4, WC5, WC6) |
| 12 | 157506-35-WA0 | EA | BLIND - PLEATED - 21" X 36" |
| | 097565-01-000 | EA | BRACKET - MOUNTING - PLEATED BLIND |
| 13 | 159953-F5-WB4 | EA | LEG - RIGHT - 28" (WB4, WB5, WB6) |
| 13 | 159953-39-WC0 | EA | LEG - RIGHT - 28" (WC0, WC1, WC2) |
| 13 | 159953-37-WC4 | EA | LEG - RIGHT - 28" (WC4, WC5, WC6) |
| 14 | 159953-F6-WB4 | EA | LEG - LEFT - 28" (WB4, WB5, WB6) |
| 14 | 159953-40-WC0 | EA | LEG - LEFT - 28" (WC0, WC1, WC2) |
| 14 | 159953-38-WC4 | EA | LEG - LEFT - 28" (WC4, WC5, WC6) |
| 15 | 152445-53-WB4 | EA | LEG - RIGHT - 27" (WB4, WB5, WB6) |
| 15 | 152445-09-WC0 | EA | LEG - RIGHT - 27" (WC0, WC1, WC2) |
| 15 | 152445-53-WC4 | EA | LEG - RIGHT - 27" (WC4, WC5, WC6) |
| | 154316-01-01A | EA | BRACE/ANGLE - W/HOLE - CASHMERE |
| 16 | 152445-54-WB4 | EA | LEG - LEFT - 27" (WB4, WB5, WB6) |
| 16 | 152445-10-WC0 | EA | LEG - LEFT - 27" (WC0, WC1, WC2) |
| 16 | 152445-54-WC4 | EA | LEG - LEFT - 27" (WC4, WC5, WC6) |
| | 154316-01-01A | EA | BRACE/ANGLE - W/HOLE - CASHMERE |
| 17 | 152445-89-WB4 | EA | LEG - RIGHT - 33" (WB4, WB5, WB6) |
| 17 | 152445-93-WC0 | EA | LEG - RIGHT - 33" (WC0, WC1, WC2) |
| 17 | 152445-89-WC4 | EA | LEG - RIGHT - 33" (WC4, WC5, WC6) |
| | 154316-01-01A | EA | BRACE/ANGLE - W/HOLE - CASHMERE |
| 18 | 152445-90-WB4 | EA | LEG - LEFT - 33" (WB4, WB5, WB6) |
| 18 | 152445-94-WC0 | EA | LEG - LEFT - 33" (WC0, WC1, WC2) |
| 18 | 152445-90-WC4 | EA | LEG - LEFT - 33" (WC4, WC5, WC6) |
| | 154316-01-01A | EA | BRACE/ANGLE - W/HOLE - CASHMERE |

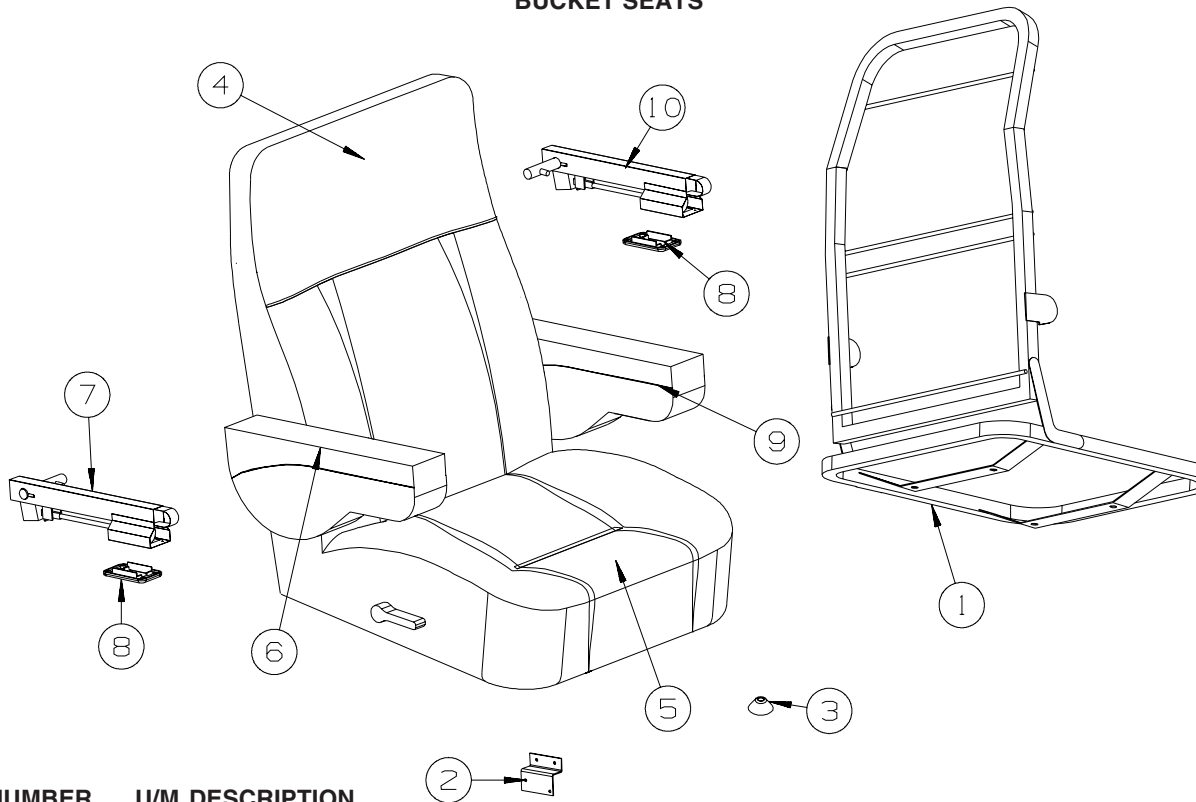
CURTAIN & CUSHION GROUP (CONTINUED)
CURTAIN, CUSHION LAYOUT (CONTINUED)



| KEY | PART NUMBER | U/M | DESCRIPTION |
|-----|---------------|-----|-----------------------------------|
| 19 | 152445-97-WB4 | EA | LEG - RIGHT - 25" (WB4, WB5, WB6) |
| 19 | 152445-99-WC0 | EA | LEG - RIGHT - 25" (WC0, WC1, WC2) |
| 19 | 152445-A1-WC4 | EA | LEG - RIGHT - 25" (WC4, WC5, WC6) |
| | 154316-01-01A | EA | BRACE/ANGLE - W/HOLE - CASHMERE |
| 20 | 152445-98-WB4 | EA | LEG - LEFT - 25" (WB4, WB5, WB6) |
| 20 | 152445-A0-WC0 | EA | LEG - LEFT - 25" (WC0, WC1, WC2) |
| 20 | 152445-A2-WC4 | EA | LEG - LEFT - 25" (WC4, WC5, WC6) |
| | 154316-01-01A | EA | BRACE/ANGLE - W/HOLE - CASHMERE |

CURTAIN & CUSHION GROUP (CONTINUED)

BUCKET SEATS



| KEY | PART NUMBER | U/M | DESCRIPTION |
|-----|---------------|-----|---|
| 1 | 134532-01-000 | EA | FRAME - SEAT/HIGH BACK |
| | | | FROM: 00-00-00 THRU: 09-16-07 |
| 1 | 134532-06-000 | EA | FRAME - SEAT/HIGH BACK - WIDE |
| | | | FROM: 09-17-07 THRU: 99-99-99 |
| | 130802-02-000 | EA | LEVER - RIGHT HAND |
| | 130802-03-000 | EA | SCREW F/LEVER |
| 2 | 147457-01-02B | EA | BRACKET - ZEE W/HOLES - 2.8" - E-COATED |
| | | | FROM: 00-00-00 THRU: 09-16-07 |
| * | 122611-02-000 | EA | LUMBAR - W/LEVER |
| | | | FROM: 00-00-00 THRU: 09-16-07 |
| | 166186-01-000 | EA | LUMBAR - W/LEVER |
| | | | FROM: 09-17-07 THRU: 99-99-99 |
| 3 | 148668-01-01A | EA | CUP/TRIM COVER - F/LEVER - BLACK |
| 4 | 162621-A1-WB4 | EA | COVER/BACK - LEATHER (WB4, WB5, WB6, WC4, WC5, WC5) |
| 4 | 162621-A1-WC0 | EA | COVER/BACK - LEATHER (WC0, WC1, WC2) |
| 5 | 162621-A2-WB4 | EA | COVER/SEAT - LEATHER (WB4, WB5, WB6, WC4, WC5, WC5) |
| 5 | 162621-A2-WC0 | EA | COVER/SEAT - LEATHER (WC0, WC1, WC2) |
| 6 | 163455-01-WB4 | EA | ARMREST - RIGHT HAND (WB4, WB5, WB6, WC4, WC5, WC5) |
| 6 | 163455-01-WC0 | EA | ARMREST - RIGHT HAND (WC0, WC1, WC2) |
| | 163455-A1-WB4 | EA | COVER/ARMREST - RIGHT HAND (WB4, WB5, WB6, WC4, WC5, WC5) |
| | 163455-A1-WC0 | EA | COVER/ARMREST - RIGHT HAND (WC0, WC1, WC2) |
| 7 | 148751-01-000 | EA | BRACKET - RIGHT (ADJUSTABLE) W/ROLLER |
| 8 | 148751-03-000 | EA | BRACKET - ROLLER TRIM PLATE |
| 9 | 163455-02-WB4 | EA | ARMREST - LEFT HAND (WB4, WB5, WB6, WC4, WC5, WC5) |
| 9 | 163455-02-WC0 | EA | ARMREST - LEFT HAND (WC0, WC1, WC2) |
| | 163455-A2-WB4 | EA | COVER/ARMREST - LEFT HAND (WB4, WB5, WB6, WC4, WC5, WC5) |
| | 163455-A2-WC0 | EA | COVER/ARMREST - LEFT HAND (WC0, WC1, WC2) |
| 10 | 148751-02-000 | EA | BRACKET - LEFT (ADJUSTABLE) W/ROLLER |

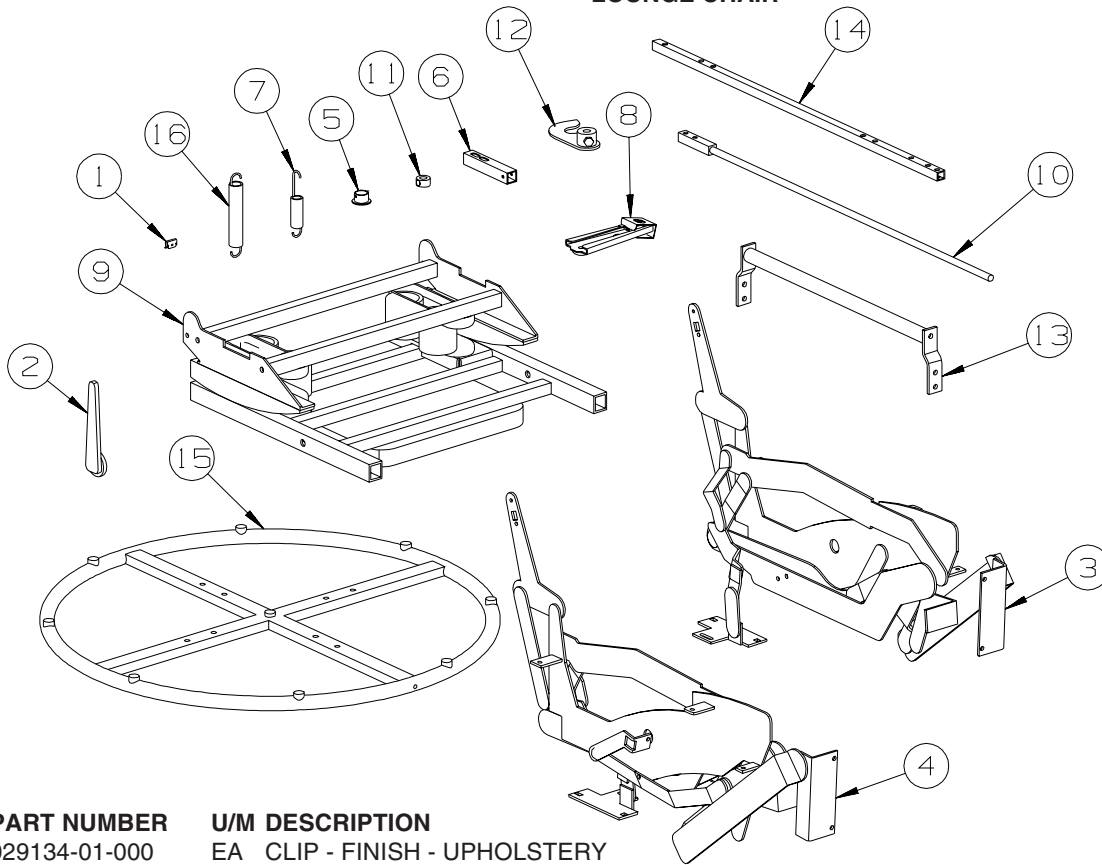
*COMPONENT PARTS LISTED LATER IN THIS GROUP

COMPONENT PARTS FOR BUCKET SEATS

122611-02-000

| KEY | PART NUMBER | U/M | DESCRIPTION | VENDOR NO. |
|-----|---------------|-----|------------------|-----------------|
| | 122611-02-701 | EA | LUMBAR - LEVER | 412 |
| | 122611-02-702 | EA | LUMBAR MECHANISM | 24395-FLEXSTEEL |

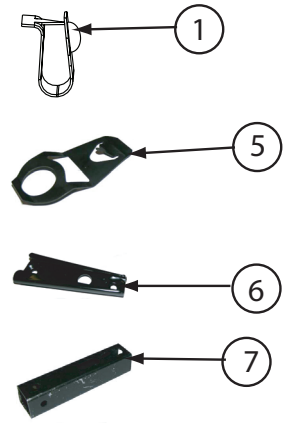
CURTAIN & CUSHION GROUP (CONTINUED)
LOUNGE CHAIR



**HOOP BASE LOUNGE
CHAIR
00-00-00
THRU
11-02-07**

| KEY | PART NUMBER | U/M | DESCRIPTION |
|-----|---------------|-----|---|
| 1 | 029134-01-000 | EA | CLIP - FINISH - UPHOLSTERY |
| 2 | 133126-11-000 | EA | HANDLE/RECLINE - PLASTIC |
| 3 | 154077-01-000 | EA | RECLINER MECHANISM - RIGHT HAND (WHEN SITTING IN CHAIR) |
| 4 | 154077-02-000 | EA | RECLINER MECHANISM - LEFT HAND (WHEN SITTING IN CHAIR) |
| 5 | 154077-03-000 | EA | BUSHING - PLASTIC/WHITE |
| 6 | 154077-04-000 | EA | TUBE/HANDLE MOUNTING - 3.6" LONG - BLACK |
| 7 | 154077-05-000 | EA | SPRING - EXTENSION - 3.7" |
| 8 | 154077-06-000 | EA | SLEEVE/CLIP - 1.6" X 5.1" |
| 9 | 154077-07-000 | EA | BASE - SWIVEL/ROCKER - BLACK |
| 10 | 154077-08-000 | EA | LATCH ROD - 25.5" - BLACK |
| 11 | 154077-09-000 | EA | LOCK COLLAR - W/SET SCREW LOCK-OUT |
| 12 | 154077-10-000 | EA | LATCH BRACKET - RIGHT FRONT LOCK OUT - BLACK |
| 13 | 154077-11-000 | EA | LATCH TUBE - W/LOCK OUT ENDS - 15.1" - BLACK |
| 14 | 154077-12-000 | EA | LOCK TUBE - .5" X .5" X 23.5" |
| 15 | 154077-13-000 | EA | GRID RING - 24" - BLACK |
| 16 | 154077-14-000 | EA | SPRING/EXTENSION - 4.7" |
| | 158317-A4-WB4 | EA | COVER/CHAIR - RECLINER - W/FOOTREST (WB4, WB5, WB6) |
| | 158317-A4-WC0 | EA | COVER/CHAIR - RECLINER - W/FOOTREST (WC0, WC1, WC2) |
| | 158317-A4-WC4 | EA | COVER/CHAIR - RECLINER - W/FOOTREST (WC4, WC5, WC5) |
| | 158317-A3-WB4 | EA | COVER/CHAIR - RECLINER - W/FTREST - LTHR (WB4, WB5, WB6, WC4, WC5, WC5) - ULTRALEATHER |
| | 158317-A3-WC0 | EA | COVER/CHAIR - RECLINER - W/FOOTREST - LEATHER (WC0, WC1, WC2) - ULTRALEATHER |

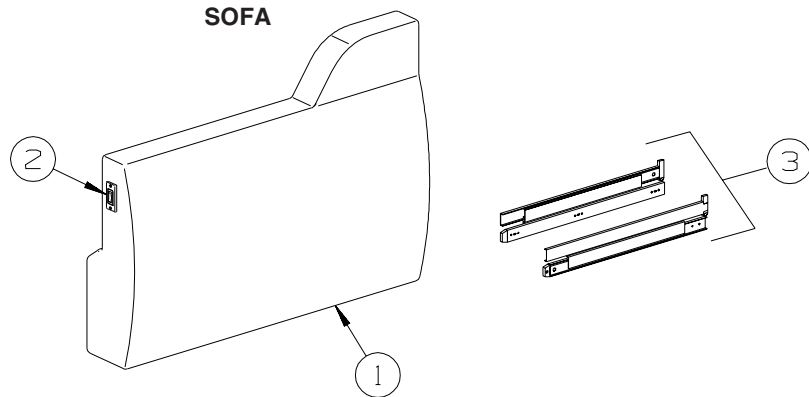
CURTAIN & CUSHION GROUP (CONTINUED)
LOUNGE CHAIR (CONTINUED)



**HOOP BASE LOUNGE
 CHAIR
 11-03-07
 THRU
 99-99-99**

| KEY | PART NUMBER | U/M | DESCRIPTION |
|-----|---------------|-----|---|
| 1 | 029134-01-000 | EA | CLIP - FINISH - UPHOLSTERY |
| 2 | 158317-A4-WB4 | EA | COVER/CHAIR - RECLINER - W/FOOTREST (WB4, WB5, WB6) |
| 2 | 158317-A4-WC0 | EA | COVER/CHAIR - RECLINER - W/FOOTREST (WC0, WC1, WC2) |
| 2 | 158317-A4-WC4 | EA | COVER/CHAIR - RECLINER - W/FOOTREST (WC4, WC5, WC5) |
| 2 | 158317-A3-WB4 | EA | COVER/CHAIR - RECLINER - W/FTREST - LTHR (WB4, WB5, WB6, WC4, WC5, WC5) - ULTRALEATHER |
| 2 | 158317-A3-WC0 | EA | COVER/CHAIR - RECLINER - W/FOOTREST - LEATHER (WC0, WC1, WC2) - ULTRALEATHER |
| 3 | 167351-01-000 | EA | FRAME - RECLINER MECHANISM W/HOOP |
| 4 | 167351-02-000 | EA | HANDLE - F/RECLINER/FOOTREST RELEASE |
| 5 | 167351-03-000 | EA | CLIP - F/BACKFRAME TO MECHANISM |
| 6 | 167351-04-000 | EA | BRACKET - F/GLIDER ROCKER |
| 7 | 167351-05-000 | EA | ADAPTOR SHAFT - 3" - F/RECLINER HANDLE |

CURTAIN & CUSHION GROUP (CONTINUED)



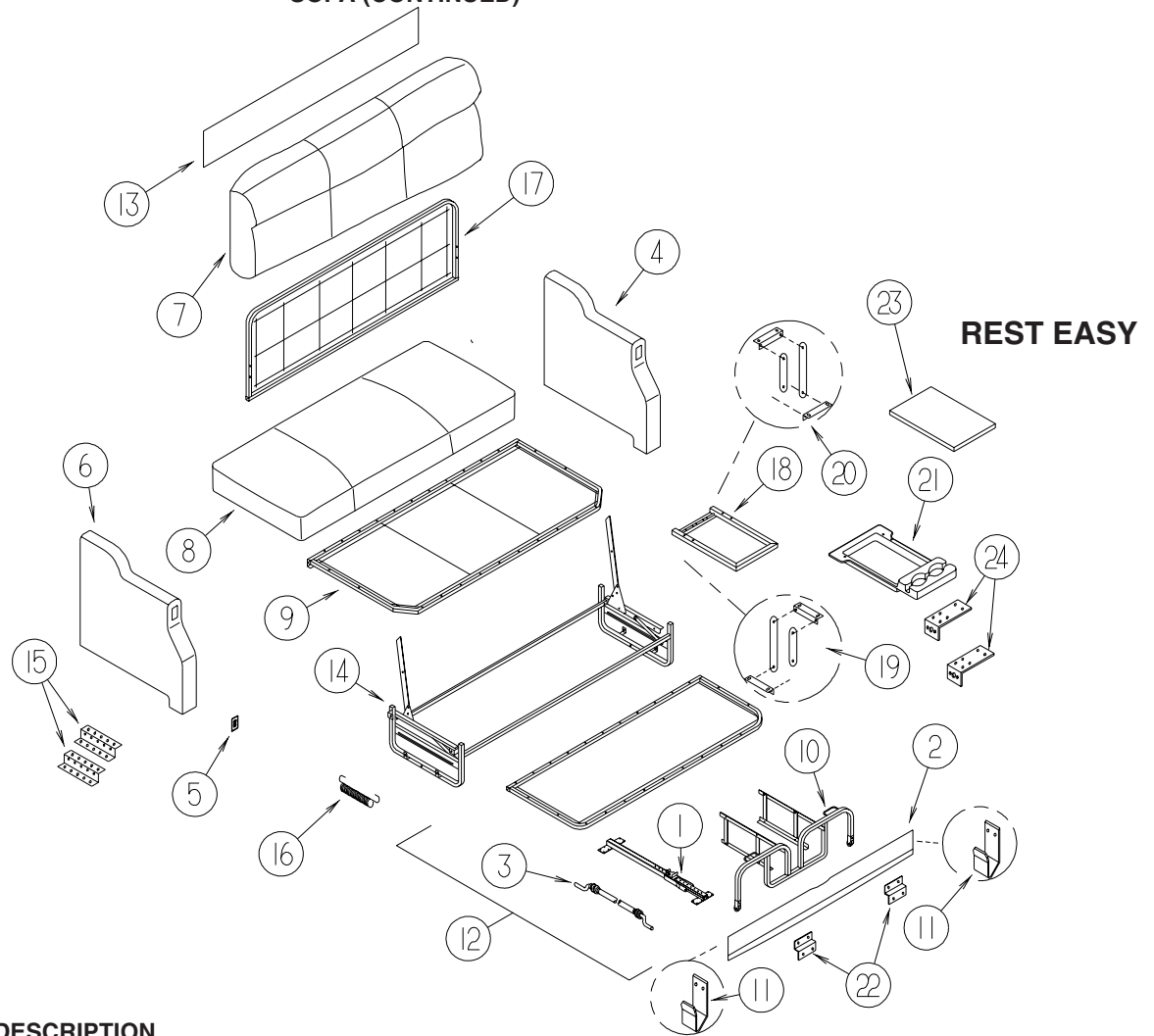
J LOUNGE

| KEY | PART NUMBER | U/M | DESCRIPTION |
|-----|---------------|-----|---|
| | 158852-02-WB4 | EA | BACK - RECLINER - SOFA/J-LOUNGE (WB4, WB5, WB6) |
| | 158852-02-WC0 | EA | BACK - RECLINER - SOFA/J-LOUNGE (WC0, WC1, WC2) |
| | 158852-02-WC4 | EA | BACK - RECLINER - SOFA/J-LOUNGE (WC4, WC5, WC6) |
| | 158852-09-WB4 | EA | BACK - RECLINER - SOFA/J-LOUNGE (WB4, WB5, WB6, WC4, WC5, WC5) - ULTRALEATHER |
| | 158852-09-WC0 | EA | BACK - RECLINER - SOFA/J-LOUNGE (WC0, WC1, WC2) - ULTRALEATHER |
| | 158852-A2-WB4 | EA | COVER/BACK - RECLINER - SOFA/J-LOUNGE (WB4, WB5, WB6) |
| | 158852-A2-WC0 | EA | COVER/BACK - RECLINER - SOFA/J-LOUNGE (WC0, WC1, WC2) |
| | 158852-A2-WC4 | EA | COVER/BACK - RECLINER - SOFA/J-LOUNGE (WC4, WC5, WC6) |
| | 158852-A9-WB4 | EA | COVER/BACK - RECLINER - SOFA/J-LOUNGE (WB4, WB5, WB6, WC4, WC5, WC5) - ULTRALEATHER |
| | 158852-A9-WC0 | EA | COVER/BACK - RECLINER - SOFA/J-LOUNGE (WC0, WC1, WC2) - ULTRALEATHER |
| | 158852-03-WB4 | EA | SEAT - RECLINE - SOFA/J-LOUNGE (WB4, WB5, WB6) |
| | 158852-03-WC0 | EA | SEAT - RECLINE - SOFA/J-LOUNGE (WC0, WC1, WC2) |
| | 158852-03-WC4 | EA | SEAT - RECLINE - SOFA/J-LOUNGE (WC4, WC5, WC6) |
| | 158852-10-WB4 | EA | SEAT - RECLINE - SOFA/J-LOUNGE (WB4, WB5, WB6, WC4, WC5, WC5) - ULTRALEATHER |
| | 158852-10-WC0 | EA | SEAT - RECLINE - SOFA/J-LOUNGE (WC0, WC1, WC2) - ULTRALEATHER |
| | 158852-A3-WB4 | EA | COVER/SEAT - RECLINE/75" - F/SOFA J-LOUNGE (WB4, WB5, WB6) |
| | 158852-A3-WC0 | EA | COVER/SEAT - RECLINE/75" - F/SOFA J-LOUNGE (WC0, WC1, WC2) |
| | 158852-A3-WC4 | EA | COVER/SEAT - RECLINE/75" - F/SOFA J-LOUNGE (WC4, WC5, WC6) |
| | 158852-B0-WB4 | EA | COVER/SEAT - RECLINE/75" - F/SOFA J-LNGE (WB4, WB5, WB6, WC4, WC5, WC5) - ULTRALEATHER |
| | 158852-B0-WC0 | EA | COVER/SEAT - RECLINE/75" - F/SOFA J-LOUNGE (WC0, WC1, WC2) - ULTRALEATHER |
| | 158852-05-WB4 | EA | CORNER SEAT - SOFA/J-LOUNGE (WB4, WB5, WB6) |
| | 158852-05-WC0 | EA | CORNER SEAT - SOFA/J-LOUNGE (WC0, WC1, WC2) |
| | 158852-05-WC4 | EA | CORNER SEAT - SOFA/J-LOUNGE (WC4, WC5, WC6) |
| | 158852-12-WB4 | EA | CORNER SEAT - SOFA/J-LOUNGE (WB4, WB5, WB6, WC4, WC5, WC5) - ULTRALEATHER |
| | 158852-12-WC0 | EA | CORNER SEAT - SOFA/J-LOUNGE (WC0, WC1, WC2) - ULTRALEATHER |
| | 158852-A5-WB4 | EA | COVER/CORNER SEAT - F/SOFA J-LOUNGE (WB4, WB5, WB6) |
| | 158852-A5-WC0 | EA | COVER/CORNER SEAT - F/SOFA J-LOUNGE (WC0, WC1, WC2) |
| | 158852-A5-WC4 | EA | COVER/CORNER SEAT - F/SOFA J-LOUNGE (WC4, WC5, WC6) |
| | 158852-B2-WB4 | EA | COVER/CORNER SEAT - F/SOFA J-LOUNGE (WB4, WB5, WB6, WC4, WC5, WC5) - ULTRALEATHER |
| | 158852-B2-WC0 | EA | COVER/CORNER SEAT - F/SOFA J-LOUNGE (WC0, WC1, WC2) - ULTRALEATHER |
| | 149129-29-WB4 | EA | ARM BOLSTER/CHAISE - SOFA/J-LOUNGE (WB4, WB5, WB6) |
| | 149129-29-WC0 | EA | ARM BOLSTER/CHAISE - SOFA/J-LOUNGE (WC0, WC1, WC2) |
| | 149129-29-WC4 | EA | ARM BOLSTER/CHAISE - SOFA/J-LOUNGE (WC4, WC5, WC6) |
| | 149129-30-WB4 | EA | ARM BOLSTER/CHS - SOFA/J-LNG - LEATHER (WB4, WB5, WB6, WC4, WC5, WC5) - ULTRALEATHER |
| | 149129-30-WC0 | EA | ARM BOLSTER/CHAISE - SOFA/J-LOUNGE - LEATHER (WC0, WC1, WC2) - ULTRALEATHER |
| | P49129-29-WB4 | EA | COVER/ARM BOLSTER - F/SOFA J-LOUNGE (WB4, WB5, WB6) |
| | P49129-29-WC0 | EA | COVER/ARM BOLSTER - F/SOFA J-LOUNGE (WC0, WC1, WC2) |
| | P49129-29-WC4 | EA | COVER/ARM BOLSTER - F/SOFA J-LOUNGE (WC4, WC5, WC6) |
| | P49129-30-WB4 | EA | COVER/ARM BLSTR - F/SOFA J-LNG - LEATHER (WB4, WB5, WB6, WC4, WC5, WC5) - ULTRALEATHER |
| | P49129-30-WC0 | EA | COVER/ARM BOLSTER - F/SOFA J-LOUNGE - LEATHER (WC0, WC1, WC2) - ULTRALEATHER |
| 1 | 158332-17-WB4 | EA | ARMREST - LEFT HAND (WB4, WB5, WB6) |
| 1 | 158332-17-WC0 | EA | ARMREST - LEFT HAND (WC0, WC1, WC2) |
| 1 | 158332-17-WC4 | EA | ARMREST - LEFT HAND (WC4, WC5, WC6) |
| 1 | 158332-18-WB4 | EA | ARMREST - LEFT HAND - W/SWITCH (WB4, WB5, WB6, WC4, WC5, WC5) - ULTRALEATHER |
| 1 | 158332-18-WC0 | EA | ARMREST - LEFT HAND - W/SWITCH (WC0, WC1, WC2) - ULTRALEATHER |
| | 158332-A2-WB4 | EA | COVER/ARMREST - LEFT HAND (WB4, WB5, WB6) |
| | 158332-A2-WC0 | EA | COVER/ARMREST - LEFT HAND (WC0, WC1, WC2) |
| | 158332-A2-WC4 | EA | COVER/ARMREST - LEFT HAND (WC4, WC5, WC6) |
| | 158332-A4-WB4 | EA | COVER/ARMREST - LEFT HAND (WB4, WB5, WB6, WC4, WC5, WC5) - ULTRALEATHER |
| | 158332-A4-WC0 | EA | COVER/ARMREST - LEFT HAND (WC0, WC1, WC2) - ULTRALEATHER |

CURTAIN & CUSHION GROUP (CONTINUED)
SOFA (CONTINUED)

| KEY | PART NUMBER | U/M | DESCRIPTION |
|------------|--------------------|------------|---|
| 2 | 136118-01-000 | EA | SWITCH - SOFA/RECLINER |
| | 158852-06-WB4 | EA | CORNER BASE - SOFA/J-LOUNGE (WB4, WB5, WB6) |
| | 158852-06-WC0 | EA | CORNER BASE - SOFA/J-LOUNGE (WC0, WC1, WC2) |
| | 158852-06-WC4 | EA | CORNER BASE - SOFA/J-LOUNGE (WC4, WC5, WC6) |
| | 158852-13-WB4 | EA | CORNER BASE - SOFA/J-LOUNGE (WB4, WB5, WB6, WC4, WC5, WC5) - ULTRALEATHER |
| | 158852-13-WC0 | EA | CORNER BASE - SOFA/J-LOUNGE (WC0, WC1, WC2) - ULTRALEATHER |
| | 158852-A6-WB4 | EA | COVER/CORNER BASE - F/SOFA J-LOUNGE (WB4, WB5, WB6) |
| | 158852-A6-WC0 | EA | COVER/CORNER BASE - F/SOFA J-LOUNGE (WC0, WC1, WC2) |
| | 158852-A6-WC4 | EA | COVER/CORNER BASE - F/SOFA J-LOUNGE (WC4, WC5, WC6) |
| | 158852-B3-WB4 | EA | COVER/CORNER BASE - F/SOFA J-LOUNGE (WB4, WB5, WB6, WC4, WC5, WC5) - ULTRALEATHER |
| | 158852-B3-WC0 | EA | COVER/CORNER BASE - F/SOFA J-LOUNGE (WC0, WC1, WC2) - ULTRALEATHER |
| | 158852-07-WB4 | EA | KICKBOARD - 40" - W/DRAWER - SOFA/J-LOUNGE (WB4, WB5, WB6) |
| | 158852-07-WC0 | EA | KICKBOARD - 40" - W/DRAWER - SOFA/J-LOUNGE (WC0, WC1, WC2) |
| | 158852-07-WC4 | EA | KICKBOARD - 40" - W/DRAWER - SOFA/J-LOUNGE (WC4, WC5, WC6) |
| | 158852-14-WB4 | EA | KICKBOARD - 40"-W/DRAWER - SOFA/J-LNGE" (WB4, WB5, WB6, WC4, WC5, WC5) - ULTRALEATHER |
| | 158852-14-WC0 | EA | KICKBOARD - 40"-W/DRAWER-SOFA/J-LNG (WC0, WC1, WC2) - ULTRALEATHER |
| | 134511-01-000 | EA | LATCH - BANQUETTE |
| 3 | 134576-01-000 | EA | SLIDE/RAIL KIT - HEAVY DUTY (PAIR) - 22" |
| | 158852-04-WB4 | EA | CORNER BOLSTER/BACK - SOFA/J-LOUNGE (WB4, WB5, WB6) |
| | 158852-04-WC0 | EA | CORNER BOLSTER/BACK - SOFA/J-LOUNGE (WC0, WC1, WC2) |
| | 158852-04-WC4 | EA | CORNER BOLSTER/BACK - SOFA/J-LOUNGE (WC4, WC5, WC6) |
| | 158852-11-WB4 | EA | CORNER BLSTR/BCK - SOFA/J-LNGE - LEATHER (WB4, WB5, WB6, WC4, WC5, WC5) - ULTRALEATHER |
| | 158852-11-WC0 | EA | CORNER BOLSTER/BACK - SOFA/J-LOUNGE - LEATHER (WC0, WC1, WC2) - ULTRALEATHER |
| | 158852-A4-U90 | EA | COVER/CORNER BACK - SOFA/J-LOUNGE (WB4, WB5, WB6) |
| | 158852-A4-WC0 | EA | COVER/CORNER BACK - SOFA/J-LOUNGE (WC0, WC1, WC2) |
| | 158852-A4-WC4 | EA | COVER/CORNER BACK - SOFA/J-LOUNGE (WC4, WC5, WC6) |
| | 158852-B1-WB4 | EA | COVER/CORNER BACK - SOFA/J-LNG (WB4, WB5, WB6, WC4, WC5, WC5) - ULTRALEATHER |
| | 158852-B1-WC0 | EA | COVER/CORNER BACK - SOFA/J-LOUNGE - LEATHER(WC0, WC1, WC2) - ULTRALEATHER |

CURTAIN & CUSHION GROUP (CONTINUED)
SOFA (CONTINUED)



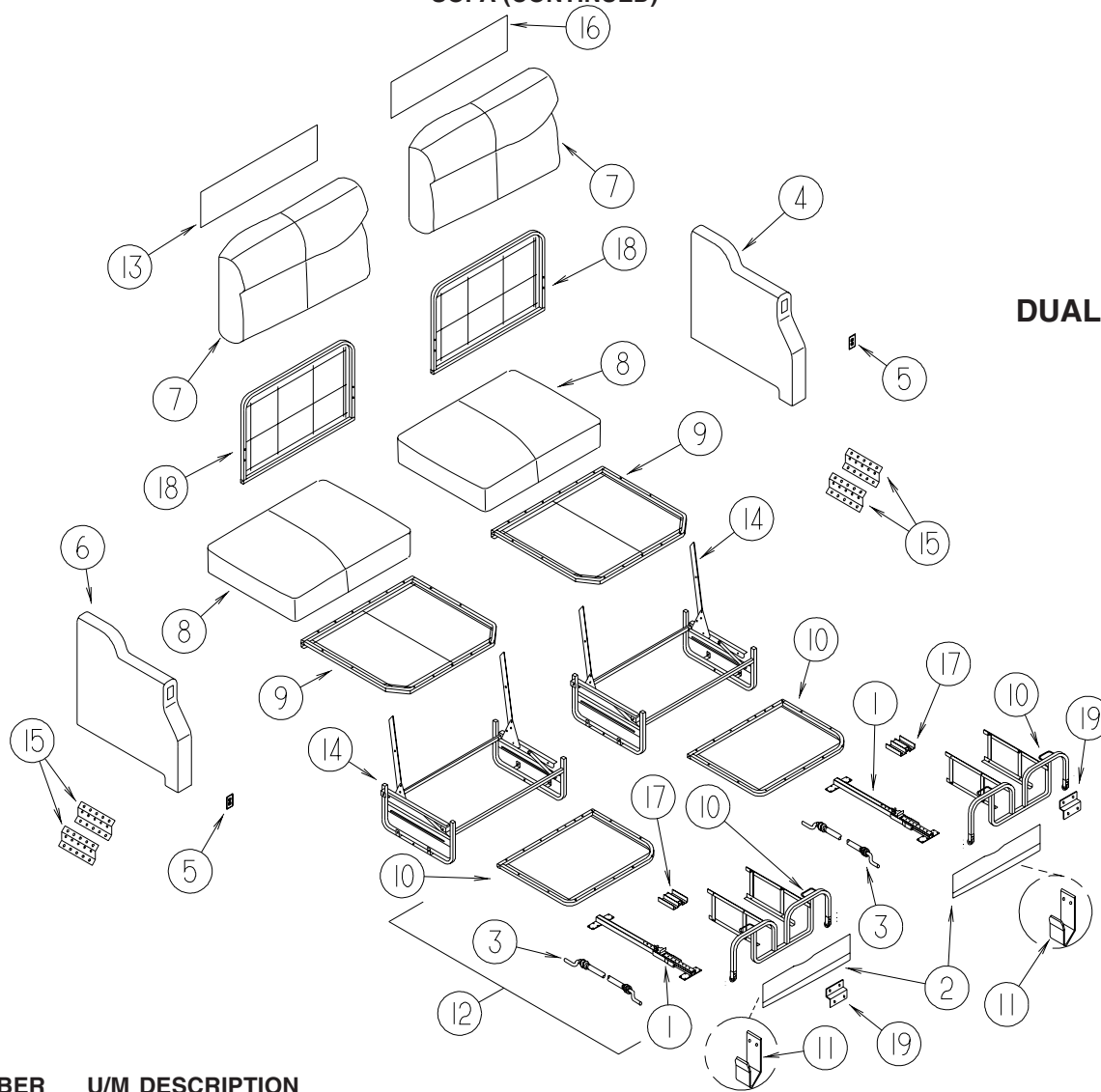
| KEY | PART NUMBER | U/M | DESCRIPTION |
|-----|---------------|-----|---|
| 1 | 163559-01-000 | EA | SLIDE RAIL - W/LATCH MECH/PLATES/STOP F/TRUNDLE-FLAT FLOOR |
| 1 | 163559-04-000 | EA | CLIP/RAIL - F/TRUNDLE |
| 2 | 157928-30-WB4 | EA | PANEL/FRONT KICK - SOFA - 11" X 59.5" (WB4, WB5, WB6) |
| 2 | 157928-30-WC0 | EA | PANEL/FRONT KICK - SOFA - 11" X 59.5" (WC0, WC1, WC2) |
| 2 | 157928-30-WC4 | EA | PANEL/FRONT KICK - SOFA - 11" X 59.5" (WC4, WC5, WC6) |
| 2 | 157928-08-WB4 | EA | PANEL/FRONT KICK - SOFA - 59.5" (WB4, WB5, WB6, WC4, WC5, WC6) - ULTRALEATHER |
| 2 | 157928-08-WC0 | EA | PANEL/FRONT KICK - SOFA - 59.5" (WC0, WC1, WC2) - ULTRALEATHER |
| 3 | 148225-01-000 | EA | CABLE ONLY - REMOTE - 31.9" W/Z-ENDS |
| 4 | 158332-02-WB4 | EA | ARMREST - LEFT HAND - W/SWITCH (WB4, WB5, WB6) |
| 4 | 158332-02-WC0 | EA | ARMREST - LEFT HAND - W/SWITCH (WC0, WC1, WC2) |
| 4 | 158332-02-WC4 | EA | ARMREST - LEFT HAND - W/SWITCH (WC4, WC5, WC6) |
| 4 | 158332-04-WB4 | EA | ARMREST - SOFA - LH - W/SWITCH - LEATHER (WB4, WB5, WB6, WC4, WC5, WC6) - ULTRALEATHER |
| 4 | 158332-04-WC0 | EA | ARMREST - SOFA - LEFT HAND - W/SWITCH - LEATHER (WC0, WC1, WC2) - ULTRALEATHER |
| | 158332-A2-WB4 | EA | COVER/ARMREST - SOFA - LEFT HAND (WB4, WB5, WB6) |
| | 158332-A2-WC0 | EA | COVER/ARMREST - SOFA - LEFT HAND (WC0, WC1, WC2) |
| | 158332-A2-WC4 | EA | COVER/ARMREST - SOFA - LEFT HAND (WC4, WC5, WC6) |
| | 158332-A4-WB4 | EA | COVER/ARMREST - SOFA/LH - LEATHER (WB4, WB5, WB6, WC4, WC5, WC6) - ULTRALEATHER |
| | 158332-A4-WC0 | EA | COVER/ARMREST - SOFA/LEFT HAND - LEATHER (WC0, WC1, WC2) - ULTRALEATHER |
| 5 | 136118-01-000 | EA | SWITCH - SOFA/RECLINER |
| 6 | 158332-01-WB4 | EA | ARMREST - SOFA - RIGHT HAND - W/SWITCH (WB4, WB5, WB6) |
| 6 | 158332-01-WC0 | EA | ARMREST - SOFA - RIGHT HAND - W/SWITCH (WC0, WC1, WC2) |
| 6 | 158332-01-WC4 | EA | ARMREST - SOFA - RIGHT HAND - W/SWITCH (WC4, WC5, WC6) |
| 6 | 158332-03-WB4 | EA | ARMREST - SOFA - RH - W/SWITCH - LEATHER (WB4, WB5, WB6, WC4, WC5, WC6) - ULTRALEATHER |
| 6 | 158332-03-WC0 | EA | ARMREST - SOFA - RIGHT HAND - W/SWITCH - LEATHER (WC0, WC1, WC2) - ULTRALEATHER |
| | 158332-A1-WB4 | EA | COVER/ARMREST - SOFA/RIGHT HAND (WB4, WB5, WB6) |
| | 158332-A1-WC0 | EA | COVER/ARMREST - SOFA/RIGHT HAND (WC0, WC1, WC2) |
| | 158332-A1-WC4 | EA | COVER/ARMREST - SOFA/RIGHT HAND (WC4, WC5, WC6) |
| | 158332-A3-WB4 | EA | COVER/ARMREST - SOFA/RH - LEATHER (WB4, WB5, WB6, WC4, WC5, WC6) - ULTRALEATHER |
| | 158332-A3-WC0 | EA | COVER/ARMREST - SOFA/RIGHT HAND - LEATHER (WC0, WC1, WC2) - ULTRALEATHER |

CURTAIN & CUSHION GROUP (CONTINUED)
SOFA (CONTINUED)

| KEY | PART NUMBER | U/M | DESCRIPTION |
|-----|---------------|-----|---|
| 7 | 158299-01-WB4 | EA | BACK - SOFA - 60" (WB4, WB5, WB6) |
| 7 | 158299-01-WC0 | EA | BACK - SOFA - 60" (WC0, WC1, WC2) |
| 7 | 158299-01-WC4 | EA | BACK - SOFA - 60" (WC4, WC5, WC6) |
| 7 | 158299-02-WB4 | EA | BACK - SOFA - 60" - LEATHER (WB4, WB5, WB6, WC4, WC5, WC6) - ULTRALEATHER |
| 7 | 158299-02-WC0 | EA | BACK - SOFA - 60" - LEATHER (WC0, WC1, WC2) - ULTRALEATHER |
| | 158299-A1-WB4 | EA | COVER/BACK - SOFA - 60" (WB4, WB5, WB6) |
| | 158299-A1-WC0 | EA | COVER/BACK - SOFA - 60" (WC0, WC1, WC2) |
| | 158299-A1-WC4 | EA | COVER/BACK - SOFA - 60" (WC4, WC5, WC6) |
| | 158299-A2-WB4 | EA | COVER/BACK - SOFA - 60" - LEATHER (WB4, WB5, WB6, WC4, WC5, WC6) - ULTRALEATHER |
| | 158299-A2-WC0 | EA | COVER/BACK - SOFA - 60" - LEATHER (WC0, WC1, WC2) - ULTRALEATHER |
| 8 | 158300-01-WB4 | EA | SEAT - SOFA/SLEEPER (WB4, WB5, WB6) |
| 8 | 158300-01-WC0 | EA | SEAT - SOFA/SLEEPER (WC0, WC1, WC2) |
| 8 | 158300-01-WC4 | EA | SEAT - SOFA/SLEEPER (WC4, WC5, WC6) |
| 8 | 158300-02-WB4 | EA | SEAT - SOFA/SLEEPER - LEATHER (WB4, WB5, WB6, WC4, WC5, WC6) - ULTRALEATHER |
| 8 | 158300-02-WC0 | EA | SEAT - SOFA/SLEEPER - LEATHER (WC0, WC1, WC2) - ULTRALEATHER |
| | 158300-A1-WB4 | EA | COVER/SEAT - SOFA/SLEEPER (WB4, WB5, WB6) |
| | 158300-A1-WC0 | EA | COVER/SEAT - SOFA/SLEEPER (WC0, WC1, WC2) |
| | 158300-A1-WC4 | EA | COVER/SEAT - SOFA/SLEEPER (WC4, WC5, WC6) |
| | 158300-A2-WB4 | EA | COVER/SEAT - SOFA/SLEEPER - LEATHER (WB4, WB5, WB6, WC4, WC5, WC6) - ULTRALEATHER |
| | 158300-A2-WC0 | EA | COVER/SEAT - SOFA/SLEEPER - LEATHER (WC0, WC1, WC2) - ULTRALEATHER |
| 9 | 151290-04-000 | EA | FRAME - SEAT - 60" |
| 10 | 151290-26-000 | EA | FRAME - TRUNDLE - W/WHEEL - 55.5" |
| 11 | 121906-01-02B | EA | BRACKET - KICKBOARD - E-COATED |
| 12 | 155647-01-WB4 | EA | TRUNDLE - SOFA/SLEEPER - 60" (WB4, WB5, WB6) |
| 12 | 155647-01-WC0 | EA | TRUNDLE - SOFA/SLEEPER - 60" (WC0, WC1, WC2) |
| 12 | 155647-01-WC4 | EA | TRUNDLE - SOFA/SLEEPER - 60" (WC4, WC5, WC6) |
| 12 | 155647-02-WB4 | EA | TRUNDLE - SOFA/SLEEPER - 60" - LEATHER (WB4, WB5, WB6, WC4, WC5, WC6) - ULTRALEATHER |
| 12 | 155647-02-WA0 | EA | TRUNDLE - SOFA/SLEEPER - 60" - LEATHER (WC0, WC1, WC2) - ULTRALEATHER |
| | 155647-A1-WB4 | EA | COVER/TRUNDLE - SOFA/SLEEPER - 60" (WB4, WB5, WB6) |
| | 155647-A1-WC0 | EA | COVER/TRUNDLE - SOFA/SLEEPER - 60" (WC0, WC1, WC2) |
| | 155647-A1-WC4 | EA | COVER/TRUNDLE - SOFA/SLEEPER - 60" (WC4, WC5, WC6) |
| | 155647-A2-WB4 | EA | COVER/TRUNDLE - SOFA/SLEEPER - 60" - LEATHER (WB4, WB5, WB6, WC4, WC5, WC6) - ULTRALEATHER |
| | 155647-A2-WA0 | EA | COVER/TRUNDLE - SOFA/SLEEPER - 60" - LEATHER (WC0, WC1, WC2) - ULTRALEATHER |
| 13 | NOT USED | | |
| 14* | 136534-15-000 | EA | BASE - 27.5" X 60" - POWERED CL - W/10.5" OVERHANG |
| 15 | NOT USED | | |
| 16 | 136534-33-000 | EA | SPRING/ASSIST - 1/2" X 7" W/HOOK ENDS - REST EASY SOFAS |
| 17 | 136534-18-000 | EA | FRAME/BACK - 16.5" X 60" |
| 18 | NOT USED | | |
| 19 | NOT USED | | |
| 20 | NOT USED | | |
| 21 | NOT USED | | |
| 22 | 101926-01-02A | EA | BRACKET - ZEE - 2" - BLACK |
| 23 | NOT USED | | |
| 24 | NOT USED | | |

***COMPONENT PARTS LISTED LATER IN THIS GROUP**

CURTAIN & CUSHION GROUP (CONTINUED)
SOFA (CONTINUED)



DUAL REST EASY

| KEY | PART NUMBER | U/M | DESCRIPTION |
|-----|---------------|-----|---|
| 1 | 163559-01-000 | EA | SLIDE RAIL - W/LATCH MECH/PLATES/STOP F/TRUNDLE-FLAT FLOOR |
| | 163559-04-000 | EA | CLIP/RAIL - F/TRUNDLE |
| | 167329-01-02B | EA | BRACKET/ANGLE - E-COATED |
| 2 | 157928-09-WB4 | EA | PANEL/FRONT KICK - SOFA/DUAL - 11" X 30" (WB4, WB5, WB6) |
| 2 | 157928-09-WC0 | EA | PANEL/FRONT KICK - SOFA/DUAL - 11" X 30" (WC0, WC1, WC2) |
| 2 | 157928-09-WC4 | EA | PANEL/FRONT KICK - SOFA/DUAL - 11" X 30" (WC4, WC5, WC6) |
| 2 | 157928-10-WB4 | EA | PANEL/FRONT KICK - SOFA/DUAL - 11" X 30" (WB4, WB5, WB6, WC4, WC5, WC6) - ULTRALEATHER |
| 2 | 157928-10-WC0 | EA | PANEL/FRONT KICK - SOFA/DUAL - 11" X 30" - LEATHER (WC0, WC1, WC2) - ULTRALEATHER |
| 3 | NOT USED | | |
| 4 | 158332-06-WB4 | EA | ARMREST - SOFA/DUAL - LEFT HAND - W/SWITCH (WB4, WB5, WB6) |
| 4 | 158332-06-WC0 | EA | ARMREST - SOFA/DUAL - LEFT HAND - W/SWITCH (WC0, WC1, WC2) |
| 4 | 158332-06-WC4 | EA | ARMREST - SOFA/DUAL - LEFT HAND - W/SWITCH (WC4, WC5, WC6) |
| 4 | 158332-08-WB4 | EA | ARMREST - SOFA/DUAL - LH - W/SWITCH (WB4, WB5, WB6, WC4, WC5, WC6) - ULTRALEATHER |
| 4 | 158332-08-WC0 | EA | ARMREST - SOFA/DUAL - LEFT HAND - W/SWITCH - LEATHER (WC0, WC1, WC2) - ULTRALEATHER |
| | 158332-A6-WB4 | EA | COVER/ARMREST - SOFA - LEFT HAND (WB4, WB5, WB6) |
| | 158332-A6-WC0 | EA | COVER/ARMREST - SOFA - LEFT HAND (WC0, WC1, WC2) |
| | 158332-A6-WC4 | EA | COVER/ARMREST - SOFA - LEFT HAND (WC4, WC5, WC6) |
| | 158332-A8-WB4 | EA | COVER/ARMREST - SOFA/LH - LEATHER (WB4, WB5, WB6, WC4, WC5, WC6) - ULTRALEATHER |
| | 158332-A8-WC0 | EA | COVER/ARMREST - SOFA/LEFT HAND - LEATHER (WC0, WC1, WC2) - ULTRALEATHER |
| 5 | 136118-01-000 | EA | SWITCH - SOFA/RECLINER |
| 6 | 158332-05-WB4 | EA | ARMREST - SOFA/DUAL - RIGHT HAND - W/SWITCH (WB4, WB5, WB6) |
| 6 | 158332-05-WC0 | EA | ARMREST - SOFA/DUAL - RIGHT HAND - W/SWITCH (WC0, WC1, WC2) |
| 6 | 158332-05-WC4 | EA | ARMREST - SOFA/DUAL - RIGHT HAND - W/SWITCH (WC4, WC5, WC6) |
| 6 | 158332-07-WB4 | EA | ARMREST - SOFA/DUAL - RH - W/SWITCH (WB4, WB5, WB6, WC4, WC5, WC6) - ULTRALEATHER |
| 6 | 158332-07-WC0 | EA | ARMREST - SOFA/DUAL - RIGHT HAND - W/SWITCH (WC0, WC1, WC2) - ULTRALEATHER |
| | 158332-A5-WB4 | EA | COVER/ARMREST - SOFA/RIGHT HAND (WB4, WB5, WB6) |

CURTAIN & CUSHION GROUP (CONTINUED)
SOFA (CONTINUED)

| KEY | PART NUMBER | U/M | DESCRIPTION |
|-----|---------------|-----|---|
| | 158332-A5-WC0 | EA | COVER/ARMREST - SOFA/RIGHT HAND (WC0, WC1, WC2) |
| | 158332-A5-WC4 | EA | COVER/ARMREST - SOFA/RIGHT HAND (WC4, WC5, WC6) |
| | 158332-A7-WB4 | EA | COVER/ARMREST - SOFA/RH - LEATHER (WB4, WB5, WB6, WC4, WC5, WC6) - ULTRALEATHER |
| | 158332-A7-WC0 | EA | COVER/ARMREST - SOFA/RIGHT HAND - LEATHER (WC0, WC1, WC2) - ULTRALEATHER |
| 7 | 158299-03-WB4 | EA | BACK - SOFA/DUAL (WB4, WB5, WB6) |
| 7 | 158299-03-WC0 | EA | BACK - SOFA/DUAL (WC0, WC1, WC2) |
| 7 | 158299-03-WC4 | EA | BACK - SOFA/DUAL (WC4, WC5, WC6) |
| 7 | 158299-04-WB4 | EA | BACK - SOFA/DUAL - LEATHER (WB4, WB5, WB6, WC4, WC5, WC6) - ULTRALEATHER |
| 7 | 158299-04-WC0 | EA | BACK - SOFA/DUAL - LEATHER (WC0, WC1, WC2) - ULTRALEATHER |
| | 158299-A3-WB4 | EA | COVER/BACK - SOFA/DUAL (WB4, WB5, WB6) |
| | 158299-A3-WC0 | EA | COVER/BACK - SOFA/DUAL (WC0, WC1, WC2) |
| | 158299-A3-WC4 | EA | COVER/BACK - SOFA/DUAL (WC4, WC5, WC6) |
| | 158299-A4-WB4 | EA | COVER/BACK - SOFA/DUAL - LEATHER (WB4, WB5, WB6, WC4, WC5, WC6) - ULTRALEATHER |
| | 158299-A4-WC0 | EA | COVER/BACK - SOFA/DUAL - LEATHER (WC0, WC1, WC2) - ULTRALEATHER |
| 8 | 158300-03-WB4 | EA | SEAT - SOFA/DUAL (WB4, WB5, WB6) |
| 8 | 158300-03-WC0 | EA | SEAT - SOFA/DUAL (WC0, WC1, WC2) |
| 8 | 158300-03-WC4 | EA | SEAT - SOFA/DUAL (WC4, WC5, WC6) |
| 8 | 158300-04-WB4 | EA | SEAT - SOFA/DUAL - LEATHER (WB4, WB5, WB6, WC4, WC5, WC6) - ULTRALEATHER |
| 8 | 158300-04-WC0 | EA | SEAT - SOFA/DUAL - LEATHER (WC0, WC1, WC2) - ULTRALEATHER |
| | 158300-A3-WB4 | EA | COVER/SEAT - SOFA/DUAL (WB4, WB5, WB6) |
| | 158300-A3-WC0 | EA | COVER/SEAT - SOFA/DUAL (WC0, WC1, WC2) |
| | 158300-A3-WC4 | EA | COVER/SEAT - SOFA/DUAL (WC4, WC5, WC6) |
| | 158300-A4-WB4 | EA | COVER/SEAT - SOFA/DUAL - LEATHER (WB4, WB5, WB6, WC4, WC5, WC6) - ULTRALEATHER |
| | 158300-A4-WC0 | EA | COVER/SEAT - SOFA/DUAL - LEATHER (WC0, WC1, WC2) - ULTRALEATHER |
| 9 | 151290-02-000 | EA | FRAME - SEAT - 30" |
| 10 | 151290-27-000 | EA | FRAME - TRUNDLE - W/WHEELS - 26" |
| 11 | 121906-01-02B | EA | BRACKET - KICKBOARD - E-COATED |
| 12 | 155647-07-WB4 | EA | TRUNDLE - SOFA/SLEEPER - DUAL CONTROLLED (WB4, WB5, WB6) |
| 12 | 155647-07-WC0 | EA | TRUNDLE - SOFA/SLEEPER - DUAL CONTROLLED (WC0, WC1, WC2) |
| 12 | 155647-07-WC4 | EA | TRUNDLE - SOFA/SLEEPER - DUAL CONTROLLED (WC4, WC5, WC6) |
| 12 | 155647-08-WB4 | EA | TRUNDLE - SOFA/SLEEPER - DUAL CNTRLD (WB4, WB5, WB6, WC4, WC5, WC6) - ULTRALEATHER |
| 12 | 155647-08-WA0 | EA | TRUNDLE - SOFA/SLEEPER - DUAL CONTROLLED - LEATHER (WC0, WC1, WC2) - ULTRALEATHER |
| | 155647-A7-WB4 | EA | COVER/TRUNDLE - SOFA/SLEEPER - DUAL (WB4, WB5, WB6) |
| | 155647-A7-WC0 | EA | COVER/TRUNDLE - SOFA/SLEEPER - DUAL (WC0, WC1, WC2) |
| | 155647-A7-WC4 | EA | COVER/TRUNDLE - SOFA/SLEEPER - DUAL (WC4, WC5, WC6) |
| | 155647-A8-WB4 | EA | COVER/TRUNDLE - SOFA/SLEEPER - DUAL (WB4, WB5, WB6, WC4, WC5, WC6) - ULTRALEATHER |
| | 155647-A8-WA0 | EA | COVER/TRUNDLE - SOFA/SLEEPER - DUAL - LEATHER (WC0, WC1, WC2) - ULTRALEATHER |
| 13 | 139716-16-WB4 | EA | SIGHT SHIELD - DUAL BACK/RIGHT HAND (WB4, WB5, WB6) |
| 13 | 139716-16-WC0 | EA | SIGHT SHIELD - DUAL BACK/RIGHT HAND (WC0, WC1, WC2) |
| 13 | 139716-16-WC4 | EA | SIGHT SHIELD - DUAL BACK/RIGHT HAND (WC4, WC5, WC6) |
| 13 | 139716-18-WB4 | EA | SIGHT SHIELD - DUAL BACK/RIGHT HAND (WB4, WB5, WB6, WC4, WC5, WC6) - ULTRALEATHER |
| 13 | 139716-18-WC0 | EA | SIGHT SHIELD - DUAL BACK/RIGHT HAND (WC0, WC1, WC2) - ULTRALEATHER |
| 14 | 151290-14-000 | EA | FRAME - BASE - 27.25" X 30" X 10.5" - LEFT |
| 14 | 151290-15-000 | EA | FRAME - BASE - 27.25" X 30" X 10.5" - RIGHT |
| 15 | NOT USED | | |
| 16 | 139716-15-WB4 | EA | SIGHT SHIELD - DUAL BACK/LEFT HAND (WB4, WB5, WB6) |
| 16 | 139716-15-WC0 | EA | SIGHT SHIELD - DUAL BACK/LEFT HAND (WC0, WC1, WC2) |
| 16 | 139716-15-WC4 | EA | SIGHT SHIELD - DUAL BACK/LEFT HAND (WC4, WC5, WC6) |
| 16 | 139716-17-WB4 | EA | SIGHT SHIELD - DUAL BACK/LEFT HAND (WB4, WB5, WB6, WC4, WC5, WC6) - ULTRALEATHER |
| 16 | 139716-17-WC0 | EA | SIGHT SHIELD - DUAL BACK/LEFT HAND (WC0, WC1, WC2) - ULTRALEATHER |
| 17 | 136534-32-000 | EA | BRACKET - DUAL BASE |
| 18 | 136534-25-000 | EA | FRAME/BACK - FOR DUAL REST EASY SOFA - ONE SIDE ONLY |
| 19 | 101926-01-02A | EA | BRACKET - ZEE - 2" - BLACK |

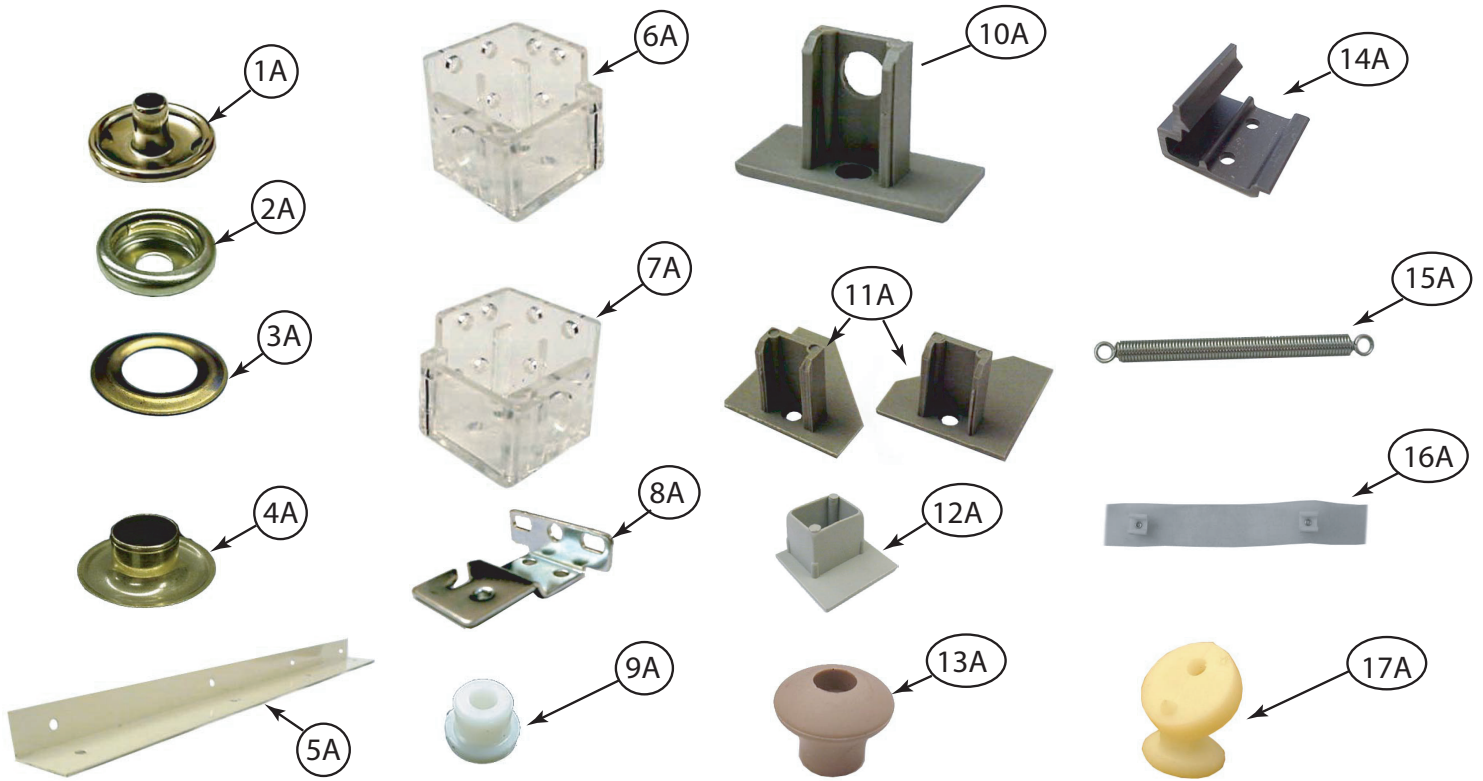
COMPONENT PARTS FOR SOFA

136534-02-000, 136534-03-000, 136534-13-000, 136534-15-000

| KEY | PART NUMBER | U/M | DESCRIPTION | VENDOR NO. |
|-----|---------------|-----|------------------------------|--------------|
| | 136534-02-700 | EA | MOTOR | 9PL-MO-W/T-1 |
| | 136534-02-701 | EA | CABLE/DRV MTR-REST EASY SOFA | 9PL-FCA27.75 |

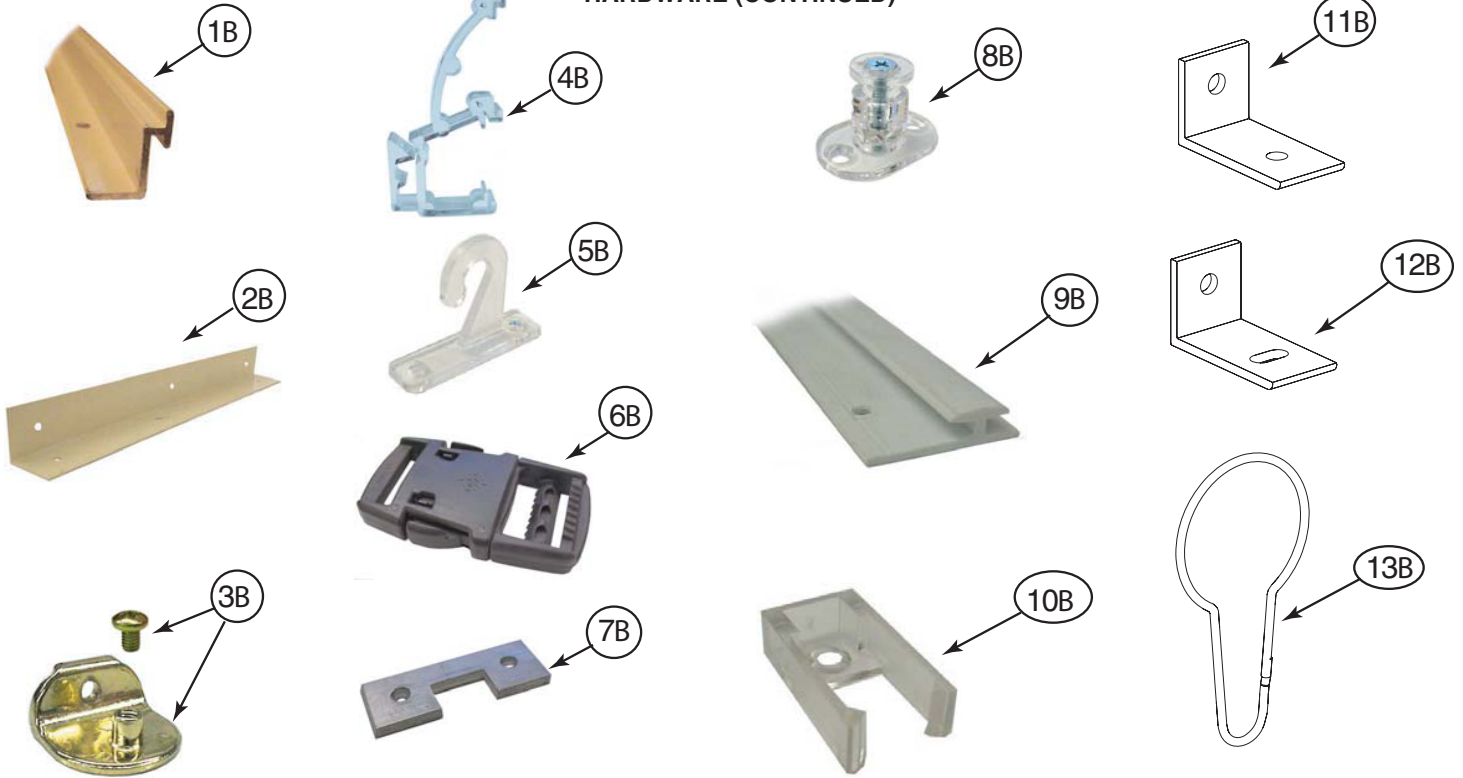
CURTAIN & CUSHION GROUP (CONTINUED)

HARDWARE



| KEY | PART NUMBER | U/M | DESCRIPTION |
|-----|---------------|-----|--|
| 1A | 029155-01-000 | EA | CAP - SNAP - 5/32" OUTSIDE DIAMETER OF PIN |
| 2A | 029156-01-000 | EA | SOCKET - SNAP - 9/16" O.D. |
| 3A | 046867-05-000 | EA | WASHER - #0 |
| 4A | 046867-04-000 | EA | GROMMET - #0 |
| 5A | 160457-01-01A | EA | BRACE - VALANCE - L-SHAPED - 20" - OFF WHITE |
| 6A | 162496-01-01A | EA | BRACKET/BLIND - LEFT SIDE WHEN FACING WINDOW - CLEAR |
| 7A | 162496-02-01A | EA | BRACKET/BLIND - RIGHT SIDE WHEN FACING WINDOW - CLEAR |
| 8A | 084434-01-000 | EA | BRACKET - MOUNTING - ROLLER SHADE - 1 3/8" |
| 9A | 094896-02-000 | EA | GROMMET - CORD/PLEATED BLIND - NYLON - GRAY |
| 10A | 094907-02-000 | EA | END CAP - PLEATED BLIND/TOP - RH/LH - GRAY PLASTIC |
| 11A | 094907-04-000 | EA | END CAP - PLEATED BLIND/BOTTOM - RH/LH |
| 12A | 094907-09-000 | EA | END CAP/BLIND - CENTER RAIL - RH/LH |
| 13A | 097564-03-000 | EA | HANDLE - KNOB - E-Z LIFT SHADE - TAN |
| 14A | 097565-01-000 | EA | BRACKET - MOUNTING - PLEATED BLIND |
| 15A | 155748-01-000 | EA | SPRING - EXTENSION - DAY/NIGHTER BLIND |
| 16A | 101031-01-000 | YD | TAPE/GLIDE - 4.25" SPACING |
| 17A | 102555-03-000 | EA | BRACKET - (CLEAT TYPE) - F/BLIND HOLDOWN - MILKY WHITE |

CURTAIN & CUSHION GROUP (CONTINUED)
HARDWARE (CONTINUED)



| KEY | PART NUMBER | U/M | DESCRIPTION |
|-----|---------------|-----|---|
| 1B | 105450-14-01A | EA | TRACK - CURTAIN - 90" - OFF WHITE |
| 2B | 105648-01-02A | EA | BRACE - VALANCE - 14" - OFF WHITE |
| 2B | 105648-02-02A | EA | BRACE - VALANCE - 8.5" - OFF WHITE |
| 3B | 106544-01-000 | EA | PULL - SHADE/BRASS |
| 3B | 106544-01-001 | EA | SCREW - SHADE/BRASS |
| 3B | 106544-02-000 | EA | PULL-SHADE - NICKEL |
| 4B | 109353-04-000 | EA | CLIP - VALANCE SLAT MOUNTING - CLEAR PLASTIC |
| 5B | 109441-01-000 | EA | BRACKET/HOOK - BLIND HOLD DOWN - LARGE - CLEAR |
| | 109441-02-000 | EA | SPACER/BRACKET - BLIND HOLD DOWN |
| 6B | 129491-01-000 | EA | CATCH - SNAP HOOK - 1" |
| 7B | 130549-01-01A | EA | STOP - CURTAIN TRACK |
| 8B | 141634-01-000 | EA | BRACKET-(BOBBIN TYPE) 7/8"H HOLDUPBASE(OVAL)-2 HOLE-CLEAR |
| 9B | 156172-02-01A | EA | TRACK/WALL - 32" - BONE |
| 9B | 156172-03-01A | EA | TRACK/WALL - 21" - BONE |
| 10B | 156172-04-01A | EA | END CAP - WALL TRACK - CLEAR |
| 11B | 154316-01-01A | EA | BRACE/ANGLE - W/HOLE - CASHMERE |
| 12B | 154316-02-01A | EA | BRACE/ANGLE - W/SLOT - CASHMERE |
| 13B | 159702-01-01A | EA | HOOK/RING - CURTAIN/SHOWER - NICKEL |

CURTAIN & CUSHION GROUP (CONTINUED)

FABRICS

WB4, WB5, WB6

106569-15-01A CARPET-NAT.PALETTE,514 CORK - CEILING
137813-Y7-000 FABRIC - UPHOLSTERY, DRAPERY, MAIN
148797-S4-000 FABRIC - UPHOLSTERY , MAIN
148797-S6-000 FABRIC - UPHOLSTRY, PLAIN ACCENT
148797-S2-000 FABRIC - UPHOLSTERY, ACCENT PATTERN
137813-Y2-000 FABRIC - UPHOLSTERY, BEDSPREAD, MAIN
142523-19-000 FABRIC - ULTRALEATHER, PLAIN ACCENT
142523-17-000 FABRIC - UPHOLSTERY, ULTRALEATHER
137813-Y4-000 FABRIC - UPHOLSTERY, BEDSPREAD, PATTERN ACCENT A
148797-S4-000 FABRIC - SPEAKER COVER
137813-Y7-000 FABRIC - UPHOLSTERY, BEDSPREAD ACCENT, PATTERN B
148797-S4-000 FABRIC - OVERHEAD CABINET, DINETTE/LOUNGE
137813-Y7-000 FABRIC - OVERHEAD CABINET, BEDROOM
148797-S6-000 FABRIC - DINETTE WRAP

WC0, WC1, WC2

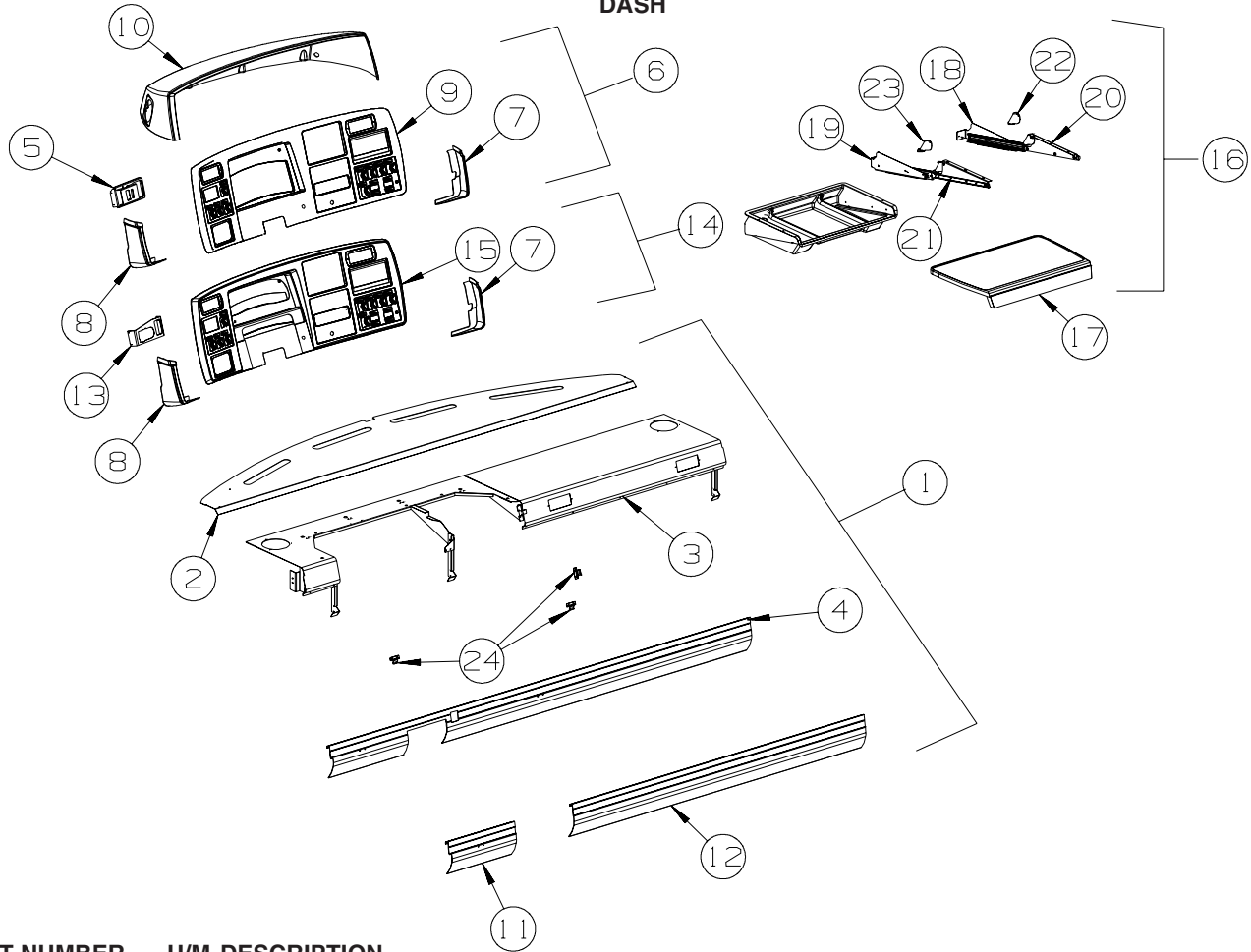
106569-15-01A CARPET-NAT.PALETTE,514 CORK - CEILING
156773-83-000 FABRIC - UPHOLSTERY, DRAPERY, MAIN
148797-CY-000 FABRIC - UPHOLSTERY , MAIN
148797-CZ-000 FABRIC - UPHOLSTRY, PLAIN ACCENT
148797-DA-000 FABRIC - UPHOLSTERY, ACCENT PATTERN
156773-82-000 FABRIC - UPHOLSTERY, BEDSPREAD, MAIN
142523-23-000 FABRIC - ULTRALEATHER, PLAIN ACCENT
142523-07-000 FABRIC - UPHOLSTERY, ULTRALEATHER
156773-83-000 FABRIC - UPHOLSTERY, BEDSPREAD, PATTERN ACCENT A
148797-CZ-000 FABRIC - SPEAKER COVER
156773-84-000 FABRIC - UPHOLSTERY, BEDSPREAD ACCENT, PATTERN B
148797-CZ-000 FABRIC - OVERHEAD CABINET, DINETTE/LOUNGE
156773-83-000 FABRIC - OVERHEAD CABINET, BEDROOM
148797-CZ-000 FABRIC - DINETTE WRAP

WC4, WC5, WC6

106569-15-01A CARPET-NAT.PALETTE,514 CORK - CEILING
137813-E8-000 FABRIC - UPHOLSTERY, DRAPERY, MAIN
148797-DB-000 FABRIC - UPHOLSTERY , MAIN
148797-DC-000 FABRIC - UPHOLSTRY, PLAIN ACCENT
148797-DD-000 FABRIC - UPHOLSTERY, ACCENT PATTERN
156773-85-000 FABRIC - UPHOLSTERY, BEDSPREAD, MAIN
142523-19-000 FABRIC - ULTRALEATHER, PLAIN ACCENT
142523-17-000 FABRIC - UPHOLSTERY, ULTRALEATHER
137813-E8-000 FABRIC - UPHOLSTERY, BEDSPREAD, PATTERN ACCENT A
148797-DB-000 FABRIC - SPEAKER COVER
137813-K9-000 FABRIC - UPHOLSTERY, BEDSPREAD ACCENT, PATTERN B
148797-DB-000 FABRIC - OVERHEAD CABINET, DINETTE/LOUNGE
137813-E8-000 FABRIC - OVERHEAD CABINET, BEDROOM
148797-DC-000 FABRIC - DINETTE WRAP

DRIVERS COMPARTMENT GROUP

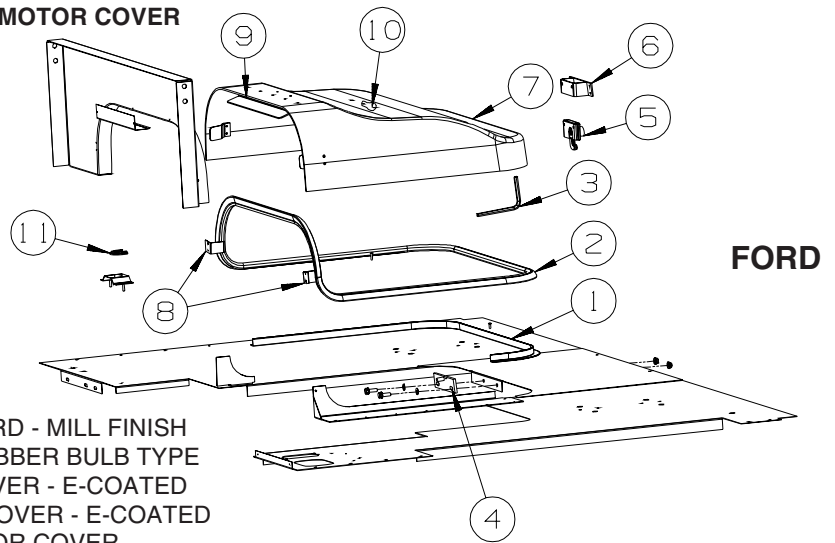
DASH



| KEY | PART NUMBER | U/M | DESCRIPTION |
|-----|---------------|-----|---|
| 1 | 147887-06-WA0 | EA | DASH - COMPLETE - FORD |
| 1 | 147887-05-WA0 | EA | DASH - COMPLETE - WORKHORSE |
| | 106569-11-10A | EA | VINYL - LAMINATE - 1/4" X 25" X 100" - LIGHT SANDLEWOOD |
| 2 | 132126-04-02B | EA | PANEL - DASH TOP - E-COATED |
| 3 | 147888-03-02B | EA | DASH - W/O VINYL - E-COATED |
| 4 | 148214-01-04A | EA | TRIM - DASH/LOWER - WH - BRIARWOOD - 2007 WORKHORSE |
| 4 | 148214-04-04A | EA | TRIM - DASH/LOWER - WH - BRIARWOOD - W/O BRAKE SWITCH CUTOUT 2008 WORKHORSE |
| 5 | 148890-01-02B | EA | MOUNT - HEADLAMP SWITCH - E-COATED - WORKHORSE |
| 6 | 159089-03-WA0 | EA | POD/BEZEL - INSTRUMENT PANEL - WORKHORSE |
| 7 | 148252-02-24A | EA | POD - INSTRUMENT PANEL - LOWER/RIGHT HAND - BRIARWOOD |
| 8 | 148253-02-24A | EA | POD - INSTRUMENT PANEL - LOWER/LEFT HAND - BRIARWOOD |
| 9 | 159047-03-03A | EA | BEZEL - INSTRUMENT PANEL - WORKHORSE - BRIARWOOD - WORKHORSE |
| 10 | 147890-03-24A | EA | POD - INSTRUMENT PANEL - BRIARWOOD |
| 11 | 148214-02-04A | EA | TRIM - DASH/LOWER LEFT - FORD - BRIARWOOD - FORD |
| 12 | 148214-03-04A | EA | TRIM - DASH/LOWER RIGHT - FORD - BRIARWOOD - FORD |
| 13 | 153545-01-02B | EA | MOUNT - HEADLAMP SWITCH - FORD - E-COATED - FORD |
| 14 | 159089-04-WA0 | EA | POD/BEZEL - INSTRUMENT PANEL - FORD |
| 15 | 159047-04-03A | EA | BEZEL - INSTRUMENT PANEL - FORD - BRIARWOOD - FORD |
| 16 | 159688-01-WA0 | EA | TABLE/WORK STATION - DASH - COMPLETE |
| 17 | 135122-03-WA0 | EA | TABLE TOP - PULLOUT/WORKSTATION |
| 18 | 159689-01-02B | EA | ANGLE - SLIDE TRAY - E-COATED |
| 19 | 159689-02-02B | EA | ANGLE - SLIDE TRAY - E-COATED |
| 20 | 159690-01-02B | EA | ANGLE - SLIDE - E-COATED |
| 21 | 159690-02-02B | EA | ANGLE - SLIDE - E-COATED |
| 22 | 159722-01-02B | EA | CATCH - TABLE/DASH - E-COATED |
| 23 | 159722-02-02B | EA | CATCH - TABLE/DASH - E-COATED |
| 24 | 073050-04-000 | EA | CLIP/MOUNTING - VALANCE PANEL |

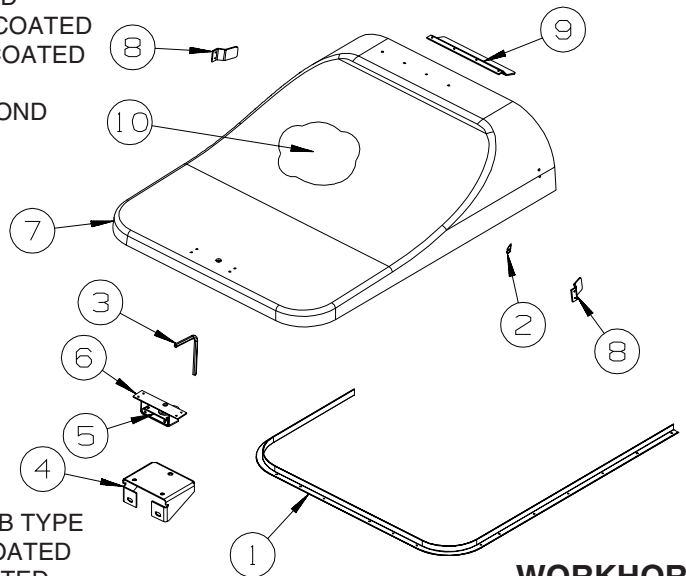
DRIVERS COMPARTMENT GROUP (CONTINUED)

MOTOR COVER



FORD

| KEY | PART NUMBER | U/M | DESCRIPTION |
|-----|---------------|-----|---|
| 1 | 115860-06-01A | EA | TRIM - MOTOR COVER - FORD - MILL FINISH |
| 2 | 039623-01-000 | FT | SEAL - MOTOR COVER - RUBBER BULB TYPE |
| 3 | 116833-01-02B | EA | WRENCH - HEX MOTOR COVER - E-COATED |
| 4 | 115852-01-02B | EA | STRIKE - LATCH - MOTOR COVER - E-COATED |
| 5 | 116581-01-000 | EA | LATCH - W/O STRIKE - MOTOR COVER |
| 6 | 115850-01-02B | EA | RETAINER - LATCH - MOTOR COVER - RIGHT HAND - E-COATED |
| 7 | 153971-01-WB4 | EA | COVER - MOTOR - W/CARPET (WB4, WB5, WB6) |
| 7 | 153971-01-WB0 | EA | COVER - MOTOR - W/CARPET (WC0, WC1, WC2) |
| 7 | 153971-01-WB4 | EA | COVER - MOTOR - W/CARPET (WC0, WC1, WC2) FROM: 00-00-00 THRU: 02-18-07 |
| 7 | 153971-01-WA0 | EA | COVER - MOTOR - W/CARPET (WC4, WC5, WC6) FROM: 02-19-07 THRU: 99-99-99 |
| 7 | 153971-01-WA0 | EA | COVER - MOTOR - W/CARPET (WC4, WC5, WC6) FROM: 00-00-00 THRU: 02-18-07 |
| 7 | 153971-01-T81 | EA | COVER - MOTOR - W/CARPET (WC4, WC5, WC6) FROM: 02-19-07 THRU: 99-99-99 |
| | 153970-01-01A | EA | COVER - MOTOR - W/O CARPET - FORD |
| 8 | 115855-04-02B | EA | RETAINER - MOTOR COVER/SIDE - E-COATED |
| 9 | 115855-01-02B | EA | RETAINER - MOTOR COVER/TOP - E-COATED |
| 10 | 134497-01-000 | SF | FOIL/ALUMINUM - REINFORCED |
| 11 | 143798-01-02A | EA | CATCH - FLOOR TO TABLE LEG - ALMOND |

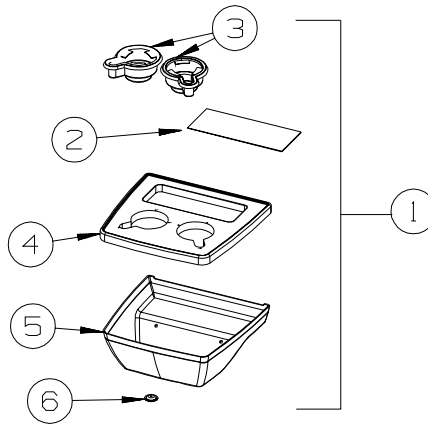


WORKHORSE

| KEY | PART NUMBER | U/M | DESCRIPTION |
|-----|---------------|-----|---|
| 1 | 137332-01-01A | EA | TRIM - MOTOR COVER |
| 2 | 039623-01-000 | FT | SEAL - MOTOR COVER - RUBBER BULB TYPE |
| 3 | 116833-01-02B | EA | WRENCH - HEX MOTOR COVER - E-COATED |
| 4 | 137305-02-02B | EA | BRACKET - STRIKE SUPPORT - E-COATED |
| 5 | 116581-01-000 | EA | LATCH - W/O STRIKE - MOTOR COVER |
| 6 | 115850-01-02B | EA | RETAINER - LATCH - MOTOR COVER - RIGHT HAND - E-COATED |
| 7 | 137097-02-WB4 | EA | COVER - MOTOR - W/CARPET (WB4, WB5, WB6) |
| 7 | 137097-02-WB0 | EA | COVER - MOTOR - W/CARPET (WC0, WC1, WC2) |
| 7 | 137097-02-WB4 | EA | COVER - MOTOR - W/CARPET (WC0, WC1, WC2) FROM: 00-00-00 THRU: 02-18-07 |
| 7 | 137097-02-WB4 | EA | COVER - MOTOR - W/CARPET (WC0, WC1, WC2) FROM: 02-19-07 THRU: 99-99-99 |
| 7 | 137097-02-WA0 | EA | COVER - MOTOR - W/CARPET (WC4, WC5, WC6) FROM: 00-00-00 THRU: 02-18-07 |
| 7 | 137097-02-T93 | EA | COVER - MOTOR - W/CARPET (WC4, WC5, WC6) FROM: 02-19-07 THRU: 99-99-99 |
| | 137096-01-01A | EA | COVER - MOTOR - W/O CARPET |
| 8 | 115855-04-02B | EA | RETAINER - MOTOR COVER/SIDE - E-COATD |
| 9 | 115855-03-02B | EA | RETAINER - MOTOR COVER/TOP - E-COATED |
| 10 | 134497-01-000 | SF | FOIL/ALUMINUM - REINFORCED |
| | 140168-01-000 | EA | INSULATION/ENGINE COVER |

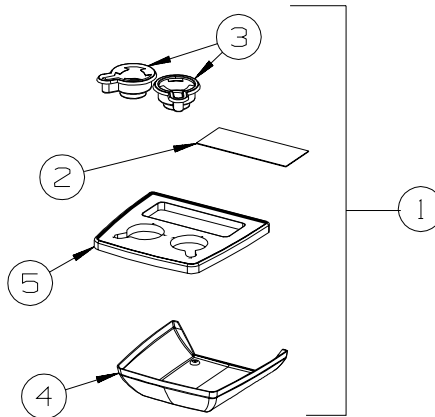
DRIVERS COMPARTMENT GROUP (CONTINUED)

BEVERAGE TRAY



FORD

| KEY | PART NUMBER | U/M | DESCRIPTION |
|-----|---------------|-----|--|
| 1 | 149301-04-WB4 | EA | TRAY - BEVERAGE - W/CONVENIENCE TRAY |
| 2 | 122717-11-01A | EA | PAD - NON-SKID - PSA - 4.5" X 11" |
| 3 | 133831-01-01A | EA | HOLDER - CUP W/THREE CENTERLINE RUBBER FINGERS |
| 4 | 148918-01-04A | EA | TRAY - BEVERAGE CENTER |
| 4 | 150352-02-02A | EA | APPLIQUE - BEVERAGE TRAY - REGAL BURLWOOD |
| 5 | 149256-02-24A | EA | COVER - BEVERAGE TRAY BOTTOM - BRIARWOOD |
| 6 | 143798-02-02A | EA | CATCH - TABLE LEG TO FLOOR - ALMOND |



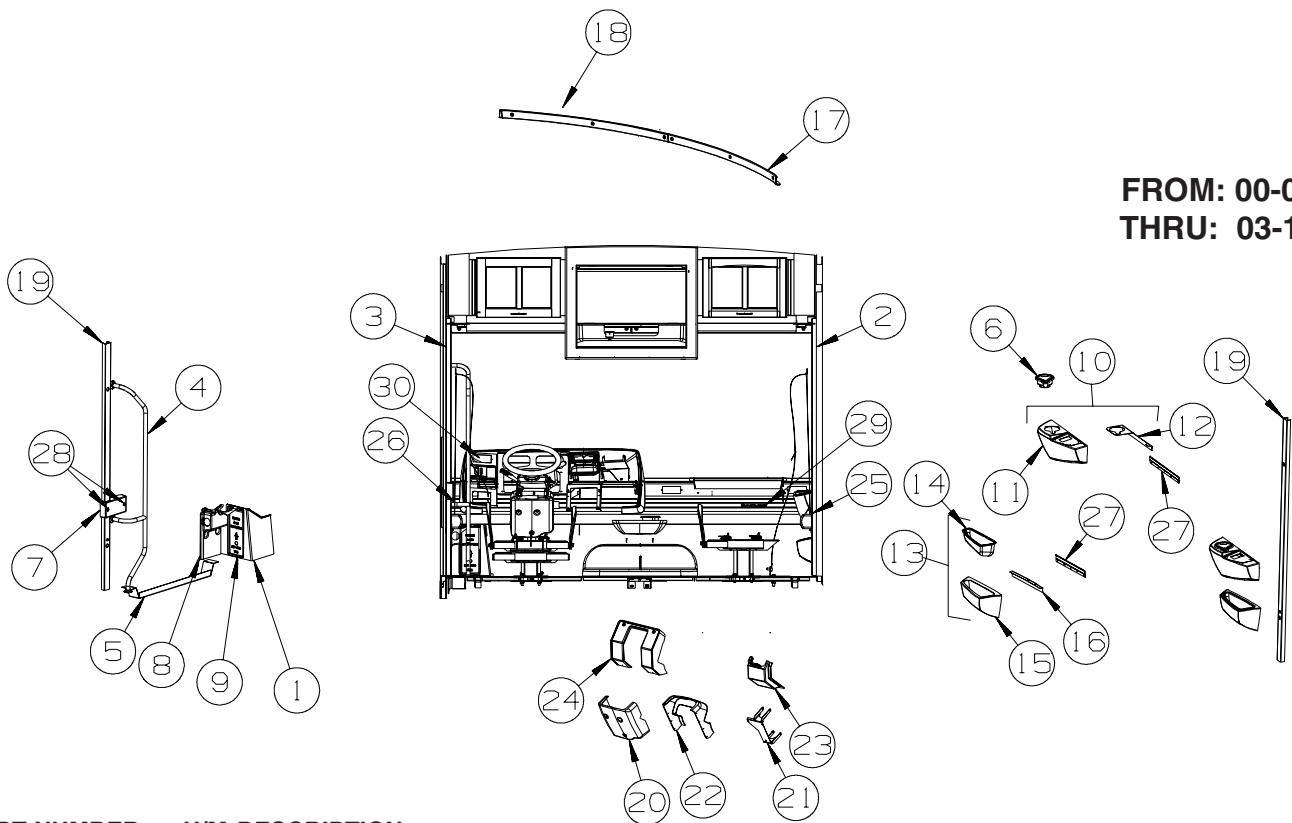
WORKHORSE

| KEY | PART NUMBER | U/M | DESCRIPTION |
|-----|---------------|-----|--|
| 1 | 148922-02-WB4 | EA | TRAY - BEVERAGE - W/CONVENIENCE TRAY |
| 2 | 122717-11-01A | EA | PAD - NON-SKID - PSA - 4.5" X 11" |
| 3 | 133831-01-01A | EA | HOLDER - CUP W/THREE CENTERLINE RUBBER FINGERS |
| 4 | 148818-01-24A | EA | COVER - BEVERAGE TRAY - BOTTOM - BRIARWOOD |
| 5 | 148918-01-04A | EA | TRAY - BEVERAGE CENTER |
| 5 | 150352-02-02A | EA | APPLIQUE - BEVERAGE TRAY - REGAL BURLWOOD |

DRIVERS COMPARTMENT GROUP (CONTINUED)

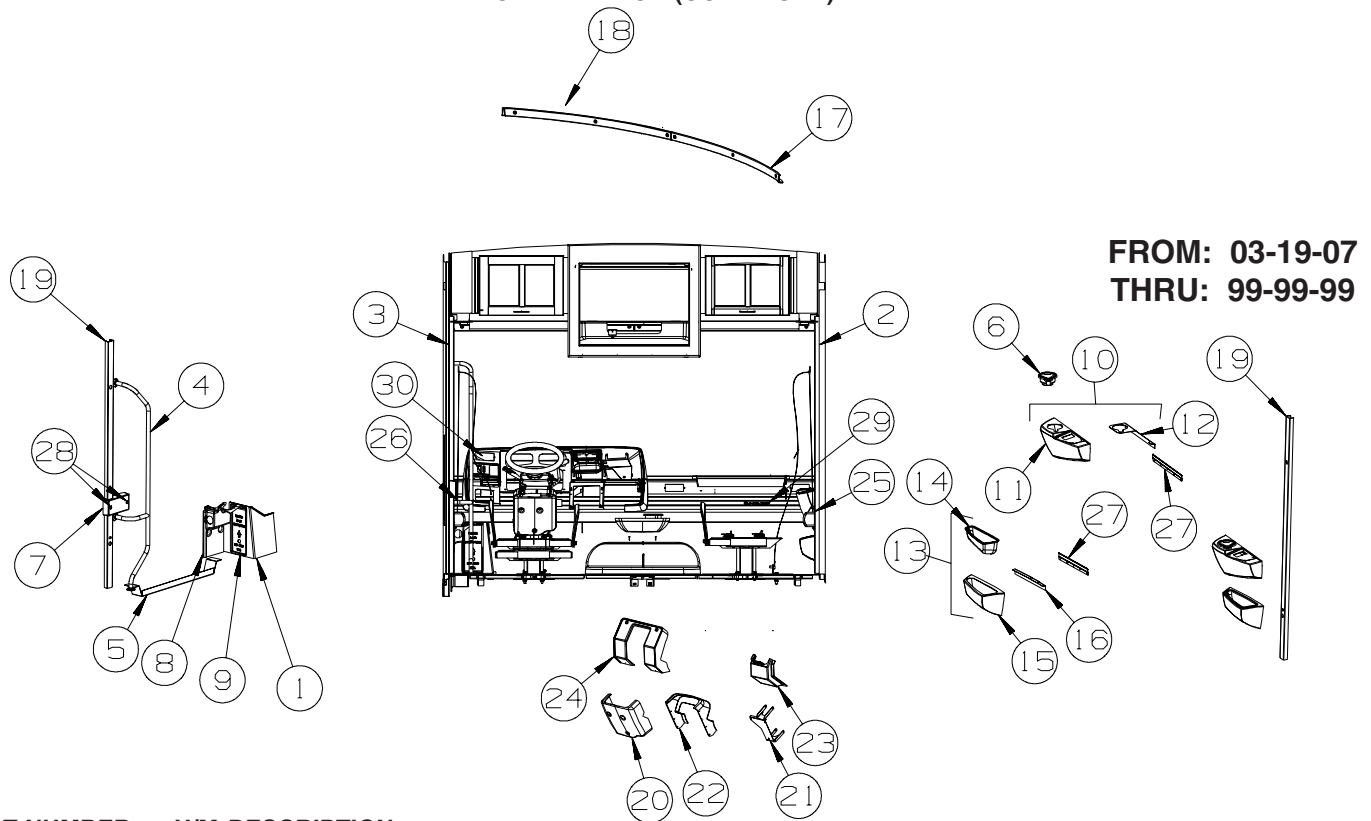
FRONT INTERIOR

FROM: 00-00-00
THRU: 03-18-07



| KEY | PART NUMBER | U/M | DESCRIPTION |
|-----|---------------|-----|--|
| 1 | 148824-01-24A | EA | PANEL/TRIM - FUSE PANEL/LEFT HAND - BRIARWOOD - WORKHORSE |
| 1 | 148824-02-24A | EA | PANEL/TRIM - FUSE PANEL/LEFT HAND - BRIARWOOD - FORD |
| 2 | 125508-01-24A | EA | TRIM - A-PILLAR - PASSENGER/INTERIOR - BRIARWOOD |
| 3 | 125508-02-24A | EA | TRIM - A-PILLAR - DRIVER/INTERIOR - BRIARWOOD |
| 4 | 131058-04-02A | EA | HAND RAIL - INTERIOR CAB DOOR - BLACK |
| 5 | 131849-01-24A | EA | TRIM/STEP - DRIVER DOOR - BRIARWOOD |
| | 102569-02-000 | EA | MAT - ANTI SLIP - LOWER |
| 6 | 133831-01-01A | EA | HOLDER - CUP W/THREE CENTERLINE RUBBER FINGERS |
| 7 | 141072-01-02A | EA | COVER - BRACKET/LATCH - MEDIUM OAK |
| 8 | 148825-01-24A | EA | PANEL/TRIM - UNDER DASH/LEFT HAND - BRIARWOOD |
| 9 | 148826-01-24A | EA | PANEL/DOOR - FUSE PANEL/LEFT HAND - BRIARWOOD |
| 10 | 148829-01-WA0 | EA | PANEL - PASSENGER SIDE/UPPER |
| 11 | 148830-01-24A | EA | PANEL - PASSENGER SIDE - UPPER - BRIARWOOD |
| 12 | 149218-01-02B | EA | BRACKET - MOUNTING - CUPHOLDER - E-COATED |
| 13 | 148831-01-WA0 | EA | PANEL - PASSENGER SIDE/LOWER |
| 14 | 148828-01-24A | EA | POCKET/STORAGE - PASSENGER SIDE - BRIARWOOD |
| 15 | 148832-01-24A | EA | PANEL - PASSENGER SIDE - LOWER - BRIARWOOD |
| 16 | 149229-01-02B | EA | BRACKET - PANEL MOUNTING - E-COATED |
| 17 | 159957-01-24A | EA | TRIM - WINDSHIELD - INTERIOR/TOP/PASSENGER |
| 18 | 159957-02-24A | EA | TRIM - WINDSHIELD - INTERIOR/TOP/DRIVER |
| 19 | 161808-01-01A | EA | COVER - ROLL BAR/U-CHANNEL - 66.9" PLASTIC - MED OAK |
| 22 | 148763-01-24A | EA | COVER - STEERING COLUMN - LOWER - BRIARWOOD - WORKHORSE |
| 21 | 148806-01-02B | EA | MOUNT ASM-STEERING COVE,E-CT - WORKHORSE |
| 22 | 150784-01-24A | EA | COVER - STEERING COLUMN - UPPER - BRIARWOOD - WORKHORSE |
| 23 | 125795-01-24A | EA | COVER - STEERING COLUMN/LOWER - BRIARWOOD - FORD |
| 24 | 148815-01-24A | EA | COVER - STEERING COLUMN - UPPER - BRIARWOOD - FORD |
| 25 | 150352-03-02A | EA | APPLIQUE/STRIP - PASS/LOWER DASH - 1.1"X44.4"-RGL BURLWOOD |
| 26 | 150352-04-02A | EA | APPLIQUE/STRIP - DRVR/LOWER DASH - 1.1"X 3"-RGL BURLWOOD |
| 27 | 130034-08-02B | EA | CLIP - TRIM - E-COATED |
| 28 | 140151-02-03A | EA | COVER - SCREW - MEDIUM OAK |
| 29 | 126340-10-02A | EA | DECAL - LOGO "SUNCRUISER"-SMALL/PASS SIDE - PARCHMENT |
| 30 | 150352-05-02A | EA | APPLIQUE - INSTRUMENT PANEL/RADIO - REGAL BURLWOOD |

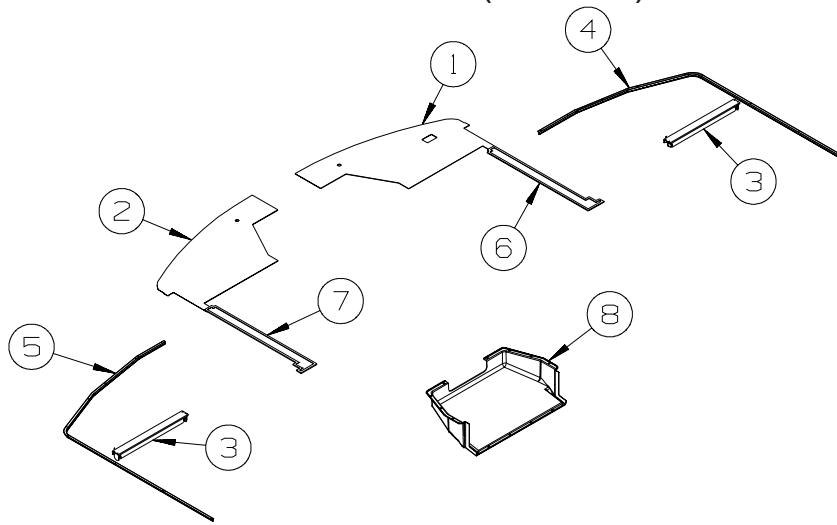
DRIVERS COMPARTMENT GROUP (CONTINUED)
FRONT INTERIOR (CONTINUED)



FROM: 03-19-07
THRU: 99-99-99

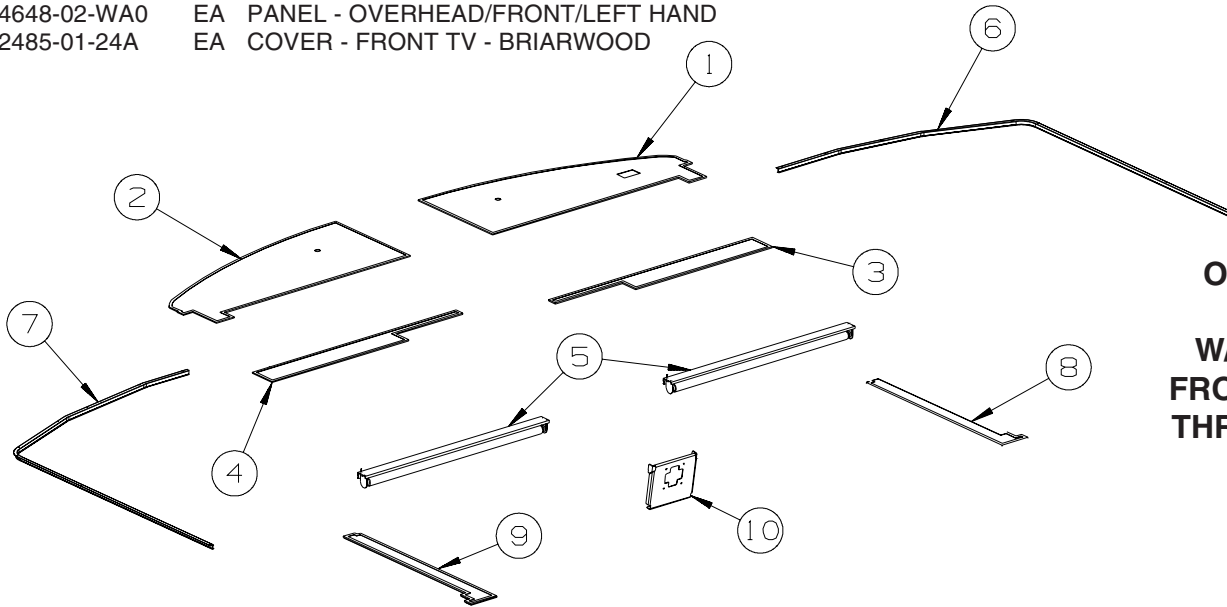
| KEY | PART NUMBER | U/M | DESCRIPTION |
|-----|---------------|-----|--|
| 1 | 148824-01-24A | EA | PANEL/TRIM - FUSE PANEL/LEFT HAND - BRIARWOOD - WORKHORSE |
| 1 | 148824-02-24A | EA | PANEL/TRIM - FUSE PANEL/LEFT HAND - BRIARWOOD - FORD |
| 2 | 125508-01-24A | EA | TRIM - A-PILLAR - PASSENGER/INTERIOR - BRIARWOOD |
| 3 | 125508-02-24A | EA | TRIM - A-PILLAR - DRIVER/INTERIOR - BRIARWOOD |
| 4 | 131058-04-02A | EA | HAND RAIL - INTERIOR CAB DOOR - BLACK |
| 5 | 131849-01-24A | EA | TRIM/STEP - DRIVER DOOR - BRIARWOOD |
| | 102569-02-000 | EA | MAT - ANTI SLIP - LOWER |
| 6 | 133831-01-01A | EA | HOLDER - CUP W/THREE CENTERLINE RUBBER FINGERS |
| 7 | 141072-01-02A | EA | COVER - BRACKET/LATCH - MEDIUM OAK |
| 8 | 148825-01-24A | EA | PANEL/TRIM - UNDER DASH/LEFT HAND - BRIARWOOD |
| 9 | 148826-01-24A | EA | PANEL/DOOR - FUSE PANEL/LEFT HAND - BRIARWOOD |
| 10 | 148829-01-WA0 | EA | PANEL - PASSENGER SIDE/UPPER |
| 11 | 148830-01-24A | EA | PANEL - PASSENGER SIDE - UPPER - BRIARWOOD |
| 12 | 149218-01-02B | EA | BRACKET - MOUNTING - CUPHOLDER - E-COATED |
| 13 | 148831-01-WA0 | EA | PANEL - PASSENGER SIDE/LOWER |
| 14 | 148828-01-24A | EA | POCKET/STORAGE - PASSENGER SIDE - BRIARWOOD |
| 15 | 148832-01-24A | EA | PANEL - PASSENGER SIDE - LOWER - BRIARWOOD |
| 16 | 149229-01-02B | EA | BRACKET - PANEL MOUNTING - E-COATED |
| 17 | 159957-01-24A | EA | TRIM - WINDSHIELD - INTERIOR/TOP/PASSENGER |
| 18 | 159957-02-24A | EA | TRIM - WINDSHIELD - INTERIOR/TOP/DRIVER |
| 19 | 161808-01-01A | EA | COVER - ROLL BAR/U-CHANNEL - 66.9" PLASTIC - MED OAK |
| 20 | 148763-01-24A | EA | COVER - STEERING COLUMN - LOWER - BRIARWOOD - WORKHORSE |
| 21 | 148806-01-02B | EA | MOUNT ASM-STEERING COVE,E-CT - WORKHORSE |
| 22 | 150784-01-24A | EA | COVER - STEERING COLUMN - UPPER - BRIARWOOD - WORKHORSE |
| 23 | 125795-01-24A | EA | COVER - STEERING COLUMN/LOWER - BRIARWOOD - FORD |
| 24 | 148815-01-24A | EA | COVER - STEERING COLUMN - UPPER - BRIARWOOD - FORD |
| 25 | 150352-03-02A | EA | APPLIQUE/STRIP - PASS/LOWER DASH - 1.1"X44.4"-RGL BURLWOOD |
| 26 | 150352-04-02A | EA | APPLIQUE/STRIP - DRVR/LOWER DASH - 1.1"X 3"-RGL BURLWOOD |
| 27 | 130034-08-02B | EA | CLIP - TRIM - E-COATED |
| 28 | 140151-02-03A | EA | COVER - SCREW - MEDIUM OAK |
| 29 | 126340-10-02A | EA | DECAL - LOGO -"SUNCRUISER"-SMALL/PASS SIDE - PARCHMENT |
| 30 | 150352-05-02A | EA | APPLIQUE - INSTRUMENT PANEL/RADIO - REGAL BURLWOOD |

DRIVERS COMPARTMENT GROUP (CONTINUED)
FRONT INTERIOR (CONTINUED)



**OVERHEAD
 PANELS
 W/FRONT TV
 FROM: 00-00-00
 THRU: 03-18-07**

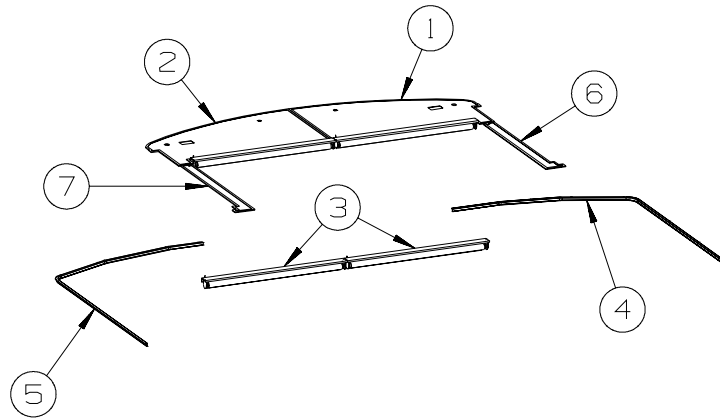
| KEY | PART NUMBER | U/M | DESCRIPTION |
|-----|---------------|-----|---|
| 1 | 126440-39-WA0 | EA | PANEL - OVERHEAD/FRONT/BOTTOM/PASSENGER - VINYL COVERED |
| 2 | 126440-40-WA0 | EA | PANEL - OVERHEAD/FRONT/BOTTOM/DRIVER - VINYL COVERED |
| 3 | 142380-01-01A | EA | SHADE - POWER - 25.8"W X 19"H |
| 4 | 126456-03-05A | EA | TRACK/WRAPAROUND - PASSENGER - RIVERSTONE |
| 5 | 126456-04-05A | EA | TRACK/WRAPAROUND - DRIVER - RIVERSTONE |
| | 009702-01-000 | EA | END STOP - CURTAIN CARRIER - L ROD |
| 6 | 144648-01-WA0 | EA | PANEL - OVERHEAD/FRONT/RIGHT HAND |
| 7 | 144648-02-WA0 | EA | PANEL - OVERHEAD/FRONT/LEFT HAND |
| 8 | 152485-01-24A | EA | COVER - FRONT TV - BRIARWOOD |



**OVERHEAD
 PANELS
 W/FRONT TV
 FROM: 03-19-07
 THRU: 99-99-99**

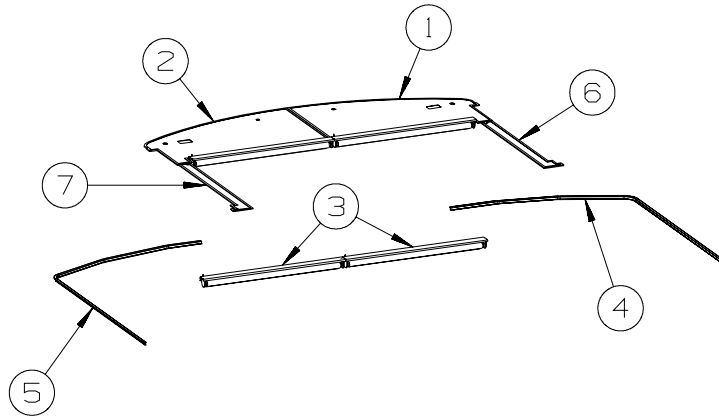
| KEY | PART NUMBER | U/M | DESCRIPTION |
|-----|---------------|-----|---|
| 1 | 126440-43-WA0 | EA | PANEL - OVERHEAD/FRONT/BOTTOM/PASSENGER - VINYL COVERED |
| 2 | 126440-44-WA0 | EA | PANEL - OVERHEAD/FRONT/BOTTOM/DRIVER - VINYL COVERED |
| 3 | 126440-45-WA0 | EA | PANEL - OVERHEAD/FRONT/BOTTOM/PASSENGER - VINYL COVERED |
| 4 | 126440-46-WA0 | EA | PANEL - OVERHEAD/FRONT/BOTTOM/DRIVER - VINYL COVERED |
| 5 | 142380-02-01A | EA | SHADE - POWER - 41.2"W X 19"H |
| 6 | 126456-03-05A | EA | TRACK/WRAPAROUND - PASSENGER - RIVERSTONE |
| 7 | 126456-04-05A | EA | TRACK/WRAPAROUND - DRIVER - RIVERSTONE |
| | 009702-01-000 | EA | END STOP - CURTAIN CARRIER - L ROD |
| 8 | 144648-01-WA0 | EA | PANEL - OVERHEAD/FRONT/RIGHT HAND |
| 9 | 144648-02-WA0 | EA | PANEL - OVERHEAD/FRONT/LEFT HAND |
| 10 | 164112-02-02B | EA | BRACKET/MOUNT - TV - E-COATED |

DRIVERS COMPARTMENT GROUP (CONTINUED)
FRONT INTERIOR (CONTINUED)



**OVERHEAD
 PANELS
 W/O FRONT TV
 FROM: 00-00-00
 THRU: 03-18-07**

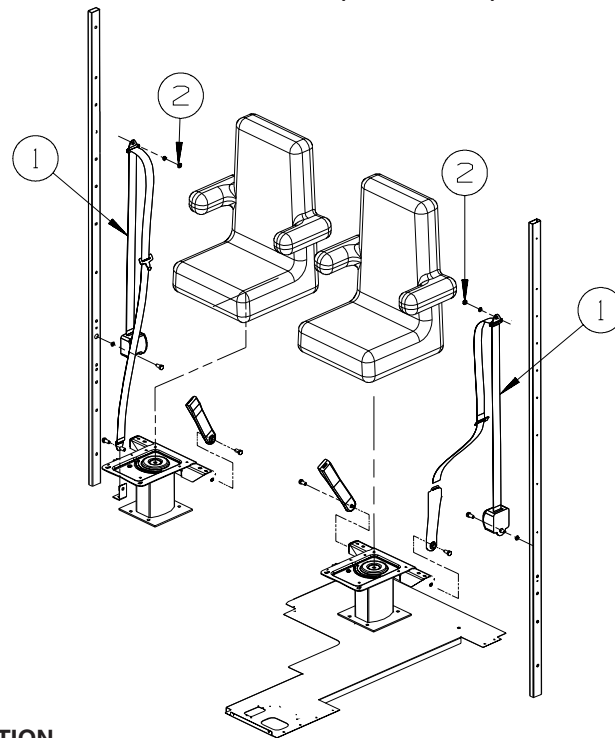
| KEY | PART NUMBER | U/M | DESCRIPTION |
|-----|---------------|-----|---|
| 1 | 126440-41-WA0 | EA | PANEL - OVERHEAD/FRONT/BOTTOM/PASSENGER - VINYL COVERED |
| 2 | 126440-42-WA0 | EA | PANEL - OVERHEAD/FRONT/BOTTOM/DRIVER - VINYL COVERED |
| 3 | 142380-02-01A | EA | SHADE - POWER - 41.2"W X 19"H |
| 4 | 126456-03-05A | EA | TRACK/WRAPAROUND - PASSENGER - RIVERSTONE |
| 5 | 126456-04-05A | EA | TRACK/WRAPAROUND - DRIVER - RIVERSTONE |
| 6 | 144648-01-WA0 | EA | PANEL - OVERHEAD/FRONT/RIGHT HAND |
| 7 | 144648-02-WA0 | EA | PANEL - OVERHEAD/FRONT/LEFT HAND |



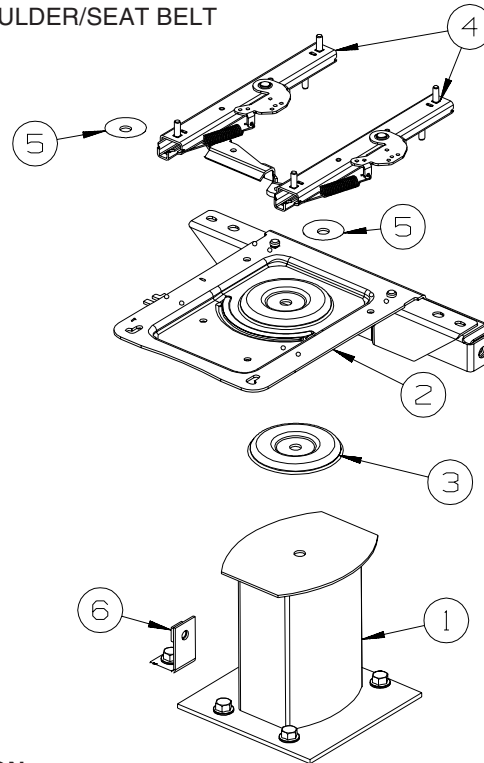
**OVERHEAD
 PANELS
 W/O FRONT TV
 FROM: 03-19-07
 THRU: 99-99-99**

| KEY | PART NUMBER | U/M | DESCRIPTION |
|-----|---------------|-----|---|
| 1 | 126440-47-WA0 | EA | PANEL - OVERHEAD/FRONT/BOTTOM/PASSENGER - VINYL COVERED |
| 2 | 126440-48-WA0 | EA | PANEL - OVERHEAD/FRONT/BOTTOM/DRIVER - VINYL COVERED |
| 3 | 142380-02-01A | EA | SHADE - POWER - 41.2"W X 19"H |
| 4 | 126456-03-05A | EA | TRACK/WRAPAROUND - PASSENGER - RIVERSTONE |
| 5 | 126456-04-05A | EA | TRACK/WRAPAROUND - DRIVER - RIVERSTONE |
| 6 | 144648-01-WA0 | EA | PANEL - OVERHEAD/FRONT/RIGHT HAND |
| 7 | 144648-02-WA0 | EA | PANEL - OVERHEAD/FRONT/LEFT HAND |

DRIVERS COMPARTMENT GROUP (CONTINUED)
FRONT INTERIOR (CONTINUED)



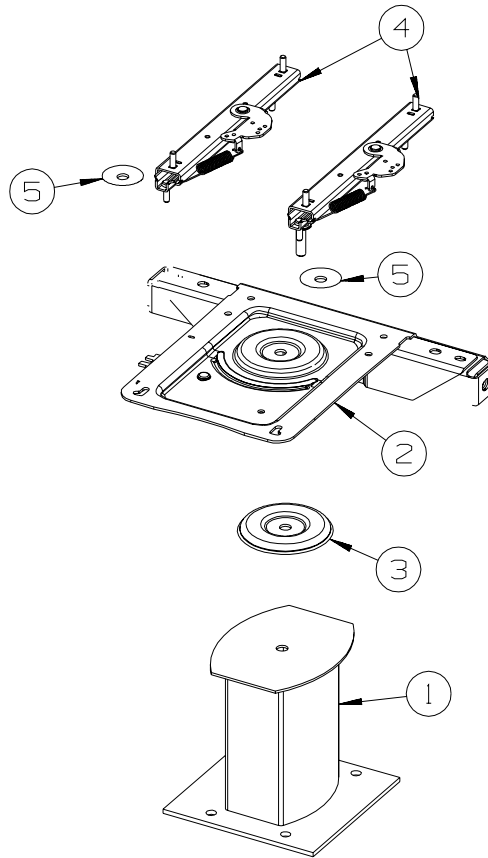
| KEY | PART NUMBER | U/M | DESCRIPTION |
|-----|---------------|-----|--|
| 1 | 091990-10-01A | EA | SEAT BELT - 3 POINT - DUAL SENSITIVE - BLACK |
| 2 | 109146-01-000 | EA | BOLT - SHOULDER/SEAT BELT |



PASSENGER

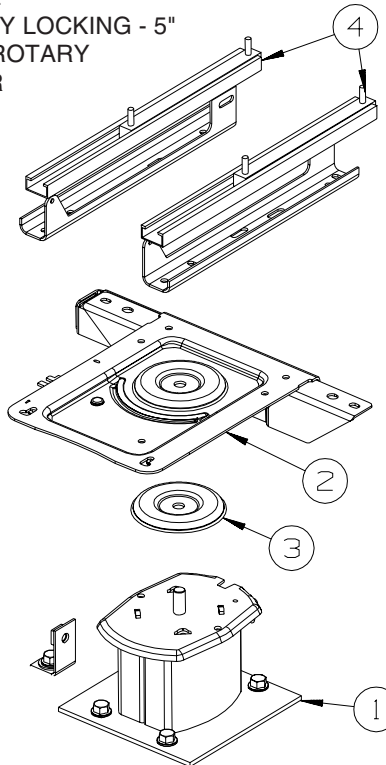
| KEY | PART NUMBER | U/M | DESCRIPTION |
|-----|---------------|-----|---|
| 1 | 133408-01-000 | EA | PEDESTAL - SEAT - DRIVER/PASSENGER - 9 3/4" |
| 2 | 133408-20-000 | EA | TOP PLATE - PASSENGER - W/ANCHOR |
| 3 | 107921-06-000 | EA | BEARING KIT - PEDESTAL |
| 4 | 131566-04-000 | EA | SLIDE/SEAT - HEAVY DUTY LOCKING - 5" |
| | 119952-07-000 | EA | WIRE - LATCH RELEASE/ROTARY |
| 5 | 131566-05-000 | EA | WASHER - SLIDE SPACER |
| 6 | 133408-04-000 | EA | BRACKET - ANCHOR/FLOOR |

DRIVERS COMPARTMENT GROUP (CONTINUED)
FRONT INTERIOR (CONTINUED)



DRIVER

| KEY | PART NUMBER | U/M DESCRIPTION |
|-----|---------------|--|
| 1 | 133408-01-000 | EA PEDESTAL - SEAT - DRIVER/PASSENGER - 9 3/4" |
| 2 | 133408-08-000 | EA TOP PLATE - W/BAR |
| 3 | 107921-06-000 | EA BEARING KIT - PEDESTAL |
| 4 | 131566-04-000 | EA SLIDE/SEAT - HEAVY DUTY LOCKING - 5" |
| | 119952-07-000 | EA WIRE - LATCH RELEASE/ROTARY |
| 5 | 131566-05-000 | EA WASHER - SLIDE SPACER |



**DRIVER
6-WAY POWER**

| KEY | PART NUMBER | U/M DESCRIPTION |
|-----|---------------|----------------------------------|
| 1 | 133408-05-000 | EA PEDESTAL - SEAT - 5.75" |
| 2 | 133408-08-000 | EA TOP PLATE - W/BAR |
| 3 | 107921-06-000 | EA BEARING KIT - PEDESTAL |
| 4* | 147767-01-000 | EA SEAT - POWER - 6-WAY - DRIVER |

***COMPONENT PARTS LISTED LATER IN THIS GROUP**

DRIVERS COMPARTMENT GROUP (CONTINUED)
COMPONENT PARTS FOR FRONT INTERIOR

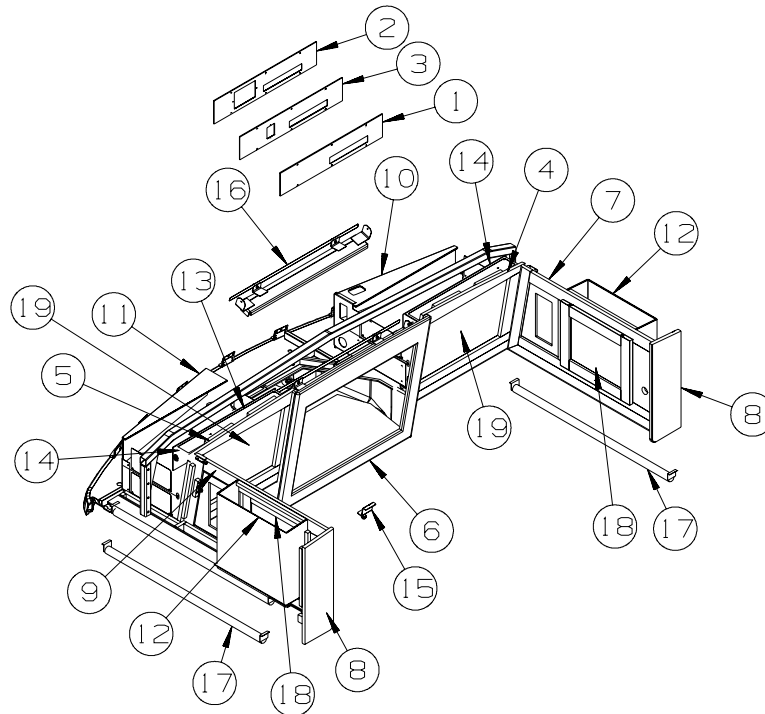
147767-01-000, 147767-02-000

| KEY | PART NUMBER | U/M | DESCRIPTION | VENDOR NO |
|------------|--------------------|------------|--------------------|---------------------|
| | 147767-01-700 | EA | SWITCH PLATE | SHROCK-9PT-SWT-PLTE |
| | 147767-01-701 | EA | MOTOR - VERTICAL | SHROCK 9PT-M0-VER-0 |
| | 147767-01-702 | EA | MOTOR - HORIZONTAL | SHROCK 9PT-M0-HOZ-0 |

DRIVERS COMPARTMENT GROUP (CONTINUED)

CABINETS

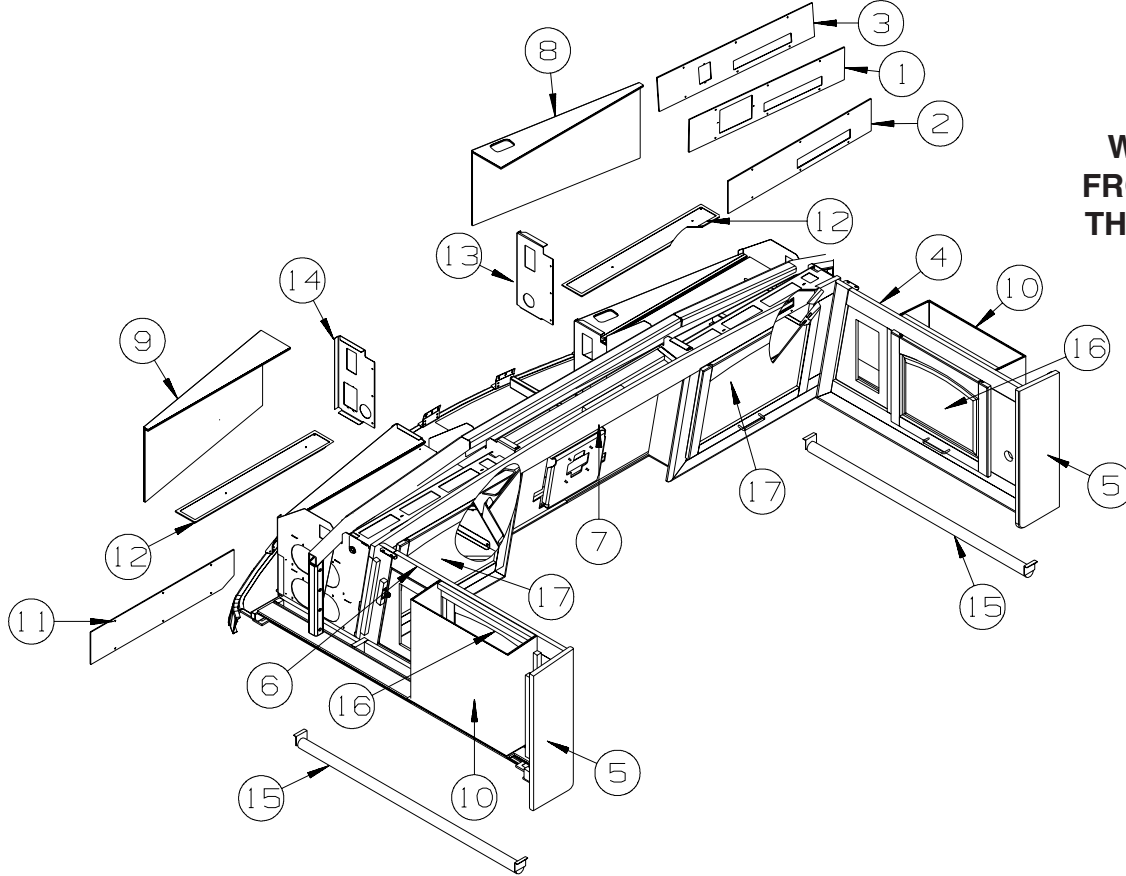
W/FRONT TV
FROM: 00-00-00
THRU: 03-18-07



| KEY | PART NUMBER | U/M | DESCRIPTION |
|-----|---------------|-----|---|
| 1 | 150628-10-WA0 | EA | PANEL - VINYL COVERED - IN MOTION SATELLITE SYSTEM |
| 2 | 150628-01-WA0 | EA | PANEL - VINYL COVERED |
| 3 | 150628-15-WA0 | EA | PANEL - VINYL COVERED - POWER STELLITE DISH |
| 4 | 152403-01-UM1 | EA | CABINET - OVERHEAD/FRONT/RH HAND - W/O DOORS/HDW - CONCERT CHERRY |
| 4 | 152403-01-T79 | EA | CABINET - OVERHEAD/FRONT/RH HAND - W/O DOORS/HDW - WASHED MAPLE |
| 4 | 152403-01-T80 | EA | CABINET - OVERHEAD/FRONT/RH HAND - W/O DOORS/HDW - SIERRA MAPLE |
| 5 | 152403-02-UM1 | EA | CABINET - OVERHEAD/FRONT - W/O DOORS/HDW - CONCERT CHERRY |
| 5 | 152403-02-T79 | EA | CABINET - OVERHEAD/FRONT - W/O DOORS/HDW - WASHED MAPLE |
| 5 | 152403-02-T80 | EA | CABINET - OVERHEAD/FRONT - W/O DOORS/HDW - SIERRA MAPLE |
| 6 | 152404-01-T78 | EA | CABINET - FRONT/TV FACE - W/O DOORS/HDW - CONCERT CHERRY |
| 6 | 152404-01-T79 | EA | CABINET - FRONT/TV FACE - W/O DOORS/HDW - WASHED MAPLE |
| 6 | 152404-01-T80 | EA | CABINET - FRONT/TV FACE - W/O DOORS/HDW - SIERRA MAPLE |
| 7 | 159108-01-WB4 | EA | CABINET - FRONT/SIDE - W/O DOORS/HDW |
| 7 | 159108-01-WB5 | EA | CABINET - FRONT/SIDE - W/O DOORS/HDW |
| 7 | 159108-01-WB6 | EA | CABINET - FRONT/SIDE - W/O DOORS/HDW |
| 7 | 159108-01-WC0 | EA | CABINET - FRONT/SIDE - W/O DOORS/HDW |
| 7 | 159108-01-WC1 | EA | CABINET - FRONT/SIDE - W/O DOORS/HDW |
| 7 | 159108-01-WC2 | EA | CABINET - FRONT/SIDE - W/O DOORS/HDW |
| 7 | 159108-01-WC4 | EA | CABINET - FRONT/SIDE - W/O DOORS/HDW |
| 7 | 159108-01-WC5 | EA | CABINET - FRONT/SIDE - W/O DOORS/HDW |
| 7 | 159108-01-WC6 | EA | CABINET - FRONT/SIDE - W/O DOORS/HDW |
| 8 | 145517-34-T78 | EA | END CAP - OVERHEAD CABINET - CONCERT CHERRY |
| 8 | 145517-34-T79 | EA | END CAP - OVERHEAD CABINET - WASHED MAPLE |
| 8 | 145517-34-T80 | EA | END CAP - OVERHEAD CABINET - SIERRA MAPLE |
| 9 | 159108-02-WB4 | EA | CABINET - FRONT/SIDE - W/O DOORS/HDW |
| 9 | 159108-02-WB5 | EA | CABINET - FRONT/SIDE - W/O DOORS/HDW |
| 9 | 159108-02-WB6 | EA | CABINET - FRONT/SIDE - W/O DOORS/HDW |
| 9 | 159108-02-WC0 | EA | CABINET - FRONT/SIDE - W/O DOORS/HDW |
| 9 | 159108-02-WC1 | EA | CABINET - FRONT/SIDE - W/O DOORS/HDW |
| 9 | 159108-02-WC2 | EA | CABINET - FRONT/SIDE - W/O DOORS/HDW |
| 9 | 159108-02-WC4 | EA | CABINET - FRONT/SIDE - W/O DOORS/HDW |
| 9 | 159108-02-WC5 | EA | CABINET - FRONT/SIDE - W/O DOORS/HDW |
| 9 | 159108-02-WC6 | EA | CABINET - FRONT/SIDE - W/O DOORS/HDW |
| 10 | 132909-16-U90 | EA | PANEL - VINYL COVERED |

DRIVERS COMPARTMENT GROUP (CONTINUED) CABINETS (CONTINUED)

| KEY | PART NUMBER | U/M | DESCRIPTION |
|-----|---------------|-----|--|
| 11 | 132909-17-U90 | EA | PANEL - VINYL COVERED - LH HAND |
| 12 | 132909-22-U90 | EA | PANEL - VINYL COVERED |
| 13 | 150628-02-WA0 | EA | PANEL - VINYL COVERED |
| 14 | 150628-08-WA0 | EA | PANEL - VINYL COVERED |
| 15 | 152944-02-02B | EA | BRACKET - TIEDOWN/TV - E-COATED |
| 16 | 155314-02-02B | EA | BRACKET - TV - 32.6" - W/ANGLES - W/O FOAM TAPE - E-COATED |
| 17 | 126841-09-000 | EA | SHADE - PULL - CHARCOAL MESH - 40.25" X 60" |
| 18 | 160268-A3-WB4 | EA | DOOR - FLAT PANEL/SQUARE EDGE - 14.3" X 17.9" - W/O HDW - CONCERT CHERRY |
| 18 | 160268-A3-WB5 | EA | DOOR - FLAT PANEL/SQUARE EDGE - 14.3" X 17.9" - W/O HDW - WASHED MAPLE |
| 18 | 160268-A3-WB6 | EA | DOOR - FLAT PANEL/SQUARE EDGE - 14.3" X 17.9" - W/O HDW - SIERRA MAPLE |
| 19 | 161605-04-WB4 | EA | DOOR - FLAT PANEL/SQUARE EDGE - 15.7" X 21.8" - W/O HDW - CONCERT CHERRY |
| 19 | 161605-04-WB5 | EA | DOOR - FLAT PANEL/SQUARE EDGE - 15.7" X 21.8" - W/O HDW - WASHED MAPLE |
| 19 | 161605-04-WB6 | EA | DOOR - FLAT PANEL/SQUARE EDGE - 15.7" X 21.8" - W/O HDW - SIERRA MAPLE |



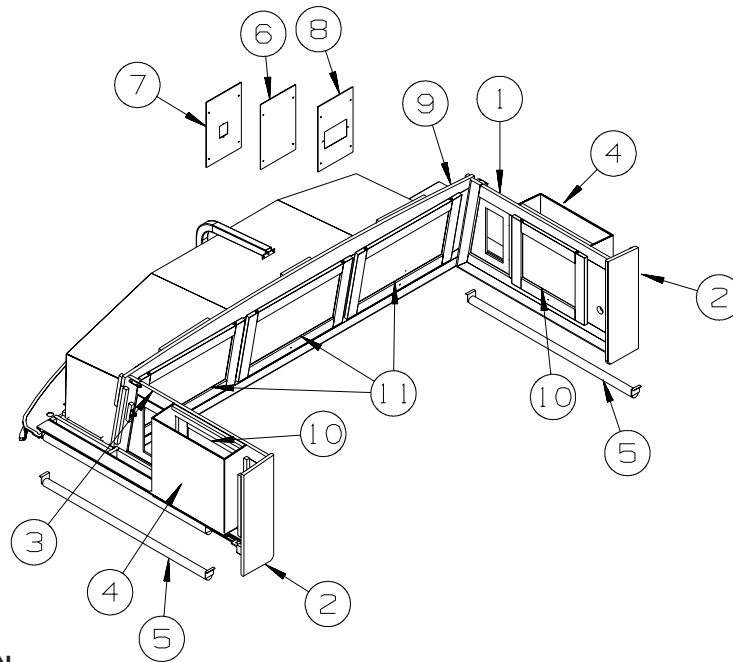
**W/FRONT TV
FROM: 03-19-07
THRU: 99-99-99**

| KEY | PART NUMBER | U/M | DESCRIPTION |
|-----|---------------|-----|---|
| 1 | 150628-10-WA0 | EA | PANEL - VINYL COVERED - IN-MOTION SATELLITE SYSTEM |
| 2 | 150628-01-WA0 | EA | PANEL - VINYL COVERED |
| 3 | 150628-15-WA0 | EA | PANEL - VINYL COVERED - AUTOMATIC SATELLITE SYSTEM |
| 4 | 159108-01-WA0 | EA | CABINET - FRONT/SIDE - W/O DOORS/HDW |
| 4 | 159108-01-WA1 | EA | CABINET - FRONT/SIDE - W/O DOORS/HDW |
| 4 | 159108-01-WA2 | EA | CABINET - FRONT/SIDE - W/O DOORS/HDW |
| 4 | 159108-01-WA4 | EA | CABINET - FRONT/SIDE - W/O DOORS/HDW |
| 4 | 159108-01-WA5 | EA | CABINET - FRONT/SIDE - W/O DOORS/HDW |
| 4 | 159108-01-WA6 | EA | CABINET - FRONT/SIDE - W/O DOORS/HDW |
| 4 | 159108-01-WB0 | EA | CABINET - FRONT/SIDE - W/O DOORS/HDW |
| 4 | 159108-01-WB1 | EA | CABINET - FRONT/SIDE - W/O DOORS/HDW |
| 4 | 159108-01-WB2 | EA | CABINET - FRONT/SIDE - W/O DOORS/HDW |
| 5 | 145517-34-T78 | EA | END CAP - OVERHEAD CABINET - CONCERT CHERRY |
| 5 | 145517-34-T79 | EA | END CAP - OVERHEAD CABINET - WASHED MAPLE |
| 5 | 145517-34-T80 | EA | END CAP - OVERHEAD CABINET - SIERRA MAPLE |
| 6 | 159108-02-WA0 | EA | CABINET - FRONT/SIDE - W/O DOORS/HDW |
| 6 | 159108-02-WA1 | EA | CABINET - FRONT/SIDE - W/O DOORS/HDW |
| 6 | 159108-02-WA2 | EA | CABINET - FRONT/SIDE - W/O DOORS/HDW |
| 6 | 159108-02-WA4 | EA | CABINET - FRONT/SIDE - W/O DOORS/HDW |

DRIVERS COMPARTMENT GROUP (CONTINUED)
CABINETS (CONTINUED)

| KEY | PART NUMBER | U/M | DESCRIPTION |
|------------|--------------------|------------|--|
| 6 | 159108-02-WA5 | EA | CABINET - FRONT/SIDE - W/O DOORS/HDW |
| 6 | 159108-02-WA6 | EA | CABINET - FRONT/SIDE - W/O DOORS/HDW |
| 6 | 159108-02-WB0 | EA | CABINET - FRONT/SIDE - W/O DOORS/HDW |
| 6 | 159108-02-WB1 | EA | CABINET - FRONT/SIDE - W/O DOORS/HDW |
| 6 | 159108-02-WB2 | EA | CABINET - FRONT/SIDE - W/O DOORS/HDW |
| 7 | 164275-01-WA0 | EA | CABINET - OVERHEAD/TV/FRONT - W/O HDW |
| 7 | 164275-01-WA1 | EA | CABINET - OVERHEAD/TV/FRONT - W/O HDW |
| 7 | 164275-01-WA2 | EA | CABINET - OVERHEAD/TV/FRONT - W/O HDW |
| 7 | 164275-01-WA4 | EA | CABINET - OVERHEAD/TV/FRONT - W/O HDW |
| 7 | 164275-01-WA5 | EA | CABINET - OVERHEAD/TV/FRONT - W/O HDW |
| 7 | 164275-01-WA6 | EA | CABINET - OVERHEAD/TV/FRONT - W/O HDW |
| 7 | 164275-01-WB0 | EA | CABINET - OVERHEAD/TV/FRONT - W/O HDW |
| 7 | 164275-01-WB1 | EA | CABINET - OVERHEAD/TV/FRONT - W/O HDW |
| 7 | 164275-01-WB2 | EA | CABINET - OVERHEAD/TV/FRONT - W/O HDW |
| 8 | 132909-16-U90 | EA | PANEL - VINYL COVERED |
| 9 | 132909-17-U90 | EA | PANEL - VINYL COVERED - LH HAND |
| 10 | 132909-22-U90 | EA | PANEL - VINYL COVERED |
| 11 | 150628-02-WA0 | EA | PANEL - VINYL COVERED |
| 12 | 150628-08-WA0 | EA | PANEL - VINYL COVERED |
| 13 | 164244-01-02B | EA | PANEL/FRONT - TV/SUPPORT - E-COATED |
| 14 | 164244-02-02B | EA | PANEL/FRONT - TV/SUPPORT - E-COATED |
| | 058786-01-000 | EA | BOLT - HOOD ADJUSTMENT - 5/16"-18 X 1.5"-2" - W/BLACK PAD |
| | 058786-04-000 | EA | BOLT - HOOD ADJUSTMENT - 5/16"-18 X 2"-2.5" - W/BLACK PAD |
| 15 | 126841-09-000 | EA | SHADE - PULL - CHARCOAL MESH - 40.25" X 60" |
| 16 | 160268-A3-WB4 | EA | DOOR - FLAT PANEL/SQUARE EDGE - 14.3" X 17.9" - W/O HDW - CONCERT CHERRY |
| 16 | 160268-A3-WB5 | EA | DOOR - FLAT PANEL/SQUARE EDGE - 14.3" X 17.9" - W/O HDW - WASHED MAPLE |
| 16 | 160268-A3-WB6 | EA | DOOR - FLAT PANEL/SQUARE EDGE - 14.3" X 17.9" - W/O HDW - SIERRA MAPLE |
| 17 | 161605-04-WB4 | EA | DOOR - FLAT PANEL/SQUARE EDGE - 15.7" X 21.8" - W/O HDW - CONCERT CHERRY |
| 17 | 161605-04-WB5 | EA | DOOR - FLAT PANEL/SQUARE EDGE - 15.7" X 21.8" - W/O HDW - WASHED MAPLE |
| 17 | 161605-04-WB6 | EA | DOOR - FLAT PANEL/SQUARE EDGE - 15.7" X 21.8" - W/O HDW - SIERRA MAPLE |

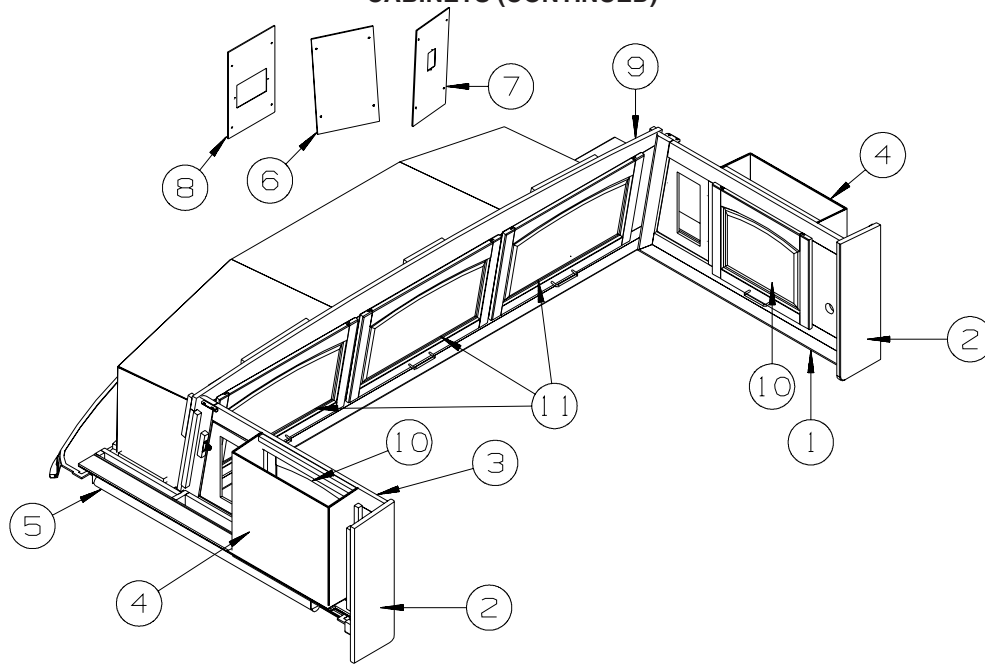
DRIVERS COMPARTMENT GROUP (CONTINUED)
CABINETS (CONTINUED)



W/O FRONT TV
FROM: 00-00-00
THRU: 03-18-07

| KEY | PART NUMBER | U/M | DESCRIPTION |
|-----|---------------|-----|--|
| 1 | 159108-01-WB4 | EA | CABINET - FRONT/SIDE - W/O DOORS/HDW |
| 1 | 159108-01-WB5 | EA | CABINET - FRONT/SIDE - W/O DOORS/HDW |
| 1 | 159108-01-WB6 | EA | CABINET - FRONT/SIDE - W/O DOORS/HDW |
| 1 | 159108-01-WC0 | EA | CABINET - FRONT/SIDE - W/O DOORS/HDW |
| 1 | 159108-01-WC1 | EA | CABINET - FRONT/SIDE - W/O DOORS/HDW |
| 1 | 159108-01-WC2 | EA | CABINET - FRONT/SIDE - W/O DOORS/HDW |
| 1 | 159108-01-WC4 | EA | CABINET - FRONT/SIDE - W/O DOORS/HDW |
| 1 | 159108-01-WC5 | EA | CABINET - FRONT/SIDE - W/O DOORS/HDW |
| 1 | 159108-01-WC6 | EA | CABINET - FRONT/SIDE - W/O DOORS/HDW |
| 2 | 145517-34-T78 | EA | END CAP - OVERHEAD CABINET - CONCERT CHERRY |
| 2 | 145517-34-T79 | EA | END CAP - OVERHEAD CABINET - WASHED MAPLE |
| 2 | 145517-34-T80 | EA | END CAP - OVERHEAD CABINET - SIERRA MAPLE |
| 3 | 159108-02-WB4 | EA | CABINET - FRONT/SIDE - W/O DOORS/HDW |
| 3 | 159108-02-WB5 | EA | CABINET - FRONT/SIDE - W/O DOORS/HDW |
| 3 | 159108-02-WB6 | EA | CABINET - FRONT/SIDE - W/O DOORS/HDW |
| 3 | 159108-02-WC0 | EA | CABINET - FRONT/SIDE - W/O DOORS/HDW |
| 3 | 159108-02-WC1 | EA | CABINET - FRONT/SIDE - W/O DOORS/HDW |
| 3 | 159108-02-WC2 | EA | CABINET - FRONT/SIDE - W/O DOORS/HDW |
| 3 | 159108-02-WC4 | EA | CABINET - FRONT/SIDE - W/O DOORS/HDW |
| 3 | 159108-02-WC5 | EA | CABINET - FRONT/SIDE - W/O DOORS/HDW |
| 3 | 159108-02-WC6 | EA | CABINET - FRONT/SIDE - W/O DOORS/HDW |
| 4 | 132909-22-U90 | EA | PANEL - VINYL COVERED |
| 5 | 126841-09-000 | EA | SHADE - PULL - CHARCOAL MESH - 40.25" X 60" |
| 6 | 155127-01-WM0 | EA | PANEL - VINYL COVERED |
| 7 | 155127-02-WM0 | EA | PANEL - VINYL COVERED - AUTOMATIC SATELLITE SYSTEM |
| | | | FROM: 00-00-00 THRU: 01-28-07 |
| 7 | 155127-10-WA0 | EA | PANEL - VINYL COVERED - AUTOMATIC SATELLITE SYSTEM |
| | | | FROM: 01-29-07 THRU: 99-99-99 |
| 8 | 155127-03-WM0 | EA | PANEL - VINYL COVERED - IN-MOTION SATELLITE SYSTEM |
| 9 | 153644-01-UM1 | EA | CABINET - OVERHEAD/FRONT - W/O DOORS/HDW - CONCERT CHERRY |
| 9 | 153644-01-T79 | EA | CABINET - OVERHEAD/FRONT - W/O DOORS/HDW - WASHED MAPLE |
| 9 | 153644-01-T80 | EA | CABINET - OVERHEAD/FRONT - W/O DOORS/HDW - SIERRA MAPLE |
| 10 | 160268-A3-WB4 | EA | DOOR - FLAT PANEL/SQUARE EDGE - 14.3" X 17.9" - W/O HDW - CONCERT CHERRY |
| 10 | 160268-A3-WB5 | EA | DOOR - FLAT PANEL/SQUARE EDGE - 14.3" X 17.9" - W/O HDW - WASHED MAPLE |
| 10 | 160268-A3-WB6 | EA | DOOR - FLAT PANEL/SQUARE EDGE - 14.3" X 17.9" - W/O HDW - SIERRA MAPLE |
| 11 | 160268-C1-WB4 | EA | DOOR - FLAT PANEL/SQUARE EDGE - 15.3" X 25.6" - W/O HDW - CONCERT CHERRY |
| 11 | 160268-C1-WB5 | EA | DOOR - FLAT PANEL/SQUARE EDGE - 15.3" X 25.6" - W/O HDW - WASHED MAPLE |
| 11 | 160268-C1-WB6 | EA | DOOR - FLAT PANEL/SQUARE EDGE - 15.3" X 25.6" - W/O HDW - SIERRA MAPLE |

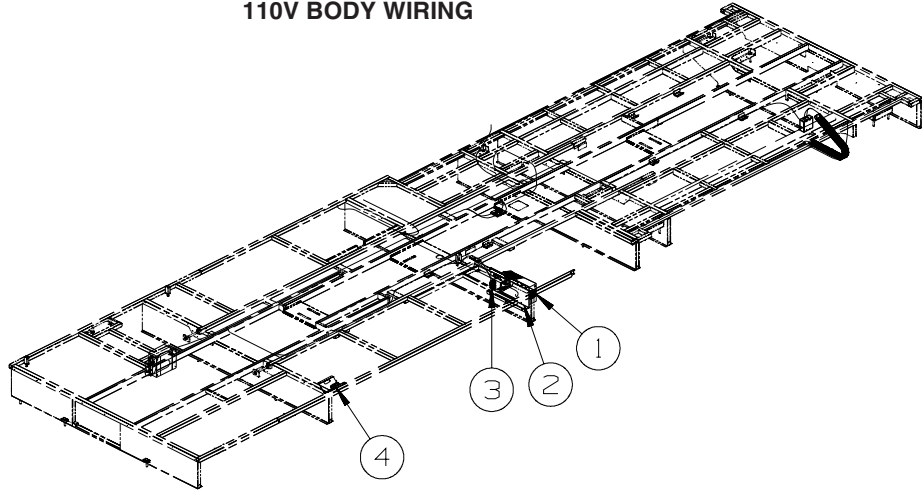
DRIVERS COMPARTMENT GROUP (CONTINUED)
CABINETS (CONTINUED)



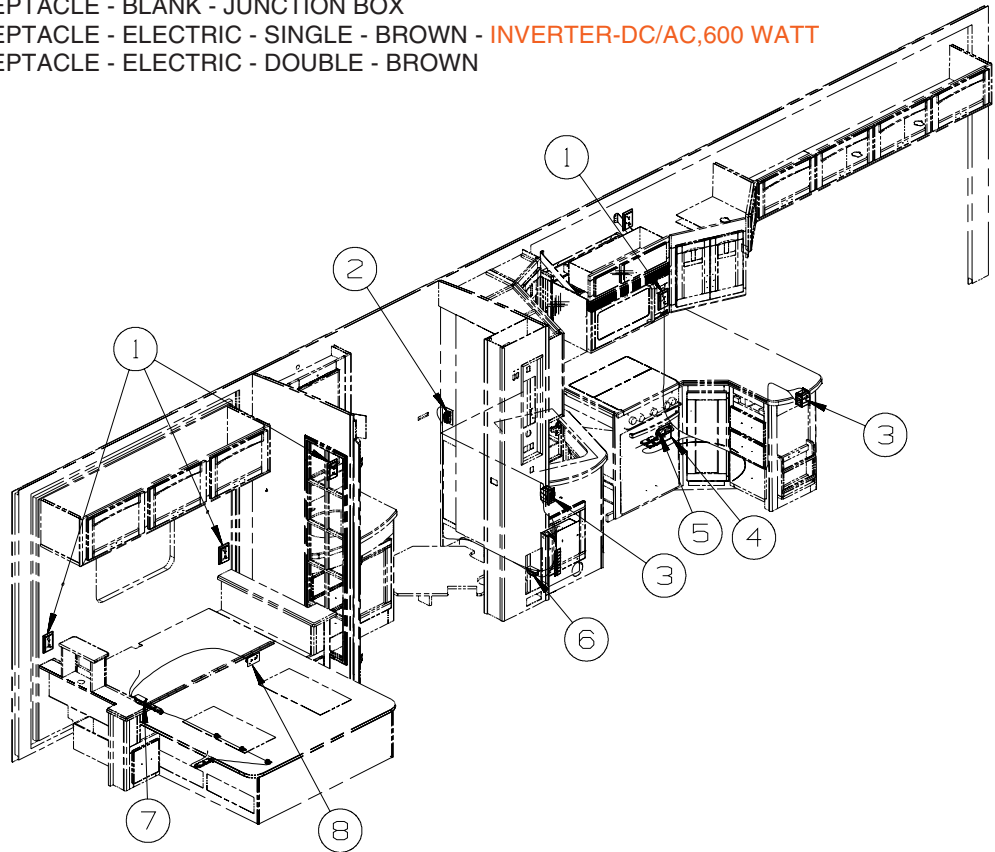
W/O FRONT TV
FROM: 03-19-07
THRU: 99-99-99

| KEY | PART NUMBER | U/M | DESCRIPTION |
|-----|---------------|-----|--|
| 1 | 159108-01-WA0 | EA | CABINET - FRONT/SIDE - W/O DOORS/HDW |
| 1 | 159108-01-WA1 | EA | CABINET - FRONT/SIDE - W/O DOORS/HDW |
| 1 | 159108-01-WA2 | EA | CABINET - FRONT/SIDE - W/O DOORS/HDW |
| 1 | 159108-01-WA4 | EA | CABINET - FRONT/SIDE - W/O DOORS/HDW |
| 1 | 159108-01-WA5 | EA | CABINET - FRONT/SIDE - W/O DOORS/HDW |
| 1 | 159108-01-WA6 | EA | CABINET - FRONT/SIDE - W/O DOORS/HDW |
| 1 | 159108-01-WB0 | EA | CABINET - FRONT/SIDE - W/O DOORS/HDW |
| 1 | 159108-01-WB1 | EA | CABINET - FRONT/SIDE - W/O DOORS/HDW |
| 1 | 159108-01-WB2 | EA | CABINET - FRONT/SIDE - W/O DOORS/HDW |
| 2 | 145517-34-T78 | EA | END CAP - OVERHEAD CABINET - CONCERT CHERRY |
| 2 | 145517-34-T79 | EA | END CAP - OVERHEAD CABINET - WASHED MAPLE |
| 2 | 145517-34-T80 | EA | END CAP - OVERHEAD CABINET - SIERRA MAPLE |
| 3 | 159108-02-WA0 | EA | CABINET - FRONT/SIDE - W/O DOORS/HDW |
| 3 | 159108-02-WA1 | EA | CABINET - FRONT/SIDE - W/O DOORS/HDW |
| 3 | 159108-02-WA2 | EA | CABINET - FRONT/SIDE - W/O DOORS/HDW |
| 3 | 159108-02-WA4 | EA | CABINET - FRONT/SIDE - W/O DOORS/HDW |
| 3 | 159108-02-WA5 | EA | CABINET - FRONT/SIDE - W/O DOORS/HDW |
| 3 | 159108-02-WA6 | EA | CABINET - FRONT/SIDE - W/O DOORS/HDW |
| 3 | 159108-02-WB0 | EA | CABINET - FRONT/SIDE - W/O DOORS/HDW |
| 3 | 159108-02-WB1 | EA | CABINET - FRONT/SIDE - W/O DOORS/HDW |
| 3 | 159108-02-WB2 | EA | CABINET - FRONT/SIDE - W/O DOORS/HDW |
| 4 | 132909-22-U90 | EA | PANEL - VINYL COVERED |
| 5 | 126841-09-000 | EA | SHADE - PULL - CHARCOAL MESH - 40.25" X 60" |
| 6 | 155127-01-WM0 | EA | PANEL - VINYL COVERED |
| 7 | 155127-10-WA0 | EA | PANEL - VINYL COVERED - AUTOMATIC SATELLITE SYSTEM |
| 8 | 155127-03-WM0 | EA | PANEL - VINYL COVERED - IN-MOTION SATELLITE SYSTEM |
| 9 | 164276-01-WA0 | EA | CABINET - OVERHEAD/FRONT - W/O DOORS/HDW - CONCERT CHERRY |
| 9 | 164276-01-W79 | EA | CABINET - OVERHEAD/FRONT - W/O DOORS/HDW - WASHED MAPLE |
| 9 | 164276-01-W80 | EA | CABINET - OVERHEAD/FRONT - W/O DOORS/HDW - SIERRA MAPLE |
| 10 | 160268-A3-WB4 | EA | DOOR - FLAT PANEL/SQUARE EDGE - 14.3" X 17.9" - W/O HDW - CONCERT CHERRY |
| 10 | 160268-A3-WB5 | EA | DOOR - FLAT PANEL/SQUARE EDGE - 14.3" X 17.9" - W/O HDW - WASHED MAPLE |
| 10 | 160268-A3-WB6 | EA | DOOR - FLAT PANEL/SQUARE EDGE - 14.3" X 17.9" - W/O HDW - SIERRA MAPLE |
| 11 | 160268-C1-WB4 | EA | DOOR - FLAT PANEL/SQUARE EDGE - 15.3" X 25.6" - W/O HDW - CONCERT CHERRY |
| 11 | 160268-C1-WB5 | EA | DOOR - FLAT PANEL/SQUARE EDGE - 15.3" X 25.6" - W/O HDW - WASHED MAPLE |
| 11 | 160268-C1-WB6 | EA | DOOR - FLAT PANEL/SQUARE EDGE - 15.3" X 25.6" - W/O HDW - SIERRA MAPLE |

ELECTRICAL GROUP 110V BODY WIRING



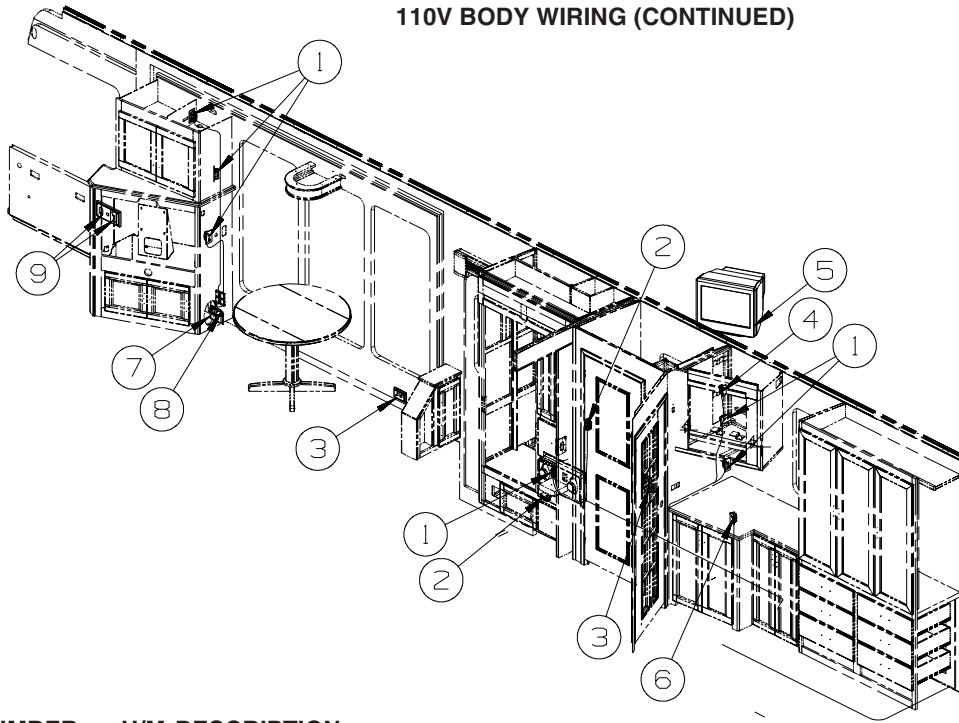
| KEY | PART NUMBER | U/M | DESCRIPTION |
|-----|---------------|-----|---|
| 1 | 154511-01-000 | EA | INVERTER - 600 WATT - W/O REMOTE PANEL - INVERTER-DC/AC,600 WATT |
| 2 | 154367-03-02B | EA | BRACKET/MOUNT - INVERTER - E-COATED - INVERTER-DC/AC,600 WATT |
| 3 | 058707-02-000 | EA | RECEPTACLE - BLANK - JUNCTION BOX |
| 3 | 058707-01-000 | EA | RECEPTACLE - ELECTRIC - SINGLE - BROWN - INVERTER-DC/AC,600 WATT |
| 4 | 058708-01-000 | EA | RECEPTACLE - ELECTRIC - DOUBLE - BROWN |



| KEY | PART NUMBER | U/M | DESCRIPTION |
|-----|---------------|-----|---|
| 1 | 058708-01-000 | EA | RECEPTACLE - ELECTRIC - DOUBLE - BROWN |
| 1 | 133713-01-25A | EA | SPACER/RECEPTACLE - VINYL - SAKAE CONCERT CHERRY |
| 1 | 133713-01-21A | EA | SPACER/RECEPTACLE - VINYL - WASHED MAPLE |
| 1 | 133713-01-22A | EA | SPACER/RECEPTACLE - VINYL - SIERRA MAPLE |
| 2 | 058708-01-000 | EA | RECEPTACLE - ELECTRIC - DOUBLE - BROWN |
| 3 | 163319-01-02A | EA | RECEPTACLE - GFCI - 15A 125V - BROWN |
| 4 | 153862-02-01A | EA | COVER - WIRE - 5.9" X 3.8" X 2.2" - BLACK |
| 5 | 155469-01-01A | EA | COVER - WIRE - .9" X 6.3" X 5.6" - BLACK |
| 6 | 058707-02-000 | EA | RECEPTACLE - BLANK - JUNCTION BOX |
| 7 | 058707-02-000 | EA | RECEPTACLE - BLANK - JUNCTION BOX - SLEEP NUMBER BED-QUEEN SIZE |
| 8 | 058708-05-000 | EA | RECEPTACLE - ELECTRICAL - SINGLE - BROWN - SLEEP NUMBER BED-QUEEN SIZE |

ELECTRICAL GROUP (CONTINUED)

110V BODY WIRING (CONTINUED)

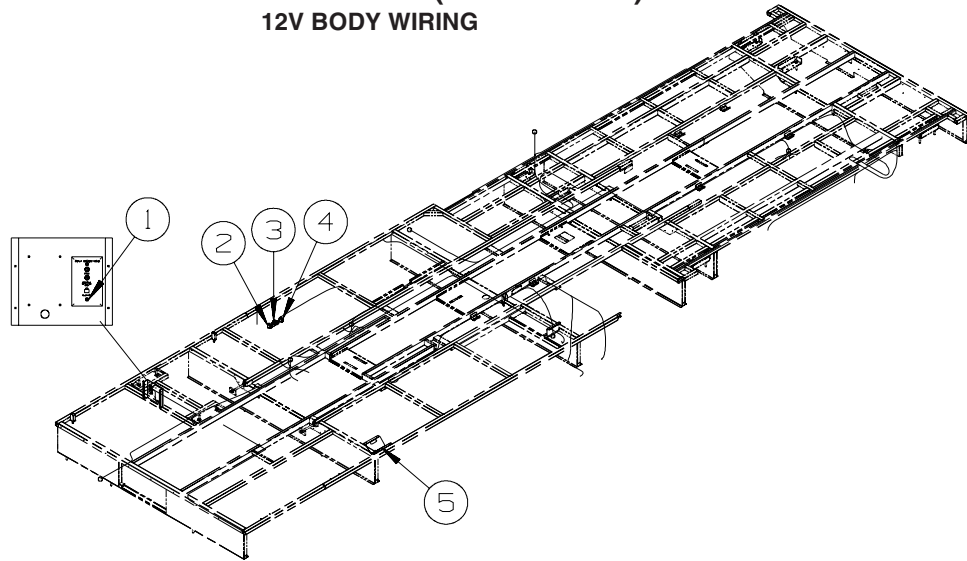


| KEY | PART NUMBER | U/M | DESCRIPTION |
|-----|---------------|-----|--|
| 1 | 058708-01-000 | EA | RECEPTACLE - ELECTRIC - DOUBLE - BROWN |
| 2 | 058707-01-000 | EA | RECEPTACLE - ELECTRIC - SINGLE - BROWN |
| 3 | 058708-01-000 | EA | RECEPTACLE - ELECTRIC - DOUBLE - BROWN |
| 3 | 133713-01-25A | EA | SPACER/RECEPTACLE - VINYL - SAKAE CONCERT CHERRY |
| 3 | 133713-01-21A | EA | SPACER/RECEPTACLE - VINYL - WASHED MAPLE |
| 3 | 133713-01-22A | EA | SPACER/RECEPTACLE - VINYL - SIERRA MAPLE |
| 4* | 149040-03-000 | EA | TV - 20" FLAT SCREEN/STEREO - RCA 20F420T |
| | | | FROM: 00-00-00 THRU: 06-10-07 |
| 4* | 149040-04-000 | EA | TV - 20" FLAT SCREEN/STEREO - RCA 20F424T - TV (REAR)-20"COLOR, STEREO |
| | | | FROM: 06-11-07 THRU: 99-99-99 |
| 5 | 058707-02-000 | EA | RECEPTACLE - BLANK - JUNCTION BOX |
| 6 | 058708-01-000 | EA | RECEPTACLE - ELECTRIC - DOUBLE - BROWN |
| 6 | 158542-01-01A | EA | LABEL - RECEPTACLE - WASHER/DRYER - WHITE/BLACK - CANADAIN |
| 7 | 153862-02-01A | EA | COVER - WIRE - 5.9" X 3.8" X 2.2" - BLACK |
| 8 | 155469-01-01A | EA | COVER - WIRE - .9" X 6.3" X 5.6" - BLACK |
| 9 | 058708-01-000 | EA | RECEPTACLE - ELECTRIC - DOUBLE - BROWN |
| 9 | 133713-06-25A | EA | SPACER/RECEPTACLE - PHONE - VINYL - SAKAE CONCERT CHERRY |
| 9 | 133713-06-21A | EA | SPACER/RECEPTACLE - PHONE - VINYL - WASHED MAPLE |
| 9 | 133713-06-22A | EA | SPACER/RECEPTACLE - PHONE - VINYL - SIERRA MAPLE |

***COMPONENT PARTS LISTED LATER IN THIS GROUP**

ELECTRICAL GROUP (CONTINUED)

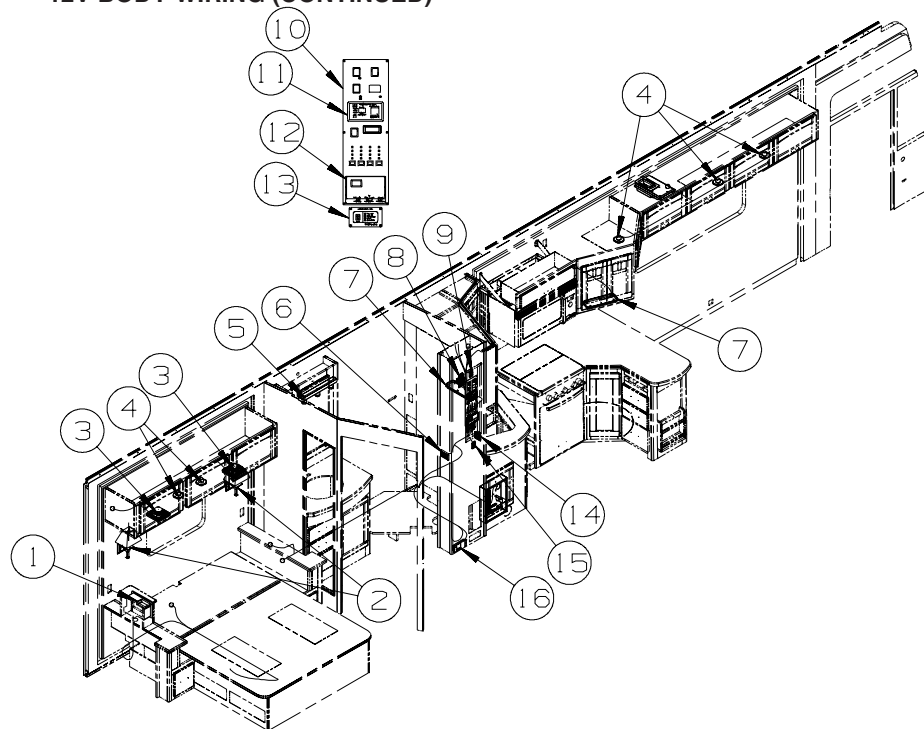
12V BODY WIRING



| KEY | PART NUMBER | U/M | DESCRIPTION |
|-----|---------------|-----|--|
| 1 | 149557-01-01A | EA | PLATE/WALL - PHONE/DUAL COAXIAL/VERTICAL - WHITE |
| 2 | 108357-15-000 | EA | SWITCH - ROCKER - DPDT - ON/NONE/ON - W/LIGHT W/O COVER |
| 2 | 108356-03-01A | EA | COVER/ACTUATOR SWITCH - 3 GROOVES W/LENS - BLACK |
| 2 | 108355-01-000 | EA | HOUSING - SWITCH |
| 3 | 108357-01-000 | EA | SWITCH - ROCKER - SPST - ON/OFF - 2 TERMINAL - W/O COVER |
| 3 | 108356-01-01A | EA | COVER/ACTUATOR SWITCH - 3 GROOVES - BLACK |
| 3 | 108355-01-000 | EA | HOUSING - SWITCH |
| 4 | 108357-18-000 | EA | SWITCH - ROCKER - DPDT - MOM/OFF/MOM - W/O COVER |
| 4 | 108356-03-01A | EA | COVER/ACTUATOR SWITCH - 3 GROOVES W/LENS - BLACK |
| 4 | 108355-01-000 | EA | HOUSING - SWITCH |
| 5 | 082134-01-000 | EA | ADAPTER - TV - CABLE TO CABLE |
| 5 | 082136-01-000 | EA | NUT - HEX JAM - 3/8-32 |
| 5 | 157486-01-02A | EA | LABEL - TV/EXTERIOR |

ELECTRICAL GROUP (CONTINUED)

12V BODY WIRING (CONTINUED)

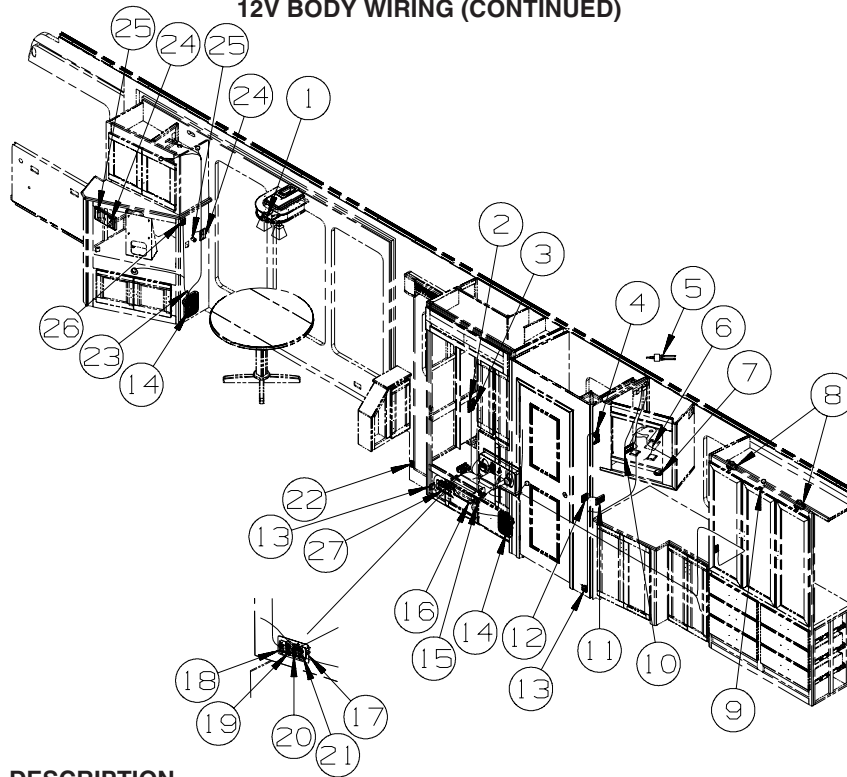


| KEY | PART NUMBER | U/M | DESCRIPTION |
|-----|---------------|-----|---|
| 1* | 163031-01-01A | EA | RADIO - WALL MOUNT - DVD/CD - W/ALARM - JENSEN AWM960 - STEREO SYSTEM/W/CD/DVD REAR |
| 1 | 165161-01-000 | EA | FILTER - GROUND LOOP/VIDEO - STEREO SYSTEM/W/CD/DVD REAR |
| 2 | 119258-37-03A | EA | LAMP - WALL - SATIN NICKEL |
| 2 | 119257-18-01A | EA | SHADE - LAMP - PARCHMENT |
| 2 | 067479-01-000 | EA | BULB - 12V - #1076 - 1.80 AMP |
| 3 | 094097-01-000 | EA | SPEAKER - RADIO/TV - W/O GRILLE - 5.25" DIAMETER - STEREO SYSTEM/W/CD/DVD REAR |
| 3 | 089340-02-000 | EA | GRILLE - SPEAKER - 6.5" SQUARE - STEREO SYSTEM/W/CD/DVD REAR |
| 4 | 132427-01-02A | EA | LIGHT - READING/SWIVEL - ROUND - NICKEL |
| 5 | 138116-01-02A | EA | LIGHT/MAKE UP - 3 BULB - CURVED - W/O BULB - SATIN NICKEL |
| 5 | 123918-01-000 | EA | BULB - 12V - MAKEUP - WHITE |
| 6 | 135740-01-01A | EA | SWITCH - ROCKER - SPST - ON/OFF - BROWN |
| 6 | 135740-02-01A | EA | SWITCH - ROCKER - SPDT - ON/ON - BROWN |
| 6 | 135741-02-01A | EA | SWITCH - BASE - DOUBLE - BROWN |
| 6 | 135742-14-02A | EA | BEZEL - SWITCH - MAKEUP/CEILING - BROWN |
| 7* | 137417-05-01A | EA | LIGHT - DOME - DOUBLE - W/SWITCH/OPTIC LENS - WHITE |
| 8 | 144363-09-02B | EA | PLATE - SWITCH - E-COATED |
| 8 | 108357-06-000 | EA | SWITCH - ROCKER - DPDT - MOM/OFF/MOM - 6 TERM - W/O COVER |
| 8 | 108356-01-01A | EA | COVER/ACTUATOR SWITCH - 3 GROOVES - BLACK |
| 8 | 108355-01-000 | EA | HOUSING - SWITCH |
| 8 | 116220-01-000 | EA | APPLIQUE - SWITCH/SLIDEOUT |
| 8 | 116220-02-000 | EA | APPLIQUE - SWITCH/SLIDEOUT |
| 8 | 116549-02-000 | EA | LABEL - WARNING - SLIDEOUT |
| 8 | 163992-01-01A | EA | LABEL - SLIDEOUT - DRIVER/FRONT - BLACK/WHITE |
| 9 | 135740-06-01A | EA | SWITCH - ROCKER - ON/OFF - LIGHTED - RED |
| 9 | 135741-01-01A | EA | SWITCH - BASE - SINGLE - BROWN |
| 9 | 135742-35-02A | EA | BEZEL - SWITCH - WATER HEATER/110 VOLT - BROWN |
| 10* | 133004-05-01A | EA | PANEL/MONITOR-2 TANK-DIGITAL VOLT MT/SOLAR-W/WATER HTR SWT |
| 11 | 127002-10-000 | EA | PANEL/MONITOR - ENERGY MANAGEMENT SYSTEMS CTRL - W/3 PLUG |
| 12 | 105620-18-000 | EA | THERMOSTAT - FURNACE/HEAT PUMP-A/C |
| 13 | 154511-02-000 | EA | REMOTE/PANEL - INVERTER/600 WATT - INVERTER-DC/AC,600 WATT |
| 13 | 148254-03-000 | EA | CABLE/INVERTOR - W/8 PIN MODULAR PHONE JACK - 50'-DIMEN - INVERTER-DC/AC,600 WATT |
| 14 | 135740-01-01A | EA | SWITCH - ROCKER - SPST - ON/OFF - BROWN |
| 14 | 135741-03-01A | EA | SWITCH - BASE - TRIPLE - BROWN |
| 14 | 135742-41-02A | EA | BEZEL - SWITCH - GALLEY/VALANCE/FAN - BROWN |
| 15 | 135740-01-01A | EA | SWITCH - ROCKER - SPST - ON/OFF - BROWN |
| 15 | 135741-01-01A | EA | SWITCH - BASE - SINGLE - BROWN |
| 15 | 135742-30-02A | EA | BEZEL - SWITCH - MONITOR - BROWN |
| 16 | 150138-01-02A | EA | DETECTOR - LP GAS - BROWN |

*COMPONENT PARTS LISTED LATER IN THIS GROUP

ELECTRICAL GROUP (CONTINUED)

12V BODY WIRING (CONTINUED)



| KEY | PART NUMBER | U/M | DESCRIPTION |
|-----|---------------|-----|--|
| 1* | 093575-23-03A | EA | LIGHT - CEILING/DOUBLE - SATIN NICKEL |
| 1 | 117805-02-000 | EA | BULB - 12V - #921 - 1.4 AMPS |
| 2 | 135740-01-01A | EA | SWITCH - ROCKER - SPST - ON/OFF - BROWN |
| 2 | 135741-02-01A | EA | SWITCH - BASE - DOUBLE - BROWN |
| 2 | 135742-19-02A | EA | BEZEL - SWITCH - CEILING/PORCH - BROWN |
| 3 | 135740-01-01A | EA | SWITCH - ROCKER - SPST - ON/OFF - BROWN |
| 3 | 135741-01-01A | EA | SWITCH - BASE - SINGLE - BROWN |
| 3 | 135742-11-02A | EA | BEZEL - SWITCH - STEP - BROWN |
| 4 | 144363-09-02B | EA | PLATE - SWITCH - E-COATED |
| 4 | 108357-06-000 | EA | SWITCH - ROCKER - DPDT - MOM/OFF/MOM - 6 TERM - W/O COVER |
| 4 | 108356-01-01A | EA | COVER/ACTUATOR SWITCH - 3 GROOVES - BLACK |
| 4 | 108355-01-000 | EA | HOUSING - SWITCH |
| 4 | 116220-01-000 | EA | APPLIQUE - SWITCH/SLIDEOUT |
| 4 | 116549-02-000 | EA | LABEL - WARNING - SLIDEOUT |
| 4 | 163992-03-01A | EA | LABEL - SLIDEOUT - PASSENGER/REAR - BLACK/WHITE |
| 5 | 086756-01-000 | EA | SPLITTER - TV/2 WAY |
| 6 | 136860-03-000 | EA | CABLE - RCA - SHIELDED - 3 MALE TO MALE CONNECTORS - 6' |
| 6 | 159064-01-01A | EA | LABEL - CABLE/RCA - WHITE ON BLACK |
| 7* | 123775-01-02A | EA | LIGHT - HALOGEN - ROUND - SATIN NICKEL |
| 8* | 087694-01-000 | EA | LIGHT - WARDROBE/CLOSET - W/SWITCH |
| 9 | 056264-01-000 | EA | SWITCH - LEAF ACTUATOR |
| 10 | 149557-05-01A | EA | PLATE/WALL - DUAL COAXIAL/HORIZONTAL - WHITE |
| 11 | 135740-01-01A | EA | SWITCH - ROCKER - SPST - ON/OFF - BROWN |
| 11 | 135740-02-01A | EA | SWITCH - ROCKER - SPDT - ON/ON - BROWN |
| 11 | 135741-03-01A | EA | SWITCH - BASE - TRIPLE - BROWN |
| 11 | 135742-25-02A | EA | BEZEL - SWITCH - CEILING/AISLE/HALL - BROWN |
| 12 | 135740-01-01A | EA | SWITCH - ROCKER - SPST - ON/OFF - BROWN |
| 12 | 135741-02-01A | EA | SWITCH - BASE - DOUBLE - BROWN |
| 12 | 135742-33-02A | EA | BEZEL - SWITCH - CEILING/FAN - BROWN |
| 13* | 108354-01-01A | EA | LIGHT - COURTESY |
| 14 | 124884-01-000 | EA | SPEAKER - 6" X 9" - SUB-WOOFER - W/O GRILLE |
| 14 | 151844-01-01A | EA | GRILLE - SPEAKER - 6" X 9" - SUB WOOFER - BLACK |
| 15 | 086233-01-000 | EA | STUD - ISOLATED - 3/8" X 7/8" LONG |
| 16 | 123058-01-000 | EA | CONVERTER - 55 AMP - ELECTRONIC - 4 1/8"H X 7"W X 12 3/8"L |
| 17 | 158431-01-04B | EA | PLATE - SWITCH - BLACK |
| | | | FROM: 00-00-00 THRU: 11-11-07 |
| 17 | 158431-07-04B | EA | PLATE - SWITCH - BLACK - NOT ILLUSTRATED |
| | | | FROM: 11-12-07 THRU: 99-99-99 |

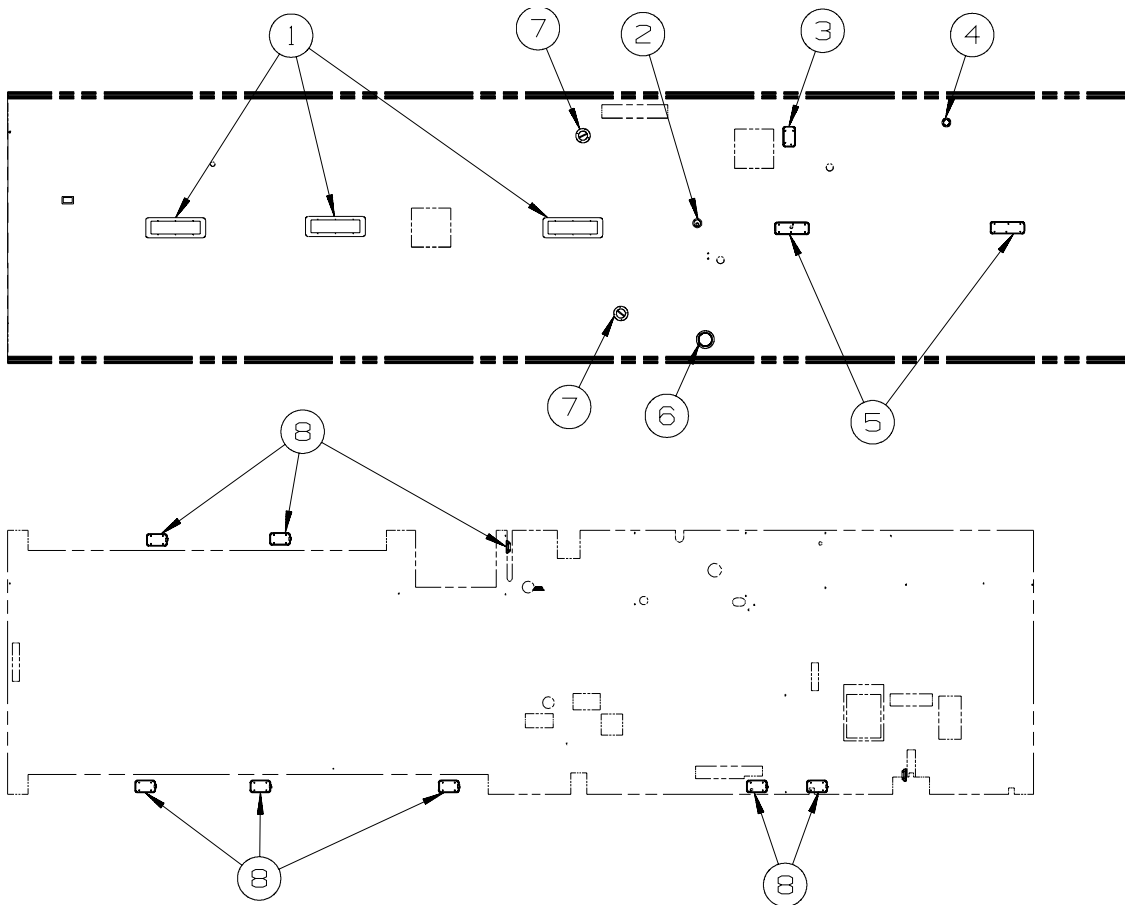
ELECTRICAL GROUP (CONTINUED)

12V BODY WIRING (CONTINUED)

| KEY | PART NUMBER | U/M | DESCRIPTION |
|-----|---------------|-----|--|
| 18 | 108357-07-000 | EA | SWITCH - ROCKER - SPDT - MOM/OFF/MOM - 3 TERM - W/O COVER - AWNING - PATIO, ELECTRIC |
| 18 | 108356-12-01A | EA | COVER/ACTUATOR SWITCH - 3 GROOVES - AWNING/IN/OUT - AWNING - PATIO, ELECTRIC |
| 18 | 108355-01-000 | EA | HOUSING - SWITCH - AWNING - PATIO, ELECTRIC |
| 18 | 096241-03-000 | EA | SWITCH - BLANK - BLACK |
| 19 | 108357-18-000 | EA | SWITCH - ROCKER - DPDT - MOM/OFF/MOM - W/O COVER |
| 19 | 108356-15-01A | EA | COVER/ACTUATOR SW-3 GROOVES-LEVELING JACKS/REMOTE |
| 19 | 108355-01-000 | EA | HOUSING - SWITCH |
| 20 | 108357-01-000 | EA | SWITCH - ROCKER - SPST - ON/OFF - 2 TERMINAL - W/O COVER |
| 20 | 108356-14-01A | EA | COVER/ACTUATOR SWITCH - 3 GROOVES - COMPT LIGHTS |
| 20 | 108355-01-000 | EA | HOUSING - SWITCH |
| 21 | 108357-06-000 | EA | SWITCH - ROCKER - DPDT - MOM/OFF/MOM - 6 TERM - W/O COVER |
| 21 | 108357-17-000 | EA | SWITCH - DPDT - MOM/OFF/MOM - W/LIGHT - W/O COVER - (COACH BATTERY) NOT ILLUSTRATED FROM: 00-00-00 THRU: 11-11-07 |
| 21 | 108357-17-000 | EA | SWITCH - DPDT - MOM/OFF/MOM - W/LIGHT - W/O COVER - (CHASSIS BATTERY) NOT ILLUSTRATED FROM: 11-12-07 THRU: 99-99-99 |
| 21 | 108356-11-01A | EA | COVER/ACTUATOR SWITCH - 3 GROOVES - AUX BATT - BLACK FROM: 00-00-00 THRU: 11-11-07 |
| 21 | 108356-19-01A | EA | COVER/ACTUATOR SWITCH - 3 GROOVES - BLK - (COACH BATTERY) NOT ILLUSTRATED FROM: 11-12-07 THRU: 99-99-99 |
| 21 | 108356-20-01A | EA | COVER/ACTUATOR SWITCH - 3 GROOVES - BLK - (CHASSIS BATTERY) NOT ILLUSTRATED FROM: 11-12-07 THRU: 99-99-99 |
| 21 | 108355-01-000 | EA | HOUSING - SWITCH |
| 22 | 116995-02-000 | EA | SWITCH/MAGNET - ELECTRIC STEP - BLACK/WHITE- NORMALLY OPEN |
| 22 | 116995-03-000 | EA | SWITCH/MAGNET - ELECTRIC STEP - FULL BODY PAINT |
| 23 | 082134-01-000 | EA | ADAPTER - TV - CABLE TO CABLE |
| 24 | 093253-01-02A | EA | PLATE - WALL - TELEPHONE - BROWN |
| 25 | 132958-01-000 | EA | RECEPTACLE - 12 VOLT - MOUNTING FLANGE - BLACK |
| 26 | 135740-01-01A | EA | SWITCH - ROCKER - SPST - ON/OFF - BROWN |
| 26 | 135741-01-01A | EA | SWITCH - BASE - SINGLE - BROWN |
| 26 | 135742-01-01A | EA | BEZEL - SWITCH - SINGLE - BROWN |
| 27 | 092547-10-000 | EA | LABEL - CIRCUIT BREAKER |
| 27 | 139067-02-02B | EA | PLATE - CIRCUIT BREAKER/HOUSE - E-COATED |

*COMPONENT PARTS LISTED LATER IN THIS GROUP

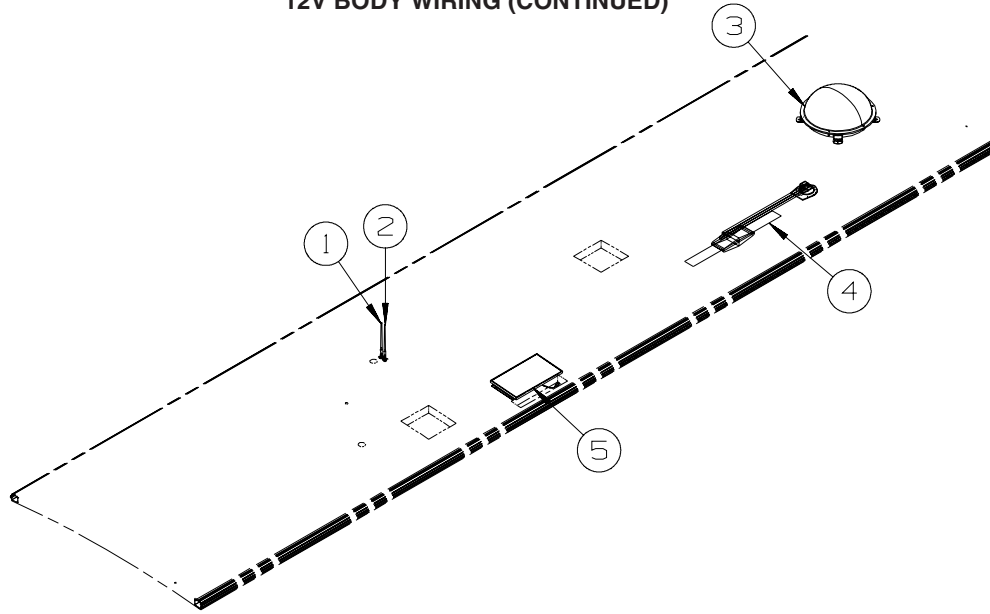
ELECTRICAL GROUP (CONTINUED)
12V BODY WIRING (CONTINUED)



| KEY | PART NUMBER | U/M | DESCRIPTION |
|-----|---------------|-----|--|
| 1* | 153464-06-01A | EA | LIGHT-FLUORESCENT 21.8"- RECESSED/WARM WHT BULB-W/O SWITCH |
| 2* | 146048-01-01A | EA | LIGHT - HALOGEN/ADJUSTABLE - WHITE |
| 3* | 137417-03-01A | EA | LIGHT - DOME - SINGLE - W/O SWITCH - W/FROSTED LENS-WHITE |
| 4* | 123775-01-02A | EA | LIGHT - HALOGEN - ROUND - BLACK |
| 5* | 137417-06-01A | EA | LIGHT - DOME - DOUBLE - W/O SWITCH - W/FROSTED LENS-WHITE |
| 6 | 164040-01-01A | EA | LIGHT - DOME - SHOWER/RECESSED - GLASS - WHITE |
| 7 | 160867-01-01A | EA | SPEAKER - ROUND/CEILING - CREAM - MAGNADYNE - LS3EYC-WN |
| 8* | 137417-01-01A | EA | LIGHT - DOME - SINGLE - W/SWITCH/FROSTED LENS - WHITE |

***COMPONENT PARTS LISTED LATER IN THIS GROUP**

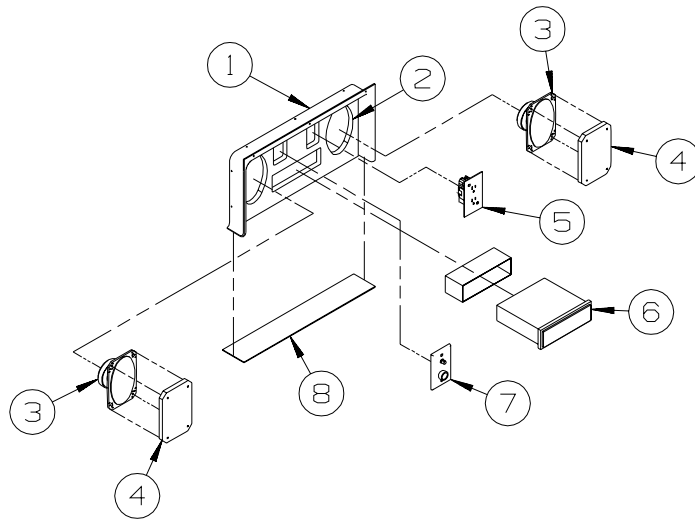
ELECTRICAL GROUP (CONTINUED)
12V BODY WIRING (CONTINUED)



| KEY | PART NUMBER | U/M | DESCRIPTION |
|-----|---------------|-----|--|
| 1 | 090944-01-000 | EA | ANTENNA - RADIO - 16" RUBBER - W/72" LEAD WIRE - STEREO SYSTEM/W/CD/DVD REAR |
| 1 | 109889-04-000 | EA | EXTENDER - ANTENNA SHAFT - 3.7" - STEREO SYSTEM/W/CD/DVD REAR |
| 1 | 147741-01-09B | EA | BRACKET - ANTENNA GROUND - GALVANIZED - STEREO SYSTEM/W/CD/DVD REAR |
| 2 | 090944-01-000 | EA | ANTENNA - RADIO - 16" RUBBER - W/72" LEAD WIRE |
| 2 | 109889-04-000 | EA | EXTENDER - ANTENNA SHAFT - 3.7" |
| 2 | 147741-01-09B | EA | BRACKET - ANTENNA GROUND - GALVANIZED |
| 3 | 154474-04-01A | EA | ANTENNA/SATELLITE - DISH IN DOME/SEARCH IN MOTION - WHITE - SAT TV SYSTEM IN-MOTION |
| 3 | 154474-04-02A | EA | ANTENNA/SATELLITE - DISH IN DOME/SEARCH IN MOTION - BLACK - FULL BODY PAINT |
| 3 | 146488-03-000 | EA | PLATE - ROOF - CABLE ENTRY - QUAD - SAT TV SYSTEM IN-MOTION |
| 3 | 163598-04-000 | EA | CABLE/COAX - SATELLITE - 9" - SAT TV SYSTEM IN-MOTION |
| 3 | 082134-01-000 | EA | ADAPTER - TV - CABLE TO CABLE - SAT TV SYSTEM IN-MOTION |
| 3 | 154474-02-000 | EA | CONTROL/SATELLITE KIT - IDB BOX/IDD BOX-POWER SUPPLY-CABLE - SAT TV SYSTEM IN-MOTION |
| 3 | 154474-03-000 | EA | CABLE - SATELLITE - COAX - 8' W/CONNECTORS - SAT TV SYSTEM IN-MOTION |
| 3 | 163598-01-01A | EA | ANTENNA/SATELLITE - DISH IN DOME/AUTOMATIC - WHITE - SATELLITE TV SYSTEM AUTO |
| 3 | 163598-01-02A | EA | ANTENNA/SATELLITE - DISH IN DOME/AUTOMATIC - BLACK - FULL BODY PAINT |
| 3 | 146488-03-000 | EA | PLATE - ROOF - CABLE ENTRY - QUAD - SATELLITE TV SYSTEM AUTO |
| 3 | 163598-04-000 | EA | CABLE/COAX - SATELLITE - 9" - SATELLITE TV SYSTEM AUTO |
| 3 | 082134-01-000 | EA | ADAPTER - TV - CABLE TO CABLE - SATELLITE TV SYSTEM AUTO |
| 3 | 141454-04-000 | EA | WIRE - SATELLITE - AUTOMATIC - SATELLITE TV SYSTEM AUTO |
| 3 | 137135-05-000 | EA | ANTENNA - SATELLITE DSS - W/SENSOR - SATELLITE TV SYSTEM MANUAL |
| 4* | 076319-23-000 | EA | ANTENNA - TV ROOF MOUNT - 44.5" MAST |
| 4* | 076319-25-000 | EA | KIT - HARDWARE INTERIOR |
| 4 | 069726-02-000 | EA | BUMPER - .88" OD X .40" THICK - BLACK |
| 5 | 151647-01-000 | EA | PANEL - SOLAR 10 WATT |

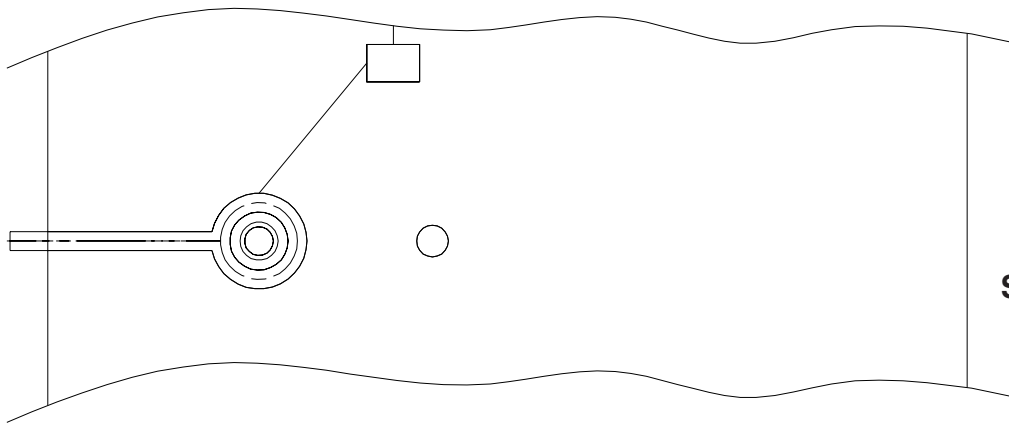
*COMPONENT PARTS LISTED LATER IN THIS GROUP

ELECTRICAL GROUP (CONTINUED)
12V BODY WIRING (CONTINUED)

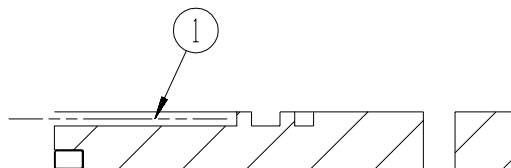


**EXTERIOR
ENTERTAINMENT**

| KEY | PART NUMBER | U/M | DESCRIPTION |
|-----|---------------|-----|--|
| 1 | 124696-02-01A | EA | BOX-ENTERTAINMENT CTR/EXT-19.4"W X 10"H X 2.5"D - BRT WHT |
| | 124696-01-01A | EA | BOX-ENTERTAINMENT CTR/EXT-19.4"W X 10"H X 10.2"D W/CUTOUTS |
| 2 | 127409-03-U89 | EA | PLATE - RADIO MOUNTING |
| 3 | 110469-01-000 | EA | SPEAKER - 4" X 6" OVAL - COAXIAL |
| 4 | 110470-01-01A | EA | GRILLE - 4" X 6" - OVAL SPEAKER - BLACK |
| 5 | 058708-01-000 | EA | RECEPTACLE - ELECTRIC - DOUBLE - BROWN |
| 6 | 155619-02-000 | EA | RADIO - AM/FM CD-W/O REMOTE/WIRE HARNESS-MAGNADYNE M3200CD |
| | 155619-03-000 | EA | REMOTE - RADIO |
| 7 | 132958-01-000 | EA | RECEPTACLE - 12 VOLT - MOUNTING FLANGE - BLACK |
| 8 | 104898-01-02A | EA | PLATE - PLASTIC BOTTOM - BRIGHT WHITE |



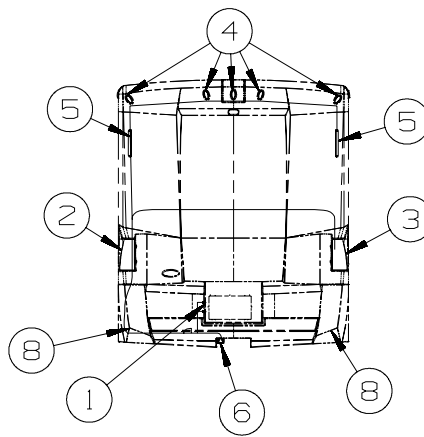
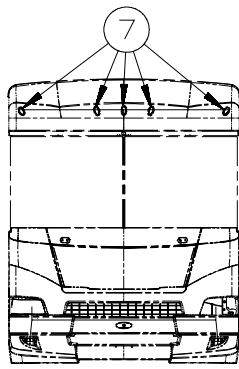
**SATELLITE WIRING DETAIL
ON ROOF**



| KEY | PART NUMBER | U/M | DESCRIPTION |
|-----|---------------|-----|---|
| 1 | 154474-03-000 | EA | CABLE - SATELLITE - COAX - 8' W/CONNECTORS - AUTOMATIC SATELLITE DISH |
| 1 | 141454-04-000 | EA | WIRE - SATELLITE - AUTOMATIC - AUTOMATIC SATELLITE DISH FROM: 00-00-00 THRU: 01-28-07 |
| 1 | 163598-03-000 | EA | CABLE - SATELLITE CONTROL - AUTOMATIC SATELLITE DISH FROM: 01-29-07 THRU: 99-99-99 |

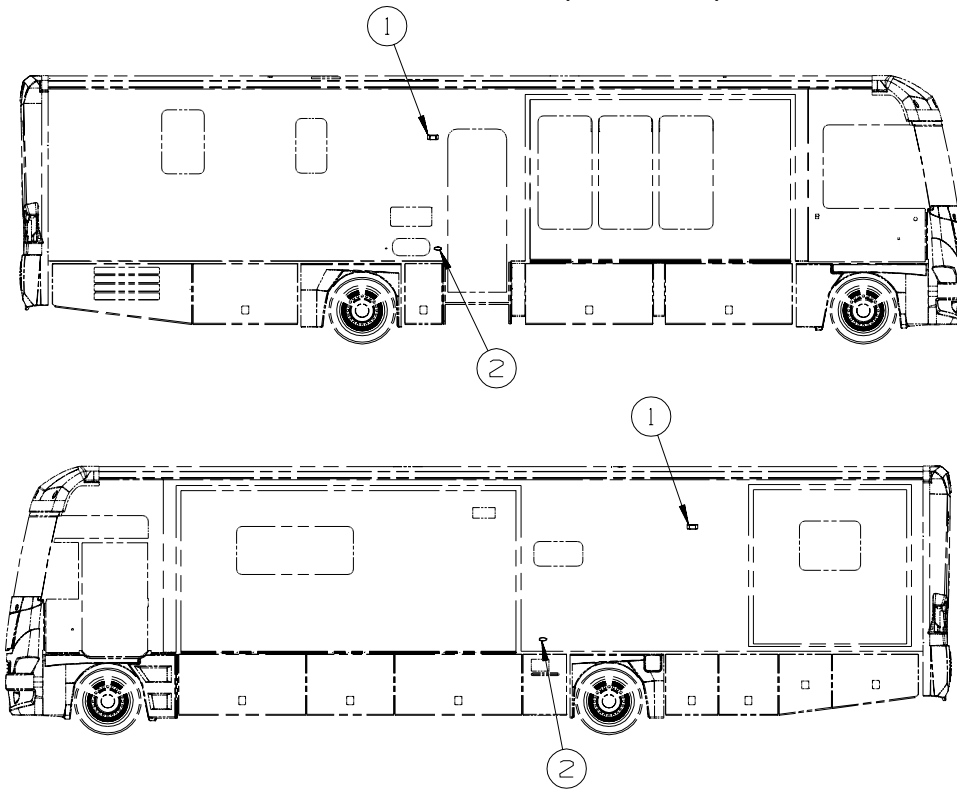
ELECTRICAL GROUP (CONTINUED)

EXTERIOR LAMPS



| KEY | PART NUMBER | U/M | DESCRIPTION |
|-----|---------------|-----|---|
| 1 | 087201-01-000 | EA | LIGHT - HALF ROUND - 1" X 1.7" |
| 2 | 154206-04-000 | EA | LAMP - STOP/TURN/TAIL/BACK UP - LH |
| 2 | 112708-01-000 | EA | BULB - 12 VOLT - #3157 - .59/2.10 AMP |
| 2 | 112709-02-000 | EA | SOCKET - BACK-UP LIGHT |
| 2 | 112709-03-000 | EA | SOCKET - BRAKE LIGHT/MARKER LIGHT |
| 2 | 112707-01-000 | EA | BULB - 12 VOLT - #3156 - 2.10 AMP |
| 2 | 113072-02-000 | EA | HOUSING - ELECTRICAL - BACK-UP/TAIL LAMP |
| 2 | 113072-03-000 | EA | HOUSING - ELECTRICAL - STOP/MARKER TAILLAMP |
| 2 | 113073-01-000 | EA | WEDGELOCK - HOUSING - TAIL LAMP |
| 2 | 113073-02-000 | EA | WEDGELOCK - HOUSING - TAIL LAMP |
| 2 | 113074-01-000 | EA | TERMINAL - TAILLAMP |
| 3 | 154206-03-000 | EA | LAMP - STOP/TURN/TAIL/BACK UP - RIGHT HAND |
| 3 | 112708-01-000 | EA | BULB - 12 VOLT - #3157 - .59/2.10 AMP |
| 3 | 112709-02-000 | EA | SOCKET - BACK-UP LIGHT |
| 3 | 112709-03-000 | EA | SOCKET - BRAKE LIGHT/MARKER LIGHT |
| 3 | 112707-01-000 | EA | BULB - 12 VOLT - #3156 - 2.10 AMP |
| 3 | 113072-02-000 | EA | HOUSING - ELECTRICAL - BACK-UP/TAIL LAMP |
| 3 | 113072-03-000 | EA | HOUSING - ELECTRICAL - STOP/MARKER TAILLAMP |
| 3 | 113073-01-000 | EA | WEDGELOCK - HOUSING - TAIL LAMP |
| 3 | 113073-02-000 | EA | WEDGELOCK - HOUSING - TAIL LAMP |
| 3 | 113074-01-000 | EA | TERMINAL - TAILLAMP |
| 4 | 147680-01-01A | EA | BASE - MARKER LAMP - WHITE |
| 4 | 147680-03-01A | EA | LAMP - MARKER - LENS - RED |
| 5 | 151076-01-000 | EA | LIGHT - BRAKE - CENTER MOUNT |
| 6 | 146246-01-000 | EA | CONNECTOR/PLUG - TRAILER - 7 PIN |
| 6 | 157593-01-000 | EA | CONNECTOR - PLUG - TRAILER - 7 SOCKET |
| 7 | 147680-01-01A | EA | BASE - MARKER LAMP - WHITE |
| 7 | 147680-02-01A | EA | LAMP - MARKER - LENS - AMBER |
| 8 | 166850-01-000 | EA | REFLECTOR - RECTANGULAR/STICK ON - RED |

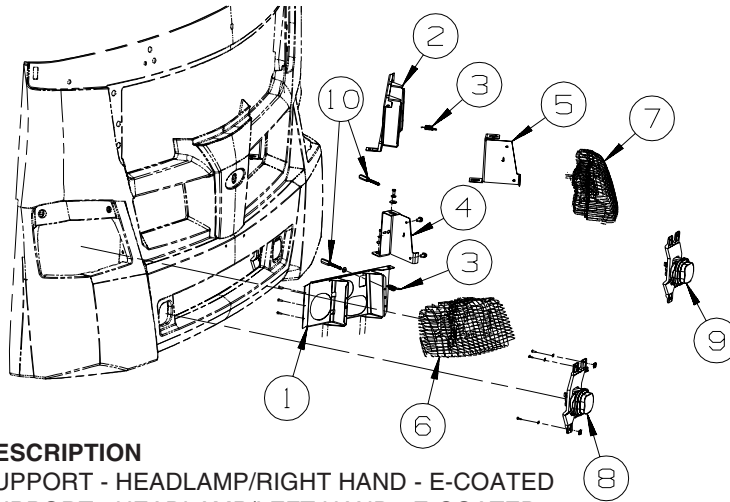
ELECTRICAL GROUP (CONTINUED)
EXTERIOR LAMPS (CONTINUED)



| KEY | PART NUMBER | U/M | DESCRIPTION |
|-----|---------------|-----|--|
| 1* | 097917-01-06A | EA | LIGHT - PORCH - ENTRY DOOR - BRIGHT WHITE FROM: 00-00-00 THRU: 02-10-08 |
| 1 | 097917-01-09A | EA | LIGHT - PORCH - ENTRY DOOR - WHITE FROM: 02-11-08 THRU: 99-99-99 |
| 1 | 097917-01-08A | EA | LIGHT - PORCH - CHROME - FULL BODY PAINT |
| 2 | 147680-01-01A | EA | BASE - MARKER LAMP - WHITE |
| 2 | 147680-02-01A | EA | LAMP - MARKER - LENS - AMBER |

***COMPONENT PARTS LISTED LATER IN THIS GROUP**

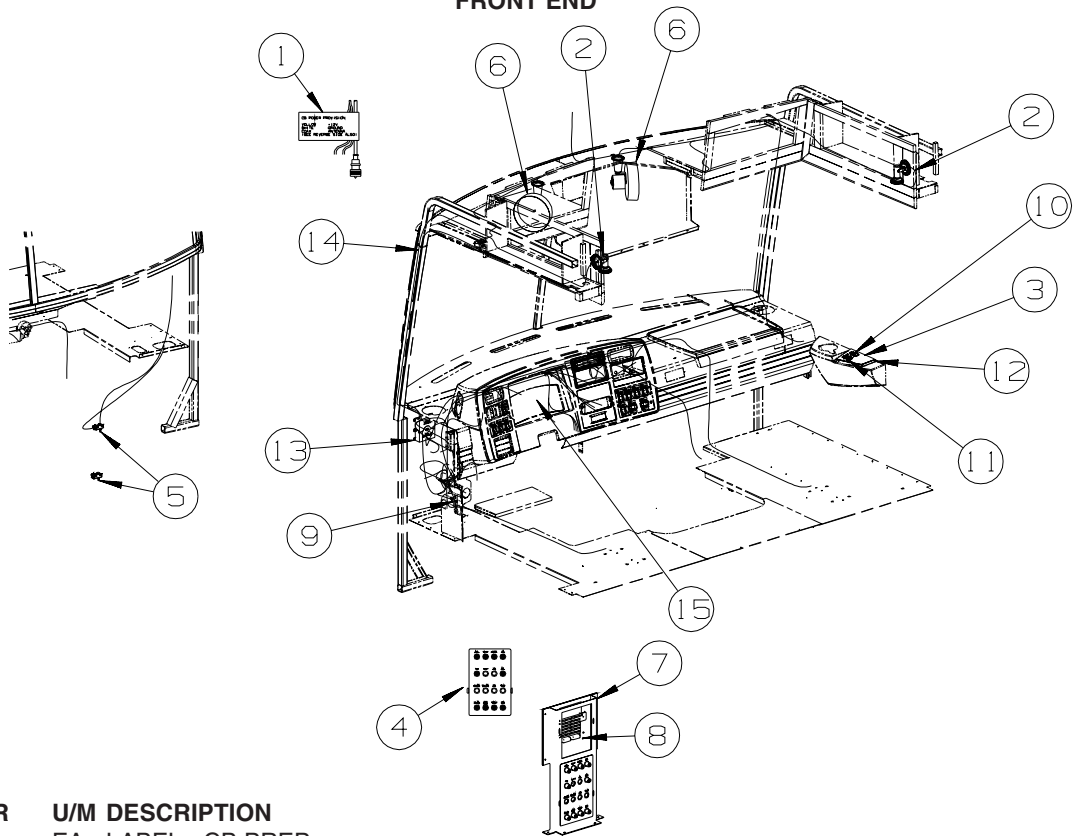
ELECTRICAL GROUP (CONTINUED)
EXTERIOR LAMPS (CONTINUED)



| KEY | PART NUMBER | U/M | DESCRIPTION |
|-----|---------------|-----|--|
| 1 | 154324-01-02B | EA | SUPPORT - HEADLAMP/RIGHT HAND - E-COATED |
| 2 | 154324-02-02B | EA | SUPPORT - HEADLAMP/LEFT HAND - E-COATED |
| 3 | 049359-01-000 | EA | SPRING - RETAINER - HEADLAMP - GM #496096 |
| 4 | 154328-01-02B | EA | BRACKET - ADJUSTMENT/RIGHT HAND - E-COATED |
| 5 | 154328-02-02B | EA | BRACKET - ADJUSTMENT/LEFT HAND - E-COATED |
| 6 | 154881-01-000 | EA | HEADLAMP - W/PARK&TURN - RIGHT HAND |
| 6 | 154799-01-000 | EA | HOUSING - 4-POSITION/FEMALE - 150-SERIES - HEADLAMP - FORD |
| 6 | 154799-02-000 | EA | LOCK - SECONDARY - 4 POSITION - HEADLAMP - FORD |
| 6 | 067789-02-000 | EA | SOCKET - LAMP - PARK LAMP - FORD |
| 6 | 124187-01-000 | EA | SOCKET/HOUSING - WORKHORSE |
| 6 | 146560-02-000 | EA | SOCKET - LAMP - 3 WIRE - TURN/PARK LAMP |
| 7 | 154881-02-000 | EA | HEADLAMP - W/PARK&TURN - LEFT HAND |
| 7 | 154799-01-000 | EA | HOUSING - 4-POSITION/FEMALE - 150-SERIES - HEADLAMP - FORD |
| 7 | 154799-02-000 | EA | LOCK - SECONDARY - 4 POSITION - HEADLAMP - FORD |
| 7 | 067789-02-000 | EA | SOCKET - LAMP - PARK LAMP - FORD |
| 7 | 124187-01-000 | EA | SOCKET/HOUSING - WORKHORSE |
| 7 | 146560-02-000 | EA | SOCKET - LAMP - 3 WIRE - TURN/PARK LAMP |
| 8 | 153318-01-000 | EA | LAMP - FOG - CLEAR/SQUARE - PASSENGER |
| 9 | 153318-02-000 | EA | LAMP - FOG - CLEAR/SQUARE - DRIVER |
| 10 | 144904-01-01A | EA | BOLT - ADJUSTMENT - HEADLAMP |

ELECTRICAL GROUP (CONTINUED)

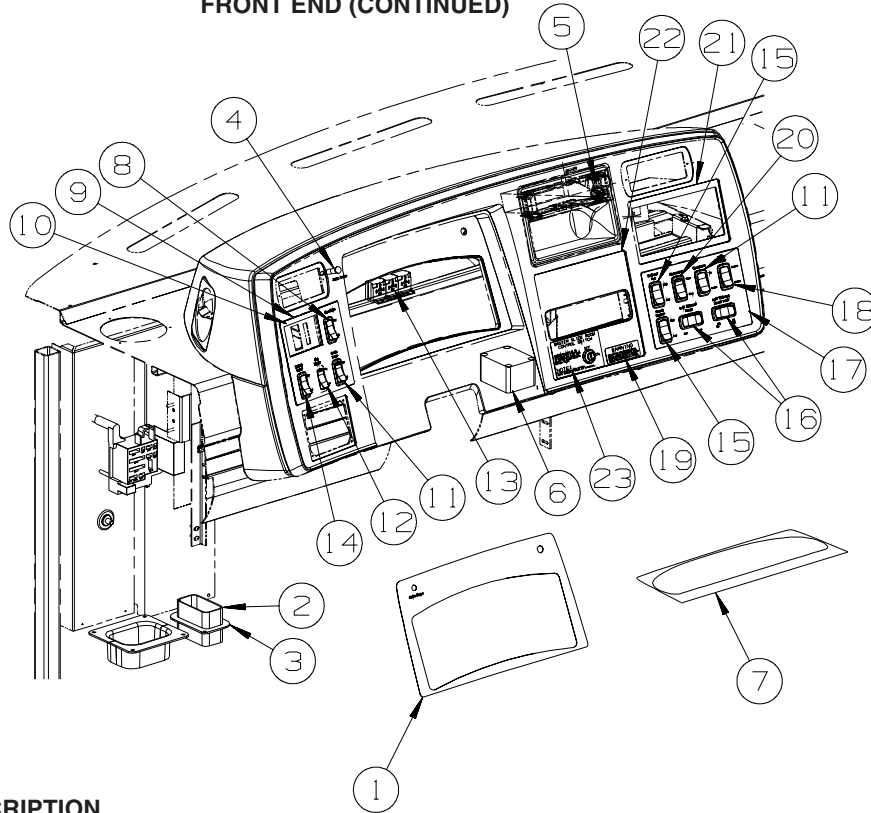
FRONT END



| KEY | PART NUMBER | U/M | DESCRIPTION |
|-----|---------------|-----|--|
| 1 | 104678-01-000 | EA | LABEL - CB PREP |
| 2 | 128786-02-02A | EA | LIGHT - READING/SWIVEL - W/O SWITCH - SATIN NICKEL |
| 2 | 123917-01-000 | EA | BULB - 12V - HALOGEN SPOT |
| 3 | 148653-05-02A | EA | APPLIQUE - PASSENGER - DARK PUTTY |
| 4 | 093236-47-000 | EA | LABEL - CIRCUIT BREAKER |
| 5 | 147428-01-02B | EA | BRACKET/ZEE - F/TEMPERATURE SENSOR - E-COATED |
| 6 | 122856-01-01A | EA | FAN-DEFROSTER-2 SPEED W/SWIVEL BASE/NON-OSCILLATING-CHROME |
| 7 | 149689-01-02B | EA | BRACKET - CIRCUIT BREAKER, E-COAT |
| 8 | 149690-01-02B | EA | BRACKET - FUSE PANEL, WH, E-COAT |
| 8 | 149690-02-02B | EA | BRACKET - FUSE PANEL, FORD, E-COAT - FORD |
| 9 | 041250-01-000 | EA | SWITCH - PUSH BUTTON/DOOR JAMB - METAL/CHROME |
| 10 | 145638-01-01A | EA | SWITCH/ROCKER - SPST (ON/OFF) - BLACK |
| 11 | 145638-12-01A | EA | SWITCH/ROCKER - DPDT (ON/ON/ON) - BLACK |
| 11 | 108355-02-000 | EA | HOUSING - SWITCH - 12 POSITION |
| 12 | 145926-08-02B | EA | INSERT ASM - SWITCH, RH - E-COAT |
| 13 | 163142-06-000 | EA | RECEIVER - SATELLITE RADIO |
| 14 | 158494-02-000 | EA | CABLE/ANTENNA - SATELLITE RADIO SIRRUS |
| 15 | 113452-01-000 | FT | SEAL/TRIM - FRONT - VINYL W/WIRE CARRIER - .020" |

ELECTRICAL GROUP (CONTINUED)

FRONT END (CONTINUED)

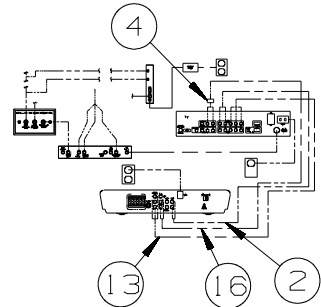
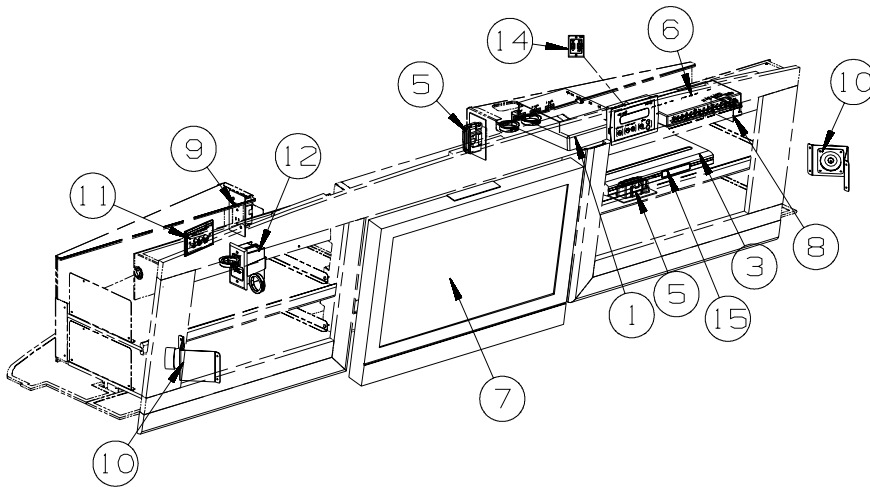


| KEY | PART NUMBER | U/M | DESCRIPTION |
|-----|---------------|-----|--|
| 1 | 148653-15-02A | EA | APPLIQUE - BEZEL - INSTRUMENT CLUSTER - WH - DARK PUTTY |
| 2 | 118571-03-000 | EA | BRACKET - MOUNTING |
| 3 | 118571-04-000 | EA | GASKET |
| 4 | 150237-01-000 | EA | LIGHT - INDICATOR - RED |
| 5 | 111414-01-000 | EA | RECEPTACLE/SOCKET - 12 VOLT |
| 6 | 128074-02-000 | EA | FILTER - NOISE - 12 VOLT DC W/PLUGS |
| 7 | 148653-16-02A | EA | APPLIQUE - BEZEL - INSTRUMENT CLUSTER -FORD- DARK PUTTY |
| 8 | 145638-14-01A | EA | SWITCH/ROCKER - DPDT (ON/OFF/ON) - BLACK |
| 8 | 108355-02-000 | EA | HOUSING - SWITCH - 12 POSITION |
| 8 | 103603-01-000 | EA | BULB - 12V - #74 - .12A WEDGE - GE 22-25 USED IN DASH |
| 9 | 148653-14-02A | EA | APPLIQUE - BEZEL - LEFT HAND - DARK PUTTY - WORKHORSE |
| 9 | 148653-04-02A | EA | APPLIQUE - BEZEL - LEFT HAND - DARK PUTTY - FORD |
| 10 | 134088-02-01A | EA | APPLIQUE - SWITCH - HEADLAMP - BLACK - WORKHORSE |
| 11 | 145638-01-01A | EA | SWITCH/ROCKER - SPST (ON/OFF) - BLACK |
| 11 | 108355-02-000 | EA | HOUSING - SWITCH - 12 POSITION |
| 11 | 103603-01-000 | EA | BULB - 12V - #74 - .12A WEDGE - GE 22-25 USED IN DASH |
| 12 | 145638-02-01A | EA | SWITCH/ROCKER - SPST (ON/OFF) - LIGHTED - BLACK |
| 12 | 108355-02-000 | EA | HOUSING - SWITCH - 12 POSITION |
| 12 | 103603-01-000 | EA | BULB - 12V - #74 - .12A WEDGE - GE 22-25 USED IN DASH |
| 13 | 063912-02-000 | EA | RELAY CANISTER, SPDT |
| 14 | 145638-04-01A | EA | SWITCH/ROCKER - SPDT (ON/ON) - BLACK |
| 14 | 108355-02-000 | EA | HOUSING - SWITCH - 12 POSITION |
| 14 | 103603-01-000 | EA | BULB - 12V - #74 - .12A WEDGE - GE 22-25 USED IN DASH |
| 15 | 145638-03-01A | EA | SWITCH/ROCKER - SPDT (ON/OFF/ON) - BLACK |
| 15 | 108355-02-000 | EA | HOUSING - SWITCH - 12 POSITION |
| 15 | 103603-01-000 | EA | BULB - 12V - #74 - .12A WEDGE - GE 22-25 USED IN DASH |
| 16 | 145638-09-01A | EA | SWITCH/ROCKER - DPDT (ON/OFF/ON) - BLACK |
| 16 | 108355-02-000 | EA | HOUSING - SWITCH - 12 POSITION |
| 16 | 103603-01-000 | EA | BULB - 12V - #74 - .12A WEDGE - GE 22-25 USED IN DASH |
| 17 | 148653-13-02A | EA | APPLIQUE - BEZEL - RIGHT HAND - DARK PUTTY |
| 18 | 145638-07-01A | EA | SWITCH/ROCKER - DPDT (ON/ON) - BLACK |
| 18 | 108355-02-000 | EA | HOUSING - SWITCH - 12 POSITION |
| 18 | 103603-01-000 | EA | BULB - 12V - #74 - .12A WEDGE - GE 22-25 USED IN DASH |
| 19 | 116549-01-000 | EA | LABEL - WARNING - SLIDEOUT - .75" x 6.5" |
| | | | FROM: 00-00-00 THRU: 02-16-07 |
| 19 | 116549-02-000 | EA | LABEL - WARNING - SLIDEOUT |
| | | | FROM: 02-17-07 THRU: 99-99-99 |

ELECTRICAL GROUP (CONTINUED) FRONT END (CONTINUED)

| KEY | PART NUMBER | U/M | DESCRIPTION |
|-----|---------------|-----|--|
| 20 | 145638-06-01A | EA | SWITCH/ROCKER - SPDT (ON/OFF/ON) - LIGHTED - BLACK |
| 20 | 108355-02-000 | EA | HOUSING - SWITCH - 12 POSITION |
| 20 | 103603-01-000 | EA | BULB - 12V - #74 - .12A WEDGE - GE 22-25 USED IN DASH |
| 21 | 148653-18-02A | EA | APPLIQUE - BEZEL - RADIO - DARK PUTTY |
| 22 | NOT USED | | |
| 23* | 163097-01-000 | EA | SWITCH - SPST - KEY ACTIVATED - W/2 KEYS FROM: 02-17-07 THRU: 99-99-99 |
| 23 | 163988-02-01A | EA | LABEL - SLIDEOUT CONTROL/ELECTRIC - BLACK/WHITE FROM: 02-17-07 THRU: 99-99-99 |

*COMPONENT PARTS LISTED LATER IN THIS GROUP



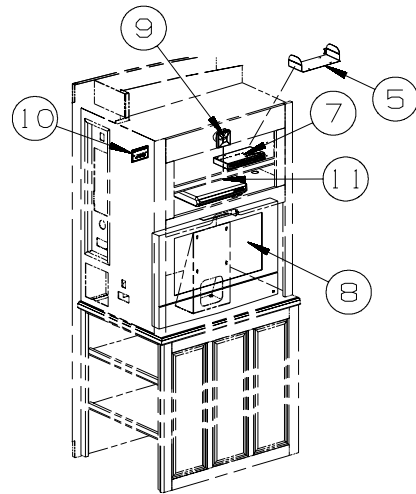
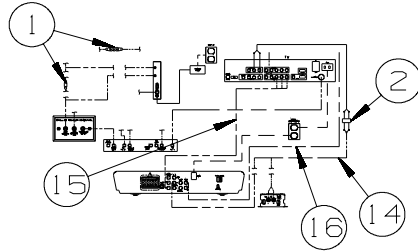
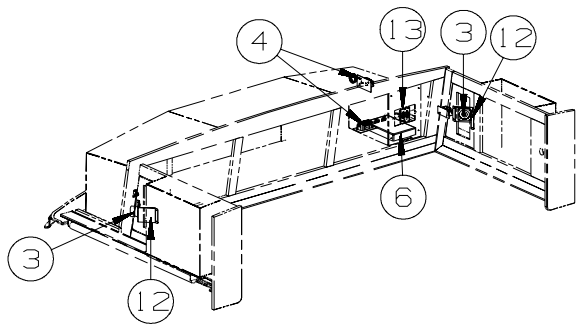
FRONT TV/DVD

| KEY | PART NUMBER | U/M | DESCRIPTION |
|-----|---------------|-----|---|
| 1 | 140062-01-000 | EA | SWITCH - SPEAKER - 6 CHANNEL |
| 2 | 136860-03-000 | EA | CABLE - RCA - SHIELDED - 3 MALE TO MALE CONNECTORS - 6' |
| 3* | 158836-01-000 | EA | DVD - HOME THEATER - W/O SPEAKERS - MEMOREX STS71E-R FROM: 00-00-00 THRU: 06-10-07 |
| 3* | 164270-01-000 | EA | DVD - HOME THEATER - W/O SPEAKERS - MEMOREX STS2891-R FROM: 06-11-07 THRU: 99-99-99 |
| 4 | 123324-01-000 | EA | FILTER - GROUND LOOP |
| 5 | 058708-01-000 | EA | RECEPTACLE - ELECTRIC - DOUBLE - BROWN |
| 6 | 142258-01-000 | EA | SWITCH - VIDEO/ANTENNA POWER SUPPLY |
| 7* | 146298-02-000 | EA | TV - 27" STEREO W/5 JACKS - SONY 27FS120 FROM: 00-00-00 THRU: 03-18-07 |
| 7* | 164226-01-000 | EA | TV - 27" - FLAT PANEL/LCD/HDTV - NORCENT LT-2725 FROM: 03-19-07 THRU: 99-99-99 |
| 8 | 058707-02-000 | EA | RECEPTACLE - BLANK - JUNCTION BOX |
| 9 | 058708-01-000 | EA | RECEPTACLE - ELECTRIC - DOUBLE - BROWN |
| 9 | 158542-02-01A | EA | LABEL - RECEPTACLE - ELECTRONICS - WHITE/BLACK - CANADIAN |
| 10 | 148026-03-01A | EA | SPEAKER - CUBE - W/O CASE |
| 10 | 149422-03-02B | EA | BRACKET/MOUNTING - SPEAKER - E-COATED |
| 11 | 149557-04-01A | EA | PLATE/WALL - TRIPLE COAXIAL/HORIZONTAL - WHITE |
| 12 | 156676-01-000 | EA | CONTROLLER/OUTLET - POWER/TV - AUTO SHUTOFF W/IGNITION |
| 13 | 155845-01-000 | EA | CABLE - RCA - 12' - 3 RCA MALE CONNECTORS - BOTH ENDS |
| 14 | 163598-02-000 | EA | SWITCH/CONTROL - SATELLITE - SATELLITE TV SYSTEM AUTO FROM: 01-29-07 THRU: 99-99-99 |
| 15 | NOT USED | EA | TRANSMITTER - F/INFRA RED RECEIVER |
| 16 | 117420-05-000 | EA | CABLE - W/MALE RCA ENDS - SHIELDED - 10' |

*COMPONENT PARTS LISTED LATER IN THIS GROUP

ELECTRICAL GROUP (CONTINUED)

SIDE TV/DVD

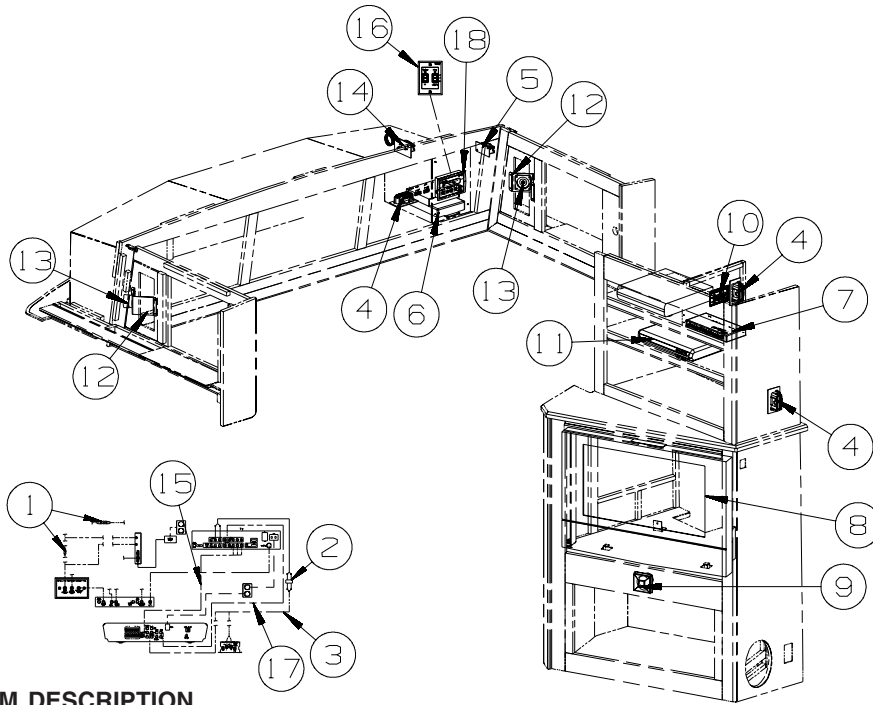


G37B

| KEY | PART NUMBER | U/M | DESCRIPTION |
|-----|---------------|-----|---|
| 1 | 082134-01-000 | EA | ADAPTER - TV - CABLE TO CABLE |
| 2 | 123324-01-000 | EA | FILTER - GROUND LOOP |
| 3 | 148026-03-01A | EA | SPEAKER - CUBE - W/O CASE |
| 4 | 058708-01-000 | EA | RECEPTACLE - ELECTRIC - DOUBLE - BROWN |
| 5 | 058708-05-000 | EA | RECEPTACLE - ELECTRIC - SINGLE - BROWN - NOT ILLUSTRATED |
| | | | FROM: 00-00-00 THRU: 06-10-07 |
| 5 | 156586-01-02B | EA | BRACKET - SWITCH/VIDEO - E-COATED |
| | | | FROM: 06-11-07 THRU: 99-99-99 |
| 6 | 140062-01-000 | EA | SWITCH - SPEAKER - 6 CHANNEL |
| 7 | 142258-01-000 | EA | SWITCH - VIDEO/ANTENNA POWER SUPPLY |
| 8* | 164227-01-000 | EA | TV - 32" - FLAT PANEL/LCD/HDTV - NORCENT LT-3225 |
| | | | FROM: 00-00-00 THRU: 08-08-07 |
| 8* | 166332-01-000 | EA | TV - 32" - FLAT PANEL/LCD/HDTV - RCA L32WD23 |
| | | | FROM: 08-09-07 THRU: 10-16-07 |
| 8* | 164227-01-000 | EA | TV - 32" - FLAT PANEL/LCD/HDTV - NORCENT LT-3225 |
| | | | FROM: 10-17-07 THRU: 99-99-99 |
| 9 | 148026-02-01A | EA | SPEAKER GRILLE - CUBE - SILVER |
| 9 | 148026-03-01A | EA | SPEAKER - CUBE - W/O CASE |
| 10 | 149557-04-01A | EA | PLATE/WALL - TRIPLE COAXIAL/HORIZONTAL - WHITE |
| 11* | 158836-01-000 | EA | DVD - HOME THEATER - W/O SPEAKERS - MEMOREX STS71E-R |
| | | | FROM: 00-00-00 THRU: 06-10-07 |
| 11* | 164270-01-000 | EA | DVD - HOME THEATER - W/O SPEAKERS - MEMOREX STS2891-R |
| | | | FROM: 06-11-07 THRU: 99-99-99 |
| 12 | 149422-03-02B | EA | BRACKET/MOUNTING - SPEAKER - E-COATED |
| 13 | 163598-02-000 | EA | SWITCH/CONTROL - SATELLITE - AUTOMATIC TV SATELLITE SYSTEM |
| 14 | 117420-03-000 | EA | CABLE - W/MALE RCA ENDS - SHIELDED - 20' |
| 15 | 155845-01-000 | EA | CABLE - RCA - 12' - 3 RCA MALE CONNECTORS - BOTH ENDS |
| 16 | 136860-03-000 | EA | CABLE - RCA - SHIELDED - 3 MALE TO MALE CONNECTORS - 6' |

***COMPONENT PARTS LISTED LATER IN THIS GROUP**

ELECTRICAL GROUP (CONTINUED)
SIDE TV/DVD (CONTINUED)



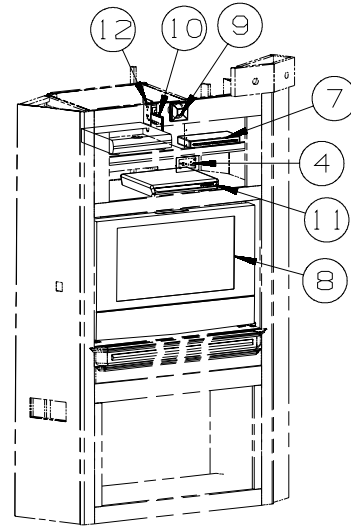
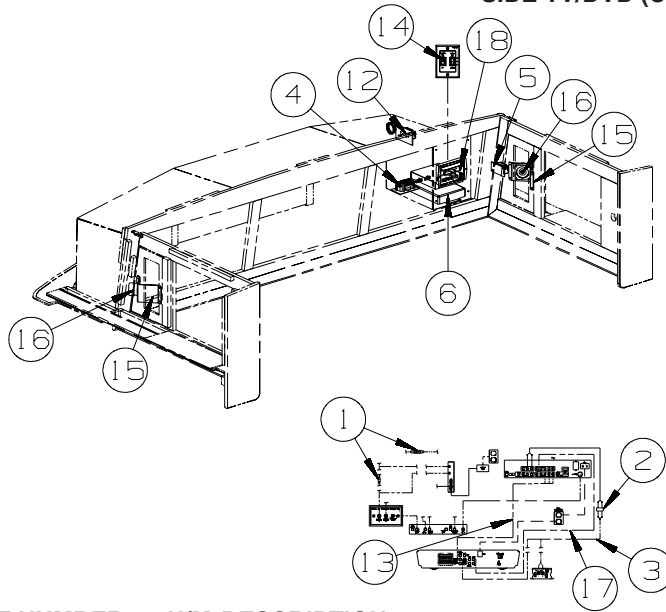
G38J

| KEY | PART NUMBER | U/M | DESCRIPTION |
|-----|---------------|-----|---|
| 1 | 082134-01-000 | EA | ADAPTER - TV - CABLE TO CABLE |
| 2 | 123324-01-000 | EA | FILTER - GROUND LOOP |
| 3 | 117420-03-000 | EA | CABLE - W/MALE RCA ENDS - SHIELDED - 20' |
| 4 | 058708-01-000 | EA | RECEPTACLE - ELECTRIC - DOUBLE - BROWN |
| 5 | 058707-02-000 | EA | RECEPTACLE - BLANK - JUNCTION BOX |
| 6 | 140062-01-000 | EA | SWITCH - SPEAKER - 6 CHANNEL |
| 7 | 142258-01-000 | EA | SWITCH - VIDEO/ANTENNA POWER SUPPLY |
| 8* | 164227-01-000 | EA | TV - 32" - FLAT PANEL/LCD/HDTV - NORCENT LT-3225 |
| | | | FROM: 00-00-00 THRU: 08-08-07 |
| 8* | 166332-01-000 | EA | TV - 32" - FLAT PANEL/LCD/HDTV - RCA L32WD23 |
| | | | FROM: 08-09-07 THRU: 10-16-07 |
| 8* | 164227-01-000 | EA | TV - 32" - FLAT PANEL/LCD/HDTV - NORCENT LT-3225 |
| | | | FROM: 10-17-07 THRU: 99-99-99 |
| 9 | 148026-02-01A | EA | SPEAKER GRILLE - CUBE - SILVER |
| 9 | 148026-03-01A | EA | SPEAKER - CUBE - W/O CASE |
| 10 | 149557-04-01A | EA | PLATE/WALL - TRIPLE COAXIAL/HORIZONTAL - WHITE |
| 11* | 158836-01-000 | EA | DVD - HOME THEATER - W/O SPEAKERS - MEMOREX STS71E-R |
| | | | FROM: 00-00-00 THRU: 06-10-07 |
| 11* | 164270-01-000 | EA | DVD - HOME THEATER - W/O SPEAKERS - MEMOREX STS2891-R |
| | | | FROM: 06-11-07 THRU: 99-99-99 |
| 12 | 149422-03-02B | EA | BRACKET/MOUNTING - SPEAKER - E-COATED |
| 13 | 148026-03-01A | EA | SPEAKER - CUBE - W/O CASE |
| 14 | 058708-01-000 | EA | RECEPTACLE - ELECTRIC - DOUBLE - BROWN |
| 14 | 158542-02-01A | EA | LABEL - RECEPTACLE - ELECTRONICS - WHITE/BLACK |
| 15 | 155845-01-000 | EA | CABLE - RCA - 12' - 3 RCA MALE CONNECTORS - BOTH ENDS |
| 16 | 163598-02-000 | EA | SWITCH/CONTROL - SATELLITE - AUTOMATIC TV SATELLITE SYSTEM |
| 17 | 136860-03-000 | EA | CABLE - RCA - SHIELDED - 3 MALE TO MALE CONNECTORS - 6' |
| 18 | 154474-02-000 | EA | CONTROL/SATELLITE KIT - IDB BOX/IDD BOX-POWER SUPPLY-CABLE - IN MOTION SATELLITE |

***COMPONENT PARTS LISTED LATER IN THIS GROUP**

ELECTRICAL GROUP (CONTINUED)

SIDE TV/DVD (CONTINUED)

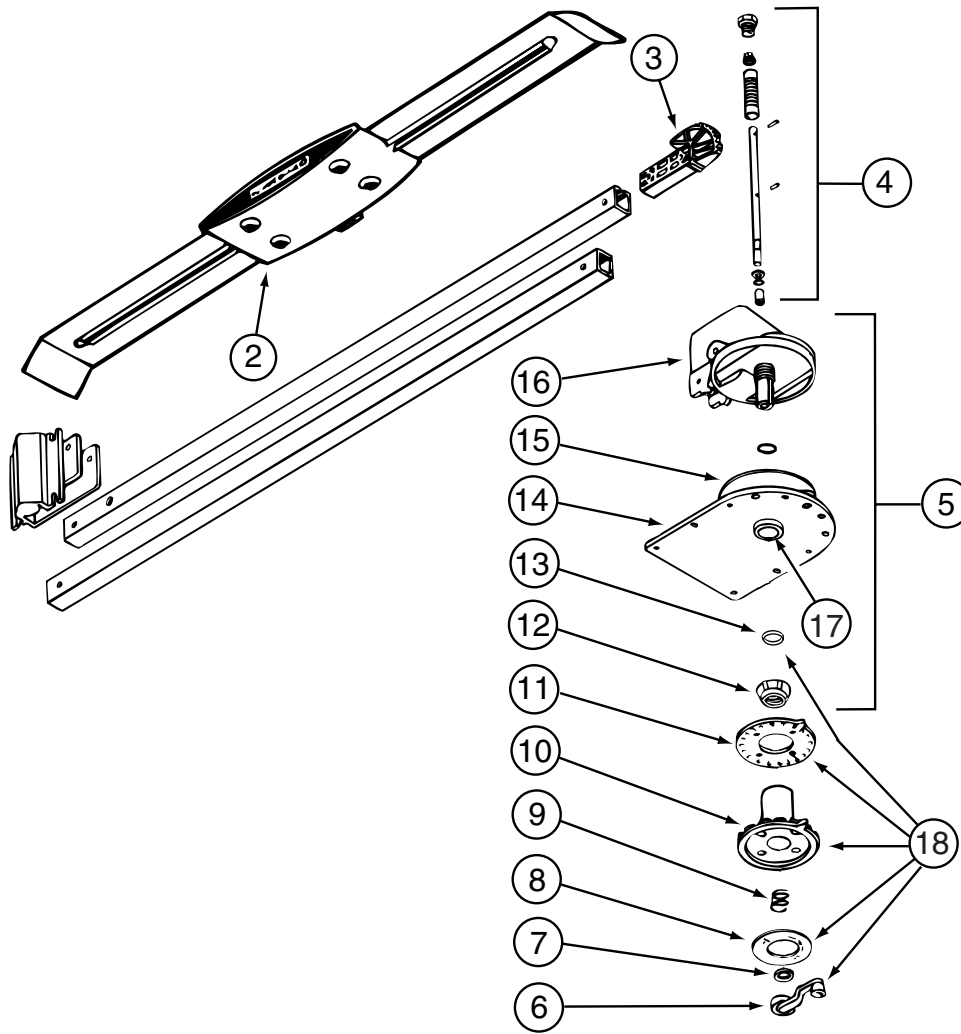


G38T

| KEY | PART NUMBER | U/M | DESCRIPTION |
|-----|---------------|-----|---|
| 1 | 082134-01-000 | EA | ADAPTER - TV - CABLE TO CABLE |
| 2 | 123324-01-000 | EA | FILTER - GROUND LOOP |
| 3 | 117420-03-000 | EA | CABLE - W/MALE RCA ENDS - SHIELDED - 20' |
| 4 | 058708-01-000 | EA | RECEPTACLE - ELECTRIC - DOUBLE - BROWN |
| 5 | 058707-02-000 | EA | RECEPTACLE - BLANK - JUNCTION BOX |
| 6 | 140062-01-000 | EA | SWITCH - SPEAKER - 6 CHANNEL |
| 7 | 142258-01-000 | EA | SWITCH - VIDEO/ANTENNA POWER SUPPLY |
| 8* | 164227-01-000 | EA | TV - 32" - FLAT PANEL/LCD/HDTV - NORCENT LT-3225 |
| | | | FROM: 00-00-00 THRU: 08-08-07 |
| 8* | 166332-01-000 | EA | TV - 32" - FLAT PANEL/LCD/HDTV - RCA L32WD23 |
| | | | FROM: 08-09-07 THRU: 10-16-07 |
| 8* | 164227-01-000 | EA | TV - 32" - FLAT PANEL/LCD/HDTV - NORCENT LT-3225 |
| | | | FROM: 10-17-07 THRU: 99-99-99 |
| 9 | 148026-02-01A | EA | SPEAKER GRILLE - CUBE - SILVER |
| 9 | 148026-03-01A | EA | SPEAKER - CUBE - W/O CASE |
| 10 | 149557-04-01A | EA | PLATE/WALL - TRIPLE COAXIAL/HORIZONTAL - WHITE |
| 11* | 158836-01-000 | EA | DVD - HOME THEATER - W/O SPEAKERS - MEMOREX STS71E-R |
| | | | FROM: 00-00-00 THRU: 06-10-07 |
| 11* | 164270-01-000 | EA | DVD - HOME THEATER - W/O SPEAKERS - MEMOREX STS2891-R |
| | | | FROM: 06-11-07 THRU: 99-99-99 |
| 12 | 058708-01-000 | EA | RECEPTACLE - ELECTRIC - DOUBLE - BROWN |
| 12 | 158542-02-01A | EA | LABEL - RECEPTACLE - ELECTRONICS - WHITE/BLACK |
| 13 | 155845-01-000 | EA | CABLE - RCA - 12' - 3 RCA MALE CONNECTORS - BOTH ENDS |
| 14 | 163598-02-000 | EA | SWITCH/CONTROL - SATELLITE - AUTOMATIC TV SATELLITE SYSTEM |
| 15 | 149422-03-02B | EA | BRACKET/MOUNTING - SPEAKER - E-COATED |
| 16 | 148026-03-01A | EA | SPEAKER - CUBE - W/O CASE |
| 17 | 136860-03-000 | EA | CABLE - RCA - SHIELDED - 3 MALE TO MALE CONNECTORS - 6' |
| 18 | 154474-02-000 | EA | CONTROL/SATELLITE KIT - IDB BOX/IDD BOX-POWER SUPPLY-CABLE - IN MOTION SATELLITE |

*COMPONENT PARTS LISTED LATER IN THIS GROUP

ELECTRICAL GROUP (CONTINUED)
COMPONENT PARTS FOR WIRING



076319-23-000

| KEY | PART NUMBER | U/M | DESCRIPTION | VENDOR NO. |
|-----|---------------|-----|-------------------------|------------|
| 2 | 076319-01-700 | EA | HEAD-ANTENNA, AMPLIFIED | RVSA U/V |
| 3 | 076319-01-701 | EA | GEAR-ELEVATING, PLASTIC | 2200046 |
| 4 | 076319-01-702 | EA | SHAFT ASM-ELEVATING | RP-4000 |
| 5 | 076319-01-711 | EA | BASE & LIFT ASM | 2762802 |
| 7 | 076319-01-705 | EA | GROMMET-NYLON, 7/8"ID | 3200658 |
| 8 | 076319-01-708 | EA | DECAL-CRANK | 5413002 |
| 9 | 076319-01-707 | EA | SPRING-HANDLE | 2160822 |
| 11 | 076319-01-712 | EA | PLATE - CEILING | 3200608 |
| 12 | 076319-01-715 | EA | NUT (GEAR HOUSING) | 2200047 |
| 14 | 076319-01-713 | EA | PLATE-BASE, STEEL | 3100523 |
| 15 | 076319-01-703 | EA | BEARING-NYLON, 5"OD | 3200656 |
| 16 | 076319-01-714 | EA | HOUSING, ROTATING GEAR | 2200049 |
| 17 | 076319-01-704 | EA | BEARING-NYLON, 1.25"OD | 3200657 |
| 18 | 076319-01-709 | EA | HANDLE-HEAD DIRECTIONAL | 200644 |
| | 076319-01-716 | EA | TUBING, ELEVATING | RP-2900 |

CONTACT WINNEBAGO PART SALES FOR UNLISTED COMPONENT(S)

076319-25-000

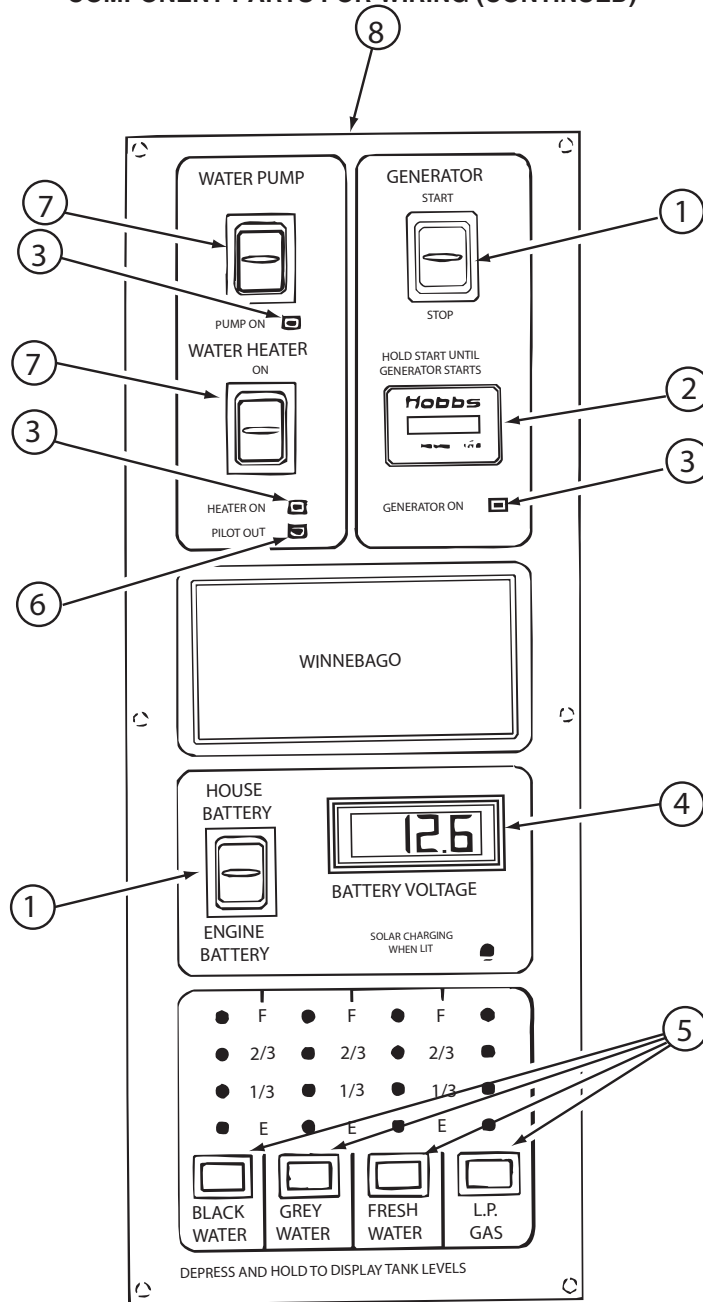
| KEY | PART NUMBER | U/M | DESCRIPTION | VENDOR NO. |
|-----|---------------|-----|------------------------------|------------|
| 6 | 076319-01-706 | EA | CRANK-W/SET SCREW UNIV/BEIGE | 2750897 |
| 6 | 120233-01-710 | EA | HANDLE-CRANK W/SCREW - WHITE | RP-6795 |
| 8 | 076319-01-708 | EA | DECAL-CRANK | 5413002 |
| 10 | 076319-25-700 | EA | DIRECTIONAL HANDLE(WHITE) | 3200612 |
| 11 | 076319-25-701 | EA | PLATE - CEILING(WHITE) | 3200609 |
| 13 | 120233-01-709 | EA | WASHER-NYLON | RP-2658 |

CONTACT WINNEBAGO PART SALES FOR UNLISTED COMPONENT(S)

ELECTRICAL GROUP (CONTINUED)
COMPONENT PARTS FOR WIRING (CONTINUED)

| | | | | |
|------------|--------------------|------------------------------|----------------------|-------------------|
| | | | 086280-01-000 | |
| KEY | PART NUMBER | U/M DESCRIPTION | | VENDOR NO. |
| | 086280-01-700 | EA BULB,12V - #1414 | | ARP1089 |
| | | | 087694-01-000 | |
| KEY | PART NUMBER | U/M DESCRIPTION | | VENDOR NO. |
| | 087694-01-700 | EA BULB | | GE561 |
| | | | 093575-23-03A | |
| KEY | PART NUMBER | U/M DESCRIPTION | | VENDOR NO. |
| | 093575-23-700 | EA GLOBE - SQUARE | | |
| | | | 097917-01-06A | |
| KEY | PART NUMBER | U/M DESCRIPTION | | VENDOR NO. |
| | 097917-01-700 | EA LENS-LIGHT, CLEAR | | 30-78-021 |
| | | | 108354-01-01A | |
| KEY | PART NUMBER | U/M DESCRIPTION | | VENDOR NO. |
| | 108354-01-700 | EA BULB-COURTESY LIGHT | | 395-B |
| | | | 119258-35-03A | |
| KEY | PART NUMBER | U/M DESCRIPTION | | VENDOR NO. |
| | 093575-23-700 | EA GLOBE - SQUARE | | |
| | | | 123775-01-02A | |
| KEY | PART NUMBER | U/M DESCRIPTION | | VENDOR NO |
| | 123775-01-702 | EA BEZEL/LENS - SATIN NICKEL | | 99 953470 |

ELECTRICAL GROUP (CONTINUED)
COMPONENT PARTS FOR WIRING (CONTINUED)



133004-05-01A

| KEY | PART NUMBER | U/M | DESCRIPTION | VENDOR NO. |
|-----|---------------|-----|------------------------------|------------|
| 1 | 133004-01-702 | EA | SWITCH/DPDT MOM=ON-OFF-ON | L1011-00 |
| 2 | 100258-10-701 | EA | GAUGE-HR METER ONLY (LCD) | L0775-00 |
| 3 | 133004-01-706 | EA | L.E.D. GREEN-PANEL MOUNT | L0785 |
| 4 | 133004-01-704 | EA | METER/VOLT-DIGITAL - LCD | L1008-00 |
| 5 | 133004-01-705 | EA | SWITCH/MOM ON - PUSH BUTTON | L0950-00 |
| 6 | 130004-01-703 | EA | L.E.D. RED-PANEL MOUNT | L1009-00 |
| 7 | 133004-01-701 | EA | SWITCH/DPDT ON-ON/MAINTAINED | L1025-00 |
| 8 | 133004-05-700 | EA | SCREENED CHASSIS | CC0563-00 |
| | 133004-05-701 | EA | BOARD - PC | L5130-02 |

137417-01-01A, 137417-03-01A

| KEY | PART NUMBER | U/M | DESCRIPTION | VENDOR NO. |
|-----|---------------|-----|-------------------------|------------|
| | 137417-01-700 | EA | LENS - SINGLE (FROSTED) | 810868 |

137417-02-01A

| KEY | PART NUMBER | U/M | DESCRIPTION | VENDOR NO. |
|-----|---------------|-----|---------------------|------------|
| | 137417-02-700 | EA | LENS - SINGLE OPTIC | 810844 |

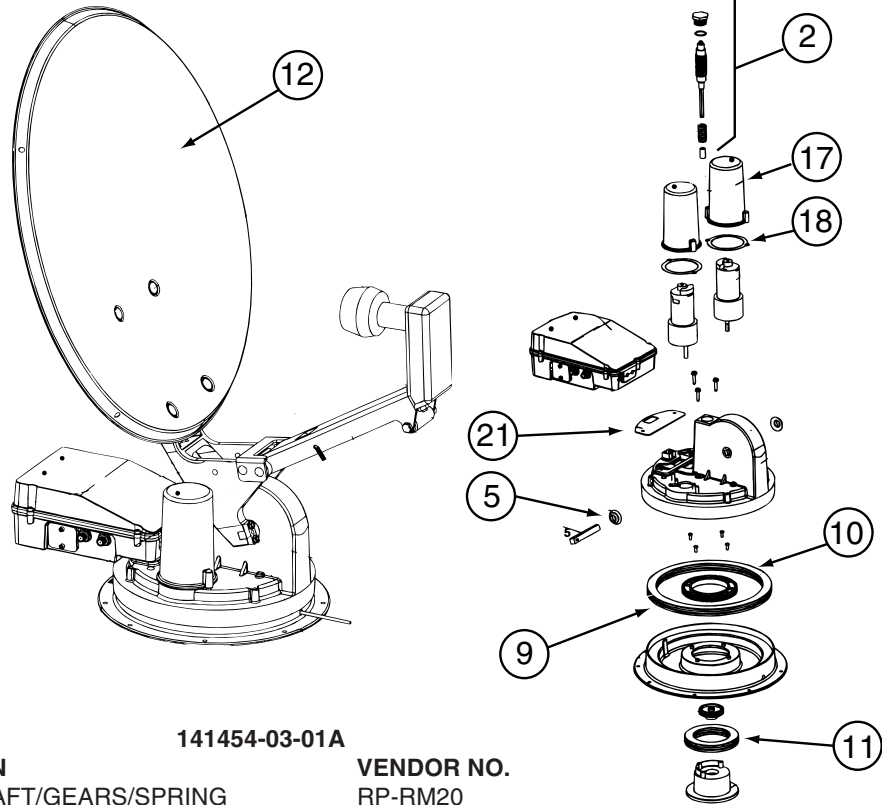
ELECTRICAL GROUP (CONTINUED)
COMPONENT PARTS FOR WIRING (CONTINUED)

137417-05-01A

| KEY | PART NUMBER | U/M DESCRIPTION | VENDOR NO. |
|-----|---------------|------------------------|------------|
| | 137417-05-700 | EA LENS - DOUBLE OPTIC | 810845 |

137417-06-01A

| KEY | PART NUMBER | U/M DESCRIPTION | VENDOR NO. |
|-----|---------------|------------------------|------------|
| | 137417-06-700 | EA LENS - DOUBLE WHITE | 810867 |



141454-03-01A

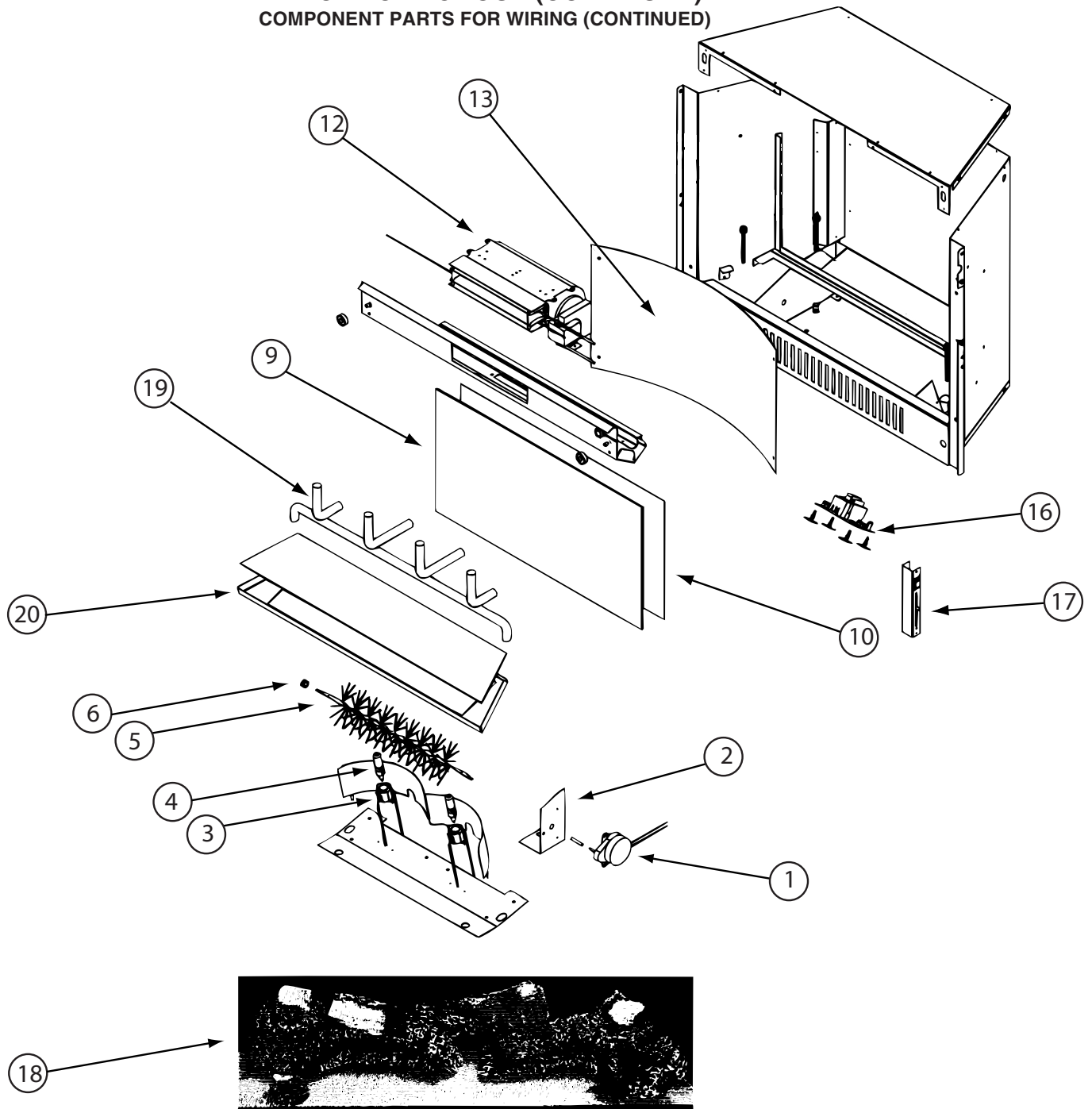
| KEY | PART NUMBER | U/M DESCRIPTION | VENDOR NO. |
|-----|---------------|--|------------------|
| 2 | 141454-01-700 | EA KIT ELEV-SHAFT/GEARS/SPRING | RP-RM20 |
| 4 | 137135-01-705 | EA SPRING | 2160818 |
| 5 | 137135-01-707 | EA SEAL - PIVOT SHAFT | 2200852 |
| 9 | 137135-01-712 | EA BEARING - OUTER | 2590347 |
| 10 | 137135-01-714 | EA GEAR - ELEVATING SHAFT | 2200465 |
| 10 | 141454-01-712 | EA GEAR - ROTATE | 2200469 |
| 11 | 137135-01-715 | EA BEARING - INNER | 2590348 |
| 12 | 137135-01-718 | EA REFLECTOR/WHITE-46CM W/HDWE | RP-35RM |
| 13 | 137135-01-713 | EA TURRET BASE | 3100730 |
| 17 | 141454-01-705 | EA HOUSING - MOTOR | 3200260 |
| 18 | 141454-01-706 | EA GASKET - MOTOR HOUSING | 2240054 |
| 21 | 141454-01-709 | EA GASKET | 2240056 |
| | 120233-01-714 | EA CLIP-E | 5160818 |
| | 137135-01-704 | EA PIN - 1/4" X 3.25" | 2160813 |
| | 137135-01-719 | EA BRACKET - PIVOT | 2744945 |
| | 137135-01-722 | EA CLAMP | 2590343 |
| | 137135-01-723 | EA SUPPORT/FRAME-BACKUP-W/HDWE | RP-RM00 |
| | 137135-02-703 | EA LOW NOISE BLOCK FILTER | LB-6000 - DUAL |
| | 141454-01-701 | EA KIT - GEAR/MOTOR-GEAR/ROTATE | RP-RM25 |
| | 141454-01-702 | EA HOUSING/ELECTRONICS - UPPER | RP-RM10 |
| | 141454-01-703 | EA HOUSING/ELECTRONICS - LOWER | RP-RM15 |
| | 141454-01-704 | EA KIT LIFT ASSEMBLY COMPLETE | RP-RM05 |
| | 141454-03-700 | EA MOTOR (AZIMUTH) | 2665042 |
| | 141454-03-701 | EA MOTOR (ELEVATION) | 2665041 |
| | 141454-03-702 | EA CIRCUIT BOARD(CONTROL BOARD)RP-RM80 | |
| | 141454-03-703 | EA CONTRL PANEL W/BOX (AS2003) | RP-AS85 |
| | 141454-03-704 | EA TURRET ASM - W/MOTORS | RP-AS50 |
| | 141454-03-705 | EA SHROUD/COVER - W/SCREWS | 2200732 W/SCREWS |

CONTACT WINNEBAGO PART SALES FOR UNLISTED COMPONENT(S)

ELECTRICAL GROUP (CONTINUED)
COMPONENT PARTS FOR WIRING (CONTINUED)

| 146048-01-01A | | | |
|-------------------------------------|--------------------|-------------------------------|-------------------|
| KEY | PART NUMBER | U/M DESCRIPTION | VENDOR NO. |
| | 123775-01-700 | EA BULB - 10 WATT - HALOGEN | 71-JC10 |
| 146298-02-000 | | | |
| KEY | PART NUMBER | U/M DESCRIPTION | VENDOR NO. |
| | 146298-02-700 | EA REMOTE - TV | 1-478-707-11 |
| 149040-03-000 | | | |
| KEY | PART NUMBER | U/M DESCRIPTION | VENDOR NO. |
| | 149040-03-700 | EA REMOTE - TV | 265714 |
| 149040-04-000 | | | |
| KEY | PART NUMBER | U/M DESCRIPTION | VENDOR NO. |
| | 149040-04-700 | EA REMOTE - TV | 274596 |
| 153464-03-01A, 153464-06-01A | | | |
| KEY | PART NUMBER | U/M DESCRIPTION | VENDOR NO. |
| | 091937-08-700 | EA LENS - LIGHT - FLUORESCENT | D-766 |

ELECTRICAL GROUP (CONTINUED)
COMPONENT PARTS FOR WIRING (CONTINUED)



154506-01-01A, 154506-03-01A

| KEY | PART NUMBER | U/M | DESCRIPTION | VENDOR NO. |
|-----|---------------|-----|-----------------------------|-------------|
| 1 | 154506-03-701 | EA | MOTOR | 4035-860 |
| 2 | 154506-03-702 | EA | BRACKET - F/MOTOR | 4038-009 |
| 4 | 154506-03-706 | EA | BULB - HALOGEN | 33961 |
| 5 | 154506-03-707 | EA | FLAME ELEMENT | 4030-200 |
| 6 | 154506-03-714 | EA | GROMMET - F/FLAME ELEMENT | 25006 |
| 9 | 154506-03-710 | EA | ACRYLIC PANEL - OUTER | 4038-805 |
| 10 | 154506-03-711 | EA | LENTICULAR LENS PANEL-INNER | 4038-810 |
| 12 | 154506-03-703 | EA | HEATER/BLOWER ASM | 4038-107 |
| 13 | 154506-03-709 | EA | FLAME DECAL-REFLECTIVE | 4021-190 |
| 16 | 154506-03-700 | EA | CONTROL BOARD ASM | 4038-108 |
| 17 | 154506-03-712 | EA | SWITCH ASM | 4038-110 |
| 18 | 154506-03-705 | EA | LOG SET | 4038-004 |
| 19 | 154506-03-704 | EA | GRATE | 4038-880 |
| 20 | 154506-03-708 | EA | EMBER BED | 4038-217 |
| | 154506-01-700 | EA | REMOTE CONTROL - FIREPLACE | RC-ELEC-HTL |
| | 154506-03-713 | EA | THERMOSTAT | 4038-849 |

ELECTRICAL GROUP (CONTINUED)
COMPONENT PARTS FOR WIRING (CONTINUED)

| | | | | 156413-01-01A | | |
|-----|---------------|-----|-----------------------------|---------------|------------|--|
| KEY | PART NUMBER | U/M | DESCRIPTION | | VENDOR NO. | |
| | 156413-01-700 | EA | REMOTE | | REMAWM950 | |
| | | | | 158836-01-000 | | |
| KEY | PART NUMBER | U/M | DESCRIPTION | | VENDOR NO. | |
| | 158836-01-700 | EA | REMOTE | | STS71WREM | |
| | | | | 163031-01-01A | | |
| KEY | PART NUMBER | U/M | DESCRIPTION | | VENDOR NO. | |
| | 163031-01-700 | EA | REMOTE | | PSVCAWM960 | |
| | | | | 163097-01-000 | | |
| KEY | PART NUMBER | U/M | DESCRIPTION | | VENDOR NO. | |
| | 163097-01-700 | EA | KEY - #2382 (ILLINOIS LOCK) | | 2382 | |
| | 163097-01-701 | EA | KEY - #2341 (MILLER DIAL) | | PART SALES | |
| | | | | 164226-01-000 | | |
| KEY | PART NUMBER | U/M | DESCRIPTION | | VENDOR NO. | |
| | 164226-01-700 | EA | REMOTE - TV | | LT2725-RC | |
| | | | | 164227-01-000 | | |
| KEY | PART NUMBER | U/M | DESCRIPTION | | VENDOR NO. | |
| | 164227-01-700 | EA | REMOTE - TV | | LT3225-RC | |
| | | | | 164270-01-000 | | |
| KEY | PART NUMBER | U/M | DESCRIPTION | | VENDOR NO. | |
| | 164270-01-700 | EA | REMOTE | | STS2891REM | |
| | | | | 166332-01-000 | | |
| KEY | PART NUMBER | U/M | DESCRIPTION | | VENDOR NO. | |
| | 166332-01-700 | EA | REMOTE - TV | | 274780 | |

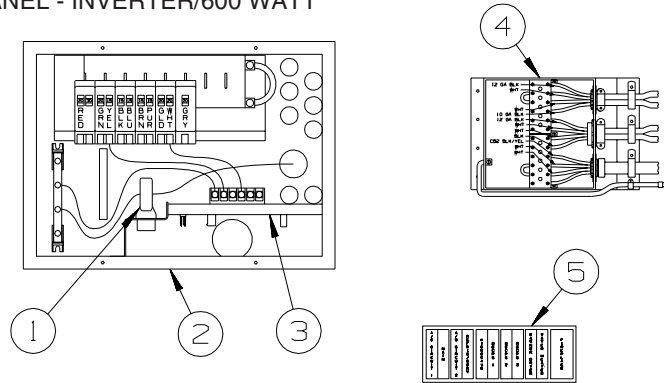
CIRCUIT BREAKERS, FUSES & RELAYS

| KEY | PART NUMBER | U/M | DESCRIPTION |
|-----|---------------|-----|--|
| | 062901-02-000 | EA | FUSE - 5 AMP - AUTOMOTIVE |
| | 062901-05-000 | EA | FUSE - 15 AMP - AUTOMOTIVE |
| | 062901-07-000 | EA | FUSE - 25 AMP - AUTOMOTIVE |
| | 062901-08-000 | EA | FUSE - 30 AMP - AUTOMOTIVE |
| | 063910-01-000 | EA | HOUSING - RELAY |
| | 063912-02-000 | EA | RELAY - CANISTER - SPDT |
| | 083209-01-000 | EA | CIRCUIT BREAKER - 15 AMP - 120 VOLT - CANADIAN |
| | 083209-02-000 | EA | CIRCUIT BREAKER - 15/15 AMP - 120 VOLT |
| | 083209-03-000 | EA | CIRCUIT BREAKER - 15/20 AMP - 120 VOLT |
| | 083209-04-000 | EA | CIRCUIT BREAKER - 30 AMP - 120 VOLT |
| | 083209-05-000 | EA | CIRCUIT BREAKER - 20 AMP - 120 VOLT |
| | 083209-06-000 | EA | CIRCUIT BREAKER - 30/15 AMP - 120 VOLT |
| | 083209-07-000 | EA | CIRCUIT BREAKER - 20/20 AMP - 120 VOLT |
| | 083209-10-000 | EA | CIRCUIT BREAKER - 20/30 AMP - 120 VOLT |
| | 083209-11-000 | EA | CIRCUIT BREAKER - 20/15 AMP - 120 VOLT |
| | 092786-03-000 | EA | BUSS BAR - 6.9" LONG |
| | 092786-06-000 | EA | BUSS BAR |
| | 093654-01-000 | EA | CIRCUIT BREAKER - 6 AMP - 12 VOLT - PUSH BUTTON - WHITE |
| | 093654-02-000 | EA | CIRCUIT BREAKER - 15 AMP - 12 VOLT - PUSH BUTTON - WHITE |
| | 093654-03-000 | EA | CIRCUIT BREAKER - 20 AMP - 12 VOLT - PUSH BUTTON - WHITE |
| | 093654-05-000 | EA | CIRCUIT BREAKER - 10 AMP - 12 VOLT - PUSH BUTTON - WHITE |
| | 093655-01-000 | EA | CIRCUIT BREAKER - 25 AMP - 12 VOLT - PUSH BUTTON - WHITE |
| | 093655-02-000 | EA | CIRCUIT BREAKER - 30 AMP - 12 VOLT - PUSH BUTTON - WHITE |
| | 093655-03-000 | EA | CIRCUIT BREAKER - 40 AMP - 12 VOLT - PUSH BUTTON - WHITE |
| | 100341-01-000 | EA | FUSE HOLDER - IN LINE TYPE |
| | 113482-01-000 | EA | CIRCUIT BREAKER - 55 AMP - MANUAL |
| | 115187-01-000 | EA | FUSE - 300 AMP - NON-DELAY |
| | 115187-02-000 | EA | HOLDER - FUSE |
| | 115187-03-000 | EA | FUSE - 60 AMP - NON-DELAY |
| | 122811-01-000 | EA | CIRCUIT BREAKER - 20/50/50/20 AMP - 250V |
| | 141789-01-000 | EA | SPACER - CIRCUIT BREAKER |

ELECTRICAL GROUP (CONTINUED)

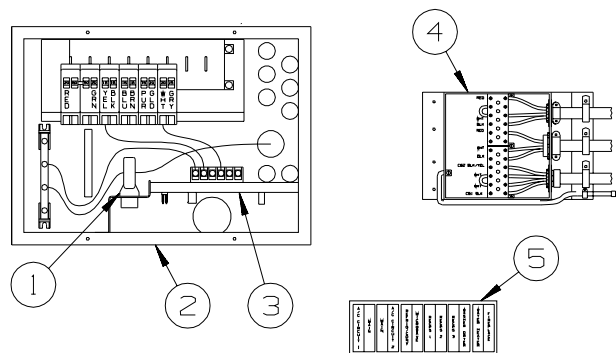
CONVERTER, INVERTER, LOAD CENTERS

| KEY | PART NUMBER | U/M | DESCRIPTION |
|-----|---------------|-----|--|
| | 123058-01-000 | EA | CONVERTER - 55 AMP - ELECTRONIC - 4 1/8"H X 7"W X 12 3/8"L |
| | 148254-03-000 | EA | CABLE/INVERTOR - W/8 PIN MODULAR PHONE JACK - 50'-DIMEN |
| | 154511-01-000 | EA | INVERTER - 600 WATT - W/O REMOTE PANEL |
| | 154511-02-000 | EA | REMOTE/PANEL - INVERTER/600 WATT |



30 AMP

LOAD CENTER



50 AMP

| KEY | PART NUMBER | U/M | DESCRIPTION |
|-----|---------------|-----|--|
| 1 | 127002-07-000 | EA | SENSOR - CURRENT |
| 2 | 141258-01-000 | EA | LOAD CENTER - 120/240 - 30/50 AMP |
| 2 | 141258-02-000 | EA | LOAD CENTER - COVER |
| 3 | 127002-11-000 | EA | MODULE - EMS CENTER - W/REMOTE SENSOR |
| 4 | 106071-06-000 | EA | SWITCH - AUTOMATIC TRANSFER - PARALLAX 5070 - 30/50 AMP FROM: 00-00-00 THRU: 11-11-07 |
| 4 | 167050-01-000 | EA | SWITCH - AUTOMATIC TRANSFER - PARALLAX ATS501BP FROM: 11-12-07 THRU: 99-99-99 |
| 5 | 095721-47-000 | EA | LABEL - CONTROL CENTER - 50 AMP - 50 AMP ELECTRICAL SYSTEM |

ELECTRICAL GROUP (CONTINUED)

BOXES & CORDS

| KEY | PART NUMBER | U/M | DESCRIPTION |
|-----|---------------|-----|--|
| | 108934-02-000 | EA | CORD - POWER - 50 AMP - 4-WIRE - 36' |
| | 115832-01-000 | FT | CORD - HEAVY DUTY - 14-2 W/GROUND |
| | 131679-01-000 | EA | BOX/ELECTRIC-WATERPROOF-4" X 4" - W/4 3/4"OUTLETS-UL/CSA |
| | 131680-01-000 | EA | COVER - F/ELECTRIC BOX W/GASKET 4" X 4" - UL/CSA |
| | 133070-01-000 | EA | BOX - ELECTRIC/PLASTIC - 3" X 2" X 2.8" - UL |
| | 133070-02-000 | EA | BOX - ELECTRIC/PLASTIC - 3" X 2" X 2.8" - CSA |

WIRE ASSEMBLIES

| KEY | PART NUMBER | U/M | DESCRIPTION |
|-----|---------------|-----|---|
| | 077069-02-000 | EA | CABLE/EXTENSION - RADIO ANTENNA - 96" |
| | 077069-03-000 | EA | CABLE/EXTENSION - RADIO ANTENNA - 260" |
| | 114870-01-000 | EA | PLUG - AUDIO W/LEADS - 48.5" |
| | 136860-02-000 | EA | CABLE - RCA - SHIELDED - 3 MALE TO MALE CONNECTORS - 50' |
| | 125853-04-000 | EA | WIRE LOOM - ENTERTAINMENT CENTER |
| | 126030-01-000 | EA | WIRE ASM-WIPER/WASHER |
| | 135131-01-000 | EA | WIRE LOOM - THERMOSTAT |
| | 136028-01-000 | EA | WIRE ASM-SOFA,REST EASY |
| | 136514-02-000 | EA | CABLE - MONITOR/CAMERA |
| | 136860-02-000 | EA | CABLE - RCA - SHIELDED - 3 MALE TO MALE CONNECTORS - 50' |
| | 137135-03-000 | EA | WIRE LOOM - DIGITAL ELEVATION SENSOR |
| | 137135-04-000 | EA | WIRE HARNESS - POWER - DIGITAL ELEVATION SENSOR |
| | 139583-01-000 | EA | WIRE LOOM - SOFA/DOUBLE REST EASY |
| | 139583-02-000 | EA | WIRE LOOM - SOFA/REAR SWITCH |
| | 141454-04-000 | EA | WIRE - SATELLITE - AUTOMATIC |
| | 142258-02-000 | EA | WIRE LOOM - VIDEO SWITCH/POWER SUPPLY |
| | 144677-07-000 | EA | WIRE - MONITOR - POWER - 3 PIN TO 6 PIN (3 WIRE) |
| | 144677-09-000 | EA | WIRE - MONITOR - POWER - 3 PIN/2 PIN |
| | 145210-01-000 | FT | CABLE - COAXIAL |
| | 147313-01-000 | EA | WIRE - OUTSIDE TEMP SENSOR - W/O SENSOR |
| | 151316-02-000 | EA | WIRE ASM - W/NON CONTACT SENSORS - GREY WATER - 23.6" |
| | 151317-01-000 | EA | WIRE ASM-W/NON CONTACT SENSORS-FRESH WATER/BLK TANK-3.9" |
| | 151317-02-000 | EA | WIRE ASM-W/NON CONTACT SENSORS-FRESH WATER/BLK TANK-23.6" |
| | 151422-01-000 | EA | PIGTAIL - F/FOG LIGHT |
| | 155505-01-000 | EA | WIRE ASSEMBLY - ADAPTER/HEADLIGHT |
| | 155619-05-000 | EA | WIRE ASSEMBLY - RADIO - 12 PIN |

ELECTRICAL GROUP (CONTINUED)
CONNECTORS & CONDUIT

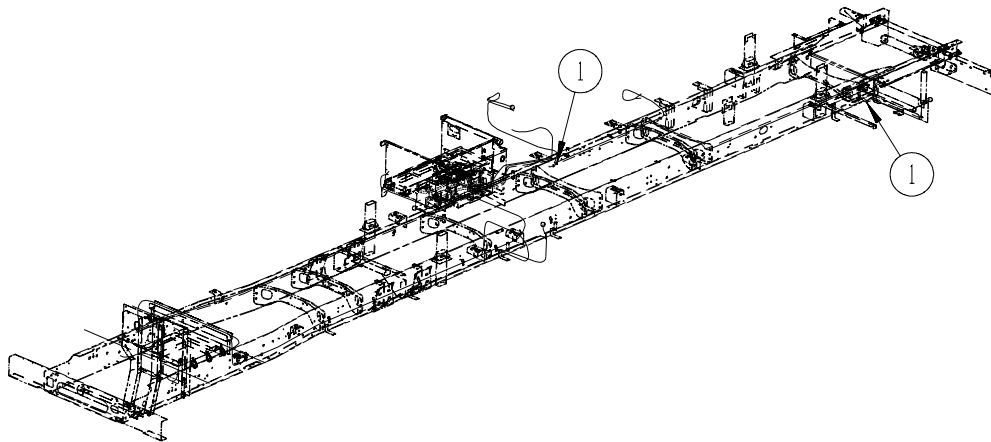
| KEY | PART NUMBER | U/M | DESCRIPTION |
|-----|---------------|-----|--|
| | 007940-01-000 | EA | RECEPTACLE/SLIDE 16 TO 12 AWG - FEMALE END |
| | 007940-02-000 | EA | RECEPTACLE/SLIDE 10 AWG |
| | 007954-01-000 | EA | RECEPTACLE - HOUSING - 6 POSITION |
| | 007956-05-000 | EA | INSULATOR - SHRINK - 1/4"ID X 1 1/2" |
| | 008311-01-000 | EA | CONNECTOR - WIRE NUT - INSULATED - RED |
| | 008312-01-000 | EA | CONNECTOR - WIRE NUT - INSULATED - BLUE |
| | 008313-01-000 | EA | CONNECTOR - WIRE NUT - INSULATED - YELLOW |
| | 008314-01-000 | EA | CONNECTOR - WIRE NUT - INSULATED - GRAY |
| | 008328-01-000 | EA | TERMINAL - RING - 12/10 WIRE - #10 STUD FIT |
| | 008331-01-000 | EA | TERMINAL - RING - TONGUE - #4 WIRE - 3/8" STUD - COPPER |
| | 008348-01-000 | EA | TERMINAL - RING - 3/8" STUD 2 GA. WIRE |
| | 008355-01-000 | EA | CONNECTOR - CABLE CLAMPING - 3/4" |
| | 008356-01-000 | EA | CONNECTOR - PLASTIC - 3/8" |
| | 008356-02-000 | EA | CONNECTOR - PLASTIC - 21/32" |
| | 035416-04-000 | EA | TERMINAL - RING - #10 STUD FIT - INSULATED BARREL #16/14 |
| | 041953-01-000 | FT | CONDUIT - CONVOLUTE SLIT - .5" ID - POLYETHYLENE |
| | 041953-02-000 | FT | CONDUIT - CONVOLUTE SLIT - .6" ID - POLYETHYLENE |
| | 041953-03-000 | FT | CONDUIT - CONVOLUTE SLIT - 1" ID (CLOTHES ROD COVER) |
| | 041953-05-000 | FT | CONDUIT - CONVOLUTE SLIT - .62" ID - POLYETHYLENE |
| | 041953-06-000 | FT | CONDUIT - CONVOLUTE SLIT - .4" ID - POLYETHYLENE |
| | 041953-07-000 | FT | CONDUIT - CONVOLUTE SLIT - .25" ID - POLYETHYLENE |
| | 041953-08-000 | FT | CONDUIT - CONVOLUTE SLIT - 1.5" ID - POLYETHYLENE |
| | 041953-09-000 | FT | CONDUIT - CONVOLUTE SLIT - .5" ID - NYLON |
| | 041953-10-000 | FT | CONDUIT - CONVOLUTE SLIT - .75" ID - NYLON |
| | 041953-11-000 | FT | CONDUIT - CONVOLUTE SLIT - 1.06" ID - NYLON |
| | 041953-12-000 | FT | CONDUIT - CONVOLUTE SOLID - 1.1" ID - NYLON |
| | 041953-13-000 | FT | CONDUIT - CONVOLUTE SLIT - 1.25" ID |
| | 041953-14-000 | FT | CONDUIT - CONVOLUTE SLIT - 1.5" ID |
| | 041953-15-000 | FT | CONDUIT - CONVOLUTE SLIT - 2" |
| | 041953-16-000 | FT | CONDUIT - CONVOLUTE SLIT - 2" |
| | 047441-01-000 | EA | TERMINAL-BATTERY, HORIZONTAL LUG |
| | 047443-01-000 | EA | TERMINAL - .250 RECEPTACLE FIT - INSULATED - 16/14 AWG |
| | 047443-02-000 | EA | TERMINAL - .250 RECEPTACLE FIT - INSULATED - 12/10 AWG |
| | 047443-05-000 | EA | TERMINAL - .250 RECEPTACLE FIT - 18GA AWG |
| | 058028-01-000 | EA | CONNECTOR - ELECTRICAL PIGTAIL - NYLON - CLEAR |
| | 062036-01-000 | EA | TERMINAL - PACK - CON - 12/10 AWG |
| | 076319-12-000 | EA | CONNECTOR - COAXIAL - ONE PIECE |
| | 077479-02-000 | EA | BOOT - BATTERY TERMINAL - SINGLE CABLE |
| | 080015-02-000 | EA | RECEPTACLE - FLAG - .185 - 16/14 GAUGE |
| | 080015-03-000 | EA | RECEPTACLE - FLAG - .250 - 14/16 GAUGE |
| | 080015-04-000 | EA | RECEPTACLE - FLAG - .187 - 16/14 GAUGE |
| | 082109-01-000 | EA | HOUSING - CONNECTOR - PACKARD |
| | 082741-01-000 | EA | CONNECTOR BODY - 2 CONNECTOR MALE |
| | 087225-01-000 | FT | SLEEVING - 1/2" - TYPE H |
| | 088473-01-000 | EA | HOUSING - PIN - 12 CAVITY (3 ROWS OF 4) |
| | 088473-02-000 | EA | HOUSING - PIN - 15 CAVITY (3 ROWS OF 5) |
| | 088473-03-000 | EA | HOUSING - PIN - 9 CAVITY (3 ROWS OF 3) |
| | 088473-04-000 | EA | HOUSING - PIN - 8 CAVITY IN-LINE |
| | 088473-06-000 | EA | HOUSING - PIN - 6 CAVITY (2 ROWS OF 3) |
| | 088473-07-000 | EA | HOUSING - PIN - 5 CAVITY - IN-LINE |
| | 088473-08-000 | EA | HOUSING - PIN - 4 CAVITY - IN-LINE |
| | 088473-09-000 | EA | HOUSING - PIN - 3 CAVITY - IN-LINE |
| | 088473-10-000 | EA | HOUSING - PIN - 2 CAVITY - IN-LINE |
| | 088473-12-000 | EA | HOUSING - PIN - 3 CAVITY - BLUE |
| | 088473-13-000 | EA | HOUSING - PIN - 3 CAVITY - GREEN |
| | 088473-14-000 | EA | HOUSING - PIN - 3 CAVITY - RED |
| | 088474-01-000 | EA | HOUSING - SOCKET - 12 CAVITY |
| | 088474-02-000 | EA | HOUSING - SOCKET - 15 CAVITY |
| | 088474-03-000 | EA | HOUSING - SOCKET - 9 CAVITY |
| | 088474-06-000 | EA | HOUSING - SOCKET - 6 CAVITY |
| | 088474-07-000 | EA | HOUSING - SOCKET - 5 CAVITY |
| | 088474-08-000 | EA | HOUSING - SOCKET - 4 CAVITY |
| | 088474-09-000 | EA | HOUSING - SOCKET - 3 CAVITY |

ELECTRICAL GROUP (CONTINUED)
CONNECTORS & CONDUIT (CONTINUED)

| KEY | PART NUMBER | U/M | DESCRIPTION |
|-----|---------------|-----|---|
| | 088474-10-000 | EA | HOUSING - SOCKET - 2 CAVITY |
| | 088474-12-000 | EA | HOUSING - SOCKET - 2 CAVITY - RED |
| | 088475-01-000 | EA | PIN - CONNECTOR - 14-20 AWG |
| | 088475-02-000 | EA | PIN - CONNECTOR - 10-12 AWG |
| | 088476-01-000 | EA | TERMINAL - ELECTRICAL |
| | 088476-02-000 | EA | SOCKET - CONNECTOR - 12-10 GA - PRE-TIN |
| | 098261-01-000 | EA | SOCKET - CONNECTOR - WEATHERPACK - 12 AWG |
| | 098261-02-000 | EA | SOCKET - CONNECTOR - WEATHERPACK - 14-18 AWG |
| | 098262-01-000 | EA | SEAL - CONNECTOR - WEATHERPACK |
| | 098264-01-000 | EA | HOUSING - 2 PIN - WEATHER PACK - MALE W/FEMALE PINS |
| | 098264-02-000 | EA | HOUSING - 2 PIN - WEATHER PACK - FEMALE W/MALE PINS |
| | 098265-02-000 | EA | PIN - CONNECTOR - WEATHER PACK |
| | 102777-02-000 | EA | TERMINAL - RING - #6 STUD - 10 AWG |
| | 103608-01-000 | EA | SOCKET - WEDGE BASE W/LEADS |
| | 104100-01-000 | EA | HOUSING - 1 POSITION - 75 AMPS |
| | 104100-03-000 | EA | TERMINAL - 75 AMP |
| | 106007-02-000 | EA | TERMINAL - FEMALE - 10-12 AWG |
| | 110178-01-000 | EA | HOUSING - WIPER MOTOR |
| | 112823-01-000 | EA | SPLICE - REDUCER - 16-14 TO 18-22 |
| | 113135-01-000 | EA | TERMINAL - FEMALE - M/P - 14-16 - F/SEALED TERMINAL |
| | 113308-01-000 | EA | TERMINAL - FEMALE - M/P - 14-16 - 280 |
| | 113308-02-000 | EA | TERMINAL - FEMALE - M/P - 14-18 - 280 |
| | 113468-01-000 | EA | HOUSING - 2 POSITION-FEMALE-USED ON WIPER/WASHER WIRE ASM |
| | 113468-02-000 | EA | HOUSING - 2 POSITION - FEMALE |
| | 116811-01-000 | EA | TERMINAL - .110 RECEPTACLE - 16-14 AWG |
| | 118571-01-000 | EA | CONNECTOR - 3-WAY - MALE/SEALED |
| | 118571-02-000 | EA | CONNECTOR - 3-WAY - FEMALE/SEALED |
| | 118571-05-000 | EA | LOCK - SECONDARY - FEMALE |
| | 118571-06-000 | EA | LOCK - SECONDARY - MALE |
| | 118599-02-000 | EA | TERMINAL - MALE - M/P - 280/14-12 |
| | 118820-01-000 | EA | INSULATOR - TERMINAL |
| | 129233-01-000 | EA | HOUSING - 2-POSITION/FEMALE - 280-SERIES |
| | 129233-02-000 | EA | HOUSING - 2-POSITION/FEMALE - 280-SERIES |
| | 129233-03-000 | EA | HOUSING - 2-POSITION/FEMALE - 280-SERIES |
| | 131681-01-000 | EA | CONNECTOR - 3/4" SO CORD - UL/CS |
| | 137207-01-000 | EA | HOUSING - PIN - 2 CAVITY/HIGH AMP |
| | 137208-01-000 | EA | HOUSING - SOCKET - 2 CAVITY/HIGH AMP |
| | 137209-01-000 | EA | PIN - CONNECTOR - 10AWG/HIGH AMP |
| | 137210-01-000 | EA | SOCKET - CONNECTOR - 10 AWG/HIGH AMP |
| | 138996-04-000 | EA | CONNECTOR - LAMP |
| | 142520-01-000 | EA | TERMINAL - FEMALE - MINI-FIT 16 |
| | 142522-01-000 | EA | HOUSING - 4 PIN/MALE - MINI FIT |
| | 142522-02-000 | EA | HOUSING - 6 PIN/MALE - MINI FIT |
| | 142522-03-000 | EA | HOUSING - 8 PIN/MALE - MINI FIT |
| | 142522-04-000 | EA | HOUSING - 10 PIN/MALE - MINI FIT |
| | 142522-05-000 | EA | HOUSING - 12 PIN/MALE - MINI FIT |
| | 142522-06-000 | EA | HOUSING - 14 PIN/MALE - MINI FIT |
| | 142524-01-000 | EA | HOUSING - 4 PIN/FEMALE - WEATHER PACK |
| | 142524-02-000 | EA | HOUSING - 4 PIN/FEMALE - WEATHER PACK |
| | 144283-01-000 | EA | CONNECTOR - 110V - F/USE WITH SOW WIRE - BLUE |
| | 144283-02-000 | EA | CONNECTOR - 110V - F/USE WITH NM ROMEX WIRE - CLEAR |
| | 145171-01-000 | EA | CONNECTOR - COAXIAL |
| | 148335-01-000 | EA | HOUSING - 8-POSITION/MALE - 280-GT SERIES |
| | 148335-02-000 | EA | HOUSING - 4-POSITION/MALE - 280-GT SERIES |
| | 148335-03-000 | EA | HOUSING - 6-POSITION/MALE - 280-GT SERIES |
| | 149683-01-000 | EA | HOUSING - F/5 CAVITY RECEPTACLE - W/SQUARE GUIDE PIN |
| | 149683-02-000 | EA | HOUSING - F/5 CAVITY RECEPTACLE - W/ROUND GUIDE PIN |
| | 149686-01-000 | EA | TERMINAL - .250 RECEPTACLE |
| | 149687-01-000 | EA | HOUSING - 2 POSITION/MALE - PACKARD |
| | 149687-02-000 | EA | LOCK - F/2 POSITION HOUSING - PACKARD |
| | 149688-01-000 | EA | TERMINAL - MALE - 16 GAUGE WIRE |
| | 156035-01-000 | EA | HOUSING - 12-POSITION/FEMALE - 280-GT SERIES |
| | 156041-01-000 | EA | TERMINAL - FEMALE - 16-12 - 280-GT SERIES |

ELECTRICAL GROUP (CONTINUED)
CONNECTORS & CONDUIT (CONTINUED)

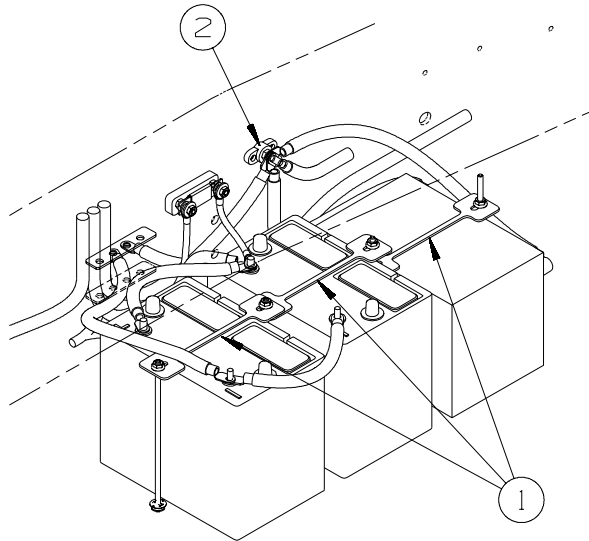
| KEY | PART NUMBER | U/M | DESCRIPTION |
|-----|---------------|-----|---|
| | 156043-01-000 | EA | HOUSING - 2-POSITION/FEMALE - 480-MP SERIES |
| | 156043-02-000 | EA | LOCK - F/2 POSITION HOUSING - 480 SERIES |
| | 156044-01-000 | EA | TERMINAL - FEMALE - 16-12 - 280-GT - F/SEALED HOUSING |
| | 156045-01-000 | EA | HOUSING - 10-POSITION/FEMALE - 280-GT SERIES |
| | 156045-02-000 | EA | HOUSING - 4-POSITION/FEMALE - 280-GT SERIES |
| | 156045-03-000 | EA | HOUSING - 8-POSITION/FEMALE - 280-GT SERIES |
| | 156045-04-000 | EA | HOUSING - 6-POSITION/FEMALE - 280-GT SERIES |
| | 156207-01-000 | EA | HOUSING - 6-POSITION/MALE - 150-GT SERIES |
| | 156208-01-000 | EA | TERMINAL - MALE - 18-16 - 150-GT SERIES |
| | 157590-01-000 | EA | TERMINAL - FEMALE - M/P - 10-12 - 630 |
| | 157592-01-000 | EA | HOUSING - 7-POSITION/FEMALE - M/P |
| | 157592-02-000 | EA | LOCK - SECONDARY - F/7 POSITION HOUSING |
| | 157656-01-01A | EA | CONNECTOR - DASH LIGHT - BLACK |
| | 158357-01-000 | EA | HOUSING - 3 PIN/MALE - MINI FIT |
| | 158373-01-000 | EA | HOUSING - SOCKET - 16 CAVITY - MINI MATE-N-LOCK |
| | 158374-01-000 | EA | SOCKET - 16-20 CAVITY - MINI MATE-N-LOCK |
| | 164687-01-000 | EA | PIN - CONNECTOR - 16-14 |
| | 164685-01-000 | EA | HOUSING - PIN - 7-POSITION |
| | 164689-01-000 | EA | SEAL - CONNECTOR |
| | 168450-01-000 | EA | CONNECTOR/ADAPTER - COAX |



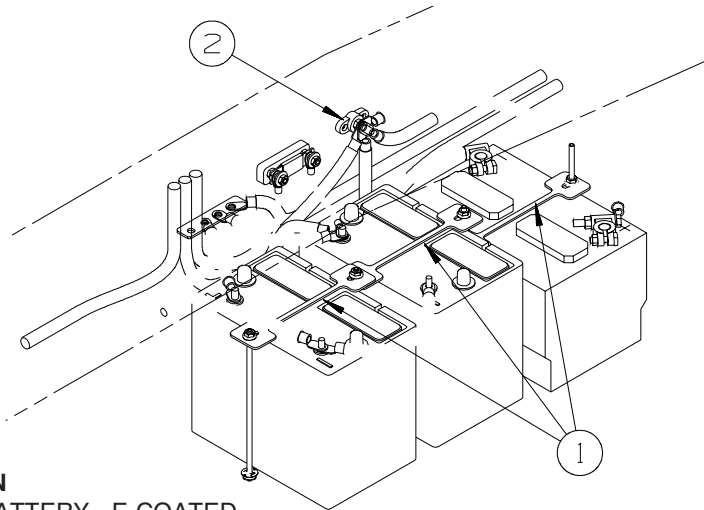
CHASSIS

| KEY | PART NUMBER | U/M | DESCRIPTION |
|-----|---------------|-----|--|
| 1 | 113452-02-000 | FT | SEAL/TRIM - FRONT - VINYL W/WIRE CARRIER - .027" |

ELECTRICAL GROUP (CONTINUED)
CHASSIS (CONTINUED)



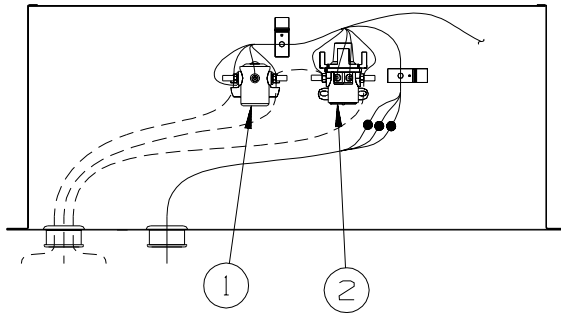
**FORD
BATTERY
INSTALLATION**



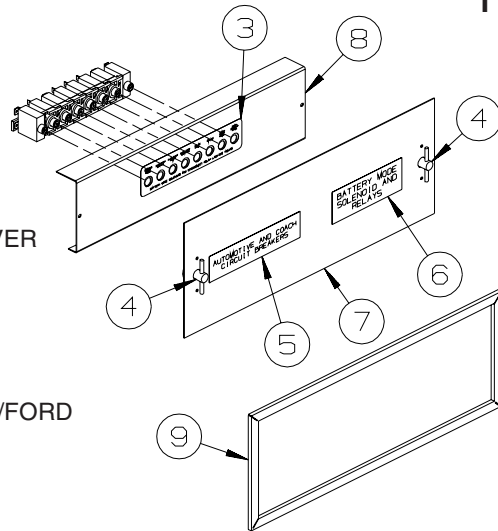
**WORKHORSE
BATTERY
INSTALLATION**

| KEY | PART NUMBER | U/M | DESCRIPTION |
|-----|---------------|-----|------------------------------------|
| 1 | 160014-01-02B | EA | TIEDOWN - BATTERY - E-COATED |
| 2 | 086233-01-000 | EA | STUD - ISOLATED - 3/8" X 7/8" LONG |

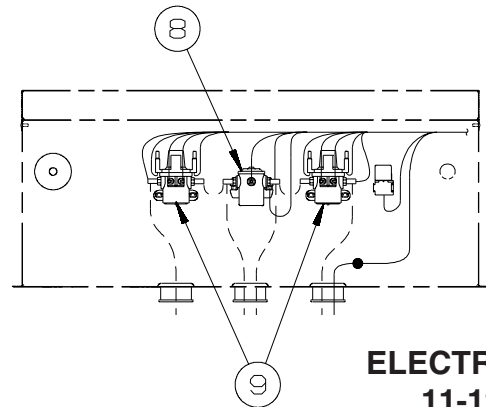
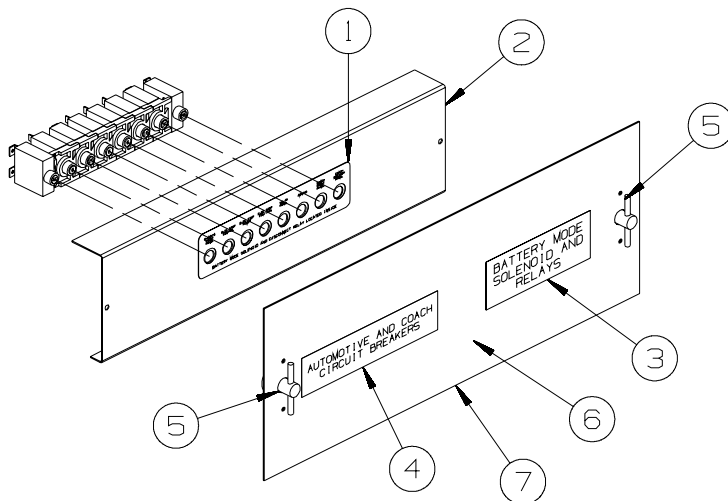
ELECTRICAL GROUP (CONTINUED)
CHASSIS (CONTINUED)



ELECTRIC BOX
00-00-00
THRU
11-11-07



| KEY | PART NUMBER | U/M | DESCRIPTION |
|-----|---------------|-----|--|
| 1 | 008188-01-000 | EA | SOLENOID - 3 POST - BATTERY CHANGE OVER |
| 2 | 086273-01-000 | EA | RELAY - BATTERY DISCONNECT |
| 3 | 093236-35-000 | EA | LABEL - CIRCUIT BREAKER |
| 4 | 098196-01-000 | EA | LATCH - 1/4 TURN - T-BAR |
| 5 | 098379-01-000 | EA | LABEL - CIRCUIT BREAKER - FRONT BOX |
| 6 | 098379-04-000 | EA | LABEL - ELECTRICAL BOX - SIDE |
| 7 | 109925-04-000 | EA | DOOR - ELECTRICAL BOX - 6.9" X 18.5" - GM/FORD |
| 8 | 118531-02-02B | EA | PLATE - CIRCUIT BREAKER - E COATED |
| 9 | 092492-11-000 | EA | SEAL - ELECTRIC BOX - 7" X 18.4" |

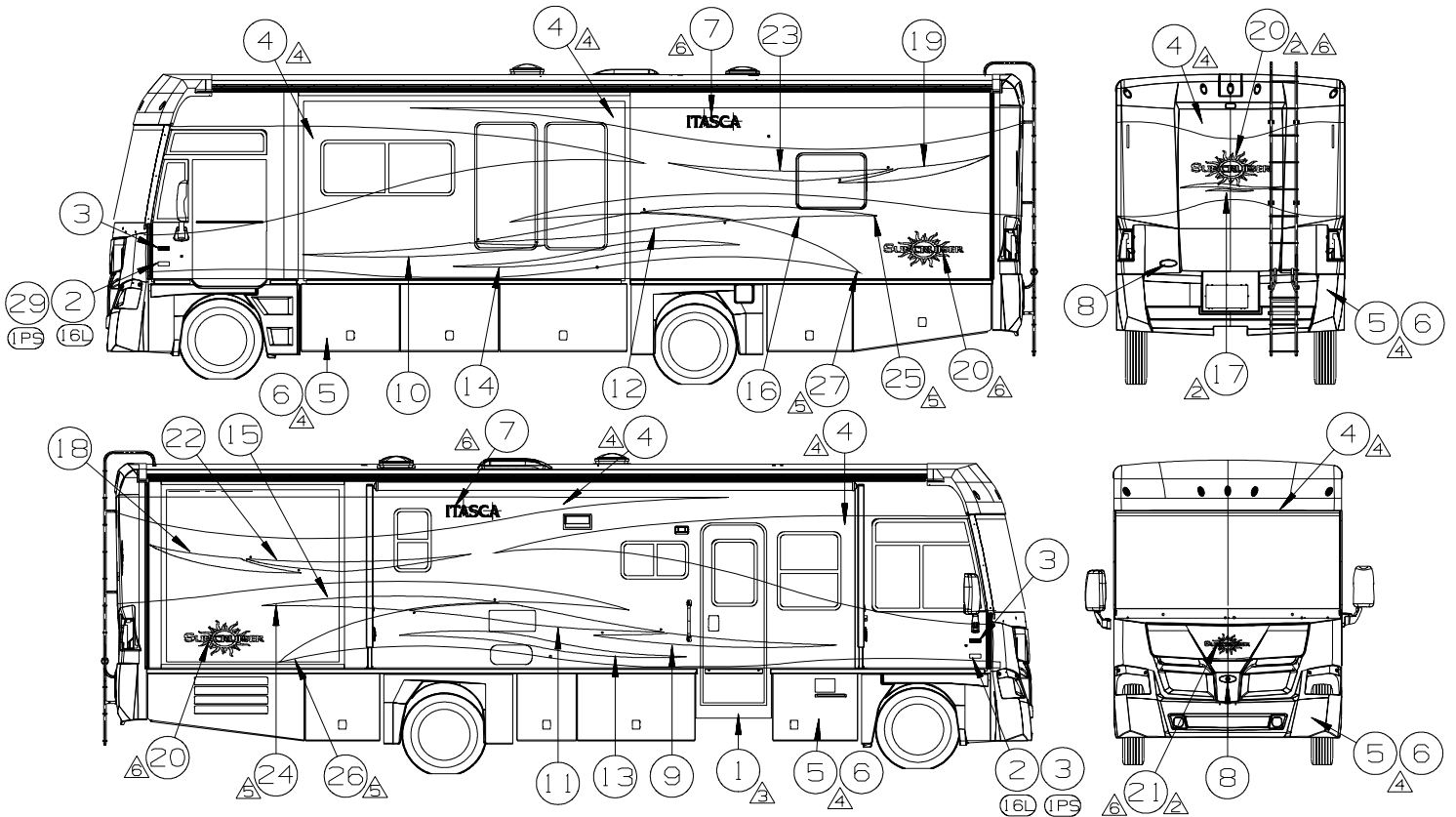


ELECTRIC BOX
11-12-07
THRU
99-99-99

| KEY | PART NUMBER | U/M | DESCRIPTION |
|-----|---------------|-----|--|
| 1 | 093236-35-000 | EA | LABEL - CIRCUIT BREAKER |
| 2 | 118531-02-02B | EA | PLATE - CIRCUIT BREAKER - E-COATED |
| 3 | 098379-04-000 | EA | LABEL - ELECTRICAL BOX - SIDE |
| 4 | 098379-01-000 | EA | LABEL - CIRCUIT BREAKER - FRONT BOX |
| 5 | 098196-01-000 | EA | LATCH - 1/4 TURN - T-BAR |
| 6 | 109925-04-000 | EA | DOOR - ELECTRICAL BOX - 6.9" X 18.5" - GM/FORD |
| 6 | 142145-01-02B | EA | DOOR - ELECTRICAL BOX - E-COATED |
| | | | FROM: 00-00-00 THRU: 01-03-08 |
| | | | FROM: 01-04-08 THRU: 99-99-99 |
| 7 | 092492-11-000 | EA | SEAL - ELECTRIC BOX - 7" X 18.4" |
| 8 | 008188-01-000 | EA | SOLENOID - 3 POST - BATTERY CHANGE OVER |
| 9 | 086273-01-000 | EA | RELAY - BATTERY DISCONNECT |

EXTERIOR BODY GROUP GRAPHICS & PAINT

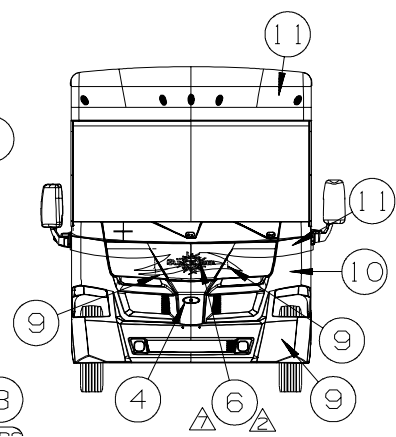
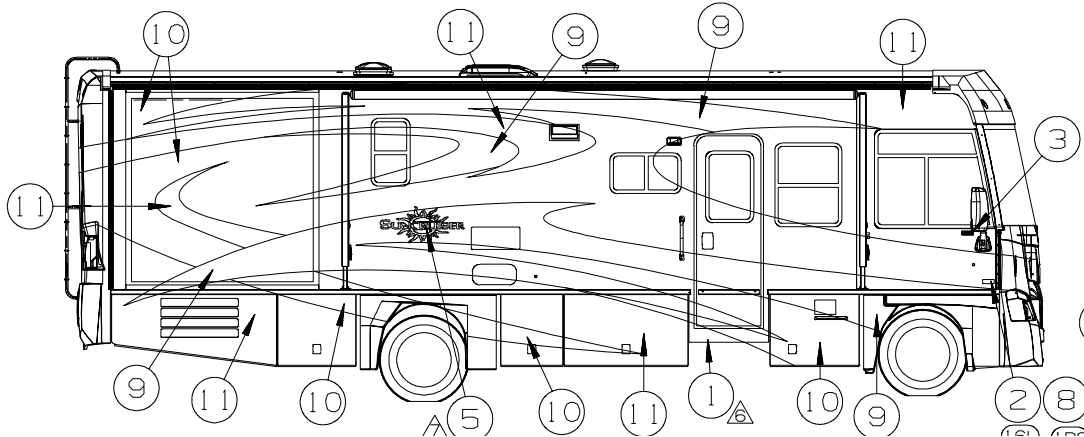
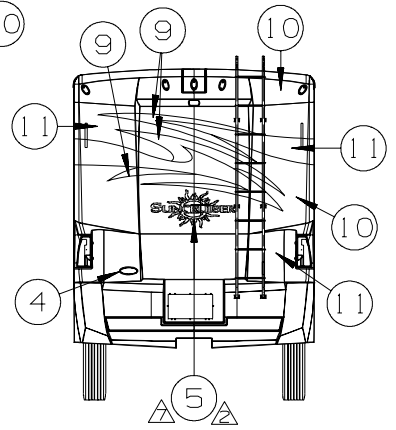
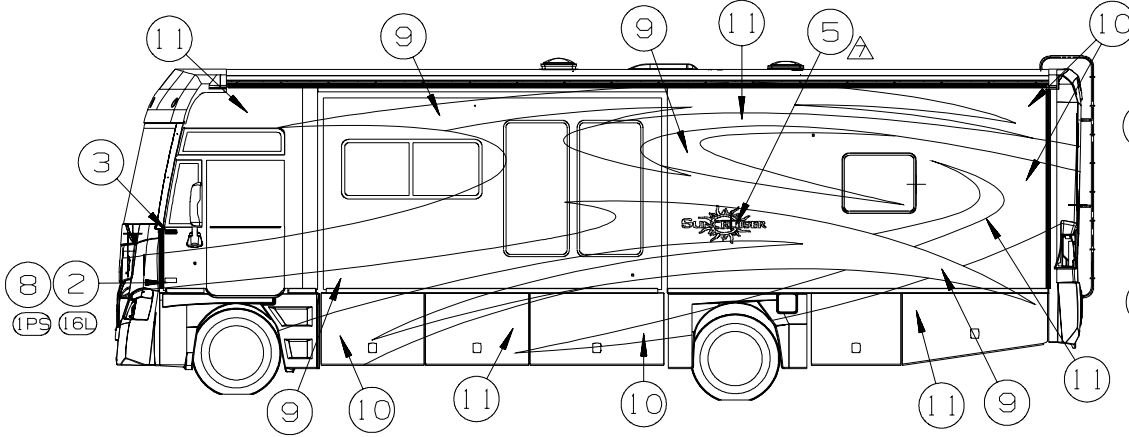
GRAPHICS



| KEYS | PART NUMBER | U/M | DESCRIPTION |
|-------------|-----------------------------|-----|---|
| | 1 109506-01-000 | EA | FILM-URETHANE PROTECTANT |
| | 2 (16L) 129922-02-CHT (01A) | EA | EMBLEM-TRITON V10 (3 VALVE) - BLACK/CHROME |
| (92K) (27G) | 3 132664-02-CHT (01A) | EA | DECAL-LOGO,DOMED,WINNEBAGO - CHROME/RED/BLACK |
| | 4 141599-37-000 | GL | PAINT - LT AUTUMNWOOD MET - DUPONT #373-P7441 |
| | 5 (27G) 141599-42-000 | GL | PAINT - DK TITANIUM MET - DUPONT #373-P76528 |
| (92K) | 6 141599-35-000 | GL | PAINT - SANDSTONE BEIGE MET - DUPONT #373-P7438 |
| | 7 144587-02-CHT (25A) | EA | DECAL-LOGO,ITASCA - 5.25 X 23.5 - BLACK/OFF WHITE |
| | 8 151687-02-CHT (01A) | EA | DECAL-BEZEL - DOMED NAMEPLATE, ITASCA - CHROME/WHITE/BLACK/TEAL |
| | 9 153060-01-CHT (04A) | EA | DECAL-POINT FRT RH - LT AQUA MIST/MED BROWN |
| | 10 153060-02-CHT (04A) | EA | DECAL-POINT FRT LH - LT AQUA MIST/MED BROWN |
| | 11 153062-01-CHT (05A) | EA | DECAL-SWEEP MID RH - LT AQUA MIST |
| | 12 153062-02-CHT (05A) | EA | DECAL-SWEEP MID LH - LT AQUA MIST |
| | 13 153063-01-CHT (01A) | EA | DECAL-SWEEP LWR RH - CHOCOLATE BROWN |
| | 14 153063-02-CHT (01A) | EA | DECAL-SWEEP LWR LH - CHOCOLATE BROWN |
| | 15 153065-01-CHT (04A) | EA | DECAL-POINT RR RH - CHOCOLATE BROWN/LT AQUA MIST |
| | 16 153065-02-CHT (04A) | EA | DECAL-POINT RR LH - CHOCOLATE BROWN/LT AQUA MIST |
| | 17 153072-01-CHT (04A) | EA | DECAL-SWEEPS - LT AQUA MIST/MED BROWN/CHOCOLATE BROWN |
| | 18 153076-01-CHT (04A) | EA | DECAL-SWEEP UPPER RR RH - MED BROWN/LT AQUA MIST |
| | 19 153076-02-CHT (04A) | EA | DECAL-SWEEP UPPER RR LH - MED BROWN/LT AQUA MIST |
| | 20 153078-01-CHT (04A) | EA | DECAL-LOGO, SUNCRUISER LG - MED BROWN/CHOCOLATE BROWN |
| | 21 153078-02-CHT (04A) | EA | DECAL-LOGO, SUNCRUISER SML - MED BROWN/CHOCOLATE BROWN |
| | 22 153087-01-CHT (04A) | EA | DECAL-SWEEP UPPER FRT RH - LT AQUA MIST |
| | 23 153087-02-CHT (04A) | EA | DECAL-SWEEP UPPER FRT LH - LT AQUA MIST |
| | 24 155128-01-CHT (01A) | EA | DECAL-PAINT MASK POINT UPPER RR RH |
| | 25 155128-02-CHT (01A) | EA | DECAL-PAINT MASK POINT UPPER RR LH |
| | 26 155138-01-CHT (01A) | EA | DECAL-PAINT MASK POINT LOWER RR RH |
| | 27 155138-02-CHT (01A) | EA | DECAL-PAINT MASK POINT LOWER RR LH |
| (IPV) | 28 141599-27-000 | GL | PAINT-IMRON CLEAR 55 GAL - DUPONT 3440S |
| (IPS) | 29 - - - - - | EA | DECAL-EMBLEM - CHASSIS SUPPLIED |

EXTERIOR BODY GROUP (CONTINUED) GRAPHICS & PAINT (CONTINUED)

FULL BODY PAINT



| (27A) KEY | PART NUMBER | U/M | DESCRIPTION SAND |
|-----------|---------------------|-----|--|
| 1 | 109506-01-000 | EA | FILM-URETHANE PROTECTANT |
| 2 | 129922-02-CHT (01A) | EA | EMBLEM-TRITON V10 (3 VALVE) - BLACK/CHROME |
| 3 | 132664-02-CHT (01A) | EA | DECAL-LOGO DOMED WINNEBAGO - CHROME/RED/BLACK |
| 4 | 151687-02-CHT (01A) | EA | DECAL-BEZEL-DOMED NAMEPLATE ITASCA - CHROME/WHITE/BLACK/TEAL |
| 5 | 153826-01-CHT (05A) | EA | DECAL-LOGO DOMED SUNCRUISER LG - DK CHARCOAL/KHAKI |
| 6 | 153826-02-CHT (05A) | EA | DECAL-LOGO DOMED SUNCRUISER SML - DK CHARCOAL/KHAKI |
| 7 | 157825-02-000 | EA | KIT-PAINT PROTECTION |
| 8 | ----- | EA | DECAL-EMBLEM - CHASSIS SUPPLIED |
| 9 | ----- | GL | PAINT-DK TAUPE - SW #JS-100 |
| 10 | ----- | GL | PAINT-HAZELNUT MET - SW #64211 |
| 11 | ----- | GL | PAINT-PEWTER MET SW #54690 |
| 12 | ----- | GL | PAINT-CLEAR COAT - SHERWIN WILLIAMS |

| (92A) KEY | PART NUMBER | U/M | DESCRIPTION PLATINUM |
|-----------|---------------------|-----|--|
| 1 | 109506-01-000 | EA | FILM-URETHANE PROTECTANT |
| 2 | 129922-02-CHT (01A) | EA | EMBLEM-TRITON V10 (3 VALVE) - BLACK/CHROME |
| 3 | 132664-02-CHT (01A) | EA | DECAL-LOGO DOMED WINNEBAGO - CHROME/RED/BLACK |
| 4 | 151687-02-CHT (01A) | EA | DECAL-BEZEL-DOMED NAMEPLATE ITASCA - CHROME/WHITE/BLACK/TEAL |
| 5 | 153826-01-CHT (06A) | EA | DECAL-LOGO DOMED SUNCRUISER LG - CHARCOAL 11/SMOKE |
| 6 | 153826-02-CHT (06A) | EA | DECAL-LOGO DOMED SUNCRUISER SML - CHARCOAL 11/SMOKE |
| 7 | 157825-02-000 | EA | KIT-PAINT PROTECTION |
| 8 | ----- | EA | DECAL-EMBLEM - CHASSIS SUPPLIED |
| 9 | ----- | GL | PAINT-CHAMPAGNE MET - SW #63027 ALT #1 |
| 10 | ----- | GL | PAINT-BRT PLATINUM MET - SW #48823 |
| 11 | ----- | GL | PAINT-MED PLATINUM MET - SW #44094 |
| 12 | ----- | GL | PAINT-CLEAR COAT - SHERWIN WILLIAMS |

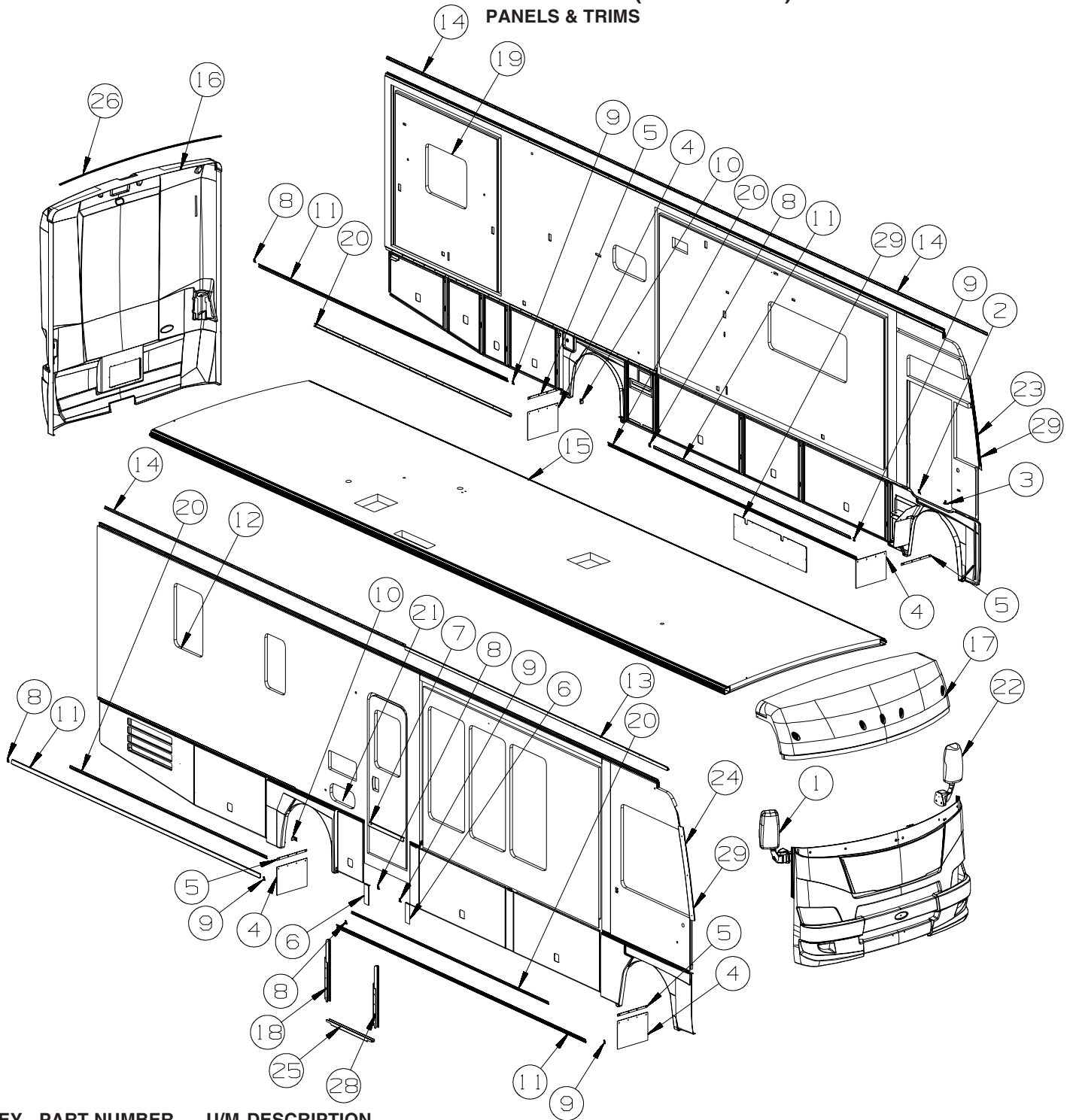
| (24C) KEY | PART NUMBER | U/M | DESCRIPTION DARK MAHOGANY |
|-----------|---------------------|-----|--|
| 1 | 109506-01-000 | EA | FILM-URETHANE PROTECTANT |
| 2 | 129922-02-CHT (01A) | EA | EMBLEM-TRITON V10 (3 VALVE) - BLACK/CHROME |
| 3 | 132664-02-CHT (01A) | EA | DECAL-LOGO DOMED WINNEBAGO - CHROME/RED/BLACK |
| 4 | 151687-02-CHT (01A) | EA | DECAL-BEZEL-DOMED NAMEPLATE ITASCA - CHROME/WHITE/BLACK/TEAL |
| 5 | 153826-01-CHT (07A) | EA | DECAL-LOGO DOMED SUNCRUISER LG - SUNSET/DK CHERRY |
| 6 | 153826-02-CHT (07A) | EA | DECAL-LOGO DOMED SUNCRUISER SML - SUNSET/DK CHERRY |
| 7 | 157825-02-000 | EA | KIT-PAINT PROTECTION |
| 8 | ----- | EA | DECAL-EMBLEM - CHASSIS SUPPLIED |
| 9 | ----- | GL | PAINT-SEDONA MET - SW #63814 |
| 10 | ----- | GL | PAINT-WOODLAND BROWN - SW #60160 |
| 11 | ----- | GL | PAINT-DEEP MAHOGANY - SW #62976 |
| 12 | ----- | GL | PAINT-CLEAR COAT - SHERWIN WILLIAMS |

**DUPONT COLOR CODES ARE NOW FOUND IN THE PAINT CODE MANUAL.
YOU CAN FIND THIS MANUAL ON YOUR DEALER INDEX WEBPAGE UNDER SERVICE.**

| KEY | PART NUMBER | U/M | DESCRIPTION |
|-----|---------------|-----|--|
| | 093681-39-01A | FT | FILM - 3.1" - FLAT BLACK - SLIDEOUT ROOMS |
| | 093681-40-01A | FT | FILM - 2" - FLAT BLACK - DRIVERS DOOR |
| | 072882-01-000 | EA | PAINT - 16 OUNCE SPRAY - OFF WHITE |

EXTERIOR BODY GROUP (CONTINUED)

PANELS & TRIMS



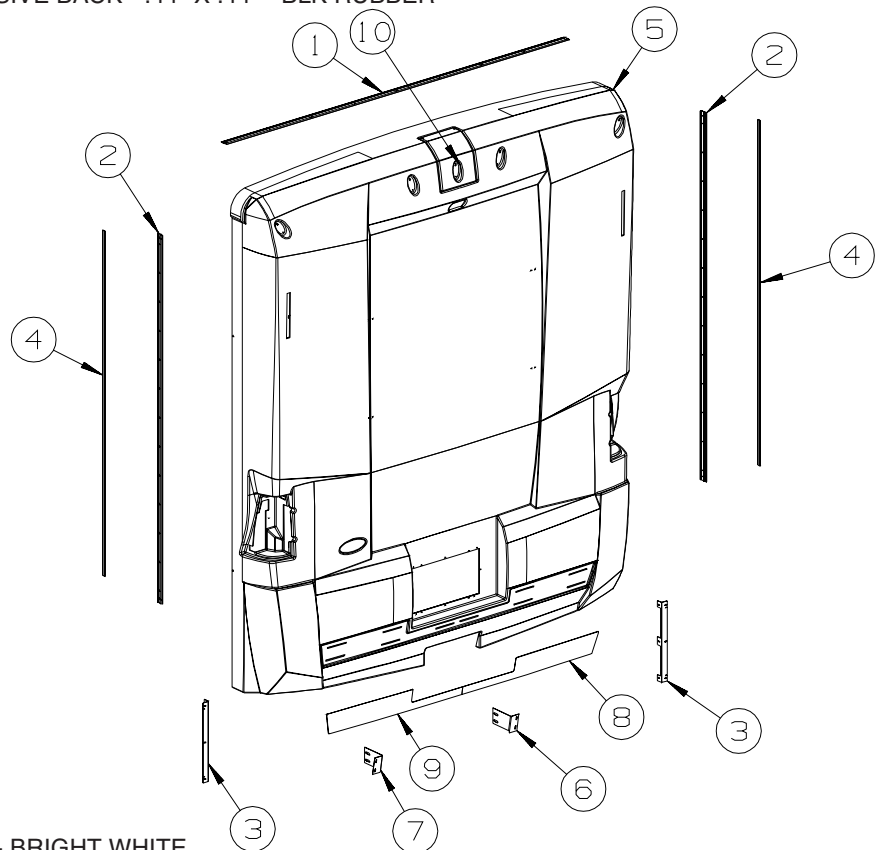
| KEY | PART NUMBER | U/M | DESCRIPTION |
|-----|---------------|-----|---|
| 1* | 142721-01-01A | EA | MIRROR - EXTERIOR REMOTE/HEAT/PASS - (BREAKAWAY) - BLACK |
| 1* | 142721-01-02A | EA | MIRROR - EXTERIOR REMOTE/HEAT/PASS - (BREAKAWAY) - CHROME - FULL BODY PAINT |
| 2 | 150742-01-02A | EA | CAP/TRIM - DRIVER DOOR - BLACK |
| 3 | 150742-02-02A | EA | CAP/TRIM - DRIVER DOOR - BLACK |
| 4 | 017516-01-000 | EA | MUD FLAP - 14"H X 18"W - W/O MOUNTING HOLES - RUBBER - BLK |
| 5 | 140922-01-02B | EA | RETAINER - MUD FLAP - 1" X 17.7" - E-COATED/BLACK |
| 6 | 121117-09-02B | EA | ANGLE - W/O SLOTS - 9.8" X 3" - E-COATED |
| 7 | 149822-01-02A | EA | TRIM - SIDEWALL/ENTRY DOOR - 25.3" - BLACK |
| 8 | 146576-01-02A | EA | END CAP/TRIM - RIGHT HAND - BLACK |
| 9 | 146576-02-02A | EA | END CAP/TRIM - LEFT HAND - BLACK |
| 10 | 119568-01-01A | EA | STANDOFF - VALANCE PANEL - BLACK |
| 11 | 146550-01-02A | EA | TRIM COVER - SIDEWALL - 182" - BLACK |
| 12 | 162913-01-WA0 | EA | SIDEWALL - PASSENGER - W/O WINDOWS/TRIMS (WB4, WB5, WB6, WC0, WC1, WC2) |
| 12 | 162913-01-WC4 | EA | SIDEWALL - PASSENGER - W/O WINDOWS/TRIMS (WC4, WC5, WC6) |
| 13 | 142123-03-01A | EA | RAIL/AWNING - 220" - BRIGHT WHITE |

EXTERIOR BODY GROUP (CONTINUED)

PANELS & TRIMS (CONTINUED)

| KEY | PART NUMBER | U/M | DESCRIPTION |
|-----|---------------|-----|--|
| 13 | 142123-03-02A | EA | RAIL/AWNING - 220" - BLACK |
| 14 | 157284-01-01A | EA | RAIL - AWNING - 192" - BRIGHT WHITE |
| 15 | 162915-01-WA0 | EA | ROOF - W/O LIGHTS/VENTS - W/WIRING |
| 16 | 161001-02-WB4 | EA | BACKWALL/INNER - W/O REAR CAP (WB4, WC0) |
| 16 | 161001-02-WB5 | EA | BACKWALL/INNER - W/O REAR CAP (WB5, WC1) |
| 16 | 161001-02-WB6 | EA | BACKWALL/INNER - W/O REAR CAP (WB6, WC2) |
| 16 | 161001-02-WC4 | EA | BACKWALL/INNER - W/O REAR CAP (WC4) |
| 16 | 161001-02-WC5 | EA | BACKWALL/INNER - W/O REAR CAP (WC5) |
| 16 | 161001-02-WC6 | EA | BACKWALL/INNER - W/O REAR CAP (WC6) |
| 17 | 153030-04-U90 | EA | CAP - ROOF - W/O LIGHTS/WIRING |
| 18 | 133100-09-01A | EA | TRIM - SIDEWALL - 30.7" - BLACK |
| 19 | 162914-01-WA0 | EA | SIDEWALL - DRIVER - W/O WINDOWS/TRIMS (WB4, WB5, WB6, WC0, WC1, WC2) |
| 19 | 162914-01-WC4 | EA | SIDEWALL - DRIVER - W/O WINDOWS/TRIMS (WC4, WC5, WC6) |
| 20 | 146548-01-01A | EA | TRIM - RETAINER |
| 21 | 153498-01-02A | EA | BUMPER - RUBBER - BLACK |
| 22* | 142721-02-01A | EA | MIRROR - EXTERIOR REMOTE/HEAT/DRVR - (BREAKAWAY) - BLACK |
| 22* | 142721-02-02A | EA | MIRROR - EXTERIOR REMOTE/HEAT/DRVR - (BREAKAWAY) - CHROME - FULL BODY PAINT |
| 23 | 125384-16-02A | EA | TRIM - WINDSHIELD - A-PILLAR - DRIVER - BLACK |
| 24 | 125384-15-02A | EA | TRIM - WINDSHIELD - A-PILLAR - PASSENGER - BLACK |
| 25 | 152800-01-01A | EA | TRIM - SIDEWALL/ENTRY STEP - 33.2" - BLACK |
| 26 | 114248-02-04A | EA | ANGLE - PLASTIC - .7" X .4" X 96.7" - BEIGE |
| 27 | 120135-28-02B | EA | PANEL - CLOSEOUT - E-COATED |
| 28 | 133100-10-01A | EA | TRIM - SIDEWALL - 30.7" - BLACK |
| 29 | 099418-01-000 | FT | SEAL - D-SECTION/ADHESIVE BACK - .44" X .44" - BLK RUBBER |

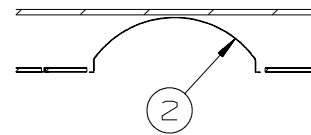
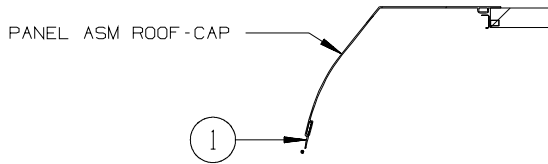
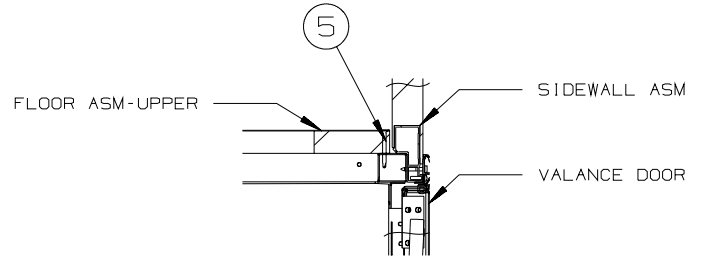
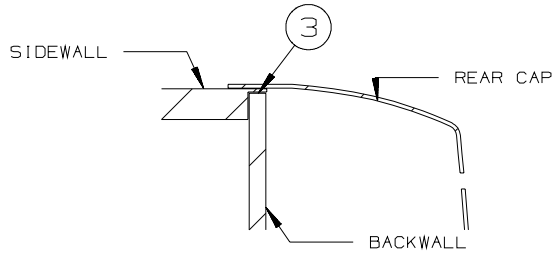
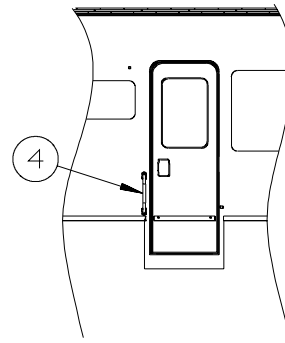
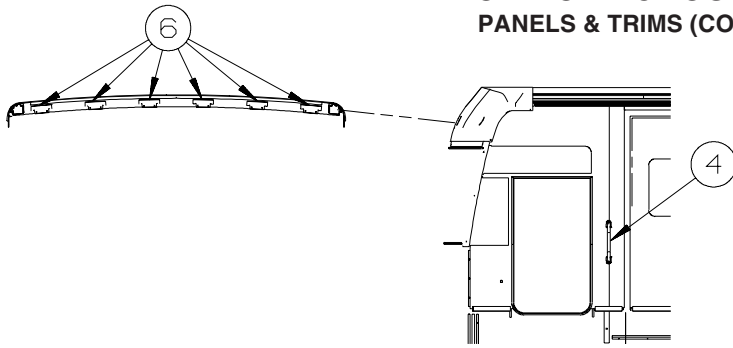
*COMPONENT PARTS LISTED LATER IN THIS GROUP



| KEY | PART NUMBER | U/M | DESCRIPTION |
|-----|---------------|-----|--|
| 1 | 083805-23-000 | EA | TRIM - ROOF CAP - 92.1" - BRIGHT WHITE |
| 2 | 092041-01-03A | EA | TRIM - FRONT/REAR CAP (SIDEWALL) - 83.1" - BRIGHT WHITE |
| 3 | 138789-01-02B | EA | ANGLE/MOUNT - WHEEL LIP/BACKWALL - E-COATED |
| 4 | 091985-01-07A | FT | INSERT - TRIM - REAR CAP TO SIDEWALL - .66" - BRIGHT WHITE |
| 5 | 159262-03-U90 | EA | PANEL - REAR CAP - W/CAMERA MOUNT |
| 5 | 159262-07-UA1 | EA | PANEL - REAR CAP - W/CAMERA MOUNT - FULL BODY PAINT |
| 6 | 153465-01-02B | EA | BRACE - REAR CAP - RH |
| 7 | 153465-02-02B | EA | BRACE - REAR CAP - LH |
| 8 | 153429-01-01A | EA | TRIM/ACCENT - REAR CAP/RH HAND - STAINLESS STEEL |
| 9 | 153429-02-01A | EA | TRIM/ACCENT - REAR CAP/LH HAND - STAINLESS STEEL |
| 10 | 153299-02-T77 | EA | PANEL - ACCESS/CAMERA |
| 10 | 153299-02-UM1 | EA | PANEL - ACCESS/CAMERA - FULL BODY PAINT |

EXTERIOR BODY GROUP (CONTINUED)
PANELS & TRIMS (CONTINUED)

BODY SECTIONS



| KEY | PART NUMBER | U/M | DESCRIPTION |
|-----|---------------|-----|---|
| 1 | 099418-01-000 | FT | SEAL - D-SECTION/ADHESIVE BACK - .44" X .44" - BLK RUBBER |
| 2 | 131365-01-000 | EA | WHEELWELL - PLASTIC |
| 3 | 156622-01-01A | FT | SEALER - TAPE - 1/4" THICK X 3" WIDE X 100 FT |
| 4 | 157749-03-01A | EA | ASSIST HANDLE - NON-LIGHTED - 18" - "ITASCA" ETCHED-CHROME FROM: 00-00-00 THRU: 06-19-07 |
| 4 | 165309-03-01A | EA | ASSIST HANDLE - 18" - NON-LIGHTED/ETCHED - SST FROM: 06-20-07 THRU: 99-99-99 |
| 5 | 104692-01-000 | FT | SEAL - ADHESIVE BACKED FOAM - 3/4" THICK X 3/4" WIDE X 25' |
| 6 | 134774-01-02B | EA | BRACKET - CAB ATTACHMENT - E-COATED |

EXTERIOR BODY GROUP (CONTINUED)
COMPONENT PARTS FOR PANELS & TRIMS

142721-01-01A, 142721-02-01A

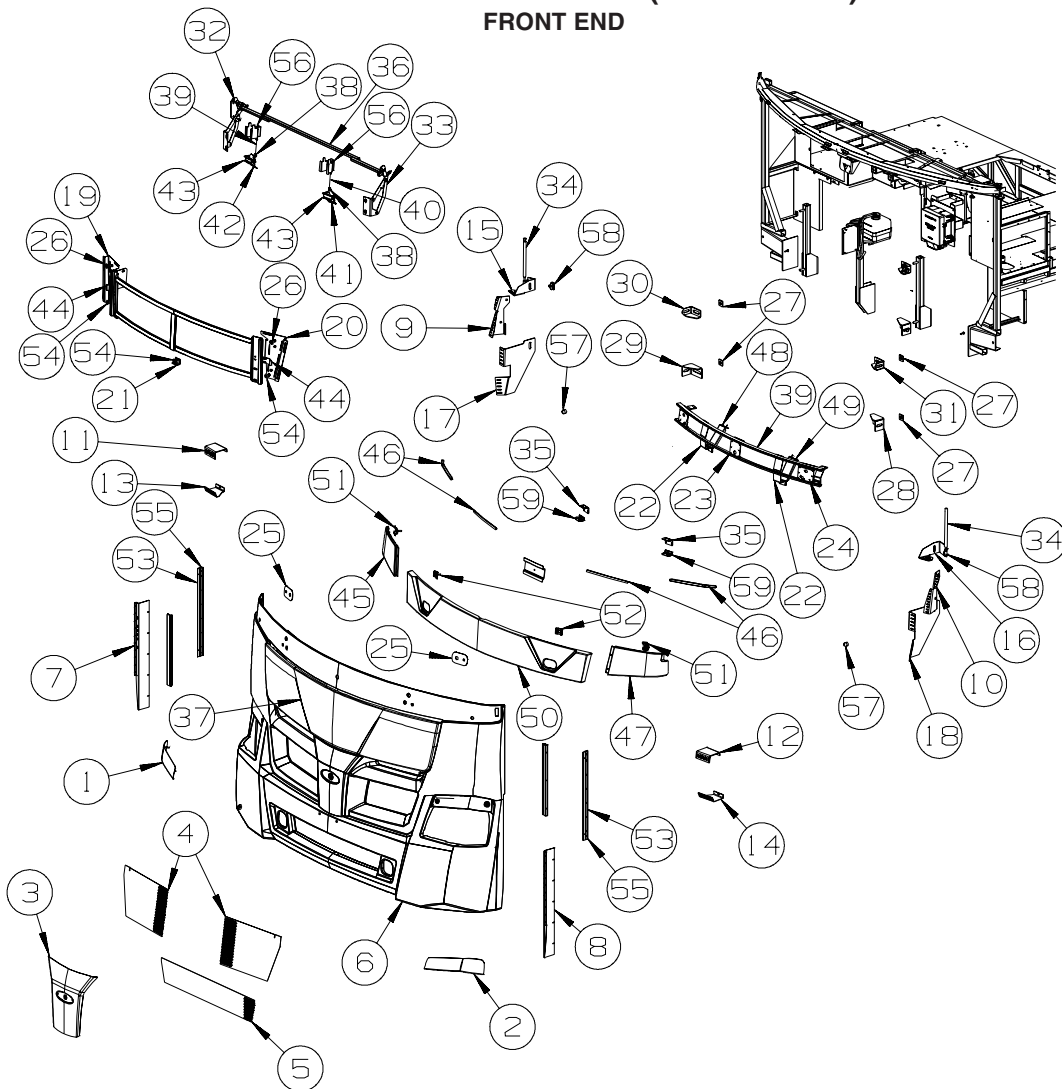
| KEY | PART NUMBER | U/M | DESCRIPTION | VENDOR NO. |
|------------|--------------------|------------|------------------------------|-------------------|
| | 106015-16-700 | EA | GLASS/FLAT-W/HEAT ELEMENT | 709450 |
| | 106015-18-700 | EA | GLASS/CONVEX | 709650 |
| | 106015-18-702 | EA | MOTOR - FLAT GLASS | 7471180 |
| | 106015-18-703 | EA | GLASS/CONVEX-ACT/HOUSING | 709651 |
| | 131431-03-700 | EA | LIGHT/TURN SIGNAL - AMBER | 7475510 |
| | 142721-01-700 | EA | COVER/CAP - BOTTOM | Q709678 |
| | 142721-01-701 | EA | CAP - RECTANGULAR (VELVAC) | 709557 |
| | 142721-01-702 | EA | BRACKET/MOUNT - MIRROR | 7096800 |
| | 142721-01-703 | EA | GASKET/MOUNT - MIRROR | 7094700 |
| | 142721-01-704 | EA | SET SCREW - 5/16"-18 X 1.25" | 4082140 |

142721-01-02A, 142721-02-02A

| KEY | PART NUMBER | U/M | DESCRIPTION | VENDOR NO. |
|------------|--------------------|------------|------------------------------|-------------------|
| | 106015-16-700 | EA | GLASS/FLAT-W/HEAT ELEMENT | 709450 |
| | 106015-18-700 | EA | GLASS/CONVEX | 709650 |
| | 106015-18-701 | EA | ACTUATOR - CONVEX GLASS | 7475410 |
| | 106015-18-702 | EA | MOTOR - FLAT GLASS | 7471180 |
| | 106015-18-703 | EA | GLASS/CONVEX-ACT/HOUSING | 709651 KIT |
| | 131431-03-700 | EA | LIGHT/TURN SIGNAL - AMBER | 7475510 |
| | 142721-01-700 | EA | COVER/CAP - BOTTOM | Q709678 |
| | 142721-01-701 | EA | CAP - RECTANGULAR (VELVAC) | 709557 |
| | 142721-01-702 | EA | BRACKET/MOUNT - MIRROR | 7096800 |
| | 142721-01-703 | EA | GASKET/MOUNT - MIRROR | 7097400 |
| | 142721-01-704 | EA | SET SCREW - 5/16"-18 X 1.25" | 4082140 |

EXTERIOR BODY GROUP (CONTINUED)

FRONT END



| KEY | PART NUMBER | U/M | DESCRIPTION |
|-----|---------------|-----|--|
| 1 | 154142-01-01A | EA | TRIM - PANEL/FRONT END - PASSENGER - CHROME PLATED |
| 2 | 154142-02-01A | EA | TRIM - PANEL/FRONT END - DRIVER - CHROME PLATED |
| 3 | 154182-01-01A | EA | TRIM - FRONT END/CENTER - CHROME PLATED |
| 4 | 148172-03-02A | EA | GRILLE - FRONT/UPPER - BRIGHT DIPPED |
| 5 | 148172-04-02A | EA | GRILLE - FRONT/LOWER - BRIGHT DIPPED |
| 6 | 153880-04-WB4 | EA | PANEL - FRONT/LOWER - W/O HOOD/GRILLE/LIGHTS |
| 6 | 153880-04-WB5 | EA | PANEL - FRONT/LOWER - W/O HOOD/GRILLE/LIGHTS - FULL BODY PAINT |
| 7 | 143561-03-02B | EA | BRACKET - FRONT END - RIGHT HAND - E-COATED |
| 8 | 143561-04-02B | EA | BRACKET - FRONT END - LEFT HAND - E-COATED |
| 9 | 154327-02-02B | EA | SUPPORT - HEADLAMP - INNER/RIGHT HAND - E-COATED |
| 10 | 154327-04-02B | EA | SUPPORT - HEADLAMP - INNER/LEFT HAND - E-COATED |
| 11 | 154413-01-02B | EA | SUPPORT - FOG LAMP - UPPER/RIGHT HAND - E-COATED |
| 12 | 154413-02-02B | EA | SUPPORT - FOG LAMP - UPPER/LEFT HAND - E-COATED |
| 13 | 154414-01-02B | EA | SUPPORT - FOG LAMP - LOWER/RIGHT HAND - E-COATED |
| 14 | 154414-02-02B | EA | SUPPORT - FOG LAMP - LOWER/LEFT HAND - E-COATED |
| 15 | 154459-01-02B | EA | SUPPORT - FRONT END - UPPER/RIGHT HAND - E-COATED |
| 16 | 154459-02-02B | EA | SUPPORT - FRONT END - UPPER/LEFT HAND - E-COATED |
| 17 | 154460-01-02B | EA | SUPPORT - FRONT END - LOWER/RIGHT HAND - E-COATED |
| 18 | 154460-02-02B | EA | SUPPORT - FRONT END - LOWER/LEFT HAND - E-COATED |
| 19 | 154526-06-02B | EA | SUPPORT - HINGE/HOOD - RIGHT HAND - E-COATED |
| 20 | 154526-08-02B | EA | SUPPORT - HINGE/HOOD - LEFT HAND - E-COATED |
| 21 | 156245-02-02B | EA | BRACKET - HOOD/BUMPER - CENTER - E-COATED |
| 22 | 144208-02-02B | EA | BRACKET/STRIKER - HOOD - E-COATED |
| 23 | 157051-07-02B | EA | SUPPORT - PIVOT SHAFT - E-COATED |
| 24 | 157051-13-02B | EA | SUPPORT - PIVOT SHAFT - E-COATED |
| 25 | 157080-01-01A | EA | BOOT/COWL - NEOPRENE W/ADHESIVE BACK - BLACK |
| 26 | 058786-04-000 | EA | BOLT - HOOD ADJUSTMENT - 5/16"-18 X 2"-2.5" - W/BLACK PAD |
| 27 | 116617-02-02B | EA | SPACER - BUMPER |

EXTERIOR BODY GROUP (CONTINUED)
FRONT END (CONTINUED)

| KEY | PART NUMBER | U/M | DESCRIPTION |
|------------|--------------------|------------|--|
| 28 | 128455-01-02B | EA | BRACKET - BUMPER - E-COATED |
| 29 | 128455-02-02B | EA | BRACKET - BUMPER - E-COATED |
| 30 | 128455-09-02B | EA | BRACKET - BUMPER - E-COATED |
| 31 | 128455-10-02B | EA | BRACKET - BUMPER - E-COATED |
| 32 | 137072-11-01A | EA | HINGE - HOOD - PASSENGER - BLACK |
| 33 | 137072-12-01A | EA | HINGE - HOOD - DRIVER - BLACK |
| 34 | 142569-28-000 | EA | SPRING/GAS - 74 LB - 18.5" EXTENDED/11" COMPRESSED |
| 35 | 144209-02-02B | EA | ANGLE/STRIKER - HOOD - E-COATED |
| 36 | 154207-02-02B | EA | TUBE/TIMING - HOOD - E-COATED |
| 37 | 154347-01-WB4 | EA | HOOD - FRONT - W/O HARDWARE |
| 37 | 154347-01-UM4 | EA | HOOD - FRONT - W/O HARDWARE - FULL BODY PAINT |
| 38 | 102265-01-000 | EA | CLIP/ROD END - 5/32" - BLACK PLASTIC |
| 39 | 145521-07-01A | EA | ROD - HOOD LATCH |
| 40 | 145521-08-01A | EA | ROD - HOOD LATCH |
| 41 | 147388-01-02B | EA | LATCH/PADDLE - E-COAT |
| 42 | 147388-02-02B | EA | LATCH/PADDLE - E-COAT |
| 43 | 139160-01-01A | EA | BRACKET - LATCH - PADDLE - MILL |
| 44 | 156200-01-02B | EA | ADJUSTER - HOOD - E-COATED |
| 45 | 154524-03-T89 | EA | COWL - WINDSHIELD - PASSENGER |
| 46 | 076813-02-000 | FT | SEAL-D BULB - .5" X .7" - MEDIUM SPONGE RUBBER - BLACK |
| 47 | 154524-04-T89 | EA | COWL - WINDSHIELD - DRIVER |
| 48 | 156216-03-02B | EA | BRACKET/SUPPORT - STRIKER/RH - E-COATED |
| 49 | 156216-04-02B | EA | BRACKET/SUPPORT - STRIKER/LH - E-COATED |
| 50 | 160752-02-WB5 | EA | COWL - WINDSHIELD - CENTER/INNER |
| 51 | 160762-02-WB5 | EA | COWL - WINDSHIELD - INNER/END |
| 52 | 160765-02-WB5 | EA | COWL - WINDSHIELD - CENTER/INNE |
| 53 | 162401-01-01A | EA | TRIM - LOWER FRONT/SIDEWALL - BRIGHT WHITE |
| 54 | 058786-01-000 | EA | BOLT - HOOD ADJUSTMENT - 5/16"-18 X 1.5"-2"- W/BLACK PA |
| 55 | 091985-01-07A | EA | INSERT - TRIM - REAR CAP TO SIDEWALL - .66" - BRIGHT WHITE |
| 56 | 113908-02-000 | EA | LATCH/PLUNGER - F/HOOD/REAR TRUNK/ENGINE/GENERATOR DOOR |
| 57 | 117046-01-000 | EA | BUMPER - RUBBER/ROUND END - .9" |
| 58 | 126263-02-02B | EA | BRACKET - GAS SPRING W/BALL STUD - E-COATED |
| 59 | 130053-01-01A | EA | STRIKER - LUGGAGE DOOR - FLUSH - BLACK |

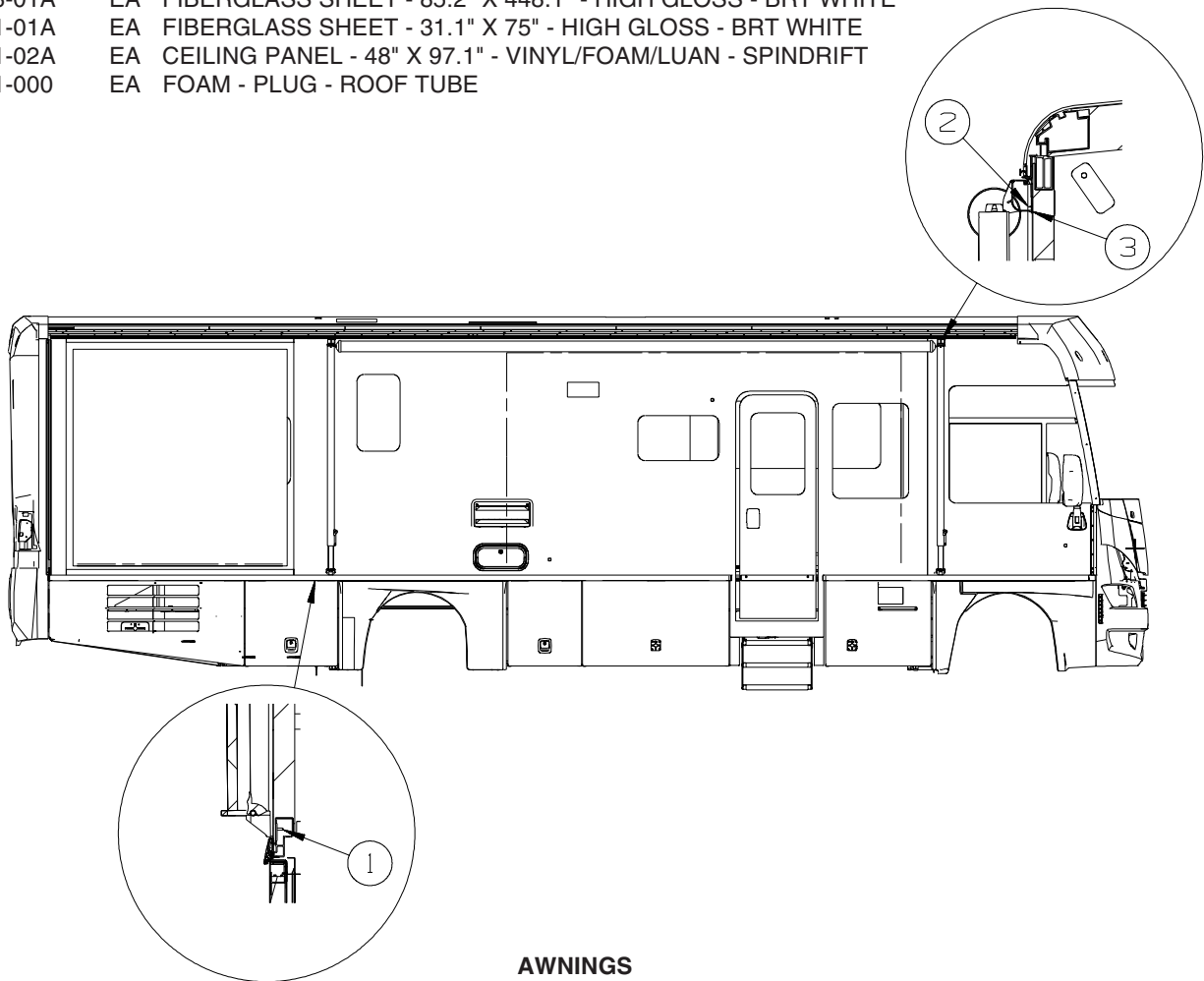
LADDER

| KEY | PART NUMBER | U/M | DESCRIPTION |
|------------|--------------------|------------|---|
| | 129375-02-000 | EA | SEAL - LADDER BRACKET |
| | 161113-01-01A | EA | LADDER - 9 STEP - 116.4" - BRUSHED ALUMINUM |

EXTERIOR BODY GROUP (CONTINUED)

STRUCTURAL COMPONENTS

| KEY | PART NUMBER | U/M | DESCRIPTION |
|-----|---------------|-----|--|
| | 002766-01-001 | EA | ANGLE - EXTRUDED - 1" X 1 1/2" X 17' |
| | 089297-01-000 | SF | PLYWOOD - LUAN - OVERLAY GRADE - 4' X 8' |
| | 089297-03-000 | SF | PLYWOOD - LUAN - OVERLAY GRADE - 4' X 8.3' |
| | 100619-01-000 | BF | FOAM - EXPANDED POLYSTYRENE - 1.34" X 48" X 96" |
| | 100619-02-000 | BF | FOAM - EXPANDED POLYSTYRENE - 1.5" X 48" X 96" |
| | 100619-04-000 | BF | FOAM - EXPANDED POLYSTYRENE - .5" X 48" X 96" |
| | 100619-05-000 | BF | FOAM - EXPANDED POLYSTYRENE - .75" X 48" X 96"-1.5"DENSITY |
| | 100619-13-000 | BF | FOAM - EXPANDED POLYSTYRENE-.34" X 34.7" X 96"-2" DENSITY |
| | 100619-16-000 | BF | FOAM - EXPANDED POLYSTYRENE - .75" X 48" X 96"-2" DENSITY |
| | 108535-05-03A | SF | FIBERGLASS SHEET - 108" X 500' ROLL - BRIGHT WHITE |
| | 116942-03-01A | LB | ALUMINUM - .7" X 40" X 158" |
| | 120107-07-000 | EA | FOAM - ROOF COVE |
| | 128782-07-01A | EA | FIBERGLASS SHEET - 5/32" X 78.9" X 456" - HIGH GLOSS - B/W |
| | 128782-17-01A | EA | FIBERGLASS SHEET - 30.9" X 74.7" - HIGH GLOSS - BRT WHITE |
| | 128782-18-01A | EA | FIBERGLASS SHEET - 85.2" X 448.1" - HIGH GLOSS - BRT WHITE |
| | 128782-21-01A | EA | FIBERGLASS SHEET - 31.1" X 75" - HIGH GLOSS - BRT WHITE |
| | 151523-01-02A | EA | CEILING PANEL - 48" X 97.1" - VINYL/FOAM/LUAN - SPINDRIFT |
| | 152490-01-000 | EA | FOAM - PLUG - ROOF TUBE |



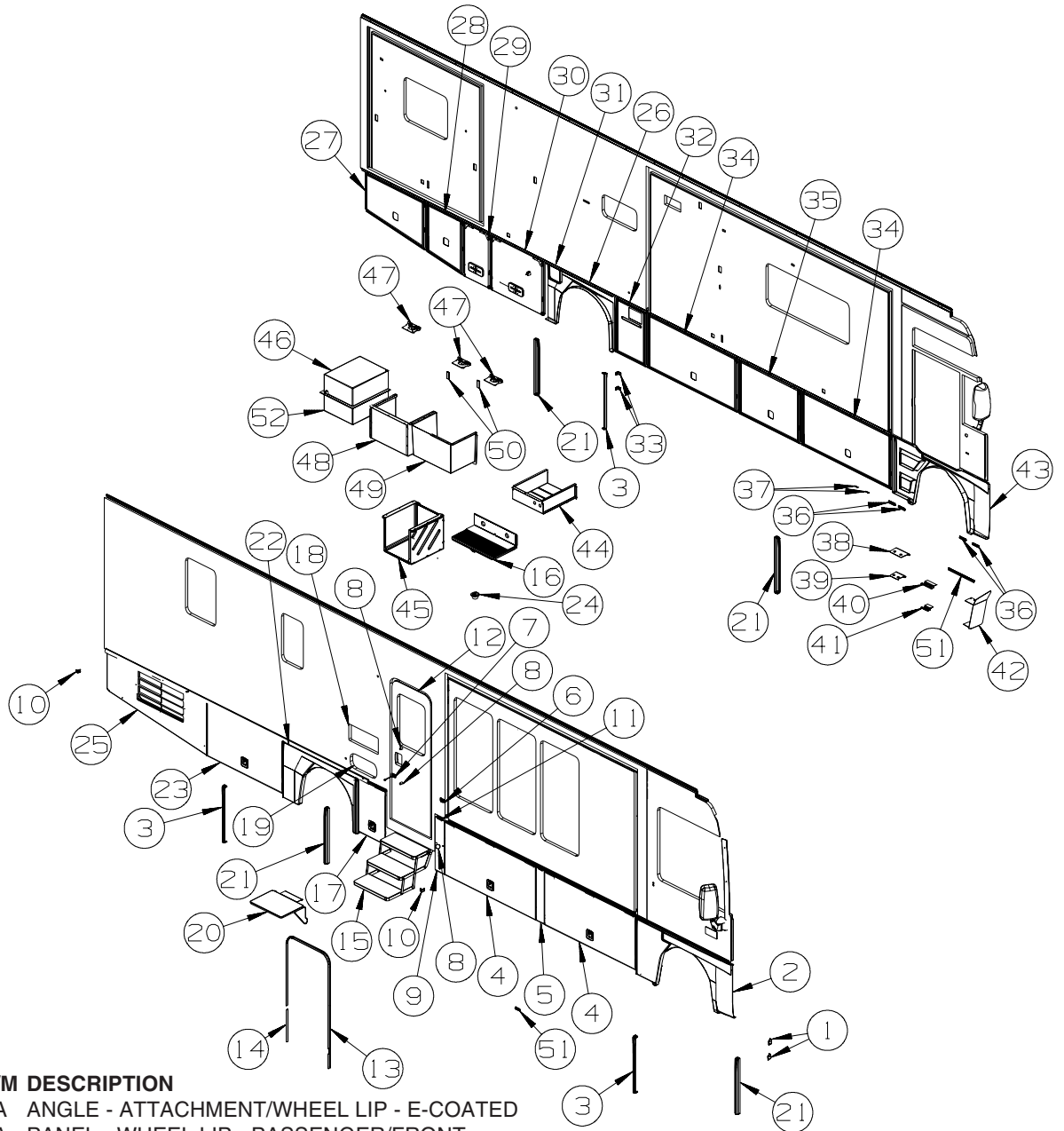
AWNINGS

| KEY | PART NUMBER | U/M | DESCRIPTION |
|-----|---------------|-----|--|
| 1 | 113874-11-01A | EA | SCREW/LAG - AWNING - 1/4" X 1" STAINLESS STEEL |
| 2 | 113874-12-01A | EA | SCREW/LAG - AWNING - 1/4" X 2 3/4" STAINLESS STEEL |
| 3 | 161739-01-01A | EA | BRACKET - AWNING - BLACK - FULL BODY PAINT |
| 3 | 161739-01-02A | EA | BRACKET - AWNING - BRIGHT WHITE |

ORDER AWNINGS & REPAIR PARTS FROM DOMETIC. CALL #800-366-3842.
THE DOMETIC AWNING INFORMATION YOU WILL NEED IS LOCATED ON THE MOTOR HOME NEAR
THE TOP OF THE AWNING RAIL.

EXTERIOR DOORS & COMPARTMENTS GROUP

DOOR & COMPARTMENT LAYOUT

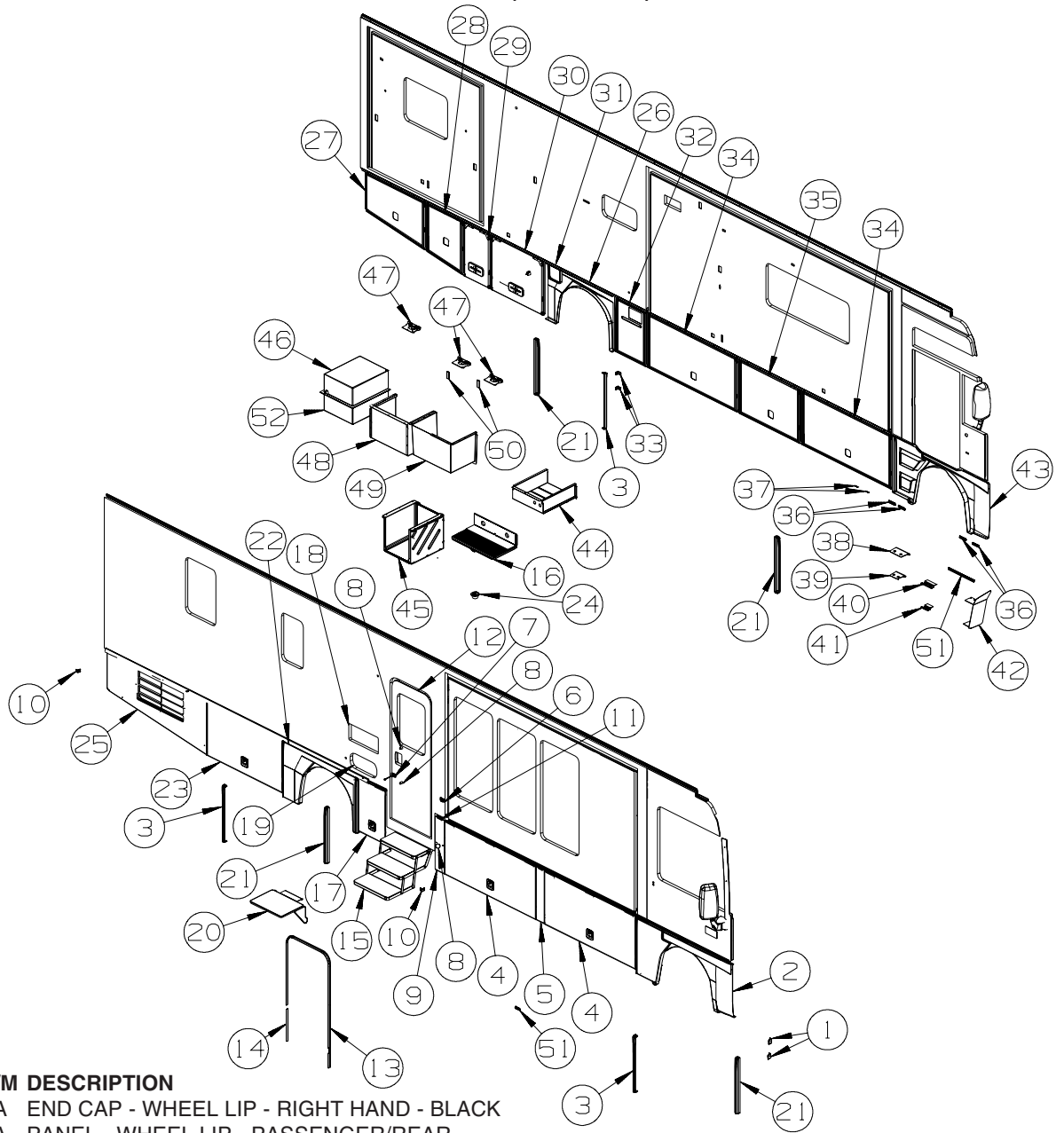


| KEY | PART NUMBER | U/M | DESCRIPTION |
|-----|---------------|-----|---|
| 1 | 113904-19-02B | EA | ANGLE - ATTACHMENT/WHEEL LIP - E-COATED |
| 2 | 154039-03-T77 | EA | PANEL - WHEEL LIP - PASSENGER/FRONT |
| | | | FROM: 00-00-00 THRU: 11-04-07 |
| 2 | 165212-03-WA0 | EA | PANEL - WHEEL LIP - PASSENGER/FRONT |
| | | | FROM: 11-05-07 THRU: 99-99-99 |
| | 139793-03-01A | EA | HINGE - CENTER/VALANCE DOOR - W/O BALL STUD |
| 3 | 154044-02-10A | EA | END CAP - WHEEL LIP - LEFT HAND - BLACK |
| 4 | 152148-12-T77 | EA | VALANCE/DOOR - W/O LATCH/HDW - 62.8" X 30.3" |
| | 132873-D3-000 | EA | ROD - LATCH - 25.3" W/3/4" DOG LEG |
| | 135624-A6-01B | EA | ROD - LATCH |
| | 142569-15-000 | EA | SPRING/GAS - 120 LB - 20" EXTENDED/12" COMPRESSED |
| | 126263-02-02B | EA | BRACKET - GAS SPRING W/BALL STUD - E-COATED |
| | 130053-01-01A | EA | STRIKER - LUGGAGE DOOR - FLUSH - BLACK |
| | 143793-01-01A | EA | SHIM/STRIKER - LUGGAGE - 1.5" - BLACK |
| | 099418-01-000 | FT | SEAL - D-SECTION/ADHESIVE BACK - .44" X .44" - BLK RUBBER |
| | 132892-08-01A | FT | SEAL - BULB/SINGLE - W/U CHANNEL - 1" X .8" - BLACK |
| 5 | 140983-11-T77 | EA | VALANCE/PANEL - 5.4" X 30.5" - W/O HARDWARE |
| 6 | 104099-02-04A | EA | CATCH/RETAINER - DOOR HOLDER - BRIGHT WHITE |
| 6 | 104099-02-05A | EA | CATCH/RETAINER - DOOR HOLDER - BLACK - FULL BODY PAINT |
| 7 | 104099-03-04A | EA | CATCH - DOOR HOLDER - STRIKE - 6" - BRIGHT WHITE |
| 7 | 104099-03-05A | EA | CATCH - DOOR HOLDER - STRIKE - 6" - BLACK - FULL BODY PAINT |
| 8 | 120863-02-000 | EA | BUMPER - RUBBER/RADIUS TOP - 1" X 1 1/2" |
| 9 | 140983-12-T77 | EA | VALANCE/PANEL - 6.4" X 30.5" - W/O HARDWARE |

EXTERIOR DOORS & COMPARTMENTS GROUP (CONTINUED)
DOOR & COMPARTMENT LAYOUT (CONTINUED)

| KEY | PART NUMBER | U/M | DESCRIPTION |
|--|---------------|-----|---|
| 10 | 140309-03-02B | EA | ANGLE - FURNACE DOOR - E-COATED |
| 11 | 139793-09-01A | EA | HINGE - VALANCE DOOR - CENTER |
| 12 | P32206-17-AA7 | EA | DOOR - ENTRY W/SCREEN DOOR - W/O WINDOW/LATCH (WB4, WB5, WB6) |
| 12 | P32206-17-AA3 | EA | DOOR - ENTRY W/SCREEN DOOR - W/O WINDOW/LATCH (WC0, WC1, WC2) |
| 12 | P32206-17-AA8 | EA | DOOR - ENTRY W/SCREEN DOOR - W/O WINDOW/LATCH (WC4, WC5, WC6) |
| 12 | P32206-17-WB4 | EA | DOOR - ENTRY W/SCREEN DOOR - W/O WINDOW/LATCH (WB4, WB5, WB6) - FULL BODY PAINT |
| 12 | P32206-17-WC0 | EA | DOOR - ENTRY W/SCREEN DOOR - W/O WINDOW/LATCH (WC0, WC1, WC2) - FULL BODY PAINT |
| 12 | P32206-17-WC4 | EA | DOOR - ENTRY W/SCREEN DOOR - W/O WINDOW/LATCH (WC4, WC5, WC6) - FULL BODY PAINT |
| ENTRY DOOR LOCK CYLINDERS | | | |
| | 138287-11-000 | EA | CYLINDER/LOCK - ENTRY DOOR - MASTER W/3M ICON - (3041) |
| | 138287-12-000 | EA | CYLINDER/LOCK - ENTRY DOOR - MASTER W/3M ICON - (3042) |
| | 138287-13-000 | EA | CYLINDER/LOCK - ENTRY DOOR - MASTER W/3M ICON - (3043) |
| | 138287-14-000 | EA | CYLINDER/LOCK - ENTRY DOOR - MASTER W/3M ICON - (3044) |
| | 138287-15-000 | EA | CYLINDER/LOCK - ENTRY DOOR - MASTER W/3M ICON - (3045) |
| | 138287-16-000 | EA | CYLINDER/LOCK - ENTRY DOOR - MASTER W/3M ICON - (3046) |
| | 138287-17-000 | EA | CYLINDER/LOCK - ENTRY DOOR - MASTER W/3M ICON - (3047) |
| | 138287-18-000 | EA | CYLINDER/LOCK - ENTRY DOOR - MASTER W/3M ICON - (3048) |
| | 138287-19-000 | EA | CYLINDER/LOCK - ENTRY DOOR - MASTER W/3M ICON - (3049) |
| | 138287-20-000 | EA | CYLINDER/LOCK - ENTRY DOOR - MASTER W/3M ICON - (3050) |
| | 138292-01-000 | EA | SEAL - LOCK CYLINDER |
| VALANCE DOOR, DRIVER DOOR, & WATER FILL DOOR LOCK CYLINDERS | | | |
| | 138289-11-000 | EA | CYLINDER/LOCK - ACCESS DOORS - REDUCED SENSITIVITY (3041) |
| | 138289-12-000 | EA | CYLINDER/LOCK - ACCESS DOORS - REDUCED SENSITIVITY (3042) |
| | 138289-13-000 | EA | CYLINDER/LOCK - ACCESS DOORS - REDUCED SENSITIVITY (3043) |
| | 138289-14-000 | EA | CYLINDER/LOCK - ACCESS DOORS - REDUCED SENSITIVITY (3044) |
| | 138289-15-000 | EA | CYLINDER/LOCK - ACCESS DOORS - REDUCED SENSITIVITY (3045) |
| | 138289-16-000 | EA | CYLINDER/LOCK - ACCESS DOORS - REDUCED SENSITIVITY (3046) |
| | 138289-17-000 | EA | CYLINDER/LOCK - ACCESS DOORS - REDUCED SENSITIVITY (3047) |
| | 138289-18-000 | EA | CYLINDER/LOCK - ACCESS DOORS - REDUCED SENSITIVITY (3048) |
| | 138289-19-000 | EA | CYLINDER/LOCK - ACCESS DOORS - REDUCED SENSITIVITY (3049) |
| | 138289-20-000 | EA | CYLINDER/LOCK - ACCESS DOORS - REDUCED SENSITIVITY (3050) |
| | 138288-11-000 | EA | KEY - REVERSIBLE - #3041 - T/M 16169-02-3041 |
| | 138288-12-000 | EA | KEY - REVERSIBLE - #3042 - T/M 16169-02-3042 |
| | 138288-13-000 | EA | KEY - REVERSIBLE - #3043 - T/M 16169-02-3043 |
| | 138288-14-000 | EA | KEY - REVERSIBLE - #3044 - T/M 16169-02-3044 |
| | 138288-15-000 | EA | KEY - REVERSIBLE - #3045 - T/M 16169-02-3045 |
| | 138288-16-000 | EA | KEY - REVERSIBLE - #3046 - T/M 16169-02-3046 |
| | 138288-17-000 | EA | KEY - REVERSIBLE - #3047 - T/M 16169-02-3047 |
| | 138288-18-000 | EA | KEY - REVERSIBLE - #3048 - T/M 16169-02-3048 |
| | 138288-19-000 | EA | KEY - REVERSIBLE - #3049 - T/M 16169-02-3049 |
| | 138288-20-000 | EA | KEY - REVERSIBLE - #3050 - T/M 16169-02-3050 |
| 13 | 139100-01-01A | EA | GARNISH/RADIUS - ENTRY DOOR - BRIGHT WHITE |
| 13 | 139100-01-02A | EA | GARNISH/RADIUS - ENTRY DOOR - BLACK - FULL BODY PAINT |
| 14 | 139101-01-01A | EA | GARNISH/STRAIGHT - W/NOTCH - 36.31" - BRIGHT WHITE |
| 14 | 139101-01-02A | EA | GARNISH/STRAIGHT - ENTRY DOOR - BLACK - FULL BODY PAINT |
| 15* | 143709-02-01A | EA | STEP - ELECTRIC - TRIPLE - BLACK |
| | 116975-01-01A | EA | LATCH - W/O STRIKE - BLACK - NEW STYLE |
| | 064075-07-000 | FT | SEAL - BULB - W/WIRED U CHANNEL - .3" X .5" CHANNEL-BLACK |
| 16 | 133114-01-01A | EA | TREAD - STEP/RUBBER - 29.3" X 10.1" - TAUPE |
| | 099856-11-000 | EA | STRAP - TIEDOWN - 7.9" - ENTRY COMPARTMENT LID |
| 17 | 152148-23-T77 | EA | VALANCE/DOOR - W/O LATCH/HDW - 18.4" X 30.3" |
| | 132873-83-000 | EA | ROD - LATCH - 8.1" W/3/4" DOG LEG |
| | 135624-92-01B | EA | ROD - LATCH |
| | 142569-13-000 | EA | SPRING/GAS - 60 LB - 15" EXTENDED/9.5" COMPRESSED |
| | 126263-02-02B | EA | BRACKET - GAS SPRING W/BALL STUD - E-COATED |
| | 130053-01-01A | EA | STRIKER - LUGGAGE DOOR - FLUSH - BLACK |
| | 143793-01-01A | EA | SHIM/STRIKER - LUGGAGE - 1.5" - BLACK |
| | 099418-01-000 | FT | SEAL - D-SECTION/ADHESIVE BACK - .44" X .44" - BLK RUBBER |
| | 132892-08-01A | FT | SEAL - BULB/SINGLE - W/U CHANNEL - 1" X .8" - BLACK |
| 18* | 084103-08-000 | EA | DOOR - VENT - REFRIGERATOR - W/O JAMB - BRIGHT WHITE |
| 18 | 084104-08-000 | EA | JAMB - VENT DOOR/REFRIGERATOR - BRIGHT WHITE |
| 19 | 126945-09-P07 | EA | DOOR/STORAGE - W/O HARDWARE - 18.3" X 9.9" |
| 19 | 126945-09-R38 | EA | DOOR/STORAGE - W/O HARDWARE - 18.3" X 9.9" - FULL BODY PAINT |
| 20 | 142034-02-01A | EA | SHELF - F/EXTERIOR TV - BRIGHT WHITE |

EXTERIOR DOORS & COMPARTMENTS GROUP (CONTINUED)
DOOR & COMPARTMENT LAYOUT (CONTINUED)

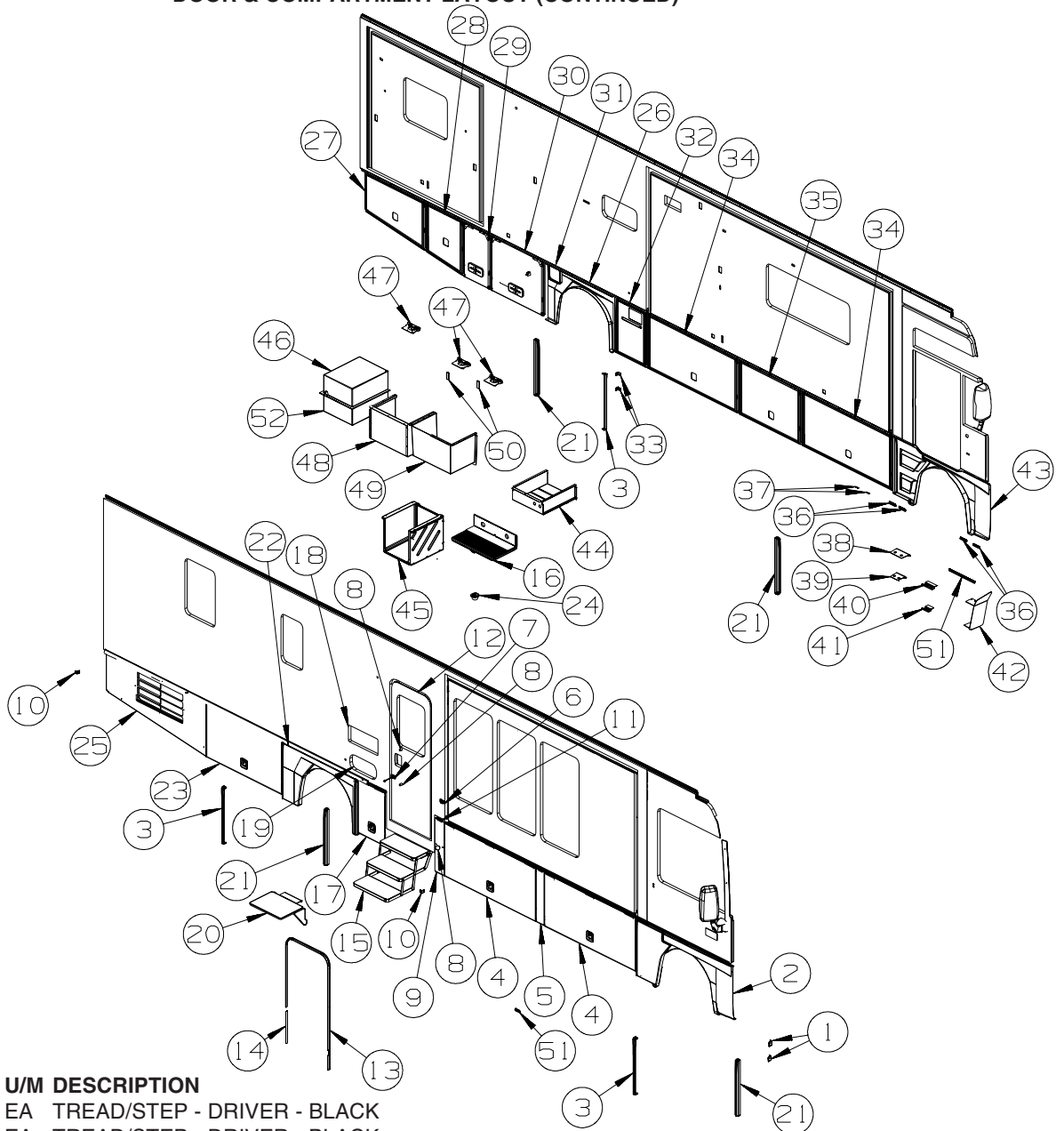


| KEY | PART NUMBER | U/M | DESCRIPTION |
|-----|---------------|-----|---|
| 21 | 154044-01-10A | EA | END CAP - WHEEL LIP - RIGHT HAND - BLACK |
| 22 | 154040-06-T77 | EA | PANEL - WHEEL LIP - PASSENGER/REAR |
| | 139793-03-01A | EA | HINGE - CENTER/VALANCE DOOR - W/O BALL STUD |
| 23 | 152148-01-T77 | EA | VALANCE/DOOR - W/O LATCH/HDW - 51.7" X 30.3" |
| | 132873-D1-000 | EA | ROD - LATCH - 19.7" W/3/4" DOG LEG |
| | 135624-A5-01B | EA | ROD - LATCH |
| | 142569-14-000 | EA | SPRING/GAS - 100 LB - 20" EXTENDED/12" COMPRESSED |
| | 126263-02-02B | EA | BRACKET - GAS SPRING W/BALL STUD - E-COATED |
| | 130053-01-01A | EA | STRIKER - LUGGAGE DOOR - FLUSH - BLACK |
| | 143793-01-01A | EA | SHIM/STRIKER - LUGGAGE - 1.5" - BLACK |
| | 132892-08-01A | FT | SEAL - BULB/SINGLE - W/U CHANNEL - 1" X .8" - BLACK |
| 24 | 160154-01-01A | EA | HATCH - F/POWER CORD - W/BASE/COVER - BLACK |
| 25 | 152148-21-T77 | EA | VALANCE/DOOR - W/O HDW - LOUVERED - 69.4" X 30.3" W/TAPER |
| | 107721-07-000 | FT | SEAL - ACCESS DOOR - .9"WIDE X 1.1"HIGH |
| 26 | 154042-06-T77 | EA | PANEL - WHEEL LIP - DRIVERS/REAR |
| | 139793-03-01A | EA | HINGE - CENTER/VALANCE DOOR - W/O BALL STUD |
| 27 | 152148-30-T77 | EA | VALANCE/DOOR - W/O LATCH/HDW - 42.5" X 26.9" - W/TAPER |
| | 132873-F9-000 | EA | ROD - LATCH - 29.8" W/3/4" DOG LEG |
| | 135624-77-01B | EA | ROD - LATCH |
| | 142569-17-000 | EA | SPRING/GAS - 90 LB - 12" EXTENDED/8.5" COMPRESSED |
| | 126263-02-02B | EA | BRACKET - GAS SPRING W/BALL STUD - E-COATED |
| | 130053-01-01A | EA | STRIKER - LUGGAGE DOOR - FLUSH - BLACK |
| | 143793-01-01A | EA | SHIM/STRIKER - LUGGAGE - 1.5" - BLACK |

EXTERIOR DOORS & COMPARTMENTS GROUP (CONTINUED)
DOOR & COMPARTMENT LAYOUT (CONTINUED)

| KEY | PART NUMBER | U/M | DESCRIPTION |
|-----|---------------|-----|---|
| | 076767-14-000 | EA | CABLE - STAINLESS STEEL - 14.9" |
| 28 | 152148-29-T77 | EA | VALANCE/DOOR - W/O LATCH/HDW - 26" X 30.3" - W/TAPER |
| | 132873-21-000 | EA | ROD - LATCH - 6.8" W/3/4" DOG LEG |
| | 135624-75-01B | EA | ROD - LATCH |
| | 142569-17-000 | EA | SPRING/GAS - 90 LB - 12" EXTENDED/8.5" COMPRESSED |
| | 126263-02-02B | EA | BRACKET - GAS SPRING W/BALL STUD - E-COATED |
| | 130053-01-01A | EA | STRIKER - LUGGAGE DOOR - FLUSH - BLACK |
| | 143793-01-01A | EA | SHIM/STRIKER - LUGGAGE - 1.5" - BLACK |
| | 076767-14-000 | EA | CABLE - STAINLESS STEEL - 14.9" |
| | 099418-01-000 | FT | SEAL - D-SECTION/ADHESIVE BACK - .44" X .44" - BLK RUBBER |
| | 107721-07-000 | FT | SEAL - ACCESS DOOR - .9"WIDE X 1.1"HIGH |
| | 107721-08-000 | FT | SEAL - ACCESS DOOR - .9"WIDE X .9"HIGH |
| 29 | 152148-23-T77 | EA | VALANCE/DOOR - W/O LATCH/HDW - 18.4" X 30.3" |
| | 132873-83-000 | EA | ROD - LATCH - 8.1" W/3/4" DOG LEG |
| | 135624-92-01B | EA | ROD - LATCH |
| | 142569-13-000 | EA | SPRING/GAS - 60 LB - 15" EXTENDED/9.5" COMPRESSED |
| | 126263-02-02B | EA | BRACKET - GAS SPRING W/BALL STUD - E-COATED |
| | 130053-01-01A | EA | STRIKER - LUGGAGE DOOR - FLUSH - BLACK |
| | 143793-01-01A | EA | SHIM/STRIKER - LUGGAGE - 1.5" - BLACK |
| | 076767-14-000 | EA | CABLE - STAINLESS STEEL - 14.9" |
| | 099418-01-000 | FT | SEAL - D-SECTION/ADHESIVE BACK - .44" X .44" - BLK RUBBER |
| | 107721-07-000 | FT | SEAL - ACCESS DOOR - .9"WIDE X 1.1"HIGH |
| 30 | 152148-26-U89 | EA | VALANCE/DOOR - W/O LATCH/HDW - 36.4" X 30.3" |
| | 132873-G3-000 | EA | ROD - LATCH - 12.1" W/3/4" DOG LEG |
| | 135624-B3-01B | EA | ROD - LATCH |
| | 142569-14-000 | EA | SPRING/GAS - 100 LB - 20" EXTENDED/12" COMPRESSED |
| | 126263-02-02B | EA | BRACKET - GAS SPRING W/BALL STUD - E-COATED |
| | 130053-01-01A | EA | STRIKER - LUGGAGE DOOR - FLUSH - BLACK |
| | 143793-01-01A | EA | SHIM/STRIKER - LUGGAGE - 1.5" - BLACK |
| | 099418-01-000 | FT | SEAL - D-SECTION/ADHESIVE BACK - .44" X .44" - BLK RUBBER |
| | 107721-07-000 | FT | SEAL - ACCESS DOOR - .9"WIDE X 1.1"HIGH |
| 31 | 154043-02-T77 | EA | PANEL/DOOR - FUEL FILL - W/O LOCK - BLACK |
| | 110506-40-000 | EA | CLIP-E, LOCK ASM - BRIGGS & STRATTON 93981 |
| | 110506-41-000 | EA | WASHER-TENSION LOCK ASM - BRIGGS & STRATTON 37512 |
| | 110506-42-000 | EA | NUT-LOCK ASM - BRIGGS & STRATTON 310878 |
| | 110506-43-000 | EA | WASHER-FLAT, LOCK ASM - BRIGGS & STRATTON 82089 |
| | 110506-44-000 | EA | GASKET-LOCK ASM - BRIGGS & STRATTON - #47701 |
| | 110506-45-000 | EA | WASHER - SPUR - BRIGGS & STRATTON - #94771 |
| | 110506-51-000 | EA | CASE/CYLINDER - TWIST LATCH - W/O CAM - 1" - 596669 |
| | 110506-78-000 | EA | CAM - LATCHING - 2.3" |
| | 153306-01-01A | EA | HINGE - PIANO - 1 1/2" X 5" - UNPAINTED |
| 32 | 152148-24-T77 | EA | VALANCE/DOOR - W/O HDW - W/CUT OUT - 21.7" X 30.3" - WATER HEATER |
| 33 | 119568-01-01A | EA | STANDOFF - VALANCE PANEL - BLACK |
| 34 | 152148-12-T77 | EA | VALANCE/DOOR - W/O LATCH/HDW - 62.8" X 30.3" |
| | 132873-D3-000 | EA | ROD - LATCH - 25.3" W/3/4" DOG LEG |
| | 135624-A6-01B | EA | ROD - LATCH |
| | 142569-15-000 | EA | SPRING/GAS - 120 LB - 20" EXTENDED/12" COMPRESSED |
| | 126263-02-02B | EA | BRACKET - GAS SPRING W/BALL STUD - E-COATED |
| | 130053-01-01A | EA | STRIKER - LUGGAGE DOOR - FLUSH - BLACK |
| | 130053-02-01A | EA | STRIKER - LUGGAGE DOOR - OFF SET - BLACK |
| | 143793-01-01A | EA | SHIM/STRIKER - LUGGAGE - 1.5" - BLACK |
| | 099418-01-000 | FT | SEAL - D-SECTION/ADHESIVE BACK - .44" X .44" - BLK RUBBER |
| | 132892-08-01A | FT | SEAL - BULB/SINGLE - W/U CHANNEL - 1" X .8" - BLACK |
| 35 | 152148-07-T77 | EA | VALANCE/DOOR - W/O LATCH/HDW - 43.1" X 30.3" |
| | 132873-29-000 | EA | ROD - LATCH - 15.4" W/3/4" DOG LEG |
| | 135624-77-01B | EA | ROD - LATCH |
| | 142569-14-000 | EA | SPRING/GAS - 100 LB - 20" EXTENDED/12" COMPRESSED |
| | 126263-02-02B | EA | BRACKET - GAS SPRING W/BALL STUD - E-COATED |
| | 130053-01-01A | EA | STRIKER - LUGGAGE DOOR - FLUSH - BLACK |
| | 143793-01-01A | EA | SHIM/STRIKER - LUGGAGE - 1.5" - BLACK |
| | 099418-01-000 | FT | SEAL - D-SECTION/ADHESIVE BACK - .44" X .44" - BLK RUBBER |
| | 132892-08-01A | FT | SEAL - BULB/SINGLE - W/U CHANNEL - 1" X .8" - BLACK |
| 36 | 132654-07-01A | EA | SUPPORT - WHEEL LIP - BLACK - 4.5" |
| 37 | 132597-01-02B | EA | ANGLE/SUPPORT/TRIM - 2" - E-COATED |

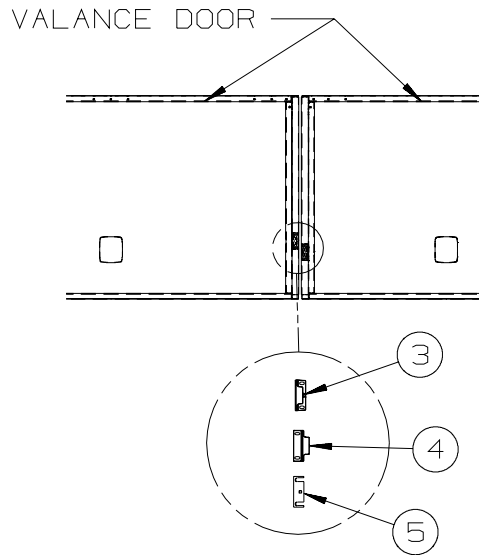
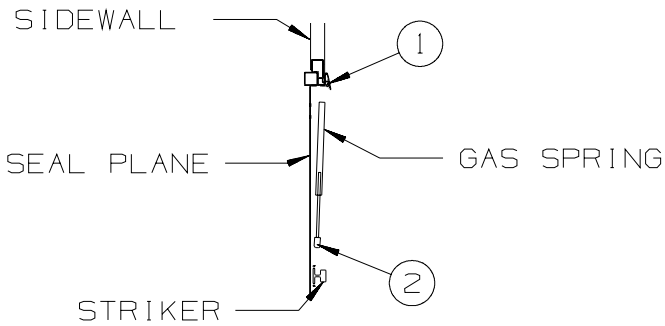
EXTERIOR DOORS & COMPARTMENTS GROUP (CONTINUED)
DOOR & COMPARTMENT LAYOUT (CONTINUED)



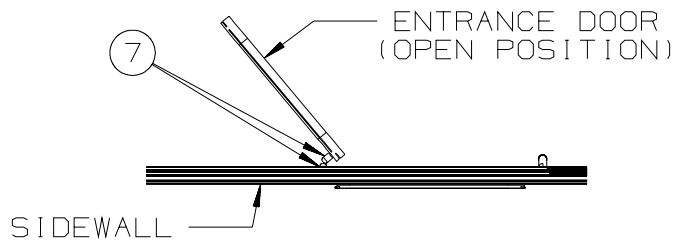
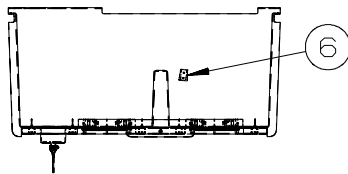
| KEY | PART NUMBER | U/M | DESCRIPTION |
|-----|---------------|-----|---------------------------------------|
| 38 | 154383-01-04B | EA | TREAD/STEP - DRIVER - BLACK |
| 39 | 154383-02-04B | EA | TREAD/STEP - DRIVER - BLACK |
| 40 | 138143-06-02B | EA | SUPPORT/STEP - DRIVER - E-COATED |
| 41 | 138143-08-02B | EA | SUPPORT/STEP - DRIVER - E-COATED |
| 42 | 144919-03-02B | EA | DIRT GUARD - E-COATED |
| | | | FROM: 00-00-00 THRU: 11-04-07 |
| 42 | 144919-04-02B | EA | DIRT GUARD - E-COATED |
| | | | FROM: 11-05-07 THRU: 99-99-99 |
| 43 | 154041-01-T77 | EA | PANEL - WHEEL LIP - DRIVERS/FRONT |
| | | | FROM: 00-00-00 THRU: 11-04-07 |
| 43 | 165213-01-WA0 | EA | PANEL - WHEEL LIP - DRIVERS/FRONT |
| | | | FROM: 11-05-07 THRU: 99-99-99 |
| 44 | 140829-02-02B | EA | COMPARTMENT - WATER HEATER - E-COATED |
| 45 | 152066-02-T77 | EA | COMPARTMENT - LUGGAGE |
| 46 | 132315-07-000 | EA | COMPARTMENT - POWER CORD |
| 47* | 142226-02-01A | EA | HATCH - POWER |
| 48 | 152275-05-U89 | EA | COMPARTMENT - LUGGAGE |
| 49 | 156967-01-01A | EA | COMPARTMENT - DRAINAGE |
| 50 | 130377-02-000 | EA | TUBE/DRAIN - KAZOO - 1 1/2" X 4" |
| 51 | 132654-11-01A | EA | SUPPORT - WHEEL LIP - BLACK - 3.1" |
| 52 | 132315-06-000 | EA | COMPARTMENT - POWER CORD |

*COMPONENT PARTS LISTED LATER IN THIS GROUP

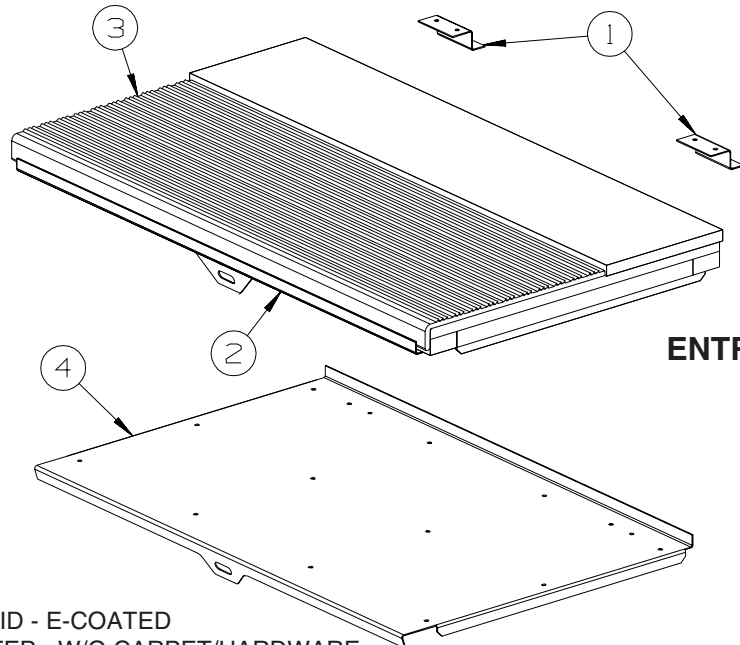
EXTERIOR DOORS & COMPARTMENTS GROUP (CONTINUED)
DOOR & COMPARTMENT LAYOUT (CONTINUED)



DOOR & COMPARTMENT SECTIONS



| KEY | PART NUMBER | U/M DESCRIPTION |
|-----|---------------|--|
| 1 | 099418-01-000 | FT SEAL - D-SECTION/ADHESIVE BACK - .44" X .44" - BLK RUBBER |
| 2 | 126263-02-02B | EA BRACKET - GAS SPRING W/BALL STUD - E-COATED |
| 3 | 130053-01-01A | EA STRIKER - LUGGAGE DOOR - FLUSH - BLACK |
| 4 | 130053-02-01A | EA STRIKER - LUGGAGE DOOR - OFF SET - BLACK |
| 5 | 120494-03-02B | EA SHIM - STRIKER - LUGGAGE DOOR - 3/64" - E-COATED |
| 6 | 131383-03-02A | EA BRACKET - SHOWER HEAD - WHITE |
| 7 | 120863-02-000 | EA BUMPER - RUBBER/RADIUS TOP - 1" X 1 1/2" |



ENTRY STEP LID

| KEY | PART NUMBER | U/M DESCRIPTION |
|-----|---------------|---|
| 1 | 101222-01-04A | EA BRACKET - CATCH - LID - E-COATED |
| 2 | P20256-07-000 | EA LID/DOOR - ENTRY STEP - W/O CARPET/HARDWARE |
| 3 | 133114-02-01A | EA TREAD - STEP/RUBBER - W/LIP - 28.5" X 9.8" - TAUPE |
| 4 | 123330-03-02B | EA SUPPORT - ENTRY STEP - E-COATED |

EXTERIOR DOORS & COMPARTMENTS GROUP (CONTINUED)

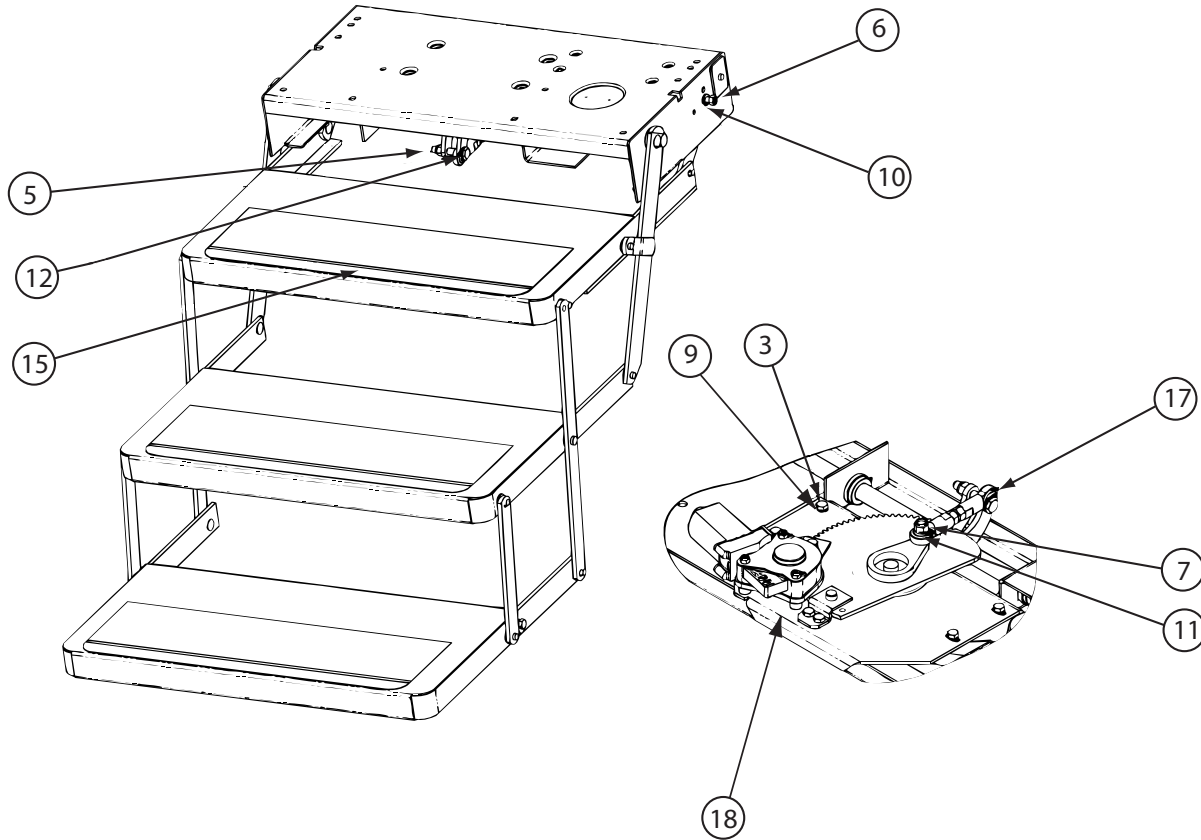
COMPONENT PARTS FOR DOOR & COMPARTMENT LAYOUT

084103-08-000

| KEY | PART NUMBER | U/M DESCRIPTION | VENDOR NO. |
|-----|---------------|--------------------------|-------------|
| | 084104-01-700 | EA LOCK-MALE, FASTENER | 201-721-010 |
| | 084104-01-701 | EA LOCK-FEMALE, FASTENER | 201-802-010 |

142226-02-01A

| KEY | PART NUMBER | U/M DESCRIPTION | VENDOR NO |
|-----|---------------|-------------------------------|-----------|
| | 142226-02-700 | EA TAB/LOCKING - ESCAPE (RED) | 9667709 |

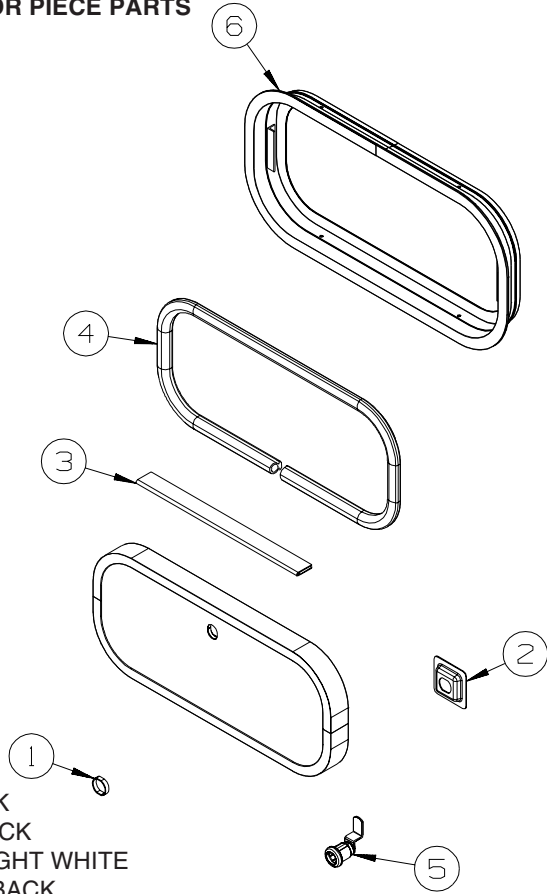


143709-02-01A

| KEY | PART NUMBER | U/M DESCRIPTION | VENDOR NO. |
|-----|---------------|---------------------------------|------------|
| | 143709-01-700 | EA CAM STOP | 1102200 |
| | 143709-01-701 | EA BUMPER - BLACK (RUBBER STOP) | 1602000 |
| 15 | 143709-01-702 | EA TREAD/NON-SKID _6" X 21" BLK | 1915260 |
| | 143709-01-703 | EA FRAME ONLY PAINTED BLACK 25 | 908025000 |
| 17 | 143709-02-700 | EA LINK/ASSEMBLY 24/25 SERIES | 3380050 |
| 18 | 143709-02-701 | EA MOTOR ASM W/TABLE 24/25 STEP | 3392152 |
| 18 | 143709-02-702 | EA MOTOR "AM 214" F/IMGL TRIPLE | 1820124 |
| | 088746-01-705 | EA LIGHT-UNDER STEP | 9004 |
| | 094707-03-701 | EA PLUG - 4-WAY - PACKARD | 909306 |
| | 094707-04-700 | EA CONTROL UNIT W/OVERRIDE | 909510000 |
| | 094707-04-711 | EA KWIKTEST - W/4-WAY PIGTAIL | 909518000 |

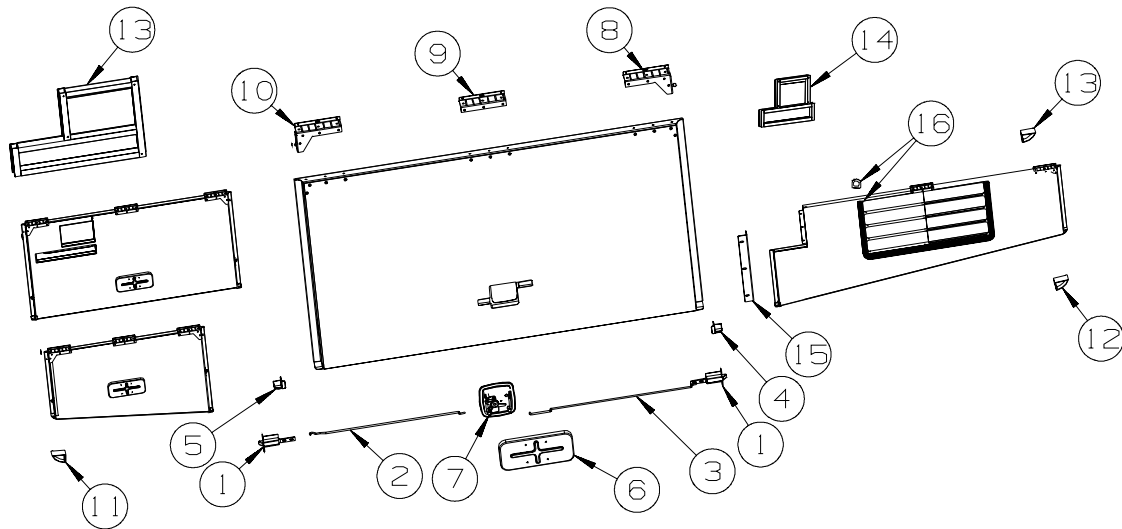
CONTACT WINNEBAGO PART SALES FOR UNLISTED COMPONENT(S)

EXTERIOR DOORS & COMPARTMENTS GROUP (CONTINUED)
COMPARTMENT DOOR PIECE PARTS



| KEY | PART NUMBER | U/M | DESCRIPTION |
|-----|----------------|-----|--|
| 1 | 139325-01-000 | EA | SPACER - LOCK - 6MM |
| | 139337-01-000 | EA | GASKET - LOCK |
| 2 | 0971111-02-04A | EA | POCKET - LOCK - REAR DOOR - BLACK |
| 3 | 081801-FN-000 | EA | HINGE - DOOR - PIANO - 2" X 96" - BLACK |
| 3 | 081801-V3-000 | EA | HINGE - DOOR - PIANO - 2" X 96" - BRIGHT WHITE |
| 4 | 156386-01-01A | FT | SEAL - BULB - .4" X .5" - W/ADHESIVE BACK |
| 5 | 138290-02-000 | EA | CASE - W/CAM - W/O CYLINDER/KEY |
| 6 | 056795-01-000 | FT | TAPE - SEAL - 1/8" X 3/8" WIDE - PRESS ON |

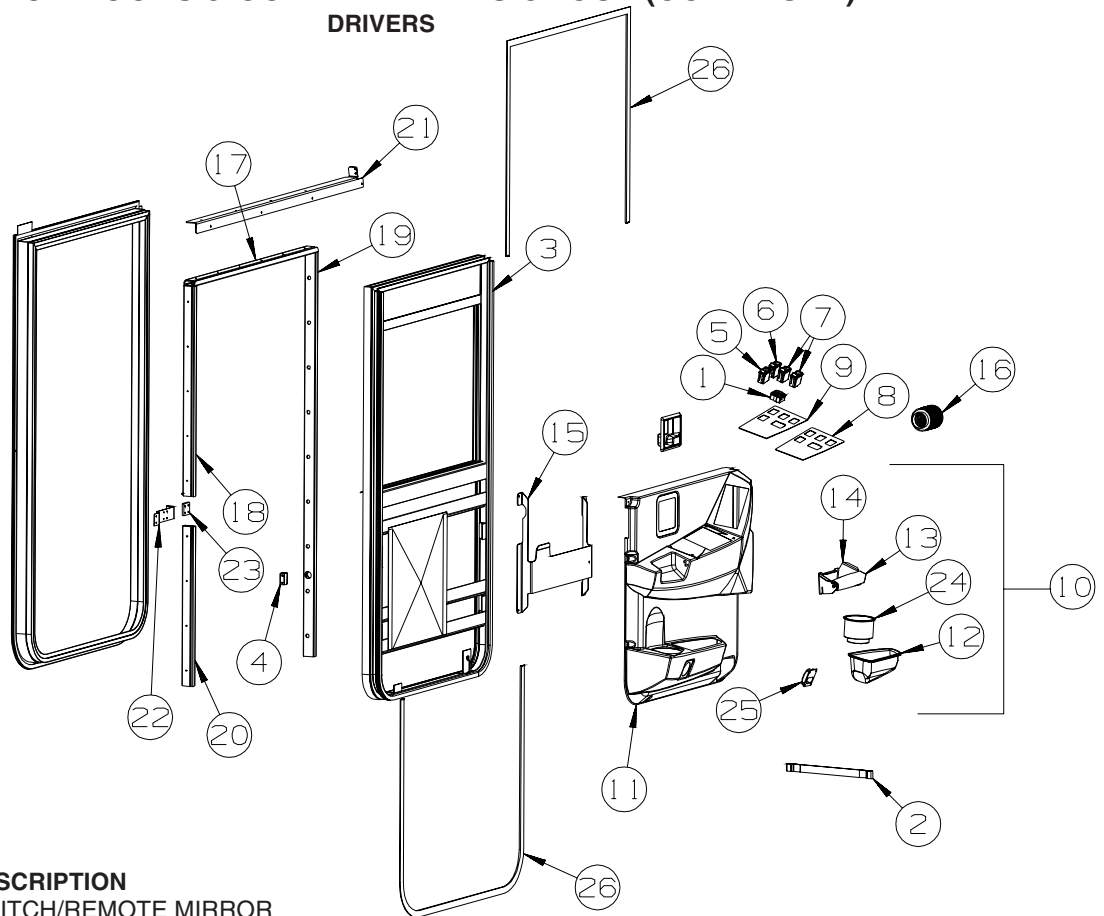
EXTERIOR DOORS & COMPARTMENTS GROUP (CONTINUED)
COMPARTMENT DOOR PIECE PARTS (CONTINUED)



| KEY | PART NUMBER | U/M | DESCRIPTION |
|-----|---------------|-----|--|
| 1 | 121947-01-01A | EA | BOLT - SLIDE W/PLASTIC PLUNGER |
| 2 | 132873-01-000 | EA | ROD - LATCH (BLANK) - 37.3" |
| 3 | 135624-71-01B | EA | ROD - LATCH (BLANK) - 37.3" |
| 4 | 135276-01-01A | EA | REINFORCEMENT - CORNER - LEFT HAND (FACING DOOR) - BLACK |
| 5 | 135276-02-01A | EA | REINFORCEMENT - CORNER - RIGHT HAND (FACING DOOR) - BLACK |
| 6 | 137359-01-01A | EA | COVER - LATCH - WHITE |
| 7 | 154900-01-01A | EA | LATCH/PADDLE - LOCKING - COMPT DOOR - KEY ONE - BLACK |
| 7 | 154900-02-01A | EA | LATCH/PADDLE - NON LOCKING - COMPT DOOR - BLACK |
| 8 | 139793-01-01A | EA | HINGE - RIGHT HAND/VALANCE DOOR - W/BALL STUD |
| 8 | 139793-04-01A | EA | HINGE - RIGHT HAND/VALANCE DOOR - W/O BALL STUD |
| 9 | 139793-03-01A | EA | HINGE - CENTER/VALANCE DOOR - W/O BALL STUD |
| 10 | 139793-02-01A | EA | HINGE - LEFT HAND/VALANCE DOOR - W/BALL STUD |
| 10 | 139793-05-01A | EA | HINGE - LEFT HAND/VALANCE DOOR - W/O BALL STUD |
| 11 | 141601-04-01A | EA | END CAP/VALANCE DOOR - DRVRSIDE/REAR OF DOOR-W/1.5MM NOTCH |
| 12 | 141601-03-01A | EA | END CAP/VALANCE DOOR-PASS SIDE/REAR OF DOOR-W/1.5MM NOTCH |
| 13 | 133049-08-T77 | EA | TRIM - COVER/WATER HEATER - 12.25" X 17.46" |
| 14 | 133049-09-R32 | EA | TRIM - COVER/WATER HEATER - 12.2" X 16.83 |
| 15 | 113041-18-02B | EA | ANGLE/MOUNT - BUMPER - E-COATED - 10.6" |
| 15 | 113041-19-02B | EA | ANGLE/MOUNT - BUMPER - E-COATED - 7.9" |
| 16 | 107721-07-000 | FT | SEAL - ACCESS DOOR - .9"WIDE X 1.1"HIGH |

EXTERIOR DOORS & COMPARTMENTS GROUP (CONTINUED)

DRIVERS



| KEY | PART NUMBER | U/M | DESCRIPTION |
|-----|---------------|-----|---|
| 1 | 088246-01-000 | EA | SWITCH/REMOTE MIRROR |
| 2 | 109378-01-000 | EA | STRAP - CHECK - DRIVER DOOR - 12.8" |
| 3* | 125581-09-01A | EA | DOOR - DRIVER - POWER WINDOW/LOCK |
| 4 | 128131-01-01A | EA | SPACER/SWITCH - DOME - BLACK |
| 5 | 145638-02-01A | EA | SWITCH/ROCKER - SPST (ON/OFF) - LIGHTED - BLACK - HEATED MIRROR |
| 5 | 108355-02-000 | EA | HOUSING - SWITCH - 12 POSITION |
| 6 | 145638-09-01A | EA | SWITCH/ROCKER - DPDT (ON/OFF/ON) - BLACK - POWER WINDOW |
| 6 | 108355-02-000 | EA | HOUSING - SWITCH - 12 POSITION |
| 7 | 145638-09-01A | EA | SWITCH/ROCKER - DPDT (ON/OFF/ON) - BLACK - POWER SUNVISOR |
| 7 | 108355-02-000 | EA | HOUSING - SWITCH - 12 POSITION |
| 7 | 145754-01-01A | EA | SWITCH - BLANK - BLACK |
| 8 | 145926-10-02B | EA | INSERT - SWITCH PLATE - 4 HOLE/RELAY SLOT - E-COATED |
| 9 | 148653-08-02A | EA | APPLIQUE - DRIVERS DOOR - DARK PUTTY |
| 10 | 148822-02-WAO | EA | PANEL - DRIVER DOOR/INNER |
| 11 | 148823-02-24A | EA | PANEL - INNER/DRIVER DOOR - BRIARWOOD |
| 12 | 148827-01-24A | EA | POCKET/STORAGE - DRIVER DOOR - BRIARWOOD |
| 13 | 148833-01-03A | EA | HANDLE - DRIVER DOOR - BRIARWOOD |
| 14 | 149512-01-02B | EA | BRACKET - DOOR HANDLE - E-COATED |
| 15 | 149513-01-02B | EA | BRACKET - SUPPORT/DOOR HANDLE - E-COATED |
| 16 | 117802-01-000 | EA | GROMMET - CONVOLUTED - 2" |
| 17 | 125725-01-01A | EA | FRAME - DRIVER DOOR - 33.5" - BLACK |
| 18 | 125725-03-01A | EA | FRAME - DRIVER DOOR - 27.8" - BLACK |
| 19 | 125725-07-01A | EA | FRAME - DRIVER DOOR - 53.3" - BLACK |
| 20 | 125725-08-01A | EA | FRAME - DRIVER DOOR - 21.4" - BLACK |
| 21 | 125804-02-02B | EA | ANGLE - DOOR SUPPORT - E-COATED |
| 22 | 126506-01-02B | EA | BRACKET - STRIKE - DRIVER DOOR - E-COATED |
| 23 | 126534-01-02B | EA | SPACER - STRIKE - DRIVER DOOR - E-COATED |
| 24 | 134566-01-01A | EA | HOLDER - CUP - TWO STEP - BLACK |
| 25* | 108354-01-01A | EA | LIGHT - COURTESY |
| 26 | 109235-01-01A | FT | COVER - SCREW - MAT BLACK |
| 26 | 109235-01-05A | FT | COVER - SCREW - BRIGHT WHITE |

*COMPONENT PARTS LISTED LATER IN THIS GROUP

EXTERIOR DOORS & COMPARTMENTS GROUP (CONTINUED)

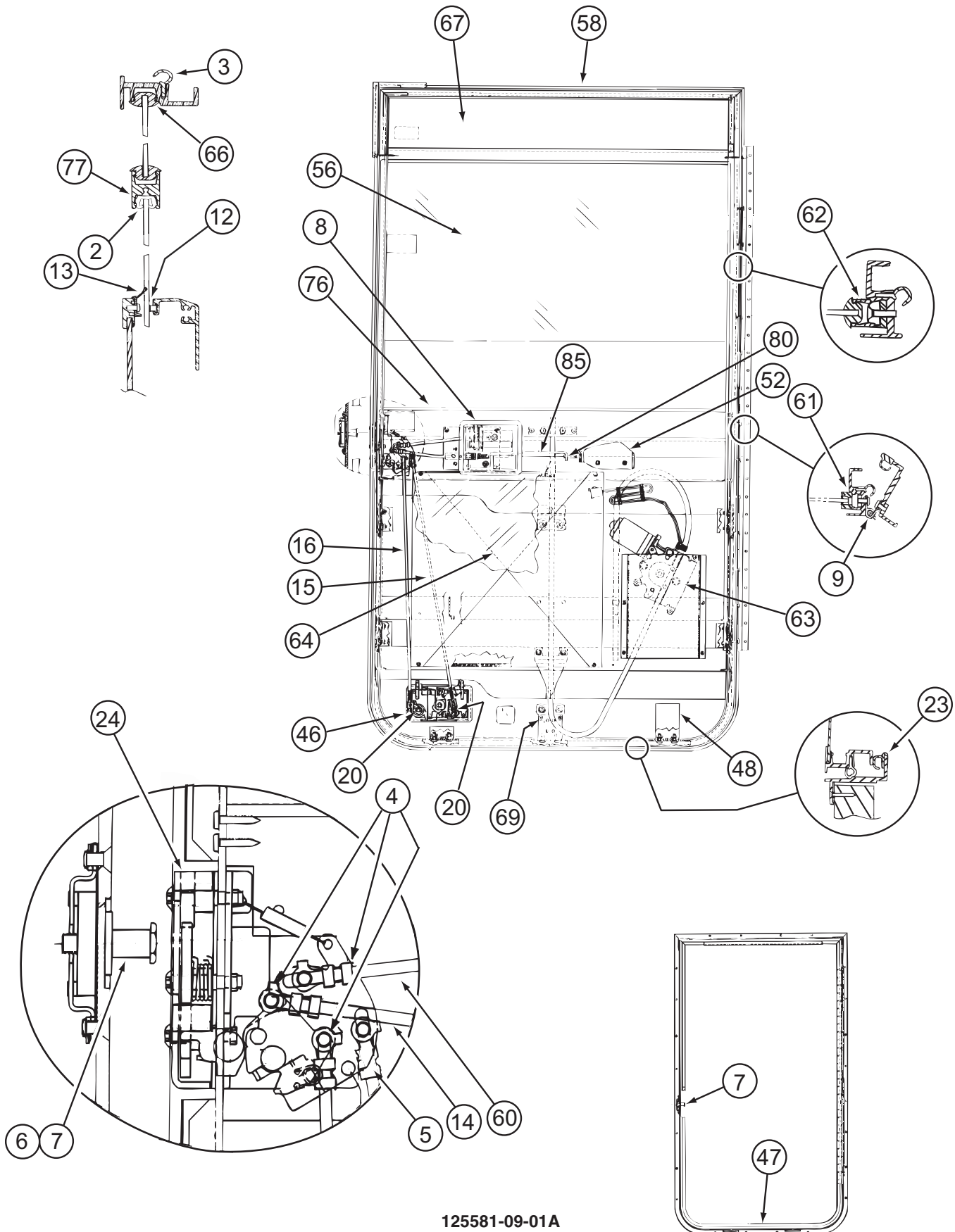
COMPONENT PARTS FOR DRIVERS

108354-01-01A

KEY PART NUMBER
108354-01-700

U/M DESCRIPTION
EA BULB-COURTESY LIGHT

VENDOR NO.
395-B



125581-09-01A

EXTERIOR DOORS & COMPARTMENTS GROUP (CONTINUED)
COMPONENT PARTS FOR DRIVERS (CONTINUED)

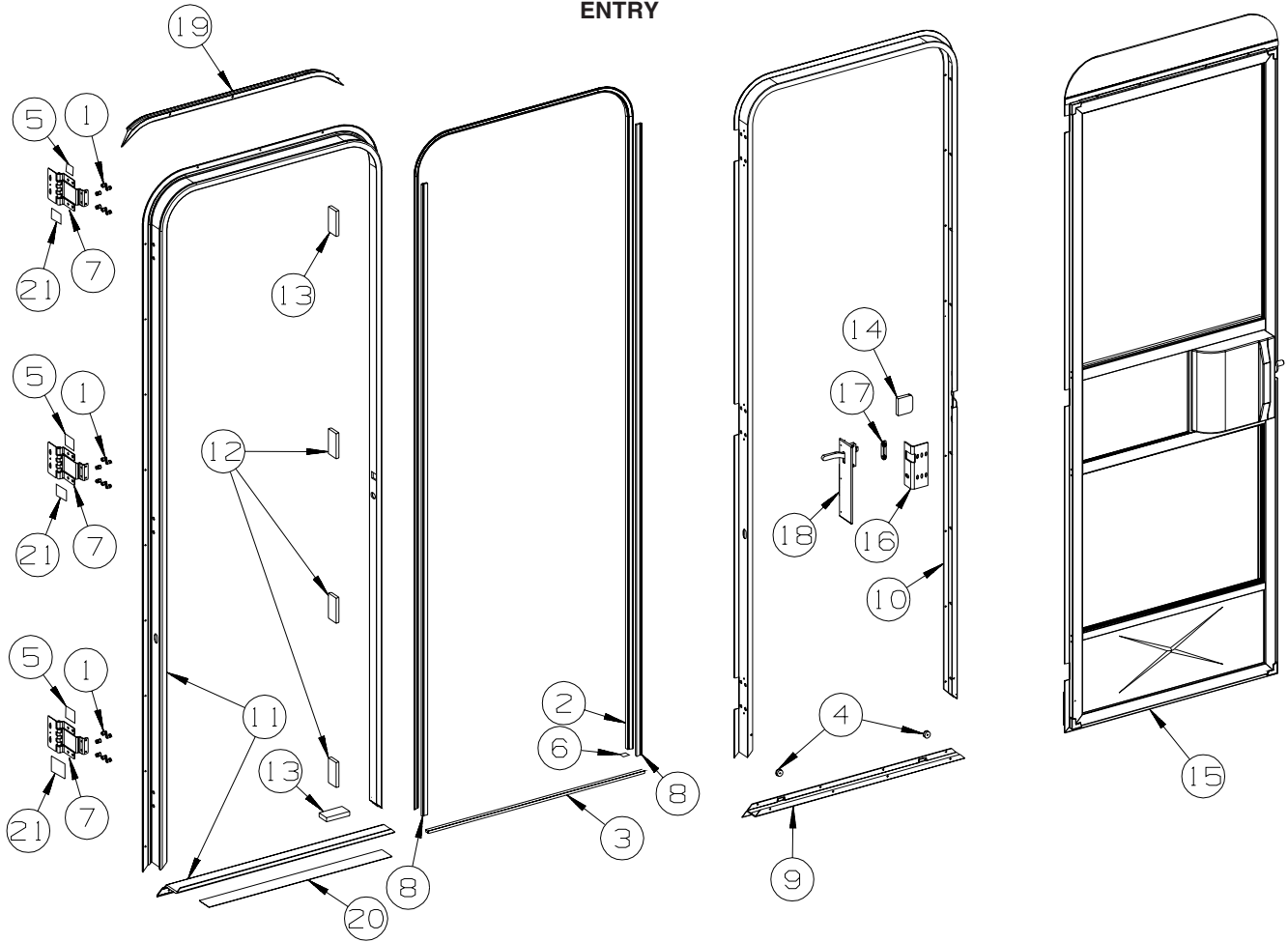
125581-09-01A (CONTINUED)

| KEY | PART NUMBER | U/M | DESCRIPTION | VENDOR NO. |
|-----|---------------|-----|------------------------------|-------------------|
| 2 | 106469-01-705 | FT | CHANNEL-RUN, SLIDING | 122-010850 |
| 3 | 106469-01-702 | EA | SEAL-DOOR FRAME (DOOR)EA=1 | 122-040984 |
| 4 | 106469-04-714 | EA | ROD-CLIP, RH | 80801 |
| 5 | 106469-04-713 | EA | ROD-CLIP, LH | 80802 |
| 6 | 106469-04-704 | EA | NUT ASSEMBLY-CAGED W/STRIKER | 11920-16 |
| 7 | 106469-04-703 | EA | BOLT-STRIKER, W/WASHER | 10335-16 |
| 8 | 106469-04-712 | EA | HANDLE/DOOR-INNER W/HARDWARE | 11297-01 |
| 9 | 106469-05-702 | EA | HINGE - 42" | 211-041194 |
| 12 | 106469-01-709 | FT | WEATHERSTRIP FUZZY | 171-040630 |
| 13 | 125581-03-703 | EA | WEATHERSTRIP - BELTING | 132-041069 |
| 13 | 125581-09-712 | EA | WEATHERSTRIP/BELT - F/GLASS | 490664 |
| 14 | 106469-04-711 | EA | ROD-LOCK, HORIZONTAL | 15508-01 |
| 15 | 125581-04-700 | EA | ROD - LATCH/VERTICAL ADJUST. | 203-041767 |
| 16 | 125581-04-701 | EA | ROD - LOCK/VERTICAL ADJUST. | 203-041768 |
| 20 | 128913-01-707 | EA | NUT - HEX/NYLOCK - 1/4 - 20 | 233-062447 |
| 23 | 106469-01-723 | EA | SEAL-BULB ASM. (DOOR JAMB) | 171-040985 |
| 24 | 106469-05-706 | EA | LATCH-ROTARY, W/LINKAGE | 16512-01 |
| 46 | 125581-09-700 | EA | PADDLE-W/O LOCK RH (REV KEY) | 17191-02 |
| 46 | 125581-09-701 | EA | LATCH/LOCK-DRVR DR (REV KEY) | PARTS DEPT |
| 46 | 125581-09-702 | EA | LATCH/LOCK-DRVR DR (REV KEY) | PARTS DEPT |
| 46 | 125581-09-703 | EA | LATCH/LOCK-DRVR DR (REV KEY) | PARTS DEPT |
| 46 | 125581-09-704 | EA | LATCH/LOCK-DRVR DR (REV KEY) | PARTS DEPT |
| 46 | 125581-09-705 | EA | LATCH/LOCK-DRVR DR (REV KEY) | PARTS DEPT |
| 46 | 125581-09-706 | EA | LATCH/LOCK-DRVR DR (REV KEY) | PARTS DEPT |
| 46 | 125581-09-707 | EA | LATCH/LOCK-DRVR DR (REV KEY) | PARTS DEPT |
| 46 | 125581-09-708 | EA | LATCH/LOCK-DRVR DR (REV KEY) | PARTS DEPT |
| 46 | 125581-09-709 | EA | LATCH/LOCK-DRVR DR (REV KEY) | PARTS DEPT |
| 46 | 125581-09-710 | EA | LATCH/LOCK-DRVR DR (REV KEY) | PARTS DEPT |
| 46 | 125581-09-721 | EA | LATCH/LOCK-DRVR DR (3041) | PARTS DEPT (3041) |
| 46 | 125581-09-722 | EA | LATCH/LOCK-DRVR DR (3042) | PARTS DEPT (3042) |
| 46 | 125581-09-723 | EA | LATCH/LOCK-DRVR DR (3043) | PARTS DEPT (3043) |
| 46 | 125581-09-724 | EA | LATCH/LOCK-DRVR DR (3044) | PARTS DEPT (3044) |
| 46 | 125581-09-725 | EA | LATCH/LOCK-DRVR DR (3045) | PARTS DEPT (3045) |
| 46 | 125581-09-726 | EA | LATCH/LOCK-DRVR DR (3046) | PARTS DEPT (3046) |
| 46 | 125581-09-727 | EA | LATCH/LOCK-DRVR DR (3047) | PARTS DEPT (3047) |
| 46 | 125581-09-728 | EA | LATCH/LOCK-DRVR DR (3048) | PARTS DEPT (3048) |
| 46 | 125581-09-729 | EA | LATCH/LOCK-DRVR DR (3049) | PARTS DEPT (3049) |
| 46 | 125581-09-730 | EA | LATCH/LOCK-DRVR DR (3050) | PARTS DEPT (3050) |
| 47 | 125581-04-703 | EA | FRAME - MOUNTING - BLACK | V180-35L |
| 48 | 125581-07-703 | EA | BRACKET-ALUMINUM "L"(INSIDE) | N135-55 |
| 56 | 125581-08-703 | EA | GLASS-ROLL-UP 29.46"X29.37" | 106-042081 |
| 56 | 125581-09-711 | EA | GLASS-ROLL UP 24"H X 29.37"W | 490207 |
| 58 | 125581-08-702 | EA | FRAME/DOOR - SUB ASSY-BLACK | V220-98L |
| 60 | 106469-04-705 | EA | ROD-LATCH, HORIZONTAL | 203-041139 |
| 61 | 125581-08-701 | EA | CHANNEL/VERT ROLL UP-BLACK | V220-60 |
| 62 | 125581-08-700 | EA | CHANNEL/VERT STA GLASS-BLACK | V220-61 |
| 63 | 125581-03-702 | EA | REGULATOR-ELECTRIC-SPEC RH | 410-040966 |
| 64 | 125581-06-700 | EA | PANEL/INTERIOR | V164-97 |
| 66 | 125581-04-710 | FT | VINYL - GLAZING | 132-041484 |
| 67 | 125581-07-701 | EA | GLASS-STATIONERY/4.95"X29.5" | 106-042082 |
| 69 | 125581-04-711 | EA | CHANNEL-GLASS - LIFT BRKT | N135-66 |
| 76 | 125581-03-701 | EA | SILL - INNER - BLACK | V123-68L |
| 77 | 125581-03-700 | EA | MULLION RAIL- BLACK | V123-84 |
| | 106469-04-716 | EA | LEVER-LOCKING-BLACK | 80978-00 |
| | 125581-07-705 | EA | BRACKET (L) F/SEAL PROTECT | 490201 |
| | 125581-07-704 | EA | BRACKET - STRAP/JAMB & DOOR | 248-080394 |
| | 125581-10-701 | EA | CLIP - CABLE | 130-042047 |
| | 125581-09-731 | EA | SPLINE-DRIVER DOOR WDO SEAL | 491279 |

CONTACT WINNEBAGO PART SALES FOR UNLISTED COMPONENT(S)

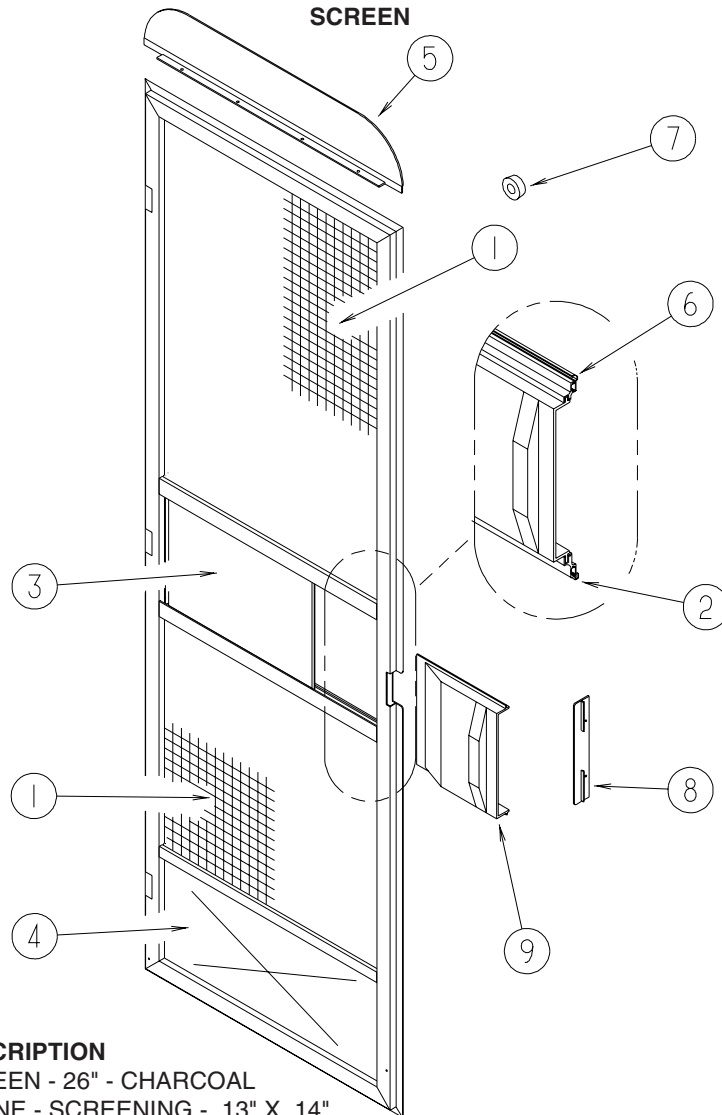
EXTERIOR DOORS & COMPARTMENTS GROUP (CONTINUED)

ENTRY



| KEY | PART NUMBER | U/M | DESCRIPTION |
|-----|---------------|-----|--|
| 1 | 039715-01-000 | EA | NUT-SERT - 1/4" DIAMETER - 20 THREADS |
| 2 | 075671-04-000 | FT | SEAL - SPONGE - LAZY T - W/ADHESIVE STRIP - .5" WIDE |
| 3 | 075673-05-000 | FT | SEAL/PILE - .5" HIGH W/ADHESIVE BACK - BLACK |
| 4 | 081914-02-000 | EA | BUMPER - RUBBER - ROUND - 5/16" DIA. X 13/64" THICK |
| 5 | 100128-02-000 | FT | SEAL - FOAM/ADHESIVE BACK - .37" WIDE X .37" THICK |
| 6 | 104692-01-000 | FT | SEAL - ADHESIVE BACKED FOAM - 3/4" THICK X 3/4" WIDE X 25' |
| 7 | 106719-01-05A | EA | HINGE - ENTRY DOOR - BRIGHT WHITE |
| 7 | 106719-01-08A | EA | HINGE - ENTRY DOOR - BLACK |
| 8 | 118929-01-01A | FT | SEAL - PILE - PUSH ON |
| 9 | 121893-03-02A | EA | FRAME - ENTRY DOOR/LOWER - BRIGHT WHITE |
| 9 | 121893-03-03A | EA | FRAME - ENTRY DOOR/LOWER - BLACK |
| 10 | 121894-27-01A | EA | FRAME - ENTRY DOOR - BRIGHT WHITE |
| 10 | 121894-27-02A | EA | FRAME - ENTRY DOOR - BLACK |
| 11 | 121898-14-01A | EA | JAMB - DOOR/ENTRANCE - BRIGHT WHITE |
| 11 | 121898-14-02A | EA | JAMB - DOOR/ENTRANCE - BLACK |
| 12 | 125724-01-000 | EA | SHIM - DOOR, ENTRANCE |
| 13 | 125724-02-000 | EA | SHIM - DOOR, ENTRANCE |
| 14 | 130096-05-000 | EA | FOAM - SCREEN DOOR, RETAINER |
| 15 | P32208-02-L32 | EA | DOOR - SCREEN - W/O HARDWARE - BRIGHT WHITE |
| 15 | P32208-02-S64 | EA | DOOR - SCREEN - W/O HARDWARE - BLACK |
| 16 | 137401-01-03B | EA | BRACKET - DOOR ANGLE - OFF WHITE |
| 17 | 148364-01-12B | EA | STRIKE - SCREEN DOOR - BRIGHT WHITE |
| 17 | 148364-01-04B | EA | STRIKE - SCREEN DOOR - BLACK |
| 18 | 132915-01-01A | EA | LATCH - SCREEN DOOR - BLACK |
| 19 | 139054-19-01A | EA | CAP - DRIP - JAMB MOUNTED - BRIGHT WHITE |
| 19 | 139054-19-02A | EA | CAP - DRIP - JAMB MOUNTED - BLACK |
| 20 | 038327-01-000 | EA | TAPE - ANTI-SLIP - 2" X 60' |
| 21 | 154585-01-01A | FT | SEAL - FOAM TAPE - ADHESIVE BACK - 3/8" X 3/8" - BLACK |

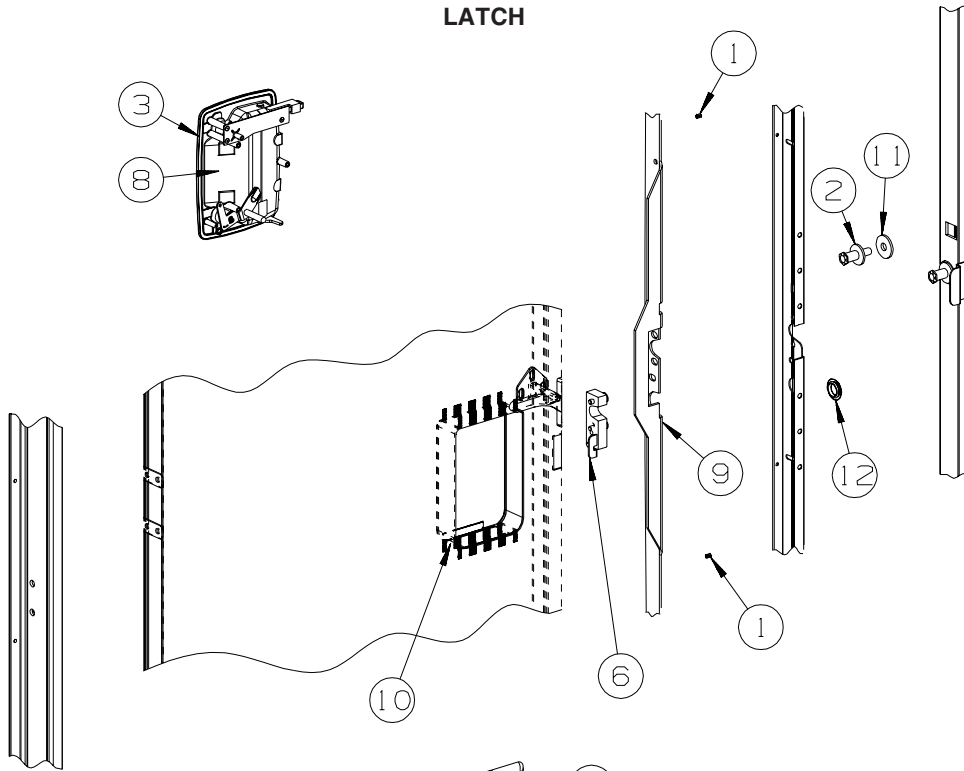
EXTERIOR DOORS & COMPARTMENTS GROUP (CONTINUED)



| KEY | PART NUMBER | U/M | DESCRIPTION |
|-----|---------------|-----|--|
| 1 | 002293-02-000 | SF | SCREEN - 26" - CHARCOAL |
| 2 | 002294-01-000 | FT | SPLINE - SCREENING - .13" X .14" |
| 3 | 016454-18-000 | EA | INSERT/CENTER - SCREEN DOOR |
| 4 | 078552-09-000 | EA | INSERT - SCREEN DOOR - LOWER |
| 5 | 078595-03-000 | EA | PLATE - SCREEN DOOR |
| 6 | 078777-08-000 | FT | CHANNEL - SLIDER - 4 FOOT INCREMENTS |
| 7 | 120863-09-000 | EA | BUMPER - RUBBER/RADIUS TOP - 3/4" X 3/8" - LT GRAY |
| 8 | 132081-01-01A | EA | STRIKE - SLIDER - SCREEN DOOR - BRIGHT WHITE |
| 8 | 132081-01-03A | EA | STRIKE - SLIDER - SCREEN DOOR - BLACK |
| 9 | 132082-01-01A | EA | SLIDER - SCREEN DOOR - BRIGHT WHITE |
| 9 | 132082-01-03A | EA | SLIDER - SCREEN DOOR - BLACK |

EXTERIOR DOORS & COMPARTMENTS GROUP (CONTINUED)

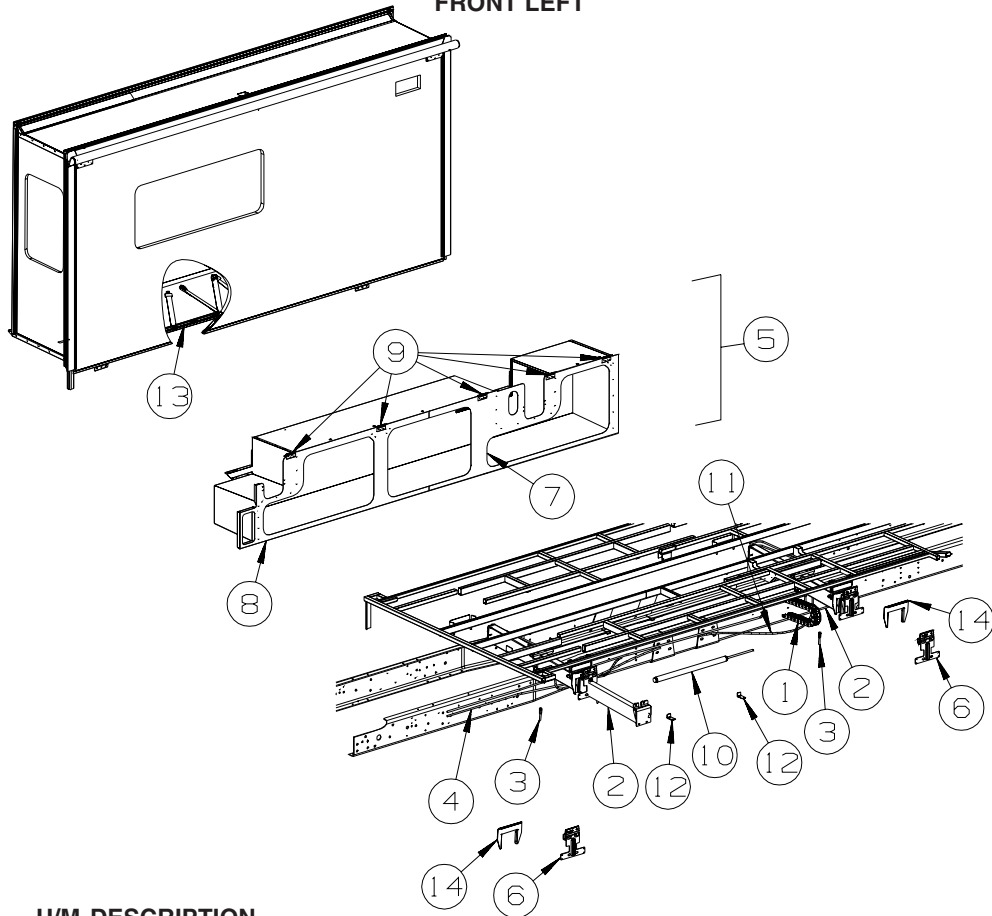
LATCH



| KEY | PART NUMBER | U/M | DESCRIPTION |
|-----|---------------|-----|--|
| 1 | 072893-04-000 | EA | NUTSERT - 10-32 |
| 2 | 092927-20-000 | EA | STRIKER - BOLT |
| 3 | 112782-04-01A | EA | GASKET |
| 4 | 112782-05-01A | EA | CAP - VINYL - RED |
| 5 | 112782-08-01A | EA | SCREW - MOUNTING/PLATE - ZINC |
| 6 | 112782-22-01A | EA | LATCH - SINGLE ROTOR |
| 7 | 112782-27-01A | EA | LATCH - INTERIOR PLATE - WHITE |
| 8 | 112782-20-01A | EA | LATCH - EXTERIOR - W/O LOCK CYLINDER W/ICON-REVERSIBLE KEY |
| 9 | 132207-01-02B | EA | STIFFENER/DOOR - FORMED - E-COATED |
| 10 | 137230-01-01A | EA | SPACER - NOTCHED, MILL |
| 11 | 147900-01-01A | EA | SPACER - STRIKE BOLT, MILL |
| 12 | 061420-14-000 | EA | PLUG/PLASTIC - 7/8" DIAMETER - BLACK |

EXTERIOR SLIDEOUT GROUP

FRONT LEFT

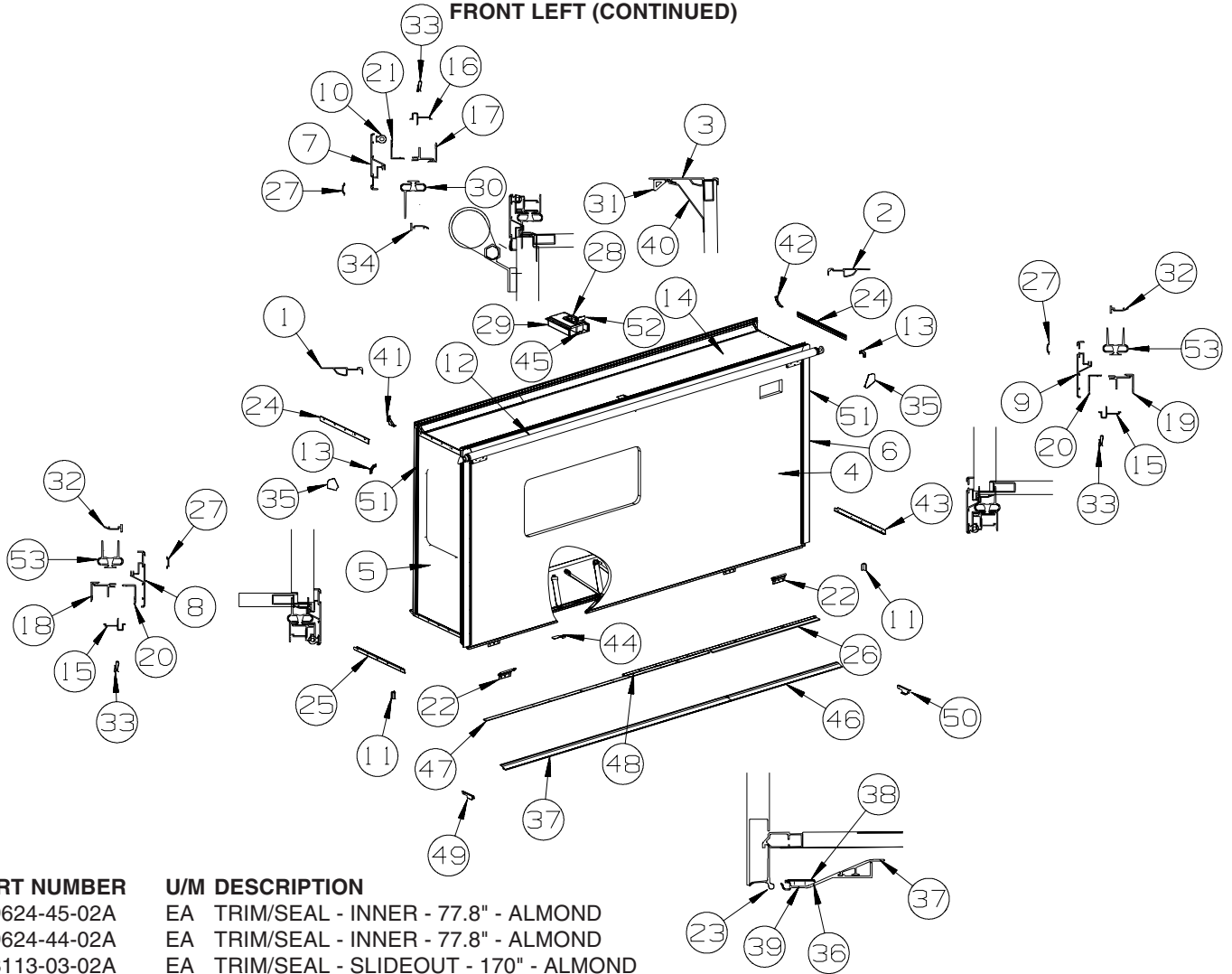


| KEY | PART NUMBER | U/M | DESCRIPTION |
|-----|---------------|-----|---|
| 1 | 143541-04-01A | EA | CARRIER/WIRING - F/SLIDE-OUT ROOM |
| 2 | 163494-01-000 | EA | SLIDEOUT - ARM/HYDRAULIC - 29" - RIGHT |
| | 143738-01-000 | EA | WRENCH - SLIDE ROOM RETRACT - RATCHET - 13/16" X 7/8" |
| 3* | 151323-02-000 | EA | BOLT - HANGER/STOREMORE - LONG/4.5"X1/2" THREAD - AP31952 |
| 4* | 155476-02-000 | EA | HOSE KIT - F/SLIDEOUT |
| 5 | 156592-07-WA0 | EA | COMPARTMENT - SLIDEOUT |
| 6 | 152741-03-02B | EA | BRACKET - MOUNT - SLIDEOUT - E-COATED |
| 7 | 156596-09-02B | EA | SEAL PLANE - SLIDEOUT - E-COATED |
| 8 | 126516-01-01A | FT | TRIM - VINYL/EXTRUDED - 8' |
| 9 | 153821-01-01A | EA | BRACKET - MOUNT/SEAL PLANE - BLACK |
| 10 | 163102-03-000 | EA | SLIDEOUT - HYDRAULIC - 29" |
| | 163324-02-000 | EA | BRACKETS/HARDWARE - 24"/29" RAM/SYNCH CYLINDER |
| 11* | 100536-58-000 | EA | HOSE KIT - F/SLIDEOUT |
| 12 | 122922-02-02B | EA | BRACKET/CYLINDER SUPPORT - E-COATED |
| 13 | 160167-01-01A | EA | SEAT BELT - 2" X 102" - BLACK |
| 14 | 154254-01-02B | EA | BRACKET - ARM/SLIDEOUT - E-COATED |

*COMPONENT PARTS LISTED LATER IN THIS GROUP

EXTERIOR SLIDEOUT GROUP (CONTINUED)

FRONT LEFT (CONTINUED)



| KEY | PART NUMBER | U/M | DESCRIPTION |
|-----|---------------|-----|---|
| 1 | 139624-45-02A | EA | TRIM/SEAL - INNER - 77.8" - ALMOND |
| 2 | 139624-44-02A | EA | TRIM/SEAL - INNER - 77.8" - ALMOND |
| 3 | 153113-03-02A | EA | TRIM/SEAL - SLIDEOUT - 170" - ALMOND |
| 4 | 162914-11-WA0 | EA | SLUG - F/SLIDEOUT (WB4, WB5, WB6, WC0, WC1, WC2) |
| 4 | 162914-11-WC4 | EA | SLUG - F/SLIDEOUT (WC4, WC5, WC6) |
| 5 | 162982-15-WA0 | EA | PANEL END - F/SLIDEOUT (WB4, WB5, WB6) |
| 5 | 162982-15-WC0 | EA | PANEL END - F/SLIDEOUT (WC0, WC1, WC2) |
| 5 | 162982-15-WC4 | EA | PANEL END - F/SLIDEOUT (WC4, WC5, WC6) |
| 6 | 162982-20-W91 | EA | PANEL END - F/SLIDEOUT (WB4, WB5, WB6) |
| 6 | 162982-20-WC0 | EA | PANEL END - F/SLIDEOUT (WC0, WC1, WC2) |
| 6 | 162982-20-WC4 | EA | PANEL END - F/SLIDEOUT (WC4, WC5, WC6) |
| 7 | 162052-18-01A | EA | TRIM/SEAL - W/MITERED ENDS - 168.3" - BRIGHT WHITE |
| 7 | 162052-18-02A | EA | TRIM/SEAL - W/MITERED ENDS - 168.3" - BLACK - FULL BODY PAINT |
| 8 | 162052-28-01A | EA | TRIM/SEAL - W/MITERED ENDS - 80.4" - BRIGHT WHITE |
| 8 | 162052-28-02A | EA | TRIM/SEAL - W/MITERED ENDS - 80.4" - BLACK - FULL BODY PAINT |
| 9 | 162052-29-01A | EA | TRIM/SEAL - W/MITERED ENDS - 80.4" - BRIGHT WHITE |
| 9 | 162052-29-02A | EA | TRIM/SEAL - W/MITERED ENDS - 80.4" - BLACK - FULL BODY PAINT |
| 10 | 158297-01-000 | FT | SEAL - D-SECTION/BULB/TEE - ADHESIVE BACK - BLACK |
| 11 | 156480-01-01A | EA | SEAL/BLOCK - SLIDEOUT - 2.6"W X 1.6"H X 1.6"D - BLACK |
| 12 | | | SLIDEOUT AWNING |

ORDER AWNINGS & REPAIR PARTS FROM DOMETIC. CALL #800-366-3842.

THE DOMETIC AWNING INFORMATION YOU WILL NEED IS LOCATED ON THE MOTOR HOME NEAR THE TOP OF THE AWNING RAIL.

| | | | |
|----|---------------|----|--|
| 13 | 160421-01-01A | EA | CORNER TRIM/SLIDEOUT - 3.1"X 3.1" - BLACK |
| 14 | 157278-01-U89 | EA | ROOF - F/SLIDEOUT |
| 15 | 142718-38-01A | EA | RETAINER - SIDEWALL/SLIDEOUT - 79" |
| 16 | 142718-15-01A | EA | RETAINER - SIDEWALL/SLIDEOUT - 169.5" |
| 17 | 151761-05-02A | EA | TRIM - SIDEWALL/SLIDEOUT/TOP - 171.2" - ALMOND |
| 18 | 151760-10-02A | EA | TRIM - SIDEWALL/SLIDEOUT - 80.6" - ALMOND |
| 19 | 151760-11-02A | EA | TRIM - SIDEWALL/SLIDEOUT - 80.6" - ALMOND |

EXTERIOR SLIDEOUT GROUP (CONTINUED)
FRONT LEFT (CONTINUED)

| KEY | PART NUMBER | U/M | DESCRIPTION |
|-----|---------------|-----|--|
| 20 | 136824-49-01A | EA | TRIM - SIDEWALL/SLIDEOUT - 80.9" - BRIGHT WHITE |
| 20 | 136824-49-02A | EA | TRIM - SIDEWALL/SLIDEOUT - 80.9" - BLACK - FULL BODY PAINT |
| 21 | 136824-22-01A | EA | TRIM - SIDEWALL/SLIDEOUT - 171.2" - BRIGHT WHITE |
| 21 | 136824-22-02A | EA | TRIM - SIDEWALL/SLIDEOUT - 171.2" - BLACK - FULL BODY PAINT |
| 22 | 153104-01-01A | EA | BRACKET/MOUNT - 1.7" X 3.2" X 5.9" |
| 23 | 152446-02-000 | FT | SEAL - SLIDEOUT/FLOOR - W/BULB |
| 24 | 158375-01-01A | EA | TRIM - FEATURE STRIP - 29.6" - BRIGHT WHITE |
| 24 | 158375-01-02A | EA | TRIM - FEATURE STRIP - 29.6" - BLACK - FULL BODY PAINT |
| 25 | 163021-07-01A | EA | TRIM - FEATURE - LOWER - 30.9" - BRIGHT WHITE |
| 25 | 163021-07-02A | EA | TRIM - FEATURE - LOWER - 30.9" - BLACK - FULL BODY PAINT |
| | 165178-01-01A | EA | CAP - FLOOR TUBE/SLIDEOUT/RH - BLACK |
| | | | FROM: 02-04-08 THRU: 99-99-99 |
| 26 | 160785-07-W91 | EA | RAMP - FABRIC COVERED - F/SLIDEOUT - 51.1" |
| 27 | 105312-01-07A | FT | INSERT - FEATURE STRIP - VINYL - BRIGHT WHITE |
| 27 | 105312-01-13A | FT | INSERT - FEATURE STRIP - VINYL - BLACK - FULL BODY PAINT |
| 28* | 153651-04-01A | EA | LOCK/LATCH - TRAVEL/SLIDEOUT - W/MOTOR - LEFT HAND - BLACK |
| 29 | 155194-01-01A | FT | COVER - LATCH/TRAVEL- PLASTIC - BLACK |
| 30 | 136978-02-01A | FT | SEAL - SLIDEOUT/TOP - SINGLE WIPE LIP - BLACK |
| 31 | 146056-01-000 | FT | SEAL - TRIANGLE - W/PSA |
| 32 | 146606-66-01A | EA | TRIM/RETAINER - 75.8" - BRIGHT WHITE |
| 32 | 146606-66-02A | EA | TRIM/RETAINER - 75.8" - BLACK - FULL BODY PAINT |
| 33 | 142549-01-000 | EA | CLIP - "S" TYPE |
| 34 | 146606-15-01A | EA | TRIM/RETAINER - 166.1" - BRIGHT WHITE |
| 34 | 146606-15-02A | EA | TRIM/RETAINER - 166.1" - BLACK - FULL BODY PAINT |
| 35 | 156151-01-02A | EA | PROTECTOR - CORNER - SLIDEOUT - BRIGHT WHITE |
| 35 | 156151-01-01A | EA | PROTECTOR - CORNER - SLIDEOUT - BLACK - FULL BODY PAINT |
| 36 | 160823-05-01A | EA | RAMP - SLIDEOUT - FLOOR/COACH - 167.4" - BRT WHITE |
| 37 | 162509-21-01A | EA | COVER - RAMP/FLOOR - VINYL/CARPET - 3.3" X 111.8" |
| 38 | 160824-13-01A | EA | SPACER - RAMP - SLIDEOUT FLOOR - 112" - MILL |
| 39 | 156475-01-000 | EA | FILTER/FOAM - DRAIN HOLE COVER/SEAL - 60PPI - 1/4"X1"X3" |
| 40 | 153114-03-02A | EA | TRIM/RETAINER - 165.8" - BLACK |
| 41 | 153115-01-02A | EA | COVER - TRIM - SLIDEOUT - INNER/TOP/RH - BRIGHT WHITE |
| 41 | 153115-01-01A | EA | COVER - TRIM - SLIDEOUT - INNER/TOP/RH - BLACK - FULL BODY PAINT |
| 42 | 153115-02-02A | EA | COVER - TRIM - SLIDEOUT - INNER/TOP/LH - BRIGHT WHITE |
| 42 | 153115-02-01A | EA | COVER - TRIM - SLIDEOUT - INNER/TOP/LH - BLACK - FULL BODY PAINT |
| 43 | 163021-08-01A | EA | TRIM - FEATURE - LOWER - 30.9" - BRIGHT WHITE |
| 43 | 163021-08-02A | EA | TRIM - FEATURE - LOWER - 30.9" - BLACK - FULL BODY PAINT |
| | 165178-02-01A | EA | CAP - FLOOR TUBE/SLIDEOUT/IH - BLACK |
| | | | FROM: 02-04-08 THRU: 99-99-99 |
| 44 | 154093-02-01B | EA | BRACKET/HOLD DOWN - CHAIR - W/NUT-SERT - GALVANIZED |
| 45 | 155262-01-02A | EA | TUBE/DRAIN - LATCH/TRAVEL/ROOF - WHITE |
| 45 | 155262-01-01A | EA | TUBE/DRAIN - LATCH/TRAVEL/ROOF - BLACK - FULL BODY PAINT |
| 46 | 162509-22-01A | EA | COVER - RAMP/FLOOR - VINYL/CARPET - 3.3" X 55" |
| 47 | 152641-01-000 | EA | SKID/GLIDE - SLIDEOUT ROOM - 1/4"X2"X95.5" - POLYETHYLENE |
| 48 | 152641-02-000 | EA | SKID/GLIDE - SLIDEOUT ROOM - 1/4"X1"X95.5" - POLYETHYLENE |
| 49 | 153800-03-02B | EA | BRACKET - CLOSEOUT/RH - SLIDEOUT - E-COATED |
| 50 | 153800-04-02B | EA | BRACKET - CLOSEOUT/LH - SLIDEOUT - E-COATED |
| 51 | 093681-39-01A | FT | FILM - 3.1" - FLAT BLACK |
| 52 | 156015-01-01A | EA | TAPE/PROTECTION - .06" X 1.25" X 3.5" - W/PSA - NATURAL WHT |
| 53 | 153161-01-01A | FT | SEAL - SLIDEOUT - DOUBLE WIPE LIP - BLACK |

*COMPONENT PARTS LISTED LATER IN THIS GROUP

EXTERIOR SLIDEOUT GROUP (CONTINUED)
COMPONENT PARTS FOR FRONT LEFT

100536-58-000

| KEY | PART NUMBER | U/M DESCRIPTION | VENDOR NO. |
|-----|---------------|--------------------------------|-----------------|
| | 100536-58-700 | EA HOSE - HYD. 1/4" X 86" | RAP91470/AP4665 |
| | 100536-58-701 | EA HOSE - HYDRAULIC 1/4" X 74" | RAP91467/AP5616 |

151323-01-000, 151323-02-000, 151323-03-000

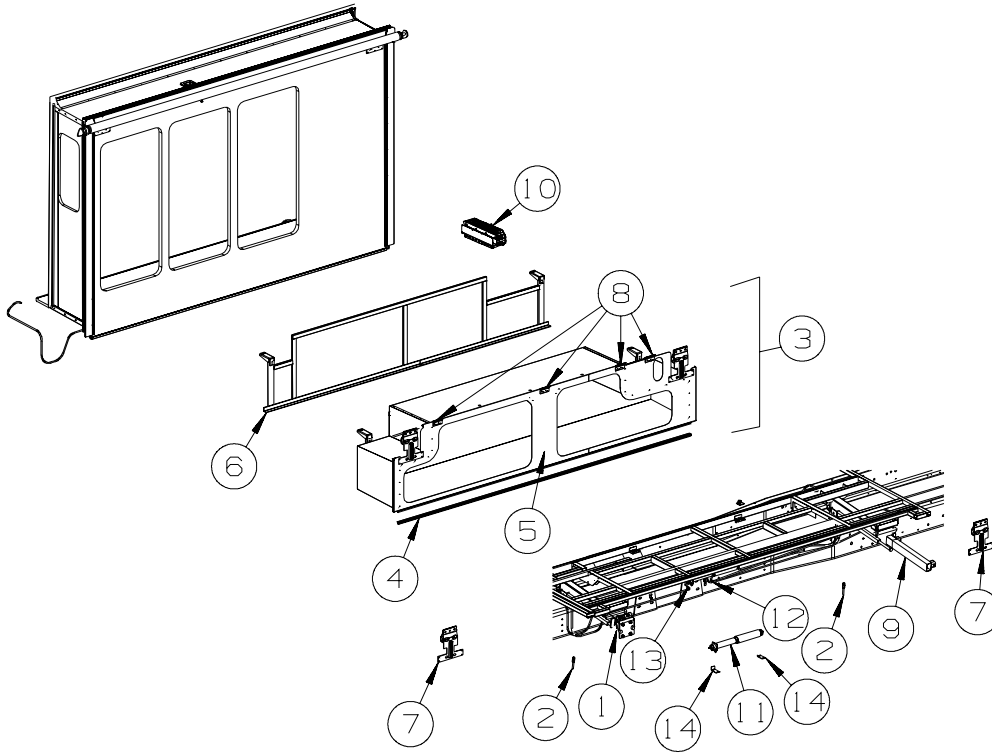
| KEY | PART NUMBER | U/M DESCRIPTION | VENDOR NO. |
|-----|---------------|--------------------------|------------|
| | 151323-01-700 | EA BOLT KIT - STORE-MORE | RAP91641 |

153651-04-01A

| KEY | PART NUMBER | U/M DESCRIPTION | VENDOR NO. |
|-----|---------------|---------------------------------|------------|
| | 153651-01-701 | EA LIMIT SWITCH | 1812996 |
| | 153651-02-700 | EA MOTOR "R" - F/LH TRAVEL LOCK | 1820131 |
| | 153651-02-701 | EA BRACKET/MOUNTING - MOTOR | 1102223 |
| | 153651-04-700 | EA COVER/BOOT - SEAL | 1612012 |

155476-02-000

| KEY | PART NUMBER | U/M DESCRIPTION | VENDOR NO. |
|-----|---------------|---------------------------------|------------------|
| | 100536-10-701 | EA HOSE-HYDRAULIC - 1/4" X 116" | RAP90349/AP5384 |
| | 137196-01-700 | EA HOSE-HYDRAULIC - 1/8" X 120" | RAP90428/AP24642 |

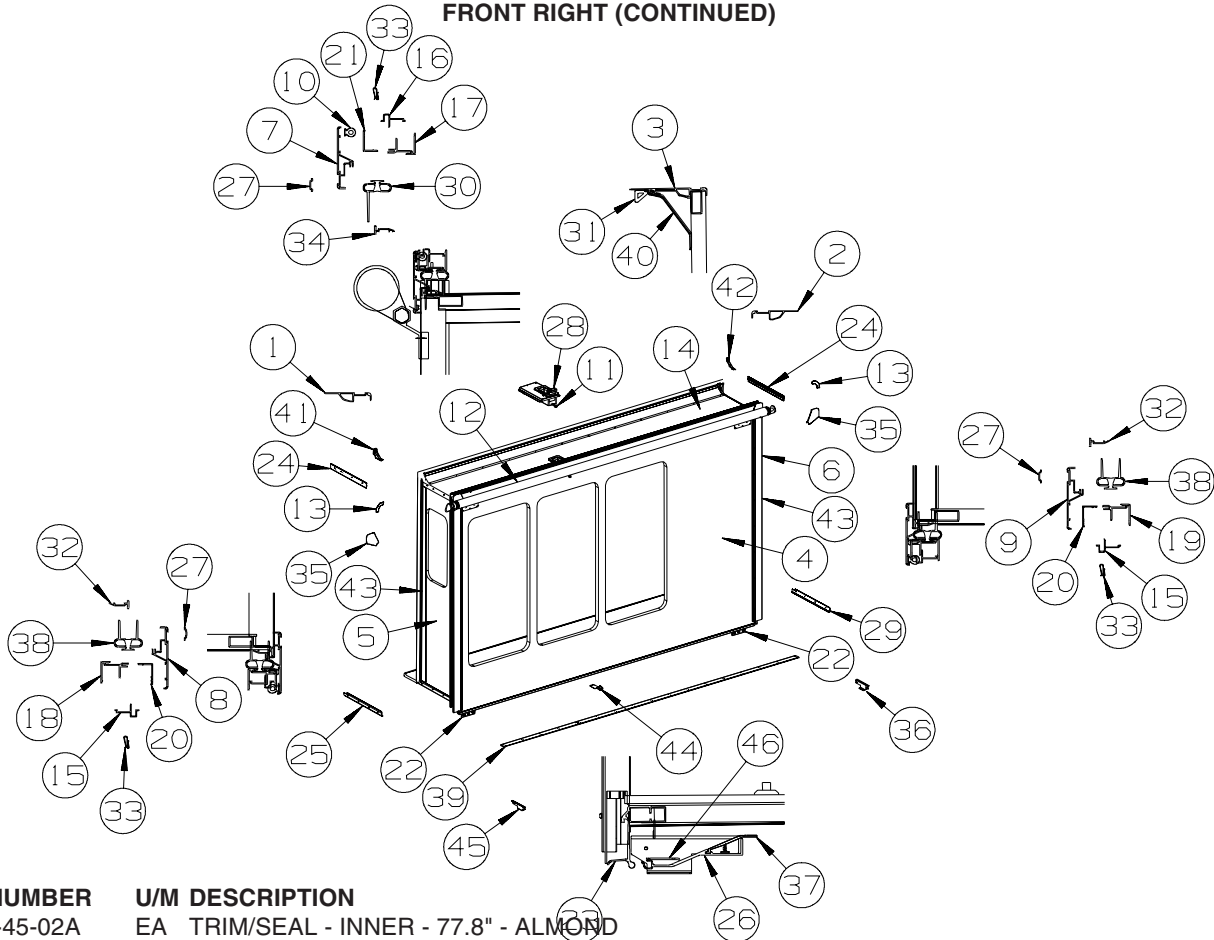


FRONT RIGHT

| KEY | PART NUMBER | U/M DESCRIPTION |
|-----|---------------|--|
| 1* | 155325-01-000 | EA SLIDEOUT - HYDRAULIC - 20" |
| | 143738-01-000 | EA WRENCH - SLIDE ROOM RETRACT - RATCHET - 13/16" X 7/8" |
| 2* | 151323-02-000 | EA BOLT - HANGER/STOREMORE - LONG/4.5"X1/2" THREAD - AP31952 |
| 3 | 156592-08-WA0 | EA COMPARTMENT - SLIDEOUT |
| 4 | 126516-01-01A | FT TRIM - VINYL/EXTRUDED - 8' |
| 5 | 156596-10-02B | EA SEAL PLANE - SLIDEOUT - E-COATED |
| 6 | 152649-08-02B | EA SUPPORT - SLIDEOUT COMPARTMENT - E-COATED |
| 7 | 152741-01-02B | EA BRACKET - MOUNT - SLIDEOUT - E-COATED |
| 8 | 153821-01-01A | EA BRACKET - MOUNT/SEAL PLANE - BLACK |
| 9* | 155325-02-000 | EA SLIDEOUT - HYDRAULIC - 20" |
| 10 | 143541-02-01A | EA CARRIER/WIRING - F/SLIDE-OUT ROOM |
| 11 | 163102-01-000 | EA SLIDEOUT - HYDRAULIC - 20" |
| | 163324-01-000 | EA BRACKETS/HARDWARE - 20" RAM/SYNCH CYLINDER |
| 12* | 155476-02-000 | EA HOSE KIT - F/SLIDEOUT |
| 13* | 100536-42-000 | EA HOSE KIT - PUMP TO SLIDE-OUT VALVE |
| 14 | 122922-02-02B | EA BRACKET/CYLINDER SUPPORT - E-COATED |

***COMPONENT PARTS LISTED LATER IN THIS GROUP**

EXTERIOR SLIDEOUT GROUP (CONTINUED)
FRONT RIGHT (CONTINUED)



| KEY | PART NUMBER | U/M | DESCRIPTION |
|-----|---------------|-----|--|
| 1 | 139624-45-02A | EA | TRIM/SEAL - INNER - 77.8" - ALMOND |
| 2 | 139624-44-02A | EA | TRIM/SEAL - INNER - 77.8" - ALMOND |
| 3 | 153113-05-02A | EA | TRIM/SEAL - SLIDEOUT - 132.9" - ALMOND |
| 4 | 162913-11-WA0 | EA | SLUG - F/SLIDEOUT (WB4, WB5, WB6, WC0, WC1, WC2) |
| 4 | 162913-11-WC4 | EA | SLUG - F/SLIDEOUT (WC4, WC5, WC6) |
| 5 | 162980-05-WA0 | EA | PANEL END - F/SLIDEOUT (WB4, WB5, WB6) |
| 5 | 162980-05-WA0 | EA | PANEL END - F/SLIDEOUT (WC0, WC1, WC2) |
| 5 | 162980-05-WC4 | EA | PANEL END - F/SLIDEOUT (WC4, WC5, WC6) |
| 6 | 162980-06-W91 | EA | PANEL END - F/SLIDEOUT (WB4, WB5, WB6, WC0, WC1, WC2) |
| 6 | 162980-06-WC4 | EA | PANEL END - F/SLIDEOUT (WC4, WC5, WC6) |
| 7 | 162052-10-01A | EA | TRIM/SEAL - W/MITERED ENDS - 131.2" - BRIGHT WHITE |
| 7 | 162052-10-02A | EA | TRIM/SEAL - W/MITERED ENDS - 131.2" - BLACK - FULL BODY PAINT |
| 8 | 162052-28-01A | EA | TRIM/SEAL - W/MITERED ENDS - 80.4" - BRIGHT WHITE |
| 8 | 162052-28-02A | EA | TRIM/SEAL - W/MITERED ENDS - 80.4" - BLACK - FULL BODY PAINT |
| 9 | 162052-29-01A | EA | TRIM/SEAL - W/MITERED ENDS - 80.4" - BRIGHT WHITE |
| 9 | 162052-29-02A | EA | TRIM/SEAL - W/MITERED ENDS - 80.4" - BLACK - FULL BODY PAINT |
| 10 | 158297-01-000 | FT | SEAL - D-SECTION/BULB/TEE - ADHESIVE BACK - BLACK |
| 11 | 155262-01-02A | EA | TUBE/DRAIN - LATCH/TRAVEL/ROOF - WHITE |
| 11 | 155262-01-01A | EA | TUBE/DRAIN - LATCH/TRAVEL/ROOF - BLACK - FULL BODY PAINT |
| 12 | | | SLIDEOUT AWNING |

ORDER AWNINGS & REPAIR PARTS FROM DOMETIC. CALL #800-366-3842.

THE DOMETIC AWNING INFORMATION YOU WILL NEED IS LOCATED ON THE MOTOR HOME NEAR THE TOP OF THE AWNING RAIL.

| | | | |
|----|---------------|----|---|
| 13 | 160421-01-01A | EA | CORNER TRIM/SLIDEOUT - 3.1"X 3.1" - BLACK |
| 14 | 157239-01-U89 | EA | ROOF - F/SLIDEOUT |
| 15 | 142718-38-01A | EA | RETAINER - SIDEWALL/SLIDEOUT - 79" |
| 16 | 142718-04-01A | EA | RETAINER - SIDEWALL/SLIDEOUT - 129.9" - MILL |
| 17 | 151761-12-02A | EA | TRIM - SIDEWALL/SLIDEOUT/TOP - 134.2" - ALMOND |
| 18 | 151760-10-02A | EA | TRIM - SIDEWALL/SLIDEOUT - 80.6" - ALMOND |
| 19 | 151760-11-02A | EA | TRIM - SIDEWALL/SLIDEOUT - 80.6" - ALMOND |
| 20 | 136824-49-01A | EA | TRIM - SIDEWALL/SLIDEOUT - 80.9" - BRIGHT WHITE |
| 20 | 136824-49-02A | EA | TRIM - SIDEWALL/SLIDEOUT - 80.9" - BLACK - FULL BODY PAINT |

EXTERIOR SLIDEOUT GROUP (CONTINUED)
FRONT RIGHT (CONTINUED)

| KEY | PART NUMBER | U/M | DESCRIPTION |
|------------|--------------------|------------|---|
| 21 | 136824-10-01A | EA | TRIM - SIDEWALL/SLIDEOUT - 134.3" - BRIGHT WHITE |
| 21 | 136824-10-02A | EA | TRIM - SIDEWALL/SLIDEOUT - 134.3" - BLACK - FULL BODY PAINT |
| 22 | 153104-01-01A | EA | BRACKET/MOUNT - 1.7" X 3.2" X 5.9" |
| 23 | 152446-02-000 | FT | SEAL - SLIDEOUT/FLOOR - W/BULB |
| 24 | 158375-03-01A | EA | TRIM - FEATURE STRIP - 20.6" - BRIGHT WHITE |
| 24 | 158375-03-02A | EA | TRIM - FEATURE STRIP - 20.6" - BLACK - FULL BODY PAINT |
| 25 | 163021-09-01A | EA | TRIM - FEATURE - LOWER - 21.8" - BRIGHT WHITE |
| 25 | 163021-09-02A | EA | TRIM - FEATURE - LOWER - 21.8" - BLACK - FULL BODY PAINT |
| 26 | 160823-09-01A | EA | RAMP - SLIDEOUT - FLOOR/COACH - 129.9" - BRT WHITE |
| 27 | 105312-01-07A | FT | INSERT - FEATURE STRIP - VINYL - BRIGHT WHITE |
| 27 | 105312-01-13A | FT | INSERT - FEATURE STRIP - VINYL - BLACK - FULL BODY PAINT |
| 28* | 153651-04-01A | EA | LOCK/LATCH - TRAVEL/SLIDEOUT - W/MOTOR - LEFT HAND - BLACK |
| 29 | 163021-10-01A | EA | TRIM - FEATURE - LOWER - 21.8" - BRIGHT WHITE |
| 29 | 163021-10-02A | EA | TRIM - FEATURE - LOWER - 21.8" - BLACK - FULL BODY PAINT |
| 30 | 136978-02-01A | FT | SEAL - SLIDEOUT/TOP - SINGLE WIPE LIP - BLACK |
| 31 | 146056-01-000 | FT | SEAL - TRIANGLE - W/PSA |
| 32 | 146606-66-01A | EA | TRIM/RETAINER - 75.8" - BRIGHT WHITE |
| 32 | 146606-66-02A | EA | TRIM/RETAINER - 75.8" - BLACK - FULL BODY PAINT |
| 33 | 142549-01-000 | EA | CLIP - "S" TYPE |
| 34 | 146606-14-01A | EA | TRIM/RETAINER - 128.9" - BRIGHT WHITE |
| 34 | 146606-14-02A | EA | TRIM/RETAINER - 128.9" - BLACK - FULL BODY PAINT |
| 35 | 156151-01-02A | EA | PROTECTOR - CORNER - SLIDEOUT - BRIGHT WHITE |
| 35 | 156151-01-01A | EA | PROTECTOR - CORNER - SLIDEOUT - BLACK - FULL BODY PAINT |
| 36 | 153800-04-02B | EA | BRACKET - CLOSEOUT/LH - SLIDEOUT - E-COATED |
| 37 | 162509-18-01A | EA | COVER - RAMP/FLOOR - VINYL/CARPET - 3.3" X 129.9" |
| 38 | 153161-01-01A | FT | SEAL - SLIDEOUT - DOUBLE WIPE LIP - BLACK |
| 39 | 152641-01-000 | EA | SKID/GLIDE - SLIDEOUT ROOM - 1/4"X2"X95.5" - POLYETHYLENE |
| 40 | 153114-05-02A | EA | TRIM/RETAINER - 128.8" - BLACK |
| 41 | 153115-01-02A | EA | COVER - TRIM - SLIDEOUT - INNER/TOP/RH - BRIGHT WHITE |
| 41 | 153115-01-01A | EA | COVER - TRIM - SLIDEOUT - INNER/TOP/RH - BLACK - FULL BODY PAINT |
| 42 | 153115-02-02A | EA | COVER - TRIM - SLIDEOUT - INNER/TOP/LH - BRIGHT WHITE |
| 42 | 153115-02-01A | EA | COVER - TRIM - SLIDEOUT - INNER/TOP/LH - BLACK - FULL BODY PAINT |
| 43 | 093681-39-01A | FT | FILM - 3.1" - FLAT BLACK |
| 44 | 154093-02-01B | EA | BRACKET/HOLD DOWN - CHAIR - W/NUT-SERT - GALVANIZED |
| 45 | 153800-03-02B | EA | BRACKET - CLOSEOUT/RH - SLIDEOUT - E-COATED |
| 46 | 160824-14-01A | EA | SPACER - RAMP - SLIDEOUT FLOOR - 129.7" - MILL |

***COMPONENT PARTS LISTED LATER IN THIS GROUP**

COMPONENT PARTS FOR FRONT RIGHT

100536-42-000

| KEY | PART NUMBER | U/M | DESCRIPTION | VENDOR NO. |
|------------|--------------------|------------|------------------------------|-------------------|
| | 100536-42-700 | EA | HOSE/HYDRAULIC - 1/4" X 180" | RAP90120/AP5965 |
| | 100536-42-701 | EA | HOSE/HYDRAULIC - 1/4" X 175" | RAP90350/AP7358 |

153651-04-01A

| KEY | PART NUMBER | U/M | DESCRIPTION | VENDOR NO. |
|------------|--------------------|------------|------------------------------|-------------------|
| | 153651-01-701 | EA | LIMIT SWITCH | 1812996 |
| | 153651-02-700 | EA | MOTOR "R" - F/LH TRAVEL LOCK | 1820131 |
| | 153651-02-701 | EA | BRACKET/MOUNTING - MOTOR | 1102223 |
| | 153651-04-700 | EA | COVER/BOOT - SEAL | 1612012 |

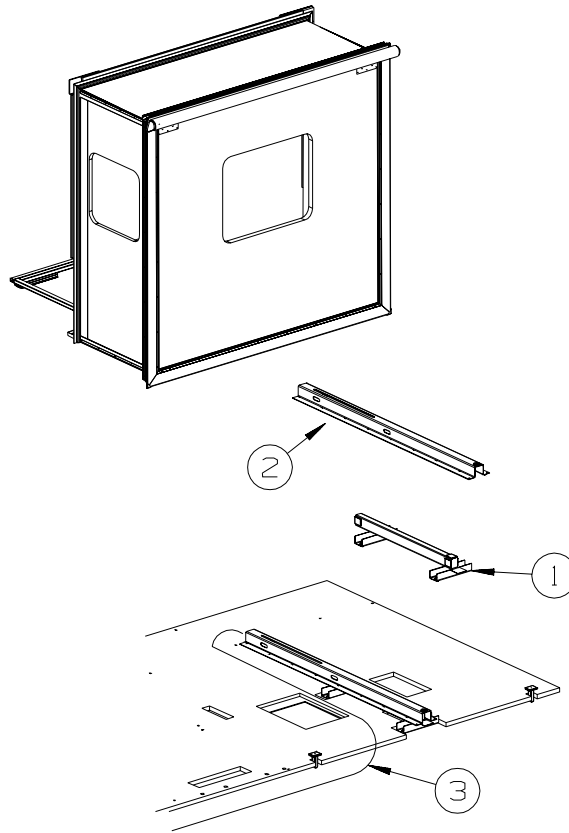
155325-01-000

| KEY | PART NUMBER | U/M | DESCRIPTION | VENDOR NO. |
|------------|--------------------|------------|---------------------------|-------------------|
| | 125687-01-700 | EA | CYLINDER/RAM - 21" STROKE | RAP90512/AP15190 |

155325-03-000

| KEY | PART NUMBER | U/M | DESCRIPTION | VENDOR NO. |
|------------|--------------------|------------|--------------------------|-------------------|
| | 125687-01-702 | EA | CYLINDER - SYNCHRONIZING | RAP90471/AP13607 |

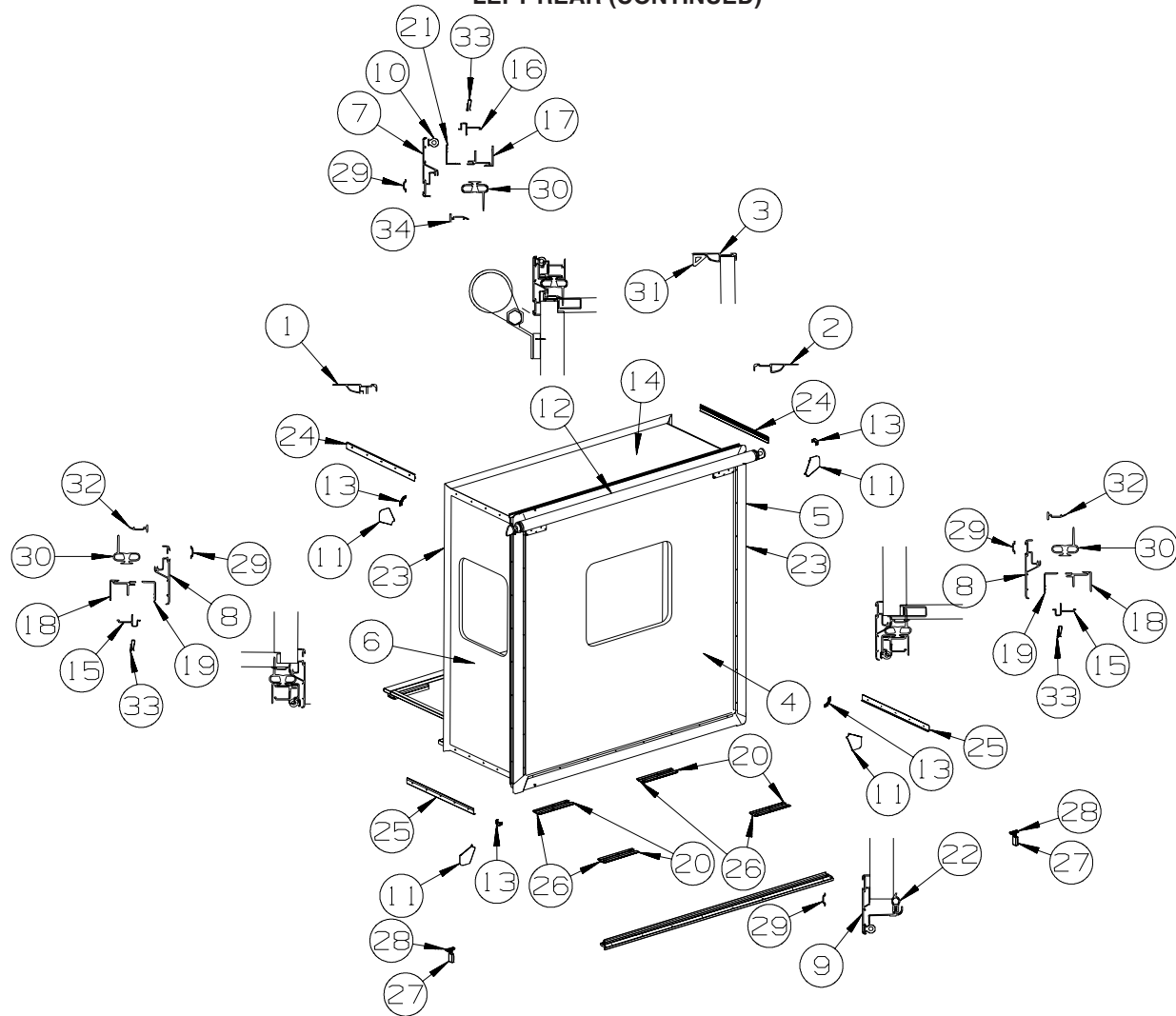
EXTERIOR SLIDEOUT GROUP (CONTINUED)
LEFT REAR



| KEY | PART NUMBER | U/M | DESCRIPTION |
|-----|---------------|-----|----------------------------------|
| 1* | 137390-01-000 | EA | HYDRAULIC/BED - F/SLIDEOUT |
| 2 | 137390-02-000 | EA | CHANNEL - HYDRAULIC - F/SLIDEOUT |
| 3* | 100536-59-000 | EA | HOSE KIT - F/SLIDEOUT |

***COMPONENT PARTS LISTED LATER IN THIS GROUP**

EXTERIOR SLIDEOUT GROUP (CONTINUED)
LEFT REAR (CONTINUED)



| KEY | PART NUMBER | U/M | DESCRIPTION |
|-----|---------------|-----|---|
| 1 | 139624-41-02A | EA | TRIM/SEAL - INNER - 79.2" - ALMOND |
| 2 | 139624-42-02A | EA | TRIM/SEAL - INNER - 79.2" - ALMOND |
| 3 | 139624-04-02A | EA | TRIM/SEAL - INNER/TOP - 80.2" - ALMOND |
| 4 | 162914-12-WA0 | EA | SLUG - F/SLIDEOUT (WB4, WB5, WB6, WC0, WC1, WC2) |
| 4 | 162914-12-WC4 | EA | SLUG - F/SLIDEOUT (WC4, WC5, WC6) |
| 5 | 162984-08-WA0 | EA | PANEL END - F/SLIDEOUT (WB4, WB5, WB6) |
| 5 | 162984-08-WC0 | EA | PANEL END - F/SLIDEOUT (WC0, WC1, WC2) |
| 5 | 162984-08-WC4 | EA | PANEL END - F/SLIDEOUT (WC4, WC5, WC6) |
| 6 | 162984-11-WA0 | EA | PANEL END - F/SLIDEOUT (WB4, WB5, WB6) |
| 6 | 162984-11-WC0 | EA | PANEL END - F/SLIDEOUT (WC0, WC1, WC2) |
| 6 | 162984-11-WC4 | EA | PANEL END - F/SLIDEOUT (WC4, WC5, WC6) |
| 7 | 162052-01-01A | EA | TRIM/SEAL - W/MITERED ENDS - 78.4" - BRIGHT WHITE |
| 7 | 162052-01-02A | EA | TRIM/SEAL - W/MITERED ENDS - 78.4" - BLACK - FULL BODY PAINT |
| 8 | 162052-30-01A | EA | TRIM/SEAL - W/MITERED ENDS - 78.6" - BRIGHT WHITE |
| 8 | 162052-30-02A | EA | TRIM/SEAL - W/MITERED ENDS - 78.6" - BLACK - FULL BODY PAINT |
| 9 | 162054-02-01A | EA | TRIM/SEAL - W/MITERED ENDS - 78.4" - BRIGHT WHITE |
| 9 | 162054-02-02A | EA | TRIM/SEAL - W/MITERED ENDS - 78.4" - BLACK - FULL BODY PAINT |
| 10 | 158297-01-000 | FT | SEAL - D-SECTION/BULB/TEE - ADHESIVE BACK - BLACK |
| 11 | 156151-01-02A | EA | PROTECTOR - CORNER - SLIDEOUT - BRIGHT WHITE |
| 11 | 156151-01-01A | EA | PROTECTOR - CORNER - SLIDEOUT - BLACK - FULL BODY PAINT |
| 12 | | | SLIDEOUT AWNING |

ORDER AWNINGS & REPAIR PARTS FROM DOMETIC. CALL #800-366-3842.
THE DOMETIC AWNING INFORMATION YOU WILL NEED IS LOCATED ON THE MOTOR HOME NEAR
THE TOP OF THE AWNING RAIL.

EXTERIOR SLIDEOUT GROUP (CONTINUED)
LEFT REAR (CONTINUED)

| KEY | PART NUMBER | U/M | DESCRIPTION |
|-----|---------------|-----|--|
| 13 | 160421-01-01A | EA | CORNER TRIM/SLIDEOUT - 3.1"X 3.1" - BLACK |
| 14 | 137400-02-U89 | EA | ROOF - F/SLIDEOUT |
| 15 | 142718-38-01A | EA | RETAINER - SIDEWALL/SLIDEOUT - 79" |
| 16 | 142718-23-01A | EA | RETAINER - SIDEWALL/SLIDEOUT - 79.9" |
| 17 | 151761-02-02A | EA | TRIM - SIDEWALL/SLIDEOUT/TOP - 81.2" - ALMOND |
| 18 | 151760-24-02A | EA | TRIM - SIDEWALL/SLIDEOUT - 78.6" - ALMOND |
| 19 | 136824-50-01A | EA | TRIM - SIDEWALL/SLIDEOUT - 79.2" - BRIGHT WHITE |
| 19 | 136824-50-02A | EA | TRIM - SIDEWALL/SLIDEOUT - 79.2" - BLACK - FULL BODY PAINT |
| 20 | 115325-08-01A | EA | RAIL - FLOOR/SLIDEOUT ROOM - 12" LONG - BLACK |
| 21 | 136824-02-01A | EA | TRIM - SIDEWALL/SLIDEOUT - 81.2" - BRIGHT WHITE |
| 21 | 136824-02-02A | EA | TRIM - SIDEWALL/SLIDEOUT - 81.2" - BLACK - FULL BODY PAINT |
| 22 | 157584-02-AA2 | EA | TRIM/ZEE - W/SEAL/END CAPS - SLIDEOUT/LOWER-80.7"- BRT WHT |
| 22 | 157584-02-AA1 | EA | TRIM/ZEE - W/SEAL/END CAPS - SLIDEOUT/LOWER-80.7"- BLACK - FULL BODY PAINT |
| 23 | 093681-39-01A | FT | FILM - 3.1" - FLAT BLACK |
| 24 | 158375-01-01A | EA | TRIM - FEATURE STRIP - 29.6" - BRIGHT WHITE |
| 24 | 158375-01-02A | EA | TRIM - FEATURE STRIP - 29.6" - BLACK - FULL BODY PAINT |
| 25 | 163020-07-01A | EA | TRIM - FEATURE STRIP/LOWER - 2.3" X 28.9" - BRIGHT WHITE |
| 25 | 163020-07-02A | EA | TRIM - FEATURE STRIP/LOWER - 2.3" X 28.9" - BLACK - FULL BODY PAINT |
| 26 | 115661-01-000 | FT | SHOE/GLIDE - SLIDEOUT ROOM - 1/16" X 3" - POLYETHYLENE |
| 27 | 126313-12-02B | EA | SUPPORT - SLIDE - F/SLIDE-OUT ROOM - E-COATED |
| 28 | 134855-01-000 | EA | BEARING PAD - NARROW |
| 29 | 105312-01-07A | FT | INSERT - FEATURE STRIP - VINYL - BRIGHT WHITE |
| 29 | 105312-01-13A | FT | INSERT - FEATURE STRIP - VINYL - BLACK - FULL BODY PAINT |
| 30 | 136978-01-01A | FT | SEAL - SLIDEOUT - SINGLE WIPE LIP - BLACK |
| 31 | 146056-01-000 | FT | SEAL - TRIANGLE - W/PSA |
| 32 | 146606-62-01A | EA | TRIM/RETAINER - 75.1" - BRIGHT WHITE |
| 32 | 146606-62-02A | EA | TRIM/RETAINER - 75.1" - BLACK - FULL BODY PAINT |
| 33 | 142549-01-000 | EA | CLIP - "S" TYPE |
| 34 | 146606-66-01A | EA | TRIM/RETAINER - 75.8" - BRIGHT WHITE |
| 34 | 146606-66-02A | EA | TRIM/RETAINER - 75.8" - BLACK - FULL BODY PAINT |

COMPONENT PARTS FOR LEFT REAR

100536-59-000

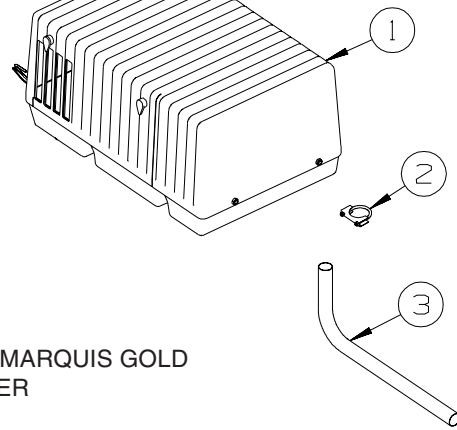
| KEY | PART NUMBER | U/M | DESCRIPTION | VENDOR NO. |
|-----|---------------|-----|------------------------------|-----------------|
| | 100536-27-700 | EA | HOSE/HYDRAULIC - 1/4" X 332" | RAP91491/AP8985 |
| | 100536-37-701 | EA | HOSE/HYDRAULIC - 1/4" X 336" | RAP5561 |

137390-01-000

| KEY | PART NUMBER | U/M | DESCRIPTION | VENDOR NO. |
|-----|---------------|-----|------------------------------|------------------|
| | 128599-06-700 | EA | HOSE/HYDRAULIC -1/8" X 72" | RAP91424/AP24635 |
| | 128599-06-701 | EA | HOSE/HYDRAULIC - 1/8" X 84" | RAP91240/AP24636 |
| | 128599-06-703 | EA | BEARING KIT - SLIDE-OUT TUBE | RAP90698 |
| | 128599-06-704 | EA | BEARING PAD - .8" X 2" | P14811 |
| | 137390-01-700 | EA | RAM/CYLINDER - SLIDEOUT ROOM | RAP90876/AP23425 |
| | 137390-01-701 | EA | CYLINDER NUT KIT - SLIDEOUT | RAP90947 |
| | 137390-01-702 | EA | SLOT COVER ASM. - RUBBER | AP26959 |
| | 137390-01-703 | EA | RAM/CYLINDER - SLIDEOUT RM | RAP91209/AP28686 |

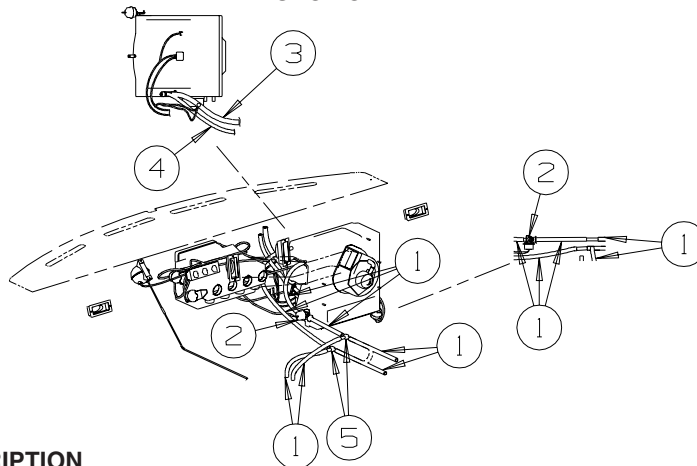
GENERATOR GROUP

GAS



| KEY | PART NUMBER | U/M | DESCRIPTION |
|-----|---------------|-----|--|
| 1 | 135707-06-000 | EA | GENERATOR - 5.5 - 30/30 - GAS - MARQUIS GOLD |
| 2 | 007125-03-000 | EA | CLAMP - MUFFLER - 1.5" DIAMETER |
| 3 | 105958-27-000 | EA | PIPE - EXHAUST/GENERATOR |

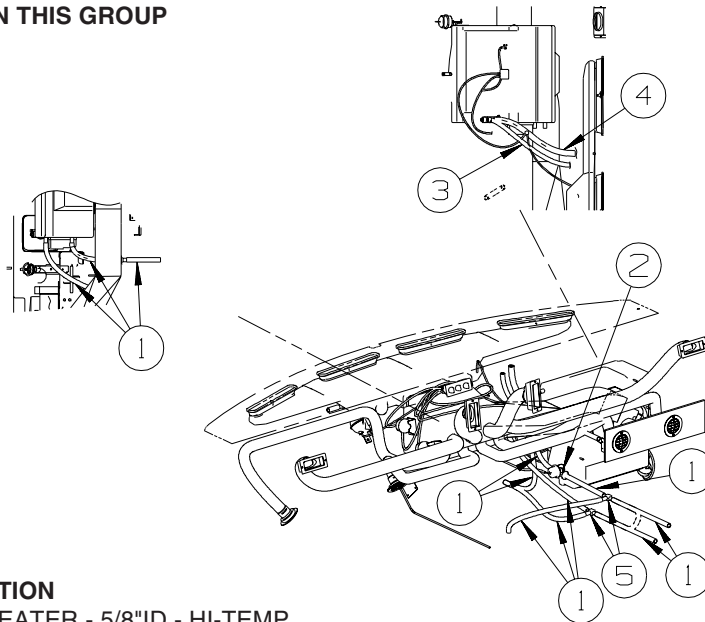
HEATING & A/C GROUP AUTOMOTIVE



FORD

| KEY | PART NUMBER | U/M | DESCRIPTION |
|-----|---------------|-----|---|
| 1 | 007108-01-000 | FT | HOSE - HEATER - 5/8"ID - HI-TEMP |
| 2 | 103930-23-000 | EA | VALVE/WATER - 2 PORT/VACUUM CONTROLLED - "NEW DESIGN" |
| 3* | 103930-44-000 | EA | HOSE - EVAPORATOR/DRYER - #6 |
| 4* | 103930-45-000 | EA | HOSE - EVAPORATOR/COMPRESSOR - FORD - PRE 2007 FORD CHASSIS |
| 4 | 103930-64-000 | EA | HOSE - EVAPORATOR/COMPRESSOR - FORD - 2007 FORD CHASSIS |
| 5 | 076776-01-000 | EA | TEE - BEADED - 5/8" X 5/8" X 5/8" |

***COMPONENT PARTS LISTED LATER IN THIS GROUP**

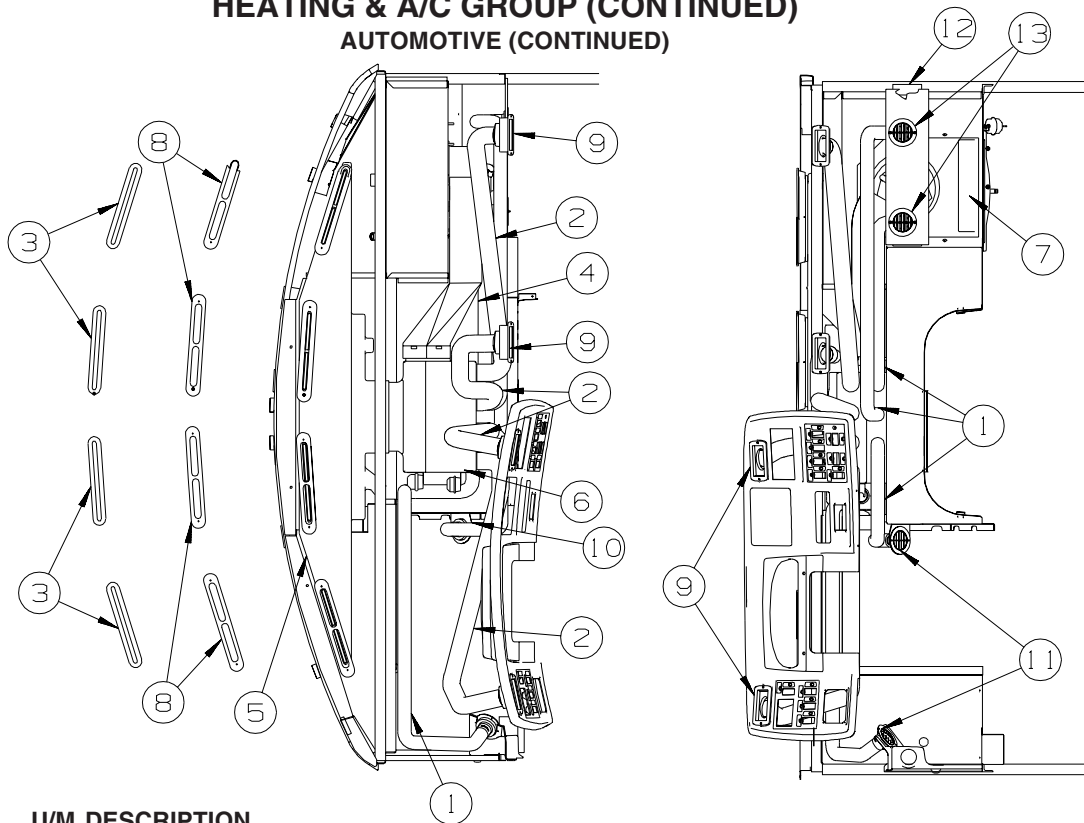


WORKHORSE

| KEY | PART NUMBER | U/M | DESCRIPTION |
|-----|---------------|-----|---|
| 1 | 007108-01-000 | FT | HOSE - HEATER - 5/8"ID - HI-TEMP |
| 2 | 103930-23-000 | EA | VALVE/WATER - 2 PORT/VACUUM CONTROLLED - "NEW DESIGN" |
| 3* | 103930-46-000 | EA | HOSE - EXPANSION BLOCK (EVAPORATOR) TO COMPRESSOR |
| 4* | 103930-47-000 | EA | HOSE - EXPANSION VALVE (EVAPORATOR) TO DRIER |
| 5 | 076776-01-000 | EA | TEE - BEADED - 5/8" X 5/8" X 5/8" |

***COMPONENT PARTS LISTED LATER IN THIS GROUP**

HEATING & A/C GROUP (CONTINUED) AUTOMOTIVE (CONTINUED)



| KEY | PART NUMBER | U/M | DESCRIPTION |
|-----|---------------|-----|--|
| 1 | 007076-01-000 | EA | HOSE - FLEXIBLE PVC - 2" ID - INCREMENTS OF 50' |
| 2 | 007281-01-000 | EA | HOSE - FLEXIBLE PVC - 2 1/2" ID X 50' |
| 3 | 077075-01-000 | EA | GASKET - INSTRUMENT PANEL/DEFROSTER PLENUM - .6" X 10.2" |
| 4 | 103016-03-000 | EA | PLENUM - TRANSITION |
| 5 | 103017-03-000 | EA | PLENUM - DEFROSTER |
| 6* | 103930-49-000 | EA | CONTROL/PLENUM - LARGE ROTARY |
| 7* | 103930-55-000 | EA | EVAPORATOR/HEATER - NONCHARGED - SINGLE OUTPUT |
| 8 | 135265-01-08A | EA | VENT - DEFROSTER - PLASTIC - BRIARWOOD |
| 9 | 135803-04-01A | EA | LOUVER/A/C-CURVED/ADJ W/MOUNT HOLE- 2.5"X 5.8" F/2.5" HOSE |
| 10 | 136157-03-02B | EA | BRACKET - HEATER - E-COATED |
| 11 | 157225-01-01A | EA | OUTLET - DEFROSTER - W/SWIVEL - 2" SLEEVE/4"OD - BLACK |
| 11 | 157225-01-07A | EA | OUTLET - DEFROSTER - W/SWIVEL - 2" SLEEVE/4"OD - BRIARWOOD |
| 12 | 156732-02-01A | EA | BRACE |
| 13 | 157225-01-07A | EA | OUTLET - DEFROSTER - W/SWIVEL - 2" SLEEVE/4"OD - BRIARWOOD |
| | 113452-02-000 | FT | SEAL/TRIM - FRONT - VINYL W/WIRE CARRIER - .027" - WHERE WIRES & HOSES CROSS METAL |

*COMPONENT PARTS LISTED LATER IN THIS GROUP

HEATING & A/C GROUP (CONTINUED)
COMPONENT PARTS FOR AUTOMOTIVE

103930-44-000

| KEY | PART NUMBER | U/M | DESCRIPTION | VENDOR NO |
|------------|--------------------|------------|------------------------------|------------------|
| | 103930-29-701 | EA | O'RING F/LOW PRESSURE SWITCH | 045-0483 |
| | 103930-44-700 | EA | HOSE ASSEMBLY #6 | 085-0462 |
| | 113245-01-711 | EA | O'RING #6 | 045-0129 |

103930-45-000

| KEY | PART NUMBER | U/M | DESCRIPTION | VENDOR NO. |
|------------|--------------------|------------|---------------------------|-------------------|
| | 103930-17-702 | EA | O'RING #10 | 045-0127 |
| | 103930-45-700 | EA | HOSE - #10 EVAP/COMP - 3' | 085-0463 |

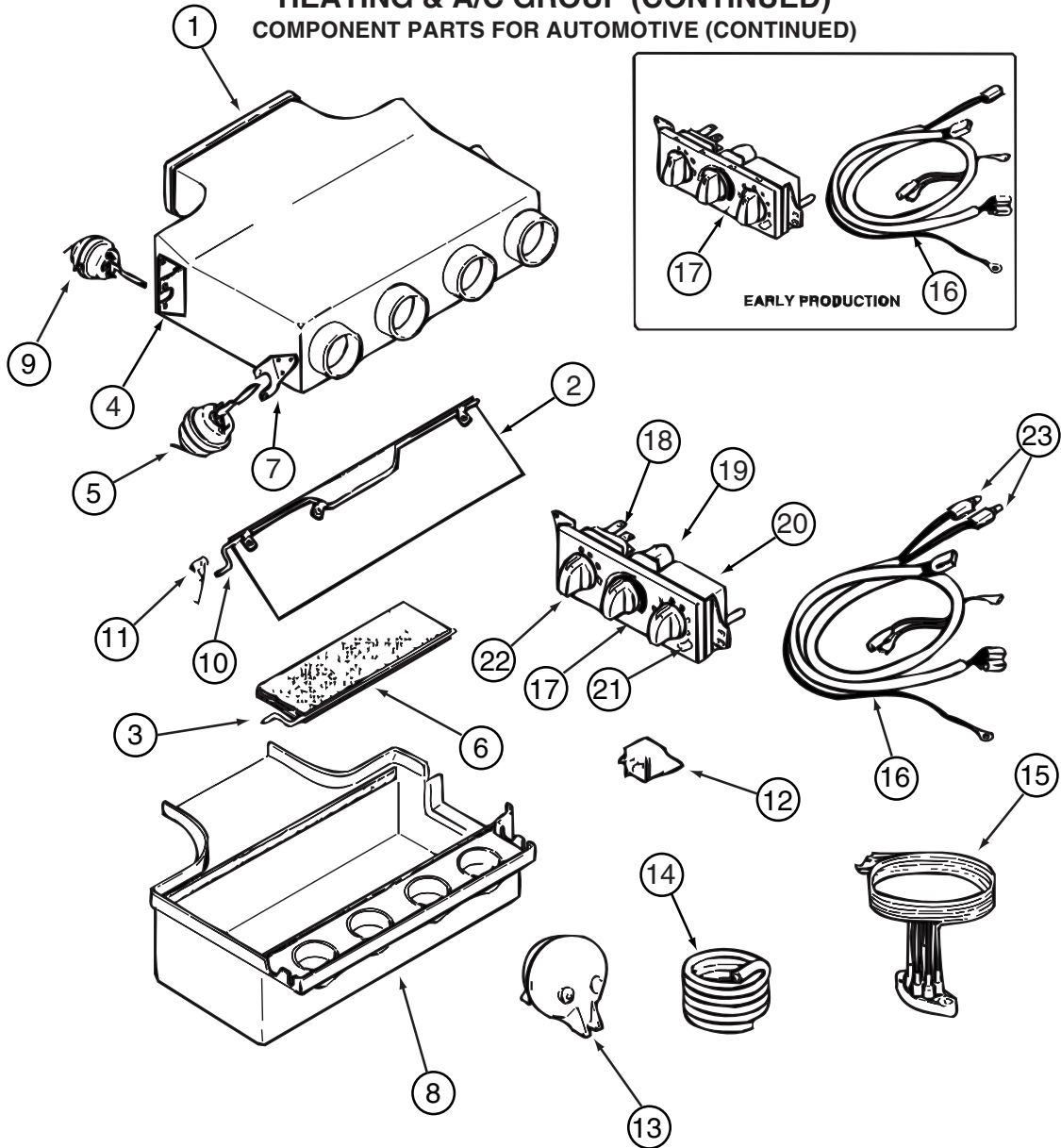
103930-46-000

| KEY | PART NUMBER | U/M | DESCRIPTION | VENDOR NO |
|------------|--------------------|------------|------------------------------|------------------|
| | 103930-17-702 | EA | O'RING #10 | 045-0127 |
| | 103930-29-701 | EA | O'RING F/LOW PRESSURE SWITCH | 045-0483 |
| | 103930-46-700 | EA | HOSE - #10 EVAP/COMP - 4.3' | 085-0486 |

103930-47-000

| KEY | PART NUMBER | U/M | DESCRIPTION | VENDOR NO |
|------------|--------------------|------------|-----------------------------|------------------|
| | 103930-47-700 | EA | HOSE - #6-EVAP/DRIER - 2.2' | 085-0485 |
| | 113245-01-710 | EA | O'RING, #12 | 045-0128 |

HEATING & A/C GROUP (CONTINUED)
COMPONENT PARTS FOR AUTOMOTIVE (CONTINUED)

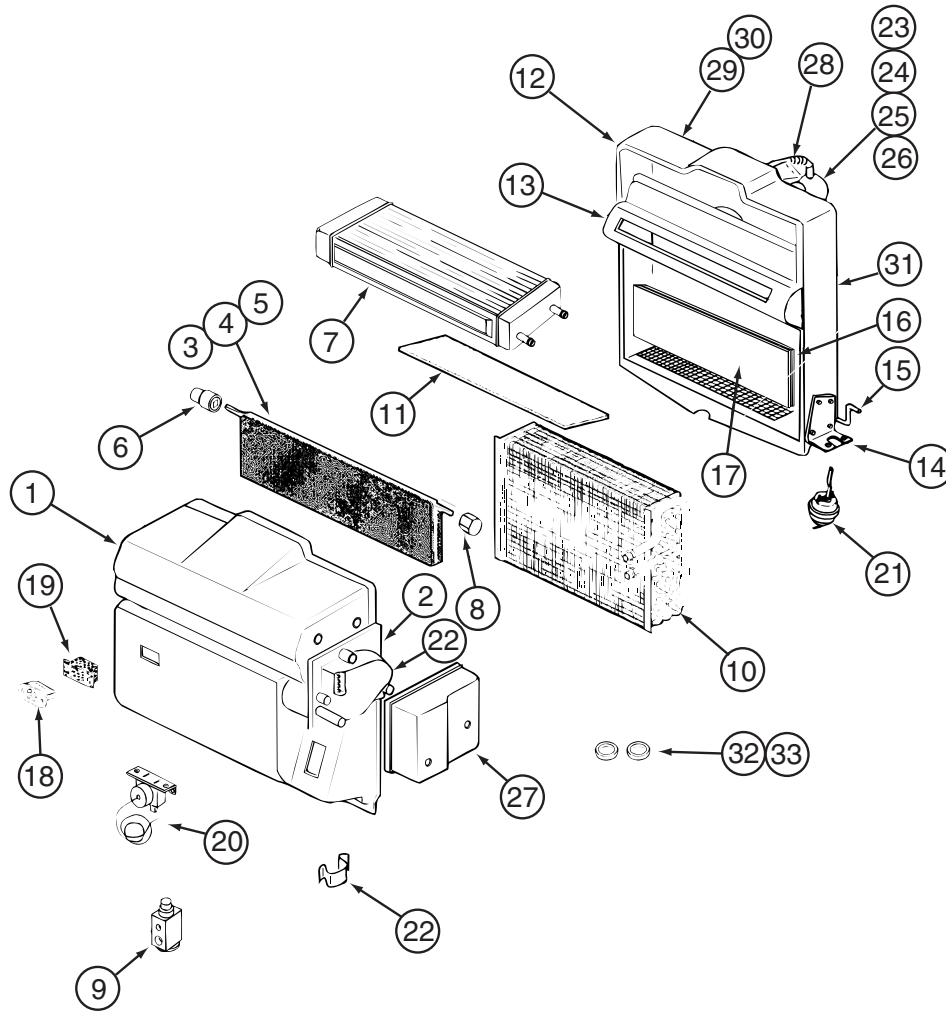


103930-49-000

| KEY | PART NUMBER | U/M | DESCRIPTION | VENDOR NO. |
|-----|---------------|-----|------------------------------|------------|
| 1 | 103930-39-705 | EA | PLENUM - TOP | 060-0482 |
| 2 | 103930-04-700 | EA | DOOR - DEFROSTER-A/C | 071-0149 |
| 3 | 103930-39-700 | EA | ROD - DOOR - AC/HEAT | 073-067 |
| 5 | 103930-02-708 | EA | MOTOR-VACUUM SERVO, A/C | 030-0025 |
| 6 | 103930-39-706 | EA | PLATE - DOOR - A/C | 071-0623 |
| 8 | 103930-39-707 | EA | PLENUM - BOTTOM | 060-0483 |
| 9 | 103930-33-701 | EA | MOTOR - VACUUM, 3 STAGE | 030-0105 |
| 10 | 103930-39-701 | EA | ROD - DOOR - AC/DEFROST | 073-0069 |
| 11 | 103930-39-704 | EA | SPRING | 022-0119 |
| 12 | 103930-02-707 | EA | RELAY-BOSCH W/RESISTER | 031-0001 |
| 13 | 103930-02-710 | EA | CANISTER-VACUUM | 054-0002 |
| 15 | 103930-33-703 | EA | VACUUM HARNESS | 036-0466 |
| 16 | 103930-49-700 | EA | HARNESS - WIRE | 036-556 |
| 16 | 103930-49-701 | EA | HARNESS - WIRE W/BULBS | 036-0557 |
| 17 | 103930-49-702 | EA | CONTROL PANEL-RECESSED FACE | 032-0054 |
| 17 | 103930-49-703 | EA | CONTROL PANEL - NON RECESSED | 083-0223 |
| 18 | 103930-49-704 | EA | SWITCH - BLOWER | 032-0332 |
| 19 | 103930-49-705 | EA | POTENTIOMETER | 032-0182 |
| 20 | 103930-49-706 | EA | SWITCH - VACUUM | 032-0185 |
| 21 | 103930-49-707 | EA | DECAL CONTROL PANEL-N/RECESS | 058-0144 |
| 22 | 103930-49-708 | EA | KNOB - BLOWER - NONRECESSED | 062-0620 |
| 23 | 103930-33-705 | EA | LIGHT BULBS | 035-0030 |

CONTACT WINNEBAGO PART SALES FOR UNLISTED COMPONENT(S)

HEATING & A/C GROUP (CONTINUED)
COMPONENT PARTS FOR AUTOMOTIVE (CONTINUED)



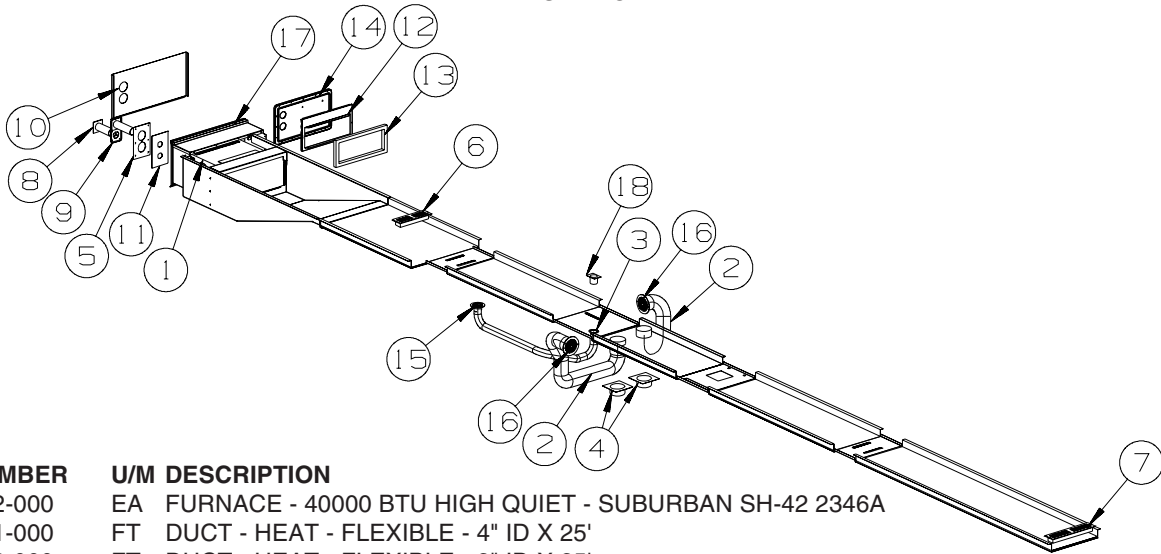
103930-55-000

| KEY | PART NUMBER | U/M | DESCRIPTION | VENDOR NO. |
|-----|---------------|-----|------------------------------|------------|
| 1 | 103930-55-701 | EA | CASE - FRONT | 062-0658 |
| 2 | 103930-30-701 | EA | PLATE - MOTOR MOUNT | 062-0544 |
| 3 | 103930-55-705 | EA | DOOR - BLEND AIR | 071-0892 |
| 6 | 103930-30-702 | EA | BUSHING/DRIVE (BLEND DOOR) | 062-0168 |
| 7 | 103930-55-706 | EA | CORE - HEATER - W/GASKET | 084-0271 |
| 8 | 103930-30-709 | EA | COUPLING - BLEND DOOR SHAFT | 062-0634 |
| 9 | 103930-20-700 | EA | VALVE-EXPANSION-BLOCK, 2 TON | 034-0032 |
| 10 | 103930-55-700 | EA | CORE-EVAPORATOR | 041-00168 |
| 12 | 103930-55-702 | EA | CASE-REAR | 062-0657 |
| 14 | 103930-01-708 | EA | BRACKET-VACUUM MOTOR | 070-0113 |
| 15 | 103930-20-704 | EA | ROD-DOOR-RECIRCULATING | 073-0018 |
| 16 | 103930-55-707 | EA | DOOR - RECIRCULATION | 071-0891 |
| 18 | 103930-01-710 | EA | RESISTOR-FUSED, A/C 4 TERM | 035-0006 |
| 20 | 103930-01-711 | EA | THERMOSTAT | 033-0003 |
| 21 | 103930-02-708 | EA | MOTOR-VACUUM SERVO, A/C | 030-0025 |
| 22 | 103930-30-703 | EA | MOTOR - SERVO | 030-0104 |
| 23 | 103930-20-707 | EA | HOUSING-BLOWER | 062-0145 |
| 24 | 103930-55-703 | EA | MOTOR-BLOWER W/O PIGTAIL | 030-0137 |
| 25 | 103930-01-717 | EA | WHEEL-BLOWER, CLOCKWISE | 062-0010 |
| 26 | 103930-20-708 | EA | CLIP-MOTOR SHAFT | 022-0001 |
| 27 | 103930-30-704 | EA | COVER - SERVO | 062-0545 |
| 32 | 113245-01-707 | EA | O'RING #8 | 045-0126 |
| 33 | 103930-17-702 | EA | O'RING #10 | 045-0127 |
| | 103930-55-704 | EA | CORE-HEATER | 042-0059 |
| | 110279-01-703 | EA | HOSE-VENT F/BLOWER MOTOR | 051-0034 |

CONTACT WINNEBAGO PART SALES FOR UNLISTED COMPONENT(S)

HEATING & A/C GROUP (CONTINUED)

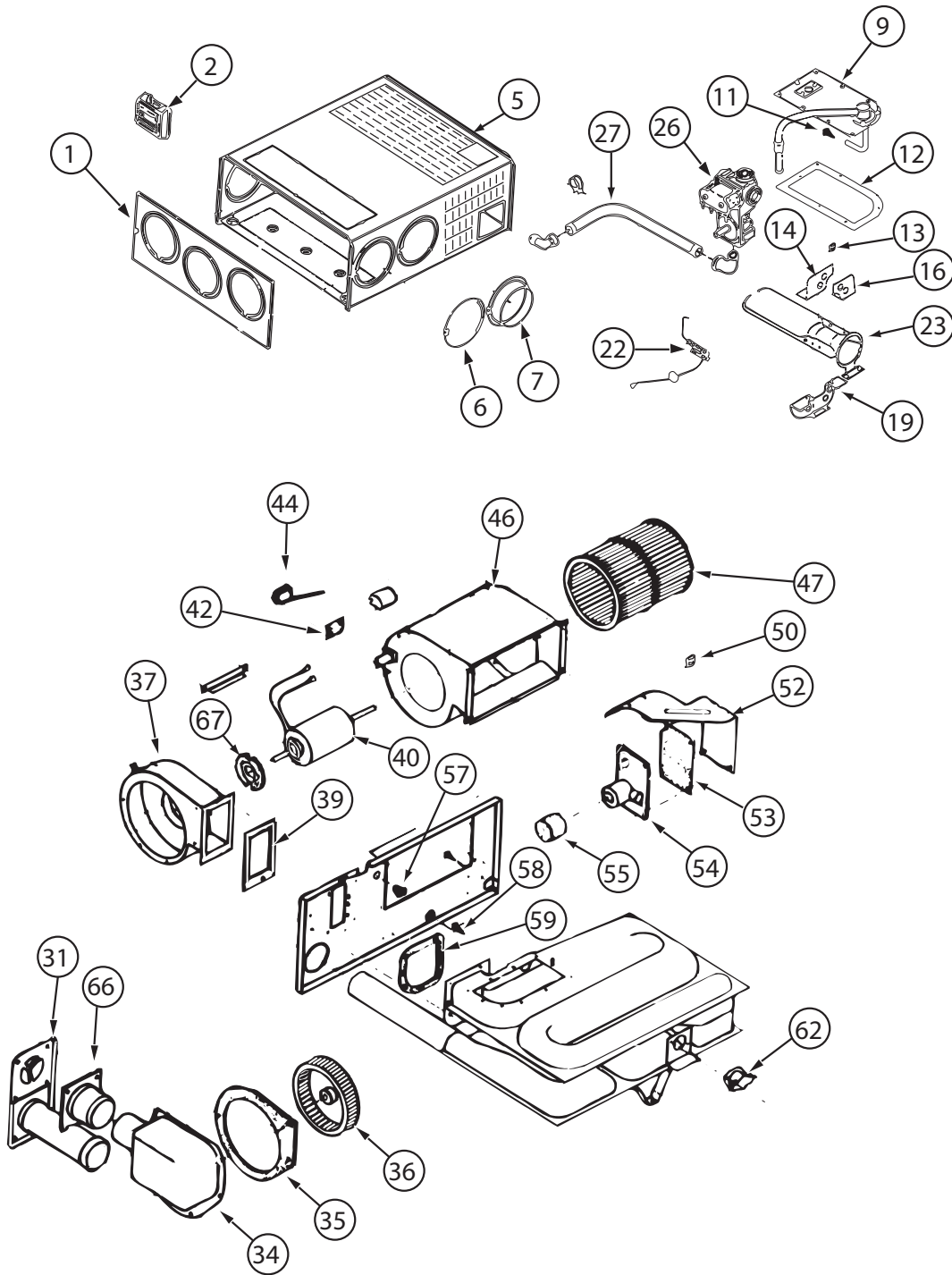
FURNACE



| KEY | PART NUMBER | U/M | DESCRIPTION |
|-----|---------------|-----|--|
| 1* | 143563-02-000 | EA | FURNACE - 40000 BTU HIGH QUIET - SUBURBAN SH-42 2346A |
| 2 | 009198-01-000 | FT | DUCT - HEAT - FLEXIBLE - 4" ID X 25' |
| 3 | 009198-02-000 | FT | DUCT - HEAT - FLEXIBLE - 2" ID X 25' |
| 4 | 092777-01-000 | EA | ADAPTER - DUCT - 4" |
| 5 | 126693-05-02B | EA | PANEL - EXHAUST/FURNACE - E-COATED |
| 6 | 137965-02-02A | EA | REGISTER - 11.2" X 3.6"(9.7 X 2.1"R/O) W/DAMPER - ANT PWTR |
| 7 | 137965-06-02A | EA | REGISTER - 15.3" X 3.6"(13.9" X 2.1"R/O) W/O DAMPER-ANT PWTR |
| 8 | 139980-05-000 | EA | VENT - INTAKE |
| 9 | 139980-06-000 | EA | VENT CAP |
| 10 | 141194-03-02B | EA | PANEL/FURNACE CLOSEOUT - E-COATED |
| 11 | 141337-01-01A | EA | GASKET - FURNACE |
| 12 | 143563-04-000 | EA | PLATE END - COLLAR |
| 13 | 143563-05-000 | EA | GASKET - FIBERGLASS - SUBURBAN #071018 |
| 14 | 143563-03-02A | EA | DOOR/ACCESS - FURNACE - W/FRAME - BLACK |
| 15 | 157225-01-02A | EA | OUTLET - DEFROSTER - W/SWIVEL - 2" SLEEVE/4"OD - WHITE |
| 16 | 056464-10-000 | EA | REGISTER W/O DAMPER - 4" DIAMETER - PLASTIC - BEIGE |
| 17 | 134651-01-000 | FT | SEAL - 1/2" X 3/4" X 9' - PSA 1 SIDE |
| 18 | 092776-01-000 | EA | ADAPTER - DUCT - 2" |

*COMPONENT PARTS LISTED LATER IN THIS GROUP

HEATING & A/C GROUP (CONTINUED)
COMPONENT PARTS FOR FURNACE



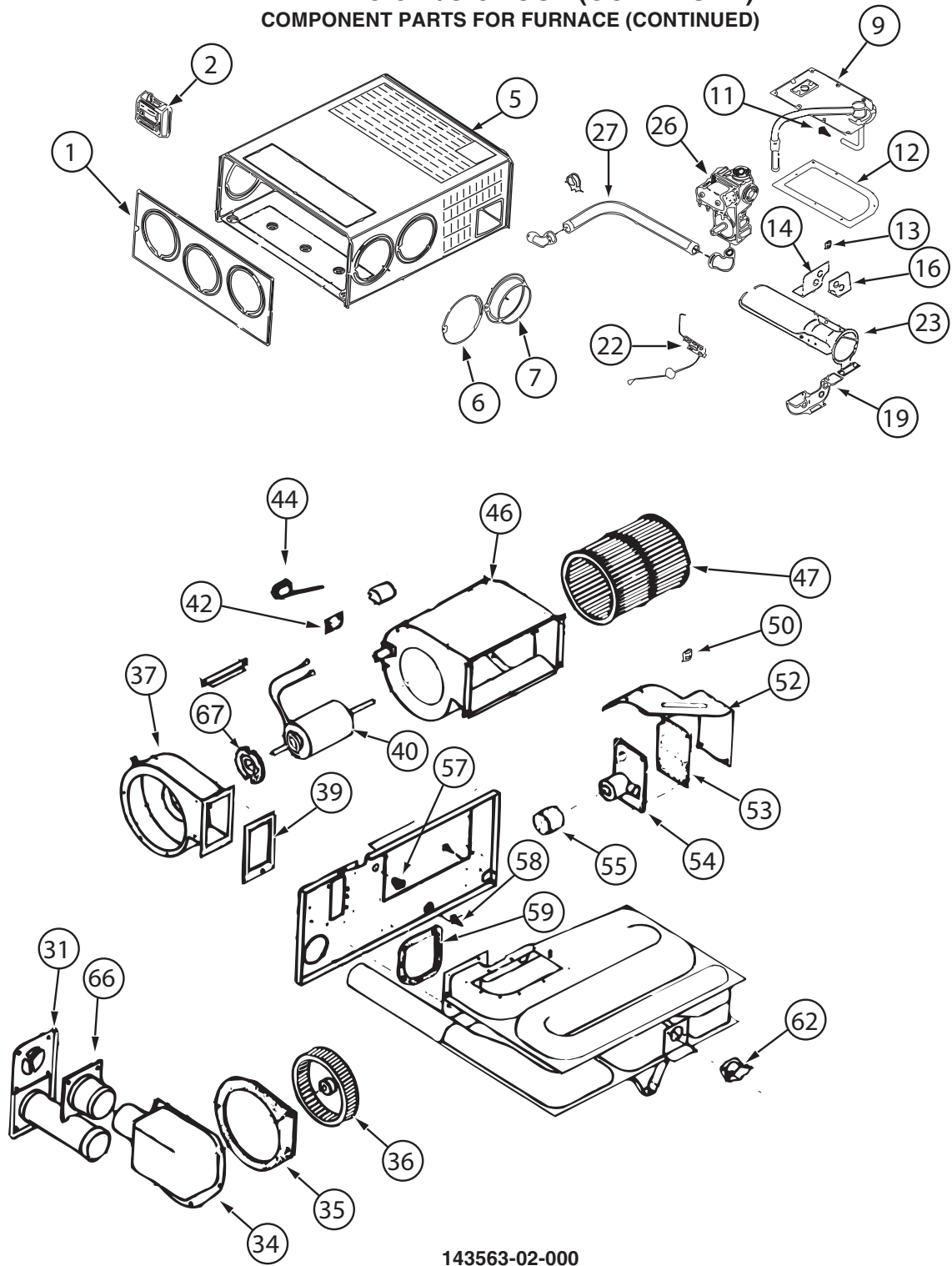
143563-01-000

HEATING & A/C GROUP (CONTINUED)
COMPONENT PARTS FOR FURNACE (CONTINUED)

143563-01-000 (CONTINUED)

| KEY | PART NUMBER | U/M | DESCRIPTION | VENDOR NO. |
|------------|--------------------|------------|--|-------------------|
| 1 | 143563-01-700 | EA | CABINET - FRONT | 101907 |
| 2 | | | SEE 12 VOLT WIRING AREAS FOR CORRECT THERMOSTAT | |
| 5 | 143563-01-701 | EA | CABINET | 101921 |
| 7 | 075696-02-703 | EA | COLLAR - DUCT | 050715 |
| 9 | 143563-01-702 | EA | MANIFOLD ASSEMBLY | 171599 |
| 11 | 143563-01-703 | EA | ORFICE - MAIN BURNER | 180308 |
| 12 | 098668-22-703 | EA | GASKET - BURNER ACCESS COVER | 070811 |
| 14 | 143563-01-704 | EA | PLATE - SECONDARY AIR/TOP BACK | 063199 |
| 16 | 143563-01-705 | EA | PLATE - SECONDARY AIR/TOP FRT | 062936 |
| 19 | 143563-01-706 | EA | PLATE - SECONDARY AIR/BOTTOM | 062938 |
| 22 | 139980-01-701 | EA | ELECTRODE | 232286 |
| 23 | 098668-02-700 | EA | BURNER ASSEMBLY,SF-30 & SF35 | 010745 |
| 26 | 098668-01-718 | EA | VALVE-GAS SF S.N.974903079 | 161122 |
| 27 | 143563-01-707 | EA | PIPE ASSEMBLY (GAS INLET) | 171603 |
| 31 | 098668-01-707 | EA | TUBE ASSEMBLY, EXHAUST W/CAP | 260231 |
| 34 | 143563-01-708 | EA | BOX ASM (COMB. AIR INTAKE) | 051430BK |
| 35 | 143563-01-709 | EA | GASKET (COMB. AIR HOUSING) | 071108 |
| 36 | 143563-01-710 | EA | WHEEL (COMBUSTION AIR) | 350199 |
| 37 | 143563-01-711 | EA | HOUSING (COMBUSTION AIR) | 390862BK |
| 39 | 143563-01-715 | EA | GASKET-FIREWALL/COMB. AIR | 071107 |
| 40 | 143563-01-712 | EA | MOTOR ASSEMBLY | 232727 |
| 42 | 101990-01-714 | EA | GASKET-MICROSWITCH | 230877 |
| 44 | 098668-21-700 | EA | SWITCH-MICRO-W/O FLAG 3 1/4" | 232261 |
| 46 | 143563-01-713 | EA | BLOWER ASSEMBLY(ROOM AIR) | 390867BK |
| 47 | 143563-01-714 | EA | WHEEL - ROOM AIR | 350198 |
| 50 | 139980-01-710 | EA | SWITCH - ON/OFF | 232351 |
| 52 | 139980-01-711 | EA | PANEL ASSEMBLY-MODULE BD | 101663 |
| 53 | 139980-01-712 | EA | INSULATOR - MODULE BD | 070807 |
| 54 | 098668-22-705 | EA | MODULE BD W/RELAY TIME DELAY | 520820 |
| 55 | 139980-01-713 | EA | CAP/INSULATOR-MODULE BD | 070973 |
| 57 | 139980-01-714 | EA | BUSHING - UNIVERSAL | 070362 |
| 58 | 139980-01-715 | EA | BUSHING - STRAIN RELIEF | 231809 |
| 59 | 098668-01-716 | EA | GASKET-FIREWALL,CHAMBER SIDE | 070808 |
| 62 | 098668-21-701 | EA | SWITCH - LIMIT | 232504 |
| 66 | 098668-01-713 | EA | TUBE ASSEMBLY, INTAKE | 051248 |
| 67 | 075697-07-703 | EA | GASKET - MOTOR | 070448 |
| | 143563-01-716 | EA | CHAMBER ASM. - FINAL | |
| | | | CONTACT WINNEBAGO PART SALES FOR UNLISTED COMPONENT(S) | |

HEATING & A/C GROUP (CONTINUED)
COMPONENT PARTS FOR FURNACE (CONTINUED)



143563-02-000

HEATING & A/C GROUP (CONTINUED)
COMPONENT PARTS FOR FURNACE (CONTINUED)

143563-02-000 (CONTINUED)

| KEY | PART NUMBER | U/M | DESCRIPTION | VENDOR NO. |
|------------|--------------------|------------|--|-------------------|
| 1 | 143563-01-700 | EA | CABINET - FRONT | 101907 |
| 2 | | | SEE 12 VOLT WIRING AREAS FOR CORRECT THERMOSTAT | |
| 5 | 143563-02-700 | EA | CABINET | 101915 |
| 7 | 075696-02-703 | EA | COLLAR - DUCT | 050715 |
| 9 | 143563-01-702 | EA | MANIFOLD ASSEMBLY | 171599 |
| 11 | 143563-02-701 | EA | ORFICE - MAIN BURNER | 180309 |
| 12 | 098668-22-703 | EA | GASKET - BURNER ACCESS COVER | 070811 |
| 14 | 143563-02-702 | EA | PLATE - SECONDARY AIR/TOP BACK | 063198 |
| 16 | 143563-02-703 | EA | PLATE - SECONDARY AIR/TOP FRT | 062933 |
| 19 | 143563-02-704 | EA | PLATE - SECONDARY AIR/BOTTOM | 062935 |
| 22 | 139980-01-701 | EA | ELECTRODE | 232286 |
| 23 | 098668-11-701 | EA | BURNER ASSEMBLY, SF-42F | 010799 |
| 26 | 098668-01-718 | EA | VALVE-GAS SF S.N.974903079 | 161122 |
| 27 | 143563-01-707 | EA | PIPE ASSEMBLY (GAS INLET) | 171603 |
| 31 | 098668-01-707 | EA | TUBE ASSEMBLY, EXHAUST W/CAP | 260231 |
| 34 | 143563-01-708 | EA | BOX ASM (COMB. AIR INTAKE) | 051430BK |
| 35 | 143563-01-709 | EA | GASKET (COMB. AIR HOUSING) | 071108 |
| 36 | 143563-01-710 | EA | WHEEL (COMBUSTION AIR) | 350199 |
| 37 | 143563-01-711 | EA | HOUSING (COMBUSTION AIR) | 390862BK |
| 39 | 143563-01-715 | EA | GASKET-FIREWALL/COMB. AIR | 071107 |
| 40 | 143563-02-705 | EA | MOTOR ASSEMBLY | 232726 |
| 42 | 101990-01-714 | EA | GASKET-MICROSWITCH | 230877 |
| 44 | 098668-21-700 | EA | SWITCH-MICRO-W/O FLAG 3 1/4" | 232261 |
| 46 | 143563-01-713 | EA | BLOWER ASSEMBLY(ROOM AIR) | 390867BK |
| 47 | 143563-01-714 | EA | WHEEL - ROOM AIR | 350198 |
| 50 | 139980-01-710 | EA | SWITCH - ON/OFF | 232351 |
| 52 | 139980-01-711 | EA | PANEL ASSEMBLY-MODULE BD | 101663 |
| 53 | 139980-01-712 | EA | INSULATOR - MODULE BD | 070807 |
| 54 | 098668-22-705 | EA | MODULE BD W/RELAY TIME DELAY | 520820 |
| 55 | 139980-01-713 | EA | CAP/INSULATOR-MODULE BD | 070973 |
| 57 | 139980-01-714 | EA | BUSHING - UNIVERSAL | 070362 |
| 58 | 139980-01-715 | EA | BUSHING - STRAIN RELIEF | 231809 |
| 59 | 098668-01-716 | EA | GASKET-FIREWALL,CHAMBER SIDE | 070808 |
| 62 | 143563-02-706 | EA | SWITCH - LIMIT | 232735 |
| 66 | 098668-01-713 | EA | TUBE ASSEMBLY, INTAKE | 051248 |
| 67 | 075697-07-703 | EA | GASKET - MOTOR | 070448 |
| | 143563-02-707 | EA | CHAMBER ASM. - FINAL | 021172BK |
| | | | CONTACT WINNEBAGO PART SALES FOR UNLISTED COMPONENT(S) | |

HEATING & A/C GROUP (CONTINUED)

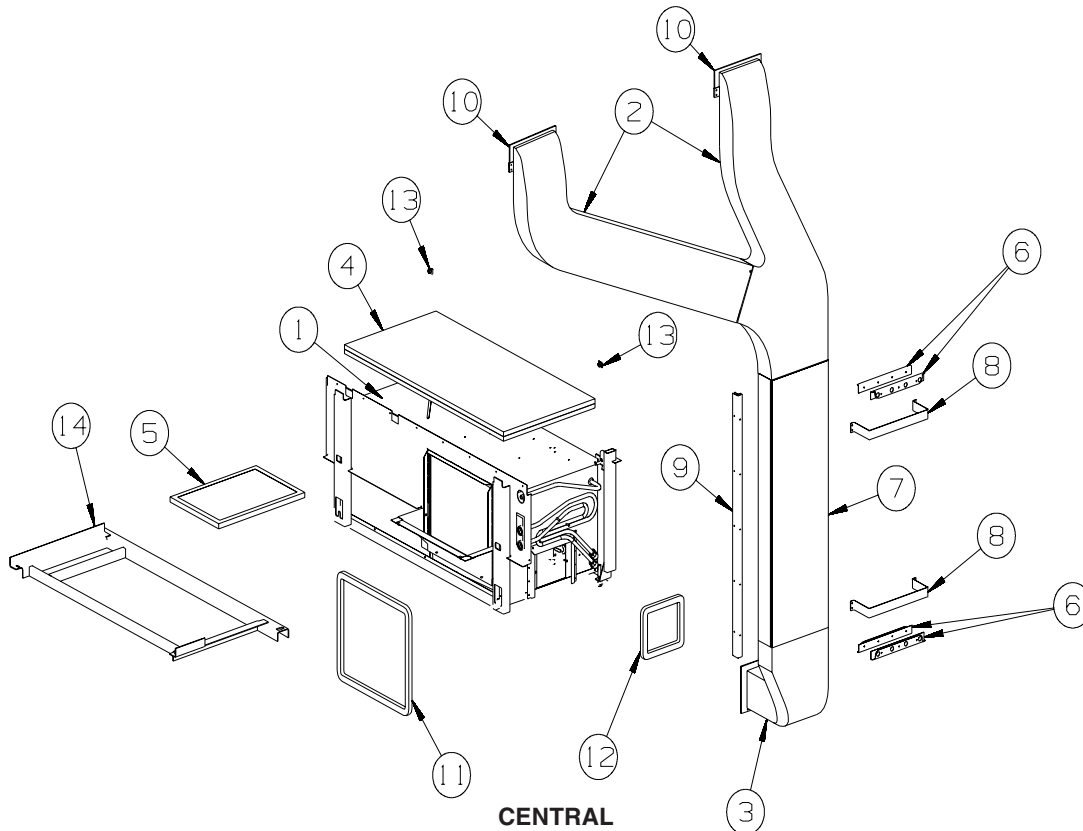
REAR HEATER

| KEY | PART NUMBER | U/M | DESCRIPTION |
|-----|---------------|-----|--|
| * | 147610-01-000 | EA | HEATER - AUTO/AUX - G33V, G35A, G35L, G37B, G38T |
| | 147610-02-000 | EA | HEATER - AUTO/AUX - G38J |
| | 104692-01-000 | FT | SEAL - ADHESIVE BACKED FOAM - 3/4" THICK X 3/4" WIDE X 25" |
| | 007108-01-000 | FT | HOSE - HEATER - 5/8" ID - HI-TEMP |
| | 076776-01-000 | EA | TEE - BEADED - 5/8" X 5/8" X 5/8" |
| | 079059-01-000 | EA | HOSE - 90 DEGREE - 5/8"ID X 4" X 36" |
| | 079059-13-000 | EA | HOSE - 90 DEGREE - .61"ID X 4" X 48" |
| | 137965-01-03A | EA | REGISTER - 11.2" X 3.6"(9.7 X 2.1"R/O) W/O DAMPER-BRONZE |

*COMPONENT PARTS LISTED LATER IN THIS GROUP

COMPONENT PARTS FOR REAR HEATER

| KEY | PART NUMBER | U/M | DESCRIPTION | VENDOR NO. |
|-----|---------------|-----|-----------------------------|------------|
| | 147610-01-000 | | | |
| | 129205-01-702 | EA | BLOWER ASSEMBLY-W/12V MOTOR | HV218419 |
| | 147610-01-700 | EA | RESISTOR-BLOWER MOTOR | HV218125 |



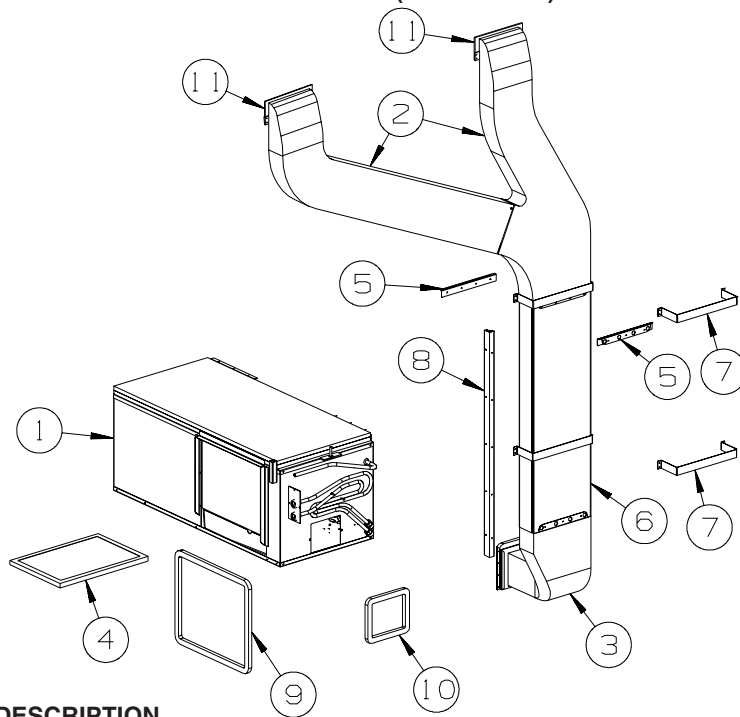
**G33V, G35A,
G35L, G37B &
G38J**

| KEY | PART NUMBER | U/M | DESCRIPTION |
|-----|---------------|-----|--|
| 1* | 105620-12-000 | EA | A/C-CENTRAL - RH HAND/HEAT PUMP/12,000 BTU - TECUMSEH COMP |
| 2 | M09204-01-000 | EA | DUCT/AC - UPPER RIGHT HAND/LEFT HAND |
| 3 | P38842-01-000 | EA | DUCT - CENTRAL AIR/FORCED - W/INSULATION - LOWER |
| | 105290-01-000 | SF | INSULATION - AIR POCKET W/FOIL - 4' WIDE |
| 4 | 100619-16-000 | BF | FOAM - EXPANDED POLYSTYRENE - .75" X 48" X 96"-2" DENSITY |
| 5 | 109050-02-000 | EA | FILTER/FURNACE-AC - FIBERGLASS - 1" X 14" X 20" |
| 6 | 160755-01-02B | EA | U-CHANNEL W/HOLES |
| 7 | 159404-02-000 | EA | PLENUM - A/C |
| 8 | 129047-01-02B | EA | STRAP/MOUNTING - AIR DUCT - E-COATED |
| 9 | 159408-02-01A | EA | CORNER - W/HOLES |
| 10 | 104692-01-000 | FT | SEAL - ADHESIVE BACKED FOAM - 3/4" THICK X 3/4" WIDE X 25" |
| 11 | 134588-01-000 | EA | GASKET - DUCT - 15.5" X 18.2" IS - 17.4" X 20.2" OS |
| 12 | 134588-02-000 | EA | GASKET - DUCT - 6.4" X 7.4" IS - 8.3" X 9.4" OS |
| 13 | 142913-01-000 | EA | J-CLIP - F/TV HOLD DOWN |
| 14 | 156552-01-02B | EA | CRADLE - A/C - E-COATED |

*COMPONENT PARTS LISTED LATER IN THIS GROUP

HEATING & A/C GROUP (CONTINUED) CENTRAL (CONTINUED)

G38T

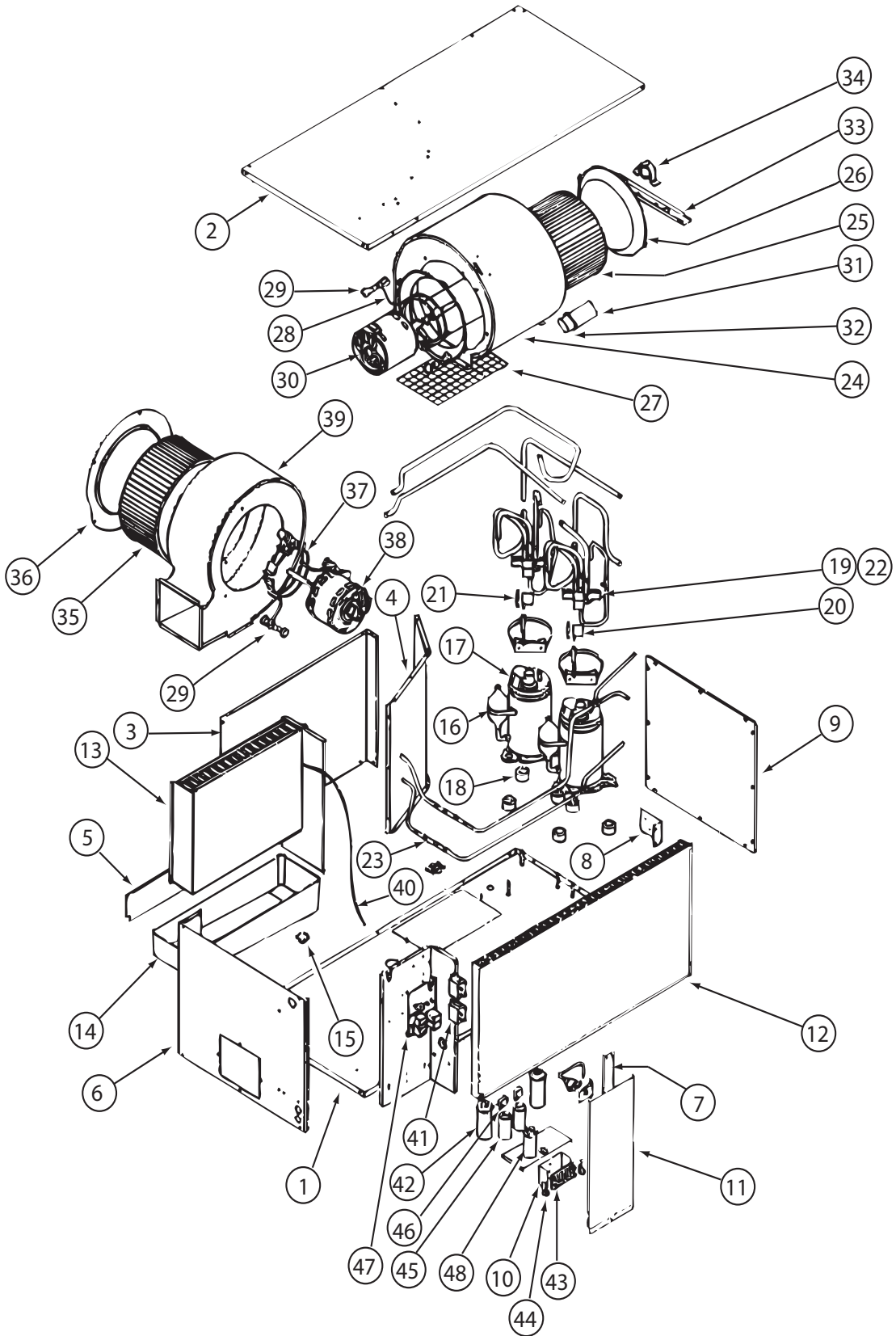


| KEY | PART NUMBER | U/M | DESCRIPTION |
|-----|---------------|-----|--|
| 1* | 105620-12-000 | EA | A/C - CENTRAL - RIGHT HAND/HEAT PUMP - 12,000 BTU COMP |
| 2 | M09204-01-000 | EA | DUCT/AC - UPPER RIGHT HAND & LEFT HAND |
| 3 | P38842-01-000 | EA | DUCT - CENTRAL AIR/FORCED - W/INSULATION - LOWER |
| | 105290-01-000 | SF | INSULATION - AIR POCKET W/FOIL |
| 4 | 109050-02-000 | EA | FILTER/FURNACE-AC - FIBERGLASS - 1" X 14" X 20" |
| 5 | 160755-01-02B | EA | U-CHANNEL W/HOLES |
| 6 | 159404-02-000 | EA | PLENUM - A/C |
| 7 | 129047-01-02B | EA | STRAP/MOUNTING - AIR DUCT - E-COATED |
| 8 | 159408-02-01A | EA | CORNER - W/HOLES |
| 9 | 134588-01-000 | EA | GASKET - DUCT - 15.5" X 18.2" IS - 17.4" X 20.2" OS |
| 10 | 134588-02-000 | EA | GASKET - DUCT - 6.4" X 7.4" IS - 8.3" X 9.4" OS |
| 11 | 104692-01-000 | EA | SEAL - ADHESIVE BACKED FOAM - 3/4" THICK X 3/4" WIDE X 25' |

***COMPONENT PARTS LISTED LATER IN THIS GROUP**

HEATING & A/C GROUP (CONTINUED)

COMPONENT PARTS FOR CENTRAL



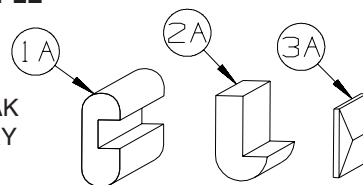
105620-12-000

HEATING & A/C GROUP (CONTINUED)
COMPONENT PARTS FOR CENTRAL (CONTINUED)

105620-12-000 (CONTINUED)

| KEY | PART NUMBER | U/M | DESCRIPTION | VENDOR NO. |
|------------|--------------------|------------|--|-------------------|
| 10 | 105620-01-733 | EA | ISOLATOR-HIGH VOLTAGE | 6795-117 |
| 11 | 105620-10-716 | EA | DOOR - ELECTRIC BOX | 6535B346 |
| 12 | 105620-12-701 | EA | COIL - CONDENSER | 1452A1621 |
| 13 | 105620-12-702 | EA | COIL - EVAPORATOR | 1452A1611 |
| 15 | 105620-12-703 | EA | VALVE - DRAIN | 6795-200 |
| 16 | 105620-12-723 | EA | COMPRESSOR (PANASONIC) | 1450-2229 |
| 17 | 105620-12-705 | EA | OVERLOAD | 1450-0081 |
| 18 | 105620-01-706 | EA | MOUNTING PKG.,COMP., 3 PER | 6759-3081 |
| 19 | 105620-12-724 | EA | REVERSING VALVE ASSEMBLY | 6535-535 |
| 20 | 105620-12-708 | EA | COIL - SOLENOID | 1460-1081 |
| 21 | 105620-12-709 | EA | WIRE HARNESS-REVERSING VALVE | 6536-111 |
| 22 | 105620-12-710 | EA | VALVE - REVERSE ONLY | 1454A350 |
| 23 | 105620-12-711 | EA | RESTRICTOR - BY FLOW | 1454-2521 |
| 24 | 105620-10-718 | EA | BLOWER HOUSING/OUTSIDE AIR | 6536-515 |
| 25 | 105620-01-713 | EA | WHEEL-BLOWER/OUTSIDE AIR | 1472-1011 |
| 26 | 105620-01-714 | EA | VENTURI-BLOWER/OUTSIDE AIR | 6795A150 |
| 28 | 105620-01-715 | EA | MOUNT-BLOWER/OUTSIDE AIR | 6795A3011 |
| 29 | 105620-01-716 | EA | SLEEVE & GROMMET, 4 PER PKKG. | 6795A3031 |
| 30 | 105620-10-721 | EA | MOTOR/BLOWER-8 3/4" SHAFT | 1468A3029 |
| 31 | 105620-01-718 | EA | CAPACITOR-FAN (OUTDOOR MOTOR)) | 1499-5631 |
| 32 | 105620-10-715 | EA | RUBBER CAPACITOR BOOT | 1499-951 |
| 33 | 105620-10-700 | EA | BEARING BRACKET/OUTSIDE AIR | 6536-514 |
| 34 | 105620-10-701 | EA | BEARING/PILLOW BLOCK-O/S AIR | 6536-3011 |
| 35 | 105620-11-701 | EA | BLOWER WHEEL/INSIDE AIR | 1472-1151 |
| 36 | 105620-12-715 | EA | BLOWER VENTURI/INSIDE AIR | 6535A287 |
| 37 | 105620-01-723 | EA | MOUNT-BLOWER MOTOR - I/S AIR | 6795-302 |
| 38 | 105620-12-716 | EA | BLOWER MTR/IN AIR/REVERSIBLE | 1468-3219 |
| 39 | 105620-11-706 | EA | MOTOR/BLOWER KIT | 6535B5901 |
| 40 | 105620-12-719 | EA | COIL SENSOR | 7330A3231 |
| 41 | 105620-01-729 | EA | RELAY-COMPRESSOR -4 TERMINAL | 1460-1131 |
| 42 | 105620-12-725 | EA | COMPRESSOR RUN CAPACITOR | 1499-5731 |
| 43 | 105620-01-738 | EA | BOARD-TERMINAL, HIGH VOLTAGE | 6795-315 |
| 46 | 105620-10-705 | EA | PTCR (START DEVICE) - W/CAP. | 8333A9021 |
| 47 | 105620-12-721 | EA | CIRCUIT BD (6535 A SERIES) | 6535A3201 |
| 48 | 093763-01-704 | EA | CAPACITOR-FAN (INDOOR MOTOR) | 1499-5461 |
| | 105620-10-720 | EA | FUSE/BUSS(8AMP/250V) 2 PKG | 6535-3081 |
| | | | CONTACT WINNEBAGO PART SALES FOR UNLISTED COMPONENT(S) | |

INTERIOR FINISH GROUP
MOLDINGS & TRIMS
CONCERT CHERRY, WASHED MAPLE, SIERRA MAPLE

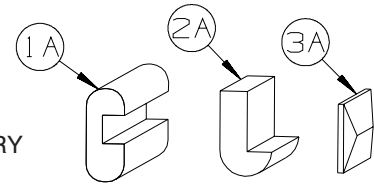


| KEY | PART NUMBER | U/M | DESCRIPTION |
|-----|---------------|-----|--|
| 1A | M09412-62-N42 | EA | MOLDING/SHELF EDGE - .6" X 1.3" X 96" - PORTSMOUTH OAK |
| 1A | M09412-62-M52 | EA | MOLDING/SHELF EDGE - .6" X 1.3" X 96" - CONCERT CHERRY |
| 1A | M09412-62-M62 | EA | MOLDING/SHELF EDGE - .6" X 1.3" X 96" - WASHED MAPLE |
| 1A | M09412-62-RC3 | EA | MOLDING/SHELF EDGE - .6" X 1.3" X 96" - HONEY CHERRY |
| 1A | M09412-62-SA3 | EA | MOLDING/SHELF EDGE - .6" X 1.3" X 96" - SIERRA MAPLE |
| 2A | M09511-43-T77 | EA | MOLDING - TRIM - W/NOTCH - .8" X 1.4" X 86.3" - PORTSMOUT OAK |
| 2A | M09525-80-UM1 | EA | MOLDING - TRIM - W/NOTCH - .8" X 1.4" X 86.5" - CONCERT CHERRY |
| 2A | M09525-80-U91 | EA | MOLDING - TRIM - W/NOTCH - .8" X 1.4" X 86.5" - WASHED MAPLE |
| 2A | M09525-80-U92 | EA | MOLDING - TRIM - W/NOTCH - .8" X 1.4" X 86.5" - SIERRA MAPLE |
| 2A | M09525-80-Y92 | EA | MOLDING - TRIM - W/NOTCH - .8" X 1.4" X 86.5" - HONEY CHERRY |
| 2A | M09501-85-TG3 | EA | MOLDING/TRIM - W/NOTCH - 4" X 86.06" - HONEY CHERRY |
| 2A | M09501-32-TG1 | EA | MOLDING/TRIM - W/NOTCH - .8" X 2.5" X 86.2" - CONCERT CHERRY |
| 2A | M09501-32-TG2 | EA | MOLDING/TRIM - W/NOTCH - .8" X 2.5" X 86.2" - WASHED MAPLE |
| 2A | M09501-32-TD3 | EA | MOLDING/TRIM - W/NOTCH - .8" X 2.5" X 86.2" - SIERRA MAPLE |
| 2A | M09501-32-TG3 | EA | MOLDING/TRIM - W/NOTCH - .8" X 2.5" X 86.2" - HONEY CHERRY |
| 2A | M09515-72-TD0 | EA | MOLDING/TRIM - .8" X 2.2" X 86.1" - PORTSMOUTH OAK |
| 2A | M09515-72-TD1 | EA | MOLDING/TRIM - .8" X 2.2" X 86.1" - CONCERT CHERRY |
| 2A | M09515-72-TD2 | EA | MOLDING/TRIM - .8" X 2.2" X 86.1" - WASHED MAPLE |
| 2A | M09515-72-TD3 | EA | MOLDING/TRIM - .8" X 2.2" X 86.1" - SIERRA MAPLE |
| 2A | M09511-44-T77 | EA | MOLDING - TRIM - W/NOTCH - 1" X 86.4" - PORTSMOUTH OAK |
| 2A | M09511-44-T78 | EA | MOLDING - TRIM - W/NOTCH - 1" X 86.4" - CONCERT CHERRY |
| 2A | M09511-44-T79 | EA | MOLDING - TRIM - W/NOTCH - 1" X 86.4" - WASHED MAPLE |
| 2A | M09511-44-T80 | EA | MOLDING - TRIM - W/NOTCH - 1" X 86.4" - HONEY CHERRY |
| 2A | M09438-25-RA3 | EA | MOLDING - HARDWOOD-W/NOTCH - 1.4"X 80.2" - HONEY CHERRY |
| 3A | M09477-63-S46 | EA | MOLDING - TRIM/VEE-W/CUT ENDS - 1"X 64.1" - PORTSMOUTH OAK |
| 3A | M09477-63-S47 | EA | MOLDING - TRIM/VEE-W/CUT ENDS - 1"X 64.1" - CONCERT CHERRY |
| 3A | M09477-63-S48 | EA | MOLDING - TRIM/VEE-W/CUT ENDS - 1"X 64.1" - WASHED MAPLE |
| 3A | M09477-63-W51 | EA | MOLDING - TRIM/VEE-W/CUT ENDS - 1"X 64.1" - HONEY CHERRY |
| 3A | M09477-64-S46 | EA | MOLDING - TRIM/VEE-W/CUT ENDS - 1"X 14.9" - PORTSMOUTH OAK |
| 3A | M09477-64-S47 | EA | MOLDING - TRIM/VEE-W/CUT ENDS - 1"X 14.9" - CONCERT CHERRY |
| 3A | M09477-64-S48 | EA | MOLDING - TRIM/VEE-W/CUT ENDS - 1"X 14.9" - WASHED MAPLE |
| 3A | M09477-64-W51 | EA | MOLDING - TRIM/VEE-W/CUT ENDS - 1"X 14.9" - HONEY CHERRY |
| 3A | M09501-30-SD0 | EA | MOLDING - TRIM/VEE - .2" X 1" X 35.1" - PORTSMOUTH OAK |
| 3A | M09501-30-SD1 | EA | MOLDING - TRIM/VEE - .2" X 1" X 35.1" - CONCERT CHERRY |
| 3A | M09501-30-SD2 | EA | MOLDING - TRIM/VEE - .2" X 1" X 35.1" - WASHED MAPLE |
| 3A | M09501-30-SD3 | EA | MOLDING - TRIM/VEE - .2" X 1" X 35.1" - HONEY CHERRY |
| 3A | M09515-97-WL4 | EA | MOLDING - TRIM/VEE - .2" X 1" X 32.6" - CONCERT CHERRY |
| 3A | M09515-97-WL5 | EA | MOLDING - TRIM/VEE - .2" X 1" X 32.6" - WASHED MAPLE |
| 3A | M09515-97-WL6 | EA | MOLDING - TRIM/VEE - .2" X 1" X 32.6" - HONEY CHERRY |
| 3A | M09534-17-UF3 | EA | MOLDING - TRIM/VEE - .2" X 1" X 20.1" - SIERRA MAPLE |
| 3A | M09534-17-UJ1 | EA | MOLDING - TRIM/VEE - .2" X 1" X 20.1" - CONCERT CHERRY |
| 3A | M09534-17-UJ2 | EA | MOLDING - TRIM/VEE - .2" X 1" X 20.1" - WASHED MAPLE |
| 3A | M09534-17-UJ3 | EA | MOLDING - TRIM/VEE - .2" X 1" X 20.1" - HONEY CHERRY |
| 3A | M09477-88-S34 | EA | MOLDING - TRIM/VEE - .2" X 1" X 19.9" - WASHED MAPLE |
| 3A | M09477-88-S35 | EA | MOLDING - TRIM/VEE - .2" X 1" X 19.9" - SIERRA MAPLE |
| 3A | M09568-03-W51 | EA | MOLDING - TRIM/VEE - .2" X 1" X 19.8" - HONEY CHERRY |
| 3A | M09568-03-W52 | EA | MOLDING - TRIM/VEE - .2" X 1" X 19.8" - WASHED MAPLE |
| 3A | M09565-51-W51 | EA | MOLDING - TRIM/VEE - .2" X 1" X 19.4" - HONEY CHERRY |
| 3A | M09565-51-W52 | EA | MOLDING - TRIM/VEE - .2" X 1" X 19.4" - WASHED MAPLE |
| 3A | M09553-79-W66 | EA | MOLDING - TRIM/VEE - .2" X 1" X 15.6" - HONEY CHERRY |
| 3A | M09515-10-W66 | EA | MOLDING - TRIM/VEE - .2" X 1" X 15.4" - HONEY CHERRY |
| 3A | M09501-63-T78 | EA | MOLDING - TRIM/VEE - .2" X 1" X 15" - CONCERT CHERRY |
| 3A | M09501-63-T79 | EA | MOLDING - TRIM/VEE - .2" X 1" X 15" - WASHED MAPLE |
| 3A | M09501-63-T80 | EA | MOLDING - TRIM/VEE - .2" X 1" X 15" - SIERRA MAPLE |
| 3A | M09501-63-W66 | EA | MOLDING - TRIM/VEE - .2" X 1" X 15" - HONEY CHERRY |
| 3A | M09553-09-W66 | EA | MOLDING - TRIM/VEE - .2" X 1" X 13.4" - HONEY CHERRY |
| 3A | M09566-04-WD3 | EA | MOLDING - TRIM/VEE - .2" X 1" X 8.9" - HONEY CHERRY |
| 3A | M09553-29-WH4 | EA | MOLDING - TRIM/VEE - .4" X 1" X 94.4" - CONCERT CHERRY |
| 3A | M09553-29-WH5 | EA | MOLDING - TRIM/VEE - .4" X 1" X 94.4" - WASHED MAPLE |
| 3A | M09553-29-WH6 | EA | MOLDING - TRIM/VEE - .4" X 1" X 94.4" - SIERRA MAPLE |
| 3A | M09565-04-WH4 | EA | MOLDING - TRIM/VEE - .4" X 1" X 89.5" - CONCERT CHERRY |

INTERIOR FINISH GROUP (CONTINUED)
MOLDINGS & TRIMS (CONTINUED)

| KEY | PART NUMBER | U/M | DESCRIPTION |
|-----|---------------|-----|--|
| 3A | M09565-04-WH5 | EA | MOLDING - TRIM/VEE - .4" X 1" X 89.5" - WASHED MAPLE |
| 3A | M09565-04-WH6 | EA | MOLDING - TRIM/VEE - .4" X 1" X 89.5" - SIERRA MAPLE |
| 3A | M09544-86-W37 | EA | MOLDING - TRIM/VEE - .4" X 1" X 88.1" - WASHED MAPLE |
| 3A | M09544-86-W38 | EA | MOLDING - TRIM/VEE - .4" X 1" X 88.1" - SIERRA MAPLE |
| 3A | M09538-39-U67 | EA | MOLDING - TRIM/VEE - .4" X 1" X 82.6" - WASHED MAPLE |
| 3A | M09538-39-U68 | EA | MOLDING - TRIM/VEE - .4" X 1" X 82.6" - SIERRA MAPLE |
| 3A | M09553-62-WH4 | EA | MOLDING - TRIM/VEE - .4" X 1" X 81.4" - CONCERT CHERRY |
| 3A | M09553-62-WH5 | EA | MOLDING - TRIM/VEE - .4" X 1" X 81.4" - WASHED MAPLE |
| 3A | M09553-62-WH6 | EA | MOLDING - TRIM/VEE - .4" X 1" X 81.4" - SIERRA MAPLE |
| 3A | M09577-98-WH4 | EA | MOLDING - TRIM/VEE - .4" X 1" X 80.2" - CONCERT CHERRY |
| 3A | M09577-98-WH5 | EA | MOLDING - TRIM/VEE - .4" X 1" X 80.2" - WASHED MAPLE |
| 3A | M09577-98-WH6 | EA | MOLDING - TRIM/VEE - .4" X 1" X 80.2" - SIERRA MAPLE |
| 3A | M09544-37-W37 | EA | MOLDING - TRIM/VEE - .4" X 1" X 78.8" - WASHED MAPLE |
| 3A | M09544-37-W38 | EA | MOLDING - TRIM/VEE - .4" X 1" X 78.8" - SIERRA MAPLE |
| 3A | M09544-34-W37 | EA | MOLDING - TRIM/VEE - .4" X 1" X 78.7" - WASHED MAPLE |
| 3A | M09544-34-W38 | EA | MOLDING - TRIM/VEE - .4" X 1" X 78.7" - SIERRA MAPLE |
| 3A | M09538-37-U67 | EA | MOLDING - TRIM/VEE - .4" X 1" X 77.5" - WASHED MAPLE |
| 3A | M09538-37-U68 | EA | MOLDING - TRIM/VEE - .4" X 1" X 77.5" - SIERRA MAPLE |
| 3A | M09553-65-WH4 | EA | MOLDING - TRIM/VEE - .4" X 1" X 77" - CONCERT CHERRY |
| 3A | M09553-65-WH5 | EA | MOLDING - TRIM/VEE - .4" X 1" X 77" - WASHED MAPLE |
| 3A | M09553-65-WH6 | EA | MOLDING - TRIM/VEE - .4" X 1" X 77" - SIERRA MAPLE |
| 3A | M09553-64-WH4 | EA | MOLDING - TRIM/VEE - .4" X 1" X 76.7" - CONCERT CHERRY |
| 3A | M09553-64-WH5 | EA | MOLDING - TRIM/VEE - .4" X 1" X 76.7" - WASHED MAPLE |
| 3A | M09553-64-WH6 | EA | MOLDING - TRIM/VEE - .4" X 1" X 76.7" - SIERRA MAPLE |
| 3A | M09565-75-WH4 | EA | MOLDING - TRIM/VEE - .4" X 1" X 75.9" - CONCERT CHERRY |
| 3A | M09565-75-WH5 | EA | MOLDING - TRIM/VEE - .4" X 1" X 75.9" - WASHED MAPLE |
| 3A | M09565-75-WH6 | EA | MOLDING - TRIM/VEE - .4" X 1" X 75.9" - SIERRA MAPLE |
| 3A | M09565-02-WH4 | EA | MOLDING - TRIM/VEE - .4" X 1" X 75.1" - CONCERT CHERRY |
| 3A | M09565-02-WH5 | EA | MOLDING - TRIM/VEE - .4" X 1" X 75.1" - WASHED MAPLE |
| 3A | M09565-02-WH6 | EA | MOLDING - TRIM/VEE - .4" X 1" X 75.1" - SIERRA MAPLE |
| 3A | M09553-26-WH4 | EA | MOLDING - TRIM/VEE - .4" X 1" X 74.1" - CONCERT CHERRY |
| 3A | M09553-26-WH5 | EA | MOLDING - TRIM/VEE - .4" X 1" X 74.1" - WASHED MAPLE |
| 3A | M09553-26-WH6 | EA | MOLDING - TRIM/VEE - .4" X 1" X 74.1" - SIERRA MAPLE |
| 3A | M09538-91-WH4 | EA | MOLDING - TRIM/VEE - .4" X 1" X 73.8" - CONCERT CHERRY |
| 3A | M09538-91-WH5 | EA | MOLDING - TRIM/VEE - .4" X 1" X 73.8" - WASHED MAPLE |
| 3A | M09538-91-WH6 | EA | MOLDING - TRIM/VEE - .4" X 1" X 73.8" - SIERRA MAPLE |
| 3A | M09553-22-WH4 | EA | MOLDING - TRIM/VEE - .4" X 1" X 73.2" - CONCERT CHERRY |
| 3A | M09553-22-WH5 | EA | MOLDING - TRIM/VEE - .4" X 1" X 73.2" - WASHED MAPLE |
| 3A | M09553-22-WH6 | EA | MOLDING - TRIM/VEE - .4" X 1" X 73.2" - SIERRA MAPLE |
| 3A | M09565-97-WH4 | EA | MOLDING - TRIM/VEE - .4" X 1" X 72.6" - CONCERT CHERRY |
| 3A | M09565-97-WH5 | EA | MOLDING - TRIM/VEE - .4" X 1" X 72.6" - WASHED MAPLE |
| 3A | M09565-97-WH6 | EA | MOLDING - TRIM/VEE - .4" X 1" X 72.6" - SIERRA MAPLE |
| 3A | M09568-12-WH4 | EA | MOLDING - TRIM/VEE - .4" X 1" X 71.9" - CONCERT CHERRY |
| 3A | M09568-12-WH5 | EA | MOLDING - TRIM/VEE - .4" X 1" X 71.9" - WASHED MAPLE |
| 3A | M09568-12-WH6 | EA | MOLDING - TRIM/VEE - .4" X 1" X 71.9" - SIERRA MAPLE |
| 3A | M09565-01-WH4 | EA | MOLDING - TRIM/VEE - .4" X 1" X 71.7" - CONCERT CHERRY |
| 3A | M09565-01-WH5 | EA | MOLDING - TRIM/VEE - .4" X 1" X 71.7" - WASHED MAPLE |
| 3A | M09565-01-WH6 | EA | MOLDING - TRIM/VEE - .4" X 1" X 71.7" - SIERRA MAPLE |
| 3A | M09565-01-YR3 | EA | MOLDING - TRIM/VEE - .4" X 1" X 71.7" - HONEY CHERRY |
| 3A | M09544-15-WB4 | EA | MOLDING - TRIM/VEE - .4" X 1" X 64.5" - CONCERT CHERRY |
| 3A | M09544-15-WB5 | EA | MOLDING - TRIM/VEE - .4" X 1" X 64.5" - WASHED MAPLE |
| 3A | M09544-15-WB6 | EA | MOLDING - TRIM/VEE - .4" X 1" X 64.5" - SIERRA MAPLE |
| 3A | M09538-94-WH4 | EA | MOLDING - TRIM/VEE - .4" X 1" X 71.1" - CONCERT CHERRY |
| 3A | M09538-94-WH5 | EA | MOLDING - TRIM/VEE - .4" X 1" X 71.1" - WASHED MAPLE |
| 3A | M09538-94-WH6 | EA | MOLDING - TRIM/VEE - .4" X 1" X 71.1" - SIERRA MAPLE |
| 3A | M09565-78-WH4 | EA | MOLDING - TRIM/VEE - .4" X 1" X 70.2" - CONCERT CHERRY |
| 3A | M09565-78-WH5 | EA | MOLDING - TRIM/VEE - .4" X 1" X 70.2" - WASHED MAPLE |
| 3A | M09565-78-WH6 | EA | MOLDING - TRIM/VEE - .4" X 1" X 70.2" - SIERRA MAPLE |
| 3A | M09553-21-WH4 | EA | MOLDING - TRIM/VEE - .4" X 1" X 70.1" - CONCERT CHERRY |
| 3A | M09553-21-WH5 | EA | MOLDING - TRIM/VEE - .4" X 1" X 70.1" - WASHED MAPLE |
| 3A | M09553-21-WH6 | EA | MOLDING - TRIM/VEE - .4" X 1" X 70.1" - SIERRA MAPLE |
| 3A | M09501-92-T77 | EA | MOLDING - TRIM/VEE - .4" X 1" X 70" - PORTSMOUTH OAK |
| 3A | M09501-92-T78 | EA | MOLDING - TRIM/VEE - .4" X 1" X 70" - CONCERT CHERRY |
| 3A | M09501-92-T79 | EA | MOLDING - TRIM/VEE - .4" X 1" X 70" - WASHED MAPLE |

INTERIOR FINISH GROUP (CONTINUED)
MOLDINGS & TRIMS (CONTINUED)



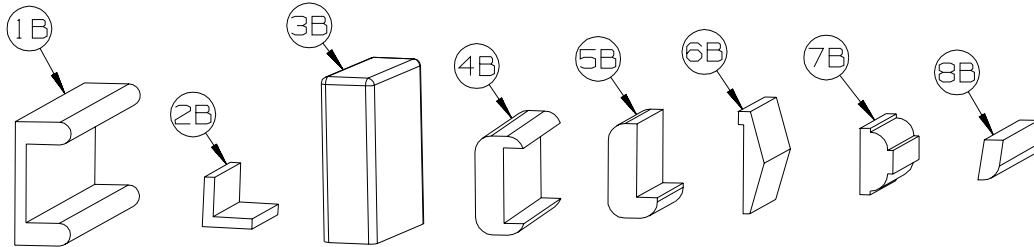
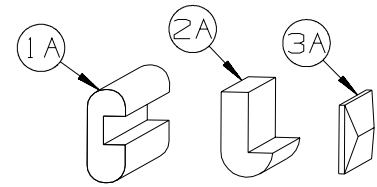
| KEY | PART NUMBER | U/M | DESCRIPTION |
|-----|---------------|-----|--|
| 3A | M09501-92-T80 | EA | MOLDING - TRIM/VEE - .4" X 1" X 70" - SIERRA MAPLE |
| 3A | M09538-27-WH4 | EA | MOLDING - TRIM/VEE - .4" X 1" X 71.1" - CONCERT CHERRY |
| 3A | M09538-27-U67 | EA | MOLDING - TRIM/VEE - .4" X 1" X 71.1" - WASHED MAPLE |
| 3A | M09538-27-U68 | EA | MOLDING - TRIM/VEE - .4" X 1" X 71.1" - SIERRA MAPLE |
| 3A | M09544-10-WH4 | EA | MOLDING - TRIM/VEE - .4" X 1" X 68.2" - CONCERT CHERRY |
| 3A | M09544-10-W91 | EA | MOLDING - TRIM/VEE - .4" X 1" X 68.2" - WASHED MAPLE |
| 3A | M09544-10-W92 | EA | MOLDING - TRIM/VEE - .4" X 1" X 68.2" - SIERRA MAPLE |
| 3A | M09553-03-WH4 | EA | MOLDING - TRIM/VEE - .4" X 1" X 66.7" - CONCERT CHERRY |
| 3A | M09553-03-WH5 | EA | MOLDING - TRIM/VEE - .4" X 1" X 66.7" - WASHED MAPLE |
| 3A | M09553-03-WH6 | EA | MOLDING - TRIM/VEE - .4" X 1" X 66.7" - SIERRA MAPLE |
| 3A | M09553-03-YR3 | EA | MOLDING - TRIM/VEE - .4" X 1" X 66.7" - HONEY CHERRY |
| 3A | M09538-93-WH4 | EA | MOLDING - TRIM/VEE - .4" X 1" X 66.6" - CONCERT CHERRY |
| 3A | M09538-93-WH5 | EA | MOLDING - TRIM/VEE - .4" X 1" X 66.6" - WASHED MAPLE |
| 3A | M09538-93-WH6 | EA | MOLDING - TRIM/VEE - .4" X 1" X 66.6" - SIERRA MAPLE |
| 3A | M09544-33-W37 | EA | MOLDING - TRIM/VEE - .4" X 1" X 66.5" - SIERRA MAPLE |
| 3A | M09544-33-W38 | EA | MOLDING - TRIM/VEE - .4" X 1" X 66.5" - WASHED MAPLE |
| 3A | M09553-02-WH4 | EA | MOLDING - TRIM/VEE - .4" X 1" X 66.4" - CONCERT CHERRY |
| 3A | M09553-02-WH5 | EA | MOLDING - TRIM/VEE - .4" X 1" X 66.4" - WASHED MAPLE |
| 3A | M09553-02-WH6 | EA | MOLDING - TRIM/VEE - .4" X 1" X 66.4" - SIERRA MAPLE |
| 3A | M09544-14-WB4 | EA | MOLDING - TRIM/VEE - .4" X 1" X 64.5" - CONCERT CHERRY |
| 3A | M09544-14-WB5 | EA | MOLDING - TRIM/VEE - .4" X 1" X 64.5" - WASHED MAPLE |
| 3A | M09544-14-WB6 | EA | MOLDING - TRIM/VEE - .4" X 1" X 64.5" - SIERRA MAPLE |
| 3A | M09515-78-T77 | EA | MOLDING - TRIM/VEE - .4" X 1" X 64.1" - PORTSMOUTH OAK |
| 3A | M09515-78-T78 | EA | MOLDING - TRIM/VEE - .4" X 1" X 64.1" - CONCERT CHERRY |
| 3A | M09515-78-T79 | EA | MOLDING - TRIM/VEE - .4" X 1" X 64.1" - WASHED MAPLE |
| 3A | M09515-78-T80 | EA | MOLDING - TRIM/VEE - .4" X 1" X 64.1" - SIERRA MAPLE |
| 3A | M09501-91-T77 | EA | MOLDING - TRIM/VEE - .4" X 1" X 63.3" - PORTSMOUTH OAK |
| 3A | M09501-91-T78 | EA | MOLDING - TRIM/VEE - .4" X 1" X 63.3" - CONCERT CHERRY |
| 3A | M09501-91-T79 | EA | MOLDING - TRIM/VEE - .4" X 1" X 63.3" - WASHED MAPLE |
| 3A | M09501-91-T80 | EA | MOLDING - TRIM/VEE - .4" X 1" X 63.3" - SIERRA MAPLE |
| 3A | M09503-91-T77 | EA | MOLDING - TRIM/VEE - .4" X 1" X 63.1" - PORTSMOUTH OAK |
| 3A | M09503-91-T78 | EA | MOLDING - TRIM/VEE - .4" X 1" X 63.1" - CONCERT CHERRY |
| 3A | M09503-91-T79 | EA | MOLDING - TRIM/VEE - .4" X 1" X 63.1" - WASHED MAPLE |
| 3A | M09503-91-T80 | EA | MOLDING - TRIM/VEE - .4" X 1" X 63.1" - SIERRA MAPLE |
| 3A | M09544-22-WB4 | EA | MOLDING - TRIM/VEE - .4" X 1" X 61.7" - CONCERT CHERRY |
| 3A | M09544-22-WB5 | EA | MOLDING - TRIM/VEE - .4" X 1" X 61.7" - WASHED MAPLE |
| 3A | M09544-22-WB6 | EA | MOLDING - TRIM/VEE - .4" X 1" X 61.7" - SIERRA MAPLE |
| 3A | M09583-41-WH4 | EA | MOLDING - TRIM/VEE - .4" X 1" X 61" - CONCERT CHERRY |
| 3A | M09583-41-WH5 | EA | MOLDING - TRIM/VEE - .4" X 1" X 61" - WASHED MAPLE |
| 3A | M09583-41-WH6 | EA | MOLDING - TRIM/VEE - .4" X 1" X 61" - SIERRA MAPLE |
| 3A | M09565-49-WH4 | EA | MOLDING - TRIM/VEE - .4" X 1" X 58.7" - CONCERT CHERRY |
| 3A | M09565-49-WH5 | EA | MOLDING - TRIM/VEE - .4" X 1" X 58.7" - WASHED MAPLE |
| 3A | M09565-49-WH6 | EA | MOLDING - TRIM/VEE - .4" X 1" X 58.7" - SIERRA MAPLE |
| 3A | M09544-36-W37 | EA | MOLDING - TRIM/VEE - .4" X 1" X 52.6" - WASHED MAPLE |
| 3A | M09544-36-W38 | EA | MOLDING - TRIM/VEE - .4" X 1" X 52.6.5" - SIERRA MAPLE |
| 3A | M09553-85-WB4 | EA | MOLDING - TRIM/VEE - .4" X 1" X 43.4" - CONCERT CHERRY |
| 3A | M09553-85-WB5 | EA | MOLDING - TRIM/VEE - .4" X 1" X 43.4" - WASHED MAPLE |
| 3A | M09553-85-WB6 | EA | MOLDING - TRIM/VEE - .4" X 1" X 43.4" - SIERRA MAPLE |
| 3A | M09553-28-WH4 | EA | MOLDING - TRIM/VEE - .4" X 1" X 48" - CONCERT CHERRY |
| 3A | M09553-28-WH5 | EA | MOLDING - TRIM/VEE - .4" X 1" X 48" - WASHED MAPLE |
| 3A | M09553-28-WH6 | EA | MOLDING - TRIM/VEE - .4" X 1" X 48" - SIERRA MAPLE |
| 3A | M09553-60-WH4 | EA | MOLDING - TRIM/VEE - .4" X 1" X 47.2" - CONCERT CHERRY |
| 3A | M09553-60-WH5 | EA | MOLDING - TRIM/VEE - .4" X 1" X 47.2" - WASHED MAPLE |
| 3A | M09553-60-WH6 | EA | MOLDING - TRIM/VEE - .4" X 1" X 47.2" - SIERRA MAPLE |
| 3A | M09544-24-WB4 | EA | MOLDING - TRIM/VEE - .4" X 1" X 46.2" - CONCERT CHERRY |
| 3A | M09544-24-WB5 | EA | MOLDING - TRIM/VEE - .4" X 1" X 46.2" - WASHED MAPLE |
| 3A | M09544-24-WB6 | EA | MOLDING - TRIM/VEE - .4" X 1" X 46.2" - SIERRA MAPLE |
| 3A | M09565-77-WH4 | EA | MOLDING - TRIM/VEE - .4" X 1" X 42.5" - CONCERT CHERRY |
| 3A | M09565-77-WH5 | EA | MOLDING - TRIM/VEE - .4" X 1" X 42.5" - WASHED MAPLE |
| 3A | M09565-77-WH6 | EA | MOLDING - TRIM/VEE - .4" X 1" X 42.5" - SIERRA MAPLE |
| 3A | M09544-35-W37 | EA | MOLDING - TRIM/VEE - .4" X 1" X 66.5" - SIERRA MAPLE |
| 3A | M09544-35-W38 | EA | MOLDING - TRIM/VEE - .4" X 1" X 66.5" - WASHED MAPLE |

INTERIOR FINISH GROUP (CONTINUED)
MOLDINGS & TRIMS (CONTINUED)

| KEY | PART NUMBER | U/M | DESCRIPTION |
|-----|---------------|-----|--|
| 3A | M09544-38-W37 | EA | MOLDING - TRIM/VEE - .4" X 1" X 66.5" - SIERRA MAPLE |
| 3A | M09544-38-W38 | EA | MOLDING - TRIM/VEE - .4" X 1" X 66.5" - WASHED MAPLE |
| 3A | M09565-03-WH4 | EA | MOLDING - TRIM/VEE - .4" X 1" X 44.2" - CONCERT CHERRY |
| 3A | M09565-03-WH5 | EA | MOLDING - TRIM/VEE - .4" X 1" X 44.2" - WASHED MAPLE |
| 3A | M09565-03-WH6 | EA | MOLDING - TRIM/VEE - .4" X 1" X 44.2" - SIERRA MAPLE |
| 3A | M09565-20-WH4 | EA | MOLDING - TRIM/VEE - .4" X 1" X 43.2" - CONCERT CHERRY |
| 3A | M09565-20-WH5 | EA | MOLDING - TRIM/VEE - .4" X 1" X 43.2" - WASHED MAPLE |
| 3A | M09565-20-WH6 | EA | MOLDING - TRIM/VEE - .4" X 1" X 43.2" - SIERRA MAPLE |
| 3A | M09553-24-WH4 | EA | MOLDING - TRIM/VEE - .4" X 1" X 43" - CONCERT CHERRY |
| 3A | M09553-24-WH5 | EA | MOLDING - TRIM/VEE - .4" X 1" X 43" - WASHED MAPLE |
| 3A | M09553-24-WH6 | EA | MOLDING - TRIM/VEE - .4" X 1" X 43" - SIERRA MAPLE |
| 3A | M09565-77-WH4 | EA | MOLDING - TRIM/VEE - .4" X 1" X 42.5" - CONCERT CHERRY |
| 3A | M09565-77-WH5 | EA | MOLDING - TRIM/VEE - .4" X 1" X 42.5" - WASHED MAPLE |
| 3A | M09565-77-WH6 | EA | MOLDING - TRIM/VEE - .4" X 1" X 42.5" - SIERRA MAPLE |
| 3A | M09565-50-WH4 | EA | MOLDING - TRIM/VEE - .4" X 1" X 40.9" - CONCERT CHERRY |
| 3A | M09565-50-WH5 | EA | MOLDING - TRIM/VEE - .4" X 1" X 40.9" - WASHED MAPLE |
| 3A | M09565-50-WH6 | EA | MOLDING - TRIM/VEE - .4" X 1" X 40.9" - SIERRA MAPLE |
| 3A | M09583-43-WH4 | EA | MOLDING - TRIM/VEE - .4" X 1" X 40.1" - CONCERT CHERRY |
| 3A | M09583-43-WH5 | EA | MOLDING - TRIM/VEE - .4" X 1" X 40.1" - WASHED MAPLE |
| 3A | M09583-43-WH6 | EA | MOLDING - TRIM/VEE - .4" X 1" X 40.1" - SIERRA MAPLE |
| 3A | M09565-76-WH4 | EA | MOLDING - TRIM/VEE - .4" X 1" X 39.4" - CONCERT CHERRY |
| 3A | M09565-76-WH5 | EA | MOLDING - TRIM/VEE - .4" X 1" X 39.4" - WASHED MAPLE |
| 3A | M09565-76-WH6 | EA | MOLDING - TRIM/VEE - .4" X 1" X 39.4" - SIERRA MAPLE |
| 3A | M09565-47-WH4 | EA | MOLDING - TRIM/VEE - .4" X 1" X 38.9" - CONCERT CHERRY |
| 3A | M09565-47-WH5 | EA | MOLDING - TRIM/VEE - .4" X 1" X 38.9" - WASHED MAPLE |
| 3A | M09565-47-WH6 | EA | MOLDING - TRIM/VEE - .4" X 1" X 38.9" - SIERRA MAPLE |
| 3A | M09553-27-WH4 | EA | MOLDING - TRIM/VEE - .4" X 1" X 38.8" - CONCERT CHERRY |
| 3A | M09553-27-WH5 | EA | MOLDING - TRIM/VEE - .4" X 1" X 38.8" - WASHED MAPLE |
| 3A | M09553-27-WH6 | EA | MOLDING - TRIM/VEE - .4" X 1" X 38.8" - SIERRA MAPLE |
| 3A | M09568-77-WH4 | EA | MOLDING - TRIM/VEE - .4" X 1" X 37.5" - CONCERT CHERRY |
| 3A | M09568-77-WH5 | EA | MOLDING - TRIM/VEE - .4" X 1" X 37.5" - WASHED MAPLE |
| 3A | M09568-77-WH6 | EA | MOLDING - TRIM/VEE - .4" X 1" X 37.5" - SIERRA MAPLE |
| 3A | M09553-23-WH4 | EA | MOLDING - TRIM/VEE - .4" X 1" X 37" - CONCERT CHERRY |
| 3A | M09553-23-WH5 | EA | MOLDING - TRIM/VEE - .4" X 1" X 37" - WASHED MAPLE |
| 3A | M09553-23-WH6 | EA | MOLDING - TRIM/VEE - .4" X 1" X 37" - SIERRA MAPLE |
| 3A | M09553-47-WB4 | EA | MOLDING - TRIM/VEE - .4" X 1" X 35.9" - CONCERT CHERRY |
| 3A | M09553-47-WB5 | EA | MOLDING - TRIM/VEE - .4" X 1" X 35.9" - WASHED MAPLE |
| 3A | M09553-47-WB6 | EA | MOLDING - TRIM/VEE - .4" X 1" X 35.9" - SIERRA MAPLE |
| 3A | M09553-47-W66 | EA | MOLDING - TRIM/VEE - .4" X 1" X 35.9" - HONEY CHERRY |
| 3A | M09568-48-U67 | EA | MOLDING - TRIM/VEE - .4" X 1" X 35.4" - WASHED MAPLE |
| 3A | M09568-48-U68 | EA | MOLDING - TRIM/VEE - .4" X 1" X 35.4" - SIERRA MAPLE |
| 3A | M09553-63-WH4 | EA | MOLDING - TRIM/VEE - .4" X 1" X 35.1" - CONCERT CHERRY |
| 3A | M09553-63-WH5 | EA | MOLDING - TRIM/VEE - .4" X 1" X 35.1" - WASHED MAPLE |
| 3A | M09553-63-WH6 | EA | MOLDING - TRIM/VEE - .4" X 1" X 35.1" - SIERRA MAPLE |
| 3A | M09553-63-W51 | EA | MOLDING - TRIM/VEE - .4" X 1" X 35.1" - HONEY CHERRY |
| 3A | M09565-94-WH4 | EA | MOLDING - TRIM/VEE - .4" X 1" X 34.4" - CONCERT CHERRY |
| 3A | M09565-94-WH5 | EA | MOLDING - TRIM/VEE - .4" X 1" X 34.4" - WASHED MAPLE |
| 3A | M09565-94-WH6 | EA | MOLDING - TRIM/VEE - .4" X 1" X 34.4" - SIERRA MAPLE |
| 3A | M09553-04-WH4 | EA | MOLDING - TRIM/VEE - .4" X 1" X 34.2" - CONCERT CHERRY |
| 3A | M09553-04-WH5 | EA | MOLDING - TRIM/VEE - .4" X 1" X 34.2" - WASHED MAPLE |
| 3A | M09553-04-WH6 | EA | MOLDING - TRIM/VEE - .4" X 1" X 34.2" - SIERRA MAPLE |
| 3A | M09566-02-U68 | EA | MOLDING - TRIM/VEE - .4" X 1" X 32.7" - SIERRA MAPLE |
| 3A | M09566-02-W51 | EA | MOLDING - TRIM/VEE - .4" X 1" X 32.7" - HONEY CHERRY |
| 3A | M09566-02-W52 | EA | MOLDING - TRIM/VEE - .4" X 1" X 32.7" - WASHED MAPLE |
| 3A | M09511-86-T77 | EA | MOLDING - TRIM/VEE - .4" X 1" X 28.3" - PORTSMOUTH OAK |
| 3A | M09511-86-T78 | EA | MOLDING - TRIM/VEE - .4" X 1" X 28.3" - CONCERT CHERRY |
| 3A | M09511-86-T79 | EA | MOLDING - TRIM/VEE - .4" X 1" X 28.3" - WASHED MAPLE |
| 3A | M09511-86-T80 | EA | MOLDING - TRIM/VEE - .4" X 1" X 28.3" - SIERRA MAPLE |
| 3A | M09553-61-WH4 | EA | MOLDING - TRIM/VEE - .4" X 1" X 19.9" - CONCERT CHERRY |
| 3A | M09553-61-WH5 | EA | MOLDING - TRIM/VEE - .4" X 1" X 19.9" - WASHED MAPLE |
| 3A | M09553-61-WH6 | EA | MOLDING - TRIM/VEE - .4" X 1" X 19.9" - SIERRA MAPLE |
| 3A | M09565-71-WH4 | EA | MOLDING - TRIM/VEE - .4" X 1" X 11.4" - CONCERT CHERRY |
| 3A | M09565-71-WH5 | EA | MOLDING - TRIM/VEE - .4" X 1" X 11.4" - WASHED MAPLE |
| 3A | M09565-71-WH6 | EA | MOLDING - TRIM/VEE - .4" X 1" X 11.4" - SIERRA MAPLE |

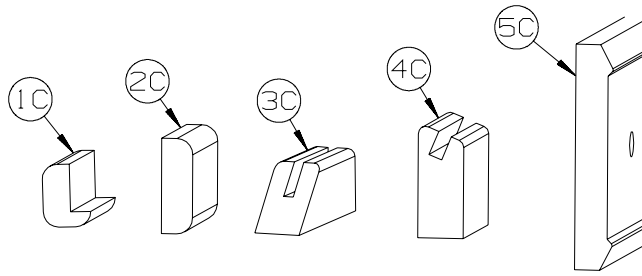
INTERIOR FINISH GROUP (CONTINUED)
MOLDINGS & TRIMS (CONTINUED)

| KEY | PART NUMBER | U/M | DESCRIPTION |
|-----|---------------|-----|---|
| 3A | M09583-42-WH4 | EA | MOLDING - TRIM/VEE - .4" X 1" X 8.3" - CONCERT CHERRY |
| 3A | M09583-42-WH5 | EA | MOLDING - TRIM/VEE - .4" X 1" X 8.3" - WASHED MAPLE |
| 3A | M09583-42-WH6 | EA | MOLDING - TRIM/VEE - .4" X 1" X 8.3" - SIERRA MAPLE |
| 3A | M09544-55-WB4 | EA | MOLDING - TRIM/VEE - .4" X 1" X 6.5" - CONCERT CHERRY |
| 3A | M09544-55-WB5 | EA | MOLDING - TRIM/VEE - .4" X 1" X 6.5" - WASHED MAPLE |
| 3A | M09544-55-WB6 | EA | MOLDING - TRIM/VEE - .4" X 1" X 6.5" - SIERRA MAPLE |
| 3A | M09544-56-WB4 | EA | MOLDING - TRIM/VEE - .4" X 1" X 6.1" - CONCERT CHERRY |
| 3A | M09544-56-WB5 | EA | MOLDING - TRIM/VEE - .4" X 1" X 6.1" - WASHED MAPLE |
| 3A | M09544-56-WB6 | EA | MOLDING - TRIM/VEE - .4" X 1" X 6.1" - SIERRA MAPLE |
| 3A | M09538-70-U68 | EA | MOLDING - TRIM/VEE - .4" X 1" X 63.9" - SIERRA MAPLE |
| 3A | M09538-70-U67 | EA | MOLDING - TRIM/VEE - .4" X 1" X 63.9" - WASHED MAPLE |



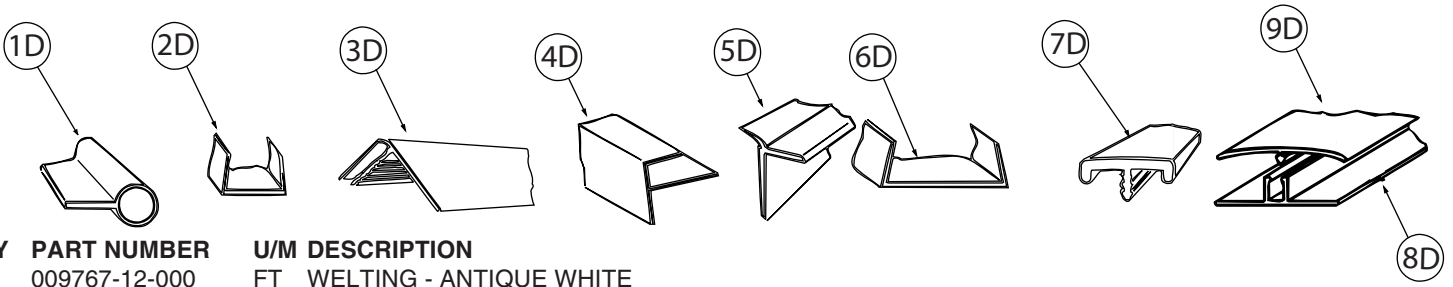
| KEY | PART NUMBER | U/M | DESCRIPTION |
|-----|---------------|-----|--|
| 1B | M09501-84-TG0 | EA | MOLDING/TRIM - CAP/WALL - 2.2" X 85.9" - PORTSMOUTH OAK |
| 1B | M09501-84-TG1 | EA | MOLDING/TRIM - CAP/WALL - 2.2" X 85.9" - CONCERT CHERRY |
| 1B | M09501-84-TG2 | EA | MOLDING/TRIM - CAP/WALL - 2.2" X 85.9" - WASHED MAPLE |
| 1B | M09501-84-TG3 | EA | MOLDING/TRIM - CAP/WALL - 2.2" X 85.9" - HONEY CHERRY |
| 1B | M09520-04-TD3 | EA | MOLDING/TRIM - CAP/WALL - 2.2" X 80.5" - SIERRA MAPLE |
| 2B | M09511-81-TA0 | EA | MOLDING/TRIM - L SHAPE - .8"X .8"X 80.2" - PORTSMOUTH OAK |
| 2B | M09511-81-TA1 | EA | MOLDING/TRIM - L SHAPE - .8"X .8"X 80.2" - CONCERT CHERRY |
| 2B | M09511-81-TA2 | EA | MOLDING/TRIM - L SHAPE - .8"X .8"X 80.2" - WASHED MAPLE |
| 2B | M09511-81-TA3 | EA | MOLDING/TRIM - L SHAPE - .8"X .8"X 80.2" - SIERRA MAPLE |
| 3B | M09515-81-T01 | EA | MOLDING/HARDWOOD STRAIGHT - 74.3" - WASHED MAPLE |
| 3B | M09515-81-T02 | EA | MOLDING/HARDWOOD STRAIGHT - 74.3" - HONEY CHERRY |
| 4B | M09511-42-T77 | EA | MOLDING - TRIM - W/NOTCH - 1.5" X 86.4" - PORTSMOUTH OAK |
| 4B | M09511-42-T78 | EA | MOLDING - TRIM - W/NOTCH - 1.5" X 86.4" - CONCERT CHERRY |
| 4B | M09511-42-T79 | EA | MOLDING - TRIM - W/NOTCH - 1.5" X 86.4" - WASHED MAPLE |
| 4B | M09511-42-T80 | EA | MOLDING - TRIM - W/NOTCH - 1.5" X 86.4" - SIERRA MAPLE |
| 4B | M09511-42-W66 | EA | MOLDING - TRIM - W/NOTCH - 1.5" X 86.4" - HONEY CHERRY |
| 5B | M09515-18-T77 | EA | MOLDING - HARDWOOD-W/NOTCH - 1.4"X 86.2" - PORTSMOUTH OAK |
| 5B | M09515-18-T78 | EA | MOLDING - HARDWOOD-W/NOTCH - 1.4"X 86.2" - CONCERT CHERRY |
| 5B | M09553-66-U22 | EA | MOLDING - HARDWOOD-W/NOTCH - 1.4"X 96" - WASHED MAPLE |
| 5B | M09515-18-T80 | EA | MOLDING - HARDWOOD-W/NOTCH - 1.4"X 86.2" - SIERRA MAPLE |
| 5B | M09553-66-U21 | EA | MOLDING - HARDWOOD-W/NOTCH - 1.4"X 96" - HONEY CHERRY |
| 6B | M09515-53-TG0 | EA | MOLDING - TRIM/VEE - 1.5" X 73.9" - PORTSMOUTH OAK |
| 6B | M09525-81-UJ1 | EA | MOLDING - TRIM/VEE - 1.5" X 74.7" - CONCERT CHERRY |
| 6B | M09525-81-UJ2 | EA | MOLDING - TRIM/VEE - 1.5" X 74.7" - WASHED MAPLE |
| 6B | M09552-81-UJ3 | EA | MOLDING - TRIM/VEE - 1.5" X 74.7" - HONEY CHERRY |
| 6B | M09553-53-WH6 | EA | MOLDING - TRIM/VEE - NOTCHED - 1.5" X 20.6" - SIERRA MAPLE |
| 7B | Y00076-32-438 | EA | MOLDING/TRIM - .5" X 1" X 96" - CHERRY (UNSTAINED) |
| 7B | Y00076-22-438 | EA | MOLDING/TRIM - .5" X 1" X 96" - MAPLE (UNSTAINED) |
| 8B | M09525-92-T77 | EA | MOLDING/TRIM - .5" X 1" X 75.6" - PORTSMOUTH OAK |
| 8B | M09525-92-T78 | EA | MOLDING/TRIM - .5" X 1" X 75.6" - CONCERT CHERRY |
| 8B | M09525-92-T79 | EA | MOLDING/TRIM - .5" X 1" X 75.6" - WASHED MAPLE |
| 8B | M09525-92-T80 | EA | MOLDING/TRIM - .5" X 1" X 75.6" - SIERRA MAPLE |
| 8B | Y00086-72-438 | EA | MOLDING - VINYL WRAP - .7" X 1.6" X 96" - PORTSMOUTH OAK |
| 8B | Y00086-D2-438 | EA | MOLDING - VINYL WRAP - .7" X 1.6" X 96" - CONCERT CHERRY |
| 8B | Y00086-A2-438 | EA | MOLDING - VINYL WRAP - .7" X 1.6" X 96" - WASHED MAPLE |
| 8B | Y00086-92-438 | EA | MOLDING - VINYL WRAP - .7" X 1.6" X 96" - SIERRA MAPLE |
| 8B | Y00086-82-438 | EA | MOLDING - VINYL WRAP - .7" X 1.6" X 96" - HONEY CHERRY |
| 8B | Y00087-72-438 | EA | MOLDING - VINYL WRAP - .7" X 2.9" X 96" - PORTSMOUTH OAK |
| 8B | Y00087-D2-438 | EA | MOLDING - VINYL WRAP - .7" X 2.9" X 96" - CONCERT CHERRY |
| 8B | Y00087-A2-438 | EA | MOLDING - VINYL WRAP - .7" X 2.9" X 96" - WASHED MAPLE |
| 8B | Y00087-92-438 | EA | MOLDING - VINYL WRAP - .7" X 2.9" X 96" - SIERRA MAPLE |
| 8B | Y00087-82-438 | EA | MOLDING - VINYL WRAP - .7" X 2.9" X 96" - HONEY CHERRY |

INTERIOR FINISH GROUP (CONTINUED)
MOLDINGS & TRIMS (CONTINUED)



| KEY | PART NUMBER | U/M | DESCRIPTION |
|-----|---------------|-----|---|
| 1C | M09520-19-TD1 | EA | MOLDING - TRIM - W/NOTCH - 1" X 86.3" - CONCERT CHERRY |
| 1C | M09520-19-TD2 | EA | MOLDING - TRIM - W/NOTCH - 1" X 86.3" - WASHED MAPLE |
| 1C | M09520-19-TD3 | EA | MOLDING - TRIM - W/NOTCH - 1" X 86.3" - HONEY CHERRY |
| 1C | M09565-68-WH4 | EA | MOLDING - HARDWOOD - .75" X 1.4" X 81.9" - CONCERT CHERRY |
| 1C | M09565-68-WH5 | EA | MOLDING - HARDWOOD - .75" X 1.4" X 81.9" - WASHED MAPLE |
| 1C | M09565-68-WH6 | EA | MOLDING - HARDWOOD - .75" X 1.4" X 81.9" - SIERRA MAPLE |
| 2C | M09511-46-T77 | EA | MOLDING/TRIM - .5" X 1.5" X 86.5" - PORTSMOUTH OAK |
| 2C | M09511-46-T78 | EA | MOLDING/TRIM - .5" X 1.5" X 86.5" - CONCERT CHERRY |
| 2C | M09511-46-T79 | EA | MOLDING/TRIM - .5" X 1.5" X 86.5" - WASHED MAPLE |
| 2C | M09511-46-T80 | EA | MOLDING/TRIM - .5" X 1.5" X 86.5" - SIERRA MAPLE |
| 3C | Y00223-22-438 | EA | MOLDING - HARDWOOD/MAPLE - .7" X 1" X 96" - UNSTAINED MAPLE |
| 3C | Y00223-32-438 | EA | MOLDING - HARDWOOD/CHERRY - .7" X 1" X 96" - UNSTAINED CHERRY |
| 3C | Y00223-42-438 | EA | MOLDING - HARDWOOD/CHERRY - .7" X 1" X 96" - UNSTAINED OAK |
| 4C | Y00054-A2-438 | EA | MOLDING - VINYL - W/SLOT - .7"X 1.9"X 96" - WASHED MAPLE |
| 4C | Y00054-D2-438 | EA | MOLDING - VINYL - W/SLOT - .7"X 1.9"X 96" - CONCERT CHERRY |
| 4C | Y00054-22-438 | EA | MOLDING - VINYL - W/SLOT - .7"X 1.9"X 96" - WASHED MAPLE |
| 4C | Y00054-72-438 | EA | MOLDING - VINYL - W/SLOT - .7"X 1.9"X 96" - PORTSMOUTH OAK |
| 4C | Y00054-82-438 | EA | MOLDING - VINYL - W/SLOT - .7"X 1.9"X 96" - HONEY CHERRY |
| 4C | Y00054-92-438 | EA | MOLDING - VINYL - W/SLOT - .7"X 1.9"X 96" - SIERRA MAPLE |
| 4C | Y00276-A2-438 | EA | MOLDING - VINYL - W/SLOT - .7"X 1.9"X 96" - WASHED MAPLE |
| 4C | Y00276-D2-438 | EA | MOLDING - VINYL - W/SLOT - .7"X 1.9"X 96" - CONCERT CHERRY |
| 4C | Y00276-72-438 | EA | MOLDING - VINYL - W/SLOT - .7"X 1.9"X 96" - PORTSMOUTH OAK |
| 4C | Y00276-82-438 | EA | MOLDING - VINYL - W/SLOT - .7"X 1.9"X 96" - HONEY CHERRY |
| 4C | Y00276-92-438 | EA | MOLDING - VINYL - W/SLOT - .7"X 1.9"X 96" - SIERRA MAPLE |
| 5C | Y00152-A2-438 | EA | MOLDING/TRIM - VINYL - .6" X 3.5" X 96" - WASHED MAPLE |
| 5C | Y00152-D2-438 | EA | MOLDING/TRIM - VINYL - .6" X 3.5" X 96" - CONCERT CHERRY |
| 5C | Y00152-22-438 | EA | MOLDING/TRIM - VINYL - .6" X 3.5" X 96" - WASHED MAPLE |
| 5C | Y00152-72-438 | EA | MOLDING/TRIM - VINYL - .6" X 3.5" X 96" - PORTSMOUTH OAK |
| 5C | Y00152-92-438 | EA | MOLDING/TRIM - VINYL - .6" X 3.5" X 96" - SIERRA MAPLE |

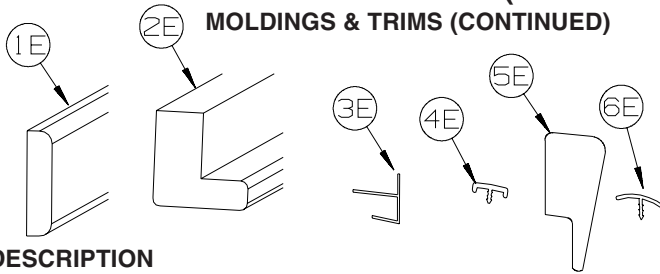
INTERIOR FINISH GROUP (CONTINUED)
MOLDINGS & TRIMS (CONTINUED)



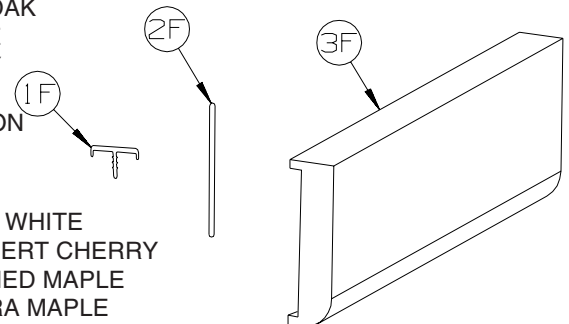
| KEY | PART NUMBER | U/M | DESCRIPTION |
|-----|---------------|-----|---|
| 1D | 009767-12-000 | FT | WELTING - ANTIQUE WHITE |
| 2D | 009778-25-000 | FT | U-CHANNEL - 1" - BEIGE ILLUSION |
| 2D | 009778-26-000 | FT | U-CHANNEL - 1 1/4" - BEIGE ILLUSION |
| 2D | 009778-38-000 | FT | U-CHANNEL - 1" - BONE |
| 2D | 009778-32-000 | FT | U-CHANNEL - 1" - PORTSMOUTH OAK |
| 2D | 009778-34-000 | FT | U-CHANNEL - 1" - CONCERT CHERRY |
| 2D | 009778-27-000 | FT | U-CHANNEL - 1" - WASHED MAPLE |
| 2D | 009778-35-000 | FT | U-CHANNEL - 1" - HONEY CHERRY |
| 2D | 009778-36-000 | FT | U-CHANNEL - 1" - SIERRA MAPLE |
| 3D | 009809-30-000 | EA | MOLDING - CORNER - OUTSIDE - 1" X 84" - BEIGE ILLUSION |
| 3D | 009809-37-000 | EA | MOLDING - CORNER - OUTSIDE - 1" X 84" - BONE |
| 3D | 009809-33-000 | EA | MOLDING - CORNER - OUTSIDE - 1" X 84" - CONCERT CHERRY |
| 3D | 009809-31-000 | EA | MOLDING - CORNER - OUTSIDE - 1" X 84" - WASHED MAPLE |
| 3D | 009809-35-000 | EA | MOLDING - CORNER - OUTSIDE - 1" X 84" - SIERRA MAPLE |
| 4D | 009812-31-000 | EA | MOLDING - CORNER - 1/2" W/1/4"CHAN X 84" - BEIGE ILLUSION |
| 4D | 009812-40-000 | EA | MOLDING - CORNER - 1/2" W/1/4"CHAN X 84" - BONE |
| 4D | 009812-35-000 | EA | MOLDING - CORNER - 1/2" W/1/4"CHAN X 84" - PORTSMOUTH OAK |
| 4D | 009812-36-000 | EA | MOLDING - CORNER - 1/2" W/1/4"CHAN X 84" - CONCERT CHERRY |
| 4D | 009812-33-000 | EA | MOLDING - CORNER - 1/2" W/1/4"CHAN X 84" - WASHED MAPLE |
| 4D | 009812-37-000 | EA | MOLDING - CORNER - 1/2" W/1/4"CHAN X 84" - HONEY CHERRY |
| 4D | 009812-38-000 | EA | MOLDING - CORNER - 1/2" W/1/4"CHAN X 84" - SIERRA MAPLE |
| 5D | 022992-11-000 | FT | MOLDING - REVERSE COVE - T-SHAPED - IVORY |
| 5D | 022992-14-000 | FT | MOLDING - REVERSE COVE - T-SHAPED - BRIGHT WHITE |
| 5D | 022992-18-000 | FT | MOLDING - REVERSE COVE - T-SHAPED - BONE |
| 6D | 070504-42-000 | FT | U-CHANNEL - PLASTIC - .13" X 84" - BEIGE ILLUSION |
| 6D | 070504-43-000 | FT | U-CHANNEL - PLASTIC - .9" X 96" - BEIGE ILLUSION |
| 6D | 070504-69-000 | FT | U-CHANNEL - PLASTIC - .13" X 84" - BONE |
| 6D | 070504-70-000 | FT | U-CHANNEL - PLASTIC - .8" X 84" - BONE |
| 6D | 070504-57-000 | FT | U-CHANNEL - PLASTIC - .13" X 96" - PORTSMOUTH OAK |
| 6D | 070504-58-000 | FT | U-CHANNEL - PLASTIC - .9" X 96" - PORTSMOUTH OAK |
| 6D | 070504-60-000 | FT | U-CHANNEL - PLASTIC - .13" X 84" - CONCERT CHERRY |
| 6D | 070504-61-000 | FT | U-CHANNEL - PLASTIC - .9" X 84" - CONCERT CHERRY |
| 6D | 070504-50-000 | FT | U-CHANNEL - PLASTIC - .13" X 96" - WASHED MAPLE |
| 6D | 070504-51-000 | FT | U-CHANNEL - PLASTIC - .9" X 96" - WASHED MAPLE |
| 6D | 070504-62-000 | FT | U-CHANNEL - PLASTIC - 1.65" X 84" - HONEY CHERRY |
| 6D | 070504-63-000 | FT | U-CHANNEL - PLASTIC - .9" X 84" - HONEY CHERRY |
| 6D | 070504-65-000 | FT | U-CHANNEL - PLASTIC - .07" X 96" - SIERRA MAPLE |
| 6D | 070504-66-000 | FT | U-CHANNEL - PLASTIC - .8" X 84" - SIERRA MAPLE |
| 7D | 083620-25-000 | FT | MOLDING-T - W/EDGE LIP - 7/8" FACE - BONE |
| 7D | 083620-20-000 | FT | MOLDING-T - W/EDGE LIP - 7/8" FACE - PORTSMOUTH OAK |
| 7D | 083620-19-000 | FT | MOLDING-T - W/EDGE LIP - 7/8" FACE - WASHED MAPLE |
| 7D | 083620-24-000 | FT | MOLDING-T - W/EDGE LIP - 7/8" FACE - HONEY CHERRY |
| 7D | 083620-22-000 | FT | MOLDING-T - W/EDGE LIP - 7/8" FACE - SIERRA MAPLE |
| 8D | 086229-01-000 | EA | RETAINER - BATTEN - .75" X 92.1" - ANY COLOR |
| 9D | 086229-12-000 | EA | BATTEN - 1.5" OFFSET X 96.8" - MODERN IVORY |
| 9D | 086229-20-000 | EA | BATTEN - 1" X 96" - BEIGE |

INTERIOR FINISH GROUP (CONTINUED)

MOLDINGS & TRIMS (CONTINUED)



| KEY | PART NUMBER | U/M | DESCRIPTION |
|-----|---------------|-----|---|
| 1E | 100818-01-12A | EA | MOLDING - VINYL WRAPPED - 1.6" X .4" X 84" - PORTSMOUTH OAK |
| 1E | 100818-01-23A | EA | MOLDING - VINYL WRPPD - 1.6" X .4" X 84" - CONCERT CHERRY |
| 1E | 100818-01-21A | EA | MOLDING - VINYL WRAPPED - 1.6" X .4" X 84" - WASHED MAPLE |
| 1E | 100818-01-14A | EA | MOLDING - VINYL WRAPPED - 1.6" X .4" X 84" - HONEY CHERRY |
| 1E | 100818-01-22A | EA | MOLDING - VINYL WRAPPED - 1.6" X .4" X 84" - SIERRA MAPLE |
| 2E | 100819-01-23A | EA | MOLDING - VYL WRPPD-L-SHPD-1.5"X1.5"X84" - CONCERT CHERRY |
| 2E | 100819-01-21A | EA | MOLDING - VINYL WRAPPED-L-SHAPED-1.5"X1.5"X84" - WASHED MAPLE |
| 2E | 100819-01-14A | EA | MOLDING - VINYL WRAPPED-L-SHAPED-1.5"X1.5"X84" - HONEY CHERRY |
| 2E | 100819-01-22A | EA | MOLDING - VINYL WRAPPED-L-SHAPED-1.5"X1.5"X84" - SIERRA MAPLE |
| 3E | 103186-01-07A | FT | MOLDING/PLASTIC - 3/8" U-CHANNEL-3/4" FACE - BEIGE ILLUSION |
| 3E | 103186-01-09A | FT | MOLDING/PLASTIC - 3/8" U-CHANNEL-3/4" FACE - PORTSMOUTH OAK |
| 3E | 103186-01-10A | FT | MOLDING/PLASTIC - 3/8" U-CHANNEL-3/4" FACE - CONCERT CHERRY |
| 3E | 103186-01-08A | FT | MOLDING/PLASTIC - 3/8" U-CHANNEL-3/4" FACE- 8' - WASHED MAPLE |
| 3E | 103186-01-11A | FT | MOLDING/PLASTIC - 3/8" U-CHANNEL-3/4" FACE - HONEY CHERRY |
| 3E | 103186-01-12A | FT | MOLDING/PLASTIC - 3/8" U-CHANNEL-3/4" FACE - SIERRA MAPLE |
| 3E | 103186-02-07A | FT | MOLDING/PLASTIC-1" U-CHANNEL-1 3/8" FACE - BEIGE ILLUSION |
| 3E | 103186-02-09A | FT | MOLDING/PLASTIC - 1" U-CHANNEL-1 3/8" FACE - PORTSMOUTH OAK |
| 3E | 103186-02-10A | FT | MOLDING/PLASTIC - 1" U-CHANNEL-1 3/8" FACE - CONCERT CHERRY |
| 3E | 103186-02-08A | FT | MOLDING/PLASTIC - 1" U-CHANNEL-1 3/8" FACE - WASHED MAPLE |
| 3E | 103186-02-11A | FT | MOLDING/PLASTIC - 1" U-CHANNEL-1 3/8" FACE - HONEY CHERRY |
| 3E | 103186-02-12A | FT | MOLDING/PLASTIC - 1" U-CHANNEL-1 3/8" FACE - SIERRA MAPLE |
| 4E | 104676-02-08A | FT | MOLDING-T - W/EDGE LIP - 11/16" FACE - PORTSMOUTH OAK |
| 4E | 104676-02-12A | FT | MOLDING-T - W/EDGE LIP - 11/16" FACE - SIERRA MAPLE |
| 5E | 105004-01-12A | EA | MOLDING - VINYL WRAP - 1" X 96" - PORTSMOUTH OAK |
| 5E | 105004-01-21A | EA | MOLDING - VINYL WRAP - 1" X 96" - WASHED MAPLE |
| 5E | 105004-01-24A | EA | MOLDING - VINYL WRAP - 1" X 96" - HONEY CHERRY |
| 5E | 105004-01-22A | EA | MOLDING - VINYL WRAP - 1" X 96" - SIERRA MAPLE |
| 6E | 105709-02-000 | FT | MOLDING-T - W/EDGE LIP 3/4" FACE - BEIGE ILLUSION |

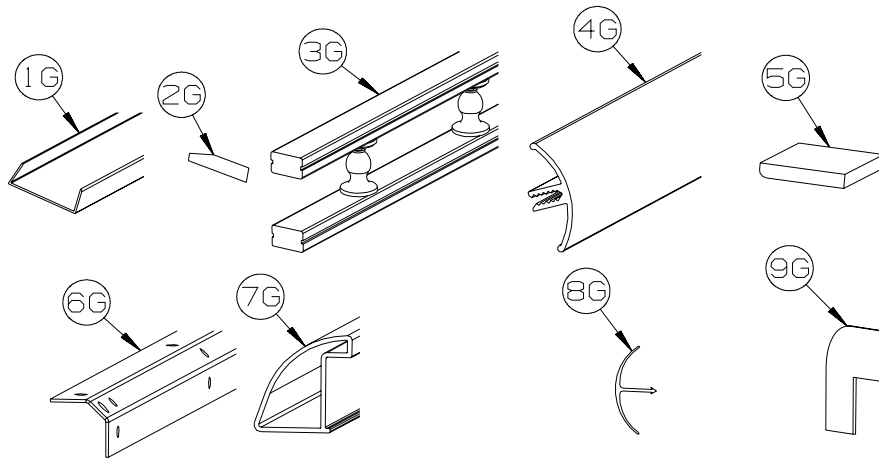


| KEY | PART NUMBER | U/M | DESCRIPTION |
|-----|---------------|-----|--|
| 1F | 119520-01-01A | FT | MOLDING-T - OFFSET W/EDGE LIP - 1.3" FACE - OFF WHITE |
| 1F | 119520-03-02A | FT | MOLDING-T - OFFSET W/EDGE LIP - 1" FACE - CONCERT CHERRY |
| 1F | 119520-03-03A | FT | MOLDING-T - OFFSET W/EDGE LIP - 1" FACE - WASHED MAPLE |
| 1F | 119520-03-05A | FT | MOLDING-T - OFFSET W/EDGE LIP - 1" FACE - SIERRA MAPLE |
| 1F | 119520-03-06A | FT | MOLDING-T - OFFSET W/EDGE LIP - 1" FACE - HONEY CHERRY |
| 2F | 127842-01-01A | FT | SEAL - SIGHT SHIELD - 2" BLACK |
| | 160300-A2-438 | EA | LUMBER - VINYL WRAPPED - .7" X .75" X 96" - CONCERT CHERRY |
| | 160300-D2-438 | EA | LUMBER - VINYL WRAPPED - .7" X 1.5" X 96" - CONCERT CHERRY |
| | 160300-E2-438 | EA | LUMBER - VINYL WRAPPED - .7" X 2" X 96" - CONCERT CHERRY |
| | 160300-F2-438 | EA | LUMBER - VINYL WRAPPED - .7" X 2.5" X 96" - CONCERT CHERRY |
| | 160300-G2-438 | EA | LUMBER - VINYL WRAPPED - .7" X 3" X 96" - CONCERT CHERRY |
| | 160300-H2-438 | EA | LUMBER - VINYL WRAPPED - .7" X 3.5" X 96" - CONCERT CHERRY |
| | 160300-J2-438 | EA | LUMBER - VINYL WRAPPED - .7" X 5.5" X 96" - CONCERT CHERRY |
| | 160300-K2-438 | EA | LUMBER - VINYL WRAPPED - .7" X 3.9" X 96" - CONCERT CHERRY |
| | 160300-R2-438 | EA | LUMBER - VINYL WRAPPED - .7" X 3" X 96" - CONCERT CHERRY |
| 3F | 160301-D2-134 | EA | MOLDING - VINYL WRAPPED - .7" X 1.6" X 84" - CONCERT CHERRY |
| 3F | 160301-D2-743 | EA | MOLDING - VINYL WRAPPED - .7" X 1.6" X 108" - CONCERT CHERRY |
| 3F | 160301-F2-134 | EA | MOLDING - VINYL WRAPPED - .7" X 2.5" X 84" - CONCERT CHERRY |
| 3F | 160301-F2-743 | EA | MOLDING - VINYL WRPPD - .7" X 2.5" X 108" - CONCERT CHERRY |
| 3F | 160301-F2-438 | EA | MOLDING - VINYL WRPPD - .7" X 2.5" X 96" - CONCERT CHERRY |
| | 137894-A2-438 | EA | LUMBER - VINYL WRAPPED - .7" X .75" X 96" - PORTSMOUTH OAK |
| | 137894-D2-438 | EA | LUMBER - VINYL WRAPPED - .7" X 1.5" X 96" - PORTSMOUTH OAK |
| | 137894-E2-438 | EA | LUMBER - VINYL WRAPPED - .7" X 2" X 96" - PORTSMOUTH OAK |
| | 137894-F2-438 | EA | LUMBER - VINYL WRAPPED - .7" X 2.5" X 96" - PORTSMOUTH OAK |
| | 137894-G2-438 | EA | LUMBER - VINYL WRAPPED - .7" X 3" X 96" - PORTSMOUTH OAK |
| | 137894-H2-438 | EA | LUMBER - VINYL WRAPPED - .7" X 3.5" X 96" - PORTSMOUTH OAK |
| | 137894-J2-438 | EA | LUMBER - VINYL WRAPPED - .7" X 5.5" X 96" - PORTSMOUTH OAK |

INTERIOR FINISH GROUP (CONTINUED)
MOLDINGS & TRIMS (CONTINUED)

| KEY | PART NUMBER | U/M | DESCRIPTION |
|-----|---------------|-----|---|
| | 137894-J2-743 | EA | LUMBER - VINYL WRAPPED - .7" X 5.5" X 108" - PORTSMOUTH OAK |
| | 137894-K2-438 | EA | LUMBER - VINYL WRAPPED - .7" X 3.9" X 96" - PORTSMOUTH OAK |
| | 137894-R2-438 | EA | LUMBER - VINYL WRAPPED - .7" X 3" X 96" - PORTSMOUTH OAK |
| 3F | 137895-D2-134 | EA | MOLDING - VINYL WRAP - .7" X 1.6" X 84" - PORTSMOUTH OAK |
| 3F | 137895-D2-743 | EA | MOLDING - VINYL WRAP - .7" X 1.6" X 108" - PORTSMOUTH OAK |
| 3F | 137895-F2-134 | EA | MOLDING - VINYL WRAP - .7" X 2.5" X 84" - PORTSMOUTH OAK |
| 3F | 137895-F2-438 | EA | MOLDING - VINYL WRAP - .7" X 2.5" X 96" - PORTSMOUTH OAK |
| 3F | 137895-F2-743 | EA | MOLDING - VINYL WRAP - .7" X 2.5" X 108" - PORTSMOUTH OAK |
| | 146419-A2-438 | EA | LUMBER - VINYL WRAPPED - .7" X .75" X 96" - HONEY CHERRY |
| | 146419-D2-438 | EA | LUMBER - VINYL WRAPPED - .7" X 1.5" X 96" - HONEY CHERRY |
| | 146419-E2-438 | EA | LUMBER - VINYL WRAPPED - .7" X 2" X 96" - HONEY CHERRY |
| | 146419-F2-438 | EA | LUMBER - VINYL WRAPPED - .7" X 2.5" X 96" - HONEY CHERRY |
| | 146419-G2-438 | EA | LUMBER - VINYL WRAPPED - .7" X 3" X 96" - HONEY CHERRY |
| | 146419-H2-438 | EA | LUMBER - VINYL WRAPPED - .7" X 3.5" X 96" - HONEY CHERRY |
| | 146419-J2-438 | EA | LUMBER - VINYL WRAPPED - .7" X 5.5" X 96" - HONEY CHERRY |
| | 146419-J2-743 | EA | LUMBER - VINYL WRAPPED - .7" X 5.5" X 108" - HONEY CHERRY |
| | 146419-K2-438 | EA | LUMBER - VINYL WRAPPED - .7" X 3.9" X 96" - HONEY CHERRY |
| | 146419-R2-438 | EA | LUMBER - VINYL WRAPPED - .7" X 3" X 96" - HONEY CHERRY |
| | 146419-S2-438 | EA | LUMBER - VINYL WRAPPED/FULL - .7" X 3.5" X 96" - HONEY CHERRY |
| | 146419-T2-438 | EA | LUMBER - VINYL WRAPPED/FULL - .7" X 5.5" X 96" - HONEY CHERRY |
| 3F | 146425-D2-134 | EA | MOLDING - VINYL WRAPPED - .7" X 1.6" X 83.9" - HONEY CHERRY |
| 3F | 146425-F2-438 | EA | MOLDING - VINYL WRAPPED - .7" X 2.6" X 96" - HONEY CHERRY |
| | 149325-A2-438 | EA | LUMBER - VINYL WRAPPED - .7" X .75" X 96" - WASHED MAPLE |
| | 149325-D2-438 | EA | LUMBER - VINYL WRAPPED - .7" X 1.5" X 96" - WASHED MAPLE |
| | 149325-E2-438 | EA | LUMBER - VINYL WRAPPED - .7" X 2" X 96" - WASHED MAPLE |
| | 149325-F2-438 | EA | LUMBER - VINYL WRAPPED - .7" X 2.5" X 96" - WASHED MAPLE |
| | 149325-G2-438 | EA | LUMBER - VINYL WRAPPED - .7" X 3" X 96" - WASHED MAPLE |
| | 149325-H2-438 | EA | LUMBER - VINYL WRAPPED - .7" X 3.5" X 96" - WASHED MAPLE |
| | 149325-J2-438 | EA | LUMBER - VINYL WRAPPED - .7" X 5.5" X 96" - WASHED MAPLE |
| | 149325-J2-743 | EA | LUMBER - VINYL WRAPPED - .7" X 5.5" X 108" - WASHED MAPLE |
| | 149325-K2-438 | EA | LUMBER - VINYL WRAPPED - .7" X 3.9" X 96" - WASHED MAPLE |
| | 149325-R2-438 | EA | LUMBER - VINYL WRAPPED - .7" X 3" X 96" - WASHED MAPLE |
| 3F | 149326-D2-134 | EA | MOLDING - VINYL WRAPPED - .7" X 1.5" X 83.9" - WASHED MAPLE |
| 3F | 149326-D2-743 | EA | MOLDING - VINYL WRAPPED - .7" X 1.5" X 108" - WASHED MAPLE |
| 3F | 149326-F2-134 | EA | MOLDING - VINYL WRAPPED - .7" X 2.5" X 83.9" - WASHED MAPLE |
| 3F | 149326-F2-438 | EA | MOLDING - VINYL WRAPPED - .7" X 2.5" X 96" - WASHED MAPLE |
| 3F | 149326-F2-743 | EA | MOLDING - VINYL WRAPPED - .7" X 2.5" X 108" - WASHED MAPLE |
| | 149330-A2-438 | EA | LUMBER - VINYL WRAPPED - .7" X .75" X 96" - SIERRA MAPLE |
| | 149330-D2-438 | EA | LUMBER - VINYL WRAPPED - .7" X 1.5" X 96" - SIERRA MAPLE |
| | 149330-E2-438 | EA | LUMBER - VINYL WRAPPED - .7" X 2" X 96" - SIERRA MAPLE |
| | 149330-F2-438 | EA | LUMBER - VINYL WRAPPED - .7" X 2.5" X 96" - SIERRA MAPLE |
| | 149330-G2-438 | EA | LUMBER - VINYL WRAPPED - .7" X 3" X 96" - SIERRA MAPLE |
| | 149330-H2-438 | EA | LUMBER - VINYL WRAPPED - .7" X 3.5" X 96" - SIERRA MAPLE |
| | 149330-J2-438 | EA | LUMBER - VINYL WRAPPED - .7" X 5.5" X 96" - SIERRA MAPLE |
| | 149330-J2-743 | EA | LUMBER - VINYL WRAPPED - .7" X 5.5" X 108" - SIERRA MAPLE |
| | 149330-K2-438 | EA | LUMBER - VINYL WRAPPED - .7" X 3.9" X 96" - SIERRA MAPLE |
| | 149330-R2-438 | EA | LUMBER - VINYL WRAPPED - .7" X 3" X 96" - SIERRA MAPLE |
| 3F | 149331-D2-134 | EA | MOLDING - VINYL WRAP - .7" X 1.5" X 83.9" - SIERRA MAPLE |
| 3F | 149331-D2-743 | EA | MOLDING - VINYL WRAP - .7" X 1.5" X 108" - SIERRA MAPLE |
| 3F | 149331-F2-134 | EA | MOLDING - VINYL WRAP - .7" X 2.5" X 83.9" - SIERRA MAPLE |
| 3F | 149331-F2-438 | EA | MOLDING - VINYL WRAP - .7" X 2.5" X 96" - SIERRA MAPLE |
| 3F | 149331-F2-743 | EA | MOLDING - VINYL WRAP - .7" X 2.5" X 108" - SIERRA MAPLE |

INTERIOR FINISH GROUP (CONTINUED)
MOLDINGS & TRIMS (CONTINUED)



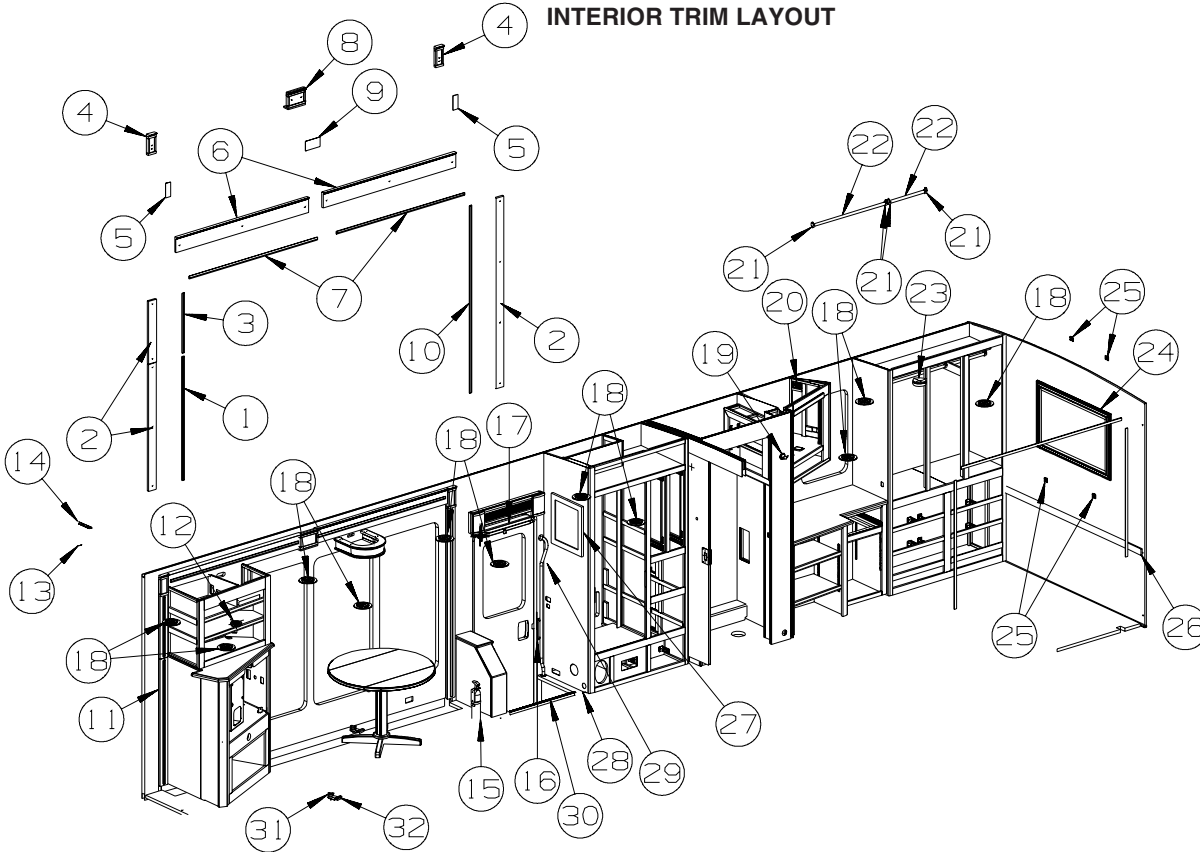
| KEY | PART NUMBER | U/M | DESCRIPTION |
|-----|---------------|-----|--|
| 1G | 141260-01-01A | FT | U-CHANNEL - 1" - VILLAGE OAK |
| 1G | 141260-01-02A | FT | U-CHANNEL - 1" - GRADY BROWN |
| 2G | 146306-01-01A | FT | TRANSITION - CARPET/TILE |
| 3G | 150167-01-03A | EA | RAIL - DECORATIVE - 96" - WASHED MAPLE |
| 3G | 150167-01-07A | EA | RAIL - DECORATIVE - 96" - PORTSMOUTH OAK |
| 3G | 150167-01-08A | EA | RAIL - DECORATIVE - 96" - HONEY CHERRY |
| 3G | 150167-01-09A | EA | RAIL - DECORATIVE - 96" - SIERRA MAPLE |
| 4G | 151653-10-02A | EA | TRIM/RADIUS - CABINET CORNER - 79.6" - DULL METALLIC |
| 4G | 151653-13-02A | EA | TRIM/RADIUS - CABINET CORNER - 79.8" - DULL METALLIC |
| 5G | M09568-04-W80 | EA | MOLDING/TRIM - .3" X 1.5" X 73.6" - SIERRA MAPLE |
| 5G | M09568-04-W79 | EA | MOLDING/TRIM - .3" X 1.5" X 73.6" - WASHED MAPLE |
| 6G | 151861-01-02B | EA | ANGLE - SUPPORT/CORNER - 1.4" X 12.5" - E-COATED |
| 6G | 151861-02-02B | EA | ANGLE - SUPPORT/CORNER - 1.4" X 20.1" - E-COATED |
| 6G | 151861-03-02B | EA | ANGLE - SUPPORT/CORNER - 1.4" X 26.7" - E-COATED |
| 6G | 151861-04-02B | EA | ANGLE - SUPPORT/CORNER - 1.4" X 32.7" - E-COATED |
| 6G | 151861-05-02B | EA | ANGLE - SUPPORT/CORNER - 1.4" X 78.6" - E-COATED |
| 6G | 151861-06-02B | EA | ANGLE - SUPPORT/CORNER - 1.4" X 59" - E-COATED |
| 6G | 151861-08-02B | EA | ANGLE - SUPPORT/CORNER - 1.4" X 22.2" - E-COATED |
| 6G | 151861-09-02B | EA | ANGLE - SUPPORT/CORNER - 1.4" X 14.9" - E-COATED |
| 7G | 151893-01-02A | EA | TRIM/RADIUS - CABINET BOTTOM - 72.6" - DULL METALLIC |
| 8G | 156464-01-01A | FT | MOLDING - CORNER - RADIUS/PLASTIC - 8' - HONEY CHERRY |
| 8G | 156464-01-02A | FT | MOLDING - CORNER - RADIUS/PLASTIC - 8' - WASHED MAPLE |
| 8G | 156464-01-05A | FT | MOLDING - CORNER - RADIUS/PLASTIC - 8' - SIERRA MAPLE |
| 8G | 156464-01-06A | FT | MOLDING - CORNER - RADIUS/PLASTIC - 8' - CONCERT CHERRY |
| 8G | 156464-03-03A | FT | MOLDING - CORNER - RADIUS/PLASTIC - 8' - BONE |
| | 081521-02-007 | EA | MOUNT - METAL MOLDING - F/RADIUS CORNER MOLDING - 151.5" |
| 9G | 160989-01-06A | FT | CAP - CORNER - RADIUS MOLDING - PLASTIC - WASHED MAPLE |
| 9G | 160989-01-07A | FT | CAP - CORNER - RADIUS MOLDING - PLASTIC - HONEY CHERRY |

INTERIOR FINISH GROUP (CONTINUED)
PANELING & LAMINATES

| KEY | PART NUMBER | U/M | DESCRIPTION |
|------------|--------------------|------------|---|
| | 000885-C3-000 | SF | PARTICLE BOARD - 3/8" X 4' X 8' - WHITE THATCH EMB-1 SIDED |
| | 000885-B9-000 | SF | PARTICLE BOARD - 3/8" X 4' X 8' - NEW CONC CHERRY - 1-SIDED - CONCERT CHERRY |
| | 000885-B5-000 | SF | PARTICLE BOARD - 3/8" X 4' X 8' - WASHED MAPLE - 1-SIDED - WASHED MAPLE |
| | 000885-B1-000 | SF | PARTICLE BOARD - 3/8" X 4' X 8' - SIERRA MAPLE - 1-SIDED - SIERRA MAPLE |
| | 000885-B8-000 | SF | PARTICLE BOARD - 3/8" X 4' X 8' - NEW CONC CHERRY - 2 SIDED - CONCERT CHERRY |
| | 000885-B4-000 | SF | PARTICLE BOARD - 3/8" X 4' X 8' - WASHED MAPLE - 2-SIDED - WASHED MAPLE |
| | 000885-B0-000 | SF | PARTICLE BOARD - 3/8" X 4' X 8' - SIERRA MAPLE - 2-SIDED - SIERRA MAPLE |
| | 000885-C1-000 | SF | PARTICLE BOARD - 1/2" X 4' X 8' - NEW CONC CHERRY - 2 SIDED - CONCERT CHERRY |
| | 000885-B7-000 | SF | PARTICLE BOARD - 1/2" X 4' X 8' - WASHED MAPLE - 2-SIDED - WASHED MAPLE |
| | 000885-B3-000 | SF | PARTICLE BOARD - 1/2" X 4' X 8' - SIERRA MAPLE - 2-SIDED - SIERRA MAPLE |
| | 000885-C0-000 | SF | PARTICLE BOARD - 3/4" X 4' X 8' - NEW CONC CHERRY - 2 SIDED - CONCERT CHERRY |
| | 000885-B6-000 | SF | PARTICLE BOARD - 3/4" X 4' X 8' - WASHED MAPLE - 2-SIDED - WASHED MAPLE |
| | 000885-B2-000 | SF | PARTICLE BOARD - 3/4" X 4' X 8' - SIERRA MAPLE - 2-SIDED - SIERRA MAPLE |
| | 057882-06-000 | SF | TAMBOUR - 48" X 96" SHEET - UNFINISHED - CONCERT CHERRY |
| | 057882-05-000 | SF | TAMBOUR - 48" X 96" SHEET - UNFINISHED - WASHED MAPLE/SIERRA MAPLE |
| | 074497-50-000 | SF | PANELING - NEW CONCERT CHERRY - 1/8" X 4' X 8' - CONCERT CHERRY |
| | 074497-49-000 | SF | PANELING - WASHED MAPLE - 1/8" X 4' X 8' - WASHED MAPLE |
| | 074497-48-000 | SF | PANELING - SIERRA MAPLE - 1/8" X 4' X 8' - SIERRA MAPLE |
| | 074498-C2-000 | SF | LAMINATE - PLASTIC - CHERRY - 4' X 8' - CONCERT CHERRY |
| | 074498-A6-000 | SF | LAMINATE - PLASTIC - HARDROCK MAPLE - 5' X 8' - WASHED MAPLE |
| | 074498-A8-000 | SF | LAMINATE - PLASTIC - SUEDE/HONEY MAPLE - 5' X 8' - SIERRA MAPLE |
| | 076325-79-000 | FT | MOLDING - EDGE BAND - .93" X .024" - CONCERT CHERRY |
| | 076325-82-000 | FT | MOLDING - EDGE BAND - .93" X .024" - WASHED MAPLE |
| | 076325-83-000 | FT | MOLDING - EDGE BAND - .93" X .024" - SIERRA MAPLE |
| | 076773-21-000 | SF | PANELING - 2 SIDED/NEW CONC CHERRY - 1/8" X 4' X 8' - CONCERT CHERRY |
| | 076773-26-000 | SF | PANELING - 1 SIDE/N-CONCERT CHERRY - 1/8" X 4' X 7' - CONCERT CHERRY |
| | 076773-20-000 | SF | PANELING - 2 SIDED/WASHED MAPLE - 1/8" X 4' X 8' - WASHED MAPLE |
| | 076773-25-000 | SF | PANELING - 1 SIDE/NEAT WASHED MAPLE - 1/8" X 4' X 7' - WASHED MAPLE |
| | 076773-19-000 | SF | PANELING - 2 SIDED/SIERRA MAPLE - 1/8" X 4' X 8' - SIERRA MAPLE |
| | 076773-24-000 | SF | PANELING - 1 SIDE/SIERRA MAPLE - 1/8" X 4' X 7' - SIERRA MAPLE |
| | 079666-03-000 | SF | PANELING - CLOSET - CEDAR - 4' X 7' |
| | 079666-04-000 | SF | PANELING - CLOSET - CEDAR - 4' X 8' |
| | 085284-F7-000 | FT | TAPE/STRIP - TRUE GRIP - 1 1/2" WIDE - ADHESIVE BACKED |
| | 085284-J7-000 | FT | BATT TAPE - ADHESIVE BACKED - DECORATIVE - CONCERT CHERRY |
| | 085284-H3-000 | FT | BATT TAPE - ADHESIVE BACKED - DECORATIVE - WASHED MAPLE |
| | 085284-J4-000 | FT | BATT TAPE - ADHESIVE BACKED - DECORATIVE - SIERRA MAPLE |
| | 085284-K7-000 | FT | BATT TAPE - ADHESIVE BACKED - DECORATIVE - KURTA/CANVAS (WB4, WB5, WB6) |
| | 085284-L5-000 | FT | BATT TAPE - ADHESIVE BACKED - DECORATIVE - WICKER (WC0, WC1, WC2) FROM: 00-00-00 THRU: 06-10-07 |
| | 085284-K7-000 | FT | BATT TAPE - ADHESIVE BACKED - DECORATIVE - KURTA/CANVAS (WC0, WC1, WC2) FROM: 06-11-07 THRU: 99-99-99 |
| | 085284-L4-000 | FT | BATT TAPE - ADHESIVE BACKED - DECORATIVE - RAWHIDE HERITAG (WC4, WC5, WC6) FROM: 00-00-00 THRU: 04-01-07 |
| | 085284-L8-000 | FT | BATT TAPE - ADHESIVE BACKED - DECORATIVE - OTTAWA HERITAGE (WC4, WC5, WC6) FROM: 04-02-07 THRU: 99-99-99 |
| | 088272-M9-000 | SF | PANELING - WHITE THATCHED - 4' X 8' |
| | 088272-M7-000 | SF | PANELING - KURTA/CANVAS - 4' X 7.4' (WB4, WB5, WB6) |
| | 088272-M1-000 | SF | PANELING - MORITZ/TUSCANY - 4' X 7.4' (WC0, WC1, WC2) FROM: 00-00-00 THRU: 06-10-07 |
| | 088272-M7-000 | SF | PANELING - KURTA/CANVAS - 4' X 7.4' (WC0, WC1, WC2) FROM: 06-11-07 THRU: 99-99-99 |
| | 088272-N4-000 | SF | PANELING - RAWHIDE HERITAGE - 4' X 7.4' (WC4, WC5, WC6) FROM: 00-00-00 THRU: 04-01-07 |
| | 088272-N9-000 | SF | PANELING - OTTAWA HERITAGE - 4' X 7.4' (WC4, WC5, WC6) FROM: 04-02-07 THRU: 99-99-99 |
| | 093743-09-04A | FT | PLASTIC - ABS COIL - 6" WIDE WHITE |
| | 154735-06-000 | SF | PANELING - FLEXIBLE KURTA/CANVAS - 4' X 7.4' (WB4, WB5, WB6) |
| | 154735-03-000 | SF | PANELING - FLEXIBLE MORITZ/TUSCANY - 4' X 8' (WC0, WC1, WC2) FROM: 00-00-00 THRU: 06-10-07 |
| | 154735-08-000 | SF | PANELING - FLEXIBLE KURTA/CANVAS - 4' X 8' (WC0, WC1, WC2) FROM: 06-11-07 THRU: 99-99-99 |
| | 154735-15-000 | SF | PANELING - FLEXIBLE RAWHIDE HERITAGE - 4' X 8' (WC4, WC5, WC6) FROM: 00-00-00 THRU: 04-01-07 |
| | 154735-20-000 | SF | PANELING - FLEXIBLE OTTAWA HERITAGE - 4' X 8' (WC4, WC5, WC6) FROM: 04-02-07 THRU: 99-99-99 |

INTERIOR FINISH GROUP (CONTINUED)

INTERIOR TRIM LAYOUT

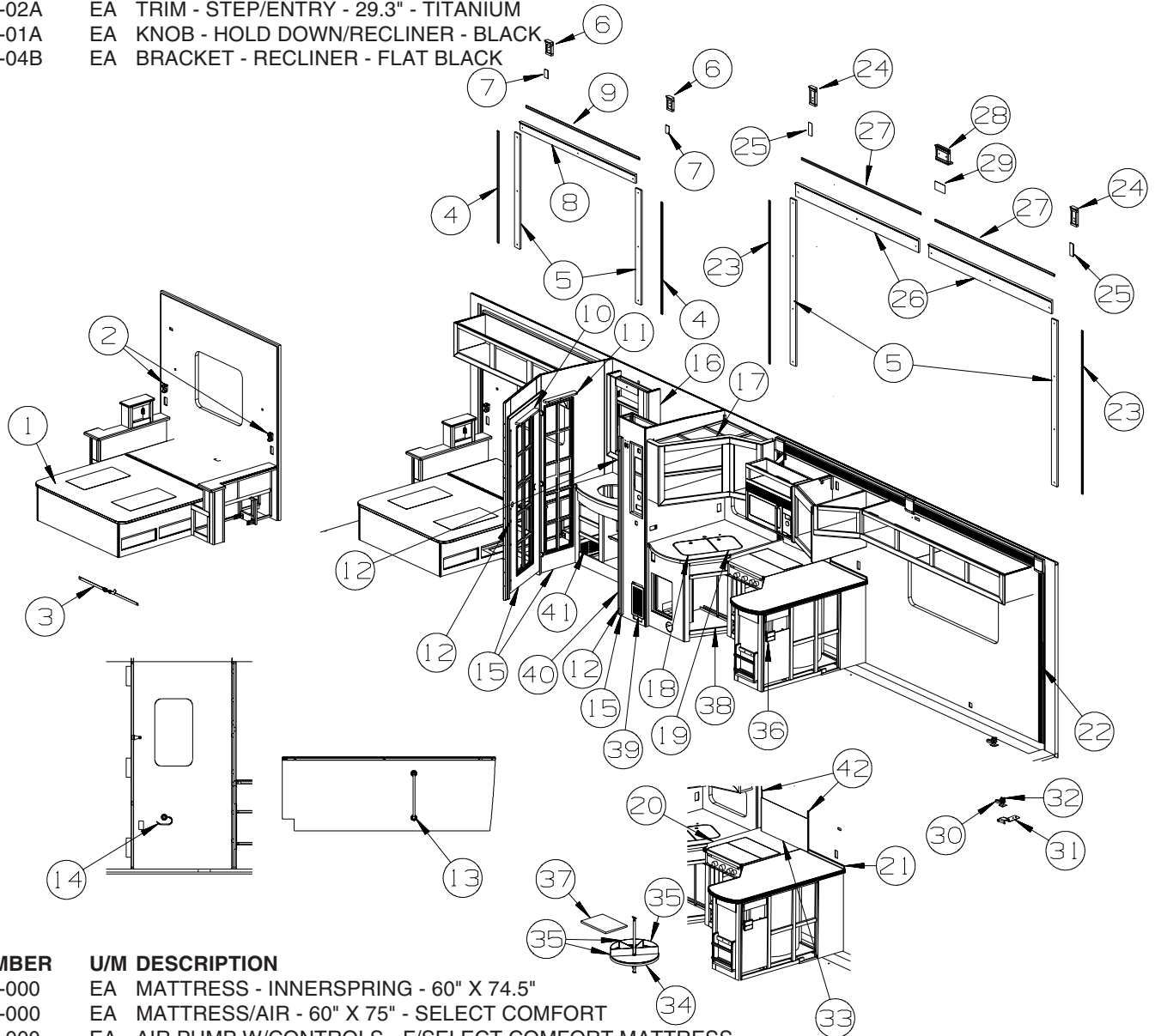


| KEY | PART NUMBER | U/M | DESCRIPTION |
|-----|---------------|-----|---|
| 1 | M09553-01-WB4 | EA | MOLDING - TRIM/VEE - .4" X 1" X 47.1" - CONCERT CHERRY |
| 1 | M09553-01-WB5 | EA | MOLDING - TRIM/VEE - .4" X 1" X 47.1" - WASHED MAPLE |
| 1 | M09553-01-WB6 | EA | MOLDING - TRIM/VEE - .4" X 1" X 47.1" - SIERRA |
| 2 | Y00307-A2-438 | EA | MOLDING - SLIDEOUT/VINYL WRAP - 3.5"X 96" - WASHED MAPLE |
| 2 | Y00307-92-438 | EA | MOLDING - SLIDEOUT/VINYL WRAP - 3.5"X 96" - SIERRA MAPLE |
| 3 | M09544-98-WB4 | EA | MOLDING - TRIM/VEE - .4" X 1" X 22.7" - CONCERT CHERRY |
| 3 | M09544-98-WB5 | EA | MOLDING - TRIM/VEE - .4" X 1" X 22.7" - WASHED MAPLE |
| 3 | M09544-98-WB6 | EA | MOLDING - TRIM/VEE - .4" X 1" X 22.7" - SIERRA MAPLE |
| 4 | 152988-01-T78 | EA | MOLDING - TRIM - SLIDEOUT/CORNER - CONCERT CHERRY |
| 4 | 152988-01-T79 | EA | MOLDING - TRIM - SLIDEOUT/CORNER - WASHED MAPLE |
| 4 | 152988-01-T80 | EA | MOLDING - TRIM - SLIDEOUT/CORNER - SIERRA MAPLE |
| 5 | 154102-03-01A | EA | INSERT/LAMINATE - 2.3" X 5.5" - SATIN OXIDE |
| 6 | Y00351-A2-438 | EA | MOLDING - SLIDEOUT/VINYL WRAP - 5.8"X 96" - WASHED MAPLE |
| 6 | Y00351-92-438 | EA | MOLDING - SLIDEOUT/VINYL WRAP - 5.8"X 96" - SIERRA MAPLE |
| 7 | M09544-97-WB4 | EA | MOLDING - TRIM/VEE - .4" X 1" X 58.1" - CONCERT CHERRY |
| 7 | M09544-97-WB5 | EA | MOLDING - TRIM/VEE - .4" X 1" X 58.1" - WASHED MAPLE |
| 7 | M09544-97-WB6 | EA | MOLDING - TRIM/VEE - .4" X 1" X 58.1" - SIERRA MAPLE |
| 8 | 161602-01-WB4 | EA | MOLDING - SLIDEOUT/CENTER - 7.9" X 6.4" - CONCERT CHERRY |
| 8 | 161602-01-WB5 | EA | MOLDING - SLIDEOUT/CENTER - 7.9" X 6.4" - WASHED MAPLE |
| 8 | 161602-01-WB6 | EA | MOLDING - SLIDEOUT/CENTER - 7.9" X 6.4" - SIERRA MAPLE |
| 9 | 154102-04-01A | EA | INSERT/LAMINATE - 6.6" X 3.6" - SATIN OXIDE |
| 10 | M09544-15-WB4 | EA | MOLDING - TRIM/VEE - .4" X 1" X 64.5" - CONCERT CHERRY |
| 10 | M09544-15-WB5 | EA | MOLDING - TRIM/VEE - .4" X 1" X 64.5" - WASHED MAPLE |
| 10 | M09544-15-WB6 | EA | MOLDING - TRIM/VEE - .4" X 1" X 64.5" - SIERRA MAPLE |
| 11 | 130262-05-000 | EA | PROTECTOR - CORNER - .4" X .7" |
| 12 | 072852-01-000 | EA | DETECTOR - SMOKE - W/9 VOLT BATTERY - US |
| 12 | 072852-02-000 | EA | DETECTOR - SMOKE - W/9 VOLT BATTERY - CANADIAN |
| 13 | 138359-01-01A | FT | COVER - ROOF BREAK - PEARL CREAM/PLASTIC - 96" |
| 14 | 138403-01-01A | EA | TRIM - ROOF - MILL |
| 15 | 094499-06-000 | EA | EXTINGUISHER/FIRE - DRY - 10BC - W/BRACKET - UL/ULC - WHT |
| 16 | 148362-01-02A | EA | COVER - BRACKET/STRIKE - MEDIUM OAK |
| | 140151-02-03A | EA | COVER - SCREW - MEDIUM OAK |
| 17 | 144628-02-02A | EA | SHADE - SCREEN DOOR - 22.3" X 33.4" - BLACK |
| 17 | 144628-02-01A | EA | SHADE - SCREEN DOOR - 22.3" X 33.4" - BRIGHT WHITE |
| 18 | 120134-01-02A | EA | REGISTER - W/DAMPER - 4" PIPE/6.4" O.D. FACE - WHITE |
| 18 | 120134-02-01A | EA | REGISTER - TRIM RING - WHITE |

INTERIOR FINISH GROUP (CONTINUED)

INTERIOR TRIM LAYOUT (CONTINUED)

| KEY | PART NUMBER | U/M | DESCRIPTION |
|-----|---------------|-----|--|
| 19 | 152957-01-01A | EA | HOOK - ROBE - NICKEL |
| 20 | 093214-01-05A | EA | GRILLE - SPEAKER - 4" - CASHMERE |
| 21 | 152301-01-01A | EA | FLANGE - PLASTIC - 1" CLOTHES ROD HOLDER - WHITE |
| 22 | Y00136-21-218 | EA | DOWEL - WOOD - CLOTHES ROD - 1"DIAMETER X 4' |
| 23 | 125136-02-000 | EA | DETECTOR/CO - GAS MODEL - 9 VOLT |
| 24 | 149147-04-04A | EA | MIRROR - FRAMED - BEVELED - 41.5" X 25.5"-CHAMPAGNE SILVER |
| 25 | 130120-01-01A | EA | BRACKET/MOUNTING - MIRROR |
| 26 | M09462-66-R75 | EA | MOLDING - TRIM/RAIL - .6" X 2.4" X 96" - CONCERT CHERRY |
| 26 | M09462-66-R76 | EA | MOLDING - TRIM/RAIL - .6" X 2.4" X 96" - WASHED MAPLE |
| 26 | M09462-66-SA3 | EA | MOLDING - TRIM/RAIL - .6" X 2.4" X 96" - SIERRA MAPLE |
| 27 | 131493-17-01A | EA | PICTURE - DECORATIVE - 11.5" X 22" - GOLDEN BRANCH (WB4, WB5, WB6) |
| 27 | 131493-17-03A | EA | PICTURE - DECORATIVE - 11.5" X 22" - ZEN PANEL #2 (WC0, WC1, WC2) |
| 27 | 131493-17-02A | EA | PICTURE - DECORATIVE - 11.5" X 22" - ZEN PANEL #4 (WC4, WC5, WC6) |
| 28 | M09471-79-R39 | EA | MOLDING - TRIM/COVE - .8" X .8" X 96" - CONCERT CHERRY |
| 28 | M09471-79-R46 | EA | MOLDING - TRIM/COVE - .8" X .8" X 96" - WASHED MAPLE |
| 28 | M09471-79-SA3 | EA | MOLDING - TRIM/COVE - .8" X .8" X 96" - SIERRA MAPLE |
| 29 | 131058-03-02A | EA | HAND RAIL - INTERIOR ENTRY DOOR - BLACK |
| 30 | 139955-06-02A | EA | TRIM - STEP/ENTRY - 29.3" - TITANIUM |
| 31 | 134194-02-01A | EA | KNOB - HOLD DOWN/RECLINER - BLACK |
| 32 | 134057-04-04B | EA | BRACKET - RECLINER - FLAT BLACK |

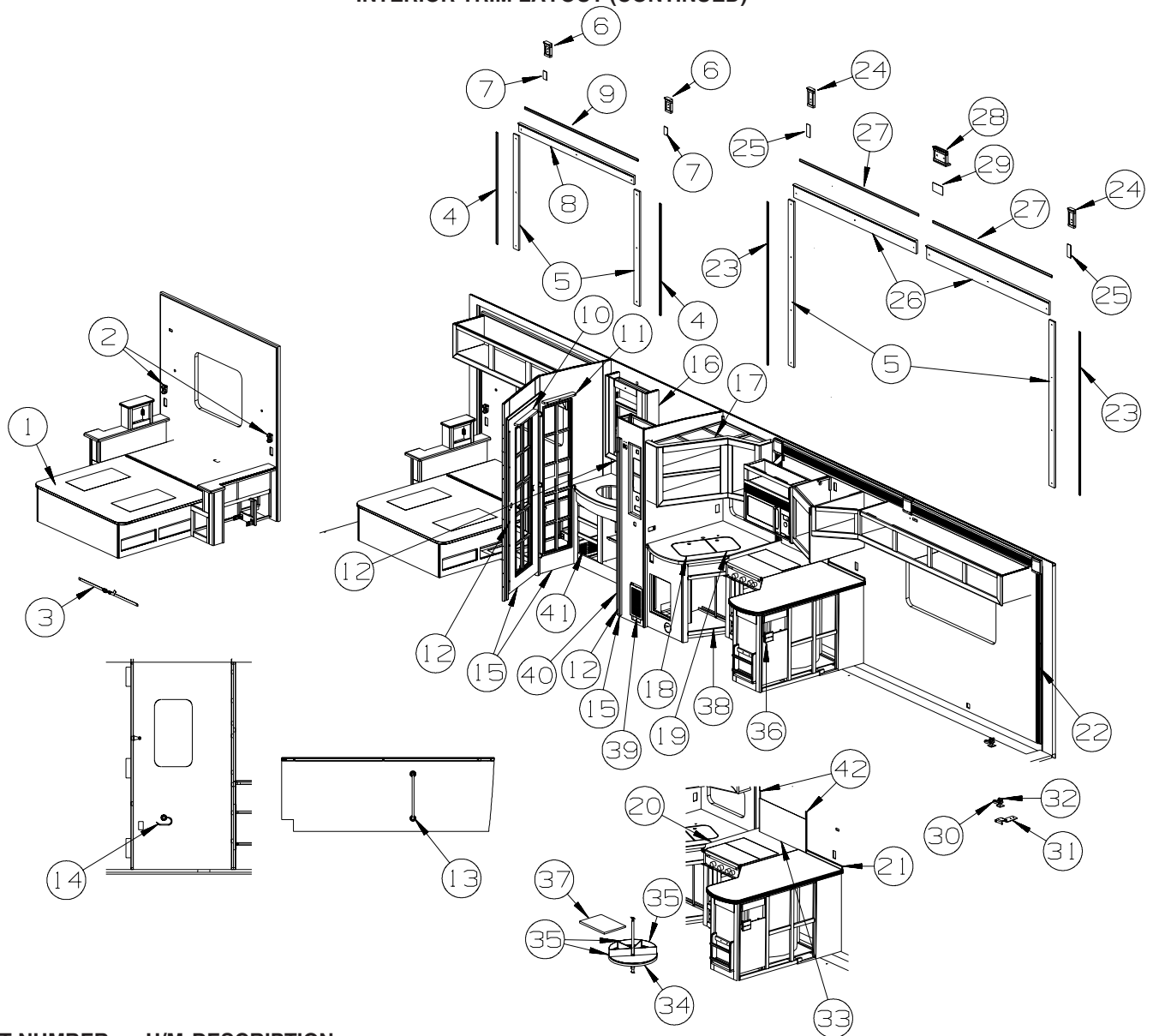


| KEY | PART NUMBER | U/M | DESCRIPTION |
|-----|---------------|-----|--|
| 1 | 154430-01-000 | EA | MATTRESS - INNERSPRING - 60" X 74.5" |
| 1 | 142411-07-000 | EA | MATTRESS/AIR - 60" X 75" - SELECT COMFORT |
| | 142411-03-000 | EA | AIR PUMP W/CONTROLS - F/SELECT COMFORT MATTRESS |
| 2 | 142411-05-000 | EA | HOLDER - F/CONTROL (SELECT COMFORT) |
| 3 | 099717-05-000 | EA | STRAP - W/16.5" FEMALE STRAP AND 17.7" MALE STRAP |
| 4 | M09544-18-WB4 | EA | MOLDING - TRIM/VEE - .4" X 1" X 48.9" - CONCERT CHERRY |
| 4 | M09544-18-WB5 | EA | MOLDING - TRIM/VEE - .4" X 1" X 48.9" - WASHED MAPLE |
| 4 | M09544-18-WB6 | EA | MOLDING - TRIM/VEE - .4" X 1" X 48.9" - SIERRA MAPLE |

INTERIOR FINISH GROUP (CONTINUED)
INTERIOR TRIM LAYOUT (CONTINUED)

| KEY | PART NUMBER | U/M | DESCRIPTION |
|-----|---------------|-----|---|
| 5 | Y00307-A2-438 | EA | MOLDING - SLIDEOUT/VINYL WRAP - 3.5"X 96" - WASHED MAPLE |
| 5 | Y00307-92-438 | EA | MOLDING - SLIDEOUT/VINYL WRAP - 3.5"X 96" - SIERRA MAPLE |
| 6 | 152988-02-T78 | EA | MOLDING - TRIM - SLIDEOUT/CORNER - CONCERT CHERRY |
| 6 | 152988-02-T79 | EA | MOLDING - TRIM - SLIDEOUT/CORNER - WASHED MAPLE |
| 6 | 152988-02-T80 | EA | MOLDING - TRIM - SLIDEOUT/CORNER - SIERRA MAPLE |
| 7 | 154102-01-01A | EA | INSERT/LAMINATE - 2.3" X 3.6" - SATIN OXIDE |
| 8 | Y00352-A2-438 | EA | MOLDING - SLIDEOUT/VINYL WRAP - 3.9"X 96" - WASHED MAPLE |
| 8 | Y00352-92-438 | EA | MOLDING - SLIDEOUT/VINYL WRAP - 3.9"X 96" - SIERRA MAPLE |
| 9 | M09544-17-WB4 | EA | MOLDING - TRIM/VEE - .4" X 1" X 72.9" - CONCERT CHERRY |
| 9 | M09544-17-WB5 | EA | MOLDING - TRIM/VEE - .4" X 1" X 72.9" - WASHED MAPLE |
| 9 | M09544-17-WB6 | EA | MOLDING - TRIM/VEE - .4" X 1" X 72.9" - SIERRA MAPLE |
| 10 | M09477-93-R39 | EA | MOLDING - TRIM/HARDWOOD - .8" X 2.5" X 17.7"-CONC CHERRY |
| 10 | M09477-93-R46 | EA | MOLDING - TRIM/HARDWOOD - .8" X 2.5" X 17.7"-WASHED MAPLE |
| 10 | M09477-93-S67 | EA | MOLDING - TRIM/HARDWOOD - .8" X 2.5" X 17.7"-SIERRA MAPLE |
| 11 | M09477-94-R39 | EA | MOLDING - TRIM/HARDWOOD - .8" X 2.5" X 16.2"-CONC CHERRY |
| 11 | M09477-94-R46 | EA | MOLDING - TRIM/HARDWOOD - .8" X 2.5" X 16.2"-WASHED MAPLE |
| 11 | M09477-94-S67 | EA | MOLDING - TRIM/HARDWOOD - .8" X 2.5" X 16.2"-SIERRA MAPLE |
| 12 | 120760-01-000 | EA | RUBBER BUMPER - CLEAR - .1" THICK X .8" DIAMETER |
| 13 | 152959-01-01A | EA | TOWEL BAR - 18" - NICKEL |
| 14 | 152958-01-01A | EA | HOLDER - PAPER - W/LID - NICKEL |
| 15 | M09471-79-R39 | EA | MOLDING - TRIM/COVE - .8" X .8" X 96" - CONCERT CHERRY |
| 15 | M09471-79-R46 | EA | MOLDING - TRIM/COVE - .8" X .8" X 96" - WASHED MAPLE |
| 15 | M09471-79-SA3 | EA | MOLDING - TRIM/COVE - .8" X .8" X 96" - SIERRA MAPLE |
| 16* | 158076-03-01A | EA | DOOR - SHOWER - NEO ANGLE - 66.4" TALL - NICKEL/AQUA |
| | 158076-05-01A | EA | LATCH KIT - TRAVEL/SAFETY - RIGHT HINGED |
| | 158076-07-01A | EA | SCREW - F/TRAVEL LATCH - 6-32 X .25" PPH |
| | 158076-08-01A | EA | NUT-HEX - F/TRAVEL LATCH - 6X32 SST - W/NYLON INSERT |
| | 158076-09-01A | EA | LABEL - TRAVEL LATCH - SILVER FOIL |
| 17 | 152991-08-01A | EA | MOLDING/TRIM - OVERHEAD - GALLEY - CONCERT CHERRY |
| 17 | 152991-08-02A | EA | MOLDING/TRIM - OVERHEAD - GALLEY - WASHED MAPLE |
| 17 | 152991-08-04A | EA | MOLDING/TRIM - OVERHEAD - GALLEY - SIERRA MAPLE |
| 18 | 157048-03-WA0 | EA | COVER - RECESSED SINK - 15.2" X 14.9" (WB4, WB5, WB6) |
| 18 | 157048-03-WA4 | EA | COVER - RECESSED SINK - 15.2" X 14.9" (WC0, WC1, WC2) |
| 18 | 157048-03-WC0 | EA | COVER - RECESSED SINK - 15.2" X 14.9" (WC4, WC5, WC6) |
| 19 | 157048-04-WA0 | EA | COVER - RECESSED SINK - 11" X 14.9" (WB4, WB5, WB6) |
| 19 | 157048-04-WA4 | EA | COVER - RECESSED SINK - 11" X 14.9" (WC0, WC1, WC2) |
| 19 | 157048-04-WC0 | EA | COVER - RECESSED SINK - 11" X 14.9" (WC4, WC5, WC6) |
| 20 | 161803-18-WA0 | EA | BACKSPLASH - CORIAN (WB4, WB5, WB6) |
| 20 | 161803-18-WC0 | EA | BACKSPLASH - CORIAN (WC0, WC1, WC2) |
| 20 | 161803-18-W91 | EA | BACKSPLASH - CORIAN (WC4, WC5, WC6) |
| 21 | 161803-17-WA0 | EA | BACKSPLASH - CORIAN (WB4, WB5, WB6) |
| | | | FROM: 00-00-00 THRU: 06-25-07 |
| 21 | 161803-20-WA0 | EA | BACKSPLASH - CORIAN (WB4, WB5, WB6) |
| | | | FROM: 06-26-07 THRU: 99-99-99 |
| 21 | 161803-17-WC0 | EA | BACKSPLASH - CORIAN (WC0, WC1, WC2) |
| | | | FROM: 00-00-00 THRU: 06-25-07 |
| 21 | 161803-20-WC0 | EA | BACKSPLASH - CORIAN (WC0, WC1, WC2) |
| | | | FROM: 06-26-07 THRU: 99-99-99 |
| 21 | 161803-17-W91 | EA | BACKSPLASH - CORIAN (WC4, WC5, WC6) |
| | | | FROM: 00-00-00 THRU: 06-25-07 |
| 21 | 161803-20-WA4 | EA | BACKSPLASH - CORIAN (WC4, WC5, WC6) |
| | | | FROM: 06-26-07 THRU: 99-99-99 |
| 22 | 130262-05-000 | EA | PROTECTOR - CORNER - .4" X .7" |
| 23 | M09544-15-WB4 | EA | MOLDING - TRIM/VEE - .4" X 1" X 64.5" - CONCERT CHERRY |
| 23 | M09544-15-WB5 | EA | MOLDING - TRIM/VEE - .4" X 1" X 64.5" - WASHED MAPLE |
| 23 | M09544-15-WB6 | EA | MOLDING - TRIM/VEE - .4" X 1" X 64.5" - SIERRA MAPLE |
| 24 | 152988-01-T78 | EA | MOLDING - TRIM - SLIDEOUT/CORNER - CONCERT CHERRY |
| 24 | 152988-01-T79 | EA | MOLDING - TRIM - SLIDEOUT/CORNER - WASHED MAPLE |
| 24 | 152988-01-T80 | EA | MOLDING - TRIM - SLIDEOUT/CORNER - SIERRA MAPLE |
| 25 | 154102-03-01A | EA | INSERT/LAMINATE - 2.3" X 5.5" - SATIN OXIDE |
| 26 | Y00351-A2-438 | EA | MOLDING - SLIDEOUT/VINYL WRAP - 5.8"X 96" - WASHED MAPLE |
| 26 | Y00351-92-438 | EA | MOLDING - SLIDEOUT/VINYL WRAP - 5.8"X 96" - SIERRA MAPLE |
| 27 | M09538-29-WB4 | EA | MOLDING - TRIM/VEE - .4" X 1" X 76.5" - CONCERT CHERRY |
| 27 | M09538-29-U67 | EA | MOLDING - TRIM/VEE - .4" X 1" X 76.5" - WASHED MAPLE |
| 27 | M09538-29-U68 | EA | MOLDING - TRIM/VEE - .4" X 1" X 76.5" - SIERRA MAPLE |

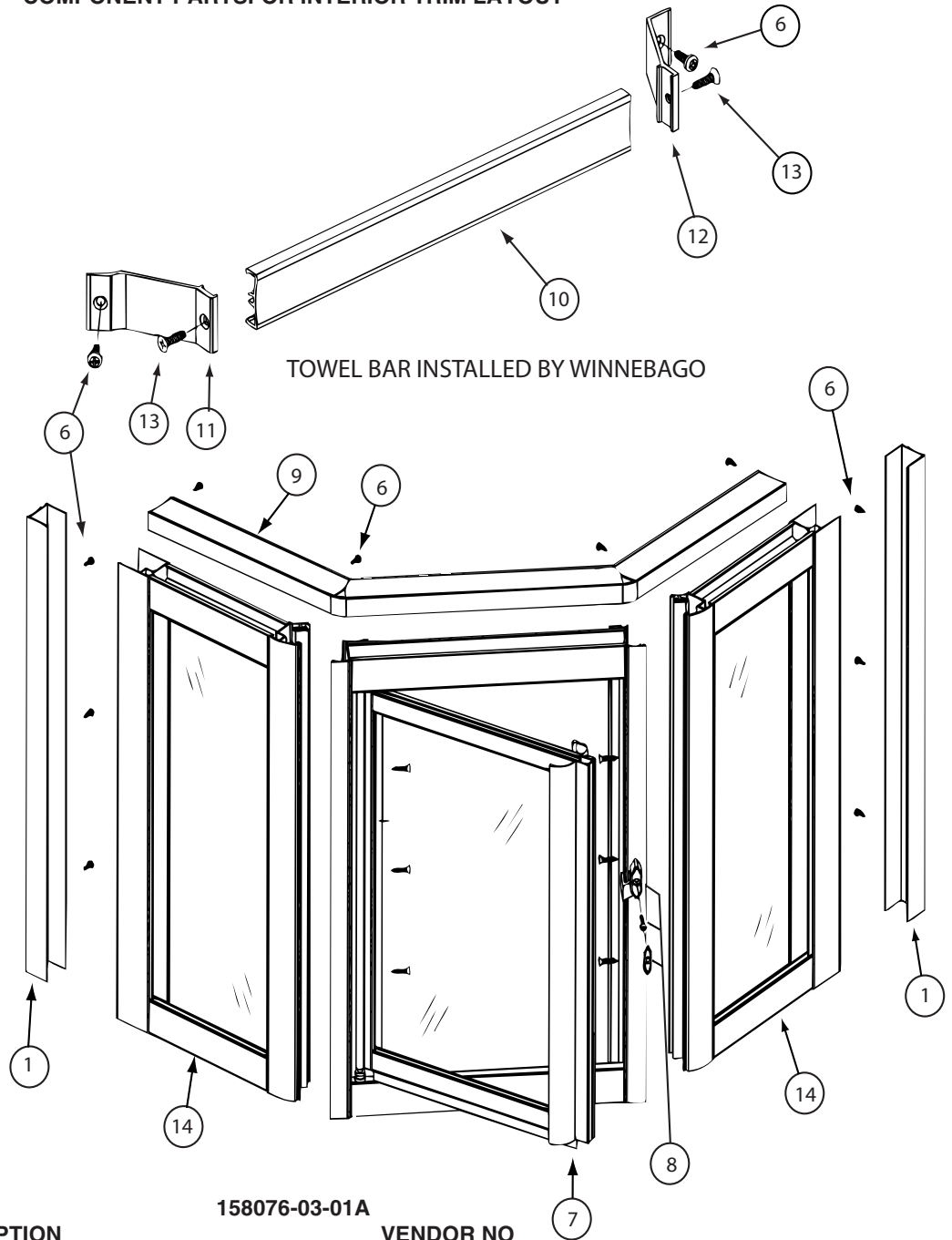
INTERIOR FINISH GROUP (CONTINUED)
INTERIOR TRIM LAYOUT (CONTINUED)



| KEY | PART NUMBER | U/M | DESCRIPTION |
|-----|---------------|-----|--|
| 28 | 161602-01-WB4 | EA | MOLDING - SLIDEOUT/CENTER - 7.9" X 6.4" - CONCERT CHERRY |
| 28 | 161602-01-WB5 | EA | MOLDING - SLIDEOUT/CENTER - 7.9" X 6.4" - WASHED MAPLE |
| 28 | 161602-01-WB6 | EA | MOLDING - SLIDEOUT/CENTER - 7.9" X 6.4" - SIERRA MAPLE |
| 29 | 154102-04-01A | EA | INSERT/LAMINATE - 6.6" X 3.6" - SATIN OXIDE |
| 30 | 134057-02-04B | EA | BRACKET - RECLINER - FLAT BLACK |
| 31 | 143956-03-04B | EA | BRACKET/TIEDOWN - EURO CHAIR - BLACK |
| 32 | 134194-02-01A | EA | KNOB - HOLD DOWN/RECLINER - BLACK |
| 33 | 162930-04-01A | EA | BACKSPLASH - METAL/RIGID - 30.2" X 14.5" |
| 34 | 148620-01-01A | EA | LAZY SUSAN KIT - 20" DIAMETER - ALMOND |
| 35 | 148616-01-01A | EA | CONTAINER - STORAGE - WHITE |
| 36 | 118718-01-03A | EA | HOLDER/DRINK - COLLAPSIBLE MUG - ALMOND |
| 37 | 102778-14-000 | EA | BOARD - CUTTING - .7" X 11.4" X 15.7" - WOOD |
| 38 | 159032-01-01A | EA | CONTAINER - WASTEBASKET - 14.3 QT - WHITE |
| 39 | 093614-14-02A | EA | GRILLE - AIR RETURN - 7.9" X 13.9" - BEIGE |
| 40 | M09501-84-TD1 | EA | MOLDING/TRIM - CAP/WALL - 2.2" X 85.9" - CONCERT CHERRY |
| 40 | M09501-84-TD2 | EA | MOLDING/TRIM - CAP/WALL - 2.2" X 85.9" - WASHED MAPLE |
| 40 | M09501-84-TD3 | EA | MOLDING/TRIM - CAP/WALL - 2.2" X 85.9" - SIERRA MAPLE |
| 41 | 093614-01-02A | EA | GRILLE - AIR RETURN - 15.9" X 7.9" - BEIGE |
| 42 | 162006-01-01A | EA | TRIM-J - BACKSPLASH 18" - SILVER |

*COMPONENT PARTS LISTED LATER IN THIS GROUP

INTERIOR FINISH GROUP (CONTINUED)
COMPONENT PARTS FOR INTERIOR TRIM LAYOUT



158076-03-01A

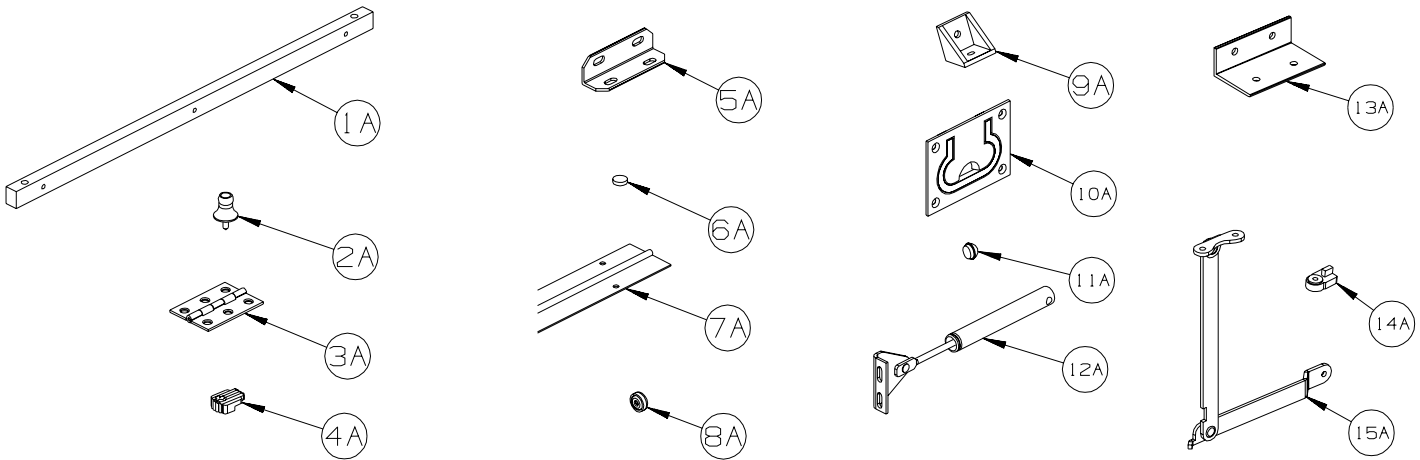
| KEY | PART NUMBER | U/M | DESCRIPTION | VENDOR NO |
|-----|---------------|-----|------------------------------|------------|
| 1 | 158076-03-700 | EA | JAMB - WALL - NICKEL | 201N |
| 6 | 158076-02-701 | EA | SCREW - ADJUSTMENT - NICKEL | 638PHPT-N |
| 7 | 158076-03-704 | FT | VINYL SWEEP | C176B |
| 8 | 089318-01-707 | EA | LATCH/CATCH-TURN-SAFETY-BLK | 9730N |
| 9 | 158076-03-705 | EA | HEADER CAP | 247N |
| 10 | 115011-03-714 | EA | TOWEL BAR - NICKEL | 136N |
| 11 | 158076-03-706 | EA | BRACKET/TOWEL BAR-LH/FACING | 246N |
| 12 | 158076-03-707 | EA | BRACKET/TOWEL BAR-RH/FACING | 199N |
| 13 | 115011-03-716 | EA | SCREW F/TOWEL BAR - NICKEL | 612F-N |
| 14 | 158076-03-708 | EA | WING PNL-RT/LT-FRAMED GLASS | WB383N-AWP |
| | 158076-03-701 | EA | PIVOT PIN | CP201 |
| | 158076-03-702 | EA | PIVOT BUSHING | CP209 |
| | 158076-03-703 | EA | PIVOT WASHER - PLASTIC | FW 10-093 |
| | 139047-01-709 | EA | STRIP/MAGNETIC- 55" (NARROW) | 98-42 |

INTERIOR FINISH GROUP (CONTINUED)
FLOOR COVERINGS

| KEY | PART NUMBER | U/M | DESCRIPTION |
|------------|--------------------|------------|--|
| | 075233-01-000 | SY | PAD - CARPET - 3/8" X 6'W ROLL - SOLD BY THE SQUARE YARD |
| | 089275-02-000 | FT | STRIP - 3/4" X 84" BLACK POLYETHYLENE |
| | 093486-01-000 | SY | CARPET - COMPARTMENT - 72" WIDE - DARK GRAY |
| | 131711-01-09A | EA | TILE/FLOOR - VINYL - 12" X 12" - SANDSTONE |
| | 152251-02-03A | SY | CARPET - 4 SQUARE YARD INCREMENTS - TANNED HIDE(WB4, WB5, WB6) |
| | 152251-07-03A | SY | CARPET - 4 SQUARE YARD INCREMENTS - COLUMBIAN SUPREME (WC0, WC1, WC2) FROM: 00-00-00 THRU: 02-18-07 |
| | 152251-02-03A | SY | CARPET - 4 SQUARE YARD INCREMENTS - TANNED HIDE(WC0, WC1, WC2) FROM: 02-19-07 THRU: 99-99-99 |
| | 152251-07-02A | SY | CARPET - 4 SQUARE YARD INCREMENTS - WARM PASTRY (WC4, WC5, WC6) FROM: 00-00-00 THRU: 02-18-07 |
| | 152251-02-01A | SY | CARPET - 4 SQUARE YARD INCREMENTS - CORK (WC4, WC5, WC6) FROM: 02-19-07 THRU: 99-99-99 |

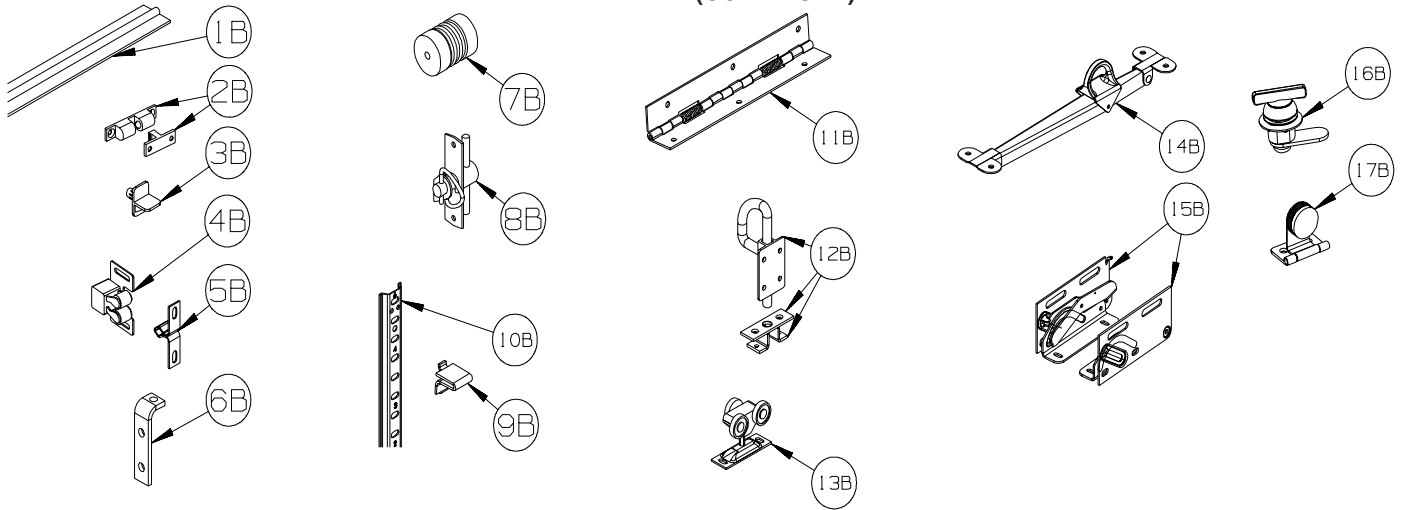
INTERIOR FINISH GROUP (CONTINUED)

HARDWARE



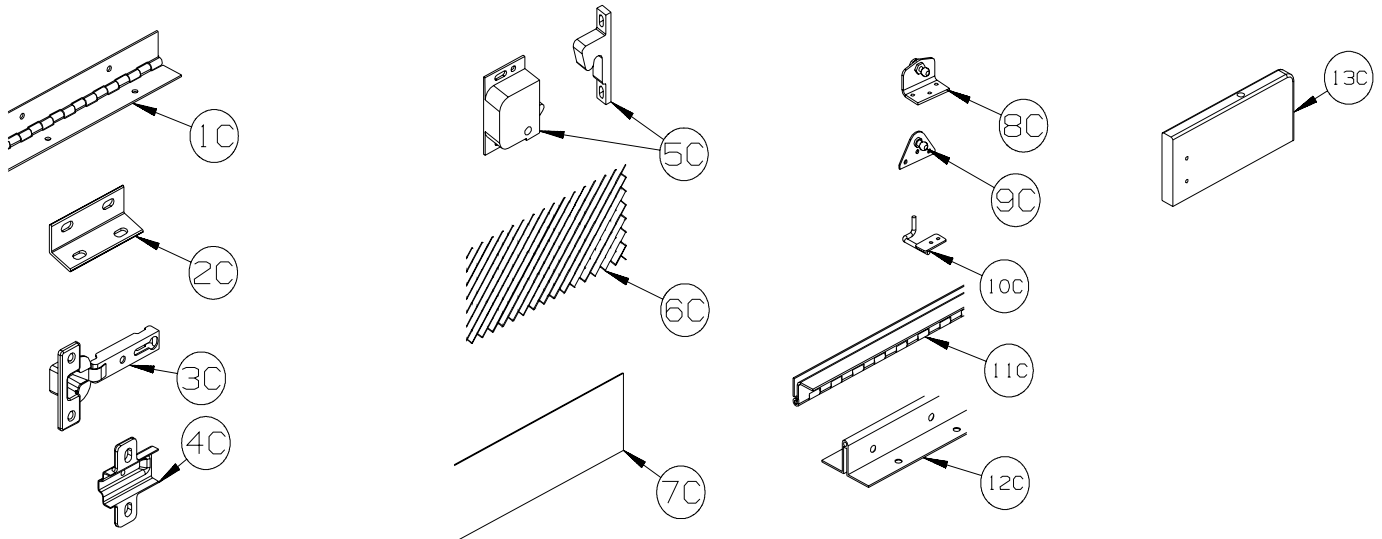
| KEY | PART NUMBER | U/M | DESCRIPTION |
|-----|---------------|-----|---|
| 1A | P34509-01-P14 | EA | RAIL END - RH/LH - TOWEL RACK - CONCERT CHERRY |
| 1A | P34509-01-J70 | EA | RAIL END - RH/LH - TOWEL RACK - WASHED MAPLE |
| 1A | P34509-01-RE0 | EA | RAIL END - RH/LH - TOWEL RACK - HONEY CHERRY |
| 1A | P34509-01-SA3 | EA | RAIL END - RH/LH - TOWEL RACK - SIERRA MAPLE |
| 2A | 009013-01-000 | EA | CATCH - BULLDOG - MALE/FEMALE |
| 3A | 009059-01-000 | EA | HINGE - DOOR - 2" X 1.4" - BRASS |
| 3A | 009059-02-000 | EA | HINGE - DOOR - 2" X 2.7" - BRASS |
| 3A | 009059-03-000 | EA | HINGE - BRASS - 1.75" |
| 3A | 009059-04-000 | EA | HINGE - 2" - ZINC |
| 4A | 009089-01-000 | EA | CLIP - MIRROR |
| 5A | 016604-01-000 | EA | BRACE - ANGLE - 2 1/2" - UNPAINTED METAL |
| 5A | 016604-05-000 | EA | BRACE - ANGLE - 2 1/2" - OFF WHITE METAL |
| 5A | 016604-10-000 | EA | BRACE - SEAT ANGLE - 2.5" - BLACK |
| 6A | 023320-01-000 | EA | PAD - FELT 3/8" DIAMETER |
| 7A | 041389-19-000 | EA | HINGE - PIANO - 1 1/2" X 71.9" - UNPAINTED |
| 7A | 041389-25-000 | EA | HINGE - PIANO - 1 1/2" X 55" - UNPAINTED |
| 7A | 041389-32-000 | EA | HINGE - PIANO - 68" - OFF WHITE |
| 8A | 166569-01-02A | EA | COVER - SCREW - #8 - BRIGHT WHITE |
| 8A | 166569-01-03A | EA | COVER - SCREW - #8 - SOFT WHITE |
| 8A | 166569-01-04A | EA | COVER - SCREW - #8 - CREAM |
| 9A | 065740-01-000 | EA | BRACE - CABINET/CORNER - PLASTIC |
| 10A | 072871-01-000 | EA | PULL - FLUSH - CHROME |
| 11A | 074045-13-000 | EA | PLUG - 3/8" DOWEL-1/2" HEAD - PORTSMOUTH OAK |
| 11A | 074045-08-000 | EA | PLUG - 3/8" DOWEL-1/2" HEAD - OAK/SALEM CHERRY - CONCERT CHERRY |
| 11A | 074045-12-000 | EA | PLUG - 3/8" DOWEL-1/2" HEAD - WASHED MAPLE |
| 11A | 074045-14-000 | EA | PLUG - 3/8" DOWEL-1/2" HEAD - HONEY CHERRY |
| 11A | 074045-15-000 | EA | PLUG - 3/8" DOWEL-1/2" HEAD - SIERRA MAPLE |
| 12A | 074493-02-000 | EA | SUPPORT/PISTON SPRING - CABINET DOOR - 26 LBS |
| 12A | 074493-03-000 | EA | SUPPORT/PISTON SPRING - CABINET DOOR - 12 LBS |
| 13A | 156732-01-01A | EA | BRACE - ANGLE/COUCH - 2.5" - MILL |
| 13A | 156732-01-02A | EA | BRACE - ANGLE/COUCH - 2.5" - OFF WHITE |
| 13A | 156732-03-01A | EA | BRACE - ANGLE/COUCH - BLACK |
| 14A | 083204-03-000 | EA | BUTTON - RETAINING MIRROR 5/16" TIP |
| 15A | 084412-01-000 | EA | SUPPORT/HINGE KIT (LEFT & RIGHT HINGES) |

INTERIOR FINISH GROUP (CONTINUED) HARDWARE (CONTINUED)



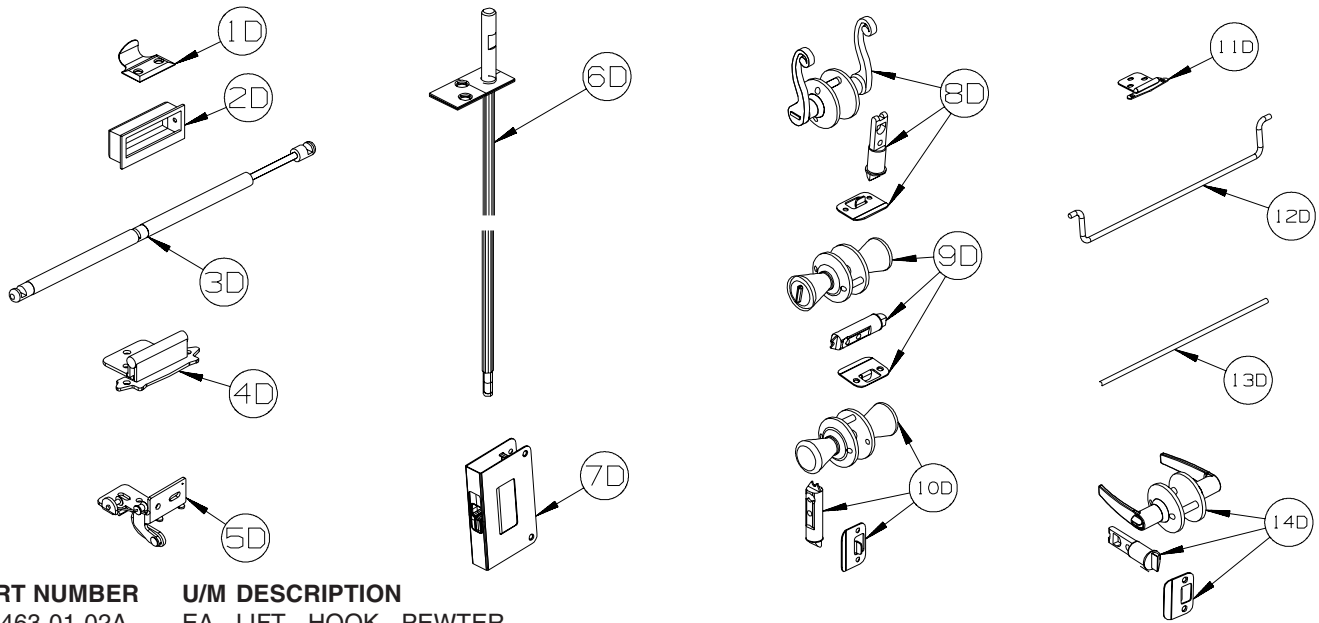
| KEY | PART NUMBER | U/M | DESCRIPTION |
|-----|---------------|-----|---|
| 1B | 084413-01-000 | EA | HINGE - 1" X 72" - ALUMINUM - W/HOLES |
| 2B | 084451-01-000 | EA | CATCH & LATCH - 1.7" - BRASS |
| 3B | 092907-01-000 | EA | SUPPORT - SHELF - PIN - 1/4" - CLEAR PLASTIC |
| 4B | 093586-03-000 | EA | CATCH - SPRING ROLLER - .377" |
| 4B | 093586-06-000 | EA | CATCH - W/STRIKE - SPRING ROLLER .236"/SPRINT STEEL .943" |
| 5B | 093586-04-000 | EA | STRIKE - SPRING STEEL - 1.14" |
| 6B | 096826-01-01A | EA | BRACE - CABINET - 2" - E-COATED |
| 6B | 096826-02-01A | EA | BRACE - CABINET - 1" - E-COATED |
| 7B | 097872-04-000 | EA | DOWEL - WOOD - 1" DIAMETER X 1.38" LONG - UNFINISHED |
| 8B | 098196-01-000 | EA | LATCH - 1/4 TURN - T-BAR |
| 9B | 098979-01-000 | EA | CLIP - ADJUSTABLE SHELF |
| 10B | 098980-01-000 | EA | PILASTER - ADJUSTABLE SHELF - 18" |
| 10B | 098980-02-000 | EA | PILASTER - ADJUSTABLE SHELF - 12" |
| 10B | 098980-03-000 | EA | PILASTER - ADJUSTABLE SHELF - 9" |
| 10B | 098980-04-000 | EA | PILASTER - ADJUSTABLE SHELF - 48" |
| 10B | 098980-05-000 | EA | PILASTER - ADJUSTABLE SHELF - 15" |
| 10B | 098980-06-000 | EA | PILASTER - ADJUSTABLE SHELF - 24" |
| 11B | 102920-01-02A | EA | HINGE - SPRING LOADED - NICKEL |
| 11B | 129753-01-01A | EA | HINGE - SPRING LOADED - 19" X 19" - BLACK |
| 12B | 103256-01-000 | EA | LATCH COMPLETE (SLIDE) |
| 13B | 103874-01-000 | EA | HANGER - SLIDING DOOR |
| 14B | 104181-01-01A | EA | SUPPORT - LEAF 5.3" EXTENDS TO 7.5" - SAFETY RING - METAL |
| 15B | 108126-01-000 | EA | TRAY HINGE SET (QTY. 2 PER SET) |
| 16B | 100710-01-02A | EA | LOCK - GLASS DOOR/TWIST TYPE - NICKEL |
| 17B | 100711-01-02A | EA | HINGE - GLASS DOOR - BLACK |

INTERIOR FINISH GROUP (CONTINUED)
HARDWARE (CONTINUED)



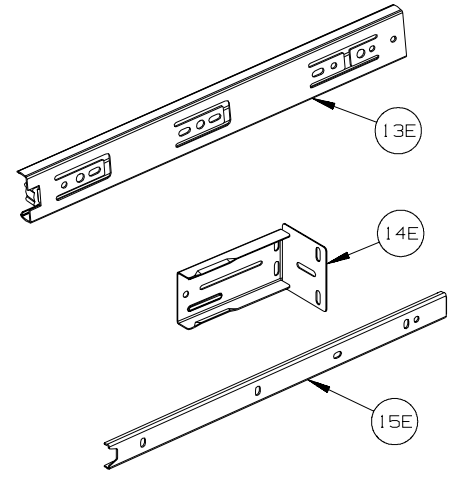
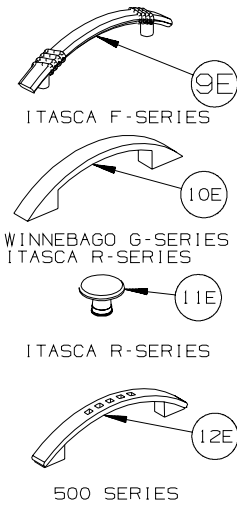
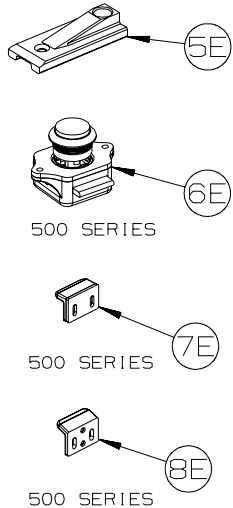
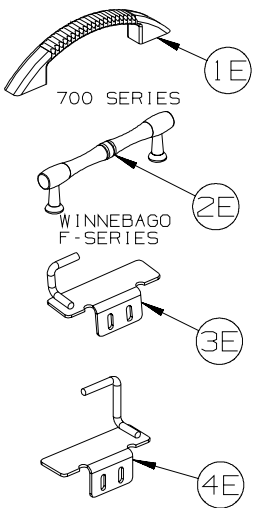
| KEY | PART NUMBER | U/M | DESCRIPTION |
|-----|---------------|-----|--|
| 1C | 110496-01-02A | EA | HINGE - NICKEL - 2" X 32" |
| 1C | 110496-06-02A | EA | HINGE - NICKEL - 2" X 9.5" |
| 1C | 158921-01-04B | EA | HINGE - PIANO - TRUNK DOOR - 2" X 21.9" - BLACK |
| 2C | 111866-01-02A | EA | BRACE - SEAT - ANGLE - OFF WHITE |
| 3C | 114443-02-01A | EA | HINGE - CABINET DOOR - W/O CLIP - SILVER |
| 4C | 114443-03-01A | EA | CLIP - HINGE/CABINET DOOR - SILVER |
| 5C | 117095-02-01A | EA | LATCH - DOOR - GRABBER W/KEEPER - PLASTIC - BLK-10 LB PULL |
| 5C | 117095-03-01A | EA | LATCH - DOOR - GRABBER W/KEEPER - PLASTIC - BLK-15 LB PULL |
| 6C | 118200-01-01A | SF | MESH - PLASTIC 1/2" - 48" X LENGTH = SF - BLACK |
| 7C | 122717-06-01A | FT | PAD - NON-SKID - PSA - 5"W |
| 8C | 126263-06-02B | EA | BRACKET - GAS SPRING W/INSIDE BALL STUD - E-COATED |
| 9C | 126263-05-02B | EA | BRACKET - GAS SPRING W/BALL STUD - E-COATED |
| 9C | 126263-08-02B | EA | BRACKET - GAS SPRING W/CENTERED BALL STUD - E-COATED |
| 10C | 130798-01-02B | EA | GUIDE - POCKET DOOR - E-COATED |
| 11C | 134099-01-02A | EA | HINGE - PIANO - WRAP AROUND - 15.7" - NICKEL PLATED |
| 12C | 135538-03-02A | EA | HINGE - PIANO - FULL WRAP - 15.7" - CHROME |
| 12C | 135538-07-02A | EA | HINGE - PIANO - FULL WRAP - 9.8" - CHROME |
| 13C | 137445-03-T78 | EA | STOP - F/SLIDING DOOR - CONCERT CHERRY |
| 13C | 137445-03-T79 | EA | STOP - F/SLIDING DOOR - WASHED MAPLE |
| 13C | 137445-03-T80 | EA | STOP - F/SLIDING DOOR - SIERRA MAPLE |

INTERIOR FINISH GROUP (CONTINUED)
HARDWARE (CONTINUED)



| KEY | PART NUMBER | U/M | DESCRIPTION |
|-----|---------------|-----|--|
| 1D | 137463-01-02A | EA | LIFT - HOOK - PEWTER |
| 2D | 139136-02-02A | EA | HANDLE - .35" RECESSED - PEWTER |
| 3D | 142569-07-000 | EA | SPRING/GAS - 20 LB - 20" EXTENDED/12" COMPRESSED |
| 3D | 142569-15-000 | EA | SPRING/GAS - 120 LB - 20" EXTENDED/12" COMPRESSED |
| 3D | 142569-16-000 | EA | SPRING/GAS - 90 LB - 20" EXTENDED/12" COMPRESSED |
| 3D | 142569-29-000 | EA | SPRING/GAS - 20 LB - 9.9" EXTENDED/5.9" COMPRESSED |
| 3D | 142569-31-000 | EA | SPRING/GAS - 30 LB - 11.8" EXTENDED/7.3" COMPRESSED |
| 4D | 143468-02-03A | EA | HINGE - SELF CLOSING - SATIN NICKEL |
| 4D | 143468-02-04A | EA | HINGE - SELF CLOSING - OIL RUBBED BRONZE |
| 4D | 143468-02-05A | EA | HINGE - SELF CLOSING - RUSTIC BRASS |
| 5D | 144488-01-01A | EA | HINGE - CABINET - ANTIQUE BRASS |
| 5D | 144488-01-02A | EA | HINGE - CABINET - NICKEL |
| 6D | 145939-05-02A | EA | ROD/LATCH - AISLE DOOR - NICKEL |
| 7D | 145939-04-02A | EA | LATCH/SLIDE - AISLE DOOR(1" THICK DOOR)-NICKEL/BLACK SLIDE |
| 7D | 145939-04-03A | EA | LATCH/SLIDE - AISLE DOOR(1" THICK DOOR)-OIL RUBBED BRONZE |
| 8D | 146064-01-02A | EA | LOCK/PRIVACY (LOCKING) LEVER STYLE - SATIN PEWTER |
| 8D | 146064-02-02A | EA | LOCK/PASSAGE (NON LOCKING) LEVER STYLE - PEWTER |
| 9D | 146064-05-01A | EA | LOCK/PRIVACY (LOCKING) "TULIP" STYLE KNOB - SATIN NICKEL |
| 10D | 146064-06-01A | EA | LOCK/PASSAGE (NON LOCKING) "TULIP" STYLE KNOB-SATIN NICKEL |
| 11D | 146553-01-03A | EA | HINGE - CABINET DOOR - SATIN NICKEL |
| 12D | 146801-01-02A | EA | ROD/TOWEL BAR (OFFSET) - PEWTER |
| 13D | 146840-03-02A | EA | ROD - .25" X 11.7" - PEWTER |
| 13D | 146840-04-02A | EA | ROD - .25" X 13.1" - PEWTER |
| 14D | 146064-08-01A | EA | LOCK/PASSAGE (NON LOCKING) LEVER STYLE - SATIN NICKEL |
| 14D | 146064-07-01A | EA | LOCK/PRIVACY (LOCKING) LEVER STYLE - SATIN NICKEL |

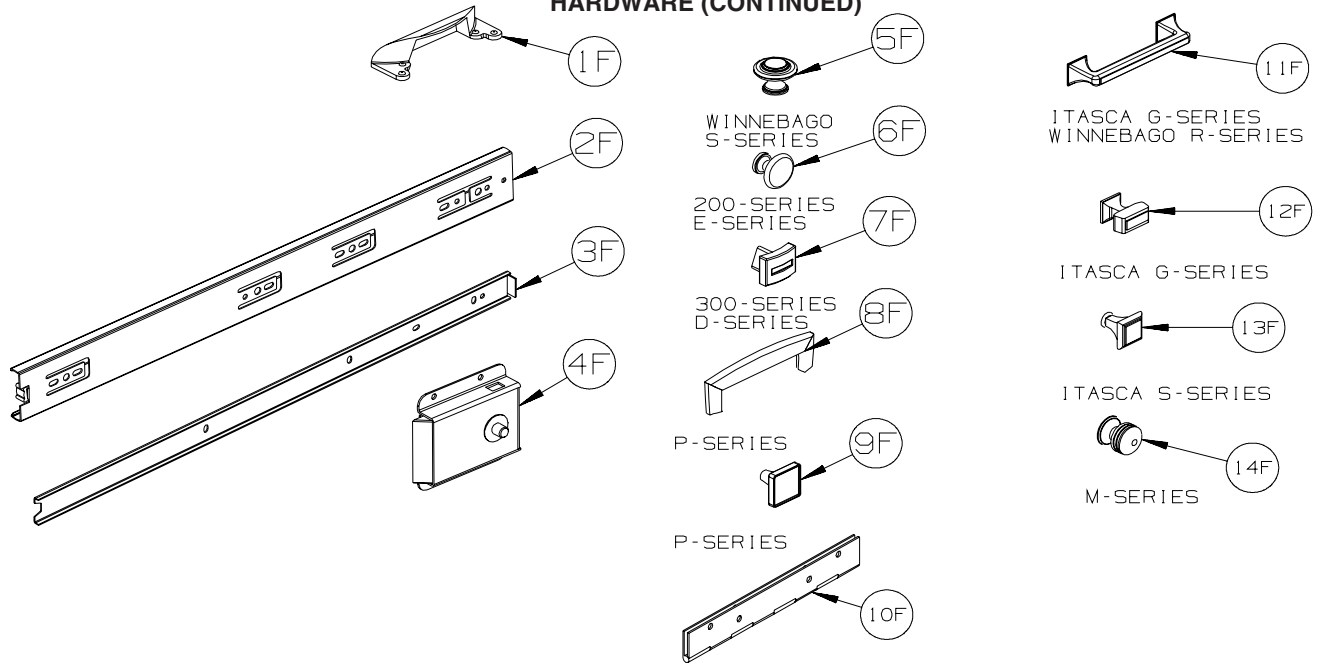
INTERIOR FINISH GROUP (CONTINUED) HARDWARE (CONTINUED)



| KEY | PART NUMBER | U/M | DESCRIPTION |
|-----|---------------|-----|---|
| 1E | 148816-01-02A | EA | PULL - CABINET DOOR - NICKEL - ASPECT, CAMBRIA 700-SERIES/ADVENTURER LIMITED EDITION |
| 2E | 149090-01-02A | EA | PULL - CABINET DOOR - NICKEL - VOYAGE F-SERIES |
| 3E | 149607-01-02B | EA | GUIDE - F/POCKET DOOR - 1.6" BENT ROD - E-COATED |
| 3E | 149607-03-02B | EA | GUIDE - F/POCKET DOOR - 2.9" BENT ROD - E-COATED |
| 4E | 149607-04-02B | EA | GUIDE - F/POCKET DOOR - E-COATED |
| 5E | 150983-01-01A | EA | STRIKE/BLOCK - WEDGE STYLE - F/SLIDE DOOR - 3" X 1.2" - BLACK |
| 6E | 151380-01-01A | EA | LATCH - CBNT DR - PUSH BTN - VIEW & NAVION 500-SERIES |
| 6E | 151380-01-02A | EA | LATCH - CABINET DOOR - PUSH BUTTON - BLACK - TOUR & ELLIPSE R-SERIES |
| 7E | 151380-02-01A | EA | STRIKE - CABINET DOOR - VIEW & NAVION 500-SERIES |
| 8E | 151380-03-01A | EA | STRIKE - CABINET DOOR - VIEW & NAVION 500-SERIES |
| 9E | 152302-01-01A | EA | PULL - CABINET DOOR - SATIN NICKEL - SUNRISE F-SERIES |
| 10E | 152304-01-01A | EA | PULL - CABINET DOOR - BRONZE- ADVENTURER G-SERIES, ELLIPSE R-SERIES |
| 11E | 152305-01-01A | EA | KNOB - DOOR/DRAWER - BRONZE - ELLIPSE R-SERIES |
| 12E | 152950-01-01A | EA | PULL - DOOR/DRAWER - BRUSHED NICKEL - VIEW & NAVION 500-SERIES |
| 13E | 153000-01-01A | EA | SLIDE - CABINET MOUNT - 11.8" |
| 13E | 153000-03-01A | EA | SLIDE - CABINET MOUNT - 13.8" |
| 13E | 153000-05-01A | EA | SLIDE - CABINET MOUNT - 15.7" |
| 13E | 153000-07-01A | EA | SLIDE - CABINET MOUNT - 17.7" |
| 13E | 153000-09-01A | EA | SLIDE - CABINET MOUNT - 19.7" |
| 13E | 153000-11-01A | EA | SLIDE - CABINET MOUNT - 21.6" |
| 13E | 153000-14-01A | EA | SLIDE - CABINET MOUNT - 23.6" |
| 13E | 153000-16-01A | EA | SLIDE - CABINET MOUNT - 7.9" |
| 13E | 153000-18-01A | EA | SLIDE - CABINET MOUNT - 9.8" |
| 13E | 153000-20-01A | EA | SLIDE - CABINET MOUNT - 25.6" |
| 14E | 153000-13-01A | EA | BACKSOCKET - DRAWER SLIDE |
| 15E | 153000-02-01A | EA | SLIDE - DRAWER MOUNT - 11.8" |
| 15E | 153000-04-01A | EA | SLIDE - DRAWER MOUNT - 13.8" |
| 15E | 153000-06-01A | EA | SLIDE - DRAWER MOUNT - 15.7" |
| 15E | 153000-08-01A | EA | SLIDE - DRAWER MOUNT - 17.7" |
| 15E | 153000-10-01A | EA | SLIDE - DRAWER MOUNT - 19.7" |
| 15E | 153000-12-01A | EA | SLIDE - DRAWER MOUNT - 21.6" |
| 15E | 153000-15-01A | EA | SLIDE - DRAWER MOUNT - 23.4" |
| 15E | 153000-17-01A | EA | SLIDE - DRAWER MOUNT - 7.7" |
| 15E | 153000-19-01A | EA | SLIDE - DRAWER MOUNT - 9.6" |
| 15E | 153000-21-01A | EA | SLIDE - DRAWER MOUNT - 25.4" |

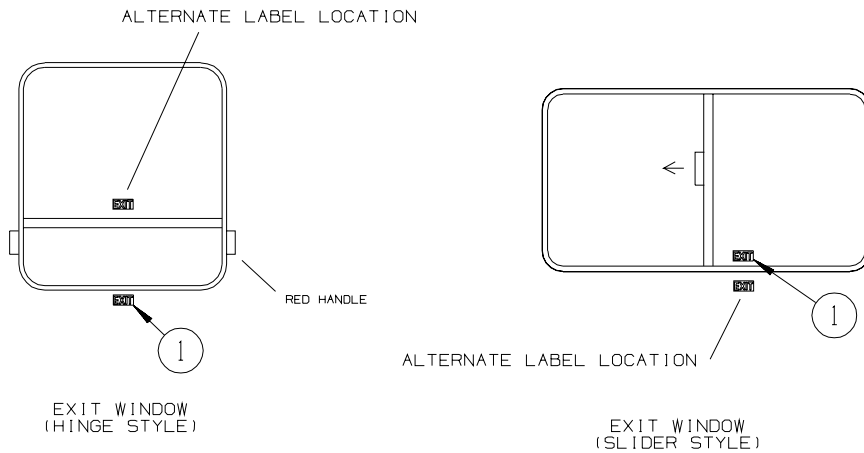
INTERIOR FINISH GROUP (CONTINUED)

HARDWARE (CONTINUED)

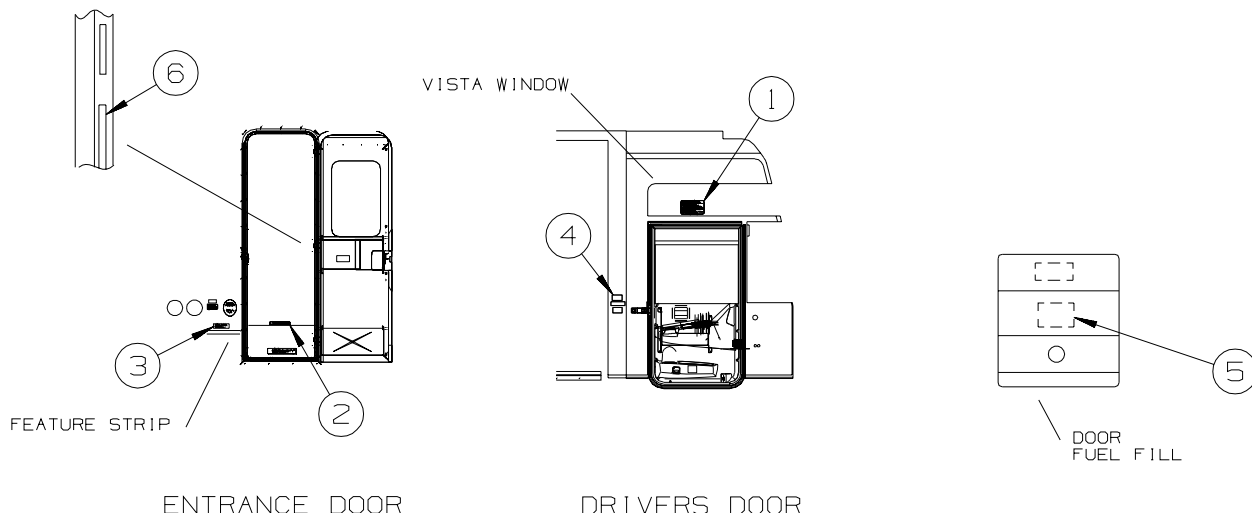


| KEY | PART NUMBER | U/M | DESCRIPTION |
|-----|---------------|-----|---|
| 1F | 153308-01-01A | EA | PULL - VANITY STOOL - SATIN NICKEL |
| 2F | 153352-01-01A | EA | SLIDE - PANTRY - 19.7" - CABINET MOUNT |
| 3F | 153352-02-01A | EA | SLIDE - PANTRY - 19.5" - DRAWER MOUNT |
| 4F | 153353-01-01A | EA | LATCH - SLIDING/FLUSH - BLACK |
| 5F | 155803-01-01A | EA | KNOB CABINET DOOR - WROUGHT IRON - VECTRA S-SERIES |
| 6F | 155925-01-01A | EA | KNOB - DOOR/DRW - SATIN NICKEL - ACCESS & IMPULSE 200-SERIES/ VISTA & SUNSTAR E-SERIES |
| 7F | 156579-01-01A | EA | KNOB - DOOR/DRW - PEWTER - OUTLOOK & SPIRIT 300-SERIES/ SIGHTSEER & SUNOVA D-SERIES |
| 8F | 157246-01-01A | EA | PULL - CABINET DOOR/DRAWER - SATIN NICKEL - JOURNEY & MERIDIAN P-SERIES |
| 9F | 157246-02-01A | EA | KNOB - CABINET DOOR/DRAWER-SATIN NICKEL - JOURNEY & MERIDIAN P-SERIES |
| 10F | 158982-01-04B | EA | HINGE - CONTINUOUS - 2" X 8" - BLACK |
| 10F | 158982-01-01A | EA | HINGE - CONTINUOUS - 2" X 8" - ZINC |
| 11F | 162033-01-01A | EA | PULL - CABINET DOOR - BRUSHED NICKEL - SUNCRUISER G-SERIES, TOUR R-SERIES |
| 12F | 162033-02-01A | EA | KNOB - CABINET DOOR - BRUSHED NICKEL - SUNCRUISER G-SERIES |
| 13F | 162518-01-01A | EA | KNOB - DOOR/DRAWER - SATIN NICKEL - HORIZON S-SERIES |
| 14F | 163095-01-01A | EA | KNOB - CABINET DOOR - SATIN NICKEL - DESTINATION & LATTITUDE M-SERIES |

LABELS GROUP



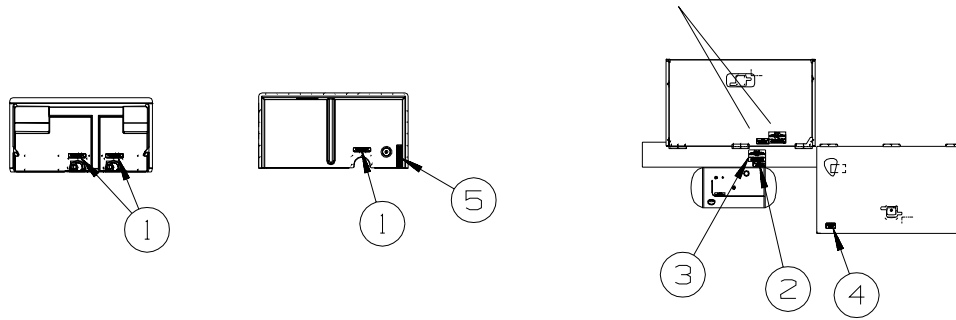
| KEY | PART NUMBER | U/M DESCRIPTION |
|-----|---------------|---------------------------|
| 1 | 039290-01-000 | EA LABEL - WARNING - EXIT |



| KEY | PART NUMBER | U/M DESCRIPTION |
|-----|---------------|---|
| 1 | 056259-01-000 | EA LABEL - SAFETY CHECK LIST |
| 2 | 065748-01-000 | EA LABEL - WARNING - BATTERY CHARGING - UL |
| 3 | 099509-01-000 | EA LABEL - AWNING INSTALLATION |
| 4 | 099689-01-000 | EA LABEL - WARNING - CANCER/TOXICITY |
| 5 | 124519-01-02A | EA LABEL - WARNING/REFUELING - WHITE ON CLEAR |
| 5 | 124519-02-02A | EA LABEL - WARNING/REFUELING - WHITE ON CLEAR - CSA |
| 5 | 124519-02-01A | EA LABEL - WARNING/REFUELING - BLACK ON CLEAR - CSA |
| 6 | 135869-01-01A | EA LABEL - MERCURY CONTENT - BLACK ON CLEAR |
| 6 | 135869-01-02A | EA LABEL - MERCURY CONTENT - WHITE ON CLEAR |

LABELS GROUP (CONTINUED)

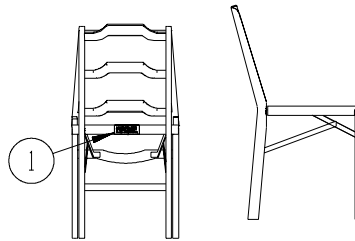
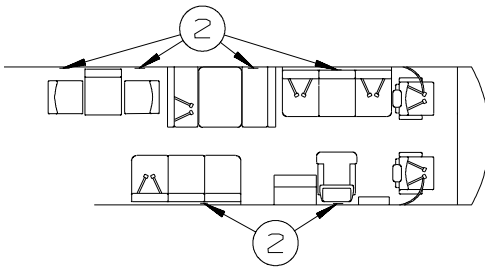
ALTERNATE LOCATION
(WHEN NOT ROOM ON SEAL PLANE)



TYPICAL UTILITY ACCESS

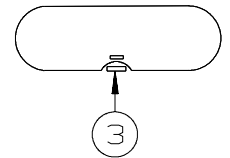
| KEY | PART NUMBER | U/M | DESCRIPTION |
|-----|---------------|-----|--|
| 1 | 123562-01-000 | EA | LABEL - SERVICE/UTILITY ACCESS |
| 2 | 124519-01-02A | EA | LABEL - WARNING/REFUELING - WHITE ON CLEAR |
| 2 | 124519-02-02A | EA | LABEL - WARNING/REFUELING - WHITE ON CLEAR - CSA |
| 2 | 124519-02-01A | EA | LABEL - WARNING/REFUELING - BLACK ON CLEAR - CSA |
| 3 | 124520-01-01A | EA | LABEL - LP GAS ONLY - BLACK ON CLEAR |
| 3 | 124520-01-02A | EA | LABEL - LP GAS ONLY - WHITE ON CLEAR |
| 3 | 023769-01-000 | EA | LABEL - WARNING - LPG - CANADIAN |
| 4 | 125306-04-01A | EA | LABEL - ELECTRICAL ENTRANCE-120/20V 50 AMP-BLACK ON CLEAR |
| 4 | 125306-04-02A | EA | LABEL - ELECTRICAL ENTRANCE-120/240V 50 AMP-WHITE ON CLEAR |
| 5 | 147845-01-01A | EA | LABEL - DRIP VALVE |

TYPICAL SEAT AND BELT CONFIGURATIONS



FOLDING CHAIRS

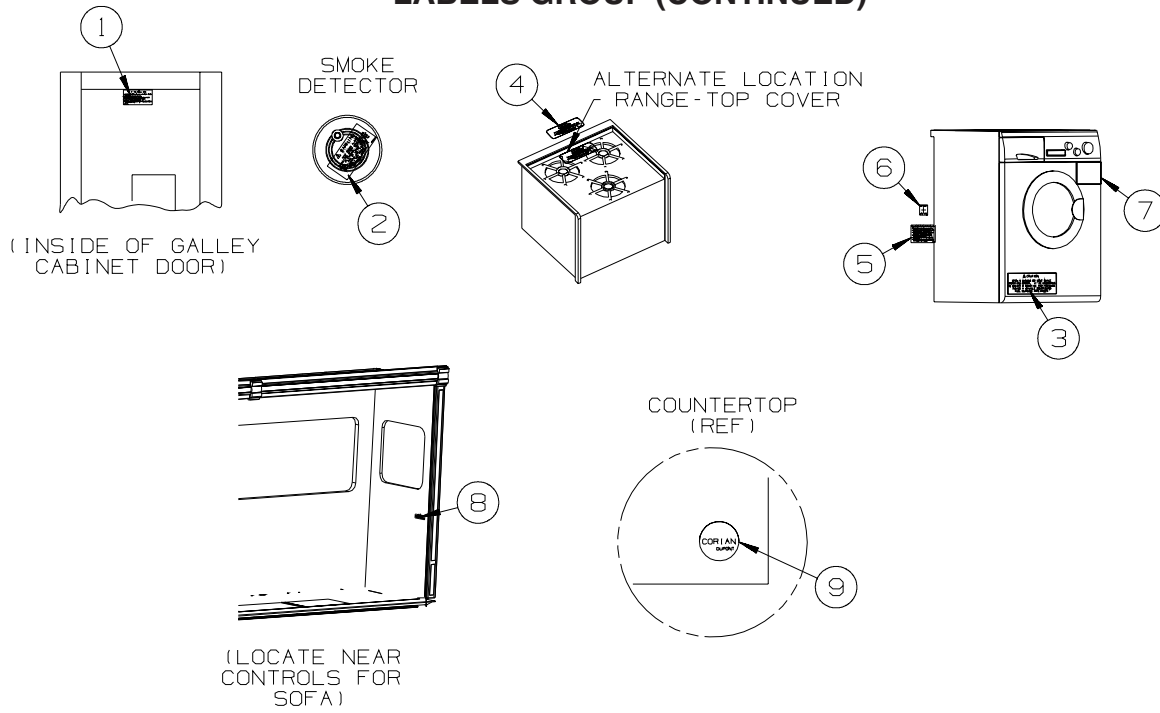
FORD ONLY
INSTRUMENT CLUSTER
REF



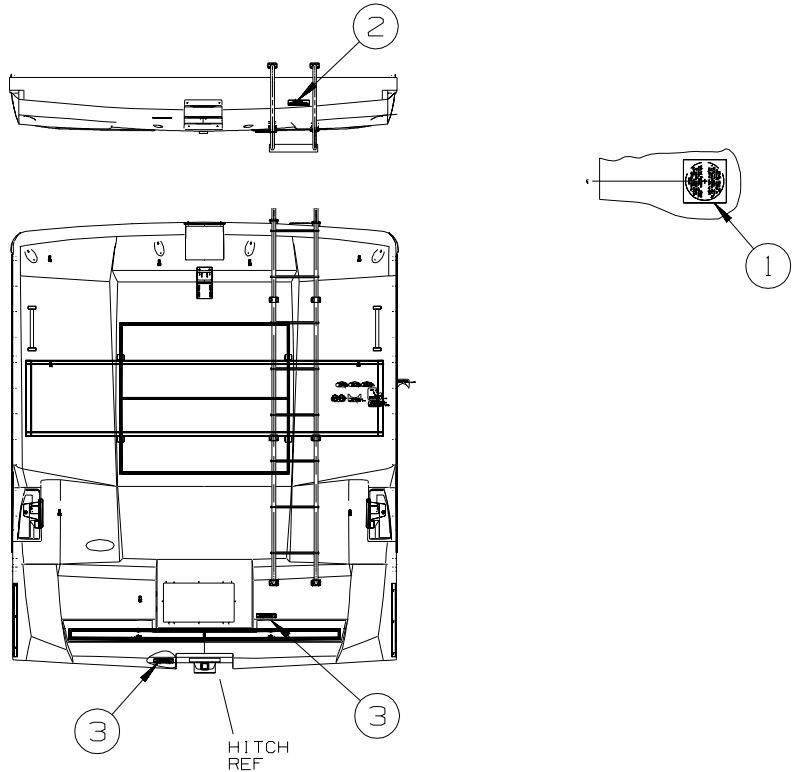
ATTACH LABEL ON OR NEXT TO:
 *ANY SINGLE CHAIR WITHOUT BELTS.
 *ANY DINETTE SEAT WITHOUT BELTS.
 *ANY COUCH WITHOUT BELTS OR ANY SEATING POSITION ON THAT COUCH.
 DO NOT ATTACH LABEL IF:
 *DINETTE SEAT HAS AT LEAST ONE SET OF BELTS INSTALLED.

| KEY | PART NUMBER | U/M | DESCRIPTION |
|-----|---------------|-----|---|
| 1 | 134537-01-01A | EA | LABEL - OCCUPANCY - CHAIR - US |
| 1 | 134537-02-01A | EA | LABEL - OCCUPANCY - CHAIR - CSA - CANADIAN |
| 2 | 134538-01-01A | EA | LABEL - OCCUPANCY - NO SEAT BELT - BLACK ON CLEAR - US |
| 2 | 134538-02-01A | EA | LABEL - OCCUPANCY - NO SEAT BELT - BLACK ON CLEAR - CSA |
| 3 | 155692-01-02A | EA | LABEL - ODOMETER - READ IN MILE - WHITE/CLEAR |

LABELS GROUP (CONTINUED)

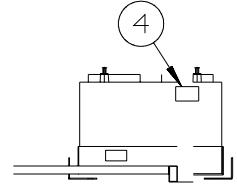
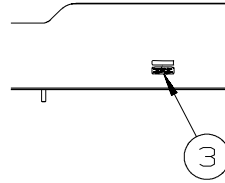
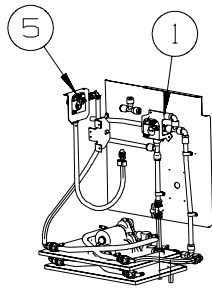
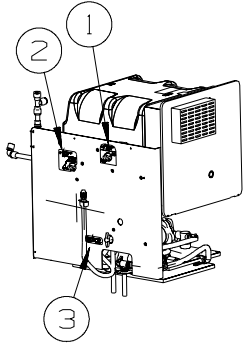


| KEY | PART NUMBER | U/M | DESCRIPTION |
|-----|---------------|-----|---|
| 1 | 073998-01-000 | EA | LABEL - LPG/ODOR WARNING |
| 2 | 077956-01-000 | EA | LABEL - WARNING/SMOKE DETECTOR |
| 3 | 130670-01-01A | EA | LABEL - CAUTION DRYER VENTING - BLACK ON CLEAR |
| 4 | 134539-01-01A | EA | LABEL - WARNING - STOVE/HEATING - US - BLACK ON CLEAR |
| 4 | 134540-01-01A | EA | LABEL - WARNING - STOVE/HEATING - CSA - BLACK ON CLEAR - CANADIAN |
| 5 | 147524-01-000 | EA | LABEL - DRYER VENTING |
| 6 | 147525-01-000 | EA | LABEL - DRYER VENT CUTOUT |
| 7 | 153640-01-01A | EA | LABEL - WINTERIZATION - WASHER/DRYER |
| 8 | 137260-01-01A | EA | LABEL - WARNING - REST EASY SOFA - BLACK ON CLEAR |
| 9 | 144040-02-02A | EA | MEDALLION/ROUND - COUNTERTOP/CORIAN - NICKEL |



| KEY | PART NUMBER | U/M | DESCRIPTION |
|-----|---------------|-----|--|
| 1 | 120431-01-000 | EA | LABEL - LOCATION - COAXIAL CABLE/SATELLITE ANTENNA |
| 2 | 163705-01-01A | EA | LABEL - WARNING - ROOF SLIPPERY - BLACK ON WHITE |
| 3 | 129669-02-01A | EA | LABEL - HITCH/VEHICLE RATE - 500 - WHITE ON CLEAR |

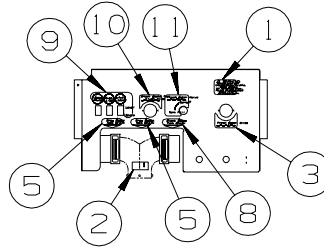
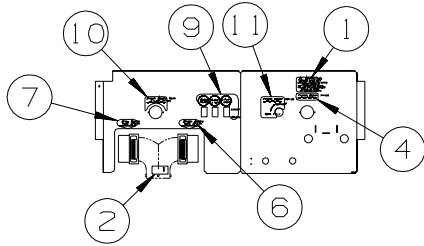
LABELS GROUP (CONTINUED)



G38J ONLY

WATER PUMP COMPARTMENT
(G38J ONLY)

| KEY | PART NUMBER | U/M | DESCRIPTION |
|-----|---------------|-----|---|
| 1 | 152539-01-01A | EA | LABEL - BYPASS |
| 2 | 152545-01-01A | EA | LABEL - WINTERIZATION |
| 3 | 154302-01-01A | EA | LABEL - FRESH WATER DRAIN - PANTONE/CLEAR |
| 4 | 125320-01-01A | EA | FILM - PROTECTIVE |
| 5 | 152545-01-01A | EA | LABEL - WINTERIZATION |



G38T ONLY

| KEY | PART NUMBER | U/M | DESCRIPTION |
|-----|---------------|-----|--|
| 1 | 128725-02-01A | EA | LABEL - POTABLE WATER ONLY - BLACK ON CLEAR |
| 2 | 144649-01-01A | EA | LABEL - ADJUSTABLE VALVE - WHITE ON CLEAR |
| 3 | 152538-01-01A | EA | LABEL - FRESH WATER - PANTONE/CLEAR |
| 4 | 152538-02-01A | EA | LABEL - FRESH WATER - PANTONE/CLEAR |
| 5 | 152541-03-01A | EA | LABEL - GRAY WASTE |
| 6 | 152543-03-01A | EA | LABEL - BLACK WASTE |
| 6 | 152541-03-01A | EA | LABEL - GRAY WASTE - G35A |
| 7 | 152541-03-01A | EA | LABEL - GRAY WASTE |
| 7 | 152543-03-01A | EA | LABEL - BLACK WASTE - G35A |
| 8 | 152543-03-01A | EA | LABEL - BLACK WASTE |
| 9 | 152544-06-01A | EA | LABEL - SWITCHES - WTR PUMP/LIGHT/AUTO LVL-W/LVL/STORE DWN |
| 10 | 152546-01-01A | EA | LABEL - TANK FLUSH - PANTONE/CLEAR |
| 11 | 152548-01-01A | EA | LABEL - VALVE/FRESH |

**LP GROUP
LP SYSTEM**

| KEY | PART NUMBER | U/M | DESCRIPTION |
|-----|---------------|-----|--|
| | 010265-01-000 | EA | ELBOW - BRASS - 90 DEGREE - 3/8"F X 1/2"FPT |
| | 010323-01-000 | EA | ADAPTER - 3/8"F X 1/2"MPT - BRASS |
| | 010326-01-000 | EA | ADAPTER - FLARE - W/CONE GASKET - 3/8"F X 1/2"F |
| | 010329-01-000 | EA | ADAPTER - 1/2"F X 1/2"MPT - BRASS |
| | 010377-02-000 | EA | NUT - 3/8" FLARE - FORGED - BRASS |
| | 010380-02-000 | EA | NUT - 1/2" FLARE - FORGED - BRASS |
| | 010589-01-000 | EA | NIPPLE - PIPE - 1/2" X 1 1/2" - BLACK |
| | 024250-01-000 | EA | ADAPTER - BRASS - 3/8"F X 1/2"FPT |
| | 040440-03-000 | EA | TRANSMITTER - DIAL/SNAP-ON - 0-90 OHM 2 TERM(POWER/GROUND) |
| | 045703-01-000 | EA | HOSE - LP - 3/8"ID X 24" - 3/8"MPT X 1/2"F SWIVEL - U.S. |
| | 045703-02-000 | EA | HOSE - LP - 3/8"ID X 24" - 3/8"MPT X 1/2"F SWIVEL - CANADA |
| | 045703-05-000 | EA | HOSE - LP - 3/8"ID X 28" - 3/8"MPT X 1/2"F SWIVEL - US |
| | 045703-06-000 | EA | HOSE - LP - 3/8"ID X 28" - 3/8"MPT X 1/2"F SWIVEL - CSA - CANADA |
| | 045703-14-000 | EA | HOSE - LP - 3/8"ID X 157.5" - 1/2"F SWIVEL X 1/2"F SWIVEL |
| | 045703-15-000 | EA | HOSE - LP - 3/8"ID X 142" - 1/2"F SWIVEL X 3/8"F SWIVEL |
| | 045703-31-000 | EA | HOSE - LP - 3/8"ID X 214" - 1/2"F SWIVEL X 3/8"M FL US/CSA |
| | 106150-05-000 | EA | REGULATOR - TWO STAGE |
| | 144485-01-000 | EA | COMPARTMENT - LP REGULATOR |
| * | 144116-01-000 | EA | TANK - LP - 100 LB - 14"D X 47"L |

***COMPONENT PARTS LISTED LATER IN THIS GROUP**

COMPONENT PARTS FOR LP SYSTEM

144116-01-000

| KEY | PART NUMBER | U/M | DESCRIPTION | VENDOR NO. |
|-----|---------------|-----|------------------------------|---------------------|
| | 040421-01-712 | EA | VALVE-SERV. W/O VAPOR RELIEF | V20373/V21202 |
| | 040421-01-713 | EA | VALVE-RELIEF 1" W/SPRING 7" | V12560/V21207 |
| | 088253-09-700 | EA | SENDING UNIT-F/SNAP ON DIAL | G13062=SG14C0001466 |
| | 144116-01-700 | EA | VALVE-OUTAGE(NO STEM REMOVE) | V20058 |
| | 144116-01-701 | EA | VALVE/FILL 80 % W/YELLOW CAP | V13414 |

SEALANTS & FASTENERS GROUP
SEALANTS & ADHESIVES

| KEY | PART NUMBER | U/M | DESCRIPTION |
|-----|---------------|-----|--|
| | 010405-02-000 | EA | TAPE - THREAD SEALING - 3/8" |
| | 064075-07-000 | FT | SEAL - BULB - W/WIRED U CHANNEL - .3" X .5" CHANNEL-BLACK |
| | 067788-01-000 | EA | ADHESIVE - SPRAY - 3M - 19.5 OZ AEROSOL CAN |
| | 069640-01-000 | FT | SEALER - RIBBON - 1/4"DIAMETER X 30 FT - BLACK OR GRAY |
| | 069640-02-000 | FT | SEALER - TAPE - 1/8"THICK X 1/2"WIDE X 60 FT - GRAY |
| | 069640-03-000 | FT | SEALER - TAPE - 1/8"THICK X 3/4"WIDE X 60 FT - BLACK |
| | 069640-07-000 | FT | SEALER - TAPE - 3/32"THICK X 2"WIDE X 45 FT - GRAY |
| | 069640-09-000 | FT | SEALER - TAPE - 1/32"THICK X 2 1/2"WIDE X 80 FT - BRT WHT |
| | 069640-10-000 | FT | SEALER - TAPE - 1/32"THICK X 1 1/2"WIDE X 90 FT - GRAY |
| | 069640-11-000 | FT | SEALER - TAPE - 3/16"THICK X 3/8"WIDE X 40 FT - BLACK |
| | 069640-13-000 | FT | SEALER - TAPE - 3/32"THICK X 2"WIDE X 45 FT - BLACK |
| | 069640-14-000 | FT | SEALER - TAPE - 1/16"THICK X 1"WIDE X 100 FT - BLACK |
| | 069640-15-000 | FT | SEALER - TAPE - 1/16"THICK X 3/8"WIDE X 100 FT - BRT WHT |
| | 069640-17-000 | FT | SEALER - TAPE - 1/32"THICK X 1"WIDE X 150 FT - GRAY |
| | 069640-18-000 | FT | SEALER - TAPE - 1/8"THICK X 1/2"WIDE X 60 FT - BRT WHT |
| | 069640-19-000 | FT | SEALER - TAPE - 1/8"THICK X 3/4"WIDE X 60 FT - BRT WHT |
| | 069640-20-000 | FT | SEALER - TAPE - 1/8"THICK X 1/2"WIDE X 60 FT - BLACK |
| | 069640-21-000 | FT | SEALER - TAPE - 1/16"THICK X 1/2"WIDE X 100 FT - BRT WHT |
| | 069640-22-000 | FT | SEALER - TAPE - 1/32"THICK X 1/4"WIDE X 200 FT - BRT WHT |
| | 069640-23-000 | FT | SEALER - TAPE - 1/16"THICK X 3/4"WIDE X 100 FT - BRT WHT |
| | 069640-27-000 | FT | SEALER - TAPE - 1/16"THICK X 2 1/4"WIDE X 50 FT - BRT WHT |
| | 069640-28-000 | FT | SEALER - TAPE - 1/32"THICK X 1 7/8"WIDE X 90 FT - GRAY |
| | 069640-30-000 | FT | SEALER - TAPE - 1/32"THICK X 5/8"WIDE X 50 FT - GRAY |
| | 069640-31-000 | FT | SEALER - TAPE - 1/4"THICK X 3/4"WIDE X 15 FT - BLACK |
| | 069640-32-000 | FT | SEALER - TAPE - 1/16"THICK X 3/8"WIDE X 100 FT - BLACK |
| | 069640-33-000 | FT | SEALER - RIBBON - 3/8"DIAMETER X 20 FT - BLACK |
| | 069640-34-000 | FT | SEALER - RIBBON - 1/4"DIAMETER X 30 FT - BRIGHT WHITE |
| | 069640-36-000 | EA | SEALER - TAPE - 1/16"THICK X 1/2"WIDE X 100 FT - BLACK |
| | 069640-37-000 | FT | SEALER - TAPE - 1/16"THICK X 3/4"WIDE X 100 FT - BLACK |
| | 069640-38-000 | FT | SEALER - TAPE - 1/16"THICK X 3/4"WIDE X 100 FT - BRT WHT |
| | 069640-39-000 | FT | SEALER - TAPE - 1/16"THICK X 3"WIDE X 50 FT - BRT WHT |
| | 069640-40-000 | FT | SEALER - TAPE - 1/16"THICK X 3"WIDE X 50 FT - BRT WHT |
| | 072889-28-000 | EA | SEALANT/URETHANE-10 OZ TUBE W/NOZZLE-SELF LEVELING-BRT WHT |
| | 072889-31-000 | EA | SEALANT/URETHANE-10 OZ TUBE W/NOZZLE-SELF LEVELING - BLACK |
| | 076322-02-000 | FT | TAPE-DOUBLE COATED/ADHESIVE BK-.05"THK X 1"W X 108' - WHT |
| | 076322-03-000 | FT | TAPE-DOUBLE COATED/ADHESIVE BK-.05"THK X .5"W X 108' - WHT |
| | 076322-05-000 | FT | TAPE-DOUBLE COATED/ADHESIVE BK-.05"THK X .8"W X 108' - WHT |
| | 076322-07-000 | FT | TAPE-DOUBLE COATED/ADHESIVE BK-.05"THK X .5"W X 200' - BLK |
| | 076322-13-000 | FT | TAPE - FOAM/DOUBLE COATED - .020"THK X .75"W - CLEAR |
| | 076322-21-000 | FT | TAPE - FOAM/DOUBLE COATED - .045"THK X .50"W |
| | 076322-22-000 | FT | TAPE - FOAM/DOUBLE COATED - .045"THK X .75"W |
| | 076322-23-000 | FT | TAPE - FOAM/DOUBLE COATED - .045"THK X 1"W |
| | 076322-25-000 | FT | TAPE - FOAM/DOUBLE COATED - .025"THK X .5"W |
| | 086276-01-000 | EA | TAPE - DOUBLE SIDED - 1/2" WIDE X 108' LONG (SOLD BY ROLL) |
| | 088479-01-000 | EA | TAPE - ALUMINUM - 3" |
| | 090340-01-000 | FT | SEAL - FOAM - CLOSED CELL - 1/4" X 1/2" X 50' |
| | 090340-02-000 | FT | SEAL - FOAM - CLOSED CELL - 3/8" X 1/2" X 50' |
| | 091255-02-000 | FT | SEAL - ADHESIVE BACKED/FOAM - 3/64"THICK X 3/16"W X 1000' |
| | 091255-03-000 | FT | SEAL - ADHESIVE BACKED/FOAM - 1/4" THICK X 1/4"W X 1000' |
| | 094401-01-000 | EA | SEALER - BODY SEAM - FLEXICLEAR |
| | 094401-04-000 | EA | SEALER - BODY SEAM - CLEAR |
| | 094401-05-000 | EA | SEALER - BODY SEAM - 20OZ BLACK |
| | 094401-06-000 | EA | SEALER - BODY SEAM - 12OZ BLACK |
| | 094401-07-000 | EA | SEALER - BODY SEAM - CLEAR |
| | 098408-01-000 | FT | SEAL - SPONGE RUBBER - CLOSED CELL |
| | 099069-01-000 | FT | SEAL - RUBBER - CLOSED SPONGE - .5" WIDE X .12" THICK-BLK |
| | 099418-01-000 | FT | SEAL - D-SECTION/ADHESIVE BACK - .44" X .44" - BLK RUBBER |
| | 100128-02-000 | FT | SEAL - FOAM/ADHESIVE BACK - .37" WIDE X .37" THICK X 60' |
| | 104692-01-000 | FT | SEAL - ADHESIVE BACKED FOAM - 3/4" THICK X 3/4" WIDE X 25' |
| | 107721-07-000 | FT | SEAL - ACCESS DOOR - .9"WIDE X 1.1"HIGH |
| | 112864-01-000 | FT | SEAL - FOAM/BUTYL COVERED - 3/8" X 35' |
| | 112864-02-000 | FT | SEAL - FOAM/BUTYL COVERED - 5/16" X 44' |
| | 112864-05-000 | FT | SEAL - FOAM/BUTYL COVERED - 1/2" X 3/16" |
| | 112901-02-000 | EA | ADHESIVE - PLEXUS - MA330 - 50ML - GRAY |

SEALANTS & FASTENERS GROUP (CONTINUED)
SEALANTS & ADHESIVES (CONTINUED)

| KEY | PART NUMBER | U/M | DESCRIPTION |
|-----|---------------|-----|--|
| | 112901-03-000 | EA | ADHESIVE - PLEXUS - MA300 - 50ML - WHITE |
| | 112902-03-000 | EA | MIXER NOZZLE - F/GUN #00400102000 - SCOTCH-WELD & PLEXUS |
| | 112902-04-000 | EA | NOZZLE - ELEMENT - 1/4" X 3.5" |
| | 113452-01-000 | FT | SEAL/TRIM - FRONT - VINYL W/WIRE CARRIER - .020" |
| | 113452-02-000 | FT | SEAL/TRIM - FRONT - VINYL W/WIRE CARRIER - .027" |
| | 113366-01-000 | EA | ADHESIVE - INSTANT - 1 OZ |
| | 115870-01-000 | FT | SEAL/EDGE - TRIM |
| | 120074-02-03A | EA | SILICONE - TUBE - W/O NOZZLE - LOW ODOR - SMOKEY WHITE |
| | 120534-01-01A | EA | TAPE - SCOTCH - 3M - 1/2" FINE LINE |
| | 123655-01-000 | FT | SEAL - CLOSED CELL/FOAM |
| | 123816-01-000 | FT | TAPE - DOUBLE SIDED - 1" X .020" X 200' - CLEAR |
| | 123816-02-000 | FT | TAPE - DOUBLE SIDED - 1/2" X .035" X 200' - CLEAR |
| | 123816-03-000 | FT | TAPE - DOUBLE SIDED - 1/2" X .020" X 200' - CLEAR |
| | 123816-04-000 | FT | TAPE - DOUBLE SIDED - 6" X .0035" X 750' - CLEAR |
| | 123816-06-000 | FT | TAPE - DOUBLE SIDED - 3/4" X 3/4" X 200' - CLEAR |
| | 123816-07-000 | FT | TAPE - DOUBLE SIDED - 1 3/4" X 200' - CLEAR |
| | 126427-01-000 | EA | ADHESIVE - ALL PURPOSE - ABS/PVC |
| | 126427-02-000 | EA | PRIMER - CLEANER - FLEX PIPING |
| | 131264-01-12A | EA | SILICONE - TUBE - W/NOZZLE - BONE |
| | 131264-01-13A | EA | SILICONE - TUBE - W/NOZZLE - TRANSLUCENT |
| | 131264-03-01A | EA | SILICONE - TUBE - W/O NOZZLE - SELF LEVELING -BRIGHT WHITE |
| | 131264-04-02A | EA | SILICONE/SEALANT/ADHESIVE-FAST CURE F/GLASS/VINYL-SOFT WHT |
| | 131264-05-01A | EA | SILICONE/SEALANT - ODORLESS - TUBE - W/NOZZLE - BLACK |
| | 131264-05-02A | EA | SILICONE/SEALANT - ODORLESS - TUBE - W/NOZZLE - CLEAR |
| | 131384-01-000 | EA | ADHESIVE - JET WELD - 10 OZ CARTRIDGE |
| | 132892-07-01A | FT | SEAL - BULB/SINGLE - W/U CHANNEL - .5" X 1" - BLACK |
| | 152038-01-01A | EA | TAPE - PRESERVATION SEAL - 2" X 36YD ROLL - BLACK |
| | 154585-01-01A | FT | SEAL - FOAM TAPE - ADHESIVE BACK - 3/8" X 3/8" - BLACK |
| | 154585-02-01A | FT | SEAL - FOAM TAPE - ADHESIVE BACK - 3/4" X 1/2" - BLACK |
| | 154585-03-01A | FT | SEAL - FOAM TAPE - ADHESIVE 2 SIDED - 1/8" X 3/4" - BLACK |
| | 154585-04-01A | FT | SEAL - FOAM TAPE - ADHESIVE BACK - 5/8" X 1/8" - WHITE |
| | 156622-01-01A | FT | SEALER - TAPE - 1/4"THICK X 3"WIDE X 100 FT - WHITE |
| | 156622-02-01A | FT | SEALER - TAPE - 1/4"THICK X 2"WIDE X 100 FT - WHITE |

BOLTS, NUTS AND WASHERS

| KEY | PART NUMBER | U/M | DESCRIPTION |
|-----|---------------|-----|--|
| | 0MD54F-06-000 | EA | NUT - HEX W/SERATED FLANGE |
| | 000C12-04-08B | EA | BOLT - HEX - 1/4-20 X 1/2 - GRADE #5 - ZINC |
| | 000C12-04-12A | EA | BOLT - HEX - 1/4-20 X 3/4 - PLAIN 5 |
| | 000C12-04-40B | EA | BOLT - HEX - 1/4-20 X 2 1/2 - GRADE #5 ZINC |
| | 000C12-05-16B | EA | BOLT - HEX - 5/16 - 18X1 - GRADE #5 - ZINC |
| | 000C12-05-40B | EA | BOLT - HEX - 5/16"-18 X 2.5" - GRADE #5 - ZINC |
| | 000C12-06-28B | EA | BOLT-HEX-3/8-16X13/4 ZN 5 - 5185-01 |
| | 000C12-08-24B | EA | BOLT - HEX - 1/2-13 X 1 1/2 - GRADE #5 - ZINC |
| | 000C12-08-28B | EA | BOLT - HEX - 1/2-13 X 1 3/4 - GRADE #5 - ZINC |
| | 000C12-08-44B | EA | BOLT - HEX - 1/2-13 X 2 3/4 - GRADE #5 - ZINC |
| | 000C13-07-40B | EA | BOLT - HEX - 7/16-20 X 2 1/2 - GRADE #5 - ZINC |
| | 000C13-07-48B | EA | BOLT - HEX - 7/16-20 X 3 - GRADE #5 - ZINC |
| | 000C14-10-32B | EA | BOLT - HEX - 5/8-11 X 2.0 - GRADE #8 - ZINC |
| | 000C18-05-40A | EA | BOLT - ELEVATOR - 5/16-18 X 2 1/2 - PL |
| | 000C26-04-10B | EA | BOLT - HEX - SERRATED FLANGE - 1/4-20 X 5/8 - ZINC |
| | 000C26-04-12F | EA | BOLT - HEX - SERRATED FLANGE -1/4-20 X 3/4-STAINLESS STEEL |
| | 000C26-04-14B | EA | BOLT - HEX - SERRATED FLANGE - 1/4-20 X 7/8 - ZINC |
| | 000C26-04-18B | EA | BOLT - HEX - SERRATED FLANGE - 1/4-20 X 1 1/8 - ZINC |
| | 000C26-05-12B | EA | BOLT - HEX - SERRATED FLANGE - 5/16-18 X 3/4 - ZINC |
| | 000C26-06-12B | EA | BOLT - HEX - SERRATED FLANGE - 3/8-16 X 3/4 - ZINC |
| | 000C26-06-20B | EA | BOLT - HEX - SERRATED FLANGE - 3/8-16 X 1 1/4 - ZINC |
| | 000C26-06-28B | EA | BOLT - HEX - SERRATED FLANGE - 3/8-16 X 1 3/4 - ZINC |
| | 000C26-06-40B | EA | BOLT - HEX - SERRATED FLANGE - 3/8-16 X 2 1/2 - ZINC |
| | 000C26-08-24B | EA | BOLT - HEX - SERRATED FLANGE - 1/2-13 X 1 1/2 - ZINC |
| | 000C26-08-28B | EA | BOLT - HEX - SERRATED FLANGE - 1/2-13 X 1 3/4 - ZINC |
| | 000C27-08-48B | EA | BOLT-CARR 1/2-13X3.00 GR5 - 97 M-SERIES |
| | 000D24-10-00B | EA | NUT - HEX - SELF LOCKING - 10-32 - ZINC |

SEALANTS & FASTENERS GROUP (CONTINUED)
BOLTS, NUTS AND WASHERS (CONTINUED)

| KEY | PART NUMBER | U/M | DESCRIPTION |
|-----|---------------|-----|--|
| | 000D27-05-00B | EA | NUT - HEX LOCK - 5-40 - ZINC |
| | 000D28-10-00B | EA | NUT - HEX - W/NYLON LOCK - 10-32 - ZINC |
| | 000D29-04-00B | EA | NUT - HEX - SELF LOCKING - 1/4 X 20 - ZINC |
| | 000D29-04-00F | EA | NUT - HEX - SELF LOCKING - 1/4 X 20 - STAINLESS STEEL |
| | 000D29-06-00B | EA | NUT - HEX - W/NYLON LOCK - 3/8-16 - ZINC |
| | 000D29-09-00B | EA | NUT - HEX - SELF LOCKING - 9/16-12 - ZINC |
| | 000D34-04-00B | EA | NUT - HEX - LOCKING - 1/4-20 - ZINC |
| | 000D34-06-00B | EA | NUT - HEX - LOCKING - 3/8-16 GRADE C - ZINC |
| | 000D39-04-00B | EA | NUT - HEX - LOCKING W/SERRATED FLANGE - 1/4-20 - ZINC |
| | 000D39-05-00B | EA | NUT - HEX - LOCKING W/SERRATED FLANGE - 5/16-18 - ZINC |
| | 000D39-06-00B | EA | NUT - HEX - LOCKING W/SERRATED FLANGE - 3/8-18 - ZINC |
| | 000D39-06-00D | EA | NUT - HEX - LOCKING W/SERRATED FLANGE - 3/8"-16 BLACK |
| | 000D39-07-00B | EA | NUT - HEX - LOCKING W/SERRATED FLANGE - 7/16-14 - ZINC |
| | 000D39-08-00B | EA | NUT - HEX - LOCKING W/SERRATED FLANGE - 1/2-13 - ZINC |
| | 000D44-07-00B | EA | NUT - HEX - LOCKING W/SERRATED FLANGE - 7/16-20 - ZINC |
| | 000D44-08-00B | EA | NUT - HEX - LOCKING W/SERRATED FLANGE - 1/2-20 - ZINC |
| | 000D46-04-00A | EA | NUT - HEX - WELD - 1/4-20 - PLAIN |
| | 000D65-08-00B | EA | NUT - HEX - LOCKING W/SERRATED FLANGE - 8-32 - ZINC |
| | 000D73-08-00C | EA | NUT - HEX FLANGE - 1/2-13 |
| | 000D75-09-00B | EA | NUT - HEX LOCKING - 9/16-12 - ZINC |
| | 000D76-06-00B | EA | NUT - HEX FLANGE - 3/8-16 |
| | 000E11-04-00F | EA | WASHER - LOCKING - 1/4 MED SPLIT - STAINLESS STEEL |
| | 000E11-07-00B | EA | WASHER - LOCKING - 7/16 MED SPLIT - ZINC |
| | 000E11-08-00B | EA | WASHER - LOCKING - 1/2 MED SPLIT - ZINC |
| | 000E13-17-00B | EA | WASHER - FLAT - 3/8 AR - ZINC |
| | 000E13-18-00B | EA | WASHER - FLAT - 3/8 WIDE - ZINC |
| | 000E13-20-00B | EA | WASHER - FLAT - 7/16 WIDE - ZINC |
| | 000E13-22-00B | EA | WASHER - FLAT - 1/2 WIDE - ZINC |
| | 000E13-26-00B | EA | WASHER - FLAT - 5/8 WIDE - ZINC |
| | 000E14-10-00B | EA | WASHER - LOCKING - #10 EXTERNAL TOOTH - ZINC |
| | 000E16-10-00B | EA | WASHER - HARDENED - 5/8 - FLAT - ZINC |
| | 000G45-05-16B | EA | BOLT - LAG - 5/16-9 X 1 - ZINC |
| | 039715-01-000 | EA | NUT-SERT - 1/4" DIAMETER - 20 THREADS |
| | 040921-01-000 | EA | NUT - SPEED - U TYPE - #10-24 - BLACK |
| | 040921-03-000 | EA | NUT - SPEED - U TYPE - #10 |
| | 040921-04-000 | EA | NUT - SPEED - U TYPE - #8-.59" LENGTH X .44" WIDTH |
| | 040921-05-000 | EA | NUT - SPEED - U-TYPE - 8-.67" X .44" WIDE |
| | 040921-11-000 | EA | NUT - SPEED - U-TYPE - 8-.59" LENGTH X .44" WIDTH - BLACK |
| | 041322-01-000 | EA | WASHER - FLANGE - 15/32"ID X 2 3/8"OD - F/SEAT BELT MTG |
| | 044364-02-000 | EA | NUT - SPEED - FLAT - ROUND |
| | 044533-01-000 | EA | WASHER - 1 3/8"OD - FOR BUTTONS - PLASTIC |
| | 051387-06-000 | EA | BOLT - CARRIAGE W/O HOLE - 5/16-18 X 9 1/2 - ZINC |
| | 058716-02-000 | EA | WASHER - FLAT NYLON |
| | 064081-03-000 | EA | NUT - WING 3/8-16 - W/WELD NUT |
| | 077071-01-000 | EA | WASHER - FENDER - 3/16"ID X 1"OD |
| | 087234-01-000 | EA | NUT - JACK - 1/4 X 20 THD - MOLLY |
| | 088787-12-000 | EA | STUD - WELD - 1/4 - 20 X 1.0 LG - MN |
| | 106956-03-000 | EA | BOLT - HEX TAP - 1/2-13NC X 3 - GRADE 5 - FULL THREAD/ZINC |
| | 106956-10-000 | EA | BOLT - HEX TAP - 9/16-12NC X 3 5/8 -GRD 5-FULL THREAD/ZINC |
| | 106956-11-000 | EA | BOLT - HEX TAP - 1/2-13NC X 2 1/2 - GRD 5-FULL THREAD/ZINC |
| | 106956-13-000 | EA | BOLT - HEX TAP - 1/2-20 X 2 1/2 - GRD 5-FULL THREAD/ZINC |
| | 106956-14-000 | EA | BOLT - HEX TAP - 5/16 -18NC X 1 1/2 - GRD 5-FULL THREAD/ZINC |
| | 107397-01-000 | EA | WASHER - FENDER - 3/4"ID X 1"OD |
| | 108067-03-000 | EA | STUD - WELD - 1/4 - 20 X 1/2 CD |
| | 109917-01-000 | EA | WASHER - 1.5" X 1.25" |
| | 109917-03-000 | EA | WASHER - 1" X .50" |
| | 109917-04-000 | EA | WASHER - 1" X .75" |
| | 128444-01-000 | EA | WASHER - SPRING - CONICAL |
| | 135092-02-01A | EA | BOLT - HEX - SERRATED FLANGE - 1/2-20 X 2 1/2-GRADE 5 ZINC |
| | 135092-05-01A | EA | BOLT - HEX - SERRATED FLANGE - 1/2-20 X 1 - GRADE 5 ZINC |
| | 143399-01-01A | EA | NUT/RETAINING - 3/8"- 24 NFT |
| | 147284-02-000 | EA | NUT/SELF RETAINING - 5/16"-18 |
| | 148817-01-000 | EA | WASHER/SPUR - LOCKING |

SEALANTS & FASTENERS GROUP (CONTINUED)

SCREWS

| KEY | PART NUMBER | U/M | DESCRIPTION |
|-----|---------------|-----|---|
| | 0G1208-12-170 | EA | SCREW - 8-18 X 3/4 POH - BRIGHT WHITE |
| | 0G3908-08-170 | EA | SCREW - SF/DR - 8-18 X 1/2 PPH - BRIGHT WHITE |
| | 0G3908-16-170 | EA | SCREW - SF/DR - 8-18 X 1 PPH - BRIGHT WHITE |
| | 0G3908-24-170 | EA | SCREW - SF/DR - 8-18 X 1 1/2 PPH - BRIGHT WHITE |
| | 0G3910-10-420 | EA | SCREW - SF/DR - 10-16 X .62 PPH - BRIARWOOD |
| | 0G3910-12-170 | EA | SCREW - SF/DR - 10-16 X 3/4 PPH - BRIGHT WHITE |
| | 0G3910-24-170 | EA | SCREW - SF/DR - 10-16 X 1 1/2 PPH - BRIGHT WHITE |
| | 0G5508-08-370 | EA | SCREW - SF/DR - 8-18 X .5 PWH - RIVERSTONE |
| | 0G5508-08-380 | EA | SCREW - SF/DR - 8-18 X .5 PWH - CASHMERE |
| | 0G5508-08-420 | EA | SCREW - SF/DR - 8-18 X .5 PWH - BRIARWOOD |
| | 0G5508-08-450 | EA | SCREW - SF/DR - 8-18 X .5 PWH - SADDLE |
| | 0G5508-12-170 | EA | SCREW - SF/DR - 8-18 X 3/4 PWH - BRIGHT WHITE |
| | 0G5508-12-330 | EA | SCREW - SF/DR - 8-18 X 3/4 PWH - PUTTY |
| | 0G5508-12-380 | EA | SCREW - SF/DR - 8-18 X 3/4 PWH - CASHMERE |
| | 0G5508-12-450 | EA | SCREW - SF/DR - 8-18 X 3/4 PWH - SADDLE |
| | 0G5508-16-330 | EA | SCREW - SF/DR - 8-18 X 1 PWH - PUTTY |
| | 0G5508-16-370 | EA | SCREW - SF/DR - 8-18 X 1 PWH - RIVERSTONE |
| | 0G5508-16-380 | EA | SCREW - SF/DR - 8-18 X 1 PWH - CASHMERE |
| | 0G5508-16-450 | EA | SCREW - SF/DR - 8-18 X 1 PWH - SADDLE |
| | 0G6008-16-170 | EA | SCREW - SF/DR - 8-18 X 1 POH - BRIGHT WHITE |
| | 0G6012-32-170 | EA | SCREW - SF/DR - 12-14 X 2 POH - BRIGHT WHITE |
| | 0G6710-08-170 | EA | SCREW - 10-12 X 1/2 PPH - BRIGHT WHITE |
| | 0G6710-12-170 | EA | SCREW - 10-12 X 3/4 PPH - BRIGHT WHITE |
| | 0G6806-16-170 | EA | SCREW - 6-18 X 1 POH - BRIGHT WHITE |
| | 0G6810-24-280 | EA | SCREW - 10-12 X 1 1/2 POH - SOFT WHITE |
| | 000C20-06-24T | EA | SCREW - 3/8-16 X 1 1/2 - FLAT SOCKET |
| | 000G11-06-08B | EA | SCREW - 6-20 X 1/2 PPH - ZINC |
| | 000G11-06-10B | EA | SCREW - 6-20 X 5/8 PPH - ZINC |
| | 000G11-06-10J | EA | SCREW - 6-20 X 5/8 PPH - BRASS |
| | 000G11-07-08B | EA | SCREW - 7-19 X 1/2 PPH - ZINC |
| | 000G11-08-06B | EA | SCREW - 8-18 X 3/8 PPH - ZINC |
| | 000G11-08-08T | EA | SCREW - 8-18 X 1/2 PPH - FLUOROCARBON COATING |
| | 000G11-08-12B | EA | SCREW - 8-18 X 3/4 PPH - ZINC |
| | 000G11-08-12P | EA | SCREW - 8-18 X 3/4 PPH - DARK BROWN |
| | 000G11-08-12S | EA | SCREW - 8-18 X 3/4 PPH - OFF WHITE |
| | 000G11-08-12T | EA | SCREW - 8-18 X 3/4 PPH - BLACK MAGNESIUM |
| | 000G11-08-20B | EA | SCREW - 8-18 X 1 1/4 PPH - ZINC |
| | 000G11-08-20G | EA | SCREW - 8-18 X 1 1/4 - ANTIQUE BRASS |
| | 000G11-10-12D | EA | SCREW - 10-16 X 3/4 PPH - BLACK |
| | 000G11-10-32P | EA | SCREW-10,16X2.00 PPH DK BRN |
| | 000G12-06-08T | EA | SCREW - 6-20 X 1/2 POH - BLACK |
| | 000G12-10-16F | EA | SCREW - 10-16 X 1 POH - STAINLESS STEEL |
| | 000G13-05-10B | EA | SCREW - 5-12 X 5/8 PFH - ZINC |
| | 000G13-06-06I | EA | SCREW - 6-20 X 3/8 PFH - BLACK ZINC |
| | 000G13-06-08B | EA | SCREW - 6-20 X 1/2 PFH - ZINC |
| | 000G13-06-08G | EA | SCREW - 6-20 X 1/2 PFH - ANTIQUE BRASS |
| | 000G13-06-10G | EA | SCREW - 6-20 X 5/8 PFH - ANTIQUE BRASS |
| | 000G13-06-16E | EA | SCREW - 6-20 X 1 PFH - CHROME |
| | 000G13-06-16J | EA | SCREW - 6-20 X 1 PFH - BRASS |
| | 000G13-06-24J | EA | SCREW - 6-20 X 1 1/2 PFH - BRASS |
| | 000G13-07-10H | EA | SCREW - 7-19 X 5/8 PFH - BLACK |
| | 000G13-07-12B | EA | SCREW - 7-19 X 3/4 PFH - ZINC |
| | 000G11-08-08B | EA | SCREW - 8-18 X 1/2 PPH - ZINC |
| | 000G13-08-10B | EA | SCREW - 8-18 X 5/8 PFH - ZINC |
| | 000G13-08-109 | EA | SCREW - 8-18 X 5/8 PFH |
| | 000G13-08-16B | EA | SCREW - 8-18 X 1 PFH - ZINC |
| | 000G13-08-24B | EA | SCREW - 8-18 X 1 1/2 PFH - ZINC |
| | 000G16-04-24B | EA | SCREW - MACHINE - 1/4-20 X 1 1/2 PPH |
| | 000G18-08-16B | EA | SCREW - MACHINE - 8-32 X 1 PPH - ZINC |
| | 000G18-08-22B | EA | SCREW - MACHINE - 8-32 X 1 3/8 PPH - ZINC |
| | 000G18-08-24B | EA | SCREW - MACHINE - 8-32 X 1 1/2 PPH - ZINC |
| | 000G19-10-08B | EA | SCREW - MACHINE - 10-32 X 1/2 PPH - ZINC |
| | 000G19-10-10B | EA | SCREW - MACHINE - 10-32 X 5/8 - PPH - ZINC |
| | 000G19-10-12F | EA | SCREW - MACHINE - 10-32 X 3/4 PPH - STAINLESS STEEL |

SEALANTS & FASTENERS GROUP (CONTINUED)
SCREWS (CONTINUED)

| KEY | PART NUMBER | U/M | DESCRIPTION |
|------------|--------------------|------------|---|
| | 000G19-10-20B | EA | SCREW - MACHINE - 10-32 X 1 1/2 PPH - ZINC |
| | 000G32-10-06B | EA | SCREW - 10-32 X 3/8 PPH - ZINC |
| | 000G34-05-12B | EA | SCREW - HEX HEAD TAPPING - 5/16 X 3/4 LONG |
| | 000G39-06-10T | EA | SCREW - SF/DR - 6-20 X 5/8 PPH - BLACK |
| | 000G39-06-16T | EA | SCREW - SF/DR - 6-20 X 1 PPH - BLACK |
| | 000G39-08-06B | EA | SCREW - SF/DR - 8-18 X 3/8 PPH - ZINC |
| | 000G39-08-08B | EA | SCREW - SF/DR - 8-18 X 1/2 PPH - ZINC |
| | 000G39-08-08S | EA | SCREW - SF/DR - 8-18 X 1/2 PPH - OFF WHITE |
| | 000G39-08-08T | EA | SCREW - SF/DR - 8-18 X 1/2 PPH - BLACK |
| | 000G39-08-12T | EA | SCREW - SF/DR - 8-18 X 3/4 PPH - BLACK |
| | 000G39-08-16B | EA | SCREW - SF/DR - 8-18 X 1 PPH - ZINC |
| | 000G39-08-16T | EA | SCREW - SF/DR - 6-20 X 1 PPH - BLACK |
| | 000G39-08-24B | EA | SCREW - SF/DR - 8-18 X 1 1/2 PPH - ZINC |
| | 000G39-08-24T | EA | SCREW - SF/DR - 8-18 X 1 1/2 PPH - BLACK |
| | 000G39-08-32B | EA | SCREW - SF/DR - 8-18 X 2 PPH - ZINC |
| | 000G39-08-169 | EA | SCREW-SF/DR,8-18X1.00 PPH - FLUROCARBON SILVER |
| | 000G39-10-08B | EA | SCREW - SF/DR - 10-16 X 1/2 PPH - ZINC |
| | 000G39-10-10B | EA | SCREW - SF/DR - 10-16 X 5/8 PPH - ZINC |
| | 000G39-10-12B | EA | SCREW - SF/DR - 10-16 X 3/4 PPH - ZINC |
| | 000G39-10-12S | EA | SCREW - SF/DR - 10-16 X 3/4 PPH - OFF WHITE |
| | 000G39-10-129 | EA | SCREW - SF/DR - 10-16 X 3/4 PPH - FLUOROCARBON SILVER |
| | 000G39-10-169 | EA | SCREW - SF/DR - 10-16 X 1 PPH - FLUOROCARBON SILVER |
| | 000G39-10-20B | EA | SCREW - SF/DR - 10-16 X 1 1/4 PPH - ZINC |
| | 000G39-10-20T | EA | SCREW - SF/DR - 10-16 X 1 1/4 PPH - BLACK |
| | 000G39-10-24B | EA | SCREW - SF/DR - 10-16 X 1 1/2 PPH - ZINC |
| | 000G39-10-24T | EA | SCREW - SF/DR - 10-16 X 1 1/2" PPH - BLACK |
| | 000G39-10-32B | EA | SCREW - SF/DR - 10-16 X 2 - PPH - ZINC |
| | 000G39-10-48B | EA | SCREW - SF/DR - 10-16 X 3 - PPH - ZINC |
| | 000G39-10-48T | EA | SCREW - SF/DR - 10-16 X 3 PPH - BLACK |
| | 000G42-04-16B | EA | SCREW - SF/DR - 1/4-14 X 1 HWH - ZINC |
| | 000G42-04-24B | EA | SCREW - SF/DR - 1/4-14 X 1 1/2 - ZINC |
| | 000G52-06-05B | EA | SCREW - MACHINE - 6-32 X 5/16 PTH - ZINC |
| | 000G52-06-06B | EA | SCREW - MACHINE - 6-32 X 3/8 PTH - ZINC |
| | 000G54-04-14B | EA | SCREW - 1/4-20 X 7/8 PTH - TYPE 23 - ZINC PLATED |
| | 000G55-08-12T | EA | SCREW - SF/DR - 8-18 X 3/4 PWH - BLACK |
| | 000G55-08-16S | EA | SCREW - SF/DR - 8-18 X 1.00 PWH - OFF WHITE |
| | 000G55-08-16T | EA | SCREW - SF/DR - 8-18 X 1 PWH - BLACK |
| | 000G56-12-48B | EA | SCREW - WOOD - 12-11 X 3 POH - SPECIAL HARDENED |
| | 000G60-08-16E | EA | SCREW - SF/DR - 8-1 X 1 POH - CHROME |
| | 000G60-08-20F | EA | SCREW - SF/DR - 8-19X1.25 POH |
| | 000G60-08-22B | EA | SCREW - SF/DR - 8-18 X 1.38 POH - ZINC |
| | 000G60-10-20B | EA | SCREW - SF/DR - 10-16 X 1 1/4 POH - ZINC |
| | 000G60-10-209 | EA | SCREW - SF/DR - 10-16 X 1 1/4 POH - SILVER STALGAARD |
| | 000G60-10-28T | EA | SCREW - SF/DR - 10-16 X 1 3/4 - BLACK |
| | 000G62-06-12B | EA | SCREW-SF/DR,6-20X.75 PFH - ZINC |
| | 000G62-06-249 | EA | SCREW - SF/DR - 8-18 X 1.5 PPH - SILVER |
| | 000G62-08-24B | EA | SCREW - SF/DR - 8-18 X 1 1/2 PFH |
| | 000G62-08-24T | EA | SCREW - SF/DR - 8-18 X 1 1/2 PFH - BLACK |
| | 000G67-08-32B | EA | SCREW - 8-15 X 2 PPH - ZINC |
| | 000G67-10-08B | EA | SCREW - 10-12 X 1/2 PPH - ZINC |
| | 000G67-10-08S | EA | SCREW - 10-12 X 1/2 PPH - OFF WHITE |
| | 000G67-10-10B | EA | SCREW - 10-12 X 5/8 PPH - ZINC - TYPE A |
| | 000G67-10-10D | EA | SCREW - 10-12 X 5/8 PPH - BLACK - TYPE A |
| | 000G67-10-10P | EA | SCREW - 10-12 X 5/8 PPH - DARK BROWN |
| | 000G67-10-10S | EA | SCREW - 10-12 X 5/8 PPH - OFF WHITE |
| | 000G67-10-10T | EA | SCREW - 10-12 X 5/8 PPH - BLACK |
| | 000G67-10-10V | EA | SCREW-10-12X5/8 PPH ZN O/W - TYPE A |
| | 000G67-10-12P | EA | SCREW - 10-12 X 3/4 PPH - DARK BROWN |
| | 000G67-10-24B | EA | SCREW - 10-12 X 1 1/2 PPH - ZINC |
| | 000G68-06-10J | EA | SCREW - 6-18 X 5/8 POH - BRASS |
| | 000G68-06-12B | EA | SCREW - 6-18 X 3/4 POH - ZINC & CLEAR |
| | 000G68-06-12S | EA | SCREW - 6-18 X 3/4 POH |
| | 029130-01-000 | EA | SCREW - SNAP STUD - #8-16 X 5/8" LONG |
| | 029130-02-000 | EA | SCREW - SNAP STUD - #8-16 X 1 1/2" LONG |

SEALANTS & FASTENERS GROUP (CONTINUED)
SCREWS (CONTINUED)

| KEY | PART NUMBER | U/M | DESCRIPTION |
|------------|--------------------|------------|--|
| | 029130-03-000 | EA | SCREW - SNAP STUD - #8-16 X 1" LONG |
| | 049465-03-000 | EA | SCREW - 10-16 X 1 POH W/WASHER - OFF WHITE |
| | 049465-17-000 | EA | SCREW - 10-16 X 1 POH W/WASHER - BRIGHT WHITE |
| | 049465-18-000 | EA | SCREW - 10-16 X 1 POH W/WASHER - VW GRAY |
| | 054434-02-000 | EA | SCREW - SF/DR - 10-16 X 2 - ZINC |
| | 054434-03-000 | EA | SCREW - SF/DR - 10-16 X 2 - PWH - ZINC |
| | 075908-01-000 | EA | SCREW - MACHINE - 10-32 X .56 PTH - EXTERNAL TOOTH - ZINC |
| | 076790-01-000 | EA | SCREW - 6-20 X 1 1/4 PPH - BLACK |
| | 076790-05-000 | EA | SCREW - 6-20 X 1/2 PPH - BLACK - THREAD CUTTING/WOOD |
| | 083554-01-000 | EA | SCREW - DRYWALL - 8 X 1 1/4 |
| | 087721-01-000 | EA | SCREW - FLAT HEAD - TAPPING - 1/4" X 1 1/4" LONG - ZINC |
| | 093249-01-000 | EA | CAP/SCREW - MOLDED/VINYL - BLACK |
| | 095772-01-000 | EA | SOCKET-SNAP FASTNER1" SF/DR - SELF DRIVER |
| | 097974-01-000 | EA | SCREW - PARTICLE BOARD - 7-9 X 3/4 PPH |
| | 101618-01-000 | EA | SCREW - 1/4-20 X 3/4 HEX - TAPPING - STALGARD TYPE F |
| | 113563-01-01A | EA | SCREW - 8 X 5/8 LONG SHOULDER/WASHER HEAD |
| | 113563-01-02A | EA | SCREW - 8 X 5/8 LONG SHOULDER/WASHER HEAD - BRIGHT WHITE |
| | 118383-01-12A | EA | RETAINER/RECESSED - F/.22" SCREW - RIVERSTONE |
| | 118383-01-14A | EA | RETAINER/RECESSED - F/.22" SCREW - PEWTER |
| | 118383-01-15A | EA | RETAINER/RECESSED - F/.22" SCREW - BRIARWOOD |
| | 118383-02-13A | EA | RETAINER/RECESSED - F/.27" SCREW - OFF WHITE |
| | 118383-04-04A | EA | CAP - F/RECESSED RETAINER - BRIGHT WHITE |
| | 118383-04-10A | EA | CAP - F/RECESSED RETAINER - RIVERSTONE |
| | 118383-04-13A | EA | CAP - F/RECESSED RETAINER - OFF WHITE |
| | 118383-04-14A | EA | CAP - F/RECESSED RETAINER - PEWTER |
| | 118383-04-15A | EA | CAP - F/RECESSED RETAINER - BRIARWOOD |
| | 134126-01-01A | EA | SCREW/NAIL - HEX HEAD - 3/4" |
| | 140040-01-000 | EA | SCREW - 1/4-20 X 1 - BUTTON HEAD/SOCKET - W/LOCTITE |
| | 149753-01-01A | EA | RETAINER/RECESSED - F/.22" SCREW - BLACK |
| | 149753-01-02A | EA | RETAINER/RECESSED - F/.22" SCREW - BRIGHT WHITE |
| | 149753-02-01A | EA | CAP - F/RECESSED RETAINER - BLACK |
| | 149753-02-02A | EA | CAP - F/RECESSED RETAINER - BRIGHT WHITE |
| | 154938-01-01A | EA | SCREW - SF/DR - 10-16 X 3/4 PPH - W/SELF SEAL - BRIGHT WHITE |
| | 154938-01-02A | EA | SCREW - SF/DR - 10-16 X 3/4 PPH - W/SELF SEAL - BLACK |
| | 154938-02-01A | EA | SCREW - SF/DR - 8-18 X 1 PFH - W/SELF SEAL - BRIGHT WHITE |
| | 154938-02-02A | EA | SCREW - SF/DR - 8-18 X 1 PFH - W/SELF SEAL - BLACK |
| | 154938-02-03A | EA | SCREW - SF/DR - 8-18 X 1 PFH - W/SELF SEAL - SILVER |
| | 154938-03-01A | EA | SCREW - SF/DR - 8-18 X 5/8 PFH - W/SELF SEAL - BRT WHT |
| | 154938-03-02A | EA | SCREW - SF/DR - 8-18 X 5/8 PFH - W/SELF SEAL - BLACK |
| | 154938-04-01A | EA | SCREW - SF/DR - 10-16 X 1" TPH - W/SELF SEAL - BRT WHT |
| | 154938-04-02A | EA | SCREW - SF/DR - 10-16 X 1" TPH - W/SELF SEAL - BLACK |
| | 154938-05-03A | EA | SCREW - SF/DR - 8-18 X 1.25" PFH - W/SELF SEAL - SILVER |

SEALANTS & FASTENERS GROUP (CONTINUED)

CLAMPS, CLIPS, GROMMETS, RIVETS & PLUGS

| KEY | PART NUMBER | U/M | DESCRIPTION |
|-----|---------------|-----|---|
| | 000H14-06-03R | EA | RIVET - MANDREL BLIND - 3/16 ALUMINUM |
| | 000H16-04-06R | EA | RIVET - POP ALUMINUM - 1/8 X .313 - .375 |
| | 000H16-06-10R | EA | RIVET - POP ALUMINUM - 3/16 X .501 - .625 |
| | 007161-01-000 | EA | CLAMP - HOSE - SPRING TYPE - 1/2" |
| | 008386-01-000 | EA | GROMMET - SNAP - 3/8" DIAMETER - NYLON |
| | 010495-01-000 | EA | CLAMP - CABLE - 9/16"ID - BLACK |
| | 010495-02-000 | EA | CLAMP - CABLE - 3/8"ID - BLACK |
| | 010495-04-000 | EA | CLAMP - CABLE - 11/16"ID - WHITE |
| | 010497-01-000 | EA | CLAMP - CLOSED - 5/8"ID |
| | 010497-02-000 | EA | CLAMP - CLOSED - 1.5"ID |
| | 010497-03-000 | EA | CLAMP - CLOSED - 1"ID - CUSHIONED |
| | 010497-04-000 | EA | CLAMP - CLOSED - 1 5/8"ID |
| | 010497-05-000 | EA | CLAMP - CLOSED - 1/2"ID |
| | 010497-07-000 | EA | CLAMP - CLOSED - 3/8"ID |
| | 010497-09-000 | EA | CLAMP - CLOSED - 5/16"ID |
| | 010497-10-000 | EA | CLAMP - CLOSED - 7/8"ID |
| | 010499-01-000 | EA | CLAMP - CLOSED - 3/8"ID |
| | 016188-03-000 | EA | GROMMET - LP LINE - 3/8"HOLE X 2 1/2"LONG - RUBBER |
| | 016188-04-000 | EA | GROMMET - LP LINE - 1/2"HOLE X 2 1/2"LONG - RUBBER |
| | 016188-05-000 | EA | GROMMET - LP LINE - 3/8"HOLE X 1 1/4"LONG - RUBBER |
| | 016188-06-000 | EA | GROMMET - LP LINE - 3/8"HOLE X 3 1/4"LONG - RUBBER |
| | 016188-07-000 | EA | GROMMET - L/P LINE - 1/2"HOLE X 3 1/4"LONG |
| | 016188-08-000 | EA | GROMMET - LP LINE - 1/2"HOLE X 1 1/4"LONG - RUBBER |
| | 016188-09-000 | EA | GROMMET - LP LINE - .68"HOLE X 1 1/4"LONG - RUBBER |
| | 016188-10-000 | EA | GROMMET - LP GAS - .68" X 2.5" |
| | 023942-01-000 | EA | GROMMET - RUBBER - 2"OD |
| | 041930-11-000 | EA | RIVET - POP ALUMINUM - 1/8 X .188 - .250 - BRIGHT WHITE |
| | 061420-04-000 | EA | PLUG/PLASTIC - 1 1/4" DIAMETER |
| | 061420-05-000 | EA | PLUG/PLASTIC - 1 1/2" DIAMETER |
| | 061420-09-000 | EA | PLUG/PLASTIC - 1.00" DIAMETER |
| | 061420-10-000 | EA | PLUG/PLASTIC - 1 1/2" DIAMETER - BLACK |
| | 061420-12-000 | EA | PLUG/PLASTIC - 1.50" DIAMETER - RED |
| | 061420-13-000 | EA | PLUG/PLASTIC - 3/8" - FLUSH |
| | 061420-14-000 | EA | PLUG/PLASTIC - 7/8" DIAMETER - BLACK |
| | 061420-15-000 | EA | PLUG/PLASTIC - 2" DIAMETER - BLACK |
| | 061420-16-000 | EA | PLUG/PLASTIC - 2 1/8" DIAMETER - BLACK |
| | 061420-18-000 | EA | PLUG/PLASTIC - 1 3/4" DIAMETER - BLACK |
| | 062401-01-000 | EA | CLAMP - HOSE - WORMGEAR - .25" - 1" |
| | 062401-02-000 | EA | CLAMP - HOSE - WORMGEAR - 1.56" - 2.5" ID |
| | 062401-03-000 | EA | CLAMP - HOSE - WORMGEAR - .22" - 1" ID |
| | 062401-04-000 | EA | CLAMP - HOSE - WORMGEAR - .69" - 1.25" ID |
| | 062401-06-000 | EA | CLAMP - HOSE - WORMGEAR - .22" - .62" ID |
| | 062401-09-000 | EA | CLAMP - HOSE - WORMGEAR - 2.8" - 3.75" ID |
| | 062401-11-000 | EA | CLAMP - HOSE - WORMGEAR - 3.50" - 4.50" ID |
| | 062401-13-000 | EA | CLAMP - HOSE - WORMGEAR |
| | 071015-11-000 | EA | GROMMET - RUBBER - 1"ID FITS .12 MATERIAL - BLACK |
| | 071015-13-000 | EA | GROMMET - RUBBER - .62"ID X 1"OD W/.09" GROOVE - BLACK |
| | 071015-20-000 | EA | GROMMET - .38 ID FITS .06 MTL |
| | 071015-22-000 | EA | GROMMET - RUBBER - .62"ID X 1.12"OD W/.19" GROOVE - BLACK |
| | 071015-26-000 | EA | GROMMET - RUBBER - 1.5"ID X 2.1"OD W/.06" GROOVE - BLACK |
| | 071015-29-000 | EA | GROMMET - RUBBER - .3"ID X 1.3"OD W/.12" GROOVE - BLACK |
| | 071015-30-000 | EA | GROMMET - RUBBER - .3"ID X .81"OD W/.12" GROOVE - BLACK |
| | 071015-39-000 | EA | GROMMET - .75 ID FITS .06 MTL |
| | 071015-41-000 | EA | GROMMET - .125 ID FITS .188 MTL |
| | 071015-42-000 | EA | GROMMET - .25 ID FITS .06 MTL |
| | 071015-43-000 | EA | GROMMET-.25 ID,FITS .07 MATL, MINOR Z-4139 |
| | 071015-44-000 | EA | GROMMET - .31 ID FITS .25 MTL |
| | 075148-02-000 | EA | CLAMP - GROUNDING - BRONZE SCREWS |
| | 077955-01-000 | EA | CLIP/J - 3/8" - VINYL COATED |
| | 081211-03-000 | EA | PLUG - PLASTIC - .50"DIAMETER - TRUSS HEAD - BLACK |
| | 081211-04-000 | EA | PLUG - PLASTIC - .46"DIAMETER - TRUSS HEAD - BLACK |
| | 081211-06-000 | EA | PLUG-PLASTIC,.468DIA,BLACK , HEYCO 1669 |
| | 083609-01-000 | EA | CLAMP - WIRE - DUAL - EQUAL DIAMETERS - 5/8" |
| | 083610-01-000 | EA | CLAMP - WIRE - DUAL - UNEQUAL DIAMETERS - 3/4" & 1 1/4" |

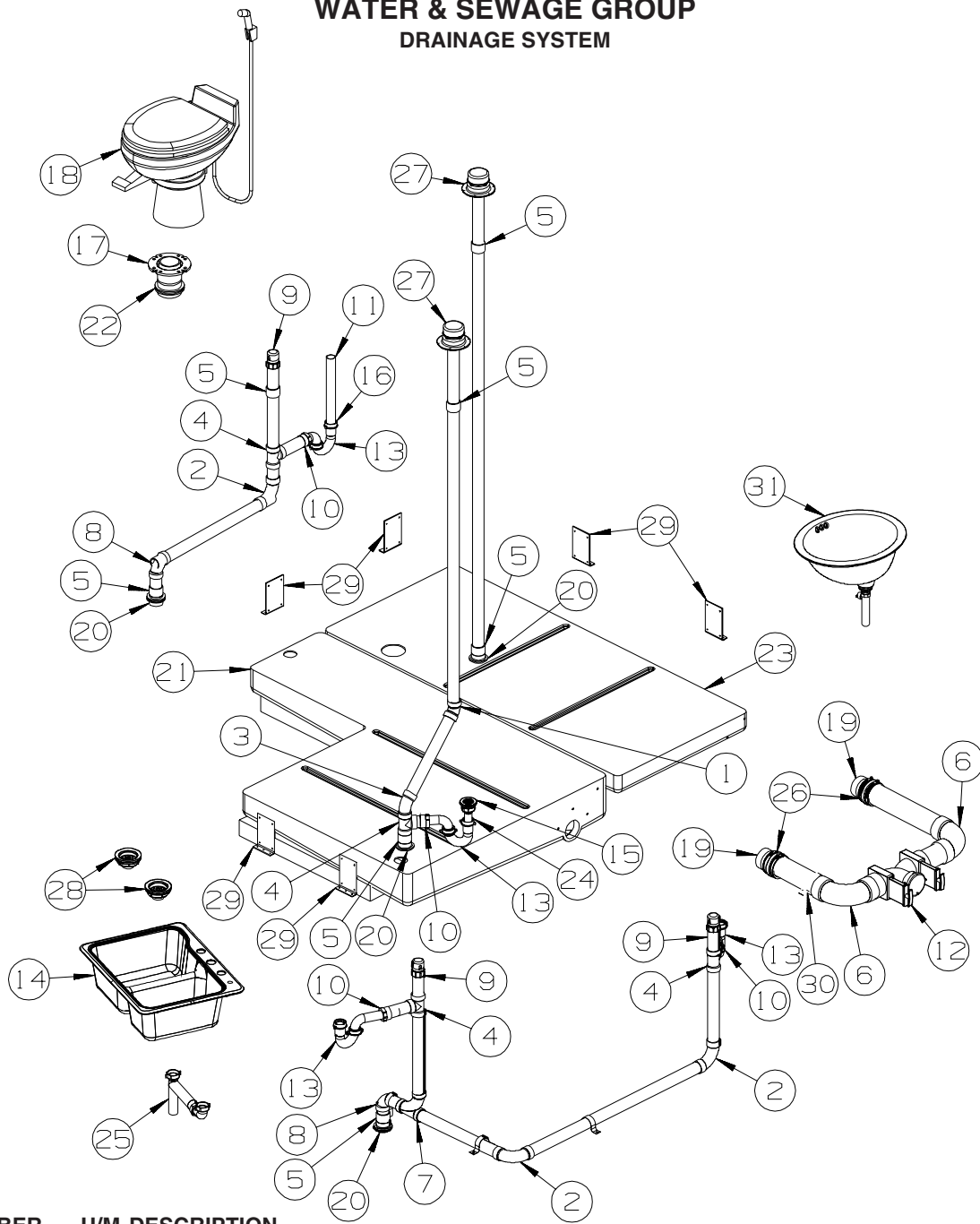
SEALANTS & FASTENERS GROUP (CONTINUED)
CLAMPS, CLIPS, GROMMETS, RIVETS & PLUGS (CONTINUED)

| KEY | PART NUMBER | U/M | DESCRIPTION |
|------------|--------------------|------------|--|
| | 083610-02-000 | EA | CLAMP - WIRE - DUAL - UNEQUAL DIAMETERS - 3/4" & 2" |
| | 083610-03-000 | EA | CLAMP - WIRE - DUAL - EQUAL DIAMETERS - 2" |
| | 083610-02-000 | EA | CLAMP - WIRE - DUAL - UNEQUAL DIAMETERS - 3/4" & 2" |
| | 083610-03-000 | EA | CLAMP - WIRE - DUAL - EQUAL DIAMETERS - 2" |
| | 088756-01-000 | EA | GROMMET - WEB - 1 1/8"ID |
| | 089329-02-000 | EA | CLIP - SPRING |
| | 091952-01-000 | EA | CLIP - GRIPPER - 1" - BLACK VINYL COATED |
| | 091952-02-000 | EA | CLIP - GRIPPER - 3/4" - BLACK VINYL COATED |
| | 091952-03-000 | EA | CLIP - GRIPPER - 1/2" - BLACK VINYL COATED |
| | 094362-02-000 | EA | CLIP - XMAS TREE - BINDER HEAD - .9" LONG/ANY COLOR |
| | 113133-02-01A | EA | RIVET - POP - ALUMINUM - 3/16 X .252 - .504 - BLACK |
| | 114208-05-000 | EA | GROMMET - EDGE LINER - FITS 2" |
| | 118626-01-01A | EA | RIVET/POP - ALUMINUM - 3/16 X 1.2"(GRIP RANGE .1"-.4") |
| | 118626-01-02A | EA | RIVET/POP - ALUMINUM - 3/16 X .08 - .375 |
| | 118626-02-01A | EA | RIVET/POP - ALUMINUM - 3/16 X .500 - .750 |
| | 118626-03-01A | EA | RIVET/POP - STAINLESS STEEL - 3/16 X .500 - .750 |
| | 137014-01-01A | EA | GROMMET - CABLE - ALMOND |
| | 139118-02-01A | EA | GROMMET - SCREW - PLASTIC |
| | 155498-01-01A | EA | CLAMP - CLOSED - 7/8"ID - VINYL DIP/GALVONIZED - BLACK |

MISCELLANEOUS FASTENERS

| KEY | PART NUMBER | U/M | DESCRIPTION |
|------------|--------------------|------------|---|
| | 008343-01-000 | EA | TIE - WIRE - 6" |
| | 008343-02-000 | EA | TIE - WIRE - 14" |
| | 008343-03-000 | EA | TIE - WIRE - 7 1/2" - BLACK |
| | 029094-04-000 | YD | VELCRO TAPE/LOOP - 1"WIDE - W/ADHESIVE BACK - BLACK |
| | 029096-03-000 | YD | VELCRO TAPE/HOOK - 1"WIDE - BLACK |
| | 029096-04-000 | YD | VELCRO TAPE/HOOK - 1"WIDE - BLACK - W/ADHESIVE BACK (PSA) |
| | 048394-02-000 | YD | VELCRO TAPE - HOOK - ADHESIVE BACK - 3/4" WIDE - BEIGE |
| | 085774-01-000 | FT | FASTENER - DUAL LOCK - 1" WIDE - ADHESIVE BACK - BLACK |
| | 085774-02-000 | FT | FASTENER - DUAL HOOK - 1" WIDE - ADHESIVE BACK - BLACK |
| | 088792-02-000 | YD | VELCRO TAPE - LOOP - 3/4" - ADHESIVE BACK - BEIGE |
| | 088792-04-000 | YD | VELCRO TAPE - HOOK - 5/8" - NON-ADHESIVE BACK - WHITE |
| | 088792-05-000 | YD | VELCRO TAPE - LOOP - 5/8" - NON-ADHESIVE BACK - WHITE |
| | 108046-02-000 | EA | CABLE TIE - SCREW MOUNT 15" |

WATER & SEWAGE GROUP DRAINAGE SYSTEM



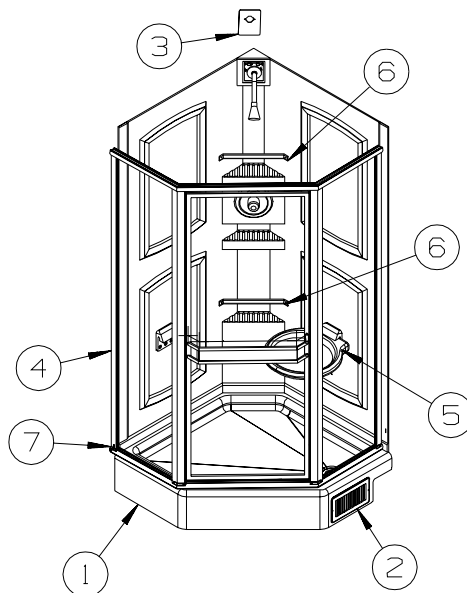
| KEY | PART NUMBER | U/M DESCRIPTION |
|-----|---------------|---|
| 1 | 010006-01-000 | EA ELBOW - 45 DEGREE - 1 1/2" HUB X HUB - PLASTIC |
| 2 | 010008-01-000 | EA ELBOW - 90 DEGREE - 1 1/2" HUB X HUB - PLASTIC |
| 3 | 010051-01-000 | EA ELBOW - 45 DEGREE - 1 1/2" SPIGOT X HUB - PLASTIC |
| 4 | 010071-01-000 | EA TEE - SANITARY - 1 1/2" HUB X HUB X HUB - PLASTIC |
| 5 | 010115-01-000 | EA COUPLING - 1 1/2" HUB X HUB - PLASTIC |
| 6 | 031126-01-000 | EA ELBOW - 1/4 BEND - 3" X 90" XLT - BLACK PLASTIC |
| 7 | 031365-02-000 | EA TEE - 1 1/2" EXTRA LONG TURN - PLASTIC |
| 8 | 034250-01-000 | EA ELBOW - 90 DEGREE - LONG TURN - 1 1/2" HUB X HUB - ABS |
| 9 | 079968-01-000 | EA VENT - MECHANICAL/TRAP ARM - ANTI-SIPHON-2" X 7.3" PLASTIC |
| 10 | 152146-01-000 | EA CONNECTOR - 1 1/2"P X 1 1/2"MPT |
| 11 | 126588-02-000 | EA ARM - WASTE - 1 1/2" X 20" - FEMALE |
| 12 | 136143-01-000 | EA VALVE - DUAL - 3" X 3" |
| | 139513-01-000 | EA HOSE - SEWER - 3" X 10' - W/ADAPTER |
| | 062416-01-000 | EA ADAPTER - SEWER HOSE TO 3" PIPE |
| * | 144728-01-000 | EA VALVE - SEWER HOSE - 3" |
| | 147845-01-01A | EA LABEL - DRIP VALVE |
| 13 | 107538-02-000 | EA P-TRAP - PLASTIC - 1 1/2" W/EXTENSION ARM |
| 13 | 011071-01-000 | EA P-TRAP - 1 1/2" - CSA - PLASTIC - CANADIAN |

WATER & SEWAGE GROUP (CONTINUED)

DRAINAGE SYSTEM (CONTINUED)

| KEY | PART NUMBER | U/M | DESCRIPTION |
|-----|---------------|-----|--|
| 14 | 110654-01-000 | EA | SINK - STAINLESS STEEL/DOUBLE BASIN (1 LG-1 SM BASIN) |
| 15 | 066440-01-000 | EA | STRAINER - SHOWER DRAIN - W/RUBBER WASHER |
| | 127440-02-01A | EA | WASHER - RUBBER - 1.8" X .1" |
| 16 | 061420-10-000 | EA | PLUG/PLASTIC - 1 1/2" DIAMETER - BLACK |
| 17 | 024676-01-000 | EA | FLANGE/CLOSET - 4" X 3" - BLACK PLASTIC |
| 18* | 160815-01-01A | EA | TOILET-STYLE II,TALL,WHITE ,*W/SPRAYER |
| 19 | 010129-03-000 | EA | NIPPLE - 3" X 3" TOE - PLASTIC |
| 20 | 061607-01-000 | EA | GROMMET - HOLDING TANK - 1 1/2" NPS |
| 21 | 148496-01-700 | EA | TANK - HOLDING - 46 GALLON - W/O FITTINGS - GRAY WATER |
| | 049032-01-000 | EA | PATCH - SPINWELD - 3/8" - PLASTIC |
| 22 | 061607-02-000 | EA | GROMMET - HOLDING TANK - 3" NPS |
| 23 | 128776-01-700 | EA | TANK - HOLDING - 53 GALLON - W/3" NIPPLE |
| | 125697-02-000 | EA | NOZZLE - WELD-A-FLUSH |
| 24 | 011069-06-000 | EA | TAILPIECE - 1 1/2" X 1 1/4" X 2 1/2" |
| | 130403-01-000 | EA | NUT - SLIP - W/WINGS 1 1/2" |
| 25 | 011091-02-000 | EA | WASTE - CONTINUOUS - DOUBLE SINK |
| 26 | 078406-01-000 | EA | COUPLER - 3" X 3" W/CLAMPS - RUBBER |
| 27 | 083558-03-000 | EA | VENT W/COVER F/PLUMBING STACK - OFF WHITE |
| 28 | 092303-01-000 | EA | STRAINER - W/BASKET - GALLEY SINK - 4" OD |
| 29 | 094756-02-01A | EA | BRACKET - L - 6.1" LONG X 3.9" WIDE - STEEL |
| 30 | 141443-01-02B | EA | HOLDER - RING - 3.6" DIAMETER - METAL |
| 31 | 155318-01-01A | EA | SINK - LAVATORY - OVAL - 19.5" X 16.5" - CREAM |

*COMPONENT PARTS LISTED LATER IN THIS GROUP



| KEY | PART NUMBER | U/M | DESCRIPTION |
|-----|---------------|-----|--|
| 1 | M02630-81-S64 | EA | SHOWER PAN - W/STRAINER |
| 2 | 089326-02-000 | EA | GRILLE - FLOOR - HEATING - 9.3" X 5.3" - SOFT WHITE |
| 3 | 131549-01-01A | EA | PLATE - COVER - SHOWER HEAD |
| 4 | 147575-01-30A | EA | ENCLOSURE - SHOWER - SIDES/BACK - 1 PIECE - IVORY MARBLE |
| 5 | 135607-03-01A | EA | SEAT - SHOWER/FOLDING - FOLD DOWN SHOWER SEAT |
| 6 | 113714-02-30A | EA | RETAINER - SHELF/SHOWER - 10.6" - IVORY MARBLE |
| 7 | 154585-03-01A | FT | SEAL - FOAM TAPE - ADHESIVE BACK - 1/8" X 3/4" |

COMPONENT PARTS FOR DRAINAGE SYSTEM

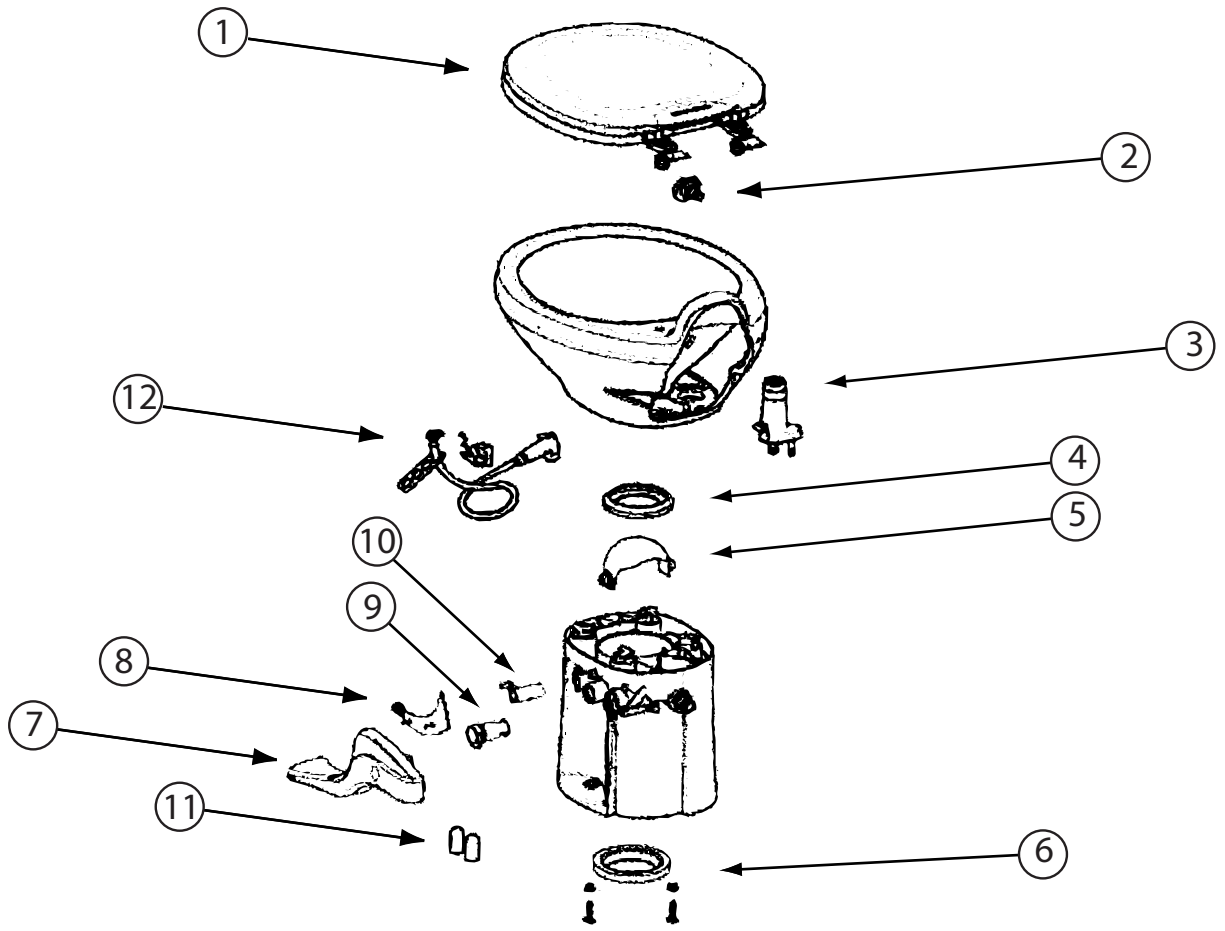
062415-01-000

| KEY | PART NUMBER | U/M | DESCRIPTION | VENDOR NO. |
|-----|---------------|-----|------------------|-------------|
| | 062415-01-700 | EA | STRING-SEWER CAP | V#SV7 STRAP |

144728-01-000

| KEY | PART NUMBER | U/M | DESCRIPTION | VENDOR NO. |
|-----|---------------|-----|-----------------------------|------------|
| | 144728-01-700 | EA | GASKET-RUBBER, INSIDE VALVE | 9667310-11 |
| | 144728-01-701 | EA | GASKET-RUBBER, OUTSIDE | 9667310-10 |

WATER & SEWAGE GROUP (CONTINUED)
COMPONENT PARTS FOR DRAINAGE SYSTEM (CONTINUED)

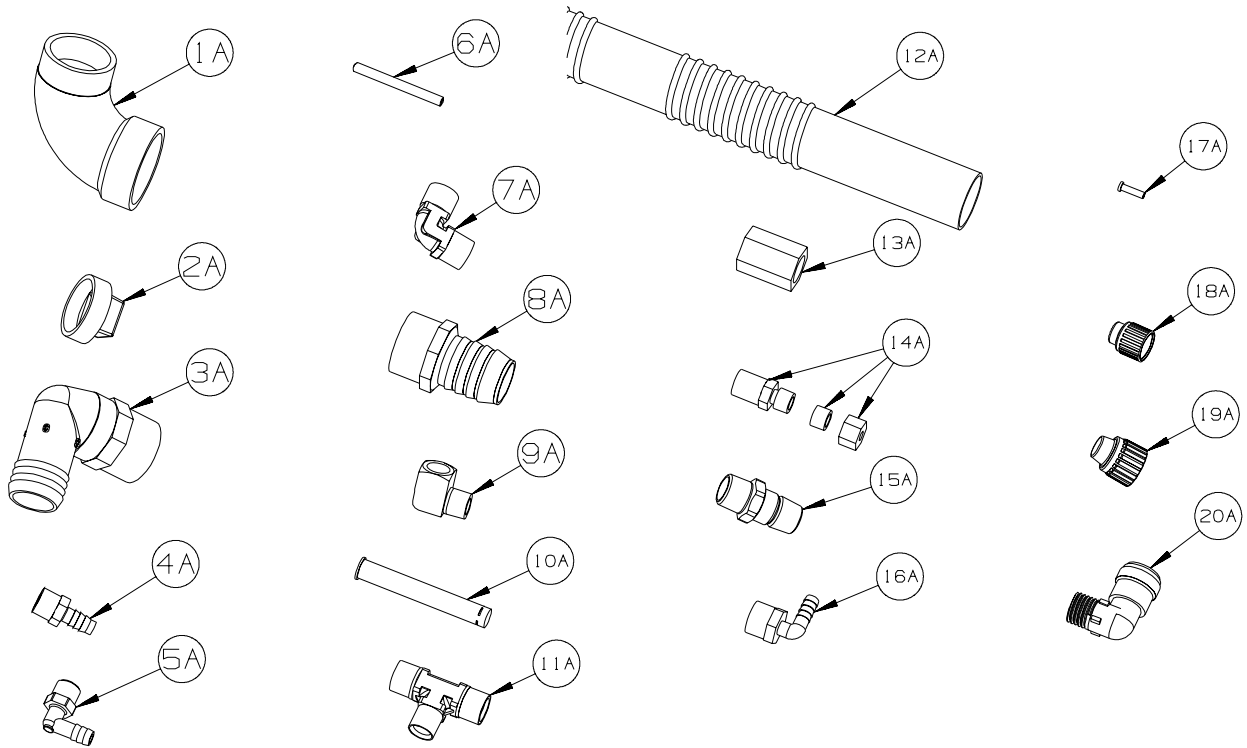


160815-01-01A

| KEY | PART NUMBER | U/M | DESCRIPTION | VENDOR NO. |
|-----|---------------|-----|------------------------------|----------------|
| 1 | 160815-01-700 | EA | SEAT & COVER ASSEMBLY | 42036 |
| 2 | 152829-01-710 | EA | FLUSH NOZZLE - WHITE | 34124 |
| 3 | 152829-01-708 | EA | VACUUM BREAKER | 34122 |
| 4 | 152829-01-707 | EA | SEAL - F/WASTE BALL | 34120 |
| 5 | 152829-01-706 | EA | WASTE BALL - WHITE | 34117 |
| 6 | 063740-01-706 | EA | BOLT PACKAGE-FLOOR FLANGE | 12524 THETFORD |
| 7 | 160815-01-701 | EA | PEDAL - TALL - WHITE | 42067 |
| 8 | 160815-01-702 | EA | INSERT/PEDAL COVER - WHITE | 42080 |
| 9 | 160815-01-703 | EA | WATER VALVE | 42049 |
| 10 | 160815-01-704 | EA | WASTE BALL DRIVE ARM | 42048 |
| 11 | 147421-01-707 | EA | CAP (UNIVERSAL BOLT) - WHITE | 31713 |
| 12 | 132389-01-708 | EA | HAND SPRAY KIT-CHROME HEAD | 19289 |

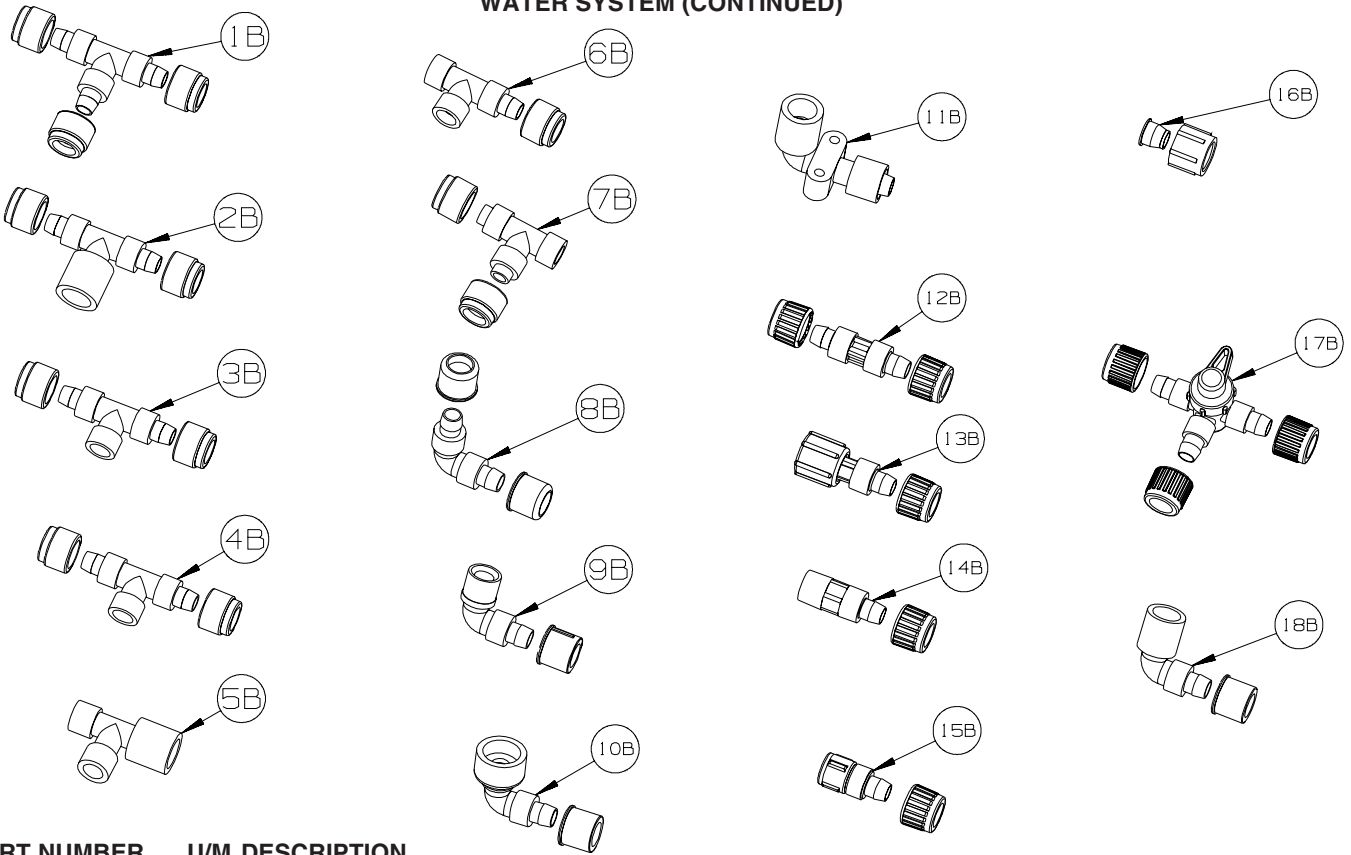
WATER & SEWAGE GROUP (CONTINUED)

WATER SYSTEM



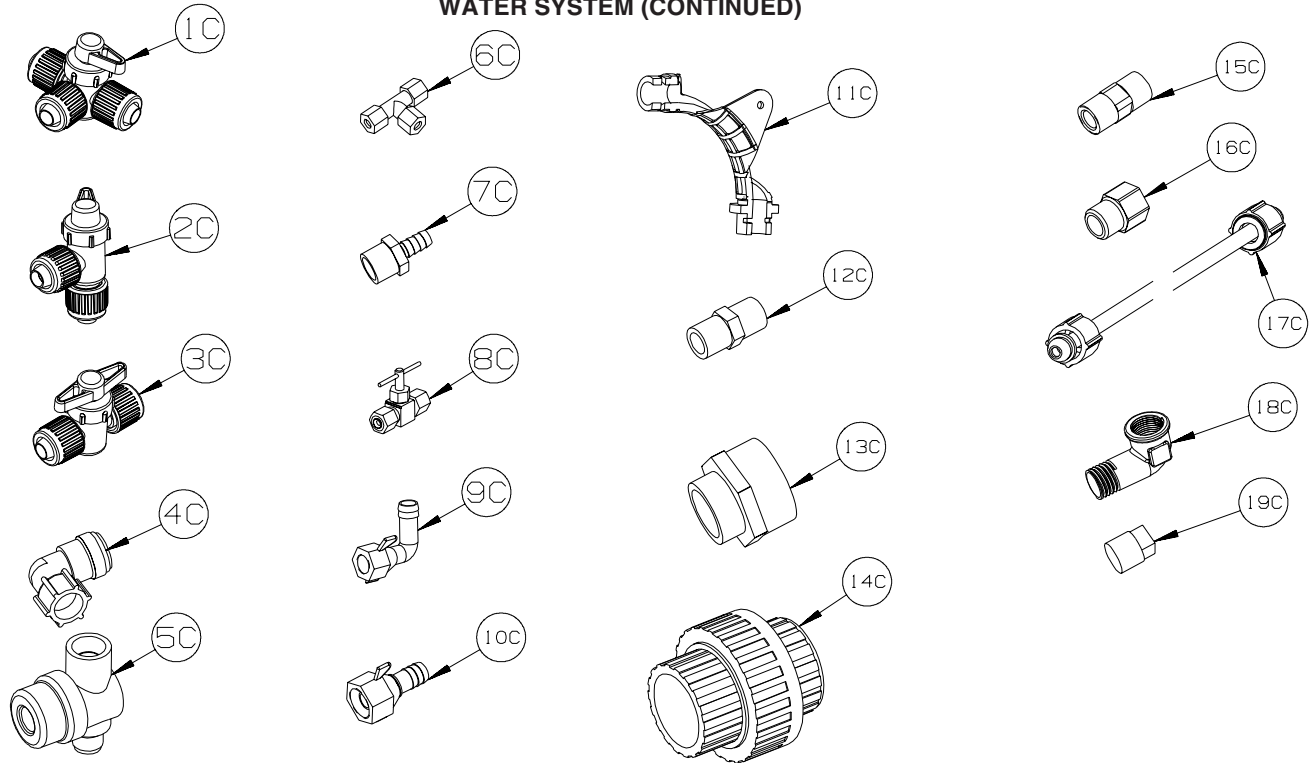
| KEY | PART NUMBER | U/M | DESCRIPTION |
|-----|---------------|-----|---|
| 1A | 010009-01-000 | EA | ELBOW - 90 DEGREE - 1/4 BEND - 1 1/2" PLASTIC |
| 2A | 010166-01-000 | EA | PLUG/THREADED - 1 1/4"MPT - PLASTIC - BLACK - UL |
| 3A | 010219-01-000 | EA | ELBOW - 1 1/4 MPT X 1 1/4 BARB - WATER FILL - PLASTIC |
| 4A | 010224-01-000 | EA | ADAPTER - HOSE TO PIPE - 3/8 MPT X 3/8 BARB - PLASTIC |
| 5A | 035539-01-000 | EA | ELBOW - 3/8 MPT X 3/8 BARB - PLASTIC |
| 6A | 039800-04-000 | FT | TUBING - POLYBUTYL - 1/4"OD |
| 6A | 074462-02-000 | FT | TUBING - VINYL - 3/8 ID X 20' - CLEAR |
| 6A | 112176-01-000 | FT | TUBING - VINYL - REINFORCED - 1/2" ID |
| 6A | 124188-01-000 | FT | TUBING - PEX - 1/2" ID X 20' - BLUE(COLD) |
| 6A | 124188-02-000 | FT | TUBING - PEX - 1/2" ID X 20' - RED(HOT) |
| 7A | 039808-03-000 | EA | ELBOW - 1/2" MPT X 1/2" MPT - PLASTIC |
| 8A | 044927-01-000 | EA | ADAPTER - HOSE TO PIPE-1 1/4 MPTX1 1/4 BARB-BLACK PLASTIC |
| 9A | 065318-02-000 | EA | ELBOW - 90 DEGREE - 3/8" MPT TO 3/8" FPT |
| 10A | 077954-02-000 | EA | FILTER - WATER TANK - W/SCREEN IN TANK |
| 11A | 039798-01-000 | EA | TEE - 1/2"MPT X 1/2"MPT X 1/2"MPT - PLASTIC |
| 12A | 079381-01-000 | FT | TUBING - RIBBED FLEXIBLE/WATER FILL - 10 FT = 1EA-1.38ID |
| 13A | 101814-01-000 | EA | COUPLING - FEMALE - 1/2" X 1/2" FPT - GRAY |
| 14A | 103798-01-000 | EA | CONNECTOR - 1/4 OD X 3/8 MPT |
| 15A | 110438-02-000 | EA | VALVE - CHECK - 1/2"MPT X 1/2"MPT - BRASS |
| 16A | 111223-02-000 | EA | ELBOW - 1/2" MPT X 3/8" BARB - PLASTIC |
| 16A | 111223-04-000 | EA | ELBOW - 1/2" MPT X 1/2" BARB - PLASTIC |
| 16A | 111888-01-000 | EA | FERRULE - PLASTIC - .250 ID X .375 OD |
| 17A | 111888-02-000 | EA | INSERT - BRASS - 1/4 COMP |
| 18A | 113697-01-000 | EA | CAP - 3/8"P |
| 19A | 114427-01-000 | EA | CAP - 1/2"P |
| 20A | 164906-01-000 | EA | ELBOW - 90 DEGREE - 1/2" QUICK CONNECT X 1/2"MPT |

WATER & SEWAGE GROUP (CONTINUED)
WATER SYSTEM (CONTINUED)



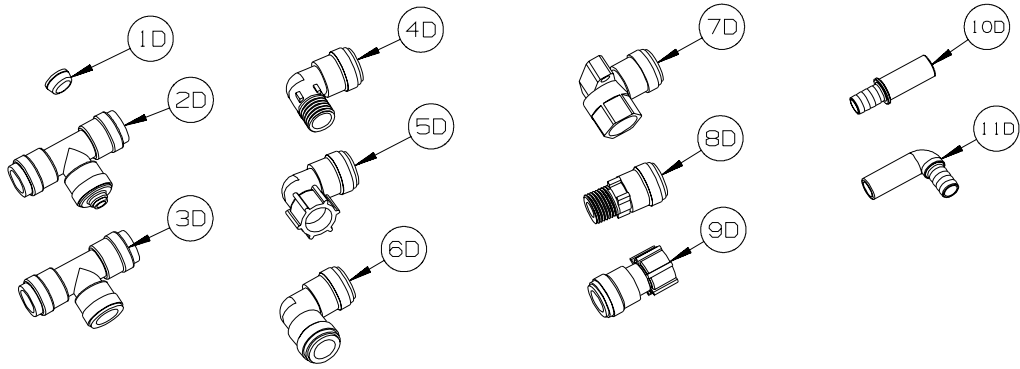
| KEY | PART NUMBER | U/M | DESCRIPTION |
|-----|---------------|-----|---|
| 1B | 114428-01-000 | EA | TEE - 1/2"P X 1/2"P X 1/2"P |
| 2B | 114428-02-000 | EA | TEE - SWIVEL - 1/2"P X 1/2"P X 1/2"FPT |
| 3B | 114428-03-000 | EA | TEE - 1/2"P X 1/2"P X 1/2"MPT |
| 4B | 114428-04-000 | EA | TEE - 1/2"P X 1/2"P X 1/8"FPT |
| 5B | 114428-05-000 | EA | TEE - 1/2" SWIVEL X 1/2" MPT X 1/2" MPT |
| 6B | 114428-06-000 | EA | TEE - 1/2" P X 1/2" MPT X 1/2" MPT |
| 7B | 114428-07-000 | EA | TEE - 1/2" P X 1/2" MPT X 1/2" P |
| 8B | 114429-01-000 | EA | ELBOW - 1/2"P X 1/2"P |
| 9B | 114429-02-000 | EA | ELBOW - 1/2"P X 1/2"MPT |
| 9B | 114429-04-000 | EA | ELBOW - 1/2"P X 3/8"MPT |
| 9B | 114429-10-000 | EA | ELBOW - SWIVEL - 1/2"MPT X 1/2"FPT |
| 10B | 114429-08-000 | EA | ELBOW - SWIVEL - 1/2"P X 1/2"FPT |
| 11B | 114429-09-000 | EA | ELBOW - 1/2"P X 1/2"FPT DROP EAR |
| 12B | 114430-01-000 | EA | ADAPTER - 1/2"P X 1/2"P |
| 13B | 114430-02-000 | EA | ADAPTER - SWIVEL - 1/2"P X 1/2"FPT |
| 13B | 114430-04-000 | EA | ADAPTER - SWIVEL - 1/2"P X 3/8"MPT |
| 14B | 114430-03-000 | EA | ADAPTER - 1/2"P X 1/2"MPT |
| 15B | 114430-06-000 | EA | ADAPTER - 1/2"P X 3/8"FPT |
| 15B | 114430-09-000 | EA | ADAPTER - 1/2"P X 1/2"FPT |
| 16B | 114430-10-000 | EA | ADAPTER - NUT - PIPE CONNECTION - 1/2" |
| 17B | 114431-01-000 | EA | VALVE - 180 DEGREE/CENTER DRAIN - 1/2"P - THREE WAY |
| 18B | 114429-11-000 | EA | ELBOW - 1/2"P X 1/2"FPT |

WATER & SEWAGE GROUP (CONTINUED)
WATER SYSTEM (CONTINUED)



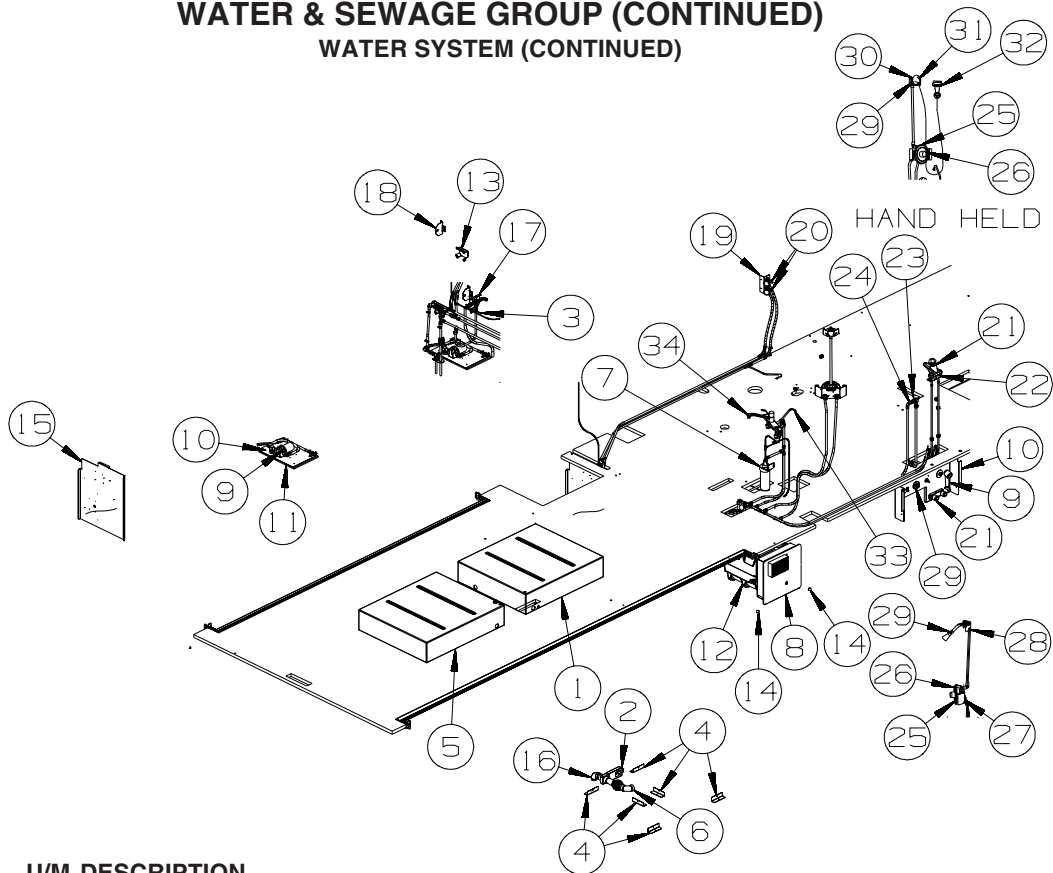
| KEY | PART NUMBER | U/M | DESCRIPTION |
|-----|---------------|-----|---|
| 1C | 114431-02-000 | EA | VALVE - WATER BYPASS - 1/2"P - THREE WAY (WATER HEATER) |
| 2C | 114431-03-000 | EA | VALVE - 90 DEGREE DRAIN - 1/2"P |
| 3C | 114431-04-000 | EA | VALVE - "INLINE SHUT-OFF" - 1/2"P |
| 4C | 164906-02-000 | EA | ELBOW - 90 DEGREE - 1/2" QUICK CONNECT X 1/2"MPT - SWIVEL |
| 5C | 152925-01-01A | EA | FILTER - IN LINE - TWIST ON - 1/2" - BLACK |
| 6C | 118423-01-000 | EA | FITTING - BRASS-TEE - 1/4C X 1/4C X 1/4C |
| 7C | 118809-01-000 | EA | ADAPTER - 1/2" MPT X 3/8" BARB - PLASTIC |
| 7C | 118809-02-000 | EA | ADAPTER - 1/2" MPT X 1/2" BARB - PLASTIC |
| 8C | 120868-01-000 | EA | VALVE - NEEDLE - 1/4" COMPRESSION X 1/4" COMPRESSION |
| 9C | 123150-01-000 | EA | ELBOW - 1/2 FPT X 1/2 BARB - SWIVEL |
| 10C | 123152-01-000 | EA | ADAPTER - 1/2 FPT X 1/2 BARB - SWIVEL |
| 11C | 124184-01-000 | EA | SUPPORT - WATER LINE - BEND |
| 12C | 132148-01-000 | EA | CONNECTOR - 1/2" X 1/2"MPT - BRASS |
| 13C | 133835-01-000 | EA | ADAPTER - REDUCING - 1 1/2" X 1 1/4" |
| 14C | 133889-01-000 | EA | UNION - 1 1/2 DOUBLE SLIP - PVC |
| 15C | 135386-01-000 | EA | NIPPLE - 1/2" |
| 16C | 136333-01-000 | EA | ADAPTER - BRASS - 1/2"MPT X 1/2"FPT |
| 17C | 140821-01-000 | EA | TUBE - WATER SUPPLY - 3/8" X 24" |
| 17C | 140821-02-000 | EA | TUBE - WATER SUPPLY - 3/8" X 30" |
| 17C | 140821-03-000 | EA | TUBE - WATER SUPPLY - 3/8" X 36" |
| 17C | 140821-04-000 | EA | TUBE - WATER SUPPLY - 3/8" X 48" |
| 17C | 140821-05-000 | EA | TUBE - WATER SUPPLY - 3/8" X 54" |
| 17C | 140821-06-000 | EA | TUBE - WATER SUPPLY - 3/8" X 60" |
| 17C | 140821-07-000 | EA | TUBE - WATER SUPPLY - 3/8" X 72" |
| 17C | 140821-08-000 | EA | TUBE - WATER SUPPLY - 1/2" X 24" |
| 17C | 140821-09-000 | EA | TUBE - WATER SUPPLY - 1/2" X 36" |
| 17C | 140821-10-000 | EA | TUBE - WATER SUPPLY - 1/2" X 48" |
| 18C | 142812-01-000 | EA | ELBOW - BRASS - 1/2"MPT X 1/2"FPT |
| 19C | 145609-01-000 | EA | PLUG - BRASS - 1/2" MPT/HEX HEAD |

WATER & SEWAGE GROUP (CONTINUED)
WATER SYSTEM (CONTINUED)



| KEY | PART NUMBER | U/M | DESCRIPTION |
|-----|---------------|-----|---|
| 1D | 116473-01-000 | EA | FERRIL - RUBBER SEALING - WATER LINE |
| 2D | 160949-01-000 | EA | CONNECTOR - 1/2" X 1/2" X 1/4" REDUCER |
| 3D | 160949-02-000 | EA | CONNECTOR - 1/2"CTS X 1/2"CTS X 1/2"CTS |
| 4D | 164906-01-000 | EA | ELBOW - 90 DEGREE - 1/2" QUICK CONNECT X 1/2"MPT |
| 5D | 164906-02-000 | EA | ELBOW - 90 DEGREE - 1/2" QUICK CONNECT X 1/2"FPT - SWIVEL |
| 6D | 164906-03-000 | EA | ELBOW - 90 DEGREE - 1/2" X 1/2" QUICK CONNECTS |
| 7D | 164906-04-000 | EA | ELBOW - 90 DEGREE - 1/2"CTS X 1/2"FPT |
| 8D | 164907-01-000 | EA | ADAPTER - STRAIGHT - 1/2" QUICK CONNECT X 1/2"MPT |
| 9D | 164907-02-000 | EA | ADAPTER - STRAIGHT - 1/2" QUICK CONNECT X 1/2"FPT/SWIVEL |
| 10D | 166212-01-000 | EA | UNION - HOSE/BARB - CTS X 1/2"B - SEA TECH #3511-1008 |
| 11D | 166212-02-000 | EA | ELBOW - HOSE/BARB - CTS X 1/2"B - SEA TECH #3512-1008 |

WATER & SEWAGE GROUP (CONTINUED)
WATER SYSTEM (CONTINUED)

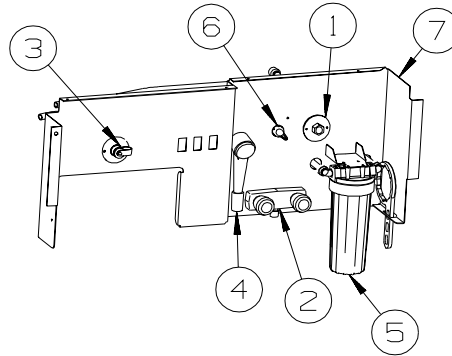


| KEY | PART NUMBER | U/M | DESCRIPTION |
|-----|---------------|-----|--|
| 1 | 132224-33-000 | EA | TANK - WATER - 40 GALLON - W/FITTINGS - 37.8"X 33.1"X 8.3" |
| | 042989-03-000 | EA | FITTING - SPINWELD - 1 1/4"NPT - PLASTIC |
| | 042989-04-000 | EA | FITTING - SPINWELD - 3/8"FPT - PLASTIC |
| | 042989-05-000 | EA | FITTING - SPINWELD - 1/2"FPT - PLASTIC |
| | 049032-01-000 | EA | PATCH - SPINWELD - 3/8" - PLASTIC |
| 2 | 062421-03-000 | EA | VALVE/DUMP W/O HANDLE - 1 1/2" X 1 1/2" HUB |
| 3 | 062421-07-000 | EA | CABLE/ROD - F/DUMP VALVE - W/HANDLE - 144" |
| 4 | 142053-30-134 | EA | ANGLE-STL,ROOF JOINT,0134 MM TOP COAT OFF WHITE |
| 5 | 132224-23-000 | EA | TANK - WATER - 40 GALLON - W/FITTINGS - 37.8"X 33.1"X 8.3" |
| | 042989-03-000 | EA | FITTING - SPINWELD - 1 1/4"NPT - PLASTIC |
| | 042989-05-000 | EA | FITTING - SPINWELD - 1/2"FPT - PLASTIC |
| | 049032-01-000 | EA | PATCH - SPINWELD - 3/8" - PLASTIC |
| 6 | 034250-01-000 | EA | ELBOW - 90 DEGREE - LONG TURN - 1 1/2" HUB X HUB - ABS |
| 7 | 160946-01-000 | EA | FILTER SYSTEM - WATER PURIFICATION - W/FILTER MDL "A" |
| 8* | 125420-03-03A | EA | DOOR - WATER HEATER - 18" X 17.7" - BLACK |
| 9 | 160702-01-000 | EA | PUMP - WATER - 3.0 GPM - W/1/2" MPT |
| 10 | 149477-01-02B | EA | PANEL - WATER PUMP - E-COATED |
| 11 | 140364-04-01A | EA | FOAM - PAD - .5" X 12" X 18" |
| 12* | 145541-01-000 | EA | WATER HEATER/MOTOR AID-GAS/ELECT IGN - GCH10A-4E - 10 GAL |
| 13 | 138618-01-12B | EA | COVER - VALVE - BYPASS - BRIGHT WHITE |
| 14 | 117047-02-000 | EA | BUMPER - RUBBER/WASHER INSERT |
| 15 | 149497-15-12B | EA | PANEL - F/VALVE BYPASS - BRIGHT WHITE |
| 16 | 010009-01-000 | EA | ELBOW - 90 DEGREE - 1/4 BEND - 1 1/2" - PLASTIC |
| 17 | 137410-02-02B | EA | BRACKET - VALVE - WINTERIZATION - E-COATED |
| 18 | 149597-01-02B | EA | BRACKET - CABLE - E-COATED |
| 19 | 134472-02-02B | EA | BRACKET - FAUCET - WASHER - E-COATED |
| | | | FROM: 00-00-00 THRU: 07-25-07 |
| 19 | 134472-05-02B | EA | BRACKET - FAUCET - WASHER - E-COATED |
| | | | FROM: 07-26-07 THRU: 99-99-99 |
| 20 | 098419-01-000 | EA | FAUCET - 90 DEGREE |
| 21* | 152311-02-01A | EA | FAUCET - LAVATORY - SINGLE CONTROL - W/WASTE - CHROME |
| 22 | 105218-01-01A | EA | SPACER - FAUCET/LAVATORY SINK - 2" X 5.9" - ABS PLASTIC |
| 23 | 125697-04-000 | EA | BREAKER/VACUUM - F/FLUSHING SYSTEM |
| 24 | 125697-03-000 | EA | CHECK VALVE - F/FLUSHING SYSTEM |
| 25* | 144596-01-01A | EA | VALVE ONLY - FAUCET/SHOWER - W/TEMP LIMIT STOP(MOEN 62300) |

WATER & SEWAGE GROUP (CONTINUED)
WATER SYSTEM (CONTINUED)

| KEY | PART NUMBER | U/M | DESCRIPTION |
|-----|---------------|-----|---|
| 26 | 144596-02-02A | EA | TRIM KIT - (KNOB & PLATE) - CHATEAU - CHROME |
| 27 | 131554-01-02B | EA | BRACKET/SHOWER CONTROL - E-COATED |
| 28 | 131551-01-02B | EA | BRACKET - SHOWER HEAD |
| 29 | 128974-01-02A | EA | VALVE - SHOWER HEAD/WATER SAVER (ON/OFF) - CHROME |
| 30 | 130041-03-18A | EA | SPACER/SHOWER HEAD - SOFT WHITE - SHOWER HEAD-HAND HELD |
| 31 | 135028-02-02A | EA | DROP ELL - F/HAND HELD SHOWER HEAD/OVAL - W/1/2"IPS-CHROME - SHOWER HEAD-HAND HELD |
| 32* | 129390-03-02A | EA | SHOWER HEAD - W/HOSE & BRACKET - CHROME - SHOWER HEAD-HAND HELD |
| 33* | 103635-01-000 | EA | FAUCET - SINGLE CONTROL/DRINKING WATER |
| 34* | 123744-03-01A | EA | FAUCET - GALLEY/SINGLE CONTROL W/SPRAYER HEAD - CHROME |

***COMPONENT PARTS LISTED LATER IN THIS GROUP**



WATER CENTER
G33V, G35A, G35L,
G37B, G38J

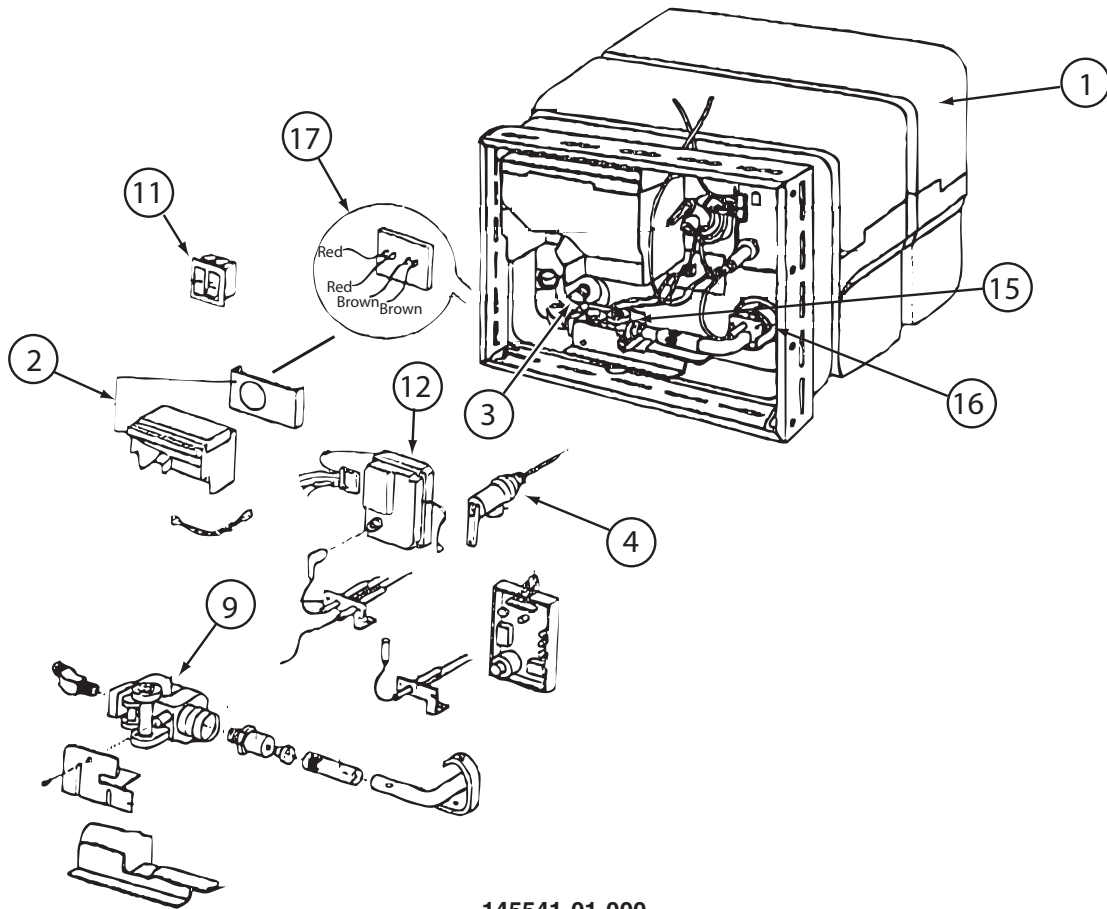
| KEY | PART NUMBER | U/M | DESCRIPTION |
|-----|---------------|-----|--|
| 1 | 010230-06-000 | EA | FILL - CITY WATER - W/CHECK VALVE - MPT - BRUSHED ALUM |
| 2 | 163269-01-01A | EA | FAUCET/SHOWER -.5"MPT W/1.9" INLET PIPES- EXTERIOR/BRT WHT |
| 3 | 125697-05-000 | EA | INLET/WATER - F/FLUSHING SYSTEM |
| 4 | 131383-01-02A | EA | SHOWER HEAD - W/60" HOSE & BRACKET - WHITE |
| 5* | 155482-01-01A | EA | FILTER - WATER - KIT- PREFILTER - WATER/CITY FILL |
| 6 | 114431-03-000 | EA | VALVE - 90 DEGREE DRAIN - 1/2"P |
| 7 | 156974-01-12B | EA | PANEL - DRAINAGE CENTER - BRIGHT WHITE |

***COMPONENT PARTS LISTED LATER IN THIS GROUP**

COMPONENT PARTS FOR WATER SYSTEM

| | | | |
|---|--------------------|------------|------------------------------|
| 103635-01-000 | | | |
| KEY | PART NUMBER | U/M | DESCRIPTION |
| | 103635-01-703 | EA | CARTRIDGE - 10" |
| | | | VENDOR NO. |
| | | | ADC-959201 |
| 123744-03-01A | | | |
| KEY | PART NUMBER | U/M | DESCRIPTION |
| | 135027-01-700 | EA | CLIP - RETAINER |
| | 135027-01-705 | EA | CARTRIDGE F/SGL LEVER FAUCET |
| | | | VENDOR NO. |
| | | | 883 |
| | | | 1225 |
| 125420-01-02A, 125420-01-03A, 125420-03-03A, 125420-04-03A | | | |
| KEY | PART NUMBER | U/M | DESCRIPTION |
| | 051391-01-705 | EA | FASTENER - CAMLOCK |
| | | | VENDOR NO. |
| | | | 92609 |
| 129390-03-02A | | | |
| KEY | PART NUMBER | U/M | DESCRIPTION |
| | 129390- 03- 702 | EA | CONNECTOR-SWIVEL - CHROME |
| | 129390- 03- 703 | EA | VACUUM BREAKER - CHROME |
| | 129390- 03- 705 | EA | BRACKET-HANGER/SHOWER HEAD |
| | | | VENDOR NO. |
| | | | A-4002-CPK |
| | | | A-4900C |
| | | | AS5001PK - CHROME |
| 144596-01-01A | | | |
| KEY | PART NUMBER | U/M | DESCRIPTION |
| | 144596-01-700 | EA | CARTRIDGE (REPLACEMENT) |
| | | | VENDOR NO. |
| | | | 1222 |

WATER & SEWAGE GROUP (CONTINUED)
COMPONENT PARTS FOR WATER SYSTEM (CONTINUED)



145541-01-000

| KEY | PART NUMBER | U/M | DESCRIPTION | VENDOR NO. |
|-----|---------------|-----|------------------------------|----------------|
| 1 | 145541-01-700 | EA | TANK - W/INSULATION - 10 GAL | 91028 |
| 2 | 051391-04-707 | EA | KIT-EXHAUST, (FLUE & GASKET) | 90960 |
| 3 | 051391-01-715 | EA | PLUG-DRAIN, 1 EA = 2 PER PKG | 91857 |
| 4 | 051391-01-704 | EA | VALVE-RELIEF, 1/2" FITTING | 91604 |
| 9 | 051393-01-726 | EA | VALVE/SOLENOID - W/O BRACKET | 93870 |
| 11 | 145541-01-701 | EA | SWITCH - ON/OFF - WHITE | 91859 |
| 12 | 145541-01-702 | EA | CIRCUIT BOARD | 91226 |
| 15 | 145541-01-703 | EA | SWITCH - THERMAL CUT OFF | 93866 |
| 16 | 051393-01-725 | EA | ELECTRODE-SGL SPADE CONNECT. | 93868 |
| 17 | 051393-01-721 | EA | THERMOSTAT W/ECO, 140 FRT MT | 91447 |
| | 051391-05-706 | EA | ELEMENT-HEATING 1500 WATT | 92249 W/GASKET |
| | 051393-01-701 | EA | SWITCH - REMOTE - W/LIGHT | 91959 |
| | 145541-01-704 | EA | RELAY | 90061 |
| | 145541-01-705 | EA | JUNCTION BOX(PLASTIC) 10 GAL | 91224 |

CONTACT WINNEBAGO PARTS SALES FOR UNLISTED COMPONENT(S)

152311-01-01A

| KEY | PART NUMBER | U/M | DESCRIPTION | VENDOR NO. |
|-----|---------------|-----|-----------------|----------------|
| | 152311-01-700 | EA | KNOB - CONTROL | AF-0908-HANDLE |
| | 152311-01-701 | EA | BUTTON-HOT/COLD | |
| | 152311-02-701 | EA | CARTRIDGE (KIT) | |

152311-02-01A

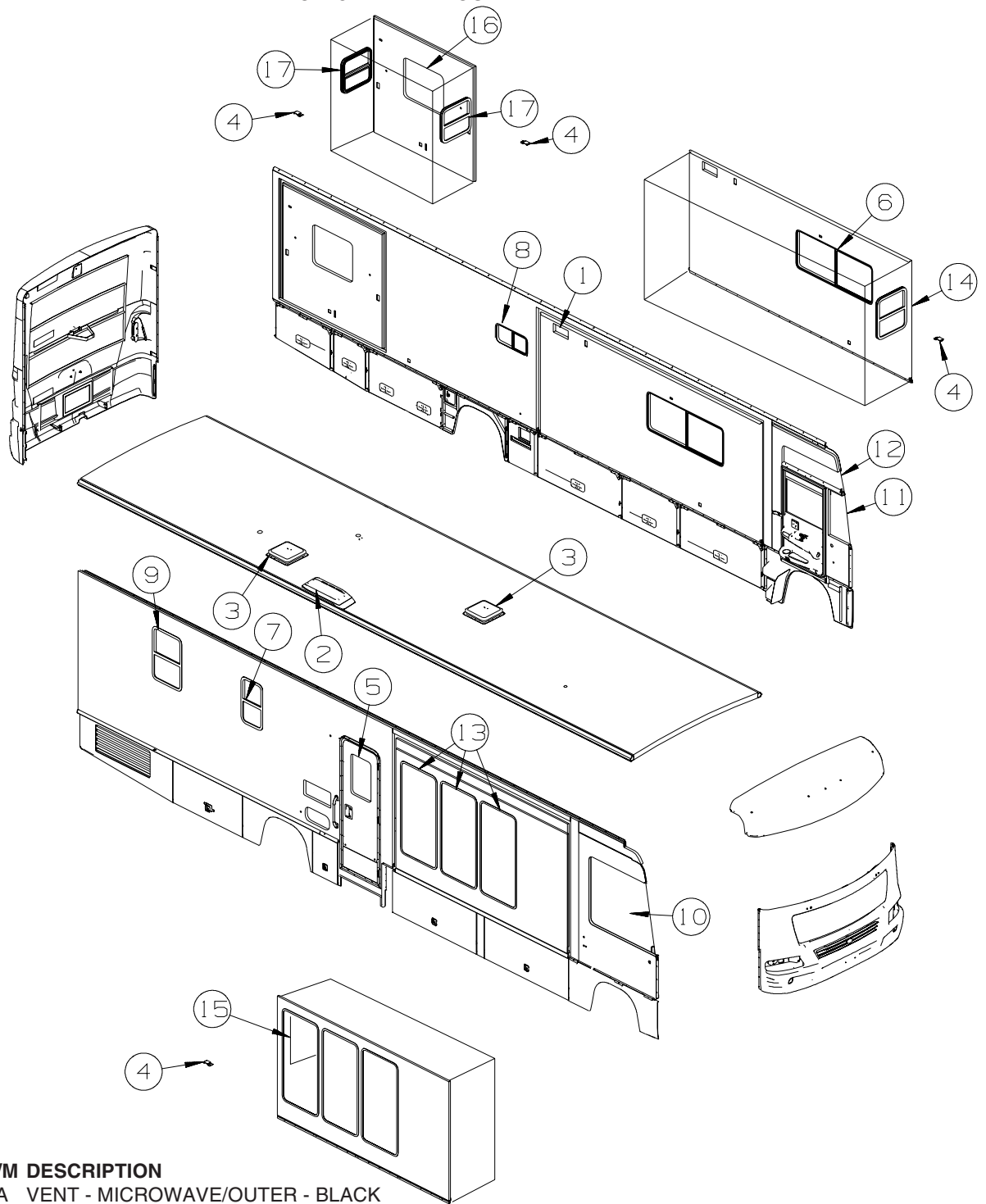
| KEY | PART NUMBER | U/M | DESCRIPTION | VENDOR NO. |
|-----|---------------|-----|-----------------|--------------|
| | 152311-02-700 | EA | WASTE ASM. | AF-BP1000-01 |
| | 152311-02-701 | EA | CARTRIDGE (KIT) | |

155482-01-01A

| KEY | PART NUMBER | U/M | DESCRIPTION | VENDOR NO. |
|-----|---------------|-----|-------------------------|------------|
| | 155482-01-700 | EA | O-RING - F/WATER FILTER | 94-178-09 |

WINDOW & VENTS GROUP

WINDOW & VENT LAYOUT

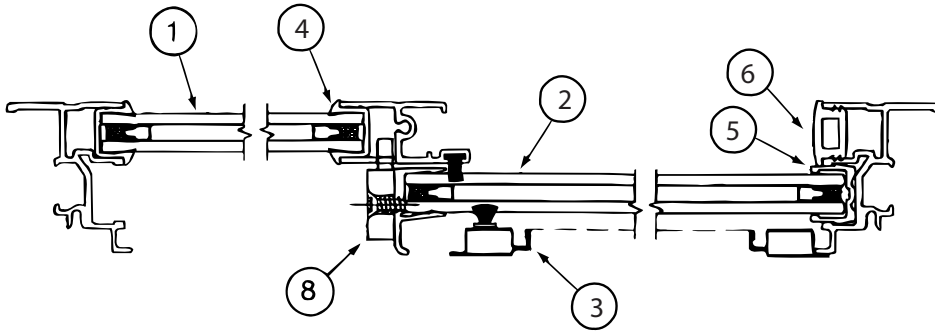


| KEY | PART NUMBER | U/M | DESCRIPTION |
|-----|---------------|-----|--|
| 1 | 138983-01-02A | EA | VENT - MICROWAVE/OUTER - BLACK |
| 1 | 138983-03-01A | EA | COVER - VENT MICROWAVE/OUTER - BRIGHT WHITE |
| 2 | 149508-01-02A | EA | CAP - ROOF/REFRIGERATOR VENT - WHITE |
| 2 | 149508-01-01A | EA | CAP - ROOF/REFRIGERATOR VENT - GRAY - FULL BODY PAINT |
| | | | FROM: 00-00-00 THRU: 01-15-08 |
| 2 | 149508-01-03A | EA | CAP - ROOF/REFRIGERATOR VENT - GRAY - FULL BODY PAINT |
| | | | FROM: 01-16-08 THRU: 99-99-99 |
| 2 | 149508-02-02A | EA | BASE - ROOF/REFRIGERATOR VENT - BRIGHT WHITE |
| 2 | 149508-02-01A | EA | BASE - ROOF/REFRIGERATOR VENT - BLACK |
| 3 | 123780-27-01A | EA | FANTASTIC VENT-4"ROOF-W/FAN/PWR LIFT/SNGL DOME-W/O THERM |
| 4 | 151905-01-01A | EA | CLIP/BRACKET - SCREEN RETAINER - BLACK |
| 5* | 150651-07-01A | EA | WINDOW - STATIONARY/FLUSH/THERMO - 26.3" X 19.1" - BLACK |
| 6* | 150648-07-01A | EA | WINDOW-HORIZ SLIDER/FLUSH/THERMO/LH - 23.8" X 57.7" |
| 7* | 150649-02-01A | EA | WINDOW - VERT SLIDER/FLUSH/THERMO - 27.2" X 15.2" |
| 8* | 150648-13-01A | EA | WINDOW-HORIZ SLIDER/FLUSH/THERMO/LH - 12.2" X 24.2" |
| 9* | 150649-10-01A | EA | WINDOW - VERT SLIDER/FLUSH/THERMO - 31.7" X 21.1" |

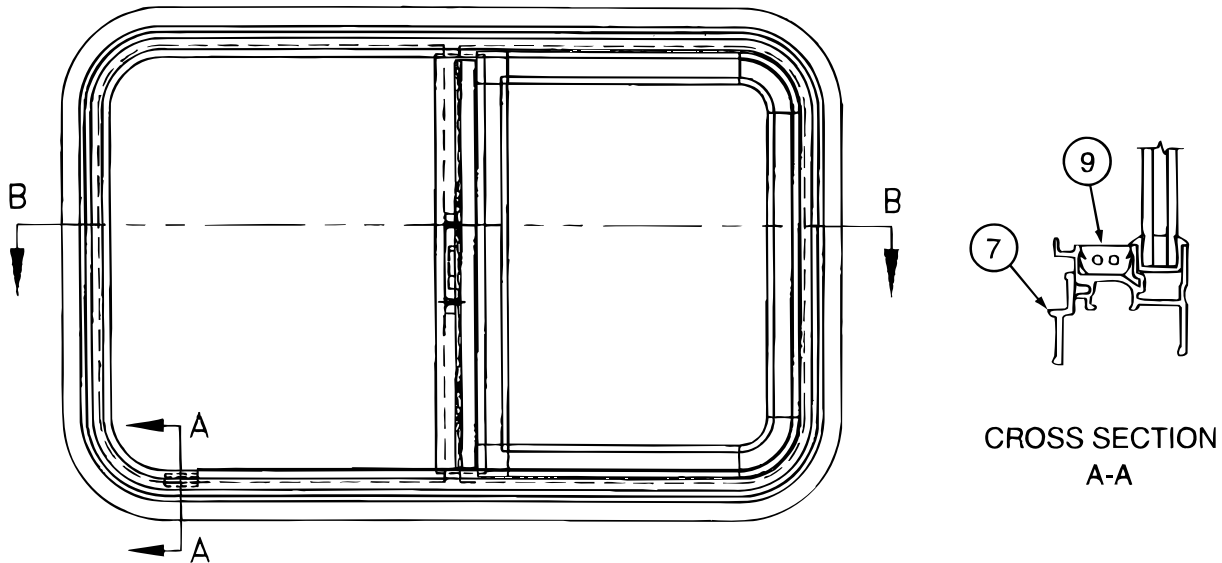
WINDOW & VENTS GROUP (CONTINUED)
WINDOW & VENT LAYOUT (CONTINUED)

| KEY | PART NUMBER | U/M | DESCRIPTION |
|-----|---------------|-----|--|
| 10* | 151072-01-01A | EA | WINDOW - CAB/RIGHT HAND/FLUSH/THERMO - 41.5" X 50.2"/41.8" |
| 11* | 151073-01-01A | EA | WINDOW - CAB/FRT SLANT/FLUSH/THERMO - 28.1" X 19.7"/6.6" |
| 12* | 151074-01-01A | EA | WINDOW - CAB/VISTA/FLUSH/THERMO - 11.3" X 44.7"/41.8" |
| 13* | 161452-02-01A | EA | WINDOW - TIPOUT/FLUSH/THERMO - 56.1" X 26.7" |
| 14* | 150649-19-01A | EA | WINDOW - VERT SLIDER/FLUSH/THERMO - 31.7" X 21.1" |
| 15* | 150649-22-01A | EA | WINDOW - VERT SLIDER/FLUSH/THERMO - 27.2" X 12.2" |
| 16* | 161452-04-01A | EA | WINDOW - TIPOUT/FLUSH/ESCAPE/THERMO - 24.2" X 30.2" |
| 17* | 150649-08-01A | EA | WINDOW - VERT SLIDER/FLUSH/THERMO - 23.8" X 20.8" |

*COMPONENT PARTS LISTED LATER IN THIS GROUP



CROSS SECTION B-B



CROSS SECTION A-A

COMPONENT PARTS FOR WINDOW & VENT LAYOUT

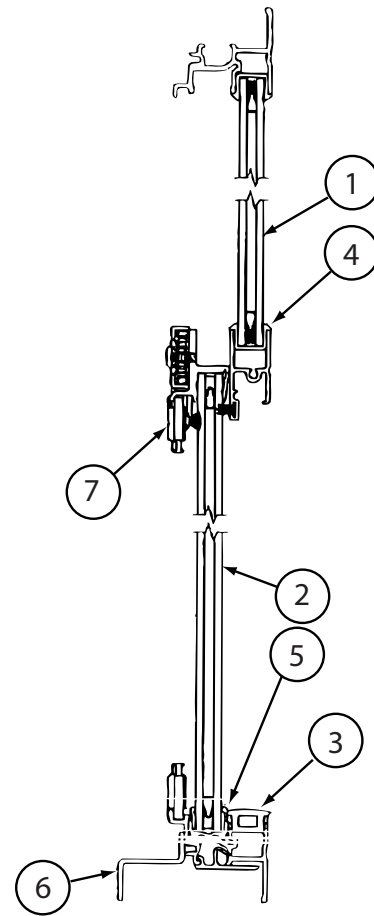
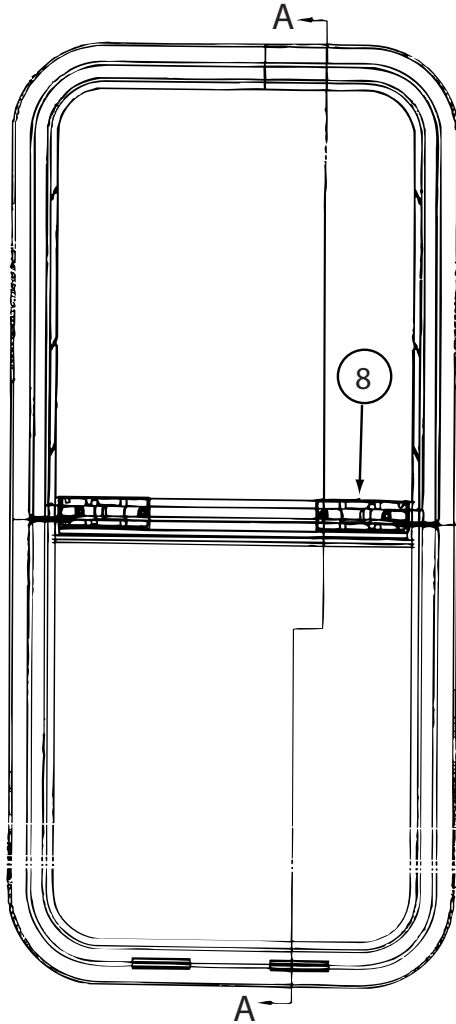
150648-07-01A, 150648-22-01A

| KEY | PART NUMBER | U/M | DESCRIPTION | VENDOR NO |
|-----|---------------|-----|------------------------------|------------|
| 1 | 150648-07-701 | EA | GLASS - STATIONARY | 390-028314 |
| 2 | 150648-07-700 | EA | GLASS-SLIDING W/SASH & LATCH | FH3000G8 |
| 3 | 150648-01-702 | EA | SCREEN ASM | 410-031156 |
| 4 | 112795-01-705 | FT | VINYL - GLAZING | 132-027331 |
| 5 | 151069-01-700 | EA | CHANNEL-RUN, SLIDING | 122-030627 |
| 6 | 150648-01-703 | EA | PLUG - FILLER | 132-030308 |
| 7 | 150648-01-707 | EA | RETAINER - TRIM | H493-67 |
| 8 | 150648-01-700 | EA | LATCH-HORIZONTAL SLIDE-BLK | FH3000-CK |
| 8 | 150648-01-701 | EA | LATCH-HORIZONTAL SLIDE-RED | FH3003-CK |
| 9 | 150648-01-704 | EA | SLIDE STOP | 132-030866 |
| | 150649-05-702 | FT | FIN SEAL-F/LOCKING RAIL-BLK | 171-062348 |

WINDOW & VENTS GROUP (CONTINUED)
COMPONENT PARTS FOR WINDOW & VENT LAYOUT (CONTINUED)

150648-13-01A, 150648-18-01A

| KEY | PART NUMBER | U/M | DESCRIPTION | VENDOR NO |
|-----|---------------|-----|------------------------------|------------|
| 1 | 150648-13-700 | EA | GLASS - STATIONARY | 390-036159 |
| 2 | 150648-13-701 | EA | GLASS-SLIDING W/SASH & LATCH | FH3005G8 |
| 3 | 150648-13-702 | EA | SCREEN ASM | 410-035328 |
| 4 | 112795-01-705 | FT | VINYL - GLAZING | 132-027331 |
| 5 | 151069-01-700 | EA | CHANNEL-RUN, SLIDING | 122-030627 |
| 6 | 150648-01-703 | EA | PLUG - FILLER | 132-030308 |
| 7 | 150648-13-703 | EA | RETAINER - TRIM | B951-67 |
| 8 | 150648-01-700 | EA | LATCH-HORIZONTAL SLIDE-BLK | FH3000-CK |
| 8 | 150648-01-701 | EA | LATCH-HORIZONTAL SLIDE-RED | FH3003-CK |
| 9 | 150648-01-704 | EA | SLIDE STOP | 132-030866 |
| | 150649-05-702 | FT | FIN SEAL-F/LOCKING RAIL-BLK | 171-062348 |



CROSS SECTION A-A

150649-02-01A

| KEY | PART NUMBER | U/M | DESCRIPTION | VENDOR NO |
|-----|---------------|-----|------------------------------|------------|
| 1 | 150649-02-700 | EA | GLASS - STATIONARY | 390-035620 |
| 2 | 150649-02-701 | EA | GLASS-SLIDING W/PULL & LATCH | FH3023G8 |
| 3 | 150648-01-703 | EA | PLUG - FILLER | 132-030308 |
| 4 | 112795-01-705 | EA | VINYL - GLAZING | 132-027331 |
| 5 | 151069-01-700 | EA | CHANNEL-RUN, SLIDING | 122-030627 |
| 6 | 150649-02-702 | EA | RETAINER - TRIM | H250-67 |
| 7 | 150649-02-703 | EA | SCREEN ASM | 410-035469 |
| 8 | 150649-01-700 | EA | LATCH-VERTICLE SLIDE-BLK | FH3016-CK |

WINDOW & VENTS GROUP (CONTINUED)
COMPONENT PARTS FOR WINDOW & VENT LAYOUT (CONTINUED)

150649-08-01A

| KEY | PART NUMBER | U/M | DESCRIPTION | VENDOR NO |
|------------|--------------------|------------|--------------------------------------|------------------|
| 1 | 150649-08-700 | EA | GLASS - STATIONARY | 390-035202 |
| 2 | 150649-08-701 | EA | GLASS-SLIDING W/PULL & LATCH | FH3029G8 |
| 3 | 150648-01-703 | EA | PLUG - FILLER | 132-030308 |
| 4 | 112795-01-705 | FT | VINYL-GLAZING | 132-027331 |
| 5 | 151069-01-700 | EA | FIN CHANNEL-RUN, SLIDING | 122-030627 |
| 6 | 150649-08-702 | EA | RETAINER - TRIM | H754-67 |
| 7 | 150649-07-701 | EA | SCREEN ASM | 410-035475 |
| 8 | 150649-01-700 | EA | LATCH KIT - F/VERTICAL SLIDE - BLACK | FH3016-CK |

150649-10-01A

| KEY | PART NUMBER | U/M | DESCRIPTION | VENDOR NO |
|------------|--------------------|------------|------------------------------|------------------|
| 1 | 112898-26-700 | EA | GLASS - STATIONARY | 390-028343 |
| 2 | 150649-10-700 | EA | GLASS-SLIDING W/PULL & LATCH | FH3019G8 |
| 3 | 150648-01-703 | EA | PLUG - FILLER | 132-030308 |
| 4 | 112795-01-705 | FT | VINYL-GLAZING | 132-027331 |
| 5 | 151069-01-700 | EA | FIN CHANNEL-RUN, SLIDING | 122-030627 |
| 6 | 112898-20-702 | EA | RETAINER - TRIM | H332-67 |
| 7 | 150649-10-701 | EA | SCREEN ASM | 410-035465 |
| 8 | 150649-01-700 | EA | LATCH-VERTICLE SLIDE-BLK | FH3016-CK |

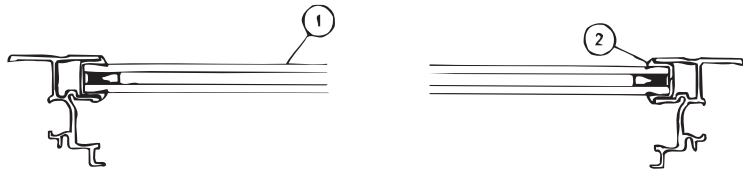
150649-19-01A

| KEY | PART NUMBER | U/M | DESCRIPTION | VENDOR NO |
|------------|--------------------|------------|------------------------------|------------------|
| 1 | 112898-26-700 | EA | GLASS - STATIONARY | 390-028343 |
| 2 | 150649-10-700 | EA | GLASS-SLIDING W/PULL & LATCH | FH3019G8 |
| 3 | 150648-01-703 | EA | PLUG - FILLER | 132-030308 |
| 4 | 112795-01-705 | FT | VINYL-GLAZING | 132-027331 |
| 5 | 151069-01-700 | EA | FIN CHANNEL-RUN, SLIDING | 122-030627 |
| 6 | 150649-19-700 | EA | RETAINER - TRIM | H332-61 |
| 7 | 150649-10-701 | EA | SCREEN ASM | 410-035465 |
| 8 | 150649-01-700 | EA | LATCH-VERTICLE SLIDE-BLK | FH3016-CK |

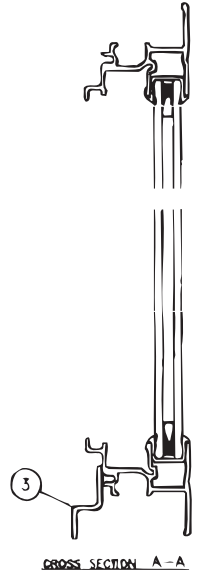
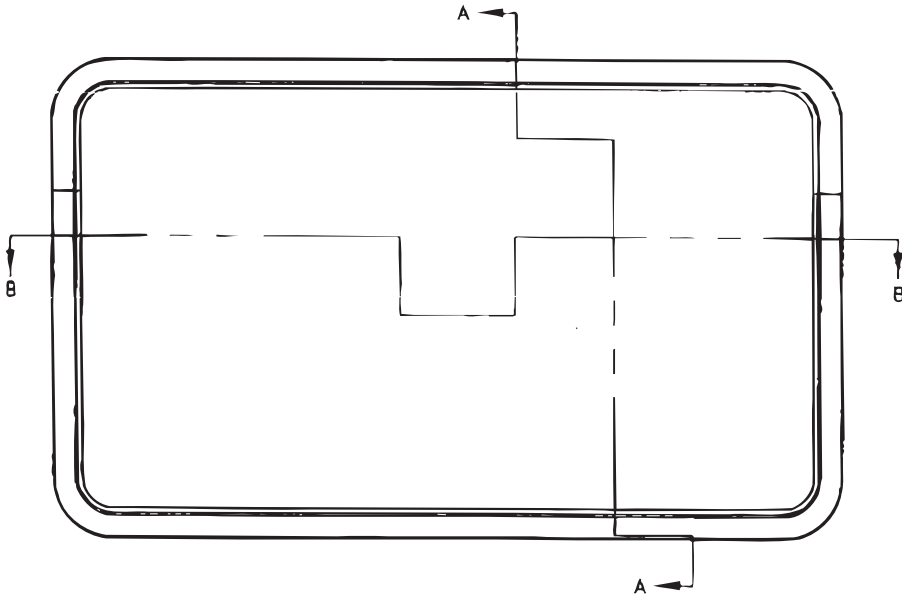
150649-22-01A

| KEY | PART NUMBER | U/M | DESCRIPTION | VENDOR NO |
|------------|--------------------|------------|------------------------------|------------------|
| 1 | 150649-11-700 | EA | GLASS - STATIONARY | 390-035486 |
| 2 | 150649-11-701 | EA | GLASS-SLIDING W/PULL & LATCH | FH3055G8 |
| 3 | 150648-01-703 | EA | PLUG - FILLER | 132-030308 |
| 4 | 112795-01-705 | FT | VINYL-GLAZING | 132-027331 |
| 5 | 151069-01-700 | EA | FIN CHANNEL-RUN, SLIDING | 122-030627 |
| 6 | 150649-20-700 | EA | RETAINER - TRIM | H298-61 |
| 7 | 150649-11-702 | EA | SCREEN ASM | 410-035634 |
| 8 | 150649-01-700 | EA | LATCH-VERTICLE SLIDE-BLK | FH3016-CK |

WINDOW & VENTS GROUP (CONTINUED)
COMPONENT PARTS FOR WINDOW & VENT LAYOUT (CONTINUED)



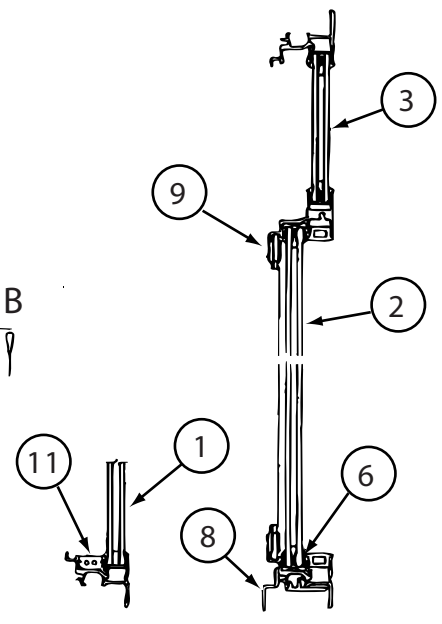
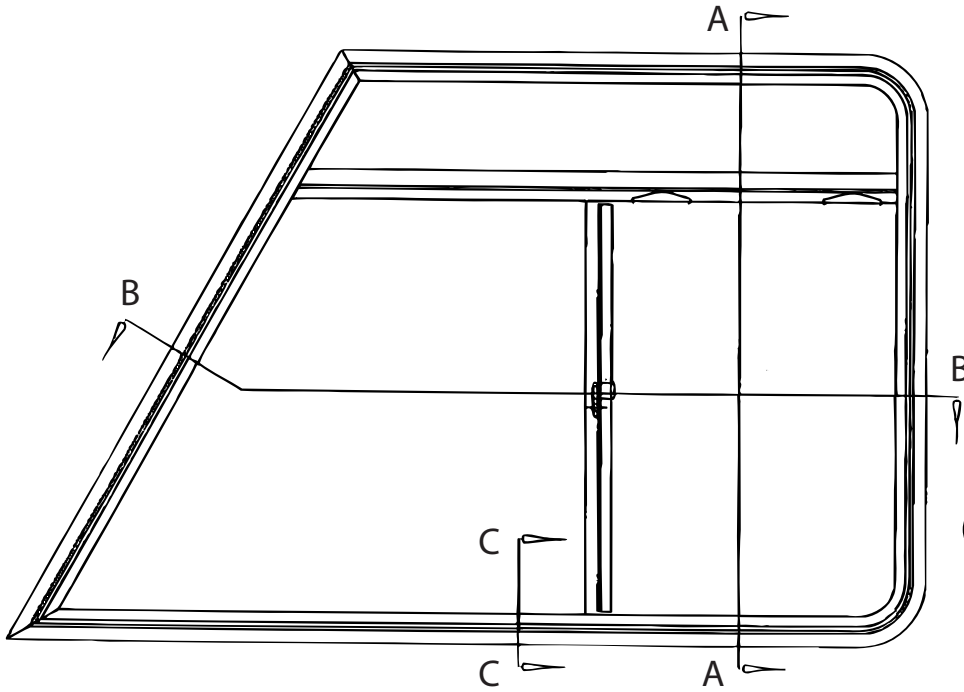
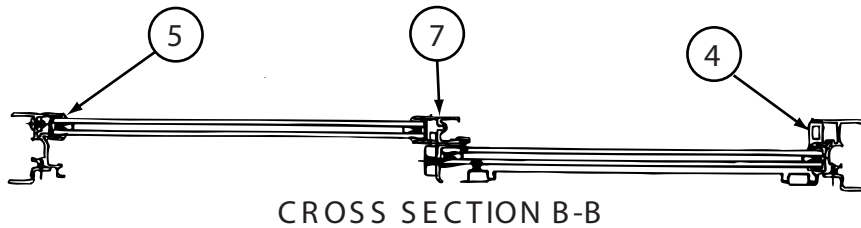
CROSS SECTION B-B



150651-07-01A

| KEY | PART NUMBER | U/M | DESCRIPTION | VENDOR NO |
|-----|---------------|-----|--------------------|------------|
| 1 | 150651-07-700 | EA | GLASS - STATIONARY | 390-036022 |
| 2 | 150651-07-701 | EA | RETAINER - TRIM | H3074-67 |
| 3 | 112795-01-705 | FT | VINYL - GLAZING | 132-027331 |

WINDOW & VENTS GROUP (CONTINUED)
COMPONENT PARTS FOR WINDOW & VENT LAYOUT (CONTINUED)



CROSS SECTION C-C

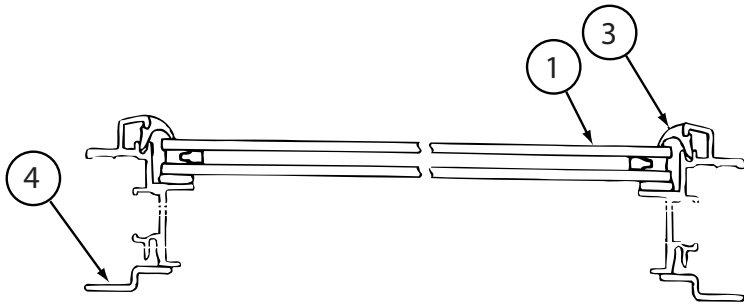
CROSS SECTION A-A

151072-01-01A

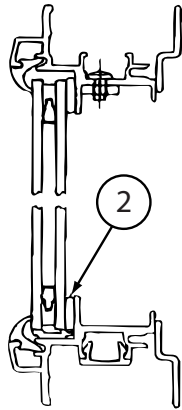
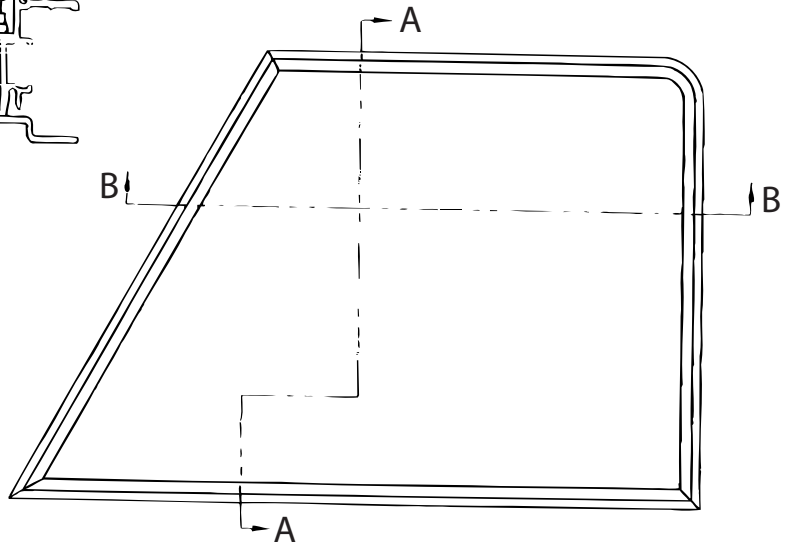
| KEY | PART NUMBER | U/M | DESCRIPTION | VENDOR NO |
|-----|---------------|-----|------------------------------|---------------------|
| 1 | 125583-01-702 | EA | GLASS - STATIONARY - R.H. | 390-026101 |
| 2 | 151072-01-701 | EA | GLASS-SLIDING W/SASH & LATCH | FH3040A9R |
| 3 | 151072-01-702 | EA | GLASS - STATIONARY - UPPER | 390-036521 |
| 4 | 150648-01-703 | FT | PLUG - FILLER | 132-030308 |
| 5 | 151069-03-705 | EA | VINYL GLAZING - F/STATIONARY | DH567-12 MITER/WELD |
| 5 | 151069-03-706 | EA | VINYL GLAZING - F/STATIONARY | DH373-12 MITER/WELD |
| 6 | 151069-01-700 | EA | CHANNEL-RUN, SLIDING | 122-030627 |
| 7 | 098644-01-706 | FT | WEATHERSTRIP - GLASS | 171-010668 |
| 8 | 151072-01-703 | EA | RETAINER-TRIM - 1 OF 2 PCE | H573K67RA |
| 8 | 151072-01-704 | EA | RETAINER-TRIM - 1 OF 2 PCE | H573K67RB |
| 9 | 151072-01-700 | EA | SCREEN ASM | 410-035507 |
| 10 | 150648-01-700 | EA | LATCH-HORIZONTAL SLIDE-BLK | FH3000-CK |
| 11 | 112795-01-701 | EA | SLIDE-STOP | 132-019092 |
| | 151069-02-703 | EA | COVER - DRAIN SLOT - RH HAND | 130-030397 RIGHT |

CONTACT WINNEBAGO PARTS SALES FOR UNLISTED COMPONENTS

WINDOW & VENTS GROUP (CONTINUED)
COMPONENT PARTS FOR WINDOW & VENT LAYOUT (CONTINUED)



CROSS SECTION B-B

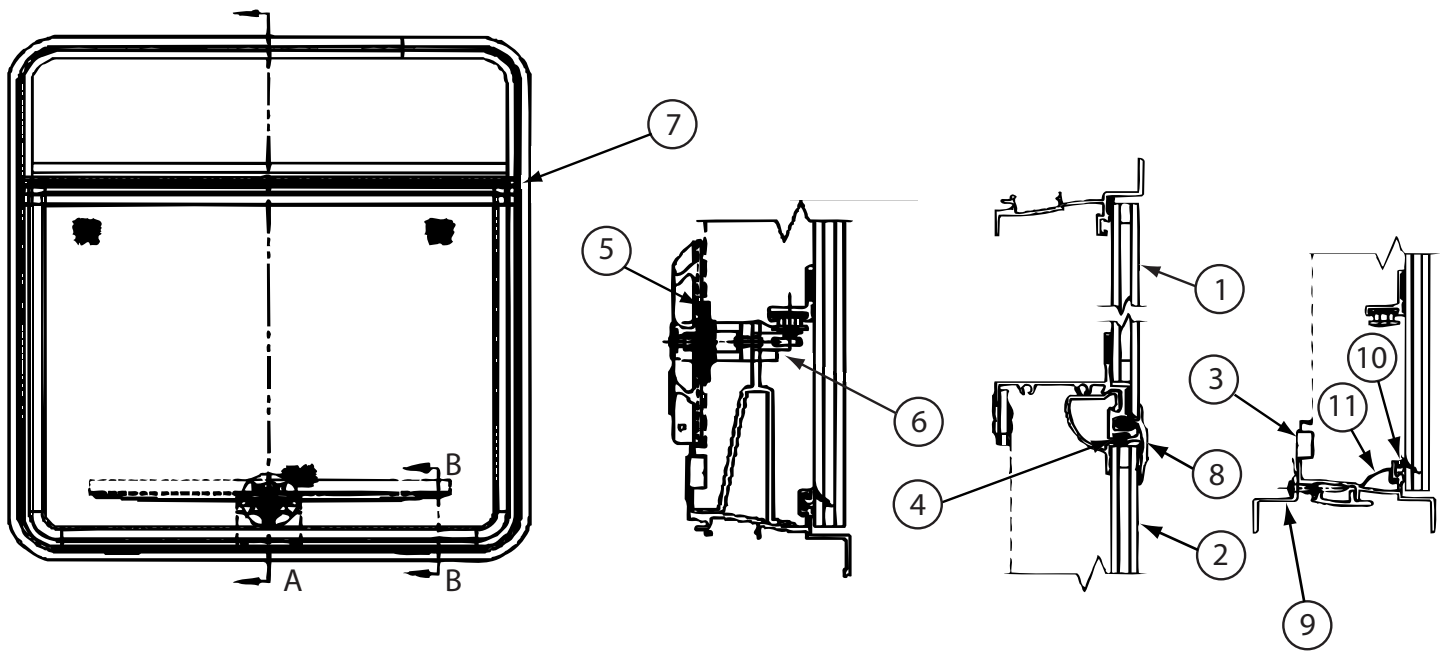


CROSS SECTION A-A

| | | | | 151073-01-01A | |
|------------|--------------------|------------|----------------------------|----------------------|------------------|
| KEY | PART NUMBER | U/M | DESCRIPTION | | VENDOR NO |
| 1 | 125585-01-700 | EA | GLASS - STATIONARY | | 390026092 |
| 2 | 115630-01-705 | EA | TAPE - BUTYL | | 154-011956 |
| 3 | 151073-01-700 | EA | VINYL BUTYL-MITERED/FORMED | | FH56912 |
| 4 | 151073-01-701 | EA | RETAINER - TRIM | | H569K67L |

| | | | | 151074-01-01A | |
|------------|--------------------|------------|------------------------------|----------------------|------------------|
| KEY | PART NUMBER | U/M | DESCRIPTION | | VENDOR NO |
| 1 | 151074-01-700 | EA | GLASS - STATIONARY | | 390-028331 |
| 2 | 115630-01-705 | FT | TAPE - BUTYL | | 154-011956 |
| 3 | 151074-01-701 | EA | VINYL GLAZING-MITERED/FORMED | | FH570-12 |
| 4 | 151074-01-702 | EA | RETAINER - TRIM | | H570K67L |

WINDOW & VENTS GROUP (CONTINUED)
COMPONENT PARTS FOR WINDOW & VENT LAYOUT (CONTINUED)



161452-02-01A

| KEY | PART NUMBER | U/M | DESCRIPTION | VENDOR NO. |
|-----|---------------|-----|-----------------------------|------------|
| 2 | 150656-05-700 | EA | GLASS-TIPOUT - W/HINGE/RAIL | DTH3043G8 |
| 3 | 150656-05-701 | EA | SCREEN ASM | 410-035640 |
| 4 | 098644-01-706 | FT | WEATHERSTRIP - GLASS | 171-010668 |
| 5 | 100322-01-718 | EA | HANDLE-DIAL | 410-016081 |
| 6 | 150656-08-701 | EA | OPERATOR - TIPOUT/LARGE | 410-036141 |
| 7 | 161452-01-700 | FT | FELT SEAL | 160-014688 |
| 9 | 150656-05-702 | EA | RETAINER - TRIM | DTH035-56 |
| 10 | 100322-01-701 | FT | SEAL-VENT | 122-016071 |
| 11 | 150651-03-702 | FT | COVER - DRAIN SLOT | 132-030723 |

CONTACT WINNEBAGO PARTS SALES FOR FOR UNLISTED COMPONENTS

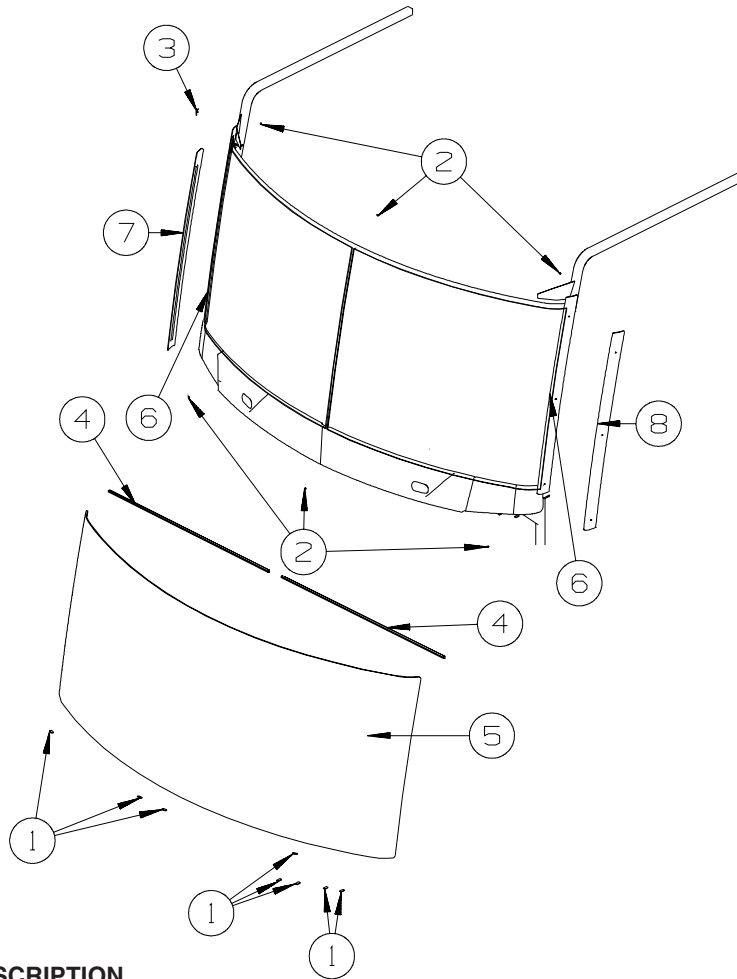
161452-04-01A

| KEY | PART NUMBER | U/M | DESCRIPTION | VENDOR NO. |
|-----|---------------|-----|--------------------------------|------------|
| 2 | 150656-09-701 | EA | GLASS-TIPOUT - W/HINGE/RAIL | DTH3027G8 |
| 3 | 150656-09-702 | EA | SCREEN ASM | DTH3027-06 |
| 4 | 098644-01-706 | FT | WEATHERSTRIP - GLASS(FIN SEAL) | 171-010668 |
| 5 | 100322-01-718 | EA | HANDLE-DIAL | 410-016081 |
| 6 | 150656-08-701 | EA | OPERATOR - TIPOUT/LARGE | 410-036141 |
| 7 | 161452-01-700 | FT | FELT SEAL | 160-014688 |
| 9 | 150656-09-703 | EA | RETAINER - TRIM | DTH3027-56 |
| 10 | 100322-01-701 | FT | SEAL-VENT | 122-016071 |
| 10 | 150656-09-700 | FT | SEAL/SPONGE FOAM-SCREEN/FRME | 140-035542 |
| 11 | 150651-03-702 | EA | COVER - DRAIN SLOT | 132-030723 |

CONTACT WINNEBAGO PARTS SALES FOR FOR UNLISTED COMPONENT(S)

WINDSHIELD & WIPER GROUP

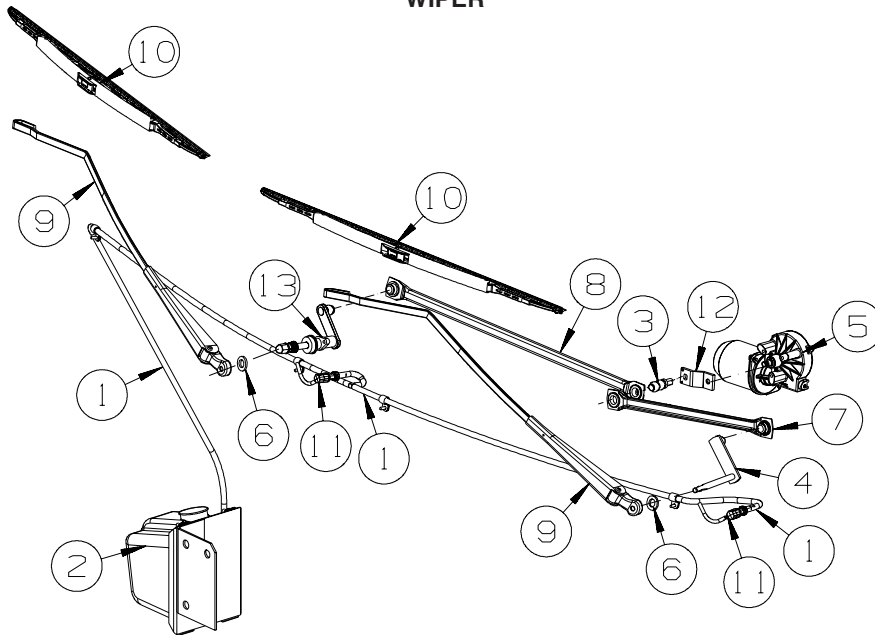
WINDSHIELD



| KEY | PART NUMBER | U/M | DESCRIPTION |
|-----|---------------|-----|---|
| 1 | 002328-03-000 | EA | BLOCK - WINDSHIELD - .125" X .5" X .98" |
| 2 | 081914-02-000 | EA | BUMPER - RUBBER - ROUND - 5/16" DIA. X 13/64" THICK |
| 3 | 120533-01-000 | FT | MOLDING - REVEAL - WINDSHIELD |
| 4 | 127862-01-000 | EA | CARRIER/REVEAL - WINDSHIELD - 47.2" |
| 5 | 160385-01-000 | EA | GLASS - WINDSHIELD - ONE PIECE - 98.6"W X 40.3"H |
| 6 | 099418-01-000 | FT | SEAL - D-SECTION/ADHESIVE BACK - .44" X .44" - BLK RUBBER |
| 7 | 125384-15-02A | EA | TRIM - WINDSHIELD - A-PILLAR - PASSENGER - BLACK |
| 8 | 125384-16-02A | EA | TRIM - WINDSHIELD - A-PILLAR - DRIVER - BLACK |

WINDSHIELD & WIPER GROUP (CONTINUED)

WIPER



| KEY | PART NUMBER | U/M | DESCRIPTION |
|-----|---------------|-----|---|
| 1 | 045794-01-000 | FT | HOSE - WINDSHIELD WASHER - 5/32"ID - BLACK |
| 2 | 117766-02-000 | EA | RESERVOIR/PUMP - WINDSHIELD WASHER |
| 3 | 149395-01-000 | EA | STUD/DOUBLE BALL CRANK - WIPER MOTOR |
| 4* | 149401-03-000 | EA | SHAFT/PIVOT - WINDSHIELD WIPER |
| 5 | 157508-01-000 | EA | WIPER MOTOR - WINDSHIELD |
| 6 | 110742-03-000 | EA | GASKET - WIPER ADAPTER SHAFT |
| 7 | 157521-01-000 | EA | LINK/WIPER - CONNECTING - DRIVER |
| 8 | 157521-02-000 | EA | LINK/WIPER - CONNECTING - PASSENGER |
| 9* | 157531-01-000 | EA | ARM - WIPER - RADIAL - 26" |
| 10 | 157532-01-000 | EA | BLADE - WINDSHIELD WIPER - 28" |
| 11 | 157533-02-000 | EA | FITTING/WIPER - COWL/TALL |
| 12 | 157578-01-000 | EA | ARM/DRIVE - WIPER MOTOR |
| 13 | 157512-02-000 | EA | SHAFT/PIVOT - WINDSHIELD WIPER - DRIVER/PASSENGER |

*COMPONENT PARTS LISTED LATER IN THIS GROUP

COMPONENT PARTS FOR WIPER

149401-03-000

| KEY | PART NUMBER | U/M | DESCRIPTION | VENDOR NO. |
|-----|---------------|-----|------------------------------|-----------------|
| | 096505-02-703 | EA | NUT/ACORN - HD W/.687 BRL | 51065-40-NT27WC |
| | 149401-01-700 | EA | HARDWARE PKG - F/SHAFT&PIVOT | PSHWKIT |
| | 149401-01-701 | EA | SEAL CAP/RUBBER GROMMET | 300749 |

157531-01-000

| KEY | PART NUMBER | U/M | DESCRIPTION | VENDOR NO. |
|-----|---------------|-----|-------------------------|------------|
| | 157531-01-700 | EA | WASHER NOZZLE KIT W/HDW | 19475 |