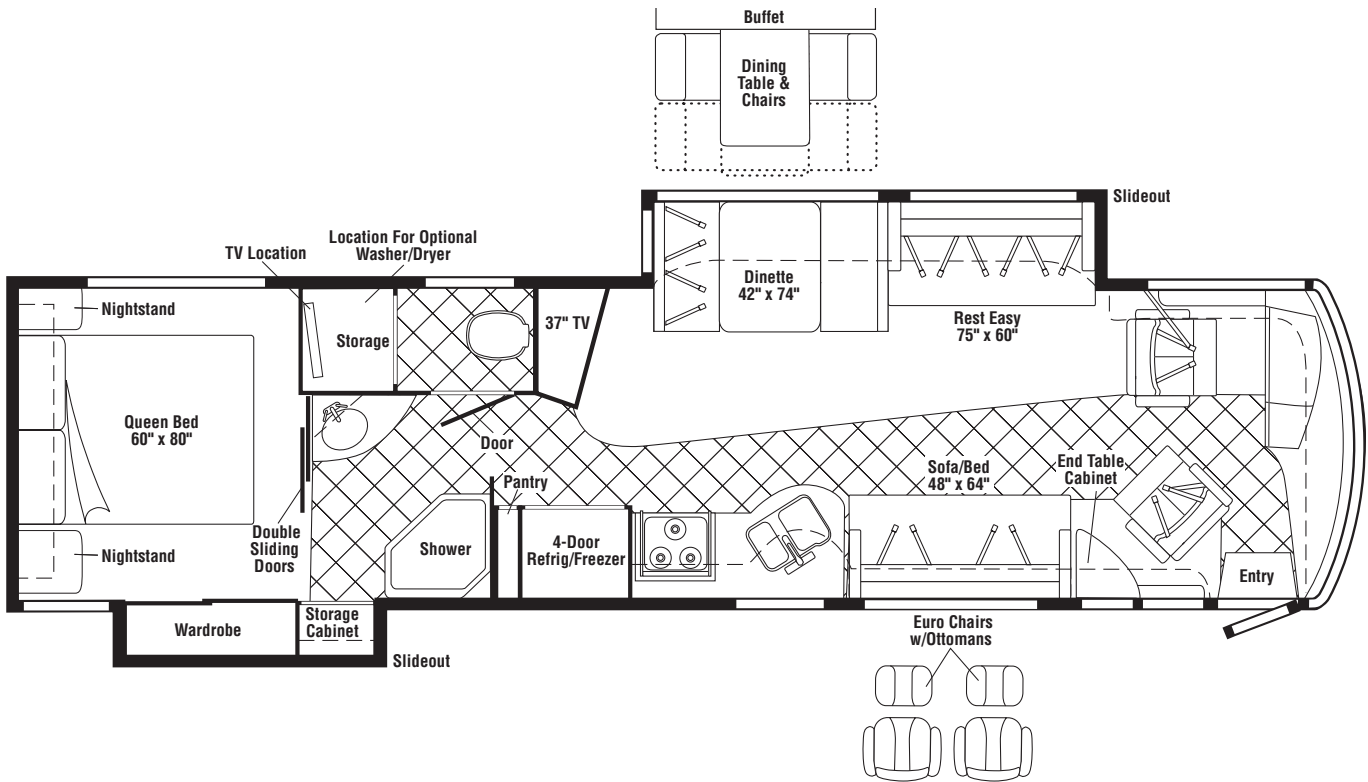


2008
MERIDIAN
IKP37H
P-SERIES
HONEY CHERRY
WE7 HARBOR LIGHTS
WF3 PAISLEY COURT
WF7 BRIGHTON BAY

DASH ACCENT COLORS
WE7, WF3, WF7 - SLATE/GREYSTONE



FLOORPLAN

CONTENTS

FLOORPLAN	1
ACCESSORIES GROUP	6
OPERATORS MANUAL	6
AUDIO VIDEO GROUP	7
RADIO SYSTEM	7
REAR MONITOR	8
COMPONENT PARTS FOR REAR MONITOR	8
144677-10-02A, 144677-11-02A	8
CABINET & APPLIANCE GROUP	9
CABINET & APPLIANCE LAYOUT	9
COMPONENT PARTS FOR CABINET & APPLIANCE LAYOUT	18
119267-17-01A	18
125242-05-02A	18
135065-03-01A, 135065-03-03A, 135065-04-01A	28
CHASSIS GROUP	30
FRAME	30
FRONT END	32
INSULATION	32
STEPWELL COVER	33
COMPONENT PARTS FOR STEPWELL COVER	33
145122-02-01A, 145122-03-01A	33
145122-04-01A, 145122-05-01A	34
EXHAUST	36
HITCH	37
REAR MUD GUARD	37
FUEL	37
HYDRAULIC LEVELING	38
COMPONENT PARTS FOR HYDRAULIC LEVELING	38
165119-01-000	38
165119-02-000	38
165120-02-000	39
165179-02-000	39
CURTAIN & CUSHION GROUP	40
CURTAIN, CUSHION LAYOUT	40
BUCKET SEATS	45
COMPONENT PARTS FOR BUCKET SEATS	46
122611-02-000	46
SOFA	47
COMPONENT PARTS FOR SOFA	51
136534-02-000, 136534-03-000, 136534-13-000, 136534-15-000	51
136534-17-000	51
HARDWARE	52
FABRICS	54
DRIVERS COMPARTMENT GROUP	56
DASH	56
FRONT INTERIOR	57
COMPONENT PARTS FOR FRONT INTERIOR	59
147767-01-000, 147767-02-000	59

CONTENTS (CONTINUED)

ELECTRICAL GROUP	60
110V BODY WIRING	60
12V BODY WIRING	63
EXTERIOR LAMPS	71
FRONT END	73
SIDE TV/DVD	75
COMPONENT PARTS FOR WIRING	76
076319-23-000	76
076319-25-000	76
091206-04-000	76
108354-01-01A	76
123775-01-02A	77
133004-05-01A	77
137417-01-01A, 137417-03-01A	77
137417-02-01A	77
137417-06-01A	77
153464-03-01A, 153464-06-01A	78
154474-04-02A	78
158836-01-000	78
163031-01-01A	78
163097-01-000	78
CIRCUIT BREAKERS, FUSES & RELAYS	78
CONVERTER, INVERTER, LOAD CENTERS	79
BOXES & CORDS	80
WIRE ASSEMBLIES	80
CONNECTORS & CONDUIT	81
CHASSIS	83
EXTERIOR BODY GROUP	84
AIR HORN	84
GRAPHICS & PAINT	85
PANELS & TRIMS	86
COMPONENT PARTS FOR PANELS & TRIMS	89
142721-01-02A, 142721-02-02A	89
LADDER	89
FRONT END	90
STRUCTURAL COMPONENTS	91
AWNINGS	91
EXTERIOR DOORS & COMPARTMENTS GROUP	92
DOOR & COMPARTMENT LAYOUT	92
COMPONENT PARTS FOR DOOR & COMPARTMENT LAYOUT	99
094707-04-01A	99
094708-06-01A	100
142226-02-01A	100
COMPARTMENT DOOR PIECE PARTS	101
ENTRY	103
COMPONENT PARTS FOR ENTRY	104
162100-01-01A	104
EXTERIOR SLIDEOUT GROUP	108
FRONT LEFT	108
COMPONENT PARTS FOR FRONT SLIDEOUT	110
153651-04-01A	110
161298-01-000	110
RIGHT REAR	111
COMPONENT PARTS FOR RIGHT REAR SLIDEOUT	113
162408-01-000	113

CONTENTS (CONTINUED)

GENERATOR GROUP	114
DIESEL	114
HEATING & A/C GROUP	115
AUTOMOTIVE	115
COMPONENT PARTS FOR AUTOMOTIVE	117
072342-15-000	117
072342-17-000	117
072342-26-000	117
103930-51-000	118
103930-55-000	119
103930-61-000	120
FURNACE	121
COMPONENT PARTS FOR FURNACE	122
143563-02-000	122
CENTRAL	124
COMPONENT PARTS FOR CENTRAL	125
105620-19-000	125
INTERIOR FINISH GROUP	127
MOLDINGS & TRIMS	127
PANELING & LAMINATES	137
INTERIOR TRIM LAYOUT	138
COMPONENT PARTS INTERIOR TRIM LAYOUT	141
158076-03-01A	141
FLOOR COVERINGS	142
HARDWARE	143
LABELS GROUP	149
LP GROUP	153
LP SYSTEM	153
COMPONENT PARTS FOR LP SYSTEM	153
151784-03-000	153
SEALANTS & FASTENERS GROUP	154
SEALANTS & ADHESIVES	154
BOLTS, NUTS AND WASHERS	155
SCREWS	157
CLAMPS, CLIPS, GROMMETS, RIVETS & PLUGS	160
MISCELLANEOUS FASTENERS	161
WATER & SEWAGE GROUP	162
DRAINAGE SYSTEM	162
COMPONENT PARTS FOR DRAINAGE SYSTEM	163
144728-01-000	163
WATER SYSTEM	164
COMPONENT PARTS FOR WATER SYSTEM	170
103635-01-000	170
123744-03-01A	170
129390-03-02A	170
145541-01-000	170

CONTENTS (CONTINUED)

WINDOW & VENTS GROUP	171
WINDOW & VENT LAYOUT	171
COMPONENT PARTS FOR WINDOW & VENT LAYOUT	172
122882-04-01A	172
122882-05-01A	172
150648-02-01A, 150648-03-01A/3A	173
150648-04-01A, 150648-05-01A	174
150648-14-01A, 150648-27-01A, 150648-34-01A	174
150649-05-01A	175
150649-08-01A	175
WINDSHIELD & WIPER GROUP	176
WINDSHIELD	176
WIPER	177
COMPONENT PARTS FOR WIPER	177
149401-01-000,149401-02-000	177
157512-01-000	177
157531-01-000	177

ACCESSORIES GROUP
OPERATORS MANUAL

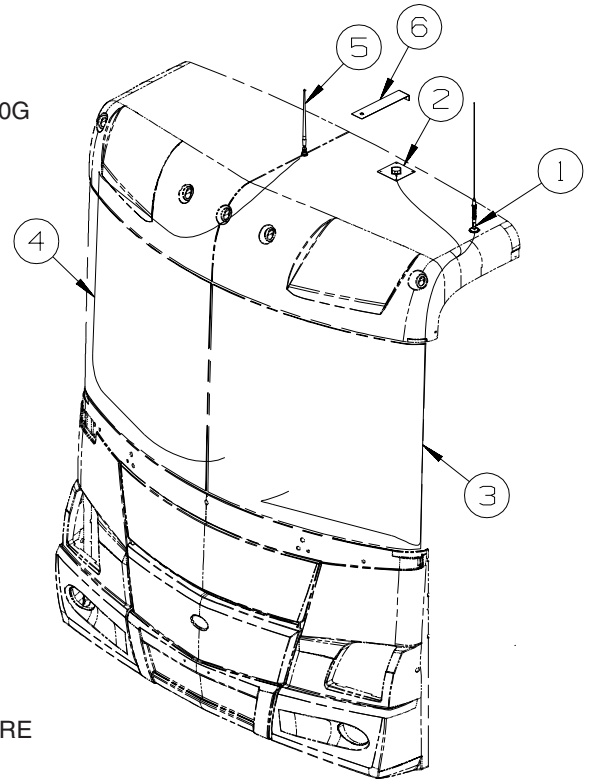
KEY	PART NUMBER	U/M	DESCRIPTION
	161700-01-000	DW	TOP LEVEL-P,2008
	159842-01-01A	EA	CASE - VINYL - F/MANUALS - W/SLEEVES - BLACK
	158603-08-010	EA	MANUAL/OWNER - SUPPLEMENT - P-SERIES - 2008
	161500-08-018	EA	MANUAL/OWNER - MERIDIAN - P SERIES - 2008

AUDIO VIDEO GROUP
RADIO SYSTEM
DASH

KEY	PART NUMBER	U/M	DESCRIPTION
	135420-07-000	EA	MOUNTING KIT - RADIO - A-BODY FROM: 00-00-00 THRU: 11-29-06
	135420-19-000	EA	REMOTE CONTROL/RADIO (CREDIT CARD SIZE) FROM: 00-00-00 THRU: 11-29-06
	163142-03-000	EA	REMOTE CONTROL/RADIO (CREDIT CARD SIZE) FROM: 11-30-06 THRU: 01-30-07
	163142-09-000	EA	REMOTE CONTROL/RADIO (CREDIT CARD SIZE) FROM: 01-31-07 THRU: 99-99-99
	135420-18-000	EA	REMOTE CONTROL/RADIO (STEERING WHEEL MOUNT) FROM: 00-00-00 THRU: 11-29-06
	163142-04-000	EA	REMOTE CONTROL/RADIO (STEERING WHEEL MOUNT) FROM: 11-30-06 THRU: 01-30-07
	163142-10-000	EA	REMOTE CONTROL/RADIO (STEERING WHEEL MOUNT) FROM: 01-31-07 THRU: 99-99-99
	135420-15-000	EA	RADIO-AM/FM/CD/SIRIUS SATELLITE READY/IR REMOTE FROM: 00-00-00 THRU: 11-29-06
	163142-02-000	EA	RADIO-AM/FM/CD/WB - W/12 PIN AMP CONNECTOR - SATLT READY FROM: 11-30-06 THRU: 01-30-07
	163142-08-000	EA	RADIO-AM/FM/CD/WB - SATELLITE READY - W/12 PIN AMP CNCTR FROM: 01-31-07 THRU: 99-99-99
	135420-14-000	EA	RECEIVER (EYE) - INFRARED FROM: 00-00-00 THRU: 11-29-06
	163142-05-000	EA	RECEIVER (EYE) - INFRARED FROM: 11-30-06 THRU: 01-30-07
	163142-11-000	EA	RECEIVER (EYE) - INFRARED FROM: 01-31-07 THRU: 99-99-99
	163142-12-000	EA	CABLE/INTERFACE - I-POD

CD CHANGER

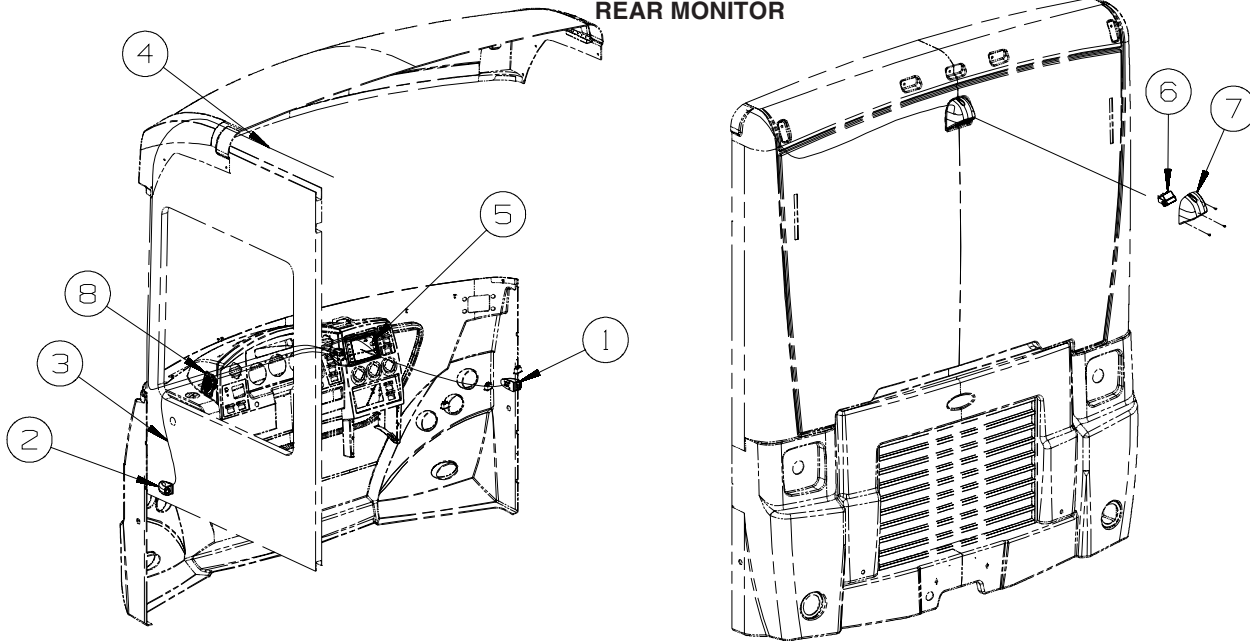
KEY	PART NUMBER	U/M	DESCRIPTION
	163141-01-000	EA	CHANGER - 10 DISC COMPACT - JENSEN MCD10G



KEY	PART NUMBER	U/M	DESCRIPTION
1	123256-01-000	EA	ANTENNA - CB - W/O CABLE - RADIO - CB
2	158494-01-000	EA	ANTENNA/SATELLITE - RADIO/SIRIUS
3	123256-02-000	EA	CABLE - CB - COAX - RADIO - CB
4	090944-03-000	EA	CABLE - ANTENNA
5	090944-02-000	EA	ANTENNA - RADIO - 16" RUBBER - W/O LEAD WIRE
6	140600-06-01B	EA	BRACKET/ANTENNA MOUNT - MILL FINISH

AUDIO VIDEO GROUP (CONTINUED)

REAR MONITOR



KEY	PART NUMBER	U/M	DESCRIPTION
1*	144677-10-02A	EA	CAMERA - REAR VIEW - WALL MOUNT/RIGHT - PRIMED - VIDEO CAMERA SYSTEM
2*	144677-11-02A	EA	CAMERA - REAR VIEW - WALL MOUNT/LEFT - PRIMED - VIDEO CAMERA SYSTEM
3	144677-12-000	EA	CABLE - MONITOR/CAMERA - 12' - VIDEO CAMERA SYSTEM
4	136514-02-000	EA	CABLE - MONITOR/CAMERA
5	144677-06-000	EA	MON./BLK & WHT-7"-3 PIN/MECH CONTROLS-RESIZED- VIDEO CAM. SYS/RRVIEW MON.SYS W/AUDIO
5	144677-08-000	EA	MON./BLK & WHT-7"-W/O SIDE CAM./WIRE ASM/CABLE-VIDEO CAMERA SYSTEM
6	144677-14-02A	EA	CAMERA - REAR VIEW W/BRACKET - BLACK - VBCS150B
6	144677-14-01A	EA	CAMERA - REAR VIEW W/BRACKET - WHITE - VBCS150
7	137919-02-01A	EA	SHROUD - CAMERA/OUTER - BRIGHT WHITE
8	098819-01-000	EA	SPEAKER - 4" - 2 WATT - 8 OHM
8	093214-01-01A	EA	GRILLE - SPEAKER - 4" - BLACK

*COMPONENT PARTS LISTED LATER IN THIS GROUP

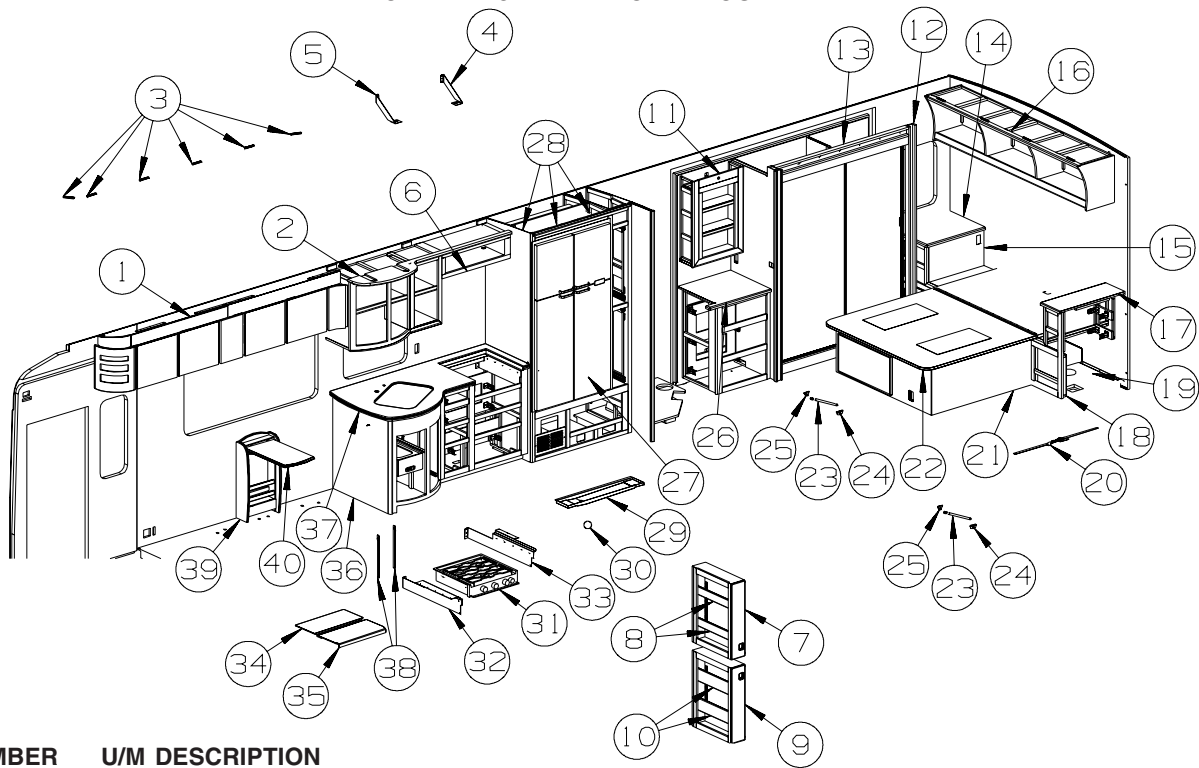
COMPONENT PARTS FOR REAR MONITOR

144677-10-02A, 144677-11-02A

KEY	PART NUMBER	U/M	DESCRIPTION	VENDOR NO.
	144677-10-701	EA	HOUSING/CAMERA-RT/LT-PRIMED	SIDHSGGTR

CABINET & APPLIANCE GROUP

CABINET & APPLIANCE LAYOUT



KEY	PART NUMBER	U/M	DESCRIPTION
1	164619-01-WD3	EA	CABINET - OVERHEAD/LOUNGE - W/O DOORS/HDW
2	P65198-01-WD3	EA	CABINET - OVERHEAD/GALLEY - W/O DOORS/HDW
3	146514-04-000	EA	CHANNEL/MOUNT - F/ROPE LIGHT
4	165388-01-02B	EA	BRACKET - MICROWAVE - E-COATED
5	165388-02-02B	EA	BRACKET - MICROWAVE - E-COATED
6*	119267-17-01A	EA	OVEN - MICROWAVE/CONVECTION W/HOOD US - #R-1880LST
7	153343-01-SD3	EA	CABINET - PANTRY/SLIDE - W/O DOORS/DRAWERS/HDW
8	153343-21-SD3	EA	SHELF - W/WOOD MOLDING
9	153343-03-SD3	EA	CABINET - PANTRY/SLIDE - W/O DOORS/DRAWERS/HDW
10	153343-27-SD3	EA	SHELF - W/WOOD MOLDING
11	163024-01-W66	EA	CABINET - OVERHEAD/MEDICINE - W/O DOORS/HDW
12	162711-19-W66	EA	TRIM/MOLDING - CABINET/WARDROBE
13	162711-21-W66	EA	TRIM/HEADER - CABINET/WARDROBE
14	145182-56-WF3	EA	COUNTERTOP - LAMINATED
15	162904-01-W66	EA	CABINET - NIGHTSTAND/RH - W/O COUNTERTOP/DOORS/DRAWERS/HDW
16	162933-01-W66	EA	CABINET - OVERHEAD/REAR - W/O DOORS/HDW
16	162933-02-W66	EA	CABINET - OVERHEAD/REAR - W/O DOORS/HDW - STEREO SYSTEM/W/CD/DVD REAR
17	145182-57-WF3	EA	COUNTERTOP - LAMINATED
18	162932-01-W66	EA	CABINET - NIGHTSTAND/LH - W/O COUNTERTOP/DOORS/DRAWERS/HDW
19	142411-03-000	EA	AIR PUMP W/CONTROLS - F/SELECT COMFORT MATTRESS
20	099717-05-000	EA	STRAP - W/16.5" FEMALE STRAP AND 17.7" MALE STRAP
21	162894-01-W66	EA	CABINET - BED BASE - QUEEN - W/O DOORS/DRAWERS/HDW
22	137406-10-W66	EA	BEDBOARD - W/HINGE/T-MOLDING - FLIP-UP
23	142569-15-000	EA	SPRING/GAS - 120 LB - 20" EXTENDED/12" COMPRESSED
24	126263-06-02B	EA	BRACKET - GAS SPRING W/BALL STUD - E-COATED
25	126263-08-02B	EA	BRACKET - GAS SPRING W/CENTERED BALL STUD - E-COATED
26	145182-58-WF3	EA	COUNTERTOP - LAMINATED
27*	125242-05-02A	EA	REFRIGERATOR - 4 DOOR - W/ICE MAKER - TITANIUM SST - REFRIGERATOR-4 DOOR
28			REFRIGERATOR CABINET SEALS
	090329-01-000	FT	SEAL - "T" - REFRIGERATOR CABINET

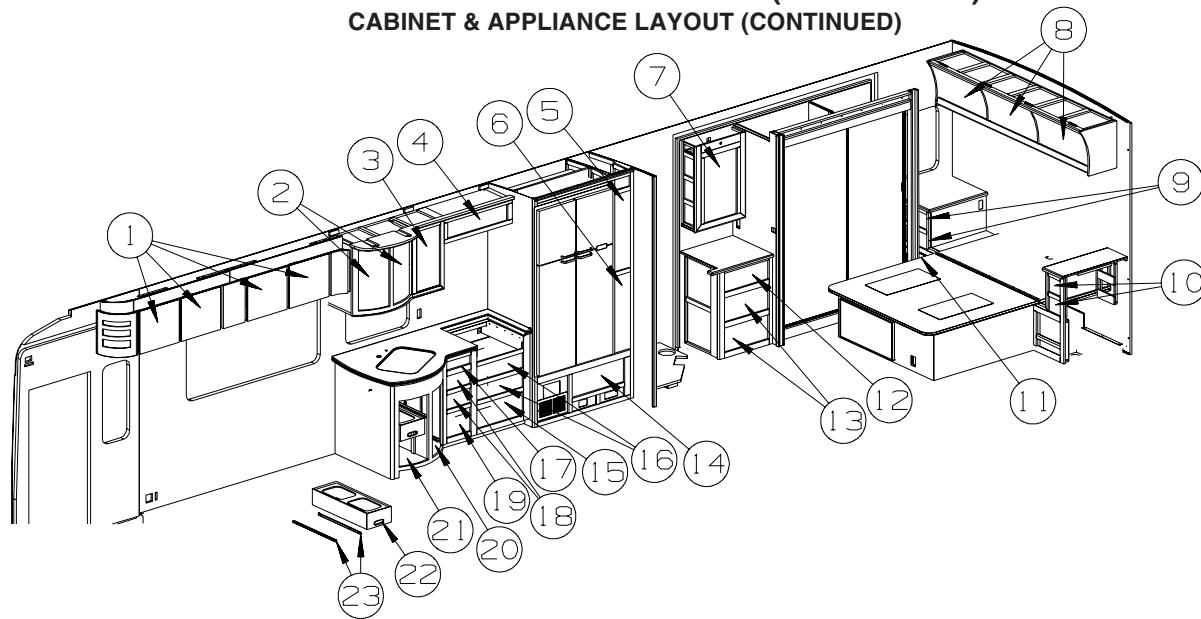
CABINET & APPLIANCE GROUP (CONTINUED)

CABINET & APPLIANCE LAYOUT (CONTINUED)

KEY	PART NUMBER	U/M	DESCRIPTION
29	118871-02-01A	EA	TRAY - REFRIGERATOR - SIDE/SIDE - BLACK - 34.4" LONG
30	054450-01-000	EA	LEVEL - REFRIGERATOR
31*	135065-03-03A	EA	RANGE-3 BURNER (SEALED)-W/O OVEN-NEW STYLE KNOBS-STAINLESS
31*	135065-04-01A	EA	RANGE - 3 BURNER (SEALED) - W/O OVEN - CSA - BLACK TOP - CANADIAN
32	106936-77-02B	EA	BRACKET - TIEDOWN - RANGE/FRONT - E-COATED FROM: 00-00-00 THRU: 07-25-07
32	106936-79-02B	EA	BRACKET - TIEDOWN - RANGE/FRONT - E-COATED FROM: 07-26-07 THRU: 99-99-99
33	106936-78-02B	EA	BRACKET - TIEDOWN - RANGE/FRONT - E-COATED FROM: 00-00-00 THRU: 07-25-07
33	106936-80-02B	EA	BRACKET - TIEDOWN - RANGE/FRONT - E-COATED FROM: 07-26-07 THRU: 99-99-99
34	161674-09-WD3	EA	COVER - STOVE TOP - CORIAN (WE7)
34	161674-09-WD7	EA	COVER - STOVE TOP - CORIAN (WF7)
34	161674-09-WF3	EA	COVER - STOVE TOP - CORIAN (WF3)
35	161674-10-WA0	EA	COVER - STOVE TOP - CORIAN (WE7)
35	161674-10-WA4	EA	COVER - STOVE TOP - CORIAN (WF7)
35	161674-10-WC0	EA	COVER - STOVE TOP - CORIAN (WF3)
36	P64613-01-WD3	EA	CABINET - GALLEY - W/O COUNTERTOP/DOORS/DRAWERS/HDW
37	165068-01-WD3	EA	COUNTERTOP - GALLEY (WE7)
37	165068-01-WD7	EA	COUNTERTOP - GALLEY (WF7)
37	165068-01-WF3	EA	COUNTERTOP - GALLEY (WF3)
38	057534-08-000	EA	TIEBACK - CLEAR PLASTIC - 16"
39	149044-01-WD3	EA	CABINET - W/PULLOUT TABLE
40	149044-21-WD3	EA	TABLE - F/PULLOUT CABINET - HONEY CHERRY

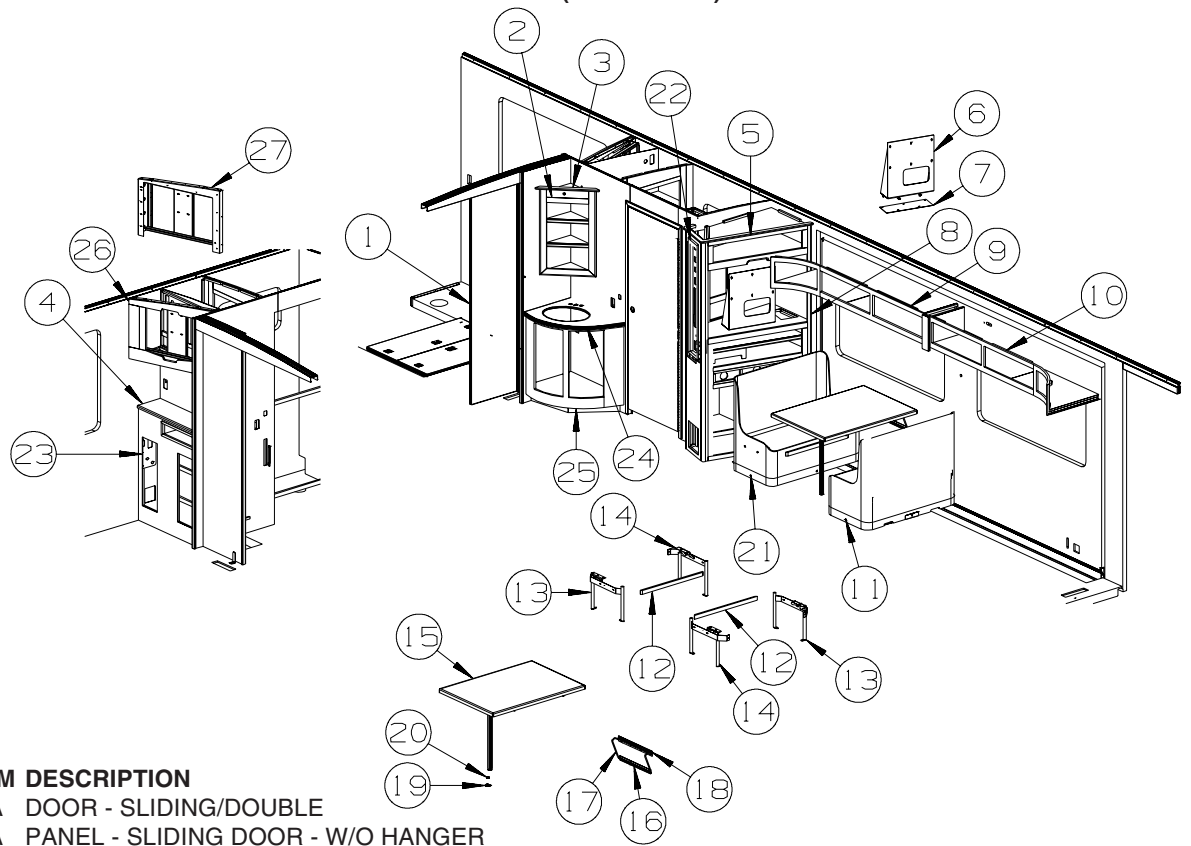
*COMPONENT PARTS LISTED LATER IN THIS GROUP

CABINET & APPLIANCE GROUP (CONTINUED)
CABINET & APPLIANCE LAYOUT (CONTINUED)



KEY	PART NUMBER	U/M	DESCRIPTION
1	160256-42-W66	EA	DOOR - FLAT/SQUARE EDGE - 16.1" X 17.7" - W/O HDW
2	160252-19-WD3	EA	DOOR - CURVED - 25.9" X 12.7" - W/O HDW
3	160256-C4-WD3	EA	DOOR - FLAT/SQUARE EDGE - 25.9" X 12" - W/O HDW
4	160256-C5-WD3	EA	DOOR - FLAT/SQUARE EDGE - 27.9" X 7.1" - W/O HDW
5	160256-89-W66	EA	DOOR - FLAT/SQUARE EDGE - 30.3" X 7.9" - W/O HDW - REFRIGERATOR-4 DOOR
6	160256-90-W66	EA	DOOR - FLAT/SQUARE EDGE - 30.3" X 7.9" - W/O HDW - REFRIGERATOR-4 DOOR
7	145576-07-W66	EA	DOOR - W/MIRROR - 15.96" X 25.94" - W/O HARDWARE
			FROM: 00-00-00 THRU: 01-13-08
7	145576-C3-W66	EA	DOOR - MIRROR - 16" X 25.9" - W/O HARDWARE
			FROM: 01-14-08 THRU: 99-99-99
7	093606-36-000	EA	MIRROR - BEVELED EDGE - 16" X 26"
			FROM: 00-00-00 THRU: 01-13-08
7	093606-30-000	EA	MIRROR - BEVELED EDGE - 14.5" X 25.9"
			FROM: 01-14-08 THRU: 99-99-99
7	076767-04-000	EA	CABLE - STAINLESS STEEL - 5.9"
8	163145-01-WD3	EA	DOOR - CURVED - 27.5" X 18.3" - W/O HDW
9	161079-36-WD3	EA	DRAWER - BROKEN EDGE - 10.9"W X 19.7"D - W/O SLIDES/HDW
10	161079-37-WD3	EA	DRAWER - BROKEN EDGE - 5.7"W X 19.7"D - W/O SLIDES/HDW
11	140594-03-01A	EA	GRILL - RETURN AIR - 19.7" X 11.8" - BLACK
12	161079-34-WD3	EA	DRAWER - BROKEN EDGE - 19"W X 17.7"D - W/O SLIDES/HDW
13	161079-35-WD3	EA	DRAWER - BROKEN EDGE - 19"W X 17.7"D - W/O SLIDES/HDW
14	161079-33-WD3	EA	DRAWER - BROKEN EDGE - 22.6"W X 19.7"D - W/O SLIDES/HDW
15	161079-39-WD3	EA	DRAWER - BROKEN EDGE - 19.8"W X 13.8"D - W/O SLIDES/HDW
16	161079-38-WD3	EA	DRAWER - BROKEN EDGE - 21"W X 17.7"D - W/O SLIDES/HDW
17	161079-29-WD3	EA	DRAWER - BROKEN EDGE - 10"W X 17.7"D - W/O SLIDES/HDW
18	161079-30-WD3	EA	DRAWER - BROKEN EDGE - 10"W X 17.7"D - W/O SLIDES/HDW
19	161079-31-WD3	EA	DRAWER - BROKEN EDGE - 10"W X 17.7"D - W/O SLIDES/HDW
20	161981-01-WD3	EA	DOOR - CURVED - 25.9" X 13.2" - W/O HDW
21	161981-02-WD3	EA	DOOR - CURVED - 25.9" X 13.2" - W/O HDW
22	164958-01-WD3	EA	DRAWER - RECYCLE - 10.9"W X 30"D - W/O SLIDES/HDW
23	153000-15-01A	EA	SLIDE - DRAWER MOUNT - 23.4"

CABINET & APPLIANCE GROUP (CONTINUED)
CABINET & APPLIANCE LAYOUT (CONTINUED)

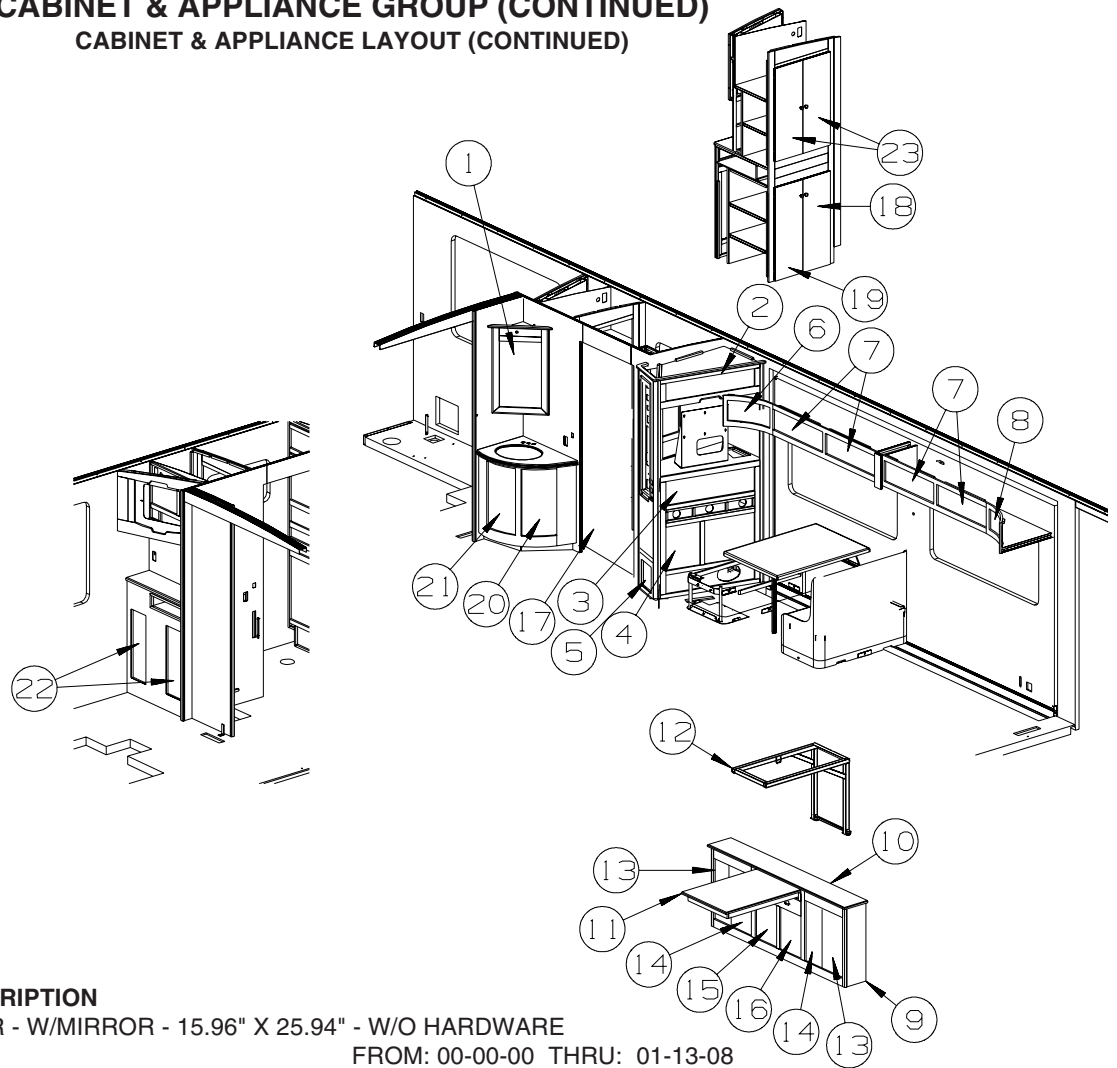


KEY	PART NUMBER	U/M	DESCRIPTION
1	137421-07-W66	EA	DOOR - SLIDING/DOUBLE
	137421-42-W66	EA	PANEL - SLIDING DOOR - W/O HANGER
	137421-45-W66	EA	PANEL - SLIDING DOOR - W/O HANGER
1	137422-07-01A	EA	TRACK - DOOR - 56.4" - OFF WHITE
1	138136-06-02B	EA	GUIDE - DOOR - E-COATED
1	057534-08-000	EA	TIEBACK - CLEAR PLASTIC - 16"
2	162708-01-W66	EA	CABINET - OVERHEAD/MEDICINE - W/O DOORS/HDW
3	161453-05-05A	EA	MOLDING/ACCENT - OVERHEAD - HONEY CHERRY
4	145182-59-WD3	EA	COUNTERTOP - LAMINATED (WE7, WF7)
4	145182-59-WF3	EA	COUNTERTOP - LAMINATED (WF3)
5	161453-06-05A	EA	MOLDING/ACCENT - OVERHEAD - HONEY CHERRY
			FROM: 00-00-00 THRU: 11-19-07
5	161453-14-05A	EA	MOLDING - OVERHEAD - HONEY CHERRY
			FROM: 11-20-07 THRU: 99-99-99
6	164965-01-02B	EA	BRACKET - TV - E-COATED
7	165542-01-02B	EA	BRACKET/MOUNTING - TV - E-COATED
8	164621-11-WD3	EA	FACE/FRAME - TV CABINET - W/O DOOR/HDW
9	163774-01-WD3	EA	CABINET - OVERHEAD/DINETTE - W/O DOORS/HDW
10	163773-01-WE7	EA	CABINET - OVERHEAD/COUCH - W/O DOORS/HDW
10	163773-01-WF3	EA	CABINET - OVERHEAD/COUCH - W/O DOORS/HDW
10	163773-01-WF7	EA	CABINET - OVERHEAD/COUCH - W/O DOORS/HDW
11	161306-07-WE7	EA	CABINET/DINETTE W/BACK(WRAPPED) - W/O DOORS/HDW (WE7, WF3)
11	161306-07-WF7	EA	CABINET/DINETTE W/BACK(WRAPPED) - W/O DOORS/HDW (WF7)
12	081295-01-T02	EA	SUPPORT - BED/DINETTE - 28" LONG
13	161278-02-000	EA	BRACKET - DINETTE - LEFT HAND
14	161278-01-000	EA	BRACKET - DINETTE - RIGHT HAND
15	149294-10-WD3	EA	TABLE/DINETTE - W/LEG - 29.7"W X 41.6"D
16	024281-12-000	EA	BRACKET/WALL - TABLE LIFT - 17.1" - ALMOND
17	024275-16-000	EA	ROD - TABLE LIFT - W/ARMS 8" & BASE ROD 18.5" - ALMOND
18	140921-02-02A	EA	BRACKET/TABLE SUPPORT - 18.5" - ALMOND
19	143798-01-02A	EA	CATCH - FLOOR TO TABLE LEG - ALMOND
20	143798-03-02A	EA	WASHER/CATCH - TABLE LEG - ALMOND
21	161306-08-WE7	EA	CABINET/DINETTE W/BACK(WRAPPED) - W/O DOORS/HDW (WE7, WF3)
21	161306-08-WF7	EA	CABINET/DINETTE W/BACK(WRAPPED) - W/O DOORS/HDW (WF7)
22	158117-09-WD3	EA	POCKET - MONITOR PANEL - GENERATOR-START,AUTO SYSTEM
22	158117-10-WD3	EA	POCKET - MONITOR PANEL
23	162583-01-02B	EA	BRACKET - FAUCET - WASHER/DRYER - E-COATED

CABINET & APPLIANCE GROUP (CONTINUED)
CABINET & APPLIANCE LAYOUT (CONTINUED)

KEY	PART NUMBER	U/M	DESCRIPTION
24	165127-01-WD3	EA	COUNTERTOP - LAVATORY (WE7)
24	165127-01-WD7	EA	COUNTERTOP - LAVATORY (WF7)
24	165127-01-WF3	EA	COUNTERTOP - LAVATORY (WF3)
25	P62659-01-W66	EA	CABINET - LAVATORY - W/O COUNTERTOP/DOORS/DRAWERS/HDW
26	165226-01-WD3	EA	CABINET - OVERHEAD/TV - W/O BOTTOM PANEL/HDW - TV-27" COLOR,STEREO W/REMOTE
26	166639-01-WD3	EA	CABINET - OVERHEAD/TV - W/O BOTTOM PANEL/HDW - TV(REAR)-26" COLOR STEREO
27	165247-01-02B	EA	BRACKET - OVERHEAD/TV - E-COATED

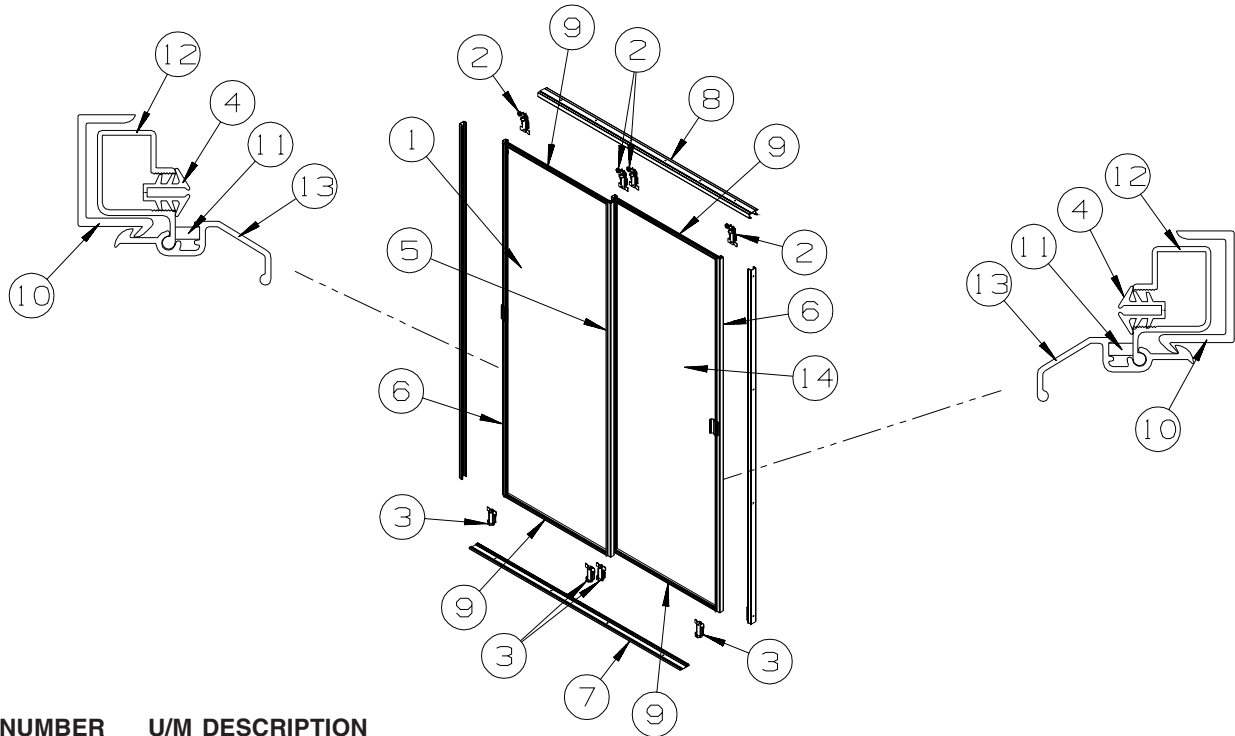
CABINET & APPLIANCE GROUP (CONTINUED)
CABINET & APPLIANCE LAYOUT (CONTINUED)



KEY	PART NUMBER	U/M	DESCRIPTION
1	145576-07-WE7	EA	DOOR - W/MIRROR - 15.96" X 25.94" - W/O HARDWARE FROM: 00-00-00 THRU: 01-13-08
1	145576-C3-W66	EA	DOOR - MIRRORING - 16" X 25.9" - W/O HARDWARE FROM: 01-14-08 THRU: 99-99-99
1	093606-36-000	EA	MIRROR - BEVELED EDGE - 16" X 26" FROM: 00-00-00 THRU: 01-13-08
1	093606-30-000	EA	MIRROR - BEVELED EDGE - 14.5" X 25.9" FROM: 01-14-08 THRU: 99-99-99
1	076767-04-000	EA	CABLE - STAINLESS STEEL - 5.9"
2	159204-11-WD3	EA	DOOR - DECORATIVE INSERT - 7.7" X 34.8" - W/O HDW
3	159204-10-WD3	EA	DOOR - DECORATIVE INSERT - 9.8" X 34.8" - W/O HDW
3	076767-04-000	EA	CABLE - STAINLESS STEEL - 5.9"
4	160256-50-WD3	EA	DOOR - FLAT/SQUARE EDGE - 21.6" X 14.3" - W/O HDW
5	160256-62-W66	EA	DOOR - FLAT/SQUARE EDGE - 10.6" X 9.2" - W/O HDW
6	160252-07-W66	EA	DOOR - CURVED - 11.4" X 16.6" - W/O HDW
7	160256-95-WD3	EA	DOOR - FLAT/SQUARE EDGE - 28.1" X 11.4" - W/O HDW
8	160252-18-WD3	EA	DOOR - CURVED - 11.4" X 16.6" - W/O HDW
9	P60419-01-WD3	EA	CABINET - STORAGE/COMPUTER - W/O CTRTP/DRAWERS/HDW - DINING TABLE/BUFFET/CHAIRS
10	160430-01-WD3	EA	TABLE - BUFFET - DINING TABLE/BUFFET/CHAIRS FROM: 00-00-00 THRU: 11-25-07
10	167199-02-WD3	EA	TABLE - BUFFET - DINING TABLE/BUFFET/CHAIRS FROM: 11-26-07 THRU: 99-99-99
11	160420-01-WD3	EA	TABLE - W/FRAME - W/O HDW - 24.8" X 42.7" - DINING TABLE/BUFFET/CHAIRS FROM: 00-00-00 THRU: 11-25-07
11	140889-59-WD3	EA	TABLE - W/FRAME - W/O HDW - DINING TABLE/BUFFET/CHAIRS FROM: 11-26-07 THRU: 99-99-99
12	153362-03-02B	EA	SUPPORT - TABLE - E-COATED - DINING TABLE/BUFFET/CHAIRS
13	160256-A3-WD3	EA	DOOR - FLAT/SQUARE EDGE - 23.8" X 10.8" - W/O HDW - DINING TABLE/BUFFET/CHAIRS
14	160256-A4-WD3	EA	DOOR - FLAT/SQUARE EDGE - 23.8" X 10.8" - W/O HDW - DINING TABLE/BUFFET/CHAIRS
15	160256-A6-WD3	EA	DOOR - FLAT/SQUARE EDGE - 17.7" X 12.8" - W/O HDW - DINING TABLE/BUFFET/CHAIRS
16	160256-A7-WD3	EA	DOOR - FLAT/SQUARE EDGE - 17.7" X 12.8" - W/O HDW - DINING TABLE/BUFFET/CHAIRS
17	153095-03-W66	EA	DOOR - BATH - 27.5" X 75.7" - W/O FRAME(PICTURE)TRIM/HDW
18	160256-55-WD3	EA	DOOR - FLAT/SQUARE EDGE - 35" X 12.4" - W/O HDW

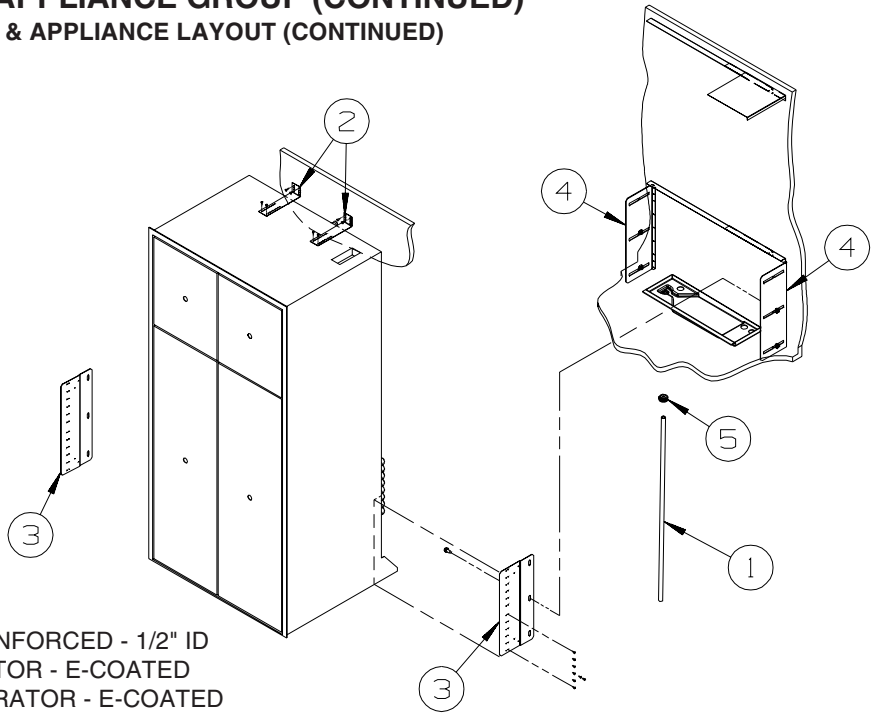
CABINET & APPLIANCE GROUP (CONTINUED)
CABINET & APPLIANCE LAYOUT (CONTINUED)

KEY	PART NUMBER	U/M	DESCRIPTION
19	160256-54-WD3	EA	DOOR - FLAT/SQUARE EDGE - 35" X 12.4" - W/O HDW
20	160252-10-WD3	EA	DOOR - CURVED - 25.9" X 13.2" - W/O HDW
21	160252-09-WD3	EA	DOOR - CURVED - 25.9" X 13.2" - W/O HDW
22	160256-75-W66	EA	DOOR - FLAT/SQUARE EDGE - 26.5" X 9" - W/O HDW
23	160256-74-WD3	EA	DOOR - FLAT/SQUARE EDGE - 35" X 12.4" - W/O HDW



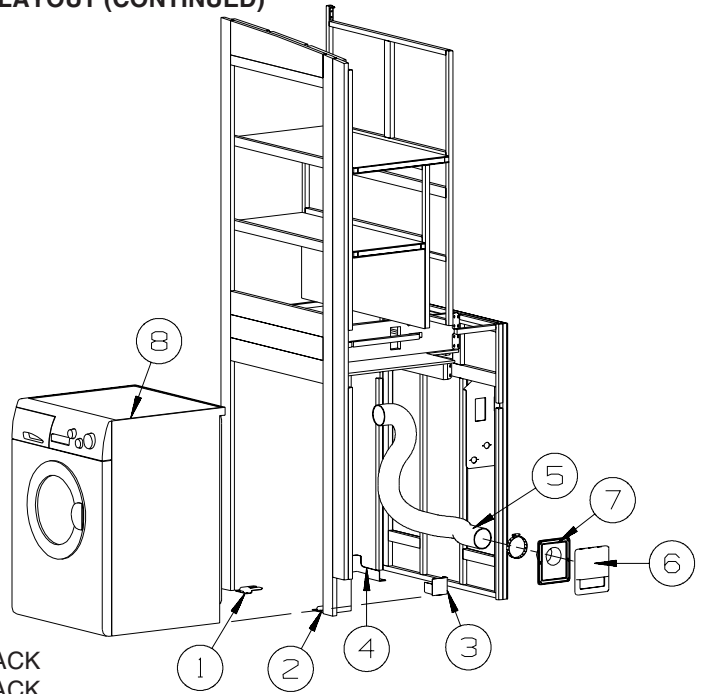
KEY	PART NUMBER	U/M	DESCRIPTION
1	136681-28-W66	EA	DOOR - MIRRORED/WARDROBE - LH - W/HANGERS/GUIDES/LATCH
	140374-90-000	EA	MIRROR - SAFETY GLASS - 31.7" X 68.7"
2	107390-02-000	EA	CORNER HANGER (DOUBLE ROLLER W/BACKET) (SOLD AS 1 EACH)
3	107391-01-000	EA	GUIDE - BOTTOM - BY-PASS (4 USED PER DOOR)
4	111575-01-01A	FT	CHANNEL - GLAZING - SWING DOOR
5	114104-19-01A	EA	STILE - DOOR - SLIDING - 69.2" - TERRATONE
6	114104-20-01A	EA	STILE - DOOR - SLIDING - 69.2" - TERRATONE
7	114105-27-01A	EA	TRACK - SLIDING DOOR - LOWER - 59.4" - TERRATONE
8	114106-27-01A	EA	TRACK - SLIDING DOOR - UPPER - 59.4" - TERRATONE
9	114107-17-01A	EA	RAIL - DOOR/SLIDING - UPPER/LOWER - 31.2" - TERRATONE
10	115538-09-01A	EA	JAMB - DOOR - WARDROBE/MIRRORED - 70.4" - BLACK
11	115541-01-000	EA	SPRING - DOOR - SLIDING
12	123655-01-000	FT	SEAL - CLOSED CELL/FOAM
13	158158-01-01A	EA	LATCH - WARDROBE DOOR - MIRRORED - TERRA COTTA
14	136680-28-W66	EA	DOOR - MIRRORED/WARDROBE - RH - W/HANGERS/GUIDES/LATCH
	140374-90-000	EA	MIRROR - SAFETY GLASS - 31.7" X 68.7"

CABINET & APPLIANCE GROUP (CONTINUED)
CABINET & APPLIANCE LAYOUT (CONTINUED)



KEY	PART NUMBER	U/M	DESCRIPTION
1	112176-01-000	FT	TUBING - VINYL - REINFORCED - 1/2" ID
2	145445-02-02B	EA	STRAP - REFRIGERATOR - E-COATED
3	150740-01-02B	EA	BRACKET - REFRIGERATOR - E-COATED
4	150740-02-02B	EA	BRACKET - REFRIGERATOR - E-COATED
5	152417-01-01A	EA	CLAMP/RATCHET - F/REFRIDGERATOR DRIP TRAY HOSE - BLACK

CABINET & APPLIANCE GROUP (CONTINUED)
CABINET & APPLIANCE LAYOUT (CONTINUED)

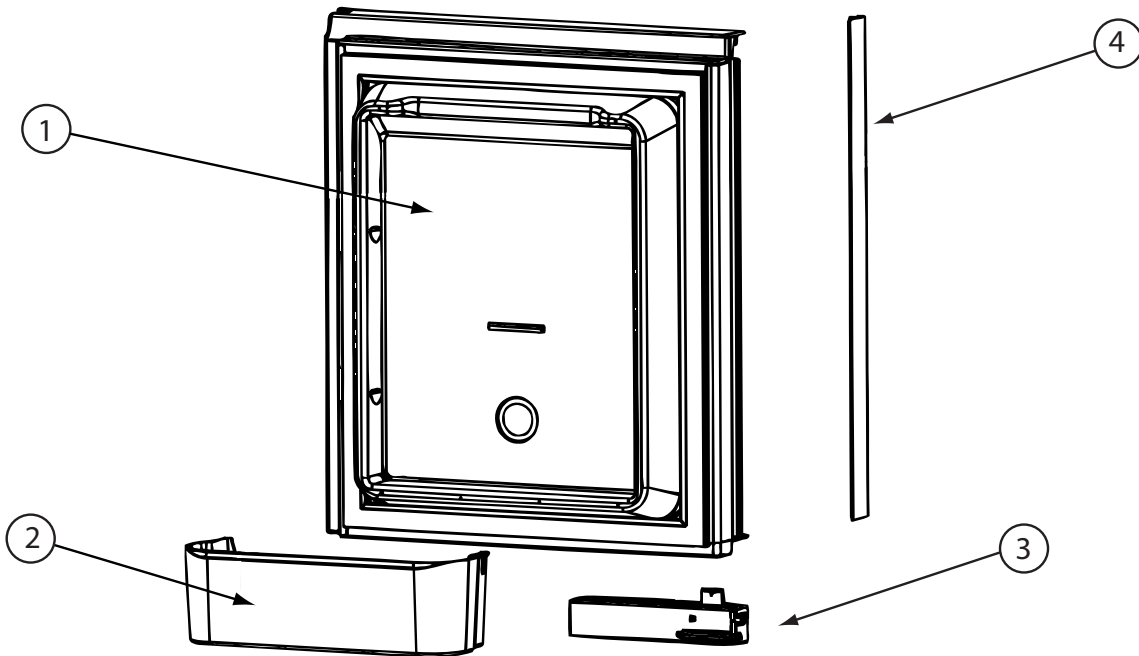


KEY	PART NUMBER	U/M	DESCRIPTION
1	111913-02-04B	EA	BRACKET/WASHER - TIE DOWN - BLACK
2	111913-03-04B	EA	BRACKET/WASHER - TIE DOWN - BLACK
3	113795-01-02B	EA	BRACKET - WASHER - E-COATED
4	113795-02-02B	EA	BRACKET - WASHER - E-COATED
5	116653-02-000	FT	DUCT - FLEXIBLE - 3' COMPRESSED/8' EXTENDED
6	146292-01-02A	EA	COVER - DRYER VENT - BLACK
7	146292-02-02A	EA	DRYER VENT - INNER - BLACK
8	153204-01-01A	EA	WASHER/DRYER - VENTED - UL/CSA - WHITE
			FROM: 00-00-00 THRU: 12-02-07
8	167453-01-01A	EA	WASHER/DRYER - VENTED - UL/CSA - WHITE
			FROM: 12-03-07 THRU: 99-99-99
	141523-01-01A	EA	LABEL - WASHER/DRYER BRACKETS - BLACK/WHITE

CABINET & APPLIANCE GROUP (CONTINUED)
COMPONENT PARTS FOR CABINET & APPLIANCE LAYOUT

119267-17-01A

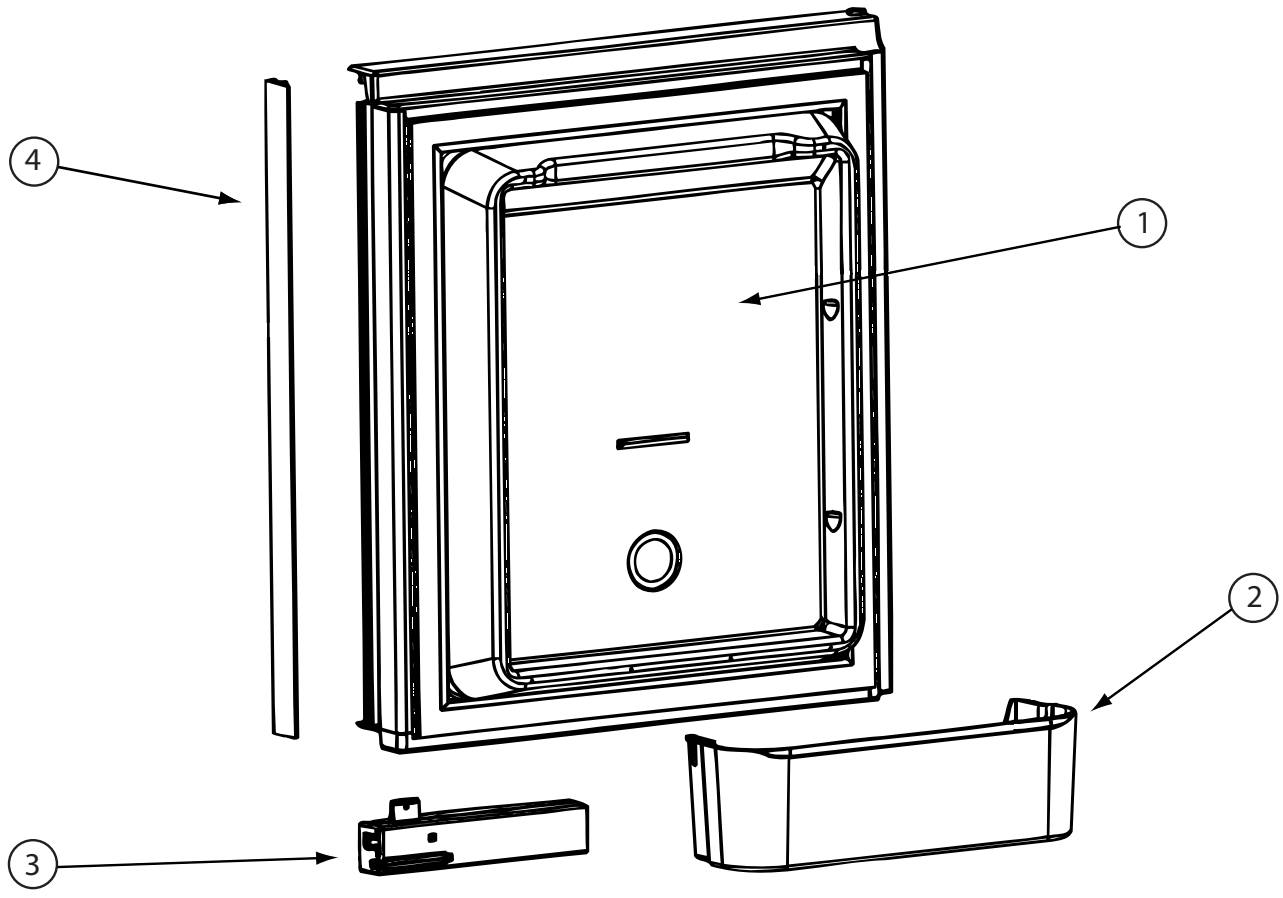
KEY	PART NUMBER	U/M	DESCRIPTION	VENDOR NO.
	119267-04-700	EA	FILTER-GREASE	BOO2
	119267-04-703	EA	PLATE - MOUNTING	FANGTB003MRY0
	119267-17-700	EA	TURNTABLE-GLASS	NTNT-A114WREZ



125242-05-02A

KEY	PART NUMBER	U/M	DESCRIPTION	VENDOR NO.
1	125242-05-700	EA	LINER-DOOR/UPPER RH/WRP WPM	62913401
2	125242-05-701	EA	BIN - DOOR SHELF	628686
3	125242-02-701	EA	HANDLE(CONTOUR)TOP RH LWR LH	621106
	125242-02-722	EA	LATCH-STORAGE DR/BLK POINTED	619374
CONTACT WINNEBAGO PART SALES FOR UNLISTED COMPONENT(S)				

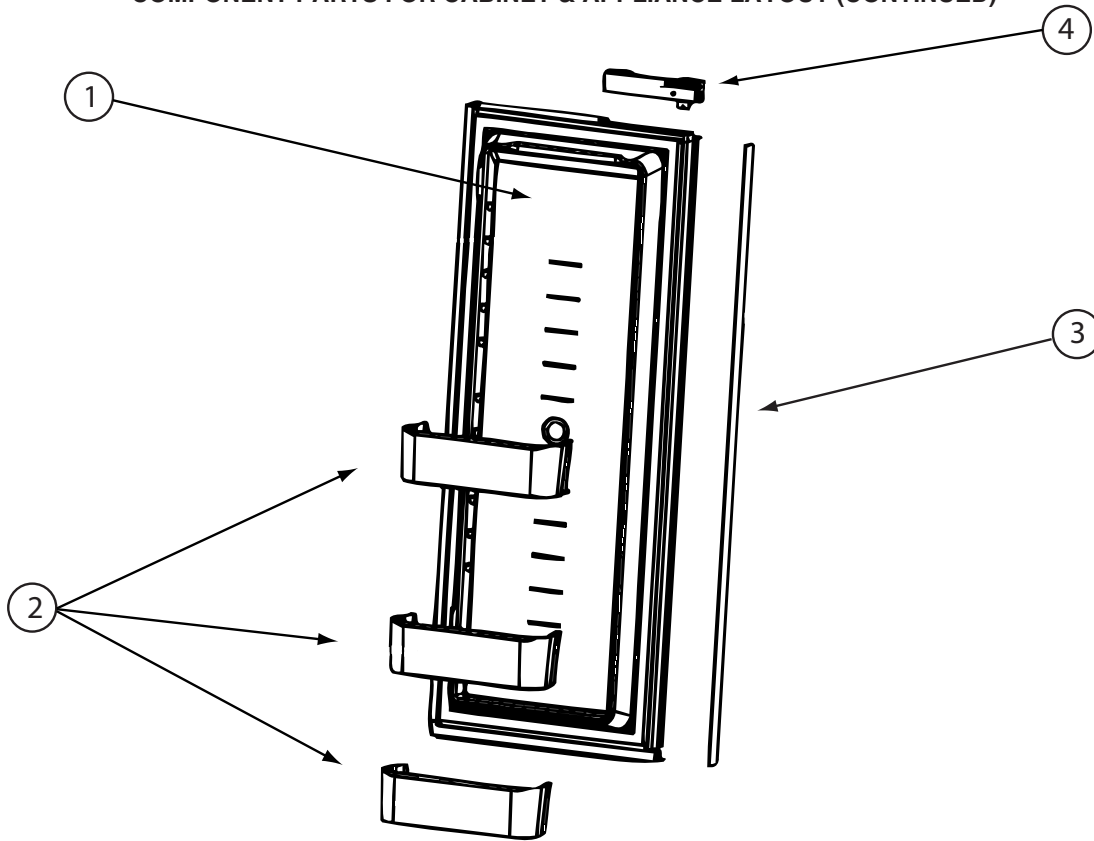
CABINET & APPLIANCE GROUP (CONTINUED)
COMPONENT PARTS FOR CABINET & APPLIANCE LAYOUT (CONTINUED)



125242-05-02A (CONTINUED)

KEY	PART NUMBER	U/M	DESCRIPTION	VENDOR NO.
1	125242-05-702	EA	LINER-DOOR/UPPER LH/WRP WPM	62913301
2	125242-05-701	EA	BIN - DOOR SHELF	628686
3	125242-02-700	EA	HANDLE(CONTOUR)TOP LH BTM RH	621107
	125242-02-722	EA	LATCH-STORAGE DR/BLK POINTED	619374
CONTACT WINNEBAGO PART SALES FOR UNLISTED COMPONENT(S)				

CABINET & APPLIANCE GROUP (CONTINUED)
COMPONENT PARTS FOR CABINET & APPLIANCE LAYOUT (CONTINUED)

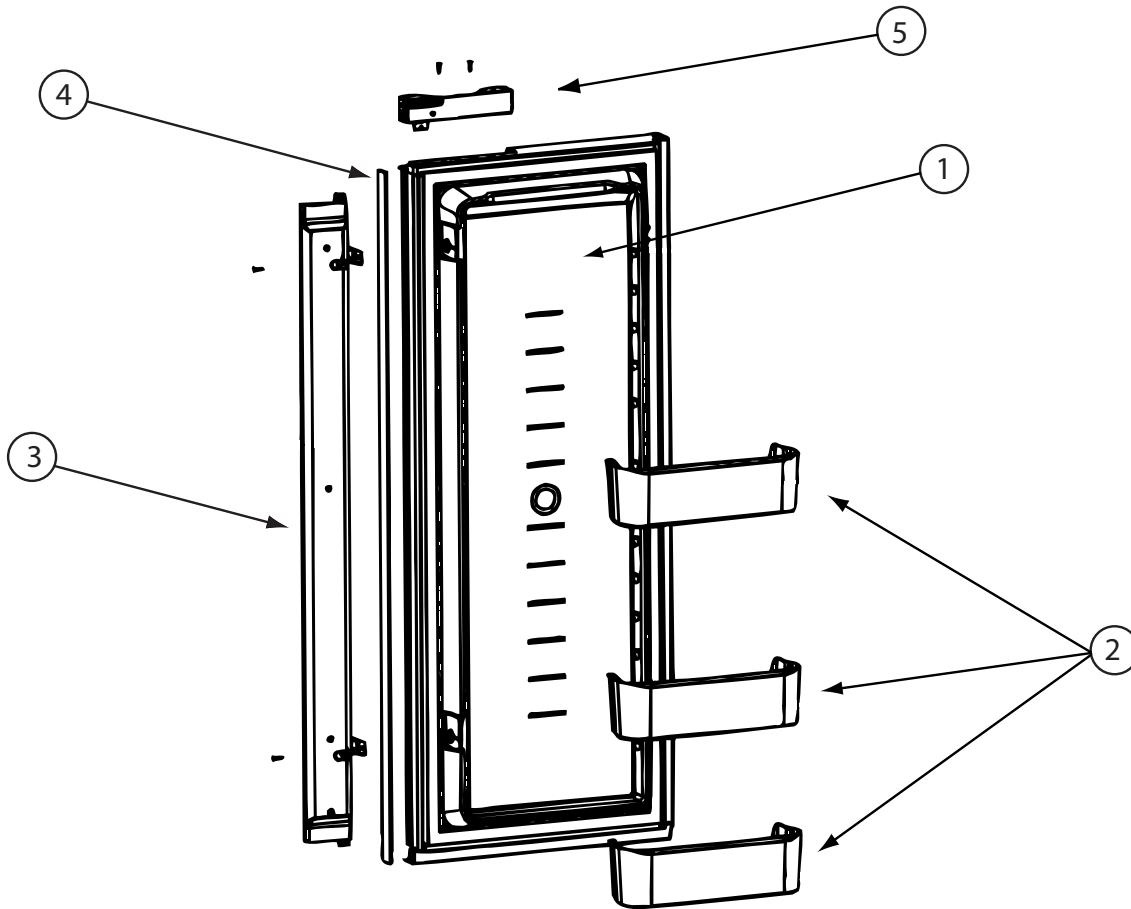


125242-05-02A (CONTINUED)

KEY	PART NUMBER	U/M	DESCRIPTION	VENDOR NO.
1	125242-05-703	EA	LINER-DOOR/LOWER RH/WRP WPM	62913601
2	125242-05-701	EA	BIN - DOOR SHELF	628686
4	125242-02-700	EA	HANDLE(CONTOUR)TOP LH BTM RH	621107
	125242-02-722	EA	LATCH-STORAGE DR/BLK POINTED	619374

CONTACT WINNEBAGO PART SALES FOR UNLISTED COMPONENT(S)

CABINET & APPLIANCE GROUP (CONTINUED)
COMPONENT PARTS FOR CABINET & APPLIANCE LAYOUT (CONTINUED)

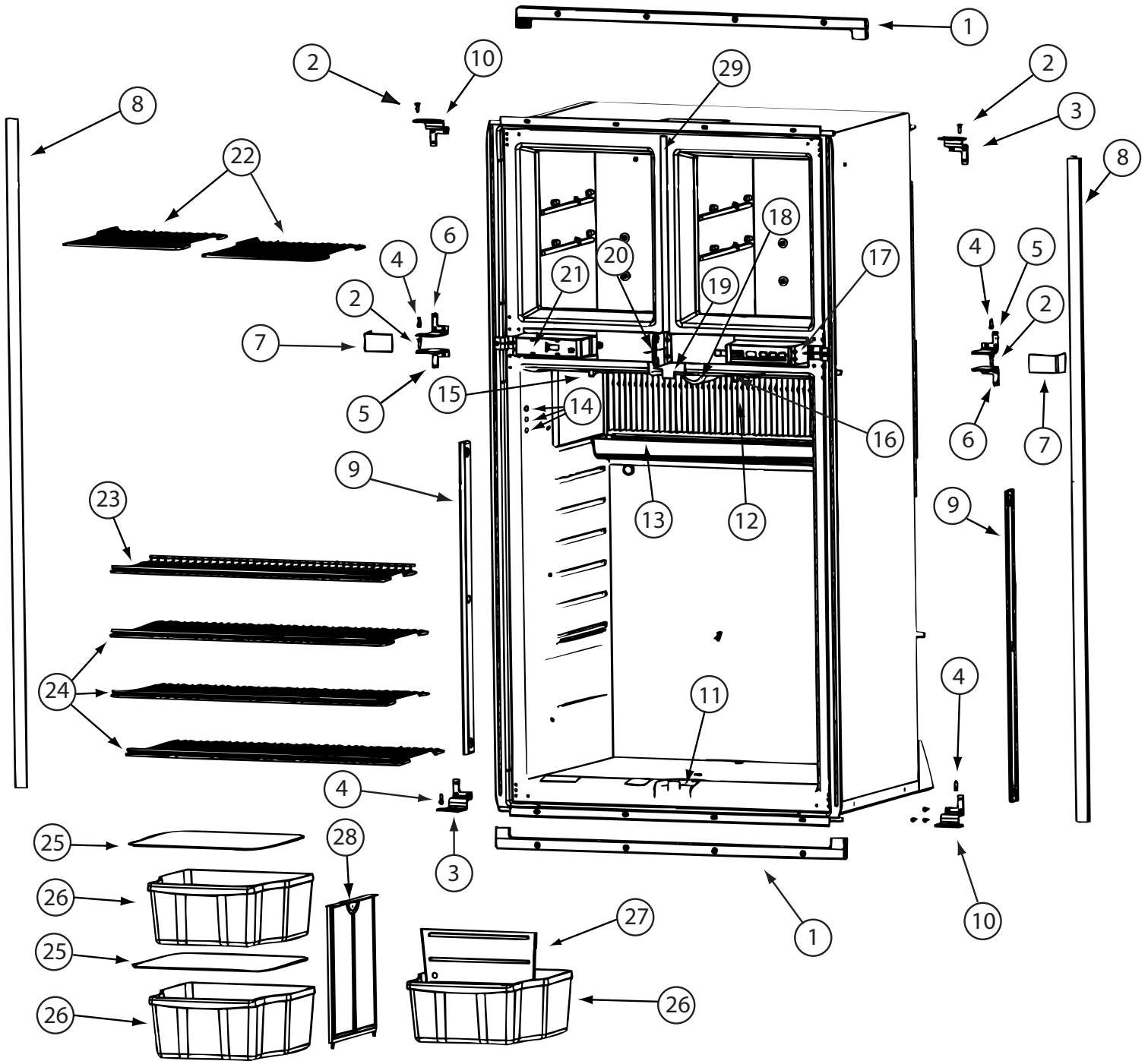


125242-05-02A (CONTINUED)

KEY	PART NUMBER	U/M	DESCRIPTION	VENDOR NO.
1	125242-05-704	EA	LINER-DOOR/LOWER LH/WRP WPM	62913501
2	125242-05-701	EA	BIN - DOOR SHELF	628686
3	125242-05-705	EA	FLAPPER ASM	629049
5	125242-02-701	EA	HANDLE(CONTOUR)TOP RH LWR LH	621106
	125242-02-722	EA	LATCH-STORAGE DR/BLK POINTED	619374

CONTACT WINNEBAGO PART SALES FOR UNLISTED COMPONENT(S)

CABINET & APPLIANCE GROUP (CONTINUED)
COMPONENT PARTS FOR CABINET & APPLIANCE LAYOUT (CONTINUED)



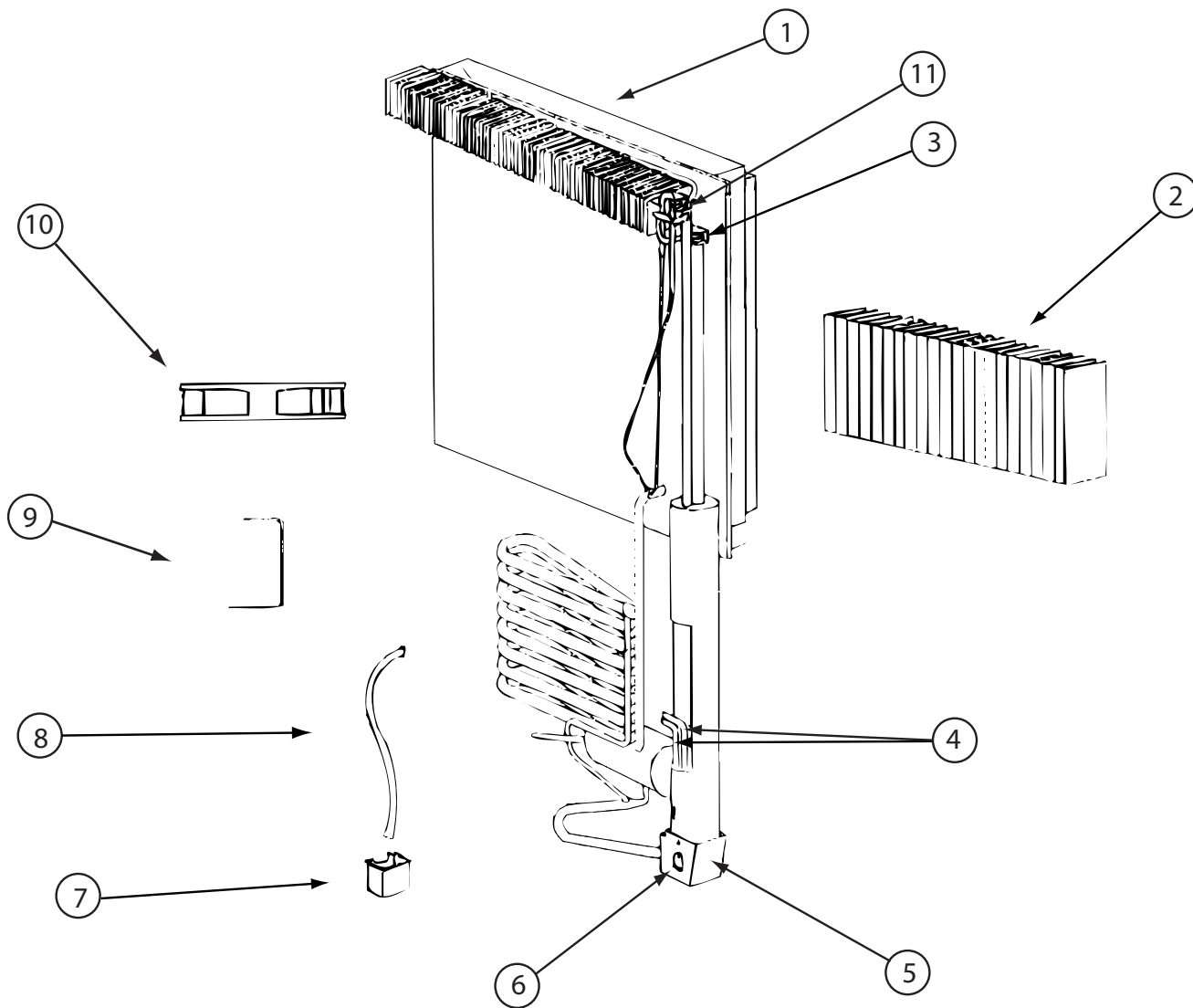
125242-05-02A (CONTINUED)

CABINET & APPLIANCE GROUP (CONTINUED)
COMPONENT PARTS FOR CABINET & APPLIANCE LAYOUT (CONTINUED)

125242-05-02A (CONTINUED)

KEY	PART NUMBER	U/M	DESCRIPTION	VENDOR NO.
1	125242-01-767	EA	KIT INSTALL(U TRIM PCS)HDW	623528
2	125242-03-715	EA	HINGE PIN/UPR-WRAPPED DOORS	623899
3	125242-05-707	EA	HINGE-OUTER/UPPER RH/LWR LH	628946
4	113737-01-710	EA	PIN-HINGE, BOTTOM	61550722
5	125242-05-708	EA	HINGE-INNER/UPPER RH/LWR LH	624363
6	125242-05-709	EA	HINGE-INNER/UPPER LH/LWR RH	624364
7	125242-05-710	EA	COVER - HINGE	627955
8	125242-01-766	EA	TRIM-LT/RT HAND-SCREW ON	623254
9	125242-02-720	EA	RETAINER/SHELF(SER#926685 UP)	622033
10	125242-05-711	EA	HINGE-OUTER/UPPER LH/LWR RH	628945
11	125242-05-712	EA	GUIDE BLOCK-FLAPPER/BTM/BLK	629112
12	125242-05-713	EA	FINS	618785
13	125242-01-712	EA	DRIP TRAY	618774
14	125242-03-706	EA	PROBE - CONTACT/LARGE	620689
15	125242-01-768	EA	SWITCH - DOOR LIGHT	623918
16	125242-02-706	EA	LAMP/WIRE ASM/SER#849677 UP	620871
17	125242-05-706	EA	CONTROL ASM - OPTICAL	629113
18	125242-02-708	EA	COVER/LAMP BRACKET	621827
19	125242-05-714	EA	GUIDE BLOCK-FLAPPER/TOP/BLK	629111
20	125242-05-715	EA	PLATE/STRIKE - BLACK	628473
21	125242-05-716	EA	BOX/FRONT - DUMMY	624366
22	125242-01-725	EA	SHELF-FREEZER (WIRE)	618847
23	125242-01-727	EA	SHELF-WIRE (SHORT)	618849
24	125242-01-726	EA	SHELF-WIRE (LONG)	618848
25	125242-01-706	EA	COVER-CRISPER	618757
26	125242-05-717	EA	BIN - BOTTLE/CRISPER	628688
27	125242-05-718	EA	DIVIDER - BOTTLE/CRISPER	628694
28	125242-01-749	EA	SUPPORT - WALL	618840
29	125242-02-741	EA	STRIP-FREEZER-BLACK	625210 #1291391 &UP
	084880-03-705	EA	BRACKET-LIGHT-INTERIOR	61629722
	084880-03-706	EA	BULB-LAMP	61628922
	120075-01-714	EA	PLUG-HOLE (BLACK)	618170
	125242-05-725	EA	PLATE - F/DUMMY BOX	628460

CABINET & APPLIANCE GROUP (CONTINUED)
COMPONENT PARTS FOR CABINET & APPLIANCE LAYOUT (CONTINUED)

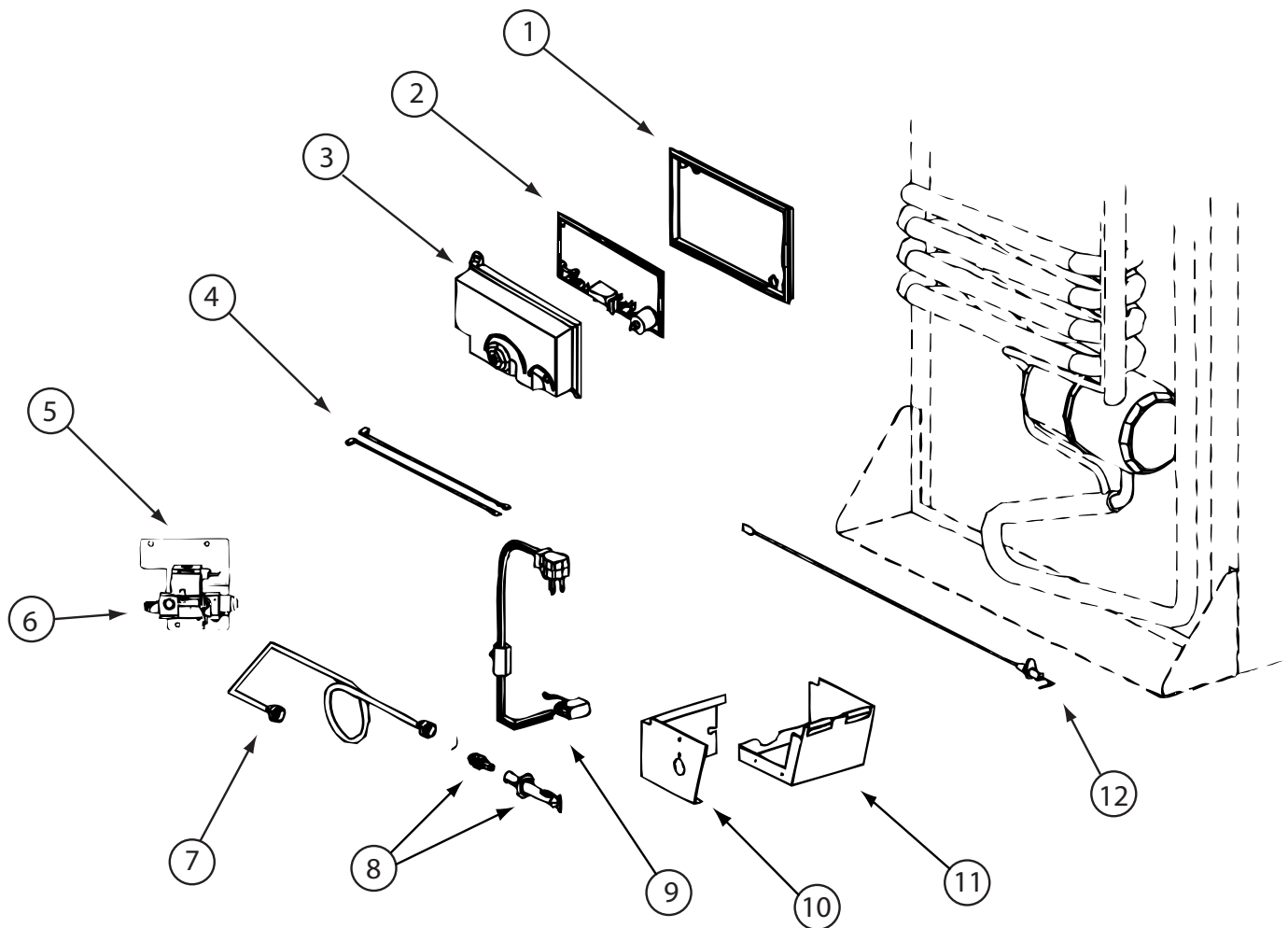


125242-05-02A (CONTINUED)

KEY	PART NUMBER	U/M	DESCRIPTION	VENDOR NO.
1	125242-05-719	EA	COOLING UNIT - SN 8835498 UP	629507
2	125242-05-713	EA	FINS	618785
4	125242-01-732	EA	HEATER AC - 225W/110VAC	618872
5	125242-01-739	EA	BASE-BURNER BOX	618902
6	125242-01-740	EA	COVER-BURNER BOX	618910
9	125242-05-721	EA	BRACKET-DC FAN-SN 9144576 UP	628747
10	125242-05-722	EA	FAN-EXTRNL DC-SN 9144576 UP	628685
11	113737-01-754	EA	THERMOSTAT (FAN 12V DC)	618093
	125242-01-742	EA	WIRE ASM.-BAFFLE 55.15"	618915
	125242-05-720	EA	SWITCH-THERMAL	628118

CONTACT WINNEBAGO PART SALES FOR UNLISTED COMPONENT(S)

CABINET & APPLIANCE GROUP (CONTINUED)
COMPONENT PARTS FOR CABINET & APPLIANCE LAYOUT (CONTINUED)

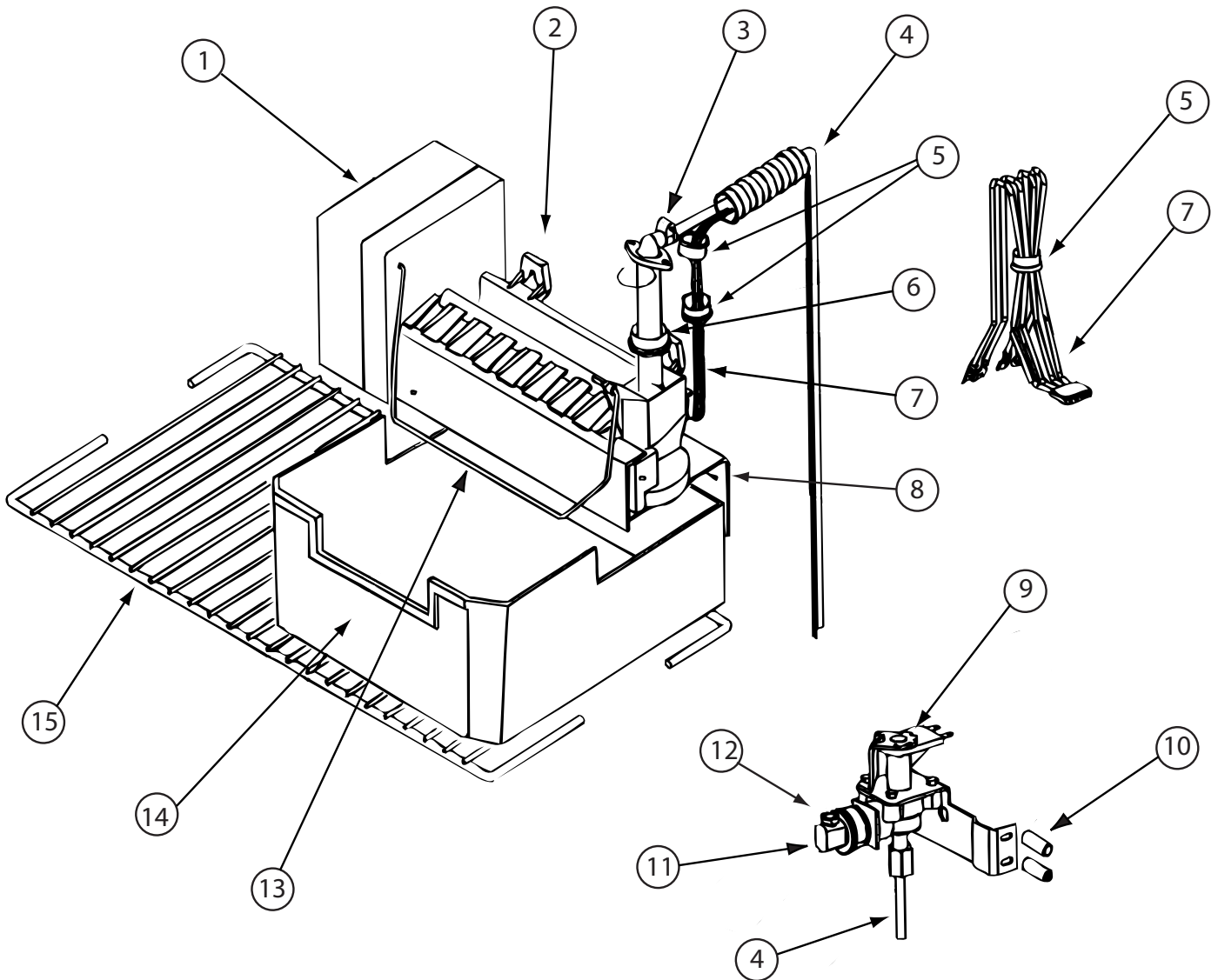


125242-03-02A, 125242-05-02A, 125242-06-01A (CONTINUED)

KEY	PART NUMBER	U/M	DESCRIPTION	VENDOR NO.
1	121569-08-701	EA	BASE - POWER BOARD	628674
2	121568-06-709	EA	BOARD/POWER-N611/N822F/1201	628661
3	121569-08-702	EA	COVER-POWER BOARD	628677
4	125242-02-709	EA	WIRE/WHITE/9"/GAS VALVE	621448
6	121569-08-703	EA	GAS VALVE - SOLENOID	628741
7	125242-05-723	EA	BURNER TUBE	624683
8	125242-02-743	EA	BURNER ORF ADAP-7 SLOT BRNR	629013
9	121569-05-732	EA	CORD - AC POWER- W/ICE MAKER	618406
10	125242-01-740	EA	COVER-BURNER BOX	618910
11	125242-01-739	EA	BASE-BURNER BOX	618902
12	104137-06-715	EA	ELECTRODE-SPARK/SENSOR, SGL	61692222

CONTACT WINNEBAGO PART SALES FOR UNLISTED COMPONENT(S)

CABINET & APPLIANCE GROUP (CONTINUED)
COMPONENT PARTS FOR CABINET & APPLIANCE LAYOUT (CONTINUED)

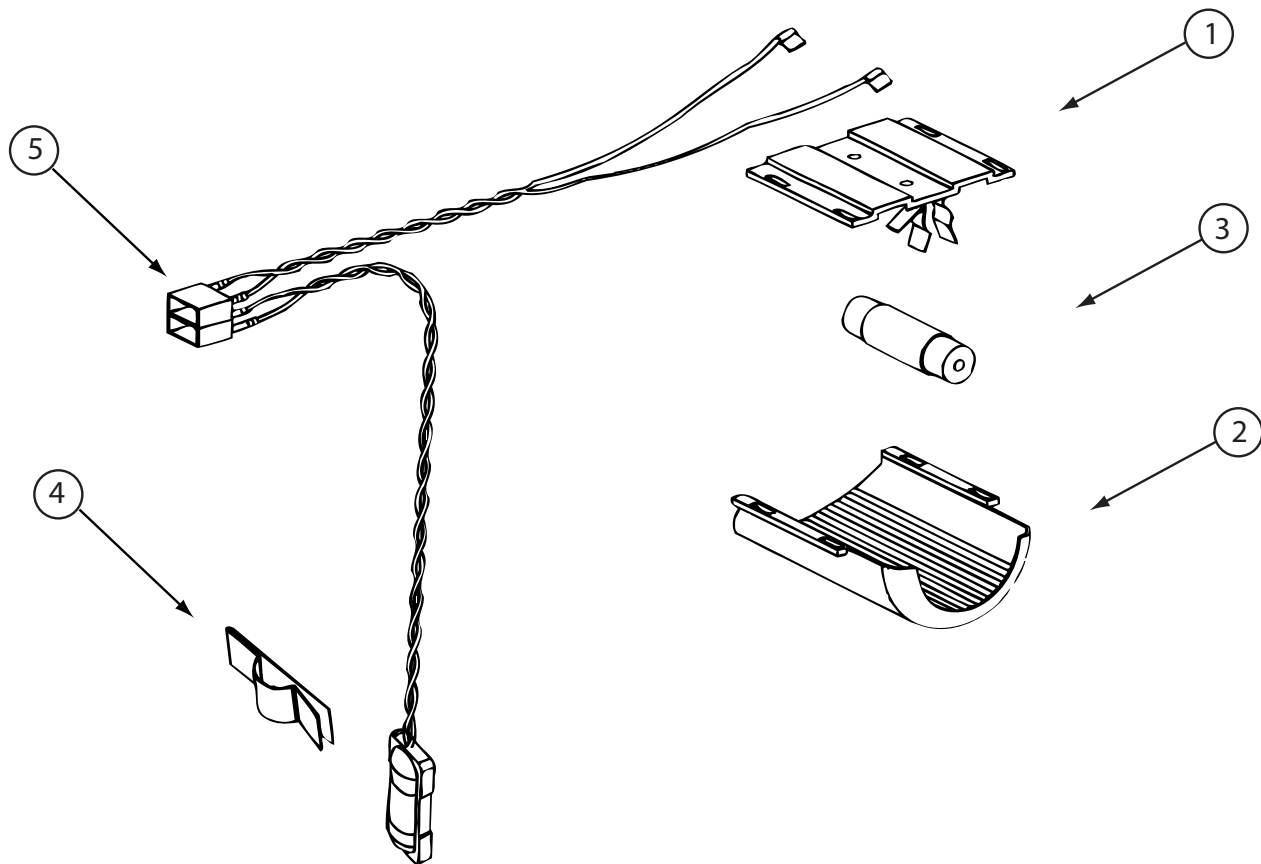


125242-03-02A, 125242-05-02A, 125242-06-01A (CONTINUED)

KEY	PART NUMBER	U/M	DESCRIPTION	VENDOR NO.
2	094039-07-706	EA	ICE MAKER W/O PLATES	61656522
4	125242-05-724	EA	WATER TUBE/HEATER ASM	621429
6	120075-03-706	EA	FITTING WATER LINE	620039
8	125242-01-737	EA	BRACKET-MOUNTING (ICE MAKER)	618894/620890
9	120075-03-701	EA	WATER VALVE - W/BRACKET	618253
11	094039-07-707	EA	GARDEN HOSE ADAP W/BRASS NUT	61679622
12	094039-07-708	EA	NUT - COMPRESSION	622991
13	120075-03-703	EA	ARM-SHUT OFF	61656922
14	125242-01-716	EA	ICE BIN	618803
15	125242-01-725	EA	SHELF-FREEZER (WIRE)	618847
	120075-09-703	EA	THERMOSTAT	620240

CONTACT WINNEBAGO PART SALES FOR UNLISTED COMPONENT(S)

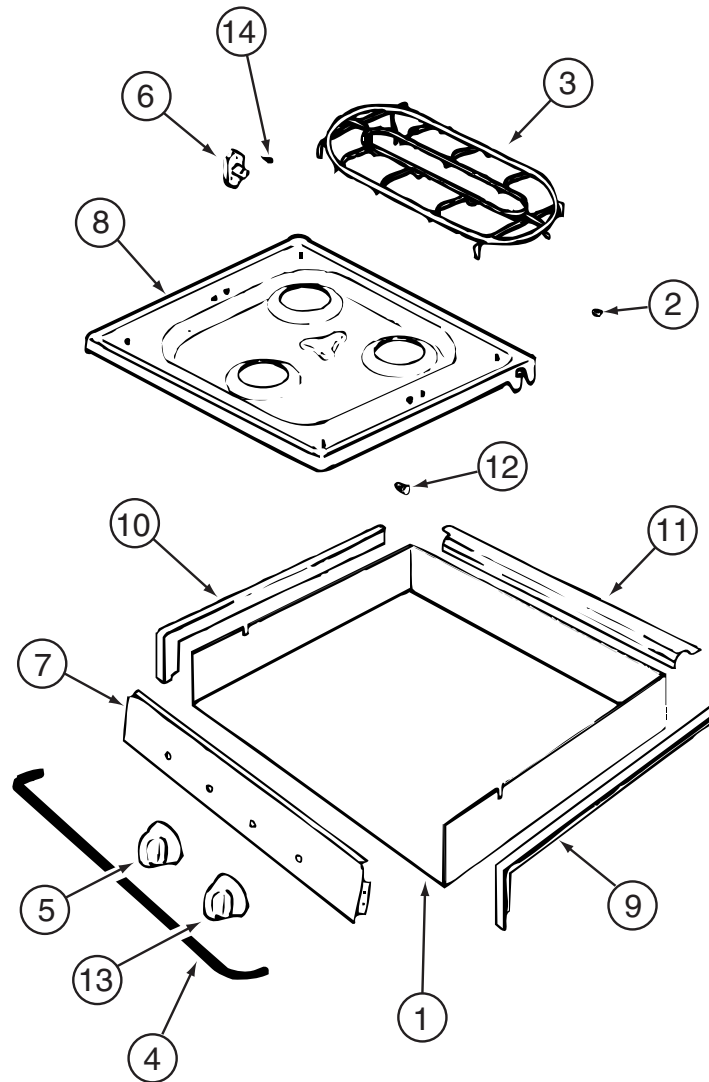
CABINET & APPLIANCE GROUP (CONTINUED)
COMPONENT PARTS FOR CABINET & APPLIANCE LAYOUT (CONTINUED)



125242-03-02A, 125242-05-02A, 125242-06-01A (CONTINUED)

KEY	PART NUMBER	U/M	DESCRIPTION	VENDOR NO.
1	084880-03-705	EA	BRACKET-LIGHT-INTERIOR	61629722
2	125242-02-708	EA	COVER/LAMP BRACKET	621827
3	084880-03-706	EA	BULB-LAMP	61628922
4	084880-01-760	EA	CLIP (THERMISTER)	61689122
5	125242-02-706	EA	LAMP/WIRE ASM/SER#849677 UP	620871

CABINET & APPLIANCE GROUP (CONTINUED)
COMPONENT PARTS FOR CABINET & APPLIANCE LAYOUT (CONTINUED)

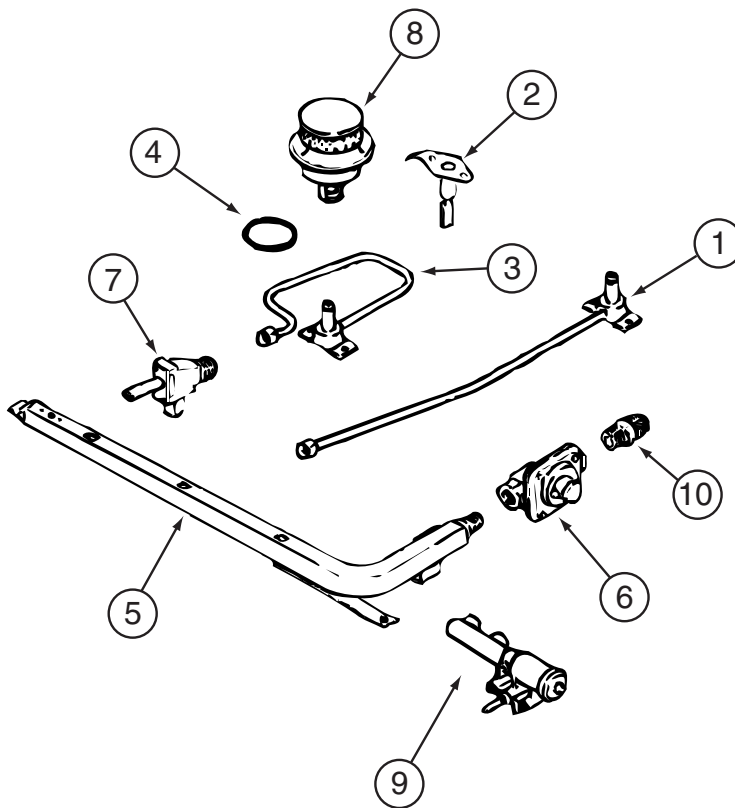


135065-03-01A, 135065-03-03A, 135065-04-01A

KEY	PART NUMBER	U/M	DESCRIPTION	VENDOR NO.
2	102020-01-709	EA	BUMPER-GRATE	8007-P020-60
3	135065-03-703	EA	GRATE - BLACK(SEALED BURNER)	74007304
4	114030-02-700	EA	GUARD/FABRIC - TOWEL BAR	3609F006-70
5	128728-01-701	EA	KNOB - BURNER - REAR	74003941
5	128728-01-702	EA	KNOB - BURNER - FRONT	74003942
6	128728-01-703	EA	PIN/T-NUT F/HINGE	7103P109-60
7	135065-03-704	EA	PANEL - MANIFOLD (BLACK)	74007330
8	128728-01-705	EA	TOP - MAIN - BLACK	74003928
8	135065-03-715	EA	TOP - MAIN - STAINLESS STEEL	74007299
9	114030-01-704	EA	TRIM - RIGHT/BLACK TEXTURED	74002839
10	114030-01-705	EA	TRIM - LEFT/BLACK TEXTURED	74002840
11	114030-01-706	EA	TRIM - REAR/BLACK TEXTURED	74002841
12	102020-01-724	EA	BUMPER-MAIN TOP	8003P008-60
13	128728-01-707	EA	KNOB - IGNITOR	74003944

CONTACT WINNEBAGO PART SALES FOR UNLISTED COMPONENT(S)

CABINET & APPLIANCE GROUP (CONTINUED)
COMPONENT PARTS FOR CABINET & APPLIANCE LAYOUT (CONTINUED)

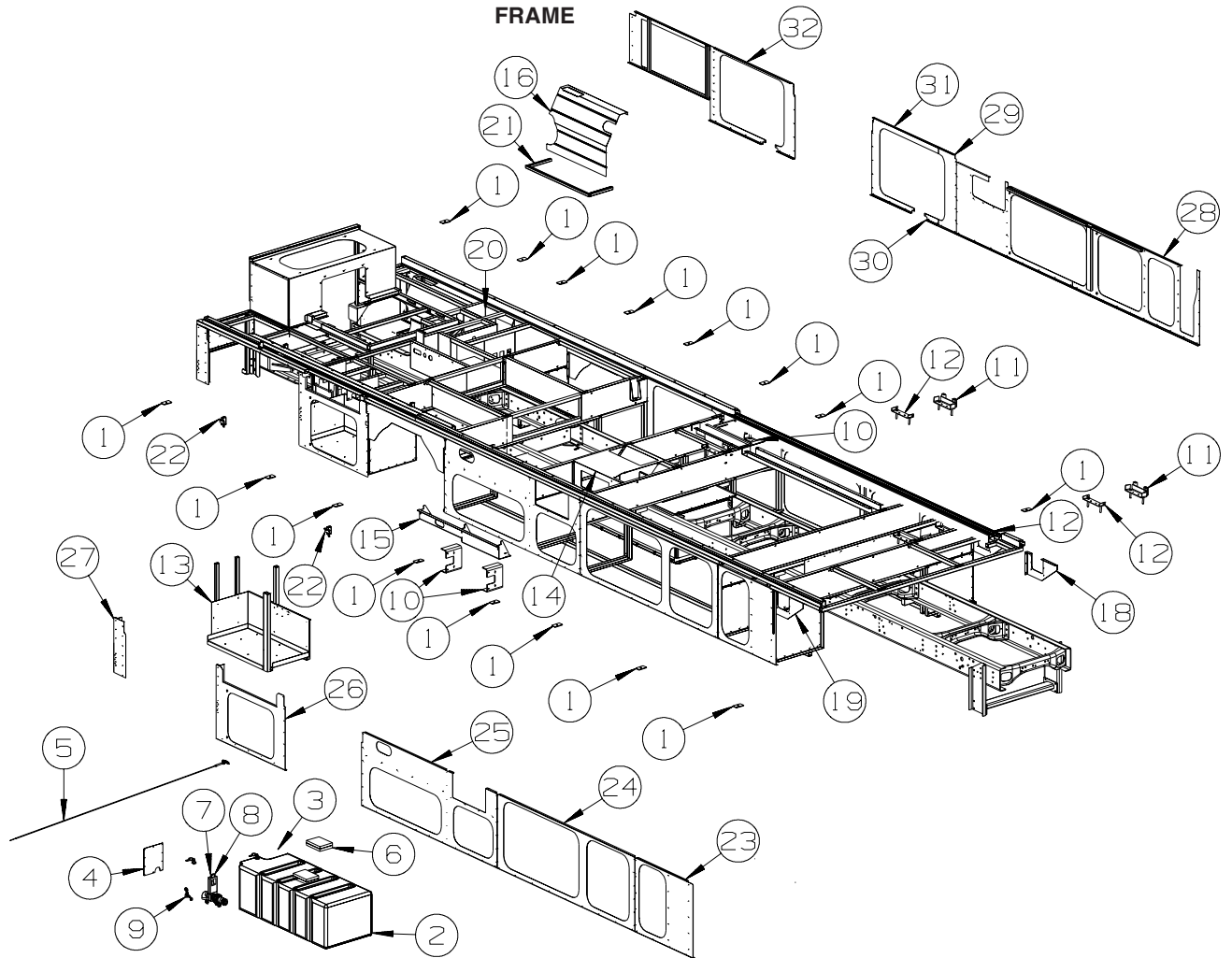


135065-03-01A, 135065-03-03A, 135065-04-01A (CONTINUED)

KEY	PART NUMBER	U/M	DESCRIPTION	VENDOR NO.
1	128728-01-708	EA	FITTING W/ORFICE/TUBE - REAR	74003931
2	135065-01-701	EA	IGNITOR/PORCELAIN-TOP BURNER	74004053
3	128728-01-710	EA	FITTING W/ORFICE/TUBE - FRT	74003930
4	135065-03-700	EA	FITTING - HALF UNION	74004234
5	135065-01-702	EA	PIPE/MANIFOLD	74004642
6	126023-02-703	EA	REGULATOR - PRESSURE	74004235
7	135065-01-703	EA	VALVE/BURNER - REAR	74004643
7	135065-01-704	EA	VALVE/BURNER-FRT-HI	74004644
7	135065-03-701	EA	SCREW - VALVE	71003231
8	135065-03-702	EA	SEALED BURNER ASM.(BLACK) RV	74003967
9	128728-01-716	EA	BURNER - IGNITOR	74003946
9	128728-01-717	EA	WIRES - IGNITOR	74003947

CHASSIS GROUP

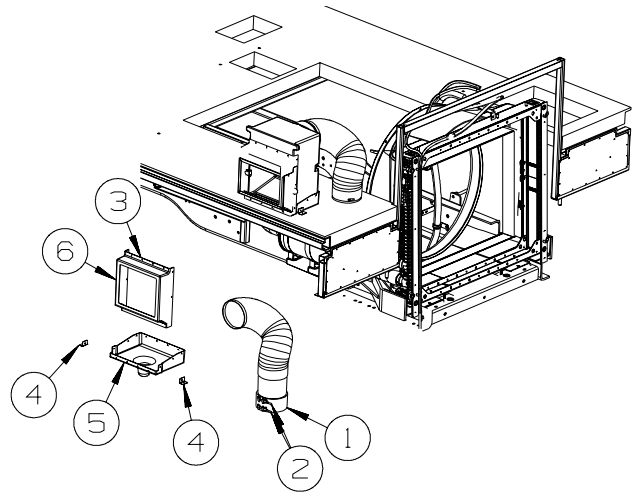
FRAME



KEY	PART NUMBER	U/M	DESCRIPTION
1	135712-01-02B	EA	PLATE - BODY MOUNT - E-COATED
2	132678-04-000	EA	TANK - WATER - 82 GALLON - W/FITTINGS
2	042989-03-000	EA	FITTING - SPINWELD - 1 1/4"NPT - PLASTIC
2	042989-04-000	EA	FITTING - SPINWELD - 3/8"FPT - PLASTIC
2	042989-05-000	EA	FITTING - SPINWELD - 1/2"FPT - PLASTIC
2	049032-01-000	EA	PATCH - SPINWELD - 1"ID - 1.9"OD - PLASTIC
3	112091-01-000	FT	SEAL/D - NEOPRENE - HEAT ACTIVE ADHESIVE - .9" X .7"
4	133352-01-02B	EA	PANEL - ACCESS - WATER TANK - E-COATED
5	062421-08-000	EA	CABLE/ROD - F/DUMP VALVE - W/HANDLE - 108"
6	072877-08-000	EA	INSULATION - SOUND BARRIER- 1" X 54" X 48" - ADHESIVE BACK
7	127170-01-000	EA	LABEL - WATER TANK DRAIN
8	062421-03-000	EA	VALVE/DUMP W/O HANDLE - 1 1/2" X 1 1/2" HUB
9	124184-01-000	EA	SUPPORT - WATER LINE - BEND
10	120867-01-02B	EA	MOUNT - LP TANK - E-COAT
11	152558-10-02B	EA	BRACKET/MOUNT - F/SLIDEOUT - E-COATED
12	152558-11-02B	EA	BRACKET/MOUNT - F/SLIDEOUT - E-COATED
13	161207-01-02B	EA	TRAY - BATTERY - E-COATED
14	161049-02-02B	EA	COMPARTMENT - FURNACE - E-COATED
15	161170-03-02B	EA	BRACKET/SUPPORT - TANK - E-COATED
16	139420-03-02B	EA	SHIELD - A/C CONDENSOR - E-COATED
17	160878-01-01A	EA	RAMP - SLIDEOUT - FLOOR/COACH - 155.7" - BRIGHT WHITE
18	158521-09-02B	EA	PANEL - FUEL FILL - E-COATED
19	158521-10-02B	EA	PANEL - FUEL FILL/RH - E-COATED
20	161018-03-02B	EA	COMPARTMENT - POWERCORD - E-COATED
21	134225-01-02B	EA	SUPPORT - CONDENSOR SHIELD - E-COATED
22	136780-03-02B	EA	ADJUSTER - SLIDE - E-COATED
23	164117-01-02B	EA	PLATE/SEAL - E-COATED
24	162467-01-02B	EA	SEAL PLANE - E-COATED
25	162464-01-02B	EA	PLATE/SEAL - E-COATED
26	162604-01-02B	EA	PLATE/SEAL - E-COATED

CHASSIS GROUP (CONTINUED) FRAME (CONTINUED)

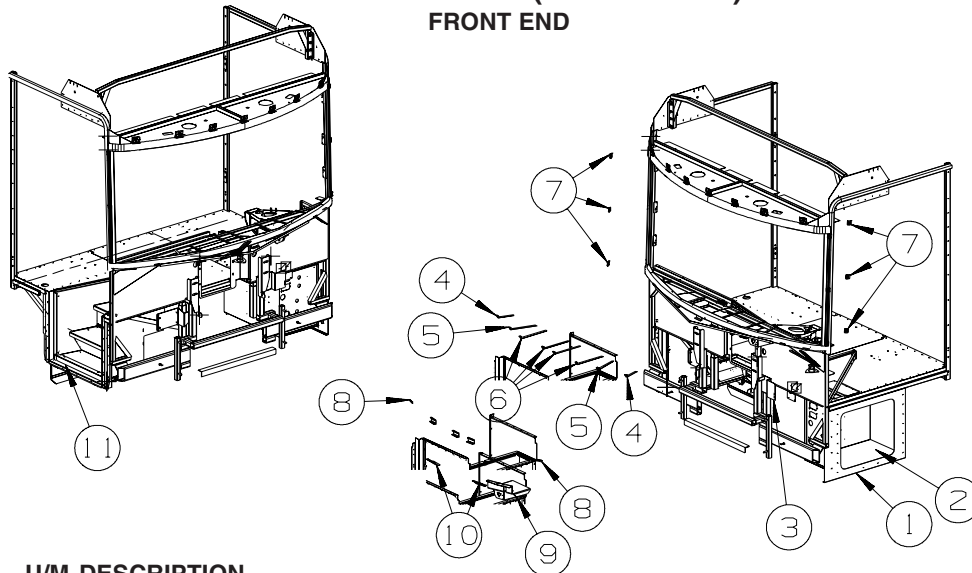
KEY	PART NUMBER	U/M	DESCRIPTION
27	161191-01-02B	EA	PLATE/SEAL - E-COATED
28	161197-02-02B	EA	SEAL PLANE - E-COATED
29	161194-02-02B	EA	PLATE/SEAL - E-COATED
30	161194-03-02B	EA	PLATE/SEAL - E-COATED
31	161194-01-02B	EA	PLATE/SEAL - E-COATED
32	161188-01-02B	EA	SEAL PLANE - E-COATED



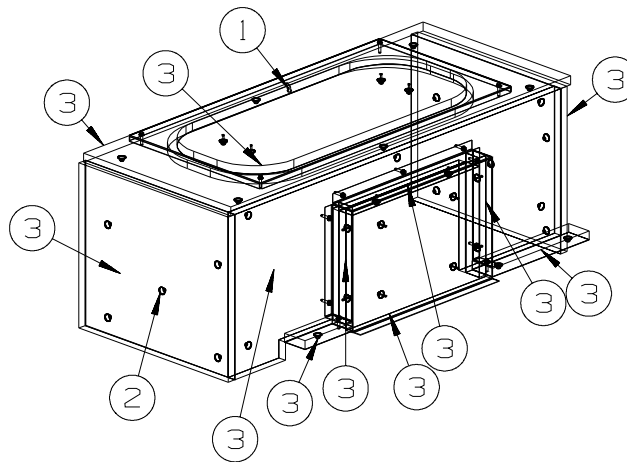
KEY	PART NUMBER	U/M	DESCRIPTION	
1	124497-02-000	EA	SLEEVE - RUBBER - 6"ID X 3"L	
2	125083-01-01A	EA	CLAMP - T BOLT - 6"	
3	099069-01-000	FT	SEAL - RUBBER - CLOSED SPONGE - .5" WIDE X .12" THICK-BLK	
4	161806-01-02B	EA	ANGLE - W/HOLES - 1" X 4" X 3" - E-COATED	FROM: 00-00-00 THRU: 07-08-07
5	163998-02-01A	EA	COVER - AIR INTAKE/DRAIN	
6	163999-01-01A	EA	COVER - AIR INTAKE/INLET	FROM: 00-00-00 THRU: 07-08-07
6	163999-02-01A	EA	COVER - AIR INTAKE/INLET	FROM: 07-09-07 THRU: 99-99-99

CHASSIS GROUP (CONTINUED)

FRONT END



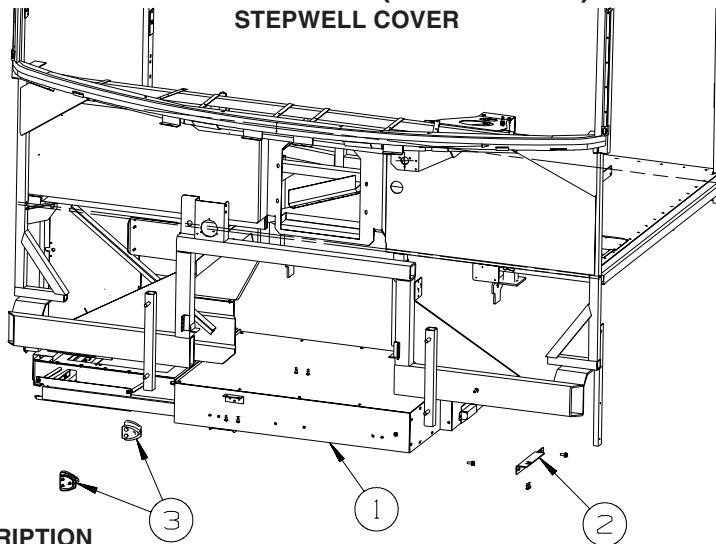
KEY	PART NUMBER	U/M	DESCRIPTION
1	160480-01-02B	EA	PANEL/SEAL PLANE - FRONT - E-COATED
2	160481-05-02B	EA	COMPARTMENT - LUGGAGE - E-COATED
3	142478-02-01B	EA	BRACKET - VALVE - AIR SOURCE - MILL
4	163979-03-01B	EA	STRAP-DEFROSTER,PLENUM ,MILL
5	163979-02-01B	EA	STRAP-DEFROSTER,PLENUM ,MILL
6	163979-01-01B	EA	STRAP-DEFROSTER,PLENUM ,MILL
7	148935-01-01B	EA	BRACKET - WINDSHIELD - MILL
8	126289-65-01B	EA	ANGLE - FORMED
9	156774-03-01B	EA	BRACKET ASM-WIPER MOTOR,MILL
10	134202-01-01B	EA	REINFORCEMENT - SUPPORT - LOWER WINDSHIELD/MIDDLE
11	162109-04-02B	EA	STEP WELL - ENTRANCE DOOR - E-COATED



INSULATION

KEY	PART NUMBER	U/M	DESCRIPTION
1	039623-01-000	FT	SEAL - MOTOR COVER - RUBBER BULB TYPE
2	106648-01-000	EA	CAP - STUD - .120 TO .130 DIAMETER
3	072877-08-000	EA	INSULATION - SOUND BARRIER- 1" X 54" X 48" - ADHESIVE BACK

CHASSIS GROUP (CONTINUED)
STEPWELL COVER



KEY	PART NUMBER	U/M	DESCRIPTION	
1*	145122-03-01A	EA	STEP COVER - SLIDING	
				FROM: 00-00-00 THRU: 11-05-07
1*	145122-05-01A	EA	STEP COVER - SLIDING	
				FROM: 11-06-07 THRU: 99-99-99
2	145661-04-02B	EA	BRACKET - STEP COVER - E-COATED	
3	142499-02-01A	EA	BLOCK/SUPPORT (STEP COVER)	

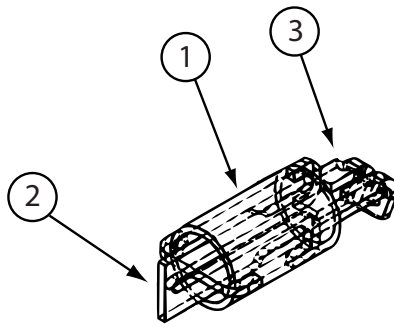
*COMPONENT PARTS LISTED LATER IN THIS GROUP

COMPONENT PARTS FOR STEPWELL COVER

145122-02-01A, 145122-03-01A

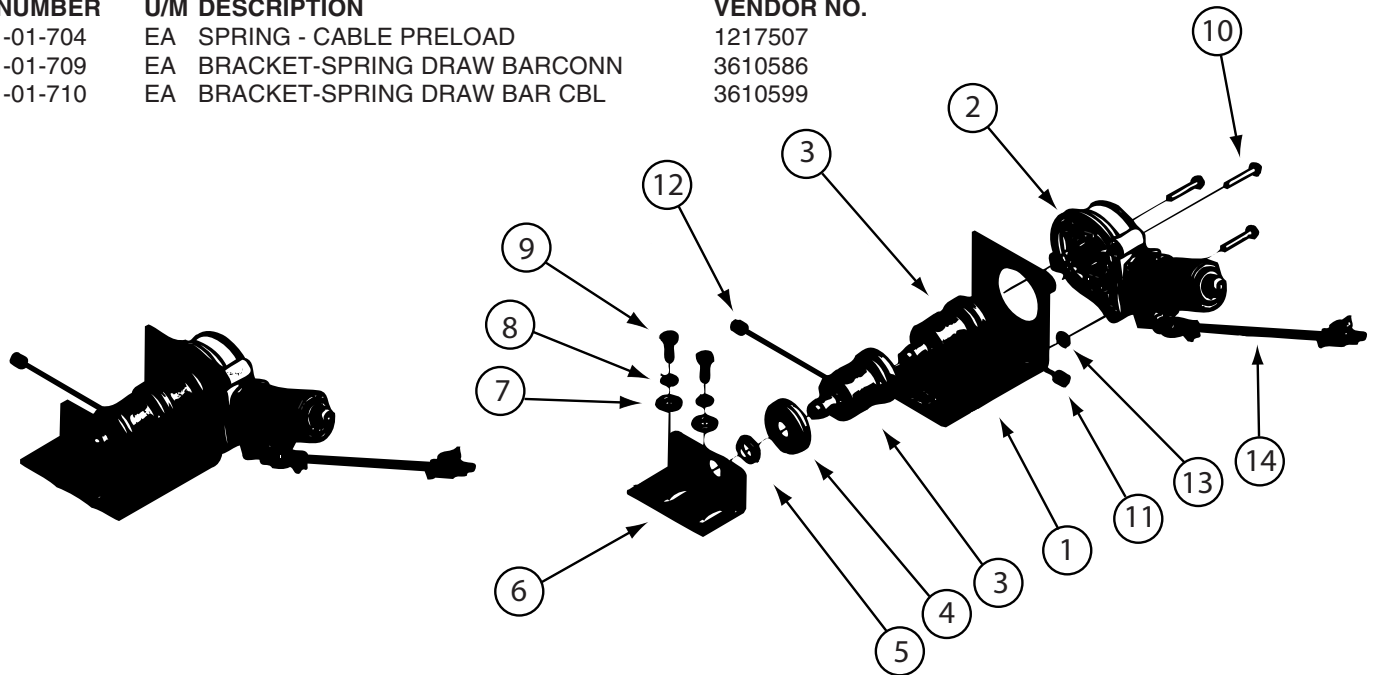
KEY	PART NUMBER	U/M	DESCRIPTION	VENDOR NO.
	130294-04-701	EA	BOLT - 3/8" X 3/8" SHOULDER	1202300
	138173-01-701	EA	POP RIVET - SS 3/16"X1/4"	1214630
	141691-01-703	EA	LATCH - CABLE RELEASE	1912125
	141691-01-704	EA	SPRING - CABLE PRELOAD	1217507
	141691-01-705	EA	CAP/END - DRUM	1612535
	141691-01-706	EA	BUSHING - .625" X .813"	1614003
	141691-01-708	EA	MOTOR W/9 TOOTH PINION	1820122
	141691-01-709	EA	BRACKET-SPRING DRAW BARCONN	3610586
	141691-01-710	EA	BRACKET-SPRING DRAW BAR CBL	3610599
	141691-01-711	EA	CAPSTAN/DRUM - CABLE DRIVE	1102211
	145122-01-700	EA	CABLE - 80" W/STOPS	1218753
	145122-01-701	EA	CABLE - 54" W/STOPS	1218754
	145122-01-704	EA	HARNESS/ADAPTER	1809938
	145122-01-706	EA	COVER - EMERGENCY RETRACT	1612532
	145122-01-707	EA	SHOE/CABLE - PLASTIC	1612533
	145122-01-708	EA	GUIDE/ARM SLIDE - PLASTIC	1612542
	145122-01-709	EA	BUSHING/BRONZE - .38" X .50"	1614007
	145122-01-710	EA	BRACKET - SUPPORT	3610597
	145122-05-700	EA	STOP ROD BRACKET - RH	3010000359
	145122-05-701	EA	STOP ROD BRACKET - LH	3010000358

CHASSIS GROUP (CONTINUED)
COMPONENT PARTS FOR STEPWELL COVER (CONTINUED)



145122-04-01A, 145122-05-01A

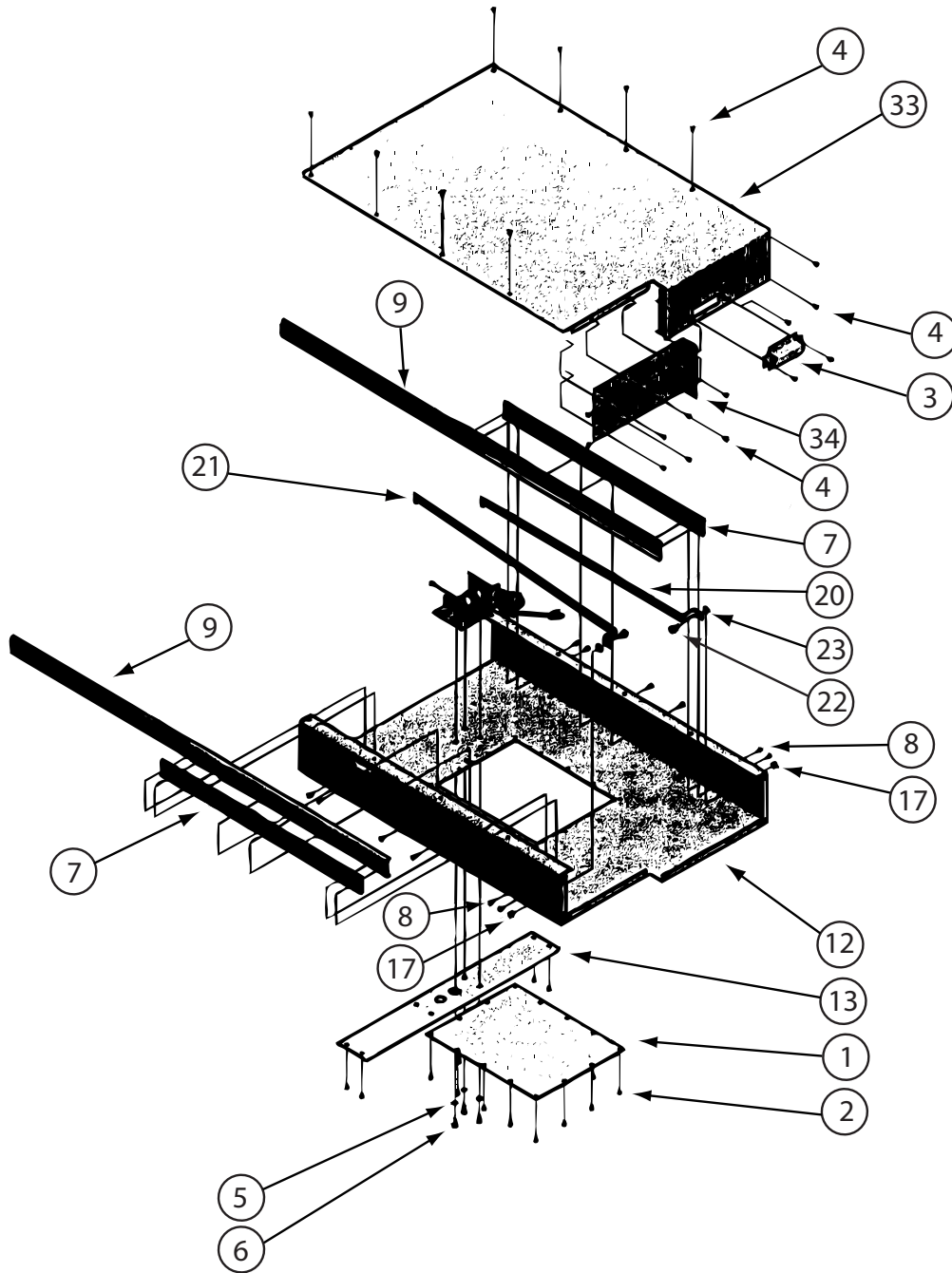
KEY	PART NUMBER	U/M	DESCRIPTION	VENDOR NO.
1	141691-01-704	EA	SPRING - CABLE PRELOAD	1217507
2	141691-01-709	EA	BRACKET-SPRING DRAW BARCONN	3610586
3	141691-01-710	EA	BRACKET-SPRING DRAW BAR CBL	3610599



145122-04-01A, 145122-05-01A (CONTINUED)

KEY	PART NUMBER	U/M	DESCRIPTION	VENDOR NO.
2	141691-01-708	EA	MOTOR W/9 TOOTH PINION	1820122
3	141691-01-711	EA	CAPSTAN/DRUM - CABLE DRIVE	1102211
4	141691-01-705	EA	CAP/END - DRUM	1612535
5	141691-01-706	EA	BUSHING - .625" X .813"	1614003
6	145122-01-710	EA	BRACKET - SUPPORT	3610597
11	145122-01-700	EA	CABLE - 80" W/STOPS	1218753
12	145122-01-701	EA	CABLE - 54" W/STOPS	1218754
14	145122-01-704	EA	HARNESS/ADAPTER	1809938

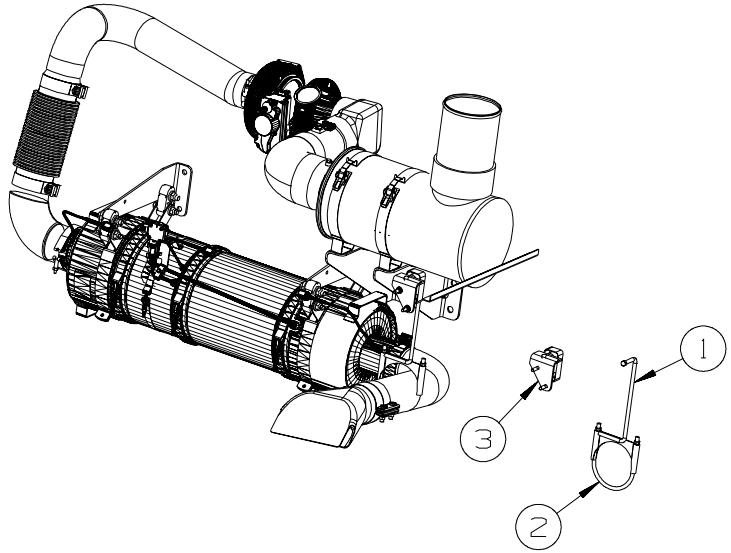
CHASSIS GROUP (CONTINUED)
COMPONENT PARTS FOR STEPWELL COVER (CONTINUED)



145122-05-01A (CONTINUED)

KEY	PART NUMBER	U/M	DESCRIPTION	VENDOR NO.
4	138173-01-701	EA	POP RIVET - SS 3/16"X1/4"	1214630
14	130294-04-701	EA	BOLT - 3/8" X 3/8" SHOULDER	1202300
16	145122-01-709	EA	BUSHING/BRONZE - .38" X .50"	1614007
20	145122-05-701	EA	STOP ROD BRACKET - LH	3010000358
21	14512-05-700	EA	STOP ROD BRACKET - RH	3010000359
19	145122-01-708	EA	GUIDE/ARM SLIDE - PLASTIC	1612542
25	145122-01-707	EA	SHOE/CABLE - PLASTIC	1612533
27	145122-01-706	EA	COVER - EMERGENCY RETRACT	1612532
28	141691-01-703	EA	LATCH - CABLE RELEASE	1912125

CHASSIS GROUP (CONTINUED)
EXHAUST

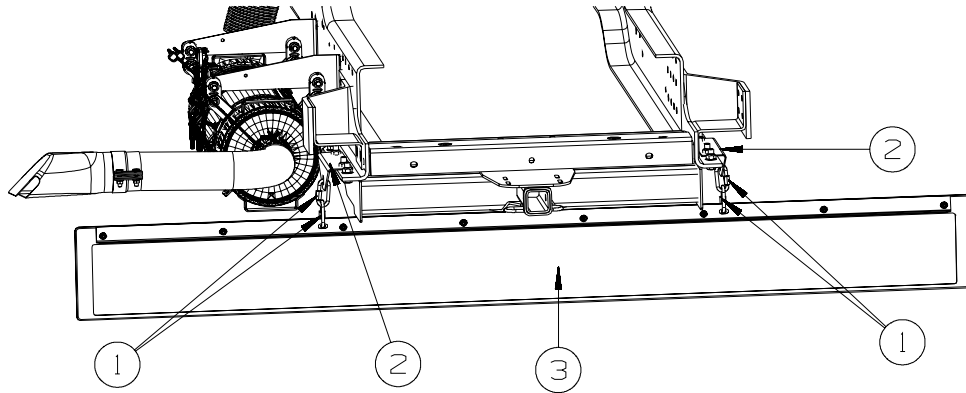


KEY	PART NUMBER	U/M	DESCRIPTION
1	122392-19-02B	EA	HANGER - TAILPIPE - E-COATED
2	094918-05-000	EA	CLAMP - EXHAUST - 4 7/16" - GUILLOTINE STYLE
3	143811-01-000	EA	HANGER - EXHAUST - FORD F53

CHASSIS GROUP (CONTINUED)

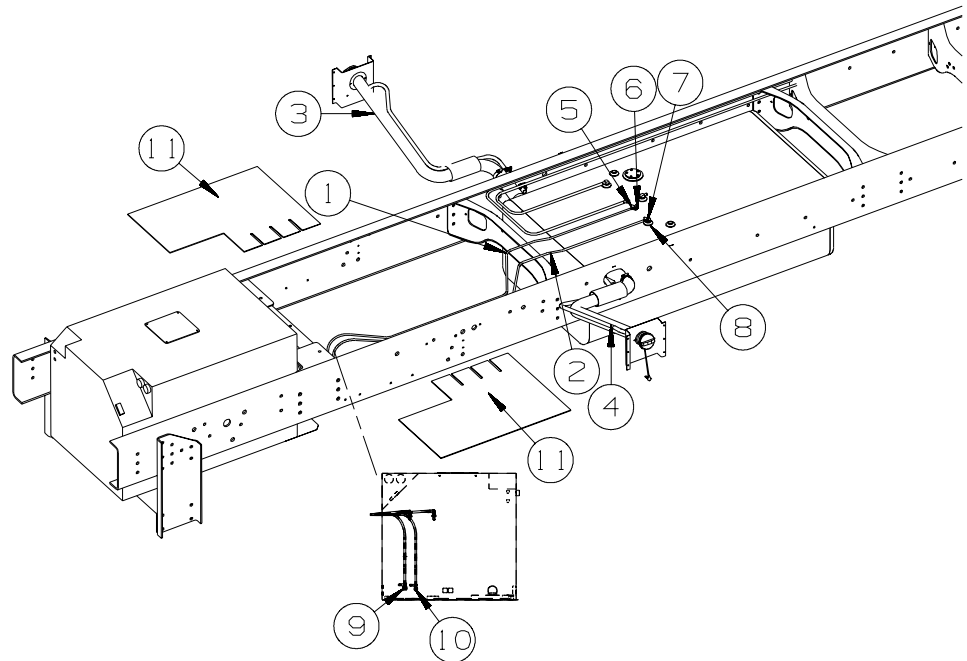
HITCH

KEY	PART NUMBER	U/M DESCRIPTION
	134016-06-01A	EA DRAWBAR/HITCH - CLASS 4



REAR MUD GUARD

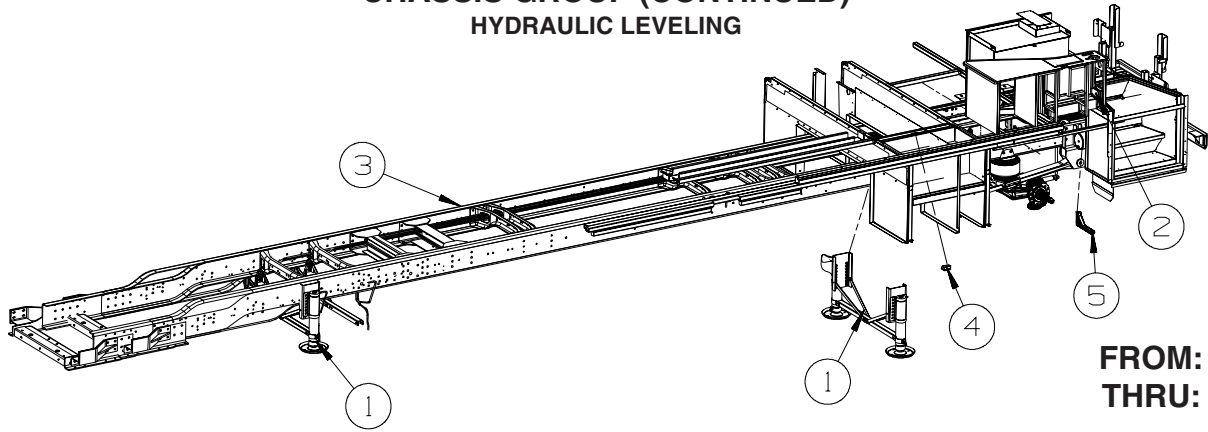
KEY	PART NUMBER	U/M DESCRIPTION
1	139818-01-01A	EA LINK - QUICK - STAINLESS STEEL
2	163857-01-02B	EA ANGLE/FORMED - MUDFLAP - E-COATED
3	139635-02-01A	EA MUD FLAP - FULL WIDTH - BLACK



FUEL

KEY	PART NUMBER	U/M DESCRIPTION
1	128139-03-000	FT HOSE - FUEL - LOW PERMEABILITY - 1/4" DIAMETER
2	024138-01-000	FT HOSE - FUEL - 5/16" ID
3	162243-02-000	EA NECK - FUEL FILL - RIGHT HAND
4	162243-01-000	EA NECK - FUEL FILL - LEFT HAND
5	114253-01-000	EA ELBOW - 1/4 SINGLE BARB X 1/8 MPT
6	068382-06-000	EA BUSHING - 3/8"MPT X 1/8"FPT - BRASS
7	114253-02-000	EA ELBOW - 5/16 SINGLE BARB X 1/4 MPT
8	068382-02-000	EA BUSHING - 3/8"MPT X 1/4"FPT - BRASS
9	114253-04-000	EA ELBOW - 5/16 SINGLE BARB X 1/8 MPT
10	114253-01-000	EA ELBOW - 1/4 SINGLE BARB X 1/8 MPT
11	118726-09-000	EA BAFFLE - FUEL FILL

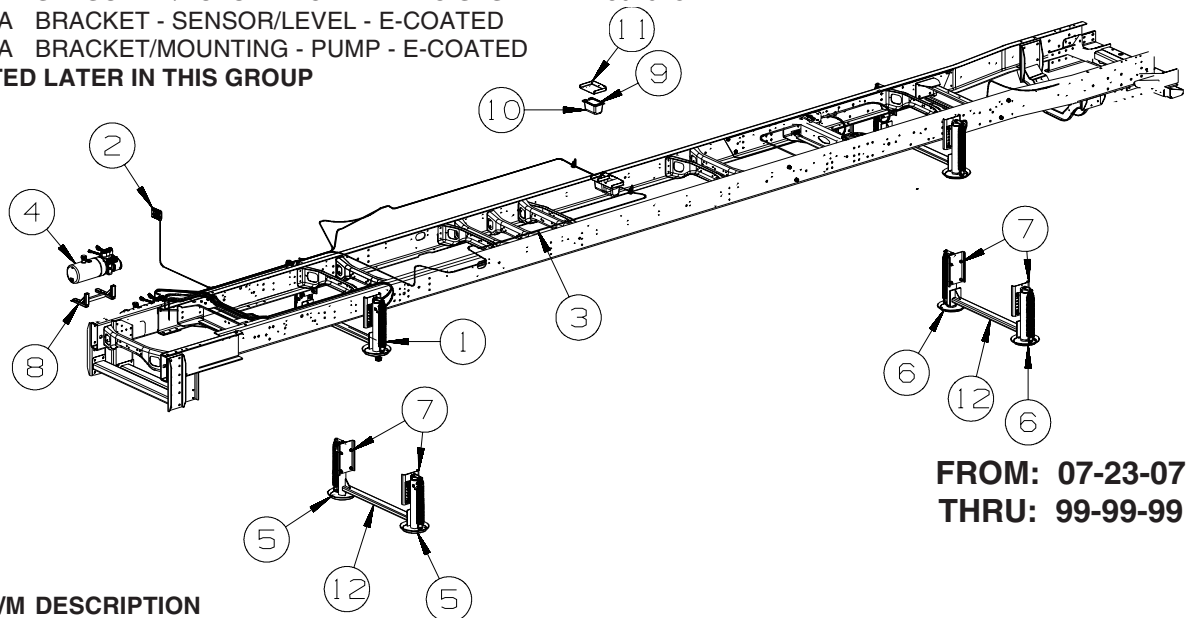
CHASSIS GROUP (CONTINUED) HYDRAULIC LEVELING



**FROM: 00-00-00
THRU: 07-22-07**

KEY	PART NUMBER	U/M	DESCRIPTION
1*	139641-11-000	EA	LEVELING SYSTEM - AUTO - W/PUMP/HARNESS/BRACKETS - KWIKEE
2*	139643-09-000	EA	CONTROL - LEVEL - AUTO SYST-W/SENSOR HARNESS/REMOTE SWITCH
3*	139644-04-000	EA	HOSE KIT - LEVELING JACKS TO PUMP - KWIKEE
4	156057-01-000	EA	SENSOR - F/AUTOMATIC LEVELING SYSTEM - #1802923
4	153870-03-02B	EA	BRACKET - SENSOR/LEVEL - E-COATED
5	157452-02-02B	EA	BRACKET/MOUNTING - PUMP - E-COATED

***COMPONENT PARTS LISTED LATER IN THIS GROUP**



**FROM: 07-23-07
THRU: 99-99-99**

KEY	PART NUMBER	U/M	DESCRIPTION
1	164877-03-000	EA	LEVELING SYSTEM - W/O PUMP/JACKS/CONTROL MODULE-W/HARNESS
2	164881-01-000	EA	TOUCH PAD/LEVEL CONTROL
3*	165179-02-000	EA	HOSE KIT - LEVELING JACKS
4*	165120-02-000	EA	PUMP - LEVELING SYSTEM/HORIZONTAL MOUNT
5*	165119-01-000	EA	JACK/LEVELING - 8000 LB/FRONT
6*	165119-02-000	EA	JACK/LEVELING - 13000 LB/REAR
7	165037-04-02B	EA	BRACKET - LEVELING JACK - E-COATED
8	165720-01-02B	EA	BRACKET - PUMP/LEVELING - E-COATED
9	165121-01-000	EA	CONTROL MODULE - LEVELING SYSTEM
10	165075-01-01A	EA	COVER - ELECTRICAL BOX/LEVELING SYSTEM
11	164971-03-02B	EA	BRACKET - CONTROL MODULE/LEVELING SYSTEM - E-COATED
12	165448-01-000	EA	CROSSMEMBER - JACKS/LEVELING - FRONT/REAR

***COMPONENT PARTS LISTED LATER IN THIS GROUP**

COMPONENT PARTS FOR HYDRAULIC LEVELING

165119-01-000

KEY	PART NUMBER	U/M	DESCRIPTION	VENDOR NO.
	165119-01-700	EA	SPRING - 8K/13K - 2.5" X 17"	31-1029
	165119-01-701	EA	CONE/THREADED - F/SPRING	500085
	165119-01-702	EA	REBUILD KIT (SEALS)	800138S

165119-02-000

KEY	PART NUMBER	U/M	DESCRIPTION	VENDOR NO.
	165119-01-700	EA	SPRING - 8K/13K - 2.5" X 17"	31-1029
	165119-01-701	EA	CONE/THREADED - F/SPRING	500085
	165119-02-700	EA	REBUILD KIT (SEALS)	800199S

CHASSIS GROUP (CONTINUED)
COMPONENT PARTS FOR HYDRAULIC LEVELING (CONTINUED)

165120-02-000

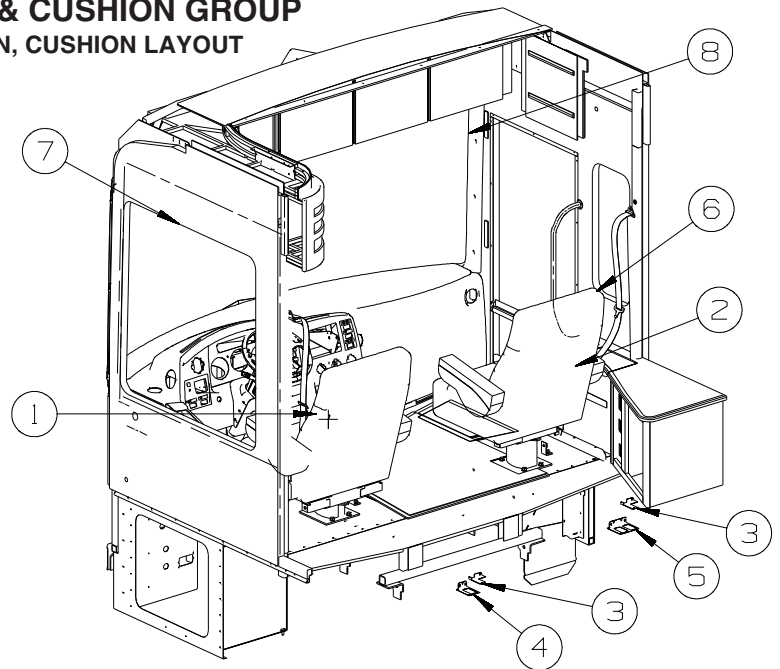
KEY	PART NUMBER	U/M	DESCRIPTION	VENDOR NO.
	165120-01-701	EA	HARNES - HYDRAILIC LEVEL	1510000064
	165120-01-702	EA	O-RING	01-1029
	165120-01-703	EA	SOLENOID KIT	500568
	165120-02-700	EA	SWITCH/FLOAT - HORIZONTAL	1510000070
	165120-02-701	EA	MANIFOLD - HORIZONTAL SYST	1010000991
	165120-02-702	EA	MOTOR/PUMP ASM. - HORIZONTAL	130-1293

165179-02-000

KEY	PART NUMBER	U/M	DESCRIPTION	VENDOR NO.
	165179-02-700	EA	HOSE - 432" - ROADSIDE REAR	080-AA432WSTRR
	165179-02-701	EA	HOSE - 384" - CURBSIDE REAR	080-AA432WSTCR
	165179-02-702	EA	HOSE - 168" - ROADSIDE FRONT	080-AA168WSTRF
	165179-02-703	EA	HOSE - 120" - CURBSIDE FRONT	A080-AA120WSTCF

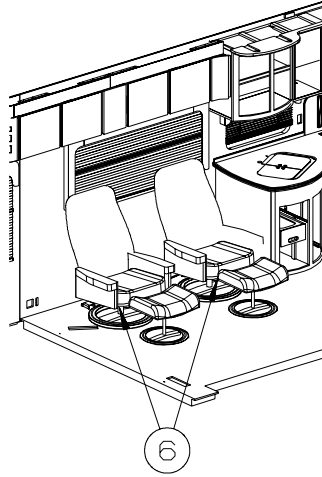
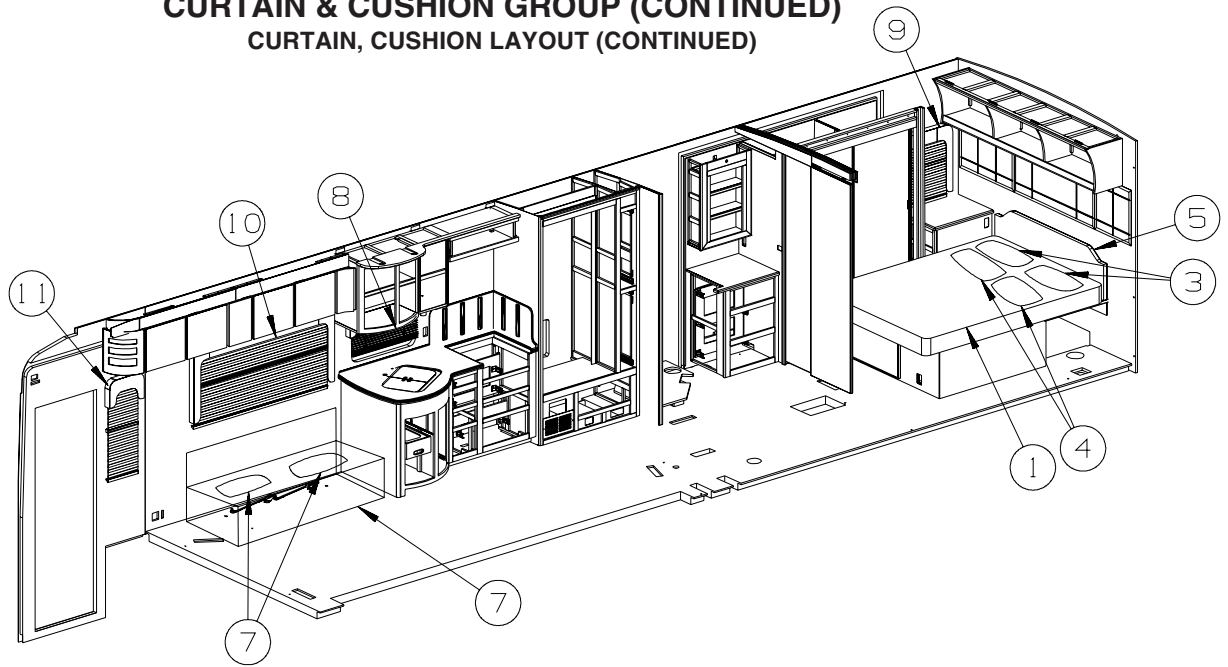
CURTAIN & CUSHION GROUP

CURTAIN, CUSHION LAYOUT



KEY	PART NUMBER	U/M	DESCRIPTION
1	162490-01-WE7	EA	SEAT - DRIVER/PASSENGER - W/LUMBAR/ADJUSTABLE ARMS-LEATHER (WE7, WF7) FROM: 00-00-00 THRU: 09-16-07
1	162490-03-WE7	EA	SEAT - DRIVER/PASSENGER - W/LUMBAR/ADJUSTABLE ARMS-LEATHER (WE7, WF7) FROM: 09-17-07 THRU: 99-99-99
1	162490-01-WF3	EA	SEAT - DRIVER/PASSENGER - W/LUMBAR/ADJUSTABLE ARMS-LEATHER (WF3) FROM: 00-00-00 THRU: 09-16-07
1	162490-03-WF3	EA	SEAT - DRIVER/PASSENGER - W/LUMBAR/ADJUSTABLE ARMS-LEATHER (WF3) FROM: 09-17-07 THRU: 99-99-99
	148630-16-WA4	EA	SKIRT - F/6-WAY POWER - LEATHER (WE7, WF7)
	148630-16-WA0	EA	SKIRT - F/6-WAY POWER - LEATHER (WF3)
	108049-02-000	EA	CLIP - CABLE/PEDESTAL
	108049-04-000	EA	CABLE - W/MINI LEVER ACTION SWITCH - 28" SHEATH/30" CABLE
2	162490-01-WE7	EA	SEAT - DRIVER/PASSENGER - W/LUMBAR/ADJUSTABLE ARMS-LEATHER (WE7, WF7)
2	162490-01-WF3	EA	SEAT - DRIVER/PASSENGER - W/LUMBAR/ADJUSTABLE ARMS-LEATHER (WF3)
	148630-25-WD7	EA	SKIRT - W/SEAT BELT/FOOTREST SLOTS - LEATHER (WE7, WF7) FROM: 00-00-00 THRU: 11-04-07
	148630-29-WD7	EA	SKIRT - W/SEAT BELT/FOOTREST SLOTS - LEATHER (WE7, WF7) FROM: 11-05-07 THRU: 99-99-99
	148630-25-W87	EA	SKIRT - W/SEAT BELT/FOOTREST SLOTS - LEATHER (WF3) FROM: 00-00-00 THRU: 11-04-07
	148630-29-WD3	EA	SKIRT - W/SEAT BELT/FOOTREST SLOTS - LEATHER (WF3) FROM: 11-05-07 THRU: 99-99-99
	108049-02-000	EA	CLIP - CABLE/PEDESTAL
	108049-04-000	EA	CABLE - W/MINI LEVER ACTION SWITCH - 28" SHEATH/30" CABLE
	128699-01-02B	EA	BRACKET - SEAT SWITCH - E-COATED
	154060-03-WD7	EA	FOOTREST - BUCKET SEAT/PASSENGER - LEATHER (WE7, WF7)
	154060-03-WG0	EA	FOOTREST - BUCKET SEAT/PASSENGER - LEATHER (WF3)
3	117125-01-02B	EA	BRACKET - CABLE MOUNT - ADJUSTER W/LOCK
4	127159-01-02B	EA	BRACKET - SEAT RELEASE - SINGLE REMOTE - E-COATED
5	127159-02-02B	EA	BRACKET - SEAT RELEASE - DUAL REMOTE - E-COATED
6	152337-01-000	EA	PROTECTOR - SEAT - CLEAR VINYL
7	163172-15-WD7	EA	CURTAIN - FRONT WRAP/PRIVACY - 44.9" X 114.8" (WE7, WF3)
7	163172-15-WD3	EA	CURTAIN - FRONT WRAP/PRIVACY - 44.9" X 114.8" (WF7)
	165138-01-WG0	EA	TIEBACK - 7" X 20" (WE7, WF3)
	165138-01-WH4	EA	TIEBACK - 7" X 20" (WF7)
8	163172-16-WD7	EA	CURTAIN - FRONT WRAP/PRIVACY - 44.9" X 114.8" (WE7, WF3)
8	163172-16-WD3	EA	CURTAIN - FRONT WRAP/PRIVACY - 44.9" X 114.8" (WF7)
	165138-02-WD7	EA	TIEBACK - 7" X 14" (WE7, WF3) - F10P91J2 (P39z)
	165138-03-WD7	EA	TIEBACK - 7" X 14" (WE7, WF3) - P37H & F10P91J3 (P39z)
	165138-02-WD3	EA	TIEBACK - 7" X 14" (WF7) - F10P91J2 (P39z)
	165138-03-WD3	EA	TIEBACK - 7" X 14" (WF7) - P37H & F10P91J3 (P39z)

CURTAIN & CUSHION GROUP (CONTINUED)
CURTAIN, CUSHION LAYOUT (CONTINUED)

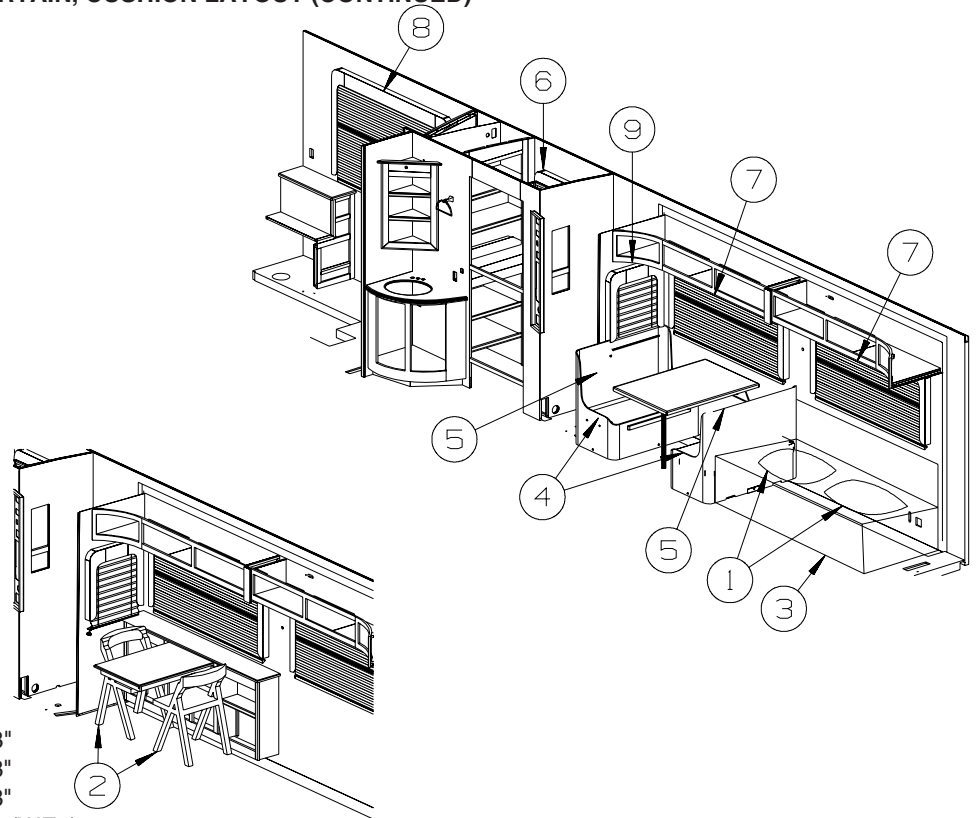


KEY	PART NUMBER	U/M	DESCRIPTION
1	162699-11-WE7	EA	BEDSPREAD/CAP - 60" X 80"
1	162699-11-WF3	EA	BEDSPREAD/CAP - 60" X 80"
1	162699-11-WF7	EA	BEDSPREAD/CAP - 60" X 80"
2	164850-01-WE7	EA	PILLOW - 15" X 23"
2	164850-01-WF3	EA	PILLOW - 15" X 23"
2	164850-01-WF7	EA	PILLOW - 15" X 23"
3	164850-02-WE7	EA	PILLOW - 15" X 23"
3	164850-03-WF3	EA	PILLOW - 15" X 23"
3	164850-02-WF7	EA	PILLOW - 15" X 23"
4	164847-03-WE7	EA	PILLOW SHAM
4	164847-04-WF3	EA	PILLOW SHAM
4	164847-04-WF7	EA	PILLOW SHAM
5	164606-06-WE7	EA	HEADBOARD - QUEEN
5	164606-07-WF3	EA	HEADBOARD - QUEEN
5	164606-08-WF7	EA	HEADBOARD - QUEEN
6	165316-02-W68	EA	CHAIR - EURO/PALERMO - W/OTTOMAN (WE7, WF7)
6	165316-02-W99	EA	CHAIR - EURO/PALERMO - W/OTTOMAN (WF3)
7	164871-03-WE7	EA	SOFA - 64" - #942/#842 ARMS/SEAT/BACK - FLAT FLOOR
7	164871-03-WF3	EA	SOFA - 64" - #942/#842 ARMS/SEAT/BACK - FLAT FLOOR
7	164871-03-WF7	EA	SOFA - 64" - #942/#842 ARMS/SEAT/BACK - FLAT FLOOR
7	164871-04-WE7	EA	SOFA - 64" - #942/#842 ARMS/SEAT/BACK - FLAT FLOOR - LTH (WE7, WF7) - ULTRALEATHER
7	164871-04-WF3	EA	SOFA - 64" - #942/#842 ARMS/SEAT/BACK - FLAT FLOOR - LTH (WF3) - ULTRALEATHER

CURTAIN & CUSHION GROUP (CONTINUED)
CURTAIN, CUSHION LAYOUT (CONTINUED)

KEY	PART NUMBER	U/M	DESCRIPTION
8	164768-05-WE7	EA	VALANCE - 34" X 8"
8	164768-05-WF3	EA	VALANCE - 34" X 8"
8	164768-13-WF7	EA	VALANCE - 34" X 8"
8	109041-97-01A	EA	BLIND - MINI - 32" X 17"
	162496-01-01A	EA	BRACKET/BLIND - LEFT SIDE WHEN FACING WINDOW - CLEAR
	162496-02-01A	EA	BRACKET/BLIND - RIGHT SIDE WHEN FACING WINDOW - CLEAR
	102555-03-000	EA	BRACKET - (CLEAT TYPE) - F/BLIND HOLDOWN - MILKY WHITE
	109441-01-000	EA	BRACKET/HOOK - BLIND HOLD DOWN - LARGE - CLEAR
	109353-04-000	EA	CLIP - VALANCE SLAT MOUNTING - CLEAR PLASTIC
9	164768-22-WE7	EA	VALANCE - 24" X 25.4"
9	164768-18-WF3	EA	VALANCE - 24" X 25.4"
9	164768-22-WF7	EA	VALANCE - 24" X 25.4"
	105648-01-02A	EA	BRACE - VALANCE - 14" - OFF WHITE
9	140789-A0-WH4	EA	BLIND - DAY/NIGHTER - 21" X 27"
	097565-01-000	EA	BRACKET - MOUNTING - PLEATED BLIND
10	164768-03-WE7	EA	VALANCE - 63" X 28"
10	164768-03-WF3	EA	VALANCE - 63" X 28"
10	164768-11-WF7	EA	VALANCE - 63" X 28"
	154316-01-01A	EA	BRACE/ANGLE - W/HOLE - CASHMERE
10	140789-B8-WD3	EA	BLIND - DAY/NITER - 60" X 30"
	097565-01-000	EA	BRACKET - MOUNTING - PLEATED BLIND
11	164768-08-WE7	EA	VALANCE - 15.5" X 10"
			FROM: 00-00-00 THRU: 11-04-07
11	164768-23-WE7	EA	VALANCE - 15.5" X 7.5"
			FROM: 11-05-07 THRU: 99-99-99
11	164768-08-WF3	EA	VALANCE - 15.5" X 10"
			FROM: 00-00-00 THRU: 11-04-07
11	164768-23-WF3	EA	VALANCE - 15.5" X 7.5"
			FROM: 11-05-07 THRU: 99-99-99
11	164768-14-WF7	EA	VALANCE - 15.5" X 10"
			FROM: 00-00-00 THRU: 11-04-07
11	164768-24-WF7	EA	VALANCE - 15.5" X 7.5"
			FROM: 11-05-07 THRU: 99-99-99
	105648-01-02A	EA	BRACE - VALANCE - 14" - OFF WHITE
11	140789-90-WH4	EA	BLIND - DAY/NIGHTER - 13.5" X 37"
	097565-01-000	EA	BRACKET - MOUNTING - PLEATED BLIND

CURTAIN & CUSHION GROUP (CONTINUED)
CURTAIN, CUSHION LAYOUT (CONTINUED)



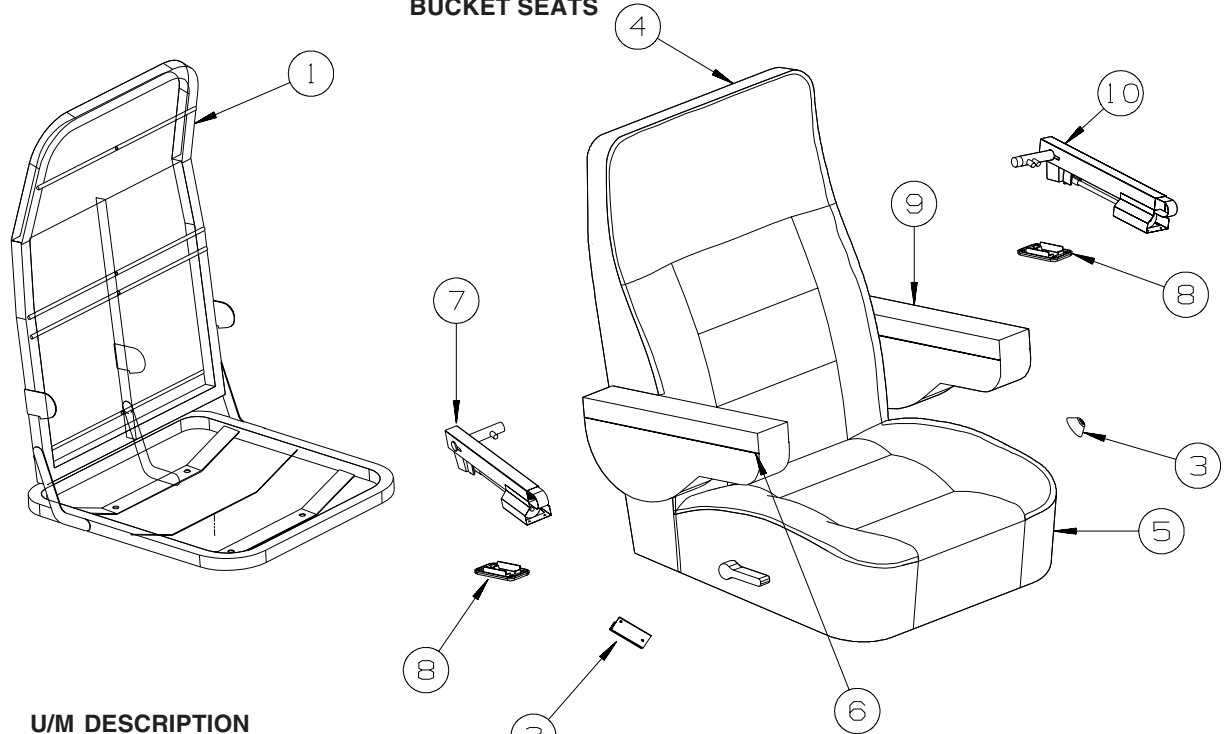
KEY	PART NUMBER	U/M	DESCRIPTION
1	164850-01-WE7	EA	PILLOW - 15" X 23"
1	164850-01-WF3	EA	PILLOW - 15" X 23"
1	164850-01-WF7	EA	PILLOW - 15" X 23"
2	157868-04-WE7	EA	CHAIR - FOLDING (WE7)
2	157868-03-WC2	EA	CHAIR - FOLDING (WF3)
2	157868-01-WF7	EA	CHAIR - FOLDING (WF7)
	162617-03-WE7	EA	CHAIR - DINING
	162617-01-WF3	EA	CHAIR - DINING
	162617-02-WF7	EA	CHAIR - DINING
	099856-12-000	EA	STRAP - TIEDOWN - 121.9"
3	157915-46-WE7	EA	SOFA/SLEEPER - MULTI POSITION - #842/#842 ARMS - FLT FLR
3	157915-43-WF3	EA	SOFA/SLEEPER - MULTI POSITION - #842/#842 ARMS - FLT FLR
3	157915-46-WF7	EA	SOFA/SLEEPER - MULTI POSITION - #842/#842 ARMS - FLT FLR
3	157915-48-WE7	EA	SOFA/SLEEPER - MULTI POSITION - #842/#842 ARMS-FLT FLR-LTH (WE7, WF7) - ULTRALEATHER
3	157915-47-WF3	EA	SOFA/SLEEPER - MULTI POSITION - #842/#842 ARMS -FLT FLR-LTH (WF3) - ULTRALEATHER
4	142292-07-WE7	EA	SEAT - DINETTE CUSHION (SPRUNG) - 23" X 38.5"
4	142292-07-WF3	EA	SEAT - DINETTE CUSHION (SPRUNG) - 23" X 38.5"
4	142292-07-WF7	EA	SEAT - DINETTE CUSHION (SPRUNG) - 23" X 38.5"
	142292-A7-WE7	EA	COVER/SEAT - DINETTE CUSHION (SPRUNG) - 23.5" X 38.5"
	142292-A7-WF3	EA	COVER/SEAT - DINETTE CUSHION (SPRUNG) - 23.5" X 38.5"
	142292-A7-WF7	EA	COVER/SEAT - DINETTE CUSHION (SPRUNG) - 23.5" X 38.5"
	142366-01-000	EA	FRAME - SPRUNG - DINETTE SEAT
5	165944-02-WE7	EA	CUSHION - BACK - 12" X 39"
5	165944-02-WF3	EA	CUSHION - BACK - 12" X 39"
5	165944-02-WF7	EA	CUSHION - BACK - 12" X 39"
	165944-A2-WE7	EA	COVER/BACK - 12" X 39"
	165944-A2-WF3	EA	COVER/BACK - 12" X 39"
	165944-A2-WF7	EA	COVER/BACK - 12" X 39"
6	164768-21-WE7	EA	VALANCE - 34" X 8"
6	164768-17-WF3	EA	VALANCE - 34" X 8"
6	164768-21-WF7	EA	VALANCE - 34" X 8"
6	109041-20-02A	EA	BLIND - MINI - 31" X 18"
	162496-01-01A	EA	BRACKET/BLIND - LEFT SIDE WHEN FACING WINDOW - CLEAR
	162496-02-01A	EA	BRACKET/BLIND - RIGHT SIDE WHEN FACING WINDOW - CLEAR
	102555-03-000	EA	BRACKET - (CLEAT TYPE) - F/BLIND HOLDOWN - MILKY WHITE
	109441-01-000	EA	BRACKET/HOOK - BLIND HOLD DOWN - LARGE - CLEAR
	109353-04-000	EA	CLIP - VALANCE SLAT MOUNTING - CLEAR PLASTIC

CURTAIN & CUSHION GROUP (CONTINUED)
CURTAIN, CUSHION LAYOUT (CONTINUED)

KEY	PART NUMBER	U/M	DESCRIPTION
7	164768-03-WE7	EA	VALANCE - 63" X 28"
7	164768-03-WF3	EA	VALANCE - 63" X 28"
7	164768-11-WF7	EA	VALANCE - 63" X 28"
	154316-01-01A	EA	BRACE/ANGLE - W/HOLE - CASHMERE
7	140789-B8-WD3	EA	BLIND - DAY/NITER - 60" X 30"
	097565-01-000	EA	BRACKET - MOUNTING - PLEATED BLIND
8	164768-06-WE7	EA	VALANCE - 64" X 40"
8	164768-15-WF3	EA	VALANCE - 64" X 40"
8	164768-06-WF7	EA	VALANCE - 64" X 40"
	154316-01-01A	EA	BRACE/ANGLE - W/HOLE - CASHMERE
	160457-01-01A	EA	BRACE - VALANCE - L-SHAPED - 20" - OFF WHITE
8	140789-13-WD3	EA	BLIND - DAY/NIGHTER - 61" X 42"
	097565-01-000	EA	BRACKET - MOUNTING - PLEATED BLIND
9	164768-04-WE7	EA	VALANCE - 24" X 26"
9	164768-04-WF3	EA	VALANCE - 24" X 26"
9	164768-12-WF7	EA	VALANCE - 24" X 26"
	105648-01-02A	EA	BRACE - VALANCE - 14" - OFF WHITE
	154316-01-01A	EA	BRACE/ANGLE - W/HOLE - CASHMERE
9	157506-33-WD3	EA	BLIND - PLEATED - 22.5" X 27"
	097565-01-000	EA	BRACKET - MOUNTING - PLEATED BLIND

CURTAIN & CUSHION GROUP (CONTINUED)

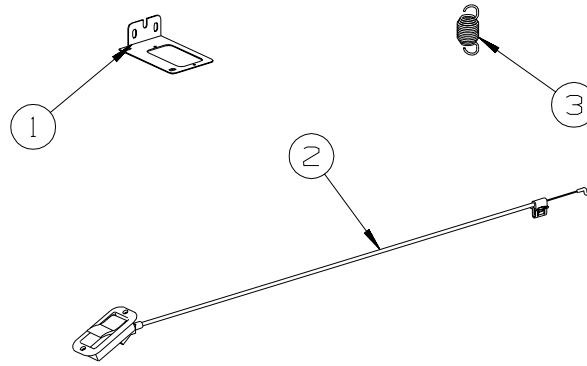
BUCKET SEATS



KEY	PART NUMBER	U/M	DESCRIPTION
1	134532-01-000	EA	FRAME - SEAT/HIGH BACK
1	134532-06-000	EA	FRAME - SEAT/HIGH BACK - WIDE
	130802-02-000	EA	LEVER - RIGHT HAND
	130802-03-000	EA	SCREW F/LEVER
2	147457-01-02B	EA	BRACKET - ZEE W/HOLES - 2.8" - E-COATED
*	122611-02-000	EA	LUMBAR - W/LEVER
*	166186-01-000	EA	LUMBAR - W/LEVER
3	148668-01-01A	EA	CUP/TRIM COVER - F/LEVER - BLACK
4	162490-A1-WE7	EA	COVER/BACK (WE7, WF7)
4	162490-A1-WF3	EA	COVER/BACK (WF3)
5	162490-A2-WE7	EA	COVER/SEAT (WE7, WF7)
5	162490-A2-WF3	EA	COVER/SEAT (WF3)
6	162623-01-WE7	EA	ARMREST - RIGHT HAND (WE7, WF7)
6	162623-01-WF3	EA	ARMREST - RIGHT HAND (WF3)
	162623-A1-WE7	EA	COVER/ARMREST - RIGHT HAND (WE7, WF7)
	162623-A1-WF3	EA	COVER/ARMREST - RIGHT HAND (WF3)
7	148751-01-000	EA	BRACKET - RIGHT (ADJUSTABLE) W/ROLLER
8	148751-03-000	EA	BRACKET - ROLLER TRIM PLATE
9	162623-02-WE7	EA	ARMREST - LEFT HAND (WE7, WF7)
9	162623-02-WF3	EA	ARMREST - LEFT HAND (WF3)
	162623-A2-WE7	EA	COVER/ARMREST - LEFT HAND (WE7, WF7)
	162623-A2-WF3	EA	COVER/ARMREST - LEFT HAND (WF3)
10	148751-02-000	EA	BRACKET - LEFT (ADJUSTABLE) W/ROLLER

***COMPONENT PARTS LISTED LATER IN THIS GROUP**

CURTAIN & CUSHION GROUP (CONTINUED)
BUCKET SEATS (CONTINUED)



FOOTREST

KEY	PART NUMBER	U/M	DESCRIPTION
1	127159-01-02B	EA	BRACKET - SEAT RELEASE - SINGLE REMOTE - E-COATED
	131566-07-000	EA	5" DOUBLE LOCKING SLIDE W/TAB
2	153956-02-01A	EA	CABLE - FOOTREST - W/BLACK HANDLE
3	154190-06-000	EA	SPRING/FOOTREST - 2.8"

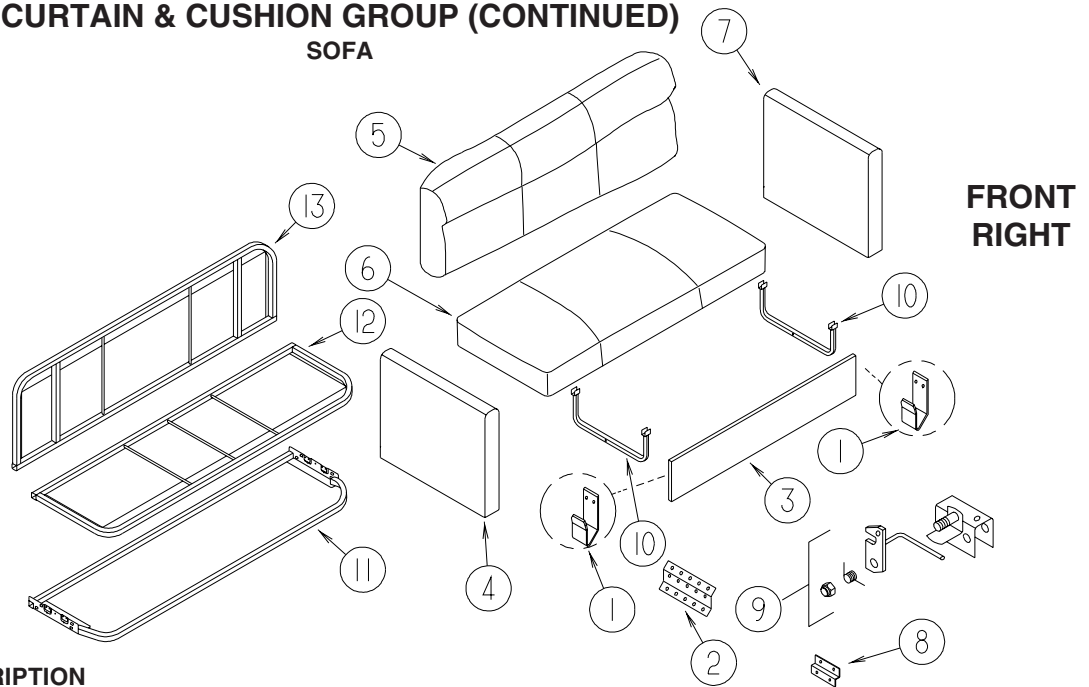
COMPONENT PARTS FOR BUCKET SEATS

122611-02-000

KEY	PART NUMBER	U/M	DESCRIPTION	VENDOR NO.
	122611-02-701	EA	LUMBAR - LEVER	412
	122611-02-702	EA	LUMBAR MECHANISM	24395-FLEXSTEEL

CURTAIN & CUSHION GROUP (CONTINUED)

SOFA



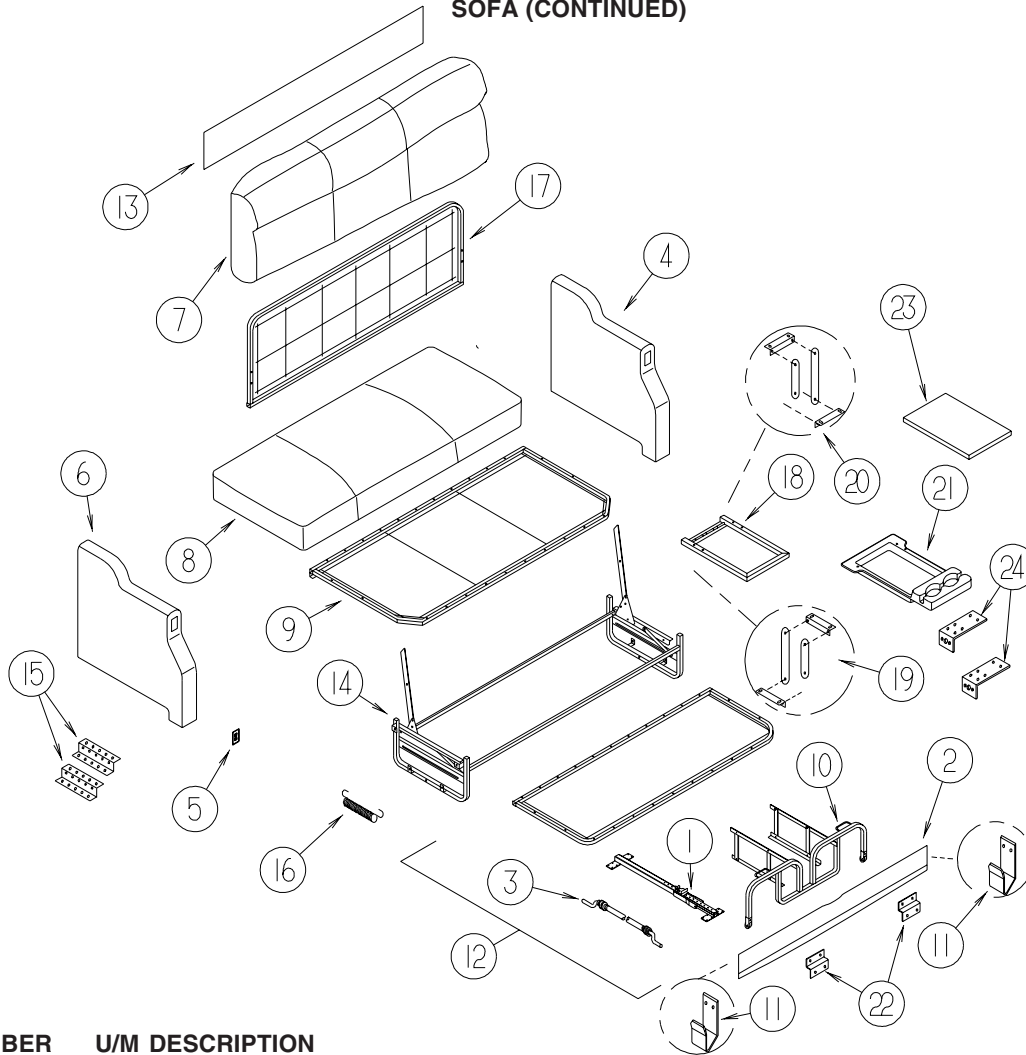
KEY	PART NUMBER	U/M	DESCRIPTION
1	NOT USED		
2	NOT USED		
3	159380-19-WE7	EA	PANEL/FRONT KICK - SOFA - 59" X 11"
3	159380-19-WF3	EA	PANEL/FRONT KICK - SOFA - 59" X 11"
3	159380-19-WF7	EA	PANEL/FRONT KICK - SOFA - 59" X 11"
3	159380-20-WE7	EA	PANEL/FRONT KICK - SOFA - 59" X 11" (WE7, WF7) - ULTRALEATHER
3	159380-20-WF3	EA	PANEL/FRONT KICK - SOFA - 59" X 11" (WF3) - ULTRALEATHER
4	157922-25-WE7	EA	ARMREST - SOFA - RIGHT HAND
4	157922-25-WF3	EA	ARMREST - SOFA - RIGHT HAND
4	157922-25-WF7	EA	ARMREST - SOFA - RIGHT HAND
4	157922-27-WE7	EA	ARMREST - SOFA - RIGHT HAND (WE7, WF7) - ULTRALEATHER
4	157922-27-WF3	EA	ARMREST - SOFA - RIGHT HAND (WF3) - ULTRALEATHER
	157922-B3-WE7	EA	COVER/ARMREST - SOFA/RIGHT HAND
	157922-B3-WF3	EA	COVER/ARMREST - SOFA/RIGHT HAND
	157922-B3-WF7	EA	COVER/ARMREST - SOFA/RIGHT HAND
	157922-B5-WE7	EA	COVER/ARMREST - SOFA/RIGHT HAND (WE7, WF7) - ULTRALEATHER
	157922-B5-WF3	EA	COVER/ARMREST - SOFA/RIGHT HAND (WF3) - ULTRALEATHER
5	157916-24-WE7	EA	BACK - SOFA
5	157916-24-WF3	EA	BACK - SOFA
5	157916-24-WF7	EA	BACK - SOFA
5	157916-25-WE7	EA	BACK - SOFA - LEATHER (WE7, WF7) - ULTRALEATHER
5	157916-25-WF3	EA	BACK - SOFA - LEATHER (WF3) - ULTRALEATHER
	157916-C4-WE7	EA	COVER/BACK - SOFA
	157916-C4-WF3	EA	COVER/BACK - SOFA
	157916-C4-WF7	EA	COVER/BACK - SOFA
	157916-C5-WE7	EA	COVER/BACK - SOFA - LEATHER (WE7, WF7) - ULTRALEATHER
	157916-C5-WF3	EA	COVER/BACK - SOFA - LEATHER (WF3) - ULTRALEATHER
6	157917-16-WE7	EA	SEAT - SOFA
6	157917-16-WF3	EA	SEAT - SOFA
6	157917-16-WF7	EA	SEAT - SOFA
6	157917-17-WE7	EA	SEAT - SOFA/SLEEPER - LEATHER (WE7, WF7) - ULTRALEATHER
6	157917-17-WF3	EA	SEAT - SOFA/SLEEPER - LEATHER (WF3) - ULTRALEATHER
	157917-B6-WE7	EA	COVER/SEAT - SOFA
	157917-B6-WF3	EA	COVER/SEAT - SOFA
	157917-B6-WF7	EA	COVER/SEAT - SOFA
	157917-B7-WE7	EA	COVER/SEAT - SOFA/SLEEPER - LEATHER (WE7, WF7) - ULTRALEATHER
	157917-B7-WF3	EA	COVER/SEAT - SOFA/SLEEPER - LEATHER (WF3) - ULTRALEATHER

CURTAIN & CUSHION GROUP (CONTINUED)
SOFA (CONTINUED)

KEY	PART NUMBER	U/M	DESCRIPTION
7	157922-26-WE7	EA	ARMREST - SOFA - LEFT HAND
7	157922-26-WF3	EA	ARMREST - SOFA - LEFT HAND
7	157922-26-WF7	EA	ARMREST - SOFA - LEFT HAND
7	157922-28-WE7	EA	ARMREST - SOFA - LEFT HAND (WE7, WF7) - ULTRALEATHER
7	157922-28-WF3	EA	ARMREST - SOFA - LEFT HAND (WF3) - ULTRALEATHER
	157922-B4-WE7	EA	COVER/ARMREST - SOFA/LEFT HAND
	157922-B4-WF3	EA	COVER/ARMREST - SOFA/LEFT HAND
	157922-B4-WF7	EA	COVER/ARMREST - SOFA/LEFT HAND
	157922-B6-WE7	EA	COVER/ARMREST - SOFA/LEFT HAND (WE7, WR7) - ULTRALEATHER
	157922-B6-WF3	EA	COVER/ARMREST - SOFA/LEFT HAND (WF3) - ULTRALEATHER
8	NOT USED		
9	NOT USED		
10	127335-12-000	EA	LEG - SOFA/BED - 10"
11	151290-19-000	EA	FRAME - BASE - 27.25" X 64"
12	151290-17-000	EA	FRAME - SEAT - 26.5" X 64"
13	151290-18-000	EA	FRAME - BACK - 14.5" X 64"

CURTAIN & CUSHION GROUP (CONTINUED)
SOFA (CONTINUED)

REST EASY



KEY	PART NUMBER	U/M	DESCRIPTION
1	159707-01-000	EA	SLIDE RAIL - W/LATCH MECH/PLATES/STOP F/TRUNDLE-FLAT FLOOR FROM: 00-00-00 THRU: 05-27-07
1	163559-01-000	EA	SLIDE RAIL - W/LATCH MECH/PLATES/STOP F/TRUNDLE-FLAT FLOOR FROM: 05-28-07 THRU: 99-99-99
	163559-04-000	EA	CLIP/RAIL - F/TRUNDLE FROM: 05-28-07 THRU: 99-99-99
2	157928-20-WE7	EA	PANEL/FRONT KICK - SOFA - 65.4" X 11"
2	157928-01-WF3	EA	PANEL/FRONT KICK - SOFA - 65.4" X 11"
2	157928-20-WF7	EA	PANEL/FRONT KICK - SOFA - 65.4" X 11"
2	157928-21-WE7	EA	PANEL/FRONT KICK - SOFA - 65.4" X 11" (WE7, WF7) - ULTRALEATHER
2	157928-02-WA0	EA	PANEL/FRONT KICK - SOFA - 65.4" X 11" (WF3) - ULTRALEATHER
3	148225-01-000	EA	CABLE ONLY - REMOTE - 31.9" W/Z-ENDS
4	157922-22-WE7	EA	ARMREST - SOFA - LEFT HAND
4	157922-02-WF3	EA	ARMREST - SOFA - LEFT HAND
4	157922-22-WF7	EA	ARMREST - SOFA - LEFT HAND
4	157922-24-WE7	EA	ARMREST - SOFA - LEFT HAND (WE7, WF7) - ULTRALEATHER
4	157922-04-WF3	EA	ARMREST - SOFA - LEFT HAND (WF3) - ULTRALEATHER
	157922-B0-WE7	EA	COVER/ARMREST - SOFA/LEFT HAND
	157922-A2-WF3	EA	COVER/ARMREST - SOFA/LEFT HAND
	157922-B0-WF7	EA	COVER/ARMREST - SOFA/LEFT HAND
	157922-B2-WE7	EA	COVER/ARMREST - SOFA/LEFT HAND (WE7, WF7) - ULTRALEATHER
	157922-A4-WA0	EA	COVER/ARMREST - SOFA/LEFT HAND (WF3) - ULTRALEATHER
5	136118-01-000	EA	SWITCH - SOFA/RECLINER
6	157922-21-WE7	EA	ARMREST - SOFA - RIGHT HAND - W/SWITCH
6	157922-01-WF3	EA	ARMREST - SOFA - RIGHT HAND - W/SWITCH
6	157922-21-WF7	EA	ARMREST - SOFA - RIGHT HAND - W/SWITCH
6	157922-23-WE7	EA	ARMREST - SOFA - RIGHT HAND - W/SWITCH (WE7, WF7) - ULTRALEATHER

CURTAIN & CUSHION GROUP (CONTINUED)
SOFA (CONTINUED)

KEY	PART NUMBER	U/M	DESCRIPTION
6	157922-03-WF3	EA	ARMREST - SOFA - RIGHT HAND - W/SWITCH (WF3) - ULTRALEATHER
	157922-A9-WE7	EA	COVER/ARMREST - SOFA/RIGHT HAND
	157922-A1-WF3	EA	COVER/ARMREST - SOFA/RIGHT HAND
	157922-A9-WF7	EA	COVER/ARMREST - SOFA/RIGHT HAND
	157922-B1-WE7	EA	COVER/ARMREST - SOFA/RIGHT HAND (WE7, WF7) - ULTRALEATHER
	157922-A3-WA0	EA	COVER/ARMREST - SOFA/RIGHT HAND (WF3) - ULTRALEATHER
7	157916-01-WE7	EA	BACK - SOFA
7	157916-09-WF3	EA	BACK - SOFA
7	157916-01-WF7	EA	BACK - SOFA
7	157916-22-WE7	EA	BACK - SOFA (WE7, WF7) - ULTRALEATHER
7	157916-11-WB4	EA	BACK - SOFA (WF3) - ULTRALEATHER
	157916-A1-WE7	EA	COVER/BACK - SOFA
	157916-A9-WF3	EA	COVER/BACK - SOFA
	157916-A1-WF7	EA	COVER/BACK - SOFA
	157916-C2-WE7	EA	COVER/BACK - SOFA (WE7, WF7) - ULTRALEATHER
	157916-B1-WF3	EA	COVER/BACK - SOFA (WF3) - ULTRALEATHER
8	157917-01-WE7	EA	SEAT - SOFA/SLEEPER
8	157917-01-WF3	EA	SEAT - SOFA
8	157917-01-WF7	EA	SEAT - SOFA/SLEEPER
8	157917-08-WE7	EA	SEAT - SOFA - 60" (WE7, WF7) - ULTRALEATHER
8	157917-09-WA4	EA	SEAT - SOFA/SLEEPER (WF3) - ULTRALEATHER
	157917-A1-WE7	EA	COVER/SEAT - SOFA/SLEEPER
	157917-A1-WF3	EA	COVER/SEAT - SOFA
	157917-A1-WF7	EA	COVER/SEAT - SOFA/SLEEPER
	157917-A8-WE7	EA	COVER/SEAT - SOFA (WE7, WF7) - ULTRALEATHER
	157917-A9-WA4	EA	COVER/SEAT - SOFA/SLEEPER (WF3) - ULTRALEATHER
9	151290-04-000	EA	FRAME - SEAT - 60"
10*	136534-17-000	EA	TRUNDLE FRAME - 17.5" X 55" - W/LINKAGE, LATCH & HANDLE FROM: 00-00-00 THRU: 05-27-07
10	151290-26-000	EA	FRAME - TRUNDLE - W/WHEEL - 55.5" FROM: 05-28-07 THRU: 99-99-99
11	121906-01-02B	EA	BRACKET - KICKBOARD - E-COATED
12	155647-01-WB4	EA	TRUNDLE - SOFA/SLEEPER - 60" (WE7)
12	155647-01-WC0	EA	TRUNDLE - SOFA/SLEEPER - 60" (WF3)
12	155647-01-WC4	EA	TRUNDLE - SOFA/SLEEPER - 60" (WF7)
12	155647-02-WA4	EA	TRUNDLE - SOFA/SLEEPER - 60" (WE7, WF7) - ULTRALEATHER
12	155647-02-WA0	EA	TRUNDLE - SOFA/SLEEPER - 60" (WF3) - ULTRALEATHER
	155647-A1-WB4	EA	COVER/TRUNDLE - SOFA/SLEEPER - 60" (WE7)
	155647-A1-WC0	EA	COVER/TRUNDLE - SOFA/SLEEPER - 60" (WF3)
	155647-A1-WC4	EA	COVER/TRUNDLE - SOFA/SLEEPER - 60" (WF7)
	155647-A2-WA4	EA	COVER/TRUNDLE - SOFA/SLEEPER - 60" (WE7, WF7) - ULTRALEATHER
	155647-A2-WA0	EA	COVER/TRUNDLE - SOFA/SLEEPER - 60" (WF3) - ULTRALEATHER
13	NOT USED		
14*	136534-15-000	EA	BASE - 27.5" X 60" - POWERED CL - W/10.5" OVERHANG
15	101926-01-02A	EA	BRACKET - ZEE - 2" - BLACK
16	136534-33-000	EA	SPRING/ASSIST - 1/2" X 7" W/HOOK ENDS - REST EASY SOFAS
17	136534-18-000	EA	FRAME/BACK - 16.5" X 60"
18	NOT USED		
19	NOT USED		
20	NOT USED		
21	NOT USED		
22	NOT USED		
23	NOT USED		
24	NOT USED		

*COMPONENT PARTS LISTED LATER IN THIS GROUP

CURTAIN & CUSHION GROUP (CONTINUED)
COMPONENT PARTS FOR SOFA

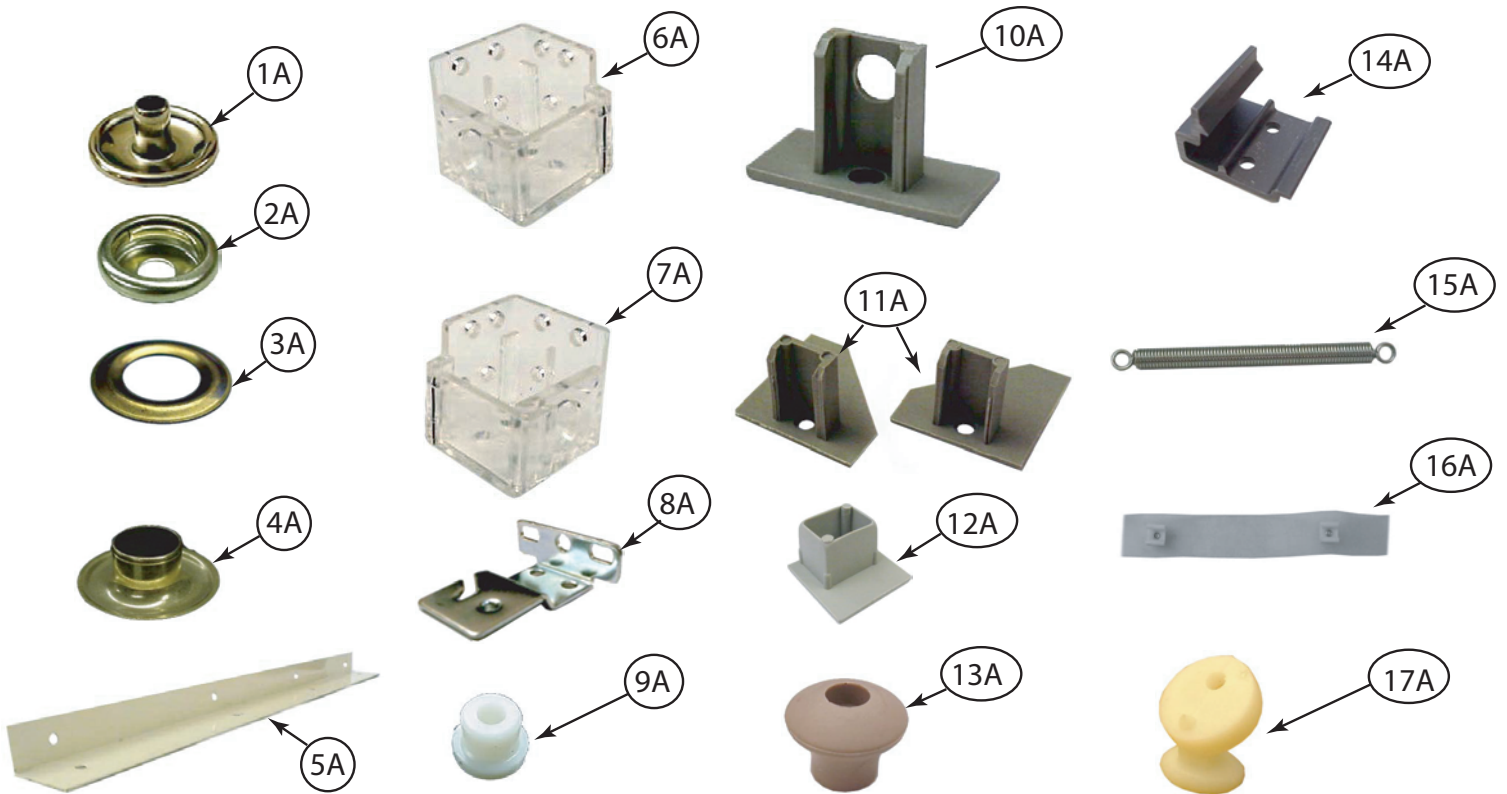
136534-02-000, 136534-03-000, 136534-13-000, 136534-15-000

KEY	PART NUMBER	U/M	DESCRIPTION	VENDOR NO.
	136534-02-700	EA	MOTOR	9PL-MO-W/T-1
	136534-02-701	EA	CABLE/DRV MTR-REST EASY SOFA	9PL-FCA27.75

136534-17-000

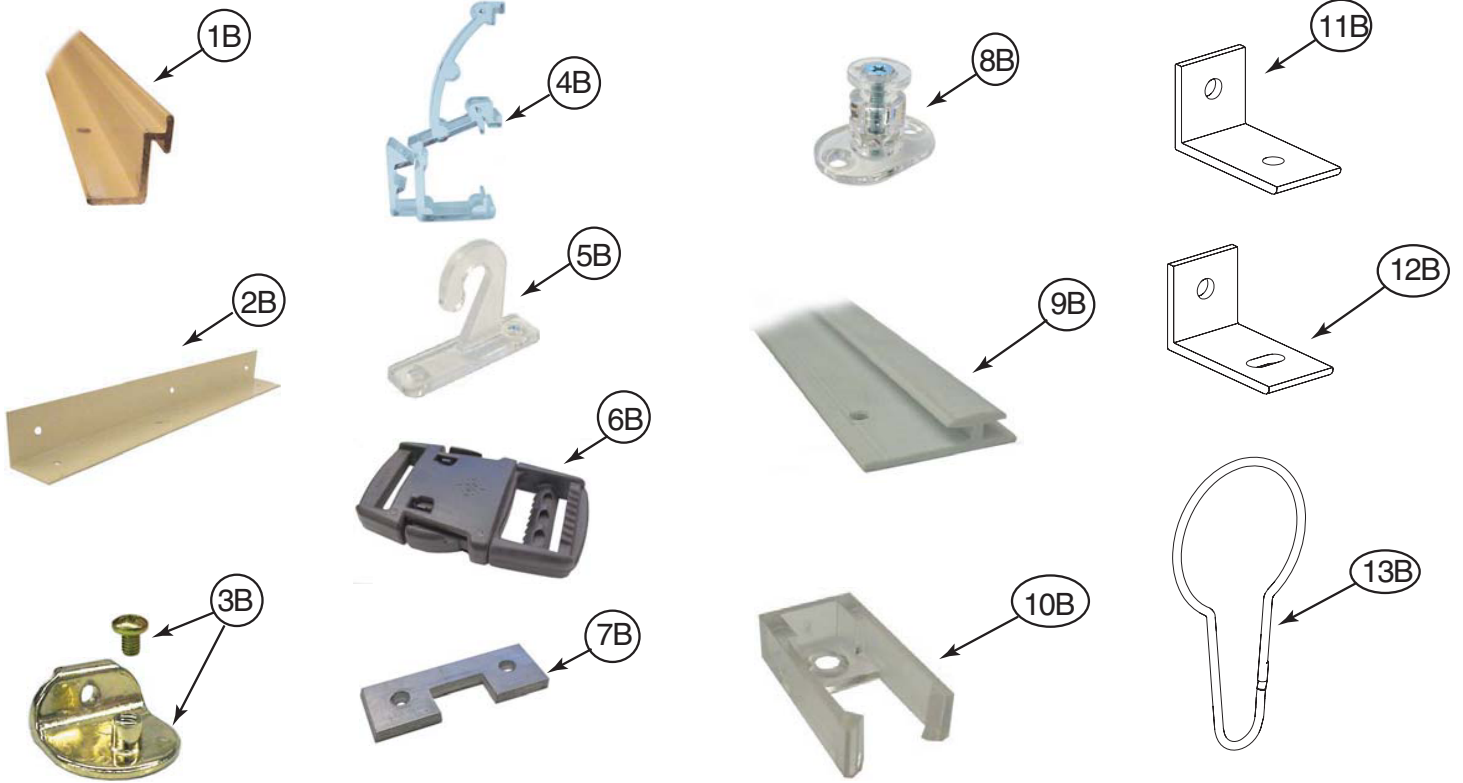
KEY	PART NUMBER	U/M	DESCRIPTION	VENDOR NO.
	136534-07-701	EA	WHEEL - NYLON - 1 5/8"	9WHEEL-1.62

CURTAIN & CUSHION GROUP (CONTINUED) HARDWARE



KEY	PART NUMBER	U/M	DESCRIPTION
1A	029155-01-000	EA	CAP - SNAP - 5/32" OUTSIDE DIAMETER OF PIN
2A	029156-01-000	EA	SOCKET - SNAP - 9/16" O.D.
3A	046867-05-000	EA	WASHER - #0
4A	046867-04-000	EA	GROMMET - #0
5A	160457-01-01A	EA	BRACE - VALANCE - L-SHAPED - 20" - OFF WHITE
6A	162496-01-01A	EA	BRACKET/BLIND - LEFT SIDE WHEN FACING WINDOW - CLEAR
7A	162496-02-01A	EA	BRACKET/BLIND - RIGHT SIDE WHEN FACING WINDOW - CLEAR
8A	084434-01-000	EA	BRACKET - MOUNTING - ROLLER SHADE - 1 3/8"
9A	094896-02-000	EA	GROMMET - CORD/PLEATED BLIND - NYLON - GRAY
10A	094907-02-000	EA	END CAP - PLEATED BLIND/TOP - RH/LH - GRAY PLASTIC
11A	094907-04-000	EA	END CAP - PLEATED BLIND/BOTTOM - RH/LH
12A	094907-09-000	EA	END CAP/BLIND - CENTER RAIL - RH/LH
13A	097564-03-000	EA	HANDLE - KNOB - E-Z LIFT SHADE - TAN
14A	097565-01-000	EA	BRACKET - MOUNTING - PLEATED BLIND
15A	155748-01-000	EA	SPRING - EXTENSION - DAY/NIGHTER BLIND
16A	101031-01-000	YD	TAPE/GLIDE - 4.25" SPACING
17A	102555-03-000	EA	BRACKET - (CLEAT TYPE) - F/BLIND HOLDOWN - MILKY WHITE

CURTAIN & CUSHION GROUP (CONTINUED)
HARDWARE (CONTINUED)



KEY	PART NUMBER	U/M	DESCRIPTION
1B	105450-14-01A	EA	TRACK - CURTAIN - 90" - OFF WHITE
2B	105648-01-02A	EA	BRACE - VALANCE - 14" - OFF WHITE
2B	105648-02-02A	EA	BRACE - VALANCE - 8.5" - OFF WHITE
3B	106544-01-000	EA	PULL - SHADE/BRASS
3B	106544-01-001	EA	SCREW - SHADE/BRASS
3B	106544-02-000	EA	PULL-SHADE - NICKEL
4B	109353-04-000	EA	CLIP - VALANCE SLAT MOUNTING - CLEAR PLASTIC
5B	109441-01-000	EA	BRACKET/HOOK - BLIND HOLD DOWN - LARGE - CLEAR
5B	109441-02-000	EA	SPACER/BRACKET - BLIND HOLD DOWN
6B	129491-01-000	EA	CATCH - SNAP HOOK - 1"
7B	130549-01-01A	EA	STOP - CURTAIN TRACK
8B	141634-01-000	EA	BRACKET-(BOBBIN TYPE) 7/8"H HOLDUPBASE(OVAL)-2 HOLE-CLEAR
9B	156172-02-01A	EA	TRACK/WALL - 32" - BONE
9B	156172-03-01A	EA	TRACK/WALL - 21" - BONE
10B	156172-04-01A	EA	END CAP - WALL TRACK - CLEAR
11B	154316-01-01A	EA	BRACE/ANGLE - W/HOLE - CASHMERE
12B	154316-02-01A	EA	BRACE/ANGLE - W/SLOT - CASHMERE
13B	159702-01-01A	EA	HOOK/RING - CURTAIN/SHOWER - NICKEL

CURTAIN & CUSHION GROUP (CONTINUED)

FABRICS

WE7

113979-09-01A CARPET-HEADLINER (SY) - CEILING
FROM: 00-00-00 THRU: 01-13-08
113979-09-02A CARPET-HEADLINER (SY) - CEILING
FROM: 01-14-08 THRU: 99-99-99
113979-10-01A CARPET-HEADLINER - SLDOUT (SY) - CEILING
FROM: 00-00-00 THRU: 01-13-08
113979-10-02A CARPET-HEADLINER - SLDOUT (SY) - CEILING
FROM: 01-14-08 THRU: 99-99-99
156773-30-000 FABRIC - UPHOLSTERY, DRAPERY, MAIN
148797-S4-000 FABRIC - UPHOLSTERY , MAIN
148797-S6-000 FABRIC - UPHOLSTRY, PLAIN ACCENT
148797-S2-000 FABRIC - UPHOLSTERY, ACCENT PATTERN
137813-Y2-000 FABRIC - UPHOLSTERY, BEDSPREAD, MAIN
142523-19-000 FABRIC - ULTRALEATHER, PLAIN ACCENT
142523-17-000 FABRIC - UPHOLSTERY, ULTRALEATHER
137813-Y4-000 FABRIC - UPHOLSTERY, BEDSPREAD, PATTERN ACCENT A
072333-98-000 FABRIC - SPEAKER COVER
137813-Y7-000 FABRIC - UPHOLSTERY, BEDSPREAD ACCENT, PATTERN B
148797-S6-000 FABRIC - OVERHEAD CABINET, DINETTE/LOUNGE
137813-Y2-000 FABRIC - OVERHEAD CABINET, BEDROOM
148797-S6-000 FABRIC - DINETTE WRAP

WF3

113979-09-01A CARPET-HEADLINER (SY) - CEILING
FROM: 00-00-00 THRU: 01-13-08
113979-09-02A CARPET-HEADLINER (SY) - CEILING
FROM: 01-14-08 THRU: 99-99-99
113979-10-01A CARPET-HEADLINER - SLDOUT (SY) - CEILING
FROM: 00-00-00 THRU: 01-13-08
113979-10-02A CARPET-HEADLINER - SLDOUT (SY) - CEILING
FROM: 01-14-08 THRU: 99-99-99
156773-30-000 FABRIC - UPHOLSTERY, DRAPERY, MAIN
148797-CY-000 FABRIC - UPHOLSTERY , MAIN
148797-CZ-000 FABRIC - UPHOLSTRY, PLAIN ACCENT
148797-DA-000 FABRIC - UPHOLSTERY, ACCENT PATTERN
156773-82-000 FABRIC - UPHOLSTERY, BEDSPREAD, MAIN
142523-23-000 FABRIC - ULTRALEATHER, PLAIN ACCENT
142523-07-000 FABRIC - UPHOLSTERY, ULTRALEATHER
156773-83-000 FABRIC - UPHOLSTERY, BEDSPREAD, PATTERN ACCENT A
072333-98-000 FABRIC - SPEAKER COVER
156773-84-000 FABRIC - UPHOLSTERY, BEDSPREAD ACCENT, PATTERN B
148797-CZ-000 FABRIC - OVERHEAD CABINET, DINETTE/LOUNGE
156773-82-000 FABRIC - OVERHEAD CABINET, BEDROOM
148797-S6-000 FABRIC - DINETTE WRAP

CURTAIN & CUSHION GROUP (CONTINUED)
FABRICS (CONTINUED)

WF7

113979-09-01A CARPET-HEADLINER (SY) - CEILING
FROM: 00-00-00 THRU: 01-13-08

113979-09-02A CARPET-HEADLINER (SY) - CEILING
FROM: 01-14-08 THRU: 99-99-99

113979-10-01A CARPET-HEADLINER - SLDOUT (SY) - CEILING
FROM: 00-00-00 THRU: 01-13-08

113979-10-02A CARPET-HEADLINER - SLDOUT (SY) - CEILING
FROM: 01-14-08 THRU: 99-99-99

156773-18-000 FABRIC - UPHOLSTERY, DRAPERY, MAIN

148797-DB-000 FABRIC - UPHOLSTERY , MAIN

148797-DC-000 FABRIC - UPHOLSTRY, PLAIN ACCENT

148797-DD-000 FABRIC - UPHOLSTERY, ACCENT PATTERN

156773-85-000 FABRIC - UPHOLSTERY, BEDSPREAD, MAIN

142523-19-000 FABRIC - ULTRALEATHER, PLAIN ACCENT

142523-17-000 FABRIC - UPHOLSTERY, ULTRALEATHER

137813-E8-000 FABRIC - UPHOLSTERY, BEDSPREAD, PATTERN ACCENT A

072333-98-000 FABRIC - SPEAKER COVER

137813-K9-000 FABRIC - UPHOLSTERY, BEDSPREAD ACCENT, PATTERN B

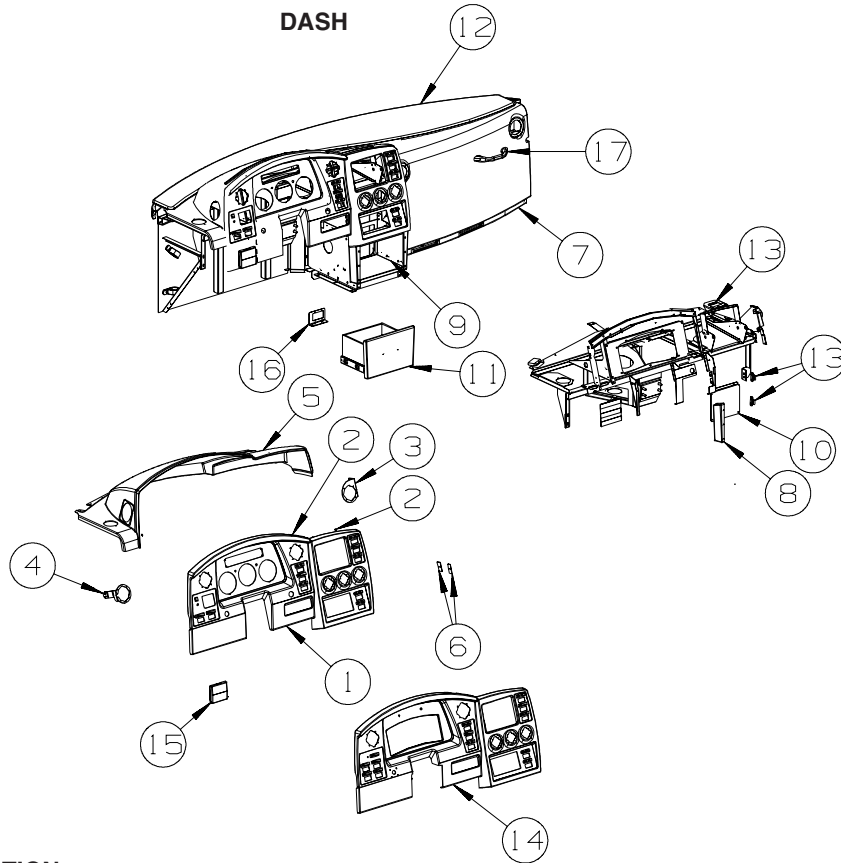
148797-DC-000 FABRIC - OVERHEAD CABINET, DINETTE/LOUNGE

156773-85-000 FABRIC - OVERHEAD CABINET, BEDROOM

148797-DC-000 FABRIC - DINETTE WRAP

DRIVERS COMPARTMENT GROUP

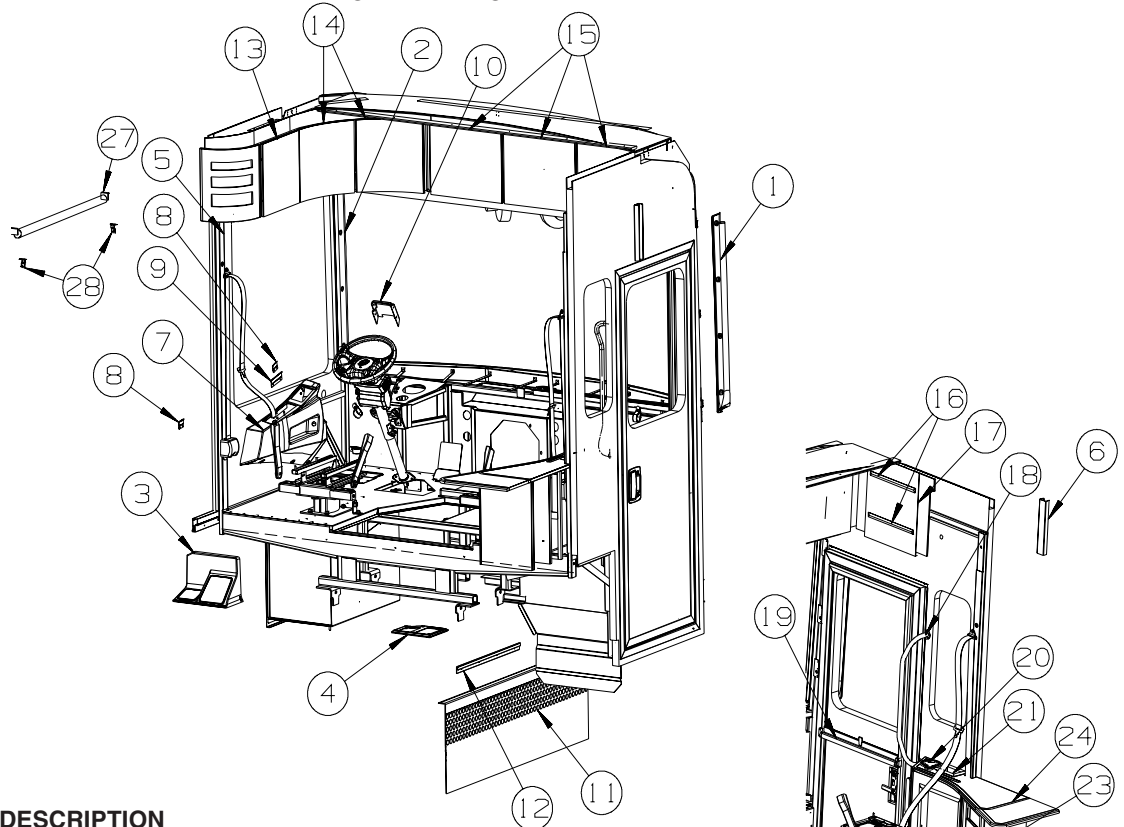
DASH



KEY	PART NUMBER	U/M	DESCRIPTION
1	158976-01-06A	EA	BEZEL - INSTRUMENT PANEL - SLATE - FREIGHTLINER
2	110530-01-000	FT	SEAL - SPONGE - .31" X .62"
3	156255-02-02B	EA	RETAINER - LOUVER/LEFT - E-COATED
4	156255-03-02B	EA	RETAINER - LOUVER - E-COATED
5	158974-01-28A	EA	POD - INSTRUMENT PANEL - SLATE
6	159011-04-WD3	EA	PANEL - CONSOLE/CENTER - PASSENGER
	159011-01-28A	EA	PANEL - CONSOLE/CENTER - PASSENGER - SLATE
7	166249-02-WD3	EA	PANEL/TRIM - DASH/LOWER RIGHT
8	159719-01-28A	EA	PANEL/CONSOLE - CENTER/LEFT - SLATE
9	074762-01-000	EA	PULL - CABINET - 4.8" X .9" - BLACK PLASTIC
10	161526-01-02B	EA	PANEL/ACCESS - BLOWER - E-COATED
	115870-01-000	FT	SEAL/EDGE - TRIM
11	162866-01-W66	EA	DRAWER - CONSOLE/CENTER - 10.7"W X 8.5"D - W/O HDW
12	158973-01-WD3	EA	PANEL - DASH/FRONT
	106569-14-14A	YD	VINYL - LAMINATE - 1/4" X 54" - GREYSTONE
13	073050-04-000	EA	CLIP/MOUNTING - VALANCE PANEL
14	158976-02-06A	EA	BEZEL - INSTRUMENT PANEL - SLATE - WORKHORSE
15	118718-01-01A	EA	HOLDER/DRINK - COLLAPSIBLE MUG - BLACK PLASTIC
16	153870-03-02B	EA	BRACKET - SENSOR/LEVEL - E-COATED
17	123246-01-09A	EA	HANDLE - GRAB - SLATE

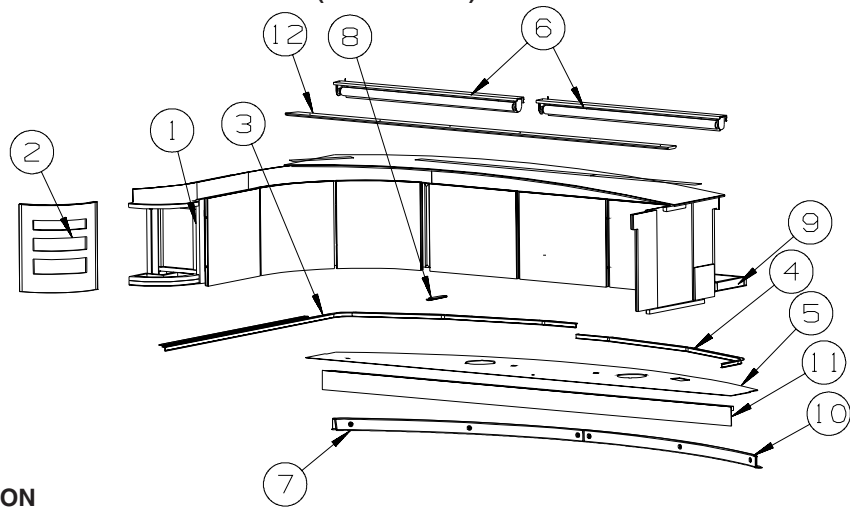
DRIVERS COMPARTMENT GROUP (CONTINUED)

FRONT INTERIOR

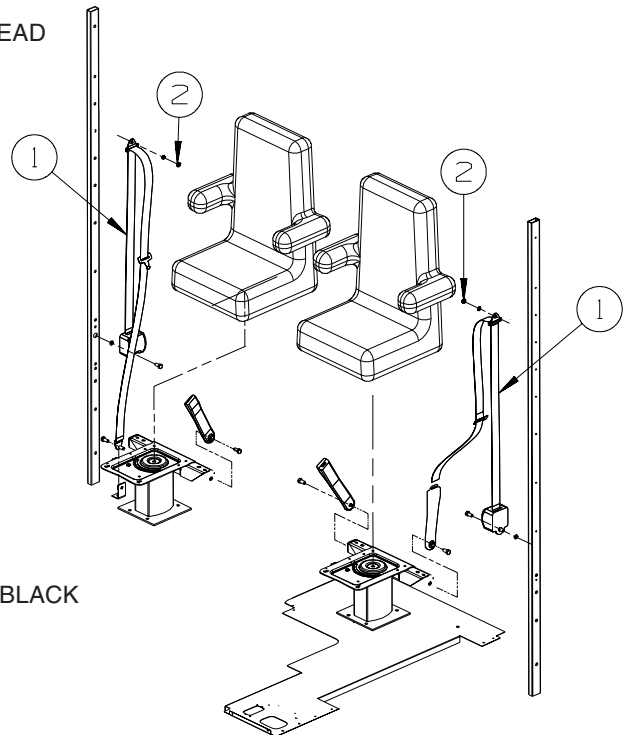


KEY	PART NUMBER	U/M	DESCRIPTION
1	159851-01-28A	EA	TRIM - A-PILLAR/PASSENGER - INTERIOR - SLATE
2	159851-02-28A	EA	TRIM - A-PILLAR/DRIVER - INTERIOR - SLATE
3	116993-01-01A	EA	COVER - PEDALS - BLACK
4	151302-01-01A	EA	PANEL/FOOTREST - DRIVER - W/TREAD INSERTS - BLACK
5	161808-01-01A	EA	COVER - ROLL BAR/U-CHANNEL - 66.9" PLASTIC - MED OAK
6	161808-02-01A	EA	COVER - ROLL BAR/U-CHANNEL - 12.3" PLASTIC - MED OAK
7	159062-02-W66	EA	PANEL/TRIM - DRIVER PANEL
8	130034-07-02B	EA	CLIP - TRIM - E-COATED
9	130034-03-02B	EA	CLIP - TRIM - E-COATED
10	151048-02-28A	EA	COVER - STEERING COLUMN - UPPER/FRONT - SLATE
11	120231-01-02A	EA	FLOORING - RUBBER - 63.4" X 19.8"
12	136839-07-01A	EA	TRIM-J - CARPET EDGE/SLIDEOUT - 28.3" - BLACK
13	160256-A8-WD3	EA	DOOR - FLAT/SQUARE EDGE - 16.1" X 16.1" - W/O HDW
14	160252-17-WD3	EA	DOOR - CURVED - 16.1" X 15.6" - W/O HDW
15	160256-A9-WD3	EA	DOOR - FLAT/SQUARE EDGE - 16.1" X 19.5" - W/O HDW
	140309-05-02B	EA	ANGLE - FURNACE DOOR - E-COATED
16	M09501-63-W66	EA	MOLDING - TRIM/VEE - .2" X 1" X 15" - HONEY CHERRY
17	164744-01-WE7	EA	PANEL - DECORATIVE - W/FABRIC - W/O TRIM
17	164744-01-WF3	EA	PANEL - DECORATIVE - W/FABRIC - W/O TRIM
17	164744-01-WF7	EA	PANEL - DECORATIVE - W/FABRIC - W/O TRIM
18	137605-02-01A	EA	HAND RAIL - INTERIOR ENTRY DOOR - BLACK
19	144628-06-02A	EA	SHADE - SCREEN DOOR - 24.6" X 39.3" - BLACK
20	133831-01-01A	EA	HOLDER - CUP W/THREE CENTERLINE RUBBER FINGERS
21	137602-N6-WD3	EA	POCKET - CONSOLE/PASSENGER
22	094499-06-000	EA	EXTINGUISHER/FIRE - DRY - 10BC - W/BACKET - UL/ULC - WHT
23	160256-C8-WD3	EA	DOOR - FLAT/SQUARE EDGE - 14.4" X 7.9" - W/O HDW
24	149296-31-WD3	EA	COUNTERTOP - LAMINATED
25	166258-01-WD3	EA	CABINET - END TABLE - W/O COUNTERTOPS/DOORS/HDW
26	137602-N1-WD3	EA	POCKET - MAGAZINE
27	126841-09-000	EA	SHADE - PULL - CHARCOAL MESH - 40.25" X 60"
28	084434-01-000	EA	BRACKET - MOUNTING - ROLLER SHADE - 1 3/8"

DRIVERS COMPARTMENT GROUP (CONTINUED)
FRONT INTERIOR (CONTINUED)

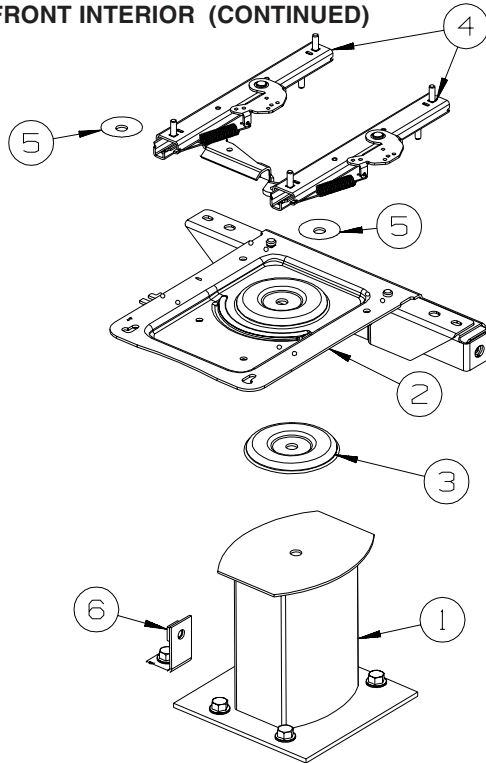


KEY	PART NUMBER	U/M	DESCRIPTION
1	163466-01-WD3	EA	CABINET - OVERHEAD/FRONT/LH HAND - W/O DOORS/HDW
2	164471-01-WD3	EA	END CAP - OVERHEAD CABINET
3	126456-07-06A	EA	TRACK/WRAPAROUND - DRIVER - BLACK
	162691-01-01A	EA	SPACER - CURTAIN TRACK
4	126456-08-06A	EA	TRACK/WRAPAROUND - PASSENGER - BLACK
	162691-01-01A	EA	SPACER - CURTAIN TRACK
5	134146-A0-W66	EA	PANEL - OVERHEAD/FRONT - BOTTOM
6	142380-02-01A	EA	SHADE - POWER - 41.2"W X 19"H
7	159957-02-28A	EA	TRIM - WINDSHIELD - INTERIOR/TOP/DRIVER
8	163914-04-WD3	EA	MOLDING - TRIM/VEE - .2" X 1" X 5.3"
9	163467-01-WD3	EA	CABINET - OVERHEAD/FRONT/RH HAND - W/O DOORS/HDW
10	159957-01-28A	EA	TRIM - WINDSHIELD - INTERIOR/TOP/PASSENGER
11	164582-01-WD3	EA	COVER - VISOR/MOTION SHADE - 90.2" X 3.5" - VINYL WRAPPED
12	133771-09-WD3	EA	MOLDING - CAP
12	042356-01-000	EA	PLUG - MAHOGANY - 3/8" DOWEL X 1/2" HEAD



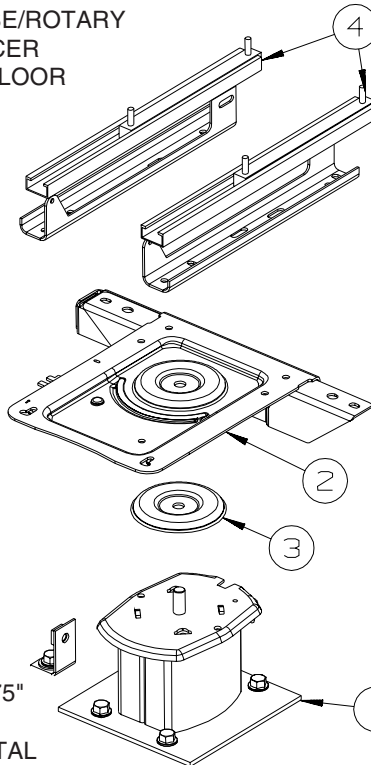
KEY	PART NUMBER	U/M	DESCRIPTION
1	091990-10-01A	EA	SEAT BELT - 3 POINT - DUAL SENSITIVE - BLACK
2	109146-01-000	EA	BOLT - SHOULDER/SEAT BELT

DRIVERS COMPARTMENT GROUP (CONTINUED)
FRONT INTERIOR (CONTINUED)



PASSENGER

KEY	PART NUMBER	U/M	DESCRIPTION
1	133408-01-000	EA	PEDESTAL - SEAT - DRIVER/PASSENGER - 9 3/4"
2	133408-20-000	EA	TOP PLATE - PASSENGER - W/ANCHOR
3	107921-06-000	EA	BEARING KIT - PEDESTAL
4	131566-04-000	EA	SLIDE/SEAT - HEAVY DUTY LOCKING - 5"
	119952-07-000	EA	WIRE - LATCH RELEASE/ROTARY
5	131566-05-000	EA	WASHER - SLIDE SPACER
6	133408-04-000	EA	BRACKET - ANCHOR/FLOOR



DRIVER

KEY	PART NUMBER	U/M	DESCRIPTION
1	133408-05-000	EA	PEDESTAL - SEAT - 5.75"
2	133408-08-000	EA	TOP PLATE - W/BAR
3	107921-06-000	EA	BEARING KIT - PEDESTAL
4*	147767-01-000	EA	SEAT - POWER - 6-WAY - DRIVER

*COMPONENT PARTS LISTED LATER IN THIS GROUP

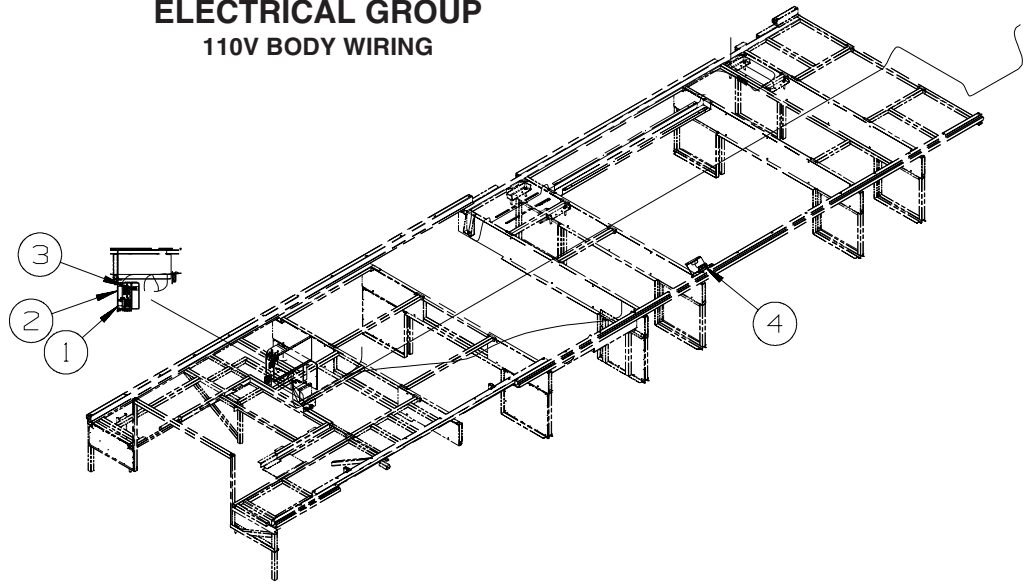
COMPONENT PARTS FOR FRONT INTERIOR

147767-01-000, 147767-02-000

KEY	PART NUMBER	U/M	DESCRIPTION	VENDOR NO
	147767-01-700	EA	SWITCH PLATE	SHROCK-9PT-SWT-PLTE
	147767-01-701	EA	MOTOR - VERTICAL	SHROCK 9PT-M0-VER-0
	147767-01-702	EA	MOTOR - HORIZONTAL	SHROCK 9PT-M0-HOZ-0

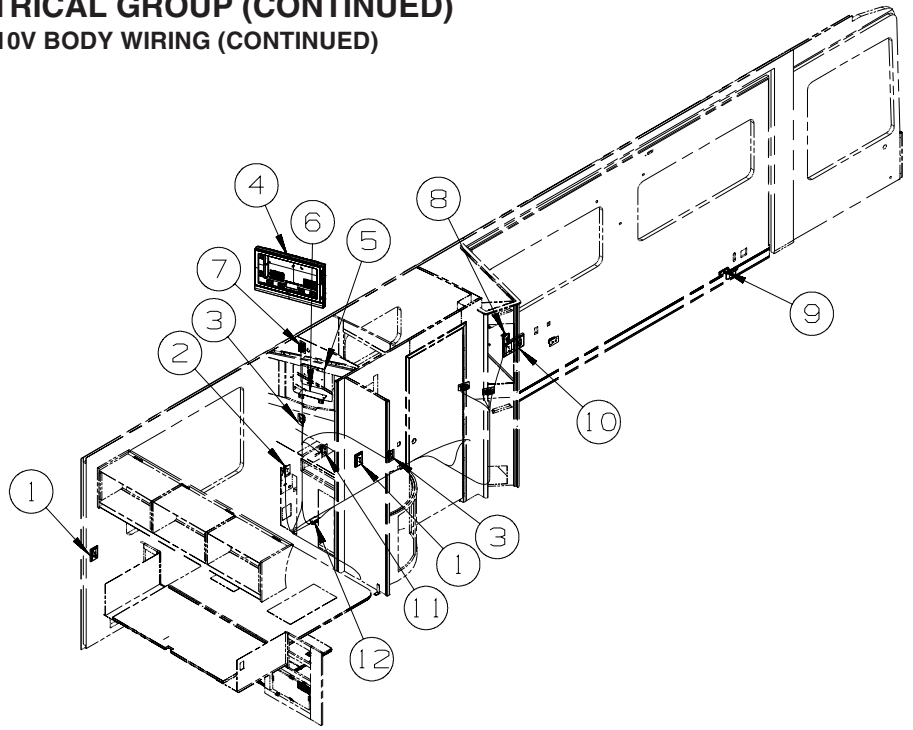
ELECTRICAL GROUP

110V BODY WIRING



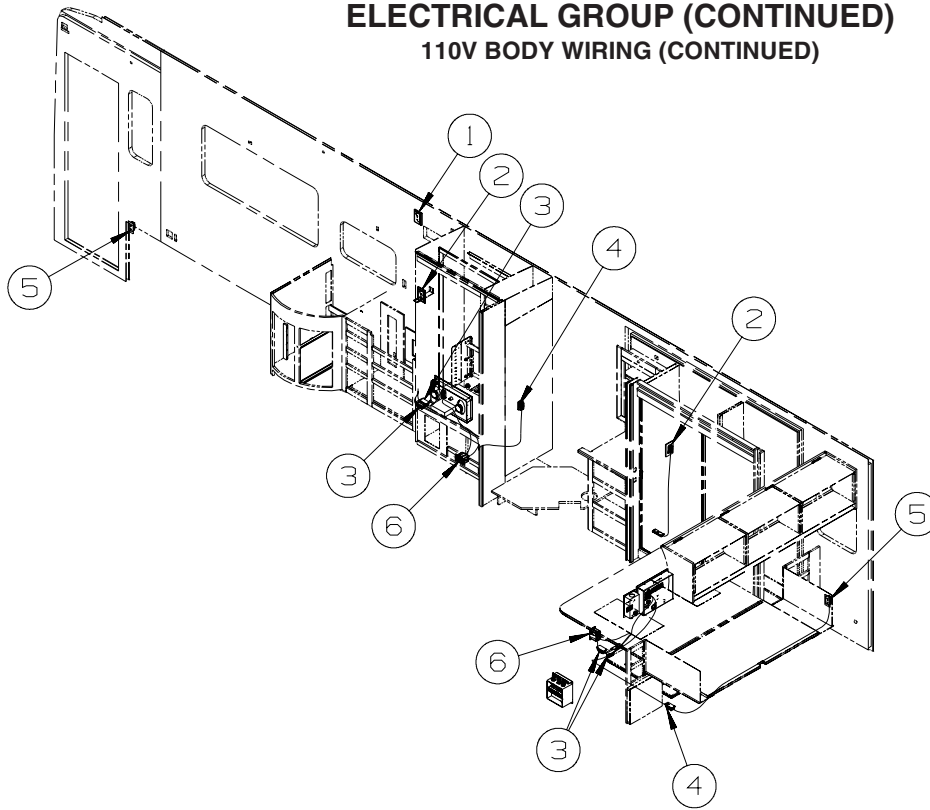
KEY	PART NUMBER	U/M	DESCRIPTION
1	148254-01-000	EA	INVERTER - CHARGER - 2000W AC
2	162373-03-02B	EA	BRACKET - INVERTER - E-COATED
3	058708-05-000	EA	RECEPTACLE - ELECTRICAL - SINGLE - BROWN - FRTL 29,410 350 6.7L 6 SPEED
3	158542-05-01A	EA	LABEL - RECEPTACLE - ENGINE HEAT - WHITE/BLACK - FRTL 29,410 350 6.7L 6 SPEED
4	058708-01-000	EA	RECEPTACLE - ELECTRIC - DOUBLE - BROWN

ELECTRICAL GROUP (CONTINUED)
110V BODY WIRING (CONTINUED)



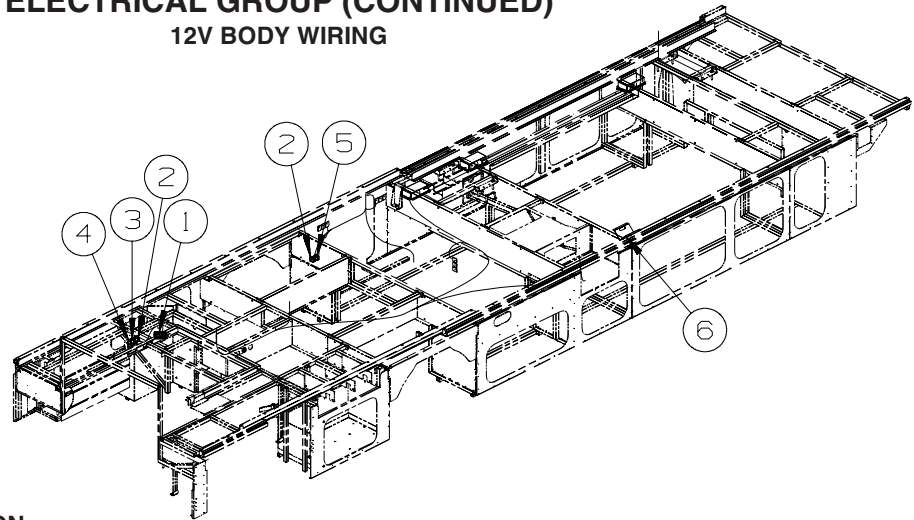
KEY	PART NUMBER	U/M	DESCRIPTION
1	058708-01-000	EA	RECEPTACLE - ELECTRIC - DOUBLE - BROWN
1	133713-01-23A	EA	SPACER/RECEPTACLE - VINYL - HONEY CHERRY
2	058708-05-000	EA	RECEPTACLE - ELECTRICAL - SINGLE - BROWN
2	158542-01-01A	EA	LABEL - RECEPTACLE - WASHER/DRYER - WHITE/BLACK
3	058708-01-000	EA	RECEPTACLE - ELECTRIC - DOUBLE - BROWN
4	165074-01-000	EA	TV - 27" - LCD 16:9 - BOTTOM SPEAKER - JENSEN JE2707 - TV-27" COLOR,STEREO W/REMOTE FROM: 00-00-00 THRU: 09-30-07
4	166446-01-000	EA	TV - 26" - LCD 16:9 - BOTTOM SPEAKER - JENSEN JE2608 - TV(REAR)-26" COLOR STEREO FROM: 10-01-07 THRU: 99-99-99
5	165315-02-02B	EA	PLATE - TV - E-COATED - TV-27" COLOR,STEREO W/REMOTE FROM: 00-00-00 THRU: 09-30-07
5	166655-02-02B	EA	PLATE - TV - E-COATED - TV(REAR)-26" COLOR STEREO FROM: 10-01-07 THRU: 99-99-99
6	165303-01-02B	EA	BRACKET - TV - E-COATED - TV-27" COLOR,STEREO W/REMOTE FROM: 00-00-00 THRU: 09-30-07
7	058708-05-000	EA	RECEPTACLE - ELECTRICAL - SINGLE - BROWN
8	083588-02-000	EA	LABEL - ON/OFF - ENGINE HEATER
8	084420-01-000	EA	SWITCH - TOGGLE - 15 AMP/120 VOLT - BROWN
9	153862-02-01A	EA	COVER - WIRE - 5.9" X 3.8" X 2.2" - BLACK
10	058708-01-000	EA	RECEPTACLE - ELECTRIC - DOUBLE - BROWN
10	133713-06-23A	EA	SPACER/RECEPTACLE - PHONE - VINYL - HONEY CHERRY
11	058708-01-000	EA	RECEPTACLE - ELECTRIC - DOUBLE - BROWN
11	158542-02-01A	EA	LABEL - RECEPTACLE - ELECTRONICS - WHITE/BLACK
12	058707-02-000	EA	RECEPTACLE - BLANK - JUNCTION BOX

ELECTRICAL GROUP (CONTINUED)
110V BODY WIRING (CONTINUED)



KEY	PART NUMBER	U/M	DESCRIPTION
1	058708-05-000	EA	RECEPTACLE - ELECTRICAL - SINGLE - BROWN
1	133713-01-23A	EA	SPACER/RECEPTACLE - VINYL - HONEY CHERRY
2	058708-01-000	EA	RECEPTACLE - ELECTRIC - DOUBLE - BROWN
2	133713-01-23A	EA	SPACER/RECEPTACLE - VINYL - HONEY CHERRY
3	058707-02-000	EA	RECEPTACLE - BLANK - JUNCTION BOX
4	058707-01-000	EA	RECEPTACLE - ELECTRIC - SINGLE - BROWN
5	058708-01-000	EA	RECEPTACLE - ELECTRIC - DOUBLE - BROWN
6	163319-01-02A	EA	RECEPTACLE - GFCI - 15A 125V - BROWN

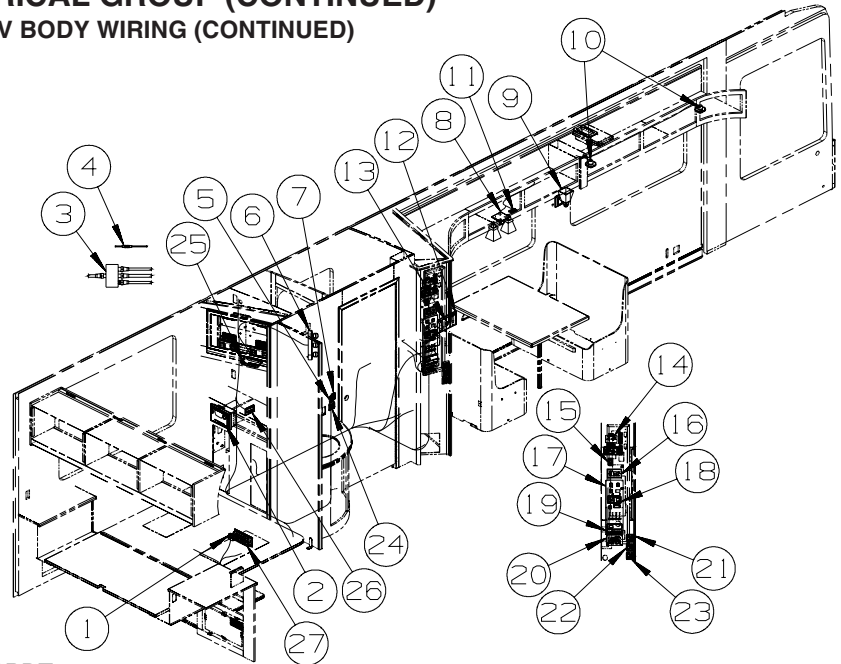
ELECTRICAL GROUP (CONTINUED)
12V BODY WIRING



KEY	PART NUMBER	U/M	DESCRIPTION
1	149557-02-01A	EA	PLATE/WALL - PHONE/DUAL COAXIAL/HORIZONTAL - WHITE
2	108356-01-01A	EA	COVER/ACTUATOR SWITCH - 3 GROOVES - BLACK
2	108357-05-000	EA	SWITCH - ROCKER - SPDT - ON/NONE/ON - 3 TERM - W/O COVER
2	108355-01-000	EA	HOUSING - SWITCH
3	108356-03-01A	EA	COVER/ACTUATOR SWITCH - 3 GROOVES W/LENS - BLACK
3	108357-18-000	EA	SWITCH - ROCKER - DPDT - MOM/OFF/MOM - W/O COVER
3	108355-01-000	EA	HOUSING - SWITCH
4	117628-05-000	EA	LABEL - SWITCH - AUTO LVL/LIGHTS - WHITE ON CLEAR
5	108356-03-01A	EA	COVER/ACTUATOR SWITCH - 3 GROOVES W/LENS - BLACK
5	108357-15-000	EA	SWITCH - ROCKER - DPDT - ON/NONE/ON - W/LIGHT W/O COVER
5	108355-01-000	EA	HOUSING - SWITCH
6	082134-01-000	EA	ADAPTER - TV - CABLE TO CABLE
6	082136-01-000	EA	NUT - HEX JAM - 3/8-32
6	157486-01-02A	EA	LABEL - TV/EXTERIOR

ELECTRICAL GROUP (CONTINUED)

12V BODY WIRING (CONTINUED)



KEY	PART NUMBER	U/M	DESCRIPTION
1	063912-02-000	EA	RELAY - CANISTER - SPDT
2*	163031-01-01A	EA	RADIO - WALL MOUNT - DVD/CD - W/ALARM - JENSEN AWM960 - STEREO SYSTEM/W/CD/DVD REAR
3	086756-02-000	EA	SPLITTER - TV/3 WAY
4	082134-01-000	EA	ADAPTER - TV - CABLE TO CABLE
5	135740-01-01A	EA	SWITCH - ROCKER - SPST - ON/OFF - BROWN
5	135741-01-01A	EA	SWITCH - BASE - SINGLE - BROWN
5	135742-07-02A	EA	BEZEL - SWITCH - CEILING - BROWN
6	138116-01-02A	EA	LIGHT/MAKE UP - 3 BULB - CURVED - W/O BULB - SATIN NICKEL
6	123918-01-000	EA	BULB - 12V - MAKEUP - WHITE
7	135740-01-01A	EA	SWITCH - ROCKER - SPST - ON/OFF - BROWN
7	135741-01-01A	EA	SWITCH - BASE - SINGLE - BROWN
7	135742-08-02A	EA	BEZEL - SWITCH - MAKEUP - BROWN
8	093575-49-01A	EA	LIGHT - CEILING/DOUBLE - SATIN NICKEL
8	067479-01-000	EA	BULB - 12V - #1076 - 1.80 AMP
9	119258-58-01A	EA	LAMP - WALL - W/GLASS SHADE-W/O BULBS-UL/CSA-SATIN NICKEL
9	067479-01-000	EA	BULB - 12V - #1076 - 1.80 AMP
10	132427-01-02A	EA	LIGHT - READING/SWIVEL - ROUND - NICKEL
11	135740-01-01A	EA	SWITCH - ROCKER - SPST - ON/OFF - BROWN
11	135741-01-01A	EA	SWITCH - BASE - SINGLE - BROWN
11	135742-01-01A	EA	BEZEL - SWITCH - SINGLE - BROWN
12	093253-01-02A	EA	PLATE - WALL - TELEPHONE - BROWN
13	132958-01-000	EA	RECEPTACLE - 12 VOLT - MOUNTING FLANGE - BLACK
14	163992-01-01A	EA	LABEL - SLIDEOUT - DRIVER/FRONT - BLACK/WHITE
14	163992-03-01A	EA	LABEL - SLIDEOUT - PASSENGER/REAR - BLACK/WHITE
14	138173-04-000	EA	CONTROL PANEL (TOUCH PAD) - ELECTRIC SLIDEOUT - #1802931
14	116549-02-000	EA	LABEL - WARNING - SLIDEOUT
14	144363-09-02B	EA	PLATE - SWITCH - E-COATED
14	108357-06-000	EA	SWITCH - ROCKER - DPDT - MOM/OFF/MOM - 6 TERM - W/O COVER
14	108356-01-01A	EA	COVER/ACTUATOR SWITCH - 3 GROOVES - BLACK
14	108355-01-000	EA	HOUSING - SWITCH
14	116220-02-000	EA	APPLIQUE - SWITCH/SLIDEOUT
14*	163097-01-000	EA	SWITCH - SPST - KEY ACTIVATED - W/2 KEYS
14	163988-02-01A	EA	LABEL - SLIDEOUT CONTROL/ELECTRIC - BLACK/WHITE

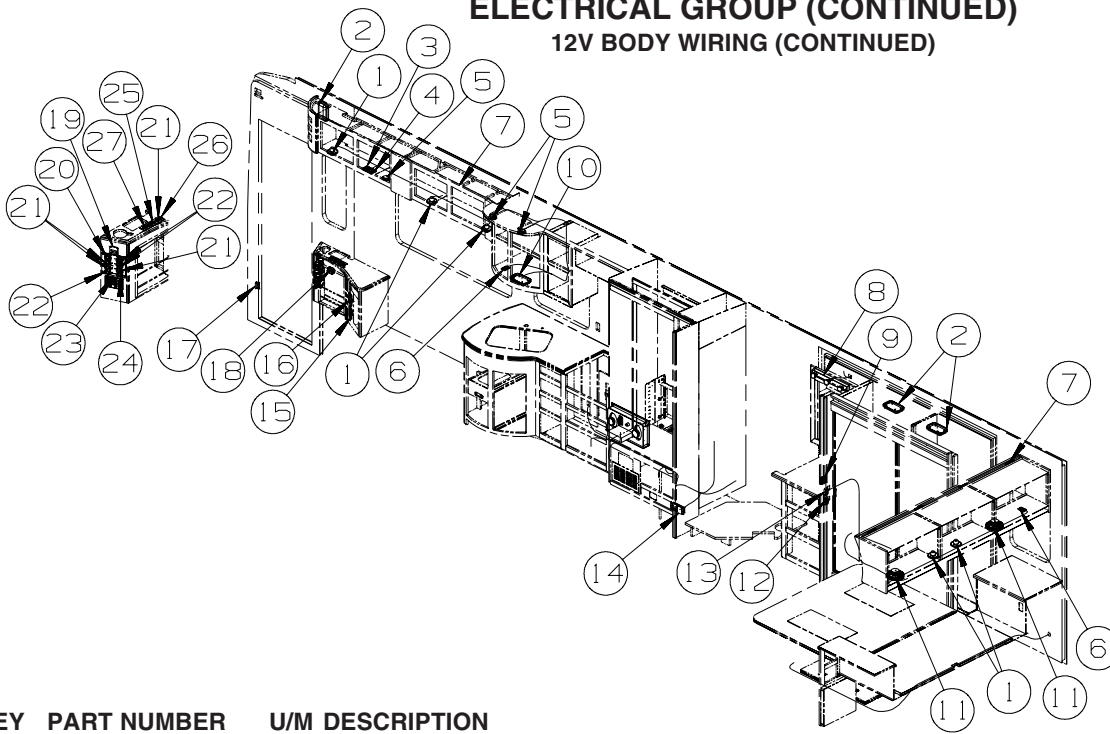
ELECTRICAL GROUP (CONTINUED)

12V BODY WIRING (CONTINUED)

KEY	PART NUMBER	U/M	DESCRIPTION
15	135740-06-01A	EA	SWITCH - ROCKER - ON/OFF - LIGHTED - RED
15	135741-01-01A	EA	SWITCH - BASE - SINGLE - BROWN
15	135742-35-02A	EA	BEZEL - SWITCH - WATER HEATER/110 VOLT - BROWN
16	158425-01-000	EA	MODULE - AUTO GENERATOR START - ONAN 018-02030 - GENERATOR-START,AUTO SYSTEM
17*	133004-05-01A	EA	PANEL/MONITOR-2 TANK-DIGITAL VOLT MT/SOLAR-W/WATER HTR SWT
18	127002-10-000	EA	PANEL/MONITOR - ENERGY MANAGEMENT SYSTEMS - W/3 PIN PLUG
19	105620-17-000	EA	THERMOSTAT - FURNACE-2 STAGE/HEAT PUMP-A/C -W/CHOKE MODULE
20	148254-05-000	EA	REMOTE/PANEL - INVERTER/CHARGER
20	148254-03-000	EA	CABLE/INVERTOR - W/8 PIN MODULAR PHONE JACK - 50'-DIMEN
21	135740-01-01A	EA	SWITCH - ROCKER - SPST - ON/OFF - BROWN
21	135740-02-01A	EA	SWITCH - ROCKER - SPDT - ON/ON - BROWN
21	135741-02-01A	EA	SWITCH - BASE - DOUBLE - BROWN
21	135742-18-02A	EA	BEZEL - SWITCH - LOUNGE/GALLEY - BROWN
22	135740-01-01A	EA	SWITCH - ROCKER - SPST - ON/OFF - BROWN
22	135740-02-01A	EA	SWITCH - ROCKER - SPDT - ON/ON - BROWN
22	135741-02-01A	EA	SWITCH - BASE - DOUBLE - BROWN
22	135742-31-02A	EA	BEZEL - SWITCH - CEILING/MONITOR - BROWN
23	135740-01-01A	EA	SWITCH - ROCKER - SPST - ON/OFF - BROWN
23	135741-02-01A	EA	SWITCH - BASE - DOUBLE - BROWN
23	135742-49-02A	EA	BEZEL - SWITCH - ACCENT/FAN - BROWN
24	135740-01-01A	EA	SWITCH - ROCKER - SPST - ON/OFF - BROWN
24	135740-03-01A	EA	SWITCH - ROCKER - DPDT - MOM/OFF/MOM - BROWN
24	135741-02-01A	EA	SWITCH - BASE - DOUBLE - BROWN
24	135742-17-02A	EA	BEZEL - SWITCH - UP/DOWN FAN - BROWN
25*	137417-02-01A	EA	LIGHT - DOME - SINGLE - W/SWITCH/OPTIC LENS - WHITE
26	149557-05-01A	EA	PLATE/WALL - DUAL COAXIAL/HORIZONTAL - WHITE
27	092547-12-000	EA	LABEL - CIRCUIT BREAKER
27	139067-03-02B	EA	PLATE - CIRCUIT BREAKER/HOUSE - E-COATED

*COMPONENT PARTS LISTED LATER IN THIS GROUP

ELECTRICAL GROUP (CONTINUED) 12V BODY WIRING (CONTINUED)

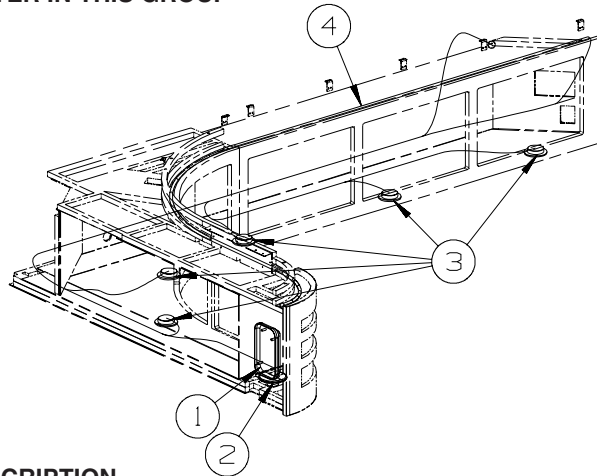


KEY	PART NUMBER	U/M	DESCRIPTION
1	132427-01-02A	EA	LIGHT - READING/SWIVEL - ROUND - NICKEL
2*	137417-03-01A	EA	LIGHT - DOME - SINGLE - W/O SWITCH - W/FROSTED LENS-WHITE
3	135740-01-01A	EA	SWITCH - ROCKER - SPST - ON/OFF - BROWN
3	135741-01-01A	EA	SWITCH - BASE - SINGLE - BROWN
3	135742-51-02A	EA	BEZEL - SWITCH - READING - BROWN
4	135740-01-01A	EA	SWITCH - ROCKER - SPST - ON/OFF - BROWN
4	135741-02-01A	EA	SWITCH - BASE - DOUBLE - BROWN
4	135742-36-02A	EA	BEZEL - SWITCH - ACCENT/VALANCE - BROWN
5*	123775-01-02A	EA	LIGHT - HALOGEN - ROUND - SATIN NICKEL
6	135740-01-01A	EA	SWITCH - ROCKER - SPST - ON/OFF - BROWN
6	135741-01-01A	EA	SWITCH - BASE - SINGLE - BROWN
6	135742-50-02A	EA	BEZEL - SWITCH - ACCENT - BROWN
7	146514-02-000	EA	CONNECTOR - LIGHT
7	146514-03-000	FT	LIGHT - FLEX - ROPE/ROUND - W/O MOUNT CHANNEL
7	146514-04-000	EA	CHANNEL/MOUNT - F/ROPE LIGHT
8	138116-01-02A	EA	LIGHT/MAKE UP - 3 BULB - CURVED - W/O BULB - SATIN NICKEL
8	123918-01-000	EA	BULB - 12V - MAKEUP - WHITE
9	135740-01-01A	EA	SWITCH - ROCKER - SPST - ON/OFF - BROWN
9	135740-02-01A	EA	SWITCH - ROCKER - SPDT - ON/ON - BROWN
9	135741-02-01A	EA	SWITCH - BASE - DOUBLE - BROWN
9	135742-14-02A	EA	BEZEL - SWITCH - MAKEUP/CEILING - BROWN
10*	137417-02-01A	EA	LIGHT - DOME - SINGLE - W/SWITCH/OPTIC LENS - WHITE
11	094097-01-000	EA	SPEAKER - RADIO/TV - W/O GRILLE - 5.25" DIAMETER
11	159430-01-01A	EA	GRILLE - SPEAKER - 6" ROUND - CASHMERE
12	135740-01-01A	EA	SWITCH - ROCKER - SPST - ON/OFF - BROWN
12	135741-01-01A	EA	SWITCH - BASE - SINGLE - BROWN
12	135742-01-01A	EA	BEZEL - SWITCH - SINGLE - BROWN
13	135740-01-01A	EA	SWITCH - ROCKER - SPST - ON/OFF - BROWN
13	135741-01-01A	EA	SWITCH - BASE - SINGLE - BROWN
13	135742-07-02A	EA	BEZEL - SWITCH - CEILING - BROWN
14	150138-01-02A	EA	DETECTOR - LP GAS - BROWN
15	093253-01-02A	EA	PLATE - WALL - TELEPHONE - BROWN
16	076319-09-000	EA	WALLPLATE - TV CABLE RECEPTACLE - SINGLE - BROWN
17	116995-03-000	EA	SWITCH/MAGNET - ELECTRIC STEP

ELECTRICAL GROUP (CONTINUED)
12V BODY WIRING (CONTINUED)

KEY	PART NUMBER	U/M	DESCRIPTION	
18	063912-02-000	EA	RELAY - CANISTER - SPDT	
19*	108354-01-01A	EA	LIGHT - COURTESY	
20	159671-10-01A	EA	APPLIQUE - PASSENGER - SILVER	
20	108355-02-000	EA	HOUSING - SWITCH - 12 POSITION	
21	145638-01-01A	EA	SWITCH/ROCKER - SPST (ON/OFF) - BLACK	
21	108355-02-000	EA	HOUSING - SWITCH - 12 POSITION	
22	145638-05-01A	EA	SWITCH/ROCKER - SPDT (ON/OFF/ON) - BLACK	
22	108355-02-000	EA	HOUSING - SWITCH - 12 POSITION	
23	159671-10-01A	EA	APPLIQUE - PASSENGER - SILVER	
23	164352-02-02B	EA	PLATE - SWITCH - E-COATED	
24	145638-09-01A	EA	SWITCH/ROCKER - DPDT (ON/OFF/ON) - BLACK	
24	108355-02-000	EA	HOUSING - SWITCH - 12 POSITION	
25	145638-12-01A	EA	SWITCH/ROCKER - DPDT (ON/ON/ON) - BLACK	
25	108355-02-000	EA	HOUSING - SWITCH - 12 POSITION	
26	159671-11-01A	EA	APPLIQUE - PASSENGER - SILVER	
				FROM: 00-00-00 THRU: 08-05-07
26	159671-12-01A	EA	APPLIQUE - PANEL/RH - PASSENGER - SILVER	
				FROM: 08-06-07 THRU: 99-99-99
26	164352-01-02B	EA	PLATE - SWITCH - E-COATED	
				FROM: 00-00-00 THRU: 08-05-07
26	164352-03-02B	EA	PLATE - SWITCH - E-COATED	
				FROM: 08-06-07 THRU: 99-99-99
27	145638-09-01A	EA	SWITCH/ROCKER - DPDT (ON/OFF/ON) - BLACK	
				FROM: 08-06-07 THRU: 99-99-99
27	108355-02-000	EA	HOUSING - SWITCH - 12 POSITION	
				FROM: 08-06-07 THRU: 99-99-99

***COMPONENT PARTS LISTED LATER IN THIS GROUP**

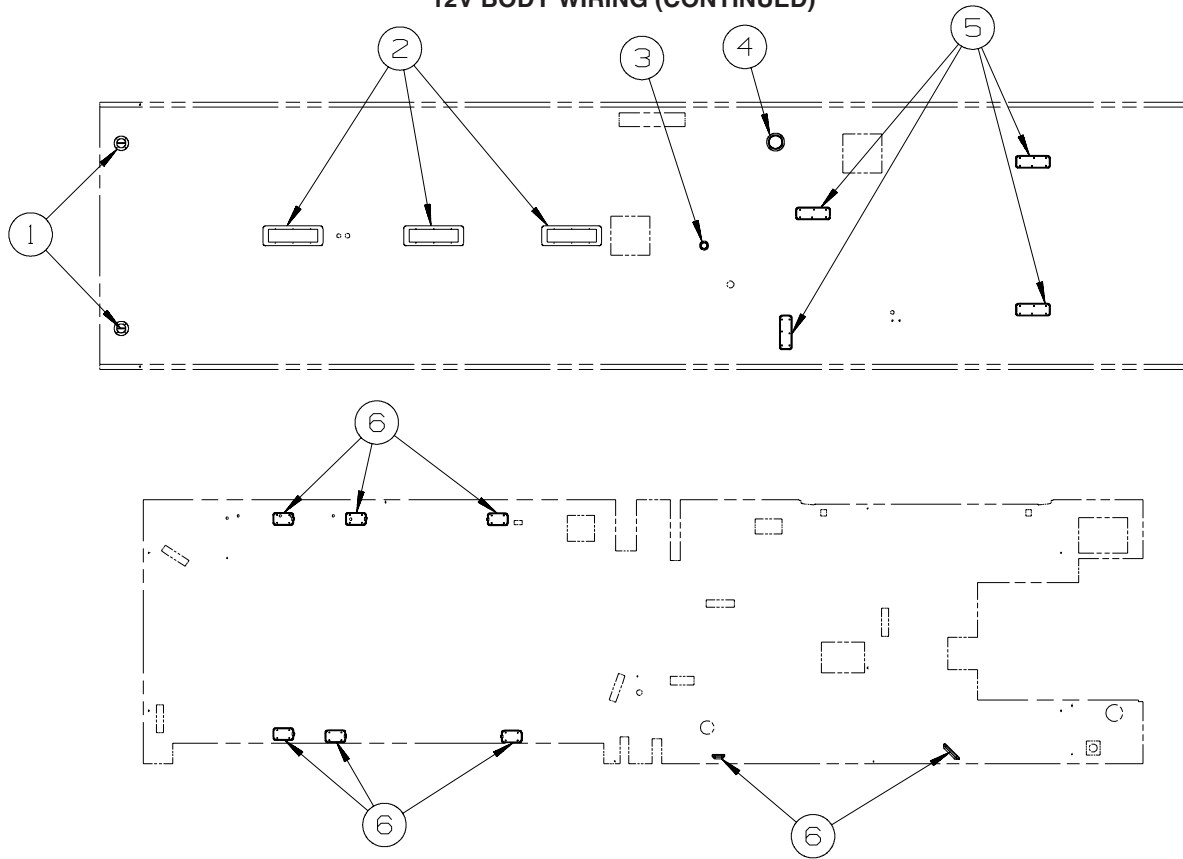


**FRONT
OVERHEAD**

KEY	PART NUMBER	U/M	DESCRIPTION
1*	137417-03-01A	EA	LIGHT - DOME - SINGLE - W/O SWITCH - W/FROSTED LENS-WHITE
2	132427-01-02A	EA	LIGHT - READING/SWIVEL - ROUND - NICKEL
3*	123775-01-02A	EA	LIGHT - HALOGEN - ROUND - SATIN NICKEL
4	146514-02-000	EA	CONNECTOR - LIGHT
4	146514-03-000	FT	LIGHT - FLEX - ROPE/ROUND - W/O MOUNT CHANNEL
4	146514-04-000	EA	CHANNEL/MOUNT - F/ROPE LIGHT

***COMPONENT PARTS LISTED LATER IN THIS GROUP**

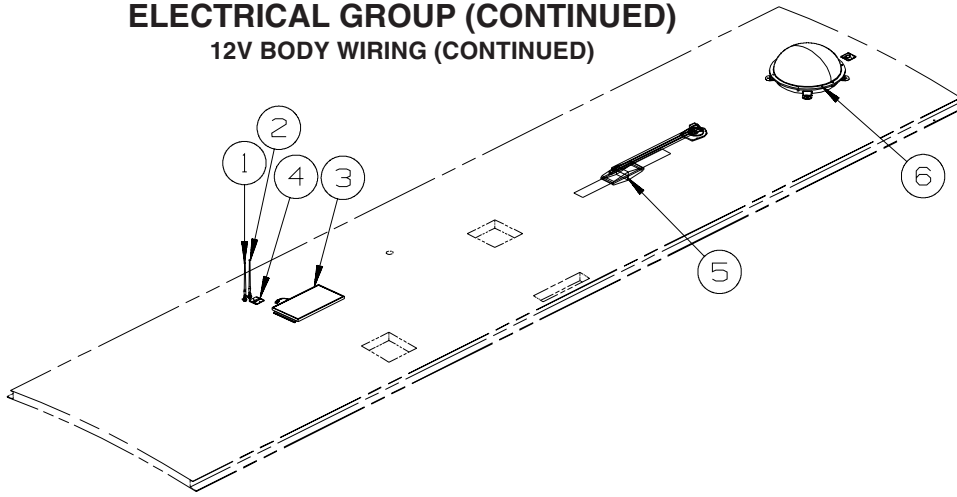
ELECTRICAL GROUP (CONTINUED)
12V BODY WIRING (CONTINUED)



KEY	PART NUMBER	U/M	DESCRIPTION
1	160867-01-01A	EA	SPEAKER - ROUND/CEILING - CREAM - MAGNADYNE - LS3EYC-WN
2*	153464-06-01A	EA	LIGHT-FLUORESCENT 21.8"- RECESSED/WARM WHT BULB-W/O SWITCH
3*	123775-01-02A	EA	LIGHT - HALOGEN - ROUND - SATIN NICKEL
4	164040-01-01A	EA	LIGHT - DOME - SHOWER/RECESSED - GLASS - WHITE
5*	137417-06-01A	EA	LIGHT - DOME - DOUBLE - W/O SWITCH - W/FROSTED LENS-WHITE
6*	137417-01-01A	EA	LIGHT - DOME - SINGLE - W/SWITCH/FROSTED LENS - WHITE

***COMPONENT PARTS LISTED LATER IN THIS GROUP**

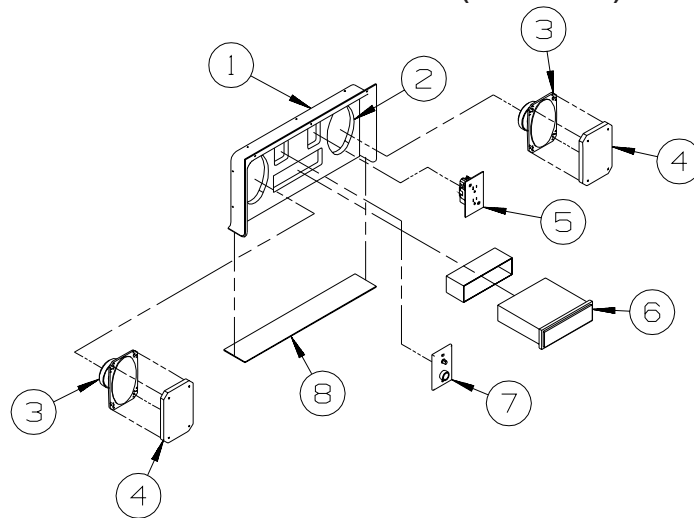
ELECTRICAL GROUP (CONTINUED)
12V BODY WIRING (CONTINUED)



KEY	PART NUMBER	U/M	DESCRIPTION
1	090944-01-000	EA	ANTENNA - RADIO - 16" RUBBER - W/72" LEAD WIRE - STEREO SYSTEM/W/CD/DVD REAR
1	109889-04-000	EA	EXTENDER - ANTENNA SHAFT - 3.7" - STEREO SYSTEM/W/CD/DVD REAR
1	147741-01-09B	EA	BRACKET - ANTENNA GROUND - GALVANIZED - STEREO SYSTEM/W/CD/DVD REAR
2	090944-01-000	EA	ANTENNA - RADIO - 16" RUBBER - W/72" LEAD WIRE - ENTERTAINMENT CENTR/EXT W/CD
2	109889-04-000	EA	EXTENDER - ANTENNA SHAFT - 3.7" - ENTERTAINMENT CENTR/EXT W/CD
2	147741-01-09B	EA	BRACKET - ANTENNA GROUND - GALVANIZED - ENTERTAINMENT CENTR/EXT W/CD
3	151647-01-000	EA	PANEL - SOLAR 10 WATT
4	146488-01-000	EA	PLATE - ROOF - CABLE ENTRY
5*	076319-23-000	EA	ANTENNA - TV ROOF MOUNT - 44.5" MAST
5*	076319-25-000	EA	KIT - HARDWARE INTERIOR
5	069726-02-000	EA	BUMPER - .88" OD X .40" THICK - BLACK
6	163598-01-02A	EA	ANTENNA/SATELLITE - DISH IN DOME/AUTOMATIC - BLACK - SATELLITE TV SYSTEM AUTO
6	163598-02-000	EA	SWITCH/CONTROL - SATELLITE - SATELLITE TV SYSTEM AUTO
6	163598-03-000	EA	CABLE - SATELLITE CONTROL - SATELLITE TV SYSTEM AUTO
6	163598-04-000	EA	CABLE/COAX - SATELLITE - 9" - SATELLITE TV SYSTEM AUTO
6	146488-03-000	EA	PLATE - ROOF - CABLE ENTRY - QUAD - SATELLITE TV SYSTEM AUTO
6	082134-01-000	EA	ADAPTER - TV - CABLE TO CABLE - SATELLITE TV SYSTEM AUTO
6*	154474-04-02A	EA	ANTENNA/SATELLITE - DISH IN DOME/SEARCH IN MOTION - BLACK - IN-MOTION SATELLITTE
6	154474-02-000	EA	CONTROL/SATELLITE KIT - IDB BOX/IDD BOX-POWER SUPPLY-CABLE - IN-MOTION SATELLITTE
6	146488-03-000	EA	PLATE - ROOF - CABLE ENTRY - QUAD - IN-MOTION SATELLITTE
6	163598-04-000	EA	CABLE/COAX - SATELLITE - 9" - IN-MOTION SATELLITTE
6	082134-01-000	EA	ADAPTER - TV - CABLE TO CABLE - IN-MOTION SATELLITTE

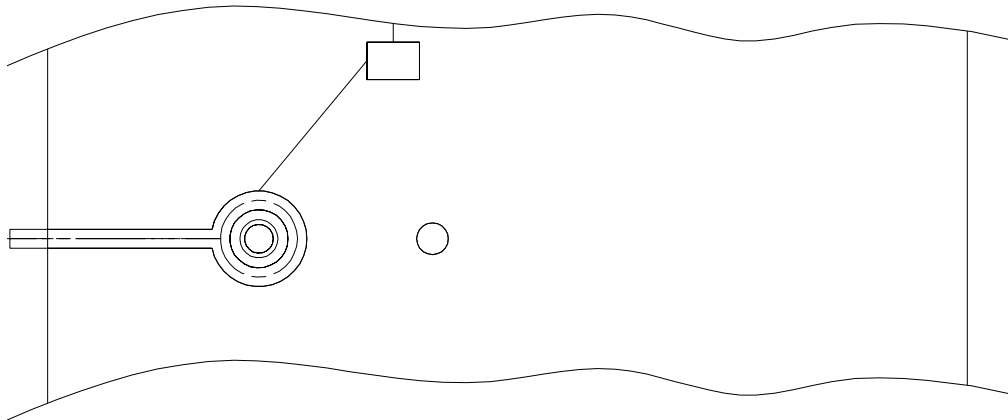
*COMPONENT PARTS LISTED LATER IN THIS GROUP

ELECTRICAL GROUP (CONTINUED)
12V BODY WIRING (CONTINUED)

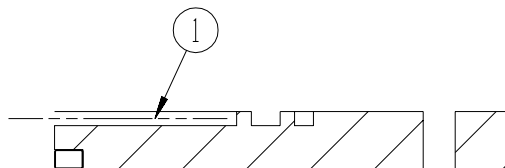


ENTERTAINMENT CENTER

KEY	PART NUMBER	U/M	DESCRIPTION
1	124696-02-01A	EA	BOX-ENTERTAINMENT CTR/EXT-19.4"W X 10"H X 2.5"D - BRT WHT
	124696-01-01A	EA	BOX-ENTERTAINMENT CTR/EXT-19.4"W X 10"H X 10.2"D W/CUTOUTS
2	127409-03-UC1	EA	PLATE - RADIO MOUNTING
3	110469-01-000	EA	SPEAKER - 4" X 6" OVAL - COAXIAL
4	110470-01-01A	EA	GRILLE - 4" X 6" - OVAL SPEAKER - BLACK
5	058708-01-000	EA	RECEPTACLE - ELECTRIC - DOUBLE - BROWN
6	155619-02-000	EA	RADIO - AM/FM CD-W/O REMOTE/WIRE HARNESS-MAGNADYNE M3200CD
	155619-03-000	EA	REMOTE - RADIO
7	132958-01-000	EA	RECEPTACLE - 12 VOLT - MOUNTING FLANGE - BLACK
8	104898-01-02A	EA	PLATE - PLASTIC BOTTOM - BRIGHT WHITE

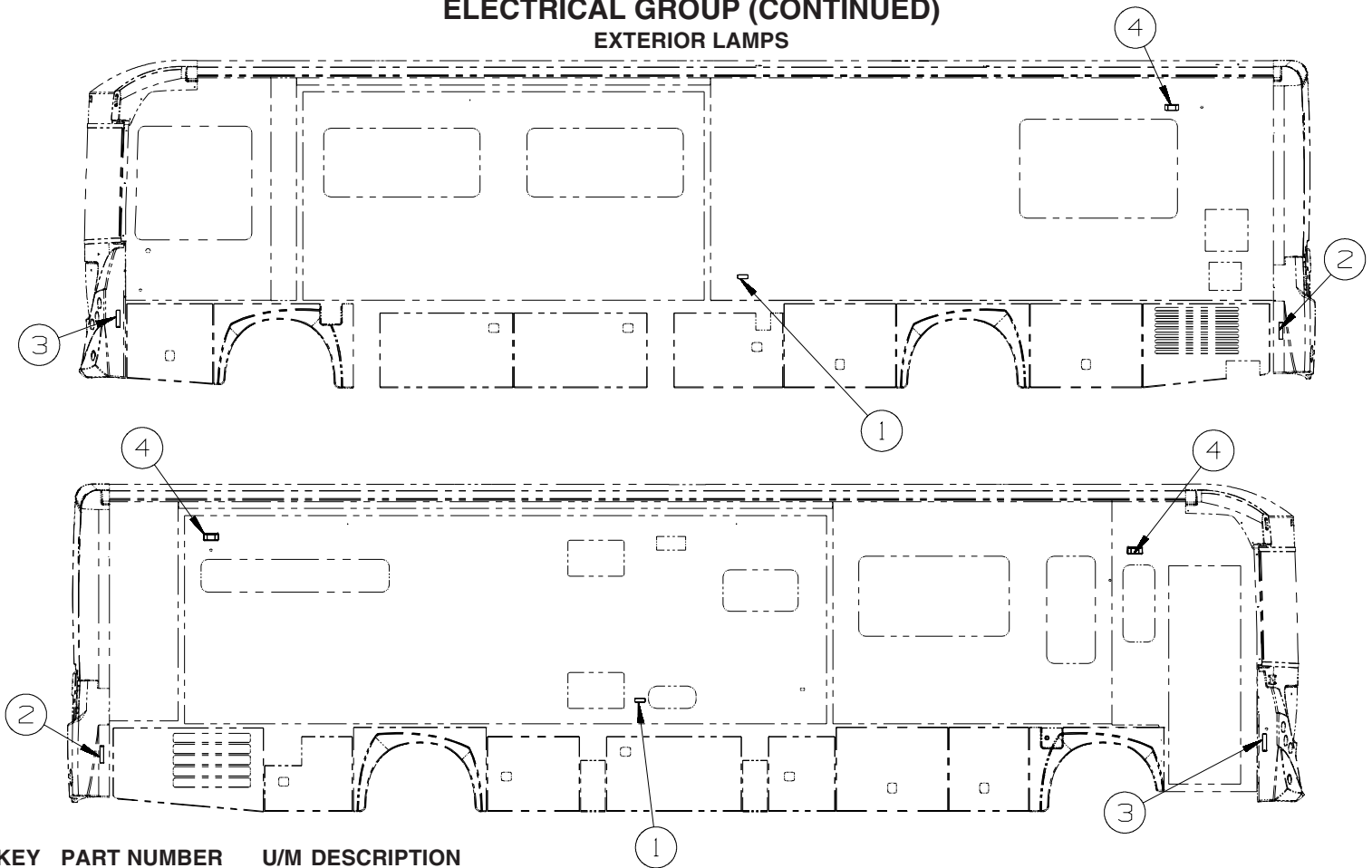


SATELLITE WIRING



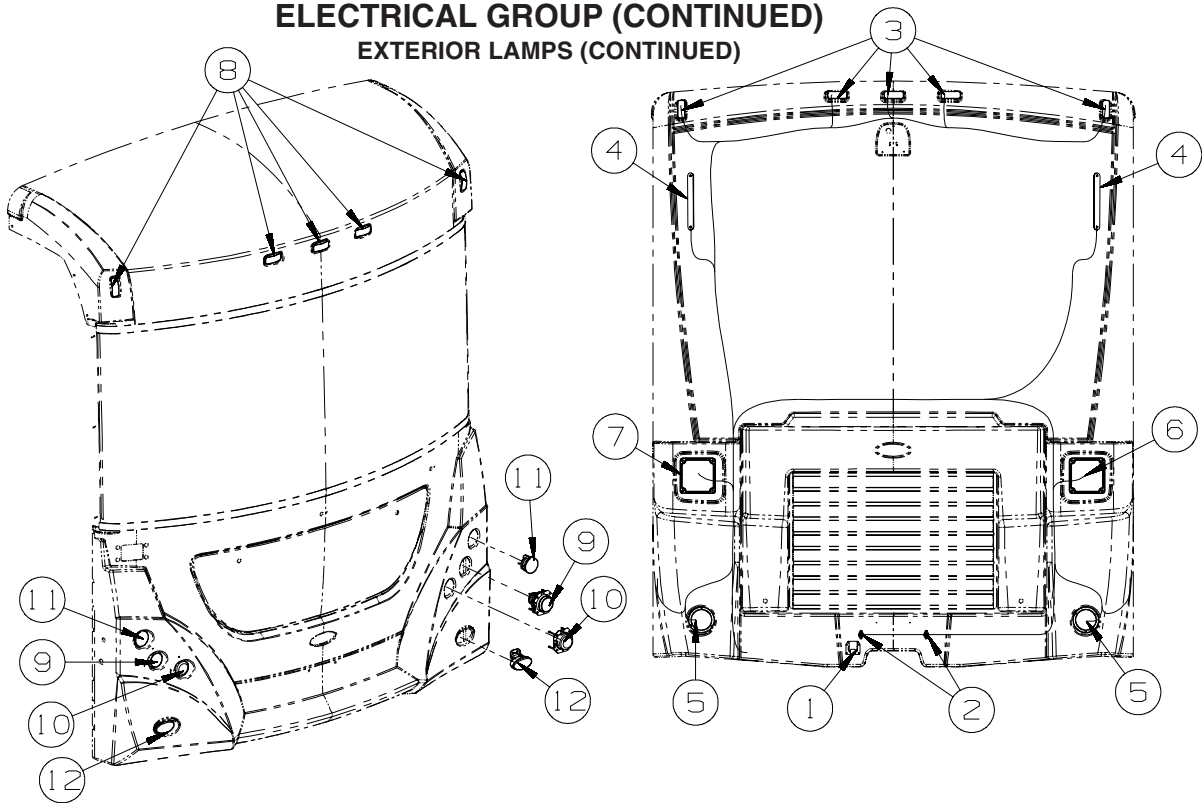
KEY	PART NUMBER	U/M	DESCRIPTION
1	154474-03-000	EA	CABLE - SATELLITE - COAX - 8' W/CONNECTORS - AUTOMATIC SATELLITE DISH
1	141454-04-000	EA	WIRE - SATELLITE - AUTOMATIC - AUTOMATIC SATELLITE DISH FROM: 00-00-00 THRU: 01-28-07
1	163598-03-000	EA	CABLE - SATELLITE CONTROL - AUTOMATIC SATELLITE DISH FROM: 01-29-07 THRU: 99-99-99

ELECTRICAL GROUP (CONTINUED)
EXTERIOR LAMPS



KEY	PART NUMBER	U/M	DESCRIPTION
1	111102-01-000	EA	BASE - MARKER LAMP
	036196-01-000	EA	BULB - 12V - #194 - .27 AMP - BAYONETTE
1	111102-02-000	EA	LENS - AMBER - MARKER LAMP
2	117826-01-000	EA	LAMP/SIDE MARKER ASSEMBLY - RED
2	117826-03-000	EA	GASKET/SIDE MARKER LIGHT
2	067789-02-000	EA	SOCKET - LAMP
2	036196-01-000	EA	BULB - 12V - #194 - .27 AMP - BAYONETTE
3	117826-02-000	EA	LAMP/SIDE MARKER ASSEMBLY - AMBER
3	117826-03-000	EA	GASKET/SIDE MARKER LIGHT
3	067789-02-000	EA	SOCKET - LAMP
3	036196-01-000	EA	BULB - 12V - #194 - .27 AMP - BAYONETTE
4	097917-01-08A	EA	LIGHT/PORCH - CHROME
	008215-01-000	EA	BULB - 12 VOLT - #1003 - .94 AMP

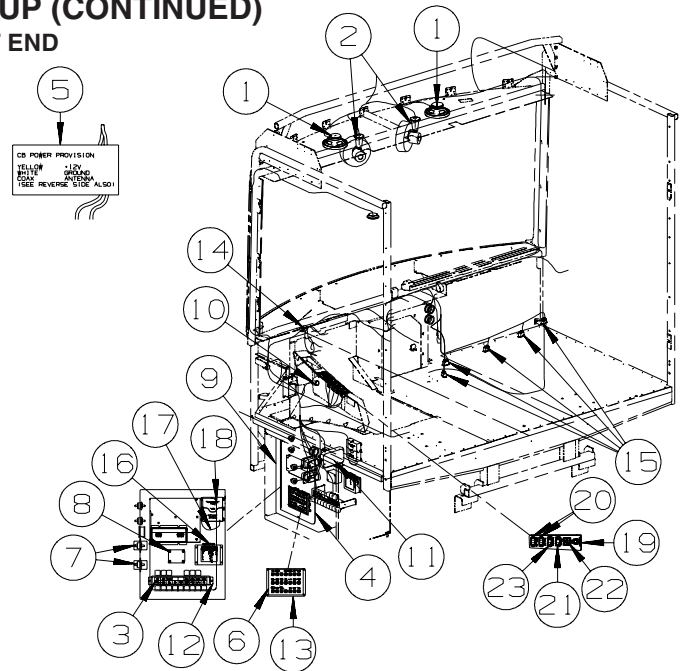
ELECTRICAL GROUP (CONTINUED)
EXTERIOR LAMPS (CONTINUED)



KEY	PART NUMBER	U/M	DESCRIPTION
1	146246-01-000	EA	CONNECTOR/PLUG - TRAILER - 7 PIN
2	087201-01-000	EA	LIGHT - HALF ROUND - 1" X 1.7" - PLASTIC - BLACK OR WHITE
3	111102-01-000	EA	BASE - MARKER LAMP
3	111102-02-000	EA	LENS - AMBER - MARKER LAMP
4	151076-01-000	EA	LIGHT - BRAKE - CENTER MOUNT
5	138441-02-000	EA	LAMP - BACKUP - 4 1/2" ROUND
5	138441-03-000	EA	CONNECTOR - LAMP - 2 CIRCUIT
6	161238-01-01A	EA	LAMP - STOP/TURN/TAIL - LED - RED
6	164956-01-10A	EA	POD - TAILLIGHT/PASSENGER - 9" X 9" - BLACK
7	161238-01-02A	EA	LAMP - STOP/TURN/TAIL - LED - SMOKE
7	164956-02-10A	EA	POD - TAILLIGHT/DRIVER - 9" X 9" - BLACK
8	111102-01-000	EA	BASE - MARKER LAMP
8	111102-02-000	EA	LENS - AMBER - MARKER LAMP
9	146527-01-000	EA	HEADLAMP - LOW BEAM
9	147103-01-000	EA	HOUSING/CONNECTOR - HEADLAMP - W/PIGTAIL
10	146527-02-000	EA	HEADLAMP - HIGH BEAM
10	147103-01-000	EA	HOUSING/CONNECTOR - HEADLAMP - W/PIGTAIL
11	146560-03-000	EA	LAMP - PARK/TURN - AMBER
11	112708-01-000	EA	BULB - 12 VOLT - #3157 - .59/2.10 AMP
11	146560-02-000	EA	SOCKET - LAMP - 3 WIRE
12	162085-01-000	EA	LAMP/FOG - OVAL - BLUE - HAMSAR #83041A

ELECTRICAL GROUP (CONTINUED)

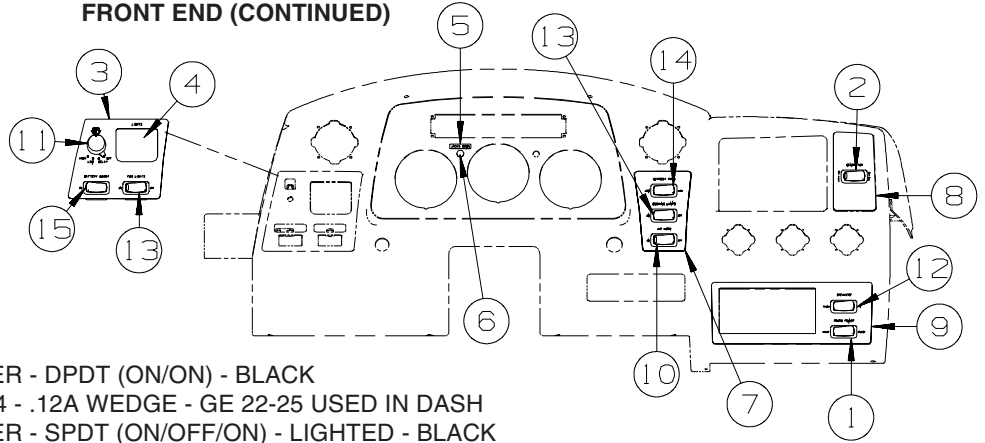
FRONT END



KEY	PART NUMBER	U/M	DESCRIPTION
1	094097-01-000	EA	SPEAKER - RADIO/TV - W/O GRILLE - 5.25" DIAMETER
1	159430-01-01A	EA	GRILLE - SPEAKER - 6" ROUND - CASHMERE
2	122856-01-01A	EA	FAN-DEFROSTER-2 SPEED W/SWIVEL BASE/NON-OSCILLATING-CHROME
3	136161-05-01A	EA	LABEL - RELAY - MATTE BLACK/WHITE LETTERS
4	145066-03-02B	EA	DOOR - ELECTRICAL COMPARTMENT - E-COATED
5	104678-01-000	EA	LABEL - CB PREP
6	093236-48-000	EA	LABEL - CIRCUIT BREAKER
7	118571-03-000	EA	BRACKET - MOUNTING
7	118571-04-000	EA	GASKET
8	128074-02-000	EA	FILTER - NOISE - 12 VOLT DC W/PLUGS
9	145063-03-02B	EA	PANEL - CLOSEOUT/ELECTRICAL - E-COATED
10	111414-01-000	EA	RECEPTACLE/SOCKET - 12 VOLT
11*	137417-03-01A	EA	LIGHT - DOME - SINGLE - W/O SWITCH - W/FROSTED LENS-WHITE
12	136120-02-02B	EA	BRACKET - RELAY - E-COATED
13	139067-07-02B	EA	PLATE - CIRCUIT BREAKER/HOUSE - E-COATED
14	160876-01-000	EA	ALARM - JACKS DOWN
15	157655-01-01A	EA	LIGHT - DASH/SWITCH - 2 LAMP INCANDESCANT - BLACK HOUSING
16	151458-01-000	EA	KEYLESS ENTRY SYSTEM-ENTRY/CARGO DOORS-W/REMOTE-W/O KEYPAD
17	158494-02-000	EA	CABLE/ANTENNA - SATELLITE RADIO SIRRUS
18	163142-06-000	EA	RECEIVER - SATELLITE RADIO
	113452-02-000	FT	SEAL/TRIM - FRONT - VINYL W/WIRE CARRIER - .027" - WHERE HOSES CROSS METAL
19	145926-20-02B	EA	INSERT - SWITCH PLATE - 4 HOLE/RELAY SLOT - E-COATED
19	159671-06-01A	EA	APPLIQUE - PANEL/LH - SILVER
20	145638-12-01A	EA	SWITCH/ROCKER - DPDT (ON/ON/ON) - BLACK
20	103603-01-000	EA	BULB - 12V - #74 - .12A WEDGE - GE 22-25 USED IN DASH
21	145638-02-01A	EA	SWITCH/ROCKER - SPST (ON/OFF) - LIGHTED - BLACK
21	103603-01-000	EA	BULB - 12V - #74 - .12A WEDGE - GE 22-25 USED IN DASH
22	088246-01-000	EA	SWITCH/REMOTE MIRROR - W/2PIN & 6 PIN CONNECTORS/PIGTAIL
23	145638-08-01A	EA	SWITCH/ROCKER - DPDT (ON/ON) - LIGHTED - BLACK
23	103603-01-000	EA	BULB - 12V - #74 - .12A WEDGE - GE 22-25 USED IN DASH

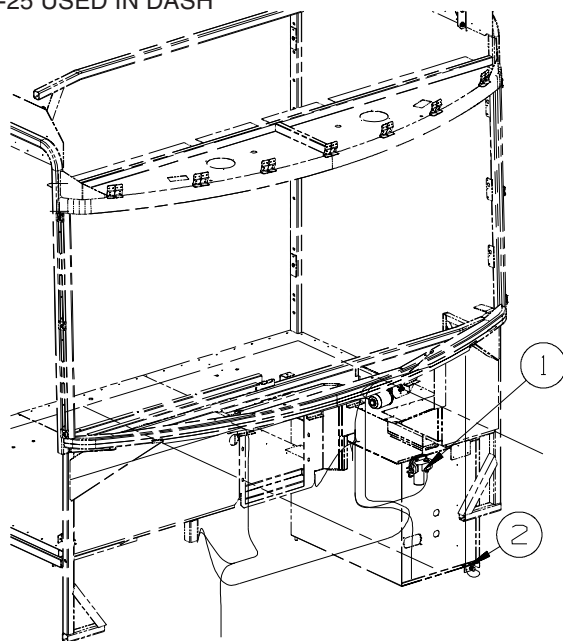
*COMPONENT PARTS LISTED LATER IN THIS GROUP

ELECTRICAL GROUP (CONTINUED) FRONT END (CONTINUED)



KEY	PART NUMBER	U/M	DESCRIPTION
1	145638-07-01A	EA	SWITCH/ROCKER - DPDT (ON/ON) - BLACK
1	103603-01-000	EA	BULB - 12V - #74 - .12A WEDGE - GE 22-25 USED IN DASH
2	145638-06-01A	EA	SWITCH/ROCKER - SPDT (ON/OFF/ON) - LIGHTED - BLACK
2	103603-01-000	EA	BULB - 12V - #74 - .12A WEDGE - GE 22-25 USED IN DASH
3	159671-02-01A	EA	APPLIQUE - DRIVERS/LH - SILVER
4	160192-01-02B	EA	MOUNT - HEADLAMP SWITCH/RH - E-COATED
4	160192-02-02B	EA	MOUNT - HEADLAMP SWITCH/LH - E-COATED
5	133533-01-01A	EA	LABEL - JACKS DOWN - CLEAR W/WHITE LETTERING
6	150237-01-000	EA	LIGHT - INDICATOR - RED
7	159671-07-01A	EA	APPLIQUE - DRIVERS/RH - SILVER
8	159671-03-01A	EA	APPLIQUE - PASSENGER - SILVER
9	159671-04-01A	EA	APPLIQUE - BEZEL/RADIO - SILVER
10	145638-08-01A	EA	SWITCH/ROCKER - DPDT (ON/ON) - LIGHTED - BLACK
10	103603-01-000	EA	BULB - 12V - #74 - .12A WEDGE - GE 22-25 USED IN DASH
11*	091206-04-000	EA	MODULE KIT - WIPER CONTROL - DYNAMIC PARK
12	145638-01-01A	EA	SWITCH/ROCKER - SPST (ON/OFF) - BLACK
12	103603-01-000	EA	BULB - 12V - #74 - .12A WEDGE - GE 22-25 USED IN DASH
13	145638-02-01A	EA	SWITCH/ROCKER - SPST (ON/OFF) - LIGHTED - BLACK
13	103603-01-000	EA	BULB - 12V - #74 - .12A WEDGE - GE 22-25 USED IN DASH
14	145638-03-01A	EA	SWITCH/ROCKER - SPDT (ON/OFF/ON) - BLACK
14	103603-01-000	EA	BULB - 12V - #74 - .12A WEDGE - GE 22-25 USED IN DASH
15	145638-04-01A	EA	SWITCH/ROCKER - SPDT (ON/ON) - BLACK
15	103603-01-000	EA	BULB - 12V - #74 - .12A WEDGE - GE 22-25 USED IN DASH

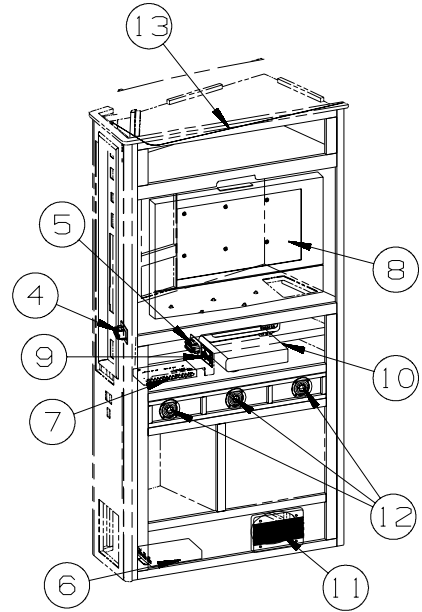
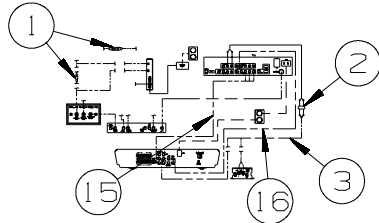
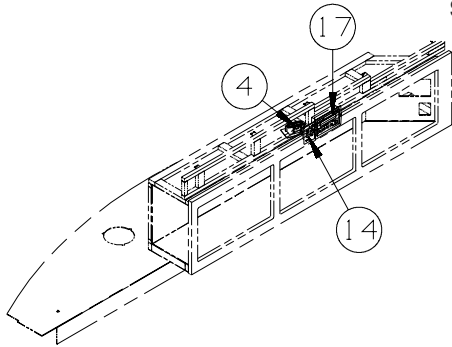
*COMPONENT PARTS LISTED LATER IN THIS GROUP



KEY	PART NUMBER	U/M	DESCRIPTION
1	114802-01-000	EA	PUMP - VACUUM - 12V
2	NOT USED		

ELECTRICAL GROUP (CONTINUED)

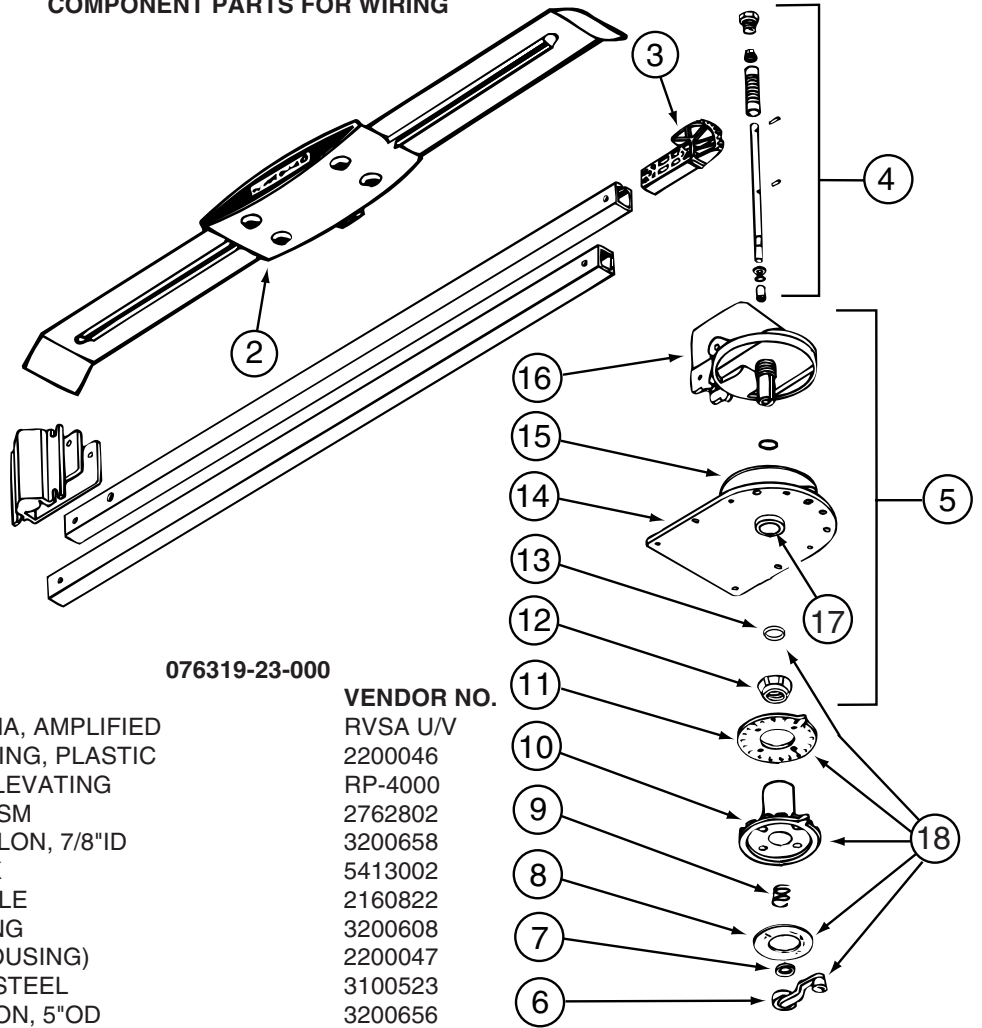
SIDE TV/DVD



KEY	PART NUMBER	U/M	DESCRIPTION
1	082134-01-000	EA	ADAPTER - TV - CABLE TO CABLE
2	123324-01-000	EA	FILTER - GROUND LOOP
3	117420-03-000	EA	CABLE - W/MALE RCA ENDS - SHIELDED - 20'
4	058708-01-000	EA	RECEPTACLE - ELECTRIC - DOUBLE - BROWN
5	058708-01-000	EA	RECEPTACLE - ELECTRIC - DOUBLE - BROWN
5	158542-02-01A	EA	LABEL - RECEPTACLE - ELECTRONICS - WHITE/BLACK
6	140062-01-000	EA	SWITCH - SPEAKER - 6 CHANNEL
7	142258-01-000	EA	SWITCH - VIDEO/ANTENNA POWER SUPPLY
8	164588-01-000	EA	TV - 37" - FLAT PANEL/LCD/HDTV - NORCENT LT-3725
8	166337-01-000	EA	TV - 37" - FLAT PANEL/LCD/HDTV - RCA L37WD23
			FROM: 00-00-00 THRU: 08-21-07
			FROM: 08-22-07 THRU: 99-99-99
9	149557-04-01A	EA	PLATE/WALL - TRIPLE COAXIAL/HORIZONTAL - WHITE
10*	158836-01-000	EA	DVD - HOME THEATER - W/O SPEAKERS - MEMOREX STS71E-R
			FROM: 00-00-00 THRU: 06-10-07
10*	164270-01-000	EA	DVD - HOME THEATER - W/O SPEAKERS - MEMOREX STS2891-R
			FROM: 06-11-07 THRU: 99-99-99
11	124884-01-000	EA	SPEAKER - 6" X 9" - SUB-WOOFER - W/O GRILLE
11	151844-01-01A	EA	GRILLE - SPEAKER - 6" X 9" - SUB WOOFER - BLACK
12	160868-01-01A	EA	SPEAKER - ROUND/CEILING - W/O CASE - BLACK
13	146514-03-000	FT	LIGHT - FLEX - ROPE/ROUND - W/O MOUNT CHANNEL
13	146514-02-000	EA	CONNECTOR - LIGHT
14	163598-02-000	EA	SWITCH/CONTROL - SATELLITE - AUTOMATIC TV SATELLITE SYSTEM
15	155845-01-000	EA	CABLE - RCA - 12' - 3 RCA MALE CONNECTORS - BOTH ENDS
16	136860-03-000	EA	CABLE - RCA - SHIELDED - 3 MALE TO MALE CONNECTORS - 6'
17	154474-02-000	EA	CONTROL/SATELLITE KIT - IDB BOX/IDD BOX-POWER SUPPLY-CABLE - IN MOTION SATELLITE

*COMPONENT PARTS LISTED LATER IN THIS GROUP

ELECTRICAL GROUP (CONTINUED)
COMPONENT PARTS FOR WIRING



076319-23-000

KEY	PART NUMBER	U/M	DESCRIPTION	VENDOR NO.
2	076319-01-700	EA	HEAD-ANTENNA, AMPLIFIED	RVSA U/V
3	076319-01-701	EA	GEAR-ELEVATING, PLASTIC	2200046
4	076319-01-702	EA	SHAFT ASM-ELEVATING	RP-4000
5	076319-01-711	EA	BASE & LIFT ASM	2762802
7	076319-01-705	EA	GROMMET-NYLON, 7/8"ID	3200658
8	076319-01-708	EA	DECAL-CRANK	5413002
9	076319-01-707	EA	SPRING-HANDLE	2160822
11	076319-01-712	EA	PLATE - CEILING	3200608
12	076319-01-715	EA	NUT (GEAR HOUSING)	2200047
14	076319-01-713	EA	PLATE-BASE, STEEL	3100523
15	076319-01-703	EA	BEARING-NYLON, 5"OD	3200656
16	076319-01-714	EA	HOUSING, ROTATING GEAR	2200049
17	076319-01-704	EA	BEARING-NYLON, 1.25"OD	3200657
18	076319-01-709	EA	HANDLE-HEAD DIRECTIONAL	200644
	076319-01-716	EA	TUBING, ELEVATING	RP-2900

CONTACT WINNEBAGO PART SALES FOR UNLISTED COMPONENT(S)

076319-25-000

KEY	PART NUMBER	U/M	DESCRIPTION	VENDOR NO.
6	076319-01-706	EA	CRANK-W/SET SCREW UNIV/BEIGE	2750897
6	120233-01-710	EA	HANDLE-CRANK W/SCREW - WHITE	RP-6795
8	076319-01-708	EA	DECAL-CRANK	5413002
10	076319-25-700	EA	DIRECTIONAL HANDLE(WHITE)	3200612
11	076319-25-701	EA	PLATE - CEILING(WHITE)	3200609
13	120233-01-709	EA	WASHER-NYLON	RP-2658

CONTACT WINNEBAGO PART SALES FOR UNLISTED COMPONENT(S)

091206-04-000

KEY	PART NUMBER	U/M	DESCRIPTION	VENDOR NO.
	091206-02-700	EA	KNOB-INNER	66C-00019
	091206-02-701	EA	KNOB-OUTER	66C-00020
	091206-04-700	EA	SWITCH ASSEM. ONLY	250-6623
	102362-03-700	EA	MODULE-WIPER CONT., DYNAMIC	66D-00093

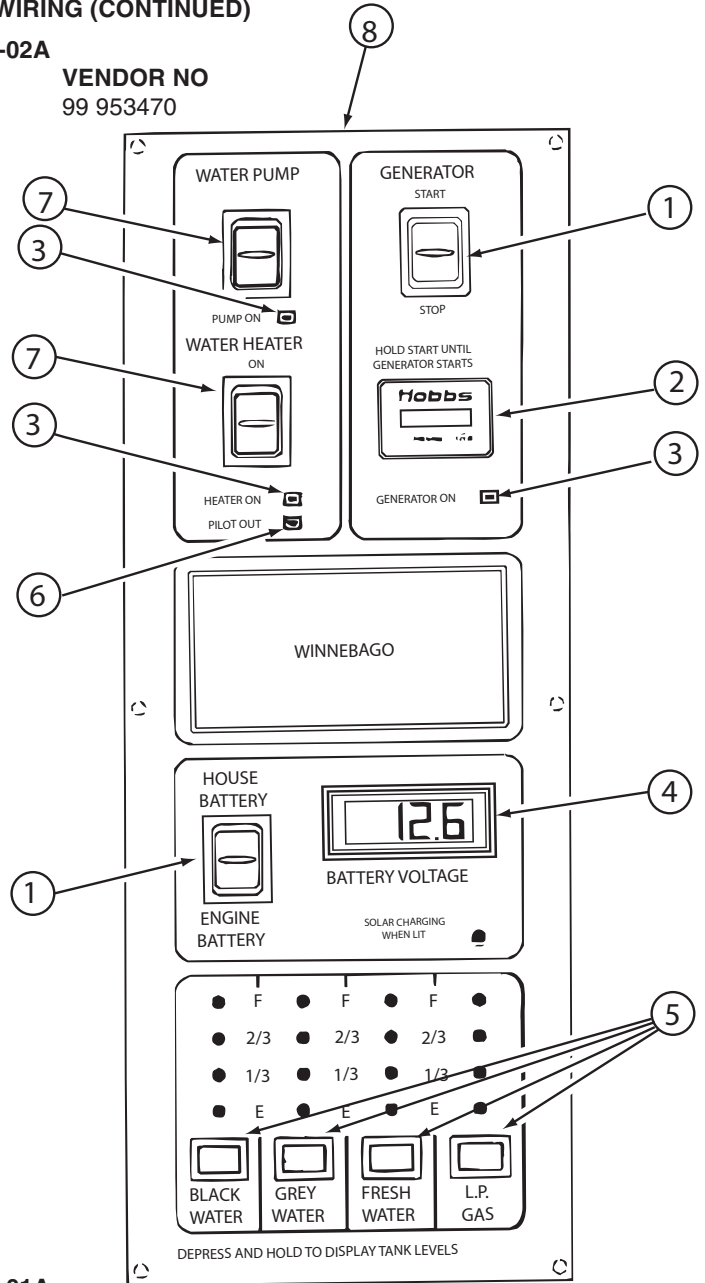
108354-01-01A

KEY	PART NUMBER	U/M	DESCRIPTION	VENDOR NO.
	108354-01-700	EA	BULB-COURTESY LIGHT	395-B

ELECTRICAL GROUP (CONTINUED)
COMPONENT PARTS FOR WIRING (CONTINUED)

123775-01-02A

KEY	PART NUMBER	U/M	DESCRIPTION	VENDOR NO
	123775-01-702	EA	BEZEL/LENS - SATIN NICKEL	99 953470



133004-05-01A

KEY	PART NUMBER	U/M	DESCRIPTION	VENDOR NO.
1	133004-01-702	EA	SWITCH/DPDT MOM=ON-OFF-ON	L1011-00
2	100258-10-701	EA	GAUGE-HR METER ONLY (LCD)	L0775-00
3	133004-01-706	EA	L.E.D. GREEN-PANEL MOUNT	L0785
4	133004-01-704	EA	METER/VOLT-DIGITAL - LCD	L1008-00
5	133004-01-705	EA	SWITCH/MOM ON - PUSH BUTTON	L0950-00
6	130004-01-703	EA	L.E.D. RED-PANEL MOUNT	L1009-00
7	133004-01-701	EA	SWITCH/DPDT ON-ON/MAINTAINED	L1025-00
8	133004-05-700	EA	SCREENED CHASSIS	CC0563-00
	133004-05-701	EA	BOARD - PC	L5130-02

137417-01-01A, 137417-03-01A

KEY	PART NUMBER	U/M	DESCRIPTION	VENDOR NO.
	137417-01-700	EA	LENS - SINGLE (FROSTED)	810868

137417-02-01A

KEY	PART NUMBER	U/M	DESCRIPTION	VENDOR NO.
	137417-02-700	EA	LENS - SINGLE OPTIC	810844

137417-06-01A

KEY	PART NUMBER	U/M	DESCRIPTION	VENDOR NO.
	137417-06-700	EA	LENS - DOUBLE WHITE	810867

ELECTRICAL GROUP (CONTINUED)
COMPONENT PARTS FOR WIRING (CONTINUED)

153464-03-01A, 153464-06-01A

KEY	PART NUMBER	U/M	DESCRIPTION	VENDOR NO.
	091937-08-700	EA	LENS - LIGHT - FLUORESCENT	D-766

154474-04-02A

KEY	PART NUMBER	U/M	DESCRIPTION	VENDOR NO.
	154474-04-702	EA	DOME ONLY-REPLACEMENT-BLACK	1850-B-LP-FS
	154474-04-703	EA	BOARD RF ASSEMBLY N/C	100087
	154474-04-705	EA	CABLE OUT DUAL TOP PCBA N/C	20034-1
	154474-04-706	EA	LNB DUAL EAGLE ASPEN N/C	1863-1

158836-01-000

KEY	PART NUMBER	U/M	DESCRIPTION	VENDOR NO.
	158836-01-700	EA	REMOTE	STS71WREM

163031-01-01A

KEY	PART NUMBER	U/M	DESCRIPTION	VENDOR NO.
	163031-01-700	EA	REMOTE	PSVCAWM960

163097-01-000

KEY	PART NUMBER	U/M	DESCRIPTION	VENDOR NO.
	163097-01-700	EA	KEY - #2382 (ILLINOIS LOCK)	2382
	163097-01-701	EA	KEY - #2341 (MILLER DIAL)	PART SALES

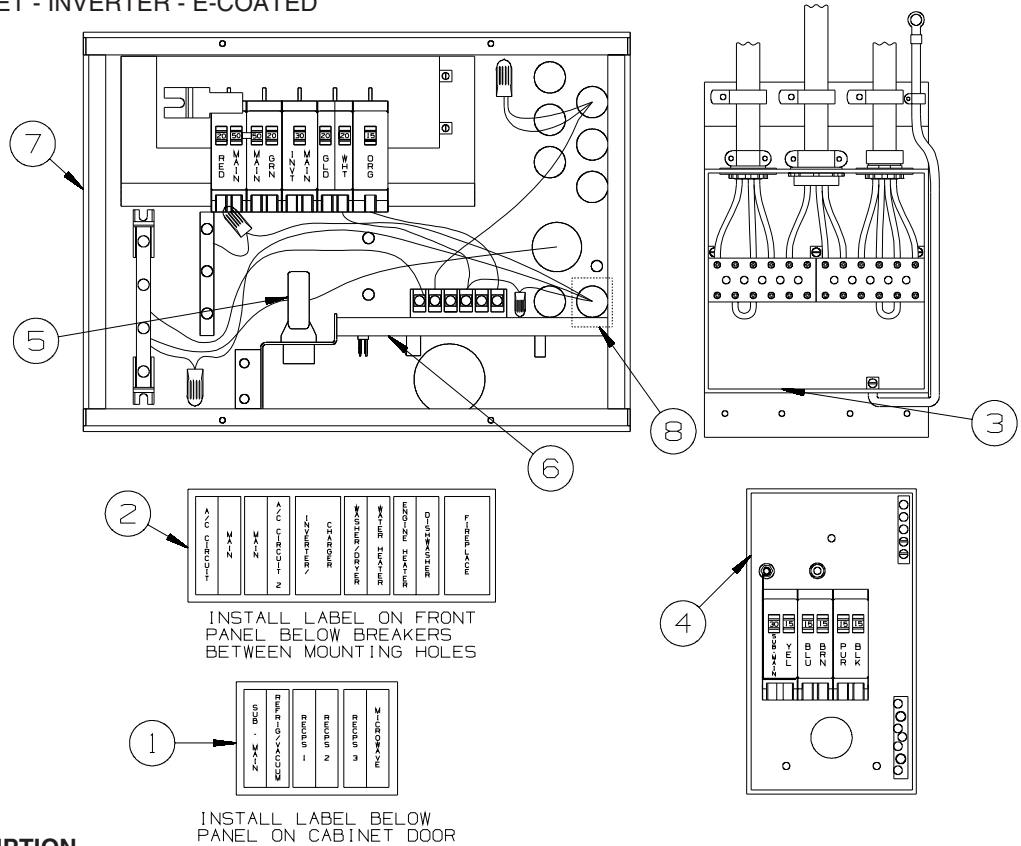
CIRCUIT BREAKERS, FUSES & RELAYS

KEY	PART NUMBER	U/M	DESCRIPTION
	062901-02-000	EA	FUSE - 5 AMP - AUTOMOTIVE
	062901-05-000	EA	FUSE - 15 AMP - AUTOMOTIVE
	062901-07-000	EA	FUSE - 25 AMP - AUTOMOTIVE
	062901-08-000	EA	FUSE - 30 AMP - AUTOMOTIVE
	063910-01-000	EA	HOUSING - RELAY
	063912-02-000	EA	RELAY - CANISTER - SPDT
	083209-01-000	EA	CIRCUIT BREAKER - 15 AMP - 120 VOLT - CANADIAN
	083209-02-000	EA	CIRCUIT BREAKER - 15/15 AMP - 120 VOLT
	083209-03-000	EA	CIRCUIT BREAKER - 15/20 AMP - 120 VOLT
	083209-04-000	EA	CIRCUIT BREAKER - 30 AMP - 120 VOLT
	083209-05-000	EA	CIRCUIT BREAKER - 20 AMP - 120 VOLT
	083209-06-000	EA	CIRCUIT BREAKER - 30/15 AMP - 120 VOLT
	083209-07-000	EA	CIRCUIT BREAKER - 20/20 AMP - 120 VOLT
	083209-10-000	EA	CIRCUIT BREAKER - 20/30 AMP - 120 VOLT
	083209-11-000	EA	CIRCUIT BREAKER - 20/15 AMP - 120 VOLT
	092786-03-000	EA	BUSS BAR - 6.9" LONG
	092786-06-000	EA	BUSS BAR
	093654-01-000	EA	CIRCUIT BREAKER - 6 AMP - 12 VOLT - PUSH BUTTON - WHITE
	093654-02-000	EA	CIRCUIT BREAKER - 15 AMP - 12 VOLT - PUSH BUTTON - WHITE
	093654-03-000	EA	CIRCUIT BREAKER - 20 AMP - 12 VOLT - PUSH BUTTON - WHITE
	093654-05-000	EA	CIRCUIT BREAKER - 10 AMP - 12 VOLT - PUSH BUTTON - WHITE
	093655-01-000	EA	CIRCUIT BREAKER - 25 AMP - 12 VOLT - PUSH BUTTON - WHITE
	093655-02-000	EA	CIRCUIT BREAKER - 30 AMP - 12 VOLT - PUSH BUTTON - WHITE
	093655-03-000	EA	CIRCUIT BREAKER - 40 AMP - 12 VOLT - PUSH BUTTON - WHITE
	100341-01-000	EA	FUSE HOLDER - IN LINE TYPE
	113482-01-000	EA	CIRCUIT BREAKER - 55 AMP - MANUAL
	115187-01-000	EA	FUSE - 300 AMP - NON-DELAY
	115187-02-000	EA	HOLDER - FUSE
	115187-03-000	EA	FUSE - 60 AMP - NON-DELAY
	122811-01-000	EA	CIRCUIT BREAKER - 20/50/50/20 AMP - 250V
	141789-01-000	EA	SPACER - CIRCUIT BREAKER

ELECTRICAL GROUP (CONTINUED)

CONVERTER, INVERTER, LOAD CENTERS

KEY	PART NUMBER	U/M	DESCRIPTION
	123058-01-000	EA	CONVERTER - 55 AMP - ELECTRONIC - 4 1/8"H X 7"W X 12 3/8"L
	148254-01-000	EA	INVERTER - CHARGER - 2000W AC
	148254-03-000	EA	CABLE/INVERTOR - W/8 PIN MODULAR PHONE JACK - 50'-DIMEN
	148254-05-000	EA	REMOTE/PANEL - INVERTER/CHARGER
	148254-06-000	EA	CABLE - TEMPERTURE/BATTERY
	162373-03-02B	EA	BRACKET - INVERTER - E-COATED



KEY	PART NUMBER	U/M	DESCRIPTION
1	095721-43-000	EA	LABEL - CONTROL CENTER - 50 AMP
2	095721-49-000	EA	LABEL - CONTROL CENTER - 50 AMP
3	106071-06-000	EA	SWITCH - AUTOMATIC TRANSFER - PARALLAX 5070 - 30/50 AMP
4	109677-01-000	EA	LOAD CENTER - 120 VOLT - 40 AMP
5	127002-07-000	EA	SENSOR - CURRENT
6	127002-11-000	EA	MODULE - EMS CENTER - W/O REMOTE SENSOR/MONITOR PANEL
7	141258-01-000	EA	LOAD CENTER - 120/240 - 30/50 AMP
7	141258-02-000	EA	LOAD CENTER - COVER
8	158714-01-000	EA	TRANSFORMER - 120V/16V - 15 WATTS

ELECTRICAL GROUP (CONTINUED)

BOXES & CORDS

KEY	PART NUMBER	U/M	DESCRIPTION
	108934-02-000	EA	CORD - POWER - 50 AMP - 4-WIRE - 36'
	115832-01-000	FT	CORD - HEAVY DUTY - 14-2 W/GROUND
	133070-01-000	EA	BOX - ELECTRIC/PLASTIC - 3" X 2" X 2.8" - UL
	133070-02-000	EA	BOX - ELECTRIC/PLASTIC - 3" X 2" X 2.8" - CSA

WIRE ASSEMBLIES

KEY	PART NUMBER	U/M	DESCRIPTION
	077069-02-000	EA	CABLE/EXTENSION - RADIO ANTENNA - 96"
	077069-03-000	EA	CABLE/EXTENSION - RADIO ANTENNA - 260"
	114870-01-000	EA	PLUG - AUDIO W/LEADS - 48.5" - REARVIEW MONITOR SYS
	125853-04-000	EA	WIRE LOOM - ENTERTAINMENT CENTER
	132267-01-000	EA	WIRE ASSEMBLY - DOOR LOCK
	135131-01-000	EA	WIRE LOOM - THERMOSTAT
	136028-01-000	EA	WIRE ASM-SOFA,REST EASY
	136860-02-000	EA	CABLE - RCA - SHIELDED - 3 MALE TO MALE CONNECTORS - 50'
	137135-03-000	EA	WIRE LOOM - DIGITAL ELEVATION SENSOR
	137135-04-000	EA	WIRE HARNESS - POWER - DIGITAL ELEVATION SENSOR
	142258-02-000	EA	WIRE LOOM - VIDEO SWITCH/POWER SUPPLY
	144677-07-000	EA	WIRE - MONITOR - POWER - 3 PIN TO 6 PIN (3 WIRE)
	144677-09-000	EA	WIRE - MONITOR - POWER - 3 PIN/2 PIN
	145210-01-000	FT	CABLE - COAXIAL
	151316-02-000	EA	WIRE ASM - W/NON CONTACT SENSORS - GREY WATER - 23.6"
	151317-02-000	EA	WIRE ASM-W/NON CONTACT SENSORS-FRESH WATER/BLK TANK-23.6"
	151317-03-000	EA	WIRE ASM-W/NON CONTACT SENSORS-FRESH WATER/BLK TANK-43.2"
	155619-05-000	EA	WIRE ASSEMBLY - RADIO - 12 PIN

ELECTRICAL GROUP (CONTINUED)
CONNECTORS & CONDUIT

KEY	PART NUMBER	U/M	DESCRIPTION
	007940-01-000	EA	RECEPTACLE/SLIDE 16 TO 12 AWG - FEMALE END
	007940-02-000	EA	RECEPTACLE/SLIDE 10 AWG
	007954-01-000	EA	RECEPTACLE - HOUSING - 6 POSITION
	007956-05-000	EA	INSULATOR - SHRINK - 1/4"ID X 1 1/2"
	008311-01-000	EA	CONNECTOR - WIRE NUT - INSULATED - RED
	008312-01-000	EA	CONNECTOR - WIRE NUT - INSULATED - BLUE
	008313-01-000	EA	CONNECTOR - WIRE NUT - INSULATED - YELLOW
	008314-01-000	EA	CONNECTOR - WIRE NUT - INSULATED - GRAY
	008328-01-000	EA	TERMINAL - RING - 12/10 WIRE - #10 STUD FIT
	008331-01-000	EA	TERMINAL - RING - TONGUE - #4 WIRE - 3/8" STUD - COPPER
	008348-01-000	EA	TERMINAL - RING - 3/8" STUD 2 GA. WIRE
	008355-01-000	EA	CONNECTOR - CABLE CLAMPING - 3/4"
	008356-01-000	EA	CONNECTOR - PLASTIC - 3/8"
	008356-02-000	EA	CONNECTOR - PLASTIC - 21/32"
	035416-04-000	EA	TERMINAL - RING - #10 STUD FIT - INSULATED BARREL #16/14
	041953-01-000	FT	CONDUIT - CONVOLUTE SLIT - .5" ID - POLYETHYLENE
	041953-02-000	FT	CONDUIT - CONVOLUTE SLIT - .6" ID - POLYETHYLENE
	041953-03-000	FT	CONDUIT - CONVOLUTE SLIT - 1" ID (CLOTHES ROD COVER)
	041953-05-000	FT	CONDUIT - CONVOLUTE SLIT - .62" ID - POLYETHYLENE
	041953-06-000	FT	CONDUIT - CONVOLUTE SLIT - .4" ID - POLYETHYLENE
	041953-07-000	FT	CONDUIT - CONVOLUTE SLIT - .25" ID - POLYETHYLENE
	041953-08-000	FT	CONDUIT - CONVOLUTE SLIT - 1.5" ID - POLYETHYLENE
	041953-09-000	FT	CONDUIT - CONVOLUTE SLIT - .5" ID - NYLON
	041953-10-000	FT	CONDUIT - CONVOLUTE SLIT - .75" ID - NYLON
	041953-11-000	FT	CONDUIT - CONVOLUTE SLIT - 1.06" ID - NYLON
	041953-12-000	FT	CONDUIT - CONVOLUTE SOLID - 1.1" ID - NYLON
	041953-13-000	FT	CONDUIT - CONVOLUTE SLIT - 1.25" ID
	041953-14-000	FT	CONDUIT - CONVOLUTE SLIT - 1.5" ID
	041953-15-000	FT	CONDUIT - CONVOLUTE SLIT - 2"
	041953-16-000	FT	CONDUIT - CONVOLUTE SLIT - 2"
	047441-01-000	EA	TERMINAL-BATTERY, HORIZONTAL LUG
	047443-01-000	EA	TERMINAL - .250 RECEPTACLE FIT - INSULATED - 16/14 AWG
	047443-02-000	EA	TERMINAL - .250 RECEPTACLE FIT - INSULATED - 12/10 AWG
	047443-05-000	EA	TERMINAL - .250 RECEPTACLE FIT - 18GA AWG
	058028-01-000	EA	CONNECTOR - ELECTRICAL PIGTAIL - NYLON - CLEAR
	062036-01-000	EA	TERMINAL - PACK - CON - 12/10 AWG
	076319-12-000	EA	CONNECTOR - COAXIAL - ONE PIECE
	077479-02-000	EA	BOOT - BATTERY TERMINAL - SINGLE CABLE
	080015-02-000	EA	RECEPTACLE - FLAG - .185 - 16/14 GAUGE
	080015-03-000	EA	RECEPTACLE - FLAG - .250 - 14/16 GAUGE
	080015-04-000	EA	RECEPTACLE - FLAG - .187 - 16/14 GAUGE
	082109-01-000	EA	HOUSING - CONNECTOR - PACKARD
	082741-01-000	EA	CONNECTOR BODY - 2 CONNECTOR MALE
	087225-01-000	FT	SLEEVING - 1/2" - TYPE H
	088473-01-000	EA	HOUSING - PIN - 12 CAVITY (3 ROWS OF 4)
	088473-02-000	EA	HOUSING - PIN - 15 CAVITY (3 ROWS OF 5)
	088473-03-000	EA	HOUSING - PIN - 9 CAVITY (3 ROWS OF 3)
	088473-04-000	EA	HOUSING - PIN - 8 CAVITY IN-LINE
	088473-06-000	EA	HOUSING - PIN - 6 CAVITY (2 ROWS OF 3)
	088473-07-000	EA	HOUSING - PIN - 5 CAVITY - IN-LINE
	088473-08-000	EA	HOUSING - PIN - 4 CAVITY - IN-LINE
	088473-09-000	EA	HOUSING - PIN - 3 CAVITY - IN-LINE
	088473-10-000	EA	HOUSING - PIN - 2 CAVITY - IN-LINE
	088473-12-000	EA	HOUSING - PIN - 3 CAVITY - BLUE
	088473-13-000	EA	HOUSING - PIN - 3 CAVITY - GREEN
	088473-14-000	EA	HOUSING - PIN - 3 CAVITY - RED
	088474-01-000	EA	HOUSING - SOCKET - 12 CAVITY
	088474-02-000	EA	HOUSING - SOCKET - 15 CAVITY
	088474-03-000	EA	HOUSING - SOCKET - 9 CAVITY
	088474-06-000	EA	HOUSING - SOCKET - 6 CAVITY
	088474-07-000	EA	HOUSING - SOCKET - 5 CAVITY
	088474-08-000	EA	HOUSING - SOCKET - 4 CAVITY
	088474-09-000	EA	HOUSING - SOCKET - 3 CAVITY

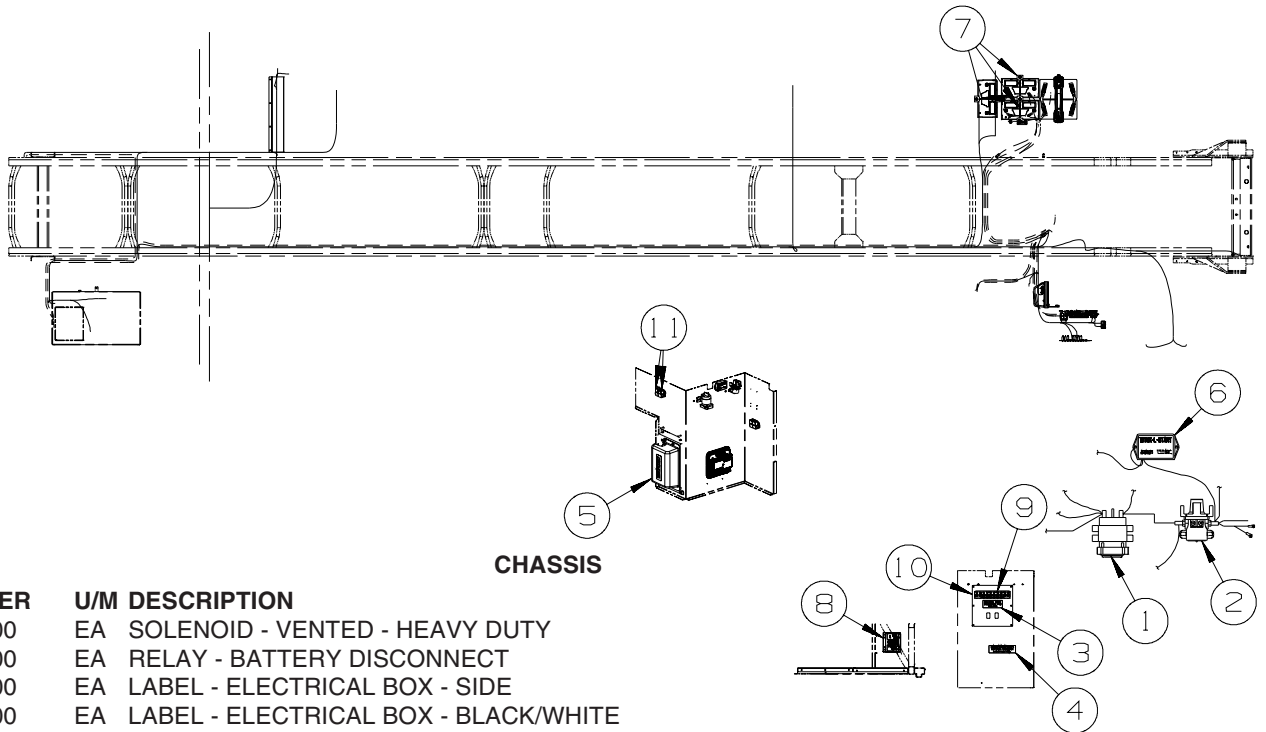
ELECTRICAL GROUP (CONTINUED)
CONNECTORS & CONDUIT (CONTINUED)

KEY	PART NUMBER	U/M	DESCRIPTION
	088474-10-000	EA	HOUSING - SOCKET - 2 CAVITY
	088474-12-000	EA	HOUSING - SOCKET - 2 CAVITY - RED
	088475-01-000	EA	PIN - CONNECTOR - 14-20 AWG
	088475-02-000	EA	PIN - CONNECTOR - 10-12 AWG
	088476-01-000	EA	TERMINAL - ELECTRICAL
	088476-02-000	EA	SOCKET - CONNECTOR - 12-10 GA - PRE-TIN
	098261-01-000	EA	SOCKET - CONNECTOR - WEATHERPACK - 12 AWG
	098261-02-000	EA	SOCKET - CONNECTOR - WEATHERPACK - 14-18 AWG
	098262-01-000	EA	SEAL - CONNECTOR - WEATHERPACK
	098264-01-000	EA	HOUSING - 2 PIN - WEATHER PACK - MALE W/FEMALE PINS
	098264-02-000	EA	HOUSING - 2 PIN - WEATHER PACK - FEMALE W/MALE PINS
	098265-02-000	EA	PIN - CONNECTOR - WEATHER PACK
	102777-02-000	EA	TERMINAL - RING - #6 STUD - 10 AWG
	103608-01-000	EA	SOCKET - WEDGE BASE W/LEADS
	104100-01-000	EA	HOUSING - 1 POSITION - 75 AMPS
	104100-03-000	EA	TERMINAL - 75 AMP
	106007-02-000	EA	TERMINAL - FEMALE - 10-12 AWG
	110178-01-000	EA	HOUSING - WIPER MOTOR
	112823-01-000	EA	SPLICE - REDUCER - 16-14 TO 18-22
	113135-01-000	EA	TERMINAL - FEMALE - M/P - 14-16 - F/SEALED TERMINAL
	113308-01-000	EA	TERMINAL - FEMALE - M/P - 14-16 - 280
	113308-02-000	EA	TERMINAL - FEMALE - M/P - 14-18 - 280
	113468-01-000	EA	HOUSING - 2 POSITION-FEMALE-USED ON WIPER/WASHER WIRE ASM
	113468-02-000	EA	HOUSING - 2 POSITION - FEMALE
	116811-01-000	EA	TERMINAL - .110 RECEPTACLE - 16-14 AWG
	118571-01-000	EA	CONNECTOR - 3-WAY - MALE/SEALED
	118571-02-000	EA	CONNECTOR - 3-WAY - FEMALE/SEALED
	118571-05-000	EA	LOCK - SECONDARY - FEMALE
	118571-06-000	EA	LOCK - SECONDARY - MALE
	118599-02-000	EA	TERMINAL - MALE - M/P - 280/14-12
	118820-01-000	EA	INSULATOR - TERMINAL
	129233-01-000	EA	HOUSING - 2-POSITION/FEMALE - 280-SERIES
	129233-02-000	EA	HOUSING - 2-POSITION/FEMALE - 280-SERIES
	129233-03-000	EA	HOUSING - 2-POSITION/FEMALE - 280-SERIES
	131681-01-000	EA	CONNECTOR - 3/4" SO CORD - UL/CS
	137207-01-000	EA	HOUSING - PIN - 2 CAVITY/HIGH AMP
	137208-01-000	EA	HOUSING - SOCKET - 2 CAVITY/HIGH AMP
	137209-01-000	EA	PIN - CONNECTOR - 10AWG/HIGH AMP
	137210-01-000	EA	SOCKET - CONNECTOR - 10 AWG/HIGH AMP
	138996-04-000	EA	CONNECTOR - LAMP
	142520-01-000	EA	TERMINAL - FEMALE - MINI-FIT 16
	142522-01-000	EA	HOUSING - 4 PIN/MALE - MINI FIT
	142522-02-000	EA	HOUSING - 6 PIN/MALE - MINI FIT
	142522-03-000	EA	HOUSING - 8 PIN/MALE - MINI FIT
	142522-04-000	EA	HOUSING - 10 PIN/MALE - MINI FIT
	142522-05-000	EA	HOUSING - 12 PIN/MALE - MINI FIT
	142522-06-000	EA	HOUSING - 14 PIN/MALE - MINI FIT
	142524-01-000	EA	HOUSING - 4 PIN/FEMALE - WEATHER PACK
	142524-02-000	EA	HOUSING - 4 PIN/FEMALE - WEATHER PACK
	144283-01-000	EA	CONNECTOR - 110V - F/USE WITH SOW WIRE - BLUE
	144283-02-000	EA	CONNECTOR - 110V - F/USE WITH NM ROMEX WIRE - CLEAR
	145171-01-000	EA	CONNECTOR - COAXIAL
	148335-01-000	EA	HOUSING - 8-POSITION/MALE - 280-GT SERIES
	148335-02-000	EA	HOUSING - 4-POSITION/MALE - 280-GT SERIES
	148335-03-000	EA	HOUSING - 6-POSITION/MALE - 280-GT SERIES
	149683-01-000	EA	HOUSING - F/5 CAVITY RECEPTACLE - W/SQUARE GUIDE PIN
	149683-02-000	EA	HOUSING - F/5 CAVITY RECEPTACLE - W/ROUND GUIDE PIN
	149686-01-000	EA	TERMINAL - .250 RECEPTACLE
	149687-01-000	EA	HOUSING - 2 POSITION/MALE - PACKARD
	149687-02-000	EA	LOCK - F/2 POSITION HOUSING - PACKARD
	149688-01-000	EA	TERMINAL - MALE - 16 GAUGE WIRE
	156035-01-000	EA	HOUSING - 12-POSITION/FEMALE - 280-GT SERIES
	156041-01-000	EA	TERMINAL - FEMALE - 16-12 - 280-GT SERIES

ELECTRICAL GROUP (CONTINUED)

CONNECTORS & CONDUIT (CONTINUED)

KEY	PART NUMBER	U/M	DESCRIPTION
	156043-01-000	EA	HOUSING - 2-POSITION/FEMALE - 480-MP SERIES
	156043-02-000	EA	LOCK - F/2 POSITION HOUSING - 480 SERIES
	156044-01-000	EA	TERMINAL - FEMALE - 16-12 - 280-GT - F/SEALED HOUSING
	156045-01-000	EA	HOUSING - 10-POSITION/FEMALE - 280-GT SERIES
	156045-02-000	EA	HOUSING - 4-POSITION/FEMALE - 280-GT SERIES
	156045-03-000	EA	HOUSING - 8-POSITION/FEMALE - 280-GT SERIES
	156045-04-000	EA	HOUSING - 6-POSITION/FEMALE - 280-GT SERIES
	156207-01-000	EA	HOUSING - 6-POSITION/MALE - 150-GT SERIES
	156208-01-000	EA	TERMINAL - MALE - 18-16 - 150-GT SERIES
	157590-01-000	EA	TERMINAL - FEMALE - M/P - 10-12 - 630
	157592-01-000	EA	HOUSING - 7-POSITION/FEMALE - M/P
	157592-02-000	EA	LOCK - SECONDARY - F/7 POSITION HOUSING
	157656-01-01A	EA	CONNECTOR - DASH LIGHT - BLACK
	158357-01-000	EA	HOUSING - 3 PIN/MALE - MINI FIT
	158373-01-000	EA	HOUSING - SOCKET - 16 CAVITY - MINI MATE-N-LOCK
	158374-01-000	EA	SOCKET - 16-20 CAVITY - MINI MATE-N-LOCK
	164687-01-000	EA	PIN - CONNECTOR - 16-14
	164685-01-000	EA	HOUSING - PIN - 7-POSITION
	164689-01-000	EA	SEAL - CONNECTOR
	168450-01-000	EA	CONNECTOR/ADAPTER - COAX

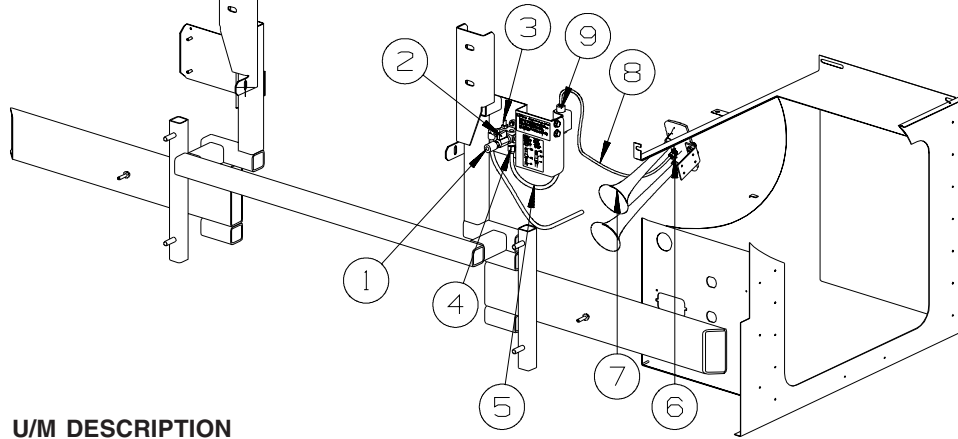


CHASSIS

KEY	PART NUMBER	U/M	DESCRIPTION
1	008188-02-000	EA	SOLENOID - VENTED - HEAVY DUTY
2	086273-01-000	EA	RELAY - BATTERY DISCONNECT
3	098379-04-000	EA	LABEL - ELECTRICAL BOX - SIDE
4	098379-06-000	EA	LABEL - ELECTRICAL BOX - BLACK/WHITE
5	098379-07-000	EA	LABEL - ELECTRICAL BOX - BLACK/WHITE
6	156431-01-000	EA	CHARGER/BATTERY - CHASSIS TO HOUSE
7	160014-01-02B	EA	TIEDOWN - BATTERY - E-COATED
			FROM: 00-00-00 THRU: 08-05-07
7	138914-01-02B	EA	STRAP/TIEDOWN - BATTERY - E-COATED
			FROM: 08-06-07 THRU: 99-99-99
8	161298-03-000	EA	CONTROL - SLIDEOUT/DIGISYNC 30"
9	093236-49-000	EA	LABEL - CIRCUIT BREAKER
10	139067-11-02B	EA	PLATE - CIRCUIT BREAKER/HOUSE - E-COATED
11	063912-02-000	EA	RELAY - CANISTER - SPDT

EXTERIOR BODY GROUP

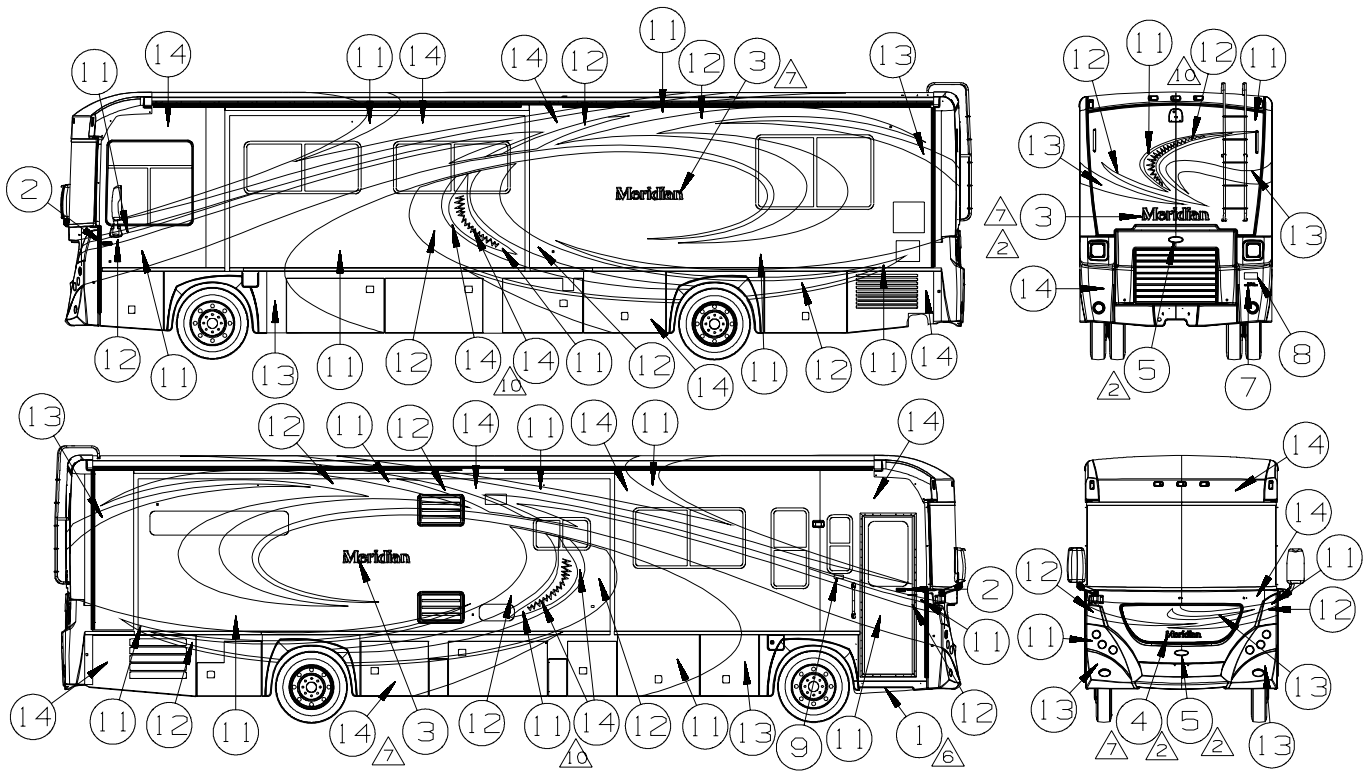
AIR HORN



KEY	PART NUMBER	U/M	DESCRIPTION
1	142595-01-000	EA	COUPLER - QUICK CONNECT - AIR - 1/4"MPT
2	142597-01-000	EA	VALVE - BALL - AIR - 1/4"MFPT
3	086241-01-000	EA	VALVE - AIR - 1/4 MPT X TIRE STEM
4	142571-01-000	EA	CONNECTOR - 3/8"T X 1/4"P
5	071390-07-000	FT	TUBING - AIR BRAKE - 3/8" - BLACK
6	071386-06-000	EA	CONNECTOR - MALE - 1/4" TUBE X 1/4"
7	077497-08-000	EA	HORN/AIR - TWIN SHORT - BLACK
8	071390-04-000	FT	TUBING - AIR BRAKE - 1/4" OD-BLK WEATHERHEAD(BRKS & HORN)
9	077497-11-000	EA	SOLENOID - HORN - REMOTE MOUNT

EXTERIOR BODY GROUP (CONTINUED)

GRAPHICS & PAINT



KEY	PART NUMBER	U/M	DESCRIPTION CANYON HAZE
1	109506-01-000	EA	FILM-URETHANE PROTECTANT
2	132664-02-CHT (01A)	EA	DECAL-LOGO DOMED WINNEBAGO - CHROME/RED/BLACK
3	147293-05-CHT (01A)	EA	DECAL-LOGO MERIDIAN LG - CHROME/GOLD/BLACK/WHITE
4	147293-06-CHT (01A)	EA	DECAL-LOGO MERIDIAN SML - CHROME/GOLD/BLACK/WHITE
5	151687-02-CHT (01A)	EA	DECAL-BEZEL DOMED NAMEPLATE ITASCA - CHROME/WHITE/BLACK/TEAL
6	164115-02-000	EA	KIT-PAINT PROTECTION
7	158621-02-CHT (01A)	EA	DECAL-HORSEPOWER 350 FLEXSCRIPT - CHROME
8	EA	PLATE-FREIGHTLINER LG - CHASSIS SUPPLIED
9	EA	PLATE-FREIGHTLINER SML - CHASSIS SUPPLIED
10	GL	PAINT-CLEAR COAT - SHERWIN WILLIAMS
11	GL	PAINT-MOJAVE BEIGE MET - SW #62879
12	GL	PAINT-LT BRONZE MIST MET - SW #63528
13	GL	PAINT-MOJAVE MIST MET - SW #64139
14	GL	PAINT-MOONSTONE MET - SW #54691

KEY	PART NUMBER	U/M	DESCRIPTION DEEP RUBY
1	109506-01-000	EA	FILM-URETHANE PROTECTANT
2	132664-02-CHT (01A)	EA	DECAL-LOGO DOMED WINNEBAGO - CHROME/RED/BLACK
3	147293-05-CHT (01A)	EA	DECAL-LOGO MERIDIAN LG - CHROME/GOLD/BLACK/WHITE
4	147293-06-CHT (01A)	EA	DECAL-LOGO MERIDIAN SML - CHROME/GOLD/BLACK/WHITE
5	151687-02-CHT (01A)	EA	DECAL-BEZEL DOMED NAMEPLATE ITASCA - CHROME/WHITE/BLACK/TEAL
6	164115-02-000	EA	KIT-PAINT PROTECTION
7	158621-02-CHT (01A)	EA	DECAL-HORSEPOWER 350 FLEXSCRIPT - CHROME
8	EA	PLATE-FREIGHTLINER LG - CHASSIS SUPPLIED
9	EA	PLATE-FREIGHTLINER SML - CHASSIS SUPPLIED
10	GL	PAINT-CLEAR COAT - SHERWIN WILLIAMS
11	GL	PAINT-SAND WICK MET - SW #50361
12	GL	PAINT-POLISHED PEWTER MET - SW #63499
13	GL	PAINT-RADIANT RUBY PRL MET - SW #64037
14	GL	PAINT-ESPRESSO BROWN MET - SW #64167

KEY	PART NUMBER	U/M	DESCRIPTION BROWNSTONE
1	109506-01-000	EA	FILM-URETHANE PROTECTANT
2	132664-02-CHT (01A)	EA	DECAL-LOGO DOMED WINNEBAGO - CHROME/RED/BLACK
3	147293-05-CHT (01A)	EA	DECAL-LOGO MERIDIAN LG - CHROME/GOLD/BLACK/WHITE
4	147293-06-CHT (01A)	EA	DECAL-LOGO MERIDIAN SML - CHROME/GOLD/BLACK/WHITE
5	151687-02-CHT (01A)	EA	DECAL-BEZEL DOMED NAMEPLATE ITASCA - CHROME/WHITE/BLACK/TEAL
6	164115-02-000	EA	KIT-PAINT PROTECTION
7	158621-02-CHT (01A)	EA	DECAL-HORSEPOWER 350 FLEXSCRIPT - CHROME
8	EA	PLATE-FREIGHTLINER LG - CHASSIS SUPPLIED
9	EA	PLATE-FREIGHTLINER SML - CHASSIS SUPPLIED
10	GL	PAINT-CLEAR COAT - SHERWIN WILLIAMS
11	GL	PAINT-MOONSTONE MET - SW #54691
12	GL	PAINT-MOJAVE BEIGE MET - SW #62879
13	GL	PAINT-WOODLAND BROWN MET - SW #60160
14	GL	PAINT-POLISHED PEWTER MET - SW #63499

- △ LOGO IS TO BE HELD TO ±1 MM ON A HORIZONTAL PLANE (END TO END).
- △ FILM TO PROTECT BOTTOM OF DOOR FROM SCUFF MARKS.
- △ DIE CUT ACRYLIC FILM TO PROTECT FULL BODY PAINTED UNITS.
- 4. ON FULL BODY PAINTED UNITS, USE 145487-02-000 (100 FT) TO COVER UNSEALED ROOF SEAMS.
- △ CLEAR COAT TO BE APPLIED ON ENTIRE UNIT TO PROTECT PAINT.
- △ CENTER ON UNIT.
- 1. APPLY PROTECTOR 116424-01-000 TO WATER HEATER LATCH.
- △ PAINT PER DESIGN PATTERN.
- 9. APPLY SEALER BODY SEAM CLEAR 94401-04-000 TO HELP SECURE PAINT ON EDGES.
- B. END PANELS OF SLIDEOUT ROOMS WILL BE PAINTED WITH BASECOAT AND CLEAR COAT ONLY. THERE WILL BE NO COLORED DESIGN GRAPHICS ELEMENTS PAINTED ON THE END PANELS.
- (ILP) FRTL 29,410 350 6.7L 6 SPEED
- (24P) MASK FRONT EXT PROTECTIVE
- (24C) EXT FULL BODY PAINT PKG # 3
- (92A) EXT FULL BODY PAINT PKG # 2
- (27A) EXT FULL BODY PAINT PKG # 1

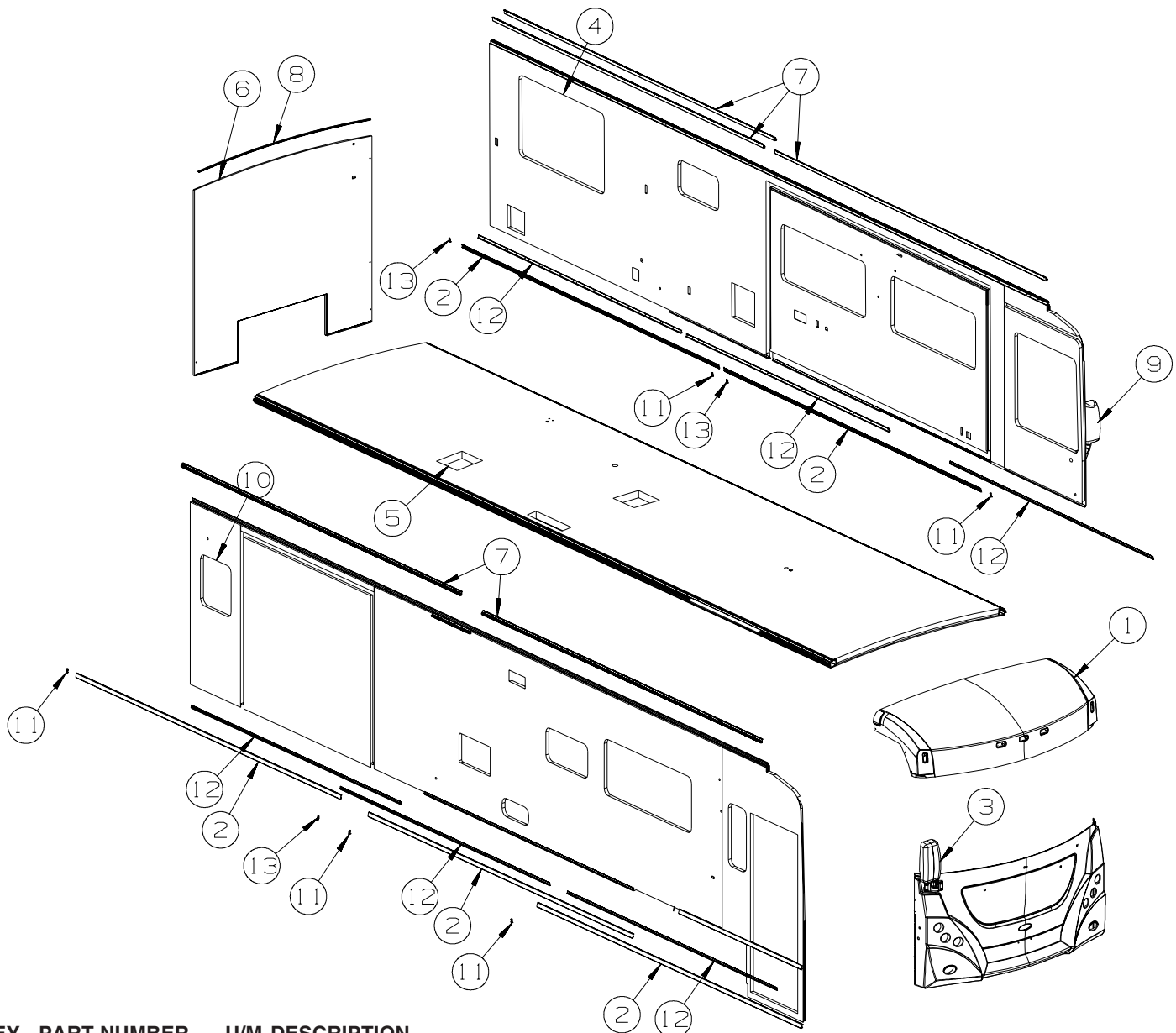
NOTES:

KEY	PART NUMBER	U/M	DESCRIPTION
	072882-01-000	EA	PAINT - LOW BAKE - OFF WHITE
	116242-01-000	EA	PROTECTOR - LATCH - WATER HEATER

**DUPONT COLOR CODES ARE NOW FOUND IN THE PAINT CODE MANUAL.
YOU CAN FIND THIS MANUAL ON YOUR DEALER INDEX WEBPAGE UNDER SERVICE.**

EXTERIOR BODY GROUP (CONTINUED)

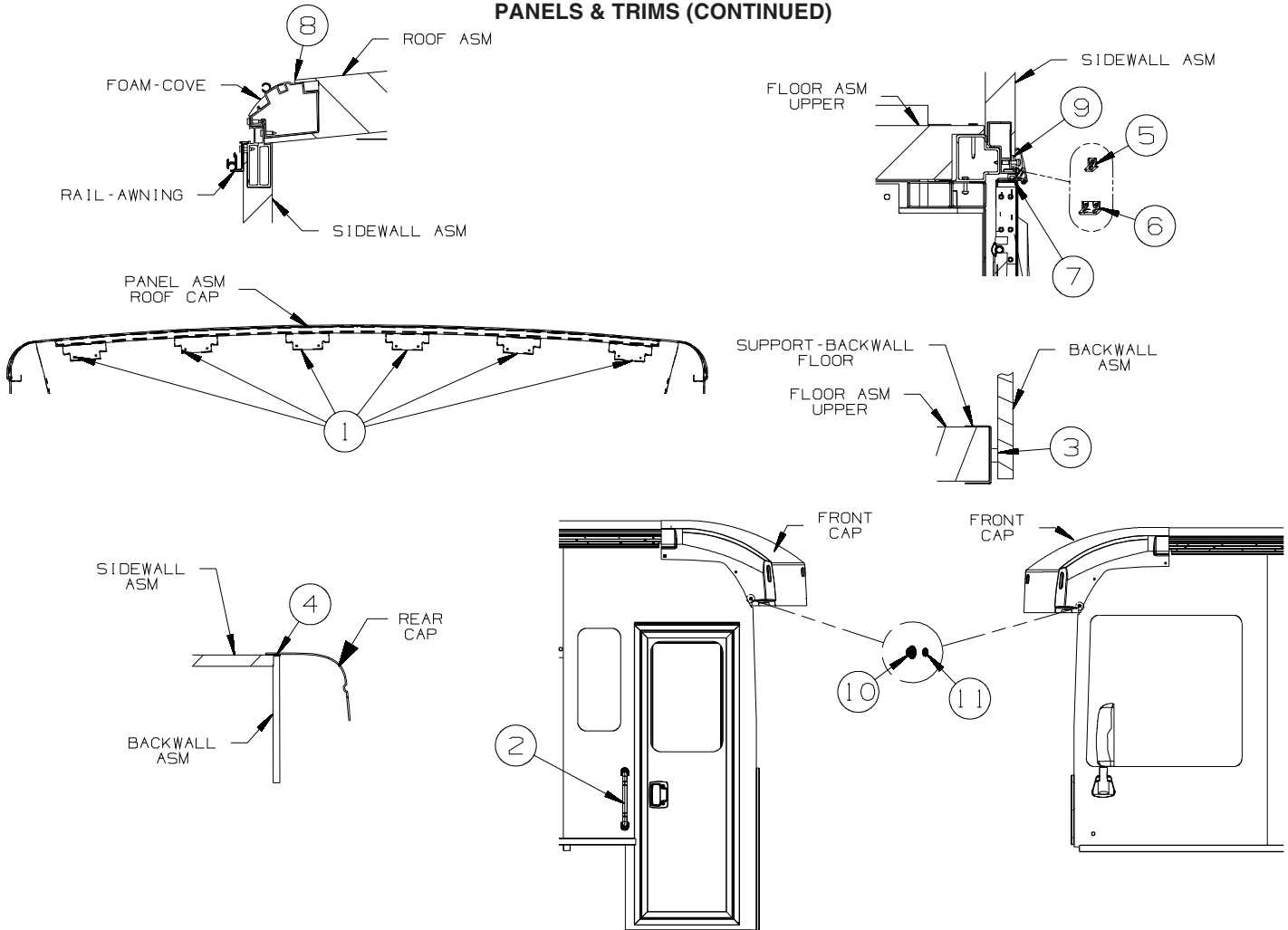
PANELS & TRIMS



KEY	PART NUMBER	U/M	DESCRIPTION
1	159888-02-W66	EA	CAP - ROOF/FRONT SECTION - W/O LIGHTS
2	146550-01-02A	EA	TRIM COVER - SIDEWALL - 182" - BLACK
3	166256-01-01A	EA	MIRROR - EXTERIOR/REMOTE/HEAT/PASS-W/TURN SIGNAL-BLK/CHR
	108825-03-000	EA	GASKET - MIRROR
	133379-01-01A	EA	SCREW - MACHINE - 5/16-18 X 2.00 - TORX
4	163750-01-WD3	EA	SIDEWALL - DRIVER - W/O WINDOWS/TRIMS (WE7, WF3)
4	163750-01-WF7	EA	SIDEWALL - DRIVER - W/O WINDOWS/TRIMS (WF7)
5	163752-01-WD3	EA	ROOF - W/O LIGHTS/VENTS - W/WIRING
6	162327-02-W70	EA	BACKWALL/INNER - W/O REAR CAP (WE7, WF3)
6	162327-02-WF7	EA	BACKWALL/INNER - W/O REAR CAP (WF7)
7	157284-01-01A	EA	RAIL - AWNING - 192" - BRIGHT WHITE
8	114248-02-04A	EA	ANGLE - PLASTIC - .7" X .4" X 96.7" - BEIGE
9*	142721-02-02A	EA	MIRROR - EXTERIOR REMOTE/HEAT/DRVR - (BREAKAWAY) - CHROME
10	166222-01-WD3	EA	SIDEWALL - PASSENGER - W/O WINDOWS/TRIMS (WE7, WF3)
10	166222-01-WF7	EA	SIDEWALL - PASSENGER - W/O WINDOWS/TRIMS (WF7)
11	146576-02-02A	EA	END CAP/TRIM - LEFT HAND - BLACK
12	146548-01-01A	EA	TRIM - RETAINER - 143.8" - MILL
13	146576-01-02A	EA	END CAP/TRIM - RIGHT HAND - BLACK

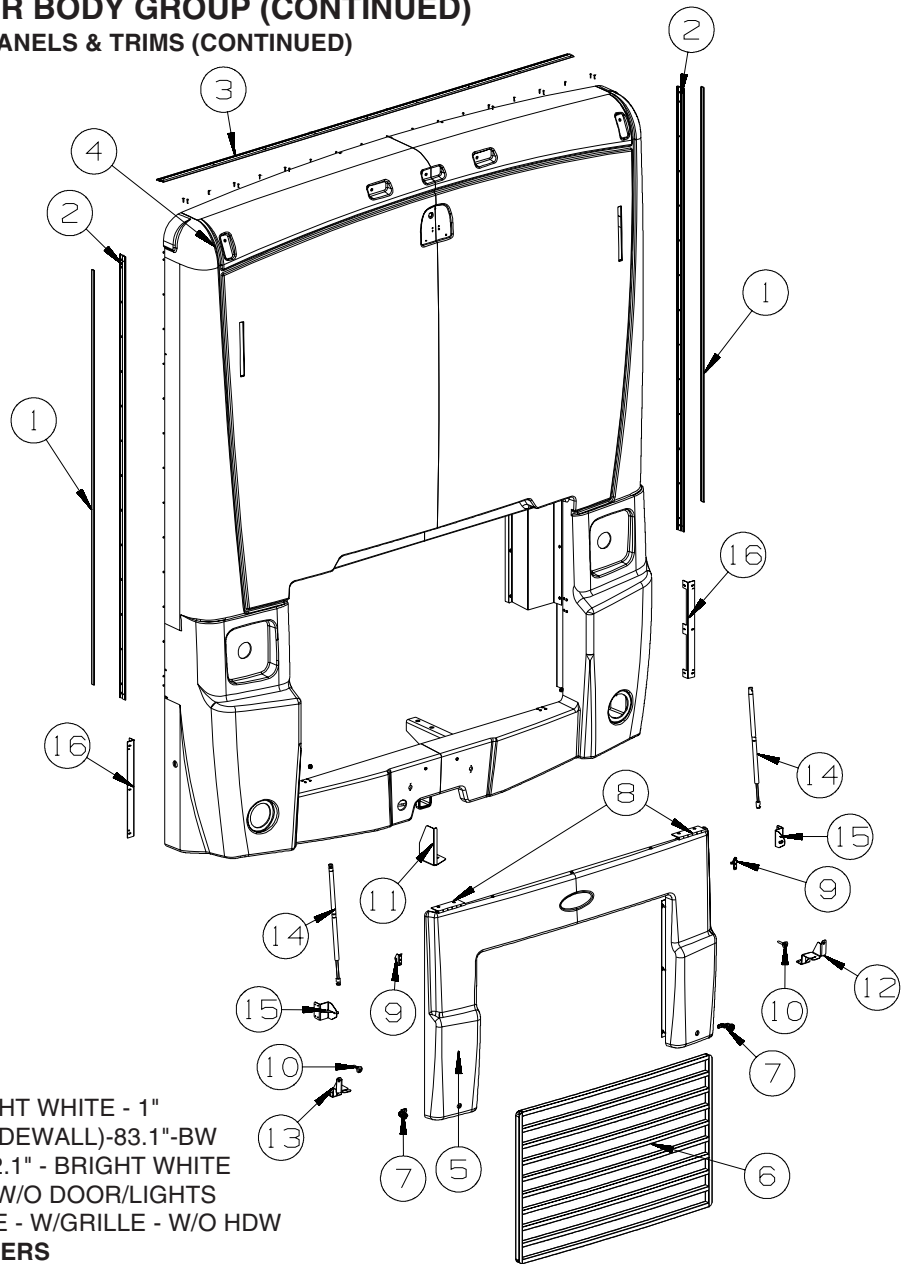
*COMPONENT PARTS LISTED LATER IN THIS GROUP

EXTERIOR BODY GROUP (CONTINUED) PANELS & TRIMS (CONTINUED)



KEY	PART NUMBER	U/M	DESCRIPTION
1	134774-01-02B	EA	BRACKET - CAB ATTACHMENT - E-COATED
2	157749-03-01A	EA	ASSIST HANDLE - NON-LIGHTED - 18" - "ITASCA" ETCHED-CHROME FROM: 00-00-00 THRU: 06-19-07
2	165309-03-01A	EA	ASSIST HANDLE - 18" - NON-LIGHTED/ETCHED "ITASCA" - SST FROM: 06-20-07 THRU: 99-99-99
3	104692-01-000	FT	SEAL - ADHESIVE BACKED FOAM - 3/4" THICK X 3/4" WIDE X 25"
4	156622-01-01A	FT	SEALER - TAPE - 1/4" THICK X 3" WIDE X 100 FT
5	143143-01-01A	EA	ANGLE - SUPPORT/TRIM
6	143143-02-01A	EA	ANGLE - SUPPORT/TRIM
7	099418-01-000	FT	SEAL - D-SECTION/ADHESIVE BACK - .44" X .44" - BLK RUBBER
8	152490-01-000	EA	FOAM - PLUG - ROOF TUBE
9	094401-04-000	EA	SEALER - BODY SEAM - CLEAR
10	149753-01-01A	EA	RETAINER/RECESSED - F/.22" SCREW - BLACK
11	149753-02-01A	EA	CAP - F/RECESSED RETAINER - BLACK

EXTERIOR BODY GROUP (CONTINUED)
PANELS & TRIMS (CONTINUED)



KEY PART NUMBER

1 091985-01-07A
 2 092041-01-03A
 3 083805-23-000
 4 159018-02-W72
 5 159019-02-WD3

U/M DESCRIPTION

FT INSERT - TRIM - BRIGHT WHITE - 1"
 EA TRIM-FRT/RR CAP (SIDEWALL)-83.1"-BW
 EA TRIM - ROOF CAP - 92.1" - BRIGHT WHITE
 EA PANEL - REAR CAP - W/O DOOR/LIGHTS
 EA DOOR - REAR ENGINE - W/GRILLE - W/O HDW

VALANCE DOOR & FUEL FILL DOOR LOCK CYLINDERS

138289-11-000	EA	CYLINDER/LOCK - ACCESS DOORS - REDUCED SENSITIVITY (3041)
138289-12-000	EA	CYLINDER/LOCK - ACCESS DOORS - REDUCED SENSITIVITY (3042)
138289-13-000	EA	CYLINDER/LOCK - ACCESS DOORS - REDUCED SENSITIVITY (3043)
138289-14-000	EA	CYLINDER/LOCK - ACCESS DOORS - REDUCED SENSITIVITY (3044)
138289-15-000	EA	CYLINDER/LOCK - ACCESS DOORS - REDUCED SENSITIVITY (3045)
138289-16-000	EA	CYLINDER/LOCK - ACCESS DOORS - REDUCED SENSITIVITY (3046)
138289-17-000	EA	CYLINDER/LOCK - ACCESS DOORS - REDUCED SENSITIVITY (3047)
138289-18-000	EA	CYLINDER/LOCK - ACCESS DOORS - REDUCED SENSITIVITY (3048)
138289-19-000	EA	CYLINDER/LOCK - ACCESS DOORS - REDUCED SENSITIVITY (3049)
138289-20-000	EA	CYLINDER/LOCK - ACCESS DOORS - REDUCED SENSITIVITY (3050)
6 159145-02-WD3	EA	GRILLE - TRUNK/REAR ENGINE DOOR
7 138290-02-000	EA	CASE - W/CAM - W/O CYLINDER/KEY
8 102325-05-07A	EA	HINGE/TRUNK DOOR - 6" - OFF SET - BRIGHT WHITE
9 126263-03-02B	EA	BRACKET - GAS SPRING W/BALL STUD - E/COATED
10 058786-01-000	EA	BOLT - HOOD ADJUSTMENT - 5/16"-18 X 1.5"-2" - W/BLACK PAD
11 162519-01-02B	EA	BRACKET - BUMPER/HITCH - E-COATED
12 161691-01-02B	EA	BRACKET/STRIKE - LATCH - RH HAND - E-COATED
13 161691-02-02B	EA	BRACKET/STRIKE - LATCH - LH HAND - E-COATED
14 142569-04-000	EA	SPRING/GAS - 67 LB - 21.1" EXTENDED/12.6" COMPRESSED
15 161693-01-02B	EA	BRACKET - GAS SPRING - E-COATED
16 138789-02-02B	EA	ANGLE/MOUNT - WHEEL LIP/BACKWALL - E-COATED
		FROM: 00-00-00 THRU: 08-26-07
16 138789-01-02B	EA	ANGLE/MOUNT - WHEEL LIP/BACKWALL - E-COATED
		FROM: 08-27-07 THRU: 99-99-99

EXTERIOR BODY GROUP (CONTINUED)

COMPONENT PARTS FOR PANELS & TRIMS

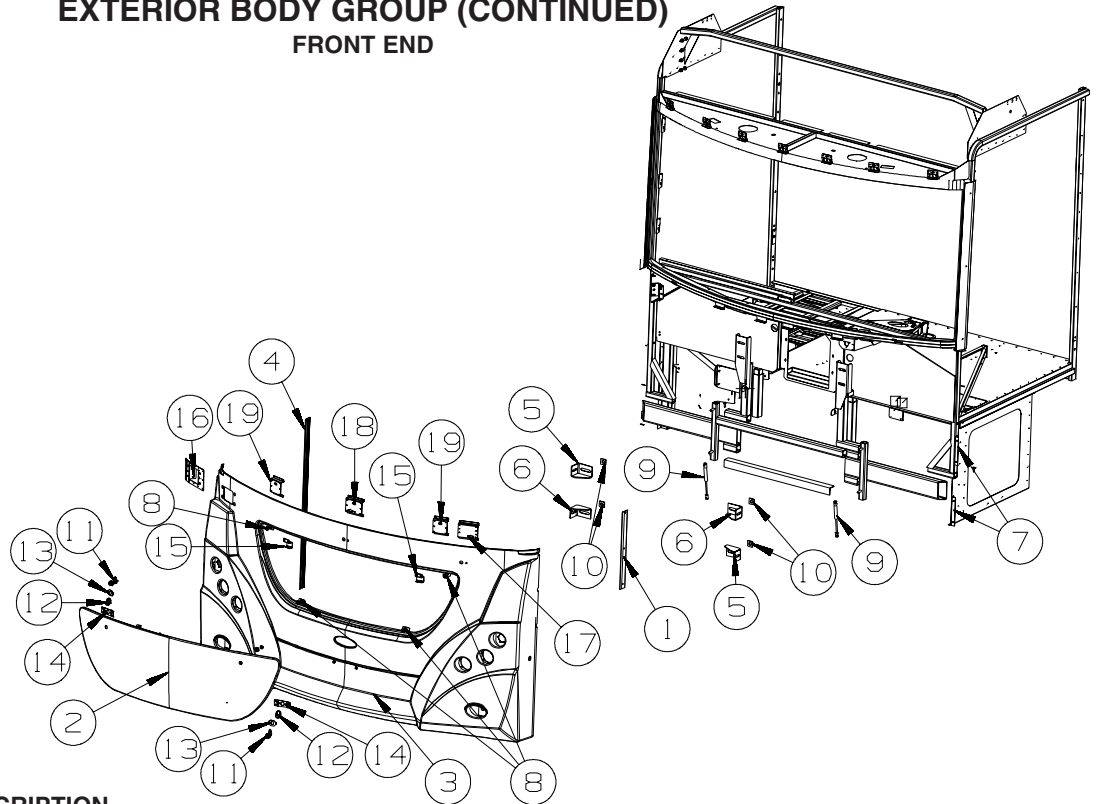
142721-01-02A, 142721-02-02A

KEY	PART NUMBER	U/M	DESCRIPTION	VENDOR NO.
	106015-16-700	EA	GLASS/FLAT-W/HEAT ELEMENT	709450
	106015-18-700	EA	GLASS/CONVEX	709650
	106015-18-701	EA	ACTUATOR - CONVEX GLASS	7475410
	106015-18-702	EA	MOTOR - FLAT GLASS	7471180
	106015-18-703	EA	GLASS/CONVEX-ACT/HOUSING	709651 KIT
	131431-03-700	EA	LIGHT/TURN SIGNAL - AMBER	7475510
	142721-01-700	EA	COVER/CAP - BOTTOM	Q709678
	142721-01-701	EA	CAP - RECTANGULAR (VELVAC)	709557
	142721-01-702	EA	BRACKET/MOUNT - MIRROR	7096800
	142721-01-703	EA	GASKET/MOUNT - MIRROR	7097400
	142721-01-704	EA	SET SCREW - 5/16"-18 X 1.25"	4082140

LADDER

KEY	PART NUMBER	U/M	DESCRIPTION
	129375-02-000	EA	SEAL - LADDER BRACKET
	161113-06-01A	EA	LADDER - 5 STEP - 71" - BRUSHED ALUMINUM
	161990-01-01A	EA	LADDER - LOWER - BRUSHED ALUMINUM

EXTERIOR BODY GROUP (CONTINUED) FRONT END



KEY	PART NUMBER	U/M	DESCRIPTION
1	140447-07-01A	EA	TRIM - GRILLE PANEL/SIDEWALL - 21.5" - BRIGHT WHITE
2	160829-01-WD3	EA	HOOD - FRONT - W/O HDW - NON-PRIMED
	102328-01-000	EA	KEY - BARREL - NICKEL PLATED
3	P60646-02-WD3	EA	PANEL - FRONT/LOWER - W/O HOOD/GRILLE/LIGHTS
4	140447-08-01A	EA	TRIM - GRILLE PANEL/SIDEWALL - 47.2" - BRIGHT WHITE
5	128455-01-02B	EA	BRACKET - BUMPER - E-COATED
6	128455-02-02B	EA	BRACKET - BUMPER - E-COATED
7	113041-16-02B	EA	ANGLE/MOUNT - BUMPER - E-COATED
8	058786-04-000	EA	BOLT - HOOD ADJUSTMENT - 5/16"-18 X 2"-2.5" - W/BLACK PAD
9	142569-30-000	EA	SPRING/GAS - 90 LB - 9.6" EXTENDED/6.5" COMPRESSED
10	116617-02-02B	EA	SPACER - BUMPER
11	102330-02-000	EA	LATCH - VISE ACTION/KEY OPERATED
12	131664-01-01A	EA	PULL-LOCK, BLACK
13	164283-01-02B	EA	RETAINER - LATCH/HOOD - E-COATED
14	164282-01-02B	EA	SPACER - LATCH/HOOD - E-COATED
15	160247-02-02B	EA	LATCH - HOOD/FRONT END - E-COATED
16	120850-04-02B	EA	PLATE - SUPPORT/MIRROR - E-COATED
17	157051-02-02B	EA	SUPPORT - PIVOT SHAFT - E-COATED
18	157051-04-02B	EA	SUPPORT - PIVOT SHAFT - E-COATED
19	157051-05-02B	EA	SUPPORT - PIVOT SHAFT - E-COATED

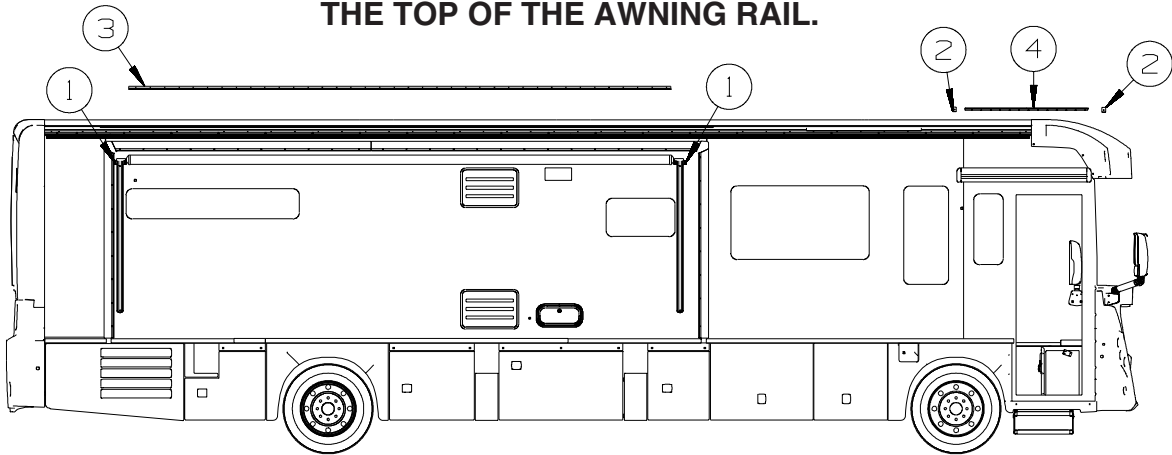
EXTERIOR BODY GROUP (CONTINUED)

STRUCTURAL COMPONENTS

KEY	PART NUMBER	U/M	DESCRIPTION
	089297-01-000	SF	PLYWOOD - LUAN - OVERLAY GRADE - 4' X 8'
	100619-01-000	BF	FOAM - EXPANDED POLYSTYRENE - 1.34" X 48" X 96"
	100619-04-000	BF	FOAM - EXPANDED POLYSTYRENE - .5" X 48" X 96"
	100619-05-000	BF	FOAM - EXPANDED POLYSTYRENE - .75" X 48" X 96"-1.5"DENSITY
	100619-13-000	BF	FOAM - EXPANDED POLYSTYRENE-.34" X 34.7" X 96"-2" DENSITY
	100619-16-000	BF	FOAM - EXPANDED POLYSTYRENE - .75" X 48" X 96"-2" DENSITY
	116942-03-01A	LB	ALUMINUM - .7" X 40" X 158"
	108535-05-03A	SF	FIBERGLASS SHEET - 108" X 500' ROLL - BRIGHT WHITE
	128782-18-01A	EA	FIBERGLASS SHEET - 85.2" X 448.1" - HIGH GLOSS - BRT WHITE
	120107-07-000	EA	FOAM - ROOF COVE
	151523-01-02A	EA	CEILING PANEL - 48" X 97.1" - VINYL/FOAM/LUAN - SPINDRIFT
	152490-01-000	EA	FOAM - PLUG - ROOF TUBE

AWNINGS

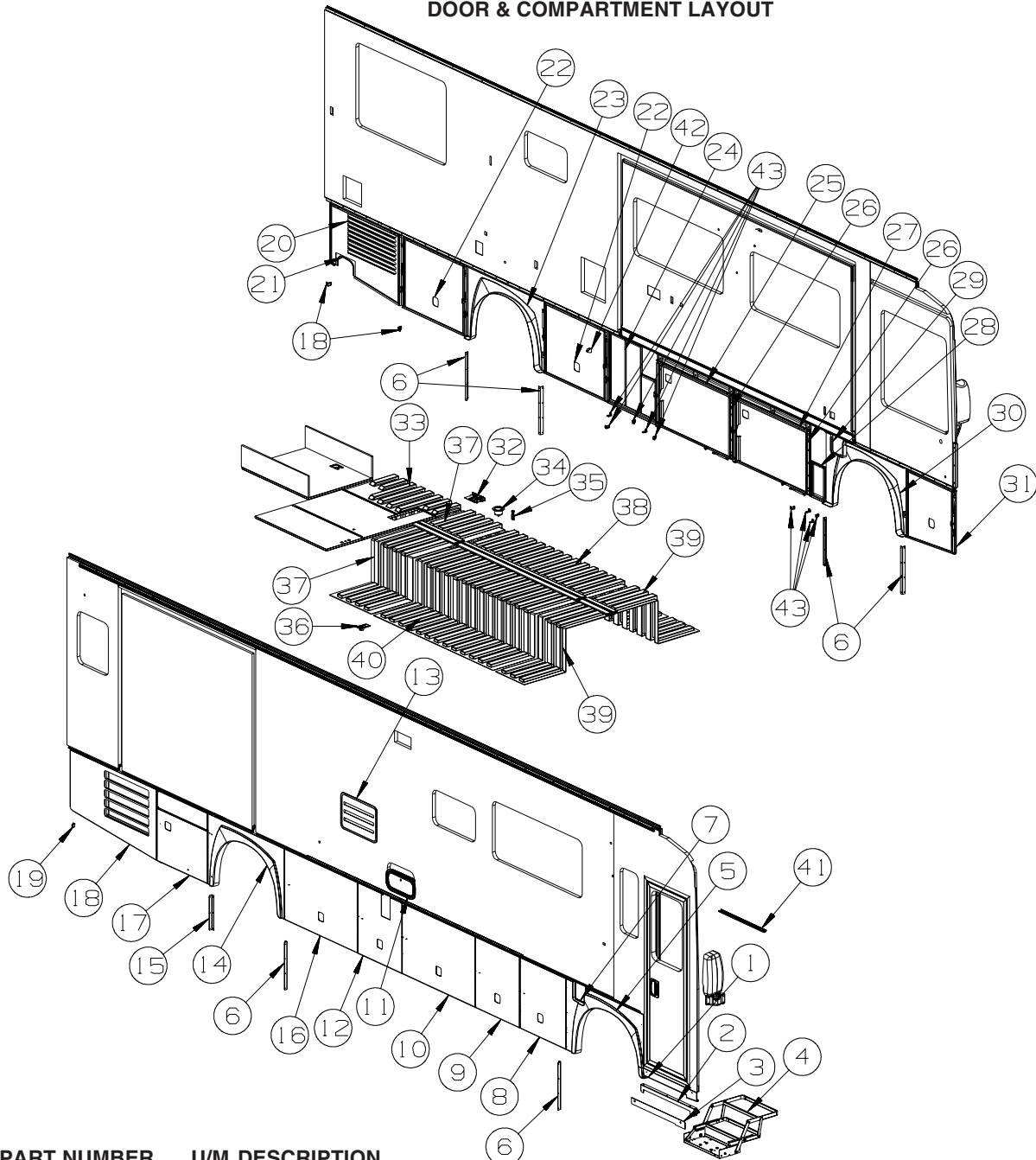
ORDER AWNINGS & REPAIR PARTS FROM DOMETIC. CALL #800-366-3842.
THE DOMETIC AWNING INFORMATION YOU WILL NEED IS LOCATED ON THE MOTOR HOME NEAR
THE TOP OF THE AWNING RAIL.



KEY	PART NUMBER	U/M	DESCRIPTION
1	113874-12-01A	EA	SCREW/LAG - AWNING - 1/4" X 2 3/4" STAINLESS STEEL
2	136770-03-02A	EA	SPACER - AWNING - 2" - BLACK - ENTRANCE DOOR FROM: 00-00-00 THRU: 09-02-07
3	142123-07-02A	EA	RAIL/AWNING - 226" - BLACK
4	137029-01-02A	EA	BRACKET - AWNING - BLACK FROM: 00-00-00 THRU: 09-02-07
4	165522-01-02A	EA	RAIL - AWNING - 51.1" - BLACK FROM: 09-03-07 THRU: 99-99-99

EXTERIOR DOORS & COMPARTMENTS GROUP

DOOR & COMPARTMENT LAYOUT

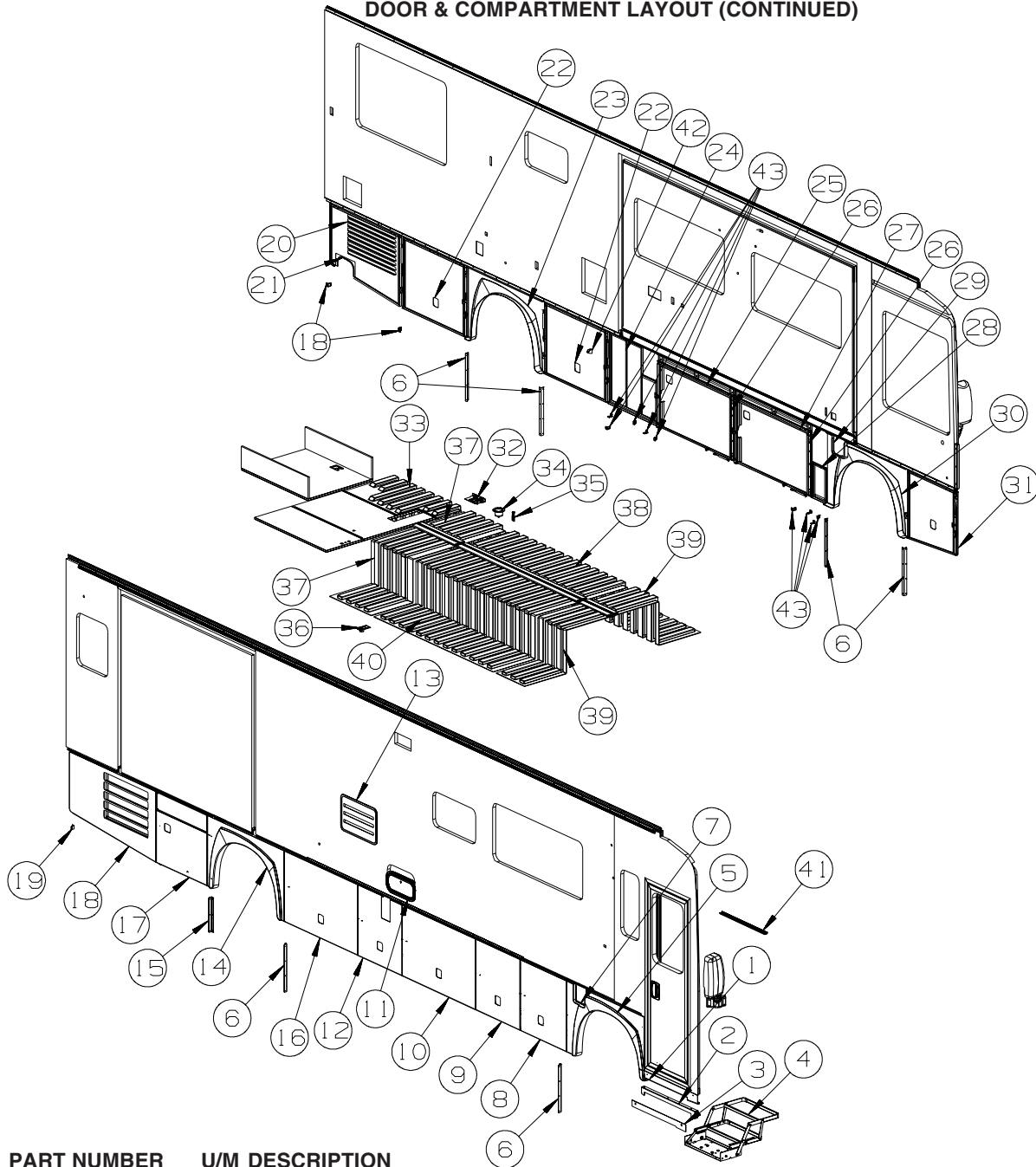


KEY	PART NUMBER	U/M	DESCRIPTION
1	162072-02-WD3	EA	VALANCE/PANEL - ENTRY DOOR - PLASTIC
2	134125-06-02B	EA	SUPPORT - DOOR/VALANCE - E-COATED
3	143362-05-02B	EA	CLIP - TRIM - E-COATED
4*	094707-04-01A	EA	STEP - ELECTRIC DOUBLE - KWIKEE
			FROM: 05-24-07 THRU: 99-99-99
4*	094708-06-01A	EA	STEP - ELECTRIC - SINGLE - BLACK - KWIKEE
			FROM: 00-00-00 THRU: 05-23-07
5	160944-05-WD3	EA	PANEL/WHEEL LIP - PASSENGER/FRONT
	139793-03-01A	EA	HINGE - CENTER/VALANCE DOOR - W/O BALL STUD
6	113904-11-02B	EA	ANGLE - ATTACHMENT/WHEEL LIP - 21.6" - E-COAT

EXTERIOR DOORS & COMPARTMENTS GROUP (CONTINUED)
DOOR & COMPARTMENT LAYOUT (CONTINUED)

KEY	PART NUMBER	U/M	DESCRIPTION
7	160260-04-WD3	EA	PANEL/DOOR - FUEL FILL - W/O LOCK
	110506-40-000	EA	CLIP-E, LOCK ASM - BRIGGS & STRATTON 93981
	110506-41-000	EA	WASHER-TENSION LOCK ASM - BRIGGS & STRATTON 37512
	110506-42-000	EA	NUT-LOCK ASM - BRIGGS & STRATTON 310878
	110506-43-000	EA	WASHER-FLAT, LOCK ASM - BRIGGS & STRATTON 82089
	110506-44-000	EA	GASKET-LOCK ASM - BRIGGS & STRATTON - #47701
	110506-45-000	EA	WASHER - SPUR - BRIGGS & STRATTON - #94771
	110506-51-000	EA	CASE/CYLINDER - TWIST LATCH - W/O CAM - 1" - 596669
	110506-78-000	EA	CAM - LATCHING - 2.3"
	153306-01-01A	EA	HINGE - PIANO - 1 1/2" X 5" - UNPAINTED
	138290-01-000	EA	CASE - W/CAM - W/O CYLINDER/KEY
	153306-02-01A	EA	HINGE - PIANO - 1 1/2" X 3.9" - UNPAINTED
8	161136-12-AA1	EA	DOOR/VALANCE - W/O PADDLE LATCH/HDW - 30.6"W X 32.2"H
	132873-03-000	EA	ROD - LATCH - 10.9" W/DOG LEG
	135624-68-01B	EA	ROD - LATCH
	142569-12-000	EA	SPRING/GAS - 90 LB - 15" EXTENDED/9.5" COMPRESSED
	126263-02-02B	EA	BRACKET - GAS SPRING W/BALL STUD - E-COATED
	130053-01-01A	EA	STRIKER - LUGGAGE DOOR - FLUSH - BLACK
	143793-01-01A	EA	SHIM - STRIKER - LUGGAGE - 3/64" - BLACK
	099418-01-000	FT	SEAL - D-SECTION/ADHESIVE BACK - .44" X .44" - BLK RUBBER
	132892-08-01A	FT	SEAL - BULB/SINGLE - W/U CHANNEL - 1" X .8" - BLACK
9	161136-06-AA1	EA	DOOR/VALANCE - W/O PADDLE LATCH/HDW - 29.3"W X 32.2"H
	132873-J4-000	EA	ROD - LATCH - 8.7" W/3/4" DOG LEG
	135624-C7-01B	EA	ROD - LATCH
	142569-12-000	EA	SPRING/GAS - 90 LB - 15" EXTENDED/9.5" COMPRESSED
	126263-02-02B	EA	BRACKET - GAS SPRING W/BALL STUD - E-COATED
	130053-01-01A	EA	STRIKER - LUGGAGE DOOR - FLUSH - BLACK
	143793-01-01A	EA	SHIM - STRIKER - LUGGAGE - 3/64" - BLACK
	099418-01-000	FT	SEAL - D-SECTION/ADHESIVE BACK - .44" X .44" - BLK RUBBER
	132892-08-01A	FT	SEAL - BULB/SINGLE - W/U CHANNEL - 1" X .8" - BLACK
10	161136-07-AA1	EA	DOOR/VALANCE - W/O PADDLE LATCH/HDW - 48.6"W X 32.2"H
	132873-J5-000	EA	ROD - LATCH - 18.3" W/3/4" DOG LEG
	135624-C8-01B	EA	ROD - LATCH
	142569-12-000	EA	SPRING/GAS - 90 LB - 15" EXTENDED/9.5" COMPRESSED
	126263-02-02B	EA	BRACKET - GAS SPRING W/BALL STUD - E-COATED
	130053-01-01A	EA	STRIKER - LUGGAGE DOOR - FLUSH - BLACK
	143793-01-01A	EA	SHIM - STRIKER - LUGGAGE - 3/64" - BLACK
	099418-01-000	FT	SEAL - D-SECTION/ADHESIVE BACK - .44" X .44" - BLK RUBBER
	132892-08-01A	FT	SEAL - BULB/SINGLE - W/U CHANNEL - 1" X .8" - BLACK
11	126945-09-R38	EA	DOOR/STORAGE - W/O HARDWARE - 18.3" X 9.9"
	056795-01-000	FT	TAPE/SEAL - 1/8" X 3/8" WIDE - PRESS ON
12	161136-10-AA1	EA	DOOR/VALANCE - W/O PADDLE LATCH/HDW - 29.3"W X 32.2"H
	132873-J4-000	EA	ROD - LATCH - 8.7" W/3/4" DOG LEG
	135624-C7-01B	EA	ROD - LATCH
	142569-12-000	EA	SPRING/GAS - 90 LB - 15" EXTENDED/9.5" COMPRESSED
	126263-02-02B	EA	BRACKET - GAS SPRING W/BALL STUD - E-COATED
	130053-01-01A	EA	STRIKER - LUGGAGE DOOR - FLUSH - BLACK
	143793-01-01A	EA	SHIM - STRIKER - LUGGAGE - 3/64" - BLACK
	099418-01-000	FT	SEAL - D-SECTION/ADHESIVE BACK - .44" X .44" - BLK RUBBER
	132892-08-01A	FT	SEAL - BULB/SINGLE - W/U CHANNEL - 1" X .8" - BLACK
13	137395-01-01A	EA	DOOR - REFRIGERATOR VENT - 21.5" X 13.8" - BRIGHT WHITE
14	160944-03-WD3	EA	PANEL/WHEEL LIP - PASSENGER/REAR
	139793-03-01A	EA	HINGE - CENTER/VALANCE DOOR - W/O BALL STUD
15	113904-13-02B	EA	ANGLE - ATTACHMENT/WHEEL LIP - 15.7" - E-COAT
16	161136-09-AA1	EA	DOOR/VALANCE - W/O PADDLE LATCH/HDW - 48.6"W X 32.2"H
	132873-J5-000	EA	ROD - LATCH - 18.3" W/3/4" DOG LEG
	135624-C8-01B	EA	ROD - LATCH
	142569-12-000	EA	SPRING/GAS - 90 LB - 15" EXTENDED/9.5" COMPRESSED
	126263-02-02B	EA	BRACKET - GAS SPRING W/BALL STUD - E-COATED
	130053-01-01A	EA	STRIKER - LUGGAGE DOOR - FLUSH - BLACK
	143793-01-01A	EA	SHIM - STRIKER - LUGGAGE - 3/64" - BLACK
	099418-01-000	FT	SEAL - D-SECTION/ADHESIVE BACK - .44" X .44" - BLK RUBBER
	132892-08-01A	FT	SEAL - BULB/SINGLE - W/U CHANNEL - 1" X .8" - BLACK

EXTERIOR DOORS & COMPARTMENTS GROUP (CONTINUED)
DOOR & COMPARTMENT LAYOUT (CONTINUED)



KEY	PART NUMBER	U/M	DESCRIPTION
17	160939-07-AA1	EA	DOOR/VALANCE - W/O PADDLE LATCH/HDW - 33.5" X 23.9"-BLK
	151390-03-01B	EA	ROD - LATCH - 11.1" W/3/4" DOG LEG
	132892-08-01A	FT	SEAL - BULB/SINGLE - W/U CHANNEL - 1" X .8" - BLACK
18	161136-08-AA1	EA	DOOR/VALANCE - W/LOUVER - W/O HDW - 57.6"WX32.2"HX27.3"H
	145993-01-000	FT	SEAL - "D SECTION" W/ADHESIVE BACK
19	140309-03-02B	EA	ANGLE - FURNACE DOOR - E-COATED
20	161136-11-AA1	EA	DOOR/VALANCE - W/LOUVER - W/O HDW - 48.6"WX28.6"HX30.9"H
21	163769-03-02A	EA	PANEL/TRIM - DIFFUSER - ALUMINUM/BLACK
			FROM: 00-00-00 THRU: 07-08-07
22	161136-01-AA1	EA	DOOR/VALANCE - W/O PADDLE LATCH/HDW - 42.9"W X 32.2"H
	132873-J6-000	EA	ROD - LATCH - 15.3" W/3/4" DOG LEG
	135624-C9-01B	EA	ROD - LATCH
	142569-12-000	EA	SPRING/GAS - 90 LB - 15" EXTENDED/9.5" COMPRESSED
	126263-02-02B	EA	BRACKET - GAS SPRING W/BALL STUD - E-COATED
	130053-01-01A	EA	STRIKER - LUGGAGE DOOR - FLUSH - BLACK
	143793-01-01A	EA	SHIM - STRIKER - LUGGAGE - 3/64" - BLACK
	099418-01-000	FT	SEAL - D-SECTION/ADHESIVE BACK - .44" X .44" - BLK RUBBER
	107721-07-000	FT	SEAL - ACCESS DOOR - .9"WIDE X 1.1"HIGH

EXTERIOR DOORS & COMPARTMENTS GROUP (CONTINUED)
DOOR & COMPARTMENT LAYOUT (CONTINUED)

KEY	PART NUMBER	U/M	DESCRIPTION
23	160944-04-WD3	EA	PANEL/WHEEL LIP - DRIVER/REAR
	139793-03-01A	EA	HINGE - CENTER/VALANCE DOOR - W/O BALL STUD
24	162732-01-AA1	EA	VALANCE/PANEL - W/O HDW - 31.8"W X 32.4"H - BLACK
25	161442-03-AA1	EA	PANEL/VALANCE - W/MOUNT CHANNEL - 3.2" X 50.9" - BLACK
26	160939-05-AA1	EA	DOOR/VALANCE - W/O PADDLE LATCH/HDW - 50.9" X 28.7"-BLK
	151390-04-01B	EA	ROD - LATCH - 10.5" W/3/4" DOG LEG
	132892-08-01A	FT	SEAL - BULB/SINGLE - W/U CHANNEL - 1" X .8" - BLACK
27	159557-05-AA1	EA	PANEL/VALANCE - W/MOUNT CHANNEL - 3.2" X 50.9"
28	160988-02-AA1	EA	PANEL/VALANCE - W/O HDW - 9.4"W X 15.9"H - BLACK
29	160260-02-WD3	EA	PANEL/DOOR - FUEL FILL - W/O LOCK
	138290-01-000	EA	CASE - W/CAM - W/O CYLINDER/KEY
	153306-02-01A	EA	HINGE - PIANO - 1 1/2" X 3.9" - UNPAINTED
30	160944-02-WD3	EA	PANEL/WHEEL LIP - DRIVER/FRONT
	139793-03-01A	EA	HINGE - CENTER/VALANCE DOOR - W/O BALL STUD
31	161136-02-AA1	EA	DOOR/VALANCE - W/O PADDLE LATCH/HDW - 33.1"WX28.6"HX30.9"H
	132873-J3-000	EA	ROD - LATCH - 10.5" W/3/4" DOG LEG
	135624-D0-01B	EA	ROD - LATCH
	130053-01-01A	EA	STRIKER - LUGGAGE DOOR - FLUSH - BLACK
	143793-01-01A	EA	SHIM - STRIKER - LUGGAGE - 3/64" - BLACK
	142569-27-000	EA	SPRING/GAS - 112 LB - 17" EXTENDED/11" COMPRESSED
	126263-02-02B	EA	BRACKET - GAS SPRING W/BALL STUD - E-COATED
	099418-01-000	FT	SEAL - D-SECTION/ADHESIVE BACK - .44" X .44" - BLK RUBBER
	132892-08-01A	FT	SEAL - BULB/SINGLE - W/U CHANNEL - 1" X .8" - BLACK
32*	142226-02-01A	EA	HATCH - POWER
33	159762-11-01A	EA	COMPARTMENT - LUGGAGE
	159762-01-01A	EA	COMPARTMENT - LUGGAGE
34	164974-01-01A	EA	POCKET - RECESSED/ROUND - PLASTIC
35	130377-02-000	EA	TUBE/DRAIN - KAZOO - 1 1/2" X 4"
36	160154-01-01A	EA	HATCH - F/POWER CORD - W/BASE/COVER - BLACK
37	164972-02-01A	EA	COMPARTMENT - LUGGAGE
38	160895-02-01A	EA	COMPARTMENT - LUGGAGE
	160895-01-01A	EA	COMPARTMENT - LUGGAGE
39	164972-03-01A	EA	COMPARTMENT - LUGGAGE
40	160895-03-01A	EA	COMPARTMENT - LUGGAGE
	160895-01-01A	EA	COMPARTMENT - LUGGAGE
41	139054-24-02A	EA	CAP - DRIP - JAMB MOUNTED - BLACK
42	131383-03-02A	EA	BRACKET - SHOWER HEAD - WHITE
43	123512-06-02B	EA	BRACKET - DOOR/VALANCE - E-COATED

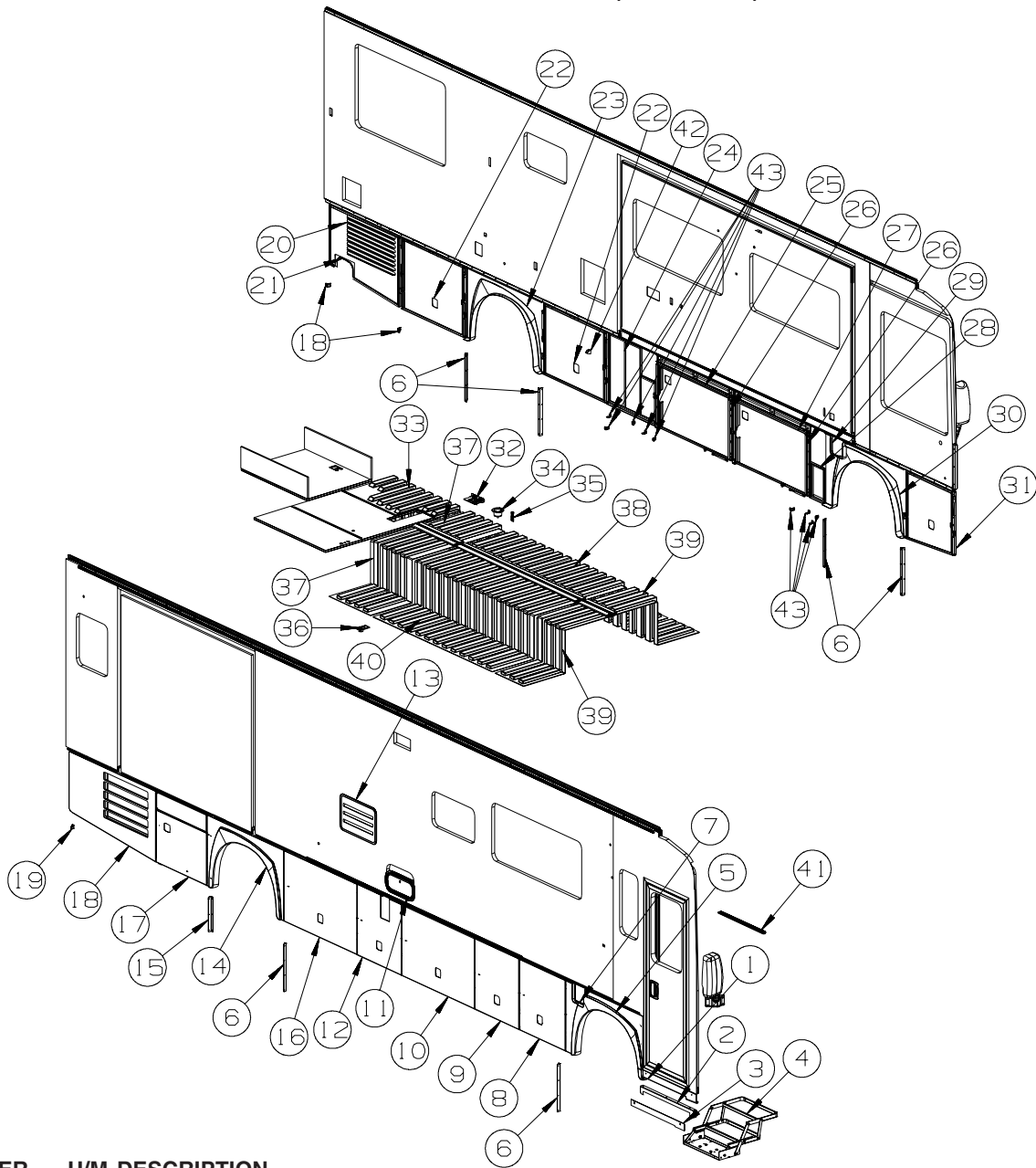
ENTRY DOOR LOCK CYLINDERS

138287-11-000	EA	CYLINDER/LOCK - ENTRY DOOR - MASTER W/3M ICON - (3041)
138287-12-000	EA	CYLINDER/LOCK - ENTRY DOOR - MASTER W/3M ICON - (3042)
138287-13-000	EA	CYLINDER/LOCK - ENTRY DOOR - MASTER W/3M ICON - (3043)
138287-14-000	EA	CYLINDER/LOCK - ENTRY DOOR - MASTER W/3M ICON - (3044)
138287-15-000	EA	CYLINDER/LOCK - ENTRY DOOR - MASTER W/3M ICON - (3045)
138287-16-000	EA	CYLINDER/LOCK - ENTRY DOOR - MASTER W/3M ICON - (3046)
138287-17-000	EA	CYLINDER/LOCK - ENTRY DOOR - MASTER W/3M ICON - (3047)
138287-18-000	EA	CYLINDER/LOCK - ENTRY DOOR - MASTER W/3M ICON - (3048)
138287-19-000	EA	CYLINDER/LOCK - ENTRY DOOR - MASTER W/3M ICON - (3049)
138287-20-000	EA	CYLINDER/LOCK - ENTRY DOOR - MASTER W/3M ICON - (3050)
138292-01-000	EA	SEAL - LOCK CYLINDER

VALANCE DOOR & FUEL FILL DOOR LOCK CYLINDERS

138289-11-000	EA	CYLINDER/LOCK - ACCESS DOORS - REDUCED SENSITIVITY (3041)
138289-12-000	EA	CYLINDER/LOCK - ACCESS DOORS - REDUCED SENSITIVITY (3042)
138289-13-000	EA	CYLINDER/LOCK - ACCESS DOORS - REDUCED SENSITIVITY (3043)
138289-14-000	EA	CYLINDER/LOCK - ACCESS DOORS - REDUCED SENSITIVITY (3044)
138289-15-000	EA	CYLINDER/LOCK - ACCESS DOORS - REDUCED SENSITIVITY (3045)
138289-16-000	EA	CYLINDER/LOCK - ACCESS DOORS - REDUCED SENSITIVITY (3046)
138289-17-000	EA	CYLINDER/LOCK - ACCESS DOORS - REDUCED SENSITIVITY (3047)
138289-18-000	EA	CYLINDER/LOCK - ACCESS DOORS - REDUCED SENSITIVITY (3048)
138289-19-000	EA	CYLINDER/LOCK - ACCESS DOORS - REDUCED SENSITIVITY (3049)
138289-20-000	EA	CYLINDER/LOCK - ACCESS DOORS - REDUCED SENSITIVITY (3050)

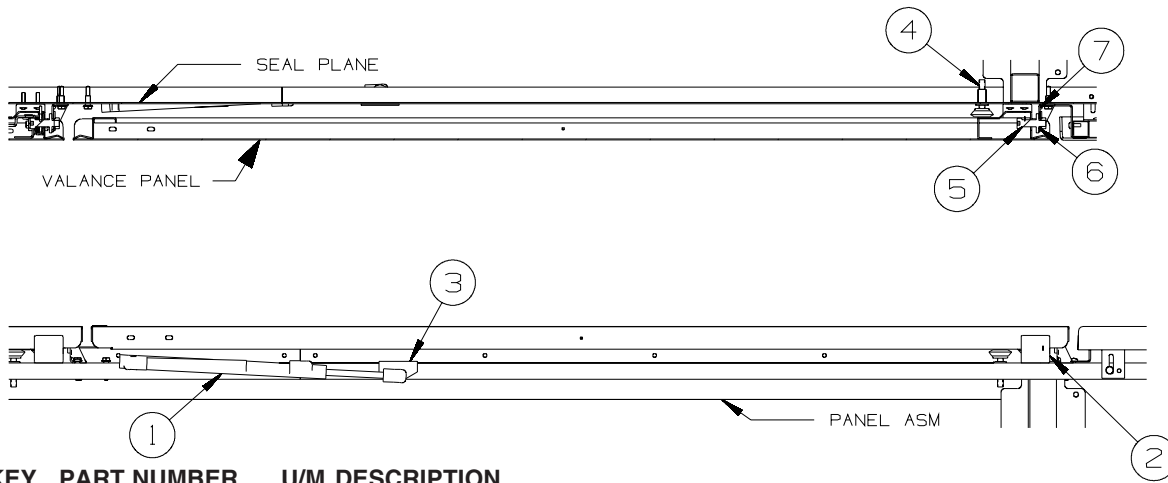
EXTERIOR DOORS & COMPARTMENTS GROUP (CONTINUED)
DOOR & COMPARTMENT LAYOUT (CONTINUED)



KEY	PART NUMBER	U/M DESCRIPTION
	138288-11-000	EA KEY - REVERSIBLE - #3041 - T/M 16169-02-3041
	138288-12-000	EA KEY - REVERSIBLE - #3042 - T/M 16169-02-3042
	138288-13-000	EA KEY - REVERSIBLE - #3043 - T/M 16169-02-3043
	138288-14-000	EA KEY - REVERSIBLE - #3044 - T/M 16169-02-3044
	138288-15-000	EA KEY - REVERSIBLE - #3045 - T/M 16169-02-3045
	138288-16-000	EA KEY - REVERSIBLE - #3046 - T/M 16169-02-3046
	138288-17-000	EA KEY - REVERSIBLE - #3047 - T/M 16169-02-3047
	138288-18-000	EA KEY - REVERSIBLE - #3048 - T/M 16169-02-3048
	138288-19-000	EA KEY - REVERSIBLE - #3049 - T/M 16169-02-3049
	138288-20-000	EA KEY - REVERSIBLE - #3050 - T/M 16169-02-3050

***COMPONENT PARTS LISTED LATER IN THIS GROUP**

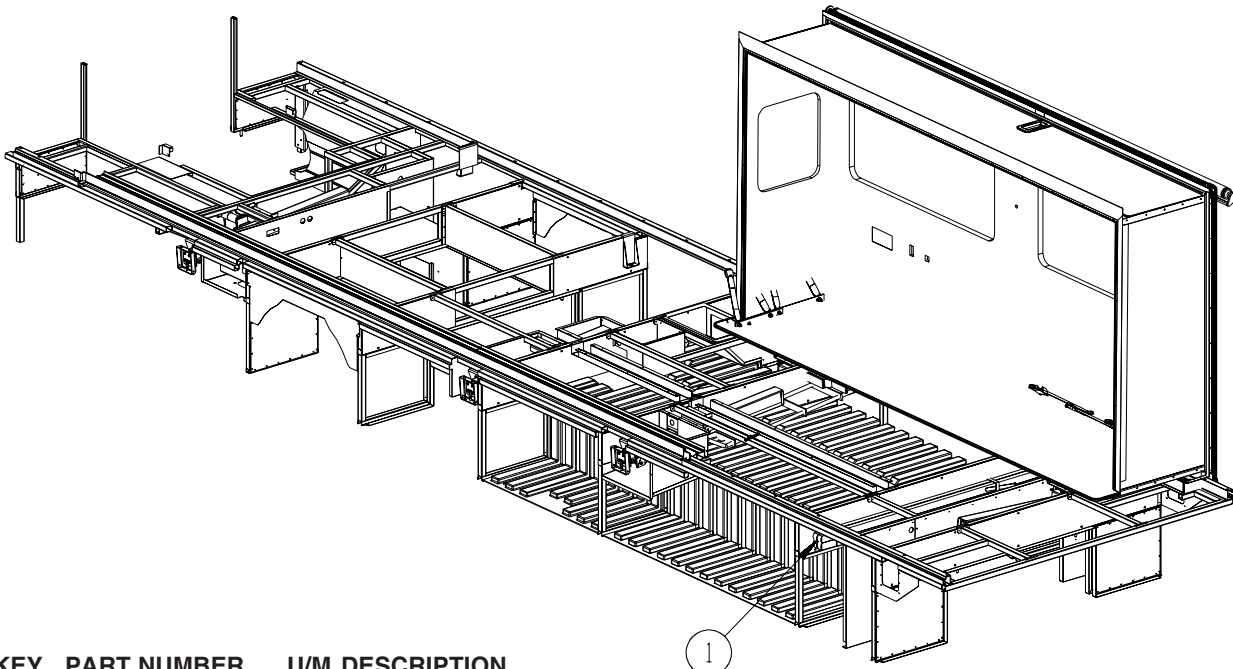
EXTERIOR DOORS & COMPARTMENTS GROUP (CONTINUED)
DOOR & COMPARTMENT LAYOUT (CONTINUED)



**DOOR &
 COMPARTMENT
 SECTIONS**

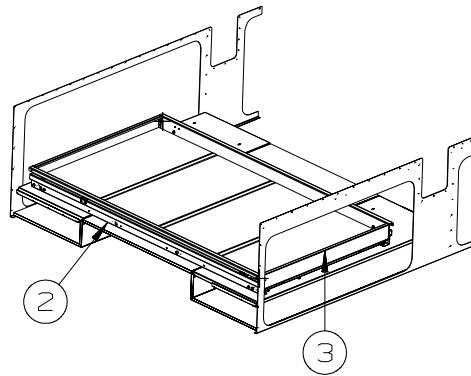
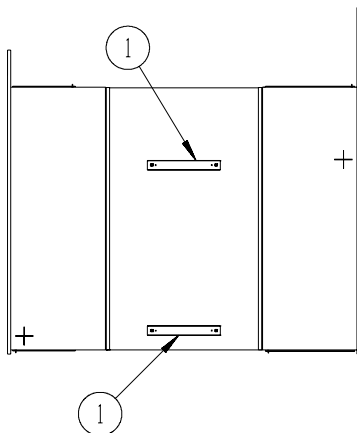
KEY	PART NUMBER	U/M	DESCRIPTION
1	142569-06-000	EA	SPRING/GAS - 25 LB - 14.8" EXTENDED/8.9" COMPRESSED
2	149558-01-01A	EA	SUPPORT - VALANCE DOOR - LOWER - BLACK
3	126263-02-02B	EA	BRACKET - GAS SPRING W/BALL STUD - E-COATED
4	058786-01-000	EA	BOLT - HOOD ADJUSTMENT - 5/16"-18 X 1.5"-2" - W/BLACK PAD
5	149358-01-01A	EA	BOLT - STRIKER - .375"DIAMETER
6	149357-02-02B	EA	PLATE ASSEMBLY - F/STRIKER BOLT - E-COATED
7	149356-02-02B	EA	MOUNTING - F/STRIKER BOLT - E-COATED

EXTERIOR DOORS & COMPARTMENTS GROUP (CONTINUED)
DOOR & COMPARTMENT LAYOUT (CONTINUED)



**ACCESSORY
INSTALLATION**

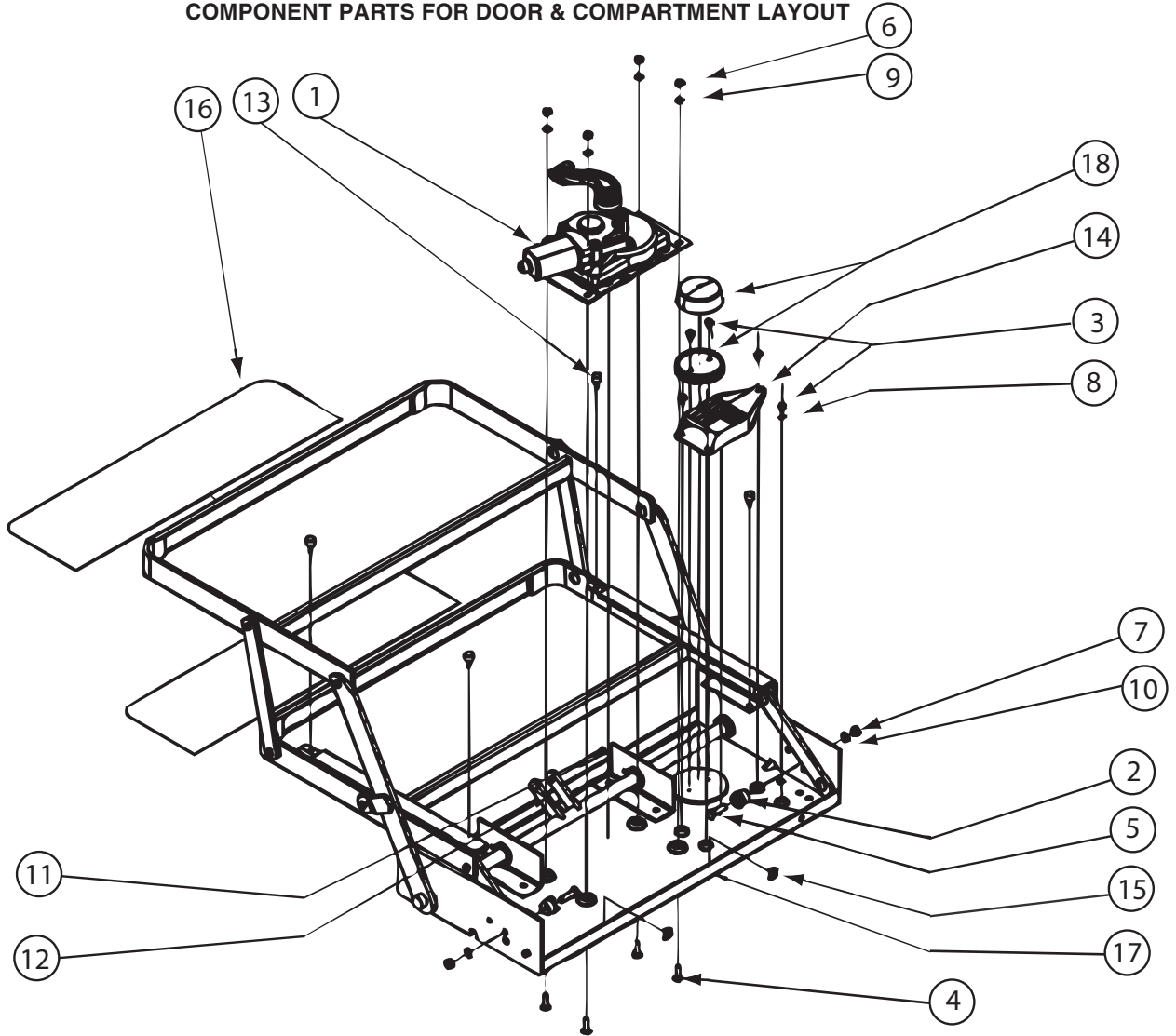
KEY	PART NUMBER	U/M DESCRIPTION
1	148880-02-01A	EA LADDER/FOLDING - ALUMINUM- FOLDED SIZE 3.5" X 4.5" X 86.5"



**SLIDING TRAY
INSTALLATION**

KEY	PART NUMBER	U/M DESCRIPTION
1	147393-02-02B	EA RETAINER - COMPARTMENT/SLIDE - E-COATED FROM: 00-00-00 THRU: 08-23-07
1	147393-05-02B	EA RETAINER - COMPARTMENT/SLIDE - E-COATED FROM: 08-24-07 THRU: 99-99-99
2	147533-01-000	EA SLIDE TRAY - LUGGAGE FROM: 00-00-00 THRU: 08-28-07
3	147533-03-000	EA SLIDE TRAY - TRIM KIT - LUGGAGE FROM: 00-00-00 THRU: 08-28-07
3	164948-01-01A	EA SLIDE TRAY - LUGGAGE - W/CARPET FROM: 08-29-07 THRU: 99-99-99

EXTERIOR DOORS & COMPARTMENTS GROUP (CONTINUED)
COMPONENT PARTS FOR DOOR & COMPARTMENT LAYOUT

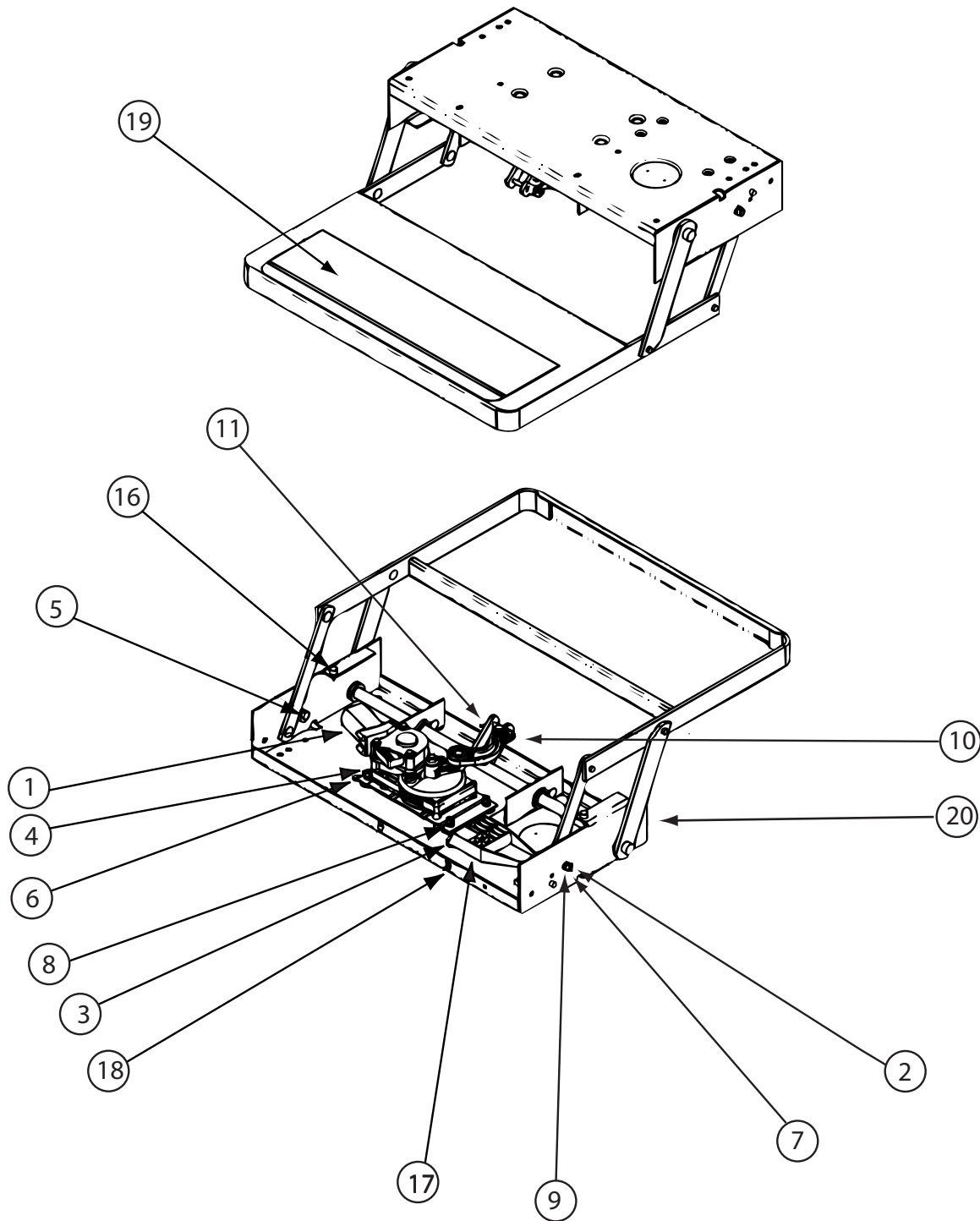


094707-04-01A

KEY	PART NUMBER	U/M	DESCRIPTION	VENDOR NO.
1	094707-04-701	EA	MOTOR "AM 214" F/IMGL STEPS	1101428
1	094707-04-703	EA	GEAR BOX W/LINKAGE-CURVED	1101425
2	143709-01-700	EA	CAM STOP	1102200
10	094707-04-712	EA	HARNES/JUMPER W/DIODE	1510000015
12	094707-04-702	EA	COTTOR PIN - W/CLEVIS PIN	905205000
13	143709-01-701	EA	BUMPER - BLACK (RUBBER STOP)	1602000
14	094707-04-700	EA	CONTROL UNIT W/OVERRIDE	909510000
16	143709-01-702	EA	TREAD/NON-SKID 6" X 21" BLK	1915260
17	094707-04-704	EA	FRAME W/DBL STEP-32REINF SRS	3202082
18	088746-01-705	EA	LIGHT-UNDER STEP	9004
	094707-03-701	EA	PLUG - 4-WAY - PACKARD	909306
	094707-04-711	EA	KWIKTEST - W/4-WAY PIGTAIL	909518000

CONTACT WINNEBAGO PART SALES FOR UNLISTED COMPONENT(S)

EXTERIOR DOORS & COMPARTMENTS GROUP (CONTINUED)
COMPONENT PARTS FOR DOOR & COMPARTMENT LAYOUT (CONTINUED)



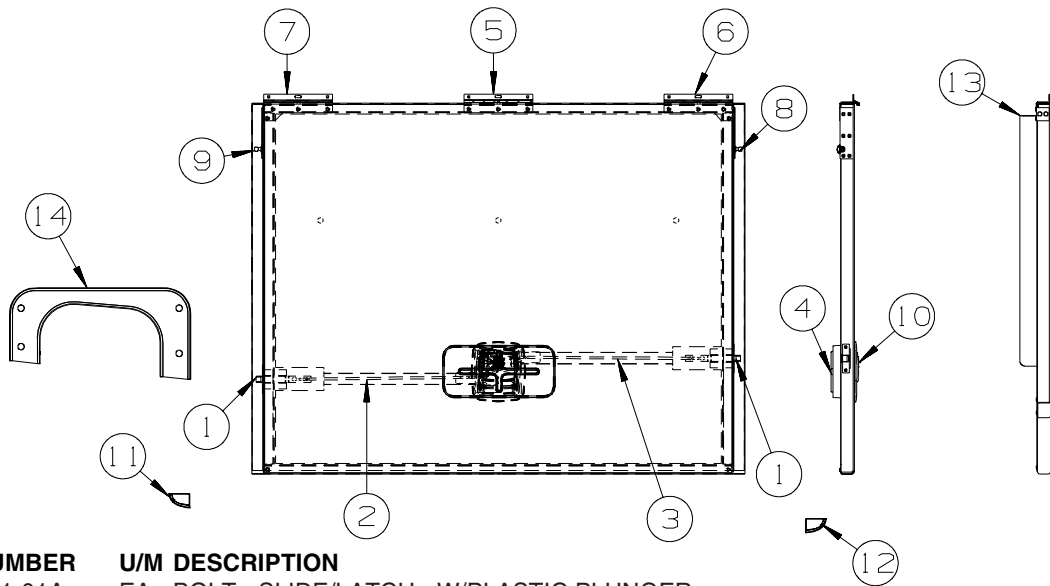
094708-06-01A

KEY	PART NUMBER	U/M	DESCRIPTION	VENDOR NO.
1	094707-04-701	EA	MOTOR "AM 214" F/IMGL STEPS	1101428
11	094707-04-702	EA	COTTER PIN - W/CLEVIS PIN	905205000
16	143709-01-701	EA	BUMPER - BLACK (RUBBER STOP)	1602000
17	094707-04-700	EA	CONTROL UNIT W/OVERRIDE	909510000
19	143709-01-702	EA	TREAD/NON-SKID _6" X 21" BLK	1915260
20	094708-06-700	EA	FRAME W/SGL STEP,28RNF SRS	3202086
	094707-03-701	EA	PLUG - 4-WAY - PACKARD	909306
	094707-04-703	EA	GEAR BOX W/LINKAGE-CURVED	1101425
	094707-04-711	EA	KWIKTEST - W/4-WAY PIGTAIL	909518000

142226-02-01A

KEY	PART NUMBER	U/M	DESCRIPTION	VENDOR NO
	142226-02-700	EA	TAB/LOCKING - ESCAPE (RED)	9667709

EXTERIOR DOORS & COMPARTMENTS GROUP (CONTINUED)
COMPARTMENT DOOR PIECE PARTS

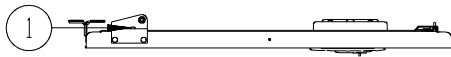
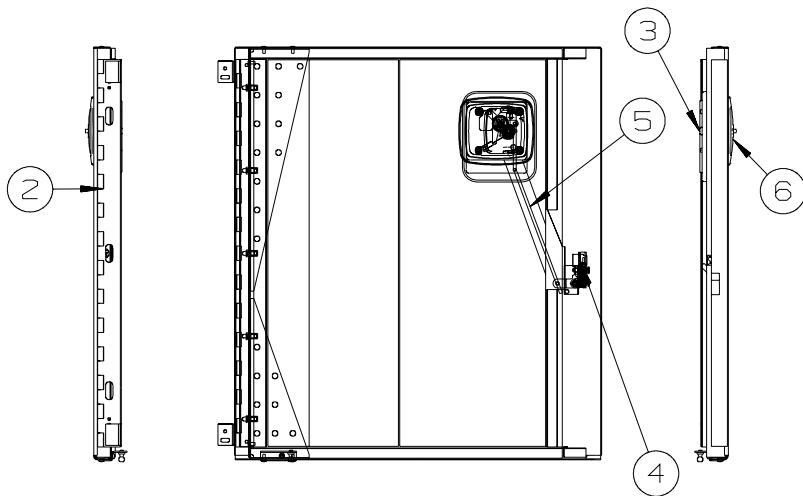
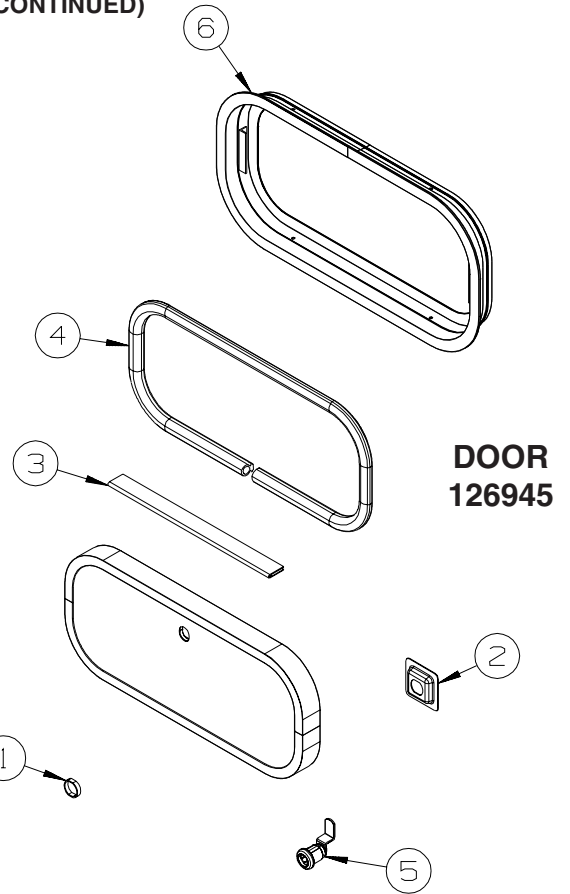


**DOOR
161136**

KEY	PART NUMBER	U/M	DESCRIPTION
1	121947-01-01A	EA	BOLT - SLIDE/LATCH - W/PLASTIC PLUNGER
2	132873-01-000	EA	ROD - LATCH (BLANK) - 37.3"
3	135624-71-01B	EA	ROD - LATCH (BLANK) - 37.3"
4	137359-01-01A	EA	COVER - LATCH - WHITE
5	139793-03-01A	EA	HINGE - CENTER/VALANCE DOOR - W/O BALL STUD
6	139793-04-01A	EA	HINGE - VALANCE DOOR - W/O BALL STUD
6	139793-01-01A	EA	HINGE - VALANCE DOOR - W/BALL STUD
7	139793-05-01A	EA	HINGE - VALANCE DOOR - W/O BALL STUD
7	139793-02-01A	EA	HINGE - VALANCE DOOR - W/BALL STUD
8	147513-01-01A	EA	BALL STUD
9	147513-02-01A	EA	BALL STUD
10	154900-01-01A	EA	LATCH/PADDLE - LOCKING - COMPT DOOR - KEY ONE - BLACK
10	154900-01-02A	EA	LATCH/PADDLE - LOCKING - COMPT DOOR - KEY ONE - WHITE
11	138643-02-01A	EA	CORNER-VAL DOOR,REAR,LH,BLK
12	138643-01-01A	EA	CORNER-VAL DOOR,REAR,RH,BLK
13	145993-01-000	FT	SEAL - "D SECTION" W/ADHESIVE BACK
14	163769-03-02A	EA	PANEL/TRIM - DIFFUSER - ALUMINUM/BLACK
14	163769-03-03A	EA	PANEL/TRIM - DIFFUSER - ALUMINUM/BRIGHT WHITE

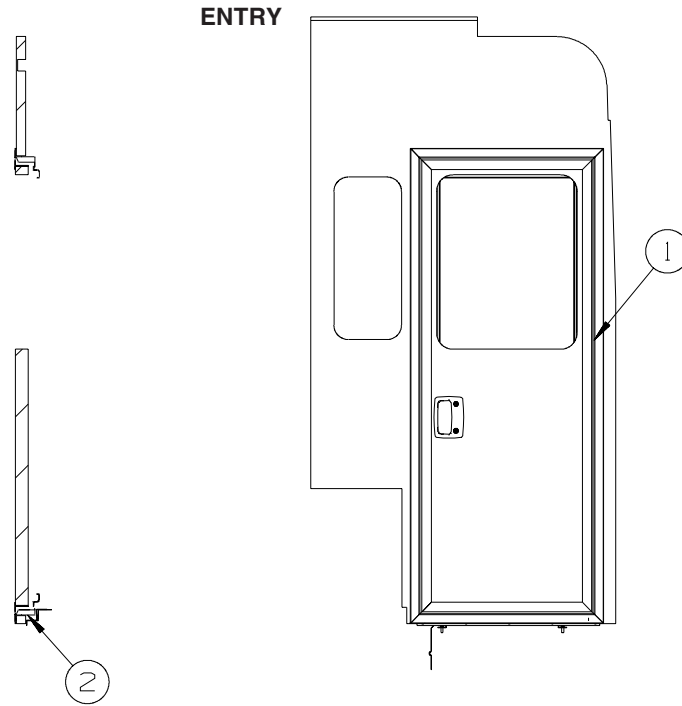
EXTERIOR DOORS & COMPARTMENTS GROUP (CONTINUED)
COMPARTMENT DOOR PIECE PARTS (CONTINUED)

KEY	PART NUMBER	U/M	DESCRIPTION
1	139325-01-000	EA	SPACER - LOCK - 6MM
	139337-01-000	EA	GASKET - LOCK
2	097111-02-04A	EA	POCKET - LOCK - REAR DOOR - BLACK
3	081801-FN-000	EA	HINGE - DOOR - PIANO - 2" X 96" - BLACK
3	081801-V3-000	EA	HINGE - DOOR - PIANO - 2" X 96" - BRIGHT WHITE
4	156386-01-01A	FT	SEAL - BULB - .4" X .5" - W/ADHESIVE BACK
5	138290-02-000	EA	CASE - W/CAM - W/O CYLINDER/KEY
6	056795-01-000	FT	TAPE - SEAL - 1/8" X 3/8" WIDE - PRESS ON



KEY	PART NUMBER	U/M	DESCRIPTION
1	126263-17-02B	EA	BRACKET - GAS SPRING W/BALL STUD - E-COATED FROM: 00-00-00 THRU: 05-31-08
1	168513-01-02B	EA	BRACKET - GAS SPRING/RH - E-COATED FROM: 06-01-08 THRU: 99-99-99
2	137228-04-02B	EA	HINGE - PIANO - COMPARTMENT DOOR - 27" - E-COATED
2	137228-08-02B	EA	HINGE - PIANO - COMPARTMENT DOOR - 27" - E-COATED
2	137228-09-02B	EA	HINGE - PIANO - COMPARTMENT DOOR - 27" - E-COATED
2	137228-14-02B	EA	HINGE - PIANO - COMPARTMENT DOOR - 21" - E-COATED
3	137359-02-01A	EA	COVER - LATCH - BRIGHT WHITE
4	149359-01-01A	EA	LATCH - SINGLE ROTOR
4	149359-04-01A	EA	LATCH - SINGLE ROTOR - MINI/LEFT HAND - ZINC
4	149359-07-01A	EA	LATCH - SINGLE ROTOR - MINI/RIGHT HAND
4	149359-08-01A	EA	LATCH - SINGLE ROTOR - MINI/LEFT HAND
5	132873-01-000	EA	ROD - LATCH (BLANK) - 37.3"
6	154900-03-01A	EA	LATCH/PADDLE - LOCKING - COMPT DOOR - KEY ONE - BLACK
6	154900-03-02A	EA	LATCH/PADDLE - LOCKING - COMPT DOOR - KEY ONE - WHITE
6	154900-04-01A	EA	LATCH/PADDLE - NON LOCKING - COMPT DOOR - BLACK
6	154900-04-02A	EA	LATCH/PADDLE - NON LOCKING - COMPT DOOR - WHITE

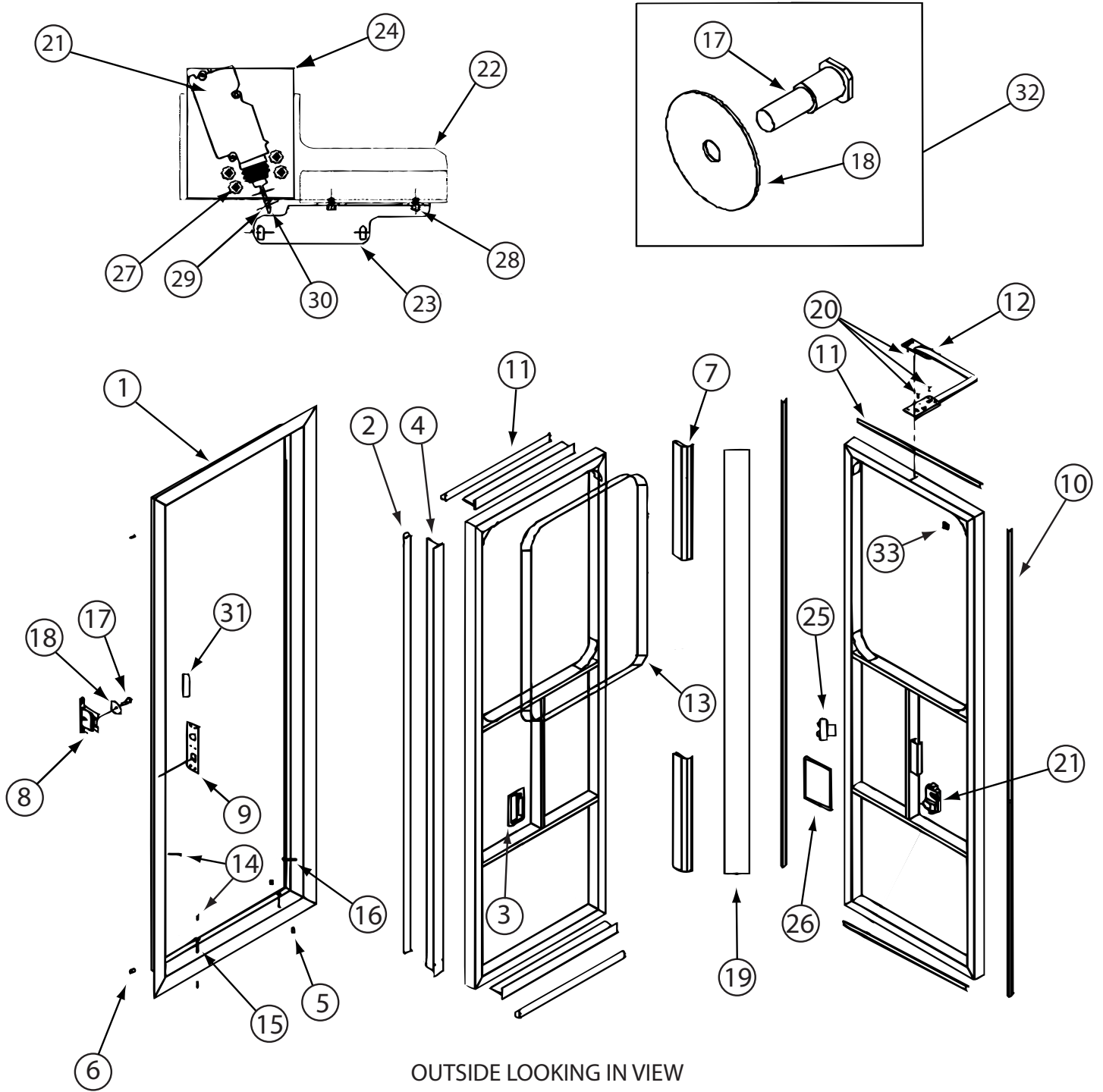
EXTERIOR DOORS & COMPARTMENTS GROUP (CONTINUED)



KEY	PART NUMBER	U/M	DESCRIPTION
1*	162100-01-01A	EA	DOOR - ENTRY/FRONT - EBONY VINYL INTERIOR - BLACK FRAME
2	134450-03-01A	EA	TAPE - ANTI SLIP - 2" X 29.9" - BLACK

***COMPONENT PARTS LISTED LATER IN THIS GROUP**

EXTERIOR DOORS & COMPARTMENTS GROUP (CONTINUED)
COMPONENT PARTS FOR ENTRY



OUTSIDE LOOKING IN VIEW

INSIDE LOOKING OUT VIEW

162100-01-01A

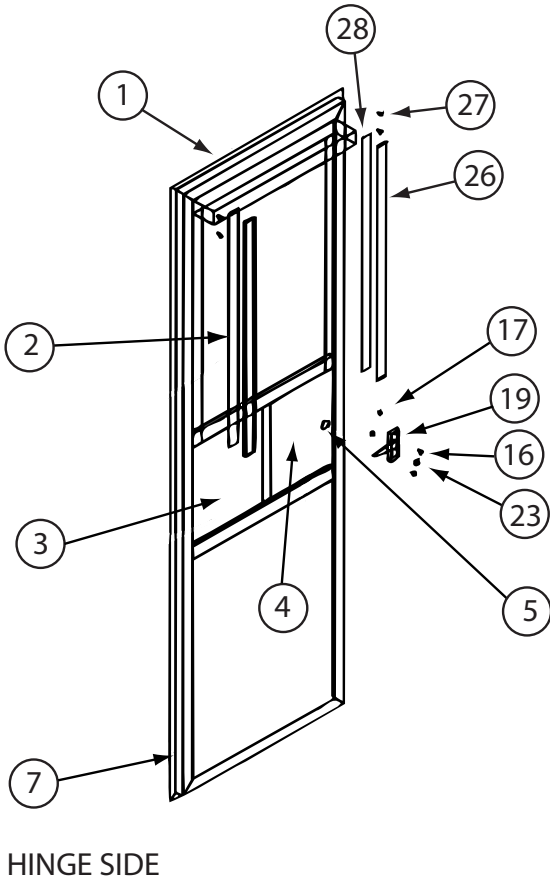
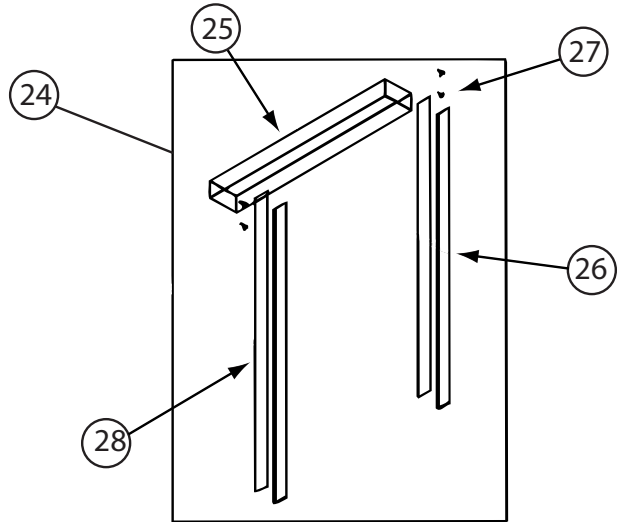
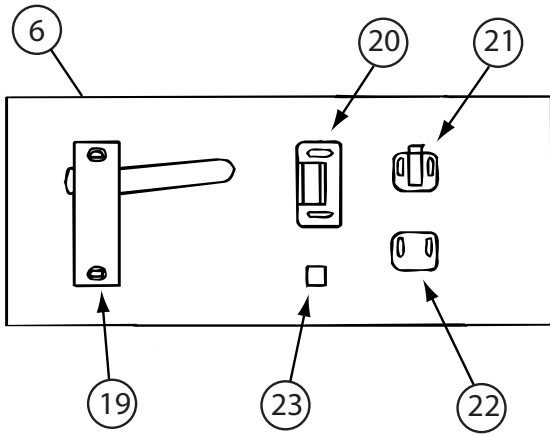
EXTERIOR DOORS & COMPARTMENTS GROUP (CONTINUED)
COMPONENT PARTS FOR ENTRY (CONTINUED)

162100-01-01A (CONTINUED)

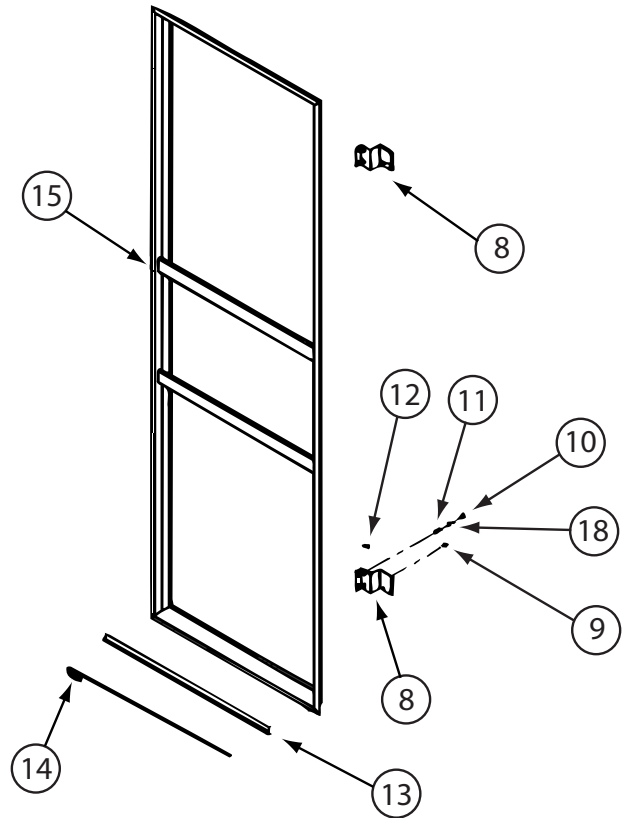
KEY	PART NUMBER	U/M	DESCRIPTION	VENDOR NO.
1	162100-01-702	EA	JAMB - ENTRY DOOR/BLK - PTL	003-480
2	162100-01-700	FT	SEAL - "D" - W/HOLES	007-067
3	112782-04-01A	EA	GASKET	T/M 81480
3	112782-05-01A	EA	CAP-VINYL,RED	T/M 80844-99
3	112782-08-01A	EA	SCREW-MOUNTING,PLATE,ZINC	T/M 15553-01
3	112782-18-700	EA	KEY/BLANK- REVERSE/DEADBOLT	16169-20-2000
3	112782-27-700	EA	LATCH-EXT-W/O CYL-W/DEADBOLT	19682-03 BLACK
3	112782-27-701	EA	LATCH - INTERIOR PLATE - BLK	17999-01 F/PTL DR
3	112782-27-702	EA	LATCH-SINGLE ROTOR/PTL DOOR	17999-01
3	138292-01-000	EA	SEAL-LOCK CYLINDER	TRI/MARK 16025-01
7	162100-01-707	EA	HINGE/PIANO-18" - ENTRY DOOR	005-081
8	162100-01-708	EA	MOV-A-BOLT ASSEMBLY	009-041
9	162100-01-709	EA	PLATE/STRIKER - DEADBOLT	009-216
10	162100-01-710	FT	TRIM/CLAMP-INTERIOR-BLK PVC	007-261
11	162100-01-711	EA	ENTRY DOOR - W/O JAMB	001-895
12	162100-01-712	EA	DOOR CHECK ASM - LOCKING	011-523
13	162100-01-713	EA	CLAMP RING - F/WINDOW	023-095
14	162100-01-714	EA	PLUG/PLASTIC - BLACK	035-003
15	162100-01-735	EA	SCREW 2" HEX HEAD FLANGE	011-103
17	162100-01-717	EA	STRIKER BOLT - SHORT	009-097
18	162100-01-718	EA	WASHER - 2" F/MOV-A-BOLT	009-098
19	162100-01-719	FT	TAPE - BLACK HYPALON	007-017
21	162100-01-721	EA	ACTUATOR/ELECTRIC - 45N	027-064
25	162100-01-725	EA	WIRELESS CONTACT - 2 BUTTON	027-020
26	162100-01-726	EA	BEZEL - INSIDE HANDLE	009-210
29	162100-01-729	EA	LINKAGE ROD	001-410
30	162100-01-730	EA	ROD CLIP - 1/8"	009-224
31	162100-01-731	EA	RUBBER FLAP - F/STRIKER BOLT	007-020
33	162100-01-733	EA	BUMPER/RUBBER - LARGE - BLK	007-080

CONTACT WINNEBAGO PART SALES FOR UNLISTED COMPONENT(S)

EXTERIOR DOORS & COMPARTMENTS GROUP (CONTINUED)
COMPONENT PARTS FOR ENTRY (CONTINUED)



INSIDE LOOKING OUT VIEW



OUTSIDE LOOKING IN VIEW

162100-01-01A (CONTINUED)

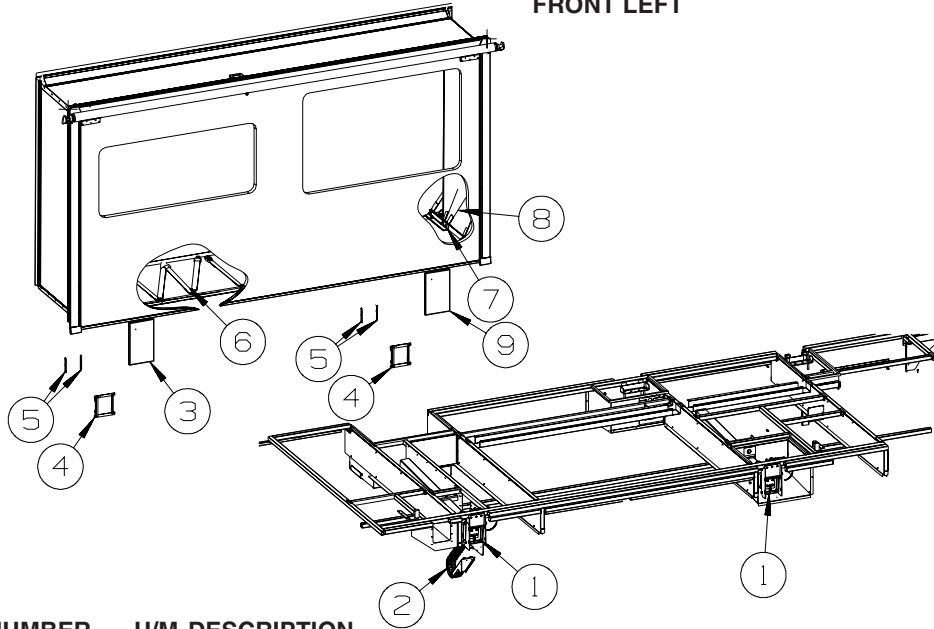
EXTERIOR DOORS & COMPARTMENTS GROUP (CONTINUED)
COMPONENT PARTS FOR ENTRY (CONTINUED)

162100-01-01A (CONTINUED)

KEY	PART NUMBER	U/M	DESCRIPTION	VENDOR NO.
1	162100-01-703	EA	SCREEN DOOR ASM	WIN007
3	162100-02-703	EA	INSERT/ACRYLIC - STATIONARY	023-0783
4	162100-02-704	EA	SLIDER - ACRYLIC GLASS	023-077
5	122759-01-734	EA	KNOB-BLACK W/SCREW	019-018
6	162100-01-701	EA	LATCH ASM - F/SCREEN DOOR	019-068
7	162100-02-707	FT	SPONGE TAPE - 1/8" X 3/4"	007-277
8	162100-02-708	EA	HINGE - SCREEN DOOR - BLACK	005-072
9	162100-02-709	EA	CAP SCREW - BUTTON HEAD	011-053
13	162100-02-713	EA	BRUSH RAIL-W/O SWEEP INSERT	035-032
14	162100-02-714	EA	SWEEP - 1" VINYL - GRAY	007-070
19	162100-02-719	EA	LATCH ONLY - F/SCREEN DOOR	019-065
20	162100-02-720	EA	STRIKE - F/SCREEN LATCH	019-066
21	162100-02-721	EA	KEEPER - F/SCREEN LATCH	019-067
22	162100-02-722	EA	SPACER/STRIKE-F/SCR DR LATCH	019-069
23	162100-02-723	EA	BUMPER/RUBBER - SMALL - BLK	007-081
24	NOT USED			
25	NOT USED			
26	NOT USED			
27	NOT USED			
28	NOT USED			

CONTACT WINNEBAGO PART SALES FOR UNLISTED COMPONENT(S)

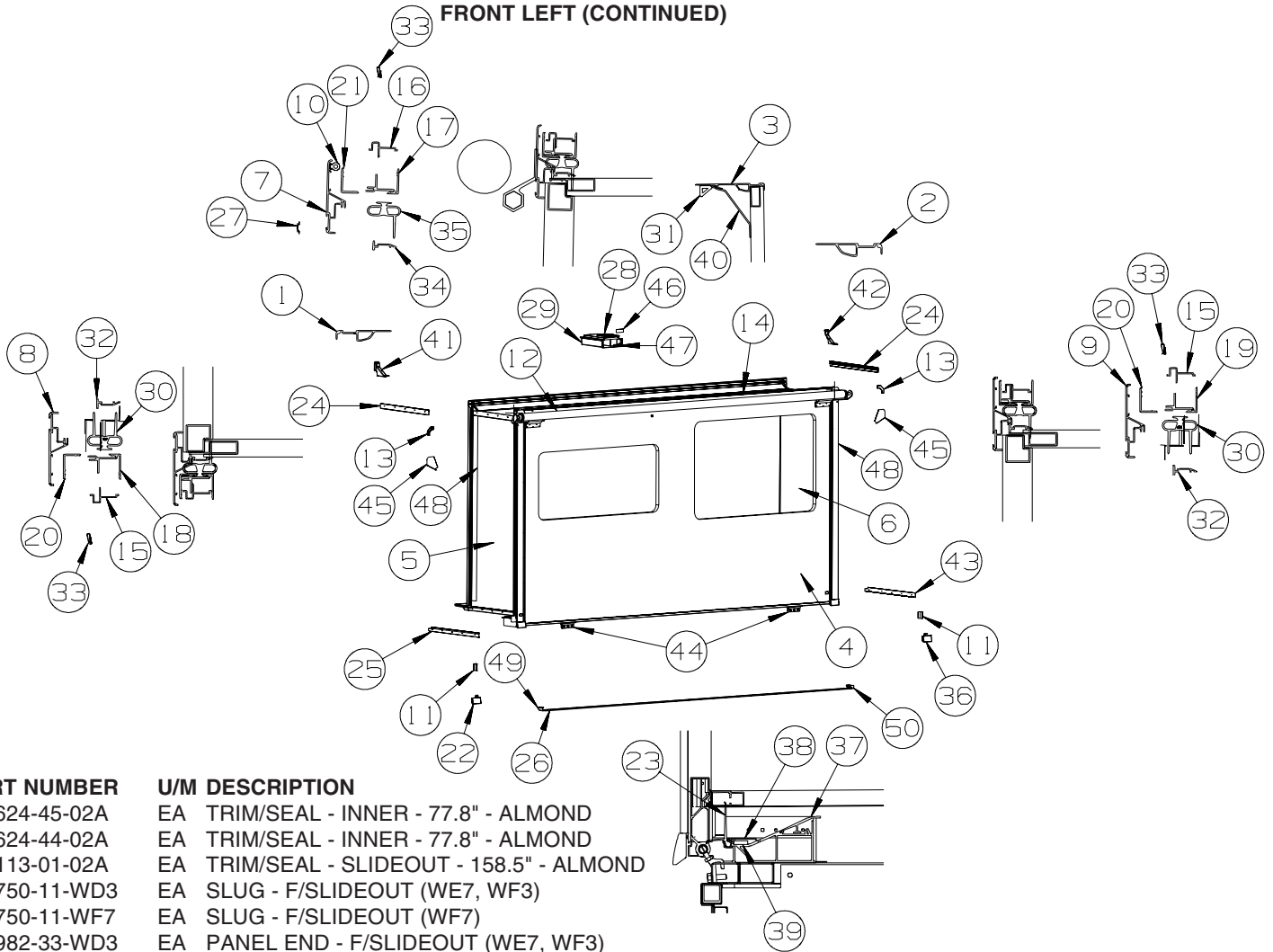
EXTERIOR SLIDEOUT GROUP FRONT LEFT



KEY	PART NUMBER	U/M	DESCRIPTION
1	161298-01-000	EA	SLIDEOUT - ELECTRIC 30" - RIGHT HAND
2	143541-01-01A	EA	CARRIER/WIRING - F/SLIDEOUT ROOM - 29 LINKS
3	138077-31-AA1	EA	COVER/RAM - 9.4" X 15.9" - W/TUBE - BLACK
3	138077-31-W66	EA	COVER/RAM - 9.4" X 15.9" - W/TUBE - BRIGHT WHITE
4	161304-02-02B	EA	BRACKET - RAM COVER - E-COATED
5	136995-08-02B	EA	PLATE W/BOLTS - 5.3" X 3/4" W/1/4" X 1" BOLTS
6	160167-01-01A	EA	SEAT BELT - 2" X 102" - BLACK
7	151078-01-02B	EA	BRACKET - MOUNTING - SEATBELT - E-COATED
8	160167-02-01A	EA	SEAT BELT - 2" X 90" - BLACK
9	138077-32-UN4	EA	COVER/RAM - 9.4" X 12.2" - W/TUBE - BLACK
9	138077-32-W66	EA	COVER/RAM - 9.4" X 12.2" - W/TUBE - BRIGHT WHITE
	138077-05-10A	EA	COVER/RAM - 9.4" X 12.2" - W/O TUBE - BLACK
	138077-05-01A	EA	COVER/RAM - 9.4" X 12.2" - W/O TUBE - BRIGHT WHITE

EXTERIOR SLIDEOUT GROUP (CONTINUED)

FRONT LEFT (CONTINUED)



KEY	PART NUMBER	U/M	DESCRIPTION
1	139624-45-02A	EA	TRIM/SEAL - INNER - 77.8" - ALMOND
2	139624-44-02A	EA	TRIM/SEAL - INNER - 77.8" - ALMOND
3	153113-01-02A	EA	TRIM/SEAL - SLIDEOUT - 158.5" - ALMOND
4	163750-11-WD3	EA	SLUG - F/SLIDEOUT (WE7, WF3)
4	163750-11-WF7	EA	SLUG - F/SLIDEOUT (WF7)
5	162982-33-WD3	EA	PANEL END - F/SLIDEOUT (WE7, WF3)
5	162982-33-WF7	EA	PANEL END - F/SLIDEOUT (WF7)
6	162982-34-WD3	EA	PANEL END - F/SLIDEOUT (WE7, WF3)
6	162982-34-WF7	EA	PANEL END - F/SLIDEOUT (WF7)
7	162052-08-02A	EA	TRIM/SEAL - W/MITERED ENDS - 156.5" - BLACK
8	162052-28-02A	EA	TRIM/SEAL - W/MITERED ENDS - 80.4" - BLACK
9	162052-29-02A	EA	TRIM/SEAL - W/MITERED ENDS - 80.4" - BLACK
10	158297-01-000	FT	SEAL - D-SECTION/BULB/TEE - ADHESIVE BACK - BLACK
11	156480-01-01A	EA	SEAL/BLOCK - SLIDEOUT - 2.6"W X 1.6"H X 1.6"D - BLACK
12			SLIDEOUT AWNING

ORDER AWNINGS & REPAIR PARTS FROM DOMETIC. CALL #800-366-3842.

THE DOMETIC AWNING INFORMATION YOU WILL NEED IS LOCATED ON THE MOTOR HOME NEAR THE TOP OF THE AWNING RAIL.

13	160421-01-01A	EA	CORNER TRIM/SLIDEOUT - 3.1" X 3.1" - BLACK
14	161277-02-WD3	EA	ROOF - F/SLIDEOUT
15	142718-38-01A	EA	RETAINER - SIDEWALL/SLIDEOUT - 79"
16	142718-09-01A	EA	RETAINER - SIDEWALL/SLIDEOUT - 157.6"
17	151761-04-02A	EA	TRIM - SIDEWALL/SLIDEOUT/TOP - 159.5" - ALMOND
18	151760-10-02A	EA	TRIM - SIDEWALL/SLIDEOUT - 80.6" - ALMOND
19	151760-11-02A	EA	TRIM - SIDEWALL/SLIDEOUT - 80.6" - ALMOND
20	136824-49-02A	EA	TRIM - SIDEWALL/SLIDEOUT - 80.9" - BLACK
21	136824-11-02A	EA	TRIM - SIDEWALL/SLIDEOUT - 159.8" - BLACK
22	148593-03-02A	EA	CAP - F/SLIDEOUT TRIM - BLACK
23	152446-02-000	FT	SEAL - SLIDEOUT/FLOOR - W/BULB
24	158375-01-02A	EA	TRIM - FEATURE STRIP - 29.6" - BLACK
25	163021-07-02A	EA	TRIM - FEATURE - LOWER - 30.9" - BLACK

EXTERIOR SLIDEOUT GROUP (CONTINUED)
FRONT LEFT (CONTINUED)

KEY	PART NUMBER	U/M	DESCRIPTION
26	152641-01-000	EA	SKID/GLIDE - SLIDEOUT ROOM - 1/4"X2"X95.5" - POLYETHYLENE
27	105312-01-13A	FT	INSERT - FEATURE STRIP - VINYL - BLACK
28*	153651-04-01A	EA	LOCK/LATCH - TRAVEL/SLIDEOUT - W/MOTOR - LEFT HAND - BLACK
29	155194-02-01A	EA	COVER - LATCH/TRAVEL
	155194-01-01A	EA	COVER - LATCH/TRAVEL - PLASTIC - BLACK
30	153161-01-01A	FT	SEAL - SLIDEOUT - DOUBLE WIPE LIP - BLACK
31	146056-01-000	FT	SEAL - TRIANGLE - W/PSA
32	146606-66-02A	EA	TRIM/RETAINER - 75.8" - BLACK
33	142549-01-000	EA	CLIP - "S" TYPE
34	146606-01-02A	EA	TRIM/RETAINER - 153.5" - BLACK
35	136978-02-01A	FT	SEAL - SLIDEOUT/TOP - SINGLE WIPE LIP - BLACK
36	148593-04-02A	EA	CAP - F/SLIDEOUT TRIM - BLACK
37	153106-17-01A	EA	COVER - RAMP/FLOOR - VINYL/CARPET - 3.2" X 157" - BRT WHT
38	160824-18-01A	EA	SPACER - RAMP - SLIDEOUT FLOOR - 154.5" - MILL
39	156475-01-000	EA	FILTER/FOAM - DRAIN HOLE COVER/SEAL - 60PPI - 1/4"X1"X3"
40	153114-01-02A	EA	TRIM/RETAINER - 154.1" - BLACK
41	153115-01-01A	EA	COVER - TRIM - SLIDEOUT - INNER/TOP/RH - BLACK
42	153115-02-01A	EA	COVER - TRIM - SLIDEOUT - INNER/TOP/LH - BLACK
43	163021-08-02A	EA	TRIM - FEATURE - LOWER - 30.9" - BLACK
44	153104-01-01A	EA	BRACKET/MOUNT - 1.7" X 3.2" X 5.9"
45	156151-01-01A	EA	PROTECTOR - CORNER - SLIDEOUT - BLACK
46	156015-01-01A	EA	TAPE/PROTECTION - .06" X 1.25" X 3.5" - W/PSA - NATURAL WHT
47	155262-01-01A	EA	TUBE/DRAIN - LATCH/TRAVEL/ROOF - BLACK
48	093681-39-01A	FT	FILM - 3.1" - FLAT BLACK
49	165178-01-01A	EA	CAP - FLOOR TUBE/SLIDEOUT/RH - BLACK
50	165178-02-01A	EA	CAP - FLOOR TUBE/SLIDEOUT/LH - BLACK

*COMPONENT PARTS LISTED LATER IN THIS GROUP

COMPONENT PARTS FOR FRONT SLIDEOUT

153651-04-01A

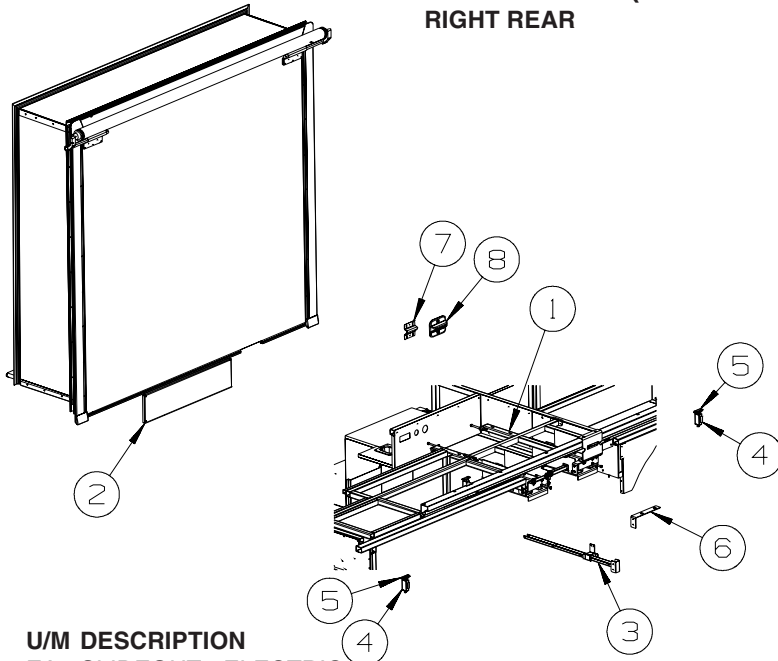
KEY	PART NUMBER	U/M	DESCRIPTION	VENDOR NO.
	153651-01-701	EA	LIMIT SWITCH	1812996
	153651-02-700	EA	MOTOR "R" - F/LH TRAVEL LOCK	1820131
	153651-02-701	EA	BRACKET/MOUNTING - MOTOR	1102223
	153651-04-700	EA	COVER/BOOT - SEAL	1612012

161298-01-000

KEY	PART NUMBER	U/M	DESCRIPTION	VENDOR NO.
	161662-01-700	EA	ROL PIN - 1/8" X 1 1/4"	18-1036
	161662-01-701	EA	CLIP PIN - 1/8"	18-1032
	161662-01-702	EA	BOLT/SHOULDER -1/2" X 7/8"	15-1378
	161662-01-703	EA	ROLLER - 2"	510022
	161662-01-704	EA	PAD/WEAR	DN10936
	161662-01-705	EA	BEARING/FLANGE - 3/4" X 1"	2010000049
	161662-01-706	EA	GEAR/SPUR - 3/4"ID X 2"OD	3010000400
	161662-01-707	EA	KEY/WOODRUFF - #606	521336
	161662-01-708	EA	SHAFT W/COUPLER- 3/4 X 6 7/8	1010000402
	161662-01-709	EA	WEAR PAD - ROUND	320-0056
	161662-01-710	EA	MOTOR ASM - RH	1010000211
	161662-01-711	EA	ROLLER/PLASTIC - 3/4" X 2.9"	3010000401
	161662-01-712	EA	SPACER	531164

EXTERIOR SLIDEOUT GROUP (CONTINUED)

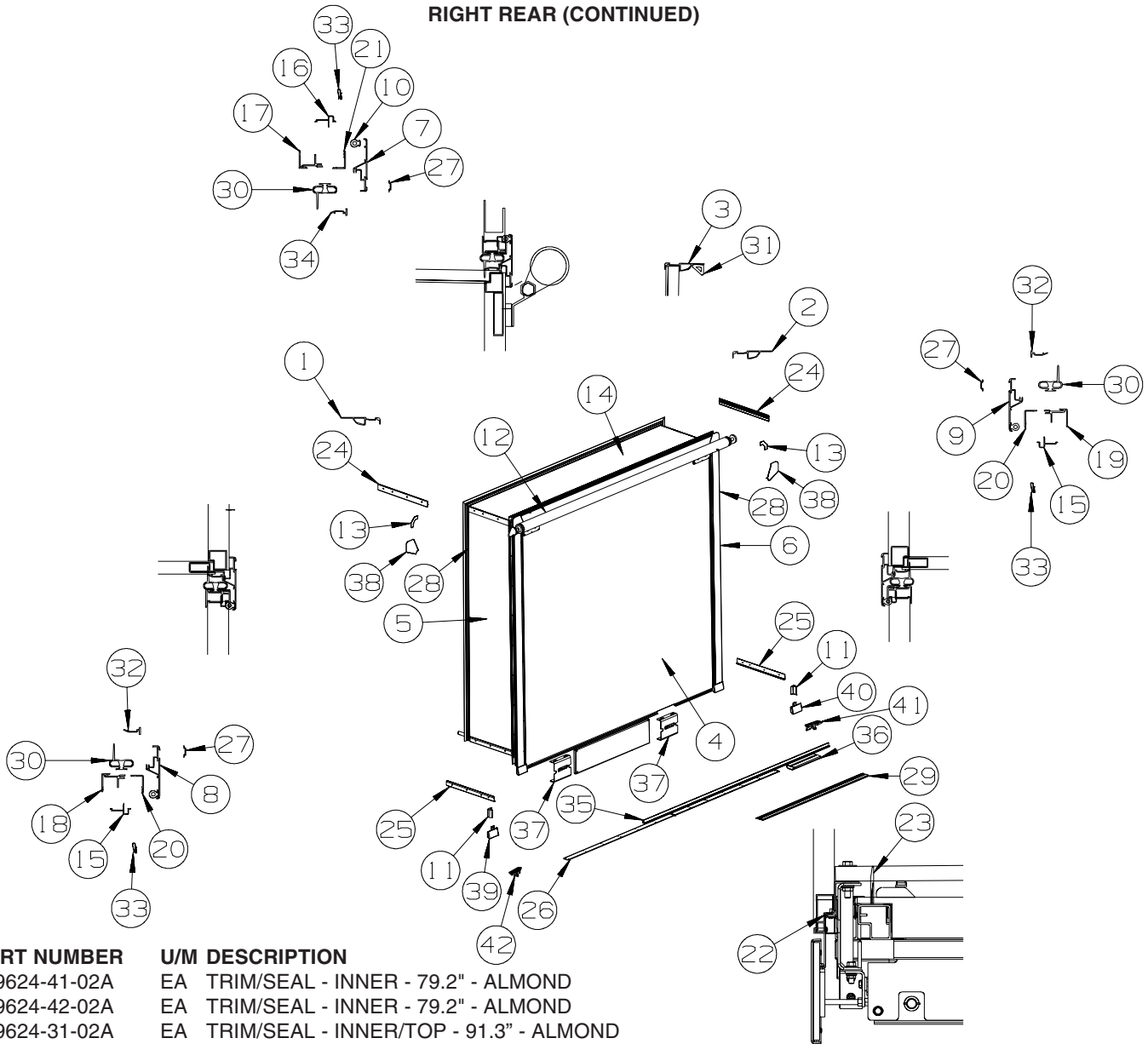
RIGHT REAR



KEY	PART NUMBER	U/M	DESCRIPTION
1*	162408-01-000	EA	SLIDEOUT - ELECTRIC
2	138077-28-AA1	EA	COVER/RAM - 33.6" X 8" - W/INNER FRAME - BLACK
3	141019-04-02B	EA	SUPPORT - WIRE - E-COATED
4	126313-09-02B	EA	SUPPORT - ROLLER - SLIDE-OUT ROOM - E-COATED
5	134855-01-000	EA	BEARING PAD - NARROW
6	127828-09-02B	EA	BRACKET - SLIDEOUT - E-COATED
7	148706-01-02B	EA	BRACKET/RETAINING - F/SLIDEOUT - E-COATED
8	148707-01-01A	EA	COVER/BRACKET - F/SLIDEOUT

***COMPONENT PARTS LISTED LATER IN THIS GROUP**

EXTERIOR SLIDEOUT GROUP (CONTINUED)
RIGHT REAR (CONTINUED)



KEY	PART NUMBER	U/M	DESCRIPTION
1	139624-41-02A	EA	TRIM/SEAL - INNER - 79.2" - ALMOND
2	139624-42-02A	EA	TRIM/SEAL - INNER - 79.2" - ALMOND
3	139624-31-02A	EA	TRIM/SEAL - INNER/TOP - 91.3" - ALMOND
4	163751-11-WD3	EA	SLUG - F/SLIDEOUT (WE7, WF3) - F70P84J2
4	166222-11-WD3	EA	SLUG - F/SLIDEOUT (WE7, WF3) - F70P84J3
4	163751-11-WF7	EA	SLUG - F/SLIDEOUT (WF7) - F70P84J2
4	166222-11-WF7	EA	SLUG - F/SLIDEOUT (WF7) - F70P84J3
5	162980-12-WD3	EA	PANEL END - F/SLIDEOUT (WE7, WF3)
5	162980-12-WF7	EA	PANEL END - F/SLIDEOUT (WF7)
6	162980-11-WD3	EA	PANEL END - F/SLIDEOUT (WE7, WF3)
6	162980-11-WF7	EA	PANEL END - F/SLIDEOUT (WF7)
7	162052-43-02A	EA	TRIM/SEAL - W/MITERED ENDS - 89.6" - BLACK
8	162052-33-02A	EA	TRIM/SEAL - W/MITERED ENDS - 80.8" - BLACK
9	162052-32-02A	EA	TRIM/SEAL - W/MITERED ENDS - 80.8" - BLACK
10	158297-01-000	FT	SEAL - D-SECTION/BULB/TEE - ADHESIVE BACK - BLACK
11	156480-01-01A	EA	SEAL/BLOCK - SLIDEOUT - 2.6"W X 1.6"H X 1.6"D - BLACK
12			SLIDEOUT AWNING

ORDER AWNINGS & REPAIR PARTS FROM DOMETIC. CALL #800-366-3842.

THE DOMETIC AWNING INFORMATION YOU WILL NEED IS LOCATED ON THE MOTOR HOME NEAR THE TOP OF THE AWNING RAIL.

13	160421-01-01A	EA	CORNER TRIM/SLIDEOUT - 3.1" X 3.1" - BLACK
14	163039-01-W66	EA	ROOF - F/SLIDEOUT
15	142718-38-01A	EA	RETAINER - SIDEWALL/SLIDEOUT - 79"
16	142718-30-01A	EA	RETAINER - SIDEWALL/SLIDEOUT - 90.6"
17	151761-17-02A	EA	TRIM - SIDEWALL/SLIDEOUT/TOP - 92.5" - ALMOND

EXTERIOR SLIDEOUT GROUP (CONTINUED)
RIGHT REAR (CONTINUED)

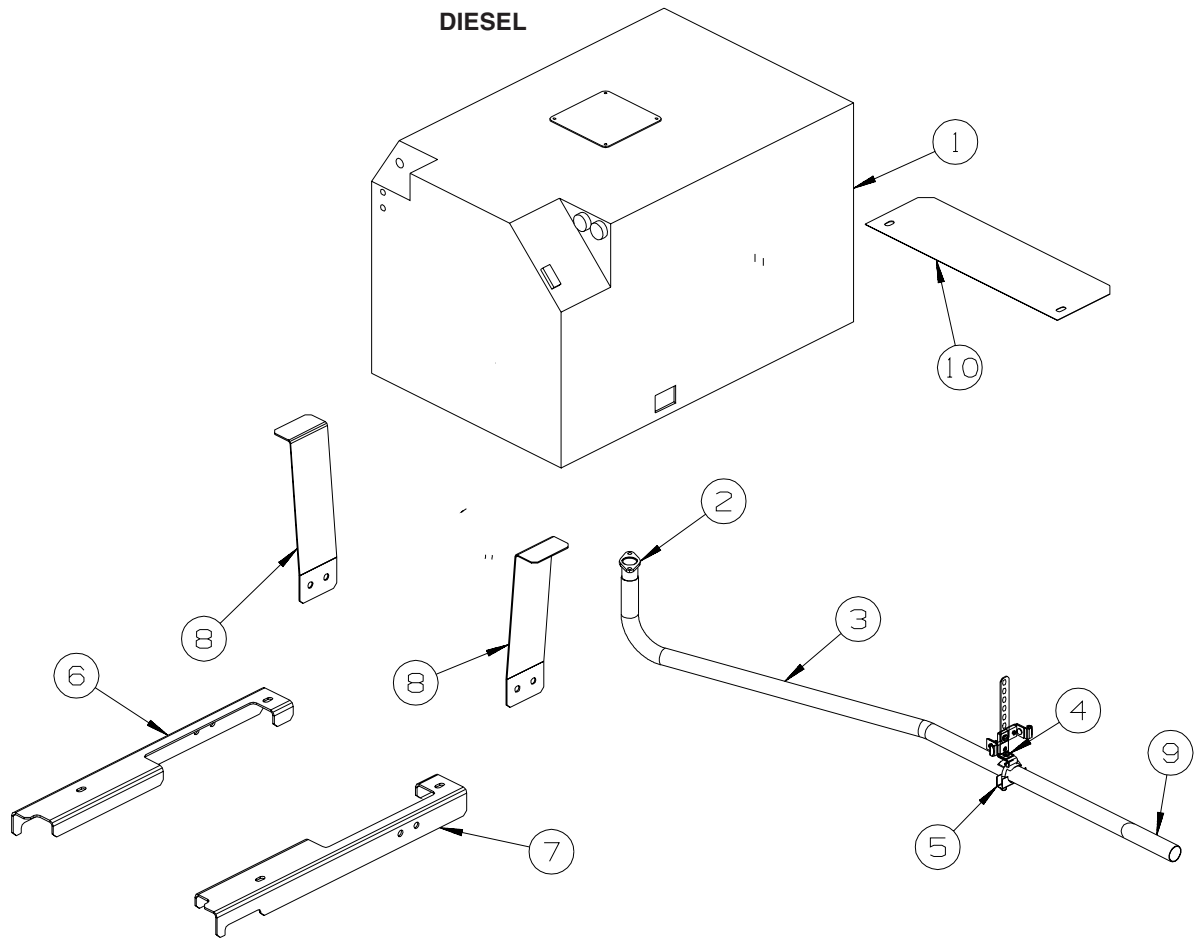
KEY	PART NUMBER	U/M	DESCRIPTION
18	151760-22-02A	EA	TRIM - SIDEWALL/SLIDEOUT - 81.1" - ALMOND
19	151760-23-02A	EA	TRIM - SIDEWALL/SLIDEOUT - 81.1" - ALMOND
20	136824-60-02A	EA	TRIM - SIDEWALL/SLIDEOUT - 80.9" - BLACK
21	136824-42-02A	EA	TRIM - SIDEWALL/SLIDEOUT - 92.6" - BLACK
22	128621-56-01A	EA	BRACKET/ZEE - SLIDEOUT - 85.5" - MILL
23	115075-03-000	FT	SEAL - WIPE - .25" X 2.9"
24	158375-03-02A	EA	TRIM - FEATURE STRIP - 20.6" - BLACK
25	163020-06-02A	EA	TRIM - FEATURE STRIP/LOWER - 2.3" X 19.8" - BLACK
26	152641-01-000	EA	SKID/GLIDE - SLIDEOUT ROOM - 1/4"X2"X95.5" - POLYETHYLENE
27	105312-01-13A	FT	INSERT - FEATURE STRIP - VINYL - BLACK
28	093681-39-01A	FT	FILM - 3.1" - MATTE BLACK
29	134837-01-01A	EA	RAMP - SLIDEOUT - BLACK PVC
30	136978-01-01A	FT	SEAL - SLIDEOUT - SINGLE WIPE LIP - BLACK
31	146056-01-000	FT	SEAL - TRIANGLE - W/PSA
32	146606-66-02A	EA	TRIM/RETAINER - 75.8" - BLACK
33	142549-01-000	EA	CLIP - "S" TYPE
34	146606-50-02A	EA	TRIM/RETAINER - 86.9" - BLACK
35	151282-11-01A	EA	TRIM - CARPET EDGE/F-ANGLE - 83.7" - BLACK
36	134756-09-W66	EA	RAMP - FABRIC COVERED - F/SLIDEOUT - 12"
37	127030-11-02B	EA	BRACKET - MOUNT - SLIDEOUT - E-COATED
38	156151-01-01A	EA	PROTECTOR - CORNER - SLIDEOUT - BLACK
39	148593-03-02A	EA	CAP - F/SLIDEOUT TRIM - BLACK
40	148593-04-02A	EA	CAP - F/SLIDEOUT TRIM - BLACK
41	160471-01-01A	EA	PAN/DRAIN - FLOOR/RH SLIDEOUT - BLACK
42	160472-02-01A	EA	PAN/DRAIN - FLOOR/LH SLIDEOUT - BLACK

COMPONENT PARTS FOR RIGHT REAR SLIDEOUT

162408-01-000

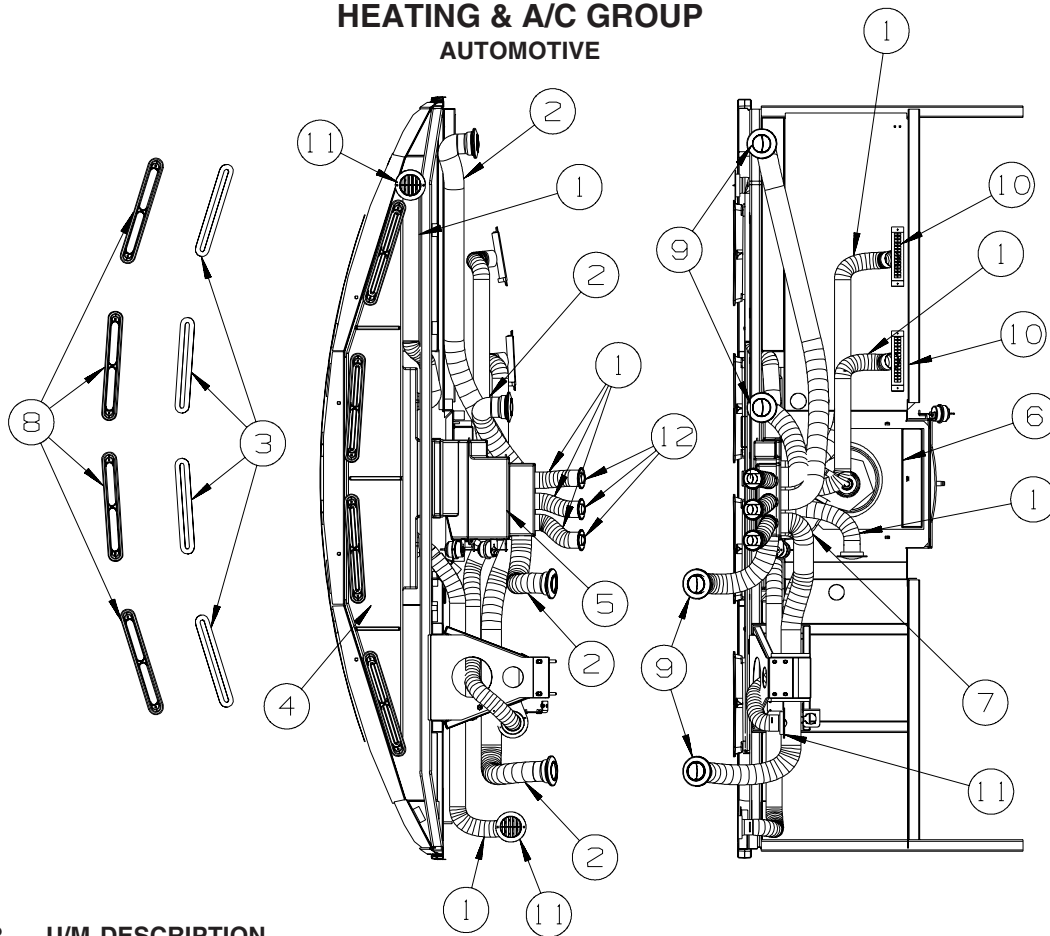
KEY	PART NUMBER	U/M	DESCRIPTION	VENDOR NO.
	161662-01-700	EA	ROL PIN - 1/8" X 1 1/4"	18-1036
	161662-01-707	EA	KEY/WOODRUFF - #606	521336
	161662-01-709	EA	WEAR PAD - ROUND	320-0056
	162408-01-700	EA	BUSHING/BRONZE - .75" ID	190-1046
	162408-01-701	EA	MOTOR & GEAR BOX W/PIGTAIL	524789
	162408-01-702	EA	SHAFT W/COUPLER - 5.56" LONG	524522
	162408-01-703	EA	GEAR/SPUR - 30 TOOTH	521395
	162408-01-704	EA	ROLLER - .50 ID	521296
	162408-01-705	EA	SHAFT - 5.56" LONG	260-0012
	162408-01-706	EA	DRIVE SHAFT W/COUPLER	1010000242

GENERATOR GROUP DIESEL



KEY	PART NUMBER	U/M	DESCRIPTION
1	158258-01-000	EA	GENERATOR - 8.0KW DIESEL - ONAN #HDKAK/1145
2	106235-01-000	EA	ADAPTOR - GENERATOR EXHAUST
3	137330-03-000	EA	PIPE - EXHAUST - GENERATOR/DIESEL
4	007131-01-000	EA	HANGER - TAILPIPE - 6 SLOTS
5	007125-03-000	EA	CLAMP - MUFFLER - 1.5" DIAMETER
6	137328-02-02B	EA	SUPPORT - GENERATOR - LH - E-COATED
7	137328-01-02B	EA	SUPPORT - GENERATOR - RH - E-COATED
8	137329-02-02B	EA	BRACKET - HANGAR/GENERATOR - E-COATED
9	138246-01-01A	EA	EXTENSION - TAILPIPE - 1.6"ID X 7.7" - STAINLESS STEEL
10	156768-01-02B	EA	SHIELD/HEAT - GENERATOR - E-COATED

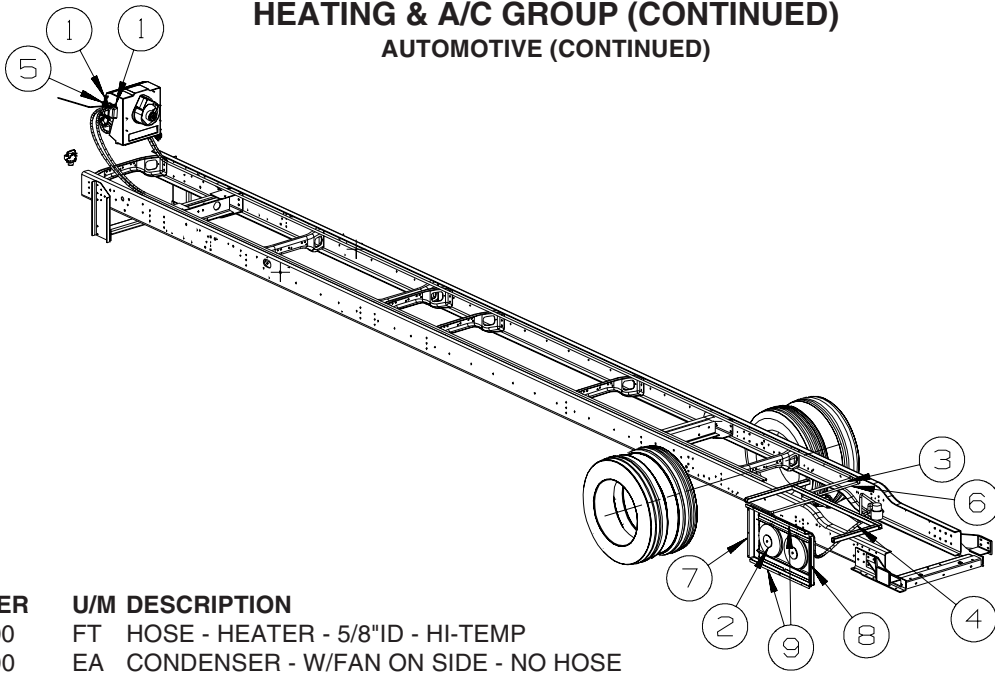
HEATING & A/C GROUP AUTOMOTIVE



KEY	PART NUMBER	U/M	DESCRIPTION
1	007076-01-000	EA	HOSE - FLEXIBLE PVC - 2" ID - INCREMENTS OF 50'
2	007281-01-000	EA	HOSE - FLEXIBLE PVC - 2 1/2" ID X 50'
3	077075-01-000	EA	GASKET - INSTRUMENT PANEL/DEFROSTER PLENUM - .6" X 10.2"
4	103017-03-000	EA	PLENUM - DEFROSTER
5*	103930-61-000	EA	CONTROL/PLENUM - LARGE ROTARY
6*	103930-55-000	EA	EVAPORATOR/HEATER - NONCHARGED - SINGLE OUTPUT
7	134275-01-01A	EA	PLENUM - TRANSITION
8	135265-01-09A	EA	VENT - DEFROSTER - PLASTIC - BLACK
9	146504-01-01A	EA	LOUVER - ROUND 2.5" - BLACK
10	146505-01-01A	EA	LOUVER - RECTANGULAR - 1.5" X 8" - BLACK
11	157225-01-01A	EA	OUTLET - DEFROSTER - W/SWIVEL - 2" SLEEVE/4"OD - BLACK
12	158174-01-01A	EA	LOUVER - ROUND - 2" HOSE - BLACK
	113452-02-000	FT	SEAL/TRIM - FRONT - VINYL W/WIRE CARRIER - .027" - WHERE WIRES & HOSES CROSS METAL

***COMPONENT PARTS LISTED LATER IN THIS GROUP**

HEATING & A/C GROUP (CONTINUED) AUTOMOTIVE (CONTINUED)

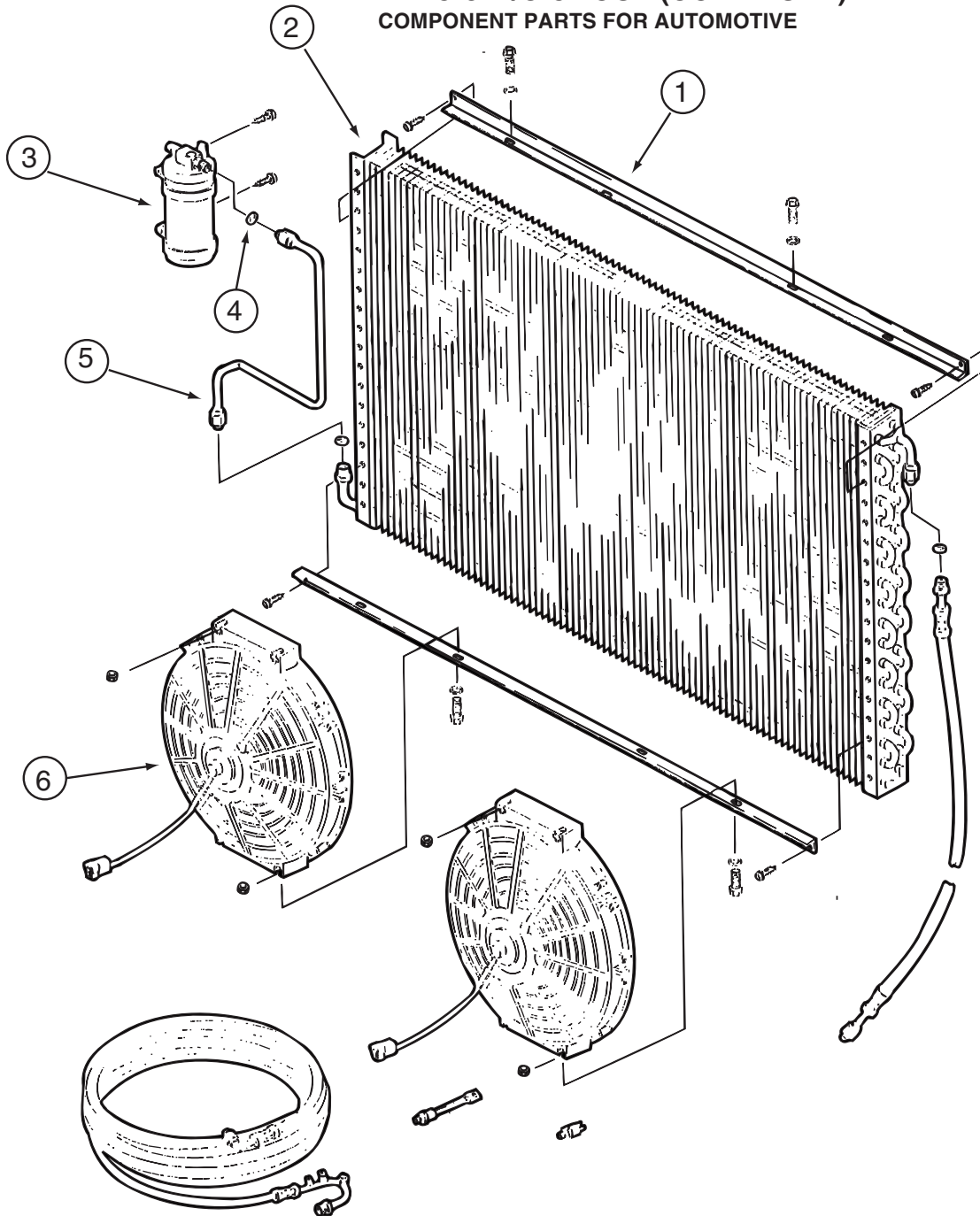


KEY	PART NUMBER	U/M	DESCRIPTION
1	007108-01-000	FT	HOSE - HEATER - 5/8"ID - HI-TEMP
2*	072342-15-000	EA	CONDENSER - W/FAN ON SIDE - NO HOSE
3*	072342-17-000	EA	HOSE - #8 - CONDENSER/COMPRESSOR - 98.3" - W/90 DEGREE END
4*	072342-26-000	EA	HOSE - #6 - REC DRIER/EVAPORATOR - 42.8' LONG W/SWITCHES
5	103930-24-000	EA	VALVE/WATER CONTROL - 4 PORT/VACUUM CONTROLLED
6*	103930-51-000	EA	HOSE KIT - #12 - COMPRESSOR/EVAPORATOR - 41.5' W/90 DEGREE
7	158038-01-02B	EA	BRACKET - CONDENSOR/SIDE - E-COATED
8	158038-02-02B	EA	BRACKET - CONDENSOR/SIDE - E-COATED
9	158039-01-02B	EA	BRACKET - CONDENSOR - E-COATED

***COMPONENT PARTS LISTED LATER IN THIS GROUP**

HEATING & A/C GROUP (CONTINUED)

COMPONENT PARTS FOR AUTOMOTIVE



072342-15-000

KEY	PART NUMBER	U/M	DESCRIPTION	VENDOR NO.
1	072342-13-700	EA	BRACKET - CONDENSER FAN	070-0148
2	072342-12-700	EA	COIL-CONDENSER	040-0027
3	072342-12-703	EA	RECEIVER DRIER	054-0001
4	113245-01-711	EA	O'RING #6	045-0129
5	072342-13-703	EA	TUBE ASM. #6	052-0040
6	072342-08-703	EA	FAN BLADE/MOTOR & SHROUD 11"	062-0097

072342-17-000

KEY	PART NUMBER	U/M	DESCRIPTION	VENDOR NO.
	072342-12-701	EA	HOSE ASM #8 CONDENSER/COMP	085-0142
	113245-01-707	EA	O'RING #8	045-0126

072342-26-000

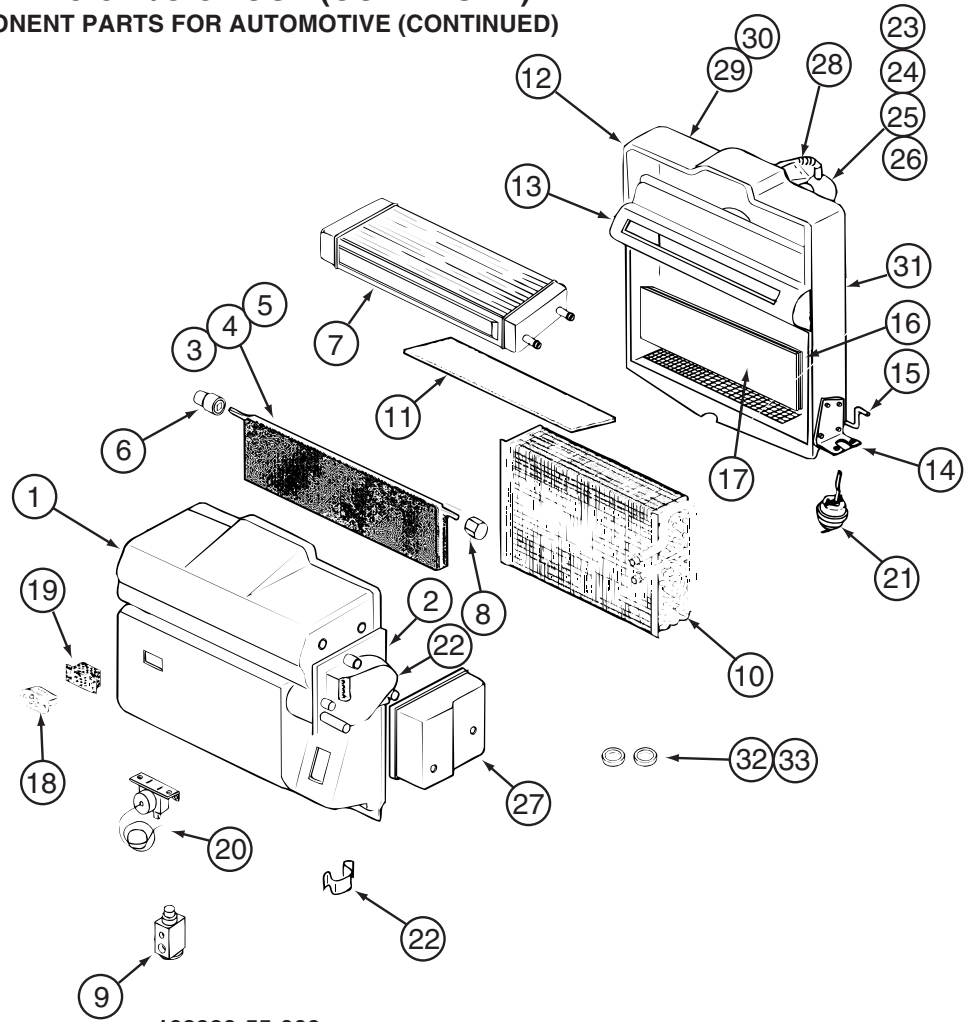
KEY	PART NUMBER	U/M	DESCRIPTION	VENDOR NO.
	072342-26-700	EA	SWITCH-BINARY W/PACKARD CONN	032-00384
	072342-26-701	EA	HOSE ASM. - #6 DRIER/EVAP	085-00623
	103930-01-716	EA	SWITCH-PRESSURE/COND. FAN	032-0036
	113245-01-711	EA	O'RING #6	045-0129

HEATING & A/C GROUP (CONTINUED)
COMPONENT PARTS FOR AUTOMOTIVE (CONTINUED)

103930-51-000

KEY	PART NUMBER	U/M	DESCRIPTION	VENDOR NO.
	103930-17-702	EA	O'RING #10	045-0127
	103930-51-700	EA	HOSE - #12 EVAP/COMP - 41.5'	085-0490

HEATING & A/C GROUP (CONTINUED)
COMPONENT PARTS FOR AUTOMOTIVE (CONTINUED)



103930-55-000

KEY	PART NUMBER	U/M	DESCRIPTION	VENDOR NO.
1	103930-55-701	EA	CASE - FRONT	062-0658
2	103930-30-701	EA	PLATE - MOTOR MOUNT	062-0544
3	103930-55-705	EA	DOOR - BLEND AIR	071-0892
6	103930-30-702	EA	BUSHING/DRIVE (BLEND DOOR)	062-0168
7	103930-55-706	EA	CORE - HEATER - W/GASKET	084-0271
8	103930-30-709	EA	COUPLING - BLEND DOOR SHAFT	062-0634
9	103930-20-700	EA	VALVE-EXPANSION-BLOCK, 2 TON	034-0032
10	103930-55-700	EA	CORE-EVAPORATOR	041-00168
12	103930-55-702	EA	CASE-REAR	062-0657
14	103930-01-708	EA	BRACKET-VACUUM MOTOR	070-0113
15	103930-20-704	EA	ROD-DOOR-RECIRCULATING	073-0018
16	103930-55-707	EA	DOOR - RECIRCULATION	071-0891
18	103930-01-710	EA	RESISTOR-FUSED, A/C 4 TERM	035-0006
20	103930-01-711	EA	THERMOSTAT	033-0003
21	103930-02-708	EA	MOTOR-VACUUM SERVO, A/C	030-0025
22	103930-30-703	EA	MOTOR - SERVO	030-0104
23	103930-20-707	EA	HOUSING-BLOWER	062-0145
24	103930-55-703	EA	MOTOR-BLOWER W/O PIGTAIL	030-0137
25	103930-01-717	EA	WHEEL-BLOWER, CLOCKWISE	062-0010
26	103930-20-708	EA	CLIP-MOTOR SHAFT	022-0001
27	103930-30-704	EA	COVER - SERVO	062-0545
32	113245-01-707	EA	O'RING #8	045-0126
33	103930-17-702	EA	O'RING #10	045-0127
	103930-55-704	EA	CORE-HEATER	042-0059
	110279-01-703	EA	HOSE-VENT F/BLOWER MOTOR	051-0034

CONTACT WINNEBAGO PART SALES FOR UNLISTED COMPONENT(S)

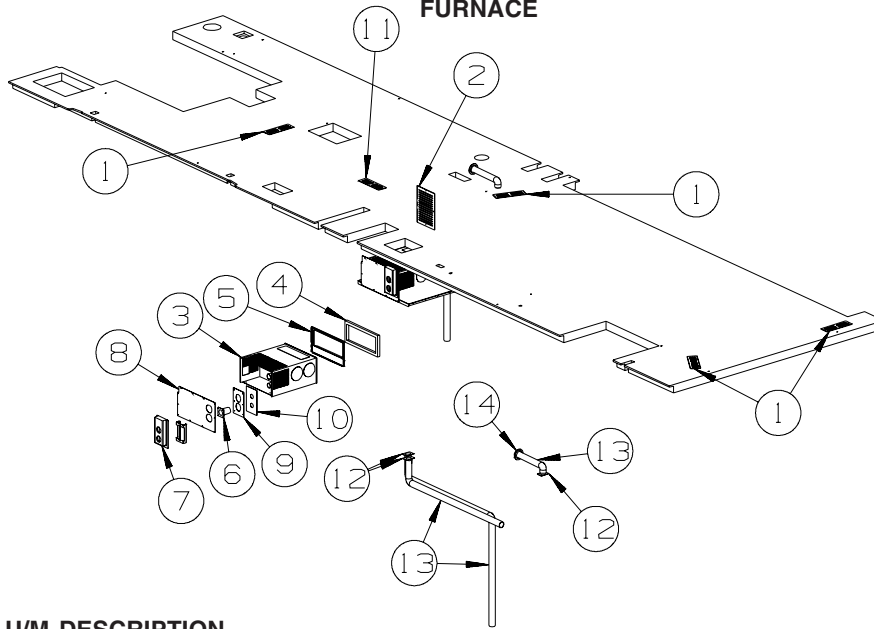
HEATING & A/C GROUP (CONTINUED)
COMPONENT PARTS FOR AUTOMOTIVE (CONTINUED)

103930-61-000

KEY	PART NUMBER	U/M	DESCRIPTION	VENDOR NO.
	103930-02-707	EA	RELAY-BOSCH W/RESISTER	031-0001
	103930-02-708	EA	MOTOR-VACUUM SERVO, A/C	030-0025
	103930-02-710	EA	CANISTER-VACUUM	054-0002
	103930-33-701	EA	MOTOR - VACUUM, 3 STAGE	030-0105
	103930-33-703	EA	VACUUM HARNESS	036-0466
	103930-49-701	EA	HARNESS - WIRE W/BULBS	036-0557
	103930-49-704	EA	SWITCH - BLOWER	032-0332
	103930-49-705	EA	POTENTIOMETER	032-0182
	103930-49-706	EA	SWITCH - VACUUM	032-0185
	103930-49-707	EA	DECAL CONTROL PANEL-N/RECESS	058-0144
	103930-61-700	EA	PLENUM - TOP CASE	060-00787
	103930-61-701	EA	PLENUM - LOWER CASE	060-00788
	103930-61-702	EA	DOOR - HEAT/VENT	071-01054
	103930-61-703	EA	ROD - DEF/HEAT DOOR	073-00086
	103930-61-704	EA	DOOR - DEF/HEAT	071-01053
	103930-61-705	EA	HOUSING ONLY - CONTROL PANEL	062-00615
	103930-61-706	EA	KNOB - CONTROL	062-00723
	103930-65-702	EA	CONTROL PANEL W/SWITCHES	083-00308

HEATING & A/C GROUP (CONTINUED)

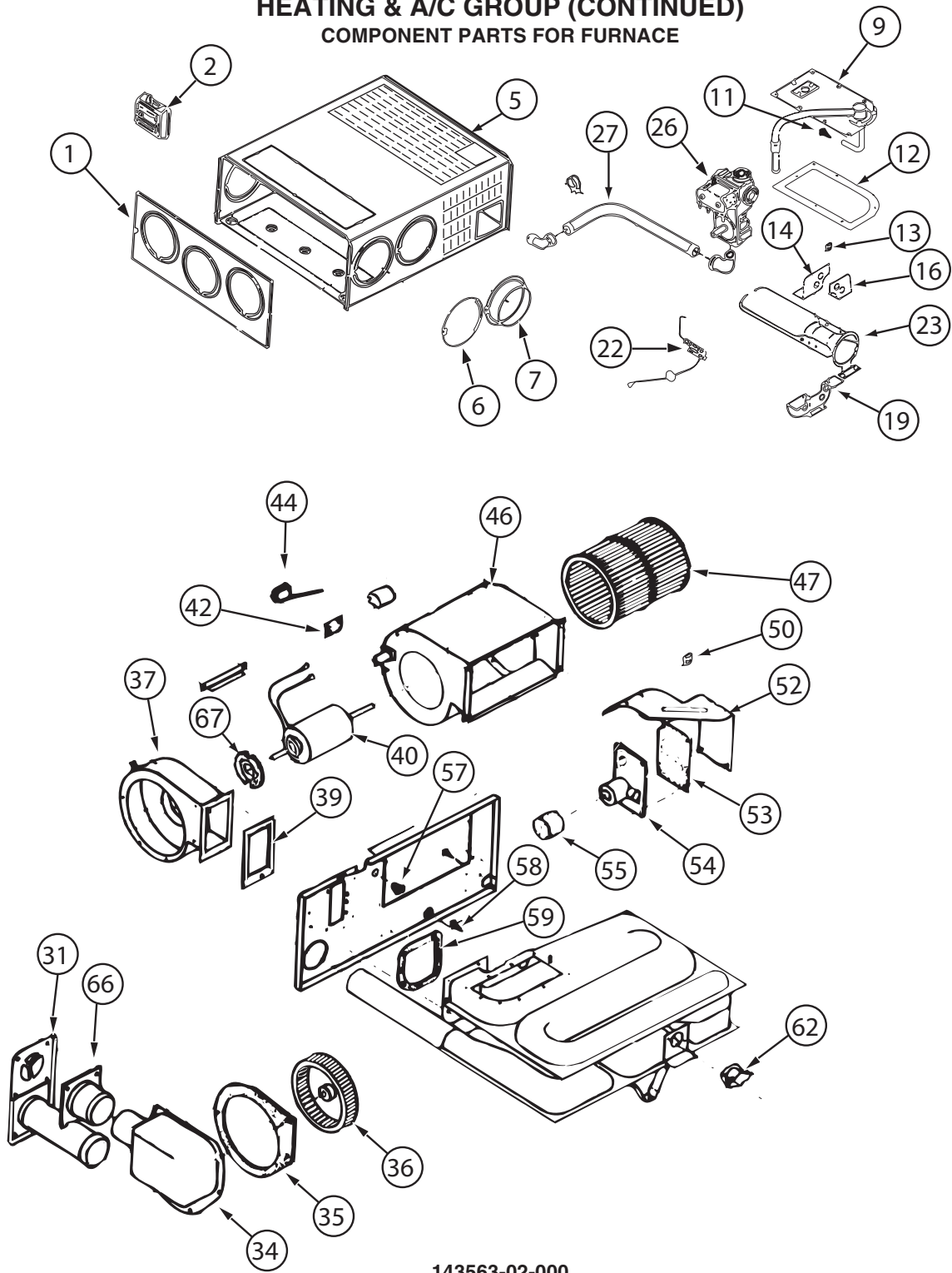
FURNACE



KEY	PART NUMBER	U/M	DESCRIPTION
1	137965-01-02A	EA	REGISTER - 11.2" X 3.6"(9.7 X 2.1"R/O) W/O DAMPER-ANT PWTR
2	093614-08-02A	EA	GRILLE - AIR RETURN - 9.8" X 13.9" - BEIGE
3*	143563-02-000	EA	FURNACE - 40000 BTU HIGH QUIET - SUBURBAN SH-42 2346A
4	143563-05-000	EA	GASKET - FIBERGLASS - SUBURBAN #071018
5	143563-04-000	EA	PLATE END - COLLAR
6	098668-16-000	EA	VENT - INTAKE
7	133323-03-01A	EA	SHROUD - FURNACE - UNFINISHED
8	145895-06-02B	EA	PANEL - CLOSEOUT - FURNACE - E-COATED
9	126693-05-02B	EA	PANEL - EXHAUST/FURNACE - E-COATED
10	141337-01-01A	EA	GASKET - FURNACE
11	137965-03-02A	EA	REGISTER - 11.2" X 3.6"(9.7 X 2.1"R/O) W/O DAMPER-ANT PWTR
12	092776-01-000	EA	ADAPTER - DUCT - 2"
13	009198-02-000	FT	DUCT - HEAT - FLEXIBLE - 2" ID X 25'
14	157225-01-01A	EA	OUTLET - DEFROSTER - W/SWIVEL - 2" SLEEVE/4"OD - BLACK

*COMPONENT PARTS LISTED LATER IN THIS GROUP

HEATING & A/C GROUP (CONTINUED)
COMPONENT PARTS FOR FURNACE



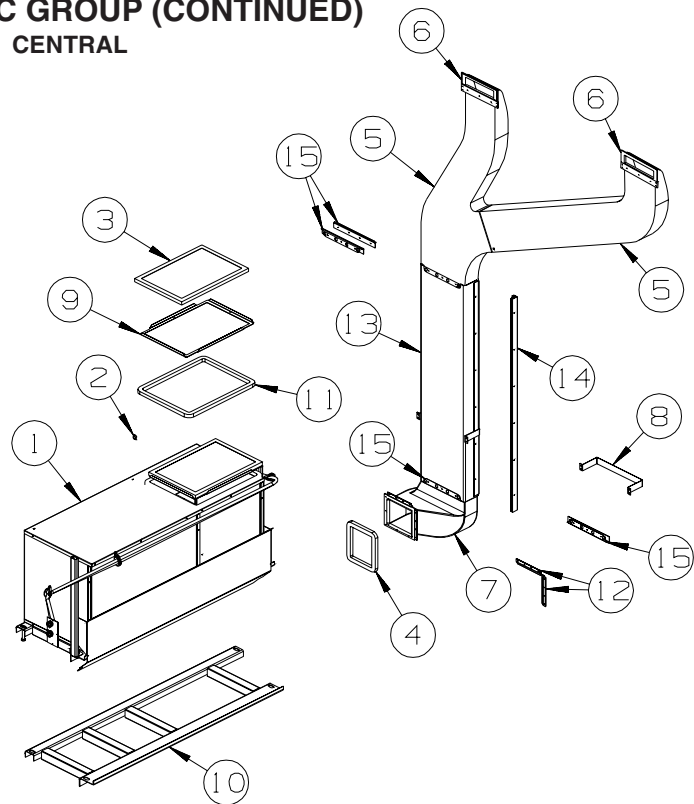
143563-02-000

HEATING & A/C GROUP (CONTINUED)
COMPONENT PARTS FOR FURNACE (CONTINUED)

143563-02-000 (CONTINUED)

KEY	PART NUMBER	U/M	DESCRIPTION	VENDOR NO.
1	143563-01-700	EA	CABINET - FRONT	101907
2			SEE 12 VOLT WIRING AREAS FOR CORRECT THERMOSTAT	
5	143563-02-700	EA	CABINET	101915
7	075696-02-703	EA	COLLAR - DUCT	050715
9	143563-01-702	EA	MANIFOLD ASSEMBLY	171599
11	143563-02-701	EA	ORFICE - MAIN BURNER	180309
12	098668-22-703	EA	GASKET - BURNER ACCESS COVER	070811
14	143563-02-702	EA	PLATE - SECONDARY AIR/TOP BACK	063198
16	143563-02-703	EA	PLATE - SECONDARY AIR/TOP FRT	062933
19	143563-02-704	EA	PLATE - SECONDARY AIR/BOTTOM	062935
22	139980-01-701	EA	ELECTRODE	232286
23	098668-11-701	EA	BURNER ASSEMBLY, SF-42F	010799
26	098668-01-718	EA	VALVE-GAS SF S.N.974903079	161122
27	143563-01-707	EA	PIPE ASSEMBLY (GAS INLET)	171603
31	098668-01-707	EA	TUBE ASSEMBLY, EXHAUST W/CAP	260231
34	143563-01-708	EA	BOX ASM (COMB. AIR INTAKE)	051430BK
35	143563-01-709	EA	GASKET (COMB. AIR HOUSING)	071108
36	143563-01-710	EA	WHEEL (COMBUSTION AIR)	350199
37	143563-01-711	EA	HOUSING (COMBUSTION AIR)	390862BK
39	143563-01-715	EA	GASKET-FIREWALL/COMB. AIR	071107
40	143563-02-705	EA	MOTOR ASSEMBLY	232726
42	101990-01-714	EA	GASKET-MICROSWITCH	230877
44	098668-21-700	EA	SWITCH-MICRO-W/O FLAG 3 1/4"	232261
46	143563-01-713	EA	BLOWER ASSEMBLY(ROOM AIR)	390867BK
47	143563-01-714	EA	WHEEL - ROOM AIR	350198
50	139980-01-710	EA	SWITCH - ON/OFF	232351
52	139980-01-711	EA	PANEL ASSEMBLY-MODULE BD	101663
53	139980-01-712	EA	INSULATOR - MODULE BD	070807
54	098668-22-705	EA	MODULE BD W/RELAY TIME DELAY	520820
55	139980-01-713	EA	CAP/INSULATOR-MODULE BD	070973
57	139980-01-714	EA	BUSHING - UNIVERSAL	070362
58	139980-01-715	EA	BUSHING - STRAIN RELIEF	231809
59	098668-01-716	EA	GASKET-FIREWALL,CHAMBER SIDE	070808
62	143563-02-706	EA	SWITCH - LIMIT	232735
66	098668-01-713	EA	TUBE ASSEMBLY, INTAKE	051248
67	075697-07-703	EA	GASKET - MOTOR	070448
	143563-02-707	EA	CHAMBER ASM. - FINAL	021172BK
			CONTACT WINNEBAGO PART SALES FOR UNLISTED COMPONENT(S)	

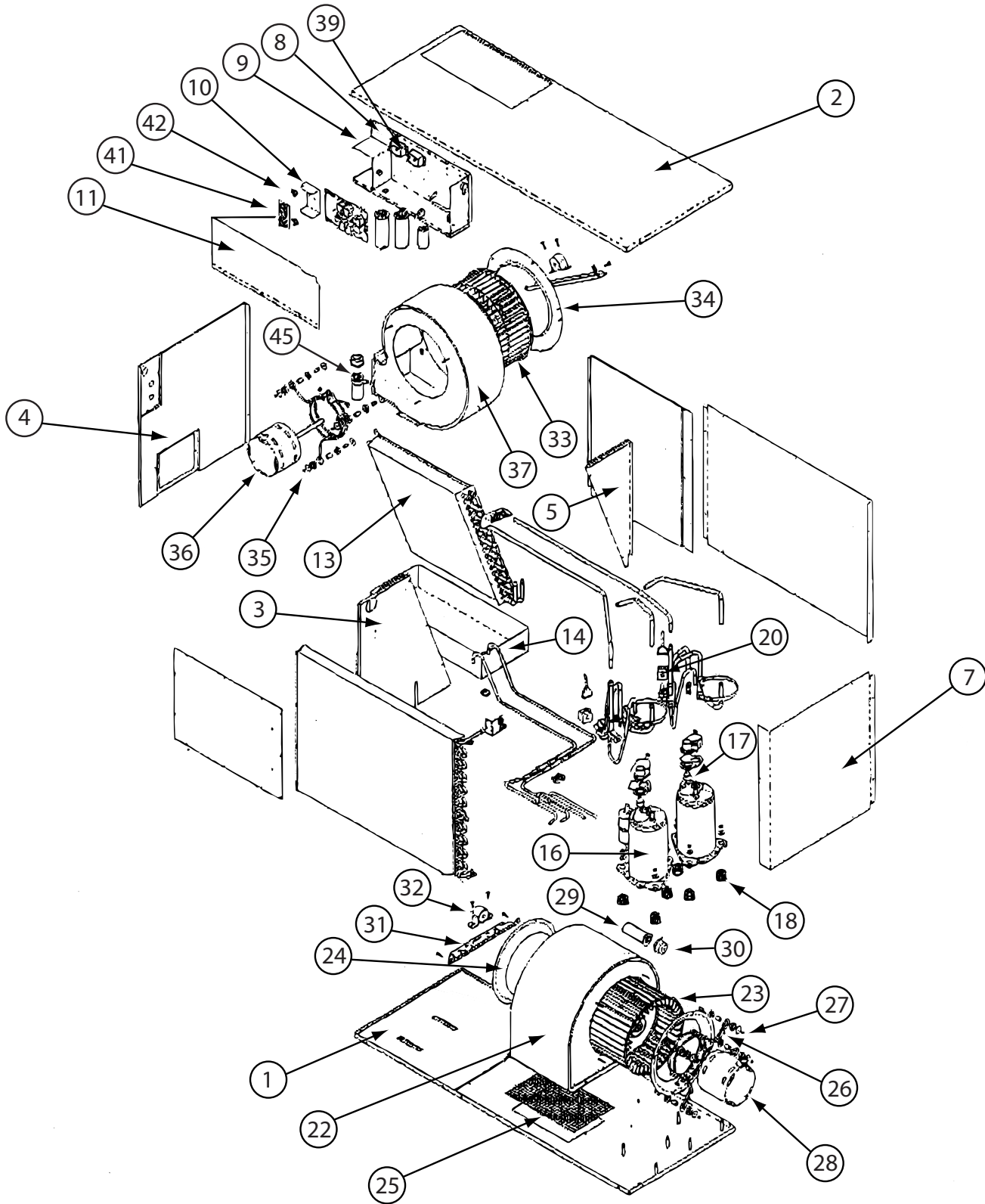
HEATING & A/C GROUP (CONTINUED) CENTRAL



KEY	PART NUMBER	U/M	DESCRIPTION
1*	105620-19-000	EA	A/C - CENTRAL - RIGHT HAND/HEAT PUMP - TOP RETURN - CENTRAL A/C HEAT PUMP
1	105620-20-000	EA	A/C - CENTRAL - RIGHT HAND/TOP RETURN - COOLING ONLY - CENTRAL A/C
2	107721-07-000	FT	SEAL - ACCESS DOOR - .9"WIDE X 1.1"HIGH
3	109050-02-000	EA	FILTER/FURNACE-AC - FIBERGLASS - 1" X 14" X 20"
4	134588-02-000	EA	GASKET - DUCT - 13.9" X 18.2" IS - 15.9" X 20.2" OS
5	M09204-01-000	EA	DUCT/AC - UPPER RIGHT HAND/LEFT HAND
5	105290-01-000	SF	INSULATION - AIR POCKET W/FOIL
6	104692-01-000	FT	SEAL - ADHESIVE BACKED FOAM - 3/4" THICK X 3/4" WIDE X 25'
7	P47621-01-000	EA	DUCT - CENTRAL AIR/FORCED - LOWER
7	105290-01-000	SF	INSULATION - AIR POCKET W/FOIL
8	129047-01-02B	EA	STRAP/MOUNTING - AIR DUCT - E-COATED
9	139757-01-02B	EA	PANEL - TRAY - A/C FILTER - E-COATED
10	158964-01-02B	EA	CRADLE - A/C - E-COATED
11	134588-04-000	EA	GASKET - DUCT - 13.9" X 18.2" IS - 15.9" X 20.2" OS
12	130481-01-01A	EA	BRACKET - ZEE W/HOLES - 7"
13	159404-07-000	EA	PLENUM - A/C
14	159408-07-01A	EA	CORNER-W/HOLES,MILL, 1100 MM
15	160755-01-02B	EA	U-CHANNEL-W/HOLES

***COMPONENT PARTS LISTED LATER IN THIS GROUP**

HEATING & A/C GROUP (CONTINUED)
COMPONENT PARTS FOR CENTRAL



105620-19-000

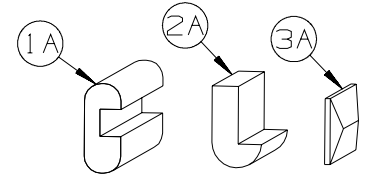
HEATING & A/C GROUP (CONTINUED)
COMPONENT PARTS FOR CENTRAL (CONTINUED)

105620-19-000 (CONTINUED)

KEY	PART NUMBER	U/M	DESCRIPTION	VENDOR NO.
12	105620-19-701	EA	CONDENSER COIL	1452-173
13	105620-19-702	EA	EVAPORATOR COIL	1452-172
14	105620-19-703	EA	DRAIN PAN	6538-314
15	105620-12-703	EA	VALVE - DRAIN	6795-200
16	105620-12-704	EA	COMPRESSOR (TECHUMSEH)	1450-2149
17	105620-12-705	EA	OVERLOAD	1450-0081
18	105620-01-706	EA	MOUNTING PKG.,COMP., 3 PER	6759-3081
20	105620-12-708	EA	COIL - SOLENOID	1460-1081
21	105620-19-704	EA	BY-FLOW RESTRICTOR	1454-259
22	105620-19-700	EA	BLOWER HOUSING/OUTSIDE AIR	6536A515
23	105620-01-713	EA	WHEEL-BLOWER/OUTSIDE AIR	1472-1611
24	105620-01-714	EA	VENTURI-BLOWER/OUTSIDE AIR	6795A150
25	105620-16-706	EA	SCREEN/SAFETY	6795B313
26	105620-01-715	EA	MOUNT-BLOWER/OUTSIDE AIR	6795A3011
27	105620-01-716	EA	SLEEVE & GROMMET, 4 PER PKG	6795A3031
28	105620-10-721	EA	MOTOR/BLOWER-8 3/4" SHAFT	1468A3029
29	105620-01-718	EA	CAPACITOR-FAN(OUTDOOR MOTOR)	1499-5631
30	105620-10-715	EA	RUBBER CAPACITOR BOOT	1499-951
31	105620-01-700	EA	BEARING BRACKET/OUTSIDE AIR	6536-514
32	105620-10-701	EA	BEARING/PILLOW BLOCK-O/S AIR	6536-3011
33	105620-11-701	EA	BLOWER WHEEL/INSIDE AIR	1472-1151
34	105620-12-715	EA	BLOWER VENTURI/INSIDE AIR	6535A287
35	105620-01-723	EA	MOUNT-BLOWER MOTOR - I/S AIR	6795-302
36	105620-19-705	EA	MOTOR-BLOWER-INSIDE AIR-REV.	1468A3219
37	105620-19-706	EA	BLOWER HOUSING/INSIDE AIR	6537A590
38	105620-01-729	EA	RELAY-COMPRESSOR -4 TERMINAL	1460-1131
39	126859-01-703	EA	CAPACITOR - RUN	1499-5671
40	105620-16-708	EA	BOARD/TERMINAL- HIGH VOLTAGE	6795-3151
41	105620-01-723	EA	GROUND PLUG	1216228
42	105620-10-705	EA	PTCR (START DEVICE) - W/CAP.	8333A9021
43	105620-12-727	EA	CIRCUIT BD(6535 C SERIES)	6535C3201
44	093763-01-704	EA	CAPACITOR-FAN (INDOOR MOTOR)	1499-5461
	105620-12-719	EA	COIL SENSOR	7330A3231

CONTACT WINNEBAGO PART SALES FOR UNLISTED COMPONENTS

INTERIOR FINISH GROUP
MOLDINGS & TRIMS
HONEY CHERRY



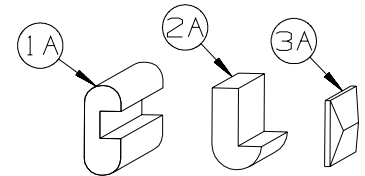
KEY	PART NUMBER	U/M	DESCRIPTION
1A	M09412-62-N42	EA	MOLDING/SHELF EDGE - .6" X 1.3" X 96" - PORTSMOUTH OAK
1A	M09412-62-M52	EA	MOLDING/SHELF EDGE - .6" X 1.3" X 96" - CONCERT CHERRY
1A	M09412-62-M62	EA	MOLDING/SHELF EDGE - .6" X 1.3" X 96" - WASHED MAPLE
1A	M09412-62-RC3	EA	MOLDING/SHELF EDGE - .6" X 1.3" X 96" - HONEY CHERRY
1A	M09412-62-SA3	EA	MOLDING/SHELF EDGE - .6" X 1.3" X 96" - SIERRA MAPLE
2A	M09511-43-T77	EA	MOLDING - TRIM - W/NOTCH - .8" X 1.4" X 86.3" - PORTSMOUT OAK
2A	M09525-80-UM1	EA	MOLDING - TRIM - W/NOTCH - .8" X 1.4" X 86.5" - CONCERT CHERRY
2A	M09525-80-U91	EA	MOLDING - TRIM - W/NOTCH - .8" X 1.4" X 86.5" - WASHED MAPLE
2A	M09525-80-U92	EA	MOLDING - TRIM - W/NOTCH - .8" X 1.4" X 86.5" - SIERRA MAPLE
2A	M09525-80-Y92	EA	MOLDING - TRIM - W/NOTCH - .8" X 1.4" X 86.5" - HONEY CHERRY
2A	M09501-85-TG3	EA	MOLDING/TRIM - W/NOTCH - 4" X 86.06" - HONEY CHERRY
2A	M09501-32-TG1	EA	MOLDING/TRIM - W/NOTCH - .8" X 2.5" X 86.2" - CONCERT CHERRY
2A	M09501-32-TG2	EA	MOLDING/TRIM - W/NOTCH - .8" X 2.5" X 86.2" - WASHED MAPLE
2A	M09501-32-TD3	EA	MOLDING/TRIM - W/NOTCH - .8" X 2.5" X 86.2" - SIERRA MAPLE
2A	M09501-32-TG3	EA	MOLDING/TRIM - W/NOTCH - .8" X 2.5" X 86.2" - HONEY CHERRY
2A	M09515-72-TD0	EA	MOLDING/TRIM - .8" X 2.2" X 86.1" - PORTSMOUTH OAK
2A	M09515-72-TD1	EA	MOLDING/TRIM - .8" X 2.2" X 86.1" - CONCERT CHERRY
2A	M09515-72-TD2	EA	MOLDING/TRIM - .8" X 2.2" X 86.1" - WASHED MAPLE
2A	M09515-72-TD3	EA	MOLDING/TRIM - .8" X 2.2" X 86.1" - SIERRA MAPLE
2A	M09511-44-T77	EA	MOLDING - TRIM - W/NOTCH - 1" X 86.4" - PORTSMOUTH OAK
2A	M09511-44-T78	EA	MOLDING - TRIM - W/NOTCH - 1" X 86.4" - CONCERT CHERRY
2A	M09511-44-T79	EA	MOLDING - TRIM - W/NOTCH - 1" X 86.4" - WASHED MAPLE
2A	M09511-44-T80	EA	MOLDING - TRIM - W/NOTCH - 1" X 86.4" - HONEY CHERRY
2A	M09438-25-RA3	EA	MOLDING - HARDWOOD-W/NOTCH - 1.4"X 80.2" - HONEY CHERRY
3A	M09477-63-S46	EA	MOLDING - TRIM/VEE-W/CUT ENDS - 1"X 64.1" - PORTSMOUTH OAK
3A	M09477-63-S47	EA	MOLDING - TRIM/VEE-W/CUT ENDS - 1"X 64.1" - CONCERT CHERRY
3A	M09477-63-S48	EA	MOLDING - TRIM/VEE-W/CUT ENDS - 1"X 64.1" - WASHED MAPLE
3A	M09477-63-W51	EA	MOLDING - TRIM/VEE-W/CUT ENDS - 1"X 64.1" - HONEY CHERRY
3A	M09477-64-S46	EA	MOLDING - TRIM/VEE-W/CUT ENDS - 1"X 14.9" - PORTSMOUTH OAK
3A	M09477-64-S47	EA	MOLDING - TRIM/VEE-W/CUT ENDS - 1"X 14.9" - CONCERT CHERRY
3A	M09477-64-S48	EA	MOLDING - TRIM/VEE-W/CUT ENDS - 1"X 14.9" - WASHED MAPLE
3A	M09477-64-W51	EA	MOLDING - TRIM/VEE-W/CUT ENDS - 1"X 14.9" - HONEY CHERRY
3A	M09501-30-SD0	EA	MOLDING - TRIM/VEE - .2" X 1" X 35.1" - PORTSMOUTH OAK
3A	M09501-30-SD1	EA	MOLDING - TRIM/VEE - .2" X 1" X 35.1" - CONCERT CHERRY
3A	M09501-30-SD2	EA	MOLDING - TRIM/VEE - .2" X 1" X 35.1" - WASHED MAPLE
3A	M09501-30-SD3	EA	MOLDING - TRIM/VEE - .2" X 1" X 35.1" - HONEY CHERRY
3A	M09515-97-WL4	EA	MOLDING - TRIM/VEE - .2" X 1" X 32.6" - CONCERT CHERRY
3A	M09515-97-WL5	EA	MOLDING - TRIM/VEE - .2" X 1" X 32.6" - WASHED MAPLE
3A	M09515-97-WL6	EA	MOLDING - TRIM/VEE - .2" X 1" X 32.6" - HONEY CHERRY
3A	M09534-17-UF3	EA	MOLDING - TRIM/VEE - .2" X 1" X 20.1" - SIERRA MAPLE
3A	M09534-17-UJ1	EA	MOLDING - TRIM/VEE - .2" X 1" X 20.1" - CONCERT CHERRY
3A	M09534-17-UJ2	EA	MOLDING - TRIM/VEE - .2" X 1" X 20.1" - WASHED MAPLE
3A	M09534-17-UJ3	EA	MOLDING - TRIM/VEE - .2" X 1" X 20.1" - HONEY CHERRY
3A	M09477-88-S34	EA	MOLDING - TRIM/VEE - .2" X 1" X 19.9" - WASHED MAPLE
3A	M09477-88-S35	EA	MOLDING - TRIM/VEE - .2" X 1" X 19.9" - SIERRA MAPLE
3A	M09568-03-W51	EA	MOLDING - TRIM/VEE - .2" X 1" X 19.8" - HONEY CHERRY
3A	M09568-03-W52	EA	MOLDING - TRIM/VEE - .2" X 1" X 19.8" - WASHED MAPLE
3A	M09565-51-W51	EA	MOLDING - TRIM/VEE - .2" X 1" X 19.4" - HONEY CHERRY
3A	M09565-51-W52	EA	MOLDING - TRIM/VEE - .2" X 1" X 19.4" - WASHED MAPLE
3A	M09553-79-W66	EA	MOLDING - TRIM/VEE - .2" X 1" X 15.6" - HONEY CHERRY
3A	M09515-10-W66	EA	MOLDING - TRIM/VEE - .2" X 1" X 15.4" - HONEY CHERRY
3A	M09501-63-T78	EA	MOLDING - TRIM/VEE - .2" X 1" X 15" - CONCERT CHERRY
3A	M09501-63-T79	EA	MOLDING - TRIM/VEE - .2" X 1" X 15" - WASHED MAPLE
3A	M09501-63-T80	EA	MOLDING - TRIM/VEE - .2" X 1" X 15" - SIERRA MAPLE
3A	M09501-63-W66	EA	MOLDING - TRIM/VEE - .2" X 1" X 15" - HONEY CHERRY
3A	M09553-09-W66	EA	MOLDING - TRIM/VEE - .2" X 1" X 13.4" - HONEY CHERRY
3A	M09566-04-WD3	EA	MOLDING - TRIM/VEE - .2" X 1" X 8.9" - HONEY CHERRY
3A	M09553-29-WH4	EA	MOLDING - TRIM/VEE - .4" X 1" X 94.4" - CONCERT CHERRY
3A	M09553-29-WH5	EA	MOLDING - TRIM/VEE - .4" X 1" X 94.4" - WASHED MAPLE
3A	M09553-29-WH6	EA	MOLDING - TRIM/VEE - .4" X 1" X 94.4" - SIERRA MAPLE
3A	M09565-04-WH4	EA	MOLDING - TRIM/VEE - .4" X 1" X 89.5" - CONCERT CHERRY

INTERIOR FINISH GROUP (CONTINUED)
MOLDINGS & TRIMS (CONTINUED)

KEY	PART NUMBER	U/M	DESCRIPTION
3A	M09565-04-WH5	EA	MOLDING - TRIM/VEE - .4" X 1" X 89.5" - WASHED MAPLE
3A	M09565-04-WH6	EA	MOLDING - TRIM/VEE - .4" X 1" X 89.5" - SIERRA MAPLE
3A	M09544-86-W37	EA	MOLDING - TRIM/VEE - .4" X 1" X 88.1" - WASHED MAPLE
3A	M09544-86-W38	EA	MOLDING - TRIM/VEE - .4" X 1" X 88.1" - SIERRA MAPLE
3A	M09538-39-U67	EA	MOLDING - TRIM/VEE - .4" X 1" X 82.6" - WASHED MAPLE
3A	M09538-39-U68	EA	MOLDING - TRIM/VEE - .4" X 1" X 82.6" - SIERRA MAPLE
3A	M09553-62-WH4	EA	MOLDING - TRIM/VEE - .4" X 1" X 81.4" - CONCERT CHERRY
3A	M09553-62-WH5	EA	MOLDING - TRIM/VEE - .4" X 1" X 81.4" - WASHED MAPLE
3A	M09553-62-WH6	EA	MOLDING - TRIM/VEE - .4" X 1" X 81.4" - SIERRA MAPLE
3A	M09577-98-WH4	EA	MOLDING - TRIM/VEE - .4" X 1" X 80.2" - CONCERT CHERRY
3A	M09577-98-WH5	EA	MOLDING - TRIM/VEE - .4" X 1" X 80.2" - WASHED MAPLE
3A	M09577-98-WH6	EA	MOLDING - TRIM/VEE - .4" X 1" X 80.2" - SIERRA MAPLE
3A	M09544-37-W37	EA	MOLDING - TRIM/VEE - .4" X 1" X 78.8" - WASHED MAPLE
3A	M09544-37-W38	EA	MOLDING - TRIM/VEE - .4" X 1" X 78.8" - SIERRA MAPLE
3A	M09544-34-W37	EA	MOLDING - TRIM/VEE - .4" X 1" X 78.7" - WASHED MAPLE
3A	M09544-34-W38	EA	MOLDING - TRIM/VEE - .4" X 1" X 78.7" - SIERRA MAPLE
3A	M09538-37-U67	EA	MOLDING - TRIM/VEE - .4" X 1" X 77.5" - WASHED MAPLE
3A	M09538-37-U68	EA	MOLDING - TRIM/VEE - .4" X 1" X 77.5" - SIERRA MAPLE
3A	M09553-65-WH4	EA	MOLDING - TRIM/VEE - .4" X 1" X 77" - CONCERT CHERRY
3A	M09553-65-WH5	EA	MOLDING - TRIM/VEE - .4" X 1" X 77" - WASHED MAPLE
3A	M09553-65-WH6	EA	MOLDING - TRIM/VEE - .4" X 1" X 77" - SIERRA MAPLE
3A	M09553-64-WH4	EA	MOLDING - TRIM/VEE - .4" X 1" X 76.7" - CONCERT CHERRY
3A	M09553-64-WH5	EA	MOLDING - TRIM/VEE - .4" X 1" X 76.7" - WASHED MAPLE
3A	M09553-64-WH6	EA	MOLDING - TRIM/VEE - .4" X 1" X 76.7" - SIERRA MAPLE
3A	M09565-75-WH4	EA	MOLDING - TRIM/VEE - .4" X 1" X 75.9" - CONCERT CHERRY
3A	M09565-75-WH5	EA	MOLDING - TRIM/VEE - .4" X 1" X 75.9" - WASHED MAPLE
3A	M09565-75-WH6	EA	MOLDING - TRIM/VEE - .4" X 1" X 75.9" - SIERRA MAPLE
3A	M09565-02-WH4	EA	MOLDING - TRIM/VEE - .4" X 1" X 75.1" - CONCERT CHERRY
3A	M09565-02-WH5	EA	MOLDING - TRIM/VEE - .4" X 1" X 75.1" - WASHED MAPLE
3A	M09565-02-WH6	EA	MOLDING - TRIM/VEE - .4" X 1" X 75.1" - SIERRA MAPLE
3A	M09553-26-WH4	EA	MOLDING - TRIM/VEE - .4" X 1" X 74.1" - CONCERT CHERRY
3A	M09553-26-WH5	EA	MOLDING - TRIM/VEE - .4" X 1" X 74.1" - WASHED MAPLE
3A	M09553-26-WH6	EA	MOLDING - TRIM/VEE - .4" X 1" X 74.1" - SIERRA MAPLE
3A	M09538-91-WH4	EA	MOLDING - TRIM/VEE - .4" X 1" X 73.8" - CONCERT CHERRY
3A	M09538-91-WH5	EA	MOLDING - TRIM/VEE - .4" X 1" X 73.8" - WASHED MAPLE
3A	M09538-91-WH6	EA	MOLDING - TRIM/VEE - .4" X 1" X 73.8" - SIERRA MAPLE
3A	M09553-22-WH4	EA	MOLDING - TRIM/VEE - .4" X 1" X 73.2" - CONCERT CHERRY
3A	M09553-22-WH5	EA	MOLDING - TRIM/VEE - .4" X 1" X 73.2" - WASHED MAPLE
3A	M09553-22-WH6	EA	MOLDING - TRIM/VEE - .4" X 1" X 73.2" - SIERRA MAPLE
3A	M09565-97-WH4	EA	MOLDING - TRIM/VEE - .4" X 1" X 72.6" - CONCERT CHERRY
3A	M09565-97-WH5	EA	MOLDING - TRIM/VEE - .4" X 1" X 72.6" - WASHED MAPLE
3A	M09565-97-WH6	EA	MOLDING - TRIM/VEE - .4" X 1" X 72.6" - SIERRA MAPLE
3A	M09568-12-WH4	EA	MOLDING - TRIM/VEE - .4" X 1" X 71.9" - CONCERT CHERRY
3A	M09568-12-WH5	EA	MOLDING - TRIM/VEE - .4" X 1" X 71.9" - WASHED MAPLE
3A	M09568-12-WH6	EA	MOLDING - TRIM/VEE - .4" X 1" X 71.9" - SIERRA MAPLE
3A	M09565-01-WH4	EA	MOLDING - TRIM/VEE - .4" X 1" X 71.7" - CONCERT CHERRY
3A	M09565-01-WH5	EA	MOLDING - TRIM/VEE - .4" X 1" X 71.7" - WASHED MAPLE
3A	M09565-01-WH6	EA	MOLDING - TRIM/VEE - .4" X 1" X 71.7" - SIERRA MAPLE
3A	M09565-01-YR3	EA	MOLDING - TRIM/VEE - .4" X 1" X 71.7" - HONEY CHERRY
3A	M09544-15-WB4	EA	MOLDING - TRIM/VEE - .4" X 1" X 64.5" - CONCERT CHERRY
3A	M09544-15-WB5	EA	MOLDING - TRIM/VEE - .4" X 1" X 64.5" - WASHED MAPLE
3A	M09544-15-WB6	EA	MOLDING - TRIM/VEE - .4" X 1" X 64.5" - SIERRA MAPLE
3A	M09538-94-WH4	EA	MOLDING - TRIM/VEE - .4" X 1" X 71.1" - CONCERT CHERRY
3A	M09538-94-WH5	EA	MOLDING - TRIM/VEE - .4" X 1" X 71.1" - WASHED MAPLE
3A	M09538-94-WH6	EA	MOLDING - TRIM/VEE - .4" X 1" X 71.1" - SIERRA MAPLE
3A	M09565-78-WH4	EA	MOLDING - TRIM/VEE - .4" X 1" X 70.2" - CONCERT CHERRY
3A	M09565-78-WH5	EA	MOLDING - TRIM/VEE - .4" X 1" X 70.2" - WASHED MAPLE
3A	M09565-78-WH6	EA	MOLDING - TRIM/VEE - .4" X 1" X 70.2" - SIERRA MAPLE
3A	M09553-21-WH4	EA	MOLDING - TRIM/VEE - .4" X 1" X 70.1" - CONCERT CHERRY
3A	M09553-21-WH5	EA	MOLDING - TRIM/VEE - .4" X 1" X 70.1" - WASHED MAPLE
3A	M09553-21-WH6	EA	MOLDING - TRIM/VEE - .4" X 1" X 70.1" - SIERRA MAPLE
3A	M09501-92-T77	EA	MOLDING - TRIM/VEE - .4" X 1" X 70" - PORTSMOUTH OAK
3A	M09501-92-T78	EA	MOLDING - TRIM/VEE - .4" X 1" X 70" - CONCERT CHERRY
3A	M09501-92-T79	EA	MOLDING - TRIM/VEE - .4" X 1" X 70" - WASHED MAPLE

INTERIOR FINISH GROUP (CONTINUED)
MOLDINGS & TRIMS (CONTINUED)

KEY	PART NUMBER	U/M	DESCRIPTION
3A	M09501-92-T80	EA	MOLDING - TRIM/VEE - .4" X 1" X 70" - SIERRA MAPLE
3A	M09538-27-WH4	EA	MOLDING - TRIM/VEE - .4" X 1" X 71.1" - CONCERT CHERRY
3A	M09538-27-U67	EA	MOLDING - TRIM/VEE - .4" X 1" X 71.1" - WASHED MAPLE
3A	M09538-27-U68	EA	MOLDING - TRIM/VEE - .4" X 1" X 71.1" - SIERRA MAPLE
3A	M09544-10-WH4	EA	MOLDING - TRIM/VEE - .4" X 1" X 68.2" - CONCERT CHERRY
3A	M09544-10-W91	EA	MOLDING - TRIM/VEE - .4" X 1" X 68.2" - WASHED MAPLE
3A	M09544-10-W92	EA	MOLDING - TRIM/VEE - .4" X 1" X 68.2" - SIERRA MAPLE
3A	M09553-03-WH4	EA	MOLDING - TRIM/VEE - .4" X 1" X 66.7" - CONCERT CHERRY
3A	M09553-03-WH5	EA	MOLDING - TRIM/VEE - .4" X 1" X 66.7" - WASHED MAPLE
3A	M09553-03-WH6	EA	MOLDING - TRIM/VEE - .4" X 1" X 66.7" - SIERRA MAPLE
3A	M09553-03-YR3	EA	MOLDING - TRIM/VEE - .4" X 1" X 66.7" - HONEY CHERRY
3A	M09538-93-WH4	EA	MOLDING - TRIM/VEE - .4" X 1" X 66.6" - CONCERT CHERRY
3A	M09538-93-WH5	EA	MOLDING - TRIM/VEE - .4" X 1" X 66.6" - WASHED MAPLE
3A	M09538-93-WH6	EA	MOLDING - TRIM/VEE - .4" X 1" X 66.6" - SIERRA MAPLE
3A	M09544-33-W37	EA	MOLDING - TRIM/VEE - .4" X 1" X 66.5" - SIERRA MAPLE
3A	M09544-33-W38	EA	MOLDING - TRIM/VEE - .4" X 1" X 66.5" - WASHED MAPLE
3A	M09553-02-WH4	EA	MOLDING - TRIM/VEE - .4" X 1" X 66.4" - CONCERT CHERRY
3A	M09553-02-WH5	EA	MOLDING - TRIM/VEE - .4" X 1" X 66.4" - WASHED MAPLE
3A	M09553-02-WH6	EA	MOLDING - TRIM/VEE - .4" X 1" X 66.4" - SIERRA MAPLE
3A	M09544-14-WB4	EA	MOLDING - TRIM/VEE - .4" X 1" X 64.5" - CONCERT CHERRY
3A	M09544-14-WB5	EA	MOLDING - TRIM/VEE - .4" X 1" X 64.5" - WASHED MAPLE
3A	M09544-14-WB6	EA	MOLDING - TRIM/VEE - .4" X 1" X 64.5" - SIERRA MAPLE
3A	M09515-78-T77	EA	MOLDING - TRIM/VEE - .4" X 1" X 64.1" - PORTSMOUTH OAK
3A	M09515-78-T78	EA	MOLDING - TRIM/VEE - .4" X 1" X 64.1" - CONCERT CHERRY
3A	M09515-78-T79	EA	MOLDING - TRIM/VEE - .4" X 1" X 64.1" - WASHED MAPLE
3A	M09515-78-T80	EA	MOLDING - TRIM/VEE - .4" X 1" X 64.1" - SIERRA MAPLE
3A	M09501-91-T77	EA	MOLDING - TRIM/VEE - .4" X 1" X 63.3" - PORTSMOUTH OAK
3A	M09501-91-T78	EA	MOLDING - TRIM/VEE - .4" X 1" X 63.3" - CONCERT CHERRY
3A	M09501-91-T79	EA	MOLDING - TRIM/VEE - .4" X 1" X 63.3" - WASHED MAPLE
3A	M09501-91-T80	EA	MOLDING - TRIM/VEE - .4" X 1" X 63.3" - SIERRA MAPLE
3A	M09503-91-T77	EA	MOLDING - TRIM/VEE - .4" X 1" X 63.1" - PORTSMOUTH OAK
3A	M09503-91-T78	EA	MOLDING - TRIM/VEE - .4" X 1" X 63.1" - CONCERT CHERRY
3A	M09503-91-T79	EA	MOLDING - TRIM/VEE - .4" X 1" X 63.1" - WASHED MAPLE
3A	M09503-91-T80	EA	MOLDING - TRIM/VEE - .4" X 1" X 63.1" - SIERRA MAPLE
3A	M09544-22-WB4	EA	MOLDING - TRIM/VEE - .4" X 1" X 61.7" - CONCERT CHERRY
3A	M09544-22-WB5	EA	MOLDING - TRIM/VEE - .4" X 1" X 61.7" - WASHED MAPLE
3A	M09544-22-WB6	EA	MOLDING - TRIM/VEE - .4" X 1" X 61.7" - SIERRA MAPLE
3A	M09583-41-WH4	EA	MOLDING - TRIM/VEE - .4" X 1" X 61" - CONCERT CHERRY
3A	M09583-41-WH5	EA	MOLDING - TRIM/VEE - .4" X 1" X 61" - WASHED MAPLE
3A	M09583-41-WH6	EA	MOLDING - TRIM/VEE - .4" X 1" X 61" - SIERRA MAPLE
3A	M09565-49-WH4	EA	MOLDING - TRIM/VEE - .4" X 1" X 58.7" - CONCERT CHERRY
3A	M09565-49-WH5	EA	MOLDING - TRIM/VEE - .4" X 1" X 58.7" - WASHED MAPLE
3A	M09565-49-WH6	EA	MOLDING - TRIM/VEE - .4" X 1" X 58.7" - SIERRA MAPLE
3A	M09544-36-W37	EA	MOLDING - TRIM/VEE - .4" X 1" X 52.6" - WASHED MAPLE
3A	M09544-36-W38	EA	MOLDING - TRIM/VEE - .4" X 1" X 52.6.5" - SIERRA MAPLE
3A	M09553-85-WB4	EA	MOLDING - TRIM/VEE - .4" X 1" X 43.4" - CONCERT CHERRY
3A	M09553-85-WB5	EA	MOLDING - TRIM/VEE - .4" X 1" X 43.4" - WASHED MAPLE
3A	M09553-85-WB6	EA	MOLDING - TRIM/VEE - .4" X 1" X 43.4" - SIERRA MAPLE
3A	M09553-28-WH4	EA	MOLDING - TRIM/VEE - .4" X 1" X 48" - CONCERT CHERRY
3A	M09553-28-WH5	EA	MOLDING - TRIM/VEE - .4" X 1" X 48" - WASHED MAPLE
3A	M09553-28-WH6	EA	MOLDING - TRIM/VEE - .4" X 1" X 48" - SIERRA MAPLE
3A	M09553-60-WH4	EA	MOLDING - TRIM/VEE - .4" X 1" X 47.2" - CONCERT CHERRY
3A	M09553-60-WH5	EA	MOLDING - TRIM/VEE - .4" X 1" X 47.2" - WASHED MAPLE
3A	M09553-60-WH6	EA	MOLDING - TRIM/VEE - .4" X 1" X 47.2" - SIERRA MAPLE
3A	M09544-24-WB4	EA	MOLDING - TRIM/VEE - .4" X 1" X 46.2" - CONCERT CHERRY
3A	M09544-24-WB5	EA	MOLDING - TRIM/VEE - .4" X 1" X 46.2" - WASHED MAPLE
3A	M09544-24-WB6	EA	MOLDING - TRIM/VEE - .4" X 1" X 46.2" - SIERRA MAPLE
3A	M09565-77-WH4	EA	MOLDING - TRIM/VEE - .4" X 1" X 42.5" - CONCERT CHERRY
3A	M09565-77-WH5	EA	MOLDING - TRIM/VEE - .4" X 1" X 42.5" - WASHED MAPLE
3A	M09565-77-WH6	EA	MOLDING - TRIM/VEE - .4" X 1" X 42.5" - SIERRA MAPLE
3A	M09544-35-W37	EA	MOLDING - TRIM/VEE - .4" X 1" X 66.5" - SIERRA MAPLE
3A	M09544-35-W38	EA	MOLDING - TRIM/VEE - .4" X 1" X 66.5" - WASHED MAPLE

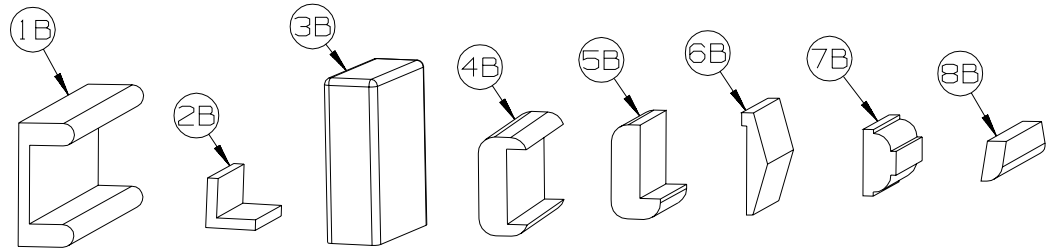
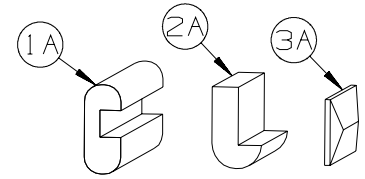


INTERIOR FINISH GROUP (CONTINUED)
MOLDINGS & TRIMS (CONTINUED)

KEY	PART NUMBER	U/M	DESCRIPTION
3A	M09544-38-W37	EA	MOLDING - TRIM/VEE - .4" X 1" X 66.5" - SIERRA MAPLE
3A	M09544-38-W38	EA	MOLDING - TRIM/VEE - .4" X 1" X 66.5" - WASHED MAPLE
3A	M09565-03-WH4	EA	MOLDING - TRIM/VEE - .4" X 1" X 44.2" - CONCERT CHERRY
3A	M09565-03-WH5	EA	MOLDING - TRIM/VEE - .4" X 1" X 44.2" - WASHED MAPLE
3A	M09565-03-WH6	EA	MOLDING - TRIM/VEE - .4" X 1" X 44.2" - SIERRA MAPLE
3A	M09565-20-WH4	EA	MOLDING - TRIM/VEE - .4" X 1" X 43.2" - CONCERT CHERRY
3A	M09565-20-WH5	EA	MOLDING - TRIM/VEE - .4" X 1" X 43.2" - WASHED MAPLE
3A	M09565-20-WH6	EA	MOLDING - TRIM/VEE - .4" X 1" X 43.2" - SIERRA MAPLE
3A	M09553-24-WH4	EA	MOLDING - TRIM/VEE - .4" X 1" X 43" - CONCERT CHERRY
3A	M09553-24-WH5	EA	MOLDING - TRIM/VEE - .4" X 1" X 43" - WASHED MAPLE
3A	M09553-24-WH6	EA	MOLDING - TRIM/VEE - .4" X 1" X 43" - SIERRA MAPLE
3A	M09565-77-WH4	EA	MOLDING - TRIM/VEE - .4" X 1" X 42.5" - CONCERT CHERRY
3A	M09565-77-WH5	EA	MOLDING - TRIM/VEE - .4" X 1" X 42.5" - WASHED MAPLE
3A	M09565-77-WH6	EA	MOLDING - TRIM/VEE - .4" X 1" X 42.5" - SIERRA MAPLE
3A	M09565-50-WH4	EA	MOLDING - TRIM/VEE - .4" X 1" X 40.9" - CONCERT CHERRY
3A	M09565-50-WH5	EA	MOLDING - TRIM/VEE - .4" X 1" X 40.9" - WASHED MAPLE
3A	M09565-50-WH6	EA	MOLDING - TRIM/VEE - .4" X 1" X 40.9" - SIERRA MAPLE
3A	M09583-43-WH4	EA	MOLDING - TRIM/VEE - .4" X 1" X 40.1" - CONCERT CHERRY
3A	M09583-43-WH5	EA	MOLDING - TRIM/VEE - .4" X 1" X 40.1" - WASHED MAPLE
3A	M09583-43-WH6	EA	MOLDING - TRIM/VEE - .4" X 1" X 40.1" - SIERRA MAPLE
3A	M09565-76-WH4	EA	MOLDING - TRIM/VEE - .4" X 1" X 39.4" - CONCERT CHERRY
3A	M09565-76-WH5	EA	MOLDING - TRIM/VEE - .4" X 1" X 39.4" - WASHED MAPLE
3A	M09565-76-WH6	EA	MOLDING - TRIM/VEE - .4" X 1" X 39.4" - SIERRA MAPLE
3A	M09565-47-WH4	EA	MOLDING - TRIM/VEE - .4" X 1" X 38.9" - CONCERT CHERRY
3A	M09565-47-WH5	EA	MOLDING - TRIM/VEE - .4" X 1" X 38.9" - WASHED MAPLE
3A	M09565-47-WH6	EA	MOLDING - TRIM/VEE - .4" X 1" X 38.9" - SIERRA MAPLE
3A	M09553-27-WH4	EA	MOLDING - TRIM/VEE - .4" X 1" X 38.8" - CONCERT CHERRY
3A	M09553-27-WH5	EA	MOLDING - TRIM/VEE - .4" X 1" X 38.8" - WASHED MAPLE
3A	M09553-27-WH6	EA	MOLDING - TRIM/VEE - .4" X 1" X 38.8" - SIERRA MAPLE
3A	M09568-77-WH4	EA	MOLDING - TRIM/VEE - .4" X 1" X 37.5" - CONCERT CHERRY
3A	M09568-77-WH5	EA	MOLDING - TRIM/VEE - .4" X 1" X 37.5" - WASHED MAPLE
3A	M09568-77-WH6	EA	MOLDING - TRIM/VEE - .4" X 1" X 37.5" - SIERRA MAPLE
3A	M09553-23-WH4	EA	MOLDING - TRIM/VEE - .4" X 1" X 37" - CONCERT CHERRY
3A	M09553-23-WH5	EA	MOLDING - TRIM/VEE - .4" X 1" X 37" - WASHED MAPLE
3A	M09553-23-WH6	EA	MOLDING - TRIM/VEE - .4" X 1" X 37" - SIERRA MAPLE
3A	M09553-47-WB4	EA	MOLDING - TRIM/VEE - .4" X 1" X 35.9" - CONCERT CHERRY
3A	M09553-47-WB5	EA	MOLDING - TRIM/VEE - .4" X 1" X 35.9" - WASHED MAPLE
3A	M09553-47-WB6	EA	MOLDING - TRIM/VEE - .4" X 1" X 35.9" - SIERRA MAPLE
3A	M09553-47-W66	EA	MOLDING - TRIM/VEE - .4" X 1" X 35.9" - HONEY CHERRY
3A	M09568-48-U67	EA	MOLDING - TRIM/VEE - .4" X 1" X 35.4" - WASHED MAPLE
3A	M09568-48-U68	EA	MOLDING - TRIM/VEE - .4" X 1" X 35.4" - SIERRA MAPLE
3A	M09553-63-WH4	EA	MOLDING - TRIM/VEE - .4" X 1" X 35.1" - CONCERT CHERRY
3A	M09553-63-WH5	EA	MOLDING - TRIM/VEE - .4" X 1" X 35.1" - WASHED MAPLE
3A	M09553-63-WH6	EA	MOLDING - TRIM/VEE - .4" X 1" X 35.1" - SIERRA MAPLE
3A	M09553-63-W51	EA	MOLDING - TRIM/VEE - .4" X 1" X 35.1" - HONEY CHERRY
3A	M09565-94-WH4	EA	MOLDING - TRIM/VEE - .4" X 1" X 34.4" - CONCERT CHERRY
3A	M09565-94-WH5	EA	MOLDING - TRIM/VEE - .4" X 1" X 34.4" - WASHED MAPLE
3A	M09565-94-WH6	EA	MOLDING - TRIM/VEE - .4" X 1" X 34.4" - SIERRA MAPLE
3A	M09553-04-WH4	EA	MOLDING - TRIM/VEE - .4" X 1" X 34.2" - CONCERT CHERRY
3A	M09553-04-WH5	EA	MOLDING - TRIM/VEE - .4" X 1" X 34.2" - WASHED MAPLE
3A	M09553-04-WH6	EA	MOLDING - TRIM/VEE - .4" X 1" X 34.2" - SIERRA MAPLE
3A	M09566-02-U68	EA	MOLDING - TRIM/VEE - .4" X 1" X 32.7" - SIERRA MAPLE
3A	M09566-02-W51	EA	MOLDING - TRIM/VEE - .4" X 1" X 32.7" - HONEY CHERRY
3A	M09566-02-W52	EA	MOLDING - TRIM/VEE - .4" X 1" X 32.7" - WASHED MAPLE
3A	M09511-86-T77	EA	MOLDING - TRIM/VEE - .4" X 1" X 28.3" - PORTSMOUTH OAK
3A	M09511-86-T78	EA	MOLDING - TRIM/VEE - .4" X 1" X 28.3" - CONCERT CHERRY
3A	M09511-86-T79	EA	MOLDING - TRIM/VEE - .4" X 1" X 28.3" - WASHED MAPLE
3A	M09511-86-T80	EA	MOLDING - TRIM/VEE - .4" X 1" X 28.3" - SIERRA MAPLE
3A	M09553-61-WH4	EA	MOLDING - TRIM/VEE - .4" X 1" X 19.9" - CONCERT CHERRY
3A	M09553-61-WH5	EA	MOLDING - TRIM/VEE - .4" X 1" X 19.9" - WASHED MAPLE
3A	M09553-61-WH6	EA	MOLDING - TRIM/VEE - .4" X 1" X 19.9" - SIERRA MAPLE
3A	M09565-71-WH4	EA	MOLDING - TRIM/VEE - .4" X 1" X 11.4" - CONCERT CHERRY
3A	M09565-71-WH5	EA	MOLDING - TRIM/VEE - .4" X 1" X 11.4" - WASHED MAPLE
3A	M09565-71-WH6	EA	MOLDING - TRIM/VEE - .4" X 1" X 11.4" - SIERRA MAPLE

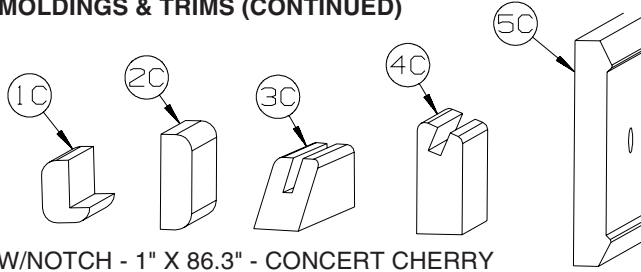
INTERIOR FINISH GROUP (CONTINUED)
MOLDINGS & TRIMS (CONTINUED)

KEY	PART NUMBER	U/M	DESCRIPTION
3A	M09583-42-WH4	EA	MOLDING - TRIM/VEE - .4" X 1" X 8.3" - CONCERT CHERRY
3A	M09583-42-WH5	EA	MOLDING - TRIM/VEE - .4" X 1" X 8.3" - WASHED MAPLE
3A	M09583-42-WH6	EA	MOLDING - TRIM/VEE - .4" X 1" X 8.3" - SIERRA MAPLE
3A	M09544-55-WB4	EA	MOLDING - TRIM/VEE - .4" X 1" X 6.5" - CONCERT CHERRY
3A	M09544-55-WB5	EA	MOLDING - TRIM/VEE - .4" X 1" X 6.5" - WASHED MAPLE
3A	M09544-55-WB6	EA	MOLDING - TRIM/VEE - .4" X 1" X 6.5" - SIERRA MAPLE
3A	M09544-56-WB4	EA	MOLDING - TRIM/VEE - .4" X 1" X 6.1" - CONCERT CHERRY
3A	M09544-56-WB5	EA	MOLDING - TRIM/VEE - .4" X 1" X 6.1" - WASHED MAPLE
3A	M09544-56-WB6	EA	MOLDING - TRIM/VEE - .4" X 1" X 6.1" - SIERRA MAPLE
3A	M09538-70-U68	EA	MOLDING - TRIM/VEE - .4" X 1" X 63.9" - SIERRA MAPLE
3A	M09538-70-U67	EA	MOLDING - TRIM/VEE - .4" X 1" X 63.9" - WASHED MAPLE



KEY	PART NUMBER	U/M	DESCRIPTION
1B	M09501-84-TG0	EA	MOLDING/TRIM - CAP/WALL - 2.2" X 85.9" - PORTSMOUTH OAK
1B	M09501-84-TG1	EA	MOLDING/TRIM - CAP/WALL - 2.2" X 85.9" - CONCERT CHERRY
1B	M09501-84-TG2	EA	MOLDING/TRIM - CAP/WALL - 2.2" X 85.9" - WASHED MAPLE
1B	M09501-84-TG3	EA	MOLDING/TRIM - CAP/WALL - 2.2" X 85.9" - HONEY CHERRY
1B	M09520-04-TD3	EA	MOLDING/TRIM - CAP/WALL - 2.2" X 80.5" - SIERRA MAPLE
2B	M09511-81-TA0	EA	MOLDING/TRIM - L SHAPE - .8"X .8"X 80.2" - PORTSMOUTH OAK
2B	M09511-81-TA1	EA	MOLDING/TRIM - L SHAPE - .8"X .8"X 80.2" - CONCERT CHERRY
2B	M09511-81-TA2	EA	MOLDING/TRIM - L SHAPE - .8"X .8"X 80.2" - WASHED MAPLE
2B	M09511-81-TA3	EA	MOLDING/TRIM - L SHAPE - .8"X .8"X 80.2" - SIERRA MAPLE
3B	M09515-81-T01	EA	MOLDING/HARDWOOD STRAIGHT - 74.3" - WASHED MAPLE
3B	M09515-81-T02	EA	MOLDING/HARDWOOD STRAIGHT - 74.3" - HONEY CHERRY
4B	M09511-42-T77	EA	MOLDING - TRIM - W/NOTCH - 1.5" X 86.4" - PORTSMOUTH OAK
4B	M09511-42-T78	EA	MOLDING - TRIM - W/NOTCH - 1.5" X 86.4" - CONCERT CHERRY
4B	M09511-42-T79	EA	MOLDING - TRIM - W/NOTCH - 1.5" X 86.4" - WASHED MAPLE
4B	M09511-42-T80	EA	MOLDING - TRIM - W/NOTCH - 1.5" X 86.4" - SIERRA MAPLE
4B	M09511-42-W66	EA	MOLDING - TRIM - W/NOTCH - 1.5" X 86.4" - HONEY CHERRY
5B	M09515-18-T77	EA	MOLDING - HARDWOOD-W/NOTCH - 1.4"X 86.2" - PORTSMOUTH OAK
5B	M09515-18-T78	EA	MOLDING - HARDWOOD-W/NOTCH - 1.4"X 86.2" - CONCERT CHERRY
5B	M09553-66-U22	EA	MOLDING - HARDWOOD-W/NOTCH - 1.4"X 96" - WASHED MAPLE
5B	M09515-18-T80	EA	MOLDING - HARDWOOD-W/NOTCH - 1.4"X 86.2" - SIERRA MAPLE
5B	M09553-66-U21	EA	MOLDING - HARDWOOD-W/NOTCH - 1.4"X 96" - HONEY CHERRY
6B	M09515-53-TG0	EA	MOLDING - TRIM/VEE - 1.5" X 73.9" - PORTSMOUTH OAK
6B	M09525-81-UJ1	EA	MOLDING - TRIM/VEE - 1.5" X 74.7" - CONCERT CHERRY
6B	M09525-81-UJ2	EA	MOLDING - TRIM/VEE - 1.5" X 74.7" - WASHED MAPLE
6B	M09552-81-UJ3	EA	MOLDING - TRIM/VEE - 1.5" X 74.7" - HONEY CHERRY
6B	M09553-53-WH6	EA	MOLDING - TRIM/VEE - NOTCHED - 1.5" X 20.6" - SIERRA MAPLE
7B	Y00076-32-438	EA	MOLDING/TRIM - .5" X 1" X 96" - CHERRY (UNSTAINED)
7B	Y00076-22-438	EA	MOLDING/TRIM - .5" X 1" X 96" - MAPLE (UNSTAINED)
8B	M09525-92-T77	EA	MOLDING/TRIM - .5" X 1" X 75.6" - PORTSMOUTH OAK
8B	M09525-92-T78	EA	MOLDING/TRIM - .5" X 1" X 75.6" - CONCERT CHERRY
8B	M09525-92-T79	EA	MOLDING/TRIM - .5" X 1" X 75.6" - WASHED MAPLE
8B	M09525-92-T80	EA	MOLDING/TRIM - .5" X 1" X 75.6" - SIERRA MAPLE
8B	Y00086-72-438	EA	MOLDING - VINYL WRAP - .7" X 1.6" X 96" - PORTSMOUTH OAK
8B	Y00086-D2-438	EA	MOLDING - VINYL WRAP - .7" X 1.6" X 96" - CONCERT CHERRY
8B	Y00086-A2-438	EA	MOLDING - VINYL WRAP - .7" X 1.6" X 96" - WASHED MAPLE
8B	Y00086-92-438	EA	MOLDING - VINYL WRAP - .7" X 1.6" X 96" - SIERRA MAPLE
8B	Y00086-82-438	EA	MOLDING - VINYL WRAP - .7" X 1.6" X 96" - HONEY CHERRY
8B	Y00087-72-438	EA	MOLDING - VINYL WRAP - .7" X 2.9" X 96" - PORTSMOUTH OAK
8B	Y00087-D2-438	EA	MOLDING - VINYL WRAP - .7" X 2.9" X 96" - CONCERT CHERRY
8B	Y00087-A2-438	EA	MOLDING - VINYL WRAP - .7" X 2.9" X 96" - WASHED MAPLE
8B	Y00087-92-438	EA	MOLDING - VINYL WRAP - .7" X 2.9" X 96" - SIERRA MAPLE
8B	Y00087-82-438	EA	MOLDING - VINYL WRAP - .7" X 2.9" X 96" - HONEY CHERRY

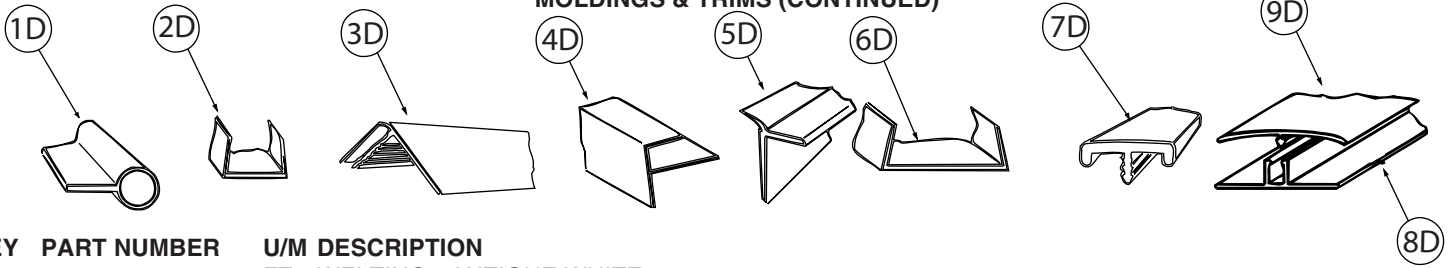
INTERIOR FINISH GROUP (CONTINUED)
MOLDINGS & TRIMS (CONTINUED)



KEY	PART NUMBER	U/M	DESCRIPTION
1C	M09520-19-TD1	EA	MOLDING - TRIM - W/NOTCH - 1" X 86.3" - CONCERT CHERRY
1C	M09520-19-TD2	EA	MOLDING - TRIM - W/NOTCH - 1" X 86.3" - WASHED MAPLE
1C	M09520-19-TD3	EA	MOLDING - TRIM - W/NOTCH - 1" X 86.3" - HONEY CHERRY
1C	M09565-68-WH4	EA	MOLDING - HARDWOOD - .75" X 1.4" X 81.9" - CONCERT CHERRY
1C	M09565-68-WH5	EA	MOLDING - HARDWOOD - .75" X 1.4" X 81.9" - WASHED MAPLE
1C	M09565-68-WH6	EA	MOLDING - HARDWOOD - .75" X 1.4" X 81.9" - SIERRA MAPLE
2C	M09511-46-T77	EA	MOLDING/TRIM - .5" X 1.5" X 86.5" - PORTSMOUTH OAK
2C	M09511-46-T78	EA	MOLDING/TRIM - .5" X 1.5" X 86.5" - CONCERT CHERRY
2C	M09511-46-T79	EA	MOLDING/TRIM - .5" X 1.5" X 86.5" - WASHED MAPLE
2C	M09511-46-T80	EA	MOLDING/TRIM - .5" X 1.5" X 86.5" - SIERRA MAPLE
3C	Y00223-22-438	EA	MOLDING - HARDWOOD/MAPLE - .7" X 1" X 96" - UNSTAINED MAPLE
3C	Y00223-32-438	EA	MOLDING - HARDWOOD/CHERRY - .7" X 1" X 96" - UNSTAINED CHERRY
3C	Y00223-42-438	EA	MOLDING - HARDWOOD/CHERRY - .7" X 1" X 96" - UNSTAINED OAK
4C	Y00054-A2-438	EA	MOLDING - VINYL - W/SLOT - .7"X 1.9"X 96" - WASHED MAPLE
4C	Y00054-D2-438	EA	MOLDING - VINYL - W/SLOT - .7"X 1.9"X 96" - CONCERT CHERRY
4C	Y00054-22-438	EA	MOLDING - VINYL - W/SLOT - .7"X 1.9"X 96" - WASHED MAPLE
4C	Y00054-72-438	EA	MOLDING - VINYL - W/SLOT - .7"X 1.9"X 96" - PORTSMOUTH OAK
4C	Y00054-82-438	EA	MOLDING - VINYL - W/SLOT - .7"X 1.9"X 96" - HONEY CHERRY
4C	Y00054-92-438	EA	MOLDING - VINYL - W/SLOT - .7"X 1.9"X 96" - SIERRA MAPLE
4C	Y00276-A2-438	EA	MOLDING - VINYL - W/SLOT - .7"X 1.9"X 96" - WASHED MAPLE
4C	Y00276-D2-438	EA	MOLDING - VINYL - W/SLOT - .7"X 1.9"X 96" - CONCERT CHERRY
4C	Y00276-72-438	EA	MOLDING - VINYL - W/SLOT - .7"X 1.9"X 96" - PORTSMOUTH OAK
4C	Y00276-82-438	EA	MOLDING - VINYL - W/SLOT - .7"X 1.9"X 96" - HONEY CHERRY
4C	Y00276-92-438	EA	MOLDING - VINYL - W/SLOT - .7"X 1.9"X 96" - SIERRA MAPLE
5C	Y00152-A2-438	EA	MOLDING/TRIM - VINYL - .6" X 3.5" X 96" - WASHED MAPLE
5C	Y00152-D2-438	EA	MOLDING/TRIM - VINYL - .6" X 3.5" X 96" - CONCERT CHERRY
5C	Y00152-22-438	EA	MOLDING/TRIM - VINYL - .6" X 3.5" X 96" - WASHED MAPLE
5C	Y00152-72-438	EA	MOLDING/TRIM - VINYL - .6" X 3.5" X 96" - PORTSMOUTH OAK
5C	Y00152-92-438	EA	MOLDING/TRIM - VINYL - .6" X 3.5" X 96" - SIERRA MAPLE

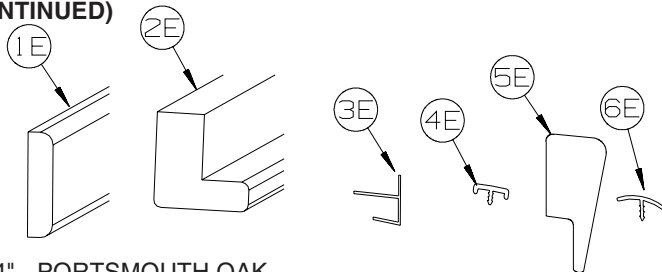
INTERIOR FINISH GROUP (CONTINUED)

MOLDINGS & TRIMS (CONTINUED)

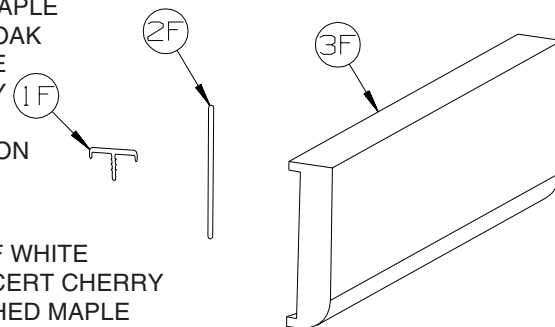


KEY	PART NUMBER	U/M	DESCRIPTION
1D	009767-12-000	FT	WELTING - ANTIQUE WHITE
2D	009778-25-000	FT	U-CHANNEL - 1" - BEIGE ILLUSION
2D	009778-26-000	FT	U-CHANNEL - 1 1/4" - BEIGE ILLUSION
2D	009778-38-000	FT	U-CHANNEL - 1" - BONE
2D	009778-32-000	FT	U-CHANNEL - 1" - PORTSMOUTH OAK
2D	009778-34-000	FT	U-CHANNEL - 1" - CONCERT CHERRY
2D	009778-27-000	FT	U-CHANNEL - 1" - WASHED MAPLE
2D	009778-35-000	FT	U-CHANNEL - 1" - HONEY CHERRY
2D	009778-36-000	FT	U-CHANNEL - 1" - SIERRA MAPLE
3D	009809-30-000	EA	MOLDING - CORNER - OUTSIDE - 1" X 84" - BEIGE ILLUSION
3D	009809-37-000	EA	MOLDING - CORNER - OUTSIDE - 1" X 84" - BONE
3D	009809-33-000	EA	MOLDING - CORNER - OUTSIDE - 1" X 84" - CONCERT CHERRY
3D	009809-31-000	EA	MOLDING - CORNER - OUTSIDE - 1" X 84" - WASHED MAPLE
3D	009809-35-000	EA	MOLDING - CORNER - OUTSIDE - 1" X 84" - SIERRA MAPLE
4D	009812-31-000	EA	MOLDING - CORNER - 1/2" W/1/4"CHAN X 84" - BEIGE ILLUSION
4D	009812-40-000	EA	MOLDING - CORNER - 1/2" W/1/4"CHAN X 84" - BONE
4D	009812-35-000	EA	MOLDING - CORNER - 1/2" W/1/4"CHAN X 84" - PORTSMOUTH OAK
4D	009812-36-000	EA	MOLDING - CORNER - 1/2" W/1/4"CHAN X 84" - CONCERT CHERRY
4D	009812-33-000	EA	MOLDING - CORNER - 1/2" W/1/4"CHAN X 84" - WASHED MAPLE
4D	009812-37-000	EA	MOLDING - CORNER - 1/2" W/1/4"CHAN X 84" - HONEY CHERRY
4D	009812-38-000	EA	MOLDING - CORNER - 1/2" W/1/4"CHAN X 84" - SIERRA MAPLE
5D	022992-11-000	FT	MOLDING - REVERSE COVE - T-SHAPED - IVORY
5D	022992-14-000	FT	MOLDING - REVERSE COVE - T-SHAPED - BRIGHT WHITE
5D	022992-18-000	FT	MOLDING - REVERSE COVE - T-SHAPED - BONE
6D	070504-42-000	FT	U-CHANNEL - PLASTIC - .13" X 84" - BEIGE ILLUSION
6D	070504-43-000	FT	U-CHANNEL - PLASTIC - .9" X 96" - BEIGE ILLUSION
6D	070504-69-000	FT	U-CHANNEL - PLASTIC - .13" X 84" - BONE
6D	070504-70-000	FT	U-CHANNEL - PLASTIC - .8" X 84" - BONE
6D	070504-57-000	FT	U-CHANNEL - PLASTIC - .13" X 96" - PORTSMOUTH OAK
6D	070504-58-000	FT	U-CHANNEL - PLASTIC - .9" X 96" - PORTSMOUTH OAK
6D	070504-60-000	FT	U-CHANNEL - PLASTIC - .13" X 84" - CONCERT CHERRY
6D	070504-61-000	FT	U-CHANNEL - PLASTIC - .9" X 84" - CONCERT CHERRY
6D	070504-50-000	FT	U-CHANNEL - PLASTIC - .13" X 96" - WASHED MAPLE
6D	070504-51-000	FT	U-CHANNEL - PLASTIC - .9" X 96" - WASHED MAPLE
6D	070504-62-000	FT	U-CHANNEL - PLASTIC - 1.65" X 84" - HONEY CHERRY
6D	070504-63-000	FT	U-CHANNEL - PLASTIC - .9" X 84" - HONEY CHERRY
6D	070504-65-000	FT	U-CHANNEL - PLASTIC - .07" X 96" - SIERRA MAPLE
6D	070504-66-000	FT	U-CHANNEL - PLASTIC - .8" X 84" - SIERRA MAPLE
7D	083620-25-000	FT	MOLDING-T - W/EDGE LIP - 7/8" FACE - BONE
7D	083620-20-000	FT	MOLDING-T - W/EDGE LIP - 7/8" FACE - PORTSMOUTH OAK
7D	083620-19-000	FT	MOLDING-T - W/EDGE LIP - 7/8" FACE - WASHED MAPLE
7D	083620-24-000	FT	MOLDING-T - W/EDGE LIP - 7/8" FACE - HONEY CHERRY
7D	083620-22-000	FT	MOLDING-T - W/EDGE LIP - 7/8" FACE - SIERRA MAPLE
8D	086229-01-000	EA	RETAINER - BATTEN - .75" X 92.1" - ANY COLOR
9D	086229-12-000	EA	BATTEN - 1.5" OFFSET X 96.8" - MODERN IVORY
9D	086229-20-000	EA	BATTEN - 1" X 96" - BEIGE

INTERIOR FINISH GROUP (CONTINUED)
MOLDINGS & TRIMS (CONTINUED)



KEY	PART NUMBER	U/M	DESCRIPTION
1E	100818-01-12A	EA	MOLDING - VINYL WRAPPED - 1.6" X .4" X 84" - PORTSMOUTH OAK
1E	100818-01-23A	EA	MOLDING - VINYL WRPPD - 1.6" X .4" X 84" - CONCERT CHERRY
1E	100818-01-21A	EA	MOLDING - VINYL WRAPPED - 1.6" X .4" X 84" - WASHED MAPLE
1E	100818-01-14A	EA	MOLDING - VINYL WRAPPED - 1.6" X .4" X 84" - HONEY CHERRY
1E	100818-01-22A	EA	MOLDING - VINYL WRAPPED - 1.6" X .4" X 84" - SIERRA MAPLE
2E	100819-01-23A	EA	MOLDING - VYL WRPPD-L-SHPD-1.5"X1.5"X84" - CONCERT CHERRY
2E	100819-01-21A	EA	MOLDING - VINYL WRAPPED-L-SHAPED-1.5"X1.5"X84" - WASHED MAPLE
2E	100819-01-14A	EA	MOLDING - VINYL WRAPPED-L-SHAPED-1.5"X1.5"X84" - HONEY CHERRY
2E	100819-01-22A	EA	MOLDING - VINYL WRAPPED-L-SHAPED-1.5"X1.5"X84" - SIERRA MAPLE
3E	103186-01-07A	FT	MOLDING/PLASTIC - 3/8" U-CHANNEL-3/4" FACE - BEIGE ILLUSION
3E	103186-01-09A	FT	MOLDING/PLASTIC - 3/8" U-CHANNEL-3/4" FACE - PORTSMOUTH OAK
3E	103186-01-10A	FT	MOLDING/PLASTIC - 3/8" U-CHANNEL-3/4" FACE - CONCERT CHERRY
3E	103186-01-08A	FT	MOLDING/PLASTIC - 3/8" U-CHANNEL-3/4" FACE- 8' - WASHED MAPLE
3E	103186-01-11A	FT	MOLDING/PLASTIC - 3/8" U-CHANNEL-3/4" FACE - HONEY CHERRY
3E	103186-01-12A	FT	MOLDING/PLASTIC - 3/8" U-CHANNEL-3/4" FACE - SIERRA MAPLE
3E	103186-02-07A	FT	MOLDING/PLASTIC-1" U-CHANNEL-1 3/8" FACE - BEIGE ILLUSION
3E	103186-02-09A	FT	MOLDING/PLASTIC - 1" U-CHANNEL-1 3/8" FACE - PORTSMOUTH OAK
3E	103186-02-10A	FT	MOLDING/PLASTIC - 1" U-CHANNEL-1 3/8" FACE - CONCERT CHERRY
3E	103186-02-08A	FT	MOLDING/PLASTIC - 1" U-CHANNEL-1 3/8" FACE - WASHED MAPLE
3E	103186-02-11A	FT	MOLDING/PLASTIC - 1" U-CHANNEL-1 3/8" FACE - HONEY CHERRY
3E	103186-02-12A	FT	MOLDING/PLASTIC - 1" U-CHANNEL-1 3/8" FACE - SIERRA MAPLE
4E	104676-02-08A	FT	MOLDING-T - W/EDGE LIP - 11/16" FACE - PORTSMOUTH OAK
4E	104676-02-12A	FT	MOLDING-T - W/EDGE LIP - 11/16" FACE - SIERRA MAPLE
5E	105004-01-12A	EA	MOLDING - VINYL WRAP - 1" X 96" - PORTSMOUTH OAK
5E	105004-01-21A	EA	MOLDING - VINYL WRAP - 1" X 96" - WASHED MAPLE
5E	105004-01-24A	EA	MOLDING - VINYL WRAP - 1" X 96" - HONEY CHERRY
5E	105004-01-22A	EA	MOLDING - VINYL WRAP - 1" X 96" - SIERRA MAPLE
6E	105709-02-000	FT	MOLDING-T - W/EDGE LIP 3/4" FACE - BEIGE ILLUSION

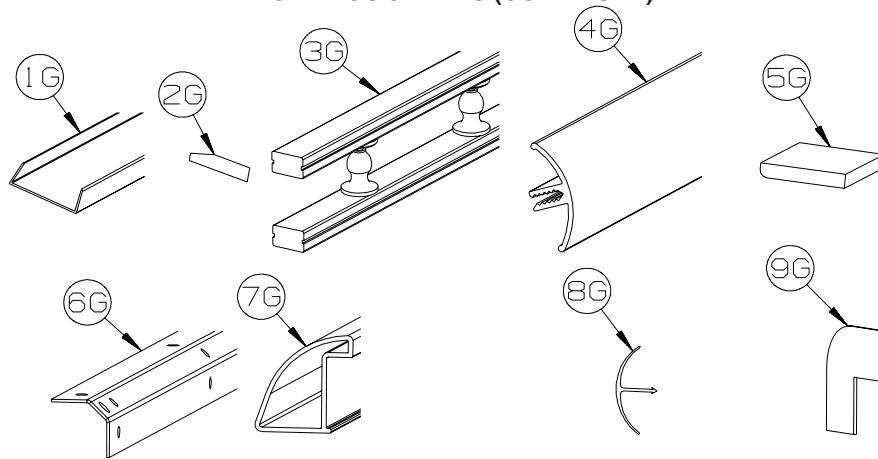


KEY	PART NUMBER	U/M	DESCRIPTION
1F	119520-01-01A	FT	MOLDING-T - OFFSET W/EDGE LIP - 1.3" FACE - OFF WHITE
1F	119520-03-02A	FT	MOLDING-T - OFFSET W/EDGE LIP - 1" FACE - CONCERT CHERRY
1F	119520-03-03A	FT	MOLDING-T - OFFSET W/EDGE LIP - 1" FACE - WASHED MAPLE
1F	119520-03-05A	FT	MOLDING-T - OFFSET W/EDGE LIP - 1" FACE - SIERRA MAPLE
1F	119520-03-06A	FT	MOLDING-T - OFFSET W/EDGE LIP - 1" FACE - HONEY CHERRY
2F	127842-01-01A	FT	SEAL - SIGHT SHIELD - 2" BLACK
	160300-A2-438	EA	LUMBER - VINYL WRAPPED - .7" X .75" X 96" - CONCERT CHERRY
	160300-D2-438	EA	LUMBER - VINYL WRAPPED - .7" X 1.5" X 96" - CONCERT CHERRY
	160300-E2-438	EA	LUMBER - VINYL WRAPPED - .7" X 2" X 96" - CONCERT CHERRY
	160300-F2-438	EA	LUMBER - VINYL WRAPPED - .7" X 2.5" X 96" - CONCERT CHERRY
	160300-G2-438	EA	LUMBER - VINYL WRAPPED - .7" X 3" X 96" - CONCERT CHERRY
	160300-H2-438	EA	LUMBER - VINYL WRAPPED - .7" X 3.5" X 96" - CONCERT CHERRY
	160300-J2-438	EA	LUMBER - VINYL WRAPPED - .7" X 5.5" X 96" - CONCERT CHERRY
	160300-K2-438	EA	LUMBER - VINYL WRAPPED - .7" X 3.9" X 96" - CONCERT CHERRY
	160300-R2-438	EA	LUMBER - VINYL WRAPPED - .7" X 3" X 96" - CONCERT CHERRY
3F	160301-D2-134	EA	MOLDING - VINYL WRAPPED - .7" X 1.6" X 84" - CONCERT CHERRY
3F	160301-D2-743	EA	MOLDING - VINYL WRAPPED - .7" X 1.6" X 108" - CONCERT CHERRY
3F	160301-F2-134	EA	MOLDING - VINYL WRAPPED - .7" X 2.5" X 84" - CONCERT CHERRY
3F	160301-F2-743	EA	MOLDING - VINYL WRPPD - .7" X 2.5" X 108" - CONCERT CHERRY
3F	160301-F2-438	EA	MOLDING - VINYL WRPPD - .7" X 2.5" X 96" - CONCERT CHERRY
	137894-A2-438	EA	LUMBER - VINYL WRAPPED - .7" X .75" X 96" - PORTSMOUTH OAK
	137894-D2-438	EA	LUMBER - VINYL WRAPPED - .7" X 1.5" X 96" - PORTSMOUTH OAK
	137894-E2-438	EA	LUMBER - VINYL WRAPPED - .7" X 2" X 96" - PORTSMOUTH OAK
	137894-F2-438	EA	LUMBER - VINYL WRAPPED - .7" X 2.5" X 96" - PORTSMOUTH OAK
	137894-G2-438	EA	LUMBER - VINYL WRAPPED - .7" X 3" X 96" - PORTSMOUTH OAK
	137894-H2-438	EA	LUMBER - VINYL WRAPPED - .7" X 3.5" X 96" - PORTSMOUTH OAK
	137894-J2-438	EA	LUMBER - VINYL WRAPPED - .7" X 5.5" X 96" - PORTSMOUTH OAK

INTERIOR FINISH GROUP (CONTINUED)
MOLDINGS & TRIMS (CONTINUED)

KEY	PART NUMBER	U/M	DESCRIPTION
	137894-J2-743	EA	LUMBER - VINYL WRAPPED - .7" X 5.5" X 108" - PORTSMOUTH OAK
	137894-K2-438	EA	LUMBER - VINYL WRAPPED - .7" X 3.9" X 96" - PORTSMOUTH OAK
	137894-R2-438	EA	LUMBER - VINYL WRAPPED - .7" X 3" X 96" - PORTSMOUTH OAK
3F	137895-D2-134	EA	MOLDING - VINYL WRAP - .7" X 1.6" X 84" - PORTSMOUTH OAK
3F	137895-D2-743	EA	MOLDING - VINYL WRAP - .7" X 1.6" X 108" - PORTSMOUTH OAK
3F	137895-F2-134	EA	MOLDING - VINYL WRAP - .7" X 2.5" X 84" - PORTSMOUTH OAK
3F	137895-F2-438	EA	MOLDING - VINYL WRAP - .7" X 2.5" X 96" - PORTSMOUTH OAK
3F	137895-F2-743	EA	MOLDING - VINYL WRAP - .7" X 2.5" X 108" - PORTSMOUTH OAK
	146419-A2-438	EA	LUMBER - VINYL WRAPPED - .7" X .75" X 96" - HONEY CHERRY
	146419-D2-438	EA	LUMBER - VINYL WRAPPED - .7" X 1.5" X 96" - HONEY CHERRY
	146419-E2-438	EA	LUMBER - VINYL WRAPPED - .7" X 2" X 96" - HONEY CHERRY
	146419-F2-438	EA	LUMBER - VINYL WRAPPED - .7" X 2.5" X 96" - HONEY CHERRY
	146419-G2-438	EA	LUMBER - VINYL WRAPPED - .7" X 3" X 96" - HONEY CHERRY
	146419-H2-438	EA	LUMBER - VINYL WRAPPED - .7" X 3.5" X 96" - HONEY CHERRY
	146419-J2-438	EA	LUMBER - VINYL WRAPPED - .7" X 5.5" X 96" - HONEY CHERRY
	146419-J2-743	EA	LUMBER - VINYL WRAPPED - .7" X 5.5" X 108" - HONEY CHERRY
	146419-K2-438	EA	LUMBER - VINYL WRAPPED - .7" X 3.9" X 96" - HONEY CHERRY
	146419-R2-438	EA	LUMBER - VINYL WRAPPED - .7" X 3" X 96" - HONEY CHERRY
	146419-S2-438	EA	LUMBER - VINYL WRAPPED/FULL - .7" X 3.5" X 96" - HONEY CHERRY
	146419-T2-438	EA	LUMBER - VINYL WRAPPED/FULL - .7" X 5.5" X 96" - HONEY CHERRY
3F	146425-D2-134	EA	MOLDING - VINYL WRAPPED - .7" X 1.6" X 83.9" - HONEY CHERRY
3F	146425-F2-438	EA	MOLDING - VINYL WRAPPED - .7" X 2.6" X 96" - HONEY CHERRY
	149325-A2-438	EA	LUMBER - VINYL WRAPPED - .7" X .75" X 96" - WASHED MAPLE
	149325-D2-438	EA	LUMBER - VINYL WRAPPED - .7" X 1.5" X 96" - WASHED MAPLE
	149325-E2-438	EA	LUMBER - VINYL WRAPPED - .7" X 2" X 96" - WASHED MAPLE
	149325-F2-438	EA	LUMBER - VINYL WRAPPED - .7" X 2.5" X 96" - WASHED MAPLE
	149325-G2-438	EA	LUMBER - VINYL WRAPPED - .7" X 3" X 96" - WASHED MAPLE
	149325-H2-438	EA	LUMBER - VINYL WRAPPED - .7" X 3.5" X 96" - WASHED MAPLE
	149325-J2-438	EA	LUMBER - VINYL WRAPPED - .7" X 5.5" X 96" - WASHED MAPLE
	149325-J2-743	EA	LUMBER - VINYL WRAPPED - .7" X 5.5" X 108" - WASHED MAPLE
	149325-K2-438	EA	LUMBER - VINYL WRAPPED - .7" X 3.9" X 96" - WASHED MAPLE
	149325-R2-438	EA	LUMBER - VINYL WRAPPED - .7" X 3" X 96" - WASHED MAPLE
3F	149326-D2-134	EA	MOLDING - VINYL WRAPPED - .7" X 1.5" X 83.9" - WASHED MAPLE
3F	149326-D2-743	EA	MOLDING - VINYL WRAPPED - .7" X 1.5" X 108" - WASHED MAPLE
3F	149326-F2-134	EA	MOLDING - VINYL WRAPPED - .7" X 2.5" X 83.9" - WASHED MAPLE
3F	149326-F2-438	EA	MOLDING - VINYL WRAPPED - .7" X 2.5" X 96" - WASHED MAPLE
3F	149326-F2-743	EA	MOLDING - VINYL WRAPPED - .7" X 2.5" X 108" - WASHED MAPLE
	149330-A2-438	EA	LUMBER - VINYL WRAPPED - .7" X .75" X 96" - SIERRA MAPLE
	149330-D2-438	EA	LUMBER - VINYL WRAPPED - .7" X 1.5" X 96" - SIERRA MAPLE
	149330-E2-438	EA	LUMBER - VINYL WRAPPED - .7" X 2" X 96" - SIERRA MAPLE
	149330-F2-438	EA	LUMBER - VINYL WRAPPED - .7" X 2.5" X 96" - SIERRA MAPLE
	149330-G2-438	EA	LUMBER - VINYL WRAPPED - .7" X 3" X 96" - SIERRA MAPLE
	149330-H2-438	EA	LUMBER - VINYL WRAPPED - .7" X 3.5" X 96" - SIERRA MAPLE
	149330-J2-438	EA	LUMBER - VINYL WRAPPED - .7" X 5.5" X 96" - SIERRA MAPLE
	149330-J2-743	EA	LUMBER - VINYL WRAPPED - .7" X 5.5" X 108" - SIERRA MAPLE
	149330-K2-438	EA	LUMBER - VINYL WRAPPED - .7" X 3.9" X 96" - SIERRA MAPLE
	149330-R2-438	EA	LUMBER - VINYL WRAPPED - .7" X 3" X 96" - SIERRA MAPLE
3F	149331-D2-134	EA	MOLDING - VINYL WRAP - .7" X 1.5" X 83.9" - SIERRA MAPLE
3F	149331-D2-743	EA	MOLDING - VINYL WRAP - .7" X 1.5" X 108" - SIERRA MAPLE
3F	149331-F2-134	EA	MOLDING - VINYL WRAP - .7" X 2.5" X 83.9" - SIERRA MAPLE
3F	149331-F2-438	EA	MOLDING - VINYL WRAP - .7" X 2.5" X 96" - SIERRA MAPLE
3F	149331-F2-743	EA	MOLDING - VINYL WRAP - .7" X 2.5" X 108" - SIERRA MAPLE

INTERIOR FINISH GROUP (CONTINUED)
MOLDINGS & TRIMS (CONTINUED)



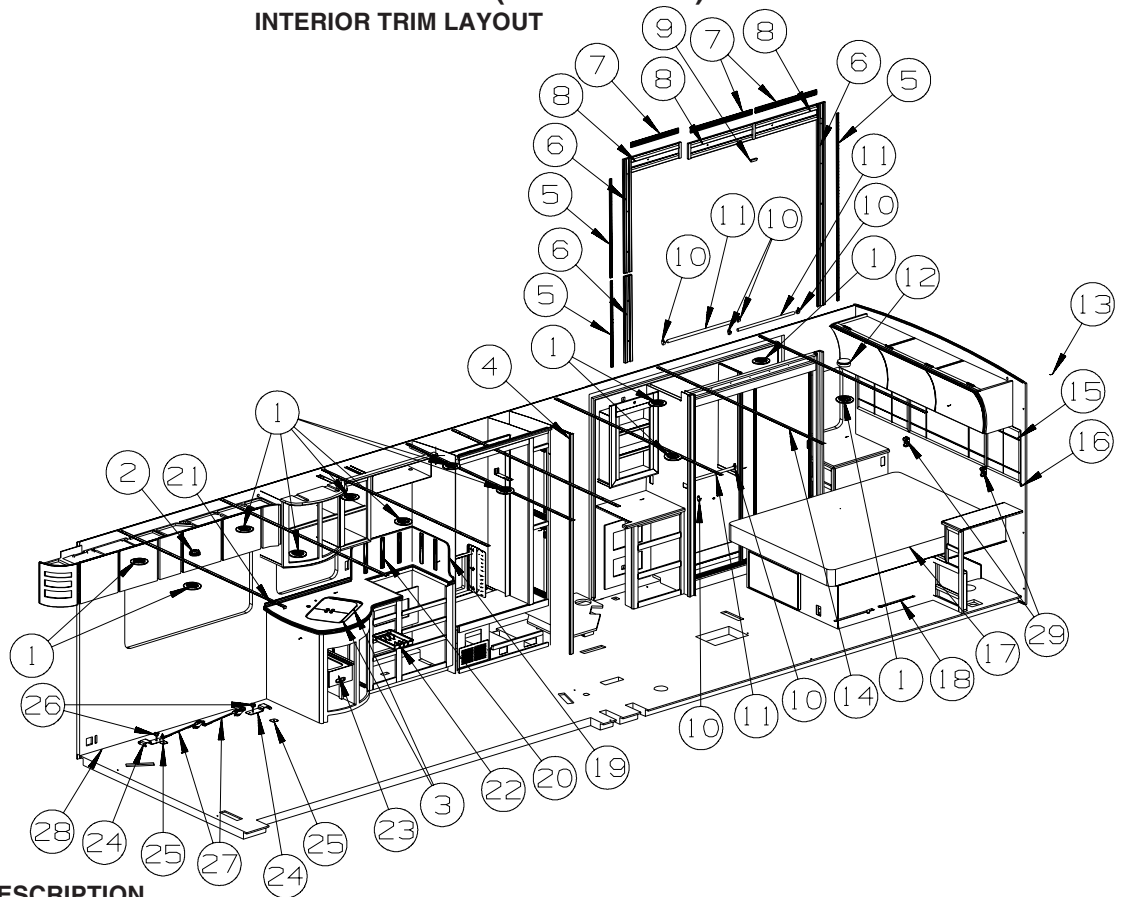
KEY	PART NUMBER	U/M	DESCRIPTION
1G	141260-01-01A	FT	U-CHANNEL - 1" - VILLAGE OAK
1G	141260-01-02A	FT	U-CHANNEL - 1" - GRADY BROWN
2G	146306-01-01A	FT	TRANSITION - CARPET/TILE
3G	150167-01-03A	EA	RAIL - DECORATIVE - 96" - WASHED MAPLE
3G	150167-01-07A	EA	RAIL - DECORATIVE - 96" - PORTSMOUTH OAK
3G	150167-01-08A	EA	RAIL - DECORATIVE - 96" - HONEY CHERRY
3G	150167-01-09A	EA	RAIL - DECORATIVE - 96" - SIERRA MAPLE
4G	151653-10-02A	EA	TRIM/RADIUS - CABINET CORNER - 79.6" - DULL METALLIC
4G	151653-13-02A	EA	TRIM/RADIUS - CABINET CORNER - 79.8" - DULL METALLIC
5G	M09568-04-W80	EA	MOLDING/TRIM - .3" X 1.5" X 73.6" - SIERRA MAPLE
5G	M09568-04-W79	EA	MOLDING/TRIM - .3" X 1.5" X 73.6" - WASHED MAPLE
6G	151861-01-02B	EA	ANGLE - SUPPORT/CORNER - 1.4" X 12.5" - E-COATED
6G	151861-02-02B	EA	ANGLE - SUPPORT/CORNER - 1.4" X 20.1" - E-COATED
6G	151861-03-02B	EA	ANGLE - SUPPORT/CORNER - 1.4" X 26.7" - E-COATED
6G	151861-04-02B	EA	ANGLE - SUPPORT/CORNER - 1.4" X 32.7" - E-COATED
6G	151861-05-02B	EA	ANGLE - SUPPORT/CORNER - 1.4" X 78.6" - E-COATED
6G	151861-06-02B	EA	ANGLE - SUPPORT/CORNER - 1.4" X 59" - E-COATED
6G	151861-08-02B	EA	ANGLE - SUPPORT/CORNER - 1.4" X 22.2" - E-COATED
6G	151861-09-02B	EA	ANGLE - SUPPORT/CORNER - 1.4" X 14.9" - E-COATED
7G	151893-01-02A	EA	TRIM/RADIUS - CABINET BOTTOM - 72.6" - DULL METALLIC
8G	156464-01-01A	FT	MOLDING - CORNER - RADIUS/PLASTIC - 8' - HONEY CHERRY
8G	156464-01-02A	FT	MOLDING - CORNER - RADIUS/PLASTIC - 8' - WASHED MAPLE
8G	156464-01-05A	FT	MOLDING - CORNER - RADIUS/PLASTIC - 8' - SIERRA MAPLE
8G	156464-01-06A	FT	MOLDING - CORNER - RADIUS/PLASTIC - 8' - CONCERT CHERRY
8G	156464-03-03A	FT	MOLDING - CORNER - RADIUS/PLASTIC - 8' - BONE
	081521-02-007	EA	MOUNT - METAL MOLDING - F/RADIUS CORNER MOLDING - 151.5"
9G	160989-01-06A	FT	CAP - CORNER - RADIUS MOLDING - PLASTIC - WASHED MAPLE
9G	160989-01-07A	FT	CAP - CORNER - RADIUS MOLDING - PLASTIC - HONEY CHERRY

INTERIOR FINISH GROUP (CONTINUED)
PANELING & LAMINATES

KEY	PART NUMBER	U/M	DESCRIPTION
	000885-A7-000	SF	PARTICLE BOARD - 3/4" X 4' X 8' - HONEY CHERRY - 2 SIDED
	000885-A8-000	SF	PARTICLE BOARD - 3/8" X 4' X 8' - HONEY CHERRY - 1 SIDED
	000885-A9-000	SF	PARTICLE BOARD - 3/8" X 4' X 8' - HONEY CHERRY - 2 SIDED
	000885-C3-000	SF	PARTICLE BOARD - 3/8" X 4' X 8' - WHITE THATCH EMB-1 SIDED
	057882-06-000	SF	TAMBOUR - 48" X 96" SHEET - UNFINISHED
			FROM: 07-09-07 THRU: 99-99-99
	074497-47-000	SF	PANELING - HONEY CHERRY - 1/8" X 4' X 8'
	076773-18-000	SF	PANELING - 2 SIDED/HONEY CHERRY - 1/8" X 4' X 8'
	088272-M7-000	SF	PANELING - KURTA/CANVAS - 4' X 7.4'
	088272-M9-000	SF	PANELING - WHITE THATCHED - 4' X 8'
	088272-L8-000	SF	PANELING - D'VINCI/ALMOND - 4' X 7.4" (WD3)
			FROM: 00-00-00 THRU: 03-27-07
	088272-N4-000	SF	PANELING - RAWHIDE HERITAGE - 4' X 7.4' (WD7, WE3)
			FROM: 00-00-00 THRU: 04-01-07
	088272-N8-000	SF	PANELING - MOROCCO SAND - 4' X 7.4' (WD7, WE3)
	154735-06-000	SF	PANELING - FLEXIBLE - KURTA/CANVAS - 4' X 8' (WD3)
	154735-19-000	SF	PANELING - FLEXIBLE - MOROCCO SAND - 4' X 8' (WD7, WE3)
	154735-12-000	SF	PANELING - FLEXIBLE - HONEY CHERRY - 4' X 8'
	074498-A2-000	SF	LAMINATE - PLASTIC - PHANTOM GRAY - 5' X 8'
	074498-A7-000	SF	LAMINATE - PLASTIC - GRAND ISLE - 5' X 8'
	085284-F7-000	FT	TAPE/STRIP- TRUE GRIP - 1 1/2" WIDE - ADHESIVE BACKED
	085284-K7-000	FT	BATT TAPE - ADHESIVE BACKED - DECORATIVE - KURTA/CANVAS (WD3)
	085284-L7-000	FT	BATT TAPE - ADHESIVE BACKED - DECORATIVE - MOROCCO SAND (WD7, WE3)

INTERIOR FINISH GROUP (CONTINUED)

INTERIOR TRIM LAYOUT



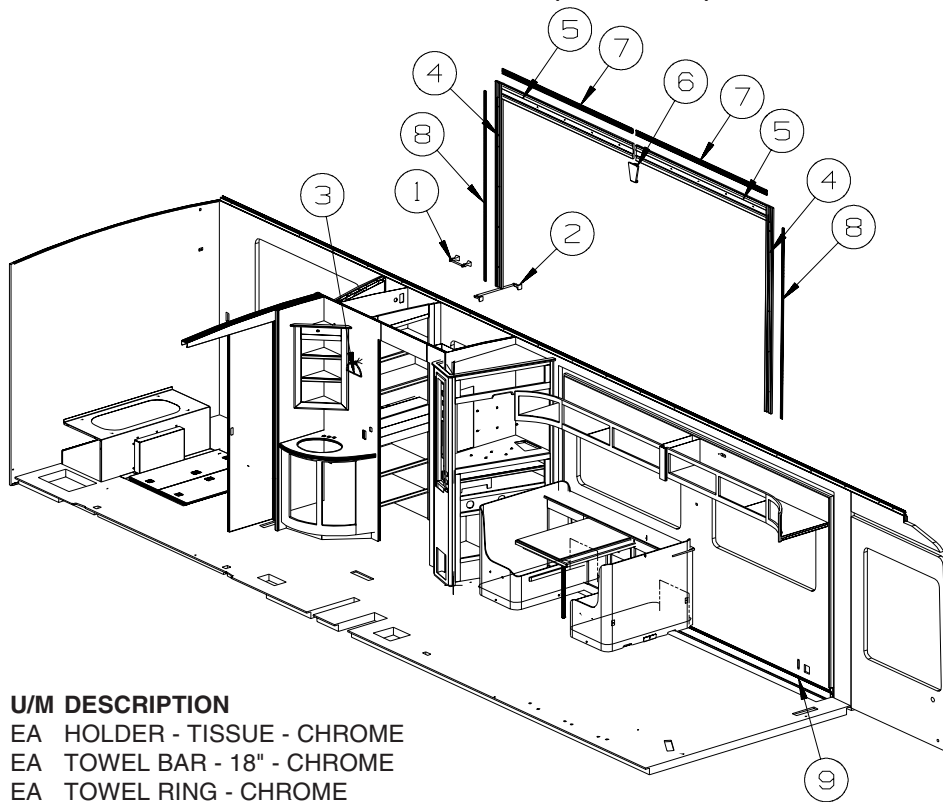
KEY	PART NUMBER	U/M	DESCRIPTION
1	120134-01-02A	EA	REGISTER - W/DAMPER - 4" PIPE/6.4" O.D. FACE - WHITE
1	120134-02-01A	EA	REGISTER - TRIM RING - WHITE
2	072852-01-000	EA	DETECTOR - SMOKE - W/9 VOLT BATTERY - US
2	072852-02-000	EA	DETECTOR - SMOKE - W/9 VOLT BATTERY - CANADIAN
3	157048-05-WD3	EA	COVER - RECESSED SINK - 11.1" X 14.9" (WE7)
3	157048-05-WD7	EA	COVER - RECESSED SINK - 11.1" X 14.9" (WF7)
3	157048-05-WF3	EA	COVER - RECESSED SINK - 11.1" X 14.9" (WF3)
4*	158076-03-01A	EA	DOOR - SHOWER - NEO ANGLE - 66.4" TALL - NICKEL/AQUA
	158076-06-01A	EA	LATCH KIT - TRAVEL/SAFETY - LEFT HINGED
	158076-07-01A	EA	SCREW - F/TRAVEL LATCH - 6-32 X .25" PPH
	158076-08-01A	EA	NUT-HEX - F/TRAVEL LATCH - 6X32 SST - W/NYLON INSERT
	158076-09-01A	EA	LABEL - TRAVEL LATCH - SILVER FOIL
5	M09553-69-WD3	EA	MOLDING/DECORATIVE - 1" X 74.7"
6	Y00399-82-438	EA	MOLDING - SLIDEOUT/VINYL WRAP - 3.5"X 96" - HONEY CHERRY
7	M09553-73-WD3	EA	LUMBER-STAIN,MOLDING 1960 MM - HONEY CHERRY
8	Y00398-82-438	EA	MOLDING - SLIDEOUT/VINYL WRAP - 5.9"X 96" - HONEY CHERRY
9	164293-01-WD3	EA	MOLDING/BLOCK - TOP - 5.5"W X 6.1"H
10	152301-01-01A	EA	FLANGE - PLASTIC - 1" CLOTHES ROD HOLDER - WHITE
11	Y00136-21-218	EA	DOWEL - WOOD - CLOTHES ROD - 1"DIAMETER X 4'
12	125136-02-000	EA	DETECTOR/CO - GAS MODEL - 9 VOLT
13	138359-01-01A	FT	COVER - ROOF BREAK - PEARL CREAM/PLASTIC - 96"
14	138403-01-01A	EA	TRIM - ROOF - MILL
15	147282-01-01A	EA	MIRROR - BEVELED W/V-GROOVES - 20" X 21"
15	147282-02-01A	EA	MIRROR - BEVELED W/V-GROOVES - 44.4" X 21"
15	147282-03-01A	EA	MIRROR - BEVELED W/V-GROOVES - 30" X 21"
16	009089-01-000	EA	CLIP - MIRROR
17	159853-03-000	EA	MATTRESS - INNERSPRING - 60" X 80" - QUILTED
17	142411-08-000	EA	MATTRESS/AIR - 60" X 80" - SELECT COMFORT - SLEEP NUMBER BED-QUEEN SIZE
	142411-03-000	EA	AIR PUMP W/CONTROLS - F/SELECT COMFORT MATTRESS
	142411-05-000	EA	HOLDER - F/CONTROL (SELECT COMFORT)
18	099717-05-000	EA	STRAP - W/16.5" FEMALE STRAP AND 17.7" MALE STRAP

INTERIOR FINISH GROUP (CONTINUED)
INTERIOR TRIM LAYOUT (CONTINUED)

KEY	PART NUMBER	U/M	DESCRIPTION
19	164564-03-WD3	EA	BACKSPLASH - W/INSERTS - CORIAN (WE7)
19	164564-03-WD7	EA	BACKSPLASH - W/INSERTS - CORIAN (WF7)
19	164564-03-WF3	EA	BACKSPLASH - W/INSERTS - CORIAN (WF3)
	164573-01-01A	EA	INSERT/WALL LINER - ARC/DECORATIVE - 1.5" X 12" - SST
20	164564-01-WD3	EA	BACKSPLASH - W/INSERTS - CORIAN (WE7)
20	164564-01-WD7	EA	BACKSPLASH - W/INSERTS - CORIAN (WF7)
20	164564-01-WF3	EA	BACKSPLASH - W/INSERTS - CORIAN (WF3)
	164573-01-01A	EA	INSERT/WALL LINER - ARC/DECORATIVE - 1.5" X 12" - SST
21	164583-04-WD3	EA	BACKSPLASH - CORIAN (WE7)
21	164583-04-WD7	EA	BACKSPLASH - CORIAN (WF7)
21	164583-04-WF3	EA	BACKSPLASH - CORIAN (WF3)
	164573-01-01A	EA	INSERT/WALL LINER - ARC/DECORATIVE - 1.5" X 12" - SST
22	100081-01-01A	EA	TRAY - SILVERWARE - 9" X 13.3" RUBBERMAID ALMOND PLASTIC
23	159032-01-01A	EA	CONTAINER - WASTEBASKET - 14.3 QT - WHITE
24	134128-02-02B	EA	PLATE - W/HOLES - W/WELDNUT - E-COATED
25	143956-03-04B	EA	BRACKET/TIEDOWN - EURO CHAIR - BLACK
26	137598-01-01A	EA	KNOB - HOLD DOWN - RECLINER
27	160167-01-01A	EA	SEAT BELT - 2" X 102" - BLACK
28	M09471-79-RE0	EA	MOLDING - TRIM/COVE - .8" X .8" X 96" - HONEY CHERRY
29	142411-05-000	EA	HOLDER - F/CONTROL (SELECT COMFORT)

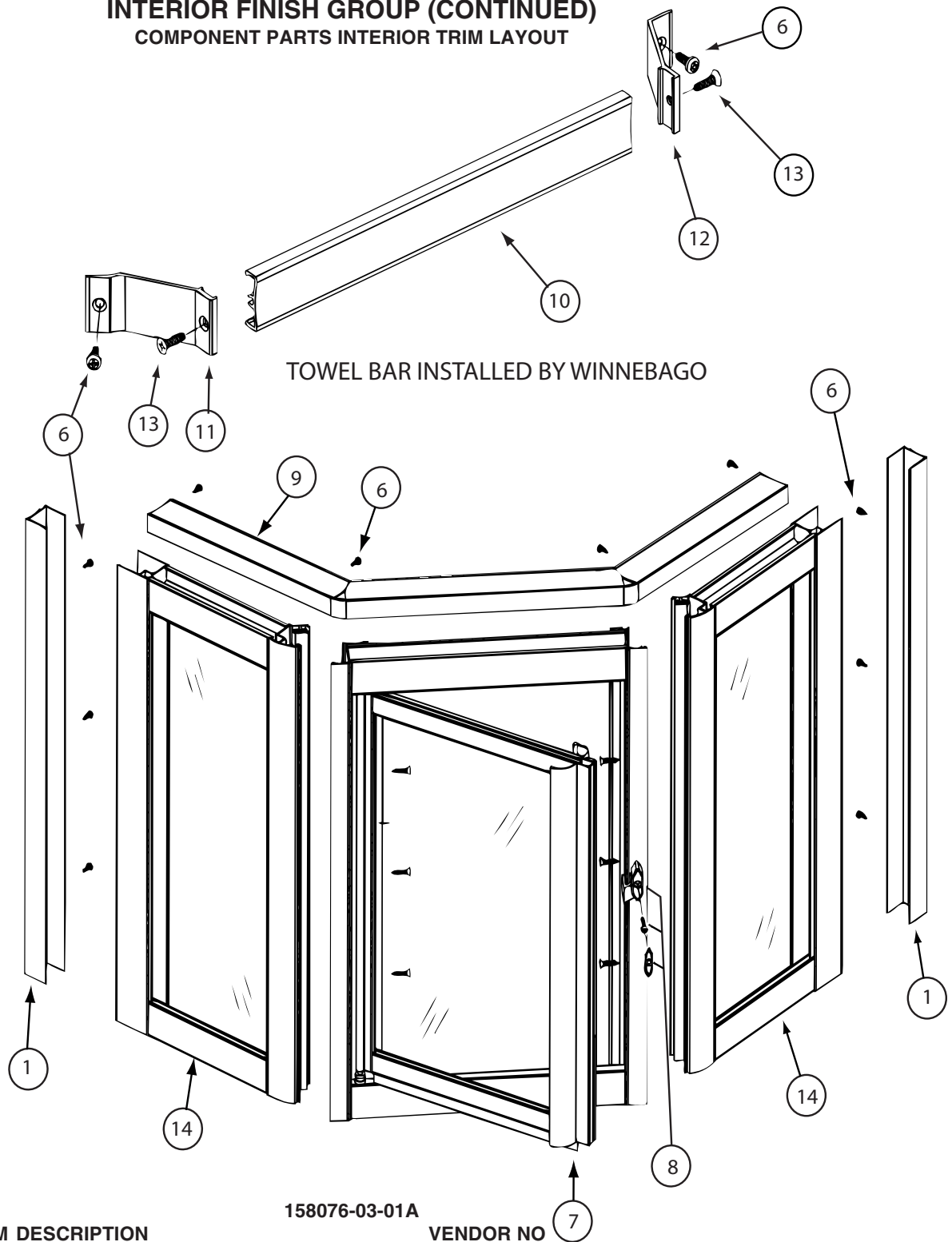
***COMPONENT PARTS LISTED LATER IN THIS GROUP**

INTERIOR FINISH GROUP (CONTINUED)
INTERIOR TRIM LAYOUT (CONTINUED)



KEY	PART NUMBER	U/M	DESCRIPTION
1	159767-01-01A	EA	HOLDER - TISSUE - CHROME
2	159766-01-01A	EA	TOWEL BAR - 18" - CHROME
3	159765-01-01A	EA	TOWEL RING - CHROME
4	Y00399-82-438	EA	MOLDING - SLIDEOUT/VINYL WRAP - 3.5"X 96" - HONEY CHERRY
5	Y00398-82-438	EA	MOLDING - SLIDEOUT/VINYL WRAP - 5.9"X 96" - HONEY CHERRY
6	164293-01-WD3	EA	MOLDING/BLOCK - TOP - 5.5"W X 6.1"H
7	M09553-73-WD3	EA	LUMBER-STAIN,MOLDING 1960 MM
8	M09553-69-WD3	EA	MOLDING/DECORATIVE - 1" X 74.7"
9	M09471-79-RE0	EA	MOLDING - TRIM/COVE - .8" X .8" X 96" - HONEY CHERRY

INTERIOR FINISH GROUP (CONTINUED)
COMPONENT PARTS INTERIOR TRIM LAYOUT



158076-03-01A

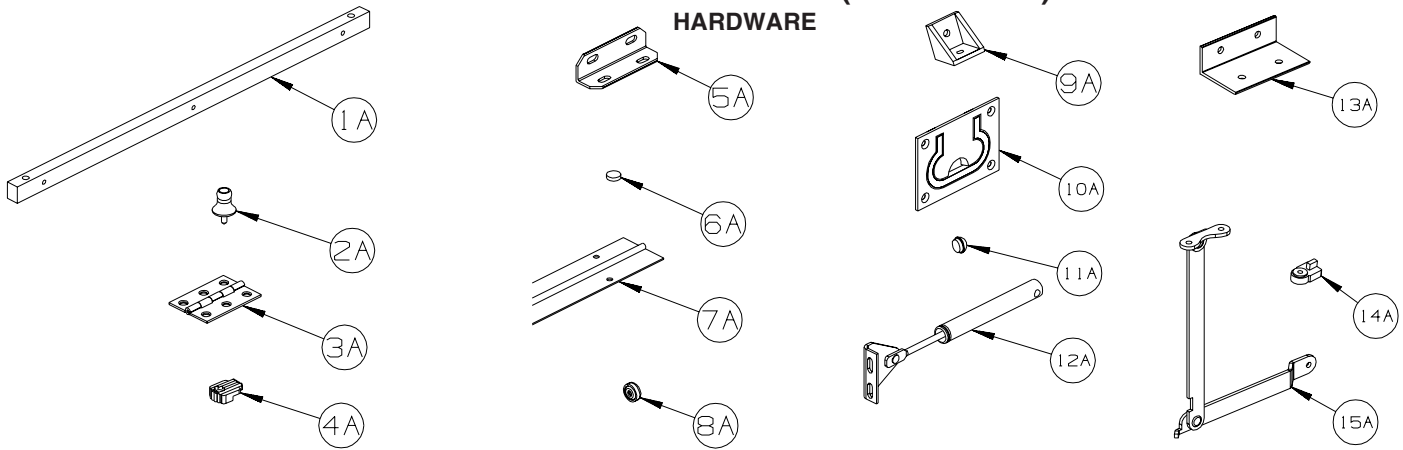
KEY	PART NUMBER	U/M	DESCRIPTION	VENDOR NO
1	158076-03-700	EA	JAMB - WALL - NICKEL	201N
6	158076-02-701	EA	SCREW - ADJUSTMENT - NICKEL	638PHPT-N
7	158076-03-704	FT	VINYL SWEEP	C176B
8	089318-01-707	EA	LATCH/CATCH-TURN-SAFETY-BLK	9730N
9	158076-03-705	EA	HEADER CAP	247N
10	115011-03-714	EA	TOWEL BAR - NICKEL	136N
11	158076-03-706	EA	BRACKET/TOWEL BAR-LH/FACING	246N
12	158076-03-707	EA	BRACKET/TOWEL BAR-RH/FACING	199N
13	115011-03-716	EA	SCREW F/TOWEL BAR - NICKEL	612F-N
14	158076-03-708	EA	WING PNL-RT/LT-FRAMED GLASS	WB383N-AWP
	158076-03-701	EA	PIVOT PIN	CP201
	158076-03-702	EA	PIVOT BUSHING	CP209
	158076-03-703	EA	PIVOT WASHER - PLASTIC	FW 10-093
	139047-01-709	EA	STRIP/MAGNETIC- 55" (NARROW)	98-42

INTERIOR FINISH GROUP (CONTINUED)
FLOOR COVERINGS

KEY	PART NUMBER	U/M	DESCRIPTION
	075233-01-000	SY	PAD - CARPET - 3/8" X 6'W ROLL - SOLD BY THE SQUARE YARD
	093486-01-000	SY	CARPET - COMPARTMENT - 72" WIDE - DARK GRAY
	131711-01-09A	EA	TILE/FLOOR - VINYL - 12" X 12" - SANDSTONE
			FROM: 00-00-00 THRU: 06-03-07
	131711-03-01A	EA	TILE/FLOOR - VINYL - 16" X 16" - CLOUDED EBONY
			FROM: 06-04-07 THRU: 99-99-99
	152251-02-01A	SY	CARPET - 4 SQUARE YARD INCREMENTS - CORK (WD3)
	152251-02-03A	SY	CARPET - 4 SQUARE YARD INCREMENTS - TANNED HIDE (WD7, WE3)

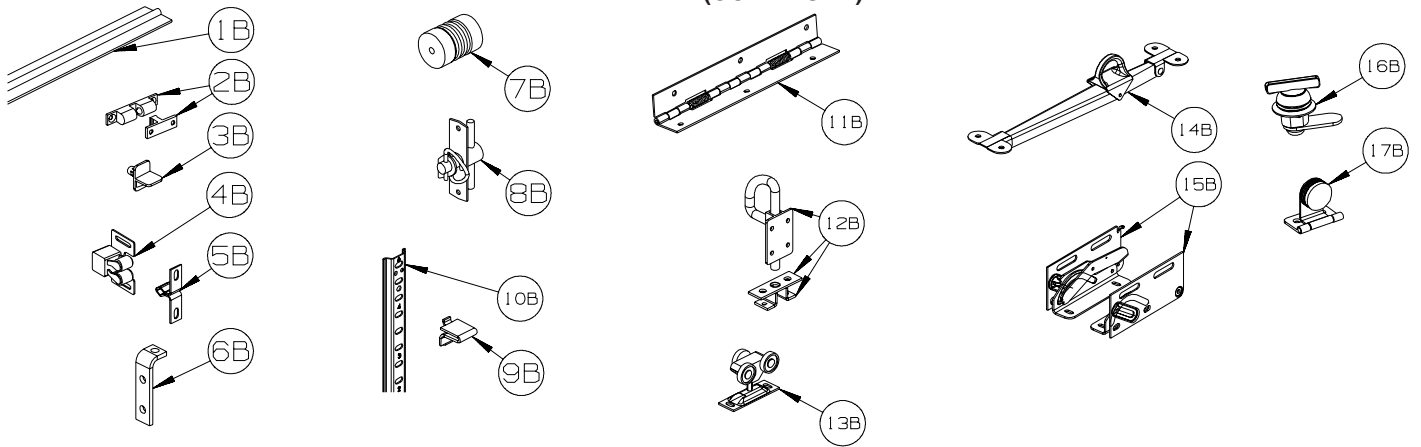
INTERIOR FINISH GROUP (CONTINUED)

HARDWARE



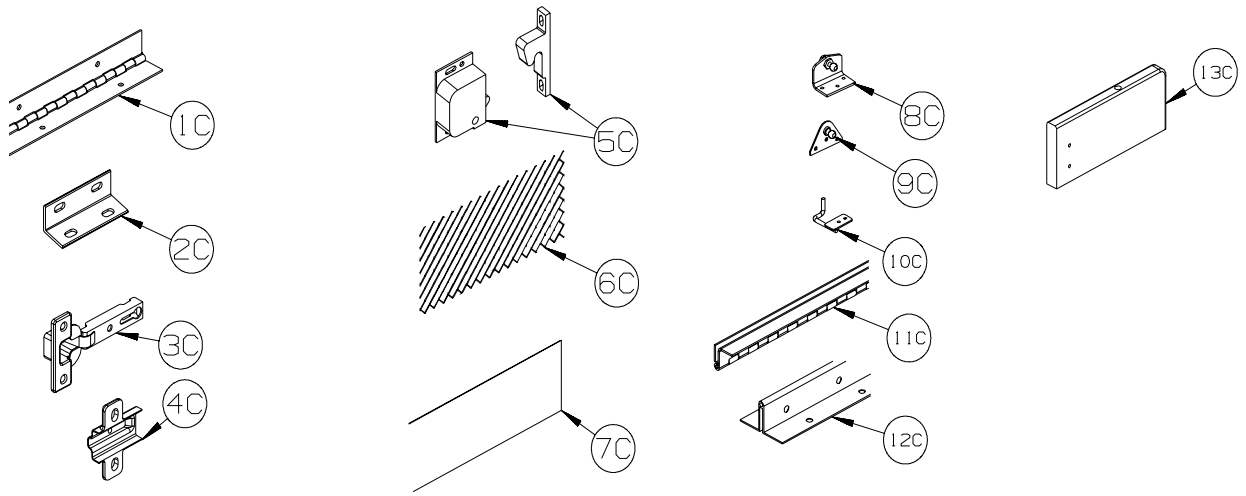
KEY	PART NUMBER	U/M	DESCRIPTION
1A	P34509-01-P14	EA	RAIL END - RH/LH - TOWEL RACK - CONCERT CHERRY
1A	P34509-01-J70	EA	RAIL END - RH/LH - TOWEL RACK - WASHED MAPLE
1A	P34509-01-RE0	EA	RAIL END - RH/LH - TOWEL RACK - HONEY CHERRY
1A	P34509-01-SA3	EA	RAIL END - RH/LH - TOWEL RACK - SIERRA MAPLE
2A	009013-01-000	EA	CATCH - BULLDOG - MALE/FEMALE
3A	009059-01-000	EA	HINGE - DOOR - 2" X 1.4" - BRASS
3A	009059-02-000	EA	HINGE - DOOR - 2" X 2.7" - BRASS
3A	009059-03-000	EA	HINGE - BRASS - 1.75"
3A	009059-04-000	EA	HINGE - 2" - ZINC
4A	009089-01-000	EA	CLIP - MIRROR
5A	016604-01-000	EA	BRACE - ANGLE - 2 1/2" - UNPAINTED METAL
5A	016604-05-000	EA	BRACE - ANGLE - 2 1/2" - OFF WHITE METAL
5A	016604-10-000	EA	BRACE - SEAT ANGLE - 2.5" - BLACK
6A	023320-01-000	EA	PAD - FELT 3/8" DIAMETER
7A	041389-19-000	EA	HINGE - PIANO - 1 1/2" X 71.9" - UNPAINTED
7A	041389-25-000	EA	HINGE - PIANO - 1 1/2" X 55" - UNPAINTED
7A	041389-32-000	EA	HINGE - PIANO - 68" - OFF WHITE
8A	166569-01-02A	EA	COVER - SCREW - #8 - BRIGHT WHITE
8A	166569-01-03A	EA	COVER - SCREW - #8 - SOFT WHITE
8A	166569-01-04A	EA	COVER - SCREW - #8 - CREAM
9A	065740-01-000	EA	BRACE - CABINET/CORNER - PLASTIC
10A	072871-01-000	EA	PULL - FLUSH - CHROME
11A	074045-13-000	EA	PLUG - 3/8" DOWEL-1/2" HEAD - PORTSMOUTH OAK
11A	074045-08-000	EA	PLUG - 3/8" DOWEL-1/2" HEAD - OAK/SALEM CHERRY - CONCERT CHERRY
11A	074045-12-000	EA	PLUG - 3/8" DOWEL-1/2" HEAD - WASHED MAPLE
11A	074045-14-000	EA	PLUG - 3/8" DOWEL-1/2" HEAD - HONEY CHERRY
11A	074045-15-000	EA	PLUG - 3/8" DOWEL-1/2" HEAD - SIERRA MAPLE
12A	074493-02-000	EA	SUPPORT/PISTON SPRING - CABINET DOOR - 26 LBS
12A	074493-03-000	EA	SUPPORT/PISTON SPRING - CABINET DOOR - 12 LBS
13A	156732-01-01A	EA	BRACE - ANGLE/COUCH - 2.5" - MILL
13A	156732-01-02A	EA	BRACE - ANGLE/COUCH - 2.5" - OFF WHITE
13A	156732-03-01A	EA	BRACE - ANGLE/COUCH - BLACK
14A	083204-03-000	EA	BUTTON - RETAINING MIRROR 5/16" TIP
15A	084412-01-000	EA	SUPPORT/HINGE KIT (LEFT & RIGHT HINGES)

INTERIOR FINISH GROUP (CONTINUED)
HARDWARE (CONTINUED)



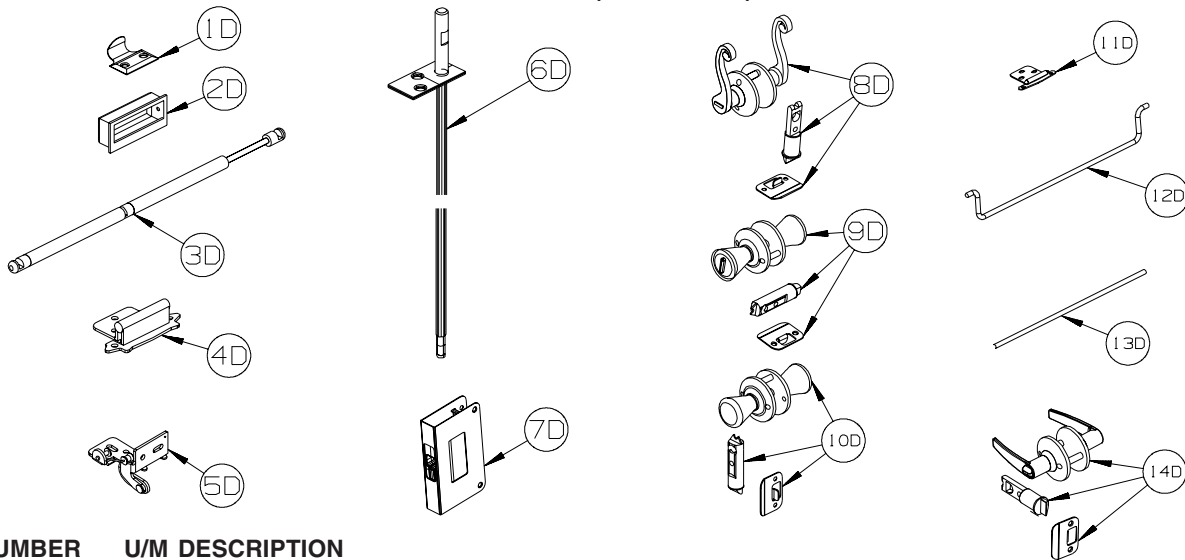
KEY	PART NUMBER	U/M	DESCRIPTION
1B	084413-01-000	EA	HINGE - 1" X 72" - ALUMINUM - W/HOLES
2B	084451-01-000	EA	CATCH & LATCH - 1.7" - BRASS
3B	092907-01-000	EA	SUPPORT - SHELF - PIN - 1/4" - CLEAR PLASTIC
4B	093586-03-000	EA	CATCH - SPRING ROLLER - .377"
4B	093586-06-000	EA	CATCH - W/STRIKE - SPRING ROLLER .236"/SPRINT STEEL .943"
5B	093586-04-000	EA	STRIKE - SPRING STEEL - 1.14"
6B	096826-01-01A	EA	BRACE - CABINET - 2" - E-COATED
6B	096826-02-01A	EA	BRACE - CABINET - 1" - E-COATED
7B	097872-04-000	EA	DOWEL - WOOD - 1" DIAMETER X 1.38" LONG - UNFINISHED
8B	098196-01-000	EA	LATCH - 1/4 TURN - T-BAR
9B	098979-01-000	EA	CLIP - ADJUSTABLE SHELF
10B	098980-01-000	EA	PILASTER - ADJUSTABLE SHELF - 18"
10B	098980-02-000	EA	PILASTER - ADJUSTABLE SHELF - 12"
10B	098980-03-000	EA	PILASTER - ADJUSTABLE SHELF - 9"
10B	098980-04-000	EA	PILASTER - ADJUSTABLE SHELF - 48"
10B	098980-05-000	EA	PILASTER - ADJUSTABLE SHELF - 15"
10B	098980-06-000	EA	PILASTER - ADJUSTABLE SHELF - 24"
11B	102920-01-02A	EA	HINGE - SPRING LOADED - NICKEL
11B	129753-01-01A	EA	HINGE - SPRING LOADED - 19" X 19" - BLACK
12B	103256-01-000	EA	LATCH COMPLETE (SLIDE)
13B	103874-01-000	EA	HANGER - SLIDING DOOR
14B	104181-01-01A	EA	SUPPORT - LEAF 5.3" EXTENDS TO 7.5" - SAFETY RING - METAL
15B	108126-01-000	EA	TRAY HINGE SET (QTY. 2 PER SET)
16B	100710-01-02A	EA	LOCK - GLASS DOOR/TWIST TYPE - NICKEL
17B	100711-01-02A	EA	HINGE - GLASS DOOR - BLACK

INTERIOR FINISH GROUP (CONTINUED)
HARDWARE (CONTINUED)



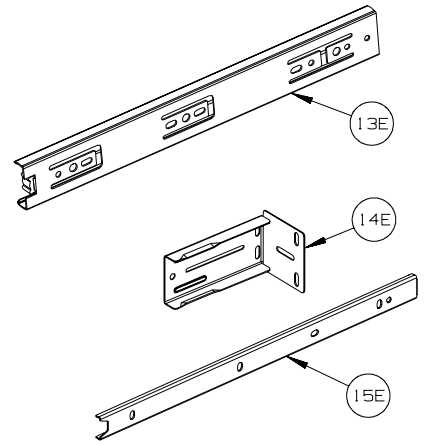
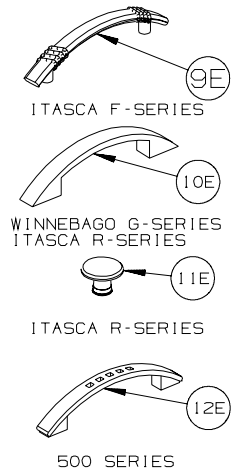
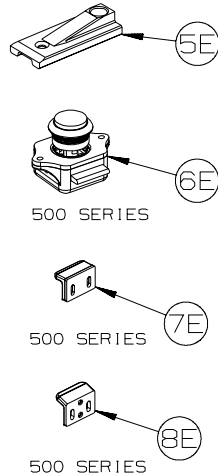
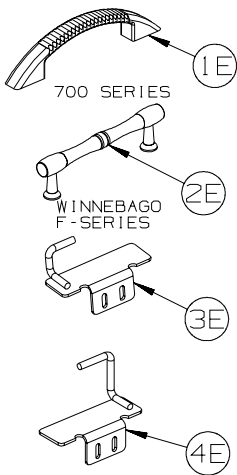
KEY	PART NUMBER	U/M	DESCRIPTION
1C	110496-01-02A	EA	HINGE - NICKEL - 2" X 32"
1C	110496-06-02A	EA	HINGE - NICKEL - 2" X 9.5"
1C	158921-01-04B	EA	HINGE - PIANO - TRUNK DOOR - 2" X 21.9" - BLACK
2C	111866-01-02A	EA	BRACE - SEAT - ANGLE - OFF WHITE
3C	114443-02-01A	EA	HINGE - CABINET DOOR - W/O CLIP - SILVER
4C	114443-03-01A	EA	CLIP - HINGE/CABINET DOOR - SILVER
5C	117095-02-01A	EA	LATCH - DOOR - GRABBER W/KEEPER - PLASTIC - BLK-10 LB PULL
5C	117095-03-01A	EA	LATCH - DOOR - GRABBER W/KEEPER - PLASTIC - BLK-15 LB PULL
6C	118200-01-01A	SF	MESH - PLASTIC 1/2" - 48" X LENGTH = SF - BLACK
7C	122717-06-01A	FT	PAD - NON-SKID - PSA - 5"W
8C	126263-06-02B	EA	BRACKET - GAS SPRING W/INSIDE BALL STUD - E-COATED
9C	126263-05-02B	EA	BRACKET - GAS SPRING W/BALL STUD - E-COATED
9C	126263-08-02B	EA	BRACKET - GAS SPRING W/CENTERED BALL STUD - E-COATED
10C	130798-01-02B	EA	GUIDE - POCKET DOOR - E-COATED
11C	134099-01-02A	EA	HINGE - PIANO - WRAP AROUND - 15.7" - NICKEL PLATED
12C	135538-03-02A	EA	HINGE - PIANO - FULL WRAP - 15.7" - CHROME
12C	135538-07-02A	EA	HINGE - PIANO - FULL WRAP - 9.8" - CHROME
13C	137445-03-T78	EA	STOP - F/SLIDING DOOR - CONCERT CHERRY
13C	137445-03-T79	EA	STOP - F/SLIDING DOOR - WASHED MAPLE
13C	137445-03-T80	EA	STOP - F/SLIDING DOOR - SIERRA MAPLE

INTERIOR FINISH GROUP (CONTINUED) HARDWARE (CONTINUED)



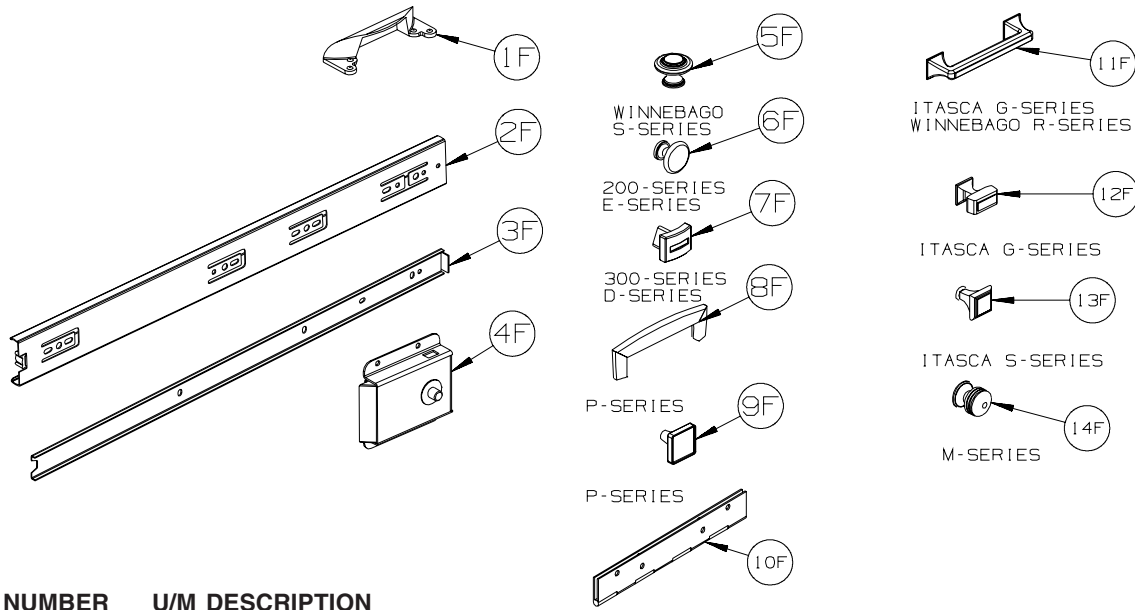
KEY	PART NUMBER	U/M	DESCRIPTION
1D	137463-01-02A	EA	LIFT - HOOK - PEWTER
2D	139136-02-02A	EA	HANDLE - .35" RECESSED - PEWTER
3D	142569-07-000	EA	SPRING/GAS - 20 LB - 20" EXTENDED/12" COMPRESSED
3D	142569-15-000	EA	SPRING/GAS - 120 LB - 20" EXTENDED/12" COMPRESSED
3D	142569-16-000	EA	SPRING/GAS - 90 LB - 20" EXTENDED/12" COMPRESSED
3D	142569-29-000	EA	SPRING/GAS - 20 LB - 9.9" EXTENDED/5.9" COMPRESSED
3D	142569-31-000	EA	SPRING/GAS - 30 LB - 11.8" EXTENDED/7.3" COMPRESSED
4D	143468-02-03A	EA	HINGE - SELF CLOSING - SATIN NICKEL
4D	143468-02-04A	EA	HINGE - SELF CLOSING - OIL RUBBED BRONZE
4D	143468-02-05A	EA	HINGE - SELF CLOSING - RUSTIC BRASS
5D	144488-01-01A	EA	HINGE - CABINET - ANTIQUE BRASS
5D	144488-01-02A	EA	HINGE - CABINET - NICKEL
6D	145939-05-02A	EA	ROD/LATCH - AISLE DOOR - NICKEL
7D	145939-04-02A	EA	LATCH/SLIDE - AISLE DOOR(1" THICK DOOR)-NICKEL/BLACK SLIDE
7D	145939-04-03A	EA	LATCH/SLIDE - AISLE DOOR(1" THICK DOOR)-OIL RUBBED BRONZE
8D	146064-01-02A	EA	LOCK/PRIVACY (LOCKING) LEVER STYLE - SATIN PEWTER
8D	146064-02-02A	EA	LOCK/PASSAGE (NON LOCKING) LEVER STYLE - PEWTER
9D	146064-05-01A	EA	LOCK/PRIVACY (LOCKING) "TULIP" STYLE KNOB - SATIN NICKEL
10D	146064-06-01A	EA	LOCK/PASSAGE (NON LOCKING) "TULIP" STYLE KNOB-SATIN NICKEL
11D	146553-01-03A	EA	HINGE - CABINET DOOR - SATIN NICKEL
12D	146801-01-02A	EA	ROD/TOWEL BAR (OFFSET) - PEWTER
13D	146840-03-02A	EA	ROD - .25" X 11.7" - PEWTER
13D	146840-04-02A	EA	ROD - .25" X 13.1" - PEWTER
14D	146064-08-01A	EA	LOCK/PASSAGE (NON LOCKING) LEVER STYLE - SATIN NICKEL
14D	146064-07-01A	EA	LOCK/PRIVACY (LOCKING) LEVER STYLE - SATIN NICKEL

INTERIOR FINISH GROUP (CONTINUED) HARDWARE (CONTINUED)



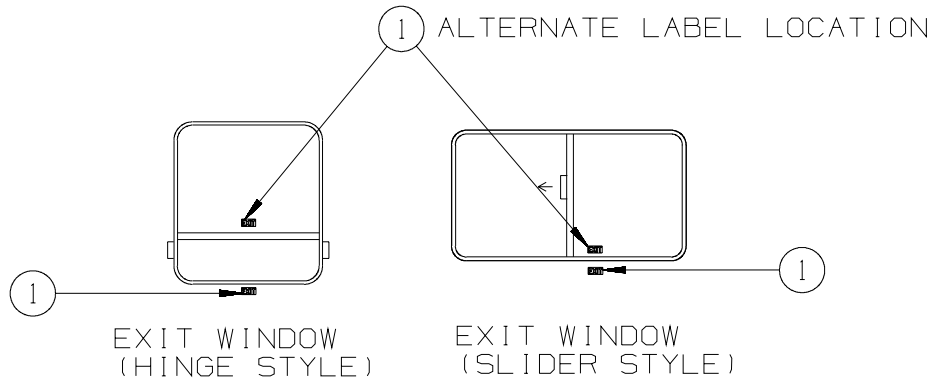
KEY	PART NUMBER	U/M	DESCRIPTION
1E	148816-01-02A	EA	PULL - CABINET DOOR - NICKEL - ASPECT, CAMBRIA 700-SERIES/ADVENTURER LIMITED EDITION
2E	149090-01-02A	EA	PULL - CABINET DOOR - NICKEL - VOYAGE F-SERIES
3E	149607-01-02B	EA	GUIDE - F/POCKET DOOR - 1.6" BENT ROD - E-COATED
3E	149607-03-02B	EA	GUIDE - F/POCKET DOOR - 2.9" BENT ROD - E-COATED
4E	149607-04-02B	EA	GUIDE - F/POCKET DOOR - E-COATED
5E	150983-01-01A	EA	STRIKE/BLOCK - WEDGE STYLE - F/SLIDE DOOR - 3" X 1.2" - BLACK
6E	151380-01-01A	EA	LATCH - CBNT DR - PUSH BTN - VIEW & NAVION 500-SERIES
6E	151380-01-02A	EA	LATCH - CABINET DOOR - PUSH BUTTON - BLACK - TOUR & ELLIPSE R-SERIES
7E	151380-02-01A	EA	STRIKE - CABINET DOOR - VIEW & NAVION 500-SERIES
8E	151380-03-01A	EA	STRIKE - CABINET DOOR - VIEW & NAVION 500-SERIES
9E	152302-01-01A	EA	PULL - CABINET DOOR - SATIN NICKEL - SUNRISE F-SERIES
10E	152304-01-01A	EA	PULL - CABINET DOOR - BRONZE- ADVENTURER G-SERIES, ELLIPSE R-SERIES
11E	152305-01-01A	EA	KNOB - DOOR/DRAWER - BRONZE - ELLIPSE R-SERIES
12E	152950-01-01A	EA	PULL - DOOR/DRAWER - BRUSHED NICKEL - VIEW & NAVION 500-SERIES
13E	153000-01-01A	EA	SLIDE - CABINET MOUNT - 11.8"
13E	153000-03-01A	EA	SLIDE - CABINET MOUNT - 13.8"
13E	153000-05-01A	EA	SLIDE - CABINET MOUNT - 15.7"
13E	153000-07-01A	EA	SLIDE - CABINET MOUNT - 17.7"
13E	153000-09-01A	EA	SLIDE - CABINET MOUNT - 19.7"
13E	153000-11-01A	EA	SLIDE - CABINET MOUNT - 21.6"
13E	153000-14-01A	EA	SLIDE - CABINET MOUNT - 23.6"
13E	153000-16-01A	EA	SLIDE - CABINET MOUNT - 7.9"
13E	153000-18-01A	EA	SLIDE - CABINET MOUNT - 9.8"
13E	153000-20-01A	EA	SLIDE - CABINET MOUNT - 25.6"
14E	153000-13-01A	EA	BACKSOCKET - DRAWER SLIDE
15E	153000-02-01A	EA	SLIDE - DRAWER MOUNT - 11.8"
15E	153000-04-01A	EA	SLIDE - DRAWER MOUNT - 13.8"
15E	153000-06-01A	EA	SLIDE - DRAWER MOUNT - 15.7"
15E	153000-08-01A	EA	SLIDE - DRAWER MOUNT - 17.7"
15E	153000-10-01A	EA	SLIDE - DRAWER MOUNT - 19.7"
15E	153000-12-01A	EA	SLIDE - DRAWER MOUNT - 21.6"
15E	153000-15-01A	EA	SLIDE - DRAWER MOUNT - 23.4"
15E	153000-17-01A	EA	SLIDE - DRAWER MOUNT - 7.7"
15E	153000-19-01A	EA	SLIDE - DRAWER MOUNT - 9.6"
15E	153000-21-01A	EA	SLIDE - DRAWER MOUNT - 25.4"

INTERIOR FINISH GROUP (CONTINUED) HARDWARE (CONTINUED)

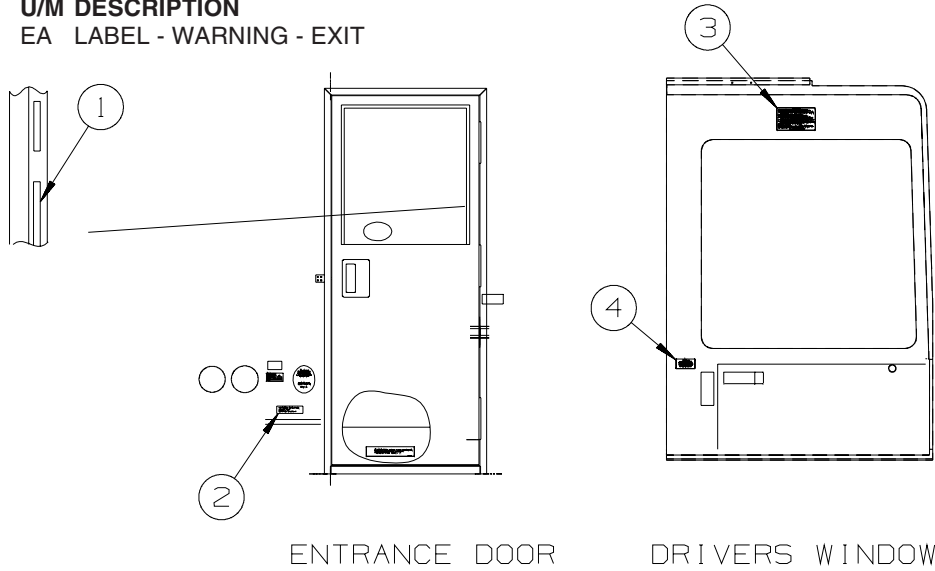


KEY	PART NUMBER	U/M	DESCRIPTION
1F	153308-01-01A	EA	PULL - VANITY STOOL - SATIN NICKEL
2F	153352-01-01A	EA	SLIDE - PANTRY - 19.7" - CABINET MOUNT
3F	153352-02-01A	EA	SLIDE - PANTRY - 19.5" - DRAWER MOUNT
4F	153353-01-01A	EA	LATCH - SLIDING/FLUSH - BLACK
5F	155803-01-01A	EA	KNOB CABINET DOOR - WROUGHT IRON - VECTRA S-SERIES
6F	155925-01-01A	EA	KNOB - DOOR/DRW - SATIN NICKEL - ACCESS & IMPULSE 200-SERIES/ VISTA & SUNSTAR E-SERIES
7F	156579-01-01A	EA	KNOB - DOOR/DRW - PEWTER - OUTLOOK & SPIRIT 300-SERIES/ SIGHTSEER & SUNOVA D-SERIES
8F	157246-01-01A	EA	PULL - CABINET DOOR/DRAWER - SATIN NICKEL - JOURNEY & MERIDIAN P-SERIES
9F	157246-02-01A	EA	KNOB - CABINET DOOR/DRAWER - SATIN NICKEL - JOURNEY & MERIDIAN P-SERIES
10F	158982-01-04B	EA	HINGE - CONTINUOUS - 2" X 8" - BLACK
10F	158982-01-01A	EA	HINGE - CONTINUOUS - 2" X 8" - ZINC
11F	162033-01-01A	EA	PULL - CABINET DOOR - BRUSHED NICKEL - SUNCRUISER G-SERIES, TOUR R-SERIES
12F	162033-02-01A	EA	KNOB - CABINET DOOR - BRUSHED NICKEL - SUNCRUISER G-SERIES
13F	162518-01-01A	EA	KNOB - DOOR/DRAWER - SATIN NICKEL - HORIZON S-SERIES
14F	163095-01-01A	EA	KNOB - CABINET DOOR - SATIN NICKEL - DESTINATION & LATTITUDE M-SERIES

LABELS GROUP

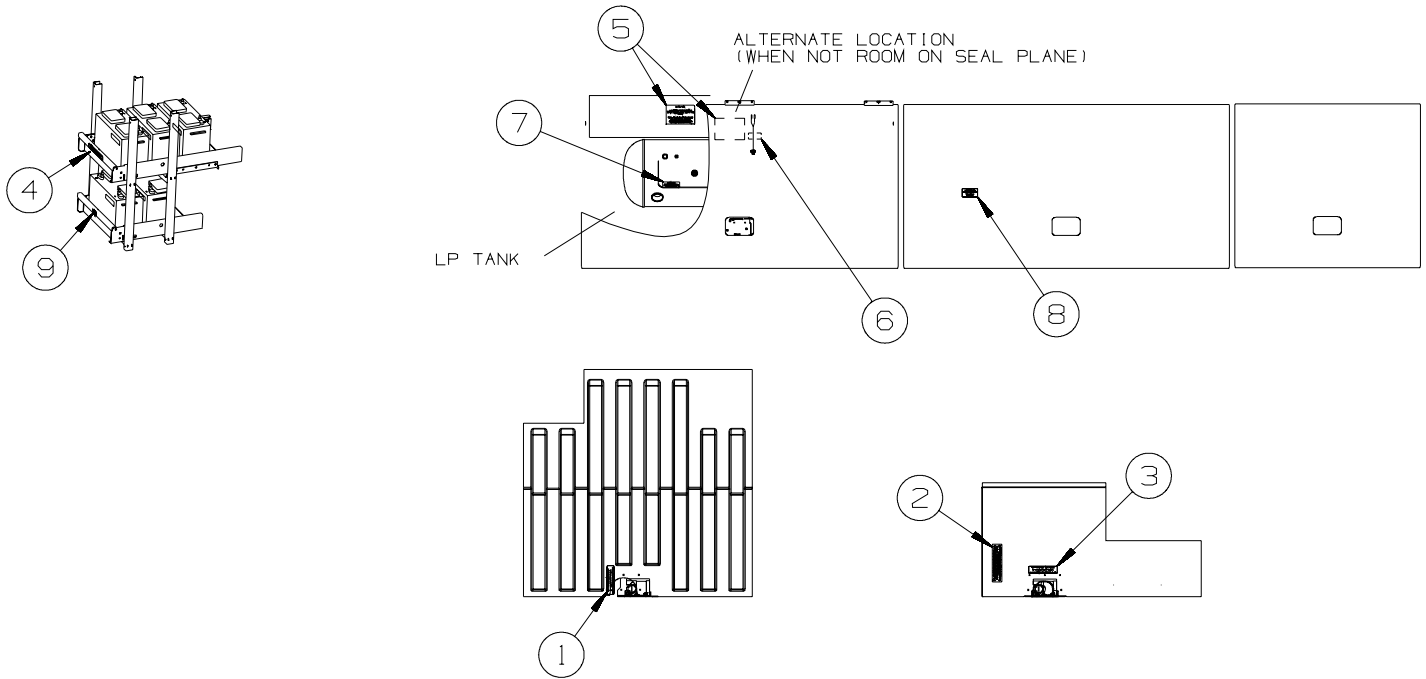


KEY	PART NUMBER	U/M DESCRIPTION
1	039290-01-000	EA LABEL - WARNING - EXIT



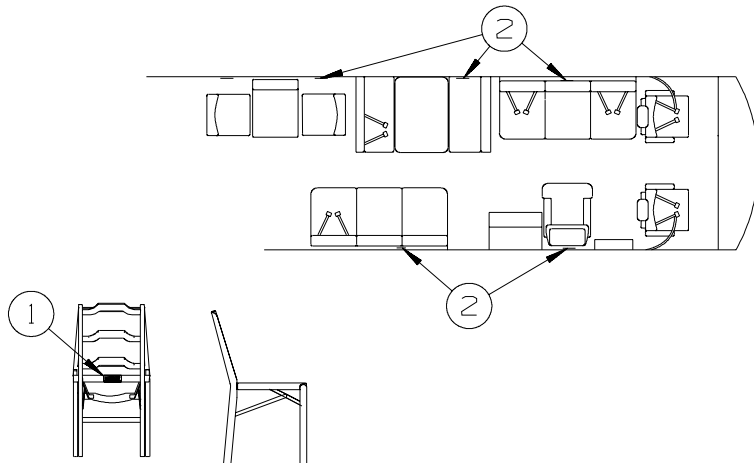
KEY	PART NUMBER	U/M DESCRIPTION
1	135869-01-02A	EA LABEL - MERCURY CONTENT - WHITE ON CLEAR
2	099509-01-000	EA LABEL - AWNING INSTALLATION
3	056259-01-000	EA LABEL - SAFETY CHECK LIST
4	099689-01-000	EA LABEL - WARNING - CANCER/TOXICITY

LABELS GROUP (CONTINUED)



KEY	PART NUMBER	U/M	DESCRIPTION
1	123562-01-000	EA	LABEL - SERVICE/UTILITY ACCESS
2	147845-01-01A	EA	LABEL - DRIP VALVE
3	123562-01-000	EA	LABEL - SERVICE/UTILITY ACCESS
4	065748-01-000	EA	LABEL - WARNING - BATTERY CHARGING - UL
5	124520-01-02A	EA	LABEL - LP GAS ONLY - WHITE ON CLEAR
5	023769-01-000	EA	LABEL - WARNING - LPG - CANADIAN
6	124519-01-02A	EA	LABEL - WARNING/REFUELING - WHITE ON CLEAR
6	124519-02-02A	EA	LABEL - WARNING/REFUELING - WHITE ON CLEAR - CSA
7	079965-01-000	EA	LABEL - LPG - 80% CAPACITY
8	125306-04-02A	EA	LABEL - ELECTRICAL ENTRANCE-120/240V 50 AMP-WHITE ON CLEAR
9	156213-01-01A	EA	LABEL - CHASSIS BATTERY DISCONNECT - WHITE/BLACK

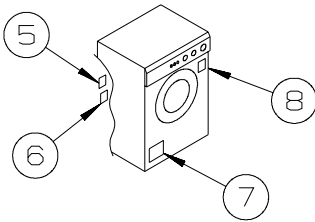
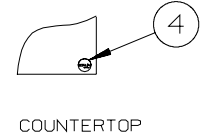
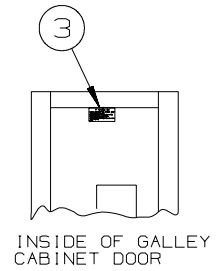
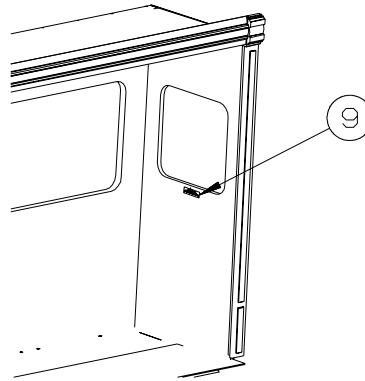
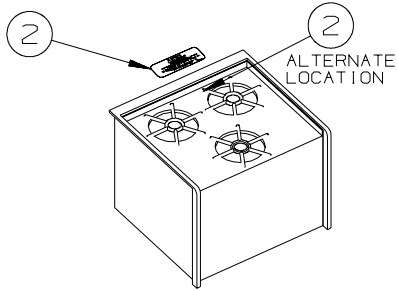
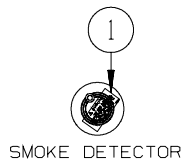
TYPICAL SEAT AND BELT CONFIGURATIONS



FOLDING CHAIRS

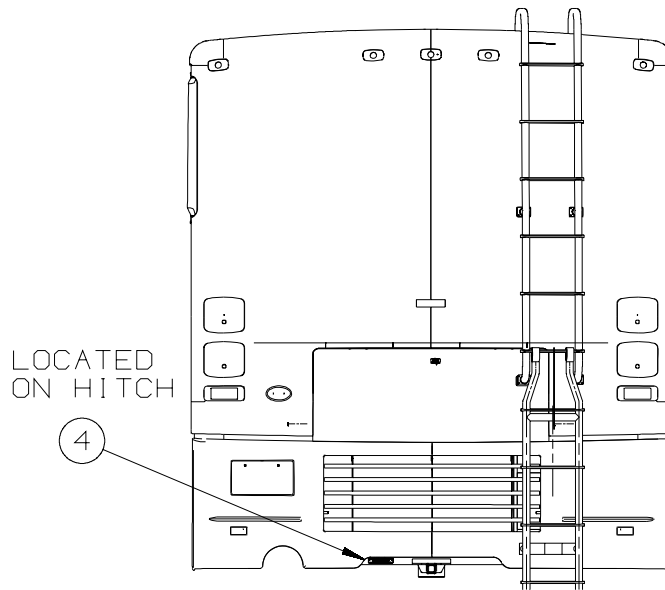
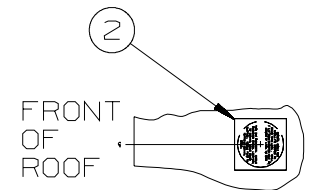
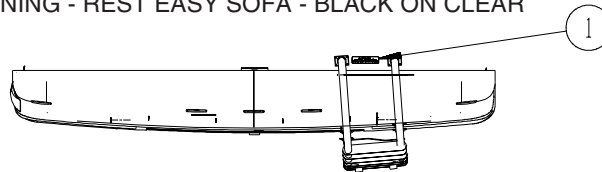
KEY	PART NUMBER	U/M	DESCRIPTION
1	134537-01-01A	EA	LABEL - OCCUPANCY - CHAIR - US
1	134537-02-01A	EA	LABEL - OCCUPANCY - CHAIR - CSA
2	134538-01-01A	EA	LABEL - OCCUPANCY - NO SEAT BELT - BLACK ON CLEAR - US
2	134538-02-01A	EA	LABEL - OCCUPANCY - NO SEAT BELT - BLACK ON CLEAR - CSA

LABELS GROUP (CONTINUED)



REST EASY ONLY

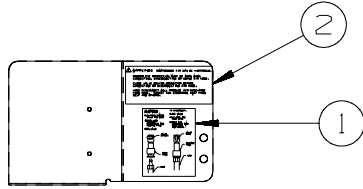
KEY	PART NUMBER	U/M DESCRIPTION
1	077956-01-000	EA LABEL - WARNING/SMOKE DETECTOR
2	134539-01-01A	EA LABEL - WARNING - STOVE/HEATING - US - BLACK ON CLEAR
2	134540-01-01A	EA LABEL - WARNING - STOVE/HEATING - CSA - BLACK ON CLEAR
3	073998-01-000	EA LABEL - LPG/ODOR WARNING
4	144040-02-02A	EA MEDALLION/ROUND - COUNTERTOP/CORIAN - NICKEL
5	147525-01-000	EA LABEL - DRYER VENT CUTOUT
6	147524-01-000	EA LABEL - DRYER VENTING
7	130670-01-01A	EA LABEL - CAUTION DRYER VENTING - BLACK ON CLEAR
8	153640-01-01A	EA LABEL - WINTERIZATION - WASHER/DRYER
9	137260-01-01A	EA LABEL - WARNING - REST EASY SOFA - BLACK ON CLEAR



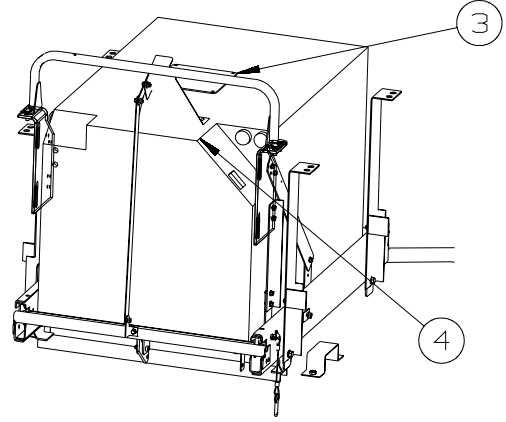
3 ON SIDE PANEL INSIDE HOOD OPENING

KEY	PART NUMBER	U/M DESCRIPTION
1	163705-01-01A	EA LABEL - WARNING - ROOF SLIPPERY - BLACK ON WHITE
2	120431-01-000	EA LABEL - LOCATION - COAXIAL CABLE/SATELLITE ANTENNA
3	116756-03-000	EA LABEL - WARNING - ETHER/STARTING - RED W/WHITE BACKGROUND
4	129669-02-01A	EA LABEL - HITCH/VEHICLE RATE - 500 - WHITE ON CLEAR

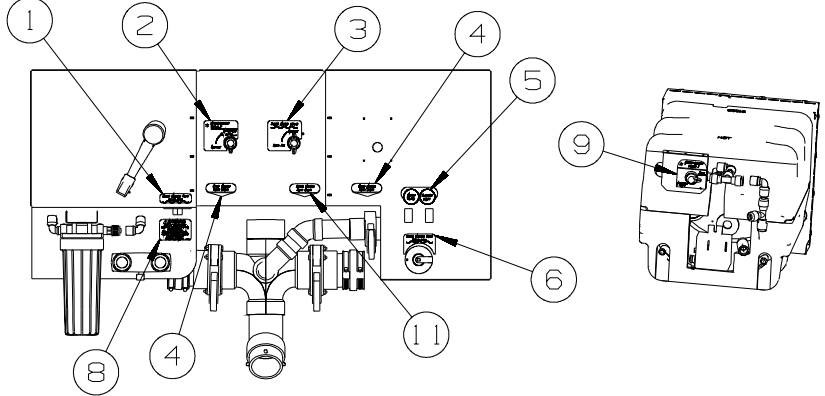
LABELS GROUP (CONTINUED)



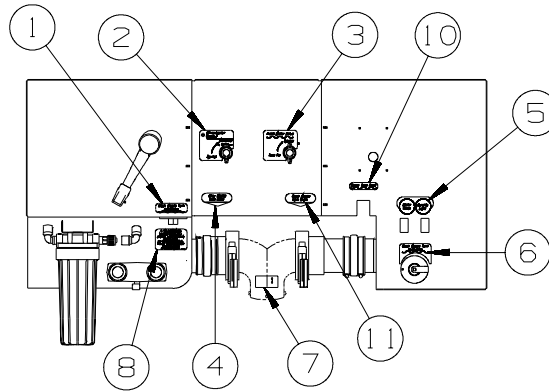
AIR ACCESS PANEL



KEY	PART NUMBER	U/M	DESCRIPTION
1	142773-01-01A	EA	LABEL - CONNECT/COMPRESSED AIR - WHITE LETTERING ON CLEAR
2	142771-01-01A	EA	LABEL - WARNING/COMPRESSED AIR - WHITE LETTERING ON CLEAR
3	116273-01-000	EA	LABEL - WARNING - GENERATOR
4	131779-01-01A	EA	LABEL - GENERATOR



P39



P37

KEY	PART NUMBER	U/M	DESCRIPTION
1	152538-02-01A	EA	LABEL - FRESH WATER - PANTONE/CLEAR
2	152545-01-01A	EA	LABEL - WINTERIZATION
3	152548-01-01A	EA	LABEL - VALVE/FRESH
4	152541-03-01A	EA	LABEL - GRAY WASTE
5	152544-02-01A	EA	LABEL - SWITCHES - WATER PUMP/OUTSIDE LIGHT
6	152546-01-01A	EA	LABEL - TANK FLUSH - PANTONE/CLEAR
7	144649-01-01A	EA	LABEL - ADJUSTABLE VALVE - WHITE ON CLEAR
8	128725-02-01A	EA	LABEL - POTABLE WATER ONLY - BLACK ON CLEAR
9	152539-01-01A	EA	LABEL - BYPASS
10	152547-01-01A	EA	LABEL - TANK DRAIN
11	152543-03-01A	EA	LABEL - BLACK WASTE

**LP GROUP
LP SYSTEM**

KEY	PART NUMBER	U/M	DESCRIPTION
	045703-03-000	EA	HOSE - LP - 3/8"ID X 18" - 3/8"MPT X 1/2"F SWIVEL - US
	045703-12-000	EA	HOSE - LP - 3/8"ID X 18" - 3/8"MPT X 1/2"F SWIVEL - CSA
	045703-14-000	EA	HOSE - LP - 3/8"ID X 157.5" - 1/2"F SWIVEL X 1/2"F SWIVEL
	045703-19-000	EA	HOSE - LP - 3/8"ID X 102" - 1/2"F SWIVELX3/8"F SWVL US/CSA
	045703-20-000	EA	HOSE - LP - 3/8"ID X 294" - 1/2"F SWIVELX3/8"F SWVL US/CSA
	045703-22-000	EA	HOSE - LP - 3/8"ID X 60" - 1/2"F SWIVEL X1/2"F SWVL US/CSA
	045703-27-000	EA	HOSE - LP - 3/8"ID X 330" -1/2"F SWIVEL X3/8"F SWVL US/CSA
			FROM: 00-00-00 THRU: 08-05-07
	045703-32-000	EA	HOSE - LP - 3/8"ID X 295" - 1/2"F SWIVELX3/8"F SWVL US/CSA
			FROM: 08-06-07 THRU: 99-99-99
	045703-29-000	EA	HOSE - LP - 3/8"ID X 79.7"-1/2"F SWIVEL X1/2"F SWVL US/CSA
	106150-05-000	EA	REGULATOR - TWO STAGE
	144485-01-000	EA	COVER - LP REGULATOR
	010323-01-000	EA	ADAPTER - 3/8"F X 1/2"MPT - BRASS
	010326-01-000	EA	ADAPTER - FLARE - W/CONE GASKET - 3/8"F X 1/2"F
	010329-01-000	EA	ADAPTER - BRASS - 1/2"F X 1/2"MPT
	010380-02-000	EA	NUT - BRASS - 1/2" FLARE - FORGED
	010377-02-000	EA	NUT - 3/8" FLARE - FORGED - BRASS
	010589-01-000	EA	NIPPLE - PIPE - 1/2" X 1 1/2" - BLACK
	010589-03-000	EA	NIPPLE - PIPE - 1/2" X 2 1/2" - BLACK
*	151784-03-000	EA	TANK - LP - 100 LB - 16"D X 36"L - VAPOR DRAW - W/O CRADLE
	151786-01-01A	EA	BRACKET - LP TANK MOUNTING
	151786-02-01A	EA	STRAP - LP TANK MOUNTING - 1.5" WIDE
	040440-03-000	EA	TRANSMITTER - DIAL/SNAP-ON - 0-90 OHM 2 TERM(POWER/GROUND)

***COMPONENT PARTS LISTED LATER IN THIS GROUP**

COMPONENT PARTS FOR LP SYSTEM

151784-03-000

KEY	PART NUMBER	U/M	DESCRIPTION	VENDOR NO.
	040421-01-700	EA	VALVE-LIQUID LEVEL, 20%	V20058/V21199/G1013
	040421-01-712	EA	VALVE-SERV. W/O VAPOR RELIEF	V20373/V21202
	040421-01-713	EA	VALVE-RELIEF 1" W/SPRING 7"	V12560/V21207
	088253-01-702	EA	FLOAT/SCREW IN-SNAP ON DIAL	G13063/SG16C0001442
	144116-01-701	EA	VALVE/FILL 80 % W/YELLOW CAP	V13414

SEALANTS & FASTENERS GROUP
SEALANTS & ADHESIVES

KEY	PART NUMBER	U/M	DESCRIPTION
	010405-02-000	EA	TAPE - THREAD SEALING - 3/8"
	064075-07-000	FT	SEAL - BULB - W/WIRED U CHANNEL - .3" X .5" CHANNEL-BLACK
	067788-01-000	EA	ADHESIVE - SPRAY - 3M - 19.5 OZ AEROSOL CAN
	069640-01-000	FT	SEALER - RIBBON - 1/4"DIAMETER X 30 FT - BLACK OR GRAY
	069640-02-000	FT	SEALER - TAPE - 1/8"THICK X 1/2"WIDE X 60 FT - GRAY
	069640-03-000	FT	SEALER - TAPE - 1/8"THICK X 3/4"WIDE X 60 FT - BLACK
	069640-07-000	FT	SEALER - TAPE - 3/32"THICK X 2"WIDE X 45 FT - GRAY
	069640-09-000	FT	SEALER - TAPE - 1/32"THICK X 2 1/2"WIDE X 80 FT - BRT WHT
	069640-10-000	FT	SEALER - TAPE - 1/32"THICK X 1 1/2"WIDE X 90 FT - GRAY
	069640-11-000	FT	SEALER - TAPE - 3/16"THICK X 3/8"WIDE X 40 FT - BLACK
	069640-13-000	FT	SEALER - TAPE - 3/32"THICK X 2"WIDE X 45 FT - BLACK
	069640-14-000	FT	SEALER - TAPE - 1/16"THICK X 1"WIDE X 100 FT - BLACK
	069640-15-000	FT	SEALER - TAPE - 1/16"THICK X 3/8"WIDE X 100 FT - BRT WHT
	069640-17-000	FT	SEALER - TAPE - 1/32"THICK X 1"WIDE X 150 FT - GRAY
	069640-18-000	FT	SEALER - TAPE - 1/8"THICK X 1/2"WIDE X 60 FT - BRT WHT
	069640-19-000	FT	SEALER - TAPE - 1/8"THICK X 3/4"WIDE X 60 FT - BRT WHT
	069640-20-000	FT	SEALER - TAPE - 1/8"THICK X 1/2"WIDE X 60 FT - BLACK
	069640-21-000	FT	SEALER - TAPE - 1/16"THICK X 1/2"WIDE X 100 FT - BRT WHT
	069640-22-000	FT	SEALER - TAPE - 1/32"THICK X 1/4"WIDE X 200 FT - BRT WHT
	069640-23-000	FT	SEALER - TAPE - 1/16"THICK X 3/4"WIDE X 100 FT - BRT WHT
	069640-27-000	FT	SEALER - TAPE - 1/16"THICK X 2 1/4"WIDE X 50 FT - BRT WHT
	069640-28-000	FT	SEALER - TAPE - 1/32"THICK X 1 7/8"WIDE X 90 FT - GRAY
	069640-30-000	FT	SEALER - TAPE - 1/32"THICK X 5/8"WIDE X 50 FT - GRAY
	069640-31-000	FT	SEALER - TAPE - 1/4"THICK X 3/4"WIDE X 15 FT - BLACK
	069640-32-000	FT	SEALER - TAPE - 1/16"THICK X 3/8"WIDE X 100 FT - BLACK
	069640-33-000	FT	SEALER - RIBBON - 3/8"DIAMETER X 20 FT - BLACK
	069640-34-000	FT	SEALER - RIBBON - 1/4"DIAMETER X 30 FT - BRIGHT WHITE
	069640-36-000	EA	SEALER - TAPE - 1/16"THICK X 1/2"WIDE X 100 FT - BLACK
	069640-37-000	FT	SEALER - TAPE - 1/16"THICK X 3/4"WIDE X 100 FT - BLACK
	069640-38-000	FT	SEALER - TAPE - 1/16"THICK X 3/4"WIDE X 100 FT - BRT WHT
	069640-39-000	FT	SEALER - TAPE - 1/16"THICK X 3"WIDE X 50 FT - BRT WHT
	069640-40-000	FT	SEALER - TAPE - 1/16"THICK X 3"WIDE X 50 FT - BRT WHT
	072889-28-000	EA	SEALANT/URETHANE-10 OZ TUBE W/NOZZLE-SELF LEVELING-BRT WHT
	072889-31-000	EA	SEALANT/URETHANE-10 OZ TUBE W/NOZZLE-SELF LEVELING - BLACK
	076322-02-000	FT	TAPE-DOUBLE COATED/ADHESIVE BK-.05"THK X 1"W X 108' - WHT
	076322-03-000	FT	TAPE-DOUBLE COATED/ADHESIVE BK-.05"THK X .5"W X 108' - WHT
	076322-05-000	FT	TAPE-DOUBLE COATED/ADHESIVE BK-.05"THK X .8"W X 108' - WHT
	076322-07-000	FT	TAPE-DOUBLE COATED/ADHESIVE BK-.05"THK X .5"W X 200' - BLK
	076322-13-000	FT	TAPE - FOAM/DOUBLE COATED - .020"THK X .75"W - CLEAR
	076322-21-000	FT	TAPE - FOAM/DOUBLE COATED - .045"THK X .50"W
	076322-22-000	FT	TAPE - FOAM/DOUBLE COATED - .045"THK X .75"W
	076322-23-000	FT	TAPE - FOAM/DOUBLE COATED - .045"THK X 1"W
	076322-25-000	FT	TAPE - FOAM/DOUBLE COATED - .025"THK X .5"W
	086276-01-000	EA	TAPE - DOUBLE SIDED - 1/2" WIDE X 108' LONG (SOLD BY ROLL)
	088479-01-000	EA	TAPE - ALUMINUM - 3"
	090340-01-000	FT	SEAL - FOAM - CLOSED CELL - 1/4" X 1/2" X 50'
	090340-02-000	FT	SEAL - FOAM - CLOSED CELL - 3/8" X 1/2" X 50'
	091255-02-000	FT	SEAL - ADHESIVE BACKED/FOAM - 3/64"THICK X 3/16"W X 1000'
	091255-03-000	FT	SEAL - ADHESIVE BACKED/FOAM - 1/4" THICK X 1/4"W X 1000'
	094401-01-000	EA	SEALER - BODY SEAM - FLEXICLEAR
	094401-04-000	EA	SEALER - BODY SEAM - CLEAR
	094401-05-000	EA	SEALER - BODY SEAM - 20OZ BLACK
	094401-06-000	EA	SEALER - BODY SEAM - 12OZ BLACK
	094401-07-000	EA	SEALER - BODY SEAM - CLEAR
	098408-01-000	FT	SEAL - SPONGE RUBBER - CLOSED CELL
	099069-01-000	FT	SEAL - RUBBER - CLOSED SPONGE - .5" WIDE X .12" THICK-BLK
	099418-01-000	FT	SEAL - D-SECTION/ADHESIVE BACK - .44" X .44" - BLK RUBBER
	100128-02-000	FT	SEAL - FOAM/ADHESIVE BACK - .37" WIDE X .37" THICK X 60'
	104692-01-000	FT	SEAL - ADHESIVE BACKED FOAM - 3/4" THICK X 3/4" WIDE X 25'
	107721-07-000	FT	SEAL - ACCESS DOOR - .9"WIDE X 1.1"HIGH
	112864-01-000	FT	SEAL - FOAM/BUTYL COVERED - 3/8" X 35'
	112864-02-000	FT	SEAL - FOAM/BUTYL COVERED - 5/16" X 44'
	112864-05-000	FT	SEAL - FOAM/BUTYL COVERED - 1/2" X 3/16"
	112901-02-000	EA	ADHESIVE - PLEXUS - MA330 - 50ML - GRAY

SEALANTS & FASTENERS GROUP (CONTINUED)

SEALANTS & ADHESIVES (CONTINUED)

KEY	PART NUMBER	U/M	DESCRIPTION
	112901-03-000	EA	ADHESIVE - PLEXUS - MA300 - 50ML - WHITE
	112902-03-000	EA	MIXER NOZZLE - F/GUN #00400102000 - SCOTCH-WELD & PLEXUS
	112902-04-000	EA	NOZZLE - ELEMENT - 1/4" X 3.5"
	113452-01-000	FT	SEAL/TRIM - FRONT - VINYL W/WIRE CARRIER - .020"
	113452-02-000	FT	SEAL/TRIM - FRONT - VINYL W/WIRE CARRIER - .027"
	113366-01-000	EA	ADHESIVE - INSTANT - 1 OZ
	115870-01-000	FT	SEAL/EDGE - TRIM
	120074-02-03A	EA	SILICONE - TUBE - W/O NOZZLE - LOW ODOR - SMOKEY WHITE
	120534-01-01A	EA	TAPE - SCOTCH - 3M - 1/2" FINE LINE
	123655-01-000	FT	SEAL - CLOSED CELL/FOAM
	123816-01-000	FT	TAPE - DOUBLE SIDED - 1" X .020" X 200' - CLEAR
	123816-02-000	FT	TAPE - DOUBLE SIDED - 1/2" X .035" X 200' - CLEAR
	123816-03-000	FT	TAPE - DOUBLE SIDED - 1/2" X .020" X 200' - CLEAR
	123816-04-000	FT	TAPE - DOUBLE SIDED - 6" X .0035" X 750' - CLEAR
	123816-06-000	FT	TAPE - DOUBLE SIDED - 3/4" X 3/4" X 200' - CLEAR
	123816-07-000	FT	TAPE - DOUBLE SIDED - 1 3/4" X 200' - CLEAR
	126427-01-000	EA	ADHESIVE - ALL PURPOSE - ABS/PVC
	126427-02-000	EA	PRIMER - CLEANER - FLEX PIPING
	131264-01-12A	EA	SILICONE - TUBE - W/NOZZLE - BONE
	131264-01-13A	EA	SILICONE - TUBE - W/NOZZLE - TRANSLUCENT
	131264-03-01A	EA	SILICONE - TUBE - W/O NOZZLE - SELF LEVELING -BRIGHT WHITE
	131264-04-02A	EA	SILICONE/SEALANT/ADHESIVE-FAST CURE F/GLASS/VINYL-SOFT WHT
	131264-05-01A	EA	SILICONE/SEALANT - ODORLESS - TUBE - W/NOZZLE - BLACK
	131264-05-02A	EA	SILICONE/SEALANT - ODORLESS - TUBE - W/NOZZLE - CLEAR
	131384-01-000	EA	ADHESIVE - JET WELD - 10 OZ CARTRIDGE
	132892-07-01A	FT	SEAL - BULB/SINGLE - W/U CHANNEL - .5" X 1" - BLACK
	152038-01-01A	EA	TAPE - PRESERVATION SEAL - 2" X 36YD ROLL - BLACK
	154585-01-01A	FT	SEAL - FOAM TAPE - ADHESIVE BACK - 3/8" X 3/8" - BLACK
	154585-02-01A	FT	SEAL - FOAM TAPE - ADHESIVE BACK - 3/4" X 1/2" - BLACK
	154585-03-01A	FT	SEAL - FOAM TAPE - ADHESIVE 2 SIDED - 1/8" X 3/4" - BLACK
	154585-04-01A	FT	SEAL - FOAM TAPE - ADHESIVE BACK - 5/8" X 1/8" - WHITE
	156622-01-01A	FT	SEALER - TAPE - 1/4"THICK X 3"WIDE X 100 FT - WHITE
	156622-02-01A	FT	SEALER - TAPE - 1/4"THICK X 2"WIDE X 100 FT - WHITE

BOLTS, NUTS AND WASHERS

KEY	PART NUMBER	U/M	DESCRIPTION
	0MD54F-06-000	EA	NUT - HEX W/SERATED FLANGE
	000C12-04-08B	EA	BOLT - HEX - 1/4-20 X 1/2 - GRADE #5 - ZINC
	000C12-04-12A	EA	BOLT - HEX - 1/4-20 X 3/4 - PLAIN 5
	000C12-04-40B	EA	BOLT - HEX - 1/4-20 X 2 1/2 - GRADE #5 ZINC
	000C12-05-16B	EA	BOLT - HEX - 5/16 - 18X1 - GRADE #5 - ZINC
	000C12-05-40B	EA	BOLT - HEX - 5/16"-18 X 2.5" - GRADE #5 - ZINC
	000C12-06-28B	EA	BOLT-HEX-3/8-16X13/4 ZN 5 - 5185-01
	000C12-08-24B	EA	BOLT - HEX - 1/2-13 X 1 1/2 - GRADE #5 - ZINC
	000C12-08-28B	EA	BOLT - HEX - 1/2-13 X 1 3/4 - GRADE #5 - ZINC
	000C12-08-44B	EA	BOLT - HEX - 1/2-13 X 2 3/4 - GRADE #5 - ZINC
	000C13-07-40B	EA	BOLT - HEX - 7/16-20 X 2 1/2 - GRADE #5 - ZINC
	000C13-07-48B	EA	BOLT - HEX - 7/16-20 X 3 - GRADE #5 - ZINC
	000C14-10-32B	EA	BOLT - HEX - 5/8-11 X 2.0 - GRADE #8 - ZINC
	000C18-05-40A	EA	BOLT - ELEVATOR - 5/16-18 X 2 1/2 - PL
	000C26-04-10B	EA	BOLT - HEX - SERRATED FLANGE - 1/4-20 X 5/8 - ZINC
	000C26-04-12F	EA	BOLT - HEX - SERRATED FLANGE -1/4-20 X 3/4-STAINLESS STEEL
	000C26-04-14B	EA	BOLT - HEX - SERRATED FLANGE - 1/4-20 X 7/8 - ZINC
	000C26-04-18B	EA	BOLT - HEX - SERRATED FLANGE - 1/4-20 X 1 1/8 - ZINC
	000C26-05-12B	EA	BOLT - HEX - SERRATED FLANGE - 5/16-18 X 3/4 - ZINC
	000C26-06-12B	EA	BOLT - HEX - SERRATED FLANGE - 3/8-16 X 3/4 - ZINC
	000C26-06-20B	EA	BOLT - HEX - SERRATED FLANGE - 3/8-16 X 1 1/4 - ZINC
	000C26-06-28B	EA	BOLT - HEX - SERRATED FLANGE - 3/8-16 X 1 3/4 - ZINC
	000C26-06-40B	EA	BOLT - HEX - SERRATED FLANGE - 3/8-16 X 2 1/2 - ZINC
	000C26-08-24B	EA	BOLT - HEX - SERRATED FLANGE - 1/2-13 X 1 1/2 - ZINC
	000C26-08-28B	EA	BOLT - HEX - SERRATED FLANGE - 1/2-13 X 1 3/4 - ZINC
	000C27-08-48B	EA	BOLT-CARR 1/2-13X3.00 GR5 - 97 M-SERIES
	000D24-10-00B	EA	NUT - HEX - SELF LOCKING - 10-32 - ZINC

SEALANTS & FASTENERS GROUP (CONTINUED)
BOLTS, NUTS AND WASHERS (CONTINUED)

KEY	PART NUMBER	U/M	DESCRIPTION
	000D27-05-00B	EA	NUT - HEX LOCK - 5-40 - ZINC
	000D28-10-00B	EA	NUT - HEX - W/NYLON LOCK - 10-32 - ZINC
	000D29-04-00B	EA	NUT - HEX - SELF LOCKING - 1/4 X 20 - ZINC
	000D29-04-00F	EA	NUT - HEX - SELF LOCKING - 1/4 X 20 - STAINLESS STEEL
	000D29-06-00B	EA	NUT - HEX - W/NYLON LOCK - 3/8-16 - ZINC
	000D29-09-00B	EA	NUT - HEX - SELF LOCKING - 9/16-12 - ZINC
	000D34-04-00B	EA	NUT - HEX - LOCKING - 1/4-20 - ZINC
	000D34-06-00B	EA	NUT - HEX - LOCKING - 3/8-16 GRADE C - ZINC
	000D39-04-00B	EA	NUT - HEX - LOCKING W/SERRATED FLANGE - 1/4-20 - ZINC
	000D39-05-00B	EA	NUT - HEX - LOCKING W/SERRATED FLANGE - 5/16-18 - ZINC
	000D39-06-00B	EA	NUT - HEX - LOCKING W/SERRATED FLANGE - 3/8-18 - ZINC
	000D39-06-00D	EA	NUT - HEX - LOCKING W/SERRATED FLANGE - 3/8"-16 BLACK
	000D39-07-00B	EA	NUT - HEX - LOCKING W/SERRATED FLANGE - 7/16-14 - ZINC
	000D39-08-00B	EA	NUT - HEX - LOCKING W/SERRATED FLANGE - 1/2-13 - ZINC
	000D44-07-00B	EA	NUT - HEX - LOCKING W/SERRATED FLANGE - 7/16-20 - ZINC
	000D44-08-00B	EA	NUT - HEX - LOCKING W/SERRATED FLANGE - 1/2-20 - ZINC
	000D46-04-00A	EA	NUT - HEX - WELD - 1/4-20 - PLAIN
	000D65-08-00B	EA	NUT - HEX - LOCKING W/SERRATED FLANGE - 8-32 - ZINC
	000D73-08-00C	EA	NUT - HEX FLANGE - 1/2-13
	000D75-09-00B	EA	NUT - HEX LOCKING - 9/16-12 - ZINC
	000D76-06-00B	EA	NUT - HEX FLANGE - 3/8-16
	000E11-04-00F	EA	WASHER - LOCKING - 1/4 MED SPLIT - STAINLESS STEEL
	000E11-07-00B	EA	WASHER - LOCKING - 7/16 MED SPLIT - ZINC
	000E11-08-00B	EA	WASHER - LOCKING - 1/2 MED SPLIT - ZINC
	000E13-17-00B	EA	WASHER - FLAT - 3/8 AR - ZINC
	000E13-18-00B	EA	WASHER - FLAT - 3/8 WIDE - ZINC
	000E13-20-00B	EA	WASHER - FLAT - 7/16 WIDE - ZINC
	000E13-22-00B	EA	WASHER - FLAT - 1/2 WIDE - ZINC
	000E13-26-00B	EA	WASHER - FLAT - 5/8 WIDE - ZINC
	000E14-10-00B	EA	WASHER - LOCKING - #10 EXTERNAL TOOTH - ZINC
	000E16-10-00B	EA	WASHER - HARDENED - 5/8 - FLAT - ZINC
	000G45-05-16B	EA	BOLT - LAG - 5/16-9 X 1 - ZINC
	039715-01-000	EA	NUT-SERT - 1/4" DIAMETER - 20 THREADS
	040921-01-000	EA	NUT - SPEED - U TYPE - #10-24 - BLACK
	040921-03-000	EA	NUT - SPEED - U TYPE - #10
	040921-04-000	EA	NUT - SPEED - U TYPE - #8-.59" LENGTH X .44" WIDTH
	040921-05-000	EA	NUT - SPEED - U-TYPE - 8-.67" X .44" WIDE
	040921-11-000	EA	NUT - SPEED - U-TYPE - 8-.59" LENGTH X .44" WIDTH - BLACK
	041322-01-000	EA	WASHER - FLANGE - 15/32"ID X 2 3/8"OD - F/SEAT BELT MTG
	044364-02-000	EA	NUT - SPEED - FLAT - ROUND
	044533-01-000	EA	WASHER - 1 3/8"OD - FOR BUTTONS - PLASTIC
	051387-06-000	EA	BOLT - CARRIAGE W/O HOLE - 5/16-18 X 9 1/2 - ZINC
	058716-02-000	EA	WASHER - FLAT NYLON
	064081-03-000	EA	NUT - WING 3/8-16 - W/WELD NUT
	077071-01-000	EA	WASHER - FENDER - 3/16"ID X 1"OD
	087234-01-000	EA	NUT - JACK - 1/4 X 20 THD - MOLLY
	088787-12-000	EA	STUD - WELD - 1/4 - 20 X 1.0 LG - MN
	106956-03-000	EA	BOLT - HEX TAP - 1/2-13NC X 3 - GRADE 5 - FULL THREAD/ZINC
	106956-10-000	EA	BOLT - HEX TAP - 9/16-12NC X 3 5/8 -GRD 5-FULL THREAD/ZINC
	106956-11-000	EA	BOLT - HEX TAP - 1/2-13NC X 2 1/2 - GRD 5-FULL THREAD/ZINC
	106956-13-000	EA	BOLT - HEX TAP - 1/2-20 X 2 1/2 - GRD 5-FULL THREAD/ZINC
	106956-14-000	EA	BOLT - HEX TAP - 5/16 -18NC X 1 1/2 - GRD 5-FULL THREAD/ZINC
	107397-01-000	EA	WASHER - FENDER - 3/4"ID X 1"OD
	108067-03-000	EA	STUD - WELD - 1/4 - 20 X 1/2 CD
	109917-01-000	EA	WASHER - 1.5" X 1.25"
	109917-03-000	EA	WASHER - 1" X .50"
	109917-04-000	EA	WASHER - 1" X .75"
	128444-01-000	EA	WASHER - SPRING - CONICAL
	135092-02-01A	EA	BOLT - HEX - SERRATED FLANGE - 1/2-20 X 2 1/2-GRADE 5 ZINC
	135092-05-01A	EA	BOLT - HEX - SERRATED FLANGE - 1/2-20 X 1 - GRADE 5 ZINC
	143399-01-01A	EA	NUT/RETAINING - 3/8"- 24 NFT
	147284-02-000	EA	NUT/SELF RETAINING - 5/16"-18
	148817-01-000	EA	WASHER/SPUR - LOCKING

SEALANTS & FASTENERS GROUP (CONTINUED)

SCREWS

KEY	PART NUMBER	U/M	DESCRIPTION
	0G1208-12-170	EA	SCREW - 8-18 X 3/4 POH - BRIGHT WHITE
	0G3908-08-170	EA	SCREW - SF/DR - 8-18 X 1/2 PPH - BRIGHT WHITE
	0G3908-16-170	EA	SCREW - SF/DR - 8-18 X 1 PPH - BRIGHT WHITE
	0G3908-24-170	EA	SCREW - SF/DR - 8-18 X 1 1/2 PPH - BRIGHT WHITE
	0G3910-10-420	EA	SCREW - SF/DR - 10-16 X .62 PPH - BRIARWOOD
	0G3910-12-170	EA	SCREW - SF/DR - 10-16 X 3/4 PPH - BRIGHT WHITE
	0G3910-24-170	EA	SCREW - SF/DR - 10-16 X 1 1/2 PPH - BRIGHT WHITE
	0G5508-08-370	EA	SCREW - SF/DR - 8-18 X .5 PWH - RIVERSTONE
	0G5508-08-380	EA	SCREW - SF/DR - 8-18 X .5 PWH - CASHMERE
	0G5508-08-420	EA	SCREW - SF/DR - 8-18 X .5 PWH - BRIARWOOD
	0G5508-08-450	EA	SCREW - SF/DR - 8-18 X .5 PWH - SADDLE
	0G5508-12-170	EA	SCREW - SF/DR - 8-18 X 3/4 PWH - BRIGHT WHITE
	0G5508-12-330	EA	SCREW - SF/DR - 8-18 X 3/4 PWH - PUTTY
	0G5508-12-380	EA	SCREW - SF/DR - 8-18 X 3/4 PWH - CASHMERE
	0G5508-12-450	EA	SCREW - SF/DR - 8-18 X 3/4 PWH - SADDLE
	0G5508-16-330	EA	SCREW - SF/DR - 8-18 X 1 PWH - PUTTY
	0G5508-16-370	EA	SCREW - SF/DR - 8-18 X 1 PWH - RIVERSTONE
	0G5508-16-380	EA	SCREW - SF/DR - 8-18 X 1 PWH - CASHMERE
	0G5508-16-450	EA	SCREW - SF/DR - 8-18 X 1 PWH - SADDLE
	0G6008-16-170	EA	SCREW - SF/DR - 8-18 X 1 POH - BRIGHT WHITE
	0G6012-32-170	EA	SCREW - SF/DR - 12-14 X 2 POH - BRIGHT WHITE
	0G6710-08-170	EA	SCREW - 10-12 X 1/2 PPH - BRIGHT WHITE
	0G6710-12-170	EA	SCREW - 10-12 X 3/4 PPH - BRIGHT WHITE
	0G6806-16-170	EA	SCREW - 6-18 X 1 POH - BRIGHT WHITE
	0G6810-24-280	EA	SCREW - 10-12 X 1 1/2 POH - SOFT WHITE
	000C20-06-24T	EA	SCREW - 3/8-16 X 1 1/2 - FLAT SOCKET
	000G11-06-08B	EA	SCREW - 6-20 X 1/2 PPH - ZINC
	000G11-06-10B	EA	SCREW - 6-20 X 5/8 PPH - ZINC
	000G11-06-10J	EA	SCREW - 6-20 X 5/8 PPH - BRASS
	000G11-07-08B	EA	SCREW - 7-19 X 1/2 PPH - ZINC
	000G11-08-06B	EA	SCREW - 8-18 X 3/8 PPH - ZINC
	000G11-08-08T	EA	SCREW - 8-18 X 1/2 PPH - FLUOROCARBON COATING
	000G11-08-12B	EA	SCREW - 8-18 X 3/4 PPH - ZINC
	000G11-08-12P	EA	SCREW - 8-18 X 3/4 PPH - DARK BROWN
	000G11-08-12S	EA	SCREW - 8-18 X 3/4 PPH - OFF WHITE
	000G11-08-12T	EA	SCREW - 8-18 X 3/4 PPH - BLACK MAGNESIUM
	000G11-08-20B	EA	SCREW - 8-18 X 1 1/4 PPH - ZINC
	000G11-08-20G	EA	SCREW - 8-18 X 1 1/4 - ANTIQUE BRASS
	000G11-10-12D	EA	SCREW - 10-16 X 3/4 PPH - BLACK
	000G11-10-32P	EA	SCREW-10,16X2.00 PPH DK BRN
	000G12-06-08T	EA	SCREW - 6-20 X 1/2 POH - BLACK
	000G12-10-16F	EA	SCREW - 10-16 X 1 POH - STAINLESS STEEL
	000G13-05-10B	EA	SCREW - 5-12 X 5/8 PFH - ZINC
	000G13-06-06I	EA	SCREW - 6-20 X 3/8 PFH - BLACK ZINC
	000G13-06-08B	EA	SCREW - 6-20 X 1/2 PFH - ZINC
	000G13-06-08G	EA	SCREW - 6-20 X 1/2 PFH - ANTIQUE BRASS
	000G13-06-10G	EA	SCREW - 6-20 X 5/8 PFH - ANTIQUE BRASS
	000G13-06-16E	EA	SCREW - 6-20 X 1 PFH - CHROME
	000G13-06-16J	EA	SCREW - 6-20 X 1 PFH - BRASS
	000G13-06-24J	EA	SCREW - 6-20 X 1 1/2 PFH - BRASS
	000G13-07-10H	EA	SCREW - 7-19 X 5/8 PFH - BLACK
	000G13-07-12B	EA	SCREW - 7-19 X 3/4 PFH - ZINC
	000G11-08-08B	EA	SCREW - 8-18 X 1/2 PPH - ZINC
	000G13-08-10B	EA	SCREW - 8-18 X 5/8 PFH - ZINC
	000G13-08-109	EA	SCREW - 8-18 X 5/8 PFH
	000G13-08-16B	EA	SCREW - 8-18 X 1 PFH - ZINC
	000G13-08-24B	EA	SCREW - 8-18 X 1 1/2 PFH - ZINC
	000G16-04-24B	EA	SCREW - MACHINE - 1/4-20 X 1 1/2 PPH
	000G18-08-16B	EA	SCREW - MACHINE - 8-32 X 1 PPH - ZINC
	000G18-08-22B	EA	SCREW - MACHINE - 8-32 X 1 3/8 PPH - ZINC
	000G18-08-24B	EA	SCREW - MACHINE - 8-32 X 1 1/2 PPH - ZINC
	000G19-10-08B	EA	SCREW - MACHINE - 10-32 X 1/2 PPH - ZINC
	000G19-10-10B	EA	SCREW - MACHINE - 10-32 X 5/8 - PPH - ZINC
	000G19-10-12F	EA	SCREW - MACHINE - 10-32 X 3/4 PPH - STAINLESS STEEL

SEALANTS & FASTENERS GROUP (CONTINUED)
SCREWS (CONTINUED)

KEY	PART NUMBER	U/M	DESCRIPTION
	000G19-10-20B	EA	SCREW - MACHINE - 10-32 X 1 1/2 PPH - ZINC
	000G32-10-06B	EA	SCREW - 10-32 X 3/8 PPH - ZINC
	000G34-05-12B	EA	SCREW - HEX HEAD TAPPING - 5/16 X 3/4 LONG
	000G39-06-10T	EA	SCREW - SF/DR - 6-20 X 5/8 PPH - BLACK
	000G39-06-16T	EA	SCREW - SF/DR - 6-20 X 1 PPH - BLACK
	000G39-08-06B	EA	SCREW - SF/DR - 8-18 X 3/8 PPH - ZINC
	000G39-08-08B	EA	SCREW - SF/DR - 8-18 X 1/2 PPH - ZINC
	000G39-08-08S	EA	SCREW - SF/DR - 8-18 X 1/2 PPH - OFF WHITE
	000G39-08-08T	EA	SCREW - SF/DR - 8-18 X 1/2 PPH - BLACK
	000G39-08-12T	EA	SCREW - SF/DR - 8-18 X 3/4 PPH - BLACK
	000G39-08-16B	EA	SCREW - SF/DR - 8-18 X 1 PPH - ZINC
	000G39-08-16T	EA	SCREW - SF/DR - 6-20 X 1 PPH - BLACK
	000G39-08-24B	EA	SCREW - SF/DR - 8-18 X 1 1/2 PPH - ZINC
	000G39-08-24T	EA	SCREW - SF/DR - 8-18 X 1 1/2 PPH - BLACK
	000G39-08-32B	EA	SCREW - SF/DR - 8-18 X 2 PPH - ZINC
	000G39-08-169	EA	SCREW-SF/DR,8-18X1.00 PPH - FLUROCARBON SILVER
	000G39-10-08B	EA	SCREW - SF/DR - 10-16 X 1/2 PPH - ZINC
	000G39-10-10B	EA	SCREW - SF/DR - 10-16 X 5/8 PPH - ZINC
	000G39-10-12B	EA	SCREW - SF/DR - 10-16 X 3/4 PPH - ZINC
	000G39-10-12S	EA	SCREW - SF/DR - 10-16 X 3/4 PPH - OFF WHITE
	000G39-10-129	EA	SCREW - SF/DR - 10-16 X 3/4 PPH - FLUOROCARBON SILVER
	000G39-10-169	EA	SCREW - SF/DR - 10-16 X 1 PPH - FLUOROCARBON SILVER
	000G39-10-20B	EA	SCREW - SF/DR - 10-16 X 1 1/4 PPH - ZINC
	000G39-10-20T	EA	SCREW - SF/DR - 10-16 X 1 1/4 PPH - BLACK
	000G39-10-24B	EA	SCREW - SF/DR - 10-16 X 1 1/2 PPH - ZINC
	000G39-10-24T	EA	SCREW - SF/DR - 10-16 X 1 1/2" PPH - BLACK
	000G39-10-32B	EA	SCREW - SF/DR - 10-16 X 2 - PPH - ZINC
	000G39-10-48B	EA	SCREW - SF/DR - 10-16 X 3 - PPH - ZINC
	000G39-10-48T	EA	SCREW - SF/DR - 10-16 X 3 PPH - BLACK
	000G42-04-16B	EA	SCREW - SF/DR - 1/4-14 X 1 HWH - ZINC
	000G42-04-24B	EA	SCREW - SF/DR - 1/4-14 X 1 1/2 - ZINC
	000G52-06-05B	EA	SCREW - MACHINE - 6-32 X 5/16 PTH - ZINC
	000G52-06-06B	EA	SCREW - MACHINE - 6-32 X 3/8 PTH - ZINC
	000G54-04-14B	EA	SCREW - 1/4-20 X 7/8 PTH - TYPE 23 - ZINC PLATED
	000G55-08-12T	EA	SCREW - SF/DR - 8-18 X 3/4 PWH - BLACK
	000G55-08-16S	EA	SCREW - SF/DR - 8-18 X 1.00 PWH - OFF WHITE
	000G55-08-16T	EA	SCREW - SF/DR - 8-18 X 1 PWH - BLACK
	000G56-12-48B	EA	SCREW - WOOD - 12-11 X 3 POH - SPECIAL HARDENED
	000G60-08-16E	EA	SCREW - SF/DR - 8-1 X 1 POH - CHROME
	000G60-08-20F	EA	SCREW - SF/DR - 8-19X1.25 POH
	000G60-08-22B	EA	SCREW - SF/DR - 8-18 X 1.38 POH - ZINC
	000G60-10-20B	EA	SCREW - SF/DR - 10-16 X 1 1/4 POH - ZINC
	000G60-10-209	EA	SCREW - SF/DR - 10-16 X 1 1/4 POH - SILVER STALGAARD
	000G60-10-28T	EA	SCREW - SF/DR - 10-16 X 1 3/4 - BLACK
	000G62-06-12B	EA	SCREW-SF/DR,6-20X.75 PFH - ZINC
	000G62-06-249	EA	SCREW - SF/DR - 8-18 X 1.5 PPH - SILVER
	000G62-08-24B	EA	SCREW - SF/DR - 8-18 X 1 1/2 PFH
	000G62-08-24T	EA	SCREW - SF/DR - 8-18 X 1 1/2 PFH - BLACK
	000G67-08-32B	EA	SCREW - 8-15 X 2 PPH - ZINC
	000G67-10-08B	EA	SCREW - 10-12 X 1/2 PPH - ZINC
	000G67-10-08S	EA	SCREW - 10-12 X 1/2 PPH - OFF WHITE
	000G67-10-10B	EA	SCREW - 10-12 X 5/8 PPH - ZINC - TYPE A
	000G67-10-10D	EA	SCREW - 10-12 X 5/8 PPH - BLACK - TYPE A
	000G67-10-10P	EA	SCREW - 10-12 X 5/8 PPH - DARK BROWN
	000G67-10-10S	EA	SCREW - 10-12 X 5/8 PPH - OFF WHITE
	000G67-10-10T	EA	SCREW - 10-12 X 5/8 PPH - BLACK
	000G67-10-10V	EA	SCREW-10-12X5/8 PPH ZN O/W - TYPE A
	000G67-10-12P	EA	SCREW - 10-12 X 3/4 PPH - DARK BROWN
	000G67-10-24B	EA	SCREW - 10-12 X 1 1/2 PPH - ZINC
	000G68-06-10J	EA	SCREW - 6-18 X 5/8 POH - BRASS
	000G68-06-12B	EA	SCREW - 6-18 X 3/4 POH - ZINC & CLEAR
	000G68-06-12S	EA	SCREW - 6-18 X 3/4 POH
	029130-01-000	EA	SCREW - SNAP STUD - #8-16 X 5/8" LONG
	029130-02-000	EA	SCREW - SNAP STUD - #8-16 X 1 1/2" LONG

SEALANTS & FASTENERS GROUP (CONTINUED)
SCREWS (CONTINUED)

KEY	PART NUMBER	U/M	DESCRIPTION
	029130-03-000	EA	SCREW - SNAP STUD - #8-16 X 1" LONG
	049465-03-000	EA	SCREW - 10-16 X 1 POH W/WASHER - OFF WHITE
	049465-17-000	EA	SCREW - 10-16 X 1 POH W/WASHER - BRIGHT WHITE
	049465-18-000	EA	SCREW - 10-16 X 1 POH W/WASHER - VW GRAY
	054434-02-000	EA	SCREW - SF/DR - 10-16 X 2 - ZINC
	054434-03-000	EA	SCREW - SF/DR - 10-16 X 2 - PWH - ZINC
	075908-01-000	EA	SCREW - MACHINE - 10-32 X .56 PTH - EXTERNAL TOOTH - ZINC
	076790-01-000	EA	SCREW - 6-20 X 1 1/4 PPH - BLACK
	076790-05-000	EA	SCREW - 6-20 X 1/2 PPH - BLACK - THREAD CUTTING/WOOD
	083554-01-000	EA	SCREW - DRYWALL - 8 X 1 1/4
	087721-01-000	EA	SCREW - FLAT HEAD - TAPPING - 1/4" X 1 1/4" LONG - ZINC
	093249-01-000	EA	CAP/SCREW - MOLDED/VINYL - BLACK
	095772-01-000	EA	SOCKET-SNAP FASTNER1" SF/DR - SELF DRIVER
	097974-01-000	EA	SCREW - PARTICLE BOARD - 7-9 X 3/4 PPH
	101618-01-000	EA	SCREW - 1/4-20 X 3/4 HEX - TAPPING - STALGARD TYPE F
	113563-01-01A	EA	SCREW - 8 X 5/8 LONG SHOULDER/WASHER HEAD
	113563-01-02A	EA	SCREW - 8 X 5/8 LONG SHOULDER/WASHER HEAD - BRIGHT WHITE
	118383-01-12A	EA	RETAINER/RECESSED - F/.22" SCREW - RIVERSTONE
	118383-01-14A	EA	RETAINER/RECESSED - F/.22" SCREW - PEWTER
	118383-01-15A	EA	RETAINER/RECESSED - F/.22" SCREW - BRIARWOOD
	118383-02-13A	EA	RETAINER/RECESSED - F/.27" SCREW - OFF WHITE
	118383-04-04A	EA	CAP - F/RECESSED RETAINER - BRIGHT WHITE
	118383-04-10A	EA	CAP - F/RECESSED RETAINER - RIVERSTONE
	118383-04-13A	EA	CAP - F/RECESSED RETAINER - OFF WHITE
	118383-04-14A	EA	CAP - F/RECESSED RETAINER - PEWTER
	118383-04-15A	EA	CAP - F/RECESSED RETAINER - BRIARWOOD
	134126-01-01A	EA	SCREW/NAIL - HEX HEAD - 3/4"
	140040-01-000	EA	SCREW - 1/4-20 X 1 - BUTTON HEAD/SOCKET - W/LOCTITE
	149753-01-01A	EA	RETAINER/RECESSED - F/.22" SCREW - BLACK
	149753-01-02A	EA	RETAINER/RECESSED - F/.22" SCREW - BRIGHT WHITE
	149753-02-01A	EA	CAP - F/RECESSED RETAINER - BLACK
	149753-02-02A	EA	CAP - F/RECESSED RETAINER - BRIGHT WHITE
	154938-01-01A	EA	SCREW - SF/DR - 10-16 X 3/4 PPH - W/SELF SEAL - BRIGHT WHITE
	154938-01-02A	EA	SCREW - SF/DR - 10-16 X 3/4 PPH - W/SELF SEAL - BLACK
	154938-02-01A	EA	SCREW - SF/DR - 8-18 X 1 PFH - W/SELF SEAL - BRIGHT WHITE
	154938-02-02A	EA	SCREW - SF/DR - 8-18 X 1 PFH - W/SELF SEAL - BLACK
	154938-02-03A	EA	SCREW - SF/DR - 8-18 X 1 PFH - W/SELF SEAL - SILVER
	154938-03-01A	EA	SCREW - SF/DR - 8-18 X 5/8 PFH - W/SELF SEAL - BRT WHT
	154938-03-02A	EA	SCREW - SF/DR - 8-18 X 5/8 PFH - W/SELF SEAL - BLACK
	154938-04-01A	EA	SCREW - SF/DR - 10-16 X 1" TPH - W/SELF SEAL - BRT WHT
	154938-04-02A	EA	SCREW - SF/DR - 10-16 X 1" TPH - W/SELF SEAL - BLACK
	154938-05-03A	EA	SCREW - SF/DR - 8-18 X 1.25" PFH - W/SELF SEAL - SILVER

SEALANTS & FASTENERS GROUP (CONTINUED)

CLAMPS, CLIPS, GROMMETS, RIVETS & PLUGS

KEY	PART NUMBER	U/M	DESCRIPTION
	000H14-06-03R	EA	RIVET - MANDREL BLIND - 3/16 ALUMINUM
	000H16-04-06R	EA	RIVET - POP ALUMINUM - 1/8 X .313 - .375
	000H16-06-10R	EA	RIVET - POP ALUMINUM - 3/16 X .501 - .625
	007161-01-000	EA	CLAMP - HOSE - SPRING TYPE - 1/2"
	008386-01-000	EA	GROMMET - SNAP - 3/8" DIAMETER - NYLON
	010495-01-000	EA	CLAMP - CABLE - 9/16"ID - BLACK
	010495-02-000	EA	CLAMP - CABLE - 3/8"ID - BLACK
	010495-04-000	EA	CLAMP - CABLE - 11/16"ID - WHITE
	010497-01-000	EA	CLAMP - CLOSED - 5/8"ID
	010497-02-000	EA	CLAMP - CLOSED - 1.5"ID
	010497-03-000	EA	CLAMP - CLOSED - 1"ID - CUSHIONED
	010497-04-000	EA	CLAMP - CLOSED - 1 5/8"ID
	010497-05-000	EA	CLAMP - CLOSED - 1/2"ID
	010497-07-000	EA	CLAMP - CLOSED - 3/8"ID
	010497-09-000	EA	CLAMP - CLOSED - 5/16"ID
	010497-10-000	EA	CLAMP - CLOSED - 7/8"ID
	010499-01-000	EA	CLAMP - CLOSED - 3/8"ID
	016188-03-000	EA	GROMMET - LP LINE - 3/8"HOLE X 2 1/2"LONG - RUBBER
	016188-04-000	EA	GROMMET - LP LINE - 1/2"HOLE X 2 1/2"LONG - RUBBER
	016188-05-000	EA	GROMMET - LP LINE - 3/8"HOLE X 1 1/4"LONG - RUBBER
	016188-06-000	EA	GROMMET - LP LINE - 3/8"HOLE X 3 1/4"LONG - RUBBER
	016188-07-000	EA	GROMMET - L/P LINE - 1/2"HOLE X 3 1/4"LONG
	016188-08-000	EA	GROMMET - LP LINE - 1/2"HOLE X 1 1/4"LONG - RUBBER
	016188-09-000	EA	GROMMET - LP LINE - .68"HOLE X 1 1/4"LONG - RUBBER
	016188-10-000	EA	GROMMET - LP GAS - .68" X 2.5"
	023942-01-000	EA	GROMMET - RUBBER - 2"OD
	041930-11-000	EA	RIVET - POP ALUMINUM - 1/8 X .188 - .250 - BRIGHT WHITE
	061420-04-000	EA	PLUG/PLASTIC - 1 1/4" DIAMETER
	061420-05-000	EA	PLUG/PLASTIC - 1 1/2" DIAMETER
	061420-09-000	EA	PLUG/PLASTIC - 1.00" DIAMETER
	061420-10-000	EA	PLUG/PLASTIC - 1 1/2" DIAMETER - BLACK
	061420-12-000	EA	PLUG/PLASTIC - 1.50" DIAMETER - RED
	061420-13-000	EA	PLUG/PLASTIC - 3/8" - FLUSH
	061420-14-000	EA	PLUG/PLASTIC - 7/8" DIAMETER - BLACK
	061420-15-000	EA	PLUG/PLASTIC - 2" DIAMETER - BLACK
	061420-16-000	EA	PLUG/PLASTIC - 2 1/8" DIAMETER - BLACK
	061420-18-000	EA	PLUG/PLASTIC - 1 3/4" DIAMETER - BLACK
	062401-01-000	EA	CLAMP - HOSE - WORMGEAR - .25" - 1"
	062401-02-000	EA	CLAMP - HOSE - WORMGEAR - 1.56" - 2.5" ID
	062401-03-000	EA	CLAMP - HOSE - WORMGEAR - .22" - 1" ID
	062401-04-000	EA	CLAMP - HOSE - WORMGEAR - .69" - 1.25" ID
	062401-06-000	EA	CLAMP - HOSE - WORMGEAR - .22" - .62" ID
	062401-09-000	EA	CLAMP - HOSE - WORMGEAR - 2.8" - 3.75" ID
	062401-11-000	EA	CLAMP - HOSE - WORMGEAR - 3.50" - 4.50" ID
	062401-13-000	EA	CLAMP - HOSE - WORMGEAR
	071015-11-000	EA	GROMMET - RUBBER - 1"ID FITS .12 MATERIAL - BLACK
	071015-13-000	EA	GROMMET - RUBBER - .62"ID X 1"OD W/.09" GROOVE - BLACK
	071015-20-000	EA	GROMMET - .38 ID FITS .06 MTL
	071015-22-000	EA	GROMMET - RUBBER - .62"ID X 1.12"OD W/.19" GROOVE - BLACK
	071015-26-000	EA	GROMMET - RUBBER - 1.5"ID X 2.1"OD W/.06" GROOVE - BLACK
	071015-29-000	EA	GROMMET - RUBBER - .3"ID X 1.3"OD W/.12" GROOVE - BLACK
	071015-30-000	EA	GROMMET - RUBBER - .3"ID X .81"OD W/.12" GROOVE - BLACK
	071015-39-000	EA	GROMMET - .75 ID FITS .06 MTL
	071015-41-000	EA	GROMMET - .125 ID FITS .188 MTL
	071015-42-000	EA	GROMMET - .25 ID FITS .06 MTL
	071015-43-000	EA	GROMMET-.25 ID,FITS .07 MATL, MINOR Z-4139
	071015-44-000	EA	GROMMET - .31 ID FITS .25 MTL
	075148-02-000	EA	CLAMP - GROUNDING - BRONZE SCREWS
	077955-01-000	EA	CLIP/J - 3/8" - VINYL COATED
	081211-03-000	EA	PLUG - PLASTIC - .50"DIAMETER - TRUSS HEAD - BLACK
	081211-04-000	EA	PLUG - PLASTIC - .46"DIAMETER - TRUSS HEAD - BLACK
	081211-06-000	EA	PLUG-PLASTIC,.468DIA,BLACK , HEYCO 1669
	083609-01-000	EA	CLAMP - WIRE - DUAL - EQUAL DIAMETERS - 5/8"
	083610-01-000	EA	CLAMP - WIRE - DUAL - UNEQUAL DIAMETERS - 3/4" & 1 1/4"

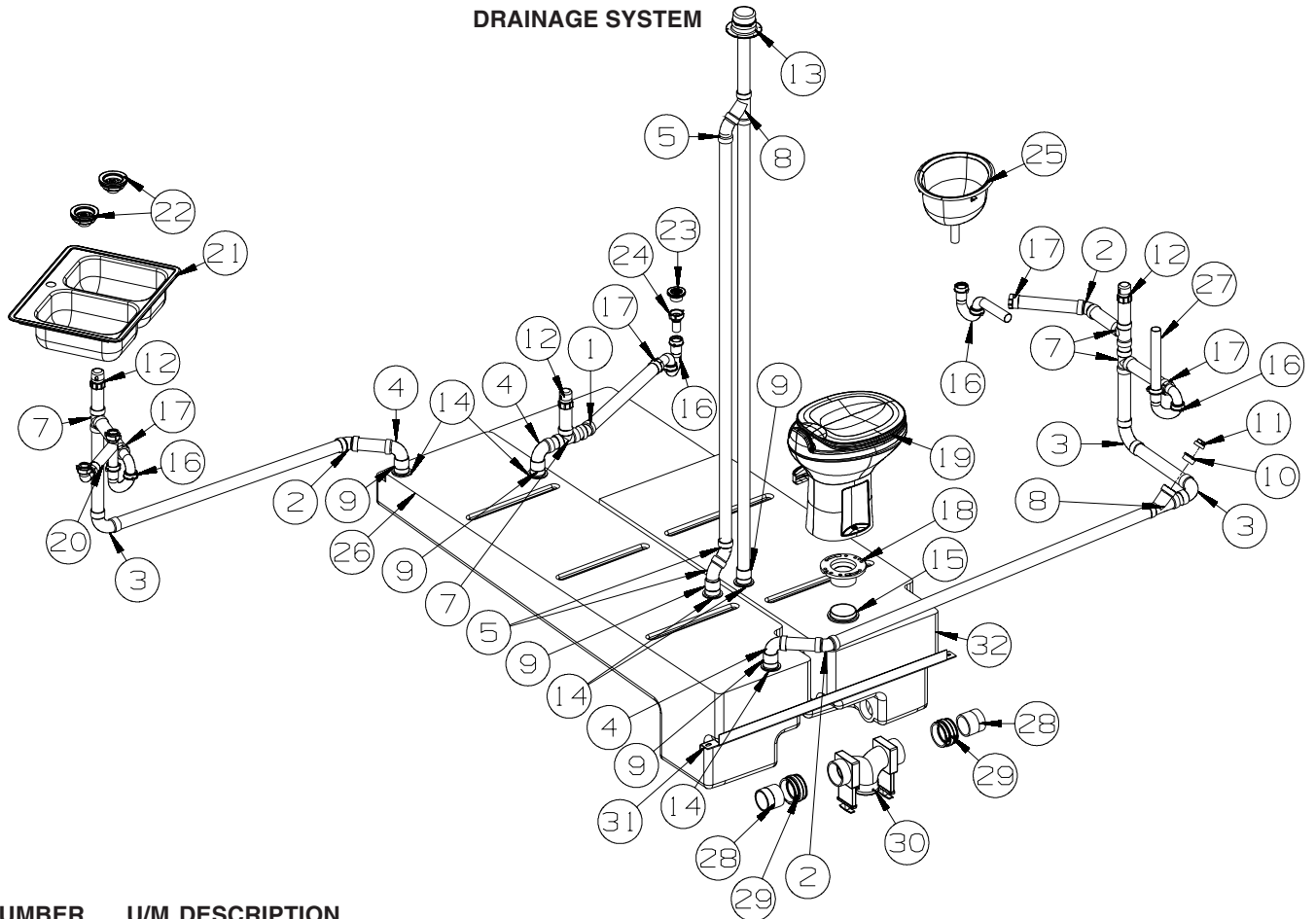
SEALANTS & FASTENERS GROUP (CONTINUED)
CLAMPS, CLIPS, GROMMETS, RIVETS & PLUGS (CONTINUED)

KEY	PART NUMBER	U/M	DESCRIPTION
	083610-02-000	EA	CLAMP - WIRE - DUAL - UNEQUAL DIAMETERS - 3/4" & 2"
	083610-03-000	EA	CLAMP - WIRE - DUAL - EQUAL DIAMETERS - 2"
	083610-02-000	EA	CLAMP - WIRE - DUAL - UNEQUAL DIAMETERS - 3/4" & 2"
	083610-03-000	EA	CLAMP - WIRE - DUAL - EQUAL DIAMETERS - 2"
	088756-01-000	EA	GROMMET - WEB - 1 1/8"ID
	089329-02-000	EA	CLIP - SPRING
	091952-01-000	EA	CLIP - GRIPPER - 1" - BLACK VINYL COATED
	091952-02-000	EA	CLIP - GRIPPER - 3/4" - BLACK VINYL COATED
	091952-03-000	EA	CLIP - GRIPPER - 1/2" - BLACK VINYL COATED
	094362-02-000	EA	CLIP - XMAS TREE - BINDER HEAD - .9" LONG/ANY COLOR
	113133-02-01A	EA	RIVET - POP - ALUMINUM - 3/16 X .252 - .504 - BLACK
	114208-05-000	EA	GROMMET - EDGE LINER - FITS 2"
	118626-01-01A	EA	RIVET/POP - ALUMINUM - 3/16 X 1.2"(GRIP RANGE .1"-.4")
	118626-01-02A	EA	RIVET/POP - ALUMINUM - 3/16 X .08 - .375
	118626-02-01A	EA	RIVET/POP - ALUMINUM - 3/16 X .500 - .750
	118626-03-01A	EA	RIVET/POP - STAINLESS STEEL - 3/16 X .500 - .750
	137014-01-01A	EA	GROMMET - CABLE - ALMOND
	139118-02-01A	EA	GROMMET - SCREW - PLASTIC
	155498-01-01A	EA	CLAMP - CLOSED - 7/8"ID - VINYL DIP/GALVONIZED - BLACK

MISCELLANEOUS FASTENERS

KEY	PART NUMBER	U/M	DESCRIPTION
	008343-01-000	EA	TIE - WIRE - 6"
	008343-02-000	EA	TIE - WIRE - 14"
	008343-03-000	EA	TIE - WIRE - 7 1/2" - BLACK
	029094-04-000	YD	VELCRO TAPE/LOOP - 1"WIDE - W/ADHESIVE BACK - BLACK
	029096-03-000	YD	VELCRO TAPE/HOOK - 1"WIDE - BLACK
	029096-04-000	YD	VELCRO TAPE/HOOK - 1"WIDE - BLACK - W/ADHESIVE BACK (PSA)
	048394-02-000	YD	VELCRO TAPE - HOOK - ADHESIVE BACK - 3/4" WIDE - BEIGE
	085774-01-000	FT	FASTENER - DUAL LOCK - 1" WIDE - ADHESIVE BACK - BLACK
	085774-02-000	FT	FASTENER - DUAL HOOK - 1" WIDE - ADHESIVE BACK - BLACK
	088792-02-000	YD	VELCRO TAPE - LOOP - 3/4" - ADHESIVE BACK - BEIGE
	088792-04-000	YD	VELCRO TAPE - HOOK - 5/8" - NON-ADHESIVE BACK - WHITE
	088792-05-000	YD	VELCRO TAPE - LOOP - 5/8" - NON-ADHESIVE BACK - WHITE
	108046-02-000	EA	CABLE TIE - SCREW MOUNT 15"

WATER & SEWAGE GROUP DRAINAGE SYSTEM

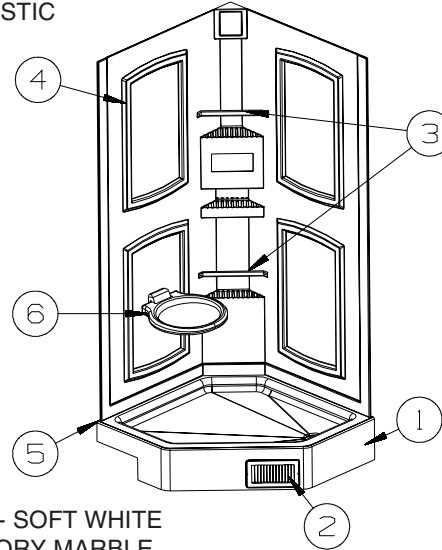


KEY	PART NUMBER	U/M	DESCRIPTION
1	010005-01-000	EA	ELBOW - 22.5 DEGREE - 1 1/2" HUB X HUB - PLASTIC
2	010006-01-000	EA	ELBOW - 45 DEGREE - 1 1/2" HUB X HUB - PLASTIC
3	010008-01-000	EA	ELBOW - 90 DEGREE - 1 1/2" HUB X HUB - PLASTIC
4	010009-01-000	EA	ELBOW - 90 DEGREE - 1/4 BEND - 1 1/2" - PLASTIC
5	010051-01-000	EA	ELBOW - 45 DEGREE - 1 1/2" SPIGOT X HUB - PLASTIC
6	033761-01-000	EA	ELBOW - 90 DEGREE - TURN - 1 1/2" HUB X 1 1/2" SPIGOT
7	010071-01-000	EA	TEE - SANITARY - 1 1/2" HUB X HUB X HUB - PLASTIC
8	010073-01-000	EA	WYE - 45 DEGREE - 1 1/2" HUB X HUB X HUB - PLASTIC
9	010115-01-000	EA	COUPLING - 1 1/2" HUB X HUB - PLASTIC
10	010122-02-000	EA	BUSHING/PLASTIC - REDUCER - 1 1/4" X 1 1/4" THD - RED
11	010166-01-000	EA	PLUG/THREADED - 1 1/4" MPT - PLASTIC - BLACK - UL
12	079968-01-000	EA	VENT - MECHANICAL/TRAP ARM - ANTI-SIPHON-2" X 7.3" PLASTIC
13	083558-03-000	EA	VENT - W/COVER - F/PLUMBING STACK - OFF WHITE
14	061607-01-000	EA	GROMMET - HOLDING TANK - 1 1/2" NPS
15	061607-02-000	EA	GROMMET - HOLDING TANK - 3" NPS
16	107538-02-000	EA	P-TRAP - PLASTIC - 1 1/2" W/EXTENSION ARM
16	011071-01-000	EA	P-TRAP - 1 1/2" - CSA - PLASTIC - CANADIAN
17	152146-01-000	EA	CONNECTOR - 1 1/2" P X 1 1/2" MPT
18	024676-01-000	EA	FLANGE/CLOSET - 4" X 3" - BLACK PLASTIC
19	160815-01-01A	EA	TOILET-STYLE II, TALL, WHITE - *W/SPRAYER/42105 THE
20	011091-02-000	EA	WASTE - CONTINUOUS - DOUBLE SINK
21	104113-01-000	EA	SINK/STAINLESS STEEL/DOUBLE 17.2" X 25.2" X 5.9" CNTR DROP
22	092303-01-000	EA	STRAINER - W/BASKET - GALLEY SINK - 4" OD
23	066440-01-000	EA	STRAINER - SHOWER DRAIN - W/RUBBER WASHER
23	132376-01-01A	EA	GASKET - FOAM - 1 1/2" - TUB STRAINER
24	011069-06-000	EA	TAILPIECE - 1 1/2" X 1 1/4" X 2 1/2" - BRASS
24	130403-01-000	EA	NUT - SLIP - W/WINGS 1 1/2"
25	155318-01-01A	EA	SINK - LAVATORY - OVAL - 19.5" X 16" X 6.1" - CREAM
26	162347-01-01A	EA	TANK - HOLDING - W/O FITTINGS
	049032-01-000	EA	PATCH - SPINWELD - 1" ID - 1.9" OD - PLASTIC
	010232-01-000	EA	FITTING - SPINWELD - PLASTIC 3FPT
27	126588-02-000	EA	ARM - WASTE - 1 1/2" X 20" - FEMALE
27	061420-10-000	EA	PLUG/PLASTIC - 1 1/2" DIAMETER - BLACK

WATER & SEWAGE GROUP (CONTINUED)
DRAINAGE SYSTEM (CONTINUED)

KEY	PART NUMBER	U/M	DESCRIPTION
28	010129-03-000	EA	NIPPLE - 3" X 3" TOE - PLASTIC
29	078406-01-000	EA	COUPLER - 3" X 3" W/CLAMPS - RUBBER
30	136143-01-000	EA	VALVE - DUAL - 3" X 3"
	139513-01-000	EA	HOSE - SEWER - 3" X 10' - W/BAYONET TYPE ADAPTER
	062416-01-000	EA	ADAPTER - SEWER HOSE TO 3" PIPE
*	144728-01-000	EA	VALVE - SEWER HOSE - 3"
31	161534-02-02B	EA	BRACKET - HOLDING TANK - E-COATED
32	160952-01-01A	EA	TANK - HOLDING - W/O FITTINGS
	049032-01-000	EA	PATCH - SPINWELD - 1"ID - 1.9"OD - PLASTIC
	125697-02-000	EA	NOZZLE - WELD-A-FLUSH
	135386-01-000	EA	NIPPLE - 1/2"

*COMPONENT PARTS LISTED LATER IN THIS GROUP



KEY	PART NUMBER	U/M	DESCRIPTION
1	M02630-95-T77	EA	SHOWER PAN - W/STRAINER
2	089326-02-000	EA	GRILLE - FLOOR - HEATING - 9.3" X 5.3" - SOFT WHITE
3	113714-02-30A	EA	RETAINER - SHELF/SHOWER - 10.6" - IVORY MARBLE
4	147575-05-30A	EA	ENCLOSURE - SHOWER - SIDES/BACK - 1 PIECE - IVORY MARBLE
5	154585-03-01A	FT	SEAL - FOAM TAPE - ADHESIVE BACK - 1/8" X 3/4"
6	135607-03-01A	EA	SEAT - SHOWER/FOLDING-WHT(REPLACEMENT OR OPTION INST ONLY)

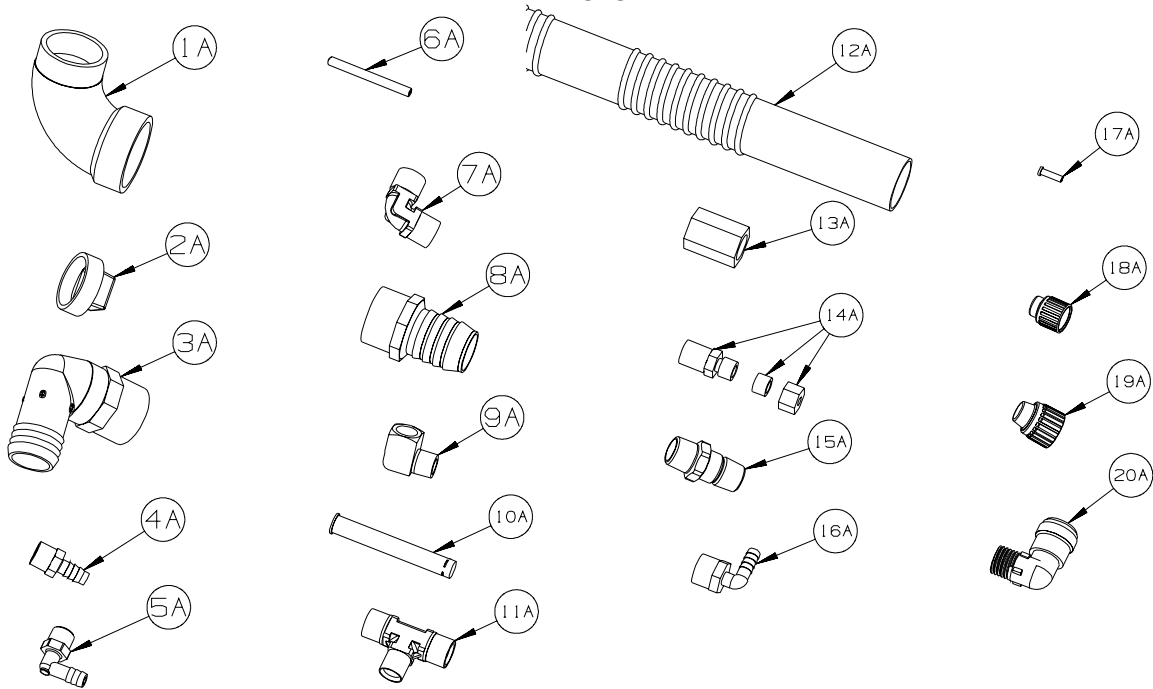
COMPONENT PARTS FOR DRAINAGE SYSTEM

144728-01-000

KEY	PART NUMBER	U/M	DESCRIPTION	VENDOR NO.
	144728-01-700	EA	GASKET-RUBBER, INSIDE VALVE	9667310-11
	144728-01-701	EA	GASKET-RUBBER, OUTSIDE	9667310-10

WATER & SEWAGE GROUP (CONTINUED)

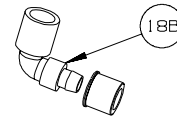
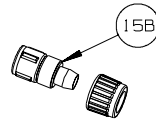
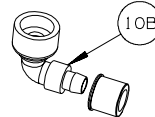
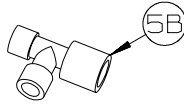
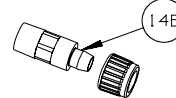
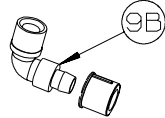
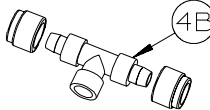
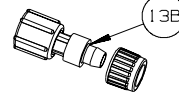
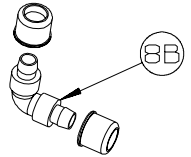
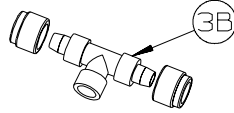
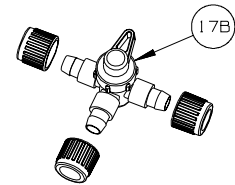
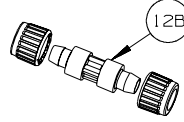
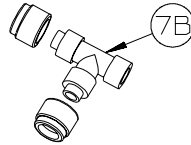
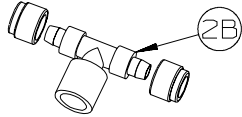
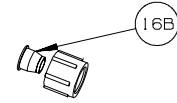
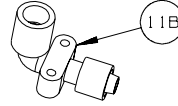
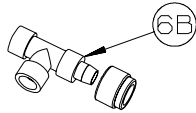
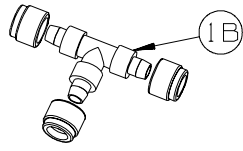
WATER SYSTEM



KEY	PART NUMBER	U/M	DESCRIPTION
1A	010009-01-000	EA	ELBOW - 90 DEGREE - 1/4 BEND - 1 1/2" PLASTIC
2A	010166-01-000	EA	PLUG/THREADED - 1 1/4"MPT - PLASTIC - BLACK - UL
3A	010219-01-000	EA	ELBOW - 1 1/4 MPT X 1 1/4 BARB - WATER FILL - PLASTIC
4A	010224-01-000	EA	ADAPTER - HOSE TO PIPE - 3/8 MPT X 3/8 BARB - PLASTIC
5A	035539-01-000	EA	ELBOW - 3/8 MPT X 3/8 BARB - PLASTIC
6A	039800-04-000	FT	TUBING - POLYBUTYL - 1/4"OD
6A	074462-02-000	FT	TUBING - VINYL - 3/8 ID X 20' - CLEAR
6A	112176-01-000	FT	TUBING - VINYL - REINFORCED - 1/2" ID
6A	124188-01-000	FT	TUBING - PEX - 1/2" ID X 20' - BLUE(COLD)
6A	124188-02-000	FT	TUBING - PEX - 1/2" ID X 20' - RED(HOT)
7A	039808-03-000	EA	ELBOW - 1/2" MPT X 1/2" MPT - PLASTIC
8A	044927-01-000	EA	ADAPTER - HOSE TO PIPE-1 1/4 MPTX1 1/4 BARB-BLACK PLASTIC
9A	065318-02-000	EA	ELBOW - 90 DEGREE - 3/8" MPT TO 3/8" FPT
10A	077954-02-000	EA	FILTER - WATER TANK - W/SCREEN IN TANK
11A	039798-01-000	EA	TEE - 1/2"MPT X 1/2"MPT X 1/2"MPT - PLASTIC
12A	079381-01-000	FT	TUBING - RIBBED FLEXIBLE/WATER FILL - 10 FT = 1EA-1.38ID
13A	101814-01-000	EA	COUPLING - FEMALE - 1/2" X 1/2" FPT - GRAY
14A	103798-01-000	EA	CONNECTOR - 1/4 OD X 3/8 MPT
15A	110438-02-000	EA	VALVE - CHECK - 1/2"MPT X 1/2"MPT - BRASS
16A	111223-02-000	EA	ELBOW - 1/2" MPT X 3/8" BARB - PLASTIC
16A	111223-04-000	EA	ELBOW - 1/2" MPT X 1/2" BARB - PLASTIC
16A	111888-01-000	EA	FERRULE - PLASTIC - .250 ID X .375 OD
17A	111888-02-000	EA	INSERT - BRASS - 1/4 COMP
18A	113697-01-000	EA	CAP - 3/8"P
19A	114427-01-000	EA	CAP - 1/2"P
20A	164906-01-000	EA	ELBOW - 90 DEGREE - 1/2" QUICK CONNECT X 1/2"MPT

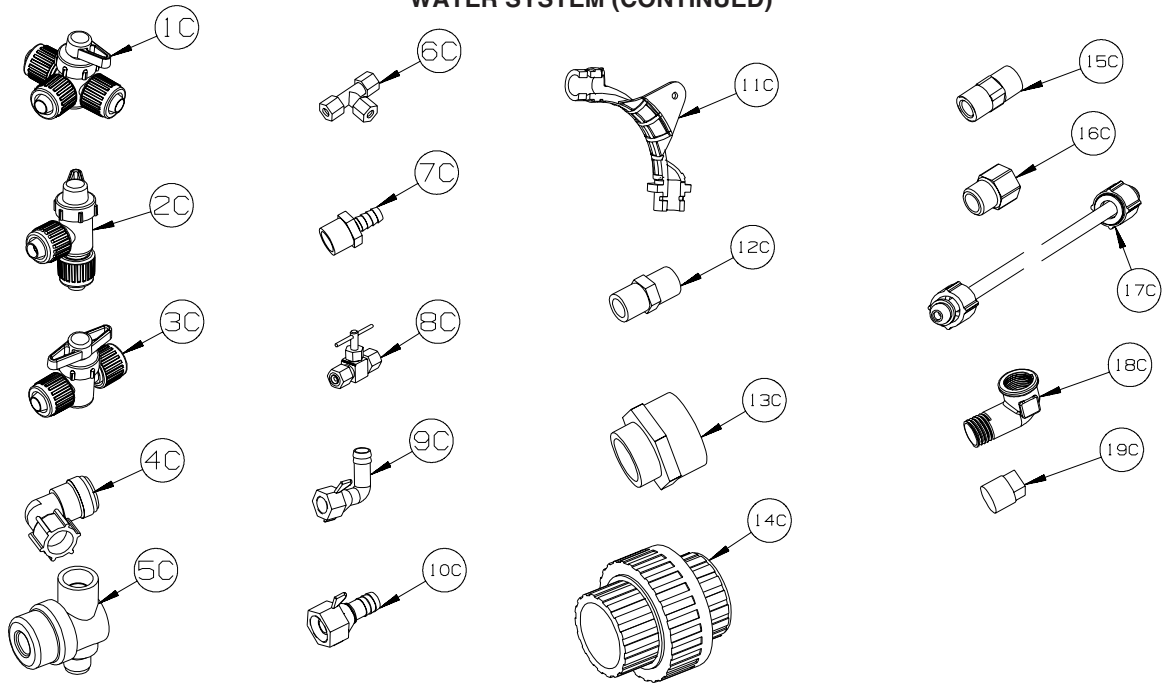
WATER & SEWAGE GROUP (CONTINUED)

WATER SYSTEM (CONTINUED)



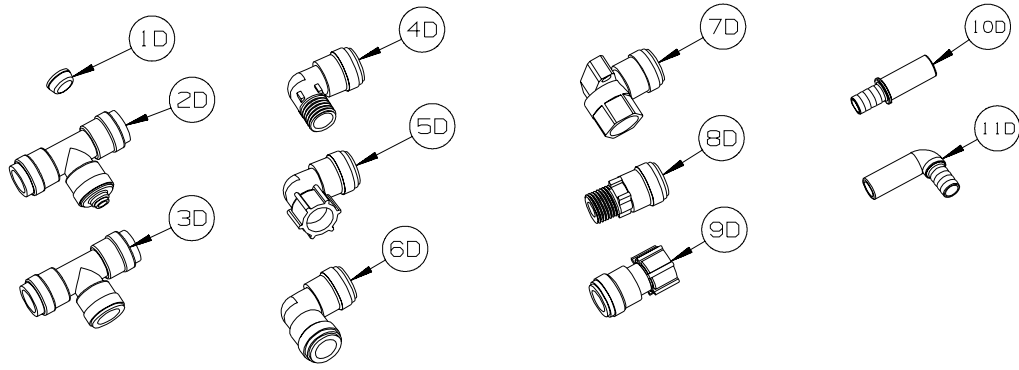
KEY	PART NUMBER	U/M	DESCRIPTION
1B	114428-01-000	EA	TEE - 1/2"P X 1/2"P X 1/2"P
2B	114428-02-000	EA	TEE - SWIVEL - 1/2"P X 1/2"P X 1/2"FPT
3B	114428-03-000	EA	TEE - 1/2"P X 1/2"P X 1/2"MPT
4B	114428-04-000	EA	TEE - 1/2"P X 1/2"P X 1/8"FPT
5B	114428-05-000	EA	TEE - 1/2" SWIVEL X 1/2" MPT X 1/2" MPT
6B	114428-06-000	EA	TEE - 1/2" P X 1/2" MPT X 1/2" MPT
7B	114428-07-000	EA	TEE - 1/2" P X 1/2" MPT X 1/2" P
8B	114429-01-000	EA	ELBOW - 1/2"P X 1/2"P
9B	114429-02-000	EA	ELBOW - 1/2"P X 1/2"MPT
9B	114429-04-000	EA	ELBOW - 1/2"P X 3/8"MPT
9B	114429-10-000	EA	ELBOW - SWIVEL - 1/2"MPT X 1/2"FPT
10B	114429-08-000	EA	ELBOW - SWIVEL - 1/2"P X 1/2"FPT
11B	114429-09-000	EA	ELBOW - 1/2"P X 1/2"FPT DROP EAR
12B	114430-01-000	EA	ADAPTER - 1/2"P X 1/2"P
13B	114430-02-000	EA	ADAPTER - SWIVEL - 1/2"P X 1/2"FPT
13B	114430-04-000	EA	ADAPTER - SWIVEL - 1/2"P X 3/8"MPT
14B	114430-03-000	EA	ADAPTER - 1/2"P X 1/2"MPT
15B	114430-06-000	EA	ADAPTER - 1/2"P X 3/8"FPT
15B	114430-09-000	EA	ADAPTER - 1/2"P X 1/2"FPT
16B	114430-10-000	EA	ADAPTER - NUT - PIPE CONNECTION - 1/2"
17B	114431-01-000	EA	VALVE - 180 DEGREE/CENTER DRAIN - 1/2"P - THREE WAY
18B	114429-11-000	EA	ELBOW - 1/2"P X 1/2"FPT

WATER & SEWAGE GROUP (CONTINUED)
WATER SYSTEM (CONTINUED)



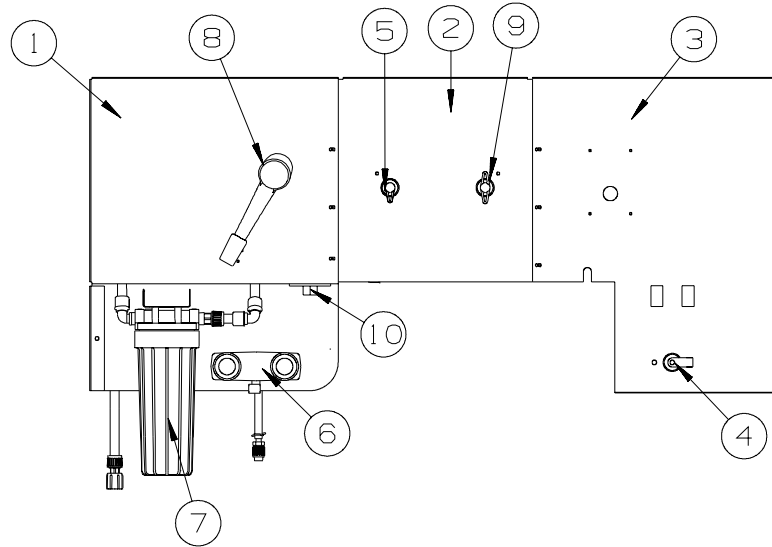
KEY	PART NUMBER	U/M	DESCRIPTION
1C	114431-02-000	EA	VALVE - WATER BYPASS - 1/2"P - THREE WAY (WATER HEATER)
2C	114431-03-000	EA	VALVE - 90 DEGREE DRAIN - 1/2"P
3C	114431-04-000	EA	VALVE - "INLINE SHUT-OFF" - 1/2"P
4C	164906-02-000	EA	ELBOW - 90 DEGREE - 1/2" QUICK CONNECT X 1/2"MPT - SWIVEL
5C	152925-01-01A	EA	FILTER - IN LINE - TWIST ON - 1/2" - BLACK
6C	118423-01-000	EA	FITTING - BRASS-TEE - 1/4C X 1/4C X 1/4C
7C	118809-01-000	EA	ADAPTER - 1/2" MPT X 3/8" BARB - PLASTIC
7C	118809-02-000	EA	ADAPTER - 1/2" MPT X 1/2" BARB - PLASTIC
8C	120868-01-000	EA	VALVE - NEEDLE - 1/4" COMPRESSION X 1/4" COMPRESSION
9C	123150-01-000	EA	ELBOW - 1/2 FPT X 1/2 BARB - SWIVEL
10C	123152-01-000	EA	ADAPTER - 1/2 FPT X 1/2 BARB - SWIVEL
11C	124184-01-000	EA	SUPPORT - WATER LINE - BEND
12C	132148-01-000	EA	CONNECTOR - 1/2" X 1/2"MPT - BRASS
13C	133835-01-000	EA	ADAPTER - REDUCING - 1 1/2" X 1 1/4"
14C	133889-01-000	EA	UNION - 1 1/2 DOUBLE SLIP - PVC
15C	135386-01-000	EA	NIPPLE - 1/2"
16C	136333-01-000	EA	ADAPTER - BRASS - 1/2"MPT X 1/2"FPT
17C	140821-01-000	EA	TUBE - WATER SUPPLY - 3/8" X 24"
17C	140821-02-000	EA	TUBE - WATER SUPPLY - 3/8" X 30"
17C	140821-03-000	EA	TUBE - WATER SUPPLY - 3/8" X 36"
17C	140821-04-000	EA	TUBE - WATER SUPPLY - 3/8" X 48"
17C	140821-05-000	EA	TUBE - WATER SUPPLY - 3/8" X 54"
17C	140821-06-000	EA	TUBE - WATER SUPPLY - 3/8" X 60"
17C	140821-07-000	EA	TUBE - WATER SUPPLY - 3/8" X 72"
17C	140821-08-000	EA	TUBE - WATER SUPPLY - 1/2" X 24"
17C	140821-09-000	EA	TUBE - WATER SUPPLY - 1/2" X 36"
17C	140821-10-000	EA	TUBE - WATER SUPPLY - 1/2" X 48"
18C	142812-01-000	EA	ELBOW - BRASS - 1/2"MPT X 1/2"FPT
19C	145609-01-000	EA	PLUG - BRASS - 1/2" MPT/HEX HEAD

WATER & SEWAGE GROUP (CONTINUED)
WATER SYSTEM (CONTINUED)



KEY	PART NUMBER	U/M	DESCRIPTION
1D	116473-01-000	EA	FERRIL - RUBBER SEALING - WATER LINE
2D	160949-01-000	EA	CONNECTOR - 1/2" X 1/2" X 1/4" REDUCER
3D	160949-02-000	EA	CONNECTOR - 1/2"CTS X 1/2"CTS X 1/2"CTS
4D	164906-01-000	EA	ELBOW - 90 DEGREE - 1/2" QUICK CONNECT X 1/2"MPT
5D	164906-02-000	EA	ELBOW - 90 DEGREE - 1/2" QUICK CONNECT X 1/2"FPT - SWIVEL
6D	164906-03-000	EA	ELBOW - 90 DEGREE - 1/2" X 1/2" QUICK CONNECTS
7D	164906-04-000	EA	ELBOW - 90 DEGREE - 1/2"CTS X 1/2"FPT
8D	164907-01-000	EA	ADAPTER - STRAIGHT - 1/2" QUICK CONNECT X 1/2"MPT
9D	164907-02-000	EA	ADAPTER - STRAIGHT - 1/2" QUICK CONNECT X 1/2"FPT/SWIVEL
10D	166212-01-000	EA	UNION - HOSE/BARB - CTS X 1/2"B - SEA TECH #3511-1008
11D	166212-02-000	EA	ELBOW - HOSE/BARB - CTS X 1/2"B - SEA TECH #3512-1008

WATER & SEWAGE GROUP (CONTINUED)
WATER SYSTEM (CONTINUED)



KEY	PART NUMBER	U/M	DESCRIPTION
1	161728-01-12B	EA	PANEL - SERVICE CENTER - BRIGHT WHITE
2	162481-01-12B	EA	PANEL - SERVICE CENTER - BRIGHT WHITE
3	161713-02-12B	EA	PANEL - SERVICE CENTER - BRIGHT WHITE
4	125697-05-000	EA	INLET/WATER - F/FLUSHING SYSTEM
5	114431-02-000	EA	VALVE - WATER BYPASS - 1/2"P - THREE WAY (WATER HEATER)
6	163269-01-01A	EA	FAUCET/SHOWER -.5"MPT W/1.9" INLET PIPES- EXTERIOR/BRT WHT
7*	155482-01-01A	EA	PREFILTER/WATER SYSTEM - HOUSING/FILTER CARTRIDGE/WRENCH
8	131383-01-02A	EA	SHOWER HEAD - W/60" HOSE & BRACKET - WHITE
9	114431-04-000	EA	VALVE - "INLINE SHUT-OFF" - 1/2"P
10	010230-06-000	EA	FILL - CITY WATER - W/CHECK VALVE - MPT - BRUSHED ALUM

***COMPONENT PARTS LISTED LATER IN THIS GROUP**

WATER & SEWAGE GROUP (CONTINUED)

COMPONENT PARTS FOR WATER SYSTEM

103635-01-000

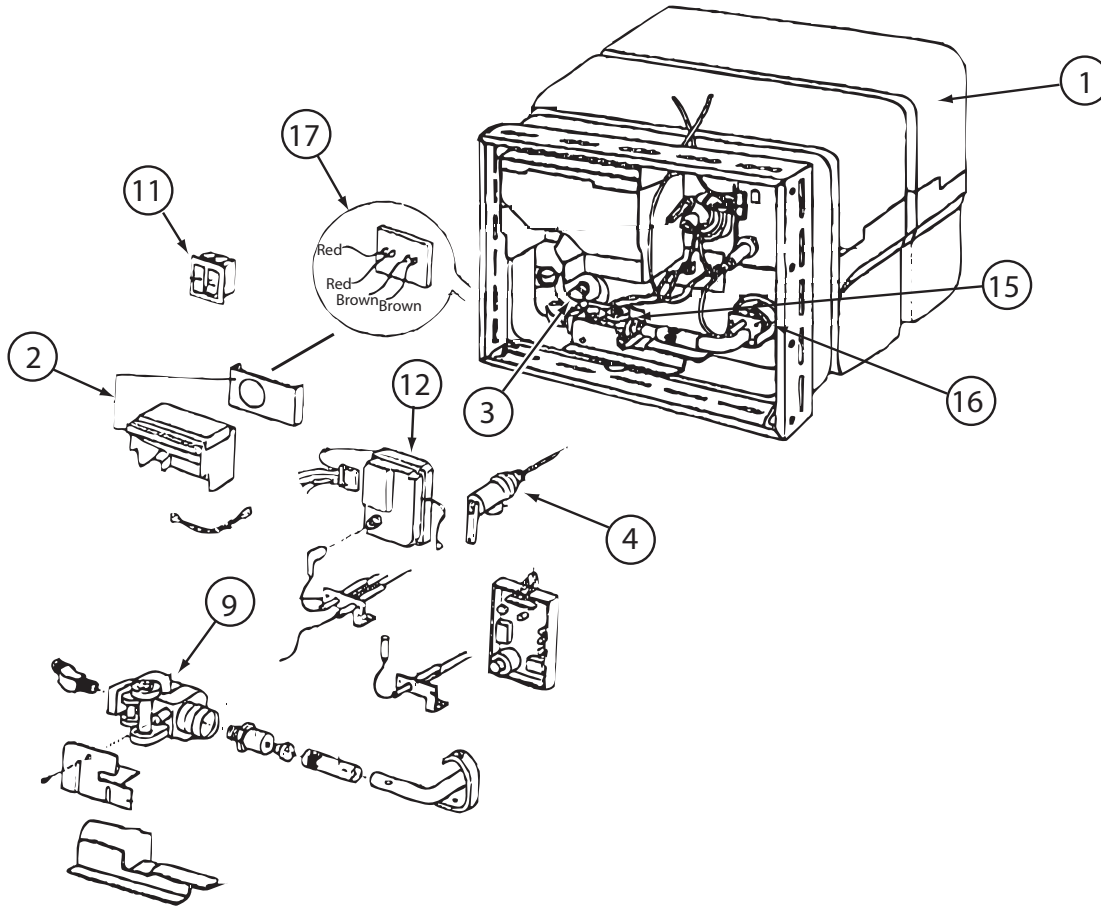
KEY	PART NUMBER	U/M DESCRIPTION	VENDOR NO.
	103635-01-703	EA CARTRIDGE - 10"	ADC-959201

123744-03-01A

KEY	PART NUMBER	U/M DESCRIPTION	VENDOR NO.
	135027-01-700	EA CLIP - RETAINER	883
	135027-01-705	EA CARTRIDGE F/SGL LEVER FAUCET	1225

129390-03-02A

KEY	PART NUMBER	U/M DESCRIPTION	VENDOR NO.
	129390- 03- 702	EA CONNECTOR-SWIVEL - CHROME	A-4002-CPK
	129390- 03- 703	EA VACUUM BREAKER - CHROME	A-4900C
	129390- 03- 705	EA BRACKET-HANGER/SHOWER HEAD	AS5001PK - CHROME



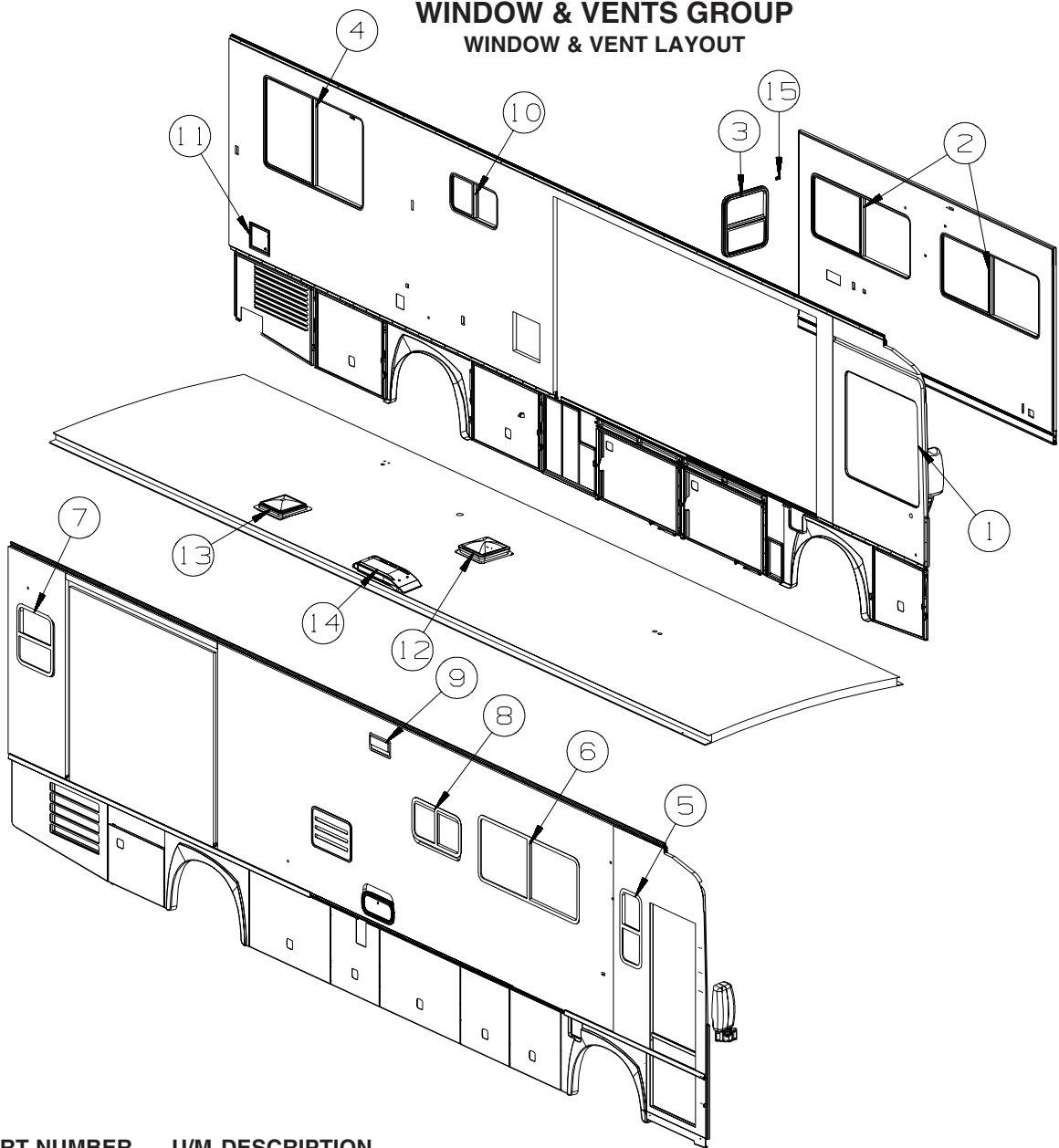
145541-01-000

KEY	PART NUMBER	U/M DESCRIPTION	VENDOR NO.
1	145541-01-700	EA TANK - W/INSULATION - 10 GAL	91028
2	051391-04-707	EA KIT-EXHAUST, (FLUE & GASKET)	90960
3	051391-01-715	EA PLUG-DRAIN, 1 EA = 2 PER PKG	91857
4	051391-01-704	EA VALVE-RELIEF, 1/2" FITTING	91604
9	051393-01-726	EA VALVE/SOLENOID - W/O BRACKET	93870
11	145541-01-701	EA SWITCH - ON/OFF - WHITE	91859
12	145541-01-702	EA CIRCUIT BOARD	91226
15	145541-01-703	EA SWITCH - THERMAL CUT OFF	93866
16	051393-01-725	EA ELECTRODE-SGL SPADE CONNECT.	93868
17	051393-01-721	EA THERMOSTAT W/ECO, 140 FRT MT	91447
	051391-05-706	EA ELEMENT-HEATING 1500 WATT	92249 W/GASKET
	051393-01-701	EA SWITCH - REMOTE - W/LIGHT	91959
	145541-01-704	EA RELAY	90061
	145541-01-705	EA JUNCTION BOX(PLASTIC) 10 GAL	91224

CONTACT WINNEBAGO PARTS SALES FOR UNLISTED COMPONENT(S)

WINDOW & VENTS GROUP

WINDOW & VENT LAYOUT



KEY	PART NUMBER	U/M	DESCRIPTION
1	151069-07-01A	EA	WINDOW - CAB/LEFT HAND/FLUSH/THERMO - 43.6" X 44.9"/43.6"
2*	150648-02-01A	EA	WINDOW-HORIZ SLIDER/FLUSH/THERMO/LH - 26.3" X 59.9"
3*	150649-08-01A	EA	WINDOW - VERT SLIDER/FLUSH/THERMO - 23.8" X 20.8"
4*	150648-34-01A	EA	WINDOW-HORIZ SLIDER/ESCAPE/FLUSH/THERMO/LH - 37.9" X 60.4"
5*	150649-05-01A	EA	WINDOW - VERT SLIDER/FLUSH/THERMO - 29.6" X 12.3"
6*	150648-03-01A	EA	WINDOW-HORIZ SLIDER/FLUSH/THERMO/RH - 26.3" X 59.9" - BLK
7	150649-31-01A	EA	WINDOW - VERT SLIDER/FLUSH/THERMO - 23.8" X 20.8"
8*	150648-04-01A	EA	WINDOW-HORIZ SLIDER/FLUSH/THERMO/RH - 16" X 28.7"
9	138983-01-02A	EA	VENT - MICROWAVE/OUTER - BLACK
9	138983-03-01A	EA	COVER - VENT MICROWAVE/OUTER - BRIGHT WHITE
10*	150648-05-01A	EA	WINDOW-HORIZ SLIDER/FLUSH/THERMO/LH - 16" X 28.7" - BLACK
11	164037-02-WD3	EA	FRAME - INTAKE/AIR
11	165453-01-02B	EA	FRAME/TRIM RING - AIR INTAKE - 11.1" X 9.6" - E-COATED
12	123780-27-01A	EA	FANTASTIC VENT-4"ROOF- W/FAN/DBL DOME-W/O THERM/PWR LIFT
13*	122882-04-01A	EA	VENT - ROOF - W/FAN/POWER LIFT - W/O INSIDE GARNISH - UL
13*	122882-05-01A	EA	VENT - ROOF - W/FAN/POWER LIFT - W/O INSIDE GARNISH - CSA - CANADIAN
	048648-01-000	EA	MOTOR/ROOF VENT - W/RESISTER - 1/8"SHAFT - 12VOLT
	048649-01-000	EA	FAN BLADE - ROOF VENT - 6 BLADED - 6"RADIUS
13	122882-07-01A	EA	GARNISH - ROOF VENT - 2.5" TO 4.1"
14	149508-01-01A	EA	CAP - ROOF/REFRIGERATOR VENT - GRAY
14	149508-02-01A	EA	BASE - ROOF/REFRIGERATOR VENT - BLACK
15	151905-01-01A	EA	CLIP/BRACKET - SCREEN RETAINER - BLACK

*COMPONENT PARTS LISTED LATER IN THIS GROUP

WINDOW & VENTS GROUP (CONTINUED)
COMPONENT PARTS FOR WINDOW & VENT LAYOUT

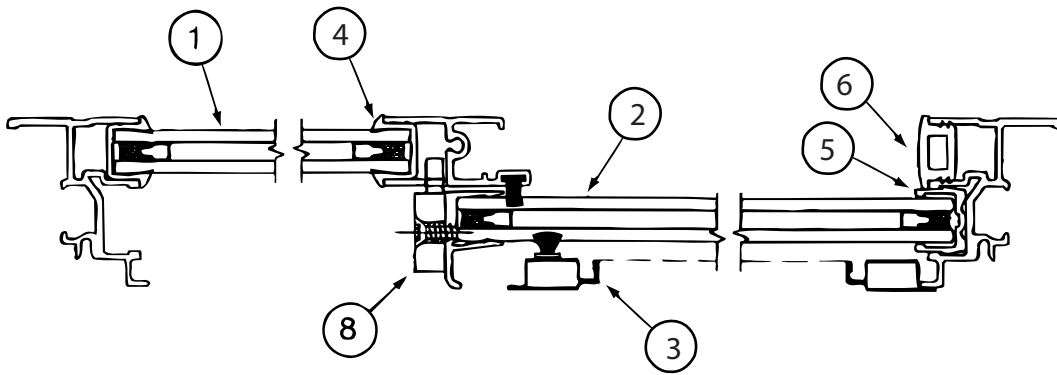
122882-04-01A

KEY	PART NUMBER	U/M	DESCRIPTION	VENDOR NO.
	064470-01-700	EA	COVER - VENT - W/O SLIDE BAR	J7291
	064470-01-701	EA	SLIDE BAR - VENT LID	JRP1291B
	064469-03-708	EA	GEAR-DRIVE	RP-1024
	110051-07-701	EA	MOTOR-LIFT, W/BRKT-GEAR 3/16	JRP1099B
	122882-04-700	EA	SCREEN	J29-670-01A

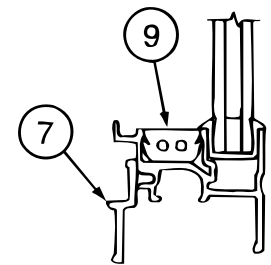
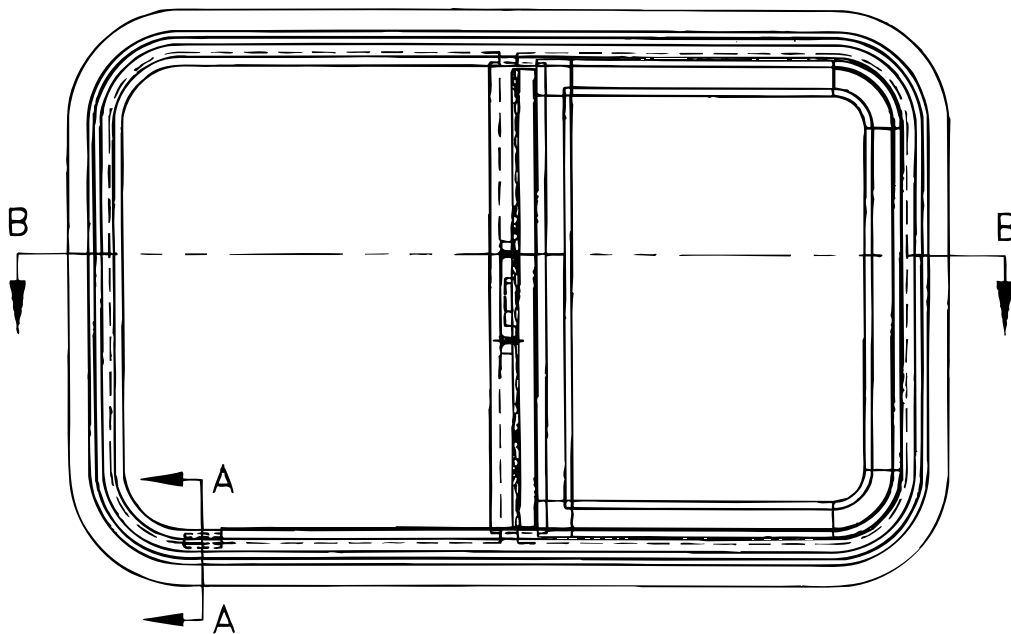
122882-05-01A

KEY	PART NUMBER	U/M	DESCRIPTION	VENDOR NO.
	064470-01-700	EA	COVER - VENT - W/O SLIDE BAR	J7291
	064470-01-701	EA	SLIDE BAR - VENT LID	JRP1291B
	064469-03-708	EA	GEAR-DRIVE	RP-1024
	064469-03-709	EA	GEAR-PINION F/LIFT MOTOR	RP-1025
	110051-07-701	EA	MOTOR-LIFT, W/BRKT-GEAR 3/16	JRP1099B
	122882-04-700	EA	SCREEN	J29-670-01A

WINDOW & VENTS GROUP (CONTINUED)
COMPONENT PARTS FOR WINDOW & VENT LAYOUT (CONTINUED)



CROSS SECTION B-B



CROSS SECTION
A-A

150648-02-01A, 150648-03-01A/3A

KEY	PART NUMBER	U/M	DESCRIPTION	VENDOR NO
1	112795-68-700	EA	GLASS - STATIONARY	390-028353
2	150648-02-700	EA	GLASS-SLIDING W/SASH & LATCH	FH3009G8
3	150648-19-700	EA	SCREEN ASM	410-035332
4	112795-01-705	FT	VINYL - GLAZING	132-027331
5	151069-01-700	EA	CHANNEL-RUN, SLIDING	122-030627
6	150648-01-703	EA	PLUG - FILLER	132-030308
7	098647-22-701	EA	RETAINER - TRIM	H287-67
8	150648-01-700	EA	LATCH-HORIZONTAL SLIDE-BLK	FH3000-CK
8	150648-01-701	EA	LATCH-HORIZONTAL SLIDE-RED	FH3003-CK
9	150648-01-704	EA	SLIDE STOP	132-030866
	150649-05-702	FT	FIN SEAL-F/LOCKING RAIL-BLK	171-062348

WINDOW & VENTS GROUP (CONTINUED)
COMPONENT PARTS FOR WINDOW & VENT LAYOUT (CONTINUED)

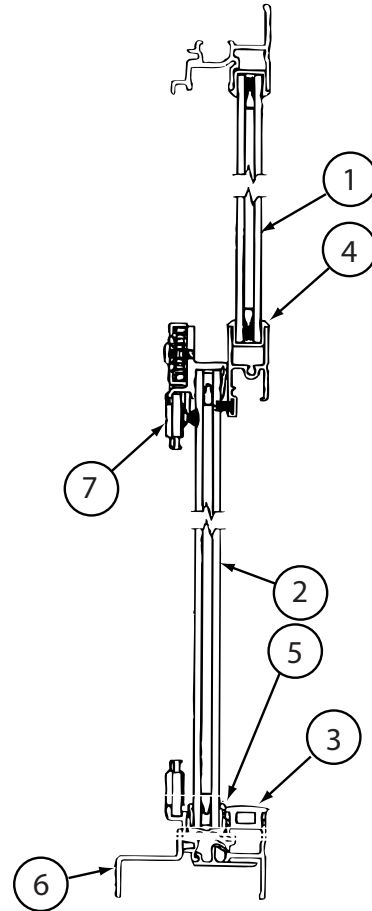
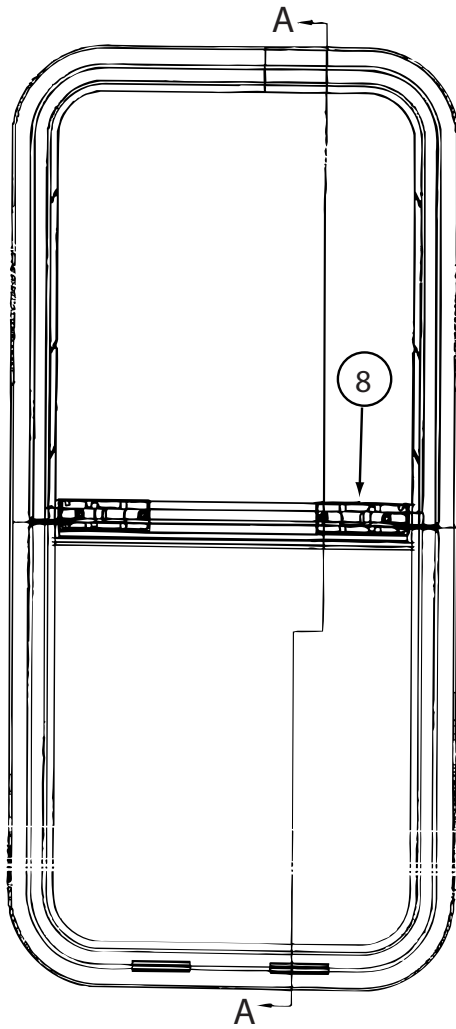
150648-04-01A, 150648-05-01A

KEY	PART NUMBER	U/M	DESCRIPTION	VENDOR NO
1	112795-72-700	EA	GLASS - STATIONARY	390-028307
2	150648-04-700	EA	GLASS-SLIDING W/SASH & LATCH	FH3002G8
3	150648-05-700	EA	SCREEN ASM	410-031158
4	112795-01-705	FT	VINYL - GLAZING	132-027331
5	151069-01-700	EA	CHANNEL-RUN, SLIDING	122-030627
6	150648-01-703	EA	PLUG - FILLER	132-030308
7	150648-05-701	EA	RETAINER - TRIM	CH29-67
8	150648-01-700	EA	LATCH-HORIZONTAL SLIDE-BLK	FH3000-CK
8	150648-01-701	EA	LATCH-HORIZONTAL SLIDE-RED	FH3003-CK
9	150648-01-704	EA	SLIDE STOP	132-030866
	150649-05-702	FT	FIN SEAL-F/LOCKING RAIL-BLK	171-062348

150648-14-01A, 150648-27-01A, 150648-34-01A

KEY	PART NUMBER	U/M	DESCRIPTION	VENDOR NO
1	150648-14-701	EA	GLASS - STATIONARY	390-036160
2	150648-14-702	EA	GLASS-SLIDING W/SASH & LATCH	FH3010G8
3	150648-14-700	EA	SCREEN ASM	410-035333
4	112795-01-705	FT	VINYL - GLAZING	132-027331
5	151069-01-700	EA	CHANNEL-RUN, SLIDING	122-030627
6	150648-01-703	EA	PLUG - FILLER	132-030308
7	150648-14-703	EA	RETAINER - TRIM	H442-67
8	150648-01-700	EA	LATCH-HORIZONTAL SLIDE-BLK	FH3000-CK
8	150648-01-701	EA	LATCH-HORIZONTAL SLIDE-RED	FH3003-CK
9	150648-01-704	EA	SLIDE STOP	132-030866
	150649-05-702	FT	FIN SEAL-F/LOCKING RAIL-BLK	171-062348

WINDOW & VENTS GROUP (CONTINUED)
COMPONENT PARTS FOR WINDOW & VENT LAYOUT (CONTINUED)



CROSS SECTION A-A

150649-05-01A

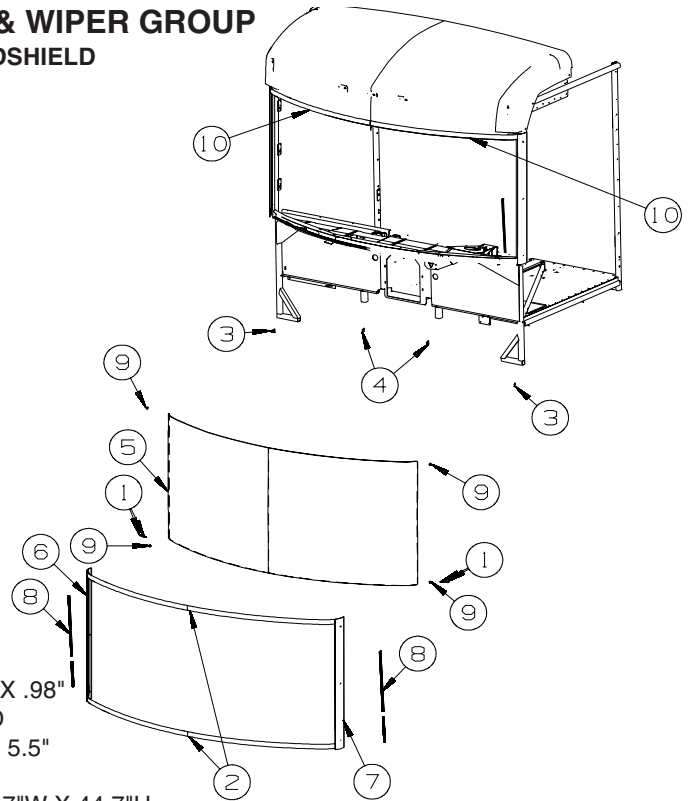
KEY	PART NUMBER	U/M	DESCRIPTION	VENDOR NO
1	150649-05-704	EA	GLASS - STATIONARY	390-035648
2	150649-05-705	EA	GLASS-SLIDING W/PULL & LATCH	FH3054A9
3	150648-01-703	EA	PLUG - FILLER	132-030308
4	112795-01-705	FT	VINYL-GLAZING	132-027331
5	151069-01-700	EA	CHANNEL-RUN, SLIDING	122-030627
6	150649-05-700	EA	RETAINER - TRIM	H754-67
7	150649-05-703	EA	SCREEN ASM	410-035633
8	150649-01-700	EA	LATCH KIT - F/VERTICAL SLIDE - BLACK	FH3016-CK
	150649-05-702	EA	FIN SEAL-F/LOCKING RAIL-BLK	171-062348

150649-08-01A

KEY	PART NUMBER	U/M	DESCRIPTION	VENDOR NO
1	150649-08-700	EA	GLASS - STATIONARY	390-035202
2	150649-08-701	EA	GLASS-SLIDING W/PULL & LATCH	FH3029G8
3	150648-01-703	EA	PLUG - FILLER	132-030308
4	112795-01-705	FT	VINYL-GLAZING	132-027331
5	151069-01-700	EA	FIN CHANNEL-RUN, SLIDING	122-030627
6	150649-08-702	EA	RETAINER - TRIM	H754-67
7	150649-07-701	EA	SCREEN ASM	410-035475
8	150649-01-700	EA	LATCH KIT - F/VERTICAL SLIDE - BLACK	FH3016-CK

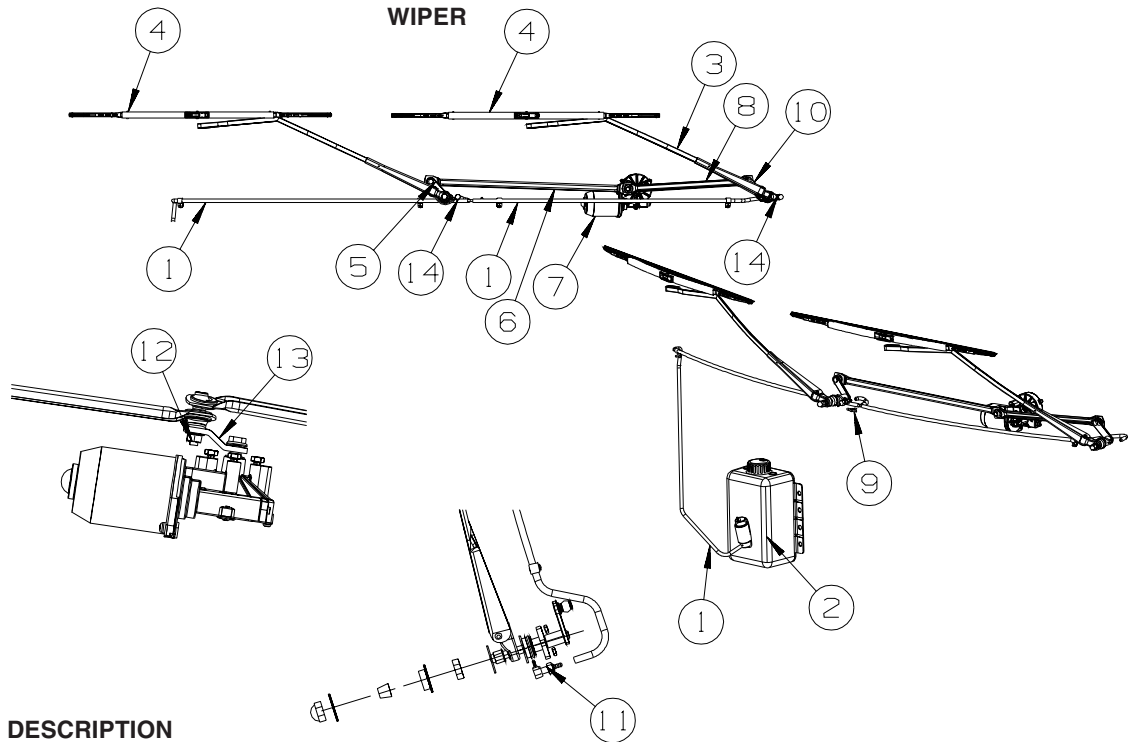
WINDSHIELD & WIPER GROUP

WINDSHIELD



KEY	PART NUMBER	U/M	DESCRIPTION
1	002328-03-000	EA	BLOCK - WINDSHIELD - .125" X .5" X .98"
2	120533-01-000	FT	MOLDING - REVEAL - WINDSHIELD
3	132375-01-000	EA	CARRIER/REVEAL - WINDSHIELD - 5.5"
4	117335-06-000	EA	CARRIER/REVEAL - 29.8"
5	159448-01-000	EA	WINDSHIELD - SOLID/1 PIECE - 98.7"W X 44.7"H
6	144054-05-02A	EA	TRIM - WINDSHIELD - A PILLAR - RIGHT HAND - BLACK
			FROM: 00-00-00 THRU: 08-03-08
6	163165-05-02A	EA	TRIM - WINDSHIELD - A PILLAR - RIGHT HAND - BLACK
			FROM: 08-04-08 THRU: 99-99-99
7	144054-06-02A	EA	TRIM - WINDSHIELD - A PILLAR - LEFT HAND - BLACK
			FROM: 00-00-00 THRU: 08-03-08
7	163165-06-02A	EA	TRIM - WINDSHIELD - A PILLAR - LEFT HAND - BLACK
			FROM: 08-04-08 THRU: 99-99-99
8	158297-01-000	FT	SEAL - BULB - .5" X .7" - ADHESIVE BACK - BLACK
9	081914-02-000	EA	BUMPER - RUBBER - ROUND - 5/16" DIA. X 13/64" THICK
10	127862-01-000	EA	CARRIER/REVEAL - WINDSHIELD - 47.2"

WINDSHIELD & WIPER GROUP (CONTINUED)



KEY	PART NUMBER	U/M	DESCRIPTION
1	045794-01-000	FT	HOSE - WINDSHIELD WASHER - 5/32"ID - BLACK
2	157507-01-000	EA	RESERVOIR/PUMP - WINDSHIELD WASHER
3*	157531-01-000	EA	ARM - WIPER - RADIAL - 28"
4	157532-01-000	EA	BLADE - WINDSHIELD WIPER - 28"
5*	157512-01-000	EA	SHAFT/PIVOT - WINDSHIELD WIPER - DRIVER/PASSENGER
6	157521-02-000	EA	LINK/WIPER - CONNECTING - PASSENGER
7	157508-01-000	EA	WIPER MOTOR - WINDSHIELD
8	157521-01-000	EA	LINK/WIPER - CONNECTING - DRIVER
9	146486-01-000	EA	TEE - PLASTIC - 5/32" X 5/32" X 5/32"
10*	149401-02-000	EA	SHAFT/PIVOT - WINDSHIELD WIPER - 4.1" OVERALL
11	157533-02-000	EA	FITTING/WIPER - COWL/TALL
12	149395-01-000	EA	STUD/DOUBLE BALL CRANK - WIPER MOTOR
13	157578-01-000	EA	ARM/DRIVE - WIPER MOTOR
14	110742-03-000	EA	GASKET - WIPER ADAPTER SHAFT

*COMPONENT PARTS LISTED LATER IN THIS GROUP

COMPONENT PARTS FOR WIPER

149401-01-000,149401-02-000

KEY	PART NUMBER	U/M	DESCRIPTION	VENDOR NO.
	096505-02-703	EA	NUT/ACORN - HD W/.687 BRL	51065-40-NT27WC
	149401-01-700	EA	HARDWARE PKG - F/SHAFT&PIVOT	PSHWKIT
	149401-01-701	EA	SEAL CAP/RUBBER GROMMET	300749

157512-01-000

KEY	PART NUMBER	U/M	DESCRIPTION	VENDOR NO.
	096505-02-703	EA	NUT/ACORN - HD W/.687 BRL	51065-40-NT27WC
	149401-01-700	EA	HARDWARE PKG - F/SHAFT&PIVOT	PSHWKIT

157531-01-000

KEY	PART NUMBER	U/M	DESCRIPTION	VENDOR NO.
	157531-01-700	EA	WASHER NOZZLE KIT W/HDW	19475