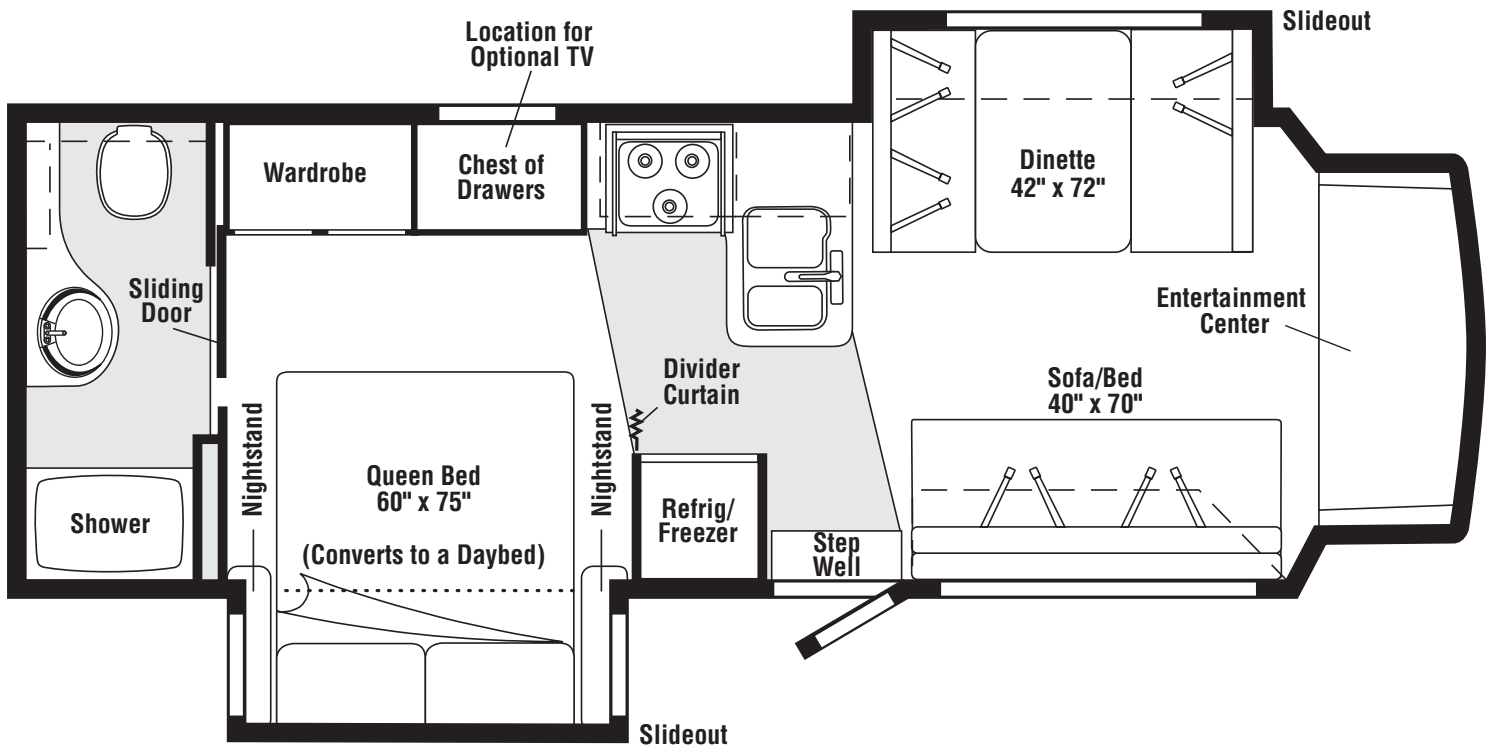


**2008  
CAMBRIA  
700-SERIES  
729H**

**WASHED MAPLE  
W45 DESERT SHADOWS  
W47 FOREST RIDGE  
W49 NANTUCKET FOG  
SIERRA MAPLE  
W46 DESERT SHADOWS  
W48 FOREST RIDGE  
W50 NANTUCKET FOG**



**FLOORPLANS**

# CONTENTS

<b>FLOORPLANS</b> .....	<b>1</b>
<b>ACCESSORIES GROUP</b> .....	<b>6</b>
OPERATORS MANUAL .....	6
<b>AUDIO VIDEO GROUP</b> .....	<b>7</b>
RADIO SYSTEM .....	7
REAR MONITOR .....	8
COMPONENT PARTS FOR AUDIO VIDEO .....	8
156442-02-01A, 156442-03-01A .....	8
<b>CABINET &amp; APPLIANCE GROUP</b> .....	<b>9</b>
CABINET & APPLIANCE LAYOUT .....	9
COMPONENT PARTS FOR CABINET & APPLIANCE LAYOUT .....	16
114030-04-01A .....	16
121568-06-01A, 121568-07-01A, 121568-08-01A .....	18
136354-05-01A, 136354-05-02A .....	22
136354-06-01A, 136354-06-02A .....	23
150606-04-02A .....	23
151277-01-01A, 151277-02-01A .....	24
<b>CHASSIS GROUP</b> .....	<b>27</b>
FRAME .....	27
DRIVETRAIN .....	27
EXHAUST .....	28
HITCH .....	28
FUEL .....	29
HYDRAULIC LEVELING .....	29
COMPONENT PARTS FOR HYDRAULIC LEVELING .....	30
157770-01-000 .....	30
SPARE TIRE .....	30
COMPONENT PARTS FOR SPARE TIRE .....	30
149703-01-01A .....	30
SUSPENSION .....	31
COMPONENT PARTS FOR SUSPENSION .....	31
153119-01-000 .....	31
WHEEL, TIRE, COVERS &/OR LINERS .....	31
COMPONENT PARTS FOR WHEEL, TIRE, COVERS &/OR LINERS .....	31
110435-13-000 .....	31
110435-23-000 .....	31
BRAKELINE .....	31
<b>CURTAIN &amp; CUSHION GROUP</b> .....	<b>32</b>
CURTAIN, CUSHION LAYOUT .....	32
HARDWARE .....	37
ACCESSORIES .....	39
FABRICS .....	40
<b>DRIVERS COMPARTMENT GROUP</b> .....	<b>42</b>
FRONT INTERIOR .....	42
CABINETS .....	43

# CONTENTS (CONTINUED)

<b>ELECTRICAL GROUP</b> .....	<b>44</b>
110V BODY WIRING .....	44
12V BODY WIRING .....	46
EXTERIOR LAMPS .....	50
FRONT END .....	52
FRONT TV/VCR .....	53
COMPONENT PARTS FOR WIRING .....	54
076319-23-000 .....	54
076319-25-000 .....	54
087694-01-000 .....	55
093575-46-01A .....	55
097917-01-06A .....	55
120269-07-01A .....	55
121935-01-01A .....	55
123775-01-01A .....	55
123775-01-02A .....	55
133908-09-01A .....	55
134940-06-01A .....	56
134940-07-01A .....	56
137135-02-000 .....	57
137417-02-01A .....	58
137417-06-01A .....	58
154474-04-01A .....	58
158703-01-000 .....	58
160123-01-000 .....	58
163031-01-01A .....	58
163097-01-000 .....	58
164495-01-000 .....	58
165074-01-000 .....	58
166446-01-000 .....	58
CIRCUIT BREAKERS, FUSES & RELAYS .....	59
CONVERTER, INVERTER, LOAD CENTERS .....	59
COMPONENT PARTS FOR CONVERTER, INVERTER, LOAD CENTERS .....	59
083208-07-000 .....	59
BOXES & CORDS .....	60
WIRE ASSEMBLIES .....	60
CONNECTORS & CONDUIT .....	61
CHASSIS .....	63
<b>EXTERIOR BODY GROUP</b> .....	<b>65</b>
GRAPHICS & PAINT .....	65
PANELS & TRIMS .....	67
COMPONENT PARTS FOR PANELS & TRIMS .....	70
133908-05, 133908-06, 133908-10, 133908-11, 133908-14, 133908-15, -01A/02A .....	70
133908-16, 133908-17, -01A/-02A/-03A .....	70
FRONT END .....	71
LADDER .....	72
STRUCTURAL COMPONENTS .....	72
AWNINGS .....	73
<b>EXTERIOR DOORS &amp; COMPARTMENTS GROUP</b> .....	<b>74</b>
DOOR & COMPARTMENT LAYOUT .....	74
COMPONENT PARTS FOR DOOR & COMPARTMENT LAYOUT .....	78
084103-08-000 .....	78
094708-05-01A .....	79
COMPARTMENT DOOR PIECE PARTS .....	80
ENTRY .....	82
SCREEN .....	83
LATCH - ENTRY .....	84

## CONTENTS (CONTINUED)

<b>EXTERIOR SLIDEOUT GROUP</b> .....	<b>85</b>
FRONT LEFT .....	85
COMPONENT PARTS FOR FRONT LEFT .....	89
148685-01-000 .....	89
162495-01-01A, 162495-02-01A .....	89
RIGHT REAR .....	90
COMPONENT PARTS FOR RIGHT REAR .....	94
150661-02-000 .....	94
<b>GENERATOR GROUP</b> .....	<b>95</b>
GAS .....	95
<b>HEATING &amp; A/C GROUP</b> .....	<b>96</b>
FURNACE .....	96
COMPONENT PARTS FOR FURNACE .....	97
139980-02-000 .....	97
ROOF .....	99
COMPONENT PARTS FOR ROOF .....	99
131184-01-01A .....	99
131184-05-01A .....	100
131184-06-01A .....	101
131184-07-01A .....	102
148644-01-01A .....	103
148644-02-01A .....	104
<b>INTERIOR FINISH GROUP</b> .....	<b>105</b>
MOLDINGS & TRIMS .....	105
PANELING & LAMINATES .....	115
INTERIOR TRIM LAYOUT .....	116
COMPONENT PART FOR INTERIOR TRIM LAYOUT .....	120
094499-02-000 .....	120
FLOOR COVERINGS .....	120
HARDWARE .....	121
<b>LABELS GROUP</b> .....	<b>127</b>
<b>LP GROUP</b> .....	<b>131</b>
LP SYSTEM .....	131
COMPONENT PARTS FOR LP SYSTEM .....	131
144116-09-000 .....	131
<b>SELANTS &amp; FASTENERS GROUP</b> .....	<b>132</b>
SEALANTS & ADHESIVES .....	132
BOLTS, NUTS AND WASHERS .....	133
SCREWS .....	135
CLAMPS, CLIPS, GROMMETS, RIVETS & PLUGS .....	138
MISCELLANEOUS FASTENERS .....	139
<b>WATER &amp; SEWAGE GROUP</b> .....	<b>140</b>
DRAINAGE SYSTEM .....	140
COMPONENT PARTS FOR DRAINAGE SYSTEM .....	142
147421-06-01A .....	142
WATER SYSTEM .....	143
COMPONENT PARTS FOR WATER SYSTEM .....	149
051391-03-000 .....	149
075241-04-000, 075241-05-000, 075241-06-000, 075241-07-000 .....	150
145541-02-000 .....	150
152311-01-01A .....	150
165730-01-01A .....	150

## CONTENTS (CONTINUED)

<b>WINDOW &amp; VENTS GROUP .....</b>	<b>151</b>
WINDOW & VENT LAYOUT .....	151
COMPONENT PARTS FOR WINDOW & VENT LAYOUT .....	152
098644-13-01A .....	152
098647-23-02A .....	153
098647-47-02A .....	154
112463-02-02A .....	154
122882-01-01A .....	155
122882-02-01A, 122882-03-01A .....	155
123780-03-01A .....	156
123780-26-01A .....	157
150648-02-01A, 150648-03-01A/3A .....	158
150648-07-01A, 150648-22-01A .....	159
150649-07-01A .....	159
150651-01-01A/03A .....	160
161452-06-01A .....	161

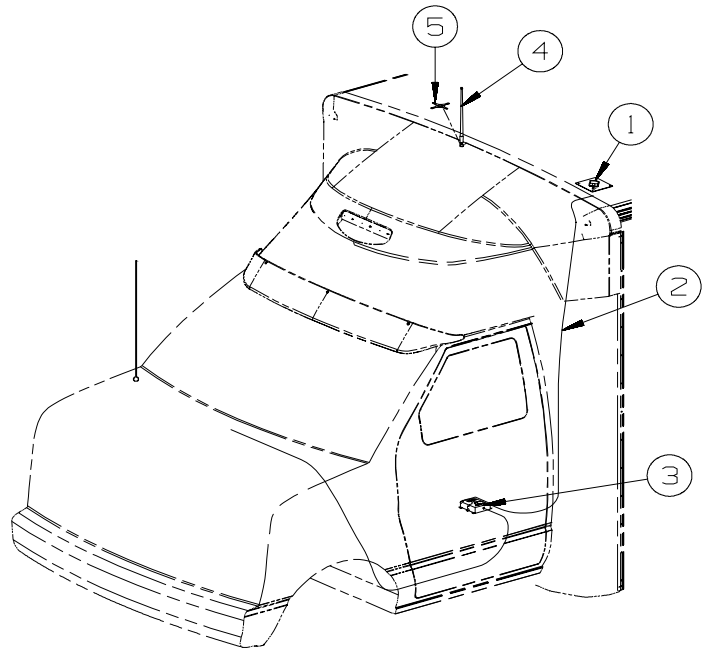
## ACCESSORIES GROUP

### OPERATORS MANUAL

KEY	PART NUMBER	U/M	DESCRIPTION
	158603-08-004	EA	MANUAL/OWNER - SUPPLEMENT - 700 SERIES - 2008
	159842-01-01A	EA	CASE - VINYL - F/MANUALS - W/SLEEVES - BLACK
	161500-08-008	EA	MANUAL/OWNER - CAMBRIA - 700 SERIES - 2008
	161328-01-000	DW	TOP LEVEL-700,2008

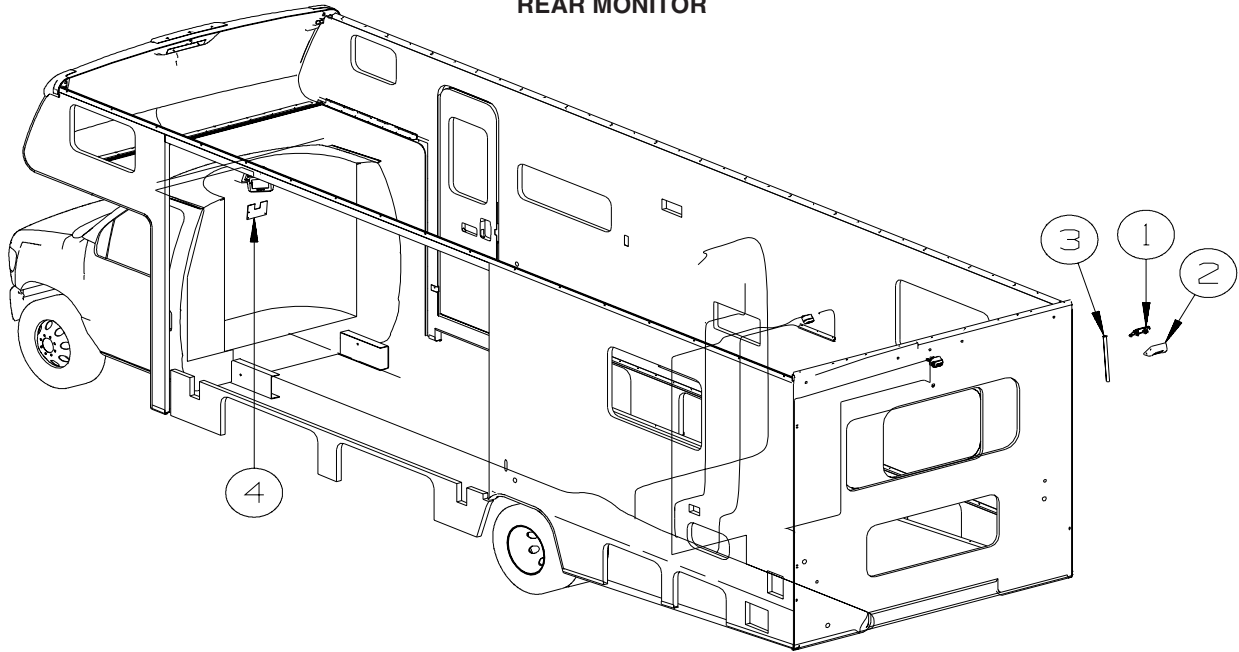
## AUDIO VIDEO GROUP RADIO SYSTEM

KEY	PART NUMBER	U/M	DESCRIPTION
	163142-03-000	EA	REMOTE CONTROL/RADIO (CREDIT CARD SIZE) FROM: 00-00-00 THRU: 01-28-07
	163142-09-000	EA	REMOTE CONTROL/RADIO (CREDIT CARD SIZE) FROM: 01-29-07 THRU: 99-99-99
	163142-04-000	EA	REMOTE CONTROL/RADIO (STEERING WHEEL MOUNT) FROM: 00-00-00 THRU: 01-28-07
	163142-10-000	EA	REMOTE CONTROL/RADIO (STEERING WHEEL MOUNT) FROM: 01-29-07 THRU: 99-99-99
	163142-01-000	EA	RADIO-AM/FM/CD/WB - SATELLITE READY - FORD C-BODY FROM: 00-00-00 THRU: 01-28-07
	163142-07-000	EA	RADIO-AM/FM/CD/WB - SATELLITE READY - FORD C-BODY FROM: 01-29-07 THRU: 99-99-99
	163142-05-000	EA	RECEIVER (EYE) - INFRARED FROM: 00-00-00 THRU: 01-28-07
	163142-11-000	EA	RECEIVER (EYE) - INFRARED FROM: 01-29-07 THRU: 99-99-99
	163142-12-000	EA	CABLE/INTERFACE - I-POD



KEY	PART NUMBER	U/M	DESCRIPTION
1	158494-01-000	EA	ANTENNA/SATELLITE - RADIO/SIRIUS - <b>RADIO-SATELLITE</b>
2	158494-02-000	EA	CABLE/ANTENNA - SATELLITE RADIO SIRRUSS - <b>RADIO-SATELLITE</b>
3	163142-06-000	EA	RECEIVER - SATELLITE RADIOS - <b>RADIO-SATELLITE</b>
4	090944-01-000	EA	ANTENNA - RADIO - 16" RUBBER - W/72" LEAD WIRE
5	147741-01-09B	EA	BRACKET - ANTENNA GROUND - GALVANIZED

**AUDIO VIDEO GROUP (CONTINUED)**  
**REAR MONITOR**



KEY	PART NUMBER	U/M	DESCRIPTION
*	156442-02-01A	EA	COLOR MONITOR/LCD - 5.6" - NO AUDIO-PLAS POD MOUNT-TAN/BLK - RR MONITOR SYSTEM
*	156442-03-01A	EA	MONITOR/COLOR-5.6"/LCD - W/AUDIO - PLAS POD MOUNT-TAN/BLK - RR MONITOR SYS W/AUDIO
	144677-14-01A	EA	CAMERA - REAR VIEW W/BRACKET - WHITE - VBCS150
	144677-14-02A	EA	CAMERA - REAR VIEW W/BRACKET - BLACK - VBCS150B
1	149227-01-02B	EA	BRACKET - CAMERA - E-COATED
2	149237-01-01A	EA	SHROUD - CAMERA/OUTER - BRIGHT WHITE
2	149237-01-02A	EA	SHROUD - CAMERA/OUTER - PRIMED
3	NOT USED		
3	NOT USED		
4	NOT USED		

\*COMPONENT PARTS LISTED LATER IN THIS GROUP

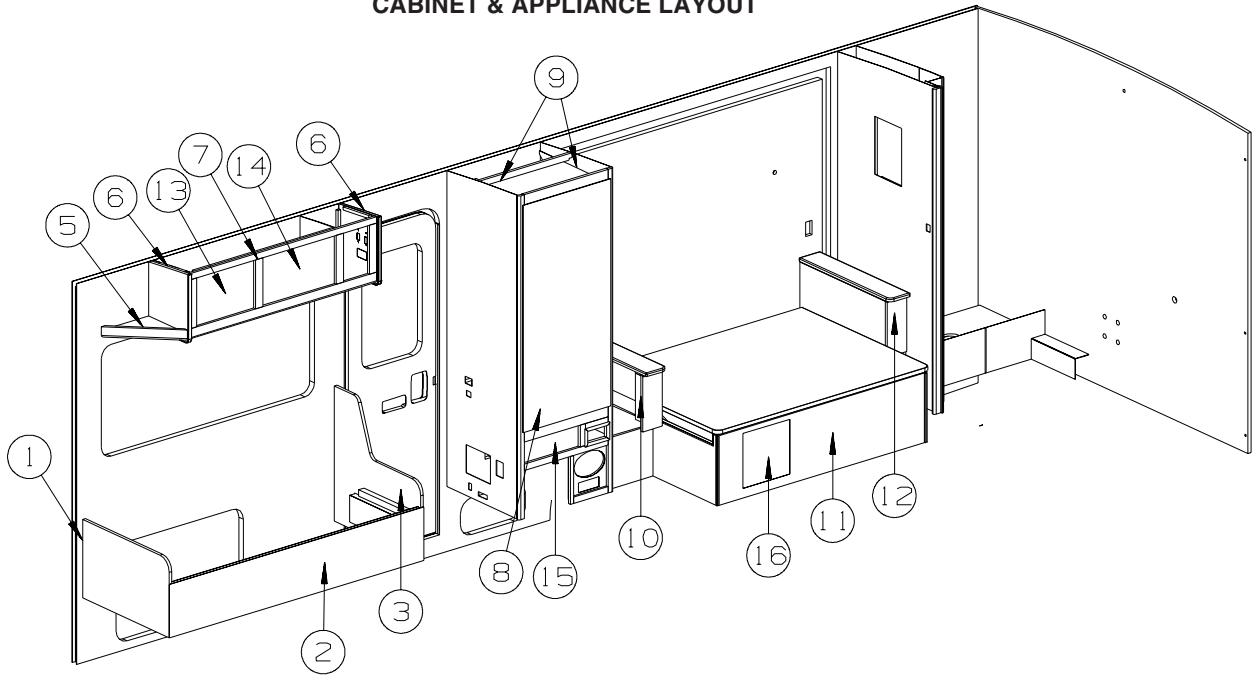
**COMPONENT PARTS FOR AUDIO VIDEO**

KEY	PART NUMBER	U/M	DESCRIPTION	VENDOR NO.
			156442-02-01A, 156442-03-01A	
	156442-02-700	EA	SHROUD - REAR VIEW MONITOR	33200013
	156442-02-701	EA	BRACKET - MOUNTING	32300012



## CABINET & APPLIANCE GROUP

### CABINET & APPLIANCE LAYOUT



KEY	PART NUMBER	U/M	DESCRIPTION
1	148296-11-W45	EA	CABINET - COUCH - RT END PANEL - FABRIC COVER (W45, W46)
1	148296-11-W47	EA	CABINET - COUCH - RT END PANEL - FABRIC COVER (W47, W48)
1	148296-11-U49	EA	CABINET - COUCH - RT END PANEL - FABRIC COVER (W49, W50)
1	148296-17-W45	EA	CABINET - COUCH - RT END PANEL - LEATHER COVER (W45, W46) - <b>ULTRALEATHER - CAB/COACH</b>
1	148296-17-W47	EA	CABINET - COUCH - RT END PANEL - LEATHER COVER (W47, W48) - <b>ULTRALEATHER - CAB/COACH</b>
1	148296-17-W49	EA	CABINET - COUCH - RT END PANEL - LEATHER COVER (W49, W50) - <b>ULTRALEATHER - CAB/COACH</b>
2	148296-23-W45	EA	CABINET - COUCH - FRONT - FABRIC COVER (W45, W46)
2	148296-23-W47	EA	CABINET - COUCH - FRONT - FABRIC COVER (W47, W48)
2	148296-23-W49	EA	CABINET - COUCH - FRONT - FABRIC COVER (W49, W50)
2	148296-24-W45	EA	CABINET - COUCH - FRONT - LEATHER COVER (W45, W46) - <b>ULTRALEATHER - CAB/COACH</b>
2	148296-24-W47	EA	CABINET - COUCH - FRONT - LEATHER COVER (W47, W48) - <b>ULTRALEATHER - CAB/COACH</b>
2	148296-24-W49	EA	CABINET - COUCH - FRONT - LEATHER COVER (W49, W50) - <b>ULTRALEATHER - CAB/COACH</b>
3	148296-20-W45	EA	CABINET - COUCH - LT END PANEL - FABRIC COVER (W45, W46)
3	148296-20-W47	EA	CABINET - COUCH - LT END PANEL - FABRIC COVER (W47, W48)
3	148296-20-W49	EA	CABINET - COUCH - LT END PANEL - FABRIC COVER (W49, W50)
3	148296-21-W45	EA	CABINET - COUCH - LEFT END PANEL - LEATHER COVER (W45, W46) - <b>ULTRALEATHER - CAB/COACH</b>
3	148296-21-W47	EA	CABINET - COUCH - LEFT END PANEL - LEATHER COVER (W47, W48) - <b>ULTRALEATHER - CAB/COACH</b>
3	148296-21-W49	EA	CABINET - COUCH - LEFT END PANEL - LEATHER COVER (W49, W50) - <b>ULTRALEATHER - CAB/COACH</b>
4	137602-K4-T41	EA	POCKET - FIRE EXTINGUISHER - WASHED MAPLE
4	137602-K4-T42	EA	POCKET - FIRE EXTINGUISHER - SIERRA MAPLE
5	148764-01-S34	EA	CABINET/SHELF - W/O DOORS/HARDWARE - WASHED MAPLE
5	148764-01-S35	EA	CABINET/SHELF - W/O DOORS/HARDWARE - SIERRA MAPLE
6	148713-01-S34	EA	END CAP - OVERHEAD CABINET - WASHED MAPLE
6	148713-01-S35	EA	END CAP - OVERHEAD CABINET - SIERRA MAPLE

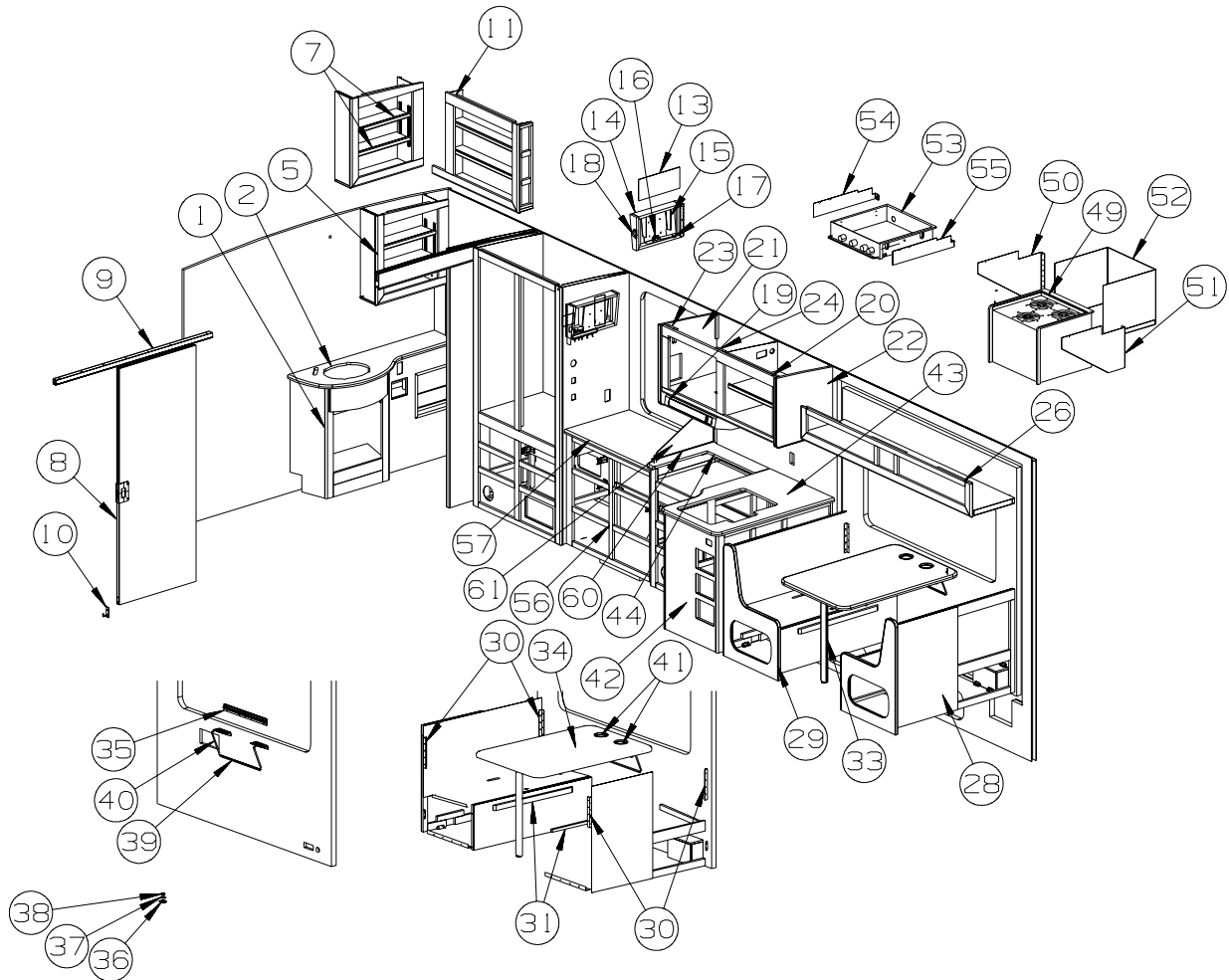
**CABINET & APPLIANCE GROUP (CONTINUED)**  
**CABINET & APPLIANCE LAYOUT (CONTINUED)**

KEY	PART NUMBER	U/M	DESCRIPTION
7	148726-04-W45	EA	CABINET - OVERHEAD - W/O DOORS/HARDWARE FROM: 00-00-00 THRU: 04-18-07
7	148726-05-W45	EA	CABINET - OVERHEAD - W/O DOORS/HARDWARE FROM: 04-19-07 THRU: 99-99-99
7	148726-04-W46	EA	CABINET - OVERHEAD - W/O DOORS/HARDWARE FROM: 00-00-00 THRU: 04-18-07
7	148726-05-W46	EA	CABINET - OVERHEAD - W/O DOORS/HARDWARE FROM: 04-19-07 THRU: 99-99-99
7	148726-04-W47	EA	CABINET - OVERHEAD - W/O DOORS/HARDWARE FROM: 00-00-00 THRU: 04-18-07
7	148726-05-W47	EA	CABINET - OVERHEAD - W/O DOORS/HARDWARE FROM: 04-19-07 THRU: 99-99-99
7	148726-04-W48	EA	CABINET - OVERHEAD - W/O DOORS/HARDWARE FROM: 00-00-00 THRU: 04-18-07
7	148726-05-W48	EA	CABINET - OVERHEAD - W/O DOORS/HARDWARE FROM: 04-19-07 THRU: 99-99-99
7	148726-04-W49	EA	CABINET - OVERHEAD - W/O DOORS/HARDWARE FROM: 00-00-00 THRU: 04-18-07
7	148726-05-W49	EA	CABINET - OVERHEAD - W/O DOORS/HARDWARE FROM: 04-19-07 THRU: 99-99-99
7	148726-04-W50	EA	CABINET - OVERHEAD - W/O DOORS/HARDWARE FROM: 00-00-00 THRU: 04-18-07
7	148726-05-W50	EA	CABINET - OVERHEAD - W/O DOORS/HARDWARE FROM: 04-19-07 THRU: 99-99-99
8*	121568-07-01A	EA	REFRIGERATOR - SMALL DBL DOOR-LH/2 WAY- 52.8"HX23.5"WX24"D
	054450-01-000	EA	LEVEL - REFRIGERATOR
	116751-01-01A	EA	TRAY - REFRIGERATOR
9	090329-01-000	FT	REFRIGERATOR CABINET SEALS SEAL - "T" - REFRIGERATOR CABINET
10	156215-02-W45	EA	CABINET - NIGHTSTAND/LH - W/O COUNTERTOP/DOORS/DRAWERS/HDW (W45)
10	156215-02-W46	EA	CABINET - NIGHTSTAND/LH - W/O COUNTERTOP/DOORS/DRAWERS/HDW (W46)
10	156215-02-W47	EA	CABINET - NIGHTSTAND/LH - W/O COUNTERTOP/DOORS/DRAWERS/HDW (W47)
10	156215-02-W48	EA	CABINET - NIGHTSTAND/LH - W/O COUNTERTOP/DOORS/DRAWERS/HDW (W48)
10	156215-02-U49	EA	CABINET - NIGHTSTAND/LH - W/O COUNTERTOP/DOORS/DRAWERS/HDW (W49)
10	156215-02-U50	EA	CABINET - NIGHTSTAND/LH - W/O COUNTERTOP/DOORS/DRAWERS/HDW (W50)
11	155951-01-W41	EA	CABINET - BED BASE - W/O DOORS/DRAWERS/HDW (W45)
11	155951-01-W42	EA	CABINET - BED BASE - W/O DOORS/DRAWERS/HDW (W46)
11	155951-01-W47	EA	CABINET - BED BASE - W/O DOORS/DRAWERS/HDW (W47)
11	155951-01-W48	EA	CABINET - BED BASE - W/O DOORS/DRAWERS/HDW (W48)
11	155951-01-T45	EA	CABINET - BED BASE - W/O DOORS/DRAWERS/HDW (W49)
11	155951-01-T46	EA	CABINET - BED BASE - W/O DOORS/DRAWERS/HDW (W50)
12	156215-01-W45	EA	CABINET - NIGHTSTAND/RH - W/O COUNTERTOP/DOORS/DRAWERS/HDW (W45)
12	156215-01-W46	EA	CABINET - NIGHTSTAND/RH - W/O COUNTERTOP/DOORS/DRAWERS/HDW (W46)
12	156215-01-W47	EA	CABINET - NIGHTSTAND/RH - W/O COUNTERTOP/DOORS/DRAWERS/HDW (W47)
12	156215-01-W48	EA	CABINET - NIGHTSTAND/RH - W/O COUNTERTOP/DOORS/DRAWERS/HDW (W48)
12	156215-01-U49	EA	CABINET - NIGHTSTAND/RH - W/O COUNTERTOP/DOORS/DRAWERS/HDW (W49)
12	156215-01-U50	EA	CABINET - NIGHTSTAND/RH - W/O COUNTERTOP/DOORS/DRAWERS/HDW (W50)
13	136955-82-S40	EA	DOOR - RAISED PANEL/PENCIL EDGE - 12.8" X 17.7" - W/O HDW - WASHED MAPLE
13	136955-82-S41	EA	DOOR - RAISED PANEL/PENCIL EDGE - 12.8" X 17.7" - W/O HDW - SIERRA MAPLE
14	136955-85-S40	EA	DOOR - RAISED PANEL/PENCIL EDGE - 12.8" X 21.9" - W/O HDW - WASHED MAPLE
14	136955-85-S41	EA	DOOR - RAISED PANEL/PENCIL EDGE - 12.8" X 21.9" - W/O HDW - SIERRA MAPLE
15	161075-09-W37	EA	DRAWER - PENCIL EDGE - 17.7"W X 14.7"D - W/O SLIDES/HDW - WASHED MAPLE
15	161075-09-W38	EA	DRAWER - PENCIL EDGE - 17.7"W X 14.7"D - W/O SLIDES/HDW - SIERRA MAPLE
16	136955-A0-W37	EA	DOOR - RAISED PANEL/PENCIL EDGE - 14.4" X 14.4" - W/O HDW - WASHED MAPLE FROM: 00-00-00 THRU: 01-10-07
16	147084-17-W37	EA	DOOR - FLAT PANEL/PENCIL EDGE - 14.4" X 14.4" - W/O HDW - WASHED MAPLE FROM: 01-11-07 THRU: 99-99-99
16	136955-A0-W38	EA	DOOR - RAISED PANEL/PENCIL EDGE - 14.4" X 14.4" - W/O HDW - SIERRA MAPLE FROM: 00-00-00 THRU: 01-10-07
16	147084-17-W38	EA	DOOR - FLAT PANEL/PENCIL EDGE - 14.4" X 14.4" - W/O HDW - SIERRA MAPLE FROM: 01-11-07 THRU: 99-99-99

\*COMPONENT PARTS LISTED LATER IN THIS GROUP

# CABINET & APPLIANCE GROUP (CONTINUED)

## CABINET & APPLIANCE LAYOUT (CONTINUED)



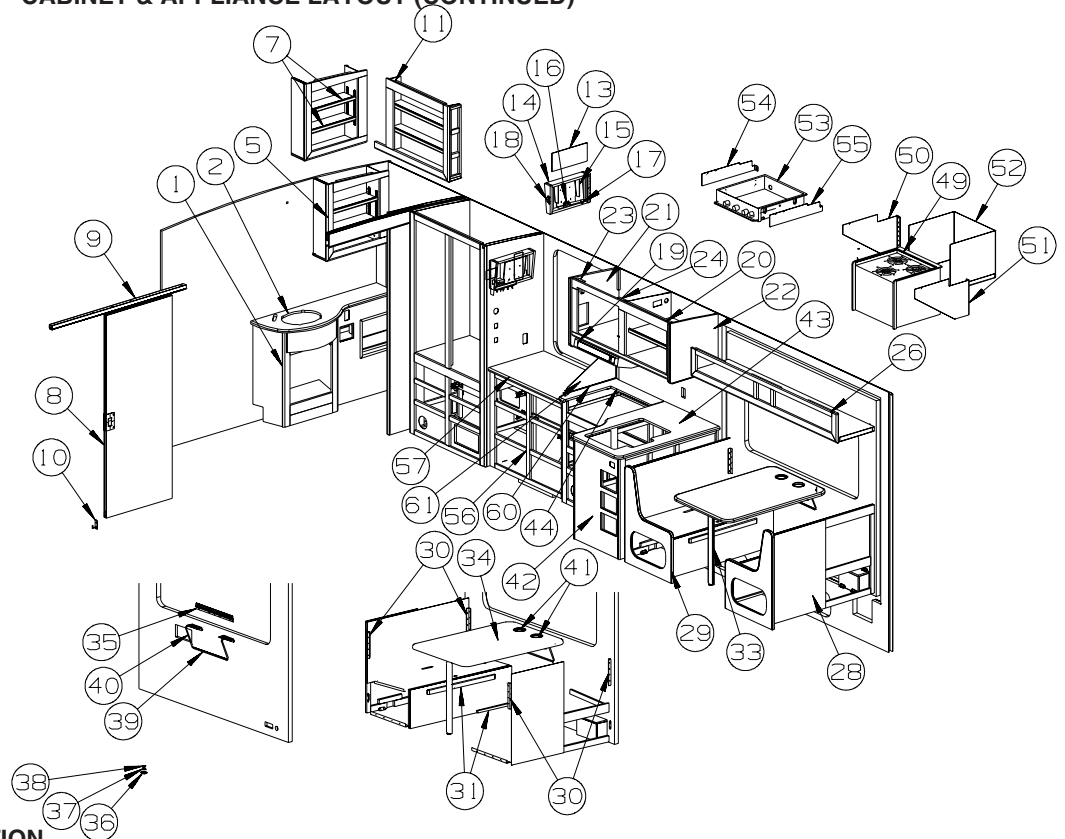
KEY	PART NUMBER	U/M	DESCRIPTION
1	161457-01-W37	EA	CABINET - LAVATORY - W/O COUNTERTOP/DOORS/DRAWERS/HDW - WASHED MAPLE
1	161457-01-W38	EA	CABINET - LAVATORY - W/O COUNTERTOP/DOORS/DRAWERS/HDW - SIERRA MAPLE
2	157828-34-03A	EA	COUNTERTOP - LAVATORY CABINET (W45, W46, W49, W50)
2	157828-34-02A	EA	COUNTERTOP - LAVATORY CABINET (W47, W48)
3	136955-08-W37	EA	DOOR - RAISED PANEL/PENCIL EDGE - 9.3" X 21.9" - W/O HDW - WASHED MAPLE
3	136955-08-W38	EA	DOOR - RAISED PANEL/PENCIL EDGE - 9.3" X 21.9" - W/O HDW - SIERRA MAPLE
4	136955-09-W37	EA	DOOR - RAISED PANEL/PENCIL EDGE - 9.3" X 21.9" - W/O HDW - WASHED MAPLE
4	136955-09-W38	EA	DOOR - RAISED PANEL/PENCIL EDGE - 9.3" X 21.9" - W/O HDW - SIERRA MAPLE
5	155912-01-T41	EA	CABINET - OVERHEAD/MEDICINE - W/O DOORS/HDW - WASHED MAPLE
5	155912-01-T42	EA	CABINET - OVERHEAD/MEDICINE - W/O DOORS/HDW - SIERRA MAPLE
6	136955-31-T47	EA	DOOR - RAISED PANEL/PENCIL EDGE - 10.2" X 21.5" - W/O HDW - WASHED MAPLE
6	136955-31-T48	EA	DOOR - RAISED PANEL/PENCIL EDGE - 10.2" X 21.5" - W/O HDW - SIERRA MAPLE
	076767-04-000	EA	CABLE - STAINLESS STEEL - 5.9"
7	155912-25-T41	EA	SHELF - W/WOOD MOLDING - WASHED MAPLE
7	155912-25-T42	EA	SHELF - W/WOOD MOLDING - SIERRA MAPLE
8	146047-A1-T41	EA	DOOR - SLIDING - W/O HARDWARE - WASHED MAPLE
8	146047-A1-T42	EA	DOOR - SLIDING - W/O HARDWARE - SIERRA MAPLE
9	145608-11-01A	EA	TRACK - DOOR - 55.4" - OFF WHITE
10	149607-06-02B	EA	GUIDE - F/POCKET DOOR - 1.8" BENT ROD - E-COATED
11	155911-01-T41	EA	CABINET - OVERHEAD/BATH - W/O DOORS/HDW - WASHED MAPLE
11	155911-01-T42	EA	CABINET - OVERHEAD/BATH - W/O DOORS/HDW - SIERRA MAPLE
12	136955-88-S40	EA	DOOR - RAISED PANEL/PENCIL EDGE - 13.4" X 21.9" - W/O HDW - WASHED MAPLE
12	136955-88-S41	EA	DOOR - RAISED PANEL/PENCIL EDGE - 13.4" X 21.9" - W/O HDW - SIERRA MAPLE
	076767-04-000	EA	CABLE - STAINLESS STEEL - 5.9"
13	160380-01-U37	EA	CABINET - OVRHD/TV/REAR - W/O DOORS/HDW - WASHED MAPLE - TV-14"DC,COLOR,LCD/REMOTE
13	165982-01-W37	EA	CABINET - OVRHD/TV/REAR - W/O DOORS/HDW - WASHED MAPLE - TV-15"DC,COLOR,LCD/REMOTE
13	160380-01-U38	EA	CABINET - OVRHD/TV/REAR - W/O DOORS/HDW - SIERRA MAPLE - TV-14"DC,COLOR,LCD/REMOTE
13	165982-01-W38	EA	CABINET - OVRHD/TV/REAR - W/O DOORS/HDW - SIERRA MAPLE - TV-15"DC,COLOR,LCD/REMOTE
	076767-04-000	EA	CABLE - STAINLESS STEEL - 5.9"

**CABINET & APPLIANCE GROUP (CONTINUED)**  
**CABINET & APPLIANCE LAYOUT (CONTINUED)**

KEY	PART NUMBER	U/M	DESCRIPTION
14	160379-01-U37	EA	CABINET - OVERHEAD/TV/REAR - W/O HDW - WASHED MAPLE - TV-14"DC,COLOR,LCD/REMOTE
14	165983-01-W37	EA	CABINET - OVERHEAD/TV/REAR - W/O HDW - WASHED MAPLE - TV-15"DC,COLOR,LCD/REMOTE
14	160379-01-U38	EA	CABINET - OVERHEAD/TV/REAR - W/O HDW - SIERRA MAPLE - TV-14"DC,COLOR,LCD/REMOTE
14	165983-01-W38	EA	CABINET - OVERHEAD/TV/REAR - W/O HDW - SIERRA MAPLE - TV-15"DC,COLOR,LCD/REMOTE
15	160378-01-02B	EA	BRACKET - SUPPORT - TV - E-COATED - TV-14"DC,COLOR,LCD/REMOTE
15	165986-01-02B	EA	BRACKET - SUPPORT - TV - E-COATED - TV-15"DC,COLOR,LCD/REMOTE
16	126263-02-02B	EA	BRACKET - GAS SPRING W/BALL STUD - E-COATED - TV-14/15" DC,COLOR,LCD/REMOTE
17	126263-15-02B	EA	BRACKET - GAS SPRING W/BALL STUD - E-COATED - TV-14/15" DC,COLOR,LCD/REMOTE
18	117095-01-01A	EA	LATCH - DOOR - GRABBER W/KEEPER - PLASTIC - BLK-5 LB PULL
19*	136354-05-02A	EA	HOOD - RANGE - W/LITE/FAN - SILVER TEXTURED
19*	136354-06-01A	EA	HOOD - RANGE - W/LITE/FAN - BLACK TEXTURED - CSA - CANADIAN
	112160-01-000	FT	SEAL - D SECTION - .2 X .3" - FOAM RUBBER
	117806-01-000	EA	BULB - 12V - #912 - 1.0 AMP
20	161454-01-W37	EA	CABINET - OVRHD/GALLEY - W/O DOORS/HDW - WASHED MAPLE
20	161454-01-W38	EA	CABINET - OVRHD/GALLEY - W/O DOORS/HDW - SIERRA MAPLE
20	161454-02-W37	EA	CABINET - OVRHD/GALLEY - W/O DOORS/HDW - WASHED MAPLE - WTR HTR-6GAL ELECTRIC/LP
20	161454-02-W38	EA	CABINET - OVRHD/GALLEY - W/O DOORS/HD - SIERRA MAPLE - WTR HTR-6GAL ELECTRIC/LP
21	155859-01-T41	EA	END CAP - OVERHEAD CABINET - WASHED MAPLE
21	155859-01-T42	EA	END CAP - OVERHEAD CABINET - SIERRA MAPLE
21	155859-02-T41	EA	END CAP - OVERHEAD CABINET - WASHED MAPLE - WTR HTR-6GAL ELECTRIC/LP
21	155859-02-T42	EA	END CAP - OVERHEAD CABINET - SIERRA MAPLE - WTR HTR-6GAL ELECTRIC/LP
22	148655-01-S34	EA	END CAP - OVERHEAD CABINET - WASHED MAPLE
22	148655-01-S35	EA	END CAP - OVERHEAD CABINET - SIERRA MAPLE
23	149420-03-02B	EA	BRACE - MICROWAVE - E-COATED
24	149420-04-02B	EA	BRACE - MICROWAVE - E-COATED
25	136955-55-W37	EA	DOOR - RAISED PANEL/PENCIL EDGE - 11.4" X 16.1" - W/O HDW - WASHED MAPLE
25	136955-55-W38	EA	DOOR - RAISED PANEL/PENCIL EDGE - 11.4" X 16.1" - W/O HDW - SIERRA MAPLE
	076767-04-000	EA	CABLE - STAINLESS STEEL - 5.9"
26	161456-01-W45	EA	CABINET - OVERHEAD/DINETTE - W/O DOORS/HDW
26	161456-01-W46	EA	CABINET - OVERHEAD/DINETTE - W/O DOORS/HDW
26	161456-01-W47	EA	CABINET - OVERHEAD/DINETTE - W/O DOORS/HDW
26	161456-01-W48	EA	CABINET - OVERHEAD/DINETTE - W/O DOORS/HDW
26	161456-01-W49	EA	CABINET - OVERHEAD/DINETTE - W/O DOORS/HDW
26	161456-01-W50	EA	CABINET - OVERHEAD/DINETTE - W/O DOORS/HDW
27	161080-B6-W37	EA	FACE/DRAWER - SOLID PANEL - 7.9" X 30.3" - W/O HDW - WASHED MAPLE
27	161080-B6-W38	EA	FACE/DRAWER - SOLID PANEL - 7.9" X 30.3" - W/O HDW - SIERRA MAPLE
28	145004-09-S34	EA	CABINET/DINETTE-RH-W/END CAP/BACK/FACE-W/O DOOR/SEAT BOARD - WASHED MAPLE
28	145004-09-S35	EA	CABINET/DINETTE-RH-W/END CAP/BACK/FACE-W/O DOOR/SEAT BOARD - SIERRA MAPLE
	096764-02-000	FT	SLIPNOT - ANTISLIP - 1'WIDE (20' ROLLS) - WHITE
29	145004-10-W37	EA	CABINET/DINETTE-LH-W/END CAP/BACK/FACE-W/O DOOR/SEAT BOARD - WASHED MAPLE
29	145004-10-S88	EA	CABINET/DINETTE-LH-W/END CAP/BACK/FACE-W/O DOOR/SEAT BOARD - SIERRA MAPLE
	096764-02-000	FT	SLIPNOT - ANTISLIP - 1'WIDE (20' ROLLS) - WHITE
30	122021-01-02A	EA	ANGLE - W/HOLES - 8.6" LONG - OFF WHITE
31	081295-01-T01	EA	SUPPORT - BED/DINETTE - 28" LONG - WASHED MAPLE
31	081295-01-T02	EA	SUPPORT - BED/DINETTE - 28" LONG - SIERRA MAPLE
32	147084-08-W37	EA	DOOR - FLAT PANEL/PENCIL EDGE - 10" X 19.1" - W/O HDW - WASHED MAPLE
32	147084-08-W38	EA	DOOR - FLAT PANEL/PENCIL EDGE - 10" X 19.1" - W/O HDW - SIERRA MAPLE
33	159010-04-W41	EA	TABLE - DINETTE - W/HANGER (W45, W46, W49, W50)
33	159010-04-W47	EA	TABLE - DINETTE - W/HANGER (W47, W48)
34	157828-35-03A	EA	COUNTERTOP - TABLE (W45, W46, W49, W50)
34	157828-35-02A	EA	COUNTERTOP - TABLE (W47, W48)
35	140921-02-02A	EA	BRACKET/TABLE SUPPORT - 18.5" - ALMOND
36	143798-01-02A	EA	CATCH - FLOOR TO TABLE LEG - ALMOND
37	143798-03-02A	EA	WASHER/CATCH - TABLE LEG - ALMOND
38	143798-02-02A	EA	CATCH - TABLE LEG TO FLOOR - ALMOND
39	024281-12-000	EA	BRACKET/WALL - TABLE LIFT - 17.1" - ALMOND
40	024275-16-000	EA	ROD - TABLE LIFT - W/ARMS 8" & BASE ROD 18.5" - ALMOND
41	064781-06-000	EA	HOLDER/CUP - TWO STEP - OFF WHITE
			FROM: 00-00-00 THRU: 04-29-07
41	164128-02-03A	EA	HOLDER/CUP - TWO STEP - ALMOND
			FROM: 04-30-07 THRU: 99-99-99

## CABINET & APPLIANCE GROUP (CONTINUED)

### CABINET & APPLIANCE LAYOUT (CONTINUED)



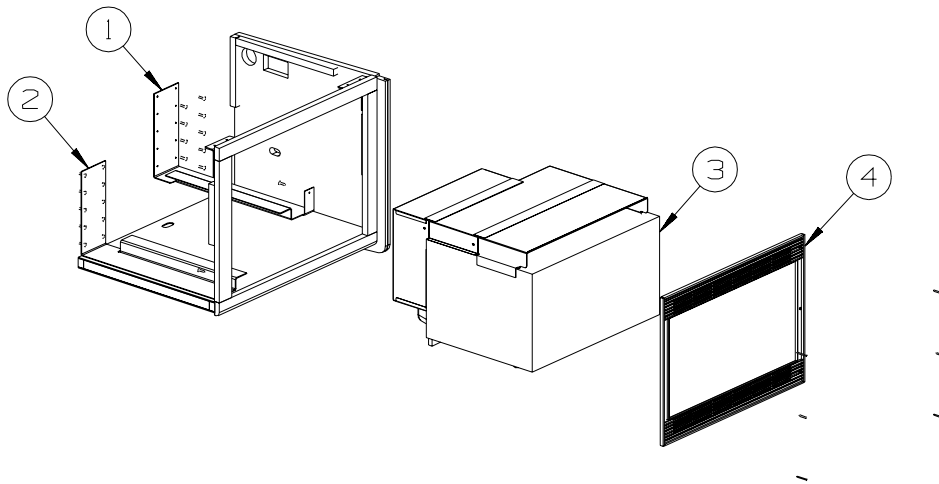
KEY	PART NUMBER	U/M	DESCRIPTION
42	P61455-01-W45	EA	CABINET - GALLEY - W/O COUNTERTOP/DOORS/DRAWERS/HDW - WASHED MAPLE (W45) FROM: 00-00-00 THRU: 05-13-07
42	P61455-01-W37	EA	CABINET - GALLEY - W/O COUNTERTOP/DOORS/DRAWERS/HDW - WASHED MAPLE (W45) FROM: 05-14-07 THRU: 99-99-99
42	P61455-01-W46	EA	CABINET - GALLEY - W/O COUNTERTOP/DOORS/DRAWERS/HDW - SIERRA MAPLE (W46) FROM: 00-00-00 THRU: 05-13-07
42	P61455-01-W38	EA	CABINET - GALLEY - W/O COUNTERTOP/DOORS/DRAWERS/HDW - SIERRA MAPLE(W46) FROM: 05-14-07 THRU: 99-99-99
42	P61455-01-W39	EA	CABINET - GALLEY - W/O COUNTERTOP/DOORS/DRAWERS/HDW - WASHED MAPLE (W47) FROM: 00-00-00 THRU: 05-13-07
42	P61455-01-W37	EA	CABINET - GALLEY - W/O COUNTERTOP/DOORS/DRAWERS/HDW - WASHED MAPLE (W47) FROM: 05-14-07 THRU: 99-99-99
42	P61455-01-W40	EA	CABINET - GALLEY - W/O COUNTERTOP/DOORS/DRAWERS/HDW - SIERRA MAPLE (W48) FROM: 00-00-00 THRU: 05-13-07
42	P61455-01-W38	EA	CABINET - GALLEY - W/O COUNTERTOP/DOORS/DRAWERS/HDW - SIERRA MAPLE (W48) FROM: 05-14-07 THRU: 99-99-99
42	P61455-01-W39	EA	CABINET - GALLEY - W/O COUNTERTOP/DOORS/DRAWERS/HDW - WASHED MAPLE (W49) FROM: 00-00-00 THRU: 05-13-07
42	P61455-01-W37	EA	CABINET - GALLEY - W/O COUNTERTOP/DOORS/DRAWERS/HDW - WASHED MAPLE (W49) FROM: 05-14-07 THRU: 99-99-99
42	P61455-01-W46	EA	CABINET - GALLEY - W/O COUNTERTOP/DOORS/DRAWERS/HDW - SIERRA MAPLE (W50) FROM: 00-00-00 THRU: 05-13-07
42	P61455-01-W38	EA	CABINET - GALLEY - W/O COUNTERTOP/DOORS/DRAWERS/HDW - SIERRA MAPLE(W50) FROM: 05-14-07 THRU: 99-99-99
42	P61455-02-W45	EA	CABINET - GALLEY - W/O COUNTERTOP/DOORS/DRAWERS/HDW (W45) - RANGE 3 BURNER W/OVEN FROM: 00-00-00 THRU: 07-15-07
42	P61455-02-W39	EA	CABINET - GALLEY - W/O COUNTERTOP/DOORS/DRAWERS/HDW (W45) - RANGE 3 BURNER W/OVEN FROM: 07-16-07 THRU: 99-99-99
42	P61455-02-W46	EA	CABINET - GALLEY - W/O COUNTERTOP/DOORS/DRAWERS/HDW (W46) - RANGE 3 BURNER W/OVEN FROM: 00-00-00 THRU: 07-15-07
42	P61455-02-W40	EA	CABINET - GALLEY - W/O COUNTERTOP/DOORS/DRAWERS/HDW (W46) - RANGE 3 BURNER W/OVEN FROM: 07-16-07 THRU: 99-99-99
42	P61455-02-W39	EA	CABINET - GALLEY - W/O COUNTERTOP/DOORS/DRAWERS/HDW (W47) - RANGE 3 BURNER W/OVEN
42	P61455-02-W40	EA	CABINET - GALLEY - W/O COUNTERTOP/DOORS/DRAWERS/HDW (W48) - RANGE 3 BURNER W/OVEN
42	P61455-02-W39	EA	CABINET - GALLEY - W/O COUNTERTOP/DOORS/DRAWERS/HDW (W49) - RANGE 3 BURNER W/OVEN
42	P61455-02-W40	EA	CABINET - GALLEY - W/O COUNTERTOP/DOORS/DRAWERS/HDW (W50) - RANGE 3 BURNER W/OVEN

**CABINET & APPLIANCE GROUP (CONTINUED)**  
**CABINET & APPLIANCE LAYOUT (CONTINUED)**

KEY	PART NUMBER	U/M	DESCRIPTION
43	157828-32-03A	EA	COUNTERTOP - GALLEY CABINET (W45, W46, W49, W50)
43	157828-32-02A	EA	COUNTERTOP - GALLEY CABINET (W47, W48)
44	157828-36-03A	EA	COUNTERTOP - GALLEY CABINET (W45, W46, W49, W50)
44	157828-36-02A	EA	COUNTERTOP - GALLEY CABINET (W47, W48)
45	161075-15-W37	EA	DRAWER - PENCIL EDGE - 17.7"W X 6.8"D - W/O SLIDES/HDW - WASHED MAPLE
45	161075-15-W38	EA	DRAWER - PENCIL EDGE - 17.7"W X 6.8"D - W/O SLIDES/HDW - SIERRA MAPLE
46	136955-86-W37	EA	DOOR - RAISED PANEL/PENCIL EDGE - 12.8" X 21.9" - W/O HDW - WASHED MAPLE
46	136955-86-W38	EA	DOOR - RAISED PANEL/PENCIL EDGE - 12.8" X 21.9" - W/O HDW - SIERRA MAPLE
47	161075-13-W37	EA	DRAWER - PENCIL EDGE - 15.7"W X 19.8"D - W/O SLIDES/HDW - WASHED MAPLE
47	161075-13-W38	EA	DRAWER - PENCIL EDGE - 15.7"W X 19.8"D - W/O SLIDES/HDW - SIERRA MAPLE
48	161075-14-W37	EA	DRAWER - PENCIL EDGE - 15.7"W X 19.8"D - W/O SLIDES/HDW - WASHED MAPLE
48	161075-14-W38	EA	DRAWER - PENCIL EDGE - 15.7"W X 19.8"D - W/O SLIDES/HDW - SIERRA MAPLE
49*	151277-01-01A	EA	RANGE-16"-3 BURNER - MERCURY FREE - BLACK DOOR/TEXTURED
50	140176-03-02B	EA	BRACKET/TIEDOWN - STOVE - E-COATED
51	140176-04-02B	EA	BRACKET/TIEDOWN - STOVE - E-COATED
52	162694-01-01A	EA	ENCLOSURE - STOVE - 20.7"W X 16.1"H X 18.7"D
53*	114030-04-01A	EA	RANGE - 3 BRNR TOP/NEW STYLE KNOBS/GRATES-W/O OVEN-BLK
54	142139-15-02B	EA	BRACKET/TIEDOWN - STOVE - E-COATED
			FROM: 00-00-00 THRU: 05-13-07
54	142139-22-02B	EA	BRACKET/TIEDOWN - STOVE - E-COATED
			FROM: 05-14-07 THRU: 99-99-99
55	142139-15-02B	EA	BRACKET/TIEDOWN - STOVE - E-COATED
			FROM: 00-00-00 THRU: 05-13-07
55	142139-23-02B	EA	BRACKET/TIEDOWN - STOVE - E-COATED
			FROM: 05-14-07 THRU: 99-99-99
56	155562-01-T41	EA	CABINET - NIGHTSTAND - W/O COUNTERTOP/DOORS/DRAWERS/HDW - WASHED MAPLE
56	155562-01-T42	EA	CABINET - NIGHTSTAND - W/O COUNTERTOP/DOORS/DRAWERS/HDW - SIERRA MAPLE
57	157828-33-03A	EA	COUNTERTOP - NIGHTSTAND (W45, W46, W49, W50)
57	157828-33-02A	EA	COUNTERTOP - NIGHTSTAND (W47, W48)
58	161075-11-W37	EA	DRAWER - PENCIL EDGE - 15.1"W X 19.7"D - W/O SLIDES/HDW - WASHED MAPLE
58	161075-11-W38	EA	DRAWER - PENCIL EDGE - 15.1"W X 19.7"D - W/O SLIDES/HDW - SIERRA MAPLE
59	161075-12-W37	EA	DRAWER - PENCIL EDGE - 15.1"W X 15.7"D - W/O SLIDES/HDW - WASHED MAPLE
59	161075-12-W38	EA	DRAWER - PENCIL EDGE - 15.1"W X 15.7"D - W/O SLIDES/HDW - SIERRA MAPLE
60	145211-03-T41	EA	SPLASHGUARD - WASHED MAPLE
60	145211-03-T42	EA	SPLASHGUARD - SIERRA MAPLE
61	127117-03-01A	EA	GLASS - STATIONARY - SPLASHGUARD
62	161075-10-W37	EA	DRAWER - PENCIL EDGE - 17.7"W X 14.7"D - W/O SLIDES/HDW - WASHED MAPLE
62	161075-10-W38	EA	DRAWER - PENCIL EDGE - 17.7"W X 14.7"D - W/O SLIDES/HDW - SIERRA MAPLE
63	141507-03-T47	EA	DOOR - MIRRORED/PENCIL EDGE - 16.7" X 48" - W/O HDW - WASHED MAPLE
63	141507-03-T48	EA	DOOR - MIRRORED/PENCIL EDGE - 16.7" X 48" - W/O HDW - SIERRA MAPLE
	076767-04-000	EA	CABLE - STAINLESS STEEL - 5.9"

\*COMPONENT PARTS LISTED LATER IN THIS GROUP

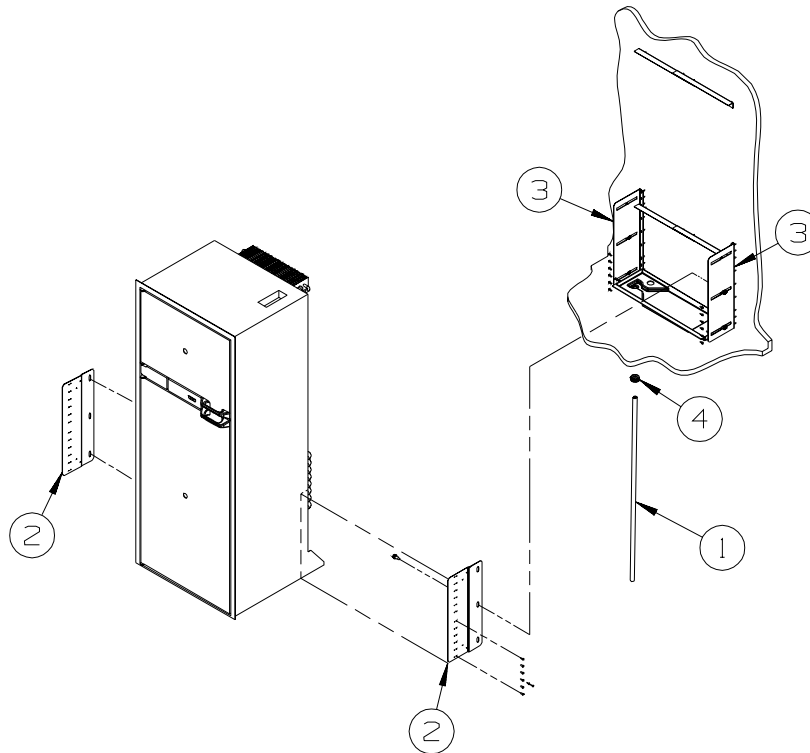
**CABINET & APPLIANCE GROUP (CONTINUED)**  
**CABINET & APPLIANCE LAYOUT (CONTINUED)**



**MICROWAVE  
INSTALLATION**

KEY	PART NUMBER	U/M	DESCRIPTION
1	149418-09-02B	EA	BRACKET - MICROWAVE - E-COATED
2	149418-10-02B	EA	BRACKET - MICROWAVE - E-COATED
3*	150606-04-02A	EA	OVEN - MICROWAVE/CONVECTION/SILVER - .9 CU FT - #R-820JS
3	150606-06-01A	EA	OVEN - MICROWAVE/CONVECTION/BLACK - .9 CU FT - #R820BK-CSA - CANADIAN
4	150606-05-02A	EA	TRIM KIT - MICROWAVE .9 CU FT - SILVER - MAGNADYNE #R820
4	150606-05-01A	EA	TRIM KIT - MICROWAVE .9 CU FT - BLACK - MAGNADYNE #R820 - CANADIAN

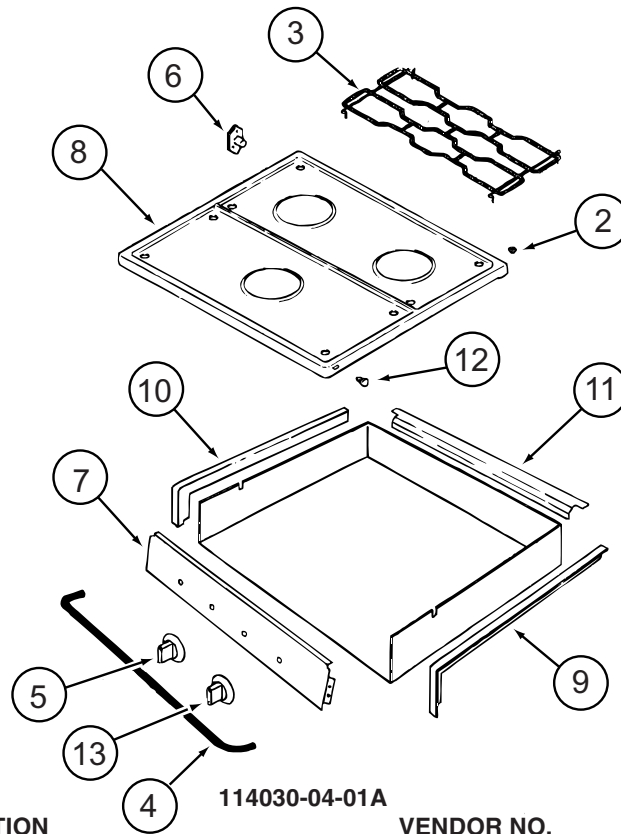
\*COMPONENT PARTS LISTED LATER IN THIS GROUP



**REFRIGERATOR  
INSTALLATION**

KEY	PART NUMBER	U/M	DESCRIPTION
1	112176-01-000	FT	TUBING - VINYL - REINFORCED - 1/2" ID
2	150740-01-02B	EA	BRACKET/TIEDOWN - REFRIGERATOR - E-COATED
3	150740-02-02B	EA	BRACKET/TIEDOWN - REFRIGERATOR - E-COATED
4	152417-01-01A	EA	CLAMP/RATCHET - F/REFRIGERATOR DRIP TRAY HOSE - BLACK

**CABINET & APPLIANCE GROUP (CONTINUED)**  
**COMPONENT PARTS FOR CABINET & APPLIANCE LAYOUT**



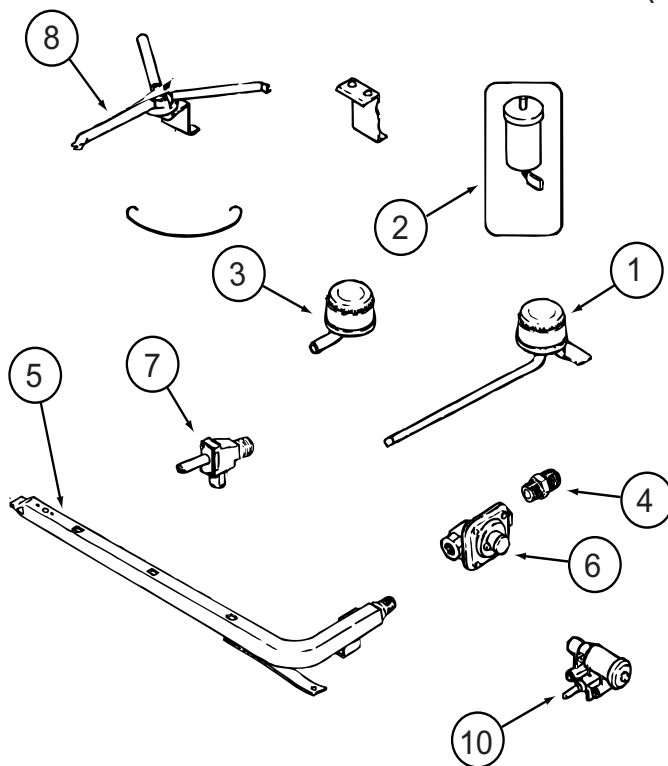
KEY	PART NUMBER	U/M	DESCRIPTION	VENDOR NO.
2	102020-01-709	EA	BUMPER-GRATE	8007P020-60
3	112881-04-702	EA	GRATE - BLACK	74007277
4	114030-02-700	EA	GUARD/FABRIC - TOWEL BAR	3609F006-70
5	128728-01-701	EA	KNOB - BURNER - REAR	74003941 (1 PER)
5	128728-01-702	EA	KNOB - BURNER - FRONT	74003942
6	128728-01-703	EA	PIN/T-NUT F/HINGE	7103P109-60
7	114030-04-700	EA	PANEL - MANIFOLD - BLACK	74007325
8	126023-01-728	EA	TOP - MAIN (BLACK)	74003323
9	114030-01-704	EA	TRIM - RIGHT/BLACK TEXTURED	74002839
10	114030-01-705	EA	TRIM - LEFT/BLACK TEXTURED	74002840
11	114030-01-706	EA	TRIM - REAR/BLACK TEXTURED	74002841
12	102020-01-724	EA	BUMPER - MAIN TOP	8003P008-60
13	128728-01-707	EA	KNOB - IGNITER	74003944

114030-04-01A

CONTACT WINNEBAGO PART SALES FOR UNLISTED COMPONENT(S)



**CABINET & APPLIANCE GROUP (CONTINUED)**  
**COMPONENT PARTS FOR CABINET & APPLIANCE LAYOUT (CONTINUED)**

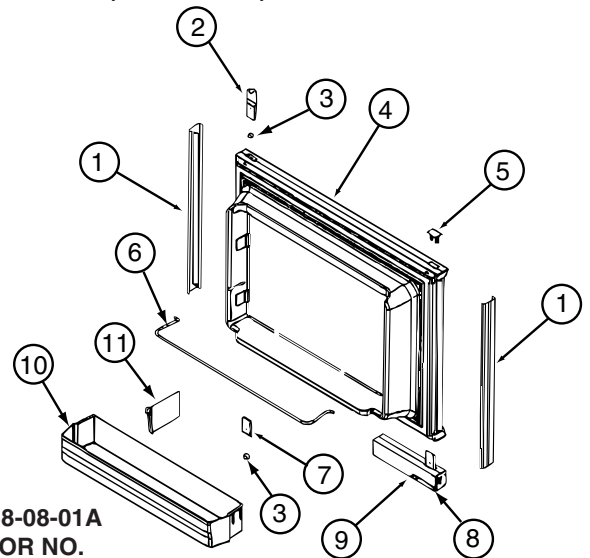


**114030-04-01A (CONTINUED)**

KEY	PART NUMBER	U/M	DESCRIPTION	VENDOR NO.
1	112881-04-700	EA	BURNER - TOP /LEFT REAR	74004584
1	126023-01-700	EA	BURNER - TOP (RT-REAR) 5100 BTU	74004583
2	112881-04-705	EA	PUSH RING (ELECTRODE MTG)	7104P002-60
2	126023-01-711	EA	ELECTRODE - IGNITER (ONLY)	7432P077-60
3	112881-04-701	EA	BURNER - TOP/FRONT	74004582
4	135065-03-700	EA	FITTING - HALF UNION	74004234
5	135065-01-702	EA	PIPE/MANIFOLD	74004642
6	126023-02-703	EA	REGULATOR - PRESSURE	74004235
7	126023-02-705	EA	VALVE - BURNER - REAR	74004362
7	126023-02-706	EA	VALVE - BURNER - FRONT	74004363
8	126023-01-736	EA	FLASH TUBE EXTENSION (REAR)	74003326
8	126023-01-737	EA	FLASH TUBE EXTENSION (FRONT)	74003327
10	126023-01-719	EA	IGNITER HEAD - TOP BURNER	74002413
	126023-02-702	EA	PIPE - MANIFOLD	74004360

CONTACT WINNEBAGO PART SALES FOR UNLISTED COMPONENT(S)

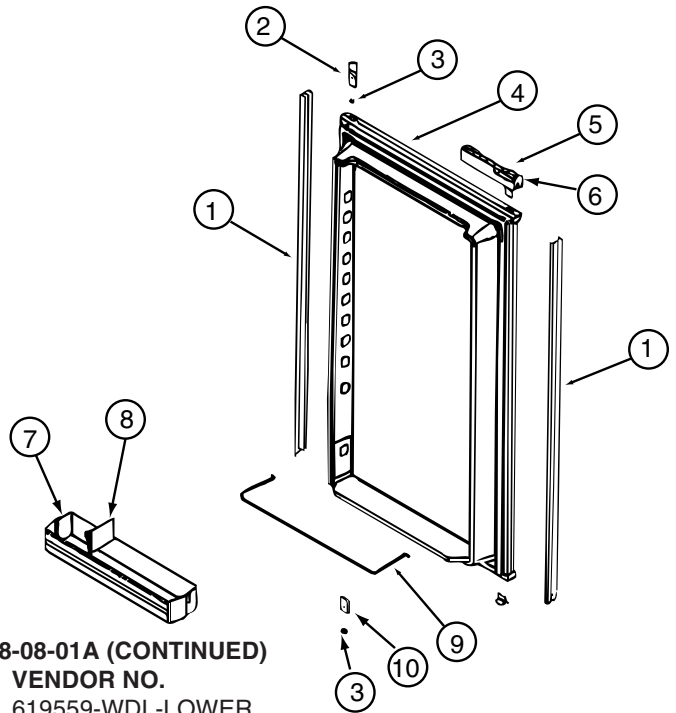
**CABINET & APPLIANCE GROUP (CONTINUED)**  
**COMPONENT PARTS FOR CABINET & APPLIANCE LAYOUT (CONTINUED)**



**121568-06-01A, 121568-07-01A, 121568-08-01A**

KEY	PART NUMBER	U/M	DESCRIPTION	VENDOR NO.
1	121568-03-700	EA	RETAINER-DOOR PNL/WAFFLE/BLK	619558-WDL-UPPER
2	120075-01-701	EA	HINGE-TOP RH/BOTTOM LH(DOOR)	618511
3	121568-03-701	EA	BUSHING - HINGE PIN/GRAY	619671
4	121568-03-702	EA	DOOR LINER-UPR/WAFFLED/BLACK	619627 - SMALL WDL
5	120075-01-702	EA	CAP, (HINGE PLUG)	618160
6	121568-01-700	EA	RAIL - DOOR UPPER	618618
7	120075-01-705	EA	HINGE-TOP LH/BOTTOM RH(DOOR)	618510
8	121568-03-705	EA	STORAGE LATCH - GRAY	619648
9	121568-03-721	EA	HANDLE/DOOR UPPER RH SWING	621465
9	121568-03-722	EA	HANDLE/DOOR LOWER RH SWING	621469
10	121568-01-701	EA	BIN - DOOR WHITE-WAFFLED LNR	618619 WDL

CONTACT WINNEBAGO PART SALES FOR UNLISTED COMPONENT(S)

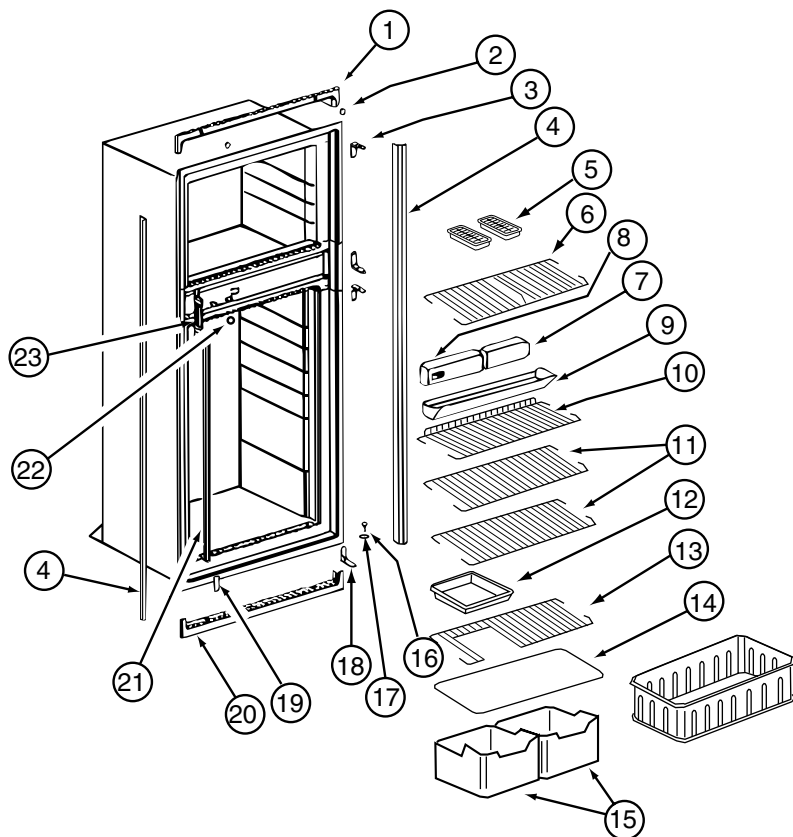


**121568-06-01A, 121568-07-01A, 121568-08-01A (CONTINUED)**

KEY	PART NUMBER	U/M	DESCRIPTION	VENDOR NO.
1	121568-03-706	EA	RETAINER-DOOR PNL/WAFFLE/BLK	619559-WDL-LOWER
2	120075-01-701	EA	HINGE-TOP RH/BOTTOM LH(DOOR)	618511
3	121568-03-701	EA	BUSHING - HINGE PIN/GRAY	619671
4	121568-03-707	EA	DOOR LINER-LWR/WAFFLED/B/TRM	619629
5	121568-03-722	EA	HANDLE/DOOR LOWER RH SWING	621469
6	121568-03-705	EA	STORAGE LATCH - GRAY	619648
7	121568-01-701	EA	BIN - DOOR WHITE-WAFFLED LNR	618619 WDL
9	121568-01-704	EA	RAIL - DOOR LOWER	618578
10	120075-01-705	EA	HINGE-TOP LH/BOTTOM RH(DOOR)	618510

CONTACT WINNEBAGO PART SALES FOR UNLISTED COMPONENT(S)

**CABINET & APPLIANCE GROUP (CONTINUED)**  
**COMPONENT PARTS FOR CABINET & APPLIANCE LAYOUT (CONTINUED)**

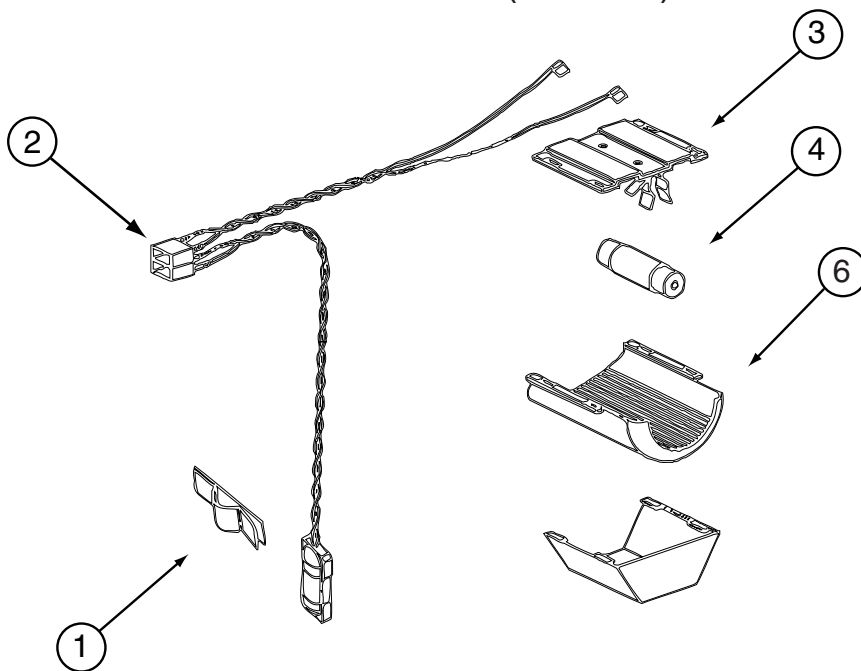


**121568-06-01A, 121568-07-01A, 121568-08-01A (CONTINUED)**

KEY	PART NUMBER	U/M	DESCRIPTION	VENDOR NO.
1	120075-01-713	EA	TRIM-TOP PIECE	619687
2	120075-01-714	EA	PLUG-HOLE (BLACK)	618170
3	121568-03-710	EA	HINGE/CABINET-TOP/RH-LWR/LH	619335 WAFFLED
4	121568-03-711	EA	TRIM - SIDE/BLACK	622295
6	121568-01-705	EA	SHELF - WIRE FREEZER	620250
7	121568-06-700	EA	FRONT BOX-N611	622002
8	121568-06-701	EA	CONTROL ASSY-OPTICAL/N611	621988 TO SN9056491
9	120075-01-720	EA	TRAY-DRIP	623250
9	120075-01-721	EA	LOUVER-DRIP TRAY	618176
11	121568-01-708	EA	SHELF - WIRE	620273
13	121568-01-707	EA	SHELF - WIRE - SHORT	620272
14	120075-01-725	EA	COVER-CRISPER - 18.5" WIDE	618158
15	121568-01-709	EA	CRISPER	618571
16	120075-01-727	EA	PIN-HINGE	618145
17	121568-03-701	EA	BUSHING - HINGE PIN/GRAY	619671
18	121568-03-715	EA	HINGE/CABINET-TOP/LH-LWR/RH	619336 WAFFLED
19	121568-03-716	EA	COVER - HINGE HOLES	619301
20	120075-01-729	EA	TRIM-BOTTOM PIECE	620958
21	121568-06-702	EA	CLIP - SHELF	61536522
22	121568-06-703	EA	HOLE PLUG - WHITE	620282
23	120075-01-732	EA	PLATE-STRIKE	618167

CONTACT WINNEBAGO PART SALES FOR UNLISTED COMPONENT(S)

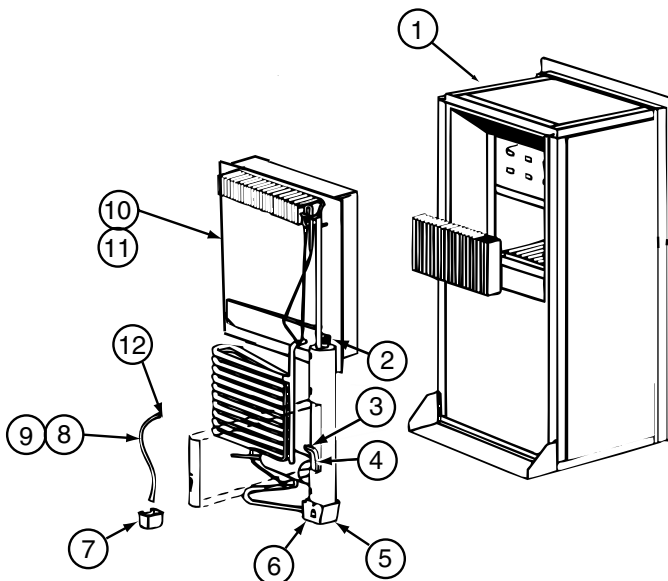
**CABINET & APPLIANCE GROUP (CONTINUED)**  
**COMPONENT PARTS FOR CABINET & APPLIANCE LAYOUT (CONTINUED)**



121568-03-01A, 121568-04-01A, 121568-05-01A, 121568-06-01A, 121568-07-01A, 121568-08-01A (CONTINUED)

KEY	PART NUMBER	U/M	DESCRIPTION	VENDOR NO.
1	084880-01-760	EA	CLIP (THERMISTER)	61689122
2	120075-01-735	EA	WIRE ASM - LAMP/THERMISTER	618548
3	084880-03-705	EA	BRACKET-LIGHT-INTERIOR	61629722
4	084880-03-706	EA	BULB-LAMP	61628922
6	084880-03-707	EA	COVER-LAMP, LENS	61627922

CONTACT WINNEBAGO PART SALES FOR UNLISTED COMPONENT(S)

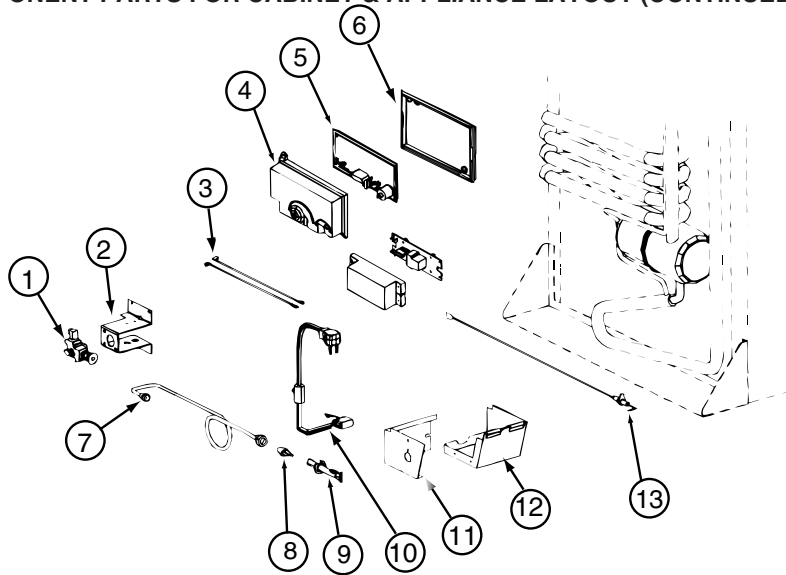


121568-06-01A, 121568-07-01A, 121568-08-01A (CONTINUED)

KEY	PART NUMBER	U/M	DESCRIPTION	VENDOR NO.
4	121568-06-704	EA	HEATER-AC/300W/120VAC	621702
10	120076-01-704	EA	COOLING UNIT, SERVICE PACK	618543

CONTACT WINNEBAGO PART SALES FOR UNLISTED COMPONENT(S)

**CABINET & APPLIANCE GROUP (CONTINUED)**  
**COMPONENT PARTS FOR CABINET & APPLIANCE LAYOUT (CONTINUED)**



**121568-06-01A, 121568-07-01A, 121568-08-01A (CONTINUED)**

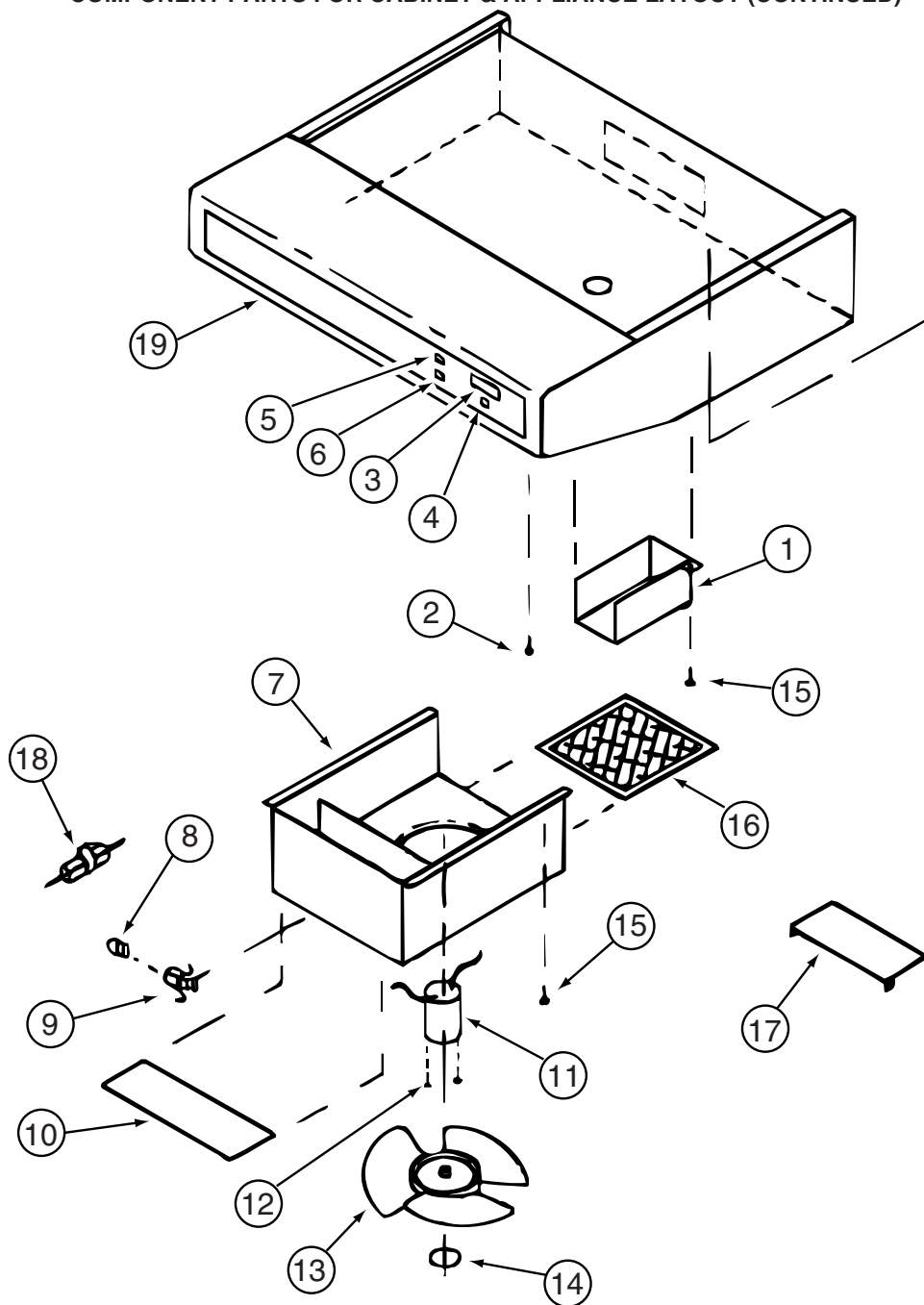
KEY	PART NUMBER	U/M	DESCRIPTION	VENDOR NO.
	121568-06-705	EA	GAS VALVE/BRKT ASSY-COMBO	621439
1	121568-06-706	EA	GAS VALVE-COMBO/WRENCH FLAT	621329
4	120075-01-738	EA	COVER-POWER BOARD	618185
5	121568-06-707	EA	BOARD/POWER-N611	621991 = 621991001
6	120075-01-740	EA	BASE - POWER BOARD	618186
8	121568-06-708	EA	BURNER/ORFICE-ADAPTER KIT	621957
13	104137-06-715	EA	ELECTRODE-SPARK/SENSOR, SGL	61692222
	121569-08-704	EA	TUBE/BURNER - N8/N6	624682

CONTACT WINNEBAGO PART SALES FOR UNLISTED COMPONENT(S)

**121568-05-01A, 121568-07-01A, 121568-08-01A (CONTINUED)**

KEY	PART NUMBER	U/M	DESCRIPTION	VENDOR NO.
	121568-05-700	EA	FAN 12V KIT DBLE SIDEWALL	619020

**CABINET & APPLIANCE GROUP (CONTINUED)**  
**COMPONENT PARTS FOR CABINET & APPLIANCE LAYOUT (CONTINUED)**



136354-05-01A, 136354-05-02A

KEY	PART NUMBER	U/M	DESCRIPTION	VENDOR NO.
3	100258-10-700	EA	GAUGE-HOUR METER, SCREW ON	L0150-00 WAS 150
4	096983-01-702	EA	SWITCH - MOM/OFF/MOM/3 TERM	L0112-00
5	096983-01-700	EA	SWITCH/1 SPEED -ON/OFF- BLK	L0108-00
8	117806-01-000	EA	BULB-12V NO.912 1.0 AMPS	GENERAL MOTOR HOMES
9	092696-01-710	EA	HOLDER-LAMP	CB0267-02
10	096983-01-708	EA	LENS-LAMP	CC0179
11	136354-05-700	EA	MOTOR-12 VOLT	VC0536-02
13	136354-05-701	EA	BLADE-FAN 7" DIA	VD0216-00
16	096983-01-707	EA	FILTER-MESH	CC0246-00
17	100258-01-701	EA	DAMPER ASSEMBLY (METAL FLAP)	CA0565-00
19	100258-01-700	EA	LABEL-HOOD NOSE	CC0428-00

CONTACT WINNEBAGO PART SALES FOR UNLISTED COMPONENT(S)

**CABINET & APPLIANCE GROUP (CONTINUED)**  
**COMPONENT PARTS FOR CABINET & APPLIANCE LAYOUT (CONTINUED)**

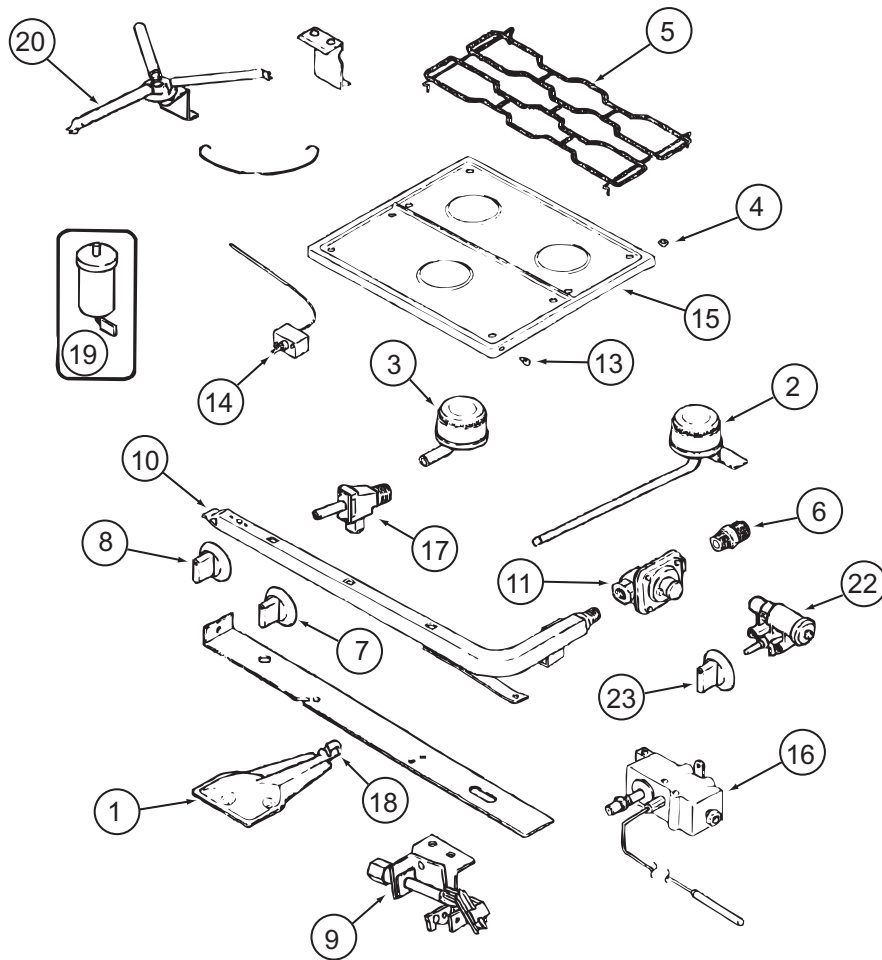
136354-06-01A, 136354-06-02A

KEY	PART NUMBER	U/M	DESCRIPTION	VENDOR NO.
3	100258-10-700	EA	GAUGE-HOUR METER, SCREW ON	L0150-00 WAS 150
4	096983-01-702	EA	SWITCH - MOM/OFF/MOM/3 TERM	L0112-00
5	096983-01-700	EA	SWITCH/1 SPEED -ON/OFF- BLK	L0108-00
8	117806-01-000	EA	BULB-12V NO.912 1.0 AMPS	GENERAL MOTOR HOMES
9	092696-01-710	EA	HOLDER-LAMP	CB0267-02
10	096983-01-708	EA	LENS-LAMP	CC0179
11	136354-06-700	EA	MOTOR - FAN (CSA)	VC0535-02
13	136354-05-701	EA	BLADE-FAN 7" DIA	VD0216-00
16	096983-01-707	EA	FILTER-MESH	CC0246-00
17	100258-01-701	EA	DAMPER ASSEMBLY (METAL FLAP)	CA0565-00
19	100258-01-700	EA	LABEL-HOOD NOSE	CC0428-00
			CONTACT WINNEBAGO PART SALES FOR UNLISTED COMPONENT(S)	

150606-04-02A

KEY	PART NUMBER	U/M	DESCRIPTION	VENDOR NO.
	150606-04-700	EA	RACK - BAKING	FAMI-A104WRM0
	150606-04-702	EA	PLATE/TURNTABLE	NTNT-A092WRH0

**CABINET & APPLIANCE GROUP (CONTINUED)**  
**COMPONENT PARTS FOR CABINET & APPLIANCE LAYOUT (CONTINUED)**



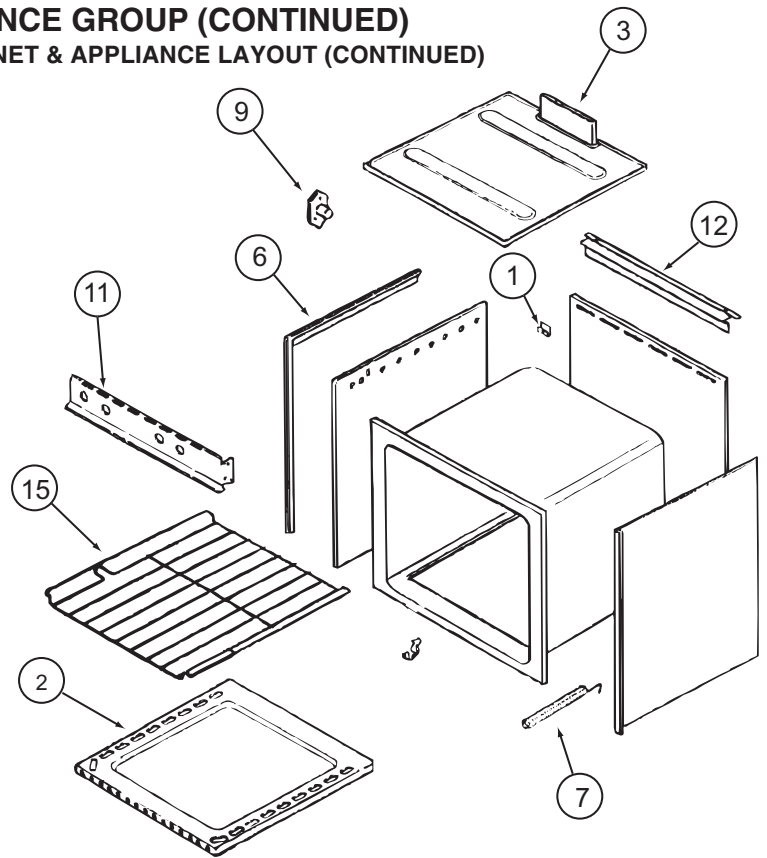
**151277-01-01A, 151277-02-01A**  
**151277-01-01A, 151277-02-01A (CONTINUED)**

KEY	PART NUMBER	U/M	DESCRIPTION	VENDOR NO.
1	151279-02-700	EA	BURNER - OVEN - W/SHUTTER	74009853
2	112881-04-700	EA	BURNER - TOP/LEFT REAR	74004584
2	126023-01-700	EA	BURNER-TOP (RT-REAR) 5100BTU	74004583
3	112881-04-701	EA	BURNER - TOP/FRONT	74004582
4	102020-01-709	EA	BUMPER-GRATE	8007P020-60
5	112881-04-702	EA	GRATE - BLACK	74007277
6	135065-03-700	EA	FITTING - HALF UNION	74004234
7	128728-01-701	EA	KNOB - BURNER - REAR	74003941 (1 PER)
7	128728-01-702	EA	KNOB - BURNER - FRONT	74003942
8	151279-02-701	EA	KNOB - THERMOSTAT - BLACK	74009858
9	151279-01-700	EA	PILOT - BURNER - 16" SERIES	74009852
10	151279-02-702	EA	PIPE - MANIFOLD	74009856
11	112881-03-701	EA	REGULATOR KIT W/FITTINGS	12001285
13	102020-01-724	EA	BUMPER-MAIN TOP	8003P008-60
14	151279-02-703	EA	THERMOSTAT	74009855
15	151277-01-700	EA	TOP - MAIN (BLACK)	74007287
16	151279-02-704	EA	ELBOW BLOCK ASM (VALVE-OVEN)	74009864
17	151277-01-701	EA	VALVE/REAR - W/SET SCREW	12002254
17	151277-01-702	EA	VALVE/FRONT - W/SET SCREW	12002246
19	112881-04-705	EA	PUSH RING (ELECTRODE MTG)	7104P002-60
19	126023-01-711	EA	ELECTRODE - IGNITER (ONLY)	7432P077-60
20	126023-01-736	EA	FLASH TUBE EXTENSION (REAR)	74003326
20	126023-01-737	EA	FLASH TUBE EXTENSION (FRONT)	74003327
21	112881-04-708	EA	CLIP-FLASH TUBE	7112P068-60
22	126023-01-735	EA	KIT - IGNITOR TOP BRNER & KNOB	12001296=74002413&4
23	128728-01-707	EA	KNOB - IGNITOR	74003944
26	112881-04-709	EA	SHIELD-SPARK	3604F211-45

CONTACT WINNEBAGO PART SALES FOR UNLISTED COMPONENT(S)



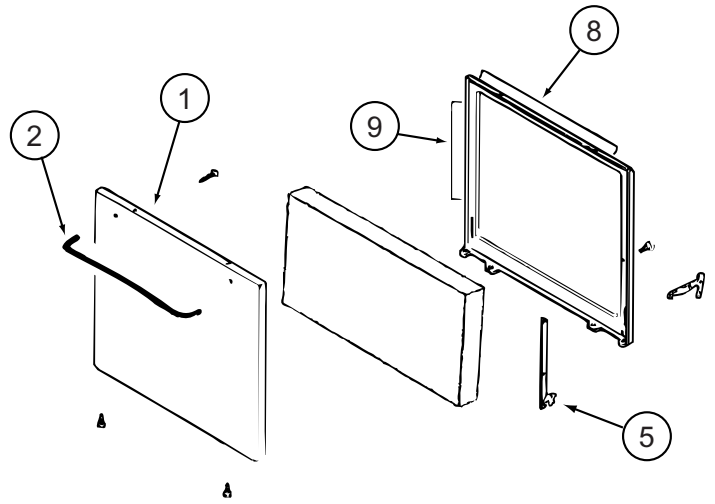
**CABINET & APPLIANCE GROUP (CONTINUED)**  
**COMPONENT PARTS FOR CABINET & APPLIANCE LAYOUT (CONTINUED)**



**151277-01-01A (CONTINUED)**

KEY	PART NUMBER	U/M	DESCRIPTION	VENDOR NO.
2	126023-01-731	EA	BOTTOM - OVEN	2205F016-19
3	126023-01-718	EA	FLUE BOX ASSEMBLY	4006W075-80
6	126023-01-713	EA	TRIM - SIDE (RIGHT) BLACK	74002827
6	126023-01-714	EA	TRIM - SIDE (LEFT) BLACK	74002828
7	135066-03-700	EA	SPRING - OVEN DOOR	74001835
9	128728-01-703	EA	PIN/T-NUT F/HINGE	7103P109-60
15	126023-01-716	EA	RACK - OVEN	74003106
			CONTACT WINNEBAGO PART SALES FOR UNLISTED COMPONENT(S)	

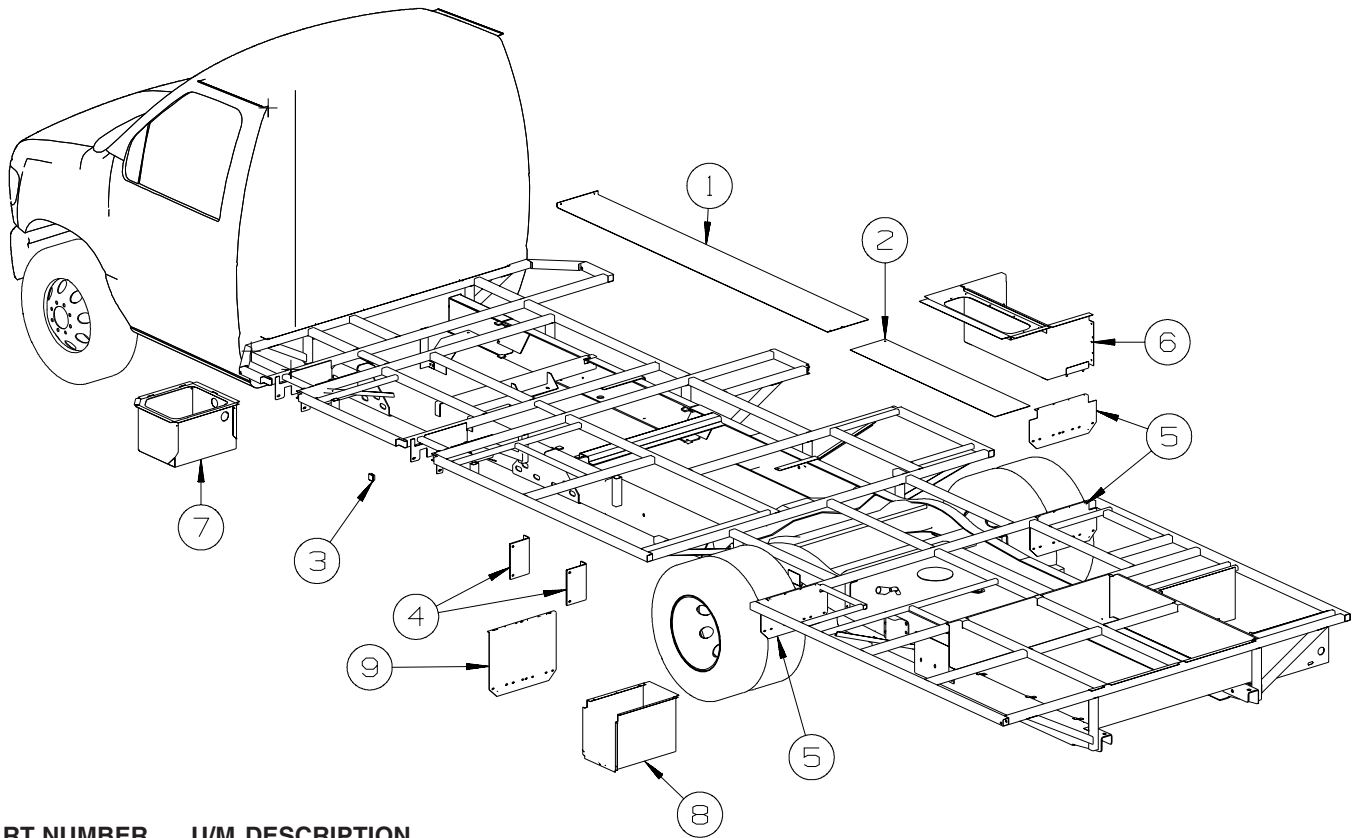
**CABINET & APPLIANCE GROUP (CONTINUED)**  
**COMPONENT PARTS FOR CABINET & APPLIANCE LAYOUT (CONTINUED)**



**151277-01-01A (CONTINUED)**

KEY	PART NUMBER	U/M	DESCRIPTION	VENDOR NO.
1	102022-01-704	EA	GLASS-OUTER	7902P261-60
1	112881-01-713	EA	DOOR/OVEN-TEXT/BLK NO WINDOW	2401F126-70
2	128727-01-701	EA	HANDLE - OVEN DOOR	74003929
5	151277-01-704	EA	HINGE KIT-OVEN DR/LT	12400028
5	151277-01-705	EA	HINGE KIT-OVEN DR/RT	12400029
8	126023-01-732	EA	SEAL/OVEN DR TOP	7212P014-60
9	135066-03-714	EA	SEAL - OVEN DOOR SIDES	7212P039-60
			CONTACT WINNEBAGO PART SALES FOR UNLISTED COMPONENT(S)	

## CHASSIS GROUP FRAME



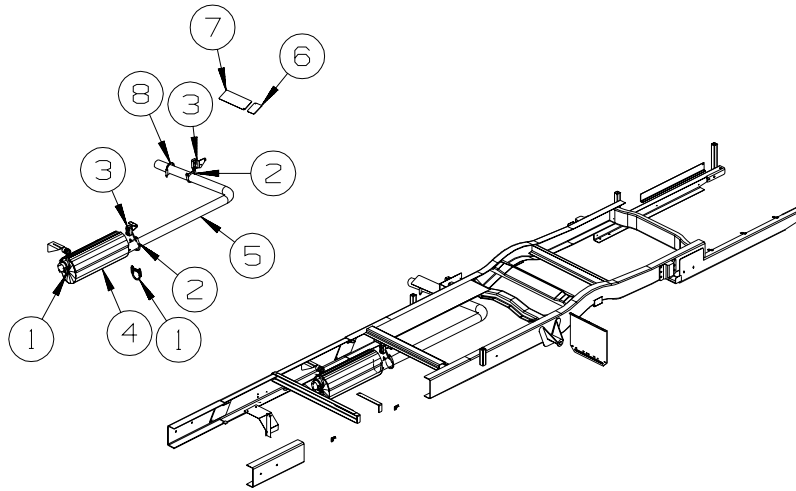
KEY	PART NUMBER	U/M	DESCRIPTION
1	135676-01-02B	EA	SHIELD - HEAT - E-COATED
2	145027-01-02B	EA	SHIELD - HEAT - E-COATED
3	119845-01-01A	EA	PLUG/PLASTIC - 1 1/2" SQUARE - BLACK
4	147847-03-02B	EA	BRACKET - LP SUPPORT - E-COATED
4	147847-04-02B	EA	BRACKET - LP SUPPORT - E-COATED
			FROM: 00-00-00 THRU: 09-09-07
			FROM: 09-10-07 THRU: 99-99-99
5	152277-01-02B	EA	GUARD/ROCK - STEEL - W/BEND/2 NOTCHES - 18"W X 8.6"H
6	135458-07-02B	EA	BOX - ENTRY STEP - E-COATED
7	148042-01-02B	EA	COMPARTMENT - BATTERY - E-COATED
8	148015-01-02B	EA	COMPARTMENT - POWER CORD - E-COATED
9	136389-02-02B	EA	GUARD/ROCK - STEEL - W/BEND - 18"W X 14.9"H - E-COATED

## DRIVETRAIN 729H

KEY	PART NUMBER	U/M	DESCRIPTION
	103653-23-000	EA	BOLT - U-JOINT - 5/16-24 X .75
	103653-24-000	EA	STRAP - U-JOINT

## CHASSIS GROUP (CONTINUED)

### EXHAUST



KEY	PART NUMBER	U/M	DESCRIPTION	
1	094918-06-000	EA	CLAMP - EXHAUST - 3" - HEAVY DUTY	
2	122392-02-02B	EA	HANGER - TAILPIPE - E-COATED	
3	143811-01-000	EA	HANGER - EXHAUST - FORD F53	
4	143929-02-000	EA	MUFFLER - EXHAUST	
				FROM: 00-00-00 THRU: 06-30-06
4	143929-04-000	EA	MUFFLER - EXHAUST	
				FROM: 07-01-06 THRU: 99-99-99
5	148094-03-000	EA	PIPE - EXHAUST/TAIL	
6	143138-03-02B	EA	SHIELD - EXHAUST - E-COATED	
7	143138-04-02B	EA	SHIELD - EXHAUST - E-COATED	
8	094918-01-000	EA	CLAMP - EXHAUST - 3" - GUILLOTINE STYLE	

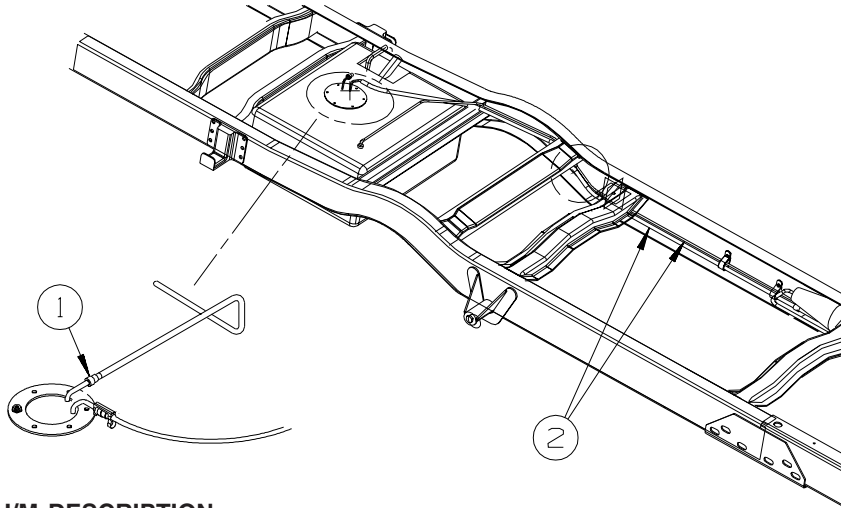
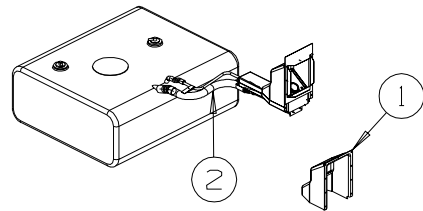
### HITCH

KEY	PART NUMBER	U/M	DESCRIPTION
	148064-01-000	EA	DRAWBAR/HITCH - CLASS 3

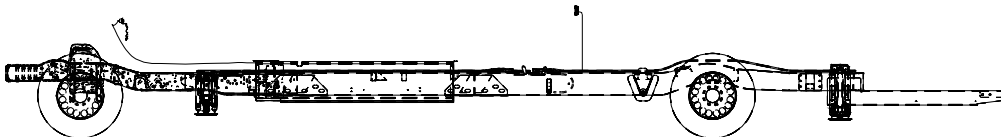
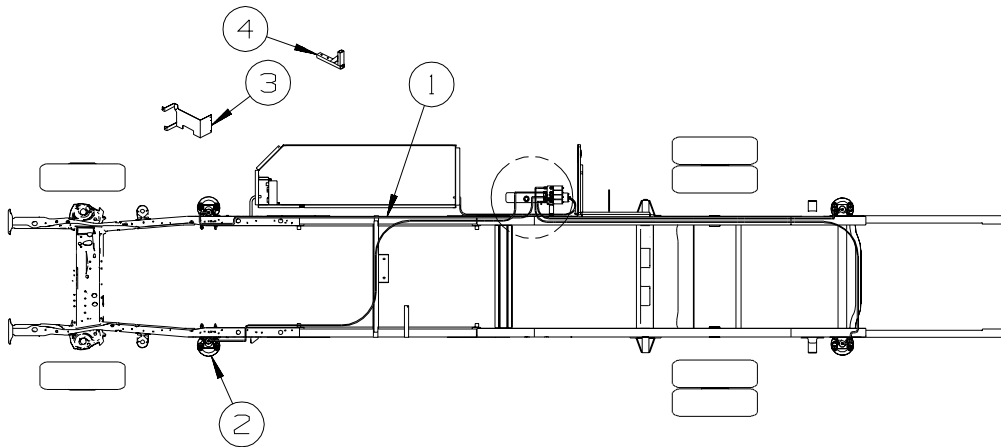
## CHASSIS GROUP (CONTINUED)

### FUEL

KEY	PART NUMBER	U/M DESCRIPTION
1	148654-02-10A	EA SHROUD - FUEL FILL - UPPER - BLACK
2	148650-02-000	EA NECK - FILLER/MAIN/EXTENSION



KEY	PART NUMBER	U/M DESCRIPTION
1	149468-01-000	EA FITTING - F/FUEL-SENDING UNIT - 1/4"
2	106388-12-000	EA FUEL LINE - 5/16 HP - W/FEMALE CONNECTOR - 65.8"



### HYDRAULIC LEVELING

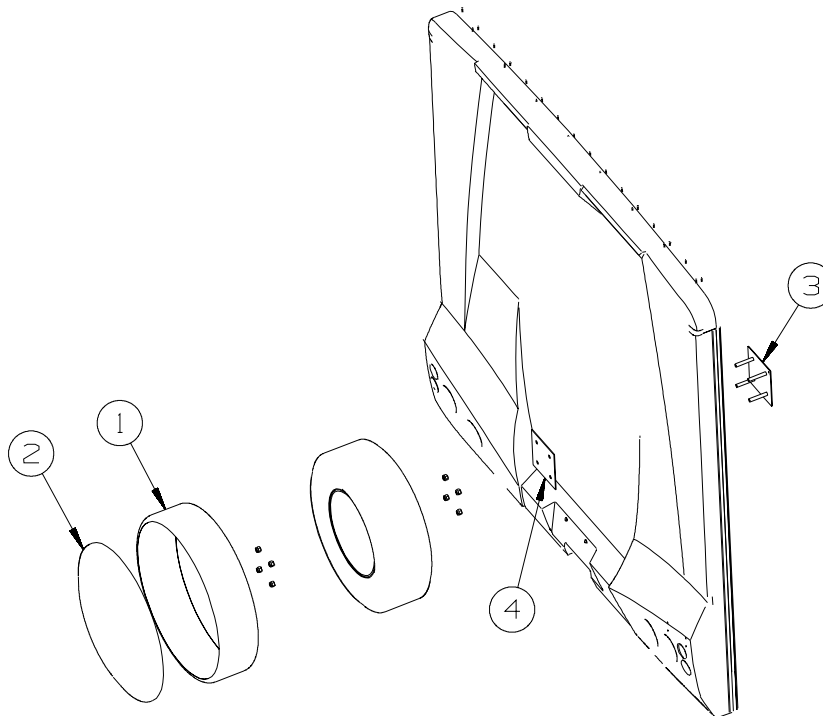
KEY	PART NUMBER	U/M DESCRIPTION
1	100536-65-000	EA HOSE KIT - F/LEVELING JACKS - 726A
1	100536-64-000	EA HOSE KIT - F/LEVELING JACKS - 729H
2*	157770-01-000	EA LEVELING SYSTEM - 625 SYSTEM - FORD
3	158627-01-02B	EA BRACKET - CONTROL BOX - E-COATED
4	157452-01-02B	EA BRACKET/MOUNTING - PUMP - E-COATED

\*COMPONENT PARTS LISTED LATER IN THIS GROUP

**CHASSIS GROUP (CONTINUED)**  
**COMPONENT PARTS FOR HYDRAULIC LEVELING**

157770-01-000

KEY	PART NUMBER	U/M	DESCRIPTION	VENDOR NO.
	100532-01-717	EA	MOTOR FOR PMP/RESRV RAP90014	RAP90311
	100532-03-716	EA	SOLENOID-CONTINUOUS DUTY	RAP7505
	100532-03-717	EA	VALVE-PRESS., RETURN SHUTTLE	RAP7964
	100532-03-726	EA	SWITCH - PRESSURE	RAP8003
	100532-09-705	EA	SWITCH-PRESS - 3000 LB.	RAP0993
	100532-09-710	EA	SOLENOID-INTERMITENT DUTY	RAP0533
	100532-12-707	EA	SPRING KIT (PAIR)	R3847
	100532-32-704	EA	CHIME - JACK WARNING	RAP90681/AP19765
	131306-11-704	EA	PRESSURE SWITCH - 50 PSI	RAP2082
	131306-12-702	EA	VALVE-PRESS SOLENOID (SMALL)	RAP90729/AP24604
	144226-01-700	EA	SWITCH - WARNING/MAGNETIC	RAP90968/AP26641
	144226-08-702	EA	SENSOR/BI-AXIS - PROGRAMABLE	RAP91172/AP28010
	157770-01-700	EA	CYLINDER W/O FOOT - 4K	RAP91855/AP36046
	157770-01-701	EA	CYLINDER W/O FOOT - 6K	RAP91856
	157770-01-702	EA	SPRING KIT - 4K JACK	R91916
	157770-01-703	EA	TOUCH PAD - 625 FORD C BODY	RAP91864/AP36468
	157770-01-704	EA	ENCLOSURE BOX W/SENSING UNIT	RAP91762/AP36595
	157770-01-705	EA	PUMP/MOTOR/TANK ASM	RAP91912/AP37416



**SPARE TIRE**

KEY	PART NUMBER	U/M	DESCRIPTION	
1*	149703-01-01A	EA	RING - TIRE COVER - SPARE	
2	149703-02-01A	EA	INSERT - TIRE COVER - SPARE	
3	155344-01-02B	EA	BRACKET/SUPPORT - SPARE TIRE - E-COATED	
4	155344-02-02B	EA	BRACKET/PLATE - E-COATED	
	051377-07-000	EA	VALVE STEM	FROM: 00-00-00 THRU: 04-04-07
	155645-01-000	EA	VALVE STEM - 1.25"	FROM: 04-05-07 THRU: 99-99-99

\*COMPONENT PARTS LISTED LATER IN THIS GROUP

**COMPONENT PARTS FOR SPARE TIRE**

149703-01-01A

KEY	PART NUMBER	U/M	DESCRIPTION	VENDOR NO.
	149703-01-700	EA	CYLINDER LOCK/CAM/CLIP/2 KEY	CAM LOCK/CLIP/KEYS

## CHASSIS GROUP (CONTINUED)

### SUSPENSION

#### KEY PART NUMBER U/M DESCRIPTION

\* 153119-01-000 EA AIRSPRING - AIR BAG KIT - E450 UNDER RAIL MOUNT - REAR AIR SPRINGS  
 153119-03-000 EA AIRSPRING - AIR BAG KIT - E450 UNDER RAIL MOUNT - REAR AIR SPRINGS - FORD CHASSIS-14,500#

#### \*COMPONENT PARTS LISTED LATER IN THIS GROUP

#### COMPONENT PARTS FOR SUSPENSION

153119-01-000

KEY	PART NUMBER	U/M	DESCRIPTION	VENDOR NO.
	084096-01-708	EA	AIRLINE SERVICE KIT	W21-760-2012
	153119-01-700	EA	AIR SPRING (AIR BAG)	W217606397
	153119-01-701	EA	BRACKET - UPPER DRIVER	W217605440
	153119-01-702	EA	BRACKET - UPPER PASSENGER	W217605441
	153119-01-703	EA	BRACKET - LOWER	W217605439
	153119-01-704	EA	BRACE - UPPER DRIVER	W217605442
	153119-01-705	EA	BRACE - UPPER PASSENGER	W217605443
	153119-01-706	EA	STRAP/CLAMP - F/BRACKET	W217605433

#### WHEEL, TIRE, COVERS &/OR LINERS

KEY	PART NUMBER	U/M	DESCRIPTION
	077030-01-000	EA	EXTENSION - VALVE STEM - 1.25" - METAL
	095012-05-000	EA	EXTENSION/VALVE STEM - LIVE - 5"
	095012-06-000	EA	STABILIZER/VALVE EXTENSION - LIVE - 2" - FORD W/ STEEL WHEEL W/8 SLOTS
	095012-07-000	EA	STABILIZER/VALVE EXTENSION - LIVE - 4" - FORD W/ STEEL WHEEL W/4 SLOTS
*	110435-13-000	EA	LINER - WHEEL - SET OF 4 - 16" (8 HOLE) - FORD W/ STEEL WHEEL W/8 SLOTS
*	110435-23-000	EA	LINER - WHEEL SET (SET=4) 16" - FORD W/ STEEL WHEEL W/4 SLOTS
	080208-02-000	EA	BAR/LEVERAGE - LUG WRENCH - 13/16" DIA - ALUMINUM WHEEL
	080208-06-000	EA	LUG WRENCH - 1"/1.1" SOCKETS X 16.4" LONG - ALUMINUM WHEEL
	149749-01-000	EA	WHEEL - ALUMINUM - 6" X 16" - FRONT - FORD E450 - ALUMINUM WHEELS
	149749-02-000	EA	WHEEL - ALUMINUM - 6" X 16" - REAR - FORD E450 - ALUMINUM WHEELS
	156797-03-000	EA	COVER/HUB - FRONT - ALUMINUM WHEELS - ALUMINUM WHEELS
	156797-04-000	EA	COVER/HUB - REAR - ALUMINUM WHEELS - ALUMINUM WHEELS
	149749-05-000	EA	COVER/NUT - ALUMINUM WHEELS
	149749-06-000	EA	NUT/WHEEL - 9/16"-18 - LOW PROFILE - FORD E450 - ALUMINUM WHEELS

#### \*COMPONENT PARTS LISTED LATER IN THIS GROUP

#### COMPONENT PARTS FOR WHEEL, TIRE, COVERS &/OR LINERS

110435-13-000

KEY	PART NUMBER	U/M	DESCRIPTION	VENDOR NO.
	110435-01-711	EA	DECAL-CENTER CAP, 2" - QTY 2	DIAMOND/2 PER BAG
	110435-10-705	EA	TOOL/JAMB NUT INSTALLATION	V195P7-TOL
	110435-13-700	EA	LINER - WHEEL - FRONT	V160F7-FWC
	110435-13-701	EA	LINER - WHEEL - REAR	V160F7-RWC
	110435-13-702	EA	JAMB NUT W/COVER - 9/16"	V160F7-EJN

110435-23-000

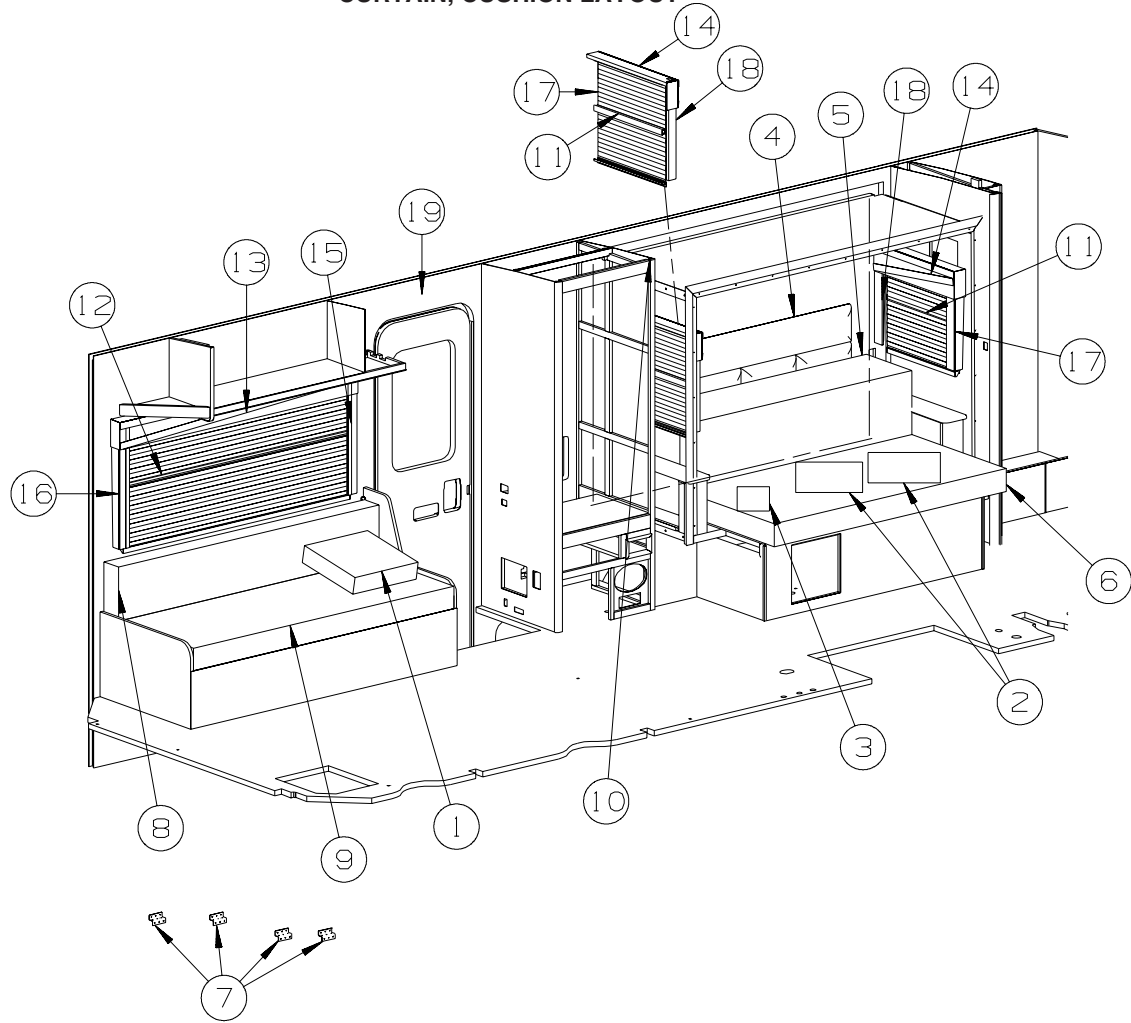
KEY	PART NUMBER	U/M	DESCRIPTION	VENDOR NO.
	110435-01-711	EA	DECAL-CENTER CAP- 2" - QTY 2	DIAMOND/2 PER BAG
	110435-23-700	EA	COVER/WHEEL - FRONT - 1 ONLY	FWCFL60-59
	110435-23-701	EA	COVER/WHEEL - REAR - 1 ONLY	RWCFL60-59

#### BRAKELINE

KEY	PART NUMBER	U/M	DESCRIPTION
	088498-01-000	EA	UNION - INVERTED FLARE - BRASS - 3/16 - FORD CHASSIS

# CURTAIN & CUSHION GROUP

## CURTAIN, CUSHION LAYOUT



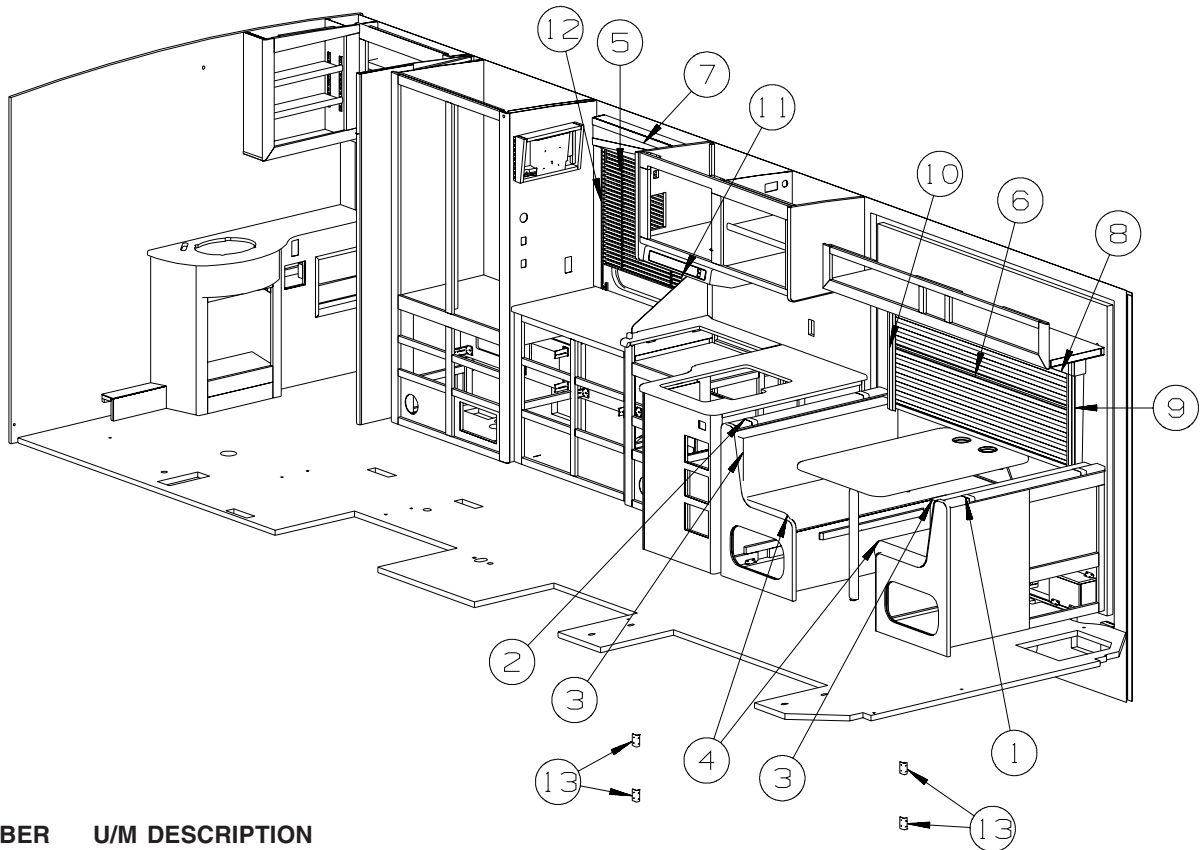
KEY	PART NUMBER	U/M	DESCRIPTION
1	155220-06-W45	EA	PILLOW - 18" - SQUARE - W/FRINGE (W45, W46)
1	155220-06-W47	EA	PILLOW - 18" - SQUARE - W/FRINGE (W47, W48)
1	155220-06-W49	EA	PILLOW - 18" - SQUARE - W/FRINGE (W49, W50)
2	104176-09-W45	EA	PILLOW SHAM (W45, W46)
2	104176-09-W47	EA	PILLOW SHAM (W47, W48)
2	104176-09-U49	EA	PILLOW SHAM (W49, W50)
3	155354-03-W45	EA	PILLOW - 18" (W45, W46)
3	155354-03-W47	EA	PILLOW - 18" (W47, W48)
3	155354-03-U49	EA	PILLOW - 18" (W49, W50)
4	157479-10-W45	EA	HEADBOARD - MARCUS - 30" X 60" (W45, W46)
4	157479-10-W47	EA	HEADBOARD - MARCUS - 30" X 60" (W47, W48)
4	157479-06-U49	EA	HEADBOARD - MARCUS - 30" X 60" (W49, W50)
5	157488-05-W45	EA	CUSHION - BIFOLD - SOFA/BED - 7.5" X 28" X 63" (W45, W46)
5	157488-05-W47	EA	CUSHION - BIFOLD - SOFA/BED - 7.5" X 28" X 63" (W47, W48)
5	157488-05-U45	EA	CUSHION - BIFOLD - SOFA/BED - 7.5" X 28" X 63" (W49, W50)
	157488-A5-W45	EA	COVER/CUSHION - BIFOLD - SOFA/BED - 7.5" X 28" X 63" (W45, W46)
	157488-A5-W47	EA	COVER/CUSHION - BIFOLD - SOFA/BED - 7.5" X 28" X 63" (W47, W48)
	157488-A5-U45	EA	COVER/CUSHION - BIFOLD - SOFA/BED - 7.5" X 28" X 63" (W49, W50)
6	157489-05-W45	EA	CUSHION - SOFA/BED - 47" X 63" X 5" (W45, W46)
6	157489-05-W47	EA	CUSHION - SOFA/BED - 47" X 63" X 5" (W47, W48)
6	157489-05-U45	EA	CUSHION - SOFA/BED - 47" X 63" X 5" (W49, W50)
	157489-A5-W45	EA	COVER/CUSHION - SOFA/BED - 47" X 63" X 5" (W45, W46)
	157489-A5-W47	EA	COVER/CUSHION - SOFA/BED - 47" X 63" X 5" (W47, W48)
	157489-A5-U45	EA	COVER/CUSHION - SOFA/BED - 47" X 63" X 5" (W49, W50)
7	116104-04-02B	EA	BRACKET - ZEE W/HOLES - 3.2" - E-COATED



**CURTAIN & CUSHION GROUP (CONTINUED)**  
**CURTAIN, CUSHION LAYOUT (CONTINUED)**

KEY	PART NUMBER	U/M	DESCRIPTION
8	149804-03-W45	EA	BACK - SOFA/BED - 70" (W45, W46)
8	149804-03-W47	EA	BACK - SOFA/BED - 70" (W47, W48)
8	149804-03-U49	EA	BACK - SOFA/BED - 70" (W49, W50)
8	161040-04-W45	EA	BACK - SOFA/BED - 70" (W45, W46) - <b>ULTRALEATHER</b>
8	161040-04-W41	EA	BACK - SOFA/BED - 70" (W47, W48) - <b>ULTRALEATHER</b>
8	161040-04-W49	EA	BACK - SOFA/BED - 70" (W49, W50) - <b>ULTRALEATHER</b>
	P49804-03-W45	EA	COVER - BACK - SOFA/BED - 70" (W45, W46)
	P49804-03-W47	EA	COVER - BACK - SOFA/BED - 70" (W47, W48)
	P49804-03-U49	EA	COVER - BACK - SOFA/BED - 70" (W49, W50)
	161040-A4-W45	EA	COVER - BACK - SOFA/BED - 70" (W45, W46) - <b>ULTRALEATHER</b>
	161040-A4-W41	EA	COVER - BACK - SOFA/BED - 70" (W47, W48) - <b>ULTRALEATHER</b>
	161040-A4-W49	EA	COVER - BACK - SOFA/BED - 70" (W49, W50) - <b>ULTRALEATHER</b>
	101085-14-000	EA	FRAME - BACK - SOFA/BED - 16" X 67.5"
9	149812-03-W45	EA	SEAT - SOFA/BED - 70" (W45, W46)
9	149812-16-W47	EA	SEAT - SOFA/BED - 70" (W47, W48)
9	149812-16-W49	EA	SEAT - SOFA/BED - 70" (W49, W50)
9	149812-07-W45	EA	SEAT - SOFA/BED - 70" (W45, W46) - <b>ULTRALEATHER</b>
9	149812-07-W47	EA	SEAT - SOFA/BED - 70" (W47, W48) - <b>ULTRALEATHER</b>
9	149812-07-W49	EA	SEAT - SOFA/BED - 70" (W49, W50) - <b>ULTRALEATHER</b>
	P49812-03-W45	EA	COVER - SEAT - SOFA/BED - 70" (W45, W46)
	P49812-16-W47	EA	COVER - SEAT - SOFA/BED - 70" (W47, W48)
	P49812-16-W49	EA	COVER - SEAT - SOFA/BED - 70" (W49, W50)
	P49812-07-W45	EA	COVER - SEAT - SOFA/BED - 70" (W45, W46) - <b>ULTRALEATHER</b>
	P49812-07-W47	EA	COVER - SEAT - SOFA/BED - 70" (W47, W48) - <b>ULTRALEATHER</b>
	P49812-07-W49	EA	COVER - SEAT - SOFA/BED - 70" (W49, W50) - <b>ULTRALEATHER</b>
	101085-12-000	EA	FRAME - BASE - SOFA/BED - 20" X 70"
	101085-13-000	EA	FRAME - SEAT - SOFA/BED - 20" X 67.5"
10	154002-15-W45	EA	CURTAIN - PRIVACY/BUNK - 53" X 65" (W45, W46)
10	154002-15-W47	EA	CURTAIN - PRIVACY/BUNK - 65" X 53" (W47, W48)
10	154002-03-U49	EA	CURTAIN - PRIVACY/BUNK - 65" X 53" (W49, W50)
11	140789-07-W37	EA	BLIND - DAY/NIGHTER - 22.5" X 23"
	097565-01-000	EA	BRACKET - MOUNTING - PLEATED BLIND
12	140789-14-W37	EA	BLIND - DAY/NIGHTER - 61" X 28.5"
13	162564-02-W45	EA	VALANCE - 65" X 6" (W45, W46)
13	162564-02-W47	EA	VALANCE - 65" X 6" (W47, W48)
13	162564-04-W49	EA	VALANCE - 65" X 6" (W49, W50)
14	162564-06-W45	EA	VALANCE - 26.5" X 6" (W45, W46)
14	162564-08-W47	EA	VALANCE - 26.5" X 6" (W47, W48)
14	162564-08-W49	EA	VALANCE - 26.5" X 6" (W49, W50)
15	152445-81-W45	EA	LEG - RIGHT - 27" (W45, W46)
15	152445-E5-W47	EA	LEG - RIGHT - 27" (W47, W48)
15	152445-85-W49	EA	LEG - RIGHT - 27" (W49, W50)
	154316-01-01A	EA	BRACE/ANGLE - W/HOLE - CASHMERE
16	152445-82-W45	EA	LEG - LEFT - 27" (W45, W46)
16	152445-E6-W47	EA	LEG - LEFT - 27" (W47, W48)
16	152445-86-W49	EA	LEG - LEFT - 27" (W49, W50)
	154316-01-01A	EA	BRACE/ANGLE - W/HOLE - CASHMERE
17	152445-C3-W45	EA	LEG - RIGHT - 21" (W45, W46)
17	152445-C3-W47	EA	LEG - RIGHT - 21" (W47, W48)
17	152445-C3-W49	EA	LEG - RIGHT - 21" (W49, W50)
18	152445-C4-W45	EA	LEG - LEFT - 21" (W45, W46)
18	152445-C4-W47	EA	LEG - LEFT - 21" (W47, W48)
18	152445-C4-W49	EA	LEG - LEFT - 21" (W49, W50)
19	163990-01-W45	EA	PANEL - DECORATIVE (W45, W46)
			FROM: 00-00-00 THRU: 04-23-07
19	163990-01-W47	EA	PANEL - DECORATIVE (W47, W48)
			FROM: 00-00-00 THRU: 04-23-07
19	163990-01-W49	EA	PANEL - DECORATIVE (W49, W50)
			FROM: 00-00-00 THRU: 04-23-07

**CURTAIN & CUSHION GROUP (CONTINUED)**  
**CURTAIN, CUSHION LAYOUT (CONTINUED)**

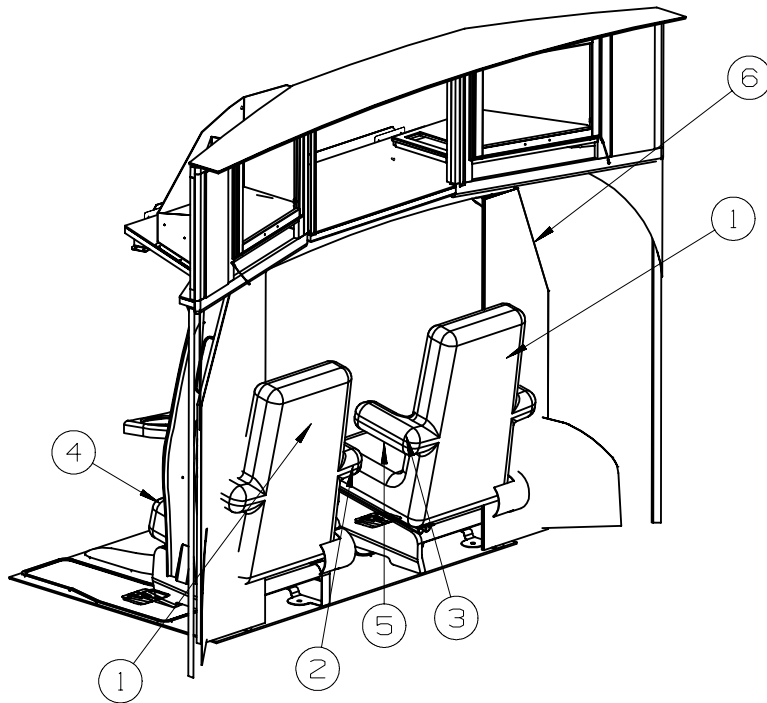


KEY	PART NUMBER	U/M	DESCRIPTION
1	153519-01-W45	EA	PAD - TOP/RH - F/DINETTE BACK - FABRIC COVERED (W45, W46)
1	153519-01-W47	EA	PAD - TOP/RH - F/DINETTE BACK - FABRIC COVERED (W47, W48)
1	153519-01-W49	EA	PAD - TOP/RH - F/DINETTE BACK - FABRIC COVERED (W49, W50)
1	153519-23-W45	EA	PAD - TOP/RH/LH - F/DINETTE BACK - FABRIC COVERED (W45, W46) - <b>ULTRALEATHER</b>
1	153519-23-W47	EA	PAD - TOP/RH/LH - F/DINETTE BACK - FABRIC COVERED (W47, W48) - <b>ULTRALEATHER</b>
1	153519-23-W49	EA	PAD - TOP/RH/LH - F/DINETTE BACK - FABRIC COVERED (W49, W50) - <b>ULTRALEATHER</b>
2	153519-02-W45	EA	PAD - TOP/LH - F/DINETTE BACK - FABRIC COVERED (W45, W46)
2	153519-02-W47	EA	PAD - TOP/LH - F/DINETTE BACK - FABRIC COVERED (W47, W48)
2	153519-02-W49	EA	PAD - TOP/LH - F/DINETTE BACK - FABRIC COVERED (W49, W50)
2	153519-23-W45	EA	PAD - TOP/RH/LH - F/DINETTE BACK - FABRIC COVERED (W45, W46) - <b>ULTRALEATHER</b>
2	153519-23-W47	EA	PAD - TOP/RH/LH - F/DINETTE BACK - FABRIC COVERED (W47, W48) - <b>ULTRALEATHER</b>
2	153519-23-W49	EA	PAD - TOP/RH/LH - F/DINETTE BACK - FABRIC COVERED (W49, W50) - <b>ULTRALEATHER</b>
3	153670-01-W45	EA	CUSHION - SEAT BACK - 13.5" X 42" X 5" (W45, W46)
3	153670-01-W47	EA	CUSHION - SEAT BACK - 13.5" X 42" X 5" (W47, W48)
3	153670-01-W49	EA	CUSHION - SEAT BACK - 13.5" X 42" X 5" (W49, W50)
3	153670-18-W45	EA	CUSHION - SEAT BACK - 13.5" X 42" X 5" - W/INSERT (W45, W46) - <b>ULTRALEATHER</b>
3	153670-18-W47	EA	CUSHION - SEAT BACK - 13.5" X 42" X 5" - W/INSERT (W47, W48) - <b>ULTRALEATHER</b>
3	153670-18-W49	EA	CUSHION - SEAT BACK - 13.5" X 42" X 5" - W/INSERT (W49, W50) - <b>ULTRALEATHER</b>
	P53670-01-W45	EA	COVER/BACK - 13.5" X 42" X 5" (W45, W46)
	P53670-01-W47	EA	COVER/BACK - 13.5" X 42" X 5" (W47, W48)
	P53670-01-W49	EA	COVER/BACK - 13.5" X 42" X 5" (W49, W50)
	P53670-18-W45	EA	COVER/BACK - 13.5" X 42" X 5" - W/INSERT (W45, W46) - <b>ULTRALEATHER</b>
	P53670-18-W47	EA	COVER/BACK - 13.5" X 42" X 5" - W/INSERT (W47, W48) - <b>ULTRALEATHER</b>
	P53670-18-W49	EA	COVER/BACK - 13.5" X 42" X 5" - W/INSERT (W49, W50) - <b>ULTRALEATHER</b>
4	153671-03-W45	EA	CUSHION - SEAT - 23" X 42" X 5" (W45, W46)
4	153671-03-W47	EA	CUSHION - SEAT - 23" X 42" X 5" (W47, W48)
4	153671-03-U57	EA	CUSHION - SEAT - 23" X 42" X 5" (W49, W50)
4	153671-06-W45	EA	CUSHION - SEAT - 23" X 42" X 5" (W45, W46) - <b>ULTRALEATHER</b>
4	153671-06-W47	EA	CUSHION - SEAT - 23" X 42" X 5" (W47, W48) - <b>ULTRALEATHER</b>
4	153671-06-W49	EA	CUSHION - SEAT - 23" X 42" X 5" (W49, W50) - <b>ULTRALEATHER</b>
	153671-A3-W45	EA	COVER/CUSHION - SEAT - 23" X 42" X 5" (W45, W46)
	153671-A3-W47	EA	COVER/CUSHION - SEAT - 23" X 42" X 5" (W47, W48)
	153671-A3-U57	EA	COVER/CUSHION - SEAT - 23" X 42" X 5" (W49, W50)
	153671-A6-W45	EA	COVER/CUSHION - SEAT - 23" X 42" X 5" (W45, W46) - <b>ULTRALEATHER</b>
	153671-A6-W47	EA	COVER/CUSHION - SEAT - 23" X 42" X 5" (W47, W48) - <b>ULTRALEATHER</b>
	153671-A6-W49	EA	COVER/CUSHION - SEAT - 23" X 42" X 5" (W49, W50) - <b>ULTRALEATHER</b>

**CURTAIN & CUSHION GROUP (CONTINUED)**  
**CURTAIN, CUSHION LAYOUT (CONTINUED)**

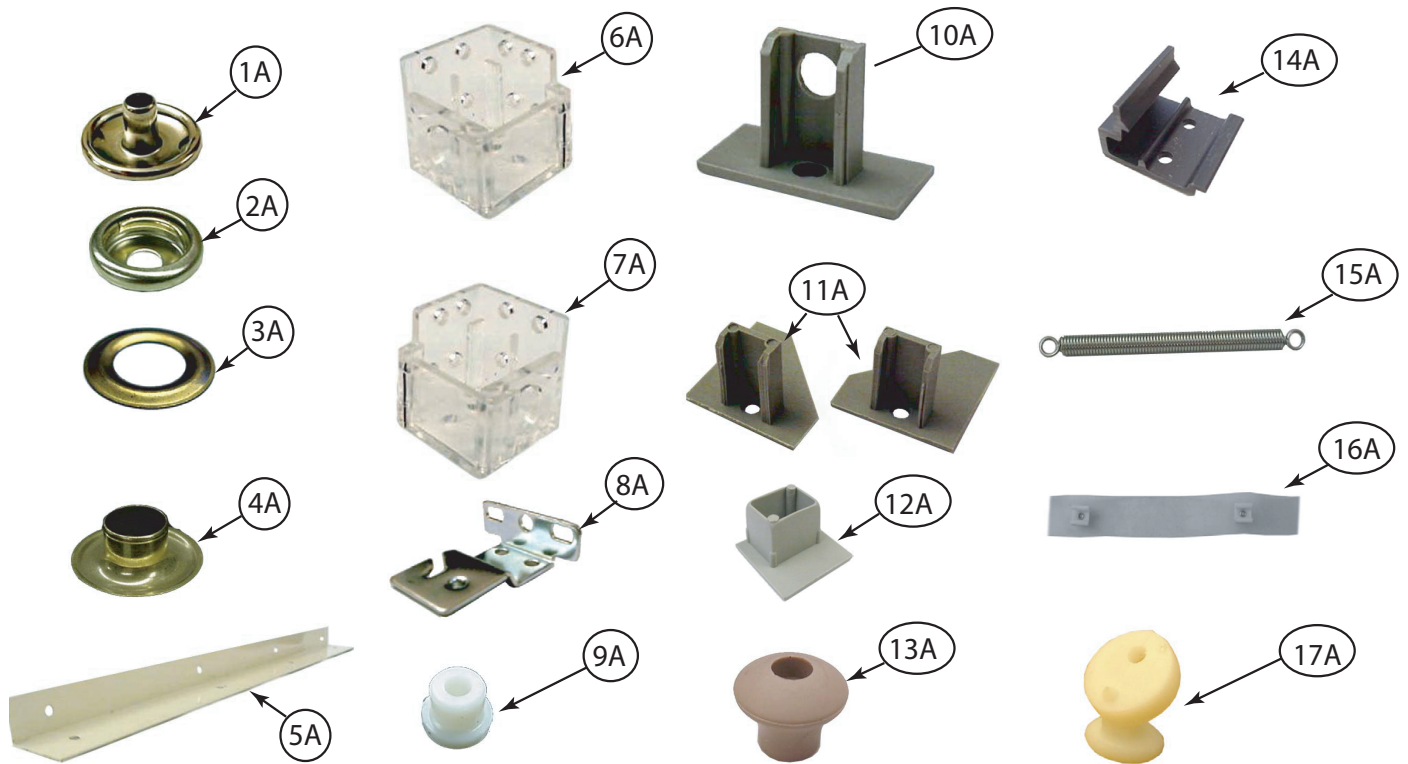
<b>KEY</b>	<b>PART NUMBER</b>	<b>U/M</b>	<b>DESCRIPTION</b>
5	109041-93-01A	EA	BLIND - MINI - 28" X 39"
	162496-01-01A	EA	BRACKET/BLIND - LEFT SIDE WHEN FACING WINDOW - CLEAR
	162496-02-01A	EA	BRACKET/BLIND - RIGHT SIDE WHEN FACING WINDOW - CLEAR
	102555-03-000	EA	BRACKET - (CLEAT TYPE) - F/BLIND HOLDOWN - MILKY WHITE
	109441-01-000	EA	BRACKET/HOOK - BLIND HOLD DOWN - LARGE - CLEAR
6	140789-08-W37	EA	BLIND - DAY/NIGHTER - 59" X 26.5"
7	162564-05-W45	EA	VALANCE - 32" X 6" (W45, W46)
7	162564-07-W47	EA	VALANCE - 32" X 6" (W47, W48)
7	162564-07-W49	EA	VALANCE - 32" X 6" (W49, W50)
8	162564-17-W45	EA	VALANCE - 62" X 6" (W45, W46)
8	162564-17-W47	EA	VALANCE - 62" X 6" (W47, W48)
8	162564-18-W49	EA	VALANCE - 62" X 6" (W49, W50)
9	152445-83-W45	EA	LEG - RIGHT - 23.5" (W45, W46)
9	152445-E3-W47	EA	LEG - RIGHT - 23.5" (W47, W48)
9	152445-87-W49	EA	LEG - RIGHT - 23.5" (W49, W50)
	154316-01-01A	EA	BRACE/ANGLE - W/HOLE - CASHMERE
10	152445-84-W45	EA	LEG - LEFT - 23.5" (W45, W46)
10	152445-E4-W47	EA	LEG - LEFT - 23.5" (W47, W48)
10	152445-88-W49	EA	LEG - LEFT - 23.5" (W49, W50)
	154316-01-01A	EA	BRACE/ANGLE - W/HOLE - CASHMERE
11	152445-B3-W45	EA	LEG - RIGHT - 36" (W45, W46)
11	152445-E1-W47	EA	LEG - RIGHT - 36" (W47, W48)
11	152445-B5-W49	EA	LEG - RIGHT - 36" (W49, W50)
12	152445-B4-W45	EA	LEG - LEFT - 36" (W45, W46)
12	152445-E2-W47	EA	LEG - LEFT - 36" (W47, W48)
12	152445-B6-W49	EA	LEG - LEFT - 36" (W49, W50)
13	156732-01-02A	EA	BRACE - ANGLE - 2.5" - OFF WHITE

**CURTAIN & CUSHION GROUP (CONTINUED)**  
**CURTAIN, CUSHION LAYOUT (CONTINUED)**



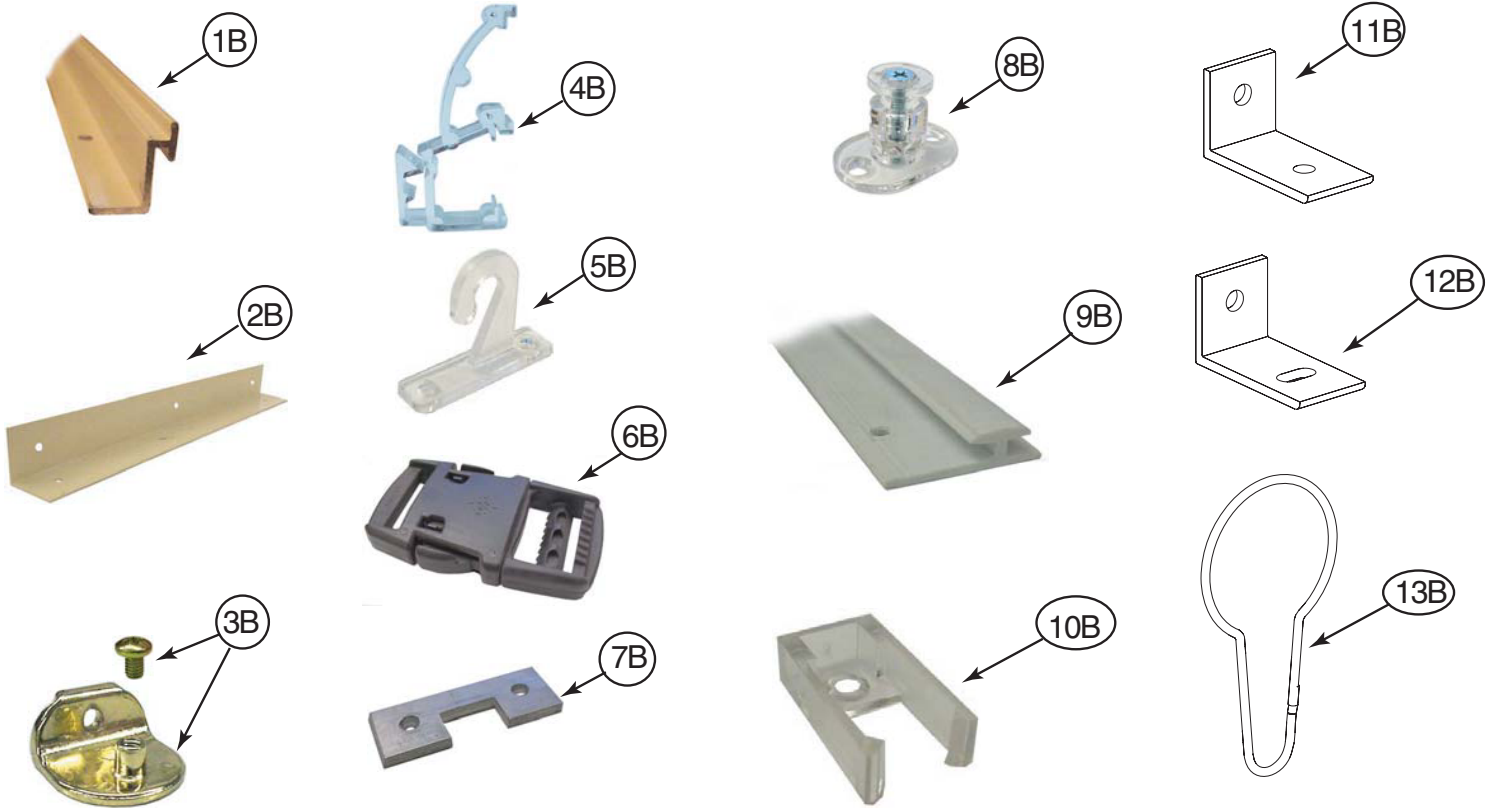
KEY	PART NUMBER	U/M	DESCRIPTION
1	158708-03-W45	EA	COVER - BACK (W45, W46) - <b>ULTRALEATHER</b>
1	158708-03-W41	EA	COVER - BACK (W47, W48) - <b>ULTRALEATHER</b>
1	158708-03-W49	EA	COVER - BACK (W49, W50) - <b>ULTRALEATHER</b>
2	158708-05-W45	EA	COVER - ARMREST/DRIVER (W45, W46) - <b>ULTRALEATHER</b>
2	158708-05-W47	EA	COVER - ARMREST/DRIVER (W47, W48) - <b>ULTRALEATHER</b>
2	158708-05-W49	EA	COVER - ARMREST/DRIVER (W49, W50) - <b>ULTRALEATHER</b>
3	158708-06-W45	EA	COVER - ARMREST/PASSENGER (W45, W46) - <b>ULTRALEATHER</b>
3	158708-06-W47	EA	COVER - ARMREST/PASSENGER (W47, W48) - <b>ULTRALEATHER</b>
3	158708-06-W49	EA	COVER - ARMREST/PASSENGER (W49, W50) - <b>ULTRALEATHER</b>
4	158708-04-W45	EA	COVER - SEAT (W45, W46) - <b>ULTRALEATHER</b>
4	158708-04-W41	EA	COVER - SEAT (W47, W48) - <b>ULTRALEATHER</b>
4	158708-04-W49	EA	COVER - SEAT (W49, W50) - <b>ULTRALEATHER</b>
5	158708-07-W45	EA	COVER - SEAT - PASSENGER (W45, W46) - <b>ULTRALEATHER</b>
5	158708-07-W41	EA	COVER - SEAT - PASSENGER (W47, W48) - <b>ULTRALEATHER</b>
5	158708-07-W49	EA	COVER - SEAT - PASSENGER (W49, W50) - <b>ULTRALEATHER</b>
6	076892-32-W45	EA	CURTAIN - CAB PRIVACY - 52" X 74" (W45, W46)
6	076892-32-W47	EA	CURTAIN - CAB PRIVACY - 52" X 74" (W47, W48)
6	076892-33-W49	EA	CURTAIN - CAB PRIVACY - 52" X 74" (W49, W50)

## CURTAIN & CUSHION GROUP (CONTINUED) HARDWARE



KEY	PART NUMBER	U/M	DESCRIPTION
1A	029155-01-000	EA	CAP - SNAP - 5/32" OUTSIDE DIAMETER OF PIN
2A	029156-01-000	EA	SOCKET - SNAP - 9/16" O.D.
3A	046867-05-000	EA	WASHER - #0
4A	046867-04-000	EA	GROMMET - #0
5A	160457-01-01A	EA	BRACE - VALANCE - L-SHAPED - 20" - OFF WHITE
6A	162496-01-01A	EA	BRACKET/BLIND - LEFT SIDE WHEN FACING WINDOW - CLEAR
7A	162496-02-01A	EA	BRACKET/BLIND - RIGHT SIDE WHEN FACING WINDOW - CLEAR
8A	084434-01-000	EA	BRACKET - MOUNTING - ROLLER SHADE - 1 3/8"
9A	094896-02-000	EA	GROMMET - CORD/PLEATED BLIND - NYLON - GRAY
10A	094907-02-000	EA	END CAP - PLEATED BLIND/TOP - RH/LH - GRAY PLASTIC
11A	094907-04-000	EA	END CAP - PLEATED BLIND/BOTTOM - RH/LH
12A	094907-09-000	EA	END CAP/BLIND - CENTER RAIL - RH/LH
13A	097564-03-000	EA	HANDLE - KNOB - E-Z LIFT SHADE - TAN
14A	097565-01-000	EA	BRACKET - MOUNTING - PLEATED BLIND
15A	155748-01-000	EA	SPRING - EXTENSION - DAY/NIGHTER BLIND
16A	101031-01-000	YD	TAPE/GLIDE - 4.25" SPACING
17A	102555-03-000	EA	BRACKET - (CLEAT TYPE) - F/BLIND HOLDOWN - MILKY WHITE

**CURTAIN & CUSHION GROUP (CONTINUED)**  
**HARDWARE (CONTINUED)**



KEY	PART NUMBER	U/M	DESCRIPTION
1B	105450-14-01A	EA	TRACK - CURTAIN - 90" - OFF WHITE
2B	105648-01-02A	EA	BRACE - VALANCE - 14" - OFF WHITE
2B	105648-02-02A	EA	BRACE - VALANCE - 8.5" - OFF WHITE
3B	106544-01-000	EA	PULL - SHADE/BRASS
3B	106544-01-001	EA	SCREW - SHADE/BRASS
3B	106544-02-000	EA	PULL-SHADE - NICKEL
4B	109353-04-000	EA	CLIP - VALANCE SLAT MOUNTING - CLEAR PLASTIC
5B	109441-01-000	EA	BRACKET/HOOK - BLIND HOLD DOWN - LARGE - CLEAR
	109441-02-000	EA	SPACER/BRACKET - BLIND HOLD DOWN
6B	129491-01-000	EA	CATCH - SNAP HOOK - 1"
7B	130549-01-01A	EA	STOP - CURTAIN TRACK
8B	141634-01-000	EA	BRACKET-(BOBBIN TYPE) 7/8"H HOLDUPBASE(OVAL)-2 HOLE-CLEAR
9B	156172-02-01A	EA	TRACK/WALL - 32" - BONE
9B	156172-03-01A	EA	TRACK/WALL - 21" - BONE
10B	156172-04-01A	EA	END CAP - WALL TRACK - CLEAR
11B	154316-01-01A	EA	BRACE/ANGLE - W/HOLE - CASHMERE
12B	154316-02-01A	EA	BRACE/ANGLE - W/SLOT - CASHMERE
13B	159702-01-01A	EA	HOOK/RING - CURTAIN/SHOWER - NICKEL

**CURTAIN & CUSHION GROUP (CONTINUED)**  
**ACCESSORIES**

<b>KEY</b>	<b>PART NUMBER</b>	<b>U/M</b>	<b>DESCRIPTION</b>
	070578-19-W45	EA	BUTTON - #30 - SCREW/STUD - FABRIC COVERED (W45, W46)
	070578-19-W47	EA	BUTTON - #30 - SCREW/STUD - FABRIC COVERED (W47, W48)
	070578-19-W49	EA	BUTTON - #30 - SCREW/STUD - FABRIC COVERED (W49, W50)
	070578-21-W45	EA	BUTTON - #30 - SCREW/STUD (W45, W46)
	070578-21-W41	EA	BUTTON - #30 - SCREW/STUD (W47, W48)
	070578-21-W49	EA	BUTTON - #30 - SCREW/STUD (W49, W50)
	070578-23-W45	EA	BUTTON - #30 - SCREW/STUD - FABRIC COVERED (W45, W46)
	070578-23-W47	EA	BUTTON - #30 - SCREW/STUD - FABRIC COVERED (W47, W48)
	070578-23-W49	EA	BUTTON - #30 - SCREW/STUD - FABRIC COVERED (W49, W50)

## CURTAIN & CUSHION GROUP (CONTINUED)

### FABRICS W45, W46

087272-03-000 FABRIC-DRAPERY, MAIN  
113979-09-01A CARPET-HEADLINER (SY) - CEILING  
FROM: 00-00-00 THRU: 01-13-08  
113979-09-02A CARPET-HEADLINER (SY) - CEILING  
FROM: 01-14-08 THRU: 99-99-99  
113979-10-01A CARPET-HEADLINER - SLDOUT (SY) - CEILING  
FROM: 00-00-00 THRU: 01-13-08  
113979-10-02A CARPET-HEADLINER - SLDOUT (SY) - CEILING  
FROM: 01-14-08 THRU: 99-99-99  
113979-11-01A CARPET-HEADLINER - SLDOUT (SY) - CEILING  
FROM: 00-00-00 THRU: 01-13-08  
113979-11-02A CARPET-HEADLINER - SLDOUT (SY) - CEILING  
FROM: 01-14-08 THRU: 99-99-99  
142523-20-000 FABRIC-UPHOLSTERY ULTRA LEATHER MAIN  
148797-BR-000 FABRIC-UPHOLSTERY MAIN  
148797-BR-000 FABRIC-UPHOLSTERY, ACCENT PATTERN  
148797-BR-000 FABRIC-DOOR INSERT PAD, SMALL  
148797-BR-000 FABRIC-HEADLINER - PADS, BUNKS, TRANSITION PANELS  
148797-BS-000 FABRIC-OVERHEAD CABINET - DINETTE, LOUNGE  
156773-86-000 FABRIC-OVERHEAD CABINET - FRONT  
148797-BS-000 FABRIC-UPHOLSTERY,PLAIN ACCENT  
148797-BS-000 FABRIC-DINETTE WRAP  
148797-BS-000 FABRIC-INSERTS - TRIM SLIDEOUT  
148797-BS-000 FABRIC-TRANSITION PANELS ACCENT  
148797-H9-000 FABRIC-HEADLINER - PADS, BUNKS, NON-PADDED  
156773-67-000 FABRIC-UPHOLSTERY BED SPREAD MAIN  
156773-68-000 FABRIC-UPHOLSTERY BED SPREAD PATTERN ACCENT  
156773-68-000 FABRIC-OVERHEAD CABINET, BEDROOM  
156773-68-000 FABRIC-BEDROOM CABINET ACCENT  
137813-W2-000 FABRIC/BEDSPREAD - MOCHA  
148797-N4-000 FABRIC/UPHOLSTERY - PRAIRIE

### W47, W48

087272-03-000 FABRIC-DRAPERY MAIN  
113979-09-01A CARPET-HEADLINER (SY) - CEILING  
FROM: 00-00-00 THRU: 01-13-08  
113979-09-02A CARPET-HEADLINER (SY) - CEILING  
FROM: 01-14-08 THRU: 99-99-99  
113979-10-01A CARPET-HEADLINER - SLDOUT (SY) - CEILING  
FROM: 00-00-00 THRU: 01-13-08  
113979-10-02A CARPET-HEADLINER - SLDOUT (SY) - CEILING  
FROM: 01-14-08 THRU: 99-99-99  
113979-11-01A CARPET-HEADLINER - SLDOUT (SY) - CEILING  
FROM: 00-00-00 THRU: 01-13-08  
113979-11-02A CARPET-HEADLINER - SLDOUT (SY) - CEILING  
FROM: 01-14-08 THRU: 99-99-99  
137813-X7-000 FABRIC-UPHOLSTERY BED SPREAD PATTERN ACCENT  
142523-19-000 FABRIC-UPHOLSTERY ULTRA LEATHER MAIN  
148797-BT-000 FABRIC-DOOR INSERT PAD, SMALL  
148797-BT-000 FABRIC-HEADLINER - PADS, BUNKS, TRANSITION PANELS  
148797-BT-000 FABRIC-UPHOLSTERY MAIN  
148797-BU-000 FABRIC-DINETTE WRAP  
148797-BU-000 FABRIC-INSERTS - TRIM SLIDEOUT  
148797-BU-000 FABRIC-OVERHEAD CABINET - DINETTE, LOUNGE  
156773-86-000 FABRIC-OVERHEAD CABINET - FRONT  
148797-BU-000 FABRIC-TRANSITION PANELS ACCENT  
148797-BU-000 FABRIC-UPHOLSTERY PLAIN ACCENT  
148797-H9-000 FABRIC-HEADLINER - PADS, BUNKS, NON-PADDED  
156773-69-000 FABRIC-BEDROOM CABINET ACCENT  
156773-69-000 FABRIC-O/H CABINETS BEDROOM  
156773-69-000 FABRIC-UPHOLSTERY BEDSPREAD MAIN  
56773-57-000 FABRIC/BEDSPREAD  
156773-58-000 FABRIC/BEDSPREAD

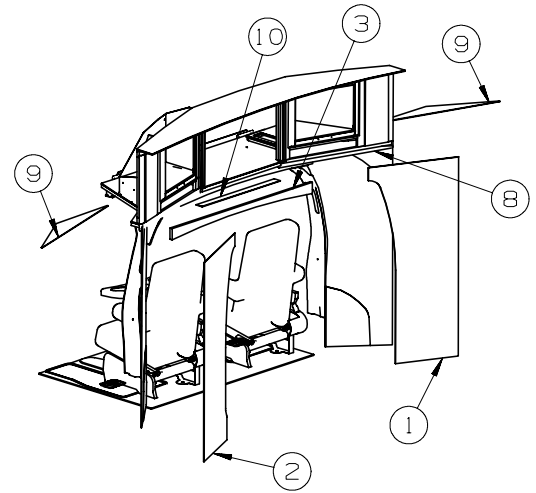
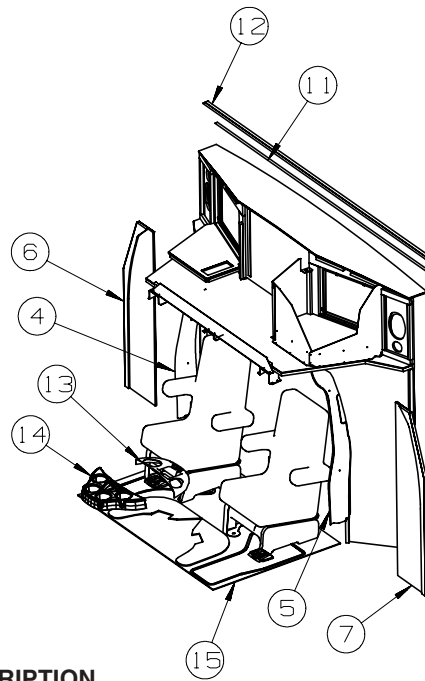


**CURTAIN & CUSHION GROUP (CONTINUED)**  
**FABRICS (CONTINUED)**

**W49, W50**

087272-03-000 FABRIC-DRAPERY, MAIN  
113979-09-01A CARPET-HEADLINER (SY) - CEILING  
FROM: 00-00-00 THRU: 01-13-08  
113979-09-02A CARPET-HEADLINER (SY) - CEILING  
FROM: 01-14-08 THRU: 99-99-99  
113979-10-01A CARPET-HEADLINER - SLDOUT (SY) - CEILING  
FROM: 00-00-00 THRU: 01-13-08  
113979-10-02A CARPET-HEADLINER - SLDOUT (SY) - CEILING  
FROM: 01-14-08 THRU: 99-99-99  
113979-11-01A CARPET-HEADLINER - SLDOUT (SY) - CEILING  
FROM: 00-00-00 THRU: 01-13-08  
113979-11-02A CARPET-HEADLINER - SLDOUT (SY) - CEILING  
FROM: 01-14-08 THRU: 99-99-99  
137813-X3-000 FABRIC-UPHOLSTERY BEDSPREAD MAIN  
FROM: 00-00-00 THRU: 11-04-07  
156773-40-000 FABRIC-UPHOLSTERY BEDSPREAD MAIN  
FROM: 11-05-07 THRU: 99-99-99  
137813-X4-000 FABRIC-UPHOLSTERY BEDSPREAD PATTERN ACCENT  
FROM: 00-00-00 THRU: 11-04-07  
156773-G4-000 FABRIC-UPHOLSTERY BEDSPREAD PATTERN ACCENT  
FROM: 11-05-07 THRU: 99-99-99  
142523-07-000 FABRIC-UPHOLSTERY ULTRA LEATHER MAIN  
148797-H9-000 FABRIC-UPHOLSTERY PLAIN ACCENT  
148797-H9-000 FABRIC-HEADLINER/PADS/BUNKS NON-PADDED  
148797-H9-000 FABRIC-OVERHEAD CABINET - DINETTE, LOUNGE  
148797-H9-000 FABRIC-OVERHEAD CABINET, BEDROOM  
156773-86-000 FABRIC-OVERHEAD CABINET - FRONT  
148797-H9-000 FABRIC-DINETTE WRAP  
148797-H9-000 FABRIC-INSERT SLIDEOUT TRIM  
148797-H9-000 FABRIC-BEDROOM CABINET ACCENT  
148797-H9-000 FABRIC-TRANSITION PANELS ACCENT  
148797-R3-000 FABRIC-UPHOLSTERY MAIN  
148797-R3-000 FABRIC-UPHOLSTERY ACCENT PATTERN  
148797-R3-000 FABRIC-DOOR INSERT PADSMALL  
148797-R3-000 FABRIC-HEADLINER - PADS, BUNKS, TRANSITION PANELS  
156773-59-000 FABRIC/BEDSPREAD - FRESCO  
148797-BG-000 FABRIC/UPHOLSTERY

## DRIVERS COMPARTMENT GROUP FRONT INTERIOR

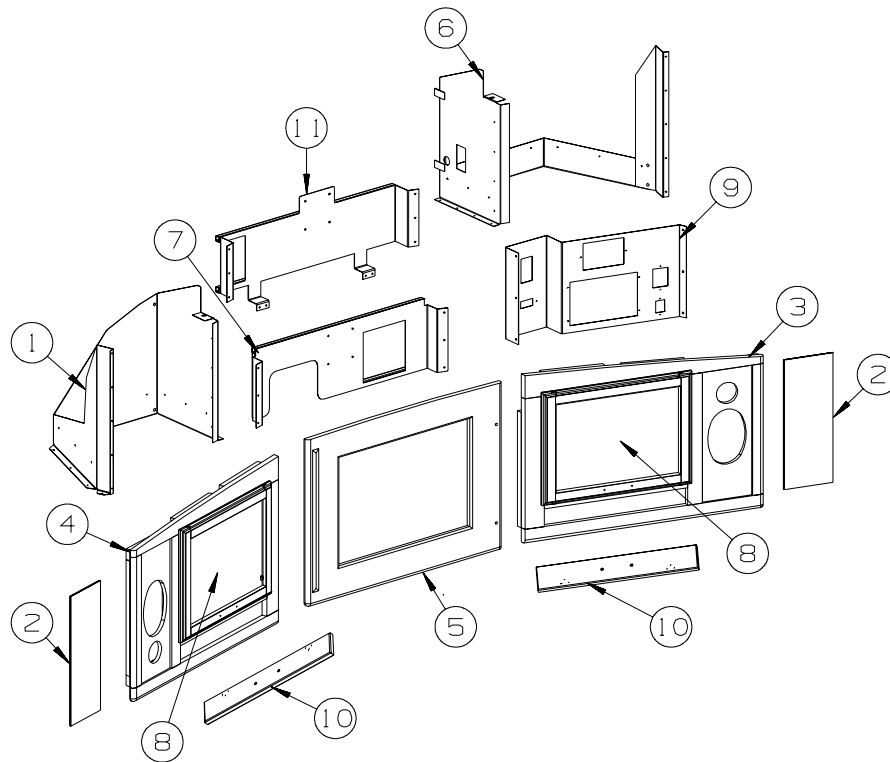


KEY	PART NUMBER	U/M	DESCRIPTION
1	149336-03-W45	EA	PANEL/TRANSITION - INNER - RIGHT HAND (W45, W46)
1	149336-03-W47	EA	PANEL/TRANSITION - INNER - RIGHT HAND (W47, W48)
1	149336-03-U49	EA	PANEL/TRANSITION - INNER - RIGHT HAND (W49, W50)
1	149336-05-W45	EA	PANEL/TRANSITION - INNER - RIGHT HAND (W45) - <b>ULTRALEATHER</b>
1	149336-05-W46	EA	PANEL/TRANSITION - INNER - RIGHT HAND (W46) - <b>ULTRALEATHER</b>
1	149336-05-W47	EA	PANEL/TRANSITION - INNER - RIGHT HAND (W47) - <b>ULTRALEATHER</b>
1	149336-05-W48	EA	PANEL/TRANSITION - INNER - RIGHT HAND (W48) - <b>ULTRALEATHER</b>
1	149336-05-W49	EA	PANEL/TRANSITION - INNER - RIGHT HAND (W49) - <b>ULTRALEATHER</b>
1	149336-05-W50	EA	PANEL/TRANSITION - INNER - RIGHT HAND (W50) - <b>ULTRALEATHER</b>
2	149336-04-W45	EA	PANEL/TRANSITION - INNER - LEFT HAND (W45, W46)
2	149336-04-W47	EA	PANEL/TRANSITION - INNER - LEFT HAND (W47, W48)
2	149336-04-U49	EA	PANEL/TRANSITION - INNER - LEFT HAND (W49, W50)
2	149336-06-W45	EA	PANEL/TRANSITION - INNER - LEFT HAND (W45) - <b>ULTRALEATHER</b>
2	149336-06-W46	EA	PANEL/TRANSITION - INNER - LEFT HAND (W46) - <b>ULTRALEATHER</b>
2	149336-06-W47	EA	PANEL/TRANSITION - INNER - LEFT HAND (W47) - <b>ULTRALEATHER</b>
2	149336-06-W48	EA	PANEL/TRANSITION - INNER - LEFT HAND (W48) - <b>ULTRALEATHER</b>
2	149336-06-W49	EA	PANEL/TRANSITION - INNER - LEFT HAND (W49) - <b>ULTRALEATHER</b>
2	149336-06-W50	EA	PANEL/TRANSITION - INNER - LEFT HAND (W50) - <b>ULTRALEATHER</b>
3	149411-02-W45	EA	TRIM/REAR CAB - FABRIC WRAPPED - 51.7" (W45, W46)
3	149411-02-W47	EA	TRIM/REAR CAB - FABRIC WRAPPED - 51.7" (W47, W48)
3	149411-02-U49	EA	TRIM/REAR CAB - FABRIC WRAPPED - 51.7" (W49, W50)
4	150481-01-23A	EA	TRIM - B-PILLAR - RIGHT HAND - PEBBLE
5	150481-02-23A	EA	TRIM - B-PILLAR - LEFT HAND - PEBBLE
6	149530-03-W45	EA	TRIM - B-PILLAR - RIGHT HAND (W45, W46)
6	149530-03-W47	EA	TRIM - B-PILLAR - RIGHT HAND (W47, W48)
6	149530-03-W49	EA	TRIM - B-PILLAR - RIGHT HAND (W49, W50)
7	149530-04-W45	EA	TRIM - B-PILLAR - LEFT HAND (W45, W46)
7	149530-04-W47	EA	TRIM - B-PILLAR - LEFT HAND (W47, W48)
7	149530-04-W49	EA	TRIM - B-PILLAR - LEFT HAND (W49, W50)
8	149948-01-02A	EA	HEADLINER - WITH DOME LIGHT - FORD - PEBBLE
9	150149-03-W45	EA	TRIM - ENTERTAINMENT CENTER/BOTTOM - FABRIC WRAPPED -36.7" (W45, W46)
9	150149-03-W47	EA	TRIM - ENTERTAINMENT CENTER/BOTTOM - FABRIC WRAPPED -36.7" (W47, W48)
9	150149-03-U49	EA	TRIM - ENTERTAINMENT CENTER/BOTTOM - FABRIC WRAPPED -36.7" (W49, W50)
10	150149-04-W45	EA	TRIM - ENTERTAINMENT CENTER/BOTTOM - FABRIC WRAPPED -29.1" (W45, W46)
10	150149-04-W47	EA	TRIM - ENTERTAINMENT CENTER/BOTTOM - FABRIC WRAPPED -29.1" (W47, W48)
10	150149-04-U49	EA	TRIM - ENTERTAINMENT CENTER/BOTTOM - FABRIC WRAPPED -29.1" (W49, W50)
11	086229-01-000	EA	RETAINER - BATTEN - .75" X 92.1" - ANY COLOR
12	086229-12-000	EA	BATTEN - 1.5" OFFSET X 96.8" - MODERN IVORY
13	150974-01-05A	EA	APPLIQUE - BEZEL - INSTRUMENT PANEL - REGAL BURLWOOD
14	150974-05-05A	EA	APPLIQUE - BEZEL - MOTOR COVER - FORD -LTHR REGAL BURLWOOD
15	155266-06-01A	EA	MAT - FLOOR - SET - "1" - FORD - PEBBLE BROWN/BLACK

FROM: 00-00-00 THRU: 05-21-07

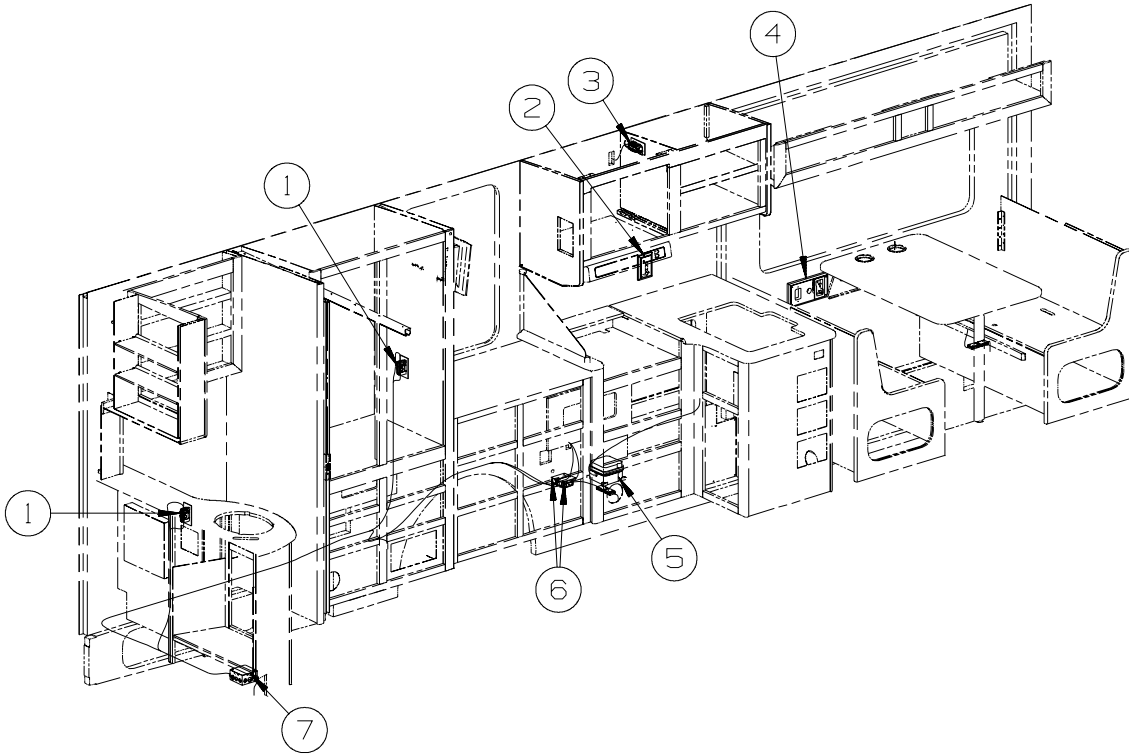
# DRIVERS COMPARTMENT GROUP (CONTINUED)

## CABINETS



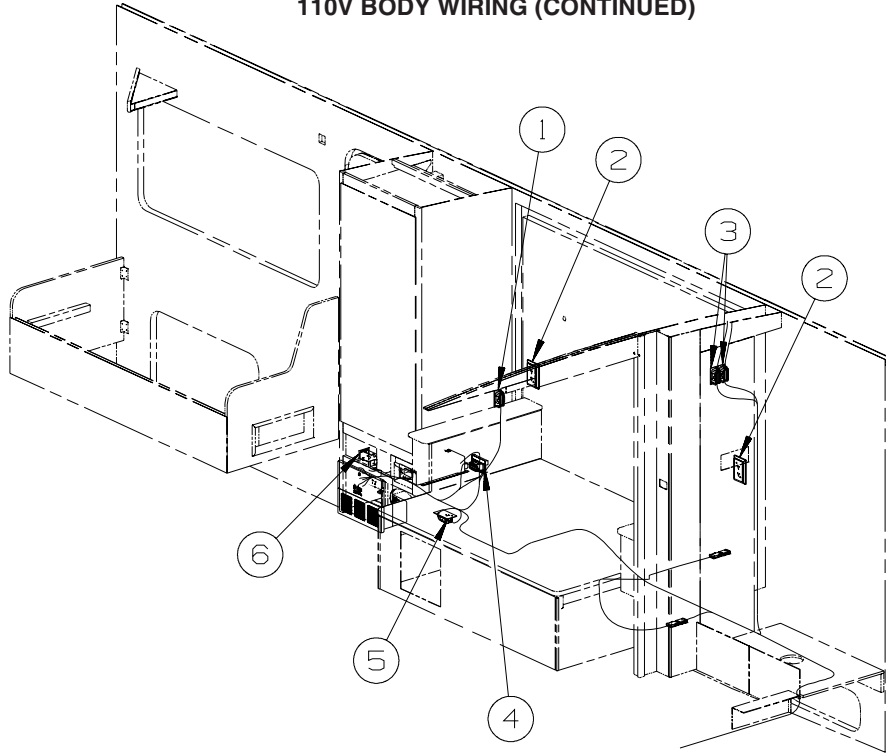
KEY	PART NUMBER	U/M	DESCRIPTION
1	149487-02-02B	EA	COMPARTMENT/OVERHEAD - FRONT/LH HAND - E-COATED
2	149457-13-W45	EA	COVER/PANEL - FABRIC INSERT
3	149457-18-S34	EA	FACE/FRAME (PICTURE) OVERHEAD/PASS - W/O FABRIC INSERT/HDW - WASHED MAPLE
3	149457-18-S35	EA	FACE/FRAME (PICTURE) OVERHEAD/PASS - W/O FABRIC INSERT/HDW - SIERRA MAPLE
4	149457-19-S34	EA	FACE/FRAME (PICTURE) OVERHEAD/PASS - W/O FABRIC INSERT/HDW - WASHED MAPLE
4	149457-19-S35	EA	FACE/FRAME (PICTURE) OVERHEAD/PASS - W/O FABRIC INSERT/HDW - SIERRA MAPLE
5	149407-03-W37	EA	FRAME/FACE - F/TV - WASHED MAPLE - <b>TV-19"DC,COLOR,LCD</b> FROM: 00-00-00 THRU: 04-29-07
5	149407-05-W37	EA	FRAME/FACE - F/TV - WASHED MAPLE - <b>TV-19"DC,COLOR,LCD</b> FROM: 04-30-07 THRU: 99-99-99
5	149407-03-W38	EA	FRAME/FACE - F/TV - SIERRA MAPLE - <b>TV-19"DC,COLOR,LCD</b> FROM: 00-00-00 THRU: 04-29-07
5	149407-05-W38	EA	FRAME/FACE - F/TV - SIERRA MAPLE - <b>TV-19"DC,COLOR,LCD</b> FROM: 04-30-07 THRU: 99-99-99
5	149407-06-W37	EA	FRAME/FACE - F/TV - WASHED MAPLE - <b>TV-27" COLOR,STEREO W/REMOTE</b>
	M09477-88-S34	EA	MOLDING - TRIM/VEE - .2" X 1" X 19.9" - WASHED MAPLE
5	149407-06-W38	EA	FRAME/FACE - F/TV - SIERRA MAPLE - <b>TV-27" COLOR,STEREO W/REMOTE</b>
	M09477-88-S35	EA	MOLDING - TRIM/VEE - .2" X 1" X 19.9" - SIERRA MAPLE
5	149407-07-W37	EA	FRAME/FACE - F/TV - WASHED MAPLE - <b>TV-26" COLOR,STEREO W/REMOTE</b>
	M09454-62-P56	EA	MOLDING - TRIM/VEE - .2" X 1" X 3.5" - WASHED MAPLE
	M09494-40-SD2	EA	MOLDING - TRIM/VEE - .2" X 1" X 7.9" - WASHED MAPLE
5	149407-07-W38	EA	FRAME/FACE - F/TV - SIERRA MAPLE - <b>TV-26" COLOR,STEREO W/REMOTE</b>
	M09454-62-W38	EA	MOLDING - TRIM/VEE - .2" X 1" X 3.5" - SIERRA MAPLE
	M09494-40-W38	EA	MOLDING - TRIM/VEE - .2" X 1" X 7.9" - SIERRA MAPLE
6	149487-04-02B	EA	COMPARTMENT/OVERHEAD - FRONT/RH HAND - E-COATED
7	164361-01-02B	EA	BRACKET - TV - E-COATED - <b>TV-19"DC,COLOR,LCD</b> FROM: 00-00-00 THRU: 04-24-07
7	164354-01-02B	EA	BRACKET - TV - E-COATED - <b>TV-19"DC,COLOR,LCD</b> FROM: 04-25-07 THRU: 99-99-99
8	146028-81-T47	EA	DOOR - GLASS INSERT/PENCIL EDGE - 15.7" X 20.4" - W/O HDW - WASHED MAPLE
8	146028-81-T48	EA	DOOR - GLASS INSERT/PENCIL EDGE - 15.7" X 20.4" - W/O HDW - SIERRA MAPLE
9	164365-01-02B	EA	PANEL - ELECTRICAL - E-COATED
10	161080-16-W37	EA	FACE/DRAWER - SOLID PANEL - 3.5" X 20.6" - W/O HDW - WASHED MAPLE
10	161080-16-W38	EA	FACE/DRAWER - SOLID PANEL - 3.5" X 20.6" - W/O HDW - SIERRAD MAPLE
	076767-17-000	EA	CABLE - STAINLESS STEEL - 3.9"
11	165090-01-02B	EA	BRACKET - TV - E-COATED - <b>TV-27" COLOR,STEREO W/REMOTE</b>
11	166659-01-02B	EA	BRACKET - TV - 26" JENSEN - E-COATED - <b>TV-26" COLOR,STEREO W/REMOTE</b>

## ELECTRICAL GROUP 110V BODY WIRING



KEY	PART NUMBER	U/M	DESCRIPTION
1	058708-01-000	EA	RECEPTACLE - ELECTRIC - DOUBLE - BROWN
2	058708-01-000	EA	RECEPTACLE - ELECTRIC - DOUBLE - BROWN
2	133713-01-21A	EA	SPACER/RECEPTACLE - VINYL - WASHED MAPLE
2	133713-01-22A	EA	SPACER/RECEPTACLE - VINYL - SIERRA MAPLE
3	058708-05-000	EA	RECEPTACLE - ELECTRICAL - SINGLE - BROWN
3	160984-01-01A	EA	RECEPTACLE - ELECTRICAL - SINGLE/FLUSH - 20 AMP - BROWN - CANADIAN
4	058708-01-000	EA	RECEPTACLE - ELECTRIC - DOUBLE - BROWN
4	133713-06-21A	EA	SPACER/RECEPTACLE - PHONE - VINYL - WASHED MAPLE
4	133713-06-22A	EA	SPACER/RECEPTACLE - PHONE - VINYL - SIERRA MAPLE
5	136481-01-000	EA	MODULE - AUTO ENERGY SELECTOR
6	058707-02-000	EA	RECEPTACLE - BLANK - JUNCTION BOX
7	008289-01-000	EA	BOX - ELECTRIC/STEEL - 4" X 4" - 1/2" & 3/4" KNOCKOUTS - GEN-4.0KW-ONANGAS-MICROQUIET
7	008294-01-000	EA	COVER - ELECTRIC BOX - BLANK/STEEL - 4" X 4" - GRAY - GEN-4.0KW-ONANGAS-MICROQUIET

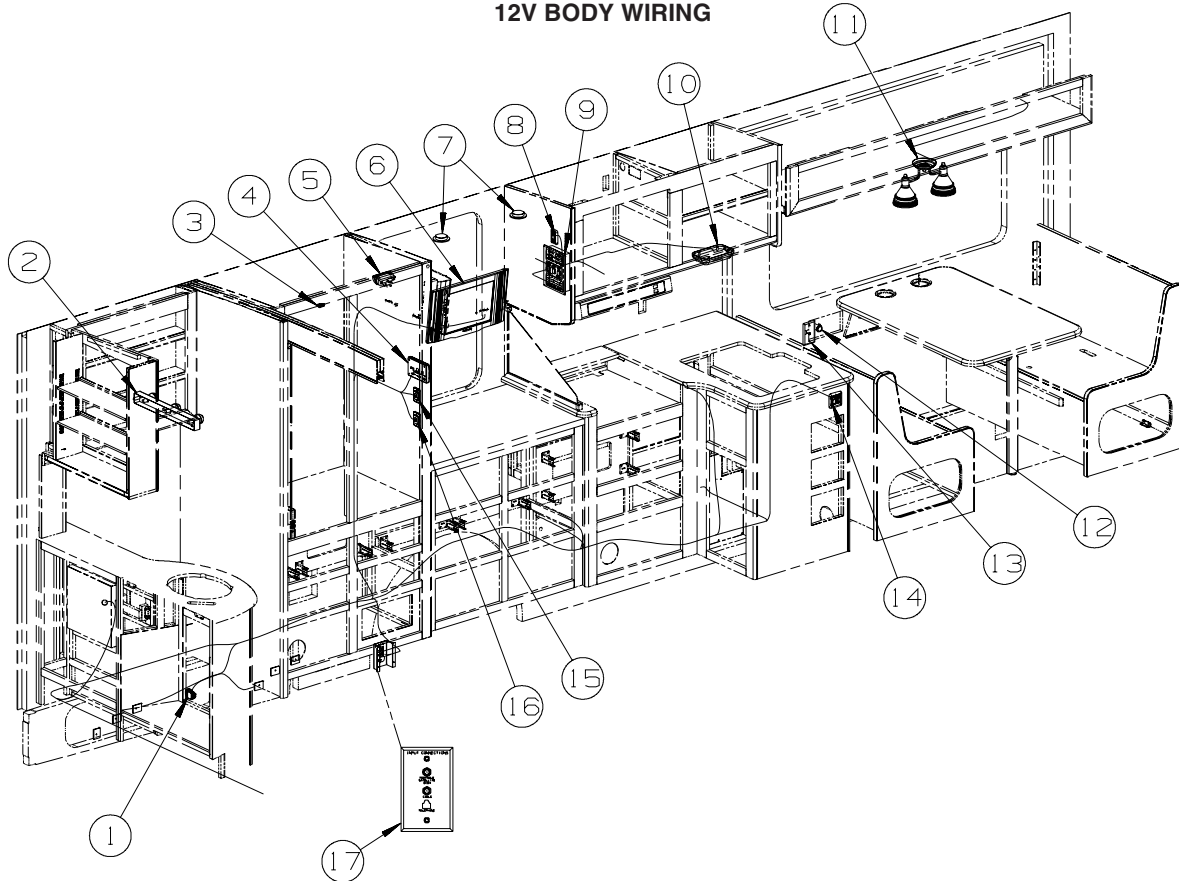
**ELECTRICAL GROUP (CONTINUED)**  
**110V BODY WIRING (CONTINUED)**



KEY	PART NUMBER	U/M	DESCRIPTION
1	058707-01-000	EA	RECEPTACLE - ELECTRIC - SINGLE - BROWN
2	058708-01-000	EA	RECEPTACLE - ELECTRIC - DOUBLE - BROWN
2	133713-01-21A	EA	SPACER/RECEPTACLE - VINYL - WASHED MAPLE
2	133713-01-22A	EA	SPACER/RECEPTACLE - VINYL - SIERRA MAPLE
3	058707-02-000	EA	RECEPTACLE - BLANK - JUNCTION BOX
4	131826-01-01A	EA	RECEPTACLE - EXTERIOR - W/COVER/GASKET - WHITE
5	058707-01-000	EA	RECEPTACLE - ELECTRIC - SINGLE - BROWN - <b>INVERTER-DC/AC, 300 WATT</b>
5	058707-02-000	EA	RECEPTACLE - BLANK - JUNCTION BOX
6	163319-01-02A	EA	RECEPTACLE - GFCI - 15A 125V - BROWN

# ELECTRICAL GROUP (CONTINUED)

## 12V BODY WIRING

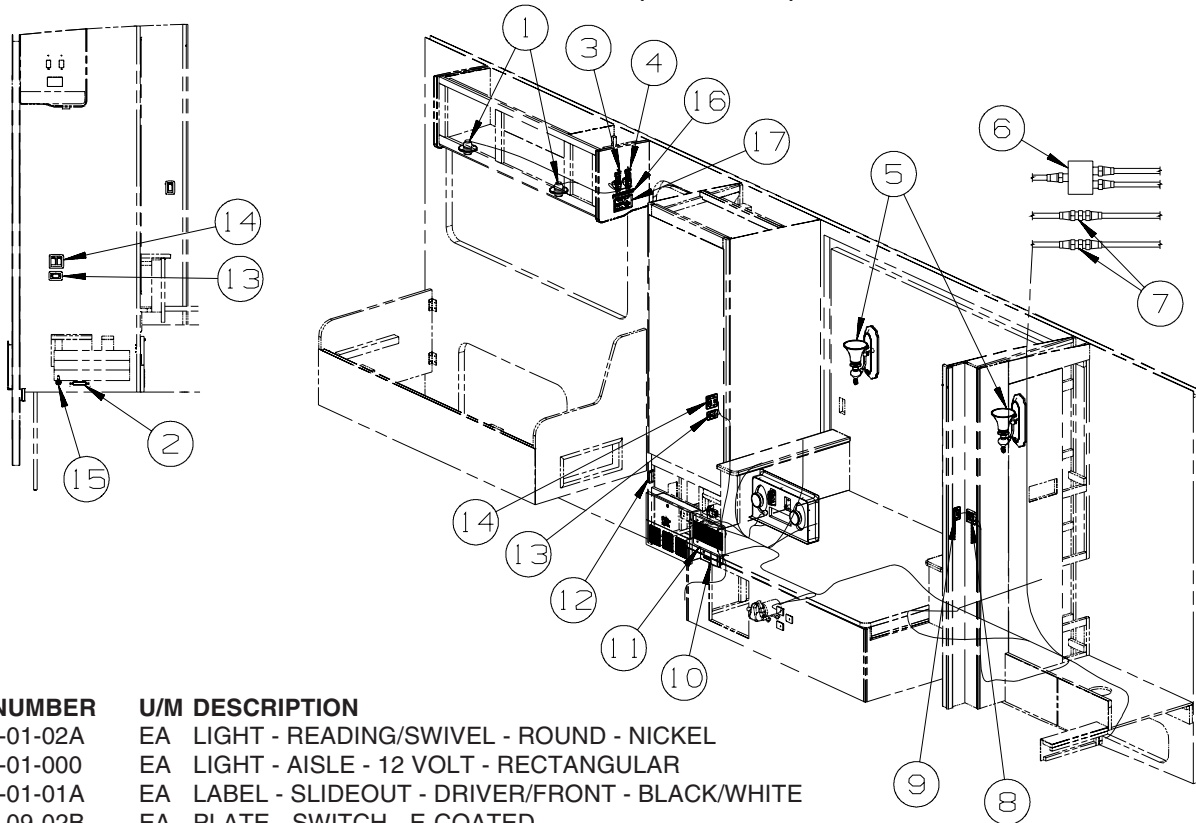


KEY	PART NUMBER	U/M	DESCRIPTION
1	108357-15-000	EA	SWITCH - ROCKER - DPDT - ON/NONE/ON - W/LIGHT W/O COVER
1	108356-04-01A	EA	COVER/ACTUATOR SWITCH - 2 ROWS DIMPLES W/LENS - BLACK
2	138116-01-02A	EA	LIGHT/MAKE UP - 3 BULB - CURVED - W/O BULB - SATIN NICKEL
2	123918-01-000	EA	BULB - 12V - MAKEUP - WHITE
3	056264-01-000	EA	SWITCH - LEAF ACTUATOR
4	135618-03-01A	EA	THERMOSTAT - ROOF A/C & FURNACE - WHITE - A/C ROOF-HI EFF LOW PROFILE
4	135618-01-01A	EA	THERMOSTAT - HEAT PUMP/FURNACE - WHITE - AC HEAT PUMP-HI EFF, LOW PFL
5*	087694-01-000	EA	LIGHT - WARDROBE/CLOSET - W/SWITCH
6*	160123-01-000	EA	TV - 14" LCD/STEREO - 12V - PROVIEW HV-145 - TV-14"DC,CLR,LCD
6	136860-01-000	EA	CABLE - RCA - SHIELDED - 3 MALE TO MALE CONNECTORS - 12' - TV-14"DC,CLR,LCD
6	165808-01-000	EA	TV - 15" LCD/STEREO - 12V - MB QUART #MBQLC15U-W - TV-15"DC, W/RADIO/CD/DVD
6	136860-02-000	EA	CABLE - RCA - SHIELDED - 3 MALE TO MALE CONNECTORS - 50' - TV-15"DC, W/RADIO/CD/DVD
6	082134-01-000	EA	ADAPTER - TV - CABLE TO CABLE
7*	123775-01-02A	EA	LIGHT - HALOGEN - ROUND - SATIN NICKEL
8	135740-06-01A	EA	SWITCH - ROCKER - ON/OFF - LIGHTED - RED - WTR HTR-6GAL ELECTRIC/LP GAS
8	135741-01-01A	EA	SWITCH - BASE - SINGLE - BROWN - WTR HTR-6GAL ELECTRIC/LP GAS
8	135742-35-02A	EA	BEZEL - SWITCH - WATER HEATER/110 VOLT - BROWN - WTR HTR-6GAL ELECTRIC/LP GAS
9*	134940-06-01A	EA	PANEL - MONITOR - 2 TANK - W/GENERATOR SWITCH - GEN-4.0KW-ONANGAS-MICROQUIET
9*	134940-07-01A	EA	PANEL - MONITOR - 2 TANK
10*	137417-02-01A	EA	LIGHT - DOME - SINGLE - W/SWITCH/OPTIC LENS - WHITE
11*	093575-46-01A	EA	LIGHT - CEILING/DOUBLE - BRUSHED NICKEL
12	132958-01-000	EA	RECEPTACLE - 12 VOLT - MOUNTING FLANGE - BLACK
13	093253-01-02A	EA	PLATE - WALL - TELEPHONE - BROWN
14	135740-01-01A	EA	SWITCH - ROCKER - SPST - ON/OFF - BROWN
14	135740-02-01A	EA	SWITCH - ROCKER - SPDT - ON/ON - BROWN
14	135741-02-01A	EA	SWITCH - BASE - DOUBLE - BROWN
14	135742-54-02A	EA	BEZEL - SWITCH - BEDROOM/GALLEY - BROWN
15	135740-01-01A	EA	SWITCH - ROCKER - SPST - ON/OFF - BROWN
15	135741-01-01A	EA	SWITCH - BASE - SINGLE - BROWN
15	135742-45-02A	EA	BEZEL - SWITCH - TV - BROWN
16	135740-01-01A	EA	SWITCH - ROCKER - SPST - ON/OFF - BROWN
16	135741-01-01A	EA	SWITCH - BASE - SINGLE - BROWN
16	135742-01-01A	EA	BEZEL - SWITCH - SINGLE - BROWN
17	149557-01-01A	EA	PLATE/WALL - PHONE/DUAL COAXIAL/VERTICAL - WHITE

\*COMPONENT PARTS LISTED LATER IN THIS GROUP

## ELECTRICAL GROUP (CONTINUED)

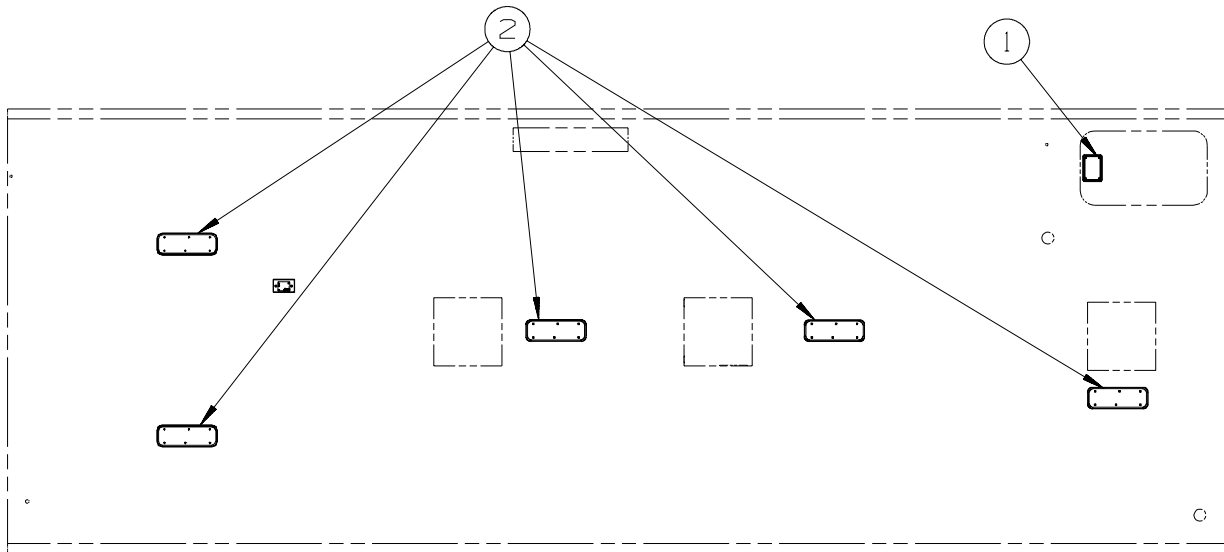
### 12V BODY WIRING (CONTINUED)



KEY	PART NUMBER	U/M	DESCRIPTION
1	132427-01-02A	EA	LIGHT - READING/SWIVEL - ROUND - NICKEL
2	061424-01-000	EA	LIGHT - AISLE - 12 VOLT - RECTANGULAR
3	163992-01-01A	EA	LABEL - SLIDEOUT - DRIVER/FRONT - BLACK/WHITE
3	144363-09-02B	EA	PLATE - SWITCH - E-COATED
3	108357-07-000	EA	SWITCH - ROCKER - SPDT - MOM/OFF/MOM - 3 TERM - W/O COVER
3	108356-01-01A	EA	COVER/ACTUATOR SWITCH - 3 GROOVES - BLACK
3	116220-01-000	EA	APPLIQUE - SWITCH/SLIDEOUT
4	163992-03-01A	EA	LABEL - SLIDEOUT - PASSENGER/REAR - BLACK/WHITE
4	144363-09-02B	EA	PLATE - SWITCH - E-COATED
4	108357-07-000	EA	SWITCH - ROCKER - SPDT - MOM/OFF/MOM - 3 TERM - W/O COVER
4	108356-01-01A	EA	COVER/ACTUATOR SWITCH - 3 GROOVES - BLACK
4	116220-01-000	EA	APPLIQUE - SWITCH/SLIDEOUT
5	119258-57-01A	EA	LAMP - WALL - W/GLASS SHADE/SWITCH - UL/CSA - NICKEL
6	086756-01-000	EA	SPLITTER - TV/2 WAY - <b>TV-14"DC,COLOR,LCD/REMOTE/ENTERTAINMENT CENTR/EXT W/CD</b>
6	082134-01-000	EA	ADAPTER-TV-CABLE TO CABLE-TV-14"DC,COLOR,LCD/REMOTE/ENTERTAINMENT CENTR/EXT W/CD
7	082134-01-000	EA	ADAPTER - TV - CABLE TO CABLE
8	135740-01-01A	EA	SWITCH - ROCKER - SPST - ON/OFF - BROWN
8	135740-02-01A	EA	SWITCH - ROCKER - SPDT - ON/ON - BROWN
8	135742-14-02A	EA	BEZEL - SWITCH - MAKEUP/CEILING - BROWN
9	135740-02-01A	EA	SWITCH - ROCKER - SPDT - ON/ON - BROWN
9	135741-01-01A	EA	SWITCH - BASE - SINGLE - BROWN
9	135742-07-02A	EA	BEZEL - SWITCH - CEILING - BROWN
10	150138-01-02A	EA	DETECTOR - LP GAS - BROWN
11	124884-01-000	EA	SPEAKER - 6" X 9" - SUB-WOOFER - W/O GRILLE - <b>RADIO/AM/FM/CD/DVD PLAYER</b>
			FROM: 02-21-07 THRU: 99-99-99
11	151844-01-01A	EA	GRILLE - SPEAKER - 6" X 9" - SUB WOOFER - BLACK - <b>RADIO/AM/FM/CD/DVD PLAYER</b>
			FROM: 02-21-07 THRU: 99-99-99
12	116995-02-000	EA	SWITCH/MAGNET - ELECTRIC STEP - BLACK/WHITE- NORMALLY OPEN
13	135740-01-01A	EA	SWITCH - ROCKER - SPST - ON/OFF - BROWN - <b>ENTRANCE STEP-ELEC.</b>
13	135741-01-01A	EA	SWITCH - BASE - SINGLE - BROWN - <b>ENTRANCE STEP-ELEC.</b>
13	135742-11-02A	EA	BEZEL - SWITCH - STEP - BROWN - <b>ENTRANCE STEP-ELEC.</b>
14	135740-01-01A	EA	SWITCH - ROCKER - SPST - ON/OFF - BROWN
14	135741-02-01A	EA	SWITCH - BASE - DOUBLE - BROWN
14	135742-19-02A	EA	BEZEL - SWITCH - CEILING/PORCH - BROWN
15	098351-07-02A	EA	PLATE/SWITCH - 1 GANG - CHROME - GENERATOR SWITCH
15	108357-06-000	EA	SWITCH - ROCKER - DPDT - MOM/OFF/MOM - 6 TERM - W/O COVER
15	108356-11-01A	EA	COVER/ACTUATOR SWITCH - 3 GROOVES - AUX BATT - BLACK
16	116549-01-000	EA	LABEL - WARNING - SLIDEOUT
17	163988-01-01A	EA	LABEL - SLIDEOUT CONTROL/MANUAL - BLACK/WHITE
17*	163097-01-000	EA	SWITCH - SPST - KEY ACTIVATED - W/2 KEYS

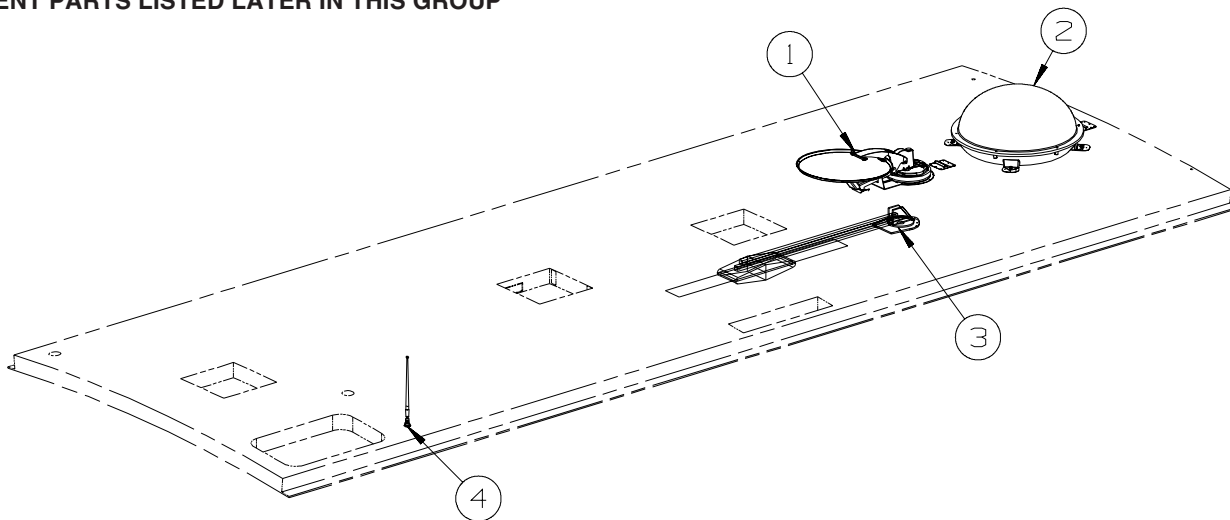
\*COMPONENT PARTS LISTED LATER IN THIS GROUP

**ELECTRICAL GROUP (CONTINUED)**  
**12V BODY WIRING (CONTINUED)**



KEY	PART NUMBER	U/M	DESCRIPTION
1	160867-01-01A	EA	SPEAKER-ROUND/CEILING-CREAM-MAGNADYNE - LS3EYC-WN - SOUND SYS. DLX. W/Q-SURROUND
2*	137417-06-01A	EA	LIGHT - DOME - DOUBLE - W/O SWITCH - W/FROSTED LENS-WHITE
3*	121935-01-01A	EA	LIGHT - DOME - SHOWER

\*COMPONENT PARTS LISTED LATER IN THIS GROUP

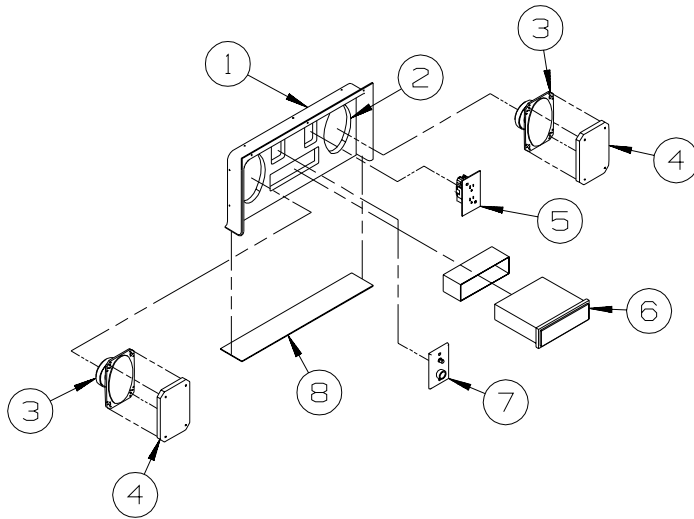


KEY	PART NUMBER	U/M	DESCRIPTION
1*	137135-02-000	EA	ANTENNA - SATELLITE DSS - W/SENSOR - SATELLITE DISH & ELEV.SENSOR
2	154474-04-01A	EA	ANTENNA/SATELLITE - DISH IN DOME/SEARCH IN MOTION - WHITE - SAT SYS IN-MOTION W/O RCVR
2	154474-02-000	EA	CONTROL/SATELLITE KIT-IDB BOX/IDD BOX-POWER SUPPLY-CABLE-SAT SYS IN-MOTION W/O RCVR
2	154474-03-000	EA	CABLE - SATELLITE - COAX - 8' W/CONNECTORS - SAT SYS IN-MOTION W/O RCVR
2	146488-01-000	EA	PLATE - ROOF - CABLE ENTRY - SAT SYS IN-MOTION W/O RCVR
3*	076319-23-000	EA	ANTENNA - TV ROOF MOUNT - 44.5" MAST
3*	076319-25-000	EA	KIT - HARDWARE INTERIOR
3	069726-02-000	EA	BUMPER - .88" OD X .40" THICK - BLACK
4	090944-01-000	EA	ANTENNA - RADIO - 16" RUBBER - W/72" LEAD WIRE - ENTERTAINMENT CENTR/EXT W/CD
4	109889-04-000	EA	EXTENDER - ANTENNA SHAFT - 3.7" - ENTERTAINMENT CENTR/EXT W/CD
4	147741-01-09B	EA	BRACKET - ANTENNA GROUND - GALVANIZED - ENTERTAINMENT CENTR/EXT W/CD

\*COMPONENT PARTS LISTED LATER IN THIS GROUP



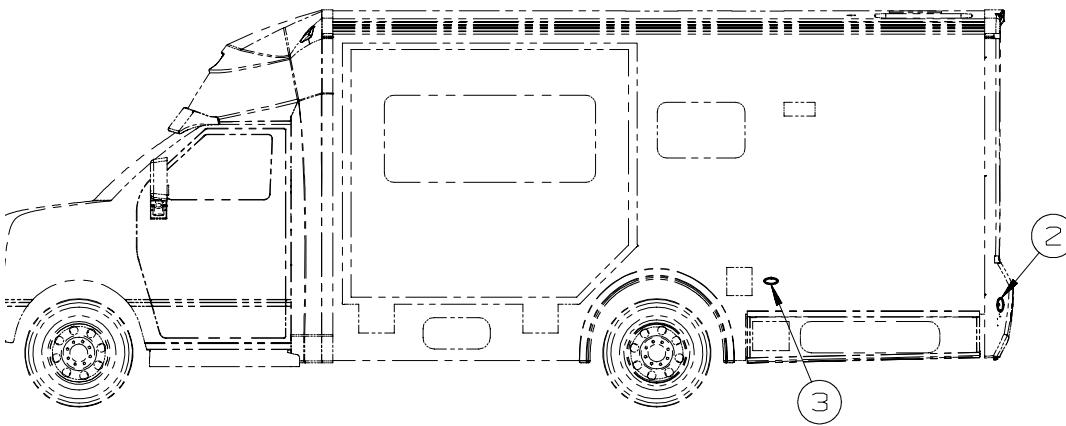
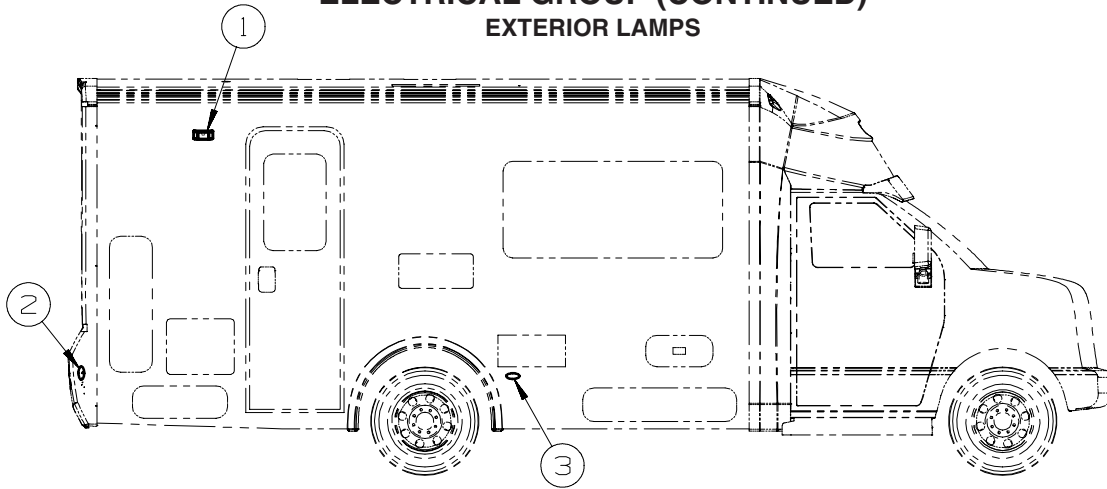
**ELECTRICAL GROUP (CONTINUED)**  
**12V BODY WIRING (CONTINUED)**



KEY	PART NUMBER	U/M	DESCRIPTION
1	124696-02-01A	EA	BOX-ENTERTAINMENT CTR/EXT-19.4"W X 10"H X 2.5"D - BRT WHT
	124696-01-01A	EA	BOX-ENTERTAINMENT CTR/EXT-19.4"W X 10"H X 10.2"D W/CUTOUTS
2	127409-02-L15	EA	PLATE - RADIO MOUNTING
3	110469-01-000	EA	SPEAKER - 4" X 6" OVAL - COAXIAL
4	110470-01-01A	EA	GRILLE - 4" X 6" - OVAL SPEAKER - BLACK
5	058708-01-000	EA	RECEPTACLE - ELECTRIC - DOUBLE - BROWN
6	155619-02-000	EA	RADIO - AM/FM CD-W/O REMOTE/WIRE HARNESS-MAGNADYNE M3200CD
	155619-03-000	EA	REMOTE - RADIO
7	076319-09-000	EA	WALLPLATE - TV CABLE RECEPTACLE - SINGLE - BROWN
8	104898-01-02A	EA	PLATE - PLASTIC BOTTOM - BRIGHT WHITE

## ELECTRICAL GROUP (CONTINUED)

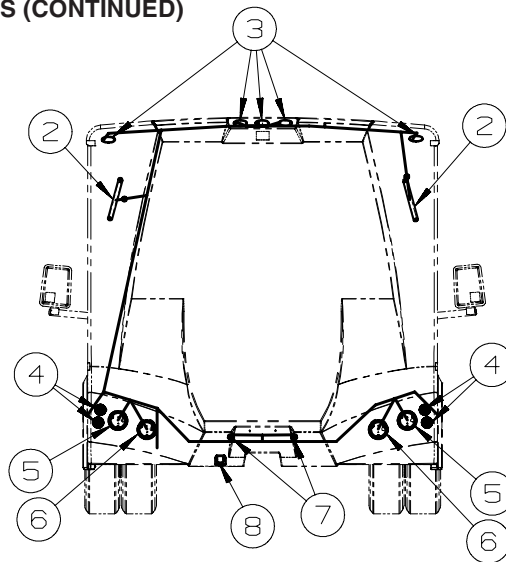
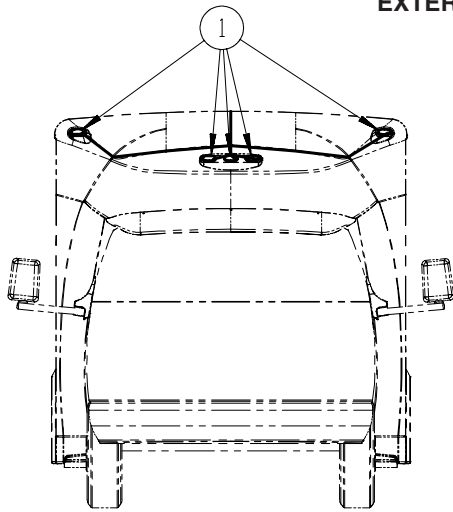
### EXTERIOR LAMPS



KEY	PART NUMBER	U/M	DESCRIPTION
1*	097917-01-06A	EA	LIGHT - PORCH - ENTRY DOOR - BRIGHT WHITE FROM: 00-00-00 THRU: 02-10-08
1	097917-01-09A	EA	LIGHT - PORCH - ENTRY DOOR - WHITE FROM: 02-11-08 THRU: 99-99-99
1	097917-01-08A	EA	LIGHT/PORCH - CHROME - <b>FULL BODY PAINT</b>
2	147680-01-01A	EA	BASE - MARKER LAMP - WHITE
2	147680-03-01A	EA	LAMP - MARKER - LENS - RED
3	147680-01-01A	EA	BASE - MARKER LAMP - WHITE - <b>729H</b>
3	147680-02-01A	EA	LAMP - MARKER - LENS - AMBER - <b>729H</b>

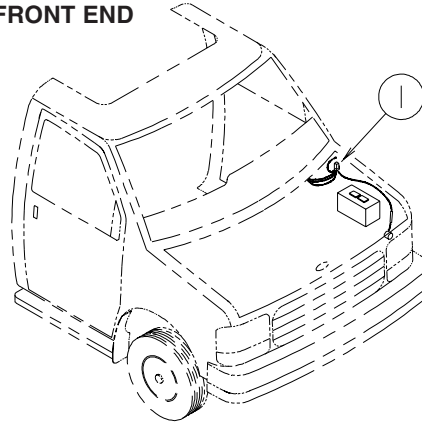
**\*COMPONENT PARTS LISTED LATER IN THIS GROUP**

**ELECTRICAL GROUP (CONTINUED)**  
**EXTERIOR LAMPS (CONTINUED)**



KEY	PART NUMBER	U/M	DESCRIPTION
1	147680-01-01A	EA	BASE - MARKER LAMP - WHITE
1	147680-02-01A	EA	LAMP - MARKER - LENS - AMBER
2	151076-01-000	EA	LIGHT - BRAKE - CENTER MOUNT
3	147680-01-01A	EA	BASE - MARKER LAMP - WHITE
3	147680-03-01A	EA	LAMP - MARKER - LENS - RED
4	141514-01-000	EA	REFLECTOR - ROUND/RED
5	149222-01-000	EA	LAMP - STOP/TURN/TAIL - HELLA 84412B
6	149222-02-000	EA	LAMP - BACKUP - HELLA 84411B
7	087201-01-000	EA	LIGHT - HALF ROUND - 1" X 1.7" - PLASTIC - BLACK OR WHITE
8	146246-01-000	EA	CONNECTOR/PLUG - TRAILER - 7 PIN
8	157593-01-000	EA	CONNECTOR - PLUG - TRAILER - 7 SOCKET

**ELECTRICAL GROUP (CONTINUED)**  
**FRONT END**



KEY	PART NUMBER	U/M	DESCRIPTION
1	100138-01-000	EA	MODULE - DAYTIME/RUNNING LIGHT - HAMSAR DRL #H8005B

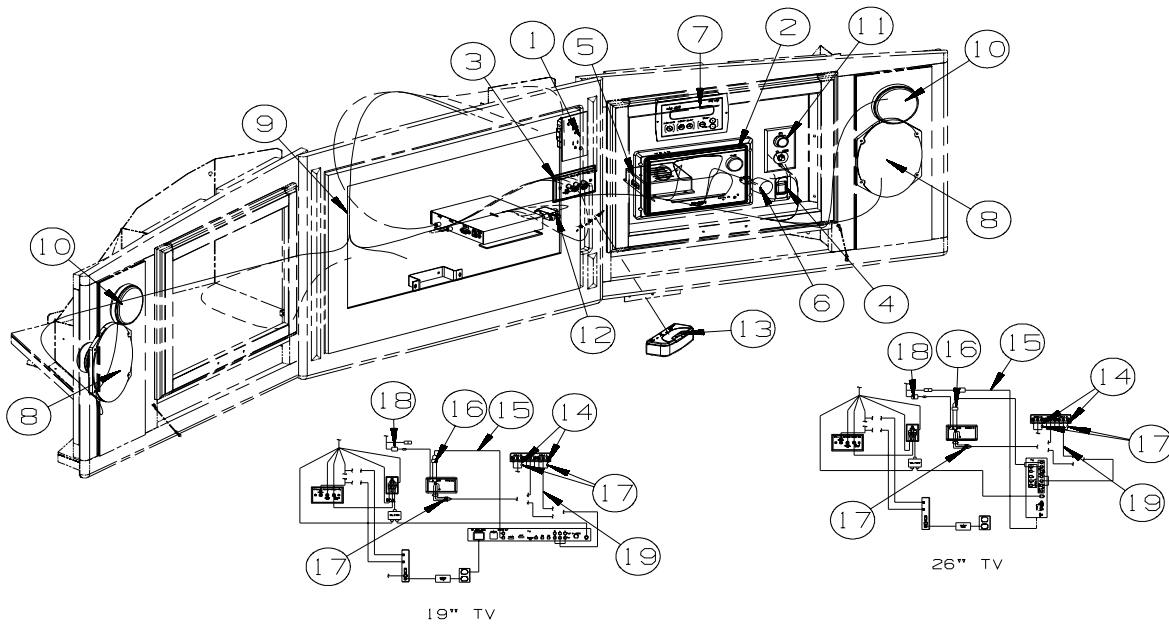


KEY	PART NUMBER	U/M	DESCRIPTION
*	120269-07-01A	EA	PANEL - W/ELECTRIC MIRROR/HEAT SWITCH - F/#L28X OPTION - MIRRORS-EXTERIOR W/DEFROST
*	133908-09-01A	EA	PANEL - F/ELECTRIC MIRROR ONLY - L28X OPTION - MIRRORS-EXTERIOR W/DEFROST - CHEVY

**\*COMPONENT PARTS LISTED LATER IN THIS GROUP**

## ELECTRICAL GROUP (CONTINUED)

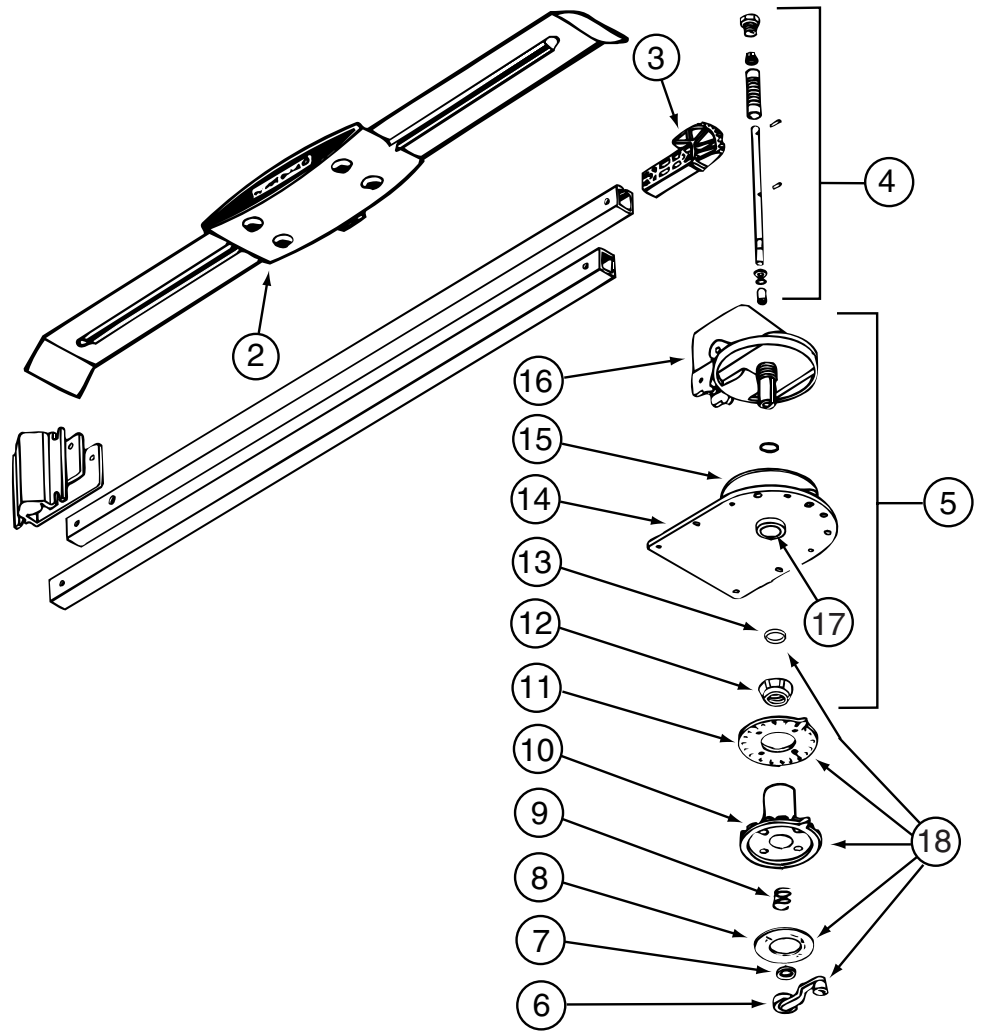
### FRONT TV/VCR



KEY	PART NUMBER	U/M	DESCRIPTION
1	058708-01-000	EA	RECEPTACLE - ELECTRIC - DOUBLE - BROWN
2*	163031-01-01A	EA	RADIO - WALL MOUNT - DVD/CD - W/ALARM - JENSEN AWM960 - <b>RADIO/AM/FM/CD/DVD PLAYER</b>
3	149557-04-01A	EA	PLATE/WALL - TRIPLE COAXIAL/HORIZONTAL - WHITE
4	135740-01-01A	EA	SWITCH - ROCKER-SPST
4	135741-01-01A	EA	SWITCH - BASE - SINGLE - BROWN
4	135742-45-02A	EA	BEZEL - SWITCH - TV - BROWN
5	150140-01-000	EA	CROSSOVER BOX - STNDRD STEREO TO DLX SND
6	150140-02-000	EA	CROSSOVER COIL - SUBWFR SPKR/LOW FREQUENCY
7	154474-02-000	EA	CONTROL/SATELLITE KIT - IDB BOX/IDD BOX-PWR SUPPLY-CABLE - <b>INMOTION SATELLITE</b>
8	110465-01-000	EA	SPEAKER KIT,4 - 5 X 7 SPEAKERS
9*	158703-01-000	EA	TV - 20" - LCD 4:3 - SIDE SPEAKER - JENSEN JE2043 FROM: 00-00-00 THRU: 04-29-07
9*	164495-01-000	EA	TV - 19" - LCD 16:9 - BOTTOM SPEAKER - JENSEN JE1907DC FROM: 04-30-07 THRU: 99-99-99
9*	165074-01-000	EA	TV - 27" - LCD 16:9 - BOTTOM SPEAKER - JENSEN JE2707 - <b>TV-27" COLOR,STEREO W/REMOTE</b>
9*	166446-01-000	EA	TV - 26" - LCD 16:9 - BOTTOM SPEAKER - JENSEN JE2608 - <b>TV(FRONT)-26" COLOR STEREO</b>
10	160868-02-01A	EA	GRILLE/ROUND - SPEAKER - SILVER
10	160868-01-01A	EA	SPEAKER - ROUND/CEILING - W/O CASE
11	086777-02-000	EA	WALLPLATE/TV CABLE W/ANTENNA SWITCH/BOOSTER - 2 TV - BLACK
12	086756-01-000	EA	SPLITTER - TV/2 WAY
13	156689-01-000	EA	SWITCH - AUDIO/VIDEO - 15" TV LCD W/REMOTE, - <b>TV-14"DC,COLOR,LCD/REMOTE</b>
14	165307-01-000	EA	CABLE/VIDEO - 3' - MALE/FEMALE ENDS FROM: 07-15-07 THRU: 99-99-99
15	117420-02-000	EA	CABLE - W/MALE RCA ENDS - SHIELDED - 4'
16	123324-01-000	EA	FILTER - GROUND LOOP - ISOLATION TRANSFORMER
17	165161-01-000	EA	FILTER - GROUND LOOP/VIDEO
18	128074-02-000	EA	FILTER - NOISE - 12 VOLT DC W/PLUGS
19	136860-03-000	EA	CABLE - RCA - SHIELDED - 3 MALE TO MALE CONNECTORS - 6' FROM: 10-01-07 THRU: 99-99-99

\*COMPONENT PARTS LISTED LATER IN THIS GROUP

**ELECTRICAL GROUP (CONTINUED)**  
**COMPONENT PARTS FOR WIRING**



**076319-23-000**

KEY	PART NUMBER	U/M	DESCRIPTION	VENDOR NO.
2	076319-01-700	EA	HEAD-ANTENNA, AMPLIFIED	RVSA U/V
3	076319-01-701	EA	GEAR-ELEVATING, PLASTIC	2200046
4	076319-01-702	EA	SHAFT ASM-ELEVATING	RP-4000
5	076319-01-711	EA	BASE & LIFT ASM	2762802
7	076319-01-705	EA	GROMMET-NYLON, 7/8"ID	3200658
8	076319-01-708	EA	DECAL-CRANK	5413002
9	076319-01-707	EA	SPRING-HANDLE	2160822
11	076319-01-712	EA	PLATE - CEILING	3200608
12	076319-01-715	EA	NUT (GEAR HOUSING)	2200047
14	076319-01-713	EA	PLATE-BASE, STEEL	3100523
15	076319-01-703	EA	BEARING-NYLON, 5"OD	3200656
16	076319-01-714	EA	HOUSING, ROTATING GEAR	2200049
17	076319-01-704	EA	BEARING-NYLON, 1.25"OD	3200657
18	076319-01-709	EA	HANDLE-HEAD DIRECTIONAL	200644
	076319-01-716	EA	TUBING, ELEVATING	RP-2900

CONTACT WINNEBAGO PART SALES FOR UNLISTED COMPONENT(S)

**076319-25-000**

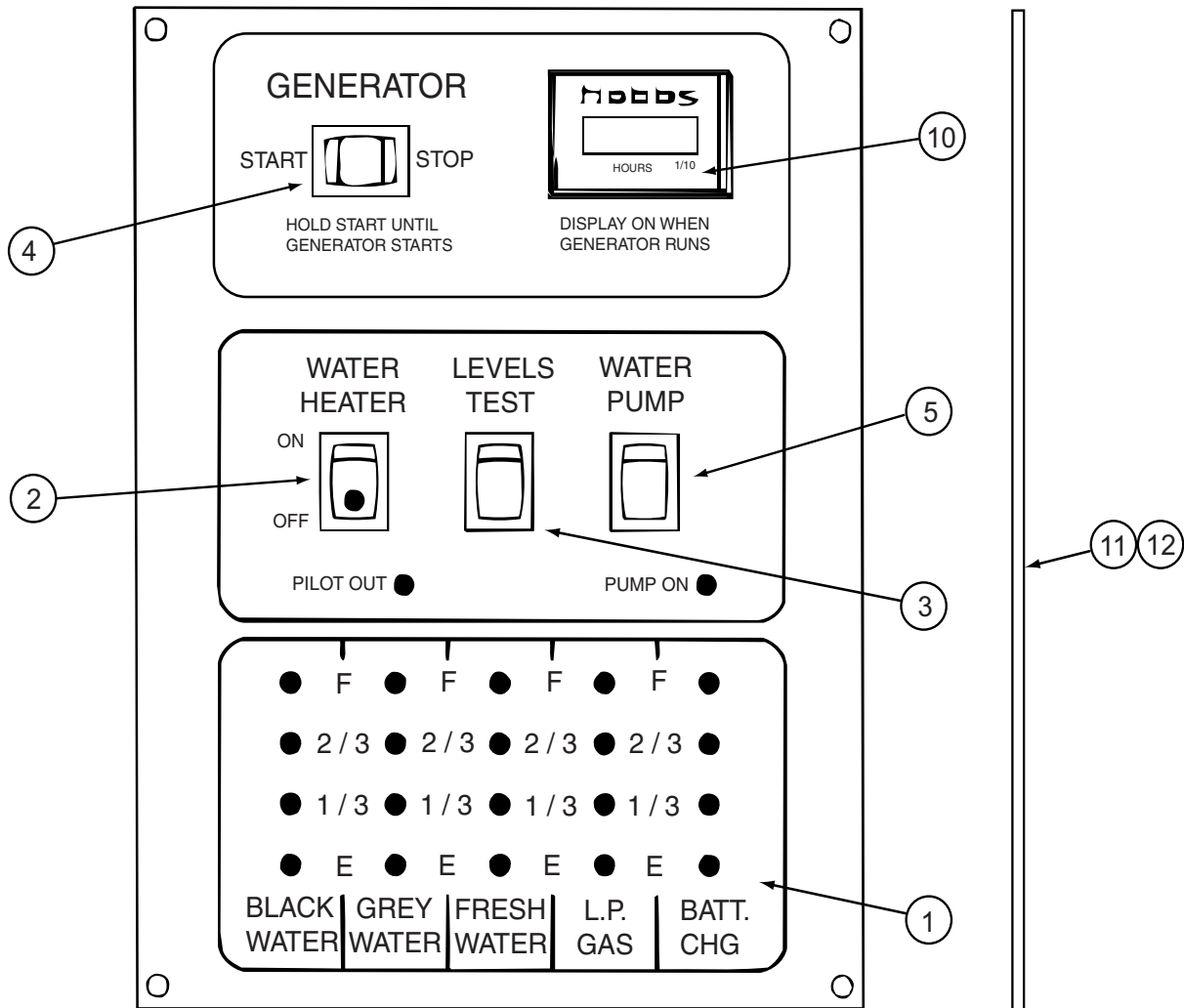
KEY	PART NUMBER	U/M	DESCRIPTION	VENDOR NO.
6	076319-01-706	EA	CRANK-W/SET SCREW UNIV/BEIGE	2750897
6	120233-01-710	EA	HANDLE-CRANK W/SCREW - WHITE	RP-6795
8	076319-01-708	EA	DECAL-CRANK	5413002
10	076319-25-700	EA	DIRECTIONAL HANDLE(WHITE)	3200612
11	076319-25-701	EA	PLATE - CEILING(WHITE)	3200609
13	120233-01-709	EA	WASHER-NYLON	RP-2658

CONTACT WINNEBAGO PART SALES FOR UNLISTED COMPONENT(S)

**ELECTRICAL GROUP (CONTINUED)**  
**COMPONENT PARTS FOR WIRING (CONTINUED)**

			<b>087694-01-000</b>	
<b>KEY</b>	<b>PART NUMBER</b>	<b>U/M DESCRIPTION</b>		<b>VENDOR NO.</b>
	087694-01-700	EA BULB		GE561
			<b>093575-46-01A</b>	
<b>KEY</b>	<b>PART NUMBER</b>	<b>U/M DESCRIPTION</b>		<b>VENDOR NO.</b>
	093575-46-700	EA GLOBE		#98
			<b>097917-01-06A</b>	
<b>KEY</b>	<b>PART NUMBER</b>	<b>U/M DESCRIPTION</b>		<b>VENDOR NO.</b>
	097917-01-700	EA LENS-LIGHT, CLEAR		30-78-021
			<b>120269-07-01A</b>	
<b>KEY</b>	<b>PART NUMBER</b>	<b>U/M DESCRIPTION</b>		<b>VENDOR NO.</b>
	120269-07-700	EA SWITCH - REMOTE		7475720
	133908-09-700	EA SWITCH - MIRROR HEATER		7475150
			<b>121935-01-01A</b>	
<b>KEY</b>	<b>PART NUMBER</b>	<b>U/M DESCRIPTION</b>		<b>VENDOR NO.</b>
	121935-01-700	EA LENS ONLY - W/CENTER HOLE		809511
			<b>123775-01-01A</b>	
<b>KEY</b>	<b>PART NUMBER</b>	<b>U/M DESCRIPTION</b>		<b>VENDOR NO</b>
	123775-01-700	EA BULB - 10 WATT - HALOGEN		71-JC10
	123775-01-701	EA BEZEL/LENS - RECESSED LIGHT		99 BEZEL/LENS-BRASS
			<b>123775-01-02A</b>	
<b>KEY</b>	<b>PART NUMBER</b>	<b>U/M DESCRIPTION</b>		<b>VENDOR NO</b>
	123775-01-702	EA BEZEL/LENS - SATIN NICKEL		99 953470
			<b>133908-09-01A</b>	
<b>KEY</b>	<b>PART NUMBER</b>	<b>U/M DESCRIPTION</b>		<b>VENDOR NO.</b>
	133908-09-700	EA SWITCH-MIRROR HEATER		7475150

**ELECTRICAL GROUP (CONTINUED)**  
**COMPONENT PARTS FOR WIRING (CONTINUED)**



**134940-06-01A**

KEY	PART NUMBER	U/M	DESCRIPTION	VENDOR NO.
1	134940-01-702	EA	CHASSIS - SILKSCREENED	CC0558-00
2	134940-01-701	EA	SWITCH-SPST/ON-OFF/BLK W/LGT	L0109
3	096983-01-701	EA	SWITCH - SPST/MOM 2 TERMINAL	L0111-00
4	096983-01-702	EA	SWITCH - MOM/OFF/MOM/3 TERM	L0112-00
5	096983-01-703	EA	SWITCH - ON/ON	L0115-00
10	100258-10-701	EA	GAUGE-HR METER ONLY (LCD)	L0775-00
11	134940-06-700	EA	PC BOARD - SENSOR SYSTEM/RED	L5131-02

CONTACT WINNEBAGO PART SALES FOR UNLISTED COMPONENT(S)

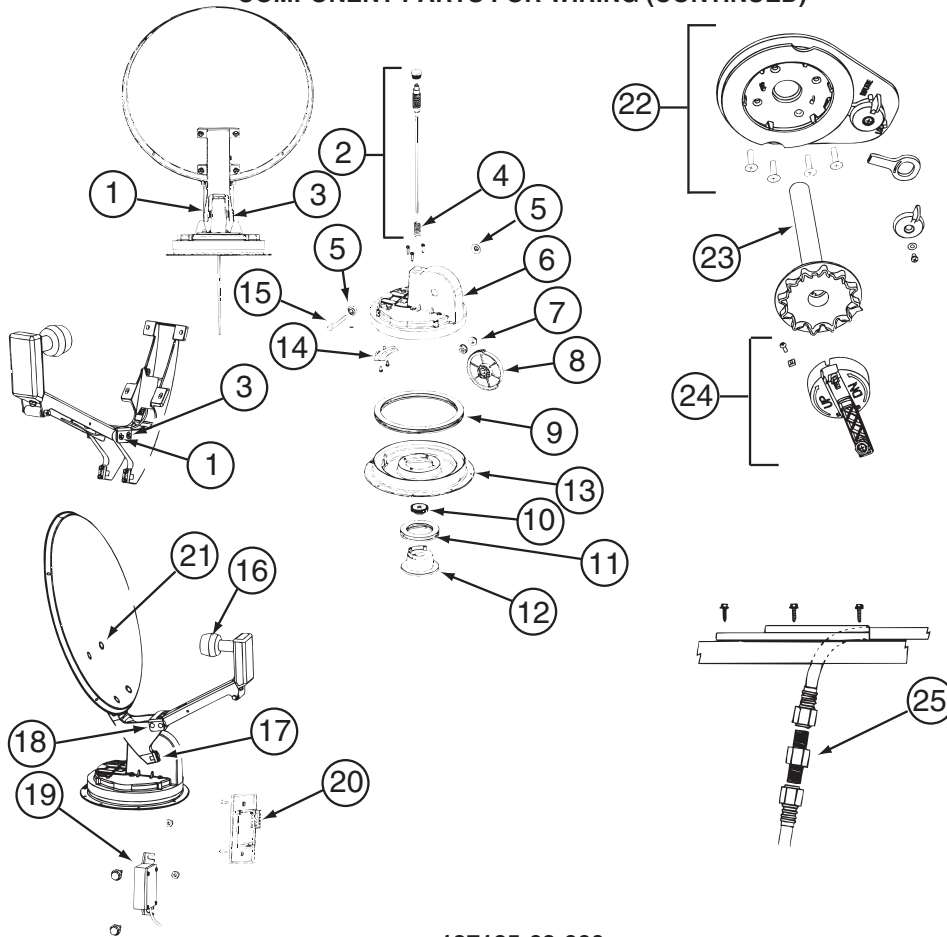
**134940-07-01A**

KEY	PART NUMBER	U/M	DESCRIPTION	VENDOR NO.
1	134940-01-702	EA	CHASSIS - SILKSCREENED	CC0558-00
2	134940-01-701	EA	SWITCH-SPST/ON-OFF/BLK W/LGT	L0109
3	096983-01-701	EA	SWITCH - SPST/MOM 2 TERMINAL	L0111-00
4	096983-01-703	EA	SWITCH - ON/ON	L0115-00
5	134940-02-700	EA	SWITCH - DUMMY	L0118
11	134940-06-700	EA	PC BOARD - SENSOR SYSTEM/RED	L5131-02

CONTACT WINNEBAGO PART SALES FOR UNLISTED COMPONENT(S)



**ELECTRICAL GROUP (CONTINUED)**  
**COMPONENT PARTS FOR WIRING (CONTINUED)**



137135-02-000

KEY	PART NUMBER	U/M	DESCRIPTION	VENDOR NO.
1	120233-01-714	EA	CLIP-E	5160818
2	137135-01-703	EA	KIT ELEV - SHAFT/GEAR/SPRING	RP-4400
3	137135-01-704	EA	PIN - 1/4" X 3.25"	2160813
4	137135-01-705	EA	SPRING	2160818
5	137135-01-707	EA	SEAL - PIVOT SHAFT	2200852
6	137135-01-708	EA	TURRET	3100728
7	137135-01-709	EA	PIVOT BEARING	2200470
8	137135-01-711	EA	GEAR - ELEVATING	2200464
9	137135-01-712	EA	BEARING - OUTER	2590347
10	137135-01-714	EA	GEAR - ELEVATING SHAFT	2200465
11	137135-01-715	EA	BEARING - INNER	2590348
12	137135-01-716	EA	HUB	3100731
13	137135-01-713	EA	TURRET BASE	3100730
14	137135-01-710	EA	PLATE - ROTATE LIMIT	3720052
16	137135-02-703	EA	LOW NOISE BLOCK FILTER	LB-6000 - DUAL
17	137135-01-722	EA	CLAMP	2590343
18	137135-01-719	EA	BRACKET - PIVOT	2744945
19	137135-01-720	EA	DE-SENSOR UNIT W/43" CABLE	DM4000
20	137135-02-701	EA	BOX - SURFACE MOUNT	SM-100
21	137135-01-717	EA	BOLT - FLAT HEAD	2160362
22	120233-01-737	EA	PLATE/INT-W/DIRECTIONAL HDLE	RK-CEIL
23	120233-01-704	EA	DIAL/DIRECTIONAL 4"W/SPRING	3200364
24	120233-01-738	EA	HDW PKG-HANDLE/SPRING/WASHER	RK-HAND
25	137135-01-701	EA	CONNECTOR - F - MALE TO MALE	FS-8100
	120233-04-700	EA	KIT-WALL PLATE/CABLE - GRAY	DM4000
	137135-01-700	EA	ROOF WEDGE W/GASKET	RW-5000
	137135-01-706	EA	KIT-TURRET/SEAL/BEARING/GEAR	RP-RM30
	137135-01-718	EA	REFLECTOR/WHITE-46CM W/HDW	RP-35RM
	137135-02-700	EA	DE-SENSOR	2780096
	137135-02-704	EA	KIT-UPDATE DIRECTIONAL HDL	RP-RMDH
	137135-02-705	EA	KIT-TURRET & SHAFT COMPLETE	RP-RM46

CONTACT WINNEBAGO PART SALES FOR UNLISTED COMPONENT(S)

**ELECTRICAL GROUP (CONTINUED)**  
**COMPONENT PARTS FOR WIRING (CONTINUED)**

<b>137417-02-01A</b>			
<b>KEY</b>	<b>PART NUMBER</b>	<b>U/M DESCRIPTION</b>	<b>VENDOR NO.</b>
	137417-02-700	EA LENS - SINGLE OPTIC	810844
<b>137417-06-01A</b>			
<b>KEY</b>	<b>PART NUMBER</b>	<b>U/M DESCRIPTION</b>	<b>VENDOR NO.</b>
	137417-06-700	EA LENS - DOUBLE WHITE	810867
<b>154474-04-01A</b>			
<b>KEY</b>	<b>PART NUMBER</b>	<b>U/M DESCRIPTION</b>	<b>VENDOR NO.</b>
	154474-04-703	EA BOARD RF ASSEMBLY N/C	100087
	154474-04-705	EA CABLE OUT DUAL TOP PCBA N/C	20034-1
	154474-04-706	EA LNB DUAL EAGLE ASPEN N/C	1863-1
<b>158703-01-000</b>			
<b>KEY</b>	<b>PART NUMBER</b>	<b>U/M DESCRIPTION</b>	<b>VENDOR NO.</b>
	158703-01-700	EA REMOTE	PSVCJE2043
	158703-01-701	EA SERVICE PACK-REMOTE & CABLES	PSVCJE2043
<b>160123-01-000</b>			
<b>KEY</b>	<b>PART NUMBER</b>	<b>U/M DESCRIPTION</b>	<b>VENDOR NO.</b>
	160123-01-700	EA REMOTE - TV	HV145-REM
<b>163031-01-01A</b>			
<b>KEY</b>	<b>PART NUMBER</b>	<b>U/M DESCRIPTION</b>	<b>VENDOR NO.</b>
	163031-01-700	EA REMOTE	PSVCAWM960
<b>163097-01-000</b>			
<b>KEY</b>	<b>PART NUMBER</b>	<b>U/M DESCRIPTION</b>	<b>VENDOR NO.</b>
	163097-01-700	EA KEY - #2382 (ILLINOIS LOCK)	2382
	163097-01-701	EA KEY - #2341 (MILLER DIAL)	PART SALES
<b>164495-01-000</b>			
<b>KEY</b>	<b>PART NUMBER</b>	<b>U/M DESCRIPTION</b>	<b>VENDOR NO.</b>
	164495-01-700	EA REMOTE - TV	P301P19HS3409A
<b>165074-01-000</b>			
<b>KEY</b>	<b>PART NUMBER</b>	<b>U/M DESCRIPTION</b>	<b>VENDOR NO.</b>
	165074-01-700	EA REMOTE - TV	P301P27FC3408A
<b>166446-01-000</b>			
<b>KEY</b>	<b>PART NUMBER</b>	<b>U/M DESCRIPTION</b>	<b>VENDOR NO.</b>
	166446-01-700	EA REMOTE - TV	PR7ATSC

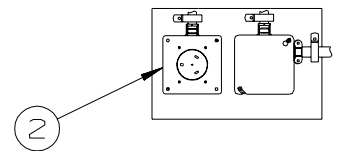
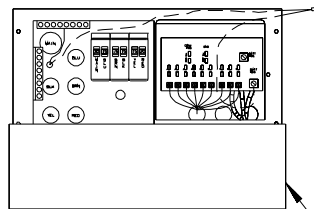
## ELECTRICAL GROUP (CONTINUED)

### CIRCUIT BREAKERS, FUSES & RELAYS

KEY	PART NUMBER	U/M	DESCRIPTION
	062901-02-000	EA	FUSE - 5 AMP - AUTOMOTIVE
	062901-05-000	EA	FUSE - 15 AMP - AUTOMOTIVE
	062901-07-000	EA	FUSE - 25 AMP - AUTOMOTIVE
	062901-08-000	EA	FUSE - 30 AMP - AUTOMOTIVE
	063910-01-000	EA	HOUSING - RELAY
	063912-02-000	EA	RELAY - CANISTER - SPDT
	083209-01-000	EA	CIRCUIT BREAKER - 15 AMP - 120 VOLT - CANADIAN
	083209-02-000	EA	CIRCUIT BREAKER - 15/15 AMP - 120 VOLT
	083209-03-000	EA	CIRCUIT BREAKER - 15/20 AMP - 120 VOLT
	083209-04-000	EA	CIRCUIT BREAKER - 30 AMP - 120 VOLT
	083209-05-000	EA	CIRCUIT BREAKER - 20 AMP - 120 VOLT
	083209-06-000	EA	CIRCUIT BREAKER - 30/15 AMP - 120 VOLT
	083209-07-000	EA	CIRCUIT BREAKER - 20/20 AMP - 120 VOLT
	083209-10-000	EA	CIRCUIT BREAKER - 20/30 AMP - 120 VOLT
	083209-11-000	EA	CIRCUIT BREAKER - 20/15 AMP - 120 VOLT
	092786-03-000	EA	BUSS BAR - 6.9" LONG
	092786-06-000	EA	BUSS BAR
	093654-01-000	EA	CIRCUIT BREAKER - 6 AMP - 12 VOLT - PUSH BUTTON - WHITE
	093654-02-000	EA	CIRCUIT BREAKER - 15 AMP - 12 VOLT - PUSH BUTTON - WHITE
	093654-03-000	EA	CIRCUIT BREAKER - 20 AMP - 12 VOLT - PUSH BUTTON - WHITE
	093654-05-000	EA	CIRCUIT BREAKER - 10 AMP - 12 VOLT - PUSH BUTTON - WHITE
	093655-01-000	EA	CIRCUIT BREAKER - 25 AMP - 12 VOLT - PUSH BUTTON - WHITE
	093655-02-000	EA	CIRCUIT BREAKER - 30 AMP - 12 VOLT - PUSH BUTTON - WHITE
	093655-03-000	EA	CIRCUIT BREAKER - 40 AMP - 12 VOLT - PUSH BUTTON - WHITE
	100341-01-000	EA	FUSE HOLDER - IN LINE TYPE
	113482-01-000	EA	CIRCUIT BREAKER - 55 AMP - MANUAL
	115187-01-000	EA	FUSE - 300 AMP - NON-DELAY
	115187-02-000	EA	HOLDER - FUSE
	115187-03-000	EA	FUSE - 60 AMP - NON-DELAY
	122811-01-000	EA	CIRCUIT BREAKER - 20/50/50/20 AMP - 250V
	141789-01-000	EA	SPACER - CIRCUIT BREAKER

### CONVERTER, INVERTER, LOAD CENTERS

KEY	PART NUMBER	U/M	DESCRIPTION
	099048-04-000	EA	INVERTER - 300 WATT



KEY	PART NUMBER	U/M	DESCRIPTION
1*	083208-07-000	EA	CONTROL CENTER - 45 AMP - 120V/12V - W/O BREAKERS
2	024924-02-000	EA	RECEPTACLE - POWER CORD - W/PARTIAL PLATE

\*COMPONENT PARTS LISTED LATER IN THIS GROUP

### COMPONENT PARTS FOR CONVERTER, INVERTER, LOAD CENTERS

**083208-07-000**

KEY	PART NUMBER	U/M	DESCRIPTION	VENDOR NO.
	083208-06-701	EA	CONVERTER ONLY (LOWER UNIT)	7345R

## ELECTRICAL GROUP (CONTINUED)

### BOXES & CORDS

KEY	PART NUMBER	U/M	DESCRIPTION
	008054-01-000	EA	CORD - POWER - 10/3 WIRE - 30 AMP - 25'
	008289-01-000	EA	BOX - ELECTRIC/STEEL - 4" X 4" - 1/2" & 3/4" KNOCKOUTS
	008294-01-000	EA	COVER - ELECTRIC BOX - BLANK/STEEL - 4" X 4" - GRAY
	069238-01-000	EA	COVER - ELECTRICAL BOX - W/HOLE - 4" X 4" - GRAY
	091910-01-000	EA	BOX - ELECTRIC - 3.8" X 3.5" X 1.8" - PLASTIC
	091910-02-000	EA	BOX - ELECTRIC - 2.2" X 3.5" X 1.8" - PLASTIC
	115832-01-000	FT	CORD - HEAVY DUTY - 14-2 W/GROUND
	133070-01-000	EA	BOX - ELECTRIC/PLASTIC - 3" X 2" X 2.8" - UL
	133070-02-000	EA	BOX - ELECTRIC/PLASTIC - 3" X 2" X 2.8" - CSA - CANADIAN

### WIRE ASSEMBLIES

KEY	PART NUMBER	U/M	DESCRIPTION
	077069-03-000	EA	CABLE/EXTENSION - RADIO ANTENNA - 260"
	106851-01-000	EA	WIRE ASSEMBLY - RUNNING LIGHTS - FUSE
	120269-08-000	EA	HARNESS/WIRE - F/ELECTRIC MIRRORS
	125853-04-000	EA	WIRE LOOM - ENTERTAINMENT CENTER
	137135-03-000	EA	WIRE LOOM - DIGITAL ELEVATION SENSOR
	137135-04-000	EA	WIRE HARNESS - POWER - DIGITAL ELEVATION SENSOR
	145210-01-000	FT	CABLE - COAXIAL
	151316-03-000	EA	WIRE ASM - W/NON CONTACT SENSORS - GREY WATER - 43.2" - 726A
	151317-01-000	EA	WIRE ASM-W/NON CONTACT SENSORS-FRESH WATER/BLK TANK-3.9"
	151317-03-000	EA	WIRE ASM-W/NON CONTACT SENSORS-FRESH WATER/BLK TANK-43.2" - 726A FROM: 00-00-00 THRU: 03-18-07
	151317-04-000	EA	WIRE ASM-W/NON CONTACT SENSORS-FRESH WATER/BLK TANK-62.9" - 726A FROM: 03-19-07 THRU: 99-99-99
	155619-05-000	EA	WIRE ASSEMBLY - RADIO - 12 PIN
	136514-02-000	EA	CABLE - MONITOR/CAMERA
	136514-08-000	EA	CABLE - MONITOR/CAMERA - 50'
	136860-02-000	EA	CABLE - RCA - SHIELDED - 3 MALE TO MALE CONNECTORS - 50' - 729H
	151316-02-000	EA	WIRE ASM - W/NON CONTACT SENSORS - GREY WATER - 23.6" - 729H
	160123-02-000	EA	WIRE/CABLE - POWER - PROVIEW WB101-06 - 729H

**ELECTRICAL GROUP (CONTINUED)**  
**CONNECTORS & CONDUIT**

KEY	PART NUMBER	U/M	DESCRIPTION
	007940-01-000	EA	RECEPTACLE/SLIDE 16 TO 12 AWG - FEMALE END
	007940-02-000	EA	RECEPTACLE/SLIDE 10 AWG
	007954-01-000	EA	RECEPTACLE - HOUSING - 6 POSITION
	007956-05-000	EA	INSULATOR - SHRINK - 1/4"ID X 1 1/2"
	008311-01-000	EA	CONNECTOR - WIRE NUT - INSULATED - RED
	008312-01-000	EA	CONNECTOR - WIRE NUT - INSULATED - BLUE
	008313-01-000	EA	CONNECTOR - WIRE NUT - INSULATED - YELLOW
	008314-01-000	EA	CONNECTOR - WIRE NUT - INSULATED - GRAY
	008328-01-000	EA	TERMINAL - RING - 12/10 WIRE - #10 STUD FIT
	008331-01-000	EA	TERMINAL - RING - TONGUE - #4 WIRE - 3/8" STUD - COPPER
	008348-01-000	EA	TERMINAL - RING - 3/8" STUD 2 GA. WIRE
	008355-01-000	EA	CONNECTOR - CABLE CLAMPING - 3/4"
	008356-01-000	EA	CONNECTOR - PLASTIC - 3/8"
	008356-02-000	EA	CONNECTOR - PLASTIC - 21/32"
	035416-04-000	EA	TERMINAL - RING - #10 STUD FIT - INSULATED BARREL #16/14
	041953-01-000	FT	CONDUIT - CONVOLUTE SLIT - .5" ID - POLYETHYLENE
	041953-02-000	FT	CONDUIT - CONVOLUTE SLIT - .6" ID - POLYETHYLENE
	041953-03-000	FT	CONDUIT - CONVOLUTE SLIT - 1" ID (CLOTHES ROD COVER)
	041953-05-000	FT	CONDUIT - CONVOLUTE SLIT - .62" ID - POLYETHYLENE
	041953-06-000	FT	CONDUIT - CONVOLUTE SLIT - .4" ID - POLYETHYLENE
	041953-07-000	FT	CONDUIT - CONVOLUTE SLIT - .25" ID - POLYETHYLENE
	041953-08-000	FT	CONDUIT - CONVOLUTE SLIT - 1.5" ID - POLYETHYLENE
	041953-09-000	FT	CONDUIT - CONVOLUTE SLIT - .5" ID - NYLON
	041953-10-000	FT	CONDUIT - CONVOLUTE SLIT - .75" ID - NYLON
	041953-11-000	FT	CONDUIT - CONVOLUTE SLIT - 1.06" ID - NYLON
	041953-12-000	FT	CONDUIT - CONVOLUTE SOLID - 1.1" ID - NYLON
	041953-13-000	FT	CONDUIT - CONVOLUTE SLIT - 1.25" ID
	041953-14-000	FT	CONDUIT - CONVOLUTE SLIT - 1.5" ID
	041953-15-000	FT	CONDUIT - CONVOLUTE SLIT - 2"
	041953-16-000	FT	CONDUIT - CONVOLUTE SLIT - 2"
	047441-01-000	EA	TERMINAL-BATTERY, HORIZONTAL LUG
	047443-01-000	EA	TERMINAL - .250 RECEPTACLE FIT - INSULATED - 16/14 AWG
	047443-02-000	EA	TERMINAL - .250 RECEPTACLE FIT - INSULATED - 12/10 AWG
	047443-05-000	EA	TERMINAL - .250 RECEPTACLE FIT - 18GA AWG
	058028-01-000	EA	CONNECTOR - ELECTRICAL PIGTAIL - NYLON - CLEAR
	062036-01-000	EA	TERMINAL - PACK - CON - 12/10 AWG
	076319-12-000	EA	CONNECTOR - COAXIAL - ONE PIECE
	077479-02-000	EA	BOOT - BATTERY TERMINAL - SINGLE CABLE
	080015-02-000	EA	RECEPTACLE - FLAG - .185 - 16/14 GAUGE
	080015-03-000	EA	RECEPTACLE - FLAG - .250 - 14/16 GAUGE
	080015-04-000	EA	RECEPTACLE - FLAG - .187 - 16/14 GAUGE
	082109-01-000	EA	HOUSING - CONNECTOR - PACKARD
	082741-01-000	EA	CONNECTOR BODY - 2 CONNECTOR MALE
	087225-01-000	FT	SLEEVING - 1/2" - TYPE H
	088473-01-000	EA	HOUSING - PIN - 12 CAVITY (3 ROWS OF 4)
	088473-02-000	EA	HOUSING - PIN - 15 CAVITY (3 ROWS OF 5)
	088473-03-000	EA	HOUSING - PIN - 9 CAVITY (3 ROWS OF 3)
	088473-04-000	EA	HOUSING - PIN - 8 CAVITY IN-LINE
	088473-06-000	EA	HOUSING - PIN - 6 CAVITY (2 ROWS OF 3)
	088473-07-000	EA	HOUSING - PIN - 5 CAVITY - IN-LINE
	088473-08-000	EA	HOUSING - PIN - 4 CAVITY - IN-LINE
	088473-09-000	EA	HOUSING - PIN - 3 CAVITY - IN-LINE
	088473-10-000	EA	HOUSING - PIN - 2 CAVITY - IN-LINE
	088473-12-000	EA	HOUSING - PIN - 3 CAVITY - BLUE
	088473-13-000	EA	HOUSING - PIN - 3 CAVITY - GREEN
	088473-14-000	EA	HOUSING - PIN - 3 CAVITY - RED
	088474-01-000	EA	HOUSING - SOCKET - 12 CAVITY
	088474-02-000	EA	HOUSING - SOCKET - 15 CAVITY
	088474-03-000	EA	HOUSING - SOCKET - 9 CAVITY
	088474-06-000	EA	HOUSING - SOCKET - 6 CAVITY
	088474-07-000	EA	HOUSING - SOCKET - 5 CAVITY
	088474-08-000	EA	HOUSING - SOCKET - 4 CAVITY
	088474-09-000	EA	HOUSING - SOCKET - 3 CAVITY

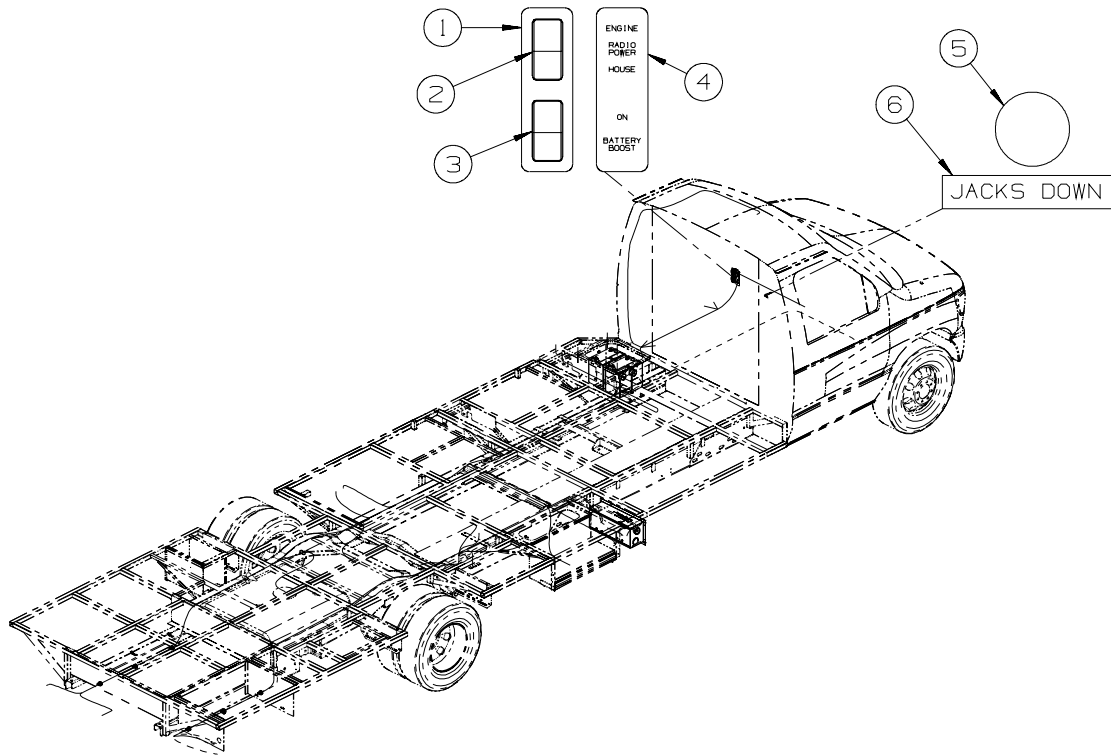
**ELECTRICAL GROUP (CONTINUED)**  
**CONNECTORS & CONDUIT (CONTINUED)**

KEY	PART NUMBER	U/M	DESCRIPTION
	088474-10-000	EA	HOUSING - SOCKET - 2 CAVITY
	088474-12-000	EA	HOUSING - SOCKET - 2 CAVITY - RED
	088475-01-000	EA	PIN - CONNECTOR - 14-20 AWG
	088475-02-000	EA	PIN - CONNECTOR - 10-12 AWG
	088476-01-000	EA	TERMINAL - ELECTRICAL
	088476-02-000	EA	SOCKET - CONNECTOR - 12-10 GA - PRE-TIN
	098261-01-000	EA	SOCKET - CONNECTOR - WEATHERPACK - 12 AWG
	098261-02-000	EA	SOCKET - CONNECTOR - WEATHERPACK - 14-18 AWG
	098262-01-000	EA	SEAL - CONNECTOR - WEATHERPACK
	098264-01-000	EA	HOUSING - 2 PIN - WEATHER PACK - MALE W/FEMALE PINS
	098264-02-000	EA	HOUSING - 2 PIN - WEATHER PACK - FEMALE W/MALE PINS
	098265-02-000	EA	PIN - CONNECTOR - WEATHER PACK
	102777-02-000	EA	TERMINAL - RING - #6 STUD - 10 AWG
	103608-01-000	EA	SOCKET - WEDGE BASE W/LEADS
	104100-01-000	EA	HOUSING - 1 POSITION - 75 AMPS
	104100-03-000	EA	TERMINAL - 75 AMP
	106007-02-000	EA	TERMINAL - FEMALE - 10-12 AWG
	110178-01-000	EA	HOUSING - WIPER MOTOR
	112823-01-000	EA	SPLICE - REDUCER - 16-14 TO 18-22
	113135-01-000	EA	TERMINAL - FEMALE - M/P - 14-16 - F/SEALED TERMINAL
	113308-01-000	EA	TERMINAL - FEMALE - M/P - 14-16 - 280
	113308-02-000	EA	TERMINAL - FEMALE - M/P - 14-18 - 280
	113468-01-000	EA	HOUSING - 2 POSITION-FEMALE-USED ON WIPER/WASHER WIRE ASM
	113468-02-000	EA	HOUSING - 2 POSITION - FEMALE
	116811-01-000	EA	TERMINAL - .110 RECEPTACLE - 16-14 AWG
	118571-01-000	EA	CONNECTOR - 3-WAY - MALE/SEALED
	118571-02-000	EA	CONNECTOR - 3-WAY - FEMALE/SEALED
	118571-05-000	EA	LOCK - SECONDARY - FEMALE
	118571-06-000	EA	LOCK - SECONDARY - MALE
	118599-02-000	EA	TERMINAL - MALE - M/P - 280/14-12
	118820-01-000	EA	INSULATOR - TERMINAL
	129233-01-000	EA	HOUSING - 2-POSITION/FEMALE - 280-SERIES
	129233-02-000	EA	HOUSING - 2-POSITION/FEMALE - 280-SERIES
	129233-03-000	EA	HOUSING - 2-POSITION/FEMALE - 280-SERIES
	131681-01-000	EA	CONNECTOR - 3/4" SO CORD - UL/CS
	137207-01-000	EA	HOUSING - PIN - 2 CAVITY/HIGH AMP
	137208-01-000	EA	HOUSING - SOCKET - 2 CAVITY/HIGH AMP
	137209-01-000	EA	PIN - CONNECTOR - 10AWG/HIGH AMP
	137210-01-000	EA	SOCKET - CONNECTOR - 10 AWG/HIGH AMP
	138996-04-000	EA	CONNECTOR - LAMP
	142520-01-000	EA	TERMINAL - FEMALE - MINI-FIT 16
	142522-01-000	EA	HOUSING - 4 PIN/MALE - MINI FIT
	142522-02-000	EA	HOUSING - 6 PIN/MALE - MINI FIT
	142522-03-000	EA	HOUSING - 8 PIN/MALE - MINI FIT
	142522-04-000	EA	HOUSING - 10 PIN/MALE - MINI FIT
	142522-05-000	EA	HOUSING - 12 PIN/MALE - MINI FIT
	142522-06-000	EA	HOUSING - 14 PIN/MALE - MINI FIT
	142524-01-000	EA	HOUSING - 4 PIN/FEMALE - WEATHER PACK
	142524-02-000	EA	HOUSING - 4 PIN/FEMALE - WEATHER PACK
	144283-01-000	EA	CONNECTOR - 110V - F/USE WITH SOW WIRE - BLUE
	144283-02-000	EA	CONNECTOR - 110V - F/USE WITH NM ROMEX WIRE - CLEAR
	145171-01-000	EA	CONNECTOR - COAXIAL
	148335-01-000	EA	HOUSING - 8-POSITION/MALE - 280-GT SERIES
	148335-02-000	EA	HOUSING - 4-POSITION/MALE - 280-GT SERIES
	148335-03-000	EA	HOUSING - 6-POSITION/MALE - 280-GT SERIES
	149683-01-000	EA	HOUSING - F/5 CAVITY RECEPTACLE - W/SQUARE GUIDE PIN
	149683-02-000	EA	HOUSING - F/5 CAVITY RECEPTACLE - W/ROUND GUIDE PIN
	149686-01-000	EA	TERMINAL - .250 RECEPTACLE
	149687-01-000	EA	HOUSING - 2 POSITION/MALE - PACKARD
	149687-02-000	EA	LOCK - F/2 POSITION HOUSING - PACKARD
	149688-01-000	EA	TERMINAL - MALE - 16 GAUGE WIRE
	156035-01-000	EA	HOUSING - 12-POSITION/FEMALE - 280-GT SERIES
	156041-01-000	EA	TERMINAL - FEMALE - 16-12 - 280-GT SERIES

## ELECTRICAL GROUP (CONTINUED)

### CONNECTORS & CONDUIT (CONTINUED)

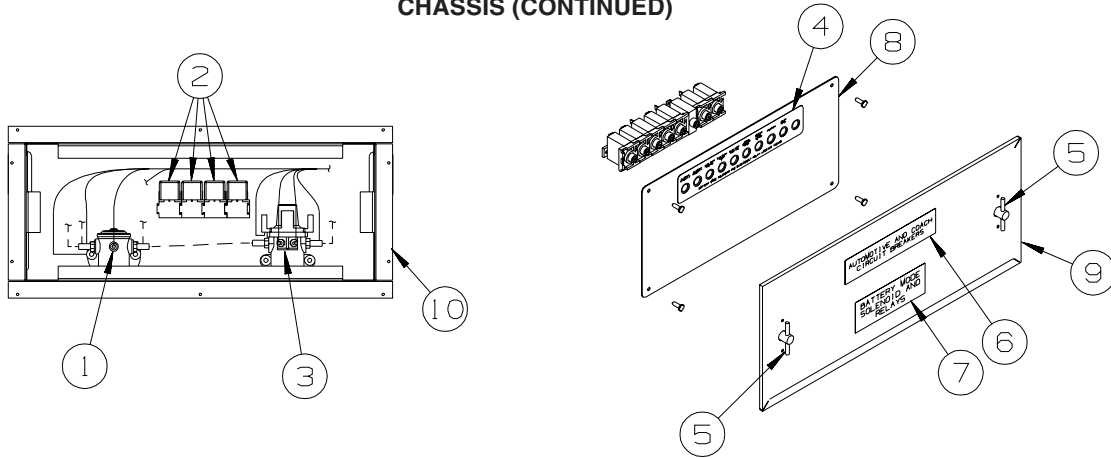
KEY	PART NUMBER	U/M	DESCRIPTION
	156043-01-000	EA	HOUSING - 2-POSITION/FEMALE - 480-MP SERIES
	156043-02-000	EA	LOCK - F/2 POSITION HOUSING - 480 SERIES
	156044-01-000	EA	TERMINAL - FEMALE - 16-12 - 280-GT - F/SEALED HOUSING
	156045-01-000	EA	HOUSING - 10-POSITION/FEMALE - 280-GT SERIES
	156045-02-000	EA	HOUSING - 4-POSITION/FEMALE - 280-GT SERIES
	156045-03-000	EA	HOUSING - 8-POSITION/FEMALE - 280-GT SERIES
	156045-04-000	EA	HOUSING - 6-POSITION/FEMALE - 280-GT SERIES
	156207-01-000	EA	HOUSING - 6-POSITION/MALE - 150-GT SERIES
	156208-01-000	EA	TERMINAL - MALE - 18-16 - 150-GT SERIES
	157590-01-000	EA	TERMINAL - FEMALE - M/P - 10-12 - 630
	157592-01-000	EA	HOUSING - 7-POSITION/FEMALE - M/P
	157592-02-000	EA	LOCK - SECONDARY - F/7 POSITION HOUSING
	157656-01-01A	EA	CONNECTOR - DASH LIGHT - BLACK
	158357-01-000	EA	HOUSING - 3 PIN/MALE - MINI FIT
	158373-01-000	EA	HOUSING - SOCKET - 16 CAVITY - MINI MATE-N-LOCK
	158374-01-000	EA	SOCKET - 16-20 CAVITY - MINI MATE-N-LOCK
	164687-01-000	EA	PIN - CONNECTOR - 16-14
	164685-01-000	EA	HOUSING - PIN - 7-POSITION
	164689-01-000	EA	SEAL - CONNECTOR
	168450-01-000	EA	CONNECTOR/ADAPTER - COAX



**CHASSIS**

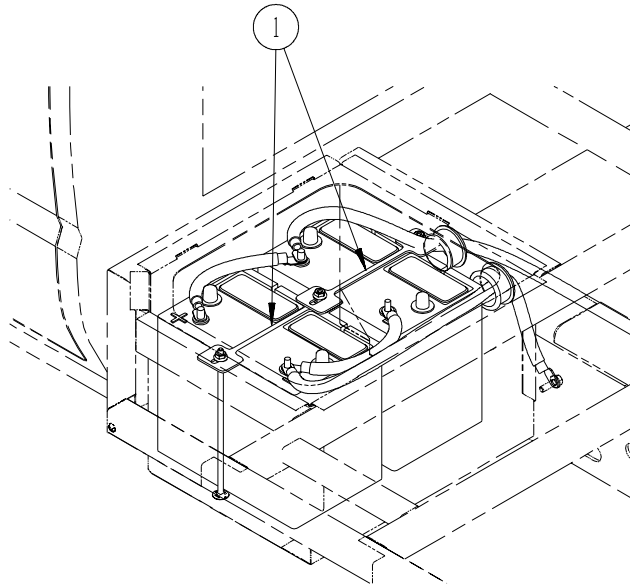
KEY	PART NUMBER	U/M	DESCRIPTION
1	144363-12-04B	EA	PLATE - SWITCH - BLACK
2	108357-08-000	EA	SWITCH - ROCKER - DPDT - 0N/NONE/ON - 6 TERM - W/O COVER
2	108356-02-01A	EA	COVER/ACTUATOR SWITCH - 2 ROWS DIMPLES - BLACK
3	108355-01-000	EA	HOUSING - SWITCH
3	108357-09-000	EA	SWITCH - ROCKER - SPDT - ON/NONE/MOM - 3 TERM - W/O COVER
3	108356-02-01A	EA	COVER/ACTUATOR SWITCH - 2 ROWS DIMPLES - BLACK
3	108355-01-000	EA	HOUSING - SWITCH
4	145731-01-01A	EA	LABEL - SWITCH - RADIO/BATTERY - BLACK
5	150237-01-000	EA	LIGHT - INDICATOR - RED - <b>HYDRAULIC LEVEL JACKS-AUTO</b>
6	133533-01-01A	EA	LABEL - JACKS DOWN - CLEAR W/WHITE LETTERING - <b>HYDRAULIC LEVEL JACKS-AUTO</b>

## ELECTRICAL GROUP (CONTINUED) CHASSIS (CONTINUED)



KEY	PART NUMBER	U/M	DESCRIPTION
1	008188-01-000	EA	SOLENOID - 3 POST - BATTERY CHANGE OVER
2	063912-02-000	EA	RELAY - CANISTER - SPDT
3	086273-01-000	EA	RELAY - BATTERY DISCONNECT
4	093236-38-000	EA	LABEL - CIRCUIT BREAKER
			FROM: 00-00-00 THRU: 12-17-07
4	093236-52-000	EA	LABEL - CIRCUIT BREAKER
			FROM: 12-18-07 THRU: 99-99-99
5	098196-01-000	EA	LATCH - 1/4 TURN - T-BAR
6	098379-01-000	EA	LABEL - CIRCUIT BREAKER - FRONT BOX
7	098379-04-000	EA	LABEL - ELECTRICAL BOX - SIDE
8	139067-09-02B	EA	PLATE - CIRCUIT BREAKER/HOUSE - E-COATED
9	141273-04-02B	EA	COVER - ELECTRICAL BOX - E-COATED
	092492-19-000	EA	SEAL - ELECTRIC BOX - 19" X 8"
10	155605-01-02B	EA	BOX - ELECTRICAL - E-COATED

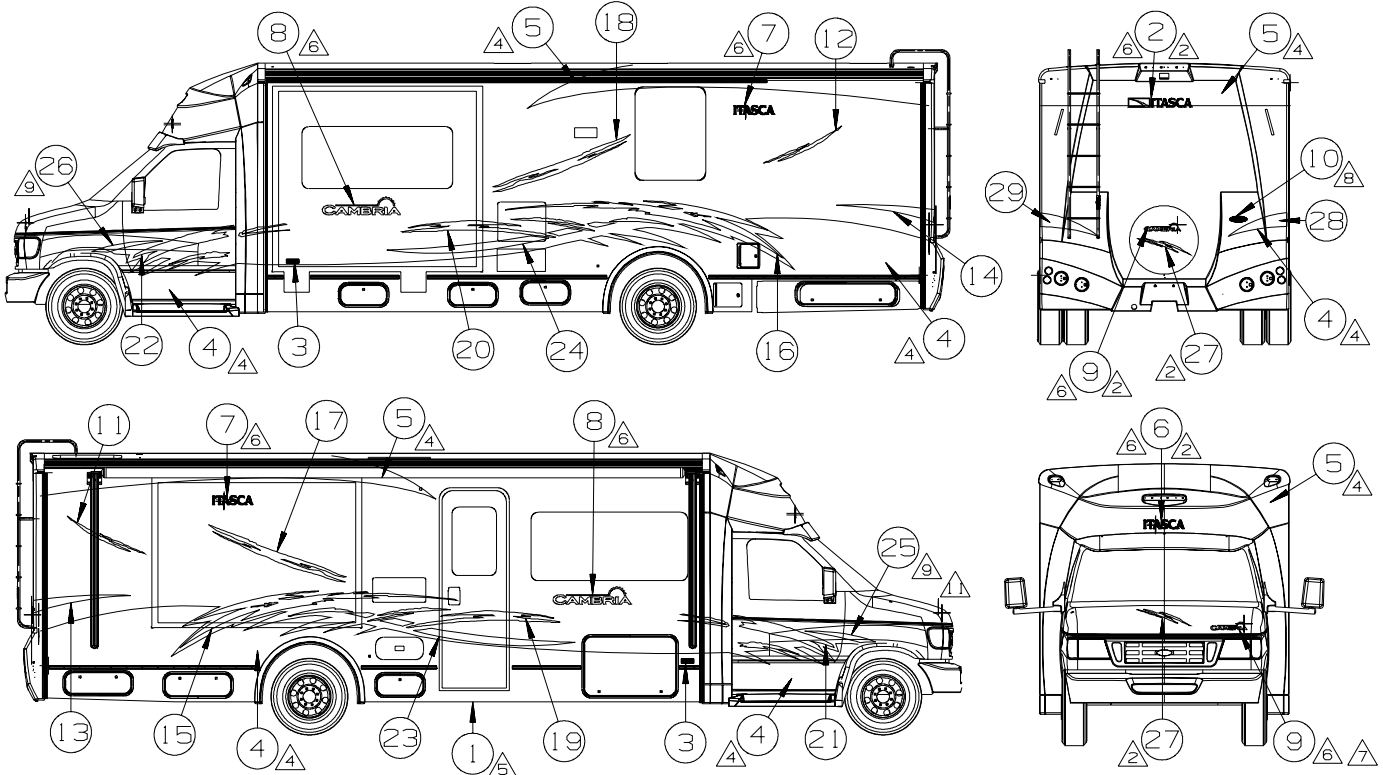
## BATTERY INSTALLATION



KEY	PART NUMBER	U/M	DESCRIPTION
1	160014-01-02B	EA	TIEDOWN - BATTERY - E-COATED



# EXTERIOR BODY GROUP GRAPHICS & PAINT



(270) KEY	PART NUMBER	U/M	DESCRIPTION
1	109506-01-000	EA	FILM-URETHANE PROTECTANT
2	124806-01-CHT(150A)	EA	DECAL-LOGO ITASCA W/ICON - BLACK MET/KHAKI
3	132664-02-CHT(01A)	EA	DECAL-LOGO DOMED WINNEBAGO - CHROME/RED/BLACK
4	141599-31-000	EA	PAINT - METALIC GOLD - DUPONT #373-P7426
5	141599-42-000	EA	PAINT - DK TITANIUM - DUPONT #373-P765266
6	144597-03-CHT(18A)	EA	DECAL-CAMBRIA LG - BRT GOLD/BLACK/W-SILVER/CHARCOAL
7	144597-03-CHT(18A)	EA	DECAL-LOGO ITASCA - BLACK/BRT WHITE
8	150103-01-CHT(01A)	EA	DECAL-CAMBRIA SML - BRT GOLD/BLACK/W-SILVER/CHARCOAL
9	150103-02-CHT(01A)	EA	DECAL-BEZEL DOMED NAMEPLATE ITASCA - CHROME/WHITE/BLACK/TEAL
10	151687-02-CHT(01A)	EA	DECAL-SPLASH 1 RH - BLACK MET
11	157052-02-CHT(01A)	EA	DECAL-SIDE SWEEP RH - CHAMOIS YELLOW
12	157052-02-CHT(01A)	EA	DECAL-SIDE SWEEP LH - CHAMOIS YELLOW
13	157056-02-CHT(03A)	EA	DECAL-SPLASH 2 LH - BLACK MET/KHAKI MET
14	157056-02-CHT(03A)	EA	DECAL-SPLASH 2 RH - BLACK MET/KHAKI MET
15	157063-02-CHT(01A)	EA	DECAL-SPLASH 3 LH - BLACK MET
16	157063-02-CHT(01A)	EA	DECAL-SPLASH 3 RH - BLACK MET
17	157064-02-CHT(01A)	EA	DECAL-SPLASH 4 LH - BLACK MET/KHAKI MET
18	157064-02-CHT(01A)	EA	DECAL-SPLASH 4 RH - BLACK MET/KHAKI MET
19	157066-01-CHT(01A)	EA	DECAL-SPLASH 5 LH - BLACK MET/KHAKI MET
20	157066-01-CHT(01A)	EA	DECAL-SPLASH 5 RH - BLACK MET/KHAKI MET
21	157066-02-CHT(01A)	EA	DECAL-SPLASH 6 LH - BLACK MET/KHAKI MET
22	157066-02-CHT(01A)	EA	DECAL-SPLASH 6 RH - CHAMOIS YELLOW
23	157067-01-CHT(03A)	EA	DECAL-FRONT WHEEL RH - CHAMOIS YELLOW
24	157068-02-CHT(03A)	EA	DECAL-FRONT WHEEL LH - CHAMOIS YELLOW
25	157068-01-CHT(03A)	EA	DECAL-FRONT/REAR - BLACK MET/KHAKI MET
26	157069-01-CHT(03A)	EA	DECAL-BACK SWEEP RH - CHAMOIS YELLOW
27	157071-01-CHT(03A)	EA	DECAL-BACK SWEEP LH - CHAMOIS YELLOW
28	157071-02-CHT(03A)	EA	PAINT-CLEAR COAT - SHERWIN WILLIAMS
29	.....	GL	.....

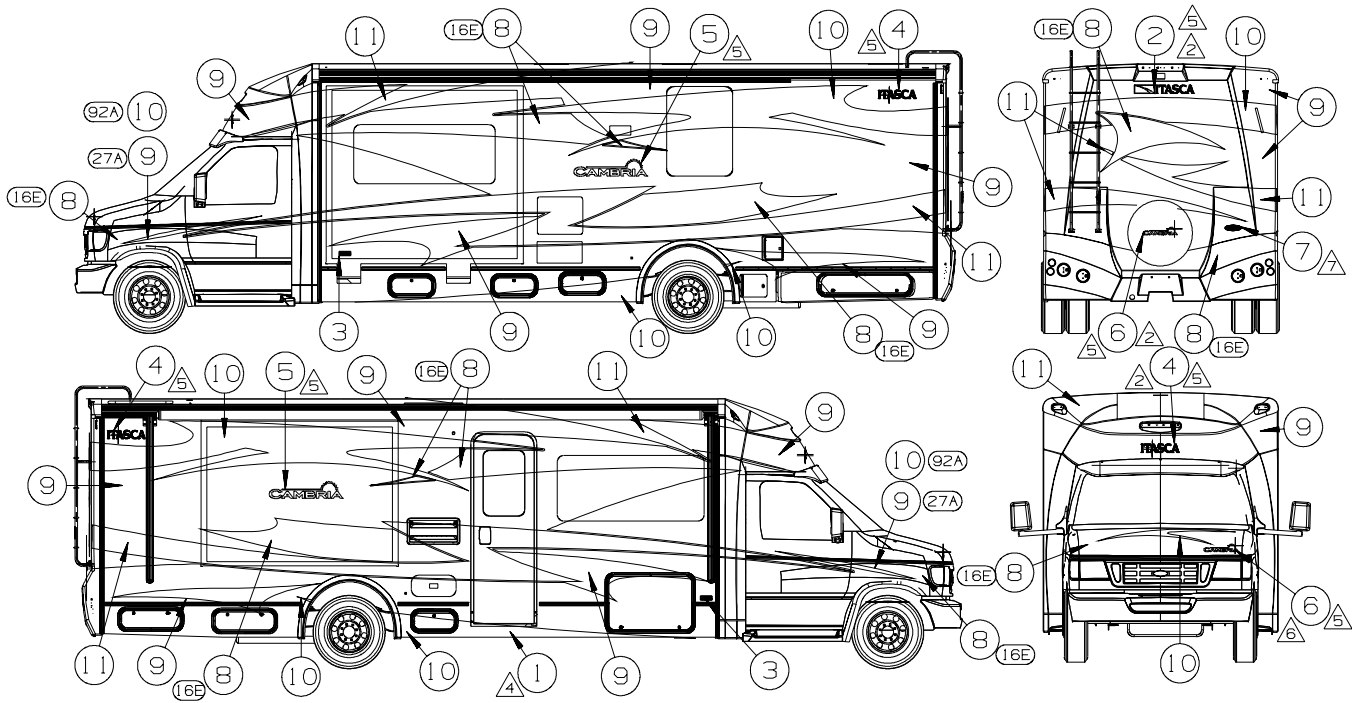
  

(920) KEY	PART NUMBER	U/M	DESCRIPTION
1	109506-01-000	EA	FILM-URETHANE PROTECTANT
2	124806-01-CHT(159A)	EA	DECAL-LOGO ITASCA W/ICON - BLKCHERRY/LT. SANTA FE
3	132664-02-CHT(01A)	EA	DECAL-LOGO DOMED WINNEBAGO - CHROME/RED/BLACK
4	141599-42-000	EA	PAINT - DK TITANIUM - DUPONT #373-P765266
5	144597-03-CHT(23A)	EA	DECAL-CAMBRIA LG - BRT GOLD/BLACK/W-SILVER/CHARCOAL
6	144597-03-CHT(24A)	EA	DECAL-LOGO ITASCA - BLACK CHERRY/BRT WHITE
7	150103-01-CHT(01A)	EA	DECAL-CAMBRIA SML - BRT GOLD/BLACK/W-SILVER/CHARCOAL
8	150103-02-CHT(01A)	EA	DECAL-BEZEL DOMED NAMEPLATE ITASCA - CHROME/WHITE/BLACK/TEAL
9	151687-02-CHT(01A)	EA	DECAL-SPLASH 1 RH - BLACK CHERRY
10	157052-02-CHT(03A)	EA	DECAL-SIDE SWEEP RH - APRICOT MIST
11	157052-02-CHT(03A)	EA	DECAL-SIDE SWEEP LH - APRICOT MIST
12	157056-01-CHT(04A)	EA	DECAL-SPLASH 2 LH - BLACK CHERRY/SUNSET
13	157056-01-CHT(04A)	EA	DECAL-SPLASH 2 RH - BLACK CHERRY/SUNSET
14	157063-01-CHT(03A)	EA	DECAL-SPLASH 3 LH - BLACK CHERRY
15	157063-02-CHT(03A)	EA	DECAL-SPLASH 3 RH - BLACK CHERRY
16	157064-01-CHT(03A)	EA	DECAL-SPLASH 4 LH - BLACK CHERRY/SUNSET
17	157064-02-CHT(03A)	EA	DECAL-SPLASH 4 RH - BLACK CHERRY/SUNSET
18	157066-02-CHT(03A)	EA	DECAL-SPLASH 5 LH - BLACK CHERRY/SUNSET
19	157066-02-CHT(03A)	EA	DECAL-SPLASH 5 RH - BLACK CHERRY/SUNSET
20	157066-02-CHT(03A)	EA	DECAL-SPLASH 6 LH - APRICOT MIST
21	157066-02-CHT(03A)	EA	DECAL-SPLASH 6 RH - APRICOT MIST
22	157067-01-CHT(04A)	EA	DECAL-FRONT WHEEL RH - APRICOT MIST
23	157068-02-CHT(04A)	EA	DECAL-FRONT WHEEL LH - APRICOT MIST
24	157068-02-CHT(04A)	EA	DECAL-FRONT/REAR - BLACK CHERRY/SUNSET
25	157069-01-CHT(03A)	EA	DECAL-BACK SWEEP RH - APRICOT MIST
26	157071-01-CHT(04A)	EA	DECAL-BACK SWEEP LH - APRICOT MIST
27	157071-02-CHT(04A)	EA	PAINT-CLEAR COAT - SHERWIN WILLIAMS
28	.....	GL	.....

- △ LOGO IS TO BE ±1 MM ON A HORIZONTAL PLANE (END TO END).
- △ FILM TO PROTECT BOTTOM OF DOOR FROM SCUFF MARKS.
- △ CLEAR COAT TO BE APPLIED ON PAINTED AREAS TO PROTECT PAINT.
- △ PAINTED AREA IS TO BE BELOW FEATURE STRIP FOR OPTIONAL PAINTED MODELS AND CONTINUES ON CAB DOORS TO WHEELWELL.
- △ CENTERED ON UNIT.
- 1. APPLY PROTECTOR 116424-01-000 TO WATER HEATER DOOR LATCH.
- 12. NO VINYL OR PAINT ON SLIDEOUT ROOM END PANELS.
- △ DIMENSION FROM BODY LINE.
- △ DIMENSION FROM EDGE OF CAB DOOR.
- △ SET DECAL TO MATE WITH CONTOUR OF WHEEL WELL.
- △ CENTER BADGE ON SURFACE.
- △ LOCATE DECAL 120 MM LEFT OF HOOD EDGE AND 60 MM UP FROM FRONT EDGE OF HOOD.
- (18) FORD CHASSIS 14,050 LB.GVWR
- (18C) FORD CHASSIS 11,500 LB.GVWR
- (920) EXTERIOR GRAPHICS PACKAGE #2
- (270) EXTERIOR GRAPHICS PACKAGE #1

NOTES:

## EXTERIOR BODY GROUP (CONTINUED) GRAPHICS & PAINT (CONTINUED)



### FULL BODY PAINT

(27A) KEYS	PART NUMBER	U/M	DESCRIPTION GREYSTONE
1	109506-01-000	EA	FILM-URETHANE PROTECTANT
2	124806-01-CHT(60A)	EA	DECAL-LOGO ITASCA W/ICON - STERLING SILVER/PYRITE
3	132664-02-CHT(01A)	EA	DECAL-LOGO DOMED WINNEBAGO - CHROME/RED/BLACK
4	144587-03-CHT(25A)	EA	DECAL-LOGO ITASCA - STERLING SILVER/PYRITE
5	150103-01-CHT(01A)	EA	DECAL-LOGO CAMBRIA LG - BRT GOLD/BLACK/WHITE SILVER/CHARCOAL
6	150103-02-CHT(01A)	EA	DECAL-LOGO CAMBRIA SML - BRT GOLD/BLACK/WHITE SILVER/CHARCOAL
7	151687-02-CHT(01A)	EA	DECAL/BEZEL DOMED NAMEPLATE ITASCA - CHROME/WHITE/BLACK TEAL
8	.....	GL	PAINT-SILVER MET - SHERWIN WILLIAMS #43638
9	.....	GL	PAINT-THUNDER GRAY MET SHERWIN WILLIAMS #58581
10	.....	GL	PAINT-WHITE PEARL MET - SHERWIN WILLIAMS #45289-4
11	.....	GL	PAINT-GRAY MET SHERWIN WILLIAMS #39090 ALT 3
12	.....	GL	PAINT-CLEAR COAT - SHERWIN WILLIAMS

(92A) KEYS	PART NUMBER	U/M	DESCRIPTION SANDSTONE
1	109506-01-000	EA	FILM-URETHANE PROTECTANT
2	124806-01-CHT(61A)	EA	DECAL-LOGO ITASCA W/ICON - SMOKE/KHAKI
3	132664-02-CHT(01A)	EA	DECAL-LOGO DOMED WINNEBAGO - CHROME/RED/BLACK
4	144587-03-CHT(26A)	EA	DECAL-LOGO ITASCA - SMOKE/KHAKI
5	150103-01-CHT(01A)	EA	DECAL-LOGO CAMBRIA LG - BRT GOLD/BLACK/WHITE SILVER/CHARCOAL
6	150103-02-CHT(01A)	EA	DECAL-LOGO CAMBRIA SML - BRT GOLD/BLACK/WHITE SILVER/CHARCOAL
7	151687-02-CHT(01A)	EA	DECAL/BEZEL DOMED NAMEPLATE ITASCA - CHROME/WHITE/BLACK TEAL
8	.....	GL	PAINT-SILVER MET - SHERWIN WILLIAMS #43638
9	.....	GL	PAINT-ANTIQUE SAGE MET - SHERWIN WILLIAMS #54757
10	.....	GL	PAINT-GOLD MET - SHERWIN WILLIAMS #46947
11	.....	GL	PAINT-LT GOLD MET - SHERWIN WILLIAMS #47134 ALT 2
12	.....	GL	PAINT-CLEAR COAT - SHERWIN WILLIAMS

- 9. USE PROTECTIVE FILM 145487-02-000 TO COVER UNSEALED ROOF SEAMS.
- 8. END PANELS OF SLIDEOUT ROOMS WILL BE PAINTED WITH BASE COAT AND CLEAR COAT. THERE WILL BE NO COLORED DESIGN GRAPHICS ELEMENTS PAINTED ON END PANELS.
- △ CENTER BADGE ON SURFACE.
- △ LOCATE DECAL 120 MM RIGHT OF HOOD EMBLEM AND 70 MM UP FROM GRILLE.
- △ LOGO IS TO BE HELD TO ±1 MM ON A HORIZONTAL PLANE (END TO END).
- △ FILM TO PROTECT BOTTOM OF DOOR FROM SCUFF MARKS.
- △ CLEAR COAT TO BE APPLIED ON PAINTED AREAS TO PROTECT PAINT.
- △ CENTERED ON UNIT.
- 1. APPLY PROTECTOR 116424-01-000 TO WATER HEATER DOOR LATCH.

NOTES:

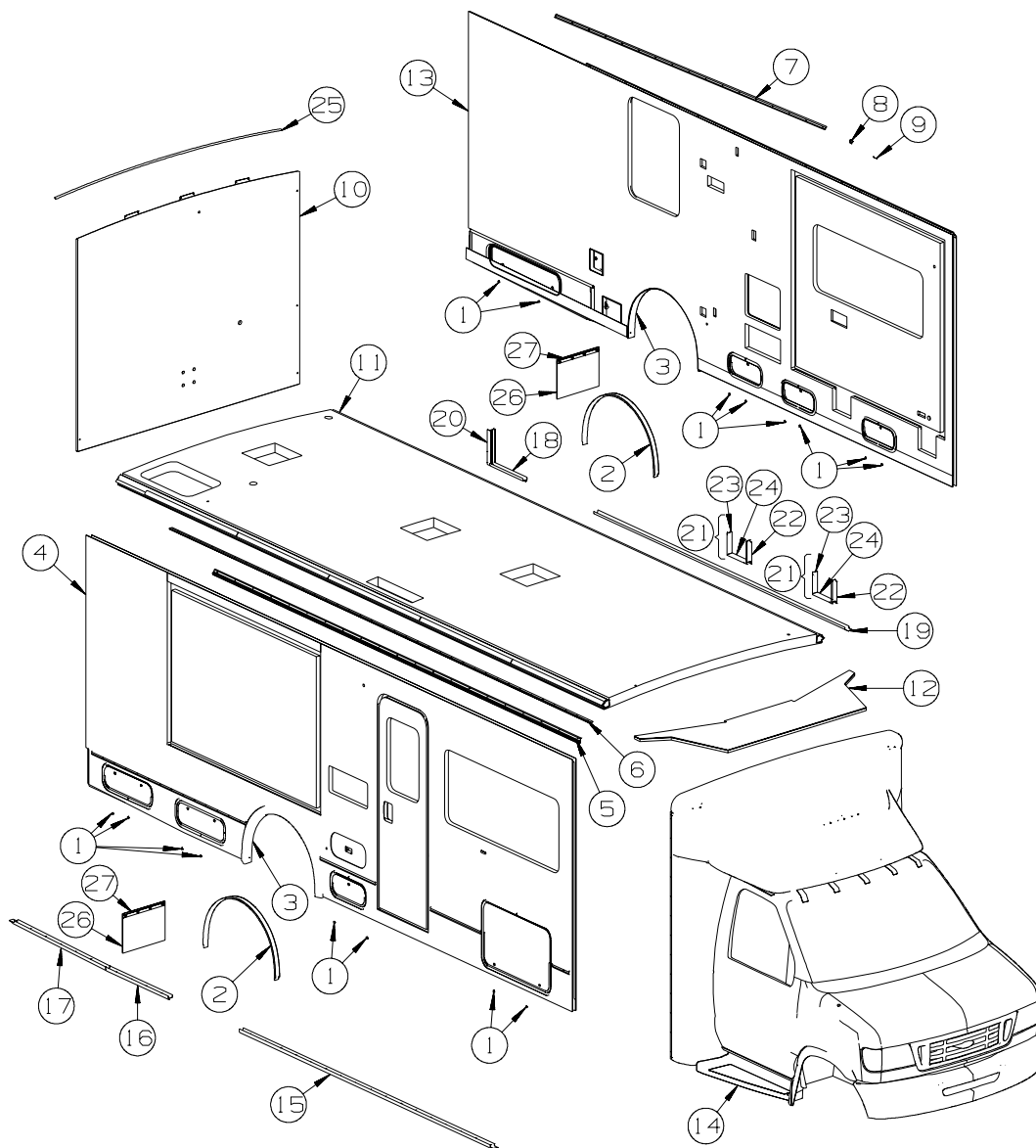
- (16E) FORD CHASSIS 14,050 LB.GVWR
- (16C) FORD CHASSIS 11,500 LB.GVWR
- (92A) EXT FULL BODY PAINT PKG # 2
- (27A) EXT FULL BODY PAINT PKG #1

**DUPONT COLOR CODES ARE NOW FOUND IN THE PAINT CODE MANUAL.  
YOU CAN FIND THIS MANUAL ON YOUR DEALER INDEX WEBPAGE UNDER SERVICE.**

KEY	PART NUMBER	U/M	DESCRIPTION
	072882-01-000	GL	PAINT - LOW BAKE - OFF WHITE
	116424-01-000	EA	PROTECTOR - LATCH - WATER HEATER

## EXTERIOR BODY GROUP (CONTINUED)

### PANELS & TRIMS

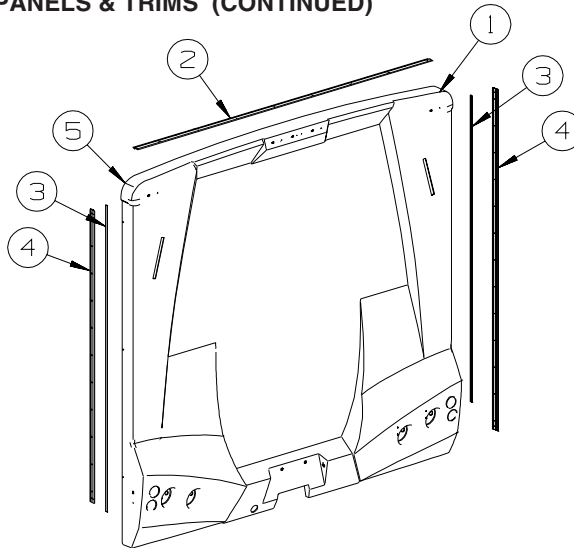


KEY	PART NUMBER	U/M	DESCRIPTION
1	153498-01-02A	EA	BUMPER - RUBBER - BLACK
2	148255-01-01A	EA	TRIM - SIDEWALL - U CHANNEL/PVC - .5" X 1.7" X 42"
3	148210-01-10A	EA	TRIM - REAR WHEELWELL - BLACK
4	161357-01-W45	EA	SIDEWALL - PASSENGER - W/O WINDOWS/TRIMS (W45, W46)
			FROM: 00-00-00 THRU: 07-15-07
4	161357-01-W39	EA	SIDEWALL - PASSENGER - W/O WINDOWS/TRIMS (W45, W46)
			FROM: 07-16-07 THRU: 99-99-99
4	161357-01-W39	EA	SIDEWALL - PASSENGER - W/O WINDOWS/TRIMS (W47, W48)
4	161357-01-W39	EA	SIDEWALL - PASSENGER - W/O WINDOWS/TRIMS (W49, W50)
			FROM: 00-00-00 THRU: 07-15-07
4	161357-01-W45	EA	SIDEWALL - PASSENGER - W/O WINDOWS/TRIMS (W49, W50)
			FROM: 07-16-07 THRU: 99-99-99
4	161357-02-W39	EA	SIDEWALL - PASSENGER - W/O WINDOWS/TRIMS (W45, W46) - PREMIUM SIDEWALLS
4	161357-02-W39	EA	SIDEWALL - PASSENGER - W/O WINDOWS/TRIMS (W47, W48) - PREMIUM SIDEWALLS
4	161357-02-W49	EA	SIDEWALL - PASSENGER - W/O WINDOWS/TRIMS (W49, W50) - PREMIUM SIDEWALLS
5	157284-01-01A	EA	RAIL - AWNING - 192" - BRIGHT WHITE
6	142123-05-01A	EA	RAIL/AWNING - 220.5" - BRIGHT WHITE
7	108688-06-08A	EA	STRIP - FEATURE - W/O INSERT/END CAPS - 96.9" - BLACK
8	108651-01-01A	EA	END CAP - FEATURE STRIP
9	105312-01-07A	EA	INSERT - FEATURE STRIP - VINYL - BRIGHT WHIT

**EXTERIOR BODY GROUP (CONTINUED)**  
**PANELS & TRIMS (CONTINUED)**

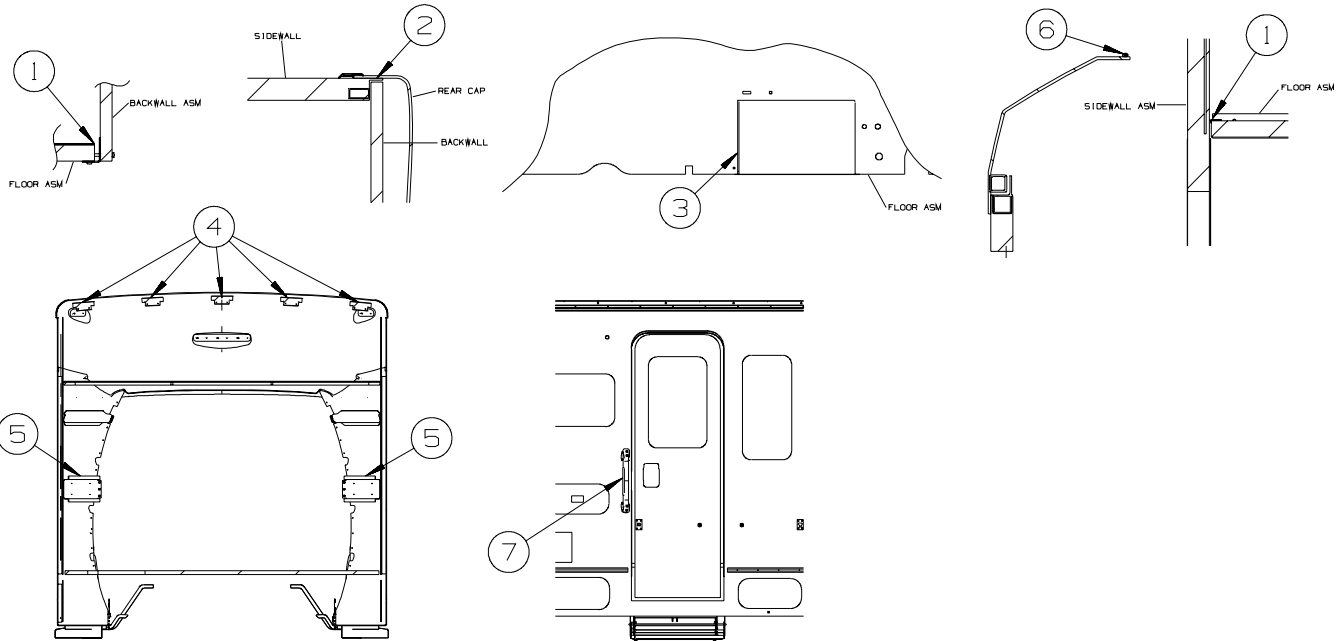
KEY	PART NUMBER	U/M	DESCRIPTION
10	161359-01-W45	EA	BACKWALL - W/O WINDOW/TRIMS (W45, W46) FROM: 00-00-00 THRU: 07-15-07
10	161359-01-W39	EA	BACKWALL - W/O WINDOW/TRIMS (W45, W46) FROM: 07-16-07 THRU: 99-99-99
10	161359-01-W39	EA	BACKWALL - W/O WINDOW/TRIMS (W47, W48)
10	161359-01-W39	EA	BACKWALL - W/O WINDOW/TRIMS (W47, W48, W49, W50) FROM: 00-00-00 THRU: 07-15-07
10	161359-01-W45	EA	BACKWALL - W/O WINDOW/TRIMS (W45, W46) FROM: 07-16-07 THRU: 99-99-99
11	161360-01-W37	EA	ROOF - W/O LIGHTS/VENTS - W/WIRING
12	P49312-01-S34	EA	SLEEPERBOARD
13	161358-01-W45	EA	SIDEWALL - DRIVER - W/O WINDOWS/TRIMS (W45, W46) FROM: 00-00-00 THRU: 07-15-07
13	161358-01-W39	EA	SIDEWALL - DRIVER - W/O WINDOWS/TRIMS (W45, W46) FROM: 07-16-07 THRU: 99-99-99
13	161358-01-W39	EA	SIDEWALL - DRIVER - W/O WINDOWS/TRIMS (W47, W48)
13	161358-01-W39	EA	SIDEWALL - DRIVER - W/O WINDOWS/TRIMS (W49, W50) FROM: 00-00-00 THRU: 07-15-07
13	161358-01-W45	EA	SIDEWALL - DRIVER - W/O WINDOWS/TRIMS (W49, W50) FROM: 07-16-07 THRU: 99-99-99
13	161358-02-W39	EA	SIDEWALL - DRIVER - W/O WINDOWS/TRIMS (W45, W46) - PREMIUM SIDEWALLS
13	161358-02-W39	EA	SIDEWALL - DRIVER - W/O WINDOWS/TRIMS (W47, W48) - PREMIUM SIDEWALLS
13	161358-02-W49	EA	SIDEWALL - DRIVER - W/O WINDOWS/TRIMS (W49, W50) - PREMIUM SIDEWALLS
14	149604-04-01A	EA	RUNNING BOARD/WEDGE - DRIVER - FORD 700 - PRIMED
	149604-09-000	EA	HARDWARE KIT (RUNNING BOARD INSTALL) - FORD
	149604-03-01A	EA	RUNNING BOARD/WEDGE - PASSENGER - FORD 700 - PRIMED
	149604-09-000	EA	HARDWARE KIT (RUNNING BOARD INSTALL) - FORD
	146515-04-01A	EA	MAT - ANTI SLIP - LEFT HAND - BLACK
	146515-03-01A	EA	MAT - ANTI SLIP - RIGHT HAND - BLACK
	149604-08-01A	EA	WHEEL LIP - FIBERGLASS - DRIVER - FORD - PRIMED - FULL BODY PAINT
	149604-07-01A	EA	WHEEL LIP - FIBERGLASS - PASSENGER - FORD - PRIMED - FULL BODY PAINT
	149604-06-01A	EA	MUD FLAP - FIBERGLASS - DRIVER - FORD - PRIMED
	149604-05-01A	EA	MUD FLAP - FIBERGLASS - PASSENGER - FORD - PRIMED
15	148700-14-02A	EA	TRIM - SIDEWALL/BOTTOM - 133.2" - LH NOTCH - BLACK FROM: 00-00-00 THRU: 03-09-08
15	168159-13-02A	EA	TRIM - SIDEWALL/BOTTOM - 131.7" - BLACK FROM: 03-10-08 THRU: 99-99-99
16	148700-15-02A	EA	TRIM - SIDEWALL/BOTTOM - 32.9" - BLACK FROM: 00-00-00 THRU: 03-09-08
16	168159-15-02A	EA	TRIM - SIDEWALL/BOTTOM - 32.9" - BLACK FROM: 03-10-08 THRU: 99-99-99
17	148700-03-02A	EA	TRIM - SIDEWALL/BOTTOM - 50.6" - RH NOTCH - BLACK FROM: 00-00-00 THRU: 03-09-08
17	168159-03-02A	EA	TRIM - SIDEWALL/BOTTOM - 49.5" - BLACK FROM: 03-10-08 THRU: 99-99-99
18	148700-12-02A	EA	TRIM - SIDEWALL/BOTTOM - 17.4" - LH NOTCH - BLACK FROM: 00-00-00 THRU: 03-09-08
18	168159-12-02A	EA	TRIM - SIDEWALL/BOTTOM - 17.4" - BLACK FROM: 03-10-08 THRU: 99-99-99
19	148700-13-02A	EA	TRIM - SIDEWALL/BOTTOM - 133.2" - RH NOTCH - BLACK FROM: 00-00-00 THRU: 03-09-08
19	168159-13-02A	EA	TRIM - SIDEWALL/BOTTOM - 131.7" - BLACK FROM: 03-10-08 THRU: 99-99-99
20	156772-01-02A	EA	TRIM - SIDEWALL - 12.6" - BLACK
21	148736-01-TN3	EA	TRIM - SIDEWALL - BLACK
22	137970-13-02A	EA	TRIM - SIDEWALL - 8.3"
23	137970-14-02A	EA	TRIM - SIDEWALL - 8.3"
24	137970-15-02A	EA	TRIM - SIDEWALL - 11"
25	114248-02-01A	EA	ANGLE - PLASTIC - .7" X .4" X 96.7" - MODERN IVORY
26	017516-01-000	EA	MUD FLAP - 14"H X 18"W - W/O MOUNTING HOLES - RUBBER - BLK
27	140922-01-02B	EA	RETAINER - MUD FLAP - 1" X 17.7" - E-COATED/BLACK

**EXTERIOR BODY GROUP (CONTINUED)**  
**PANELS & TRIMS (CONTINUED)**



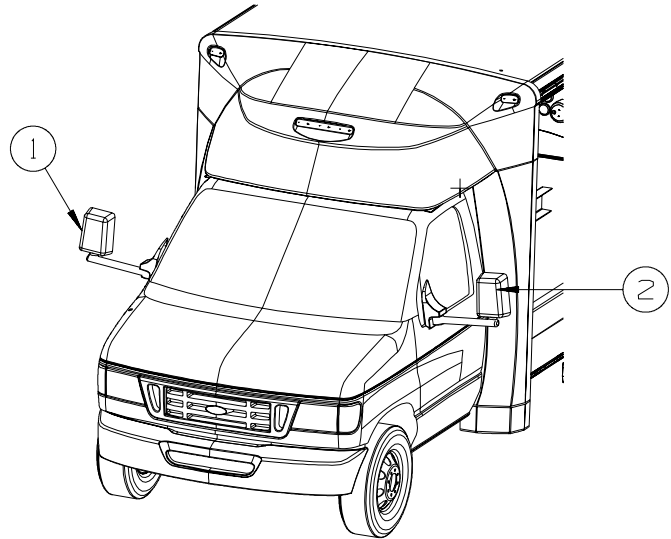
**REAR CAP**

KEY	PART NUMBER	U/M	DESCRIPTION
1	159282-03-U37	EA	PANEL - REAR CAP - W/O CAMERA MOUNT
1	159282-03-AA1	EA	PANEL - REAR CAP - W/O CAMERA MOUNT - <b>FULL BODY PAINT</b>
1	159282-04-U37	EA	PANEL - REAR CAP - W/CAMERA MOUNT - <b>REARVIEW MONITOR SYSTEM</b>
1	159282-04-AA1	EA	PANEL - REAR CAP - W/CAMERA MOUNT - <b>REARVIEW MONITOR SYSTEM/FULL BODY PAINT</b>
2	083805-08-000	EA	TRIM - ROOF CAP - 92.1" - MILL
3	091985-01-07A	EA	INSERT - TRIM - REAR CAP TO SIDEWALL - .66" - BRIGHT WHITE
3	091985-01-09A	EA	INSERT - TRIM - REAR CAP TO SIDEWALL - .66" - BLACK
4	092041-08-01A	EA	TRIM - FRONT/REAR CAP (SIDEWALL) - 86.6" - BRIGHT WHITE
4	092041-08-02A	EA	TRIM - FRONT/REAR CAP (SIDEWALL) - 86.6" - BLACK
5	104692-03-000	EA	SEAL - ADHESIVE BACKED FOAM - 1" THICK X 1 3/16"WIDE X 15'



KEY	PART NUMBER	U/M	DESCRIPTION
1	104692-01-000	FT	SEAL - ADHESIVE BACKED FOAM - 3/4" THICK X 3/4" WIDE X 25'
2	156622-01-01A	FT	SEALER - TAPE - 1/4" THICK X 3"WIDE X 100 FT
3	147951-03-000	EA	WHEELWELL - PLASTIC
4	134774-02-02B	EA	BRACKET - CAP ATTACHMENT - E-COATED
5	149392-01-02B	EA	BRACKET - TRANSITION/LOWER - E-COATED
6	112160-01-000	FT	SEAL - D SECTION - .2 X .3" - FOAM RUBBER
7	152854-01-01A	EA	HANDLE - ASSIST - WHITE W/BLACK RUBBER GRIP - 18 5/8"
7	157749-01-01A	EA	ASSIST HANDLE - NON-LIGHTED - 18" - CHROME - <b>FULL BODY PAINT</b>
			FROM: 04-20-07 THRU: 06-19-07
7	165309-01-01A	EA	ASSIST HANDLE - 18" - NON-LIGHTED - SST - <b>FULL BODY PAINT</b>
			FROM: 06-20-07 THRU: 99-99-99

**EXTERIOR BODY GROUP (CONTINUED)**  
**PANELS & TRIMS (CONTINUED)**



<b>KEY</b>	<b>PART NUMBER</b>	<b>U/M</b>	<b>DESCRIPTION</b>
1*	133908-14-01A	EA	MIRROR/PASSENGER - 96" - BRIGHT WHITE
1*	133908-16-01A	EA	MIRROR/PASSENGER - 96" - HEATED/REMOTE - WHITE - MIRRORS - EXT W/DEFROST
1*	133908-16-03A	EA	MIRROR/PASS-96"-HEATED/REMOTE-SILVER - MIRRORS - EXT W/DEFROST/FULL BODY PAINT
2*	133908-15-01A	EA	MIRROR/DRIVER - 96" - WHITE
2*	133908-17-01A	EA	MIRROR/DRIVER - 96" - HEATED/REMOTE - WHITE - MIRRORS - EXTERIOR W/DEFROST
2*	133908-17-03A	EA	MIRROR/DRVR-96"-HEATED/REMOTE-SILVER - MIRRORS - EXT W/DEFROST/FULL BODY PAINT

**\*COMPONENT PARTS LISTED LATER IN THIS GROUP**

**COMPONENT PARTS FOR PANELS & TRIMS**

**133908-05, 133908-06, 133908-10, 133908-11, 133908-14, 133908-15, -01A/02A**

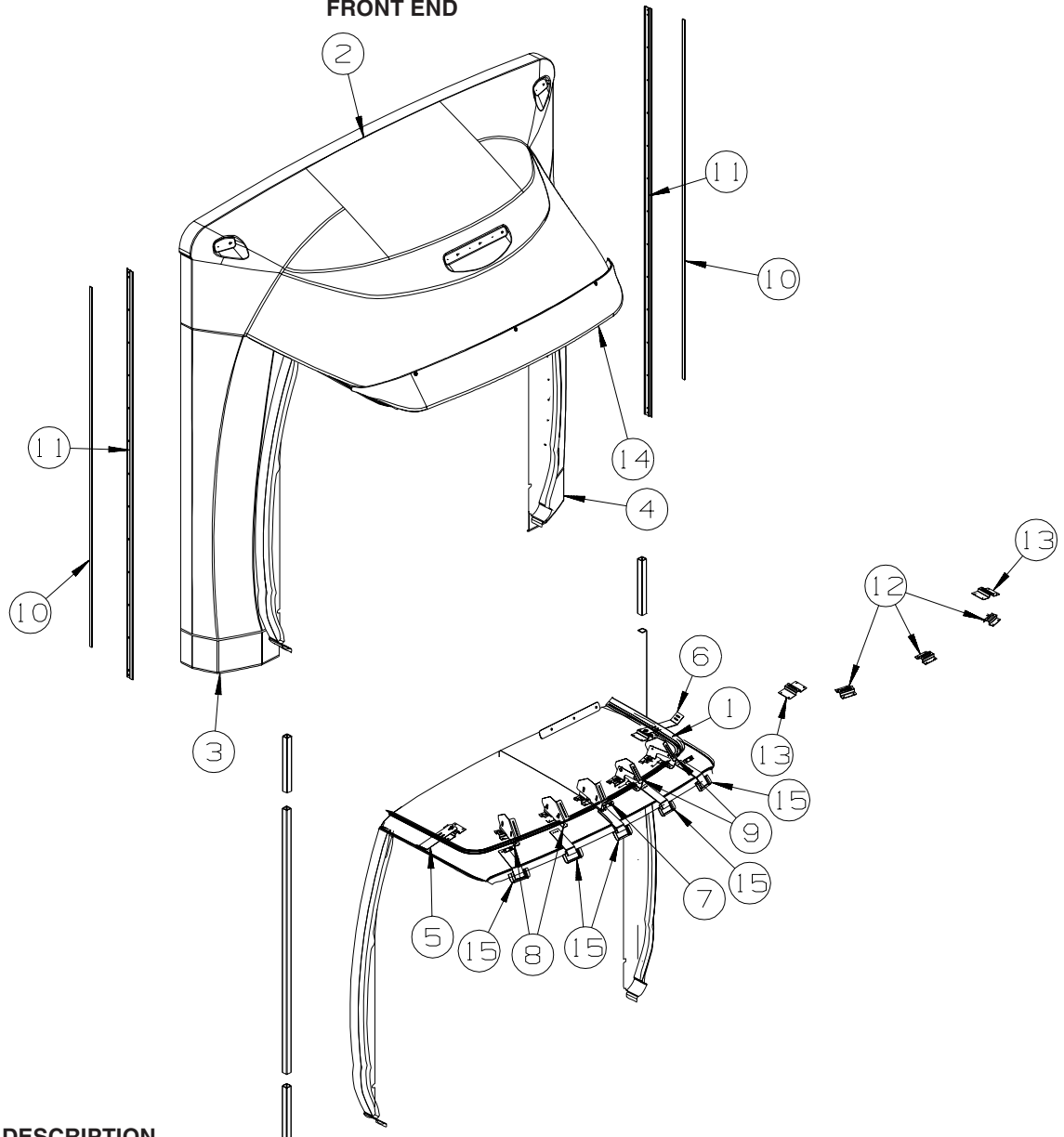
<b>KEY</b>	<b>PART NUMBER</b>	<b>U/M</b>	<b>DESCRIPTION</b>	<b>VENDOR NO.</b>
	117051-01-700	EA	MIRROR-CONVEX	723068-4
	120269-01-700	EA	GLASS KIT W/BEZEL RH/LH	709407-8
	133908-03-700	EA	CAP - RECT/BLACK-W/O LIGHT	709577
	133908-04-700	EA	CAP-MIRROR/ROUND - W/O LIGHT	7095470

**133908-16, 133908-17, -01A/-02A/-03A**

<b>KEY</b>	<b>PART NUMBER</b>	<b>U/M</b>	<b>DESCRIPTION</b>	<b>VENDOR NO.</b>
	086261-01-701	EA	MOTOR-GEAR, MIRROR	747118
	117051-01-700	EA	MIRROR-CONVEX	723068-4
	120269-05-701	EA	GLASS-HTD/REM RH/LH W/CONVEX	709411
	133908-03-700	EA	CAP - RECT/BLACK-W/O LIGHT	709557
	133908-04-700	EA	CAP-MIRROR/ROUND - W/O LIGHT	7095470

# EXTERIOR BODY GROUP (CONTINUED)

FRONT END



KEY	PART NUMBER	U/M DESCRIPTION
1	149470-01-000	FT SEAL/D TYPE - W/LEG
2	149543-01-S34	EA PANEL - FRONT W/TRANSITION PANEL/ROOF CAP
2	149543-01-AA2	EA PANEL - FRONT W/TRANSITION PANEL/ROOF CAP - FULL BODY PAINT
3	148300-03-S34	EA PANEL - TRANSITION - RIGHT HAND
3	148300-03-AA2	EA PANEL - TRANSITION - RIGHT HAND - FULL BODY PAINT
4	148300-04-S34	EA PANEL - TRANSITION - LEFT HAND
4	148300-04-AA2	EA PANEL - TRANSITION - LEFT HAND - FULL BODY PAINT
5	149505-01-02B	EA BRACKET - ROOF CAP/RIGHT HAND - E-COATED
6	149505-02-02B	EA BRACKET - ROOF CAP/LEFT HAND - E-COATED
7	149522-01-02B	EA BRACKET - FRONT/ROOF CAP - CENTER - E-COATED
8	149522-02-02B	EA BRACKET - FRONT/ROOF CAP - RIGHT HAND - E-COATED
9	149522-03-02B	EA BRACKET - FRONT/ROOF CAP - LEFT HAND - E-COATED
10	091985-01-07A	EA INSERT - TRIM - REAR CAP TO SIDEWALL - .66" - BRIGHT WHITE
10	091985-01-09A	FT INSERT - TRIM - REAR CAP TO SIDEWALL - .66" - BLACK
11	092041-14-01A	EA TRIM - FRONT/REAR CAP (SIDEWALL) - 87.8" - BRIGHT WHITE
11	092041-14-02A	EA TRIM - FRONT/REAR CAP (SIDEWALL) - 87.8" - BLACK
12	143322-01-02B	EA CHANNEL - HAT - MOUNT/CAP - E-COATED
13	143322-02-02B	EA CHANNEL - HAT - MOUNT/CAP - E-COATED
14	149342-02-S34	EA VISOR - ROOF CAP
15	151497-01-01A	EA POCKET - VISOR - PLASTIC - BRIGHT WHITE

## EXTERIOR BODY GROUP (CONTINUED)

### LADDER

KEY	PART NUMBER	U/M	DESCRIPTION
	129375-02-000	EA	SEAL - LADDER BRACKET
	150785-03-01A	EA	LADDER - LOWER - 35.4"/3 STEP W/DOG LEG - HINGED STANDOFF - 726A
	150785-07-01A	EA	LADDER - LOWER - 35.4"/3 STEP W/DOG LEG - HINGED STANDOFF - 729H
	161113-04-01A	EA	LADDER - 5 STEP - 71.7" - BRUSHED ALUMINUM - 726A
	161113-05-01A	EA	LADDER - 5 STEP - 71.7" - BRUSHED ALUMINUM - 729H

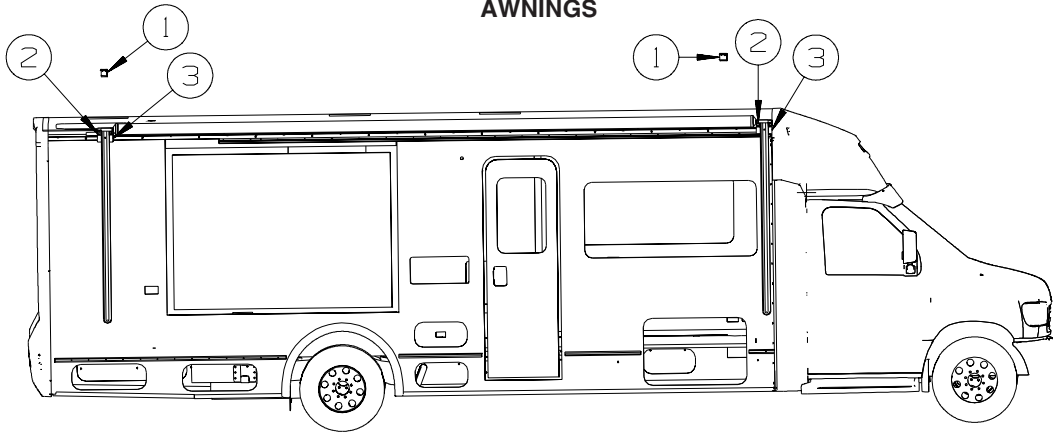
### STRUCTURAL COMPONENTS

KEY	PART NUMBER	U/M	DESCRIPTION
	002726-01-001	EA	GARNISH - U-CHANNEL - 1.38" X 19' - SERRATED
	002766-01-001	EA	ANGLE - EXTRUDED - 1" X 1 1/2" X 17'
	089297-01-000	SF	PLYWOOD - LUAN - OVERLAY GRADE - 4' X 8'
	100619-01-000	BF	FOAM - EXPANDED POLYSTYRENE - 1.34" X 48" X 96"
	100619-02-000	BF	FOAM - EXPANDED POLYSTYRENE - 1.5" X 48" X 96"
	100619-B3-000	BF	FOAM - EXPANDED POLYSTYRENE - .42" X 48" X 96"
	100619-04-000	BF	FOAM - EXPANDED POLYSTYRENE - .5" X 48" X 96"
	100619-05-000	BF	FOAM - EXPANDED POLYSTYRENE - .75" X 48" X 96"-1.5"DENSITY
	100619-16-000	BF	FOAM - EXPANDED POLYSTYRENE - .75" X 48" X 96"-2" DENSITY
	100619-50-000	BF	FOAM - EXPANDED POLYSTYRENE - 3" X 48" X 88.4"
	116942-03-01A	LB	ALUMINUM - .7" X 40" X 158"
	120107-01-000	EA	FOAM - ROOF COVE - 726A
	120107-07-000	EA	FOAM - ROOF COVE - 729H
	120107-02-000	EA	FOAM - PLUG - ROOF TUBE - 2.2" X 2.9" X 1.8" LONG
	120107-03-000	EA	FOAM - PLUG - SIDEWALL TUBE - 1.2" X 2.1" X 1.8" LONG
	128782-27-01A	EA	FIBERGLASS SHEET - 22" X 69.3" - HIGH GLOSS - BRT WHITE
	128782-33-01A	EA	FIBERGLASS SHEET - 16.8" X 266" - HIGH GLOSS - BRT WHITE
	162931-17-01A	EA	FIBERGLASS SHEET - 47.9" X 95.8" - BRIGHT WHITE
	159631-15-01A	EA	FIBERGLASS SHEET - 4" X 93.8" - BRIGHT WHITE
			FROM: 00-00-00 THRU: 01-14-07
	162931-15-01A	EA	FIBERGLASS SHEET - 4" X 93.8" - BRIGHT WHITE
			FROM: 01-15-07 THRU: 99-99-99
	159631-18-01A	EA	FIBERGLASS SHEET - 32" X 65" - BRIGHT WHITE
			FROM: 00-00-00 THRU: 01-14-07
	162931-18-01A	EA	FIBERGLASS SHEET - 32" X 65" - BRIGHT WHITE
			FROM: 01-15-07 THRU: 04-15-07
	162931-33-01A	EA	FIBERGLASS SHEET - 31.1" X 69.3" - BRIGHT WHITE
			FROM: 04-16-07 THRU: 99-99-99
	159631-08-01A	EA	FIBERGLASS SHEET - 22.1" X 68.2" - BRIGHT WHITE - 729H
			FROM: 00-00-00 THRU: 01-14-07
	162931-08-01A	EA	FIBERGLASS SHEET - 22.1" X 68.2" - BRIGHT WHITE - 729H
			FROM: 01-15-07 THRU: 03-25-07
	159631-21-01A	EA	FIBERGLASS SHEET - 89.7" X 254.5" - BRIGHT WHITE - 729H
			FROM: 00-00-00 THRU: 01-14-07
	162931-21-01A	EA	FIBERGLASS SHEET - 89.7" X 254.5" - BRIGHT WHITE - 729H
			FROM: 01-15-07 THRU: 99-99-99
	162931-36-01A	EA	FIBERGLASS SHEET - 22.1" X 69.3" - BRIGHT WHITE - 729H
			FROM: 03-26-07 THRU: 99-99-99



## EXTERIOR BODY GROUP (CONTINUED)

### AWNINGS

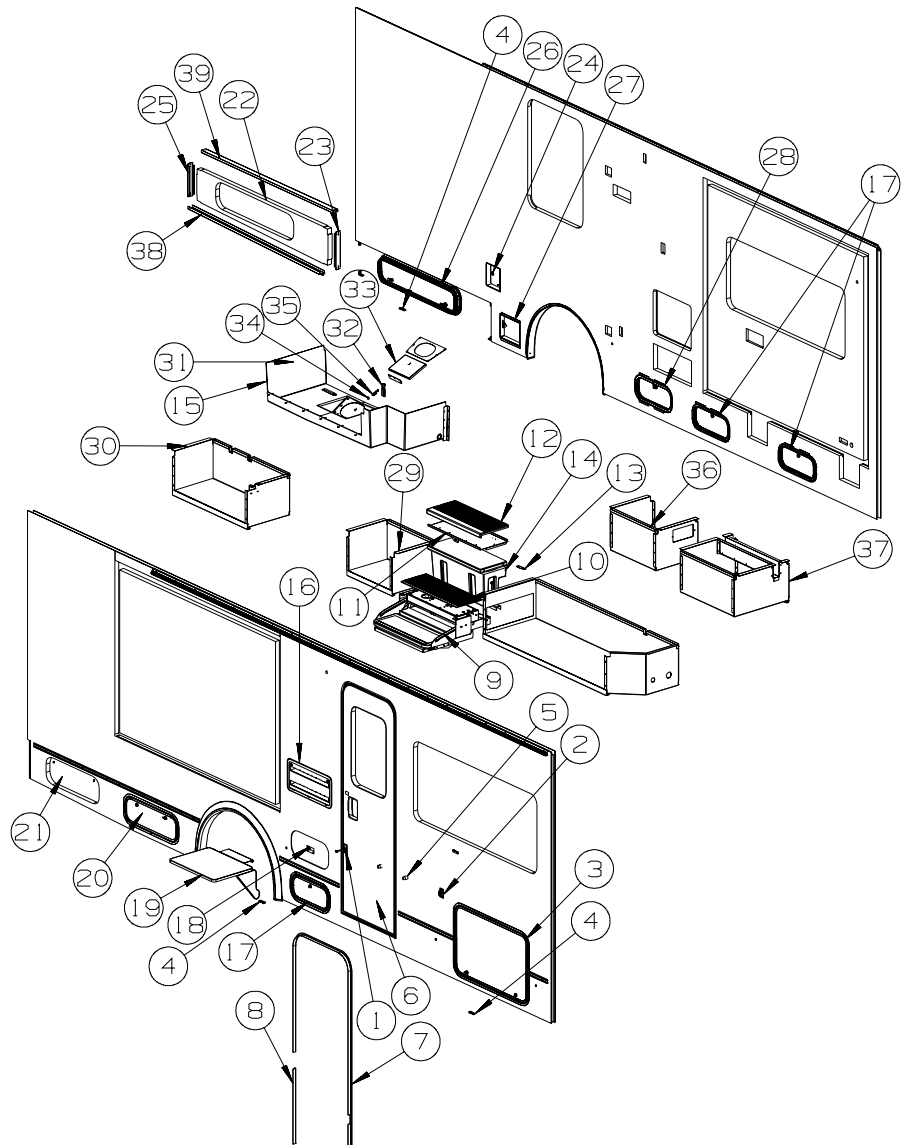


KEY	PART NUMBER	U/M	DESCRIPTION	
1	161739-01-02A	EA	BRACKET - AWNING - BRIGHT WHITE - 726A	
1	161739-01-01A	EA	BRACKET - AWNING - BLACK - 726A	
2	113874-12-01A	EA	SCREW/LAG - AWNING - 1/4" X 2 3/4" STAINLESS STEEL - 726A	
3	146457-02-03A	EA	BRACKET - AWNING - BRIGHT WHITE - 729H	
3	146457-02-02A	EA	BRACKET - AWNING - BLACK - 729H	
	127647-03-01A	EA	ROD/AWNING GUARD - ENTRY DOOR - 19.4" LONG - 726A	
	127960-01-01A	EA	RETAINER - EYE - 3/8" - STAINLESS STEEL - 726A	
	167227-01-02A	EA	SPACER/PLATE - BRIGHT WHITE	FROM: 10-15-07 THRU: 99-99-99
	167227-01-03A	EA	SPACER/PLATE - BLACK	FROM: 10-15-07 THRU: 99-99-99

**ORDER AWNINGS & REPAIR PARTS FROM DOMETIC. CALL #800-366-3842.  
THE DOMETIC AWNING INFORMATION YOU WILL NEED IS LOCATED ON THE MOTOR HOME NEAR  
THE TOP OF THE AWNING RAIL.**

# EXTERIOR DOORS & COMPARTMENTS GROUP

## DOOR & COMPARTMENT LAYOUT



KEY	PART NUMBER	U/M	DESCRIPTION
1	104099-01-04A	EA	CATCH - DOOR HOLDER - STRIKE - 3.9" - BRIGHT WHITE
1	104099-01-05A	EA	CATCH - DOOR HOLDER - STRIKE - 3.9" - BLACK
2	104099-02-04A	EA	CATCH/RETAINER - DOOR HOLDER - BRIGHT WHITE
2	104099-02-05A	EA	CATCH/RETAINER - DOOR HOLDER - BLACK
3	126946-73-T41	EA	DOOR/STORAGE - W/O HARDWARE - 35.5" X 23.1" - BRIGHT WHITE
3	126946-73-T42	EA	DOOR/STORAGE - W/O HARDWARE - 35.5" X 23.1" - BLACK
3	126946-A1-AA2	EA	DOOR/STORAGE - W/O HARDWARE - 35.5" X 23.1" - BRIGHT WHITE - PREMIUM SIDEWALLS
3	126946-A1-AA1	EA	DOOR/STORAGE - W/O HARDWARE - 35.5" X 23.1" - BLACK - PREMIUM SIDEWALLS
	056795-01-000	FT	TAPE-SEAL, 1/8~ X 3/8~ WIDE - PRESS ON
	156386-01-01A	FT	SEAL - BULB - .4" X .5" - W/ADHESIVE BACK
4	102768-01-000	EA	HOLDER - COMPARTMENT/ENTRY DOOR - METAL - MILL FINISH
5	117046-02-000	EA	BUMPER - RUBBER/ROUND END - 1.5"
6	P32206-15-W45	EA	DOOR - ENTRY W/SCREEN DOOR - W/O WNDW/LATCH - B/W - SDWL HIGH GLOSS (W45, W46)
6	P32206-15-W39	EA	DOOR - ENTRY W/SCREEN DOOR - W/O WNDW/LATCH - B/W - SDWL HIGH GLOSS (W47, W48)
6	P32206-15-W49	EA	DOOR - ENTRY W/SCREEN DOOR - W/O WNDW/LATCH - B/W - SDWL HIGH GLOSS (W49, W50)
6	M09574-02-W45	EA	DOOR - ENTRY W/SCREEN DOOR - W/O WNDW/LATCH - BLK - SDWL-HIGH GLOSS (W45, W46)
6	M09574-02-W39	EA	DOOR - ENTRY W/SCREEN DOOR - W/O WNDW/LATCH - BLK - SDWL-HIGH GLOSS (W47, W48)
6	M09574-02-W49	EA	DOOR - ENTRY W/SCREEN DOOR - W/O WNDW/LATCH - BLK - SDWL-HIGH GLOSS (W49, W50)
6	P32206-22-W45	EA	DOOR - ENTRY W/SCREEN DOOR - W/O WNDW/LATCH - B/W - SDWL PREM HIGH GLOSS (W45, W46)
6	P32206-22-W39	EA	DOOR - ENTRY W/SCREEN DOOR - W/O WNDW/LATCH - B/W - SDWL PREM HIGH GLOSS (W47, W48)
6	P32206-22-W49	EA	DOOR - ENTRY W/SCREEN DOOR - W/O WNDW/LATCH - B/W - SDWL PREM HIGH GLOSS (W49, W50)
6	M09574-01-W45	EA	DOOR - ENTRY W/SCREEN DOOR - W/O WNDW/LATCH - BLK - SDWL PREM HIGH GLOSS (W45, W46)
6	M09574-01-W39	EA	DOOR - ENTRY W/SCREEN DOOR - W/O WNDW/LATCH - BLK - SDWL PREM HIGH GLOSS (W47, W48)
6	M09574-01-W49	EA	DOOR - ENTRY W/SCREEN DOOR - W/O WNDW/LATCH - BLK - SDWL PREM HIGH GLOSS (W49, W50)

**EXTERIOR DOORS & COMPARTMENTS GROUP (CONTINUED)**  
**DOOR & COMPARTMENT LAYOUT (CONTINUED)**

**KEY PART NUMBER U/M DESCRIPTION**

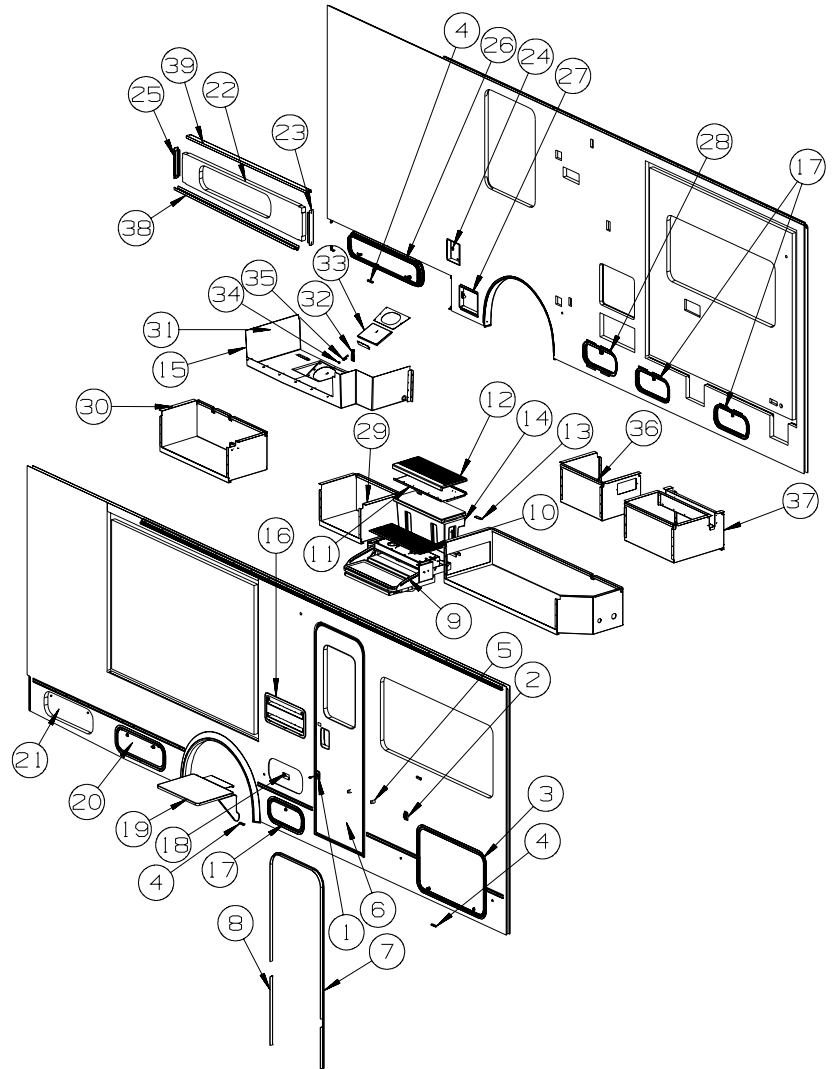
**ENTRY DOOR LOCK CYLINDERS**

138287-11-000	EA	CYLINDER/LOCK - ENTRY DOOR - MASTER W/3M ICON - (3041)
138287-12-000	EA	CYLINDER/LOCK - ENTRY DOOR - MASTER W/3M ICON - (3042)
138287-13-000	EA	CYLINDER/LOCK - ENTRY DOOR - MASTER W/3M ICON - (3043)
138287-14-000	EA	CYLINDER/LOCK - ENTRY DOOR - MASTER W/3M ICON - (3044)
138287-15-000	EA	CYLINDER/LOCK - ENTRY DOOR - MASTER W/3M ICON - (3045)
138287-16-000	EA	CYLINDER/LOCK - ENTRY DOOR - MASTER W/3M ICON - (3046)
138287-17-000	EA	CYLINDER/LOCK - ENTRY DOOR - MASTER W/3M ICON - (3047)
138287-18-000	EA	CYLINDER/LOCK - ENTRY DOOR - MASTER W/3M ICON - (3048)
138287-19-000	EA	CYLINDER/LOCK - ENTRY DOOR - MASTER W/3M ICON - (3049)
138287-20-000	EA	CYLINDER/LOCK - ENTRY DOOR - MASTER W/3M ICON - (3050)
138292-01-000	EA	SEAL - LOCK CYLINDER
138288-11-000	EA	KEY - REVERSIBLE - #3041 - T/M 16169-02-3041
138288-12-000	EA	KEY - REVERSIBLE - #3042 - T/M 16169-02-3042
138288-13-000	EA	KEY - REVERSIBLE - #3043 - T/M 16169-02-3043
138288-14-000	EA	KEY - REVERSIBLE - #3044 - T/M 16169-02-3044
138288-15-000	EA	KEY - REVERSIBLE - #3045 - T/M 16169-02-3045
138288-16-000	EA	KEY - REVERSIBLE - #3046 - T/M 16169-02-3046
138288-17-000	EA	KEY - REVERSIBLE - #3047 - T/M 16169-02-3047
138288-18-000	EA	KEY - REVERSIBLE - #3048 - T/M 16169-02-3048
138288-19-000	EA	KEY - REVERSIBLE - #3049 - T/M 16169-02-3049
138288-20-000	EA	KEY - REVERSIBLE - #3050 - T/M 16169-02-3050

**VALANCE DOOR LOCK CYLINDERS**

138637-04-000	EA	LOCK ASM. - KEYED - 1.5" CASE (CYLINDER/CAM/HDWR PKG)
138637-63-000	EA	CAM - LATCHING - DOG LEG - 1 1/2" LONG
138637-53-000	EA	CASE/CYLINDER - LOCKING - W/O CAM/KEY - 1.5"
138637-53-001	EA	CASE/CYLINDER - LOCKING - W/O CAM/KEY - 1.5"
138637-53-002	EA	CASE/CYLINDER - LOCKING - W/O CAM/KEY - 1.5"
138637-53-003	EA	CASE/CYLINDER - LOCKING - W/O CAM/KEY - 1.5"
138637-53-004	EA	CASE/CYLINDER - LOCKING - W/O CAM/KEY - 1.5"
138637-53-005	EA	CASE/CYLINDER - LOCKING - W/O CAM/KEY - 1.5"
138637-53-006	EA	CASE/CYLINDER - LOCKING - W/O CAM/KEY - 1.5"
138637-53-007	EA	CASE/CYLINDER - LOCKING - W/O CAM/KEY - 1.5"
138637-53-008	EA	CASE/CYLINDER - LOCKING - W/O CAM/KEY - 1.5"
138637-53-009	EA	CASE/CYLINDER - LOCKING - W/O CAM/KEY - 1.5"
138637-51-000	EA	KEYS - SET OF TWO
138637-51-001	EA	KEYS - SET OF TWO
138637-51-002	EA	KEYS - SET OF TWO
138637-51-003	EA	KEYS - SET OF TWO
138637-51-004	EA	KEYS - SET OF TWO
138637-51-005	EA	KEYS - SET OF TWO
138637-51-006	EA	KEYS - SET OF TWO
138637-51-007	EA	KEYS - SET OF TWO
138637-51-008	EA	KEYS - SET OF TWO
138637-51-009	EA	KEYS - SET OF TWO

**EXTERIOR DOORS & COMPARTMENTS GROUP (CONTINUED)**  
**DOOR & COMPARTMENT LAYOUT (CONTINUED)**



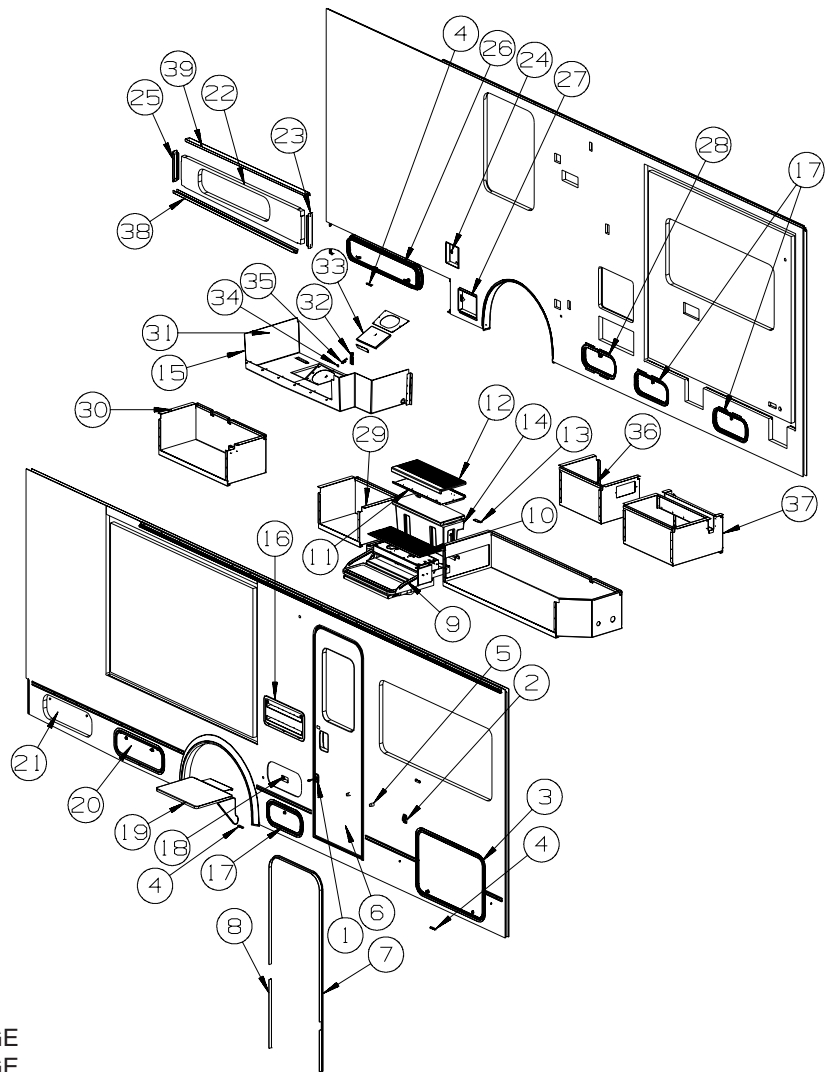
**KEY PART NUMBER U/M DESCRIPTION**  
**FUEL FILL DOOR LOCK CYLINDERS**

	EA	LOCK ASM. - KEYED - .9" CASE (CYLINDER/CAM/HDWR PKG)
	EA	CAM - LATCHING - DOG LEG - 1" LONG
	EA	CASE/CYLINDER - LOCKING - W/O CAM/KEY - .9"
	EA	CASE/CYLINDER - LOCKING - W/O CAM/KEY - .9"
	EA	CASE/CYLINDER - LOCKING - W/O CAM/KEY - .9"
	EA	CASE/CYLINDER - LOCKING - W/O CAM/KEY - .9"
	EA	CASE/CYLINDER - LOCKING - W/O CAM/KEY - .9"
	EA	CASE/CYLINDER - LOCKING - W/O CAM/KEY - .9"
	EA	CASE/CYLINDER - LOCKING - W/O CAM/KEY - .9"
	EA	CASE/CYLINDER - LOCKING - W/O CAM/KEY - .9"
	EA	CASE/CYLINDER - LOCKING - W/O CAM/KEY - .9"
	EA	CASE/CYLINDER - LOCKING - W/O CAM/KEY - .9"
	EA	KEYS - SET OF TWO
	EA	KEYS - SET OF TWO
	EA	KEYS - SET OF TWO
	EA	KEYS - SET OF TWO
	EA	KEYS - SET OF TWO
	EA	KEYS - SET OF TWO
	EA	KEYS - SET OF TWO
	EA	KEYS - SET OF TWO
	EA	KEYS - SET OF TWO
7	EA	GARNISH/RADIUS - ENTRY DOOR - BRIGHT WHITE
7	EA	GARNISH/RADIUS - ENTRY DOOR - BLACK
8	EA	GARNISH/STRAIGHT - 24.9" - BRIGHT WHITE

**EXTERIOR DOORS & COMPARTMENTS GROUP (CONTINUED)**  
**DOOR & COMPARTMENT LAYOUT (CONTINUED)**

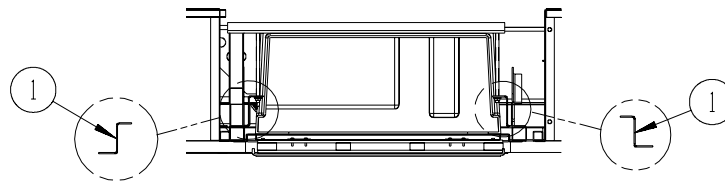
KEY	PART NUMBER	U/M	DESCRIPTION
8	139101-02-03A	EA	GARNISH/STRAIGHT - ENTRY DOOR - BLACK
9	139748-04-04B	EA	STEP/PULLOUT - W/BRACKETS - BLACK
	102569-04-000	EA	MAT - ANTI SLIP
9*	094708-05-01A	EA	STEP - ELECTRIC - SINGLE - BLACK - KWIKEE
	116975-01-01A	EA	LATCH - W/O STRIKE - BLACK - NEW STYLE
10	133114-03-01A	EA	TREAD - STEP/RUBBER - 27.1" X 10.1" - TAUPE
11	123330-08-02B	EA	SUPPORT - ENTRY STEP - E-COATED
12	147781-01-01A	EA	TREAD/STEP - RUBBER - TAUPE
13	146747-01-02B	EA	BRACKET/CATCH - E-COATED
14	158100-01-01A	EA	COMPARTMENT - STORAGE - PLASTIC
15	156865-01-000	EA	COMPARTMENT - DRAINAGE - PLASTIC
16*	084103-08-000	EA	DOOR - VENT - REFRIGERATOR - W/O JAMB - BRIGHT WHITE
16	084104-08-000	EA	JAMB - VENT DOOR/REFRIGERATOR - BRIGHT WHITE
17	126945-01-AA1	EA	DOOR/STORAGE - W/O HARDWARE - 18" X 8.3"
17	126945-22-W37	EA	DOOR/STORAGE - W/O HARDWARE - 18" X 8.3" - PREMIUM SIDEWALLS
	056795-01-000	FT	TAPE-SEAL, 1/8~ X 3/8~ WIDE - PRESS ON
	156386-01-01A	FT	SEAL - BULB - .4" X .5" - W/ADHESIVE BACK
18	126945-15-S34	EA	DOOR/STORAGE - W/O HARDWARE - 18" X 8.3" - B/W
18	126945-15-AA1	EA	DOOR/STORAGE - W/O HARDWARE - 18" X 8.3" - BLACK
18	126945-24-AA2	EA	DOOR/STORAGE - W/O HDWR - 18" X 8.3" - B/W - PREMIUM SIDEWALLS
18	126945-24-AA1	EA	DOOR/STORAGE - W/O HDWR - 18" X 8.3" - BLACK - PREMIUM SIDEWALLS
	056795-01-000	FT	TAPE-SEAL, 1/8~ X 3/8~ WIDE - PRESS ON
	156386-01-01A	FT	SEAL - BULB - .4" X .5" - W/ADHESIVE BACK
19	142034-02-01A	EA	SHELF - F/EXTERIOR TV - BRIGHT WHITE
20	126946-50-AA1	EA	DOOR/STORAGE - W/O HARDWARE - 25.7" X 8.9"
	126946-A0-W37	EA	DOOR/STORAGE - W/O HARDWARE - 25.6" X 8.9" - PREMIUM SIDEWALLS
	056795-01-000	FT	TAPE-SEAL, 1/8~ X 3/8~ WIDE - PRESS ON
	156386-01-01A	FT	SEAL - BULB - .4" X .5" - W/ADHESIVE BACK
21	126946-48-AA1	EA	DOOR/STORAGE - W/O HARDWARE - 25.6" X 8.5"
21	126946-99-W37	EA	DOOR/STORAGE - W/O HARDWARE - 25.6" X 8.5" - PREMIUM SIDEWALLS
	056795-01-000	FT	TAPE-SEAL, 1/8~ X 3/8~ WIDE - PRESS ON
	156386-01-01A	FT	SEAL - BULB - .4" X .5" - W/ADHESIVE BACK
	076767-07-000	EA	CABLE - STAINLESS STEEL - 7.1"
22	155489-05-W45	EA	PANEL - REMOVABLE - W/O HDW (W45, W46) FROM: 00-00-00 THRU: 07-15-07
22	155489-05-W39	EA	PANEL - REMOVABLE - W/O HDW (W45, W46) FROM: 07-16-07 THRU: 99-99-99
22	155489-05-W39	EA	PANEL - REMOVABLE - W/O HDW (W47, W48)
22	155489-05-W39	EA	PANEL - REMOVABLE - W/O HDW (W49, W50) FROM: 00-00-00 THRU: 07-15-07
22	155489-05-W45	EA	PANEL - REMOVABLE - W/O HDW (W49, W50) FROM: 07-16-07 THRU: 99-99-99
22	155489-08-W39	EA	PANEL - REMOVABLE - W/O HDW (W45, W46, W47, W48) - PREMIUM SIDEWALLS
22	155489-08-W49	EA	PANEL - REMOVABLE - W/O HDW (W49, W50) - PREMIUM SIDEWALLS
	148700-10-02A	EA	TRIM - SIDEWALL/BOTTOM - 75.4" - BLACK
23	156995-02-02A	EA	TRIM - SIDEWALL - U CHANNEL - 1.8" X 11.1" - BLACK
24	156963-02-02A	EA	TRIM - SIDEWALL - U CHANNEL - 64.1" - BLACK
25	156995-01-02A	EA	TRIM - SIDEWALL - U CHANNEL - 1.8" X 12.6" - BLACK
26	126946-86-W37	EA	DOOR/STORAGE - W/O HARDWARE - 37.8" X 8.3"
	126946-A2-W37	EA	DOOR/STORAGE - W/O HARDWARE - 37.8" X 8.3" - PREMIUM SIDEWALLS
	056795-01-000	FT	TAPE-SEAL, 1/8~ X 3/8~ WIDE - PRESS ON
	156386-01-01A	FT	SEAL - BULB - .4" X .5" - W/ADHESIVE BACK
27	142894-01-01A	EA	DOOR/POWER CORD - W/HATCH - W/LOCK - BRIGHT WHITE
28	126945-02-AA1	EA	DOOR/STORAGE - W/O HARDWARE - 18" X 8.3"
28	126945-23-W37	EA	DOOR/STORAGE - W/O HARDWARE - 18" X 8.3" - PREMIUM SIDEWALLS
	056795-01-000	FT	TAPE-SEAL, 1/8~ X 3/8~ WIDE - PRESS ON
	156386-01-01A	FT	SEAL - BULB - .4" X .5" - W/ADHESIVE BACK

**EXTERIOR DOORS & COMPARTMENTS GROUP (CONTINUED)**  
**DOOR & COMPARTMENT LAYOUT (CONTINUED)**



KEY	PART NUMBER	U/M	DESCRIPTION
	29	EA	COMPARTMENT - LUGGAGE
	30	EA	COMPARTMENT - LUGGAGE
	31	EA	COMPARTMENT - DRAINAGE - PLASTIC
	32	EA	TUBE/DRAIN - KAZOO - 1 1/2" X 4"
	33	EA	DOOR - SUMP - E-COATED
	34	FT	SEAL - BULB - W/WIRED U CHANNEL - .3" X .5" CHANNEL-BLACK
	35	EA	LATCH - HOLD DOWN PANEL - STAINLESS STEEL
	36	EA	COMPARTMENT - LUGGAGE
	37	EA	COMPARTMENT - LUGGAGE

\*COMPONENT PARTS LISTED LATER IN THIS GROUP



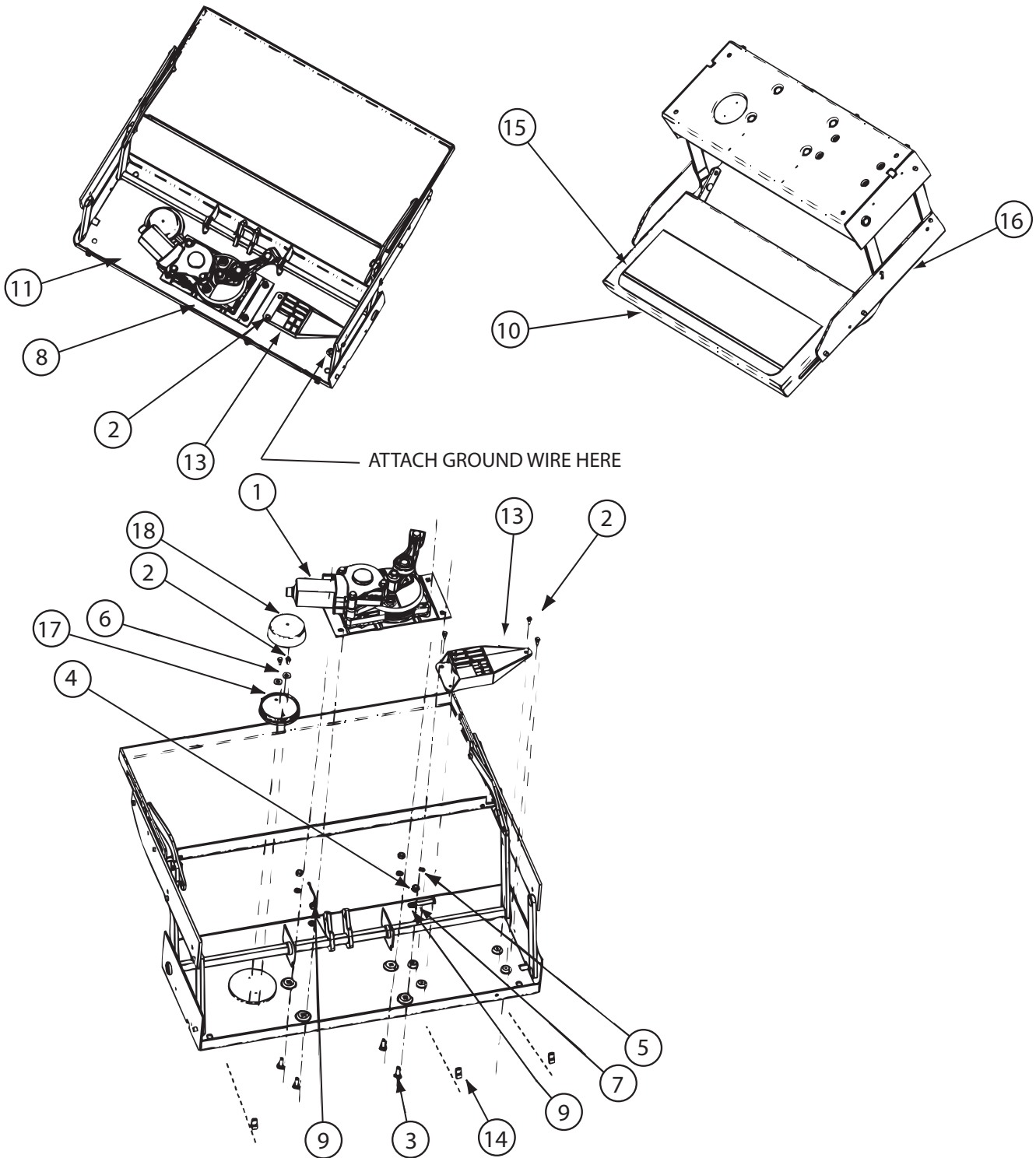
KEY	PART NUMBER	U/M	DESCRIPTION
	1	EA	BRACKET/ZEE - W/HOLES - 1.6"W - E-COATED

**COMPONENT PARTS FOR DOOR & COMPARTMENT LAYOUT**

084103-08-000

KEY	PART NUMBER	U/M	DESCRIPTION	VENDOR NO.
	084104-01-700	EA	LOCK-MALE, FASTENER	201-721-010
	084104-01-701	EA	LOCK-FEMALE, FASTENER	201-802-010

**EXTERIOR DOORS & COMPARTMENTS GROUP (CONTINUED)**  
**COMPONENT PARTS FOR DOOR & COMPARTMENT LAYOUT (CONTINUED)**



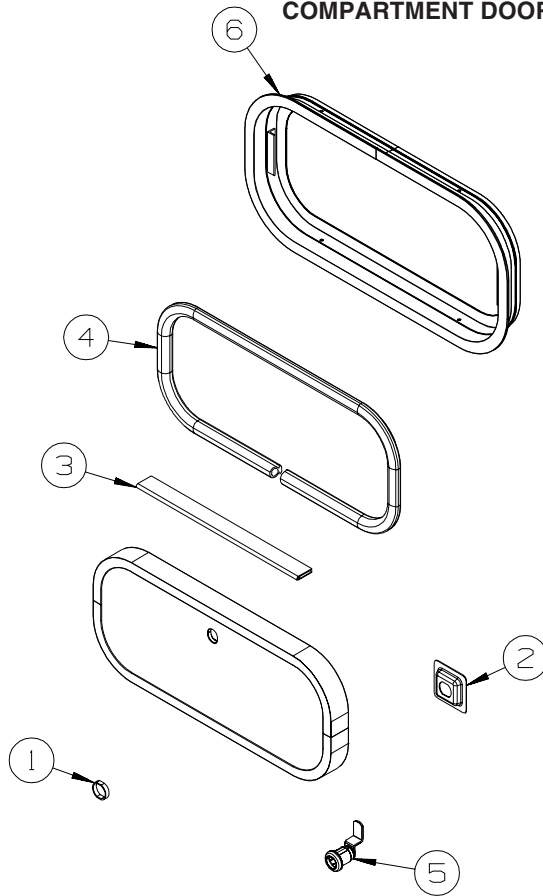
**094708-05-01A**

KEY	PART NUMBER	U/M	DESCRIPTION	VENDOR NO.
1	094707-04-701	EA	MOTOR "AM 214" F/IMGL STEPS	1101428
13	094707-04-700	EA	CONTROL UNIT W/OVERRIDE	909510000
15	143709-01-702	EA	TREAD/NON-SKID 6" X 21" BLK	1915260
16	094708-05-701	EA	FRAME W/SGL STEP,28 SERIES	908028000
17	088746-01-705	EA	LIGHT-UNDER STEP	9004
	094707-03-701	EA	PLUG - 4-WAY - PACKARD	909306
	094707-04-702	EA	COTTER PIN - W/CLEVIS PIN	905205000
	094707-04-711	EA	KWIKTEST - W/4-WAY PIGTAIL	909518000
	094708-05-700	EA	GEAR BOX W/LINKAGE-STRAIGHT	1101426

CONTACT WINNEBAGO PART SALES FOR UNLISTED COMPONENT(S)

# EXTERIOR DOORS & COMPARTMENTS GROUP (CONTINUED)

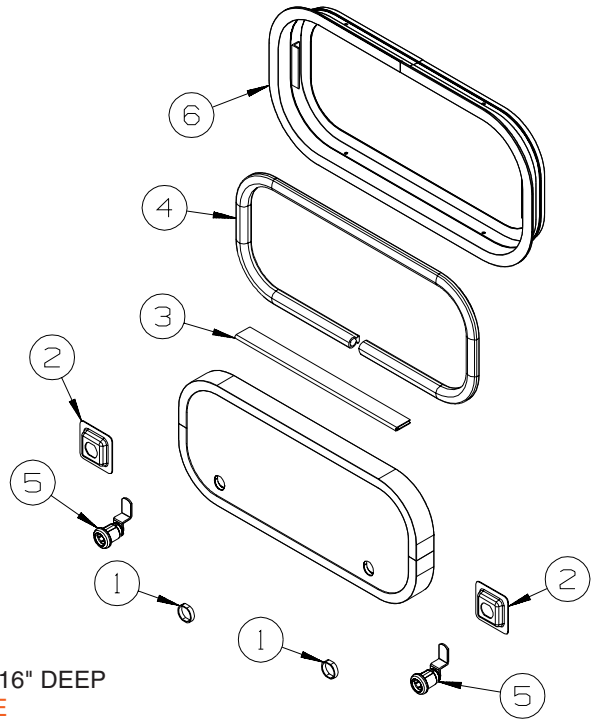
## COMPARTMENT DOOR PIECE PARTS



KEY	PART NUMBER	U/M DESCRIPTION
1	139325-01-000	EA SPACER - LOCK - 6MM - ENTERTAINMENT CENTER
	139337-01-000	EA GASKET - LOCK - ENTERTAINMENT CENTER
1	144734-01-000	EA SPACER - COMPARTMENT DOOR LOCK - 9/16" DEEP
2	097111-02-04A	EA POCKET - LOCK - REAR DOOR - BLACK - ENTERTAINMENT CENTER
3	081801-V3-000	EA HINGE - DOOR - PIANO - 2" X 96" - BRIGHT WHITE
3	081801-FN-000	EA HINGE - DOOR - PIANO - 2" X 96" - BLACK
4	156386-01-01A	FT SEAL - BULB - .4" X .5" - W/ADHESIVE BACK
5	110506-27-000	EA LOCK - TWIST - 1.6" - TWIST LOCK
	110506-55-000	EA CASE/CYLINDER - TWIST LOCK - W/O CAM - 1.25" - 597312AA1 - TWIST LOCK
	110506-66-000	EA CAM - LATCHING - DOG LEG - 1.5" LONG - TWIST LOCK
5	138290-02-000	EA CASE - W/CAM - W/O CYLINDER/KEY - ENTERTAINMENT CENTER
5	138637-04-000	EA LOCK ASM. - KEYED - 1.5" CASE (CYLINDER/CAM/HDWR PKG) - KEYED LOCK
	110506-40-000	EA CLIP-E, LOCK ASM - BRIGGS & STRATTON 93981 - KEYED LOCK
	110506-41-000	EA WASHER-TENSION LOCK ASM - BRIGGS & STRATTON 37512 - KEYED LOCK
	110506-42-000	EA NUT-LOCK ASM - BRIGGS & STRATTON 310878 - KEYED LOCK
	110506-43-000	EA WASHER-FLAT, LOCK ASM - BRIGGS & STRATTON 82089 - KEYED LOCK
		FROM: 00-00-00 THRU: 07-11-07
	110506-44-000	EA GASKET-LOCK ASM - BRIGGS & STRATTON - #47701 - KEYED LOCK
	144474-01-000	EA ADAPTER - LOCK - 180 DEGREE - KEYED LOCK
	138637-63-000	EA CAM - LATCHING - DOG LEG - 1.5" LONG - KEYED LOCK
	138637-53-000	EA CASE/CYLINDER - LOCKING - W/O CAM/KEY - 1.5" - KEYED LOCK
	138637-53-001	EA CASE/CYLINDER - LOCKING - W/O CAM/KEY - 1.5" - KEYED LOCK
	138637-53-002	EA CASE/CYLINDER - LOCKING - W/O CAM/KEY - 1.5" - KEYED LOCK
	138637-53-003	EA CASE/CYLINDER - LOCKING - W/O CAM/KEY - 1.5" - KEYED LOCK
	138637-53-004	EA CASE/CYLINDER - LOCKING - W/O CAM/KEY - 1.5" - KEYED LOCK
	138637-53-005	EA CASE/CYLINDER - LOCKING - W/O CAM/KEY - 1.5" - KEYED LOCK
	138637-53-006	EA CASE/CYLINDER - LOCKING - W/O CAM/KEY - 1.5" - KEYED LOCK
	138637-53-007	EA CASE/CYLINDER - LOCKING - W/O CAM/KEY - 1.5" - KEYED LOCK
	138637-53-008	EA CASE/CYLINDER - LOCKING - W/O CAM/KEY - 1.5" - KEYED LOCK
	138637-53-009	EA CASE/CYLINDER - LOCKING - W/O CAM/KEY - 1.5" - KEYED LOCK
6	056795-01-000	FT TAPE-SEAL, 1/8~ X 3/8~ WIDE - PRESS ON



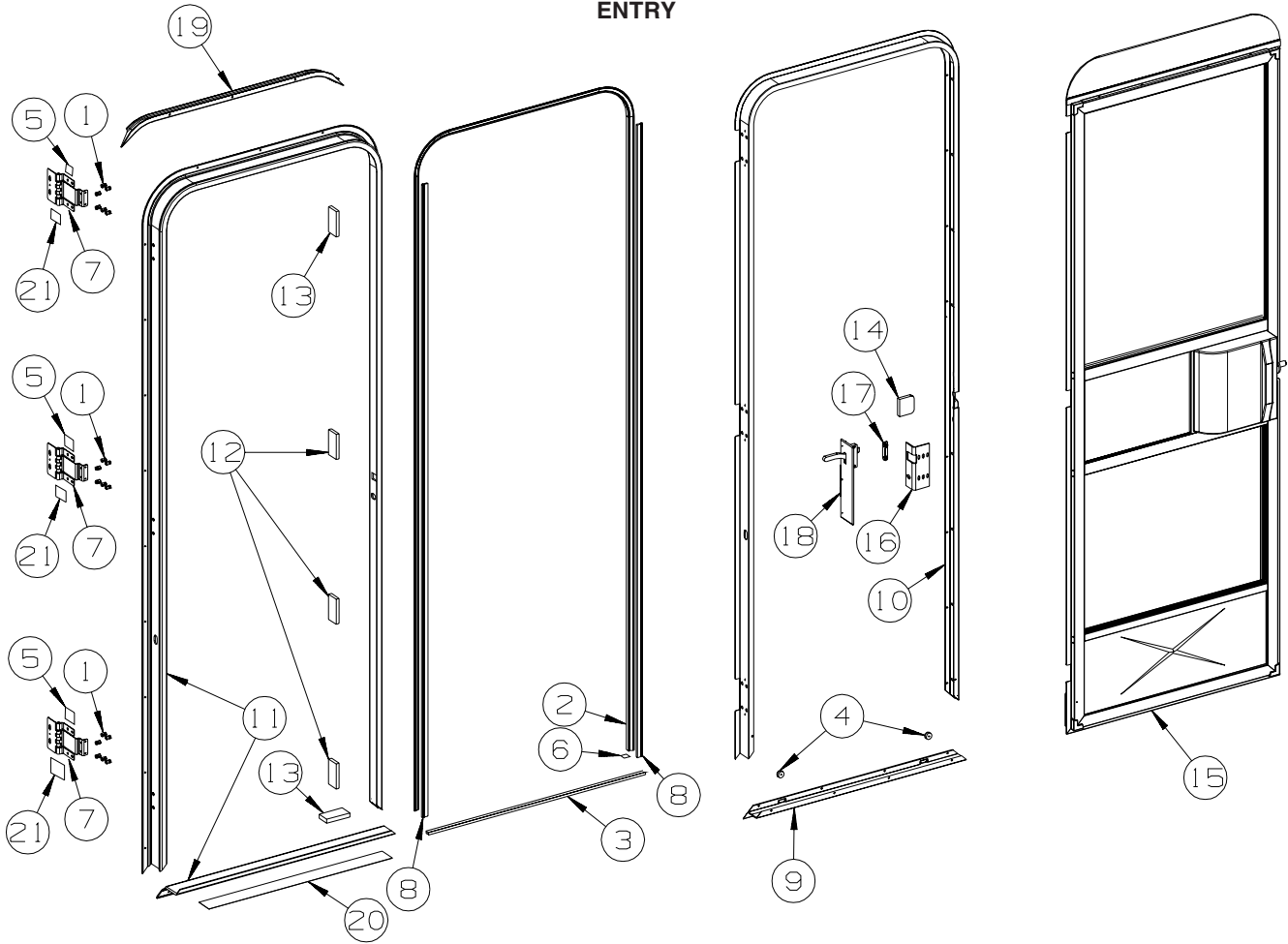
**EXTERIOR DOORS & COMPARTMENTS GROUP (CONTINUED)**  
**COMPARTMENT DOOR PIECE PARTS (CONTINUED)**



KEY	PART NUMBER	U/M	DESCRIPTION
1	144734-01-000	EA	SPACER - COMPARTMENT DOOR LOCK - 9/16" DEEP
1	139325-01-000	EA	SPACER - LOCK - 6MM - TRI/MARK KEY ONE
	139337-01-000	EA	GASKET - LOCK - TRI/MARK KEY ONE
2	097111-02-04A	EA	POCKET - LOCK - REAR DOOR - BLACK - TRI/MARK KEY ONE
3	081801-V3-000	EA	HINGE - DOOR - PIANO - 2" X 96" - BRIGHT WHITE
3	081801-FN-000	EA	HINGE - DOOR - PIANO - 2" X 96" - BLACK
4	156386-01-01A	FT	SEAL - BULB - .4" X .5" - W/ADHESIVE BACK
5	110506-27-000	EA	LOCK - TWIST - 1.6" - TWIST LOCK
	110506-55-000	EA	CASE/CYLINDER - TWIST LOCK - W/O CAM - 1.25" - 597312AA1 - TWIST LOCK
	110506-66-000	EA	CAM - LATCHING - DOG LEG - 1.5" LONG - TWIST LOCK
5	138290-02-000	EA	CASE - W/CAM - W/O CYLINDER/KEY - TRI/MARK KEY ONE
5	138637-04-000	EA	LOCK ASM. - KEYED - 1.5" CASE (CYLINDER/CAM/HDWR PKG) - KEYED LOCK
	110506-40-000	EA	CLIP-E, LOCK ASM - BRIGGS & STRATTON 93981- KEYED LOCK
	110506-41-000	EA	WASHER-TENSION LOCK ASM - BRIGGS & STRATTON 37512- KEYED LOCK
	110506-42-000	EA	NUT-LOCK ASM - BRIGGS & STRATTON 310878- KEYED LOCK
	110506-43-000	EA	WASHER-FLAT, LOCK ASM - BRIGGS & STRATTON 82089- KEYED LOCK
	110506-44-000	EA	GASKET-LOCK ASM - BRIGGS & STRATTON - #47701- KEYED LOCK
	110506-45-000	EA	WASHER - SPUR - BRIGGS & STRATTON - #94771 - KEYED LOCK
	144474-01-000	EA	ADAPTER - LOCK - 180 DEGREE- KEYED LOCK
	138637-63-000	EA	CAM - LATCHING - DOG LEG - 1 1/2" LONG- KEYED LOCK
	138637-53-000	EA	CASE/CYLINDER - LOCKING - W/O CAM/KEY - 1.5"- KEYED LOCK
	138637-53-001	EA	CASE/CYLINDER - LOCKING - W/O CAM/KEY - 1.5"- KEYED LOCK
	138637-53-002	EA	CASE/CYLINDER - LOCKING - W/O CAM/KEY - 1.5"- KEYED LOCK
	138637-53-003	EA	CASE/CYLINDER - LOCKING - W/O CAM/KEY - 1.5"- KEYED LOCK
	138637-53-004	EA	CASE/CYLINDER - LOCKING - W/O CAM/KEY - 1.5"- KEYED LOCK
	138637-53-005	EA	CASE/CYLINDER - LOCKING - W/O CAM/KEY - 1.5"- KEYED LOCK
	138637-53-006	EA	CASE/CYLINDER - LOCKING - W/O CAM/KEY - 1.5"- KEYED LOCK
	138637-53-007	EA	CASE/CYLINDER - LOCKING - W/O CAM/KEY - 1.5"- KEYED LOCK
	138637-53-008	EA	CASE/CYLINDER - LOCKING - W/O CAM/KEY - 1.5"- KEYED LOCK
	138637-53-009	EA	CASE/CYLINDER - LOCKING - W/O CAM/KEY - 1.5"- KEYED LOCK
6	056795-01-000	FT	TAPE-SEAL, 1/8" X 3/8" WIDE - PRESS ON

# EXTERIOR DOORS & COMPARTMENTS GROUP (CONTINUED)

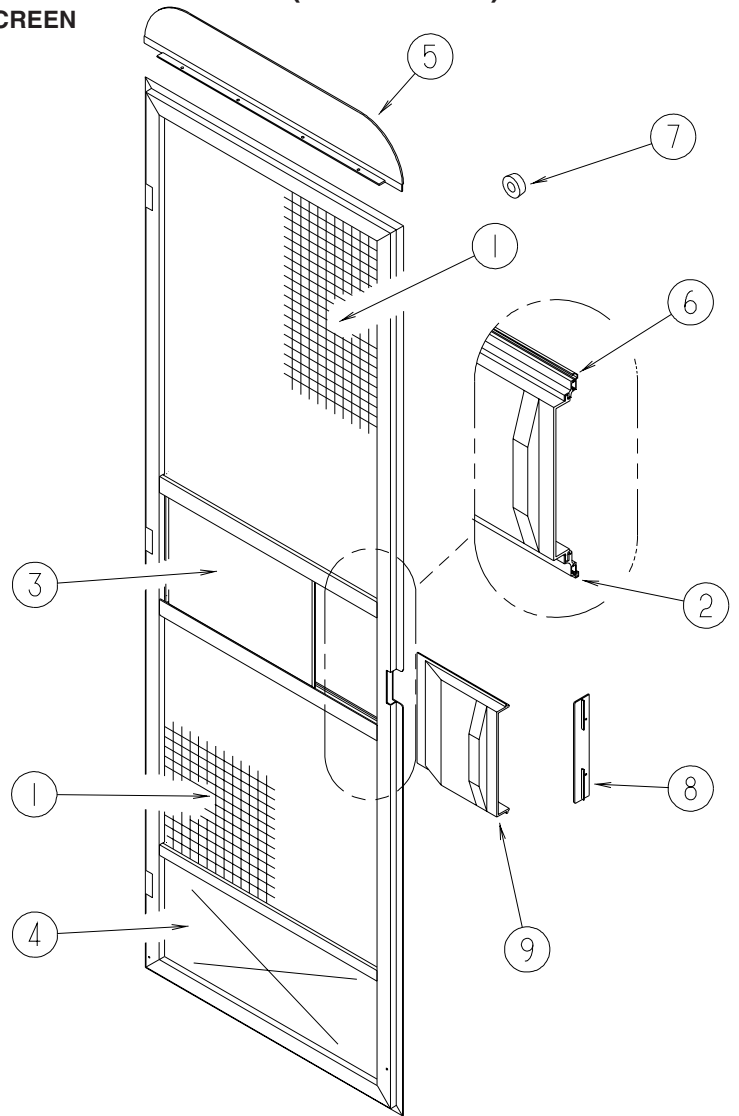
## ENTRY



KEY	PART NUMBER	U/M	DESCRIPTION
1	039715-01-000	EA	NUT-SERT - 1/4" DIAMETER - 20 THREADS
2	075671-04-000	FT	SEAL - SPONGE - LAZY T - W/ADHESIVE STRIP - .5" WIDE
3	075673-05-000	FT	SEAL/PILE - .5" HIGH W/ADHESIVE BACK - BLACK
4	081914-02-000	EA	BUMPER - RUBBER - ROUND - 5/16" DIA. X 13/64" THICK
5	100128-02-000	FT	SEAL - FOAM/ADHESIVE BACK - .37" WIDE X .37" THICK X 60'
6	104692-01-000	FT	SEAL - ADHESIVE BACKED FOAM - 3/4" THICK X 3/4" WIDE X 25'
7	106719-01-05A	EA	HINGE - ENTRY DOOR - BRIGHT WHITE
7	106719-01-08A	EA	HINGE - ENTRY DOOR - BLACK
8	118929-01-01A	FT	SEAL - PILE - PUSH ON
9	121893-01-01A	EA	FRAME - ENTRY DOOR/BOTTOM - BRIGHT WHITE
9	121893-01-04A	EA	FRAME - ENTRY DOOR/BOTTOM - BLACK
10	121894-31-01A	EA	FRAME - ENTRY DOOR - BRIGHT WHITE
10	121894-31-02A	EA	FRAME - ENTRY DOOR - BLACK
11	121898-21-01A	EA	JAMB - DOOR/ENTRANCE - BRIGHT WHITE
11	121898-21-02A	EA	JAMB - DOOR/ENTRANCE - BLACK
12	125724-01-000	EA	SHIM - DOOR, ENTRANCE
13	125724-02-000	EA	SHIM - DOOR, ENTRANCE
14	130096-05-000	EA	FOAM - SCREEN DOOR, RETAINER
15	P32208-06-S34	EA	DOOR - SCREEN - W/O HARDWARE
15	P32208-06-W37	EA	DOOR - SCREEN - W/O STRIKE/SLIDER/HDW - <b>FULL BODY PAINT</b>
16	137401-01-03B	EA	BRACKET - DOOR ANGLE - OFF WHITE
17	148364-01-12B	EA	STRIKE - SCREEN DOOR - BRIGHT WHITE
17	148364-01-04B	EA	STRIKE - SCREEN DOOR - BLACK
18	132915-01-01A	EA	LATCH - SCREEN DOOR - BLACK
19	139054-01-01A	EA	CAP - DRIP - JAMB MOUNTED - BRIGHT WHITE
19	139054-01-02A	EA	CAP - DRIP - JAMB MOUNTED - BLACK
20	038327-01-000	EA	TAPE - ANTI-SLIP - 2" X 60'
21	154585-01-01A	FT	SEAL - FOAM TAPE - ADHESIVE BACK - 3/8" X 3/8" - BLACK

# EXTERIOR DOORS & COMPARTMENTS GROUP (CONTINUED)

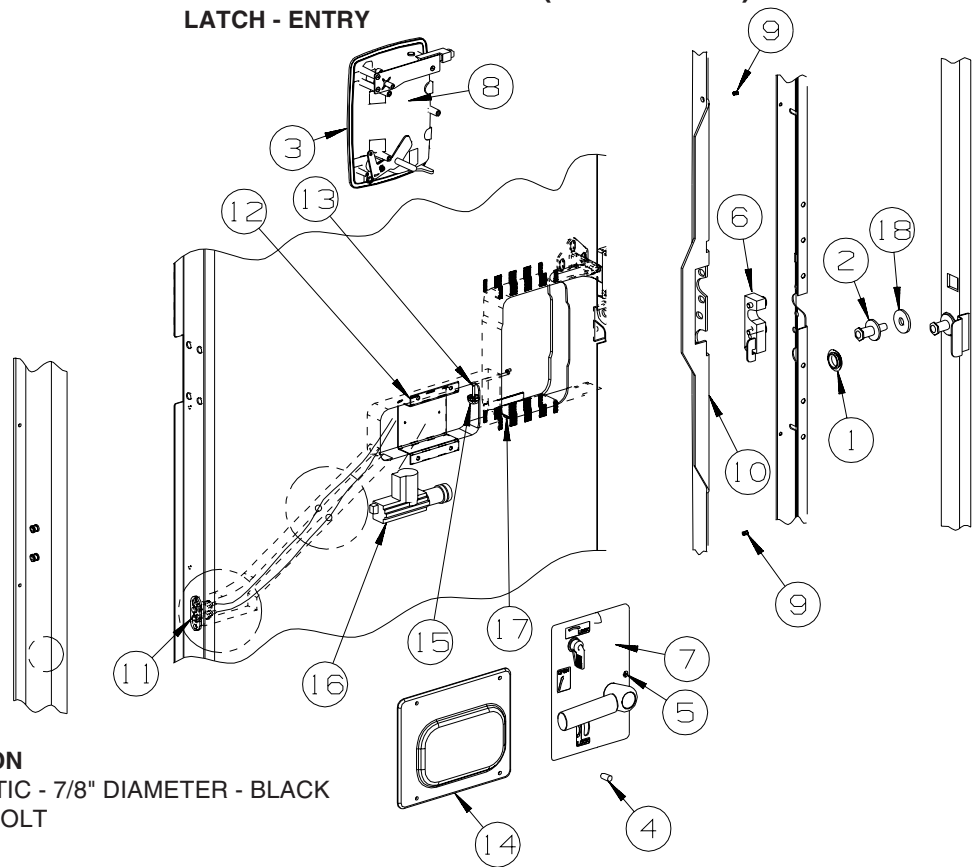
## SCREEN



KEY	PART NUMBER	U/M	DESCRIPTION
1	002293-02-000	SF	SCREEN - 26" - CHARCOAL
2	002294-01-000	FT	SPLINE - SCREENING - .13" X .14"
3	016454-21-000	EA	INSERT/CENTER - SCREEN DOOR
4	078552-03-000	EA	KICK PANEL - SCREEN DOOR - LOWER INSERT - UNPAINTED
5	078595-01-000	EA	TOP PLATE - SCREEN DOOR - CURVED TOP - 4.7" X 25.35"
6	078777-08-000	FT	CHANNEL - SLIDER - 4 FOOT INCREMENTS
7	120863-09-000	EA	BUMPER - RUBBER/RADIUS TOP - 3/4" X 3/8" - LT GRAY
8	132081-01-01A	EA	STRIKE - SLIDER - SCREEN DOOR - BRIGHT WHITE
8	132081-01-03A	EA	STRIKE - SLIDER - SCREEN DOOR - BLACK
9	132082-01-01A	EA	SLIDER - SCREEN DOOR - BRIGHT WHITE
9	132082-01-03A	EA	SLIDER - SCREEN DOOR - BLACK

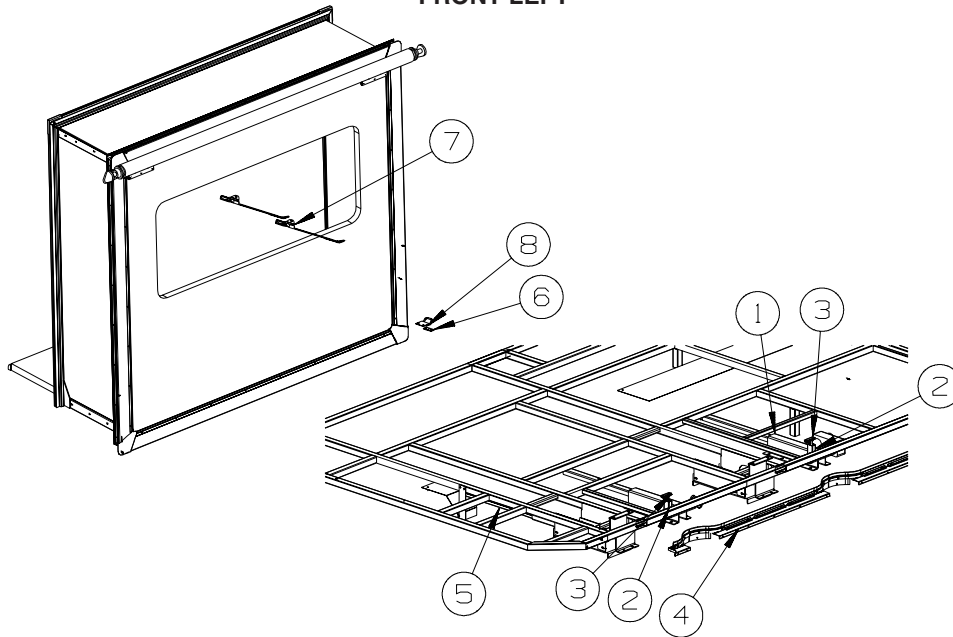
# EXTERIOR DOORS & COMPARTMENTS GROUP (CONTINUED)

## LATCH - ENTRY



KEY	PART NUMBER	U/M	DESCRIPTION
1	061420-14-000	EA	PLUG/PLASTIC - 7/8" DIAMETER - BLACK
2	092927-20-000	EA	STRIKER - BOLT
3	112782-04-01A	EA	GASKET
4	112782-05-01A	EA	CAP - VINYL - RED
5	112782-08-01A	EA	SCREW - MOUNTING/PLATE - ZINC
6	112782-22-01A	EA	LATCH - SINGLE ROTOR
7	112782-27-01A	EA	LATCH - INTERIOR PLATE
8	112782-20-01A	EA	LATCH - EXTERIOR - W/O LOCK CYLINDER W/ICON-REVERSIBLE KEY
9	072893-04-000	EA	NUTSERT - 10-32
10	132207-01-02B	EA	STIFFENER/DOOR - FORMED - E-COATED
10	132207-03-02B	EA	STIFFENER/DOOR - FORMED - E-COATED - VIEW, ASPECT, NAVION, CAMBRIA
11	138897-01-000	EA	SWITCH - 2 PIN/SPRING LOADED CONTACTS (EA=1 SWITCH)
12	113650-02-02B	EA	BRACKET - ACTUATOR - ELECTRIC - E-COATED
13	113651-01-01A	EA	ROD - CONTROL - MOTOR/LOCK
14	113960-01-01A	EA	COVER - ACTUATOR - POWER LOCK
15	147900-01-01A	EA	SPACER-STRIKE BOLT, MILL
16	138898-01-000	EA	ACTUATOR/LOCK - ELECTRIC
17	137230-01-01A	EA	SPACER- NOTCHED, MILL

## EXTERIOR SLIDEOUT GROUP FRONT LEFT



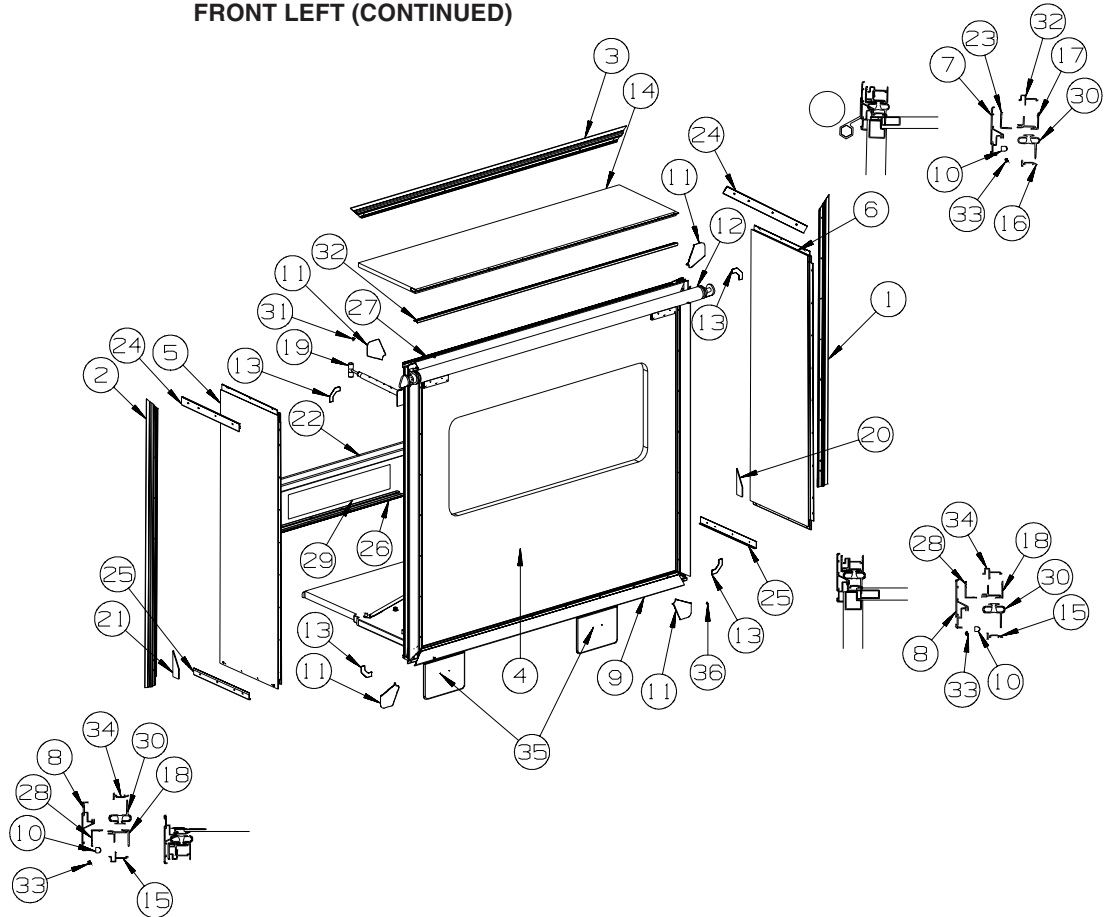
KEY	PART NUMBER	U/M	DESCRIPTION
1*	148685-01-000	EA	SLIDEOUT - ELECTRIC
2	126313-09-02B	EA	SUPPORT - ROLLER - SLIDE-OUT ROOM - E-COATED
3	134855-01-000	EA	BEARING PAD - NARROW
4	159111-07-U21	EA	TRIM/ZEE - W/SEAL/END CAPS - SIDEWALL/LOWER-81.1"
4	159111-07-AA1	EA	TRIM/ZEE - W/SEAL/END CAPS - SIDEWALL/LOWER-81.1" - FULL BODY PAINT
	153109-32-02A	EA	ANGLE/RETAINER - SEAL - .5" X .5" X 8.3" - BLACK
	153109-33-02A	EA	ANGLE/RETAINER - SEAL - .5" X .5" X 6.8" - BLACK
	153109-34-02A	EA	ANGLE/RETAINER - SEAL - .5" X .5" X 8.7" - BLACK
	153109-36-02A	EA	ANGLE/RETAINER - SEAL - .5" X .5" X 9.6" - BLACK
	165260-01-000	FT	SEAL - BULB - W/WIRED U CHANNEL - .55" THICK X 1.3"
5	141019-02-02B	EA	SUPPORT - WIRE - E-COATED
6	150697-02-02B	EA	BRACKET - RESTRAINT/CHILD - E-COATED
7	160167-02-01A	EA	SEAT BELT - 2" X 90" - BLACK
8	150700-01-02B	EA	PLATE/MOUNTING - RESTRAINT/CHILD - 1" X 2.3" - E-COATED

\*COMPONENT PARTS LISTED LATER IN THIS GROUP

**ORDER AWNINGS & REPAIR PARTS FROM DOMETIC. CALL #800-366-3842.  
THE DOMETIC AWNING INFORMATION YOU WILL NEED IS LOCATED ON THE MOTOR HOME NEAR  
THE TOP OF THE AWNING RAIL.**

## EXTERIOR SLIDEOUT GROUP (CONTINUED)

### FRONT LEFT (CONTINUED)

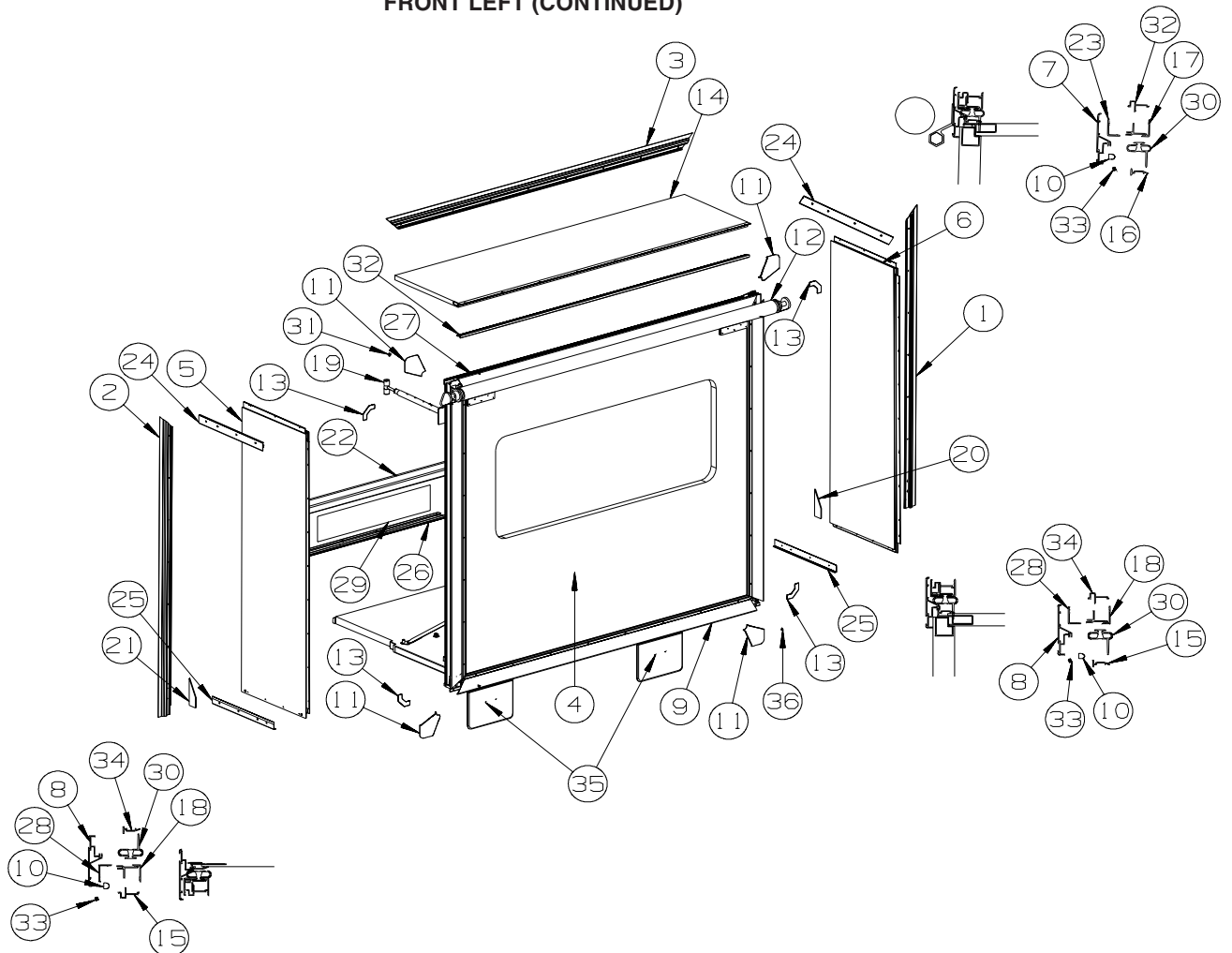


KEY	PART NUMBER	U/M	DESCRIPTION
1	139624-14-02A	EA	TRIM/SEAL - INNER/LEFT HAND - 70.2" - ALMOND
2	139624-13-02A	EA	TRIM/SEAL - INNER/RIGHT HAND - 70.2" - ALMOND
3	139624-04-02A	EA	TRIM/SEAL - INNER/TOP - 80.2" - ALMOND
4	161358-11-W45	EA	SLUG - F/SLIDEOUT (W45, W46)
			FROM: 00-00-00 THRU: 07-15-07
4	161358-11-W39	EA	SLUG - F/SLIDEOUT (W45, W46)
			FROM: 07-16-07 THRU: 99-99-99
4	161358-11-W39	EA	SLUG - F/SLIDEOUT (W47, W48)
4	161358-11-W39	EA	SLUG - F/SLIDEOUT (W49, W50)
			FROM: 00-00-00 THRU: 07-15-07
4	161358-11-W45	EA	SLUG - F/SLIDEOUT (W49, W50)
			FROM: 07-16-07 THRU: 99-99-99
4	161358-12-W39	EA	SLUG - F/SLIDEOUT (W45, W46) - PREMIUM SIDEWALLS
4	161358-12-W39	EA	SLUG - F/SLIDEOUT (W47, W48) - PREMIUM SIDEWALLS
4	161358-12-W45	EA	SLUG - F/SLIDEOUT (W49, W50) - PREMIUM SIDEWALLS
5	155789-01-W45	EA	PANEL END - F/SLIDEOUT (W45, W46)
			FROM: 00-00-00 THRU: 03-25-07
5	164200-01-W45	EA	PANEL END - F/SLIDEOUT (W45, W46)
			FROM: 03-26-07 THRU: 07-15-07
5	155789-01-W39	EA	PANEL END - F/SLIDEOUT (W45, W46)
			FROM: 07-16-07 THRU: 99-99-99
5	164200-03-W39	EA	PANEL END - F/SLIDEOUT (W45, W46) - PREMIUM SIDEWALLS
5	155789-01-W39	EA	PANEL END - F/SLIDEOUT (W47, W48)
			FROM: 00-00-00 THRU: 03-25-07
5	164200-01-W39	EA	PANEL END - F/SLIDEOUT (W47, W48)
			FROM: 03-26-07 THRU: 99-99-99
5	164200-03-W39	EA	PANEL END - F/SLIDEOUT (W47, W48) - PREMIUM SIDEWALLS
5	155789-01-W39	EA	PANEL END - F/SLIDEOUT (W49, W50)
			FROM: 00-00-00 THRU: 03-25-07
5	164200-01-W39	EA	PANEL END - F/SLIDEOUT (W49, W50)
			FROM: 03-26-07 THRU: 07-15-07
5	164200-01-W45	EA	PANEL END - F/SLIDEOUT (W49, W50)
			FROM: 07-16-07 THRU: 99-99-99
5	164200-03-W49	EA	PANEL END - F/SLIDEOUT (W49, W50) - PREMIUM SIDEWALLS

**EXTERIOR SLIDEOUT GROUP (CONTINUED)**  
**FRONT LEFT (CONTINUED)**

KEY	PART NUMBER	U/M	DESCRIPTION
6	155790-01-W45	EA	PANEL END - F/SLIDEOUT (W45, W46) FROM: 00-00-00 THRU: 03-25-07
6	164200-02-W45	EA	PANEL END - F/SLIDEOUT (W45, W46) FROM: 03-26-07 THRU: 07-15-07
6	164200-02-W39	EA	PANEL END - F/SLIDEOUT (W45, W46) FROM: 07-16-07 THRU: 99-99-99
6	164200-04-W39	EA	PANEL END - F/SLIDEOUT (W45, W46) - <b>PREMIUM SIDEWALLS</b>
6	155790-01-W39	EA	PANEL END - F/SLIDEOUT (W47, W48) FROM: 00-00-00 THRU: 03-25-07
6	164200-02-W39	EA	PANEL END - F/SLIDEOUT (W47, W48) FROM: 03-26-07 THRU: 99-99-99
6	164200-04-W39	EA	PANEL END - F/SLIDEOUT (W47, W48) - <b>PREMIUM SIDEWALLS</b>
6	155790-01-W39	EA	PANEL END - F/SLIDEOUT (W49, W50) FROM: 00-00-00 THRU: 03-25-07
6	164200-02-W39	EA	PANEL END - F/SLIDEOUT (W49, W50) FROM: 03-26-07 THRU: 07-15-07
6	164200-02-W45	EA	PANEL END - F/SLIDEOUT (W49, W50) FROM: 07-16-07 THRU: 99-99-99
6	164200-04-W49	EA	PANEL END - F/SLIDEOUT (W49, W50) - <b>PREMIUM SIDEWALLS</b>
7	156417-01-01A	EA	TRIM/SEAL - W/MITERED ENDS - 78.4" - BRIGHT WHITE - <b>NOT ILLUSTRATED</b> FROM: 00-00-00 THRU: 03-25-07
7	162052-01-01A	EA	TRIM/SEAL - W/MITERED ENDS - 78.4" - BRIGHT WHITE FROM: 03-26-07 THRU: 99-99-99
7	156417-01-02A	EA	TRIM/SEAL - W/MITERED ENDS - 78.4" - BLACK - <b>FULL BODY PAINT - NOT ILLUSTRATED</b> FROM: 00-00-00 THRU: 03-25-07
7	162052-01-02A	EA	TRIM/SEAL - W/MITERED ENDS - 78.4" - BLACK - <b>FULL BODY PAINT</b> FROM: 03-26-07 THRU: 99-99-99
8	156417-11-01A	EA	TRIM/SEAL - W/MITERED ENDS - 70.2" - BRIGHT WHITE - <b>NOT ILLUSTRATED</b> FROM: 00-00-00 THRU: 03-25-07
8	162052-11-01A	EA	TRIM/SEAL - W/MITERED ENDS - 70.2" - BRIGHT WHITE FROM: 03-26-07 THRU: 99-99-99
8	156417-11-02A	EA	TRIM/SEAL - W/MITERED ENDS - 70.2" - BLACK - <b>FULL BODY PAINT - NOT ILLUSTRATED</b> FROM: 00-00-00 THRU: 03-25-07
8	162052-11-02A	EA	TRIM/SEAL - W/MITERED ENDS - 70.2" - BLACK - <b>FULL BODY PAINT</b> FROM: 03-26-07 THRU: 99-99-99
9	142233-20-01A	EA	TRIM/SEAL - W/MITERED ENDS - 78.4" - BRIGHT WHITE - <b>NOT ILLUSTRATED</b> FROM: 00-00-00 THRU: 03-25-07
9	162054-02-01A	EA	TRIM/SEAL - W/MITERED ENDS - 78.4" - BRIGHT WHITE FROM: 03-26-07 THRU: 99-99-99
9	142233-20-02A	EA	TRIM/SEAL - W/MITERED ENDS - 78.4" - BLACK - <b>FULL BODY PAINT - NOT ILLUSTRATED</b> FROM: 00-00-00 THRU: 03-25-07
9	162054-02-02A	EA	TRIM/SEAL - W/MITERED ENDS - 78.4" - BLACK - <b>FULL BODY PAINT</b> FROM: 03-26-07 THRU: 99-99-99
10	158297-01-000	FT	SEAL - D-SECTION/BULB/TEE - ADHESIVE BACK - BLACK
11	156151-01-02A	EA	PROTECTOR - CORNER - SLIDEOUT - BRIGHT WHITE
11	156151-01-01A	EA	PROTECTOR - CORNER - SLIDEOUT - BLACK - <b>FULL BODY PAINT</b>
12			SLIDEOUT AWNING
13	156416-01-12B	EA	BRACKET - CORNER TRIM/SLIDEOUT - 3.1"X 3.1" - BRIGHT WHITE - <b>NOT ILLUSTRATED</b> FROM: 00-00-00 THRU: 11-05-06
13	156416-01-02B	EA	BRACKET - CORNER TRIM/SLIDEOUT - 3.1"X 3.1" - E-COATED - <b>NOT ILLUSTRATED</b> FROM: 11-06-06 THRU: 12-31-06
13	160421-01-01A	EA	CORNER TRIM/SLIDEOUT - 3.1" X 3.1" - BLACK FROM: 01-01-07 THRU: 99-99-99
14	148411-01-S34	EA	ROOF - F/SLIDEOUT
15	142718-21-01A	EA	RETAINER - SIDEWALL/SLIDEOUT - 69.5"
16	142718-23-01A	EA	RETAINER - SIDEWALL/SLIDEOUT - 79.9"
17	151761-18-02A	EA	TRIM - SIDEWALL/SLIDEOUT/TOP - 81.4" - ALMOND
18	151760-28-02A	EA	TRIM - SIDEWALL/SLIDEOUT - 69.9" - ALMOND
19	162495-01-01A	EA	ROD - LOCK/SLIDEOUT ROOM - BLACK W/WHITE PLASTIC ENDS
20	157809-01-01A	EA	SEAL - FOAM BLOCK/RIGHT SIDE - ADHESIVE BACK
21	157809-02-01A	EA	SEAL - FOAM BLOCK/LEFT SIDE - ADHESIVE BACK
22	134756-02-L76	EA	RAMP - FABRIC COVERED - SLIDEOUT - 51.2" - <b>VINYL - THRU OUT</b>

**EXTERIOR SLIDEOUT GROUP (CONTINUED)**  
**FRONT LEFT (CONTINUED)**



KEY	PART NUMBER	U/M	DESCRIPTION
23	136824-02-01A	EA	TRIM - SIDEWALL/SLIDEOUT - 81.2" - BRIGHT WHITE
23	136824-02-02A	EA	TRIM - SIDEWALL/SLIDEOUT - 81.2" - BLACK - <b>FULL BODY PAINT</b>
24	158375-03-01A	EA	TRIM - FEATURE STRIP - 20.6" - BRIGHT WHITE
24	158375-03-02A	EA	TRIM - FEATURE STRIP - 20.6" - BLACK - <b>FULL BODY PAINT</b>
25	158030-01-01A	EA	TRIM - FEATURE STRIP/LOWER - 2.3" X 20" - BRIGHT WHITE - <b>NOT ILLUSTRATED</b>
			FROM: 00-00-00 THRU: 03-25-07
25	163020-06-01A	EA	TRIM - FEATURE STRIP/LOWER - 2.3" X 19.8" - BRIGHT WHITE
			FROM: 03-26-07 THRU: 99-99-99
25	158030-01-02A	EA	TRIM - FEATURE STRIP/LOWER - 2.3" X 20" - BLACK - <b>FULL BODY PAINT - NOT ILLUSTRATED</b>
			FROM: 00-00-00 THRU: 03-25-07
25	163020-06-02A	EA	TRIM - FEATURE STRIP/LOWER - 2.3" X 19.8" - BLACK - <b>FULL BODY PAINT</b>
			FROM: 03-26-07 THRU: 99-99-99
26	115325-07-01A	EA	RAIL - FLOOR/SLIDEOUT ROOM - 44.4" LONG - BLACK
27	105312-01-07A	FT	INSERT - FEATURE STRIP - VINYL - BRIGHT WHITE
27	105312-01-13A	FT	INSERT - FEATURE STRIP - VINYL - BLACK - <b>FULL BODY PAINT</b>
28	136824-43-01A	EA	TRIM - SIDEWALL/SLIDEOUT - 70" - BRIGHT WHITE
28	136824-43-02A	EA	TRIM - SIDEWALL/SLIDEOUT - 70" - BLACK - <b>FULL BODY PAINT</b>
29	115661-01-000	FT	SHOE/GLIDE - SLIDEOUT ROOM - 1/16" X 3" - POLYETHYLENE
30	136978-01-01A	FT	SEAL - SLIDEOUT - SINGLE WIPE LIP - BLACK
31	146056-01-000	FT	SEAL - TRIANGLE - W/PSA
32	146606-12-01A	EA	TRIM/RETAINER - 75.7" - BRIGHT WHITE
32	146606-12-02A	EA	TRIM/RETAINER - 75.7" - BLACK - <b>FULL BODY PAINT</b>
33	142549-01-000	EA	CLIP - "S" TYPE
34	146606-47-01A	EA	TRIM/RETAINER - 66" - BRIGHT WHITE
34	146606-47-02A	EA	TRIM/RETAINER - 66" - BLACK - <b>FULL BODY PAINT</b>
35	138077-07-01A	EA	COVER/RAM - 11" X 8.8" - W/O TUBE - BRIGHT WHITE
35	138077-07-10A	EA	COVER/RAM - 11" X 8.8" - W/O TUBE - BLACK - <b>FULL BODY PAINT</b>
36	099418-01-000	FT	SEAL - D-SECTION/ADHESIVE BACK - .44" X .44" - BLK RUBBER - <b>FULL BODY PAINT</b>
36	134837-01-01A	EA	RAMP - SLIDEOUT - BLACK PVC

FROM: 11-26-07 THRU: 99-99-99



**EXTERIOR SLIDEOUT GROUP (CONTINUED)**  
**COMPONENT PARTS FOR FRONT LEFT**

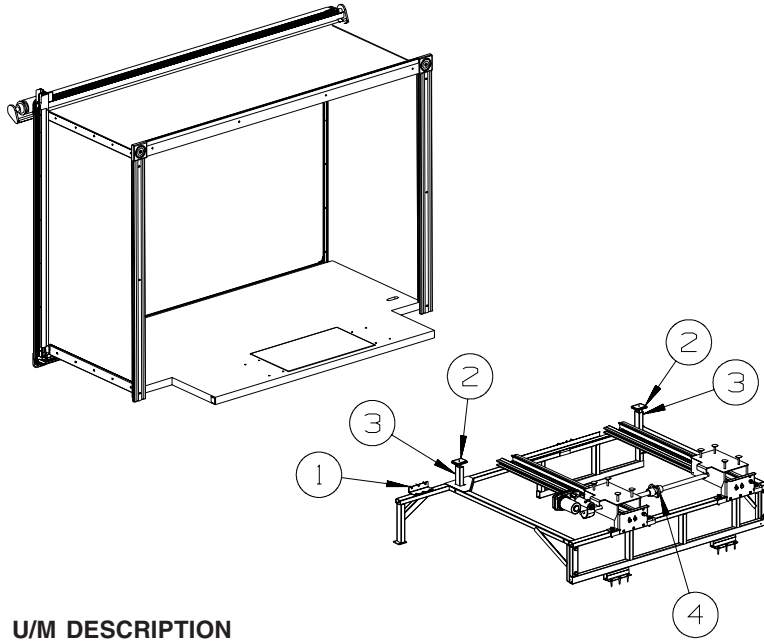
148685-01-000

<b>KEY</b>	<b>PART NUMBER</b>	<b>U/M</b>	<b>DESCRIPTION</b>	<b>VENDOR NO.</b>
	125774-01-716	EA	GROOVE PIN - 1/4" X 7/8"	623-0814
	148685-01-700	EA	MOTOR - 12 VOLT	28408
	148685-01-701	EA	BUSHING - 3/16" ID	80501
	148685-01-702	EA	HOLDING BRAKE	28662
	148685-01-703	EA	BEARING - F/TRANSFER GEAR	14691
	148685-01-704	EA	GEAR & SHAFT ASM.	26191
	148685-01-705	EA	TRANSFER GEAR	28564
	148685-01-706	EA	IDLER SHAFT ASM.	26209
	148685-01-707	EA	THRUST WASHER	14459
	148685-01-708	EA	GASKET - CASE	28995
	148685-01-709	EA	BEARING - FLANGE TYPE	645-0035
	148685-01-710	EA	BEARING - FLANGE TYPE	10055
	148685-01-711	EA	ADAPTER - MOTOR TO GEAR	28669
	148685-01-712	EA	BEARING - FLANGE TYPE	14458
	148685-01-713	EA	GASKET - MOTOR TO COVER	25596
	148685-01-714	EA	POWERHEAD ASM. W/MOTOR	29002

162495-01-01A, 162495-02-01A

<b>KEY</b>	<b>PART NUMBER</b>	<b>U/M</b>	<b>DESCRIPTION</b>	<b>VENDOR NO.</b>
	162495-01-700	EA	BUTTON-DBL. PLAS. SNAP	DP130

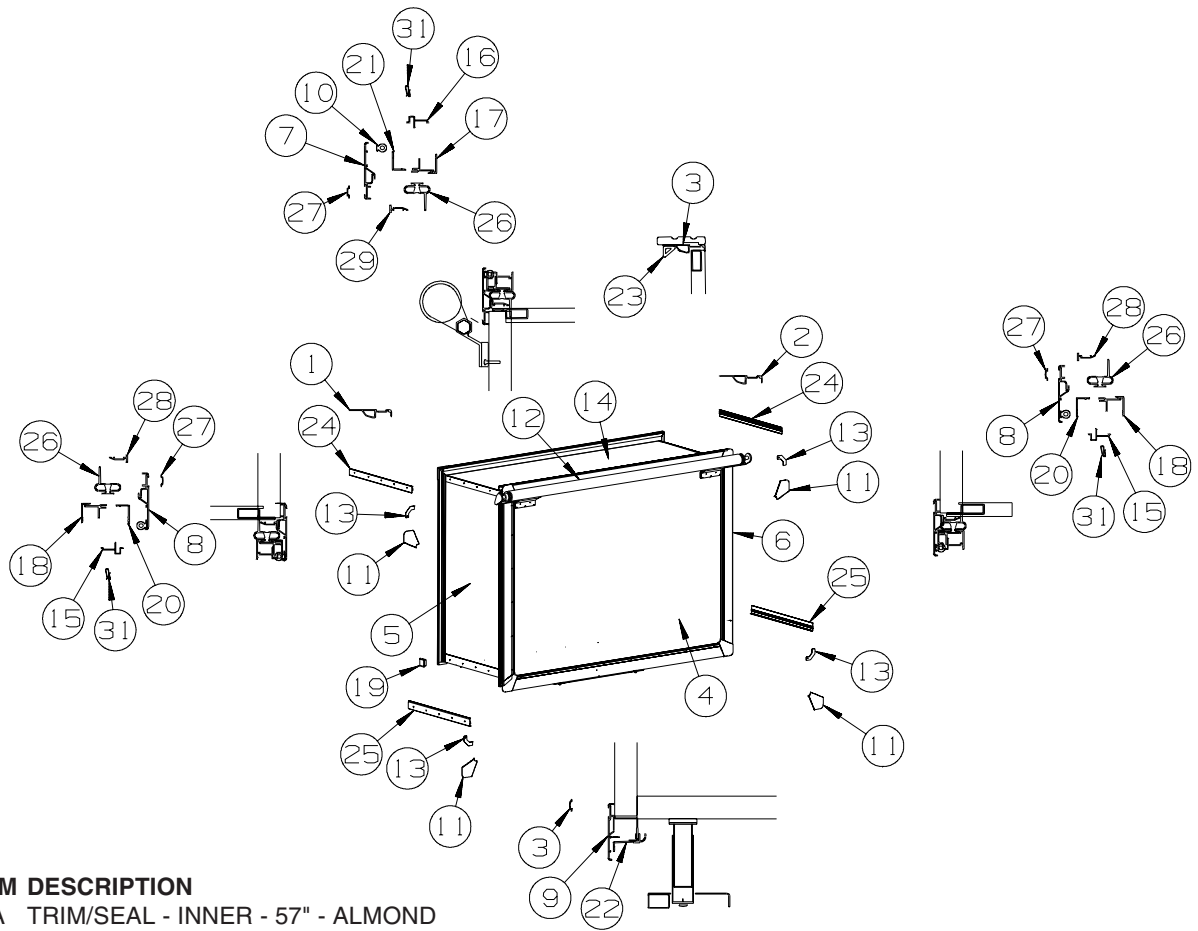
**EXTERIOR SLIDEOUT GROUP (CONTINUED)**  
**RIGHT REAR**



KEY	PART NUMBER	U/M	DESCRIPTION
1	113904-16-02B	EA	ANGLE - ATTACHMENT/WHEEL LIP - 5.1" - E-COAT
2	128599-03-000	EA	PAD - F/SLIDEOUT - 2" X 2.6"
3	126313-14-02B	EA	SUPPORT - SLIDE - F/SLIDE-OUT ROOM - E-COATED
4*	150661-02-000	EA	SLIDEOUT - ELECTRIC/SLIM

**\*COMPONENT PARTS LISTED LATER IN THIS GROUP**

**EXTERIOR SLIDEOUT GROUP (CONTINUED)**  
**RIGHT REAR (CONTINUED)**

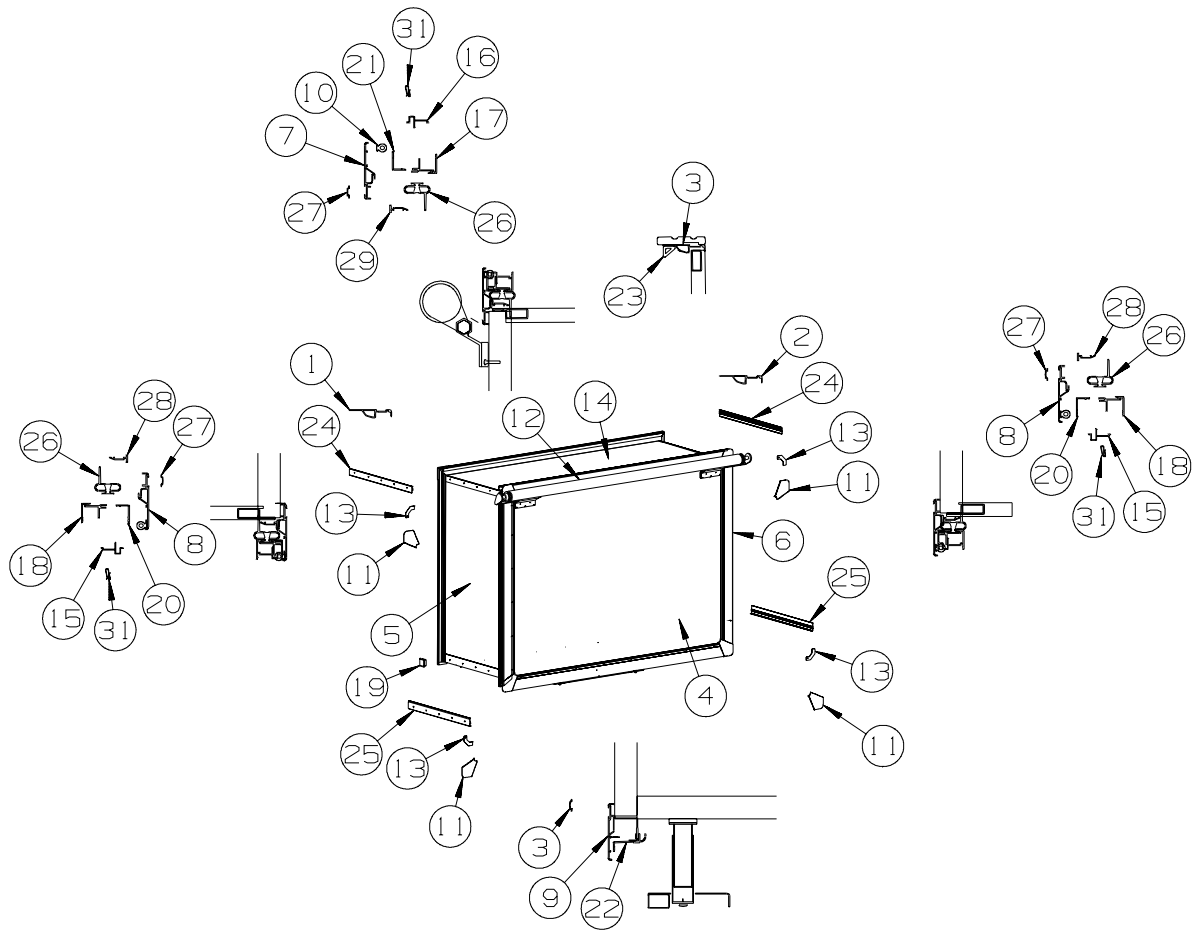


KEY	PART NUMBER	U/M	DESCRIPTION
1	139624-55-02A	EA	TRIM/SEAL - INNER - 57" - ALMOND
2	139624-54-02A	EA	TRIM/SEAL - INNER - 57" - ALMOND
3	139624-04-02A	EA	TRIM/SEAL - INNER/TOP - 80.2" - ALMOND
4	161357-11-W45	EA	SLUG - F/SLIDEOUT (W45, W46)
			FROM: 00-00-00 THRU: 07-15-07
4	161357-11-W39	EA	SLUG - F/SLIDEOUT (W45, W46)
			FROM: 07-16-07 THRU: 99-99-99
4	161357-12-W39	EA	SLUG - F/SLIDEOUT (W45, W46) - PREMIUM SIDEWALLS
4	161357-11-W39	EA	SLUG - F/SLIDEOUT (W47, W48)
4	161357-12-W39	EA	SLUG - F/SLIDEOUT (W47, W48) - PREMIUM SIDEWALLS
4	161357-11-W39	EA	SLUG - F/SLIDEOUT (W49, W50)
			FROM: 00-00-00 THRU: 07-15-07
4	161357-11-W45	EA	SLUG - F/SLIDEOUT (W49, W50)
			FROM: 07-16-07 THRU: 99-99-99
4	161357-12-W49	EA	SLUG - F/SLIDEOUT (W49, W50) - PREMIUM SIDEWALLS
5	155998-01-W45	EA	PANEL END - F/SLIDEOUT (W45, W46)
			FROM: 00-00-00 THRU: 04-15-07
5	164201-01-W45	EA	PANEL END - F/SLIDEOUT (W45, W46)
			FROM: 04-16-07 THRU: 07-15-07
5	164201-01-W39	EA	PANEL END - F/SLIDEOUT (W45, W46)
			FROM: 07-16-07 THRU: 99-99-99
5	164201-03-W39	EA	PANEL END - F/SLIDEOUT (W45, W46) - PREMIUM SIDEWALLS
5	155998-01-W39	EA	PANEL END - F/SLIDEOUT (W47, W48)
			FROM: 00-00-00 THRU: 04-15-07
5	164201-01-W39	EA	PANEL END - F/SLIDEOUT (W47, W48)
			FROM: 04-16-07 THRU: 99-99-99
5	164201-03-W39	EA	PANEL END - F/SLIDEOUT (W47, W48) - PREMIUM SIDEWALLS
5	155998-01-W39	EA	PANEL END - F/SLIDEOUT (W49, W50)
			FROM: 00-00-00 THRU: 04-15-07
5	164201-01-W39	EA	PANEL END - F/SLIDEOUT (W49, W50)
			FROM: 04-16-07 THRU: 07-15-07
5	164201-01-W45	EA	PANEL END - F/SLIDEOUT (W49, W50)
			FROM: 07-16-07 THRU: 99-99-99
5	164201-03-W49	EA	PANEL END - F/SLIDEOUT (W49, W50) - PREMIUM SIDEWALLS

**EXTERIOR SLIDEOUT GROUP (CONTINUED)**  
**RIGHT REAR (CONTINUED)**

KEY	PART NUMBER	U/M	DESCRIPTION
6	155997-01-W45	EA	PANEL END - F/SLIDEOUT (W45, W46) FROM: 00-00-00 THRU: 04-15-07
6	164201-02-W45	EA	PANEL END - F/SLIDEOUT (W45, W46) FROM: 04-16-07 THRU: 07-15-07
6	164201-02-W39	EA	PANEL END - F/SLIDEOUT (W45, W46) FROM: 07-16-07 THRU: 99-99-99
6	164201-04-W39	EA	PANEL END - F/SLIDEOUTT (W45, W46) - PREMIUM SIDEWALLS
6	155997-01-W39	EA	PANEL END - F/SLIDEOUT (W47, W48) FROM: 00-00-00 THRU: 04-15-07
6	164201-02-W39	EA	PANEL END - F/SLIDEOUT (W47, W48) FROM: 04-16-07 THRU: 99-99-99
6	164201-04-W39	EA	PANEL END - F/SLIDEOUT (W47, W48) - PREMIUM SIDEWALLS
6	155997-01-W39	EA	PANEL END - F/SLIDEOUT (W49, W50) FROM: 00-00-00 THRU: 04-15-07
6	164201-02-W39	EA	PANEL END - F/SLIDEOUT (W49, W50) FROM: 04-16-07 THRU: 07-15-07
6	164201-02-W45	EA	PANEL END - F/SLIDEOUT (W49, W50) FROM: 07-16-07 THRU: 99-99-99
6	164201-04-W49	EA	PANEL END - F/SLIDEOUTT (W49, W50) - PREMIUM SIDEWALLS
7	156417-01-01A	EA	TRIM/SEAL - W/MITERED ENDS - 78.4" - BRIGHT WHITE - NOT ILLUSTRATED FROM: 00-00-00 THRU: 04-15-07
7	162052-01-01A	EA	TRIM/SEAL - W/MITERED ENDS - 78.4" - BRIGHT WHITE FROM: 04-16-07 THRU: 99-99-99
7	156417-01-02A	EA	TRIM/SEAL - W/MITERED ENDS - 78.4" - BLACK - NOT ILLUSTRATED FROM: 00-00-00 THRU: 04-15-07
7	162052-01-02A	EA	TRIM/SEAL - W/MITERED ENDS - 78.4" - BLACK FROM: 04-16-07 THRU: 99-99-99
8	156417-39-01A	EA	TRIM/SEAL - W/MITERED ENDS - 56.6" - BRIGHT WHITE - NOT ILLUSTRATED FROM: 00-00-00 THRU: 04-15-07
8	162052-39-01A	EA	TRIM/SEAL - W/MITERED ENDS - 56.6" - BRIGHT WHITE FROM: 04-16-07 THRU: 99-99-99
8	156417-39-02A	EA	TRIM/SEAL - W/MITERED ENDS - 56.6" - BLACK - NOT ILLUSTRATED FROM: 00-00-00 THRU: 04-15-07
8	162052-39-02A	EA	TRIM/SEAL - W/MITERED ENDS - 56.6" - BLACK FROM: 04-16-07 THRU: 99-99-99
9	142233-20-01A	EA	TRIM/SEAL - W/MITERED ENDS - 78.4" - BRIGHT WHITE - NOT ILLUSTRATED FROM: 00-00-00 THRU: 04-15-07
9	162054-02-01A	EA	TRIM/SEAL - W/MITERED ENDS - 78.4" - BRIGHT WHITE FROM: 04-16-07 THRU: 99-99-99
9	142233-20-02A	EA	TRIM/SEAL - W/MITERED ENDS - 78.4" - BLACK - NOT ILLUSTRATED FROM: 00-00-00 THRU: 04-15-07
9	162054-02-02A	EA	TRIM/SEAL - W/MITERED ENDS - 78.4" - BLACK FROM: 04-16-07 THRU: 99-99-99
10	158297-01-000	FT	SEAL - D-SECTION/BULB/TEE - ADHESIVE BACK - BLACK
11	156151-01-02A	EA	PROTECTOR - CORNER - SLIDEOUT - BRIGHT WHITE
11	156151-01-01A	EA	PROTECTOR - CORNER - SLIDEOUT - BLACK
12			SLIDEOUT AWNING
13	156416-01-12B	EA	BRACKET - CORNER TRIM/SLIDEOUT - 3.1"X 3.1" - BRIGHT WHITE - NOT ILLUSTRATED FROM: 00-00-00 THRU: 11-05-06
13	156416-01-02B	EA	BRACKET - CORNER TRIM/SLIDEOUT - 3.1"X 3.1" - E-COATED - NOT ILLUSTRATED FROM: 11-06-06 THRU: 12-31-06
13	160421-01-01A	EA	CORNER TRIM/SLIDEOUT - 3.1" X 3.1" - BLACK FROM: 01-01-07 THRU: 99-99-99
14	149731-03-W37	EA	ROOF - F/SLIDEOUT
15	142718-42-01A	EA	RETAINER - SIDEWALL/SLIDEOUT - 55.8"
16	142718-23-01A	EA	RETAINER - SIDEWALL/SLIDEOUT - 79.9"
17	151761-18-02A	EA	TRIM - SIDEWALL/SLIDEOUT/TOP - 81.4" - ALMOND
18	151760-25-02A	EA	TRIM - SIDEWALL/SLIDEOUT - 56.6" - ALMOND
19	119845-01-01A	EA	PLUG/PLASTIC - 1 1/2" SQUARE - BLACK
20	136824-54-01A	EA	TRIM - SIDEWALL/SLIDEOUT - 57.2" - BRIGHT WHITE
20	136824-54-02A	EA	TRIM - SIDEWALL/SLIDEOUT - 57.2" - BLACK

**EXTERIOR SLIDEOUT GROUP (CONTINUED)**  
**RIGHT REAR (CONTINUED)**



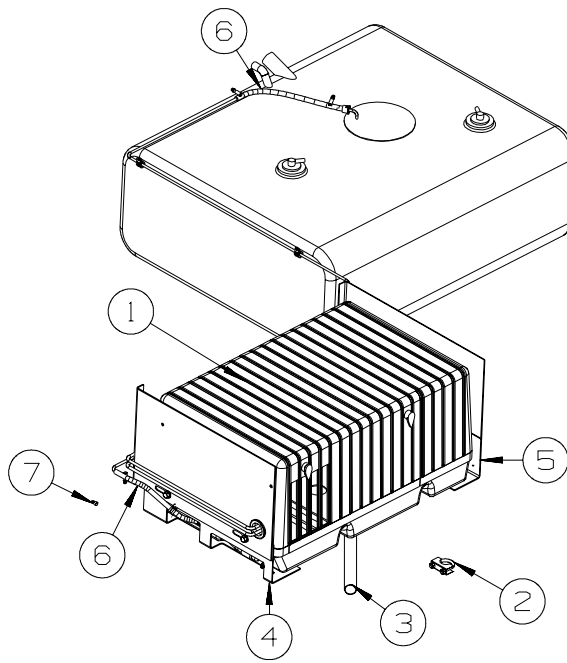
KEY	PART NUMBER	U/M	DESCRIPTION
21	136824-02-01A	EA	TRIM - SIDEWALL/SLIDEOUT - 81.2" - BRIGHT WHITE
21	136824-02-02A	EA	TRIM - SIDEWALL/SLIDEOUT - 81.2" - BLACK
22	157584-14-AA2	EA	TRIM/ZEE - W/SEAL/END CAPS - SLIDEOUT/LOWER-80.4"- BRT WHT
22	157584-14-AA1	EA	TRIM/ZEE - W/SEAL/END CAPS - SLIDEOUT/LOWER-80.4"- BLACK
	153109-11-02A	EA	ANGLE/RETAINER - SEAL - .5" X .5" X 53.1" - BLACK
			FROM: 00-00-00 THRU: 09-09-07
	153109-16-02A	EA	ANGLE/RETAINER - SEAL - .5" X .5" X 9.8" - BLACK
			FROM: 00-00-00 THRU: 09-09-07
	165260-01-000	FT	SEAL - BULB - W/WIRED U CHANNEL - .55" THICK X 1.3"
			FROM: 09-10-07 THRU: 99-99-99
23	135619-02-01A	EA	PLATE - TIEDOWN - SLIDEOUT ROOM
24	158375-01-01A	EA	TRIM - FEATURE STRIP - 29.6" - BRIGHT WHITE
24	158375-01-02A	EA	TRIM - FEATURE STRIP - 29.6" - BLACK
25	158030-02-01A	EA	TRIM - FEATURE STRIP/LOWER - 2.3" X 29.1" - BRIGHT WHITE - <b>NOT ILLUSTRATED</b>
			FROM: 00-00-00 THRU: 04-15-07
25	163020-07-01A	EA	TRIM - FEATURE STRIP/LOWER - 2.3" X 28.9" - BRIGHT WHITE
			FROM: 04-16-07 THRU: 99-99-99
25	158030-02-02A	EA	TRIM - FEATURE STRIP/LOWER - 2.3" X 29.1" - BLACK - <b>NOT ILLUSTRATED</b>
			FROM: 00-00-00 THRU: 04-15-07
25	163020-07-02A	EA	TRIM - FEATURE STRIP/LOWER - 2.3" X 28.9" - BLACK
			FROM: 04-16-07 THRU: 99-99-99
26	135619-01-01A	EA	STRAP - TIEDOWN - SLIDEOUT ROOM
27	105312-01-07A	FT	INSERT - FEATURE STRIP - VINYL - BRIGHT WHITE
27	105312-01-13A	FT	INSERT - FEATURE STRIP - VINYL - BLACK
28	135622-01-02B	EA	PLATE - TIEDOWN - SLIDEOUT ROOM
29	146606-12-01A	EA	TRIM/RETAINER - 75.7" - BRIGHT WHITE
29	146606-12-02A	EA	TRIM/RETAINER - 75.7" - BLACK
30	136978-01-01A	FT	SEAL - SLIDEOUT - BLACK
31	146056-01-000	FT	SEAL - TRIANGLE - W/PSA
32	146606-67-01A	EA	TRIM/RETAINER - 52.4" - BRIGHT WHITE
33	142549-01-000	EA	CLIP - "S" TYPE

**EXTERIOR SLIDEOUT GROUP (CONTINUED)**  
**COMPONENT PARTS FOR RIGHT REAR**

150661-02-000

KEY	PART NUMBER	U/M	DESCRIPTION	VENDOR NO.
	148685-01-714	EA	POWERHEAD ASM. W/MOTOR	29002
	150661-01-704	EA	GEAR & SHAFT ASM.	26191
	150661-01-707	EA	THRUST WASHER	4459
	150661-01-713	EA	ADAPTER - ADJUSTABLE SHAFT	28395
	150661-02-700	EA	COTTER PIN - .09" X .75"	625-0005
	150661-02-701	EA	BEARING	11536
	150661-02-702	EA	FLANGE BEARING	645-0007
	150661-02-703	EA	SHAFT - SLAVE SPROCKET	28400
	150661-02-704	EA	BEARING PAD	28968
	150661-02-706	EA	DRIVE SHAFT ASM.	28398
	150661-02-707	EA	COTTER PIN	625-0007
	150661-02-708	EA	CLEVIS PIN - .50" X 3"	643-0029
	150661-02-709	EA	SPROCKET	28404
	150661-02-710	EA	BEARING RACE - OUTER	26393
	150661-02-711	EA	ACTUATOR WASHER	617-0022
	150661-02-712	EA	ROLLER BEARING	26391
	150661-02-713	EA	BEARING PAD	28966
	150661-02-714	EA	DRIVE SHAFT - LONG	31112
	150661-02-715	EA	DRIVE SHAFT - SHORT	30812

## GENERATOR GROUP GAS



KEY	PART NUMBER	U/M	DESCRIPTION
1	109982-03-000	EA	GENERATOR - 4.0 MICROLITE - ONAN
2	007125-04-000	EA	CLAMP - MUFFLER - 1.12"DIAMETER
3	105958-08-000	EA	PIPE - EXHAUST/GENERATOR - 726A
3	105958-29-000	EA	PIPE - EXHAUST/GENERATOR - 729H
4	114070-02-02B	EA	SUPPORT - GENERATOR - LEFT
5	114071-02-02B	EA	SUPPORT - GENERATOR - RIGHT
6	128139-03-000	EA	HOSE - FUEL - LOW PERMEABILITY - 1/4" DIAMETER
7	084884-01-000	EA	PLUG - BRASS - 3/8" - GENERATOR WITHOUT

## HEATING & A/C GROUP

### FURNACE

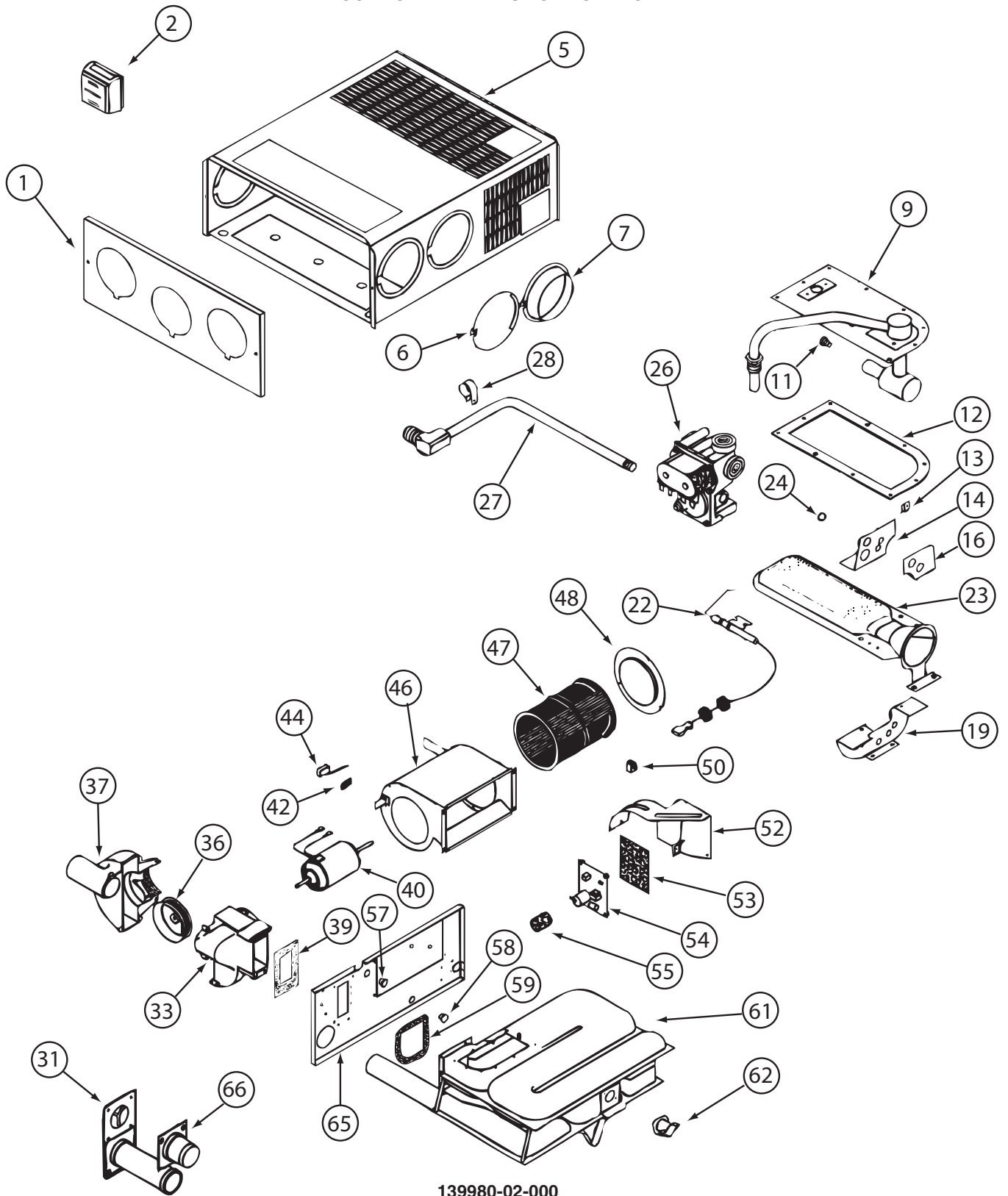
KEY	PART NUMBER	U/M	DESCRIPTION
*	139980-02-000	EA	FURNACE - 30000 BTU - SF QUIET - SUBURBAN SF-30 2321J
	098668-23-000	EA	DOOR - ACCESS/FURNACE - BRIGHT WHITE
			FROM: 00-00-00 THRU: 05-13-07
	139980-10-02A	EA	DOOR - ACCESS/FURNACE - BRIGHT WHITE
			FROM: 05-14-07 THRU: 99-99-99
	139980-10-03A	EA	DOOR - ACCESS/FURNACE - BLACK
			FROM: 05-14-07 THRU: 99-99-99
	069636-02-000	EA	CONNECTOR - DUCT - 4" ID
	056464-11-000	EA	REGISTER W/DAMPER - 4" DIAMETER - PLASTIC - OFF WHITE - 726A
	056464-10-000	EA	REGISTER W/O DAMPER - 4" DIAMETER - PLASTIC - BEIGE
	009200-01-000	EA	TAPE - FURNACE - 1 1/2"
	009198-01-000	FT	DUCT - HEAT - FLEXIBLE - 4" ID X 25'
	009198-02-000	FT	DUCT - HEAT - FLEXIBLE - 2" ID X 25'
	089367-02-000	EA	TEE - 4" X 2" X 4"
	093614-11-01A	EA	GRILLE - AIR RETURN - 13.9" X 7.9" - BEIGE
	136516-01-01A	EA	WYE - 2" - DUCT - 729H
	157225-01-05A	EA	OUTLET - DEFROSTER - W/SWIVEL - 2" SLEEVE/4"OD -RIVERSTONE - 729H

**\*COMPONENT PARTS LISTED LATER IN THIS GROUP**



# HEATING & A/C GROUP (CONTINUED)

## COMPONENT PARTS FOR FURNACE



139980-02-000

**HEATING & A/C GROUP (CONTINUED)**  
**COMPONENT PARTS FOR FURNACE (CONTINUED)**

**139980-02-000 (CONTINUED)**

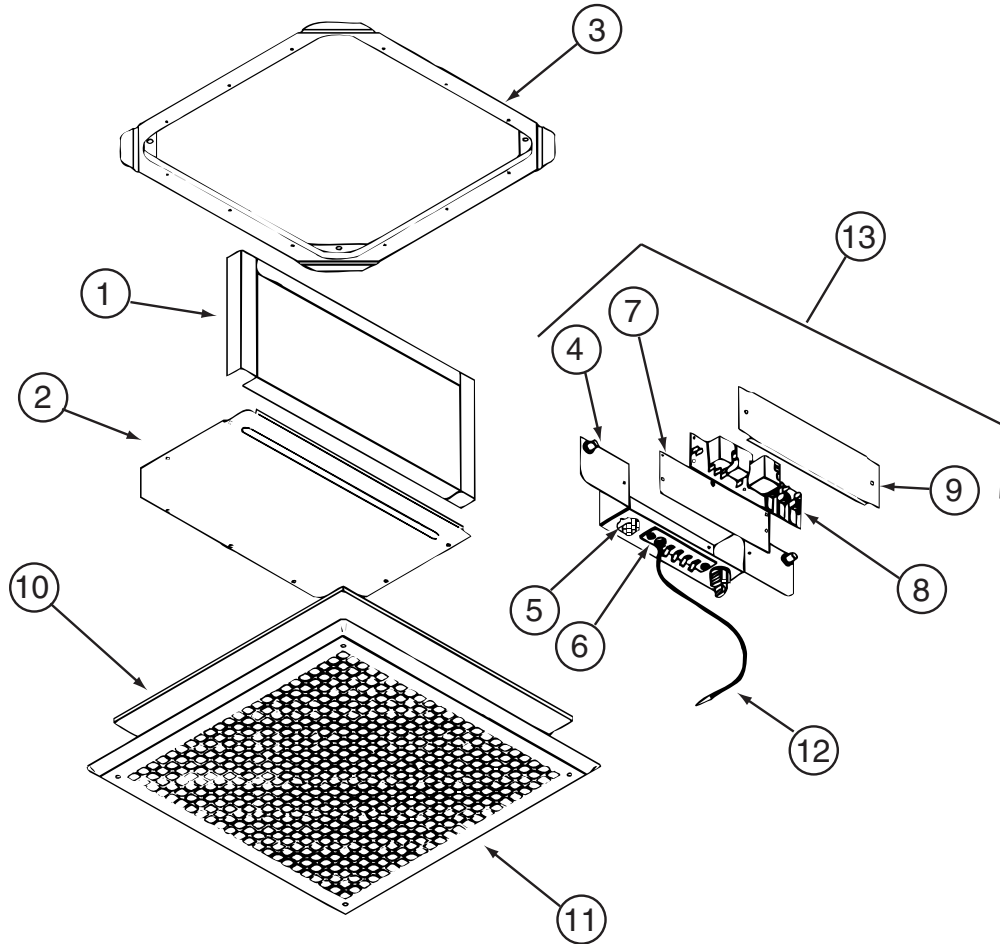
<b>KEY</b>	<b>PART NUMBER</b>	<b>U/M</b>	<b>DESCRIPTION</b>	<b>VENDOR NO.</b>
9	139980-01-700	EA	MANIFOLD ASSEMBLY	171571
11	092300-02-701	EA	ORIFICE-MAIN BURNER (NT-30BW	180214
12	098668-22-703	EA	GASKET - BURNER ACCESS COVER	070811
22	139980-01-701	EA	ELECTRODE	232286
23	098668-02-700	EA	BURNER ASSEMBLY,SF-30 & SF35	010745
26	098668-01-718	EA	VALVE-GAS SF S.N.974903079	161122
27	139980-01-702	EA	PIPE ASSEMBLY/GAS INLET	171574
31	098668-01-707	EA	TUBE ASSEMBLY, EXHAUST W/CAP	260231
33	139980-01-703	EA	HOUSING/COMB. - FRONT/HALF	390852
36	098668-01-706	EA	WHEEL-COMBUSTION AIR	350184
37	139980-01-704	EA	HOUSING/COMB. - REAR/HALF	390848
39	139980-01-705	EA	GASKET/FIREWALL-COMB AIR	071084
40	139980-01-706	EA	MOTOR ASSEMBLY W/GASKET	232682
42	101990-01-714	EA	GASKET-MICROSWITCH	230877
44	098668-21-700	EA	SWITCH-MICRO-W/O FLAG 3 1/4"	232261
46	139980-01-708	EA	BLOWER ASSEMBLY - ROOM AIR	390739BK
47	098668-01-711	EA	WHEEL-BLOWER, ROOM AIR	350129
48	139980-01-709	EA	ORFICE RING	390696
50	139980-01-710	EA	SWITCH - ON/OFF	232351
52	139980-01-711	EA	PANEL ASSEMBLY-MODULE BD	101663
53	139980-01-712	EA	INSULATOR - MODULE BD	070807
54	098668-22-705	EA	MODULE BD W/RELAY TIME DELAY	520820
55	139980-01-713	EA	CAP/INSULATOR-MODULE BD	070973
57	139980-01-714	EA	BUSHING - UNIVERSAL	070362
58	139980-01-715	EA	BUSHING - STRAIN RELIEF	231809
59	098668-01-716	EA	GASKET-FIREWALL,CHAMBER SIDE	070808
61	139980-01-716	EA	CHAMBER ASSEMBLY - FINAL	021149BK
62	098668-21-701	EA	SWITCH - LIMIT	232504
66	098668-01-713	EA	TUBE ASSEMBLY, INTAKE	051248
	139980-02-700	EA	BLOWER ASM-1/2 HOUSING/OUTER	390851
	139980-02-701	EA	BLOWER ASM-1/2 HOUSING/INNER	390872
			CONTACT WINNEBAGO PART SALES FOR UNLISTED COMPONENT(S)	

## HEATING & A/C GROUP (CONTINUED)

### ROOF

KEY	PART NUMBER	U/M	DESCRIPTION
	131184-02-01A	EA	BOARD - DIVIDER - SILVER
*	131184-01-01A	EA	CEILING ASSEMBLY - A/C DUCTED - WHITE FROM: 00-00-00 THRU: 07-22-07
*	131184-06-01A	EA	CEILING ASSEMBLY - A/C DUCTED - WHITE FROM: 07-23-07 THRU: 99-99-99
*	131184-05-01A	EA	CEILING ASSEMBLY - HEAT PUMP - WHITE - <b>A/C HEAT PUMP - HI EFF, LOW PFL</b> FROM: 00-00-00 THRU: 07-22-07
*	131184-07-01A	EA	CEILING ASSEMBLY - HEAT PUMP - DUCTED - WHITE - <b>A/C HEAT PUMP - HI EFF, LOW PFL</b> FROM: 07-23-07 THRU: 99-99-99
*	148644-01-01A	EA	A/C-ROOF - LOW PROFILE - ART WHITE - RVP 9203C876
*	148644-02-01A	EA	A/C-ROOF-LOW PROFILE/HEAT PMP-ART WHT-RVP9003C876 - <b>A/C HEAT PUMP - HI EFF, LOW PFL</b>

**\*COMPONENT PARTS LISTED LATER IN THIS GROUP**



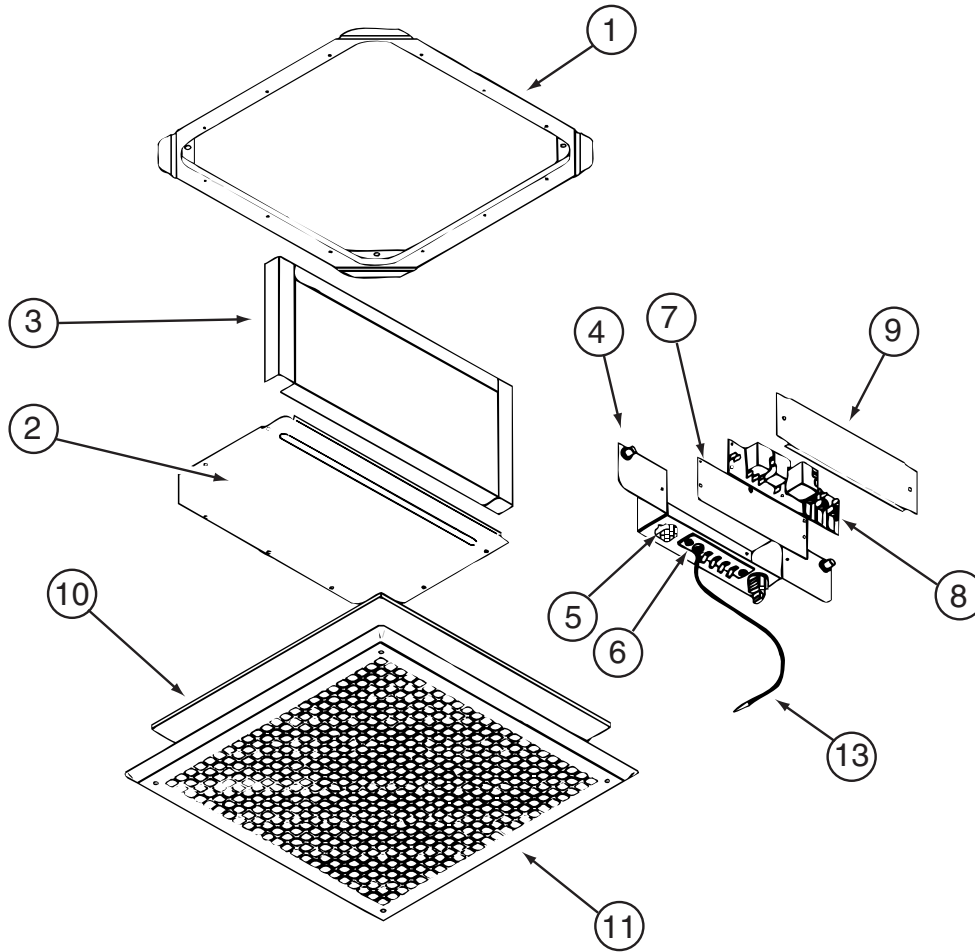
### COMPONENT PARTS FOR ROOF

#### 131184-01-01A

KEY	PART NUMBER	U/M	DESCRIPTION	VENDOR NO.
1	131184-01-707	EA	DUCT DIVIDER	8330-3501
5	131184-01-700	EA	PLUG ASSEMBLY	7330A389
6	131184-01-701	EA	TERMINAL BOARD	7330B3201
7	131184-01-702	EA	ISOLATOR - BLANK	7330C365
8	108892-01-702	EA	BOARD-P.C.	7330A3211
10	108892-01-703	EA	FILTER	6798A3761
11	108892-01-704	EA	GRILLE 16 3/8X16 3/8 RETURN	6798-3041
12	131184-01-704	EA	COIL SENSOR	7330-6111
13	131184-01-705	EA	JUNCTION BOX ASSEMBLY	7330B5551
	131184-01-703	EA	SMALL PARTS PKG	8330-5961

CONTACT WINNEBAGO PART SALES FOR UNLISTED COMPONENT(S)

**HEATING & A/C GROUP (CONTINUED)**  
**COMPONENT PARTS FOR ROOF (CONTINUED)**

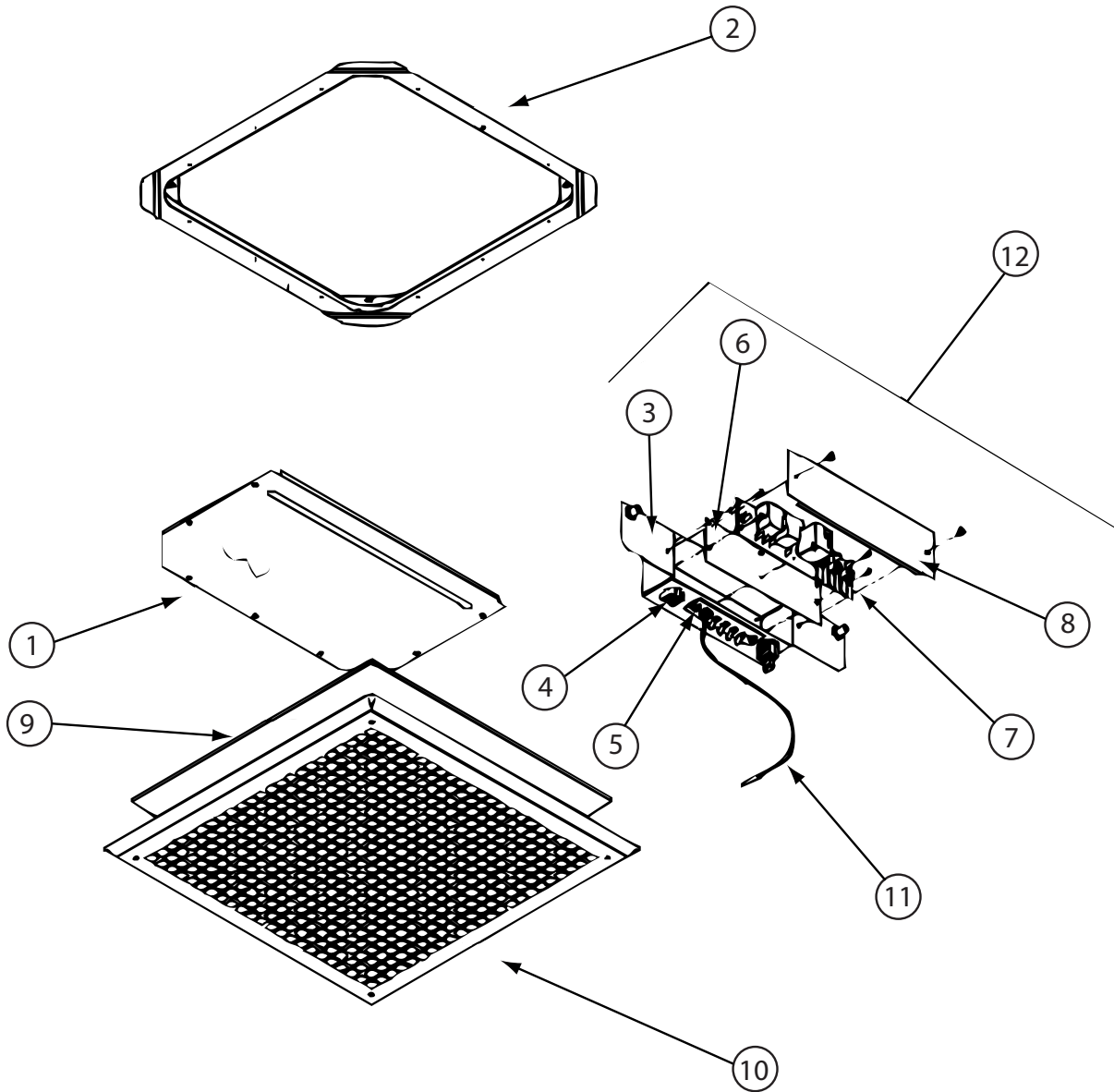


131184-05-01A

KEY	PART NUMBER	U/M	DESCRIPTION	VENDOR NO.
4	131184-05-700	EA	BOX - JUNCTION	8530-5091
5	131184-04-700	EA	PLUG ASSEMBLY	7530A340
6	131184-04-702	EA	BOARD - TERMINAL	7530B3201
7	131184-01-702	EA	ISOLATOR - BLANK	7330C365
8	131184-04-705	EA	BOARD - P.C.	7330B3311
10	108892-01-703	EA	FILTER	6798A3761
11	108892-01-704	EA	GRILLE 16 3/8X16 3/8 RETURN	6798-3041
13	105620-12-719	EA	COIL SENSOR	7330A3231
	131184-01-703	EA	SMALL PARTS PKG	8330-5961

CONTACT WINNEBAGO PART SALES FOR UNLISTED COMPONENT(S)

**HEATING & A/C GROUP (CONTINUED)**  
**COMPONENT PARTS FOR ROOF (CONTINUED)**

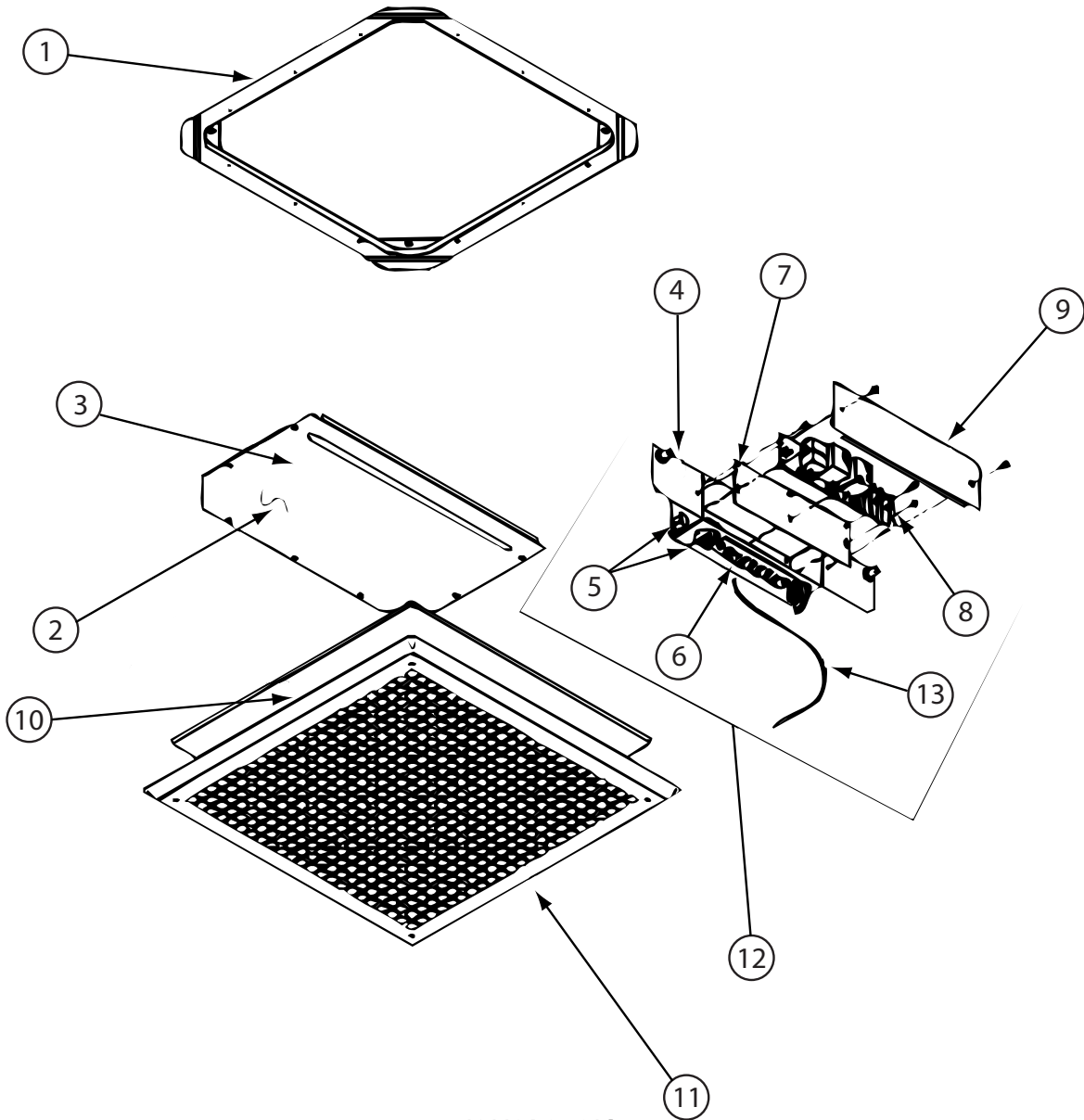


**131184-06-01A**

<b>KEY</b>	<b>PART NUMBER</b>	<b>U/M</b>	<b>DESCRIPTION</b>	<b>VENDOR NO.</b>
4	131184-01-700	EA	PLUG ASSEMBLY	7330A389
5	131184-01-701	EA	TERMINAL BOARD	7330B3201
6	131184-01-702	EA	ISOLATOR - BLANK	7330C365
7	131184-03-700	EA	BOARD - P.C.	7330D3211
9	108892-01-703	EA	FILTER	6798A3761
10	108892-01-704	EA	GRILLE 16 3/8X16 3/8 RETURN	6798-3041
11	105620-12-719	EA	COIL SENSOR	7330A3231
12	131184-01-705	EA	JUNCTION BOX ASSEMBLY	7330B5551
	131184-01-703	EA	SMALL PARTS PKG	8330-5961
	131184-01-706	EA	NUT/WING	1200-550

CONTACT WINNEBAGO PART SALES FOR UNLISTED COMPONENT(S)

**HEATING & A/C GROUP (CONTINUED)**  
**COMPONENT PARTS FOR ROOF (CONTINUED)**

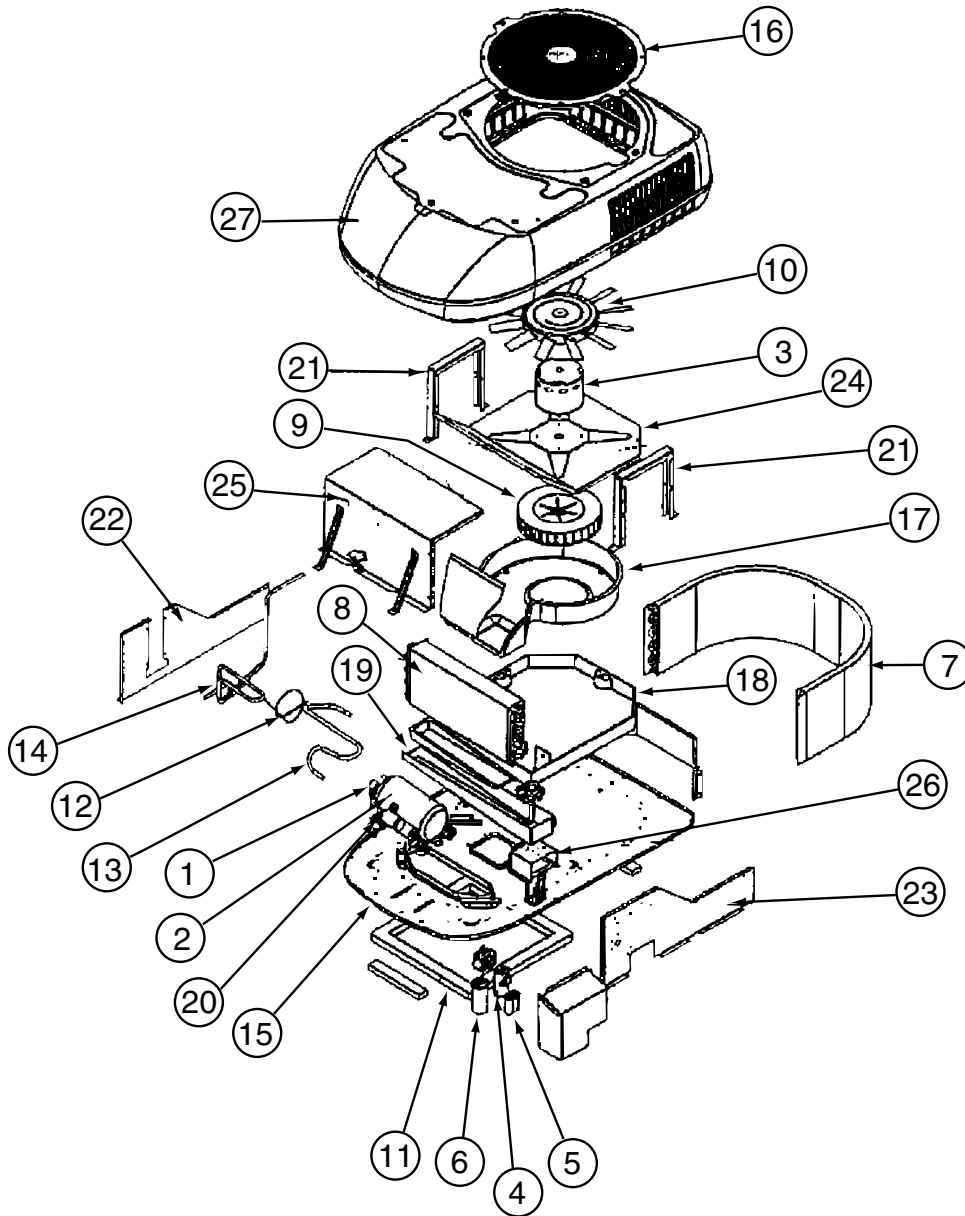


131184-07-01A

KEY	PART NUMBER	U/M	DESCRIPTION	VENDOR NO.
4	131184-04-703	EA	BOX - JUNCTION	7330-113
5	131184-04-700	EA	PLUG ASSEMBLY	7530A340
6	131184-04-702	EA	BOARD - TERMINAL	7530B3201
7	131184-01-702	EA	ISOLATOR - BLANK	7330C365
8	131184-04-705	EA	BOARD - P.C.	7330B3311
10	108892-01-703	EA	FILTER	6798A3761
11	108892-01-704	EA	GRILLE 16 3/8X16 3/8 RETURN	6798-3041
12	131184-04-706	EA	JUNCTION BOX ASM.(HEAT PUMP)	7530-508
13	105620-12-719	EA	COIL SENSOR	7330A3231
	131184-01-706	EA	NUT/WING	1200-550
	131184-07-700	EA	SMALL PARTS PKG	8330-5951

CONTACT WINNEBAGO PART SALES FOR UNLISTED COMPONENT(S)

**HEATING & A/C GROUP (CONTINUED)**  
**COMPONENT PARTS FOR ROOF (CONTINUED)**

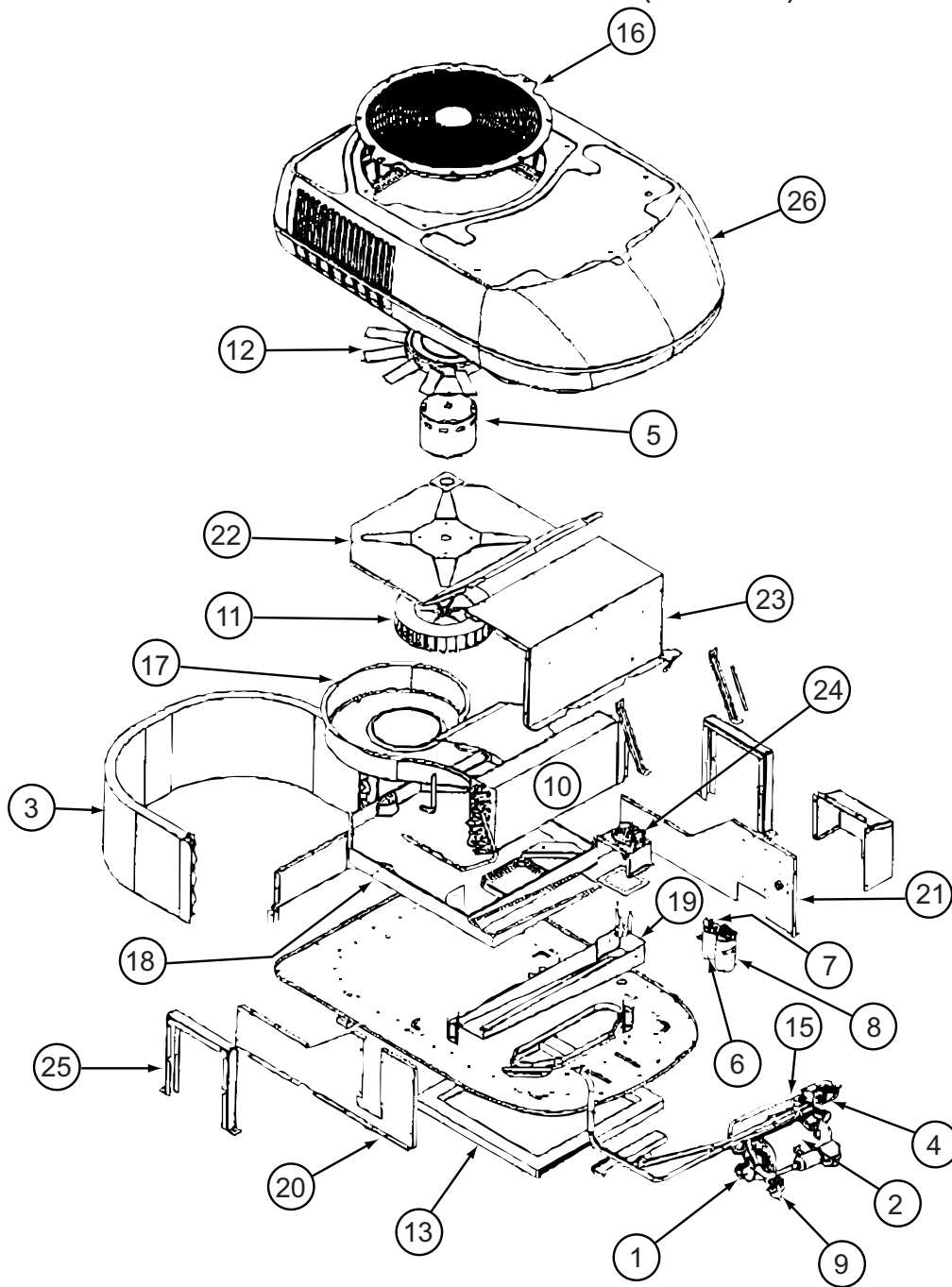


148644-01-01A

KEY	PART NUMBER	U/M	DESCRIPTION	VENDOR NO.
1	148644-01-701	EA	OVERLOAD	1450-0131
2	148644-01-702	EA	COMPRESSOR	1450A2189
3	148644-01-703	EA	MOTOR - BLOWER	1468A3239
4	105620-10-705	EA	PTCR (START DEVICE) - W/CAP.	8333A9021
5	093763-01-704	EA	CAPACITOR-FAN (INDOOR MOTOR)	1499-5461
6	131188-01-701	EA	RUN CAP. (COMP-40MFD/370V)	1499-5721
7	148644-01-704	EA	COIL-CONDENSER	1452-1201
8	148644-01-705	EA	COIL - EVAPORATOR	1452-1211
9	147102-01-705	EA	BLOWER WHEEL	1472-1111
10	147102-01-706	EA	FAN BLADE	1472-5021
11	037648-01-714	EA	GASKET PACKAGE	8332-3301
27	148644-01-700	EA	SHROUD - (ARCTIC WHITE)	9233A5461
	148644-02-702	EA	GRILLE - F/FAN	9233A3151

CONTACT WINNEBAGO PART SALES FOR UNLISTED COMPONENT(S)

**HEATING & A/C GROUP (CONTINUED)**  
**COMPONENT PARTS FOR ROOF (CONTINUED)**



148644-02-01A

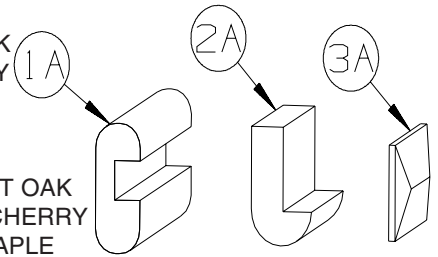
KEY	PART NUMBER	U/M	DESCRIPTION	VENDOR NO.
1	148644-01-701	EA	OVERLOAD	1450-0131
2	148644-01-702	EA	COMPRESSOR	1450A2189
3	148644-02-700	EA	COIL - CONDENSER	1452-1241
4	105620-12-708	EA	COIL - SOLENOID	1460-1081
5	148644-01-703	EA	MOTOR - BLOWER	1468A3239
6	105620-10-705	EA	PTCR (START DEVICE) - W/CAP.	8333A9021
7	093763-01-704	EA	CAPACITOR-FAN (INDOOR MOTOR)	1499-5461
8	131188-01-701	EA	RUN CAP. (COMP-40MFD/370V)	1499-5721
10	148644-02-701	EA	COIL - EVAPORATOR	1452-1261
11	147102-01-705	EA	BLOWER WHEEL	1472-1111
12	147102-01-706	EA	FAN BLADE	1472-5021
13	037648-01-714	EA	GASKET PACKAGE	8332-3301
16	148644-02-702	EA	GRILLE - F/FAN	9233A3151
26	148644-01-700	EA	SHROUD - (ARCTIC WHITE)	9233A5461

CONTACT WINNEBAGO PART SALES FOR UNLISTED COMPONENT(S)



**INTERIOR FINISH GROUP**  
**MOLDINGS & TRIMS**  
**WASHED MAPLE, SIERRA MAPLE**

KEY	PART NUMBER	U/M	DESCRIPTION
1A	M09412-62-N42	EA	MOLDING/SHELF EDGE - .6" X 1.3" X 96" - PORTSMOUTH OAK
1A	M09412-62-M52	EA	MOLDING/SHELF EDGE - .6" X 1.3" X 96" - CONCERT CHERRY
1A	M09412-62-M62	EA	MOLDING/SHELF EDGE - .6" X 1.3" X 96" - WASHED MAPLE
1A	M09412-62-RC3	EA	MOLDING/SHELF EDGE - .6" X 1.3" X 96" - HONEY CHERRY
1A	M09412-62-SA3	EA	MOLDING/SHELF EDGE - .6" X 1.3" X 96" - SIERRA MAPLE
2A	M09511-43-T77	EA	MOLDING - TRIM - W/NOTCH - .8" X 1.4" X 86.3" - PORTSMOUT OAK
2A	M09525-80-UM1	EA	MOLDING - TRIM - W/NOTCH - .8" X 1.4" X 86.5" - CONCERT CHERRY
2A	M09525-80-U91	EA	MOLDING - TRIM - W/NOTCH - .8" X 1.4" X 86.5" - WASHED MAPLE
2A	M09525-80-U92	EA	MOLDING - TRIM - W/NOTCH - .8" X 1.4" X 86.5" - SIERRA MAPLE
2A	M09525-80-Y92	EA	MOLDING - TRIM - W/NOTCH - .8" X 1.4" X 86.5" - HONEY CHERRY
2A	M09501-85-TG3	EA	MOLDING/TRIM - W/NOTCH - 4" X 86.06" - HONEY CHERRY
2A	M09501-32-TG1	EA	MOLDING/TRIM - W/NOTCH - .8" X 2.5" X 86.2" - CONCERT CHERRY
2A	M09501-32-TG2	EA	MOLDING/TRIM - W/NOTCH - .8" X 2.5" X 86.2" - WASHED MAPLE
2A	M09501-32-TD3	EA	MOLDING/TRIM - W/NOTCH - .8" X 2.5" X 86.2" - SIERRA MAPLE
2A	M09501-32-TG3	EA	MOLDING/TRIM - W/NOTCH - .8" X 2.5" X 86.2" - HONEY CHERRY
2A	M09515-72-TD0	EA	MOLDING/TRIM - .8" X 2.2" X 86.1" - PORTSMOUTH OAK
2A	M09515-72-TD1	EA	MOLDING/TRIM - .8" X 2.2" X 86.1" - CONCERT CHERRY
2A	M09515-72-TD2	EA	MOLDING/TRIM - .8" X 2.2" X 86.1" - WASHED MAPLE
2A	M09515-72-TD3	EA	MOLDING/TRIM - .8" X 2.2" X 86.1" - SIERRA MAPLE
2A	M09511-44-T77	EA	MOLDING - TRIM - W/NOTCH - 1" X 86.4" - PORTSMOUTH OAK
2A	M09511-44-T78	EA	MOLDING - TRIM - W/NOTCH - 1" X 86.4" - CONCERT CHERRY
2A	M09511-44-T79	EA	MOLDING - TRIM - W/NOTCH - 1" X 86.4" - WASHED MAPLE
2A	M09511-44-T80	EA	MOLDING - TRIM - W/NOTCH - 1" X 86.4" - HONEY CHERRY
2A	M09438-25-RA3	EA	MOLDING - HARDWOOD-W/NOTCH - 1.4"X 80.2" - HONEY CHERRY
3A	M09477-63-S46	EA	MOLDING - TRIM/VEE-W/CUT ENDS - 1"X 64.1" - PORTSMOUTH OAK
3A	M09477-63-S47	EA	MOLDING - TRIM/VEE-W/CUT ENDS - 1"X 64.1" - CONCERT CHERRY
3A	M09477-63-S48	EA	MOLDING - TRIM/VEE-W/CUT ENDS - 1"X 64.1" - WASHED MAPLE
3A	M09477-63-W51	EA	MOLDING - TRIM/VEE-W/CUT ENDS - 1"X 64.1" - HONEY CHERRY
3A	M09477-64-S46	EA	MOLDING - TRIM/VEE-W/CUT ENDS - 1"X 14.9" - PORTSMOUTH OAK
3A	M09477-64-S47	EA	MOLDING - TRIM/VEE-W/CUT ENDS - 1"X 14.9" - CONCERT CHERRY
3A	M09477-64-S48	EA	MOLDING - TRIM/VEE-W/CUT ENDS - 1"X 14.9" - WASHED MAPLE
3A	M09477-64-W51	EA	MOLDING - TRIM/VEE-W/CUT ENDS - 1"X 14.9" - HONEY CHERRY
3A	M09501-30-SD0	EA	MOLDING - TRIM/VEE - .2" X 1" X 35.1" - PORTSMOUTH OAK
3A	M09501-30-SD1	EA	MOLDING - TRIM/VEE - .2" X 1" X 35.1" - CONCERT CHERRY
3A	M09501-30-SD2	EA	MOLDING - TRIM/VEE - .2" X 1" X 35.1" - WASHED MAPLE
3A	M09501-30-SD3	EA	MOLDING - TRIM/VEE - .2" X 1" X 35.1" - HONEY CHERRY
3A	M09515-97-WL4	EA	MOLDING - TRIM/VEE - .2" X 1" X 32.6" - CONCERT CHERRY
3A	M09515-97-WL5	EA	MOLDING - TRIM/VEE - .2" X 1" X 32.6" - WASHED MAPLE
3A	M09515-97-WL6	EA	MOLDING - TRIM/VEE - .2" X 1" X 32.6" - HONEY CHERRY
3A	M09534-17-UF3	EA	MOLDING - TRIM/VEE - .2" X 1" X 20.1" - SIERRA MAPLE
3A	M09534-17-UJ1	EA	MOLDING - TRIM/VEE - .2" X 1" X 20.1" - CONCERT CHERRY
3A	M09534-17-UJ2	EA	MOLDING - TRIM/VEE - .2" X 1" X 20.1" - WASHED MAPLE
3A	M09534-17-UJ3	EA	MOLDING - TRIM/VEE - .2" X 1" X 20.1" - HONEY CHERRY
3A	M09477-88-S34	EA	MOLDING - TRIM/VEE - .2" X 1" X 19.9" - WASHED MAPLE
3A	M09477-88-S35	EA	MOLDING - TRIM/VEE - .2" X 1" X 19.9" - SIERRA MAPLE
3A	M09568-03-W51	EA	MOLDING - TRIM/VEE - .2" X 1" X 19.8" - HONEY CHERRY
3A	M09568-03-W52	EA	MOLDING - TRIM/VEE - .2" X 1" X 19.8" - WASHED MAPLE
3A	M09565-51-W51	EA	MOLDING - TRIM/VEE - .2" X 1" X 19.4" - HONEY CHERRY
3A	M09565-51-W52	EA	MOLDING - TRIM/VEE - .2" X 1" X 19.4" - WASHED MAPLE
3A	M09553-79-W66	EA	MOLDING - TRIM/VEE - .2" X 1" X 15.6" - HONEY CHERRY
3A	M09515-10-W66	EA	MOLDING - TRIM/VEE - .2" X 1" X 15.4" - HONEY CHERRY
3A	M09501-63-T78	EA	MOLDING - TRIM/VEE - .2" X 1" X 15" - CONCERT CHERRY
3A	M09501-63-T79	EA	MOLDING - TRIM/VEE - .2" X 1" X 15" - WASHED MAPLE
3A	M09501-63-T80	EA	MOLDING - TRIM/VEE - .2" X 1" X 15" - SIERRA MAPLE
3A	M09501-63-W66	EA	MOLDING - TRIM/VEE - .2" X 1" X 15" - HONEY CHERRY
3A	M09553-09-W66	EA	MOLDING - TRIM/VEE - .2" X 1" X 13.4" - HONEY CHERRY
3A	M09566-04-WD3	EA	MOLDING - TRIM/VEE - .2" X 1" X 8.9" - HONEY CHERRY
3A	M09553-29-WH4	EA	MOLDING - TRIM/VEE - .4" X 1" X 94.4" - CONCERT CHERRY
3A	M09553-29-WH5	EA	MOLDING - TRIM/VEE - .4" X 1" X 94.4" - WASHED MAPLE
3A	M09553-29-WH6	EA	MOLDING - TRIM/VEE - .4" X 1" X 94.4" - SIERRA MAPLE
3A	M09565-04-WH4	EA	MOLDING - TRIM/VEE - .4" X 1" X 89.5" - CONCERT CHERRY

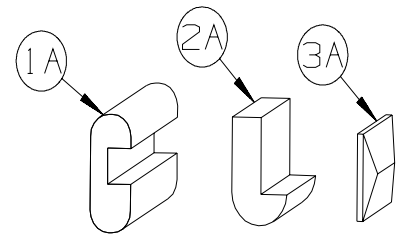


**INTERIOR FINISH GROUP (CONTINUED)**  
**MOLDINGS & TRIMS (CONTINUED)**

KEY	PART NUMBER	U/M	DESCRIPTION
3A	M09565-04-WH5	EA	MOLDING - TRIM/VEE - .4" X 1" X 89.5" - WASHED MAPLE
3A	M09565-04-WH6	EA	MOLDING - TRIM/VEE - .4" X 1" X 89.5" - SIERRA MAPLE
3A	M09544-86-W37	EA	MOLDING - TRIM/VEE - .4" X 1" X 88.1" - WASHED MAPLE
3A	M09544-86-W38	EA	MOLDING - TRIM/VEE - .4" X 1" X 88.1" - SIERRA MAPLE
3A	M09538-39-U67	EA	MOLDING - TRIM/VEE - .4" X 1" X 82.6" - WASHED MAPLE
3A	M09538-39-U68	EA	MOLDING - TRIM/VEE - .4" X 1" X 82.6" - SIERRA MAPLE
3A	M09553-62-WH4	EA	MOLDING - TRIM/VEE - .4" X 1" X 81.4" - CONCERT CHERRY
3A	M09553-62-WH5	EA	MOLDING - TRIM/VEE - .4" X 1" X 81.4" - WASHED MAPLE
3A	M09553-62-WH6	EA	MOLDING - TRIM/VEE - .4" X 1" X 81.4" - SIERRA MAPLE
3A	M09577-98-WH4	EA	MOLDING - TRIM/VEE - .4" X 1" X 80.2" - CONCERT CHERRY
3A	M09577-98-WH5	EA	MOLDING - TRIM/VEE - .4" X 1" X 80.2" - WASHED MAPLE
3A	M09577-98-WH6	EA	MOLDING - TRIM/VEE - .4" X 1" X 80.2" - SIERRA MAPLE
3A	M09544-37-W37	EA	MOLDING - TRIM/VEE - .4" X 1" X 78.8" - WASHED MAPLE
3A	M09544-37-W38	EA	MOLDING - TRIM/VEE - .4" X 1" X 78.8" - SIERRA MAPLE
3A	M09544-34-W37	EA	MOLDING - TRIM/VEE - .4" X 1" X 78.7" - WASHED MAPLE
3A	M09544-34-W38	EA	MOLDING - TRIM/VEE - .4" X 1" X 78.7" - SIERRA MAPLE
3A	M09538-37-U67	EA	MOLDING - TRIM/VEE - .4" X 1" X 77.5" - WASHED MAPLE
3A	M09538-37-U68	EA	MOLDING - TRIM/VEE - .4" X 1" X 77.5" - SIERRA MAPLE
3A	M09553-65-WH4	EA	MOLDING - TRIM/VEE - .4" X 1" X 77" - CONCERT CHERRY
3A	M09553-65-WH5	EA	MOLDING - TRIM/VEE - .4" X 1" X 77" - WASHED MAPLE
3A	M09553-65-WH6	EA	MOLDING - TRIM/VEE - .4" X 1" X 77" - SIERRA MAPLE
3A	M09553-64-WH4	EA	MOLDING - TRIM/VEE - .4" X 1" X 76.7" - CONCERT CHERRY
3A	M09553-64-WH5	EA	MOLDING - TRIM/VEE - .4" X 1" X 76.7" - WASHED MAPLE
3A	M09553-64-WH6	EA	MOLDING - TRIM/VEE - .4" X 1" X 76.7" - SIERRA MAPLE
3A	M09565-75-WH4	EA	MOLDING - TRIM/VEE - .4" X 1" X 75.9" - CONCERT CHERRY
3A	M09565-75-WH5	EA	MOLDING - TRIM/VEE - .4" X 1" X 75.9" - WASHED MAPLE
3A	M09565-75-WH6	EA	MOLDING - TRIM/VEE - .4" X 1" X 75.9" - SIERRA MAPLE
3A	M09565-02-WH4	EA	MOLDING - TRIM/VEE - .4" X 1" X 75.1" - CONCERT CHERRY
3A	M09565-02-WH5	EA	MOLDING - TRIM/VEE - .4" X 1" X 75.1" - WASHED MAPLE
3A	M09565-02-WH6	EA	MOLDING - TRIM/VEE - .4" X 1" X 75.1" - SIERRA MAPLE
3A	M09553-26-WH4	EA	MOLDING - TRIM/VEE - .4" X 1" X 74.1" - CONCERT CHERRY
3A	M09553-26-WH5	EA	MOLDING - TRIM/VEE - .4" X 1" X 74.1" - WASHED MAPLE
3A	M09553-26-WH6	EA	MOLDING - TRIM/VEE - .4" X 1" X 74.1" - SIERRA MAPLE
3A	M09538-91-WH4	EA	MOLDING - TRIM/VEE - .4" X 1" X 73.8" - CONCERT CHERRY
3A	M09538-91-WH5	EA	MOLDING - TRIM/VEE - .4" X 1" X 73.8" - WASHED MAPLE
3A	M09538-91-WH6	EA	MOLDING - TRIM/VEE - .4" X 1" X 73.8" - SIERRA MAPLE
3A	M09553-22-WH4	EA	MOLDING - TRIM/VEE - .4" X 1" X 73.2" - CONCERT CHERRY
3A	M09553-22-WH5	EA	MOLDING - TRIM/VEE - .4" X 1" X 73.2" - WASHED MAPLE
3A	M09553-22-WH6	EA	MOLDING - TRIM/VEE - .4" X 1" X 73.2" - SIERRA MAPLE
3A	M09565-97-WH4	EA	MOLDING - TRIM/VEE - .4" X 1" X 72.6" - CONCERT CHERRY
3A	M09565-97-WH5	EA	MOLDING - TRIM/VEE - .4" X 1" X 72.6" - WASHED MAPLE
3A	M09565-97-WH6	EA	MOLDING - TRIM/VEE - .4" X 1" X 72.6" - SIERRA MAPLE
3A	M09568-12-WH4	EA	MOLDING - TRIM/VEE - .4" X 1" X 71.9" - CONCERT CHERRY
3A	M09568-12-WH5	EA	MOLDING - TRIM/VEE - .4" X 1" X 71.9" - WASHED MAPLE
3A	M09568-12-WH6	EA	MOLDING - TRIM/VEE - .4" X 1" X 71.9" - SIERRA MAPLE
3A	M09565-01-WH4	EA	MOLDING - TRIM/VEE - .4" X 1" X 71.7" - CONCERT CHERRY
3A	M09565-01-WH5	EA	MOLDING - TRIM/VEE - .4" X 1" X 71.7" - WASHED MAPLE
3A	M09565-01-WH6	EA	MOLDING - TRIM/VEE - .4" X 1" X 71.7" - SIERRA MAPLE
3A	M09565-01-YR3	EA	MOLDING - TRIM/VEE - .4" X 1" X 71.7" - HONEY CHERRY
3A	M09544-15-WB4	EA	MOLDING - TRIM/VEE - .4" X 1" X 64.5" - CONCERT CHERRY
3A	M09544-15-WB5	EA	MOLDING - TRIM/VEE - .4" X 1" X 64.5" - WASHED MAPLE
3A	M09544-15-WB6	EA	MOLDING - TRIM/VEE - .4" X 1" X 64.5" - SIERRA MAPLE
3A	M09538-94-WH4	EA	MOLDING - TRIM/VEE - .4" X 1" X 71.1" - CONCERT CHERRY
3A	M09538-94-WH5	EA	MOLDING - TRIM/VEE - .4" X 1" X 71.1" - WASHED MAPLE
3A	M09538-94-WH6	EA	MOLDING - TRIM/VEE - .4" X 1" X 71.1" - SIERRA MAPLE
3A	M09565-78-WH4	EA	MOLDING - TRIM/VEE - .4" X 1" X 70.2" - CONCERT CHERRY
3A	M09565-78-WH5	EA	MOLDING - TRIM/VEE - .4" X 1" X 70.2" - WASHED MAPLE
3A	M09565-78-WH6	EA	MOLDING - TRIM/VEE - .4" X 1" X 70.2" - SIERRA MAPLE
3A	M09553-21-WH4	EA	MOLDING - TRIM/VEE - .4" X 1" X 70.1" - CONCERT CHERRY
3A	M09553-21-WH5	EA	MOLDING - TRIM/VEE - .4" X 1" X 70.1" - WASHED MAPLE
3A	M09553-21-WH6	EA	MOLDING - TRIM/VEE - .4" X 1" X 70.1" - SIERRA MAPLE
3A	M09501-92-T77	EA	MOLDING - TRIM/VEE - .4" X 1" X 70" - PORTSMOUTH OAK
3A	M09501-92-T78	EA	MOLDING - TRIM/VEE - .4" X 1" X 70" - CONCERT CHERRY
3A	M09501-92-T79	EA	MOLDING - TRIM/VEE - .4" X 1" X 70" - WASHED MAPLE

**INTERIOR FINISH GROUP (CONTINUED)**  
**MOLDINGS & TRIMS (CONTINUED)**

KEY	PART NUMBER	U/M	DESCRIPTION
3A	M09501-92-T80	EA	MOLDING - TRIM/VEE - .4" X 1" X 70" - SIERRA MAPLE
3A	M09538-27-WH4	EA	MOLDING - TRIM/VEE - .4" X 1" X 71.1" - CONCERT CHERRY
3A	M09538-27-U67	EA	MOLDING - TRIM/VEE - .4" X 1" X 71.1" - WASHED MAPLE
3A	M09538-27-U68	EA	MOLDING - TRIM/VEE - .4" X 1" X 71.1" - SIERRA MAPLE
3A	M09544-10-WH4	EA	MOLDING - TRIM/VEE - .4" X 1" X 68.2" - CONCERT CHERRY
3A	M09544-10-W91	EA	MOLDING - TRIM/VEE - .4" X 1" X 68.2" - WASHED MAPLE
3A	M09544-10-W92	EA	MOLDING - TRIM/VEE - .4" X 1" X 68.2" - SIERRA MAPLE
3A	M09553-03-WH4	EA	MOLDING - TRIM/VEE - .4" X 1" X 66.7" - CONCERT CHERRY
3A	M09553-03-WH5	EA	MOLDING - TRIM/VEE - .4" X 1" X 66.7" - WASHED MAPLE
3A	M09553-03-WH6	EA	MOLDING - TRIM/VEE - .4" X 1" X 66.7" - SIERRA MAPLE
3A	M09553-03-YR3	EA	MOLDING - TRIM/VEE - .4" X 1" X 66.7" - HONEY CHERRY
3A	M09538-93-WH4	EA	MOLDING - TRIM/VEE - .4" X 1" X 66.6" - CONCERT CHERRY
3A	M09538-93-WH5	EA	MOLDING - TRIM/VEE - .4" X 1" X 66.6" - WASHED MAPLE
3A	M09538-93-WH6	EA	MOLDING - TRIM/VEE - .4" X 1" X 66.6" - SIERRA MAPLE
3A	M09544-33-W37	EA	MOLDING - TRIM/VEE - .4" X 1" X 66.5" - SIERRA MAPLE
3A	M09544-33-W38	EA	MOLDING - TRIM/VEE - .4" X 1" X 66.5" - WASHED MAPLE
3A	M09553-02-WH4	EA	MOLDING - TRIM/VEE - .4" X 1" X 66.4" - CONCERT CHERRY
3A	M09553-02-WH5	EA	MOLDING - TRIM/VEE - .4" X 1" X 66.4" - WASHED MAPLE
3A	M09553-02-WH6	EA	MOLDING - TRIM/VEE - .4" X 1" X 66.4" - SIERRA MAPLE
3A	M09544-14-WB4	EA	MOLDING - TRIM/VEE - .4" X 1" X 64.5" - CONCERT CHERRY
3A	M09544-14-WB5	EA	MOLDING - TRIM/VEE - .4" X 1" X 64.5" - WASHED MAPLE
3A	M09544-14-WB6	EA	MOLDING - TRIM/VEE - .4" X 1" X 64.5" - SIERRA MAPLE
3A	M09515-78-T77	EA	MOLDING - TRIM/VEE - .4" X 1" X 64.1" - PORTSMOUTH OAK
3A	M09515-78-T78	EA	MOLDING - TRIM/VEE - .4" X 1" X 64.1" - CONCERT CHERRY
3A	M09515-78-T79	EA	MOLDING - TRIM/VEE - .4" X 1" X 64.1" - WASHED MAPLE
3A	M09515-78-T80	EA	MOLDING - TRIM/VEE - .4" X 1" X 64.1" - SIERRA MAPLE
3A	M09501-91-T77	EA	MOLDING - TRIM/VEE - .4" X 1" X 63.3" - PORTSMOUTH OAK
3A	M09501-91-T78	EA	MOLDING - TRIM/VEE - .4" X 1" X 63.3" - CONCERT CHERRY
3A	M09501-91-T79	EA	MOLDING - TRIM/VEE - .4" X 1" X 63.3" - WASHED MAPLE
3A	M09501-91-T80	EA	MOLDING - TRIM/VEE - .4" X 1" X 63.3" - SIERRA MAPLE
3A	M09503-91-T77	EA	MOLDING - TRIM/VEE - .4" X 1" X 63.1" - PORTSMOUTH OAK
3A	M09503-91-T78	EA	MOLDING - TRIM/VEE - .4" X 1" X 63.1" - CONCERT CHERRY
3A	M09503-91-T79	EA	MOLDING - TRIM/VEE - .4" X 1" X 63.1" - WASHED MAPLE
3A	M09503-91-T80	EA	MOLDING - TRIM/VEE - .4" X 1" X 63.1" - SIERRA MAPLE
3A	M09544-22-WB4	EA	MOLDING - TRIM/VEE - .4" X 1" X 61.7" - CONCERT CHERRY
3A	M09544-22-WB5	EA	MOLDING - TRIM/VEE - .4" X 1" X 61.7" - WASHED MAPLE
3A	M09544-22-WB6	EA	MOLDING - TRIM/VEE - .4" X 1" X 61.7" - SIERRA MAPLE
3A	M09583-41-WH4	EA	MOLDING - TRIM/VEE - .4" X 1" X 61" - CONCERT CHERRY
3A	M09583-41-WH5	EA	MOLDING - TRIM/VEE - .4" X 1" X 61" - WASHED MAPLE
3A	M09583-41-WH6	EA	MOLDING - TRIM/VEE - .4" X 1" X 61" - SIERRA MAPLE
3A	M09565-49-WH4	EA	MOLDING - TRIM/VEE - .4" X 1" X 58.7" - CONCERT CHERRY
3A	M09565-49-WH5	EA	MOLDING - TRIM/VEE - .4" X 1" X 58.7" - WASHED MAPLE
3A	M09565-49-WH6	EA	MOLDING - TRIM/VEE - .4" X 1" X 58.7" - SIERRA MAPLE
3A	M09544-36-W37	EA	MOLDING - TRIM/VEE - .4" X 1" X 52.6" - WASHED MAPLE
3A	M09544-36-W38	EA	MOLDING - TRIM/VEE - .4" X 1" X 52.6.5" - SIERRA MAPLE
3A	M09553-85-WB4	EA	MOLDING - TRIM/VEE - .4" X 1" X 43.4" - CONCERT CHERRY
3A	M09553-85-WB5	EA	MOLDING - TRIM/VEE - .4" X 1" X 43.4" - WASHED MAPLE
3A	M09553-85-WB6	EA	MOLDING - TRIM/VEE - .4" X 1" X 43.4" - SIERRA MAPLE
3A	M09553-28-WH4	EA	MOLDING - TRIM/VEE - .4" X 1" X 48" - CONCERT CHERRY
3A	M09553-28-WH5	EA	MOLDING - TRIM/VEE - .4" X 1" X 48" - WASHED MAPLE
3A	M09553-28-WH6	EA	MOLDING - TRIM/VEE - .4" X 1" X 48" - SIERRA MAPLE
3A	M09553-60-WH4	EA	MOLDING - TRIM/VEE - .4" X 1" X 47.2" - CONCERT CHERRY
3A	M09553-60-WH5	EA	MOLDING - TRIM/VEE - .4" X 1" X 47.2" - WASHED MAPLE
3A	M09553-60-WH6	EA	MOLDING - TRIM/VEE - .4" X 1" X 47.2" - SIERRA MAPLE
3A	M09544-24-WB4	EA	MOLDING - TRIM/VEE - .4" X 1" X 46.2" - CONCERT CHERRY
3A	M09544-24-WB5	EA	MOLDING - TRIM/VEE - .4" X 1" X 46.2" - WASHED MAPLE
3A	M09544-24-WB6	EA	MOLDING - TRIM/VEE - .4" X 1" X 46.2" - SIERRA MAPLE
3A	M09565-77-WH4	EA	MOLDING - TRIM/VEE - .4" X 1" X 42.5" - CONCERT CHERRY
3A	M09565-77-WH5	EA	MOLDING - TRIM/VEE - .4" X 1" X 42.5" - WASHED MAPLE
3A	M09565-77-WH6	EA	MOLDING - TRIM/VEE - .4" X 1" X 42.5" - SIERRA MAPLE
3A	M09544-35-W37	EA	MOLDING - TRIM/VEE - .4" X 1" X 66.5" - SIERRA MAPLE
3A	M09544-35-W38	EA	MOLDING - TRIM/VEE - .4" X 1" X 66.5" - WASHED MAPLE

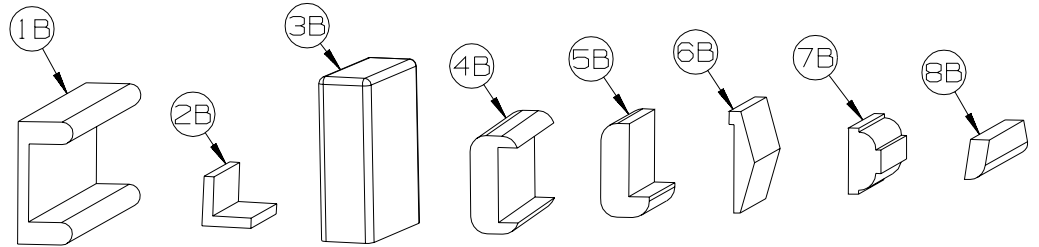
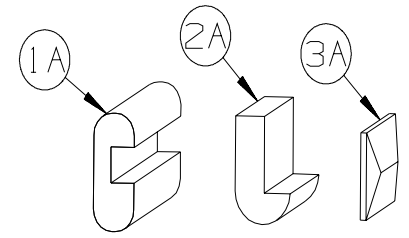


**INTERIOR FINISH GROUP (CONTINUED)**  
**MOLDINGS & TRIMS (CONTINUED)**

KEY	PART NUMBER	U/M	DESCRIPTION
3A	M09544-38-W37	EA	MOLDING - TRIM/VEE - .4" X 1" X 66.5" - SIERRA MAPLE
3A	M09544-38-W38	EA	MOLDING - TRIM/VEE - .4" X 1" X 66.5" - WASHED MAPLE
3A	M09565-03-WH4	EA	MOLDING - TRIM/VEE - .4" X 1" X 44.2" - CONCERT CHERRY
3A	M09565-03-WH5	EA	MOLDING - TRIM/VEE - .4" X 1" X 44.2" - WASHED MAPLE
3A	M09565-03-WH6	EA	MOLDING - TRIM/VEE - .4" X 1" X 44.2" - SIERRA MAPLE
3A	M09565-20-WH4	EA	MOLDING - TRIM/VEE - .4" X 1" X 43.2" - CONCERT CHERRY
3A	M09565-20-WH5	EA	MOLDING - TRIM/VEE - .4" X 1" X 43.2" - WASHED MAPLE
3A	M09565-20-WH6	EA	MOLDING - TRIM/VEE - .4" X 1" X 43.2" - SIERRA MAPLE
3A	M09553-24-WH4	EA	MOLDING - TRIM/VEE - .4" X 1" X 43" - CONCERT CHERRY
3A	M09553-24-WH5	EA	MOLDING - TRIM/VEE - .4" X 1" X 43" - WASHED MAPLE
3A	M09553-24-WH6	EA	MOLDING - TRIM/VEE - .4" X 1" X 43" - SIERRA MAPLE
3A	M09565-77-WH4	EA	MOLDING - TRIM/VEE - .4" X 1" X 42.5" - CONCERT CHERRY
3A	M09565-77-WH5	EA	MOLDING - TRIM/VEE - .4" X 1" X 42.5" - WASHED MAPLE
3A	M09565-77-WH6	EA	MOLDING - TRIM/VEE - .4" X 1" X 42.5" - SIERRA MAPLE
3A	M09565-50-WH4	EA	MOLDING - TRIM/VEE - .4" X 1" X 40.9" - CONCERT CHERRY
3A	M09565-50-WH5	EA	MOLDING - TRIM/VEE - .4" X 1" X 40.9" - WASHED MAPLE
3A	M09565-50-WH6	EA	MOLDING - TRIM/VEE - .4" X 1" X 40.9" - SIERRA MAPLE
3A	M09583-43-WH4	EA	MOLDING - TRIM/VEE - .4" X 1" X 40.1" - CONCERT CHERRY
3A	M09583-43-WH5	EA	MOLDING - TRIM/VEE - .4" X 1" X 40.1" - WASHED MAPLE
3A	M09583-43-WH6	EA	MOLDING - TRIM/VEE - .4" X 1" X 40.1" - SIERRA MAPLE
3A	M09565-76-WH4	EA	MOLDING - TRIM/VEE - .4" X 1" X 39.4" - CONCERT CHERRY
3A	M09565-76-WH5	EA	MOLDING - TRIM/VEE - .4" X 1" X 39.4" - WASHED MAPLE
3A	M09565-76-WH6	EA	MOLDING - TRIM/VEE - .4" X 1" X 39.4" - SIERRA MAPLE
3A	M09565-47-WH4	EA	MOLDING - TRIM/VEE - .4" X 1" X 38.9" - CONCERT CHERRY
3A	M09565-47-WH5	EA	MOLDING - TRIM/VEE - .4" X 1" X 38.9" - WASHED MAPLE
3A	M09565-47-WH6	EA	MOLDING - TRIM/VEE - .4" X 1" X 38.9" - SIERRA MAPLE
3A	M09553-27-WH4	EA	MOLDING - TRIM/VEE - .4" X 1" X 38.8" - CONCERT CHERRY
3A	M09553-27-WH5	EA	MOLDING - TRIM/VEE - .4" X 1" X 38.8" - WASHED MAPLE
3A	M09553-27-WH6	EA	MOLDING - TRIM/VEE - .4" X 1" X 38.8" - SIERRA MAPLE
3A	M09568-77-WH4	EA	MOLDING - TRIM/VEE - .4" X 1" X 37.5" - CONCERT CHERRY
3A	M09568-77-WH5	EA	MOLDING - TRIM/VEE - .4" X 1" X 37.5" - WASHED MAPLE
3A	M09568-77-WH6	EA	MOLDING - TRIM/VEE - .4" X 1" X 37.5" - SIERRA MAPLE
3A	M09553-23-WH4	EA	MOLDING - TRIM/VEE - .4" X 1" X 37" - CONCERT CHERRY
3A	M09553-23-WH5	EA	MOLDING - TRIM/VEE - .4" X 1" X 37" - WASHED MAPLE
3A	M09553-23-WH6	EA	MOLDING - TRIM/VEE - .4" X 1" X 37" - SIERRA MAPLE
3A	M09553-47-WB4	EA	MOLDING - TRIM/VEE - .4" X 1" X 35.9" - CONCERT CHERRY
3A	M09553-47-WB5	EA	MOLDING - TRIM/VEE - .4" X 1" X 35.9" - WASHED MAPLE
3A	M09553-47-WB6	EA	MOLDING - TRIM/VEE - .4" X 1" X 35.9" - SIERRA MAPLE
3A	M09553-47-W66	EA	MOLDING - TRIM/VEE - .4" X 1" X 35.9" - HONEY CHERRY
3A	M09568-48-U67	EA	MOLDING - TRIM/VEE - .4" X 1" X 35.4" - WASHED MAPLE
3A	M09568-48-U68	EA	MOLDING - TRIM/VEE - .4" X 1" X 35.4" - SIERRA MAPLE
3A	M09553-63-WH4	EA	MOLDING - TRIM/VEE - .4" X 1" X 35.1" - CONCERT CHERRY
3A	M09553-63-WH5	EA	MOLDING - TRIM/VEE - .4" X 1" X 35.1" - WASHED MAPLE
3A	M09553-63-WH6	EA	MOLDING - TRIM/VEE - .4" X 1" X 35.1" - SIERRA MAPLE
3A	M09553-63-W51	EA	MOLDING - TRIM/VEE - .4" X 1" X 35.1" - HONEY CHERRY
3A	M09565-94-WH4	EA	MOLDING - TRIM/VEE - .4" X 1" X 34.4" - CONCERT CHERRY
3A	M09565-94-WH5	EA	MOLDING - TRIM/VEE - .4" X 1" X 34.4" - WASHED MAPLE
3A	M09565-94-WH6	EA	MOLDING - TRIM/VEE - .4" X 1" X 34.4" - SIERRA MAPLE
3A	M09553-04-WH4	EA	MOLDING - TRIM/VEE - .4" X 1" X 34.2" - CONCERT CHERRY
3A	M09553-04-WH5	EA	MOLDING - TRIM/VEE - .4" X 1" X 34.2" - WASHED MAPLE
3A	M09553-04-WH6	EA	MOLDING - TRIM/VEE - .4" X 1" X 34.2" - SIERRA MAPLE
3A	M09566-02-U68	EA	MOLDING - TRIM/VEE - .4" X 1" X 32.7" - SIERRA MAPLE
3A	M09566-02-W51	EA	MOLDING - TRIM/VEE - .4" X 1" X 32.7" - HONEY CHERRY
3A	M09566-02-W52	EA	MOLDING - TRIM/VEE - .4" X 1" X 32.7" - WASHED MAPLE
3A	M09511-86-T77	EA	MOLDING - TRIM/VEE - .4" X 1" X 28.3" - PORTSMOUTH OAK
3A	M09511-86-T78	EA	MOLDING - TRIM/VEE - .4" X 1" X 28.3" - CONCERT CHERRY
3A	M09511-86-T79	EA	MOLDING - TRIM/VEE - .4" X 1" X 28.3" - WASHED MAPLE
3A	M09511-86-T80	EA	MOLDING - TRIM/VEE - .4" X 1" X 28.3" - SIERRA MAPLE
3A	M09553-61-WH4	EA	MOLDING - TRIM/VEE - .4" X 1" X 19.9" - CONCERT CHERRY
3A	M09553-61-WH5	EA	MOLDING - TRIM/VEE - .4" X 1" X 19.9" - WASHED MAPLE
3A	M09553-61-WH6	EA	MOLDING - TRIM/VEE - .4" X 1" X 19.9" - SIERRA MAPLE
3A	M09565-71-WH4	EA	MOLDING - TRIM/VEE - .4" X 1" X 11.4" - CONCERT CHERRY
3A	M09565-71-WH5	EA	MOLDING - TRIM/VEE - .4" X 1" X 11.4" - WASHED MAPLE
3A	M09565-71-WH6	EA	MOLDING - TRIM/VEE - .4" X 1" X 11.4" - SIERRA MAPLE

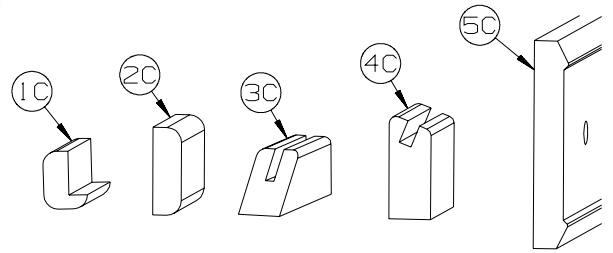
**INTERIOR FINISH GROUP (CONTINUED)**  
**MOLDINGS & TRIMS (CONTINUED)**

KEY	PART NUMBER	U/M	DESCRIPTION
3A	M09583-42-WH4	EA	MOLDING - TRIM/VEE - .4" X 1" X 8.3" - CONCERT CHERRY
3A	M09583-42-WH5	EA	MOLDING - TRIM/VEE - .4" X 1" X 8.3" - WASHED MAPLE
3A	M09583-42-WH6	EA	MOLDING - TRIM/VEE - .4" X 1" X 8.3" - SIERRA MAPLE
3A	M09544-55-WB4	EA	MOLDING - TRIM/VEE - .4" X 1" X 6.5" - CONCERT CHERRY
3A	M09544-55-WB5	EA	MOLDING - TRIM/VEE - .4" X 1" X 6.5" - WASHED MAPLE
3A	M09544-55-WB6	EA	MOLDING - TRIM/VEE - .4" X 1" X 6.5" - SIERRA MAPLE
3A	M09544-56-WB4	EA	MOLDING - TRIM/VEE - .4" X 1" X 6.1" - CONCERT CHERRY
3A	M09544-56-WB5	EA	MOLDING - TRIM/VEE - .4" X 1" X 6.1" - WASHED MAPLE
3A	M09544-56-WB6	EA	MOLDING - TRIM/VEE - .4" X 1" X 6.1" - SIERRA MAPLE
3A	M09538-70-U68	EA	MOLDING - TRIM/VEE - .4" X 1" X 63.9" - SIERRA MAPLE
3A	M09538-70-U67	EA	MOLDING - TRIM/VEE - .4" X 1" X 63.9" - WASHED MAPLE



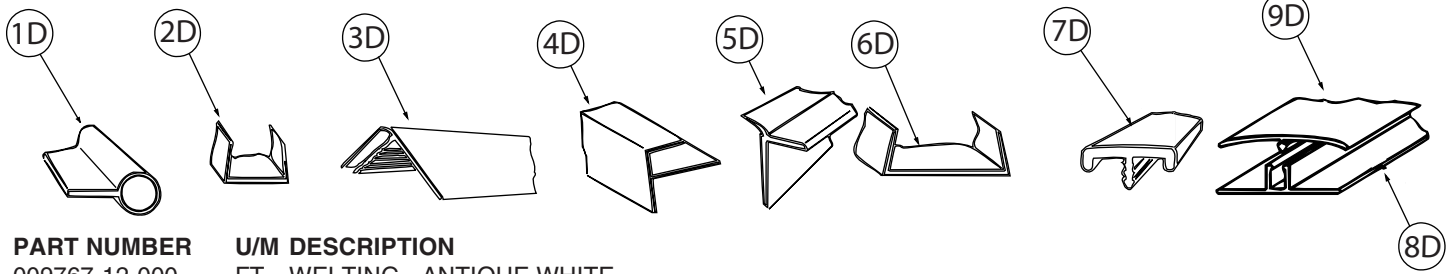
KEY	PART NUMBER	U/M	DESCRIPTION
1B	M09501-84-TG0	EA	MOLDING/TRIM - CAP/WALL - 2.2" X 85.9" - PORTSMOUTH OAK
1B	M09501-84-TG1	EA	MOLDING/TRIM - CAP/WALL - 2.2" X 85.9" - CONCERT CHERRY
1B	M09501-84-TG2	EA	MOLDING/TRIM - CAP/WALL - 2.2" X 85.9" - WASHED MAPLE
1B	M09501-84-TG3	EA	MOLDING/TRIM - CAP/WALL - 2.2" X 85.9" - HONEY CHERRY
1B	M09520-04-TD3	EA	MOLDING/TRIM - CAP/WALL - 2.2" X 80.5" - SIERRA MAPLE
2B	M09511-81-TA0	EA	MOLDING/TRIM - L SHAPE - .8"X .8"X 80.2" - PORTSMOUTH OAK
2B	M09511-81-TA1	EA	MOLDING/TRIM - L SHAPE - .8"X .8"X 80.2" - CONCERT CHERRY
2B	M09511-81-TA2	EA	MOLDING/TRIM - L SHAPE - .8"X .8"X 80.2" - WASHED MAPLE
2B	M09511-81-TA3	EA	MOLDING/TRIM - L SHAPE - .8"X .8"X 80.2" - SIERRA MAPLE
3B	M09515-81-T01	EA	MOLDING/HARDWOOD STRAIGHT - 74.3" - WASHED MAPLE
3B	M09515-81-T02	EA	MOLDING/HARDWOOD STRAIGHT - 74.3" - HONEY CHERRY
4B	M09511-42-T77	EA	MOLDING - TRIM - W/NOTCH - 1.5" X 86.4" - PORTSMOUTH OAK
4B	M09511-42-T78	EA	MOLDING - TRIM - W/NOTCH - 1.5" X 86.4" - CONCERT CHERRY
4B	M09511-42-T79	EA	MOLDING - TRIM - W/NOTCH - 1.5" X 86.4" - WASHED MAPLE
4B	M09511-42-T80	EA	MOLDING - TRIM - W/NOTCH - 1.5" X 86.4" - SIERRA MAPLE
4B	M09511-42-W66	EA	MOLDING - TRIM - W/NOTCH - 1.5" X 86.4" - HONEY CHERRY
5B	M09515-18-T77	EA	MOLDING - HARDWOOD-W/NOTCH - 1.4"X 86.2" - PORTSMOUTH OAK
5B	M09515-18-T78	EA	MOLDING - HARDWOOD-W/NOTCH - 1.4"X 86.2" - CONCERT CHERRY
5B	M09553-66-U22	EA	MOLDING - HARDWOOD-W/NOTCH - 1.4"X 96" - WASHED MAPLE
5B	M09515-18-T80	EA	MOLDING - HARDWOOD-W/NOTCH - 1.4"X 86.2" - SIERRA MAPLE
5B	M09553-66-U21	EA	MOLDING - HARDWOOD-W/NOTCH - 1.4"X 96" - HONEY CHERRY
6B	M09515-53-TG0	EA	MOLDING - TRIM/VEE - 1.5" X 73.9" - PORTSMOUTH OAK
6B	M09525-81-UJ1	EA	MOLDING - TRIM/VEE - 1.5" X 74.7" - CONCERT CHERRY
6B	M09525-81-UJ2	EA	MOLDING - TRIM/VEE - 1.5" X 74.7" - WASHED MAPLE
6B	M09552-81-UJ3	EA	MOLDING - TRIM/VEE - 1.5" X 74.7" - HONEY CHERRY
6B	M09553-53-WH6	EA	MOLDING - TRIM/VEE - NOTCHED - 1.5" X 20.6" - SIERRA MAPLE
7B	Y00076-32-438	EA	MOLDING/TRIM - .5" X 1" X 96" - CHERRY (UNSTAINED)
7B	Y00076-22-438	EA	MOLDING/TRIM - .5" X 1" X 96" - MAPLE (UNSTAINED)
8B	M09525-92-T77	EA	MOLDING/TRIM - .5" X 1" X 75.6" - PORTSMOUTH OAK
8B	M09525-92-T78	EA	MOLDING/TRIM - .5" X 1" X 75.6" - CONCERT CHERRY
8B	M09525-92-T79	EA	MOLDING/TRIM - .5" X 1" X 75.6" - WASHED MAPLE
8B	M09525-92-T80	EA	MOLDING/TRIM - .5" X 1" X 75.6" - SIERRA MAPLE
8B	Y00086-72-438	EA	MOLDING - VINYL WRAP - .7" X 1.6" X 96" - PORTSMOUTH OAK
8B	Y00086-D2-438	EA	MOLDING - VINYL WRAP - .7" X 1.6" X 96" - CONCERT CHERRY
8B	Y00086-A2-438	EA	MOLDING - VINYL WRAP - .7" X 1.6" X 96" - WASHED MAPLE
8B	Y00086-92-438	EA	MOLDING - VINYL WRAP - .7" X 1.6" X 96" - SIERRA MAPLE
8B	Y00086-82-438	EA	MOLDING - VINYL WRAP - .7" X 1.6" X 96" - HONEY CHERRY
8B	Y00087-72-438	EA	MOLDING - VINYL WRAP - .7" X 2.9" X 96" - PORTSMOUTH OAK
8B	Y00087-D2-438	EA	MOLDING - VINYL WRAP - .7" X 2.9" X 96" - CONCERT CHERRY
8B	Y00087-A2-438	EA	MOLDING - VINYL WRAP - .7" X 2.9" X 96" - WASHED MAPLE
8B	Y00087-92-438	EA	MOLDING - VINYL WRAP - .7" X 2.9" X 96" - SIERRA MAPLE
8B	Y00087-82-438	EA	MOLDING - VINYL WRAP - .7" X 2.9" X 96" - HONEY CHERRY

**INTERIOR FINISH GROUP (CONTINUED)**  
**MOLDINGS & TRIMS (CONTI**



KEY	PART NUMBER	U/M	DESCRIPTION
1C	M09520-19-TD1	EA	MOLDING - TRIM - W/NOTCH - 1" X 86.3" - CONCERT CHERRY
1C	M09520-19-TD2	EA	MOLDING - TRIM - W/NOTCH - 1" X 86.3" - WASHED MAPLE
1C	M09520-19-TD3	EA	MOLDING - TRIM - W/NOTCH - 1" X 86.3" - HONEY CHERRY
1C	M09565-68-WH4	EA	MOLDING - HARDWOOD - .75" X 1.4" X 81.9" - CONCERT CHERRY
1C	M09565-68-WH5	EA	MOLDING - HARDWOOD - .75" X 1.4" X 81.9" - WASHED MAPLE
1C	M09565-68-WH6	EA	MOLDING - HARDWOOD - .75" X 1.4" X 81.9" - SIERRA MAPLE
2C	M09511-46-T77	EA	MOLDING/TRIM - .5" X 1.5" X 86.5" - PORTSMOUTH OAK
2C	M09511-46-T78	EA	MOLDING/TRIM - .5" X 1.5" X 86.5" - CONCERT CHERRY
2C	M09511-46-T79	EA	MOLDING/TRIM - .5" X 1.5" X 86.5" - WASHED MAPLE
2C	M09511-46-T80	EA	MOLDING/TRIM - .5" X 1.5" X 86.5" - SIERRA MAPLE
3C	Y00223-22-438	EA	MOLDING - HARDWOOD/MAPLE - .7" X 1" X 96" - UNSTAINED MAPLE
3C	Y00223-32-438	EA	MOLDING - HARDWOOD/CHERRY - .7" X 1" X 96" - UNSTAINED CHERRY
3C	Y00223-42-438	EA	MOLDING - HARDWOOD/CHERRY - .7" X 1" X 96" - UNSTAINED OAK
4C	Y00054-A2-438	EA	MOLDING - VINYL - W/SLOT - .7"X 1.9"X 96" - WASHED MAPLE
4C	Y00054-D2-438	EA	MOLDING - VINYL - W/SLOT - .7"X 1.9"X 96" - CONCERT CHERRY
4C	Y00054-22-438	EA	MOLDING - VINYL - W/SLOT - .7"X 1.9"X 96" - WASHED MAPLE
4C	Y00054-72-438	EA	MOLDING - VINYL - W/SLOT - .7"X 1.9"X 96" - PORTSMOUTH OAK
4C	Y00054-82-438	EA	MOLDING - VINYL - W/SLOT - .7"X 1.9"X 96" - HONEY CHERRY
4C	Y00054-92-438	EA	MOLDING - VINYL - W/SLOT - .7"X 1.9"X 96" - SIERRA MAPLE
4C	Y00276-A2-438	EA	MOLDING - VINYL - W/SLOT - .7"X 1.9"X 96" - WASHED MAPLE
4C	Y00276-D2-438	EA	MOLDING - VINYL - W/SLOT - .7"X 1.9"X 96" - CONCERT CHERRY
4C	Y00276-72-438	EA	MOLDING - VINYL - W/SLOT - .7"X 1.9"X 96" - PORTSMOUTH OAK
4C	Y00276-82-438	EA	MOLDING - VINYL - W/SLOT - .7"X 1.9"X 96" - HONEY CHERRY
4C	Y00276-92-438	EA	MOLDING - VINYL - W/SLOT - .7"X 1.9"X 96" - SIERRA MAPLE
5C	Y00152-A2-438	EA	MOLDING/TRIM - VINYL - .6" X 3.5" X 96" - WASHED MAPLE
5C	Y00152-D2-438	EA	MOLDING/TRIM - VINYL - .6" X 3.5" X 96" - CONCERT CHERRY
5C	Y00152-22-438	EA	MOLDING/TRIM - VINYL - .6" X 3.5" X 96" - WASHED MAPLE
5C	Y00152-72-438	EA	MOLDING/TRIM - VINYL - .6" X 3.5" X 96" - PORTSMOUTH OAK
5C	Y00152-92-438	EA	MOLDING/TRIM - VINYL - .6" X 3.5" X 96" - SIERRA MAPLE

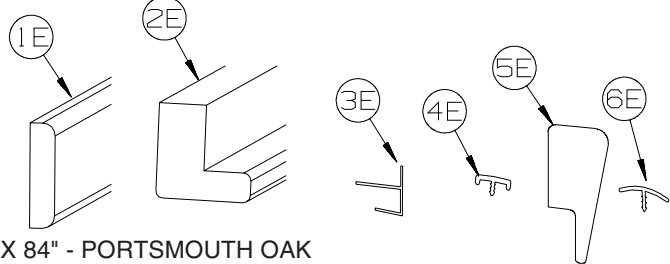
**INTERIOR FINISH GROUP (CONTINUED)**  
**MOLDINGS & TRIMS (CONTINUED)**



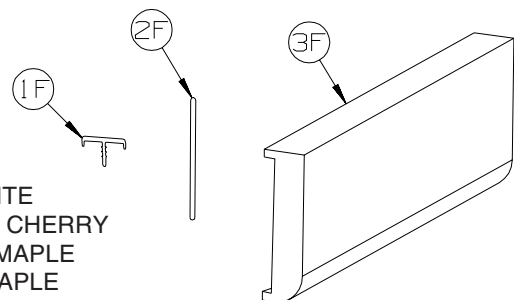
KEY	PART NUMBER	U/M	DESCRIPTION
1D	009767-12-000	FT	WELTING - ANTIQUE WHITE
2D	009778-25-000	FT	U-CHANNEL - 1" - BEIGE ILLUSION
2D	009778-26-000	FT	U-CHANNEL - 1 1/4" - BEIGE ILLUSION
2D	009778-38-000	FT	U-CHANNEL - 1" - BONE
2D	009778-32-000	FT	U-CHANNEL - 1" - PORTSMOUTH OAK
2D	009778-34-000	FT	U-CHANNEL - 1" - CONCERT CHERRY
2D	009778-27-000	FT	U-CHANNEL - 1" - WASHED MAPLE
2D	009778-35-000	FT	U-CHANNEL - 1" - HONEY CHERRY
2D	009778-36-000	FT	U-CHANNEL - 1" - SIERRA MAPLE
3D	009809-30-000	EA	MOLDING - CORNER - OUTSIDE - 1" X 84" - BEIGE ILLUSION
3D	009809-37-000	EA	MOLDING - CORNER - OUTSIDE - 1" X 84" - BONE
3D	009809-33-000	EA	MOLDING - CORNER - OUTSIDE - 1" X 84" - CONCERT CHERRY
3D	009809-31-000	EA	MOLDING - CORNER - OUTSIDE - 1" X 84" - WASHED MAPLE
3D	009809-35-000	EA	MOLDING - CORNER - OUTSIDE - 1" X 84" - SIERRA MAPLE
4D	009812-31-000	EA	MOLDING - CORNER - 1/2" W/1/4"CHAN X 84" - BEIGE ILLUSION
4D	009812-40-000	EA	MOLDING - CORNER - 1/2" W/1/4"CHAN X 84" - BONE
4D	009812-35-000	EA	MOLDING - CORNER - 1/2" W/1/4"CHAN X 84" - PORTSMOUTH OAK
4D	009812-36-000	EA	MOLDING - CORNER - 1/2" W/1/4"CHAN X 84" - CONCERT CHERRY
4D	009812-33-000	EA	MOLDING - CORNER - 1/2" W/1/4"CHAN X 84" - WASHED MAPLE
4D	009812-37-000	EA	MOLDING - CORNER - 1/2" W/1/4"CHAN X 84" - HONEY CHERRY
4D	009812-38-000	EA	MOLDING - CORNER - 1/2" W/1/4"CHAN X 84" - SIERRA MAPLE
5D	022992-11-000	FT	MOLDING - REVERSE COVE - T-SHAPED - IVORY
5D	022992-14-000	FT	MOLDING - REVERSE COVE - T-SHAPED - BRIGHT WHITE
5D	022992-18-000	FT	MOLDING - REVERSE COVE - T-SHAPED - BONE
6D	070504-42-000	FT	U-CHANNEL - PLASTIC - .13" X 84" - BEIGE ILLUSION
6D	070504-43-000	FT	U-CHANNEL - PLASTIC - .9" X 96" - BEIGE ILLUSION
6D	070504-69-000	FT	U-CHANNEL - PLASTIC - .13" X 84" - BONE
6D	070504-70-000	FT	U-CHANNEL - PLASTIC - .8" X 84" - BONE
6D	070504-57-000	FT	U-CHANNEL - PLASTIC - .13" X 96" - PORTSMOUTH OAK
6D	070504-58-000	FT	U-CHANNEL - PLASTIC - .9" X 96" - PORTSMOUTH OAK
6D	070504-60-000	FT	U-CHANNEL - PLASTIC - .13" X 84" - CONCERT CHERRY
6D	070504-61-000	FT	U-CHANNEL - PLASTIC - .9" X 84" - CONCERT CHERRY
6D	070504-50-000	FT	U-CHANNEL - PLASTIC - .13" X 96" - WASHED MAPLE
6D	070504-51-000	FT	U-CHANNEL - PLASTIC - .9" X 96" - WASHED MAPLE
6D	070504-62-000	FT	U-CHANNEL - PLASTIC - 1.65" X 84" - HONEY CHERRY
6D	070504-63-000	FT	U-CHANNEL - PLASTIC - .9" X 84" - HONEY CHERRY
6D	070504-65-000	FT	U-CHANNEL - PLASTIC - .07" X 96" - SIERRA MAPLE
6D	070504-66-000	FT	U-CHANNEL - PLASTIC - .8" X 84" - SIERRA MAPLE
7D	083620-25-000	FT	MOLDING-T - W/EDGE LIP - 7/8" FACE - BONE
7D	083620-20-000	FT	MOLDING-T - W/EDGE LIP - 7/8" FACE - PORTSMOUTH OAK
7D	083620-19-000	FT	MOLDING-T - W/EDGE LIP - 7/8" FACE - WASHED MAPLE
7D	083620-24-000	FT	MOLDING-T - W/EDGE LIP - 7/8" FACE - HONEY CHERRY
7D	083620-22-000	FT	MOLDING-T - W/EDGE LIP - 7/8" FACE - SIERRA MAPLE
8D	086229-01-000	EA	RETAINER - BATTEN - .75" X 92.1" - ANY COLOR
9D	086229-12-000	EA	BATTEN - 1.5" OFFSET X 96.8" - MODERN IVORY
9D	086229-20-000	EA	BATTEN - 1" X 96" - BEIGE

## INTERIOR FINISH GROUP (CONTINUED)

### MOLDINGS & TRIMS (CONTINUED)



KEY	PART NUMBER	U/M	DESCRIPTION
1E	100818-01-12A	EA	MOLDING - VINYL WRAPPED - 1.6" X .4" X 84" - PORTSMOUTH OAK
1E	100818-01-23A	EA	MOLDING - VINYL WRPPD - 1.6" X .4" X 84" - CONCERT CHERRY
1E	100818-01-21A	EA	MOLDING - VINYL WRAPPED - 1.6" X .4" X 84" - WASHED MAPLE
1E	100818-01-14A	EA	MOLDING - VINYL WRAPPED - 1.6" X .4" X 84" - HONEY CHERRY
1E	100818-01-22A	EA	MOLDING - VINYL WRAPPED - 1.6" X .4" X 84" - SIERRA MAPLE
2E	100819-01-23A	EA	MOLDING - VYL WRPPD-L-SHPD-1.5"X1.5"X84" - CONCERT CHERRY
2E	100819-01-21A	EA	MOLDING - VINYL WRAPPED-L-SHAPED-1.5"X1.5"X84" - WASHED MAPLE
2E	100819-01-14A	EA	MOLDING - VINYL WRAPPED-L-SHAPED-1.5"X1.5"X84" - HONEY CHERRY
2E	100819-01-22A	EA	MOLDING - VINYL WRAPPED-L-SHAPED-1.5"X1.5"X84" - SIERRA MAPLE
3E	103186-01-07A	FT	MOLDING/PLASTIC - 3/8" U-CHANNEL-3/4" FACE - BEIGE ILLUSION
3E	103186-01-09A	FT	MOLDING/PLASTIC - 3/8" U-CHANNEL-3/4" FACE - PORTSMOUTH OAK
3E	103186-01-10A	FT	MOLDING/PLASTIC - 3/8" U-CHANNEL-3/4" FACE - CONCERT CHERRY
3E	103186-01-08A	FT	MOLDING/PLASTIC - 3/8" U-CHANNEL-3/4" FACE- 8' - WASHED MAPLE
3E	103186-01-11A	FT	MOLDING/PLASTIC - 3/8" U-CHANNEL-3/4" FACE - HONEY CHERRY
3E	103186-01-12A	FT	MOLDING/PLASTIC - 3/8" U-CHANNEL-3/4" FACE - SIERRA MAPLE
3E	103186-02-07A	FT	MOLDING/PLASTIC-1" U-CHANNEL-1 3/8" FACE - BEIGE ILLUSION
3E	103186-02-09A	FT	MOLDING/PLASTIC - 1" U-CHANNEL-1 3/8" FACE - PORTSMOUTH OAK
3E	103186-02-10A	FT	MOLDING/PLASTIC - 1" U-CHANNEL-1 3/8" FACE - CONCERT CHERRY
3E	103186-02-08A	FT	MOLDING/PLASTIC - 1" U-CHANNEL-1 3/8" FACE - WASHED MAPLE
3E	103186-02-11A	FT	MOLDING/PLASTIC - 1" U-CHANNEL-1 3/8" FACE - HONEY CHERRY
3E	103186-02-12A	FT	MOLDING/PLASTIC - 1" U-CHANNEL-1 3/8" FACE - SIERRA MAPLE
4E	104676-02-08A	FT	MOLDING-T - W/EDGE LIP - 11/16" FACE - PORTSMOUTH OAK
4E	104676-02-12A	FT	MOLDING-T - W/EDGE LIP - 11/16" FACE - SIERRA MAPLE
5E	105004-01-12A	EA	MOLDING - VINYL WRAP - 1" X 96" - PORTSMOUTH OAK
5E	105004-01-21A	EA	MOLDING - VINYL WRAP - 1" X 96" - WASHED MAPLE
5E	105004-01-24A	EA	MOLDING - VINYL WRAP - 1" X 96" - HONEY CHERRY
5E	105004-01-22A	EA	MOLDING - VINYL WRAP - 1" X 96" - SIERRA MAPLE
6E	105709-02-000	FT	MOLDING-T - W/EDGE LIP 3/4" FACE - BEIGE ILLUSION



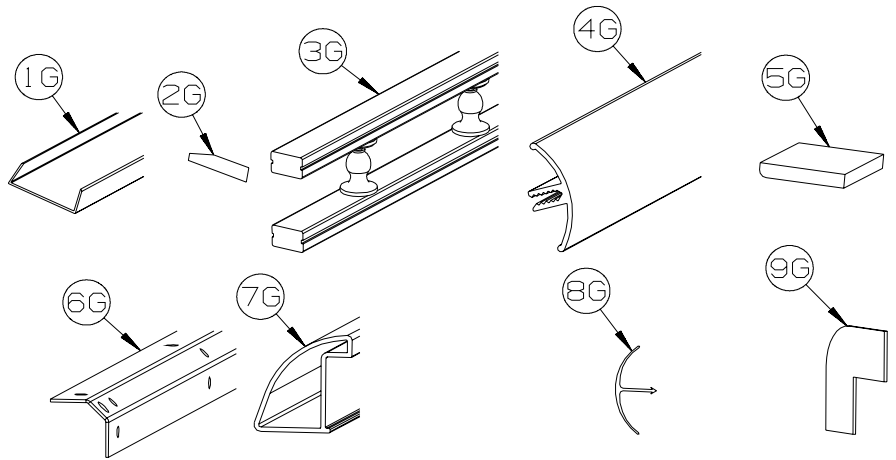
KEY	PART NUMBER	U/M	DESCRIPTION
1F	119520-01-01A	FT	MOLDING-T - OFFSET W/EDGE LIP - 1.3" FACE - OFF WHITE
1F	119520-03-02A	FT	MOLDING-T - OFFSET W/EDGE LIP - 1" FACE - CONCERT CHERRY
1F	119520-03-03A	FT	MOLDING-T - OFFSET W/EDGE LIP - 1" FACE - WASHED MAPLE
1F	119520-03-05A	FT	MOLDING-T - OFFSET W/EDGE LIP - 1" FACE - SIERRA MAPLE
1F	119520-03-06A	FT	MOLDING-T - OFFSET W/EDGE LIP - 1" FACE - HONEY CHERRY
2F	127842-01-01A	FT	SEAL - SIGHT SHIELD - 2" BLACK
	160300-A2-438	EA	LUMBER - VINYL WRAPPED - .7" X .75" X 96" - CONCERT CHERRY
	160300-D2-438	EA	LUMBER - VINYL WRAPPED - .7" X 1.5" X 96" - CONCERT CHERRY
	160300-E2-438	EA	LUMBER - VINYL WRAPPED - .7" X 2" X 96" - CONCERT CHERRY
	160300-F2-438	EA	LUMBER - VINYL WRAPPED - .7" X 2.5" X 96" - CONCERT CHERRY
	160300-G2-438	EA	LUMBER - VINYL WRAPPED - .7" X 3" X 96" - CONCERT CHERRY
	160300-H2-438	EA	LUMBER - VINYL WRAPPED - .7" X 3.5" X 96" - CONCERT CHERRY
	160300-J2-438	EA	LUMBER - VINYL WRAPPED - .7" X 5.5" X 96" - CONCERT CHERRY
	160300-K2-438	EA	LUMBER - VINYL WRAPPED - .7" X 3.9" X 96" - CONCERT CHERRY
	160300-R2-438	EA	LUMBER - VINYL WRAPPED - .7" X 3" X 96" - CONCERT CHERRY
3F	160301-D2-134	EA	MOLDING - VINYL WRAPPED - .7" X 1.6" X 84" - CONCERT CHERRY
3F	160301-D2-743	EA	MOLDING - VINYL WRAPPED - .7" X 1.6" X 108" - CONCERT CHERRY
3F	160301-F2-134	EA	MOLDING - VINYL WRAPPED - .7" X 2.5" X 84" - CONCERT CHERRY
3F	160301-F2-743	EA	MOLDING - VINYL WRPPD - .7" X 2.5" X 108" - CONCERT CHERRY
3F	160301-F2-438	EA	MOLDING - VINYL WRPPD - .7" X 2.5" X 96" - CONCERT CHERRY
	137894-A2-438	EA	LUMBER - VINYL WRAPPED - .7" X .75" X 96" - PORTSMOUTH OAK
	137894-D2-438	EA	LUMBER - VINYL WRAPPED - .7" X 1.5" X 96" - PORTSMOUTH OAK
	137894-E2-438	EA	LUMBER - VINYL WRAPPED - .7" X 2" X 96" - PORTSMOUTH OAK
	137894-F2-438	EA	LUMBER - VINYL WRAPPED - .7" X 2.5" X 96" - PORTSMOUTH OAK
	137894-G2-438	EA	LUMBER - VINYL WRAPPED - .7" X 3" X 96" - PORTSMOUTH OAK
	137894-H2-438	EA	LUMBER - VINYL WRAPPED - .7" X 3.5" X 96" - PORTSMOUTH OAK
	137894-J2-438	EA	LUMBER - VINYL WRAPPED - .7" X 5.5" X 96" - PORTSMOUTH OAK



**INTERIOR FINISH GROUP (CONTINUED)**  
**MOLDINGS & TRIMS (CONTINUED)**

KEY	PART NUMBER	U/M	DESCRIPTION
	137894-J2-743	EA	LUMBER - VINYL WRAPPED - .7" X 5.5" X 108" - PORTSMOUTH OAK
	137894-K2-438	EA	LUMBER - VINYL WRAPPED - .7" X 3.9" X 96" - PORTSMOUTH OAK
	137894-R2-438	EA	LUMBER - VINYL WRAPPED - .7" X 3" X 96" - PORTSMOUTH OAK
3F	137895-D2-134	EA	MOLDING - VINYL WRAP - .7" X 1.6" X 84" - PORTSMOUTH OAK
3F	137895-D2-743	EA	MOLDING - VINYL WRAP - .7" X 1.6" X 108" - PORTSMOUTH OAK
3F	137895-F2-134	EA	MOLDING - VINYL WRAP - .7" X 2.5" X 84" - PORTSMOUTH OAK
3F	137895-F2-438	EA	MOLDING - VINYL WRAP - .7" X 2.5" X 96" - PORTSMOUTH OAK
3F	137895-F2-743	EA	MOLDING - VINYL WRAP - .7" X 2.5" X 108" - PORTSMOUTH OAK
	146419-A2-438	EA	LUMBER - VINYL WRAPPED - .7" X .75" X 96" - HONEY CHERRY
	146419-D2-438	EA	LUMBER - VINYL WRAPPED - .7" X 1.5" X 96" - HONEY CHERRY
	146419-E2-438	EA	LUMBER - VINYL WRAPPED - .7" X 2" X 96" - HONEY CHERRY
	146419-F2-438	EA	LUMBER - VINYL WRAPPED - .7" X 2.5" X 96" - HONEY CHERRY
	146419-G2-438	EA	LUMBER - VINYL WRAPPED - .7" X 3" X 96" - HONEY CHERRY
	146419-H2-438	EA	LUMBER - VINYL WRAPPED - .7" X 3.5" X 96" - HONEY CHERRY
	146419-J2-438	EA	LUMBER - VINYL WRAPPED - .7" X 5.5" X 96" - HONEY CHERRY
	146419-J2-743	EA	LUMBER - VINYL WRAPPED - .7" X 5.5" X 108" - HONEY CHERRY
	146419-K2-438	EA	LUMBER - VINYL WRAPPED - .7" X 3.9" X 96" - HONEY CHERRY
	146419-R2-438	EA	LUMBER - VINYL WRAPPED - .7" X 3" X 96" - HONEY CHERRY
	146419-S2-438	EA	LUMBER - VINYL WRAPPED/FULL - .7"X 3.5"X 96" - HONEY CHERRY
	146419-T2-438	EA	LUMBER - VINYL WRAPPED/FULL - .7"X 5.5"X 96" - HONEY CHERRY
3F	146425-D2-134	EA	MOLDING - VINYL WRAPPED - .7" X 1.6" X 83.9" - HONEY CHERRY
3F	146425-F2-438	EA	MOLDING - VINYL WRAPPED - .7" X 2.6" X 96" - HONEY CHERRY
	149325-A2-438	EA	LUMBER - VINYL WRAPPED - .7" X .75" X 96" - WASHED MAPLE
	149325-D2-438	EA	LUMBER - VINYL WRAPPED - .7" X 1.5" X 96" - WASHED MAPLE
	149325-E2-438	EA	LUMBER - VINYL WRAPPED - .7" X 2" X 96" - WASHED MAPLE
	149325-F2-438	EA	LUMBER - VINYL WRAPPED - .7" X 2.5" X 96" - WASHED MAPLE
	149325-G2-438	EA	LUMBER - VINYL WRAPPED - .7" X 3" X 96" - WASHED MAPLE
	149325-H2-438	EA	LUMBER - VINYL WRAPPED - .7" X 3.5" X 96" - WASHED MAPLE
	149325-J2-438	EA	LUMBER - VINYL WRAPPED - .7" X 5.5" X 96" - WASHED MAPLE
	149325-J2-743	EA	LUMBER - VINYL WRAPPED - .7" X 5.5" X 108" - WASHED MAPLE
	149325-K2-438	EA	LUMBER - VINYL WRAPPED - .7" X 3.9" X 96" - WASHED MAPLE
	149325-R2-438	EA	LUMBER - VINYL WRAPPED - .7" X 3" X 96" - WASHED MAPLE
3F	149326-D2-134	EA	MOLDING - VINYL WRAPPED - .7" X 1.5" X 83.9" - WASHED MAPLE
3F	149326-D2-743	EA	MOLDING - VINYL WRAPPED - .7" X 1.5" X 108" - WASHED MAPLE
3F	149326-F2-134	EA	MOLDING - VINYL WRAPPED - .7" X 2.5" X 83.9" - WASHED MAPLE
3F	149326-F2-438	EA	MOLDING - VINYL WRAPPED - .7" X 2.5" X 96" - WASHED MAPLE
3F	149326-F2-743	EA	MOLDING - VINYL WRAPPED - .7" X 2.5" X 108" - WASHED MAPLE
	149330-A2-438	EA	LUMBER - VINYL WRAPPED - .7" X .75" X 96" - SIERRA MAPLE
	149330-D2-438	EA	LUMBER - VINYL WRAPPED - .7" X 1.5" X 96" - SIERRA MAPLE
	149330-E2-438	EA	LUMBER - VINYL WRAPPED - .7" X 2" X 96" - SIERRA MAPLE
	149330-F2-438	EA	LUMBER - VINYL WRAPPED - .7" X 2.5" X 96" - SIERRA MAPLE
	149330-G2-438	EA	LUMBER - VINYL WRAPPED - .7" X 3" X 96" - SIERRA MAPLE
	149330-H2-438	EA	LUMBER - VINYL WRAPPED - .7" X 3.5" X 96" - SIERRA MAPLE
	149330-J2-438	EA	LUMBER - VINYL WRAPPED - .7" X 5.5" X 96" - SIERRA MAPLE
	149330-J2-743	EA	LUMBER - VINYL WRAPPED - .7" X 5.5" X 108" - SIERRA MAPLE
	149330-K2-438	EA	LUMBER - VINYL WRAPPED - .7" X 3.9" X 96" - SIERRA MAPLE
	149330-R2-438	EA	LUMBER - VINYL WRAPPED - .7" X 3" X 96" - SIERRA MAPLE
3F	149331-D2-134	EA	MOLDING - VINYL WRAP - .7" X 1.5" X 83.9" - SIERRA MAPLE
3F	149331-D2-743	EA	MOLDING - VINYL WRAP - .7" X 1.5" X 108" - SIERRA MAPLE
3F	149331-F2-134	EA	MOLDING - VINYL WRAP - .7" X 2.5" X 83.9" - SIERRA MAPLE
3F	149331-F2-438	EA	MOLDING - VINYL WRAP - .7" X 2.5" X 96" - SIERRA MAPLE
3F	149331-F2-743	EA	MOLDING - VINYL WRAP - .7" X 2.5" X 108" - SIERRA MAPLE

**INTERIOR FINISH GROUP (CONTINUED)**  
**MOLDINGS & TRIMS (CONTINUED)**



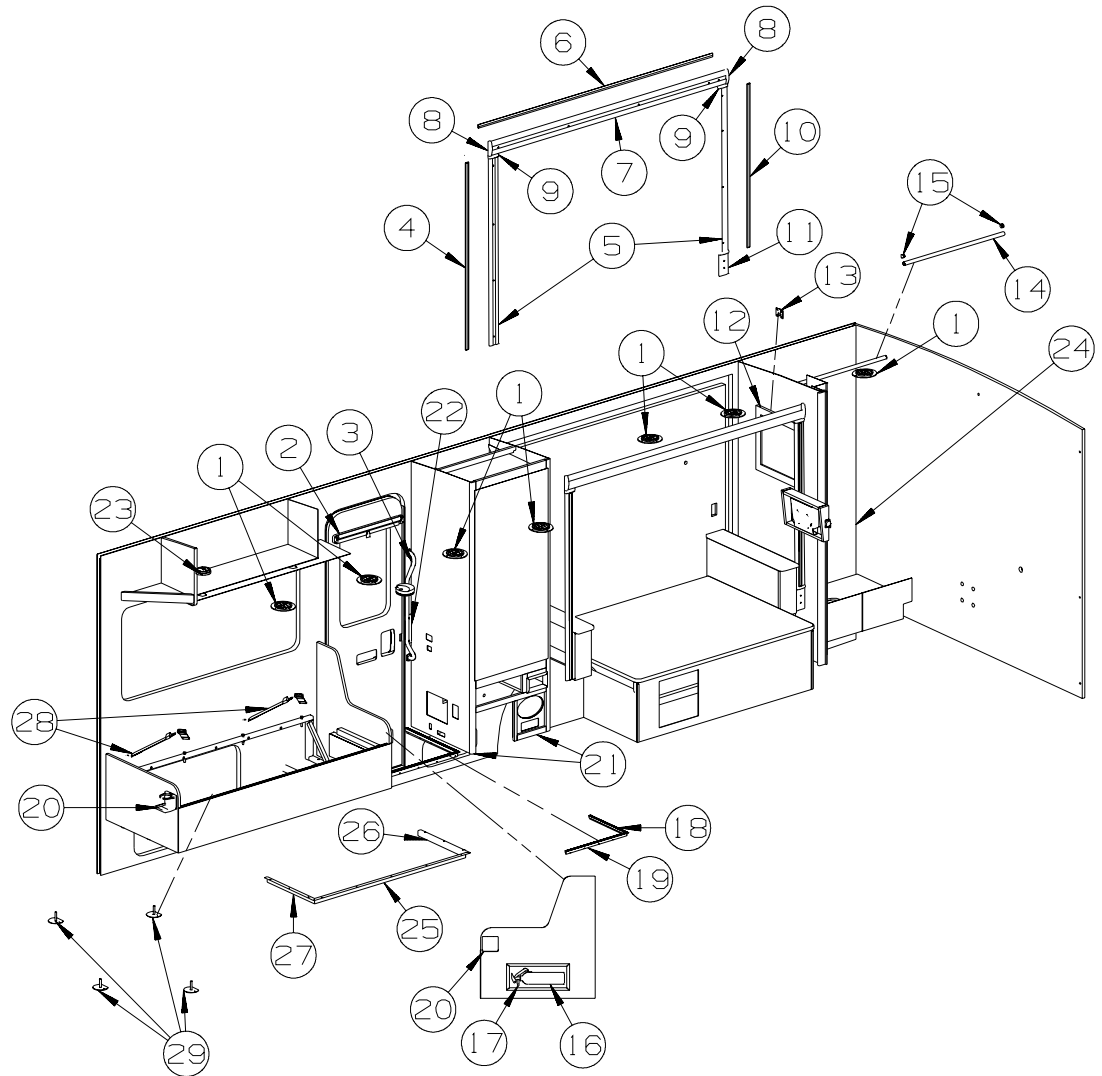
KEY	PART NUMBER	U/M	DESCRIPTION
1G	141260-01-01A	FT	U-CHANNEL - 1" - VILLAGE OAK
1G	141260-01-02A	FT	U-CHANNEL - 1" - GRADY BROWN
2G	146306-01-01A	FT	TRANSITION - CARPET/TILE
3G	150167-01-03A	EA	RAIL - DECORATIVE - 96" - WASHED MAPLE
3G	150167-01-07A	EA	RAIL - DECORATIVE - 96" - PORTSMOUTH OAK
3G	150167-01-08A	EA	RAIL - DECORATIVE - 96" - HONEY CHERRY
3G	150167-01-09A	EA	RAIL - DECORATIVE - 96" - SIERRA MAPLE
4G	151653-10-02A	EA	TRIM/RADIUS - CABINET CORNER - 79.6" - DULL METALLIC
4G	151653-13-02A	EA	TRIM/RADIUS - CABINET CORNER - 79.8" - DULL METALLIC
5G	M09568-04-W80	EA	MOLDING/TRIM - .3" X 1.5" X 73.6" - SIERRA MAPLE
5G	M09568-04-W79	EA	MOLDING/TRIM - .3" X 1.5" X 73.6" - WASHED MAPLE
6G	151861-01-02B	EA	ANGLE - SUPPORT/CORNER - 1.4" X 12.5" - E-COATED
6G	151861-02-02B	EA	ANGLE - SUPPORT/CORNER - 1.4" X 20.1" - E-COATED
6G	151861-03-02B	EA	ANGLE - SUPPORT/CORNER - 1.4" X 26.7" - E-COATED
6G	151861-04-02B	EA	ANGLE - SUPPORT/CORNER - 1.4" X 32.7" - E-COATED
6G	151861-05-02B	EA	ANGLE - SUPPORT/CORNER - 1.4" X 78.6" - E-COATED
6G	151861-06-02B	EA	ANGLE - SUPPORT/CORNER - 1.4" X 59" - E-COATED
6G	151861-08-02B	EA	ANGLE - SUPPORT/CORNER - 1.4" X 22.2" - E-COATED
6G	151861-09-02B	EA	ANGLE - SUPPORT/CORNER - 1.4" X 14.9" - E-COATED
7G	151893-01-02A	EA	TRIM/RADIUS - CABINET BOTTOM - 72.6" - DULL METALLIC
8G	156464-01-01A	FT	MOLDING - CORNER - RADIUS/PLASTIC - 8' - HONEY CHERRY
8G	156464-01-02A	FT	MOLDING - CORNER - RADIUS/PLASTIC - 8' - WASHED MAPLE
8G	156464-01-05A	FT	MOLDING - CORNER - RADIUS/PLASTIC - 8' - SIERRA MAPLE
8G	156464-01-06A	FT	MOLDING - CORNER - RADIUS/PLASTIC - 8' - CONCERT CHERRY
8G	156464-03-03A	FT	MOLDING - CORNER - RADIUS/PLASTIC - 8' - BONE
	081521-02-007	EA	MOUNT - METAL MOLDING - F/RADIUS CORNER MOLDING - 151.5"
9G	160989-01-06A	FT	CAP - CORNER - RADIUS MOLDING - PLASTIC - WASHED MAPLE
9G	160989-01-07A	FT	CAP - CORNER - RADIUS MOLDING - PLASTIC - HONEY CHERRY

**INTERIOR FINISH GROUP (CONTINUED)**  
**PANELING & LAMINATES**

<b>KEY</b>	<b>PART NUMBER</b>	<b>U/M</b>	<b>DESCRIPTION</b>
	000885-B0-000	SF	PARTICLE BOARD - 3/8" X 4' X 8' - SIERRA MAPLE - 2 SIDED
	000885-B1-000	SF	PARTICLE BOARD - 3/8" X 4' X 8' - SIERRA MAPLE - 1 SIDED
	000885-B2-000	SF	PARTICLE BOARD - 3/4" X 4' X 8' - SIERRA MAPLE - 2 SIDED
	000885-B4-000	SF	PARTICLE BOARD - 3/8" X 4' X 8'- WASHED MAPLE - 2 SIDED
	000885-B5-000	SF	PARTICLE BOARD - 3/8" X 4' X 8'- WASHED MAPLE - 1 SIDED
	000885-B6-000	SF	PARTICLE BOARD - 3/4" X 4' X 8'- WASHED MAPLE - 2 SIDED
	000885-C3-000	SF	PARTICLE BOARD - 3/8" X 4' X 8' - WHITE THATCH EMB-1 SIDED
	074497-48-000	SF	PANELING - SIERRA MAPLE - 1/8" X 4' X 8'
	074497-49-000	SF	PANELING - WASHED MAPLE - 1/8" X 4' X 8'
	074498-B6-000	SF	LAMINATE - PLASTIC - SATIN OXIDE - 5' X 8'
	076773-19-000	SF	PANELING - 2 SIDED/SIERRA MAPLE - 1/8" X 4' X 8'
	076773-20-000	SF	PANELING - 2 SIDED/WASHED MAPLE - 1/8" X 4' X 8'
	076773-24-000	SF	PANELING - 1 SIDE/SIERRA MAPLE - 1/8" X 4' X 7'
	076773-25-000	SF	PANELING - 1 SIDE/NEAT WASHED MAPLE - 1/8" X 4' X 7'
	088272-M9-000	SF	PANELING - WHITE THATCHED - 4' X 8'
	088272-N4-000	SF	PANELING - RAWHIDE HERITAGE - 4' X 7.4' (W45, W46) FROM: 00-00-00 THRU: 04-01-07
	088272-N9-000	SF	PANELING - OTTAWA HERITAGE - 4' X 7.4' (W45, W46) FROM: 04-02-07 THRU: 07-15-07
	088272-M7-000	SF	PANELING - KURTA/CANVAS - 4' X 7.4" (W45, W46) FROM: 07-16-07 THRU: 99-99-99
	085284-L4-000	FT	BATT TAPE - ADHESIVE BACKED - DECORATIVE - RAWHIDE HERITAG (W45, W46) FROM: 00-00-00 THRU: 04-01-07
	085284-L8-000	FT	BATT TAPE - ADHESIVE BACKED - DECORATIVE - OTTAWA HERITAGE (W45, W46) FROM: 04-02-07 THRU: 07-15-07
	085284-K7-000	FT	BATT TAPE - ADHESIVE BACKED - DECORATIVE - KURTA/CANVAS (W45, W46) FROM: 07-16-07 THRU: 99-99-99
	088272-M7-000	SF	PANELING - KURTA/CANVAS - 4' X 7.4" (W47, W48)
	085284-K7-000	FT	BATT TAPE - ADHESIVE BACKED - DECORATIVE - KURTA/CANVAS (W47, W48)
	088272-N4-000	SF	PANELING - RAWHIDE HERITAGE - 4' X 7.4' (W49, W50) FROM: 00-00-00 THRU: 04-01-07
	088272-M7-000	SF	PANELING - KURTA/CANVAS - 4' X 7.4" (W45, W46) FROM: 04-02-07 THRU: 07-15-07
	088272-N9-000	SF	PANELING - OTTAWA HERITAGE - 4' X 7.4' (W49, W50) FROM: 07-16-07 THRU: 99-99-99
	085284-L4-000	FT	BATT TAPE - ADHESIVE BACKED - DECORATIVE - RAWHIDE HERITAG (W49, W50) FROM: 00-00-00 THRU: 04-01-07
	085284-K7-000	FT	BATT TAPE - ADHESIVE BACKED - DECORATIVE - KURTA/CANVAS (W45, W46) FROM: 04-02-07 THRU: 07-15-07
	085284-L8-000	FT	BATT TAPE - ADHESIVE BACKED - DECORATIVE - OTTAWA HERITAGE (W49, W50) FROM: 07-16-07 THRU: 99-99-99

# INTERIOR FINISH GROUP (CONTINUED)

## INTERIOR TRIM LAYOUT

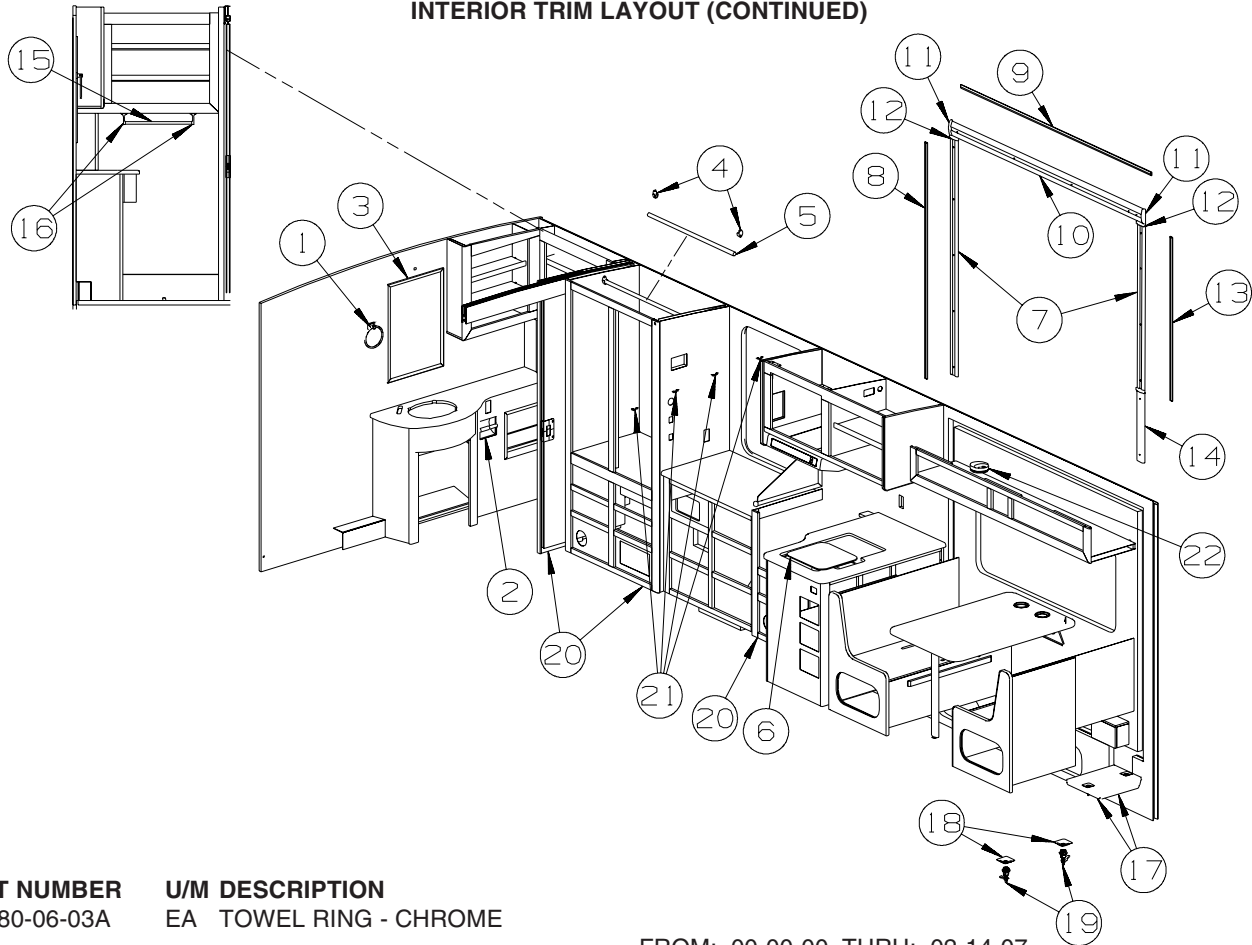


KEY	PART NUMBER	U/M	DESCRIPTION
1	120134-01-02A	EA	REGISTER - W/DAMPER - 4" PIPE/6.4" O.D. FACE - WHITE
2	144628-03-01A	EA	SHADE - SCREEN DOOR - 20.1" X 33.4" - BRIGHT WHITE/TAUPE
2	144628-03-02A	EA	SHADE - SCREEN DOOR - 20.3" X 33.4" - BLACK
3	137605-04-01A	EA	HAND RAIL - INTERIOR ENTRY DOOR - BLACK
4	149496-58-W45	EA	TRIM - DECORATIVE - 1" X 52.6" - FABRIC COVERED (W45, W46)
4	149496-58-W47	EA	TRIM - DECORATIVE - 1" X 52.6" - FABRIC COVERED (W47, W48)
4	149496-58-W49	EA	TRIM - DECORATIVE - 1" X 52.6" - FABRIC COVERED (W49, W50)
5	Y00360-A2-438	EA	MOLDING - VINYL/CURVED - 3" X 96" - WASHED MAPLE
5	Y00360-92-438	EA	MOLDING - VINYL/CURVED - 3" X 96" - SIERRA MAPLE
6	149496-59-W45	EA	TRIM - DECORATIVE - 1" X 78.8" - FABRIC COVERED (W45, W46)
6	149496-59-W47	EA	TRIM - DECORATIVE - 1" X 78.8" - FABRIC COVERED (W47, W48)
6	149496-59-W49	EA	TRIM - DECORATIVE - 1" X 78.8" - FABRIC COVERED (W49, W50)
7	Y00361-A2-438	EA	MOLDING - VINYL/CURVED - 3.9" X 96" - WASHED MAPLE
7	Y00361-92-438	EA	MOLDING - VINYL/CURVED - 3.9" X 96" - SIERRA MAPLE
8	156636-05-U17	EA	MOLDING/BLOCK - .8" X 4" - WASHED MAPLE
8	156636-05-U52	EA	MOLDING/BLOCK - .8" X 4" - SIERRA MAPLE
9	156636-04-U17	EA	MOLDING/BLOCK - .8" X 3.1" - WASHED MAPLE
9	156636-04-U52	EA	MOLDING/BLOCK - .8" X 3.1" - SIERRA MAPLE
10	149496-60-W45	EA	TRIM - DECORATIVE - 1" X 46" - FABRIC COVERED (W45, W46)
10	149496-60-W47	EA	TRIM - DECORATIVE - 1" X 46" - FABRIC COVERED (W47, W48)
10	149496-60-W49	EA	TRIM - DECORATIVE - 1" X 46" - FABRIC COVERED (W49, W50)
11	153973-04-W37	EA	MOLDING - CROWN/BLOCK - 6.7" - WASHED MAPLE
11	153973-04-W38	EA	MOLDING - CROWN/BLOCK - 6.7" - SIERRA MAPLE
12	131493-16-01A	EA	PICTURE - DECORATIVE - 9" X 21" - BLOOMING (W45, W46)
			FROM: 00-00-00 THRU: 01-11-07
12	131493-02-43A	EA	PICTURE - DECORATIVE - 13" X 15" - POTTERY II (W45, W46)
			FROM: 01-12-07 THRU: 99-99-99

**INTERIOR FINISH GROUP (CONTINUED)**  
**INTERIOR TRIM LAYOUT (CONTINUED)**

KEY	PART NUMBER	U/M	DESCRIPTION
12	131493-10-01A	EA	PICTURE - DECORATIVE - 16" X 16" - MOTIF IV (W47, W48)
12	131493-04-04A	EA	PICTURE - DECORATIVE - 16" X 19" - DAISY (W49, W50)
13	130120-01-01A	EA	BRACKET/MOUNTING - MIRROR
14	102075-06-02A	EA	ROD - SHOWER CURTAIN - 1" OD X 33.5" - SOFT WHITE
15	081114-02-000	EA	CAP - INSERT/ROUND - 1" DIAMETER - WHITE PLASTIC
16*	094499-02-000	EA	EXTINGUISHER/FIRE - DRY - 10BC - W/GAUGE - CANADIAN
16	094499-03-000	EA	EXTINGUISHER/FIRE - DRY - 10BC - W/GAUGE/BRACKET
17	094499-06-000	EA	EXTINGUISHER/FIRE - DRY - 10BC - W/BRACKET - UL/ULC - WHT
18	139955-05-01A	EA	TRIM - STEP/ENTRY - 20.9" - MILL
19	139955-02-01A	EA	TRIM - STEP/ENTRY - 27.7" - MILL
19	139955-15-01A	EA	TRIM - STEP/ENTRY - 21.7" - MILL - FLOOR COVERING-VINYL
19	139955-16-01A	EA	TRIM - STEP/ENTRY - 21.7" - MILL - FLOOR COVERING-VINYL
19	139955-17-01A	EA	TRIM - STEP/ENTRY - 28" - MILL - FLOOR COVERING-VINYL
20	118718-01-03A	EA	HOLDER/DRINK - COLLAPSIBLE MUG - ALMOND
FROM: 01-01-07 THRU: 99-99-99			
21	M09471-79-R46	EA	MOLDING - TRIM/COVE - .8" X .8" X 96" - WASHED MAPLE
21	M09471-79-SA3	EA	MOLDING - TRIM/COVE - .8" X .8" X 96" - SIERRA MAPLE
22	152933-01-01A	EA	COVER - BRACKET - STRIKE - BRIGHT WHITE
22	152933-01-02A	EA	COVER - BRACKET - STRIKE - BLACK
23	072852-01-000	EA	DETECTOR - SMOKE - W/9 VOLT BATTERY - US
23	072852-02-000	EA	DETECTOR - SMOKE - W/9 VOLT BATTERY - CANADIAN
	077956-01-000	EA	LABEL - WARNING/SMOKE DETECTOR
24	151578-01-02A	EA	DOOR - SHOWER - 36.3" X 61.9" - WHT OPAQUE SCREEN/WHITE
25	157481-01-01A	EA	TRIM - COMPARTMENT/ENTRY - 52.2" - MILL
26	157481-03-01A	EA	TRIM - COMPARTMENT/ENTRY - 20.2" - MILL
27	157481-02-01A	EA	TRIM - COMPARTMENT/ENTRY - 20.3" - MILL
28	160167-02-01A	EA	SEAT BELT - 2" X 90" - BLACK
29	140221-04-02B	EA	PLATE/WASHER - SEAT BELT - W/BOLT - E-COAT
<b>*COMPONENT PARTS LISTED LATER IN THIS GROUP</b>			

**INTERIOR FINISH GROUP (CONTINUED)**  
**INTERIOR TRIM LAYOUT (CONTINUED)**



KEY	PART NUMBER	U/M	DESCRIPTION
1	145980-06-03A	EA	TOWEL RING - CHROME
			FROM: 00-00-00 THRU: 02-14-07
1	163601-01-01A	EA	TOWEL RING - CHROME
			FROM: 02-15-07 THRU: 99-99-99
2	145980-02-02A	EA	HOLDER - TOILET TISSUE - RECESSED - NICKEL
3	140374-51-000	EA	MIRROR - SAFETY GLASS - 19.2" X 26.5"
4	152301-01-01A	EA	FLANGE - PLASTIC - 1" CLOTHES ROD HOLDER - WHITE
5	Y00136-21-218	EA	DOWEL - WOOD - CLOTHES ROD - 1"DIAMETER X 4'
6	162616-01-01A	EA	COVER/SINK - LARGE - PEARL GRAY
			FROM: 00-00-00 THRU: 03-02-08
6	162616-05-01A	EA	COVER/SINK - LARGE - PEARL GRAY
			FROM: 03-03-08 THRU: 99-99-99
6	162616-02-01A	EA	COVER/SINK - SMALL - PEARL GRAY
			FROM: 00-00-00 THRU: 03-02-08
6	162616-06-01A	EA	COVER/SINK - SMALL - PEARL GRAY
			FROM: 03-03-08 THRU: 99-99-99
7	Y00360-A2-438	EA	MOLDING - VINYL/CURVED - 3" X 96" - WASHED MAPLE
7	Y00360-92-438	EA	MOLDING - VINYL/CURVED - 3" X 96" - SIERRA MAPLE
8	149496-56-W45	EA	TRIM - DECORATIVE - 1" X 66.5" - FABRIC COVERED (W45, W46)
8	149496-56-W47	EA	TRIM - DECORATIVE - 1" X 66.5" - FABRIC COVERED (W47, W48)
8	149496-56-W49	EA	TRIM - DECORATIVE - 1" X 66.5" - FABRIC COVERED (W49, W50)
9	149496-55-W45	EA	TRIM - DECORATIVE - 1" X 78.7" - FABRIC COVERED (W45, W46)
9	149496-55-W47	EA	TRIM - DECORATIVE - 1" X 78.7" - FABRIC COVERED (W47, W48)
9	149496-55-W49	EA	TRIM - DECORATIVE - 1" X 78.7" - FABRIC COVERED (W49, W50)
10	Y00361-A2-438	EA	MOLDING - VINYL/CURVED - 3.9" X 96" - WASHED MAPLE
10	Y00361-92-438	EA	MOLDING - VINYL/CURVED - 3.9" X 96" - SIERRA MAPLE
11	156636-05-U17	EA	MOLDING/BLOCK - .8" X 4" - WASHED MAPLE
11	156636-05-U52	EA	MOLDING/BLOCK - .8" X 4" - SIERRA MAPLE
12	156636-04-U17	EA	MOLDING/BLOCK - .8" X 3.1" - WASHED MAPLE
12	156636-04-U52	EA	MOLDING/BLOCK - .8" X 3.1" - SIERRA MAPLE
13	149496-57-W45	EA	TRIM - DECORATIVE - 1" X 46.1" - FABRIC COVERED (W45, W46)
13	149496-57-W47	EA	TRIM - DECORATIVE - 1" X 46.1" - FABRIC COVERED (W47, W48)
13	149496-57-W49	EA	TRIM - DECORATIVE - 1" X 46.1" - FABRIC COVERED (W49, W50)
14	153973-02-W37	EA	MOLDING - CROWN/BLOCK - 3.1" X 20.4" - WASHED MAPLE
14	153973-02-W38	EA	MOLDING - CROWN/BLOCK - 3.1" X 20.4" - SIERRA MAPLE

**INTERIOR FINISH GROUP (CONTINUED)**  
**INTERIOR TRIM LAYOUT (CONTINUED)**

<b>KEY</b>	<b>PART NUMBER</b>	<b>U/M</b>	<b>DESCRIPTION</b>
15	145980-04-02A	EA	TOWEL BAR - POST - PAIR - CHROME FROM: 00-00-00 THRU: 02-14-07
15	163599-02-01A	EA	TOWEL BAR - POST - PAIR - CHROME FROM: 02-15-07 THRU: 99-99-99
16	145980-05-02A	EA	TOWEL BAR - 18" - CHROME FROM: 00-00-00 THRU: 02-14-07
16	163599-01-01A	EA	TOWEL BAR - 18" - CHROME FROM: 02-15-07 THRU: 99-99-99
17	064075-07-000	FT	SEAL - BULB - W/WIRED U CHANNEL - .3" X .5" CHANNEL-BLACK FROM: 00-00-00 THRU: 02-10-08
17	151104-01-01A	EA	SEAL - BULB - W/WIRED U CHANNEL - .3" X .5" CHANNEL-BLACK , FROM: 02-11-08 THRU: 99-99-99
18	097111-02-04A	EA	POCKET - LOCK - REAR DOOR - BLACK
19	102330-01-000	EA	LATCH - VISE ACTION/KEY OPERATED
20	M09471-79-R46	EA	MOLDING - TRIM/COVE - .8" X .8" X 96" - WASHED MAPLE
20	M09471-79-SA3	EA	MOLDING - TRIM/COVE - .8" X .8" X 96" - SIERRA MAPLE
	Y00268-22-438	EA	MOLDING - TRIM/COVE - .8" X .8" X 96" - UNSTAINED MAPLE
21	127960-01-01A	EA	RETAINER - EYE - 3/8" - STAINLESS STEEL
22	125136-02-000	EA	DETECTOR/CO - GAS MODEL - 9 VOLT

**INTERIOR FINISH GROUP (CONTINUED)**  
**COMPONENT PART FOR INTERIOR TRIM LAYOUT**

094499-02-000

<b>KEY</b>	<b>PART NUMBER</b>	<b>U/M</b>	<b>DESCRIPTION</b>	<b>VENDOR NO</b>
	094499-01-700	EA	BRACKET MTG. W/PLAS. STRAP	294039

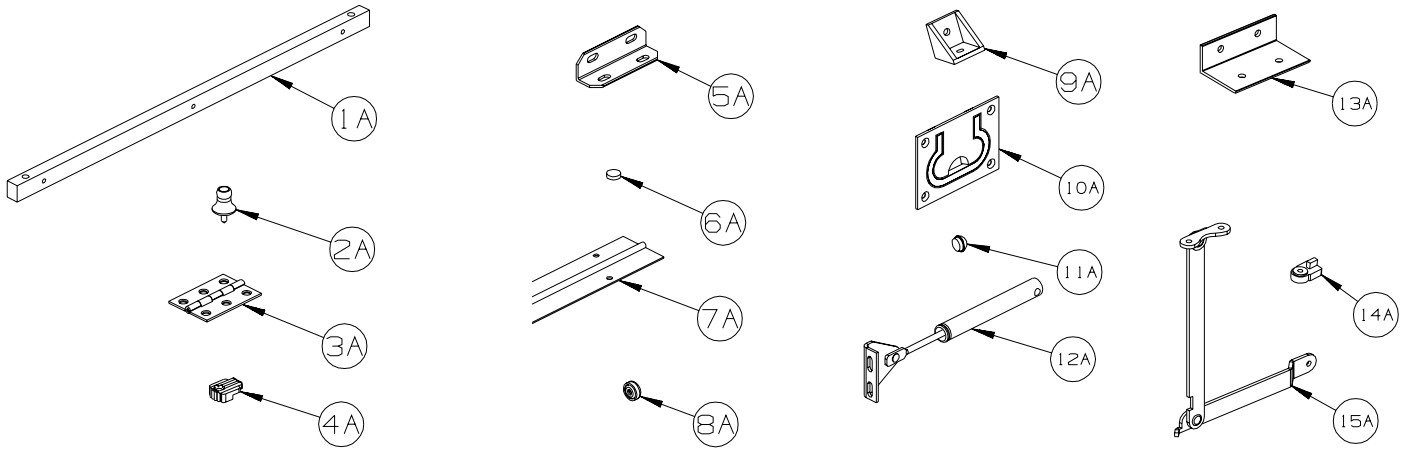
**FLOOR COVERINGS**

<b>KEY</b>	<b>PART NUMBER</b>	<b>U/M</b>	<b>DESCRIPTION</b>
	042720-41-000	SY	VINYL - FLOOR COVERING - CALAY/#69325
	075233-01-000	SY	PAD - CARPET - 3/8" X 6"W ROLL - SOLD BY THE SQUARE YARD
	089275-02-000	FT	STRIP - 3/4" X 84" BLACK POLYETHYLENE
	093486-01-000	SY	CARPET - COMPARTMENT - 72" WIDE - DARK GRAY
	152251-05-08A	SY	CARPET - 4 SQUARE YARD INCREMENTS - CORDWOOD (W45, W46, W47, W48)
	152251-05-02A	SY	CARPET - 4 SQUARE YARD INCREMENTS - BURLWOOD (W49, W50)



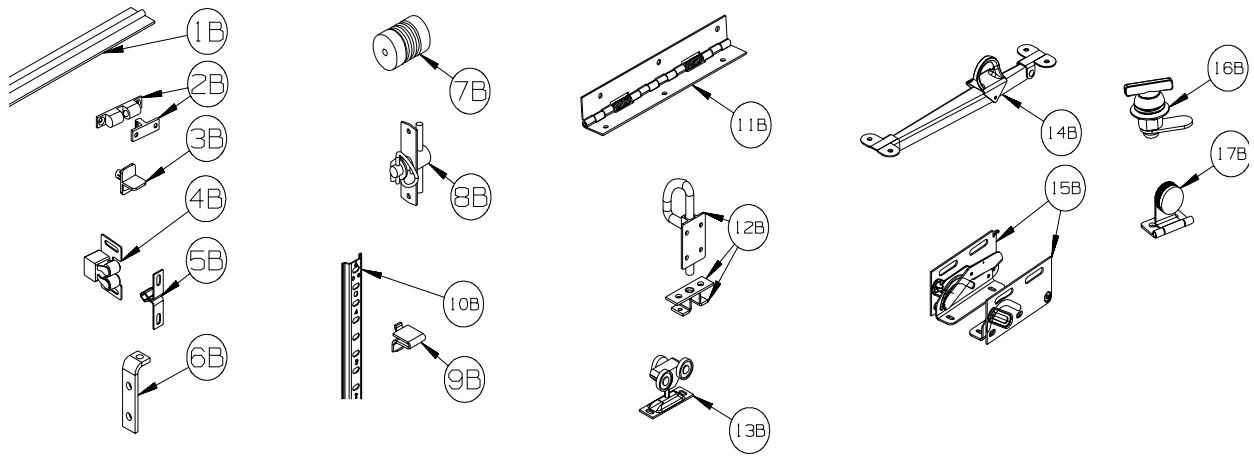
## INTERIOR FINISH GROUP (CONTINUED)

### HARDWARE



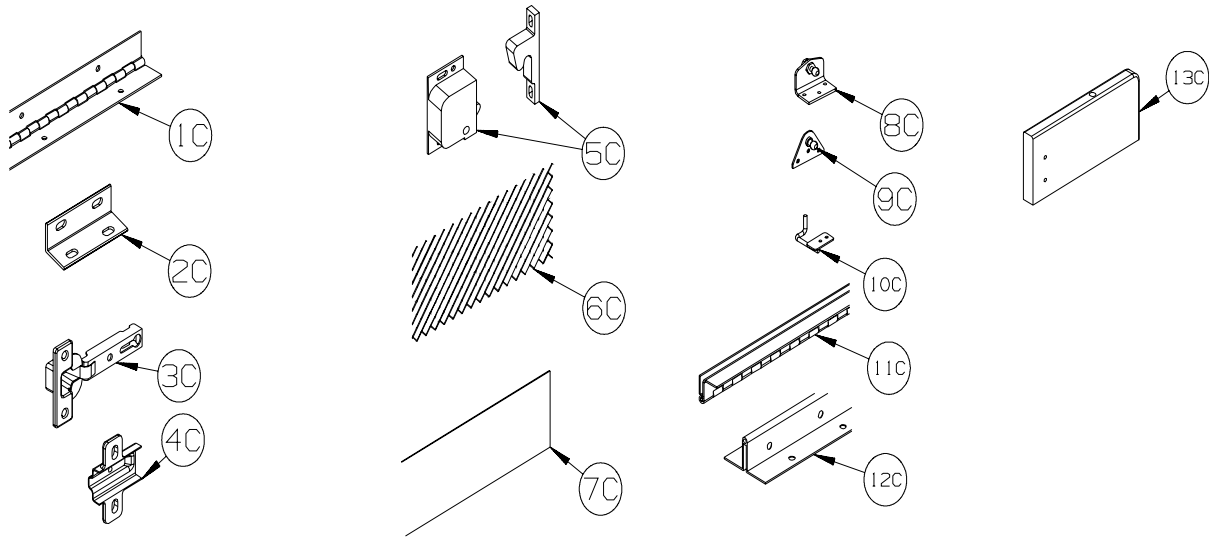
KEY	PART NUMBER	U/M	DESCRIPTION
1A	P34509-01-P14	EA	RAIL END - RH/LH - TOWEL RACK - CONCERT CHERRY
1A	P34509-01-J70	EA	RAIL END - RH/LH - TOWEL RACK - WASHED MAPLE
1A	P34509-01-RE0	EA	RAIL END - RH/LH - TOWEL RACK - HONEY CHERRY
1A	P34509-01-SA3	EA	RAIL END - RH/LH - TOWEL RACK - SIERRA MAPLE
2A	009013-01-000	EA	CATCH - BULLDOG - MALE/FEMALE
3A	009059-01-000	EA	HINGE - DOOR - 2" X 1.4" - BRASS
3A	009059-02-000	EA	HINGE - DOOR - 2" X 2.7" - BRASS
3A	009059-03-000	EA	HINGE - BRASS - 1.75"
3A	009059-04-000	EA	HINGE - 2" - ZINC
4A	009089-01-000	EA	CLIP - MIRROR
5A	016604-01-000	EA	BRACE - ANGLE - 2 1/2" - UNPAINTED METAL
5A	016604-05-000	EA	BRACE - ANGLE - 2 1/2" - OFF WHITE METAL
5A	016604-10-000	EA	BRACE - SEAT ANGLE - 2.5" - BLACK
6A	023320-01-000	EA	PAD - FELT 3/8" DIAMETER
7A	041389-19-000	EA	HINGE - PIANO - 1 1/2" X 71.9" - UNPAINTED
7A	041389-25-000	EA	HINGE - PIANO - 1 1/2" X 55" - UNPAINTED
7A	041389-32-000	EA	HINGE - PIANO - 68" - OFF WHITE
8A	166569-01-02A	EA	COVER - SCREW - #8 - BRIGHT WHITE
8A	166569-01-03A	EA	COVER - SCREW - #8 - SOFT WHITE
8A	166569-01-04A	EA	COVER - SCREW - #8 - CREAM
9A	065740-01-000	EA	BRACE - CABINET/CORNER - PLASTIC
10A	072871-01-000	EA	PULL - FLUSH - CHROME
11A	074045-13-000	EA	PLUG - 3/8" DOWEL-1/2" HEAD - PORTSMOUTH OAK
11A	074045-08-000	EA	PLUG - 3/8" DOWEL-1/2" HEAD - OAK/SALEM CHERRY - CONCERT CHERRY
11A	074045-12-000	EA	PLUG - 3/8" DOWEL-1/2" HEAD - WASHED MAPLE
11A	074045-14-000	EA	PLUG - 3/8" DOWEL-1/2" HEAD - HONEY CHERRY
11A	074045-15-000	EA	PLUG - 3/8" DOWEL-1/2" HEAD - SIERRA MAPLE
12A	074493-02-000	EA	SUPPORT/PISTON SPRING - CABINET DOOR - 26 LBS
12A	074493-03-000	EA	SUPPORT/PISTON SPRING - CABINET DOOR - 12 LBS
13A	156732-01-01A	EA	BRACE - ANGLE/COUCH - 2.5" - MILL
13A	156732-01-02A	EA	BRACE - ANGLE/COUCH - 2.5" - OFF WHITE
13A	156732-03-01A	EA	BRACE - ANGLE/COUCH - BLACK
14A	083204-03-000	EA	BUTTON - RETAINING MIRROR 5/16" TIP
15A	084412-01-000	EA	SUPPORT/HINGE KIT (LEFT & RIGHT HINGES)

**INTERIOR FINISH GROUP (CONTINUED)**  
**HARDWARE (CONTINUED)**



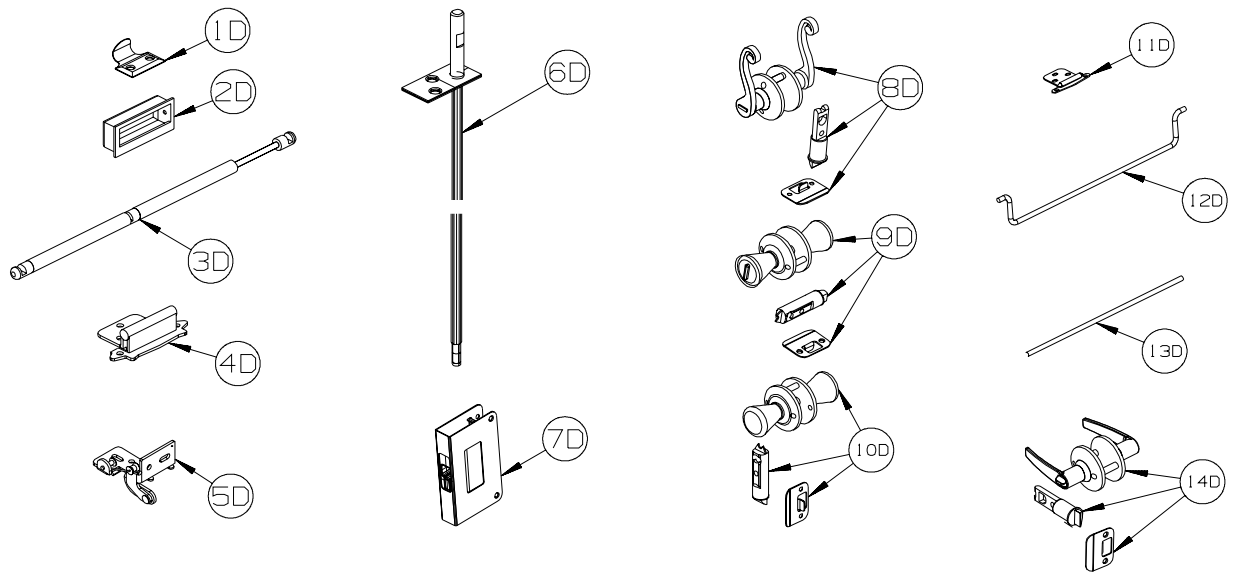
KEY	PART NUMBER	U/M	DESCRIPTION
1B	084413-01-000	EA	HINGE - 1" X 72" - ALUMINUM - W/HOLES
2B	084451-01-000	EA	CATCH & LATCH - 1.7" - BRASS
3B	092907-01-000	EA	SUPPORT - SHELF - PIN - 1/4" - CLEAR PLASTIC
4B	093586-03-000	EA	CATCH - SPRING ROLLER - .377"
4B	093586-06-000	EA	CATCH - W/STRIKE - SPRING ROLLER .236"/SPRINT STEEL .943"
5B	093586-04-000	EA	STRIKE - SPRING STEEL - 1.14"
6B	096826-01-01A	EA	BRACE - CABINET - 2" - E-COATED
6B	096826-02-01A	EA	BRACE - CABINET - 1" - E-COATED
7B	097872-04-000	EA	DOWEL - WOOD - 1" DIAMETER X 1.38" LONG - UNFINISHED
8B	098196-01-000	EA	LATCH - 1/4 TURN - T-BAR
9B	098979-01-000	EA	CLIP - ADJUSTABLE SHELF
10B	098980-01-000	EA	PILASTER - ADJUSTABLE SHELF - 18"
10B	098980-02-000	EA	PILASTER - ADJUSTABLE SHELF - 12"
10B	098980-03-000	EA	PILASTER - ADJUSTABLE SHELF - 9"
10B	098980-04-000	EA	PILASTER - ADJUSTABLE SHELF - 48"
10B	098980-05-000	EA	PILASTER - ADJUSTABLE SHELF - 15"
10B	098980-06-000	EA	PILASTER - ADJUSTABLE SHELF - 24"
11B	102920-01-02A	EA	HINGE - SPRING LOADED - NICKEL
11B	129753-01-01A	EA	HINGE - SPRING LOADED - 19" X 19" - BLACK
12B	103256-01-000	EA	LATCH COMPLETE (SLIDE)
13B	103874-01-000	EA	HANGER - SLIDING DOOR
14B	104181-01-01A	EA	SUPPORT - LEAF 5.3" EXTENDS TO 7.5" - SAFETY RING - METAL
15B	108126-01-000	EA	TRAY HINGE SET (QTY. 2 PER SET)
16B	100710-01-02A	EA	LOCK - GLASS DOOR/TWIST TYPE - NICKEL
17B	100711-01-02A	EA	HINGE - GLASS DOOR - BLACK

**INTERIOR FINISH GROUP (CONTINUED)**  
**HARDWARE (CONTINUED)**



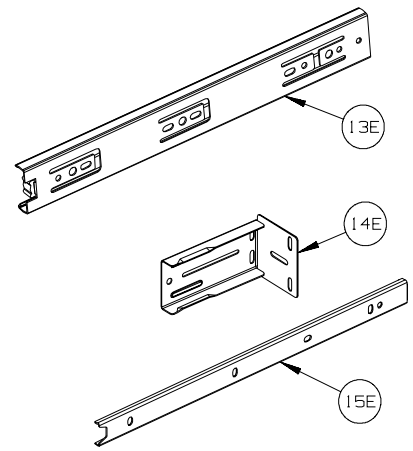
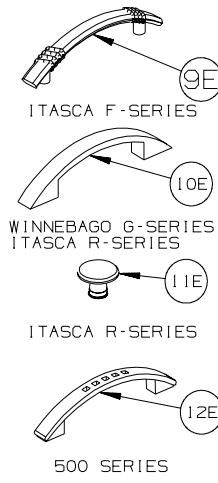
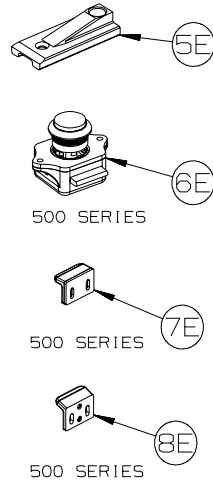
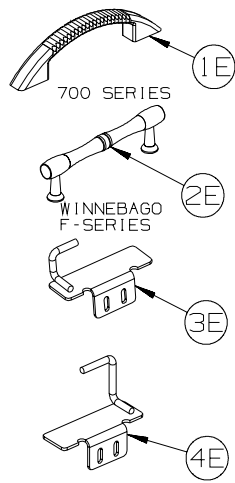
KEY	PART NUMBER	U/M	DESCRIPTION
1C	110496-01-02A	EA	HINGE - NICKEL - 2" X 32"
1C	110496-06-02A	EA	HINGE - NICKEL - 2" X 9.5"
1C	158921-01-04B	EA	HINGE - PIANO - TRUNK DOOR - 2" X 21.9" - BLACK
2C	111866-01-02A	EA	BRACE - SEAT - ANGLE - OFF WHITE
3C	114443-02-01A	EA	HINGE - CABINET DOOR - W/O CLIP - SILVER
4C	114443-03-01A	EA	CLIP - HINGE/CABINET DOOR - SILVER
5C	117095-02-01A	EA	LATCH - DOOR - GRABBER W/KEEPER - PLASTIC - BLK-10 LB PULL
5C	117095-03-01A	EA	LATCH - DOOR - GRABBER W/KEEPER - PLASTIC - BLK-15 LB PULL
6C	118200-01-01A	SF	MESH - PLASTIC 1/2" - 48" X LENGTH = SF - BLACK
7C	122717-06-01A	FT	PAD - NON-SKID - PSA - 5"W
8C	126263-06-02B	EA	BRACKET - GAS SPRING W/INSIDE BALL STUD - E-COATED
9C	126263-05-02B	EA	BRACKET - GAS SPRING W/BALL STUD - E-COATED
9C	126263-08-02B	EA	BRACKET - GAS SPRING W/CENTERED BALL STUD - E-COATED
10C	130798-01-02B	EA	GUIDE - POCKET DOOR - E-COATED
11C	134099-01-02A	EA	HINGE - PIANO - WRAP AROUND - 15.7" - NICKEL PLATED
12C	135538-03-02A	EA	HINGE - PIANO - FULL WRAP - 15.7" - CHROME
12C	135538-07-02A	EA	HINGE - PIANO - FULL WRAP - 9.8" - CHROME
13C	137445-03-T78	EA	STOP - F/SLIDING DOOR - CONCERT CHERRY
13C	137445-03-T79	EA	STOP - F/SLIDING DOOR - WASHED MAPLE
13C	137445-03-T80	EA	STOP - F/SLIDING DOOR - SIERRA MAPLE

**INTERIOR FINISH GROUP (CONTINUED)**  
**HARDWARE (CONTINUED)**



KEY	PART NUMBER	U/M	DESCRIPTION
1D	137463-01-02A	EA	LIFT - HOOK - PEWTER
2D	139136-02-02A	EA	HANDLE - .35" RECESSED - PEWTER
3D	142569-07-000	EA	SPRING/GAS - 20 LB - 20" EXTENDED/12" COMPRESSED
3D	142569-15-000	EA	SPRING/GAS - 120 LB - 20" EXTENDED/12" COMPRESSED
3D	142569-16-000	EA	SPRING/GAS - 90 LB - 20" EXTENDED/12" COMPRESSED
3D	142569-29-000	EA	SPRING/GAS - 20 LB - 9.9" EXTENDED/5.9" COMPRESSED
3D	142569-31-000	EA	SPRING/GAS - 30 LB - 11.8" EXTENDED/7.3" COMPRESSED
4D	143468-02-03A	EA	HINGE - SELF CLOSING - SATIN NICKEL
4D	143468-02-04A	EA	HINGE - SELF CLOSING - OIL RUBBED BRONZE
4D	143468-02-05A	EA	HINGE - SELF CLOSING - RUSTIC BRASS
5D	144488-01-01A	EA	HINGE - CABINET - ANTIQUE BRASS
5D	144488-01-02A	EA	HINGE - CABINET - NICKEL
6D	145939-05-02A	EA	ROD/LATCH - AISLE DOOR - NICKEL
7D	145939-04-02A	EA	LATCH/SLIDE - AISLE DOOR(1" THICK DOOR)-NICKEL/BLACK SLIDE
7D	145939-04-03A	EA	LATCH/SLIDE - AISLE DOOR(1" THICK DOOR)-OIL RUBBED BRONZE
8D	146064-01-02A	EA	LOCK/PRIVACY (LOCKING) LEVER STYLE - SATIN PEWTER
8D	146064-02-02A	EA	LOCK/PASSAGE (NON LOCKING) LEVER STYLE - PEWTER
9D	146064-05-01A	EA	LOCK/PRIVACY (LOCKING) "TULIP" STYLE KNOB - SATIN NICKEL
10D	146064-06-01A	EA	LOCK/PASSAGE (NON LOCKING) "TULIP" STYLE KNOB-SATIN NICKEL
11D	146553-01-03A	EA	HINGE - CABINET DOOR - SATIN NICKEL
12D	146801-01-02A	EA	ROD/TOWEL BAR (OFFSET) - PEWTER
13D	146840-03-02A	EA	ROD - .25" X 11.7" - PEWTER
13D	146840-04-02A	EA	ROD - .25" X 13.1" - PEWTER
14D	146064-08-01A	EA	LOCK/PASSAGE (NON LOCKING) LEVER STYLE - SATIN NICKEL
14D	146064-07-01A	EA	LOCK/PRIVACY (LOCKING) LEVER STYLE - SATIN NICKEL

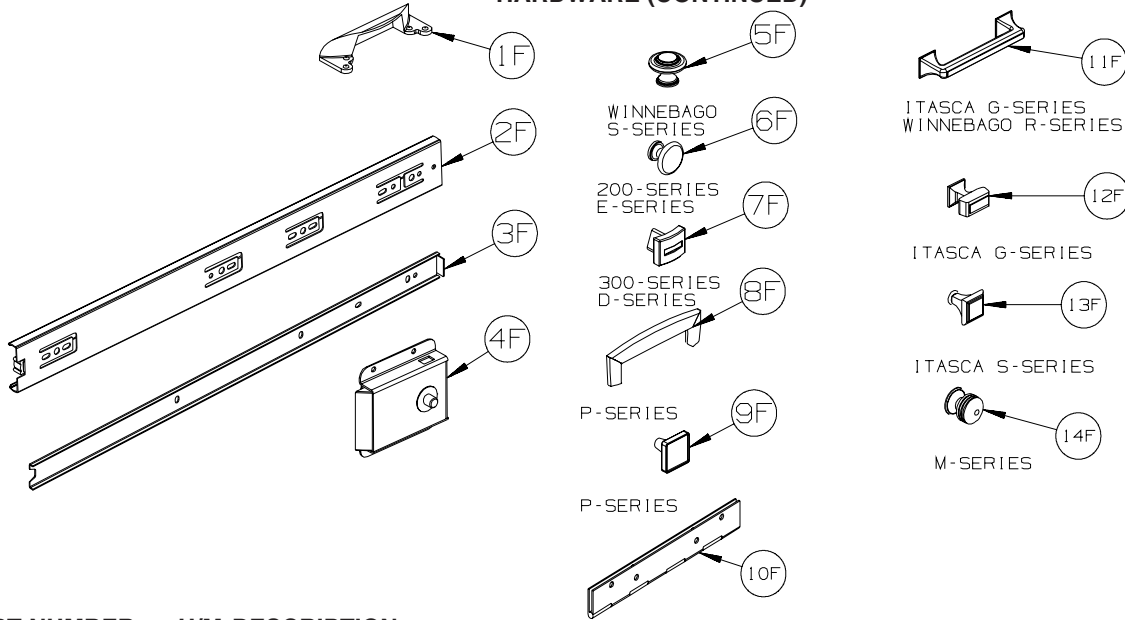
## INTERIOR FINISH GROUP (CONTINUED) HARDWARE (CONTINUED)



KEY	PART NUMBER	U/M	DESCRIPTION
1E	148816-01-02A	EA	PULL - CABINET DOOR - NICKEL - ASPECT, CAMBRIA 700-SERIES/ADVENTURER LIMITED EDITION
2E	149090-01-02A	EA	PULL - CABINET DOOR - NICKEL - VOYAGE F-SERIES
3E	149607-01-02B	EA	GUIDE - F/POCKET DOOR - 1.6" BENT ROD - E-COATED
3E	149607-03-02B	EA	GUIDE - F/POCKET DOOR - 2.9" BENT ROD - E-COATED
4E	149607-04-02B	EA	GUIDE - F/POCKET DOOR - E-COATED
5E	150983-01-01A	EA	STRIKE/BLOCK - WEDGE STYLE - F/SLIDE DOOR - 3" X 1.2" - BLACK
6E	151380-01-01A	EA	LATCH - CBNT DR - PUSH BTN - VIEW & NAVION 500-SERIES
6E	151380-01-02A	EA	LATCH - CABINET DOOR - PUSH BUTTON - BLACK - TOUR & ELLIPSE R-SERIES
7E	151380-02-01A	EA	STRIKE - CABINET DOOR - VIEW & NAVION 500-SERIES
8E	151380-03-01A	EA	STRIKE - CABINET DOOR - VIEW & NAVION 500-SERIES
9E	152302-01-01A	EA	PULL - CABINET DOOR - SATIN NICKEL - SUNRISE F-SERIES
10E	152304-01-01A	EA	PULL - CABINET DOOR - BRONZE- ADVENTURER G-SERIES, ELLIPSE R-SERIES
11E	152305-01-01A	EA	KNOB - DOOR/DRAWER - BRONZE - ELLIPSE R-SERIES
12E	152950-01-01A	EA	PULL - DOOR/DRAWER - BRUSHED NICKEL - VIEW & NAVION 500-SERIES
13E	153000-01-01A	EA	SLIDE - CABINET MOUNT - 11.8"
13E	153000-03-01A	EA	SLIDE - CABINET MOUNT - 13.8"
13E	153000-05-01A	EA	SLIDE - CABINET MOUNT - 15.7"
13E	153000-07-01A	EA	SLIDE - CABINET MOUNT - 17.7"
13E	153000-09-01A	EA	SLIDE - CABINET MOUNT - 19.7"
13E	153000-11-01A	EA	SLIDE - CABINET MOUNT - 21.6"
13E	153000-14-01A	EA	SLIDE - CABINET MOUNT - 23.6"
13E	153000-16-01A	EA	SLIDE - CABINET MOUNT - 7.9"
13E	153000-18-01A	EA	SLIDE - CABINET MOUNT - 9.8"
13E	153000-20-01A	EA	SLIDE - CABINET MOUNT - 25.6"
14E	153000-13-01A	EA	BACKSOCKET - DRAWER SLIDE
15E	153000-02-01A	EA	SLIDE - DRAWER MOUNT - 11.8"
15E	153000-04-01A	EA	SLIDE - DRAWER MOUNT - 13.8"
15E	153000-06-01A	EA	SLIDE - DRAWER MOUNT - 15.7"
15E	153000-08-01A	EA	SLIDE - DRAWER MOUNT - 17.7"
15E	153000-10-01A	EA	SLIDE - DRAWER MOUNT - 19.7"
15E	153000-12-01A	EA	SLIDE - DRAWER MOUNT - 21.6"
15E	153000-15-01A	EA	SLIDE - DRAWER MOUNT - 23.4"
15E	153000-17-01A	EA	SLIDE - DRAWER MOUNT - 7.7"
15E	153000-19-01A	EA	SLIDE - DRAWER MOUNT - 9.6"
15E	153000-21-01A	EA	SLIDE - DRAWER MOUNT - 25.4"

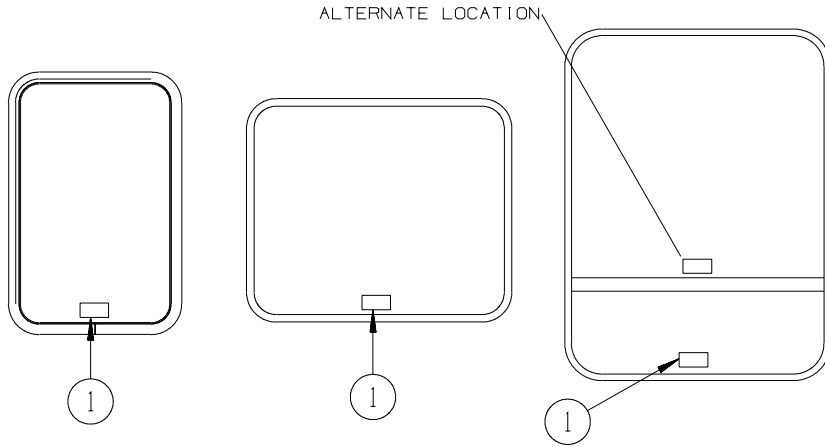
## INTERIOR FINISH GROUP (CONTINUED)

### HARDWARE (CONTINUED)



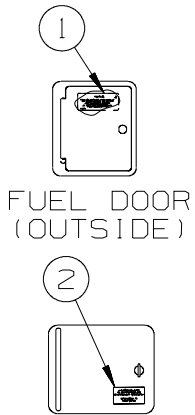
KEY	PART NUMBER	U/M	DESCRIPTION
1F	153308-01-01A	EA	PULL - VANITY STOOL - SATIN NICKEL
2F	153352-01-01A	EA	SLIDE - PANTRY - 19.7" - CABINET MOUNT
3F	153352-02-01A	EA	SLIDE - PANTRY - 19.5" - DRAWER MOUNT
4F	153353-01-01A	EA	LATCH - SLIDING/FLUSH - BLACK
5F	155803-01-01A	EA	KNOB CABINET DOOR - WROUGHT IRON - <b>VECTRA S-SERIES</b>
6F	155925-01-01A	EA	KNOB - DOOR/DRW - SATIN NICKEL - <b>ACCESS &amp; IMPULSE 200-SERIES/ VISTA &amp; SUNSTAR E-SERIES</b>
7F	156579-01-01A	EA	KNOB - DOOR/DRW - PEWTER - <b>OUTLOOK &amp; SPIRIT 300-SERIES/ SIGHTSEER &amp; SUNOVA D-SERIES</b>
8F	157246-01-01A	EA	PULL - CABINET DOOR/DRAWER - SATIN NICKEL - <b>JOURNEY &amp; MERIDIAN P-SERIES</b>
9F	157246-02-01A	EA	KNOB - CABINET DOOR/DRAWER-SATIN NICKEL - <b>JOURNEY &amp; MERIDIAN P-SERIES</b>
10F	158982-01-04B	EA	HINGE - CONTINUOUS - 2" X 8" - BLACK
10F	158982-01-01A	EA	HINGE - CONTINUOUS - 2" X 8" - ZINC
11F	162033-01-01A	EA	PULL - CABINET DOOR - BRUSHED NICKEL - <b>SUNCRUISER G-SERIES, TOUR R-SERIES</b>
12F	162033-02-01A	EA	KNOB - CABINET DOOR - BRUSHED NICKEL - <b>SUNCRUISER G-SERIES</b>
13F	162518-01-01A	EA	KNOB - DOOR/DRAWER - SATIN NICKEL - <b>HORIZON S-SERIES</b>
14F	163095-01-01A	EA	KNOB - CABINET DOOR - SATIN NICKEL - <b>DESTINATION &amp; LATTITUDE M-SERIES</b>

## LABELS GROUP

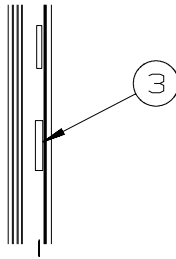


EXIT WINDOWS

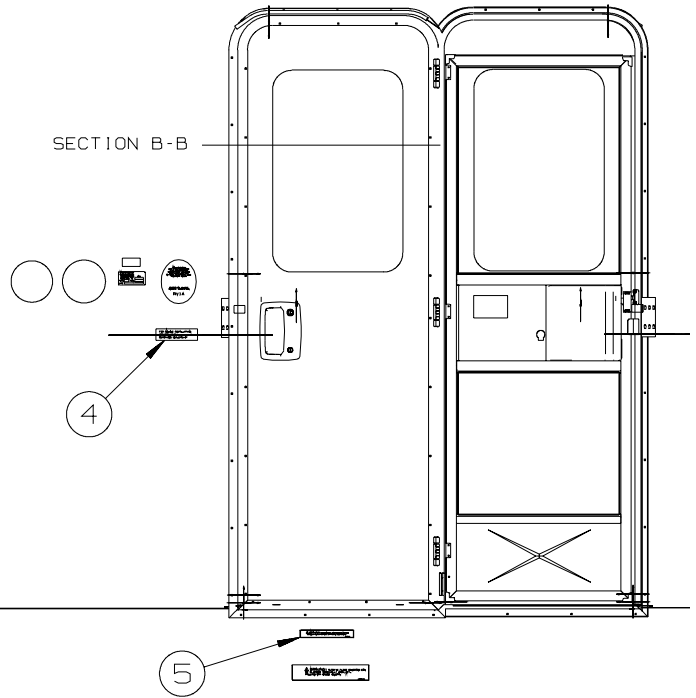
KEY	PART NUMBER	U/M DESCRIPTION
1	039290-01-000	EA LABEL - WARNING - EXIT



FUEL DOOR  
(OUTSIDE)



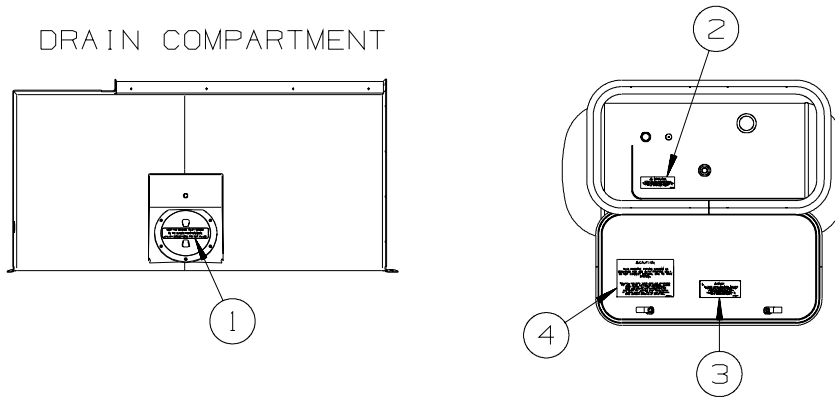
SECTION B-B



KEY	PART NUMBER	U/M DESCRIPTION
1	124519-01-01A	EA LABEL - WARNING/REFUELING - BLACK ON CLEAR
1	124519-02-01A	EA LABEL - WARNING/REFUELING - BLACK ON CLEAR - CSA
2	125306-04-01A	EA LABEL - ELECTRICAL ENTRANCE-120/20V 50 AMP-BLACK ON CLEAR
2	125306-04-02A	EA LABEL - ELECTRICAL ENTRANCE-120/20V 50 AMP-WHITE ON CLEAR
3	135869-01-01A	EA LABEL - MERCURY CONTENT - BLACK ON CLEAR
3	135869-01-02A	EA LABEL - MERCURY CONTENT - WHITE ON CLEAR
4	099509-01-000	EA LABEL - AWNING INSTALLATION
5	065748-01-000	EA LABEL - WARNING - BATTERY CHARGING - UL

## LABELS GROUP (CONTINUED)

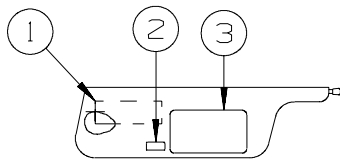
### DRAIN COMPARTMENT



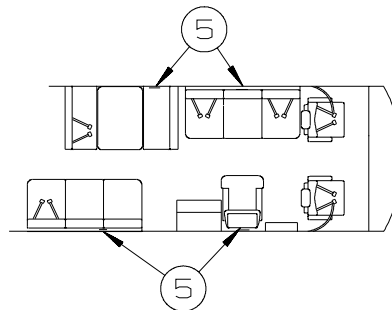
**KEY PART NUMBER**

1	123562-01-000	EA LABEL - SERVICE/UTILITY ACCESS
2	079965-01-000	EA LABEL - LPG - 80% CAPACITY
3	124519-01-01A	EA LABEL - WARNING/REFUELING - BLACK ON CLEAR
3	124519-01-02A	EA LABEL - WARNING/REFUELING - WHITE ON CLEAR
4	124520-01-01A	EA LABEL - LP GAS ONLY - BLACK ON CLEAR
4	124520-01-02A	EA LABEL - LP GAS ONLY - WHITE ON CLEAR
4	023769-01-000	EA LABEL - WARNING - LPG - CANADIAN

### TYPICAL SEAT AND BELT CONFIGURATIONS

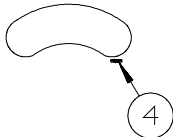


LABELS SHALL BE LOCATED ON OPPOSITE SIDE OF VISOR THAT THE AIR BAG LABEL IS INSTALLED ON.



ATTACH LABEL ON OR NEXT TO:  
 +ANY SINGLE CHAIR WITHOUT BELTS.  
 +ANY DINETTE SEAT WITHOUT BELTS.  
 +ANY COUCH WITHOUT BELTS OR ANY SEATING POSITION ON THAT COUCH.  
 DO NOT ATTACH LABEL IF:  
 +DINETTE SEAT HAS AT LEAST ONE SET OF BELTS INSTALLED.

### INSTRUMENT CLUSTER

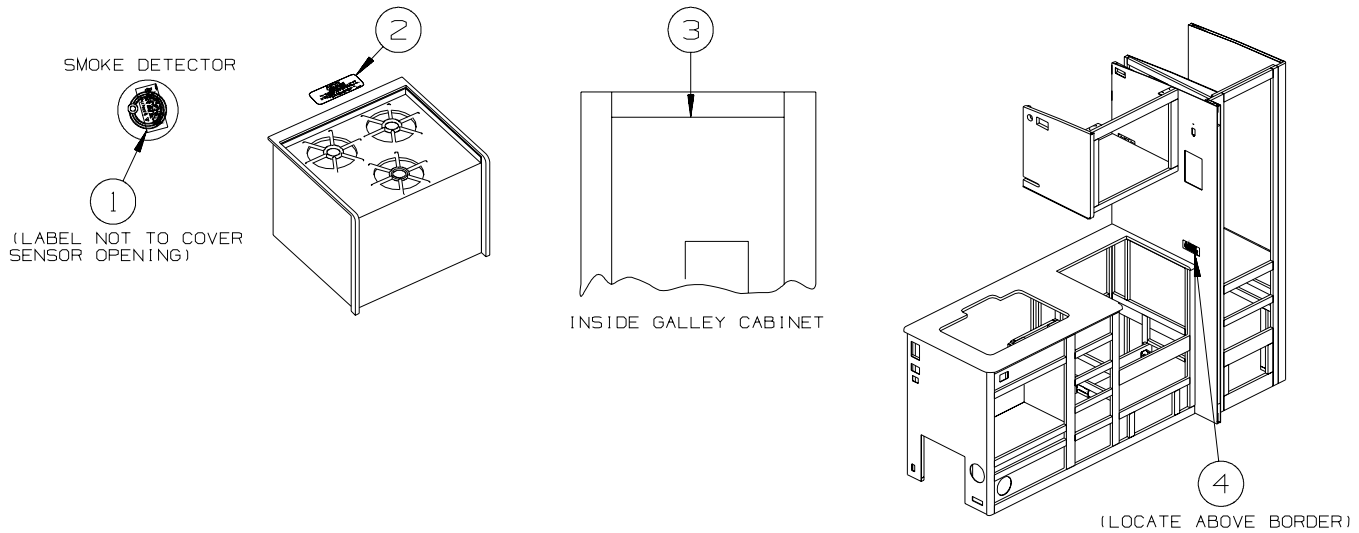


**KEY PART NUMBER**

KEY	PART NUMBER	U/M DESCRIPTION
1	126611-01-000	EA LABEL - AIR BAG - VISOR
2	099689-01-000	EA LABEL - WARNING - CANCER/TOXICITY
3	056259-01-000	EA LABEL - SAFETY CHECK LIST
4	155692-01-01A	EA LABEL - ODOMETER - READ IN MILE - BLACK/WHITE
4	155692-01-02A	EA LABEL - ODOMETER - READ IN MILE - WHITE/CLEAR
5	134538-01-01A	EA LABEL - OCCUPANCY - NO SEAT BELT - BLACK ON CLEAR - US
5	134538-02-01A	EA LABEL - OCCUPANCY - NO SEAT BELT - BLACK ON CLEAR - CSA

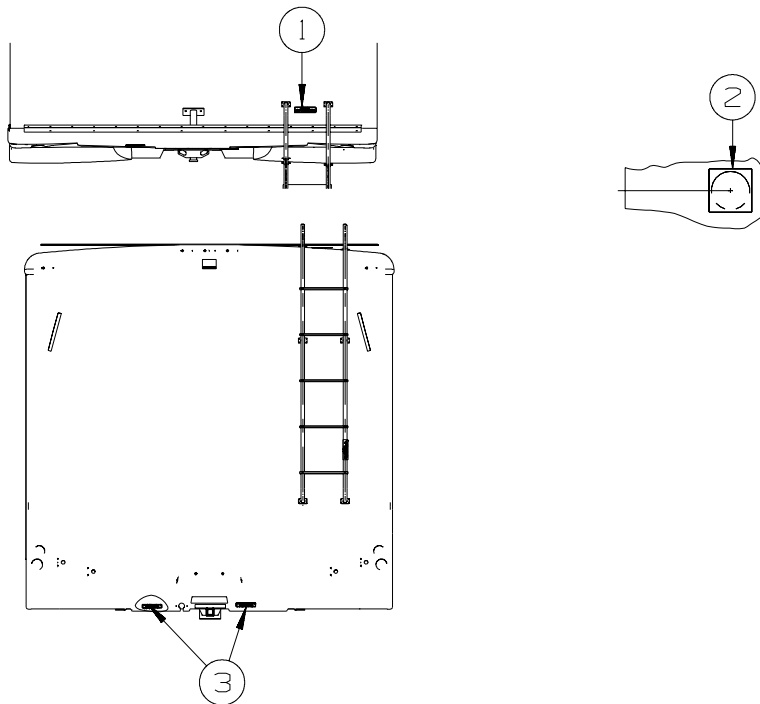


## LABELS GROUP (CONTINUED)



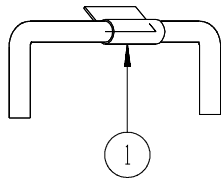
KEY	PART NUMBER	U/M	DESCRIPTION
1	077956-01-000	EA	LABEL - WARNING/SMOKE DETECTOR
2	134539-01-01A	EA	LABEL - WARNING - STOVE/HEATING - US - BLACK ON CLEAR
2	134539-01-02A	EA	LABEL - WARNING - STOVE/HEATING - US - WHITE ON CLEAR
2	134540-01-01A	EA	LABEL - WARNING - STOVE/HEATING - CSA - BLACK ON CLEAR
2	134540-01-02A	EA	LABEL - WARNING - STOVE/HEATING - CSA - WHITE ON CLEAR
3	073998-01-000	EA	LABEL - LPG/ODOR WARNING
4	143911-02-01A	EA	LABEL - CURTAIN SECUREMENT - BLACK ON CLEAR
4	155196-01-01A	EA	LABEL - CURTAIN SECUREMENT - BLACK ON CLEAR - CSA

726A

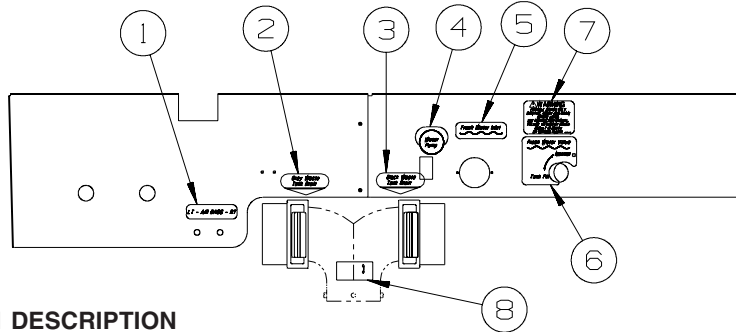


KEY	PART NUMBER	U/M	DESCRIPTION
1	128218-01-01A	EA	LABEL - WARNING - SLIPPERY ROOF FROM: 00-00-00 THRU: 02-18-07
1	163705-01-01A	EA	LABEL - WARNING - ROOF SLIPPERY - BLACK ON WHITE FROM: 02-19-07 THRU: 99-99-99
2	120431-01-000	EA	LABEL - LOCATION - COAXIAL CABLE/SATELLITE ANTENNA
3	129669-01-01A	EA	LABEL - HITCH/VEHICLE RATE - 350 - WHITE ON CLEAR
3	129669-01-02A	EA	LABEL - HITCH/VEHICLE RATE - 350 - BLACK ON CLEAR

## LABELS GROUP (CONTINUED)



KEY	PART NUMBER	U/M DESCRIPTION
1	128658-01-000	EA LABEL - PROP ROD - ENTRY DOOR



KEY	PART NUMBER	U/M DESCRIPTION
1	136360-02-01A	EA LABEL - AIR BAGS - BLACK/CLEAR
2	152541-03-01A	EA LABEL - GRAY WASTE
3	152543-03-01A	EA LABEL - BLACK WASTE
4	152544-03-01A	EA LABEL - SWITCHES - WATER PUMP
5	152538-02-01A	EA LABEL - FRESH WATER - PANTONE/CLEAR
6	152548-01-01A	EA LABEL - VALVE/FRESH
7	128725-02-01A	EA LABEL - POTABLE WATER ONLY - BLACK ON CLEAR
8	144649-01-01A	EA LABEL - ADJUSTABLE VALVE - WHITE ON CLEAR

**LP GROUP  
LP SYSTEM**

<b>KEY</b>	<b>PART NUMBER</b>	<b>U/M</b>	<b>DESCRIPTION</b>
	010323-01-000	EA	ADAPTER - 3/8"F X 1/2"MPT - BRASS
	010326-01-000	EA	ADAPTER - FLARE - W/CONE GASKET - 3/8"F X 1/2"F
	010329-01-000	EA	ADAPTER - 1/2"F X 1/2"MPT - BRASS
	010377-02-000	EA	NUT - 3/8" FLARE - FORGED - BRASS
	010380-02-000	EA	NUT - 1/2" FLARE - FORGED - BRASS
	010589-01-000	EA	NIPPLE - PIPE - 1/2" X 1 1/2" - BLACK
	024250-01-000	EA	ADAPTER - BRASS - 3/8"F X 1/2"FPT
	040440-02-000	EA	TRANSMITTER - DIAL/BOLT-ON - 0-90 OHM 2 TERM(POWER/GROUND)
	045703-03-000	EA	HOSE - LP - 3/8"ID X 18" - 3/8"MPT X 1/2"F SWIVEL - US
	045703-12-000	EA	HOSE - LP - 3/8"ID X 18" - 3/8"MPT X 1/2"F SWIVEL - CSA
	045703-07-000	EA	HOSE - LP - 3/8"ID X 10" - 3/8"MPT X 1/2"F SWIVEL
	045703-22-000	EA	HOSE - LP - 3/8"ID X 60" - 1/2"F SWIVEL X1/2"F SWVL US/CSA
	057042-01-000	EA	ADAPTER - CROSS 1/2"PIPE
	106150-05-000	EA	REGULATOR - TWO STAGE
*	144116-09-000	EA	TANK - LP - 60 LB - 14"D X 29.75"L
	144485-01-000	EA	COVER - LP REGULATOR
	148919-01-000	EA	UNION-FLARE - 3/8" BRASS

**\*COMPONENT PARTS LISTED LATER IN THIS GROUP**

**COMPONENT PARTS FOR LP SYSTEM**

**144116-09-000**

<b>KEY</b>	<b>PART NUMBER</b>	<b>U/M</b>	<b>DESCRIPTION</b>	<b>VENDOR NO.</b>
	040421-01-712	EA	VALVE-SERV. W/O VAPOR RELIEF	V20373/V21202
	040421-01-713	EA	VALVE-RELIEF 1" W/SPRING 7"	V12560/V21207
	144116-01-700	EA	VALVE-OUTAGE(NO STEM REMOVE)	V20058
	144116-04-700	EA	FLOAT/SENDING UNIT W/O DIAL	G11530
	144116-04-701	EA	DIAL - TRANSMITER	G12845
	144116-09-700	EA	VALVE/FILL 80%	V20150

**SELANTS & FASTENERS GROUP**  
**SEALANTS & ADHESIVES**

<b>KEY</b>	<b>PART NUMBER</b>	<b>U/M</b>	<b>DESCRIPTION</b>
	010405-02-000	EA	TAPE - THREAD SEALING - 3/8"
	064075-07-000	FT	SEAL - BULB - W/WIRED U CHANNEL - .3" X .5" CHANNEL-BLACK
	067788-01-000	EA	ADHESIVE - SPRAY - 3M - 19.5 OZ AEROSOL CAN
	069640-01-000	FT	SEALER - RIBBON - 1/4"DIAMETER X 30 FT - BLACK OR GRAY
	069640-02-000	FT	SEALER - TAPE - 1/8"THICK X 1/2"WIDE X 60 FT - GRAY
	069640-03-000	FT	SEALER - TAPE - 1/8"THICK X 3/4"WIDE X 60 FT - BLACK
	069640-07-000	FT	SEALER - TAPE - 3/32"THICK X 2"WIDE X 45 FT - GRAY
	069640-09-000	FT	SEALER - TAPE - 1/32"THICK X 2 1/2"WIDE X 80 FT - BRT WHT
	069640-10-000	FT	SEALER - TAPE - 1/32"THICK X 1 1/2"WIDE X 90 FT - GRAY
	069640-11-000	FT	SEALER - TAPE - 3/16"THICK X 3/8"WIDE X 40 FT - BLACK
	069640-13-000	FT	SEALER - TAPE - 3/32"THICK X 2"WIDE X 45 FT - BLACK
	069640-14-000	FT	SEALER - TAPE - 1/16"THICK X 1"WIDE X 100 FT - BLACK
	069640-15-000	FT	SEALER - TAPE - 1/16"THICK X 3/8"WIDE X 100 FT - BRT WHT
	069640-17-000	FT	SEALER - TAPE - 1/32"THICK X 1"WIDE X 150 FT - GRAY
	069640-18-000	FT	SEALER - TAPE - 1/8"THICK X 1/2"WIDE X 60 FT - BRT WHT
	069640-19-000	FT	SEALER - TAPE - 1/8"THICK X 3/4"WIDE X 60 FT - BRT WHT
	069640-20-000	FT	SEALER - TAPE - 1/8"THICK X 1/2"WIDE X 60 FT - BLACK
	069640-21-000	FT	SEALER - TAPE - 1/16"THICK X 1/2"WIDE X 100 FT - BRT WHT
	069640-22-000	FT	SEALER - TAPE - 1/32"THICK X 1/4"WIDE X 200 FT - BRT WHT
	069640-23-000	FT	SEALER - TAPE - 1/16"THICK X 3/4"WIDE X 100 FT - BRT WHT
	069640-27-000	FT	SEALER - TAPE - 1/16"THICK X 2 1/4"WIDE X 50 FT - BRT WHT
	069640-28-000	FT	SEALER - TAPE - 1/32"THICK X 1 7/8"WIDE X 90 FT - GRAY
	069640-30-000	FT	SEALER - TAPE - 1/32"THICK X 5/8"WIDE X 50 FT - GRAY
	069640-31-000	FT	SEALER - TAPE - 1/4"THICK X 3/4"WIDE X 15 FT - BLACK
	069640-32-000	FT	SEALER - TAPE - 1/16"THICK X 3/8"WIDE X 100 FT - BLACK
	069640-33-000	FT	SEALER - RIBBON - 3/8"DIAMETER X 20 FT - BLACK
	069640-34-000	FT	SEALER - RIBBON - 1/4"DIAMETER X 30 FT - BRIGHT WHITE
	069640-36-000	EA	SEALER - TAPE - 1/16"THICK X 1/2"WIDE X 100 FT - BLACK
	069640-37-000	FT	SEALER - TAPE - 1/16"THICK X 3/4"WIDE X 100 FT - BLACK
	069640-38-000	FT	SEALER - TAPE - 1/16"THICK X 3/4"WIDE X 100 FT - BRT WHT
	069640-39-000	FT	SEALER - TAPE - 1/16"THICK X 3"WIDE X 50 FT - BRT WHT
	069640-40-000	FT	SEALER - TAPE - 1/16"THICK X 3"WIDE X 50 FT - BRT WHT
	072889-28-000	EA	SEALANT/URETHANE-10 OZ TUBE W/NOZZLE-SELF LEVELING-BRT WHT
	072889-31-000	EA	SEALANT/URETHANE-10 OZ TUBE W/NOZZLE-SELF LEVELING - BLACK
	076322-02-000	FT	TAPE-DOUBLE COATED/ADHESIVE BK-.05"THK X 1"W X 108' - WHT
	076322-03-000	FT	TAPE-DOUBLE COATED/ADHESIVE BK-.05"THK X .5"W X 108' - WHT
	076322-05-000	FT	TAPE-DOUBLE COATED/ADHESIVE BK-.05"THK X .8"W X 108' - WHT
	076322-07-000	FT	TAPE-DOUBLE COATED/ADHESIVE BK-.05"THK X .5"W X 200' - BLK
	076322-13-000	FT	TAPE - FOAM/DOUBLE COATED - .020"THK X .75"W - CLEAR
	076322-21-000	FT	TAPE - FOAM/DOUBLE COATED - .045"THK X .50"W
	076322-22-000	FT	TAPE - FOAM/DOUBLE COATED - .045"THK X .75"W
	076322-23-000	FT	TAPE - FOAM/DOUBLE COATED - .045"THK X 1"W
	076322-25-000	FT	TAPE - FOAM/DOUBLE COATED - .025"THK X .5"W
	086276-01-000	EA	TAPE - DOUBLE SIDED - 1/2" WIDE X 108' LONG (SOLD BY ROLL)
	088479-01-000	EA	TAPE - ALUMINUM - 3"
	090340-01-000	FT	SEAL - FOAM - CLOSED CELL - 1/4" X 1/2" X 50'
	090340-02-000	FT	SEAL - FOAM - CLOSED CELL - 3/8" X 1/2" X 50'
	091255-02-000	FT	SEAL - ADHESIVE BACKED/FOAM - 3/64"THICK X 3/16"W X 1000'
	091255-03-000	FT	SEAL - ADHESIVE BACKED/FOAM - 1/4" THICK X 1/4"W X 1000'
	094401-01-000	EA	SEALER - BODY SEAM - FLEXICLEAR
	094401-04-000	EA	SEALER - BODY SEAM - CLEAR
	094401-05-000	EA	SEALER - BODY SEAM - 20OZ BLACK
	094401-06-000	EA	SEALER - BODY SEAM - 12OZ BLACK
	094401-07-000	EA	SEALER - BODY SEAM - CLEAR
	098408-01-000	FT	SEAL - SPONGE RUBBER - CLOSED CELL
	099069-01-000	FT	SEAL - RUBBER - CLOSED SPONGE - .5" WIDE X .12" THICK-BLK
	099418-01-000	FT	SEAL - D-SECTION/ADHESIVE BACK - .44" X .44" - BLK RUBBER
	100128-02-000	FT	SEAL - FOAM/ADHESIVE BACK - .37" WIDE X .37" THICK X 60'
	104692-01-000	FT	SEAL - ADHESIVE BACKED FOAM - 3/4" THICK X 3/4" WIDE X 25'
	107721-07-000	FT	SEAL - ACCESS DOOR - .9"WIDE X 1.1"HIGH
	112864-01-000	FT	SEAL - FOAM/BUTYL COVERED - 3/8" X 35'
	112864-02-000	FT	SEAL - FOAM/BUTYL COVERED - 5/16" X 44'
	112864-05-000	FT	SEAL - FOAM/BUTYL COVERED - 1/2" X 3/16"
	112901-02-000	EA	ADHESIVE - PLEXUS - MA330 - 50ML - GRAY

**SEALANTS & FASTENERS GROUP (CONTINUED)**  
**SEALANTS & ADHESIVES (CONTINUED)**

KEY	PART NUMBER	U/M	DESCRIPTION
	112901-03-000	EA	ADHESIVE - PLEXUS - MA300 - 50ML - WHITE
	112902-03-000	EA	MIXER NOZZLE - F/GUN #00400102000 - SCOTCH-WELD & PLEXUS
	112902-04-000	EA	NOZZLE - ELEMENT - 1/4" X 3.5"
	113452-01-000	FT	SEAL/TRIM - FRONT - VINYL W/WIRE CARRIER - .020"
	113452-02-000	FT	SEAL/TRIM - FRONT - VINYL W/WIRE CARRIER - .027"
	113366-01-000	EA	ADHESIVE - INSTANT - 1 OZ
	115870-01-000	FT	SEAL/EDGE - TRIM
	120074-02-03A	EA	SILICONE - TUBE - W/O NOZZLE - LOW ODOR - SMOKEY WHITE
	120534-01-01A	EA	TAPE - SCOTCH - 3M - 1/2" FINE LINE
	123655-01-000	FT	SEAL - CLOSED CELL/FOAM
	123816-01-000	FT	TAPE - DOUBLE SIDED - 1" X .020" X 200' - CLEAR
	123816-02-000	FT	TAPE - DOUBLE SIDED - 1/2" X .035" X 200' - CLEAR
	123816-03-000	FT	TAPE - DOUBLE SIDED - 1/2" X .020" X 200' - CLEAR
	123816-04-000	FT	TAPE - DOUBLE SIDED - 6" X .0035" X 750' - CLEAR
	123816-06-000	FT	TAPE - DOUBLE SIDED - 3/4" X 3/4" X 200' - CLEAR
	123816-07-000	FT	TAPE - DOUBLE SIDED - 1 3/4" X 200' - CLEAR
	126427-01-000	EA	ADHESIVE - ALL PURPOSE - ABS/PVC
	126427-02-000	EA	PRIMER - CLEANER - FLEX PIPING
	131264-01-12A	EA	SILICONE - TUBE - W/NOZZLE - BONE
	131264-01-13A	EA	SILICONE - TUBE - W/NOZZLE - TRANSLUCENT
	131264-03-01A	EA	SILICONE - TUBE - W/O NOZZLE - SELF LEVELING -BRIGHT WHITE
	131264-04-02A	EA	SILICONE/SEALANT/ADHESIVE-FAST CURE F/GLASS/VINYL-SOFT WHT
	131264-05-01A	EA	SILICONE/SEALANT - ODORLESS - TUBE - W/NOZZLE - BLACK
	131264-05-02A	EA	SILICONE/SEALANT - ODORLESS - TUBE - W/NOZZLE - CLEAR
	131384-01-000	EA	ADHESIVE - JET WELD - 10 OZ CARTRIDGE
	132892-07-01A	FT	SEAL - BULB/SINGLE - W/U CHANNEL - .5" X 1" - BLACK
	152038-01-01A	EA	TAPE - PRESERVATION SEAL - 2" X 36YD ROLL - BLACK
	154585-01-01A	FT	SEAL - FOAM TAPE - ADHESIVE BACK - 3/8" X 3/8" - BLACK
	154585-02-01A	FT	SEAL - FOAM TAPE - ADHESIVE BACK - 3/4" X 1/2" - BLACK
	154585-03-01A	FT	SEAL - FOAM TAPE - ADHESIVE 2 SIDED - 1/8" X 3/4" - BLACK
	154585-04-01A	FT	SEAL - FOAM TAPE - ADHESIVE BACK - 5/8" X 1/8" - WHITE
	156622-01-01A	FT	SEALER - TAPE - 1/4"THICK X 3"WIDE X 100 FT - WHITE
	156622-02-01A	FT	SEALER - TAPE - 1/4"THICK X 2"WIDE X 100 FT - WHITE

**BOLTS, NUTS AND WASHERS**

KEY	PART NUMBER	U/M	DESCRIPTION
	0MD54F-06-000	EA	NUT - HEX W/SERATED FLANGE
	000C12-04-08B	EA	BOLT - HEX - 1/4-20 X 1/2 - GRADE #5 - ZINC
	000C12-04-12A	EA	BOLT - HEX - 1/4-20 X 3/4 - PLAIN 5
	000C12-04-40B	EA	BOLT - HEX - 1/4-20 X 2 1/2 - GRADE #5 ZINC
	000C12-05-16B	EA	BOLT - HEX - 5/16 - 18X1 - GRADE #5 - ZINC
	000C12-05-40B	EA	BOLT - HEX - 5/16"-18 X 2.5" - GRADE #5 - ZINC
	000C12-06-28B	EA	BOLT-HEX-3/8-16X13/4 ZN 5 - 5185-01
	000C12-08-24B	EA	BOLT - HEX - 1/2-13 X 1 1/2 - GRADE #5 - ZINC
	000C12-08-28B	EA	BOLT - HEX - 1/2-13 X 1 3/4 - GRADE #5 - ZINC
	000C12-08-44B	EA	BOLT - HEX - 1/2-13 X 2 3/4 - GRADE #5 - ZINC
	000C13-07-40B	EA	BOLT - HEX - 7/16-20 X 2 1/2 - GRADE #5 - ZINC
	000C13-07-48B	EA	BOLT - HEX - 7/16-20 X 3 - GRADE #5 - ZINC
	000C14-10-32B	EA	BOLT - HEX - 5/8-11 X 2.0 - GRADE #8 - ZINC
	000C18-05-40A	EA	BOLT - ELEVATOR - 5/16-18 X 2 1/2 - PL
	000C26-04-10B	EA	BOLT - HEX - SERRATED FLANGE - 1/4-20 X 5/8 - ZINC
	000C26-04-12F	EA	BOLT - HEX - SERRATED FLANGE -1/4-20 X 3/4-STAINLESS STEEL
	000C26-04-14B	EA	BOLT - HEX - SERRATED FLANGE - 1/4-20 X 7/8 - ZINC
	000C26-04-18B	EA	BOLT - HEX - SERRATED FLANGE - 1/4-20 X 1 1/8 - ZINC
	000C26-05-12B	EA	BOLT - HEX - SERRATED FLANGE - 5/16-18 X 3/4 - ZINC
	000C26-06-12B	EA	BOLT - HEX - SERRATED FLANGE - 3/8-16 X 3/4 - ZINC
	000C26-06-20B	EA	BOLT - HEX - SERRATED FLANGE - 3/8-16 X 1 1/4 - ZINC
	000C26-06-28B	EA	BOLT - HEX - SERRATED FLANGE - 3/8-16 X 1 3/4 - ZINC
	000C26-06-40B	EA	BOLT - HEX - SERRATED FLANGE - 3/8-16 X 2 1/2 - ZINC
	000C26-08-24B	EA	BOLT - HEX - SERRATED FLANGE - 1/2-13 X 1 1/2 - ZINC
	000C26-08-28B	EA	BOLT - HEX - SERRATED FLANGE - 1/2-13 X 1 3/4 - ZINC
	000C27-08-48B	EA	BOLT-CARR 1/2-13X3.00 GR5 - 97 M-SERIES
	000D24-10-00B	EA	NUT - HEX - SELF LOCKING - 10-32 - ZINC

**SEALANTS & FASTENERS GROUP (CONTINUED)**  
**BOLTS, NUTS AND WASHERS (CONTINUED)**

KEY	PART NUMBER	U/M	DESCRIPTION
	000D27-05-00B	EA	NUT - HEX LOCK - 5-40 - ZINC
	000D28-10-00B	EA	NUT - HEX - W/NYLON LOCK - 10-32 - ZINC
	000D29-04-00B	EA	NUT - HEX - SELF LOCKING - 1/4 X 20 - ZINC
	000D29-04-00F	EA	NUT - HEX - SELF LOCKING - 1/4 X 20 - STAINLESS STEEL
	000D29-06-00B	EA	NUT - HEX - W/NYLON LOCK - 3/8-16 - ZINC
	000D29-09-00B	EA	NUT - HEX - SELF LOCKING - 9/16-12 - ZINC
	000D34-04-00B	EA	NUT - HEX - LOCKING - 1/4-20 - ZINC
	000D34-06-00B	EA	NUT - HEX - LOCKING - 3/8-16 GRADE C - ZINC
	000D39-04-00B	EA	NUT - HEX - LOCKING W/SERRATED FLANGE - 1/4-20 - ZINC
	000D39-05-00B	EA	NUT - HEX - LOCKING W/SERRATED FLANGE - 5/16-18 - ZINC
	000D39-06-00B	EA	NUT - HEX - LOCKING W/SERRATED FLANGE - 3/8-18 - ZINC
	000D39-06-00D	EA	NUT - HEX - LOCKING W/SERRATED FLANGE - 3/8"-16 BLACK
	000D39-07-00B	EA	NUT - HEX - LOCKING W/SERRATED FLANGE - 7/16-14 - ZINC
	000D39-08-00B	EA	NUT - HEX - LOCKING W/SERRATED FLANGE - 1/2-13 - ZINC
	000D44-07-00B	EA	NUT - HEX - LOCKING W/SERRATED FLANGE - 7/16-20 - ZINC
	000D44-08-00B	EA	NUT - HEX - LOCKING W/SERRATED FLANGE - 1/2-20 - ZINC
	000D46-04-00A	EA	NUT - HEX - WELD - 1/4-20 - PLAIN
	000D65-08-00B	EA	NUT - HEX - LOCKING W/SERRATED FLANGE - 8-32 - ZINC
	000D73-08-00C	EA	NUT - HEX FLANGE - 1/2-13
	000D75-09-00B	EA	NUT - HEX LOCKING - 9/16-12 - ZINC
	000D76-06-00B	EA	NUT - HEX FLANGE - 3/8-16
	000E11-04-00F	EA	WASHER - LOCKING - 1/4 MED SPLIT - STAINLESS STEEL
	000E11-07-00B	EA	WASHER - LOCKING - 7/16 MED SPLIT - ZINC
	000E11-08-00B	EA	WASHER - LOCKING - 1/2 MED SPLIT - ZINC
	000E13-17-00B	EA	WASHER - FLAT - 3/8 AR - ZINC
	000E13-18-00B	EA	WASHER - FLAT - 3/8 WIDE - ZINC
	000E13-20-00B	EA	WASHER - FLAT - 7/16 WIDE - ZINC
	000E13-22-00B	EA	WASHER - FLAT - 1/2 WIDE - ZINC
	000E13-26-00B	EA	WASHER - FLAT - 5/8 WIDE - ZINC
	000E14-10-00B	EA	WASHER - LOCKING - #10 EXTERNAL TOOTH - ZINC
	000E16-10-00B	EA	WASHER - HARDENED - 5/8 - FLAT - ZINC
	000G45-05-16B	EA	BOLT - LAG - 5/16-9 X 1 - ZINC
	039715-01-000	EA	NUT-SERT - 1/4" DIAMETER - 20 THREADS
	040921-01-000	EA	NUT - SPEED - U TYPE - #10-24 - BLACK
	040921-03-000	EA	NUT - SPEED - U TYPE - #10
	040921-04-000	EA	NUT - SPEED - U TYPE - #8-.59" LENGTH X .44" WIDTH
	040921-05-000	EA	NUT - SPEED - U-TYPE - 8-.67" X .44" WIDE
	040921-11-000	EA	NUT - SPEED - U-TYPE - 8-.59" LENGTH X .44" WIDTH - BLACK
	041322-01-000	EA	WASHER - FLANGE - 15/32"ID X 2 3/8"OD - F/SEAT BELT MTG
	044364-02-000	EA	NUT - SPEED - FLAT - ROUND
	044533-01-000	EA	WASHER - 1 3/8"OD - FOR BUTTONS - PLASTIC
	051387-06-000	EA	BOLT - CARRIAGE W/O HOLE - 5/16-18 X 9 1/2 - ZINC
	058716-02-000	EA	WASHER - FLAT NYLON
	064081-03-000	EA	NUT - WING 3/8-16 - W/WELD NUT
	077071-01-000	EA	WASHER - FENDER - 3/16"ID X 1"OD
	087234-01-000	EA	NUT - JACK - 1/4 X 20 THD - MOLLY
	088787-12-000	EA	STUD - WELD - 1/4 - 20 X 1.0 LG - MN
	106956-03-000	EA	BOLT - HEX TAP - 1/2-13NC X 3 - GRADE 5 - FULL THREAD/ZINC
	106956-10-000	EA	BOLT - HEX TAP - 9/16-12NC X 3 5/8 -GRD 5-FULL THREAD/ZINC
	106956-11-000	EA	BOLT - HEX TAP - 1/2-13NC X 2 1/2 - GRD 5-FULL THREAD/ZINC
	106956-13-000	EA	BOLT - HEX TAP - 1/2-20 X 2 1/2 - GRD 5-FULL THREAD/ZINC
	106956-14-000	EA	BOLT - HEX TAP - 5/16 -18NC X 1 1/2 - GRD 5-FULL THREAD/ZINC
	107397-01-000	EA	WASHER - FENDER - 3/4"ID X 1"OD
	108067-03-000	EA	STUD - WELD - 1/4 - 20 X 1/2 CD
	109917-01-000	EA	WASHER - 1.5" X 1.25"
	109917-03-000	EA	WASHER - 1" X .50"
	109917-04-000	EA	WASHER - 1" X .75"
	128444-01-000	EA	WASHER - SPRING - CONICAL
	135092-02-01A	EA	BOLT - HEX - SERRATED FLANGE - 1/2-20 X 2 1/2-GRADE 5 ZINC
	135092-05-01A	EA	BOLT - HEX - SERRATED FLANGE - 1/2-20 X 1 - GRADE 5 ZINC
	143399-01-01A	EA	NUT/RETAINING - 3/8"- 24 NFT
	147284-02-000	EA	NUT/SELF RETAINING - 5/16"-18
	148817-01-000	EA	WASHER/SPUR - LOCKING

# SEALANTS & FASTENERS GROUP (CONTINUED)

## SCREWS

KEY	PART NUMBER	U/M	DESCRIPTION
	0G1208-12-170	EA	SCREW - 8-18 X 3/4 POH - BRIGHT WHITE
	0G3908-08-170	EA	SCREW - SF/DR - 8-18 X 1/2 PPH - BRIGHT WHITE
	0G3908-16-170	EA	SCREW - SF/DR - 8-18 X 1 PPH - BRIGHT WHITE
	0G3908-24-170	EA	SCREW - SF/DR - 8-18 X 1 1/2 PPH - BRIGHT WHITE
	0G3910-10-420	EA	SCREW - SF/DR - 10-16 X .62 PPH - BRIARWOOD
	0G3910-12-170	EA	SCREW - SF/DR - 10-16 X 3/4 PPH - BRIGHT WHITE
	0G3910-24-170	EA	SCREW - SF/DR - 10-16 X 1 1/2 PPH - BRIGHT WHITE
	0G5508-08-370	EA	SCREW - SF/DR - 8-18 X .5 PWH - RIVERSTONE
	0G5508-08-380	EA	SCREW - SF/DR - 8-18 X .5 PWH - CASHMERE
	0G5508-08-420	EA	SCREW - SF/DR - 8-18 X .5 PWH - BRIARWOOD
	0G5508-08-450	EA	SCREW - SF/DR - 8-18 X .5 PWH - SADDLE
	0G5508-12-170	EA	SCREW - SF/DR - 8-18 X 3/4 PWH - BRIGHT WHITE
	0G5508-12-330	EA	SCREW - SF/DR - 8-18 X 3/4 PWH - PUTTY
	0G5508-12-380	EA	SCREW - SF/DR - 8-18 X 3/4 PWH - CASHMERE
	0G5508-12-450	EA	SCREW - SF/DR - 8-18 X 3/4 PWH - SADDLE
	0G5508-16-330	EA	SCREW - SF/DR - 8-18 X 1 PWH - PUTTY
	0G5508-16-370	EA	SCREW - SF/DR - 8-18 X 1 PWH - RIVERSTONE
	0G5508-16-380	EA	SCREW - SF/DR - 8-18 X 1 PWH - CASHMERE
	0G5508-16-450	EA	SCREW - SF/DR - 8-18 X 1 PWH - SADDLE
	0G6008-16-170	EA	SCREW - SF/DR - 8-18 X 1 POH - BRIGHT WHITE
	0G6012-32-170	EA	SCREW - SF/DR - 12-14 X 2 POH - BRIGHT WHITE
	0G6710-08-170	EA	SCREW - 10-12 X 1/2 PPH - BRIGHT WHITE
	0G6710-12-170	EA	SCREW - 10-12 X 3/4 PPH - BRIGHT WHITE
	0G6806-16-170	EA	SCREW - 6-18 X 1 POH - BRIGHT WHITE
	0G6810-24-280	EA	SCREW - 10-12 X 1 1/2 POH - SOFT WHITE
	000C20-06-24T	EA	SCREW - 3/8-16 X 1 1/2 - FLAT SOCKET
	000G11-06-08B	EA	SCREW - 6-20 X 1/2 PPH - ZINC
	000G11-06-10B	EA	SCREW - 6-20 X 5/8 PPH - ZINC
	000G11-06-10J	EA	SCREW - 6-20 X 5/8 PPH - BRASS
	000G11-07-08B	EA	SCREW - 7-19 X 1/2 PPH - ZINC
	000G11-08-06B	EA	SCREW - 8-18 X 3/8 PPH - ZINC
	000G11-08-08T	EA	SCREW - 8-18 X 1/2 PPH - FLUOROCARBON COATING
	000G11-08-12B	EA	SCREW - 8-18 X 3/4 PPH - ZINC
	000G11-08-12P	EA	SCREW - 8-18 X 3/4 PPH - DARK BROWN
	000G11-08-12S	EA	SCREW - 8-18 X 3/4 PPH - OFF WHITE
	000G11-08-12T	EA	SCREW - 8-18 X 3/4 PPH - BLACK MAGNESIUM
	000G11-08-20B	EA	SCREW - 8-18 X 1 1/4 PPH - ZINC
	000G11-08-20G	EA	SCREW - 8-18 X 1 1/4 - ANTIQUE BRASS
	000G11-10-12D	EA	SCREW - 10-16 X 3/4 PPH - BLACK
	000G11-10-32P	EA	SCREW-10,16X2.00 PPH DK BRN
	000G12-06-08T	EA	SCREW - 6-20 X 1/2 POH - BLACK
	000G12-10-16F	EA	SCREW - 10-16 X 1 POH - STAINLESS STEEL
	000G13-05-10B	EA	SCREW - 5-12 X 5/8 PFH - ZINC
	000G13-06-06I	EA	SCREW - 6-20 X 3/8 PFH - BLACK ZINC
	000G13-06-08B	EA	SCREW - 6-20 X 1/2 PFH - ZINC
	000G13-06-08G	EA	SCREW - 6-20 X 1/2 PFH - ANTIQUE BRASS
	000G13-06-10G	EA	SCREW - 6-20 X 5/8 PFH - ANTIQUE BRASS
	000G13-06-16E	EA	SCREW - 6-20 X 1 PFH - CHROME
	000G13-06-16J	EA	SCREW - 6-20 X 1 PFH - BRASS
	000G13-06-24J	EA	SCREW - 6-20 X 1 1/2 PFH - BRASS
	000G13-07-10H	EA	SCREW - 7-19 X 5/8 PFH - BLACK
	000G13-07-12B	EA	SCREW - 7-19 X 3/4 PFH - ZINC
	000G11-08-08B	EA	SCREW - 8-18 X 1/2 PPH - ZINC
	000G13-08-10B	EA	SCREW - 8-18 X 5/8 PFH - ZINC
	000G13-08-109	EA	SCREW - 8-18 X 5/8 PFH
	000G13-08-16B	EA	SCREW - 8-18 X 1 PFH - ZINC
	000G13-08-24B	EA	SCREW - 8-18 X 1 1/2 PFH - ZINC
	000G16-04-24B	EA	SCREW - MACHINE - 1/4-20 X 1 1/2 PPH
	000G18-08-16B	EA	SCREW - MACHINE - 8-32 X 1 PPH - ZINC
	000G18-08-22B	EA	SCREW - MACHINE - 8-32 X 1 3/8 PPH - ZINC
	000G18-08-24B	EA	SCREW - MACHINE - 8-32 X 1 1/2 PPH - ZINC
	000G19-10-08B	EA	SCREW - MACHINE - 10-32 X 1/2 PPH - ZINC
	000G19-10-10B	EA	SCREW - MACHINE - 10-32 X 5/8 - PPH - ZINC
	000G19-10-12F	EA	SCREW - MACHINE - 10-32 X 3/4 PPH - STAINLESS STEEL

**SEALANTS & FASTENERS GROUP (CONTINUED)**  
**SCREWS (CONTINUED)**

KEY	PART NUMBER	U/M	DESCRIPTION
	000G19-10-20B	EA	SCREW - MACHINE - 10-32 X 1 1/2 PPH - ZINC
	000G32-10-06B	EA	SCREW - 10-32 X 3/8 PPH - ZINC
	000G34-05-12B	EA	SCREW - HEX HEAD TAPPING - 5/16 X 3/4 LONG
	000G39-06-10T	EA	SCREW - SF/DR - 6-20 X 5/8 PPH - BLACK
	000G39-06-16T	EA	SCREW - SF/DR - 6-20 X 1 PPH - BLACK
	000G39-08-06B	EA	SCREW - SF/DR - 8-18 X 3/8 PPH - ZINC
	000G39-08-08B	EA	SCREW - SF/DR - 8-18 X 1/2 PPH - ZINC
	000G39-08-08S	EA	SCREW - SF/DR - 8-18 X 1/2 PPH - OFF WHITE
	000G39-08-08T	EA	SCREW - SF/DR - 8-18 X 1/2 PPH - BLACK
	000G39-08-12T	EA	SCREW - SF/DR - 8-18 X 3/4 PPH - BLACK
	000G39-08-16B	EA	SCREW - SF/DR - 8-18 X 1 PPH - ZINC
	000G39-08-16T	EA	SCREW - SF/DR - 6-20 X 1 PPH - BLACK
	000G39-08-24B	EA	SCREW - SF/DR - 8-18 X 1 1/2 PPH - ZINC
	000G39-08-24T	EA	SCREW - SF/DR - 8-18 X 1 1/2 PPH - BLACK
	000G39-08-32B	EA	SCREW - SF/DR - 8-18 X 2 PPH - ZINC
	000G39-08-169	EA	SCREW-SF/DR,8-18X1.00 PPH - FLUROCARBON SILVER
	000G39-10-08B	EA	SCREW - SF/DR - 10-16 X 1/2 PPH - ZINC
	000G39-10-10B	EA	SCREW - SF/DR - 10-16 X 5/8 PPH - ZINC
	000G39-10-12B	EA	SCREW - SF/DR - 10-16 X 3/4 PPH - ZINC
	000G39-10-12S	EA	SCREW - SF/DR - 10-16 X 3/4 PPH - OFF WHITE
	000G39-10-129	EA	SCREW - SF/DR - 10-16 X 3/4 PPH - FLUOROCARBON SILVER
	000G39-10-169	EA	SCREW - SF/DR - 10-16 X 1 PPH - FLUOROCARBON SILVER
	000G39-10-20B	EA	SCREW - SF/DR - 10-16 X 1 1/4 PPH - ZINC
	000G39-10-20T	EA	SCREW - SF/DR - 10-16 X 1 1/4 PPH - BLACK
	000G39-10-24B	EA	SCREW - SF/DR - 10-16 X 1 1/2 PPH - ZINC
	000G39-10-24T	EA	SCREW - SF/DR - 10-16 X 1 1/2" PPH - BLACK
	000G39-10-32B	EA	SCREW - SF/DR - 10-16 X 2 - PPH - ZINC
	000G39-10-48B	EA	SCREW - SF/DR - 10-16 X 3 - PPH - ZINC
	000G39-10-48T	EA	SCREW - SF/DR - 10-16 X 3 PPH - BLACK
	000G42-04-16B	EA	SCREW - SF/DR - 1/4-14 X 1 HWH - ZINC
	000G42-04-24B	EA	SCREW - SF/DR - 1/4-14 X 1 1/2 - ZINC
	000G52-06-05B	EA	SCREW - MACHINE - 6-32 X 5/16 PTH - ZINC
	000G52-06-06B	EA	SCREW - MACHINE - 6-32 X 3/8 PTH - ZINC
	000G54-04-14B	EA	SCREW - 1/4-20 X 7/8 PTH - TYPE 23 - ZINC PLATED
	000G55-08-12T	EA	SCREW - SF/DR - 8-18 X 3/4 PWH - BLACK
	000G55-08-16S	EA	SCREW - SF/DR - 8-18 X 1.00 PWH - OFF WHITE
	000G55-08-16T	EA	SCREW - SF/DR - 8-18 X 1 PWH - BLACK
	000G56-12-48B	EA	SCREW - WOOD - 12-11 X 3 POH - SPECIAL HARDENED
	000G60-08-16E	EA	SCREW - SF/DR - 8-1 X 1 POH - CHROME
	000G60-08-20F	EA	SCREW - SF/DR - 8-19X1.25 POH
	000G60-08-22B	EA	SCREW - SF/DR - 8-18 X 1.38 POH - ZINC
	000G60-10-20B	EA	SCREW - SF/DR - 10-16 X 1 1/4 POH - ZINC
	000G60-10-209	EA	SCREW - SF/DR - 10-16 X 1 1/4 POH - SILVER STALGAARD
	000G60-10-28T	EA	SCREW - SF/DR - 10-16 X 1 3/4 - BLACK
	000G62-06-12B	EA	SCREW-SF/DR,6-20X.75 PFH - ZINC
	000G62-06-249	EA	SCREW - SF/DR - 8-18 X 1.5 PPH - SILVER
	000G62-08-24B	EA	SCREW - SF/DR - 8-18 X 1 1/2 PFH
	000G62-08-24T	EA	SCREW - SF/DR - 8-18 X 1 1/2 PFH - BLACK
	000G67-08-32B	EA	SCREW - 8-15 X 2 PPH - ZINC
	000G67-10-08B	EA	SCREW - 10-12 X 1/2 PPH - ZINC
	000G67-10-08S	EA	SCREW - 10-12 X 1/2 PPH - OFF WHITE
	000G67-10-10B	EA	SCREW - 10-12 X 5/8 PPH - ZINC - TYPE A
	000G67-10-10D	EA	SCREW - 10-12 X 5/8 PPH - BLACK - TYPE A
	000G67-10-10P	EA	SCREW - 10-12 X 5/8 PPH - DARK BROWN
	000G67-10-10S	EA	SCREW - 10-12 X 5/8 PPH - OFF WHITE
	000G67-10-10T	EA	SCREW - 10-12 X 5/8 PPH - BLACK
	000G67-10-10V	EA	SCREW-10-12X5/8 PPH ZN O/W - TYPE A
	000G67-10-12P	EA	SCREW - 10-12 X 3/4 PPH - DARK BROWN
	000G67-10-24B	EA	SCREW - 10-12 X 1 1/2 PPH - ZINC
	000G68-06-10J	EA	SCREW - 6-18 X 5/8 POH - BRASS
	000G68-06-12B	EA	SCREW - 6-18 X 3/4 POH - ZINC & CLEAR
	000G68-06-12S	EA	SCREW - 6-18 X 3/4 POH
	029130-01-000	EA	SCREW - SNAP STUD - #8-16 X 5/8" LONG
	029130-02-000	EA	SCREW - SNAP STUD - #8-16 X 1 1/2" LONG



**SEALANTS & FASTENERS GROUP (CONTINUED)**  
**SCREWS (CONTINUED)**

KEY	PART NUMBER	U/M	DESCRIPTION
	029130-03-000	EA	SCREW - SNAP STUD - #8-16 X 1" LONG
	049465-03-000	EA	SCREW - 10-16 X 1 POH W/WASHER - OFF WHITE
	049465-17-000	EA	SCREW - 10-16 X 1 POH W/WASHER - BRIGHT WHITE
	049465-18-000	EA	SCREW - 10-16 X 1 POH W/WASHER - VW GRAY
	054434-02-000	EA	SCREW - SF/DR - 10-16 X 2 - ZINC
	054434-03-000	EA	SCREW - SF/DR - 10-16 X 2 - PWH - ZINC
	075908-01-000	EA	SCREW - MACHINE - 10-32 X .56 PTH - EXTERNAL TOOTH - ZINC
	076790-01-000	EA	SCREW - 6-20 X 1 1/4 PPH - BLACK
	076790-05-000	EA	SCREW - 6-20 X 1/2 PPH - BLACK - THREAD CUTTING/WOOD
	083554-01-000	EA	SCREW - DRYWALL - 8 X 1 1/4
	087721-01-000	EA	SCREW - FLAT HEAD - TAPPING - 1/4" X 1 1/4" LONG - ZINC
	093249-01-000	EA	CAP/SCREW - MOLDED/VINYL - BLACK
	095772-01-000	EA	SOCKET-SNAP FASTNER1" SF/DR - SELF DRIVER
	097974-01-000	EA	SCREW - PARTICLE BOARD - 7-9 X 3/4 PPH
	101618-01-000	EA	SCREW - 1/4-20 X 3/4 HEX - TAPPING - STALGARD TYPE F
	113563-01-01A	EA	SCREW - 8 X 5/8 LONG SHOULDER/WASHER HEAD
	113563-01-02A	EA	SCREW - 8 X 5/8 LONG SHOULDER/WASHER HEAD - BRIGHT WHITE
	118383-01-12A	EA	RETAINER/RECESSED - F/.22" SCREW - RIVERSTONE
	118383-01-14A	EA	RETAINER/RECESSED - F/.22" SCREW - PEWTER
	118383-01-15A	EA	RETAINER/RECESSED - F/.22" SCREW - BRIARWOOD
	118383-02-13A	EA	RETAINER/RECESSED - F/.27" SCREW - OFF WHITE
	118383-04-04A	EA	CAP - F/RECESSED RETAINER - BRIGHT WHITE
	118383-04-10A	EA	CAP - F/RECESSED RETAINER - RIVERSTONE
	118383-04-13A	EA	CAP - F/RECESSED RETAINER - OFF WHITE
	118383-04-14A	EA	CAP - F/RECESSED RETAINER - PEWTER
	118383-04-15A	EA	CAP - F/RECESSED RETAINER - BRIARWOOD
	134126-01-01A	EA	SCREW/NAIL - HEX HEAD - 3/4"
	140040-01-000	EA	SCREW - 1/4-20 X 1 - BUTTON HEAD/SOCKET - W/LOCTITE
	149753-01-01A	EA	RETAINER/RECESSED - F/.22" SCREW - BLACK
	149753-01-02A	EA	RETAINER/RECESSED - F/.22" SCREW - BRIGHT WHITE
	149753-02-01A	EA	CAP - F/RECESSED RETAINER - BLACK
	149753-02-02A	EA	CAP - F/RECESSED RETAINER - BRIGHT WHITE
	154938-01-01A	EA	SCREW - SF/DR - 10-16 X 3/4 PPH - W/SELF SEAL - BRIGHT WHITE
	154938-01-02A	EA	SCREW - SF/DR - 10-16 X 3/4 PPH - W/SELF SEAL - BLACK
	154938-02-01A	EA	SCREW - SF/DR - 8-18 X 1 PFH - W/SELF SEAL - BRIGHT WHITE
	154938-02-02A	EA	SCREW - SF/DR - 8-18 X 1 PFH - W/SELF SEAL - BLACK
	154938-02-03A	EA	SCREW - SF/DR - 8-18 X 1 PFH - W/SELF SEAL - SILVER
	154938-03-01A	EA	SCREW - SF/DR - 8-18 X 5/8 PFH - W/SELF SEAL - BRT WHT
	154938-03-02A	EA	SCREW - SF/DR - 8-18 X 5/8 PFH - W/SELF SEAL - BLACK
	154938-04-01A	EA	SCREW - SF/DR - 10-16 X 1" TPH - W/SELF SEAL - BRT WHT
	154938-04-02A	EA	SCREW - SF/DR - 10-16 X 1" TPH - W/SELF SEAL - BLACK
	154938-05-03A	EA	SCREW - SF/DR - 8-18 X 1.25" PFH - W/SELF SEAL - SILVER

## SEALANTS & FASTENERS GROUP (CONTINUED)

### CLAMPS, CLIPS, GROMMETS, RIVETS & PLUGS

KEY	PART NUMBER	U/M	DESCRIPTION
	000H14-06-03R	EA	RIVET - MANDREL BLIND - 3/16 ALUMINUM
	000H16-04-06R	EA	RIVET - POP ALUMINUM - 1/8 X .313 - .375
	000H16-06-10R	EA	RIVET - POP ALUMINUM - 3/16 X .501 - .625
	007161-01-000	EA	CLAMP - HOSE - SPRING TYPE - 1/2"
	008386-01-000	EA	GROMMET - SNAP - 3/8" DIAMETER - NYLON
	010495-01-000	EA	CLAMP - CABLE - 9/16"ID - BLACK
	010495-02-000	EA	CLAMP - CABLE - 3/8"ID - BLACK
	010495-04-000	EA	CLAMP - CABLE - 11/16"ID - WHITE
	010497-01-000	EA	CLAMP - CLOSED - 5/8"ID
	010497-02-000	EA	CLAMP - CLOSED - 1.5"ID
	010497-03-000	EA	CLAMP - CLOSED - 1"ID - CUSHIONED
	010497-04-000	EA	CLAMP - CLOSED - 1 5/8"ID
	010497-05-000	EA	CLAMP - CLOSED - 1/2"ID
	010497-07-000	EA	CLAMP - CLOSED - 3/8"ID
	010497-09-000	EA	CLAMP - CLOSED - 5/16"ID
	010497-10-000	EA	CLAMP - CLOSED - 7/8"ID
	010499-01-000	EA	CLAMP - CLOSED - 3/8"ID
	016188-03-000	EA	GROMMET - LP LINE - 3/8"HOLE X 2 1/2"LONG - RUBBER
	016188-04-000	EA	GROMMET - LP LINE - 1/2"HOLE X 2 1/2"LONG - RUBBER
	016188-05-000	EA	GROMMET - LP LINE - 3/8"HOLE X 1 1/4"LONG - RUBBER
	016188-06-000	EA	GROMMET - LP LINE - 3/8"HOLE X 3 1/4"LONG - RUBBER
	016188-07-000	EA	GROMMET - L/P LINE - 1/2"HOLE X 3 1/4"LONG
	016188-08-000	EA	GROMMET - LP LINE - 1/2"HOLE X 1 1/4"LONG - RUBBER
	016188-09-000	EA	GROMMET - LP LINE - .68"HOLE X 1 1/4"LONG - RUBBER
	016188-10-000	EA	GROMMET - LP GAS - .68" X 2.5"
	023942-01-000	EA	GROMMET - RUBBER - 2"OD
	041930-11-000	EA	RIVET - POP ALUMINUM - 1/8 X .188 - .250 - BRIGHT WHITE
	061420-04-000	EA	PLUG/PLASTIC - 1 1/4" DIAMETER
	061420-05-000	EA	PLUG/PLASTIC - 1 1/2" DIAMETER
	061420-09-000	EA	PLUG/PLASTIC - 1.00" DIAMETER
	061420-10-000	EA	PLUG/PLASTIC - 1 1/2" DIAMETER - BLACK
	061420-12-000	EA	PLUG/PLASTIC - 1.50" DIAMETER - RED
	061420-13-000	EA	PLUG/PLASTIC - 3/8" - FLUSH
	061420-14-000	EA	PLUG/PLASTIC - 7/8" DIAMETER - BLACK
	061420-15-000	EA	PLUG/PLASTIC - 2" DIAMETER - BLACK
	061420-16-000	EA	PLUG/PLASTIC - 2 1/8" DIAMETER - BLACK
	061420-18-000	EA	PLUG/PLASTIC - 1 3/4" DIAMETER - BLACK
	062401-01-000	EA	CLAMP - HOSE - WORMGEAR - .25" - 1"
	062401-02-000	EA	CLAMP - HOSE - WORMGEAR - 1.56" - 2.5" ID
	062401-03-000	EA	CLAMP - HOSE - WORMGEAR - .22" - 1" ID
	062401-04-000	EA	CLAMP - HOSE - WORMGEAR - .69" - 1.25" ID
	062401-06-000	EA	CLAMP - HOSE - WORMGEAR - .22" - .62" ID
	062401-09-000	EA	CLAMP - HOSE - WORMGEAR - 2.8" - 3.75" ID
	062401-11-000	EA	CLAMP - HOSE - WORMGEAR - 3.50" - 4.50" ID
	062401-13-000	EA	CLAMP - HOSE - WORMGEAR
	071015-11-000	EA	GROMMET - RUBBER - 1"ID FITS .12 MATERIAL - BLACK
	071015-13-000	EA	GROMMET - RUBBER - .62"ID X 1"OD W/.09" GROOVE - BLACK
	071015-20-000	EA	GROMMET - .38 ID FITS .06 MTL
	071015-22-000	EA	GROMMET - RUBBER - .62"ID X 1.12"OD W/.19" GROOVE - BLACK
	071015-26-000	EA	GROMMET - RUBBER - 1.5"ID X 2.1"OD W/.06" GROOVE - BLACK
	071015-29-000	EA	GROMMET - RUBBER - .3"ID X 1.3"OD W/.12" GROOVE - BLACK
	071015-30-000	EA	GROMMET - RUBBER - .3"ID X .81"OD W/.12" GROOVE - BLACK
	071015-39-000	EA	GROMMET - .75 ID FITS .06 MTL
	071015-41-000	EA	GROMMET - .125 ID FITS .188 MTL
	071015-42-000	EA	GROMMET - .25 ID FITS .06 MTL
	071015-43-000	EA	GROMMET-.25 ID,FITS .07 MATL, MINOR Z-4139
	071015-44-000	EA	GROMMET - .31 ID FITS .25 MTL
	075148-02-000	EA	CLAMP - GROUNDING - BRONZE SCREWS
	077955-01-000	EA	CLIP/J - 3/8" - VINYL COATED
	081211-03-000	EA	PLUG - PLASTIC - .50"DIAMETER - TRUSS HEAD - BLACK
	081211-04-000	EA	PLUG - PLASTIC - .46"DIAMETER - TRUSS HEAD - BLACK
	081211-06-000	EA	PLUG-PLASTIC,.468DIA,BLACK , HEYCO 1669
	083609-01-000	EA	CLAMP - WIRE - DUAL - EQUAL DIAMETERS - 5/8"
	083610-01-000	EA	CLAMP - WIRE - DUAL - UNEQUAL DIAMETERS - 3/4" & 1 1/4"

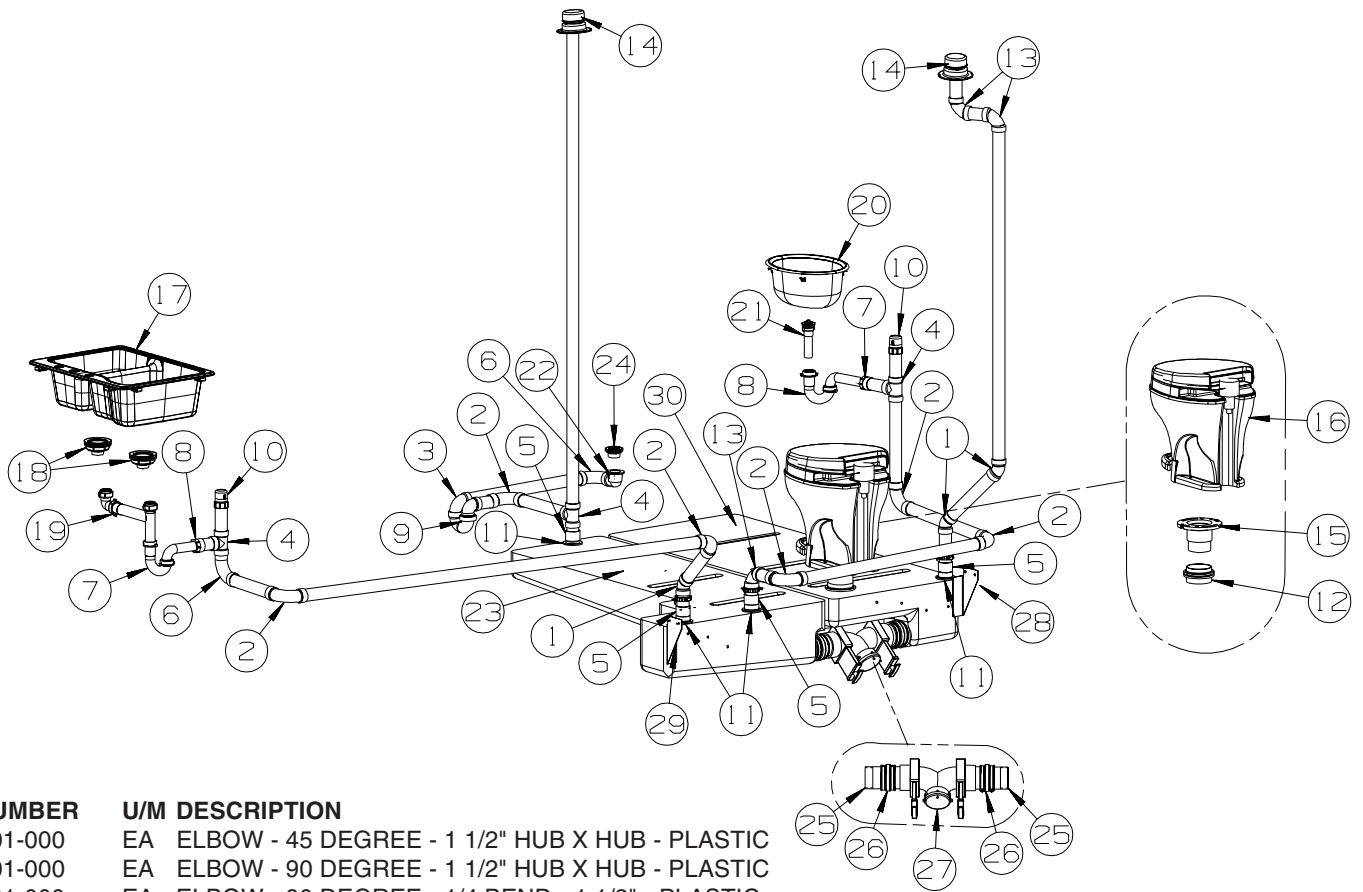
**SEALANTS & FASTENERS GROUP (CONTINUED)**  
**CLAMPS, CLIPS, GROMMETS, RIVETS & PLUGS (CONTINUED)**

KEY	PART NUMBER	U/M	DESCRIPTION
	083610-02-000	EA	CLAMP - WIRE - DUAL - UNEQUAL DIAMETERS - 3/4" & 2"
	083610-03-000	EA	CLAMP - WIRE - DUAL - EQUAL DIAMETERS - 2"
	083610-02-000	EA	CLAMP - WIRE - DUAL - UNEQUAL DIAMETERS - 3/4" & 2"
	083610-03-000	EA	CLAMP - WIRE - DUAL - EQUAL DIAMETERS - 2"
	088756-01-000	EA	GROMMET - WEB - 1 1/8"ID
	089329-02-000	EA	CLIP - SPRING
	091952-01-000	EA	CLIP - GRIPPER - 1" - BLACK VINYL COATED
	091952-02-000	EA	CLIP - GRIPPER - 3/4" - BLACK VINYL COATED
	091952-03-000	EA	CLIP - GRIPPER - 1/2" - BLACK VINYL COATED
	094362-02-000	EA	CLIP - XMAS TREE - BINDER HEAD - .9" LONG/ANY COLOR
	113133-02-01A	EA	RIVET - POP - ALUMINUM - 3/16 X .252 - .504 - BLACK
	114208-05-000	EA	GROMMET - EDGE LINER - FITS 2"
	118626-01-01A	EA	RIVET/POP - ALUMINUM - 3/16 X 1.2"(GRIP RANGE .1"-.4")
	118626-01-02A	EA	RIVET/POP - ALUMINUM - 3/16 X .08 - .375
	118626-02-01A	EA	RIVET/POP - ALUMINUM - 3/16 X .500 - .750
	118626-03-01A	EA	RIVET/POP - STAINLESS STEEL - 3/16 X .500 - .750
	137014-01-01A	EA	GROMMET - CABLE - ALMOND
	139118-02-01A	EA	GROMMET - SCREW - PLASTIC
	155498-01-01A	EA	CLAMP - CLOSED - 7/8"ID - VINYL DIP/GALVONIZED - BLACK

**MISCELLANEOUS FASTENERS**

KEY	PART NUMBER	U/M	DESCRIPTION
	008343-01-000	EA	TIE - WIRE - 6"
	008343-02-000	EA	TIE - WIRE - 14"
	008343-03-000	EA	TIE - WIRE - 7 1/2" - BLACK
	029094-04-000	YD	VELCRO TAPE/LOOP - 1"WIDE - W/ADHESIVE BACK - BLACK
	029096-03-000	YD	VELCRO TAPE/HOOK - 1"WIDE - BLACK
	029096-04-000	YD	VELCRO TAPE/HOOK - 1"WIDE - BLACK - W/ADHESIVE BACK (PSA)
	048394-02-000	YD	VELCRO TAPE - HOOK - ADHESIVE BACK - 3/4" WIDE - BEIGE
	085774-01-000	FT	FASTENER - DUAL LOCK - 1" WIDE - ADHESIVE BACK - BLACK
	085774-02-000	FT	FASTENER - DUAL HOOK - 1" WIDE - ADHESIVE BACK - BLACK
	088792-02-000	YD	VELCRO TAPE - LOOP - 3/4" - ADHESIVE BACK - BEIGE
	088792-04-000	YD	VELCRO TAPE - HOOK - 5/8" - NON-ADHESIVE BACK - WHITE
	088792-05-000	YD	VELCRO TAPE - LOOP - 5/8" - NON-ADHESIVE BACK - WHITE
	108046-02-000	EA	CABLE TIE - SCREW MOUNT 15"

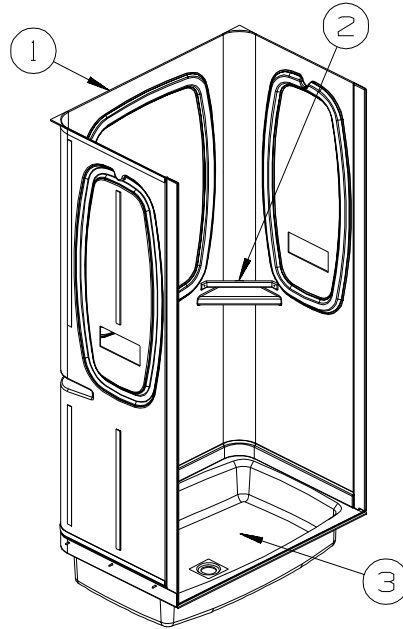
# WATER & SEWAGE GROUP DRAINAGE SYSTEM



KEY	PART NUMBER	U/M	DESCRIPTION
1	010006-01-000	EA	ELBOW - 45 DEGREE - 1 1/2" HUB X HUB - PLASTIC
2	010008-01-000	EA	ELBOW - 90 DEGREE - 1 1/2" HUB X HUB - PLASTIC
3	010009-01-000	EA	ELBOW - 90 DEGREE - 1/4 BEND - 1 1/2" - PLASTIC
4	010071-01-000	EA	TEE - SANITARY - 1 1/2" HUB X HUB X HUB - PLASTIC
5	010115-01-000	EA	COUPLING - 1 1/2" HUB X HUB - PLASTIC
6	033761-01-000	EA	ELBOW - 90 DEGREE - TURN - 1 1/2" HUB X 1 1/2" SPIGOT
7	107538-02-000	EA	P-TRAP - PLASTIC - 1 1/2" W/EXTENSION ARM
7	011071-01-000	EA	P-TRAP - 1 1/2" - CSA - PLASTIC - CANADIAN
8	152146-01-000	EA	CONNECTOR - 1 1/2"P X 1 1/2"MPT
9	037763-01-000	EA	P-TRAP - PLASTIC - 1 1/2 HXH W/UNION
10	079968-01-000	EA	VENT - MECHANICAL/TRAP ARM - ANTI-SIPHON-2" X 7.3" PLASTIC
11	061607-01-000	EA	GROMMET - HOLDING TANK - 1 1/2" NPS
12	061607-02-000	EA	GROMMET - HOLDING TANK - 3" NPS
13	034250-01-000	EA	ELBOW - 90 DEGREE - LONG TURN - 1 1/2" HUB X HUB - ABS
14	083558-03-000	EA	VENT - W/COVER - F/PLUMBING STACK - OFF WHITE
15	024676-01-000	EA	FLANGE/CLOSET - 4" X 3" - BLACK PLASTIC
16*	147421-06-01A	EA	TOILET/AQUA MAGIC 5 (HIGH) FOOTFLUSH - W/O SPRAY - WHITE
17	163942-01-01A	EA	SINK/DOUBLE - LRG/SML BASIN - 25" X 19" - PLASTIC/SILVER
			FROM: 00-00-00 THRU: 03-02-08
17	163942-02-01A	EA	SINK/DOUBLE - LRG/SML BASIN - 25" X 19" - PLASTIC/SILVER
			FROM: 03-03-08 THRU: 99-99-99
18	092303-01-000	EA	STRAINER - W/BASKET - GALLEY SINK - 4" OD
19	011091-02-000	EA	WASTE - CONTINUOUS - DOUBLE SINK
20	156661-01-01A	EA	SINK - LAVATORY - OVAL - 15" X 12" X 6.5" - GLACIER WHITE
21	106116-01-02A	EA	STRAINER/PLASTIC - STOPPER/TAILPIECE/GASKET & NUT-LAVATORY
	106116-02-01A	EA	GASKET - STRAINER
			FROM: 03-19-07 THRU: 99-99-99
	127440-02-01A	EA	WASHER - RUBBER - 1.8" X .1"
	130403-01-000	EA	NUT - SLIP - W/WINGS 1 1/2"
22	131486-01-000	EA	ELBOW - DRAIN 1 1/2" - LOW PROFILE - TUB DRAIN
23	156465-01-700	EA	TANK - HOLDING - 29 GALLON - W/3" NIPPLE - W/O FITTINGS
	049032-01-000	EA	PATCH - SPINWELD - 3/8" - PLASTIC
24	066440-01-000	EA	STRAINER - SHOWER DRAIN - W/RUBBER WASHER
25	010129-03-000	EA	NIPPLE - 3" X 3" TOE - PLASTIC
26	078406-01-000	EA	COUPLER - 3" X 3" W/CLAMPS - RUBBER

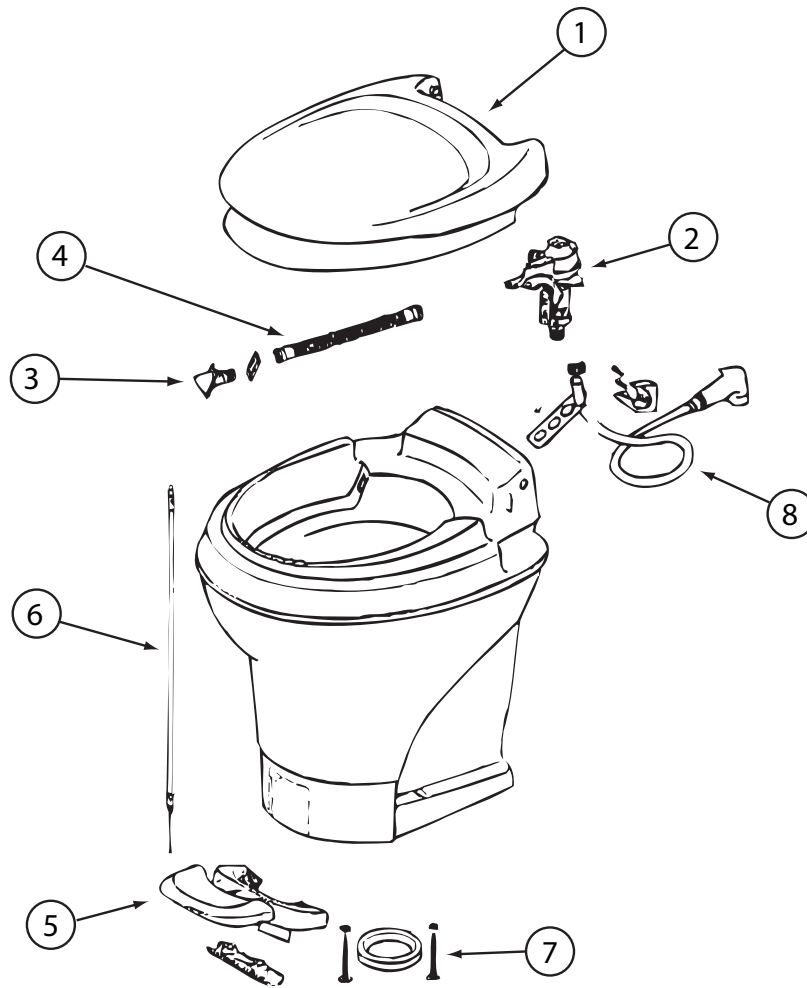
**WATER & SEWAGE GROUP (CONTINUED)**  
**DRAINAGE SYSTEM (CONTINUED)**

<b>KEY</b>	<b>PART NUMBER</b>	<b>U/M DESCRIPTION</b>
27	136143-01-000	EA VALVE - DUAL - 3" X 3"
	139513-01-000	EA HOSE - SEWER - 3" X 10' - W/ADAPTER
	062416-01-000	EA ADAPTER - SEWER HOSE TO 3" PIPE
28	112628-07-02B	EA BRACKET/TIEDOWN - WATER TANK - E-COATED
29	112628-08-02B	EA BRACKET/TIEDOWN - WATER TANK - E-COATED
30	149287-01-700	EA TANK - HOLDING - 36 GALLON - W/3" NIPPLE - W/O FITTINGS
	049032-01-000	EA PATCH - SPINWELD - 3/8" - PLASTIC
	126424-01-000	EA ADAPTER - 1 1/2" MPT X 1 1/2" HUB
	126425-02-000	EA ADAPTER - SWIVEL - 1 1/2 FPT X SPIGOT



<b>KEY</b>	<b>PART NUMBER</b>	<b>U/M DESCRIPTION</b>
1	147677-02-18A	EA SURROUND - SHOWER/TUB
2	113714-04-02A	EA RETAINER - SHELF/SHOWER - SOFT WHITE
3	M02630-87-S34	EA SHOWER PAN - W/STRAINER

**WATER & SEWAGE GROUP (CONTINUED)**  
**COMPONENT PARTS FOR DRAINAGE SYSTEM**

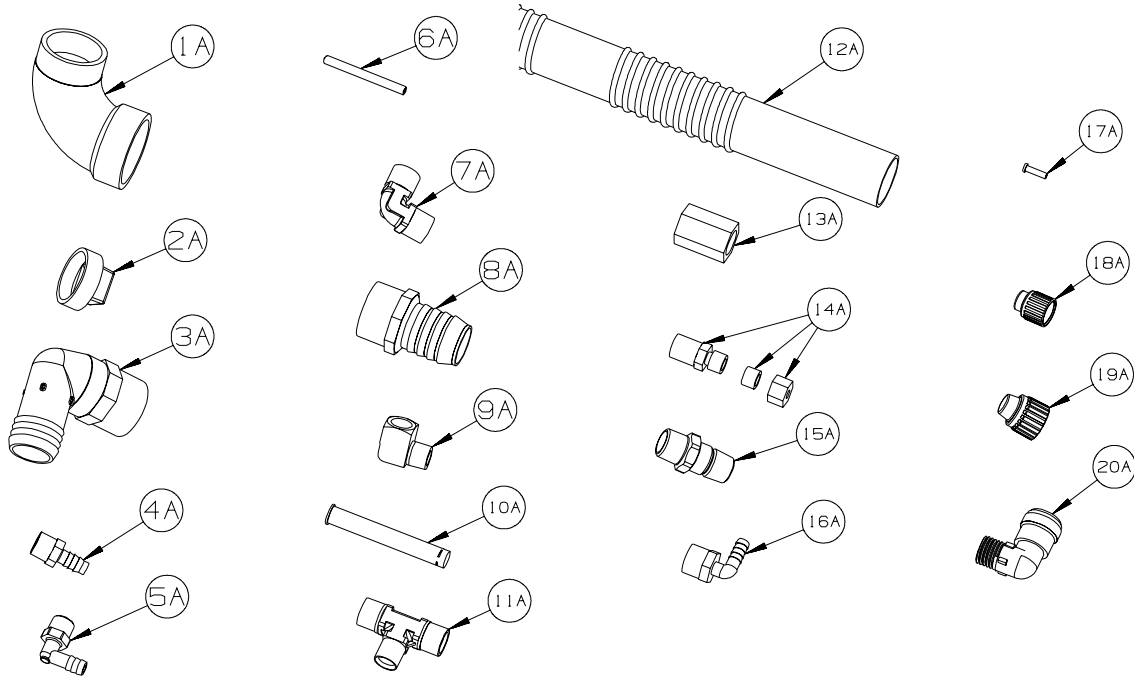


**147421-06-01A**

<b>KEY</b>	<b>PART NUMBER</b>	<b>U/M</b>	<b>DESCRIPTION</b>	<b>VENDOR NO.</b>
1	147421-01-700	EA	SEAT & COVER ASSEMBLY(WHT)	31703
2	147421-01-701	EA	WATER MODULE ASSEMBLY	31705
3	147421-01-702	EA	NOZZLE ASSEMBLY	31706
4	147421-01-703	EA	LINK - WATER MODULE	31621
5	147421-01-704	EA	PEDAL - WHITE	31709
6	147421-01-705	EA	FOOT CABLE	31711
7	063740-01-706	EA	BOLT PACKAGE-FLOOR FLANGE	12524 THETFORD
	147421-01-707	EA	CAP (UNIVERSAL BOLT) - WHITE	31713
CONTACT WINNEBAGO PART SALES FOR UNLISTED COMPONENT(S)				

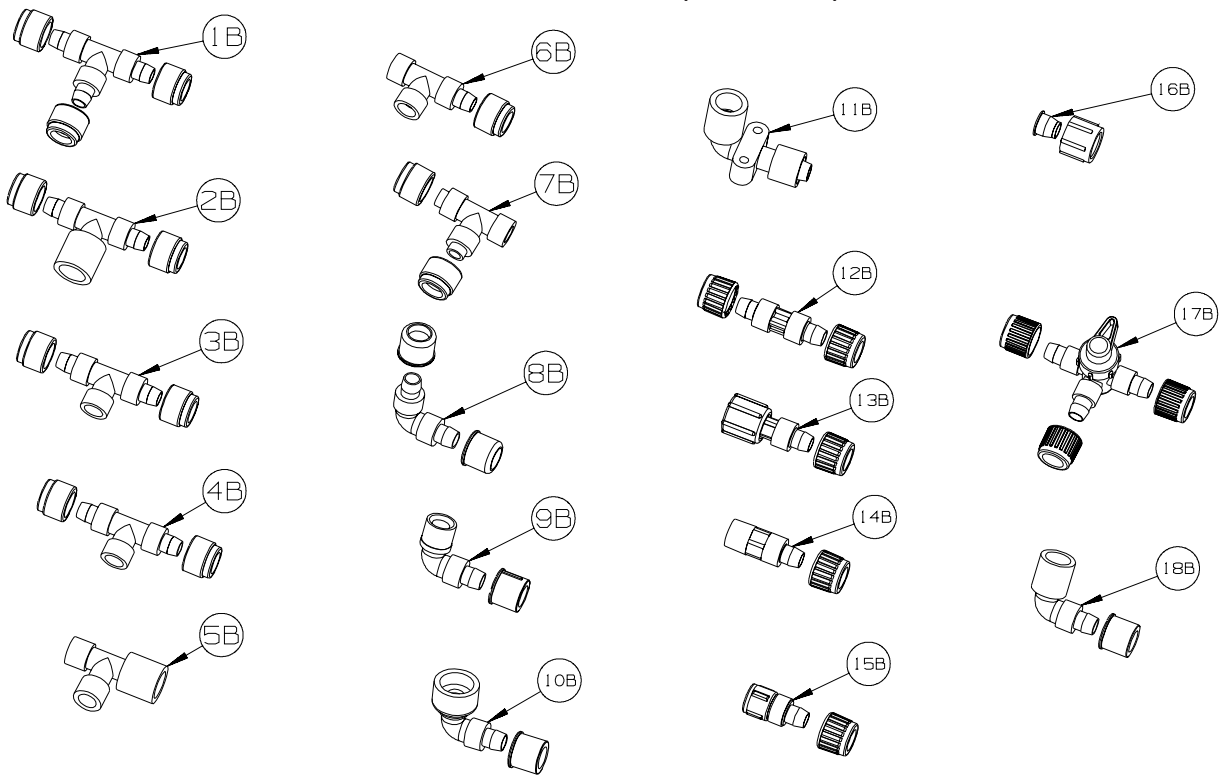
## WATER & SEWAGE GROUP (CONTINUED)

### WATER SYSTEM



KEY	PART NUMBER	U/M	DESCRIPTION
1A	010009-01-000	EA	ELBOW - 90 DEGREE - 1/4 BEND - 1 1/2" PLASTIC
2A	010166-01-000	EA	PLUG/THREADED - 1 1/4"MPT - PLASTIC - BLACK - UL
3A	010219-01-000	EA	ELBOW - 1 1/4 MPT X 1 1/4 BARB - WATER FILL - PLASTIC
4A	010224-01-000	EA	ADAPTER - HOSE TO PIPE - 3/8 MPT X 3/8 BARB - PLASTIC
5A	035539-01-000	EA	ELBOW - 3/8 MPT X 3/8 BARB - PLASTIC
6A	039800-04-000	FT	TUBING - POLYBUTYL - 1/4"OD
6A	074462-02-000	FT	TUBING - VINYL - 3/8 ID X 20' - CLEAR
6A	112176-01-000	FT	TUBING - VINYL - REINFORCED - 1/2" ID
6A	124188-01-000	FT	TUBING - PEX - 1/2" ID X 20' - BLUE(COLD)
6A	124188-02-000	FT	TUBING - PEX - 1/2" ID X 20' - RED(HOT)
7A	039808-03-000	EA	ELBOW - 1/2" MPT X 1/2" MPT - PLASTIC
8A	044927-01-000	EA	ADAPTER - HOSE TO PIPE-1 1/4 MPTX1 1/4 BARB-BLACK PLASTIC
9A	065318-02-000	EA	ELBOW - 90 DEGREE - 3/8" MPT TO 3/8" FPT
10A	077954-02-000	EA	FILTER - WATER TANK - W/SCREEN IN TANK
11A	039798-01-000	EA	TEE - 1/2"MPT X 1/2"MPT X 1/2"MPT - PLASTIC
12A	079381-01-000	FT	TUBING - RIBBED FLEXIBLE/WATER FILL - 10 FT = 1EA-1.38ID
13A	101814-01-000	EA	COUPLING - FEMALE - 1/2" X 1/2" FPT - GRAY
14A	103798-01-000	EA	CONNECTOR - 1/4 OD X 3/8 MPT
15A	110438-02-000	EA	VALVE - CHECK - 1/2"MPT X 1/2"MPT - BRASS
16A	111223-02-000	EA	ELBOW - 1/2" MPT X 3/8" BARB - PLASTIC
16A	111223-04-000	EA	ELBOW - 1/2" MPT X 1/2" BARB - PLASTIC
16A	111888-01-000	EA	FERRULE - PLASTIC - .250 ID X .375 OD
17A	111888-02-000	EA	INSERT - BRASS - 1/4 COMP
18A	113697-01-000	EA	CAP - 3/8"P
19A	114427-01-000	EA	CAP - 1/2"P
20A	164906-01-000	EA	ELBOW - 90 DEGREE - 1/2" QUICK CONNECT X 1/2"MPT

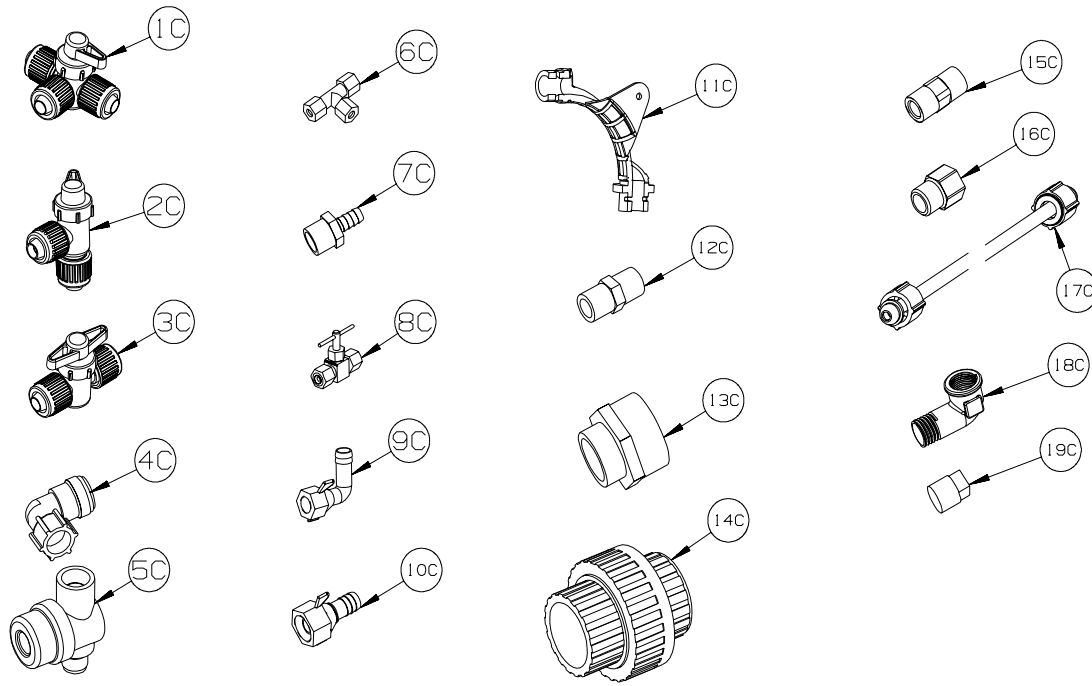
**WATER & SEWAGE GROUP (CONTINUED)**  
**WATER SYSTEM (CONTINUED)**



KEY	PART NUMBER	U/M	DESCRIPTION
1B	114428-01-000	EA	TEE - 1/2"P X 1/2"P X 1/2"P
2B	114428-02-000	EA	TEE - SWIVEL - 1/2"P X 1/2"P X 1/2"FPT
3B	114428-03-000	EA	TEE - 1/2"P X 1/2"P X 1/2"MPT
4B	114428-04-000	EA	TEE - 1/2"P X 1/2"P X 1/8"FPT
5B	114428-05-000	EA	TEE - 1/2" SWIVEL X 1/2" MPT X 1/2" MPT
6B	114428-06-000	EA	TEE - 1/2" P X 1/2" MPT X 1/2" MPT
7B	114428-07-000	EA	TEE - 1/2" P X 1/2" MPT X 1/2" P
8B	114429-01-000	EA	ELBOW - 1/2"P X 1/2"P
9B	114429-02-000	EA	ELBOW - 1/2"P X 1/2"MPT
9B	114429-04-000	EA	ELBOW - 1/2"P X 3/8"MPT
9B	114429-10-000	EA	ELBOW - SWIVEL - 1/2"MPT X 1/2"FPT
10B	114429-08-000	EA	ELBOW - SWIVEL - 1/2"P X 1/2"FPT
11B	114429-09-000	EA	ELBOW - 1/2"P X 1/2"FPT DROP EAR
12B	114430-01-000	EA	ADAPTER - 1/2"P X 1/2"P
13B	114430-02-000	EA	ADAPTER - SWIVEL - 1/2"P X 1/2"FPT
13B	114430-04-000	EA	ADAPTER - SWIVEL - 1/2"P X 3/8"MPT
14B	114430-03-000	EA	ADAPTER - 1/2"P X 1/2"MPT
15B	114430-06-000	EA	ADAPTER - 1/2"P X 3/8"FPT
15B	114430-09-000	EA	ADAPTER - 1/2"P X 1/2"FPT
16B	114430-10-000	EA	ADAPTER - NUT - PIPE CONNECTION - 1/2"
17B	114431-01-000	EA	VALVE - 180 DEGREE/CENTER DRAIN - 1/2"P - THREE WAY
18B	114429-11-000	EA	ELBOW - 1/2"P X 1/2"FPT

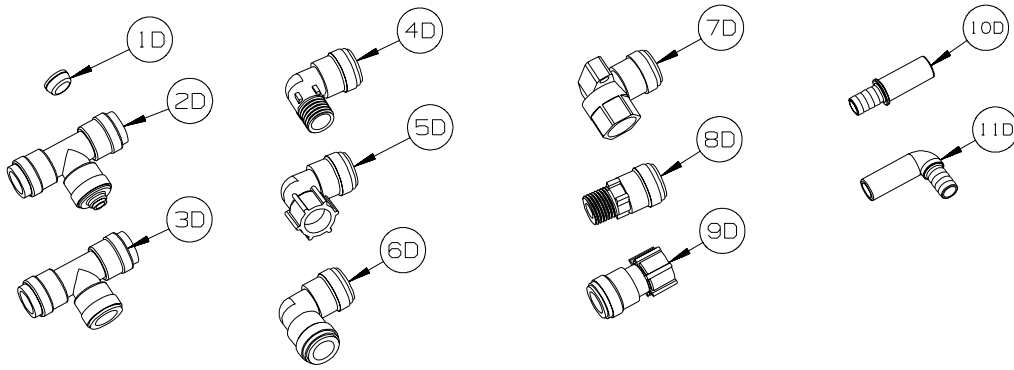


**WATER & SEWAGE GROUP (CONTINUED)**  
**WATER SYSTEM (CONTINUED)**



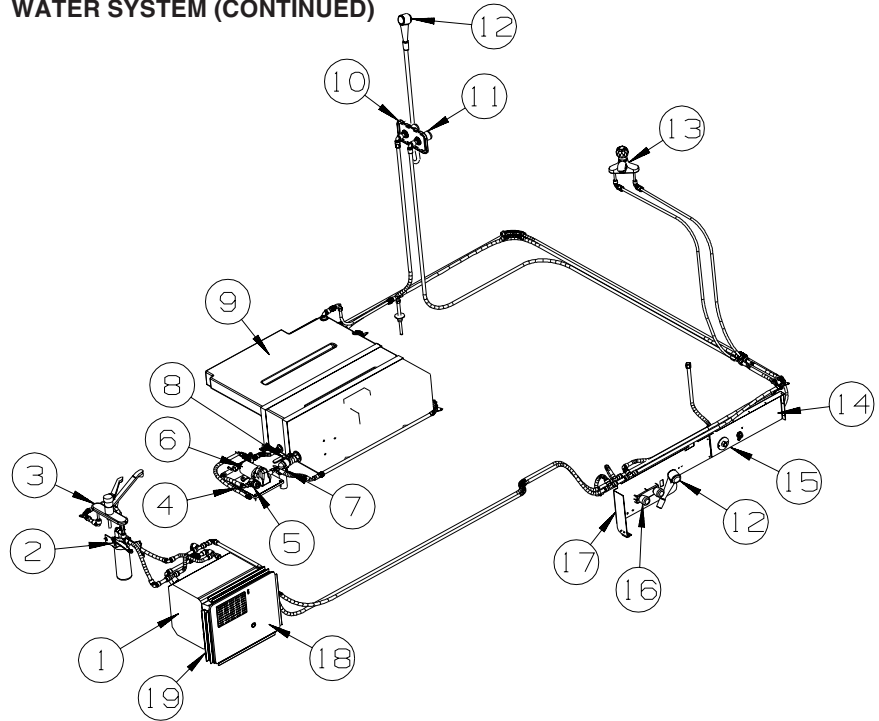
KEY	PART NUMBER	U/M	DESCRIPTION
1C	114431-02-000	EA	VALVE - WATER BYPASS - 1/2"P - THREE WAY (WATER HEATER)
2C	114431-03-000	EA	VALVE - 90 DEGREE DRAIN - 1/2"P
3C	114431-04-000	EA	VALVE - "INLINE SHUT-OFF" - 1/2"P
4C	164906-02-000	EA	ELBOW - 90 DEGREE - 1/2" QUICK CONNECT X 1/2"MPT - SWIVEL
5C	152925-01-01A	EA	FILTER - IN LINE - TWIST ON - 1/2" - BLACK
6C	118423-01-000	EA	FITTING - BRASS-TEE - 1/4C X 1/4C X 1/4C
7C	118809-01-000	EA	ADAPTER - 1/2" MPT X 3/8" BARB - PLASTIC
7C	118809-02-000	EA	ADAPTER - 1/2" MPT X 1/2" BARB - PLASTIC
8C	120868-01-000	EA	VALVE - NEEDLE - 1/4" COMPRESSION X 1/4" COMPRESSION
9C	123150-01-000	EA	ELBOW - 1/2 FPT X 1/2 BARB - SWIVEL
10C	123152-01-000	EA	ADAPTER - 1/2 FPT X 1/2 BARB - SWIVEL
11C	124184-01-000	EA	SUPPORT - WATER LINE - BEND
12C	132148-01-000	EA	CONNECTOR - 1/2" X 1/2"MPT - BRASS
13C	133835-01-000	EA	ADAPTER - REDUCING - 1 1/2" X 1 1/4"
14C	133889-01-000	EA	UNION - 1 1/2 DOUBLE SLIP - PVC
15C	135386-01-000	EA	NIPPLE - 1/2"
16C	136333-01-000	EA	ADAPTER - BRASS - 1/2"MPT X 1/2"FPT
17C	140821-01-000	EA	TUBE - WATER SUPPLY - 3/8" X 24"
17C	140821-02-000	EA	TUBE - WATER SUPPLY - 3/8" X 30"
17C	140821-03-000	EA	TUBE - WATER SUPPLY - 3/8" X 36"
17C	140821-04-000	EA	TUBE - WATER SUPPLY - 3/8" X 48"
17C	140821-05-000	EA	TUBE - WATER SUPPLY - 3/8" X 54"
17C	140821-06-000	EA	TUBE - WATER SUPPLY - 3/8" X 60"
17C	140821-07-000	EA	TUBE - WATER SUPPLY - 3/8" X 72"
17C	140821-08-000	EA	TUBE - WATER SUPPLY - 1/2" X 24"
17C	140821-09-000	EA	TUBE - WATER SUPPLY - 1/2" X 36"
17C	140821-10-000	EA	TUBE - WATER SUPPLY - 1/2" X 48"
18C	142812-01-000	EA	ELBOW - BRASS - 1/2"MPT X 1/2"FPT
19C	145609-01-000	EA	PLUG - BRASS - 1/2" MPT/HEX HEAD

**WATER & SEWAGE GROUP (CONTINUED)**  
**WATER SYSTEM (CONTINUED)**



KEY	PART NUMBER	U/M	DESCRIPTION
1D	116473-01-000	EA	FERRIL - RUBBER SEALING - WATER LINE
2D	160949-01-000	EA	CONNECTOR - 1/2" X 1/2" X 1/4" REDUCER
3D	160949-02-000	EA	CONNECTOR - 1/2"CTS X 1/2"CTS X 1/2"CTS
4D	164906-01-000	EA	ELBOW - 90 DEGREE - 1/2" QUICK CONNECT X 1/2"MPT
5D	164906-02-000	EA	ELBOW - 90 DEGREE - 1/2" QUICK CONNECT X 1/2"FPT - SWIVEL
6D	164906-03-000	EA	ELBOW - 90 DEGREE - 1/2" X 1/2" QUICK CONNECTS
7D	164906-04-000	EA	ELBOW - 90 DEGREE - 1/2"CTS X 1/2"FPT
8D	164907-01-000	EA	ADAPTER - STRAIGHT - 1/2" QUICK CONNECT X 1/2"MPT
9D	164907-02-000	EA	ADAPTER - STRAIGHT - 1/2" QUICK CONNECT X 1/2"FPT/SWIVEL
10D	166212-01-000	EA	UNION - HOSE/BARB - CTS X 1/2"B - SEA TECH #3511-1008
11D	166212-02-000	EA	ELBOW - HOSE/BARB - CTS X 1/2"B - SEA TECH #3512-1008

**WATER & SEWAGE GROUP (CONTINUED)**  
**WATER SYSTEM (CONTINUED)**



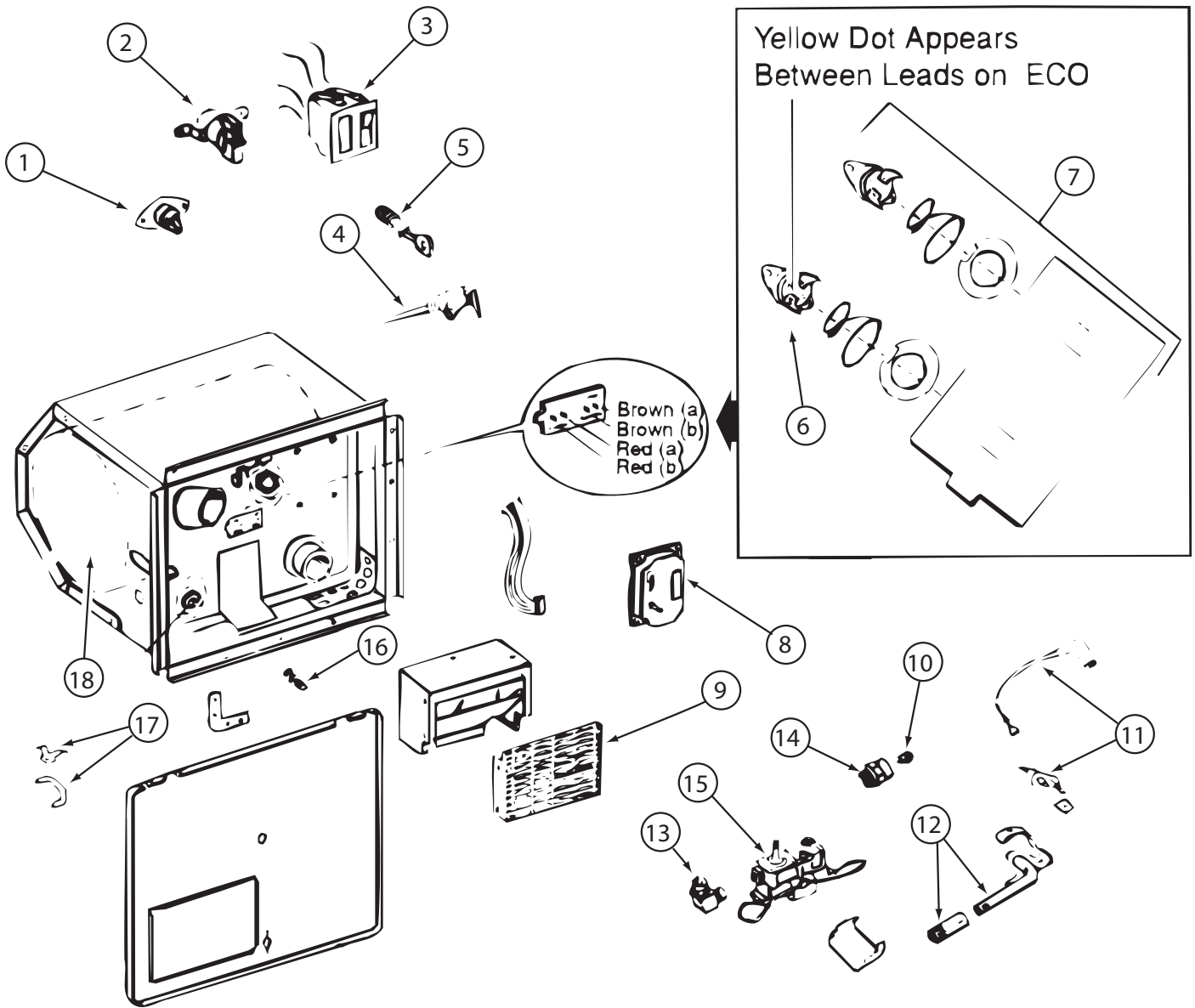
KEY	PART NUMBER	U/M	DESCRIPTION
1*	051391-03-000	EA	WATER HEATER G6A-8E ELECTRONIC IGNITION
1*	145541-02-000	EA	WATER HEATER-6 GAL-GAS/ELEC/120'-REM IGN-W/HEAT EXC-4E - <b>WTR HTR-6GAL ELEC/LP GAS</b>
2	160946-03-000	EA	FILTER SYSTEM - WATER PURIFICATION - AQUA-PURE
3	149164-01-01A	EA	FAUCET - GALLEY - SINGLE CONTROL - CHROME
4	149477-02-02B	EA	PANEL - WATER PUMP - E-COATED
5	140364-01-01A	EA	FOAM - PAD - .5" X 8" X 8"
6	160702-01-000	EA	PUMP - WATER - 2.8 GPM - W/1/2" MPT - #2088-422-174
			FROM: 00-00-00 THRU: 05-28-08
6	160702-02-000	EA	PUMP - WATER - 2.8 GPM - 12 VOLT
			FROM: 05-29-08 THRU: 99-99-99
7	132484-01-000	EA	ELBOW - 90 DEGREE - 1MPT X 1FPT - PLASTIC
8	132483-01-000	EA	VALVE/BALL - 1" - THREADED ENDS
9	155664-03-000	EA	TANK - WATER - 33 GALLON - W/FITTINGS
	042989-04-000	EA	FITTING - SPINWELD - 3/8"FPT - PLASTIC
	042989-05-000	EA	FITTING - SPINWELD - 1/2"FPT - PLASTIC
	042989-08-000	EA	FITTING - SPINWELD - 1"FPT - PLASTIC
10	075606-03-000	EA	PANEL - FAUCET SHOWER - SOFT WHITE
11*	075241-07-000	EA	FAUCET - SHOWER CONTROL - CHROME
			FROM: 00-00-00 THRU: 01-01-07
11	163269-01-02A	EA	FAUCET/SHOWER -.5"MPT W/1.9" INLET PIPES- EXTERIOR/CHROME
			FROM: 01-02-07 THRU: 99-99-99
12	131383-01-02A	EA	SHOWER HEAD - W/60" HOSE & BRACKET - WHITE
13*	152311-01-01A	EA	FAUCET - LAVATORY - SINGLE CONTROL - CHROME
			FROM: 00-00-00 THRU: 03-23-08
13*	165730-01-01A	EA	FAUCET - LAVATORY - SINGLE CONTROL - CHROME
			FROM: 03-24-08 THRU: 99-99-99
14	147776-02-12B	EA	PANEL - SERVICE CENTER - BRIGHT WHITE
15	010230-06-000	EA	FILL - CITY WATER - W/CHECK VALVE - MPT - BRUSHED ALUM
16*	075241-06-000	EA	FAUCET/SHOWER -.5"MPT W/1.9" INLET PIPES- EXTERIOR/BRT WHT - <b>EXTERIOR WASH STATION</b>
			FROM: 00-00-00 THRU: 01-01-07
16	163269-01-01A	EA	FAUCET/SHOWER -.5"MPT W/1.9" INLET PIPES- EXTERIOR/BRT WHT - <b>EXTERIOR WASH STATION</b>
			FROM: 01-02-07 THRU: 99-99-99
17	147775-03-12B	EA	PANEL - SERVICE CENTER - BRIGHT WHITE
17	140309-03-02B	EA	ANGLE - FURNACE DOOR - E-COATED

**WATER & SEWAGE GROUP (CONTINUED)**  
**WATER SYSTEM (CONTINUED)**

<b>KEY</b>	<b>PART NUMBER</b>	<b>U/M</b>	<b>DESCRIPTION</b>
18	052009-06-000	EA	DOOR - WATER HEATER - 18" X 14.6" - BRIGHT WHITE FROM: 00-00-00 THRU: 05-13-07
18	125420-06-02A	EA	DOOR - WATER HEATER - 18" X 14.6" - BRIGHT WHITE FROM: 05-14-07 THRU: 99-99-99
18	125420-06-03A	EA	DOOR - WATER HEATER - 18" X 14.6" - BLACK FROM: 05-14-07 THRU: 99-99-99
	076767-03-000	EA	CABLE - STAINLESS STEEL - 18.5"
19	152239-01-01A	EA	FLANGE/MOUNTING/RECESSED - 19.3" X 15.8" - BRIGHT WHITE
19	152239-01-02A	EA	FLANGE/MOUNTING/RECESSED - 19.3" X 15.8" - BLACK

**\*COMPONENT PARTS LISTED LATER IN THIS GROUP**

**WATER & SEWAGE GROUP (CONTINUED)**  
**COMPONENT PARTS FOR WATER SYSTEM**



051391-03-000

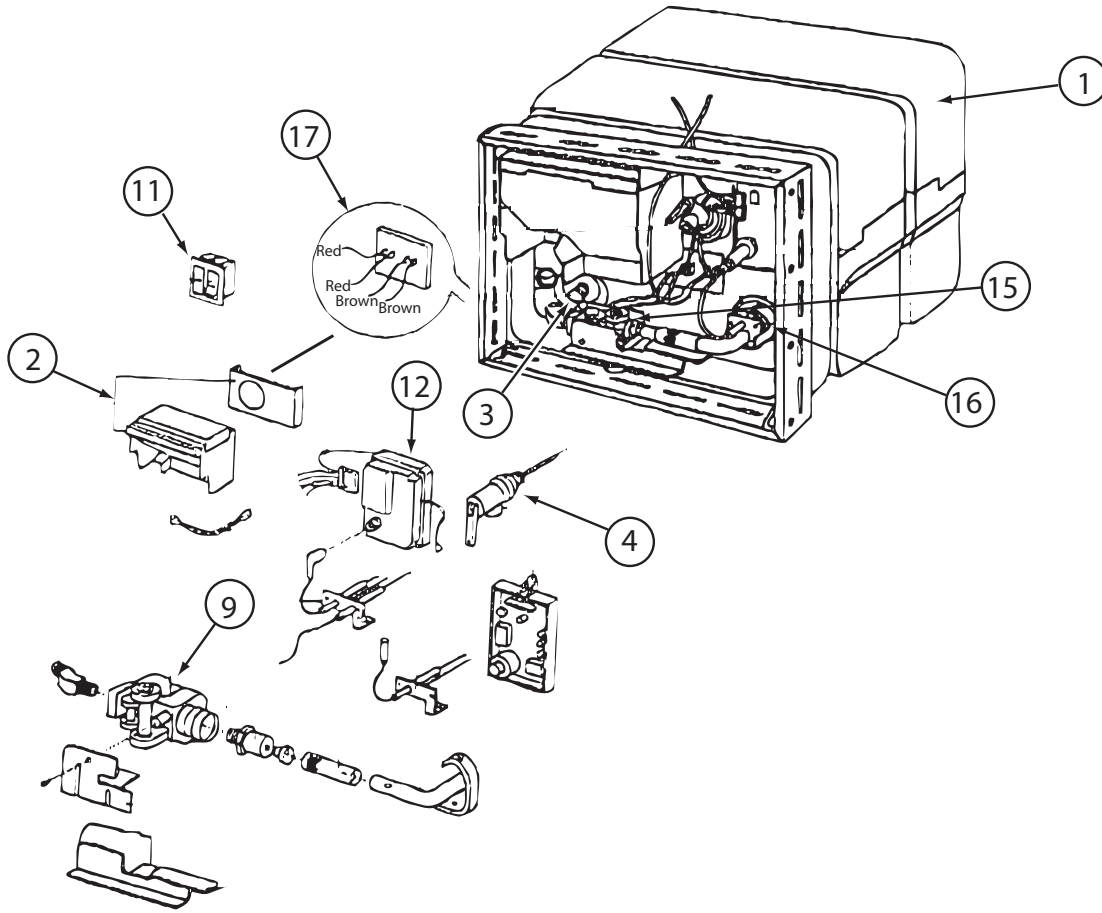
KEY	PART NUMBER	U/M	DESCRIPTION	VENDOR NO.
3	051393-01-701	EA	SWITCH - REMOTE - W/LIGHT	91959
4	051391-01-704	EA	VALVE-RELIEF, 1/2" FITTING	91604
4	051391-03-701	EA	VALVE-RELIEF - 3/4" FITTING	90028
5	051391-01-705	EA	FASTENER-CAMLOCK	92609
6	051391-04-701	EA	THERMOSTAT 12V DC-120 PRESET	91470
7	051393-01-721	EA	THERMOSTAT W/ECO, 140 FRT MT	91447
9	051391-04-707	EA	KIT-EXHAUST, (FLUE & GASKET)	90960
10	051391-01-710	EA	ORIFICE-MAIN BURNER	92742
12	051391-04-703	EA	BURNER-MAIN/ELECTRONIC IG	91638
13	051391-01-714	EA	FITTING-ELBOW 45,3/8F X 3/8	MPT 1044
14	051391-03-700	EA	HOLDER-ORIFICE	91563
16	051391-01-715	EA	PLUG-DRAIN, 1 EA = 2 PER PKG	91857
17	051391-01-700	EA	HINGE KIT, (PIN & CLIP)	92568&92559
18	051391-04-706	EA	TANK-G6A-4E/6E/7E/8E-FRT.MT	91641 - INNER
	051391-01-717	EA	GRILLE-WATER HEATER DOOR	92640
	051393-01-723	EA	SWITCH - THERMAL CUTOUT 2/PK	93866 WAS 93853
	051393-01-724	EA	BOARD-CIRCUIT, SPADE TERMINAL	93865
	051393-01-725	EA	ELECTRODE-SGL SPADE CONNECT.	93868
	051393-01-726	EA	VALVE/SOLENOID - W/O BRACKET	93870
	111129-01-711	EA	BRACKET-CORNER, SET OF FOUR	91928

CONTACT WINNEBAGO PARTS SALES FOR UNLISTED COMPONENT(S)

**WATER & SEWAGE GROUP (CONTINUED)**  
**COMPONENT PARTS FOR WATER SYSTEM (CONTINUED)**

075241-04-000, 075241-05-000, 075241-06-000, 075241-07-000

KEY	PART NUMBER	U/M	DESCRIPTION	VENDOR NO.
	075240-05-700	EA	CARTRIDGE - WASHERLESS	9-P42



**145541-02-000**

KEY	PART NUMBER	U/M	DESCRIPTION	VENDOR NO.
1	145541-02-700	EA	TANK/SERVICE KIT PCS- 6 GAL	91053
2	051391-04-707	EA	KIT-EXHAUST, (FLUE & GASKET)	90960
3	051391-01-715	EA	PLUG-DRAIN, 1 EA = 2 PER PKG	91857
4	051391-01-704	EA	VALVE-RELIEF, 1/2" FITTING	91604
4	051931-03-701	EA	VALVE-RELIEF - 3/4" FITTING	90028
9	051393-01-726	EA	VALVE-SOLENOID - W/O BRACKET	93870
11	051393-01-701	EA	SWITCH - REMOTE - W/LIGHT	91959
11	145541-01-701	EA	SWITCH - ON/OFF - WHITE	91859
12	145541-01-702	EA	CIRCUIT BOARD	91226
15	145541-01-703	EA	SWITCH - THERMAL CUT OFF	93866
16	051393-01-725	EA	ELECTRODE-SGL SPADE CONNECT.	93868
17	051393-01-721	EA	THERMOSTAT W/ECO, 140 FRT MT	91447
	051391-05-706	EA	ELEMENT-HEATING 1500 WATT	92249 W/GASKET
	145541-01-704	EA	RELAY	90061
	145541-02-701	EA	JUNCTION BOX(PLASTIC) 6 GAL	91222

CONTACT WINNEBAGO PARTS SALES FOR UNLISTED COMPONENT(S)

**152311-01-01A**

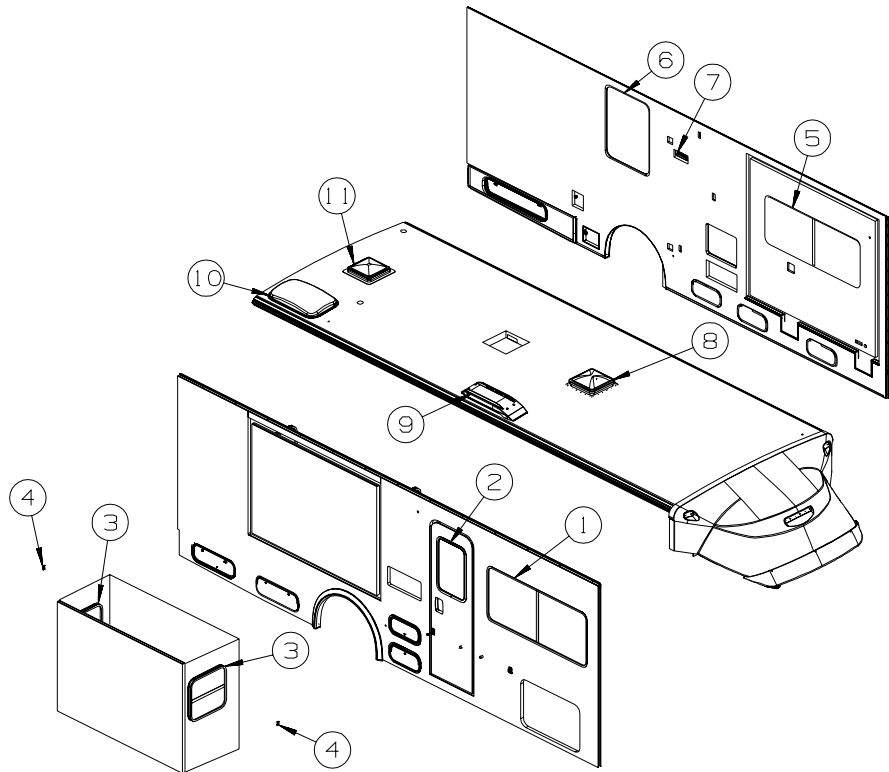
KEY	PART NUMBER	U/M	DESCRIPTION	VENDOR NO.
	152311-01-700	EA	KNOB - CONTROL	AF-0908-HANDLE
	152311-01-701	EA	BUTTON-HOT/COLD	
	152311-02-701	EA	CARTRIDGE (KIT)	

**165730-01-01A**

KEY	PART NUMBER	U/M	DESCRIPTION	VENDOR NO.
	165730-02-700	EA	CARTRIDGE	CFG-40002

## WINDOW & VENTS GROUP

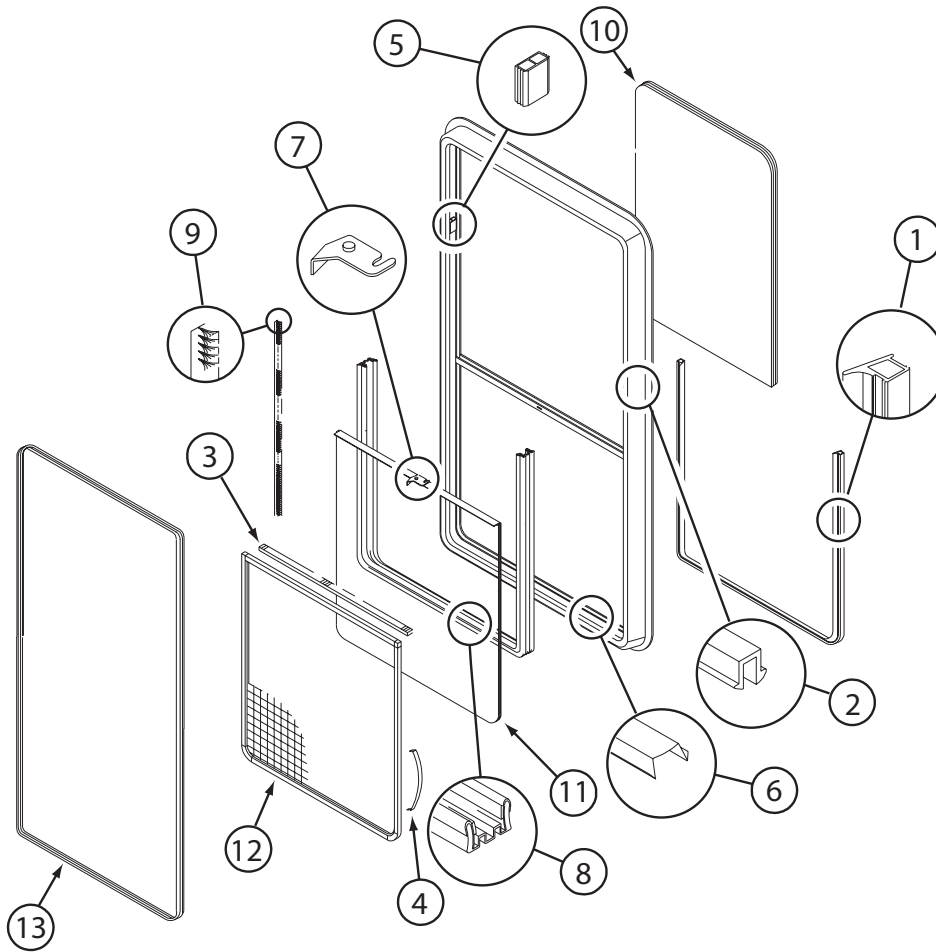
### WINDOW & VENT LAYOUT



KEY	PART NUMBER	U/M	DESCRIPTION
1*	098647-23-02A	EA	WINDOW - PASS HORIZ SLIDER TINTED W/RETAINER - 26.1" X 59.7"
1*	150648-03-01A	EA	WINDOW-HORIZ SLIDER/FLUSH/THERMO/RH - 26.3" X 59.9" - BLACK - <b>DUAL PANE</b>
2	117053-02-F36	EA	WINDOW - PICTURE - W/O TRIM - 60% TINTING - 26.4" X 17"
	002181-25-000	EA	GLASS - PICTURE WINDOW - 25.8"W X 16.4"H
	087561-01-000	FT	SEAL - GLASS - EXTERIOR - .5" WIDE - VINYL BLACK
2	117054-02-03A	EA	TRIM/RETAINER - INSIDE - 16.9" X 26.2" - BLACK
2*	150651-01-01A	EA	WINDOW - STATIONARY/FLUSH/THERMO - 26.3" X 17" - BLACK - <b>DUAL PANE</b>
3*	098644-13-01A	EA	WINDOW - VERTICAL SLIDER W/TRIM - 19.8" X 20.9"
3*	150649-07-01A	EA	WINDOW - VERT SLIDER/FLUSH/THERMO - 19.8" X 20.8" - <b>DUAL PANE</b>
4	151905-01-01A	EA	CLIP/BACKET - SCREEN RETAINER - BLACK - DUAL PANE
5*	098647-47-02A	EA	WINDOW - DRIVER HORIZ SLIDER W/TRIM-TINTED - 57.4"W X 23.6"H
5*	150648-07-01A	EA	WINDOW-HORIZ SLIDER/FLUSH/THERMO/LH - 23.8" X 57.7" - <b>DUAL PANE</b>
6*	112463-02-02A	EA	WINDOW - TIPOUT/ESCAPE - W/RETAINER - 36" X 27"
6*	161452-06-01A	EA	WINDOW - TIPOUT/FLUSH/ESCAPE/THERMO - 35.9" X 27" - <b>DUAL PANE</b>
7	147821-01-01A	EA	VENT - EXHAUST/RANGE HOOD - BRIGHT WHITE
7	147821-01-02A	EA	VENT - EXHAUST/RANGE HOOD - BLACK
7	147821-02-01A	EA	SHROUD - EXHAUST VENT/RANGE HOOD - BRIGHT WHITE
8*	122882-01-01A	EA	VENT - ROOF - NONPOWERED - W/O INSIDE GARNISH
8	122882-07-01A	EA	GARNISH - ROOF VENT - 2.5" TO 4.1"
8*	123780-03-01A	EA	FANTASTIC VENT-3"4"ROOF-W/FAN-W/O THERM/PWR LIFT/WHT CVR FROM: 00-00-00 THRU: 01-03-07
	009440-01-000	EA	GEAR/ARM - LIFT - ROOF VENT COVER FROM: 00-00-00 THRU: 01-03-07
8*	123780-26-01A	EA	FANTASTIC VENT-4"ROOF- W/FAN/DBL DOME-W/O THERM/PWR LIFT FROM: 01-04-07 THRU: 99-99-99
9	149508-01-02A	EA	CAP - ROOF/REFRIGERATOR VENT - WHITE
9	149508-02-02A	EA	BASE - ROOF/REFRIGERATOR VENT - BRIGHT WHITE
10	122193-01-02A	EA	PANEL - SKYLITE - INNER - W/LIGHT INDENTATION
10	138372-01-02B	EA	TRIM - CORNER - SKYLIGHT - E-COATED
10	138379-02-01A	EA	PANEL/SKYLIGHT OTR - RECT/4"H CTR DOME - 18.4" X 29.5" - WHT
11*	122882-02-01A	EA	VENT - ROOF - W/FAN - W/O INSIDE GARNISH - UL
	048648-01-000	EA	MOTOR/ROOF VENT - W/RESISTER - 1/8"SHAFT - 12VOLT
	048649-01-000	EA	FAN BLADE - ROOF VENT - 6 BLADED - 6"RADIUS
11*	122882-03-01A	EA	VENT - ROOF - W/FAN - W/O INSIDE GARNISH - CSA - <b>CANADIAN</b>
	048648-01-000	EA	MOTOR/ROOF VENT - W/RESISTER - 1/8"SHAFT - 12VOLT
11	122882-07-01A	EA	GARNISH - ROOF VENT - 2.5" TO 4.1"

\*COMPONENT PARTS LISTED LATER IN THIS GROUP

**WINDOW & VENTS GROUP (CONTINUED)**  
**COMPONENT PARTS FOR WINDOW & VENT LAYOUT**

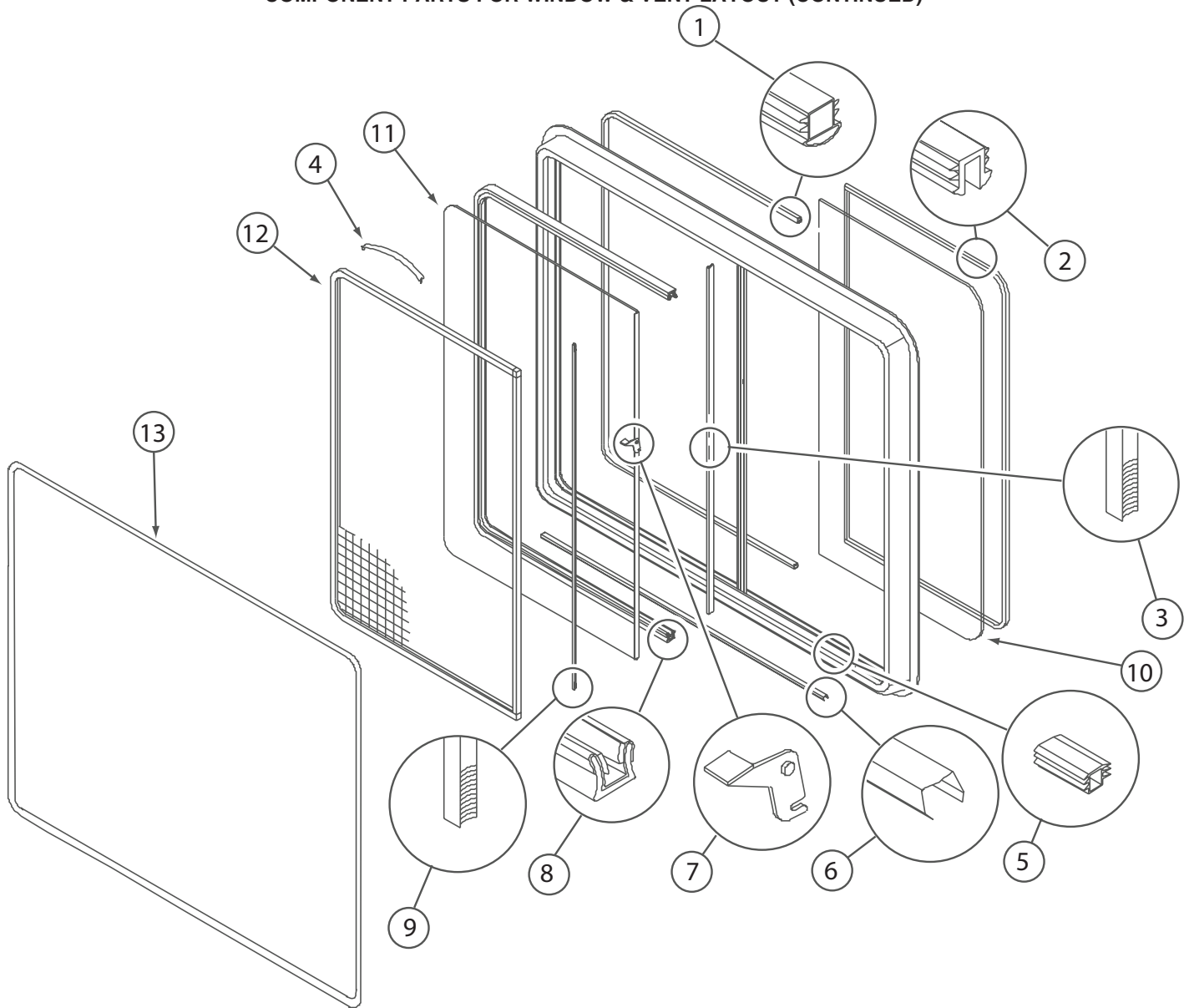


**098644-13-01A**

<b>KEY</b>	<b>PART NUMBER</b>	<b>U/M</b>	<b>DESCRIPTION</b>	<b>VENDOR NO.</b>
1	098644-01-716	FT	PLUG - FILLER	132-014470
2	098644-01-705	FT	GLAZING - STRIP	132-010231
3	098644-01-706	FT	WEATHERSTRIP - GLASS	171-010668
4	098644-01-713	EA	CLIP - SCREEN - METAL	226-016966
4	125582-01-701	EA	CLIP - SCREEN - PLASTIC	130-005153
5	098644-01-719	EA	STOP - SLIDER GLASS	132-014203
6	098644-01-710	FT	TRACK - SCREEN SPACER 12'	132-017135
7	098644-01-700	EA	LATCH - REPAIR KIT (BLACK)	B801-CK
7	098647-54-701	EA	LATCH - REPAIR KIT (RED)	B081-CK
8	098644-01-708	FT	CHANNEL - RUN PIERCED	122-016543
9	098644-01-711	FT	WEATHERSTRIP - SCREEN BLACK	171-016965
10	098644-13-700	EA	GLASS - STATIONARY	106-028698
11	098644-13-701	EA	GLASS - SLIDING W/SASH/LATCH	H702-G9
12	098644-13-702	EA	SCREEN ASM - W/SEALS/CLIPS	410-028663
13	098644-13-703	EA	RETAINER - TRIM	H702-60
	098644-01-717	FT	SPLINE - SCREEN	132-004716



**WINDOW & VENTS GROUP (CONTINUED)**  
**COMPONENT PARTS FOR WINDOW & VENT LAYOUT (CONTINUED)**



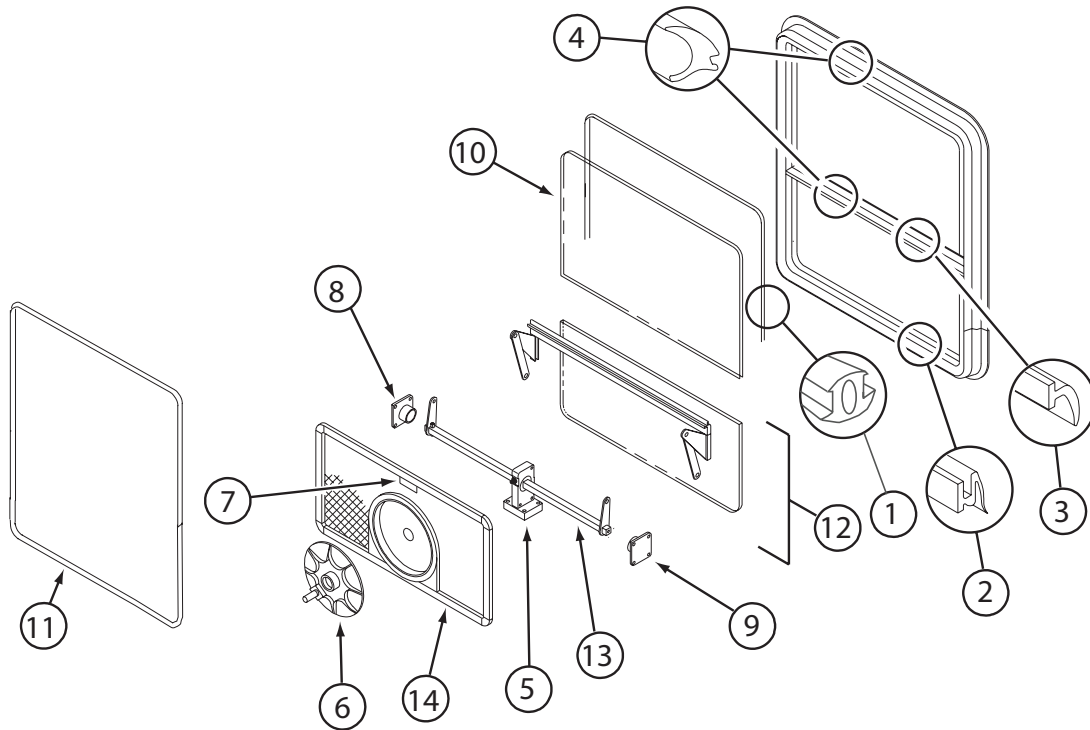
**098647-23-02A**

KEY	PART NUMBER	U/M	DESCRIPTION	VENDOR NO.
1	098644-01-716	FT	PLUG - FILLER	132-014470
2	098644-01-705	FT	GLAZING - STRIP	132-010231
3	098644-01-706	FT	WEATHERSTRIP - GLASS	171-010668
4	098644-01-713	EA	CLIP - SCREEN - METAL	226-016966
4	125582-01-701	EA	CLIP - SCREEN - PLASTIC	130-005153
5	098644-01-719	EA	STOP - SLIDER GLASS	132-014203
6	098644-01-710	FT	TRACK - SCREEN SPACER 12'	132-017135
7	098644-01-700	EA	LATCH - REPAIR KIT (BLACK)	B801-CK
7	098647-54-701	EA	LATCH - REPAIR KIT (RED)	B081-CK
8	098644-01-708	FT	CHANNEL - RUN PIERCED	122-016543
9	098644-01-711	FT	WEATHERSTRIP - SCREEN BLACK	171-016965
10	098647-23-703	EA	GLASS - STATIONARY	106-017622
11	098647-23-700	EA	GLASS SLIDING W/SASH & LATCH	H287-G9
12	098647-23-704	EA	SCREEN ASM - W/SEALS & CLIPS	410-019066
13	098647-22-701	EA	RETAINER - TRIM	H287-67
	098644-01-717	FT	SPLINE - SCREEN	132-004716

**WINDOW & VENTS GROUP (CONTINUED)**  
**COMPONENT PARTS FOR WINDOW & VENT LAYOUT (CONTINUED)**

**098647-47-02A**

KEY	PART NUMBER	U/M	DESCRIPTION	VENDOR NO.
1	098644-01-716	FT	PLUG - FILLER	132-014470
2	098644-01-705	FT	GLAZING - STRIP	132-010231
3	098644-01-706	FT	WEATHERSTRIP - GLASS	171-010668
4	098644-01-713	EA	CLIP - SCREEN - METAL	226-016966
4	125582-01-701	EA	CLIP - SCREEN - PLASTIC	130-005153
5	098644-01-719	EA	STOP - SLIDER GLASS	132-014203
6	098644-01-710	FT	TRACK - SCREEN SPACER 12'	132-017135
7	098644-01-700	EA	LATCH - REPAIR KIT (BLACK)	B801-CK
7	098647-54-701	EA	LATCH - REPAIR KIT (RED)	B081-CK
8	098644-01-708	FT	CHANNEL - RUN PIERCED	122-016543
9	098644-01-711	FT	WEATHERSTRIP - SCREEN BLACK	171-016965
10	098647-47-700	EA	GLASS - STATIONARY	106-025224
11	098647-47-701	EA	GLASS-SLIDING W/SASH & LATCH	H493-G9
12	098647-47-702	EA	SCREEN ASM - W/SEALS & CLIPS	410-025226
13	098647-47-704	EA	RETAINER - TRIM	H493-66
	098644-01-717	FT	SPLINE - SCREEN	132-004716



**112463-02-02A**

KEY	PART NUMBER	U/M	DESCRIPTION	VENDOR NO.
1	112463-02-702	EA	GLASS - STATIONARY	106-018809
2	100322-01-704	FT	TAPE-BUTYL	154-025932
3	100322-01-702	FT	VINYL-GLAZING, BUTYL	132-010723
4	116976-01-702	FT	FILLER PLUG	132-016065
5	100322-01-701	FT	SEAL-VENT	122-016071
6	112463-02-707	EA	SUPPORT - TORQUE BAR RH	132-015979
6	112463-02-708	EA	SUPPORT - TORQUE BAR LH	132-015978
7	112463-02-704	EA	OPERATOR & BAR ASSEMBLY	CH82-15
8	100322-01-702	FT	WEATHERSTRIP-HORIZ RAIL-148"	122-016071
9	112463-02-700	EA	RETAINER - TRIM	CH82-59
10	112463-02-705	EA	SCREEN ASM - W/SEALS & CLIPS	410-18812
11	112463-02-709	EA	FOAM TAPE - F/SCREEN	138-017617
12	112463-02-703	EA	VENT GLASS ASSEMBLY	CH82-G9
13	108929-01-706	EA	COVER - DRAIN SLOT	132-016064
14	112519-01-702	EA	OPERATOR/TRQ CTR SPRT-4 HOLE	410-016123
15	100322-01-718	EA	HANDLE-DIAL	410-016081

**WINDOW & VENTS GROUP (CONTINUED)**  
**COMPONENT PARTS FOR WINDOW & VENT LAYOUT (CONTINUED)**

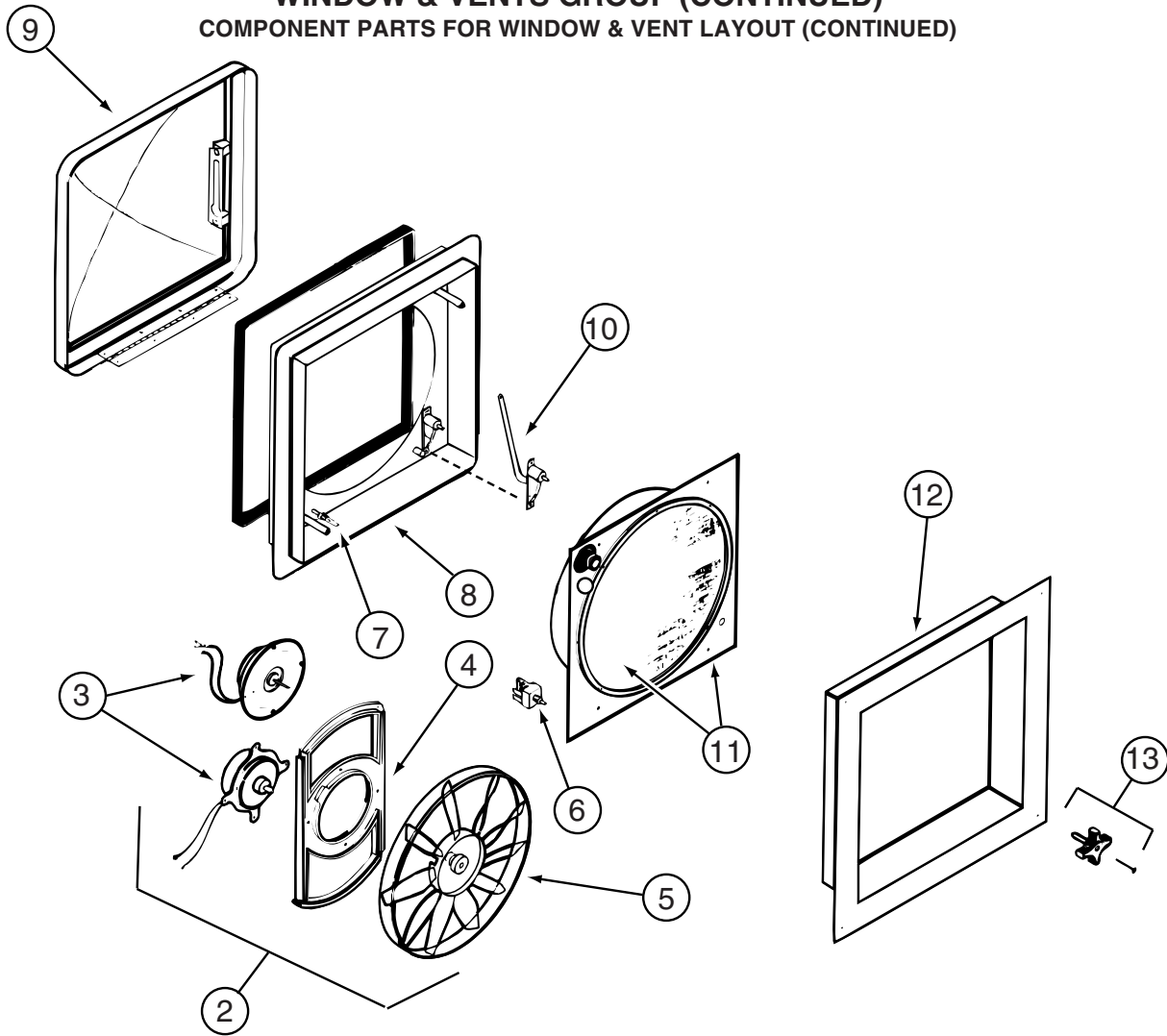
**122882-01-01A**

<b>KEY</b>	<b>PART NUMBER</b>	<b>U/M</b>	<b>DESCRIPTION</b>	<b>VENDOR NO.</b>
	064470-01-700	EA	COVER - VENT	J7291
	064470-01-701	EA	SLIDE BAR - VENT LID	JRP1291B
	122882-01-700	EA	HANDLE - CRANK - BLACK	90128
	122882-01-701	EA	SCREEN	JRP-1124-B
	122882-01-702	EA	HANDLE - CRANK - WHITE	JRP1031B

**122882-02-01A, 122882-03-01A**

<b>KEY</b>	<b>PART NUMBER</b>	<b>U/M</b>	<b>DESCRIPTION</b>	<b>VENDOR NO.</b>
	064470-01-700	EA	COVER - VENT	J7291
	064470-01-701	EA	SLIDE BAR - VENT LID	JRP1291B
	110051-03-700	EA	SWITCH-BLACK/PUSH BUTTON	27-0164
	122882-01-700	EA	HANDLE - CRANK - BLACK	90128
	122882-01-701	EA	SCREEN	JRP-1124-B
	122882-01-702	EA	HANDLE - CRANK - WHITE	JRP1031B

**WINDOW & VENTS GROUP (CONTINUED)**  
**COMPONENT PARTS FOR WINDOW & VENT LAYOUT (CONTINUED)**

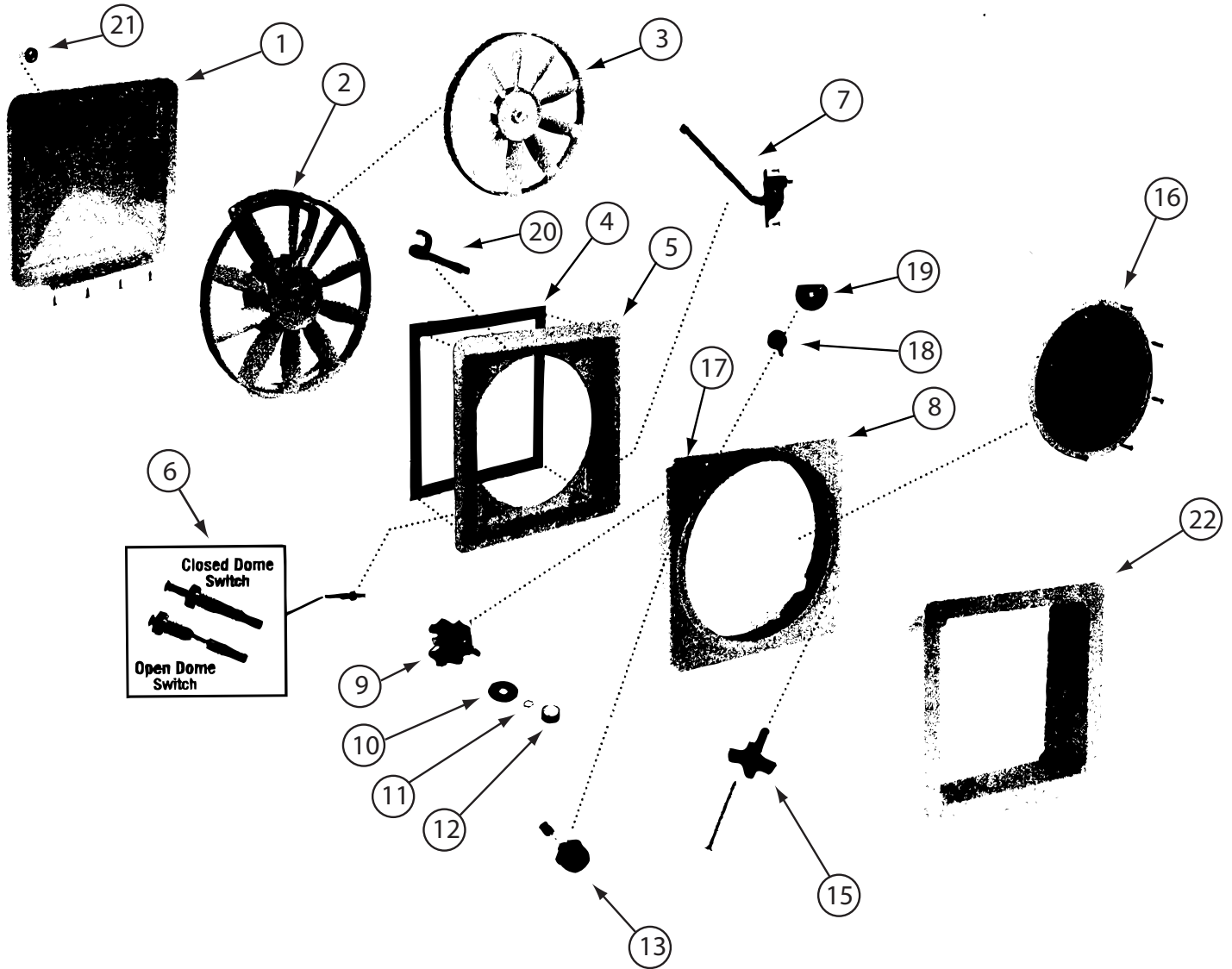


123780-03-01A

KEY	PART NUMBER	U/M	DESCRIPTION	VENDOR NO.
2	084079-11-700	EA	MOTOR & FAN BLADE W/BRACKET	K4017-09
3	084079-01-705	EA	MOTOR/EXT BRKT/FAN BLADE KIT	1080-00
4	084079-01-711	EA	MOTOR MOUNT (BOWTIE)	1015-00
5	084079-01-704	EA	BLADE-FAN	1138-00
6	084079-01-709	EA	SWITCH - MAIN - 3 SPEED	1031-05
7	084079-01-707	EA	SWITCH - SAFETY	1122-05
8	123780-05-700	EA	BASE/MAIN-BRT WHT W/GASKET	1010-81
9	123780-01-700	EA	COVER - VENT W/HINGE & SLIDE	1020K-81
10	009440-01-000	EA	GEAR-ARM-ROOF VENT	705221K38
11	123780-03-701	EA	SCREEN ASM 78-100MM W/SWITCH	1030BT-81
12	123780-03-700	EA	GARNISH - INT. 3"-4" BRT/WHT	2040-81
13	084079-01-703	EA	KNOB-LIFT	1140K-00
	084079-01-706	EA	PLUG, 12 VOLT	1090
	123780-01-702	EA	SCREEN INSERT (SCREEN RING)	K1035-81

CONTACT WINNEBAGO PART SALES FOR UNLISTED COMPONENT(S)

**WINDOW & VENTS GROUP (CONTINUED)**  
**COMPONENT PARTS FOR WINDOW & VENT LAYOUT (CONTINUED)**

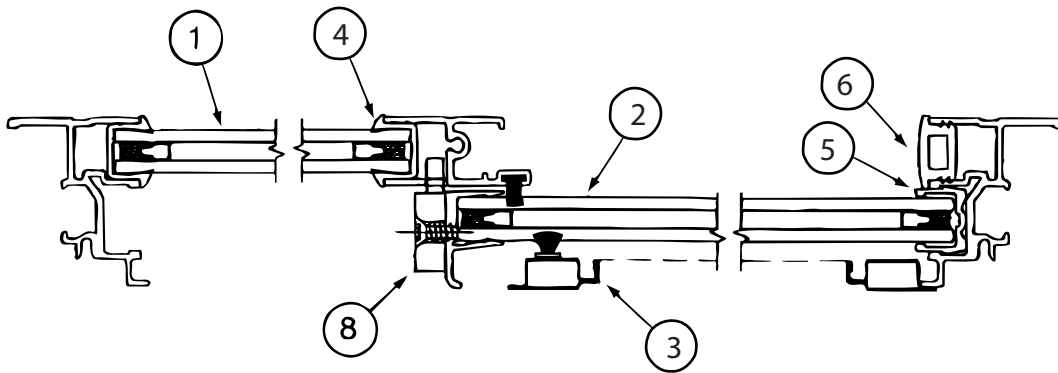


123780-26-01A

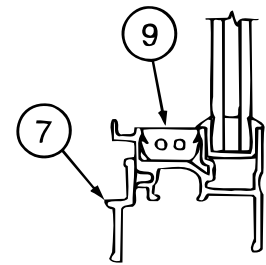
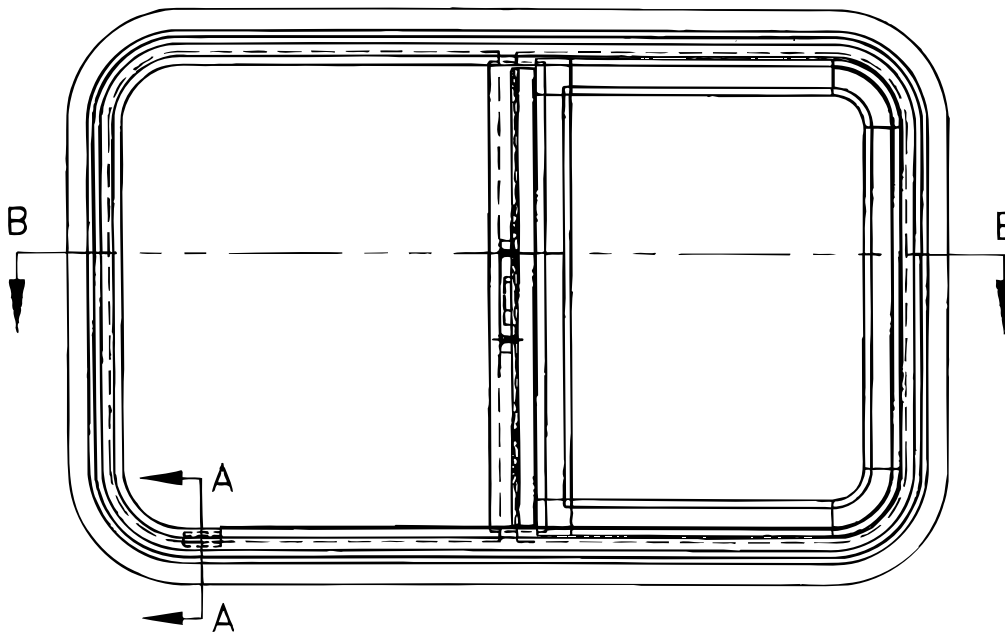
KEY	PART NUMBER	U/M	DESCRIPTION	VENDOR NO.
1	123780-22-700	EA	COVER - VENT W/HINGE & SLIDE	K8020-81
2	123780-26-700	EA	MOTOR & FAN BLADE W/BRACKET	XK8017-03 PANCAKE
3	123780-26-701	EA	BLADE/FAN - 12" OPAQUE WHT	8138-81 - 7MM
4	123780-22-701	EA	SEAL/RUBBER-4 1/2' W/GLUE	K1144-09
5	123780-22-702	EA	BASE/MAIN - W/LOCK/SEAL/ARM	XK8010-81 CLAMP STY
6	084079-01-707	EA	SWITCH - SAFETY	1122-05
7	084079-01-702	EA	ARM LIFT ASSEMBLY, MANUAL	101105
8	123780-22-703	EA	SCREEN KIT W/RING/ARM/LOCK	XK1220-81
9	084079-01-709	EA	SWITCH - MAIN - 3 SPEED	1031-05
13	123780-21-700	EA	FUSE HOLDER W/4 AMP FUSE	K9018-09
15	123780-16-700	EA	KNOB-BLK/AUTOMATIC LIFT MTR	K1140-09
16	123780-21-703	EA	SCREEN - POP N LOCK	2035-81
17	123780-22-704	EA	TRAVEL LOCK ASSEMBLY	4021-09
22	123780-22-705	EA	GARNISH-3 1/2"CLAMP STY-WHT	XK2040-81

CONTACT WINNEBAGO PART SALES FOR UNLISTED COMPONENT(S)

**WINDOW & VENTS GROUP (CONTINUED)**  
**COMPONENT PARTS FOR WINDOW & VENT LAYOUT (CONTINUED)**



CROSS SECTION B-B



CROSS SECTION  
A-A

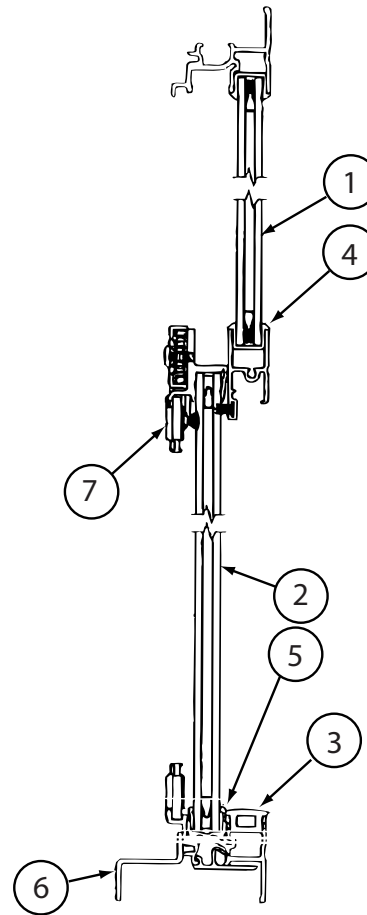
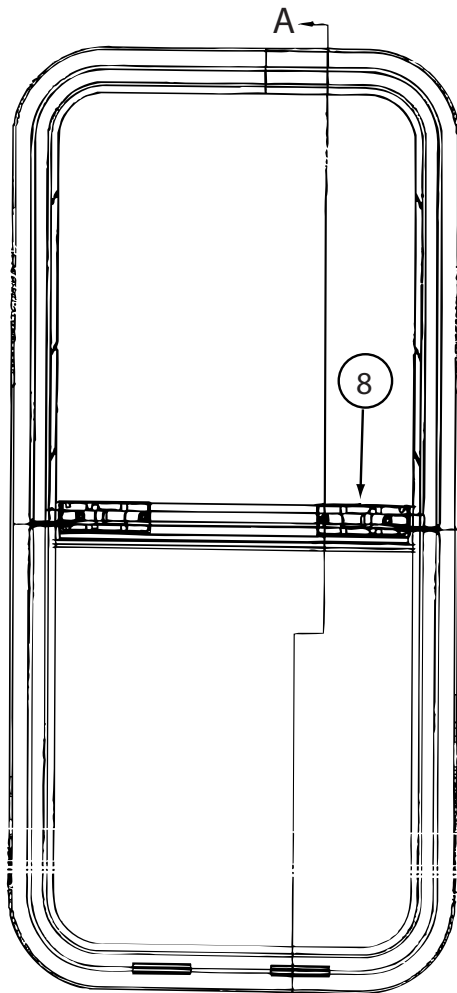
150648-02-01A, 150648-03-01A/3A

KEY	PART NUMBER	U/M	DESCRIPTION	VENDOR NO
1	112795-68-700	EA	GLASS - STATIONARY	390-028353
2	150648-02-700	EA	GLASS-SLIDING W/SASH & LATCH	FH3009G8
3	150648-19-700	EA	SCREEN ASM	410-035332
4	112795-01-705	FT	VINYL - GLAZING	132-027331
5	151069-01-700	EA	CHANNEL-RUN, SLIDING	122-030627
6	150648-01-703	EA	PLUG - FILLER	132-030308
7	098647-22-701	EA	RETAINER - TRIM	H287-67
8	150648-01-700	EA	LATCH-HORIZONTAL SLIDE-BLK	FH3000-CK
8	150648-01-701	EA	LATCH-HORIZONTAL SLIDE-RED	FH3003-CK
9	150648-01-704	EA	SLIDE STOP	132-030866
	150649-05-702	FT	FIN SEAL-F/LOCKING RAIL-BLK	171-062348

**WINDOW & VENTS GROUP (CONTINUED)**  
**COMPONENT PARTS FOR WINDOW & VENT LAYOUT (CONTINUED)**

150648-07-01A, 150648-22-01A

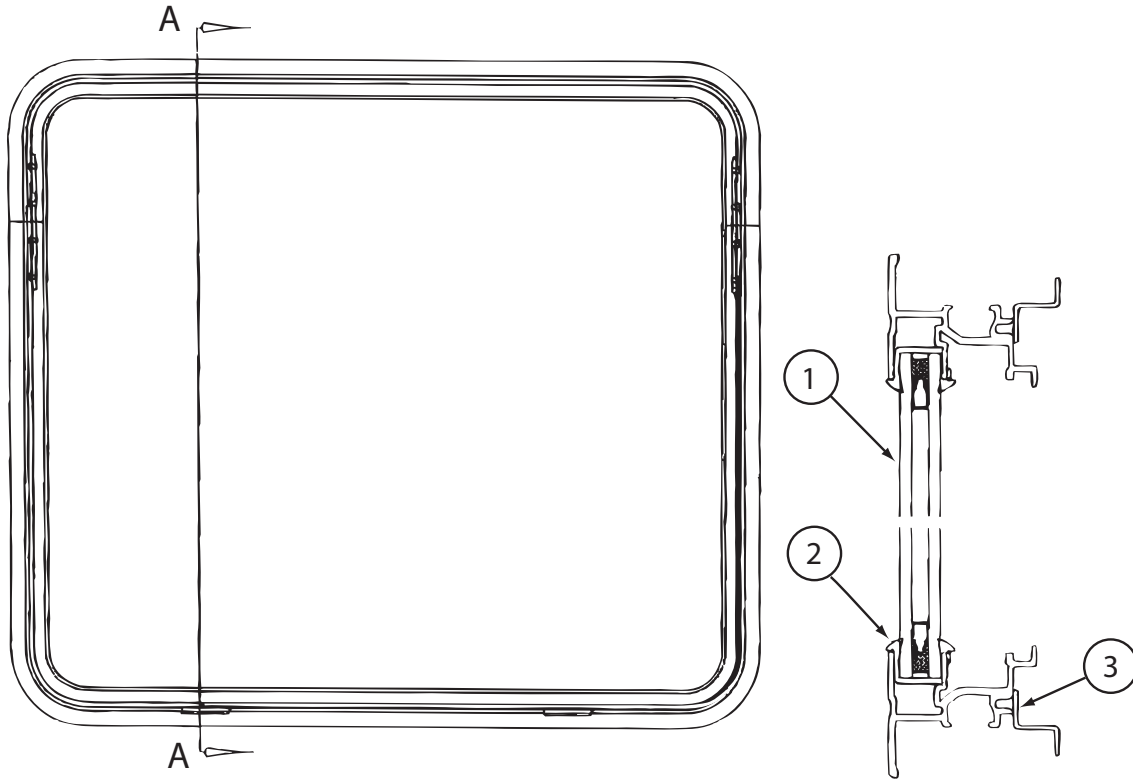
KEY	PART NUMBER	U/M	DESCRIPTION	VENDOR NO
1	150648-07-701	EA	GLASS - STATIONARY	390-028314
2	150648-07-700	EA	GLASS-SLIDING W/SASH & LATCH	FH3000G8
3	150648-01-702	EA	SCREEN ASM	410-031156
4	112795-01-705	FT	VINYL - GLAZING	132-027331
5	151069-01-700	EA	CHANNEL-RUN, SLIDING	122-030627
6	150648-01-703	EA	PLUG - FILLER	132-030308
7	150648-01-707	EA	RETAINER - TRIM	H493-67
8	150648-01-700	EA	LATCH-HORIZONTAL SLIDE-BLK	FH3000-CK
8	150648-01-701	EA	LATCH-HORIZONTAL SLIDE-RED	FH3003-CK
9	150648-01-704	EA	SLIDE STOP	132-030866
	150649-05-702	FT	FIN SEAL-F/LOCKING RAIL-BLK	171-062348



150649-07-01A

KEY	PART NUMBER	U/M	DESCRIPTION	VENDOR NO
1	150649-07-700	EA	GLASS - STATIONARY	390-028662
2	150649-07-702	EA	GLASS-SLIDING W/PULL & LATCH	FH3052G8
3	150648-01-703	FT	PLUG - FILLER	132-030308
4	112795-01-705	FT	VINYL - GLAZING	132-027331
5	151069-01-700	FT	CHANNEL-RUN, SLIDING	122-030627
6	150649-07-703	EA	RETAINER - TRIM	H702-61
7	150649-07-701	EA	SCREEN ASM	410-035475
8	150649-01-700	EA	LATCH-VERTICLE SLIDE-BLK	FH3016-CK

**WINDOW & VENTS GROUP (CONTINUED)**  
**COMPONENT PARTS FOR WINDOW & VENT LAYOUT (CONTINUED)**

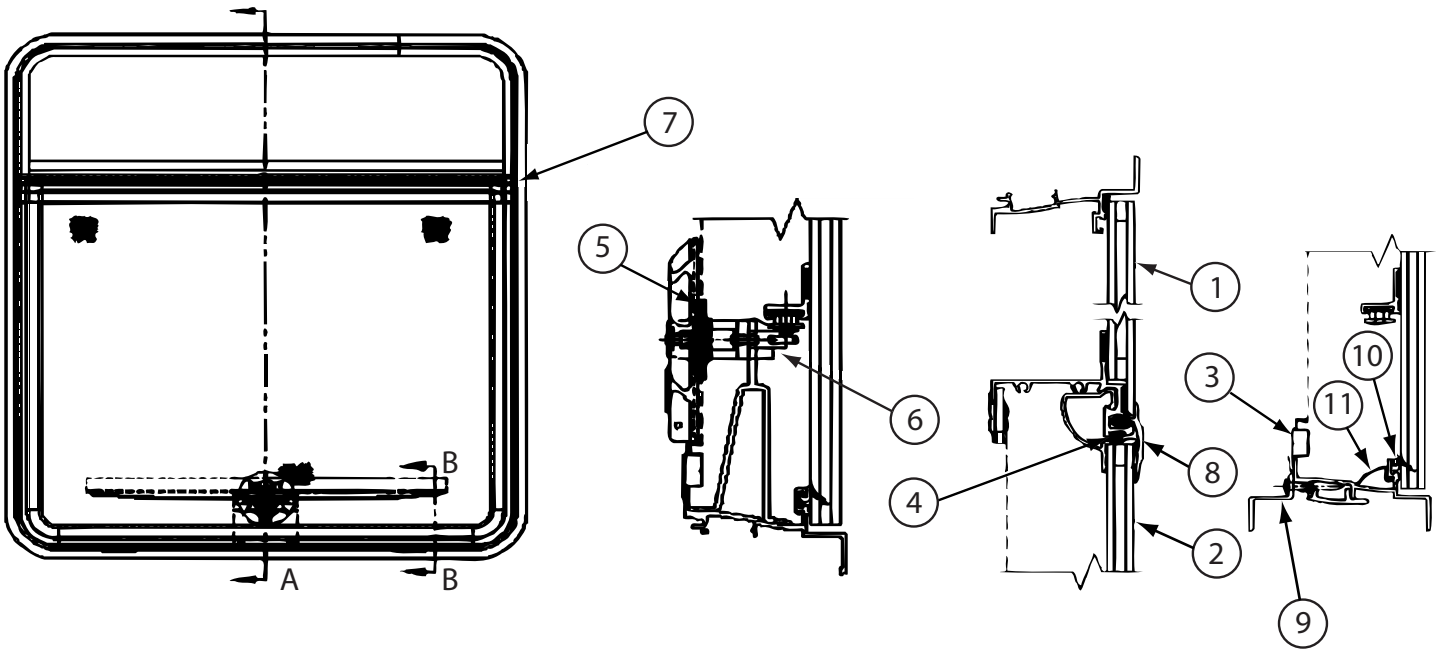


150651-01-01A/03A

KEY	PART NUMBER	U/M	DESCRIPTION	VENDOR NO
1	113733-10-700	EA	GLASS-STATIONARY	390-028306
2	112795-01-705	FT	VINYL - GLAZING	132-027331
3	150651-01-700	EA	RETAINER - TRIM	H416-67



**WINDOW & VENTS GROUP (CONTINUED)**  
**COMPONENT PARTS FOR WINDOW & VENT LAYOUT (CONTINUED)**



161452-06-01A

KEY	PART NUMBER	U/M	DESCRIPTION	VENDOR NO.
2	150656-11-700	EA	GLASS-TIPOUT - W/HINGE/RAIL	DTH3047G8
3	150656-11-701	EA	SCREEN ASM	DTH3047-06
4	098644-01-706	FT	WEATHERSTRIP - GLASS	171-010668
5	100322-01-718	EA	HANDLE-DIAL	410-016081
6	150656-08-701	EA	OPERATOR - TIPOUT/LARGE	410-036141
7	161452-01-700	FT	FELT SEAL	160-014688
9	150656-11-702	EA	RETAINER - TRIM	DTH3047-56
10	100322-01-701	FT	SEAL-VENT	122-016071
11	150651-03-702	FT	COVER - DRAIN SLOT	132-030723

CONTACT WINNEBAGO PARTS SALES FOR FOR UNLISTED COMPONENTS