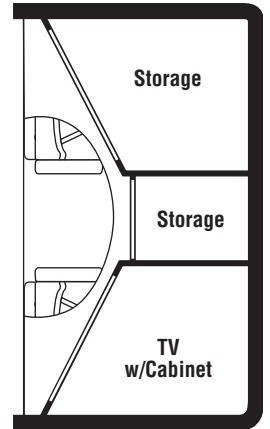
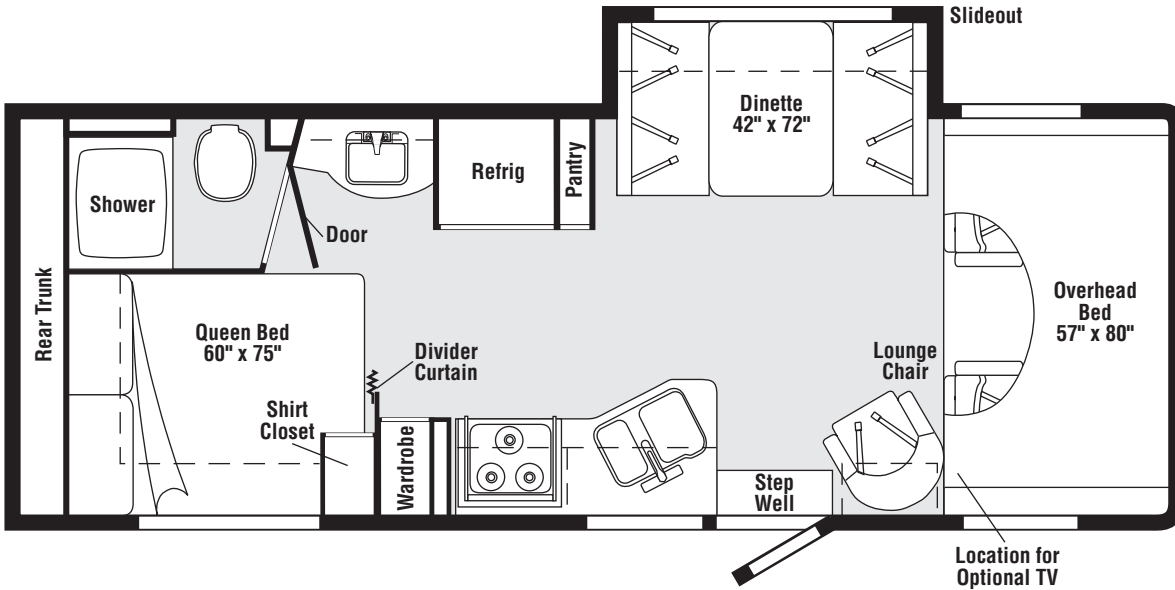
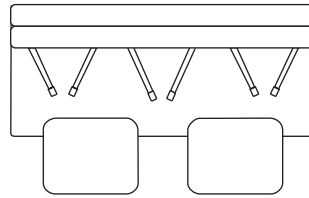


**2008  
IMPULSE  
IF226A  
200-SERIES  
PORTSMOUTH OAK  
W07 TOFFEE  
W09 MINERAL  
SIERRA MAPLE  
W08 TOFFEE  
W10 MINERAL**

Sofa/Bed w/2 Tables  
40" x 70"



Optional Front  
Overhead Area

**FLOORPLAN**

# CONTENTS

|   |           |
|---|-----------|
| <b>FLOORPLAN</b> .....                                    | <b>1</b>  |
| <b>ACCESSORIES GROUP</b> .....                            | <b>5</b>  |
| OPERATORS MANUAL .....                                    | 5         |
| <b>AUDIO VIDEO GROUP</b> .....                            | <b>6</b>  |
| RADIO SYSTEM .....  | 6         |
| REAR MONITOR .....  | 6         |
| COMPONENT PARTS FOR REAR MONITOR .....                    | 6         |
| 156442-02-01A, 156442-03-01A .....                        | 6         |
| 156930-02-01A .....                                       | 6         |
| <b>CABINET &amp; APPLIANCE GROUP</b> .....                | <b>7</b>  |
| CABINET & APPLIANCE LAYOUT .....                          | 7         |
| COMPONENT PARTS FOR CABINET & APPLIANCE LAYOUT .....      | 12        |
| 114030-04-01A .....                                       | 12        |
| 121568-06-01A, 121568-07-01A, 121568-08-01A .....         | 14        |
| 136354-05-01A, 136354-05-02A .....                        | 18        |
| 136354-06-01A, 136354-06-02A .....                        | 19        |
| 151277-01-01A, 151277-02-01A .....                        | 20        |
| 158686-01-01A .....                                       | 23        |
| <b>CHASSIS GROUP</b> .....                                | <b>24</b> |
| FRAME .....   | 24        |
| EXHAUST .....   | 25        |
| HITCH .....   | 25        |
| REAR BUMPER .....   | 26        |
| FUEL .....  | 26        |
| SPARE TIRE .....  | 28        |
| WHEEL, TIRE, COVERS &/OR LINERS .....                     | 29        |
| COMPONENT PARTS FOR WHEEL, TIRE, COVERS &/OR LINERS ..... | 29        |
| 109443-05-000 .....                                       | 29        |
| 110435-23-000 .....                                       | 29        |
| BRAKELINE .....   | 29        |
| <b>CURTAIN &amp; CUSHION GROUP</b> .....                  | <b>30</b> |
| CURTAIN & CUSHION LAYOUT .....                            | 30        |
| LOUNGE CHAIR .....  | 33        |
| SOFA .....  | 34        |
| HARDWARE .....  | 35        |
| FABRICS .....   | 37        |
| <b>DRIVERS COMPARTMENT GROUP</b> .....                    | <b>38</b> |
| FRONT INTERIOR .....                                      | 38        |
| CABINETS .....  | 41        |

# CONTENTS (CONTINUED)

|  |           |
|--|-----------|
| <b>ELECTRICAL GROUP</b> .....  | <b>42</b> |
| 110V BODY WIRING .....   | 42        |
| 12V BODY WIRING .....  | 44        |
| EXTERIOR LAMPS .....   | 47        |
| FRONT END .....  | 49        |
| FRONT TV/DVD .....   | 50        |
| SIDE TV/DVD .....  | 51        |
| COMPONENT PARTS FOR WIRING .....   | 52        |
| 076319-23-000 .....  | 52        |
| 076319-25-000 .....  | 52        |
| 097917-01-06A .....  | 53        |
| 120269-07-01A .....  | 53        |
| 133908-09-01A .....  | 53        |
| 134940-06-01A .....  | 53        |
| 134940-07-01A .....  | 54        |
| 137417-01-01A, 137417-03-01A .....   | 54        |
| 137417-02-01A .....  | 54        |
| 137417-05-01A .....  | 54        |
| 137417-06-01A .....  | 54        |
| 153658-01-01A, 153658-01-02A .....   | 54        |
| 157282-02-000 .....  | 54        |
| 158703-01-000 .....  | 54        |
| 158836-01-000 .....  | 54        |
| 159771-01-000 .....  | 54        |
| 160603-01-000 .....  | 54        |
| 163097-01-000 .....  | 54        |
| 164495-01-000 .....  | 54        |
| CIRCUIT BREAKERS, FUSES & RELAYS .....   | 55        |
| CONVERTER, INVERTER & LOAD CENTER .....  | 55        |
| COMPONENT PARTS FOR CONVERTER, INVERTER & LOAD CENTER .....                      | 55        |
| 083208-07-000 .....  | 55        |
| BOXES & CORDS .....  | 56        |
| WIRE ASSEMBLIES .....  | 56        |
| CONNECTORS & CONDUIT .....   | 57        |
| CHASSIS .....  | 59        |
| COMPONENT PARTS FOR CHASSIS .....  | 60        |
| 086280-01-000 .....  | 60        |
| <b>EXTERIOR BODY GROUP</b> .....   | <b>61</b> |
| GRAPHICS & PAINT .....   | 61        |
| PANELS & TRIMS .....   | 62        |
| MIRRORS .....  | 65        |
| COMPONENT PARTS FOR MIRRORS .....  | 65        |
| 133908-05, 133908-06, 133908-10, 133908-11, 133908-14, 133908-15, -01A/02A ..... | 65        |
| 133908-07, 133908-08, 133908-12, -01A/-02A/-03A .....                            | 65        |
| 133908-13-01A/-03A .....   | 65        |
| STRUCTURAL COMPONENTS .....  | 66        |
| AWNINGS .....  | 66        |
| <b>EXTERIOR DOORS &amp; COMPARTMENTS GROUP</b> .....                             | <b>67</b> |
| DOORS & COMPARTMENTS LAYOUT .....  | 67        |
| COMPONENT PARTS FOR DOORS & COMPARTMENTS LAYOUT .....                            | 69        |
| 084103-08-000 .....  | 69        |
| 094708-05-01A .....  | 70        |
| COMPARTMENT DOOR PIECE PARTS .....   | 71        |
| ENTRY .....  | 73        |
| SCREEN .....   | 74        |
| LATCH - ENTRY .....  | 75        |

## CONTENTS (CONTINUED)

|  |            |
|--|------------|
| <b>EXTERIOR SLIDEOUT GROUP</b> .....             | <b>76</b>  |
| FRONT LEFT .....                                 | 76         |
| COMPONENT PARTS FOR FRONT LEFT .....             | 79         |
| 162831-01-000 .....                              | 79         |
| <b>GENERATOR GROUP</b> .....                     | <b>80</b>  |
| GAS .....  | 80         |
| <b>HEATING &amp; A/C GROUP</b> .....             | <b>81</b>  |
| FURNACE .....                                    | 81         |
| COMPONENT PARTS FOR FURNACE .....                | 82         |
| 139980-02-000 .....                              | 82         |
| ROOF .....                                       | 84         |
| COMPONENT PARTS FOR ROOF .....                   | 84         |
| 131184-01-01A .....                              | 84         |
| 131184-06-01A .....                              | 85         |
| 131185-04-01A .....                              | 86         |
| 131188-05-01A .....                              | 87         |
| 156860-01-01A .....                              | 88         |
| <b>INTERIOR FINISH GROUP</b> .....               | <b>89</b>  |
| MOLDINGS & TRIMS .....                           | 89         |
| PANELING & LAMINATES .....                       | 100        |
| INTERIOR TRIM LAYOUT .....                       | 101        |
| FLOOR COVERINGS .....                            | 103        |
| HARDWARE .....                                   | 103        |
| <b>LABELS GROUP</b> .....                        | <b>109</b> |
| <b>LP GROUP</b> .....                            | <b>112</b> |
| LP SYSTEM .....                                  | 112        |
| COMPONENT PARTS FOR LP SYSTEM .....              | 112        |
| 144116-04-000 .....                              | 112        |
| <b>SEALANTS &amp; FASTENERS GROUP</b> .....      | <b>113</b> |
| SEALANTS & ADHESIVES .....                       | 113        |
| BOLTS, NUTS & WASHERS .....                      | 114        |
| SCREWS .....                                     | 116        |
| CLAMPS, CLIPS, GROMMETS, RIVETS & PLUGS .....    | 119        |
| MISCELLANEOUS FASTENERS .....                    | 120        |
| <b>WATER &amp; SEWAGE GROUP</b> .....            | <b>121</b> |
| DRAINAGE SYSTEM .....                            | 121        |
| COMPONENT PARTS FOR DRAINAGE SYSTEM .....        | 122        |
| 062415-01-000 .....                              | 122        |
| 096927-01-02A .....                              | 122        |
| 147421-04-01A, 147421-05-01A .....               | 122        |
| WATER SYSTEM .....                               | 123        |
| COMPONENT PARTS FOR WATER SYSTEM .....           | 128        |
| 051391-03-000 .....                              | 128        |
| <b>WINDOWS &amp; VENTS GROUP</b> .....           | <b>129</b> |
| WINDOWS & VENTS LAYOUT .....                     | 129        |
| COMPONENT PARTS FOR WINDOWS & VENTS LAYOUT ..... | 130        |
| 098647-31-02A, 098647-32-02A .....               | 130        |
| 098647-49-02A .....                              | 131        |
| 098647-68-01A .....                              | 131        |
| 098647-71 -01A .....                             | 131        |
| 122882-01-01A .....                              | 132        |
| 122882-02-01A, 122882-03-01A .....               | 132        |

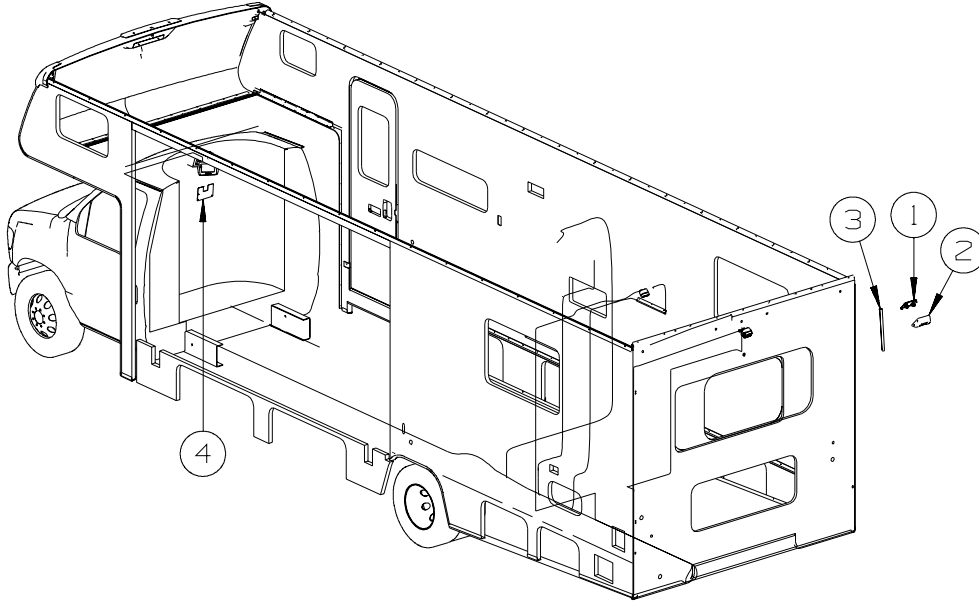
**ACCESSORIES GROUP**  
**OPERATORS MANUAL**

| <b>KEY</b> | <b>PART NUMBER</b> | <b>U/M</b> | <b>DESCRIPTION</b>                            |
|------------|--------------------|------------|---|
|            | 158603-08-001      | EA         | MANUAL/OWNER - SUPPLEMENT - 200-SERIES - 2008 |
|            | 159842-01-01A      | EA         | CASE - VINYL - F/MANUALS - W/SLEEVES - BLACK  |
|            | 161500-08-002      | EA         | MANUAL/OWNER - IMPULSE - 200 SERIES - 2008    |
|            | 162726-01-000      | DW         | TOP LEVEL-200,2008                            |

## AUDIO VIDEO GROUP RADIO SYSTEM

| KEY | PART NUMBER   | U/M DESCRIPTION  |
|-----|---------------|--|
|     | 155619-02-000 | EA RADIO - AM/FM CD-W/O REMOTE/WIRE HARNESS-MAGNADYNE M3200CD - FORD |
|     | 152593-01-000 | EA BRACKET - RADIO MOUNTING - FORD                                   |

| KEY | PART NUMBER   | U/M DESCRIPTION                  |
|-----|---------------|----------------------------------|
|     | 108137-01-000 | EA PLUG - ANTENNA - 2007 CHASSIS |



**REAR MONITOR**

| KEY | PART NUMBER   | U/M DESCRIPTION  |
|-----|---------------|--|
| *   | 156442-02-01A | EA MONITOR/COLOR-5.6"/LCD - W/O AUDIO - PLAS POD MOUNT-TAN/BLK                     |
| *   | 156442-03-01A | EA MONITOR/COLOR-5.6"/LCD - W/AUDIO - PLAS POD MOUNT-TAN/BLK - W/AUDIO             |
| *   | 156930-02-01A | EA MONITOR/LCD - 5.6" - NO AUDIO - PLASTIC POD MOUNT - TAN - CHEVY CHASSIS         |
|     | 156930-03-01A | EA MONITOR/LCD - 5.6" - W/AUDIO - PLASTIC POD MOUNT - TAN - W/AUDIO, CHEVY CHASSIS |
|     | 144677-14-01A | EA CAMERA - REAR VIEW W/BRACKET - WHITE - VBCS150                                  |
| 1   | NOT USED      |  |
| 2   | NOT USED      |  |
| 3   | 154189-04-02A | EA COVER/TRIM - WIRING - 15.3" - ALMOND - 226A, 228P, 229T, 231C                   |
| 3   | 154189-06-02A | EA COVER/TRIM - WIRING - 17.3" - ALMOND - 224V                                     |
| 4   | 160883-01-02B | EA BRACKET - MONITOR - E-COATED  |

\*COMPONENT PARTS LISTED LATER IN THIS GROUP

### COMPONENT PARTS FOR REAR MONITOR

#### 156442-02-01A, 156442-03-01A

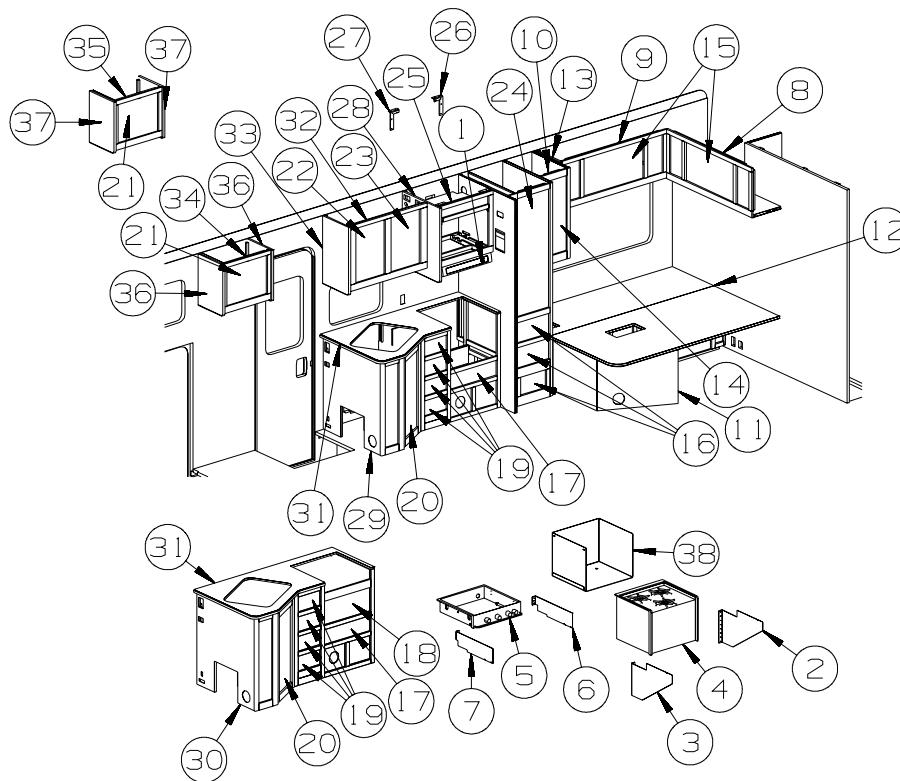
| KEY | PART NUMBER   | U/M DESCRIPTION               | VENDOR NO. |
|-----|---------------|-------------------------------|------------|
|     | 156442-02-700 | EA SHROUD - REAR VIEW MONITOR | 33200013   |
|     | 156442-02-701 | EA BRACKET - MOUNTING         | 32300012   |

#### 156930-02-01A

| KEY | PART NUMBER   | U/M DESCRIPTION                | VENDOR NO. |
|-----|---------------|--------------------------------|------------|
|     | 156930-02-700 | EA SHROUD - REAR VIEW MONITOR  | 33200012   |
|     | 156930-02-701 | EA BRACKET - REAR VIEW MONITOR | 32300009   |

# CABINET & APPLIANCE GROUP

## CABINET & APPLIANCE LAYOUT



| KEY | PART NUMBER   | U/M | DESCRIPTION   |
|-----|---------------|-----|---|
| 1*  | 136354-05-01A | EA  | HOOD - RANGE - W/LITE/FAN - BLACK TEXTURED - UL   |
| 1*  | 136354-06-01A | EA  | HOOD - RANGE - W/LITE/FAN - BLACK TEXTURED - CSA - <b>CANADIAN</b>                        |
|     | 117806-01-000 | EA  | BULB - 12V - #912 - 1.0 AMP   |
| 2   | 140176-03-02B | EA  | BRACKET/TIEDOWN - STOVE - E-COATED - <b>RANGE 3 BURNER WITH OVEN</b>                      |
| 3   | 140176-04-02B | EA  | BRACKET/TIEDOWN - STOVE - E-COATED - <b>RANGE 3 BURNER WITH OVEN</b>                      |
| 4*  | 151277-01-01A | EA  | RANGE-16"-3 BURNER - MERCURY FREE - BLACK DOOR/TEXTURED - <b>RANGE 3 BURNER WITH OVEN</b> |
| 5*  | 114030-04-01A | EA  | RANGE - 3 BRNR TOP/NEW STYLE KNOBS/GRATES-W/O OVEN-BLK                                    |
| 6   | 142139-13-02B | EA  | BRACKET/TIEDOWN - STOVE - E-COATED  |
| 7   | 142139-14-02B | EA  | BRACKET/TIEDOWN - STOVE - E-COATED  |
| 8   | 158482-01-U01 | EA  | CABINET - OVERHEAD/REAR - W/O DOORS/HDW - PORTSMOUTH OAK                                  |
| 8   | 158482-01-U02 | EA  | CABINET - OVERHEAD/REAR - W/O DOORS/HDW - SIERRA MAPLE                                    |
| 9   | 158483-01-U01 | EA  | CABINET - OVERHEAD/REAR - W/O DOORS/HDW - PORTSMOUTH OAK                                  |
| 9   | 158483-01-U02 | EA  | CABINET - OVERHEAD/REAR - W/O DOORS/HDW - SIERRA MAPLE                                    |
| 10  | 158495-01-U01 | EA  | CABINET - OVERHEAD/SHIRT - W/O DOORS/HDW - PORTSMOUTH OAK                                 |
| 10  | 158495-01-U02 | EA  | CABINET - OVERHEAD/SHIRT - W/O DOORS/HDW - SIERRA MAPLE                                   |
| 11  | P60718-01-U01 | EA  | CABINET - BED BASE - QUEEN - W/O DOORS/DRAWERS/HDW - PORTSMOUTH OAK                       |
| 11  | P60718-01-U02 | EA  | CABINET - BED BASE - QUEEN - W/O DOORS/DRAWERS/HDW - SIERRA MAPLE                         |
| 12  | 089076-08-000 | EA  | H-CHANNEL - SUPPORT/BED - 72.6" - OFF WHITE   |
| 13  | 140307-56-U01 | EA  | END CAP - OVERHEAD CABINET - PORTSMOUTH OAK   |
| 13  | 140307-56-U02 | EA  | END CAP - OVERHEAD CABINET - SIERRA MAPLE   |
| 14  | 164492-28-W07 | EA  | DOOR - RAISED/PENCIL EDGE - 10" X 29.5" - W/O HDW - PORTSMOUTH OAK                        |
| 14  | 164492-28-W08 | EA  | DOOR - RAISED/PENCIL EDGE - 10" X 29.5" - W/O HDW - SIERRA MAPLE                          |
| 15  | 164492-D3-W07 | EA  | DOOR - RAISED/PENCIL EDGE - 15.7" X 28" - W/O HDW - PORTSMOUTH OAK                        |
| 15  | 164492-D3-W08 | EA  | DOOR - RAISED/PENCIL EDGE - 15.7" X 28" - W/O HDW - SIERRA MAPLE                          |
| 16  | 161074-30-W07 | EA  | DRAWER - PENCIL EDGE - 13.5"W X 21.6"D - W/O SLIDES/HDW - PORTSMOUTH OAK                  |
| 16  | 161074-30-W08 | EA  | DRAWER - PENCIL EDGE - 13.5"W X 21.6"D - W/O SLIDES/HDW - SIERRA MAPLE                    |
| 17  | 161074-29-W07 | EA  | DRAWER - PENCIL EDGE - 19.8"W X 15.7"D - W/O SLIDES/HDW - PORTSMOUTH OAK                  |
| 17  | 161074-29-W08 | EA  | DRAWER - PENCIL EDGE - 19.8"W X 15.7"D - W/O SLIDES/HDW - SIERRA MAPLE                    |
| 18  | 161074-21-W07 | EA  | DRAWER - PENCIL EDGE - 19.8"W X 15.7"D - W/O SLIDES/HDW - PORTSMOUTH OAK                  |
| 18  | 161074-21-W08 | EA  | DRAWER - PENCIL EDGE - 19.8"W X 15.7"D - W/O SLIDES/HDW - SIERRA MAPLE                    |
| 19  | 161074-28-W07 | EA  | DRAWER - PENCIL EDGE - 9.2"W X 15.7"D - W/O SLIDES/HDW - PORTSMOUTH OAK                   |
| 19  | 161074-28-W08 | EA  | DRAWER - PENCIL EDGE - 9.2"W X 15.7"D - W/O SLIDES/HDW - SIERRA MAPLE                     |
| 20  | 164491-95-W07 | EA  | DOOR - FLAT/PENCIL EDGE - 13.6" X 30.3" - W/O HDW - PORTSMOUTH OAK                        |
| 20  | 164491-95-W08 | EA  | DOOR - FLAT/PENCIL EDGE - 13.6" X 30.3" - W/O HDW - SIERRA MAPLE                          |
| 21  | 164492-D0-W07 | EA  | DOOR - RAISED/PENCIL EDGE - 15.7" X 20.5" - W/O HDW - PORTSMOUTH OAK                      |
| 21  | 164492-D0-W08 | EA  | DOOR - RAISED/PENCIL EDGE - 15.7" X 20.5" - W/O HDW - SIERRA MAPLE                        |

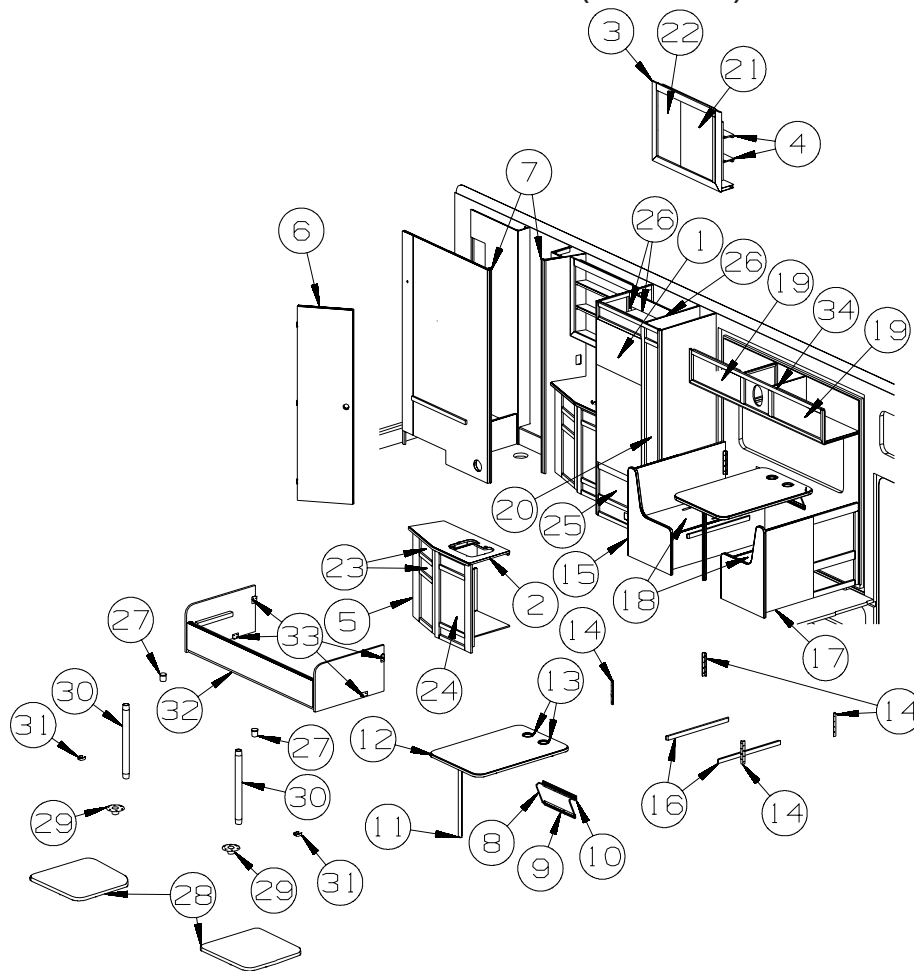
**CABINET & APPLIANCE GROUP (CONTINUED)**  
**CABINET & APPLIANCE LAYOUT (CONTINUED)**

| KEY | PART NUMBER   | U/M | DESCRIPTION   |
|-----|---------------|-----|---|
| 22  | 164492-A8-W07 | EA  | DOOR - RAISED/PENCIL EDGE - 14.4" X 21.8" - W/O HDW - PORTSMOUTH OAK                  |
| 22  | 164492-A8-W08 | EA  | DOOR - RAISED/PENCIL EDGE - 14.4" X 21.8" - W/O HDW - SIERRA MAPLE                    |
| 23  | 164492-A7-W07 | EA  | DOOR - RAISED/PENCIL EDGE - 14.4" X 21.8" - W/O HDW - PORTSMOUTH OAK                  |
| 23  | 164492-A7-W08 | EA  | DOOR - RAISED/PENCIL EDGE - 14.4" X 21.8" - W/O HDW - SIERRA MAPLE                    |
| 24  | 164492-C7-W07 | EA  | DOOR - RAISED/PENCIL EDGE - 15.6" X 45.5" - W/O HDW - PORTSMOUTH OAK                  |
| 24  | 164492-C7-W08 | EA  | DOOR - RAISED/PENCIL EDGE - 15.6" X 45.5" - W/O HDW - SIERRA MAPLE                    |
| 25  | 158471-02-U07 | EA  | CABINET - OVERHEAD/MICROWAVE - W/O DOORS/HDW (W07)                                    |
| 25  | 158471-02-U08 | EA  | CABINET - OVERHEAD/MICROWAVE - W/O DOORS/HDW (W08)                                    |
| 25  | 158471-02-U09 | EA  | CABINET - OVERHEAD/MICROWAVE - W/O DOORS/HDW (W09)                                    |
| 25  | 158471-02-U10 | EA  | CABINET - OVERHEAD/MICROWAVE - W/O DOORS/HDW (W10)                                    |
| 26  | 149420-05-02B | EA  | BRACE - MICROWAVE - E-COATED  |
| 27  | 149420-06-02B | EA  | BRACE - MICROWAVE - E-COATED  |
| 28  | 140307-66-U01 | EA  | END CAP - OVERHEAD CABINET - PORTSMOUTH OAK   |
| 28  | 140307-66-U02 | EA  | END CAP - OVERHEAD CABINET - SIERRA MAPLE   |
| 29  | P54573-01-U01 | EA  | CABINET - GALLEY-W/O C-TOP/DR/DRWR/HDW - PORTSMOUTH OAK - RANGE 3 BURNER WITH OVEN    |
| 29  | P54573-01-U02 | EA  | CABINET - GALLEY - W/O C-TOP/DRS/DRWRS/HDW - SIERRA MAPLE - RANGE 3 BURNER WITH OVEN  |
| 29  | P54573-02-U01 | EA  | CABINET - GALLEY - PORTSMOUTH OAK - RANGE 3 BURNER WITH OVEN, ENTRANCE STEP-ELEC.     |
| 29  | P54573-02-U02 | EA  | CABINET - GALLEY - SIERRA MAPLE - RANGE 3 BURNER WITH OVEN, ENTRANCE STEP-ELEC.       |
| 30  | P54573-03-U01 | EA  | CABINET - GALLEY - W/O COUNTERTOP/DOORS/DRAWERS/HDW - PORTSMOUTH OAK                  |
| 30  | P54573-03-U02 | EA  | CABINET - GALLEY - W/O COUNTERTOP/DOORS/DRAWERS/HDW - SIERRA MAPLE                    |
| 30  | P54573-04-U01 | EA  | CABINET - GALLEY - W/O C-TOP/DRS/DRAWERS/HDW - PORTSMOUTH OAK - ENTRANCE STEP-ELEC.   |
| 30  | P54573-04-U02 | EA  | CABINET - GALLEY - W/O C-TOP/DOORS/DRAWERS/HDW - SIERRA MAPLE - ENTRANCE STEP-ELEC.   |
| 31  | 133653-73-U01 | EA  | COUNTERTOP - LAMINATED - HOUSE ROCK/PORTSMOUTH OAK (W07)                              |
| 31  | 133653-73-U02 | EA  | COUNTERTOP - LAMINATED - HOUSE ROCK/SIERRA MAPLE (W08)                                |
| 31  | 133653-73-U03 | EA  | COUNTERTOP - LAMINATED - CLASSIC ROCK/PORTSMOUTH OAK (W09)                            |
| 31  | 133653-73-U04 | EA  | COUNTERTOP - LAMINATED - CLASSIC ROCK/SIERRA MAPLE (W10)                              |
| 32  | 158501-01-U01 | EA  | CABINET - OVERHEAD/GALLEY - W/O DOORS/HDW - PORTSMOUTH OAK                            |
| 32  | 158501-01-U02 | EA  | CABINET - OVERHEAD/GALLEY - W/O DOORS/HDW - SIERRA MAPLE                              |
| 33  | 140307-54-U01 | EA  | END CAP - OVERHEAD CABINET - PORTSMOUTH OAK   |
| 33  | 140307-54-U02 | EA  | END CAP - OVERHEAD CABINET - SIERRA MAPLE   |
| 34  | 164705-01-W07 | EA  | CABINET - OVHD/FRT/RH - W/O DOORS/HDW - PORTSMOUTH OAK - TV-19" DC LCD, DC DVD PLAYER |
| 34  | 164705-01-W08 | EA  | CABINET - PVHD/FRT/RH - W/O DOORS/HDW - SIERRA MAPLE - TV-19" DC LCD, DC DVD PLAYER   |
| 35  | 163473-01-W07 | EA  | CABINET - OVERHEAD/FRONT/RH HAND - W/O DOORS/HDW - PORTSMOUTH OAK                     |
| 35  | 163473-01-W08 | EA  | CABINET - OVERHEAD/FRONT/RH HAND - W/O DOORS/HDW - SIERRA MAPLE                       |
| 36  | 140307-69-W07 | EA  | END CAP - OVERHEAD CABINET - PORTSMOUTH OAK - TV-19" DC LCD, DC DVD PLAYER            |
| 36  | 140307-69-W08 | EA  | END CAP - OVERHEAD CABINET - SIERRA MAPLE - TV-19" DC LCD, DC DVD PLAYER              |
| 37  | 140307-59-U01 | EA  | END CAP - OVERHEAD CABINET - PORTSMOUTH OAK   |
| 37  | 140307-59-U02 | EA  | END CAP - OVERHEAD CABINET - SIERRA MAPLE   |
| 38  | 162694-01-01A | EA  | ENCLOSURE - STOVE - 20.7"W X 16.1"H X 18.7"D - RANGE 3 BURNER WITH OVEN               |

\*COMPONENT PARTS LISTED LATER IN THIS GROUP



**CABINET & APPLIANCE GROUP (CONTINUED)**  
**CABINET & APPLIANCE LAYOUT (CONTINUED)**



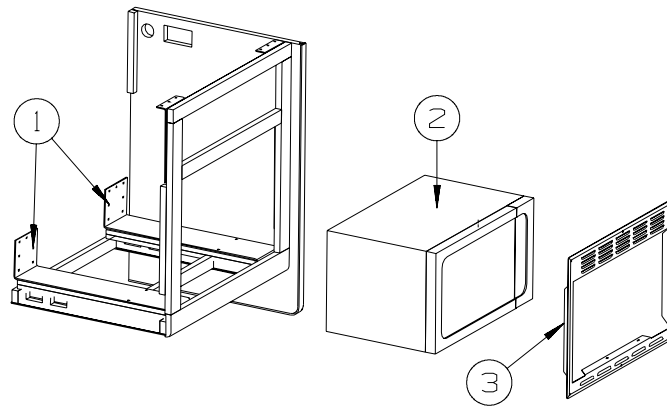
| KEY | PART NUMBER   | U/M | DESCRIPTION  |
|-----|---------------|-----|--|
| 1*  | 121568-07-01A | EA  | REFRIGERATOR - SMALL DBL DOOR-LH/2 WAY- 52.8"HX23.5"WX24"D             |
|     | 054450-01-000 | EA  | LEVEL - REFRIGERATOR   |
|     | 116751-04-01A | EA  | TRAY - REFRIGERATOR - BLACK  |
| 2   | 133654-62-U01 | EA  | COUNTERTOP - LAMINATED - HOUSE ROCK/PORTSMOUTH OAK (W07)               |
| 2   | 133654-62-U02 | EA  | COUNTERTOP - LAMINATED - HOUSE ROCK/SIERRA MAPLE (W08)                 |
| 2   | 133654-62-U03 | EA  | COUNTERTOP - LAMINATED - CLASSIC ROCK/PORTSMOUTH OAK (W09)             |
| 2   | 133654-62-U04 | EA  | COUNTERTOP - LAMINATED - CLASSIC ROCK/SIERRA MAPLE (W10)               |
| 3   | 148355-01-S01 | EA  | CABINET - MEDICINE - W/O DOORS/HARDWARE - PORTSMOUTH OAK               |
| 3   | 148355-01-S88 | EA  | CABINET - MEDICINE - W/O DOORS/HARDWARE - SIERRA MAPLE                 |
| 4   | 148355-16-S01 | EA  | SHELF - W/PLASTIC MOLDING - PORTSMOUTH OAK                             |
| 4   | 148355-16-S88 | EA  | SHELF - W/PLASTIC MOLDING - SIERRA MAPLE                               |
| 5   | P60078-01-U01 | EA  | CABINET - LAVATORY - W/O COUNTERTOP/DRAWERS/DOORS/HDW - PORTSMOUTH OAK |
| 5   | P60078-01-U02 | EA  | CABINET - LAVATORY - W/O COUNTERTOP/DRAWERS/DOORS/HDW - SIERRA MAPLE   |
| 6   | 144645-10-U01 | EA  | DOOR - BATH - W/O TOWEL RACK/HARDWARE - PORTSMOUTH OAK                 |
| 6   | 144645-10-U02 | EA  | DOOR - BATH - W/O TOWEL RACK/HARDWARE - SIERRA MAPLE                   |
| 7   | 105394-02-09A | EA  | JAMB - DOOR/MOLDED PLASTIC - 79.8" - PORTSMOUTH OAK                    |
| 7   | 105394-02-08A | EA  | JAMB - DOOR/MOLDED PLASTIC - 79.8" - SIERRA MAPLE                      |
| 8   | 024275-16-000 | EA  | ROD - TABLE LIFT - W/ARMS 8" & BASE ROD 18.5" - ALMOND                 |
| 9   | 024281-12-000 | EA  | BRACKET/WALL - TABLE LIFT - 17.1" - ALMOND                             |
| 10  | 140921-02-02A | EA  | BRACKET/TABLE SUPPORT - 18.5" - ALMOND                                 |
| 11  | 143798-01-02A | EA  | CATCH - FLOOR TO TABLE LEG - ALMOND                                    |
| 12  | 144605-07-U01 | EA  | TABLE - DINETTE - 41.6" X 27.8" - W/O HARDWARE (W07)                   |
| 12  | 144605-07-U02 | EA  | TABLE - DINETTE - 41.6" X 27.8" - W/O HARDWARE (W08)                   |
| 12  | 144605-07-U03 | EA  | TABLE - DINETTE - 41.6" X 27.8" - W/O HARDWARE (W09)                   |
| 12  | 144605-07-U04 | EA  | TABLE - DINETTE - 41.6" X 27.8" - W/O HARDWARE (W10)                   |
| 13  | 164128-02-03A | EA  | HOLDER/CUP - TWO STEP - ALMOND   |
| 14  | 122021-01-02A | EA  | ANGLE - W/HOLES - 8.6" LONG - OFF WHITE                                |
| 15  | 145004-19-U01 | EA  | CABINET/DINETTE-LH-W/END CAP/BACK/FACE-W/O SEAT BOARD - PORTSMOUTH OAK |
| 15  | 145004-19-U02 | EA  | CABINET/DINETTE-LH-W/END CAP/BACK/FACE-W/O SEAT BOARD - SIERRA MAPLE   |
| 16  | 081295-01-N70 | EA  | SUPPORT - BED/DINETTE - 28" LONG - PORTSMOUTH OAK                      |
| 16  | 081295-01-RE0 | EA  | SUPPORT - BED/DINETTE - 28" LONG - SIERRA MAPLE                        |

**CABINET & APPLIANCE GROUP (CONTINUED)**  
**CABINET & APPLIANCE LAYOUT (CONTINUED)**

| KEY | PART NUMBER   | U/M | DESCRIPTION  |
|-----|---------------|-----|--|
| 17  | 145004-18-U01 | EA  | CABINET/DINETTE-RH-W/END CAP/BACK/FACE-W/O SEAT BOARD - PORTSMOUTH OAK   |
| 17  | 145004-18-U02 | EA  | CABINET/DINETTE-RH-W/END CAP/BACK/FACE-W/O SEAT BOARD - SIERRA MAPLE     |
| 18  | 096764-02-000 | FT  | SLIPNOT - ANTISLIP - 1'WIDE (20' ROLLS) - WHITE                          |
| 19  | 164492-46-W07 | EA  | DOOR - RAISED/PENCIL EDGE - 10.8" X 28" - W/O HDW - PORTSMOUTH OAK       |
| 19  | 164492-46-W08 | EA  | DOOR - RAISED/PENCIL EDGE - 10.8" X 28" - W/O HDW - SIERRA MAPLE         |
| 20  | 164492-E5-W07 | EA  | DOOR - RAISED/PENCIL EDGE - 12.4" X 35" - W/O HDW - PORTSMOUTH OAK       |
| 20  | 164492-E5-W08 | EA  | DOOR - RAISED/PENCIL EDGE - 12.4" X 35" - W/O HDW - SIERRA MAPLE         |
| 21  | 145576-03-U57 | EA  | DOOR - W/MIRROR - 16" X 25.9" - W/O HARDWARE - PORTSMOUTH OAK            |
| 21  | 145576-03-U58 | EA  | DOOR - W/MIRROR - 16" X 25.9" - W/O HARDWARE - SIERRA MAPLE              |
|     | 093606-36-000 | EA  | MIRROR - BEVELED EDGE - 16" X 26"  |
| 22  | 145576-A0-U57 | EA  | DOOR - MIRRORED - 16" X 25.9" - W/O HARDWARE - PORTSMOUTH OAK            |
| 22  | 145576-A0-U58 | EA  | DOOR - MIRRORED - 16" X 25.9" - W/O HARDWARE - SIERRA MAPLE              |
|     | 093606-36-000 | EA  | MIRROR - BEVELED EDGE - 16" X 26"  |
| 23  | 161074-31-W07 | EA  | DRAWER - PENCIL EDGE - 10"W X 11.8"D - W/O SLIDES/HDW - PORTSMOUTH OAK   |
| 23  | 161074-31-W08 | EA  | DRAWER - PENCIL EDGE - 10"W X 11.8"D - W/O SLIDES/HDW - SIERRA MAPLE     |
| 24  | 164491-C0-W07 | EA  | DOOR - FLAT/PENCIL EDGE - 14.9" X 21.8" - W/O HDW - PORTSMOUTH OAK       |
| 24  | 164491-C0-W08 | EA  | DOOR - FLAT/PENCIL EDGE - 14.9" X 21.8" - W/O HDW - SIERRA MAPLE         |
| 25  | 161074-49-W07 | EA  | DRAWER - PENCIL EDGE - 22.6"W X 19.7"D - W/O SLIDES/HDW - PORTSMOUTH OAK |
| 25  | 161074-49-W08 | EA  | DRAWER - PENCIL EDGE - 22.6"W X 19.7"D - W/O SLIDES/HDW - SIERRA MAPLE   |
| 26  |               |     | REFRIGERATOR CABINET SEALS   |
|     | 090329-01-000 | FT  | SEAL - "T" - REFRIGERATOR CABINET  |
| 27  | 042438-02-000 | EA  | DOWEL - WOOD - 2"DIAMETER X 2"   |
| 28  | 081298-14-U01 | EA  | TABLE - W/BASE F/TABLE LEG (W07)   |
| 28  | 081298-14-U02 | EA  | TABLE - W/BASE F/TABLE LEG (W08)   |
| 28  | 081298-14-U03 | EA  | TABLE - W/BASE F/TABLE LEG (W09)   |
| 28  | 081298-14-U04 | EA  | TABLE - W/BASE F/TABLE LEG (W10)   |
|     | 130969-02-U01 | EA  | TABLE TOP ONLY - PEDESTAL TYPE (W07)                                     |
|     | 130969-02-U02 | EA  | TABLE TOP ONLY - PEDESTAL TYPE (W08)                                     |
|     | 130969-02-U03 | EA  | TABLE TOP ONLY - PEDESTAL TYPE (W09)                                     |
|     | 130969-02-U04 | EA  | TABLE TOP ONLY - PEDESTAL TYPE (W10)                                     |
| 29  | 155001-03-01A | EA  | BASE - LEG MOUNT/FLOOR/TABLE - RECESSED - SILVER                         |
| 30  | 155001-01-01A | EA  | LEG - PEDESTAL TABLE - 27" - SILVER                                      |
| 31  | 062046-01-000 | EA  | CLIP - LEG - PEDESTAL - 1.7" X 2.2" - DIA FROM 2" - 2.5"                 |
| 32  | 160395-12-W07 | EA  | PANEL - DOOR - SOFA/BED - FABRIC COVERED (W07, W08)                      |
| 32  | 160395-12-U09 | EA  | PANEL - DOOR - SOFA/BED - FABRIC COVERED (W09, W10)                      |
| 33  | 156732-01-02A | EA  | BRACE - ANGLE/COUCH - 2.5" - OFF WHITE                                   |
| 34  | 157652-01-U07 | EA  | CABINET - OVERHEAD/DINETTE - W/O DOORS/HDW (W07)                         |
| 34  | 157652-01-U08 | EA  | CABINET - OVERHEAD/DINETTE - W/O DOORS/HDW (W08)                         |
| 34  | 157652-01-U09 | EA  | CABINET - OVERHEAD/DINETTE - W/O DOORS/HDW (W09)                         |
| 34  | 157652-01-U10 | EA  | CABINET - OVERHEAD/DINETTE - W/O DOORS/HDW (W10)                         |

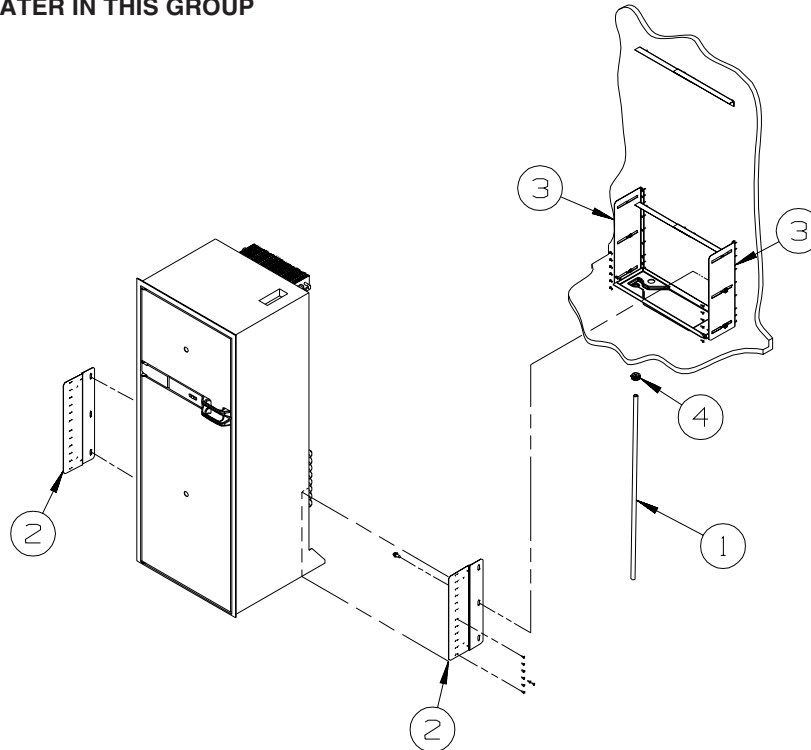
**\*COMPONENT PARTS LISTED LATER IN THIS GROUP**

**CABINET & APPLIANCE GROUP (CONTINUED)**  
**CABINET & APPLIANCE LAYOUT (CONTINUED)**



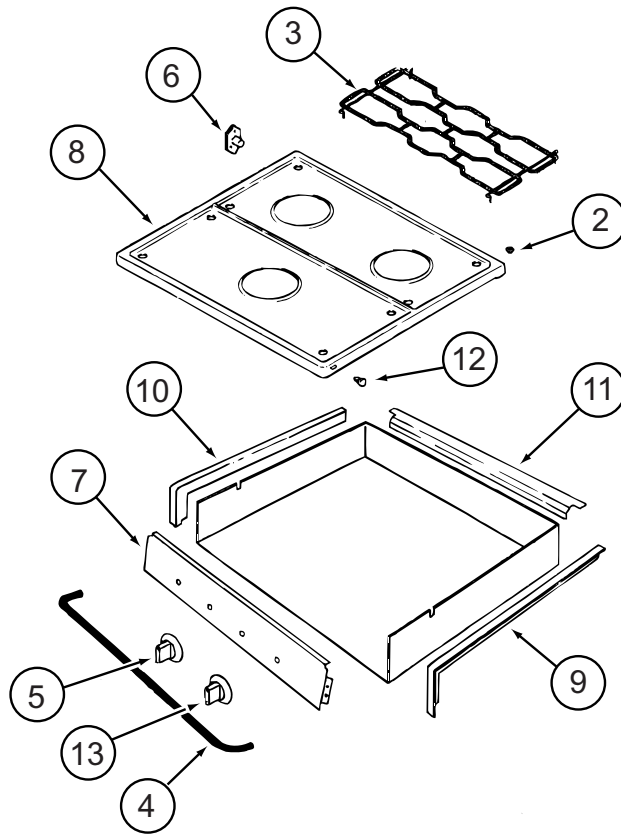
| KEY | PART NUMBER   | U/M | DESCRIPTION  |
|-----|---------------|-----|--|
| 1   | 143759-11-02B | EA  | BRACKET - MICROWAVE - E-COATED   |
| 2*  | 158686-01-01A | EA  | OVEN/MICROWAVE - .9 CU FT - NON-CONV - BLACK<br>FROM: 00-00-00 THRU: 04-08-07              |
| 2   | 158686-02-01A | EA  | OVEN/MICROWAVE - .9 CU FT - NON-CONV - W/O TRIM/VENTS-BLK<br>FROM: 04-09-07 THRU: 99-99-99 |
| 3   | 164197-01-01A | EA  | TRIM KIT - MICROWAVE - ONE PIECE - BLACK<br>FROM: 04-09-07 THRU: 99-99-99                  |

**\*COMPONENT PARTS LISTED LATER IN THIS GROUP**



| KEY | PART NUMBER   | U/M | DESCRIPTION   |
|-----|---------------|-----|---|
| 1   | 112176-01-000 | FT  | TUBING - VINYL - REINFORCED - 1/2" ID                 |
| 2   | 150740-01-02B | EA  | BRACKET/TIEDOWN - REFRIGERATOR - E-COATED             |
| 3   | 150740-02-02B | EA  | BRACKET/TIEDOWN - REFRIGERATOR - E-COATED             |
| 4   | 152417-01-01A | EA  | CLAMP/RATCHET - F/REFRIGERATOR DRIP TRAY HOSE - BLACK |

**CABINET & APPLIANCE GROUP (CONTINUED)**  
**COMPONENT PARTS FOR CABINET & APPLIANCE LAYOUT**

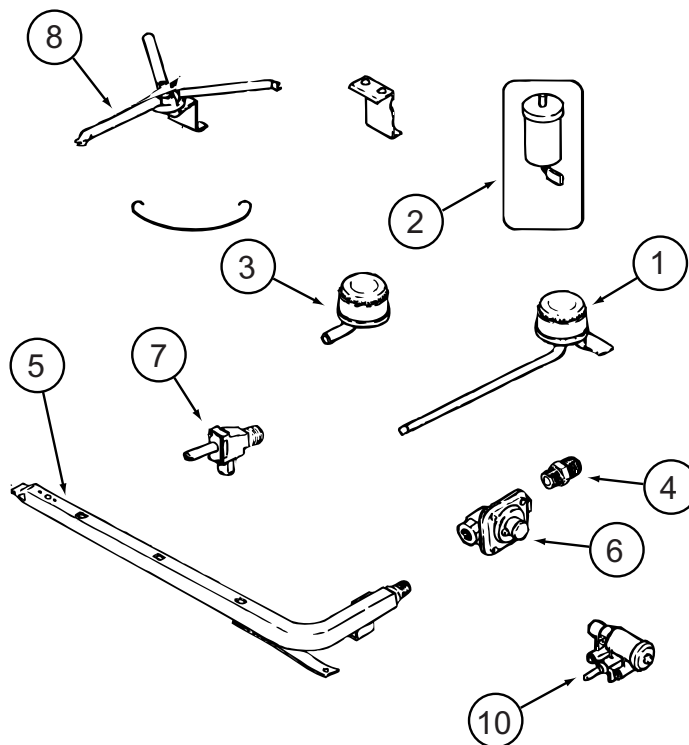


114030-04-01A

| KEY | PART NUMBER   | U/M | DESCRIPTION                 | VENDOR NO.       |
|-----|---------------|-----|-----------------------------|------------------|
| 2   | 102020-01-709 | EA  | BUMPER-GRATE                | 8007P020-60      |
| 3   | 112881-04-702 | EA  | GRATE - BLACK               | 74007277         |
| 4   | 114030-02-700 | EA  | GUARD/FABRIC - TOWEL BAR    | 3609F006-70      |
| 5   | 128728-01-701 | EA  | KNOB - BURNER - REAR        | 74003941 (1 PER) |
| 5   | 128728-01-702 | EA  | KNOB - BURNER - FRONT       | 74003942         |
| 6   | 128728-01-703 | EA  | PIN/T-NUT F/HINGE           | 7103P109-60      |
| 7   | 114030-04-700 | EA  | PANEL - MANIFOLD - BLACK    | 74007325         |
| 8   | 126023-01-728 | EA  | TOP - MAIN (BLACK)          | 74003323         |
| 9   | 114030-01-704 | EA  | TRIM - RIGHT/BLACK TEXTURED | 74002839         |
| 10  | 114030-01-705 | EA  | TRIM - LEFT/BLACK TEXTURED  | 74002840         |
| 11  | 114030-01-706 | EA  | TRIM - REAR/BLACK TEXTURED  | 74002841         |
| 12  | 102020-01-724 | EA  | BUMPER - MAIN TOP           | 8003P008-60      |
| 13  | 128728-01-707 | EA  | KNOB - IGNITER              | 74003944         |

CONTACT WINNEBAGO PART SALES FOR UNLISTED COMPONENT(S)

**CABINET & APPLIANCE GROUP (CONTINUED)**  
**COMPONENT PARTS FOR CABINET & APPLIANCE LAYOUT (CONTINUED)**

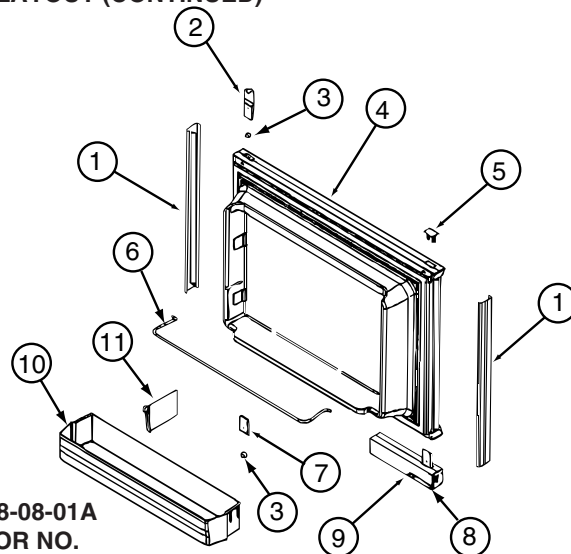


**114030-04-01A (CONTINUED)**

| KEY | PART NUMBER   | U/M | DESCRIPTION                     | VENDOR NO.  |
|-----|---------------|-----|---------------------------------|-------------|
| 1   | 112881-04-700 | EA  | BURNER - TOP /LEFT REAR         | 74004584    |
| 1   | 126023-01-700 | EA  | BURNER - TOP (RT-REAR) 5100 BTU | 74004583    |
| 2   | 112881-04-705 | EA  | PUSH RING (ELECTRODE MTG)       | 7104P002-60 |
| 2   | 126023-01-711 | EA  | ELECTRODE - IGNITER (ONLY)      | 7432P077-60 |
| 3   | 112881-04-701 | EA  | BURNER - TOP/FRONT              | 74004582    |
| 4   | 135065-03-700 | EA  | FITTING - HALF UNION            | 74004234    |
| 5   | 135065-01-702 | EA  | PIPE/MANIFOLD                   | 74004642    |
| 6   | 126023-02-703 | EA  | REGULATOR - PRESSURE            | 74004235    |
| 7   | 126023-02-705 | EA  | VALVE - BURNER - REAR           | 74004362    |
| 7   | 126023-02-706 | EA  | VALVE - BURNER - FRONT          | 74004363    |
| 8   | 126023-01-736 | EA  | FLASH TUBE EXTENSION (REAR)     | 74003326    |
| 8   | 126023-01-737 | EA  | FLASH TUBE EXTENSION (FRONT)    | 74003327    |
| 10  | 126023-01-719 | EA  | IGNITER HEAD - TOP BURNER       | 74002413    |
|     | 126023-02-702 | EA  | PIPE - MANIFOLD                 | 74004360    |

CONTACT WINNEBAGO PART SALES FOR UNLISTED COMPONENT(S)

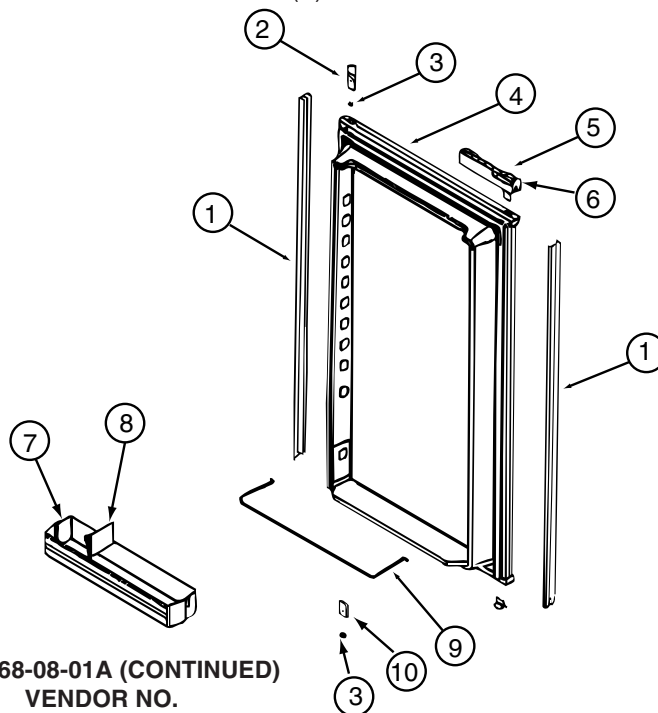
**CABINET & APPLIANCE GROUP (CONTINUED)**  
**COMPONENT PARTS FOR CABINET & APPLIANCE LAYOUT (CONTINUED)**



121568-06-01A, 121568-07-01A, 121568-08-01A

| KEY | PART NUMBER   | U/M | DESCRIPTION                  | VENDOR NO.         |
|-----|---------------|-----|------------------------------|--------------------|
| 1   | 121568-03-700 | EA  | RETAINER-DOOR PNL/WAFFLE/BLK | 619558-WDL-UPPER   |
| 2   | 120075-01-701 | EA  | HINGE-TOP RH/BOTTOM LH(DOOR) | 618511             |
| 3   | 121568-03-701 | EA  | BUSHING - HINGE PIN/GRAY     | 619671             |
| 4   | 121568-03-702 | EA  | DOOR LINER-UPR/WAFFLED/BLACK | 619627 - SMALL WDL |
| 5   | 120075-01-702 | EA  | CAP, (HINGE PLUG)            | 618160             |
| 6   | 121568-01-700 | EA  | RAIL - DOOR UPPER            | 618618             |
| 7   | 120075-01-705 | EA  | HINGE-TOP LH/BOTTOM RH(DOOR) | 618510             |
| 8   | 121568-03-705 | EA  | STORAGE LATCH - GRAY         | 619648             |
| 9   | 121568-03-721 | EA  | HANDLE/DOOR UPPER RH SWING   | 621465             |
| 9   | 121568-03-722 | EA  | HANDLE/DOOR LOWER RH SWING   | 621469             |
| 10  | 121568-01-701 | EA  | BIN - DOOR WHITE-WAFFLED LNR | 618619 WDL         |

CONTACT WINNEBAGO PART SALES FOR UNLISTED COMPONENT(S)

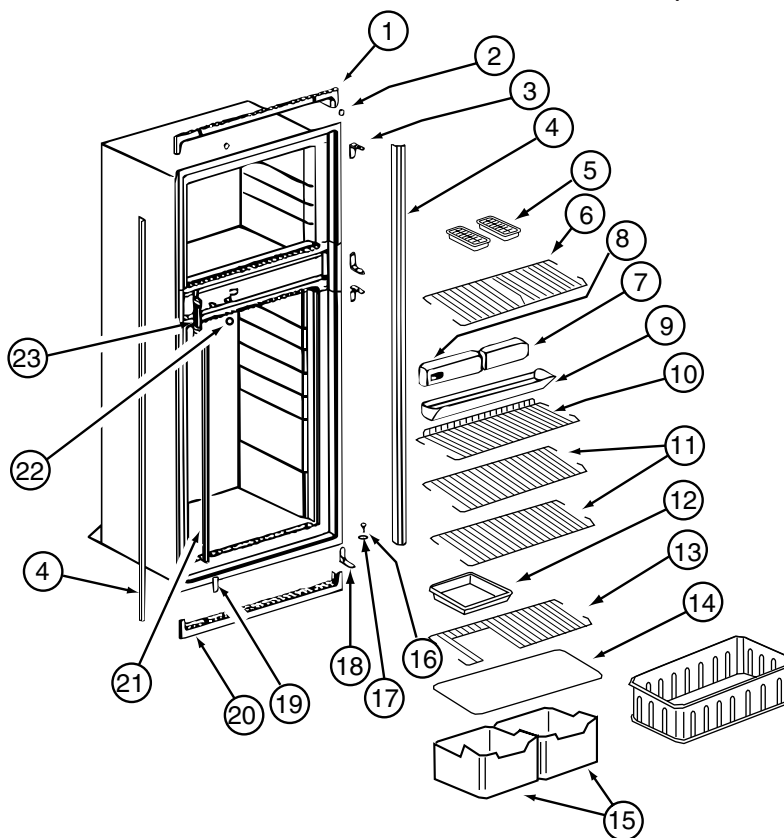


121568-06-01A, 121568-07-01A, 121568-08-01A (CONTINUED)

| KEY | PART NUMBER   | U/M | DESCRIPTION                  | VENDOR NO.       |
|-----|---------------|-----|------------------------------|------------------|
| 1   | 121568-03-706 | EA  | RETAINER-DOOR PNL/WAFFLE/BLK | 619559-WDL-LOWER |
| 2   | 120075-01-701 | EA  | HINGE-TOP RH/BOTTOM LH(DOOR) | 618511           |
| 3   | 121568-03-701 | EA  | BUSHING - HINGE PIN/GRAY     | 619671           |
| 4   | 121568-03-707 | EA  | DOOR LINER-LWR/WAFFLED/B/TRM | 619629           |
| 5   | 121568-03-722 | EA  | HANDLE/DOOR LOWER RH SWING   | 621469           |
| 6   | 121568-03-705 | EA  | STORAGE LATCH - GRAY         | 619648           |
| 7   | 121568-01-701 | EA  | BIN - DOOR WHITE-WAFFLED LNR | 618619 WDL       |
| 9   | 121568-01-704 | EA  | RAIL - DOOR LOWER            | 618578           |
| 10  | 120075-01-705 | EA  | HINGE-TOP LH/BOTTOM RH(DOOR) | 618510           |

CONTACT WINNEBAGO PART SALES FOR UNLISTED COMPONENT(S)

**CABINET & APPLIANCE GROUP (CONTINUED)**  
**COMPONENT PARTS FOR CABINET & APPLIANCE LAYOUT (CONTINUED)**

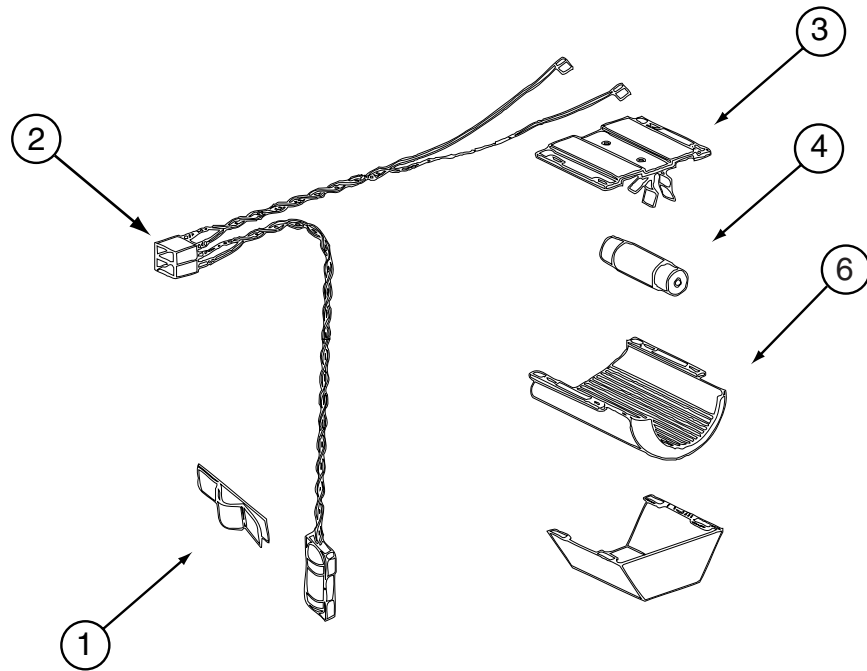


**121568-06-01A, 121568-07-01A, 121568-08-01A (CONTINUED)**

| KEY | PART NUMBER   | U/M | DESCRIPTION                 | VENDOR NO.          |
|-----|---------------|-----|-----------------------------|---------------------|
| 1   | 120075-01-713 | EA  | TRIM-TOP PIECE              | 619687              |
| 2   | 120075-01-714 | EA  | PLUG-HOLE (BLACK)           | 618170              |
| 3   | 121568-03-710 | EA  | HINGE/CABINET-TOP/RH-LWR/LH | 619335 WAFFLED      |
| 4   | 121568-03-711 | EA  | TRIM - SIDE/BLACK           | 622295              |
| 6   | 121568-01-705 | EA  | SHELF - WIRE FREEZER        | 620250              |
| 7   | 121568-06-700 | EA  | FRONT BOX-N611              | 622002              |
| 8   | 121568-06-701 | EA  | CONTROL ASSY-OPTICAL/N611   | 621988 TO SN9056491 |
| 9   | 120075-01-720 | EA  | TRAY-DRIP                   | 623250              |
| 9   | 120075-01-721 | EA  | LOUVER-DRIP TRAY            | 618176              |
| 11  | 121568-01-708 | EA  | SHELF - WIRE                | 620273              |
| 13  | 121568-01-707 | EA  | SHELF - WIRE - SHORT        | 620272              |
| 14  | 120075-01-725 | EA  | COVER-CRISPER - 18.5" WIDE  | 618158              |
| 15  | 121568-01-709 | EA  | CRISPER                     | 618571              |
| 16  | 120075-01-727 | EA  | PIN-HINGE                   | 618145              |
| 17  | 121568-03-701 | EA  | BUSHING - HINGE PIN/GRAY    | 619671              |
| 18  | 121568-03-715 | EA  | HINGE/CABINET-TOP/LH-LWR/RH | 619336 WAFFLED      |
| 19  | 121568-03-716 | EA  | COVER - HINGE HOLES         | 619301              |
| 20  | 120075-01-729 | EA  | TRIM-BOTTOM PIECE           | 620958              |
| 21  | 121568-06-702 | EA  | CLIP - SHELF                | 61536522            |
| 22  | 121568-06-703 | EA  | HOLE PLUG - WHITE           | 620282              |
| 23  | 120075-01-732 | EA  | PLATE-STRIKE                | 618167              |

CONTACT WINNEBAGO PART SALES FOR UNLISTED COMPONENT(S)

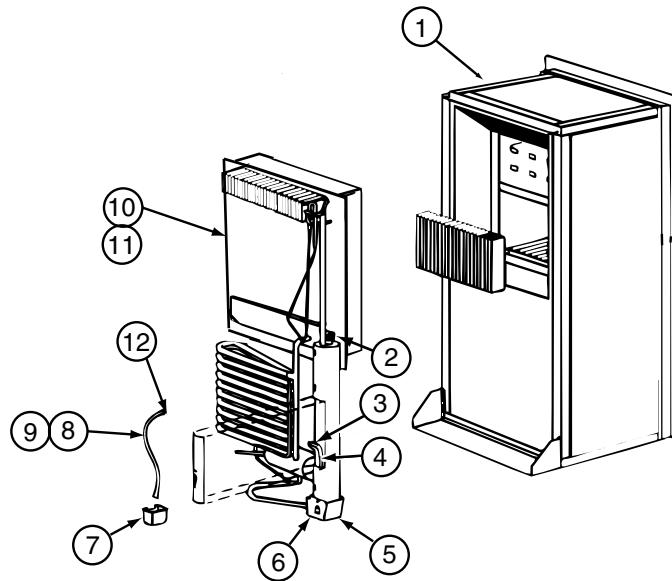
**CABINET & APPLIANCE GROUP (CONTINUED)**  
**COMPONENT PARTS FOR CABINET & APPLIANCE LAYOUT (CONTINUED)**



121568-03-01A, 121568-04-01A, 121568-05-01A, 121568-06-01A, 121568-07-01A, 121568-08-01A (CONTINUED)

| KEY | PART NUMBER   | U/M | DESCRIPTION                | VENDOR NO. |
|-----|---------------|-----|----------------------------|------------|
| 1   | 084880-01-760 | EA  | CLIP (THERMISTER)          | 61689122   |
| 2   | 120075-01-735 | EA  | WIRE ASM - LAMP/THERMISTER | 618548     |
| 3   | 084880-03-705 | EA  | BRACKET-LIGHT-INTERIOR     | 61629722   |
| 4   | 084880-03-706 | EA  | BULB-LAMP                  | 61628922   |
| 6   | 084880-03-707 | EA  | COVER-LAMP, LENS           | 61627922   |

CONTACT WINNEBAGO PART SALES FOR UNLISTED COMPONENT(S)



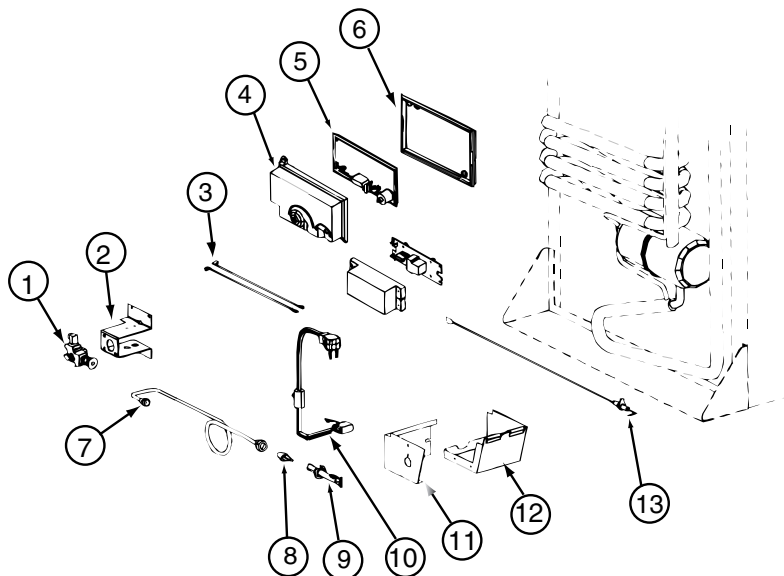
121568-06-01A, 121568-07-01A, 121568-08-01A (CONTINUED)

| KEY | PART NUMBER   | U/M | DESCRIPTION                | VENDOR NO. |
|-----|---------------|-----|----------------------------|------------|
| 4   | 121568-06-704 | EA  | HEATER-AC/300W/120VAC      | 621702     |
| 10  | 120076-01-704 | EA  | COOLING UNIT, SERVICE PACK | 618543     |

CONTACT WINNEBAGO PART SALES FOR UNLISTED COMPONENT(S)



**CABINET & APPLIANCE GROUP (CONTINUED)**  
**COMPONENT PARTS FOR CABINET & APPLIANCE LAYOUT (CONTINUED)**



**121568-06-01A, 121568-07-01A, 121568-08-01A (CONTINUED)**

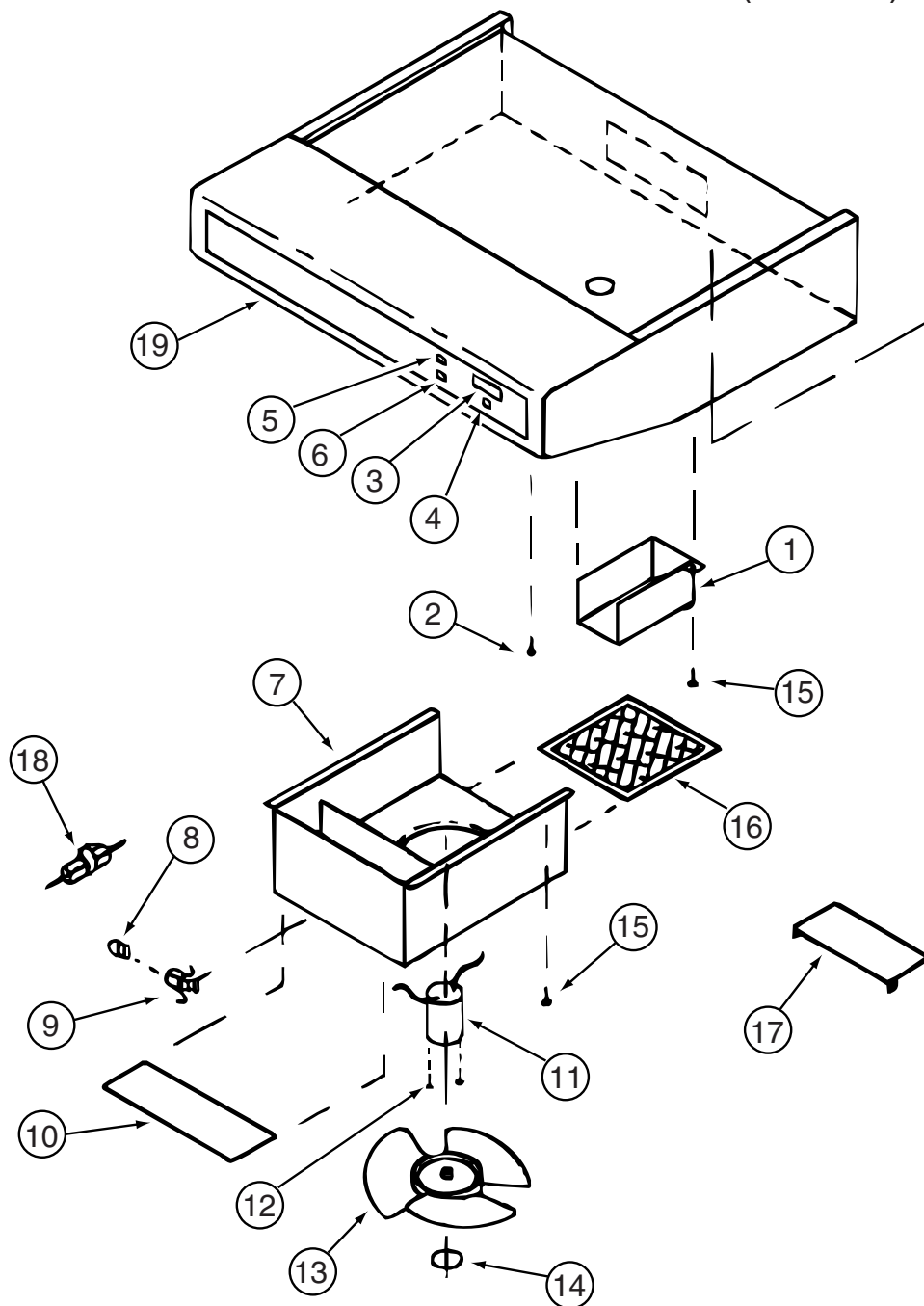
| KEY | PART NUMBER   | U/M | DESCRIPTION                 | VENDOR NO.         |
|-----|---------------|-----|-----------------------------|--------------------|
| 1   | 121568-06-705 | EA  | GAS VALVE/BRKT ASSY-COMBO   | 621439             |
| 1   | 121568-06-706 | EA  | GAS VALVE-COMBO/WRENCH FLAT | 621329             |
| 4   | 120075-01-738 | EA  | COVER-POWER BOARD           | 618185             |
| 5   | 121568-06-707 | EA  | BOARD/POWER-N611            | 621991 = 621991001 |
| 6   | 120075-01-740 | EA  | BASE - POWER BOARD          | 618186             |
| 8   | 121568-06-708 | EA  | BURNER/ORFICE-ADAPTER KIT   | 621957             |
| 13  | 104137-06-715 | EA  | ELECTRODE-SPARK/SENSOR, SGL | 61692222           |
|     | 121569-08-704 | EA  | TUBE/BURNER - N8/N6         | 624682             |

CONTACT WINNEBAGO PART SALES FOR UNLISTED COMPONENT(S)

**121568-05-01A, 121568-07-01A, 121568-08-01A (CONTINUED)**

| KEY | PART NUMBER   | U/M | DESCRIPTION               | VENDOR NO. |
|-----|---------------|-----|---------------------------|------------|
|     | 121568-05-700 | EA  | FAN 12V KIT DBLE SIDEWALL | 619020     |

**CABINET & APPLIANCE GROUP (CONTINUED)**  
**COMPONENT PARTS FOR CABINET & APPLIANCE LAYOUT (CONTINUED)**

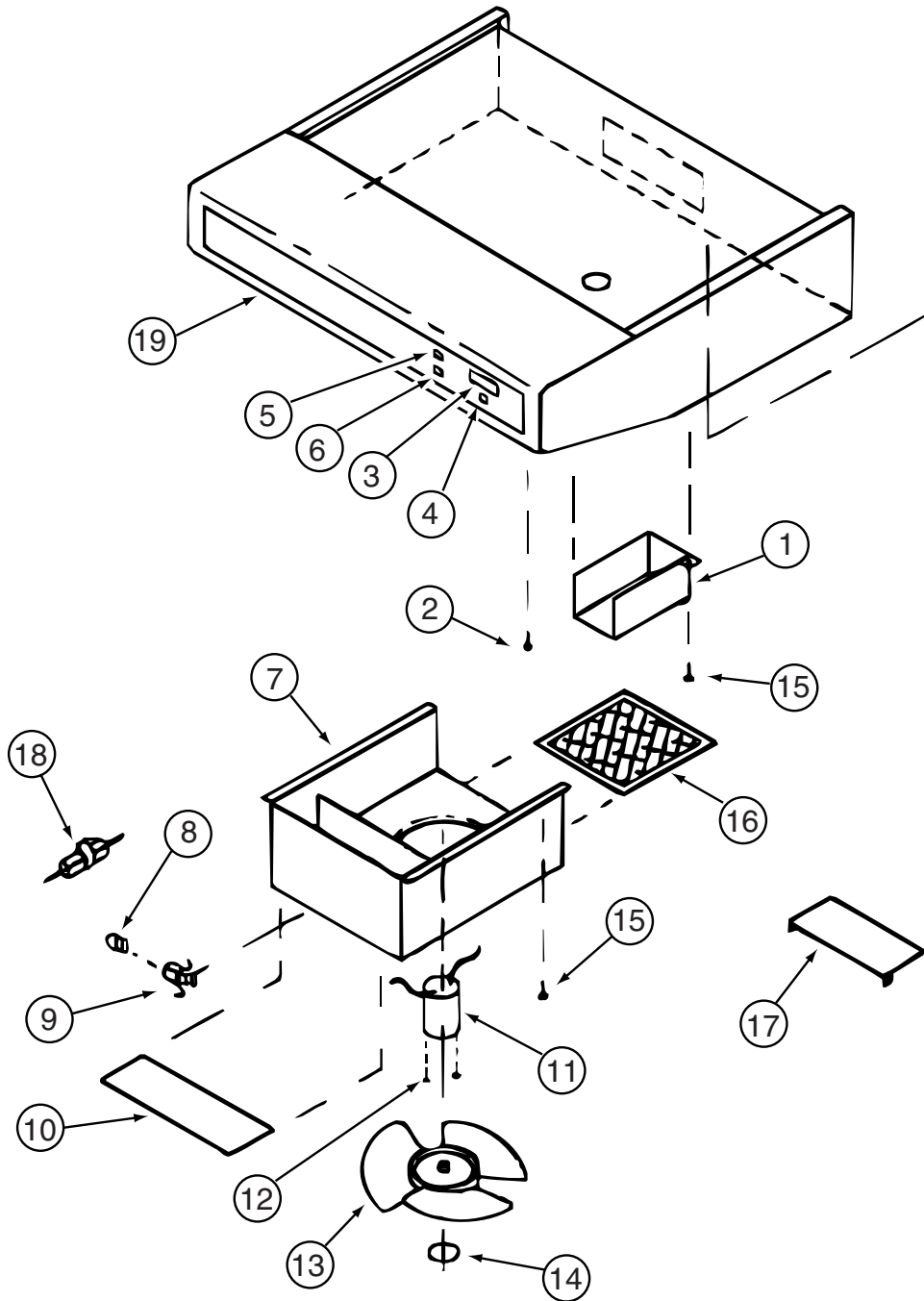


136354-05-01A, 136354-05-02A

| KEY | PART NUMBER   | U/M DESCRIPTION                 | VENDOR NO.          |
|-----|---------------|---------------------------------|---------------------|
| 3   | 100258-10-700 | EA GAUGE-HOUR METER, SCREW ON   | L0150-00 WAS 150    |
| 4   | 096983-01-702 | EA SWITCH - MOM/OFF/MOM/3 TERM  | L0112-00            |
| 5   | 096983-01-700 | EA SWITCH/1 SPEED -ON/OFF- BLK  | L0108-00            |
| 8   | 117806-01-000 | EA BULB-12V NO.912 1.0 AMPS     | GENERAL MOTOR HOMES |
| 9   | 092696-01-710 | EA HOLDER-LAMP                  | CB0267-02           |
| 10  | 096983-01-708 | EA LENS-LAMP                    | CC0179              |
| 11  | 136354-05-700 | EA MOTOR-12 VOLT                | VC0536-02           |
| 13  | 136354-05-701 | EA BLADE-FAN 7" DIA             | VD0216-00           |
| 16  | 096983-01-707 | EA FILTER-MESH                  | CC0246-00           |
| 17  | 100258-01-701 | EA DAMPER ASSEMBLY (METAL FLAP) | CA0565-00           |
| 19  | 100258-01-700 | EA LABEL-HOOD NOSE              | CC0428-00           |

CONTACT WINNEBAGO PART SALES FOR UNLISTED COMPONENT(S)

**CABINET & APPLIANCE GROUP (CONTINUED)**  
**COMPONENT PARTS FOR CABINET & APPLIANCE LAYOUT (CONTINUED)**

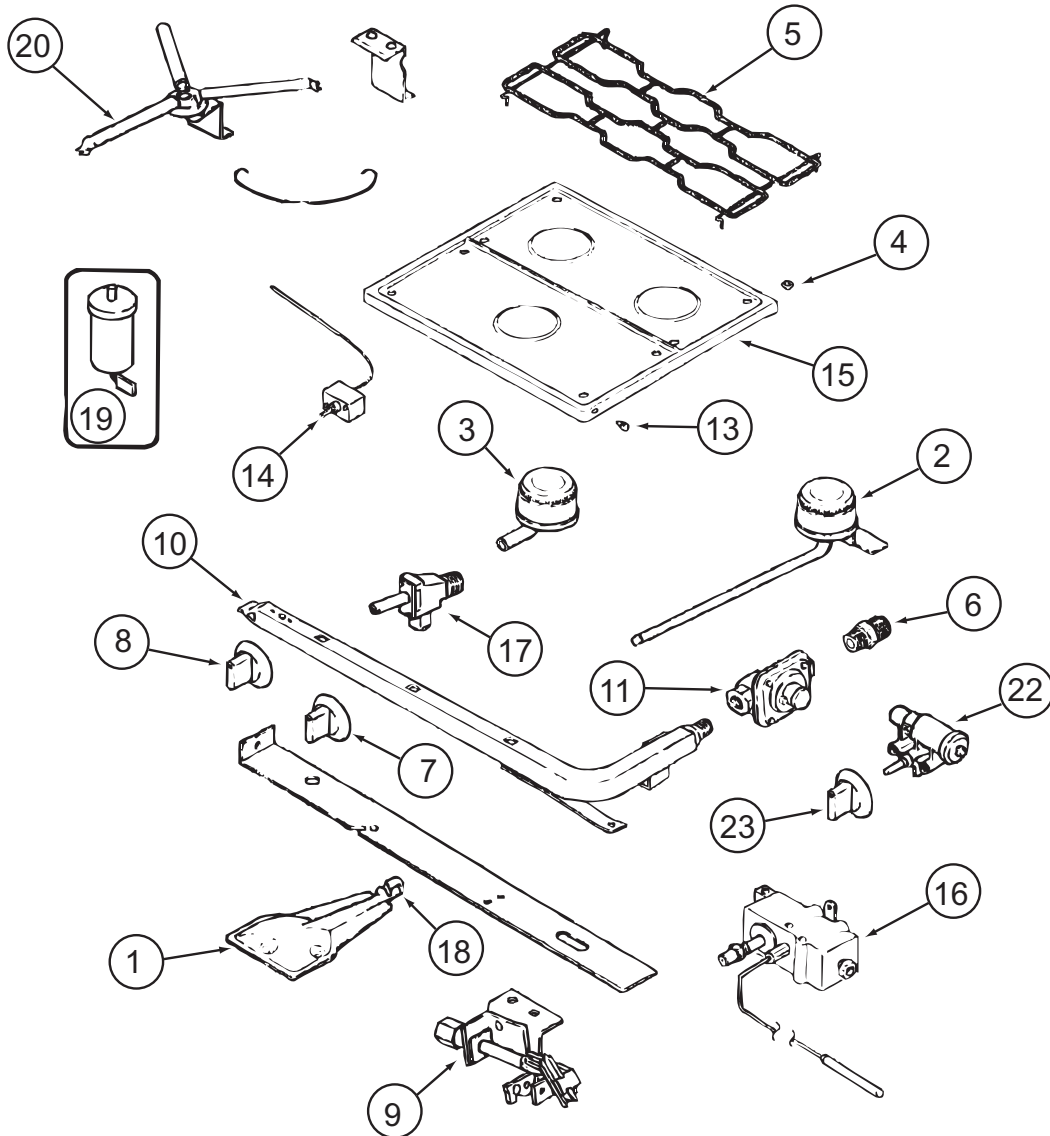


136354-06-01A, 136354-06-02A

| KEY | PART NUMBER   | U/M | DESCRIPTION                  | VENDOR NO.          |
|-----|---------------|-----|------------------------------|---------------------|
| 3   | 100258-10-700 | EA  | GAUGE-HOUR METER, SCREW ON   | L0150-00 WAS 150    |
| 4   | 096983-01-702 | EA  | SWITCH - MOM/OFF/MOM/3 TERM  | L0112-00            |
| 5   | 096983-01-700 | EA  | SWITCH/1 SPEED -ON/OFF- BLK  | L0108-00            |
| 8   | 117806-01-000 | EA  | BULB-12V NO.912 1.0 AMPS     | GENERAL MOTOR HOMES |
| 9   | 092696-01-710 | EA  | HOLDER-LAMP                  | CB0267-02           |
| 10  | 096983-01-708 | EA  | LENS-LAMP                    | CC0179              |
| 11  | 136354-06-700 | EA  | MOTOR - FAN (CSA)            | VC0535-02           |
| 13  | 136354-05-701 | EA  | BLADE-FAN 7" DIA             | VD0216-00           |
| 16  | 096983-01-707 | EA  | FILTER-MESH                  | CC0246-00           |
| 17  | 100258-01-701 | EA  | DAMPER ASSEMBLY (METAL FLAP) | CA0565-00           |
| 19  | 100258-01-700 | EA  | LABEL-HOOD NOSE              | CC0428-00           |

CONTACT WINNEBAGO PART SALES FOR UNLISTED COMPONENT(S)

**CABINET & APPLIANCE GROUP (CONTINUED)**  
**COMPONENT PARTS FOR CABINET & APPLIANCE LAYOUT (CONTINUED)**



151277-01-01A, 151277-02-01A

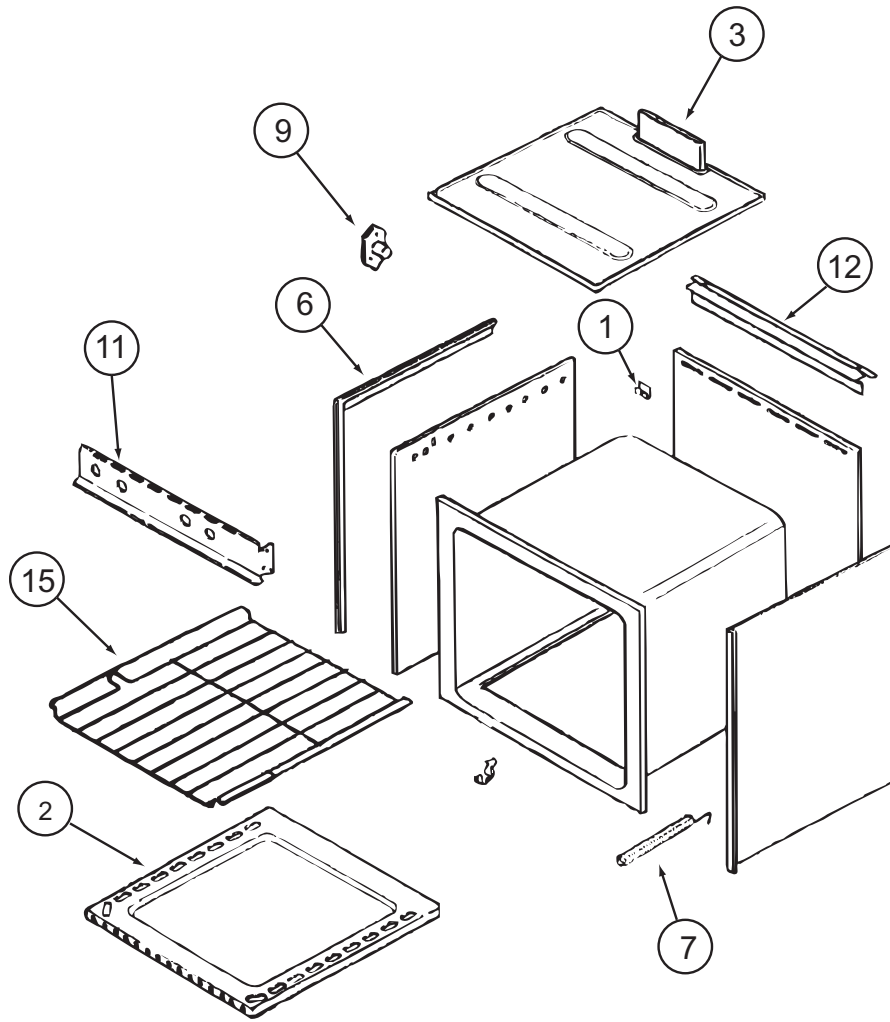
**CABINET & APPLIANCE GROUP (CONTINUED)**  
**COMPONENT PARTS FOR CABINET & APPLIANCE LAYOUT (CONTINUED)**

151277-01-01A, 151277-02-01A (CONTINUED)

| KEY | PART NUMBER   | U/M | DESCRIPTION                    | VENDOR NO.          |
|-----|---------------|-----|--------------------------------|---------------------|
| 1   | 151279-02-700 | EA  | BURNER - OVEN - W/SHUTTER      | 74009853            |
| 2   | 112881-04-700 | EA  | BURNER - TOP/LEFT REAR         | 74004584            |
| 2   | 126023-01-700 | EA  | BURNER-TOP (RT-REAR) 5100BTU   | 74004583            |
| 3   | 112881-04-701 | EA  | BURNER - TOP/FRONT             | 74004582            |
| 4   | 102020-01-709 | EA  | BUMPER-GRATE                   | 8007P020-60         |
| 5   | 112881-04-702 | EA  | GRATE - BLACK                  | 74007277            |
| 6   | 135065-03-700 | EA  | FITTING - HALF UNION           | 74004234            |
| 7   | 128728-01-701 | EA  | KNOB - BURNER - REAR           | 74003941 (1 PER)    |
| 7   | 128728-01-702 | EA  | KNOB - BURNER - FRONT          | 74003942            |
| 8   | 151279-02-701 | EA  | KNOB - THERMOSTAT - BLACK      | 74009858            |
| 9   | 151279-01-700 | EA  | PILOT - BURNER - 16" SERIES    | 74009852            |
| 10  | 151279-02-702 | EA  | PIPE - MANIFOLD                | 74009856            |
| 11  | 112881-03-701 | EA  | REGULATOR KIT W/FITTINGS       | 12001285            |
| 13  | 102020-01-724 | EA  | BUMPER-MAIN TOP                | 8003P008-60         |
| 14  | 151279-02-703 | EA  | THERMOSTAT                     | 74009855            |
| 15  | 151277-01-700 | EA  | TOP - MAIN (BLACK)             | 74007287            |
| 16  | 151279-02-704 | EA  | ELBOW BLOCK ASM (VALVE-OVEN)   | 74009864            |
| 17  | 151277-01-701 | EA  | VALVE/REAR - W/SET SCREW       | 12002254            |
| 17  | 151277-01-702 | EA  | VALVE/FRONT - W/SET SCREW      | 12002246            |
| 19  | 112881-04-705 | EA  | PUSH RING (ELECTRODE MTG)      | 7104P002-60         |
| 19  | 126023-01-711 | EA  | ELECTRODE - IGNITER (ONLY)     | 7432P077-60         |
| 20  | 126023-01-736 | EA  | FLASH TUBE EXTENSION (REAR)    | 74003326            |
| 20  | 126023-01-737 | EA  | FLASH TUBE EXTENSION (FRONT)   | 74003327            |
| 21  | 112881-04-708 | EA  | CLIP-FLASH TUBE                | 7112P068-60         |
| 22  | 126023-01-735 | EA  | KIT - IGNITOR TOP BRNER & KNOB | 12001296=74002413&4 |
| 23  | 128728-01-707 | EA  | KNOB - IGNITOR                 | 74003944            |
| 26  | 112881-04-709 | EA  | SHIELD-SPARK                   | 3604F211-45         |

CONTACT WINNEBAGO PART SALES FOR UNLISTED COMPONENT(S)

**CABINET & APPLIANCE GROUP (CONTINUED)**  
**COMPONENT PARTS FOR CABINET & APPLIANCE LAYOUT (CONTINUED)**

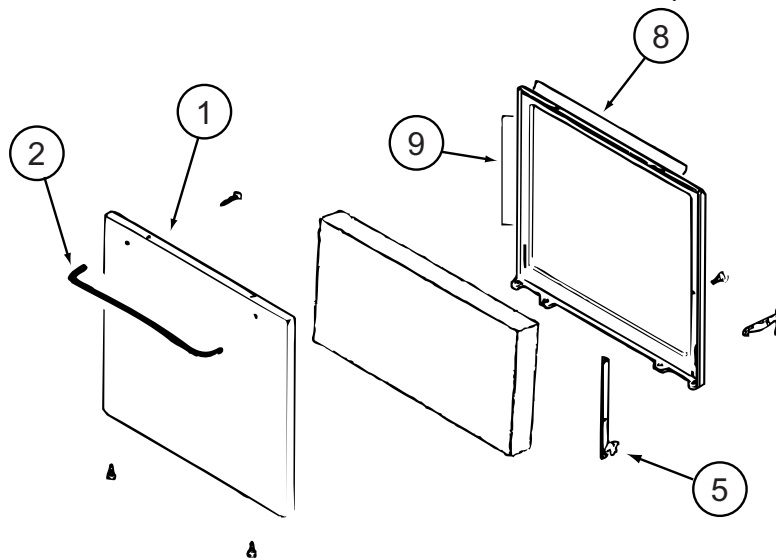


**151277-01-01A (CONTINUED)**

| KEY | PART NUMBER   | U/M | DESCRIPTION               | VENDOR NO.  |
|-----|---------------|-----|---------------------------|-------------|
| 2   | 126023-01-731 | EA  | BOTTOM - OVEN             | 2205F016-19 |
| 3   | 126023-01-718 | EA  | FLUE BOX ASSEMBLY         | 4006W075-80 |
| 6   | 126023-01-713 | EA  | TRIM - SIDE (RIGHT) BLACK | 74002827    |
| 6   | 126023-01-714 | EA  | TRIM - SIDE (LEFT) BLACK  | 74002828    |
| 7   | 135066-03-700 | EA  | SPRING - OVEN DOOR        | 74001835    |
| 9   | 128728-01-703 | EA  | PIN/T-NUT F/HINGE         | 7103P109-60 |
| 15  | 126023-01-716 | EA  | RACK - OVEN               | 74003106    |

CONTACT WINNEBAGO PART SALES FOR UNLISTED COMPONENT(S)

**CABINET & APPLIANCE GROUP (CONTINUED)**  
**COMPONENT PARTS FOR CABINET & APPLIANCE LAYOUT (CONTINUED)**



**151277-01-01A (CONTINUED)**

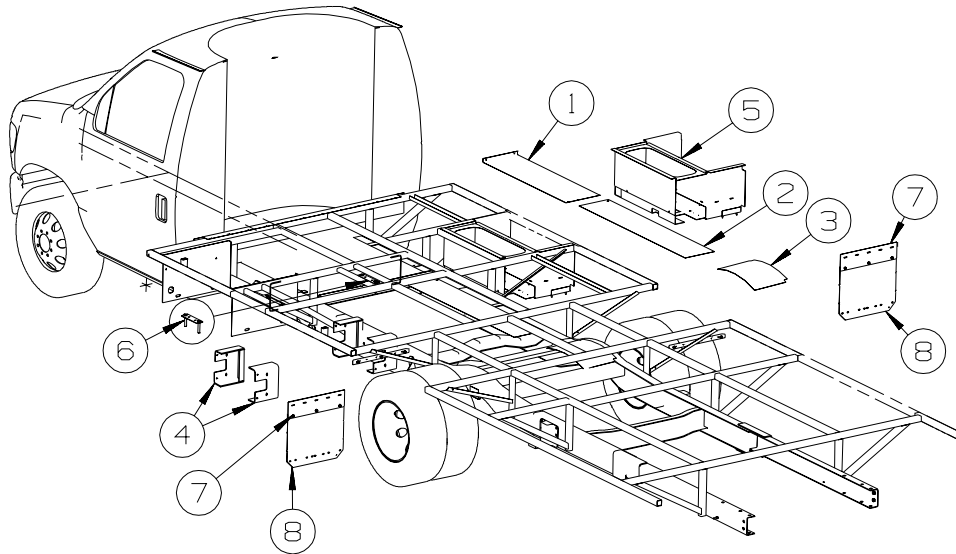
| KEY | PART NUMBER   | U/M | DESCRIPTION                  | VENDOR NO.  |
|-----|---------------|-----|------------------------------|-------------|
| 1   | 102022-01-704 | EA  | GLASS-OUTER                  | 7902P261-60 |
| 1   | 112881-01-713 | EA  | DOOR/OVEN-TEXT/BLK NO WINDOW | 2401F126-70 |
| 2   | 128727-01-701 | EA  | HANDLE - OVEN DOOR           | 74003929    |
| 5   | 151277-01-704 | EA  | HINGE KIT-OVEN DR/LT         | 12400028    |
| 5   | 151277-01-705 | EA  | HINGE KIT-OVEN DR/RT         | 12400029    |
| 8   | 126023-01-732 | EA  | SEAL/OVEN DR TOP             | 7212P014-60 |
| 9   | 135066-03-714 | EA  | SEAL - OVEN DOOR SIDES       | 7212P039-60 |

CONTACT WINNEBAGO PART SALES FOR UNLISTED COMPONENT(S)

**158686-01-01A**

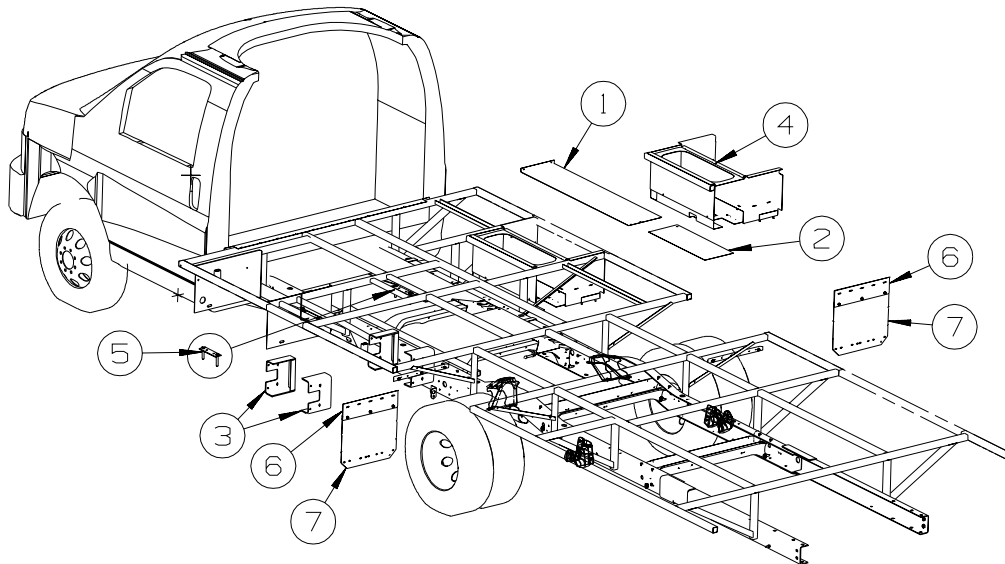
| KEY | PART NUMBER   | U/M | DESCRIPTION      | VENDOR NO.   |
|-----|---------------|-----|------------------|--------------|
|     | 158686-01-700 | EA  | PLATE-GLASS      | SR11092PLATE |
|     | 158686-01-701 | EA  | TRIM KIT - 2 PC. | ODY-2-92KIT  |

## CHASSIS GROUP FRAME



**FORD**

| KEY | PART NUMBER   | U/M DESCRIPTION  |
|-----|---------------|--|
| 1   | 135676-09-02B | EA SHIELD - HEAT - E-COATED                              |
| 2   | 145027-01-02B | EA SHIELD - HEAT - E-COATED                              |
| 3   | 158704-01-02B | EA SHIELD/HEAT - E-COATED                                |
| 4   | 120867-01-02B | EA MOUNT - LP TANK - E-COAT                              |
| 4   | 147847-04-02B | EA BRACKET - LP SUPPORT - E-COATED                       |
|     |               | FROM: 00-00-00 THRU: 09-09-07                            |
|     |               | FROM: 09-10-07 THRU: 99-99-99                            |
| 5   | 162352-01-02B | EA BOX - ENTRY STEP - E-COATED                           |
| 6   | 136995-03-02B | EA PLATE W/BOLTS - 6.9" X 2" W/1/2" X 3" BOLTS           |
| 7   | 157464-02-02B | EA BRACKET/MOUNTING - MUD GUARD - E-COATED               |
| 8   | 136391-02-02B | EA GUARD/ROCK - STEEL - W/ANGLE - 18"W X 15"H - E-COATED |

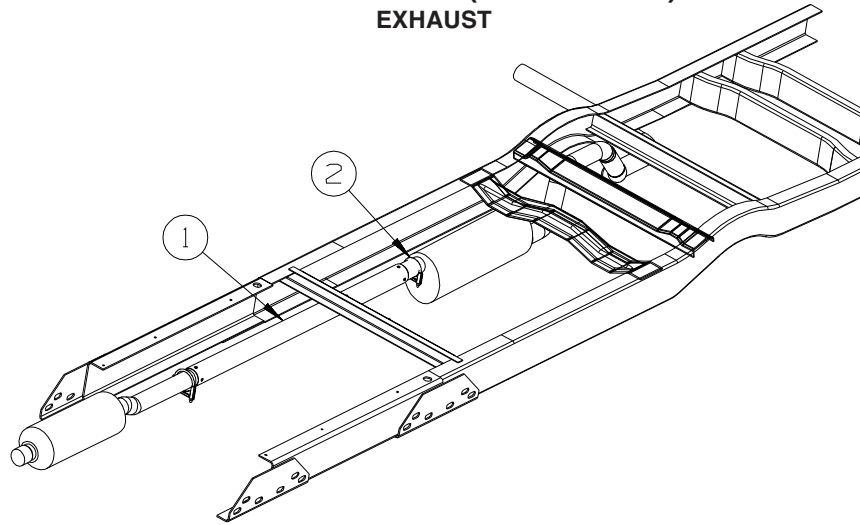


**CHEVY**

| KEY | PART NUMBER   | U/M DESCRIPTION  |
|-----|---------------|--|
| 1   | 135676-12-02B | EA SHIELD - HEAT - E-COATED                              |
| 2   | 145027-06-02B | EA SHIELD - HEAT - E-COATED                              |
| 3   | 120867-01-02B | EA MOUNT - LP TANK - E-COAT                              |
| 4   | 162352-01-02B | EA BOX - ENTRY STEP - E-COATED                           |
| 5   | 136995-03-02B | EA PLATE W/BOLTS - 6.9" X 2" W/1/2" X 3" BOLTS           |
| 6   | 157464-02-02B | EA BRACKET/MOUNTING - MUD GUARD - E-COATED               |
| 7   | 136391-02-02B | EA GUARD/ROCK - STEEL - W/ANGLE - 18"W X 15"H - E-COATED |

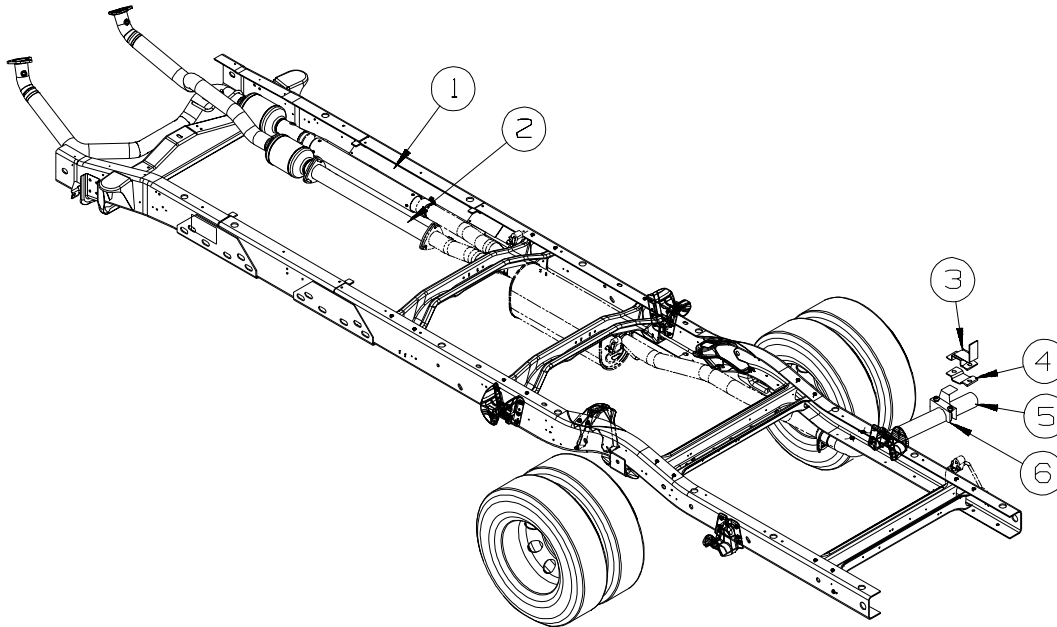


**CHASSIS GROUP (CONTINUED)**  
**EXHAUST**



**FORD**

| KEY | PART NUMBER   | U/M | DESCRIPTION                                      |
|-----|---------------|-----|--|
| 1   | 111478-08-000 | EA  | EXHAUST PIPE - DOUBLE WALL STAINLESS STEEL - 12" |
| 2   | 094918-06-000 | EA  | CLAMP - EXHAUST - 3" - HEAVY DUTY                |



**CHEVY**

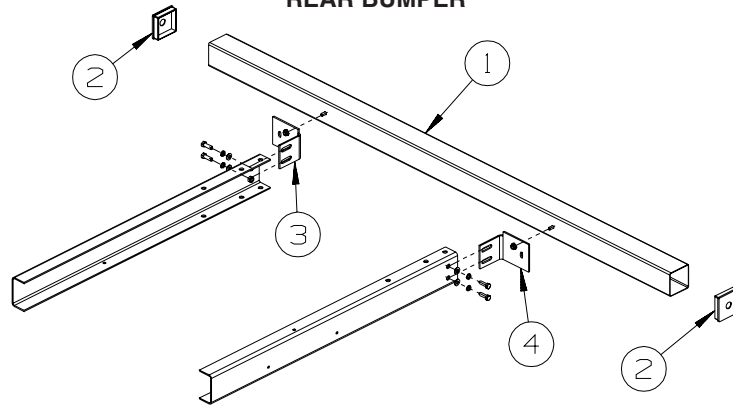
| KEY | PART NUMBER   | U/M | DESCRIPTION                                      |
|-----|---------------|-----|--|
| 1   | 111478-08-000 | EA  | EXHAUST PIPE - DOUBLE WALL STAINLESS STEEL - 12" |
| 2   | 007125-08-000 | EA  | CLAMP - MUFFLER - 3" DIAMETER                    |
| 3   | 155581-03-000 | EA  | PIPE - EXHAUST - 10" EXTENSION - W/OXYGEN OUTLET |
| 4   | 124610-01-000 | EA  | GASKET - EXHAUST                                 |
| 5   | 155696-01-000 | EA  | PIPE - EXHAUST/TAIL                              |
| 6   | 094918-06-000 | EA  | CLAMP - EXHAUST - 3" - HEAVY DUTY                |
| 7   | 095190-01-000 | EA  | HANGER - EXHAUST - 4" X 1.4"                     |
| 8   | 117380-05-02B | EA  | HANGER - TAILPIPE - E-COATED                     |

**HITCH**

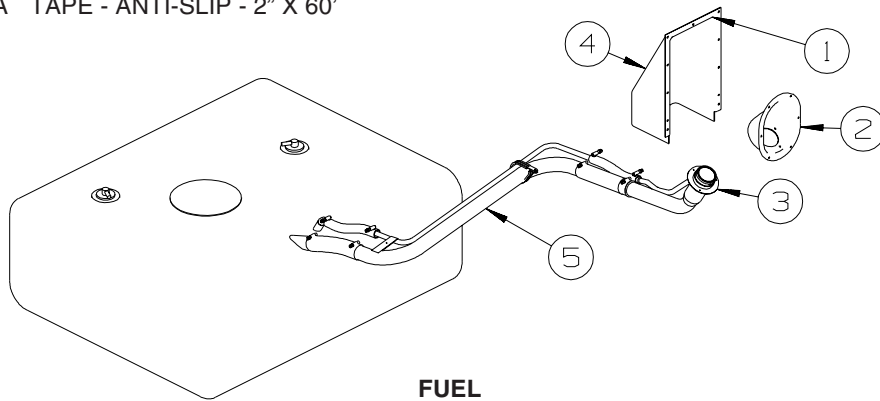
| KEY | PART NUMBER   | U/M | DESCRIPTION                                |
|-----|---------------|-----|--|
|     | 154054-02-01A | EA  | HITCH RECEIVER - BOLT ON CLASS III - BLACK |
|     | 140441-05-02B | EA  | PLATE - SKID - E-COATED                    |

## CHASSIS GROUP (CONTINUED)

### REAR BUMPER

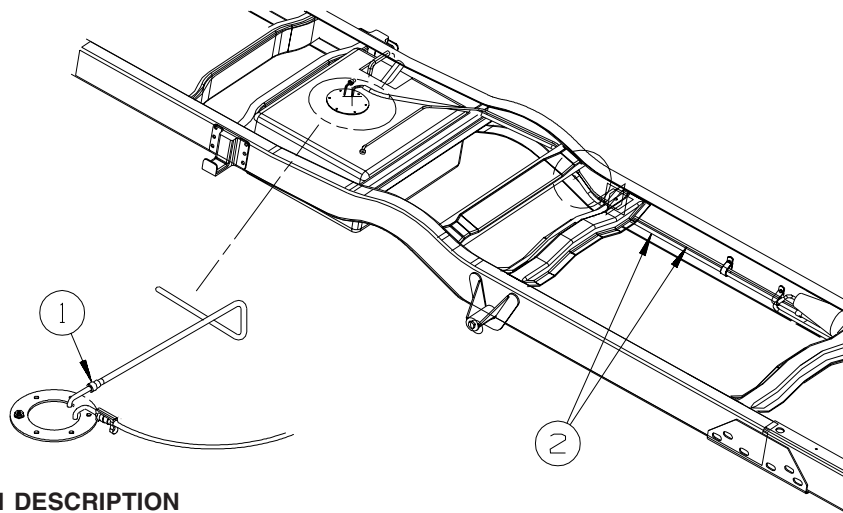


| KEY | PART NUMBER   | U/M DESCRIPTION   |
|-----|---------------|---|
| 1   | 103422-05-02A | EA BUMPER - REAR - SQUARE ALUMINUM - 97.3" - BRIGHT WHITE |
| 2   | 039779-01-000 | EA CAP - BUMPER - RUBBER - 4" X 4" - BLACK                |
| 3   | 138811-01-02B | EA SUPPORT/ANGLE - REAR BUMPER - E-COATED                 |
| 4   | 138811-02-02B | EA SUPPORT/ANGLE - REAR BUMPER - E-COATED                 |
|     | 038327-01-000 | EA TAPE - ANTI-SLIP - 2" X 60'                            |



**FORD**

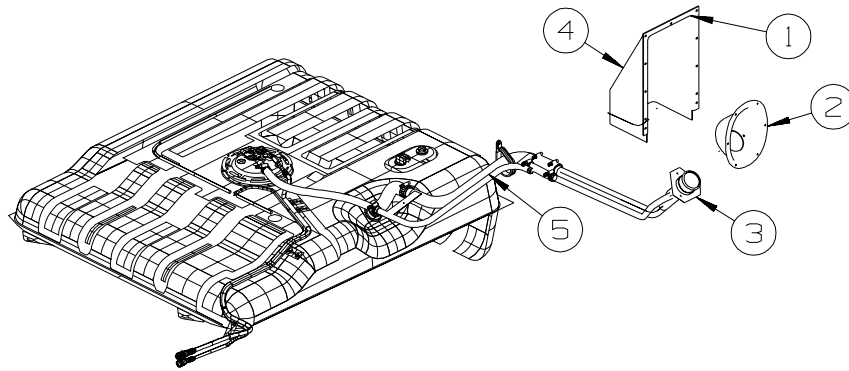
| KEY | PART NUMBER   | U/M DESCRIPTION  |
|-----|---------------|--|
| 1   | 099069-01-000 | FT SEAL - RUBBER - CLOSED SPONGE - .5" WIDE X .12" THICK-BLK |
| 2   | 127291-02-01A | EA SHROUD - FUEL FILL - BRIGHT WHITE                         |
| 3   | 078200-01-000 | EA GASKET - FUEL FILL - 3.5"OD X 2"ID                        |
| 4   | 135557-01-01A | EA SHROUD - FUEL FILL - UPPER - 16" X 8.2"                   |
| 5   | 148650-05-000 | EA NECK - FILLER/MAIN/EXTENSION                              |



**FORD**

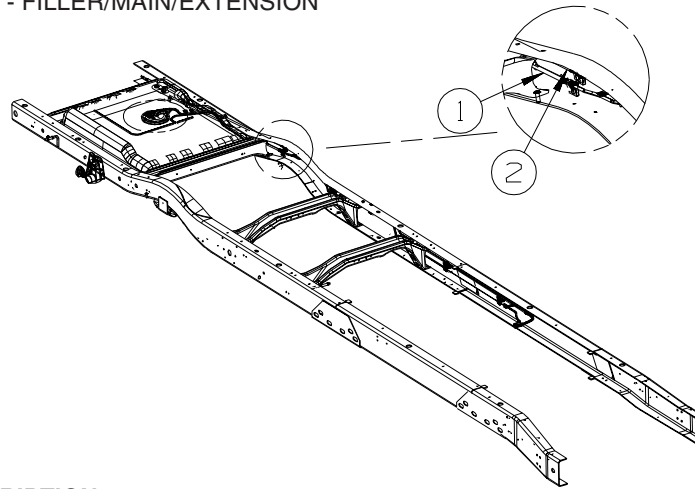
| KEY | PART NUMBER   | U/M DESCRIPTION                                   |
|-----|---------------|---|
| 1   | 149468-01-000 | EA FITTING - F/FUEL-SENDING UNIT - 1/4"           |
| 2   | 106388-02-000 | EA FUEL LINE - 5/16 HP - W/FEMALE CONNECTOR - 12" |

**CHASSIS GROUP (CONTINUED)**  
**FUEL (CONTINUED)**



**CHEVY**

| KEY | PART NUMBER   | U/M | DESCRIPTION   |
|-----|---------------|-----|---|
| 1   | 099069-01-000 | FT  | SEAL - RUBBER - CLOSED SPONGE - .5" WIDE X .12" THICK-BLK |
| 2   | 095854-01-04A | EA  | SHROUD - FUEL FILL - RADIUS - BRIGHT WHITE                |
| 3   | 078200-01-000 | EA  | GASKET - FUEL FILL - 3.5"OD X 2"ID                        |
| 4   | 135557-01-01A | EA  | SHROUD - FUEL FILL - UPPER - 16" X 8.2"                   |
| 5   | 159845-03-000 | EA  | NECK - FILLER/MAIN/EXTENSION                              |

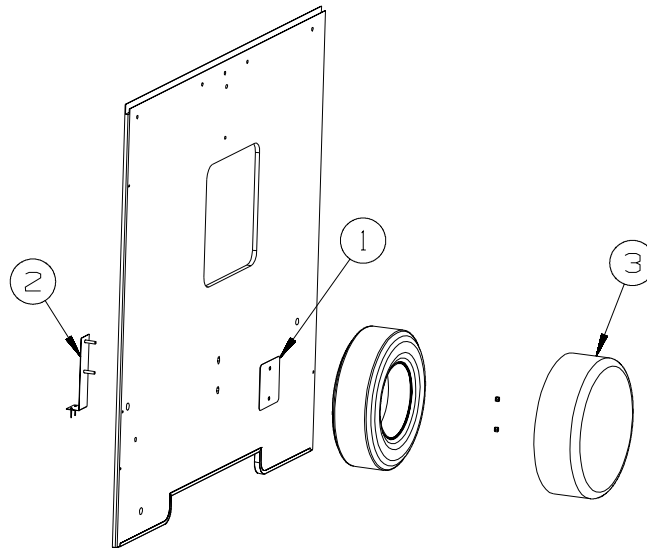


**CHEVY**

| KEY | PART NUMBER   | U/M | DESCRIPTION                                    |
|-----|---------------|-----|--|
| 1   | 106388-02-000 | EA  | FUEL LINE - 5/16 HP - W/FEMALE CONNECTOR - 12" |
| 2   | 106389-02-000 | EA  | FUEL LINE - 3/8 HP - W/FEMALE CONNECTOR - 12"  |

## CHASSIS GROUP (CONTINUED)

### SPARE TIRE

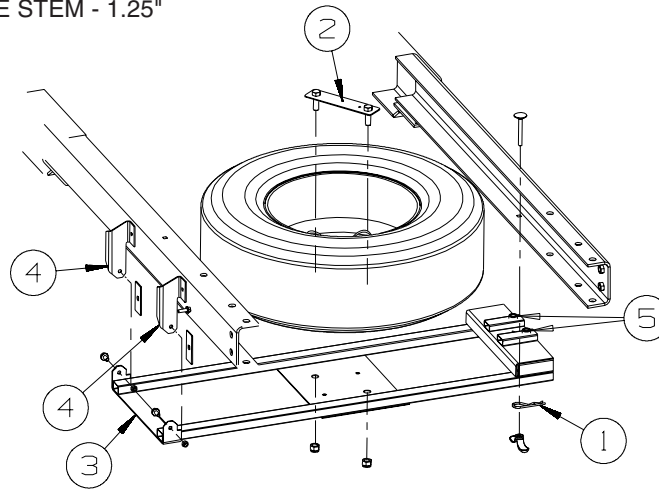


222B, 224V

| KEY | PART NUMBER   | U/M | DESCRIPTION                      |
|-----|---------------|-----|----------------------------------|
| 1   | 105208-01-000 | EA  | PLATE - SPARE TIRE               |
| 2   | 160058-03-02B | EA  | BRACKET - SPARE TIRE - E-COATED  |
|     | 143547-01-02B | EA  | RETAINER - SPARE TIRE - E-COATED |

FROM: 00-00-00 THRU: 10-21-07

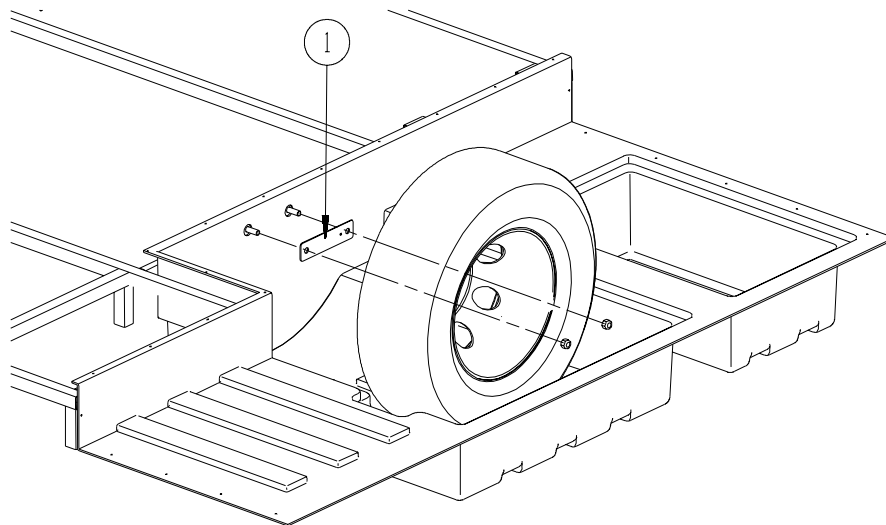
|   |               |    |                    |
|---|---------------|----|--------------------|
| 3 | 073322-09-S01 | EA | COVER - TIRE - 30" |
|   | 155645-01-000 | EA | VALVE STEM - 1.25" |



226A

| KEY | PART NUMBER   | U/M | DESCRIPTION                           |
|-----|---------------|-----|---------------------------------------|
| 1   | 034513-01-000 | EA  | PIN - HITCH - 3/16" WIRE              |
| 2   | 116338-02-02B | EA  | BRACKET - SPARE TIRE - E-COATED       |
| 3   | 135796-02-02B | EA  | CRADLE - SPARE TIRE - E-COATED        |
| 4   | 159923-01-02B | EA  | BRACKET/HINGE - SPARE TIRE - E-COATED |
| 5   | 069726-02-000 | EA  | BUMPER - .88" OD X .40" THICK - BLACK |
|     | 155645-01-000 | EA  | VALVE STEM - 1.25"                    |

**CHASSIS GROUP (CONTINUED)**  
**SPARE TIRE (CONTINUED)**



**228P, 229T,  
231C**

| KEY | PART NUMBER   | U/M | DESCRIPTION                      |
|-----|---------------|-----|----------------------------------|
|     | 143547-01-02B | EA  | RETAINER - SPARE TIRE - E-COATED |
|     |               |     | FROM: 00-00-00 THRU: 10-21-07    |
| 1   | 116338-01-02B | EA  | BRACKET - SPARE TIRE - E-COATED  |
|     | 155645-01-000 | EA  | VALVE STEM - 1.25"               |

**WHEEL, TIRE, COVERS &/OR LINERS**

| KEY | PART NUMBER   | U/M | DESCRIPTION  |
|-----|---------------|-----|--|
|     | 077030-01-000 | EA  | EXTENSION - VALVE STEM - 1.25" - METAL                       |
|     | 077030-10-000 | EA  | EXTENSION - VALVE STEM - .50" - METAL                        |
|     | 095012-05-000 | EA  | EXTENSION/VALVE STEM - LIVE - 5"                             |
|     | 095012-09-000 | EA  | EXTENSION/VALVE STEM - LIVE - 7.7"                           |
|     | 095012-06-000 | EA  | STABILIZER/VALVE EXTENSION - LIVE - 2"                       |
|     | 095012-07-000 | EA  | STABILIZER/VALVE EXTENSION - LIVE - 4"                       |
| *   | 109443-05-000 | EA  | WHEEL COVER SET - GM 16" STAINLESS/8 LUG (1 SET=4 COVERS)    |
| *   | 110435-23-000 | EA  | LINER - WHEEL (SET OF 4) - 4 OVAL HOLES - 07" FORD E350/E450 |
|     | 112358-01-000 | EA  | WRENCH - LUG - 7/8" - L-SHAPE                                |

\*COMPONENT PARTS LISTED LATER IN THIS GROUP

**COMPONENT PARTS FOR WHEEL, TIRE, COVERS &/OR LINERS**

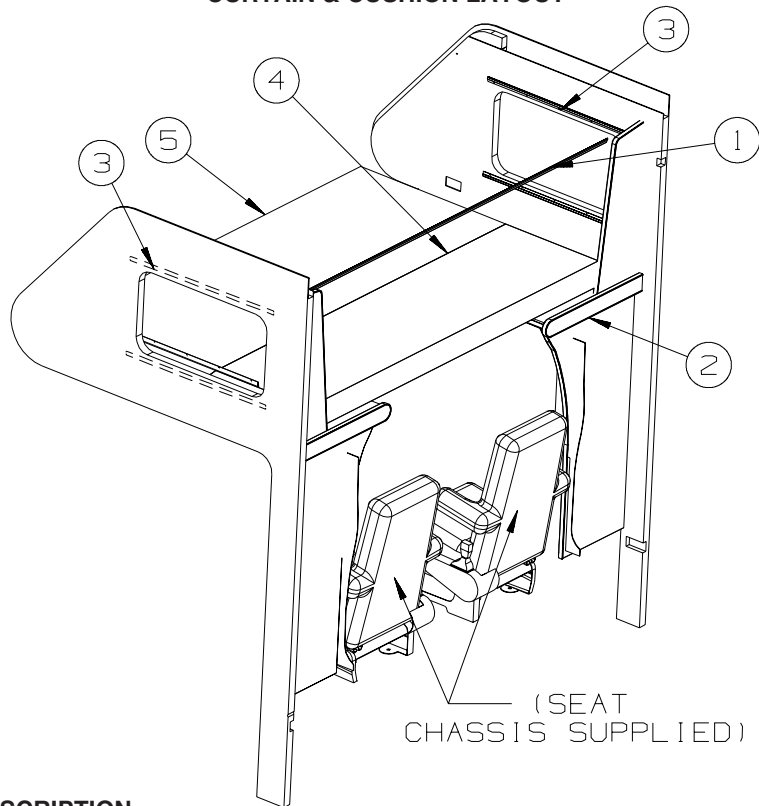
| 109443-05-000 |               |     |                              |                   |
|---------------|---------------|-----|------------------------------|-------------------|
| KEY           | PART NUMBER   | U/M | DESCRIPTION                  | VENDOR NO.        |
|               | 098532-01-700 | EA  | COVER-FAKE LUG NUT (PLASTIC) | SHAU-LNC          |
|               | 109443-05-700 | EA  | WHEEL COVER - 16"SS EA=1     | SHFM16-CVR        |
| 110435-23-000 |               |     |                              | VENDOR NO.        |
| KEY           | PART NUMBER   | U/M | DESCRIPTION                  |                   |
|               | 110435-01-711 | EA  | DECAL-CENTER CAP- 2" - QTY 2 | DIAMOND/2 PER BAG |
|               | 110435-23-700 | EA  | COVER/WHEEL - FRONT - 1 ONLY | FWCFL60-59        |
|               | 110435-23-701 | EA  | COVER/WHEEL - REAR - 1 ONLY  | RWCFL60-59        |

**BRAKELINE**

| KEY | PART NUMBER   | U/M | DESCRIPTION  |
|-----|---------------|-----|--|
|     | 088498-01-000 | EA  | UNION - INVERTED FLARE - BRASS - 3/16 - FORD CHASSIS |

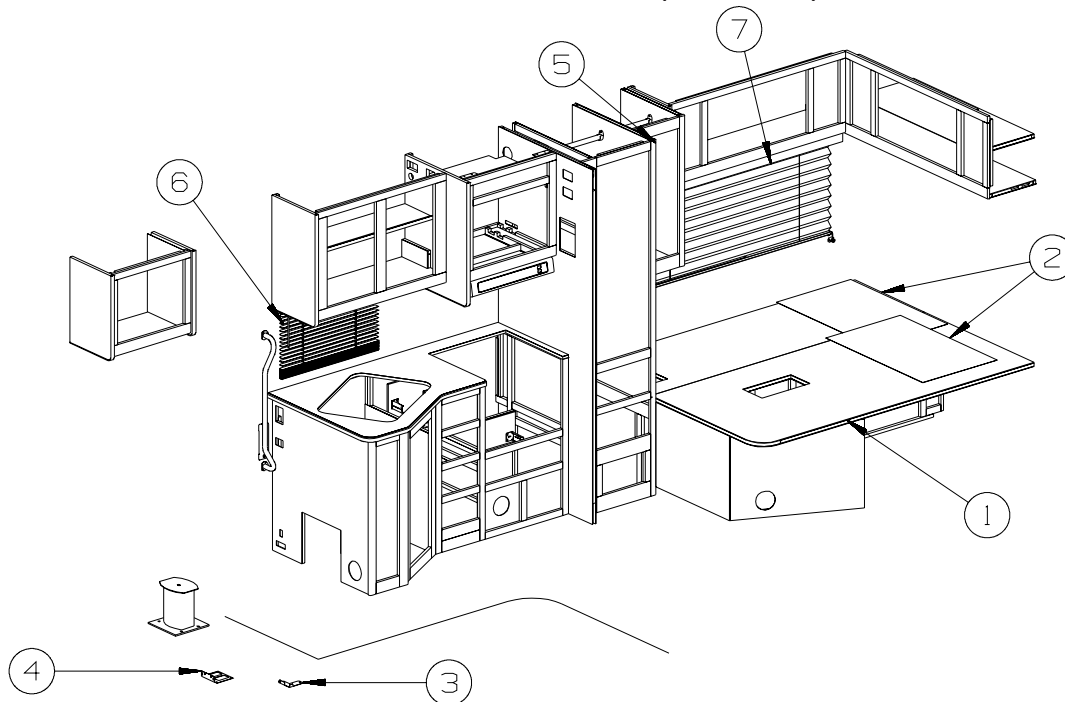
## CURTAIN & CUSHION GROUP

### CURTAIN & CUSHION LAYOUT



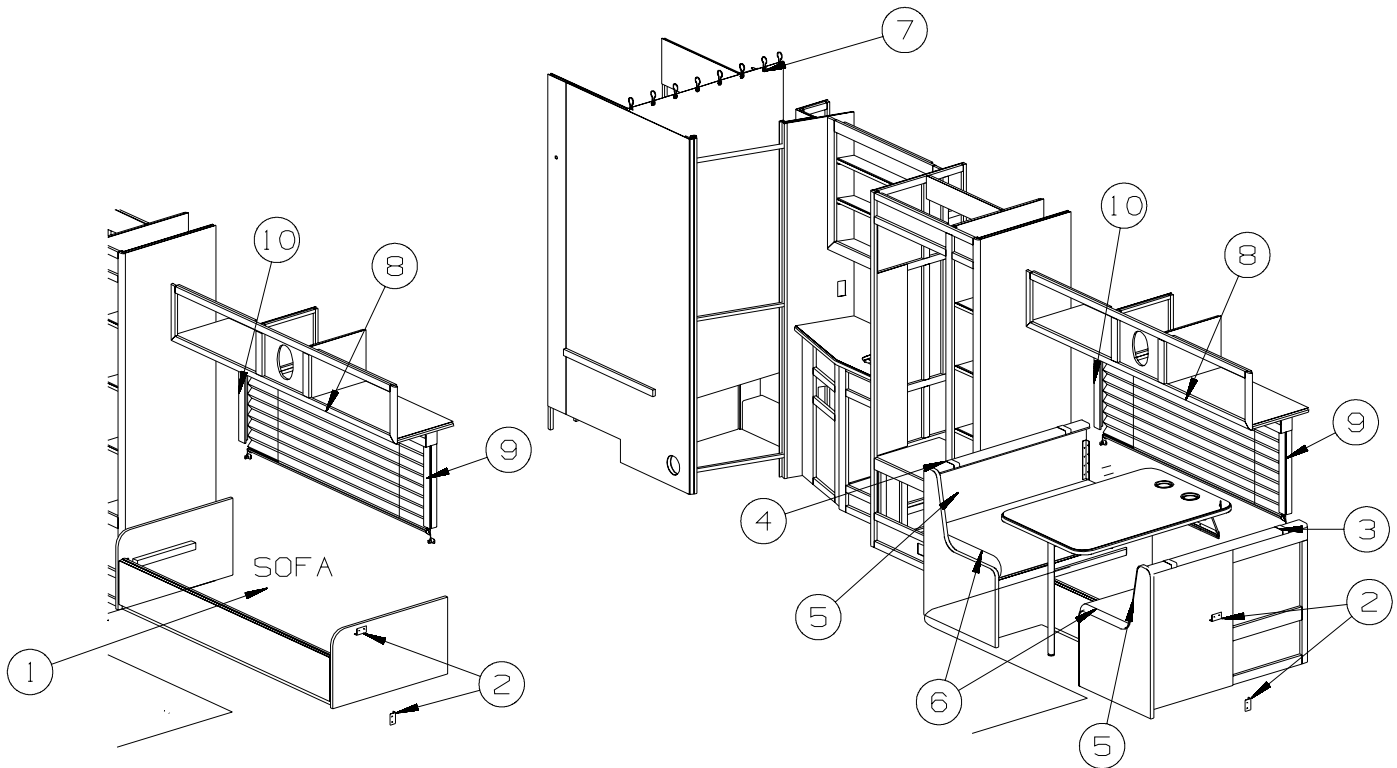
| KEY | PART NUMBER   | U/M | DESCRIPTION   |
|-----|---------------|-----|---|
| 1   | 101668-80-W07 | EA  | CURTAIN - TAPE TOP - 27" X 90" (W07, W08)                                     |
| 1   | 101668-80-W09 | EA  | CURTAIN - TAPE TOP - 27" X 90" (W09, W10)                                     |
| 1   | 073260-23-R03 | EA  | TIEBACK - 3" X 18" (W07, W08)   |
| 1   | 073260-23-S96 | EA  | TIEBACK - 3" X 18" (W09, W10)   |
|     | 105450-15-01A | EA  | TRACK - CURTAIN - 82.3" - OFF WHITE   |
| 2   | 076892-36-W07 | EA  | CURTAIN - CAB PRIVACY - 47.5" X 74" (W07, W08)                                |
| 2   | 076892-36-W09 | EA  | CURTAIN - CAB PRIVACY - 47.5" X 74" (W09, W10)                                |
| 2   | 076892-41-W07 | EA  | CURTAIN - CAB PRIVACY - 47.5" X 74" (W07, W08) - TV-27" W/VIDEO SELECTION SYS |
| 2   | 076892-41-W09 | EA  | CURTAIN - CAB PRIVACY - 47.5" X 74" (W09, W10) - TV-27" W/VIDEO SELECTION SYS |
| 3   | 161091-07-U07 | EA  | CURTAIN - PRIVACY - 19.5" X 35" (W07, W08)                                    |
| 3   | 161091-07-U09 | EA  | CURTAIN - PRIVACY - 19.5" X 35" (W09, W10)                                    |
|     | 156172-02-01A | EA  | TRACK/WALL - 32" - BONE   |
|     | 156172-04-01A | EA  | END CAP - WALL TRACK - CLEAR  |
| 4   | 157657-04-U07 | EA  | CUSHION - OVERHEAD BUNK/REAR - 27" X 80" X 5" (W07, W08)                      |
| 4   | 157657-04-U09 | EA  | CUSHION - OVERHEAD BUNK/REAR - 27" X 80" X 5" (W09, W10)                      |
|     | 157657-A4-U07 | EA  | COVER - CUSHION/OVERHEAD BUNK/REAR - 27" X 80" X 5" (W07, W08)                |
|     | 157657-A4-U09 | EA  | COVER - CUSHION/OVERHEAD BUNK/REAR - 27" X 80" X 5" (W09, W10)                |
| 5   | 157657-03-U07 | EA  | CUSHION - OVERHEAD BUNK/FRONT - 32.5" X 80" X 5" (W07, W08)                   |
|     |               |     | FROM: 00-00-00 THRU: 09-25-07   |
| 5   | 157657-18-W07 | EA  | CUSHION - OVERHEAD BUNK - 32.5" X 80" X 6" - W/ANGLE (W07, W08)               |
|     |               |     | FROM: 09-26-07 THRU: 99-99-99   |
| 5   | 157657-03-U09 | EA  | CUSHION - OVERHEAD BUNK/FRONT - 32.5" X 80" X 5" (W09, W10)                   |
|     |               |     | FROM: 00-00-00 THRU: 09-25-07   |
| 5   | 157657-18-W09 | EA  | CUSHION - OVERHEAD BUNK - 32.5" X 80" X 6" - W/ANGLE (W09, W10)               |
|     |               |     | FROM: 09-26-07 THRU: 99-99-99   |
|     | 157657-A3-U07 | EA  | COVER - CUSHION/OVERHEAD/FRT BUNK -32.5"X80"X5"-DBL ANGLED (W07, W08)         |
|     |               |     | FROM: 00-00-00 THRU: 09-25-07   |
|     | 157657-B8-W07 | EA  | COVER - CUSHION/OVERHEAD/FRT BUNK -32.5"X80"X6"-DBL ANGLED (W07, W08)         |
|     |               |     | FROM: 09-26-07 THRU: 99-99-99   |
|     | 157657-A3-U09 | EA  | COVER - CUSHION/OVERHEAD/FRT BUNK -32.5"X80"X5"-DBL ANGLED (W09, W10)         |
|     |               |     | FROM: 00-00-00 THRU: 09-25-07   |
|     | 157657-B8-W09 | EA  | COVER - CUSHION/OVERHEAD/FRT BUNK -32.5"X80"X6"-DBL ANGLED (W09, W10)         |
|     |               |     | FROM: 09-26-07 THRU: 99-99-99   |

**CURTAIN & CUSHION GROUP (CONTINUED)**  
**CURTAIN & CUSHION LAYOUT (CONTINUED)**



| KEY | PART NUMBER   | U/M | DESCRIPTION   |
|-----|---------------|-----|---|
| 1   | 154510-09-U07 | EA  | COVER - MATTRESS/FITTED - 59" X 74" (W07, W08)            |
| 1   | 154510-09-UQ5 | EA  | COVER - MATTRESS/FITTED - 59" X 74" (W09, W10)            |
| 2   | 158005-03-W07 | EA  | PILLOW SHAM - QUEEN (W07, W08)                            |
| 2   | 158005-03-W09 | EA  | PILLOW SHAM - QUEEN (W09, W10)                            |
| 3   | 117125-01-02B | EA  | BRACKET - CABLE MOUNT - ADJUSTER W/LOCK                   |
| 4   | 127159-02-02B | EA  | BRACKET - SEAT RELEASE - DUAL REMOTE - E-COATED           |
|     | 138523-02-U07 | EA  | CHAIR - W/SPRUNG SEAT (W07, W08)                          |
|     | 138523-02-U09 | EA  | CHAIR - W/SPRUNG SEAT (W09, W10)                          |
|     | 139083-01-U07 | EA  | SKIRT - F/GLIDER CHAIR (W07, W08)                         |
|     | 139083-01-U09 | EA  | SKIRT - F/GLIDER CHAIR (W09, W10)                         |
|     | 119952-07-000 | EA  | WIRE - LATCH RELEASE/ROTARY                               |
|     | 131566-04-000 | EA  | SLIDE/SEAT - HEAVY DUTY LOCKING - 5"                      |
|     | 107921-06-000 | EA  | BEARING KIT - PEDESTAL                                    |
|     | 108049-02-000 | EA  | CLIP - CABLE/PEDESTAL                                     |
|     | 108049-04-000 | EA  | CABLE - W/MINI LEVER ACTION SWITCH - 28" SHEATH/30" CABLE |
|     | 133408-07-000 | EA  | TOP PLATE - W/O BAR                                       |
| 5   | 101668-53-U07 | EA  | CURTAIN - TAPE TOP - 70" X 60" (W07, W08)                 |
| 5   | 101668-53-U09 | EA  | CURTAIN - TAPE TOP - 70" X 60" (W09, W10)                 |
|     | 073260-65-U07 | EA  | TIEBACK - 4" X 15" (W07, W08)                             |
|     | 073260-65-U09 | EA  | TIEBACK - 4" X 15" (W09, W10)                             |
| 6   | 109041-57-02A | EA  | BLIND - MINI - 26" X 17" (W07, W08)                       |
| 6   | 109041-57-03A | EA  | BLIND - MINI - 26" X 17" (W09, W10)                       |
|     | 109353-04-000 | EA  | CLIP - VALANCE SLAT MOUNTING - CLEAR PLASTIC              |
|     | 162496-01-01A | EA  | BRACKET/BLIND - LEFT SIDE WHEN FACING WINDOW - CLEAR      |
|     | 162496-02-01A | EA  | BRACKET/BLIND - RIGHT SIDE WHEN FACING WINDOW - CLEAR     |
|     | 102555-03-000 | EA  | BRACKET - (CLEAT TYPE) - F/BLIND HOLDOWN - MILKY WHITE    |
|     | 109441-01-000 | EA  | BRACKET/HOOK - BLIND HOLD DOWN - LARGE - CLEAR            |
| 7   | 152170-02-U07 | EA  | VALANCE - JACOB - 54" (W07, W08)                          |
| 7   | 152170-02-U09 | EA  | VALANCE - JACOB - 54" (W09, W10)                          |
| 7   | 157506-07-W23 | EA  | BLIND - PLEATED - 51" X 27" (W07, W08)                    |
| 7   | 157506-07-W21 | EA  | BLIND - PLEATED - 51" X 27" (W09, W10)                    |
|     | 097565-01-000 | EA  | BRACKET - MOUNTING - PLEATED BLIND                        |

**CURTAIN & CUSHION GROUP (CONTINUED)**  
**CURTAIN & CUSHION LAYOUT (CONTINUED)**

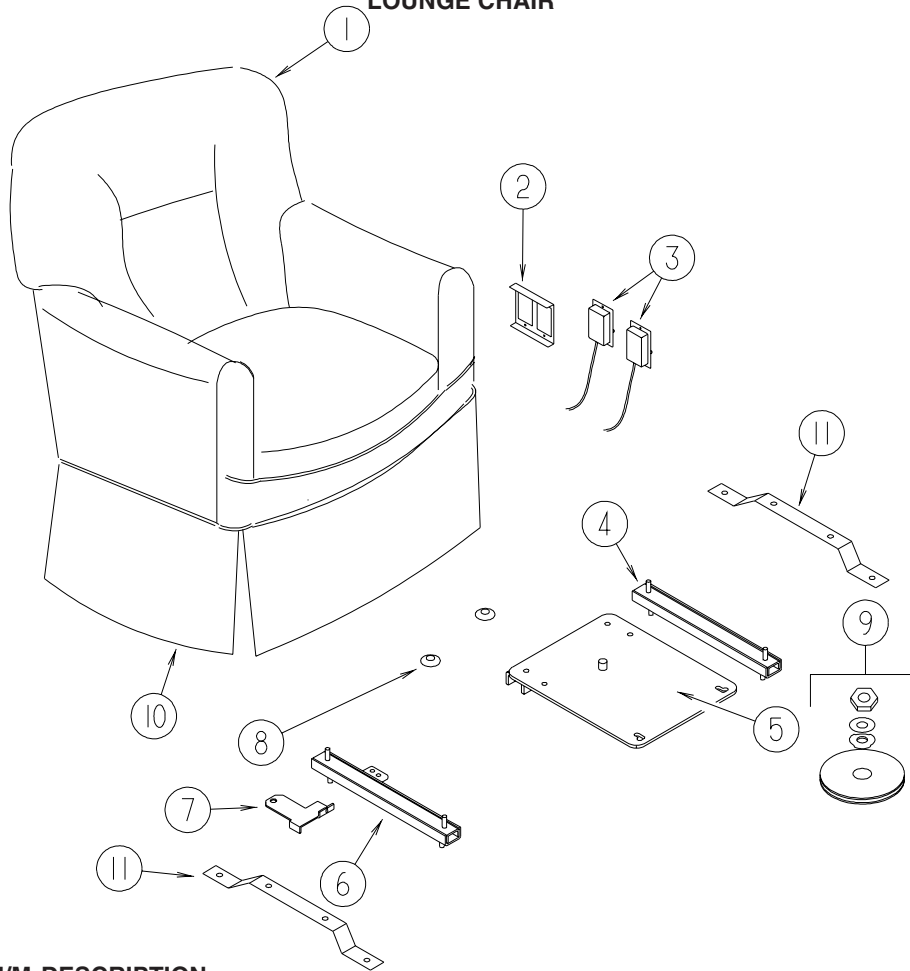


| KEY | PART NUMBER   | U/M | DESCRIPTION   |
|-----|---------------|-----|---|
| 1   | 149804-03-T47 | EA  | BACK - SOFA/BED - 74" (W07, W08)                          |
| 1   | 149804-03-U09 | EA  | BACK - SOFA/BED - 74" (W09, W10)                          |
| 1   | 149812-03-T47 | EA  | SEAT - SOFA/BED - 74" (W07, W08)                          |
| 1   | 149812-03-U09 | EA  | SEAT - SOFA/BED - 74" (W09, W10)                          |
| 2   | 156732-01-02A | EA  | BRACE - ANGLE/COUCH - 2.5" - OFF WHITE                    |
| 3   | 153519-19-U07 | EA  | PAD - TOP/RH - F/DINETTE BACK - FABRIC COVERED (W07, W08) |
| 3   | 153519-19-U09 | EA  | PAD - TOP/RH - F/DINETTE BACK - FABRIC COVERED (W09, W10) |
| 4   | 153519-20-U07 | EA  | PAD - TOP/LH - F/DINETTE BACK - FABRIC COVERED (W07, W08) |
| 4   | 153519-20-U09 | EA  | PAD - TOP/LH - F/DINETTE BACK - FABRIC COVERED (W09, W10) |
| 5   | 153670-12-W07 | EA  | CUSHION - SEAT BACK - 13.5" X 42" X 5" (W07, W08)         |
| 5   | 153670-01-U09 | EA  | CUSHION - SEAT BACK - 13.5" X 42" X 5" (W09, W10)         |
|     | P53670-12-W07 | EA  | COVER/BACK - 13.5" X 42" X 5" (W07, W08)                  |
|     | P53670-01-U09 | EA  | COVER/BACK - 13.5" X 42" X 5" (W09, W10)                  |
| 6   | 153671-07-W07 | EA  | CUSHION - SEAT - 23" X 42" X 5" (W07, W08)                |
| 6   | 153671-02-U09 | EA  | CUSHION - SEAT - 23" X 42" X 5" (W09, W10)                |
|     | 153671-A7-W07 | EA  | COVER/CUSHION - SEAT - 23" X 42" X 5" (W07, W08)          |
|     | 153671-A2-U09 | EA  | COVER/CUSHION - SEAT - 23" X 42" X 5" (W09, W10)          |
| 7   | 159815-01-U01 | EA  | CURTAIN - SHOWER - 72" X 36"                              |
| 8   | 152170-09-W07 | EA  | VALANCE - JACOB - 63.5" (W07, W08)                        |
| 8   | 152170-01-U09 | EA  | VALANCE - JACOB - 63.5" (W09, W10)                        |
| 8   | 157506-02-W23 | EA  | BLIND - PLEATED - 59" X 26.5" (W07, W08)                  |
| 8   | 157506-02-W21 | EA  | BLIND - PLEATED - 59" X 26.5" (W09, W10)                  |
|     | 097565-01-000 | EA  | BRACKET - MOUNTING - PLEATED BLIND                        |
| 9   | 159953-B5-W07 | EA  | LEG - RIGHT - 24" (W07, W08)                              |
| 9   | 159953-B5-W09 | EA  | LEG - RIGHT - 24" (W09, W10)                              |
| 10  | 159953-B6-W07 | EA  | LEG - LEFT - 24" (W07, W08)                               |
| 10  | 159953-B6-W09 | EA  | LEG - LEFT - 24" (W09, W10)                               |



# CURTAIN & CUSHION GROUP (CONTINUED)

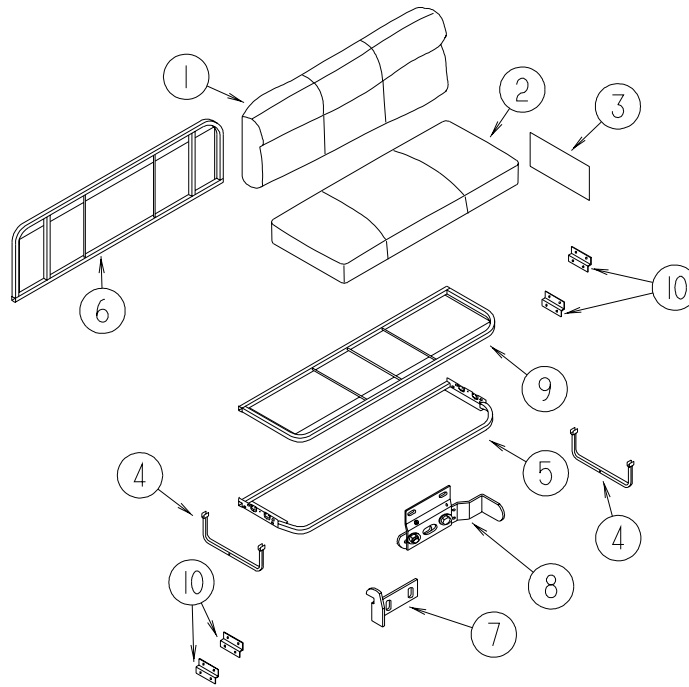
## LOUNGE CHAIR



| KEY | PART NUMBER   | U/M | DESCRIPTION   |
|-----|---------------|-----|---|
| 1   | P38523-01-U07 | EA  | COVER - CHAIR/GLIDER (W07, W08)                           |
| 1   | P38523-01-U09 | EA  | COVER - CHAIR/GLIDER (W09, W10)                           |
| 2   | NOT USED      |     |   |
| 3   | 108049-02-000 | EA  | CLIP - CABLE/PEDESTAL                                     |
|     | 108049-04-000 | EA  | CABLE - W/MINI LEVER ACTION SWITCH - 28" SHEATH/30" CABLE |
| 4   | 131566-04-000 | EA  | SLIDE/SEAT - HEAVY DUTY LOCKING - 5"                      |
| 5   | 133408-07-000 | EA  | TOP PLATE - W/O BAR                                       |
| 6   | 131566-04-000 | EA  | SLIDE/SEAT - HEAVY DUTY LOCKING - 5"                      |
| 7   | 117125-01-02B | EA  | BRACKET - CABLE MOUNT - ADJUSTER W/LOCK                   |
|     | 119952-07-000 | EA  | WIRE - LATCH RELEASE/ROTARY                               |
| 8   | NOT USED      |     |   |
| 9   | 107921-06-000 | EA  | BEARING KIT - PEDESTAL                                    |
| 10  | 139083-01-U07 | EA  | SKIRT - F/GLIDER CHAIR (W07, W08)                         |
| 10  | 139083-01-U09 | EA  | SKIRT - F/GLIDER CHAIR (W09, W10)                         |
| 11  | 163810-01-01B | EA  | SUPPORT BAR - W/PEDESTAL                                  |

# CURTAIN & CUSHION GROUP (CONTINUED)

## SOFA



| KEY | PART NUMBER    | U/M | DESCRIPTION                              |
|-----|----------------|-----|--|
| 1   | 149804-03-T47  | EA  | BACK - SOFA/BED - 70" (W07, W08)         |
| 1   | 149804-03-U09  | EA  | BACK - SOFA/BED - 70" (W09, W10)         |
|     | P49804-03-T470 | EA  | COVER - BACK - SOFA/BED - 70" (W07, W08) |
|     | P49804-03-U09  | EA  | COVER - BACK - SOFA/BED - 70" (W09, W10) |
| 2   | 149812-03-T47  | EA  | SEAT - SOFA/BED - 70" (W07, W08)         |
| 2   | 149812-03-U09  | EA  | SEAT - SOFA/BED - 70" (W09, W10)         |
|     | P49812-03-T47  | EA  | COVER - SEAT - SOFA/BED - 70" (W07, W08) |
|     | P49812-03-U09  | EA  | COVER - SEAT - SOFA/BED - 70" (W09, W10) |
| 3   | NOT USED       |     |  |
| 4   | NOT USED       |     |  |
| 5   | 101085-12-000  | EA  | FRAME - BASE - SOFA/BED - 20" X 70"      |
| 6   | 101085-14-000  | EA  | FRAME - BACK - SOFA/BED - 16" X 67.5"    |
| 7   | NOT USED       |     |  |
| 8   | NOT USED       |     |  |
| 9   | 101085-13-000  | EA  | FRAME - SEAT - SOFA/BED - 20" X 67.5"    |
| 10  | NOT USED       |     |  |

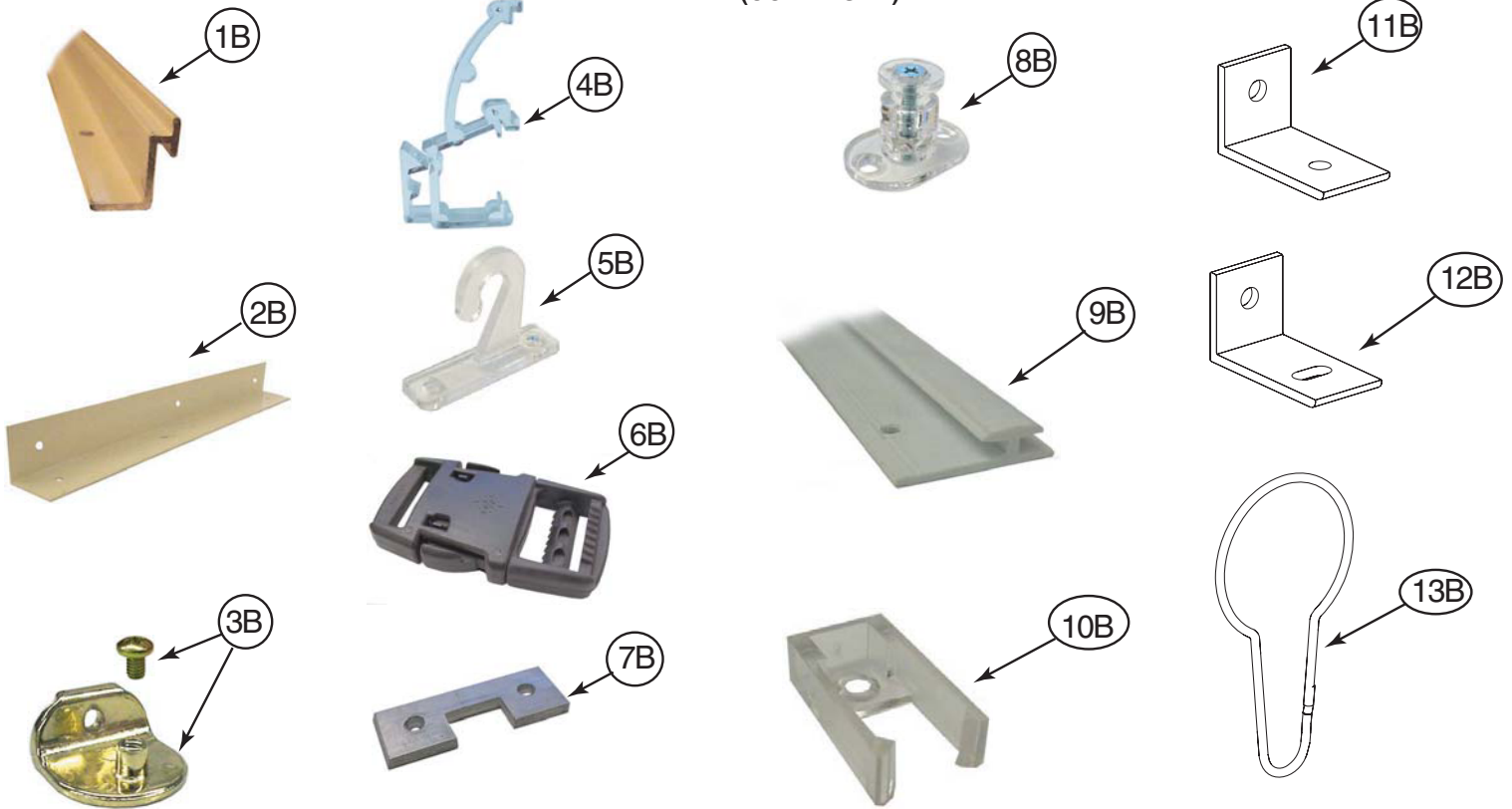
## CURTAIN & CUSHION GROUP (CONTINUED)

### HARDWARE



| KEY | PART NUMBER   | U/M | DESCRIPTION  |
|-----|---------------|-----|--|
| 1A  | 029155-01-000 | EA  | CAP - SNAP - 5/32" OUTSIDE DIAMETER OF PIN             |
| 2A  | 029156-01-000 | EA  | SOCKET - SNAP - 9/16" O.D.                             |
| 3A  | 046867-05-000 | EA  | WASHER - #0  |
| 4A  | 046867-04-000 | EA  | GROMMET - #0   |
| 5A  | 160457-01-01A | EA  | BRACE - VALANCE - L-SHAPED - 20" - OFF WHITE           |
| 6A  | 162496-01-01A | EA  | BRACKET/BLIND - LEFT SIDE WHEN FACING WINDOW - CLEAR   |
| 7A  | 162496-02-01A | EA  | BRACKET/BLIND - RIGHT SIDE WHEN FACING WINDOW - CLEAR  |
| 8A  | 084434-01-000 | EA  | BRACKET - MOUNTING - ROLLER SHADE - 1 3/8"             |
| 9A  | 094896-02-000 | EA  | GROMMET - CORD/PLEATED BLIND - NYLON - GRAY            |
| 10A | 094907-02-000 | EA  | END CAP - PLEATED BLIND/TOP - RH/LH - GRAY PLASTIC     |
| 11A | 094907-04-000 | EA  | END CAP - PLEATED BLIND/BOTTOM - RH/LH                 |
| 12A | 094907-09-000 | EA  | END CAP/BLIND - CENTER RAIL - RH/LH                    |
| 13A | 097564-03-000 | EA  | HANDLE - KNOB - E-Z LIFT SHADE - TAN                   |
| 14A | 097565-01-000 | EA  | BRACKET - MOUNTING - PLEATED BLIND                     |
| 15A | 155748-01-000 | EA  | SPRING - EXTENSION - DAY/NIGHTER BLIND                 |
| 16A | 101031-01-000 | YD  | TAPE/GLIDE - 4.25" SPACING                             |
| 17A | 102555-03-000 | EA  | BRACKET - (CLEAT TYPE) - F/BLIND HOLDOWN - MILKY WHITE |

**CURTAIN & CUSHION GROUP (CONTINUED)**  
**HARDWARE (CONTINUED)**



| KEY | PART NUMBER   | U/M | DESCRIPTION   |
|-----|---------------|-----|---|
| 1B  | 105450-14-01A | EA  | TRACK - CURTAIN - 90" - OFF WHITE                         |
| 2B  | 105648-01-02A | EA  | BRACE - VALANCE - 14" - OFF WHITE                         |
| 2B  | 105648-02-02A | EA  | BRACE - VALANCE - 8.5" - OFF WHITE                        |
| 3B  | 106544-01-000 | EA  | PULL - SHADE/BRASS  |
| 3B  | 106544-01-001 | EA  | SCREW - SHADE/BRASS                                       |
| 3B  | 106544-02-000 | EA  | PULL-SHADE - NICKEL                                       |
| 4B  | 109353-04-000 | EA  | CLIP - VALANCE SLAT MOUNTING - CLEAR PLASTIC              |
| 5B  | 109441-01-000 | EA  | BRACKET/HOOK - BLIND HOLD DOWN - LARGE - CLEAR            |
|     | 109441-02-000 | EA  | SPACER/BRACKET - BLIND HOLD DOWN                          |
| 6B  | 129491-01-000 | EA  | CATCH - SNAP HOOK - 1"                                    |
| 7B  | 130549-01-01A | EA  | STOP - CURTAIN TRACK                                      |
| 8B  | 141634-01-000 | EA  | BRACKET-(BOBBIN TYPE) 7/8"H HOLDUPBASE(OVAL)-2 HOLE-CLEAR |
| 9B  | 156172-02-01A | EA  | TRACK/WALL - 32" - BONE                                   |
| 9B  | 156172-03-01A | EA  | TRACK/WALL - 21" - BONE                                   |
| 10B | 156172-04-01A | EA  | END CAP - WALL TRACK - CLEAR                              |
| 11B | 154316-01-01A | EA  | BRACE/ANGLE - W/HOLE - CASHMERE                           |
| 12B | 154316-02-01A | EA  | BRACE/ANGLE - W/SLOT - CASHMERE                           |
| 13B | 159702-01-01A | EA  | HOOK/RING - CURTAIN/SHOWER - NICKEL                       |

## CURTAIN & CUSHION GROUP (CONTINUED)

### FABRICS

#### W07, W08

113979-09-01A CARPET-HEADLINER (SY) - CEILING  
FROM: 00-00-00 THRU: 01-13-08

113979-09-02A CARPET-HEADLINER (SY) - CEILING  
FROM: 01-14-08 THRU: 99-99-99

113979-10-01A CARPET-HEADLINER - SLDOUT (SY) - CEILING  
FROM: 00-00-00 THRU: 01-13-08

113979-10-02A CARPET-HEADLINER - SLDOUT (SY) - CEILING  
FROM: 01-14-08 THRU: 99-99-99

137813-77-000 FABRIC-DRAPERY - MAIN

148797-H9-000 FABRIC-UPHOSTERY MAIN ONE - MAIN

148797-L3-000 FABRIC-UPHLSTRY PLAIN, ACCENT

148797-L2-000 FABRIC-UPHLSTRY ACCENT - PATTERN

137813-U5-000 FABRIC-UPHOSTERY - BEDSPREAD, MAIN  
FROM: 00-00-00 THRU: 11-25-07

156773-78-000 FABRIC-UPHOSTERY - BEDSPREAD, MAIN  
FROM: 11-26-07 THRU: 99-99-99

137813-77-000 FABRIC-UPHOSTERY - BEDSPREAD, PATTERN ACCENT

148797-L3-000 FABRIC-SPEAKER COVER

148797-L3-000 FABRIC-O/H CABT - DIN/LOUNGE

148797-L3-000 FABRIC-O/H CABT - BEDROOM

148797-L3-000 FABRIC-DINETTE WRAP

142523-05-000 VINYL-BUCKET SEATS

142523-08-000 VINYL-HEADLINERS/BUNKS

142523-08-000 VINYL-ACCENT TRIMS - CAB AREA

#### W09, W10

113979-09-01A CARPET-HEADLINER (SY) - CEILING  
FROM: 00-00-00 THRU: 01-13-08

113979-09-02A CARPET-HEADLINER (SY) - CEILING  
FROM: 01-14-08 THRU: 99-99-99

113979-10-01A CARPET-HEADLINER - SLDOUT (SY) - CEILING  
FROM: 00-00-00 THRU: 01-13-08

113979-10-02A CARPET-HEADLINER - SLDOUT (SY) - CEILING  
FROM: 01-14-08 THRU: 99-99-99

137813-E4-000 FABRIC-DRAPERY - MAIN

148797-L4-000 FABRIC-UPHOSTERY MAIN ONE - MAIN

148797-L5-000 FABRIC-UPHLSTRY PLAIN, ACCENT

148797-L5-000 FABRIC-UPHLSTRY ACCENT - PATTERN

137813-U4-000 FABRIC-UPHOSTERY - BEDSPREAD, MAIN

137813-E4-000 FABRIC-UPHOSTERY - BEDSPREAD, PATTERN ACCENT

148797-L5-000 FABRIC-SPEAKER COVER

148797-L5-000 FABRIC-O/H CABT - DIN/LOUNGE

148797-L5-000 FABRIC-O/H CABT - BEDROOM

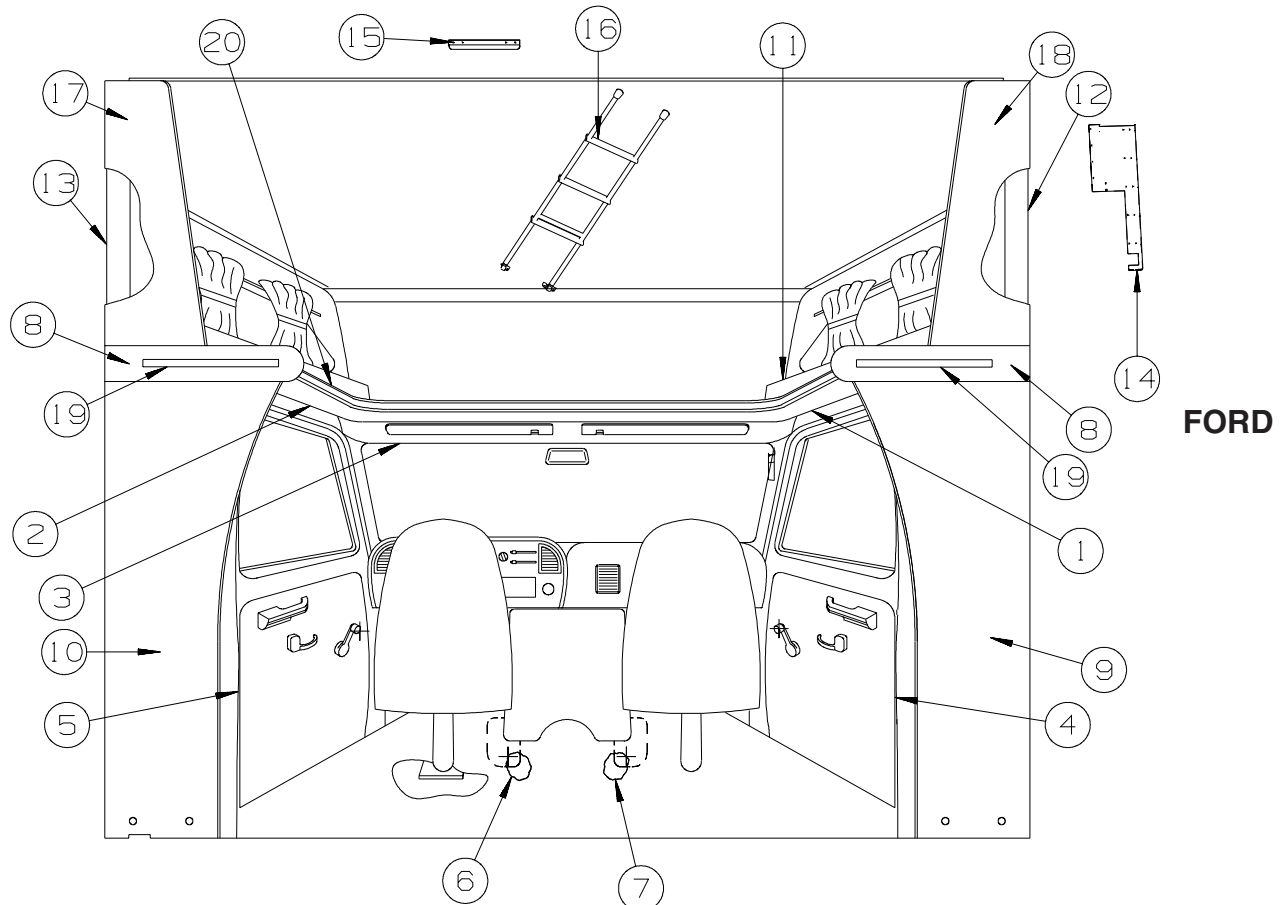
148797-L5-000 FABRIC-DINETTE WRAP

142523-05-000 VINYL-BUCKET SEATS

142523-08-000 VINYL-HEADLINERS/BUNKS

142523-08-000 VINYL-ACCENT TRIMS - CAB AREA

## DRIVERS COMPARTMENT GROUP FRONT INTERIOR

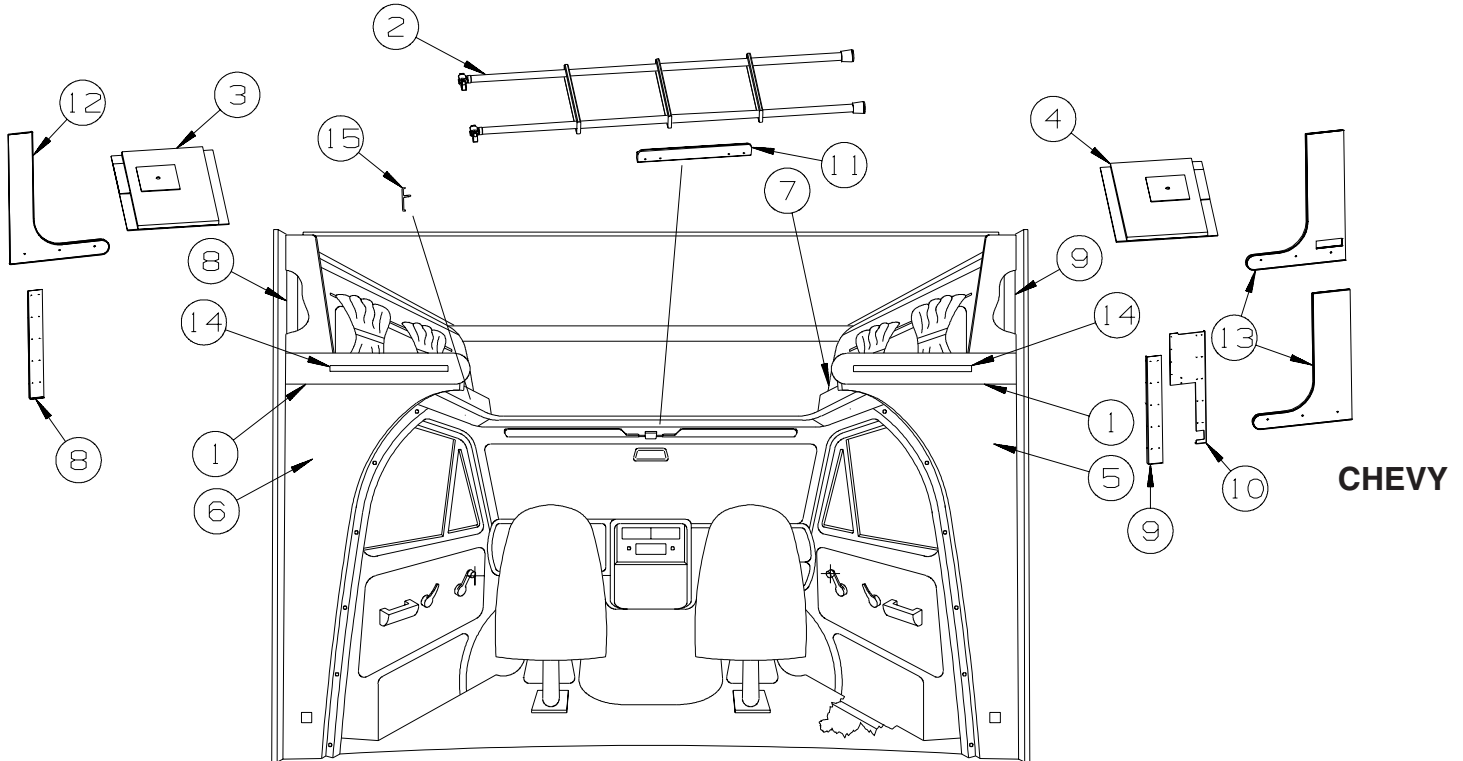


| KEY | PART NUMBER   | U/M | DESCRIPTION  |
|-----|---------------|-----|--|
| 1   | 106447-07-U01 | EA  | TRIM - CAB DOOR - UPPER/RIGHT HAND   |
| 2   | 106447-08-U01 | EA  | TRIM - CAB DOOR - UPPER/LEFT HAND  |
| 3   | 106448-07-T11 | EA  | HEADLINER - W/VINYL  |
| 4   | 125031-01-T11 | EA  | TRIM - CAB - B-PILLAR - PASSENGER SIDE   |
| 5   | 125031-02-T11 | EA  | TRIM - CAB - B-PILLAR - DRIVER SIDE  |
| 6   | 135426-01-000 | EA  | INSULATION-FLOOR,CAB,LH  |
| 7   | 135426-02-000 | EA  | INSULATION-FLOOR,CAB,RH  |
| 8   | 141793-01-U01 | EA  | CAP - SLEEPERBOARD (W07, W08)  |
| 8   | 141793-01-W09 | EA  | CAP - SLEEPERBOARD (W09, W10)  |
| 9   | 141803-01-U01 | EA  | WINGWALL - INNER/LOWER (W07, W08) - 222B, 224V, 226A                               |
| 9   | 141803-01-W09 | EA  | WINGWALL - INNER/LOWER (W09, W10) - 222B, 224V, 226A                               |
| 9   | 156957-01-U01 | EA  | WINGWALL - INNER/LOWER - PASSENGER (W07, W08) - 228P, 229T, 231C                   |
| 9   | 156957-01-W09 | EA  | WINGWALL - INNER/LOWER - PASSENGER (W09, W10) - 228P, 229T, 231C                   |
| 10  | 141803-02-U01 | EA  | WINGWALL - INNER/LOWER (W07, W08) - 222B, 224V, 226A                               |
| 10  | 141803-02-W09 | EA  | WINGWALL - INNER/LOWER (W09, W10) - 222B, 224V, 226A                               |
| 10  | 156957-02-U01 | EA  | WINGWALL - INNER/LOWER - DRIVER (W07, W08) - 228P, 229T, 231C                      |
| 10  | 156957-02-W09 | EA  | WINGWALL - INNER/LOWER - DRIVER (W09, W10) - 228P, 229T, 231C                      |
| 11  | 163222-01-W07 | EA  | CABINET - HAMPER/STORAGE - W/O HDW - PORTSMOUTH OAK                                |
| 11  | 163222-01-W08 | EA  | CABINET - HAMPER/STORAGE - W/O HDW - SIERRA MAPLE                                  |
| 11  | 163222-02-W07 | EA  | CABINET - HAMPER/STORAGE - W/O HDW - PORTSMOUTH OAK - TV-19" DC LCD, DC DVD PLAYER |
| 11  | 163222-02-W08 | EA  | CABINET - HAMPER/STORAGE - W/O HDW - SIERRA MAPLE - TV-19" DC LCD, DC DVD PLAYER   |
| 12  | 109709-01-01A | EA  | BRACKET - WINGWALL - OFF WHITE   |
| 13  | 109709-11-03B | EA  | BRACKET - WINGWALL - OFF WHITE   |
| 14  | 109709-12-03B | EA  | BRACKET - WINGWALL - OFF WHITE - TV-19" DC LCD, DC DVD PLAYER                      |
| 15  | 094658-04-T11 | EA  | HANDLE - BUNK - 1.1" X 2" X 14.9" - PORTSMOUTH OAK                                 |
| 15  | 094658-04-TK0 | EA  | HANDLE - BUNK - 1.1" X 2" X 14.9" - SIERRA MAPLE                                   |
| 16  | 106025-05-01A | EA  | LADDER - BUNK - 50.1" - BLACK - 222B, 224V, 226A                                   |
| 16  | 106025-08-01A | EA  | LADDER - BUNK - 51.9" - BLACK - 228P, 229T, 231C                                   |
|     | 162356-02-000 | EA  | STRAP/TIEDOWN - LADDER   |
| 17  | 158629-20-W07 | EA  | PANEL - END CAP (W07, W08)   |
| 17  | 158629-20-W09 | EA  | PANEL - END CAP (W09, W10)   |

## DRIVERS COMPARTMENT GROUP (CONTINUED)

### FRONT INTERIOR (CONTINUED)

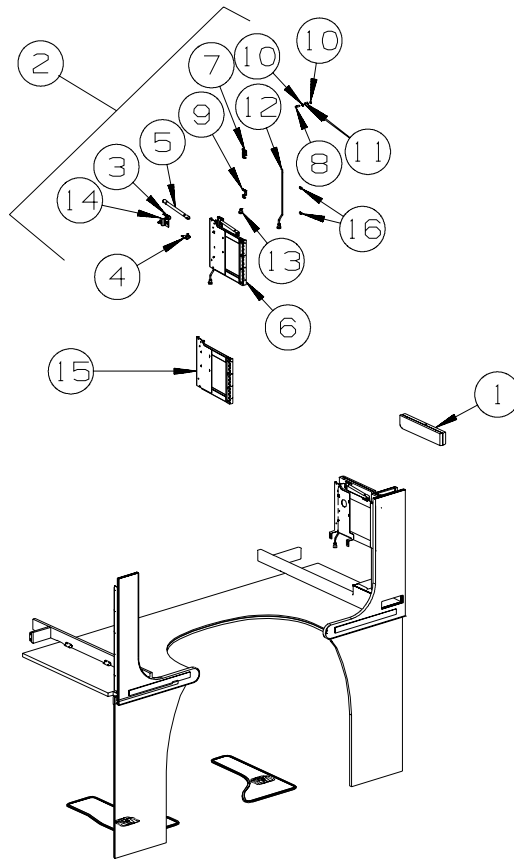
| KEY | PART NUMBER   | U/M | DESCRIPTION   |
|-----|---------------|-----|---|
| 18  | 158629-25-W07 | EA  | PANEL - END CAP (W07, W08)                                |
| 18  | 158629-25-W09 | EA  | PANEL - END CAP (W09, W10)                                |
| 18  | 158629-19-W07 | EA  | PANEL - END CAP (W07, W08) - TV-19" DC LCD, DC DVD PLAYER |
| 18  | 158629-19-W09 | EA  | PANEL - END CAP (W09, W10) - TV-19" DC LCD, DC DVD PLAYER |
| 19  | M09525-61-W07 | EA  | MOLDING - TRIM/VEE - 1.5" X 20.6" - PORTSMOUTH OAK        |
| 19  | M09525-61-W08 | EA  | MOLDING - TRIM/VEE - 1.5" X 20.6" - SIERRA MAPLE          |
| 20  | 119520-01-01A | FT  | MOLDING-T - OFFSET W/EDGE LIP - 1.3" FACE - OFF WHITE     |



| KEY | PART NUMBER   | U/M | DESCRIPTION  |
|-----|---------------|-----|--|
| 1   | 141793-01-U01 | EA  | CAP - SLEEPERBOARD (W07, W08)  |
| 1   | 141793-01-W09 | EA  | CAP - SLEEPERBOARD (W09, W10)  |
| 2   | 106025-05-01A | EA  | LADDER - BUNK - 50.1" - BLACK - 224V, 226A   |
| 2   | 106025-08-01A | EA  | LADDER - BUNK - 51.9" - BLACK - 228P, 229T, 231C                                   |
|     | 162356-02-000 | EA  | STRAP/TIEDOWN - LADDER   |
| 3   | 156218-04-U01 | EA  | HEADLINER - W/VINYL  |
| 4   | 156218-05-U01 | EA  | HEADLINER - W/VINYL  |
| 5   | 141803-01-U01 | EA  | WINGWALL - INNER/LOWER (W07, W08) - 224V, 226A                                     |
| 5   | 141803-01-W09 | EA  | WINGWALL - INNER/LOWER (W09, W10) - 224V, 226A                                     |
| 5   | 156957-01-U01 | EA  | WINGWALL - INNER/LOWER - PASSENGER (W07, W08) - 228P, 229T, 231C                   |
| 5   | 156957-01-W09 | EA  | WINGWALL - INNER/LOWER - PASSENGER (W09, W10) - 228P, 229T, 231C                   |
| 6   | 141803-02-U01 | EA  | WINGWALL - INNER/LOWER (W07, W08) - 224V, 226A                                     |
| 6   | 141803-02-W09 | EA  | WINGWALL - INNER/LOWER (W09, W10) - 224V, 226A                                     |
| 6   | 156957-02-U01 | EA  | WINGWALL - INNER/LOWER - DRIVER (W07, W08) - 228P, 229T, 231C                      |
| 6   | 156957-02-W09 | EA  | WINGWALL - INNER/LOWER - DRIVER (W09, W10) - 228P, 229T, 231C                      |
| 7   | 163222-01-W07 | EA  | CABINET - HAMPER/STORAGE - W/O HDW - PORTSMOUTH OAK                                |
| 7   | 163222-01-W08 | EA  | CABINET - HAMPER/STORAGE - W/O HDW - SIERRA MAPLE                                  |
| 7   | 163222-02-W07 | EA  | CABINET - HAMPER/STORAGE - W/O HDW - PORTSMOUTH OAK - TV-19" DC LCD, DC DVD PLAYER |
| 7   | 163222-02-W08 | EA  | CABINET - HAMPER/STORAGE - W/O HDW - SIERRA MAPLE - TV-19" DC LCD, DC DVD PLAYER   |
| 8   | 109709-11-03B | EA  | BRACKET - WINGWALL - OFF WHITE   |
| 9   | 109709-01-01A | EA  | BRACKET - WINGWALL - OFF WHITE   |
| 10  | 109709-12-03B | EA  | BRACKET - WINGWALL - OFF WHITE - TV-19" DC LCD, DC DVD PLAYER                      |
| 11  | 094658-04-T11 | EA  | HANDLE - BUNK - 1.1" X 2" X 14.9" - PORTSMOUTH OAK                                 |
| 11  | 094658-04-TK0 | EA  | HANDLE - BUNK - 1.1" X 2" X 14.9" - SIERRA MAPLE                                   |
| 12  | 158629-20-W07 | EA  | PANEL - END CAP (W07, W08)   |
| 12  | 158629-20-W09 | EA  | PANEL - END CAP (W09, W10)   |
| 13  | 158629-25-W07 | EA  | PANEL - END CAP (W07, W08)   |
| 13  | 158629-25-W09 | EA  | PANEL - END CAP (W09, W10)   |
| 13  | 158629-19-W07 | EA  | PANEL - END CAP (W07, W08) - TV-19" DC LCD, DC DVD PLAYER                          |
| 13  | 158629-19-W09 | EA  | PANEL - END CAP (W09, W10) - TV-19" DC LCD, DC DVD PLAYER                          |

**DRIVERS COMPARTMENT GROUP (CONTINUED)**  
**FRONT INTERIOR (CONTINUED)**

| KEY | PART NUMBER   | U/M | DESCRIPTION   |
|-----|---------------|-----|---|
| 14  | M09525-61-W07 | EA  | MOLDING - TRIM/VEE - 1.5" X 20.6" - PORTSMOUTH OAK    |
| 14  | M09525-61-W08 | EA  | MOLDING - TRIM/VEE - 1.5" X 20.6" - SIERRA MAPLE      |
| 15  | 119520-01-01A | FT  | MOLDING-T - OFFSET W/EDGE LIP - 1.3" FACE - OFF WHITE |



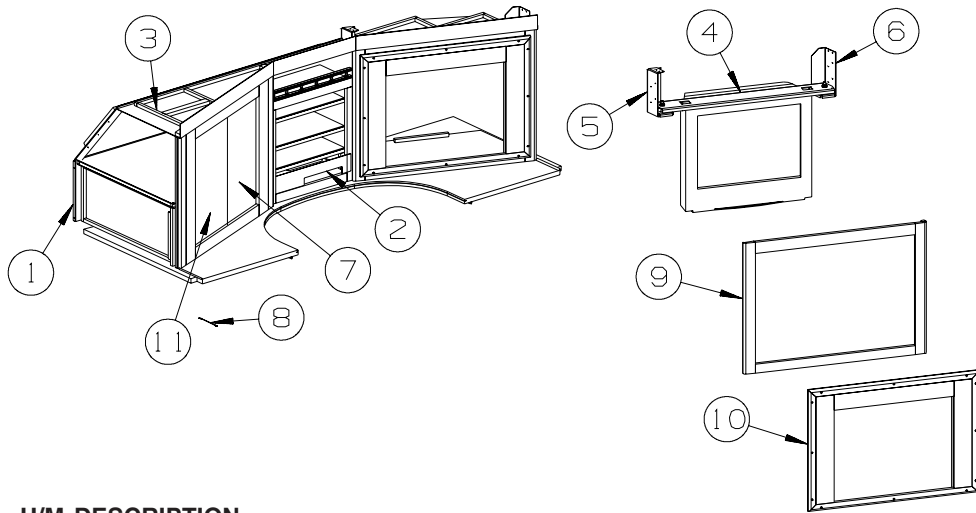
**TV-19" DC LCD, DC  
DVD PLAYER**

| KEY | PART NUMBER   | U/M | DESCRIPTION   |
|-----|---------------|-----|---|
| 1   | 161007-02-W07 | EA  | SUPPORT/TV - CABINET - PORTSMOUTH OAK   |
| 1   | 161007-02-W08 | EA  | SUPPORT/TV - CABINET - SIERRA MAPLE   |
| 2   | 159840-01-U21 | EA  | SUPPORT - TV - COMPLETE - <b>NOT ILLUSTRATED</b><br>FROM: 00-00-00 THRU: 04-29-07                 |
| 2   | 164660-01-W21 | EA  | SUPPORT - TV - COMPLETE<br>FROM: 04-30-07 THRU: 99-99-99  |
| 3   | 126263-03-02B | EA  | BRACKET - GAS SPRING W/BALL STUD - E/COATED   |
| 4   | 126263-08-02B | EA  | BRACKET - GAS SPRING W/CENTERED BALL STUD - E-COATED  |
| 5   | 142569-31-000 | EA  | SPRING/GAS - 30 LB - 11.8" EXTENDED/7.3" COMPRESSED   |
| 6   | 158921-02-01A | EA  | HINGE - PIANO - TRUNK DOOR - 2" X 12.6"   |
| 7   | 150082-02-000 | EA  | LATCH/TV - W/O KEEPER/BRACKET/ROD   |
| 8   | 150082-03-000 | EA  | KEEPER - W/O TV LATCH   |
| 9   | 150082-04-000 | EA  | BRACKET - F/TV LATCH-KEEPER   |
| 10  | 150082-06-000 | EA  | NUT - F/TV LATCH-KEEPER   |
| 11  | 150082-07-000 | EA  | WASHER - F/TV LATCH-KEEPER  |
| 12  | 150082-08-000 | EA  | ROD - F/TV LATCH-KEEPER   |
| 13  | 150109-01-01A | EA  | KNOB - F/TV SWINGOUT - BLACK  |
| 14  | 150214-01-02B | EA  | BRACKET/KEEPER - TV/SWINGOUT - E-COATED - <b>NOT ILLUSTRATED</b><br>FROM: 00-00-00 THRU: 04-01-07 |
| 14  | 150214-02-02B | EA  | BRACKET/KEEPER - TV/SWINGOUT - E-COATED<br>FROM: 04-02-07 THRU: 99-99-99                          |
| 15  | 156922-01-02B | EA  | SUPPORT - TV - E-COATED - <b>NOT ILLUSTRATED</b><br>FROM: 00-00-00 THRU: 04-29-07                 |
| 15  | 164661-01-02B | EA  | SUPPORT - TV - E-COATED<br>FROM: 04-30-07 THRU: 99-99-99  |
| 16  | 099418-01-000 | FT  | SEAL - D-SECTION/ADHESIVE BACK - .44" X .44" - BLK RUBBER   |



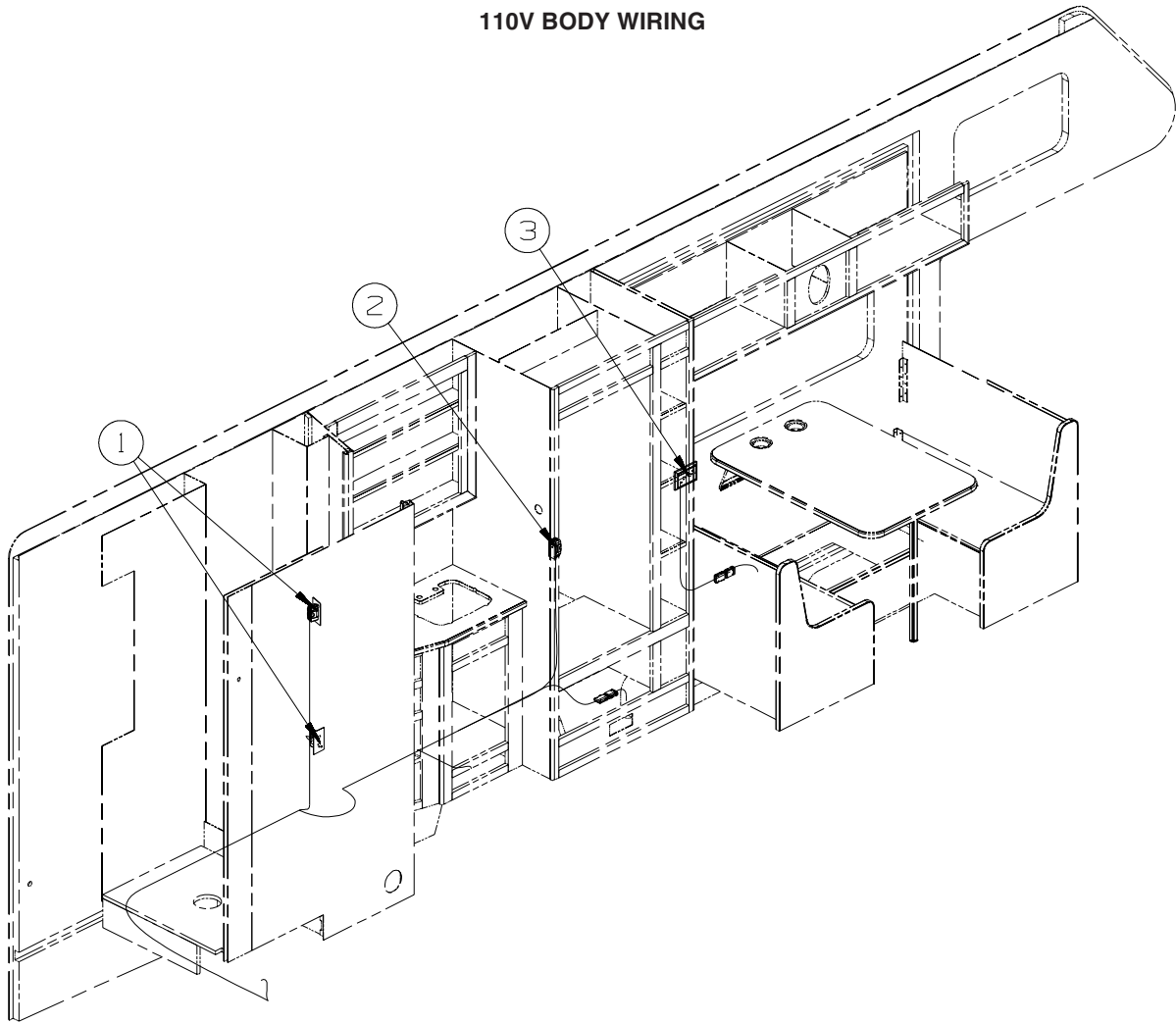
## DRIVERS COMPARTMENT GROUP (CONTINUED)

### CABINETS



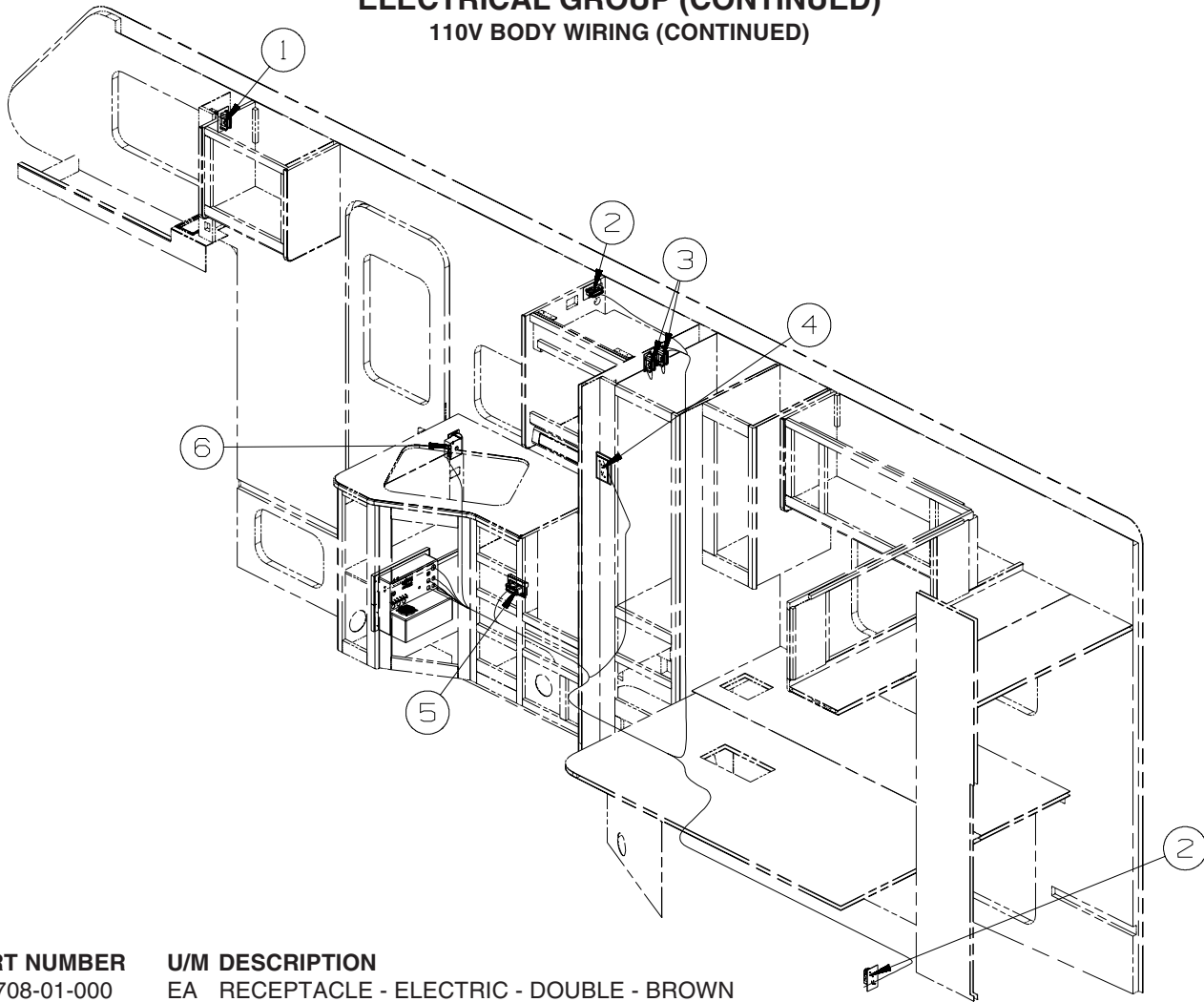
| KEY | PART NUMBER   | U/M | DESCRIPTION   |
|-----|---------------|-----|---|
| 1   | P56718-01-U01 | EA  | CABINET - ENTERTAINMENT CENTER/LEFT HAND - W/O DOORS/HDW - PORTSMOUTH OAK |
| 1   | P56718-01-U02 | EA  | CABINET - ENTERTAINMENT CENTER/LEFT HAND - W/O DOORS/HDW - SIERRA MAPLE   |
| 2   | 142200-01-T11 | EA  | PANEL - VINYL COVERED   |
| 3   | 156720-01-U01 | EA  | CABINET - ENTERTAINMENT CENTER/TOP - W/O HDW                              |
| 4   | 157549-01-02B | EA  | BRACKET/MOUNTING - TV - E-COATED  |
| 5   | 158139-01-02B | EA  | BRACKET - TV - E-COATED   |
| 6   | 158139-02-02B | EA  | BRACKET - TV - E-COATED   |
| 7   | 164492-B0-W07 | EA  | DOOR - RAISED/PENCIL EDGE - 14.4" X 26.8" - W/O HDW - PORTSMOUTH OAK      |
| 7   | 164492-B0-W08 | EA  | DOOR - RAISED/PENCIL EDGE - 14.4" X 26.8" - W/O HDW - SIERRA MAPLE        |
| 8   | 076767-04-000 | EA  | CABLE - STAINLESS STEEL - 5.9"  |
| 9   | 156719-11-U01 | EA  | FACE/FRAME - CABINET/FRONT/INNER TRIM - PORTSMOUTH OAK                    |
| 9   | 156719-11-U02 | EA  | FACE/FRAME - CABINET/FRONT/INNER TRIM - SIERRA MAPLE                      |
| 10  | 156719-14-U01 | EA  | FACE/FRAME - CABINET/FRONT/OUTER TRIM - PORTSMOUTH OAK                    |
| 10  | 156719-14-U02 | EA  | FACE/FRAME - CABINET/FRONT/OUTER TRIM - SIERRA MAPLE                      |
| 11  | 164492-B1-W07 | EA  | DOOR - RAISED/PENCIL EDGE - 14.4" X 26.8" - W/O HDW - PORTSMOUTH OAK      |
| 11  | 164492-B1-W08 | EA  | DOOR - RAISED/PENCIL EDGE - 14.4" X 26.8" - W/O HDW - SIERRA MAPLE        |

**ELECTRICAL GROUP**  
**110V BODY WIRING**



| KEY | PART NUMBER   | U/M | DESCRIPTION                                |
|-----|---------------|-----|--|
| 1   | 058708-01-000 | EA  | RECEPTACLE - ELECTRIC - DOUBLE - BROWN     |
| 2   | 058707-01-000 | EA  | RECEPTACLE - ELECTRIC - SINGLE - BROWN     |
| 3   | 058708-01-000 | EA  | RECEPTACLE - ELECTRIC - DOUBLE - BROWN     |
| 3   | 133713-01-08A | EA  | SPACER/RECEPTACLE - VINYL - PORTSMOUTH OAK |
| 3   | 133713-01-22A | EA  | SPACER/RECEPTACLE - VINYL - SIERRA MAPLE   |

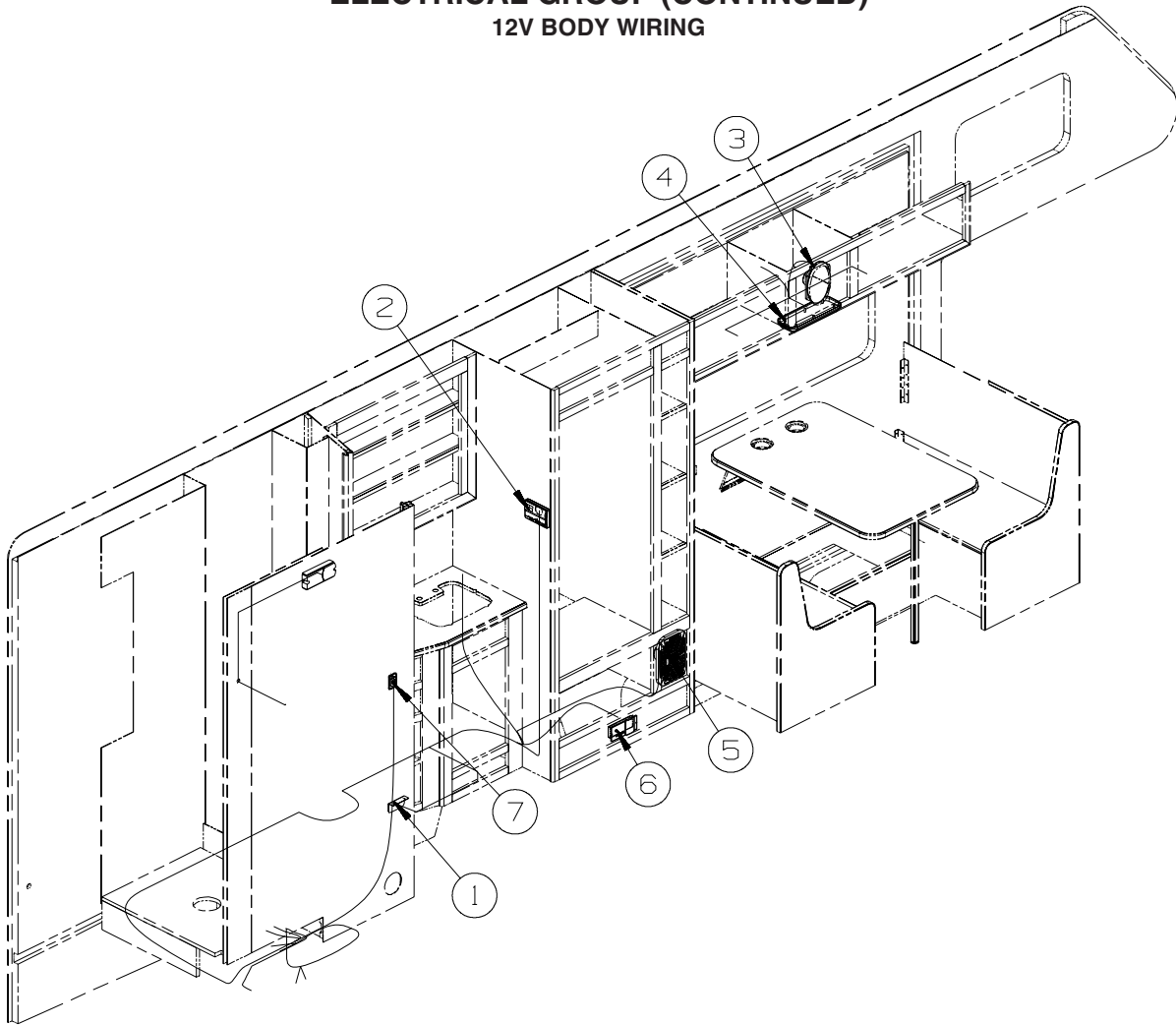
**ELECTRICAL GROUP (CONTINUED)**  
**110V BODY WIRING (CONTINUED)**



| KEY | PART NUMBER   | U/M | DESCRIPTION                                    |
|-----|---------------|-----|--|
| 1   | 058708-01-000 | EA  | RECEPTACLE - ELECTRIC - DOUBLE - BROWN         |
| 1   | 158542-02-01A | EA  | LABEL - RECEPTACLE - ELECTRONICS - WHITE/BLACK |
| 2   | 058708-01-000 | EA  | RECEPTACLE - ELECTRIC - DOUBLE - BROWN         |
| 3   | 058707-02-000 | EA  | RECEPTACLE - BLANK - JUNCTION BOX              |
| 4   | 058708-01-000 | EA  | RECEPTACLE - ELECTRIC - DOUBLE - BROWN         |
| 4   | 133713-01-08A | EA  | SPACER/RECEPTACLE - VINYL - PORTSMOUTH OAK     |
| 4   | 133713-01-22A | EA  | SPACER/RECEPTACLE - VINYL - SIERRA MAPLE       |
| 5   | 131826-01-01A | EA  | RECEPTACLE - EXTERIOR - W/COVER/GASKET - WHITE |
| 6   | 163319-01-02A | EA  | RECEPTACLE - GFCI - 15A 125V - BROWN           |

## ELECTRICAL GROUP (CONTINUED)

### 12V BODY WIRING

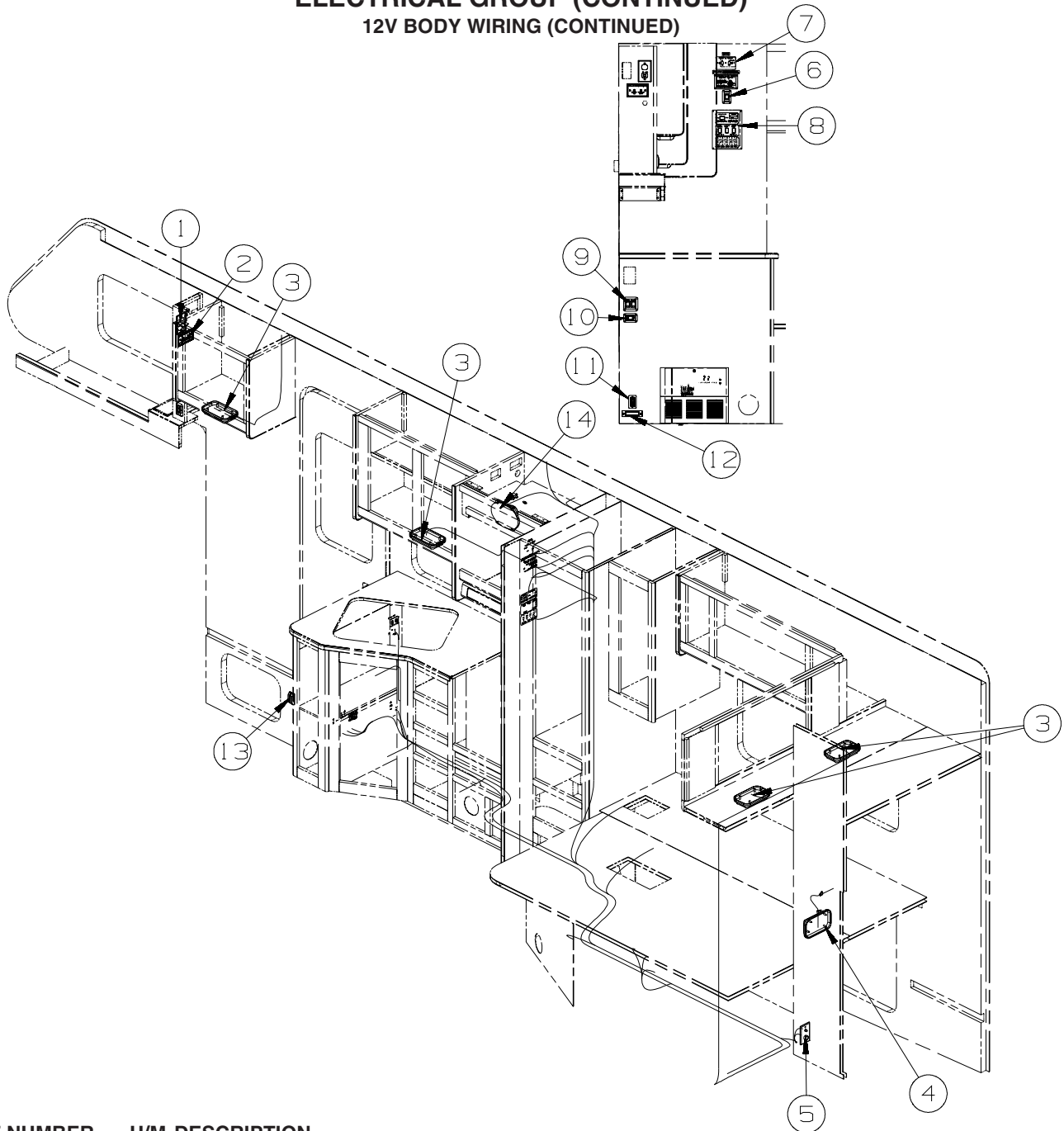


| KEY | PART NUMBER   | U/M | DESCRIPTION   |
|-----|---------------|-----|---|
| 1   | 139335-01-02B | EA  | PLATE - ELECTRICAL - E-COATED   |
| 1   | 082134-01-000 | EA  | ADAPTER - TV - CABLE TO CABLE   |
| 1   | 082136-01-000 | EA  | NUT - HEX JAM - 3/8-32  |
| 1   | 087236-01-000 | EA  | LABEL - CABLE - INPUT   |
| 2   | 135618-03-01A | EA  | THERMOSTAT - ROOF A/C & FURNACE - WHITE                                     |
| 3   | 110465-01-000 | EA  | SPEAKER KIT,4 5X7 SPEAKERS  |
| 4*  | 137417-05-01A | EA  | LIGHT - DOME - DOUBLE - W/SWITCH/OPTIC LENS - WHITE                         |
| 5   | 124884-01-000 | EA  | SPEAKER - 6" X 9" - SUB-WOOFER - W/O GRILLE - HOME THEATER SOUND SYSTEM     |
| 5   | 151844-01-01A | EA  | GRILLE - SPEAKER - 6" X 9" - SUB WOOFER - BLACK - HOME THEATER SOUND SYSTEM |
| 6   | 150138-01-02A | EA  | DETECTOR - LP GAS - BROWN   |
| 7   | 135740-01-01A | EA  | SWITCH - ROCKER - SPST - ON/OFF - BROWN                                     |
| 7   | 135741-01-01A | EA  | SWITCH - BASE - SINGLE - BROWN  |
| 7   | 135742-07-02A | EA  | BEZEL - SWITCH - CEILING - BROWN  |

\*COMPONENT PARTS LISTED LATER IN THIS GROUP

## ELECTRICAL GROUP (CONTINUED)

### 12V BODY WIRING (CONTINUED)



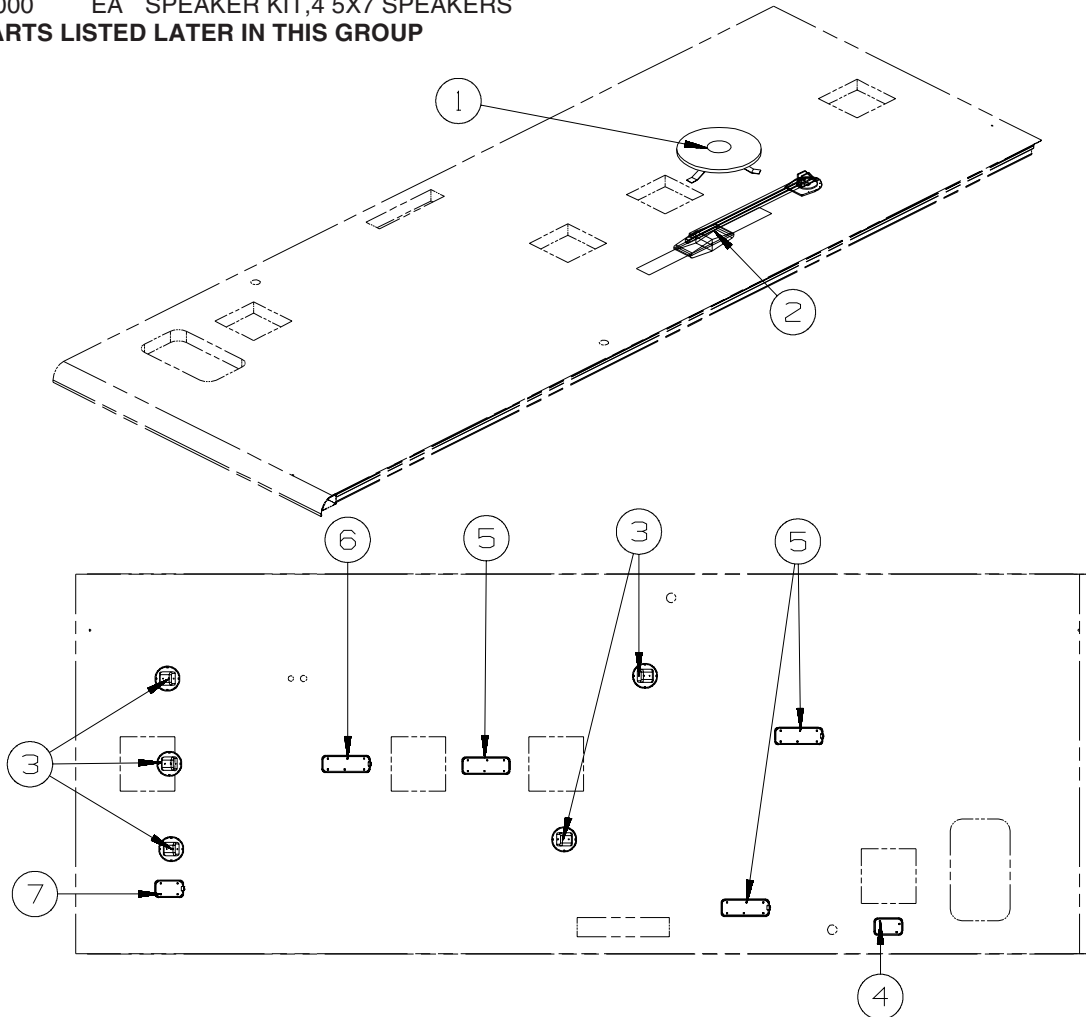
| KEY | PART NUMBER   | U/M | DESCRIPTION  |
|-----|---------------|-----|--|
| 1   | 086777-02-000 | EA  | WALLPLATE/TV CABLE W/ANTENNA SWITCH/BOOSTER - 2 TV - BLACK                           |
| 2   | 149557-05-01A | EA  | PLATE/WALL - DUAL COAXIAL/HORIZONTAL - WHITE   |
| 3*  | 137417-02-01A | EA  | LIGHT - DOME - SINGLE - W/SWITCH/OPTIC LENS - WHITE                                  |
| 4*  | 137417-01-01A | EA  | LIGHT - DOME - SINGLE - W/SWITCH/FROSTED LENS - WHITE                                |
| 5   | 076319-27-000 | EA  | WALLPLATE/RECEPTACLE - WHITE   |
| 6   | 135740-06-01A | EA  | SW-ROCKER-ON/OFF-LIGHTED-RED-DRAINAGE SYS.-HEATED/DRAINAGE SYSTEM/HEAT-PREWIRE       |
| 6   | 135741-01-01A | EA  | SWITCH - BASE - SINGLE - BROWN-DRAINAGE SYS.-HEATED/DRAINAGE SYSTEM/HEAT-PREWIRE     |
| 6   | 135742-01-01A | EA  | BEZEL - SWITCH - SINGLE - BROWN-DRAINAGE SYS.-HEATED/DRAINAGE SYSTEM/HEAT-PREWIRE    |
| 6   | 134563-01-02A | EA  | LABEL - SW. - HEATER - BLACK/WHITE-DRAINAGE SYS.-HEATED/DRAINAGE SYSTEM/HEAT-PREWIRE |
| 7   | 163992-01-01A | EA  | LABEL - SLIDEOUT - DRIVER/FRONT - BLACK/WHITE  |
| 7   | 138173-04-000 | EA  | CONTROL PANEL (TOUCH PAD) - ELECTRIC SLIDEOUT - #1802931                             |
| 7   | 116549-01-000 | EA  | LABEL - WARNING - SLIDEOUT   |
| 7   | 163988-01-01A | EA  | LABEL - SLIDEOUT CONTROL/MANUAL - BLACK/WHITE  |
| 7*  | 163097-01-000 | EA  | SWITCH - SPST - KEY ACTIVATED - W/2 KEYS   |
| 8*  | 134940-06-01A | EA  | PANEL - MONITOR - 2 TANK - W/GENERATOR SWITCH - GEN-4.0KW-ONANGAS-MICROQUIET         |
| 8*  | 134940-07-01A | EA  | PANEL - MONITOR - 2 TANK   |
| 9   | 135740-01-01A | EA  | SWITCH - ROCKER - SPST - ON/OFF - BROWN  |
| 9   | 135741-02-01A | EA  | SWITCH - BASE - DOUBLE - BROWN   |
| 9   | 135742-19-02A | EA  | BEZEL - SWITCH - CEILING/PORCH - BROWN   |

## ELECTRICAL GROUP (CONTINUED)

### 12V BODY WIRING (CONTINUED)

| KEY | PART NUMBER   | U/M | DESCRIPTION  |
|-----|---------------|-----|--|
| 10  | 135740-01-01A | EA  | SWITCH - ROCKER - SPST - ON/OFF - BROWN                    |
| 10  | 135741-01-01A | EA  | SWITCH - BASE - SINGLE - BROWN                             |
| 10  | 135742-11-02A | EA  | BEZEL - SWITCH - STEP - BROWN                              |
| 11  | 108357-06-000 | EA  | SWITCH - ROCKER - DPDT - MOM/OFF/MOM - 6 TERM - W/O COVER  |
| 11  | 108356-11-01A | EA  | COVER/ACTUATOR SWITCH - 3 GROOVES - AUX BATT - BLACK       |
| 11  | 108355-01-000 | EA  | HOUSING - SWITCH   |
| 11  | 098351-07-02A | EA  | PLATE/SWITCH - 1 GANG - CHROME - GENERATOR SWITCH          |
| 12  | 061424-01-000 | EA  | LIGHT - AISLE - 12 VOLT - RECTANGULAR                      |
| 13  | 116995-02-000 | EA  | SWITCH/MAGNET - ELECTRIC STEP - BLACK/WHITE- NORMALLY OPEN |
| 14  | 110465-01-000 | EA  | SPEAKER KIT,4 5X7 SPEAKERS                                 |

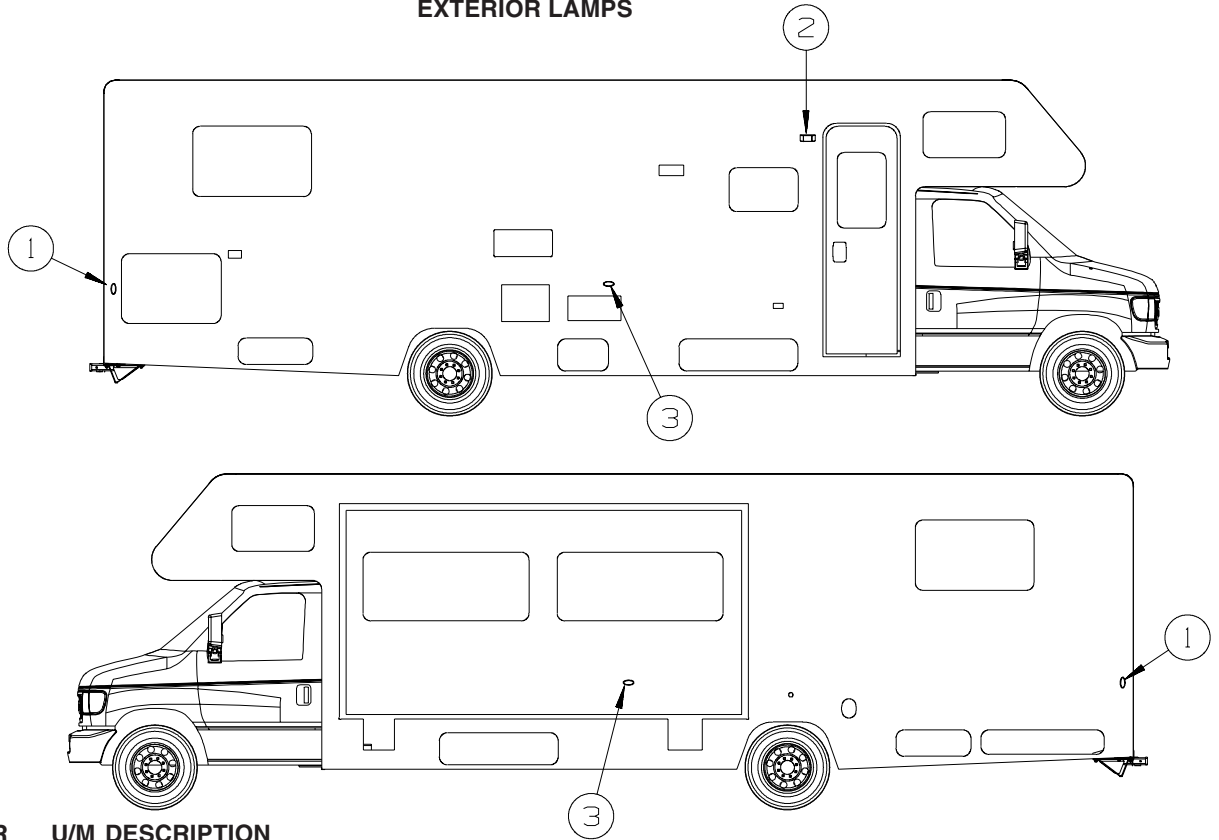
**\*COMPONENT PARTS LISTED LATER IN THIS GROUP**



| KEY | PART NUMBER   | U/M | DESCRIPTION  |
|-----|---------------|-----|--|
| 1   | 132935-01-000 | EA  | ANTENNA - TV ROOF MOUNT - ROUND - W/O POWER SUPPLY - TV ANTENNA-OMNIDIRECTIONAL<br>FROM: 00-00-00 THRU: 01-29-08   |
| 1   | 167632-01-01A | EA  | ANTENNA - TV ROOF MOUNT/ROUND - W/O PWR SUPPLY - WHT - TV ANTENNA-OMNIDIRECTIONAL<br>FROM: 01-30-08 THRU: 99-99-99 |
| 1   | 146488-01-000 | EA  | PLATE - ROOF - CABLE ENTRY - TV ANTENNA-OMNIDIRECTIONAL  |
| 1   | 082134-01-000 | EA  | ADAPTER - TV - CABLE TO CABLE - TV ANTENNA-OMNIDIRECTIONAL   |
| 2*  | 076319-23-000 | EA  | ANTENNA - TV ROOF MOUNT - 44.5" MAST   |
| 2*  | 076319-25-000 | EA  | KIT - HARDWARE INTERIOR  |
| 2   | 069726-02-000 | EA  | BUMPER - .88" OD X .40" THICK - BLACK  |
| 3   | 160867-01-01A | EA  | SPEAKER - ROUND/CEILING-CREAM - MAGNADYNE - LS3EYC-WN - HOME THEATER SOUND SYSTEM                                  |
| 4*  | 137417-03-01A | EA  | LIGHT - DOME - SINGLE - W/O SWITCH - W/FROSTED LENS-WHITE  |
| 5   | 137417-04-01A | EA  | LIGHT - DOME - DOUBLE - W/SWITCH/FROSTED LENS - WHITE  |
| 6*  | 137417-06-01A | EA  | LIGHT - DOME - DOUBLE - W/O SWITCH - W/FROSTED LENS-WHITE  |
| 7*  | 137417-01-01A | EA  | LIGHT - DOME - SINGLE - W/SWITCH/FROSTED LENS - WHITE  |

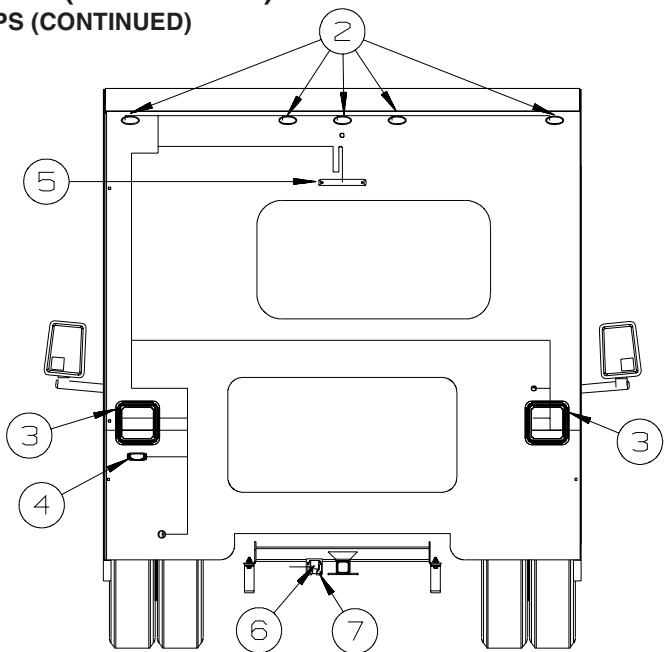
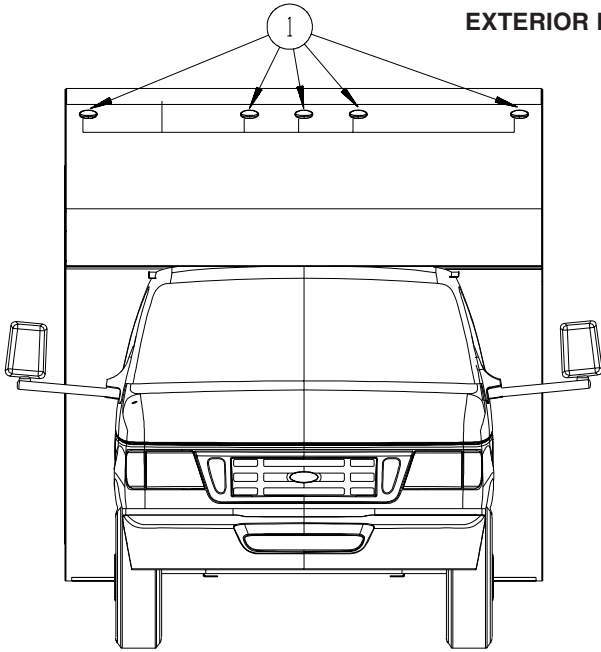
**\*COMPONENT PARTS LISTED LATER IN THIS GROUP**

**ELECTRICAL GROUP (CONTINUED)**  
**EXTERIOR LAMPS**



| KEY  | PART NUMBER   | U/M | DESCRIPTION                               |
|--|---------------|-----|---|
| 1  | 111102-01-000 | EA  | BASE - MARKER LAMP                        |
| 1  | 111102-03-000 | EA  | LENS - RED - MARKER LAMP                  |
| 2*   | 097917-01-06A | EA  | LIGHT - PORCH - ENTRY DOOR - BRIGHT WHITE |
|  |               |     | FROM: 00-00-00 THRU: 02-10-08             |
| 2  | 097917-01-09A | EA  | LIGHT - PORCH - ENTRY DOOR - WHITE        |
|  |               |     | FROM: 02-11-08 THRU: 99-99-99             |
| 3  | 111102-01-000 | EA  | BASE - MARKER LAMP - 229T, 231C           |
| 3  | 111102-02-000 | EA  | LENS - AMBER - MARKER LAMP - 229T, 231C   |
| <b>*COMPONENT PARTS LISTED LATER IN THIS GROUP</b> |               |     |   |

**ELECTRICAL GROUP (CONTINUED)**  
**EXTERIOR LAMPS (CONTINUED)**

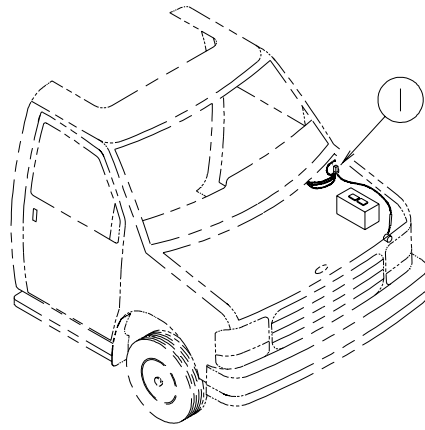


| KEY | PART NUMBER   | U/M | DESCRIPTION  |
|-----|---------------|-----|--|
| 1   | 111102-01-000 | EA  | BASE - MARKER LAMP                                     |
| 1   | 111102-02-000 | EA  | LENS - AMBER - MARKER LAMP                             |
| 2   | 111102-01-000 | EA  | BASE - MARKER LAMP                                     |
| 2   | 111102-03-000 | EA  | LENS - RED - MARKER LAMP                               |
| 3*  | 153658-01-02A | EA  | LAMP - STOP/TURN/TAIL/BACK UP - CHROME                 |
| 4   | 066432-02-000 | EA  | LIGHT - LICENSE - BLACK                                |
| 4   | 066432-03-000 | EA  | BRACKET - LICENSE PLATE                                |
| 5   | 136916-01-000 | EA  | LIGHT - BRAKE - CENTER MOUNT - RECTANGLE - 1.3" X 9.8" |
| 6   | 146246-01-000 | EA  | CONNECTOR/PLUG - TRAILER - 7 PIN                       |
| 7   | 157593-01-000 | EA  | CONNECTOR - PLUG - TRAILER - 7 SOCKET                  |

**\*COMPONENT PARTS LISTED LATER IN THIS GROUP**



**ELECTRICAL GROUP (CONTINUED)**  
**FRONT END**



| KEY | PART NUMBER   | U/M DESCRIPTION  |
|-----|---------------|--|
| 1   | 100138-01-000 | EA MODULE - DAYTIME/RUNNING LIGHT - HAMSAR DRL #H8005B |

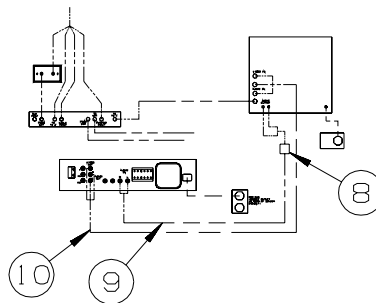
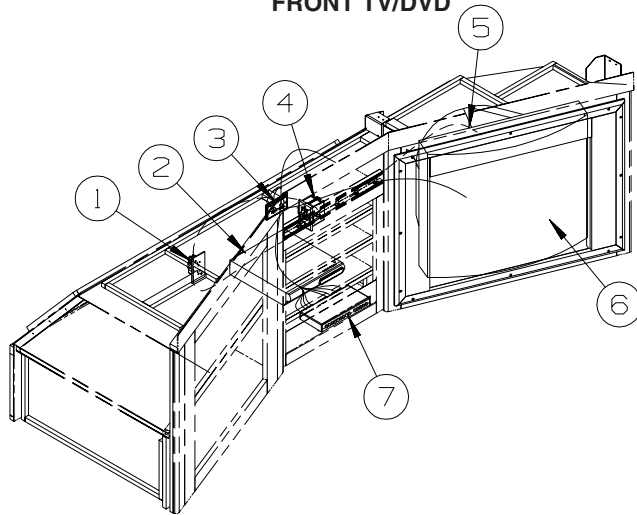


| KEY | PART NUMBER   | U/M DESCRIPTION  |
|-----|---------------|--|
| *   | 120269-07-01A | EA PANEL - W/ELECTRIC MIRROR/HEAT SWITCH - F/#L28X OPTION - MIRRORS-EXTERIOR W/DEFROST |
| *   | 133908-09-01A | EA PANEL - F/ELECTRIC MIRROR ONLY - L28X OPTION - MIRRORS-EXTERIOR W/DEFROST - CHEVY   |

**\*COMPONENT PARTS LISTED LATER IN THIS GROUP**

# ELECTRICAL GROUP (CONTINUED)

## FRONT TV/DVD

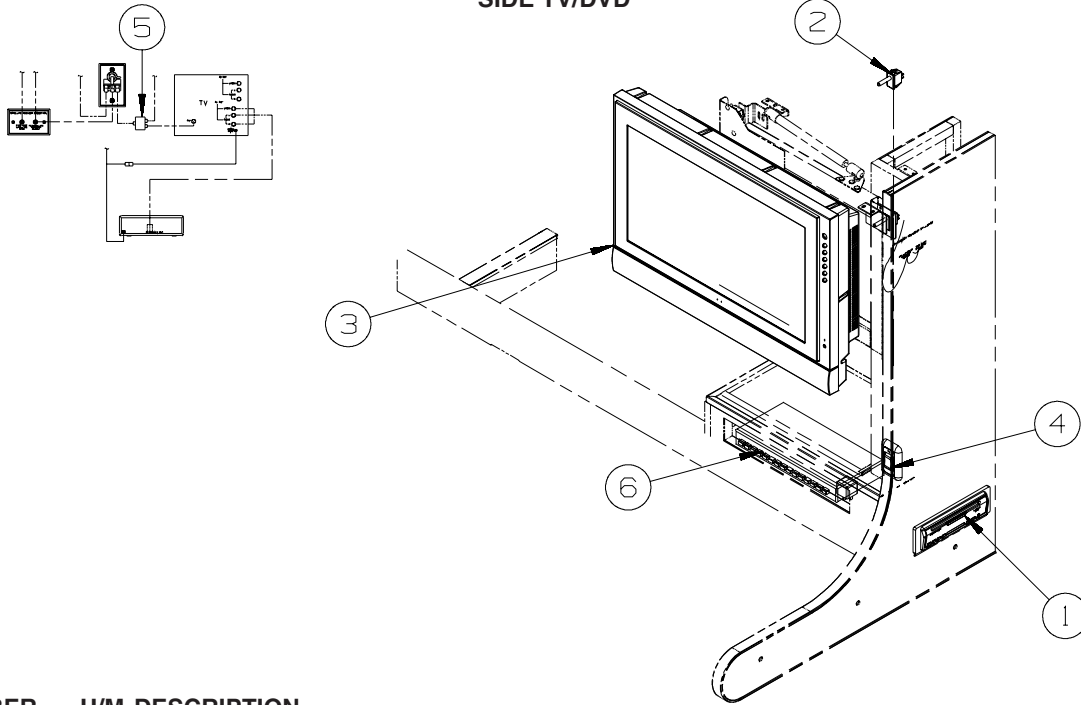


| KEY | PART NUMBER   | U/M | DESCRIPTION   |
|-----|---------------|-----|---|
| 1   | 058708-01-000 | EA  | RECEPTACLE - ELECTRIC - DOUBLE - BROWN  |
| 1   | 158542-02-01A | EA  | LABEL - RECEPTACLE - ELECTRONICS - WHITE/BLACK - <b>CANADIAN</b>  |
| 2*  | 158836-01-000 | EA  | DVD - HOME THEATER - W/O SPEAKERS - MEMOREX STS71E-R - <b>HOME THEATER SOUND SYSTEM</b><br>FROM: 00-00-00 THRU: 06-10-07  |
| 2   | 164270-01-000 | EA  | DVD - HOME THEATER - W/O SPEAKERS - MEMOREX STS2891-R - <b>HOME THEATER SOUND SYSTEM</b><br>FROM: 06-11-07 THRU: 99-99-99 |
| 2*  | 159771-01-000 | EA  | DVD/MP3 PLAYER - PROGRESSIVE SCAN - MEMOREX MVD2022 - <b>DIGITAL VIDEO DISC PLAYER</b><br>FROM: 00-00-00 THRU: 04-11-07   |
| 2   | 164584-01-000 | EA  | DVD/MP3 PLAYER - PROGRESSIVE SCAN - MEMOREX MVD2023 - <b>DIGITAL VIDEO DISC PLAYER</b><br>FROM: 04-12-07 THRU: 99-99-99   |
| 3   | 149557-05-01A | EA  | PLATE/WALL - DUAL COAXIAL/HORIZONTAL - WHITE  |
| 4   | 156676-01-000 | EA  | CONTROLLER/OUTLET - POWER/TV - AUTO SHUTOFF W/IGNITION  |
| 5   | 058707-02-000 | EA  | RECEPTACLE - BLANK - JUNCTION BOX<br>FROM: 00-00-00 THRU: 04-03-07  |
| 6*  | 157282-02-000 | EA  | TV - 27" STEREO - W/5 JACKS/DIGITAL TUNER - RCA 27V414TAO   |
| 7   | 086757-04-000 | EA  | CONTROL CENTER - SWITCH - VCR/TV - 5 INPUTS<br>FROM: 00-00-00 THRU: 04-03-07  |
| 7   | 142258-01-000 | EA  | SWITCH - VIDEO/ANTENNA POWER SUPPLY - <b>NOT ILLUSTRATED</b><br>FROM: 04-04-07 THRU: 99-99-99                             |
| 8   | 123324-01-000 | EA  | FILTER - GROUND LOOP - ISOLATION TRANSFORMER - <b>HOME THEATER SOUND SYSTEM</b>   |
| 9   | 117420-02-000 | EA  | CABLE - W/MALE RCA ENDS - SHIELDED - 4' - <b>HOME THEATER SOUND SYSTEM</b>  |
| 10  | 136860-03-000 | EA  | CABLE - RCA - SHIELDED - 3 MALE TO MALE CONNECTORS - 6'- <b>HOME THEATER SOUND SYSTEM</b>                                 |

\*COMPONENT PARTS LISTED LATER IN THIS GROUP

## ELECTRICAL GROUP (CONTINUED)

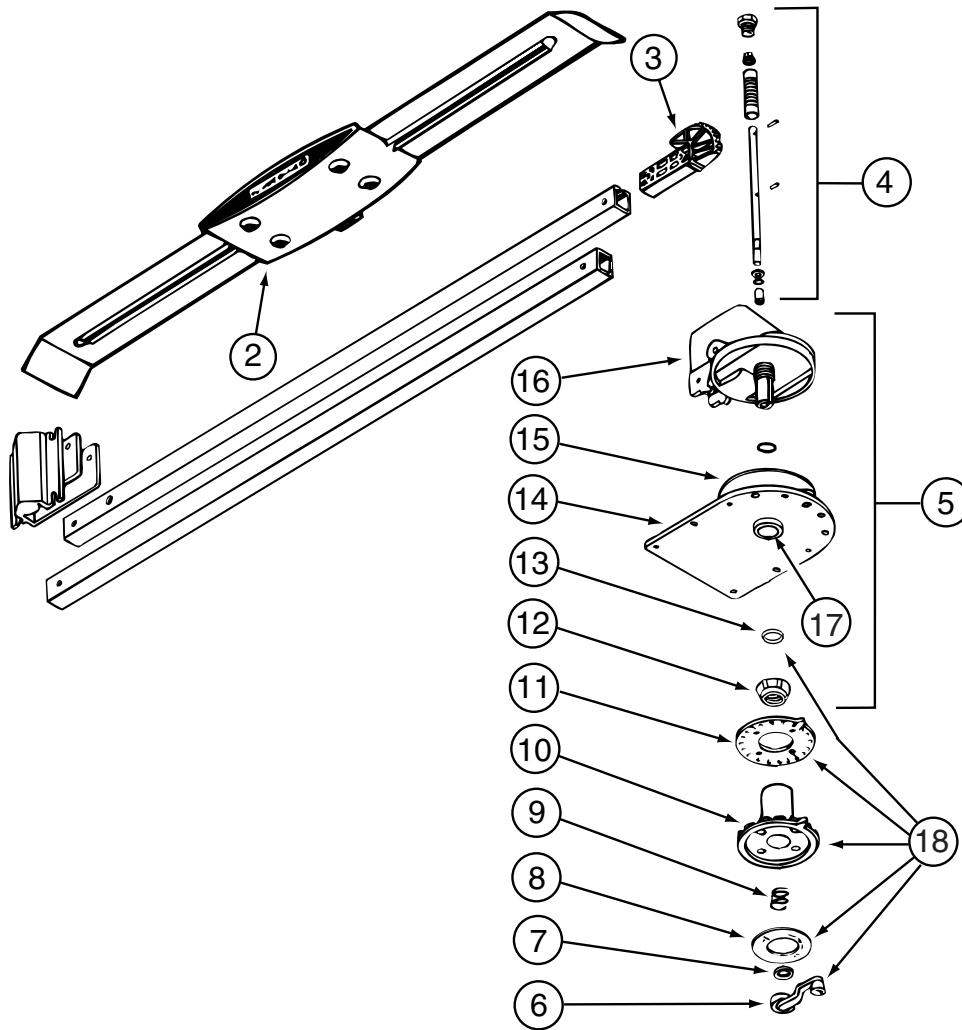
### SIDE TV/DVD



| KEY | PART NUMBER   | U/M | DESCRIPTION   |
|-----|---------------|-----|---|
| 1*  | 160603-01-000 | EA  | DVD PLAYER - HORIZONTAL MNT - 12V - BLK - NESA DVD-1002                 |
|     | 164740-01-02B | EA  | TRIM RING - RADIO - E-COATED  |
| 2   | 159814-01-000 | EA  | SWITCH - PLUNGER - SPST - OFF/ON  |
| 3*  | 158703-01-000 | EA  | TV - 20" - LCD 4:3 - SIDE SPEAKER - JENSEN JE2043                       |
|     |               |     | FROM: 00-00-00 THRU: 04-29-07   |
| 3*  | 164495-01-000 | EA  | TV - 19" - LCD 16:9 - BOTTOM SPEAKER - JENSEN JE1907DC                  |
|     |               |     | FROM: 04-30-07 THRU: 99-99-99   |
| 4   | 135740-01-01A | EA  | SWITCH - ROCKER - SPST - ON/OFF - BROWN                                 |
| 4   | 135741-01-01A | EA  | SWITCH - BASE - SINGLE - BROWN  |
| 4   | 135742-45-02A | EA  | BEZEL - SWITCH - TV - BROWN   |
| 5   | 086756-01-000 | EA  | SPLITTER - TV/2 WAY   |
| 6   | 168102-01-000 | EA  | SWITCH - VIDEO/ANTENNA/DVD - POWER SUPPLY - TV-19"DC,DVD PLYR,VIDEO SEL |
|     | 156586-02-02B | EA  | BRACKET - SWITCH/VIDEO - E-COATED - TV-19"DC,DVD PLYR,VIDEO SEL         |

\*COMPONENT PARTS LISTED LATER IN THIS GROUP

**ELECTRICAL GROUP (CONTINUED)**  
**COMPONENT PARTS FOR WIRING**



**076319-23-000**

| KEY | PART NUMBER   | U/M | DESCRIPTION             | VENDOR NO. |
|-----|---------------|-----|-------------------------|------------|
| 2   | 076319-01-700 | EA  | HEAD-ANTENNA, AMPLIFIED | RVSA U/V   |
| 3   | 076319-01-701 | EA  | GEAR-ELEVATING, PLASTIC | 2200046    |
| 4   | 076319-01-702 | EA  | SHAFT ASM-ELEVATING     | RP-4000    |
| 5   | 076319-01-711 | EA  | BASE & LIFT ASM         | 2762802    |
| 7   | 076319-01-705 | EA  | GROMMET-NYLON, 7/8"ID   | 3200658    |
| 8   | 076319-01-708 | EA  | DECAL-CRANK             | 5413002    |
| 9   | 076319-01-707 | EA  | SPRING-HANDLE           | 2160822    |
| 11  | 076319-01-712 | EA  | PLATE - CEILING         | 3200608    |
| 12  | 076319-01-715 | EA  | NUT (GEAR HOUSING)      | 2200047    |
| 14  | 076319-01-713 | EA  | PLATE-BASE, STEEL       | 3100523    |
| 15  | 076319-01-703 | EA  | BEARING-NYLON, 5"OD     | 3200656    |
| 16  | 076319-01-714 | EA  | HOUSING, ROTATING GEAR  | 2200049    |
| 17  | 076319-01-704 | EA  | BEARING-NYLON, 1.25"OD  | 3200657    |
| 18  | 076319-01-709 | EA  | HANDLE-HEAD DIRECTIONAL | 200644     |
|     | 076319-01-716 | EA  | TUBING, ELEVATING       | RP-2900    |

CONTACT WINNEBAGO PART SALES FOR UNLISTED COMPONENT(S)

**076319-25-000**

| KEY | PART NUMBER   | U/M | DESCRIPTION                  | VENDOR NO. |
|-----|---------------|-----|------------------------------|------------|
| 6   | 076319-01-706 | EA  | CRANK-W/SET SCREW UNIV/BEIGE | 2750897    |
| 6   | 120233-01-710 | EA  | HANDLE-CRANK W/SCREW - WHITE | RP-6795    |
| 8   | 076319-01-708 | EA  | DECAL-CRANK                  | 5413002    |
| 10  | 076319-25-700 | EA  | DIRECTIONAL HANDLE(WHITE)    | 3200612    |
| 11  | 076319-25-701 | EA  | PLATE - CEILING(WHITE)       | 3200609    |
| 13  | 120233-01-709 | EA  | WASHER-NYLON                 | RP-2658    |

CONTACT WINNEBAGO PART SALES FOR UNLISTED COMPONENT(S)

## ELECTRICAL GROUP (CONTINUED)

### COMPONENT PARTS FOR WIRING (CONTINUED)

097917-01-06A

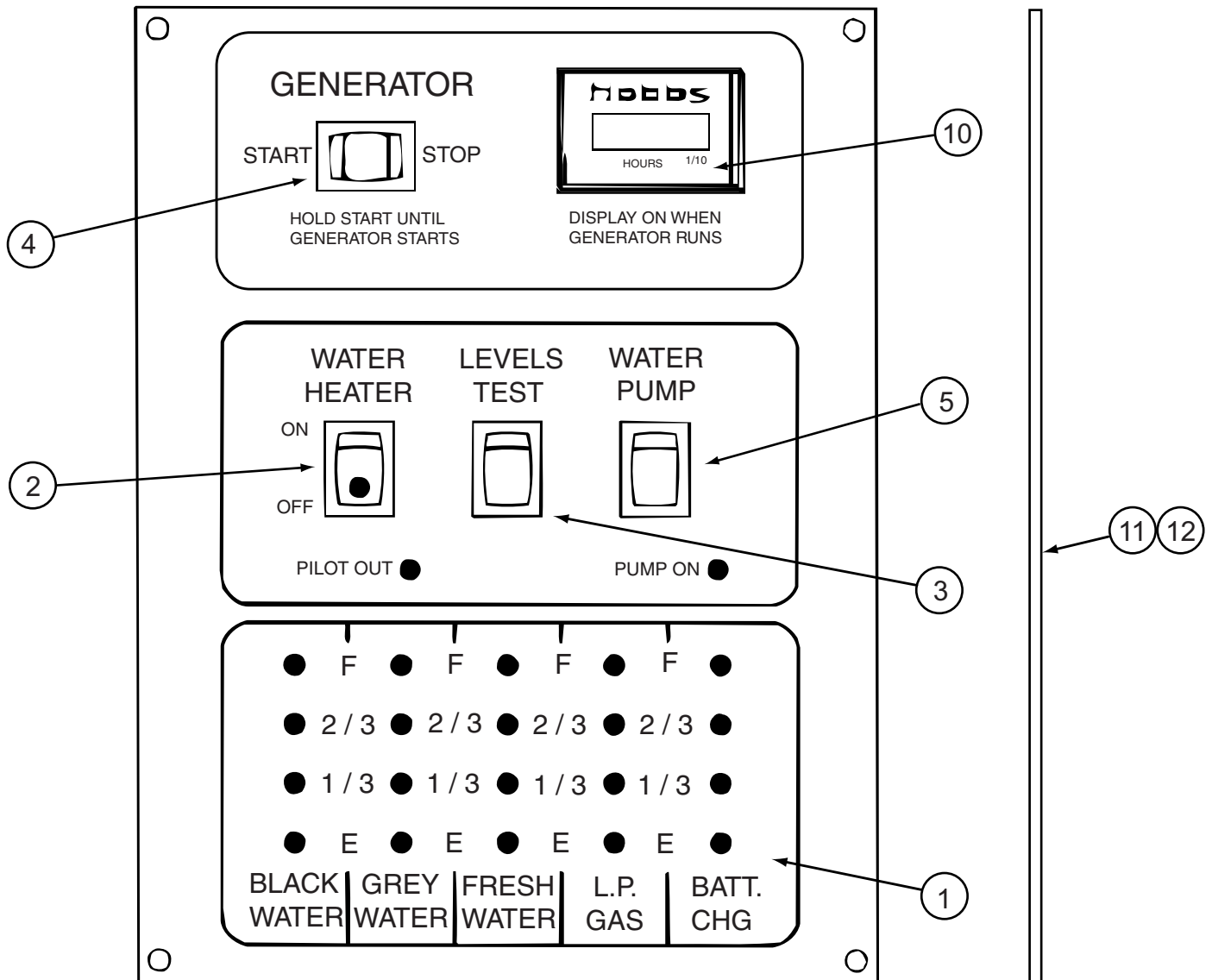
| KEY | PART NUMBER   | U/M DESCRIPTION      | VENDOR NO. |
|-----|---------------|----------------------|------------|
|     | 097917-01-700 | EA LENS-LIGHT, CLEAR | 30-78-021  |

120269-07-01A

| KEY | PART NUMBER   | U/M DESCRIPTION           | VENDOR NO. |
|-----|---------------|---------------------------|------------|
|     | 120269-07-700 | EA SWITCH - REMOTE        | 7475720    |
|     | 133908-09-700 | EA SWITCH - MIRROR HEATER | 7475150    |

133908-09-01A

| KEY | PART NUMBER   | U/M DESCRIPTION         | VENDOR NO. |
|-----|---------------|-------------------------|------------|
|     | 133908-09-700 | EA SWITCH-MIRROR HEATER | 7475150    |



134940-06-01A

| KEY | PART NUMBER   | U/M DESCRIPTION                 | VENDOR NO. |
|-----|---------------|---------------------------------|------------|
| 1   | 134940-01-702 | EA CHASSIS - SILKSCREENED       | CC0558-00  |
| 2   | 134940-01-701 | EA SWITCH-SPST/ON-OFF/BLK W/LGT | L0109      |
| 3   | 096983-01-701 | EA SWITCH - SPST/MOM 2 TERMINAL | L0111-00   |
| 4   | 096983-01-702 | EA SWITCH - MOM/OFF/MOM/3 TERM  | L0112-00   |
| 5   | 096983-01-703 | EA SWITCH - ON/ON               | L0115-00   |
| 10  | 100258-10-701 | EA GAUGE-HR METER ONLY (LCD)    | L0775-00   |
| 11  | 134940-06-700 | EA PC BOARD - SENSOR SYSTEM/RED | L5131-02   |

CONTACT WINNEBAGO PART SALES FOR UNLISTED COMPONENT(S)

**ELECTRICAL GROUP (CONTINUED)**  
**COMPONENT PARTS FOR WIRING (CONTINUED)**

**134940-07-01A**

| KEY | PART NUMBER   | U/M | DESCRIPTION                  | VENDOR NO. |
|-----|---------------|-----|------------------------------|------------|
| 1   | 134940-01-702 | EA  | CHASSIS - SILKSCREENED       | CC0558-00  |
| 2   | 134940-01-701 | EA  | SWITCH-SPST/ON-OFF/BLK W/LGT | L0109      |
| 3   | 096983-01-701 | EA  | SWITCH - SPST/MOM 2 TERMINAL | L0111-00   |
| 4   | 096983-01-703 | EA  | SWITCH - ON/ON               | L0115-00   |
| 5   | 134940-02-700 | EA  | SWITCH - DUMMY               | L0118      |
| 11  | 134940-06-700 | EA  | PC BOARD - SENSOR SYSTEM/RED | L5131-02   |

CONTACT WINNEBAGO PART SALES FOR UNLISTED COMPONENT(S)

**137417-01-01A, 137417-03-01A**

| KEY | PART NUMBER   | U/M | DESCRIPTION             | VENDOR NO. |
|-----|---------------|-----|-------------------------|------------|
|     | 137417-01-700 | EA  | LENS - SINGLE (FROSTED) | 810868     |

**137417-02-01A**

| KEY | PART NUMBER   | U/M | DESCRIPTION         | VENDOR NO. |
|-----|---------------|-----|---------------------|------------|
|     | 137417-02-700 | EA  | LENS - SINGLE OPTIC | 810844     |

**137417-05-01A**

| KEY | PART NUMBER   | U/M | DESCRIPTION         | VENDOR NO. |
|-----|---------------|-----|---------------------|------------|
|     | 137417-05-700 | EA  | LENS - DOUBLE OPTIC | 810845     |

**137417-06-01A**

| KEY | PART NUMBER   | U/M | DESCRIPTION         | VENDOR NO. |
|-----|---------------|-----|---------------------|------------|
|     | 137417-06-700 | EA  | LENS - DOUBLE WHITE | 810867     |

**153658-01-01A, 153658-01-02A**

| KEY | PART NUMBER   | U/M | DESCRIPTION | VENDOR NO. |
|-----|---------------|-----|-------------|------------|
|     | 153658-01-700 | EA  | LENS ONLY   | 8511LRC    |

**157282-02-000**

| KEY | PART NUMBER   | U/M | DESCRIPTION | VENDOR NO. |
|-----|---------------|-----|-------------|------------|
|     | 157282-02-700 | EA  | REMOTE - TV | 271706     |

**158703-01-000**

| KEY | PART NUMBER   | U/M | DESCRIPTION                  | VENDOR NO. |
|-----|---------------|-----|------------------------------|------------|
|     | 158703-01-700 | EA  | REMOTE                       | PSVCJE2043 |
|     | 158703-01-701 | EA  | SERVICE PACK-REMOTE & CABLES | PSVCJE2043 |

**158836-01-000**

| KEY | PART NUMBER   | U/M | DESCRIPTION | VENDOR NO. |
|-----|---------------|-----|-------------|------------|
|     | 158836-01-700 | EA  | REMOTE      | STS71WREM  |

**159771-01-000**

| KEY | PART NUMBER   | U/M | DESCRIPTION  | VENDOR NO.  |
|-----|---------------|-----|--------------|-------------|
|     | 159771-01-700 | EA  | REMOTE - DVD | MVD2022-REM |

**160603-01-000**

| KEY | PART NUMBER   | U/M | DESCRIPTION   | VENDOR NO.   |
|-----|---------------|-----|---------------|--------------|
|     | 160603-01-700 | EA  | REMOTE        | DVD-1002-REM |
|     | 160603-01-701 | EA  | REMOTE SENSOR | DVD-1002-EYE |

**163097-01-000**

| KEY | PART NUMBER   | U/M | DESCRIPTION                 | VENDOR NO. |
|-----|---------------|-----|-----------------------------|------------|
|     | 163097-01-700 | EA  | KEY - #2382 (ILLINOIS LOCK) | 2382       |
|     | 163097-01-701 | EA  | KEY - #2341 (MILLER DIAL)   | PART SALES |

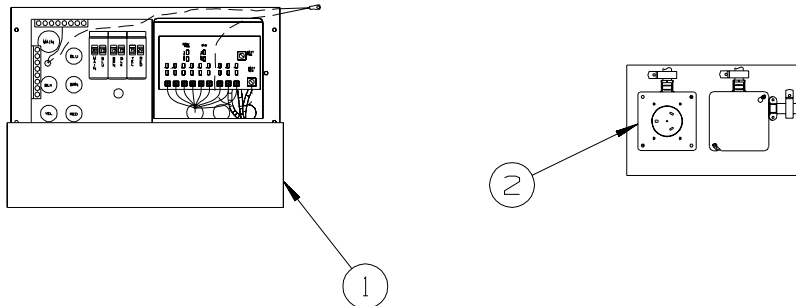
**164495-01-000**

| KEY | PART NUMBER   | U/M | DESCRIPTION | VENDOR NO.     |
|-----|---------------|-----|-------------|----------------|
|     | 164495-01-700 | EA  | REMOTE - TV | P301P19HS3409A |

## ELECTRICAL GROUP (CONTINUED)

### CIRCUIT BREAKERS, FUSES & RELAYS

| KEY | PART NUMBER   | U/M | DESCRIPTION  |
|-----|---------------|-----|--|
|     | 062901-02-000 | EA  | FUSE - 5 AMP - AUTOMOTIVE                                |
|     | 062901-05-000 | EA  | FUSE - 15 AMP - AUTOMOTIVE                               |
|     | 062901-07-000 | EA  | FUSE - 25 AMP - AUTOMOTIVE                               |
|     | 062901-08-000 | EA  | FUSE - 30 AMP - AUTOMOTIVE                               |
|     | 063910-01-000 | EA  | HOUSING - RELAY  |
|     | 063912-02-000 | EA  | RELAY - CANISTER - SPDT                                  |
|     | 083209-01-000 | EA  | CIRCUIT BREAKER - 15 AMP - 120 VOLT - CANADIAN           |
|     | 083209-02-000 | EA  | CIRCUIT BREAKER - 15/15 AMP - 120 VOLT                   |
|     | 083209-03-000 | EA  | CIRCUIT BREAKER - 15/20 AMP - 120 VOLT                   |
|     | 083209-04-000 | EA  | CIRCUIT BREAKER - 30 AMP - 120 VOLT                      |
|     | 083209-05-000 | EA  | CIRCUIT BREAKER - 20 AMP - 120 VOLT                      |
|     | 083209-06-000 | EA  | CIRCUIT BREAKER - 30/15 AMP - 120 VOLT                   |
|     | 083209-07-000 | EA  | CIRCUIT BREAKER - 20/20 AMP - 120 VOLT                   |
|     | 083209-10-000 | EA  | CIRCUIT BREAKER - 20/30 AMP - 120 VOLT                   |
|     | 083209-11-000 | EA  | CIRCUIT BREAKER - 20/15 AMP - 120 VOLT                   |
|     | 092786-03-000 | EA  | BUSS BAR - 6.9" LONG                                     |
|     | 092786-06-000 | EA  | BUSS BAR   |
|     | 093654-01-000 | EA  | CIRCUIT BREAKER - 6 AMP - 12 VOLT - PUSH BUTTON - WHITE  |
|     | 093654-02-000 | EA  | CIRCUIT BREAKER - 15 AMP - 12 VOLT - PUSH BUTTON - WHITE |
|     | 093654-03-000 | EA  | CIRCUIT BREAKER - 20 AMP - 12 VOLT - PUSH BUTTON - WHITE |
|     | 093654-05-000 | EA  | CIRCUIT BREAKER - 10 AMP - 12 VOLT - PUSH BUTTON - WHITE |
|     | 093655-01-000 | EA  | CIRCUIT BREAKER - 25 AMP - 12 VOLT - PUSH BUTTON - WHITE |
|     | 093655-02-000 | EA  | CIRCUIT BREAKER - 30 AMP - 12 VOLT - PUSH BUTTON - WHITE |
|     | 093655-03-000 | EA  | CIRCUIT BREAKER - 40 AMP - 12 VOLT - PUSH BUTTON - WHITE |
|     | 100341-01-000 | EA  | FUSE HOLDER - IN LINE TYPE                               |
|     | 113482-01-000 | EA  | CIRCUIT BREAKER - 55 AMP - MANUAL                        |
|     | 115187-01-000 | EA  | FUSE - 300 AMP - NON-DELAY                               |
|     | 115187-02-000 | EA  | HOLDER - FUSE  |
|     | 115187-03-000 | EA  | FUSE - 60 AMP - NON-DELAY                                |
|     | 122811-01-000 | EA  | CIRCUIT BREAKER - 20/50/50/20 AMP - 250V                 |
|     | 141789-01-000 | EA  | SPACER - CIRCUIT BREAKER                                 |



**CONVERTER, INVERTER & LOAD CENTER**

| KEY | PART NUMBER   | U/M | DESCRIPTION                                       |
|-----|---------------|-----|---|
| 1*  | 083208-07-000 | EA  | CONTROL CENTER - 45 AMP - 120V/12V - W/O BREAKERS |
| 2   | 024924-02-000 | EA  | RECEPTACLE - POWER CORD - W/PARTIAL PLATE         |

**\*COMPONENT PARTS LISTED LATER IN THIS GROUP**

#### COMPONENT PARTS FOR CONVERTER, INVERTER & LOAD CENTER

**083208-07-000**

| KEY | PART NUMBER   | U/M | DESCRIPTION                 | VENDOR NO. |
|-----|---------------|-----|-----------------------------|------------|
|     | 083208-06-701 | EA  | CONVERTER ONLY (LOWER UNIT) | 7345R      |

**ELECTRICAL GROUP (CONTINUED)**  
**BOXES & CORDS**

| KEY | PART NUMBER   | U/M | DESCRIPTION  |
|-----|---------------|-----|--|
|     | 008054-01-000 | EA  | CORD - POWER - 10/3 WIRE - 30 AMP - 25'                  |
|     | 115832-01-000 | FT  | CORD - HEAVY DUTY - 14-2 W/GROUND                        |
|     | 008289-01-000 | EA  | BOX - ELECTRIC/STEEL - 4" X 4" - 1/2" & 3/4" KNOCKOUTS   |
|     | 091910-01-000 | EA  | BOX - ELECTRIC - 3.8" X 3.5" X 1.8" - PLASTIC            |
|     | 091910-02-000 | EA  | BOX - ELECTRIC - 2.2" X 3.5" X 1.8" - PLASTIC            |
|     | 131679-01-000 | EA  | BOX/ELECTRIC-WATERPROOF-4" X 4" - W/4 3/4"OUTLETS-UL/CSA |
|     | 133070-01-000 | EA  | BOX - ELECTRIC/PLASTIC - 3" X 2" X 2.8" - UL             |
|     | 133070-02-000 | EA  | BOX - ELECTRIC/PLASTIC - 3" X 2" X 2.8" - CANADIAN       |
|     | 008294-01-000 | EA  | COVER - ELECTRIC BOX - BLANK/STEEL - 4" X 4" - GRAY      |
|     | 069238-01-000 | EA  | COVER - ELECTRICAL BOX - W/HOLE - 4" X 4" - GRAY         |
|     | 131680-01-000 | EA  | COVER - F/ELECTRIC BOX W/GASKET 4" X 4" - UL/CSA         |

**WIRE ASSEMBLIES**

| KEY | PART NUMBER   | U/M | DESCRIPTION  |
|-----|---------------|-----|--|
|     | 106851-01-000 | EA  | WIRE ASSEMBLY - RUNNING LIGHTS - FUSE                      |
|     | 120269-08-000 | EA  | HARNESS/WIRE - F/ELECTRIC MIRRORS                          |
|     | 134551-08-000 | EA  | WIRE ASSEMBLY - HEATER/TANKS - 2 PAD -216.2"(LONGEST WIRE) |
|     | 134551-09-000 | EA  | WIRE ASSEMBLY - HEATER/TANKS - 2 PAD - 114"(LONGEST WIRE)  |
|     | 134551-12-000 | EA  | WIRE ASSEMBLY - HEATER/TANKS - 2 PAD - 78.6"(LONGEST WIRE) |
|     | 134551-13-000 | EA  | WIRE ASSEMBLY - HEATER/TANKS - 2 PAD - 86.5"(LONGEST WIRE) |
|     | 142258-02-000 | EA  | WIRE LOOM - VIDEO SWITCH/POWER SUPPLY                      |
|     | 145210-01-000 | FT  | CABLE - COAXIAL  |
|     | 151316-02-000 | EA  | WIRE ASM - W/NON CONTACT SENSORS - GREY WATER - 23.6"      |
|     | 151316-03-000 | EA  | WIRE ASM - W/NON CONTACT SENSORS - GREY WATER - 43.2"      |
|     | 151316-06-000 | EA  | WIRE ASM - W/NON CONTACT SENSORS - GREY WATER - 78.6"      |
|     | 151317-01-000 | EA  | WIRE ASM-W/NON CONTACT SENSORS-FRESH WATER/BLK TANK-3.9"   |
|     | 151317-02-000 | EA  | WIRE ASM-W/NON CONTACT SENSORS-FRESH WATER/BLK TANK-23.6"  |
|     | 151317-03-000 | EA  | WIRE ASM-W/NON CONTACT SENSORS-FRESH WATER/BLK TANK-43.2"  |
|     | 151317-06-000 | EA  | WIRE ASM-W/NON CONTACT SENSORS-FRESH WATER/BLK TANK-78.6"  |
|     | 153891-01-000 | EA  | WIRE ASM-HEATER,RELAY                                      |
|     | 155619-04-000 | EA  | WIRE ASSEMBLY-RADIO - F/UNITS W/O RADIO POWER SWITCH-FORD  |
|     | 165808-02-000 | EA  | WIRE/CABLE - POWER - MB QUART #MBQLC-15U-P                 |



**ELECTRICAL GROUP (CONTINUED)**  
**CONNECTORS & CONDUIT**

| KEY | PART NUMBER   | U/M | DESCRIPTION  |
|-----|---------------|-----|--|
|     | 007940-01-000 | EA  | RECEPTACLE/SLIDE 16 TO 12 AWG - FEMALE END               |
|     | 007940-02-000 | EA  | RECEPTACLE/SLIDE 10 AWG                                  |
|     | 007954-01-000 | EA  | RECEPTACLE - HOUSING - 6 POSITION                        |
|     | 007956-05-000 | EA  | INSULATOR - SHRINK - 1/4"ID X 1 1/2"                     |
|     | 008311-01-000 | EA  | CONNECTOR - WIRE NUT - INSULATED - RED                   |
|     | 008312-01-000 | EA  | CONNECTOR - WIRE NUT - INSULATED - BLUE                  |
|     | 008313-01-000 | EA  | CONNECTOR - WIRE NUT - INSULATED - YELLOW                |
|     | 008314-01-000 | EA  | CONNECTOR - WIRE NUT - INSULATED - GRAY                  |
|     | 008328-01-000 | EA  | TERMINAL - RING - 12/10 WIRE - #10 STUD FIT              |
|     | 008331-01-000 | EA  | TERMINAL - RING - TONGUE - #4 WIRE - 3/8" STUD - COPPER  |
|     | 008348-01-000 | EA  | TERMINAL - RING - 3/8" STUD 2 GA. WIRE                   |
|     | 008355-01-000 | EA  | CONNECTOR - CABLE CLAMPING - 3/4"                        |
|     | 008356-01-000 | EA  | CONNECTOR - PLASTIC - 3/8"                               |
|     | 008356-02-000 | EA  | CONNECTOR - PLASTIC - 21/32"                             |
|     | 035416-04-000 | EA  | TERMINAL - RING - #10 STUD FIT - INSULATED BARREL #16/14 |
|     | 041953-01-000 | FT  | CONDUIT - CONVOLUTE SLIT - .5" ID - POLYETHYLENE         |
|     | 041953-02-000 | FT  | CONDUIT - CONVOLUTE SLIT - .6" ID - POLYETHYLENE         |
|     | 041953-03-000 | FT  | CONDUIT - CONVOLUTE SLIT - 1" ID (CLOTHES ROD COVER)     |
|     | 041953-05-000 | FT  | CONDUIT - CONVOLUTE SLIT - .62" ID - POLYETHYLENE        |
|     | 041953-06-000 | FT  | CONDUIT - CONVOLUTE SLIT - .4" ID - POLYETHYLENE         |
|     | 041953-07-000 | FT  | CONDUIT - CONVOLUTE SLIT - .25" ID - POLYETHYLENE        |
|     | 041953-08-000 | FT  | CONDUIT - CONVOLUTE SLIT - 1.5" ID - POLYETHYLENE        |
|     | 041953-09-000 | FT  | CONDUIT - CONVOLUTE SLIT - .5" ID - NYLON                |
|     | 041953-10-000 | FT  | CONDUIT - CONVOLUTE SLIT - .75" ID - NYLON               |
|     | 041953-11-000 | FT  | CONDUIT - CONVOLUTE SLIT - 1.06" ID - NYLON              |
|     | 041953-12-000 | FT  | CONDUIT - CONVOLUTE SOLID - 1.1" ID - NYLON              |
|     | 041953-13-000 | FT  | CONDUIT - CONVOLUTE SLIT - 1.25" ID                      |
|     | 041953-14-000 | FT  | CONDUIT - CONVOLUTE SLIT - 1.5" ID                       |
|     | 041953-15-000 | FT  | CONDUIT - CONVOLUTE SLIT - 2"                            |
|     | 041953-16-000 | FT  | CONDUIT - CONVOLUTE SLIT - 2"                            |
|     | 047441-01-000 | EA  | TERMINAL-BATTERY, HORIZONTAL LUG                         |
|     | 047443-01-000 | EA  | TERMINAL - .250 RECEPTACLE FIT - INSULATED - 16/14 AWG   |
|     | 047443-02-000 | EA  | TERMINAL - .250 RECEPTACLE FIT - INSULATED - 12/10 AWG   |
|     | 047443-05-000 | EA  | TERMINAL - .250 RECEPTACLE FIT - 18GA AWG                |
|     | 058028-01-000 | EA  | CONNECTOR - ELECTRICAL PIGTAIL - NYLON - CLEAR           |
|     | 062036-01-000 | EA  | TERMINAL - PACK - CON - 12/10 AWG                        |
|     | 076319-12-000 | EA  | CONNECTOR - COAXIAL - ONE PIECE                          |
|     | 077479-02-000 | EA  | BOOT - BATTERY TERMINAL - SINGLE CABLE                   |
|     | 080015-02-000 | EA  | RECEPTACLE - FLAG - .185 - 16/14 GAUGE                   |
|     | 080015-03-000 | EA  | RECEPTACLE - FLAG - .250 - 14/16 GAUGE                   |
|     | 080015-04-000 | EA  | RECEPTACLE - FLAG - .187 - 16/14 GAUGE                   |
|     | 082109-01-000 | EA  | HOUSING - CONNECTOR - PACKARD                            |
|     | 082741-01-000 | EA  | CONNECTOR BODY - 2 CONNECTOR MALE                        |
|     | 087225-01-000 | FT  | SLEEVING - 1/2" - TYPE H                                 |
|     | 088473-01-000 | EA  | HOUSING - PIN - 12 CAVITY (3 ROWS OF 4)                  |
|     | 088473-02-000 | EA  | HOUSING - PIN - 15 CAVITY (3 ROWS OF 5)                  |
|     | 088473-03-000 | EA  | HOUSING - PIN - 9 CAVITY (3 ROWS OF 3)                   |
|     | 088473-04-000 | EA  | HOUSING - PIN - 8 CAVITY IN-LINE                         |
|     | 088473-06-000 | EA  | HOUSING - PIN - 6 CAVITY (2 ROWS OF 3)                   |
|     | 088473-07-000 | EA  | HOUSING - PIN - 5 CAVITY - IN-LINE                       |
|     | 088473-08-000 | EA  | HOUSING - PIN - 4 CAVITY - IN-LINE                       |
|     | 088473-09-000 | EA  | HOUSING - PIN - 3 CAVITY - IN-LINE                       |
|     | 088473-10-000 | EA  | HOUSING - PIN - 2 CAVITY - IN-LINE                       |
|     | 088473-12-000 | EA  | HOUSING - PIN - 3 CAVITY - BLUE                          |
|     | 088473-13-000 | EA  | HOUSING - PIN - 3 CAVITY - GREEN                         |
|     | 088473-14-000 | EA  | HOUSING - PIN - 3 CAVITY - RED                           |
|     | 088474-01-000 | EA  | HOUSING - SOCKET - 12 CAVITY                             |
|     | 088474-02-000 | EA  | HOUSING - SOCKET - 15 CAVITY                             |
|     | 088474-03-000 | EA  | HOUSING - SOCKET - 9 CAVITY                              |
|     | 088474-06-000 | EA  | HOUSING - SOCKET - 6 CAVITY                              |
|     | 088474-07-000 | EA  | HOUSING - SOCKET - 5 CAVITY                              |
|     | 088474-08-000 | EA  | HOUSING - SOCKET - 4 CAVITY                              |
|     | 088474-09-000 | EA  | HOUSING - SOCKET - 3 CAVITY                              |

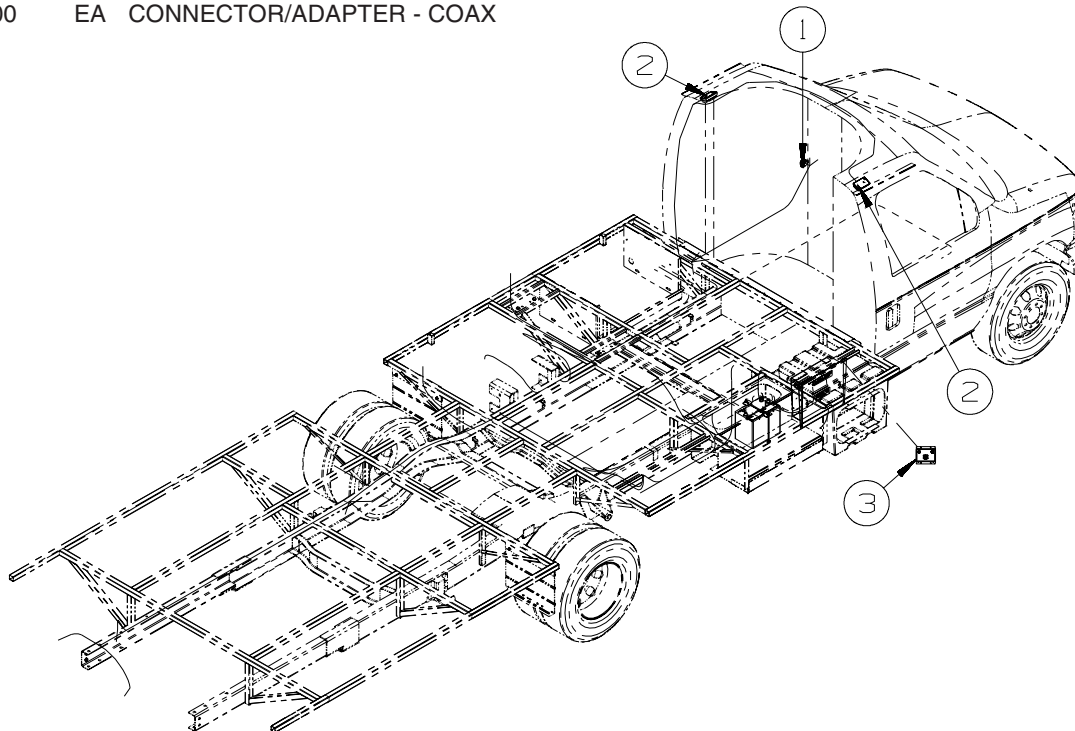
**ELECTRICAL GROUP (CONTINUED)**  
**CONNECTORS & CONDUIT (CONTINUED)**

| <b>KEY</b> | <b>PART NUMBER</b> | <b>U/M</b> | <b>DESCRIPTION</b>  |
|------------|--------------------|------------|---|
|            | 088474-10-000      | EA         | HOUSING - SOCKET - 2 CAVITY                               |
|            | 088474-12-000      | EA         | HOUSING - SOCKET - 2 CAVITY - RED                         |
|            | 088475-01-000      | EA         | PIN - CONNECTOR - 14-20 AWG                               |
|            | 088475-02-000      | EA         | PIN - CONNECTOR - 10-12 AWG                               |
|            | 088476-01-000      | EA         | TERMINAL - ELECTRICAL                                     |
|            | 088476-02-000      | EA         | SOCKET - CONNECTOR - 12-10 GA - PRE-TIN                   |
|            | 098261-01-000      | EA         | SOCKET - CONNECTOR - WEATHERPACK - 12 AWG                 |
|            | 098261-02-000      | EA         | SOCKET - CONNECTOR - WEATHERPACK - 14-18 AWG              |
|            | 098262-01-000      | EA         | SEAL - CONNECTOR - WEATHERPACK                            |
|            | 098264-01-000      | EA         | HOUSING - 2 PIN - WEATHER PACK - MALE W/FEMALE PINS       |
|            | 098264-02-000      | EA         | HOUSING - 2 PIN - WEATHER PACK - FEMALE W/MALE PINS       |
|            | 098265-02-000      | EA         | PIN - CONNECTOR - WEATHER PACK                            |
|            | 102777-02-000      | EA         | TERMINAL - RING - #6 STUD - 10 AWG                        |
|            | 103608-01-000      | EA         | SOCKET - WEDGE BASE W/LEADS                               |
|            | 104100-01-000      | EA         | HOUSING - 1 POSITION - 75 AMPS                            |
|            | 104100-03-000      | EA         | TERMINAL - 75 AMP   |
|            | 106007-02-000      | EA         | TERMINAL - FEMALE - 10-12 AWG                             |
|            | 110178-01-000      | EA         | HOUSING - WIPER MOTOR                                     |
|            | 112823-01-000      | EA         | SPLICE - REDUCER - 16-14 TO 18-22                         |
|            | 113135-01-000      | EA         | TERMINAL - FEMALE - M/P - 14-16 - F/SEALED TERMINAL       |
|            | 113308-01-000      | EA         | TERMINAL - FEMALE - M/P - 14-16 - 280                     |
|            | 113308-02-000      | EA         | TERMINAL - FEMALE - M/P - 14-18 - 280                     |
|            | 113468-01-000      | EA         | HOUSING - 2 POSITION-FEMALE-USED ON WIPER/WASHER WIRE ASM |
|            | 113468-02-000      | EA         | HOUSING - 2 POSITION - FEMALE                             |
|            | 116811-01-000      | EA         | TERMINAL - .110 RECEPTACLE - 16-14 AWG                    |
|            | 118571-01-000      | EA         | CONNECTOR - 3-WAY - MALE/SEALED                           |
|            | 118571-02-000      | EA         | CONNECTOR - 3-WAY - FEMALE/SEALED                         |
|            | 118571-05-000      | EA         | LOCK - SECONDARY - FEMALE                                 |
|            | 118571-06-000      | EA         | LOCK - SECONDARY - MALE                                   |
|            | 118599-02-000      | EA         | TERMINAL - MALE - M/P - 280/14-12                         |
|            | 118820-01-000      | EA         | INSULATOR - TERMINAL                                      |
|            | 129233-01-000      | EA         | HOUSING - 2-POSITION/FEMALE - 280-SERIES                  |
|            | 129233-02-000      | EA         | HOUSING - 2-POSITION/FEMALE - 280-SERIES                  |
|            | 129233-03-000      | EA         | HOUSING - 2-POSITION/FEMALE - 280-SERIES                  |
|            | 131681-01-000      | EA         | CONNECTOR - 3/4" SO CORD - UL/CS                          |
|            | 137207-01-000      | EA         | HOUSING - PIN - 2 CAVITY/HIGH AMP                         |
|            | 137208-01-000      | EA         | HOUSING - SOCKET - 2 CAVITY/HIGH AMP                      |
|            | 137209-01-000      | EA         | PIN - CONNECTOR - 10AWG/HIGH AMP                          |
|            | 137210-01-000      | EA         | SOCKET - CONNECTOR - 10 AWG/HIGH AMP                      |
|            | 138996-04-000      | EA         | CONNECTOR - LAMP  |
|            | 142520-01-000      | EA         | TERMINAL - FEMALE - MINI-FIT 16                           |
|            | 142522-01-000      | EA         | HOUSING - 4 PIN/MALE - MINI FIT                           |
|            | 142522-02-000      | EA         | HOUSING - 6 PIN/MALE - MINI FIT                           |
|            | 142522-03-000      | EA         | HOUSING - 8 PIN/MALE - MINI FIT                           |
|            | 142522-04-000      | EA         | HOUSING - 10 PIN/MALE - MINI FIT                          |
|            | 142522-05-000      | EA         | HOUSING - 12 PIN/MALE - MINI FIT                          |
|            | 142522-06-000      | EA         | HOUSING - 14 PIN/MALE - MINI FIT                          |
|            | 142524-01-000      | EA         | HOUSING - 4 PIN/FEMALE - WEATHER PACK                     |
|            | 142524-02-000      | EA         | HOUSING - 4 PIN/FEMALE - WEATHER PACK                     |
|            | 144283-01-000      | EA         | CONNECTOR - 110V - F/USE WITH SOW WIRE - BLUE             |
|            | 144283-02-000      | EA         | CONNECTOR - 110V - F/USE WITH NM ROMEX WIRE - CLEAR       |
|            | 145171-01-000      | EA         | CONNECTOR - COAXIAL                                       |
|            | 148335-01-000      | EA         | HOUSING - 8-POSITION/MALE - 280-GT SERIES                 |
|            | 148335-02-000      | EA         | HOUSING - 4-POSITION/MALE - 280-GT SERIES                 |
|            | 148335-03-000      | EA         | HOUSING - 6-POSITION/MALE - 280-GT SERIES                 |
|            | 149683-01-000      | EA         | HOUSING - F/5 CAVITY RECEPTACLE - W/SQUARE GUIDE PIN      |
|            | 149683-02-000      | EA         | HOUSING - F/5 CAVITY RECEPTACLE - W/ROUND GUIDE PIN       |
|            | 149686-01-000      | EA         | TERMINAL - .250 RECEPTACLE                                |
|            | 149687-01-000      | EA         | HOUSING - 2 POSITION/MALE - PACKARD                       |
|            | 149687-02-000      | EA         | LOCK - F/2 POSITION HOUSING - PACKARD                     |
|            | 149688-01-000      | EA         | TERMINAL - MALE - 16 GAUGE WIRE                           |
|            | 156035-01-000      | EA         | HOUSING - 12-POSITION/FEMALE - 280-GT SERIES              |
|            | 156041-01-000      | EA         | TERMINAL - FEMALE - 16-12 - 280-GT SERIES                 |

## ELECTRICAL GROUP (CONTINUED)

### CONNECTORS & CONDUIT (CONTINUED)

| KEY | PART NUMBER   | U/M | DESCRIPTION   |
|-----|---------------|-----|---|
|     | 156043-01-000 | EA  | HOUSING - 2-POSITION/FEMALE - 480-MP SERIES           |
|     | 156043-02-000 | EA  | LOCK - F/2 POSITION HOUSING - 480 SERIES              |
|     | 156044-01-000 | EA  | TERMINAL - FEMALE - 16-12 - 280-GT - F/SEALED HOUSING |
|     | 156045-01-000 | EA  | HOUSING - 10-POSITION/FEMALE - 280-GT SERIES          |
|     | 156045-02-000 | EA  | HOUSING - 4-POSITION/FEMALE - 280-GT SERIES           |
|     | 156045-03-000 | EA  | HOUSING - 8-POSITION/FEMALE - 280-GT SERIES           |
|     | 156045-04-000 | EA  | HOUSING - 6-POSITION/FEMALE - 280-GT SERIES           |
|     | 156207-01-000 | EA  | HOUSING - 6-POSITION/MALE - 150-GT SERIES             |
|     | 156208-01-000 | EA  | TERMINAL - MALE - 18-16 - 150-GT SERIES               |
|     | 157590-01-000 | EA  | TERMINAL - FEMALE - M/P - 10-12 - 630                 |
|     | 157592-01-000 | EA  | HOUSING - 7-POSITION/FEMALE - M/P                     |
|     | 157592-02-000 | EA  | LOCK - SECONDARY - F/7 POSITION HOUSING               |
|     | 157656-01-01A | EA  | CONNECTOR - DASH LIGHT - BLACK                        |
|     | 158357-01-000 | EA  | HOUSING - 3 PIN/MALE - MINI FIT                       |
|     | 158373-01-000 | EA  | HOUSING - SOCKET - 16 CAVITY - MINI MATE-N-LOCK       |
|     | 158374-01-000 | EA  | SOCKET - 16-20 CAVITY - MINI MATE-N-LOCK              |
|     | 164687-01-000 | EA  | PIN - CONNECTOR - 16-14                               |
|     | 164685-01-000 | EA  | HOUSING - PIN - 7-POSITION                            |
|     | 164689-01-000 | EA  | SEAL - CONNECTOR                                      |
|     | 168450-01-000 | EA  | CONNECTOR/ADAPTER - COAX                              |



**CHASSIS**

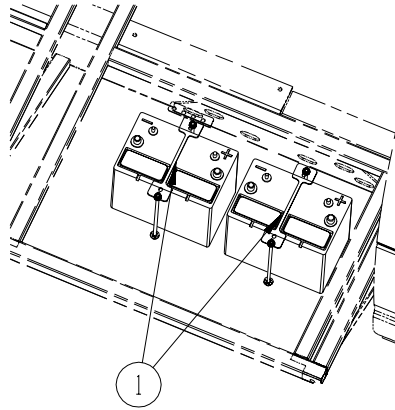
| KEY | PART NUMBER   | U/M | DESCRIPTION  |
|-----|---------------|-----|--|
| 1   | 108357-09-000 | EA  | SWITCH - ROCKER - SPDT - ON/NONE/MOM - 3 TERM - W/O COVER  |
| 1   | 108356-07-01A | EA  | COVER/ACTUATOR SWITCH - 2 ROWS DIMPLES - AUX START - BLACK |
| 1   | 108355-01-000 | EA  | HOUSING - SWITCH   |
| 1   | 144363-07-04B | EA  | PLATE - SWITCH - BLACK                                     |
| 2*  | 086280-01-000 | EA  | LIGHT - SURFACE MOUNT - 12 VOLT                            |
| 3   | 149828-01-000 | EA  | SLIDE ASM - SINGLE/HIGH SPEED                              |
|     | 136514-02-000 | EA  | CABLE - MONITOR/CAMERA                                     |
|     | 136514-08-000 | EA  | CABLE - MONITOR/CAMERA - 50'                               |

FROM: 00-00-00 THRU: 08-26-07

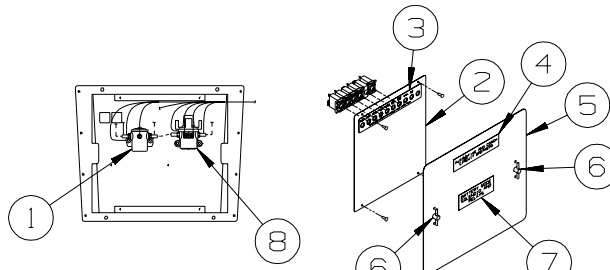
FROM: 08-27-07 THRU: 99-99-99

**\*COMPONENT PARTS LISTED LATER IN THIS GROUP**

## ELECTRICAL GROUP (CONTINUED) CHASSIS (CONTINUED)



| KEY | PART NUMBER   | U/M | DESCRIPTION                  |
|-----|---------------|-----|------------------------------|
| 1   | 160014-03-02B | EA  | TIEDOWN - BATTERY - E-COATED |



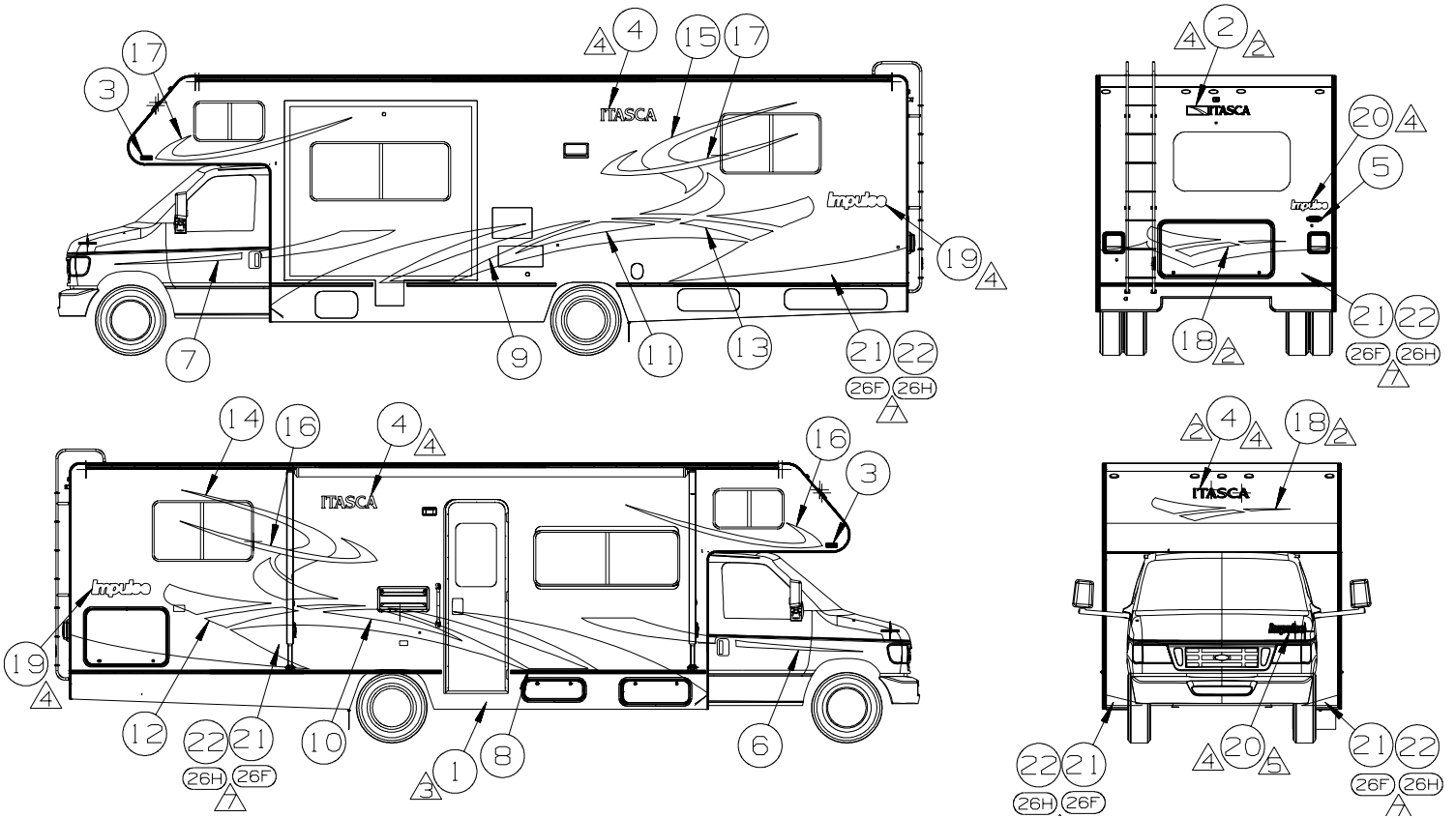
| KEY | PART NUMBER   | U/M | DESCRIPTION   |
|-----|---------------|-----|---|
| 1   | 008188-01-000 | EA  | SOLENOID - 3 POST - BATTERY CHANGE OVER                 |
| 2   | 139067-10-02B | EA  | PLATE - CIRCUIT BREAKER/HOUSE - E-COATED                |
| 3   | 093236-52-000 | EA  | LABEL - CIRCUIT BREAKER                                 |
| 3   | 093236-54-000 | EA  | LABEL - CIRCUIT BREAKER - MAIN - <b>NOT ILLUSTRATED</b> |
|     |               |     | FROM: 00-00-00 THRU: 09-30-07                           |
|     |               |     | FROM: 10-01-07 THRU: 99-99-99                           |
| 4   | 098379-01-000 | EA  | LABEL - CIRCUIT BREAKER - FRONT BOX                     |
| 5   | 141273-05-02B | EA  | COVER - ELECTRICAL BOX - E-COATED                       |
| 6   | 098196-01-000 | EA  | LATCH - 1/4 TURN - T-BAR                                |
| 7   | 098379-04-000 | EA  | LABEL - ELECTRICAL BOX - SIDE                           |
| 8   | 086273-01-000 | EA  | RELAY - BATTERY DISCONNECT                              |

### COMPONENT PARTS FOR CHASSIS

**086280-01-000**

| KEY | PART NUMBER   | U/M | DESCRIPTION      | VENDOR NO. |
|-----|---------------|-----|------------------|------------|
|     | 086280-01-700 | EA  | BULB,12V - #1414 | ARP1089    |

# EXTERIOR BODY GROUP GRAPHICS & PAINT



| KEY | PART NUMBER         | U/M | DESCRIPTION  |
|-----|---------------------|-----|--|
| 1   | 109506-01-000       | EA  | FILM-URETHANE PROTECTANT   |
| 2   | 124806-01-CHT (58A) | EA  | DECAL-ITASCA W/ICON - DK CHERRY/BRT WHITE                              |
| 3   | 132864-02-CHT (01A) | EA  | DECAL-DOMED WINNEBAGO - CHROME/RED/BLACK                               |
| 4   | 144587-02-CHT (33A) | EA  | DECAL-ITASCA - DK CHERRY/BRT WHITE                                     |
| 5   | 151687-02-CHT (01A) | EA  | DECAL-DOMED NAMEPLATE ITASCA - CHROME/WHITE/BLACK/TEAL                 |
| 6   | 156432-01-CHT (02A) | EA  | DECAL-SWEEP #1 RH - OLYMPIC GOLD                                       |
| 7   | 156432-02-CHT (02A) | EA  | DECAL-SWEEP #1 LH - OLYMPIC GOLD                                       |
| 8   | 156433-01-CHT (02A) | EA  | DECAL-SWEEP #2 RH - DK CHERRY  |
| 9   | 156433-02-CHT (02A) | EA  | DECAL-SWEEP #2 LH - DK CHERRY  |
| 10  | 156434-01-CHT (02A) | EA  | DECAL-SWEEP #3 RH - CHARCOAL MET II                                    |
| 11  | 156434-02-CHT (02A) | EA  | DECAL-SWEEP #3 LH - CHARCOAL MET II                                    |
| 12  | 156435-01-CHT (02A) | EA  | DECAL-SWEEP #4 RH - DK CHERRY/OLYMPIC GOLD                             |
| 13  | 156435-02-CHT (02A) | EA  | DECAL-SWEEP #4 LH - DK CHERRY/OLYMPIC GOLD                             |
| 14  | 156436-01-CHT (02A) | EA  | DECAL-SWEEP #5 RH - SMOKE  |
| 15  | 156436-02-CHT (02A) | EA  | DECAL-SWEEP #5 LH - SMOKE  |
| 16  | 156437-01-CHT (02A) | EA  | DECAL-HOOK RH - DK CHERRY  |
| 17  | 156437-02-CHT (02A) | EA  | DECAL-HOOK LH - DK CHERRY  |
| 18  | 156438-01-CHT (02A) | EA  | DECAL-OVHD - DK CHERRY/OLYMPIC GOLD                                    |
| 19  | 156439-01-CHT (01A) | EA  | DECAL-IMPULSE LG - BRT WHITE/BLACK/LT GOLD/SILVER/LT CHARCOAL MET II   |
| 20  | 156439-02-CHT (01A) | EA  | DECAL-IMPULSE SML - BRT WHITE/BLACK/LT GOLD/SILVER/LT CHARCOAL MET II  |
| 21  | 141599-41-000       | GL  | PAINT-SILVER MET - DUPONT #P373-P7444 CDI TO MATCH SHERWIN WILLIAMS    |
| 22  | 141599-37-000       | GL  | PAINT-LT AUTUMN MET - DUPONT #P373-P7441 CDI TO MATCH SHERWIN WILLIAMS |
| 23  | 141599-27-000       | GL  | PAINT-IMRON CLEAR 55 GAL - DUPONT #34405                               |

7. CLEAR COAT TO BE APPLIED TO PAINTED AREAS TO PROTECT PAINT.

6. CUT OFF DECAL AT FEATURE TRIM.

5. LOCATE DECAL 240 MM LEFT OF HOOD EDGE AND 60 MM UP FROM FRONT EDGE OF HOOD.

4. LOGO IS TO BE  $\pm 1$  MM ON A HORIZONTAL PLANE (END TO END).

3. FILM TO PROTECT BOTTOM OF DOOR FROM SCUFF MARKS.

2. CENTERED ON UNIT.

1. APPLY PROTECTOR 116424-01-000 TO WATER HEATER DOOR LATCH.

**NOTES:**

| KEY | PART NUMBER   | U/M | DESCRIPTION                          |
|-----|---------------|-----|--------------------------------------|
|     | 004308-01-000 | EA  | PAINT - BLACK SPRAY                  |
|     | 041561-03-000 | EA  | PAINT/SPRAY - 12 OZ. NET - OFF WHITE |

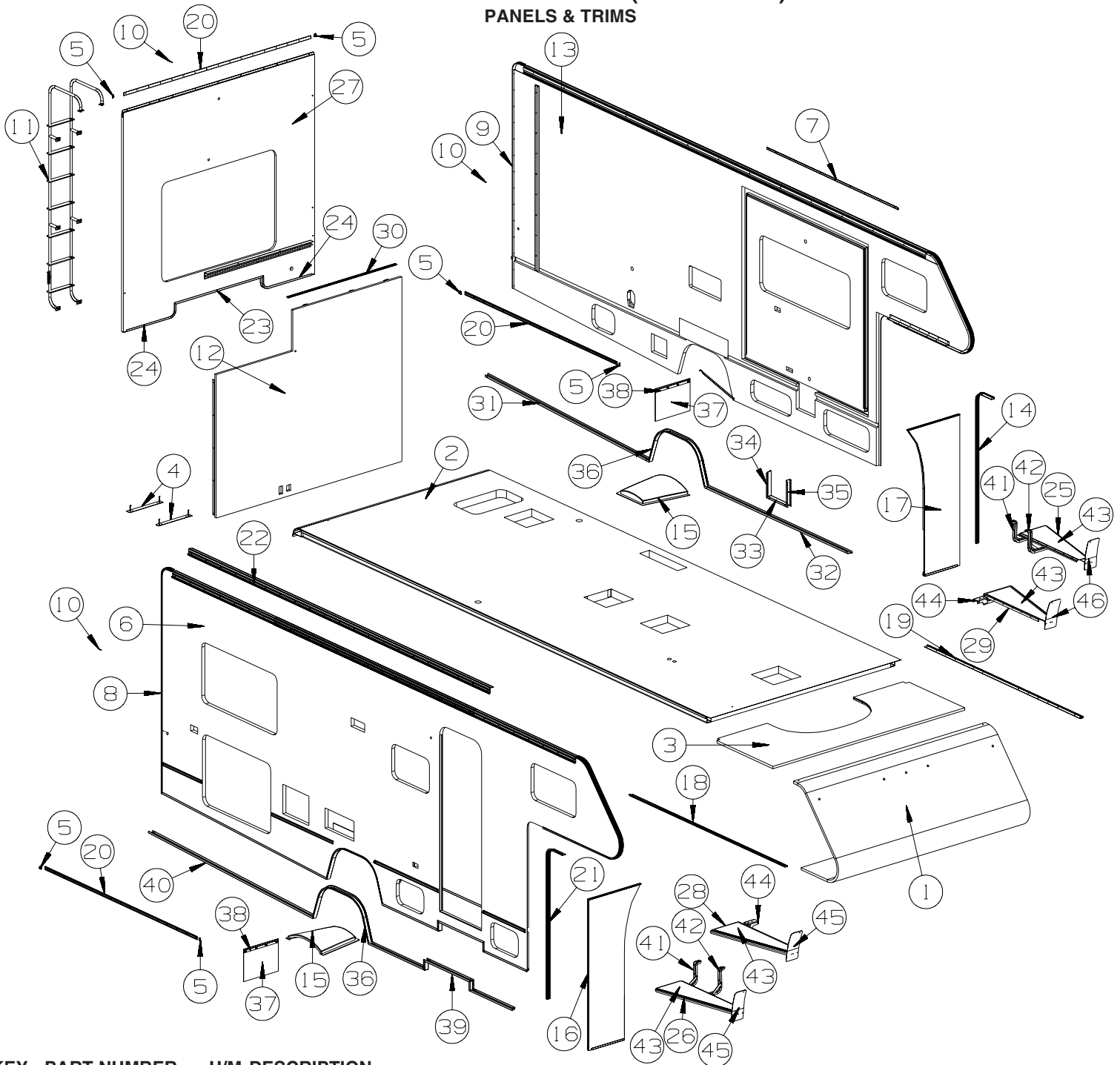
(26H) EXT GRAPHIC/PAINT-DLX PKG 2

(26F) EXT GRAPHIC/PAINT DLX PKG 1

(27G) EXTERIOR GRAPHICS PACKAGE #1

**DUPONT COLOR CODES ARE NOW FOUND IN THE PAINT CODE MANUAL.  
YOU CAN FIND THIS MANUAL ON YOUR DEALER INDEX WEBPAGE UNDER SERVICE.**

## EXTERIOR BODY GROUP (CONTINUED) PANELS & TRIMS

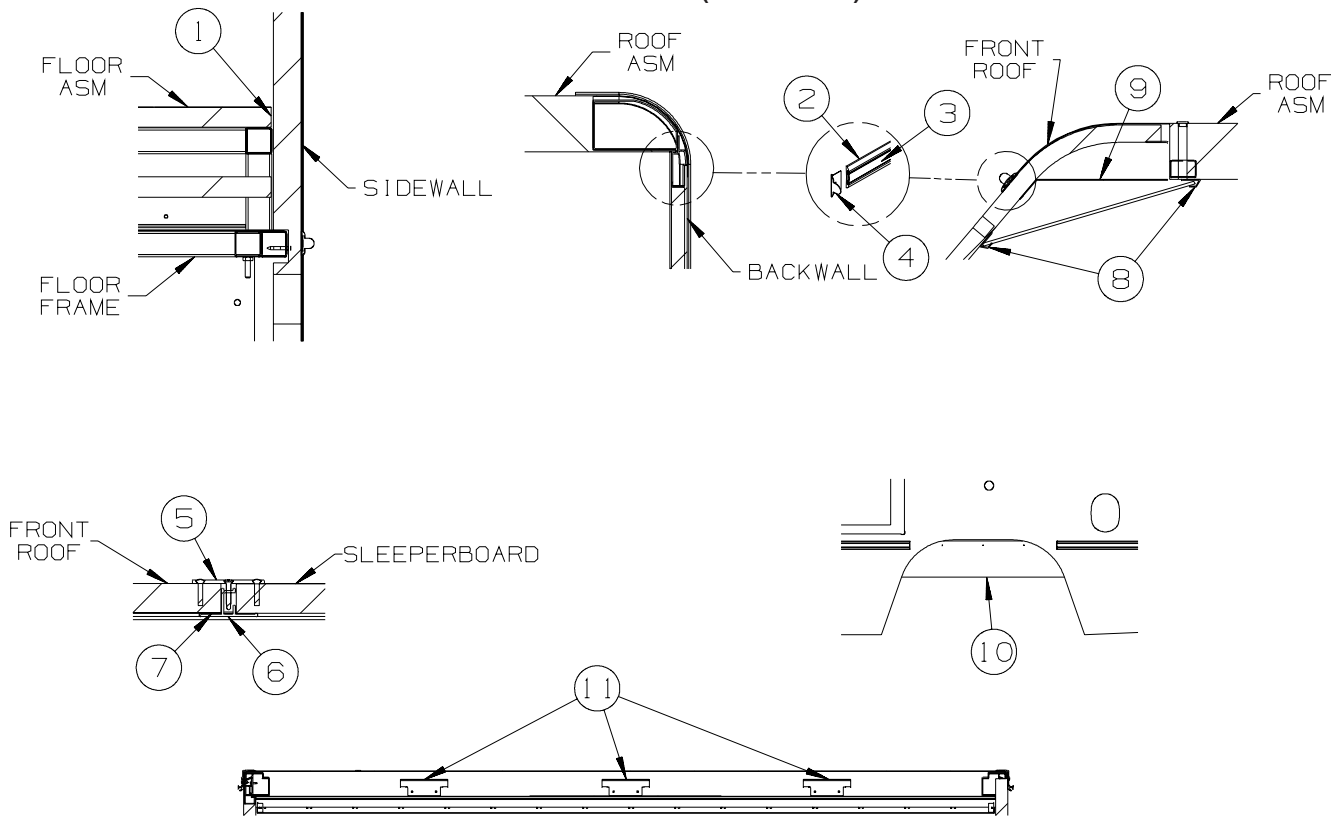


| KEY | PART NUMBER   | U/M | DESCRIPTION   |
|-----|---------------|-----|---|
| 1   | P55962-01-U01 | EA  | ROOF - FRONT SECTION - W/O LIGHTS/VENTS - W/WIRING  |
| 2   | 163876-01-W07 | EA  | ROOF - W/O LIGHTS/VENTS - W/WIRING                  |
| 3   | 125129-01-U01 | EA  | SLEEPERBOARD  |
| 4   | 156675-02-02B | EA  | STRAP - WATER TANK - E-COATED                       |
| 5   | 108651-01-01A | EA  | END CAP - FEATURE STRIP                             |
| 6   | P63871-01-W07 | EA  | SIDEWALL - PASSENGER - W/O WINDOWS/TRIMS (W07, W08) |
| 6   | P63871-01-W09 | EA  | SIDEWALL - PASSENGER - W/O WINDOWS/TRIMS (W09, W10) |
| 7   | 156981-02-01A | EA  | RAIL - AWNING - 83.3" - BRIGHT WHITE                |
| 8   | 160807-01-01A | EA  | TRIM - CONTOUR - 98.7" - W/O INSERT - BRIGHT WHITE  |
| 9   | 160807-02-01A | EA  | TRIM - CONTOUR - 98.7" - W/O INSERT - BRIGHT WHITE  |
| 10  | 105312-01-07A | EA  | INSERT - FEATURE STRIP - VINYL - BRIGHT WHITE       |
| 11  | 129639-05-01A | EA  | LADDER - 95.5" - 7 STEP - BRUSHED ALUMINUM          |
| 12  | 160477-01-U01 | EA  | BACKWALL/INNER - W/O REAR CAP (W07, W08)            |
| 12  | 160477-01-W09 | EA  | BACKWALL/INNER - W/O REAR CAP (W09, W10)            |
| 13  | P63874-01-W07 | EA  | SIDEWALL - DRIVER - W/O WINDOWS/TRIMS (W07, W08)    |
| 13  | P63874-01-W09 | EA  | SIDEWALL - DRIVER - W/O WINDOWS/TRIMS (W09, W10)    |

**EXTERIOR BODY GROUP (CONTINUED)**  
**PANELS & TRIMS (CONTINUED)**

| KEY | PART NUMBER   | U/M | DESCRIPTION  |
|-----|---------------|-----|--|
| 14  | 104479-10-02A | EA  | TRIM - WINGWALL - DRIVER SIDE - VERTICAL - BRIGHT WHITE                                  |
| 15  | 112435-03-000 | EA  | WHEELWELL  |
| 16  | 159600-01-T11 | EA  | WINGWALL   |
| 17  | 159600-02-T11 | EA  | WINGWALL   |
| 18  | 136826-07-01A | EA  | TRIM - CONTOUR - 99.1" - BRIGHT WHITE  |
| 19  | 136826-08-01A | EA  | TRIM - CONTOUR - 99.1" - BRIGHT WHITE  |
| 20  | 108688-06-03A | EA  | STRIP - FEATURE - W/O INSERT/END CAPS - 96.9" - BRIGHT WHT                               |
| 21  | 104479-09-02A | EA  | TRIM - WINGWALL - PASSENGER SIDE - VERTICAL - BRIGHT WHITE                               |
| 22  | 156840-01-01A | EA  | RAIL - AWNING - 192" - BRIGHT WHITE  |
| 23  | 103335-02-02A | EA  | TRIM - BACKWALL - LOWER/CENTER - 46.3" - BRIGHT WHITE                                    |
| 24  | 156623-03-02A | EA  | TRIM - BACKWALL/LOWER - 27" - BRIGHT WHITE   |
| 25  | 159045-02-01A | EA  | BOARD - RUNNING - LEFT HAND/TAPPERED - BLACK - CHEVY                                     |
| 26  | 159045-01-01A | EA  | BOARD - RUNNING - RIGHT HAND/TAPPERED - BLACK - CHEVY                                    |
| 27  | P63878-01-W07 | EA  | BACKWALL - W/O WINDOW/TRIMS  |
| 28  | 146148-01-01A | EA  | BOARD - RUNNING - RIGHT HAND/TAPPERED - BLACK  |
| 29  | 146148-02-01A | EA  | BOARD - RUNNING - LEFT HAND/TAPPERED - BLACK   |
| 30  | 114248-05-01A | EA  | ANGLE - PLASTIC - .7" X .4" X 56.5" - MODERN IVORY                                       |
| 31  | 159670-23-01A | EA  | TRIM/SIDEWALL - U-CHANNEL - 1.8" X .8" X 105" - BRT WHT<br>FROM: 00-00-00 THRU: 03-16-08 |
| 31  | 168193-23-01A | EA  | TRIM/SIDEWALL - U-CHANNEL - 1.7" X .8" X 105"<br>FROM: 03-17-08 THRU: 99-99-99           |
| 32  | 159670-24-01A | EA  | TRIM/SIDEWALL - U-CHANNEL - 1.8" X .8" X 92" - BRT WHT<br>FROM: 00-00-00 THRU: 03-16-08  |
| 32  | 168193-24-01A | EA  | TRIM/SIDEWALL - U-CHANNEL - 1.7" X .8" X 92"<br>FROM: 03-17-08 THRU: 99-99-99            |
| 33  | 159670-27-01A | EA  | TRIM/SIDEWALL - U-CHANNEL - 1.8" X .8" X 13.3" - BRT WHT                                 |
| 34  | 159670-29-01A | EA  | TRIM/SIDEWALL - U-CHANNEL - 1.8" X .8" X 11.5" - BRT WHT                                 |
| 35  | 159670-28-01A | EA  | TRIM/SIDEWALL - U-CHANNEL - 1.8" X .8" X 11.5" - BRT WHT                                 |
| 36  | 127848-02-01A | EA  | TRIM - WHEELWELL - BRIGHT WHITE  |
| 37  | 017516-01-000 | EA  | MUD FLAP - 14"H X 18"W - W/O MOUNTING HOLES - RUBBER - BLK                               |
| 38  | 140922-01-02B | EA  | RETAINER - MUD FLAP - 1" X 17.7" - E-COATED/BLACK  |
| 39  | 159668-02-U01 | EA  | TRIM - PASSENGER SIDEWALL W/ENTRY DOOR NOTCH - 91.9"<br>FROM: 00-00-00 THRU: 03-16-08    |
| 39  | 168170-02-W01 | EA  | TRIM - PASSENGER SIDEWALL W/ENTRY DOOR NOTCH - 92.2"<br>FROM: 03-17-08 THRU: 99-99-99    |
| 40  | 159670-22-01A | EA  | TRIM/SIDEWALL - U-CHANNEL - 1.8" X .8" X 105" - BRT WHT<br>FROM: 00-00-00 THRU: 03-16-08 |
| 40  | 168193-22-01A | EA  | TRIM/SIDEWALL - U-CHANNEL - 1.7" X .8" X 105"<br>FROM: 03-17-08 THRU: 99-99-99           |
| 41  | 159045-05-01A | EA  | BRACKET/SUPPORT - F/RUNNING BOARD - GALVONIZED - CHEVY                                   |
| 42  | 159045-04-01A | EA  | BRACKET/SUPPORT - F/RUNNING BOARD - GALVONIZED - CHEVY                                   |
| 43  | 146515-01-01A | EA  | MAT - ANTI SLIP - RIGHT HAND - BLACK   |
| 43  | 146515-02-01A | EA  | MAT - ANTI SLIP - LEFT HAND - BLACK  |
| 44  | 146180-01-02B | EA  | BRACKET - RUNNING BOARD - E-COATED<br>FROM: 00-00-00 THRU: 07-29-07                      |
| 44  | 146180-02-02B | EA  | BRACKET - RUNNING BOARD - E-COATED<br>FROM: 07-30-07 THRU: 99-99-99                      |
| 45  | 146148-03-01A | EA  | GUARD - MUD FLAP/RIGHT - BLACK   |
| 46  | 146148-04-01A | EA  | GUARD - MUD FLAP/LEFT - BLACK  |

## EXTERIOR BODY GROUP (CONTINUED) PANELS & TRIMS (CONTINUED)



| KEY | PART NUMBER   | U/M | DESCRIPTION  |
|-----|---------------|-----|--|
| 1   | 104692-01-000 | FT  | SEAL - ADHESIVE BACKED FOAM - 3/4" THICK X 3/4" WIDE X 25' |
| 2   | 108688-08-03A | EA  | STRIP - FEATURE - W/O INSERT/END CAPS - 95.9" - BRIGHT WHT |
| 3   | 105312-01-07A | FT  | INSERT - FEATURE STRIP - VINYL - BRIGHT WHITE              |
| 4   | 108651-01-03A | EA  | END CAP - FEATURE STRIP - BRIGHT WHITE                     |
|     | 108651-01-01A | EA  | END CAP - FEATURE STRIP - UNPAINTED                        |
| 5   | 100085-05-01A | EA  | TRIM/STRAP - SLEEPERBOARD - OFF/WHITE - 92.9"              |
| 6   | 100086-03-02A | EA  | TRIM - SLEEPER BOARD BRIGHT WHITE - 2" X 96.5"             |
| 7   | 154585-04-01A | FT  | SEAL - FOAM TAPE - ADHESIVE BACK - 5/8" X 1/8" - WHITE     |
| 8   | 141829-01-01A | EA  | TRIM - J MOLDING - OFF WHITE - 96"                         |
| 9   | 156794-01-02B | EA  | BRACKET/SUPPORT - 25" - E-COATED                           |
| 10  | 121948-02-000 | EA  | SHIELD - SIGHT   |
| 11  | 134774-04-02B | EA  | BRACKET - CAP ATTACHMENT - E-COATED                        |



## EXTERIOR BODY GROUP (CONTINUED)

### MIRRORS

| KEY | PART NUMBER   | U/M | DESCRIPTION   |
|-----|---------------|-----|---|
| *   | 133908-10-01A | EA  | MIRROR/PASS - 102" C BODY/FORD 4-BOLT MT - BRIGHT WHITE                             |
| *   | 133908-11-01A | EA  | MIRROR/DRVR - 102" C BODY/FORD 4-BOLT MT - BRIGHT WHITE                             |
| *   | 133908-12-01A | EA  | MIRROR/PASS-102" C BODY/FORD 4 BLT MT-HEAT/REMOTE-B/W - MIRRORS-EXTERIOR W/DEFROST  |
| *   | 133908-13-01A | EA  | MIRROR/DRVR-102" C BODY/FORD 4-BLT MT-HEAT/REMOTE-B/W - MIRRORS-EXTERIOR W/DEFROST  |
| *   | 133908-05-02A | EA  | MIRROR/PASS - 102" WIDE BODY/CHEVY - BRIGHT WHITE - CHEVY                           |
| *   | 133908-06-02A | EA  | MIRROR/DRVR - 102" WIDE BODY/CHEVY - BRIGHT WHITE - CHEVY                           |
| *   | 133908-07-02A | EA  | MIRROR/PASS - 102" C BODY/CHEVY -HEAT/REMOTE BW - CHEVY, MIRRORS-EXTERIOR W/DEFROST |
| *   | 133908-08-02A | EA  | MIRROR/DRVR - 102" C BODY/CHEVY-HEAT/REMOTE BW - CHEVY, MIRRORS-EXTERIOR W/DEFROST  |

**\*COMPONENT PARTS LISTED LATER IN THIS GROUP**

### COMPONENT PARTS FOR MIRRORS

#### 133908-05, 133908-06, 133908-10, 133908-11, 133908-14, 133908-15, -01A/02A

| KEY | PART NUMBER   | U/M | DESCRIPTION                  | VENDOR NO. |
|-----|---------------|-----|------------------------------|------------|
|     | 117051-01-700 | EA  | MIRROR-CONVEX                | 723068-4   |
|     | 120269-01-700 | EA  | GLASS KIT W/BEZEL RH/LH      | 709407-8   |
|     | 133908-03-700 | EA  | CAP - RECT/BLACK-W/O LIGHT   | 709577     |
|     | 133908-04-700 | EA  | CAP-MIRROR/ROUND - W/O LIGHT | 7095470    |

#### 133908-07, 133908-08, 133908-12, -01A/-02A/-03A

| KEY | PART NUMBER   | U/M | DESCRIPTION                  | VENDOR NO. |
|-----|---------------|-----|------------------------------|------------|
|     | 117051-01-700 | EA  | MIRROR-CONVEX                | 723068-4   |
|     | 120269-05-701 | EA  | GLASS-HTD/REM RH/LH W/CONVEX | 709411     |
|     | 133908-03-700 | EA  | CAP - RECT/BLACK-W/O LIGHT   | 709557     |
|     | 133908-04-700 | EA  | CAP-MIRROR/ROUND - W/O LIGHT | 7095470    |

#### 133908-13-01A/-03A

| KEY | PART NUMBER   | U/M | DESCRIPTION                  | VENDOR NO. |
|-----|---------------|-----|------------------------------|------------|
|     | 117051-01-700 | EA  | MIRROR-CONVEX                | 723068-4   |
|     | 120269-05-701 | EA  | GLASS-HTD/REM RH/LH W/CONVEX | 709411     |
|     | 133908-03-700 | EA  | CAP - RECT/BLACK-W/O LIGHT   | 709577     |
|     | 133908-04-700 | EA  | CAP-MIRROR/ROUND - W/O LIGHT | 7095470    |
|     | 133908-13-700 | EA  | MOTOR/ACTUATOR               | 747782     |

**EXTERIOR BODY GROUP (CONTINUED)**  
**STRUCTURAL COMPONENTS**

| <b>KEY</b> | <b>PART NUMBER</b> | <b>U/M</b> | <b>DESCRIPTION</b>   |
|------------|--------------------|------------|--|
|            | 002365-03-006      | EA         | U-CHANNEL - EXTRUDED - 1" X 192" - BRIGHT WHITE            |
|            | 002726-01-001      | EA         | GARNISH - U-CHANNEL - 1.38" X 19' - SERRATED               |
|            | 002766-01-001      | EA         | ANGLE - EXTRUDED - 1" X 1 1/2" X 17'                       |
|            | 076054-AC-000      | EA         | FIBERGLASS SHEET - 20" X 99.8" - OFF WHITE                 |
|            | 108535-10-01A      | SF         | FIBERGLASS SHEET - 99" X 500' ROLL - BRIGHT WHITE          |
|            | 162931-06-01A      | EA         | FIBERGLASS SHEET - 56.4" X 99.8" - BRIGHT WHITE            |
|            | 162931-10-01A      | EA         | FIBERGLASS SHEET - 31.1" X 68.2" - BRIGHT WHITE            |
|            | 162931-15-01A      | EA         | FIBERGLASS SHEET - 4" X 93.8" - BRIGHT WHITE               |
|            | 162931-22-01A      | EA         | FIBERGLASS SHEET - 102.6" X 346.3" - BRIGHT WHITE          |
|            | 162931-23-01A      | EA         | FIBERGLASS SHEET - 71.8" X 99.8" - BRIGHT WHITE            |
|            | 162931-33-01A      | EA         | FIBERGLASS SHEET - 31.1" X 69.3" - BRIGHT WHITE            |
|            | 089297-01-000      | SF         | PLYWOOD - LUAN - OVERLAY GRADE - 4' X 8'                   |
|            | 089297-03-000      | SF         | PLYWOOD - LUAN - OVERLAY GRADE - 4' X 8.3'                 |
|            | 100619-01-000      | BF         | FOAM - EXPANDED POLYSTYRENE - 1.34" X 48" X 96"            |
|            | 100619-02-000      | BF         | FOAM - EXPANDED POLYSTYRENE - 1.5" X 48" X 96"             |
|            | 100619-04-000      | BF         | FOAM - EXPANDED POLYSTYRENE - .5" X 48" X 96"              |
|            | 100619-05-000      | BF         | FOAM - EXPANDED POLYSTYRENE - .75" X 48" X 96"-1.5"DENSITY |
|            | 100619-16-000      | BF         | FOAM - EXPANDED POLYSTYRENE - .75" X 48" X 96"-2" DENSITY  |
|            | 100619-27-000      | BF         | FOAM - EXPANDED POLYSTYRENE - 3" X 48" X 92.8"             |
|            | 116942-03-01A      | LB         | ALUMINUM - .7" X 40" X 158"                                |

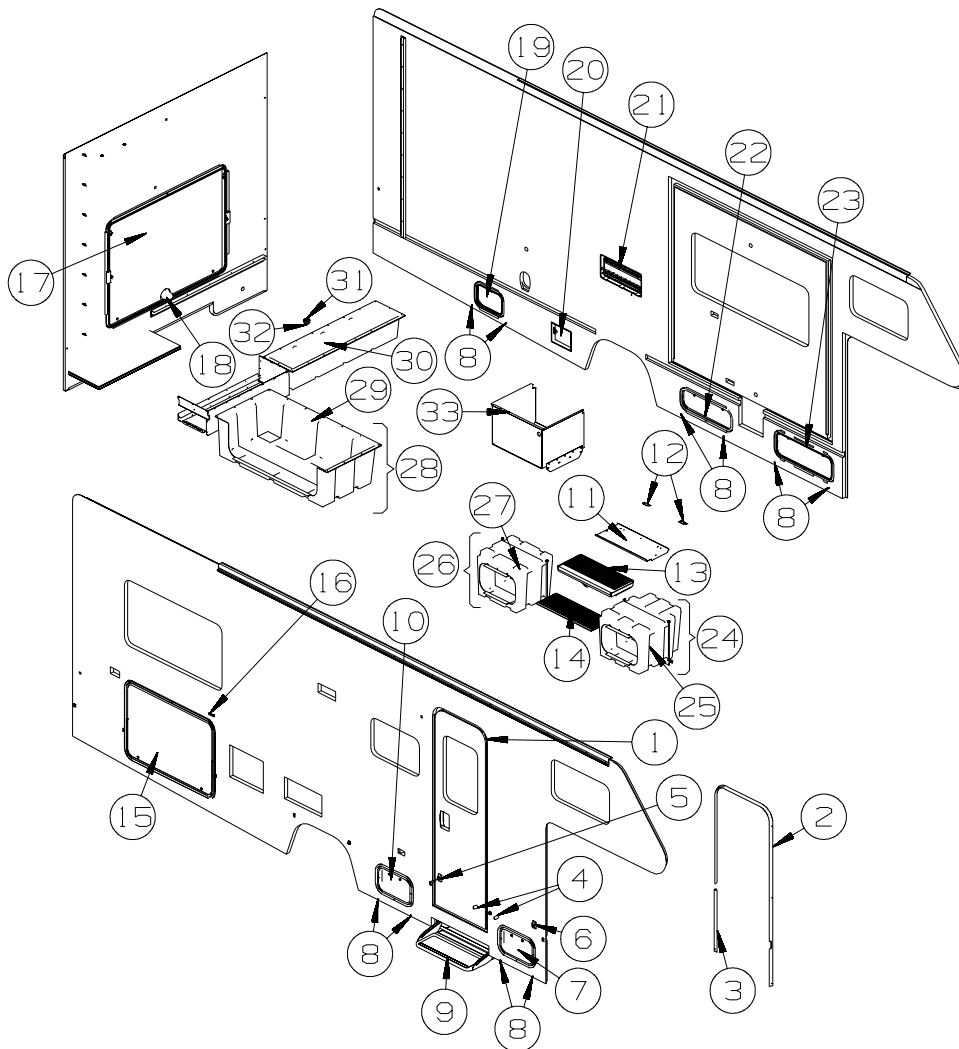
**AWNINGS**

**ORDER AWNINGS & REPAIR PARTS FROM DOMETIC. CALL #800-366-3842.**  
**THE DOMETIC AWNING INFORMATION YOU WILL NEED IS LOCATED ON THE MOTOR HOME NEAR**  
**THE TOP OF THE AWNING RAIL.**

| <b>KEY</b> | <b>PART NUMBER</b> | <b>U/M</b> | <b>DESCRIPTION</b>                                 |
|------------|--------------------|------------|--|
|            | 113874-11-01A      | EA         | SCREW/LAG - AWNING - 1/4" X 1" STAINLESS STEEL     |
|            | 113874-12-01A      | EA         | SCREW/LAG - AWNING - 1/4" X 2 3/4" STAINLESS STEEL |
|            | 127647-02-01A      | EA         | ROD/AWNING GUARD - ENTRY DOOR - 12.7" LONG         |
|            | 127960-01-01A      | EA         | RETAINER - EYE - 3/8" - STAINLESS STEEL            |
|            | 161739-01-02A      | EA         | BRACKET - AWNING - BRIGHT WHITE                    |

# EXTERIOR DOORS & COMPARTMENTS GROUP

## DOORS & COMPARTMENTS LAYOUT



| KEY | PART NUMBER | U/M           | DESCRIPTION   |
|-----|-------------|---------------|---|
|     | 1           | P32206-09-U01 | EA DOOR - ENTRY W/SCREEN DOOR - W/O WINDOW/LATCH (W07, W08) |
|     | 1           | P32206-09-W09 | EA DOOR - ENTRY W/SCREEN DOOR - W/O WINDOW/LATCH (W09, W10) |

### ENTRY DOOR LOCK CYLINDERS & KEYS

|               |    |  |
|---------------|----|--|
| 138287-11-000 | EA | CYLINDER/LOCK - ENTRY DOOR - MASTER W/3M ICON - (3041) |
| 138287-12-000 | EA | CYLINDER/LOCK - ENTRY DOOR - MASTER W/3M ICON - (3042) |
| 138287-13-000 | EA | CYLINDER/LOCK - ENTRY DOOR - MASTER W/3M ICON - (3043) |
| 138287-14-000 | EA | CYLINDER/LOCK - ENTRY DOOR - MASTER W/3M ICON - (3044) |
| 138287-15-000 | EA | CYLINDER/LOCK - ENTRY DOOR - MASTER W/3M ICON - (3045) |
| 138287-16-000 | EA | CYLINDER/LOCK - ENTRY DOOR - MASTER W/3M ICON - (3046) |
| 138287-17-000 | EA | CYLINDER/LOCK - ENTRY DOOR - MASTER W/3M ICON - (3047) |
| 138287-18-000 | EA | CYLINDER/LOCK - ENTRY DOOR - MASTER W/3M ICON - (3048) |
| 138287-19-000 | EA | CYLINDER/LOCK - ENTRY DOOR - MASTER W/3M ICON - (3049) |
| 138287-20-000 | EA | CYLINDER/LOCK - ENTRY DOOR - MASTER W/3M ICON - (3050) |
| 138288-11-000 | EA | KEY - REVERSIBLE - #3041 - T/M 16169-02-3041           |
| 138288-12-000 | EA | KEY - REVERSIBLE - #3042 - T/M 16169-02-3042           |
| 138288-13-000 | EA | KEY - REVERSIBLE - #3043 - T/M 16169-02-3043           |
| 138288-14-000 | EA | KEY - REVERSIBLE - #3044 - T/M 16169-02-3044           |
| 138288-15-000 | EA | KEY - REVERSIBLE - #3045 - T/M 16169-02-3045           |
| 138288-16-000 | EA | KEY - REVERSIBLE - #3046 - T/M 16169-02-3046           |
| 138288-17-000 | EA | KEY - REVERSIBLE - #3047 - T/M 16169-02-3047           |
| 138288-18-000 | EA | KEY - REVERSIBLE - #3048 - T/M 16169-02-3048           |
| 138288-19-000 | EA | KEY - REVERSIBLE - #3049 - T/M 16169-02-3049           |
| 138288-20-000 | EA | KEY - REVERSIBLE - #3050 - T/M 16169-02-3050           |
| 138292-01-000 | EA | SEAL - LOCK CYLINDER                                   |

### VALANCE DOOR & WATER FILL DOOR KEYS

|               |    |                   |
|---------------|----|-------------------|
| 138637-51-000 | EA | KEYS - SET OF TWO |
| 138637-51-001 | EA | KEYS - SET OF TWO |

**EXTERIOR DOORS & COMPARTMENTS GROUP (CONTINUED)**  
**DOORS & COMPARTMENTS LAYOUT (CONTINUED)**

| KEY | PART NUMBER                                    | U/M | DESCRIPTION  |
|-----|--|-----|--|
|     | <b>VALANCE DOOR &amp; WATER FILL DOOR KEYS</b> |     |  |
|     | 138637-51-002                                  | EA  | KEYS - SET OF TWO  |
|     | 138637-51-003                                  | EA  | KEYS - SET OF TWO  |
|     | 138637-51-004                                  | EA  | KEYS - SET OF TWO  |
|     | 138637-51-005                                  | EA  | KEYS - SET OF TWO  |
|     | 138637-51-006                                  | EA  | KEYS - SET OF TWO  |
|     | 138637-51-007                                  | EA  | KEYS - SET OF TWO  |
|     | 138637-51-008                                  | EA  | KEYS - SET OF TWO  |
|     | 138637-51-009                                  | EA  | KEYS - SET OF TWO  |
| 2   | 139100-02-01A                                  | EA  | GARNISH/RADIUS - ENTRY DOOR - BRIGHT WHITE                               |
| 3   | 139101-02-01A                                  | EA  | GARNISH/STRAIGHT - 35.31" - W/O NOTCHES - BRIGHT WHITE                   |
| 4   | 117046-02-000                                  | EA  | BUMPER - RUBBER/ROUND END - 1.5"   |
| 5   | 104099-01-04A                                  | EA  | CATCH - DOOR HOLDER - STRIKE - 3.9" - BRIGHT WHITE                       |
| 6   | 104099-02-04A                                  | EA  | CATCH/RETAINER - DOOR HOLDER - BRIGHT WHITE                              |
| 7   | 126946-68-U01                                  | EA  | DOOR/STORAGE - W/O HARDWARE - 17.1" X 10.6"                              |
| 7   | 126946-68-AA1                                  | EA  | DOOR/STORAGE - W/O HARDWARE - 17.1" X 10.6" - EXT GRAPHICS/PAINT-DLX PKG |
| 8   | 153498-01-01A                                  | EA  | BUMPER - RUBBER - WHITE  |
| 8   | 153498-01-02A                                  | EA  | BUMPER - RUBBER - BLACK  |
| 9   | 139748-04-04B                                  | EA  | STEP/PULLOUT - W/BRACKETS - BLACK  |
|     | 102569-04-000                                  | EA  | MAT - ANTI SLIP  |
| 9*  | 094708-05-01A                                  | EA  | STEP - ELECTRIC - SINGLE - BLACK - KWIKEE                                |
| 10  | 126946-68-U01                                  | EA  | DOOR/STORAGE - W/O HARDWARE - 17.1" X 10.6"                              |
| 10  | 126946-68-AA1                                  | EA  | DOOR/STORAGE - W/O HARDWARE - 17.1" X 10.6" - EXT GRAPHICS/PAINT-DLX PKG |
|     | 056795-01-000                                  | FT  | TAPE-SEAL, 1/8" X 3/8" WIDE - PRESS ON                                   |
| 11  | 123330-05-02B                                  | EA  | SUPPORT - ENTRY STEP - E-COATED  |
|     | 116975-01-01A                                  | EA  | LATCH - W/O STRIKE - BLACK - NEW STYLE                                   |
|     | 151104-01-01A                                  | FT  | SEAL - BULB - W/WIRED U CHANNEL - .3" X .5" CHANNEL-BLACK                |
| 12  | 146747-01-02B                                  | EA  | BRACKET/CATCH - E-COATED   |
| 13  | 147781-01-01A                                  | EA  | TREAD/STEP - RUBBER - TAUPE  |
| 14  | 133114-03-01A                                  | EA  | TREAD - STEP/RUBBER - 27.1" X 10.1" - TAUPE - EXTERIOR ACCESSORY PACKAGE |
| 15  | 126946-76-U01                                  | EA  | DOOR/STORAGE - W/O HARDWARE - 42.9" X 30.2"                              |
|     | 056795-01-000                                  | FT  | TAPE-SEAL, 1/8" X 3/8" WIDE - PRESS ON                                   |
| 16  | 102768-01-000                                  | EA  | HOLDER - COMPARTMENT/ENTRY DOOR - METAL - MILL FINISH                    |
| 17  | 148843-01-S01                                  | EA  | DOOR - STORAGE - W/O HARDWARE - 59" X 43.1"                              |
|     | 142569-21-000                                  | EA  | SPRING/GAS - 60 LB - 20" EXTENDED/12" COMPRESSED                         |
|     | 126263-15-02B                                  | EA  | BRACKET - GAS SPRING W/BALL STUD - E-COATED                              |
|     | 156386-01-01A                                  | FT  | SEAL - BULB - .4" X .5" - W/ADHESIVE BACK                                |
| 18  | 156591-01-01A                                  | EA  | COVER - LATCH/VALANCE DOOR   |
| 19  | 126945-17-U01                                  | EA  | DOOR/STORAGE - W/O HARDWARE - 14.4" X 10"                                |
| 19  | 126945-17-AA1                                  | EA  | DOOR/STORAGE - W/O HARDWARE - 14.4" X 10" - EXT GRAPHICS/PAINT-DLX PKG   |
|     | 056795-01-000                                  | FT  | TAPE-SEAL, 1/8" X 3/8" WIDE - PRESS ON                                   |
| 20  | 142894-01-01A                                  | EA  | DOOR/POWER CORD - W/HATCH - W/LOCK - BRIGHT WHITE                        |
| 21* | 084103-08-000                                  | EA  | DOOR - VENT - REFRIGERATOR - W/O JAMB - BRIGHT WHITE                     |
|     | 084104-08-000                                  | EA  | JAMB - VENT DOOR/REFRIGERATOR - BRIGHT WHITE                             |
| 22  | 126946-71-U01                                  | EA  | DOOR/STORAGE - W/O HARDWARE - 25.6" X 8.9"                               |
| 22  | 126946-71-AA1                                  | EA  | DOOR/STORAGE - W/O HARDWARE - 25.6" X 8.9" - EXT GRAPHICS/PAINT-DLX PKG  |
|     | 056795-01-000                                  | FT  | TAPE-SEAL, 1/8" X 3/8" WIDE - PRESS ON                                   |
|     | 156622-01-01A                                  | FT  | SEALER - TAPE - 1/4"THICK X 3"WIDE X 100 FT - WHITE                      |
| 23  | 126946-62-S95                                  | EA  | DOOR/STORAGE - W/O HARDWARE - 28.9" X 10.6"                              |
| 23  | 126946-62-AA1                                  | EA  | DOOR/STORAGE - W/O HARDWARE - 28.9" X 10.6" - EXT GRAPHICS/PAINT-DLX PKG |
|     | 056795-01-000                                  | FT  | TAPE-SEAL, 1/8" X 3/8" WIDE - PRESS ON                                   |
|     | 156622-01-01A                                  | FT  | SEALER - TAPE - 1/4"THICK X 3"WIDE X 100 FT - WHITE                      |
| 24  | 157782-04-U01                                  | EA  | COMPARTMENT - LUGGAGE  |
| 25  | 159400-01-01A                                  | EA  | COMPARTMENT - LUGGAGE - PLASTIC  |
| 26  | 157782-05-U01                                  | EA  | COMPARTMENT - LUGGAGE  |
| 27  | 160153-01-01A                                  | EA  | COMPARTMENT - LUGGAGE - PLASTIC  |
| 28  | 157782-06-U01                                  | EA  | COMPARTMENT - LUGGAGE  |
| 29  | 158098-01-01A                                  | EA  | COMPARTMENT - STORAGE - PLASTIC  |
| 30  | 154720-01-01A                                  | EA  | PAN/DRIP - EXTERIOR FAUCET/TRUNK - W/O FITTINGS                          |
| 30  | 154720-02-01A                                  | EA  | PAN/DRIP - EXTERIOR FAUCET/TRUNK   |
| 31  | 042989-03-000                                  | EA  | FITTING - SPINWELD - 1 1/4"NPT - PLASTIC                                 |
| 32  | 010166-01-000                                  | EA  | PLUG/THREADED - 1 1/4"MPT - PLASTIC - BLACK - UL                         |
| 33  | 156759-03-02B                                  | EA  | COMPARTMENT - POWER CORD - E-COATED                                      |

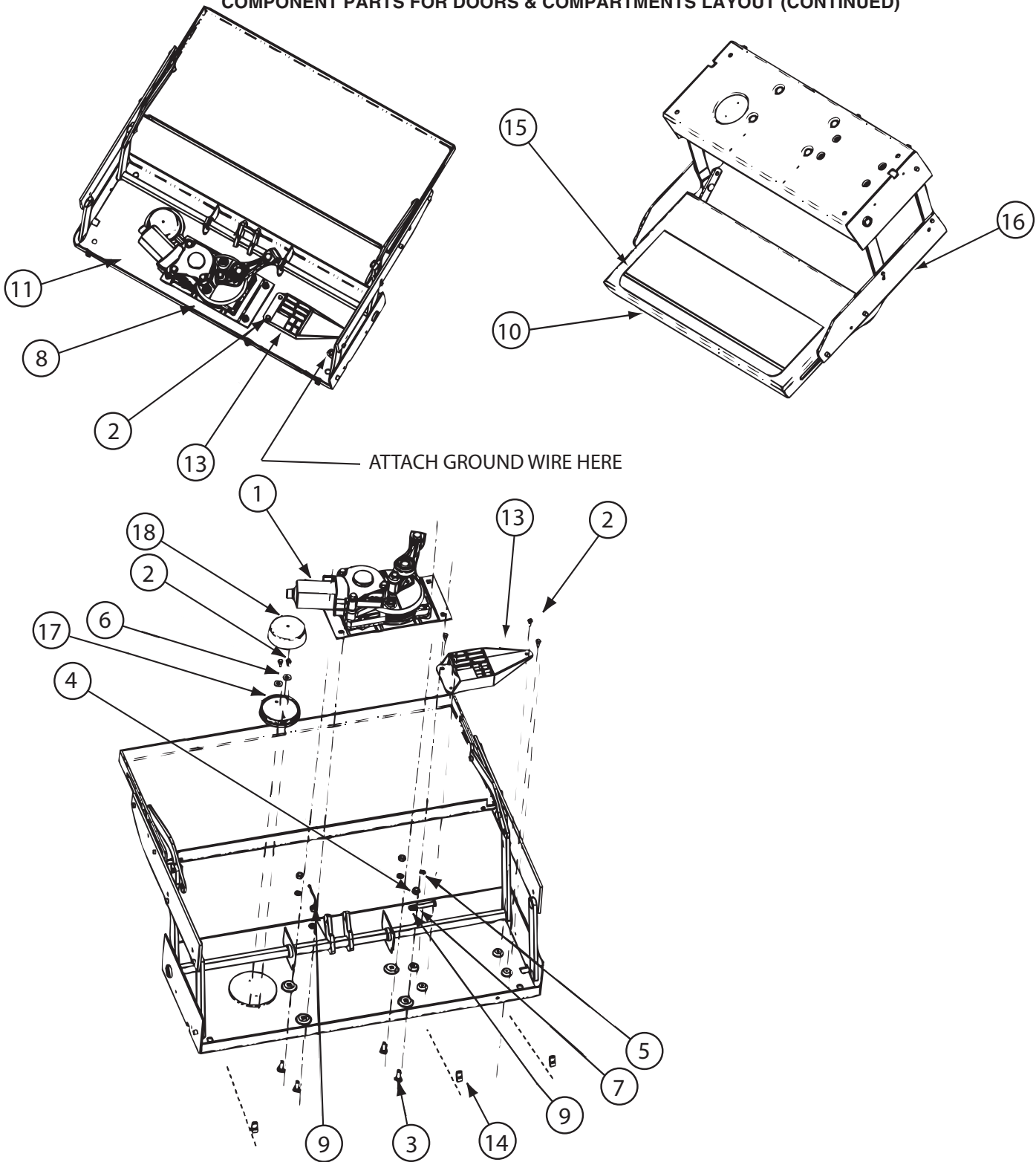
\*COMPONENT PARTS LISTED LATER IN THIS GROUP

**EXTERIOR DOORS & COMPARTMENTS GROUP (CONTINUED)**  
**COMPONENT PARTS FOR DOORS & COMPARTMENTS LAYOUT**

084103-08-000

| <b>KEY</b> | <b>PART NUMBER</b> | <b>U/M</b> | <b>DESCRIPTION</b>    | <b>VENDOR NO.</b> |
|------------|--------------------|------------|-----------------------|-------------------|
|            | 084104-01-700      | EA         | LOCK-MALE, FASTENER   | 201-721-010       |
|            | 084104-01-701      | EA         | LOCK-FEMALE, FASTENER | 201-802-010       |

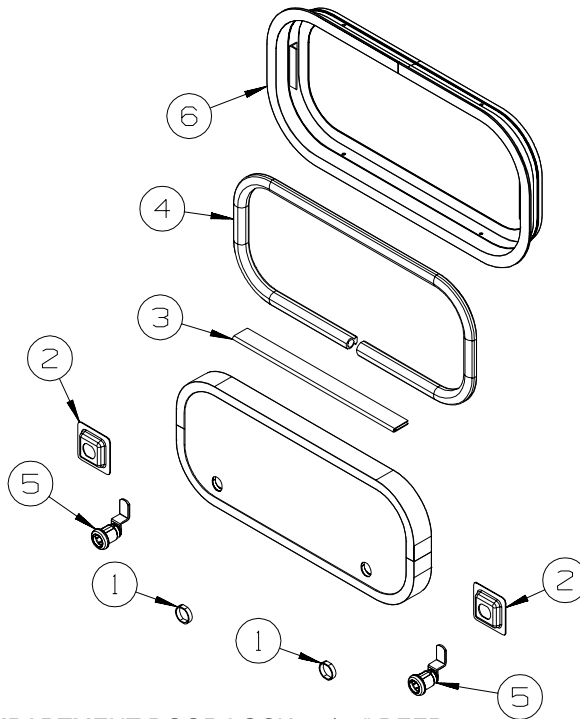
**EXTERIOR DOORS & COMPARTMENTS GROUP (CONTINUED)**  
**COMPONENT PARTS FOR DOORS & COMPARTMENTS LAYOUT (CONTINUED)**



094708-05-01A

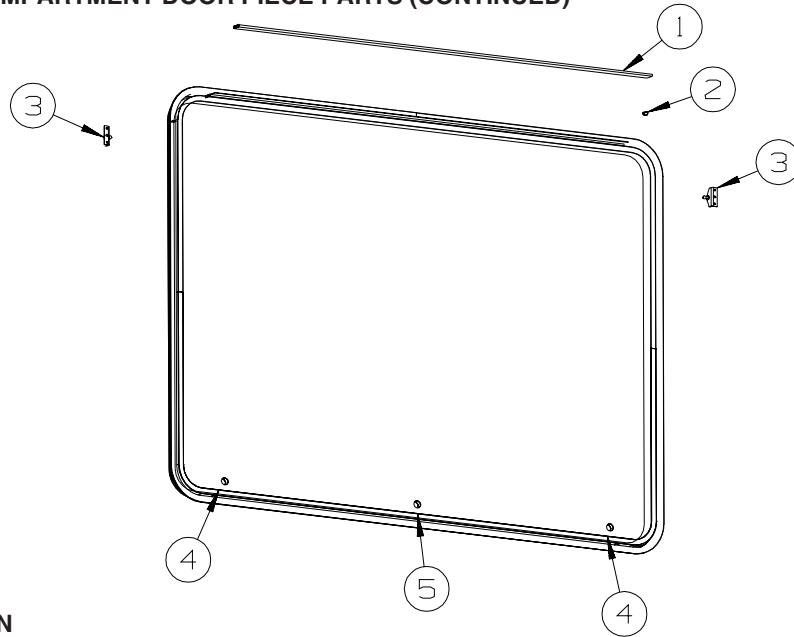
| KEY | PART NUMBER   | U/M | DESCRIPTION  | VENDOR NO. |
|-----|---------------|-----|--|------------|
| 1   | 094707-04-701 | EA  | MOTOR "AM 214" F/IMGL STEPS                            | 1101428    |
| 13  | 094707-04-700 | EA  | CONTROL UNIT W/OVERRIDE                                | 909510000  |
| 15  | 143709-01-702 | EA  | TREAD/NON-SKID 6" X 21" BLK                            | 1915260    |
| 16  | 094708-05-701 | EA  | FRAME W/SGL STEP,28 SERIES                             | 908028000  |
| 17  | 088746-01-705 | EA  | LIGHT-UNDER STEP                                       | 9004       |
|     | 094707-03-701 | EA  | PLUG - 4-WAY - PACKARD                                 | 909306     |
|     | 094707-04-702 | EA  | COTTER PIN - W/CLEVIS PIN                              | 905205000  |
|     | 094707-04-711 | EA  | KWIKTEST - W/4-WAY PIGTAIL                             | 909518000  |
|     | 094708-05-700 | EA  | GEAR BOX W/LINKAGE-STRAIGHT                            | 1101426    |
|     |               |     | CONTACT WINNEBAGO PART SALES FOR UNLISTED COMPONENT(S) |            |

**EXTERIOR DOORS & COMPARTMENTS GROUP (CONTINUED)**  
**COMPARTMENT DOOR PIECE PARTS**



| KEY | PART NUMBER   | U/M | DESCRIPTION  |
|-----|---------------|-----|--|
| 1   | 144734-01-000 | EA  | SPACER - COMPARTMENT DOOR LOCK - 9/16" DEEP                                  |
| 1   | 139325-01-000 | EA  | SPACER - LOCK - 6MM - <b>TRI/MARK KEY ONE</b>                                |
|     | 139337-01-000 | EA  | GASKET - LOCK - <b>TRI/MARK KEY ONE</b>                                      |
| 2   | 097111-02-04A | EA  | POCKET - LOCK - REAR DOOR - BLACK - <b>TRI/MARK KEY ONE</b>                  |
| 3   | 081801-V3-000 | EA  | HINGE - DOOR - PIANO - 2" X 96" - BRIGHT WHITE                               |
| 3   | 081801-FN-000 | EA  | HINGE - DOOR - PIANO - 2" X 96" - BLACK                                      |
| 4   | 156386-01-01A | FT  | SEAL - BULB - .4" X .5" - W/ADHESIVE BACK                                    |
| 5   | 110506-27-000 | EA  | LOCK - TWIST - 1.6" - <b>TWIST LOCK</b>                                      |
|     | 110506-55-000 | EA  | CASE/CYLINDER - TWIST LOCK - W/O CAM - 1.25" - 597312AA1 - <b>TWIST LOCK</b> |
|     | 110506-66-000 | EA  | CAM - LATCHING - DOG LEG - 1.5" LONG - <b>TWIST LOCK</b>                     |
| 5   | 138290-02-000 | EA  | CASE - W/CAM - W/O CYLINDER/KEY - <b>TRI/MARK KEY ONE</b>                    |
| 5   | 138637-04-000 | EA  | LOCK ASM. - KEYED - 1.5" CASE (CYLINDER/CAM/HDWR PKG) - <b>KEYED LOCK</b>    |
|     | 110506-40-000 | EA  | CLIP-E, LOCK ASM - BRIGGS & STRATTON 93981- <b>KEYED LOCK</b>                |
|     | 110506-41-000 | EA  | WASHER-TENSION LOCK ASM - BRIGGS & STRATTON 37512- <b>KEYED LOCK</b>         |
|     | 110506-42-000 | EA  | NUT-LOCK ASM - BRIGGS & STRATTON 310878- <b>KEYED LOCK</b>                   |
|     | 110506-43-000 | EA  | WASHER-FLAT, LOCK ASM - BRIGGS & STRATTON 82089- <b>KEYED LOCK</b>           |
|     | 110506-44-000 | EA  | GASKET-LOCK ASM - BRIGGS & STRATTON - #47701- <b>KEYED LOCK</b>              |
|     | 110506-45-000 | EA  | WASHER - SPUR - BRIGGS & STRATTON - #94771 - <b>KEYED LOCK</b>               |
|     | 144474-01-000 | EA  | ADAPTER - LOCK - 180 DEGREE- <b>KEYED LOCK</b>                               |
|     | 138637-63-000 | EA  | CAM - LATCHING - DOG LEG - 1 1/2" LONG- <b>KEYED LOCK</b>                    |
|     | 138637-53-000 | EA  | CASE/CYLINDER - LOCKING - W/O CAM/KEY - 1.5"- <b>KEYED LOCK</b>              |
|     | 138637-53-001 | EA  | CASE/CYLINDER - LOCKING - W/O CAM/KEY - 1.5"- <b>KEYED LOCK</b>              |
|     | 138637-53-002 | EA  | CASE/CYLINDER - LOCKING - W/O CAM/KEY - 1.5"- <b>KEYED LOCK</b>              |
|     | 138637-53-003 | EA  | CASE/CYLINDER - LOCKING - W/O CAM/KEY - 1.5"- <b>KEYED LOCK</b>              |
|     | 138637-53-004 | EA  | CASE/CYLINDER - LOCKING - W/O CAM/KEY - 1.5"- <b>KEYED LOCK</b>              |
|     | 138637-53-005 | EA  | CASE/CYLINDER - LOCKING - W/O CAM/KEY - 1.5"- <b>KEYED LOCK</b>              |
|     | 138637-53-006 | EA  | CASE/CYLINDER - LOCKING - W/O CAM/KEY - 1.5"- <b>KEYED LOCK</b>              |
|     | 138637-53-007 | EA  | CASE/CYLINDER - LOCKING - W/O CAM/KEY - 1.5"- <b>KEYED LOCK</b>              |
|     | 138637-53-008 | EA  | CASE/CYLINDER - LOCKING - W/O CAM/KEY - 1.5"- <b>KEYED LOCK</b>              |
|     | 138637-53-009 | EA  | CASE/CYLINDER - LOCKING - W/O CAM/KEY - 1.5"- <b>KEYED LOCK</b>              |
| 6   | 056795-01-000 | FT  | TAPE-SEAL, 1/8" X 3/8" WIDE - PRESS ON                                       |

**EXTERIOR DOORS & COMPARTMENTS GROUP (CONTINUED)**  
**COMPARTMENT DOOR PIECE PARTS (CONTINUED)**

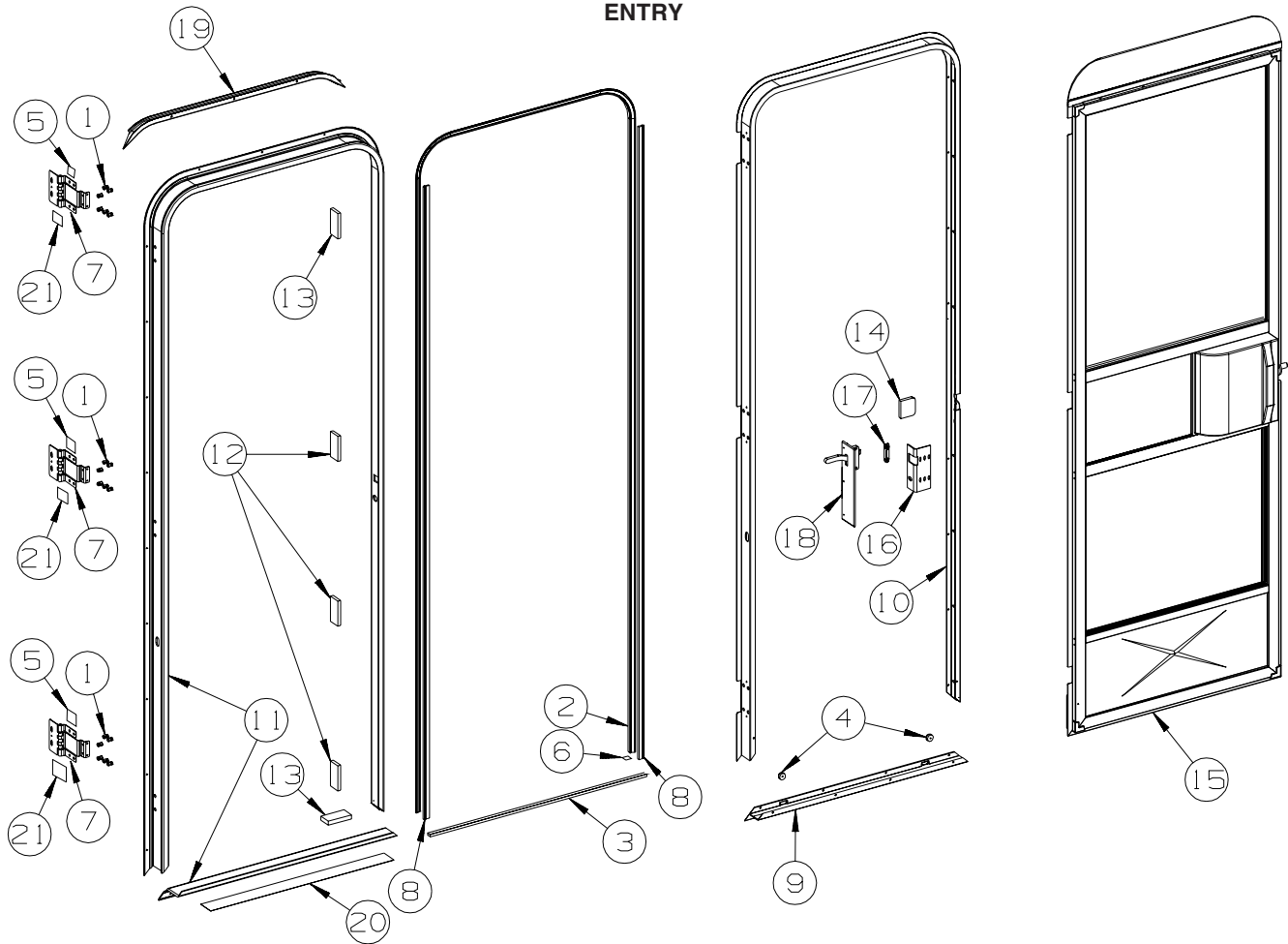


| KEY | PART NUMBER   | U/M | DESCRIPTION  |
|-----|---------------|-----|--|
| 1   | 081801-V3-000 | EA  | HINGE - DOOR - PIANO - 2" X 96" - BRIGHT WHITE           |
| 2   | 156386-01-01A | FT  | SEAL - BULB - .4" X .5" - W/ADHESIVE BACK                |
| 3   | 126263-02-02B | EA  | BRACKET - GAS SPRING W/BALL STUD - E-COATED              |
| 4   | 110506-40-000 | EA  | CLIP-E, LOCK ASM - BRIGGS & STRATTON 93981               |
| 4   | 110506-41-000 | EA  | WASHER-TENSION LOCK ASM - BRIGGS & STRATTON 37512        |
| 4   | 110506-42-000 | EA  | NUT-LOCK ASM - BRIGGS & STRATTON 310878                  |
| 4   | 110506-43-000 | EA  | WASHER-FLAT, LOCK ASM - BRIGGS & STRATTON 82089          |
| 4   | 110506-44-000 | EA  | GASKET-LOCK ASM - BRIGGS & STRATTON - #47701             |
| 4   | 110506-55-000 | EA  | CASE/CYLINDER - TWIST LOCK - W/O CAM - 1.25" - 597312AA1 |
| 4   | 110506-66-000 | EA  | CAM - LATCHING - DOG LEG - 1.5" LONG                     |
| 4   | 144734-01-000 | EA  | SPACER - COMPARTMENT DOOR LOCK - 9/16" DEEP              |
| 5   | 131035-01-000 | EA  | LOCK/COMPRESSION TYPE - KEYED W/CAM & HARDWARE - W/O KEY |
|     | 131035-60-000 | EA  | CAM - LOCK - COMPRESSION                                 |
|     | 139325-01-000 | EA  | SPACER - LOCK - 6MM                                      |



# EXTERIOR DOORS & COMPARTMENTS GROUP (CONTINUED)

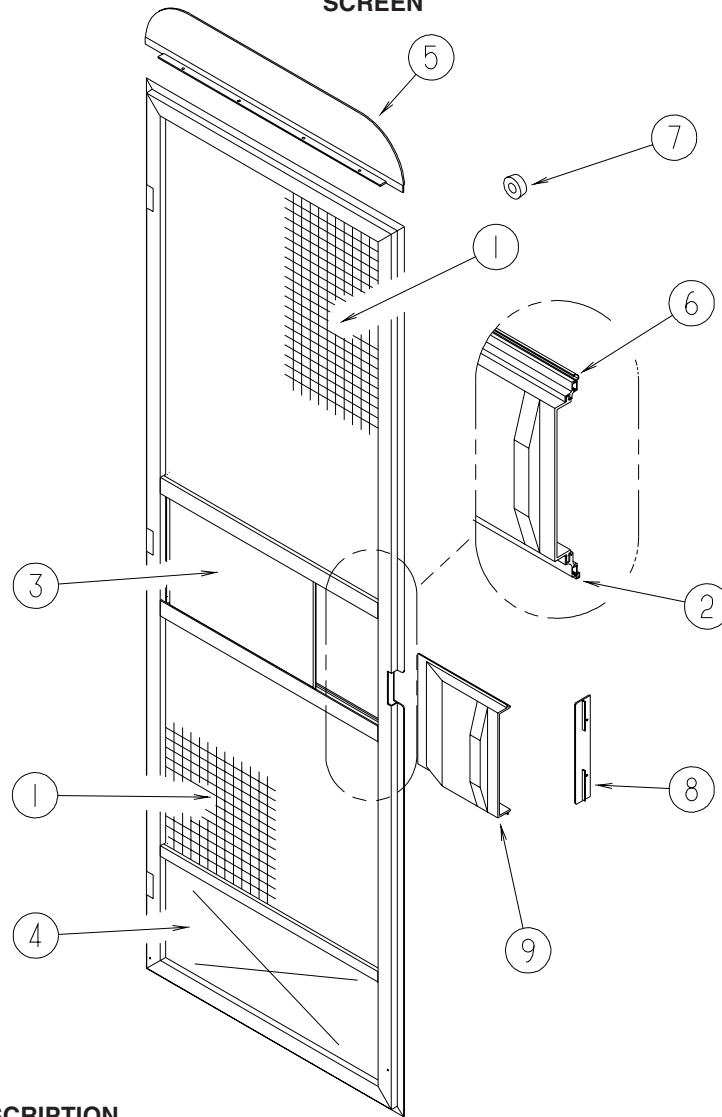
## ENTRY



| KEY | PART NUMBER   | U/M | DESCRIPTION  |
|-----|---------------|-----|--|
| 1   | 039715-01-000 | EA  | NUT-SERT - 1/4" DIAMETER - 20 THREADS                      |
| 2   | 075671-04-000 | FT  | SEAL - SPONGE - LAZY T - W/ADHESIVE STRIP - .5" WIDE       |
| 3   | 075673-05-000 | FT  | SEAL/PILE - .5" HIGH W/ADHESIVE BACK - BLACK               |
| 4   | 081914-02-000 | EA  | BUMPER - RUBBER - ROUND - 5/16" DIA. X 13/64" THICK        |
| 5   | 100128-02-000 | FT  | SEAL - FOAM/ADHESIVE BACK - .37" WIDE X .37" THICK X 60'   |
| 6   | 104692-01-000 | FT  | SEAL - ADHESIVE BACKED FOAM - 3/4" THICK X 3/4" WIDE X 25' |
| 7   | 106719-01-05A | EA  | HINGE - ENTRY DOOR - BRIGHT WHITE                          |
| 8   | 118929-01-01A | FT  | SEAL - PILE - PUSH ON                                      |
| 9   | 121893-01-01A | EA  | FRAME - ENTRY DOOR/BOTTOM - BRIGHT WHITE                   |
| 10  | 121894-28-01A | EA  | FRAME - ENTRY DOOR - BRIGHT WHITE                          |
| 11  | 121898-16-01A | EA  | JAMB - DOOR/ENTRANCE - BRIGHT WHITE                        |
| 12  | 125724-01-000 | EA  | SHIM - DOOR, ENTRANCE                                      |
| 13  | 125724-02-000 | EA  | SHIM - DOOR, ENTRANCE                                      |
| 14  | 130096-05-000 | EA  | FOAM - SCREEN DOOR, RETAINER                               |
| 15  | P32208-04-L07 | EA  | DOOR - SCREEN - W/O HARDWARE                               |
| 16  | 137401-01-03B | EA  | BRACKET - DOOR ANGLE - OFF WHITE                           |
| 17  | 148364-01-12B | EA  | STRIKE - SCREEN DOOR - BRIGHT WHITE                        |
| 18  | 132915-01-01A | EA  | LATCH - SCREEN DOOR - BLACK                                |
| 19  | 139054-01-01A | EA  | CAP - DRIP - JAMB MOUNTED - BRIGHT WHITE                   |
| 20  | 038327-01-000 | EA  | TAPE - ANTI-SLIP - 2" X 60'                                |
| 21  | 154585-01-01A | FT  | SEAL - FOAM TAPE - ADHESIVE BACK - 3/8" X 3/8" - BLACK     |

# EXTERIOR DOORS & COMPARTMENTS GROUP (CONTINUED)

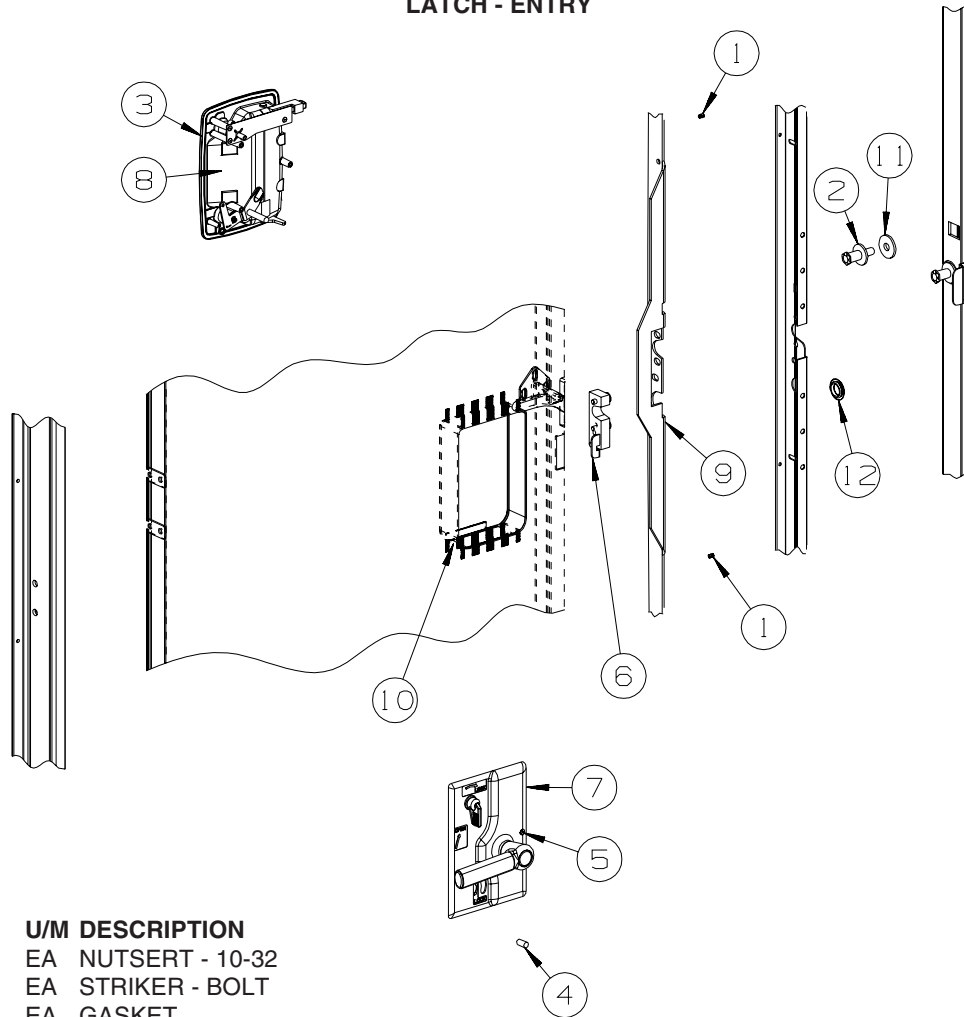
## SCREEN



| KEY | PART NUMBER   | U/M | DESCRIPTION  |
|-----|---------------|-----|--|
| 1   | 002293-02-000 | SF  | SCREEN - 26" - CHARCOAL                              |
| 2   | 002294-01-000 | FT  | SPLINE - SCREENING - .13" X .14"                     |
| 3   | 016454-21-000 | EA  | INSERT/CENTER - SCREEN DOOR                          |
| 4   | 078552-03-000 | EA  | KICK PANEL - SCREEN DOOR - LOWER INSERT - UNPAINTED  |
| 5   | 078595-01-000 | EA  | TOP PLATE - SCREEN DOOR - CURVED TOP - 4.7" X 25.35" |
| 6   | 078777-08-000 | FT  | CHANNEL - SLIDER - 4 FOOT INCREMENTS                 |
| 7   | 120863-09-000 | EA  | BUMPER - RUBBER/RADIUS TOP - 3/4" X 3/8" - LT GRAY   |
| 8   | 132081-01-01A | EA  | STRIKE - SLIDER - SCREEN DOOR - BRIGHT WHITE         |
| 9   | 132082-01-01A | EA  | SLIDER - SCREEN DOOR - BRIGHT WHITE                  |

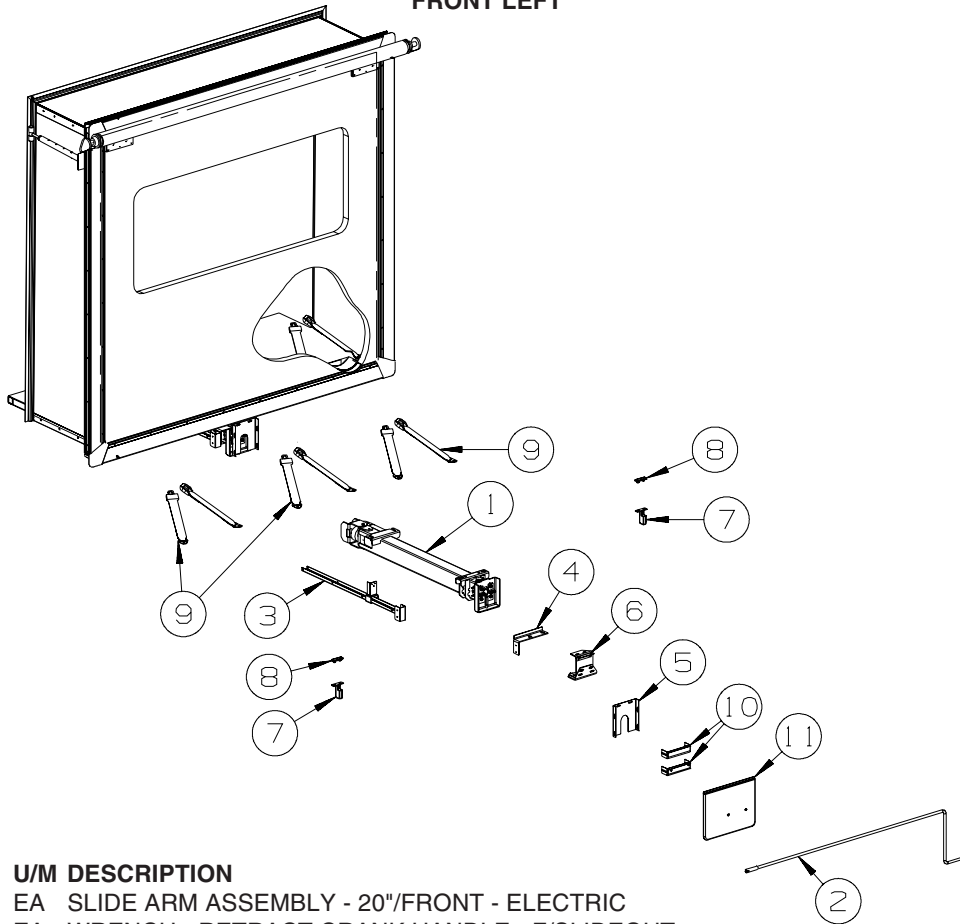
# EXTERIOR DOORS & COMPARTMENTS GROUP (CONTINUED)

## LATCH - ENTRY



| KEY | PART NUMBER   | U/M | DESCRIPTION  |
|-----|---------------|-----|--|
| 1   | 072893-04-000 | EA  | NUTSERT - 10-32  |
| 2   | 092927-20-000 | EA  | STRIKER - BOLT   |
| 3   | 112782-04-01A | EA  | GASKET   |
| 4   | 112782-05-01A | EA  | CAP - VINYL - RED  |
| 5   | 112782-08-01A | EA  | SCREW - MOUNTING/PLATE - ZINC                              |
| 6   | 112782-22-01A | EA  | LATCH - SINGLE ROTOR                                       |
| 7   | 112782-27-01A | EA  | LATCH - INTERIOR PLATE - WHITE                             |
| 8   | 112782-20-01A | EA  | LATCH - EXTERIOR - W/O LOCK CYLINDER W/ICON-REVERSIBLE KEY |
| 9   | 132207-01-02B | EA  | STIFFENER/DOOR - FORMED - E-COATED                         |
| 10  | 137230-01-01A | EA  | SPACER - NOTCHED, MILL                                     |
| 11  | 147900-01-01A | EA  | SPACER - STRIKE BOLT, MILL                                 |
| 12  | 061420-14-000 | EA  | PLUG/PLASTIC - 7/8" DIAMETER - BLACK                       |

**EXTERIOR SLIDEOUT GROUP**  
FRONT LEFT

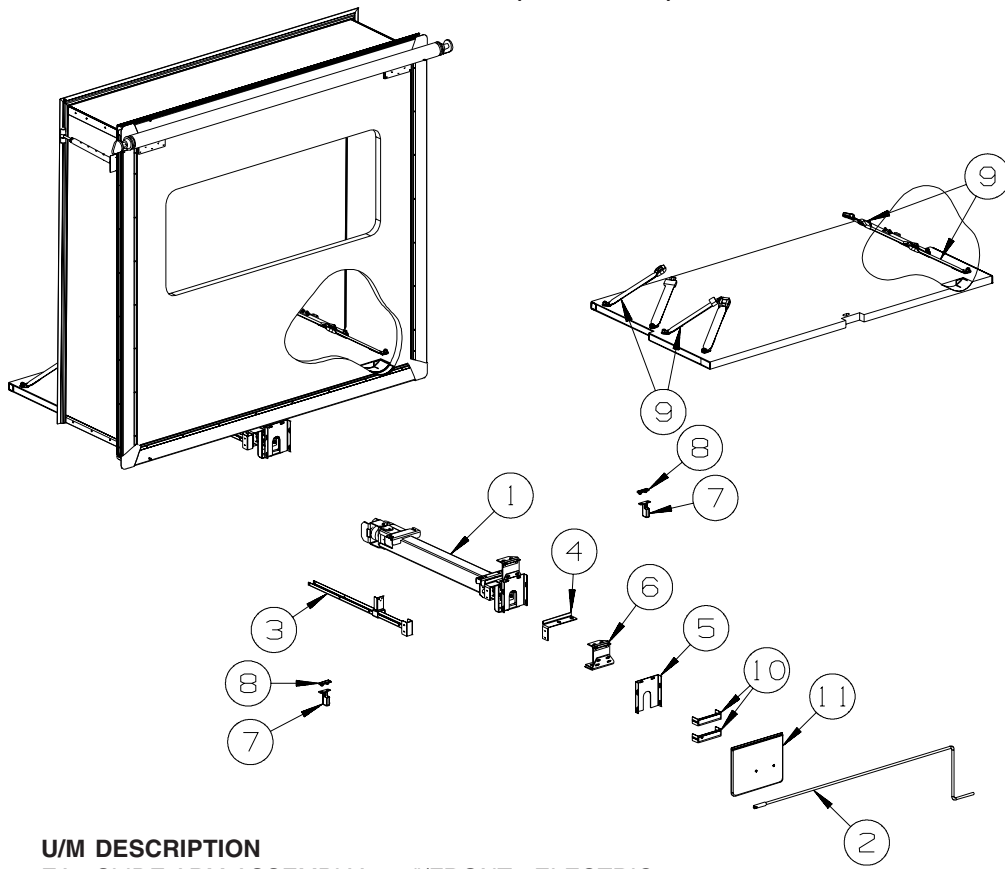


**DINETTE**

| KEY | PART NUMBER   | U/M | DESCRIPTION                                  |
|-----|---------------|-----|--|
| 1*  | 162831-01-000 | EA  | SLIDE ARM ASSEMBLY - 20"/FRONT - ELECTRIC    |
| 2   | 138173-05-000 | EA  | WRENCH - RETRACT CRANK HANDLE - F/SLIDEOUT   |
| 3   | 141019-04-02B | EA  | SUPPORT - WIRE - E-COATED                    |
| 4   | 127828-03-02B | EA  | BRACKET - F/SLIDEOUT COMPARTMENT - E-COATED  |
| 5   | 138082-03-02B | EA  | BRACKET - COVER - E-COATED                   |
| 6   | 137964-04-02B | EA  | BRACKET/MOUNT - F/SLIDEOUT - E-COATED        |
| 7   | 126313-09-02B | EA  | SUPPORT - ROLLER - SLIDE-OUT ROOM - E-COATED |
| 8   | 134855-01-000 | EA  | BEARING PAD - NARROW                         |
| 9   | 160167-02-01A | EA  | SEAT BELT - 2" X 90" - BLACK                 |
| 10  | 138083-02-02B | EA  | BRACKET - COVER - E-COATED                   |
| 11  | 140615-07-U01 | EA  | COVER - RAM - BRIGHT WHITE                   |

\*COMPONENT PARTS LISTED LATER IN THIS GROUP

**EXTERIOR SLIDEOUT GROUP (CONTINUED)**  
**FRONT LEFT (CONTINUED)**

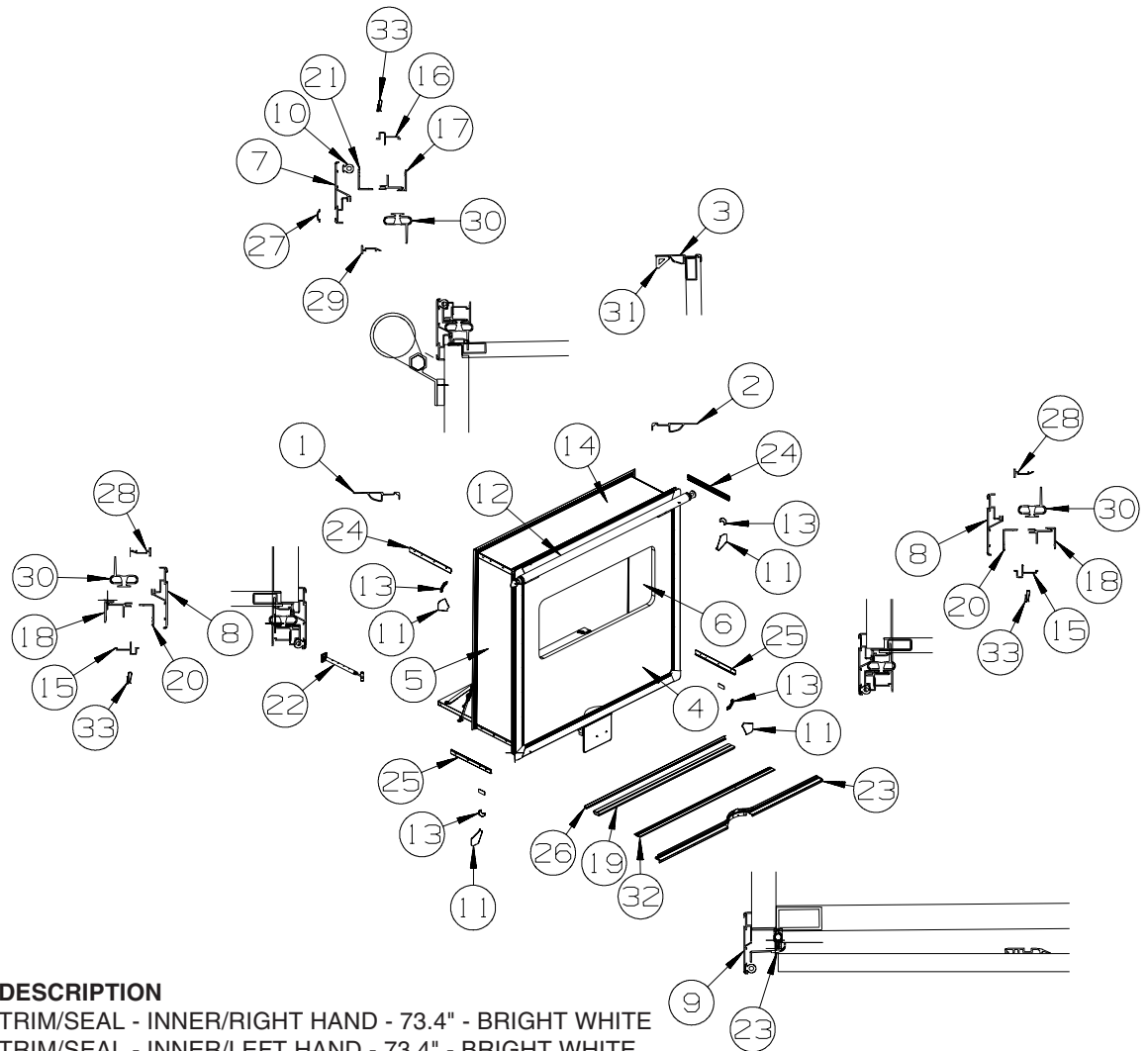


**SOFA/BED LH**

| KEY | PART NUMBER   | U/M | DESCRIPTION                                  |
|-----|---------------|-----|--|
| 1*  | 162831-01-000 | EA  | SLIDE ARM ASSEMBLY - 20"/FRONT - ELECTRIC    |
| 2   | 138173-05-000 | EA  | WRENCH - RETRACT CRANK HANDLE - F/SLIDEOUT   |
| 3   | 141019-04-02B | EA  | SUPPORT - WIRE - E-COATED                    |
| 4   | 127828-03-02B | EA  | BRACKET - F/SLIDEOUT COMPARTMENT - E-COATED  |
| 5   | 138082-03-02B | EA  | BRACKET - COVER - E-COATED                   |
| 6   | 137964-04-02B | EA  | BRACKET/MOUNT - F/SLIDEOUT - E-COATED        |
| 7   | 126313-09-02B | EA  | SUPPORT - ROLLER - SLIDE-OUT ROOM - E-COATED |
| 8   | 134855-01-000 | EA  | BEARING PAD - NARROW                         |
| 9   | 160167-01-01A | EA  | SEAT BELT - 2" X 102" - BLACK                |
| 10  | 138083-02-02B | EA  | BRACKET - COVER - E-COATED                   |
| 11  | 140615-07-U01 | EA  | COVER - RAM - BRIGHT WHITE                   |

**\*COMPONENT PARTS LISTED LATER IN THIS GROUP**

**EXTERIOR SLIDEOUT GROUP (CONTINUED)**  
**FRONT LEFT (CONTINUED)**



| KEY | PART NUMBER   | U/M | DESCRIPTION   |
|-----|---------------|-----|---|
| 1   | 139624-01-01A | EA  | TRIM/SEAL - INNER/RIGHT HAND - 73.4" - BRIGHT WHITE |
| 2   | 139624-02-01A | EA  | TRIM/SEAL - INNER/LEFT HAND - 73.4" - BRIGHT WHITE  |
| 3   | 139624-04-01A | EA  | TRIM/SEAL - INNER/TOP - 80.2" - BRIGHT WHITE        |
| 4   | 163874-11-W07 | EA  | SLUG - F/SLIDEOUT (WO7, WO8)                        |
| 4   | 163874-11-W09 | EA  | SLUG - F/SLIDEOUT (WO9, W10)                        |
| 5   | 162977-01-U01 | EA  | PANEL END - F/SLIDEOUT (WO7, WO8)                   |
| 5   | 162977-01-W09 | EA  | PANEL END - F/SLIDEOUT (WO9, W10)                   |
| 6   | 162977-03-U01 | EA  | PANEL END - F/SLIDEOUT (WO7, WO8)                   |
| 6   | 162977-03-W09 | EA  | PANEL END - F/SLIDEOUT (WO9, W10)                   |
| 7   | 162052-01-01A | EA  | TRIM/SEAL - W/MITERED ENDS - 78.4" - BRIGHT WHITE   |
| 8   | 162052-03-01A | EA  | TRIM/SEAL - W/MITERED ENDS - 73.5" - BRIGHT WHITE   |
| 9   | 162054-02-01A | EA  | TRIM/SEAL - W/MITERED ENDS - 78.4" - BRIGHT WHITE   |
| 10  | 158297-01-000 | FT  | SEAL - D-SECTION/BULB/TEE - ADHESIVE BACK - BLACK   |
| 11  | 156151-01-02A | EA  | PROTECTOR - CORNER - SLIDEOUT - BRIGHT WHITE        |
| 12  |               |     | SLIDEOUT AWNING                                     |

**ORDER AWNINGS & REPAIR PARTS FROM DOMETIC. CALL #800-366-3842.**

**THE DOMETIC AWNING INFORMATION YOU WILL NEED IS LOCATED ON THE MOTOR HOME NEAR THE TOP OF THE AWNING RAIL.**

| KEY | PART NUMBER   | U/M | DESCRIPTION                                     |
|-----|---------------|-----|---|
| 13  | 160421-01-01A | EA  | CORNER TRIM/SLIDEOUT - 3.1" X 3.1" - BLACK      |
| 14  | 157344-01-U01 | EA  | ROOF - F/SLIDEOUT                               |
| 15  | 142718-01-01A | EA  | RETAINER - SIDEWALL/SLIDEOUT - 72.8"            |
| 16  | 142718-23-01A | EA  | RETAINER - SIDEWALL/SLIDEOUT - 79.9"            |
| 17  | 151761-02-02A | EA  | TRIM - SIDEWALL/SLIDEOUT/TOP - 81.2" - ALMOND   |
| 18  | 151760-17-02A | EA  | TRIM - SIDEWALL/SLIDEOUT - 73" - ALMOND         |
| 19  | 134756-01-L76 | EA  | RAMP - FABRIC COVERED - F/SLIDEOUT - 66.9"      |
| 20  | 136824-31-01A | EA  | TRIM - SIDEWALL/SLIDEOUT - 73.6" - BRIGHT WHITE |
| 21  | 136824-02-01A | EA  | TRIM - SIDEWALL/SLIDEOUT - 81.2" - BRIGHT WHITE |

**EXTERIOR SLIDEOUT GROUP (CONTINUED)**  
**FRONT LEFT (CONTINUED)**

| KEY | PART NUMBER   | U/M | DESCRIPTION   |
|-----|---------------|-----|---|
| 22  | 163495-01-01A | EA  | ROD - LOCK/SLIDEOUT - ADJUSTABLE 17"/34" - W/STRAP/RING |
| 23  | 159111-05-02A | EA  | TRIM/ZEE - W/SEAL/END CAPS - SIDEWALL/LOWER-81.2"       |
| 24  | 158375-03-01A | EA  | TRIM - FEATURE STRIP - 20.6" - BRIGHT WHITE             |
| 25  | 163020-06-01A | EA  | TRIM - FEATURE STRIP/LOWER - 2.3" X 19.8" - BRT WHT     |
| 26  | 151282-03-01A | EA  | TRIM - CARPET EDGE/F-ANGLE - 69.6" - BLACK              |
| 27  | 105312-01-07A | FT  | INSERT - FEATURE STRIP - VINYL - BRIGHT WHITE           |
| 28  | 146606-25-01A | EA  | TRIM/RETAINER - 69.3" - BRIGHT WHITE                    |
|     |               |     | FROM: 00-00-00 THRU: 11-25-07                           |
| 28  | 146606-48-01A | EA  | TRIM/RETAINER - 69.3" - BRIGHT WHITE                    |
|     |               |     | FROM: 11-26-07 THRU: 99-99-99                           |
| 29  | 146606-12-01A | EA  | TRIM/RETAINER - 75.7" - BRIGHT WHITE                    |
| 30  | 136978-01-01A | FT  | SEAL - SLIDEOUT - BLACK                                 |
| 31  | 146056-01-000 | FT  | SEAL - TRIANGLE - W/PSA                                 |
| 32  | 134837-01-01A | EA  | RAMP - SLIDEOUT - BLACK PVC                             |
| 33  | 142549-01-000 | EA  | CLIP - "S" TYPE   |

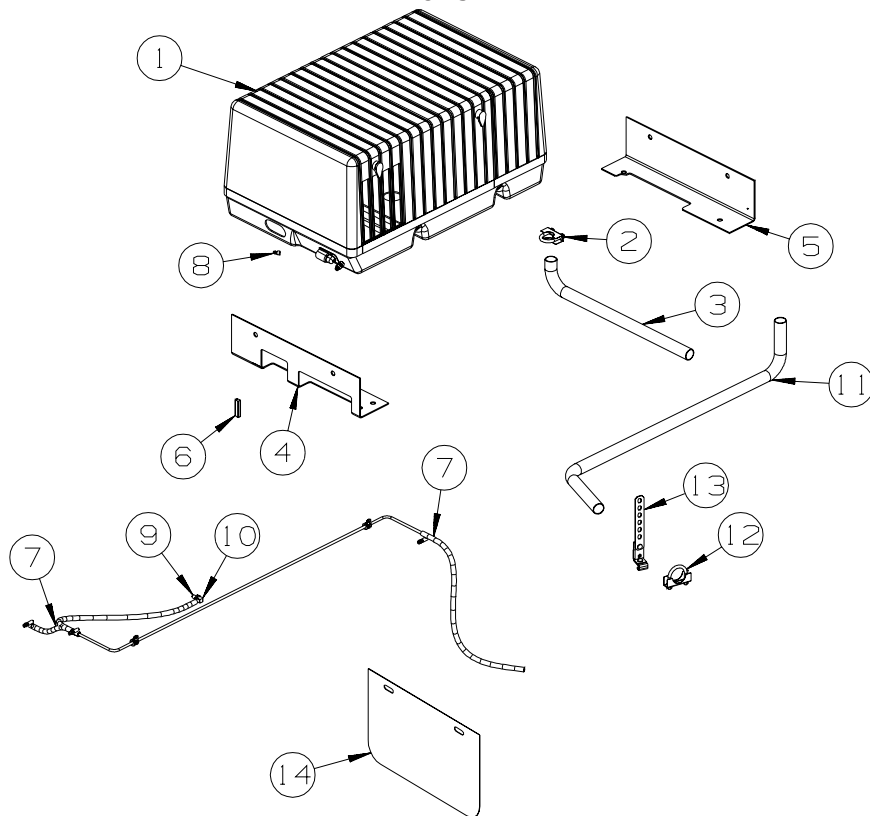
**COMPONENT PARTS FOR FRONT LEFT**

**162831-01-000**

| KEY | PART NUMBER   | U/M | DESCRIPTION                  | VENDOR NO. |
|-----|---------------|-----|------------------------------|------------|
|     | 130294-04-700 | EA  | SCREW - 5/16"-18 X 1 1/2"    | 1202060    |
|     | 131281-01-702 | EA  | PIN/CLEVIS-1/4" PLATED       | 1213190    |
|     | 131281-01-704 | EA  | HAIRPIN/COTTER - 3/8" SPRING | 1213460    |
|     | 131682-01-700 | EA  | ROLLER - (BEARING)           | 1912040    |
|     | 138173-01-701 | EA  | POP RIVET - SS 3/16"X1/4"    | 1214630    |
|     | 138173-01-707 | EA  | WEAR PUCK - PLASTIC F/DRIVE  | 1612523    |
|     | 140457-01-701 | EA  | ROLLER - 1"OD X 1/2"ID       | 1614006    |
|     | 140457-01-704 | EA  | SHAFT/AXLE - REAR ROLLER     | 7204523    |
|     | 148875-01-700 | EA  | PIN/COTTER - 3/32" X 1/2"    | 1213520    |
|     | 148875-01-701 | EA  | PIN/ROLL - 3/16" X 3/4"      | 1213693    |
|     | 148875-01-702 | EA  | PIN/ROLL - 1/4" X 1"         | 1213701    |
|     | 148875-01-704 | EA  | END CARRIER - PLASTIC - 1"   | 1612549    |
|     | 148875-01-705 | EA  | MOTOR/LINEAR - SLIDE ROOM    | 1820111    |
|     | 148875-01-707 | EA  | END GUIDE F/SCREW - 1"       | 1820450    |
|     | 151027-01-700 | EA  | DRIVE SCREW 1" X 20"         | 1820402    |

# GENERATOR GROUP

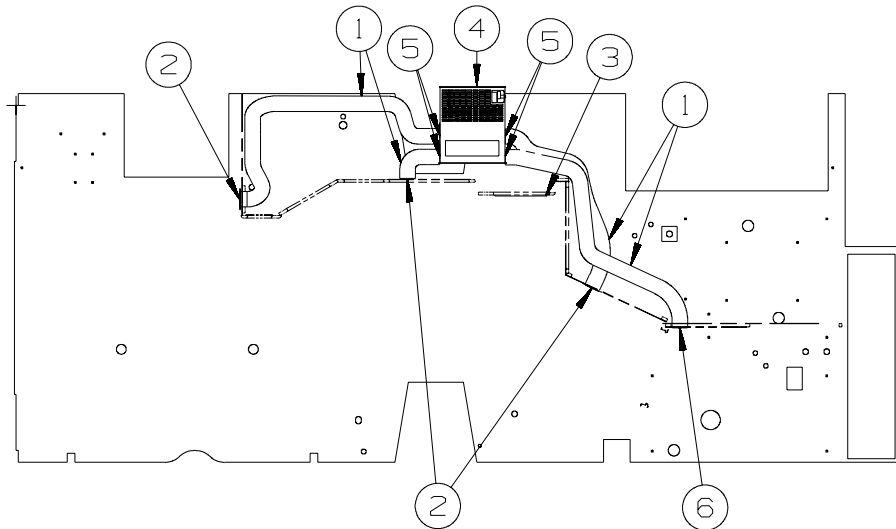
## GAS



| KEY | PART NUMBER   | U/M | DESCRIPTION  |
|-----|---------------|-----|--|
| 1   | 109982-03-000 | EA  | GENERATOR - 4.0 MICROLITE - ONAN                               |
| 2   | 007125-04-000 | EA  | CLAMP - MUFFLER - 1.12"DIAMETER                                |
| 3   | 105958-08-000 | EA  | PIPE - EXHAUST/GENERATOR - 1.5" OD X 3.1" X 19.7" - 229T, 231C |
| 4   | 114070-02-02B | EA  | SUPPORT - GENERATOR - LEFT                                     |
| 5   | 114071-02-02B | EA  | SUPPORT - GENERATOR - RIGHT                                    |
| 6   | 113452-01-000 | FT  | SEAL/TRIM - FRONT - VINYL W/WIRE CARRIER - .020                |
| 7   | 128139-03-000 | FT  | HOSE - FUEL - LOW PERMEABILITY - 1/4" DIAMETER                 |
| 8   | 084884-01-000 | EA  | PLUG - BRASS - 3/8"  |
| 9   | 068382-06-000 | EA  | BUSHING - 3/8"MPT X 1/8"FPT - BRASS - CHEVY                    |
| 10  | 114253-01-000 | EA  | ELBOW - 1/4 SINGLE BARB X 1/8 MPT - CHEVY                      |
| 11  | 143954-02-000 | EA  | PIPE/EXHAUST - GENERATOR - 222B, 224V, 226A, 228P              |
| 12  | 007125-03-000 | EA  | CLAMP - MUFFLER - 1.5"DIAMETER - 222B, 224V, 226A, 228P        |
| 13  | 007131-01-000 | EA  | HANGER - TAILPIPE - 6 SLOTS - 222B, 224V, 226A, 228P           |
| 14  | 149346-04-02B | EA  | SHIELD - HEAT EXHAUST - E-COATED - 222B, 224V, 226A            |

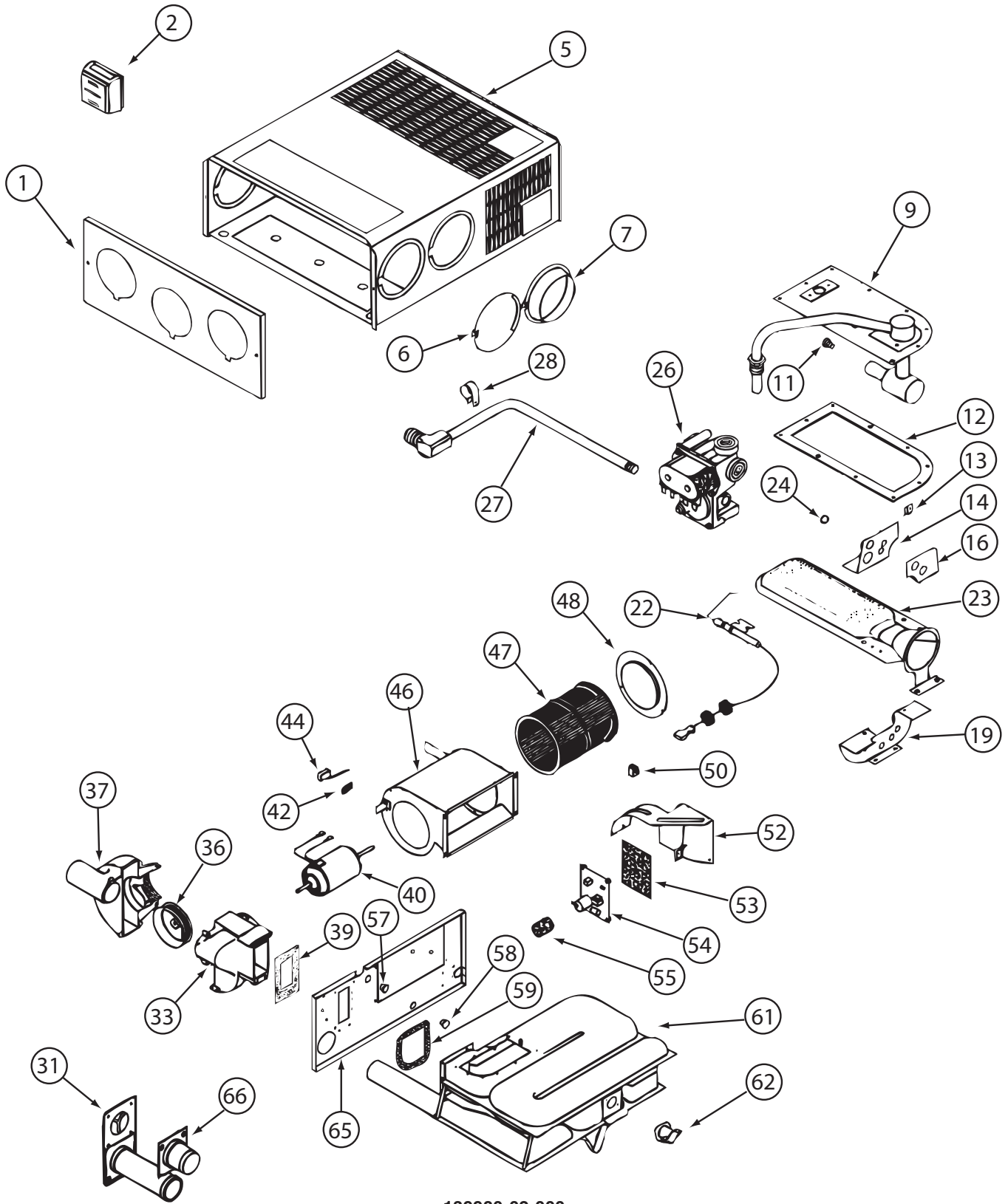


## HEATING & A/C GROUP FURNACE



| KEY  | PART NUMBER   | U/M | DESCRIPTION   |
|--|---------------|-----|---|
| 1  | 009198-01-000 | FT  | DUCT - HEAT - FLEXIBLE - 4" ID X 25'                  |
| 2  | 056464-10-000 | EA  | REGISTER W/O DAMPER - 4" DIAMETER - PLASTIC - BEIGE   |
| 3  | 093614-11-01A | EA  | GRILLE - AIR RETURN - 13.9" X 7.9" - BEIGE            |
| 4*   | 139980-02-000 | EA  | FURNACE - 30000 BTU - SF QUIET - SUBURBAN SF-30 2321J |
|  | 098668-23-000 | EA  | DOOR - ACCESS/FURNACE - BRIGHT WHITE                  |
|  |               |     | FROM: 00-00-00 THRU: 07-22-07                         |
|  | 139980-10-02A | EA  | DOOR - ACCESS/FURNACE - BRIGHT WHITE                  |
|  |               |     | FROM: 07-23-07 THRU: 99-99-99                         |
| 5  | 069636-02-000 | EA  | CONNECTOR - DUCT - 4" ID                              |
| 6  | 056464-09-000 | EA  | REGISTER W/DAMPER - 4" DIAMETER - PLASTIC - BEIGE     |
| <b>*COMPONENT PARTS LISTED LATER IN THIS GROUP</b> |               |     |   |

**HEATING & A/C GROUP (CONTINUED)**  
**COMPONENT PARTS FOR FURNACE**



139980-02-000

**HEATING & A/C GROUP (CONTINUED)**  
**COMPONENT PARTS FOR FURNACE (CONTINUED)**

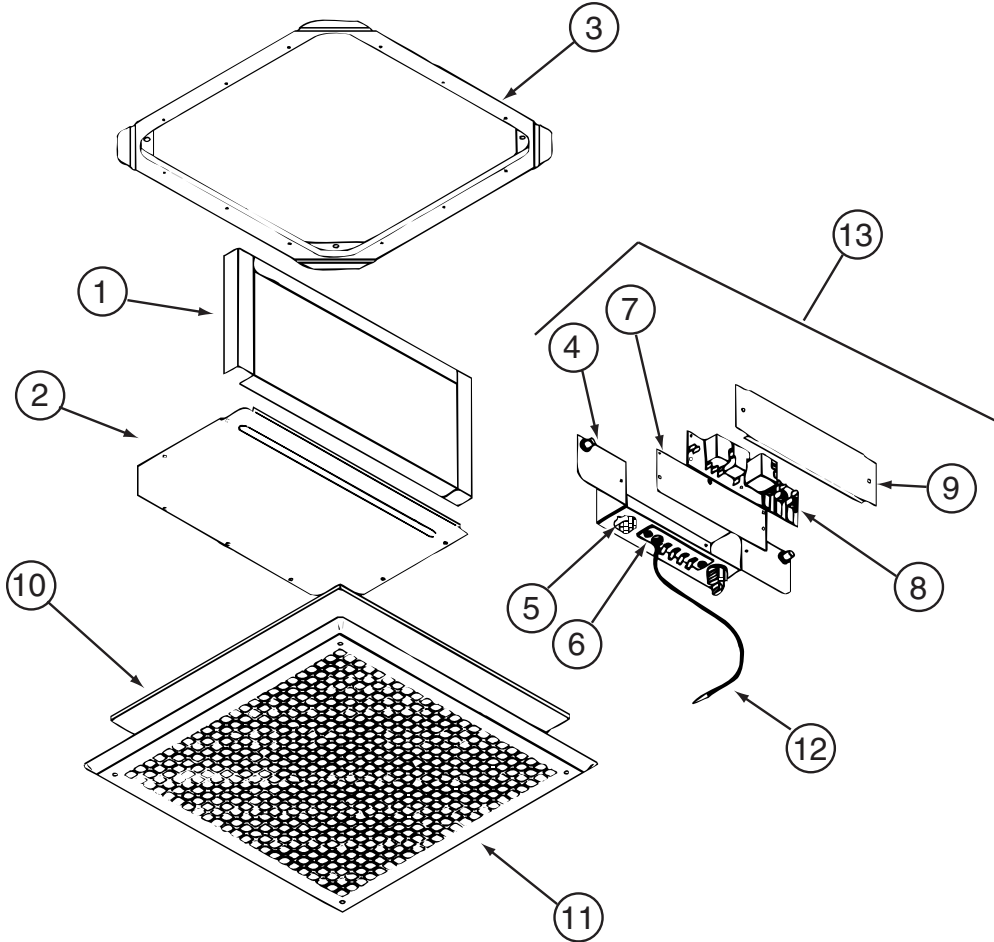
139980-02-000 (CONTINUED)

| KEY | PART NUMBER   | U/M | DESCRIPTION  | VENDOR NO. |
|-----|---------------|-----|--|------------|
| 9   | 139980-01-700 | EA  | MANIFOLD ASSEMBLY                                      | 171571     |
| 11  | 092300-02-701 | EA  | ORIFICE-MAIN BURNER (NT-30BW                           | 180214     |
| 12  | 098668-22-703 | EA  | GASKET - BURNER ACCESS COVER                           | 070811     |
| 22  | 139980-01-701 | EA  | ELECTRODE  | 232286     |
| 23  | 098668-02-700 | EA  | BURNER ASSEMBLY,SF-30 & SF35                           | 010745     |
| 26  | 098668-01-718 | EA  | VALVE-GAS SF S.N.974903079                             | 161122     |
| 27  | 139980-01-702 | EA  | PIPE ASSEMBLY/GAS INLET                                | 171574     |
| 31  | 098668-01-707 | EA  | TUBE ASSEMBLY, EXHAUST W/CAP                           | 260231     |
| 33  | 139980-01-703 | EA  | HOUSING/COMB. - FRONT/HALF                             | 390852     |
| 36  | 098668-01-706 | EA  | WHEEL-COMBUSTION AIR                                   | 350184     |
| 37  | 139980-01-704 | EA  | HOUSING/COMB. - REAR/HALF                              | 390848     |
| 39  | 139980-01-705 | EA  | GASKET/FIREWALL-COMB AIR                               | 071084     |
| 40  | 139980-01-706 | EA  | MOTOR ASSEMBLY W/GASKET                                | 232682     |
| 42  | 101990-01-714 | EA  | GASKET-MICROSWITCH                                     | 230877     |
| 44  | 098668-21-700 | EA  | SWITCH-MICRO-W/O FLAG 3 1/4"                           | 232261     |
| 46  | 139980-01-708 | EA  | BLOWER ASSEMBLY - ROOM AIR                             | 390739BK   |
| 47  | 098668-01-711 | EA  | WHEEL-BLOWER, ROOM AIR                                 | 350129     |
| 48  | 139980-01-709 | EA  | ORFICE RING  | 390696     |
| 50  | 139980-01-710 | EA  | SWITCH - ON/OFF  | 232351     |
| 52  | 139980-01-711 | EA  | PANEL ASSEMBLY-MODULE BD                               | 101663     |
| 53  | 139980-01-712 | EA  | INSULATOR - MODULE BD                                  | 070807     |
| 54  | 098668-22-705 | EA  | MODULE BD W/RELAY TIME DELAY                           | 520820     |
| 55  | 139980-01-713 | EA  | CAP/INSULATOR-MODULE BD                                | 070973     |
| 57  | 139980-01-714 | EA  | BUSHING - UNIVERSAL                                    | 070362     |
| 58  | 139980-01-715 | EA  | BUSHING - STRAIN RELIEF                                | 231809     |
| 59  | 098668-01-716 | EA  | GASKET-FIREWALL,CHAMBER SIDE                           | 070808     |
| 61  | 139980-01-716 | EA  | CHAMBER ASSEMBLY - FINAL                               | 021149BK   |
| 62  | 098668-21-701 | EA  | SWITCH - LIMIT   | 232504     |
| 66  | 098668-01-713 | EA  | TUBE ASSEMBLY, INTAKE                                  | 051248     |
|     | 139980-02-700 | EA  | BLOWER ASM-1/2 HOUSING/OUTER                           | 390851     |
|     | 139980-02-701 | EA  | BLOWER ASM-1/2 HOUSING/INNER                           | 390872     |
|     |               |     | CONTACT WINNEBAGO PART SALES FOR UNLISTED COMPONENT(S) |            |

## HEATING & A/C GROUP (CONTINUED) ROOF

| KEY | PART NUMBER   | U/M | DESCRIPTION  |
|-----|---------------|-----|--|
| *   | 131184-01-01A | EA  | CEILING ASSEMBLY - A/C DUCTED - WHITE - 226A, 228P, 229T, 231C<br>FROM: 00-00-00 THRU: 07-22-07  |
| *   | 131184-06-01A | EA  | CEILING ASSEMBLY - A/C DUCTED - WHITE - 226A, 228P, 229T, 231C<br>FROM: 07-23-07 THRU: 99-99-99  |
|     | 131184-02-01A | EA  | BOARD - DIVIDER - FOAM - SILVER - 226A, 228P, 229T, 231C   |
| *   | 131185-04-01A | EA  | A/C ROOF - 13,500 BTU - MACH 3 - 2 PIECE SHROUD STYLE  |
| *   | 131188-05-01A | EA  | A/C - ROOF - 14,800 BTU-MACH 15 - 2 PIECE SHROUD STYLE-WHT - A/C ROOF AIR (1) 14,800 BTU         |
| *   | 156860-01-01A | EA  | CEILING ASSEMBLY - A/C DUCTED - W/CONTROLS - WHITE - 222B, 224V<br>FROM: 00-00-00 THRU: 07-22-07 |
|     | 156860-02-01A | EA  | CEILING ASSEMBLY - A/C DUCTED - W/CONTROLS - WHITE - 222B, 224V<br>FROM: 07-23-07 THRU: 99-99-99 |

**\*COMPONENT PARTS LISTED LATER IN THIS GROUP**



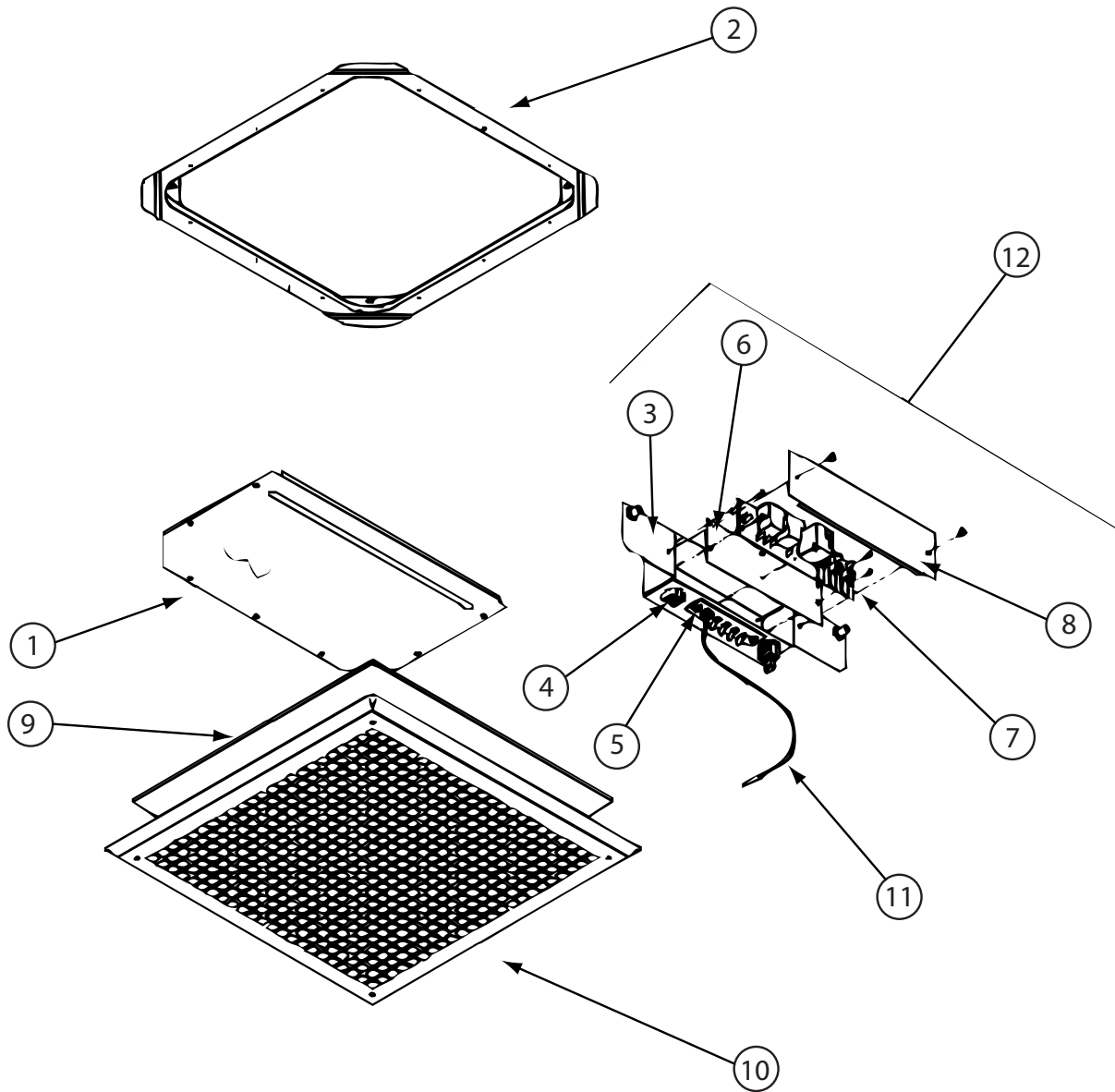
### COMPONENT PARTS FOR ROOF

131184-01-01A

| KEY | PART NUMBER   | U/M | DESCRIPTION                 | VENDOR NO. |
|-----|---------------|-----|-----------------------------|------------|
| 1   | 131184-01-707 | EA  | DUCT DIVIDER                | 8330-3501  |
| 5   | 131184-01-700 | EA  | PLUG ASSEMBLY               | 7330A389   |
| 6   | 131184-01-701 | EA  | TERMINAL BOARD              | 7330B3201  |
| 7   | 131184-01-702 | EA  | ISOLATOR - BLANK            | 7330C365   |
| 8   | 108892-01-702 | EA  | BOARD-P.C.                  | 7330A3211  |
| 10  | 108892-01-703 | EA  | FILTER                      | 6798A3761  |
| 11  | 108892-01-704 | EA  | GRILLE 16 3/8X16 3/8 RETURN | 6798-3041  |
| 12  | 131184-01-704 | EA  | COIL SENSOR                 | 7330-6111  |
| 13  | 131184-01-705 | EA  | JUNCTION BOX ASSEMBLY       | 7330B5551  |
|     | 131184-01-703 | EA  | SMALL PARTS PKG             | 8330-5961  |

CONTACT WINNEBAGO PART SALES FOR UNLISTED COMPONENT(S)

**HEATING & A/C GROUP (CONTINUED)**  
**COMPONENT PARTS FOR ROOF (CONTINUED)**

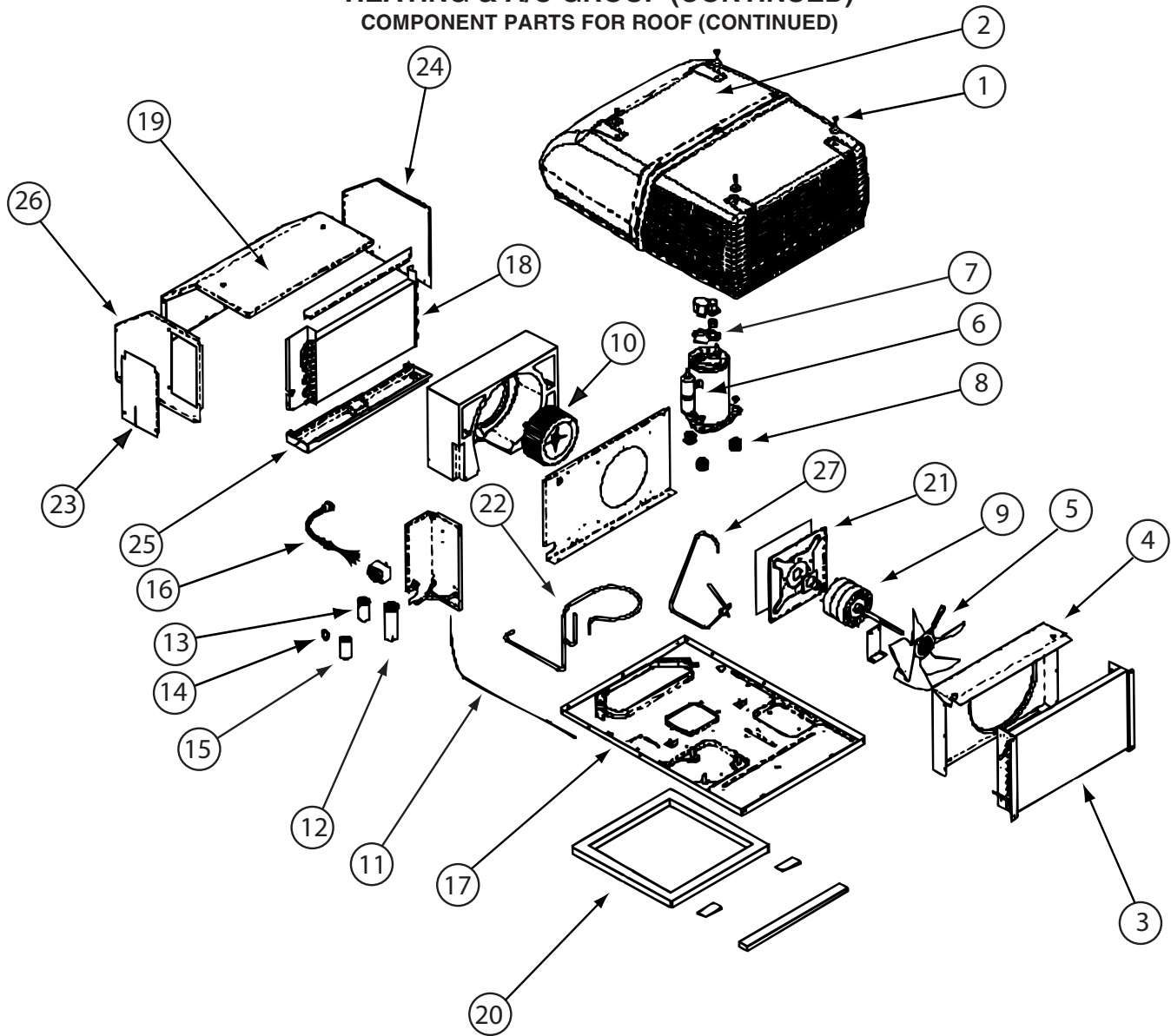


131184-06-01A

| KEY | PART NUMBER   | U/M | DESCRIPTION                 | VENDOR NO. |
|-----|---------------|-----|-----------------------------|------------|
| 4   | 131184-01-700 | EA  | PLUG ASSEMBLY               | 7330A389   |
| 5   | 131184-01-701 | EA  | TERMINAL BOARD              | 7330B3201  |
| 6   | 131184-01-702 | EA  | ISOLATOR - BLANK            | 7330C365   |
| 7   | 131184-03-700 | EA  | BOARD - P.C.                | 7330D3211  |
| 9   | 108892-01-703 | EA  | FILTER                      | 6798A3761  |
| 10  | 108892-01-704 | EA  | GRILLE 16 3/8X16 3/8 RETURN | 6798-3041  |
| 11  | 105620-12-719 | EA  | COIL SENSOR                 | 7330A3231  |
| 12  | 131184-01-705 | EA  | JUNCTION BOX ASSEMBLY       | 7330B5551  |
|     | 131184-01-703 | EA  | SMALL PARTS PKG             | 8330-5961  |
|     | 131184-01-706 | EA  | NUT/WING                    | 1200-550   |

CONTACT WINNEBAGO PART SALES FOR UNLISTED COMPONENT(S)

**HEATING & A/C GROUP (CONTINUED)**  
**COMPONENT PARTS FOR ROOF (CONTINUED)**

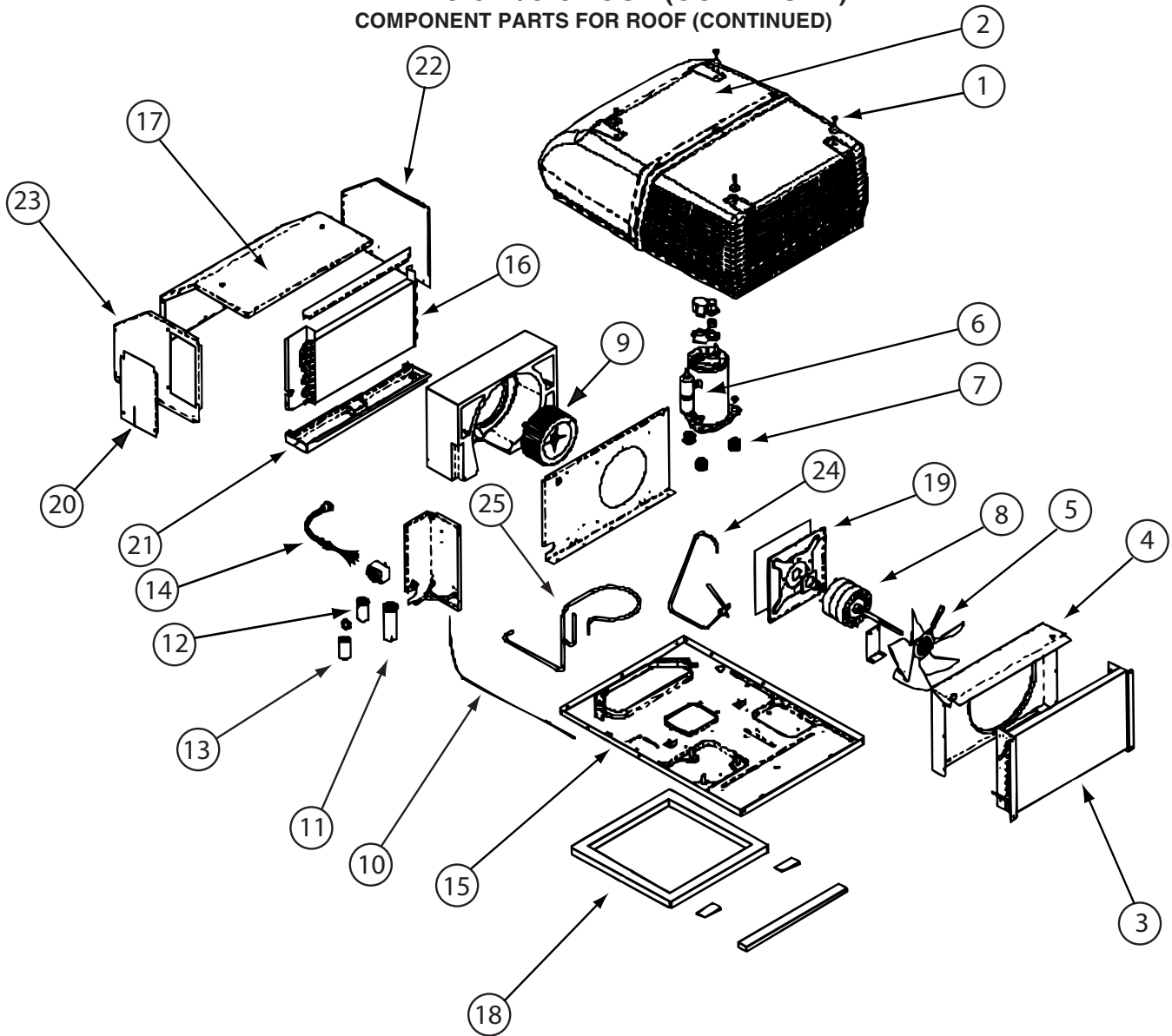


131185-04-01A

| KEY | PART NUMBER   | U/M | DESCRIPTION                  | VENDOR NO. |
|-----|---------------|-----|------------------------------|------------|
| 2   | 131188-05-700 | EA  | SHROUD-ROOF AIR/2 PIECE-WHT  | 8335-5261  |
| 3   | 131185-04-000 | EA  | CONDENSER COIL               | 1452B1451  |
| 4   | 131187-03-700 | EA  | SHROUD FAN/INNER-LESS LOGO   | 6792-1071  |
| 5   | 093763-01-712 | EA  | BLADE-FAN-CONDENSER          | 6733-3221  |
| 6   | 131185-04-701 | EA  | COMPRESSOR (TECUMSEH)        | 1450B2259  |
| 7   | 105620-01-705 | EA  | PROTECTOR-OVERLOAD, RH & LH  | 6759-3791  |
| 8   | 105620-01-706 | EA  | MOUNTING PKG.,COMP., 3 PER   | 6759-3081  |
| 9   | 131185-01-701 | EA  | MOTOR (115V, 60HZ)           | 1468-3069  |
| 10  | 131185-01-702 | EA  | BLOWER WHEEL PACKAGE         | 1472-1091  |
| 12  | 105620-12-725 | EA  | COMPRESSOR RUN CAPACITOR     | 1499-5731  |
| 13  | 093763-01-704 | EA  | CAPACITOR-FAN (INDOOR MOTOR) | 1499-5461  |
| 15  | 105620-10-705 | EA  | PTCR (START DEVICE) - W/CAP. | 8333A9021  |
| 18  | 131185-01-703 | EA  | EVAPORATOR COIL              | 1452A1491  |
| 20  | 037648-01-714 | EA  | GASKET PACKAGE               | 8332-3301  |
| 21  | 131185-01-704 | EA  | MOTOR MOUNT & SEAL KIT       | 8333-5151  |
|     | 131188-05-702 | EA  | SHROUD BRACKET               | 8333B1551  |

CONTACT WINNEBAGO PART SALES FOR UNLISTED COMPONENT(S)

**HEATING & A/C GROUP (CONTINUED)**  
**COMPONENT PARTS FOR ROOF (CONTINUED)**

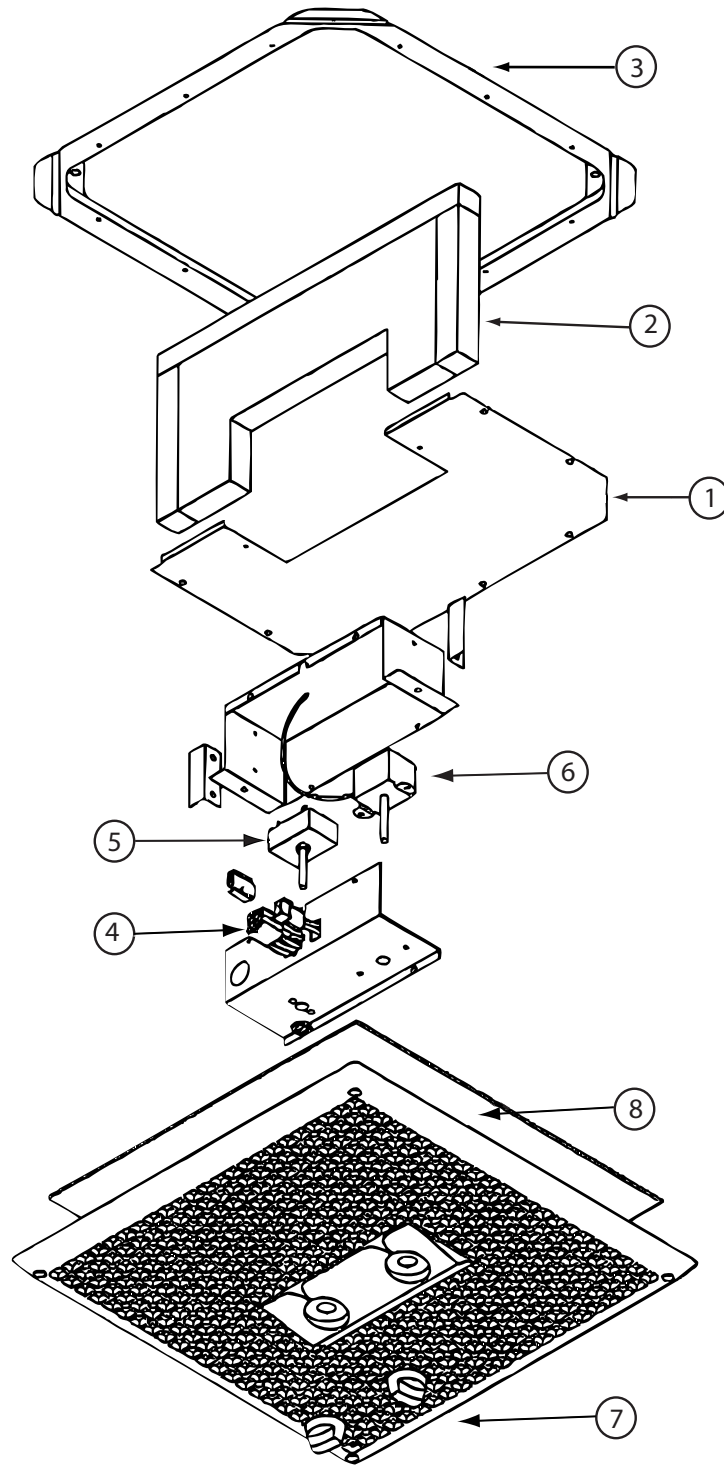


131188-05-01A

| KEY | PART NUMBER   | U/M | DESCRIPTION                  | VENDOR NO. |
|-----|---------------|-----|------------------------------|------------|
| 2   | 131188-05-700 | EA  | SHROUD-ROOF AIR/2 PIECE-WHT  | 8335-5261  |
| 3   | 115219-01-700 | EA  | COIL-CONDENSER               | 1452A1321  |
| 4   | 131187-03-700 | EA  | SHROUD FAN/INNER-LESS LOGO   | 6792-1071  |
| 5   | 093763-01-712 | EA  | BLADE-FAN-CONDENSER          | 6733-3221  |
| 6   | 131188-05-703 | EA  | COMPRESSOR (TECUMSEH)        | 1450B2299  |
| 7   | 105620-01-706 | EA  | MOUNTING PKG.,COMP., 3 PER   | 6759-3081  |
| 8   | 131185-01-701 | EA  | MOTOR (115V, 60HZ)           | 1468-3069  |
| 9   | 131185-01-702 | EA  | BLOWER WHEEL PACKAGE         | 1472-1091  |
| 11  | 126859-01-703 | EA  | CAPACITOR - RUN              | 1499-5671  |
| 12  | 093763-01-704 | EA  | CAPACITOR-FAN (INDOOR MOTOR) | 1499-5461  |
| 13  | 105620-10-705 | EA  | PTCR (START DEVICE) - W/CAP. | 8333A9021  |
| 16  | 131186-01-701 | EA  | EVAPORATOR COIL              | 1452-1521  |
| 18  | 037648-01-714 | EA  | GASKET PACKAGE               | 8332-3301  |
| 19  | 131185-01-704 | EA  | MOTOR MOUNT & SEAL KIT       | 83333-5151 |
|     | 105620-01-705 | EA  | PROTECTOR-OVERLOAD, RH & LH  | 6759-3791  |
|     | 131188-05-702 | EA  | SHROUD BRACKET               | 8333B1551  |

CONTACT WINNEBAGO PART SALES FOR UNLISTED COMPONENT(S)

**HEATING & A/C GROUP (CONTINUED)**  
**COMPONENT PARTS FOR ROOF (CONTINUED)**



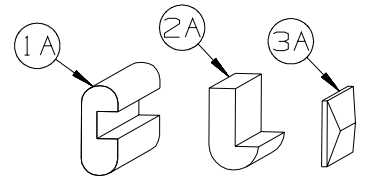
156860-01-01A

| KEY | PART NUMBER   | U/M | DESCRIPTION                  | VENDOR NO. |
|-----|---------------|-----|------------------------------|------------|
| 4   | 156860-01-702 | EA  | PLUG ASSEMBLY                | 7330-347   |
| 5   | 073742-01-701 | EA  | SWITCH - SELECTOR/5 TERMINAL | 6759-3251  |
| 6   | 093307-04-701 | EA  | THERMOSTAT(90' IN-60' OUT)   | 6703-3401  |
| 7   | 156860-01-700 | EA  | GRILLE ASSEMBLY - WHITE      | 8330-4081  |
| 8   | 108892-01-703 | EA  | FILTER                       | 6798A3761  |
|     | 156860-01-701 | EA  | SMALL PARTS PKG-BOLTS/KNOBS  | 8330-5941  |

CONTACT WINNEBAGO PART SALES FOR UNLISTED COMPONENT(S)



**INTERIOR FINISH GROUP**  
**MOLDINGS & TRIMS**  
**PORTSMOUTH OAK, SIERRA MAPLE**

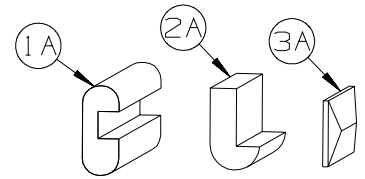


| KEY | PART NUMBER   | U/M | DESCRIPTION  |
|-----|---------------|-----|--|
| 1A  | M09412-62-N42 | EA  | MOLDING/SHELF EDGE - .6" X 1.3" X 96" - PORTSMOUTH OAK         |
| 1A  | M09412-62-M52 | EA  | MOLDING/SHELF EDGE - .6" X 1.3" X 96" - CONCERT CHERRY         |
| 1A  | M09412-62-M62 | EA  | MOLDING/SHELF EDGE - .6" X 1.3" X 96" - WASHED MAPLE           |
| 1A  | M09412-62-RC3 | EA  | MOLDING/SHELF EDGE - .6" X 1.3" X 96" - HONEY CHERRY           |
| 1A  | M09412-62-SA3 | EA  | MOLDING/SHELF EDGE - .6" X 1.3" X 96" - SIERRA MAPLE           |
| 2A  | M09511-43-T77 | EA  | MOLDING - TRIM - W/NOTCH - .8" X 1.4" X 86.3" - PORTSMOUT OAK  |
| 2A  | M09525-80-UM1 | EA  | MOLDING - TRIM - W/NOTCH - .8" X 1.4" X 86.5" - CONCERT CHERRY |
| 2A  | M09525-80-U91 | EA  | MOLDING - TRIM - W/NOTCH - .8" X 1.4" X 86.5" - WASHED MAPLE   |
| 2A  | M09525-80-U92 | EA  | MOLDING - TRIM - W/NOTCH - .8" X 1.4" X 86.5" - SIERRA MAPLE   |
| 2A  | M09525-80-Y92 | EA  | MOLDING - TRIM - W/NOTCH - .8" X 1.4" X 86.5" - HONEY CHERRY   |
| 2A  | M09501-85-TG3 | EA  | MOLDING/TRIM - W/NOTCH - 4" X 86.06" - HONEY CHERRY            |
| 2A  | M09501-32-TG1 | EA  | MOLDING/TRIM - W/NOTCH - .8" X 2.5" X 86.2" - CONCERT CHERRY   |
| 2A  | M09501-32-TG2 | EA  | MOLDING/TRIM - W/NOTCH - .8" X 2.5" X 86.2" - WASHED MAPLE     |
| 2A  | M09501-32-TD3 | EA  | MOLDING/TRIM - W/NOTCH - .8" X 2.5" X 86.2" - SIERRA MAPLE     |
| 2A  | M09501-32-TG3 | EA  | MOLDING/TRIM - W/NOTCH - .8" X 2.5" X 86.2" - HONEY CHERRY     |
| 2A  | M09515-72-TD0 | EA  | MOLDING/TRIM - .8" X 2.2" X 86.1" - PORTSMOUTH OAK             |
| 2A  | M09515-72-TD1 | EA  | MOLDING/TRIM - .8" X 2.2" X 86.1" - CONCERT CHERRY             |
| 2A  | M09515-72-TD2 | EA  | MOLDING/TRIM - .8" X 2.2" X 86.1" - WASHED MAPLE               |
| 2A  | M09515-72-TD3 | EA  | MOLDING/TRIM - .8" X 2.2" X 86.1" - SIERRA MAPLE               |
| 2A  | M09511-44-T77 | EA  | MOLDING - TRIM - W/NOTCH - 1" X 86.4" - PORTSMOUTH OAK         |
| 2A  | M09511-44-T78 | EA  | MOLDING - TRIM - W/NOTCH - 1" X 86.4" - CONCERT CHERRY         |
| 2A  | M09511-44-T79 | EA  | MOLDING - TRIM - W/NOTCH - 1" X 86.4" - WASHED MAPLE           |
| 2A  | M09511-44-T80 | EA  | MOLDING - TRIM - W/NOTCH - 1" X 86.4" - HONEY CHERRY           |
| 2A  | M09438-25-RA3 | EA  | MOLDING - HARDWOOD-W/NOTCH - 1.4"X 80.2" - HONEY CHERRY        |
| 3A  | M09477-63-S46 | EA  | MOLDING - TRIM/VEE-W/CUT ENDS - 1"X 64.1" - PORTSMOUTH OAK     |
| 3A  | M09477-63-S47 | EA  | MOLDING - TRIM/VEE-W/CUT ENDS - 1"X 64.1" - CONCERT CHERRY     |
| 3A  | M09477-63-S48 | EA  | MOLDING - TRIM/VEE-W/CUT ENDS - 1"X 64.1" - WASHED MAPLE       |
| 3A  | M09477-63-W51 | EA  | MOLDING - TRIM/VEE-W/CUT ENDS - 1"X 64.1" - HONEY CHERRY       |
| 3A  | M09477-64-S46 | EA  | MOLDING - TRIM/VEE-W/CUT ENDS - 1"X 14.9" - PORTSMOUTH OAK     |
| 3A  | M09477-64-S47 | EA  | MOLDING - TRIM/VEE-W/CUT ENDS - 1"X 14.9" - CONCERT CHERRY     |
| 3A  | M09477-64-S48 | EA  | MOLDING - TRIM/VEE-W/CUT ENDS - 1"X 14.9" - WASHED MAPLE       |
| 3A  | M09477-64-W51 | EA  | MOLDING - TRIM/VEE-W/CUT ENDS - 1"X 14.9" - HONEY CHERRY       |
| 3A  | M09501-30-SD0 | EA  | MOLDING - TRIM/VEE - .2" X 1" X 35.1" - PORTSMOUTH OAK         |
| 3A  | M09501-30-SD1 | EA  | MOLDING - TRIM/VEE - .2" X 1" X 35.1" - CONCERT CHERRY         |
| 3A  | M09501-30-SD2 | EA  | MOLDING - TRIM/VEE - .2" X 1" X 35.1" - WASHED MAPLE           |
| 3A  | M09501-30-SD3 | EA  | MOLDING - TRIM/VEE - .2" X 1" X 35.1" - HONEY CHERRY           |
| 3A  | M09515-97-WL4 | EA  | MOLDING - TRIM/VEE - .2" X 1" X 32.6" - CONCERT CHERRY         |
| 3A  | M09515-97-WL5 | EA  | MOLDING - TRIM/VEE - .2" X 1" X 32.6" - WASHED MAPLE           |
| 3A  | M09515-97-WL6 | EA  | MOLDING - TRIM/VEE - .2" X 1" X 32.6" - HONEY CHERRY           |
| 3A  | M09534-17-UF3 | EA  | MOLDING - TRIM/VEE - .2" X 1" X 20.1" - SIERRA MAPLE           |
| 3A  | M09534-17-UJ1 | EA  | MOLDING - TRIM/VEE - .2" X 1" X 20.1" - CONCERT CHERRY         |
| 3A  | M09534-17-UJ2 | EA  | MOLDING - TRIM/VEE - .2" X 1" X 20.1" - WASHED MAPLE           |
| 3A  | M09534-17-UJ3 | EA  | MOLDING - TRIM/VEE - .2" X 1" X 20.1" - HONEY CHERRY           |
| 3A  | M09477-88-S34 | EA  | MOLDING - TRIM/VEE - .2" X 1" X 19.9" - WASHED MAPLE           |
| 3A  | M09477-88-S35 | EA  | MOLDING - TRIM/VEE - .2" X 1" X 19.9" - SIERRA MAPLE           |
| 3A  | M09568-03-W51 | EA  | MOLDING - TRIM/VEE - .2" X 1" X 19.8" - HONEY CHERRY           |
| 3A  | M09568-03-W52 | EA  | MOLDING - TRIM/VEE - .2" X 1" X 19.8" - WASHED MAPLE           |
| 3A  | M09565-51-W51 | EA  | MOLDING - TRIM/VEE - .2" X 1" X 19.4" - HONEY CHERRY           |
| 3A  | M09565-51-W52 | EA  | MOLDING - TRIM/VEE - .2" X 1" X 19.4" - WASHED MAPLE           |
| 3A  | M09553-79-W66 | EA  | MOLDING - TRIM/VEE - .2" X 1" X 15.6" - HONEY CHERRY           |
| 3A  | M09515-10-W66 | EA  | MOLDING - TRIM/VEE - .2" X 1" X 15.4" - HONEY CHERRY           |
| 3A  | M09501-63-T78 | EA  | MOLDING - TRIM/VEE - .2" X 1" X 15" - CONCERT CHERRY           |
| 3A  | M09501-63-T79 | EA  | MOLDING - TRIM/VEE - .2" X 1" X 15" - WASHED MAPLE             |
| 3A  | M09501-63-T80 | EA  | MOLDING - TRIM/VEE - .2" X 1" X 15" - SIERRA MAPLE             |
| 3A  | M09501-63-W66 | EA  | MOLDING - TRIM/VEE - .2" X 1" X 15" - HONEY CHERRY             |
| 3A  | M09553-09-W66 | EA  | MOLDING - TRIM/VEE - .2" X 1" X 13.4" - HONEY CHERRY           |
| 3A  | M09566-04-WD3 | EA  | MOLDING - TRIM/VEE - .2" X 1" X 8.9" - HONEY CHERRY            |
| 3A  | M09553-29-WH4 | EA  | MOLDING - TRIM/VEE - .4" X 1" X 94.4" - CONCERT CHERRY         |
| 3A  | M09553-29-WH5 | EA  | MOLDING - TRIM/VEE - .4" X 1" X 94.4" - WASHED MAPLE           |
| 3A  | M09553-29-WH6 | EA  | MOLDING - TRIM/VEE - .4" X 1" X 94.4" - SIERRA MAPLE           |
| 3A  | M09565-04-WH4 | EA  | MOLDING - TRIM/VEE - .4" X 1" X 89.5" - CONCERT CHERRY         |

**INTERIOR FINISH GROUP (CONTINUED)**  
**MOLDINGS & TRIMS (CONTINUED)**

| KEY | PART NUMBER   | U/M | DESCRIPTION  |
|-----|---------------|-----|--|
| 3A  | M09565-04-WH5 | EA  | MOLDING - TRIM/VEE - .4" X 1" X 89.5" - WASHED MAPLE   |
| 3A  | M09565-04-WH6 | EA  | MOLDING - TRIM/VEE - .4" X 1" X 89.5" - SIERRA MAPLE   |
| 3A  | M09544-86-W37 | EA  | MOLDING - TRIM/VEE - .4" X 1" X 88.1" - WASHED MAPLE   |
| 3A  | M09544-86-W38 | EA  | MOLDING - TRIM/VEE - .4" X 1" X 88.1" - SIERRA MAPLE   |
| 3A  | M09538-39-U67 | EA  | MOLDING - TRIM/VEE - .4" X 1" X 82.6" - WASHED MAPLE   |
| 3A  | M09538-39-U68 | EA  | MOLDING - TRIM/VEE - .4" X 1" X 82.6" - SIERRA MAPLE   |
| 3A  | M09553-62-WH4 | EA  | MOLDING - TRIM/VEE - .4" X 1" X 81.4" - CONCERT CHERRY |
| 3A  | M09553-62-WH5 | EA  | MOLDING - TRIM/VEE - .4" X 1" X 81.4" - WASHED MAPLE   |
| 3A  | M09553-62-WH6 | EA  | MOLDING - TRIM/VEE - .4" X 1" X 81.4" - SIERRA MAPLE   |
| 3A  | M09577-98-WH4 | EA  | MOLDING - TRIM/VEE - .4" X 1" X 80.2" - CONCERT CHERRY |
| 3A  | M09577-98-WH5 | EA  | MOLDING - TRIM/VEE - .4" X 1" X 80.2" - WASHED MAPLE   |
| 3A  | M09577-98-WH6 | EA  | MOLDING - TRIM/VEE - .4" X 1" X 80.2" - SIERRA MAPLE   |
| 3A  | M09544-37-W37 | EA  | MOLDING - TRIM/VEE - .4" X 1" X 78.8" - WASHED MAPLE   |
| 3A  | M09544-37-W38 | EA  | MOLDING - TRIM/VEE - .4" X 1" X 78.8" - SIERRA MAPLE   |
| 3A  | M09544-34-W37 | EA  | MOLDING - TRIM/VEE - .4" X 1" X 78.7" - WASHED MAPLE   |
| 3A  | M09544-34-W38 | EA  | MOLDING - TRIM/VEE - .4" X 1" X 78.7" - SIERRA MAPLE   |
| 3A  | M09538-37-U67 | EA  | MOLDING - TRIM/VEE - .4" X 1" X 77.5" - WASHED MAPLE   |
| 3A  | M09538-37-U68 | EA  | MOLDING - TRIM/VEE - .4" X 1" X 77.5" - SIERRA MAPLE   |
| 3A  | M09553-65-WH4 | EA  | MOLDING - TRIM/VEE - .4" X 1" X 77" - CONCERT CHERRY   |
| 3A  | M09553-65-WH5 | EA  | MOLDING - TRIM/VEE - .4" X 1" X 77" - WASHED MAPLE     |
| 3A  | M09553-65-WH6 | EA  | MOLDING - TRIM/VEE - .4" X 1" X 77" - SIERRA MAPLE     |
| 3A  | M09553-64-WH4 | EA  | MOLDING - TRIM/VEE - .4" X 1" X 76.7" - CONCERT CHERRY |
| 3A  | M09553-64-WH5 | EA  | MOLDING - TRIM/VEE - .4" X 1" X 76.7" - WASHED MAPLE   |
| 3A  | M09553-64-WH6 | EA  | MOLDING - TRIM/VEE - .4" X 1" X 76.7" - SIERRA MAPLE   |
| 3A  | M09565-75-WH4 | EA  | MOLDING - TRIM/VEE - .4" X 1" X 75.9" - CONCERT CHERRY |
| 3A  | M09565-75-WH5 | EA  | MOLDING - TRIM/VEE - .4" X 1" X 75.9" - WASHED MAPLE   |
| 3A  | M09565-75-WH6 | EA  | MOLDING - TRIM/VEE - .4" X 1" X 75.9" - SIERRA MAPLE   |
| 3A  | M09565-02-WH4 | EA  | MOLDING - TRIM/VEE - .4" X 1" X 75.1" - CONCERT CHERRY |
| 3A  | M09565-02-WH5 | EA  | MOLDING - TRIM/VEE - .4" X 1" X 75.1" - WASHED MAPLE   |
| 3A  | M09565-02-WH6 | EA  | MOLDING - TRIM/VEE - .4" X 1" X 75.1" - SIERRA MAPLE   |
| 3A  | M09553-26-WH4 | EA  | MOLDING - TRIM/VEE - .4" X 1" X 74.1" - CONCERT CHERRY |
| 3A  | M09553-26-WH5 | EA  | MOLDING - TRIM/VEE - .4" X 1" X 74.1" - WASHED MAPLE   |
| 3A  | M09553-26-WH6 | EA  | MOLDING - TRIM/VEE - .4" X 1" X 74.1" - SIERRA MAPLE   |
| 3A  | M09538-91-WH4 | EA  | MOLDING - TRIM/VEE - .4" X 1" X 73.8" - CONCERT CHERRY |
| 3A  | M09538-91-WH5 | EA  | MOLDING - TRIM/VEE - .4" X 1" X 73.8" - WASHED MAPLE   |
| 3A  | M09538-91-WH6 | EA  | MOLDING - TRIM/VEE - .4" X 1" X 73.8" - SIERRA MAPLE   |
| 3A  | M09553-22-WH4 | EA  | MOLDING - TRIM/VEE - .4" X 1" X 73.2" - CONCERT CHERRY |
| 3A  | M09553-22-WH5 | EA  | MOLDING - TRIM/VEE - .4" X 1" X 73.2" - WASHED MAPLE   |
| 3A  | M09553-22-WH6 | EA  | MOLDING - TRIM/VEE - .4" X 1" X 73.2" - SIERRA MAPLE   |
| 3A  | M09565-97-WH4 | EA  | MOLDING - TRIM/VEE - .4" X 1" X 72.6" - CONCERT CHERRY |
| 3A  | M09565-97-WH5 | EA  | MOLDING - TRIM/VEE - .4" X 1" X 72.6" - WASHED MAPLE   |
| 3A  | M09565-97-WH6 | EA  | MOLDING - TRIM/VEE - .4" X 1" X 72.6" - SIERRA MAPLE   |
| 3A  | M09568-12-WH4 | EA  | MOLDING - TRIM/VEE - .4" X 1" X 71.9" - CONCERT CHERRY |
| 3A  | M09568-12-WH5 | EA  | MOLDING - TRIM/VEE - .4" X 1" X 71.9" - WASHED MAPLE   |
| 3A  | M09568-12-WH6 | EA  | MOLDING - TRIM/VEE - .4" X 1" X 71.9" - SIERRA MAPLE   |
| 3A  | M09565-01-WH4 | EA  | MOLDING - TRIM/VEE - .4" X 1" X 71.7" - CONCERT CHERRY |
| 3A  | M09565-01-WH5 | EA  | MOLDING - TRIM/VEE - .4" X 1" X 71.7" - WASHED MAPLE   |
| 3A  | M09565-01-WH6 | EA  | MOLDING - TRIM/VEE - .4" X 1" X 71.7" - SIERRA MAPLE   |
| 3A  | M09565-01-YR3 | EA  | MOLDING - TRIM/VEE - .4" X 1" X 71.7" - HONEY CHERRY   |
| 3A  | M09544-15-WB4 | EA  | MOLDING - TRIM/VEE - .4" X 1" X 64.5" - CONCERT CHERRY |
| 3A  | M09544-15-WB5 | EA  | MOLDING - TRIM/VEE - .4" X 1" X 64.5" - WASHED MAPLE   |
| 3A  | M09544-15-WB6 | EA  | MOLDING - TRIM/VEE - .4" X 1" X 64.5" - SIERRA MAPLE   |
| 3A  | M09538-94-WH4 | EA  | MOLDING - TRIM/VEE - .4" X 1" X 71.1" - CONCERT CHERRY |
| 3A  | M09538-94-WH5 | EA  | MOLDING - TRIM/VEE - .4" X 1" X 71.1" - WASHED MAPLE   |
| 3A  | M09538-94-WH6 | EA  | MOLDING - TRIM/VEE - .4" X 1" X 71.1" - SIERRA MAPLE   |
| 3A  | M09565-78-WH4 | EA  | MOLDING - TRIM/VEE - .4" X 1" X 70.2" - CONCERT CHERRY |
| 3A  | M09565-78-WH5 | EA  | MOLDING - TRIM/VEE - .4" X 1" X 70.2" - WASHED MAPLE   |
| 3A  | M09565-78-WH6 | EA  | MOLDING - TRIM/VEE - .4" X 1" X 70.2" - SIERRA MAPLE   |
| 3A  | M09553-21-WH4 | EA  | MOLDING - TRIM/VEE - .4" X 1" X 70.1" - CONCERT CHERRY |
| 3A  | M09553-21-WH5 | EA  | MOLDING - TRIM/VEE - .4" X 1" X 70.1" - WASHED MAPLE   |
| 3A  | M09553-21-WH6 | EA  | MOLDING - TRIM/VEE - .4" X 1" X 70.1" - SIERRA MAPLE   |
| 3A  | M09501-92-T77 | EA  | MOLDING - TRIM/VEE - .4" X 1" X 70" - PORTSMOUTH OAK   |
| 3A  | M09501-92-T78 | EA  | MOLDING - TRIM/VEE - .4" X 1" X 70" - CONCERT CHERRY   |
| 3A  | M09501-92-T79 | EA  | MOLDING - TRIM/VEE - .4" X 1" X 70" - WASHED MAPLE     |

**INTERIOR FINISH GROUP (CONTINUED)**  
**MOLDINGS & TRIMS (CONTINUED)**

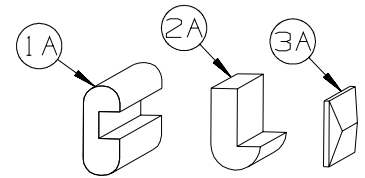


| KEY | PART NUMBER   | U/M | DESCRIPTION  |
|-----|---------------|-----|--|
| 3A  | M09501-92-T80 | EA  | MOLDING - TRIM/VEE - .4" X 1" X 70" - SIERRA MAPLE     |
| 3A  | M09538-27-WH4 | EA  | MOLDING - TRIM/VEE - .4" X 1" X 71.1" - CONCERT CHERRY |
| 3A  | M09538-27-U67 | EA  | MOLDING - TRIM/VEE - .4" X 1" X 71.1" - WASHED MAPLE   |
| 3A  | M09538-27-U68 | EA  | MOLDING - TRIM/VEE - .4" X 1" X 71.1" - SIERRA MAPLE   |
| 3A  | M09544-10-WH4 | EA  | MOLDING - TRIM/VEE - .4" X 1" X 68.2" - CONCERT CHERRY |
| 3A  | M09544-10-W91 | EA  | MOLDING - TRIM/VEE - .4" X 1" X 68.2" - WASHED MAPLE   |
| 3A  | M09544-10-W92 | EA  | MOLDING - TRIM/VEE - .4" X 1" X 68.2" - SIERRA MAPLE   |
| 3A  | M09553-03-WH4 | EA  | MOLDING - TRIM/VEE - .4" X 1" X 66.7" - CONCERT CHERRY |
| 3A  | M09553-03-WH5 | EA  | MOLDING - TRIM/VEE - .4" X 1" X 66.7" - WASHED MAPLE   |
| 3A  | M09553-03-WH6 | EA  | MOLDING - TRIM/VEE - .4" X 1" X 66.7" - SIERRA MAPLE   |
| 3A  | M09553-03-YR3 | EA  | MOLDING - TRIM/VEE - .4" X 1" X 66.7" - HONEY CHERRY   |
| 3A  | M09538-93-WH4 | EA  | MOLDING - TRIM/VEE - .4" X 1" X 66.6" - CONCERT CHERRY |
| 3A  | M09538-93-WH5 | EA  | MOLDING - TRIM/VEE - .4" X 1" X 66.6" - WASHED MAPLE   |
| 3A  | M09538-93-WH6 | EA  | MOLDING - TRIM/VEE - .4" X 1" X 66.6" - SIERRA MAPLE   |
| 3A  | M09544-33-W37 | EA  | MOLDING - TRIM/VEE - .4" X 1" X 66.5" - SIERRA MAPLE   |
| 3A  | M09544-33-W38 | EA  | MOLDING - TRIM/VEE - .4" X 1" X 66.5" - WASHED MAPLE   |
| 3A  | M09553-02-WH4 | EA  | MOLDING - TRIM/VEE - .4" X 1" X 66.4" - CONCERT CHERRY |
| 3A  | M09553-02-WH5 | EA  | MOLDING - TRIM/VEE - .4" X 1" X 66.4" - WASHED MAPLE   |
| 3A  | M09553-02-WH6 | EA  | MOLDING - TRIM/VEE - .4" X 1" X 66.4" - SIERRA MAPLE   |
| 3A  | M09544-14-WB4 | EA  | MOLDING - TRIM/VEE - .4" X 1" X 64.5" - CONCERT CHERRY |
| 3A  | M09544-14-WB5 | EA  | MOLDING - TRIM/VEE - .4" X 1" X 64.5" - WASHED MAPLE   |
| 3A  | M09544-14-WB6 | EA  | MOLDING - TRIM/VEE - .4" X 1" X 64.5" - SIERRA MAPLE   |
| 3A  | M09515-78-T77 | EA  | MOLDING - TRIM/VEE - .4" X 1" X 64.1" - PORTSMOUTH OAK |
| 3A  | M09515-78-T78 | EA  | MOLDING - TRIM/VEE - .4" X 1" X 64.1" - CONCERT CHERRY |
| 3A  | M09515-78-T79 | EA  | MOLDING - TRIM/VEE - .4" X 1" X 64.1" - WASHED MAPLE   |
| 3A  | M09515-78-T80 | EA  | MOLDING - TRIM/VEE - .4" X 1" X 64.1" - SIERRA MAPLE   |
| 3A  | M09501-91-T77 | EA  | MOLDING - TRIM/VEE - .4" X 1" X 63.3" - PORTSMOUTH OAK |
| 3A  | M09501-91-T78 | EA  | MOLDING - TRIM/VEE - .4" X 1" X 63.3" - CONCERT CHERRY |
| 3A  | M09501-91-T79 | EA  | MOLDING - TRIM/VEE - .4" X 1" X 63.3" - WASHED MAPLE   |
| 3A  | M09501-91-T80 | EA  | MOLDING - TRIM/VEE - .4" X 1" X 63.3" - SIERRA MAPLE   |
| 3A  | M09503-91-T77 | EA  | MOLDING - TRIM/VEE - .4" X 1" X 63.1" - PORTSMOUTH OAK |
| 3A  | M09503-91-T78 | EA  | MOLDING - TRIM/VEE - .4" X 1" X 63.1" - CONCERT CHERRY |
| 3A  | M09503-91-T79 | EA  | MOLDING - TRIM/VEE - .4" X 1" X 63.1" - WASHED MAPLE   |
| 3A  | M09503-91-T80 | EA  | MOLDING - TRIM/VEE - .4" X 1" X 63.1" - SIERRA MAPLE   |
| 3A  | M09544-22-WB4 | EA  | MOLDING - TRIM/VEE - .4" X 1" X 61.7" - CONCERT CHERRY |
| 3A  | M09544-22-WB5 | EA  | MOLDING - TRIM/VEE - .4" X 1" X 61.7" - WASHED MAPLE   |
| 3A  | M09544-22-WB6 | EA  | MOLDING - TRIM/VEE - .4" X 1" X 61.7" - SIERRA MAPLE   |
| 3A  | M09583-41-WH4 | EA  | MOLDING - TRIM/VEE - .4" X 1" X 61" - CONCERT CHERRY   |
| 3A  | M09583-41-WH5 | EA  | MOLDING - TRIM/VEE - .4" X 1" X 61" - WASHED MAPLE     |
| 3A  | M09583-41-WH6 | EA  | MOLDING - TRIM/VEE - .4" X 1" X 61" - SIERRA MAPLE     |
| 3A  | M09565-49-WH4 | EA  | MOLDING - TRIM/VEE - .4" X 1" X 58.7" - CONCERT CHERRY |
| 3A  | M09565-49-WH5 | EA  | MOLDING - TRIM/VEE - .4" X 1" X 58.7" - WASHED MAPLE   |
| 3A  | M09565-49-WH6 | EA  | MOLDING - TRIM/VEE - .4" X 1" X 58.7" - SIERRA MAPLE   |
| 3A  | M09544-36-W37 | EA  | MOLDING - TRIM/VEE - .4" X 1" X 52.6" - WASHED MAPLE   |
| 3A  | M09544-36-W38 | EA  | MOLDING - TRIM/VEE - .4" X 1" X 52.6.5" - SIERRA MAPLE |
| 3A  | M09553-85-WB4 | EA  | MOLDING - TRIM/VEE - .4" X 1" X 43.4" - CONCERT CHERRY |
| 3A  | M09553-85-WB5 | EA  | MOLDING - TRIM/VEE - .4" X 1" X 43.4" - WASHED MAPLE   |
| 3A  | M09553-85-WB6 | EA  | MOLDING - TRIM/VEE - .4" X 1" X 43.4" - SIERRA MAPLE   |
| 3A  | M09553-28-WH4 | EA  | MOLDING - TRIM/VEE - .4" X 1" X 48" - CONCERT CHERRY   |
| 3A  | M09553-28-WH5 | EA  | MOLDING - TRIM/VEE - .4" X 1" X 48" - WASHED MAPLE     |
| 3A  | M09553-28-WH6 | EA  | MOLDING - TRIM/VEE - .4" X 1" X 48" - SIERRA MAPLE     |
| 3A  | M09553-60-WH4 | EA  | MOLDING - TRIM/VEE - .4" X 1" X 47.2" - CONCERT CHERRY |
| 3A  | M09553-60-WH5 | EA  | MOLDING - TRIM/VEE - .4" X 1" X 47.2" - WASHED MAPLE   |
| 3A  | M09553-60-WH6 | EA  | MOLDING - TRIM/VEE - .4" X 1" X 47.2" - SIERRA MAPLE   |
| 3A  | M09544-24-WB4 | EA  | MOLDING - TRIM/VEE - .4" X 1" X 46.2" - CONCERT CHERRY |
| 3A  | M09544-24-WB5 | EA  | MOLDING - TRIM/VEE - .4" X 1" X 46.2" - WASHED MAPLE   |
| 3A  | M09544-24-WB6 | EA  | MOLDING - TRIM/VEE - .4" X 1" X 46.2" - SIERRA MAPLE   |
| 3A  | M09565-77-WH4 | EA  | MOLDING - TRIM/VEE - .4" X 1" X 42.5" - CONCERT CHERRY |
| 3A  | M09565-77-WH5 | EA  | MOLDING - TRIM/VEE - .4" X 1" X 42.5" - WASHED MAPLE   |
| 3A  | M09565-77-WH6 | EA  | MOLDING - TRIM/VEE - .4" X 1" X 42.5" - SIERRA MAPLE   |
| 3A  | M09544-35-W37 | EA  | MOLDING - TRIM/VEE - .4" X 1" X 66.5" - SIERRA MAPLE   |
| 3A  | M09544-35-W38 | EA  | MOLDING - TRIM/VEE - .4" X 1" X 66.5" - WASHED MAPLE   |

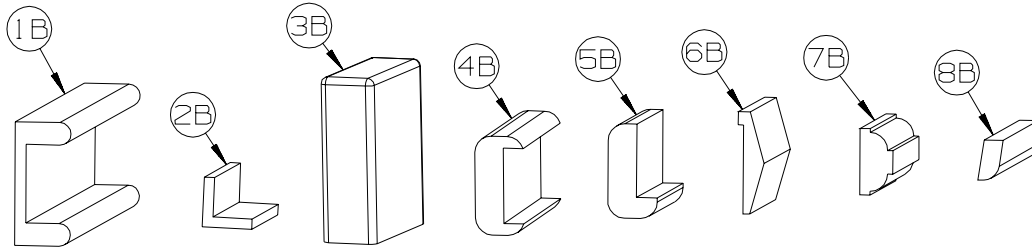
**INTERIOR FINISH GROUP (CONTINUED)**  
**MOLDINGS & TRIMS (CONTINUED)**

| KEY | PART NUMBER   | U/M | DESCRIPTION  |
|-----|---------------|-----|--|
| 3A  | M09544-38-W37 | EA  | MOLDING - TRIM/VEE - .4" X 1" X 66.5" - SIERRA MAPLE   |
| 3A  | M09544-38-W38 | EA  | MOLDING - TRIM/VEE - .4" X 1" X 66.5" - WASHED MAPLE   |
| 3A  | M09565-03-WH4 | EA  | MOLDING - TRIM/VEE - .4" X 1" X 44.2" - CONCERT CHERRY |
| 3A  | M09565-03-WH5 | EA  | MOLDING - TRIM/VEE - .4" X 1" X 44.2" - WASHED MAPLE   |
| 3A  | M09565-03-WH6 | EA  | MOLDING - TRIM/VEE - .4" X 1" X 44.2" - SIERRA MAPLE   |
| 3A  | M09565-20-WH4 | EA  | MOLDING - TRIM/VEE - .4" X 1" X 43.2" - CONCERT CHERRY |
| 3A  | M09565-20-WH5 | EA  | MOLDING - TRIM/VEE - .4" X 1" X 43.2" - WASHED MAPLE   |
| 3A  | M09565-20-WH6 | EA  | MOLDING - TRIM/VEE - .4" X 1" X 43.2" - SIERRA MAPLE   |
| 3A  | M09553-24-WH4 | EA  | MOLDING - TRIM/VEE - .4" X 1" X 43" - CONCERT CHERRY   |
| 3A  | M09553-24-WH5 | EA  | MOLDING - TRIM/VEE - .4" X 1" X 43" - WASHED MAPLE     |
| 3A  | M09553-24-WH6 | EA  | MOLDING - TRIM/VEE - .4" X 1" X 43" - SIERRA MAPLE     |
| 3A  | M09565-77-WH4 | EA  | MOLDING - TRIM/VEE - .4" X 1" X 42.5" - CONCERT CHERRY |
| 3A  | M09565-77-WH5 | EA  | MOLDING - TRIM/VEE - .4" X 1" X 42.5" - WASHED MAPLE   |
| 3A  | M09565-77-WH6 | EA  | MOLDING - TRIM/VEE - .4" X 1" X 42.5" - SIERRA MAPLE   |
| 3A  | M09565-50-WH4 | EA  | MOLDING - TRIM/VEE - .4" X 1" X 40.9" - CONCERT CHERRY |
| 3A  | M09565-50-WH5 | EA  | MOLDING - TRIM/VEE - .4" X 1" X 40.9" - WASHED MAPLE   |
| 3A  | M09565-50-WH6 | EA  | MOLDING - TRIM/VEE - .4" X 1" X 40.9" - SIERRA MAPLE   |
| 3A  | M09583-43-WH4 | EA  | MOLDING - TRIM/VEE - .4" X 1" X 40.1" - CONCERT CHERRY |
| 3A  | M09583-43-WH5 | EA  | MOLDING - TRIM/VEE - .4" X 1" X 40.1" - WASHED MAPLE   |
| 3A  | M09583-43-WH6 | EA  | MOLDING - TRIM/VEE - .4" X 1" X 40.1" - SIERRA MAPLE   |
| 3A  | M09565-76-WH4 | EA  | MOLDING - TRIM/VEE - .4" X 1" X 39.4" - CONCERT CHERRY |
| 3A  | M09565-76-WH5 | EA  | MOLDING - TRIM/VEE - .4" X 1" X 39.4" - WASHED MAPLE   |
| 3A  | M09565-76-WH6 | EA  | MOLDING - TRIM/VEE - .4" X 1" X 39.4" - SIERRA MAPLE   |
| 3A  | M09565-47-WH4 | EA  | MOLDING - TRIM/VEE - .4" X 1" X 38.9" - CONCERT CHERRY |
| 3A  | M09565-47-WH5 | EA  | MOLDING - TRIM/VEE - .4" X 1" X 38.9" - WASHED MAPLE   |
| 3A  | M09565-47-WH6 | EA  | MOLDING - TRIM/VEE - .4" X 1" X 38.9" - SIERRA MAPLE   |
| 3A  | M09553-27-WH4 | EA  | MOLDING - TRIM/VEE - .4" X 1" X 38.8" - CONCERT CHERRY |
| 3A  | M09553-27-WH5 | EA  | MOLDING - TRIM/VEE - .4" X 1" X 38.8" - WASHED MAPLE   |
| 3A  | M09553-27-WH6 | EA  | MOLDING - TRIM/VEE - .4" X 1" X 38.8" - SIERRA MAPLE   |
| 3A  | M09568-77-WH4 | EA  | MOLDING - TRIM/VEE - .4" X 1" X 37.5" - CONCERT CHERRY |
| 3A  | M09568-77-WH5 | EA  | MOLDING - TRIM/VEE - .4" X 1" X 37.5" - WASHED MAPLE   |
| 3A  | M09568-77-WH6 | EA  | MOLDING - TRIM/VEE - .4" X 1" X 37.5" - SIERRA MAPLE   |
| 3A  | M09553-23-WH4 | EA  | MOLDING - TRIM/VEE - .4" X 1" X 37" - CONCERT CHERRY   |
| 3A  | M09553-23-WH5 | EA  | MOLDING - TRIM/VEE - .4" X 1" X 37" - WASHED MAPLE     |
| 3A  | M09553-23-WH6 | EA  | MOLDING - TRIM/VEE - .4" X 1" X 37" - SIERRA MAPLE     |
| 3A  | M09553-47-WB4 | EA  | MOLDING - TRIM/VEE - .4" X 1" X 35.9" - CONCERT CHERRY |
| 3A  | M09553-47-WB5 | EA  | MOLDING - TRIM/VEE - .4" X 1" X 35.9" - WASHED MAPLE   |
| 3A  | M09553-47-WB6 | EA  | MOLDING - TRIM/VEE - .4" X 1" X 35.9" - SIERRA MAPLE   |
| 3A  | M09553-47-W66 | EA  | MOLDING - TRIM/VEE - .4" X 1" X 35.9" - HONEY CHERRY   |
| 3A  | M09568-48-U67 | EA  | MOLDING - TRIM/VEE - .4" X 1" X 35.4" - WASHED MAPLE   |
| 3A  | M09568-48-U68 | EA  | MOLDING - TRIM/VEE - .4" X 1" X 35.4" - SIERRA MAPLE   |
| 3A  | M09553-63-WH4 | EA  | MOLDING - TRIM/VEE - .4" X 1" X 35.1" - CONCERT CHERRY |
| 3A  | M09553-63-WH5 | EA  | MOLDING - TRIM/VEE - .4" X 1" X 35.1" - WASHED MAPLE   |
| 3A  | M09553-63-WH6 | EA  | MOLDING - TRIM/VEE - .4" X 1" X 35.1" - SIERRA MAPLE   |
| 3A  | M09553-63-W51 | EA  | MOLDING - TRIM/VEE - .4" X 1" X 35.1" - HONEY CHERRY   |
| 3A  | M09565-94-WH4 | EA  | MOLDING - TRIM/VEE - .4" X 1" X 34.4" - CONCERT CHERRY |
| 3A  | M09565-94-WH5 | EA  | MOLDING - TRIM/VEE - .4" X 1" X 34.4" - WASHED MAPLE   |
| 3A  | M09565-94-WH6 | EA  | MOLDING - TRIM/VEE - .4" X 1" X 34.4" - SIERRA MAPLE   |
| 3A  | M09553-04-WH4 | EA  | MOLDING - TRIM/VEE - .4" X 1" X 34.2" - CONCERT CHERRY |
| 3A  | M09553-04-WH5 | EA  | MOLDING - TRIM/VEE - .4" X 1" X 34.2" - WASHED MAPLE   |
| 3A  | M09553-04-WH6 | EA  | MOLDING - TRIM/VEE - .4" X 1" X 34.2" - SIERRA MAPLE   |
| 3A  | M09566-02-U68 | EA  | MOLDING - TRIM/VEE - .4" X 1" X 32.7" - SIERRA MAPLE   |
| 3A  | M09566-02-W51 | EA  | MOLDING - TRIM/VEE - .4" X 1" X 32.7" - HONEY CHERRY   |
| 3A  | M09566-02-W52 | EA  | MOLDING - TRIM/VEE - .4" X 1" X 32.7" - WASHED MAPLE   |
| 3A  | M09511-86-T77 | EA  | MOLDING - TRIM/VEE - .4" X 1" X 28.3" - PORTSMOUTH OAK |
| 3A  | M09511-86-T78 | EA  | MOLDING - TRIM/VEE - .4" X 1" X 28.3" - CONCERT CHERRY |
| 3A  | M09511-86-T79 | EA  | MOLDING - TRIM/VEE - .4" X 1" X 28.3" - WASHED MAPLE   |
| 3A  | M09511-86-T80 | EA  | MOLDING - TRIM/VEE - .4" X 1" X 28.3" - SIERRA MAPLE   |
| 3A  | M09553-61-WH4 | EA  | MOLDING - TRIM/VEE - .4" X 1" X 19.9" - CONCERT CHERRY |
| 3A  | M09553-61-WH5 | EA  | MOLDING - TRIM/VEE - .4" X 1" X 19.9" - WASHED MAPLE   |
| 3A  | M09553-61-WH6 | EA  | MOLDING - TRIM/VEE - .4" X 1" X 19.9" - SIERRA MAPLE   |
| 3A  | M09565-71-WH4 | EA  | MOLDING - TRIM/VEE - .4" X 1" X 11.4" - CONCERT CHERRY |
| 3A  | M09565-71-WH5 | EA  | MOLDING - TRIM/VEE - .4" X 1" X 11.4" - WASHED MAPLE   |
| 3A  | M09565-71-WH6 | EA  | MOLDING - TRIM/VEE - .4" X 1" X 11.4" - SIERRA MAPLE   |

**INTERIOR FINISH GROUP (CONTINUED)**  
**MOLDINGS & TRIMS (CONTINUED)**

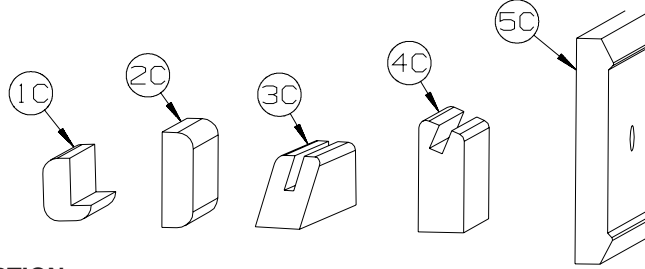


| KEY | PART NUMBER   | U/M | DESCRIPTION   |
|-----|---------------|-----|---|
| 3A  | M09583-42-WH4 | EA  | MOLDING - TRIM/VEE - .4" X 1" X 8.3" - CONCERT CHERRY |
| 3A  | M09583-42-WH5 | EA  | MOLDING - TRIM/VEE - .4" X 1" X 8.3" - WASHED MAPLE   |
| 3A  | M09583-42-WH6 | EA  | MOLDING - TRIM/VEE - .4" X 1" X 8.3" - SIERRA MAPLE   |
| 3A  | M09544-55-WB4 | EA  | MOLDING - TRIM/VEE - .4" X 1" X 6.5" - CONCERT CHERRY |
| 3A  | M09544-55-WB5 | EA  | MOLDING - TRIM/VEE - .4" X 1" X 6.5" - WASHED MAPLE   |
| 3A  | M09544-55-WB6 | EA  | MOLDING - TRIM/VEE - .4" X 1" X 6.5" - SIERRA MAPLE   |
| 3A  | M09544-56-WB4 | EA  | MOLDING - TRIM/VEE - .4" X 1" X 6.1" - CONCERT CHERRY |
| 3A  | M09544-56-WB5 | EA  | MOLDING - TRIM/VEE - .4" X 1" X 6.1" - WASHED MAPLE   |
| 3A  | M09544-56-WB6 | EA  | MOLDING - TRIM/VEE - .4" X 1" X 6.1" - SIERRA MAPLE   |
| 3A  | M09538-70-U68 | EA  | MOLDING - TRIM/VEE - .4" X 1" X 63.9" - SIERRA MAPLE  |
| 3A  | M09538-70-U67 | EA  | MOLDING - TRIM/VEE - .4" X 1" X 63.9" - WASHED MAPLE  |



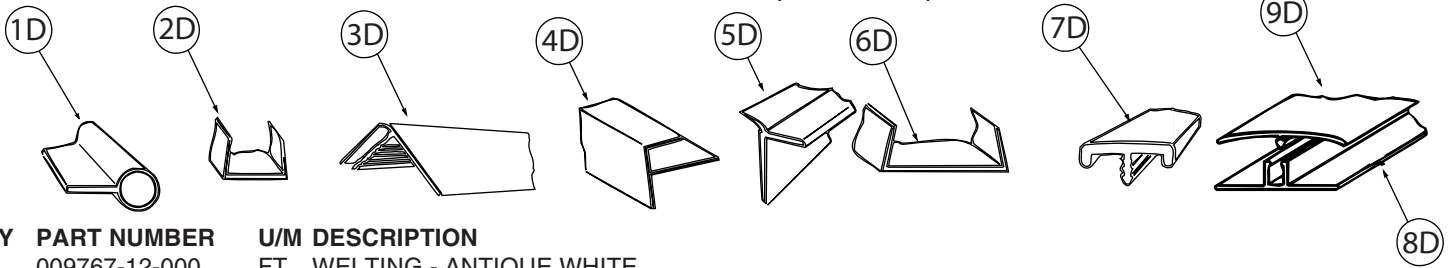
| KEY | PART NUMBER   | U/M | DESCRIPTION  |
|-----|---------------|-----|--|
| 1B  | M09501-84-TG0 | EA  | MOLDING/TRIM - CAP/WALL - 2.2" X 85.9" - PORTSMOUTH OAK    |
| 1B  | M09501-84-TG1 | EA  | MOLDING/TRIM - CAP/WALL - 2.2" X 85.9" - CONCERT CHERRY    |
| 1B  | M09501-84-TG2 | EA  | MOLDING/TRIM - CAP/WALL - 2.2" X 85.9" - WASHED MAPLE      |
| 1B  | M09501-84-TG3 | EA  | MOLDING/TRIM - CAP/WALL - 2.2" X 85.9" - HONEY CHERRY      |
| 1B  | M09520-04-TD3 | EA  | MOLDING/TRIM - CAP/WALL - 2.2" X 80.5" - SIERRA MAPLE      |
| 2B  | M09511-81-TA0 | EA  | MOLDING/TRIM - L SHAPE - .8"X .8"X 80.2" - PORTSMOUTH OAK  |
| 2B  | M09511-81-TA1 | EA  | MOLDING/TRIM - L SHAPE - .8"X .8"X 80.2" - CONCERT CHERRY  |
| 2B  | M09511-81-TA2 | EA  | MOLDING/TRIM - L SHAPE - .8"X .8"X 80.2" - WASHED MAPLE    |
| 2B  | M09511-81-TA3 | EA  | MOLDING/TRIM - L SHAPE - .8"X .8"X 80.2" - SIERRA MAPLE    |
| 3B  | M09515-81-T01 | EA  | MOLDING/HARDWOOD STRAIGHT - 74.3" - WASHED MAPLE           |
| 3B  | M09515-81-T02 | EA  | MOLDING/HARDWOOD STRAIGHT - 74.3" - HONEY CHERRY           |
| 4B  | M09511-42-T77 | EA  | MOLDING - TRIM - W/NOTCH - 1.5" X 86.4" - PORTSMOUTH OAK   |
| 4B  | M09511-42-T78 | EA  | MOLDING - TRIM - W/NOTCH - 1.5" X 86.4" - CONCERT CHERRY   |
| 4B  | M09511-42-T79 | EA  | MOLDING - TRIM - W/NOTCH - 1.5" X 86.4" - WASHED MAPLE     |
| 4B  | M09511-42-T80 | EA  | MOLDING - TRIM - W/NOTCH - 1.5" X 86.4" - SIERRA MAPLE     |
| 4B  | M09511-42-W66 | EA  | MOLDING - TRIM - W/NOTCH - 1.5" X 86.4" - HONEY CHERRY     |
| 5B  | M09515-18-T77 | EA  | MOLDING - HARDWOOD-W/NOTCH - 1.4"X 86.2" - PORTSMOUTH OAK  |
| 5B  | M09515-18-T78 | EA  | MOLDING - HARDWOOD-W/NOTCH - 1.4"X 86.2" - CONCERT CHERRY  |
| 5B  | M09553-66-U22 | EA  | MOLDING - HARDWOOD-W/NOTCH - 1.4"X 96" - WASHED MAPLE      |
| 5B  | M09515-18-T80 | EA  | MOLDING - HARDWOOD-W/NOTCH - 1.4"X 86.2" - SIERRA MAPLE    |
| 5B  | M09553-66-U21 | EA  | MOLDING - HARDWOOD-W/NOTCH - 1.4"X 96" - HONEY CHERRY      |
| 6B  | M09515-53-TG0 | EA  | MOLDING - TRIM/VEE - 1.5" X 73.9" - PORTSMOUTH OAK         |
| 6B  | M09525-81-UJ1 | EA  | MOLDING - TRIM/VEE - 1.5" X 74.7" - CONCERT CHERRY         |
| 6B  | M09525-81-UJ2 | EA  | MOLDING - TRIM/VEE - 1.5" X 74.7" - WASHED MAPLE           |
| 6B  | M09552-81-UJ3 | EA  | MOLDING - TRIM/VEE - 1.5" X 74.7" - HONEY CHERRY           |
| 6B  | M09553-53-WH6 | EA  | MOLDING - TRIM/VEE - NOTCHED - 1.5" X 20.6" - SIERRA MAPLE |
| 7B  | Y00076-32-438 | EA  | MOLDING/TRIM - .5" X 1" X 96" - CHERRY (UNSTAINED)         |
| 7B  | Y00076-22-438 | EA  | MOLDING/TRIM - .5" X 1" X 96" - MAPLE (UNSTAINED)          |
| 8B  | M09525-92-T77 | EA  | MOLDING/TRIM - .5" X 1" X 75.6" - PORTSMOUTH OAK           |
| 8B  | M09525-92-T78 | EA  | MOLDING/TRIM - .5" X 1" X 75.6" - CONCERT CHERRY           |
| 8B  | M09525-92-T79 | EA  | MOLDING/TRIM - .5" X 1" X 75.6" - WASHED MAPLE             |
| 8B  | M09525-92-T80 | EA  | MOLDING/TRIM - .5" X 1" X 75.6" - SIERRA MAPLE             |
| 8B  | Y00086-72-438 | EA  | MOLDING - VINYL WRAP - .7" X 1.6" X 96" - PORTSMOUTH OAK   |
| 8B  | Y00086-D2-438 | EA  | MOLDING - VINYL WRAP - .7" X 1.6" X 96" - CONCERT CHERRY   |
| 8B  | Y00086-A2-438 | EA  | MOLDING - VINYL WRAP - .7" X 1.6" X 96" - WASHED MAPLE     |
| 8B  | Y00086-92-438 | EA  | MOLDING - VINYL WRAP - .7" X 1.6" X 96" - SIERRA MAPLE     |
| 8B  | Y00086-82-438 | EA  | MOLDING - VINYL WRAP - .7" X 1.6" X 96" - HONEY CHERRY     |
| 8B  | Y00087-72-438 | EA  | MOLDING - VINYL WRAP - .7" X 2.9" X 96" - PORTSMOUTH OAK   |
| 8B  | Y00087-D2-438 | EA  | MOLDING - VINYL WRAP - .7" X 2.9" X 96" - CONCERT CHERRY   |
| 8B  | Y00087-A2-438 | EA  | MOLDING - VINYL WRAP - .7" X 2.9" X 96" - WASHED MAPLE     |
| 8B  | Y00087-92-438 | EA  | MOLDING - VINYL WRAP - .7" X 2.9" X 96" - SIERRA MAPLE     |
| 8B  | Y00087-82-438 | EA  | MOLDING - VINYL WRAP - .7" X 2.9" X 96" - HONEY CHERRY     |

**INTERIOR FINISH GROUP (CONTINUED)**  
**MOLDINGS & TRIMS (CONTINUED)**



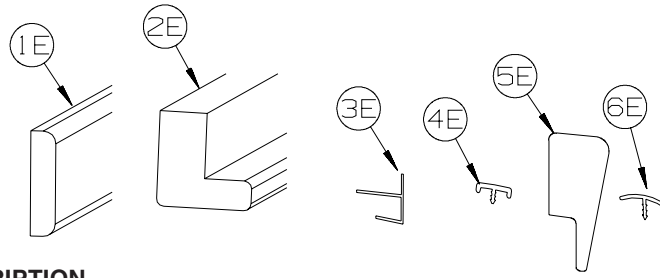
| KEY | PART NUMBER   | U/M | DESCRIPTION   |
|-----|---------------|-----|---|
| 1C  | M09520-19-TD1 | EA  | MOLDING - TRIM - W/NOTCH - 1" X 86.3" - CONCERT CHERRY        |
| 1C  | M09520-19-TD2 | EA  | MOLDING - TRIM - W/NOTCH - 1" X 86.3" - WASHED MAPLE          |
| 1C  | M09520-19-TD3 | EA  | MOLDING - TRIM - W/NOTCH - 1" X 86.3" - HONEY CHERRY          |
| 1C  | M09565-68-WH4 | EA  | MOLDING - HARDWOOD - .75" X 1.4" X 81.9" - CONCERT CHERRY     |
| 1C  | M09565-68-WH5 | EA  | MOLDING - HARDWOOD - .75" X 1.4" X 81.9" - WASHED MAPLE       |
| 1C  | M09565-68-WH6 | EA  | MOLDING - HARDWOOD - .75" X 1.4" X 81.9" - SIERRA MAPLE       |
| 2C  | M09511-46-T77 | EA  | MOLDING/TRIM - .5" X 1.5" X 86.5" - PORTSMOUTH OAK            |
| 2C  | M09511-46-T78 | EA  | MOLDING/TRIM - .5" X 1.5" X 86.5" - CONCERT CHERRY            |
| 2C  | M09511-46-T79 | EA  | MOLDING/TRIM - .5" X 1.5" X 86.5" - WASHED MAPLE              |
| 2C  | M09511-46-T80 | EA  | MOLDING/TRIM - .5" X 1.5" X 86.5" - SIERRA MAPLE              |
| 3C  | Y00223-22-438 | EA  | MOLDING - HARDWOOD/MAPLE - .7" X 1" X 96" - UNSTAINED MAPLE   |
| 3C  | Y00223-32-438 | EA  | MOLDING - HARDWOOD/CHERRY - .7" X 1" X 96" - UNSTAINED CHERRY |
| 3C  | Y00223-42-438 | EA  | MOLDING - HARDWOOD/CHERRY - .7" X 1" X 96" - UNSTAINED OAK    |
| 4C  | Y00054-A2-438 | EA  | MOLDING - VINYL - W/SLOT - .7"X 1.9"X 96" - WASHED MAPLE      |
| 4C  | Y00054-D2-438 | EA  | MOLDING - VINYL - W/SLOT - .7"X 1.9"X 96" - CONCERT CHERRY    |
| 4C  | Y00054-22-438 | EA  | MOLDING - VINYL - W/SLOT - .7"X 1.9"X 96" - WASHED MAPLE      |
| 4C  | Y00054-72-438 | EA  | MOLDING - VINYL - W/SLOT - .7"X 1.9"X 96" - PORTSMOUTH OAK    |
| 4C  | Y00054-82-438 | EA  | MOLDING - VINYL - W/SLOT - .7"X 1.9"X 96" - HONEY CHERRY      |
| 4C  | Y00054-92-438 | EA  | MOLDING - VINYL - W/SLOT - .7"X 1.9"X 96" - SIERRA MAPLE      |
| 4C  | Y00276-A2-438 | EA  | MOLDING - VINYL - W/SLOT - .7"X 1.9"X 96" - WASHED MAPLE      |
| 4C  | Y00276-D2-438 | EA  | MOLDING - VINYL - W/SLOT - .7"X 1.9"X 96" - CONCERT CHERRY    |
| 4C  | Y00276-72-438 | EA  | MOLDING - VINYL - W/SLOT - .7"X 1.9"X 96" - PORTSMOUTH OAK    |
| 4C  | Y00276-82-438 | EA  | MOLDING - VINYL - W/SLOT - .7"X 1.9"X 96" - HONEY CHERRY      |
| 4C  | Y00276-92-438 | EA  | MOLDING - VINYL - W/SLOT - .7"X 1.9"X 96" - SIERRA MAPLE      |
| 5C  | Y00152-A2-438 | EA  | MOLDING/TRIM - VINYL - .6" X 3.5" X 96" - WASHED MAPLE        |
| 5C  | Y00152-D2-438 | EA  | MOLDING/TRIM - VINYL - .6" X 3.5" X 96" - CONCERT CHERRY      |
| 5C  | Y00152-22-438 | EA  | MOLDING/TRIM - VINYL - .6" X 3.5" X 96" - WASHED MAPLE        |
| 5C  | Y00152-72-438 | EA  | MOLDING/TRIM - VINYL - .6" X 3.5" X 96" - PORTSMOUTH OAK      |
| 5C  | Y00152-92-438 | EA  | MOLDING/TRIM - VINYL - .6" X 3.5" X 96" - SIERRA MAPLE        |

**INTERIOR FINISH GROUP (CONTINUED)**  
**MOLDINGS & TRIMS (CONTINUED)**



| KEY | PART NUMBER   | U/M | DESCRIPTION   |
|-----|---------------|-----|---|
| 1D  | 009767-12-000 | FT  | WELTING - ANTIQUE WHITE                                   |
| 2D  | 009778-25-000 | FT  | U-CHANNEL - 1" - BEIGE ILLUSION                           |
| 2D  | 009778-26-000 | FT  | U-CHANNEL - 1 1/4" - BEIGE ILLUSION                       |
| 2D  | 009778-38-000 | FT  | U-CHANNEL - 1" - BONE                                     |
| 2D  | 009778-32-000 | FT  | U-CHANNEL - 1" - PORTSMOUTH OAK                           |
| 2D  | 009778-34-000 | FT  | U-CHANNEL - 1" - CONCERT CHERRY                           |
| 2D  | 009778-27-000 | FT  | U-CHANNEL - 1" - WASHED MAPLE                             |
| 2D  | 009778-35-000 | FT  | U-CHANNEL - 1" - HONEY CHERRY                             |
| 2D  | 009778-36-000 | FT  | U-CHANNEL - 1" - SIERRA MAPLE                             |
| 3D  | 009809-30-000 | EA  | MOLDING - CORNER - OUTSIDE - 1" X 84" - BEIGE ILLUSION    |
| 3D  | 009809-37-000 | EA  | MOLDING - CORNER - OUTSIDE - 1" X 84" - BONE              |
| 3D  | 009809-33-000 | EA  | MOLDING - CORNER - OUTSIDE - 1" X 84" - CONCERT CHERRY    |
| 3D  | 009809-31-000 | EA  | MOLDING - CORNER - OUTSIDE - 1" X 84" - WASHED MAPLE      |
| 3D  | 009809-35-000 | EA  | MOLDING - CORNER - OUTSIDE - 1" X 84" - SIERRA MAPLE      |
| 4D  | 009812-31-000 | EA  | MOLDING - CORNER - 1/2" W/1/4"CHAN X 84" - BEIGE ILLUSION |
| 4D  | 009812-40-000 | EA  | MOLDING - CORNER - 1/2" W/1/4"CHAN X 84" - BONE           |
| 4D  | 009812-35-000 | EA  | MOLDING - CORNER - 1/2" W/1/4"CHAN X 84" - PORTSMOUTH OAK |
| 4D  | 009812-36-000 | EA  | MOLDING - CORNER - 1/2" W/1/4"CHAN X 84" - CONCERT CHERRY |
| 4D  | 009812-33-000 | EA  | MOLDING - CORNER - 1/2" W/1/4"CHAN X 84" - WASHED MAPLE   |
| 4D  | 009812-37-000 | EA  | MOLDING - CORNER - 1/2" W/1/4"CHAN X 84" - HONEY CHERRY   |
| 4D  | 009812-38-000 | EA  | MOLDING - CORNER - 1/2" W/1/4"CHAN X 84" - SIERRA MAPLE   |
| 5D  | 022992-11-000 | FT  | MOLDING - REVERSE COVE - T-SHAPED - IVORY                 |
| 5D  | 022992-14-000 | FT  | MOLDING - REVERSE COVE - T-SHAPED - BRIGHT WHITE          |
| 5D  | 022992-18-000 | FT  | MOLDING - REVERSE COVE - T-SHAPED - BONE                  |
| 6D  | 070504-42-000 | FT  | U-CHANNEL - PLASTIC - .13" X 84" - BEIGE ILLUSION         |
| 6D  | 070504-43-000 | FT  | U-CHANNEL - PLASTIC - .9" X 96" - BEIGE ILLUSION          |
| 6D  | 070504-69-000 | FT  | U-CHANNEL - PLASTIC - .13" X 84" - BONE                   |
| 6D  | 070504-70-000 | FT  | U-CHANNEL - PLASTIC - .8" X 84" - BONE                    |
| 6D  | 070504-57-000 | FT  | U-CHANNEL - PLASTIC - .13" X 96" - PORTSMOUTH OAK         |
| 6D  | 070504-58-000 | FT  | U-CHANNEL - PLASTIC - .9" X 96" - PORTSMOUTH OAK          |
| 6D  | 070504-60-000 | FT  | U-CHANNEL - PLASTIC - .13" X 84" - CONCERT CHERRY         |
| 6D  | 070504-61-000 | FT  | U-CHANNEL - PLASTIC - .9" X 84" - CONCERT CHERRY          |
| 6D  | 070504-50-000 | FT  | U-CHANNEL - PLASTIC - .13" X 96" - WASHED MAPLE           |
| 6D  | 070504-51-000 | FT  | U-CHANNEL - PLASTIC - .9" X 96" - WASHED MAPLE            |
| 6D  | 070504-62-000 | FT  | U-CHANNEL - PLASTIC - 1.65" X 84" - HONEY CHERRY          |
| 6D  | 070504-63-000 | FT  | U-CHANNEL - PLASTIC - .9" X 84" - HONEY CHERRY            |
| 6D  | 070504-65-000 | FT  | U-CHANNEL - PLASTIC - .07" X 96" - SIERRA MAPLE           |
| 6D  | 070504-66-000 | FT  | U-CHANNEL - PLASTIC - .8" X 84" - SIERRA MAPLE            |
| 7D  | 083620-25-000 | FT  | MOLDING-T - W/EDGE LIP - 7/8" FACE - BONE                 |
| 7D  | 083620-20-000 | FT  | MOLDING-T - W/EDGE LIP - 7/8" FACE - PORTSMOUTH OAK       |
| 7D  | 083620-19-000 | FT  | MOLDING-T - W/EDGE LIP - 7/8" FACE - WASHED MAPLE         |
| 7D  | 083620-24-000 | FT  | MOLDING-T - W/EDGE LIP - 7/8" FACE - HONEY CHERRY         |
| 7D  | 083620-22-000 | FT  | MOLDING-T - W/EDGE LIP - 7/8" FACE - SIERRA MAPLE         |
| 8D  | 086229-01-000 | EA  | RETAINER - BATTEN - .75" X 92.1" - ANY COLOR              |
| 9D  | 086229-12-000 | EA  | BATTEN - 1.5" OFFSET X 96.8" - MODERN IVORY               |
| 9D  | 086229-20-000 | EA  | BATTEN - 1" X 96" - BEIGE                                 |

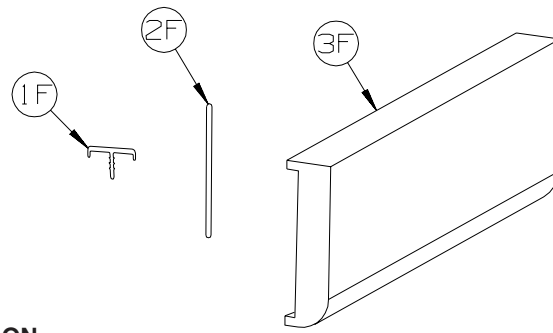
**INTERIOR FINISH GROUP (CONTINUED)**  
**MOLDINGS & TRIMS (CONTINUED)**



| KEY | PART NUMBER   | U/M | DESCRIPTION   |
|-----|---------------|-----|---|
| 1E  | 100818-01-12A | EA  | MOLDING - VINYL WRAPPED - 1.6" X .4" X 84" - PORTSMOUTH OAK   |
| 1E  | 100818-01-23A | EA  | MOLDING - VINYL WRAPPED - 1.6" X .4" X 84" - CONCERT CHERRY   |
| 1E  | 100818-01-21A | EA  | MOLDING - VINYL WRAPPED - 1.6" X .4" X 84" - WASHED MAPLE     |
| 1E  | 100818-01-14A | EA  | MOLDING - VINYL WRAPPED - 1.6" X .4" X 84" - HONEY CHERRY     |
| 1E  | 100818-01-22A | EA  | MOLDING - VINYL WRAPPED - 1.6" X .4" X 84" - SIERRA MAPLE     |
| 2E  | 100819-01-23A | EA  | MOLDING - VYL WRPPD-L-SHPD-1.5"X1.5"X84" - CONCERT CHERRY     |
| 2E  | 100819-01-21A | EA  | MOLDING - VINYL WRAPPED-L-SHAPED-1.5"X1.5"X84" - WASHED MAPLE |
| 2E  | 100819-01-14A | EA  | MOLDING - VINYL WRAPPED-L-SHAPED-1.5"X1.5"X84" - HONEY CHERRY |
| 2E  | 100819-01-22A | EA  | MOLDING - VINYL WRAPPED-L-SHAPED-1.5"X1.5"X84" - SIERRA MAPLE |
| 3E  | 103186-01-07A | FT  | MOLDING/PLASTIC - 3/8" U-CHANNEL-3/4" FACE - BEIGE ILLUSION   |
| 3E  | 103186-01-09A | FT  | MOLDING/PLASTIC - 3/8" U-CHANNEL-3/4" FACE - PORTSMOUTH OAK   |
| 3E  | 103186-01-10A | FT  | MOLDING/PLASTIC - 3/8" U-CHANNEL-3/4" FACE - CONCERT CHERRY   |
| 3E  | 103186-01-08A | FT  | MOLDING/PLASTIC - 3/8" U-CHANNEL-3/4" FACE- 8' - WASHED MAPLE |
| 3E  | 103186-01-11A | FT  | MOLDING/PLASTIC - 3/8" U-CHANNEL-3/4" FACE - HONEY CHERRY     |
| 3E  | 103186-01-12A | FT  | MOLDING/PLASTIC - 3/8" U-CHANNEL-3/4" FACE - SIERRA MAPLE     |
| 3E  | 103186-02-07A | FT  | MOLDING/PLASTIC-1" U-CHANNEL-1 3/8" FACE - BEIGE ILLUSION     |
| 3E  | 103186-02-09A | FT  | MOLDING/PLASTIC - 1" U-CHANNEL-1 3/8" FACE - PORTSMOUTH OAK   |
| 3E  | 103186-02-10A | FT  | MOLDING/PLASTIC - 1" U-CHANNEL-1 3/8" FACE - CONCERT CHERRY   |
| 3E  | 103186-02-08A | FT  | MOLDING/PLASTIC - 1" U-CHANNEL-1 3/8" FACE - WASHED MAPLE     |
| 3E  | 103186-02-11A | FT  | MOLDING/PLASTIC - 1" U-CHANNEL-1 3/8" FACE - HONEY CHERRY     |
| 3E  | 103186-02-12A | FT  | MOLDING/PLASTIC - 1" U-CHANNEL-1 3/8" FACE - SIERRA MAPLE     |
| 4E  | 104676-02-08A | FT  | MOLDING-T - W/EDGE LIP - 11/16" FACE - PORTSMOUTH OAK         |
| 4E  | 104676-02-12A | FT  | MOLDING-T - W/EDGE LIP - 11/16" FACE - SIERRA MAPLE           |
| 5E  | 105004-01-12A | EA  | MOLDING - VINYL WRAP - 1" X 96" - PORTSMOUTH OAK              |
| 5E  | 105004-01-21A | EA  | MOLDING - VINYL WRAP - 1" X 96" - WASHED MAPLE                |
| 5E  | 105004-01-24A | EA  | MOLDING - VINYL WRAP - 1" X 96" - HONEY CHERRY                |
| 5E  | 105004-01-22A | EA  | MOLDING - VINYL WRAP - 1" X 96" - SIERRA MAPLE                |
| 6E  | 105709-02-000 | FT  | MOLDING-T - W/EDGE LIP 3/4" FACE - BEIGE ILLUSION             |



**INTERIOR FINISH GROUP (CONTINUED)**  
**MOLDINGS & TRIMS (CONTINUED)**

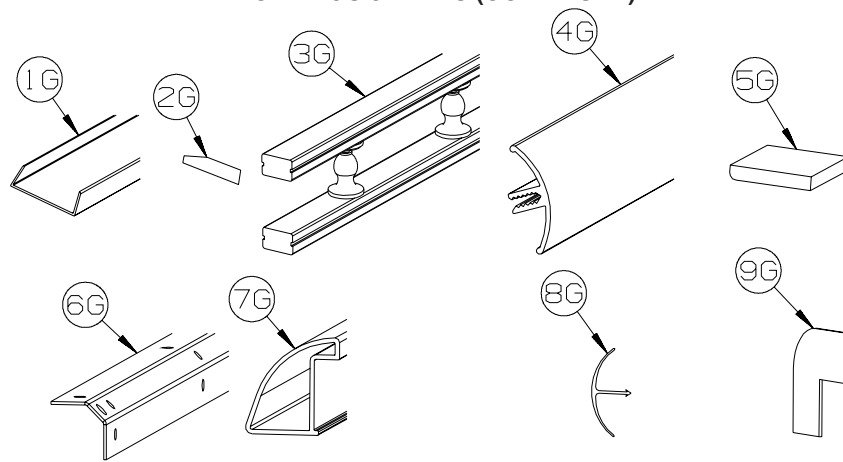


| KEY | PART NUMBER   | U/M | DESCRIPTION  |
|-----|---------------|-----|--|
| 1F  | 119520-01-01A | FT  | MOLDING-T - OFFSET W/EDGE LIP - 1.3" FACE - OFF WHITE        |
| 1F  | 119520-03-02A | FT  | MOLDING-T - OFFSET W/EDGE LIP - 1" FACE - CONCERT CHERRY     |
| 1F  | 119520-03-03A | FT  | MOLDING-T - OFFSET W/EDGE LIP - 1" FACE - WASHED MAPLE       |
| 1F  | 119520-03-05A | FT  | MOLDING-T - OFFSET W/EDGE LIP - 1" FACE - SIERRA MAPLE       |
| 1F  | 119520-03-06A | FT  | MOLDING-T - OFFSET W/EDGE LIP - 1" FACE - HONEY CHERRY       |
| 2F  | 127842-01-01A | FT  | SEAL - SIGHT SHIELD - 2" BLACK                               |
|     | 160300-A2-438 | EA  | LUMBER - VINYL WRAPPED - .7" X .75" X 96" - CONCERT CHERRY   |
|     | 160300-D2-438 | EA  | LUMBER - VINYL WRAPPED - .7" X 1.5" X 96" - CONCERT CHERRY   |
|     | 160300-E2-438 | EA  | LUMBER - VINYL WRAPPED - .7" X 2" X 96" - CONCERT CHERRY     |
|     | 160300-F2-438 | EA  | LUMBER - VINYL WRAPPED - .7" X 2.5" X 96" - CONCERT CHERRY   |
|     | 160300-G2-438 | EA  | LUMBER - VINYL WRAPPED - .7" X 3" X 96" - CONCERT CHERRY     |
|     | 160300-H2-438 | EA  | LUMBER - VINYL WRAPPED - .7" X 3.5" X 96" - CONCERT CHERRY   |
|     | 160300-J2-438 | EA  | LUMBER - VINYL WRAPPED - .7" X 5.5" X 96" - CONCERT CHERRY   |
|     | 160300-K2-438 | EA  | LUMBER - VINYL WRAPPED - .7" X 3.9" X 96" - CONCERT CHERRY   |
|     | 160300-R2-438 | EA  | LUMBER - VINYL WRAPPED - .7" X 3" X 96" - CONCERT CHERRY     |
| 3F  | 160301-D2-134 | EA  | MOLDING - VINYL WRAPPED - .7" X 1.6" X 84" - CONCERT CHERRY  |
| 3F  | 160301-D2-743 | EA  | MOLDING - VINYL WRAPPED - .7" X 1.6" X 108" - CONCERT CHERRY |
| 3F  | 160301-F2-134 | EA  | MOLDING - VINYL WRAPPED - .7" X 2.5" X 84" - CONCERT CHERRY  |
| 3F  | 160301-F2-743 | EA  | MOLDING - VINYL WRAPPED - .7" X 2.5" X 108" - CONCERT CHERRY |
| 3F  | 160301-F2-438 | EA  | MOLDING - VINYL WRAPPED - .7" X 2.5" X 96" - CONCERT CHERRY  |
|     | 137894-A2-438 | EA  | LUMBER - VINYL WRAPPED - .7" X .75" X 96" - PORTSMOUTH OAK   |
|     | 137894-D2-438 | EA  | LUMBER - VINYL WRAPPED - .7" X 1.5" X 96" - PORTSMOUTH OAK   |
|     | 137894-E2-438 | EA  | LUMBER - VINYL WRAPPED - .7" X 2" X 96" - PORTSMOUTH OAK     |
|     | 137894-F2-438 | EA  | LUMBER - VINYL WRAPPED - .7" X 2.5" X 96" - PORTSMOUTH OAK   |
|     | 137894-G2-438 | EA  | LUMBER - VINYL WRAPPED - .7" X 3" X 96" - PORTSMOUTH OAK     |
|     | 137894-H2-438 | EA  | LUMBER - VINYL WRAPPED - .7" X 3.5" X 96" - PORTSMOUTH OAK   |
|     | 137894-J2-438 | EA  | LUMBER - VINYL WRAPPED - .7" X 5.5" X 96" - PORTSMOUTH OAK   |

**INTERIOR FINISH GROUP (CONTINUED)**  
**MOLDINGS & TRIMS (CONTINUED)**

| KEY | PART NUMBER   | U/M | DESCRIPTION   |
|-----|---------------|-----|---|
|     | 137894-J2-743 | EA  | LUMBER - VINYL WRAPPED - .7" X 5.5" X 108" - PORTSMOUTH OAK   |
|     | 137894-K2-438 | EA  | LUMBER - VINYL WRAPPED - .7" X 3.9" X 96" - PORTSMOUTH OAK    |
|     | 137894-R2-438 | EA  | LUMBER - VINYL WRAPPED - .7" X 3" X 96" - PORTSMOUTH OAK      |
| 3F  | 137895-D2-134 | EA  | MOLDING - VINYL WRAP - .7" X 1.6" X 84" - PORTSMOUTH OAK      |
| 3F  | 137895-D2-743 | EA  | MOLDING - VINYL WRAP - .7" X 1.6" X 108" - PORTSMOUTH OAK     |
| 3F  | 137895-F2-134 | EA  | MOLDING - VINYL WRAP - .7" X 2.5" X 84" - PORTSMOUTH OAK      |
| 3F  | 137895-F2-438 | EA  | MOLDING - VINYL WRAP - .7" X 2.5" X 96" - PORTSMOUTH OAK      |
| 3F  | 137895-F2-743 | EA  | MOLDING - VINYL WRAP - .7" X 2.5" X 108" - PORTSMOUTH OAK     |
|     | 146419-A2-438 | EA  | LUMBER - VINYL WRAPPED - .7" X .75" X 96" - HONEY CHERRY      |
|     | 146419-D2-438 | EA  | LUMBER - VINYL WRAPPED - .7" X 1.5" X 96" - HONEY CHERRY      |
|     | 146419-E2-438 | EA  | LUMBER - VINYL WRAPPED - .7" X 2" X 96" - HONEY CHERRY        |
|     | 146419-F2-438 | EA  | LUMBER - VINYL WRAPPED - .7" X 2.5" X 96" - HONEY CHERRY      |
|     | 146419-G2-438 | EA  | LUMBER - VINYL WRAPPED - .7" X 3" X 96" - HONEY CHERRY        |
|     | 146419-H2-438 | EA  | LUMBER - VINYL WRAPPED - .7" X 3.5" X 96" - HONEY CHERRY      |
|     | 146419-J2-438 | EA  | LUMBER - VINYL WRAPPED - .7" X 5.5" X 96" - HONEY CHERRY      |
|     | 146419-J2-743 | EA  | LUMBER - VINYL WRAPPED - .7" X 5.5" X 108" - HONEY CHERRY     |
|     | 146419-K2-438 | EA  | LUMBER - VINYL WRAPPED - .7" X 3.9" X 96" - HONEY CHERRY      |
|     | 146419-R2-438 | EA  | LUMBER - VINYL WRAPPED - .7" X 3" X 96" - HONEY CHERRY        |
|     | 146419-S2-438 | EA  | LUMBER - VINYL WRAPPED/FULL - .7" X 3.5" X 96" - HONEY CHERRY |
|     | 146419-T2-438 | EA  | LUMBER - VINYL WRAPPED/FULL - .7" X 5.5" X 96" - HONEY CHERRY |
| 3F  | 146425-D2-134 | EA  | MOLDING - VINYL WRAPPED - .7" X 1.6" X 83.9" - HONEY CHERRY   |
| 3F  | 146425-F2-438 | EA  | MOLDING - VINYL WRAPPED - .7" X 2.6" X 96" - HONEY CHERRY     |
|     | 149325-A2-438 | EA  | LUMBER - VINYL WRAPPED - .7" X .75" X 96" - WASHED MAPLE      |
|     | 149325-D2-438 | EA  | LUMBER - VINYL WRAPPED - .7" X 1.5" X 96" - WASHED MAPLE      |
|     | 149325-E2-438 | EA  | LUMBER - VINYL WRAPPED - .7" X 2" X 96" - WASHED MAPLE        |
|     | 149325-F2-438 | EA  | LUMBER - VINYL WRAPPED - .7" X 2.5" X 96" - WASHED MAPLE      |
|     | 149325-G2-438 | EA  | LUMBER - VINYL WRAPPED - .7" X 3" X 96" - WASHED MAPLE        |
|     | 149325-H2-438 | EA  | LUMBER - VINYL WRAPPED - .7" X 3.5" X 96" - WASHED MAPLE      |
|     | 149325-J2-438 | EA  | LUMBER - VINYL WRAPPED - .7" X 5.5" X 96" - WASHED MAPLE      |
|     | 149325-J2-743 | EA  | LUMBER - VINYL WRAPPED - .7" X 5.5" X 108" - WASHED MAPLE     |
|     | 149325-K2-438 | EA  | LUMBER - VINYL WRAPPED - .7" X 3.9" X 96" - WASHED MAPLE      |
|     | 149325-R2-438 | EA  | LUMBER - VINYL WRAPPED - .7" X 3" X 96" - WASHED MAPLE        |
| 3F  | 149326-D2-134 | EA  | MOLDING - VINYL WRAPPED - .7" X 1.5" X 83.9" - WASHED MAPLE   |
| 3F  | 149326-D2-743 | EA  | MOLDING - VINYL WRAPPED - .7" X 1.5" X 108" - WASHED MAPLE    |
| 3F  | 149326-F2-134 | EA  | MOLDING - VINYL WRAPPED - .7" X 2.5" X 83.9" - WASHED MAPLE   |
| 3F  | 149326-F2-438 | EA  | MOLDING - VINYL WRAPPED - .7" X 2.5" X 96" - WASHED MAPLE     |
| 3F  | 149326-F2-743 | EA  | MOLDING - VINYL WRAPPED - .7" X 2.5" X 108" - WASHED MAPLE    |
|     | 149330-A2-438 | EA  | LUMBER - VINYL WRAPPED - .7" X .75" X 96" - SIERRA MAPLE      |
|     | 149330-D2-438 | EA  | LUMBER - VINYL WRAPPED - .7" X 1.5" X 96" - SIERRA MAPLE      |
|     | 149330-E2-438 | EA  | LUMBER - VINYL WRAPPED - .7" X 2" X 96" - SIERRA MAPLE        |
|     | 149330-F2-438 | EA  | LUMBER - VINYL WRAPPED - .7" X 2.5" X 96" - SIERRA MAPLE      |
|     | 149330-G2-438 | EA  | LUMBER - VINYL WRAPPED - .7" X 3" X 96" - SIERRA MAPLE        |
|     | 149330-H2-438 | EA  | LUMBER - VINYL WRAPPED - .7" X 3.5" X 96" - SIERRA MAPLE      |
|     | 149330-J2-438 | EA  | LUMBER - VINYL WRAPPED - .7" X 5.5" X 96" - SIERRA MAPLE      |
|     | 149330-J2-743 | EA  | LUMBER - VINYL WRAPPED - .7" X 5.5" X 108" - SIERRA MAPLE     |
|     | 149330-K2-438 | EA  | LUMBER - VINYL WRAPPED - .7" X 3.9" X 96" - SIERRA MAPLE      |
|     | 149330-R2-438 | EA  | LUMBER - VINYL WRAPPED - .7" X 3" X 96" - SIERRA MAPLE        |
| 3F  | 149331-D2-134 | EA  | MOLDING - VINYL WRAP - .7" X 1.5" X 83.9" - SIERRA MAPLE      |
| 3F  | 149331-D2-743 | EA  | MOLDING - VINYL WRAP - .7" X 1.5" X 108" - SIERRA MAPLE       |
| 3F  | 149331-F2-134 | EA  | MOLDING - VINYL WRAP - .7" X 2.5" X 83.9" - SIERRA MAPLE      |
| 3F  | 149331-F2-438 | EA  | MOLDING - VINYL WRAP - .7" X 2.5" X 96" - SIERRA MAPLE        |
| 3F  | 149331-F2-743 | EA  | MOLDING - VINYL WRAP - .7" X 2.5" X 108" - SIERRA MAPLE       |

**INTERIOR FINISH GROUP (CONTINUED)**  
**MOLDINGS & TRIMS (CONTINUED)**

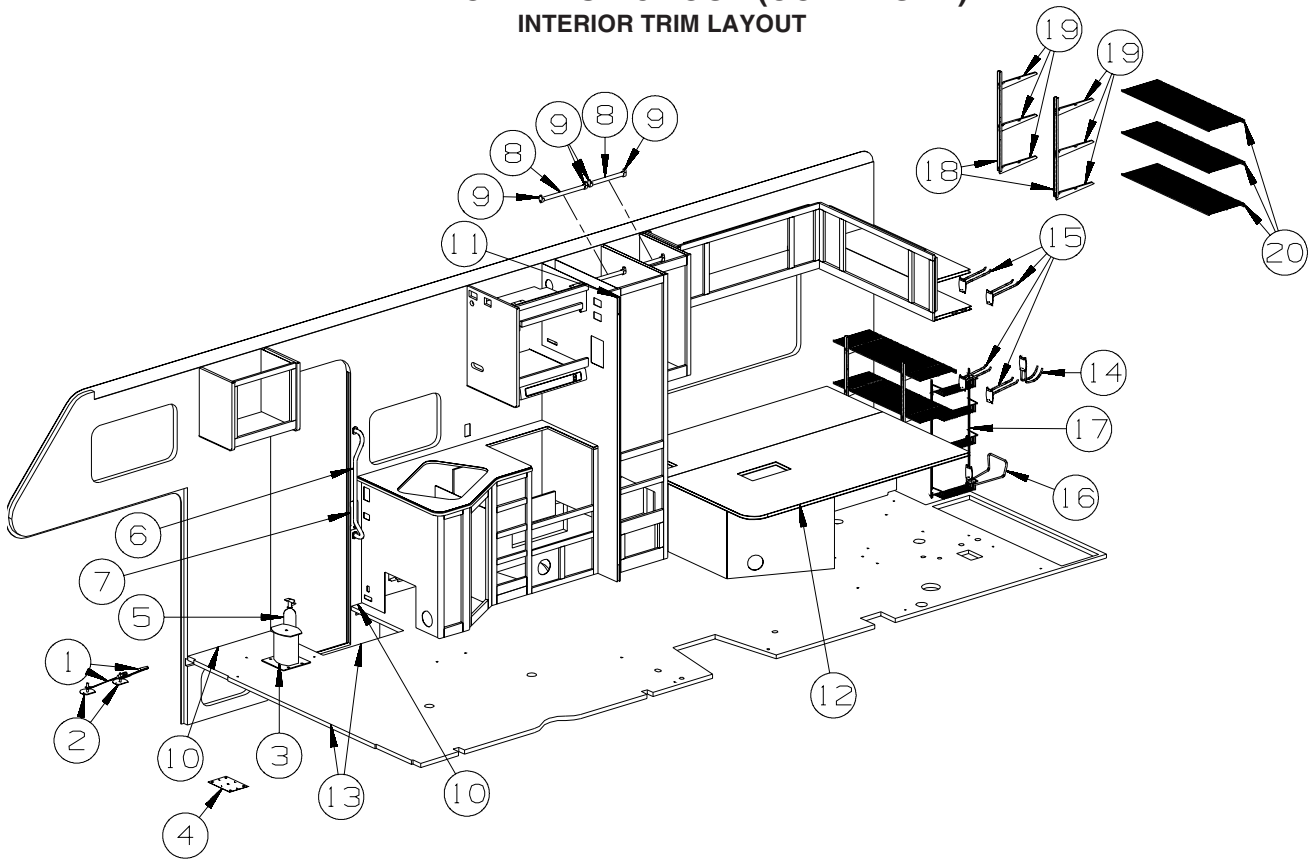


| KEY | PART NUMBER   | U/M | DESCRIPTION  |
|-----|---------------|-----|--|
| 1G  | 141260-01-01A | FT  | U-CHANNEL - 1" - VILLAGE OAK                             |
| 1G  | 141260-01-02A | FT  | U-CHANNEL - 1" - GRADY BROWN                             |
| 2G  | 146306-01-01A | FT  | TRANSITION - CARPET/TILE                                 |
| 3G  | 150167-01-03A | EA  | RAIL - DECORATIVE - 96" - WASHED MAPLE                   |
| 3G  | 150167-01-07A | EA  | RAIL - DECORATIVE - 96" - PORTSMOUTH OAK                 |
| 3G  | 150167-01-08A | EA  | RAIL - DECORATIVE - 96" - HONEY CHERRY                   |
| 3G  | 150167-01-09A | EA  | RAIL - DECORATIVE - 96" - SIERRA MAPLE                   |
| 4G  | 151653-10-02A | EA  | TRIM/RADIUS - CABINET CORNER - 79.6" - DULL METALLIC     |
| 4G  | 151653-13-02A | EA  | TRIM/RADIUS - CABINET CORNER - 79.8" - DULL METALLIC     |
| 5G  | M09568-04-W80 | EA  | MOLDING/TRIM - .3" X 1.5" X 73.6" - SIERRA MAPLE         |
| 5G  | M09568-04-W79 | EA  | MOLDING/TRIM - .3" X 1.5" X 73.6" - WASHED MAPLE         |
| 6G  | 151861-01-02B | EA  | ANGLE - SUPPORT/CORNER - 1.4" X 12.5" - E-COATED         |
| 6G  | 151861-02-02B | EA  | ANGLE - SUPPORT/CORNER - 1.4" X 20.1" - E-COATED         |
| 6G  | 151861-03-02B | EA  | ANGLE - SUPPORT/CORNER - 1.4" X 26.7" - E-COATED         |
| 6G  | 151861-04-02B | EA  | ANGLE - SUPPORT/CORNER - 1.4" X 32.7" - E-COATED         |
| 6G  | 151861-05-02B | EA  | ANGLE - SUPPORT/CORNER - 1.4" X 78.6" - E-COATED         |
| 6G  | 151861-06-02B | EA  | ANGLE - SUPPORT/CORNER - 1.4" X 59" - E-COATED           |
| 6G  | 151861-08-02B | EA  | ANGLE - SUPPORT/CORNER - 1.4" X 22.2" - E-COATED         |
| 6G  | 151861-09-02B | EA  | ANGLE - SUPPORT/CORNER - 1.4" X 14.9" - E-COATED         |
| 7G  | 151893-01-02A | EA  | TRIM/RADIUS - CABINET BOTTOM - 72.6" - DULL METALLIC     |
| 8G  | 156464-01-01A | FT  | MOLDING - CORNER - RADIUS/PLASTIC - 8' - HONEY CHERRY    |
| 8G  | 156464-01-02A | FT  | MOLDING - CORNER - RADIUS/PLASTIC - 8' - WASHED MAPLE    |
| 8G  | 156464-01-05A | FT  | MOLDING - CORNER - RADIUS/PLASTIC - 8' - SIERRA MAPLE    |
| 8G  | 156464-01-06A | FT  | MOLDING - CORNER - RADIUS/PLASTIC - 8' - CONCERT CHERRY  |
| 8G  | 156464-03-03A | FT  | MOLDING - CORNER - RADIUS/PLASTIC - 8' - BONE            |
|     | 081521-02-007 | EA  | MOUNT - METAL MOLDING - F/RADIUS CORNER MOLDING - 151.5" |
| 9G  | 160989-01-06A | FT  | CAP - CORNER - RADIUS MOLDING - PLASTIC - WASHED MAPLE   |
| 9G  | 160989-01-07A | FT  | CAP - CORNER - RADIUS MOLDING - PLASTIC - HONEY CHERRY   |

**INTERIOR FINISH GROUP (CONTINUED)**  
**PANELING & LAMINATES**

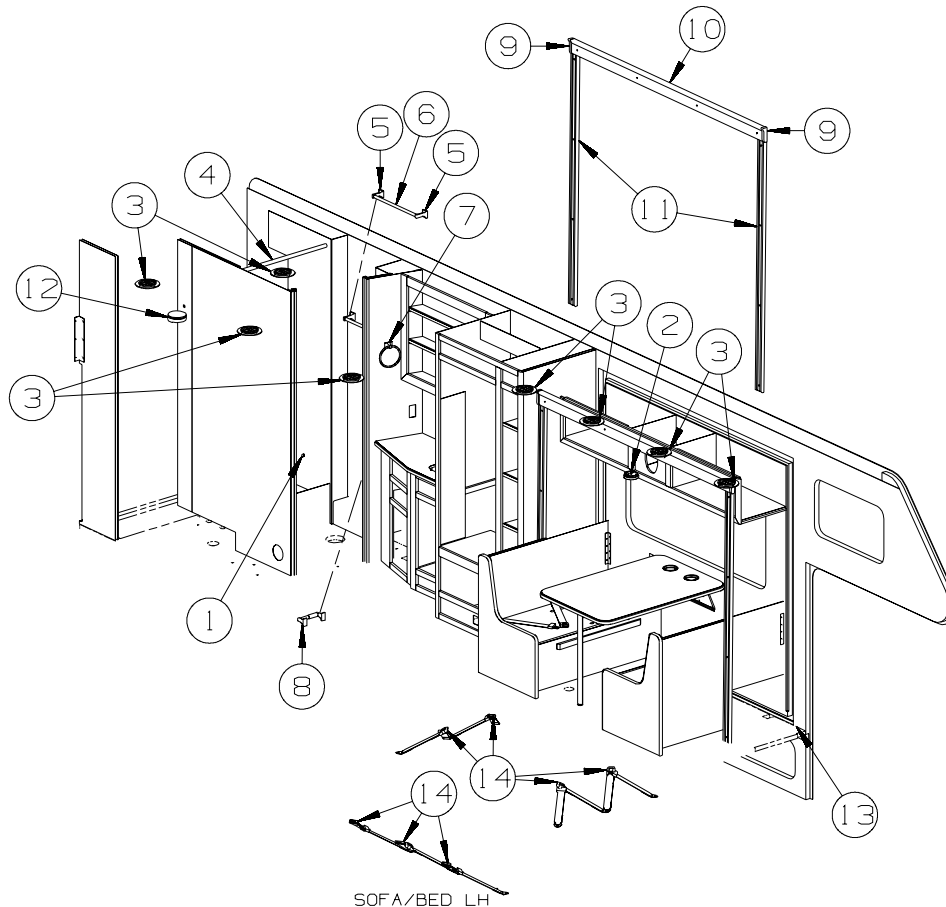
| KEY | PART NUMBER   | U/M | DESCRIPTION   |
|-----|---------------|-----|---|
|     | 000885-C3-000 | SF  | PARTICLE BOARD - 3/8" X 4' X 8' - WHITE THATCH EMB-1 SIDED  |
|     | 000885-92-000 | SF  | PARTICLE BOARD - 3/8" X 4' X 8' - PORTSMOUTH OAK - 1 SIDED - PORTSMOUTH OAK                             |
|     | 000885-93-000 | SF  | PARTICLE BOARD - 3/8" X 4' X 8' - PORTSMOUTH OAK - 2 SIDED - PORTSMOUTH OAK                             |
|     | 000885-94-000 | SF  | PARTICLE BOARD - 1/2" X 4' X 8' - PORTSMOUTH OAK - 2 SIDED - PORTSMOUTH OAK                             |
|     | 000885-95-000 | SF  | PARTICLE BOARD - 3/4" X 4' X 8' - PORTSMOUTH OAK - 2 SIDED - PORTSMOUTH OAK                             |
|     | 000885-B0-000 | SF  | PARTICLE BOARD - 3/8" X 4' X 8' - SIERRA MAPLE - 2 SIDED - SIERRA MAPLE                                 |
|     | 000885-B1-000 | SF  | PARTICLE BOARD - 3/8" X 4' X 8' - SIERRA MAPLE - 1 SIDED - SIERRA MAPLE                                 |
|     | 000885-B2-000 | SF  | PARTICLE BOARD - 3/4" X 4' X 8' - SIERRA MAPLE - 2 SIDED - SIERRA MAPLE                                 |
|     | 000885-B3-000 | SF  | PARTICLE BOARD - 1/2" X 4' X 8' - SIERRA MAPLE - 2 SIDED - SIERRA MAPLE                                 |
|     | 069733-87-000 | EA  | BATT STRIP - WOODGRAINED/PORTSMOUTH OAK - 8' - PORTSMOUTH OAK   |
|     | 088263-J1-000 | EA  | BATT STRIP - DECORATIVE - SIERRA MAPLE  |
|     | 088263-K3-000 | EA  | BATT STRIP - DECORATIVE - KURTA/CANVAS - 8' (W07, W08)  |
|     | 088263-L0-000 | EA  | BATT STRIP - DECORATIVE - RAWHIDE HERITAGE (W09, W10)<br>FROM: 00-00-00 THRU: 04-01-07                  |
|     | 088263-L2-000 | EA  | BATT STRIP - DECORATIVE - DISTRESSED CRACKLE (W09, W10)<br>FROM: 04-02-07 THRU: 99-99-99                |
|     | 088263-K5-000 | EA  | BATT STRIP - DECORATIVE - WHITE THATCHED - 8'   |
|     | 074497-42-000 | SF  | PANELING - PORTSMOUTH OAK - 1/8" X 4' X 8' - PORTSMOUTH OAK   |
|     | 074497-48-000 | SF  | PANELING - SIERRA MAPLE - 1/8" X 4' X 8' - SIERRA MAPLE   |
|     | 074497-52-000 | SF  | PANELING/PAPER WRAPPED - SCULPTURES PA - 1/8" X 48" X 100"  |
|     | 088272-M7-000 | SF  | PANELING - KURTA/CANVAS - 4' X 7.4' (W07, W08)  |
|     | 088272-N4-000 | SF  | PANELING - RAWHIDE HERITAGE - 4' X 7.4' (W09, W10)<br>FROM: 00-00-00 THRU: 04-01-07                     |
|     | 088272-N7-000 | SF  | PANELING - DISTRESSED CRACKLE - 4' X 7.4' (W09, W10)<br>FROM: 04-02-07 THRU: 99-99-99                   |
|     | 088272-M9-000 | SF  | PANELING - WHITE THATCHED - 4' X 8'   |
|     | 074498-A2-000 | SF  | LAMINATE - PLASTIC - PHANTOM GRAY - 5' X 8'   |
|     | 074498-B7-000 | SF  | LAMINATE - PLASTIC - HOUSE ROCK - 5' X 8' (W07, W08)  |
|     | 074498-B8-000 | SF  | LAMINATE - PLASTIC - CLASSIC ROCK - 5' X 8' (W09, W10)  |
|     | 076325-39-000 | FT  | MOLDING - EDGE BAND - 1 5/16" X .030" - ALMOND  |
|     | 076325-40-000 | FT  | MOLDING - EDGE BAND - .93" X .024" - ALMOND   |
|     | 076325-71-000 | FT  | MOLDING - EDGE BAND - 1 5/16" X .038" - GRAY  |
|     | 076325-77-000 | FT  | MOLDING - EDGE BAND - 1 5/16" X .030" - PORTSMOUTH OAK  |
|     | 076325-84-000 | FT  | MOLDING - EDGE BAND - 1 5/16" X .30" - SIERRA MAPLE   |
|     | 085284-K7-000 | FT  | BATT TAPE - ADHESIVE BACKED - DECORATIVE - KURTA/CANVAS (W07, W08)                                      |
|     | 085284-L4-000 | FT  | BATT TAPE - ADHESIVE BACKED - DECORATIVE - RAWHIDE HERITAGE (W09, W10)<br>FROM: 00-00-00 THRU: 04-01-07 |
|     | 085284-L6-000 | FT  | BATT TAPE - ADHESIVE BACKED - DECORATIVE - DIST CRACKLE (W09, W10)<br>FROM: 04-02-07 THRU: 99-99-99     |

**INTERIOR FINISH GROUP (CONTINUED)**  
**INTERIOR TRIM LAYOUT**



| KEY | PART NUMBER   | U/M | DESCRIPTION  |
|-----|---------------|-----|--|
| 1   | 160167-02-01A | EA  | SEAT BELT - 2" X 90" - BLACK                             |
| 2   | 150283-06-02B | EA  | PLATE/WASHER - SEAT BELT - W/BOLT - E-COAT               |
| 3   | 133408-01-000 | EA  | PEDESTAL - SEAT - DRIVER/PASSENGER - 9 3/4"              |
| 4   | 142169-02-02B | EA  | PLATE - PEDESTAL SEAT - E-COATED                         |
| 5   | 094499-06-000 | EA  | EXTINGUISHER/FIRE - DRY - 10BC - W/BACKET - UL/ULC - WHT |
| 6   | 137605-02-01A | EA  | HAND RAIL - INTERIOR ENTRY DOOR - BLACK                  |
| 7   | 148362-01-02A | EA  | COVER - BRACKET/STRIKE - MEDIUM OAK                      |
| 8   | Y00136-21-218 | EA  | DOWEL - WOOD - CLOTHES ROD - 1"DIAMETER X 4'             |
| 9   | 152301-01-01A | EA  | FLANGE - PLASTIC - 1" CLOTHES ROD HOLDER - WHITE         |
| 10  | M09471-79-R38 | EA  | MOLDING - TRIM/COVE - .8" X .8" X 96" - PORTSMOUTH OAK   |
| 10  | M09471-79-SA3 | EA  | MOLDING - TRIM/COVE - .8" X .8" X 96" - SIERRA MAPLE     |
| 11  | 105450-02-01A | EA  | TRACK - CURTAIN - 48" - OFF WHITE                        |
|     | 029130-01-000 | EA  | SCREW - SNAP STUD - #8-16 X 5/8" LONG                    |
|     | 009702-01-000 | EA  | END STOP - CURTAIN CARRIER - L ROD                       |
| 12  | 158822-01-000 | EA  | MATTRESS - INNERSPRING - 60" X 74" - NON QUILTED         |
| 13  | 139955-18-03A | EA  | TRIM - STEP/ENTRY - 62.3" - TITANIUM                     |
| 14  | 149116-06-02A | EA  | HOOK - BIG WORK - BLACK                                  |
| 15  | 149116-05-02A | EA  | HOOK - BIG EVERYTHING - BLACK                            |
| 16  | 149116-04-02A | EA  | HOOK - LOOP - BLACK                                      |
| 17  | 149116-07-01A | EA  | RACK - WALL/4 SHELF - WHITE                              |
| 18  | 149116-01-01A | EA  | UPRIGHT - WALL MOUNT - WHITE                             |
| 19  | 149116-02-01A | EA  | BRACKET - SHELF - WHITE                                  |
| 20  | 149116-03-01A | EA  | SHELF - PROFILE - 12" - WHITE                            |

**INTERIOR FINISH GROUP (CONTINUED)**  
**INTERIOR TRIM LAYOUT (CONTINUED)**

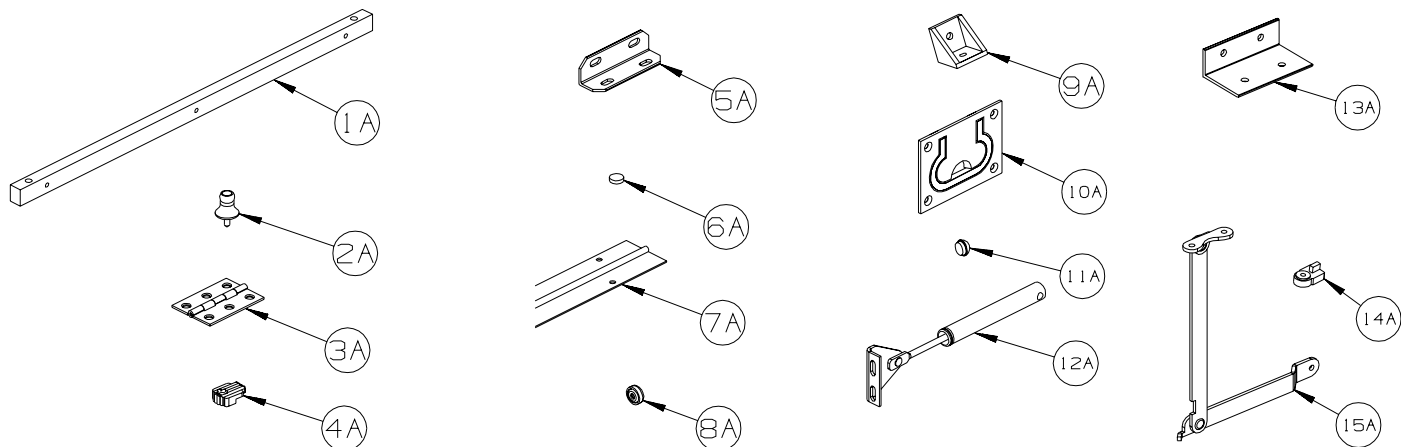


| KEY | PART NUMBER   | U/M | DESCRIPTION  |
|-----|---------------|-----|--|
| 1   | 120760-01-000 | EA  | RUBBER BUMPER - CLEAR - .1" THICK X .8" DIAMETER             |
| 2   | 072852-01-000 | EA  | DETECTOR - SMOKE - W/9 VOLT BATTERY - US                     |
| 2   | 072852-02-000 | EA  | DETECTOR - SMOKE - W/9 VOLT BATTERY - <b>CANADIAN</b>        |
| 3   | 120134-01-02A | EA  | REGISTER - W/DAMPER - 4" PIPE/6.4" O.D. FACE - WHITE         |
| 4   | 102075-23-02A | EA  | ROD - SHOWER CURTAIN - 29.7" - SOFT WHITE                    |
| 4   | 113236-01-01A | EA  | BRACKET - CLOTHES - ROD                                      |
| 5   | 163599-02-01A | EA  | TOWEL BAR - POST - PAIR - CHROME                             |
| 6   | 163599-01-01A | EA  | TOWEL BAR - 18" - W/O POSTS - CHROME                         |
| 7   | 163601-01-01A | EA  | TOWEL RING - CHROME  |
| 8   | 163602-01-01A | EA  | HOLDER - TOILET TISSUE - SURFACE MOUNT - CHROME              |
| 9   | 149151-01-S46 | EA  | MOLDING/BLOCK - PORTSMOUTH OAK                               |
| 9   | 149151-01-SR0 | EA  | MOLDING/BLOCK - SIERRA MAPLE                                 |
| 10  | Y00282-72-438 | EA  | MOLDING - SLIDEOUT/VINYL WRAP - 3.9"X 96" - PORTSMOUTH OAK   |
| 10  | Y00282-92-438 | EA  | MOLDING - SLIDEOUT/VINYL WRAP - 3.9"X 96" - SIERRA MAPLE     |
| 11  | 132663-04-08A | EA  | MOLDING-VINYL WRAP/PRE DRILLED-.6"X3"X70.2" - PORTSMOUTH OAK |
| 11  | 132663-04-22A | EA  | MOLDING-VINYL WRAP/PRE DRILLED-.6"X3"X70.2" - SIERRA MAPLE   |
| 12  | 125136-02-000 | EA  | DETECTOR/CO - GAS MODEL - 9 VOLT                             |
| 13  | M09471-79-R38 | EA  | MOLDING - TRIM/COVE - .8" X .8" X 96" - PORTSMOUTH OAK       |
| 13  | M09471-79-SA3 | EA  | MOLDING - TRIM/COVE - .8" X .8" X 96" - SIERRA MAPLE         |
| 14  | 160167-02-01A | EA  | SEAT BELT - 2" X 90" - BLACK                                 |
| 14  | 160167-02-01A | EA  | SEAT BELT - 2" X 102" - BLACK - <b>COUCH</b>                 |

## INTERIOR FINISH GROUP (CONTINUED)

### FLOOR COVERINGS

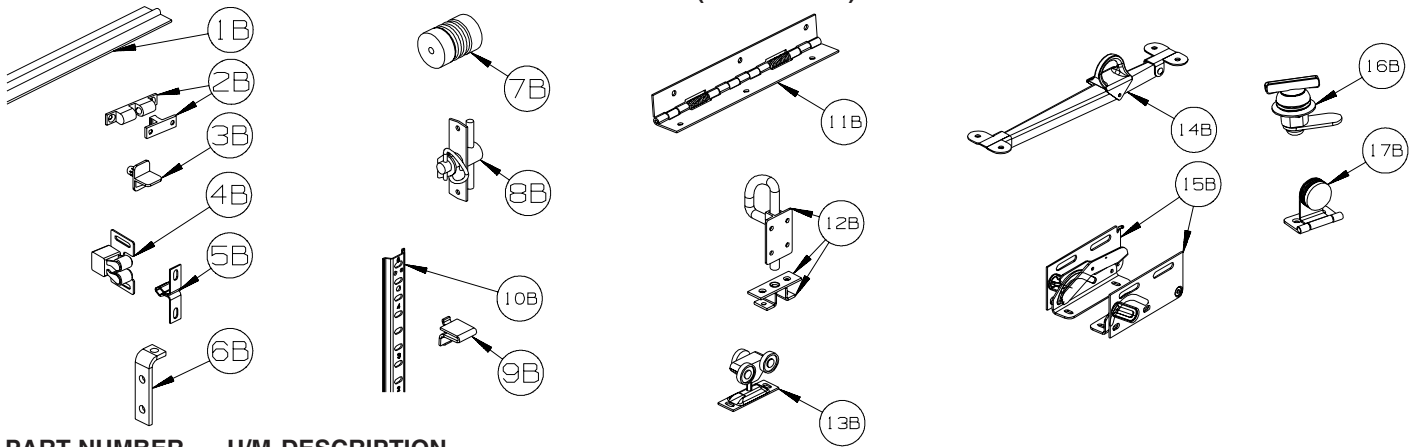
| KEY | PART NUMBER   | U/M | DESCRIPTION  |
|-----|---------------|-----|--|
|     | 042720-38-000 | SY  | VINYL - FLOOR COVERING - 7.5' WIDE - BRIDGEWAY           |
|     | 075233-01-000 | SY  | PAD - CARPET - 3/8" X 6'W ROLL - SOLD BY THE SQUARE YARD |
|     | 089275-02-000 | FT  | STRIP - 3/4" X 84" BLACK POLYETHYLENE                    |
|     | 093486-01-000 | SY  | CARPET - COMPARTMENT - 72" WIDE - DARK GRAY              |
|     | 152251-05-02A | SY  | CARPET - 4 SQUARE YARD INCREMENTS - BURLWOOD (W07, W08)  |
|     | 152251-05-07A | SY  | CARPET - 4 SQUARE YARD INCREMENTS - RAFFIA (W09, W10)    |



### HARDWARE

| KEY | PART NUMBER   | U/M | DESCRIPTION   |
|-----|---------------|-----|---|
| 1A  | P34509-01-P14 | EA  | RAIL END - RH/LH - TOWEL RACK - CONCERT CHERRY                  |
| 1A  | P34509-01-J70 | EA  | RAIL END - RH/LH - TOWEL RACK - WASHED MAPLE                    |
| 1A  | P34509-01-RE0 | EA  | RAIL END - RH/LH - TOWEL RACK - HONEY CHERRY                    |
| 1A  | P34509-01-SA3 | EA  | RAIL END - RH/LH - TOWEL RACK - SIERRA MAPLE                    |
| 2A  | 009013-01-000 | EA  | CATCH - BULLDOG - MALE/FEMALE                                   |
| 3A  | 009059-01-000 | EA  | HINGE - DOOR - 2" X 1.4" - BRASS                                |
| 3A  | 009059-02-000 | EA  | HINGE - DOOR - 2" X 2.7" - BRASS                                |
| 3A  | 009059-03-000 | EA  | HINGE - BRASS - 1.75"   |
| 3A  | 009059-04-000 | EA  | HINGE - 2" - ZINC   |
| 4A  | 009089-01-000 | EA  | CLIP - MIRROR   |
| 5A  | 016604-01-000 | EA  | BRACE - ANGLE - 2 1/2" - UNPAINTED METAL                        |
| 5A  | 016604-05-000 | EA  | BRACE - ANGLE - 2 1/2" - OFF WHITE METAL                        |
| 5A  | 016604-10-000 | EA  | BRACE - SEAT ANGLE - 2.5" - BLACK                               |
| 6A  | 023320-01-000 | EA  | PAD - FELT 3/8" DIAMETER  |
| 7A  | 041389-19-000 | EA  | HINGE - PIANO - 1 1/2" X 71.9" - UNPAINTED                      |
| 7A  | 041389-25-000 | EA  | HINGE - PIANO - 1 1/2" X 55" - UNPAINTED                        |
| 7A  | 041389-32-000 | EA  | HINGE - PIANO - 68" - OFF WHITE                                 |
| 8A  | 166569-01-02A | EA  | COVER - SCREW - #8 - BRIGHT WHITE                               |
| 8A  | 166569-01-03A | EA  | COVER - SCREW - #8 - SOFT WHITE                                 |
| 8A  | 166569-01-04A | EA  | COVER - SCREW - #8 - CREAM                                      |
| 9A  | 065740-01-000 | EA  | BRACE - CABINET/CORNER - PLASTIC                                |
| 10A | 072871-01-000 | EA  | PULL - FLUSH - CHROME   |
| 11A | 074045-13-000 | EA  | PLUG - 3/8" DOWEL-1/2" HEAD - PORTSMOUTH OAK                    |
| 11A | 074045-08-000 | EA  | PLUG - 3/8" DOWEL-1/2" HEAD - OAK/SALEM CHERRY - CONCERT CHERRY |
| 11A | 074045-12-000 | EA  | PLUG - 3/8" DOWEL-1/2" HEAD - WASHED MAPLE                      |
| 11A | 074045-14-000 | EA  | PLUG - 3/8" DOWEL-1/2" HEAD - HONEY CHERRY                      |
| 11A | 074045-15-000 | EA  | PLUG - 3/8" DOWEL-1/2" HEAD - SIERRA MAPLE                      |
| 12A | 074493-02-000 | EA  | SUPPORT/PISTON SPRING - CABINET DOOR - 26 LBS                   |
| 12A | 074493-03-000 | EA  | SUPPORT/PISTON SPRING - CABINET DOOR - 12 LBS                   |
| 13A | 156732-01-01A | EA  | BRACE - ANGLE/COUCH - 2.5" - MILL                               |
| 13A | 156732-01-02A | EA  | BRACE - ANGLE/COUCH - 2.5" - OFF WHITE                          |
| 13A | 156732-03-01A | EA  | BRACE - ANGLE/COUCH - BLACK                                     |
| 14A | 083204-03-000 | EA  | BUTTON - RETAINING MIRROR 5/16" TIP                             |
| 15A | 084412-01-000 | EA  | SUPPORT/HINGE KIT (LEFT & RIGHT HINGES)                         |

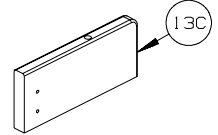
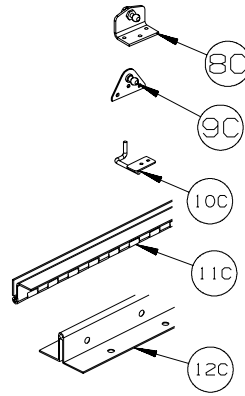
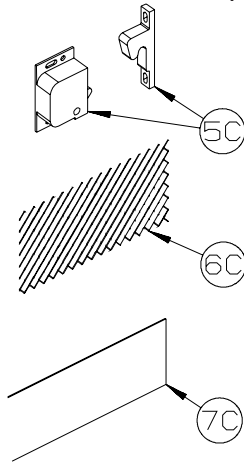
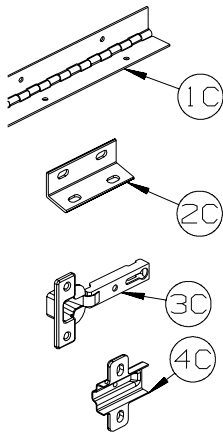
**INTERIOR FINISH GROUP (CONTINUED)**  
**HARDWARE (CONTINUED)**



| KEY | PART NUMBER   | U/M | DESCRIPTION   |
|-----|---------------|-----|---|
| 1B  | 084413-01-000 | EA  | HINGE - 1" X 72" - ALUMINUM - W/HOLES                     |
| 2B  | 084451-01-000 | EA  | CATCH & LATCH - 1.7" - BRASS                              |
| 3B  | 092907-01-000 | EA  | SUPPORT - SHELF - PIN - 1/4" - CLEAR PLASTIC              |
| 4B  | 093586-03-000 | EA  | CATCH - SPRING ROLLER - .377"                             |
| 4B  | 093586-06-000 | EA  | CATCH - W/STRIKE - SPRING ROLLER .236"/SPRINT STEEL .943" |
| 5B  | 093586-04-000 | EA  | STRIKE - SPRING STEEL - 1.14"                             |
| 6B  | 096826-01-01A | EA  | BRACE - CABINET - 2" - E-COATED                           |
| 6B  | 096826-02-01A | EA  | BRACE - CABINET - 1" - E-COATED                           |
| 7B  | 097872-04-000 | EA  | DOWEL - WOOD - 1" DIAMETER X 1.38" LONG - UNFINISHED      |
| 8B  | 098196-01-000 | EA  | LATCH - 1/4 TURN - T-BAR                                  |
| 9B  | 098979-01-000 | EA  | CLIP - ADJUSTABLE SHELF                                   |
| 10B | 098980-01-000 | EA  | PILASTER - ADJUSTABLE SHELF - 18"                         |
| 10B | 098980-02-000 | EA  | PILASTER - ADJUSTABLE SHELF - 12"                         |
| 10B | 098980-03-000 | EA  | PILASTER - ADJUSTABLE SHELF - 9"                          |
| 10B | 098980-04-000 | EA  | PILASTER - ADJUSTABLE SHELF - 48"                         |
| 10B | 098980-05-000 | EA  | PILASTER - ADJUSTABLE SHELF - 15"                         |
| 10B | 098980-06-000 | EA  | PILASTER - ADJUSTABLE SHELF - 24"                         |
| 11B | 102920-01-02A | EA  | HINGE - SPRING LOADED - NICKEL                            |
| 11B | 129753-01-01A | EA  | HINGE - SPRING LOADED - 19" X 19" - BLACK                 |
| 12B | 103256-01-000 | EA  | LATCH COMPLETE (SLIDE)                                    |
| 13B | 103874-01-000 | EA  | HANGER - SLIDING DOOR                                     |
| 14B | 104181-01-01A | EA  | SUPPORT - LEAF 5.3" EXTENDS TO 7.5" - SAFETY RING - METAL |
| 15B | 108126-01-000 | EA  | TRAY HINGE SET (QTY. 2 PER SET)                           |
| 16B | 100710-01-02A | EA  | LOCK - GLASS DOOR/TWIST TYPE - NICKEL                     |
| 17B | 100711-01-02A | EA  | HINGE - GLASS DOOR - BLACK                                |

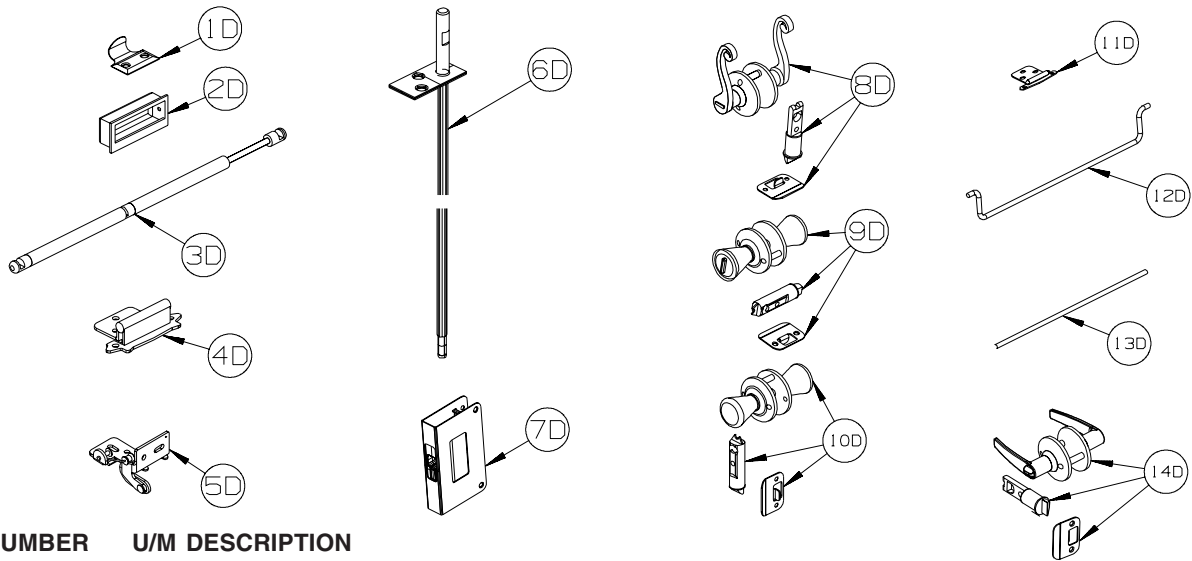


**INTERIOR FINISH GROUP (CONTINUED)**  
**HARDWARE (CONTINUED)**



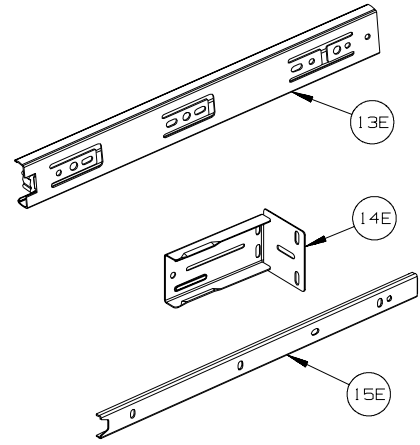
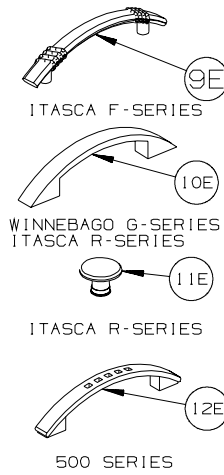
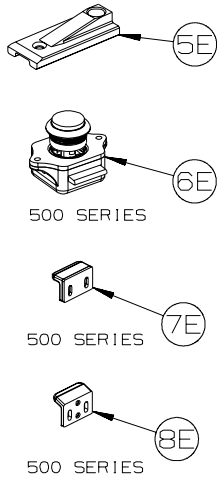
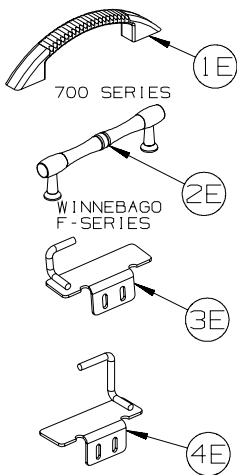
| KEY | PART NUMBER   | U/M | DESCRIPTION  |
|-----|---------------|-----|--|
| 1C  | 110496-01-02A | EA  | HINGE - NICKEL - 2" X 32"                                  |
| 1C  | 110496-06-02A | EA  | HINGE - NICKEL - 2" X 9.5"                                 |
| 1C  | 158921-01-04B | EA  | HINGE - PIANO - TRUNK DOOR - 2" X 21.9" - BLACK            |
| 2C  | 111866-01-02A | EA  | BRACE - SEAT - ANGLE - OFF WHITE                           |
| 3C  | 114443-02-01A | EA  | HINGE - CABINET DOOR - W/O CLIP - SILVER                   |
| 4C  | 114443-03-01A | EA  | CLIP - HINGE/CABINET DOOR - SILVER                         |
| 5C  | 117095-02-01A | EA  | LATCH - DOOR - GRABBER W/KEEPER - PLASTIC - BLK-10 LB PULL |
| 5C  | 117095-03-01A | EA  | LATCH - DOOR - GRABBER W/KEEPER - PLASTIC - BLK-15 LB PULL |
| 6C  | 118200-01-01A | SF  | MESH - PLASTIC 1/2" - 48" X LENGTH = SF - BLACK            |
| 7C  | 122717-06-01A | FT  | PAD - NON-SKID - PSA - 5"W                                 |
| 8C  | 126263-06-02B | EA  | BRACKET - GAS SPRING W/INSIDE BALL STUD - E-COATED         |
| 9C  | 126263-05-02B | EA  | BRACKET - GAS SPRING W/BALL STUD - E-COATED                |
| 9C  | 126263-08-02B | EA  | BRACKET - GAS SPRING W/CENTERED BALL STUD - E-COATED       |
| 10C | 130798-01-02B | EA  | GUIDE - POCKET DOOR - E-COATED                             |
| 11C | 134099-01-02A | EA  | HINGE - PIANO - WRAP AROUND - 15.7" - NICKEL PLATED        |
| 12C | 135538-03-02A | EA  | HINGE - PIANO - FULL WRAP - 15.7" - CHROME                 |
| 12C | 135538-07-02A | EA  | HINGE - PIANO - FULL WRAP - 9.8" - CHROME                  |
| 13C | 137445-03-T78 | EA  | STOP - F/SLIDING DOOR - CONCERT CHERRY                     |
| 13C | 137445-03-T79 | EA  | STOP - F/SLIDING DOOR - WASHED MAPLE                       |
| 13C | 137445-03-T80 | EA  | STOP - F/SLIDING DOOR - SIERRA MAPLE                       |

**INTERIOR FINISH GROUP (CONTINUED)**  
**HARDWARE (CONTINUED)**



| KEY | PART NUMBER   | U/M | DESCRIPTION  |
|-----|---------------|-----|--|
| 1D  | 137463-01-02A | EA  | LIFT - HOOK - PEWTER                                       |
| 2D  | 139136-02-02A | EA  | HANDLE - .35" RECESSED - PEWTER                            |
| 3D  | 142569-07-000 | EA  | SPRING/GAS - 20 LB - 20" EXTENDED/12" COMPRESSED           |
| 3D  | 142569-15-000 | EA  | SPRING/GAS - 120 LB - 20" EXTENDED/12" COMPRESSED          |
| 3D  | 142569-16-000 | EA  | SPRING/GAS - 90 LB - 20" EXTENDED/12" COMPRESSED           |
| 3D  | 142569-29-000 | EA  | SPRING/GAS - 20 LB - 9.9" EXTENDED/5.9" COMPRESSED         |
| 3D  | 142569-31-000 | EA  | SPRING/GAS - 30 LB - 11.8" EXTENDED/7.3" COMPRESSED        |
| 4D  | 143468-02-03A | EA  | HINGE - SELF CLOSING - SATIN NICKEL                        |
| 4D  | 143468-02-04A | EA  | HINGE - SELF CLOSING - OIL RUBBED BRONZE                   |
| 4D  | 143468-02-05A | EA  | HINGE - SELF CLOSING - RUSTIC BRASS                        |
| 5D  | 144488-01-01A | EA  | HINGE - CABINET - ANTIQUE BRASS                            |
| 5D  | 144488-01-02A | EA  | HINGE - CABINET - NICKEL                                   |
| 6D  | 145939-05-02A | EA  | ROD/LATCH - AISLE DOOR - NICKEL                            |
| 7D  | 145939-04-02A | EA  | LATCH/SLIDE - AISLE DOOR(1" THICK DOOR)-NICKEL/BLACK SLIDE |
| 7D  | 145939-04-03A | EA  | LATCH/SLIDE - AISLE DOOR(1" THICK DOOR)-OIL RUBBED BRONZE  |
| 8D  | 146064-01-02A | EA  | LOCK/PRIVACY (LOCKING) LEVER STYLE - SATIN PEWTER          |
| 8D  | 146064-02-02A | EA  | LOCK/PASSAGE (NON LOCKING) LEVER STYLE - PEWTER            |
| 9D  | 146064-05-01A | EA  | LOCK/PRIVACY (LOCKING) "TULIP" STYLE KNOB - SATIN NICKEL   |
| 10D | 146064-06-01A | EA  | LOCK/PASSAGE (NON LOCKING) "TULIP" STYLE KNOB-SATIN NICKEL |
| 11D | 146553-01-03A | EA  | HINGE - CABINET DOOR - SATIN NICKEL                        |
| 12D | 146801-01-02A | EA  | ROD/TOWEL BAR (OFFSET) - PEWTER                            |
| 13D | 146840-03-02A | EA  | ROD - .25" X 11.7" - PEWTER                                |
| 13D | 146840-04-02A | EA  | ROD - .25" X 13.1" - PEWTER                                |
| 14D | 146064-08-01A | EA  | LOCK/PASSAGE (NON LOCKING) LEVER STYLE - SATIN NICKEL      |
| 14D | 146064-07-01A | EA  | LOCK/PRIVACY (LOCKING) LEVER STYLE - SATIN NICKEL          |

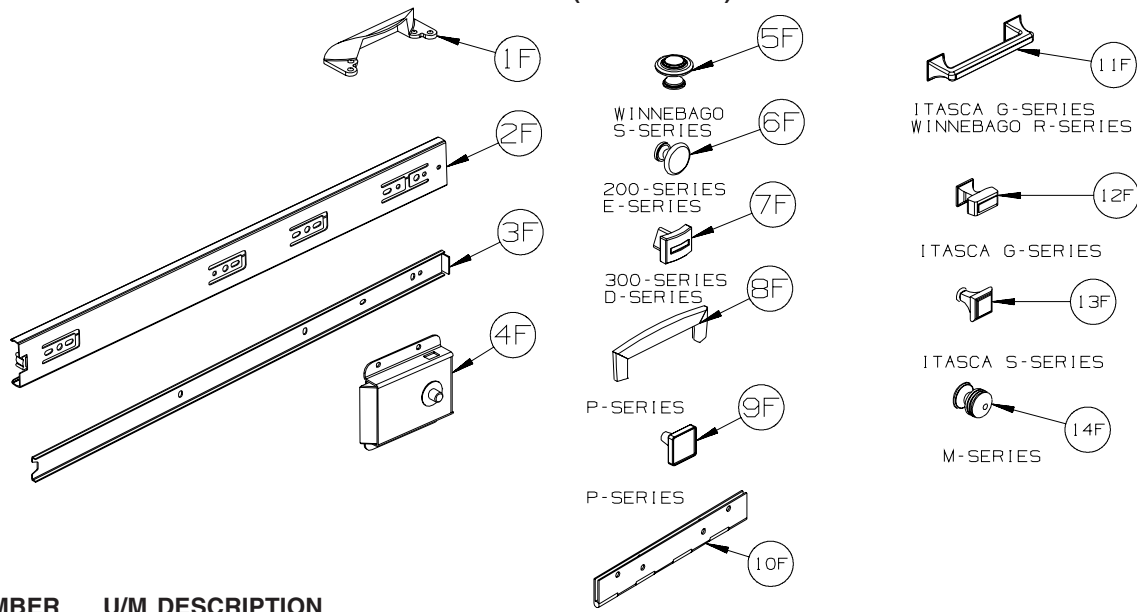
## INTERIOR FINISH GROUP (CONTINUED) HARDWARE (CONTINUED)



| KEY | PART NUMBER   | U/M | DESCRIPTION   |
|-----|---------------|-----|---|
| 1E  | 148816-01-02A | EA  | PULL - CABINET DOOR - NICKEL - <b>ASPECT, CAMBRIA 700-SERIES/ADVENTURER LIMITED EDITION</b> |
| 2E  | 149090-01-02A | EA  | PULL - CABINET DOOR - NICKEL - <b>VOYAGE F-SERIES</b>                                       |
| 3E  | 149607-01-02B | EA  | GUIDE - F/POCKET DOOR - 1.6" BENT ROD - E-COATED  |
| 3E  | 149607-03-02B | EA  | GUIDE - F/POCKET DOOR - 2.9" BENT ROD - E-COATED  |
| 4E  | 149607-04-02B | EA  | GUIDE - F/POCKET DOOR - E-COATED  |
| 5E  | 150983-01-01A | EA  | STRIKE/BLOCK - WEDGE STYLE - F/SLIDE DOOR - 3" X 1.2" - BLACK                               |
| 6E  | 151380-01-01A | EA  | LATCH - CBNT DR - PUSH BTN - <b>VIEW &amp; NAVION 500-SERIES</b>                            |
| 6E  | 151380-01-02A | EA  | LATCH - CABINET DOOR - PUSH BUTTON - BLACK - <b>TOUR &amp; ELLIPSE R-SERIES</b>             |
| 7E  | 151380-02-01A | EA  | STRIKE - CABINET DOOR - <b>VIEW &amp; NAVION 500-SERIES</b>                                 |
| 8E  | 151380-03-01A | EA  | STRIKE - CABINET DOOR - <b>VIEW &amp; NAVION 500-SERIES</b>                                 |
| 9E  | 152302-01-01A | EA  | PULL - CABINET DOOR - SATIN NICKEL - <b>SUNRISE F-SERIES</b>                                |
| 10E | 152304-01-01A | EA  | PULL - CABINET DOOR - BRONZE- <b>ADVENTURER G-SERIES, ELLIPSE R-SERIES</b>                  |
| 11E | 152305-01-01A | EA  | KNOB - DOOR/DRAWER - BRONZE - <b>ELLIPSE R-SERIES</b>                                       |
| 12E | 152950-01-01A | EA  | PULL - DOOR/DRAWER - BRUSHED NICKEL - <b>VIEW &amp; NAVION 500-SERIES</b>                   |
| 13E | 153000-01-01A | EA  | SLIDE - CABINET MOUNT - 11.8"   |
| 13E | 153000-03-01A | EA  | SLIDE - CABINET MOUNT - 13.8"   |
| 13E | 153000-05-01A | EA  | SLIDE - CABINET MOUNT - 15.7"   |
| 13E | 153000-07-01A | EA  | SLIDE - CABINET MOUNT - 17.7"   |
| 13E | 153000-09-01A | EA  | SLIDE - CABINET MOUNT - 19.7"   |
| 13E | 153000-11-01A | EA  | SLIDE - CABINET MOUNT - 21.6"   |
| 13E | 153000-14-01A | EA  | SLIDE - CABINET MOUNT - 23.6"   |
| 13E | 153000-16-01A | EA  | SLIDE - CABINET MOUNT - 7.9"  |
| 13E | 153000-18-01A | EA  | SLIDE - CABINET MOUNT - 9.8"  |
| 13E | 153000-20-01A | EA  | SLIDE - CABINET MOUNT - 25.6"   |
| 14E | 153000-13-01A | EA  | BACKSOCKET - DRAWER SLIDE   |
| 15E | 153000-02-01A | EA  | SLIDE - DRAWER MOUNT - 11.8"  |
| 15E | 153000-04-01A | EA  | SLIDE - DRAWER MOUNT - 13.8"  |
| 15E | 153000-06-01A | EA  | SLIDE - DRAWER MOUNT - 15.7"  |
| 15E | 153000-08-01A | EA  | SLIDE - DRAWER MOUNT - 17.7"  |
| 15E | 153000-10-01A | EA  | SLIDE - DRAWER MOUNT - 19.7"  |
| 15E | 153000-12-01A | EA  | SLIDE - DRAWER MOUNT - 21.6"  |
| 15E | 153000-15-01A | EA  | SLIDE - DRAWER MOUNT - 23.4"  |
| 15E | 153000-17-01A | EA  | SLIDE - DRAWER MOUNT - 7.7"   |
| 15E | 153000-19-01A | EA  | SLIDE - DRAWER MOUNT - 9.6"   |
| 15E | 153000-21-01A | EA  | SLIDE - DRAWER MOUNT - 25.4"  |

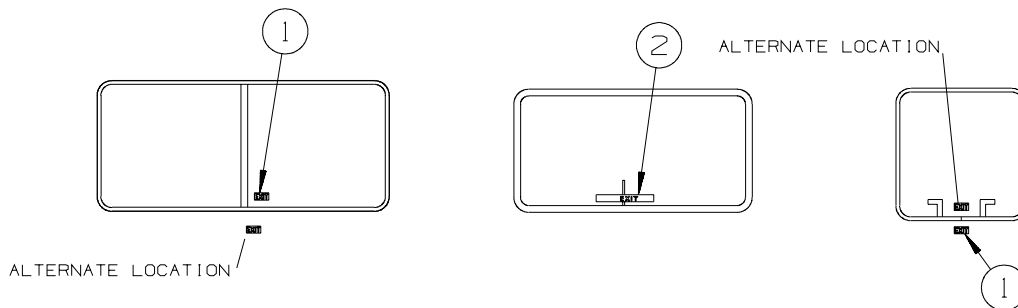
## INTERIOR FINISH GROUP (CONTINUED)

### HARDWARE (CONTINUED)



| KEY | PART NUMBER   | U/M | DESCRIPTION   |
|-----|---------------|-----|---|
| 1F  | 153308-01-01A | EA  | PULL - VANITY STOOL - SATIN NICKEL  |
| 2F  | 153352-01-01A | EA  | SLIDE - PANTRY - 19.7" - CABINET MOUNT  |
| 3F  | 153352-02-01A | EA  | SLIDE - PANTRY - 19.5" - DRAWER MOUNT   |
| 4F  | 153353-01-01A | EA  | LATCH - SLIDING/FLUSH - BLACK   |
| 5F  | 155803-01-01A | EA  | KNOB CABINET DOOR - WROUGHT IRON - <b>VECTRA S-SERIES</b>   |
| 6F  | 155925-01-01A | EA  | KNOB - DOOR/DRW - SATIN NICKEL - <b>ACCESS &amp; IMPULSE 200-SERIES/ VISTA &amp; SUNSTAR E-SERIES</b> |
| 7F  | 156579-01-01A | EA  | KNOB - DOOR/DRW - PEWTER - <b>OUTLOOK &amp; SPIRIT 300-SERIES/ SIGHTSEER &amp; SUNOVA D-SERIES</b>    |
| 8F  | 157246-01-01A | EA  | PULL - CABINET DOOR/DRAWER - SATIN NICKEL - <b>JOURNEY &amp; MERIDIAN P-SERIES</b>                    |
| 9F  | 157246-02-01A | EA  | KNOB - CABINET DOOR/DRAWER-SATIN NICKEL - <b>JOURNEY &amp; MERIDIAN P-SERIES</b>                      |
| 10F | 158982-01-04B | EA  | HINGE - CONTINUOUS - 2" X 8" - BLACK  |
| 10F | 158982-01-01A | EA  | HINGE - CONTINUOUS - 2" X 8" - ZINC   |
| 11F | 162033-01-01A | EA  | PULL - CABINET DOOR - BRUSHED NICKEL - <b>SUNCRUISER G-SERIES, TOUR R-SERIES</b>                      |
| 12F | 162033-02-01A | EA  | KNOB - CABINET DOOR - BRUSHED NICKEL - <b>SUNCRUISER G-SERIES</b>                                     |
| 13F | 162518-01-01A | EA  | KNOB - DOOR/DRAWER - SATIN NICKEL - <b>HORIZON S-SERIES</b>   |
| 14F | 163095-01-01A | EA  | KNOB - CABINET DOOR - SATIN NICKEL - <b>DESTINATION &amp; LATTITUDE M-SERIES</b>                      |

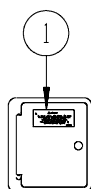
## LABELS GROUP



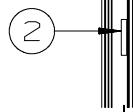
### EXIT WINDOWS

| KEY | PART NUMBER   | U/M | DESCRIPTION                |
|-----|---------------|-----|----------------------------|
| 1   | 039290-01-000 | EA  | LABEL - WARNING - EXIT     |
| 2   | 107571-01-000 | EA  | LABEL - EXIT/ESCAPE WINDOW |

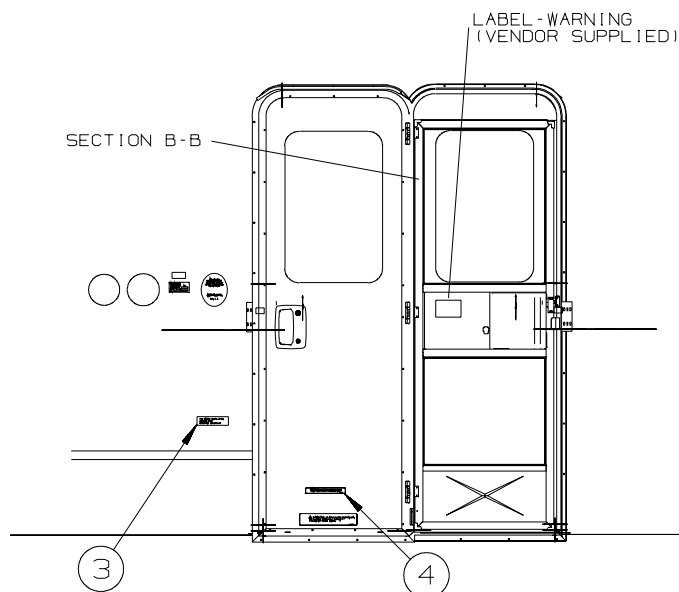
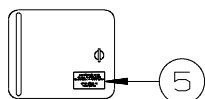
LOCATE ON OUTSIDE OF FUEL FILL DOOR



FUEL DOOR (OUTSIDE)

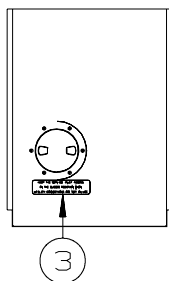


SECTION B-B

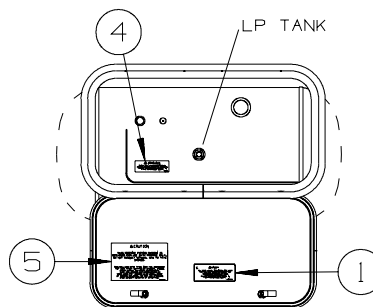
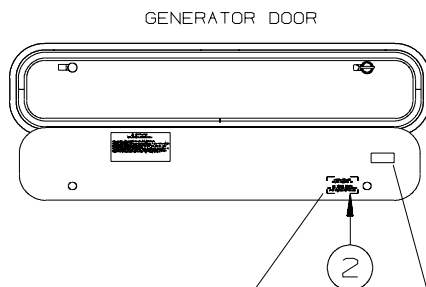


### ENTRANCE DOOR

| KEY | PART NUMBER   | U/M | DESCRIPTION   |
|-----|---------------|-----|---|
| 1   | 124519-01-01A | EA  | LABEL - WARNING/REFUELING - BLACK ON CLEAR  |
| 1   | 124519-02-01A | EA  | LABEL - WARNING/REFUELING - BLACK ON CLEAR - CSA - <b>CANADIAN</b>                          |
| 2   | 135869-01-01A | EA  | LABEL - MERCURY CONTENT - BLACK ON CLEAR  |
| 3   | 099509-01-000 | EA  | LABEL - AWNING INSTALLATION   |
| 4   | 065748-01-000 | EA  | LABEL - WARNING - BATTERY CHARGING - UL   |
| 5   | 125306-04-01A | EA  | LABEL - ELECTRICAL ENTRANCE-120/20V 50 AMP-BLACK ON CLEAR<br>FROM: 00-00-00 THRU: 02-10-08  |
| 5   | 125306-01-01A | EA  | LABEL - ELECTRICAL ENTRANCE - 110V 30 AMP - BLACK ON CLEAR<br>FROM: 02-11-08 THRU: 99-99-99 |



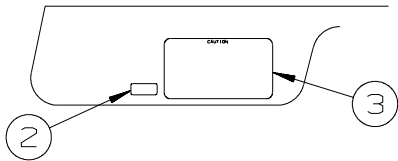
(LOCATED ON OUTSIDE OF ELEC COMPT DOOR)



LABEL TIRE PRESSURE  
(MATCH CHASSIS VIN# LAST 6 CHARACTERS ON LABEL)  
(LOCATE INSIDE OF ELEC COMPT DOOR)

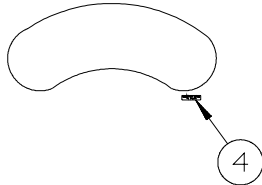
| KEY | PART NUMBER   | U/M | DESCRIPTION  |
|-----|---------------|-----|--|
| 1   | 124519-01-01A | EA  | LABEL - WARNING/REFUELING - BLACK ON CLEAR                         |
| 1   | 124519-02-01A | EA  | LABEL - WARNING/REFUELING - BLACK ON CLEAR - CSA - <b>CANADIAN</b> |
| 2   | 125306-01-01A | EA  | LABEL - ELECTRICAL ENTRANCE - 110V 30 AMP - BLACK ON CLEAR         |
| 3   | 123562-01-000 | EA  | LABEL - SERVICE/UTILITY ACCESS                                     |
| 4   | 079965-01-000 | EA  | LABEL - LPG - 80% CAPACITY   |
| 5   | 124520-01-01A | EA  | LABEL - LP GAS ONLY - BLACK ON CLEAR                               |
| 5   | 023769-01-000 | EA  | LABEL - WARNING - LPG - <b>CANADIAN</b>                            |

## LABELS GROUP (CONTINUED)

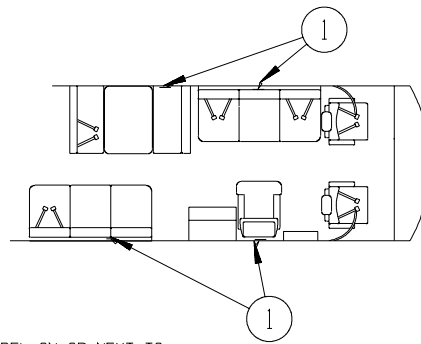


LABELS SHALL BE LOCATED ON OPPOSITE SIDE OF VISOR THAT THE AIR BAG LABEL IS INSTALLED ON.

### INSTRUMENT CLUSTER

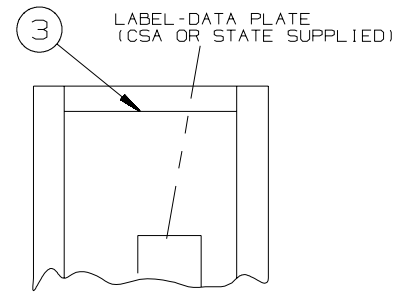
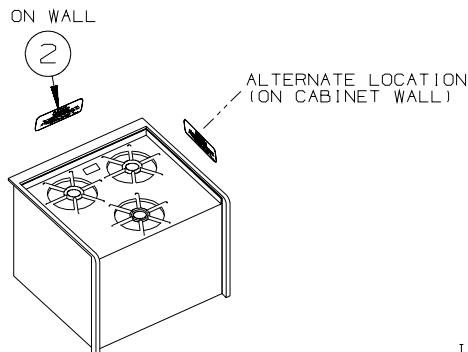
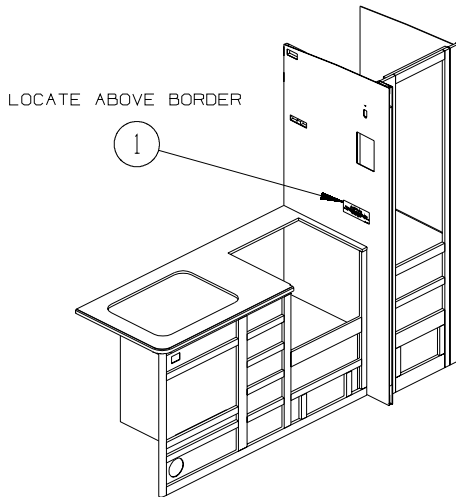


### TYPICAL SEAT AND BELT CONFIGURATIONS



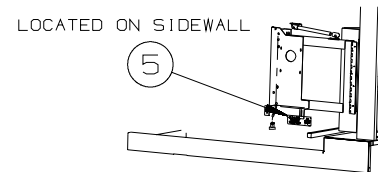
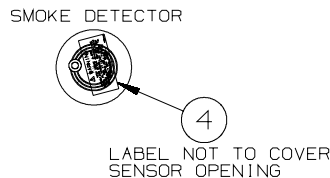
ATTACH LABEL ON OR NEXT TO:  
 +ANY SINGLE CHAIR WITHOUT BELTS.  
 +ANY DINETTE SEAT WITHOUT BELTS.  
 +ANY COUCH WITHOUT BELTS OR ANY SEATING POSITION ON THAT COUCH.  
 DO NOT ATTACH LABEL IF:  
 +DINETTE SEAT HAS AT LEAST ONE SET OF BELTS INSTALLED.

| KEY | PART NUMBER   | U/M | DESCRIPTION   |
|-----|---------------|-----|---|
| 1   | 134538-01-01A | EA  | LABEL - OCCUPANCY - NO SEAT BELT - BLACK ON CLEAR - US                    |
| 1   | 134538-02-01A | EA  | LABEL - OCCUPANCY - NO SEAT BELT - BLACK ON CLEAR - CSA - <b>CANADIAN</b> |
| 2   | 099689-01-000 | EA  | LABEL - WARNING - CANCER/TOXICITY - <b>CALIFORNIA ONLY</b>                |
| 3   | 056259-01-000 | EA  | LABEL - SAFETY CHECK LIST   |
| 4   | 155692-01-02A | EA  | LABEL - ODOMETER - READ IN MILE - WHITE/CLEAR - <b>CANADIAN</b>           |



### INSIDE GALLEY CABINET

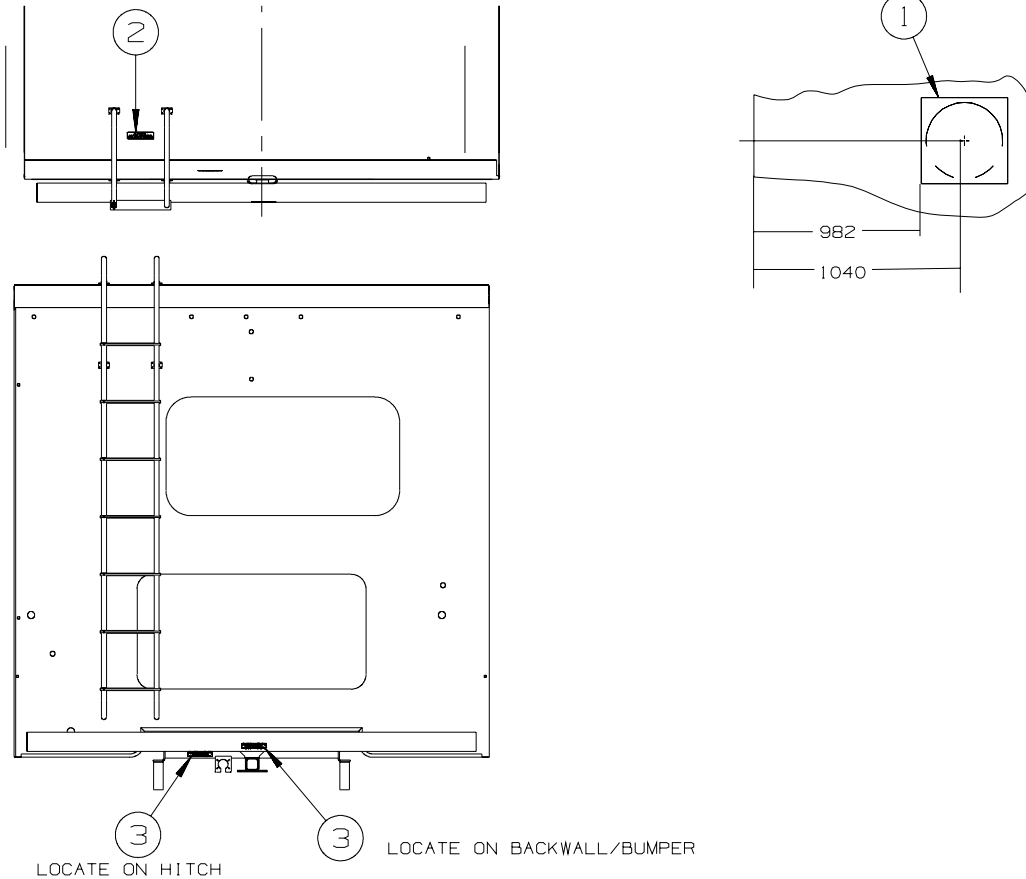
226A



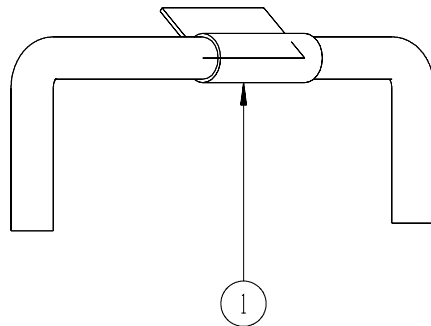
### FRONT ENTERTAINMENT CENTER

| KEY | PART NUMBER   | U/M | DESCRIPTION  |
|-----|---------------|-----|--|
| 1   | 143911-01-01A | EA  | LABEL - CURTAIN SECUREMENT - BLACK ON CLEAR                              |
| 1   | 155196-01-01A | EA  | LABEL - CURTAIN SECUREMENT - BLACK ON CLEAR - <b>CANADIAN</b>            |
| 2   | 134539-01-01A | EA  | LABEL - WARNING - STOVE/HEATING - US - BLACK ON CLEAR                    |
| 2   | 134540-01-01A | EA  | LABEL - WARNING - STOVE/HEATING - CSA - BLACK ON CLEAR - <b>CANADIAN</b> |
| 3   | 073998-01-000 | EA  | LABEL - LPG/ODOR WARNING   |
| 4   | 077956-01-000 | EA  | LABEL - WARNING/SMOKE DETECTOR   |
| 5   | 159837-01-01A | EA  | LABEL - CAUTION - SWINGOUT TV - BLACK/CLEAR/RED                          |

## LABELS GROUP (CONTINUED)

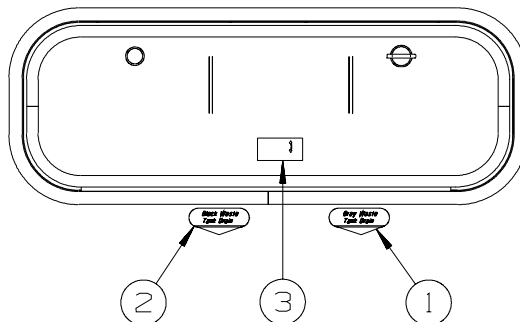


| KEY | PART NUMBER   | U/M DESCRIPTION                                       |
|-----|---------------|---|
| 1   | 120431-01-000 | EA LABEL - LOCATION - COAXIAL CABLE/SATELLITE ANTENNA |
| 2   | 163705-01-01A | EA LABEL - WARNING - SLIPPERY ROOF - BLACK ON WHITE   |
| 3   | 129669-01-02A | EA LABEL - HITCH/VEHICLE RATE - 350 - BLACK ON CLEAR  |



WRAP LABEL AROUND ROD  
AND ADHERE TO ITSELF

| KEY | PART NUMBER   | U/M DESCRIPTION                  |
|-----|---------------|----------------------------------|
| 1   | 128658-01-000 | EA LABEL - PROP ROD - ENTRY DOOR |



| KEY | PART NUMBER   | U/M DESCRIPTION                              |
|-----|---------------|--|
| 1   | 152541-03-01A | EA LABEL - GRAY WASTE                        |
| 2   | 152543-03-01A | EA LABEL - BLACK WASTE                       |
| 3   | 144649-01-01A | EA LABEL - ADJUSTABLE VALVE - WHITE ON CLEAR |

**LP GROUP  
LP SYSTEM**

| KEY | PART NUMBER   | U/M | DESCRIPTION  |
|-----|---------------|-----|--|
|     | 010265-01-000 | EA  | ELBOW - BRASS - 90 DEGREE - 3/8"F X 1/2"FPT                        |
|     | 065318-02-000 | EA  | ELBOW - 90 DEGREE - 3/8" MPT TO 3/8" FPT                           |
|     | 146635-02-000 | EA  | ELBOW-5/8 FLARE,PIPE-AWAY  |
|     | 166513-01-000 | EA  | ELBOW - BRASS - 1/2"F X 1/2"FPT - SWIVEL                           |
|     | 010323-01-000 | EA  | ADAPTER - 3/8"F X 1/2"MPT - BRASS                                  |
|     | 010326-01-000 | EA  | ADAPTER - FLARE - W/CONE GASKET - 3/8"F X 1/2"F                    |
|     | 010329-01-000 | EA  | ADAPTER - 1/2"F X 1/2"MPT - BRASS                                  |
|     | 024250-01-000 | EA  | ADAPTER - BRASS - 3/8"F X 1/2"FPT                                  |
|     | 057042-01-000 | EA  | ADAPTER - CROSS 1/2"PIPE   |
|     | 146635-01-000 | EA  | ADAPTOR - PIPE - AWAY  |
|     | 010377-02-000 | EA  | NUT - 3/8" FLARE - FORGED - BRASS                                  |
|     | 010380-02-000 | EA  | NUT - 1/2" FLARE - FORGED - BRASS                                  |
|     | 010589-01-000 | EA  | NIPPLE - PIPE - 1/2" X 1 1/2" - BLACK                              |
|     | 010589-03-000 | EA  | NIPPLE - PIPE - 1/2" X 2 1/2" - BLACK                              |
|     | 040440-02-000 | EA  | TRANSMITTER - DIAL/BOLT-ON - 0-90 OHM 2 TERM(POWER/GROUND)         |
|     | 045703-03-000 | EA  | HOSE - LP - 3/8"ID X 18" - 3/8"MPT X 1/2"F SWIVEL - US             |
|     | 045703-05-000 | EA  | HOSE - LP - 3/8"ID X 28" - 3/8"MPT X 1/2"F SWIVEL - US             |
|     | 045703-06-000 | EA  | HOSE - LP - 3/8"ID X 28" - 3/8"MPT X 1/2"F SWIVEL - CSA - CANADIAN |
|     | 045703-12-000 | EA  | HOSE - LP - 3/8"ID X 18" - 3/8"MPT X 1/2"F SWIVEL - CSA - CANADIAN |
|     | 045703-15-000 | EA  | HOSE - LP - 3/8"ID X 142" - 1/2"F SWIVEL X 3/8"F SWIVEL            |
|     | 146989-04-000 | EA  | HOSE ASM-LP,1/2" ID 400, 5/8" FEMALE SWIVEL                        |
|     | 106150-05-000 | EA  | REGULATOR - TWO STAGE  |
|     | 111848-06-02B | EA  | SHIELD - HEAT - EXHAUST - E-COATED - 226A, 228P                    |
|     | 160426-01-02B | EA  | SHIELD/HEAT - EXHAUST - E-COATED - 231C CHEVY                      |
|     | 159048-01-02B | EA  | PANEL/GUARD - LP - E-COATED - 229T                                 |
|     | 130377-02-000 | EA  | TUBE/DRAIN - KAZOO - 1 1/2" X 4"                                   |
| *   | 144116-04-000 | EA  | TANK - LP - 60 LB - 14"D X 29.75"L                                 |
|     | 144485-01-000 | EA  | COVER - LP REGULATOR   |

\*COMPONENT PARTS LISTED LATER IN THIS GROUP

**COMPONENT PARTS FOR LP SYSTEM**

**144116-04-000**

| KEY | PART NUMBER   | U/M | DESCRIPTION                  | VENDOR NO.    |
|-----|---------------|-----|------------------------------|---------------|
|     | 040421-01-712 | EA  | VALVE-SERV. W/O VAPOR RELIEF | V20373/V21202 |
|     | 040421-01-713 | EA  | VALVE-RELIEF 1" W/SPRING 7"  | V12560/V21207 |
|     | 144116-01-700 | EA  | VALVE-OUTAGE(NO STEM REMOVE) | V20058        |
|     | 144116-01-701 | EA  | VALVE/FILL 80 % W/YELLOW CAP | V13414        |
|     | 144116-04-700 | EA  | FLOAT/SENDING UNIT W/O DIAL  | G11530        |
|     | 144116-04-701 | EA  | DIAL - TRANSMITER            | G12845        |



**SEALANTS & FASTENERS GROUP**  
**SEALANTS & ADHESIVES**

| <b>KEY</b> | <b>PART NUMBER</b> | <b>U/M</b> | <b>DESCRIPTION</b>   |
|------------|--------------------|------------|--|
|            | 010405-02-000      | EA         | TAPE - THREAD SEALING - 3/8"                               |
|            | 064075-07-000      | FT         | SEAL - BULB - W/WIRED U CHANNEL - .3" X .5" CHANNEL-BLACK  |
|            | 067788-01-000      | EA         | ADHESIVE - SPRAY - 3M - 19.5 OZ AEROSOL CAN                |
|            | 069640-01-000      | FT         | SEALER - RIBBON - 1/4"DIAMETER X 30 FT - BLACK OR GRAY     |
|            | 069640-02-000      | FT         | SEALER - TAPE - 1/8"THICK X 1/2"WIDE X 60 FT - GRAY        |
|            | 069640-03-000      | FT         | SEALER - TAPE - 1/8"THICK X 3/4"WIDE X 60 FT - BLACK       |
|            | 069640-07-000      | FT         | SEALER - TAPE - 3/32"THICK X 2"WIDE X 45 FT - GRAY         |
|            | 069640-09-000      | FT         | SEALER - TAPE - 1/32"THICK X 2 1/2"WIDE X 80 FT - BRT WHT  |
|            | 069640-10-000      | FT         | SEALER - TAPE - 1/32"THICK X 1 1/2"WIDE X 90 FT - GRAY     |
|            | 069640-11-000      | FT         | SEALER - TAPE - 3/16"THICK X 3/8"WIDE X 40 FT - BLACK      |
|            | 069640-13-000      | FT         | SEALER - TAPE - 3/32"THICK X 2"WIDE X 45 FT - BLACK        |
|            | 069640-14-000      | FT         | SEALER - TAPE - 1/16"THICK X 1"WIDE X 100 FT - BLACK       |
|            | 069640-15-000      | FT         | SEALER - TAPE - 1/16"THICK X 3/8"WIDE X 100 FT - BRT WHT   |
|            | 069640-17-000      | FT         | SEALER - TAPE - 1/32"THICK X 1"WIDE X 150 FT - GRAY        |
|            | 069640-18-000      | FT         | SEALER - TAPE - 1/8"THICK X 1/2"WIDE X 60 FT - BRT WHT     |
|            | 069640-19-000      | FT         | SEALER - TAPE - 1/8"THICK X 3/4"WIDE X 60 FT - BRT WHT     |
|            | 069640-20-000      | FT         | SEALER - TAPE - 1/8"THICK X 1/2"WIDE X 60 FT - BLACK       |
|            | 069640-21-000      | FT         | SEALER - TAPE - 1/16"THICK X 1/2"WIDE X 100 FT - BRT WHT   |
|            | 069640-22-000      | FT         | SEALER - TAPE - 1/32"THICK X 1/4"WIDE X 200 FT - BRT WHT   |
|            | 069640-23-000      | FT         | SEALER - TAPE - 1/16"THICK X 3/4"WIDE X 100 FT - BRT WHT   |
|            | 069640-27-000      | FT         | SEALER - TAPE - 1/16"THICK X 2 1/4"WIDE X 50 FT - BRT WHT  |
|            | 069640-28-000      | FT         | SEALER - TAPE - 1/32"THICK X 1 7/8"WIDE X 90 FT - GRAY     |
|            | 069640-30-000      | FT         | SEALER - TAPE - 1/32"THICK X 5/8"WIDE X 50 FT - GRAY       |
|            | 069640-31-000      | FT         | SEALER - TAPE - 1/4"THICK X 3/4"WIDE X 15 FT - BLACK       |
|            | 069640-32-000      | FT         | SEALER - TAPE - 1/16"THICK X 3/8"WIDE X 100 FT - BLACK     |
|            | 069640-33-000      | FT         | SEALER - RIBBON - 3/8"DIAMETER X 20 FT - BLACK             |
|            | 069640-34-000      | FT         | SEALER - RIBBON - 1/4"DIAMETER X 30 FT - BRIGHT WHITE      |
|            | 069640-36-000      | EA         | SEALER - TAPE - 1/16"THICK X 1/2"WIDE X 100 FT - BLACK     |
|            | 069640-37-000      | FT         | SEALER - TAPE - 1/16"THICK X 3/4"WIDE X 100 FT - BLACK     |
|            | 069640-38-000      | FT         | SEALER - TAPE - 1/16"THICK X 3/4"WIDE X 100 FT - BRT WHT   |
|            | 069640-39-000      | FT         | SEALER - TAPE - 1/16"THICK X 3"WIDE X 50 FT - BRT WHT      |
|            | 069640-40-000      | FT         | SEALER - TAPE - 1/16"THICK X 3"WIDE X 50 FT - BRT WHT      |
|            | 072889-28-000      | EA         | SEALANT/URETHANE-10 OZ TUBE W/NOZZLE-SELF LEVELING-BRT WHT |
|            | 072889-31-000      | EA         | SEALANT/URETHANE-10 OZ TUBE W/NOZZLE-SELF LEVELING - BLACK |
|            | 076322-02-000      | FT         | TAPE-DOUBLE COATED/ADHESIVE BK-.05"THK X 1"W X 108' - WHT  |
|            | 076322-03-000      | FT         | TAPE-DOUBLE COATED/ADHESIVE BK-.05"THK X .5"W X 108' - WHT |
|            | 076322-05-000      | FT         | TAPE-DOUBLE COATED/ADHESIVE BK-.05"THK X .8"W X 108' - WHT |
|            | 076322-07-000      | FT         | TAPE-DOUBLE COATED/ADHESIVE BK-.05"THK X .5"W X 200' - BLK |
|            | 076322-13-000      | FT         | TAPE - FOAM/DOUBLE COATED - .020"THK X .75"W - CLEAR       |
|            | 076322-21-000      | FT         | TAPE - FOAM/DOUBLE COATED - .045"THK X .50"W               |
|            | 076322-22-000      | FT         | TAPE - FOAM/DOUBLE COATED - .045"THK X .75"W               |
|            | 076322-23-000      | FT         | TAPE - FOAM/DOUBLE COATED - .045"THK X 1"W                 |
|            | 076322-25-000      | FT         | TAPE - FOAM/DOUBLE COATED - .025"THK X .5"W                |
|            | 086276-01-000      | EA         | TAPE - DOUBLE SIDED - 1/2" WIDE X 108' LONG (SOLD BY ROLL) |
|            | 088479-01-000      | EA         | TAPE - ALUMINUM - 3"                                       |
|            | 090340-01-000      | FT         | SEAL - FOAM - CLOSED CELL - 1/4" X 1/2" X 50'              |
|            | 090340-02-000      | FT         | SEAL - FOAM - CLOSED CELL - 3/8" X 1/2" X 50'              |
|            | 091255-02-000      | FT         | SEAL - ADHESIVE BACKED/FOAM - 3/64"THICK X 3/16"W X 1000'  |
|            | 091255-03-000      | FT         | SEAL - ADHESIVE BACKED/FOAM - 1/4" THICK X 1/4"W X 1000'   |
|            | 094401-01-000      | EA         | SEALER - BODY SEAM - FLEXICLEAR                            |
|            | 094401-04-000      | EA         | SEALER - BODY SEAM - CLEAR                                 |
|            | 094401-05-000      | EA         | SEALER - BODY SEAM - 20OZ BLACK                            |
|            | 094401-06-000      | EA         | SEALER - BODY SEAM - 12OZ BLACK                            |
|            | 094401-07-000      | EA         | SEALER - BODY SEAM - CLEAR                                 |
|            | 098408-01-000      | FT         | SEAL - SPONGE RUBBER - CLOSED CELL                         |
|            | 099069-01-000      | FT         | SEAL - RUBBER - CLOSED SPONGE - .5" WIDE X .12" THICK-BLK  |
|            | 099418-01-000      | FT         | SEAL - D-SECTION/ADHESIVE BACK - .44" X .44" - BLK RUBBER  |
|            | 100128-02-000      | FT         | SEAL - FOAM/ADHESIVE BACK - .37" WIDE X .37" THICK X 60'   |
|            | 104692-01-000      | FT         | SEAL - ADHESIVE BACKED FOAM - 3/4" THICK X 3/4" WIDE X 25' |
|            | 107721-07-000      | FT         | SEAL - ACCESS DOOR - .9"WIDE X 1.1"HIGH                    |
|            | 112864-01-000      | FT         | SEAL - FOAM/BUTYL COVERED - 3/8" X 35'                     |
|            | 112864-02-000      | FT         | SEAL - FOAM/BUTYL COVERED - 5/16" X 44'                    |
|            | 112864-05-000      | FT         | SEAL - FOAM/BUTYL COVERED - 1/2" X 3/16"                   |
|            | 112901-02-000      | EA         | ADHESIVE - PLEXUS - MA330 - 50ML - GRAY                    |

## SEALANTS & FASTENERS GROUP (CONTINUED)

### SEALANTS & ADHESIVES (CONTINUED)

| KEY | PART NUMBER   | U/M | DESCRIPTION  |
|-----|---------------|-----|--|
|     | 112901-03-000 | EA  | ADHESIVE - PLEXUS - MA300 - 50ML - WHITE                   |
|     | 112902-03-000 | EA  | MIXER NOZZLE - F/GUN #00400102000 - SCOTCH-WELD & PLEXUS   |
|     | 112902-04-000 | EA  | NOZZLE - ELEMENT - 1/4" X 3.5"                             |
|     | 113452-01-000 | FT  | SEAL/TRIM - FRONT - VINYL W/WIRE CARRIER - .020"           |
|     | 113452-02-000 | FT  | SEAL/TRIM - FRONT - VINYL W/WIRE CARRIER - .027"           |
|     | 113366-01-000 | EA  | ADHESIVE - INSTANT - 1 OZ                                  |
|     | 115870-01-000 | FT  | SEAL/EDGE - TRIM   |
|     | 120074-02-03A | EA  | SILICONE - TUBE - W/O NOZZLE - LOW ODOR - SMOKEY WHITE     |
|     | 120534-01-01A | EA  | TAPE - SCOTCH - 3M - 1/2" FINE LINE                        |
|     | 123655-01-000 | FT  | SEAL - CLOSED CELL/FOAM                                    |
|     | 123816-01-000 | FT  | TAPE - DOUBLE SIDED - 1" X .020" X 200' - CLEAR            |
|     | 123816-02-000 | FT  | TAPE - DOUBLE SIDED - 1/2" X .035" X 200' - CLEAR          |
|     | 123816-03-000 | FT  | TAPE - DOUBLE SIDED - 1/2" X .020" X 200' - CLEAR          |
|     | 123816-04-000 | FT  | TAPE - DOUBLE SIDED - 6" X .0035" X 750' - CLEAR           |
|     | 123816-06-000 | FT  | TAPE - DOUBLE SIDED - 3/4" X 3/4" X 200' - CLEAR           |
|     | 123816-07-000 | FT  | TAPE - DOUBLE SIDED - 1 3/4" X 200' - CLEAR                |
|     | 126427-01-000 | EA  | ADHESIVE - ALL PURPOSE - ABS/PVC                           |
|     | 126427-02-000 | EA  | PRIMER - CLEANER - FLEX PIPING                             |
|     | 131264-01-12A | EA  | SILICONE - TUBE - W/NOZZLE - BONE                          |
|     | 131264-01-13A | EA  | SILICONE - TUBE - W/NOZZLE - TRANSLUCENT                   |
|     | 131264-03-01A | EA  | SILICONE - TUBE - W/O NOZZLE - SELF LEVELING -BRIGHT WHITE |
|     | 131264-04-02A | EA  | SILICONE/SEALANT/ADHESIVE-FAST CURE F/GLASS/VINYL-SOFT WHT |
|     | 131264-05-01A | EA  | SILICONE/SEALANT - ODORLESS - TUBE - W/NOZZLE - BLACK      |
|     | 131264-05-02A | EA  | SILICONE/SEALANT - ODORLESS - TUBE - W/NOZZLE - CLEAR      |
|     | 131384-01-000 | EA  | ADHESIVE - JET WELD - 10 OZ CARTRIDGE                      |
|     | 132892-07-01A | FT  | SEAL - BULB/SINGLE - W/U CHANNEL - .5" X 1" - BLACK        |
|     | 152038-01-01A | EA  | TAPE - PRESERVATION SEAL - 2" X 36YD ROLL - BLACK          |
|     | 154585-01-01A | FT  | SEAL - FOAM TAPE - ADHESIVE BACK - 3/8" X 3/8" - BLACK     |
|     | 154585-02-01A | FT  | SEAL - FOAM TAPE - ADHESIVE BACK - 3/4" X 1/2" - BLACK     |
|     | 154585-03-01A | FT  | SEAL - FOAM TAPE - ADHESIVE 2 SIDED - 1/8" X 3/4" - BLACK  |
|     | 154585-04-01A | FT  | SEAL - FOAM TAPE - ADHESIVE BACK - 5/8" X 1/8" - WHITE     |
|     | 156622-01-01A | FT  | SEALER - TAPE - 1/4"THICK X 3"WIDE X 100 FT - WHITE        |
|     | 156622-02-01A | FT  | SEALER - TAPE - 1/4"THICK X 2"WIDE X 100 FT - WHITE        |

### BOLTS, NUTS & WASHERS

| KEY | PART NUMBER   | U/M | DESCRIPTION  |
|-----|---------------|-----|--|
|     | 0MD54F-06-000 | EA  | NUT - HEX W/SERATED FLANGE                                 |
|     | 000C12-04-08B | EA  | BOLT - HEX - 1/4-20 X 1/2 - GRADE #5 - ZINC                |
|     | 000C12-04-12A | EA  | BOLT - HEX - 1/4-20 X 3/4 - PLAIN 5                        |
|     | 000C12-04-40B | EA  | BOLT - HEX - 1/4-20 X 2 1/2 - GRADE #5 ZINC                |
|     | 000C12-05-16B | EA  | BOLT - HEX - 5/16 - 18X1 - GRADE #5 - ZINC                 |
|     | 000C12-05-40B | EA  | BOLT - HEX - 5/16"-18 X 2.5" - GRADE #5 - ZINC             |
|     | 000C12-06-28B | EA  | BOLT-HEX-3/8-16X13/4 ZN 5 - 5185-01                        |
|     | 000C12-08-24B | EA  | BOLT - HEX - 1/2-13 X 1 1/2 - GRADE #5 - ZINC              |
|     | 000C12-08-28B | EA  | BOLT - HEX - 1/2-13 X 1 3/4 - GRADE #5 - ZINC              |
|     | 000C12-08-44B | EA  | BOLT - HEX - 1/2-13 X 2 3/4 - GRADE #5 - ZINC              |
|     | 000C13-07-40B | EA  | BOLT - HEX - 7/16-20 X 2 1/2 - GRADE #5 - ZINC             |
|     | 000C13-07-48B | EA  | BOLT - HEX - 7/16-20 X 3 - GRADE #5 - ZINC                 |
|     | 000C14-10-32B | EA  | BOLT - HEX - 5/8-11 X 2.0 - GRADE #8 - ZINC                |
|     | 000C18-05-40A | EA  | BOLT - ELEVATOR - 5/16-18 X 2 1/2 - PL                     |
|     | 000C26-04-10B | EA  | BOLT - HEX - SERRATED FLANGE - 1/4-20 X 5/8 - ZINC         |
|     | 000C26-04-12F | EA  | BOLT - HEX - SERRATED FLANGE -1/4-20 X 3/4-STAINLESS STEEL |
|     | 000C26-04-14B | EA  | BOLT - HEX - SERRATED FLANGE - 1/4-20 X 7/8 - ZINC         |
|     | 000C26-04-18B | EA  | BOLT - HEX - SERRATED FLANGE - 1/4-20 X 1 1/8 - ZINC       |
|     | 000C26-05-12B | EA  | BOLT - HEX - SERRATED FLANGE - 5/16-18 X 3/4 - ZINC        |
|     | 000C26-06-12B | EA  | BOLT - HEX - SERRATED FLANGE - 3/8-16 X 3/4 - ZINC         |
|     | 000C26-06-20B | EA  | BOLT - HEX - SERRATED FLANGE - 3/8-16 X 1 1/4 - ZINC       |
|     | 000C26-06-28B | EA  | BOLT - HEX - SERRATED FLANGE - 3/8-16 X 1 3/4 - ZINC       |
|     | 000C26-06-40B | EA  | BOLT - HEX - SERRATED FLANGE - 3/8-16 X 2 1/2 - ZINC       |
|     | 000C26-08-24B | EA  | BOLT - HEX - SERRATED FLANGE - 1/2-13 X 1 1/2 - ZINC       |
|     | 000C26-08-28B | EA  | BOLT - HEX - SERRATED FLANGE - 1/2-13 X 1 3/4 - ZINC       |
|     | 000C27-08-48B | EA  | BOLT-CARR 1/2-13X3.00 GR5 - 97 M-SERIES                    |
|     | 000D24-10-00B | EA  | NUT - HEX - SELF LOCKING - 10-32 - ZINC                    |

**SEALANTS & FASTENERS GROUP (CONTINUED)**  
**BOLTS, NUTS & WASHERS (CONTINUED)**

| KEY | PART NUMBER   | U/M | DESCRIPTION  |
|-----|---------------|-----|--|
|     | 000D27-05-00B | EA  | NUT - HEX LOCK - 5-40 - ZINC                                 |
|     | 000D28-10-00B | EA  | NUT - HEX - W/NYLON LOCK - 10-32 - ZINC                      |
|     | 000D29-04-00B | EA  | NUT - HEX - SELF LOCKING - 1/4 X 20 - ZINC                   |
|     | 000D29-04-00F | EA  | NUT - HEX - SELF LOCKING - 1/4 X 20 - STAINLESS STEEL        |
|     | 000D29-06-00B | EA  | NUT - HEX - W/NYLON LOCK - 3/8-16 - ZINC                     |
|     | 000D29-09-00B | EA  | NUT - HEX - SELF LOCKING - 9/16-12 - ZINC                    |
|     | 000D34-04-00B | EA  | NUT - HEX - LOCKING - 1/4-20 - ZINC                          |
|     | 000D34-06-00B | EA  | NUT - HEX - LOCKING - 3/8-16 GRADE C - ZINC                  |
|     | 000D39-04-00B | EA  | NUT - HEX - LOCKING W/SERRATED FLANGE - 1/4-20 - ZINC        |
|     | 000D39-05-00B | EA  | NUT - HEX - LOCKING W/SERRATED FLANGE - 5/16-18 - ZINC       |
|     | 000D39-06-00B | EA  | NUT - HEX - LOCKING W/SERRATED FLANGE - 3/8-18 - ZINC        |
|     | 000D39-06-00D | EA  | NUT - HEX - LOCKING W/SERRATED FLANGE - 3/8"-16 BLACK        |
|     | 000D39-07-00B | EA  | NUT - HEX - LOCKING W/SERRATED FLANGE - 7/16-14 - ZINC       |
|     | 000D39-08-00B | EA  | NUT - HEX - LOCKING W/SERRATED FLANGE - 1/2-13 - ZINC        |
|     | 000D44-07-00B | EA  | NUT - HEX - LOCKING W/SERRATED FLANGE - 7/16-20 - ZINC       |
|     | 000D44-08-00B | EA  | NUT - HEX - LOCKING W/SERRATED FLANGE - 1/2-20 - ZINC        |
|     | 000D46-04-00A | EA  | NUT - HEX - WELD - 1/4-20 - PLAIN                            |
|     | 000D65-08-00B | EA  | NUT - HEX - LOCKING W/SERRATED FLANGE - 8-32 - ZINC          |
|     | 000D73-08-00C | EA  | NUT - HEX FLANGE - 1/2-13                                    |
|     | 000D75-09-00B | EA  | NUT - HEX LOCKING - 9/16-12 - ZINC                           |
|     | 000D76-06-00B | EA  | NUT - HEX FLANGE - 3/8-16                                    |
|     | 000E11-04-00F | EA  | WASHER - LOCKING - 1/4 MED SPLIT - STAINLESS STEEL           |
|     | 000E11-07-00B | EA  | WASHER - LOCKING - 7/16 MED SPLIT - ZINC                     |
|     | 000E11-08-00B | EA  | WASHER - LOCKING - 1/2 MED SPLIT - ZINC                      |
|     | 000E13-17-00B | EA  | WASHER - FLAT - 3/8 AR - ZINC                                |
|     | 000E13-18-00B | EA  | WASHER - FLAT - 3/8 WIDE - ZINC                              |
|     | 000E13-20-00B | EA  | WASHER - FLAT - 7/16 WIDE - ZINC                             |
|     | 000E13-22-00B | EA  | WASHER - FLAT - 1/2 WIDE - ZINC                              |
|     | 000E13-26-00B | EA  | WASHER - FLAT - 5/8 WIDE - ZINC                              |
|     | 000E14-10-00B | EA  | WASHER - LOCKING - #10 EXTERNAL TOOTH - ZINC                 |
|     | 000E16-10-00B | EA  | WASHER - HARDENED - 5/8 - FLAT - ZINC                        |
|     | 000G45-05-16B | EA  | BOLT - LAG - 5/16-9 X 1 - ZINC                               |
|     | 039715-01-000 | EA  | NUT-SERT - 1/4" DIAMETER - 20 THREADS                        |
|     | 040921-01-000 | EA  | NUT - SPEED - U TYPE - #10-24 - BLACK                        |
|     | 040921-03-000 | EA  | NUT - SPEED - U TYPE - #10                                   |
|     | 040921-04-000 | EA  | NUT - SPEED - U TYPE - #8-.59" LENGTH X .44" WIDTH           |
|     | 040921-05-000 | EA  | NUT - SPEED - U-TYPE - 8-.67" X .44" WIDE                    |
|     | 040921-11-000 | EA  | NUT - SPEED - U-TYPE - 8-.59" LENGTH X .44" WIDTH - BLACK    |
|     | 041322-01-000 | EA  | WASHER - FLANGE - 15/32"ID X 2 3/8"OD - F/SEAT BELT MTG      |
|     | 044364-02-000 | EA  | NUT - SPEED - FLAT - ROUND                                   |
|     | 044533-01-000 | EA  | WASHER - 1 3/8"OD - FOR BUTTONS - PLASTIC                    |
|     | 051387-06-000 | EA  | BOLT - CARRIAGE W/O HOLE - 5/16-18 X 9 1/2 - ZINC            |
|     | 058716-02-000 | EA  | WASHER - FLAT NYLON  |
|     | 064081-03-000 | EA  | NUT - WING 3/8-16 - W/WELD NUT                               |
|     | 077071-01-000 | EA  | WASHER - FENDER - 3/16"ID X 1"OD                             |
|     | 087234-01-000 | EA  | NUT - JACK - 1/4 X 20 THD - MOLLY                            |
|     | 088787-12-000 | EA  | STUD - WELD - 1/4 - 20 X 1.0 LG - MN                         |
|     | 106956-03-000 | EA  | BOLT - HEX TAP - 1/2-13NC X 3 - GRADE 5 - FULL THREAD/ZINC   |
|     | 106956-10-000 | EA  | BOLT - HEX TAP - 9/16-12NC X 3 5/8 -GRD 5-FULL THREAD/ZINC   |
|     | 106956-11-000 | EA  | BOLT - HEX TAP - 1/2-13NC X 2 1/2 - GRD 5-FULL THREAD/ZINC   |
|     | 106956-13-000 | EA  | BOLT - HEX TAP - 1/2-20 X 2 1/2 - GRD 5-FULL THREAD/ZINC     |
|     | 106956-14-000 | EA  | BOLT - HEX TAP - 5/16 -18NC X 1 1/2 - GRD 5-FULL THREAD/ZINC |
|     | 107397-01-000 | EA  | WASHER - FENDER - 3/4"ID X 1"OD                              |
|     | 108067-03-000 | EA  | STUD - WELD - 1/4 - 20 X 1/2 CD                              |
|     | 109917-01-000 | EA  | WASHER - 1.5" X 1.25"  |
|     | 109917-03-000 | EA  | WASHER - 1" X .50"   |
|     | 109917-04-000 | EA  | WASHER - 1" X .75"   |
|     | 128444-01-000 | EA  | WASHER - SPRING - CONICAL                                    |
|     | 135092-02-01A | EA  | BOLT - HEX - SERRATED FLANGE - 1/2-20 X 2 1/2-GRADE 5 ZINC   |
|     | 135092-05-01A | EA  | BOLT - HEX - SERRATED FLANGE - 1/2-20 X 1 - GRADE 5 ZINC     |
|     | 143399-01-01A | EA  | NUT/RETAINING - 3/8"- 24 NFT                                 |
|     | 147284-02-000 | EA  | NUT/SELF RETAINING - 5/16"-18                                |
|     | 148817-01-000 | EA  | WASHER/SPUR - LOCKING  |

## SEALANTS & FASTENERS GROUP (CONTINUED)

### SCREWS

| KEY | PART NUMBER   | U/M | DESCRIPTION   |
|-----|---------------|-----|---|
|     | 0G1208-12-170 | EA  | SCREW - 8-18 X 3/4 POH - BRIGHT WHITE               |
|     | 0G3908-08-170 | EA  | SCREW - SF/DR - 8-18 X 1/2 PPH - BRIGHT WHITE       |
|     | 0G3908-16-170 | EA  | SCREW - SF/DR - 8-18 X 1 PPH - BRIGHT WHITE         |
|     | 0G3908-24-170 | EA  | SCREW - SF/DR - 8-18 X 1 1/2 PPH - BRIGHT WHITE     |
|     | 0G3910-10-420 | EA  | SCREW - SF/DR - 10-16 X .62 PPH - BRIARWOOD         |
|     | 0G3910-12-170 | EA  | SCREW - SF/DR - 10-16 X 3/4 PPH - BRIGHT WHITE      |
|     | 0G3910-24-170 | EA  | SCREW - SF/DR - 10-16 X 1 1/2 PPH - BRIGHT WHITE    |
|     | 0G5508-08-370 | EA  | SCREW - SF/DR - 8-18 X .5 PWH - RIVERSTONE          |
|     | 0G5508-08-380 | EA  | SCREW - SF/DR - 8-18 X .5 PWH - CASHMERE            |
|     | 0G5508-08-420 | EA  | SCREW - SF/DR - 8-18 X .5 PWH - BRIARWOOD           |
|     | 0G5508-08-450 | EA  | SCREW - SF/DR - 8-18 X .5 PWH - SADDLE              |
|     | 0G5508-12-170 | EA  | SCREW - SF/DR - 8-18 X 3/4 PWH - BRIGHT WHITE       |
|     | 0G5508-12-330 | EA  | SCREW - SF/DR - 8-18 X 3/4 PWH - PUTTY              |
|     | 0G5508-12-380 | EA  | SCREW - SF/DR - 8-18 X 3/4 PWH - CASHMERE           |
|     | 0G5508-12-450 | EA  | SCREW - SF/DR - 8-18 X 3/4 PWH - SADDLE             |
|     | 0G5508-16-330 | EA  | SCREW - SF/DR - 8-18 X 1 PWH - PUTTY                |
|     | 0G5508-16-370 | EA  | SCREW - SF/DR - 8-18 X 1 PWH - RIVERSTONE           |
|     | 0G5508-16-380 | EA  | SCREW - SF/DR - 8-18 X 1 PWH - CASHMERE             |
|     | 0G5508-16-450 | EA  | SCREW - SF/DR - 8-18 X 1 PWH - SADDLE               |
|     | 0G6008-16-170 | EA  | SCREW - SF/DR - 8-18 X 1 POH - BRIGHT WHITE         |
|     | 0G6012-32-170 | EA  | SCREW - SF/DR - 12-14 X 2 POH - BRIGHT WHITE        |
|     | 0G6710-08-170 | EA  | SCREW - 10-12 X 1/2 PPH - BRIGHT WHITE              |
|     | 0G6710-12-170 | EA  | SCREW - 10-12 X 3/4 PPH - BRIGHT WHITE              |
|     | 0G6806-16-170 | EA  | SCREW - 6-18 X 1 POH - BRIGHT WHITE                 |
|     | 0G6810-24-280 | EA  | SCREW - 10-12 X 1 1/2 POH - SOFT WHITE              |
|     | 000C20-06-24T | EA  | SCREW - 3/8-16 X 1 1/2 - FLAT SOCKET                |
|     | 000G11-06-08B | EA  | SCREW - 6-20 X 1/2 PPH - ZINC                       |
|     | 000G11-06-10B | EA  | SCREW - 6-20 X 5/8 PPH - ZINC                       |
|     | 000G11-06-10J | EA  | SCREW - 6-20 X 5/8 PPH - BRASS                      |
|     | 000G11-07-08B | EA  | SCREW - 7-19 X 1/2 PPH - ZINC                       |
|     | 000G11-08-06B | EA  | SCREW - 8-18 X 3/8 PPH - ZINC                       |
|     | 000G11-08-08T | EA  | SCREW - 8-18 X 1/2 PPH - FLUOROCARBON COATING       |
|     | 000G11-08-12B | EA  | SCREW - 8-18 X 3/4 PPH - ZINC                       |
|     | 000G11-08-12P | EA  | SCREW - 8-18 X 3/4 PPH - DARK BROWN                 |
|     | 000G11-08-12S | EA  | SCREW - 8-18 X 3/4 PPH - OFF WHITE                  |
|     | 000G11-08-12T | EA  | SCREW - 8-18 X 3/4 PPH - BLACK MAGNESIUM            |
|     | 000G11-08-20B | EA  | SCREW - 8-18 X 1 1/4 PPH - ZINC                     |
|     | 000G11-08-20G | EA  | SCREW - 8-18 X 1 1/4 - ANTIQUE BRASS                |
|     | 000G11-10-12D | EA  | SCREW - 10-16 X 3/4 PPH - BLACK                     |
|     | 000G11-10-32P | EA  | SCREW-10,16X2.00 PPH DK BRN                         |
|     | 000G12-06-08T | EA  | SCREW - 6-20 X 1/2 POH - BLACK                      |
|     | 000G12-10-16F | EA  | SCREW - 10-16 X 1 POH - STAINLESS STEEL             |
|     | 000G13-05-10B | EA  | SCREW - 5-12 X 5/8 PFH - ZINC                       |
|     | 000G13-06-06I | EA  | SCREW - 6-20 X 3/8 PFH - BLACK ZINC                 |
|     | 000G13-06-08B | EA  | SCREW - 6-20 X 1/2 PFH - ZINC                       |
|     | 000G13-06-08G | EA  | SCREW - 6-20 X 1/2 PFH - ANTIQUE BRASS              |
|     | 000G13-06-10G | EA  | SCREW - 6-20 X 5/8 PFH - ANTIQUE BRASS              |
|     | 000G13-06-16E | EA  | SCREW - 6-20 X 1 PFH - CHROME                       |
|     | 000G13-06-16J | EA  | SCREW - 6-20 X 1 PFH - BRASS                        |
|     | 000G13-06-24J | EA  | SCREW - 6-20 X 1 1/2 PFH - BRASS                    |
|     | 000G13-07-10H | EA  | SCREW - 7-19 X 5/8 PFH - BLACK                      |
|     | 000G13-07-12B | EA  | SCREW - 7-19 X 3/4 PFH - ZINC                       |
|     | 000G11-08-08B | EA  | SCREW - 8-18 X 1/2 PPH - ZINC                       |
|     | 000G13-08-10B | EA  | SCREW - 8-18 X 5/8 PFH - ZINC                       |
|     | 000G13-08-109 | EA  | SCREW - 8-18 X 5/8 PFH                              |
|     | 000G13-08-16B | EA  | SCREW - 8-18 X 1 PFH - ZINC                         |
|     | 000G13-08-24B | EA  | SCREW - 8-18 X 1 1/2 PFH - ZINC                     |
|     | 000G16-04-24B | EA  | SCREW - MACHINE - 1/4-20 X 1 1/2 PPH                |
|     | 000G18-08-16B | EA  | SCREW - MACHINE - 8-32 X 1 PPH - ZINC               |
|     | 000G18-08-22B | EA  | SCREW - MACHINE - 8-32 X 1 3/8 PPH - ZINC           |
|     | 000G18-08-24B | EA  | SCREW - MACHINE - 8-32 X 1 1/2 PPH - ZINC           |
|     | 000G19-10-08B | EA  | SCREW - MACHINE - 10-32 X 1/2 PPH - ZINC            |
|     | 000G19-10-10B | EA  | SCREW - MACHINE - 10-32 X 5/8 - PPH - ZINC          |
|     | 000G19-10-12F | EA  | SCREW - MACHINE - 10-32 X 3/4 PPH - STAINLESS STEEL |

**SEALANTS & FASTENERS GROUP (CONTINUED)**  
**SCREWS (CONTINUED)**

| KEY | PART NUMBER   | U/M | DESCRIPTION   |
|-----|---------------|-----|---|
|     | 000G19-10-20B | EA  | SCREW - MACHINE - 10-32 X 1 1/2 PPH - ZINC            |
|     | 000G32-10-06B | EA  | SCREW - 10-32 X 3/8 PPH - ZINC                        |
|     | 000G34-05-12B | EA  | SCREW - HEX HEAD TAPPING - 5/16 X 3/4 LONG            |
|     | 000G39-06-10T | EA  | SCREW - SF/DR - 6-20 X 5/8 PPH - BLACK                |
|     | 000G39-06-16T | EA  | SCREW - SF/DR - 6-20 X 1 PPH - BLACK                  |
|     | 000G39-08-06B | EA  | SCREW - SF/DR - 8-18 X 3/8 PPH - ZINC                 |
|     | 000G39-08-08B | EA  | SCREW - SF/DR - 8-18 X 1/2 PPH - ZINC                 |
|     | 000G39-08-08S | EA  | SCREW - SF/DR - 8-18 X 1/2 PPH - OFF WHITE            |
|     | 000G39-08-08T | EA  | SCREW - SF/DR - 8-18 X 1/2 PPH - BLACK                |
|     | 000G39-08-12T | EA  | SCREW - SF/DR - 8-18 X 3/4 PPH - BLACK                |
|     | 000G39-08-16B | EA  | SCREW - SF/DR - 8-18 X 1 PPH - ZINC                   |
|     | 000G39-08-16T | EA  | SCREW - SF/DR - 6-20 X 1 PPH - BLACK                  |
|     | 000G39-08-24B | EA  | SCREW - SF/DR - 8-18 X 1 1/2 PPH - ZINC               |
|     | 000G39-08-24T | EA  | SCREW - SF/DR - 8-18 X 1 1/2 PPH - BLACK              |
|     | 000G39-08-32B | EA  | SCREW - SF/DR - 8-18 X 2 PPH - ZINC                   |
|     | 000G39-08-169 | EA  | SCREW-SF/DR,8-18X1.00 PPH - FLUROCARBON SILVER        |
|     | 000G39-10-08B | EA  | SCREW - SF/DR - 10-16 X 1/2 PPH - ZINC                |
|     | 000G39-10-10B | EA  | SCREW - SF/DR - 10-16 X 5/8 PPH - ZINC                |
|     | 000G39-10-12B | EA  | SCREW - SF/DR - 10-16 X 3/4 PPH - ZINC                |
|     | 000G39-10-12S | EA  | SCREW - SF/DR - 10-16 X 3/4 PPH - OFF WHITE           |
|     | 000G39-10-129 | EA  | SCREW - SF/DR - 10-16 X 3/4 PPH - FLUOROCARBON SILVER |
|     | 000G39-10-169 | EA  | SCREW - SF/DR - 10-16 X 1 PPH - FLUOROCARBON SILVER   |
|     | 000G39-10-20B | EA  | SCREW - SF/DR - 10-16 X 1 1/4 PPH - ZINC              |
|     | 000G39-10-20T | EA  | SCREW - SF/DR - 10-16 X 1 1/4 PPH - BLACK             |
|     | 000G39-10-24B | EA  | SCREW - SF/DR - 10-16 X 1 1/2 PPH - ZINC              |
|     | 000G39-10-24T | EA  | SCREW - SF/DR - 10-16 X 1 1/2" PPH - BLACK            |
|     | 000G39-10-32B | EA  | SCREW - SF/DR - 10-16 X 2 - PPH - ZINC                |
|     | 000G39-10-48B | EA  | SCREW - SF/DR - 10-16 X 3 - PPH - ZINC                |
|     | 000G39-10-48T | EA  | SCREW - SF/DR - 10-16 X 3 PPH - BLACK                 |
|     | 000G42-04-16B | EA  | SCREW - SF/DR - 1/4-14 X 1 HWH - ZINC                 |
|     | 000G42-04-24B | EA  | SCREW - SF/DR - 1/4-14 X 1 1/2 - ZINC                 |
|     | 000G52-06-05B | EA  | SCREW - MACHINE - 6-32 X 5/16 PTH - ZINC              |
|     | 000G52-06-06B | EA  | SCREW - MACHINE - 6-32 X 3/8 PTH - ZINC               |
|     | 000G54-04-14B | EA  | SCREW - 1/4-20 X 7/8 PTH - TYPE 23 - ZINC PLATED      |
|     | 000G55-08-12T | EA  | SCREW - SF/DR - 8-18 X 3/4 PWH - BLACK                |
|     | 000G55-08-16S | EA  | SCREW - SF/DR - 8-18 X 1.00 PWH - OFF WHITE           |
|     | 000G55-08-16T | EA  | SCREW - SF/DR - 8-18 X 1 PWH - BLACK                  |
|     | 000G56-12-48B | EA  | SCREW - WOOD - 12-11 X 3 POH - SPECIAL HARDENED       |
|     | 000G60-08-16E | EA  | SCREW - SF/DR - 8-1 X 1 POH - CHROME                  |
|     | 000G60-08-20F | EA  | SCREW - SF/DR - 8-19X1.25 POH                         |
|     | 000G60-08-22B | EA  | SCREW - SF/DR - 8-18 X 1.38 POH - ZINC                |
|     | 000G60-10-20B | EA  | SCREW - SF/DR - 10-16 X 1 1/4 POH - ZINC              |
|     | 000G60-10-209 | EA  | SCREW - SF/DR - 10-16 X 1 1/4 POH - SILVER STALGAARD  |
|     | 000G60-10-28T | EA  | SCREW - SF/DR - 10-16 X 1 3/4 - BLACK                 |
|     | 000G62-06-12B | EA  | SCREW-SF/DR,6-20X.75 PFH - ZINC                       |
|     | 000G62-06-249 | EA  | SCREW - SF/DR - 8-18 X 1.5 PPH - SILVER               |
|     | 000G62-08-24B | EA  | SCREW - SF/DR - 8-18 X 1 1/2 PFH                      |
|     | 000G62-08-24T | EA  | SCREW - SF/DR - 8-18 X 1 1/2 PFH - BLACK              |
|     | 000G67-08-32B | EA  | SCREW - 8-15 X 2 PPH - ZINC                           |
|     | 000G67-10-08B | EA  | SCREW - 10-12 X 1/2 PPH - ZINC                        |
|     | 000G67-10-08S | EA  | SCREW - 10-12 X 1/2 PPH - OFF WHITE                   |
|     | 000G67-10-10B | EA  | SCREW - 10-12 X 5/8 PPH - ZINC - TYPE A               |
|     | 000G67-10-10D | EA  | SCREW - 10-12 X 5/8 PPH - BLACK - TYPE A              |
|     | 000G67-10-10P | EA  | SCREW - 10-12 X 5/8 PPH - DARK BROWN                  |
|     | 000G67-10-10S | EA  | SCREW - 10-12 X 5/8 PPH - OFF WHITE                   |
|     | 000G67-10-10T | EA  | SCREW - 10-12 X 5/8 PPH - BLACK                       |
|     | 000G67-10-10V | EA  | SCREW-10-12X5/8 PPH ZN O/W - TYPE A                   |
|     | 000G67-10-12P | EA  | SCREW - 10-12 X 3/4 PPH - DARK BROWN                  |
|     | 000G67-10-24B | EA  | SCREW - 10-12 X 1 1/2 PPH - ZINC                      |
|     | 000G68-06-10J | EA  | SCREW - 6-18 X 5/8 POH - BRASS                        |
|     | 000G68-06-12B | EA  | SCREW - 6-18 X 3/4 POH - ZINC & CLEAR                 |
|     | 000G68-06-12S | EA  | SCREW - 6-18 X 3/4 POH                                |
|     | 029130-01-000 | EA  | SCREW - SNAP STUD - #8-16 X 5/8" LONG                 |
|     | 029130-02-000 | EA  | SCREW - SNAP STUD - #8-16 X 1 1/2" LONG               |

**SEALANTS & FASTENERS GROUP (CONTINUED)**  
**SCREWS (CONTINUED)**

| <b>KEY</b> | <b>PART NUMBER</b> | <b>U/M</b> | <b>DESCRIPTION</b>   |
|------------|--------------------|------------|--|
|            | 029130-03-000      | EA         | SCREW - SNAP STUD - #8-16 X 1" LONG                          |
|            | 049465-03-000      | EA         | SCREW - 10-16 X 1 POH W/WASHER - OFF WHITE                   |
|            | 049465-17-000      | EA         | SCREW - 10-16 X 1 POH W/WASHER - BRIGHT WHITE                |
|            | 049465-18-000      | EA         | SCREW - 10-16 X 1 POH W/WASHER - VW GRAY                     |
|            | 054434-02-000      | EA         | SCREW - SF/DR - 10-16 X 2 - ZINC                             |
|            | 054434-03-000      | EA         | SCREW - SF/DR - 10-16 X 2 - PWH - ZINC                       |
|            | 075908-01-000      | EA         | SCREW - MACHINE - 10-32 X .56 PTH - EXTERNAL TOOTH - ZINC    |
|            | 076790-01-000      | EA         | SCREW - 6-20 X 1 1/4 PPH - BLACK                             |
|            | 076790-05-000      | EA         | SCREW - 6-20 X 1/2 PPH - BLACK - THREAD CUTTING/WOOD         |
|            | 083554-01-000      | EA         | SCREW - DRYWALL - 8 X 1 1/4                                  |
|            | 087721-01-000      | EA         | SCREW - FLAT HEAD - TAPPING - 1/4" X 1 1/4" LONG - ZINC      |
|            | 093249-01-000      | EA         | CAP/SCREW - MOLDED/VINYL - BLACK                             |
|            | 095772-01-000      | EA         | SOCKET-SNAP FASTNER1" SF/DR - SELF DRIVER                    |
|            | 097974-01-000      | EA         | SCREW - PARTICLE BOARD - 7-9 X 3/4 PPH                       |
|            | 101618-01-000      | EA         | SCREW - 1/4-20 X 3/4 HEX - TAPPING - STALGARD TYPE F         |
|            | 113563-01-01A      | EA         | SCREW - 8 X 5/8 LONG SHOULDER/WASHER HEAD                    |
|            | 113563-01-02A      | EA         | SCREW - 8 X 5/8 LONG SHOULDER/WASHER HEAD - BRIGHT WHITE     |
|            | 118383-01-12A      | EA         | RETAINER/RECESSED - F/.22" SCREW - RIVERSTONE                |
|            | 118383-01-14A      | EA         | RETAINER/RECESSED - F/.22" SCREW - PEWTER                    |
|            | 118383-01-15A      | EA         | RETAINER/RECESSED - F/.22" SCREW - BRIARWOOD                 |
|            | 118383-02-13A      | EA         | RETAINER/RECESSED - F/.27" SCREW - OFF WHITE                 |
|            | 118383-04-04A      | EA         | CAP - F/RECESSED RETAINER - BRIGHT WHITE                     |
|            | 118383-04-10A      | EA         | CAP - F/RECESSED RETAINER - RIVERSTONE                       |
|            | 118383-04-13A      | EA         | CAP - F/RECESSED RETAINER - OFF WHITE                        |
|            | 118383-04-14A      | EA         | CAP - F/RECESSED RETAINER - PEWTER                           |
|            | 118383-04-15A      | EA         | CAP - F/RECESSED RETAINER - BRIARWOOD                        |
|            | 134126-01-01A      | EA         | SCREW/NAIL - HEX HEAD - 3/4"                                 |
|            | 140040-01-000      | EA         | SCREW - 1/4-20 X 1 - BUTTON HEAD/SOCKET - W/LOCTITE          |
|            | 149753-01-01A      | EA         | RETAINER/RECESSED - F/.22" SCREW - BLACK                     |
|            | 149753-01-02A      | EA         | RETAINER/RECESSED - F/.22" SCREW - BRIGHT WHITE              |
|            | 149753-02-01A      | EA         | CAP - F/RECESSED RETAINER - BLACK                            |
|            | 149753-02-02A      | EA         | CAP - F/RECESSED RETAINER - BRIGHT WHITE                     |
|            | 154938-01-01A      | EA         | SCREW - SF/DR - 10-16 X 3/4 PPH - W/SELF SEAL - BRIGHT WHITE |
|            | 154938-01-02A      | EA         | SCREW - SF/DR - 10-16 X 3/4 PPH - W/SELF SEAL - BLACK        |
|            | 154938-02-01A      | EA         | SCREW - SF/DR - 8-18 X 1 PFH - W/SELF SEAL - BRIGHT WHITE    |
|            | 154938-02-02A      | EA         | SCREW - SF/DR - 8-18 X 1 PFH - W/SELF SEAL - BLACK           |
|            | 154938-02-03A      | EA         | SCREW - SF/DR - 8-18 X 1 PFH - W/SELF SEAL - SILVER          |
|            | 154938-03-01A      | EA         | SCREW - SF/DR - 8-18 X 5/8 PFH - W/SELF SEAL - BRT WHT       |
|            | 154938-03-02A      | EA         | SCREW - SF/DR - 8-18 X 5/8 PFH - W/SELF SEAL - BLACK         |
|            | 154938-04-01A      | EA         | SCREW - SF/DR - 10-16 X 1" TPH - W/SELF SEAL - BRT WHT       |
|            | 154938-04-02A      | EA         | SCREW - SF/DR - 10-16 X 1" TPH - W/SELF SEAL - BLACK         |
|            | 154938-05-03A      | EA         | SCREW - SF/DR - 8-18 X 1.25" PFH - W/SELF SEAL - SILVER      |

**SEALANTS & FASTENERS GROUP (CONTINUED)**  
**CLAMPS, CLIPS, GROMMETS, RIVETS & PLUGS**

| KEY | PART NUMBER   | U/M | DESCRIPTION   |
|-----|---------------|-----|---|
|     | 000H14-06-03R | EA  | RIVET - MANDREL BLIND - 3/16 ALUMINUM                     |
|     | 000H16-04-06R | EA  | RIVET - POP ALUMINUM - 1/8 X .313 - .375                  |
|     | 000H16-06-10R | EA  | RIVET - POP ALUMINUM - 3/16 X .501 - .625                 |
|     | 007161-01-000 | EA  | CLAMP - HOSE - SPRING TYPE - 1/2"                         |
|     | 008386-01-000 | EA  | GROMMET - SNAP - 3/8" DIAMETER - NYLON                    |
|     | 010495-01-000 | EA  | CLAMP - CABLE - 9/16"ID - BLACK                           |
|     | 010495-02-000 | EA  | CLAMP - CABLE - 3/8"ID - BLACK                            |
|     | 010495-04-000 | EA  | CLAMP - CABLE - 11/16"ID - WHITE                          |
|     | 010497-01-000 | EA  | CLAMP - CLOSED - 5/8"ID                                   |
|     | 010497-02-000 | EA  | CLAMP - CLOSED - 1.5"ID                                   |
|     | 010497-03-000 | EA  | CLAMP - CLOSED - 1"ID - CUSHIONED                         |
|     | 010497-04-000 | EA  | CLAMP - CLOSED - 1 5/8"ID                                 |
|     | 010497-05-000 | EA  | CLAMP - CLOSED - 1/2"ID                                   |
|     | 010497-07-000 | EA  | CLAMP - CLOSED - 3/8"ID                                   |
|     | 010497-09-000 | EA  | CLAMP - CLOSED - 5/16"ID                                  |
|     | 010497-10-000 | EA  | CLAMP - CLOSED - 7/8"ID                                   |
|     | 010499-01-000 | EA  | CLAMP - CLOSED - 3/8"ID                                   |
|     | 016188-03-000 | EA  | GROMMET - LP LINE - 3/8"HOLE X 2 1/2"LONG - RUBBER        |
|     | 016188-04-000 | EA  | GROMMET - LP LINE - 1/2"HOLE X 2 1/2"LONG - RUBBER        |
|     | 016188-05-000 | EA  | GROMMET - LP LINE - 3/8"HOLE X 1 1/4"LONG - RUBBER        |
|     | 016188-06-000 | EA  | GROMMET - LP LINE - 3/8"HOLE X 3 1/4"LONG - RUBBER        |
|     | 016188-07-000 | EA  | GROMMET - L/P LINE - 1/2"HOLE X 3 1/4"LONG                |
|     | 016188-08-000 | EA  | GROMMET - LP LINE - 1/2"HOLE X 1 1/4"LONG - RUBBER        |
|     | 016188-09-000 | EA  | GROMMET - LP LINE - .68"HOLE X 1 1/4"LONG - RUBBER        |
|     | 016188-10-000 | EA  | GROMMET - LP GAS - .68" X 2.5"                            |
|     | 023942-01-000 | EA  | GROMMET - RUBBER - 2"OD                                   |
|     | 041930-11-000 | EA  | RIVET - POP ALUMINUM - 1/8 X .188 - .250 - BRIGHT WHITE   |
|     | 061420-04-000 | EA  | PLUG/PLASTIC - 1 1/4" DIAMETER                            |
|     | 061420-05-000 | EA  | PLUG/PLASTIC - 1 1/2" DIAMETER                            |
|     | 061420-09-000 | EA  | PLUG/PLASTIC - 1.00" DIAMETER                             |
|     | 061420-10-000 | EA  | PLUG/PLASTIC - 1 1/2" DIAMETER - BLACK                    |
|     | 061420-12-000 | EA  | PLUG/PLASTIC - 1.50" DIAMETER - RED                       |
|     | 061420-13-000 | EA  | PLUG/PLASTIC - 3/8" - FLUSH                               |
|     | 061420-14-000 | EA  | PLUG/PLASTIC - 7/8" DIAMETER - BLACK                      |
|     | 061420-15-000 | EA  | PLUG/PLASTIC - 2" DIAMETER - BLACK                        |
|     | 061420-16-000 | EA  | PLUG/PLASTIC - 2 1/8" DIAMETER - BLACK                    |
|     | 061420-18-000 | EA  | PLUG/PLASTIC - 1 3/4" DIAMETER - BLACK                    |
|     | 062401-01-000 | EA  | CLAMP - HOSE - WORMGEAR - .25" - 1"                       |
|     | 062401-02-000 | EA  | CLAMP - HOSE - WORMGEAR - 1.56" - 2.5" ID                 |
|     | 062401-03-000 | EA  | CLAMP - HOSE - WORMGEAR - .22" - 1" ID                    |
|     | 062401-04-000 | EA  | CLAMP - HOSE - WORMGEAR - .69" - 1.25" ID                 |
|     | 062401-06-000 | EA  | CLAMP - HOSE - WORMGEAR - .22" - .62" ID                  |
|     | 062401-09-000 | EA  | CLAMP - HOSE - WORMGEAR - 2.8" - 3.75" ID                 |
|     | 062401-11-000 | EA  | CLAMP - HOSE - WORMGEAR - 3.50" - 4.50" ID                |
|     | 062401-13-000 | EA  | CLAMP - HOSE - WORMGEAR                                   |
|     | 071015-11-000 | EA  | GROMMET - RUBBER - 1"ID FITS .12 MATERIAL - BLACK         |
|     | 071015-13-000 | EA  | GROMMET - RUBBER - .62"ID X 1"OD W/.09" GROOVE - BLACK    |
|     | 071015-20-000 | EA  | GROMMET - .38 ID FITS .06 MTL                             |
|     | 071015-22-000 | EA  | GROMMET - RUBBER - .62"ID X 1.12"OD W/.19" GROOVE - BLACK |
|     | 071015-26-000 | EA  | GROMMET - RUBBER - 1.5"ID X 2.1"OD W/.06" GROOVE - BLACK  |
|     | 071015-29-000 | EA  | GROMMET - RUBBER - .3"ID X 1.3"OD W/.12" GROOVE - BLACK   |
|     | 071015-30-000 | EA  | GROMMET - RUBBER - .3"ID X .81"OD W/.12" GROOVE - BLACK   |
|     | 071015-39-000 | EA  | GROMMET - .75 ID FITS .06 MTL                             |
|     | 071015-41-000 | EA  | GROMMET - .125 ID FITS .188 MTL                           |
|     | 071015-42-000 | EA  | GROMMET - .25 ID FITS .06 MTL                             |
|     | 071015-43-000 | EA  | GROMMET-.25 ID,FITS .07 MATL, MINOR Z-4139                |
|     | 071015-44-000 | EA  | GROMMET - .31 ID FITS .25 MTL                             |
|     | 075148-02-000 | EA  | CLAMP - GROUNDING - BRONZE SCREWS                         |
|     | 077955-01-000 | EA  | CLIP/J - 3/8" - VINYL COATED                              |
|     | 081211-03-000 | EA  | PLUG - PLASTIC - .50"DIAMETER - TRUSS HEAD - BLACK        |
|     | 081211-04-000 | EA  | PLUG - PLASTIC - .46"DIAMETER - TRUSS HEAD - BLACK        |
|     | 081211-06-000 | EA  | PLUG-PLASTIC,.468DIA,BLACK , HEYCO 1669                   |
|     | 083609-01-000 | EA  | CLAMP - WIRE - DUAL - EQUAL DIAMETERS - 5/8"              |
|     | 083610-01-000 | EA  | CLAMP - WIRE - DUAL - UNEQUAL DIAMETERS - 3/4" & 1 1/4"   |

**SEALANTS & FASTENERS GROUP (CONTINUED)**  
**CLAMPS, CLIPS, GROMMETS, RIVETS & PLUGS (CONTINUED)**

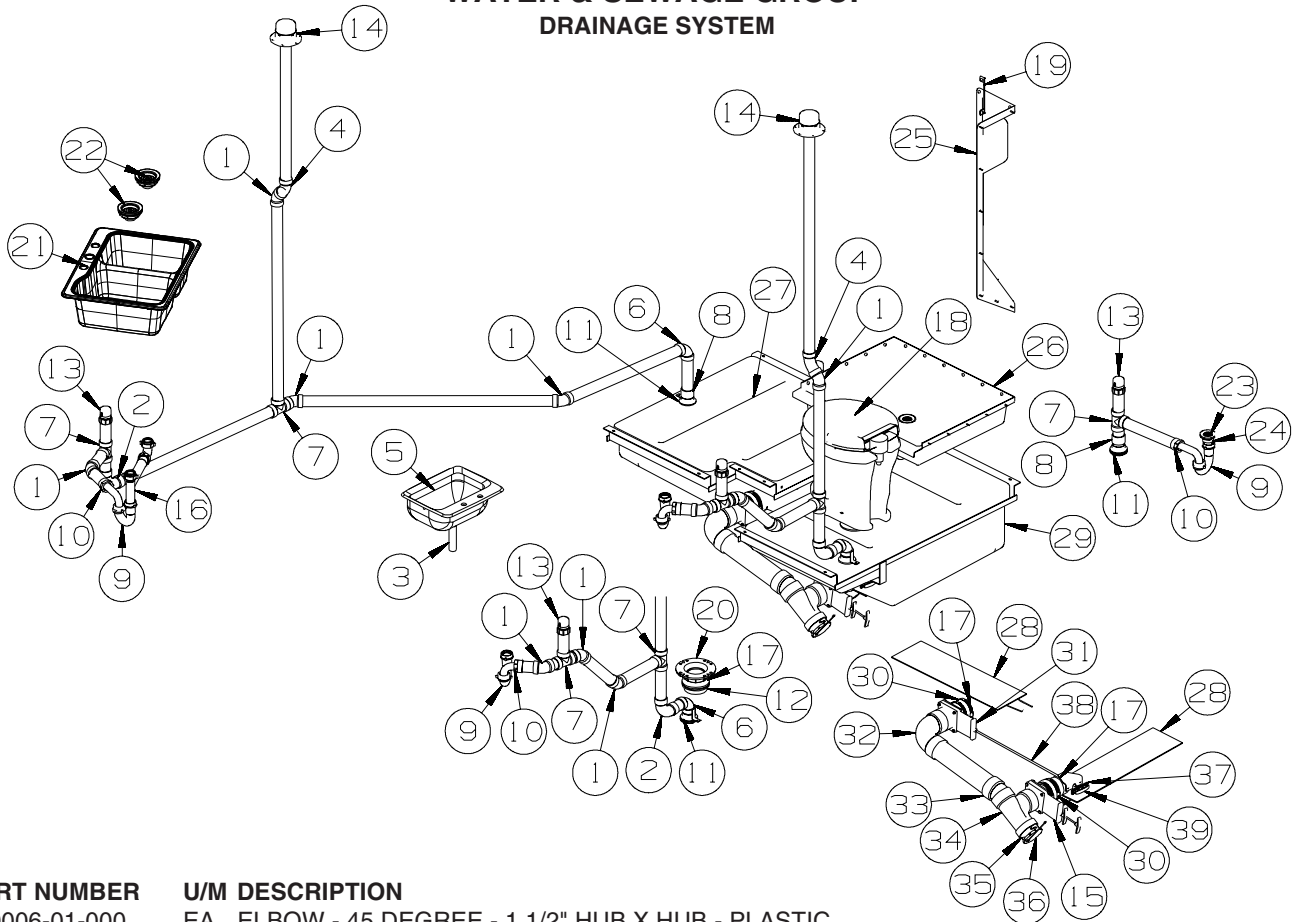
| <b>KEY</b> | <b>PART NUMBER</b> | <b>U/M</b> | <b>DESCRIPTION</b>                                     |
|------------|--------------------|------------|--|
|            | 083610-02-000      | EA         | CLAMP - WIRE - DUAL - UNEQUAL DIAMETERS - 3/4" & 2"    |
|            | 083610-03-000      | EA         | CLAMP - WIRE - DUAL - EQUAL DIAMETERS - 2"             |
|            | 083610-02-000      | EA         | CLAMP - WIRE - DUAL - UNEQUAL DIAMETERS - 3/4" & 2"    |
|            | 083610-03-000      | EA         | CLAMP - WIRE - DUAL - EQUAL DIAMETERS - 2"             |
|            | 088756-01-000      | EA         | GROMMET - WEB - 1 1/8"ID                               |
|            | 089329-02-000      | EA         | CLIP - SPRING  |
|            | 091952-01-000      | EA         | CLIP - GRIPPER - 1" - BLACK VINYL COATED               |
|            | 091952-02-000      | EA         | CLIP - GRIPPER - 3/4" - BLACK VINYL COATED             |
|            | 091952-03-000      | EA         | CLIP - GRIPPER - 1/2" - BLACK VINYL COATED             |
|            | 094362-02-000      | EA         | CLIP - XMAS TREE - BINDER HEAD - .9" LONG/ANY COLOR    |
|            | 113133-02-01A      | EA         | RIVET - POP - ALUMINUM - 3/16 X .252 - .504 - BLACK    |
|            | 114208-05-000      | EA         | GROMMET - EDGE LINER - FITS 2"                         |
|            | 118626-01-01A      | EA         | RIVET/POP - ALUMINUM - 3/16 X 1.2"(GRIP RANGE .1"-.4") |
|            | 118626-01-02A      | EA         | RIVET/POP - ALUMINUM - 3/16 X .08 - .375               |
|            | 118626-02-01A      | EA         | RIVET/POP - ALUMINUM - 3/16 X .500 - .750              |
|            | 118626-03-01A      | EA         | RIVET/POP - STAINLESS STEEL - 3/16 X .500 - .750       |
|            | 137014-01-01A      | EA         | GROMMET - CABLE - ALMOND                               |
|            | 139118-02-01A      | EA         | GROMMET - SCREW - PLASTIC                              |
|            | 155498-01-01A      | EA         | CLAMP - CLOSED - 7/8"ID - VINYL DIP/GALVONIZED - BLACK |

**MISCELLANEOUS FASTENERS**

| <b>KEY</b> | <b>PART NUMBER</b> | <b>U/M</b> | <b>DESCRIPTION</b>  |
|------------|--------------------|------------|---|
|            | 008343-01-000      | EA         | TIE - WIRE - 6"   |
|            | 008343-02-000      | EA         | TIE - WIRE - 14"  |
|            | 008343-03-000      | EA         | TIE - WIRE - 7 1/2" - BLACK                               |
|            | 029094-04-000      | YD         | VELCRO TAPE/LOOP - 1"WIDE - W/ADHESIVE BACK - BLACK       |
|            | 029096-03-000      | YD         | VELCRO TAPE/HOOK - 1"WIDE - BLACK                         |
|            | 029096-04-000      | YD         | VELCRO TAPE/HOOK - 1"WIDE - BLACK - W/ADHESIVE BACK (PSA) |
|            | 048394-02-000      | YD         | VELCRO TAPE - HOOK - ADHESIVE BACK - 3/4" WIDE - BEIGE    |
|            | 085774-01-000      | FT         | FASTENER - DUAL LOCK - 1" WIDE - ADHESIVE BACK - BLACK    |
|            | 085774-02-000      | FT         | FASTENER - DUAL HOOK - 1" WIDE - ADHESIVE BACK - BLACK    |
|            | 088792-02-000      | YD         | VELCRO TAPE - LOOP - 3/4" - ADHESIVE BACK - BEIGE         |
|            | 088792-04-000      | YD         | VELCRO TAPE - HOOK - 5/8" - NON-ADHESIVE BACK - WHITE     |
|            | 088792-05-000      | YD         | VELCRO TAPE - LOOP - 5/8" - NON-ADHESIVE BACK - WHITE     |
|            | 108046-02-000      | EA         | CABLE TIE - SCREW MOUNT 15"                               |



## WATER & SEWAGE GROUP DRAINAGE SYSTEM



| KEY | PART NUMBER   | U/M | DESCRIPTION   |
|-----|---------------|-----|---|
| 1   | 010006-01-000 | EA  | ELBOW - 45 DEGREE - 1 1/2" HUB X HUB - PLASTIC                          |
| 2   | 010008-01-000 | EA  | ELBOW - 90 DEGREE - 1 1/2" HUB X HUB - PLASTIC                          |
| 3   | 106116-01-02A | EA  | STRAINER/PLASTIC - STOPPER/TAILPIECE/GASKET & NUT-LAVATORY              |
| 4   | 010051-01-000 | EA  | ELBOW - 45 DEGREE - 1 1/2" SPIGOT X HUB - PLASTIC                       |
| 5*  | 096927-01-02A | EA  | SINK - LAVATORY - RECTANGULAR - PLASTIC - SOFT WHITE                    |
| 6   | 034250-01-000 | EA  | ELBOW - 90 DEGREE - LONG TURN - 1 1/2" HUB X HUB - ABS                  |
| 7   | 010071-01-000 | EA  | TEE - SANITARY - 1 1/2" HUB X HUB X HUB - PLASTIC                       |
| 8   | 010115-01-000 | EA  | COUPLING - 1 1/2" HUB X HUB - PLASTIC                                   |
| 9   | 107538-02-000 | EA  | P-TRAP - PLASTIC - 1 1/2" W/EXTENSION ARM                               |
| 9   | 011071-01-000 | EA  | P-TRAP - 1 1/2" - CSA - PLASTIC - <b>CANADIAN</b>                       |
| 10  | 152146-01-000 | EA  | CONNECTOR - 1 1/2"P X 1 1/2"MPT   |
| 11  | 061607-01-000 | EA  | GROMMET - HOLDING TANK - 1 1/2" NPS                                     |
| 12  | 061607-02-000 | EA  | GROMMET - HOLDING TANK - 3" NPS   |
| 13  | 079968-01-000 | EA  | VENT - MECHANICAL/TRAP ARM - ANTI-SIPHON-2" X 7.3" PLASTIC              |
| 14  | 083558-03-000 | EA  | VENT - W/COVER - F/PLUMBING STACK - OFF WHITE                           |
| 15  | 062418-03-000 | EA  | VALVE- 3" SPIGOT X 3" SPIGOT  |
| 16  | 011091-02-000 | EA  | WASTE - CONTINUOUS - DOUBLE SINK  |
| 17  | 010129-03-000 | EA  | NIPPLE - 3" X 3" TOE - PLASTIC  |
| 18* | 147421-04-01A | EA  | TOILET/AQUA MAGIC 5 (HIGH) HANDFLUSH - W/O SPRAY - WHITE                |
| 19  | 113714-02-02A | EA  | RETAINER - SHELF/SHOWER - 10.6" - SOFT WHITE                            |
| 20  | 148914-01-000 | EA  | FLANGE - CLOSET - FPT - 4" X 3"   |
| 21  | 148870-01-01A | EA  | SINK/DOUBLE - LRG/SML BASIN - 25" X 19" X 7"                            |
| 22  | 092303-01-000 | EA  | STRAINER - W/BASKET - GALLEY SINK - 4" OD                               |
| 23  | 066440-01-000 | EA  | STRAINER - SHOWER DRAIN - W/RUBBER WASHER                               |
| 24  | 011069-06-000 | EA  | TAILPIECE - 1 1/2" X 1 1/4" X 2 1/2" - BRASS                            |
|     | 127440-02-01A | EA  | WASHER - RUBBER - 1.8" X .1"  |
|     | 130403-01-000 | EA  | NUT - SLIP - W/WINGS 1 1/2"   |
| 25  | 105707-01-02A | EA  | CADDY - SHOWER - SOFT WHITE   |
| 26  | M02673-11-L01 | EA  | SHOWER PAN - W/STRAINER   |
| 27  | 137502-01-700 | EA  | TANK - HOLDING - 29 GALLON - W/3" NIPPLE - W/O FITTINGS                 |
| 28  | 133972-01-000 | EA  | PAD/HEATER - HOLDING TANK - F/40 GALLON - <b>DRAINAGE SYSTEM-HEATED</b> |
| 29  | 137501-01-700 | EA  | HOLDING - 37 GALLON - W/3" NIPPLE - W/O FITTINGS                        |
|     | 049032-01-000 | EA  | PATCH - SPINWELD - 3/8" - PLASTIC                                       |
| 30  | 078406-01-000 | EA  | COUPLER - 3" X 3" W/CLAMPS - RUBBER                                     |
| 31  | 062418-02-000 | EA  | VALVE-3",HUBXSPIGOT,W/O HNDL - VALTERRA T40 WINN                        |

**WATER & SEWAGE GROUP (CONTINUED)**  
**DRAINAGE SYSTEM (CONTINUED)**

| KEY | PART NUMBER   | U/M | DESCRIPTION                                     |
|-----|---------------|-----|---|
| 32  | 031126-01-000 | EA  | ELBOW - 1/4 BEND - 3" X 90" XLT - BLACK PLASTIC |
| 33  | 010023-01-000 | EA  | ELBOW/STREET - PLASTIC                          |
| 34  | 136664-01-000 | EA  | TEE - PLASTIC - 3"                              |
| 35  | 062417-01-000 | EA  | ADAPTER - TERMINATION - 3"                      |
| 36* | 062415-01-000 | EA  | CAP - SEWER - 3" DIAMETER                       |
| 37  | 062419-10-000 | EA  | HANDLE - EXTENSION - W/TAPPED END               |
| 38  | 062419-05-000 | EA  | BRACKET - VALVE - LOCKING                       |
| 39  | 062419-06-000 | EA  | HANDLE - T                                      |

**\*COMPONENT PARTS LISTED LATER IN THIS GROUP**

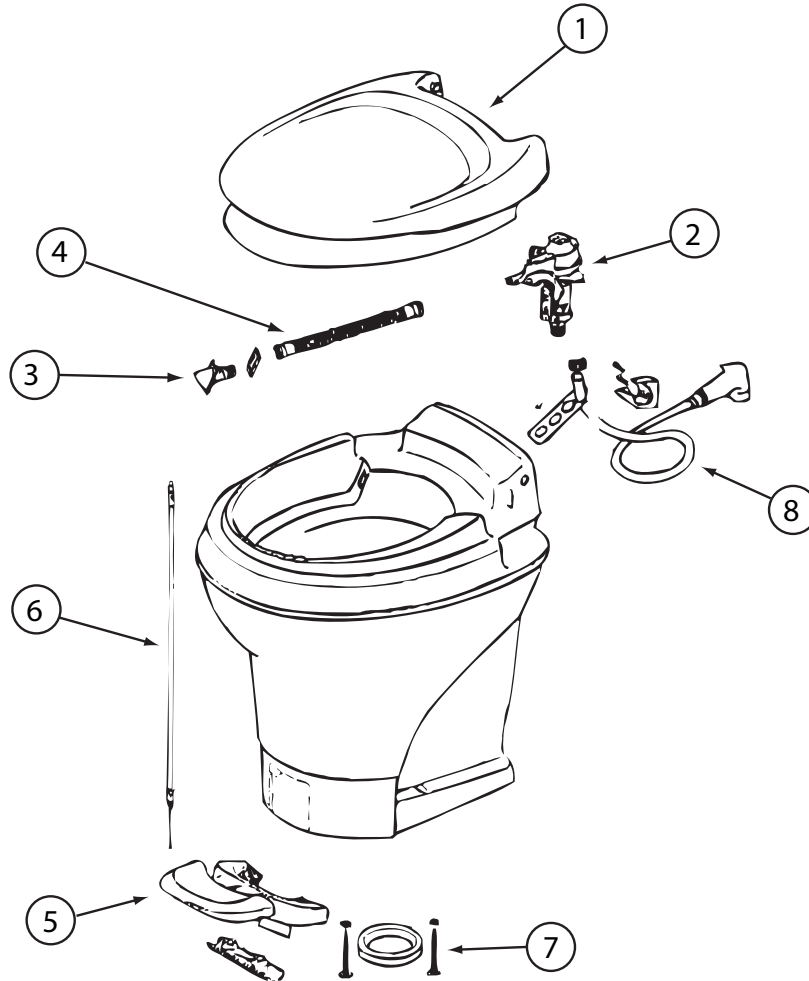
**COMPONENT PARTS FOR DRAINAGE SYSTEM**

**062415-01-000**

| KEY | PART NUMBER   | U/M | DESCRIPTION      | VENDOR NO.  |
|-----|---------------|-----|------------------|-------------|
|     | 062415-01-700 | EA  | STRING-SEWER CAP | V#SV7 STRAP |

**096927-01-02A**

| KEY | PART NUMBER   | U/M | DESCRIPTION              | VENDOR NO. |
|-----|---------------|-----|--------------------------|------------|
|     | 096927-01-700 | EA  | SINK STOPPER             | M9801      |
|     | 096927-01-701 | EA  | TAILPIECE-DRAIN-LAVATORY | M9802      |



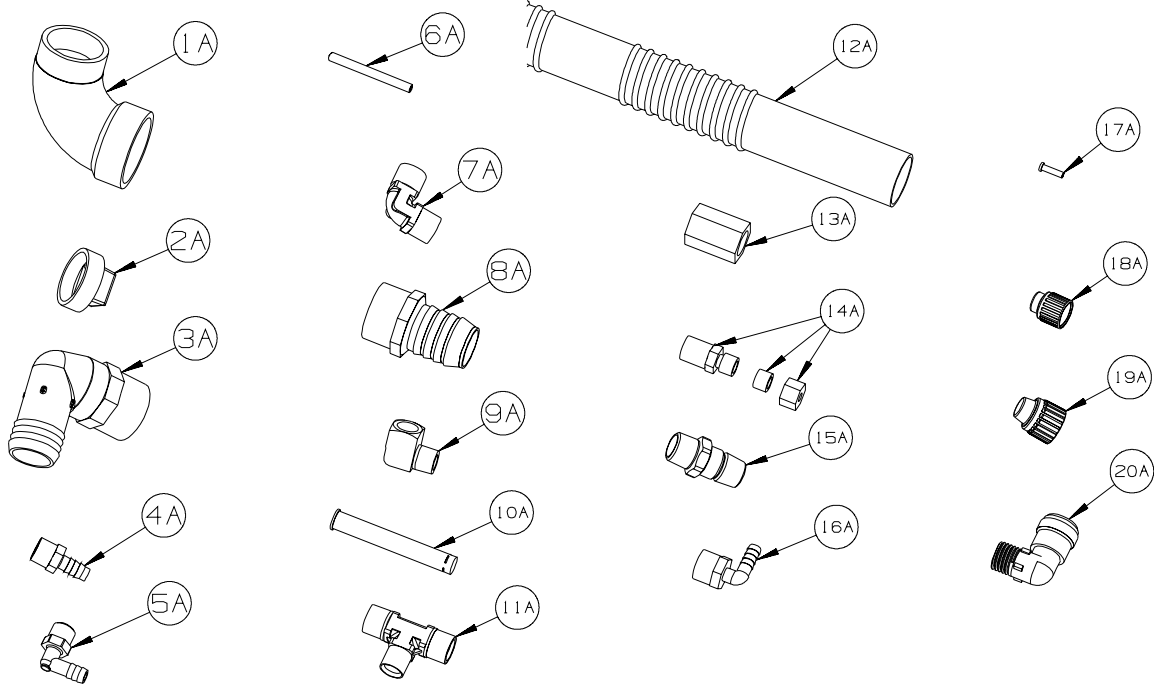
**147421-04-01A, 147421-05-01A**

| KEY | PART NUMBER   | U/M | DESCRIPTION                  | VENDOR NO.     |
|-----|---------------|-----|------------------------------|----------------|
| 1   | 147421-01-700 | EA  | SEAT & COVER ASSEMBLY(WHT)   | 31703          |
| 2   | 147421-01-701 | EA  | WATER MODULE ASSEMBLY        | 31705          |
| 3   | 147421-01-702 | EA  | NOZZLE ASSEMBLY              | 31706          |
| 4   | 147421-01-703 | EA  | LINK - WATER MODULE          | 31621          |
| 7   | 063740-01-706 | EA  | BOLT PACKAGE-FLOOR FLANGE    | 12524 THETFORD |
|     | 147421-01-706 | EA  | SEAL - BLADE                 | 31708          |
|     | 147421-01-707 | EA  | CAP (UNIVERSAL BOLT) - WHITE | 31713          |

CONTACT WINNEBAGO PART SALES FOR UNLISTED COMPONENT(S)

## WATER & SEWAGE GROUP (CONTINUED)

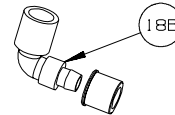
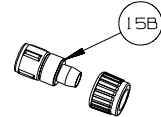
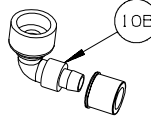
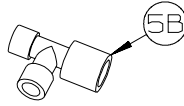
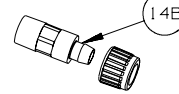
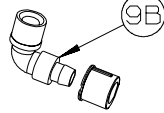
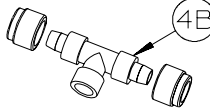
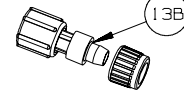
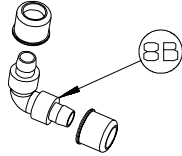
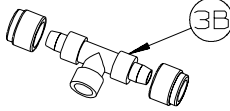
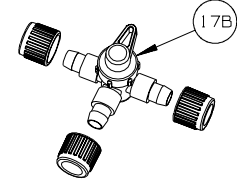
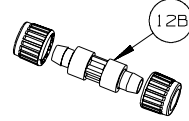
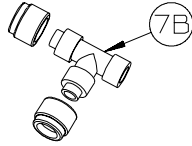
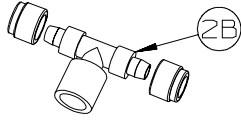
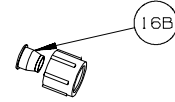
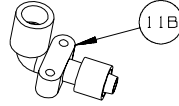
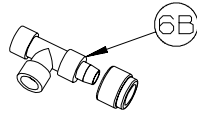
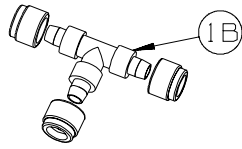
### WATER SYSTEM



| KEY | PART NUMBER   | U/M | DESCRIPTION   |
|-----|---------------|-----|---|
| 1A  | 010009-01-000 | EA  | ELBOW - 90 DEGREE - 1/4 BEND - 1 1/2" PLASTIC             |
| 2A  | 010166-01-000 | EA  | PLUG/THREADED - 1 1/4"MPT - PLASTIC - BLACK - UL          |
| 3A  | 010219-01-000 | EA  | ELBOW - 1 1/4 MPT X 1 1/4 BARB - WATER FILL - PLASTIC     |
| 4A  | 010224-01-000 | EA  | ADAPTER - HOSE TO PIPE - 3/8 MPT X 3/8 BARB - PLASTIC     |
| 5A  | 035539-01-000 | EA  | ELBOW - 3/8 MPT X 3/8 BARB - PLASTIC                      |
| 6A  | 039800-04-000 | FT  | TUBING - POLYBUTYL - 1/4"OD                               |
| 6A  | 074462-02-000 | FT  | TUBING - VINYL - 3/8 ID X 20' - CLEAR                     |
| 6A  | 112176-01-000 | FT  | TUBING - VINYL - REINFORCED - 1/2" ID                     |
| 6A  | 124188-01-000 | FT  | TUBING - PEX - 1/2" ID X 20' - BLUE(COLD)                 |
| 6A  | 124188-02-000 | FT  | TUBING - PEX - 1/2" ID X 20' - RED(HOT)                   |
| 7A  | 039808-03-000 | EA  | ELBOW - 1/2" MPT X 1/2" MPT - PLASTIC                     |
| 8A  | 044927-01-000 | EA  | ADAPTER - HOSE TO PIPE-1 1/4 MPTX1 1/4 BARB-BLACK PLASTIC |
| 9A  | 065318-02-000 | EA  | ELBOW - 90 DEGREE - 3/8" MPT TO 3/8" FPT                  |
| 10A | 077954-02-000 | EA  | FILTER - WATER TANK - W/SCREEN IN TANK                    |
| 11A | 039798-01-000 | EA  | TEE - 1/2"MPT X 1/2"MPT X 1/2"MPT - PLASTIC               |
| 12A | 079381-01-000 | FT  | TUBING - RIBBED FLEXIBLE/WATER FILL - 10 FT = 1EA-1.38ID  |
| 13A | 101814-01-000 | EA  | COUPLING - FEMALE - 1/2" X 1/2" FPT - GRAY                |
| 14A | 103798-01-000 | EA  | CONNECTOR - 1/4 OD X 3/8 MPT                              |
| 15A | 110438-02-000 | EA  | VALVE - CHECK - 1/2"MPT X 1/2"MPT - BRASS                 |
| 16A | 111223-02-000 | EA  | ELBOW - 1/2" MPT X 3/8" BARB - PLASTIC                    |
| 16A | 111223-04-000 | EA  | ELBOW - 1/2" MPT X 1/2" BARB - PLASTIC                    |
| 16A | 111888-01-000 | EA  | FERRULE - PLASTIC - .250 ID X .375 OD                     |
| 17A | 111888-02-000 | EA  | INSERT - BRASS - 1/4 COMP                                 |
| 18A | 113697-01-000 | EA  | CAP - 3/8"P   |
| 19A | 114427-01-000 | EA  | CAP - 1/2"P   |
| 20A | 164906-01-000 | EA  | ELBOW - 90 DEGREE - 1/2" QUICK CONNECT X 1/2"MPT          |

## WATER & SEWAGE GROUP (CONTINUED)

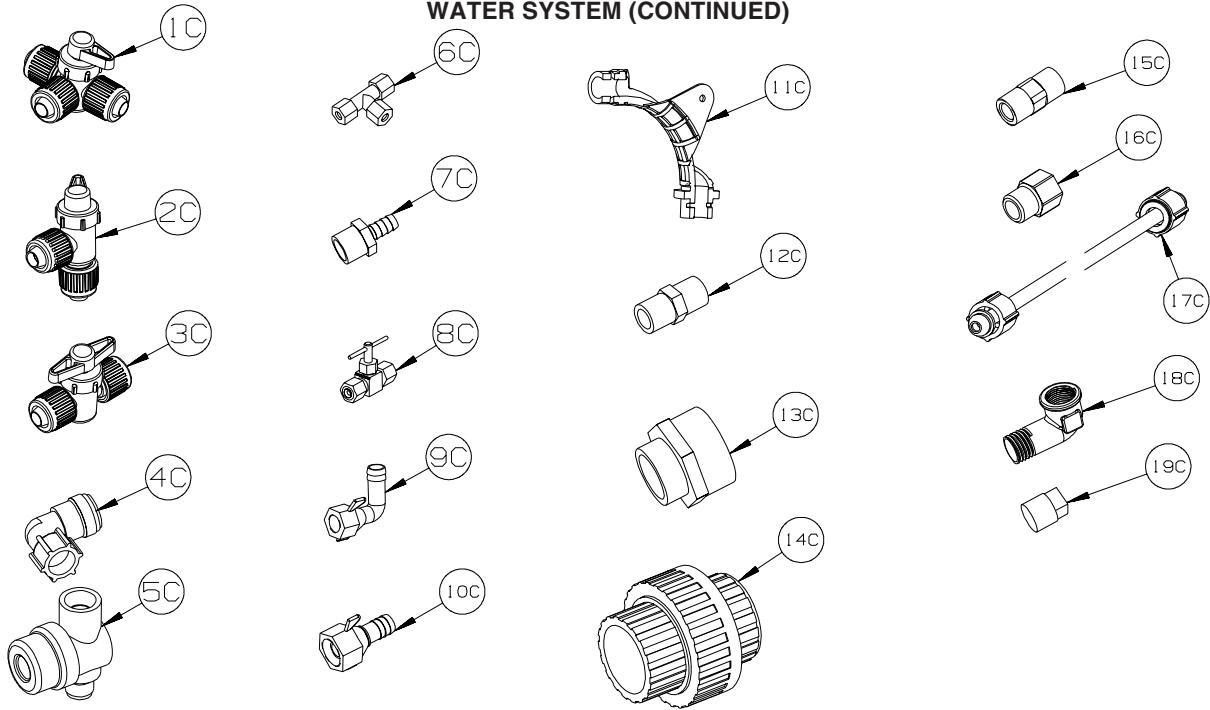
### WATER SYSTEM (CONTINUED)



| KEY | PART NUMBER   | U/M | DESCRIPTION   |
|-----|---------------|-----|---|
| 1B  | 114428-01-000 | EA  | TEE - 1/2"P X 1/2"P X 1/2"P                         |
| 2B  | 114428-02-000 | EA  | TEE - SWIVEL - 1/2"P X 1/2"P X 1/2"FPT              |
| 3B  | 114428-03-000 | EA  | TEE - 1/2"P X 1/2"P X 1/2"MPT                       |
| 4B  | 114428-04-000 | EA  | TEE - 1/2"P X 1/2"P X 1/8"FPT                       |
| 5B  | 114428-05-000 | EA  | TEE - 1/2" SWIVEL X 1/2" MPT X 1/2" MPT             |
| 6B  | 114428-06-000 | EA  | TEE - 1/2" P X 1/2" MPT X 1/2" MPT                  |
| 7B  | 114428-07-000 | EA  | TEE - 1/2" P X 1/2" MPT X 1/2" P                    |
| 8B  | 114429-01-000 | EA  | ELBOW - 1/2"P X 1/2"P                               |
| 9B  | 114429-02-000 | EA  | ELBOW - 1/2"P X 1/2"MPT                             |
| 9B  | 114429-04-000 | EA  | ELBOW - 1/2"P X 3/8"MPT                             |
| 9B  | 114429-10-000 | EA  | ELBOW - SWIVEL - 1/2"MPT X 1/2"FPT                  |
| 10B | 114429-08-000 | EA  | ELBOW - SWIVEL - 1/2"P X 1/2"FPT                    |
| 11B | 114429-09-000 | EA  | ELBOW - 1/2"P X 1/2"FPT DROP EAR                    |
| 12B | 114430-01-000 | EA  | ADAPTER - 1/2"P X 1/2"P                             |
| 13B | 114430-02-000 | EA  | ADAPTER - SWIVEL - 1/2"P X 1/2"FPT                  |
| 13B | 114430-04-000 | EA  | ADAPTER - SWIVEL - 1/2"P X 3/8"MPT                  |
| 14B | 114430-03-000 | EA  | ADAPTER - 1/2"P X 1/2"MPT                           |
| 15B | 114430-06-000 | EA  | ADAPTER - 1/2"P X 3/8"FPT                           |
| 15B | 114430-09-000 | EA  | ADAPTER - 1/2"P X 1/2"FPT                           |
| 16B | 114430-10-000 | EA  | ADAPTER - NUT - PIPE CONNECTION - 1/2"              |
| 17B | 114431-01-000 | EA  | VALVE - 180 DEGREE/CENTER DRAIN - 1/2"P - THREE WAY |
| 18B | 114429-11-000 | EA  | ELBOW - 1/2"P X 1/2"FPT                             |

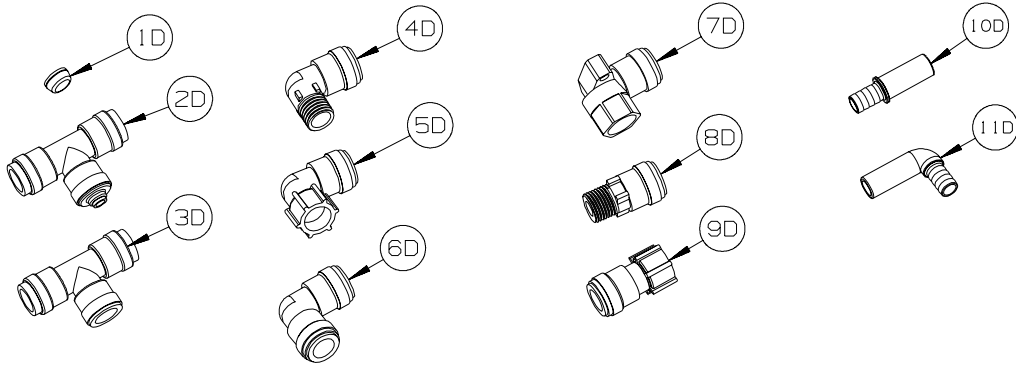
## WATER & SEWAGE GROUP (CONTINUED)

### WATER SYSTEM (CONTINUED)



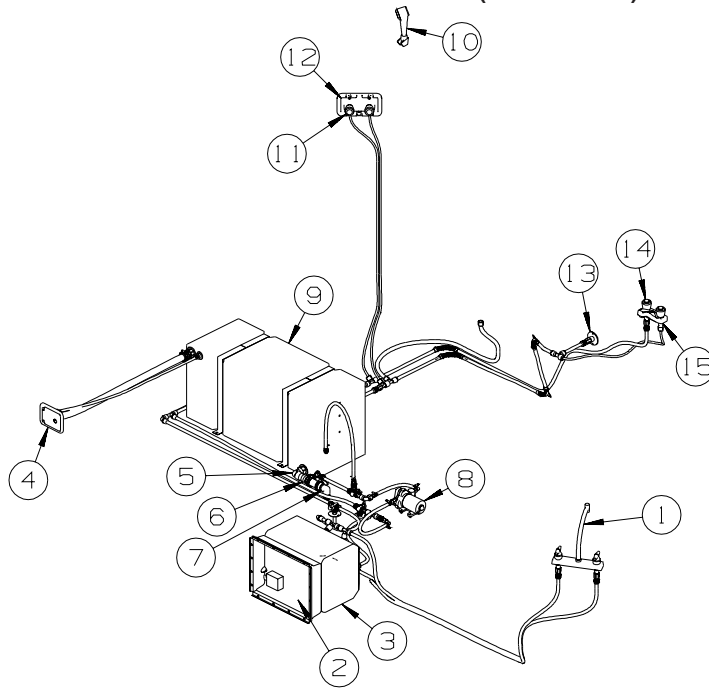
| KEY | PART NUMBER   | U/M | DESCRIPTION   |
|-----|---------------|-----|---|
| 1C  | 114431-02-000 | EA  | VALVE - WATER BYPASS - 1/2"P - THREE WAY (WATER HEATER)   |
| 2C  | 114431-03-000 | EA  | VALVE - 90 DEGREE DRAIN - 1/2"P                           |
| 3C  | 114431-04-000 | EA  | VALVE - "INLINE SHUT-OFF" - 1/2"P                         |
| 4C  | 164906-02-000 | EA  | ELBOW - 90 DEGREE - 1/2" QUICK CONNECT X 1/2"MPT - SWIVEL |
| 5C  | 152925-01-01A | EA  | FILTER - IN LINE - TWIST ON - 1/2" - BLACK                |
| 6C  | 118423-01-000 | EA  | FITTING - BRASS-TEE - 1/4C X 1/4C X 1/4C                  |
| 7C  | 118809-01-000 | EA  | ADAPTER - 1/2" MPT X 3/8" BARB - PLASTIC                  |
| 7C  | 118809-02-000 | EA  | ADAPTER - 1/2" MPT X 1/2" BARB - PLASTIC                  |
| 8C  | 120868-01-000 | EA  | VALVE - NEEDLE - 1/4" COMPRESSION X 1/4" COMPRESSION      |
| 9C  | 123150-01-000 | EA  | ELBOW - 1/2 FPT X 1/2 BARB - SWIVEL                       |
| 10C | 123152-01-000 | EA  | ADAPTER - 1/2 FPT X 1/2 BARB - SWIVEL                     |
| 11C | 124184-01-000 | EA  | SUPPORT - WATER LINE - BEND                               |
| 12C | 132148-01-000 | EA  | CONNECTOR - 1/2" X 1/2"MPT - BRASS                        |
| 13C | 133835-01-000 | EA  | ADAPTER - REDUCING - 1 1/2" X 1 1/4"                      |
| 14C | 133889-01-000 | EA  | UNION - 1 1/2 DOUBLE SLIP - PVC                           |
| 15C | 135386-01-000 | EA  | NIPPLE - 1/2"   |
| 16C | 136333-01-000 | EA  | ADAPTER - BRASS - 1/2"MPT X 1/2"FPT                       |
| 17C | 140821-01-000 | EA  | TUBE - WATER SUPPLY - 3/8" X 24"                          |
| 17C | 140821-02-000 | EA  | TUBE - WATER SUPPLY - 3/8" X 30"                          |
| 17C | 140821-03-000 | EA  | TUBE - WATER SUPPLY - 3/8" X 36"                          |
| 17C | 140821-04-000 | EA  | TUBE - WATER SUPPLY - 3/8" X 48"                          |
| 17C | 140821-05-000 | EA  | TUBE - WATER SUPPLY - 3/8" X 54"                          |
| 17C | 140821-06-000 | EA  | TUBE - WATER SUPPLY - 3/8" X 60"                          |
| 17C | 140821-07-000 | EA  | TUBE - WATER SUPPLY - 3/8" X 72"                          |
| 17C | 140821-08-000 | EA  | TUBE - WATER SUPPLY - 1/2" X 24"                          |
| 17C | 140821-09-000 | EA  | TUBE - WATER SUPPLY - 1/2" X 36"                          |
| 17C | 140821-10-000 | EA  | TUBE - WATER SUPPLY - 1/2" X 48"                          |
| 18C | 142812-01-000 | EA  | ELBOW - BRASS - 1/2"MPT X 1/2"FPT                         |
| 19C | 145609-01-000 | EA  | PLUG - BRASS - 1/2" MPT/HEX HEAD                          |

**WATER & SEWAGE GROUP (CONTINUED)**  
**WATER SYSTEM (CONTINUED)**



| KEY | PART NUMBER   | U/M | DESCRIPTION   |
|-----|---------------|-----|---|
| 1D  | 116473-01-000 | EA  | FERRIL - RUBBER SEALING - WATER LINE                      |
| 2D  | 160949-01-000 | EA  | CONNECTOR - 1/2" X 1/2" X 1/4" REDUCER                    |
| 3D  | 160949-02-000 | EA  | CONNECTOR - 1/2"CTS X 1/2"CTS X 1/2"CTS                   |
| 4D  | 164906-01-000 | EA  | ELBOW - 90 DEGREE - 1/2" QUICK CONNECT X 1/2"MPT          |
| 5D  | 164906-02-000 | EA  | ELBOW - 90 DEGREE - 1/2" QUICK CONNECT X 1/2"FPT - SWIVEL |
| 6D  | 164906-03-000 | EA  | ELBOW - 90 DEGREE - 1/2" X 1/2" QUICK CONNECTS            |
| 7D  | 164906-04-000 | EA  | ELBOW - 90 DEGREE - 1/2"CTS X 1/2"FPT                     |
| 8D  | 164907-01-000 | EA  | ADAPTER - STRAIGHT - 1/2" QUICK CONNECT X 1/2"MPT         |
| 9D  | 164907-02-000 | EA  | ADAPTER - STRAIGHT - 1/2" QUICK CONNECT X 1/2"FPT/SWIVEL  |
| 10D | 166212-01-000 | EA  | UNION - HOSE/BARB - CTS X 1/2"B - SEA TECH #3511-1008     |
| 11D | 166212-02-000 | EA  | ELBOW - HOSE/BARB - CTS X 1/2"B - SEA TECH #3512-1008     |

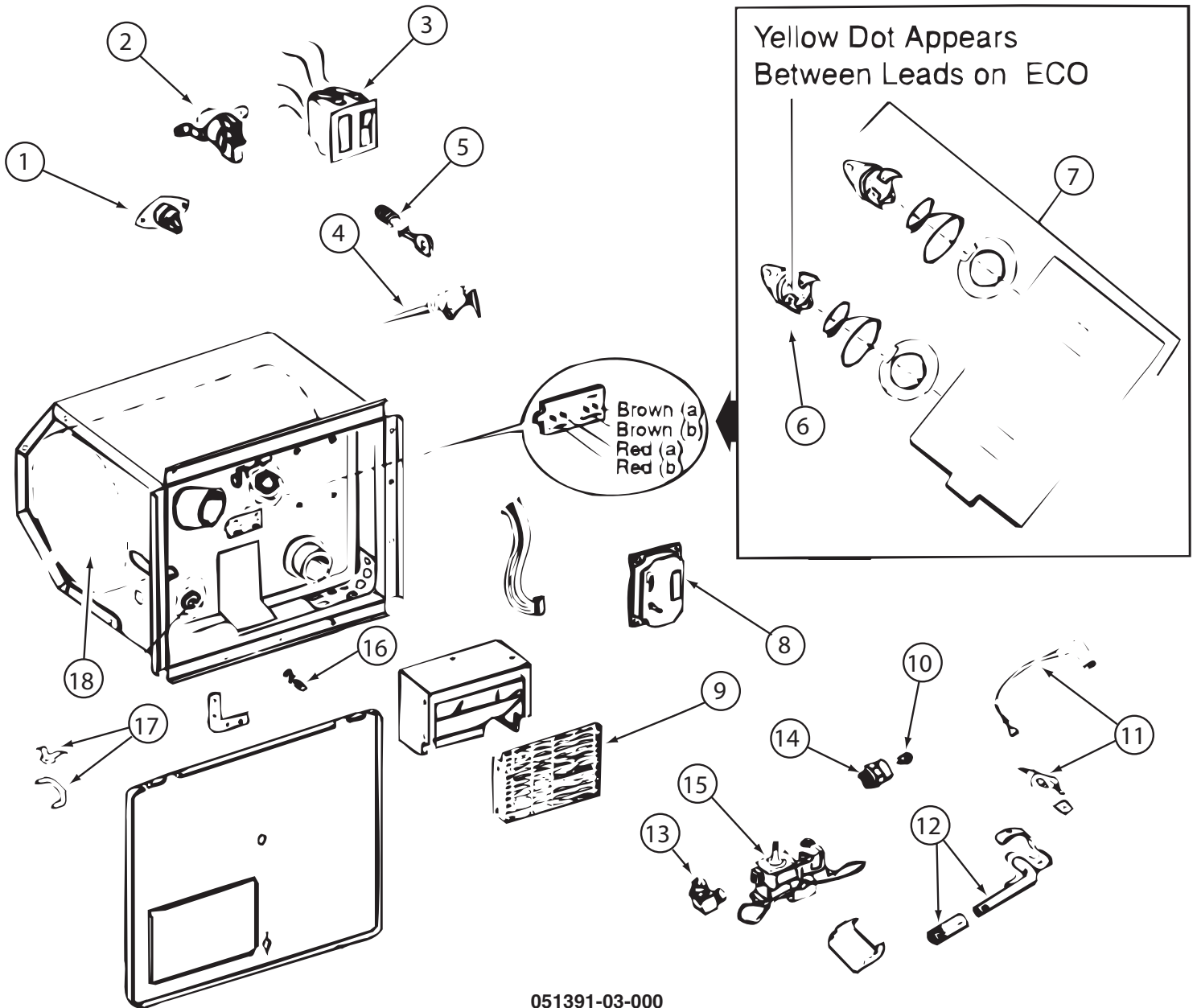
**WATER & SEWAGE GROUP (CONTINUED)**  
**WATER SYSTEM (CONTINUED)**



| KEY | PART NUMBER   | U/M | DESCRIPTION  |
|-----|---------------|-----|--|
| 1   | 140117-02-01A | EA  | FAUCET - GALLEY - DUAL LEVERS - CHROME/CLEAR               |
| 2   | 125420-06-02A | EA  | DOOR - WATER HEATER - 18" X 14.6" - BRIGHT WHITE           |
| 3*  | 051391-03-000 | EA  | WATER HEATER G6A-8E ELECTRONIC IGNITION                    |
| 4   | 137169-01-01A | EA  | WATER FILL/GRAVITY - W/DOOR - W/O LOCK - BRIGHT WHITE      |
| 4   | 137169-02-01A | EA  | ADAPTER/LOCK - (WASHER) F/GRAVITY WATERFILL                |
|     | 138637-62-000 | EA  | CAM - LATCHING - DOG LEG - 1" LONG                         |
|     | 138637-52-000 | EA  | CASE/CYLINDER - LOCKING - W/O CAM/KEY - .9"                |
|     | 138637-52-001 | EA  | CASE/CYLINDER - LOCKING - W/O CAM/KEY - .9"                |
|     | 138637-52-002 | EA  | CASE/CYLINDER - LOCKING - W/O CAM/KEY - .9"                |
|     | 138637-52-003 | EA  | CASE/CYLINDER - LOCKING - W/O CAM/KEY - .9"                |
|     | 138637-52-004 | EA  | CASE/CYLINDER - LOCKING - W/O CAM/KEY - .9"                |
|     | 138637-52-005 | EA  | CASE/CYLINDER - LOCKING - W/O CAM/KEY - .9"                |
|     | 138637-52-006 | EA  | CASE/CYLINDER - LOCKING - W/O CAM/KEY - .9"                |
|     | 138637-52-007 | EA  | CASE/CYLINDER - LOCKING - W/O CAM/KEY - .9"                |
|     | 138637-52-008 | EA  | CASE/CYLINDER - LOCKING - W/O CAM/KEY - .9"                |
|     | 138637-52-009 | EA  | CASE/CYLINDER - LOCKING - W/O CAM/KEY - .9"                |
|     | 144474-01-000 | EA  | ADAPTER - LOCK - 180 DEGREE                                |
| 5   | 132484-01-000 | EA  | ELBOW - 90 DEGREE - 1MPT X 1FPT - PLASTIC                  |
| 6   | 132483-01-000 | EA  | VALVE/BALL - 1" - THREADED ENDS                            |
| 7   | 132781-01-000 | EA  | ELBOW - 1.3" BARB X 1.3" BARB - 90 DEGREE - PLASTIC        |
| 8   | 163338-01-000 | EA  | PUMP - WATER - 2.9 GPM - W/O PORT FITTINGS                 |
| 9   | 156167-05-000 | EA  | TANK - WATER - 36 GALLON - W/FITTINGS                      |
|     | 042989-03-000 | EA  | FITTING - SPINWELD - 1 1/4"NPT - PLASTIC                   |
|     | 042989-04-000 | EA  | FITTING - SPINWELD - 3/8"FPT - PLASTIC                     |
|     | 042989-05-000 | EA  | FITTING - SPINWELD - 1/2"FPT - PLASTIC                     |
|     | 042989-08-000 | EA  | FITTING - SPINWELD - 1"FPT - PLASTIC                       |
|     | 049032-01-000 | EA  | PATCH - SPINWELD - 3/8" - PLASTIC                          |
|     | 077954-02-000 | EA  | FILTER - WATER TANK - W/SCREEN IN TANK                     |
| 10  | 131383-01-02A | EA  | SHOWER HEAD - W/60" HOSE & BRACKET - WHITE                 |
| 11  | 163269-01-02A | EA  | FAUCET/SHOWER - .5"MPT W/1.9" INLET PIPES- EXTERIOR/CHROME |
| 12  | 075606-03-000 | EA  | PANEL - FAUCET SHOWER - SOFT WHITE                         |
| 13  | 010230-06-000 | EA  | FILL - CITY WATER - W/CHECK VALVE - MPT - BRUSHED ALUM     |
| 14  | 148886-01-01A | EA  | FAUCET - LAVATORY/DUAL CONTROL/4" CENTER - CHROME          |
| 15  | 091253-01-000 | EA  | GASKET - FAUCET - LAVATORY/GALLEY                          |

\*COMPONENT PARTS LISTED LATER IN THIS GROUP

**WATER & DRAINAGE GROUP (CONTINUED)**  
**COMPONENT PARTS FOR WATER SYSTEM**



051391-03-000

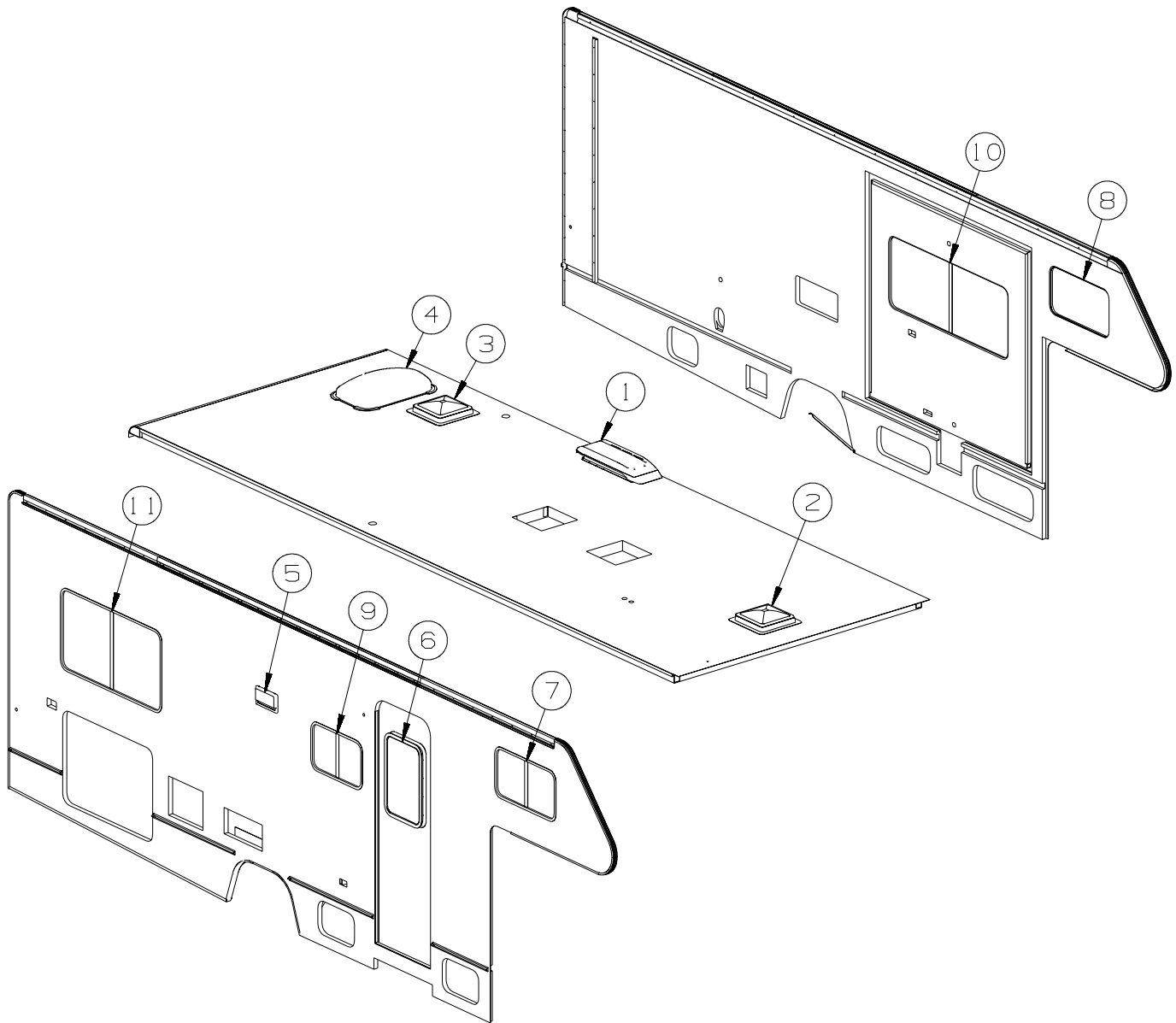
| KEY | PART NUMBER   | U/M | DESCRIPTION                   | VENDOR NO.      |
|-----|---------------|-----|-------------------------------|-----------------|
| 3   | 051393-01-701 | EA  | SWITCH - REMOTE - W/LIGHT     | 91959           |
| 4   | 051391-01-704 | EA  | VALVE-RELIEF, 1/2" FITTING    | 91604           |
| 4   | 051391-03-701 | EA  | VALVE-RELIEF - 3/4" FITTING   | 90028           |
| 5   | 051391-01-705 | EA  | FASTENER-CAMLOCK              | 92609           |
| 6   | 051391-04-701 | EA  | THERMOSTAT 12V DC-120 PRESET  | 91470           |
| 7   | 051393-01-721 | EA  | THERMOSTAT W/ECO, 140 FRT MT  | 91447           |
| 9   | 051391-04-707 | EA  | KIT-EXHAUST, (FLUE & GASKET)  | 90960           |
| 10  | 051391-01-710 | EA  | ORIFICE-MAIN BURNER           | 92742           |
| 12  | 051391-04-703 | EA  | BURNER-MAIN/ELECTRONIC IG     | 91638           |
| 13  | 051391-01-714 | EA  | FITTING-ELBOW 45,3/8F X 3/8   | MPT 1044        |
| 14  | 051391-03-700 | EA  | HOLDER-ORIFICE                | 91563           |
| 16  | 051391-01-715 | EA  | PLUG-DRAIN, 1 EA = 2 PER PKG  | 91857           |
| 17  | 051391-01-700 | EA  | HINGE KIT, (PIN & CLIP)       | 92568&92559     |
| 18  | 051391-04-706 | EA  | TANK-G6A-4E/6E/7E/8E-FRT.MT   | 91641 - INNER   |
|     | 051391-01-717 | EA  | GRILLE-WATER HEATER DOOR      | 92640           |
|     | 051393-01-723 | EA  | SWITCH - THERMAL CUTOUT 2/PK  | 93866 WAS 93853 |
|     | 051393-01-724 | EA  | BOARD-CIRCUIT, SPADE TERMINAL | 93865           |
|     | 051393-01-725 | EA  | ELECTRODE-SGL SPADE CONNECT.  | 93868           |
|     | 051393-01-726 | EA  | VALVE/SOLENOID - W/O BRACKET  | 93870           |
|     | 111129-01-711 | EA  | BRACKET-CORNER, SET OF FOUR   | 91928           |

CONTACT WINNEBAGO PARTS SALES FOR UNLISTED COMPONENT(S)



## WINDOWS & VENTS GROUP

### WINDOWS & VENTS LAYOUT

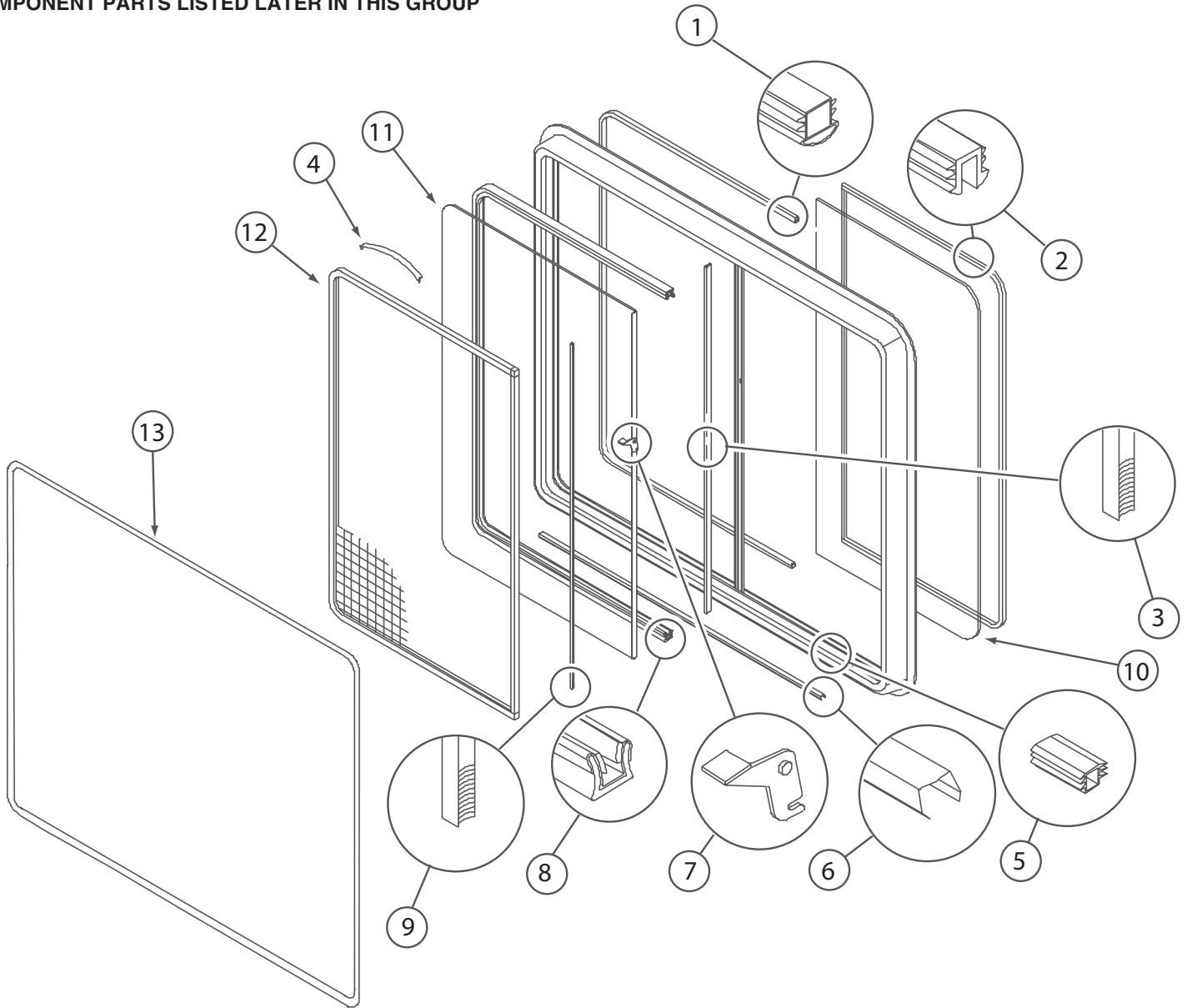


| KEY | PART NUMBER   | U/M | DESCRIPTION  |
|-----|---------------|-----|--|
| 1   | 149508-01-02A | EA  | CAP - ROOF/REFRIGERATOR VENT - WHITE                             |
| 1   | 149508-02-02A | EA  | BASE - ROOF/REFRIGERATOR VENT - BRIGHT WHITE                     |
| 2*  | 122882-01-01A | EA  | VENT - ROOF - NONPOWERED - W/O INSIDE GARNISH                    |
|     | 009440-01-000 | EA  | GEAR/ARM - LIFT - ROOF VENT COVER                                |
| 2   | 122882-07-01A | EA  | GARNISH - ROOF VENT - 2.5" TO 4.1"                               |
| 3*  | 122882-02-01A | EA  | VENT - ROOF - W/FAN - W/O INSIDE GARNISH - UL                    |
| 3*  | 122882-03-01A | EA  | VENT - ROOF - W/FAN - W/O INSIDE GARNISH - CSA - <b>CANADIAN</b> |
|     | 009440-01-000 | EA  | GEAR/ARM - LIFT - ROOF VENT COVER                                |
|     | 048648-01-000 | EA  | MOTOR/ROOF VENT - W/RESISTER - 1/8"SHAFT - 12VOLT                |
|     | 048649-01-000 | EA  | FAN BLADE - ROOF VENT - 6 BLADED - 6"RADIUS                      |
| 3   | 122882-07-01A | EA  | GARNISH - ROOF VENT - 2.5" TO 4.1"                               |
| 4   | 138372-01-02B | EA  | TRIM - CORNER - SKYLIGHT - E-COATED                              |
| 4   | 138379-03-01A | EA  | PANEL/SKYLIGHT OTR - RECT/6"H CTR DOME - 18.4"X 29.5"- WHT       |
| 4   | 156693-01-01A | EA  | PANEL/SKYLIGHT - INNER   |
| 5   | 147821-01-01A | EA  | VENT - EXHAUST/RANGE HOOD - BRIGHT WHITE                         |
| 5   | 147821-02-01A | EA  | SHROUD - EXHAUST VENT/RANGE HOOD - BRIGHT WHITE                  |
| 6   | 117053-08-S95 | EA  | WINDOW - PICTURE/FROSTED - W/O TRIM - 17" X 26.4"                |
|     | 002181-34-000 | EA  | GLASS - PICTURE WINDOW - 25.8"W X 16.4"H - FROSTED               |
|     | 087561-01-000 | FT  | SEAL - GLASS - EXTERIOR - .5" WIDE - VINYL BLACK                 |
| 6   | 117054-02-03A | EA  | TRIM/RETAINER - INSIDE - 16.9" X 26.2" - BLACK                   |
| 7*  | 098647-31-02A | EA  | WINDOW - PASS HORIZ SLIDER W/TRIM - CLEAR - 15.7" X 28.5"        |
| 8*  | 098647-32-02A | EA  | WINDOW - DRVR HORIZ SLIDER W/TRIM - CLEAR- 15.7" X 28.5"         |
| 9*  | 098647-49-02A | EA  | WINDOW - PASS HORIZ SLIDER W/TRIM - TINTED - 15" X 23.7"         |

**WINDOWS & VENTS GROUP (CONTINUED)**  
**WINDOWS & VENTS LAYOUT (CONTINUED)**

| KEY | PART NUMBER   | U/M | DESCRIPTION  |
|-----|---------------|-----|--|
| 10* | 098647-68-01A | EA  | WINDOW - DRVR HORIZ SLIDER/EGRESS W/TRIM - 57.5" X 23.6"   |
| 11* | 098647-71-01A | EA  | WINDOW - PASS HORIZ SLIDER/ESCAPE W/TRIM-CLEAR-26.3"X48.1" |

**\*COMPONENT PARTS LISTED LATER IN THIS GROUP**



**COMPONENT PARTS FOR WINDOWS & VENTS LAYOUT**

**098647-31-02A, 098647-32-02A**

| KEY | PART NUMBER   | U/M | DESCRIPTION                  | VENDOR NO. |
|-----|---------------|-----|------------------------------|------------|
| 1   | 098644-01-716 | FT  | PLUG - FILLER                | 132-014470 |
| 2   | 098644-01-705 | FT  | GLAZING - STRIP              | 132-010231 |
| 3   | 098644-01-706 | FT  | WEATHERSTRIP - GLASS         | 171-010668 |
| 4   | 098644-01-713 | EA  | CLIP - SCREEN - METAL        | 226-016966 |
| 4   | 125582-01-701 | EA  | CLIP - SCREEN - PLASTIC      | 130-005153 |
| 5   | 098644-01-719 | EA  | STOP - SLIDER GLASS          | 132-014203 |
| 6   | 098644-01-710 | FT  | TRACK - SCREEN SPACER 12'    | 132-017135 |
| 7   | 098644-01-700 | EA  | LATCH - REPAIR KIT (BLACK)   | B801-CK    |
| 7   | 098647-54-701 | EA  | LATCH - REPAIR KIT (RED)     | B081-CK    |
| 8   | 098644-01-708 | FT  | CHANNEL - RUN PIERCED        | 122-016543 |
| 9   | 098644-01-711 | FT  | WEATHERSTRIP - SCREEN BLACK  | 171-016965 |
| 10  | 098647-31-702 | EA  | GLASS - STATIONARY           | 096-019299 |
| 11  | 098647-31-703 | EA  | GLASS-SLIDING W/SASH & LATCH | H425-C8    |
| 12  | 098647-31-704 | EA  | SCREEN ASM - W/SEALS & CLIPS | 410-019128 |
| 13  | 098647-31-705 | EA  | RETAINER - TRIM              | CH29-66    |
|     | 098644-01-717 | FT  | SPLINE - SCREEN              | 132-004716 |

**WINDOWS & VENTS GROUP (CONTINUED)**  
**COMPONENT PARTS FOR WINDOWS & VENTS LAYOUT (CONTINUED)**

**098647-49-02A**

| KEY | PART NUMBER   | U/M | DESCRIPTION                  | VENDOR NO. |
|-----|---------------|-----|------------------------------|------------|
| 1   | 098644-01-716 | FT  | PLUG - FILLER                | 132-014470 |
| 2   | 098644-01-705 | FT  | GLAZING - STRIP              | 132-010231 |
| 3   | 098644-01-706 | FT  | WEATHERSTRIP - GLASS         | 171-010668 |
| 4   | 098644-01-713 | EA  | CLIP - SCREEN - METAL        | 226-016966 |
| 4   | 125582-01-701 | EA  | CLIP - SCREEN - PLASTIC      | 130-005153 |
| 5   | 098644-01-719 | EA  | STOP - SLIDER GLASS          | 132-014203 |
| 6   | 098644-01-710 | FT  | TRACK - SCREEN SPACER 12'    | 132-017135 |
| 7   | 098644-01-700 | EA  | LATCH - REPAIR KIT (BLACK)   | B801-CK    |
| 7   | 098647-54-701 | EA  | LATCH - REPAIR KIT (RED)     | B081-CK    |
| 8   | 098644-01-708 | FT  | CHANNEL - RUN PIERCED        | 122-016543 |
| 9   | 098644-01-711 | FT  | WEATHERSTRIP - SCREEN BLACK  | 171-016965 |
| 10  | 098647-49-700 | EA  | GLASS - STATIONARY           | 096-012066 |
| 11  | 098647-67-700 | EA  | GLASS-SLIDING W/SASH & LATCH | B969C9     |
| 12  | 112795-56-702 | EA  | SCREEN ASM - W/SEALS & CLIPS | 410-019414 |
| 13  | 098647-49-702 | EA  | RETAINER - TRIM              | H969-66    |
|     | 098644-01-717 | FT  | SPLINE - SCREEN              | 132-004716 |

**098647-68-01A**

| KEY | PART NUMBER   | U/M | DESCRIPTION                  | VENDOR NO. |
|-----|---------------|-----|------------------------------|------------|
| 1   | 098644-01-716 | FT  | PLUG - FILLER                | 132-014470 |
| 2   | 098644-01-705 | FT  | GLAZING - STRIP              | 132-010231 |
| 3   | 098644-01-706 | FT  | WEATHERSTRIP - GLASS         | 171-010668 |
| 4   | 098644-01-713 | EA  | CLIP - SCREEN - METAL        | 226-016966 |
| 4   | 125582-01-701 | EA  | CLIP - SCREEN - PLASTIC      | 130-0      |
| 5   | 098644-01-719 | EA  | STOP - SLIDER GLASS          | 132-014203 |
| 6   | 098644-01-710 | FT  | TRACK - SCREEN SPACER 12'    | 132-017135 |
| 7   | 098644-01-700 | EA  | LATCH - REPAIR KIT (BLACK)   | B801-CK    |
| 7   | 098647-54-701 | EA  | LATCH - REPAIR KIT (RED)     | B081-CK    |
| 8   | 098644-01-708 | FT  | CHANNEL - RUN PIERCED        | 122-016543 |
| 9   | 098644-01-711 | FT  | WEATHERSTRIP - SCREEN BLACK  | 171-016965 |
| 10  | 098647-68-701 | EA  | GLASS - STATIONARY           | 096-029585 |
| 11  | 098647-68-700 | EA  | GLASS-SLIDING-SASH/RED LATCH | H666-C8    |
| 12  | 098647-47-702 | EA  | SCREEN ASM - W/SEALS & CLIPS | 410-025226 |
| 13  | 098647-47-704 | EA  | RETAINER - TRIM              | H493-66    |
|     | 098644-01-717 | FT  | SPLINE - SCREEN              | 132-004716 |

**098647-71 -01A**

| KEY | PART NUMBER   | U/M | DESCRIPTION                  | VENDOR NO. |
|-----|---------------|-----|------------------------------|------------|
| 1   | 098644-01-716 | FT  | PLUG - FILLER                | 132-014470 |
| 2   | 098644-01-705 | FT  | GLAZING - STRIP              | 132-010231 |
| 3   | 098644-01-706 | FT  | WEATHERSTRIP - GLASS         | 171-010668 |
| 4   | 098644-01-713 | EA  | CLIP - SCREEN - METAL        | 226-016966 |
| 4   | 125582-01-701 | EA  | CLIP - SCREEN - PLASTIC      | 130-0      |
| 5   | 098644-01-719 | EA  | STOP - SLIDER GLASS          | 132-014203 |
| 6   | 098644-01-710 | FT  | TRACK - SCREEN SPACER 12'    | 132-017135 |
| 7   | 098644-01-700 | EA  | LATCH - REPAIR KIT (BLACK)   | B801-CK    |
| 7   | 098647-54-701 | EA  | LATCH - REPAIR KIT (RED)     | B081-CK    |
| 8   | 098644-01-708 | FT  | CHANNEL - RUN PIERCED        | 122-016543 |
| 9   | 098644-01-711 | FT  | WEATHERSTRIP - SCREEN BLACK  | 171-016965 |
| 10  | 098647-71-700 | EA  | GLASS - STATIONARY           | 096-035492 |
| 11  | 098647-71-701 | EA  | GLASS-SLIDING W/SASH & LATCH | H414-C8    |
| 12  | 112795-24-704 | EA  | SCREEN ASM - W/SEALS & CLIPS | 410-019129 |
| 13  | 112795-92-702 | EA  | RETAINER - TRIM              | H414-66    |
|     | 098644-01-717 | FT  | SPLINE - SCREEN              | 132-004716 |
|     | 112795-24-706 | FT  | SEAL - SPLINE/GRAY - ESCAPE  | 132-010481 |
|     | 112898-06-707 | EA  | HANDLE/RH-EGRESS(SLD)ESC-RED | 182-025911 |
|     | 112898-06-708 | EA  | HANDLE/LH-EGRESS(SLD)ESC-RED | 182-025912 |

**WINDOWS & VENTS GROUP (CONTINUED)**  
**COMPONENT PARTS FOR WINDOWS & VENTS LAYOUT (CONTINUED)**

**122882-01-01A**

| <b>KEY</b> | <b>PART NUMBER</b> | <b>U/M</b> | <b>DESCRIPTION</b>     | <b>VENDOR NO.</b> |
|------------|--------------------|------------|------------------------|-------------------|
|            | 064470-01-700      | EA         | COVER - VENT           | J7291             |
|            | 064470-01-701      | EA         | SLIDE BAR - VENT LID   | JRP1291B          |
|            | 122882-01-700      | EA         | HANDLE - CRANK - BLACK | 90128             |
|            | 122882-01-701      | EA         | SCREEN                 | JRP-1124-B        |
|            | 122882-01-702      | EA         | HANDLE - CRANK - WHITE | JRP1031B          |

**122882-02-01A, 122882-03-01A**

| <b>KEY</b> | <b>PART NUMBER</b> | <b>U/M</b> | <b>DESCRIPTION</b>       | <b>VENDOR NO.</b> |
|------------|--------------------|------------|--------------------------|-------------------|
|            | 064470-01-700      | EA         | COVER - VENT             | J7291             |
|            | 064470-01-701      | EA         | SLIDE BAR - VENT LID     | JRP1291B          |
|            | 110051-03-700      | EA         | SWITCH-BLACK/PUSH BUTTON | 27-0164           |
|            | 122882-01-700      | EA         | HANDLE - CRANK - BLACK   | 90128             |
|            | 122882-01-701      | EA         | SCREEN                   | JRP-1124-B        |
|            | 122882-01-702      | EA         | HANDLE - CRANK - WHITE   | JRP1031B          |