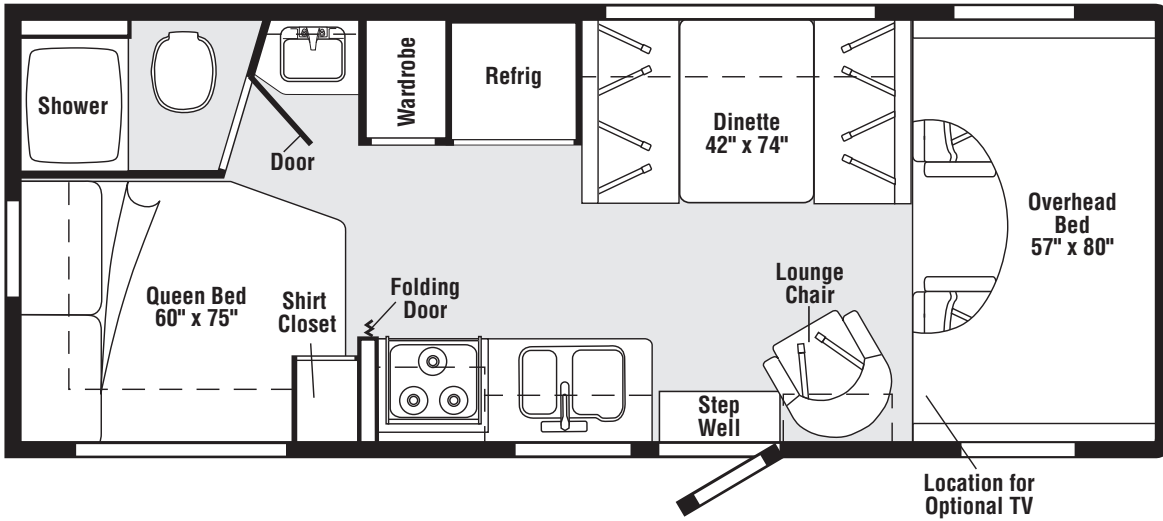
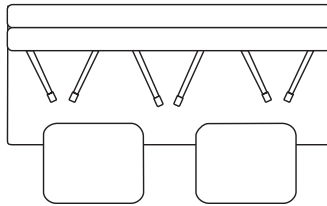
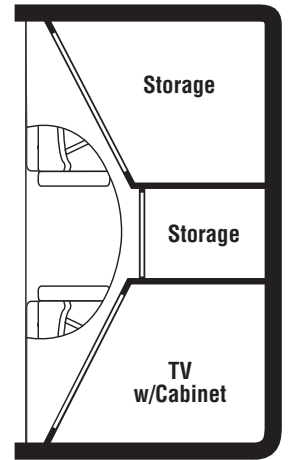


2008  
**IMPULSE**  
**IF224V**  
**200-SERIES**  
**PORTSMOUTH OAK**  
W07 TOFFEE  
W09 MINERAL  
**SIERRA MAPLE**  
W08 TOFFEE  
W10 MINERAL

Sofa/Bed w/2 Tables 40" x 76"



**FLOORPLAN**



**Optional Front Overhead Area**

# CONTENTS

|   |           |
|---|-----------|
| <b>FLOORPLAN</b> .....                                    | <b>1</b>  |
| <b>ACCESSORIES GROUP</b> .....                            | <b>5</b>  |
| OPERATORS MANUAL .....                                    | 5         |
| <b>AUDIO VIDEO GROUP</b> .....                            | <b>6</b>  |
| RADIO SYSTEM .....  | 6         |
| REAR MONITOR .....  | 6         |
| COMPONENT PARTS FOR REAR MONITOR .....                    | 6         |
| 156442-02-01A, 156442-03-01A .....                        | 6         |
| 156930-02-01A .....                                       | 6         |
| <b>CABINET &amp; APPLIANCE GROUP</b> .....                | <b>7</b>  |
| CABINET & APPLIANCE LAYOUT .....                          | 7         |
| COMPONENT PARTS FOR CABINET & APPLIANCE LAYOUT .....      | 12        |
| 114030-04-01A .....                                       | 12        |
| 121568-06-01A, 121568-07-01A, 121568-08-01A .....         | 14        |
| 136354-05-01A, 136354-05-02A .....                        | 18        |
| 136354-06-01A, 136354-06-02A .....                        | 19        |
| 151277-01-01A, 151277-02-01A .....                        | 20        |
| 158686-01-01A .....                                       | 23        |
| <b>CHASSIS GROUP</b> .....                                | <b>24</b> |
| FRAME .....   | 24        |
| EXHAUST .....   | 25        |
| HITCH .....   | 25        |
| REAR BUMPER .....   | 26        |
| FUEL .....  | 26        |
| SPARE TIRE .....  | 27        |
| WHEEL, TIRE, COVERS &/OR LINERS .....                     | 28        |
| COMPONENT PARTS FOR WHEEL, TIRE, COVERS &/OR LINERS ..... | 28        |
| 109443-05-000 .....                                       | 28        |
| 110435-23-000 .....                                       | 28        |
| BRAKELINE .....   | 28        |
| <b>CURTAIN &amp; CUSHION GROUP</b> .....                  | <b>29</b> |
| CURTAIN & CUSHION LAYOUT .....                            | 29        |
| LOUNGE CHAIR .....  | 32        |
| SOFA .....  | 33        |
| HARDWARE .....  | 34        |
| FABRICS .....   | 36        |
| <b>DRIVERS COMPARTMENT GROUP</b> .....                    | <b>37</b> |
| FRONT INTERIOR .....                                      | 37        |
| CABINETS .....  | 40        |

# CONTENTS (CONTINUED)

|  |           |
|--|-----------|
| <b>ELECTRICAL GROUP</b> .....  | <b>41</b> |
| 110V BODY WIRING .....   | 41        |
| 12V BODY WIRING .....  | 42        |
| EXTERIOR LAMPS .....   | 45        |
| FRONT END .....  | 47        |
| FRONT TV/DVD .....   | 48        |
| SIDE TV/DVD .....  | 49        |
| COMPONENT PARTS FOR WIRING .....   | 50        |
| 076319-23-000 .....  | 50        |
| 076319-25-000 .....  | 50        |
| 097917-01-06A .....  | 51        |
| 120269-07-01A .....  | 51        |
| 133908-09-01A .....  | 51        |
| 134940-06-01A .....  | 51        |
| 134940-07-01A .....  | 52        |
| 137417-01-01A, 137417-03-01A .....   | 52        |
| 137417-02-01A .....  | 52        |
| 137417-05-01A .....  | 52        |
| 137417-06-01A .....  | 52        |
| 153658-01-01A, 153658-01-02A .....   | 52        |
| 157282-02-000 .....  | 52        |
| 158703-01-000 .....  | 52        |
| 158836-01-000 .....  | 52        |
| 159771-01-000 .....  | 52        |
| 160603-01-000 .....  | 52        |
| 164495-01-000 .....  | 52        |
| CIRCUIT BREAKERS, FUSES & RELAYS .....   | 53        |
| CONVERTER, INVERTER & LOAD CENTER .....  | 53        |
| COMPONENT PARTS FOR CONVERTER, INVERTER & LOAD CENTER .....                      | 53        |
| 083208-07-000 .....  | 53        |
| BOXES & CORDS .....  | 54        |
| WIRE ASSEMBLIES .....  | 54        |
| CONNECTORS & CONDUIT .....   | 55        |
| CHASSIS .....  | 57        |
| COMPONENT PARTS FOR CHASSIS .....  | 58        |
| 086280-01-000 .....  | 58        |
| <b>EXTERIOR BODY GROUP</b> .....   | <b>59</b> |
| GRAPHICS & PAINT .....   | 59        |
| PANELS & TRIMS .....   | 60        |
| MIRRORS .....  | 63        |
| COMPONENT PARTS FOR MIRRORS .....  | 63        |
| 133908-05, 133908-06, 133908-10, 133908-11, 133908-14, 133908-15, -01A/02A ..... | 63        |
| 133908-07, 133908-08, 133908-12, -01A/-02A/-03A .....                            | 63        |
| 133908-13-01A/-03A .....   | 63        |
| STRUCTURAL COMPONENTS .....  | 64        |
| AWNINGS .....  | 64        |
| <b>EXTERIOR DOORS &amp; COMPARTMENTS GROUP</b> .....                             | <b>65</b> |
| DOORS & COMPARTMENTS LAYOUT .....  | 65        |
| COMPONENT PARTS FOR DOORS & COMPARTMENTS LAYOUT .....                            | 67        |
| 084103-08-000 .....  | 67        |
| 094708-05-01A .....  | 68        |
| COMPARTMENT DOOR PIECE PARTS .....   | 69        |
| ENTRY .....  | 71        |
| SCREEN .....   | 72        |
| LATCH - ENTRY .....  | 73        |
| <b>GENERATOR GROUP</b> .....   | <b>74</b> |
| GAS .....  | 74        |

# CONTENTS (CONTINUED)

|  |            |
|--|------------|
| <b>HEATING &amp; A/C GROUP</b> .....             | <b>75</b>  |
| FURNACE .....                                    | 75         |
| COMPONENT PARTS FOR FURNACE .....                | 76         |
| 139980-01-000 .....                              | 76         |
| ROOF .....                                       | 78         |
| COMPONENT PARTS FOR ROOF .....                   | 78         |
| 131184-01-01A .....                              | 78         |
| 131184-06-01A .....                              | 79         |
| 131185-04-01A .....                              | 80         |
| 131188-05-01A .....                              | 81         |
| 156860-01-01A .....                              | 82         |
| <b>INTERIOR FINISH GROUP</b> .....               | <b>83</b>  |
| MOLDINGS & TRIMS .....                           | 83         |
| PANELING & LAMINATES .....                       | 94         |
| INTERIOR TRIM LAYOUT .....                       | 95         |
| FLOOR COVERINGS .....                            | 97         |
| HARDWARE .....                                   | 97         |
| <b>LABELS GROUP</b> .....                        | <b>103</b> |
| <b>LP GROUP</b> .....                            | <b>106</b> |
| LP SYSTEM .....                                  | 106        |
| COMPONENT PARTS FOR LP SYSTEM .....              | 106        |
| 144116-04-000 .....                              | 106        |
| <b>SEALANTS &amp; FASTENERS GROUP</b> .....      | <b>107</b> |
| SEALANTS & ADHESIVES .....                       | 107        |
| BOLTS, NUTS & WASHERS .....                      | 108        |
| SCREWS .....                                     | 110        |
| CLAMPS, CLIPS, GROMMETS, RIVETS & PLUGS .....    | 113        |
| MISCELLANEOUS FASTENERS .....                    | 114        |
| <b>WATER &amp; SEWAGE GROUP</b> .....            | <b>115</b> |
| DRAINAGE SYSTEM .....                            | 115        |
| COMPONENT PARTS FOR DRAINAGE SYSTEM .....        | 117        |
| 062415-01-000 .....                              | 117        |
| 096927-01-02A .....                              | 117        |
| 147421-04-01A, 147421-05-01A .....               | 117        |
| WATER SYSTEM .....                               | 118        |
| COMPONENT PARTS FOR WATER SYSTEM .....           | 123        |
| 051391-03-000 .....                              | 123        |
| <b>WINDOWS &amp; VENTS GROUP</b> .....           | <b>124</b> |
| WINDOWS & VENTS LAYOUT .....                     | 124        |
| COMPONENT PARTS FOR WINDOWS & VENTS LAYOUT ..... | 125        |
| 098647-29-02A, 098647-30-02A .....               | 125        |
| 098647-31-02A, 098647-32-02A .....               | 126        |
| 098647-49-02A .....                              | 126        |
| 098647-74-01A .....                              | 127        |
| 122882-01-01A .....                              | 128        |
| 122882-02-01A, 122882-03-01A .....               | 128        |

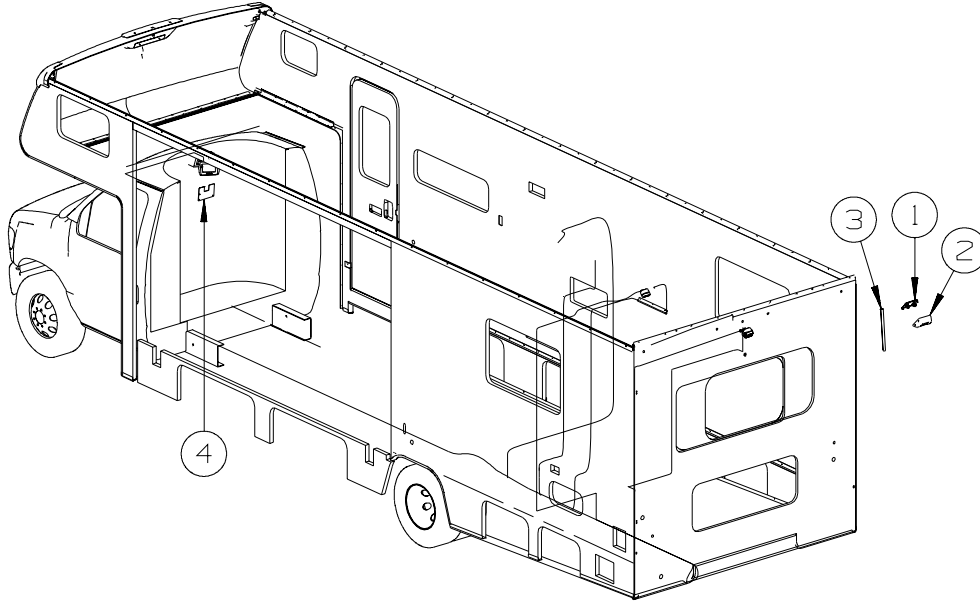
**ACCESSORIES GROUP**  
**OPERATORS MANUAL**

| <b>KEY</b> | <b>PART NUMBER</b> | <b>U/M</b> | <b>DESCRIPTION</b>                            |
|------------|--------------------|------------|---|
|            | 158603-08-001      | EA         | MANUAL/OWNER - SUPPLEMENT - 200-SERIES - 2008 |
|            | 159842-01-01A      | EA         | CASE - VINYL - F/MANUALS - W/SLEEVES - BLACK  |
|            | 161500-08-002      | EA         | MANUAL/OWNER - IMPULSE - 200 SERIES - 2008    |
|            | 162726-01-000      | DW         | TOP LEVEL-200,2008                            |

**AUDIO VIDEO GROUP  
RADIO SYSTEM**

| <b>KEY</b> | <b>PART NUMBER</b> | <b>U/M DESCRIPTION</b>  |
|------------|--------------------|---|
|            | 155619-02-000      | EA RADIO - AM/FM CD-W/O REMOTE/WIRE HARNESS-MAGNADYNE M3200CD - <b>FORD</b> |
|            | 152593-01-000      | EA BRACKET - RADIO MOUNTING - <b>FORD</b>                                   |

| <b>KEY</b> | <b>PART NUMBER</b> | <b>U/M DESCRIPTION</b>                  |
|------------|--------------------|---|
|            | 108137-01-000      | EA PLUG - ANTENNA - <b>2007 CHASSIS</b> |



**REAR MONITOR**

| <b>KEY</b> | <b>PART NUMBER</b> | <b>U/M DESCRIPTION</b>  |
|------------|--------------------|---|
| *          | 156442-02-01A      | EA MONITOR/COLOR-5.6"/LCD - W/O AUDIO - PLAS POD MOUNT-TAN/BLK                            |
| *          | 156442-03-01A      | EA MONITOR/COLOR-5.6"/LCD - W/AUDIO - PLAS POD MOUNT-TAN/BLK - <b>W/AUDIO</b>             |
| *          | 156930-02-01A      | EA MONITOR/LCD - 5.6" - NO AUDIO - PLASTIC POD MOUNT - TAN - <b>CHEVY CHASSIS</b>         |
|            | 156930-03-01A      | EA MONITOR/LCD - 5.6" - W/AUDIO - PLASTIC POD MOUNT - TAN - <b>W/AUDIO, CHEVY CHASSIS</b> |
|            | 144677-14-01A      | EA CAMERA - REAR VIEW W/BRACKET - WHITE - VBCS150   |
| 1          | NOT USED           |   |
| 2          | NOT USED           |   |
| 3          | 154189-04-02A      | EA COVER/TRIM - WIRING - 15.3" - ALMOND - <b>226A, 228P, 229T, 231C</b>                   |
| 3          | 154189-06-02A      | EA COVER/TRIM - WIRING - 17.3" - ALMOND - <b>224V</b>                                     |
| 4          | 160883-01-02B      | EA BRACKET - MONITOR - E-COATED   |

**\*COMPONENT PARTS LISTED LATER IN THIS GROUP**

**COMPONENT PARTS FOR REAR MONITOR**

**156442-02-01A, 156442-03-01A**

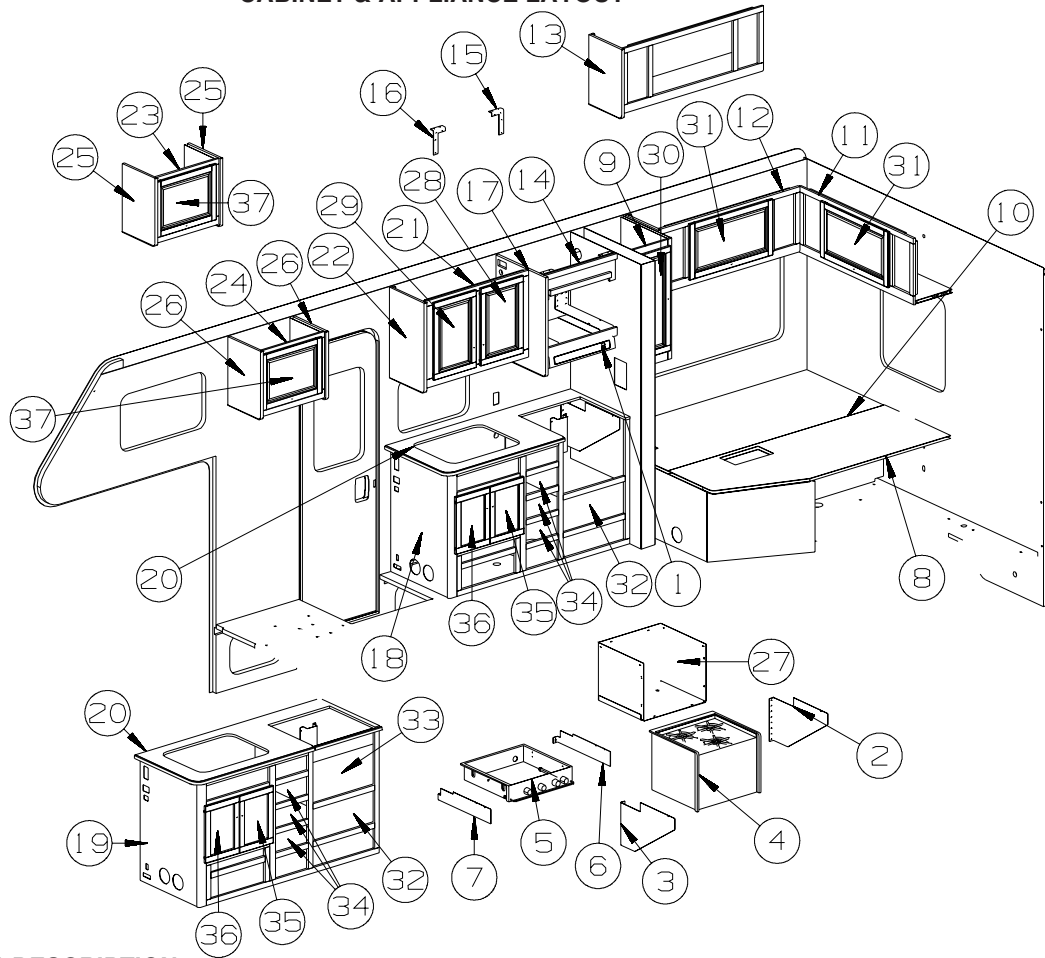
| <b>KEY</b> | <b>PART NUMBER</b> | <b>U/M DESCRIPTION</b>        | <b>VENDOR NO.</b> |
|------------|--------------------|-------------------------------|-------------------|
|            | 156442-02-700      | EA SHROUD - REAR VIEW MONITOR | 33200013          |
|            | 156442-02-701      | EA BRACKET - MOUNTING         | 32300012          |

**156930-02-01A**

| <b>KEY</b> | <b>PART NUMBER</b> | <b>U/M DESCRIPTION</b>         | <b>VENDOR NO.</b> |
|------------|--------------------|--------------------------------|-------------------|
|            | 156930-02-700      | EA SHROUD - REAR VIEW MONITOR  | 33200012          |
|            | 156930-02-701      | EA BRACKET - REAR VIEW MONITOR | 32300009          |

# CABINET & APPLIANCE GROUP

## CABINET & APPLIANCE LAYOUT



| KEY | PART NUMBER   | U/M | DESCRIPTION   |
|-----|---------------|-----|---|
| 1*  | 136354-05-01A | EA  | HOOD - RANGE - W/LITE/FAN - BLACK TEXTURED - UL   |
| 1*  | 136354-06-01A | EA  | HOOD - RANGE - W/LITE/FAN - BLACK TEXTURED - CSA - <b>CANADIAN</b>                        |
|     | 117806-01-000 | EA  | BULB - 12V - #912 - 1.0 AMP   |
| 2   | 140176-03-02B | EA  | BRACKET/TIEDOWN - STOVE - E-COATED - <b>RANGE 3 BURNER WITH OVEN</b>                      |
| 3   | 140176-04-02B | EA  | BRACKET/TIEDOWN - STOVE - E-COATED - <b>RANGE 3 BURNER WITH OVEN</b>                      |
| 4*  | 151277-01-01A | EA  | RANGE-16"-3 BURNER - MERCURY FREE - BLACK DOOR/TEXTURED - <b>RANGE 3 BURNER WITH OVEN</b> |
| 5*  | 114030-04-01A | EA  | RANGE - 3 BRNR TOP/NEW STYLE KNOBS/GRATES-W/O OVEN-BLK                                    |
| 6   | 142139-15-02B | EA  | BRACKET/TIEDOWN - STOVE - E-COATED  |
| 7   | 142139-16-02B | EA  | BRACKET/TIEDOWN - STOVE - E-COATED  |
| 8   | P58075-01-U01 | EA  | CABINET - BED BASE - QUEEN - W/O DOORS/DRAWERS/HDW - PORTSMOUTH OAK                       |
| 8   | P58075-01-U02 | EA  | CABINET - BED BASE - QUEEN - W/O DOORS/DRAWERS/HDW - SIERRA MAPLE                         |
| 9   | 158495-01-U01 | EA  | CABINET - OVERHEAD/SHIRT - W/O DOORS/HDW - PORTSMOUTH OAK                                 |
| 9   | 158495-01-U02 | EA  | CABINET - OVERHEAD/SHIRT - W/O DOORS/HDW - SIERRA MAPLE                                   |
| 10  | 089076-08-000 | EA  | H-CHANNEL - SUPPORT/BED - 72.6" - OFF WHITE   |
| 11  | 158482-01-U01 | EA  | CABINET - OVERHEAD/REAR - W/O DOORS/HDW - PORTSMOUTH OAK                                  |
| 11  | 158482-01-U02 | EA  | CABINET - OVERHEAD/REAR - W/O DOORS/HDW - SIERRA MAPLE                                    |
| 12  | 158483-01-U01 | EA  | CABINET - OVERHEAD/REAR - W/O DOORS/HDW - PORTSMOUTH OAK                                  |
| 12  | 158483-01-U02 | EA  | CABINET - OVERHEAD/REAR - W/O DOORS/HDW - SIERRA MAPLE                                    |
| 13  | 140307-56-U01 | EA  | END CAP - OVERHEAD CABINET - PORTSMOUTH OAK   |
| 13  | 140307-56-U02 | EA  | END CAP - OVERHEAD CABINET - SIERRA MAPLE   |
| 14  | 158471-02-U07 | EA  | CABINET - OVERHEAD/MICROWAVE - W/O DOORS/HDW (W07)  |
| 14  | 158471-02-U08 | EA  | CABINET - OVERHEAD/MICROWAVE - W/O DOORS/HDW (W08)  |
| 14  | 158471-02-U09 | EA  | CABINET - OVERHEAD/MICROWAVE - W/O DOORS/HDW (W09)  |
| 14  | 158471-02-U10 | EA  | CABINET - OVERHEAD/MICROWAVE - W/O DOORS/HDW (W10)  |
| 15  | 149420-05-02B | EA  | BRACE - MICROWAVE - E-COATED  |
| 16  | 149420-06-02B | EA  | BRACE - MICROWAVE - E-COATED  |
| 17  | 140307-66-U01 | EA  | END CAP - OVERHEAD CABINET - PORTSMOUTH OAK   |
| 17  | 140307-66-U02 | EA  | END CAP - OVERHEAD CABINET - SIERRA MAPLE   |
| 18  | P58573-02-U01 | EA  | CABINET-GALLEY - W/O C-TOP/DR/DRWR/HDW - PORTSMOUTH OAK - <b>RANGE 3 BURNER WITH OVEN</b> |
| 18  | P58573-02-U02 | EA  | CABINET-GALLEY - W/O C-TOP/DRS/DRWRS/HDW - SIERRA MAPLE - <b>RANGE 3 BURNER WITH OVEN</b> |
| 18  | P58573-01-U01 | EA  | CABINET - GALLEY - PORTSMOUTH OAK - <b>RANGE 3 BURNER WITH OVEN, ENTRANCE STEP-ELEC.</b>  |
| 18  | P58573-01-U02 | EA  | CABINET - GALLEY - SIERRA MAPLE - <b>RANGE 3 BURNER WITH OVEN, ENTRANCE STEP-ELEC.</b>    |

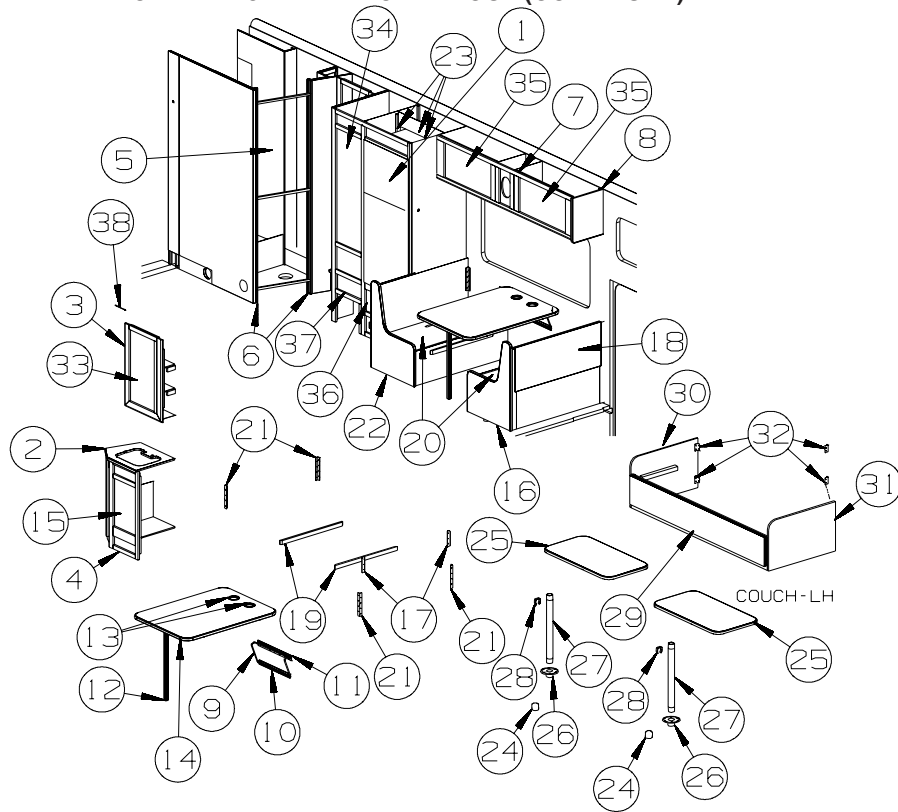
**CABINET & APPLIANCE GROUP (CONTINUED)**  
**CABINET & APPLIANCE LAYOUT (CONTINUED)**

| KEY | PART NUMBER   | U/M | DESCRIPTION   |
|-----|---------------|-----|---|
| 19  | P58573-04-U01 | EA  | CABINET-GALLEY-W/O C-TOP/DOORS/DRAWERS/HDW - PORTSMOUTH OAK - RANGE TOP 3-BURNER      |
| 19  | P58573-04-U02 | EA  | CABINET - GALLEY - W/O C-TOP/DOORS/DRAWERS/HDW - SIERRA MAPLE - RANGE TOP 3-BURNER    |
| 19  | P58573-03-U01 | EA  | CABINET-GALLEY-W/O C-TOP - PORTSMOUTH OAK - RANGE TOP 3-BURNER, ENTRANCE STEP-ELEC.   |
| 19  | P58573-03-U02 | EA  | CABINET-GALLEY-W/O C-TOP/DR- SIERRA MAPLE - RANGE TOP 3-BURNER, ENTRANCE STEP-ELEC.   |
| 20  | 133653-71-U01 | EA  | COUNTERTOP - LAMINATED - HOUSE ROCK/PORTSMOUTH OAK (W07)                              |
| 20  | 133653-71-U02 | EA  | COUNTERTOP - LAMINATED - HOUSE ROCK/SIERRA MAPLE (W08)                                |
| 20  | 133653-71-U03 | EA  | COUNTERTOP - LAMINATED - CLASSIC ROCK/PORTSMOUTH OAK (W09)                            |
| 20  | 133653-71-U04 | EA  | COUNTERTOP - LAMINATED - CLASSIC ROCK/SIERRA MAPLE (W10)                              |
| 21  | 158501-01-U01 | EA  | CABINET - OVERHEAD/GALLEY - W/O DOORS/HDW - PORTSMOUTH OAK                            |
| 21  | 158501-01-U02 | EA  | CABINET - OVERHEAD/GALLEY - W/O DOORS/HDW - SIERRA MAPLE                              |
| 22  | 140307-54-U01 | EA  | END CAP - OVERHEAD CABINET - PORTSMOUTH OAK   |
| 22  | 140307-54-U02 | EA  | END CAP - OVERHEAD CABINET - SIERRA MAPLE   |
| 23  | 164705-01-W07 | EA  | CABINET - OVHD/FRT/RH - W/O DOORS/HDW - PORTSMOUTH OAK - TV-19" DC LCD, DC DVD PLAYER |
| 23  | 164705-01-W08 | EA  | CABINET - OVHD/FRT/RH - W/O DOORS/HDW - SIERRA MAPLE - TV-19" DC LCD, DC DVD PLAYER   |
| 24  | 163473-01-W07 | EA  | CABINET - OVERHEAD/FRONT/RH HAND - W/O DOORS/HDW - PORTSMOUTH OAK                     |
| 24  | 163473-01-W08 | EA  | CABINET - OVERHEAD/FRONT/RH HAND - W/O DOORS/HDW - SIERRA MAPLE                       |
| 25  | 140307-69-W07 | EA  | END CAP - OVERHEAD CABINET - PORTSMOUTH OAK - TV-19" DC LCD, DC DVD PLAYER            |
| 25  | 140307-69-W08 | EA  | END CAP - OVERHEAD CABINET - SIERRA MAPLE - TV-19" DC LCD, DC DVD PLAYER              |
| 26  | 140307-59-U01 | EA  | END CAP - OVERHEAD CABINET - PORTSMOUTH OAK   |
| 26  | 140307-59-U02 | EA  | END CAP - OVERHEAD CABINET - SIERRA MAPLE   |
| 27  | 162694-01-01A | EA  | ENCLOSURE - STOVE - 20.7"W X 16.1"H X 18.7"D - RANGE 3 BURNER WITH OVEN               |
| 28  | 164492-A7-W07 | EA  | DOOR - RAISED/PENCIL EDGE - 14.4" X 21.8" - W/O HDW - PORTSMOUTH OAK                  |
| 28  | 164492-A7-W08 | EA  | DOOR - RAISED/PENCIL EDGE - 14.4" X 21.8" - W/O HDW - SIERRA MAPLE                    |
| 29  | 164492-A8-W07 | EA  | DOOR - RAISED/PENCIL EDGE - 14.4" X 21.8" - W/O HDW - PORTSMOUTH OAK                  |
| 29  | 164492-A8-W08 | EA  | DOOR - RAISED/PENCIL EDGE - 14.4" X 21.8" - W/O HDW - SIERRA MAPLE                    |
| 30  | 164492-28-W07 | EA  | DOOR - RAISED/PENCIL EDGE - 10" X 29.5" - W/O HDW - PORTSMOUTH OAK                    |
| 30  | 164492-28-W08 | EA  | DOOR - RAISED/PENCIL EDGE - 10" X 29.5" - W/O HDW - SIERRA MAPLE                      |
| 31  | 164492-D3-W07 | EA  | DOOR - RAISED/PENCIL EDGE - 15.7" X 28" - W/O HDW - PORTSMOUTH OAK                    |
| 31  | 164492-D3-W08 | EA  | DOOR - RAISED/PENCIL EDGE - 15.7" X 28" - W/O HDW - SIERRA MAPLE                      |
| 32  | 161074-04-W07 | EA  | DRAWER - PENCIL EDGE - 19.8"W X 11.8"D - W/O SLIDES/HDW - PORTSMOUTH OAK              |
| 32  | 161074-04-UQ1 | EA  | DRAWER - PENCIL EDGE - 19.8"W X 11.8"D - W/O SLIDES/HDW - SIERRA MAPLE                |
| 33  | 164491-E8-W07 | EA  | DOOR - FLAT/PENCIL EDGE - 10.8" X 21.8" - W/O HDW - PORTSMOUTH OAK                    |
| 33  | 164491-E8-W08 | EA  | DOOR - FLAT/PENCIL EDGE - 10.8" X 21.8" - W/O HDW - SIERRA MAPLE                      |
| 34  | 161074-01-W07 | EA  | DRAWER - PENCIL EDGE - 5.3"W X 19.7"D - W/O SLIDES/HDW - PORTSMOUTH OAK               |
| 34  | 161074-01-W08 | EA  | DRAWER - PENCIL EDGE - 5.3"W X 19.7"D - W/O SLIDES/HDW - SIERRA MAPLE                 |
| 35  | 164491-57-W07 | EA  | DOOR - FLAT/PENCIL EDGE - 11.4" X 16.1" - W/O HDW - PORTSMOUTH OAK                    |
| 35  | 164491-57-W08 | EA  | DOOR - FLAT/PENCIL EDGE - 11.4" X 16.1" - W/O HDW - SIERRA MAPLE                      |
| 36  | 164491-56-W07 | EA  | DOOR - FLAT/PENCIL EDGE - 11.4" X 16.1" - W/O HDW - PORTSMOUTH OAK                    |
| 36  | 164491-56-W08 | EA  | DOOR - FLAT/PENCIL EDGE - 11.4" X 16.1" - W/O HDW - SIERRA MAPLE                      |
| 37  | 164492-D0-W07 | EA  | DOOR - RAISED/PENCIL EDGE - 15.7" X 20.5" - PORTSMOUTH OAK                            |
| 37  | 164492-D0-W08 | EA  | DOOR - RAISED/PENCIL EDGE - 15.7" X 20.5" - SIERRA MAPLE                              |

**\*COMPONENT PARTS LISTED LATER IN THIS GROUP**



**CABINET & APPLIANCE GROUP (CONTINUED)**  
**CABINET & APPLIANCE LAYOUT (CONTINUED)**



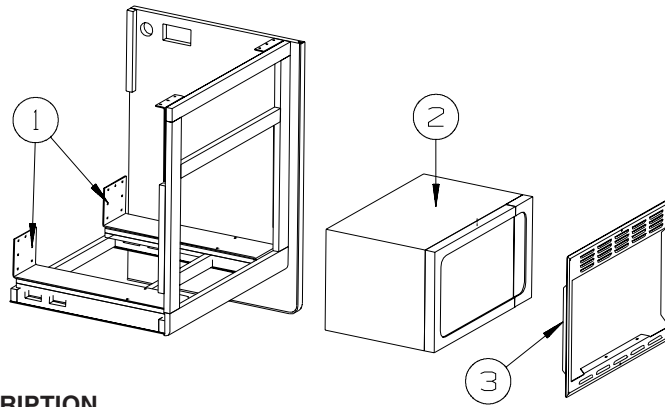
| KEY | PART NUMBER   | U/M | DESCRIPTION  |
|-----|---------------|-----|--|
| 1*  | 121568-07-01A | EA  | REFRIGERATOR - SMALL DBL DOOR-LH/2 WAY- 52.8"HX23.5"WX24"D             |
|     | 054450-01-000 | EA  | LEVEL - REFRIGERATOR   |
|     | 116751-01-01A | EA  | TRAY - REFRIGERATOR  |
| 2   | 133654-31-U01 | EA  | COUNTERTOP - LAMINATED - HOUSE ROCK/PORTSMOUTH OAK (W07)               |
| 2   | 133654-31-U02 | EA  | COUNTERTOP - LAMINATED - HOUSE ROCK/SIERRA MAPLE (W08)                 |
| 2   | 133654-31-U03 | EA  | COUNTERTOP - LAMINATED - CLASSIC ROCK/PORTSMOUTH OAK (W09)             |
| 2   | 133654-31-U04 | EA  | COUNTERTOP - LAMINATED - CLASSIC ROCK/SIERRA MAPLE (W10)               |
| 3   | 158543-01-U01 | EA  | CABINET - OVERHEAD/MEDICINE - W/O DOORS/HDW - PORTSMOUTH OAK           |
| 3   | 158543-01-U02 | EA  | CABINET - OVERHEAD/MEDICINE - W/O DOORS/HDW - SIERRA MAPLE             |
| 4   | 158602-01-U01 | EA  | CABINET - LAVATORY - W/O COUNTERTOP/DOORS/DRAWERS/HDW - PORTSMOUTH OAK |
| 4   | 158602-01-U02 | EA  | CABINET - LAVATORY - W/O COUNTERTOP/DOORS/DRAWERS/HDW - SIERRA MAPLE   |
| 5   | 144645-10-U01 | EA  | DOOR - BATH - W/O TOWEL RACK/HARDWARE - PORTSMOUTH OAK                 |
| 5   | 144645-10-U02 | EA  | DOOR - BATH - W/O TOWEL RACK/HARDWARE - SIERRA MAPLE                   |
| 6   | 105394-02-09A | EA  | JAMB - DOOR/MOLDED PLASTIC - 79.8" - PORTSMOUTH OAK                    |
| 6   | 105394-02-08A | EA  | JAMB - DOOR/MOLDED PLASTIC - 79.8" - SIERRA MAPLE                      |
| 7   | 158465-06-W07 | EA  | CABINET - OVERHEAD/DINETTE - W/O DOORS/HDW                             |
| 7   | 158465-06-W08 | EA  | CABINET - OVERHEAD/DINETTE - W/O DOORS/HDW                             |
| 7   | 158465-06-W09 | EA  | CABINET - OVERHEAD/DINETTE - W/O DOORS/HDW                             |
| 7   | 158465-06-W10 | EA  | CABINET - OVERHEAD/DINETTE - W/O DOORS/HDW                             |
| 8   | 140307-55-U01 | EA  | END CAP - OVERHEAD CABINET - PORTSMOUTH OAK                            |
| 8   | 140307-55-U02 | EA  | END CAP - OVERHEAD CABINET - SIERRA MAPLE                              |
| 9   | 024275-16-000 | EA  | ROD - TABLE LIFT - W/ARMS 8" & BASE ROD 18.5" - ALMOND                 |
| 10  | 024281-12-000 | EA  | BRACKET/WALL - TABLE LIFT - 17.1" - ALMOND                             |
| 11  | 140921-02-02A | EA  | BRACKET/TABLE SUPPORT - 18.5" - ALMOND                                 |
| 12  | 143798-01-02A | EA  | CATCH - FLOOR TO TABLE LEG - ALMOND                                    |
| 13  | 164128-02-03A | EA  | HOLDER/CUP - TWO STEP - ALMOND   |
| 14  | 144605-03-U01 | EA  | TABLE - DINETTE - 41.6" X 29.7" - W/O HARDWARE (W07)                   |
| 14  | 144605-03-U02 | EA  | TABLE - DINETTE - 41.6" X 29.7" - W/O HARDWARE (W08)                   |
| 14  | 144605-03-U03 | EA  | TABLE - DINETTE - 41.6" X 29.7" - W/O HARDWARE (W09)                   |
| 14  | 144605-03-U04 | EA  | TABLE - DINETTE - 41.6" X 29.7" - W/O HARDWARE (W10)                   |
| 15  | 164491-90-W07 | EA  | DOOR - FLAT/PENCIL EDGE - 13.4" X 21.8" - W/O HDW - PORTSMOUTH OAK     |
| 15  | 164491-90-W08 | EA  | DOOR - FLAT/PENCIL EDGE - 13.4" X 21.8" - W/O HDW - SIERRA MAPLE       |
| 16  | 145004-22-U01 | EA  | CABINET/DINETTE-RH-W/END CAP/BACK/FACE-W/O SEAT BOARD - PORTSMOUTH OAK |
| 16  | 145004-22-U02 | EA  | CABINET/DINETTE-RH-W/END CAP/BACK/FACE-W/O SEAT BOARD - SIERRA MAPLE   |
| 17  | 111474-01-01A | EA  | PLATE-STOP O/W   |

**CABINET & APPLIANCE GROUP (CONTINUED)**  
**CABINET & APPLIANCE LAYOUT (CONTINUED)**

| KEY | PART NUMBER   | U/M | DESCRIPTION  |
|-----|---------------|-----|--|
| 18  | 145004-70-P07 | EA  | SEAT BACK - DINETTE - HINGED PORTION - W/O HINGE/HDW - PORTSMOUTH OAK    |
| 18  | 145004-70-S88 | EA  | SEAT BACK - DINETTE - HINGED PORTION - W/O HINGE/HDW - SIERRA MAPLE      |
| 19  | 081295-01-N70 | EA  | SUPPORT - BED/DINETTE - 28" LONG - PORTSMOUTH OAK                        |
| 19  | 081295-01-RE0 | EA  | SUPPORT - BED/DINETTE - 28" LONG - SIERRA MAPLE                          |
| 20  | 096764-02-000 | FT  | SLIPNOT - ANTISLIP - 1'WIDE (20' ROLLS) - WHITE                          |
| 21  | 122021-01-02A | EA  | ANGLE - W/HOLES - 8.6" LONG - OFF WHITE                                  |
| 22  | 145004-23-U01 | EA  | CABINET/DINETTE-LH-W/END CAP/BACK/FACE-W/O SEAT BOARD - PORTSMOUTH OAK   |
| 22  | 145004-23-U02 | EA  | CABINET/DINETTE-LH-W/END CAP/BACK/FACE-W/O SEAT BOARD - SIERRA MAPLE     |
| 23  |               |     | REFRIGERATOR CABINET SEALS   |
|     | 090329-01-000 | FT  | SEAL - "T" - REFRIGERATOR CABINET  |
| 24  | 042438-02-000 | EA  | DOWEL - WOOD - 2"DIAMETER X 2"   |
| 25  | 081298-14-U01 | EA  | TABLE - W/BASE F/TABLE LEG (W07)   |
| 25  | 081298-14-U02 | EA  | TABLE - W/BASE F/TABLE LEG (W08)   |
| 25  | 081298-14-U03 | EA  | TABLE - W/BASE F/TABLE LEG (W09)   |
| 25  | 081298-14-U04 | EA  | TABLE - W/BASE F/TABLE LEG (W10)   |
|     | 130969-02-U01 | EA  | TABLE TOP ONLY - PEDESTAL TYPE (W07)                                     |
|     | 130969-02-U02 | EA  | TABLE TOP ONLY - PEDESTAL TYPE (W08)                                     |
|     | 130969-02-U03 | EA  | TABLE TOP ONLY - PEDESTAL TYPE (W09)                                     |
|     | 130969-02-U04 | EA  | TABLE TOP ONLY - PEDESTAL TYPE (W10)                                     |
| 26  | 155001-03-01A | EA  | BASE - LEG MOUNT/FLOOR/TABLE - RECESSED - SILVER                         |
| 27  | 155001-04-01A | EA  | LEG - PEDESTAL TABLE - 29" - SILVER                                      |
| 28  | 062046-01-000 | EA  | CLIP - LEG - PEDESTAL - 1.7" X 2.2" - DIA FROM 2" - 2.5"                 |
| 29  | 158369-12-W07 | EA  | DOOR/FRONT KICK PANEL - SOFA/BED - FABRIC COVERED (W07, W08)             |
| 29  | 158369-12-U09 | EA  | DOOR/FRONT KICK PANEL - SOFA/BED - FABRIC COVERED (W09, W10)             |
| 30  | 158369-15-W07 | EA  | PANEL - RIGHT END - SOFA/BED - FABRIC COVERED (W07, W08)                 |
| 30  | 158369-15-U09 | EA  | PANEL - RIGHT END - SOFA/BED - FABRIC COVERED (W09, W10)                 |
| 31  | 158369-19-W07 | EA  | PANEL - LEFT END - SOFA/BED - FABRIC COVERED (W07, W08)                  |
| 31  | 158369-19-U09 | EA  | PANEL - LEFT END - SOFA/BED - FABRIC COVERED (W09, W10)                  |
| 32  | 156732-01-02A | EA  | BRACE - ANGLE/COUCH - 2.5" - OFF WHITE                                   |
| 33  | 115237-14-T11 | EA  | DOOR - MIRRORED/MEDICINE CABINET - W/O HARDWARE - PORTSMOUTH OAK         |
| 33  | 115237-14-TK0 | EA  | DOOR - MIRRORED/MEDICINE CABINET - W/O HARDWARE - SIERRA MAPLE           |
|     | 093606-03-000 | EA  | MIRROR - BEVELED EDGE - 28.3" X 15.1"                                    |
| 34  | 164492-C7-W07 | EA  | DOOR - RAISED/PENCIL EDGE - 15.6" X 45.5" - W/O HDW - PORTSMOUTH OAK     |
| 34  | 164492-C7-W08 | EA  | DOOR - RAISED/PENCIL EDGE - 15.6" X 45.5" - W/O HDW - SIERRA MAPLE       |
| 35  | 164492-A9-W07 | EA  | DOOR - RAISED/PENCIL EDGE - 14.4" X 26.8" - W/O HDW - PORTSMOUTH OAK     |
| 35  | 164492-A9-W08 | EA  | DOOR - RAISED/PENCIL EDGE - 14.4" X 26.8" - W/O HDW - SIERRA MAPLE       |
| 36  | 164491-25-W07 | EA  | DOOR - FLAT/PENCIL EDGE - 10" X 25.2" - W/O HDW - PORTSMOUTH OAK         |
| 36  | 164491-25-W08 | EA  | DOOR - FLAT/PENCIL EDGE - 10" X 25.2" - W/O HDW - SIERRA MAPLE           |
|     | 076767-04-000 | EA  | CABLE - STAINLESS STEEL - 5.9" - <b>HOME THEATER SOUND SYSTEM</b>        |
| 37  | 161074-24-W07 | EA  | DRAWER - PENCIL EDGE - 13.1"W X 21.6"D - W/O SLIDES/HDW - PORTSMOUTH OAK |
| 37  | 161074-24-W08 | EA  | DRAWER - PENCIL EDGE - 13.1"W X 21.6"D - W/O SLIDES/HDW - SIERRA MAPLE   |
| 38  | 076767-04-000 | EA  | CABLE - STAINLESS STEEL - 5.9"   |

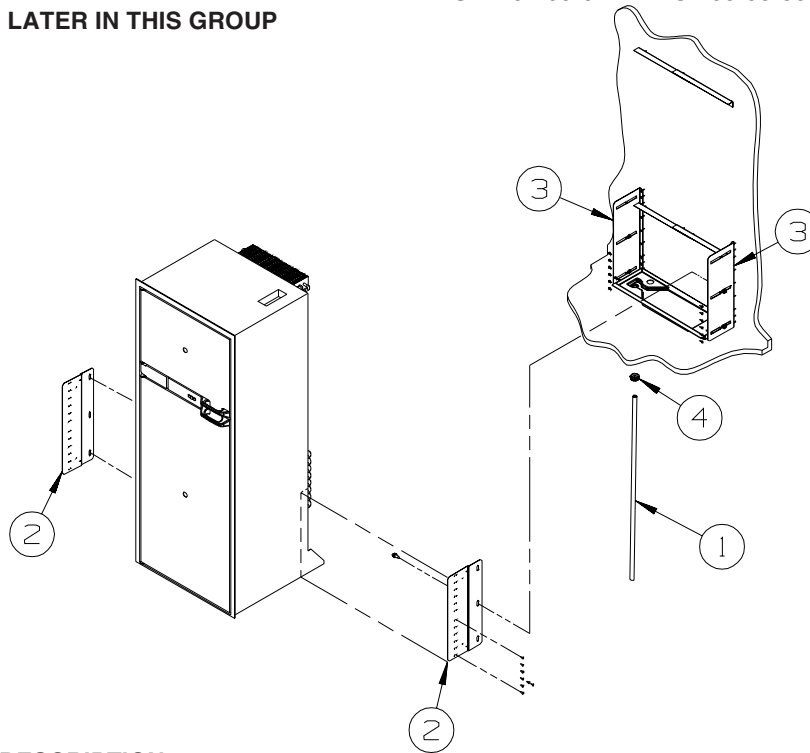
**\*COMPONENT PARTS LISTED LATER IN THIS GROUP**

**CABINET & APPLIANCE GROUP (CONTINUED)**  
**CABINET & APPLIANCE LAYOUT (CONTINUED)**



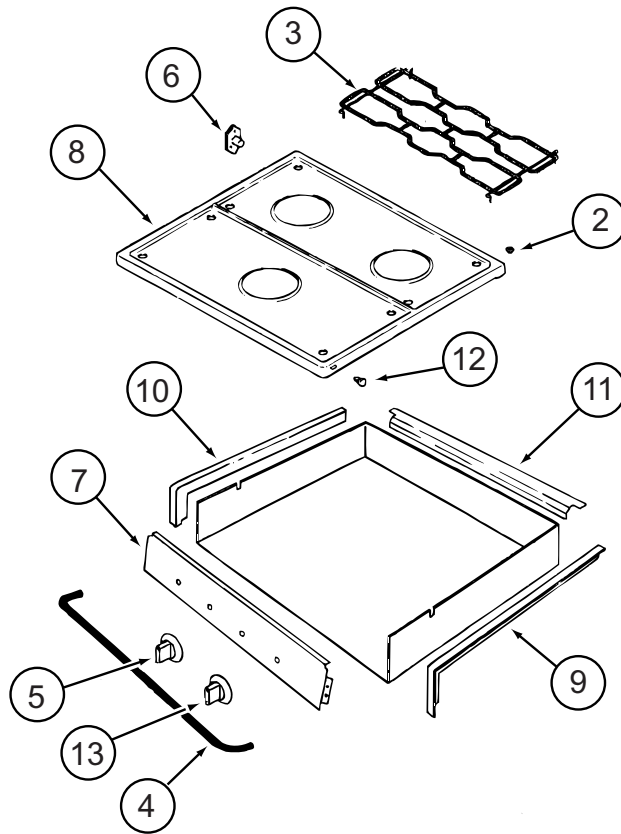
| KEY | PART NUMBER   | U/M | DESCRIPTION  |
|-----|---------------|-----|--|
| 1   | 143759-11-02B | EA  | BRACKET - MICROWAVE - E-COATED   |
| 2*  | 158686-01-01A | EA  | OVEN/MICROWAVE - .9 CU FT - NON-CONV - BLACK<br>FROM: 00-00-00 THRU: 04-08-07              |
| 2   | 158686-02-01A | EA  | OVEN/MICROWAVE - .9 CU FT - NON-CONV - W/O TRIM/VENTS-BLK<br>FROM: 04-09-07 THRU: 99-99-99 |
| 3   | 164197-01-01A | EA  | TRIM KIT - MICROWAVE - ONE PIECE - BLACK<br>FROM: 04-09-07 THRU: 99-99-99                  |

**\*COMPONENT PARTS LISTED LATER IN THIS GROUP**



| KEY | PART NUMBER   | U/M | DESCRIPTION   |
|-----|---------------|-----|---|
| 1   | 112176-01-000 | FT  | TUBING - VINYL - REINFORCED - 1/2" ID                 |
| 2   | 150740-01-02B | EA  | BRACKET/TIEDOWN - REFRIGERATOR - E-COATED             |
| 3   | 150740-02-02B | EA  | BRACKET/TIEDOWN - REFRIGERATOR - E-COATED             |
| 4   | 152417-01-01A | EA  | CLAMP/RATCHET - F/REFRIGERATOR DRIP TRAY HOSE - BLACK |

**CABINET & APPLIANCE GROUP (CONTINUED)**  
**COMPONENT PARTS FOR CABINET & APPLIANCE LAYOUT**

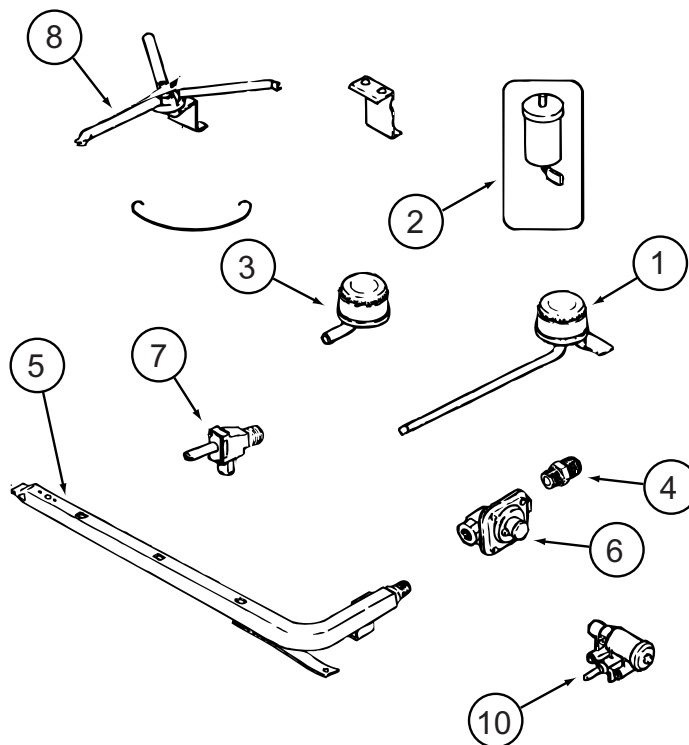


114030-04-01A

| KEY | PART NUMBER   | U/M | DESCRIPTION                 | VENDOR NO.       |
|-----|---------------|-----|-----------------------------|------------------|
| 2   | 102020-01-709 | EA  | BUMPER-GRATE                | 8007P020-60      |
| 3   | 112881-04-702 | EA  | GRATE - BLACK               | 74007277         |
| 4   | 114030-02-700 | EA  | GUARD/FABRIC - TOWEL BAR    | 3609F006-70      |
| 5   | 128728-01-701 | EA  | KNOB - BURNER - REAR        | 74003941 (1 PER) |
| 5   | 128728-01-702 | EA  | KNOB - BURNER - FRONT       | 74003942         |
| 6   | 128728-01-703 | EA  | PIN/T-NUT F/HINGE           | 7103P109-60      |
| 7   | 114030-04-700 | EA  | PANEL - MANIFOLD - BLACK    | 74007325         |
| 8   | 126023-01-728 | EA  | TOP - MAIN (BLACK)          | 74003323         |
| 9   | 114030-01-704 | EA  | TRIM - RIGHT/BLACK TEXTURED | 74002839         |
| 10  | 114030-01-705 | EA  | TRIM - LEFT/BLACK TEXTURED  | 74002840         |
| 11  | 114030-01-706 | EA  | TRIM - REAR/BLACK TEXTURED  | 74002841         |
| 12  | 102020-01-724 | EA  | BUMPER - MAIN TOP           | 8003P008-60      |
| 13  | 128728-01-707 | EA  | KNOB - IGNITER              | 74003944         |

CONTACT WINNEBAGO PART SALES FOR UNLISTED COMPONENT(S)

**CABINET & APPLIANCE GROUP (CONTINUED)**  
**COMPONENT PARTS FOR CABINET & APPLIANCE LAYOUT (CONTINUED)**

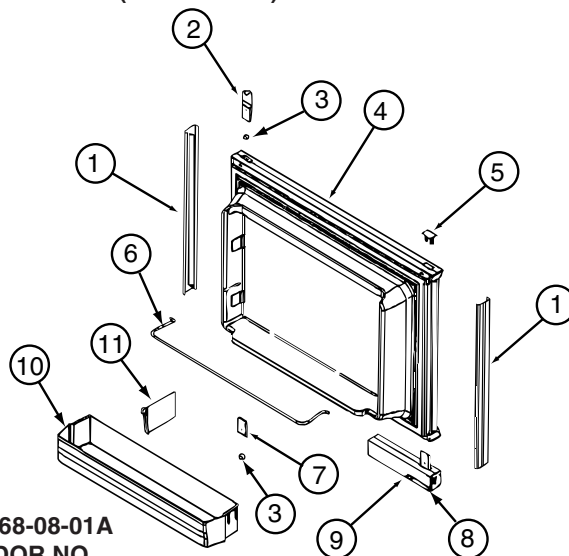


**114030-04-01A (CONTINUED)**

| KEY | PART NUMBER   | U/M | DESCRIPTION                     | VENDOR NO.  |
|-----|---------------|-----|---------------------------------|-------------|
| 1   | 112881-04-700 | EA  | BURNER - TOP /LEFT REAR         | 74004584    |
| 1   | 126023-01-700 | EA  | BURNER - TOP (RT-REAR) 5100 BTU | 74004583    |
| 2   | 112881-04-705 | EA  | PUSH RING (ELECTRODE MTG)       | 7104P002-60 |
| 2   | 126023-01-711 | EA  | ELECTRODE - IGNITER (ONLY)      | 7432P077-60 |
| 3   | 112881-04-701 | EA  | BURNER - TOP/FRONT              | 74004582    |
| 4   | 135065-03-700 | EA  | FITTING - HALF UNION            | 74004234    |
| 5   | 135065-01-702 | EA  | PIPE/MANIFOLD                   | 74004642    |
| 6   | 126023-02-703 | EA  | REGULATOR - PRESSURE            | 74004235    |
| 7   | 126023-02-705 | EA  | VALVE - BURNER - REAR           | 74004362    |
| 7   | 126023-02-706 | EA  | VALVE - BURNER - FRONT          | 74004363    |
| 8   | 126023-01-736 | EA  | FLASH TUBE EXTENSION (REAR)     | 74003326    |
| 8   | 126023-01-737 | EA  | FLASH TUBE EXTENSION (FRONT)    | 74003327    |
| 10  | 126023-01-719 | EA  | IGNITER HEAD - TOP BURNER       | 74002413    |
|     | 126023-02-702 | EA  | PIPE - MANIFOLD                 | 74004360    |

CONTACT WINNEBAGO PART SALES FOR UNLISTED COMPONENT(S)

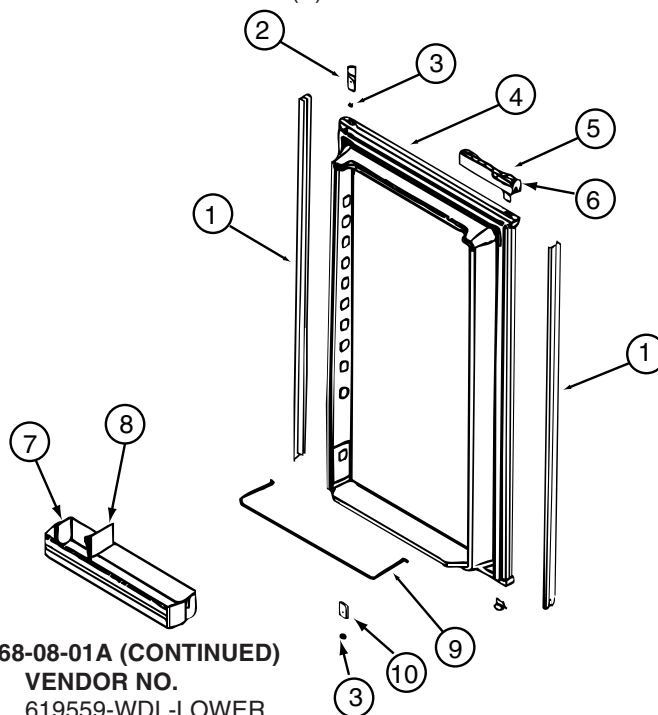
**CABINET & APPLIANCE GROUP (CONTINUED)**  
**COMPONENT PARTS FOR CABINET & APPLIANCE LAYOUT (CONTINUED)**



121568-06-01A, 121568-07-01A, 121568-08-01A

| KEY | PART NUMBER   | U/M | DESCRIPTION                  | VENDOR NO.         |
|-----|---------------|-----|------------------------------|--------------------|
| 1   | 121568-03-700 | EA  | RETAINER-DOOR PNL/WAFFLE/BLK | 619558-WDL-UPPER   |
| 2   | 120075-01-701 | EA  | HINGE-TOP RH/BOTTOM LH(DOOR) | 618511             |
| 3   | 121568-03-701 | EA  | BUSHING - HINGE PIN/GRAY     | 619671             |
| 4   | 121568-03-702 | EA  | DOOR LINER-UPR/WAFFLED/BLACK | 619627 - SMALL WDL |
| 5   | 120075-01-702 | EA  | CAP, (HINGE PLUG)            | 618160             |
| 6   | 121568-01-700 | EA  | RAIL - DOOR UPPER            | 618618             |
| 7   | 120075-01-705 | EA  | HINGE-TOP LH/BOTTOM RH(DOOR) | 618510             |
| 8   | 121568-03-705 | EA  | STORAGE LATCH - GRAY         | 619648             |
| 9   | 121568-03-721 | EA  | HANDLE/DOOR UPPER RH SWING   | 621465             |
| 9   | 121568-03-722 | EA  | HANDLE/DOOR LOWER RH SWING   | 621469             |
| 10  | 121568-01-701 | EA  | BIN - DOOR WHITE-WAFFLED LNR | 618619 WDL         |

CONTACT WINNEBAGO PART SALES FOR UNLISTED COMPONENT(S)

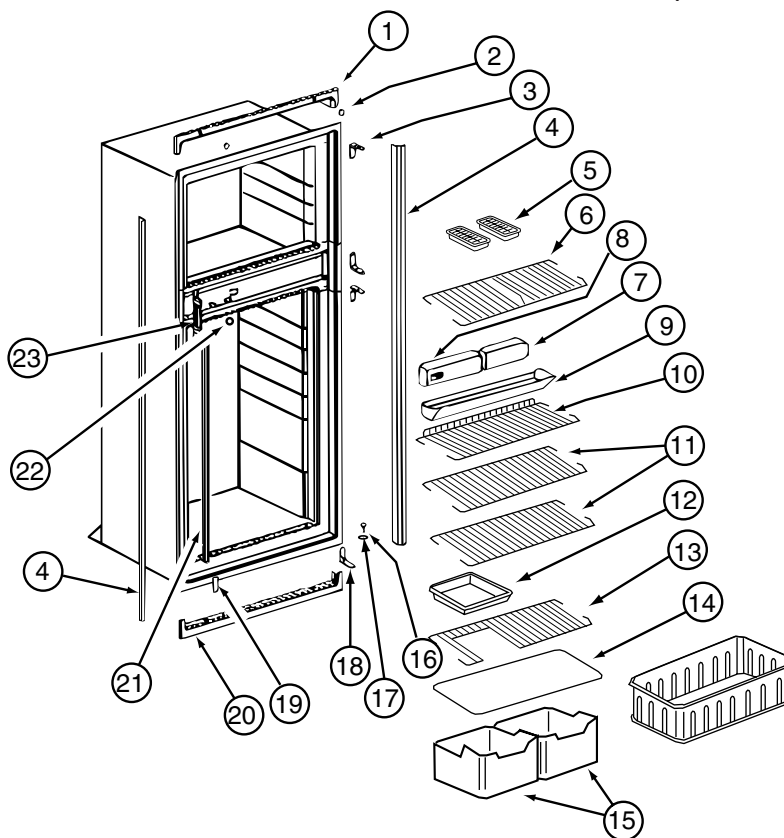


121568-06-01A, 121568-07-01A, 121568-08-01A (CONTINUED)

| KEY | PART NUMBER   | U/M | DESCRIPTION                  | VENDOR NO.       |
|-----|---------------|-----|------------------------------|------------------|
| 1   | 121568-03-706 | EA  | RETAINER-DOOR PNL/WAFFLE/BLK | 619559-WDL-LOWER |
| 2   | 120075-01-701 | EA  | HINGE-TOP RH/BOTTOM LH(DOOR) | 618511           |
| 3   | 121568-03-701 | EA  | BUSHING - HINGE PIN/GRAY     | 619671           |
| 4   | 121568-03-707 | EA  | DOOR LINER-LWR/WAFFLED/B/TRM | 619629           |
| 5   | 121568-03-722 | EA  | HANDLE/DOOR LOWER RH SWING   | 621469           |
| 6   | 121568-03-705 | EA  | STORAGE LATCH - GRAY         | 619648           |
| 7   | 121568-01-701 | EA  | BIN - DOOR WHITE-WAFFLED LNR | 618619 WDL       |
| 9   | 121568-01-704 | EA  | RAIL - DOOR LOWER            | 618578           |
| 10  | 120075-01-705 | EA  | HINGE-TOP LH/BOTTOM RH(DOOR) | 618510           |

CONTACT WINNEBAGO PART SALES FOR UNLISTED COMPONENT(S)

**CABINET & APPLIANCE GROUP (CONTINUED)**  
**COMPONENT PARTS FOR CABINET & APPLIANCE LAYOUT (CONTINUED)**

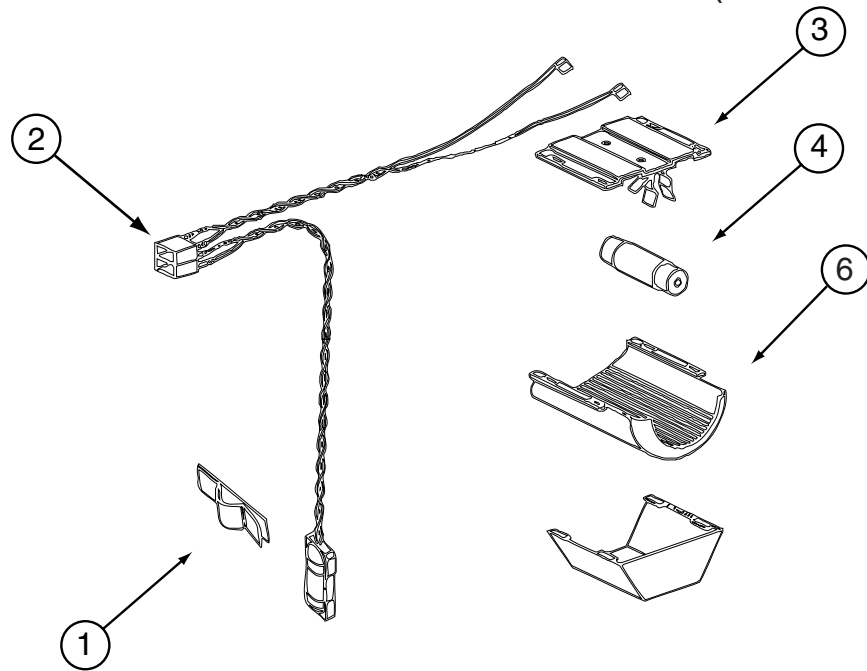


**121568-06-01A, 121568-07-01A, 121568-08-01A (CONTINUED)**

| KEY | PART NUMBER   | U/M | DESCRIPTION                 | VENDOR NO.          |
|-----|---------------|-----|-----------------------------|---------------------|
| 1   | 120075-01-713 | EA  | TRIM-TOP PIECE              | 619687              |
| 2   | 120075-01-714 | EA  | PLUG-HOLE (BLACK)           | 618170              |
| 3   | 121568-03-710 | EA  | HINGE/CABINET-TOP/RH-LWR/LH | 619335 WAFFLED      |
| 4   | 121568-03-711 | EA  | TRIM - SIDE/BLACK           | 622295              |
| 6   | 121568-01-705 | EA  | SHELF - WIRE FREEZER        | 620250              |
| 7   | 121568-06-700 | EA  | FRONT BOX-N611              | 622002              |
| 8   | 121568-06-701 | EA  | CONTROL ASSY-OPTICAL/N611   | 621988 TO SN9056491 |
| 9   | 120075-01-720 | EA  | TRAY-DRIP                   | 623250              |
| 9   | 120075-01-721 | EA  | LOUVER-DRIP TRAY            | 618176              |
| 11  | 121568-01-708 | EA  | SHELF - WIRE                | 620273              |
| 13  | 121568-01-707 | EA  | SHELF - WIRE - SHORT        | 620272              |
| 14  | 120075-01-725 | EA  | COVER-CRISPER - 18.5" WIDE  | 618158              |
| 15  | 121568-01-709 | EA  | CRISPER                     | 618571              |
| 16  | 120075-01-727 | EA  | PIN-HINGE                   | 618145              |
| 17  | 121568-03-701 | EA  | BUSHING - HINGE PIN/GRAY    | 619671              |
| 18  | 121568-03-715 | EA  | HINGE/CABINET-TOP/LH-LWR/RH | 619336 WAFFLED      |
| 19  | 121568-03-716 | EA  | COVER - HINGE HOLES         | 619301              |
| 20  | 120075-01-729 | EA  | TRIM-BOTTOM PIECE           | 620958              |
| 21  | 121568-06-702 | EA  | CLIP - SHELF                | 61536522            |
| 22  | 121568-06-703 | EA  | HOLE PLUG - WHITE           | 620282              |
| 23  | 120075-01-732 | EA  | PLATE-STRIKE                | 618167              |

CONTACT WINNEBAGO PART SALES FOR UNLISTED COMPONENT(S)

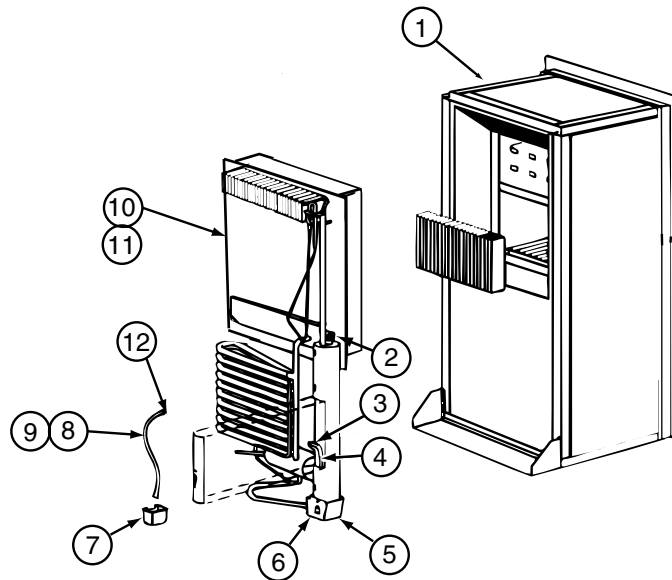
**CABINET & APPLIANCE GROUP (CONTINUED)**  
**COMPONENT PARTS FOR CABINET & APPLIANCE LAYOUT (CONTINUED)**



121568-03-01A, 121568-04-01A, 121568-05-01A, 121568-06-01A, 121568-07-01A, 121568-08-01A (CONTINUED)

| KEY | PART NUMBER   | U/M | DESCRIPTION                | VENDOR NO. |
|-----|---------------|-----|----------------------------|------------|
| 1   | 084880-01-760 | EA  | CLIP (THERMISTER)          | 61689122   |
| 2   | 120075-01-735 | EA  | WIRE ASM - LAMP/THERMISTER | 618548     |
| 3   | 084880-03-705 | EA  | BRACKET-LIGHT-INTERIOR     | 61629722   |
| 4   | 084880-03-706 | EA  | BULB-LAMP                  | 61628922   |
| 6   | 084880-03-707 | EA  | COVER-LAMP, LENS           | 61627922   |

CONTACT WINNEBAGO PART SALES FOR UNLISTED COMPONENT(S)



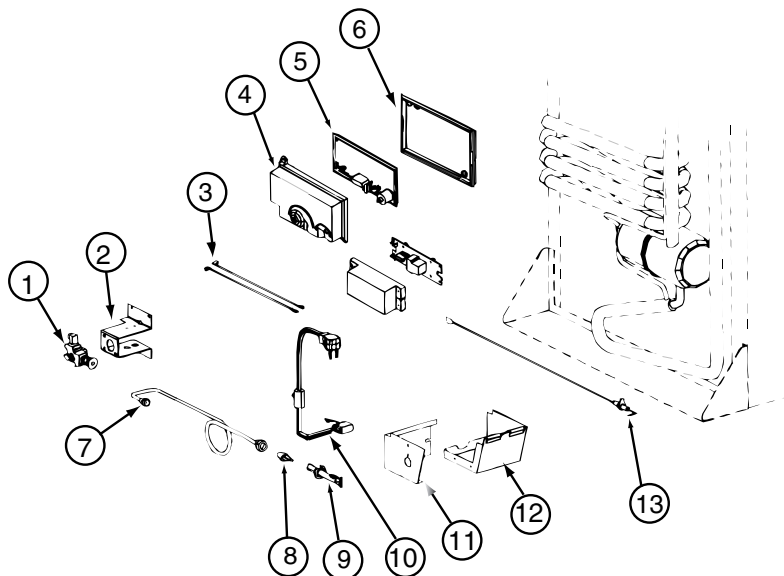
121568-06-01A, 121568-07-01A, 121568-08-01A (CONTINUED)

| KEY | PART NUMBER   | U/M | DESCRIPTION                | VENDOR NO. |
|-----|---------------|-----|----------------------------|------------|
| 4   | 121568-06-704 | EA  | HEATER-AC/300W/120VAC      | 621702     |
| 10  | 120076-01-704 | EA  | COOLING UNIT, SERVICE PACK | 618543     |

CONTACT WINNEBAGO PART SALES FOR UNLISTED COMPONENT(S)



**CABINET & APPLIANCE GROUP (CONTINUED)**  
**COMPONENT PARTS FOR CABINET & APPLIANCE LAYOUT (CONTINUED)**



**121568-06-01A, 121568-07-01A, 121568-08-01A (CONTINUED)**

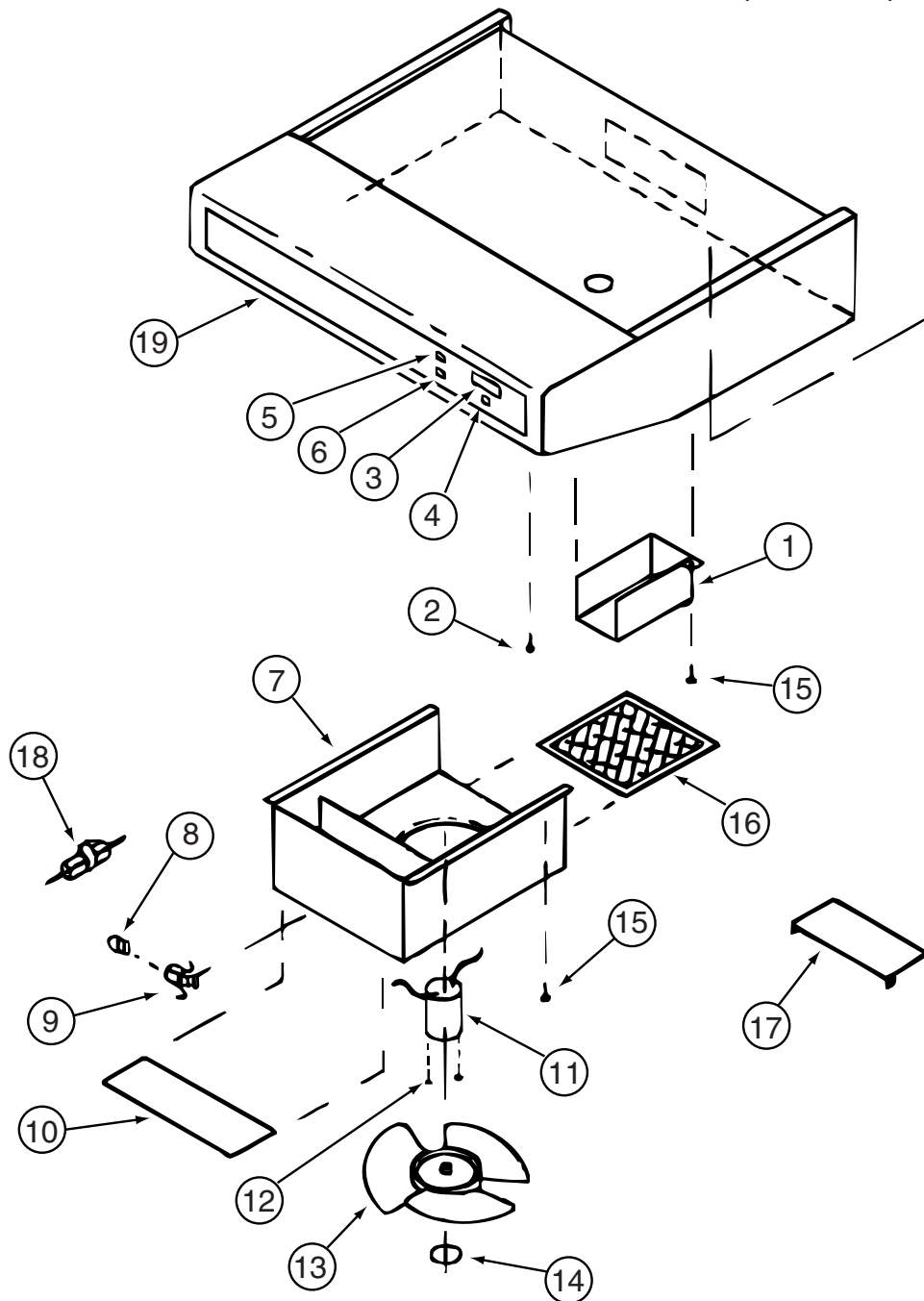
| KEY | PART NUMBER   | U/M | DESCRIPTION                 | VENDOR NO.         |
|-----|---------------|-----|-----------------------------|--------------------|
| 1   | 121568-06-705 | EA  | GAS VALVE/BRKT ASSY-COMBO   | 621439             |
| 1   | 121568-06-706 | EA  | GAS VALVE-COMBO/WRENCH FLAT | 621329             |
| 4   | 120075-01-738 | EA  | COVER-POWER BOARD           | 618185             |
| 5   | 121568-06-707 | EA  | BOARD/POWER-N611            | 621991 = 621991001 |
| 6   | 120075-01-740 | EA  | BASE - POWER BOARD          | 618186             |
| 8   | 121568-06-708 | EA  | BURNER/ORFICE-ADAPTER KIT   | 621957             |
| 13  | 104137-06-715 | EA  | ELECTRODE-SPARK/SENSOR, SGL | 61692222           |
|     | 121569-08-704 | EA  | TUBE/BURNER - N8/N6         | 624682             |

CONTACT WINNEBAGO PART SALES FOR UNLISTED COMPONENT(S)

**121568-05-01A, 121568-07-01A, 121568-08-01A (CONTINUED)**

| KEY | PART NUMBER   | U/M | DESCRIPTION               | VENDOR NO. |
|-----|---------------|-----|---------------------------|------------|
|     | 121568-05-700 | EA  | FAN 12V KIT DBLE SIDEWALL | 619020     |

**CABINET & APPLIANCE GROUP (CONTINUED)**  
**COMPONENT PARTS FOR CABINET & APPLIANCE LAYOUT (CONTINUED)**

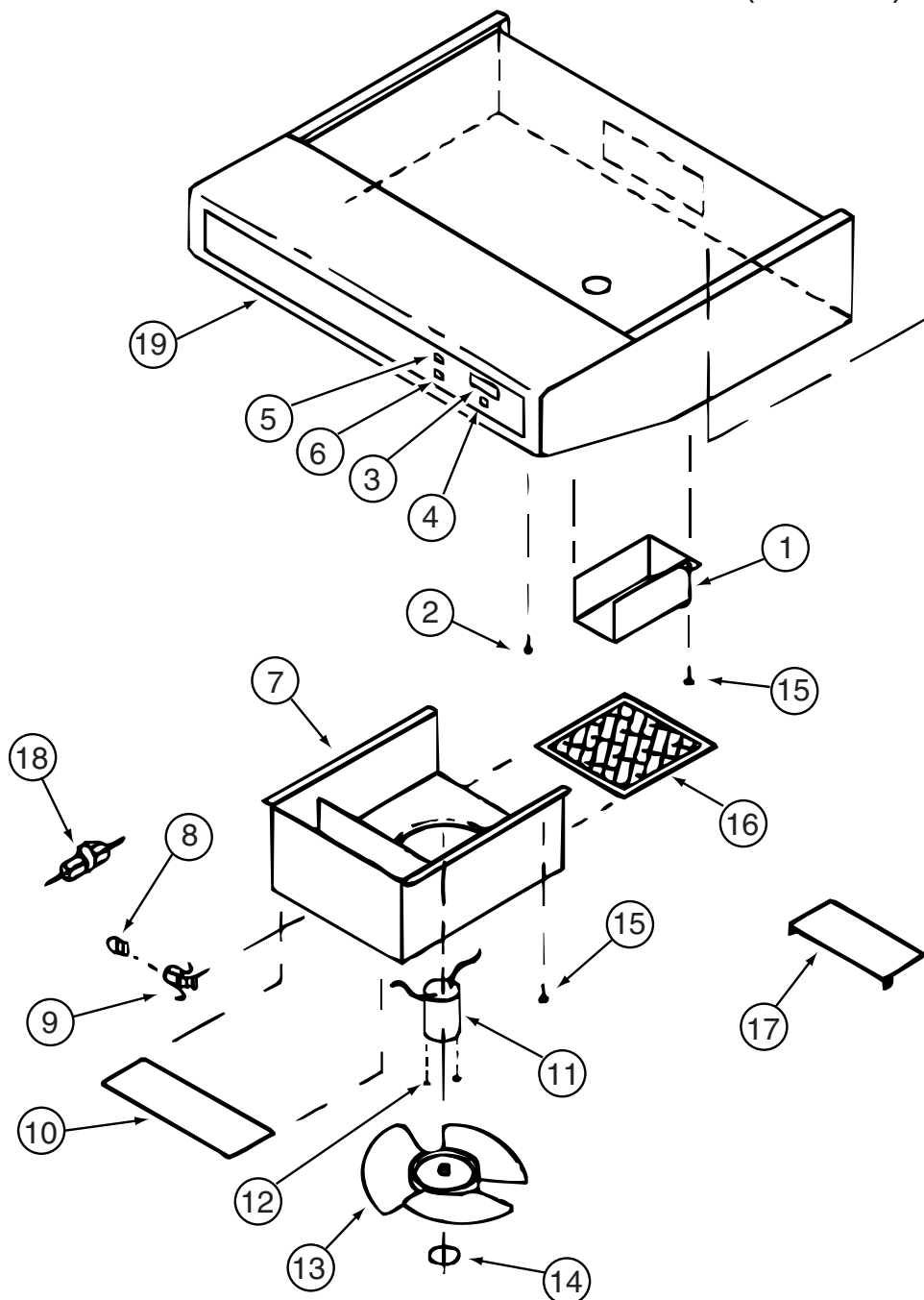


136354-05-01A, 136354-05-02A

| KEY | PART NUMBER   | U/M | DESCRIPTION                  | VENDOR NO.          |
|-----|---------------|-----|------------------------------|---------------------|
| 3   | 100258-10-700 | EA  | GAUGE-HOUR METER, SCREW ON   | L0150-00 WAS 150    |
| 4   | 096983-01-702 | EA  | SWITCH - MOM/OFF/MOM/3 TERM  | L0112-00            |
| 5   | 096983-01-700 | EA  | SWITCH/1 SPEED -ON/OFF- BLK  | L0108-00            |
| 8   | 117806-01-000 | EA  | BULB-12V NO.912 1.0 AMPS     | GENERAL MOTOR HOMES |
| 9   | 092696-01-710 | EA  | HOLDER-LAMP                  | CB0267-02           |
| 10  | 096983-01-708 | EA  | LENS-LAMP                    | CC0179              |
| 11  | 136354-05-700 | EA  | MOTOR-12 VOLT                | VC0536-02           |
| 13  | 136354-05-701 | EA  | BLADE-FAN 7" DIA             | VD0216-00           |
| 16  | 096983-01-707 | EA  | FILTER-MESH                  | CC0246-00           |
| 17  | 100258-01-701 | EA  | DAMPER ASSEMBLY (METAL FLAP) | CA0565-00           |
| 19  | 100258-01-700 | EA  | LABEL-HOOD NOSE              | CC0428-00           |

CONTACT WINNEBAGO PART SALES FOR UNLISTED COMPONENT(S)

**CABINET & APPLIANCE GROUP (CONTINUED)**  
**COMPONENT PARTS FOR CABINET & APPLIANCE LAYOUT (CONTINUED)**

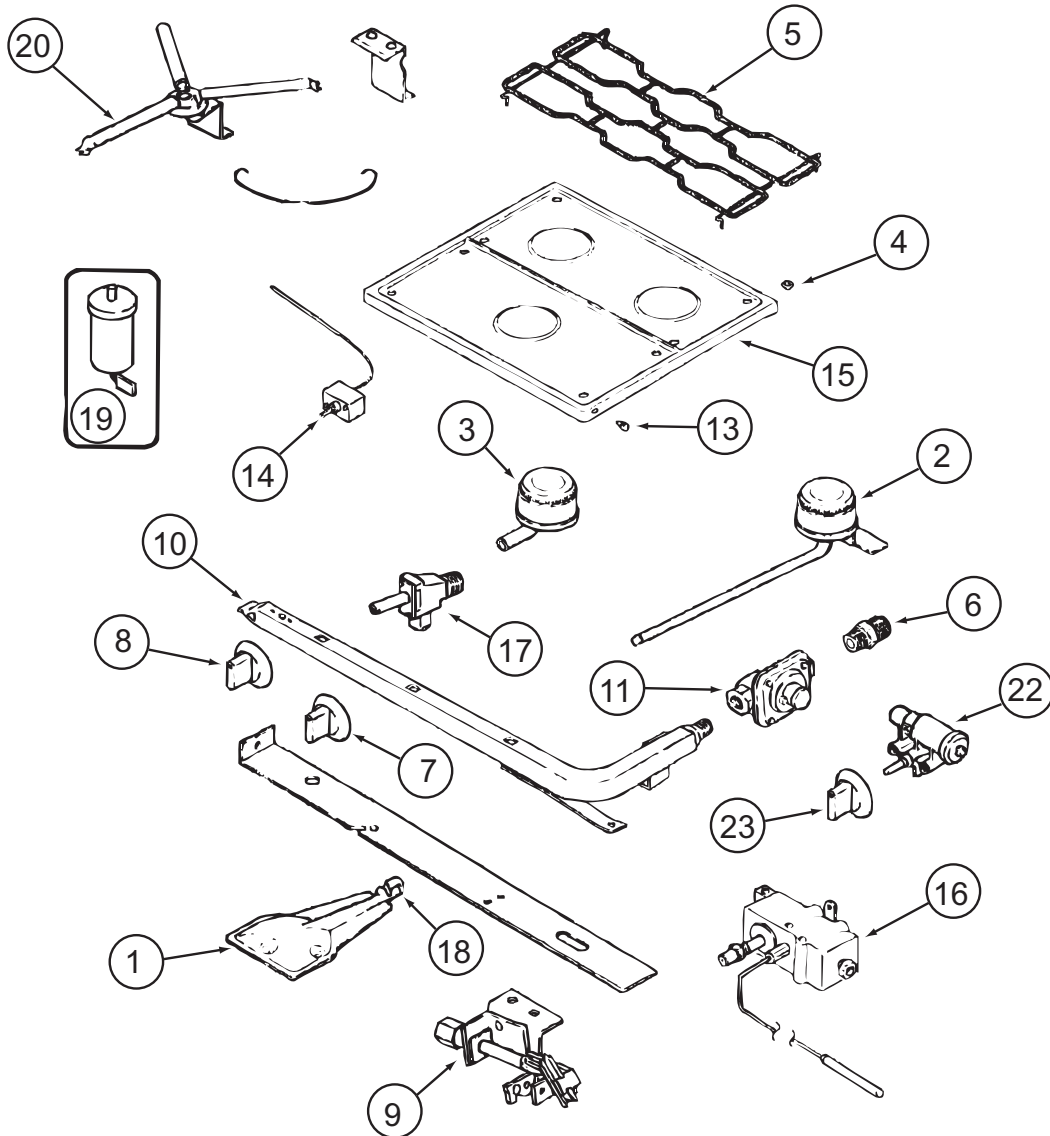


136354-06-01A, 136354-06-02A

| KEY | PART NUMBER   | U/M | DESCRIPTION                  | VENDOR NO.          |
|-----|---------------|-----|------------------------------|---------------------|
| 3   | 100258-10-700 | EA  | GAUGE-HOUR METER, SCREW ON   | L0150-00 WAS 150    |
| 4   | 096983-01-702 | EA  | SWITCH - MOM/OFF/MOM/3 TERM  | L0112-00            |
| 5   | 096983-01-700 | EA  | SWITCH/1 SPEED -ON/OFF- BLK  | L0108-00            |
| 8   | 117806-01-000 | EA  | BULB-12V NO.912 1.0 AMPS     | GENERAL MOTOR HOMES |
| 9   | 092696-01-710 | EA  | HOLDER-LAMP                  | CB0267-02           |
| 10  | 096983-01-708 | EA  | LENS-LAMP                    | CC0179              |
| 11  | 136354-06-700 | EA  | MOTOR - FAN (CSA)            | VC0535-02           |
| 13  | 136354-05-701 | EA  | BLADE-FAN 7" DIA             | VD0216-00           |
| 16  | 096983-01-707 | EA  | FILTER-MESH                  | CC0246-00           |
| 17  | 100258-01-701 | EA  | DAMPER ASSEMBLY (METAL FLAP) | CA0565-00           |
| 19  | 100258-01-700 | EA  | LABEL-HOOD NOSE              | CC0428-00           |

CONTACT WINNEBAGO PART SALES FOR UNLISTED COMPONENT(S)

**CABINET & APPLIANCE GROUP (CONTINUED)**  
**COMPONENT PARTS FOR CABINET & APPLIANCE LAYOUT (CONTINUED)**



151277-01-01A, 151277-02-01A

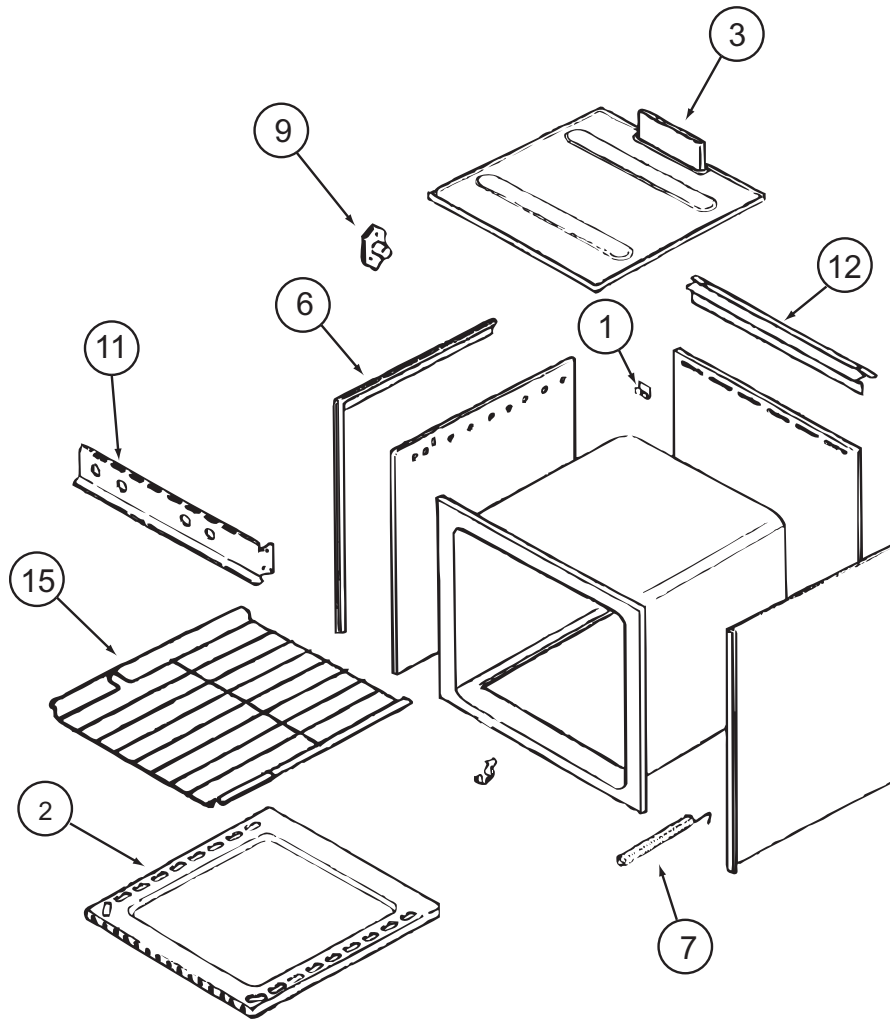
**CABINET & APPLIANCE GROUP (CONTINUED)**  
**COMPONENT PARTS FOR CABINET & APPLIANCE LAYOUT (CONTINUED)**

151277-01-01A, 151277-02-01A (CONTINUED)

| KEY | PART NUMBER   | U/M | DESCRIPTION                    | VENDOR NO.          |
|-----|---------------|-----|--------------------------------|---------------------|
| 1   | 151279-02-700 | EA  | BURNER - OVEN - W/SHUTTER      | 74009853            |
| 2   | 112881-04-700 | EA  | BURNER - TOP/LEFT REAR         | 74004584            |
| 2   | 126023-01-700 | EA  | BURNER-TOP (RT-REAR) 5100BTU   | 74004583            |
| 3   | 112881-04-701 | EA  | BURNER - TOP/FRONT             | 74004582            |
| 4   | 102020-01-709 | EA  | BUMPER-GRATE                   | 8007P020-60         |
| 5   | 112881-04-702 | EA  | GRATE - BLACK                  | 74007277            |
| 6   | 135065-03-700 | EA  | FITTING - HALF UNION           | 74004234            |
| 7   | 128728-01-701 | EA  | KNOB - BURNER - REAR           | 74003941 (1 PER)    |
| 7   | 128728-01-702 | EA  | KNOB - BURNER - FRONT          | 74003942            |
| 8   | 151279-02-701 | EA  | KNOB - THERMOSTAT - BLACK      | 74009858            |
| 9   | 151279-01-700 | EA  | PILOT - BURNER - 16" SERIES    | 74009852            |
| 10  | 151279-02-702 | EA  | PIPE - MANIFOLD                | 74009856            |
| 11  | 112881-03-701 | EA  | REGULATOR KIT W/FITTINGS       | 12001285            |
| 13  | 102020-01-724 | EA  | BUMPER-MAIN TOP                | 8003P008-60         |
| 14  | 151279-02-703 | EA  | THERMOSTAT                     | 74009855            |
| 15  | 151277-01-700 | EA  | TOP - MAIN (BLACK)             | 74007287            |
| 16  | 151279-02-704 | EA  | ELBOW BLOCK ASM (VALVE-OVEN)   | 74009864            |
| 17  | 151277-01-701 | EA  | VALVE/REAR - W/SET SCREW       | 12002254            |
| 17  | 151277-01-702 | EA  | VALVE/FRONT - W/SET SCREW      | 12002246            |
| 19  | 112881-04-705 | EA  | PUSH RING (ELECTRODE MTG)      | 7104P002-60         |
| 19  | 126023-01-711 | EA  | ELECTRODE - IGNITER (ONLY)     | 7432P077-60         |
| 20  | 126023-01-736 | EA  | FLASH TUBE EXTENSION (REAR)    | 74003326            |
| 20  | 126023-01-737 | EA  | FLASH TUBE EXTENSION (FRONT)   | 74003327            |
| 21  | 112881-04-708 | EA  | CLIP-FLASH TUBE                | 7112P068-60         |
| 22  | 126023-01-735 | EA  | KIT - IGNITOR TOP BRNER & KNOB | 12001296=74002413&4 |
| 23  | 128728-01-707 | EA  | KNOB - IGNITOR                 | 74003944            |
| 26  | 112881-04-709 | EA  | SHIELD-SPARK                   | 3604F211-45         |

CONTACT WINNEBAGO PART SALES FOR UNLISTED COMPONENT(S)

**CABINET & APPLIANCE GROUP (CONTINUED)**  
**COMPONENT PARTS FOR CABINET & APPLIANCE LAYOUT (CONTINUED)**

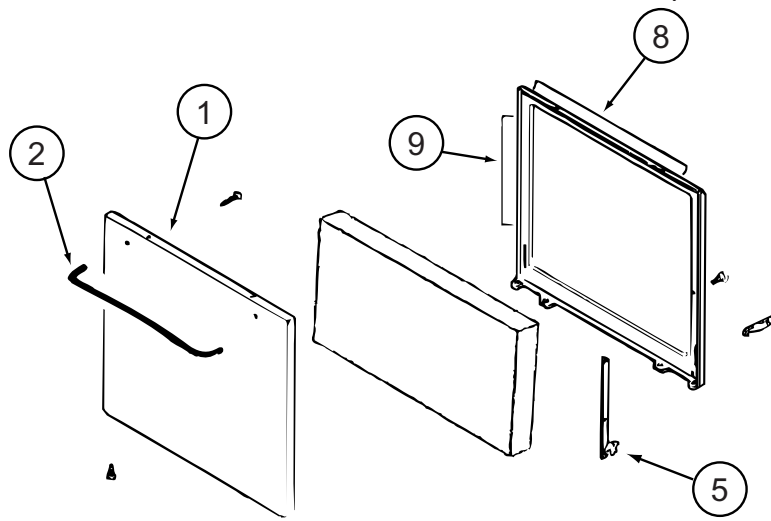


**151277-01-01A (CONTINUED)**

| KEY | PART NUMBER   | U/M | DESCRIPTION               | VENDOR NO.  |
|-----|---------------|-----|---------------------------|-------------|
| 2   | 126023-01-731 | EA  | BOTTOM - OVEN             | 2205F016-19 |
| 3   | 126023-01-718 | EA  | FLUE BOX ASSEMBLY         | 4006W075-80 |
| 6   | 126023-01-713 | EA  | TRIM - SIDE (RIGHT) BLACK | 74002827    |
| 6   | 126023-01-714 | EA  | TRIM - SIDE (LEFT) BLACK  | 74002828    |
| 7   | 135066-03-700 | EA  | SPRING - OVEN DOOR        | 74001835    |
| 9   | 128728-01-703 | EA  | PIN/T-NUT F/HINGE         | 7103P109-60 |
| 15  | 126023-01-716 | EA  | RACK - OVEN               | 74003106    |

CONTACT WINNEBAGO PART SALES FOR UNLISTED COMPONENT(S)

**CABINET & APPLIANCE GROUP (CONTINUED)**  
**COMPONENT PARTS FOR CABINET & APPLIANCE LAYOUT (CONTINUED)**



**151277-01-01A (CONTINUED)**

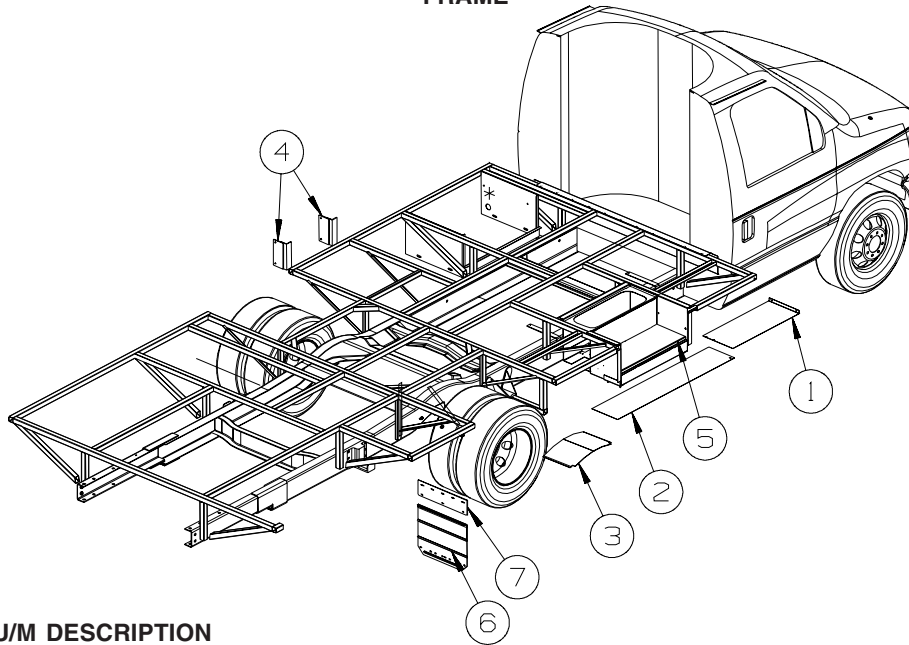
| KEY | PART NUMBER   | U/M | DESCRIPTION                  | VENDOR NO.  |
|-----|---------------|-----|------------------------------|-------------|
| 1   | 102022-01-704 | EA  | GLASS-OUTER                  | 7902P261-60 |
| 1   | 112881-01-713 | EA  | DOOR/OVEN-TEXT/BLK NO WINDOW | 2401F126-70 |
| 2   | 128727-01-701 | EA  | HANDLE - OVEN DOOR           | 74003929    |
| 5   | 151277-01-704 | EA  | HINGE KIT-OVEN DR/LT         | 12400028    |
| 5   | 151277-01-705 | EA  | HINGE KIT-OVEN DR/RT         | 12400029    |
| 8   | 126023-01-732 | EA  | SEAL/OVEN DR TOP             | 7212P014-60 |
| 9   | 135066-03-714 | EA  | SEAL - OVEN DOOR SIDES       | 7212P039-60 |

CONTACT WINNEBAGO PART SALES FOR UNLISTED COMPONENT(S)

**158686-01-01A**

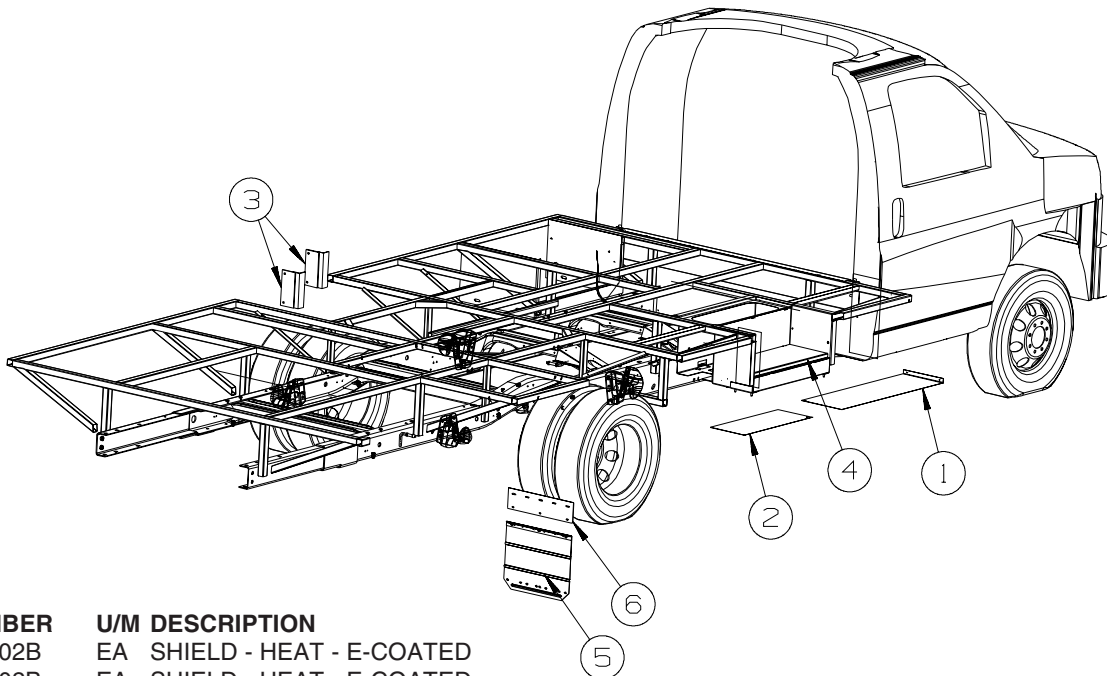
| KEY | PART NUMBER   | U/M | DESCRIPTION      | VENDOR NO.   |
|-----|---------------|-----|------------------|--------------|
|     | 158686-01-700 | EA  | PLATE-GLASS      | SR11092PLATE |
|     | 158686-01-701 | EA  | TRIM KIT - 2 PC. | ODY-2-92KIT  |

## CHASSIS GROUP FRAME



**FORD**

| KEY | PART NUMBER   | U/M | DESCRIPTION   |
|-----|---------------|-----|---|
| 1   | 135676-06-02B | EA  | SHIELD - HEAT - E-COATED                              |
| 2   | 145027-01-02B | EA  | SHIELD - HEAT - E-COATED                              |
| 3   | 158704-01-02B | EA  | SHIELD/HEAT - E-COATED                                |
| 4   | 136042-01-02B | EA  | BRACKET - LP SUPPORT - E-COATED                       |
|     |               |     | FROM: 00-00-00 THRU: 09-09-07                         |
| 4   | 147847-04-02B | EA  | BRACKET - LP SUPPORT - E-COATED                       |
|     |               |     | FROM: 09-10-07 THRU: 99-99-99                         |
| 5   | 162352-01-02B | EA  | BOX - ENTRANCE STEP - E-COATED                        |
| 6   | 136391-02-02B | EA  | GUARD/ROCK - STEEL - W/ANGLE - 18"W X 15"H - E-COATED |
| 7   | 157464-02-02B | EA  | BRACKET/MOUNTING - MUD GUARD - E-COATED               |

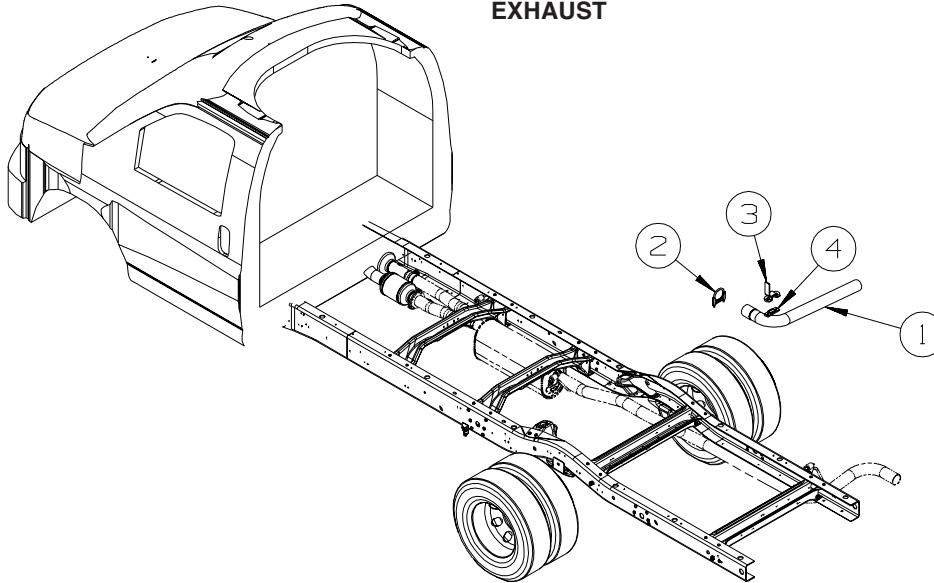


**CHEVY**

| KEY | PART NUMBER   | U/M | DESCRIPTION   |
|-----|---------------|-----|---|
| 1   | 135676-14-02B | EA  | SHIELD - HEAT - E-COATED                              |
| 2   | 145027-06-02B | EA  | SHIELD - HEAT - E-COATED                              |
| 3   | 136042-01-02B | EA  | BRACKET - LP SUPPORT - E-COATED                       |
| 4   | 162352-01-02B | EA  | BOX - ENTRANCE STEP - E-COATED                        |
| 5   | 136391-02-02B | EA  | GUARD/ROCK - STEEL - W/ANGLE - 18"W X 15"H - E-COATED |
| 6   | 157464-02-02B | EA  | BRACKET/MOUNTING - MUD GUARD - E-COATED               |



**CHASSIS GROUP (CONTINUED)**  
**EXHAUST**



**CHEVY**

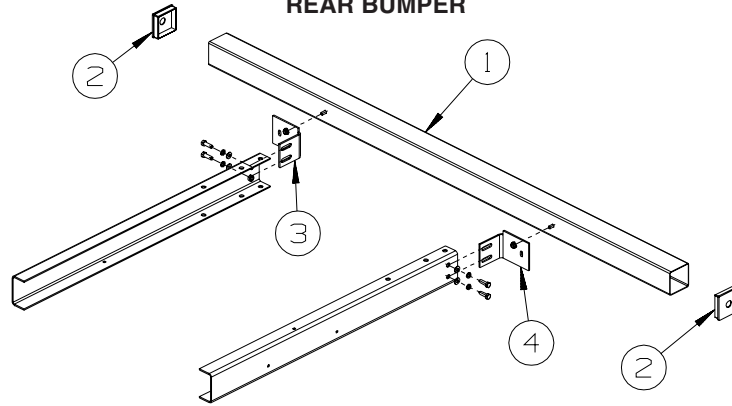
| KEY | PART NUMBER   | U/M | DESCRIPTION                       |
|-----|---------------|-----|-----------------------------------|
| 1   | 155696-01-000 | EA  | PIPE - EXHAUST/TAIL               |
| 2   | 094918-06-000 | EA  | CLAMP - EXHAUST - 3" - HEAVY DUTY |
| 3   | 117380-05-02B | EA  | HANGER - TAILPIPE - E-COATED      |
| 4   | 095190-01-000 | EA  | HANGER - EXHAUST - 4" X 1.4"      |

**HITCH**

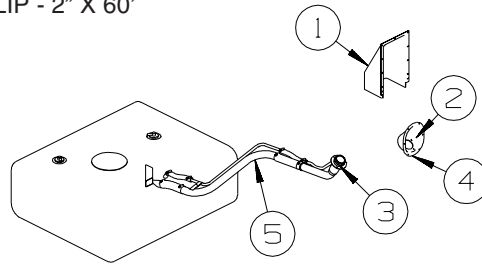
| KEY | PART NUMBER   | U/M | DESCRIPTION                                |
|-----|---------------|-----|--|
|     | 154054-02-01A | EA  | HITCH RECEIVER - BOLT ON CLASS III - BLACK |
|     | 140441-05-02B | EA  | PLATE - SKID - E-COATED                    |

## CHASSIS GROUP (CONTINUED)

### REAR BUMPER

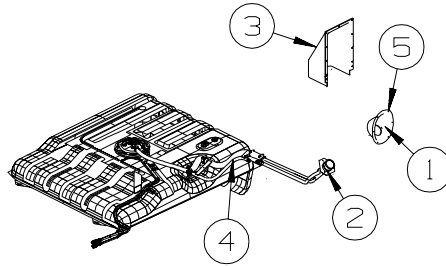


| KEY | PART NUMBER   | U/M | DESCRIPTION  |
|-----|---------------|-----|--|
| 1   | 103422-05-02A | EA  | BUMPER - REAR - SQUARE ALUMINUM - 97.3" - BRIGHT WHITE |
| 2   | 039779-01-000 | EA  | CAP - BUMPER - RUBBER - 4" X 4" - BLACK                |
| 3   | 138811-01-02B | EA  | SUPPORT/ANGLE - REAR BUMPER - E-COATED                 |
| 4   | 138811-02-02B | EA  | SUPPORT/ANGLE - REAR BUMPER - E-COATED                 |
|     | 038327-01-000 | EA  | TAPE - ANTI-SLIP - 2" X 60'                            |



### FUEL

| KEY | PART NUMBER   | U/M | DESCRIPTION   |
|-----|---------------|-----|---|
| 1   | 135557-01-01A | EA  | SHROUD - FUEL FILL - UPPER - 16" X 8.2"                   |
| 2   | 127291-02-01A | EA  | SHROUD - FUEL FILL - BRIGHT WHITE                         |
| 3   | 078200-01-000 | EA  | GASKET - FUEL FILL - 3.5"OD X 2"ID                        |
| 4   | 099069-01-000 | FT  | SEAL - RUBBER - CLOSED SPONGE - .5" WIDE X .12" THICK-BLK |
| 5   | 148650-03-000 | EA  | NECK - FILLER/MAIN/EXTENSION                              |



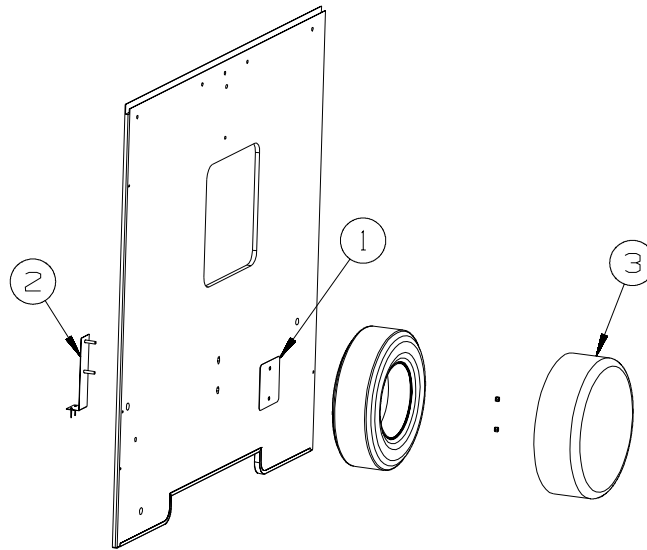
| KEY | PART NUMBER   | U/M | DESCRIPTION   |
|-----|---------------|-----|---|
| 1   | 095854-01-04A | EA  | SHROUD - FUEL FILL - RADIUS - BRIGHT WHITE                |
| 2   | 078200-01-000 | EA  | GASKET - FUEL FILL - 3.5"OD X 2"ID                        |
| 3   | 135557-01-01A | EA  | SHROUD - FUEL FILL - UPPER - 16" X 8.2"                   |
| 4   | 159845-02-000 | EA  | NECK - FILLER/MAIN/EXTENSION                              |
| 5   | 099069-01-000 | FT  | SEAL - RUBBER - CLOSED SPONGE - .5" WIDE X .12" THICK-BLK |

FORD

CHEVY

## CHASSIS GROUP (CONTINUED)

### SPARE TIRE

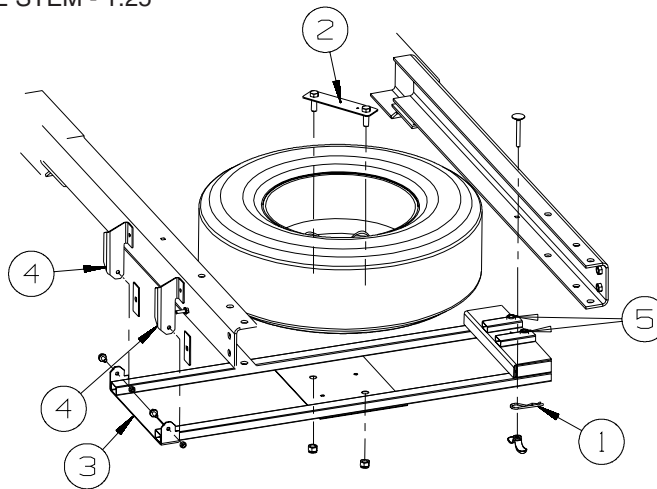


**222B, 224V**

| KEY | PART NUMBER   | U/M | DESCRIPTION                      |
|-----|---------------|-----|----------------------------------|
| 1   | 105208-01-000 | EA  | PLATE - SPARE TIRE               |
| 2   | 160058-03-02B | EA  | BRACKET - SPARE TIRE - E-COATED  |
|     | 143547-01-02B | EA  | RETAINER - SPARE TIRE - E-COATED |

FROM: 00-00-00 THRU: 10-21-07

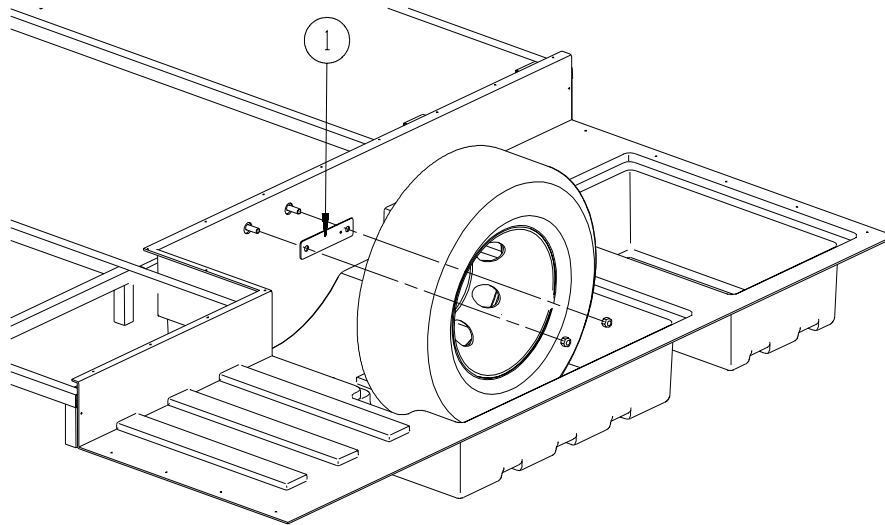
|   |               |    |                    |
|---|---------------|----|--------------------|
| 3 | 073322-09-S01 | EA | COVER - TIRE - 30" |
|   | 155645-01-000 | EA | VALVE STEM - 1.25" |



**226A**

| KEY | PART NUMBER   | U/M | DESCRIPTION                           |
|-----|---------------|-----|---------------------------------------|
| 1   | 034513-01-000 | EA  | PIN - HITCH - 3/16" WIRE              |
| 2   | 116338-02-02B | EA  | BRACKET - SPARE TIRE - E-COATED       |
| 3   | 135796-02-02B | EA  | CRADLE - SPARE TIRE - E-COATED        |
| 4   | 159923-01-02B | EA  | BRACKET/HINGE - SPARE TIRE - E-COATED |
| 5   | 069726-02-000 | EA  | BUMPER - .88" OD X .40" THICK - BLACK |
|     | 155645-01-000 | EA  | VALVE STEM - 1.25"                    |

**CHASSIS GROUP (CONTINUED)**  
**SPARE TIRE (CONTINUED)**



**228P, 229T,  
231C**

| KEY | PART NUMBER   | U/M | DESCRIPTION                      |
|-----|---------------|-----|----------------------------------|
|     | 143547-01-02B | EA  | RETAINER - SPARE TIRE - E-COATED |
|     |               |     | FROM: 00-00-00 THRU: 10-21-07    |
| 1   | 116338-01-02B | EA  | BRACKET - SPARE TIRE - E-COATED  |
|     | 155645-01-000 | EA  | VALVE STEM - 1.25"               |

**WHEEL, TIRE, COVERS &/OR LINERS**

| KEY | PART NUMBER   | U/M | DESCRIPTION  |
|-----|---------------|-----|--|
|     | 077030-01-000 | EA  | EXTENSION - VALVE STEM - 1.25" - METAL                     |
|     | 077030-10-000 | EA  | EXTENSION - VALVE STEM - .50" - METAL                      |
|     | 095012-05-000 | EA  | EXTENSION/VALVE STEM - LIVE - 5"                           |
|     | 095012-09-000 | EA  | EXTENSION/VALVE STEM - LIVE - 7.7"                         |
|     | 095012-06-000 | EA  | STABILIZER/VALVE EXTENSION - LIVE - 2"                     |
|     | 095012-07-000 | EA  | STABILIZER/VALVE EXTENSION - LIVE - 4"                     |
| *   | 109443-05-000 | EA  | WHEEL COVER SET - GM 16" STAINLESS/8 LUG (1 SET=4 COVERS)  |
| *   | 110435-23-000 | EA  | LINER - WHEEL(SET OF 4) - 4 OVAL HOLES - 07'FORD E350/E450 |
|     | 112358-01-000 | EA  | WRENCH - LUG - 7/8" - L-SHAPE                              |

\*COMPONENT PARTS LISTED LATER IN THIS GROUP

**COMPONENT PARTS FOR WHEEL, TIRE, COVERS &/OR LINERS**

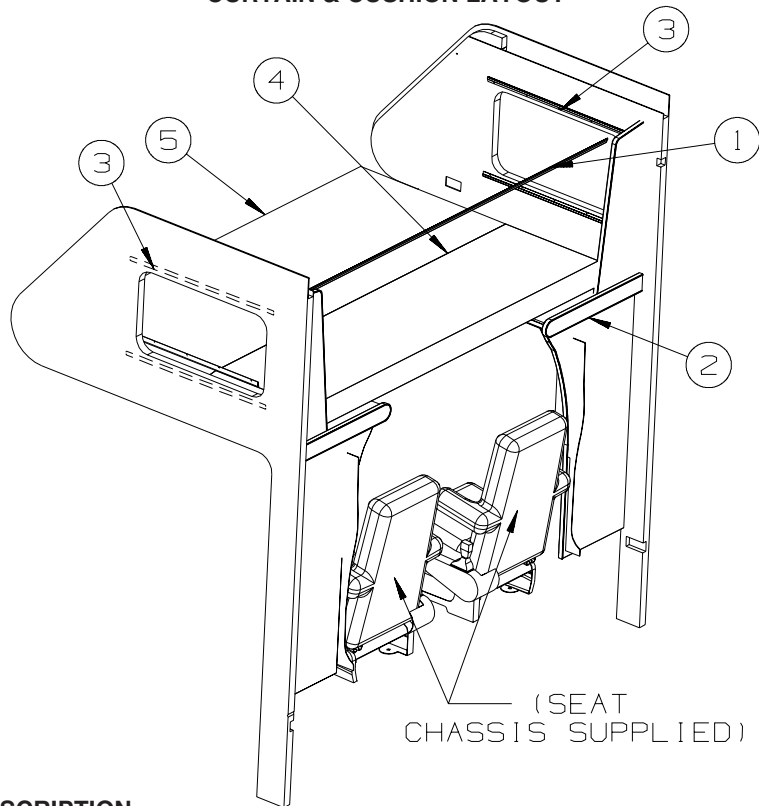
| 109443-05-000 |               |     |                              |                   |
|---------------|---------------|-----|------------------------------|-------------------|
| KEY           | PART NUMBER   | U/M | DESCRIPTION                  | VENDOR NO.        |
|               | 098532-01-700 | EA  | COVER-FAKE LUG NUT (PLASTIC) | SHAU-LNC          |
|               | 109443-05-700 | EA  | WHEEL COVER - 16"SS EA=1     | SHFM16-CVR        |
| 110435-23-000 |               |     |                              |                   |
| KEY           | PART NUMBER   | U/M | DESCRIPTION                  | VENDOR NO.        |
|               | 110435-01-711 | EA  | DECAL-CENTER CAP- 2" - QTY 2 | DIAMOND/2 PER BAG |
|               | 110435-23-700 | EA  | COVER/WHEEL - FRONT - 1 ONLY | FWCFL60-59        |
|               | 110435-23-701 | EA  | COVER/WHEEL - REAR - 1 ONLY  | RWCFL60-59        |

**BRAKELINE**

| KEY | PART NUMBER   | U/M | DESCRIPTION  |
|-----|---------------|-----|--|
|     | 088498-01-000 | EA  | UNION - INVERTED FLARE - BRASS - 3/16 - FORD CHASSIS |

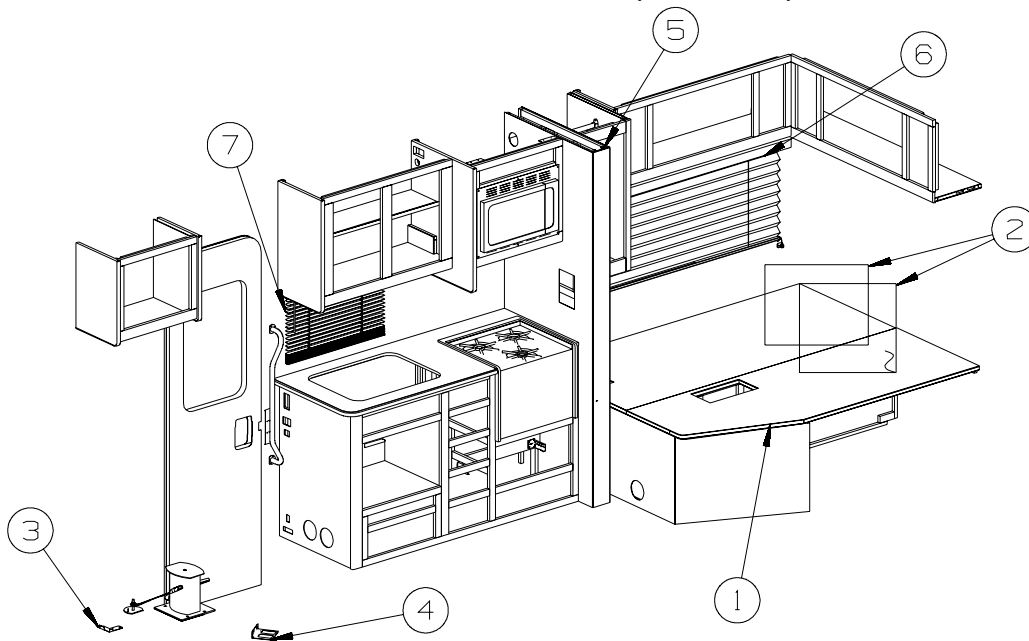
## CURTAIN & CUSHION GROUP

### CURTAIN & CUSHION LAYOUT



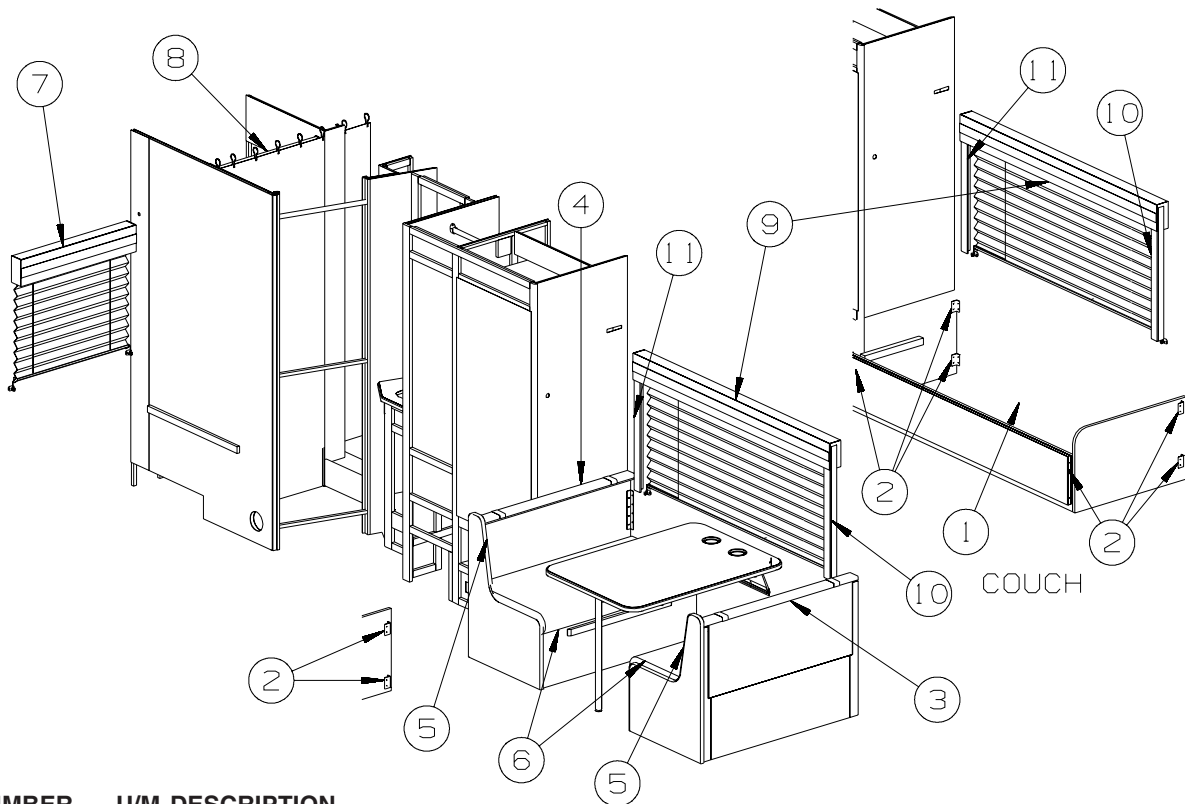
| KEY | PART NUMBER   | U/M | DESCRIPTION   |
|-----|---------------|-----|---|
| 1   | 101668-80-W07 | EA  | CURTAIN - TAPE TOP - 27" X 90" (W07, W08)                                     |
| 1   | 101668-80-W09 | EA  | CURTAIN - TAPE TOP - 27" X 90" (W09, W10)                                     |
| 1   | 073260-23-R03 | EA  | TIEBACK - 3" X 18" (W07, W08)   |
| 1   | 073260-23-S96 | EA  | TIEBACK - 3" X 18" (W09, W10)   |
|     | 105450-15-01A | EA  | TRACK - CURTAIN - 82.3" - OFF WHITE   |
| 2   | 076892-36-W07 | EA  | CURTAIN - CAB PRIVACY - 47.5" X 74" (W07, W08)                                |
| 2   | 076892-36-W09 | EA  | CURTAIN - CAB PRIVACY - 47.5" X 74" (W09, W10)                                |
| 2   | 076892-41-W07 | EA  | CURTAIN - CAB PRIVACY - 47.5" X 74" (W07, W08) - TV-27" W/VIDEO SELECTION SYS |
| 2   | 076892-41-W09 | EA  | CURTAIN - CAB PRIVACY - 47.5" X 74" (W09, W10) - TV-27" W/VIDEO SELECTION SYS |
| 3   | 161091-07-U07 | EA  | CURTAIN - PRIVACY - 19.5" X 35" (W07, W08)                                    |
| 3   | 161091-07-U09 | EA  | CURTAIN - PRIVACY - 19.5" X 35" (W09, W10)                                    |
|     | 156172-02-01A | EA  | TRACK/WALL - 32" - BONE   |
|     | 156172-04-01A | EA  | END CAP - WALL TRACK - CLEAR  |
| 4   | 157657-04-U07 | EA  | CUSHION - OVERHEAD BUNK/REAR - 27" X 80" X 5" (W07, W08)                      |
| 4   | 157657-04-U09 | EA  | CUSHION - OVERHEAD BUNK/REAR - 27" X 80" X 5" (W09, W10)                      |
|     | 157657-A4-U07 | EA  | COVER - CUSHION/OVERHEAD BUNK/REAR - 27" X 80" X 5" (W07, W08)                |
|     | 157657-A4-U09 | EA  | COVER - CUSHION/OVERHEAD BUNK/REAR - 27" X 80" X 5" (W09, W10)                |
| 5   | 157657-03-U07 | EA  | CUSHION - OVERHEAD BUNK/FRONT - 32.5" X 80" X 5" (W07, W08)                   |
|     |               |     | FROM: 00-00-00 THRU: 09-25-07   |
| 5   | 157657-18-W07 | EA  | CUSHION - OVERHEAD BUNK - 32.5" X 80" X 6" - W/ANGLE (W07, W08)               |
|     |               |     | FROM: 09-26-07 THRU: 99-99-99   |
| 5   | 157657-03-U09 | EA  | CUSHION - OVERHEAD BUNK/FRONT - 32.5" X 80" X 5" (W09, W10)                   |
|     |               |     | FROM: 00-00-00 THRU: 09-25-07   |
| 5   | 157657-18-W09 | EA  | CUSHION - OVERHEAD BUNK - 32.5" X 80" X 6" - W/ANGLE (W09, W10)               |
|     |               |     | FROM: 09-26-07 THRU: 99-99-99   |
|     | 157657-A3-U07 | EA  | COVER - CUSHION/OVERHEAD/FRT BUNK -32.5"X80"X5"-DBL ANGLED (W07, W08)         |
|     |               |     | FROM: 00-00-00 THRU: 09-25-07   |
|     | 157657-B8-W07 | EA  | COVER - CUSHION/OVERHEAD/FRT BUNK -32.5"X80"X6"-DBL ANGLED (W07, W08)         |
|     |               |     | FROM: 09-26-07 THRU: 99-99-99   |
|     | 157657-A3-U09 | EA  | COVER - CUSHION/OVERHEAD/FRT BUNK -32.5"X80"X5"-DBL ANGLED (W09, W10)         |
|     |               |     | FROM: 00-00-00 THRU: 09-25-07   |
|     | 157657-B8-W09 | EA  | COVER - CUSHION/OVERHEAD/FRT BUNK -32.5"X80"X6"-DBL ANGLED (W09, W10)         |
|     |               |     | FROM: 09-26-07 THRU: 99-99-99   |

**CURTAIN & CUSHION GROUP (CONTINUED)**  
**CURTAIN & CUSHION LAYOUT (CONTINUED)**



| KEY | PART NUMBER   | U/M | DESCRIPTION   |
|-----|---------------|-----|---|
| 1   | 154510-06-U07 | EA  | COVER - MATTRESS/FITTED - 59" X 74" (W07, W08)            |
| 1   | 154510-06-U09 | EA  | COVER - MATTRESS/FITTED - 59" X 74" (W09, W10)            |
| 2   | 158005-03-W07 | EA  | PILLOW SHAM - QUEEN (W07, W08)                            |
| 2   | 158005-03-W09 | EA  | PILLOW SHAM - QUEEN (W09, W10)                            |
| 3   | 117125-01-02B | EA  | BRACKET - CABLE MOUNT - ADJUSTER W/LOCK                   |
| 4   | 127159-02-02B | EA  | BRACKET - SEAT RELEASE - DUAL REMOTE - E-COATED           |
|     | 119952-07-000 | EA  | WIRE - LATCH RELEASE/ROTARY                               |
|     | 131566-04-000 | EA  | SLIDE/SEAT - HEAVY DUTY LOCKING - 5"                      |
|     | 133408-07-000 | EA  | TOP PLATE - W/O BAR                                       |
|     | 138523-02-U07 | EA  | CHAIR - W/SPRUNG SEAT (W07, W08)                          |
|     | 138523-02-U09 | EA  | CHAIR - W/SPRUNG SEAT (W09, W10)                          |
|     | 139083-01-U07 | EA  | SKIRT - F/GLIDER CHAIR (W07, W08)                         |
|     | 139083-01-U09 | EA  | SKIRT - F/GLIDER CHAIR (W09, W10)                         |
|     | 107921-06-000 | EA  | BEARING KIT - PEDESTAL                                    |
|     | 108049-02-000 | EA  | CLIP - CABLE/PEDESTAL                                     |
|     | 108049-04-000 | EA  | CABLE - W/MINI LEVER ACTION SWITCH - 28" SHEATH/30" CABLE |
| 5   | 101668-53-U07 | EA  | CURTAIN - TAPE TOP - 70" X 60" (W07, W08)                 |
| 5   | 101668-53-U09 | EA  | CURTAIN - TAPE TOP - 70" X 60" (W09, W10)                 |
|     | 073260-65-U07 | EA  | TIEBACK - 4" X 15" (W07, W08)                             |
|     | 073260-65-U09 | EA  | TIEBACK - 4" X 15" (W09, W10)                             |
| 6   | 152170-02-U07 | EA  | VALANCE - JACOB - 54" (W07, W08)                          |
| 6   | 152170-02-U09 | EA  | VALANCE - JACOB - 54" (W09, W10)                          |
| 6   | 157506-07-W23 | EA  | BLIND - PLEATED - 51" X 27" (W07, W08)                    |
| 6   | 157506-07-W21 | EA  | BLIND - PLEATED - 51" X 27" (W09, W10)                    |
|     | 097565-01-000 | EA  | BRACKET - MOUNTING - PLEATED BLIND                        |
| 7   | 109041-57-02A | EA  | BLIND - MINI - 26" X 17" (W07, W08)                       |
| 7   | 109041-57-03A | EA  | BLIND - MINI - 26" X 17" (W09, W10)                       |
|     | 162496-01-01A | EA  | BRACKET/BLIND - LEFT SIDE WHEN FACING WINDOW - CLEAR      |
|     | 162496-02-01A | EA  | BRACKET/BLIND - RIGHT SIDE WHEN FACING WINDOW - CLEAR     |
|     | 109353-04-000 | EA  | CLIP - VALANCE SLAT MOUNTING - CLEAR PLASTIC              |
|     | 102555-03-000 | EA  | BRACKET - (CLEAT TYPE) - F/BLIND HOLDOWN - MILKY WHITE    |
|     | 109441-01-000 | EA  | BRACKET/HOOK - BLIND HOLD DOWN - LARGE - CLEAR            |

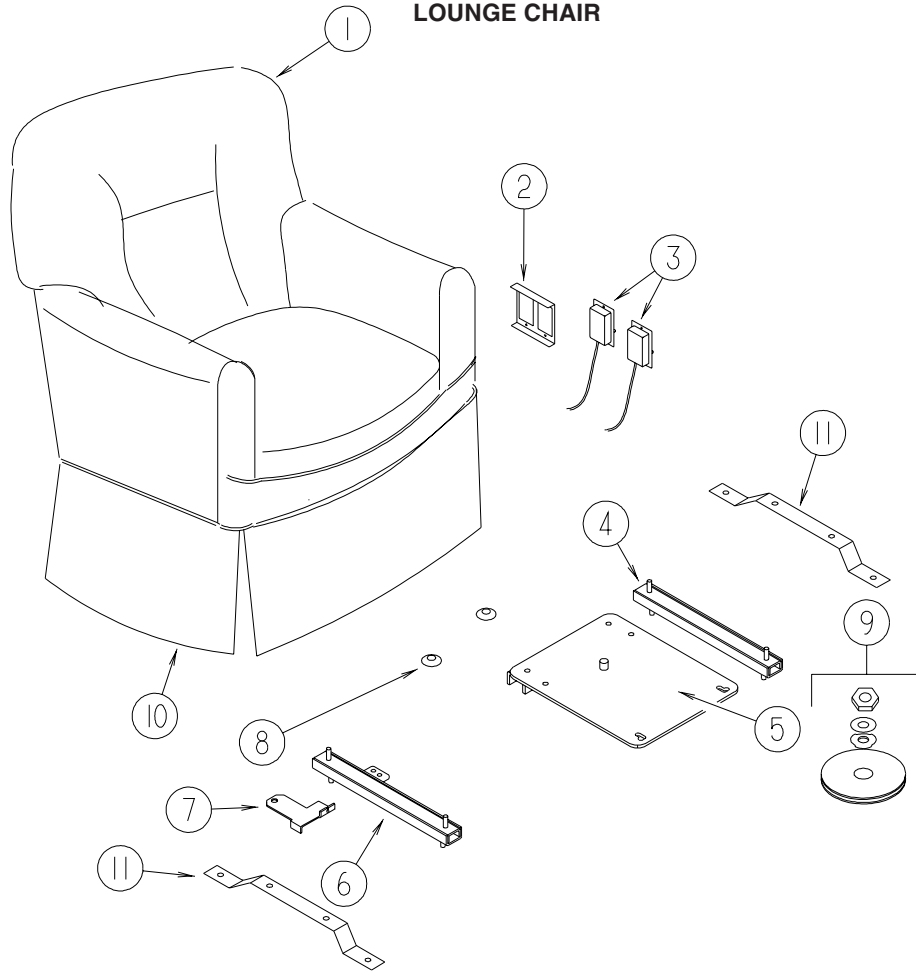
**CURTAIN & CUSHION GROUP (CONTINUED)**  
**CURTAIN & CUSHION LAYOUT (CONTINUED)**



| KEY | PART NUMBER   | U/M | DESCRIPTION   |
|-----|---------------|-----|---|
| 1   | 149804-01-W07 | EA  | BACK - SOFA/BED - 74" (W07, W08)                          |
| 1   | 149804-01-U09 | EA  | BACK - SOFA/BED - 74" (W09, W10)                          |
|     | P49804-01-W07 | EA  | COVER - BACK - SOFA/BED - 74" (W07, W08)                  |
|     | P49804-01-U09 | EA  | COVER - BACK - SOFA/BED - 74" (W09, W10)                  |
| 1   | 149812-01-W07 | EA  | SEAT - SOFA/BED - 74" (W07, W08)                          |
| 1   | 149812-01-U09 | EA  | SEAT - SOFA/BED - 74" (W09, W10)                          |
|     | P49812-01-W07 | EA  | COVER - SEAT - SOFA/BED - 74" (W07, W08)                  |
|     | P49812-01-U09 | EA  | COVER - SEAT - SOFA/BED - 74" (W09, W10)                  |
| 2   | 156732-01-02A | EA  | BRACE - ANGLE/COUCH - 2.5" - OFF WHITE                    |
| 3   | 153519-19-U07 | EA  | PAD - TOP/RH - F/DINETTE BACK - FABRIC COVERED (W07, W08) |
| 3   | 153519-19-U09 | EA  | PAD - TOP/RH - F/DINETTE BACK - FABRIC COVERED (W09, W10) |
| 4   | 153519-20-U07 | EA  | PAD - TOP/LH - F/DINETTE BACK - FABRIC COVERED (W07, W08) |
| 4   | 153519-20-U09 | EA  | PAD - TOP/LH - F/DINETTE BACK - FABRIC COVERED (W09, W10) |
| 5   | 153670-12-W07 | EA  | CUSHION - SEAT BACK - 13.5" X 42" X 5" (W07, W08)         |
| 5   | 153670-01-U09 | EA  | CUSHION - SEAT BACK - 13.5" X 42" X 5" (W09, W10)         |
|     | P53670-12-W07 | EA  | COVER/BACK - 13.5" X 42" X 5" (W07, W08)                  |
|     | P53670-01-U09 | EA  | COVER/BACK - 13.5" X 42" X 5" (W09, W10)                  |
| 6   | 153671-07-W07 | EA  | CUSHION - SEAT - 23" X 42" X 5" (W07, W08)                |
| 6   | 153671-02-U09 | EA  | CUSHION - SEAT - 23" X 42" X 5" (W09, W10)                |
|     | 153671-A7-W07 | EA  | COVER/CUSHION - SEAT - 23" X 42" X 5" (W07, W08)          |
|     | 153671-A2-U09 | EA  | COVER/CUSHION - SEAT - 23" X 42" X 5" (W09, W10)          |
| 7   | 152170-05-U07 | EA  | VALANCE - JACOB - 46" (W07, W08)                          |
| 7   | 152170-05-U09 | EA  | VALANCE - JACOB - 46" (W09, W10)                          |
| 7   | 157506-15-W07 | EA  | BLIND - PLEATED - 30" X 28" (W07, W08)                    |
| 7   | 157506-15-W09 | EA  | BLIND - PLEATED - 30" X 28" (W09, W10)                    |
|     | 097565-01-000 | EA  | BRACKET - MOUNTING - PLEATED BLIND                        |
| 8   | 159815-01-U01 | EA  | CURTAIN - SHOWER - 72" X 36"                              |
| 9   | 152170-08-W07 | EA  | VALANCE - JACOB - 65" (W07, W08)                          |
| 9   | 152170-04-U09 | EA  | VALANCE - JACOB - 65" (W09, W10)                          |
| 9   | 157506-16-W07 | EA  | BLIND - PLEATED - 61" X 30" (W07, W08)                    |
| 9   | 157506-16-W09 | EA  | BLIND - PLEATED - 61" X 30" (W09, W10)                    |
|     | 097565-01-000 | EA  | BRACKET - MOUNTING - PLEATED BLIND                        |
| 10  | 159953-97-U07 | EA  | LEG - RIGHT - 30" (W07, W08)                              |
| 10  | 159953-97-U09 | EA  | LEG - RIGHT - 30" (W09, W10)                              |
| 11  | 159953-98-U07 | EA  | LEG - LEFT - 30" (W07, W08)                               |
| 11  | 159953-98-U09 | EA  | LEG - LEFT - 30" (W09, W10)                               |

## CURTAIN & CUSHION GROUP (CONTINUED)

### LOUNGE CHAIR

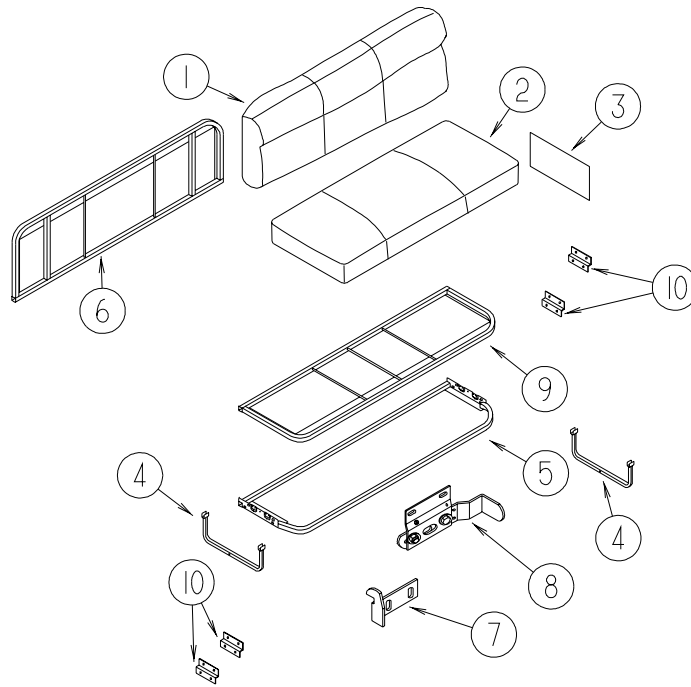


| KEY | PART NUMBER   | U/M | DESCRIPTION   |
|-----|---------------|-----|---|
| 1   | P38523-01-U07 | EA  | COVER - CHAIR/GLIDER (W07, W08)                           |
| 1   | P38523-01-U09 | EA  | COVER - CHAIR/GLIDER (W09, W10)                           |
| 2   | NOT USED      |     |   |
| 3   | 108049-02-000 | EA  | CLIP - CABLE/PEDESTAL                                     |
|     | 108049-04-000 | EA  | CABLE - W/MINI LEVER ACTION SWITCH - 28" SHEATH/30" CABLE |
| 4   | 131566-04-000 | EA  | SLIDE/SEAT - HEAVY DUTY LOCKING - 5"                      |
| 5   | 133408-07-000 | EA  | TOP PLATE - W/O BAR                                       |
| 6   | 131566-04-000 | EA  | SLIDE/SEAT - HEAVY DUTY LOCKING - 5"                      |
| 7   | 117125-01-02B | EA  | BRACKET - CABLE MOUNT - ADJUSTER W/LOCK                   |
|     | 119952-07-000 | EA  | WIRE - LATCH RELEASE/ROTARY                               |
| 8   | NOT USED      |     |   |
| 9   | 107921-06-000 | EA  | BEARING KIT - PEDESTAL                                    |
| 10  | 139083-01-U07 | EA  | SKIRT - F/GLIDER CHAIR (W07, W08)                         |
| 10  | 139083-01-U09 | EA  | SKIRT - F/GLIDER CHAIR (W09, W10)                         |
| 11  | 163810-01-01B | EA  | SUPPORT BAR - W/PEDESTAL                                  |



# CURTAIN & CUSHION GROUP (CONTINUED)

## SOFA



| KEY | PART NUMBER   | U/M | DESCRIPTION                              |
|-----|---------------|-----|--|
| 1   | 149804-01-W07 | EA  | BACK - SOFA/BED - 74" (W07, W08)         |
| 1   | 149804-01-U09 | EA  | BACK - SOFA/BED - 74" (W09, W10)         |
|     | P49804-01-W07 | EA  | COVER - BACK - SOFA/BED - 74" (W07, W08) |
|     | P49804-01-U09 | EA  | COVER - BACK - SOFA/BED - 74" (W09, W10) |
| 2   | 149812-01-W07 | EA  | SEAT - SOFA/BED - 74" (W07, W08)         |
| 2   | 149812-01-U09 | EA  | SEAT - SOFA/BED - 74" (W09, W10)         |
|     | P49812-01-W07 | EA  | COVER - SEAT - SOFA/BED - 74" (W07, W08) |
|     | P49812-01-U09 | EA  | COVER - SEAT - SOFA/BED - 74" (W09, W10) |
| 3   | NOT USED      |     |  |
| 4   | NOT USED      |     |  |
| 5   | 101085-06-000 | EA  | FRAME - BASE - SOFA/BED - 74.75"         |
| 6   | 101085-10-000 | EA  | FRAME - BACK - SOFA/BED - 74.75" X 16"   |
| 7   | NOT USED      |     |  |
| 8   | NOT USED      |     |  |
| 9   | 101085-04-000 | EA  | FRAME - SEAT - SOFA/BED - 74.75"         |
| 10  | NOT USED      |     |  |

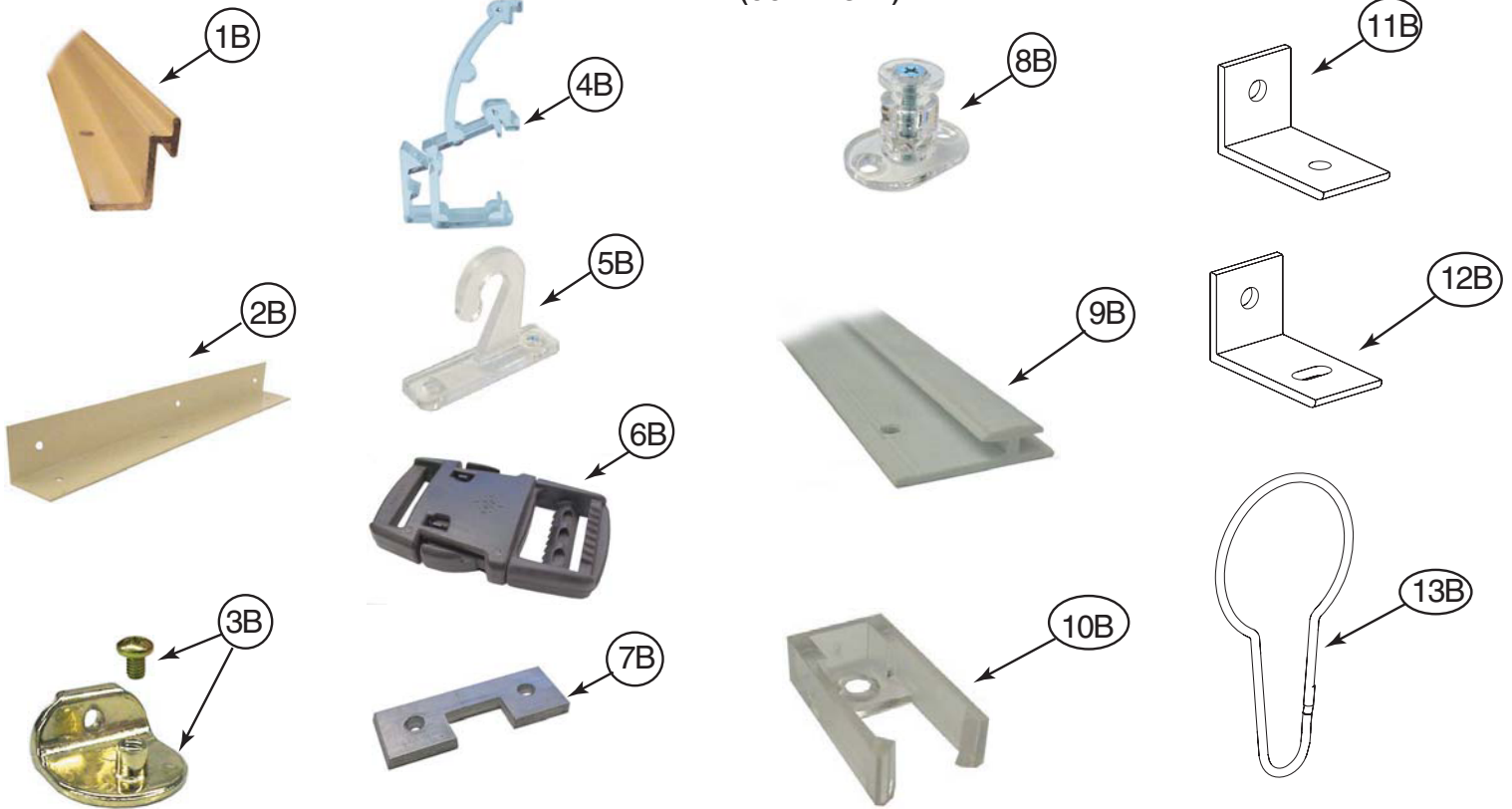
## CURTAIN & CUSHION GROUP (CONTINUED)

### HARDWARE



| KEY | PART NUMBER   | U/M | DESCRIPTION  |
|-----|---------------|-----|--|
| 1A  | 029155-01-000 | EA  | CAP - SNAP - 5/32" OUTSIDE DIAMETER OF PIN             |
| 2A  | 029156-01-000 | EA  | SOCKET - SNAP - 9/16" O.D.                             |
| 3A  | 046867-05-000 | EA  | WASHER - #0  |
| 4A  | 046867-04-000 | EA  | GROMMET - #0   |
| 5A  | 160457-01-01A | EA  | BRACE - VALANCE - L-SHAPED - 20" - OFF WHITE           |
| 6A  | 162496-01-01A | EA  | BRACKET/BLIND - LEFT SIDE WHEN FACING WINDOW - CLEAR   |
| 7A  | 162496-02-01A | EA  | BRACKET/BLIND - RIGHT SIDE WHEN FACING WINDOW - CLEAR  |
| 8A  | 084434-01-000 | EA  | BRACKET - MOUNTING - ROLLER SHADE - 1 3/8"             |
| 9A  | 094896-02-000 | EA  | GROMMET - CORD/PLEATED BLIND - NYLON - GRAY            |
| 10A | 094907-02-000 | EA  | END CAP - PLEATED BLIND/TOP - RH/LH - GRAY PLASTIC     |
| 11A | 094907-04-000 | EA  | END CAP - PLEATED BLIND/BOTTOM - RH/LH                 |
| 12A | 094907-09-000 | EA  | END CAP/BLIND - CENTER RAIL - RH/LH                    |
| 13A | 097564-03-000 | EA  | HANDLE - KNOB - E-Z LIFT SHADE - TAN                   |
| 14A | 097565-01-000 | EA  | BRACKET - MOUNTING - PLEATED BLIND                     |
| 15A | 155748-01-000 | EA  | SPRING - EXTENSION - DAY/NIGHTER BLIND                 |
| 16A | 101031-01-000 | YD  | TAPE/GLIDE - 4.25" SPACING                             |
| 17A | 102555-03-000 | EA  | BRACKET - (CLEAT TYPE) - F/BLIND HOLDOWN - MILKY WHITE |

**CURTAIN & CUSHION GROUP (CONTINUED)**  
**HARDWARE (CONTINUED)**



| KEY | PART NUMBER   | U/M | DESCRIPTION   |
|-----|---------------|-----|---|
| 1B  | 105450-14-01A | EA  | TRACK - CURTAIN - 90" - OFF WHITE                         |
| 2B  | 105648-01-02A | EA  | BRACE - VALANCE - 14" - OFF WHITE                         |
| 2B  | 105648-02-02A | EA  | BRACE - VALANCE - 8.5" - OFF WHITE                        |
| 3B  | 106544-01-000 | EA  | PULL - SHADE/BRASS  |
| 3B  | 106544-01-001 | EA  | SCREW - SHADE/BRASS                                       |
| 3B  | 106544-02-000 | EA  | PULL-SHADE - NICKEL                                       |
| 4B  | 109353-04-000 | EA  | CLIP - VALANCE SLAT MOUNTING - CLEAR PLASTIC              |
| 5B  | 109441-01-000 | EA  | BRACKET/HOOK - BLIND HOLD DOWN - LARGE - CLEAR            |
|     | 109441-02-000 | EA  | SPACER/BRACKET - BLIND HOLD DOWN                          |
| 6B  | 129491-01-000 | EA  | CATCH - SNAP HOOK - 1"                                    |
| 7B  | 130549-01-01A | EA  | STOP - CURTAIN TRACK                                      |
| 8B  | 141634-01-000 | EA  | BRACKET-(BOBBIN TYPE) 7/8"H HOLDUPBASE(OVAL)-2 HOLE-CLEAR |
| 9B  | 156172-02-01A | EA  | TRACK/WALL - 32" - BONE                                   |
| 9B  | 156172-03-01A | EA  | TRACK/WALL - 21" - BONE                                   |
| 10B | 156172-04-01A | EA  | END CAP - WALL TRACK - CLEAR                              |
| 11B | 154316-01-01A | EA  | BRACE/ANGLE - W/HOLE - CASHMERE                           |
| 12B | 154316-02-01A | EA  | BRACE/ANGLE - W/SLOT - CASHMERE                           |
| 13B | 159702-01-01A | EA  | HOOK/RING - CURTAIN/SHOWER - NICKEL                       |

## CURTAIN & CUSHION GROUP (CONTINUED)

### FABRICS

#### W07, W08

113979-09-01A CARPET-HEADLINER (SY) - CEILING  
FROM: 00-00-00 THRU: 01-13-08

113979-09-02A CARPET-HEADLINER (SY) - CEILING  
FROM: 01-14-08 THRU: 99-99-99

113979-10-01A CARPET-HEADLINER - SLDOUT (SY) - CEILING  
FROM: 00-00-00 THRU: 01-13-08

113979-10-02A CARPET-HEADLINER - SLDOUT (SY) - CEILING  
FROM: 01-14-08 THRU: 99-99-99

137813-77-000 FABRIC-DRAPERY - MAIN

148797-H9-000 FABRIC-UPHOSTERY MAIN ONE - MAIN

148797-L3-000 FABRIC-UPHLSTRY PLAIN, ACCENT

148797-L2-000 FABRIC-UPHLSTRY ACCENT - PATTERN

137813-U5-000 FABRIC-UPHOSTERY - BEDSPREAD, MAIN  
FROM: 00-00-00 THRU: 11-25-07

156773-78-000 FABRIC-UPHOSTERY - BEDSPREAD, MAIN  
FROM: 11-26-07 THRU: 99-99-99

137813-77-000 FABRIC-UPHOSTERY - BEDSPREAD, PATTERN ACCENT

148797-L3-000 FABRIC-SPEAKER COVER

148797-L3-000 FABRIC-O/H CABT - DIN/LOUNGE

148797-L3-000 FABRIC-O/H CABT - BEDROOM

148797-L3-000 FABRIC-DINETTE WRAP

142523-05-000 VINYL-BUCKET SEATS

142523-08-000 VINYL-HEADLINERS/BUNKS

142523-08-000 VINYL-ACCENT TRIMS - CAB AREA

#### W09, W10

113979-09-01A CARPET-HEADLINER (SY) - CEILING  
FROM: 00-00-00 THRU: 01-13-08

113979-09-02A CARPET-HEADLINER (SY) - CEILING  
FROM: 01-14-08 THRU: 99-99-99

113979-10-01A CARPET-HEADLINER - SLDOUT (SY) - CEILING  
FROM: 00-00-00 THRU: 01-13-08

113979-10-02A CARPET-HEADLINER - SLDOUT (SY) - CEILING  
FROM: 01-14-08 THRU: 99-99-99

137813-E4-000 FABRIC-DRAPERY - MAIN

148797-L4-000 FABRIC-UPHOSTERY MAIN ONE - MAIN

148797-L5-000 FABRIC-UPHLSTRY PLAIN, ACCENT

148797-L5-000 FABRIC-UPHLSTRY ACCENT - PATTERN

137813-U4-000 FABRIC-UPHOSTERY - BEDSPREAD, MAIN

137813-E4-000 FABRIC-UPHOSTERY - BEDSPREAD, PATTERN ACCENT

148797-L5-000 FABRIC-SPEAKER COVER

148797-L5-000 FABRIC-O/H CABT - DIN/LOUNGE

148797-L5-000 FABRIC-O/H CABT - BEDROOM

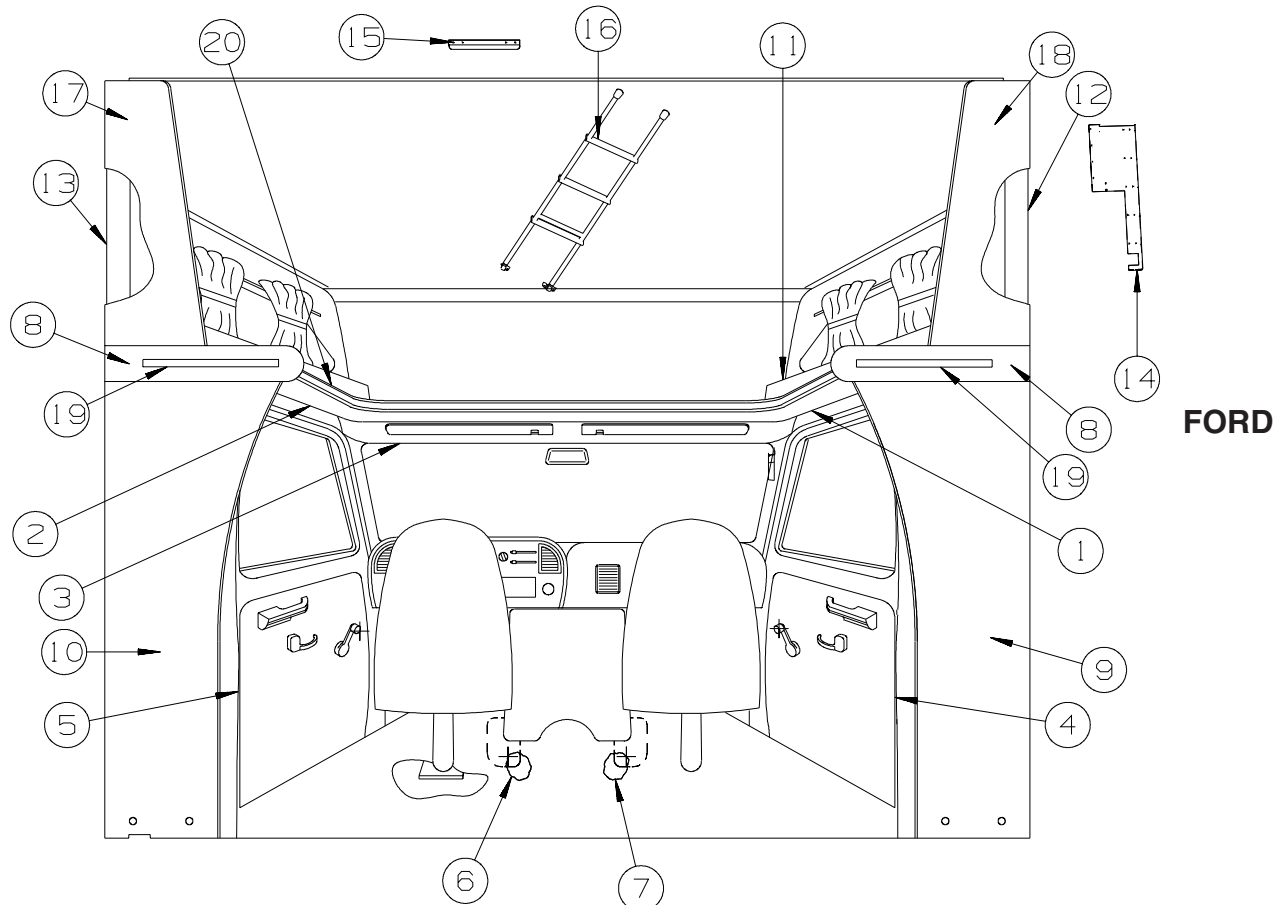
148797-L5-000 FABRIC-DINETTE WRAP

142523-05-000 VINYL-BUCKET SEATS

142523-08-000 VINYL-HEADLINERS/BUNKS

142523-08-000 VINYL-ACCENT TRIMS - CAB AREA

## DRIVERS COMPARTMENT GROUP FRONT INTERIOR

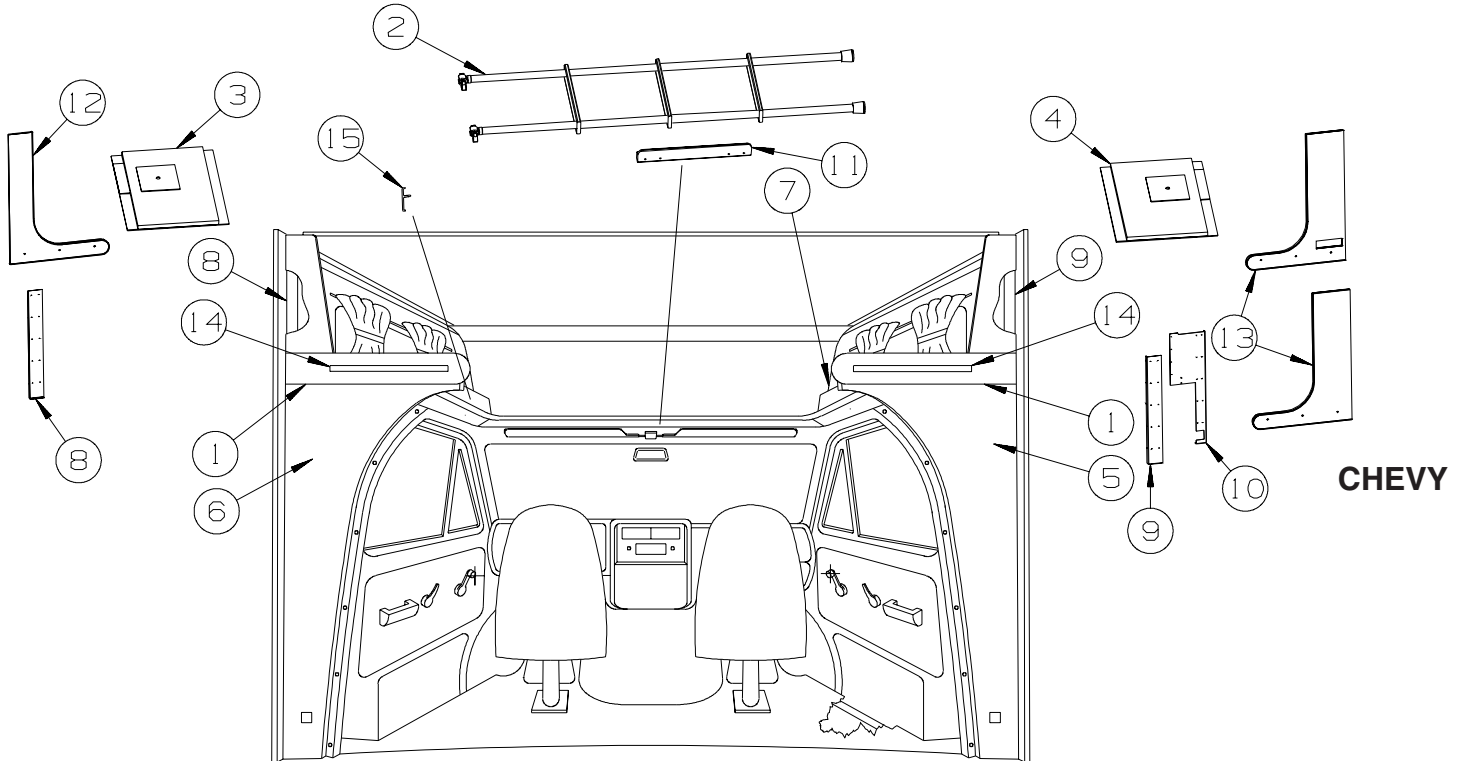


| KEY | PART NUMBER   | U/M | DESCRIPTION  |
|-----|---------------|-----|--|
| 1   | 106447-07-U01 | EA  | TRIM - CAB DOOR - UPPER/RIGHT HAND   |
| 2   | 106447-08-U01 | EA  | TRIM - CAB DOOR - UPPER/LEFT HAND  |
| 3   | 106448-07-T11 | EA  | HEADLINER - W/VINYL  |
| 4   | 125031-01-T11 | EA  | TRIM - CAB - B-PILLAR - PASSENGER SIDE   |
| 5   | 125031-02-T11 | EA  | TRIM - CAB - B-PILLAR - DRIVER SIDE  |
| 6   | 135426-01-000 | EA  | INSULATION-FLOOR,CAB,LH  |
| 7   | 135426-02-000 | EA  | INSULATION-FLOOR,CAB,RH  |
| 8   | 141793-01-U01 | EA  | CAP - SLEEPERBOARD (W07, W08)  |
| 8   | 141793-01-W09 | EA  | CAP - SLEEPERBOARD (W09, W10)  |
| 9   | 141803-01-U01 | EA  | WINGWALL - INNER/LOWER (W07, W08) - 222B, 224V, 226A                               |
| 9   | 141803-01-W09 | EA  | WINGWALL - INNER/LOWER (W09, W10) - 222B, 224V, 226A                               |
| 9   | 156957-01-U01 | EA  | WINGWALL - INNER/LOWER - PASSENGER (W07, W08) - 228P, 229T, 231C                   |
| 9   | 156957-01-W09 | EA  | WINGWALL - INNER/LOWER - PASSENGER (W09, W10) - 228P, 229T, 231C                   |
| 10  | 141803-02-U01 | EA  | WINGWALL - INNER/LOWER (W07, W08) - 222B, 224V, 226A                               |
| 10  | 141803-02-W09 | EA  | WINGWALL - INNER/LOWER (W09, W10) - 222B, 224V, 226A                               |
| 10  | 156957-02-U01 | EA  | WINGWALL - INNER/LOWER - DRIVER (W07, W08) - 228P, 229T, 231C                      |
| 10  | 156957-02-W09 | EA  | WINGWALL - INNER/LOWER - DRIVER (W09, W10) - 228P, 229T, 231C                      |
| 11  | 163222-01-W07 | EA  | CABINET - HAMPER/STORAGE - W/O HDW - PORTSMOUTH OAK                                |
| 11  | 163222-01-W08 | EA  | CABINET - HAMPER/STORAGE - W/O HDW - SIERRA MAPLE                                  |
| 11  | 163222-02-W07 | EA  | CABINET - HAMPER/STORAGE - W/O HDW - PORTSMOUTH OAK - TV-19" DC LCD, DC DVD PLAYER |
| 11  | 163222-02-W08 | EA  | CABINET - HAMPER/STORAGE - W/O HDW - SIERRA MAPLE - TV-19" DC LCD, DC DVD PLAYER   |
| 12  | 109709-01-01A | EA  | BRACKET - WINGWALL - OFF WHITE   |
| 13  | 109709-11-03B | EA  | BRACKET - WINGWALL - OFF WHITE   |
| 14  | 109709-12-03B | EA  | BRACKET - WINGWALL - OFF WHITE - TV-19" DC LCD, DC DVD PLAYER                      |
| 15  | 094658-04-T11 | EA  | HANDLE - BUNK - 1.1" X 2" X 14.9" - PORTSMOUTH OAK                                 |
| 15  | 094658-04-TK0 | EA  | HANDLE - BUNK - 1.1" X 2" X 14.9" - SIERRA MAPLE                                   |
| 16  | 106025-05-01A | EA  | LADDER - BUNK - 50.1" - BLACK - 222B, 224V, 226A                                   |
| 16  | 106025-08-01A | EA  | LADDER - BUNK - 51.9" - BLACK - 228P, 229T, 231C                                   |
|     | 162356-02-000 | EA  | STRAP/TIEDOWN - LADDER   |
| 17  | 158629-20-W07 | EA  | PANEL - END CAP (W07, W08)   |
| 17  | 158629-20-W09 | EA  | PANEL - END CAP (W09, W10)   |

## DRIVERS COMPARTMENT GROUP (CONTINUED)

### FRONT INTERIOR (CONTINUED)

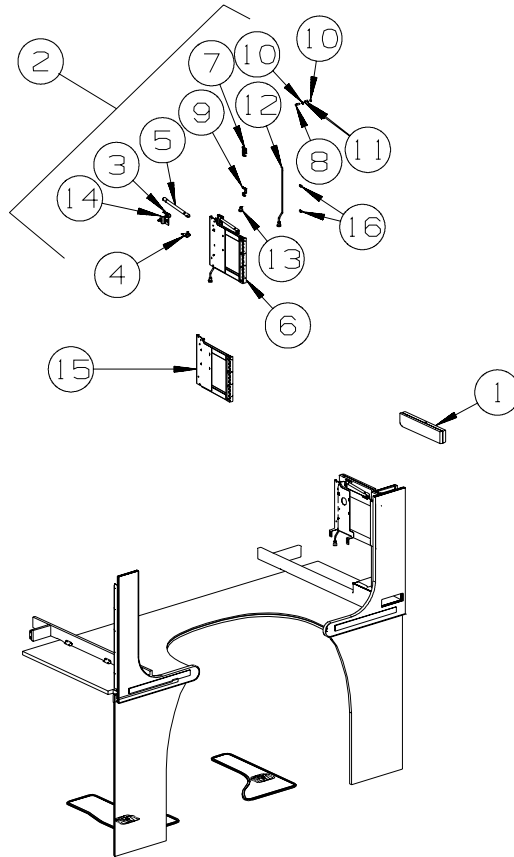
| KEY | PART NUMBER   | U/M | DESCRIPTION   |
|-----|---------------|-----|---|
| 18  | 158629-25-W07 | EA  | PANEL - END CAP (W07, W08)                                |
| 18  | 158629-25-W09 | EA  | PANEL - END CAP (W09, W10)                                |
| 18  | 158629-19-W07 | EA  | PANEL - END CAP (W07, W08) - TV-19" DC LCD, DC DVD PLAYER |
| 18  | 158629-19-W09 | EA  | PANEL - END CAP (W09, W10) - TV-19" DC LCD, DC DVD PLAYER |
| 19  | M09525-61-W07 | EA  | MOLDING - TRIM/VEE - 1.5" X 20.6" - PORTSMOUTH OAK        |
| 19  | M09525-61-W08 | EA  | MOLDING - TRIM/VEE - 1.5" X 20.6" - SIERRA MAPLE          |
| 20  | 119520-01-01A | FT  | MOLDING-T - OFFSET W/EDGE LIP - 1.3" FACE - OFF WHITE     |



| KEY | PART NUMBER   | U/M | DESCRIPTION  |
|-----|---------------|-----|--|
| 1   | 141793-01-U01 | EA  | CAP - SLEEPERBOARD (W07, W08)  |
| 1   | 141793-01-W09 | EA  | CAP - SLEEPERBOARD (W09, W10)  |
| 2   | 106025-05-01A | EA  | LADDER - BUNK - 50.1" - BLACK - 224V, 226A   |
| 2   | 106025-08-01A | EA  | LADDER - BUNK - 51.9" - BLACK - 228P, 229T, 231C                                   |
|     | 162356-02-000 | EA  | STRAP/TIEDOWN - LADDER   |
| 3   | 156218-04-U01 | EA  | HEADLINER - W/VINYL  |
| 4   | 156218-05-U01 | EA  | HEADLINER - W/VINYL  |
| 5   | 141803-01-U01 | EA  | WINGWALL - INNER/LOWER (W07, W08) - 224V, 226A                                     |
| 5   | 141803-01-W09 | EA  | WINGWALL - INNER/LOWER (W09, W10) - 224V, 226A                                     |
| 5   | 156957-01-U01 | EA  | WINGWALL - INNER/LOWER - PASSENGER (W07, W08) - 228P, 229T, 231C                   |
| 5   | 156957-01-W09 | EA  | WINGWALL - INNER/LOWER - PASSENGER (W09, W10) - 228P, 229T, 231C                   |
| 6   | 141803-02-U01 | EA  | WINGWALL - INNER/LOWER (W07, W08) - 224V, 226A                                     |
| 6   | 141803-02-W09 | EA  | WINGWALL - INNER/LOWER (W09, W10) - 224V, 226A                                     |
| 6   | 156957-02-U01 | EA  | WINGWALL - INNER/LOWER - DRIVER (W07, W08) - 228P, 229T, 231C                      |
| 6   | 156957-02-W09 | EA  | WINGWALL - INNER/LOWER - DRIVER (W09, W10) - 228P, 229T, 231C                      |
| 7   | 163222-01-W07 | EA  | CABINET - HAMPER/STORAGE - W/O HDW - PORTSMOUTH OAK                                |
| 7   | 163222-01-W08 | EA  | CABINET - HAMPER/STORAGE - W/O HDW - SIERRA MAPLE                                  |
| 7   | 163222-02-W07 | EA  | CABINET - HAMPER/STORAGE - W/O HDW - PORTSMOUTH OAK - TV-19" DC LCD, DC DVD PLAYER |
| 7   | 163222-02-W08 | EA  | CABINET - HAMPER/STORAGE - W/O HDW - SIERRA MAPLE - TV-19" DC LCD, DC DVD PLAYER   |
| 8   | 109709-11-03B | EA  | BRACKET - WINGWALL - OFF WHITE   |
| 9   | 109709-01-01A | EA  | BRACKET - WINGWALL - OFF WHITE   |
| 10  | 109709-12-03B | EA  | BRACKET - WINGWALL - OFF WHITE - TV-19" DC LCD, DC DVD PLAYER                      |
| 11  | 094658-04-T11 | EA  | HANDLE - BUNK - 1.1" X 2" X 14.9" - PORTSMOUTH OAK                                 |
| 11  | 094658-04-TK0 | EA  | HANDLE - BUNK - 1.1" X 2" X 14.9" - SIERRA MAPLE                                   |
| 12  | 158629-20-W07 | EA  | PANEL - END CAP (W07, W08)   |
| 12  | 158629-20-W09 | EA  | PANEL - END CAP (W09, W10)   |
| 13  | 158629-25-W07 | EA  | PANEL - END CAP (W07, W08)   |
| 13  | 158629-25-W09 | EA  | PANEL - END CAP (W09, W10)   |
| 13  | 158629-19-W07 | EA  | PANEL - END CAP (W07, W08) - TV-19" DC LCD, DC DVD PLAYER                          |
| 13  | 158629-19-W09 | EA  | PANEL - END CAP (W09, W10) - TV-19" DC LCD, DC DVD PLAYER                          |

**DRIVERS COMPARTMENT GROUP (CONTINUED)**  
**FRONT INTERIOR (CONTINUED)**

| KEY | PART NUMBER   | U/M | DESCRIPTION   |
|-----|---------------|-----|---|
| 14  | M09525-61-W07 | EA  | MOLDING - TRIM/VEE - 1.5" X 20.6" - PORTSMOUTH OAK    |
| 14  | M09525-61-W08 | EA  | MOLDING - TRIM/VEE - 1.5" X 20.6" - SIERRA MAPLE      |
| 15  | 119520-01-01A | FT  | MOLDING-T - OFFSET W/EDGE LIP - 1.3" FACE - OFF WHITE |

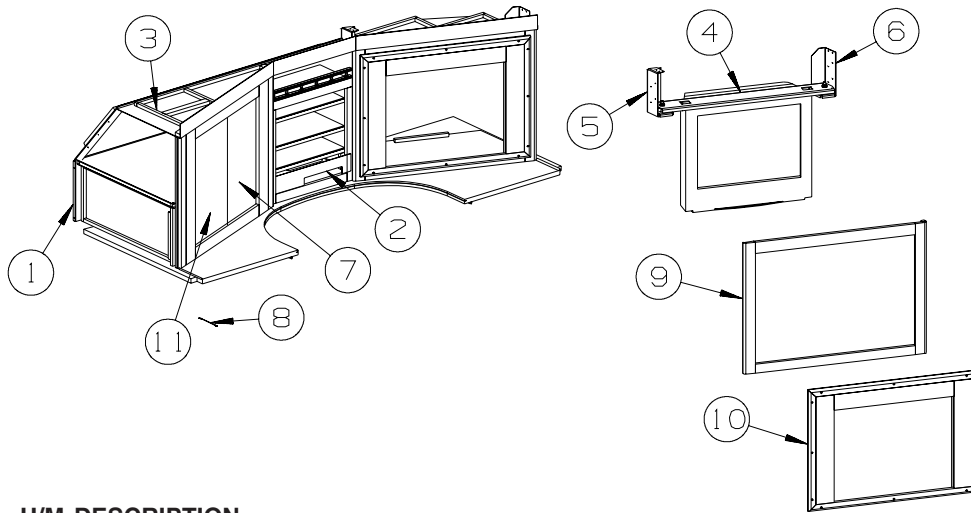


**TV-19" DC LCD, DC  
DVD PLAYER**

| KEY | PART NUMBER   | U/M | DESCRIPTION   |
|-----|---------------|-----|---|
| 1   | 161007-02-W07 | EA  | SUPPORT/TV - CABINET - PORTSMOUTH OAK   |
| 1   | 161007-02-W08 | EA  | SUPPORT/TV - CABINET - SIERRA MAPLE   |
| 2   | 159840-01-U21 | EA  | SUPPORT - TV - COMPLETE - <b>NOT ILLUSTRATED</b><br>FROM: 00-00-00 THRU: 04-29-07                 |
| 2   | 164660-01-W21 | EA  | SUPPORT - TV - COMPLETE<br>FROM: 04-30-07 THRU: 99-99-99  |
| 3   | 126263-03-02B | EA  | BRACKET - GAS SPRING W/BALL STUD - E/COATED   |
| 4   | 126263-08-02B | EA  | BRACKET - GAS SPRING W/CENTERED BALL STUD - E-COATED  |
| 5   | 142569-31-000 | EA  | SPRING/GAS - 30 LB - 11.8" EXTENDED/7.3" COMPRESSED   |
| 6   | 158921-02-01A | EA  | HINGE - PIANO - TRUNK DOOR - 2" X 12.6"   |
| 7   | 150082-02-000 | EA  | LATCH/TV - W/O KEEPER/BRACKET/ROD   |
| 8   | 150082-03-000 | EA  | KEEPER - W/O TV LATCH   |
| 9   | 150082-04-000 | EA  | BRACKET - F/TV LATCH-KEEPER   |
| 10  | 150082-06-000 | EA  | NUT - F/TV LATCH-KEEPER   |
| 11  | 150082-07-000 | EA  | WASHER - F/TV LATCH-KEEPER  |
| 12  | 150082-08-000 | EA  | ROD - F/TV LATCH-KEEPER   |
| 13  | 150109-01-01A | EA  | KNOB - F/TV SWINGOUT - BLACK  |
| 14  | 150214-01-02B | EA  | BRACKET/KEEPER - TV/SWINGOUT - E-COATED - <b>NOT ILLUSTRATED</b><br>FROM: 00-00-00 THRU: 04-01-07 |
| 14  | 150214-02-02B | EA  | BRACKET/KEEPER - TV/SWINGOUT - E-COATED<br>FROM: 04-02-07 THRU: 99-99-99                          |
| 15  | 156922-01-02B | EA  | SUPPORT - TV - E-COATED - <b>NOT ILLUSTRATED</b><br>FROM: 00-00-00 THRU: 04-29-07                 |
| 15  | 164661-01-02B | EA  | SUPPORT - TV - E-COATED<br>FROM: 04-30-07 THRU: 99-99-99  |
| 16  | 099418-01-000 | FT  | SEAL - D-SECTION/ADHESIVE BACK - .44" X .44" - BLK RUBBER   |

## DRIVERS COMPARTMENT GROUP (CONTINUED)

### CABINETS

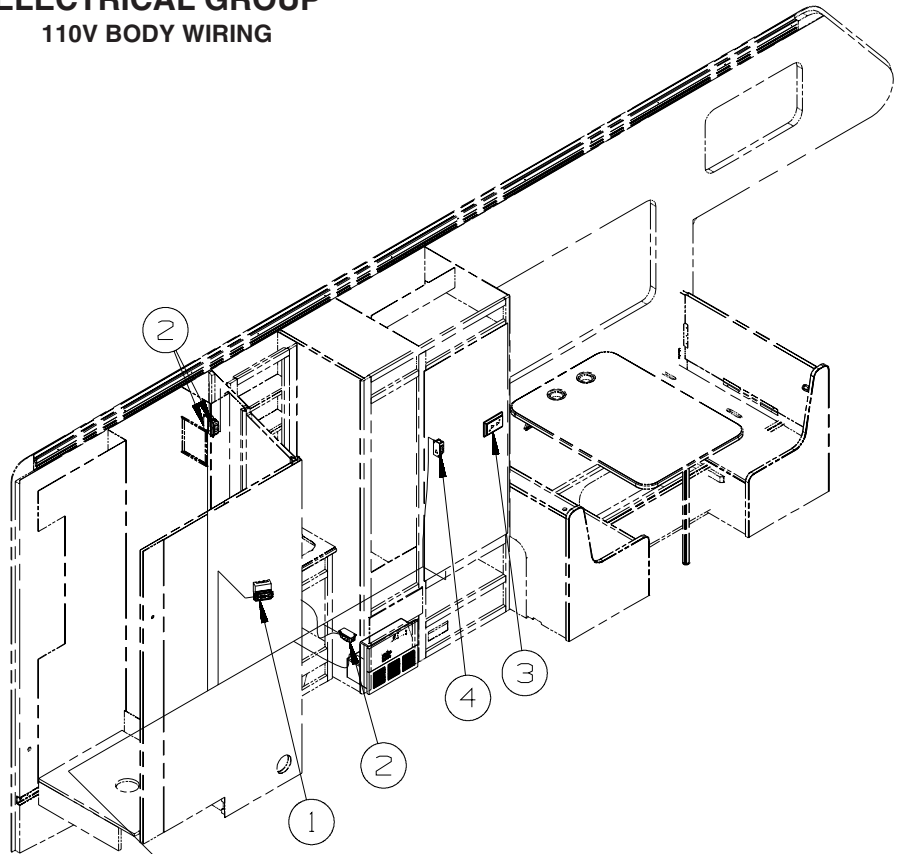


| KEY | PART NUMBER   | U/M | DESCRIPTION   |
|-----|---------------|-----|---|
| 1   | P56718-01-U01 | EA  | CABINET - ENTERTAINMENT CENTER/LEFT HAND - W/O DOORS/HDW - PORTSMOUTH OAK |
| 1   | P56718-01-U02 | EA  | CABINET - ENTERTAINMENT CENTER/LEFT HAND - W/O DOORS/HDW - SIERRA MAPLE   |
| 2   | 142200-01-T11 | EA  | PANEL - VINYL COVERED   |
| 3   | 156720-01-U01 | EA  | CABINET - ENTERTAINMENT CENTER/TOP - W/O HDW                              |
| 4   | 157549-01-02B | EA  | BRACKET/MOUNTING - TV - E-COATED  |
| 5   | 158139-01-02B | EA  | BRACKET - TV - E-COATED   |
| 6   | 158139-02-02B | EA  | BRACKET - TV - E-COATED   |
| 7   | 164492-B0-W07 | EA  | DOOR - RAISED/PENCIL EDGE - 14.4" X 26.8" - W/O HDW - PORTSMOUTH OAK      |
| 7   | 164492-B0-W08 | EA  | DOOR - RAISED/PENCIL EDGE - 14.4" X 26.8" - W/O HDW - SIERRA MAPLE        |
| 8   | 076767-04-000 | EA  | CABLE - STAINLESS STEEL - 5.9"  |
| 9   | 156719-11-U01 | EA  | FACE/FRAME - CABINET/FRONT/INNER TRIM - PORTSMOUTH OAK                    |
| 9   | 156719-11-U02 | EA  | FACE/FRAME - CABINET/FRONT/INNER TRIM - SIERRA MAPLE                      |
| 10  | 156719-14-U01 | EA  | FACE/FRAME - CABINET/FRONT/OUTER TRIM - PORTSMOUTH OAK                    |
| 10  | 156719-14-U02 | EA  | FACE/FRAME - CABINET/FRONT/OUTER TRIM - SIERRA MAPLE                      |
| 11  | 164492-B1-W07 | EA  | DOOR - RAISED/PENCIL EDGE - 14.4" X 26.8" - W/O HDW - PORTSMOUTH OAK      |
| 11  | 164492-B1-W08 | EA  | DOOR - RAISED/PENCIL EDGE - 14.4" X 26.8" - W/O HDW - SIERRA MAPLE        |

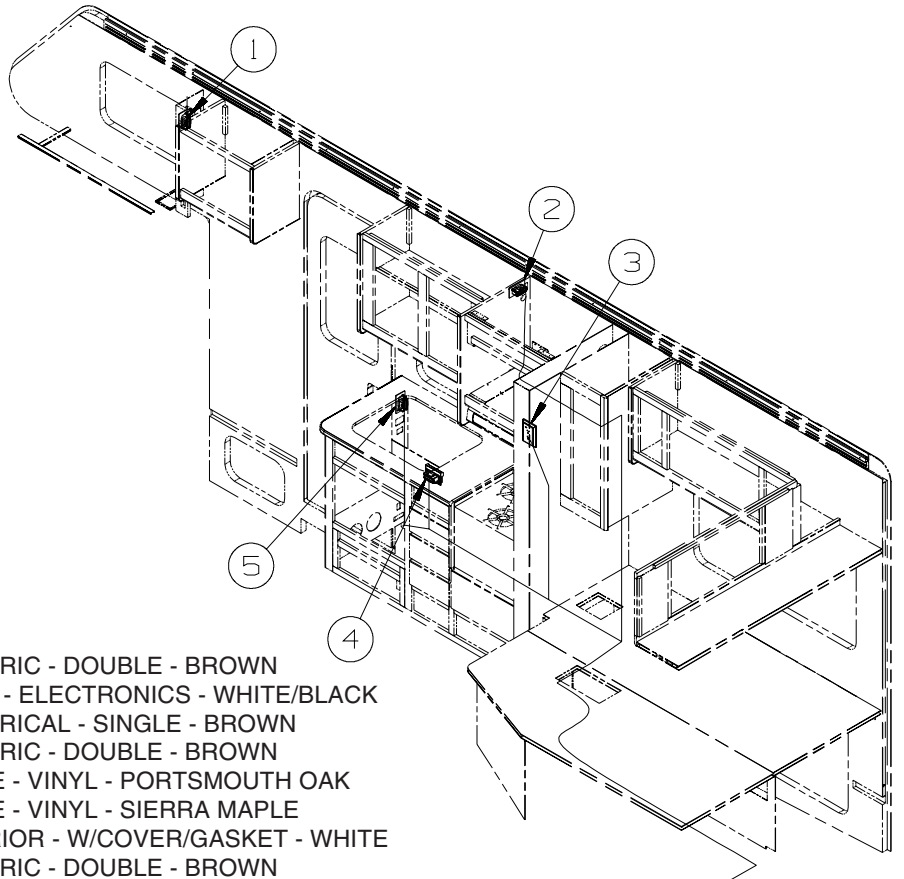


# ELECTRICAL GROUP

## 110V BODY WIRING

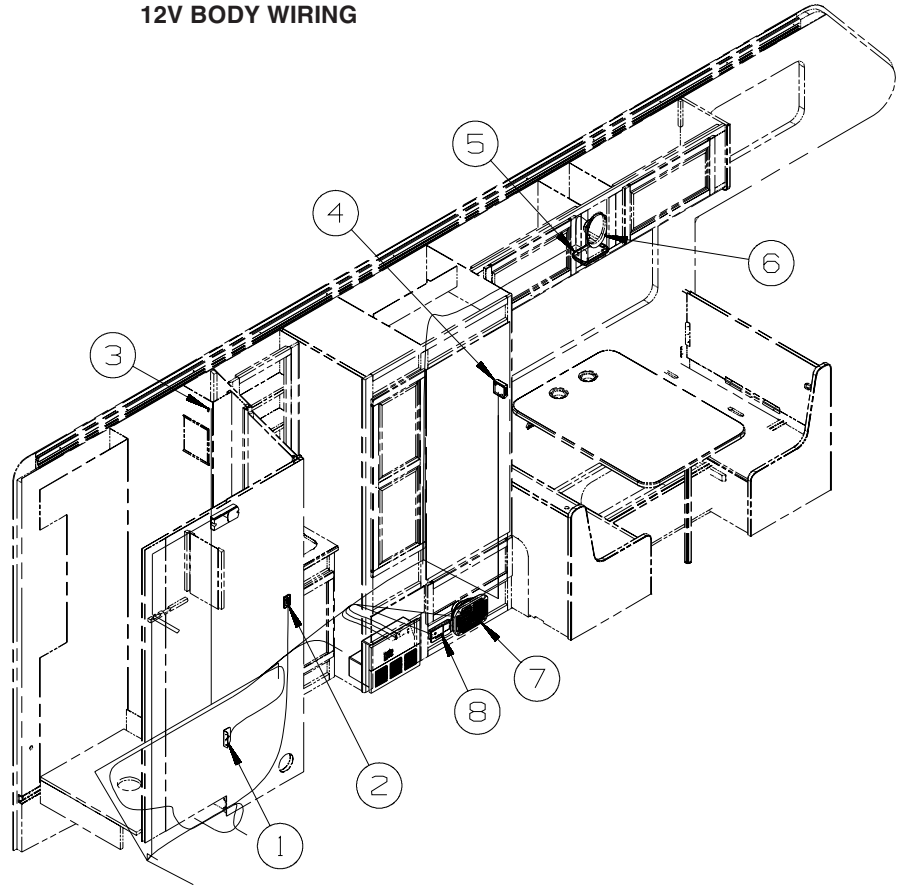


| KEY | PART NUMBER   | U/M | DESCRIPTION                                |
|-----|---------------|-----|--|
| 1   | 163319-01-02A | EA  | RECEPTACLE - GFCI - 15A 125V - BROWN       |
| 2   | 058707-02-000 | EA  | RECEPTACLE - BLANK - JUNCTION BOX          |
| 3   | 058708-01-000 | EA  | RECEPTACLE - ELECTRIC - DOUBLE - BROWN     |
| 3   | 133713-01-08A | EA  | SPACER/RECEPTACLE - VINYL - PORTSMOUTH OAK |
| 3   | 133713-01-22A | EA  | SPACER/RECEPTACLE - VINYL - SIERRA MAPLE   |
| 4   | 058707-01-000 | EA  | RECEPTACLE - ELECTRIC - SINGLE - BROWN     |



| KEY | PART NUMBER   | U/M | DESCRIPTION                                    |
|-----|---------------|-----|--|
| 1   | 058708-01-000 | EA  | RECEPTACLE - ELECTRIC - DOUBLE - BROWN         |
| 1   | 158542-02-01A | EA  | LABEL - RECEPTACLE - ELECTRONICS - WHITE/BLACK |
| 2   | 058708-05-000 | EA  | RECEPTACLE - ELECTRICAL - SINGLE - BROWN       |
| 3   | 058708-01-000 | EA  | RECEPTACLE - ELECTRIC - DOUBLE - BROWN         |
| 3   | 133713-01-08A | EA  | SPACER/RECEPTACLE - VINYL - PORTSMOUTH OAK     |
| 3   | 133713-01-22A | EA  | SPACER/RECEPTACLE - VINYL - SIERRA MAPLE       |
| 4   | 131826-01-01A | EA  | RECEPTACLE - EXTERIOR - W/COVER/GASKET - WHITE |
| 5   | 058708-01-000 | EA  | RECEPTACLE - ELECTRIC - DOUBLE - BROWN         |

**ELECTRICAL GROUP (CONTINUED)**  
**12V BODY WIRING**

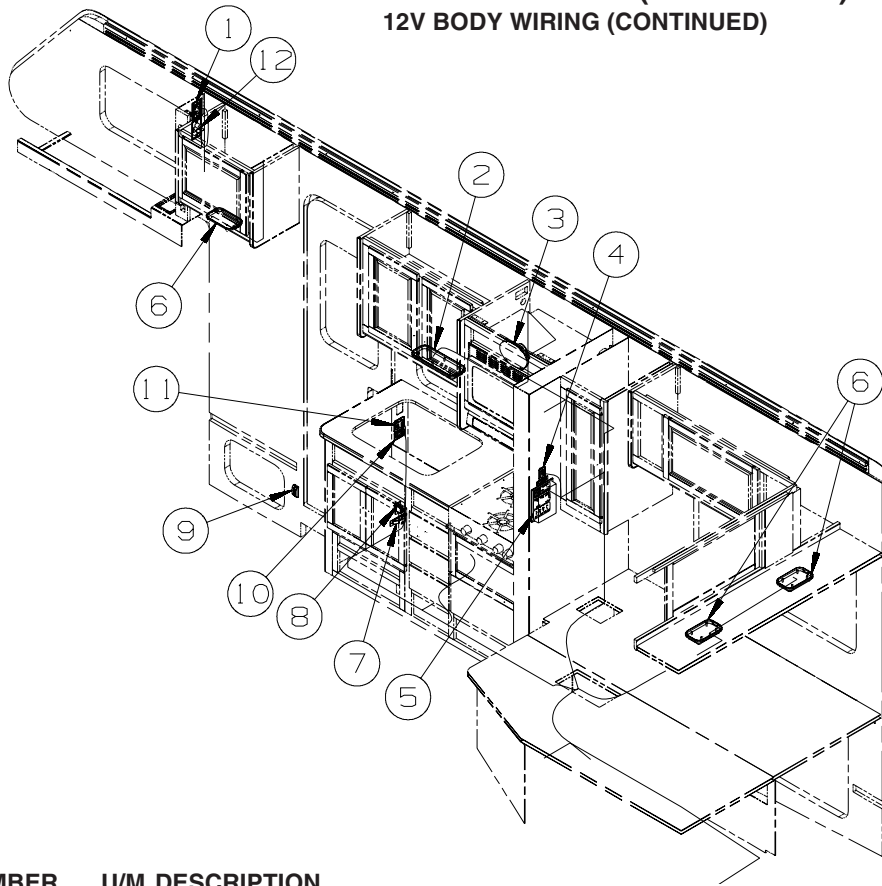


| KEY | PART NUMBER   | U/M | DESCRIPTION   |
|-----|---------------|-----|---|
| 1   | 139335-01-02B | EA  | PLATE - ELECTRICAL - E-COATED   |
| 1   | 082134-01-000 | EA  | ADAPTER - TV - CABLE TO CABLE   |
| 1   | 082136-01-000 | EA  | NUT - HEX JAM - 3/8-32  |
| 1   | 087236-01-000 | EA  | LABEL - CABLE - INPUT   |
| 2   | 135740-01-01A | EA  | SWITCH - ROCKER - SPST - ON/OFF - BROWN                                     |
| 2   | 135741-01-01A | EA  | SWITCH - BASE - SINGLE - BROWN  |
| 2   | 135742-07-02A | EA  | BEZEL - SWITCH - CEILING - BROWN  |
| 3   | 082134-01-000 | EA  | ADAPTER - TV - CABLE TO CABLE   |
| 4   | 115764-01-01A | EA  | THERMOSTAT - FURNACE - WHITE  |
| 4   | 115764-01-03A | EA  | THERMOSTAT - FURNACE - BLACK  |
| 5*  | 137417-05-01A | EA  | LIGHT - DOME - DOUBLE - W/SWITCH/OPTIC LENS - WHITE                         |
| 6   | 110465-01-000 | EA  | SPEAKER KIT,4 5X7 SPEAKERS  |
| 7   | 124884-01-000 | EA  | SPEAKER - 6" X 9" - SUB-WOOFER - W/O GRILLE - HOME THEATER SOUND SYSTEM     |
| 7   | 151844-01-01A | EA  | GRILLE - SPEAKER - 6" X 9" - SUB WOOFER - BLACK - HOME THEATER SOUND SYSTEM |
| 8   | 150138-01-02A | EA  | DETECTOR - LP GAS - BROWN   |

\*COMPONENT PARTS LISTED LATER IN THIS GROUP

## ELECTRICAL GROUP (CONTINUED)

### 12V BODY WIRING (CONTINUED)

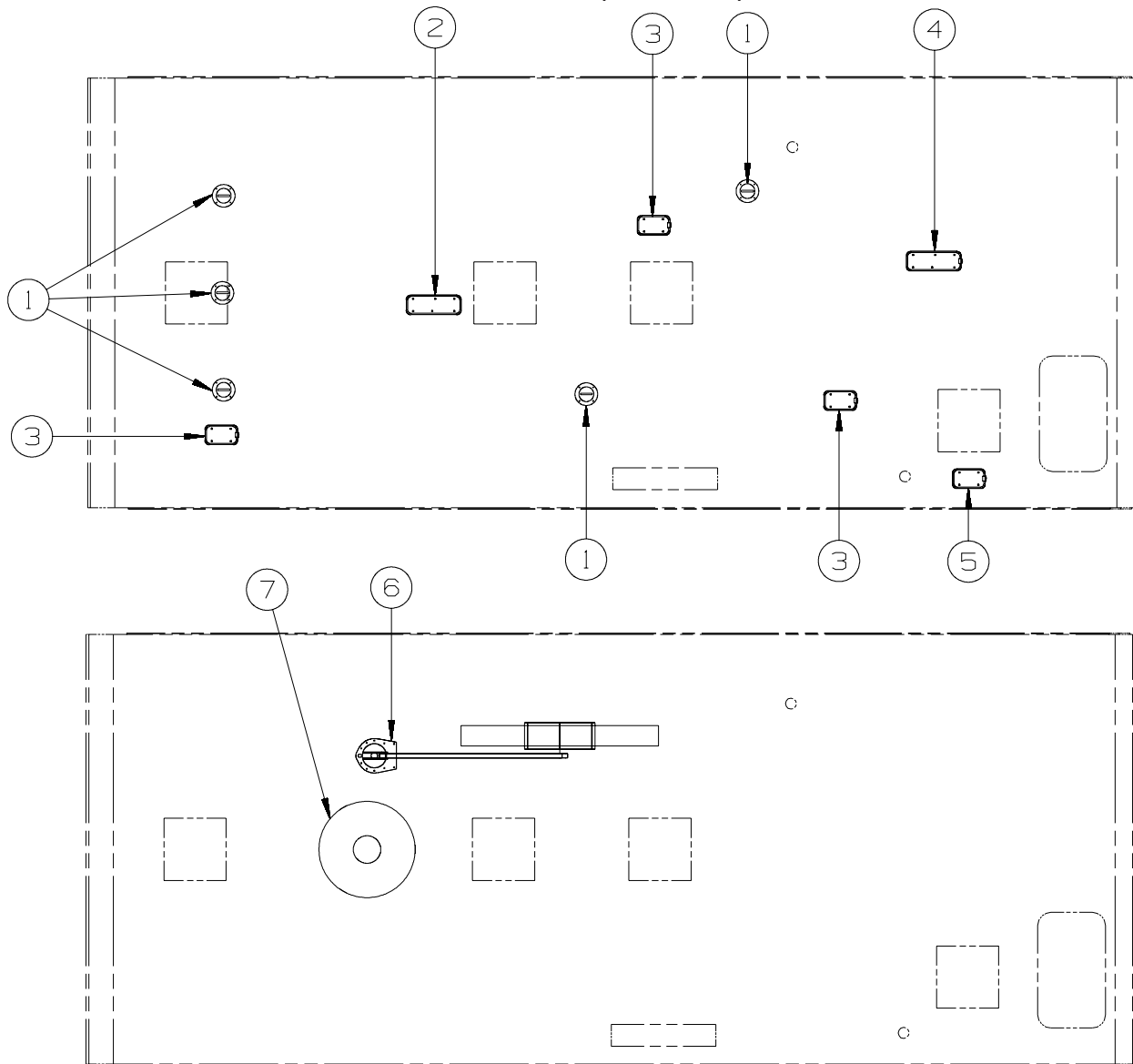


| KEY | PART NUMBER   | U/M | DESCRIPTION  |
|-----|---------------|-----|--|
| 1   | 149557-05-01A | EA  | PLATE/WALL - DUAL COAXIAL/HORIZONTAL - WHITE   |
| 2*  | 137417-05-01A | EA  | LIGHT - DOME - DOUBLE - W/SWITCH/OPTIC LENS - WHITE                                  |
| 3   | 110465-01-000 | EA  | SPEAKER KIT,4 5X7 SPEAKERS   |
| 4   | 135740-06-01A | EA  | SW-ROCKER-ON/OFF-LIGHTED-RED-DRAINAGE SYS.-HEATED/DRAINAGE SYSTEM/HEAT-PREWIRE       |
| 4   | 135741-01-01A | EA  | SWITCH - BASE - SINGLE - BROWN-DRAINAGE SYS.-HEATED/DRAINAGE SYSTEM/HEAT-PREWIRE     |
| 4   | 135742-01-01A | EA  | BEZEL - SWITCH - SINGLE - BROWN-DRAINAGE SYS.-HEATED/DRAINAGE SYSTEM/HEAT-PREWIRE    |
| 4   | 134563-01-02A | EA  | LABEL - SW. - HEATER - BLACK/WHITE-DRAINAGE SYS.-HEATED/DRAINAGE SYSTEM/HEAT-PREWIRE |
| 5*  | 134940-06-01A | EA  | PANEL - MONITOR - 2 TANK - W/GENERATOR SWITCH - GEN-4.0KW-ONANGAS-MICROQUIET         |
| 5*  | 134940-07-01A | EA  | PANEL - MONITOR - 2 TANK   |
| 6*  | 137417-02-01A | EA  | LIGHT - DOME - SINGLE - W/SWITCH/OPTIC LENS - WHITE                                  |
| 7   | 061424-01-000 | EA  | LIGHT - AISLE - 12 VOLT - RECTANGULAR  |
| 8   | 108357-06-000 | EA  | SWITCH - ROCKER - DPDT - MOM/OFF/MOM - 6 TERM - W/O COVER                            |
| 8   | 108356-11-01A | EA  | COVER/ACTUATOR SWITCH - 3 GROOVES - AUX BATT - BLACK                                 |
| 8   | 108355-01-000 | EA  | HOUSING - SWITCH   |
| 8   | 098351-07-02A | EA  | PLATE/SWITCH - 1 GANG - CHROME - GENERATOR SWITCH                                    |
| 9   | 116995-02-000 | EA  | SWITCH/MAGNET - ELECTRIC STEP - BLACK/WHITE- NORMALLY OPEN                           |
| 10  | 135740-01-01A | EA  | SWITCH - ROCKER - SPST - ON/OFF - BROWN  |
| 10  | 135741-01-01A | EA  | SWITCH - BASE - SINGLE - BROWN   |
| 10  | 135742-11-02A | EA  | BEZEL - SWITCH - STEP - BROWN  |
| 11  | 135740-01-01A | EA  | SWITCH - ROCKER - SPST - ON/OFF - BROWN  |
| 11  | 135741-02-01A | EA  | SWITCH - BASE - DOUBLE - BROWN   |
| 11  | 135742-19-02A | EA  | BEZEL - SWITCH - CEILING/PORCH - BROWN   |
| 12  | 086777-02-000 | EA  | WALLPLATE/TV CABLE W/ANTENNA SWITCH/BOOSTER - 2 TV - BLACK                           |

\*COMPONENT PARTS LISTED LATER IN THIS GROUP

## ELECTRICAL GROUP (CONTINUED)

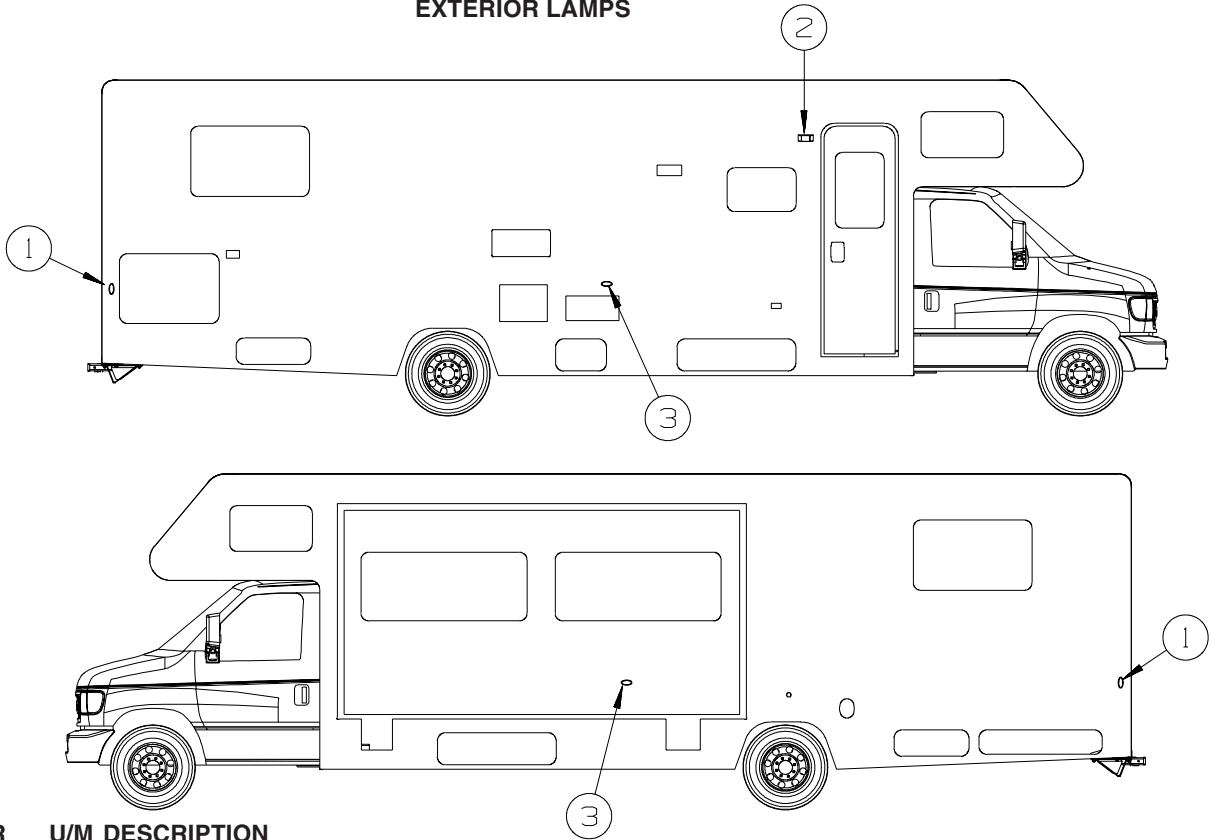
### 12V BODY WIRING (CONTINUED)



| KEY | PART NUMBER   | U/M | DESCRIPTION  |
|-----|---------------|-----|--|
| 1   | 160867-01-01A | EA  | SPEAKER - ROUND/CEILING-CREAM - MAGNADYNE - LS3EYC-WN - HOME THEATER SOUND SYSTEM                                  |
| 2*  | 137417-06-01A | EA  | LIGHT - DOME - DOUBLE - W/O SWITCH - W/FROSTED LENS-WHITE  |
| 3*  | 137417-01-01A | EA  | LIGHT - DOME - SINGLE - W/SWITCH/FROSTED LENS - WHITE  |
| 4   | 137417-04-01A | EA  | LIGHT - DOME - DOUBLE - W/SWITCH/FROSTED LENS - WHITE  |
| 5*  | 137417-03-01A | EA  | LIGHT - DOME - SINGLE - W/O SWITCH - W/FROSTED LENS-WHITE  |
| 6*  | 076319-23-000 | EA  | ANTENNA - TV ROOF MOUNT - 44.5" MAST   |
| 6*  | 076319-25-000 | EA  | KIT - HARDWARE INTERIOR  |
| 6   | 069726-02-000 | EA  | BUMPER - .88" OD X .40" THICK - BLACK  |
| 7   | 132935-01-000 | EA  | ANTENNA - TV ROOF MOUNT - ROUND - W/O POWER SUPPLY - TV ANTENNA-OMNIDIRECTIONAL<br>FROM: 00-00-00 THRU: 01-29-08   |
| 7   | 167632-01-01A | EA  | ANTENNA - TV ROOF MOUNT/ROUND - W/O PWR SUPPLY - WHT - TV ANTENNA-OMNIDIRECTIONAL<br>FROM: 01-30-08 THRU: 99-99-99 |
| 7   | 146488-01-000 | EA  | PLATE - ROOF - CABLE ENTRY - TV ANTENNA-OMNIDIRECTIONAL  |
| 7   | 082134-01-000 | EA  | ADAPTER - TV - CABLE TO CABLE - TV ANTENNA-OMNIDIRECTIONAL   |

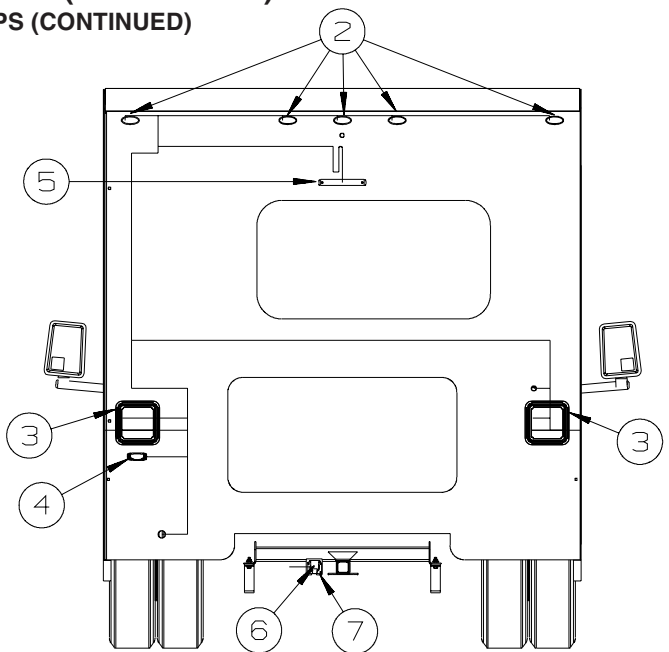
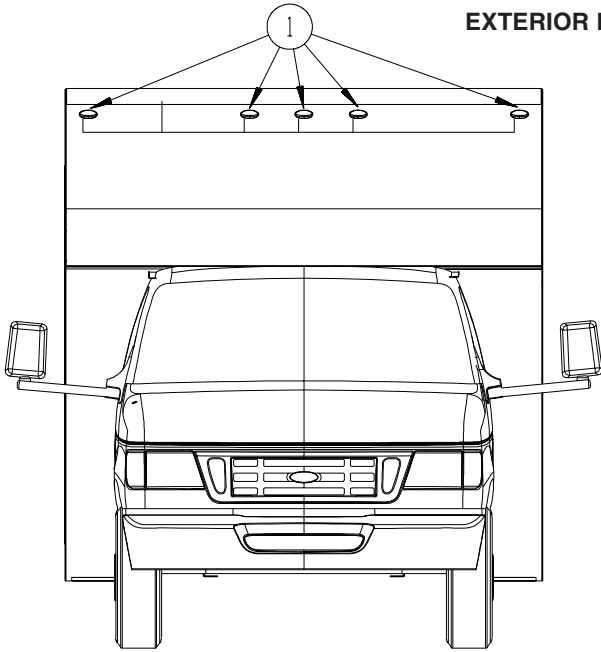
\*COMPONENT PARTS LISTED LATER IN THIS GROUP

**ELECTRICAL GROUP (CONTINUED)**  
**EXTERIOR LAMPS**



| KEY  | PART NUMBER   | U/M | DESCRIPTION                               |
|--|---------------|-----|---|
| 1  | 111102-01-000 | EA  | BASE - MARKER LAMP                        |
| 1  | 111102-03-000 | EA  | LENS - RED - MARKER LAMP                  |
| 2*   | 097917-01-06A | EA  | LIGHT - PORCH - ENTRY DOOR - BRIGHT WHITE |
|  |               |     | FROM: 00-00-00 THRU: 02-10-08             |
| 2  | 097917-01-09A | EA  | LIGHT - PORCH - ENTRY DOOR - WHITE        |
|  |               |     | FROM: 02-11-08 THRU: 99-99-99             |
| 3  | 111102-01-000 | EA  | BASE - MARKER LAMP - 229T, 231C           |
| 3  | 111102-02-000 | EA  | LENS - AMBER - MARKER LAMP - 229T, 231C   |
| <b>*COMPONENT PARTS LISTED LATER IN THIS GROUP</b> |               |     |   |

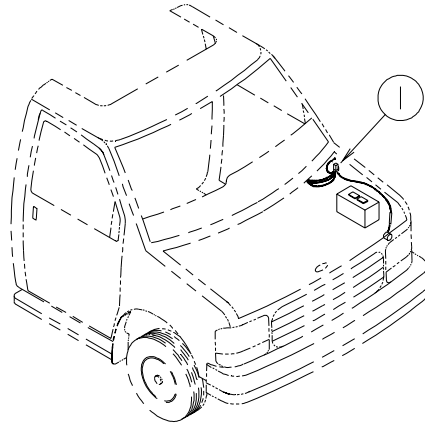
**ELECTRICAL GROUP (CONTINUED)**  
**EXTERIOR LAMPS (CONTINUED)**



| KEY | PART NUMBER   | U/M | DESCRIPTION  |
|-----|---------------|-----|--|
| 1   | 111102-01-000 | EA  | BASE - MARKER LAMP                                     |
| 1   | 111102-02-000 | EA  | LENS - AMBER - MARKER LAMP                             |
| 2   | 111102-01-000 | EA  | BASE - MARKER LAMP                                     |
| 2   | 111102-03-000 | EA  | LENS - RED - MARKER LAMP                               |
| 3*  | 153658-01-02A | EA  | LAMP - STOP/TURN/TAIL/BACK UP - CHROME                 |
| 4   | 066432-02-000 | EA  | LIGHT - LICENSE - BLACK                                |
| 4   | 066432-03-000 | EA  | BRACKET - LICENSE PLATE                                |
| 5   | 136916-01-000 | EA  | LIGHT - BRAKE - CENTER MOUNT - RECTANGLE - 1.3" X 9.8" |
| 6   | 146246-01-000 | EA  | CONNECTOR/PLUG - TRAILER - 7 PIN                       |
| 7   | 157593-01-000 | EA  | CONNECTOR - PLUG - TRAILER - 7 SOCKET                  |

**\*COMPONENT PARTS LISTED LATER IN THIS GROUP**

**ELECTRICAL GROUP (CONTINUED)**  
**FRONT END**



| KEY | PART NUMBER   | U/M DESCRIPTION  |
|-----|---------------|--|
| 1   | 100138-01-000 | EA MODULE - DAYTIME/RUNNING LIGHT - HAMSAR DRL #H8005B |

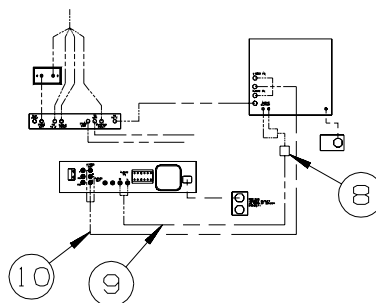
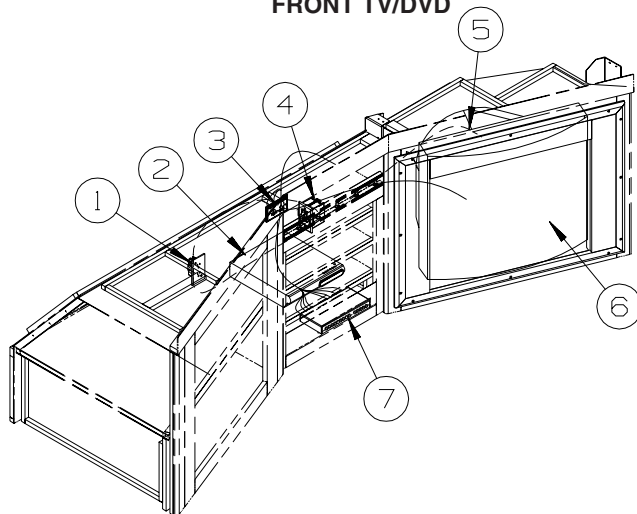


| KEY | PART NUMBER   | U/M DESCRIPTION  |
|-----|---------------|--|
| *   | 120269-07-01A | EA PANEL - W/ELECTRIC MIRROR/HEAT SWITCH - F/#L28X OPTION - MIRRORS-EXTERIOR W/DEFROST |
| *   | 133908-09-01A | EA PANEL - F/ELECTRIC MIRROR ONLY - L28X OPTION - MIRRORS-EXTERIOR W/DEFROST - CHEVY   |

**\*COMPONENT PARTS LISTED LATER IN THIS GROUP**

# ELECTRICAL GROUP (CONTINUED)

## FRONT TV/DVD



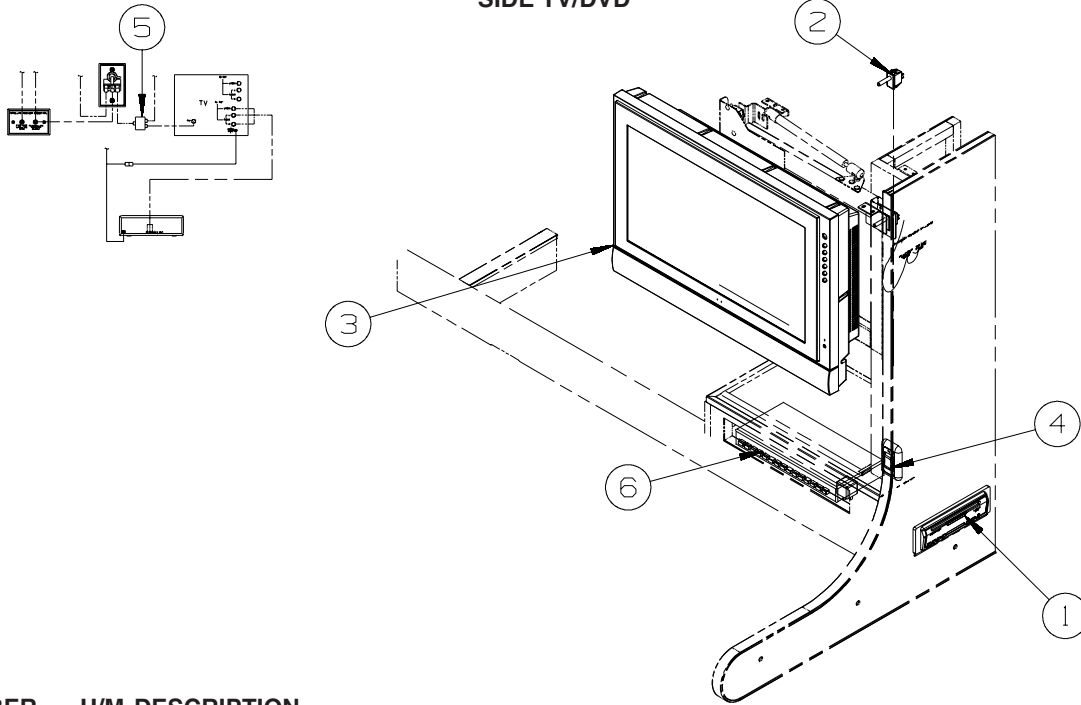
| KEY | PART NUMBER   | U/M | DESCRIPTION   |
|-----|---------------|-----|---|
| 1   | 058708-01-000 | EA  | RECEPTACLE - ELECTRIC - DOUBLE - BROWN  |
| 1   | 158542-02-01A | EA  | LABEL - RECEPTACLE - ELECTRONICS - WHITE/BLACK - <b>CANADIAN</b>  |
| 2*  | 158836-01-000 | EA  | DVD - HOME THEATER - W/O SPEAKERS - MEMOREX STS71E-R - <b>HOME THEATER SOUND SYSTEM</b><br>FROM: 00-00-00 THRU: 06-10-07  |
| 2   | 164270-01-000 | EA  | DVD - HOME THEATER - W/O SPEAKERS - MEMOREX STS2891-R - <b>HOME THEATER SOUND SYSTEM</b><br>FROM: 06-11-07 THRU: 99-99-99 |
| 2*  | 159771-01-000 | EA  | DVD/MP3 PLAYER - PROGRESSIVE SCAN - MEMOREX MVD2022 - <b>DIGITAL VIDEO DISC PLAYER</b><br>FROM: 00-00-00 THRU: 04-11-07   |
| 2   | 164584-01-000 | EA  | DVD/MP3 PLAYER - PROGRESSIVE SCAN - MEMOREX MVD2023 - <b>DIGITAL VIDEO DISC PLAYER</b><br>FROM: 04-12-07 THRU: 99-99-99   |
| 3   | 149557-05-01A | EA  | PLATE/WALL - DUAL COAXIAL/HORIZONTAL - WHITE  |
| 4   | 156676-01-000 | EA  | CONTROLLER/OUTLET - POWER/TV - AUTO SHUTOFF W/IGNITION  |
| 5   | 058707-02-000 | EA  | RECEPTACLE - BLANK - JUNCTION BOX<br>FROM: 00-00-00 THRU: 04-03-07  |
| 6*  | 157282-02-000 | EA  | TV - 27" STEREO - W/5 JACKS/DIGITAL TUNER - RCA 27V414TAO   |
| 7   | 086757-04-000 | EA  | CONTROL CENTER - SWITCH - VCR/TV - 5 INPUTS<br>FROM: 00-00-00 THRU: 04-03-07  |
| 7   | 142258-01-000 | EA  | SWITCH - VIDEO/ANTENNA POWER SUPPLY - <b>NOT ILLUSTRATED</b><br>FROM: 04-04-07 THRU: 99-99-99                             |
| 8   | 123324-01-000 | EA  | FILTER - GROUND LOOP - ISOLATION TRANSFORMER - <b>HOME THEATER SOUND SYSTEM</b>   |
| 9   | 117420-02-000 | EA  | CABLE - W/MALE RCA ENDS - SHIELDED - 4' - <b>HOME THEATER SOUND SYSTEM</b>  |
| 10  | 136860-03-000 | EA  | CABLE - RCA - SHIELDED - 3 MALE TO MALE CONNECTORS - 6'- <b>HOME THEATER SOUND SYSTEM</b>                                 |

\*COMPONENT PARTS LISTED LATER IN THIS GROUP



## ELECTRICAL GROUP (CONTINUED)

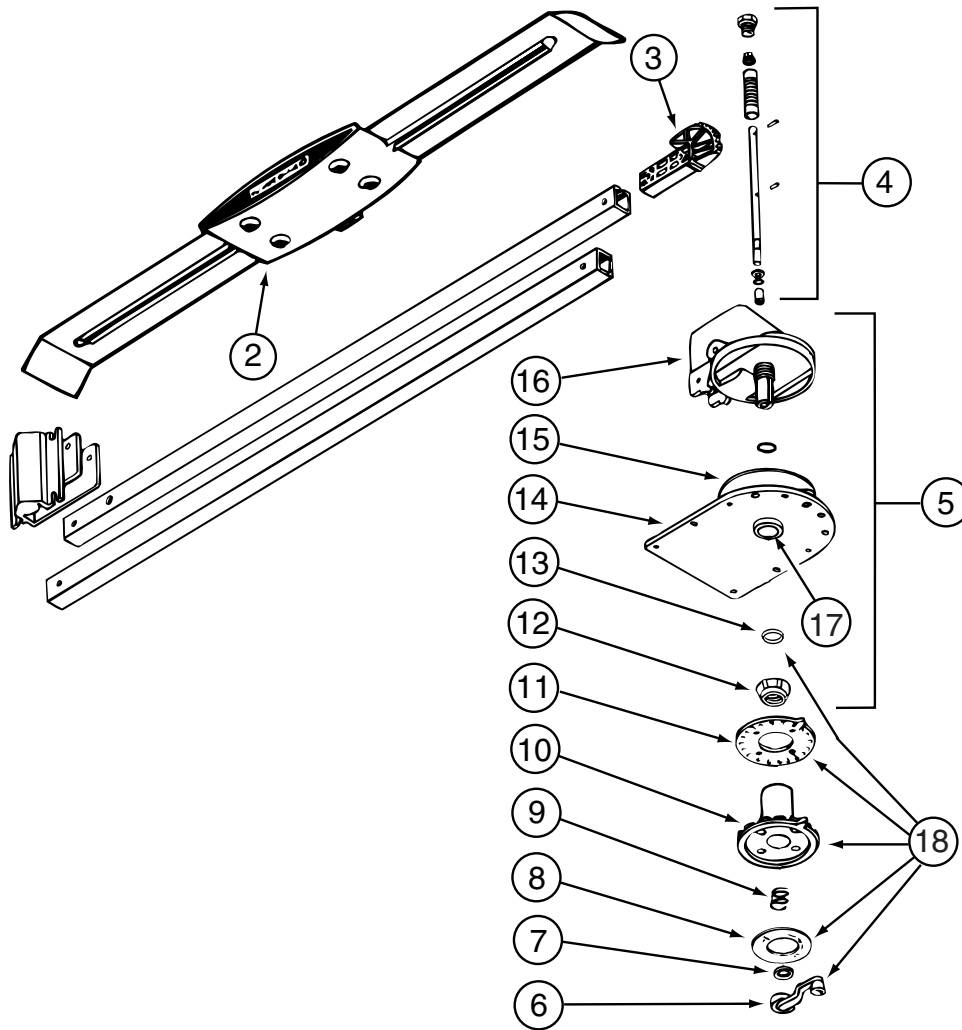
### SIDE TV/DVD



| KEY | PART NUMBER   | U/M | DESCRIPTION   |
|-----|---------------|-----|---|
| 1*  | 160603-01-000 | EA  | DVD PLAYER - HORIZONTAL MNT - 12V - BLK - NESA DVD-1002                 |
|     | 164740-01-02B | EA  | TRIM RING - RADIO - E-COATED  |
| 2   | 159814-01-000 | EA  | SWITCH - PLUNGER - SPST - OFF/ON  |
| 3*  | 158703-01-000 | EA  | TV - 20" - LCD 4:3 - SIDE SPEAKER - JENSEN JE2043                       |
|     |               |     | FROM: 00-00-00 THRU: 04-29-07   |
| 3*  | 164495-01-000 | EA  | TV - 19" - LCD 16:9 - BOTTOM SPEAKER - JENSEN JE1907DC                  |
|     |               |     | FROM: 04-30-07 THRU: 99-99-99   |
| 4   | 135740-01-01A | EA  | SWITCH - ROCKER - SPST - ON/OFF - BROWN                                 |
| 4   | 135741-01-01A | EA  | SWITCH - BASE - SINGLE - BROWN  |
| 4   | 135742-45-02A | EA  | BEZEL - SWITCH - TV - BROWN   |
| 5   | 086756-01-000 | EA  | SPLITTER - TV/2 WAY   |
| 6   | 168102-01-000 | EA  | SWITCH - VIDEO/ANTENNA/DVD - POWER SUPPLY - TV-19"DC,DVD PLYR,VIDEO SEL |
|     | 156586-02-02B | EA  | BRACKET - SWITCH/VIDEO - E-COATED - TV-19"DC,DVD PLYR,VIDEO SEL         |

\*COMPONENT PARTS LISTED LATER IN THIS GROUP

**ELECTRICAL GROUP (CONTINUED)**  
**COMPONENT PARTS FOR WIRING**



**076319-23-000**

| KEY | PART NUMBER   | U/M | DESCRIPTION             | VENDOR NO. |
|-----|---------------|-----|-------------------------|------------|
| 2   | 076319-01-700 | EA  | HEAD-ANTENNA, AMPLIFIED | RVSA U/V   |
| 3   | 076319-01-701 | EA  | GEAR-ELEVATING, PLASTIC | 2200046    |
| 4   | 076319-01-702 | EA  | SHAFT ASM-ELEVATING     | RP-4000    |
| 5   | 076319-01-711 | EA  | BASE & LIFT ASM         | 2762802    |
| 7   | 076319-01-705 | EA  | GROMMET-NYLON, 7/8"ID   | 3200658    |
| 8   | 076319-01-708 | EA  | DECAL-CRANK             | 5413002    |
| 9   | 076319-01-707 | EA  | SPRING-HANDLE           | 2160822    |
| 11  | 076319-01-712 | EA  | PLATE - CEILING         | 3200608    |
| 12  | 076319-01-715 | EA  | NUT (GEAR HOUSING)      | 2200047    |
| 14  | 076319-01-713 | EA  | PLATE-BASE, STEEL       | 3100523    |
| 15  | 076319-01-703 | EA  | BEARING-NYLON, 5"OD     | 3200656    |
| 16  | 076319-01-714 | EA  | HOUSING, ROTATING GEAR  | 2200049    |
| 17  | 076319-01-704 | EA  | BEARING-NYLON, 1.25"OD  | 3200657    |
| 18  | 076319-01-709 | EA  | HANDLE-HEAD DIRECTIONAL | 200644     |
|     | 076319-01-716 | EA  | TUBING, ELEVATING       | RP-2900    |

CONTACT WINNEBAGO PART SALES FOR UNLISTED COMPONENT(S)

**076319-25-000**

| KEY | PART NUMBER   | U/M | DESCRIPTION                  | VENDOR NO. |
|-----|---------------|-----|------------------------------|------------|
| 6   | 076319-01-706 | EA  | CRANK-W/SET SCREW UNIV/BEIGE | 2750897    |
| 6   | 120233-01-710 | EA  | HANDLE-CRANK W/SCREW - WHITE | RP-6795    |
| 8   | 076319-01-708 | EA  | DECAL-CRANK                  | 5413002    |
| 10  | 076319-25-700 | EA  | DIRECTIONAL HANDLE(WHITE)    | 3200612    |
| 11  | 076319-25-701 | EA  | PLATE - CEILING(WHITE)       | 3200609    |
| 13  | 120233-01-709 | EA  | WASHER-NYLON                 | RP-2658    |

CONTACT WINNEBAGO PART SALES FOR UNLISTED COMPONENT(S)

**ELECTRICAL GROUP (CONTINUED)**  
**COMPONENT PARTS FOR WIRING (CONTINUED)**

097917-01-06A

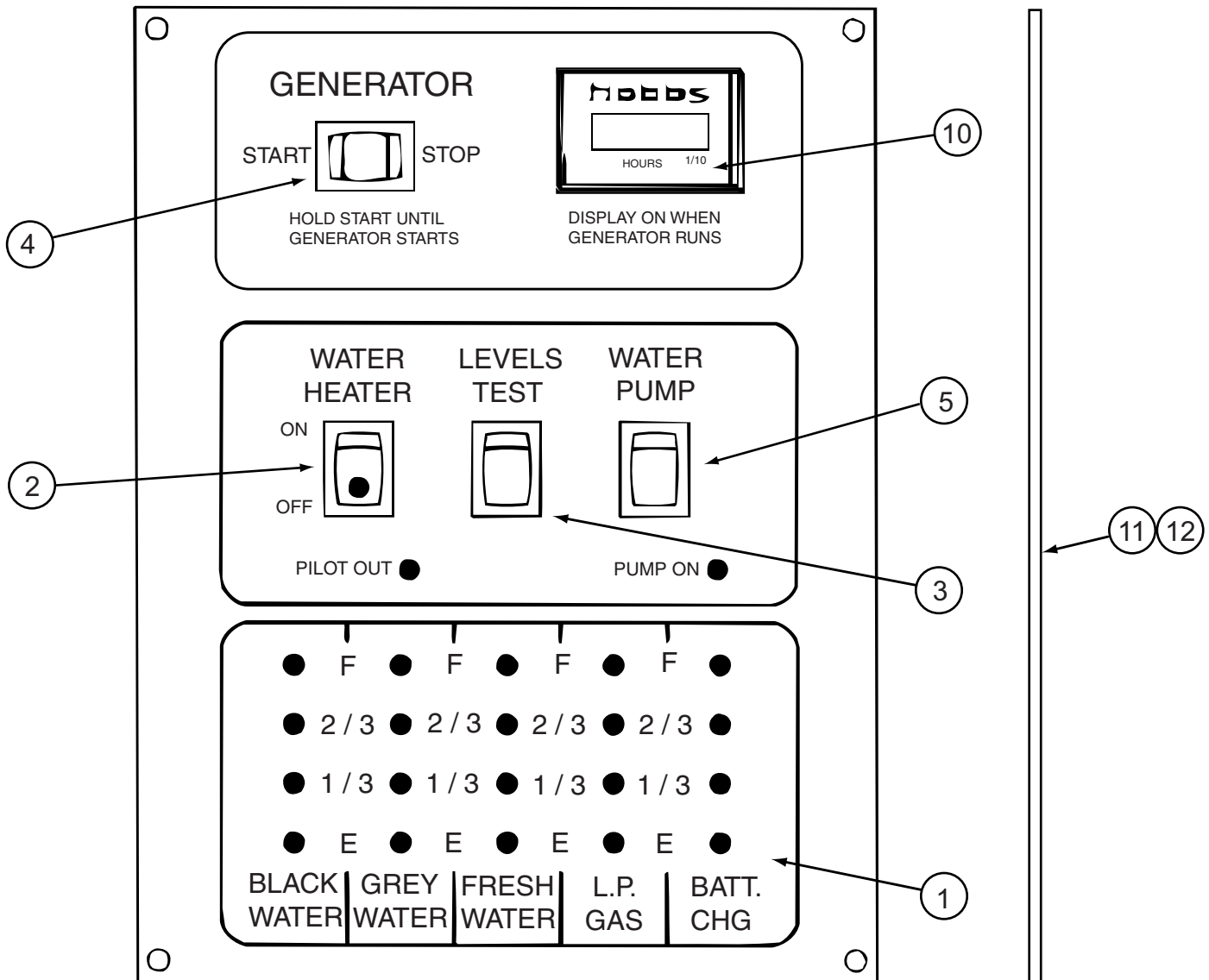
| KEY | PART NUMBER   | U/M DESCRIPTION      | VENDOR NO. |
|-----|---------------|----------------------|------------|
|     | 097917-01-700 | EA LENS-LIGHT, CLEAR | 30-78-021  |

120269-07-01A

| KEY | PART NUMBER   | U/M DESCRIPTION           | VENDOR NO. |
|-----|---------------|---------------------------|------------|
|     | 120269-07-700 | EA SWITCH - REMOTE        | 7475720    |
|     | 133908-09-700 | EA SWITCH - MIRROR HEATER | 7475150    |

133908-09-01A

| KEY | PART NUMBER   | U/M DESCRIPTION         | VENDOR NO. |
|-----|---------------|-------------------------|------------|
|     | 133908-09-700 | EA SWITCH-MIRROR HEATER | 7475150    |



134940-06-01A

| KEY | PART NUMBER   | U/M DESCRIPTION                 | VENDOR NO. |
|-----|---------------|---------------------------------|------------|
| 1   | 134940-01-702 | EA CHASSIS - SILKSCREENED       | CC0558-00  |
| 2   | 134940-01-701 | EA SWITCH-SPST/ON-OFF/BLK W/LGT | L0109      |
| 3   | 096983-01-701 | EA SWITCH - SPST/MOM 2 TERMINAL | L0111-00   |
| 4   | 096983-01-702 | EA SWITCH - MOM/OFF/MOM/3 TERM  | L0112-00   |
| 5   | 096983-01-703 | EA SWITCH - ON/ON               | L0115-00   |
| 10  | 100258-10-701 | EA GAUGE-HR METER ONLY (LCD)    | L0775-00   |
| 11  | 134940-06-700 | EA PC BOARD - SENSOR SYSTEM/RED | L5131-02   |

CONTACT WINNEBAGO PART SALES FOR UNLISTED COMPONENT(S)

**ELECTRICAL GROUP (CONTINUED)**  
**COMPONENT PARTS FOR WIRING (CONTINUED)**

**134940-07-01A**

| <b>KEY</b> | <b>PART NUMBER</b> | <b>U/M</b> | <b>DESCRIPTION</b>           | <b>VENDOR NO.</b> |
|------------|--------------------|------------|------------------------------|-------------------|
| 1          | 134940-01-702      | EA         | CHASSIS - SILKSCREENED       | CC0558-00         |
| 2          | 134940-01-701      | EA         | SWITCH-SPST/ON-OFF/BLK W/LGT | L0109             |
| 3          | 096983-01-701      | EA         | SWITCH - SPST/MOM 2 TERMINAL | L0111-00          |
| 4          | 096983-01-703      | EA         | SWITCH - ON/ON               | L0115-00          |
| 5          | 134940-02-700      | EA         | SWITCH - DUMMY               | L0118             |
| 11         | 134940-06-700      | EA         | PC BOARD - SENSOR SYSTEM/RED | L5131-02          |

CONTACT WINNEBAGO PART SALES FOR UNLISTED COMPONENT(S)

**137417-01-01A, 137417-03-01A**

| <b>KEY</b> | <b>PART NUMBER</b> | <b>U/M</b> | <b>DESCRIPTION</b>      | <b>VENDOR NO.</b> |
|------------|--------------------|------------|-------------------------|-------------------|
|            | 137417-01-700      | EA         | LENS - SINGLE (FROSTED) | 810868            |

**137417-02-01A**

| <b>KEY</b> | <b>PART NUMBER</b> | <b>U/M</b> | <b>DESCRIPTION</b>  | <b>VENDOR NO.</b> |
|------------|--------------------|------------|---------------------|-------------------|
|            | 137417-02-700      | EA         | LENS - SINGLE OPTIC | 810844            |

**137417-05-01A**

| <b>KEY</b> | <b>PART NUMBER</b> | <b>U/M</b> | <b>DESCRIPTION</b>  | <b>VENDOR NO.</b> |
|------------|--------------------|------------|---------------------|-------------------|
|            | 137417-05-700      | EA         | LENS - DOUBLE OPTIC | 810845            |

**137417-06-01A**

| <b>KEY</b> | <b>PART NUMBER</b> | <b>U/M</b> | <b>DESCRIPTION</b>  | <b>VENDOR NO.</b> |
|------------|--------------------|------------|---------------------|-------------------|
|            | 137417-06-700      | EA         | LENS - DOUBLE WHITE | 810867            |

**153658-01-01A, 153658-01-02A**

| <b>KEY</b> | <b>PART NUMBER</b> | <b>U/M</b> | <b>DESCRIPTION</b> | <b>VENDOR NO.</b> |
|------------|--------------------|------------|--------------------|-------------------|
|            | 153658-01-700      | EA         | LENS ONLY          | 8511LRC           |

**157282-02-000**

| <b>KEY</b> | <b>PART NUMBER</b> | <b>U/M</b> | <b>DESCRIPTION</b> | <b>VENDOR NO.</b> |
|------------|--------------------|------------|--------------------|-------------------|
|            | 157282-02-700      | EA         | REMOTE - TV        | 271706            |

**158703-01-000**

| <b>KEY</b> | <b>PART NUMBER</b> | <b>U/M</b> | <b>DESCRIPTION</b>           | <b>VENDOR NO.</b> |
|------------|--------------------|------------|------------------------------|-------------------|
|            | 158703-01-700      | EA         | REMOTE                       | PSVCJE2043        |
|            | 158703-01-701      | EA         | SERVICE PACK-REMOTE & CABLES | PSVCJE2043        |

**158836-01-000**

| <b>KEY</b> | <b>PART NUMBER</b> | <b>U/M</b> | <b>DESCRIPTION</b> | <b>VENDOR NO.</b> |
|------------|--------------------|------------|--------------------|-------------------|
|            | 158836-01-700      | EA         | REMOTE             | STS71WREM         |

**159771-01-000**

| <b>KEY</b> | <b>PART NUMBER</b> | <b>U/M</b> | <b>DESCRIPTION</b> | <b>VENDOR NO.</b> |
|------------|--------------------|------------|--------------------|-------------------|
|            | 159771-01-700      | EA         | REMOTE - DVD       | MVD2022-REM       |

**160603-01-000**

| <b>KEY</b> | <b>PART NUMBER</b> | <b>U/M</b> | <b>DESCRIPTION</b> | <b>VENDOR NO.</b> |
|------------|--------------------|------------|--------------------|-------------------|
|            | 160603-01-700      | EA         | REMOTE             | DVD-1002-REM      |
|            | 160603-01-701      | EA         | REMOTE SENSOR      | DVD-1002-EYE      |

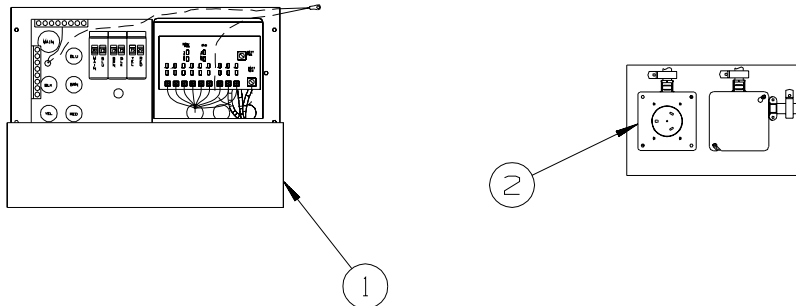
**164495-01-000**

| <b>KEY</b> | <b>PART NUMBER</b> | <b>U/M</b> | <b>DESCRIPTION</b> | <b>VENDOR NO.</b> |
|------------|--------------------|------------|--------------------|-------------------|
|            | 164495-01-700      | EA         | REMOTE - TV        | P301P19HS3409A    |

## ELECTRICAL GROUP (CONTINUED)

### CIRCUIT BREAKERS, FUSES & RELAYS

| KEY | PART NUMBER   | U/M | DESCRIPTION  |
|-----|---------------|-----|--|
|     | 062901-02-000 | EA  | FUSE - 5 AMP - AUTOMOTIVE                                |
|     | 062901-05-000 | EA  | FUSE - 15 AMP - AUTOMOTIVE                               |
|     | 062901-07-000 | EA  | FUSE - 25 AMP - AUTOMOTIVE                               |
|     | 062901-08-000 | EA  | FUSE - 30 AMP - AUTOMOTIVE                               |
|     | 063910-01-000 | EA  | HOUSING - RELAY  |
|     | 063912-02-000 | EA  | RELAY - CANISTER - SPDT                                  |
|     | 083209-01-000 | EA  | CIRCUIT BREAKER - 15 AMP - 120 VOLT - CANADIAN           |
|     | 083209-02-000 | EA  | CIRCUIT BREAKER - 15/15 AMP - 120 VOLT                   |
|     | 083209-03-000 | EA  | CIRCUIT BREAKER - 15/20 AMP - 120 VOLT                   |
|     | 083209-04-000 | EA  | CIRCUIT BREAKER - 30 AMP - 120 VOLT                      |
|     | 083209-05-000 | EA  | CIRCUIT BREAKER - 20 AMP - 120 VOLT                      |
|     | 083209-06-000 | EA  | CIRCUIT BREAKER - 30/15 AMP - 120 VOLT                   |
|     | 083209-07-000 | EA  | CIRCUIT BREAKER - 20/20 AMP - 120 VOLT                   |
|     | 083209-10-000 | EA  | CIRCUIT BREAKER - 20/30 AMP - 120 VOLT                   |
|     | 083209-11-000 | EA  | CIRCUIT BREAKER - 20/15 AMP - 120 VOLT                   |
|     | 092786-03-000 | EA  | BUSS BAR - 6.9" LONG                                     |
|     | 092786-06-000 | EA  | BUSS BAR   |
|     | 093654-01-000 | EA  | CIRCUIT BREAKER - 6 AMP - 12 VOLT - PUSH BUTTON - WHITE  |
|     | 093654-02-000 | EA  | CIRCUIT BREAKER - 15 AMP - 12 VOLT - PUSH BUTTON - WHITE |
|     | 093654-03-000 | EA  | CIRCUIT BREAKER - 20 AMP - 12 VOLT - PUSH BUTTON - WHITE |
|     | 093654-05-000 | EA  | CIRCUIT BREAKER - 10 AMP - 12 VOLT - PUSH BUTTON - WHITE |
|     | 093655-01-000 | EA  | CIRCUIT BREAKER - 25 AMP - 12 VOLT - PUSH BUTTON - WHITE |
|     | 093655-02-000 | EA  | CIRCUIT BREAKER - 30 AMP - 12 VOLT - PUSH BUTTON - WHITE |
|     | 093655-03-000 | EA  | CIRCUIT BREAKER - 40 AMP - 12 VOLT - PUSH BUTTON - WHITE |
|     | 100341-01-000 | EA  | FUSE HOLDER - IN LINE TYPE                               |
|     | 113482-01-000 | EA  | CIRCUIT BREAKER - 55 AMP - MANUAL                        |
|     | 115187-01-000 | EA  | FUSE - 300 AMP - NON-DELAY                               |
|     | 115187-02-000 | EA  | HOLDER - FUSE  |
|     | 115187-03-000 | EA  | FUSE - 60 AMP - NON-DELAY                                |
|     | 122811-01-000 | EA  | CIRCUIT BREAKER - 20/50/50/20 AMP - 250V                 |
|     | 141789-01-000 | EA  | SPACER - CIRCUIT BREAKER                                 |



**CONVERTER, INVERTER & LOAD CENTER**

| KEY | PART NUMBER   | U/M | DESCRIPTION                                       |
|-----|---------------|-----|---|
| 1*  | 083208-07-000 | EA  | CONTROL CENTER - 45 AMP - 120V/12V - W/O BREAKERS |
| 2   | 024924-02-000 | EA  | RECEPTACLE - POWER CORD - W/PARTIAL PLATE         |

**\*COMPONENT PARTS LISTED LATER IN THIS GROUP**

#### COMPONENT PARTS FOR CONVERTER, INVERTER & LOAD CENTER

**083208-07-000**

| KEY | PART NUMBER   | U/M | DESCRIPTION                 | VENDOR NO. |
|-----|---------------|-----|-----------------------------|------------|
|     | 083208-06-701 | EA  | CONVERTER ONLY (LOWER UNIT) | 7345R      |

**ELECTRICAL GROUP (CONTINUED)**  
**BOXES & CORDS**

| KEY | PART NUMBER   | U/M | DESCRIPTION  |
|-----|---------------|-----|--|
|     | 008054-01-000 | EA  | CORD - POWER - 10/3 WIRE - 30 AMP - 25'                  |
|     | 115832-01-000 | FT  | CORD - HEAVY DUTY - 14-2 W/GROUND                        |
|     | 008289-01-000 | EA  | BOX - ELECTRIC/STEEL - 4" X 4" - 1/2" & 3/4" KNOCKOUTS   |
|     | 091910-01-000 | EA  | BOX - ELECTRIC - 3.8" X 3.5" X 1.8" - PLASTIC            |
|     | 091910-02-000 | EA  | BOX - ELECTRIC - 2.2" X 3.5" X 1.8" - PLASTIC            |
|     | 131679-01-000 | EA  | BOX/ELECTRIC-WATERPROOF-4" X 4" - W/4 3/4"OUTLETS-UL/CSA |
|     | 133070-01-000 | EA  | BOX - ELECTRIC/PLASTIC - 3" X 2" X 2.8" - UL             |
|     | 133070-02-000 | EA  | BOX - ELECTRIC/PLASTIC - 3" X 2" X 2.8" - CANADIAN       |
|     | 008294-01-000 | EA  | COVER - ELECTRIC BOX - BLANK/STEEL - 4" X 4" - GRAY      |
|     | 069238-01-000 | EA  | COVER - ELECTRICAL BOX - W/HOLE - 4" X 4" - GRAY         |
|     | 131680-01-000 | EA  | COVER - F/ELECTRIC BOX W/GASKET 4" X 4" - UL/CSA         |

**WIRE ASSEMBLIES**

| KEY | PART NUMBER   | U/M | DESCRIPTION  |
|-----|---------------|-----|--|
|     | 106851-01-000 | EA  | WIRE ASSEMBLY - RUNNING LIGHTS - FUSE                      |
|     | 120269-08-000 | EA  | HARNESS/WIRE - F/ELECTRIC MIRRORS                          |
|     | 134551-08-000 | EA  | WIRE ASSEMBLY - HEATER/TANKS - 2 PAD -216.2"(LONGEST WIRE) |
|     | 134551-09-000 | EA  | WIRE ASSEMBLY - HEATER/TANKS - 2 PAD - 114"(LONGEST WIRE)  |
|     | 134551-12-000 | EA  | WIRE ASSEMBLY - HEATER/TANKS - 2 PAD - 78.6"(LONGEST WIRE) |
|     | 134551-13-000 | EA  | WIRE ASSEMBLY - HEATER/TANKS - 2 PAD - 86.5"(LONGEST WIRE) |
|     | 142258-02-000 | EA  | WIRE LOOM - VIDEO SWITCH/POWER SUPPLY                      |
|     | 145210-01-000 | FT  | CABLE - COAXIAL  |
|     | 151316-02-000 | EA  | WIRE ASM - W/NON CONTACT SENSORS - GREY WATER - 23.6"      |
|     | 151316-03-000 | EA  | WIRE ASM - W/NON CONTACT SENSORS - GREY WATER - 43.2"      |
|     | 151316-06-000 | EA  | WIRE ASM - W/NON CONTACT SENSORS - GREY WATER - 78.6"      |
|     | 151317-01-000 | EA  | WIRE ASM-W/NON CONTACT SENSORS-FRESH WATER/BLK TANK-3.9"   |
|     | 151317-02-000 | EA  | WIRE ASM-W/NON CONTACT SENSORS-FRESH WATER/BLK TANK-23.6"  |
|     | 151317-03-000 | EA  | WIRE ASM-W/NON CONTACT SENSORS-FRESH WATER/BLK TANK-43.2"  |
|     | 151317-06-000 | EA  | WIRE ASM-W/NON CONTACT SENSORS-FRESH WATER/BLK TANK-78.6"  |
|     | 153891-01-000 | EA  | WIRE ASM-HEATER,RELAY                                      |
|     | 155619-04-000 | EA  | WIRE ASSEMBLY-RADIO - F/UNITS W/O RADIO POWER SWITCH-FORD  |
|     | 165808-02-000 | EA  | WIRE/CABLE - POWER - MB QUART #MBQLC-15U-P                 |

**ELECTRICAL GROUP (CONTINUED)**  
**CONNECTORS & CONDUIT**

| KEY | PART NUMBER   | U/M | DESCRIPTION  |
|-----|---------------|-----|--|
|     | 007940-01-000 | EA  | RECEPTACLE/SLIDE 16 TO 12 AWG - FEMALE END               |
|     | 007940-02-000 | EA  | RECEPTACLE/SLIDE 10 AWG                                  |
|     | 007954-01-000 | EA  | RECEPTACLE - HOUSING - 6 POSITION                        |
|     | 007956-05-000 | EA  | INSULATOR - SHRINK - 1/4"ID X 1 1/2"                     |
|     | 008311-01-000 | EA  | CONNECTOR - WIRE NUT - INSULATED - RED                   |
|     | 008312-01-000 | EA  | CONNECTOR - WIRE NUT - INSULATED - BLUE                  |
|     | 008313-01-000 | EA  | CONNECTOR - WIRE NUT - INSULATED - YELLOW                |
|     | 008314-01-000 | EA  | CONNECTOR - WIRE NUT - INSULATED - GRAY                  |
|     | 008328-01-000 | EA  | TERMINAL - RING - 12/10 WIRE - #10 STUD FIT              |
|     | 008331-01-000 | EA  | TERMINAL - RING - TONGUE - #4 WIRE - 3/8" STUD - COPPER  |
|     | 008348-01-000 | EA  | TERMINAL - RING - 3/8" STUD 2 GA. WIRE                   |
|     | 008355-01-000 | EA  | CONNECTOR - CABLE CLAMPING - 3/4"                        |
|     | 008356-01-000 | EA  | CONNECTOR - PLASTIC - 3/8"                               |
|     | 008356-02-000 | EA  | CONNECTOR - PLASTIC - 21/32"                             |
|     | 035416-04-000 | EA  | TERMINAL - RING - #10 STUD FIT - INSULATED BARREL #16/14 |
|     | 041953-01-000 | FT  | CONDUIT - CONVOLUTE SLIT - .5" ID - POLYETHYLENE         |
|     | 041953-02-000 | FT  | CONDUIT - CONVOLUTE SLIT - .6" ID - POLYETHYLENE         |
|     | 041953-03-000 | FT  | CONDUIT - CONVOLUTE SLIT - 1" ID (CLOTHES ROD COVER)     |
|     | 041953-05-000 | FT  | CONDUIT - CONVOLUTE SLIT - .62" ID - POLYETHYLENE        |
|     | 041953-06-000 | FT  | CONDUIT - CONVOLUTE SLIT - .4" ID - POLYETHYLENE         |
|     | 041953-07-000 | FT  | CONDUIT - CONVOLUTE SLIT - .25" ID - POLYETHYLENE        |
|     | 041953-08-000 | FT  | CONDUIT - CONVOLUTE SLIT - 1.5" ID - POLYETHYLENE        |
|     | 041953-09-000 | FT  | CONDUIT - CONVOLUTE SLIT - .5" ID - NYLON                |
|     | 041953-10-000 | FT  | CONDUIT - CONVOLUTE SLIT - .75" ID - NYLON               |
|     | 041953-11-000 | FT  | CONDUIT - CONVOLUTE SLIT - 1.06" ID - NYLON              |
|     | 041953-12-000 | FT  | CONDUIT - CONVOLUTE SOLID - 1.1" ID - NYLON              |
|     | 041953-13-000 | FT  | CONDUIT - CONVOLUTE SLIT - 1.25" ID                      |
|     | 041953-14-000 | FT  | CONDUIT - CONVOLUTE SLIT - 1.5" ID                       |
|     | 041953-15-000 | FT  | CONDUIT - CONVOLUTE SLIT - 2"                            |
|     | 041953-16-000 | FT  | CONDUIT - CONVOLUTE SLIT - 2"                            |
|     | 047441-01-000 | EA  | TERMINAL-BATTERY, HORIZONTAL LUG                         |
|     | 047443-01-000 | EA  | TERMINAL - .250 RECEPTACLE FIT - INSULATED - 16/14 AWG   |
|     | 047443-02-000 | EA  | TERMINAL - .250 RECEPTACLE FIT - INSULATED - 12/10 AWG   |
|     | 047443-05-000 | EA  | TERMINAL - .250 RECEPTACLE FIT - 18GA AWG                |
|     | 058028-01-000 | EA  | CONNECTOR - ELECTRICAL PIGTAIL - NYLON - CLEAR           |
|     | 062036-01-000 | EA  | TERMINAL - PACK - CON - 12/10 AWG                        |
|     | 076319-12-000 | EA  | CONNECTOR - COAXIAL - ONE PIECE                          |
|     | 077479-02-000 | EA  | BOOT - BATTERY TERMINAL - SINGLE CABLE                   |
|     | 080015-02-000 | EA  | RECEPTACLE - FLAG - .185 - 16/14 GAUGE                   |
|     | 080015-03-000 | EA  | RECEPTACLE - FLAG - .250 - 14/16 GAUGE                   |
|     | 080015-04-000 | EA  | RECEPTACLE - FLAG - .187 - 16/14 GAUGE                   |
|     | 082109-01-000 | EA  | HOUSING - CONNECTOR - PACKARD                            |
|     | 082741-01-000 | EA  | CONNECTOR BODY - 2 CONNECTOR MALE                        |
|     | 087225-01-000 | FT  | SLEEVING - 1/2" - TYPE H                                 |
|     | 088473-01-000 | EA  | HOUSING - PIN - 12 CAVITY (3 ROWS OF 4)                  |
|     | 088473-02-000 | EA  | HOUSING - PIN - 15 CAVITY (3 ROWS OF 5)                  |
|     | 088473-03-000 | EA  | HOUSING - PIN - 9 CAVITY (3 ROWS OF 3)                   |
|     | 088473-04-000 | EA  | HOUSING - PIN - 8 CAVITY IN-LINE                         |
|     | 088473-06-000 | EA  | HOUSING - PIN - 6 CAVITY (2 ROWS OF 3)                   |
|     | 088473-07-000 | EA  | HOUSING - PIN - 5 CAVITY - IN-LINE                       |
|     | 088473-08-000 | EA  | HOUSING - PIN - 4 CAVITY - IN-LINE                       |
|     | 088473-09-000 | EA  | HOUSING - PIN - 3 CAVITY - IN-LINE                       |
|     | 088473-10-000 | EA  | HOUSING - PIN - 2 CAVITY - IN-LINE                       |
|     | 088473-12-000 | EA  | HOUSING - PIN - 3 CAVITY - BLUE                          |
|     | 088473-13-000 | EA  | HOUSING - PIN - 3 CAVITY - GREEN                         |
|     | 088473-14-000 | EA  | HOUSING - PIN - 3 CAVITY - RED                           |
|     | 088474-01-000 | EA  | HOUSING - SOCKET - 12 CAVITY                             |
|     | 088474-02-000 | EA  | HOUSING - SOCKET - 15 CAVITY                             |
|     | 088474-03-000 | EA  | HOUSING - SOCKET - 9 CAVITY                              |
|     | 088474-06-000 | EA  | HOUSING - SOCKET - 6 CAVITY                              |
|     | 088474-07-000 | EA  | HOUSING - SOCKET - 5 CAVITY                              |
|     | 088474-08-000 | EA  | HOUSING - SOCKET - 4 CAVITY                              |
|     | 088474-09-000 | EA  | HOUSING - SOCKET - 3 CAVITY                              |

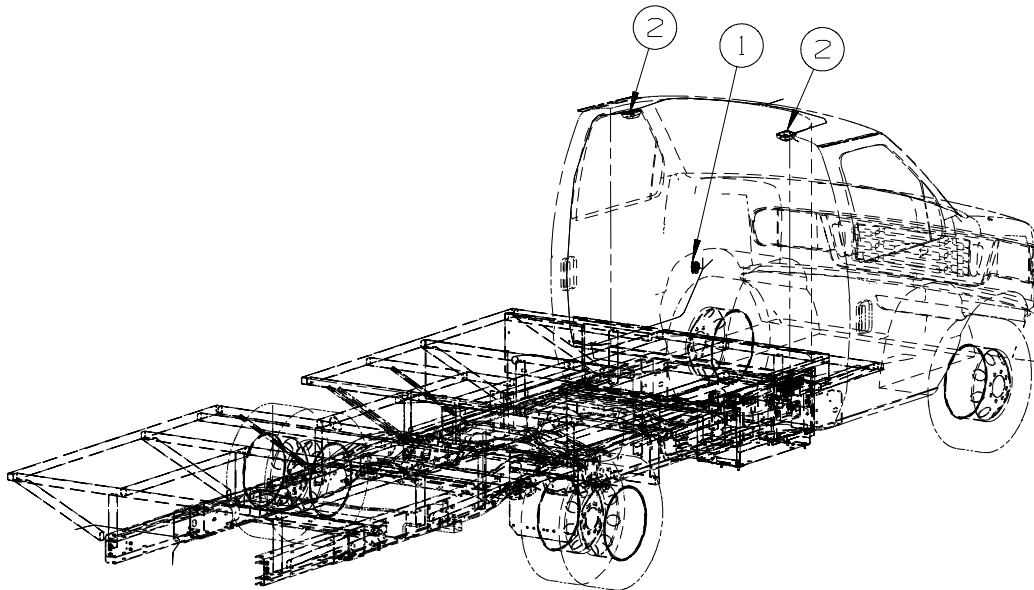
**ELECTRICAL GROUP (CONTINUED)**  
**CONNECTORS & CONDUIT (CONTINUED)**

| <b>KEY</b> | <b>PART NUMBER</b> | <b>U/M</b> | <b>DESCRIPTION</b>  |
|------------|--------------------|------------|---|
|            | 088474-10-000      | EA         | HOUSING - SOCKET - 2 CAVITY                               |
|            | 088474-12-000      | EA         | HOUSING - SOCKET - 2 CAVITY - RED                         |
|            | 088475-01-000      | EA         | PIN - CONNECTOR - 14-20 AWG                               |
|            | 088475-02-000      | EA         | PIN - CONNECTOR - 10-12 AWG                               |
|            | 088476-01-000      | EA         | TERMINAL - ELECTRICAL                                     |
|            | 088476-02-000      | EA         | SOCKET - CONNECTOR - 12-10 GA - PRE-TIN                   |
|            | 098261-01-000      | EA         | SOCKET - CONNECTOR - WEATHERPACK - 12 AWG                 |
|            | 098261-02-000      | EA         | SOCKET - CONNECTOR - WEATHERPACK - 14-18 AWG              |
|            | 098262-01-000      | EA         | SEAL - CONNECTOR - WEATHERPACK                            |
|            | 098264-01-000      | EA         | HOUSING - 2 PIN - WEATHER PACK - MALE W/FEMALE PINS       |
|            | 098264-02-000      | EA         | HOUSING - 2 PIN - WEATHER PACK - FEMALE W/MALE PINS       |
|            | 098265-02-000      | EA         | PIN - CONNECTOR - WEATHER PACK                            |
|            | 102777-02-000      | EA         | TERMINAL - RING - #6 STUD - 10 AWG                        |
|            | 103608-01-000      | EA         | SOCKET - WEDGE BASE W/LEADS                               |
|            | 104100-01-000      | EA         | HOUSING - 1 POSITION - 75 AMPS                            |
|            | 104100-03-000      | EA         | TERMINAL - 75 AMP   |
|            | 106007-02-000      | EA         | TERMINAL - FEMALE - 10-12 AWG                             |
|            | 110178-01-000      | EA         | HOUSING - WIPER MOTOR                                     |
|            | 112823-01-000      | EA         | SPLICE - REDUCER - 16-14 TO 18-22                         |
|            | 113135-01-000      | EA         | TERMINAL - FEMALE - M/P - 14-16 - F/SEALED TERMINAL       |
|            | 113308-01-000      | EA         | TERMINAL - FEMALE - M/P - 14-16 - 280                     |
|            | 113308-02-000      | EA         | TERMINAL - FEMALE - M/P - 14-18 - 280                     |
|            | 113468-01-000      | EA         | HOUSING - 2 POSITION-FEMALE-USED ON WIPER/WASHER WIRE ASM |
|            | 113468-02-000      | EA         | HOUSING - 2 POSITION - FEMALE                             |
|            | 116811-01-000      | EA         | TERMINAL - .110 RECEPTACLE - 16-14 AWG                    |
|            | 118571-01-000      | EA         | CONNECTOR - 3-WAY - MALE/SEALED                           |
|            | 118571-02-000      | EA         | CONNECTOR - 3-WAY - FEMALE/SEALED                         |
|            | 118571-05-000      | EA         | LOCK - SECONDARY - FEMALE                                 |
|            | 118571-06-000      | EA         | LOCK - SECONDARY - MALE                                   |
|            | 118599-02-000      | EA         | TERMINAL - MALE - M/P - 280/14-12                         |
|            | 118820-01-000      | EA         | INSULATOR - TERMINAL                                      |
|            | 129233-01-000      | EA         | HOUSING - 2-POSITION/FEMALE - 280-SERIES                  |
|            | 129233-02-000      | EA         | HOUSING - 2-POSITION/FEMALE - 280-SERIES                  |
|            | 129233-03-000      | EA         | HOUSING - 2-POSITION/FEMALE - 280-SERIES                  |
|            | 131681-01-000      | EA         | CONNECTOR - 3/4" SO CORD - UL/CS                          |
|            | 137207-01-000      | EA         | HOUSING - PIN - 2 CAVITY/HIGH AMP                         |
|            | 137208-01-000      | EA         | HOUSING - SOCKET - 2 CAVITY/HIGH AMP                      |
|            | 137209-01-000      | EA         | PIN - CONNECTOR - 10AWG/HIGH AMP                          |
|            | 137210-01-000      | EA         | SOCKET - CONNECTOR - 10 AWG/HIGH AMP                      |
|            | 138996-04-000      | EA         | CONNECTOR - LAMP  |
|            | 142520-01-000      | EA         | TERMINAL - FEMALE - MINI-FIT 16                           |
|            | 142522-01-000      | EA         | HOUSING - 4 PIN/MALE - MINI FIT                           |
|            | 142522-02-000      | EA         | HOUSING - 6 PIN/MALE - MINI FIT                           |
|            | 142522-03-000      | EA         | HOUSING - 8 PIN/MALE - MINI FIT                           |
|            | 142522-04-000      | EA         | HOUSING - 10 PIN/MALE - MINI FIT                          |
|            | 142522-05-000      | EA         | HOUSING - 12 PIN/MALE - MINI FIT                          |
|            | 142522-06-000      | EA         | HOUSING - 14 PIN/MALE - MINI FIT                          |
|            | 142524-01-000      | EA         | HOUSING - 4 PIN/FEMALE - WEATHER PACK                     |
|            | 142524-02-000      | EA         | HOUSING - 4 PIN/FEMALE - WEATHER PACK                     |
|            | 144283-01-000      | EA         | CONNECTOR - 110V - F/USE WITH SOW WIRE - BLUE             |
|            | 144283-02-000      | EA         | CONNECTOR - 110V - F/USE WITH NM ROMEX WIRE - CLEAR       |
|            | 145171-01-000      | EA         | CONNECTOR - COAXIAL                                       |
|            | 148335-01-000      | EA         | HOUSING - 8-POSITION/MALE - 280-GT SERIES                 |
|            | 148335-02-000      | EA         | HOUSING - 4-POSITION/MALE - 280-GT SERIES                 |
|            | 148335-03-000      | EA         | HOUSING - 6-POSITION/MALE - 280-GT SERIES                 |
|            | 149683-01-000      | EA         | HOUSING - F/5 CAVITY RECEPTACLE - W/SQUARE GUIDE PIN      |
|            | 149683-02-000      | EA         | HOUSING - F/5 CAVITY RECEPTACLE - W/ROUND GUIDE PIN       |
|            | 149686-01-000      | EA         | TERMINAL - .250 RECEPTACLE                                |
|            | 149687-01-000      | EA         | HOUSING - 2 POSITION/MALE - PACKARD                       |
|            | 149687-02-000      | EA         | LOCK - F/2 POSITION HOUSING - PACKARD                     |
|            | 149688-01-000      | EA         | TERMINAL - MALE - 16 GAUGE WIRE                           |
|            | 156035-01-000      | EA         | HOUSING - 12-POSITION/FEMALE - 280-GT SERIES              |
|            | 156041-01-000      | EA         | TERMINAL - FEMALE - 16-12 - 280-GT SERIES                 |



**ELECTRICAL GROUP (CONTINUED)**  
**CONNECTORS & CONDUIT (CONTINUED)**

| <b>KEY</b> | <b>PART NUMBER</b> | <b>U/M</b> | <b>DESCRIPTION</b>                                    |
|------------|--------------------|------------|---|
|            | 156043-01-000      | EA         | HOUSING - 2-POSITION/FEMALE - 480-MP SERIES           |
|            | 156043-02-000      | EA         | LOCK - F/2 POSITION HOUSING - 480 SERIES              |
|            | 156044-01-000      | EA         | TERMINAL - FEMALE - 16-12 - 280-GT - F/SEALED HOUSING |
|            | 156045-01-000      | EA         | HOUSING - 10-POSITION/FEMALE - 280-GT SERIES          |
|            | 156045-02-000      | EA         | HOUSING - 4-POSITION/FEMALE - 280-GT SERIES           |
|            | 156045-03-000      | EA         | HOUSING - 8-POSITION/FEMALE - 280-GT SERIES           |
|            | 156045-04-000      | EA         | HOUSING - 6-POSITION/FEMALE - 280-GT SERIES           |
|            | 156207-01-000      | EA         | HOUSING - 6-POSITION/MALE - 150-GT SERIES             |
|            | 156208-01-000      | EA         | TERMINAL - MALE - 18-16 - 150-GT SERIES               |
|            | 157590-01-000      | EA         | TERMINAL - FEMALE - M/P - 10-12 - 630                 |
|            | 157592-01-000      | EA         | HOUSING - 7-POSITION/FEMALE - M/P                     |
|            | 157592-02-000      | EA         | LOCK - SECONDARY - F/7 POSITION HOUSING               |
|            | 157656-01-01A      | EA         | CONNECTOR - DASH LIGHT - BLACK                        |
|            | 158357-01-000      | EA         | HOUSING - 3 PIN/MALE - MINI FIT                       |
|            | 158373-01-000      | EA         | HOUSING - SOCKET - 16 CAVITY - MINI MATE-N-LOCK       |
|            | 158374-01-000      | EA         | SOCKET - 16-20 CAVITY - MINI MATE-N-LOCK              |
|            | 164687-01-000      | EA         | PIN - CONNECTOR - 16-14                               |
|            | 164685-01-000      | EA         | HOUSING - PIN - 7-POSITION                            |
|            | 164689-01-000      | EA         | SEAL - CONNECTOR                                      |
|            | 168450-01-000      | EA         | CONNECTOR/ADAPTER - COAX                              |

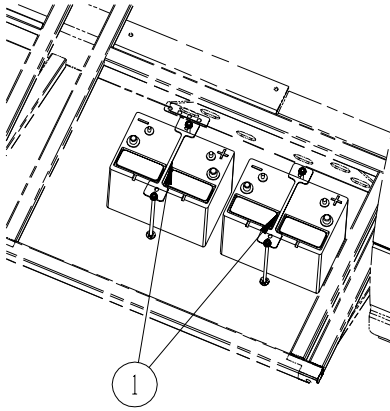


**CHASSIS**

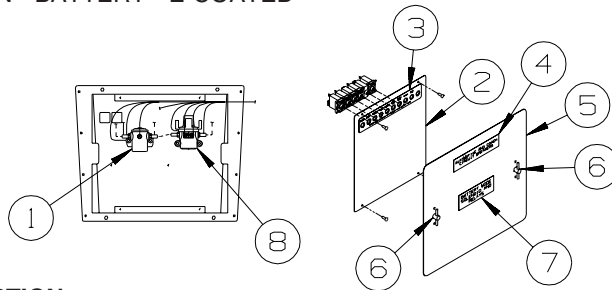
| <b>KEY</b> | <b>PART NUMBER</b> | <b>U/M</b> | <b>DESCRIPTION</b>   |
|------------|--------------------|------------|--|
| 1          | 108357-09-000      | EA         | SWITCH - ROCKER - SPDT - ON/NONE/MOM - 3 TERM - W/O COVER  |
| 1          | 108356-07-01A      | EA         | COVER/ACTUATOR SWITCH - 2 ROWS DIMPLES - AUX START - BLACK |
| 1          | 108355-01-000      | EA         | HOUSING - SWITCH   |
| 1          | 144363-07-04B      | EA         | PLATE - SWITCH - BLACK                                     |
| 2*         | 086280-01-000      | EA         | LIGHT - SURFACE MOUNT - 12 VOLT                            |
|            | 136514-02-000      | EA         | CABLE - MONITOR/CAMERA                                     |
|            |                    |            | FROM: 00-00-00 THRU: 08-26-07                              |
|            | 136514-08-000      | EA         | CABLE - MONITOR/CAMERA - 50'                               |
|            |                    |            | FROM: 08-27-07 THRU: 99-99-99                              |

**\*COMPONENT PARTS LISTED LATER IN THIS GROUP**

## ELECTRICAL GROUP (CONTINUED) CHASSIS (CONTINUED)



| KEY | PART NUMBER   | U/M | DESCRIPTION                  |
|-----|---------------|-----|------------------------------|
| 1   | 160014-03-02B | EA  | TIEDOWN - BATTERY - E-COATED |



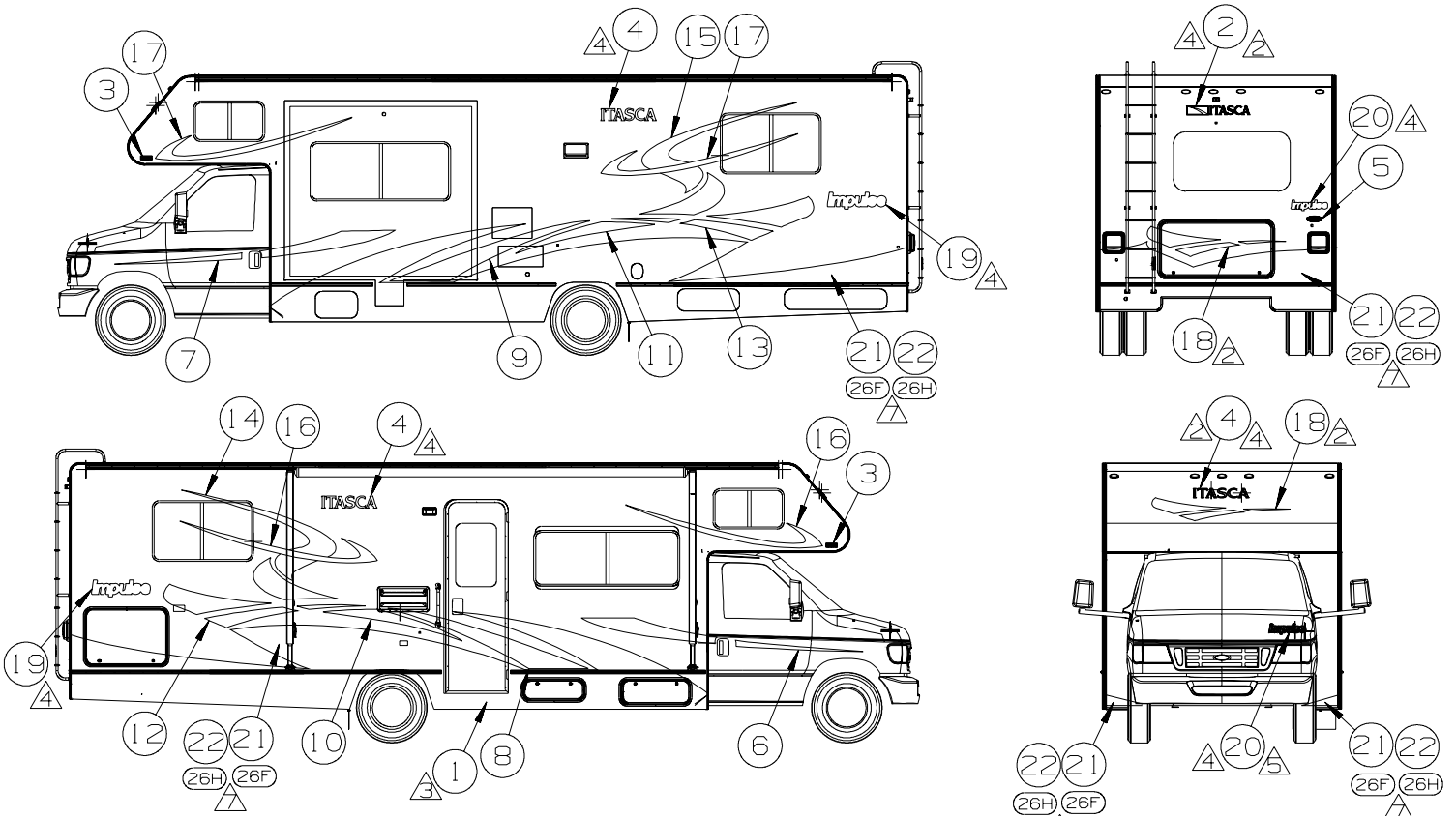
| KEY | PART NUMBER   | U/M | DESCRIPTION   |
|-----|---------------|-----|---|
| 1   | 008188-01-000 | EA  | SOLENOID - 3 POST - BATTERY CHANGE OVER                 |
| 2   | 139067-10-02B | EA  | PLATE - CIRCUIT BREAKER/HOUSE - E-COATED                |
| 3   | 093236-52-000 | EA  | LABEL - CIRCUIT BREAKER                                 |
| 3   | 093236-54-000 | EA  | LABEL - CIRCUIT BREAKER - MAIN - <b>NOT ILLUSTRATED</b> |
|     |               |     | FROM: 00-00-00 THRU: 09-30-07                           |
|     |               |     | FROM: 10-01-07 THRU: 99-99-99                           |
| 4   | 098379-01-000 | EA  | LABEL - CIRCUIT BREAKER - FRONT BOX                     |
| 5   | 141273-05-02B | EA  | COVER - ELECTRICAL BOX - E-COATED                       |
| 6   | 098196-01-000 | EA  | LATCH - 1/4 TURN - T-BAR                                |
| 7   | 098379-04-000 | EA  | LABEL - ELECTRICAL BOX - SIDE                           |
| 8   | 086273-01-000 | EA  | RELAY - BATTERY DISCONNECT                              |

### COMPONENT PARTS FOR CHASSIS

**086280-01-000**

| KEY | PART NUMBER   | U/M | DESCRIPTION      | VENDOR NO. |
|-----|---------------|-----|------------------|------------|
|     | 086280-01-700 | EA  | BULB,12V - #1414 | ARP1089    |

# EXTERIOR BODY GROUP GRAPHICS & PAINT



| KEY | PART NUMBER         | U/M | DESCRIPTION  |
|-----|---------------------|-----|--|
| 1   | 109506-01-000       | EA  | FILM-URETHANE PROTECTANT   |
| 2   | 124806-01-CHT (58A) | EA  | DECAL-ITASCA W/ICON - DK CHERRY/BRT WHITE                              |
| 3   | 132864-02-CHT (01A) | EA  | DECAL-DOMED WINNEBAGO - CHROME/RED/BLACK                               |
| 4   | 144587-02-CHT (33A) | EA  | DECAL-ITASCA - DK CHERRY/BRT WHITE                                     |
| 5   | 151687-02-CHT (01A) | EA  | DECAL-DOMED NAMEPLATE ITASCA - CHROME/WHITE/BLACK/TEAL                 |
| 6   | 156432-01-CHT (02A) | EA  | DECAL-SWEEP #1 RH - OLYMPIC GOLD                                       |
| 7   | 156432-02-CHT (02A) | EA  | DECAL-SWEEP #1 LH - OLYMPIC GOLD                                       |
| 8   | 156433-01-CHT (02A) | EA  | DECAL-SWEEP #2 RH - DK CHERRY  |
| 9   | 156433-02-CHT (02A) | EA  | DECAL-SWEEP #2 LH - DK CHERRY  |
| 10  | 156434-01-CHT (02A) | EA  | DECAL-SWEEP #3 RH - CHARCOAL MET II                                    |
| 11  | 156434-02-CHT (02A) | EA  | DECAL-SWEEP #3 LH - CHARCOAL MET II                                    |
| 12  | 156435-01-CHT (02A) | EA  | DECAL-SWEEP #4 RH - DK CHERRY/OLYMPIC GOLD                             |
| 13  | 156435-02-CHT (02A) | EA  | DECAL-SWEEP #4 LH - DK CHERRY/OLYMPIC GOLD                             |
| 14  | 156436-01-CHT (02A) | EA  | DECAL-SWEEP #5 RH - SMOKE  |
| 15  | 156436-02-CHT (02A) | EA  | DECAL-SWEEP #5 LH - SMOKE  |
| 16  | 156437-01-CHT (02A) | EA  | DECAL-HOOK RH - DK CHERRY  |
| 17  | 156437-02-CHT (02A) | EA  | DECAL-HOOK LH - DK CHERRY  |
| 18  | 156438-01-CHT (02A) | EA  | DECAL-OVHD - DK CHERRY/OLYMPIC GOLD                                    |
| 19  | 156439-01-CHT (01A) | EA  | DECAL-IMPULSE LG - BRT WHITE/BLACK/LT GOLD/SILVER/LT CHARCOAL MET II   |
| 20  | 156439-02-CHT (01A) | EA  | DECAL-IMPULSE SML - BRT WHITE/BLACK/LT GOLD/SILVER/LT CHARCOAL MET II  |
| 21  | 141599-41-000       | GL  | PAINT-SILVER MET - DUPONT #P373-P7444 CDI TO MATCH SHERWIN WILLIAMS    |
| 22  | 141599-37-000       | GL  | PAINT-LT AUTUMN MET - DUPONT #P373-P7441 CDI TO MATCH SHERWIN WILLIAMS |
| 23  | 141599-27-000       | GL  | PAINT-IMRON CLEAR 55 GAL - DUPONT #34405                               |

- 7. CLEAR COAT TO BE APPLIED TO PAINTED AREAS TO PROTECT PAINT.
- 6. CUT OFF DECAL AT FEATURE TRIM.
- 5. LOCATE DECAL 240 MM LEFT OF HOOD EDGE AND 60 MM UP FROM FRONT EDGE OF HOOD.
- 4. LOGO IS TO BE ±1 MM ON A HORIZONTAL PLANE (END TO END).
- 3. FILM TO PROTECT BOTTOM OF DOOR FROM SCUFF MARKS.
- 2. CENTERED ON UNIT.

1. APPLY PROTECTOR 116424-01-000 TO WATER HEATER DOOR LATCH.

**NOTES:**

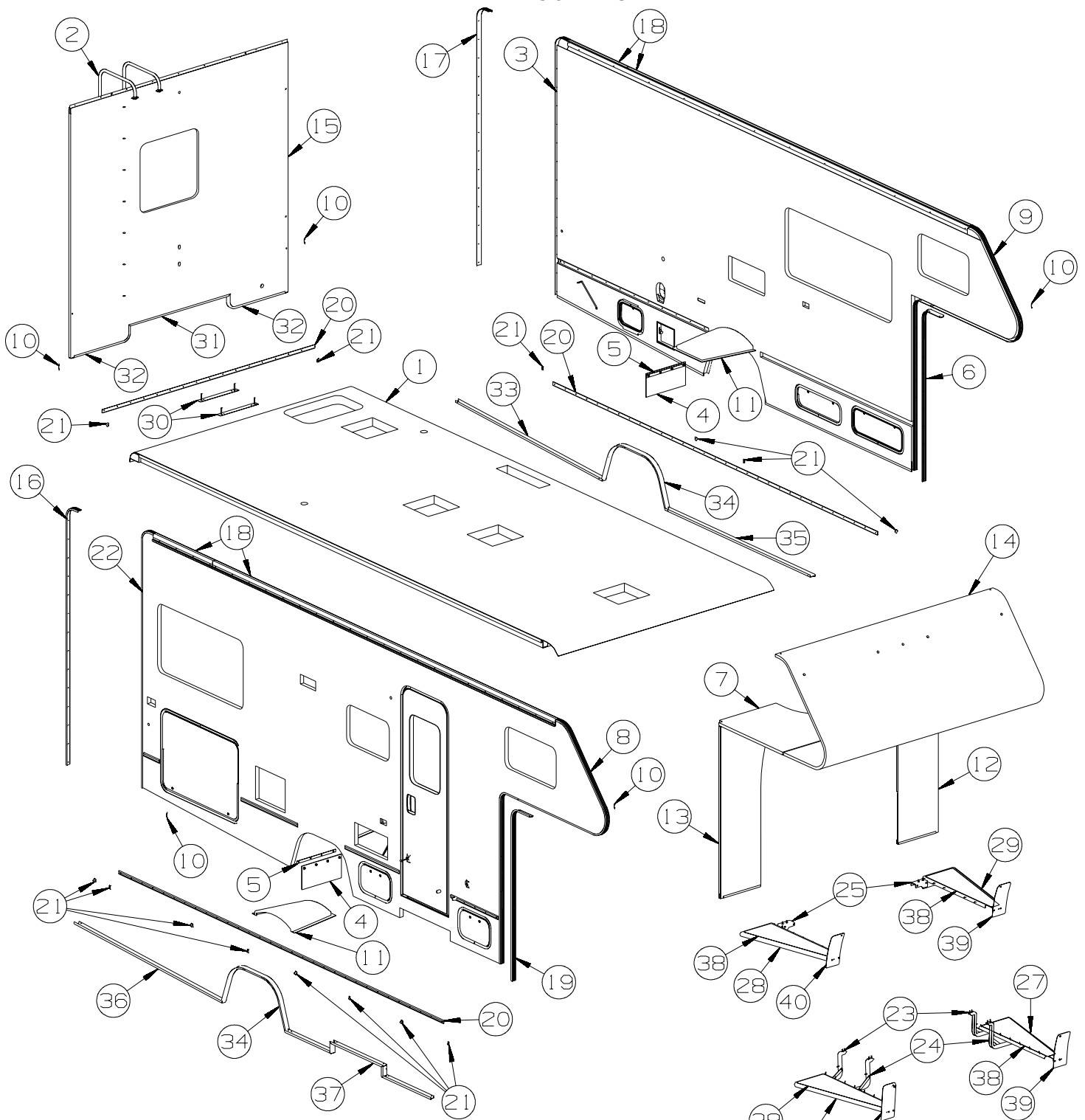
| KEY | PART NUMBER   | U/M | DESCRIPTION                          |
|-----|---------------|-----|--------------------------------------|
|     | 004308-01-000 | EA  | PAINT - BLACK SPRAY                  |
|     | 041561-03-000 | EA  | PAINT/SPRAY - 12 OZ. NET - OFF WHITE |

- (26H) EXT GRAPHIC/PAINT-DLX PKG 2
- (26F) EXT GRAPHIC/PAINT DLX PKG 1
- (27G) EXTERIOR GRAPHICS PACKAGE #1

**DUPONT COLOR CODES ARE NOW FOUND IN THE PAINT CODE MANUAL.  
YOU CAN FIND THIS MANUAL ON YOUR DEALER INDEX WEBPAGE UNDER SERVICE.**

# EXTERIOR BODY GROUP (CONTINUED)

## PANELS & TRIMS

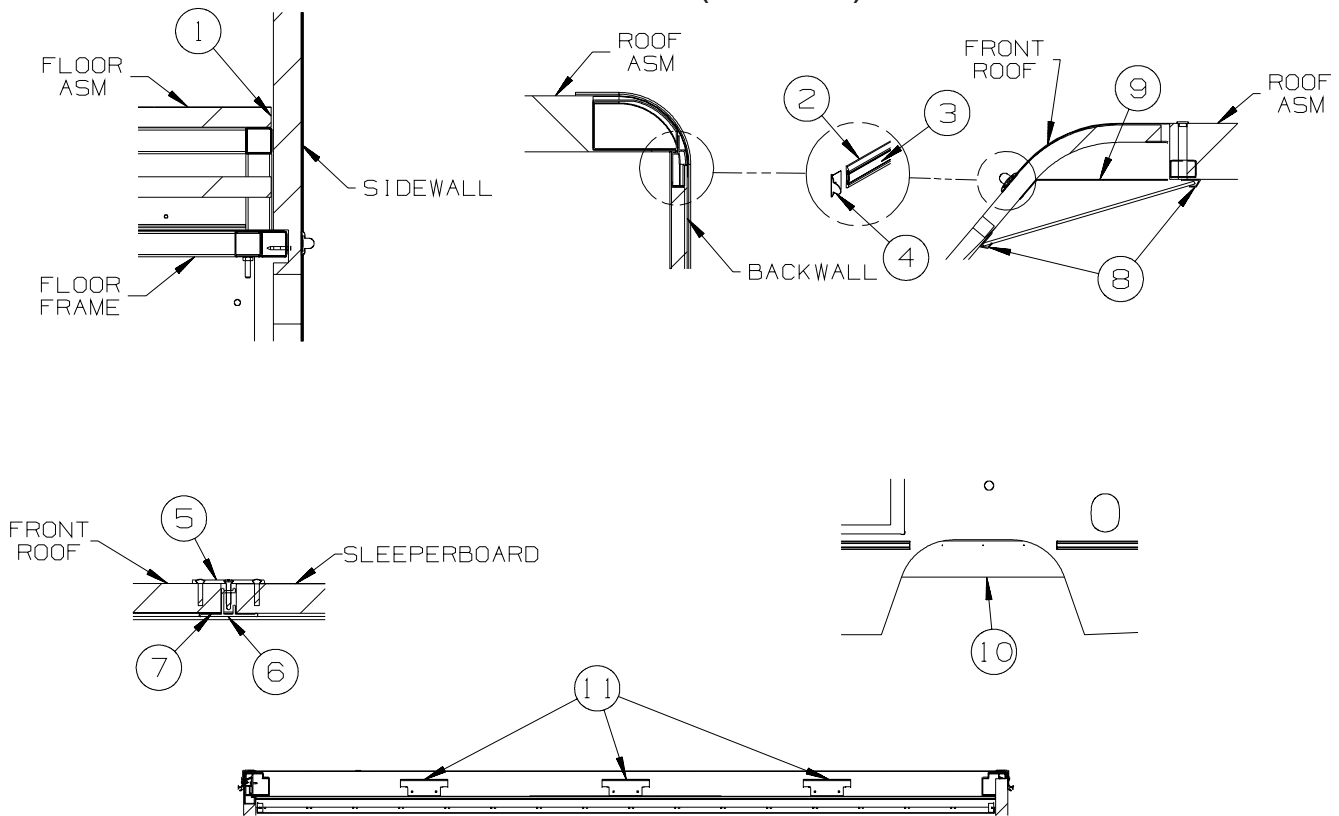


| KEY | PART NUMBER   | U/M | DESCRIPTION   |
|-----|---------------|-----|---|
| 1   | 162236-01-W07 | EA  | ROOF - W/O LIGHTS/VENTS - WWIRING                       |
| 2   | 129639-05-01A | EA  | LADDER - 95.5" - 7 STEP - BRUSHED ALUMINUM              |
| 3   | P62235-01-W07 | EA  | SIDEWALL - DRIVER - W/O WINDOWS/TRIMS (W07, W08)        |
| 3   | P62235-01-W09 | EA  | SIDEWALL - DRIVER - W/O WINDOWS/TRIMS (W09, W10)        |
| 4   | 017516-05-000 | EA  | MUD FLAP - 9"H X 18"W - RUBBER - BLACK                  |
| 5   | 140922-01-02B | EA  | RETAINER - MUD FLAP - 1" X 17.7" - E-COATED/BLACK       |
| 6   | 104479-10-02A | EA  | TRIM - WINGWALL - DRIVER SIDE - VERTICAL - BRIGHT WHITE |
| 7   | 125129-01-U01 | EA  | SLEEPERBOARD  |
| 8   | 136826-07-01A | EA  | TRIM - CONTOUR - 99.1" - BRIGHT WHITE                   |
| 9   | 136826-08-01A | EA  | TRIM - CONTOUR - 99.1" - BRIGHT WHITE                   |
| 10  | 105312-01-07A | EA  | INSERT - FEATURE STRIP - VINYL - BRIGHT WHITE           |
| 11  | 112435-03-000 | EA  | WHEELWELL   |

**EXTERIOR BODY GROUP (CONTINUED)**  
**PANELS & TRIMS (CONTINUED)**

| KEY | PART NUMBER   | U/M | DESCRIPTION   |
|-----|---------------|-----|---|
| 12  | 159600-02-T11 | EA  | WINGWALL  |
| 13  | 159600-01-T11 | EA  | WINGWALL  |
| 14  | P55962-01-U01 | EA  | ROOF - FRONT SECTION - W/O LIGHTS/VENTS - W/WIRING            |
| 15  | P62237-01-W07 | EA  | BACKWALL - W/O WINDOW/TRIMS (W07, W08)                        |
| 15  | P62237-01-W09 | EA  | BACKWALL - W/O WINDOW/TRIMS (W09, W10)                        |
| 16  | 160807-01-01A | EA  | TRIM - CONTOUR - 98.7" - W/O INSERT - BRIGHT WHITE            |
| 17  | 160807-02-01A | EA  | TRIM - CONTOUR - 98.7" - W/O INSERT - BRIGHT WHITE            |
| 18  | 156840-01-01A | EA  | RAIL - AWNING - 192" - BRIGHT WHITE                           |
| 19  | 104479-09-02A | EA  | TRIM - WINGWALL - PASSENGER SIDE - VERTICAL - BRIGHT WHITE    |
| 20  | 108688-06-03A | EA  | STRIP - FEATURE - W/O INSERT/END CAPS - 96.9" - BRIGHT WHT    |
| 21  | 108651-01-03A | EA  | END CAP - FEATURE STRIP - BRIGHT WHITE                        |
|     | 108651-01-01A | EA  | END CAP - FEATURE STRIP - UNPAINTED                           |
| 22  | P62233-01-W07 | EA  | SIDEWALL - PASSENGER - W/O WINDOWS/TRIMS (W07, W08)           |
| 22  | P62233-01-W09 | EA  | SIDEWALL - PASSENGER - W/O WINDOWS/TRIMS (W09, W10)           |
| 23  | 159045-05-01A | EA  | BRACKET/SUPPORT - F/RUNNING BOARD - GALVONIZED - <b>CHEVY</b> |
| 24  | 159045-04-01A | EA  | BRACKET/SUPPORT - F/RUNNING BOARD - GALVONIZED - <b>CHEVY</b> |
| 25  | 146180-01-02B | EA  | BRACKET - RUNNING BOARD - E-COATED                            |
|     |               |     | FROM: 00-00-00 THRU: 07-29-07                                 |
| 25  | 146180-02-02B | EA  | BRACKET - RUNNING BOARD - E-COATED                            |
|     |               |     | FROM: 07-30-07 THRU: 99-99-99                                 |
| 26  | 159045-01-01A | EA  | BOARD - RUNNING - RIGHT HAND/TAPPERED - BLACK - <b>CHEVY</b>  |
| 27  | 159045-02-01A | EA  | BOARD - RUNNING - LEFT HAND/TAPPERED - BLACK - <b>CHEVY</b>   |
| 28  | 146148-01-01A | EA  | BOARD - RUNNING - RIGHT HAND/TAPPERED - BLACK                 |
| 29  | 146148-02-01A | EA  | BOARD - RUNNING - LEFT HAND/TAPPERED - BLACK                  |
| 30  | 156675-02-02B | EA  | STRAP - WATER TANK - E-COATED                                 |
| 31  | 103335-02-02A | EA  | TRIM - BACKWALL - LOWER/CENTER - 46.3" - BRIGHT WHITE         |
| 32  | 156623-03-02A | EA  | TRIM - BACKWALL/LOWER - 27" - BRIGHT WHITE                    |
| 33  | 159670-35-01A | EA  | TRIM/SIDEWALL - U-CHANNEL - 1.8" X .8" X 82.9" - BRT WHT      |
|     |               |     | FROM: 00-00-00 THRU: 03-16-08                                 |
| 33  | 168193-35-01A | EA  | TRIM/SIDEWALL - U-CHANNEL - 1.7" X .8" X 82.9"                |
|     |               |     | FROM: 03-17-08 THRU: 99-99-99                                 |
| 34  | 127848-02-01A | EA  | TRIM - WHEELWELL - BRIGHT WHITE                               |
| 35  | 159670-36-01A | EA  | TRIM/SIDEWALL - U-CHANNEL - 1.8" X .8" X 82" - BRT WHT        |
|     |               |     | FROM: 00-00-00 THRU: 03-16-08                                 |
| 35  | 168193-36-01A | EA  | TRIM/SIDEWALL - U-CHANNEL - 1.7" X .8" X 82"                  |
|     |               |     | FROM: 03-17-08 THRU: 99-99-99                                 |
| 36  | 159670-34-01A | EA  | TRIM/SIDEWALL - U-CHANNEL - 1.8" X .8" X 82.9" - BRT WHT      |
|     |               |     | FROM: 00-00-00 THRU: 03-16-08                                 |
| 36  | 168193-34-01A | EA  | TRIM/SIDEWALL - U-CHANNEL - 1.7" X .8" X 82.9"                |
|     |               |     | FROM: 03-17-08 THRU: 99-99-99                                 |
| 37  | 159668-04-U01 | EA  | TRIM - PASSENGER SIDEWALL W/ENTRY DOOR NOTCH - 81.9"          |
|     |               |     | FROM: 00-00-00 THRU: 03-16-08                                 |
| 37  | 168170-04-W01 | EA  | TRIM - PASSENGER SIDEWALL W/ENTRY DOOR NOTCH - 82.2"          |
|     |               |     | FROM: 03-17-08 THRU: 99-99-99                                 |
| 38  | 146515-01-01A | EA  | MAT - ANTI SLIP - RIGHT HAND - BLACK                          |
| 38  | 146515-02-01A | EA  | MAT - ANTI SLIP - LEFT HAND - BLACK                           |
| 39  | 146148-04-01A | EA  | GUARD - MUD FLAP/LEFT - BLACK                                 |
| 40  | 146148-03-01A | EA  | GUARD - MUD FLAP/RIGHT - BLACK                                |

## EXTERIOR BODY GROUP (CONTINUED) PANELS & TRIMS (CONTINUED)



| KEY | PART NUMBER   | U/M | DESCRIPTION  |
|-----|---------------|-----|--|
| 1   | 104692-01-000 | FT  | SEAL - ADHESIVE BACKED FOAM - 3/4" THICK X 3/4" WIDE X 25' |
| 2   | 108688-08-03A | EA  | STRIP - FEATURE - W/O INSERT/END CAPS - 95.9" - BRIGHT WHT |
| 3   | 105312-01-07A | FT  | INSERT - FEATURE STRIP - VINYL - BRIGHT WHITE              |
| 4   | 108651-01-03A | EA  | END CAP - FEATURE STRIP - BRIGHT WHITE                     |
|     | 108651-01-01A | EA  | END CAP - FEATURE STRIP - UNPAINTED                        |
| 5   | 100085-05-01A | EA  | TRIM/STRAP - SLEEPERBOARD - OFF/WHITE - 92.9"              |
| 6   | 100086-03-02A | EA  | TRIM - SLEEPER BOARD BRIGHT WHITE - 2" X 96.5"             |
| 7   | 154585-04-01A | FT  | SEAL - FOAM TAPE - ADHESIVE BACK - 5/8" X 1/8" - WHITE     |
| 8   | 141829-01-01A | EA  | TRIM - J MOLDING - OFF WHITE - 96"                         |
| 9   | 156794-01-02B | EA  | BRACKET/SUPPORT - 25" - E-COATED                           |
| 10  | 121948-02-000 | EA  | SHIELD - SIGHT   |
| 11  | 134774-04-02B | EA  | BRACKET - CAP ATTACHMENT - E-COATED                        |

## EXTERIOR BODY GROUP (CONTINUED)

### MIRRORS

| KEY | PART NUMBER   | U/M | DESCRIPTION   |
|-----|---------------|-----|---|
| *   | 133908-10-01A | EA  | MIRROR/PASS - 102" C BODY/FORD 4-BOLT MT - BRIGHT WHITE                             |
| *   | 133908-11-01A | EA  | MIRROR/DRVR - 102" C BODY/FORD 4-BOLT MT - BRIGHT WHITE                             |
| *   | 133908-12-01A | EA  | MIRROR/PASS-102" C BODY/FORD 4 BLT MT-HEAT/REMOTE-B/W - MIRRORS-EXTERIOR W/DEFROST  |
| *   | 133908-13-01A | EA  | MIRROR/DRVR-102" C BODY/FORD 4-BLT MT-HEAT/REMOTE-B/W - MIRRORS-EXTERIOR W/DEFROST  |
| *   | 133908-05-02A | EA  | MIRROR/PASS - 102" WIDE BODY/CHEVY - BRIGHT WHITE - CHEVY                           |
| *   | 133908-06-02A | EA  | MIRROR/DRVR - 102" WIDE BODY/CHEVY - BRIGHT WHITE - CHEVY                           |
| *   | 133908-07-02A | EA  | MIRROR/PASS - 102" C BODY/CHEVY -HEAT/REMOTE BW - CHEVY, MIRRORS-EXTERIOR W/DEFROST |
| *   | 133908-08-02A | EA  | MIRROR/DRVR - 102" C BODY/CHEVY-HEAT/REMOTE BW - CHEVY, MIRRORS-EXTERIOR W/DEFROST  |

**\*COMPONENT PARTS LISTED LATER IN THIS GROUP**

### COMPONENT PARTS FOR MIRRORS

#### 133908-05, 133908-06, 133908-10, 133908-11, 133908-14, 133908-15, -01A/02A

| KEY | PART NUMBER   | U/M | DESCRIPTION                  | VENDOR NO. |
|-----|---------------|-----|------------------------------|------------|
|     | 117051-01-700 | EA  | MIRROR-CONVEX                | 723068-4   |
|     | 120269-01-700 | EA  | GLASS KIT W/BEZEL RH/LH      | 709407-8   |
|     | 133908-03-700 | EA  | CAP - RECT/BLACK-W/O LIGHT   | 709577     |
|     | 133908-04-700 | EA  | CAP-MIRROR/ROUND - W/O LIGHT | 7095470    |

#### 133908-07, 133908-08, 133908-12, -01A/-02A/-03A

| KEY | PART NUMBER   | U/M | DESCRIPTION                  | VENDOR NO. |
|-----|---------------|-----|------------------------------|------------|
|     | 117051-01-700 | EA  | MIRROR-CONVEX                | 723068-4   |
|     | 120269-05-701 | EA  | GLASS-HTD/REM RH/LH W/CONVEX | 709411     |
|     | 133908-03-700 | EA  | CAP - RECT/BLACK-W/O LIGHT   | 709557     |
|     | 133908-04-700 | EA  | CAP-MIRROR/ROUND - W/O LIGHT | 7095470    |

#### 133908-13-01A/-03A

| KEY | PART NUMBER   | U/M | DESCRIPTION                  | VENDOR NO. |
|-----|---------------|-----|------------------------------|------------|
|     | 117051-01-700 | EA  | MIRROR-CONVEX                | 723068-4   |
|     | 120269-05-701 | EA  | GLASS-HTD/REM RH/LH W/CONVEX | 709411     |
|     | 133908-03-700 | EA  | CAP - RECT/BLACK-W/O LIGHT   | 709577     |
|     | 133908-04-700 | EA  | CAP-MIRROR/ROUND - W/O LIGHT | 7095470    |
|     | 133908-13-700 | EA  | MOTOR/ACTUATOR               | 747782     |

**EXTERIOR BODY GROUP (CONTINUED)**  
**STRUCTURAL COMPONENTS**

| <b>KEY</b> | <b>PART NUMBER</b> | <b>U/M</b> | <b>DESCRIPTION</b>   |
|------------|--------------------|------------|--|
|            | 002365-03-006      | EA         | U-CHANNEL - EXTRUDED - 1" X 192" - BRIGHT WHITE            |
|            | 002726-01-001      | EA         | GARNISH - U-CHANNEL - 1.38" X 19' - SERRATED               |
|            | 002766-01-001      | EA         | ANGLE - EXTRUDED - 1" X 1 1/2" X 17'                       |
|            | 076054-AC-000      | EA         | FIBERGLASS SHEET - 20" X 99.8" - OFF WHITE                 |
|            | 108535-10-01A      | SF         | FIBERGLASS SHEET - 99" X 500' ROLL - BRIGHT WHITE          |
|            | 162931-06-01A      | EA         | FIBERGLASS SHEET - 56.4" X 99.8" - BRIGHT WHITE            |
|            | 162931-10-01A      | EA         | FIBERGLASS SHEET - 31.1" X 68.2" - BRIGHT WHITE            |
|            | 162931-15-01A      | EA         | FIBERGLASS SHEET - 4" X 93.8" - BRIGHT WHITE               |
|            | 162931-22-01A      | EA         | FIBERGLASS SHEET - 102.6" X 346.3" - BRIGHT WHITE          |
|            | 162931-23-01A      | EA         | FIBERGLASS SHEET - 71.8" X 99.8" - BRIGHT WHITE            |
|            | 162931-33-01A      | EA         | FIBERGLASS SHEET - 31.1" X 69.3" - BRIGHT WHITE            |
|            | 089297-01-000      | SF         | PLYWOOD - LUAN - OVERLAY GRADE - 4' X 8'                   |
|            | 089297-03-000      | SF         | PLYWOOD - LUAN - OVERLAY GRADE - 4' X 8.3'                 |
|            | 100619-01-000      | BF         | FOAM - EXPANDED POLYSTYRENE - 1.34" X 48" X 96"            |
|            | 100619-02-000      | BF         | FOAM - EXPANDED POLYSTYRENE - 1.5" X 48" X 96"             |
|            | 100619-04-000      | BF         | FOAM - EXPANDED POLYSTYRENE - .5" X 48" X 96"              |
|            | 100619-05-000      | BF         | FOAM - EXPANDED POLYSTYRENE - .75" X 48" X 96"-1.5"DENSITY |
|            | 100619-16-000      | BF         | FOAM - EXPANDED POLYSTYRENE - .75" X 48" X 96"-2" DENSITY  |
|            | 100619-27-000      | BF         | FOAM - EXPANDED POLYSTYRENE - 3" X 48" X 92.8"             |
|            | 116942-03-01A      | LB         | ALUMINUM - .7" X 40" X 158"                                |

**AWNINGS**

**ORDER AWNINGS & REPAIR PARTS FROM DOMETIC. CALL #800-366-3842.**

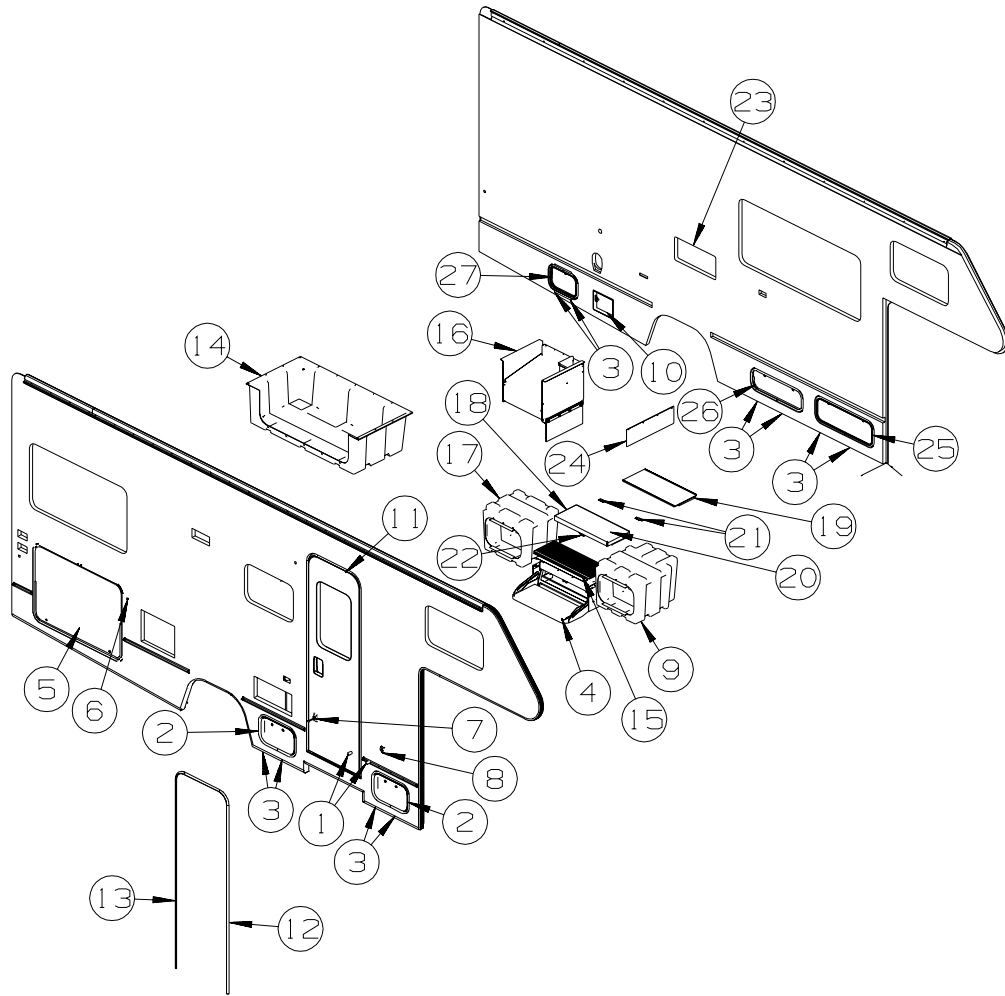
**THE DOMETIC AWNING INFORMATION YOU WILL NEED IS LOCATED ON THE MOTOR HOME NEAR THE TOP OF THE AWNING RAIL.**

| <b>KEY</b> | <b>PART NUMBER</b> | <b>U/M</b> | <b>DESCRIPTION</b>                                 |
|------------|--------------------|------------|--|
|            | 113874-11-01A      | EA         | SCREW/LAG - AWNING - 1/4" X 1" STAINLESS STEEL     |
|            | 113874-12-01A      | EA         | SCREW/LAG - AWNING - 1/4" X 2 3/4" STAINLESS STEEL |
|            | 127647-02-01A      | EA         | ROD/AWNING GUARD - ENTRY DOOR - 12.7" LONG         |
|            | 127960-01-01A      | EA         | RETAINER - EYE - 3/8" - STAINLESS STEEL            |
|            | 161739-01-02A      | EA         | BRACKET - AWNING - BRIGHT WHITE                    |



# EXTERIOR DOORS & COMPARTMENTS GROUP

## DOORS & COMPARTMENTS LAYOUT



| KEY | PART NUMBER   | U/M | DESCRIPTION  |
|-----|---------------|-----|--|
| 1   | 117046-02-000 | EA  | BUMPER - RUBBER/ROUND END - 1.5"   |
| 2   | 126946-68-U01 | EA  | DOOR/STORAGE - W/O HARDWARE - 17.1" X 10.6"                              |
| 2   | 126946-68-AA1 | EA  | DOOR/STORAGE - W/O HARDWARE - 17.1" X 10.6" - EXT GRAPHICS/PAINT-DLX PKG |
|     | 056795-01-000 | FT  | TAPE-SEAL, 1/8" X 3/8" WIDE - PRESS ON                                   |
| 3   | 153498-01-01A | EA  | BUMPER - RUBBER - WHITE  |
| 3   | 153498-01-02A | EA  | BUMPER - RUBBER - BLACK  |
| 4   | 139748-04-04B | EA  | STEP/PULLOUT - W/BRACKETS - BLACK  |
|     | 102569-04-000 | EA  | MAT - ANTI SLIP  |
| 4*  | 094708-05-01A | EA  | STEP - ELECTRIC - SINGLE - BLACK - KWIKEE - ENTRANCE STEP-ELEC.          |
| 5   | 126946-76-U01 | EA  | DOOR/STORAGE - W/O HARDWARE - 42.9" X 30.2"                              |
|     | 056795-01-000 | FT  | TAPE-SEAL, 1/8" X 3/8" WIDE - PRESS ON                                   |
| 6   | 102768-01-000 | EA  | HOLDER - COMPARTMENT/ENTRY DOOR - METAL - MILL FINISH                    |
| 7   | 104099-01-04A | EA  | CATCH - DOOR HOLDER - STRIKE - 3.9" - BRIGHT WHITE                       |
| 8   | 104099-02-04A | EA  | CATCH/RETAINER - DOOR HOLDER - BRIGHT WHITE                              |
| 9   | 157782-04-U01 | EA  | COMPARTMENT - LUGGAGE  |
|     | 159400-01-01A | EA  | COMPARTMENT/LUGGAGE  |
|     | 154585-01-01A | FT  | SEAL - FOAM TAPE - ADHESIVE BACK - 3/4" X 1/2" - BLACK                   |
| 10  | 142894-01-01A | EA  | DOOR/POWER CORD - W/HATCH - W/LOCK - BRIGHT WHITE                        |
| 11  | P32206-09-U01 | EA  | DOOR - ENTRY W/SCREEN DOOR - W/O WINDOW/LATCH (W07, W08)                 |
| 11  | P32206-09-W09 | EA  | DOOR - ENTRY W/SCREEN DOOR - W/O WINDOW/LATCH (W09 W10)                  |

# EXTERIOR DOORS & COMPARTMENTS GROUP (CONTINUED)

## DOORS & COMPARTMENTS LAYOUT (CONTINUED)

KEY PART NUMBER U/M DESCRIPTION

### ENTRY DOOR LOCK CYLINDERS & KEYS

|               |    |  |
|---------------|----|--|
| 138287-11-000 | EA | CYLINDER/LOCK - ENTRY DOOR - MASTER W/3M ICON - (3041) |
| 138287-12-000 | EA | CYLINDER/LOCK - ENTRY DOOR - MASTER W/3M ICON - (3042) |
| 138287-13-000 | EA | CYLINDER/LOCK - ENTRY DOOR - MASTER W/3M ICON - (3043) |
| 138287-14-000 | EA | CYLINDER/LOCK - ENTRY DOOR - MASTER W/3M ICON - (3044) |
| 138287-15-000 | EA | CYLINDER/LOCK - ENTRY DOOR - MASTER W/3M ICON - (3045) |
| 138287-16-000 | EA | CYLINDER/LOCK - ENTRY DOOR - MASTER W/3M ICON - (3046) |
| 138287-17-000 | EA | CYLINDER/LOCK - ENTRY DOOR - MASTER W/3M ICON - (3047) |
| 138287-18-000 | EA | CYLINDER/LOCK - ENTRY DOOR - MASTER W/3M ICON - (3048) |
| 138287-19-000 | EA | CYLINDER/LOCK - ENTRY DOOR - MASTER W/3M ICON - (3049) |
| 138287-20-000 | EA | CYLINDER/LOCK - ENTRY DOOR - MASTER W/3M ICON - (3050) |
| 138288-11-000 | EA | KEY - REVERSIBLE - #3041 - T/M 16169-02-3041           |
| 138288-12-000 | EA | KEY - REVERSIBLE - #3042 - T/M 16169-02-3042           |
| 138288-13-000 | EA | KEY - REVERSIBLE - #3043 - T/M 16169-02-3043           |
| 138288-14-000 | EA | KEY - REVERSIBLE - #3044 - T/M 16169-02-3044           |
| 138288-15-000 | EA | KEY - REVERSIBLE - #3045 - T/M 16169-02-3045           |
| 138288-16-000 | EA | KEY - REVERSIBLE - #3046 - T/M 16169-02-3046           |
| 138288-17-000 | EA | KEY - REVERSIBLE - #3047 - T/M 16169-02-3047           |
| 138288-18-000 | EA | KEY - REVERSIBLE - #3048 - T/M 16169-02-3048           |
| 138288-19-000 | EA | KEY - REVERSIBLE - #3049 - T/M 16169-02-3049           |
| 138288-20-000 | EA | KEY - REVERSIBLE - #3050 - T/M 16169-02-3050           |
| 138292-01-000 | EA | SEAL - LOCK CYLINDER                                   |

### VALANCE DOOR & WATER FILL DOOR KEYS

|               |               |   |
|---------------|---------------|---|
| 138637-51-000 | EA            | KEYS - SET OF TWO   |
| 138637-51-001 | EA            | KEYS - SET OF TWO   |
| 138637-51-002 | EA            | KEYS - SET OF TWO   |
| 138637-51-003 | EA            | KEYS - SET OF TWO   |
| 138637-51-004 | EA            | KEYS - SET OF TWO   |
| 138637-51-005 | EA            | KEYS - SET OF TWO   |
| 138637-51-006 | EA            | KEYS - SET OF TWO   |
| 138637-51-007 | EA            | KEYS - SET OF TWO   |
| 138637-51-008 | EA            | KEYS - SET OF TWO   |
| 138637-51-009 | EA            | KEYS - SET OF TWO   |
| 12            | 139100-02-01A | EA GARNISH/RADIUS - ENTRY DOOR - BRIGHT WHITE                               |
| 13            | 139101-02-01A | EA GARNISH/STRAIGHT - 24.9" - BRIGHT WHITE                                  |
| 14            | 157782-06-U01 | EA COMPARTMENT - LUGGAGE  |
|               | 158098-01-01A | EA COMPARTMENT - STORAGE - PLASTIC  |
|               | 154585-01-01A | FT SEAL - FOAM TAPE - ADHESIVE BACK - 3/4" X 1/2" - BLACK                   |
| 15            | 133114-03-01A | EA TREAD - STEP/RUBBER - 27.1" X 10.1" - TAUPE                              |
| 16            | 158188-01-02B | EA COMPARTMENT - POWER CORD - E-COATED                                      |
| 17            | 157782-05-U01 | EA COMPARTMENT - LUGGAGE  |
|               | 160153-01-01A | EA COMPARTMENT - LUGGAGE  |
|               | 154585-01-01A | FT SEAL - FOAM TAPE - ADHESIVE BACK - 3/4" X 1/2" - BLACK                   |
| 18            | 104005-08-R07 | EA LID ASM-ENTRANCE STEP  |
| 19            | 123330-05-02B | EA SUPPORT - ENTRY STEP - E-COATED  |
|               | 151104-01-01A | FT SEAL - BULB - W/WIRED U CHANNEL - .3" X .5" CHANNEL-BLACK                |
| 20            | 147781-01-01A | EA TREAD/STEP - RUBBER - TAUPE - EXTERIOR ACCESSORY PACKAGE                 |
| 21            | 146747-01-02B | EA BRACKET/CATCH - E-COATED   |
| 22            | 116975-01-01A | EA LATCH - W/O STRIKE - BLACK - NEW STYLE                                   |
| 23*           | 084103-08-000 | EA DOOR - VENT - REFRIGERATOR - W/O JAMB - BRIGHT WHITE                     |
| 23            | 084104-08-000 | EA JAMB - VENT DOOR/REFRIGERATOR - BRIGHT WHITE                             |
| 24            | 111848-06-02B | EA SHIELD - HEAT - EXHAUST - E-COATED                                       |
| 25            | 126946-62-S95 | EA DOOR/STORAGE - W/O HARDWARE - 28.9" X 10.6"                              |
| 25            | 126946-62-AA1 | EA DOOR/STORAGE - W/O HARDWARE - 28.9" X 10.6" - EXT GRAPHICS/PAINT-DLX PKG |
|               | 056795-01-000 | FT TAPE-SEAL, 1/8" X 3/8" WIDE - PRESS ON                                   |
|               | 156622-01-01A | FT SEALER - TAPE - 1/4"THICK X 3"WIDE X 100 FT - WHITE                      |
| 26            | 126946-71-U01 | EA DOOR/STORAGE - W/O HARDWARE - 25.6" X 8.9"                               |
| 26            | 126946-71-AA1 | EA DOOR/STORAGE - W/O HARDWARE - 25.6" X 8.9" - EXT GRAPHICS/PAINT-DLX PKG  |
|               | 056795-01-000 | FT TAPE-SEAL, 1/8" X 3/8" WIDE - PRESS ON                                   |
|               | 156622-01-01A | FT SEALER - TAPE - 1/4"THICK X 3"WIDE X 100 FT - WHITE                      |
| 27            | 126945-17-U01 | EA DOOR/STORAGE - W/O HARDWARE - 14.4" X 10"                                |
| 27            | 126945-17-AA1 | EA DOOR/STORAGE - W/O HARDWARE - 14.4" X 10" - EXT GRAPHICS/PAINT-DLX PKG   |
|               | 056795-01-000 | FT TAPE-SEAL, 1/8" X 3/8" WIDE - PRESS ON                                   |
|               | 156622-01-01A | FT SEALER - TAPE - 1/4"THICK X 3"WIDE X 100 FT - WHITE                      |

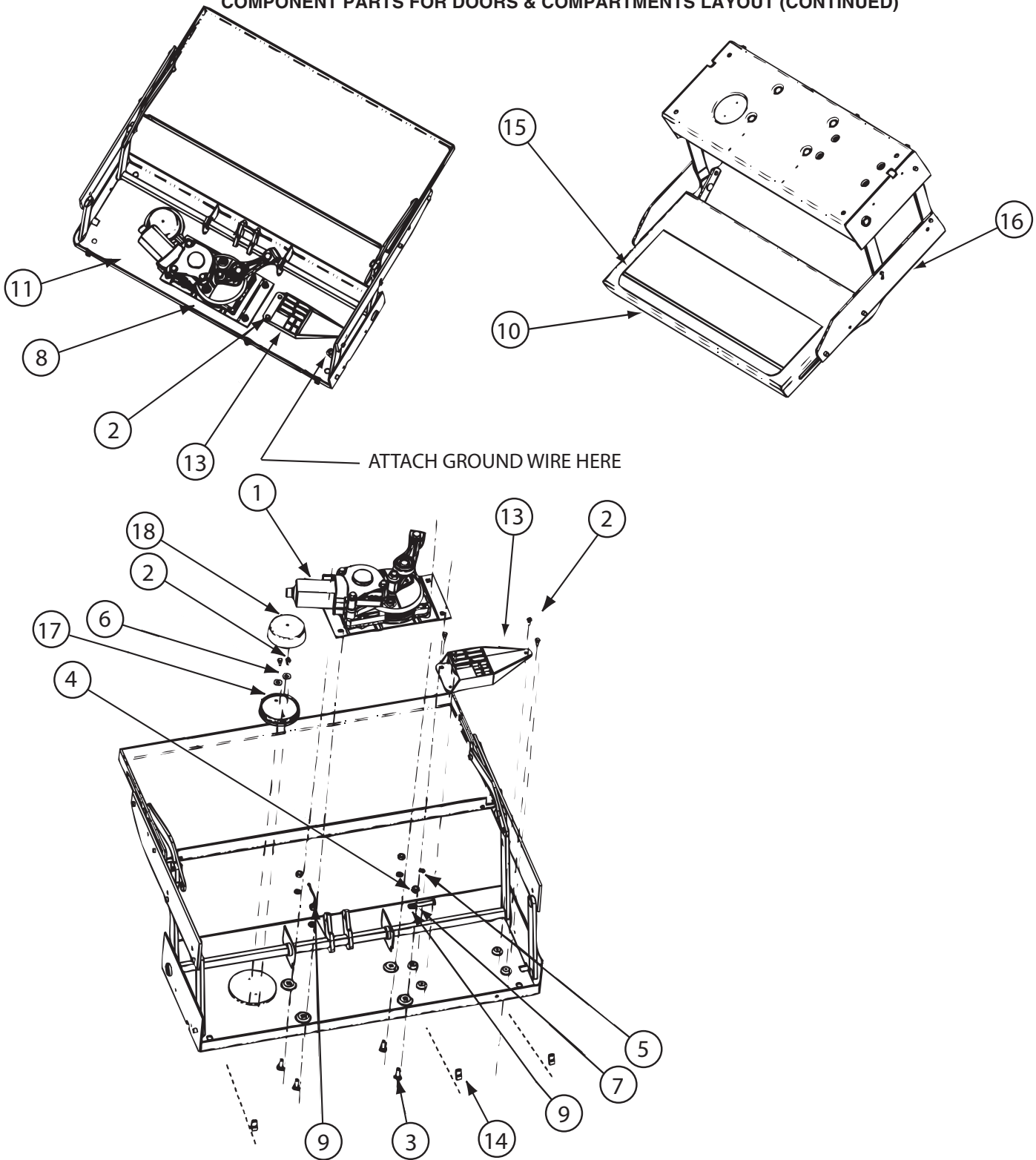
\*COMPONENT PARTS LISTED LATER IN THIS GROUP

**EXTERIOR DOORS & COMPARTMENTS GROUP (CONTINUED)**  
**COMPONENT PARTS FOR DOORS & COMPARTMENTS LAYOUT**

084103-08-000

| <b>KEY</b> | <b>PART NUMBER</b> | <b>U/M</b> | <b>DESCRIPTION</b>    | <b>VENDOR NO.</b> |
|------------|--------------------|------------|-----------------------|-------------------|
|            | 084104-01-700      | EA         | LOCK-MALE, FASTENER   | 201-721-010       |
|            | 084104-01-701      | EA         | LOCK-FEMALE, FASTENER | 201-802-010       |

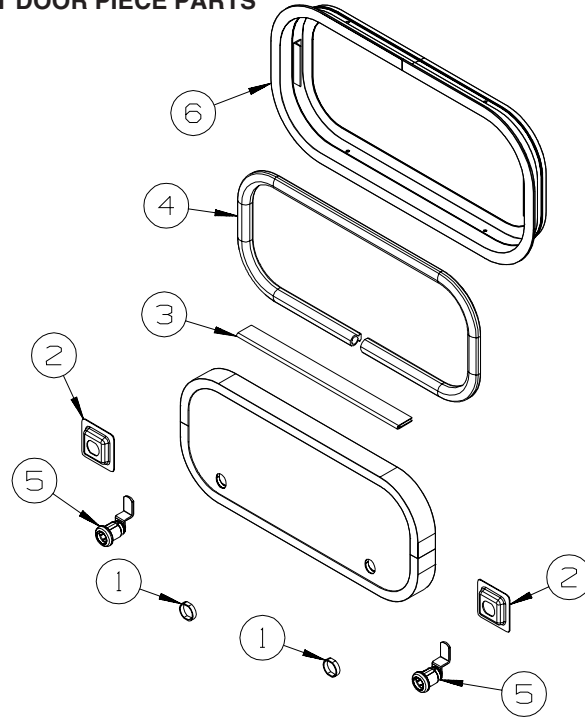
**EXTERIOR DOORS & COMPARTMENTS GROUP (CONTINUED)**  
**COMPONENT PARTS FOR DOORS & COMPARTMENTS LAYOUT (CONTINUED)**



094708-05-01A

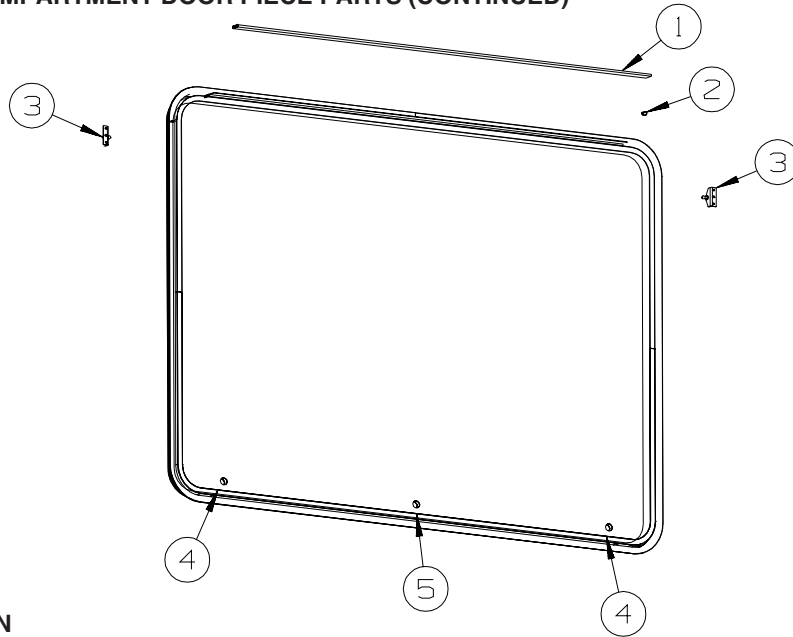
| KEY | PART NUMBER   | U/M | DESCRIPTION  | VENDOR NO. |
|-----|---------------|-----|--|------------|
| 1   | 094707-04-701 | EA  | MOTOR "AM 214" F/IMGL STEPS                            | 1101428    |
| 13  | 094707-04-700 | EA  | CONTROL UNIT W/OVERRIDE                                | 909510000  |
| 15  | 143709-01-702 | EA  | TREAD/NON-SKID 6" X 21" BLK                            | 1915260    |
| 16  | 094708-05-701 | EA  | FRAME W/SGL STEP,28 SERIES                             | 908028000  |
| 17  | 088746-01-705 | EA  | LIGHT-UNDER STEP                                       | 9004       |
|     | 094707-03-701 | EA  | PLUG - 4-WAY - PACKARD                                 | 909306     |
|     | 094707-04-702 | EA  | COTTER PIN - W/CLEVIS PIN                              | 905205000  |
|     | 094707-04-711 | EA  | KWIKTEST - W/4-WAY PIGTAIL                             | 909518000  |
|     | 094708-05-700 | EA  | GEAR BOX W/LINKAGE-STRAIGHT                            | 1101426    |
|     |               |     | CONTACT WINNEBAGO PART SALES FOR UNLISTED COMPONENT(S) |            |

**EXTERIOR DOORS & COMPARTMENTS GROUP (CONTINUED)**  
**COMPARTMENT DOOR PIECE PARTS**



| KEY | PART NUMBER   | U/M | DESCRIPTION  |
|-----|---------------|-----|--|
| 1   | 144734-01-000 | EA  | SPACER - COMPARTMENT DOOR LOCK - 9/16" DEEP                                  |
| 1   | 139325-01-000 | EA  | SPACER - LOCK - 6MM - <b>TRI/MARK KEY ONE</b>                                |
|     | 139337-01-000 | EA  | GASKET - LOCK - <b>TRI/MARK KEY ONE</b>                                      |
| 2   | 097111-02-04A | EA  | POCKET - LOCK - REAR DOOR - BLACK - <b>TRI/MARK KEY ONE</b>                  |
| 3   | 081801-V3-000 | EA  | HINGE - DOOR - PIANO - 2" X 96" - BRIGHT WHITE                               |
| 3   | 081801-FN-000 | EA  | HINGE - DOOR - PIANO - 2" X 96" - BLACK                                      |
| 4   | 156386-01-01A | FT  | SEAL - BULB - .4" X .5" - W/ADHESIVE BACK                                    |
| 5   | 110506-27-000 | EA  | LOCK - TWIST - 1.6" - <b>TWIST LOCK</b>                                      |
|     | 110506-55-000 | EA  | CASE/CYLINDER - TWIST LOCK - W/O CAM - 1.25" - 597312AA1 - <b>TWIST LOCK</b> |
|     | 110506-66-000 | EA  | CAM - LATCHING - DOG LEG - 1.5" LONG - <b>TWIST LOCK</b>                     |
| 5   | 138290-02-000 | EA  | CASE - W/CAM - W/O CYLINDER/KEY - <b>TRI/MARK KEY ONE</b>                    |
| 5   | 138637-04-000 | EA  | LOCK ASM. - KEYED - 1.5" CASE (CYLINDER/CAM/HDWR PKG) - <b>KEYED LOCK</b>    |
|     | 110506-40-000 | EA  | CLIP-E, LOCK ASM - BRIGGS & STRATTON 93981- <b>KEYED LOCK</b>                |
|     | 110506-41-000 | EA  | WASHER-TENSION LOCK ASM - BRIGGS & STRATTON 37512- <b>KEYED LOCK</b>         |
|     | 110506-42-000 | EA  | NUT-LOCK ASM - BRIGGS & STRATTON 310878- <b>KEYED LOCK</b>                   |
|     | 110506-43-000 | EA  | WASHER-FLAT, LOCK ASM - BRIGGS & STRATTON 82089- <b>KEYED LOCK</b>           |
|     | 110506-44-000 | EA  | GASKET-LOCK ASM - BRIGGS & STRATTON - #47701- <b>KEYED LOCK</b>              |
|     | 110506-45-000 | EA  | WASHER - SPUR - BRIGGS & STRATTON - #94771 - <b>KEYED LOCK</b>               |
|     | 144474-01-000 | EA  | ADAPTER - LOCK - 180 DEGREE- <b>KEYED LOCK</b>                               |
|     | 138637-63-000 | EA  | CAM - LATCHING - DOG LEG - 1 1/2" LONG- <b>KEYED LOCK</b>                    |
|     | 138637-53-000 | EA  | CASE/CYLINDER - LOCKING - W/O CAM/KEY - 1.5"- <b>KEYED LOCK</b>              |
|     | 138637-53-001 | EA  | CASE/CYLINDER - LOCKING - W/O CAM/KEY - 1.5"- <b>KEYED LOCK</b>              |
|     | 138637-53-002 | EA  | CASE/CYLINDER - LOCKING - W/O CAM/KEY - 1.5"- <b>KEYED LOCK</b>              |
|     | 138637-53-003 | EA  | CASE/CYLINDER - LOCKING - W/O CAM/KEY - 1.5"- <b>KEYED LOCK</b>              |
|     | 138637-53-004 | EA  | CASE/CYLINDER - LOCKING - W/O CAM/KEY - 1.5"- <b>KEYED LOCK</b>              |
|     | 138637-53-005 | EA  | CASE/CYLINDER - LOCKING - W/O CAM/KEY - 1.5"- <b>KEYED LOCK</b>              |
|     | 138637-53-006 | EA  | CASE/CYLINDER - LOCKING - W/O CAM/KEY - 1.5"- <b>KEYED LOCK</b>              |
|     | 138637-53-007 | EA  | CASE/CYLINDER - LOCKING - W/O CAM/KEY - 1.5"- <b>KEYED LOCK</b>              |
|     | 138637-53-008 | EA  | CASE/CYLINDER - LOCKING - W/O CAM/KEY - 1.5"- <b>KEYED LOCK</b>              |
|     | 138637-53-009 | EA  | CASE/CYLINDER - LOCKING - W/O CAM/KEY - 1.5"- <b>KEYED LOCK</b>              |
| 6   | 056795-01-000 | FT  | TAPE-SEAL, 1/8" X 3/8" WIDE - PRESS ON                                       |

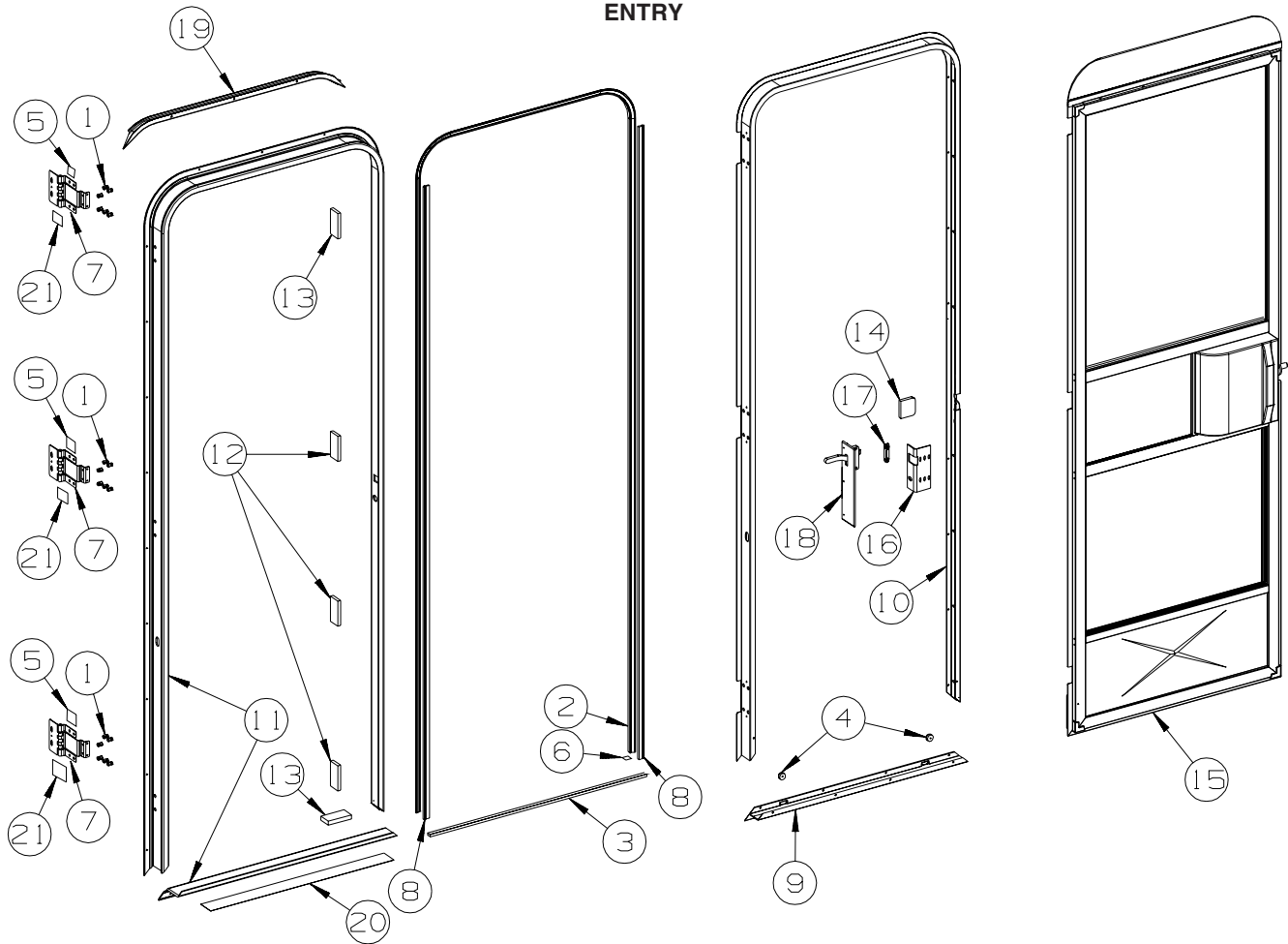
**EXTERIOR DOORS & COMPARTMENTS GROUP (CONTINUED)**  
**COMPARTMENT DOOR PIECE PARTS (CONTINUED)**



| KEY | PART NUMBER   | U/M | DESCRIPTION  |
|-----|---------------|-----|--|
| 1   | 081801-V3-000 | EA  | HINGE - DOOR - PIANO - 2" X 96" - BRIGHT WHITE           |
| 2   | 156386-01-01A | FT  | SEAL - BULB - .4" X .5" - W/ADHESIVE BACK                |
| 3   | 126263-02-02B | EA  | BRACKET - GAS SPRING W/BALL STUD - E-COATED              |
| 4   | 110506-40-000 | EA  | CLIP-E, LOCK ASM - BRIGGS & STRATTON 93981               |
| 4   | 110506-41-000 | EA  | WASHER-TENSION LOCK ASM - BRIGGS & STRATTON 37512        |
| 4   | 110506-42-000 | EA  | NUT-LOCK ASM - BRIGGS & STRATTON 310878                  |
| 4   | 110506-43-000 | EA  | WASHER-FLAT, LOCK ASM - BRIGGS & STRATTON 82089          |
| 4   | 110506-44-000 | EA  | GASKET-LOCK ASM - BRIGGS & STRATTON - #47701             |
| 4   | 110506-55-000 | EA  | CASE/CYLINDER - TWIST LOCK - W/O CAM - 1.25" - 597312AA1 |
| 4   | 110506-66-000 | EA  | CAM - LATCHING - DOG LEG - 1.5" LONG                     |
| 4   | 144734-01-000 | EA  | SPACER - COMPARTMENT DOOR LOCK - 9/16" DEEP              |
| 5   | 131035-01-000 | EA  | LOCK/COMPRESSION TYPE - KEYED W/CAM & HARDWARE - W/O KEY |
|     | 131035-60-000 | EA  | CAM - LOCK - COMPRESSION                                 |
|     | 139325-01-000 | EA  | SPACER - LOCK - 6MM                                      |

# EXTERIOR DOORS & COMPARTMENTS GROUP (CONTINUED)

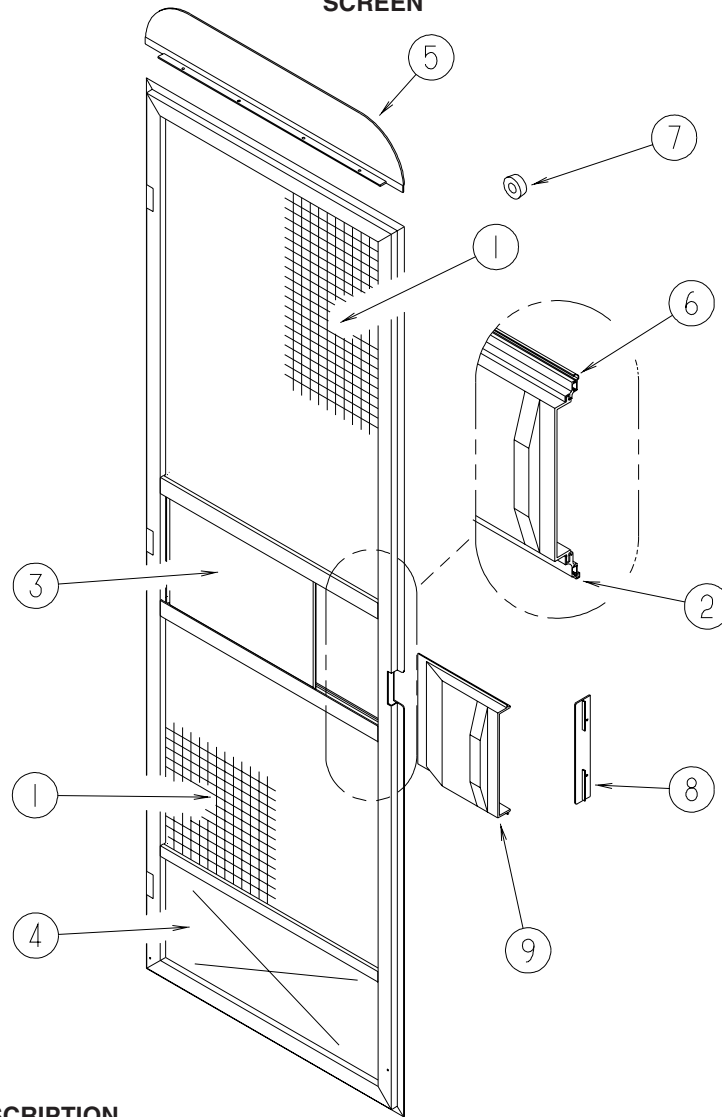
## ENTRY



| KEY | PART NUMBER   | U/M | DESCRIPTION  |
|-----|---------------|-----|--|
| 1   | 039715-01-000 | EA  | NUT-SERT - 1/4" DIAMETER - 20 THREADS                      |
| 2   | 075671-04-000 | FT  | SEAL - SPONGE - LAZY T - W/ADHESIVE STRIP - .5" WIDE       |
| 3   | 075673-05-000 | FT  | SEAL/PILE - .5" HIGH W/ADHESIVE BACK - BLACK               |
| 4   | 081914-02-000 | EA  | BUMPER - RUBBER - ROUND - 5/16" DIA. X 13/64" THICK        |
| 5   | 100128-02-000 | FT  | SEAL - FOAM/ADHESIVE BACK - .37" WIDE X .37" THICK X 60'   |
| 6   | 104692-01-000 | FT  | SEAL - ADHESIVE BACKED FOAM - 3/4" THICK X 3/4" WIDE X 25' |
| 7   | 106719-01-05A | EA  | HINGE - ENTRY DOOR - BRIGHT WHITE                          |
| 8   | 118929-01-01A | FT  | SEAL - PILE - PUSH ON                                      |
| 9   | 121893-01-01A | EA  | FRAME - ENTRY DOOR/BOTTOM - BRIGHT WHITE                   |
| 10  | 121894-28-01A | EA  | FRAME - ENTRY DOOR - BRIGHT WHITE                          |
| 11  | 121898-16-01A | EA  | JAMB - DOOR/ENTRANCE - BRIGHT WHITE                        |
| 12  | 125724-01-000 | EA  | SHIM - DOOR, ENTRANCE                                      |
| 13  | 125724-02-000 | EA  | SHIM - DOOR, ENTRANCE                                      |
| 14  | 130096-05-000 | EA  | FOAM - SCREEN DOOR, RETAINER                               |
| 15  | P32208-04-L07 | EA  | DOOR - SCREEN - W/O HARDWARE                               |
| 16  | 137401-01-03B | EA  | BRACKET - DOOR ANGLE - OFF WHITE                           |
| 17  | 148364-01-12B | EA  | STRIKE - SCREEN DOOR - BRIGHT WHITE                        |
| 18  | 132915-01-01A | EA  | LATCH - SCREEN DOOR - BLACK                                |
| 19  | 139054-01-01A | EA  | CAP - DRIP - JAMB MOUNTED - BRIGHT WHITE                   |
| 20  | 038327-01-000 | EA  | TAPE - ANTI-SLIP - 2" X 60'                                |
| 21  | 154585-01-01A | FT  | SEAL - FOAM TAPE - ADHESIVE BACK - 3/8" X 3/8" - BLACK     |

# EXTERIOR DOORS & COMPARTMENTS GROUP (CONTINUED)

## SCREEN

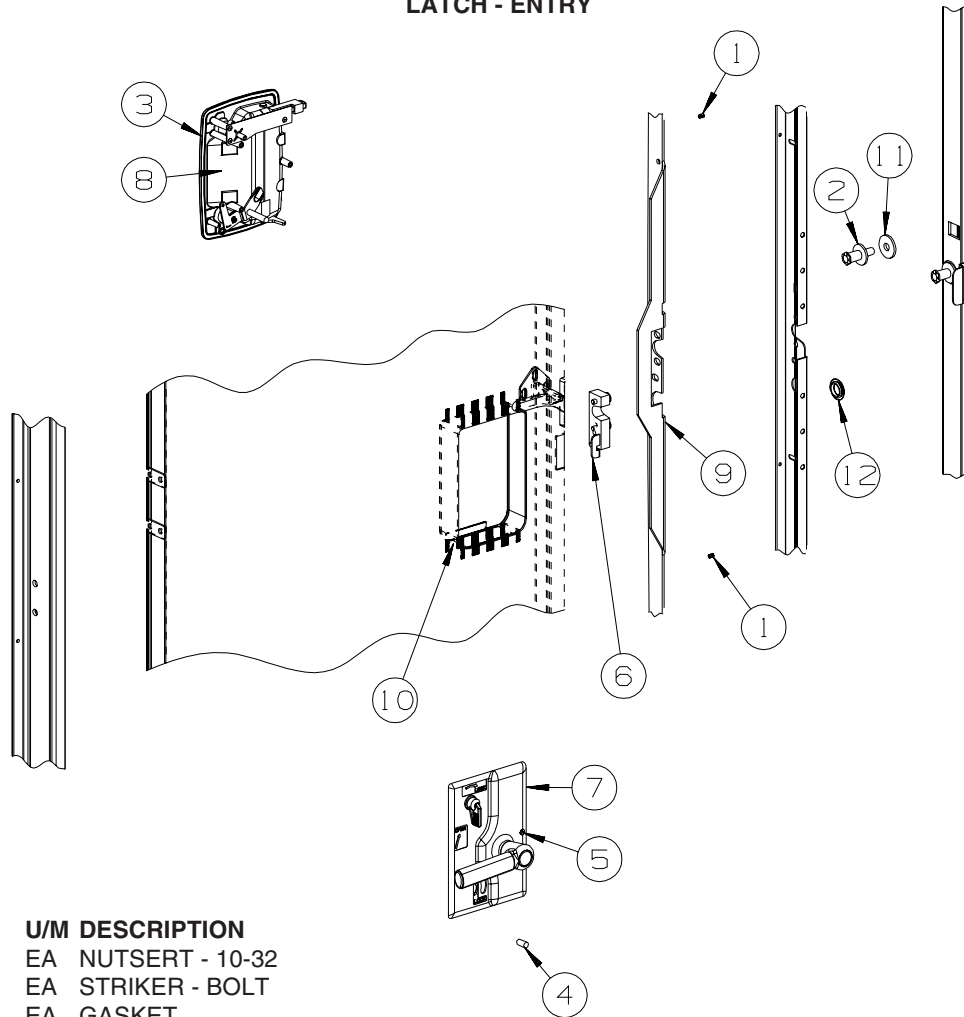


| KEY | PART NUMBER   | U/M | DESCRIPTION  |
|-----|---------------|-----|--|
| 1   | 002293-02-000 | SF  | SCREEN - 26" - CHARCOAL                              |
| 2   | 002294-01-000 | FT  | SPLINE - SCREENING - .13" X .14"                     |
| 3   | 016454-21-000 | EA  | INSERT/CENTER - SCREEN DOOR                          |
| 4   | 078552-03-000 | EA  | KICK PANEL - SCREEN DOOR - LOWER INSERT - UNPAINTED  |
| 5   | 078595-01-000 | EA  | TOP PLATE - SCREEN DOOR - CURVED TOP - 4.7" X 25.35" |
| 6   | 078777-08-000 | FT  | CHANNEL - SLIDER - 4 FOOT INCREMENTS                 |
| 7   | 120863-09-000 | EA  | BUMPER - RUBBER/RADIUS TOP - 3/4" X 3/8" - LT GRAY   |
| 8   | 132081-01-01A | EA  | STRIKE - SLIDER - SCREEN DOOR - BRIGHT WHITE         |
| 9   | 132082-01-01A | EA  | SLIDER - SCREEN DOOR - BRIGHT WHITE                  |



# EXTERIOR DOORS & COMPARTMENTS GROUP (CONTINUED)

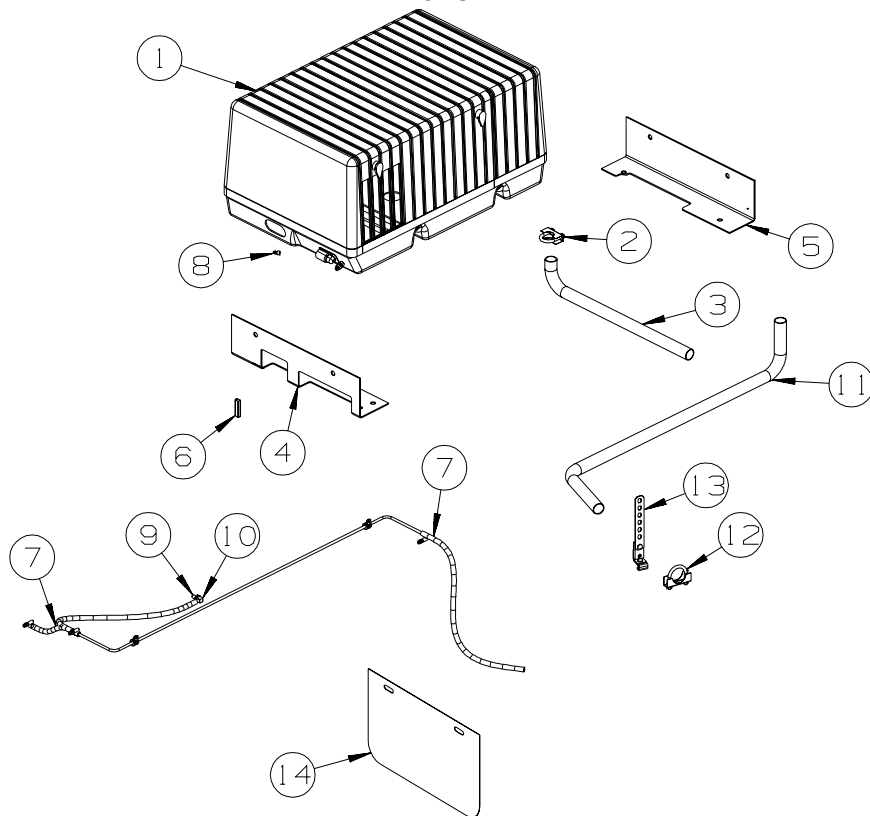
## LATCH - ENTRY



| KEY | PART NUMBER   | U/M | DESCRIPTION  |
|-----|---------------|-----|--|
| 1   | 072893-04-000 | EA  | NUTSERT - 10-32  |
| 2   | 092927-20-000 | EA  | STRIKER - BOLT   |
| 3   | 112782-04-01A | EA  | GASKET   |
| 4   | 112782-05-01A | EA  | CAP - VINYL - RED  |
| 5   | 112782-08-01A | EA  | SCREW - MOUNTING/PLATE - ZINC                              |
| 6   | 112782-22-01A | EA  | LATCH - SINGLE ROTOR                                       |
| 7   | 112782-27-01A | EA  | LATCH - INTERIOR PLATE - WHITE                             |
| 8   | 112782-20-01A | EA  | LATCH - EXTERIOR - W/O LOCK CYLINDER W/ICON-REVERSIBLE KEY |
| 9   | 132207-01-02B | EA  | STIFFENER/DOOR - FORMED - E-COATED                         |
| 10  | 137230-01-01A | EA  | SPACER - NOTCHED, MILL                                     |
| 11  | 147900-01-01A | EA  | SPACER - STRIKE BOLT, MILL                                 |
| 12  | 061420-14-000 | EA  | PLUG/PLASTIC - 7/8" DIAMETER - BLACK                       |

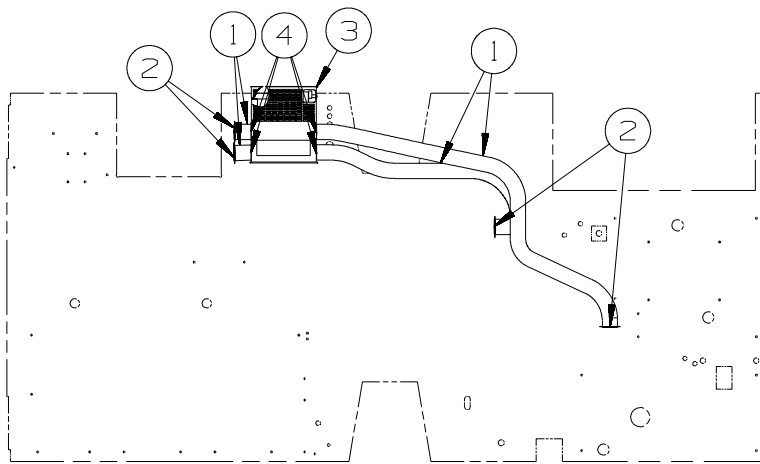
# GENERATOR GROUP

## GAS



| KEY | PART NUMBER   | U/M | DESCRIPTION  |
|-----|---------------|-----|--|
| 1   | 109982-03-000 | EA  | GENERATOR - 4.0 MICROLITE - ONAN                               |
| 2   | 007125-04-000 | EA  | CLAMP - MUFFLER - 1.12"DIAMETER                                |
| 3   | 105958-08-000 | EA  | PIPE - EXHAUST/GENERATOR - 1.5" OD X 3.1" X 19.7" - 229T, 231C |
| 4   | 114070-02-02B | EA  | SUPPORT - GENERATOR - LEFT                                     |
| 5   | 114071-02-02B | EA  | SUPPORT - GENERATOR - RIGHT                                    |
| 6   | 113452-01-000 | FT  | SEAL/TRIM - FRONT - VINYL W/WIRE CARRIER - .020                |
| 7   | 128139-03-000 | FT  | HOSE - FUEL - LOW PERMEABILITY - 1/4" DIAMETER                 |
| 8   | 084884-01-000 | EA  | PLUG - BRASS - 3/8"  |
| 9   | 068382-06-000 | EA  | BUSHING - 3/8"MPT X 1/8"FPT - BRASS - CHEVY                    |
| 10  | 114253-01-000 | EA  | ELBOW - 1/4 SINGLE BARB X 1/8 MPT - CHEVY                      |
| 11  | 143954-02-000 | EA  | PIPE/EXHAUST - GENERATOR - 222B, 224V, 226A, 228P              |
| 12  | 007125-03-000 | EA  | CLAMP - MUFFLER - 1.5"DIAMETER - 222B, 224V, 226A, 228P        |
| 13  | 007131-01-000 | EA  | HANGER - TAILPIPE - 6 SLOTS - 222B, 224V, 226A, 228P           |
| 14  | 149346-04-02B | EA  | SHIELD - HEAT EXHAUST - E-COATED - 222B, 224V, 226A            |

## HEATING & A/C GROUP FURNACE

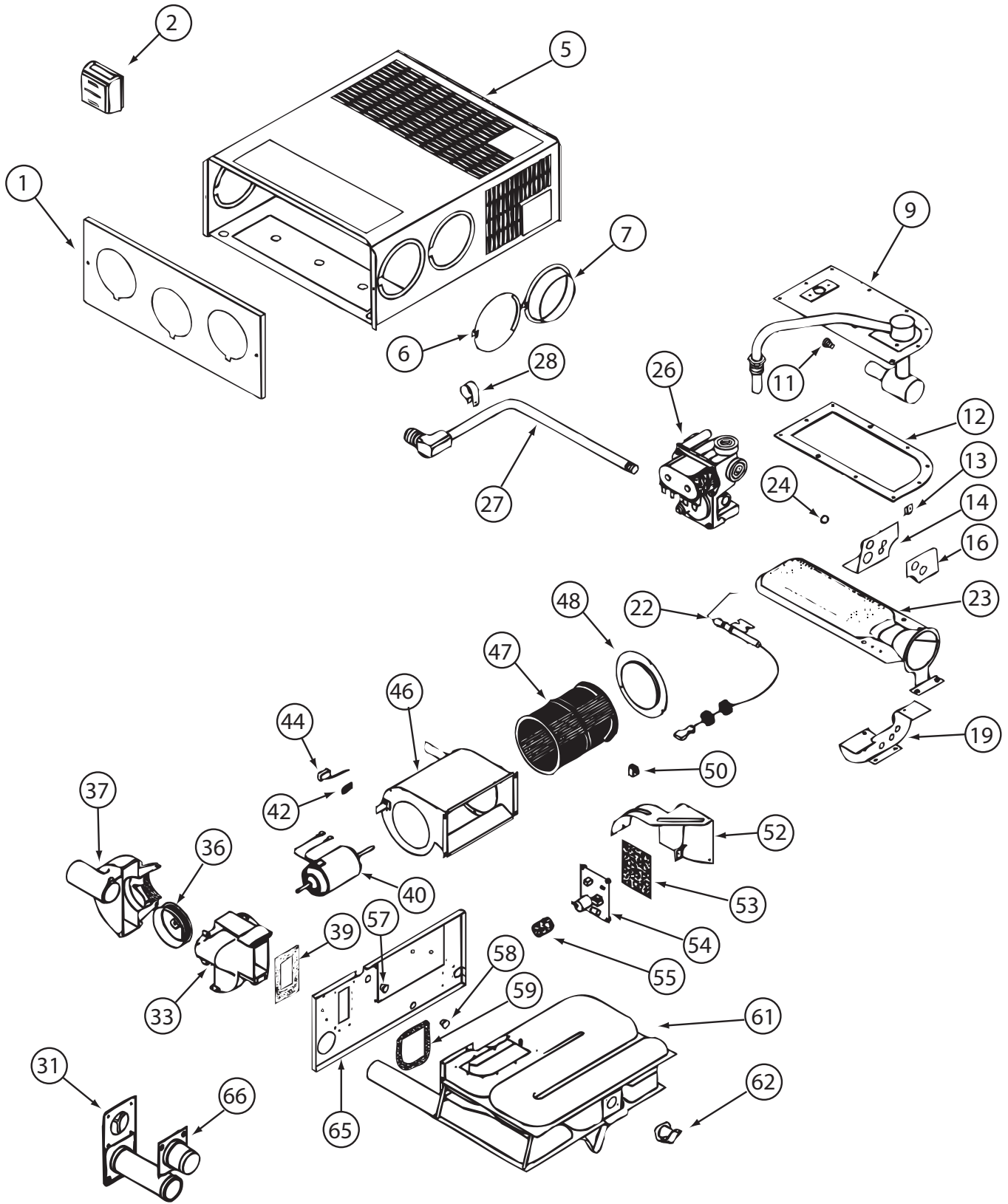


| KEY | PART NUMBER   | U/M | DESCRIPTION   |
|-----|---------------|-----|---|
| 1   | 009198-01-000 | FT  | DUCT - HEAT - FLEXIBLE - 4" ID X 25'                  |
| 2   | 056464-10-000 | EA  | REGISTER W/O DAMPER - 4" DIAMETER - PLASTIC - BEIGE   |
| 3*  | 139980-01-000 | EA  | FURNACE - 25000 BTU - SF QUIET - SUBURBAN SF-25 2320J |
|     | 098668-23-000 | EA  | DOOR - ACCESS/FURNACE - BRIGHT WHITE                  |
|     |               |     | FROM: 00-00-00 THRU: 07-22-07                         |
|     | 139980-10-02A | EA  | DOOR - ACCESS/FURNACE - BRIGHT WHITE                  |
|     |               |     | FROM: 07-23-07 THRU: 99-99-99                         |
| 4   | 069636-02-000 | EA  | CONNECTOR - DUCT - 4" ID                              |

**\*COMPONENT PARTS LISTED LATER IN THIS GROUP**

# HEATING & A/C GROUP (CONTINUED)

## COMPONENT PARTS FOR FURNACE



139980-01-000

**HEATING & A/C GROUP (CONTINUED)**  
**COMPONENT PARTS FOR FURNACE (CONTINUED)**

139980-01-000 (CONTINUED)

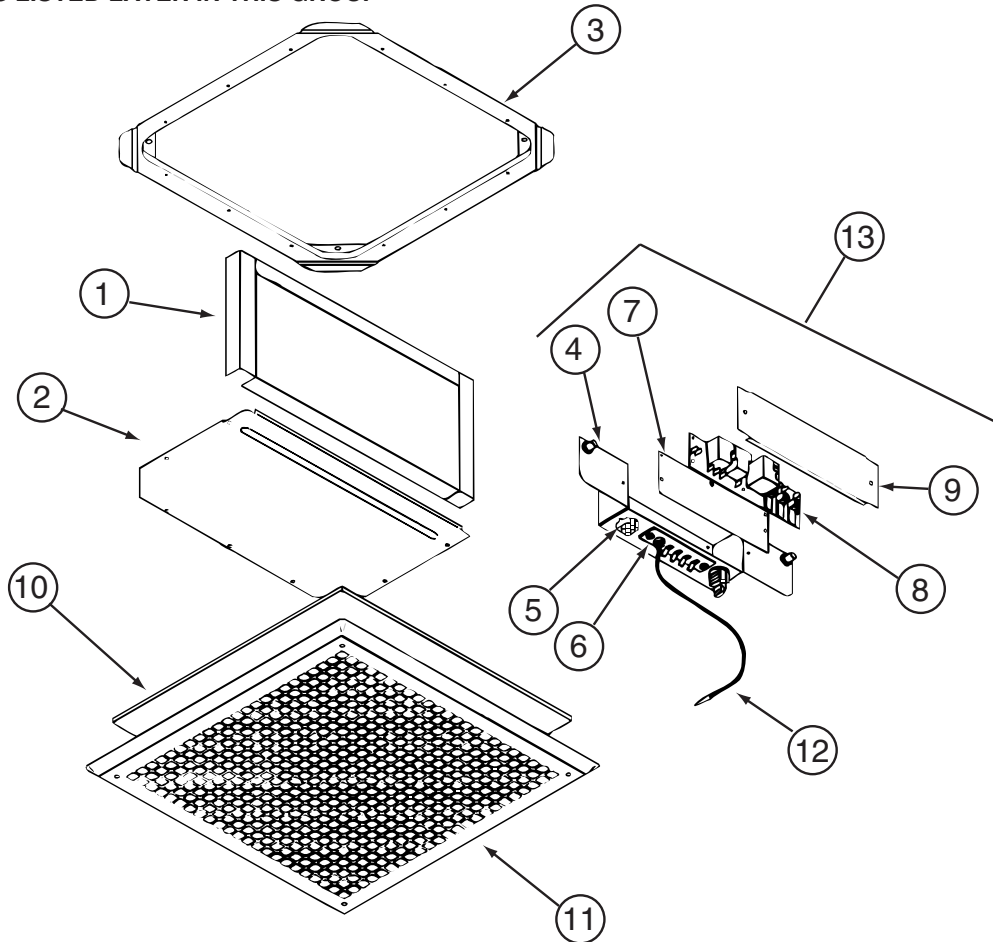
| KEY | PART NUMBER   | U/M | DESCRIPTION  | VENDOR NO. |
|-----|---------------|-----|--|------------|
| 9   | 139980-01-700 | EA  | MANIFOLD ASSEMBLY                                      | 171571     |
| 11  | 090039-01-703 | EA  | ORIFICE-MAIN BURNER                                    | 180193     |
| 12  | 098668-22-703 | EA  | GASKET - BURNER ACCESS COVER                           | 070811     |
| 22  | 139980-01-701 | EA  | ELECTRODE  | 232286     |
| 23  | 098668-01-703 | EA  | BURNER ASSEMBLY  | 010762     |
| 26  | 098668-01-718 | EA  | VALVE-GAS SF S.N.974903079                             | 161122     |
| 27  | 139980-01-702 | EA  | PIPE ASSEMBLY/GAS INLET                                | 171574     |
| 31  | 098668-01-707 | EA  | TUBE ASSEMBLY, EXHAUST W/CAP                           | 260231     |
| 33  | 139980-01-703 | EA  | HOUSING/COMB. - FRONT/HALF                             | 390852     |
| 36  | 098668-01-706 | EA  | WHEEL-COMBUSTION AIR                                   | 350184     |
| 37  | 139980-01-704 | EA  | HOUSING/COMB. - REAR/HALF                              | 390848     |
| 39  | 139980-01-705 | EA  | GASKET/FIREWALL-COMB AIR                               | 071084     |
| 40  | 139980-01-706 | EA  | MOTOR ASSEMBLY W/GASKET                                | 232682     |
| 42  | 101990-01-714 | EA  | GASKET-MICROSWITCH                                     | 230877     |
| 44  | 098668-21-700 | EA  | SWITCH-MICRO-W/O FLAG 3 1/4"                           | 232261     |
| 46  | 139980-01-708 | EA  | BLOWER ASSEMBLY - ROOM AIR                             | 390739BK   |
| 47  | 098668-01-711 | EA  | WHEEL-BLOWER, ROOM AIR                                 | 350129     |
| 48  | 139980-01-709 | EA  | ORFICE RING  | 390696     |
| 50  | 139980-01-710 | EA  | SWITCH - ON/OFF  | 232351     |
| 52  | 139980-01-711 | EA  | PANEL ASSEMBLY-MODULE BD                               | 101663     |
| 53  | 139980-01-712 | EA  | INSULATOR - MODULE BD                                  | 070807     |
| 54  | 098668-22-705 | EA  | MODULE BD W/RELAY TIME DELAY                           | 520820     |
| 55  | 139980-01-713 | EA  | CAP/INSULATOR-MODULE BD                                | 070973     |
| 57  | 139980-01-714 | EA  | BUSHING - UNIVERSAL                                    | 070362     |
| 58  | 139980-01-715 | EA  | BUSHING - STRAIN RELIEF                                | 231809     |
| 59  | 098668-01-716 | EA  | GASKET-FIREWALL,CHAMBER SIDE                           | 070808     |
| 61  | 139980-01-716 | EA  | CHAMBER ASSEMBLY - FINAL                               | 021149BK   |
| 62  | 098668-21-701 | EA  | SWITCH - LIMIT   | 232504     |
| 66  | 098668-01-713 | EA  | TUBE ASSEMBLY, INTAKE                                  | 051248     |
|     | 098668-19-700 | EA  | DOOR/CABINET ACCESS                                    | 101888     |
|     | 139980-02-700 | EA  | BLOWER ASM-1/2 HOUSING/OUTER                           | 390851     |
|     | 139980-02-701 | EA  | BLOWER ASM-1/2 HOUSING/INNER                           | 390872     |
|     |               |     | CONTACT WINNEBAGO PART SALES FOR UNLISTED COMPONENT(S) |            |

## HEATING & A/C GROUP (CONTINUED)

### ROOF

| KEY | PART NUMBER   | U/M | DESCRIPTION  |
|-----|---------------|-----|--|
| *   | 131184-01-01A | EA  | CEILING ASSEMBLY - A/C DUCTED - WHITE - 226A, 228P, 229T, 231C<br>FROM: 00-00-00 THRU: 07-22-07  |
| *   | 131184-06-01A | EA  | CEILING ASSEMBLY - A/C DUCTED - WHITE - 226A, 228P, 229T, 231C<br>FROM: 07-23-07 THRU: 99-99-99  |
|     | 131184-02-01A | EA  | BOARD - DIVIDER - FOAM - SILVER - 226A, 228P, 229T, 231C   |
| *   | 131185-04-01A | EA  | A/C ROOF - 13,500 BTU - MACH 3 - 2 PIECE SHROUD STYLE  |
| *   | 131188-05-01A | EA  | A/C - ROOF - 14,800 BTU-MACH 15 - 2 PIECE SHROUD STYLE-WHT - A/C ROOF AIR (1) 14,800 BTU         |
| *   | 156860-01-01A | EA  | CEILING ASSEMBLY - A/C DUCTED - W/CONTROLS - WHITE - 222B, 224V<br>FROM: 00-00-00 THRU: 07-22-07 |
|     | 156860-02-01A | EA  | CEILING ASSEMBLY - A/C DUCTED - W/CONTROLS - WHITE - 222B, 224V<br>FROM: 07-23-07 THRU: 99-99-99 |

**\*COMPONENT PARTS LISTED LATER IN THIS GROUP**



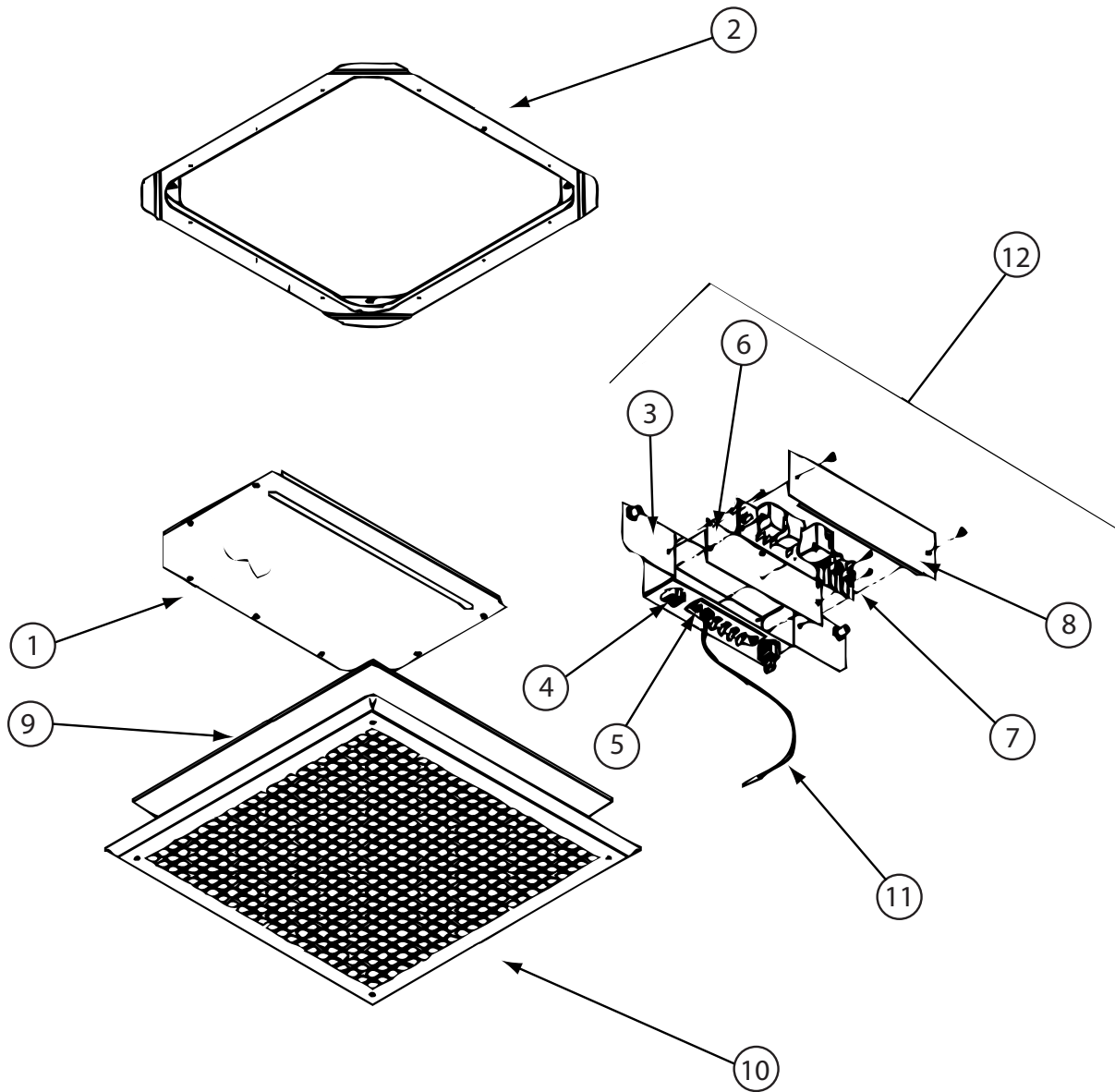
### COMPONENT PARTS FOR ROOF

#### 131184-01-01A

| KEY | PART NUMBER   | U/M | DESCRIPTION                 | VENDOR NO. |
|-----|---------------|-----|-----------------------------|------------|
| 1   | 131184-01-707 | EA  | DUCT DIVIDER                | 8330-3501  |
| 5   | 131184-01-700 | EA  | PLUG ASSEMBLY               | 7330A389   |
| 6   | 131184-01-701 | EA  | TERMINAL BOARD              | 7330B3201  |
| 7   | 131184-01-702 | EA  | ISOLATOR - BLANK            | 7330C365   |
| 8   | 108892-01-702 | EA  | BOARD-P.C.                  | 7330A3211  |
| 10  | 108892-01-703 | EA  | FILTER                      | 6798A3761  |
| 11  | 108892-01-704 | EA  | GRILLE 16 3/8X16 3/8 RETURN | 6798-3041  |
| 12  | 131184-01-704 | EA  | COIL SENSOR                 | 7330-6111  |
| 13  | 131184-01-705 | EA  | JUNCTION BOX ASSEMBLY       | 7330B5551  |
|     | 131184-01-703 | EA  | SMALL PARTS PKG             | 8330-5961  |

CONTACT WINNEBAGO PART SALES FOR UNLISTED COMPONENT(S)

**HEATING & A/C GROUP (CONTINUED)**  
**COMPONENT PARTS FOR ROOF (CONTINUED)**

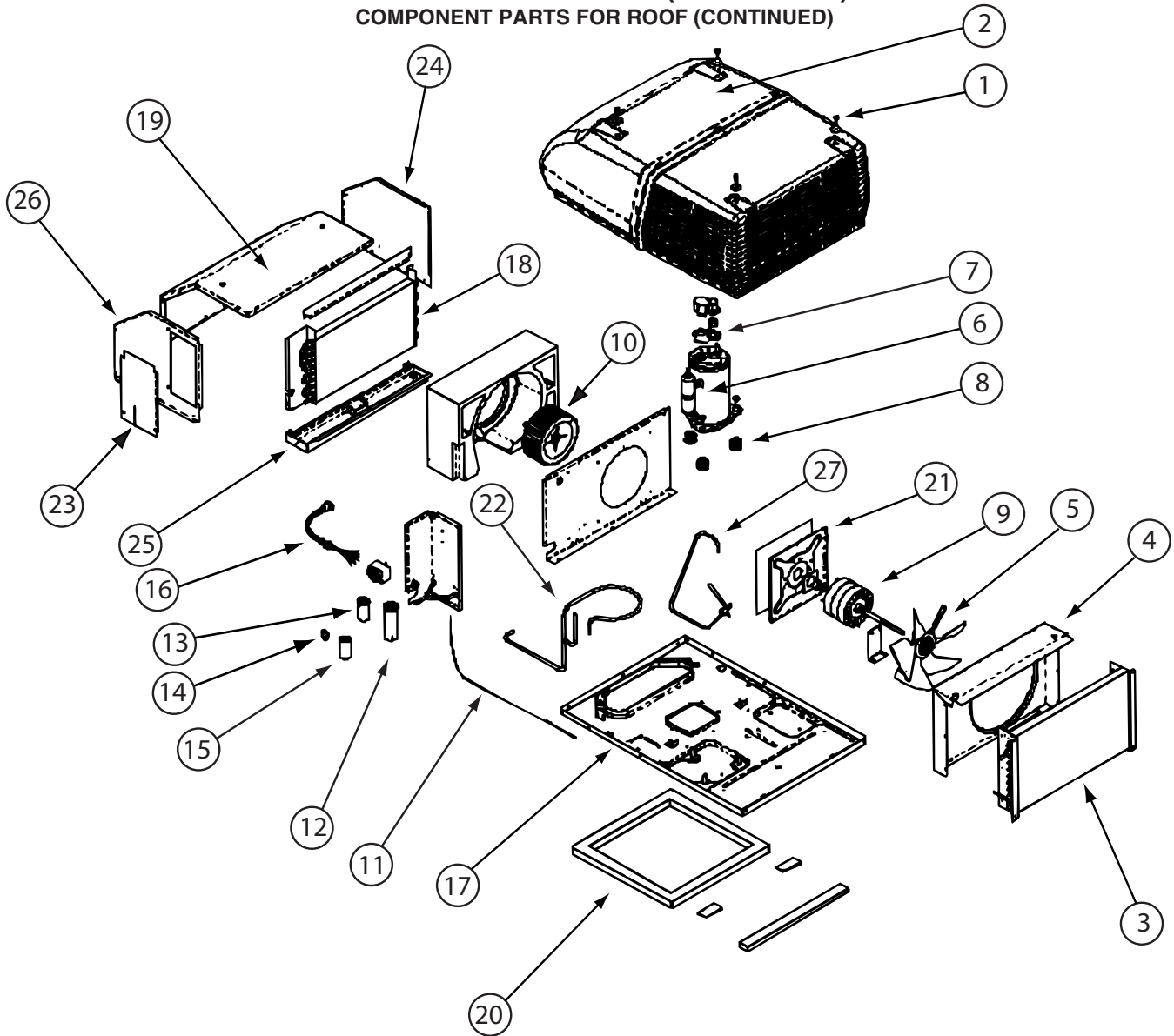


131184-06-01A

| KEY | PART NUMBER   | U/M | DESCRIPTION                 | VENDOR NO. |
|-----|---------------|-----|-----------------------------|------------|
| 4   | 131184-01-700 | EA  | PLUG ASSEMBLY               | 7330A389   |
| 5   | 131184-01-701 | EA  | TERMINAL BOARD              | 7330B3201  |
| 6   | 131184-01-702 | EA  | ISOLATOR - BLANK            | 7330C365   |
| 7   | 131184-03-700 | EA  | BOARD - P.C.                | 7330D3211  |
| 9   | 108892-01-703 | EA  | FILTER                      | 6798A3761  |
| 10  | 108892-01-704 | EA  | GRILLE 16 3/8X16 3/8 RETURN | 6798-3041  |
| 11  | 105620-12-719 | EA  | COIL SENSOR                 | 7330A3231  |
| 12  | 131184-01-705 | EA  | JUNCTION BOX ASSEMBLY       | 7330B5551  |
|     | 131184-01-703 | EA  | SMALL PARTS PKG             | 8330-5961  |
|     | 131184-01-706 | EA  | NUT/WING                    | 1200-550   |

CONTACT WINNEBAGO PART SALES FOR UNLISTED COMPONENT(S)

**HEATING & A/C GROUP (CONTINUED)**  
**COMPONENT PARTS FOR ROOF (CONTINUED)**



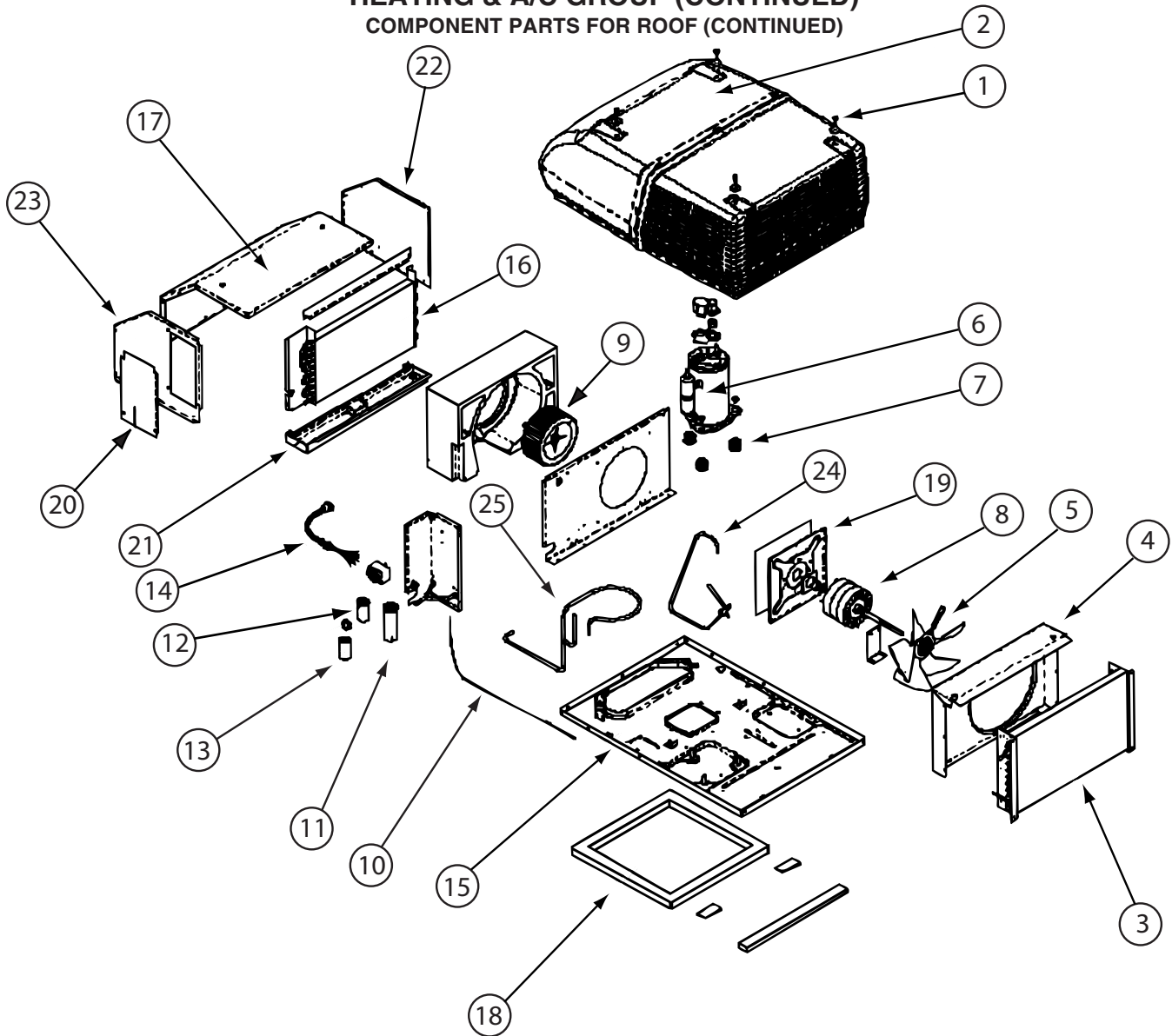
131185-04-01A

| KEY | PART NUMBER   | U/M | DESCRIPTION                  | VENDOR NO. |
|-----|---------------|-----|------------------------------|------------|
| 2   | 131188-05-700 | EA  | SHROUD-ROOF AIR/2 PIECE-WHT  | 8335-5261  |
| 3   | 131185-04-000 | EA  | CONDENSER COIL               | 1452B1451  |
| 4   | 131187-03-700 | EA  | SHROUD FAN/INNER-LESS LOGO   | 6792-1071  |
| 5   | 093763-01-712 | EA  | BLADE-FAN-CONDENSER          | 6733-3221  |
| 6   | 131185-04-701 | EA  | COMPRESSOR (TECUMSEH)        | 1450B2259  |
| 7   | 105620-01-705 | EA  | PROTECTOR-OVERLOAD, RH & LH  | 6759-3791  |
| 8   | 105620-01-706 | EA  | MOUNTING PKG.,COMP., 3 PER   | 6759-3081  |
| 9   | 131185-01-701 | EA  | MOTOR (115V, 60HZ)           | 1468-3069  |
| 10  | 131185-01-702 | EA  | BLOWER WHEEL PACKAGE         | 1472-1091  |
| 12  | 105620-12-725 | EA  | COMPRESSOR RUN CAPACITOR     | 1499-5731  |
| 13  | 093763-01-704 | EA  | CAPACITOR-FAN (INDOOR MOTOR) | 1499-5461  |
| 15  | 105620-10-705 | EA  | PTCR (START DEVICE) - W/CAP. | 8333A9021  |
| 18  | 131185-01-703 | EA  | EVAPORATOR COIL              | 1452A1491  |
| 20  | 037648-01-714 | EA  | GASKET PACKAGE               | 8332-3301  |
| 21  | 131185-01-704 | EA  | MOTOR MOUNT & SEAL KIT       | 8333-5151  |
|     | 131188-05-702 | EA  | SHROUD BRACKET               | 8333B1551  |

CONTACT WINNEBAGO PART SALES FOR UNLISTED COMPONENT(S)



**HEATING & A/C GROUP (CONTINUED)**  
**COMPONENT PARTS FOR ROOF (CONTINUED)**

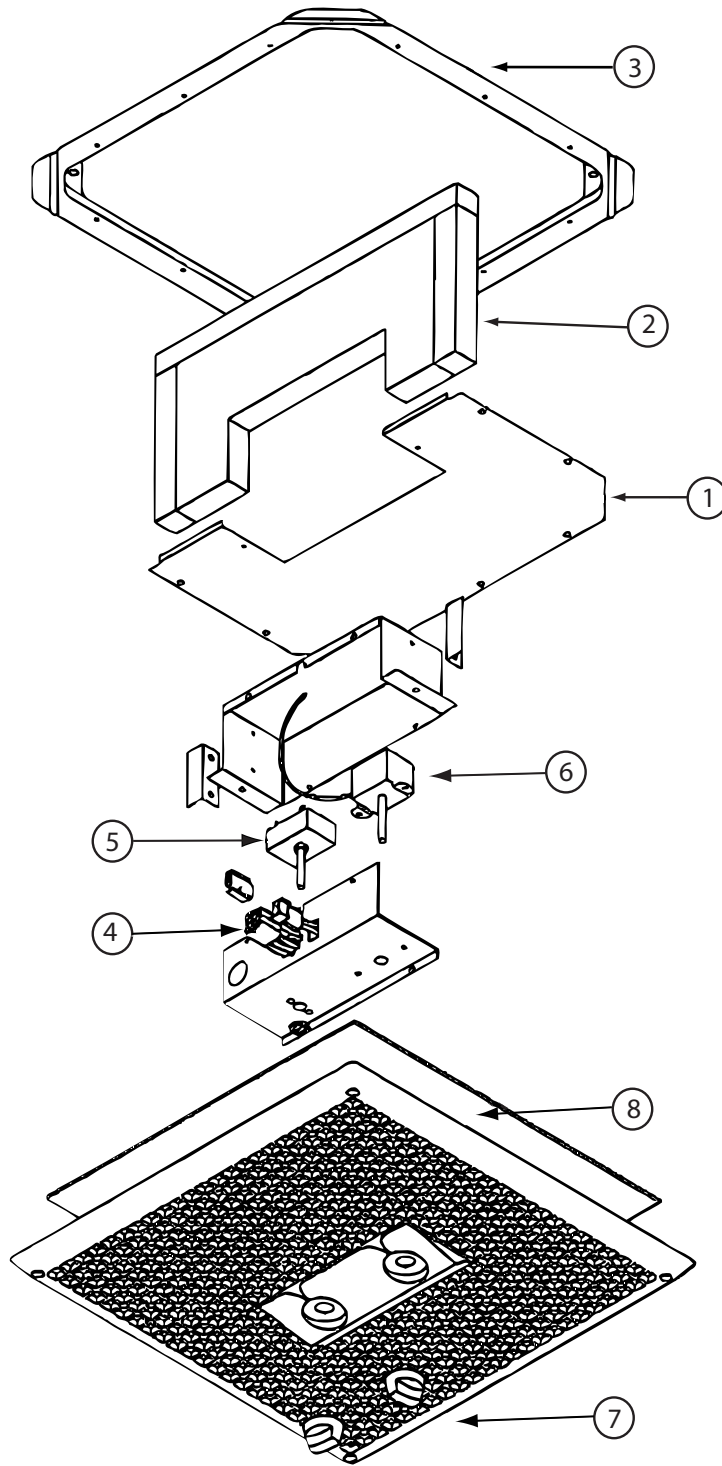


131188-05-01A

| KEY | PART NUMBER   | U/M | DESCRIPTION                  | VENDOR NO. |
|-----|---------------|-----|------------------------------|------------|
| 2   | 131188-05-700 | EA  | SHROUD-ROOF AIR/2 PIECE-WHT  | 8335-5261  |
| 3   | 115219-01-700 | EA  | COIL-CONDENSER               | 1452A1321  |
| 4   | 131187-03-700 | EA  | SHROUD FAN/INNER-LESS LOGO   | 6792-1071  |
| 5   | 093763-01-712 | EA  | BLADE-FAN-CONDENSER          | 6733-3221  |
| 6   | 131188-05-703 | EA  | COMPRESSOR (TECUMSEH)        | 1450B2299  |
| 7   | 105620-01-706 | EA  | MOUNTING PKG.,COMP., 3 PER   | 6759-3081  |
| 8   | 131185-01-701 | EA  | MOTOR (115V, 60HZ)           | 1468-3069  |
| 9   | 131185-01-702 | EA  | BLOWER WHEEL PACKAGE         | 1472-1091  |
| 11  | 126859-01-703 | EA  | CAPACITOR - RUN              | 1499-5671  |
| 12  | 093763-01-704 | EA  | CAPACITOR-FAN (INDOOR MOTOR) | 1499-5461  |
| 13  | 105620-10-705 | EA  | PTCR (START DEVICE) - W/CAP. | 8333A9021  |
| 16  | 131186-01-701 | EA  | EVAPORATOR COIL              | 1452-1521  |
| 18  | 037648-01-714 | EA  | GASKET PACKAGE               | 8332-3301  |
| 19  | 131185-01-704 | EA  | MOTOR MOUNT & SEAL KIT       | 83333-5151 |
|     | 105620-01-705 | EA  | PROTECTOR-OVERLOAD, RH & LH  | 6759-3791  |
|     | 131188-05-702 | EA  | SHROUD BRACKET               | 8333B1551  |

CONTACT WINNEBAGO PART SALES FOR UNLISTED COMPONENT(S)

**HEATING & A/C GROUP (CONTINUED)**  
**COMPONENT PARTS FOR ROOF (CONTINUED)**

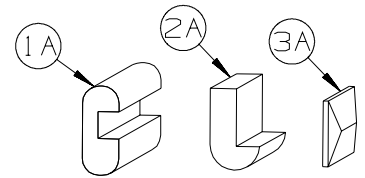


156860-01-01A

| KEY | PART NUMBER   | U/M | DESCRIPTION                  | VENDOR NO. |
|-----|---------------|-----|------------------------------|------------|
| 4   | 156860-01-702 | EA  | PLUG ASSEMBLY                | 7330-347   |
| 5   | 073742-01-701 | EA  | SWITCH - SELECTOR/5 TERMINAL | 6759-3251  |
| 6   | 093307-04-701 | EA  | THERMOSTAT(90' IN-60' OUT)   | 6703-3401  |
| 7   | 156860-01-700 | EA  | GRILLE ASSEMBLY - WHITE      | 8330-4081  |
| 8   | 108892-01-703 | EA  | FILTER                       | 6798A3761  |
|     | 156860-01-701 | EA  | SMALL PARTS PKG-BOLTS/KNOBS  | 8330-5941  |

CONTACT WINNEBAGO PART SALES FOR UNLISTED COMPONENT(S)

**INTERIOR FINISH GROUP**  
**MOLDINGS & TRIMS**  
**PORTSMOUTH OAK, SIERRA MAPLE**

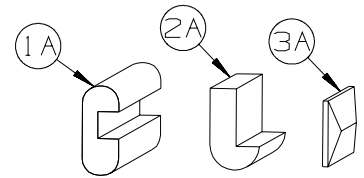


| KEY | PART NUMBER   | U/M | DESCRIPTION  |
|-----|---------------|-----|--|
| 1A  | M09412-62-N42 | EA  | MOLDING/SHELF EDGE - .6" X 1.3" X 96" - PORTSMOUTH OAK         |
| 1A  | M09412-62-M52 | EA  | MOLDING/SHELF EDGE - .6" X 1.3" X 96" - CONCERT CHERRY         |
| 1A  | M09412-62-M62 | EA  | MOLDING/SHELF EDGE - .6" X 1.3" X 96" - WASHED MAPLE           |
| 1A  | M09412-62-RC3 | EA  | MOLDING/SHELF EDGE - .6" X 1.3" X 96" - HONEY CHERRY           |
| 1A  | M09412-62-SA3 | EA  | MOLDING/SHELF EDGE - .6" X 1.3" X 96" - SIERRA MAPLE           |
| 2A  | M09511-43-T77 | EA  | MOLDING - TRIM - W/NOTCH - .8" X 1.4" X 86.3" - PORTSMOUT OAK  |
| 2A  | M09525-80-UM1 | EA  | MOLDING - TRIM - W/NOTCH - .8" X 1.4" X 86.5" - CONCERT CHERRY |
| 2A  | M09525-80-U91 | EA  | MOLDING - TRIM - W/NOTCH - .8" X 1.4" X 86.5" - WASHED MAPLE   |
| 2A  | M09525-80-U92 | EA  | MOLDING - TRIM - W/NOTCH - .8" X 1.4" X 86.5" - SIERRA MAPLE   |
| 2A  | M09525-80-Y92 | EA  | MOLDING - TRIM - W/NOTCH - .8" X 1.4" X 86.5" - HONEY CHERRY   |
| 2A  | M09501-85-TG3 | EA  | MOLDING/TRIM - W/NOTCH - 4" X 86.06" - HONEY CHERRY            |
| 2A  | M09501-32-TG1 | EA  | MOLDING/TRIM - W/NOTCH - .8" X 2.5" X 86.2" - CONCERT CHERRY   |
| 2A  | M09501-32-TG2 | EA  | MOLDING/TRIM - W/NOTCH - .8" X 2.5" X 86.2" - WASHED MAPLE     |
| 2A  | M09501-32-TD3 | EA  | MOLDING/TRIM - W/NOTCH - .8" X 2.5" X 86.2" - SIERRA MAPLE     |
| 2A  | M09501-32-TG3 | EA  | MOLDING/TRIM - W/NOTCH - .8" X 2.5" X 86.2" - HONEY CHERRY     |
| 2A  | M09515-72-TD0 | EA  | MOLDING/TRIM - .8" X 2.2" X 86.1" - PORTSMOUTH OAK             |
| 2A  | M09515-72-TD1 | EA  | MOLDING/TRIM - .8" X 2.2" X 86.1" - CONCERT CHERRY             |
| 2A  | M09515-72-TD2 | EA  | MOLDING/TRIM - .8" X 2.2" X 86.1" - WASHED MAPLE               |
| 2A  | M09515-72-TD3 | EA  | MOLDING/TRIM - .8" X 2.2" X 86.1" - SIERRA MAPLE               |
| 2A  | M09511-44-T77 | EA  | MOLDING - TRIM - W/NOTCH - 1" X 86.4" - PORTSMOUTH OAK         |
| 2A  | M09511-44-T78 | EA  | MOLDING - TRIM - W/NOTCH - 1" X 86.4" - CONCERT CHERRY         |
| 2A  | M09511-44-T79 | EA  | MOLDING - TRIM - W/NOTCH - 1" X 86.4" - WASHED MAPLE           |
| 2A  | M09511-44-T80 | EA  | MOLDING - TRIM - W/NOTCH - 1" X 86.4" - HONEY CHERRY           |
| 2A  | M09438-25-RA3 | EA  | MOLDING - HARDWOOD-W/NOTCH - 1.4"X 80.2" - HONEY CHERRY        |
| 3A  | M09477-63-S46 | EA  | MOLDING - TRIM/VEE-W/CUT ENDS - 1"X 64.1" - PORTSMOUTH OAK     |
| 3A  | M09477-63-S47 | EA  | MOLDING - TRIM/VEE-W/CUT ENDS - 1"X 64.1" - CONCERT CHERRY     |
| 3A  | M09477-63-S48 | EA  | MOLDING - TRIM/VEE-W/CUT ENDS - 1"X 64.1" - WASHED MAPLE       |
| 3A  | M09477-63-W51 | EA  | MOLDING - TRIM/VEE-W/CUT ENDS - 1"X 64.1" - HONEY CHERRY       |
| 3A  | M09477-64-S46 | EA  | MOLDING - TRIM/VEE-W/CUT ENDS - 1"X 14.9" - PORTSMOUTH OAK     |
| 3A  | M09477-64-S47 | EA  | MOLDING - TRIM/VEE-W/CUT ENDS - 1"X 14.9" - CONCERT CHERRY     |
| 3A  | M09477-64-S48 | EA  | MOLDING - TRIM/VEE-W/CUT ENDS - 1"X 14.9" - WASHED MAPLE       |
| 3A  | M09477-64-W51 | EA  | MOLDING - TRIM/VEE-W/CUT ENDS - 1"X 14.9" - HONEY CHERRY       |
| 3A  | M09501-30-SD0 | EA  | MOLDING - TRIM/VEE - .2" X 1" X 35.1" - PORTSMOUTH OAK         |
| 3A  | M09501-30-SD1 | EA  | MOLDING - TRIM/VEE - .2" X 1" X 35.1" - CONCERT CHERRY         |
| 3A  | M09501-30-SD2 | EA  | MOLDING - TRIM/VEE - .2" X 1" X 35.1" - WASHED MAPLE           |
| 3A  | M09501-30-SD3 | EA  | MOLDING - TRIM/VEE - .2" X 1" X 35.1" - HONEY CHERRY           |
| 3A  | M09515-97-WL4 | EA  | MOLDING - TRIM/VEE - .2" X 1" X 32.6" - CONCERT CHERRY         |
| 3A  | M09515-97-WL5 | EA  | MOLDING - TRIM/VEE - .2" X 1" X 32.6" - WASHED MAPLE           |
| 3A  | M09515-97-WL6 | EA  | MOLDING - TRIM/VEE - .2" X 1" X 32.6" - HONEY CHERRY           |
| 3A  | M09534-17-UF3 | EA  | MOLDING - TRIM/VEE - .2" X 1" X 20.1" - SIERRA MAPLE           |
| 3A  | M09534-17-UJ1 | EA  | MOLDING - TRIM/VEE - .2" X 1" X 20.1" - CONCERT CHERRY         |
| 3A  | M09534-17-UJ2 | EA  | MOLDING - TRIM/VEE - .2" X 1" X 20.1" - WASHED MAPLE           |
| 3A  | M09534-17-UJ3 | EA  | MOLDING - TRIM/VEE - .2" X 1" X 20.1" - HONEY CHERRY           |
| 3A  | M09477-88-S34 | EA  | MOLDING - TRIM/VEE - .2" X 1" X 19.9" - WASHED MAPLE           |
| 3A  | M09477-88-S35 | EA  | MOLDING - TRIM/VEE - .2" X 1" X 19.9" - SIERRA MAPLE           |
| 3A  | M09568-03-W51 | EA  | MOLDING - TRIM/VEE - .2" X 1" X 19.8" - HONEY CHERRY           |
| 3A  | M09568-03-W52 | EA  | MOLDING - TRIM/VEE - .2" X 1" X 19.8" - WASHED MAPLE           |
| 3A  | M09565-51-W51 | EA  | MOLDING - TRIM/VEE - .2" X 1" X 19.4" - HONEY CHERRY           |
| 3A  | M09565-51-W52 | EA  | MOLDING - TRIM/VEE - .2" X 1" X 19.4" - WASHED MAPLE           |
| 3A  | M09553-79-W66 | EA  | MOLDING - TRIM/VEE - .2" X 1" X 15.6" - HONEY CHERRY           |
| 3A  | M09515-10-W66 | EA  | MOLDING - TRIM/VEE - .2" X 1" X 15.4" - HONEY CHERRY           |
| 3A  | M09501-63-T78 | EA  | MOLDING - TRIM/VEE - .2" X 1" X 15" - CONCERT CHERRY           |
| 3A  | M09501-63-T79 | EA  | MOLDING - TRIM/VEE - .2" X 1" X 15" - WASHED MAPLE             |
| 3A  | M09501-63-T80 | EA  | MOLDING - TRIM/VEE - .2" X 1" X 15" - SIERRA MAPLE             |
| 3A  | M09501-63-W66 | EA  | MOLDING - TRIM/VEE - .2" X 1" X 15" - HONEY CHERRY             |
| 3A  | M09553-09-W66 | EA  | MOLDING - TRIM/VEE - .2" X 1" X 13.4" - HONEY CHERRY           |
| 3A  | M09566-04-WD3 | EA  | MOLDING - TRIM/VEE - .2" X 1" X 8.9" - HONEY CHERRY            |
| 3A  | M09553-29-WH4 | EA  | MOLDING - TRIM/VEE - .4" X 1" X 94.4" - CONCERT CHERRY         |
| 3A  | M09553-29-WH5 | EA  | MOLDING - TRIM/VEE - .4" X 1" X 94.4" - WASHED MAPLE           |
| 3A  | M09553-29-WH6 | EA  | MOLDING - TRIM/VEE - .4" X 1" X 94.4" - SIERRA MAPLE           |
| 3A  | M09565-04-WH4 | EA  | MOLDING - TRIM/VEE - .4" X 1" X 89.5" - CONCERT CHERRY         |

**INTERIOR FINISH GROUP (CONTINUED)**  
**MOLDINGS & TRIMS (CONTINUED)**

| KEY | PART NUMBER   | U/M | DESCRIPTION  |
|-----|---------------|-----|--|
| 3A  | M09565-04-WH5 | EA  | MOLDING - TRIM/VEE - .4" X 1" X 89.5" - WASHED MAPLE   |
| 3A  | M09565-04-WH6 | EA  | MOLDING - TRIM/VEE - .4" X 1" X 89.5" - SIERRA MAPLE   |
| 3A  | M09544-86-W37 | EA  | MOLDING - TRIM/VEE - .4" X 1" X 88.1" - WASHED MAPLE   |
| 3A  | M09544-86-W38 | EA  | MOLDING - TRIM/VEE - .4" X 1" X 88.1" - SIERRA MAPLE   |
| 3A  | M09538-39-U67 | EA  | MOLDING - TRIM/VEE - .4" X 1" X 82.6" - WASHED MAPLE   |
| 3A  | M09538-39-U68 | EA  | MOLDING - TRIM/VEE - .4" X 1" X 82.6" - SIERRA MAPLE   |
| 3A  | M09553-62-WH4 | EA  | MOLDING - TRIM/VEE - .4" X 1" X 81.4" - CONCERT CHERRY |
| 3A  | M09553-62-WH5 | EA  | MOLDING - TRIM/VEE - .4" X 1" X 81.4" - WASHED MAPLE   |
| 3A  | M09553-62-WH6 | EA  | MOLDING - TRIM/VEE - .4" X 1" X 81.4" - SIERRA MAPLE   |
| 3A  | M09577-98-WH4 | EA  | MOLDING - TRIM/VEE - .4" X 1" X 80.2" - CONCERT CHERRY |
| 3A  | M09577-98-WH5 | EA  | MOLDING - TRIM/VEE - .4" X 1" X 80.2" - WASHED MAPLE   |
| 3A  | M09577-98-WH6 | EA  | MOLDING - TRIM/VEE - .4" X 1" X 80.2" - SIERRA MAPLE   |
| 3A  | M09544-37-W37 | EA  | MOLDING - TRIM/VEE - .4" X 1" X 78.8" - WASHED MAPLE   |
| 3A  | M09544-37-W38 | EA  | MOLDING - TRIM/VEE - .4" X 1" X 78.8" - SIERRA MAPLE   |
| 3A  | M09544-34-W37 | EA  | MOLDING - TRIM/VEE - .4" X 1" X 78.7" - WASHED MAPLE   |
| 3A  | M09544-34-W38 | EA  | MOLDING - TRIM/VEE - .4" X 1" X 78.7" - SIERRA MAPLE   |
| 3A  | M09538-37-U67 | EA  | MOLDING - TRIM/VEE - .4" X 1" X 77.5" - WASHED MAPLE   |
| 3A  | M09538-37-U68 | EA  | MOLDING - TRIM/VEE - .4" X 1" X 77.5" - SIERRA MAPLE   |
| 3A  | M09553-65-WH4 | EA  | MOLDING - TRIM/VEE - .4" X 1" X 77" - CONCERT CHERRY   |
| 3A  | M09553-65-WH5 | EA  | MOLDING - TRIM/VEE - .4" X 1" X 77" - WASHED MAPLE     |
| 3A  | M09553-65-WH6 | EA  | MOLDING - TRIM/VEE - .4" X 1" X 77" - SIERRA MAPLE     |
| 3A  | M09553-64-WH4 | EA  | MOLDING - TRIM/VEE - .4" X 1" X 76.7" - CONCERT CHERRY |
| 3A  | M09553-64-WH5 | EA  | MOLDING - TRIM/VEE - .4" X 1" X 76.7" - WASHED MAPLE   |
| 3A  | M09553-64-WH6 | EA  | MOLDING - TRIM/VEE - .4" X 1" X 76.7" - SIERRA MAPLE   |
| 3A  | M09565-75-WH4 | EA  | MOLDING - TRIM/VEE - .4" X 1" X 75.9" - CONCERT CHERRY |
| 3A  | M09565-75-WH5 | EA  | MOLDING - TRIM/VEE - .4" X 1" X 75.9" - WASHED MAPLE   |
| 3A  | M09565-75-WH6 | EA  | MOLDING - TRIM/VEE - .4" X 1" X 75.9" - SIERRA MAPLE   |
| 3A  | M09565-02-WH4 | EA  | MOLDING - TRIM/VEE - .4" X 1" X 75.1" - CONCERT CHERRY |
| 3A  | M09565-02-WH5 | EA  | MOLDING - TRIM/VEE - .4" X 1" X 75.1" - WASHED MAPLE   |
| 3A  | M09565-02-WH6 | EA  | MOLDING - TRIM/VEE - .4" X 1" X 75.1" - SIERRA MAPLE   |
| 3A  | M09553-26-WH4 | EA  | MOLDING - TRIM/VEE - .4" X 1" X 74.1" - CONCERT CHERRY |
| 3A  | M09553-26-WH5 | EA  | MOLDING - TRIM/VEE - .4" X 1" X 74.1" - WASHED MAPLE   |
| 3A  | M09553-26-WH6 | EA  | MOLDING - TRIM/VEE - .4" X 1" X 74.1" - SIERRA MAPLE   |
| 3A  | M09538-91-WH4 | EA  | MOLDING - TRIM/VEE - .4" X 1" X 73.8" - CONCERT CHERRY |
| 3A  | M09538-91-WH5 | EA  | MOLDING - TRIM/VEE - .4" X 1" X 73.8" - WASHED MAPLE   |
| 3A  | M09538-91-WH6 | EA  | MOLDING - TRIM/VEE - .4" X 1" X 73.8" - SIERRA MAPLE   |
| 3A  | M09553-22-WH4 | EA  | MOLDING - TRIM/VEE - .4" X 1" X 73.2" - CONCERT CHERRY |
| 3A  | M09553-22-WH5 | EA  | MOLDING - TRIM/VEE - .4" X 1" X 73.2" - WASHED MAPLE   |
| 3A  | M09553-22-WH6 | EA  | MOLDING - TRIM/VEE - .4" X 1" X 73.2" - SIERRA MAPLE   |
| 3A  | M09565-97-WH4 | EA  | MOLDING - TRIM/VEE - .4" X 1" X 72.6" - CONCERT CHERRY |
| 3A  | M09565-97-WH5 | EA  | MOLDING - TRIM/VEE - .4" X 1" X 72.6" - WASHED MAPLE   |
| 3A  | M09565-97-WH6 | EA  | MOLDING - TRIM/VEE - .4" X 1" X 72.6" - SIERRA MAPLE   |
| 3A  | M09568-12-WH4 | EA  | MOLDING - TRIM/VEE - .4" X 1" X 71.9" - CONCERT CHERRY |
| 3A  | M09568-12-WH5 | EA  | MOLDING - TRIM/VEE - .4" X 1" X 71.9" - WASHED MAPLE   |
| 3A  | M09568-12-WH6 | EA  | MOLDING - TRIM/VEE - .4" X 1" X 71.9" - SIERRA MAPLE   |
| 3A  | M09565-01-WH4 | EA  | MOLDING - TRIM/VEE - .4" X 1" X 71.7" - CONCERT CHERRY |
| 3A  | M09565-01-WH5 | EA  | MOLDING - TRIM/VEE - .4" X 1" X 71.7" - WASHED MAPLE   |
| 3A  | M09565-01-WH6 | EA  | MOLDING - TRIM/VEE - .4" X 1" X 71.7" - SIERRA MAPLE   |
| 3A  | M09565-01-YR3 | EA  | MOLDING - TRIM/VEE - .4" X 1" X 71.7" - HONEY CHERRY   |
| 3A  | M09544-15-WB4 | EA  | MOLDING - TRIM/VEE - .4" X 1" X 64.5" - CONCERT CHERRY |
| 3A  | M09544-15-WB5 | EA  | MOLDING - TRIM/VEE - .4" X 1" X 64.5" - WASHED MAPLE   |
| 3A  | M09544-15-WB6 | EA  | MOLDING - TRIM/VEE - .4" X 1" X 64.5" - SIERRA MAPLE   |
| 3A  | M09538-94-WH4 | EA  | MOLDING - TRIM/VEE - .4" X 1" X 71.1" - CONCERT CHERRY |
| 3A  | M09538-94-WH5 | EA  | MOLDING - TRIM/VEE - .4" X 1" X 71.1" - WASHED MAPLE   |
| 3A  | M09538-94-WH6 | EA  | MOLDING - TRIM/VEE - .4" X 1" X 71.1" - SIERRA MAPLE   |
| 3A  | M09565-78-WH4 | EA  | MOLDING - TRIM/VEE - .4" X 1" X 70.2" - CONCERT CHERRY |
| 3A  | M09565-78-WH5 | EA  | MOLDING - TRIM/VEE - .4" X 1" X 70.2" - WASHED MAPLE   |
| 3A  | M09565-78-WH6 | EA  | MOLDING - TRIM/VEE - .4" X 1" X 70.2" - SIERRA MAPLE   |
| 3A  | M09553-21-WH4 | EA  | MOLDING - TRIM/VEE - .4" X 1" X 70.1" - CONCERT CHERRY |
| 3A  | M09553-21-WH5 | EA  | MOLDING - TRIM/VEE - .4" X 1" X 70.1" - WASHED MAPLE   |
| 3A  | M09553-21-WH6 | EA  | MOLDING - TRIM/VEE - .4" X 1" X 70.1" - SIERRA MAPLE   |
| 3A  | M09501-92-T77 | EA  | MOLDING - TRIM/VEE - .4" X 1" X 70" - PORTSMOUTH OAK   |
| 3A  | M09501-92-T78 | EA  | MOLDING - TRIM/VEE - .4" X 1" X 70" - CONCERT CHERRY   |
| 3A  | M09501-92-T79 | EA  | MOLDING - TRIM/VEE - .4" X 1" X 70" - WASHED MAPLE     |

**INTERIOR FINISH GROUP (CONTINUED)**  
**MOLDINGS & TRIMS (CONTINUED)**

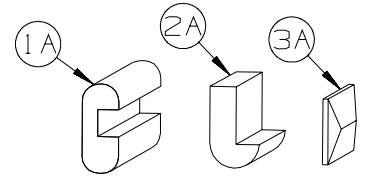


| KEY | PART NUMBER   | U/M | DESCRIPTION  |
|-----|---------------|-----|--|
| 3A  | M09501-92-T80 | EA  | MOLDING - TRIM/VEE - .4" X 1" X 70" - SIERRA MAPLE     |
| 3A  | M09538-27-WH4 | EA  | MOLDING - TRIM/VEE - .4" X 1" X 71.1" - CONCERT CHERRY |
| 3A  | M09538-27-U67 | EA  | MOLDING - TRIM/VEE - .4" X 1" X 71.1" - WASHED MAPLE   |
| 3A  | M09538-27-U68 | EA  | MOLDING - TRIM/VEE - .4" X 1" X 71.1" - SIERRA MAPLE   |
| 3A  | M09544-10-WH4 | EA  | MOLDING - TRIM/VEE - .4" X 1" X 68.2" - CONCERT CHERRY |
| 3A  | M09544-10-W91 | EA  | MOLDING - TRIM/VEE - .4" X 1" X 68.2" - WASHED MAPLE   |
| 3A  | M09544-10-W92 | EA  | MOLDING - TRIM/VEE - .4" X 1" X 68.2" - SIERRA MAPLE   |
| 3A  | M09553-03-WH4 | EA  | MOLDING - TRIM/VEE - .4" X 1" X 66.7" - CONCERT CHERRY |
| 3A  | M09553-03-WH5 | EA  | MOLDING - TRIM/VEE - .4" X 1" X 66.7" - WASHED MAPLE   |
| 3A  | M09553-03-WH6 | EA  | MOLDING - TRIM/VEE - .4" X 1" X 66.7" - SIERRA MAPLE   |
| 3A  | M09553-03-YR3 | EA  | MOLDING - TRIM/VEE - .4" X 1" X 66.7" - HONEY CHERRY   |
| 3A  | M09538-93-WH4 | EA  | MOLDING - TRIM/VEE - .4" X 1" X 66.6" - CONCERT CHERRY |
| 3A  | M09538-93-WH5 | EA  | MOLDING - TRIM/VEE - .4" X 1" X 66.6" - WASHED MAPLE   |
| 3A  | M09538-93-WH6 | EA  | MOLDING - TRIM/VEE - .4" X 1" X 66.6" - SIERRA MAPLE   |
| 3A  | M09544-33-W37 | EA  | MOLDING - TRIM/VEE - .4" X 1" X 66.5" - SIERRA MAPLE   |
| 3A  | M09544-33-W38 | EA  | MOLDING - TRIM/VEE - .4" X 1" X 66.5" - WASHED MAPLE   |
| 3A  | M09553-02-WH4 | EA  | MOLDING - TRIM/VEE - .4" X 1" X 66.4" - CONCERT CHERRY |
| 3A  | M09553-02-WH5 | EA  | MOLDING - TRIM/VEE - .4" X 1" X 66.4" - WASHED MAPLE   |
| 3A  | M09553-02-WH6 | EA  | MOLDING - TRIM/VEE - .4" X 1" X 66.4" - SIERRA MAPLE   |
| 3A  | M09544-14-WB4 | EA  | MOLDING - TRIM/VEE - .4" X 1" X 64.5" - CONCERT CHERRY |
| 3A  | M09544-14-WB5 | EA  | MOLDING - TRIM/VEE - .4" X 1" X 64.5" - WASHED MAPLE   |
| 3A  | M09544-14-WB6 | EA  | MOLDING - TRIM/VEE - .4" X 1" X 64.5" - SIERRA MAPLE   |
| 3A  | M09515-78-T77 | EA  | MOLDING - TRIM/VEE - .4" X 1" X 64.1" - PORTSMOUTH OAK |
| 3A  | M09515-78-T78 | EA  | MOLDING - TRIM/VEE - .4" X 1" X 64.1" - CONCERT CHERRY |
| 3A  | M09515-78-T79 | EA  | MOLDING - TRIM/VEE - .4" X 1" X 64.1" - WASHED MAPLE   |
| 3A  | M09515-78-T80 | EA  | MOLDING - TRIM/VEE - .4" X 1" X 64.1" - SIERRA MAPLE   |
| 3A  | M09501-91-T77 | EA  | MOLDING - TRIM/VEE - .4" X 1" X 63.3" - PORTSMOUTH OAK |
| 3A  | M09501-91-T78 | EA  | MOLDING - TRIM/VEE - .4" X 1" X 63.3" - CONCERT CHERRY |
| 3A  | M09501-91-T79 | EA  | MOLDING - TRIM/VEE - .4" X 1" X 63.3" - WASHED MAPLE   |
| 3A  | M09501-91-T80 | EA  | MOLDING - TRIM/VEE - .4" X 1" X 63.3" - SIERRA MAPLE   |
| 3A  | M09503-91-T77 | EA  | MOLDING - TRIM/VEE - .4" X 1" X 63.1" - PORTSMOUTH OAK |
| 3A  | M09503-91-T78 | EA  | MOLDING - TRIM/VEE - .4" X 1" X 63.1" - CONCERT CHERRY |
| 3A  | M09503-91-T79 | EA  | MOLDING - TRIM/VEE - .4" X 1" X 63.1" - WASHED MAPLE   |
| 3A  | M09503-91-T80 | EA  | MOLDING - TRIM/VEE - .4" X 1" X 63.1" - SIERRA MAPLE   |
| 3A  | M09544-22-WB4 | EA  | MOLDING - TRIM/VEE - .4" X 1" X 61.7" - CONCERT CHERRY |
| 3A  | M09544-22-WB5 | EA  | MOLDING - TRIM/VEE - .4" X 1" X 61.7" - WASHED MAPLE   |
| 3A  | M09544-22-WB6 | EA  | MOLDING - TRIM/VEE - .4" X 1" X 61.7" - SIERRA MAPLE   |
| 3A  | M09583-41-WH4 | EA  | MOLDING - TRIM/VEE - .4" X 1" X 61" - CONCERT CHERRY   |
| 3A  | M09583-41-WH5 | EA  | MOLDING - TRIM/VEE - .4" X 1" X 61" - WASHED MAPLE     |
| 3A  | M09583-41-WH6 | EA  | MOLDING - TRIM/VEE - .4" X 1" X 61" - SIERRA MAPLE     |
| 3A  | M09565-49-WH4 | EA  | MOLDING - TRIM/VEE - .4" X 1" X 58.7" - CONCERT CHERRY |
| 3A  | M09565-49-WH5 | EA  | MOLDING - TRIM/VEE - .4" X 1" X 58.7" - WASHED MAPLE   |
| 3A  | M09565-49-WH6 | EA  | MOLDING - TRIM/VEE - .4" X 1" X 58.7" - SIERRA MAPLE   |
| 3A  | M09544-36-W37 | EA  | MOLDING - TRIM/VEE - .4" X 1" X 52.6" - WASHED MAPLE   |
| 3A  | M09544-36-W38 | EA  | MOLDING - TRIM/VEE - .4" X 1" X 52.6.5" - SIERRA MAPLE |
| 3A  | M09553-85-WB4 | EA  | MOLDING - TRIM/VEE - .4" X 1" X 43.4" - CONCERT CHERRY |
| 3A  | M09553-85-WB5 | EA  | MOLDING - TRIM/VEE - .4" X 1" X 43.4" - WASHED MAPLE   |
| 3A  | M09553-85-WB6 | EA  | MOLDING - TRIM/VEE - .4" X 1" X 43.4" - SIERRA MAPLE   |
| 3A  | M09553-28-WH4 | EA  | MOLDING - TRIM/VEE - .4" X 1" X 48" - CONCERT CHERRY   |
| 3A  | M09553-28-WH5 | EA  | MOLDING - TRIM/VEE - .4" X 1" X 48" - WASHED MAPLE     |
| 3A  | M09553-28-WH6 | EA  | MOLDING - TRIM/VEE - .4" X 1" X 48" - SIERRA MAPLE     |
| 3A  | M09553-60-WH4 | EA  | MOLDING - TRIM/VEE - .4" X 1" X 47.2" - CONCERT CHERRY |
| 3A  | M09553-60-WH5 | EA  | MOLDING - TRIM/VEE - .4" X 1" X 47.2" - WASHED MAPLE   |
| 3A  | M09553-60-WH6 | EA  | MOLDING - TRIM/VEE - .4" X 1" X 47.2" - SIERRA MAPLE   |
| 3A  | M09544-24-WB4 | EA  | MOLDING - TRIM/VEE - .4" X 1" X 46.2" - CONCERT CHERRY |
| 3A  | M09544-24-WB5 | EA  | MOLDING - TRIM/VEE - .4" X 1" X 46.2" - WASHED MAPLE   |
| 3A  | M09544-24-WB6 | EA  | MOLDING - TRIM/VEE - .4" X 1" X 46.2" - SIERRA MAPLE   |
| 3A  | M09565-77-WH4 | EA  | MOLDING - TRIM/VEE - .4" X 1" X 42.5" - CONCERT CHERRY |
| 3A  | M09565-77-WH5 | EA  | MOLDING - TRIM/VEE - .4" X 1" X 42.5" - WASHED MAPLE   |
| 3A  | M09565-77-WH6 | EA  | MOLDING - TRIM/VEE - .4" X 1" X 42.5" - SIERRA MAPLE   |
| 3A  | M09544-35-W37 | EA  | MOLDING - TRIM/VEE - .4" X 1" X 66.5" - SIERRA MAPLE   |
| 3A  | M09544-35-W38 | EA  | MOLDING - TRIM/VEE - .4" X 1" X 66.5" - WASHED MAPLE   |

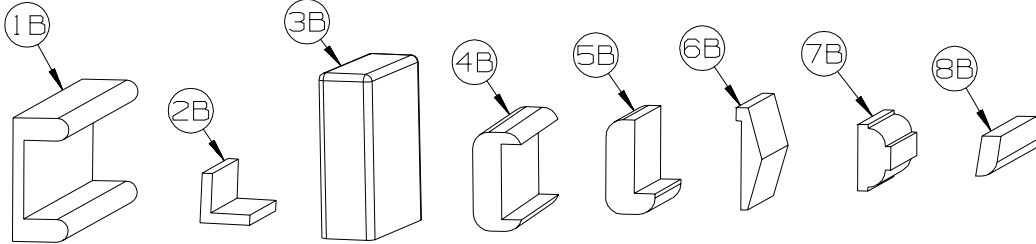
**INTERIOR FINISH GROUP (CONTINUED)**  
**MOLDINGS & TRIMS (CONTINUED)**

| KEY | PART NUMBER   | U/M | DESCRIPTION  |
|-----|---------------|-----|--|
| 3A  | M09544-38-W37 | EA  | MOLDING - TRIM/VEE - .4" X 1" X 66.5" - SIERRA MAPLE   |
| 3A  | M09544-38-W38 | EA  | MOLDING - TRIM/VEE - .4" X 1" X 66.5" - WASHED MAPLE   |
| 3A  | M09565-03-WH4 | EA  | MOLDING - TRIM/VEE - .4" X 1" X 44.2" - CONCERT CHERRY |
| 3A  | M09565-03-WH5 | EA  | MOLDING - TRIM/VEE - .4" X 1" X 44.2" - WASHED MAPLE   |
| 3A  | M09565-03-WH6 | EA  | MOLDING - TRIM/VEE - .4" X 1" X 44.2" - SIERRA MAPLE   |
| 3A  | M09565-20-WH4 | EA  | MOLDING - TRIM/VEE - .4" X 1" X 43.2" - CONCERT CHERRY |
| 3A  | M09565-20-WH5 | EA  | MOLDING - TRIM/VEE - .4" X 1" X 43.2" - WASHED MAPLE   |
| 3A  | M09565-20-WH6 | EA  | MOLDING - TRIM/VEE - .4" X 1" X 43.2" - SIERRA MAPLE   |
| 3A  | M09553-24-WH4 | EA  | MOLDING - TRIM/VEE - .4" X 1" X 43" - CONCERT CHERRY   |
| 3A  | M09553-24-WH5 | EA  | MOLDING - TRIM/VEE - .4" X 1" X 43" - WASHED MAPLE     |
| 3A  | M09553-24-WH6 | EA  | MOLDING - TRIM/VEE - .4" X 1" X 43" - SIERRA MAPLE     |
| 3A  | M09565-77-WH4 | EA  | MOLDING - TRIM/VEE - .4" X 1" X 42.5" - CONCERT CHERRY |
| 3A  | M09565-77-WH5 | EA  | MOLDING - TRIM/VEE - .4" X 1" X 42.5" - WASHED MAPLE   |
| 3A  | M09565-77-WH6 | EA  | MOLDING - TRIM/VEE - .4" X 1" X 42.5" - SIERRA MAPLE   |
| 3A  | M09565-50-WH4 | EA  | MOLDING - TRIM/VEE - .4" X 1" X 40.9" - CONCERT CHERRY |
| 3A  | M09565-50-WH5 | EA  | MOLDING - TRIM/VEE - .4" X 1" X 40.9" - WASHED MAPLE   |
| 3A  | M09565-50-WH6 | EA  | MOLDING - TRIM/VEE - .4" X 1" X 40.9" - SIERRA MAPLE   |
| 3A  | M09583-43-WH4 | EA  | MOLDING - TRIM/VEE - .4" X 1" X 40.1" - CONCERT CHERRY |
| 3A  | M09583-43-WH5 | EA  | MOLDING - TRIM/VEE - .4" X 1" X 40.1" - WASHED MAPLE   |
| 3A  | M09583-43-WH6 | EA  | MOLDING - TRIM/VEE - .4" X 1" X 40.1" - SIERRA MAPLE   |
| 3A  | M09565-76-WH4 | EA  | MOLDING - TRIM/VEE - .4" X 1" X 39.4" - CONCERT CHERRY |
| 3A  | M09565-76-WH5 | EA  | MOLDING - TRIM/VEE - .4" X 1" X 39.4" - WASHED MAPLE   |
| 3A  | M09565-76-WH6 | EA  | MOLDING - TRIM/VEE - .4" X 1" X 39.4" - SIERRA MAPLE   |
| 3A  | M09565-47-WH4 | EA  | MOLDING - TRIM/VEE - .4" X 1" X 38.9" - CONCERT CHERRY |
| 3A  | M09565-47-WH5 | EA  | MOLDING - TRIM/VEE - .4" X 1" X 38.9" - WASHED MAPLE   |
| 3A  | M09565-47-WH6 | EA  | MOLDING - TRIM/VEE - .4" X 1" X 38.9" - SIERRA MAPLE   |
| 3A  | M09553-27-WH4 | EA  | MOLDING - TRIM/VEE - .4" X 1" X 38.8" - CONCERT CHERRY |
| 3A  | M09553-27-WH5 | EA  | MOLDING - TRIM/VEE - .4" X 1" X 38.8" - WASHED MAPLE   |
| 3A  | M09553-27-WH6 | EA  | MOLDING - TRIM/VEE - .4" X 1" X 38.8" - SIERRA MAPLE   |
| 3A  | M09568-77-WH4 | EA  | MOLDING - TRIM/VEE - .4" X 1" X 37.5" - CONCERT CHERRY |
| 3A  | M09568-77-WH5 | EA  | MOLDING - TRIM/VEE - .4" X 1" X 37.5" - WASHED MAPLE   |
| 3A  | M09568-77-WH6 | EA  | MOLDING - TRIM/VEE - .4" X 1" X 37.5" - SIERRA MAPLE   |
| 3A  | M09553-23-WH4 | EA  | MOLDING - TRIM/VEE - .4" X 1" X 37" - CONCERT CHERRY   |
| 3A  | M09553-23-WH5 | EA  | MOLDING - TRIM/VEE - .4" X 1" X 37" - WASHED MAPLE     |
| 3A  | M09553-23-WH6 | EA  | MOLDING - TRIM/VEE - .4" X 1" X 37" - SIERRA MAPLE     |
| 3A  | M09553-47-WB4 | EA  | MOLDING - TRIM/VEE - .4" X 1" X 35.9" - CONCERT CHERRY |
| 3A  | M09553-47-WB5 | EA  | MOLDING - TRIM/VEE - .4" X 1" X 35.9" - WASHED MAPLE   |
| 3A  | M09553-47-WB6 | EA  | MOLDING - TRIM/VEE - .4" X 1" X 35.9" - SIERRA MAPLE   |
| 3A  | M09553-47-W66 | EA  | MOLDING - TRIM/VEE - .4" X 1" X 35.9" - HONEY CHERRY   |
| 3A  | M09568-48-U67 | EA  | MOLDING - TRIM/VEE - .4" X 1" X 35.4" - WASHED MAPLE   |
| 3A  | M09568-48-U68 | EA  | MOLDING - TRIM/VEE - .4" X 1" X 35.4" - SIERRA MAPLE   |
| 3A  | M09553-63-WH4 | EA  | MOLDING - TRIM/VEE - .4" X 1" X 35.1" - CONCERT CHERRY |
| 3A  | M09553-63-WH5 | EA  | MOLDING - TRIM/VEE - .4" X 1" X 35.1" - WASHED MAPLE   |
| 3A  | M09553-63-WH6 | EA  | MOLDING - TRIM/VEE - .4" X 1" X 35.1" - SIERRA MAPLE   |
| 3A  | M09553-63-W51 | EA  | MOLDING - TRIM/VEE - .4" X 1" X 35.1" - HONEY CHERRY   |
| 3A  | M09565-94-WH4 | EA  | MOLDING - TRIM/VEE - .4" X 1" X 34.4" - CONCERT CHERRY |
| 3A  | M09565-94-WH5 | EA  | MOLDING - TRIM/VEE - .4" X 1" X 34.4" - WASHED MAPLE   |
| 3A  | M09565-94-WH6 | EA  | MOLDING - TRIM/VEE - .4" X 1" X 34.4" - SIERRA MAPLE   |
| 3A  | M09553-04-WH4 | EA  | MOLDING - TRIM/VEE - .4" X 1" X 34.2" - CONCERT CHERRY |
| 3A  | M09553-04-WH5 | EA  | MOLDING - TRIM/VEE - .4" X 1" X 34.2" - WASHED MAPLE   |
| 3A  | M09553-04-WH6 | EA  | MOLDING - TRIM/VEE - .4" X 1" X 34.2" - SIERRA MAPLE   |
| 3A  | M09566-02-U68 | EA  | MOLDING - TRIM/VEE - .4" X 1" X 32.7" - SIERRA MAPLE   |
| 3A  | M09566-02-W51 | EA  | MOLDING - TRIM/VEE - .4" X 1" X 32.7" - HONEY CHERRY   |
| 3A  | M09566-02-W52 | EA  | MOLDING - TRIM/VEE - .4" X 1" X 32.7" - WASHED MAPLE   |
| 3A  | M09511-86-T77 | EA  | MOLDING - TRIM/VEE - .4" X 1" X 28.3" - PORTSMOUTH OAK |
| 3A  | M09511-86-T78 | EA  | MOLDING - TRIM/VEE - .4" X 1" X 28.3" - CONCERT CHERRY |
| 3A  | M09511-86-T79 | EA  | MOLDING - TRIM/VEE - .4" X 1" X 28.3" - WASHED MAPLE   |
| 3A  | M09511-86-T80 | EA  | MOLDING - TRIM/VEE - .4" X 1" X 28.3" - SIERRA MAPLE   |
| 3A  | M09553-61-WH4 | EA  | MOLDING - TRIM/VEE - .4" X 1" X 19.9" - CONCERT CHERRY |
| 3A  | M09553-61-WH5 | EA  | MOLDING - TRIM/VEE - .4" X 1" X 19.9" - WASHED MAPLE   |
| 3A  | M09553-61-WH6 | EA  | MOLDING - TRIM/VEE - .4" X 1" X 19.9" - SIERRA MAPLE   |
| 3A  | M09565-71-WH4 | EA  | MOLDING - TRIM/VEE - .4" X 1" X 11.4" - CONCERT CHERRY |
| 3A  | M09565-71-WH5 | EA  | MOLDING - TRIM/VEE - .4" X 1" X 11.4" - WASHED MAPLE   |
| 3A  | M09565-71-WH6 | EA  | MOLDING - TRIM/VEE - .4" X 1" X 11.4" - SIERRA MAPLE   |

**INTERIOR FINISH GROUP (CONTINUED)**  
**MOLDINGS & TRIMS (CONTINUED)**

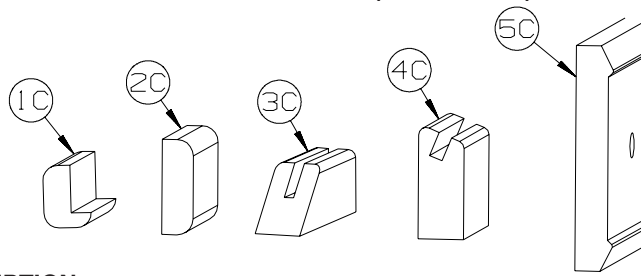


| KEY | PART NUMBER   | U/M | DESCRIPTION   |
|-----|---------------|-----|---|
| 3A  | M09583-42-WH4 | EA  | MOLDING - TRIM/VEE - .4" X 1" X 8.3" - CONCERT CHERRY |
| 3A  | M09583-42-WH5 | EA  | MOLDING - TRIM/VEE - .4" X 1" X 8.3" - WASHED MAPLE   |
| 3A  | M09583-42-WH6 | EA  | MOLDING - TRIM/VEE - .4" X 1" X 8.3" - SIERRA MAPLE   |
| 3A  | M09544-55-WB4 | EA  | MOLDING - TRIM/VEE - .4" X 1" X 6.5" - CONCERT CHERRY |
| 3A  | M09544-55-WB5 | EA  | MOLDING - TRIM/VEE - .4" X 1" X 6.5" - WASHED MAPLE   |
| 3A  | M09544-55-WB6 | EA  | MOLDING - TRIM/VEE - .4" X 1" X 6.5" - SIERRA MAPLE   |
| 3A  | M09544-56-WB4 | EA  | MOLDING - TRIM/VEE - .4" X 1" X 6.1" - CONCERT CHERRY |
| 3A  | M09544-56-WB5 | EA  | MOLDING - TRIM/VEE - .4" X 1" X 6.1" - WASHED MAPLE   |
| 3A  | M09544-56-WB6 | EA  | MOLDING - TRIM/VEE - .4" X 1" X 6.1" - SIERRA MAPLE   |
| 3A  | M09538-70-U68 | EA  | MOLDING - TRIM/VEE - .4" X 1" X 63.9" - SIERRA MAPLE  |
| 3A  | M09538-70-U67 | EA  | MOLDING - TRIM/VEE - .4" X 1" X 63.9" - WASHED MAPLE  |



| KEY | PART NUMBER   | U/M | DESCRIPTION  |
|-----|---------------|-----|--|
| 1B  | M09501-84-TG0 | EA  | MOLDING/TRIM - CAP/WALL - 2.2" X 85.9" - PORTSMOUTH OAK    |
| 1B  | M09501-84-TG1 | EA  | MOLDING/TRIM - CAP/WALL - 2.2" X 85.9" - CONCERT CHERRY    |
| 1B  | M09501-84-TG2 | EA  | MOLDING/TRIM - CAP/WALL - 2.2" X 85.9" - WASHED MAPLE      |
| 1B  | M09501-84-TG3 | EA  | MOLDING/TRIM - CAP/WALL - 2.2" X 85.9" - HONEY CHERRY      |
| 1B  | M09520-04-TD3 | EA  | MOLDING/TRIM - CAP/WALL - 2.2" X 80.5" - SIERRA MAPLE      |
| 2B  | M09511-81-TA0 | EA  | MOLDING/TRIM - L SHAPE - .8"X .8"X 80.2" - PORTSMOUTH OAK  |
| 2B  | M09511-81-TA1 | EA  | MOLDING/TRIM - L SHAPE - .8"X .8"X 80.2" - CONCERT CHERRY  |
| 2B  | M09511-81-TA2 | EA  | MOLDING/TRIM - L SHAPE - .8"X .8"X 80.2" - WASHED MAPLE    |
| 2B  | M09511-81-TA3 | EA  | MOLDING/TRIM - L SHAPE - .8"X .8"X 80.2" - SIERRA MAPLE    |
| 3B  | M09515-81-T01 | EA  | MOLDING/HARDWOOD STRAIGHT - 74.3" - WASHED MAPLE           |
| 3B  | M09515-81-T02 | EA  | MOLDING/HARDWOOD STRAIGHT - 74.3" - HONEY CHERRY           |
| 4B  | M09511-42-T77 | EA  | MOLDING - TRIM - W/NOTCH - 1.5" X 86.4" - PORTSMOUTH OAK   |
| 4B  | M09511-42-T78 | EA  | MOLDING - TRIM - W/NOTCH - 1.5" X 86.4" - CONCERT CHERRY   |
| 4B  | M09511-42-T79 | EA  | MOLDING - TRIM - W/NOTCH - 1.5" X 86.4" - WASHED MAPLE     |
| 4B  | M09511-42-T80 | EA  | MOLDING - TRIM - W/NOTCH - 1.5" X 86.4" - SIERRA MAPLE     |
| 4B  | M09511-42-W66 | EA  | MOLDING - TRIM - W/NOTCH - 1.5" X 86.4" - HONEY CHERRY     |
| 5B  | M09515-18-T77 | EA  | MOLDING - HARDWOOD-W/NOTCH - 1.4"X 86.2" - PORTSMOUTH OAK  |
| 5B  | M09515-18-T78 | EA  | MOLDING - HARDWOOD-W/NOTCH - 1.4"X 86.2" - CONCERT CHERRY  |
| 5B  | M09553-66-U22 | EA  | MOLDING - HARDWOOD-W/NOTCH - 1.4"X 96" - WASHED MAPLE      |
| 5B  | M09515-18-T80 | EA  | MOLDING - HARDWOOD-W/NOTCH - 1.4"X 86.2" - SIERRA MAPLE    |
| 5B  | M09553-66-U21 | EA  | MOLDING - HARDWOOD-W/NOTCH - 1.4"X 96" - HONEY CHERRY      |
| 6B  | M09515-53-TG0 | EA  | MOLDING - TRIM/VEE - 1.5" X 73.9" - PORTSMOUTH OAK         |
| 6B  | M09525-81-UJ1 | EA  | MOLDING - TRIM/VEE - 1.5" X 74.7" - CONCERT CHERRY         |
| 6B  | M09525-81-UJ2 | EA  | MOLDING - TRIM/VEE - 1.5" X 74.7" - WASHED MAPLE           |
| 6B  | M09552-81-UJ3 | EA  | MOLDING - TRIM/VEE - 1.5" X 74.7" - HONEY CHERRY           |
| 6B  | M09553-53-WH6 | EA  | MOLDING - TRIM/VEE - NOTCHED - 1.5" X 20.6" - SIERRA MAPLE |
| 7B  | Y00076-32-438 | EA  | MOLDING/TRIM - .5" X 1" X 96" - CHERRY (UNSTAINED)         |
| 7B  | Y00076-22-438 | EA  | MOLDING/TRIM - .5" X 1" X 96" - MAPLE (UNSTAINED)          |
| 8B  | M09525-92-T77 | EA  | MOLDING/TRIM - .5" X 1" X 75.6" - PORTSMOUTH OAK           |
| 8B  | M09525-92-T78 | EA  | MOLDING/TRIM - .5" X 1" X 75.6" - CONCERT CHERRY           |
| 8B  | M09525-92-T79 | EA  | MOLDING/TRIM - .5" X 1" X 75.6" - WASHED MAPLE             |
| 8B  | M09525-92-T80 | EA  | MOLDING/TRIM - .5" X 1" X 75.6" - SIERRA MAPLE             |
| 8B  | Y00086-72-438 | EA  | MOLDING - VINYL WRAP - .7" X 1.6" X 96" - PORTSMOUTH OAK   |
| 8B  | Y00086-D2-438 | EA  | MOLDING - VINYL WRAP - .7" X 1.6" X 96" - CONCERT CHERRY   |
| 8B  | Y00086-A2-438 | EA  | MOLDING - VINYL WRAP - .7" X 1.6" X 96" - WASHED MAPLE     |
| 8B  | Y00086-92-438 | EA  | MOLDING - VINYL WRAP - .7" X 1.6" X 96" - SIERRA MAPLE     |
| 8B  | Y00086-82-438 | EA  | MOLDING - VINYL WRAP - .7" X 1.6" X 96" - HONEY CHERRY     |
| 8B  | Y00087-72-438 | EA  | MOLDING - VINYL WRAP - .7" X 2.9" X 96" - PORTSMOUTH OAK   |
| 8B  | Y00087-D2-438 | EA  | MOLDING - VINYL WRAP - .7" X 2.9" X 96" - CONCERT CHERRY   |
| 8B  | Y00087-A2-438 | EA  | MOLDING - VINYL WRAP - .7" X 2.9" X 96" - WASHED MAPLE     |
| 8B  | Y00087-92-438 | EA  | MOLDING - VINYL WRAP - .7" X 2.9" X 96" - SIERRA MAPLE     |
| 8B  | Y00087-82-438 | EA  | MOLDING - VINYL WRAP - .7" X 2.9" X 96" - HONEY CHERRY     |

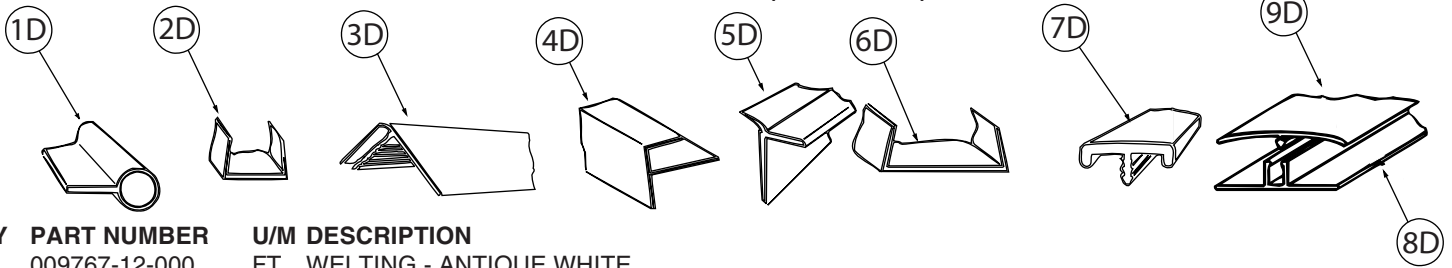
**INTERIOR FINISH GROUP (CONTINUED)**  
**MOLDINGS & TRIMS (CONTINUED)**



| KEY | PART NUMBER   | U/M | DESCRIPTION   |
|-----|---------------|-----|---|
| 1C  | M09520-19-TD1 | EA  | MOLDING - TRIM - W/NOTCH - 1" X 86.3" - CONCERT CHERRY        |
| 1C  | M09520-19-TD2 | EA  | MOLDING - TRIM - W/NOTCH - 1" X 86.3" - WASHED MAPLE          |
| 1C  | M09520-19-TD3 | EA  | MOLDING - TRIM - W/NOTCH - 1" X 86.3" - HONEY CHERRY          |
| 1C  | M09565-68-WH4 | EA  | MOLDING - HARDWOOD - .75" X 1.4" X 81.9" - CONCERT CHERRY     |
| 1C  | M09565-68-WH5 | EA  | MOLDING - HARDWOOD - .75" X 1.4" X 81.9" - WASHED MAPLE       |
| 1C  | M09565-68-WH6 | EA  | MOLDING - HARDWOOD - .75" X 1.4" X 81.9" - SIERRA MAPLE       |
| 2C  | M09511-46-T77 | EA  | MOLDING/TRIM - .5" X 1.5" X 86.5" - PORTSMOUTH OAK            |
| 2C  | M09511-46-T78 | EA  | MOLDING/TRIM - .5" X 1.5" X 86.5" - CONCERT CHERRY            |
| 2C  | M09511-46-T79 | EA  | MOLDING/TRIM - .5" X 1.5" X 86.5" - WASHED MAPLE              |
| 2C  | M09511-46-T80 | EA  | MOLDING/TRIM - .5" X 1.5" X 86.5" - SIERRA MAPLE              |
| 3C  | Y00223-22-438 | EA  | MOLDING - HARDWOOD/MAPLE - .7" X 1" X 96" - UNSTAINED MAPLE   |
| 3C  | Y00223-32-438 | EA  | MOLDING - HARDWOOD/CHERRY - .7" X 1" X 96" - UNSTAINED CHERRY |
| 3C  | Y00223-42-438 | EA  | MOLDING - HARDWOOD/CHERRY - .7" X 1" X 96" - UNSTAINED OAK    |
| 4C  | Y00054-A2-438 | EA  | MOLDING - VINYL - W/SLOT - .7"X 1.9"X 96" - WASHED MAPLE      |
| 4C  | Y00054-D2-438 | EA  | MOLDING - VINYL - W/SLOT - .7"X 1.9"X 96" - CONCERT CHERRY    |
| 4C  | Y00054-22-438 | EA  | MOLDING - VINYL - W/SLOT - .7"X 1.9"X 96" - WASHED MAPLE      |
| 4C  | Y00054-72-438 | EA  | MOLDING - VINYL - W/SLOT - .7"X 1.9"X 96" - PORTSMOUTH OAK    |
| 4C  | Y00054-82-438 | EA  | MOLDING - VINYL - W/SLOT - .7"X 1.9"X 96" - HONEY CHERRY      |
| 4C  | Y00054-92-438 | EA  | MOLDING - VINYL - W/SLOT - .7"X 1.9"X 96" - SIERRA MAPLE      |
| 4C  | Y00276-A2-438 | EA  | MOLDING - VINYL - W/SLOT - .7"X 1.9"X 96" - WASHED MAPLE      |
| 4C  | Y00276-D2-438 | EA  | MOLDING - VINYL - W/SLOT - .7"X 1.9"X 96" - CONCERT CHERRY    |
| 4C  | Y00276-72-438 | EA  | MOLDING - VINYL - W/SLOT - .7"X 1.9"X 96" - PORTSMOUTH OAK    |
| 4C  | Y00276-82-438 | EA  | MOLDING - VINYL - W/SLOT - .7"X 1.9"X 96" - HONEY CHERRY      |
| 4C  | Y00276-92-438 | EA  | MOLDING - VINYL - W/SLOT - .7"X 1.9"X 96" - SIERRA MAPLE      |
| 5C  | Y00152-A2-438 | EA  | MOLDING/TRIM - VINYL - .6" X 3.5" X 96" - WASHED MAPLE        |
| 5C  | Y00152-D2-438 | EA  | MOLDING/TRIM - VINYL - .6" X 3.5" X 96" - CONCERT CHERRY      |
| 5C  | Y00152-22-438 | EA  | MOLDING/TRIM - VINYL - .6" X 3.5" X 96" - WASHED MAPLE        |
| 5C  | Y00152-72-438 | EA  | MOLDING/TRIM - VINYL - .6" X 3.5" X 96" - PORTSMOUTH OAK      |
| 5C  | Y00152-92-438 | EA  | MOLDING/TRIM - VINYL - .6" X 3.5" X 96" - SIERRA MAPLE        |

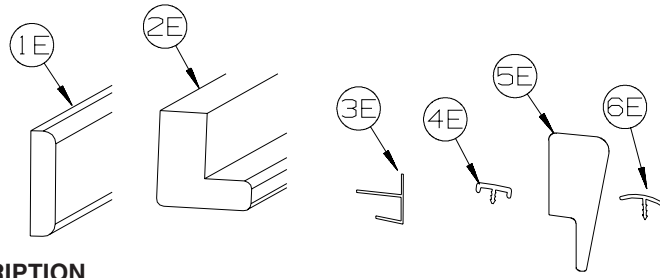


**INTERIOR FINISH GROUP (CONTINUED)**  
**MOLDINGS & TRIMS (CONTINUED)**



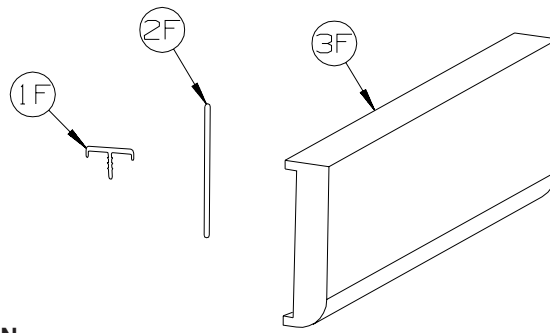
| KEY | PART NUMBER   | U/M | DESCRIPTION   |
|-----|---------------|-----|---|
| 1D  | 009767-12-000 | FT  | WELTING - ANTIQUE WHITE                                   |
| 2D  | 009778-25-000 | FT  | U-CHANNEL - 1" - BEIGE ILLUSION                           |
| 2D  | 009778-26-000 | FT  | U-CHANNEL - 1 1/4" - BEIGE ILLUSION                       |
| 2D  | 009778-38-000 | FT  | U-CHANNEL - 1" - BONE                                     |
| 2D  | 009778-32-000 | FT  | U-CHANNEL - 1" - PORTSMOUTH OAK                           |
| 2D  | 009778-34-000 | FT  | U-CHANNEL - 1" - CONCERT CHERRY                           |
| 2D  | 009778-27-000 | FT  | U-CHANNEL - 1" - WASHED MAPLE                             |
| 2D  | 009778-35-000 | FT  | U-CHANNEL - 1" - HONEY CHERRY                             |
| 2D  | 009778-36-000 | FT  | U-CHANNEL - 1" - SIERRA MAPLE                             |
| 3D  | 009809-30-000 | EA  | MOLDING - CORNER - OUTSIDE - 1" X 84" - BEIGE ILLUSION    |
| 3D  | 009809-37-000 | EA  | MOLDING - CORNER - OUTSIDE - 1" X 84" - BONE              |
| 3D  | 009809-33-000 | EA  | MOLDING - CORNER - OUTSIDE - 1" X 84" - CONCERT CHERRY    |
| 3D  | 009809-31-000 | EA  | MOLDING - CORNER - OUTSIDE - 1" X 84" - WASHED MAPLE      |
| 3D  | 009809-35-000 | EA  | MOLDING - CORNER - OUTSIDE - 1" X 84" - SIERRA MAPLE      |
| 4D  | 009812-31-000 | EA  | MOLDING - CORNER - 1/2" W/1/4"CHAN X 84" - BEIGE ILLUSION |
| 4D  | 009812-40-000 | EA  | MOLDING - CORNER - 1/2" W/1/4"CHAN X 84" - BONE           |
| 4D  | 009812-35-000 | EA  | MOLDING - CORNER - 1/2" W/1/4"CHAN X 84" - PORTSMOUTH OAK |
| 4D  | 009812-36-000 | EA  | MOLDING - CORNER - 1/2" W/1/4"CHAN X 84" - CONCERT CHERRY |
| 4D  | 009812-33-000 | EA  | MOLDING - CORNER - 1/2" W/1/4"CHAN X 84" - WASHED MAPLE   |
| 4D  | 009812-37-000 | EA  | MOLDING - CORNER - 1/2" W/1/4"CHAN X 84" - HONEY CHERRY   |
| 4D  | 009812-38-000 | EA  | MOLDING - CORNER - 1/2" W/1/4"CHAN X 84" - SIERRA MAPLE   |
| 5D  | 022992-11-000 | FT  | MOLDING - REVERSE COVE - T-SHAPED - IVORY                 |
| 5D  | 022992-14-000 | FT  | MOLDING - REVERSE COVE - T-SHAPED - BRIGHT WHITE          |
| 5D  | 022992-18-000 | FT  | MOLDING - REVERSE COVE - T-SHAPED - BONE                  |
| 6D  | 070504-42-000 | FT  | U-CHANNEL - PLASTIC - .13" X 84" - BEIGE ILLUSION         |
| 6D  | 070504-43-000 | FT  | U-CHANNEL - PLASTIC - .9" X 96" - BEIGE ILLUSION          |
| 6D  | 070504-69-000 | FT  | U-CHANNEL - PLASTIC - .13" X 84" - BONE                   |
| 6D  | 070504-70-000 | FT  | U-CHANNEL - PLASTIC - .8" X 84" - BONE                    |
| 6D  | 070504-57-000 | FT  | U-CHANNEL - PLASTIC - .13" X 96" - PORTSMOUTH OAK         |
| 6D  | 070504-58-000 | FT  | U-CHANNEL - PLASTIC - .9" X 96" - PORTSMOUTH OAK          |
| 6D  | 070504-60-000 | FT  | U-CHANNEL - PLASTIC - .13" X 84" - CONCERT CHERRY         |
| 6D  | 070504-61-000 | FT  | U-CHANNEL - PLASTIC - .9" X 84" - CONCERT CHERRY          |
| 6D  | 070504-50-000 | FT  | U-CHANNEL - PLASTIC - .13" X 96" - WASHED MAPLE           |
| 6D  | 070504-51-000 | FT  | U-CHANNEL - PLASTIC - .9" X 96" - WASHED MAPLE            |
| 6D  | 070504-62-000 | FT  | U-CHANNEL - PLASTIC - 1.65" X 84" - HONEY CHERRY          |
| 6D  | 070504-63-000 | FT  | U-CHANNEL - PLASTIC - .9" X 84" - HONEY CHERRY            |
| 6D  | 070504-65-000 | FT  | U-CHANNEL - PLASTIC - .07" X 96" - SIERRA MAPLE           |
| 6D  | 070504-66-000 | FT  | U-CHANNEL - PLASTIC - .8" X 84" - SIERRA MAPLE            |
| 7D  | 083620-25-000 | FT  | MOLDING-T - W/EDGE LIP - 7/8" FACE - BONE                 |
| 7D  | 083620-20-000 | FT  | MOLDING-T - W/EDGE LIP - 7/8" FACE - PORTSMOUTH OAK       |
| 7D  | 083620-19-000 | FT  | MOLDING-T - W/EDGE LIP - 7/8" FACE - WASHED MAPLE         |
| 7D  | 083620-24-000 | FT  | MOLDING-T - W/EDGE LIP - 7/8" FACE - HONEY CHERRY         |
| 7D  | 083620-22-000 | FT  | MOLDING-T - W/EDGE LIP - 7/8" FACE - SIERRA MAPLE         |
| 8D  | 086229-01-000 | EA  | RETAINER - BATTEN - .75" X 92.1" - ANY COLOR              |
| 9D  | 086229-12-000 | EA  | BATTEN - 1.5" OFFSET X 96.8" - MODERN IVORY               |
| 9D  | 086229-20-000 | EA  | BATTEN - 1" X 96" - BEIGE                                 |

**INTERIOR FINISH GROUP (CONTINUED)**  
**MOLDINGS & TRIMS (CONTINUED)**



| KEY | PART NUMBER   | U/M | DESCRIPTION   |
|-----|---------------|-----|---|
| 1E  | 100818-01-12A | EA  | MOLDING - VINYL WRAPPED - 1.6" X .4" X 84" - PORTSMOUTH OAK   |
| 1E  | 100818-01-23A | EA  | MOLDING - VINYL WRPPD - 1.6" X .4" X 84" - CONCERT CHERRY     |
| 1E  | 100818-01-21A | EA  | MOLDING - VINYL WRAPPED - 1.6" X .4" X 84" - WASHED MAPLE     |
| 1E  | 100818-01-14A | EA  | MOLDING - VINYL WRAPPED - 1.6" X .4" X 84" - HONEY CHERRY     |
| 1E  | 100818-01-22A | EA  | MOLDING - VINYL WRAPPED - 1.6" X .4" X 84" - SIERRA MAPLE     |
| 2E  | 100819-01-23A | EA  | MOLDING - VYL WRPPD-L-SHPD-1.5"X1.5"X84" - CONCERT CHERRY     |
| 2E  | 100819-01-21A | EA  | MOLDING - VINYL WRAPPED-L-SHAPED-1.5"X1.5"X84" - WASHED MAPLE |
| 2E  | 100819-01-14A | EA  | MOLDING - VINYL WRAPPED-L-SHAPED-1.5"X1.5"X84" - HONEY CHERRY |
| 2E  | 100819-01-22A | EA  | MOLDING - VINYL WRAPPED-L-SHAPED-1.5"X1.5"X84" - SIERRA MAPLE |
| 3E  | 103186-01-07A | FT  | MOLDING/PLASTIC - 3/8" U-CHANNEL-3/4" FACE - BEIGE ILLUSION   |
| 3E  | 103186-01-09A | FT  | MOLDING/PLASTIC - 3/8" U-CHANNEL-3/4" FACE - PORTSMOUTH OAK   |
| 3E  | 103186-01-10A | FT  | MOLDING/PLASTIC - 3/8" U-CHANNEL-3/4" FACE - CONCERT CHERRY   |
| 3E  | 103186-01-08A | FT  | MOLDING/PLASTIC - 3/8" U-CHANNEL-3/4" FACE- 8' - WASHED MAPLE |
| 3E  | 103186-01-11A | FT  | MOLDING/PLASTIC - 3/8" U-CHANNEL-3/4" FACE - HONEY CHERRY     |
| 3E  | 103186-01-12A | FT  | MOLDING/PLASTIC - 3/8" U-CHANNEL-3/4" FACE - SIERRA MAPLE     |
| 3E  | 103186-02-07A | FT  | MOLDING/PLASTIC-1" U-CHANNEL-1 3/8" FACE - BEIGE ILLUSION     |
| 3E  | 103186-02-09A | FT  | MOLDING/PLASTIC - 1" U-CHANNEL-1 3/8" FACE - PORTSMOUTH OAK   |
| 3E  | 103186-02-10A | FT  | MOLDING/PLASTIC - 1" U-CHANNEL-1 3/8" FACE - CONCERT CHERRY   |
| 3E  | 103186-02-08A | FT  | MOLDING/PLASTIC - 1" U-CHANNEL-1 3/8" FACE - WASHED MAPLE     |
| 3E  | 103186-02-11A | FT  | MOLDING/PLASTIC - 1" U-CHANNEL-1 3/8" FACE - HONEY CHERRY     |
| 3E  | 103186-02-12A | FT  | MOLDING/PLASTIC - 1" U-CHANNEL-1 3/8" FACE - SIERRA MAPLE     |
| 4E  | 104676-02-08A | FT  | MOLDING-T - W/EDGE LIP - 11/16" FACE - PORTSMOUTH OAK         |
| 4E  | 104676-02-12A | FT  | MOLDING-T - W/EDGE LIP - 11/16" FACE - SIERRA MAPLE           |
| 5E  | 105004-01-12A | EA  | MOLDING - VINYL WRAP - 1" X 96" - PORTSMOUTH OAK              |
| 5E  | 105004-01-21A | EA  | MOLDING - VINYL WRAP - 1" X 96" - WASHED MAPLE                |
| 5E  | 105004-01-24A | EA  | MOLDING - VINYL WRAP - 1" X 96" - HONEY CHERRY                |
| 5E  | 105004-01-22A | EA  | MOLDING - VINYL WRAP - 1" X 96" - SIERRA MAPLE                |
| 6E  | 105709-02-000 | FT  | MOLDING-T - W/EDGE LIP 3/4" FACE - BEIGE ILLUSION             |

**INTERIOR FINISH GROUP (CONTINUED)**  
**MOLDINGS & TRIMS (CONTINUED)**

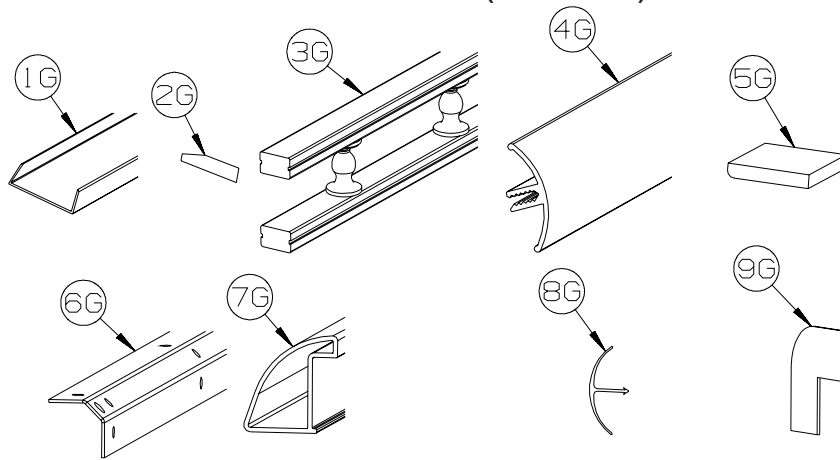


| KEY | PART NUMBER   | U/M | DESCRIPTION  |
|-----|---------------|-----|--|
| 1F  | 119520-01-01A | FT  | MOLDING-T - OFFSET W/EDGE LIP - 1.3" FACE - OFF WHITE        |
| 1F  | 119520-03-02A | FT  | MOLDING-T - OFFSET W/EDGE LIP - 1" FACE - CONCERT CHERRY     |
| 1F  | 119520-03-03A | FT  | MOLDING-T - OFFSET W/EDGE LIP - 1" FACE - WASHED MAPLE       |
| 1F  | 119520-03-05A | FT  | MOLDING-T - OFFSET W/EDGE LIP - 1" FACE - SIERRA MAPLE       |
| 1F  | 119520-03-06A | FT  | MOLDING-T - OFFSET W/EDGE LIP - 1" FACE - HONEY CHERRY       |
| 2F  | 127842-01-01A | FT  | SEAL - SIGHT SHIELD - 2" BLACK                               |
|     | 160300-A2-438 | EA  | LUMBER - VINYL WRAPPED - .7" X .75" X 96" - CONCERT CHERRY   |
|     | 160300-D2-438 | EA  | LUMBER - VINYL WRAPPED - .7" X 1.5" X 96" - CONCERT CHERRY   |
|     | 160300-E2-438 | EA  | LUMBER - VINYL WRAPPED - .7" X 2" X 96" - CONCERT CHERRY     |
|     | 160300-F2-438 | EA  | LUMBER - VINYL WRAPPED - .7" X 2.5" X 96" - CONCERT CHERRY   |
|     | 160300-G2-438 | EA  | LUMBER - VINYL WRAPPED - .7" X 3" X 96" - CONCERT CHERRY     |
|     | 160300-H2-438 | EA  | LUMBER - VINYL WRAPPED - .7" X 3.5" X 96" - CONCERT CHERRY   |
|     | 160300-J2-438 | EA  | LUMBER - VINYL WRAPPED - .7" X 5.5" X 96" - CONCERT CHERRY   |
|     | 160300-K2-438 | EA  | LUMBER - VINYL WRAPPED - .7" X 3.9" X 96" - CONCERT CHERRY   |
|     | 160300-R2-438 | EA  | LUMBER - VINYL WRAPPED - .7" X 3" X 96" - CONCERT CHERRY     |
| 3F  | 160301-D2-134 | EA  | MOLDING - VINYL WRAPPED - .7" X 1.6" X 84" - CONCERT CHERRY  |
| 3F  | 160301-D2-743 | EA  | MOLDING - VINYL WRAPPED - .7" X 1.6" X 108" - CONCERT CHERRY |
| 3F  | 160301-F2-134 | EA  | MOLDING - VINYL WRAPPED - .7" X 2.5" X 84" - CONCERT CHERRY  |
| 3F  | 160301-F2-743 | EA  | MOLDING - VINYL WRAPPED - .7" X 2.5" X 108" - CONCERT CHERRY |
| 3F  | 160301-F2-438 | EA  | MOLDING - VINYL WRAPPED - .7" X 2.5" X 96" - CONCERT CHERRY  |
|     | 137894-A2-438 | EA  | LUMBER - VINYL WRAPPED - .7" X .75" X 96" - PORTSMOUTH OAK   |
|     | 137894-D2-438 | EA  | LUMBER - VINYL WRAPPED - .7" X 1.5" X 96" - PORTSMOUTH OAK   |
|     | 137894-E2-438 | EA  | LUMBER - VINYL WRAPPED - .7" X 2" X 96" - PORTSMOUTH OAK     |
|     | 137894-F2-438 | EA  | LUMBER - VINYL WRAPPED - .7" X 2.5" X 96" - PORTSMOUTH OAK   |
|     | 137894-G2-438 | EA  | LUMBER - VINYL WRAPPED - .7" X 3" X 96" - PORTSMOUTH OAK     |
|     | 137894-H2-438 | EA  | LUMBER - VINYL WRAPPED - .7" X 3.5" X 96" - PORTSMOUTH OAK   |
|     | 137894-J2-438 | EA  | LUMBER - VINYL WRAPPED - .7" X 5.5" X 96" - PORTSMOUTH OAK   |

**INTERIOR FINISH GROUP (CONTINUED)**  
**MOLDINGS & TRIMS (CONTINUED)**

| KEY | PART NUMBER   | U/M | DESCRIPTION   |
|-----|---------------|-----|---|
|     | 137894-J2-743 | EA  | LUMBER - VINYL WRAPPED - .7" X 5.5" X 108" - PORTSMOUTH OAK |
|     | 137894-K2-438 | EA  | LUMBER - VINYL WRAPPED - .7" X 3.9" X 96" - PORTSMOUTH OAK  |
|     | 137894-R2-438 | EA  | LUMBER - VINYL WRAPPED - .7" X 3" X 96" - PORTSMOUTH OAK    |
| 3F  | 137895-D2-134 | EA  | MOLDING - VINYL WRAP - .7" X 1.6" X 84" - PORTSMOUTH OAK    |
| 3F  | 137895-D2-743 | EA  | MOLDING - VINYL WRAP - .7" X 1.6" X 108" - PORTSMOUTH OAK   |
| 3F  | 137895-F2-134 | EA  | MOLDING - VINYL WRAP - .7" X 2.5" X 84" - PORTSMOUTH OAK    |
| 3F  | 137895-F2-438 | EA  | MOLDING - VINYL WRAP - .7" X 2.5" X 96" - PORTSMOUTH OAK    |
| 3F  | 137895-F2-743 | EA  | MOLDING - VINYL WRAP - .7" X 2.5" X 108" - PORTSMOUTH OAK   |
|     | 146419-A2-438 | EA  | LUMBER - VINYL WRAPPED - .7" X .75" X 96" - HONEY CHERRY    |
|     | 146419-D2-438 | EA  | LUMBER - VINYL WRAPPED - .7" X 1.5" X 96" - HONEY CHERRY    |
|     | 146419-E2-438 | EA  | LUMBER - VINYL WRAPPED - .7" X 2" X 96" - HONEY CHERRY      |
|     | 146419-F2-438 | EA  | LUMBER - VINYL WRAPPED - .7" X 2.5" X 96" - HONEY CHERRY    |
|     | 146419-G2-438 | EA  | LUMBER - VINYL WRAPPED - .7" X 3" X 96" - HONEY CHERRY      |
|     | 146419-H2-438 | EA  | LUMBER - VINYL WRAPPED - .7" X 3.5" X 96" - HONEY CHERRY    |
|     | 146419-J2-438 | EA  | LUMBER - VINYL WRAPPED - .7" X 5.5" X 96" - HONEY CHERRY    |
|     | 146419-J2-743 | EA  | LUMBER - VINYL WRAPPED - .7" X 5.5" X 108" - HONEY CHERRY   |
|     | 146419-K2-438 | EA  | LUMBER - VINYL WRAPPED - .7" X 3.9" X 96" - HONEY CHERRY    |
|     | 146419-R2-438 | EA  | LUMBER - VINYL WRAPPED - .7" X 3" X 96" - HONEY CHERRY      |
|     | 146419-S2-438 | EA  | LUMBER - VINYL WRAPPED/FULL - .7"X 3.5"X 96" - HONEY CHERRY |
|     | 146419-T2-438 | EA  | LUMBER - VINYL WRAPPED/FULL - .7"X 5.5"X 96" - HONEY CHERRY |
| 3F  | 146425-D2-134 | EA  | MOLDING - VINYL WRAPPED - .7" X 1.6" X 83.9" - HONEY CHERRY |
| 3F  | 146425-F2-438 | EA  | MOLDING - VINYL WRAPPED - .7" X 2.6" X 96" - HONEY CHERRY   |
|     | 149325-A2-438 | EA  | LUMBER - VINYL WRAPPED - .7" X .75" X 96" - WASHED MAPLE    |
|     | 149325-D2-438 | EA  | LUMBER - VINYL WRAPPED - .7" X 1.5" X 96" - WASHED MAPLE    |
|     | 149325-E2-438 | EA  | LUMBER - VINYL WRAPPED - .7" X 2" X 96" - WASHED MAPLE      |
|     | 149325-F2-438 | EA  | LUMBER - VINYL WRAPPED - .7" X 2.5" X 96" - WASHED MAPLE    |
|     | 149325-G2-438 | EA  | LUMBER - VINYL WRAPPED - .7" X 3" X 96" - WASHED MAPLE      |
|     | 149325-H2-438 | EA  | LUMBER - VINYL WRAPPED - .7" X 3.5" X 96" - WASHED MAPLE    |
|     | 149325-J2-438 | EA  | LUMBER - VINYL WRAPPED - .7" X 5.5" X 96" - WASHED MAPLE    |
|     | 149325-J2-743 | EA  | LUMBER - VINYL WRAPPED - .7" X 5.5" X 108" - WASHED MAPLE   |
|     | 149325-K2-438 | EA  | LUMBER - VINYL WRAPPED - .7" X 3.9" X 96" - WASHED MAPLE    |
|     | 149325-R2-438 | EA  | LUMBER - VINYL WRAPPED - .7" X 3" X 96" - WASHED MAPLE      |
| 3F  | 149326-D2-134 | EA  | MOLDING - VINYL WRAPPED - .7" X 1.5" X 83.9" - WASHED MAPLE |
| 3F  | 149326-D2-743 | EA  | MOLDING - VINYL WRAPPED - .7" X 1.5" X 108" - WASHED MAPLE  |
| 3F  | 149326-F2-134 | EA  | MOLDING - VINYL WRAPPED - .7" X 2.5" X 83.9" - WASHED MAPLE |
| 3F  | 149326-F2-438 | EA  | MOLDING - VINYL WRAPPED - .7" X 2.5" X 96" - WASHED MAPLE   |
| 3F  | 149326-F2-743 | EA  | MOLDING - VINYL WRAPPED - .7" X 2.5" X 108" - WASHED MAPLE  |
|     | 149330-A2-438 | EA  | LUMBER - VINYL WRAPPED - .7" X .75" X 96" - SIERRA MAPLE    |
|     | 149330-D2-438 | EA  | LUMBER - VINYL WRAPPED - .7" X 1.5" X 96" - SIERRA MAPLE    |
|     | 149330-E2-438 | EA  | LUMBER - VINYL WRAPPED - .7" X 2" X 96" - SIERRA MAPLE      |
|     | 149330-F2-438 | EA  | LUMBER - VINYL WRAPPED - .7" X 2.5" X 96" - SIERRA MAPLE    |
|     | 149330-G2-438 | EA  | LUMBER - VINYL WRAPPED - .7" X 3" X 96" - SIERRA MAPLE      |
|     | 149330-H2-438 | EA  | LUMBER - VINYL WRAPPED - .7" X 3.5" X 96" - SIERRA MAPLE    |
|     | 149330-J2-438 | EA  | LUMBER - VINYL WRAPPED - .7" X 5.5" X 96" - SIERRA MAPLE    |
|     | 149330-J2-743 | EA  | LUMBER - VINYL WRAPPED - .7" X 5.5" X 108" - SIERRA MAPLE   |
|     | 149330-K2-438 | EA  | LUMBER - VINYL WRAPPED - .7" X 3.9" X 96" - SIERRA MAPLE    |
|     | 149330-R2-438 | EA  | LUMBER - VINYL WRAPPED - .7" X 3" X 96" - SIERRA MAPLE      |
| 3F  | 149331-D2-134 | EA  | MOLDING - VINYL WRAP - .7" X 1.5" X 83.9" - SIERRA MAPLE    |
| 3F  | 149331-D2-743 | EA  | MOLDING - VINYL WRAP - .7" X 1.5" X 108" - SIERRA MAPLE     |
| 3F  | 149331-F2-134 | EA  | MOLDING - VINYL WRAP - .7" X 2.5" X 83.9" - SIERRA MAPLE    |
| 3F  | 149331-F2-438 | EA  | MOLDING - VINYL WRAP - .7" X 2.5" X 96" - SIERRA MAPLE      |
| 3F  | 149331-F2-743 | EA  | MOLDING - VINYL WRAP - .7" X 2.5" X 108" - SIERRA MAPLE     |

**INTERIOR FINISH GROUP (CONTINUED)**  
**MOLDINGS & TRIMS (CONTINUED)**



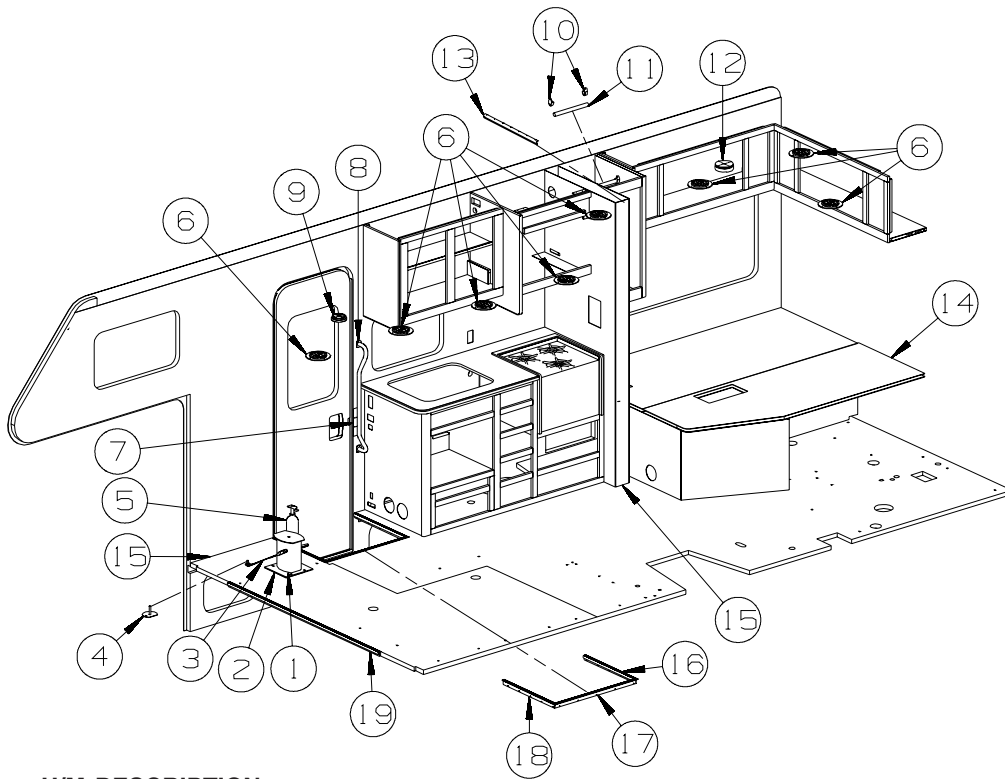
| KEY | PART NUMBER   | U/M | DESCRIPTION  |
|-----|---------------|-----|--|
| 1G  | 141260-01-01A | FT  | U-CHANNEL - 1" - VILLAGE OAK                             |
| 1G  | 141260-01-02A | FT  | U-CHANNEL - 1" - GRADY BROWN                             |
| 2G  | 146306-01-01A | FT  | TRANSITION - CARPET/TILE                                 |
| 3G  | 150167-01-03A | EA  | RAIL - DECORATIVE - 96" - WASHED MAPLE                   |
| 3G  | 150167-01-07A | EA  | RAIL - DECORATIVE - 96" - PORTSMOUTH OAK                 |
| 3G  | 150167-01-08A | EA  | RAIL - DECORATIVE - 96" - HONEY CHERRY                   |
| 3G  | 150167-01-09A | EA  | RAIL - DECORATIVE - 96" - SIERRA MAPLE                   |
| 4G  | 151653-10-02A | EA  | TRIM/RADIUS - CABINET CORNER - 79.6" - DULL METALLIC     |
| 4G  | 151653-13-02A | EA  | TRIM/RADIUS - CABINET CORNER - 79.8" - DULL METALLIC     |
| 5G  | M09568-04-W80 | EA  | MOLDING/TRIM - .3" X 1.5" X 73.6" - SIERRA MAPLE         |
| 5G  | M09568-04-W79 | EA  | MOLDING/TRIM - .3" X 1.5" X 73.6" - WASHED MAPLE         |
| 6G  | 151861-01-02B | EA  | ANGLE - SUPPORT/CORNER - 1.4" X 12.5" - E-COATED         |
| 6G  | 151861-02-02B | EA  | ANGLE - SUPPORT/CORNER - 1.4" X 20.1" - E-COATED         |
| 6G  | 151861-03-02B | EA  | ANGLE - SUPPORT/CORNER - 1.4" X 26.7" - E-COATED         |
| 6G  | 151861-04-02B | EA  | ANGLE - SUPPORT/CORNER - 1.4" X 32.7" - E-COATED         |
| 6G  | 151861-05-02B | EA  | ANGLE - SUPPORT/CORNER - 1.4" X 78.6" - E-COATED         |
| 6G  | 151861-06-02B | EA  | ANGLE - SUPPORT/CORNER - 1.4" X 59" - E-COATED           |
| 6G  | 151861-08-02B | EA  | ANGLE - SUPPORT/CORNER - 1.4" X 22.2" - E-COATED         |
| 6G  | 151861-09-02B | EA  | ANGLE - SUPPORT/CORNER - 1.4" X 14.9" - E-COATED         |
| 7G  | 151893-01-02A | EA  | TRIM/RADIUS - CABINET BOTTOM - 72.6" - DULL METALLIC     |
| 8G  | 156464-01-01A | FT  | MOLDING - CORNER - RADIUS/PLASTIC - 8' - HONEY CHERRY    |
| 8G  | 156464-01-02A | FT  | MOLDING - CORNER - RADIUS/PLASTIC - 8' - WASHED MAPLE    |
| 8G  | 156464-01-05A | FT  | MOLDING - CORNER - RADIUS/PLASTIC - 8' - SIERRA MAPLE    |
| 8G  | 156464-01-06A | FT  | MOLDING - CORNER - RADIUS/PLASTIC - 8' - CONCERT CHERRY  |
| 8G  | 156464-03-03A | FT  | MOLDING - CORNER - RADIUS/PLASTIC - 8' - BONE            |
|     | 081521-02-007 | EA  | MOUNT - METAL MOLDING - F/RADIUS CORNER MOLDING - 151.5" |
| 9G  | 160989-01-06A | FT  | CAP - CORNER - RADIUS MOLDING - PLASTIC - WASHED MAPLE   |
| 9G  | 160989-01-07A | FT  | CAP - CORNER - RADIUS MOLDING - PLASTIC - HONEY CHERRY   |

**INTERIOR FINISH GROUP (CONTINUED)**  
**PANELING & LAMINATES**

| KEY | PART NUMBER   | U/M | DESCRIPTION   |
|-----|---------------|-----|---|
|     | 000885-C3-000 | SF  | PARTICLE BOARD - 3/8" X 4' X 8' - WHITE THATCH EMB-1 SIDED  |
|     | 000885-92-000 | SF  | PARTICLE BOARD - 3/8" X 4' X 8' - PORTSMOUTH OAK - 1 SIDED - PORTSMOUTH OAK                             |
|     | 000885-93-000 | SF  | PARTICLE BOARD - 3/8" X 4' X 8' - PORTSMOUTH OAK - 2 SIDED - PORTSMOUTH OAK                             |
|     | 000885-94-000 | SF  | PARTICLE BOARD - 1/2" X 4' X 8' - PORTSMOUTH OAK - 2 SIDED - PORTSMOUTH OAK                             |
|     | 000885-95-000 | SF  | PARTICLE BOARD - 3/4" X 4' X 8' - PORTSMOUTH OAK - 2 SIDED - PORTSMOUTH OAK                             |
|     | 000885-B0-000 | SF  | PARTICLE BOARD - 3/8" X 4' X 8' - SIERRA MAPLE - 2 SIDED - SIERRA MAPLE                                 |
|     | 000885-B1-000 | SF  | PARTICLE BOARD - 3/8" X 4' X 8' - SIERRA MAPLE - 1 SIDED - SIERRA MAPLE                                 |
|     | 000885-B2-000 | SF  | PARTICLE BOARD - 3/4" X 4' X 8' - SIERRA MAPLE - 2 SIDED - SIERRA MAPLE                                 |
|     | 000885-B3-000 | SF  | PARTICLE BOARD - 1/2" X 4' X 8' - SIERRA MAPLE - 2 SIDED - SIERRA MAPLE                                 |
|     | 069733-87-000 | EA  | BATT STRIP - WOODGRAINED/PORTSMOUTH OAK - 8' - PORTSMOUTH OAK   |
|     | 088263-J1-000 | EA  | BATT STRIP - DECORATIVE - SIERRA MAPLE  |
|     | 088263-K3-000 | EA  | BATT STRIP - DECORATIVE - KURTA/CANVAS - 8' (W07, W08)  |
|     | 088263-L0-000 | EA  | BATT STRIP - DECORATIVE - RAWHIDE HERITAGE (W09, W10)<br>FROM: 00-00-00 THRU: 04-01-07                  |
|     | 088263-L2-000 | EA  | BATT STRIP - DECORATIVE - DISTRESSED CRACKLE (W09, W10)<br>FROM: 04-02-07 THRU: 99-99-99                |
|     | 088263-K5-000 | EA  | BATT STRIP - DECORATIVE - WHITE THATCHED - 8'   |
|     | 074497-42-000 | SF  | PANELING - PORTSMOUTH OAK - 1/8" X 4' X 8' - PORTSMOUTH OAK   |
|     | 074497-48-000 | SF  | PANELING - SIERRA MAPLE - 1/8" X 4' X 8' - SIERRA MAPLE   |
|     | 074497-52-000 | SF  | PANELING/PAPER WRAPPED - SCULPTURES PA - 1/8" X 48" X 100"  |
|     | 088272-M7-000 | SF  | PANELING - KURTA/CANVAS - 4' X 7.4' (W07, W08)  |
|     | 088272-N4-000 | SF  | PANELING - RAWHIDE HERITAGE - 4' X 7.4' (W09, W10)<br>FROM: 00-00-00 THRU: 04-01-07                     |
|     | 088272-N7-000 | SF  | PANELING - DISTRESSED CRACKLE - 4' X 7.4' (W09, W10)<br>FROM: 04-02-07 THRU: 99-99-99                   |
|     | 088272-M9-000 | SF  | PANELING - WHITE THATCHED - 4' X 8'   |
|     | 074498-A2-000 | SF  | LAMINATE - PLASTIC - PHANTOM GRAY - 5' X 8'   |
|     | 074498-B7-000 | SF  | LAMINATE - PLASTIC - HOUSE ROCK - 5' X 8' (W07, W08)  |
|     | 074498-B8-000 | SF  | LAMINATE - PLASTIC - CLASSIC ROCK - 5' X 8' (W09, W10)  |
|     | 076325-39-000 | FT  | MOLDING - EDGE BAND - 1 5/16" X .030" - ALMOND  |
|     | 076325-40-000 | FT  | MOLDING - EDGE BAND - .93" X .024" - ALMOND   |
|     | 076325-71-000 | FT  | MOLDING - EDGE BAND - 1 5/16" X .038" - GRAY  |
|     | 076325-77-000 | FT  | MOLDING - EDGE BAND - 1 5/16" X .030" - PORTSMOUTH OAK  |
|     | 076325-84-000 | FT  | MOLDING - EDGE BAND - 1 5/16" X .30" - SIERRA MAPLE   |
|     | 085284-K7-000 | FT  | BATT TAPE - ADHESIVE BACKED - DECORATIVE - KURTA/CANVAS (W07, W08)                                      |
|     | 085284-L4-000 | FT  | BATT TAPE - ADHESIVE BACKED - DECORATIVE - RAWHIDE HERITAGE (W09, W10)<br>FROM: 00-00-00 THRU: 04-01-07 |
|     | 085284-L6-000 | FT  | BATT TAPE - ADHESIVE BACKED - DECORATIVE - DIST CRACKLE (W09, W10)<br>FROM: 04-02-07 THRU: 99-99-99     |

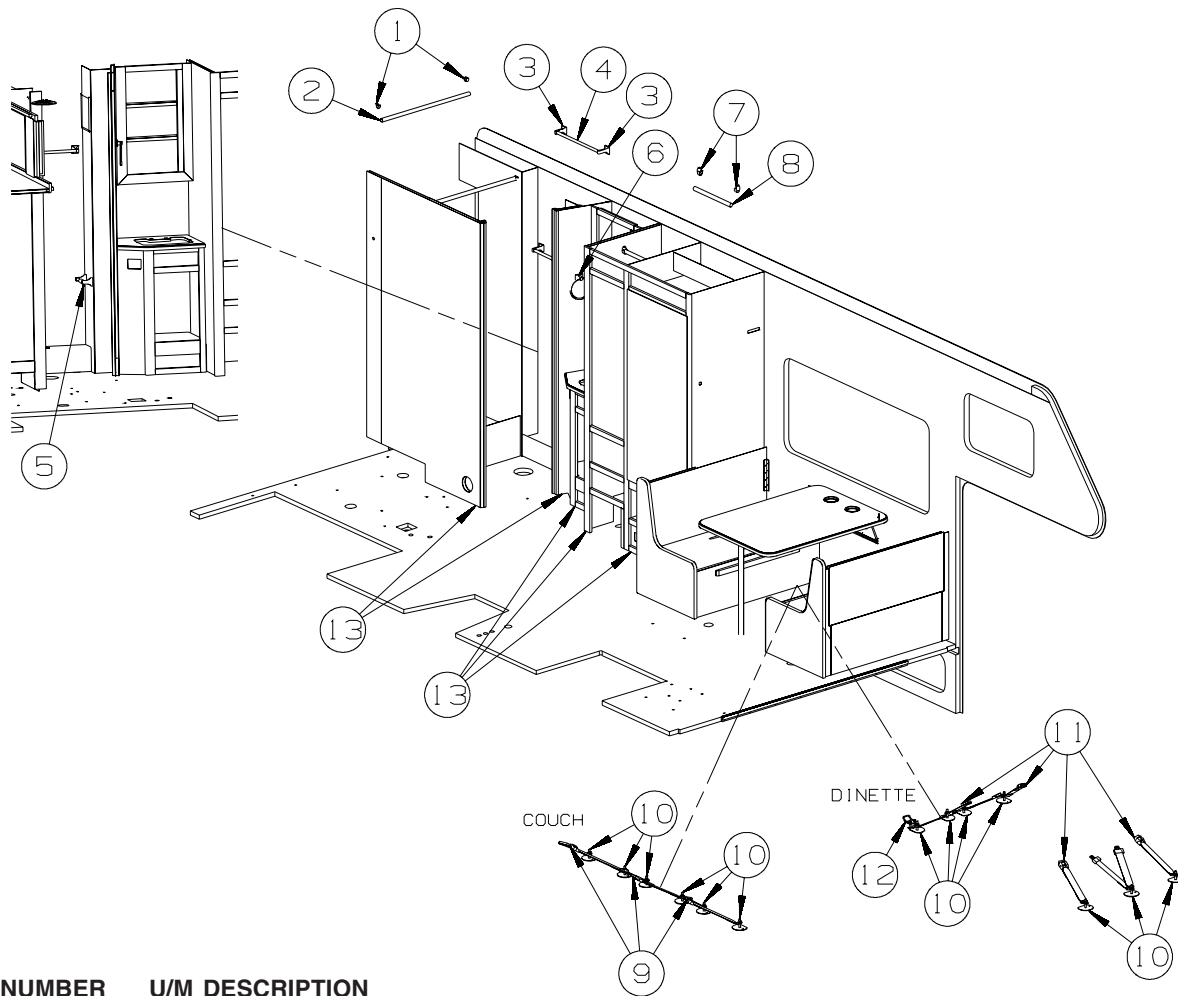
## INTERIOR FINISH GROUP (CONTINUED)

### INTERIOR TRIM LAYOUT



| KEY | PART NUMBER   | U/M | DESCRIPTION  |
|-----|---------------|-----|--|
| 1   | 133408-01-000 | EA  | PEDESTAL - SEAT - DRIVER/PASSENGER - 9 3/4"                    |
| 2   | 142169-02-02B | EA  | PLATE - PEDESTAL SEAT - E-COATED                               |
| 3   | 160167-02-01A | EA  | SEAT BELT - 2" X 90" - BLACK                                   |
| 4   | 150283-06-02B | EA  | PLATE/WASHER - SEAT BELT - W/BOLT - E-COAT                     |
| 5   | 094499-06-000 | EA  | EXTINGUISHER/FIRE - DRY - 10BC - W/BRACKET - UL/ULC - WHT      |
| 6   | 120134-01-02A | EA  | REGISTER - W/DAMPER - 4" PIPE/6.4" O.D. FACE - WHITE           |
| 7   | 148362-01-02A | EA  | COVER - BRACKET/STRIKE - MEDIUM OAK                            |
|     | 140151-02-03A | EA  | COVER - SCREW - MEDIUM OAK                                     |
| 8   | 137605-02-01A | EA  | HAND RAIL - INTERIOR ENTRY DOOR - BLACK                        |
| 9   | 072852-01-000 | EA  | DETECTOR - SMOKE - W/9 VOLT BATTERY - US                       |
| 9   | 072852-02-000 | EA  | DETECTOR - SMOKE - W/9 VOLT BATTERY - CANADIAN                 |
|     | 077956-01-000 | EA  | LABEL - WARNING/SMOKE DETECTOR                                 |
| 10  | 152301-01-01A | EA  | FLANGE - PLASTIC - 1" CLOTHES ROD HOLDER - WHITE               |
| 11  | Y00136-21-218 | EA  | DOWEL - WOOD - CLOTHES ROD - 1"DIAMETER X 4'                   |
| 12  | 125136-02-000 | EA  | DETECTOR/CO - GAS MODEL - 9 VOLT                               |
| 13  | 105450-02-01A | EA  | TRACK - CURTAIN - 48" - OFF WHITE                              |
|     | 009702-01-000 | EA  | END STOP - CURTAIN CARRIER - L ROD                             |
| 14  | 158822-02-000 | EA  | MATTRESS - INNERSPRING - 60"X 74"-NON QUILTED-W/CUT CORNER     |
| 15  | M09471-79-R38 | EA  | MOLDING - TRIM/COVE - .8" X .8" X 96" - PORTSMOUTH OAK         |
| 15  | M09471-79-SA3 | EA  | MOLDING - TRIM/COVE - .8" X .8" X 96" - SIERRA MAPLE           |
| 16  | 139955-16-01A | EA  | TRIM - STEP/ENTRY - 21.7" - MILL                               |
| 16  | 139955-05-01A | EA  | TRIM - STEP/ENTRY - 20.9" - MILL - FLOOR-CARPET, LOUNGE/DINING |
| 17  | 139955-17-01A | EA  | TRIM - STEP/ENTRY - 28" - MILL                                 |
| 17  | 139955-02-01A | EA  | TRIM - STEP/ENTRY - 27.7" - MILL - FLOOR-CARPET, LOUNGE/DINING |
| 18  | 139955-15-01A | EA  | TRIM - STEP/ENTRY - 21.7" - MILL                               |
| 19  | 139955-18-03A | EA  | TRIM - STEP/ENTRY - 62.3" - TITANIUM                           |

**INTERIOR FINISH GROUP (CONTINUED)**  
**INTERIOR TRIM LAYOUT (CONTINUED)**



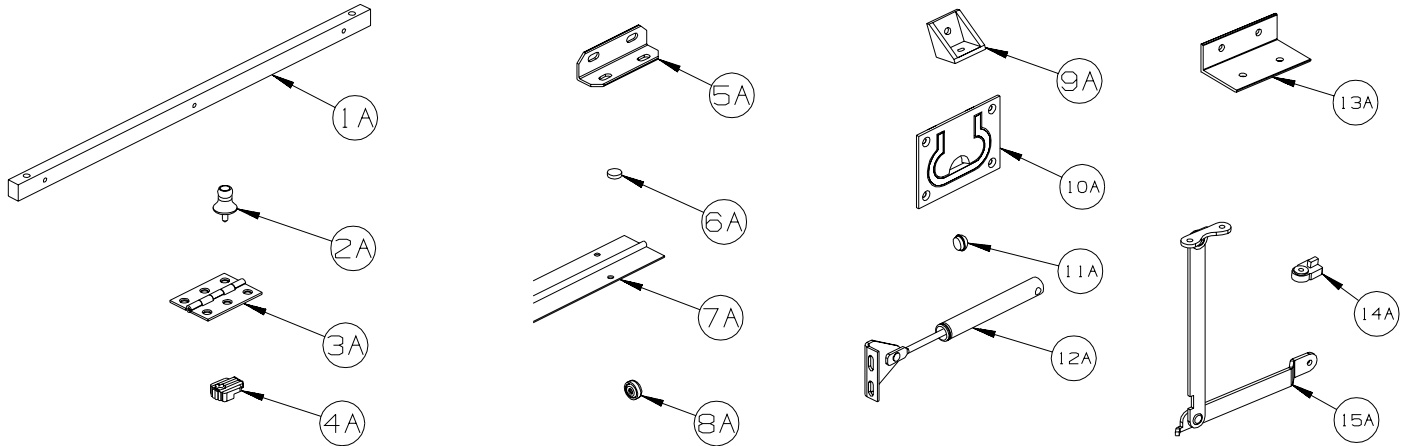
| KEY | PART NUMBER   | U/M | DESCRIPTION  |
|-----|---------------|-----|--|
| 1   | 113236-01-01A | EA  | BRACKET - CLOTHES - ROD                                |
| 2   | 102075-09-02A | EA  | ROD - SHOWER CURTAIN - 3/4"OD X 29.5" - SOFT WHITE     |
| 3   | 163599-02-01A | EA  | TOWEL BAR - POST - PAIR - CHROME                       |
| 4   | 163599-01-01A | EA  | TOWEL BAR - 18" - W/O POSTS - CHROME                   |
| 5   | 163602-01-01A | EA  | HOLDER - TOILET TISSUE - SURFACE MOUNT - CHROME        |
| 6   | 163601-01-01A | EA  | TOWEL RING - CHROME                                    |
| 7   | 152301-01-01A | EA  | FLANGE - PLASTIC - 1" CLOTHES ROD HOLDER - WHITE       |
| 8   | Y00136-21-218 | EA  | DOWEL - WOOD - CLOTHES ROD - 1"DIAMETER X 4'           |
| 9   | 160167-01-01A | EA  | SEAT BELT - 2" X 102" - BLACK                          |
| 10  | 150283-06-02B | EA  | PLATE/WASHER - SEAT BELT - W/BOLT - E-COAT             |
| 11  | 160167-02-01A | EA  | SEAT BELT - 2" X 90" - BLACK                           |
| 12  | 150697-01-02B | EA  | BRACKET - RESTRAINT/CHILD - E-COATED                   |
| 13  | M09471-79-R38 | EA  | MOLDING - TRIM/COVE - .8" X .8" X 96" - PORTSMOUTH OAK |
| 13  | M09471-79-SA3 | EA  | MOLDING - TRIM/COVE - .8" X .8" X 96" - SIERRA MAPLE   |



## INTERIOR FINISH GROUP (CONTINUED)

### FLOOR COVERINGS

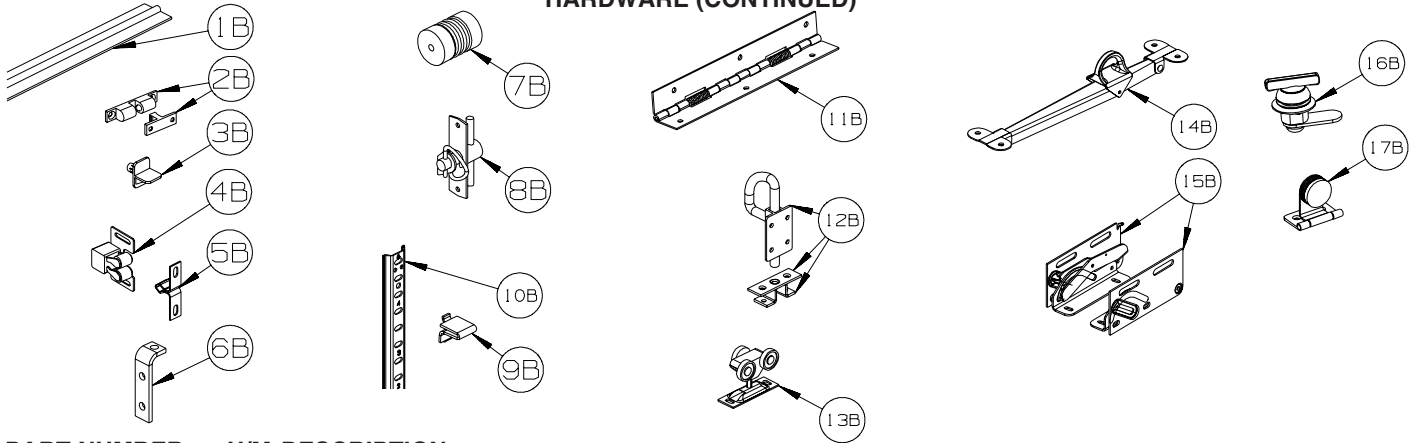
| KEY | PART NUMBER   | U/M | DESCRIPTION  |
|-----|---------------|-----|--|
|     | 042720-38-000 | SY  | VINYL - FLOOR COVERING - 7.5' WIDE - BRIDGEWAY           |
|     | 075233-01-000 | SY  | PAD - CARPET - 3/8" X 6'W ROLL - SOLD BY THE SQUARE YARD |
|     | 089275-02-000 | FT  | STRIP - 3/4" X 84" BLACK POLYETHYLENE                    |
|     | 093486-01-000 | SY  | CARPET - COMPARTMENT - 72" WIDE - DARK GRAY              |
|     | 152251-05-02A | SY  | CARPET - 4 SQUARE YARD INCREMENTS - BURLWOOD (W07, W08)  |
|     | 152251-05-07A | SY  | CARPET - 4 SQUARE YARD INCREMENTS - RAFFIA (W09, W10)    |



### HARDWARE

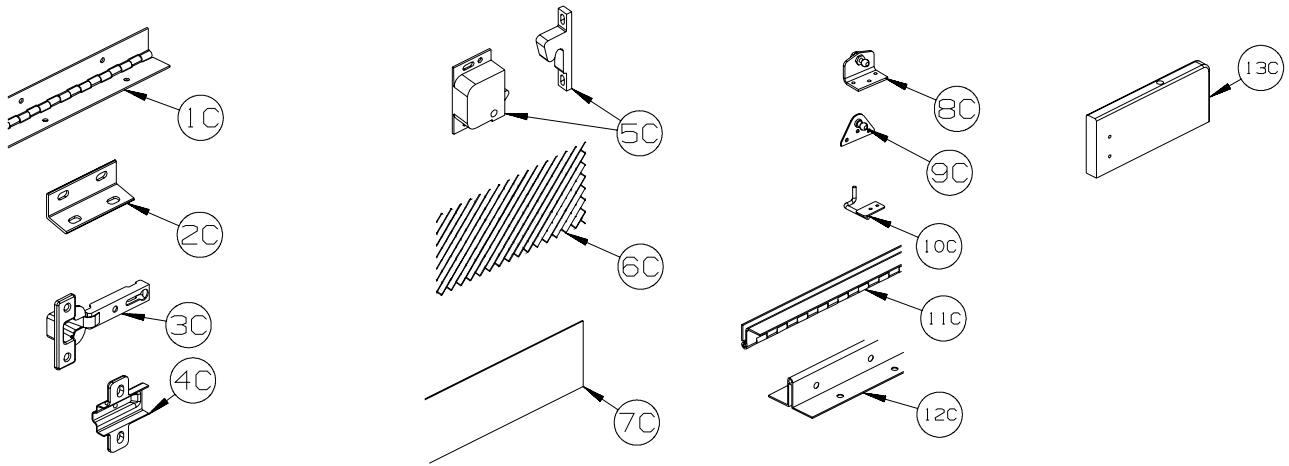
| KEY | PART NUMBER   | U/M | DESCRIPTION   |
|-----|---------------|-----|---|
| 1A  | P34509-01-P14 | EA  | RAIL END - RH/LH - TOWEL RACK - CONCERT CHERRY                  |
| 1A  | P34509-01-J70 | EA  | RAIL END - RH/LH - TOWEL RACK - WASHED MAPLE                    |
| 1A  | P34509-01-RE0 | EA  | RAIL END - RH/LH - TOWEL RACK - HONEY CHERRY                    |
| 1A  | P34509-01-SA3 | EA  | RAIL END - RH/LH - TOWEL RACK - SIERRA MAPLE                    |
| 2A  | 009013-01-000 | EA  | CATCH - BULLDOG - MALE/FEMALE                                   |
| 3A  | 009059-01-000 | EA  | HINGE - DOOR - 2" X 1.4" - BRASS                                |
| 3A  | 009059-02-000 | EA  | HINGE - DOOR - 2" X 2.7" - BRASS                                |
| 3A  | 009059-03-000 | EA  | HINGE - BRASS - 1.75"   |
| 3A  | 009059-04-000 | EA  | HINGE - 2" - ZINC   |
| 4A  | 009089-01-000 | EA  | CLIP - MIRROR   |
| 5A  | 016604-01-000 | EA  | BRACE - ANGLE - 2 1/2" - UNPAINTED METAL                        |
| 5A  | 016604-05-000 | EA  | BRACE - ANGLE - 2 1/2" - OFF WHITE METAL                        |
| 5A  | 016604-10-000 | EA  | BRACE - SEAT ANGLE - 2.5" - BLACK                               |
| 6A  | 023320-01-000 | EA  | PAD - FELT 3/8" DIAMETER  |
| 7A  | 041389-19-000 | EA  | HINGE - PIANO - 1 1/2" X 71.9" - UNPAINTED                      |
| 7A  | 041389-25-000 | EA  | HINGE - PIANO - 1 1/2" X 55" - UNPAINTED                        |
| 7A  | 041389-32-000 | EA  | HINGE - PIANO - 68" - OFF WHITE                                 |
| 8A  | 166569-01-02A | EA  | COVER - SCREW - #8 - BRIGHT WHITE                               |
| 8A  | 166569-01-03A | EA  | COVER - SCREW - #8 - SOFT WHITE                                 |
| 8A  | 166569-01-04A | EA  | COVER - SCREW - #8 - CREAM                                      |
| 9A  | 065740-01-000 | EA  | BRACE - CABINET/CORNER - PLASTIC                                |
| 10A | 072871-01-000 | EA  | PULL - FLUSH - CHROME   |
| 11A | 074045-13-000 | EA  | PLUG - 3/8" DOWEL-1/2" HEAD - PORTSMOUTH OAK                    |
| 11A | 074045-08-000 | EA  | PLUG - 3/8" DOWEL-1/2" HEAD - OAK/SALEM CHERRY - CONCERT CHERRY |
| 11A | 074045-12-000 | EA  | PLUG - 3/8" DOWEL-1/2" HEAD - WASHED MAPLE                      |
| 11A | 074045-14-000 | EA  | PLUG - 3/8" DOWEL-1/2" HEAD - HONEY CHERRY                      |
| 11A | 074045-15-000 | EA  | PLUG - 3/8" DOWEL-1/2" HEAD - SIERRA MAPLE                      |
| 12A | 074493-02-000 | EA  | SUPPORT/PISTON SPRING - CABINET DOOR - 26 LBS                   |
| 12A | 074493-03-000 | EA  | SUPPORT/PISTON SPRING - CABINET DOOR - 12 LBS                   |
| 13A | 156732-01-01A | EA  | BRACE - ANGLE/COUCH - 2.5" - MILL                               |
| 13A | 156732-01-02A | EA  | BRACE - ANGLE/COUCH - 2.5" - OFF WHITE                          |
| 13A | 156732-03-01A | EA  | BRACE - ANGLE/COUCH - BLACK                                     |
| 14A | 083204-03-000 | EA  | BUTTON - RETAINING MIRROR 5/16" TIP                             |
| 15A | 084412-01-000 | EA  | SUPPORT/HINGE KIT (LEFT & RIGHT HINGES)                         |

**INTERIOR FINISH GROUP (CONTINUED)**  
**HARDWARE (CONTINUED)**



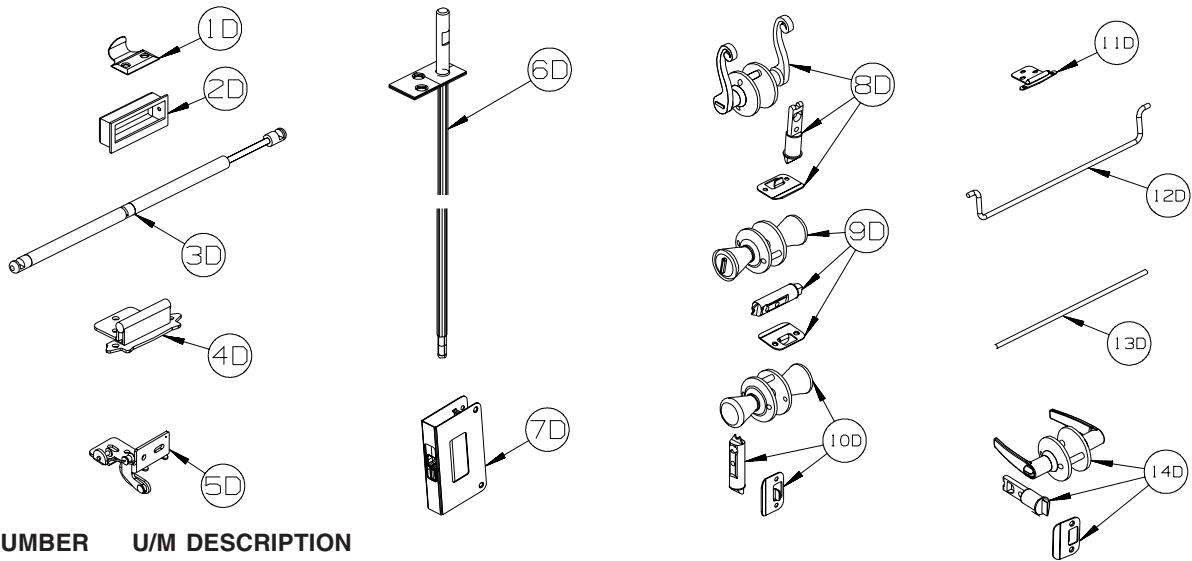
| KEY | PART NUMBER   | U/M | DESCRIPTION   |
|-----|---------------|-----|---|
| 1B  | 084413-01-000 | EA  | HINGE - 1" X 72" - ALUMINUM - W/HOLES                     |
| 2B  | 084451-01-000 | EA  | CATCH & LATCH - 1.7" - BRASS                              |
| 3B  | 092907-01-000 | EA  | SUPPORT - SHELF - PIN - 1/4" - CLEAR PLASTIC              |
| 4B  | 093586-03-000 | EA  | CATCH - SPRING ROLLER - .377"                             |
| 4B  | 093586-06-000 | EA  | CATCH - W/STRIKE - SPRING ROLLER .236"/SPRINT STEEL .943" |
| 5B  | 093586-04-000 | EA  | STRIKE - SPRING STEEL - 1.14"                             |
| 6B  | 096826-01-01A | EA  | BRACE - CABINET - 2" - E-COATED                           |
| 6B  | 096826-02-01A | EA  | BRACE - CABINET - 1" - E-COATED                           |
| 7B  | 097872-04-000 | EA  | DOWEL - WOOD - 1" DIAMETER X 1.38" LONG - UNFINISHED      |
| 8B  | 098196-01-000 | EA  | LATCH - 1/4 TURN - T-BAR                                  |
| 9B  | 098979-01-000 | EA  | CLIP - ADJUSTABLE SHELF                                   |
| 10B | 098980-01-000 | EA  | PILASTER - ADJUSTABLE SHELF - 18"                         |
| 10B | 098980-02-000 | EA  | PILASTER - ADJUSTABLE SHELF - 12"                         |
| 10B | 098980-03-000 | EA  | PILASTER - ADJUSTABLE SHELF - 9"                          |
| 10B | 098980-04-000 | EA  | PILASTER - ADJUSTABLE SHELF - 48"                         |
| 10B | 098980-05-000 | EA  | PILASTER - ADJUSTABLE SHELF - 15"                         |
| 10B | 098980-06-000 | EA  | PILASTER - ADJUSTABLE SHELF - 24"                         |
| 11B | 102920-01-02A | EA  | HINGE - SPRING LOADED - NICKEL                            |
| 11B | 129753-01-01A | EA  | HINGE - SPRING LOADED - 19" X 19" - BLACK                 |
| 12B | 103256-01-000 | EA  | LATCH COMPLETE (SLIDE)                                    |
| 13B | 103874-01-000 | EA  | HANGER - SLIDING DOOR                                     |
| 14B | 104181-01-01A | EA  | SUPPORT - LEAF 5.3" EXTENDS TO 7.5" - SAFETY RING - METAL |
| 15B | 108126-01-000 | EA  | TRAY HINGE SET (QTY. 2 PER SET)                           |
| 16B | 100710-01-02A | EA  | LOCK - GLASS DOOR/TWIST TYPE - NICKEL                     |
| 17B | 100711-01-02A | EA  | HINGE - GLASS DOOR - BLACK                                |

**INTERIOR FINISH GROUP (CONTINUED)**  
**HARDWARE (CONTINUED)**



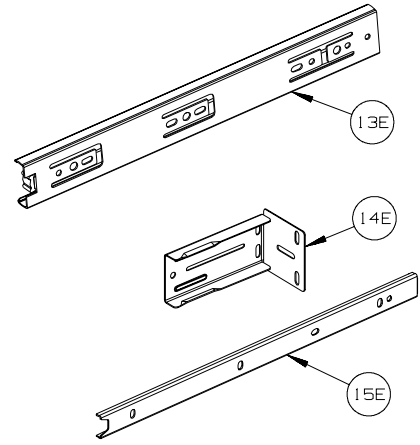
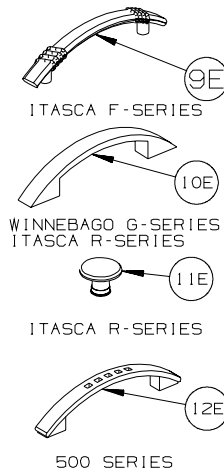
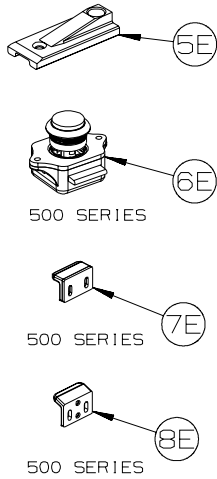
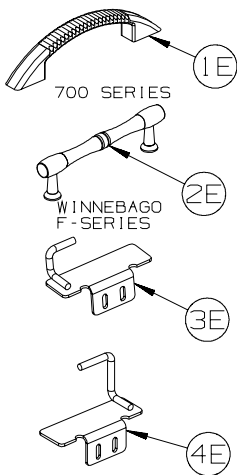
| KEY | PART NUMBER   | U/M | DESCRIPTION  |
|-----|---------------|-----|--|
| 1C  | 110496-01-02A | EA  | HINGE - NICKEL - 2" X 32"                                  |
| 1C  | 110496-06-02A | EA  | HINGE - NICKEL - 2" X 9.5"                                 |
| 1C  | 158921-01-04B | EA  | HINGE - PIANO - TRUNK DOOR - 2" X 21.9" - BLACK            |
| 2C  | 111866-01-02A | EA  | BRACE - SEAT - ANGLE - OFF WHITE                           |
| 3C  | 114443-02-01A | EA  | HINGE - CABINET DOOR - W/O CLIP - SILVER                   |
| 4C  | 114443-03-01A | EA  | CLIP - HINGE/CABINET DOOR - SILVER                         |
| 5C  | 117095-02-01A | EA  | LATCH - DOOR - GRABBER W/KEEPER - PLASTIC - BLK-10 LB PULL |
| 5C  | 117095-03-01A | EA  | LATCH - DOOR - GRABBER W/KEEPER - PLASTIC - BLK-15 LB PULL |
| 6C  | 118200-01-01A | SF  | MESH - PLASTIC 1/2" - 48" X LENGTH = SF - BLACK            |
| 7C  | 122717-06-01A | FT  | PAD - NON-SKID - PSA - 5"W                                 |
| 8C  | 126263-06-02B | EA  | BRACKET - GAS SPRING W/INSIDE BALL STUD - E-COATED         |
| 9C  | 126263-05-02B | EA  | BRACKET - GAS SPRING W/BALL STUD - E-COATED                |
| 9C  | 126263-08-02B | EA  | BRACKET - GAS SPRING W/CENTERED BALL STUD - E-COATED       |
| 10C | 130798-01-02B | EA  | GUIDE - POCKET DOOR - E-COATED                             |
| 11C | 134099-01-02A | EA  | HINGE - PIANO - WRAP AROUND - 15.7" - NICKEL PLATED        |
| 12C | 135538-03-02A | EA  | HINGE - PIANO - FULL WRAP - 15.7" - CHROME                 |
| 12C | 135538-07-02A | EA  | HINGE - PIANO - FULL WRAP - 9.8" - CHROME                  |
| 13C | 137445-03-T78 | EA  | STOP - F/SLIDING DOOR - CONCERT CHERRY                     |
| 13C | 137445-03-T79 | EA  | STOP - F/SLIDING DOOR - WASHED MAPLE                       |
| 13C | 137445-03-T80 | EA  | STOP - F/SLIDING DOOR - SIERRA MAPLE                       |

**INTERIOR FINISH GROUP (CONTINUED)**  
**HARDWARE (CONTINUED)**



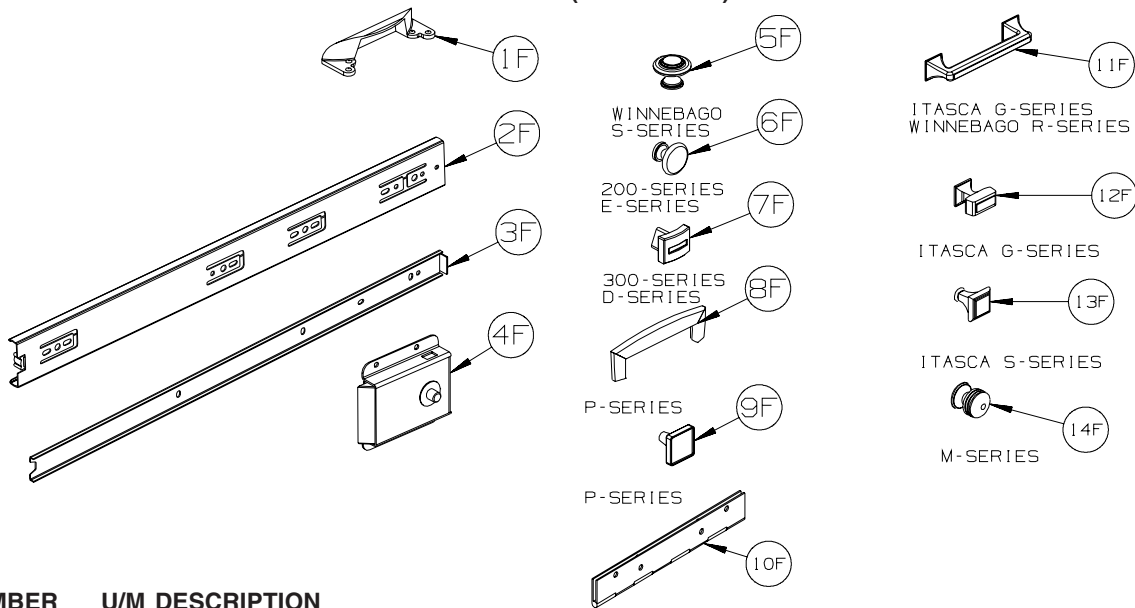
| KEY | PART NUMBER   | U/M | DESCRIPTION  |
|-----|---------------|-----|--|
| 1D  | 137463-01-02A | EA  | LIFT - HOOK - PEWTER                                       |
| 2D  | 139136-02-02A | EA  | HANDLE - .35" RECESSED - PEWTER                            |
| 3D  | 142569-07-000 | EA  | SPRING/GAS - 20 LB - 20" EXTENDED/12" COMPRESSED           |
| 3D  | 142569-15-000 | EA  | SPRING/GAS - 120 LB - 20" EXTENDED/12" COMPRESSED          |
| 3D  | 142569-16-000 | EA  | SPRING/GAS - 90 LB - 20" EXTENDED/12" COMPRESSED           |
| 3D  | 142569-29-000 | EA  | SPRING/GAS - 20 LB - 9.9" EXTENDED/5.9" COMPRESSED         |
| 3D  | 142569-31-000 | EA  | SPRING/GAS - 30 LB - 11.8" EXTENDED/7.3" COMPRESSED        |
| 4D  | 143468-02-03A | EA  | HINGE - SELF CLOSING - SATIN NICKEL                        |
| 4D  | 143468-02-04A | EA  | HINGE - SELF CLOSING - OIL RUBBED BRONZE                   |
| 4D  | 143468-02-05A | EA  | HINGE - SELF CLOSING - RUSTIC BRASS                        |
| 5D  | 144488-01-01A | EA  | HINGE - CABINET - ANTIQUE BRASS                            |
| 5D  | 144488-01-02A | EA  | HINGE - CABINET - NICKEL                                   |
| 6D  | 145939-05-02A | EA  | ROD/LATCH - AISLE DOOR - NICKEL                            |
| 7D  | 145939-04-02A | EA  | LATCH/SLIDE - AISLE DOOR(1" THICK DOOR)-NICKEL/BLACK SLIDE |
| 7D  | 145939-04-03A | EA  | LATCH/SLIDE - AISLE DOOR(1" THICK DOOR)-OIL RUBBED BRONZE  |
| 8D  | 146064-01-02A | EA  | LOCK/PRIVACY (LOCKING) LEVER STYLE - SATIN PEWTER          |
| 8D  | 146064-02-02A | EA  | LOCK/PASSAGE (NON LOCKING) LEVER STYLE - PEWTER            |
| 9D  | 146064-05-01A | EA  | LOCK/PRIVACY (LOCKING) "TULIP" STYLE KNOB - SATIN NICKEL   |
| 10D | 146064-06-01A | EA  | LOCK/PASSAGE (NON LOCKING) "TULIP" STYLE KNOB-SATIN NICKEL |
| 11D | 146553-01-03A | EA  | HINGE - CABINET DOOR - SATIN NICKEL                        |
| 12D | 146801-01-02A | EA  | ROD/TOWEL BAR (OFFSET) - PEWTER                            |
| 13D | 146840-03-02A | EA  | ROD - .25" X 11.7" - PEWTER                                |
| 13D | 146840-04-02A | EA  | ROD - .25" X 13.1" - PEWTER                                |
| 14D | 146064-08-01A | EA  | LOCK/PASSAGE (NON LOCKING) LEVER STYLE - SATIN NICKEL      |
| 14D | 146064-07-01A | EA  | LOCK/PRIVACY (LOCKING) LEVER STYLE - SATIN NICKEL          |

## INTERIOR FINISH GROUP (CONTINUED) HARDWARE (CONTINUED)



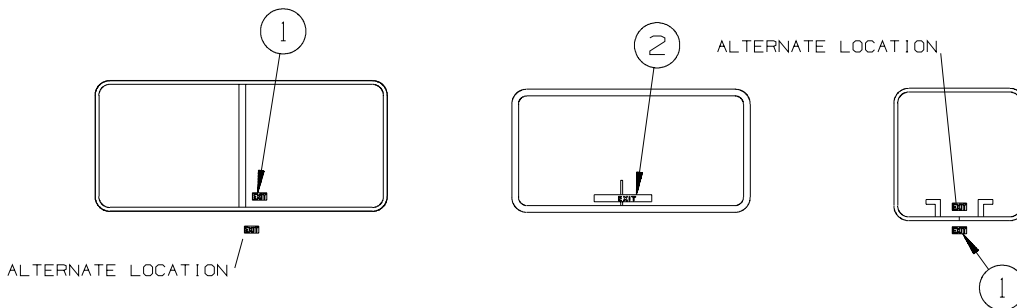
| KEY | PART NUMBER   | U/M | DESCRIPTION   |
|-----|---------------|-----|---|
| 1E  | 148816-01-02A | EA  | PULL - CABINET DOOR - NICKEL - <b>ASPECT, CAMBRIA 700-SERIES/ADVENTURER LIMITED EDITION</b> |
| 2E  | 149090-01-02A | EA  | PULL - CABINET DOOR - NICKEL - <b>VOYAGE F-SERIES</b>                                       |
| 3E  | 149607-01-02B | EA  | GUIDE - F/POCKET DOOR - 1.6" BENT ROD - E-COATED  |
| 3E  | 149607-03-02B | EA  | GUIDE - F/POCKET DOOR - 2.9" BENT ROD - E-COATED  |
| 4E  | 149607-04-02B | EA  | GUIDE - F/POCKET DOOR - E-COATED  |
| 5E  | 150983-01-01A | EA  | STRIKE/BLOCK - WEDGE STYLE - F/SLIDE DOOR - 3" X 1.2" - BLACK                               |
| 6E  | 151380-01-01A | EA  | LATCH - CBNT DR - PUSH BTN - <b>VIEW &amp; NAVION 500-SERIES</b>                            |
| 6E  | 151380-01-02A | EA  | LATCH - CABINET DOOR - PUSH BUTTON - BLACK - <b>TOUR &amp; ELLIPSE R-SERIES</b>             |
| 7E  | 151380-02-01A | EA  | STRIKE - CABINET DOOR - <b>VIEW &amp; NAVION 500-SERIES</b>                                 |
| 8E  | 151380-03-01A | EA  | STRIKE - CABINET DOOR - <b>VIEW &amp; NAVION 500-SERIES</b>                                 |
| 9E  | 152302-01-01A | EA  | PULL - CABINET DOOR - SATIN NICKEL - <b>SUNRISE F-SERIES</b>                                |
| 10E | 152304-01-01A | EA  | PULL - CABINET DOOR - BRONZE- <b>ADVENTURER G-SERIES, ELLIPSE R-SERIES</b>                  |
| 11E | 152305-01-01A | EA  | KNOB - DOOR/DRAWER - BRONZE - <b>ELLIPSE R-SERIES</b>                                       |
| 12E | 152950-01-01A | EA  | PULL - DOOR/DRAWER - BRUSHED NICKEL - <b>VIEW &amp; NAVION 500-SERIES</b>                   |
| 13E | 153000-01-01A | EA  | SLIDE - CABINET MOUNT - 11.8"   |
| 13E | 153000-03-01A | EA  | SLIDE - CABINET MOUNT - 13.8"   |
| 13E | 153000-05-01A | EA  | SLIDE - CABINET MOUNT - 15.7"   |
| 13E | 153000-07-01A | EA  | SLIDE - CABINET MOUNT - 17.7"   |
| 13E | 153000-09-01A | EA  | SLIDE - CABINET MOUNT - 19.7"   |
| 13E | 153000-11-01A | EA  | SLIDE - CABINET MOUNT - 21.6"   |
| 13E | 153000-14-01A | EA  | SLIDE - CABINET MOUNT - 23.6"   |
| 13E | 153000-16-01A | EA  | SLIDE - CABINET MOUNT - 7.9"  |
| 13E | 153000-18-01A | EA  | SLIDE - CABINET MOUNT - 9.8"  |
| 13E | 153000-20-01A | EA  | SLIDE - CABINET MOUNT - 25.6"   |
| 14E | 153000-13-01A | EA  | BACKSOCKET - DRAWER SLIDE   |
| 15E | 153000-02-01A | EA  | SLIDE - DRAWER MOUNT - 11.8"  |
| 15E | 153000-04-01A | EA  | SLIDE - DRAWER MOUNT - 13.8"  |
| 15E | 153000-06-01A | EA  | SLIDE - DRAWER MOUNT - 15.7"  |
| 15E | 153000-08-01A | EA  | SLIDE - DRAWER MOUNT - 17.7"  |
| 15E | 153000-10-01A | EA  | SLIDE - DRAWER MOUNT - 19.7"  |
| 15E | 153000-12-01A | EA  | SLIDE - DRAWER MOUNT - 21.6"  |
| 15E | 153000-15-01A | EA  | SLIDE - DRAWER MOUNT - 23.4"  |
| 15E | 153000-17-01A | EA  | SLIDE - DRAWER MOUNT - 7.7"   |
| 15E | 153000-19-01A | EA  | SLIDE - DRAWER MOUNT - 9.6"   |
| 15E | 153000-21-01A | EA  | SLIDE - DRAWER MOUNT - 25.4"  |

**INTERIOR FINISH GROUP (CONTINUED)**  
**HARDWARE (CONTINUED)**



| KEY | PART NUMBER   | U/M | DESCRIPTION   |
|-----|---------------|-----|---|
| 1F  | 153308-01-01A | EA  | PULL - VANITY STOOL - SATIN NICKEL  |
| 2F  | 153352-01-01A | EA  | SLIDE - PANTRY - 19.7" - CABINET MOUNT  |
| 3F  | 153352-02-01A | EA  | SLIDE - PANTRY - 19.5" - DRAWER MOUNT   |
| 4F  | 153353-01-01A | EA  | LATCH - SLIDING/FLUSH - BLACK   |
| 5F  | 155803-01-01A | EA  | KNOB CABINET DOOR - WROUGHT IRON - <b>VECTRA S-SERIES</b>   |
| 6F  | 155925-01-01A | EA  | KNOB - DOOR/DRW - SATIN NICKEL - <b>ACCESS &amp; IMPULSE 200-SERIES/ VISTA &amp; SUNSTAR E-SERIES</b> |
| 7F  | 156579-01-01A | EA  | KNOB - DOOR/DRW - PEWTER - <b>OUTLOOK &amp; SPIRIT 300-SERIES/ SIGHTSEER &amp; SUNOVA D-SERIES</b>    |
| 8F  | 157246-01-01A | EA  | PULL - CABINET DOOR/DRAWER - SATIN NICKEL - <b>JOURNEY &amp; MERIDIAN P-SERIES</b>                    |
| 9F  | 157246-02-01A | EA  | KNOB - CABINET DOOR/DRAWER-SATIN NICKEL - <b>JOURNEY &amp; MERIDIAN P-SERIES</b>                      |
| 10F | 158982-01-04B | EA  | HINGE - CONTINUOUS - 2" X 8" - BLACK  |
| 10F | 158982-01-01A | EA  | HINGE - CONTINUOUS - 2" X 8" - ZINC   |
| 11F | 162033-01-01A | EA  | PULL - CABINET DOOR - BRUSHED NICKEL - <b>SUNCRUISER G-SERIES, TOUR R-SERIES</b>                      |
| 12F | 162033-02-01A | EA  | KNOB - CABINET DOOR - BRUSHED NICKEL - <b>SUNCRUISER G-SERIES</b>                                     |
| 13F | 162518-01-01A | EA  | KNOB - DOOR/DRAWER - SATIN NICKEL - <b>HORIZON S-SERIES</b>   |
| 14F | 163095-01-01A | EA  | KNOB - CABINET DOOR - SATIN NICKEL - <b>DESTINATION &amp; LATTITUDE M-SERIES</b>                      |

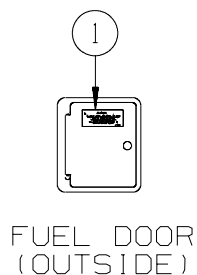
## LABELS GROUP



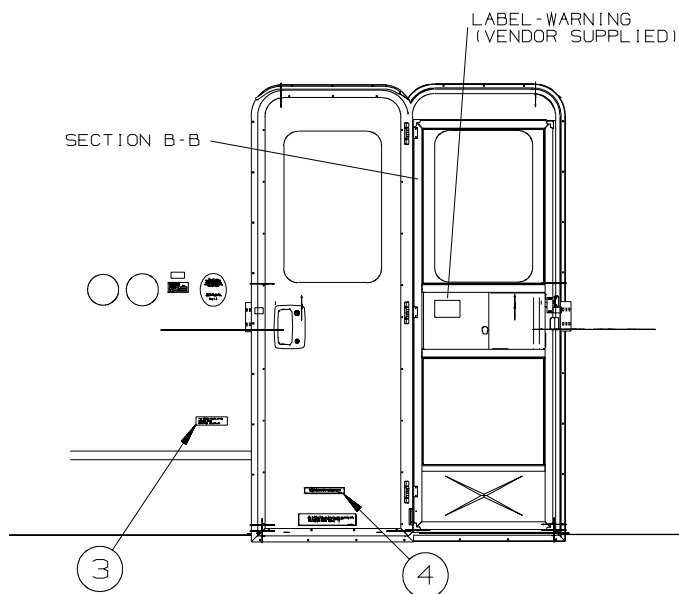
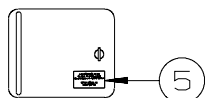
| KEY | PART NUMBER   | U/M | DESCRIPTION                |
|-----|---------------|-----|----------------------------|
| 1   | 039290-01-000 | EA  | LABEL - WARNING - EXIT     |
| 2   | 107571-01-000 | EA  | LABEL - EXIT/ESCAPE WINDOW |

### EXIT WINDOWS

LOCATE ON OUTSIDE OF FUEL FILL DOOR

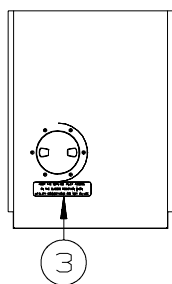


FUEL DOOR (OUTSIDE)

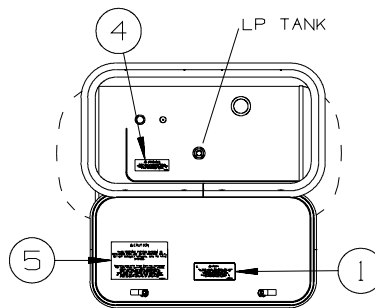
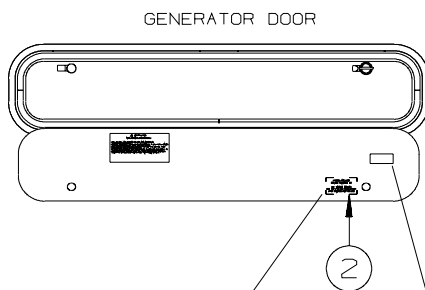


### ENTRANCE DOOR

| KEY | PART NUMBER   | U/M | DESCRIPTION   |
|-----|---------------|-----|---|
| 1   | 124519-01-01A | EA  | LABEL - WARNING/REFUELING - BLACK ON CLEAR  |
| 1   | 124519-02-01A | EA  | LABEL - WARNING/REFUELING - BLACK ON CLEAR - CSA - <b>CANADIAN</b>                          |
| 2   | 135869-01-01A | EA  | LABEL - MERCURY CONTENT - BLACK ON CLEAR  |
| 3   | 099509-01-000 | EA  | LABEL - AWNING INSTALLATION   |
| 4   | 065748-01-000 | EA  | LABEL - WARNING - BATTERY CHARGING - UL   |
| 5   | 125306-04-01A | EA  | LABEL - ELECTRICAL ENTRANCE-120/20V 50 AMP-BLACK ON CLEAR<br>FROM: 00-00-00 THRU: 02-10-08  |
| 5   | 125306-01-01A | EA  | LABEL - ELECTRICAL ENTRANCE - 110V 30 AMP - BLACK ON CLEAR<br>FROM: 02-11-08 THRU: 99-99-99 |



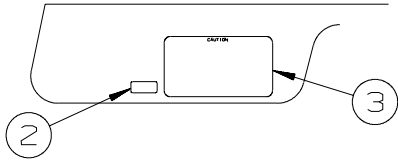
(LOCATED ON OUTSIDE OF ELEC COMPT DOOR)



LABEL TIRE PRESSURE  
(MATCH CHASSIS VIN# LAST 6 CHARACTERS ON LABEL)  
(LOCATE INSIDE OF ELEC COMPT DOOR)

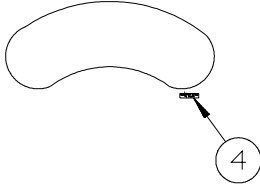
| KEY | PART NUMBER   | U/M | DESCRIPTION  |
|-----|---------------|-----|--|
| 1   | 124519-01-01A | EA  | LABEL - WARNING/REFUELING - BLACK ON CLEAR                         |
| 1   | 124519-02-01A | EA  | LABEL - WARNING/REFUELING - BLACK ON CLEAR - CSA - <b>CANADIAN</b> |
| 2   | 125306-01-01A | EA  | LABEL - ELECTRICAL ENTRANCE - 110V 30 AMP - BLACK ON CLEAR         |
| 3   | 123562-01-000 | EA  | LABEL - SERVICE/UTILITY ACCESS                                     |
| 4   | 079965-01-000 | EA  | LABEL - LPG - 80% CAPACITY   |
| 5   | 124520-01-01A | EA  | LABEL - LP GAS ONLY - BLACK ON CLEAR                               |
| 5   | 023769-01-000 | EA  | LABEL - WARNING - LPG - <b>CANADIAN</b>                            |

## LABELS GROUP (CONTINUED)

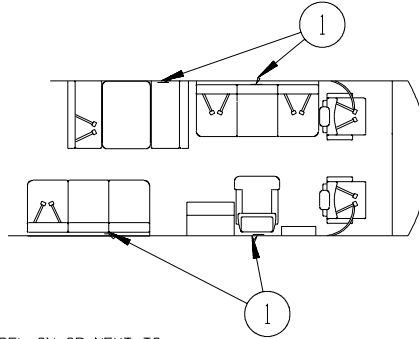


LABELS SHALL BE LOCATED ON OPPOSITE SIDE OF VISOR THAT THE AIR BAG LABEL IS INSTALLED ON.

### INSTRUMENT CLUSTER

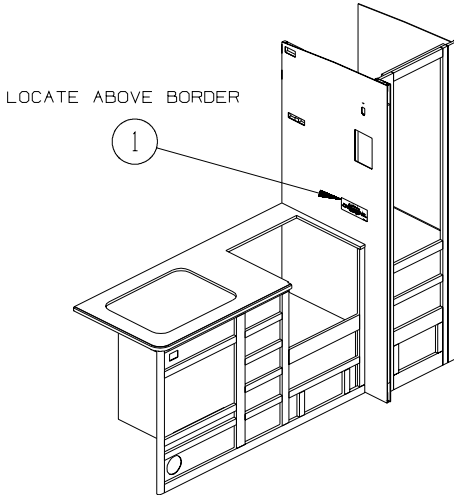


### TYPICAL SEAT AND BELT CONFIGURATIONS



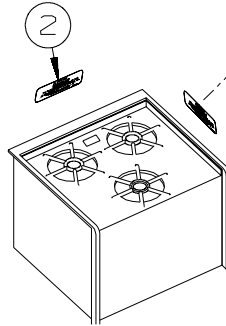
ATTACH LABEL ON OR NEXT TO:  
 +ANY SINGLE CHAIR WITHOUT BELTS.  
 +ANY DINETTE SEAT WITHOUT BELTS.  
 +ANY COUCH WITHOUT BELTS OR ANY SEATING POSITION ON THAT COUCH.  
 DO NOT ATTACH LABEL IF:  
 +DINETTE SEAT HAS AT LEAST ONE SET OF BELTS INSTALLED.

| KEY | PART NUMBER   | U/M | DESCRIPTION   |
|-----|---------------|-----|---|
| 1   | 134538-01-01A | EA  | LABEL - OCCUPANCY - NO SEAT BELT - BLACK ON CLEAR - US                    |
| 1   | 134538-02-01A | EA  | LABEL - OCCUPANCY - NO SEAT BELT - BLACK ON CLEAR - CSA - <b>CANADIAN</b> |
| 2   | 099689-01-000 | EA  | LABEL - WARNING - CANCER/TOXICITY - <b>CALIFORNIA ONLY</b>                |
| 3   | 056259-01-000 | EA  | LABEL - SAFETY CHECK LIST   |
| 4   | 155692-01-02A | EA  | LABEL - ODOMETER - READ IN MILE - WHITE/CLEAR - <b>CANADIAN</b>           |

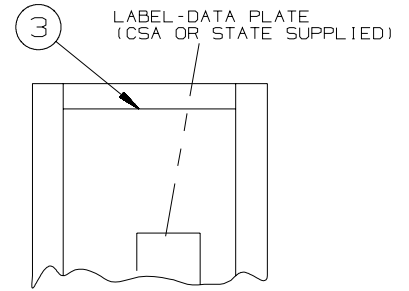


LOCATE ABOVE BORDER

ON WALL



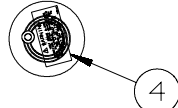
ALTERNATE LOCATION (ON CABINET WALL)



### INSIDE GALLEY CABINET

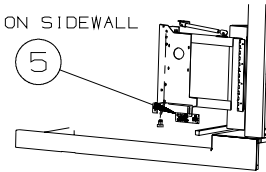
226A

SMOKE DETECTOR



LABEL NOT TO COVER SENSOR OPENING

LOCATED ON SIDEWALL

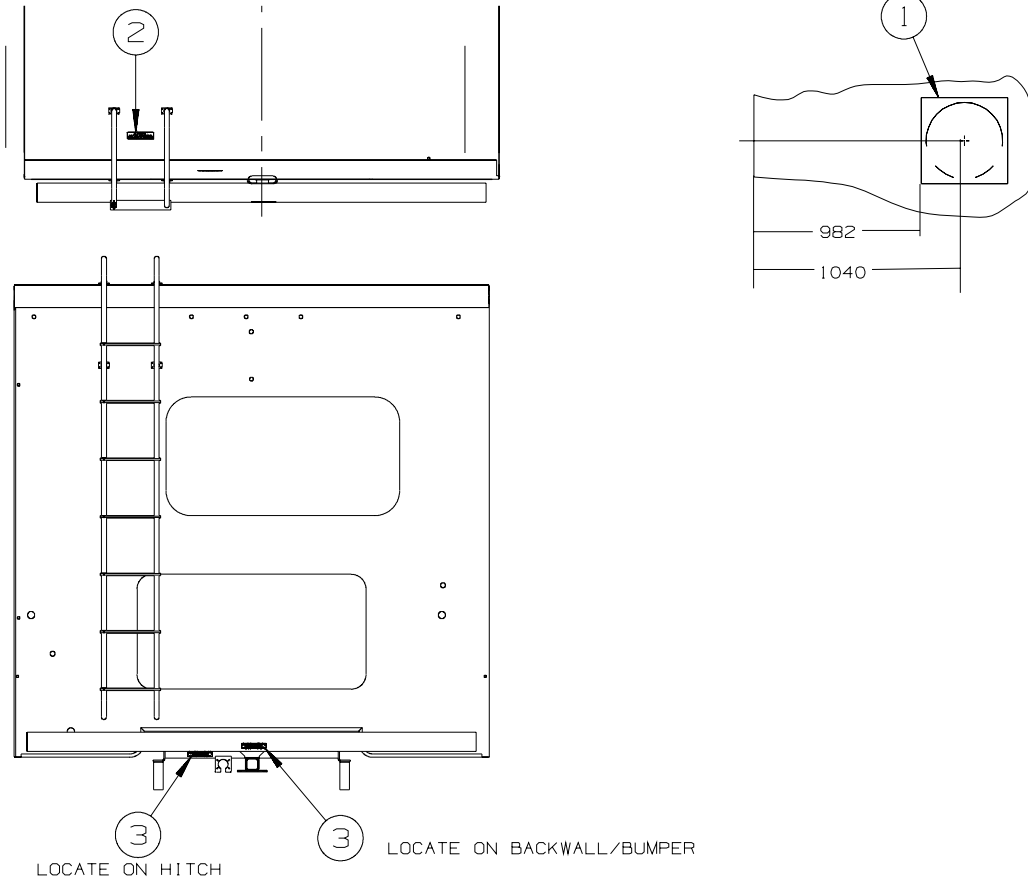


### FRONT ENTERTAINMENT CENTER

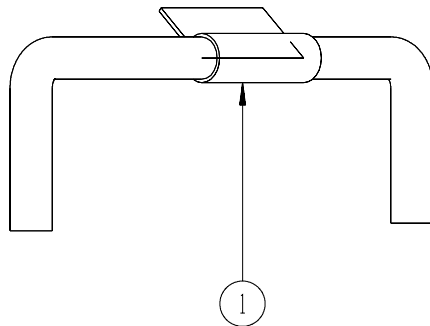
| KEY | PART NUMBER   | U/M | DESCRIPTION  |
|-----|---------------|-----|--|
| 1   | 143911-01-01A | EA  | LABEL - CURTAIN SECUREMENT - BLACK ON CLEAR                              |
| 1   | 155196-01-01A | EA  | LABEL - CURTAIN SECUREMENT - BLACK ON CLEAR - <b>CANADIAN</b>            |
| 2   | 134539-01-01A | EA  | LABEL - WARNING - STOVE/HEATING - US - BLACK ON CLEAR                    |
| 2   | 134540-01-01A | EA  | LABEL - WARNING - STOVE/HEATING - CSA - BLACK ON CLEAR - <b>CANADIAN</b> |
| 3   | 073998-01-000 | EA  | LABEL - LPG/ODOR WARNING   |
| 4   | 077956-01-000 | EA  | LABEL - WARNING/SMOKE DETECTOR   |
| 5   | 159837-01-01A | EA  | LABEL - CAUTION - SWINGOUT TV - BLACK/CLEAR/RED                          |



## LABELS GROUP (CONTINUED)

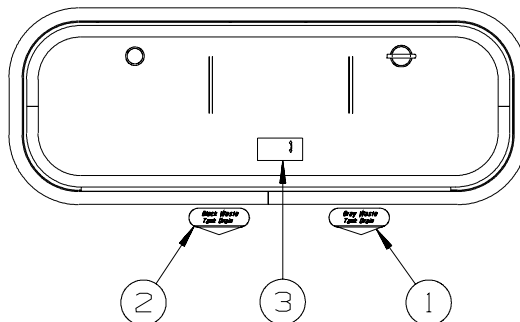


| KEY | PART NUMBER   | U/M DESCRIPTION                                       |
|-----|---------------|---|
| 1   | 120431-01-000 | EA LABEL - LOCATION - COAXIAL CABLE/SATELLITE ANTENNA |
| 2   | 163705-01-01A | EA LABEL - WARNING - SLIPPERY ROOF - BLACK ON WHITE   |
| 3   | 129669-01-02A | EA LABEL - HITCH/VEHICLE RATE - 350 - BLACK ON CLEAR  |



WRAP LABEL AROUND ROD  
AND ADHERE TO ITSELF

| KEY | PART NUMBER   | U/M DESCRIPTION                  |
|-----|---------------|----------------------------------|
| 1   | 128658-01-000 | EA LABEL - PROP ROD - ENTRY DOOR |



| KEY | PART NUMBER   | U/M DESCRIPTION                              |
|-----|---------------|--|
| 1   | 152541-03-01A | EA LABEL - GRAY WASTE                        |
| 2   | 152543-03-01A | EA LABEL - BLACK WASTE                       |
| 3   | 144649-01-01A | EA LABEL - ADJUSTABLE VALVE - WHITE ON CLEAR |

**LP GROUP  
LP SYSTEM**

| KEY | PART NUMBER   | U/M | DESCRIPTION  |
|-----|---------------|-----|--|
|     | 010265-01-000 | EA  | ELBOW - BRASS - 90 DEGREE - 3/8"F X 1/2"FPT                        |
|     | 065318-02-000 | EA  | ELBOW - 90 DEGREE - 3/8" MPT TO 3/8" FPT                           |
|     | 146635-02-000 | EA  | ELBOW-5/8 FLARE,PIPE-AWAY  |
|     | 166513-01-000 | EA  | ELBOW - BRASS - 1/2"F X 1/2"FPT - SWIVEL                           |
|     | 010323-01-000 | EA  | ADAPTER - 3/8"F X 1/2"MPT - BRASS                                  |
|     | 010326-01-000 | EA  | ADAPTER - FLARE - W/CONE GASKET - 3/8"F X 1/2"F                    |
|     | 010329-01-000 | EA  | ADAPTER - 1/2"F X 1/2"MPT - BRASS                                  |
|     | 024250-01-000 | EA  | ADAPTER - BRASS - 3/8"F X 1/2"FPT                                  |
|     | 057042-01-000 | EA  | ADAPTER - CROSS 1/2"PIPE   |
|     | 146635-01-000 | EA  | ADAPTOR - PIPE - AWAY  |
|     | 010377-02-000 | EA  | NUT - 3/8" FLARE - FORGED - BRASS                                  |
|     | 010380-02-000 | EA  | NUT - 1/2" FLARE - FORGED - BRASS                                  |
|     | 010589-01-000 | EA  | NIPPLE - PIPE - 1/2" X 1 1/2" - BLACK                              |
|     | 010589-03-000 | EA  | NIPPLE - PIPE - 1/2" X 2 1/2" - BLACK                              |
|     | 040440-02-000 | EA  | TRANSMITTER - DIAL/BOLT-ON - 0-90 OHM 2 TERM(POWER/GROUND)         |
|     | 045703-03-000 | EA  | HOSE - LP - 3/8"ID X 18" - 3/8"MPT X 1/2"F SWIVEL - US             |
|     | 045703-05-000 | EA  | HOSE - LP - 3/8"ID X 28" - 3/8"MPT X 1/2"F SWIVEL - US             |
|     | 045703-06-000 | EA  | HOSE - LP - 3/8"ID X 28" - 3/8"MPT X 1/2"F SWIVEL - CSA - CANADIAN |
|     | 045703-12-000 | EA  | HOSE - LP - 3/8"ID X 18" - 3/8"MPT X 1/2"F SWIVEL - CSA - CANADIAN |
|     | 045703-15-000 | EA  | HOSE - LP - 3/8"ID X 142" - 1/2"F SWIVEL X 3/8"F SWIVEL            |
|     | 146989-04-000 | EA  | HOSE ASM-LP,1/2" ID 400, 5/8"FEMALE SWIVEL                         |
|     | 106150-05-000 | EA  | REGULATOR - TWO STAGE  |
|     | 111848-06-02B | EA  | SHIELD - HEAT - EXHAUST - E-COATED - 226A, 228P                    |
|     | 160426-01-02B | EA  | SHIELD/HEAT - EXHAUST - E-COATED - 231C CHEVY                      |
|     | 159048-01-02B | EA  | PANEL/GUARD - LP - E-COATED - 229T                                 |
|     | 130377-02-000 | EA  | TUBE/DRAIN - KAZOO - 1 1/2" X 4"                                   |
| *   | 144116-04-000 | EA  | TANK - LP - 60 LB - 14"D X 29.75"L                                 |
|     | 144485-01-000 | EA  | COVER - LP REGULATOR   |

**\*COMPONENT PARTS LISTED LATER IN THIS GROUP**

**COMPONENT PARTS FOR LP SYSTEM**

**144116-04-000**

| KEY | PART NUMBER   | U/M | DESCRIPTION                  | VENDOR NO.    |
|-----|---------------|-----|------------------------------|---------------|
|     | 040421-01-712 | EA  | VALVE-SERV. W/O VAPOR RELIEF | V20373/V21202 |
|     | 040421-01-713 | EA  | VALVE-RELIEF 1" W/SPRING 7"  | V12560/V21207 |
|     | 144116-01-700 | EA  | VALVE-OUTAGE(NO STEM REMOVE) | V20058        |
|     | 144116-01-701 | EA  | VALVE/FILL 80 % W/YELLOW CAP | V13414        |
|     | 144116-04-700 | EA  | FLOAT/SENDING UNIT W/O DIAL  | G11530        |
|     | 144116-04-701 | EA  | DIAL - TRANSMITER            | G12845        |

**SEALANTS & FASTENERS GROUP**  
**SEALANTS & ADHESIVES**

| KEY | PART NUMBER   | U/M | DESCRIPTION  |
|-----|---------------|-----|--|
|     | 010405-02-000 | EA  | TAPE - THREAD SEALING - 3/8"                               |
|     | 064075-07-000 | FT  | SEAL - BULB - W/WIRED U CHANNEL - .3" X .5" CHANNEL-BLACK  |
|     | 067788-01-000 | EA  | ADHESIVE - SPRAY - 3M - 19.5 OZ AEROSOL CAN                |
|     | 069640-01-000 | FT  | SEALER - RIBBON - 1/4"DIAMETER X 30 FT - BLACK OR GRAY     |
|     | 069640-02-000 | FT  | SEALER - TAPE - 1/8"THICK X 1/2"WIDE X 60 FT - GRAY        |
|     | 069640-03-000 | FT  | SEALER - TAPE - 1/8"THICK X 3/4"WIDE X 60 FT - BLACK       |
|     | 069640-07-000 | FT  | SEALER - TAPE - 3/32"THICK X 2"WIDE X 45 FT - GRAY         |
|     | 069640-09-000 | FT  | SEALER - TAPE - 1/32"THICK X 2 1/2"WIDE X 80 FT - BRT WHT  |
|     | 069640-10-000 | FT  | SEALER - TAPE - 1/32"THICK X 1 1/2"WIDE X 90 FT - GRAY     |
|     | 069640-11-000 | FT  | SEALER - TAPE - 3/16"THICK X 3/8"WIDE X 40 FT - BLACK      |
|     | 069640-13-000 | FT  | SEALER - TAPE - 3/32"THICK X 2"WIDE X 45 FT - BLACK        |
|     | 069640-14-000 | FT  | SEALER - TAPE - 1/16"THICK X 1"WIDE X 100 FT - BLACK       |
|     | 069640-15-000 | FT  | SEALER - TAPE - 1/16"THICK X 3/8"WIDE X 100 FT - BRT WHT   |
|     | 069640-17-000 | FT  | SEALER - TAPE - 1/32"THICK X 1"WIDE X 150 FT - GRAY        |
|     | 069640-18-000 | FT  | SEALER - TAPE - 1/8"THICK X 1/2"WIDE X 60 FT - BRT WHT     |
|     | 069640-19-000 | FT  | SEALER - TAPE - 1/8"THICK X 3/4"WIDE X 60 FT - BRT WHT     |
|     | 069640-20-000 | FT  | SEALER - TAPE - 1/8"THICK X 1/2"WIDE X 60 FT - BLACK       |
|     | 069640-21-000 | FT  | SEALER - TAPE - 1/16"THICK X 1/2"WIDE X 100 FT - BRT WHT   |
|     | 069640-22-000 | FT  | SEALER - TAPE - 1/32"THICK X 1/4"WIDE X 200 FT - BRT WHT   |
|     | 069640-23-000 | FT  | SEALER - TAPE - 1/16"THICK X 3/4"WIDE X 100 FT - BRT WHT   |
|     | 069640-27-000 | FT  | SEALER - TAPE - 1/16"THICK X 2 1/4"WIDE X 50 FT - BRT WHT  |
|     | 069640-28-000 | FT  | SEALER - TAPE - 1/32"THICK X 1 7/8"WIDE X 90 FT - GRAY     |
|     | 069640-30-000 | FT  | SEALER - TAPE - 1/32"THICK X 5/8"WIDE X 50 FT - GRAY       |
|     | 069640-31-000 | FT  | SEALER - TAPE - 1/4"THICK X 3/4"WIDE X 15 FT - BLACK       |
|     | 069640-32-000 | FT  | SEALER - TAPE - 1/16"THICK X 3/8"WIDE X 100 FT - BLACK     |
|     | 069640-33-000 | FT  | SEALER - RIBBON - 3/8"DIAMETER X 20 FT - BLACK             |
|     | 069640-34-000 | FT  | SEALER - RIBBON - 1/4"DIAMETER X 30 FT - BRIGHT WHITE      |
|     | 069640-36-000 | EA  | SEALER - TAPE - 1/16"THICK X 1/2"WIDE X 100 FT - BLACK     |
|     | 069640-37-000 | FT  | SEALER - TAPE - 1/16"THICK X 3/4"WIDE X 100 FT - BLACK     |
|     | 069640-38-000 | FT  | SEALER - TAPE - 1/16"THICK X 3/4"WIDE X 100 FT - BRT WHT   |
|     | 069640-39-000 | FT  | SEALER - TAPE - 1/16"THICK X 3"WIDE X 50 FT - BRT WHT      |
|     | 069640-40-000 | FT  | SEALER - TAPE - 1/16"THICK X 3"WIDE X 50 FT - BRT WHT      |
|     | 072889-28-000 | EA  | SEALANT/URETHANE-10 OZ TUBE W/NOZZLE-SELF LEVELING-BRT WHT |
|     | 072889-31-000 | EA  | SEALANT/URETHANE-10 OZ TUBE W/NOZZLE-SELF LEVELING - BLACK |
|     | 076322-02-000 | FT  | TAPE-DOUBLE COATED/ADHESIVE BK-.05"THK X 1"W X 108' - WHT  |
|     | 076322-03-000 | FT  | TAPE-DOUBLE COATED/ADHESIVE BK-.05"THK X .5"W X 108' - WHT |
|     | 076322-05-000 | FT  | TAPE-DOUBLE COATED/ADHESIVE BK-.05"THK X .8"W X 108' - WHT |
|     | 076322-07-000 | FT  | TAPE-DOUBLE COATED/ADHESIVE BK-.05"THK X .5"W X 200' - BLK |
|     | 076322-13-000 | FT  | TAPE - FOAM/DOUBLE COATED - .020"THK X .75"W - CLEAR       |
|     | 076322-21-000 | FT  | TAPE - FOAM/DOUBLE COATED - .045"THK X .50"W               |
|     | 076322-22-000 | FT  | TAPE - FOAM/DOUBLE COATED - .045"THK X .75"W               |
|     | 076322-23-000 | FT  | TAPE - FOAM/DOUBLE COATED - .045"THK X 1"W                 |
|     | 076322-25-000 | FT  | TAPE - FOAM/DOUBLE COATED - .025"THK X .5"W                |
|     | 086276-01-000 | EA  | TAPE - DOUBLE SIDED - 1/2" WIDE X 108' LONG (SOLD BY ROLL) |
|     | 088479-01-000 | EA  | TAPE - ALUMINUM - 3"                                       |
|     | 090340-01-000 | FT  | SEAL - FOAM - CLOSED CELL - 1/4" X 1/2" X 50'              |
|     | 090340-02-000 | FT  | SEAL - FOAM - CLOSED CELL - 3/8" X 1/2" X 50'              |
|     | 091255-02-000 | FT  | SEAL - ADHESIVE BACKED/FOAM - 3/64"THICK X 3/16"W X 1000'  |
|     | 091255-03-000 | FT  | SEAL - ADHESIVE BACKED/FOAM - 1/4" THICK X 1/4"W X 1000'   |
|     | 094401-01-000 | EA  | SEALER - BODY SEAM - FLEXICLEAR                            |
|     | 094401-04-000 | EA  | SEALER - BODY SEAM - CLEAR                                 |
|     | 094401-05-000 | EA  | SEALER - BODY SEAM - 20OZ BLACK                            |
|     | 094401-06-000 | EA  | SEALER - BODY SEAM - 12OZ BLACK                            |
|     | 094401-07-000 | EA  | SEALER - BODY SEAM - CLEAR                                 |
|     | 098408-01-000 | FT  | SEAL - SPONGE RUBBER - CLOSED CELL                         |
|     | 099069-01-000 | FT  | SEAL - RUBBER - CLOSED SPONGE - .5" WIDE X .12" THICK-BLK  |
|     | 099418-01-000 | FT  | SEAL - D-SECTION/ADHESIVE BACK - .44" X .44" - BLK RUBBER  |
|     | 100128-02-000 | FT  | SEAL - FOAM/ADHESIVE BACK - .37" WIDE X .37" THICK X 60'   |
|     | 104692-01-000 | FT  | SEAL - ADHESIVE BACKED FOAM - 3/4" THICK X 3/4" WIDE X 25' |
|     | 107721-07-000 | FT  | SEAL - ACCESS DOOR - .9"WIDE X 1.1"HIGH                    |
|     | 112864-01-000 | FT  | SEAL - FOAM/BUTYL COVERED - 3/8" X 35'                     |
|     | 112864-02-000 | FT  | SEAL - FOAM/BUTYL COVERED - 5/16" X 44'                    |
|     | 112864-05-000 | FT  | SEAL - FOAM/BUTYL COVERED - 1/2" X 3/16"                   |
|     | 112901-02-000 | EA  | ADHESIVE - PLEXUS - MA330 - 50ML - GRAY                    |

## SEALANTS & FASTENERS GROUP (CONTINUED)

### SEALANTS & ADHESIVES (CONTINUED)

| KEY | PART NUMBER   | U/M | DESCRIPTION  |
|-----|---------------|-----|--|
|     | 112901-03-000 | EA  | ADHESIVE - PLEXUS - MA300 - 50ML - WHITE                   |
|     | 112902-03-000 | EA  | MIXER NOZZLE - F/GUN #00400102000 - SCOTCH-WELD & PLEXUS   |
|     | 112902-04-000 | EA  | NOZZLE - ELEMENT - 1/4" X 3.5"                             |
|     | 113452-01-000 | FT  | SEAL/TRIM - FRONT - VINYL W/WIRE CARRIER - .020"           |
|     | 113452-02-000 | FT  | SEAL/TRIM - FRONT - VINYL W/WIRE CARRIER - .027"           |
|     | 113366-01-000 | EA  | ADHESIVE - INSTANT - 1 OZ                                  |
|     | 115870-01-000 | FT  | SEAL/EDGE - TRIM   |
|     | 120074-02-03A | EA  | SILICONE - TUBE - W/O NOZZLE - LOW ODOR - SMOKEY WHITE     |
|     | 120534-01-01A | EA  | TAPE - SCOTCH - 3M - 1/2" FINE LINE                        |
|     | 123655-01-000 | FT  | SEAL - CLOSED CELL/FOAM                                    |
|     | 123816-01-000 | FT  | TAPE - DOUBLE SIDED - 1" X .020" X 200' - CLEAR            |
|     | 123816-02-000 | FT  | TAPE - DOUBLE SIDED - 1/2" X .035" X 200' - CLEAR          |
|     | 123816-03-000 | FT  | TAPE - DOUBLE SIDED - 1/2" X .020" X 200' - CLEAR          |
|     | 123816-04-000 | FT  | TAPE - DOUBLE SIDED - 6" X .0035" X 750' - CLEAR           |
|     | 123816-06-000 | FT  | TAPE - DOUBLE SIDED - 3/4" X 3/4" X 200' - CLEAR           |
|     | 123816-07-000 | FT  | TAPE - DOUBLE SIDED - 1 3/4" X 200' - CLEAR                |
|     | 126427-01-000 | EA  | ADHESIVE - ALL PURPOSE - ABS/PVC                           |
|     | 126427-02-000 | EA  | PRIMER - CLEANER - FLEX PIPING                             |
|     | 131264-01-12A | EA  | SILICONE - TUBE - W/NOZZLE - BONE                          |
|     | 131264-01-13A | EA  | SILICONE - TUBE - W/NOZZLE - TRANSLUCENT                   |
|     | 131264-03-01A | EA  | SILICONE - TUBE - W/O NOZZLE - SELF LEVELING -BRIGHT WHITE |
|     | 131264-04-02A | EA  | SILICONE/SEALANT/ADHESIVE-FAST CURE F/GLASS/VINYL-SOFT WHT |
|     | 131264-05-01A | EA  | SILICONE/SEALANT - ODORLESS - TUBE - W/NOZZLE - BLACK      |
|     | 131264-05-02A | EA  | SILICONE/SEALANT - ODORLESS - TUBE - W/NOZZLE - CLEAR      |
|     | 131384-01-000 | EA  | ADHESIVE - JET WELD - 10 OZ CARTRIDGE                      |
|     | 132892-07-01A | FT  | SEAL - BULB/SINGLE - W/U CHANNEL - .5" X 1" - BLACK        |
|     | 152038-01-01A | EA  | TAPE - PRESERVATION SEAL - 2" X 36YD ROLL - BLACK          |
|     | 154585-01-01A | FT  | SEAL - FOAM TAPE - ADHESIVE BACK - 3/8" X 3/8" - BLACK     |
|     | 154585-02-01A | FT  | SEAL - FOAM TAPE - ADHESIVE BACK - 3/4" X 1/2" - BLACK     |
|     | 154585-03-01A | FT  | SEAL - FOAM TAPE - ADHESIVE 2 SIDED - 1/8" X 3/4" - BLACK  |
|     | 154585-04-01A | FT  | SEAL - FOAM TAPE - ADHESIVE BACK - 5/8" X 1/8" - WHITE     |
|     | 156622-01-01A | FT  | SEALER - TAPE - 1/4"THICK X 3"WIDE X 100 FT - WHITE        |
|     | 156622-02-01A | FT  | SEALER - TAPE - 1/4"THICK X 2"WIDE X 100 FT - WHITE        |

### BOLTS, NUTS & WASHERS

| KEY | PART NUMBER   | U/M | DESCRIPTION   |
|-----|---------------|-----|---|
|     | 0MD54F-06-000 | EA  | NUT - HEX W/SERATED FLANGE                                  |
|     | 000C12-04-08B | EA  | BOLT - HEX - 1/4-20 X 1/2 - GRADE #5 - ZINC                 |
|     | 000C12-04-12A | EA  | BOLT - HEX - 1/4-20 X 3/4 - PLAIN 5                         |
|     | 000C12-04-40B | EA  | BOLT - HEX - 1/4-20 X 2 1/2 - GRADE #5 ZINC                 |
|     | 000C12-05-16B | EA  | BOLT - HEX - 5/16 - 18X1 - GRADE #5 - ZINC                  |
|     | 000C12-05-40B | EA  | BOLT - HEX - 5/16"-18 X 2.5" - GRADE #5 - ZINC              |
|     | 000C12-06-28B | EA  | BOLT-HEX-3/8-16X13/4 ZN 5 - 5185-01                         |
|     | 000C12-08-24B | EA  | BOLT - HEX - 1/2-13 X 1 1/2 - GRADE #5 - ZINC               |
|     | 000C12-08-28B | EA  | BOLT - HEX - 1/2-13 X 1 3/4 - GRADE #5 - ZINC               |
|     | 000C12-08-44B | EA  | BOLT - HEX - 1/2-13 X 2 3/4 - GRADE #5 - ZINC               |
|     | 000C13-07-40B | EA  | BOLT - HEX - 7/16-20 X 2 1/2 - GRADE #5 - ZINC              |
|     | 000C13-07-48B | EA  | BOLT - HEX - 7/16-20 X 3 - GRADE #5 - ZINC                  |
|     | 000C14-10-32B | EA  | BOLT - HEX - 5/8-11 X 2.0 - GRADE #8 - ZINC                 |
|     | 000C18-05-40A | EA  | BOLT - ELEVATOR - 5/16-18 X 2 1/2 - PL                      |
|     | 000C26-04-10B | EA  | BOLT - HEX - SERRATED FLANGE - 1/4-20 X 5/8 - ZINC          |
|     | 000C26-04-12F | EA  | BOLT - HEX - SERRATED FLANGE - 1/4-20 X 3/4-STAINLESS STEEL |
|     | 000C26-04-14B | EA  | BOLT - HEX - SERRATED FLANGE - 1/4-20 X 7/8 - ZINC          |
|     | 000C26-04-18B | EA  | BOLT - HEX - SERRATED FLANGE - 1/4-20 X 1 1/8 - ZINC        |
|     | 000C26-05-12B | EA  | BOLT - HEX - SERRATED FLANGE - 5/16-18 X 3/4 - ZINC         |
|     | 000C26-06-12B | EA  | BOLT - HEX - SERRATED FLANGE - 3/8-16 X 3/4 - ZINC          |
|     | 000C26-06-20B | EA  | BOLT - HEX - SERRATED FLANGE - 3/8-16 X 1 1/4 - ZINC        |
|     | 000C26-06-28B | EA  | BOLT - HEX - SERRATED FLANGE - 3/8-16 X 1 3/4 - ZINC        |
|     | 000C26-06-40B | EA  | BOLT - HEX - SERRATED FLANGE - 3/8-16 X 2 1/2 - ZINC        |
|     | 000C26-08-24B | EA  | BOLT - HEX - SERRATED FLANGE - 1/2-13 X 1 1/2 - ZINC        |
|     | 000C26-08-28B | EA  | BOLT - HEX - SERRATED FLANGE - 1/2-13 X 1 3/4 - ZINC        |
|     | 000C27-08-48B | EA  | BOLT-CARR 1/2-13X3.00 GR5 - 97 M-SERIES                     |
|     | 000D24-10-00B | EA  | NUT - HEX - SELF LOCKING - 10-32 - ZINC                     |

**SEALANTS & FASTENERS GROUP (CONTINUED)**  
**BOLTS, NUTS & WASHERS (CONTINUED)**

| KEY | PART NUMBER   | U/M | DESCRIPTION  |
|-----|---------------|-----|--|
|     | 000D27-05-00B | EA  | NUT - HEX LOCK - 5-40 - ZINC                                 |
|     | 000D28-10-00B | EA  | NUT - HEX - W/NYLON LOCK - 10-32 - ZINC                      |
|     | 000D29-04-00B | EA  | NUT - HEX - SELF LOCKING - 1/4 X 20 - ZINC                   |
|     | 000D29-04-00F | EA  | NUT - HEX - SELF LOCKING - 1/4 X 20 - STAINLESS STEEL        |
|     | 000D29-06-00B | EA  | NUT - HEX - W/NYLON LOCK - 3/8-16 - ZINC                     |
|     | 000D29-09-00B | EA  | NUT - HEX - SELF LOCKING - 9/16-12 - ZINC                    |
|     | 000D34-04-00B | EA  | NUT - HEX - LOCKING - 1/4-20 - ZINC                          |
|     | 000D34-06-00B | EA  | NUT - HEX - LOCKING - 3/8-16 GRADE C - ZINC                  |
|     | 000D39-04-00B | EA  | NUT - HEX - LOCKING W/SERRATED FLANGE - 1/4-20 - ZINC        |
|     | 000D39-05-00B | EA  | NUT - HEX - LOCKING W/SERRATED FLANGE - 5/16-18 - ZINC       |
|     | 000D39-06-00B | EA  | NUT - HEX - LOCKING W/SERRATED FLANGE - 3/8-18 - ZINC        |
|     | 000D39-06-00D | EA  | NUT - HEX - LOCKING W/SERRATED FLANGE - 3/8"-16 BLACK        |
|     | 000D39-07-00B | EA  | NUT - HEX - LOCKING W/SERRATED FLANGE - 7/16-14 - ZINC       |
|     | 000D39-08-00B | EA  | NUT - HEX - LOCKING W/SERRATED FLANGE - 1/2-13 - ZINC        |
|     | 000D44-07-00B | EA  | NUT - HEX - LOCKING W/SERRATED FLANGE - 7/16-20 - ZINC       |
|     | 000D44-08-00B | EA  | NUT - HEX - LOCKING W/SERRATED FLANGE - 1/2-20 - ZINC        |
|     | 000D46-04-00A | EA  | NUT - HEX - WELD - 1/4-20 - PLAIN                            |
|     | 000D65-08-00B | EA  | NUT - HEX - LOCKING W/SERRATED FLANGE - 8-32 - ZINC          |
|     | 000D73-08-00C | EA  | NUT - HEX FLANGE - 1/2-13                                    |
|     | 000D75-09-00B | EA  | NUT - HEX LOCKING - 9/16-12 - ZINC                           |
|     | 000D76-06-00B | EA  | NUT - HEX FLANGE - 3/8-16                                    |
|     | 000E11-04-00F | EA  | WASHER - LOCKING - 1/4 MED SPLIT - STAINLESS STEEL           |
|     | 000E11-07-00B | EA  | WASHER - LOCKING - 7/16 MED SPLIT - ZINC                     |
|     | 000E11-08-00B | EA  | WASHER - LOCKING - 1/2 MED SPLIT - ZINC                      |
|     | 000E13-17-00B | EA  | WASHER - FLAT - 3/8 AR - ZINC                                |
|     | 000E13-18-00B | EA  | WASHER - FLAT - 3/8 WIDE - ZINC                              |
|     | 000E13-20-00B | EA  | WASHER - FLAT - 7/16 WIDE - ZINC                             |
|     | 000E13-22-00B | EA  | WASHER - FLAT - 1/2 WIDE - ZINC                              |
|     | 000E13-26-00B | EA  | WASHER - FLAT - 5/8 WIDE - ZINC                              |
|     | 000E14-10-00B | EA  | WASHER - LOCKING - #10 EXTERNAL TOOTH - ZINC                 |
|     | 000E16-10-00B | EA  | WASHER - HARDENED - 5/8 - FLAT - ZINC                        |
|     | 000G45-05-16B | EA  | BOLT - LAG - 5/16-9 X 1 - ZINC                               |
|     | 039715-01-000 | EA  | NUT-SERT - 1/4" DIAMETER - 20 THREADS                        |
|     | 040921-01-000 | EA  | NUT - SPEED - U TYPE - #10-24 - BLACK                        |
|     | 040921-03-000 | EA  | NUT - SPEED - U TYPE - #10                                   |
|     | 040921-04-000 | EA  | NUT - SPEED - U TYPE - #8-.59" LENGTH X .44" WIDTH           |
|     | 040921-05-000 | EA  | NUT - SPEED - U-TYPE - 8-.67" X .44" WIDE                    |
|     | 040921-11-000 | EA  | NUT - SPEED - U-TYPE - 8-.59" LENGTH X .44" WIDTH - BLACK    |
|     | 041322-01-000 | EA  | WASHER - FLANGE - 15/32"ID X 2 3/8"OD - F/SEAT BELT MTG      |
|     | 044364-02-000 | EA  | NUT - SPEED - FLAT - ROUND                                   |
|     | 044533-01-000 | EA  | WASHER - 1 3/8"OD - FOR BUTTONS - PLASTIC                    |
|     | 051387-06-000 | EA  | BOLT - CARRIAGE W/O HOLE - 5/16-18 X 9 1/2 - ZINC            |
|     | 058716-02-000 | EA  | WASHER - FLAT NYLON  |
|     | 064081-03-000 | EA  | NUT - WING 3/8-16 - W/WELD NUT                               |
|     | 077071-01-000 | EA  | WASHER - FENDER - 3/16"ID X 1"OD                             |
|     | 087234-01-000 | EA  | NUT - JACK - 1/4 X 20 THD - MOLLY                            |
|     | 088787-12-000 | EA  | STUD - WELD - 1/4 - 20 X 1.0 LG - MN                         |
|     | 106956-03-000 | EA  | BOLT - HEX TAP - 1/2-13NC X 3 - GRADE 5 - FULL THREAD/ZINC   |
|     | 106956-10-000 | EA  | BOLT - HEX TAP - 9/16-12NC X 3 5/8 -GRD 5-FULL THREAD/ZINC   |
|     | 106956-11-000 | EA  | BOLT - HEX TAP - 1/2-13NC X 2 1/2 - GRD 5-FULL THREAD/ZINC   |
|     | 106956-13-000 | EA  | BOLT - HEX TAP - 1/2-20 X 2 1/2 - GRD 5-FULL THREAD/ZINC     |
|     | 106956-14-000 | EA  | BOLT - HEX TAP - 5/16 -18NC X 1 1/2 - GRD 5-FULL THREAD/ZINC |
|     | 107397-01-000 | EA  | WASHER - FENDER - 3/4"ID X 1"OD                              |
|     | 108067-03-000 | EA  | STUD - WELD - 1/4 - 20 X 1/2 CD                              |
|     | 109917-01-000 | EA  | WASHER - 1.5" X 1.25"  |
|     | 109917-03-000 | EA  | WASHER - 1" X .50"   |
|     | 109917-04-000 | EA  | WASHER - 1" X .75"   |
|     | 128444-01-000 | EA  | WASHER - SPRING - CONICAL                                    |
|     | 135092-02-01A | EA  | BOLT - HEX - SERRATED FLANGE - 1/2-20 X 2 1/2-GRADE 5 ZINC   |
|     | 135092-05-01A | EA  | BOLT - HEX - SERRATED FLANGE - 1/2-20 X 1 - GRADE 5 ZINC     |
|     | 143399-01-01A | EA  | NUT/RETAINING - 3/8"- 24 NFT                                 |
|     | 147284-02-000 | EA  | NUT/SELF RETAINING - 5/16"-18                                |
|     | 148817-01-000 | EA  | WASHER/SPUR - LOCKING  |

## SEALANTS & FASTENERS GROUP (CONTINUED)

### SCREWS

| KEY | PART NUMBER   | U/M | DESCRIPTION   |
|-----|---------------|-----|---|
|     | 0G1208-12-170 | EA  | SCREW - 8-18 X 3/4 POH - BRIGHT WHITE               |
|     | 0G3908-08-170 | EA  | SCREW - SF/DR - 8-18 X 1/2 PPH - BRIGHT WHITE       |
|     | 0G3908-16-170 | EA  | SCREW - SF/DR - 8-18 X 1 PPH - BRIGHT WHITE         |
|     | 0G3908-24-170 | EA  | SCREW - SF/DR - 8-18 X 1 1/2 PPH - BRIGHT WHITE     |
|     | 0G3910-10-420 | EA  | SCREW - SF/DR - 10-16 X .62 PPH - BRIARWOOD         |
|     | 0G3910-12-170 | EA  | SCREW - SF/DR - 10-16 X 3/4 PPH - BRIGHT WHITE      |
|     | 0G3910-24-170 | EA  | SCREW - SF/DR - 10-16 X 1 1/2 PPH - BRIGHT WHITE    |
|     | 0G5508-08-370 | EA  | SCREW - SF/DR - 8-18 X .5 PWH - RIVERSTONE          |
|     | 0G5508-08-380 | EA  | SCREW - SF/DR - 8-18 X .5 PWH - CASHMERE            |
|     | 0G5508-08-420 | EA  | SCREW - SF/DR - 8-18 X .5 PWH - BRIARWOOD           |
|     | 0G5508-08-450 | EA  | SCREW - SF/DR - 8-18 X .5 PWH - SADDLE              |
|     | 0G5508-12-170 | EA  | SCREW - SF/DR - 8-18 X 3/4 PWH - BRIGHT WHITE       |
|     | 0G5508-12-330 | EA  | SCREW - SF/DR - 8-18 X 3/4 PWH - PUTTY              |
|     | 0G5508-12-380 | EA  | SCREW - SF/DR - 8-18 X 3/4 PWH - CASHMERE           |
|     | 0G5508-12-450 | EA  | SCREW - SF/DR - 8-18 X 3/4 PWH - SADDLE             |
|     | 0G5508-16-330 | EA  | SCREW - SF/DR - 8-18 X 1 PWH - PUTTY                |
|     | 0G5508-16-370 | EA  | SCREW - SF/DR - 8-18 X 1 PWH - RIVERSTONE           |
|     | 0G5508-16-380 | EA  | SCREW - SF/DR - 8-18 X 1 PWH - CASHMERE             |
|     | 0G5508-16-450 | EA  | SCREW - SF/DR - 8-18 X 1 PWH - SADDLE               |
|     | 0G6008-16-170 | EA  | SCREW - SF/DR - 8-18 X 1 POH - BRIGHT WHITE         |
|     | 0G6012-32-170 | EA  | SCREW - SF/DR - 12-14 X 2 POH - BRIGHT WHITE        |
|     | 0G6710-08-170 | EA  | SCREW - 10-12 X 1/2 PPH - BRIGHT WHITE              |
|     | 0G6710-12-170 | EA  | SCREW - 10-12 X 3/4 PPH - BRIGHT WHITE              |
|     | 0G6806-16-170 | EA  | SCREW - 6-18 X 1 POH - BRIGHT WHITE                 |
|     | 0G6810-24-280 | EA  | SCREW - 10-12 X 1 1/2 POH - SOFT WHITE              |
|     | 000C20-06-24T | EA  | SCREW - 3/8-16 X 1 1/2 - FLAT SOCKET                |
|     | 000G11-06-08B | EA  | SCREW - 6-20 X 1/2 PPH - ZINC                       |
|     | 000G11-06-10B | EA  | SCREW - 6-20 X 5/8 PPH - ZINC                       |
|     | 000G11-06-10J | EA  | SCREW - 6-20 X 5/8 PPH - BRASS                      |
|     | 000G11-07-08B | EA  | SCREW - 7-19 X 1/2 PPH - ZINC                       |
|     | 000G11-08-06B | EA  | SCREW - 8-18 X 3/8 PPH - ZINC                       |
|     | 000G11-08-08T | EA  | SCREW - 8-18 X 1/2 PPH - FLUOROCARBON COATING       |
|     | 000G11-08-12B | EA  | SCREW - 8-18 X 3/4 PPH - ZINC                       |
|     | 000G11-08-12P | EA  | SCREW - 8-18 X 3/4 PPH - DARK BROWN                 |
|     | 000G11-08-12S | EA  | SCREW - 8-18 X 3/4 PPH - OFF WHITE                  |
|     | 000G11-08-12T | EA  | SCREW - 8-18 X 3/4 PPH - BLACK MAGNESIUM            |
|     | 000G11-08-20B | EA  | SCREW - 8-18 X 1 1/4 PPH - ZINC                     |
|     | 000G11-08-20G | EA  | SCREW - 8-18 X 1 1/4 - ANTIQUE BRASS                |
|     | 000G11-10-12D | EA  | SCREW - 10-16 X 3/4 PPH - BLACK                     |
|     | 000G11-10-32P | EA  | SCREW-10,16X2.00 PPH DK BRN                         |
|     | 000G12-06-08T | EA  | SCREW - 6-20 X 1/2 POH - BLACK                      |
|     | 000G12-10-16F | EA  | SCREW - 10-16 X 1 POH - STAINLESS STEEL             |
|     | 000G13-05-10B | EA  | SCREW - 5-12 X 5/8 PFH - ZINC                       |
|     | 000G13-06-06I | EA  | SCREW - 6-20 X 3/8 PFH - BLACK ZINC                 |
|     | 000G13-06-08B | EA  | SCREW - 6-20 X 1/2 PFH - ZINC                       |
|     | 000G13-06-08G | EA  | SCREW - 6-20 X 1/2 PFH - ANTIQUE BRASS              |
|     | 000G13-06-10G | EA  | SCREW - 6-20 X 5/8 PFH - ANTIQUE BRASS              |
|     | 000G13-06-16E | EA  | SCREW - 6-20 X 1 PFH - CHROME                       |
|     | 000G13-06-16J | EA  | SCREW - 6-20 X 1 PFH - BRASS                        |
|     | 000G13-06-24J | EA  | SCREW - 6-20 X 1 1/2 PFH - BRASS                    |
|     | 000G13-07-10H | EA  | SCREW - 7-19 X 5/8 PFH - BLACK                      |
|     | 000G13-07-12B | EA  | SCREW - 7-19 X 3/4 PFH - ZINC                       |
|     | 000G11-08-08B | EA  | SCREW - 8-18 X 1/2 PPH - ZINC                       |
|     | 000G13-08-10B | EA  | SCREW - 8-18 X 5/8 PFH - ZINC                       |
|     | 000G13-08-109 | EA  | SCREW - 8-18 X 5/8 PFH                              |
|     | 000G13-08-16B | EA  | SCREW - 8-18 X 1 PFH - ZINC                         |
|     | 000G13-08-24B | EA  | SCREW - 8-18 X 1 1/2 PFH - ZINC                     |
|     | 000G16-04-24B | EA  | SCREW - MACHINE - 1/4-20 X 1 1/2 PPH                |
|     | 000G18-08-16B | EA  | SCREW - MACHINE - 8-32 X 1 PPH - ZINC               |
|     | 000G18-08-22B | EA  | SCREW - MACHINE - 8-32 X 1 3/8 PPH - ZINC           |
|     | 000G18-08-24B | EA  | SCREW - MACHINE - 8-32 X 1 1/2 PPH - ZINC           |
|     | 000G19-10-08B | EA  | SCREW - MACHINE - 10-32 X 1/2 PPH - ZINC            |
|     | 000G19-10-10B | EA  | SCREW - MACHINE - 10-32 X 5/8 - PPH - ZINC          |
|     | 000G19-10-12F | EA  | SCREW - MACHINE - 10-32 X 3/4 PPH - STAINLESS STEEL |

**SEALANTS & FASTENERS GROUP (CONTINUED)**  
**SCREWS (CONTINUED)**

| KEY | PART NUMBER   | U/M | DESCRIPTION   |
|-----|---------------|-----|---|
|     | 000G19-10-20B | EA  | SCREW - MACHINE - 10-32 X 1 1/2 PPH - ZINC            |
|     | 000G32-10-06B | EA  | SCREW - 10-32 X 3/8 PPH - ZINC                        |
|     | 000G34-05-12B | EA  | SCREW - HEX HEAD TAPPING - 5/16 X 3/4 LONG            |
|     | 000G39-06-10T | EA  | SCREW - SF/DR - 6-20 X 5/8 PPH - BLACK                |
|     | 000G39-06-16T | EA  | SCREW - SF/DR - 6-20 X 1 PPH - BLACK                  |
|     | 000G39-08-06B | EA  | SCREW - SF/DR - 8-18 X 3/8 PPH - ZINC                 |
|     | 000G39-08-08B | EA  | SCREW - SF/DR - 8-18 X 1/2 PPH - ZINC                 |
|     | 000G39-08-08S | EA  | SCREW - SF/DR - 8-18 X 1/2 PPH - OFF WHITE            |
|     | 000G39-08-08T | EA  | SCREW - SF/DR - 8-18 X 1/2 PPH - BLACK                |
|     | 000G39-08-12T | EA  | SCREW - SF/DR - 8-18 X 3/4 PPH - BLACK                |
|     | 000G39-08-16B | EA  | SCREW - SF/DR - 8-18 X 1 PPH - ZINC                   |
|     | 000G39-08-16T | EA  | SCREW - SF/DR - 6-20 X 1 PPH - BLACK                  |
|     | 000G39-08-24B | EA  | SCREW - SF/DR - 8-18 X 1 1/2 PPH - ZINC               |
|     | 000G39-08-24T | EA  | SCREW - SF/DR - 8-18 X 1 1/2 PPH - BLACK              |
|     | 000G39-08-32B | EA  | SCREW - SF/DR - 8-18 X 2 PPH - ZINC                   |
|     | 000G39-08-169 | EA  | SCREW-SF/DR,8-18X1.00 PPH - FLUROCARBON SILVER        |
|     | 000G39-10-08B | EA  | SCREW - SF/DR - 10-16 X 1/2 PPH - ZINC                |
|     | 000G39-10-10B | EA  | SCREW - SF/DR - 10-16 X 5/8 PPH - ZINC                |
|     | 000G39-10-12B | EA  | SCREW - SF/DR - 10-16 X 3/4 PPH - ZINC                |
|     | 000G39-10-12S | EA  | SCREW - SF/DR - 10-16 X 3/4 PPH - OFF WHITE           |
|     | 000G39-10-129 | EA  | SCREW - SF/DR - 10-16 X 3/4 PPH - FLUOROCARBON SILVER |
|     | 000G39-10-169 | EA  | SCREW - SF/DR - 10-16 X 1 PPH - FLUOROCARBON SILVER   |
|     | 000G39-10-20B | EA  | SCREW - SF/DR - 10-16 X 1 1/4 PPH - ZINC              |
|     | 000G39-10-20T | EA  | SCREW - SF/DR - 10-16 X 1 1/4 PPH - BLACK             |
|     | 000G39-10-24B | EA  | SCREW - SF/DR - 10-16 X 1 1/2 PPH - ZINC              |
|     | 000G39-10-24T | EA  | SCREW - SF/DR - 10-16 X 1 1/2" PPH - BLACK            |
|     | 000G39-10-32B | EA  | SCREW - SF/DR - 10-16 X 2 - PPH - ZINC                |
|     | 000G39-10-48B | EA  | SCREW - SF/DR - 10-16 X 3 - PPH - ZINC                |
|     | 000G39-10-48T | EA  | SCREW - SF/DR - 10-16 X 3 PPH - BLACK                 |
|     | 000G42-04-16B | EA  | SCREW - SF/DR - 1/4-14 X 1 HWH - ZINC                 |
|     | 000G42-04-24B | EA  | SCREW - SF/DR - 1/4-14 X 1 1/2 - ZINC                 |
|     | 000G52-06-05B | EA  | SCREW - MACHINE - 6-32 X 5/16 PTH - ZINC              |
|     | 000G52-06-06B | EA  | SCREW - MACHINE - 6-32 X 3/8 PTH - ZINC               |
|     | 000G54-04-14B | EA  | SCREW - 1/4-20 X 7/8 PTH - TYPE 23 - ZINC PLATED      |
|     | 000G55-08-12T | EA  | SCREW - SF/DR - 8-18 X 3/4 PWH - BLACK                |
|     | 000G55-08-16S | EA  | SCREW - SF/DR - 8-18 X 1.00 PWH - OFF WHITE           |
|     | 000G55-08-16T | EA  | SCREW - SF/DR - 8-18 X 1 PWH - BLACK                  |
|     | 000G56-12-48B | EA  | SCREW - WOOD - 12-11 X 3 POH - SPECIAL HARDENED       |
|     | 000G60-08-16E | EA  | SCREW - SF/DR - 8-1 X 1 POH - CHROME                  |
|     | 000G60-08-20F | EA  | SCREW - SF/DR - 8-19X1.25 POH                         |
|     | 000G60-08-22B | EA  | SCREW - SF/DR - 8-18 X 1.38 POH - ZINC                |
|     | 000G60-10-20B | EA  | SCREW - SF/DR - 10-16 X 1 1/4 POH - ZINC              |
|     | 000G60-10-209 | EA  | SCREW - SF/DR - 10-16 X 1 1/4 POH - SILVER STALGAARD  |
|     | 000G60-10-28T | EA  | SCREW - SF/DR - 10-16 X 1 3/4 - BLACK                 |
|     | 000G62-06-12B | EA  | SCREW-SF/DR,6-20X.75 PFH - ZINC                       |
|     | 000G62-06-249 | EA  | SCREW - SF/DR - 8-18 X 1.5 PPH - SILVER               |
|     | 000G62-08-24B | EA  | SCREW - SF/DR - 8-18 X 1 1/2 PFH                      |
|     | 000G62-08-24T | EA  | SCREW - SF/DR - 8-18 X 1 1/2 PFH - BLACK              |
|     | 000G67-08-32B | EA  | SCREW - 8-15 X 2 PPH - ZINC                           |
|     | 000G67-10-08B | EA  | SCREW - 10-12 X 1/2 PPH - ZINC                        |
|     | 000G67-10-08S | EA  | SCREW - 10-12 X 1/2 PPH - OFF WHITE                   |
|     | 000G67-10-10B | EA  | SCREW - 10-12 X 5/8 PPH - ZINC - TYPE A               |
|     | 000G67-10-10D | EA  | SCREW - 10-12 X 5/8 PPH - BLACK - TYPE A              |
|     | 000G67-10-10P | EA  | SCREW - 10-12 X 5/8 PPH - DARK BROWN                  |
|     | 000G67-10-10S | EA  | SCREW - 10-12 X 5/8 PPH - OFF WHITE                   |
|     | 000G67-10-10T | EA  | SCREW - 10-12 X 5/8 PPH - BLACK                       |
|     | 000G67-10-10V | EA  | SCREW-10-12X5/8 PPH ZN O/W - TYPE A                   |
|     | 000G67-10-12P | EA  | SCREW - 10-12 X 3/4 PPH - DARK BROWN                  |
|     | 000G67-10-24B | EA  | SCREW - 10-12 X 1 1/2 PPH - ZINC                      |
|     | 000G68-06-10J | EA  | SCREW - 6-18 X 5/8 POH - BRASS                        |
|     | 000G68-06-12B | EA  | SCREW - 6-18 X 3/4 POH - ZINC & CLEAR                 |
|     | 000G68-06-12S | EA  | SCREW - 6-18 X 3/4 POH                                |
|     | 029130-01-000 | EA  | SCREW - SNAP STUD - #8-16 X 5/8" LONG                 |
|     | 029130-02-000 | EA  | SCREW - SNAP STUD - #8-16 X 1 1/2" LONG               |

**SEALANTS & FASTENERS GROUP (CONTINUED)**  
**SCREWS (CONTINUED)**

| <b>KEY</b> | <b>PART NUMBER</b> | <b>U/M</b> | <b>DESCRIPTION</b>   |
|------------|--------------------|------------|--|
|            | 029130-03-000      | EA         | SCREW - SNAP STUD - #8-16 X 1" LONG                          |
|            | 049465-03-000      | EA         | SCREW - 10-16 X 1 POH W/WASHER - OFF WHITE                   |
|            | 049465-17-000      | EA         | SCREW - 10-16 X 1 POH W/WASHER - BRIGHT WHITE                |
|            | 049465-18-000      | EA         | SCREW - 10-16 X 1 POH W/WASHER - VW GRAY                     |
|            | 054434-02-000      | EA         | SCREW - SF/DR - 10-16 X 2 - ZINC                             |
|            | 054434-03-000      | EA         | SCREW - SF/DR - 10-16 X 2 - PWH - ZINC                       |
|            | 075908-01-000      | EA         | SCREW - MACHINE - 10-32 X .56 PTH - EXTERNAL TOOTH - ZINC    |
|            | 076790-01-000      | EA         | SCREW - 6-20 X 1 1/4 PPH - BLACK                             |
|            | 076790-05-000      | EA         | SCREW - 6-20 X 1/2 PPH - BLACK - THREAD CUTTING/WOOD         |
|            | 083554-01-000      | EA         | SCREW - DRYWALL - 8 X 1 1/4                                  |
|            | 087721-01-000      | EA         | SCREW - FLAT HEAD - TAPPING - 1/4" X 1 1/4" LONG - ZINC      |
|            | 093249-01-000      | EA         | CAP/SCREW - MOLDED/VINYL - BLACK                             |
|            | 095772-01-000      | EA         | SOCKET-SNAP FASTNER1" SF/DR - SELF DRIVER                    |
|            | 097974-01-000      | EA         | SCREW - PARTICLE BOARD - 7-9 X 3/4 PPH                       |
|            | 101618-01-000      | EA         | SCREW - 1/4-20 X 3/4 HEX - TAPPING - STALGARD TYPE F         |
|            | 113563-01-01A      | EA         | SCREW - 8 X 5/8 LONG SHOULDER/WASHER HEAD                    |
|            | 113563-01-02A      | EA         | SCREW - 8 X 5/8 LONG SHOULDER/WASHER HEAD - BRIGHT WHITE     |
|            | 118383-01-12A      | EA         | RETAINER/RECESSED - F/.22" SCREW - RIVERSTONE                |
|            | 118383-01-14A      | EA         | RETAINER/RECESSED - F/.22" SCREW - PEWTER                    |
|            | 118383-01-15A      | EA         | RETAINER/RECESSED - F/.22" SCREW - BRIARWOOD                 |
|            | 118383-02-13A      | EA         | RETAINER/RECESSED - F/.27" SCREW - OFF WHITE                 |
|            | 118383-04-04A      | EA         | CAP - F/RECESSED RETAINER - BRIGHT WHITE                     |
|            | 118383-04-10A      | EA         | CAP - F/RECESSED RETAINER - RIVERSTONE                       |
|            | 118383-04-13A      | EA         | CAP - F/RECESSED RETAINER - OFF WHITE                        |
|            | 118383-04-14A      | EA         | CAP - F/RECESSED RETAINER - PEWTER                           |
|            | 118383-04-15A      | EA         | CAP - F/RECESSED RETAINER - BRIARWOOD                        |
|            | 134126-01-01A      | EA         | SCREW/NAIL - HEX HEAD - 3/4"                                 |
|            | 140040-01-000      | EA         | SCREW - 1/4-20 X 1 - BUTTON HEAD/SOCKET - W/LOCTITE          |
|            | 149753-01-01A      | EA         | RETAINER/RECESSED - F/.22" SCREW - BLACK                     |
|            | 149753-01-02A      | EA         | RETAINER/RECESSED - F/.22" SCREW - BRIGHT WHITE              |
|            | 149753-02-01A      | EA         | CAP - F/RECESSED RETAINER - BLACK                            |
|            | 149753-02-02A      | EA         | CAP - F/RECESSED RETAINER - BRIGHT WHITE                     |
|            | 154938-01-01A      | EA         | SCREW - SF/DR - 10-16 X 3/4 PPH - W/SELF SEAL - BRIGHT WHITE |
|            | 154938-01-02A      | EA         | SCREW - SF/DR - 10-16 X 3/4 PPH - W/SELF SEAL - BLACK        |
|            | 154938-02-01A      | EA         | SCREW - SF/DR - 8-18 X 1 PFH - W/SELF SEAL - BRIGHT WHITE    |
|            | 154938-02-02A      | EA         | SCREW - SF/DR - 8-18 X 1 PFH - W/SELF SEAL - BLACK           |
|            | 154938-02-03A      | EA         | SCREW - SF/DR - 8-18 X 1 PFH - W/SELF SEAL - SILVER          |
|            | 154938-03-01A      | EA         | SCREW - SF/DR - 8-18 X 5/8 PFH - W/SELF SEAL - BRT WHT       |
|            | 154938-03-02A      | EA         | SCREW - SF/DR - 8-18 X 5/8 PFH - W/SELF SEAL - BLACK         |
|            | 154938-04-01A      | EA         | SCREW - SF/DR - 10-16 X 1" TPH - W/SELF SEAL - BRT WHT       |
|            | 154938-04-02A      | EA         | SCREW - SF/DR - 10-16 X 1" TPH - W/SELF SEAL - BLACK         |
|            | 154938-05-03A      | EA         | SCREW - SF/DR - 8-18 X 1.25" PFH - W/SELF SEAL - SILVER      |



**SEALANTS & FASTENERS GROUP (CONTINUED)**  
**CLAMPS, CLIPS, GROMMETS, RIVETS & PLUGS**

| KEY | PART NUMBER   | U/M | DESCRIPTION   |
|-----|---------------|-----|---|
|     | 000H14-06-03R | EA  | RIVET - MANDREL BLIND - 3/16 ALUMINUM                     |
|     | 000H16-04-06R | EA  | RIVET - POP ALUMINUM - 1/8 X .313 - .375                  |
|     | 000H16-06-10R | EA  | RIVET - POP ALUMINUM - 3/16 X .501 - .625                 |
|     | 007161-01-000 | EA  | CLAMP - HOSE - SPRING TYPE - 1/2"                         |
|     | 008386-01-000 | EA  | GROMMET - SNAP - 3/8" DIAMETER - NYLON                    |
|     | 010495-01-000 | EA  | CLAMP - CABLE - 9/16"ID - BLACK                           |
|     | 010495-02-000 | EA  | CLAMP - CABLE - 3/8"ID - BLACK                            |
|     | 010495-04-000 | EA  | CLAMP - CABLE - 11/16"ID - WHITE                          |
|     | 010497-01-000 | EA  | CLAMP - CLOSED - 5/8"ID                                   |
|     | 010497-02-000 | EA  | CLAMP - CLOSED - 1.5"ID                                   |
|     | 010497-03-000 | EA  | CLAMP - CLOSED - 1"ID - CUSHIONED                         |
|     | 010497-04-000 | EA  | CLAMP - CLOSED - 1 5/8"ID                                 |
|     | 010497-05-000 | EA  | CLAMP - CLOSED - 1/2"ID                                   |
|     | 010497-07-000 | EA  | CLAMP - CLOSED - 3/8"ID                                   |
|     | 010497-09-000 | EA  | CLAMP - CLOSED - 5/16"ID                                  |
|     | 010497-10-000 | EA  | CLAMP - CLOSED - 7/8"ID                                   |
|     | 010499-01-000 | EA  | CLAMP - CLOSED - 3/8"ID                                   |
|     | 016188-03-000 | EA  | GROMMET - LP LINE - 3/8"HOLE X 2 1/2"LONG - RUBBER        |
|     | 016188-04-000 | EA  | GROMMET - LP LINE - 1/2"HOLE X 2 1/2"LONG - RUBBER        |
|     | 016188-05-000 | EA  | GROMMET - LP LINE - 3/8"HOLE X 1 1/4"LONG - RUBBER        |
|     | 016188-06-000 | EA  | GROMMET - LP LINE - 3/8"HOLE X 3 1/4"LONG - RUBBER        |
|     | 016188-07-000 | EA  | GROMMET - L/P LINE - 1/2"HOLE X 3 1/4"LONG                |
|     | 016188-08-000 | EA  | GROMMET - LP LINE - 1/2"HOLE X 1 1/4"LONG - RUBBER        |
|     | 016188-09-000 | EA  | GROMMET - LP LINE - .68"HOLE X 1 1/4"LONG - RUBBER        |
|     | 016188-10-000 | EA  | GROMMET - LP GAS - .68" X 2.5"                            |
|     | 023942-01-000 | EA  | GROMMET - RUBBER - 2"OD                                   |
|     | 041930-11-000 | EA  | RIVET - POP ALUMINUM - 1/8 X .188 - .250 - BRIGHT WHITE   |
|     | 061420-04-000 | EA  | PLUG/PLASTIC - 1 1/4" DIAMETER                            |
|     | 061420-05-000 | EA  | PLUG/PLASTIC - 1 1/2" DIAMETER                            |
|     | 061420-09-000 | EA  | PLUG/PLASTIC - 1.00" DIAMETER                             |
|     | 061420-10-000 | EA  | PLUG/PLASTIC - 1 1/2" DIAMETER - BLACK                    |
|     | 061420-12-000 | EA  | PLUG/PLASTIC - 1.50" DIAMETER - RED                       |
|     | 061420-13-000 | EA  | PLUG/PLASTIC - 3/8" - FLUSH                               |
|     | 061420-14-000 | EA  | PLUG/PLASTIC - 7/8" DIAMETER - BLACK                      |
|     | 061420-15-000 | EA  | PLUG/PLASTIC - 2" DIAMETER - BLACK                        |
|     | 061420-16-000 | EA  | PLUG/PLASTIC - 2 1/8" DIAMETER - BLACK                    |
|     | 061420-18-000 | EA  | PLUG/PLASTIC - 1 3/4" DIAMETER - BLACK                    |
|     | 062401-01-000 | EA  | CLAMP - HOSE - WORMGEAR - .25" - 1"                       |
|     | 062401-02-000 | EA  | CLAMP - HOSE - WORMGEAR - 1.56" - 2.5" ID                 |
|     | 062401-03-000 | EA  | CLAMP - HOSE - WORMGEAR - .22" - 1" ID                    |
|     | 062401-04-000 | EA  | CLAMP - HOSE - WORMGEAR - .69" - 1.25" ID                 |
|     | 062401-06-000 | EA  | CLAMP - HOSE - WORMGEAR - .22" - .62" ID                  |
|     | 062401-09-000 | EA  | CLAMP - HOSE - WORMGEAR - 2.8" - 3.75" ID                 |
|     | 062401-11-000 | EA  | CLAMP - HOSE - WORMGEAR - 3.50" - 4.50" ID                |
|     | 062401-13-000 | EA  | CLAMP - HOSE - WORMGEAR                                   |
|     | 071015-11-000 | EA  | GROMMET - RUBBER - 1"ID FITS .12 MATERIAL - BLACK         |
|     | 071015-13-000 | EA  | GROMMET - RUBBER - .62"ID X 1"OD W/.09" GROOVE - BLACK    |
|     | 071015-20-000 | EA  | GROMMET - .38 ID FITS .06 MTL                             |
|     | 071015-22-000 | EA  | GROMMET - RUBBER - .62"ID X 1.12"OD W/.19" GROOVE - BLACK |
|     | 071015-26-000 | EA  | GROMMET - RUBBER - 1.5"ID X 2.1"OD W/.06" GROOVE - BLACK  |
|     | 071015-29-000 | EA  | GROMMET - RUBBER - .3"ID X 1.3"OD W/.12" GROOVE - BLACK   |
|     | 071015-30-000 | EA  | GROMMET - RUBBER - .3"ID X .81"OD W/.12" GROOVE - BLACK   |
|     | 071015-39-000 | EA  | GROMMET - .75 ID FITS .06 MTL                             |
|     | 071015-41-000 | EA  | GROMMET - .125 ID FITS .188 MTL                           |
|     | 071015-42-000 | EA  | GROMMET - .25 ID FITS .06 MTL                             |
|     | 071015-43-000 | EA  | GROMMET-.25 ID,FITS .07 MATL, MINOR Z-4139                |
|     | 071015-44-000 | EA  | GROMMET - .31 ID FITS .25 MTL                             |
|     | 075148-02-000 | EA  | CLAMP - GROUNDING - BRONZE SCREWS                         |
|     | 077955-01-000 | EA  | CLIP/J - 3/8" - VINYL COATED                              |
|     | 081211-03-000 | EA  | PLUG - PLASTIC - .50"DIAMETER - TRUSS HEAD - BLACK        |
|     | 081211-04-000 | EA  | PLUG - PLASTIC - .46"DIAMETER - TRUSS HEAD - BLACK        |
|     | 081211-06-000 | EA  | PLUG-PLASTIC,.468DIA,BLACK , HEYCO 1669                   |
|     | 083609-01-000 | EA  | CLAMP - WIRE - DUAL - EQUAL DIAMETERS - 5/8"              |
|     | 083610-01-000 | EA  | CLAMP - WIRE - DUAL - UNEQUAL DIAMETERS - 3/4" & 1 1/4"   |

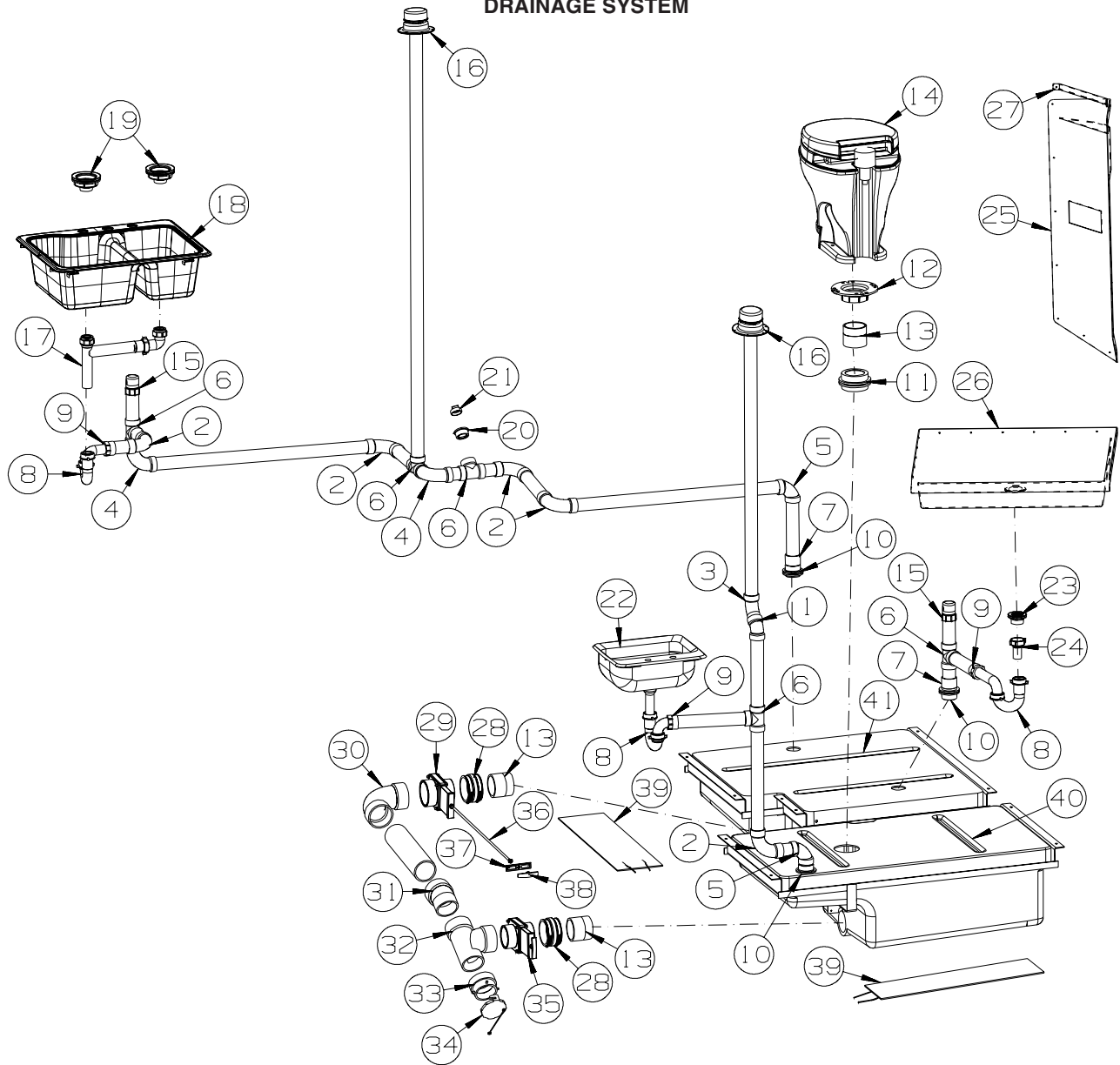
**SEALANTS & FASTENERS GROUP (CONTINUED)**  
**CLAMPS, CLIPS, GROMMETS, RIVETS & PLUGS (CONTINUED)**

| <b>KEY</b> | <b>PART NUMBER</b> | <b>U/M</b> | <b>DESCRIPTION</b>                                      |
|------------|--------------------|------------|---|
|            | 083610-02-000      | EA         | CLAMP - WIRE - DUAL - UNEQUAL DIAMETERS - 3/4" & 2"     |
|            | 083610-03-000      | EA         | CLAMP - WIRE - DUAL - EQUAL DIAMETERS - 2"              |
|            | 083610-02-000      | EA         | CLAMP - WIRE - DUAL - UNEQUAL DIAMETERS - 3/4" & 2"     |
|            | 083610-03-000      | EA         | CLAMP - WIRE - DUAL - EQUAL DIAMETERS - 2"              |
|            | 088756-01-000      | EA         | GROMMET - WEB - 1 1/8"ID                                |
|            | 089329-02-000      | EA         | CLIP - SPRING   |
|            | 091952-01-000      | EA         | CLIP - GRIPPER - 1" - BLACK VINYL COATED                |
|            | 091952-02-000      | EA         | CLIP - GRIPPER - 3/4" - BLACK VINYL COATED              |
|            | 091952-03-000      | EA         | CLIP - GRIPPER - 1/2" - BLACK VINYL COATED              |
|            | 094362-02-000      | EA         | CLIP - XMAS TREE - BINDER HEAD - .9" LONG/ANY COLOR     |
|            | 113133-02-01A      | EA         | RIVET - POP - ALUMINUM - 3/16 X .252 - .504 - BLACK     |
|            | 114208-05-000      | EA         | GROMMET - EDGE LINER - FITS 2"                          |
|            | 118626-01-01A      | EA         | RIVET/POP - ALUMINUM - 3/16 X 1.2"(GRIP RANGE .1"- .4") |
|            | 118626-01-02A      | EA         | RIVET/POP - ALUMINUM - 3/16 X .08 - .375                |
|            | 118626-02-01A      | EA         | RIVET/POP - ALUMINUM - 3/16 X .500 - .750               |
|            | 118626-03-01A      | EA         | RIVET/POP - STAINLESS STEEL - 3/16 X .500 - .750        |
|            | 137014-01-01A      | EA         | GROMMET - CABLE - ALMOND                                |
|            | 139118-02-01A      | EA         | GROMMET - SCREW - PLASTIC                               |
|            | 155498-01-01A      | EA         | CLAMP - CLOSED - 7/8"ID - VINYL DIP/GALVONIZED - BLACK  |

**MISCELLANEOUS FASTENERS**

| <b>KEY</b> | <b>PART NUMBER</b> | <b>U/M</b> | <b>DESCRIPTION</b>  |
|------------|--------------------|------------|---|
|            | 008343-01-000      | EA         | TIE - WIRE - 6"   |
|            | 008343-02-000      | EA         | TIE - WIRE - 14"  |
|            | 008343-03-000      | EA         | TIE - WIRE - 7 1/2" - BLACK                               |
|            | 029094-04-000      | YD         | VELCRO TAPE/LOOP - 1"WIDE - W/ADHESIVE BACK - BLACK       |
|            | 029096-03-000      | YD         | VELCRO TAPE/HOOK - 1"WIDE - BLACK                         |
|            | 029096-04-000      | YD         | VELCRO TAPE/HOOK - 1"WIDE - BLACK - W/ADHESIVE BACK (PSA) |
|            | 048394-02-000      | YD         | VELCRO TAPE - HOOK - ADHESIVE BACK - 3/4" WIDE - BEIGE    |
|            | 085774-01-000      | FT         | FASTENER - DUAL LOCK - 1" WIDE - ADHESIVE BACK - BLACK    |
|            | 085774-02-000      | FT         | FASTENER - DUAL HOOK - 1" WIDE - ADHESIVE BACK - BLACK    |
|            | 088792-02-000      | YD         | VELCRO TAPE - LOOP - 3/4" - ADHESIVE BACK - BEIGE         |
|            | 088792-04-000      | YD         | VELCRO TAPE - HOOK - 5/8" - NON-ADHESIVE BACK - WHITE     |
|            | 088792-05-000      | YD         | VELCRO TAPE - LOOP - 5/8" - NON-ADHESIVE BACK - WHITE     |
|            | 108046-02-000      | EA         | CABLE TIE - SCREW MOUNT 15"                               |

## WATER & SEWAGE GROUP DRAINAGE SYSTEM



| KEY | PART NUMBER   | U/M | DESCRIPTION  |
|-----|---------------|-----|--|
| 1   | 010006-01-000 | EA  | ELBOW - 45 DEGREE - 1 1/2" HUB X HUB - PLASTIC             |
| 2   | 010008-01-000 | EA  | ELBOW - 90 DEGREE - 1 1/2" HUB X HUB - PLASTIC             |
| 3   | 010051-01-000 | EA  | ELBOW - 45 DEGREE - 1 1/2" SPIGOT X HUB - PLASTIC          |
| 4   | 033761-01-000 | EA  | ELBOW - 90 DEGREE - TURN - 1 1/2" HUB X 1 1/2" SPIGOT      |
| 5   | 034250-01-000 | EA  | ELBOW - 90 DEGREE - LONG TURN - 1 1/2" HUB X HUB - ABS     |
| 6   | 010071-01-000 | EA  | TEE - SANITARY - 1 1/2" HUB X HUB X HUB - PLASTIC          |
| 7   | 010115-01-000 | EA  | COUPLING - 1 1/2" HUB X HUB - PLASTIC                      |
| 8   | 107538-02-000 | EA  | P-TRAP - PLASTIC - 1 1/2" W/EXTENSION ARM                  |
| 8   | 011071-01-000 | EA  | P-TRAP - 1 1/2" - CSA - PLASTIC - <b>CANADIAN</b>          |
| 9   | 152146-01-000 | EA  | CONNECTOR - 1 1/2"P X 1 1/2"MPT                            |
| 10  | 061607-01-000 | EA  | GROMMET - HOLDING TANK - 1 1/2" NPS                        |
| 11  | 061607-02-000 | EA  | GROMMET - HOLDING TANK - 3" NPS                            |
| 12  | 148914-01-000 | EA  | FLANGE - CLOSET - FPT - 4" X 3"                            |
| 13  | 010129-03-000 | EA  | NIPPLE - 3" X 3" TOE - PLASTIC                             |
| 14* | 147421-04-01A | EA  | TOILET/AQUA MAGIC 5 (HIGH) HANDFLUSH - W/O SPRAY - WHITE   |
| 15  | 079968-01-000 | EA  | VENT - MECHANICAL/TRAP ARM - ANTI-SIPHON-2" X 7.3" PLASTIC |
| 16  | 083558-03-000 | EA  | VENT - W/COVER - F/PLUMBING STACK - OFF WHITE              |
| 17  | 011091-02-000 | EA  | WASTE - CONTINUOUS - DOUBLE SINK                           |
| 18  | 148870-01-01A | EA  | SINK/DOUBLE - LRG/SML BASIN - 25" X 19" X 7"               |
| 19  | 092303-01-000 | EA  | STRAINER - W/BASKET - GALLEY SINK - 4" OD                  |
| 20  | 010122-02-000 | EA  | BUSHING/PLASTIC - REDUCER - 1 1/4" X 1 1/4"THD - RED       |
| 21  | 010166-01-000 | EA  | PLUG/THREADED - 1 1/4"MPT - PLASTIC - BLACK - UL           |

**WATER & SEWAGE GROUP (CONTINUED)**  
**DRAINAGE SYSTEM (CONTINUED)**

| <b>KEY</b> | <b>PART NUMBER</b> | <b>U/M</b> | <b>DESCRIPTION</b>   |
|------------|--------------------|------------|--|
| 22*        | 096927-01-02A      | EA         | SINK - LAVATORY - RECTANGULAR - PLASTIC - SOFT WHITE             |
|            | 106116-01-02A      | EA         | STRAINER/PLASTIC - STOPPER/TAILPIECE/GASKET & NUT-LAVATORY       |
| 23         | 066440-01-000      | EA         | STRAINER - SHOWER DRAIN - W/RUBBER WASHER                        |
|            | 127440-02-01A      | EA         | WASHER - RUBBER - 1.8" X .1"                                     |
| 24         | 011069-06-000      | EA         | TAILPIECE - 1 1/2" X 1 1/4" X 2 1/2" - BRASS                     |
|            | 130403-01-000      | EA         | NUT - SLIP - W/WINGS 1 1/2"                                      |
| 25         | 105707-01-02A      | EA         | CADDY - SHOWER - SOFT WHITE                                      |
| 26         | M02673-11-L01      | EA         | SHOWER PAN - W/STRAINER  |
| 27         | 113714-02-02A      | EA         | RETAINER - SHELF/SHOWER - 10.6" - SOFT WHITE                     |
| 28         | 078406-01-000      | EA         | COUPLER - 3" X 3" W/CLAMPS - RUBBER                              |
| 29         | 062418-03-000      | EA         | VALVE- 3" SPIGOT X 3" SPIGOT                                     |
| 30         | 031126-01-000      | EA         | ELBOW - 1/4 BEND - 3" X 90" XLT - BLACK PLASTIC                  |
| 31         | 010023-01-000      | EA         | ELBOW/STREET - PLASTIC   |
| 32         | 136664-01-000      | EA         | TEE - PLASTIC - 3"   |
| 33         | 062417-01-000      | EA         | ADAPTER - TERMINATION - 3"                                       |
| 34*        | 062415-01-000      | EA         | CAP - SEWER - 3" DIAMETER  |
| 35         | 062418-02-000      | EA         | VALVE-3",HUBXSPIGOT,W/O HNDL - VALTERRA T40 WINN                 |
| 36         | 062419-10-000      | EA         | HANDLE - EXTENSION - W/TAPPED END                                |
| 37         | 062419-05-000      | EA         | BRACKET - VALVE - LOCKING  |
| 38         | 062419-06-000      | EA         | HANDLE - T   |
| 39         | 133972-01-000      | EA         | PAD/HEATER - HOLDING TANK - F/40 GALLON - HEATED DRAINAGE SYSTEM |
| 40         | 137501-01-01A      | EA         | TANK - HOLDING - 37 GALLON - W/O FITTINGS                        |
| 41         | 137502-01-01A      | EA         | TANK - HOLDING - W/O FITTINGS                                    |

\*COMPONENT PARTS LISTED LATER IN THIS GROUP

## WATER & SEWAGE GROUP (CONTINUED)

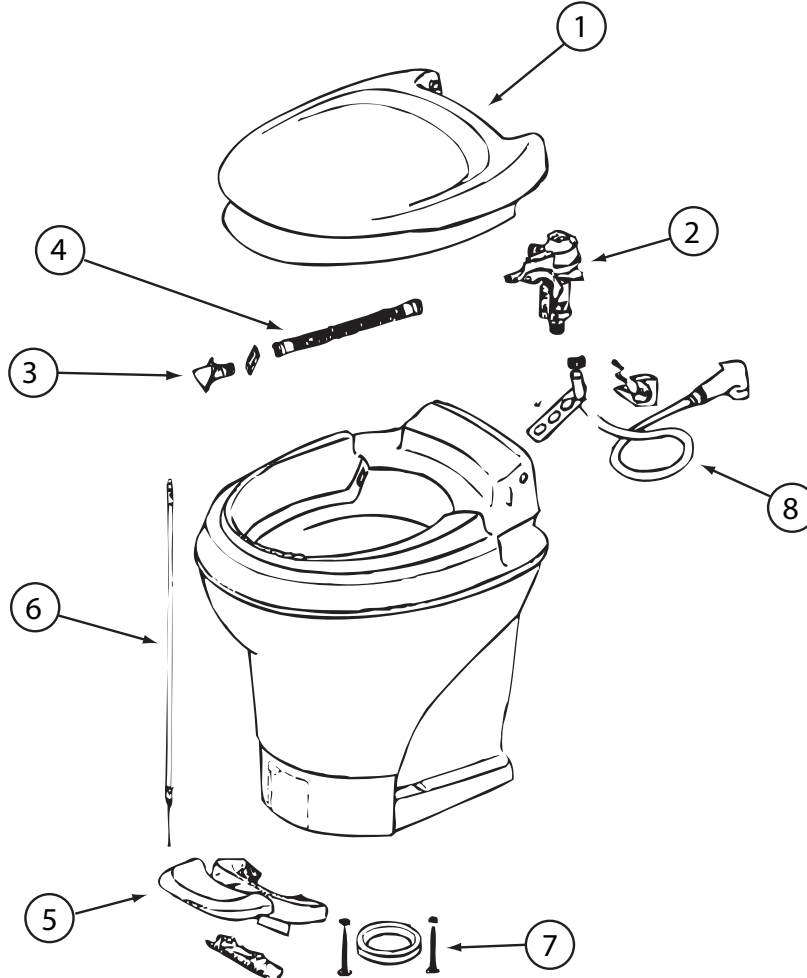
### COMPONENT PARTS FOR DRAINAGE SYSTEM

062415-01-000

| KEY | PART NUMBER   | U/M | DESCRIPTION      | VENDOR NO.  |
|-----|---------------|-----|------------------|-------------|
|     | 062415-01-700 | EA  | STRING-SEWER CAP | V#SV7 STRAP |

096927-01-02A

| KEY | PART NUMBER   | U/M | DESCRIPTION              | VENDOR NO. |
|-----|---------------|-----|--------------------------|------------|
|     | 096927-01-700 | EA  | SINK STOPPER             | M9801      |
|     | 096927-01-701 | EA  | TAILPIECE-DRAIN-LAVATORY | M9802      |

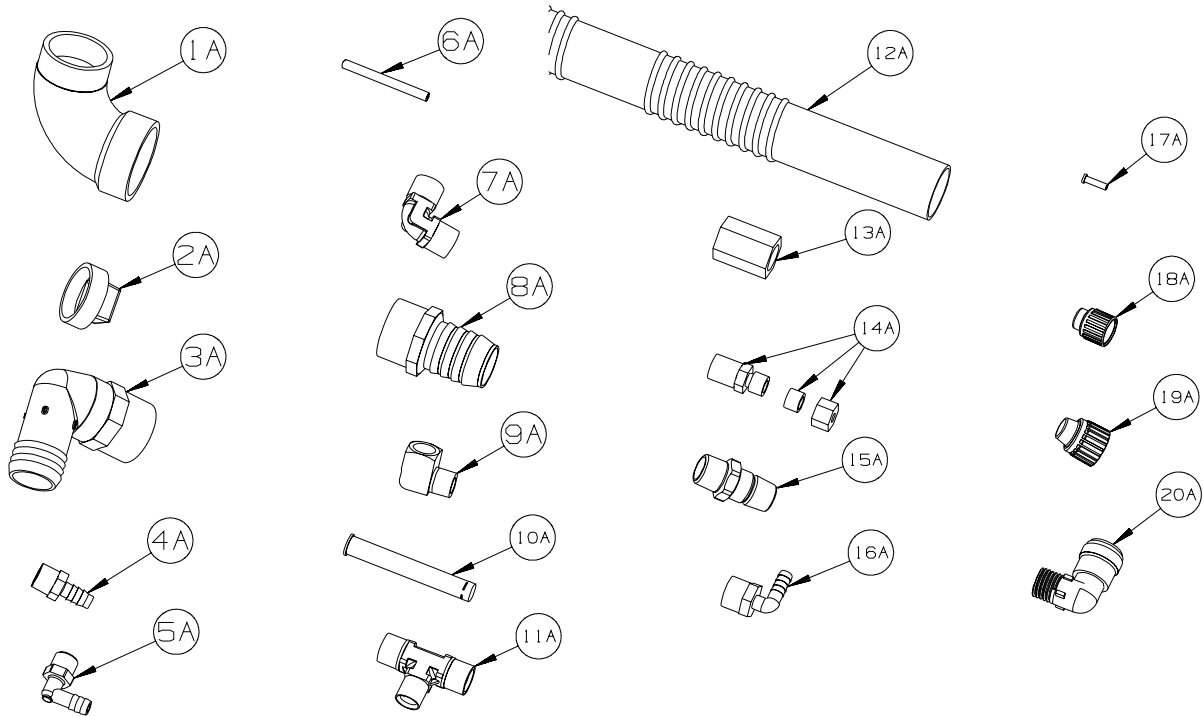


147421-04-01A, 147421-05-01A

| KEY | PART NUMBER   | U/M | DESCRIPTION  | VENDOR NO.     |
|-----|---------------|-----|--|----------------|
| 1   | 147421-01-700 | EA  | SEAT & COVER ASSEMBLY(WHT)                             | 31703          |
| 2   | 147421-01-701 | EA  | WATER MODULE ASSEMBLY                                  | 31705          |
| 3   | 147421-01-702 | EA  | NOZZLE ASSEMBLY  | 31706          |
| 4   | 147421-01-703 | EA  | LINK - WATER MODULE                                    | 31621          |
| 7   | 063740-01-706 | EA  | BOLT PACKAGE-FLOOR FLANGE                              | 12524 THETFORD |
|     | 147421-01-706 | EA  | SEAL - BLADE   | 31708          |
|     | 147421-01-707 | EA  | CAP (UNIVERSAL BOLT) - WHITE                           | 31713          |
|     |               |     | CONTACT WINNEBAGO PART SALES FOR UNLISTED COMPONENT(S) |                |

## WATER & SEWAGE GROUP (CONTINUED)

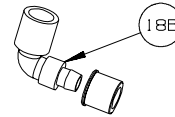
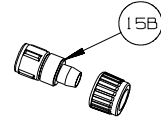
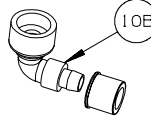
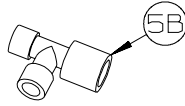
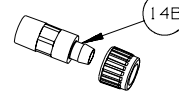
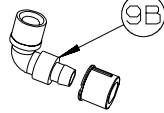
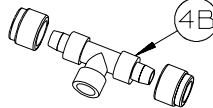
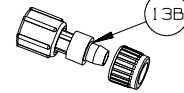
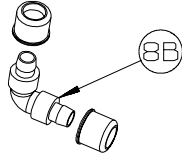
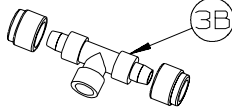
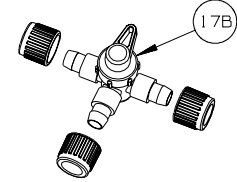
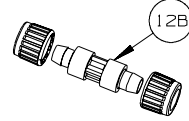
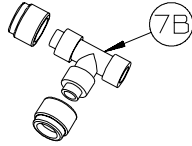
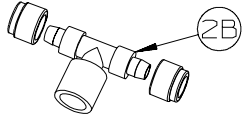
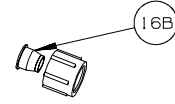
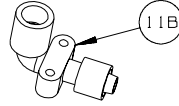
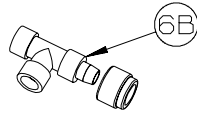
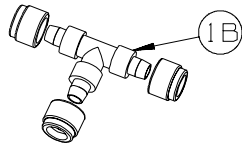
### WATER SYSTEM



| KEY | PART NUMBER   | U/M | DESCRIPTION   |
|-----|---------------|-----|---|
| 1A  | 010009-01-000 | EA  | ELBOW - 90 DEGREE - 1/4 BEND - 1 1/2" PLASTIC             |
| 2A  | 010166-01-000 | EA  | PLUG/THREADED - 1 1/4"MPT - PLASTIC - BLACK - UL          |
| 3A  | 010219-01-000 | EA  | ELBOW - 1 1/4 MPT X 1 1/4 BARB - WATER FILL - PLASTIC     |
| 4A  | 010224-01-000 | EA  | ADAPTER - HOSE TO PIPE - 3/8 MPT X 3/8 BARB - PLASTIC     |
| 5A  | 035539-01-000 | EA  | ELBOW - 3/8 MPT X 3/8 BARB - PLASTIC                      |
| 6A  | 039800-04-000 | FT  | TUBING - POLYBUTYL - 1/4"OD                               |
| 6A  | 074462-02-000 | FT  | TUBING - VINYL - 3/8 ID X 20' - CLEAR                     |
| 6A  | 112176-01-000 | FT  | TUBING - VINYL - REINFORCED - 1/2" ID                     |
| 6A  | 124188-01-000 | FT  | TUBING - PEX - 1/2" ID X 20' - BLUE(COLD)                 |
| 6A  | 124188-02-000 | FT  | TUBING - PEX - 1/2" ID X 20' - RED(HOT)                   |
| 7A  | 039808-03-000 | EA  | ELBOW - 1/2" MPT X 1/2" MPT - PLASTIC                     |
| 8A  | 044927-01-000 | EA  | ADAPTER - HOSE TO PIPE-1 1/4 MPTX1 1/4 BARB-BLACK PLASTIC |
| 9A  | 065318-02-000 | EA  | ELBOW - 90 DEGREE - 3/8" MPT TO 3/8" FPT                  |
| 10A | 077954-02-000 | EA  | FILTER - WATER TANK - W/SCREEN IN TANK                    |
| 11A | 039798-01-000 | EA  | TEE - 1/2"MPT X 1/2"MPT X 1/2"MPT - PLASTIC               |
| 12A | 079381-01-000 | FT  | TUBING - RIBBED FLEXIBLE/WATER FILL - 10 FT = 1EA-1.38ID  |
| 13A | 101814-01-000 | EA  | COUPLING - FEMALE - 1/2" X 1/2" FPT - GRAY                |
| 14A | 103798-01-000 | EA  | CONNECTOR - 1/4 OD X 3/8 MPT                              |
| 15A | 110438-02-000 | EA  | VALVE - CHECK - 1/2"MPT X 1/2"MPT - BRASS                 |
| 16A | 111223-02-000 | EA  | ELBOW - 1/2" MPT X 3/8" BARB - PLASTIC                    |
| 16A | 111223-04-000 | EA  | ELBOW - 1/2" MPT X 1/2" BARB - PLASTIC                    |
| 16A | 111888-01-000 | EA  | FERRULE - PLASTIC - .250 ID X .375 OD                     |
| 17A | 111888-02-000 | EA  | INSERT - BRASS - 1/4 COMP                                 |
| 18A | 113697-01-000 | EA  | CAP - 3/8"P   |
| 19A | 114427-01-000 | EA  | CAP - 1/2"P   |
| 20A | 164906-01-000 | EA  | ELBOW - 90 DEGREE - 1/2" QUICK CONNECT X 1/2"MPT          |

## WATER & SEWAGE GROUP (CONTINUED)

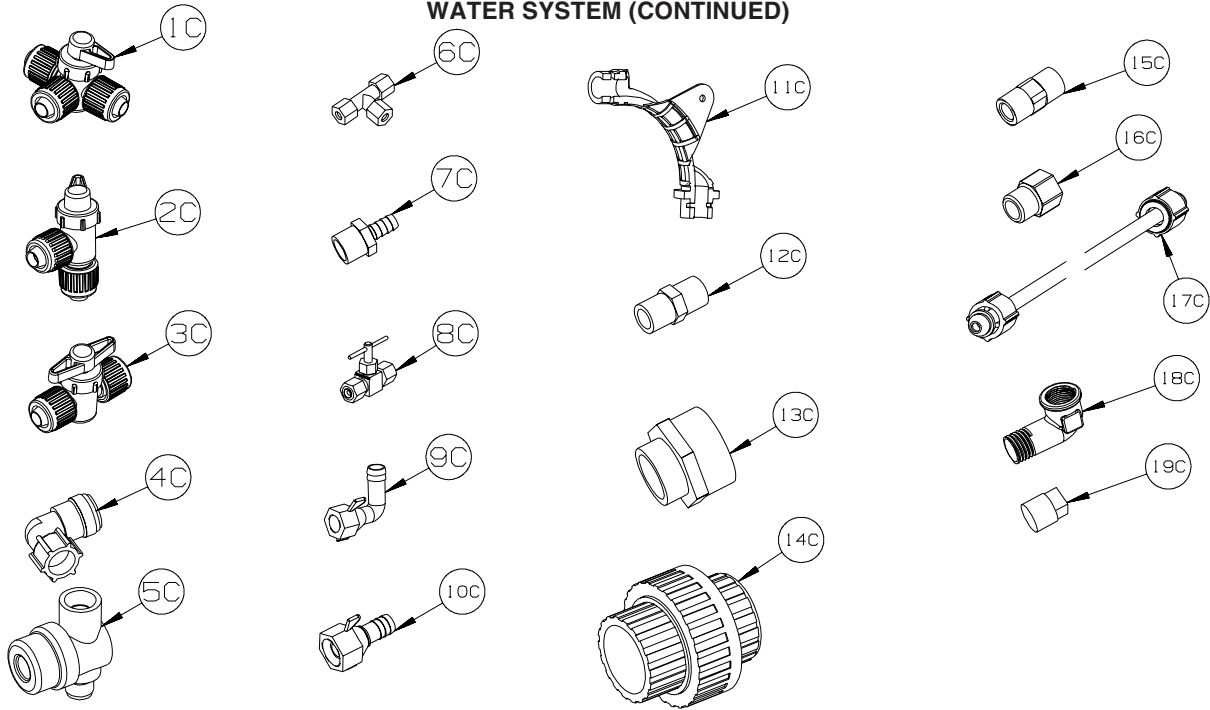
### WATER SYSTEM (CONTINUED)



| KEY | PART NUMBER   | U/M | DESCRIPTION   |
|-----|---------------|-----|---|
| 1B  | 114428-01-000 | EA  | TEE - 1/2"P X 1/2"P X 1/2"P                         |
| 2B  | 114428-02-000 | EA  | TEE - SWIVEL - 1/2"P X 1/2"P X 1/2"FPT              |
| 3B  | 114428-03-000 | EA  | TEE - 1/2"P X 1/2"P X 1/2"MPT                       |
| 4B  | 114428-04-000 | EA  | TEE - 1/2"P X 1/2"P X 1/8"FPT                       |
| 5B  | 114428-05-000 | EA  | TEE - 1/2" SWIVEL X 1/2" MPT X 1/2" MPT             |
| 6B  | 114428-06-000 | EA  | TEE - 1/2" P X 1/2" MPT X 1/2" MPT                  |
| 7B  | 114428-07-000 | EA  | TEE - 1/2" P X 1/2" MPT X 1/2" P                    |
| 8B  | 114429-01-000 | EA  | ELBOW - 1/2"P X 1/2"P                               |
| 9B  | 114429-02-000 | EA  | ELBOW - 1/2"P X 1/2"MPT                             |
| 9B  | 114429-04-000 | EA  | ELBOW - 1/2"P X 3/8"MPT                             |
| 9B  | 114429-10-000 | EA  | ELBOW - SWIVEL - 1/2"MPT X 1/2"FPT                  |
| 10B | 114429-08-000 | EA  | ELBOW - SWIVEL - 1/2"P X 1/2"FPT                    |
| 11B | 114429-09-000 | EA  | ELBOW - 1/2"P X 1/2"FPT DROP EAR                    |
| 12B | 114430-01-000 | EA  | ADAPTER - 1/2"P X 1/2"P                             |
| 13B | 114430-02-000 | EA  | ADAPTER - SWIVEL - 1/2"P X 1/2"FPT                  |
| 13B | 114430-04-000 | EA  | ADAPTER - SWIVEL - 1/2"P X 3/8"MPT                  |
| 14B | 114430-03-000 | EA  | ADAPTER - 1/2"P X 1/2"MPT                           |
| 15B | 114430-06-000 | EA  | ADAPTER - 1/2"P X 3/8"FPT                           |
| 15B | 114430-09-000 | EA  | ADAPTER - 1/2"P X 1/2"FPT                           |
| 16B | 114430-10-000 | EA  | ADAPTER - NUT - PIPE CONNECTION - 1/2"              |
| 17B | 114431-01-000 | EA  | VALVE - 180 DEGREE/CENTER DRAIN - 1/2"P - THREE WAY |
| 18B | 114429-11-000 | EA  | ELBOW - 1/2"P X 1/2"FPT                             |

## WATER & SEWAGE GROUP (CONTINUED)

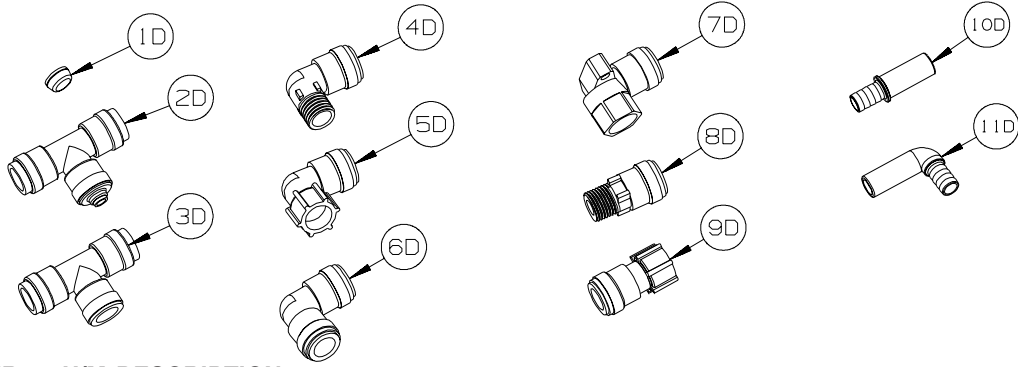
### WATER SYSTEM (CONTINUED)



| KEY | PART NUMBER   | U/M | DESCRIPTION   |
|-----|---------------|-----|---|
| 1C  | 114431-02-000 | EA  | VALVE - WATER BYPASS - 1/2"P - THREE WAY (WATER HEATER)   |
| 2C  | 114431-03-000 | EA  | VALVE - 90 DEGREE DRAIN - 1/2"P                           |
| 3C  | 114431-04-000 | EA  | VALVE - "INLINE SHUT-OFF" - 1/2"P                         |
| 4C  | 164906-02-000 | EA  | ELBOW - 90 DEGREE - 1/2" QUICK CONNECT X 1/2"MPT - SWIVEL |
| 5C  | 152925-01-01A | EA  | FILTER - IN LINE - TWIST ON - 1/2" - BLACK                |
| 6C  | 118423-01-000 | EA  | FITTING - BRASS-TEE - 1/4C X 1/4C X 1/4C                  |
| 7C  | 118809-01-000 | EA  | ADAPTER - 1/2" MPT X 3/8" BARB - PLASTIC                  |
| 7C  | 118809-02-000 | EA  | ADAPTER - 1/2" MPT X 1/2" BARB - PLASTIC                  |
| 8C  | 120868-01-000 | EA  | VALVE - NEEDLE - 1/4" COMPRESSION X 1/4" COMPRESSION      |
| 9C  | 123150-01-000 | EA  | ELBOW - 1/2 FPT X 1/2 BARB - SWIVEL                       |
| 10C | 123152-01-000 | EA  | ADAPTER - 1/2 FPT X 1/2 BARB - SWIVEL                     |
| 11C | 124184-01-000 | EA  | SUPPORT - WATER LINE - BEND                               |
| 12C | 132148-01-000 | EA  | CONNECTOR - 1/2" X 1/2"MPT - BRASS                        |
| 13C | 133835-01-000 | EA  | ADAPTER - REDUCING - 1 1/2" X 1 1/4"                      |
| 14C | 133889-01-000 | EA  | UNION - 1 1/2 DOUBLE SLIP - PVC                           |
| 15C | 135386-01-000 | EA  | NIPPLE - 1/2"   |
| 16C | 136333-01-000 | EA  | ADAPTER - BRASS - 1/2"MPT X 1/2"FPT                       |
| 17C | 140821-01-000 | EA  | TUBE - WATER SUPPLY - 3/8" X 24"                          |
| 17C | 140821-02-000 | EA  | TUBE - WATER SUPPLY - 3/8" X 30"                          |
| 17C | 140821-03-000 | EA  | TUBE - WATER SUPPLY - 3/8" X 36"                          |
| 17C | 140821-04-000 | EA  | TUBE - WATER SUPPLY - 3/8" X 48"                          |
| 17C | 140821-05-000 | EA  | TUBE - WATER SUPPLY - 3/8" X 54"                          |
| 17C | 140821-06-000 | EA  | TUBE - WATER SUPPLY - 3/8" X 60"                          |
| 17C | 140821-07-000 | EA  | TUBE - WATER SUPPLY - 3/8" X 72"                          |
| 17C | 140821-08-000 | EA  | TUBE - WATER SUPPLY - 1/2" X 24"                          |
| 17C | 140821-09-000 | EA  | TUBE - WATER SUPPLY - 1/2" X 36"                          |
| 17C | 140821-10-000 | EA  | TUBE - WATER SUPPLY - 1/2" X 48"                          |
| 18C | 142812-01-000 | EA  | ELBOW - BRASS - 1/2"MPT X 1/2"FPT                         |
| 19C | 145609-01-000 | EA  | PLUG - BRASS - 1/2" MPT/HEX HEAD                          |

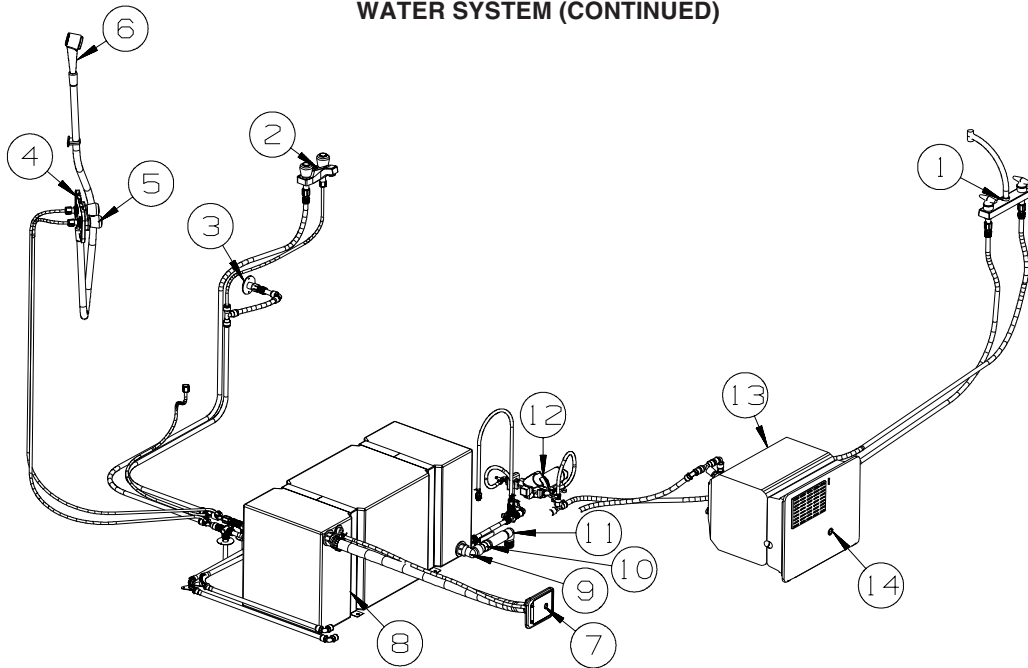


**WATER & SEWAGE GROUP (CONTINUED)**  
**WATER SYSTEM (CONTINUED)**



| KEY | PART NUMBER   | U/M | DESCRIPTION   |
|-----|---------------|-----|---|
| 1D  | 116473-01-000 | EA  | FERRIL - RUBBER SEALING - WATER LINE                      |
| 2D  | 160949-01-000 | EA  | CONNECTOR - 1/2" X 1/2" X 1/4" REDUCER                    |
| 3D  | 160949-02-000 | EA  | CONNECTOR - 1/2"CTS X 1/2"CTS X 1/2"CTS                   |
| 4D  | 164906-01-000 | EA  | ELBOW - 90 DEGREE - 1/2" QUICK CONNECT X 1/2"MPT          |
| 5D  | 164906-02-000 | EA  | ELBOW - 90 DEGREE - 1/2" QUICK CONNECT X 1/2"FPT - SWIVEL |
| 6D  | 164906-03-000 | EA  | ELBOW - 90 DEGREE - 1/2" X 1/2" QUICK CONNECTS            |
| 7D  | 164906-04-000 | EA  | ELBOW - 90 DEGREE - 1/2"CTS X 1/2"FPT                     |
| 8D  | 164907-01-000 | EA  | ADAPTER - STRAIGHT - 1/2" QUICK CONNECT X 1/2"MPT         |
| 9D  | 164907-02-000 | EA  | ADAPTER - STRAIGHT - 1/2" QUICK CONNECT X 1/2"FPT/SWIVEL  |
| 10D | 166212-01-000 | EA  | UNION - HOSE/BARB - CTS X 1/2"B - SEA TECH #3511-1008     |
| 11D | 166212-02-000 | EA  | ELBOW - HOSE/BARB - CTS X 1/2"B - SEA TECH #3512-1008     |

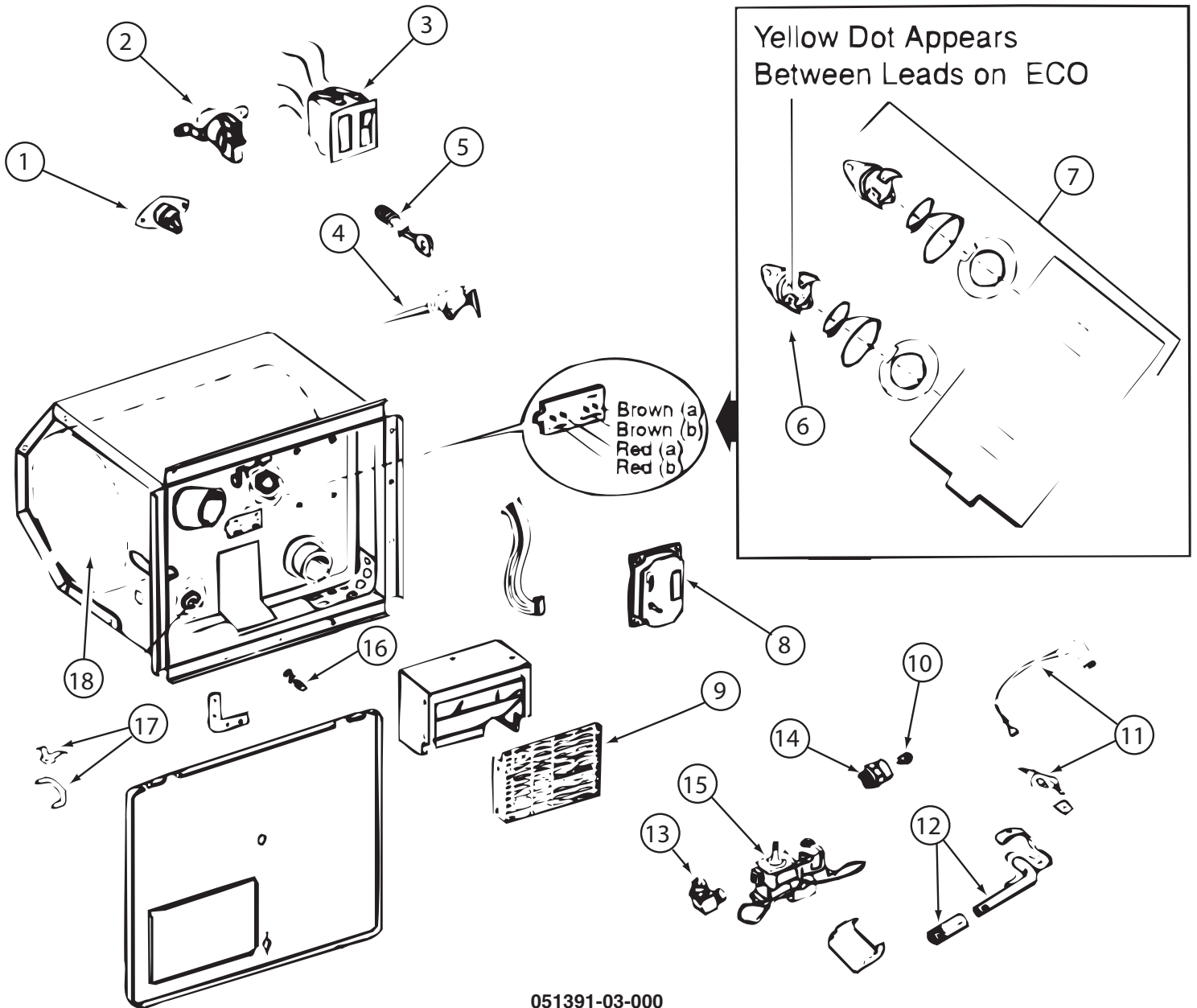
**WATER & SEWAGE GROUP (CONTINUED)**  
**WATER SYSTEM (CONTINUED)**



| KEY | PART NUMBER   | U/M | DESCRIPTION   |
|-----|---------------|-----|---|
| 1   | 140117-02-01A | EA  | FAUCET - GALLEY - DUAL LEVERS - CHROME/CLEAR              |
| 2   | 148886-01-01A | EA  | FAUCET - LAVATORY/DUAL CONTROL/4" CENTER - CHROME         |
| 3   | 010230-06-000 | EA  | FILL - CITY WATER - W/CHECK VALVE - MPT - BRUSHED ALUM    |
| 4   | 075606-03-000 | EA  | PANEL - PLASTIC - FAUCET BACK - SOFT WHITE                |
| 5   | 163269-01-02A | EA  | FAUCET/SHOWER -.5"MPT W/1.9" INLET PIPES- EXTERIOR/CHROME |
| 6   | 131383-01-02A | EA  | SHOWER HEAD - W/60" HOSE & BRACKET - WHITE                |
| 7   | 137169-01-01A | EA  | WATER FILL/GRAVITY - W/DOOR - W/O LOCK - BRIGHT WHITE     |
| 8   | 156167-05-000 | EA  | TANK - WATER - 36 GALLON - W/FITTINGS                     |
|     | 042989-03-000 | EA  | FITTING - SPINWELD - 1 1/4"NPT - PLASTIC                  |
|     | 042989-04-000 | EA  | FITTING - SPINWELD - 3/8"FPT - PLASTIC                    |
|     | 042989-05-000 | EA  | FITTING - SPINWELD - 1/2"FPT - PLASTIC                    |
|     | 042989-08-000 | EA  | FITTING - SPINWELD - 1"FPT - PLASTIC                      |
|     | 049032-01-000 | EA  | PATCH - SPINWELD - 1"ID - 1.9"OD - PLASTIC                |
| 9   | 132484-01-000 | EA  | ELBOW - 90 DEGREE - 1MPT X 1FPT - PLASTIC                 |
| 10  | 132483-01-000 | EA  | VALVE/BALL - 1" - THREADED ENDS                           |
| 11  | 132781-01-000 | EA  | ELBOW - 1.3" BARB X 1.3" BARB - 90 DEGREE - PLASTIC       |
| 12  | 163338-01-000 | EA  | PUMP - WATER - 2.9 GPM - W/O PORT FITTINGS                |
| 13* | 051391-03-000 | EA  | WATER HEATER G6A-8E ELECTRONIC IGNITION                   |
| 14  | 052009-06-000 | EA  | DOOR - WATER HEATER - 18" X 14.6" - BRIGHT WHITE          |
|     |               |     | FROM: 00-00-00 THRU: 06-17-07                             |
| 14  | 125420-06-02A | EA  | DOOR - WATER HEATER - 18" X 14.6" - BRIGHT WHITE          |
|     |               |     | FROM: 06-18-07 THRU: 99-99-99                             |

\*COMPONENT PARTS LISTED LATER IN THIS GROUP

**WATER & DRAINAGE GROUP (CONTINUED)**  
**COMPONENT PARTS FOR WATER SYSTEM**



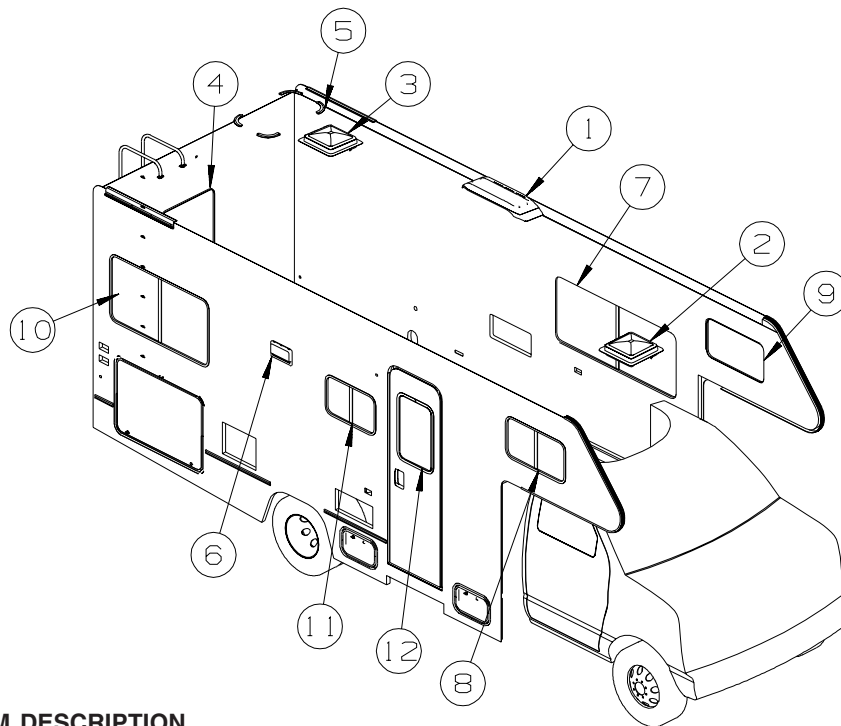
051391-03-000

| KEY | PART NUMBER   | U/M | DESCRIPTION                   | VENDOR NO.      |
|-----|---------------|-----|-------------------------------|-----------------|
| 3   | 051393-01-701 | EA  | SWITCH - REMOTE - W/LIGHT     | 91959           |
| 4   | 051391-01-704 | EA  | VALVE-RELIEF, 1/2" FITTING    | 91604           |
| 4   | 051391-03-701 | EA  | VALVE-RELIEF - 3/4" FITTING   | 90028           |
| 5   | 051391-01-705 | EA  | FASTENER-CAMLOCK              | 92609           |
| 6   | 051391-04-701 | EA  | THERMOSTAT 12V DC-120 PRESET  | 91470           |
| 7   | 051393-01-721 | EA  | THERMOSTAT W/ECO, 140 FRT MT  | 91447           |
| 9   | 051391-04-707 | EA  | KIT-EXHAUST, (FLUE & GASKET)  | 90960           |
| 10  | 051391-01-710 | EA  | ORIFICE-MAIN BURNER           | 92742           |
| 12  | 051391-04-703 | EA  | BURNER-MAIN/ELECTRONIC IG     | 91638           |
| 13  | 051391-01-714 | EA  | FITTING-ELBOW 45,3/8F X 3/8   | MPT 1044        |
| 14  | 051391-03-700 | EA  | HOLDER-ORIFICE                | 91563           |
| 16  | 051391-01-715 | EA  | PLUG-DRAIN, 1 EA = 2 PER PKG  | 91857           |
| 17  | 051391-01-700 | EA  | HINGE KIT, (PIN & CLIP)       | 92568&92559     |
| 18  | 051391-04-706 | EA  | TANK-G6A-4E/6E/7E/8E-FRT.MT   | 91641 - INNER   |
|     | 051391-01-717 | EA  | GRILLE-WATER HEATER DOOR      | 92640           |
|     | 051393-01-723 | EA  | SWITCH - THERMAL CUTOUT 2/PK  | 93866 WAS 93853 |
|     | 051393-01-724 | EA  | BOARD-CIRCUIT, SPADE TERMINAL | 93865           |
|     | 051393-01-725 | EA  | ELECTRODE-SGL SPADE CONNECT.  | 93868           |
|     | 051393-01-726 | EA  | VALVE/SOLENOID - W/O BRACKET  | 93870           |
|     | 111129-01-711 | EA  | BRACKET-CORNER, SET OF FOUR   | 91928           |

CONTACT WINNEBAGO PARTS SALES FOR UNLISTED COMPONENT(S)

## WINDOWS & VENTS GROUP

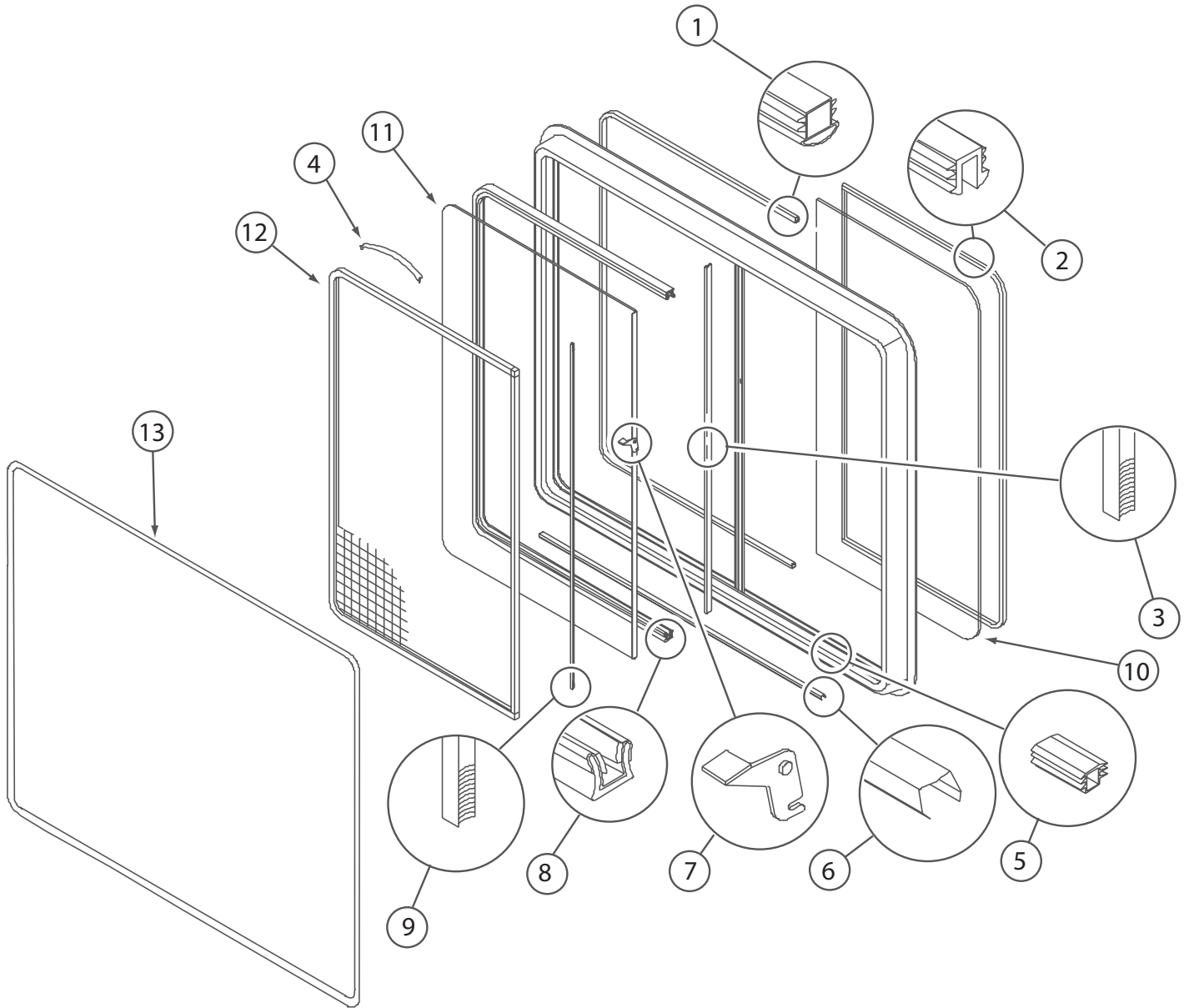
### WINDOWS & VENTS LAYOUT



| KEY | PART NUMBER   | U/M | DESCRIPTION  |
|-----|---------------|-----|--|
| 1   | 149508-01-02A | EA  | CAP - ROOF/REFRIGERATOR VENT - WHITE                             |
| 1   | 149508-02-02A | EA  | BASE - ROOF/REFRIGERATOR VENT - BRIGHT WHITE                     |
| 2*  | 122882-01-01A | EA  | VENT - ROOF - NONPOWERED - W/O INSIDE GARNISH                    |
|     | 009440-01-000 | EA  | GEAR/ARM - LIFT - ROOF VENT COVER                                |
| 2   | 122882-07-01A | EA  | GARNISH - ROOF VENT - 2.5" TO 4.1"                               |
| 3*  | 122882-02-01A | EA  | VENT - ROOF - W/FAN - W/O INSIDE GARNISH - UL                    |
| 3*  | 122882-03-01A | EA  | VENT - ROOF - W/FAN - W/O INSIDE GARNISH - CSA - <b>CANADIAN</b> |
|     | 009440-01-000 | EA  | GEAR/ARM - LIFT - ROOF VENT COVER                                |
|     | 048648-01-000 | EA  | MOTOR/ROOF VENT - W/RESISTER - 1/8"SHAFT - 12VOLT                |
|     | 048649-01-000 | EA  | FAN BLADE - ROOF VENT - 6 BLADED - 6"RADIUS                      |
| 3   | 122882-07-01A | EA  | GARNISH - ROOF VENT - 2.5" TO 4.1"                               |
| 4*  | 151075-02-01A | EA  | WINDOW - ESCAPE/PICTURE - 26.3" X 26.7" - 62% TINT               |
| 5   | 138372-01-02B | EA  | TRIM - CORNER - SKYLIGHT - E-COATED                              |
| 5   | 138379-03-01A | EA  | PANEL/SKYLIGHT OTR - RECT/6"H CTR DOME - 18.4"X 29.5"- WHT       |
| 5   | 156693-01-01A | EA  | PANEL/SKYLIGHT - INNER   |
| 6   | 147821-01-01A | EA  | VENT - EXHAUST/RANGE HOOD - BRIGHT WHITE                         |
| 6   | 147821-02-01A | EA  | SHROUD - EXHAUST VENT/RANGE HOOD - BRIGHT WHITE                  |
| 7*  | 098647-28-02A | EA  | WINDOW - DRIVER HORIZ SLIDER W/TRIM-CLEAR - 59.7" X 26.1"        |
| 8*  | 098647-31-02A | EA  | WINDOW - PASS HORIZ SLIDER W/TRIM - CLEAR - 15.7" X 28.5"        |
| 9*  | 098647-32-02A | EA  | WINDOW - DRVR HORIZ SLIDER W/TRIM - CLEAR- 15.7" X 28.5"         |
| 10* | 098647-38-02A | EA  | WINDOW - PASS HORIZ SLIDER W/TRIM - CLEAR - 26.1" X 47.8"        |
| 11* | 098647-49-02A | EA  | WINDOW - PASS HORIZ SLIDER W/TRIM - TINTED - 15" X 23.7"         |
| 12  | 117053-08-S95 | EA  | WINDOW - PICTURE/FROSTED - W/O TRIM - 17" X 26.4"                |
|     | 002181-34-000 | EA  | GLASS - PICTURE WINDOW - 25.8"W X 16.4"H - FROSTED               |
|     | 087561-01-000 | FT  | SEAL - GLASS - EXTERIOR - .5" WIDE - VINYL BLACK                 |
| 12  | 117054-02-03A | EA  | TRIM/RETAINER - INSIDE - 16.9" X 26.2" - BLACK                   |

**\*COMPONENT PARTS LISTED LATER IN THIS GROUP**

**WINDOWS & VENTS GROUP (CONTINUED)**  
**COMPONENT PARTS FOR WINDOWS & VENTS LAYOUT**



**098647-29-02A, 098647-30-02A**

| KEY | PART NUMBER   | U/M | DESCRIPTION                  | VENDOR NO. |
|-----|---------------|-----|------------------------------|------------|
| 1   | 098644-01-716 | FT  | PLUG - FILLER                | 132-014470 |
| 2   | 098644-01-705 | FT  | GLAZING - STRIP              | 132-010231 |
| 3   | 098644-01-706 | FT  | WEATHERSTRIP - GLASS         | 171-010668 |
| 4   | 098644-01-713 | EA  | CLIP - SCREEN - METAL        | 226-016966 |
| 4   | 125582-01-701 | EA  | CLIP - SCREEN - PLASTIC      | 130-005153 |
| 5   | 098644-01-719 | EA  | STOP - SLIDER GLASS          | 132-014203 |
| 6   | 098644-01-710 | FT  | TRACK - SCREEN SPACER 12'    | 132-017135 |
| 7   | 098644-01-700 | EA  | LATCH - REPAIR KIT (BLACK)   | B801-CK    |
| 7   | 098647-54-701 | EA  | LATCH - REPAIR KIT (RED)     | B081-CK    |
| 8   | 098644-01-708 | FT  | CHANNEL - RUN PIERCED        | 122-016543 |
| 9   | 098644-01-711 | FT  | WEATHERSTRIP - SCREEN BLACK  | 171-016965 |
| 10  | 098647-29-702 | EA  | GLASS - STATIONARY           | 096-019295 |
| 11  | 098647-29-703 | EA  | GLASS-SLIDING W/SASH & LATCH | H172-C8    |
| 12  | 098647-29-704 | EA  | SCREEN ASM - W/SEALS & CLIPS | 410-018864 |
| 13  | 098647-29-705 | EA  | RETAINER - TRIM              | CH04-66    |
|     | 098644-01-717 | FT  | SPLINE - SCREEN              | 132-004716 |

**WINDOWS & VENTS GROUP (CONTINUED)**  
**COMPONENT PARTS FOR WINDOWS & VENTS LAYOUT (CONTINUED)**

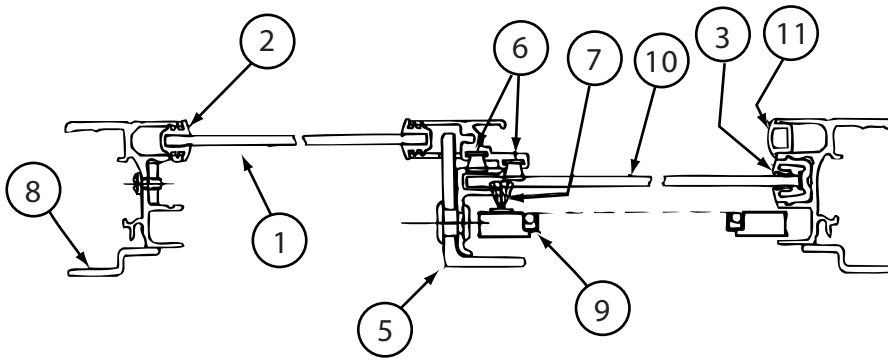
**098647-31-02A, 098647-32-02A**

| <b>KEY</b> | <b>PART NUMBER</b> | <b>U/M</b> | <b>DESCRIPTION</b>           | <b>VENDOR NO.</b> |
|------------|--------------------|------------|------------------------------|-------------------|
| 1          | 098644-01-716      | FT         | PLUG - FILLER                | 132-014470        |
| 2          | 098644-01-705      | FT         | GLAZING - STRIP              | 132-010231        |
| 3          | 098644-01-706      | FT         | WEATHERSTRIP - GLASS         | 171-010668        |
| 4          | 098644-01-713      | EA         | CLIP - SCREEN - METAL        | 226-016966        |
| 4          | 125582-01-701      | EA         | CLIP - SCREEN - PLASTIC      | 130-005153        |
| 5          | 098644-01-719      | EA         | STOP - SLIDER GLASS          | 132-014203        |
| 6          | 098644-01-710      | FT         | TRACK - SCREEN SPACER 12'    | 132-017135        |
| 7          | 098644-01-700      | EA         | LATCH - REPAIR KIT (BLACK)   | B801-CK           |
| 7          | 098647-54-701      | EA         | LATCH - REPAIR KIT (RED)     | B081-CK           |
| 8          | 098644-01-708      | FT         | CHANNEL - RUN PIERCED        | 122-016543        |
| 9          | 098644-01-711      | FT         | WEATHERSTRIP - SCREEN BLACK  | 171-016965        |
| 10         | 098647-31-702      | EA         | GLASS - STATIONARY           | 096-019299        |
| 11         | 098647-31-703      | EA         | GLASS-SLIDING W/SASH & LATCH | H425-C8           |
| 12         | 098647-31-704      | EA         | SCREEN ASM - W/SEALS & CLIPS | 410-019128        |
| 13         | 098647-31-705      | EA         | RETAINER - TRIM              | CH29-66           |
|            | 098644-01-717      | FT         | SPLINE - SCREEN              | 132-004716        |

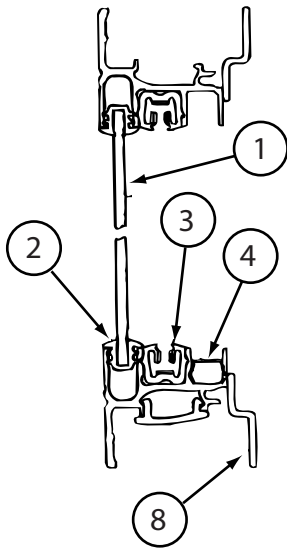
**098647-49-02A**

| <b>KEY</b> | <b>PART NUMBER</b> | <b>U/M</b> | <b>DESCRIPTION</b>           | <b>VENDOR NO.</b> |
|------------|--------------------|------------|------------------------------|-------------------|
| 1          | 098644-01-716      | FT         | PLUG - FILLER                | 132-014470        |
| 2          | 098644-01-705      | FT         | GLAZING - STRIP              | 132-010231        |
| 3          | 098644-01-706      | FT         | WEATHERSTRIP - GLASS         | 171-010668        |
| 4          | 098644-01-713      | EA         | CLIP - SCREEN - METAL        | 226-016966        |
| 4          | 125582-01-701      | EA         | CLIP - SCREEN - PLASTIC      | 130-005153        |
| 5          | 098644-01-719      | EA         | STOP - SLIDER GLASS          | 132-014203        |
| 6          | 098644-01-710      | FT         | TRACK - SCREEN SPACER 12'    | 132-017135        |
| 7          | 098644-01-700      | EA         | LATCH - REPAIR KIT (BLACK)   | B801-CK           |
| 7          | 098647-54-701      | EA         | LATCH - REPAIR KIT (RED)     | B081-CK           |
| 8          | 098644-01-708      | FT         | CHANNEL - RUN PIERCED        | 122-016543        |
| 9          | 098644-01-711      | FT         | WEATHERSTRIP - SCREEN BLACK  | 171-016965        |
| 10         | 098647-49-700      | EA         | GLASS - STATIONARY           | 096-012066        |
| 11         | 098647-67-700      | EA         | GLASS-SLIDING W/SASH & LATCH | B969C9            |
| 12         | 112795-56-702      | EA         | SCREEN ASM - W/SEALS & CLIPS | 410-019414        |
| 13         | 098647-49-702      | EA         | RETAINER - TRIM              | H969-66           |
|            | 098644-01-717      | FT         | SPLINE - SCREEN              | 132-004716        |

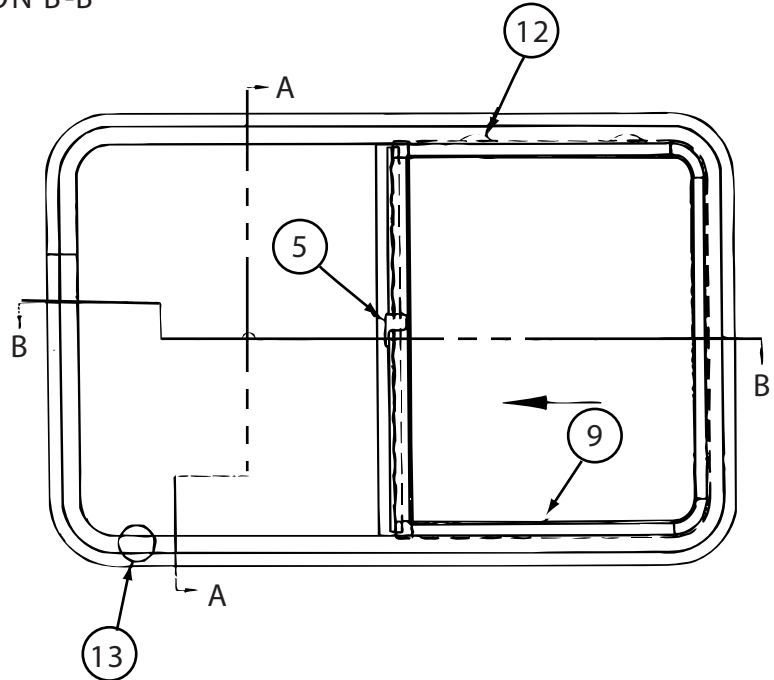
**WINDOWS & VENTS GROUP (CONTINUED)**  
**COMPONENT PARTS FOR WINDOWS & VENTS LAYOUT (CONTINUED)**



CROSS SECTION B-B



CROSS SECTION A-A



098647-74-01A

| KEY | PART NUMBER   | U/M | DESCRIPTION                  | VENDOR NO. |
|-----|---------------|-----|------------------------------|------------|
| 1   | 098647-68-701 | EA  | GLASS - STATIONARY           | 096-029585 |
| 2   | 098644-01-705 | FT  | GLAZING - STRIP              | 132-010231 |
| 3   | 098644-01-708 | FT  | CHANNEL - RUN PIERCED        | 122-016543 |
| 4   | 098644-01-710 | FT  | TRACK - SCREEN SPACER 12'    | 132-017135 |
| 5   | 098644-01-700 | EA  | LATCH - REPAIR KIT (BLACK)   | B801-CK    |
| 6   | 098644-01-706 | FT  | WEATHERSTRIP - GLASS         | 171-010668 |
| 7   | 098644-01-711 | FT  | WEATHERSTRIP - SCREEN BLACK  | 171-016965 |
| 8   | 098647-47-704 | EA  | RETAINER - TRIM              | H493-66    |
| 9   | 098647-47-702 | EA  | SCREEN ASM - W/SEALS & CLIPS | 410-025226 |
| 10  | 098647-74-700 | EA  | GLASS SLIDING W/SASH & LATCH | H493C8     |
| 11  | 098644-01-716 | FT  | PLUG - FILLER                | 132-014470 |
| 12  | 125582-01-701 | EA  | CLIP - SCREEN - PLASTIC      | 130-005153 |
| 13  | 098644-01-719 | EA  | STOP - SLIDER GLASS          | 132-014203 |

**WINDOWS & VENTS GROUP (CONTINUED)**  
**COMPONENT PARTS FOR WINDOWS & VENTS LAYOUT (CONTINUED)**

**122882-01-01A**

| <b>KEY</b> | <b>PART NUMBER</b> | <b>U/M</b> | <b>DESCRIPTION</b>     | <b>VENDOR NO.</b> |
|------------|--------------------|------------|------------------------|-------------------|
|            | 064470-01-700      | EA         | COVER - VENT           | J7291             |
|            | 064470-01-701      | EA         | SLIDE BAR - VENT LID   | JRP1291B          |
|            | 122882-01-700      | EA         | HANDLE - CRANK - BLACK | 90128             |
|            | 122882-01-701      | EA         | SCREEN                 | JRP-1124-B        |
|            | 122882-01-702      | EA         | HANDLE - CRANK - WHITE | JRP1031B          |

**122882-02-01A, 122882-03-01A**

| <b>KEY</b> | <b>PART NUMBER</b> | <b>U/M</b> | <b>DESCRIPTION</b>       | <b>VENDOR NO.</b> |
|------------|--------------------|------------|--------------------------|-------------------|
|            | 064470-01-700      | EA         | COVER - VENT             | J7291             |
|            | 064470-01-701      | EA         | SLIDE BAR - VENT LID     | JRP1291B          |
|            | 110051-03-700      | EA         | SWITCH-BLACK/PUSH BUTTON | 27-0164           |
|            | 122882-01-700      | EA         | HANDLE - CRANK - BLACK   | 90128             |
|            | 122882-01-701      | EA         | SCREEN                   | JRP-1124-B        |
|            | 122882-01-702      | EA         | HANDLE - CRANK - WHITE   | JRP1031B          |