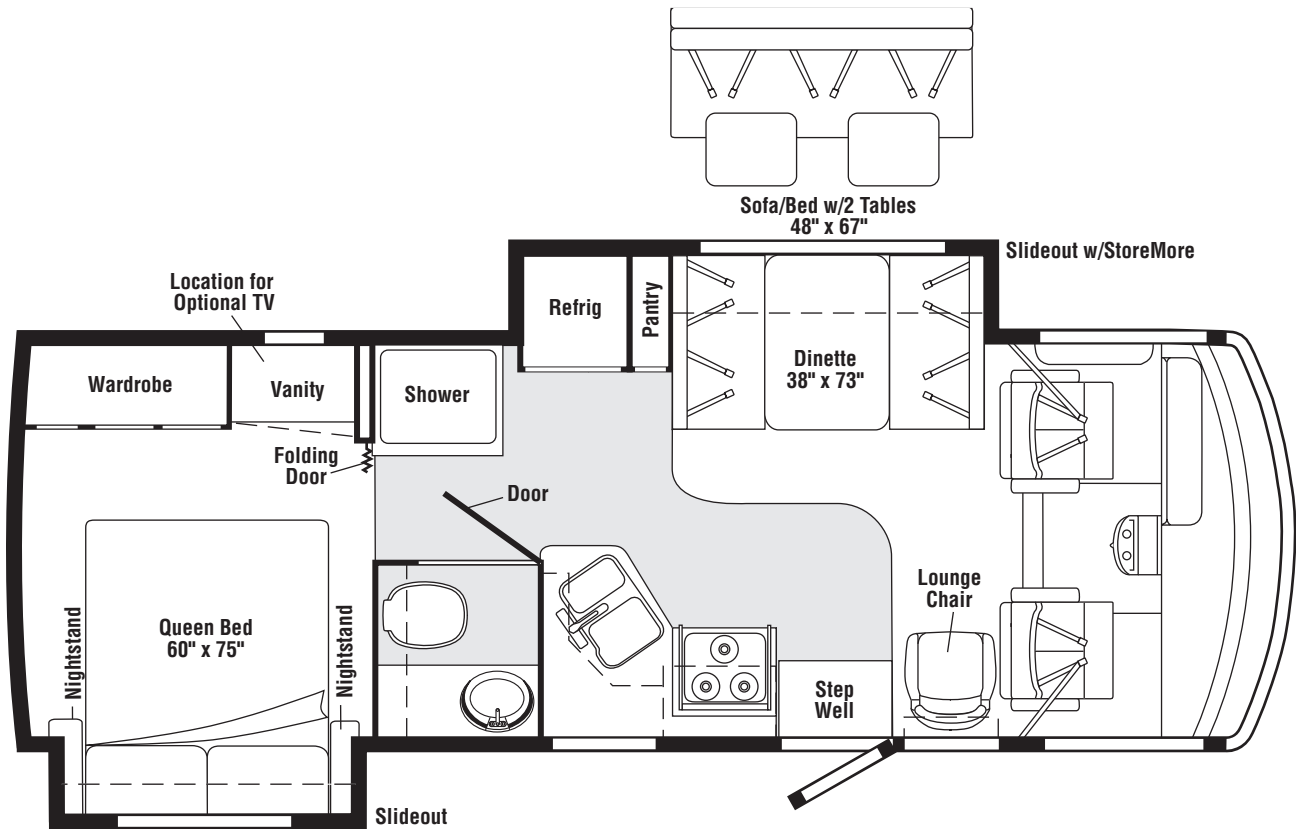


2007
SIGHTSEER
WPD26P
D-SERIES
PORTSMOUTH OAK
U51 EMBER GLOW
U53 GINGERSNAP
U55 LINEN MOSS
SIERRA MAPLE
U52 EMBER GLOW
U54 GINGERSNAP
U56 LINEN MOSSDASH ACCENT COLORS
U51, U52, U53, U54 - CASHMERE
U55, U56 - RIVERSTONE



FLOORPLAN

CONTENTS

| | |
|--|-----------|
| FLOORPLAN | 1 |
| ACCESSORIES GROUP | 6 |
| OPERATORS MANUAL | 6 |
| AUDIO VIDEO GROUP | 7 |
| RADIO SYSTEM | 7 |
| COMPONENT PARTS FOR RADIO SYSTEM | 7 |
| 135420-20-000 | 7 |
| REAR MONITOR | 8 |
| COMPONENT PARTS FOR REAR MONITOR | 9 |
| 144677-10-01A | 9 |
| 144677-11-01A | 9 |
| CABINET & APPLIANCE GROUP | 10 |
| CABINET & APPLIANCE LAYOUT | 10 |
| COMPONENT PARTS FOR CABINET & APPLIANCE LAYOUT | 19 |
| 114030-04-01A | 19 |
| 121568-06-01A, 121568-07-01A, 121568-08-01A | 21 |
| 135065-03-01A, 135065-03-03A, 135065-04-01A | 26 |
| 136354-01-02A | 28 |
| 136354-02-02A | 29 |
| 136354-05-01A, 136354-05-02A | 29 |
| 136354-06-01A, 136354-06-02A | 29 |
| 150606-04-01A, 150606-04-02A | 29 |
| 151277-01-01A, 151277-02-01A | 30 |
| 151277-03-01A, 151279-01-01A, 151279-02-01A/02A, 151279-03-01A | 34 |
| 158686-01-01A | 37 |
| CHASSIS GROUP | 38 |
| FRAME | 38 |
| FRONT END | 39 |
| EXHAUST | 41 |
| FUEL | 45 |
| SPARE TIRE | 47 |
| HYDRAULIC LEVELING | 48 |
| COMPONENT PARTS FOR HYDRAULIC LEVELING | 49 |
| 139641-09-000 | 49 |
| 139641-10-000 | 49 |
| 156056-02-000 | 49 |
| WHEEL, TIRE, COVERS &/OR LINERS | 50 |
| COMPONENT PARTS FOR WHEEL, TIRE, COVERS &/OR LINERS | 50 |
| 145580-03-000 | 50 |
| 145580-06-000 | 50 |
| 154672-01-000 | 50 |
| BRAKE | 50 |
| CURTAIN & CUSHION GROUP | 51 |
| NOTICE | 51 |
| CUSHION LAYOUT | 52 |
| BUCKET SEATS | 54 |
| LOUNGE CHAIR | 55 |
| SOFA | 56 |
| WINDOW TREATMENT | 58 |
| HARDWARE | 60 |
| ACCESSORIES | 62 |
| FABRICS | 62 |

CONTENTS (CONTINUED)

| | |
|--|------------|
| DRIVERS COMPARTMENT GROUP | 63 |
| DASH | 63 |
| MOTOR COVER | 64 |
| BEVERAGE TRAY | 65 |
| FRONT INTERIOR | 66 |
| COMPONENT PARTS FOR FRONT INTERIOR | 69 |
| 091990-04-01A | 69 |
| CABINETS | 70 |
| ELECTRICAL GROUP | 71 |
| 110V BODY WIRING | 71 |
| 12V BODY WIRING | 73 |
| EXTERIOR LAMPS | 78 |
| FRONT END | 80 |
| FRONT TV/VCR | 82 |
| COMPONENT PARTS FOR WIRING | 83 |
| 076319-23-000 | 83 |
| 076319-25-000 | 83 |
| 083208-07-000 | 84 |
| 087694-01-000 | 84 |
| 097917-01-06A | 84 |
| 121935-01-01A | 84 |
| 134940-06-01A | 84 |
| 137135-02-000 | 85 |
| 137417-01-01A, 137417-03-01A | 86 |
| 137417-02-01A | 86 |
| 137417-05-01A | 86 |
| 137417-06-01A | 86 |
| 150089-01-000 | 86 |
| 155619-01-000 | 86 |
| 158836-01-000 | 86 |
| 159178-03-000 | 86 |
| CIRCUIT BREAKERS, FUSES & RELAYS | 87 |
| CONVERTER, INVERTER, LOAD CENTERS | 88 |
| BOXES & CORDS | 89 |
| WIRE ASSEMBLIES | 89 |
| CONNECTORS & CONDUIT | 90 |
| CHASSIS | 92 |
| EXTERIOR BODY GROUP | 93 |
| GRAPHICS & PAINT | 93 |
| PANELS & TRIMS | 95 |
| COMPONENT PARTS FOR PANELS & TRIMS | 98 |
| 106015-12-01A | 98 |
| 106015-13-01A | 98 |
| 106015-14-01A | 98 |
| 106015-15-01A | 98 |
| FRONT END | 99 |
| LADDER | 100 |
| STRUCTURAL COMPONENTS | 100 |
| AWNINGS | 100 |
| EXTERIOR DOORS & COMPARTMENTS GROUP | 101 |
| DOOR & COMPARTMENT LAYOUT | 101 |
| COMPONENT PARTS FOR DOOR & COMPARTMENT LAYOUT | 107 |
| 084103-08-000 | 107 |
| 094707-04-01A | 107 |
| 110506-A1-000, 110506-A2-000, 110506-26-000, 110506-27-000 | 107 |
| 142226-02-01A | 107 |
| COMPARTMENT DOOR PIECE PARTS | 108 |
| ENTRY | 110 |
| SCREEN | 111 |
| LATCH - ENTRY | 112 |

CONTENTS (CONTINUED)

| | |
|---|------------|
| EXTERIOR SLIDEOUT GROUP | 113 |
| FRONT LEFT | 113 |
| COMPONENT PARTS FOR FRONT LEFT | 117 |
| 151027-01-000, 151027-02-000 | 117 |
| REAR RIGHT | 118 |
| COMPONENT PARTS FOR REAR RIGHT | 120 |
| 140464-01-000 | 120 |
| GENERATOR GROUP | 121 |
| GAS | 121 |
| HEATING & A/C GROUP | 122 |
| AUTOMOTIVE | 122 |
| COMPONENT PARTS FOR AUTOMOTIVE | 124 |
| 103930-44-000 | 124 |
| 103930-45-000 | 124 |
| 103930-46-000 | 124 |
| 103930-47-000 | 124 |
| 103930-49-000 | 125 |
| 103930-55-000 | 127 |
| FURNACE | 128 |
| COMPONENT PARTS FOR FURNACE | 129 |
| 139980-02-000 | 129 |
| 143563-01-000 | 131 |
| REAR HEATER | 133 |
| COMPONENT PARTS FOR REAR HEATER | 133 |
| 084405-01-000 | 133 |
| ROOF | 133 |
| COMPONENT PARTS FOR ROOF | 134 |
| 131184-01-01A | 134 |
| 131184-05-01A | 135 |
| 131186-02-01A | 136 |
| 131187-03-01A | 137 |
| 131187-04-01A | 138 |
| 131188-03-01A | 139 |
| 131188-04-01A | 140 |
| INTERIOR FINISH GROUP | 141 |
| MOLDINGS & TRIMS | 141 |
| PANELING & LAMINATES | 149 |
| INTERIOR TRIM LAYOUT | 150 |
| COMPONENT PARTS FOR INTERIOR TRIM LAYOUT | 153 |
| 089318-05-000 | 153 |
| 094499-02-000 | 154 |
| 131595-01-01A, 131595-05-01A, 131595-10-01A | 154 |
| FLOOR COVERINGS | 154 |
| HARDWARE | 155 |
| LABELS GROUP | 161 |
| LP GROUP | 164 |
| LP SYSTEM | 164 |
| COMPONENT PARTS FOR LP SYSTEM | 164 |
| 144116-04-000 | 164 |
| SEALANTS & FASTENERS GROUP | 165 |
| SEALANTS & ADHESIVES | 165 |
| BOLTS, NUTS AND WASHERS | 166 |
| SCREWS | 168 |
| CLAMPS, CLIPS, GROMMETS, RIVETS & PLUGS | 171 |
| MISCELLANEOUS FASTENERS | 172 |

CONTENTS (CONTINUED)

| | |
|--|------------|
| WATER & SEWAGE GROUP | 173 |
| DRAINAGE SYSTEM | 173 |
| COMPONENT PARTS FOR DRAINAGE SYSTEM | 175 |
| 062415-01-000 | 175 |
| 147421-01-01A, 147421-02-01A | 175 |
| WATER SYSTEM | 176 |
| COMPONENT PARTS FOR WATER SYSTEM | 182 |
| 051391-03-000 | 182 |
| 098607-01-000 | 183 |
| 145541-02-000 | 183 |
| WINDOW & VENTS GROUP | 184 |
| WINDOW & VENT LAYOUT | 184 |
| COMPONENT PARTS FOR WINDOW & VENT LAYOUT | 186 |
| 098644-01-01A | 186 |
| 098644-07-02A | 187 |
| 098647-06-01A | 188 |
| 098647-54-01A | 189 |
| 098647-73-01A | 190 |
| 122882-01-01A | 191 |
| 122882-02-01A, 122882-03-01A | 191 |
| 123780-03-01A | 192 |
| 145573-05-01A | 193 |
| 145573-06-01A | 193 |
| 150648-01-01A | 194 |
| 150648-08-01A, 150648-09-01A | 195 |
| 150648-12-01A & 150648-15-01A | 195 |
| 150649-01-01A | 196 |
| 150649-15-01A | 196 |
| 150651-01-01A | 197 |
| 151069-04-01A | 198 |
| 151069-05-01A | 198 |
| WINDSHIELD & WIPER GROUP | 199 |
| WINDSHIELD | 199 |
| WIPER | 200 |
| COMPONENT PARTS FOR WIPER | 200 |
| 149401-03-000 | 200 |
| 149402-03-000 & 149402-04-000 | 200 |

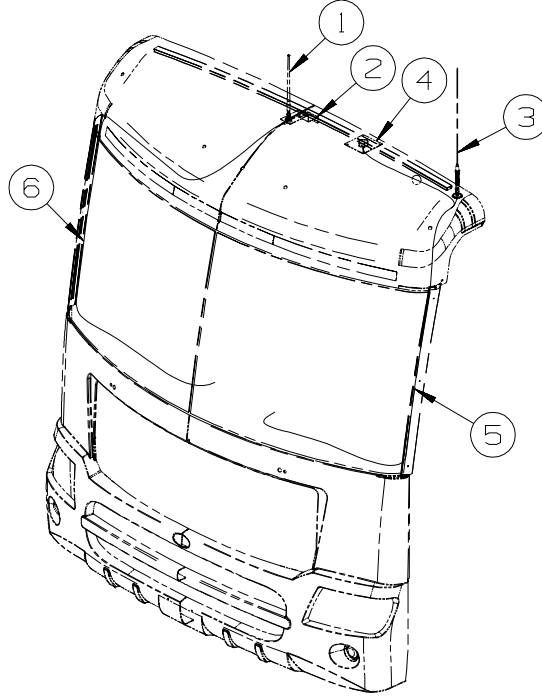
ACCESSORIES GROUP
OPERATORS MANUAL

| KEY | PART NUMBER | U/M | DESCRIPTION |
|------------|--------------------|------------|---|
| | 129079-01-01A | EA | CASE - VINYL/BLACK-EXPANDABLE ACCORDION SIDES-7"WX9"HX14"L FROM: 00-00-00 THRU: 07-09-06 |
| | 129079-04-01A | EA | CASE - VINYL/BLK-EXPANDABLE ACCORDION SIDES-11"WX9"HX14"L FROM: 07-10-06 THRU: 07-30-06 |
| | 159842-01-01A | EA | CASE - VINYL - F/MANUALS - W/SLEEVES - BLACK |
| | 132000-17-007 | EA | MANUAL/OWNER - SIGHTSEER - 2007 |
| | 132001-11-007 | EA | GUIDE/BASIC OPERATOR - AUDIO/VIDEO - D SERIES - 2007 |
| | 158603-07-005 | EA | MANUAL/OWNER - SUPPLEMENT - D-SERIES - 2007 |
| | 157011-01-000 | DW | TOP LEVEL - D - 2007 |

AUDIO VIDEO GROUP RADIO SYSTEM

| KEY | PART NUMBER | U/M | DESCRIPTION |
|-----|---------------|-----|---|
| | 135420-07-000 | EA | MOUNTING KIT - RADIO - A-BODY |
| | 135420-19-000 | EA | REMOTE CONTROL/RADIO (CREDIT CARD SIZE) |
| | 135420-18-000 | EA | REMOTE CONTROL/RADIO (STEERING WHEEL MOUNT) |
| | 135420-15-000 | EA | RADIO-AM/FM/CD/SIRIUS SATELLITE READY/IR REMOTE |
| | 135420-14-000 | EA | RECEIVER (EYE) - INFRARED |
| * | 135420-20-000 | EA | RECEIVER - SATELLITE RADIO - W/CABLE |

***COMPONENT PARTS LISTED LATER IN THIS GROUP**



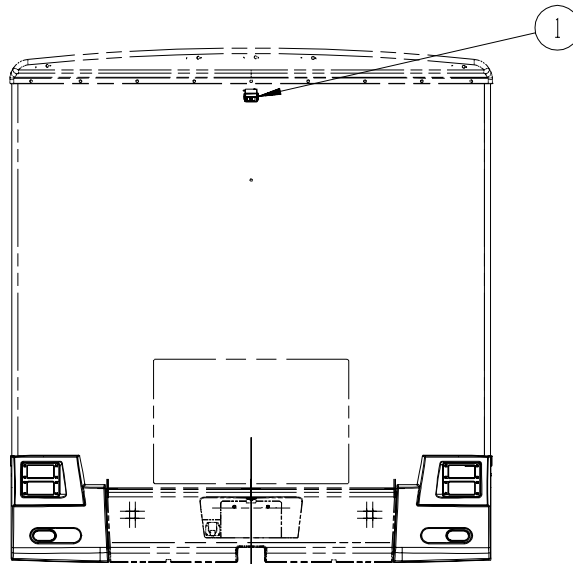
| KEY | PART NUMBER | U/M | DESCRIPTION |
|-----|---------------|-----|--|
| 1 | 090944-02-000 | EA | ANTENNA - RADIO - 16" RUBBER - W/O LEAD WIRE |
| 2 | 115916-01-01B | EA | BRACKET - ANTENNA MOUNT |
| 3 | NA | EA | ANTENNA - CB - W/O CABLE |
| 4 | 158494-01-000 | EA | ANTENNA/SATELLITE - RADIO/SIRIUS |
| 5 | NA | EA | CABLE - CB - COAX |
| 6 | 090944-03-000 | EA | CABLE - ANTENNA |

COMPONENT PARTS FOR RADIO SYSTEM

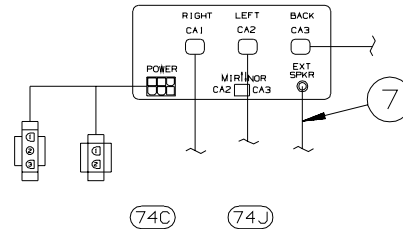
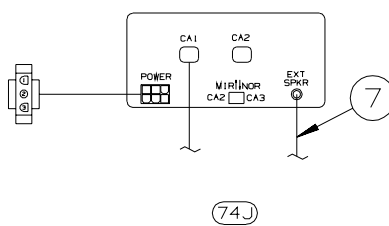
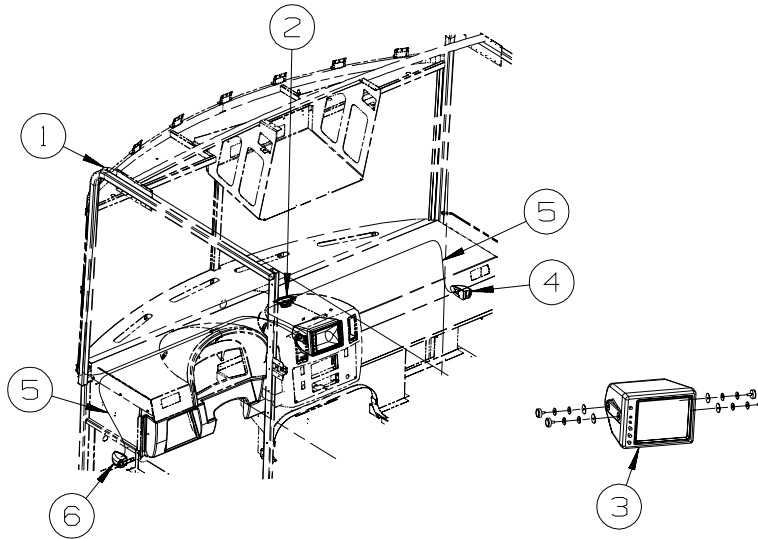
135420-20-000

| KEY | PART NUMBER | U/M | DESCRIPTION | VENDOR NO. |
|-----|---------------|-----|-------------------------|------------|
| | 135420-20-700 | EA | CABLE-RECIEVER TO RADIO | M9CABLE |

AUDIO VIDEO GROUP (CONTINUED) REAR MONITOR



| KEY | PART NUMBER | U/M DESCRIPTION |
|-----|---------------|---|
| 1 | 144677-04-000 | EA CAMERA-REAR VIEW W/BRACKET-BLACK/WHITE-VBCS150 - REARVIEW MONITOR SYSTEM W/AUDIO |



| KEY | PART NUMBER | U/M DESCRIPTION |
|-----|---------------|---|
| 1 | 136514-02-000 | EA CABLE - MONITOR/CAMERA |
| 2 | 098819-01-000 | EA SPEAKER - 4" - 2 WATT - 8 OHM |
| 2 | 093214-01-05A | EA GRILLE - SPEAKER - 4" - CASHMERE |
| 2 | 093214-01-04A | EA GRILLE - SPEAKER - 4" - RIVERSTONE |
| 3 | 144677-06-000 | EA MONITOR/BLACK & WHITE-7"-3 PIN/MECH CONTROLS - REARVIEW MONITOR SYSTEM W/AUDIO |
| 3 | 144677-08-000 | EA MONITOR/BLACK & WHITE- 7" -W/O SIDE CAMERAS/WIRE ASM/CABLE - VIDEO CAMERA SYSTEM |
| 4* | 144677-10-01A | EA CAMERA - REAR VIEW - DASH MOUNT/RIGHT - WHITE - VIDEO CAMERA SYSTEM |
| 5 | 144677-12-000 | EA CABLE - MONITOR/CAMERA - 12' |
| 6* | 144677-11-01A | EA CAMERA - REAR VIEW - DASH MOUNT/LEFT - WHITE - VIDEO CAMERA SYSTEM |
| 7 | 114870-01-000 | EA PLUG - AUDIO W/LEADS - 48.5" |

*COMPONENT PARTS LISTED LATER IN THIS GROUP

AUDIO VIDEO GROUP (CONTINUED)
COMPONENT PARTS FOR REAR MONITOR

144677-10-01A

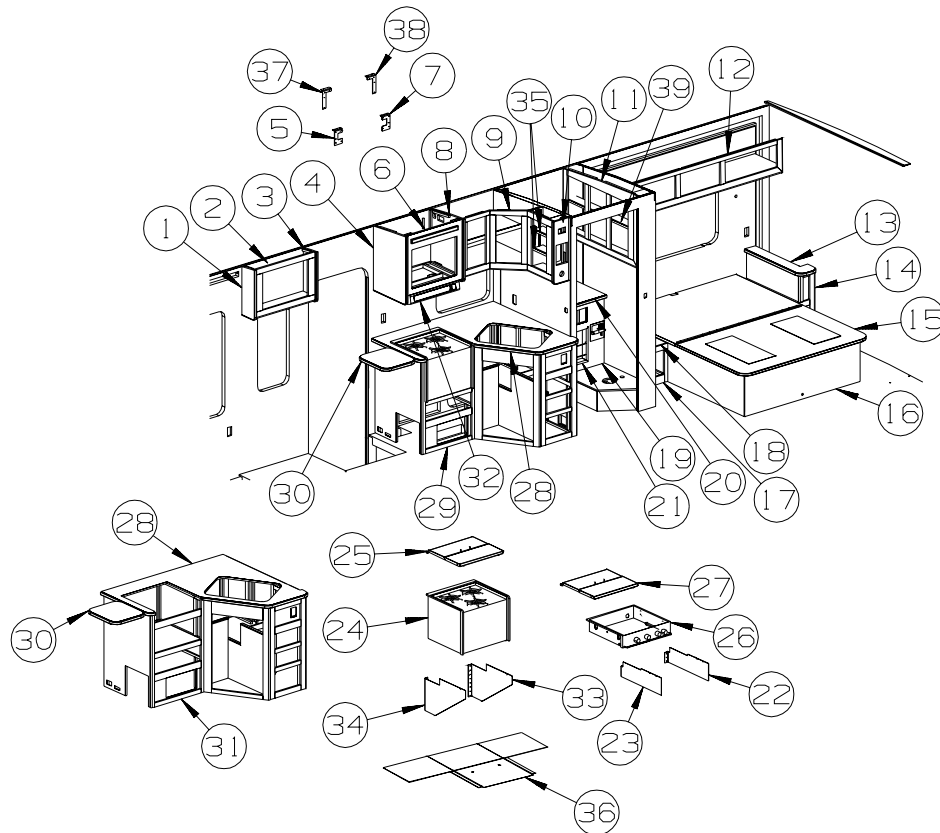
| KEY | PART NUMBER | U/M | DESCRIPTION | VENDOR NO. |
|------------|--------------------|------------|----------------------------|-------------------|
| | 144677-10-700 | EA | HOUSING/CAMERA-RT/LT-WHITE | SIDHSGWHT |
| | 144677-10-702 | EA | SERVICE PACK-SCREW COVER | PSVCSIDHSGWHT |
| | 144677-10-703 | EA | ERVICE PACK-SCREW COVER | PSVCSIDHSGGPR |

144677-11-01A

| KEY | PART NUMBER | U/M | DESCRIPTION | VENDOR NO. |
|------------|--------------------|------------|----------------------------|-------------------|
| | 144677-10-700 | EA | HOUSING/CAMERA-RT/LT-WHITE | SIDHSGWHT |

CABINET & APPLIANCE GROUP

CABINET & APPLIANCE LAYOUT

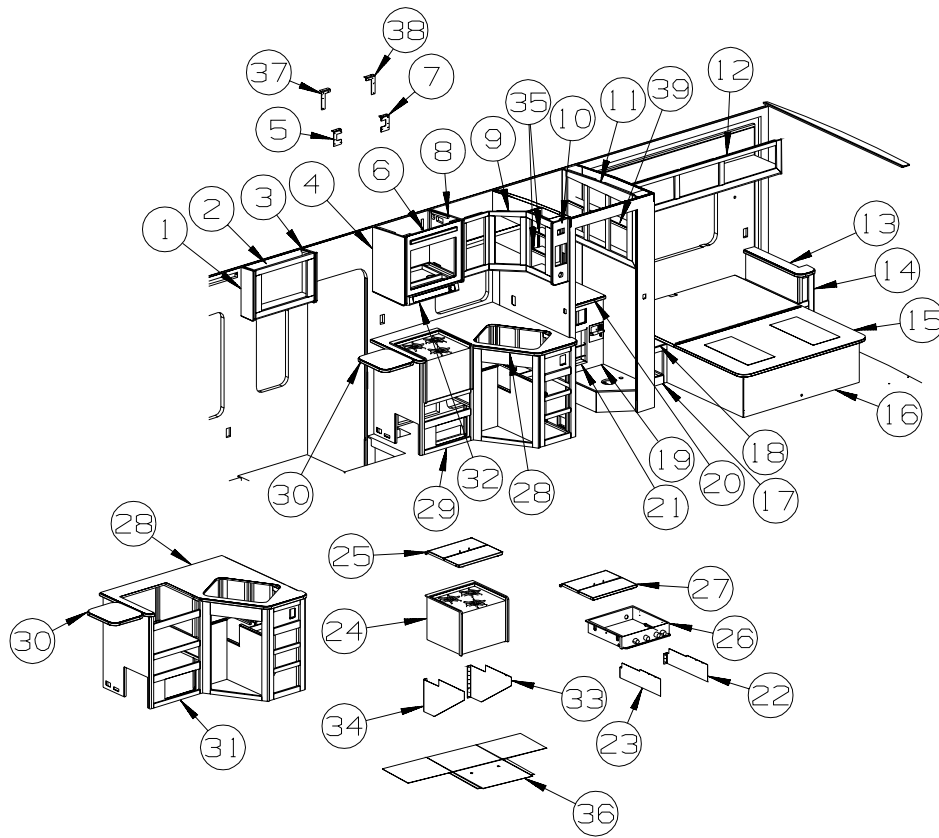


| KEY | PART NUMBER | U/M | DESCRIPTION |
|-----|---------------|-----|--|
| 1 | 103128-83-N21 | EA | END CAP - OVERHEAD CABINET - LEFT HAND - PORTSMOUTH OAK |
| 1 | 103128-83-SJ0 | EA | END CAP - OVERHEAD CABINET - LEFT HAND - SIERRA MAPLE |
| 2 | 138178-01-N21 | EA | CABINET - OVERHEAD/FRONT/RIGHT HAND - W/O DOORS/HARDWARE - PORTSMOUTH OAK |
| 2 | 138178-01-SJ0 | EA | CABINET - OVERHEAD/FRONT/RIGHT HAND - W/O DOORS/HARDWARE - SIERRA MAPLE |
| 3 | 103128-82-N21 | EA | END CAP - OVERHEAD CABINET - RIGHT HAND - PORTSMOUTH OAK |
| 3 | 103128-82-SJ0 | EA | END CAP - OVERHEAD CABINET - RIGHT HAND - SIERRA MAPLE |
| 4 | 140307-47-T53 | EA | END CAP - OVERHEAD CABINET - PORTSMOUTH OAK |
| 4 | 140307-47-TL0 | EA | END CAP - OVERHEAD CABINET - SIERRA MAPLE |
| 4 | 140307-40-R13 | EA | END CAP - OVERHEAD CABINET - PORTSMOUTH OAK - MICROWAVE/CONVECTION OVEN |
| 4 | 140307-40-SJ0 | EA | END CAP - OVERHEAD CABINET - SIERRA MAPLE - MICROWAVE/CONVECTION OVEN |
| 5 | 098916-43-02B | EA | BRACE - MICROWAVE CABINET - LEFT HAND - E-COATED |
| | | | FROM: 00-00-00 THRU: 01-21-06 |
| 5 | 098916-37-02B | EA | BRACE - MICROWAVE CABINET - LEFT HAND |
| | | | FROM: 01-22-06 THRU: 99-99-99 |
| 6 | 154505-01-T53 | EA | CABINET - OVERHEAD/MICROWAVE - W/O DOORS/HDW - PORTSMOUTH OAK |
| 6 | 154505-01-TL0 | EA | CABINET - OVERHEAD/MICROWAVE - W/O DOORS/HDW - SIERRA MAPLE |
| 6 | 154518-01-T53 | EA | CABINET - MICROWAVE - W/O DOORS/HDW - PORTSMOUTH OAK - MICROWAVE/CONVECTION OVEN |
| 6 | 154518-01-TL0 | EA | CABINET - MICROWAVE - W/O DOORS/HDW - SIERRA MAPLE - MICROWAVE/CONVECTION OVEN |
| 7 | 098916-44-02B | EA | BRACE - MICROWAVE CABINET - RIGHT HAND - E-COATED |
| | | | FROM: 00-00-00 THRU: 01-21-06 |
| 7 | 098916-38-02B | EA | BRACE - MICROWAVE CABINET - RIGHT HAND |
| | | | FROM: 01-22-06 THRU: 99-99-99 |
| 8 | 140307-48-T53 | EA | END CAP - OVERHEAD CABINET - PORTSMOUTH OAK |
| 8 | 140307-48-TL0 | EA | END CAP - OVERHEAD CABINET - SIERRA MAPLE |
| 8 | 140307-42-R13 | EA | END CAP - OVERHEAD CABINET - PORTSMOUTH OAK - MICROWAVE/CONVECTION OVEN |
| 8 | 140307-42-SW0 | EA | END CAP - OVERHEAD CABINET - SIERRA MAPLE - MICROWAVE/CONVECTION OVEN |
| 9 | 154495-01-T53 | EA | CABINET - OVERHEAD/GALLEY - W/O DOORS/HDW - PORTSMOUTH OAK |
| 9 | 154495-01-TL0 | EA | CABINET - OVERHEAD/GALLEY - W/O DOORS/HDW - SIERRA MAPLE |
| 9 | 154495-02-T53 | EA | CABINET - OVERHEAD/GALLEY - W/O DOORS/HDW - PORTSMOUTH OAK - MOTORAID HEATER |
| 9 | 154495-02-TL0 | EA | CABINET - OVERHEAD/GALLEY - W/O DOORS/HDW - SIERRA MAPLE - MOTORAID HEATER |
| 10 | 154495-32-T53 | EA | END CAP - OVERHEAD CABINET - PORTSMOUTH OAK |
| 10 | 154495-32-TL0 | EA | END CAP - OVERHEAD CABINET - SIERRA MAPLE |
| 10 | 154495-34-T53 | EA | END CAP - OVERHEAD CABINET - PORTSMOUTH OAK - MOTORAID HEATER |
| 10 | 154495-34-TL0 | EA | END CAP - OVERHEAD CABINET - SIERRA MAPLE - MOTORAID HEATER |

CABINET & APPLIANCE GROUP (CONTINUED)
CABINET & APPLIANCE LAYOUT (CONTINUED)

| KEY | PART NUMBER | U/M | DESCRIPTION |
|-----|---------------|-----|---|
| 11 | 154468-01-T53 | EA | CABINET - OVERHEAD/MEDICINE - W/O DOORS/HDW - PORTSMOUTH OAK |
| 11 | 154468-01-TL0 | EA | CABINET - OVERHEAD/MEDICINE - W/O DOORS/HDW - SIERRA MAPLE |
| 12 | 149752-01-S28 | EA | CABINET - OVERHEAD/REAR - W/O DOORS/HARDWARE - PORTSMOUTH OAK |
| 12 | 149752-01-SJ0 | EA | CABINET - OVERHEAD/REAR - W/O DOORS/HARDWARE - SIERRA MAPLE |
| 13 | 140888-09-U57 | EA | COUNTERTOP - LAMINATED - SUNSTONE/PORTSMOUTH OAK (U51) |
| 13 | 140888-09-U58 | EA | COUNTERTOP - LAMINATED - SUNSTONE/SIERRA MAPLE (U52) |
| 13 | 140888-09-U59 | EA | COUNTERTOP - LAMINATED - CLASSIC ROCK/PORTSMOUTH OAK (U53) |
| 13 | 140888-09-U60 | EA | COUNTERTOP - LAMINATED - CLASSIC ROCK/SIERRA MAPLE (U54) |
| 13 | 140888-09-U61 | EA | COUNTERTOP - LAMINATED - KALHARI TOPAZ/PORTSMOUTH OAK (U55) |
| 13 | 140888-09-U62 | EA | COUNTERTOP - LAMINATED - KALHARI TOPAZ/SIERRA MAPLE (U56) |
| 14 | 136885-08-N09 | EA | CABINET - NIGHTSTAND/RH - W/O CTRTP/DOOR/DWR/HDW - PORTSMOUTH OAK |
| 14 | 136885-08-SJ0 | EA | CABINET - NIGHTSTAND/RH - W/O CTRTP/DOOR/DWR/HDW - SIERRA MAPLE |
| 15 | 137406-06-R32 | EA | BEDBOARD - W/HINGE/T-MOLDING/SLIPNOT - FLIP-UP |
| | 096764-02-000 | FT | SLIPNOT - ANTISLIP - 1'WIDE (20' ROLLS) - WHITE |
| 16 | 149725-01-S28 | EA | CABINET/BASE - F/QUEEN BED - W/O DOORS/DRAWERS/HARDWARE - PORTSMOUTH OAK |
| 16 | 149725-01-SJ0 | EA | CABINET/BASE - F/QUEEN BED - W/O DOORS/DRAWERS/HARDWARE - SIERRA MAPLE |
| 17 | 136885-07-N09 | EA | CABINET - NIGHTSTAND/LH - W/O CTRTP/DOOR/DWR/HDW - PORTSMOUTH OAK |
| 17 | 136885-07-SJ0 | EA | CABINET - NIGHTSTAND/LH - W/O CTRTP/DOOR/DWR/HDW - SIERRA MAPLE |
| 18 | 140888-08-U57 | EA | COUNTERTOP - LAMINATED - SUNSTONE/PORTSMOUTH OAK (U51) |
| 18 | 140888-08-U58 | EA | COUNTERTOP - LAMINATED - SUNSTONE/SIERRA MAPLE (U52) |
| 18 | 140888-08-U59 | EA | COUNTERTOP - LAMINATED - CLASSIC ROCK/PORTSMOUTH OAK (U53) |
| 18 | 140888-08-U60 | EA | COUNTERTOP - LAMINATED - CLASSIC ROCK/SIERRA MAPLE (U54) |
| 18 | 140888-08-U61 | EA | COUNTERTOP - LAMINATED - KALHARI TOPAZ/PORTSMOUTH OAK (U55) |
| 18 | 140888-08-U62 | EA | COUNTERTOP - LAMINATED - KALHARI TOPAZ/SIERRA MAPLE (U56) |
| 19 | P54114-01-T53 | EA | CABINET - LAVATORY - W/O COUNTERTOP/DOORS/DRAWERS/HDW - PORTSMOUTH OAK |
| 19 | P54114-01-TL0 | EA | CABINET - LAVATORY - W/O COUNTERTOP/DOORS/DRAWERS/HDW - SIERRA MAPLE |
| 20 | 133654-60-U57 | EA | COUNTERTOP - LAMINATED - SUNSTONE/PORTSMOUTH OAK (U51) |
| 20 | 133654-60-U58 | EA | COUNTERTOP - LAMINATED - SUNSTONE/SIERRA MAPLE (U52) |
| 20 | 133654-60-U59 | EA | COUNTERTOP - LAMINATED - CLASSIC ROCK/PORTSMOUTH OAK (U53) |
| 20 | 133654-60-U60 | EA | COUNTERTOP - LAMINATED - CLASSIC ROCK/SIERRA MAPLE (U54) |
| 20 | 133654-60-U61 | EA | COUNTERTOP - LAMINATED - KALHARI TOPAZ/PORTSMOUTH OAK (U55) |
| 20 | 133654-60-U62 | EA | COUNTERTOP - LAMINATED - KALHARI TOPAZ/SIERRA MAPLE (U56) |
| 21 | 137602-07-R89 | EA | POCKET - MAGAZINE - PEWTER/PORTSMOUTH OAK |
| 21 | 137602-07-S79 | EA | POCKET - MAGAZINE - PEWTER/SIERRA MAPLE |
| 22 | 142139-03-02B | EA | BRACKET/TIEDOWN - STOVE - E-COATED |
| 23 | 142139-04-02B | EA | BRACKET/TIEDOWN - STOVE - E-COATED |
| 24* | 151277-01-01A | EA | RANGE-16"-3 BURNER - MERCURY FREE - BLACK DOOR/TEXTURED |
| 25 | 126022-04-01A | EA | COVER/RANGE - BI-FOLD - 16" - NEW GRATES - GALLEY UPGRADE PKG |
| 26* | 114030-04-01A | EA | RANGE TOP - 3 BURNER /NEW STYLE KNOBS/GRATES - W/O OVEN - BLACK |
| 27 | 126022-05-01A | EA | COVER/RANGE - BI-FOLD - 22" - NEW GRATES - RANGE TOP/GALLEY UPGRADE PKG |
| 28 | 133653-60-U57 | EA | COUNTERTOP - LAMINATED - SUNSTONE/PORTSMOUTH OAK (U51) |
| 28 | 133653-60-U58 | EA | COUNTERTOP - LAMINATED - SUNSTONE/SIERRA MAPLE (U52) |
| 28 | 133653-60-U59 | EA | COUNTERTOP - LAMINATED - CLASSIC ROCK/PORTSMOUTH OAK (U53) |
| 28 | 133653-60-U60 | EA | COUNTERTOP - LAMINATED - CLASSIC ROCK/SIERRA MAPLE (U54) |
| 28 | 133653-60-U61 | EA | COUNTERTOP - LAMINATED - KALHARI TOPAZ/PORTSMOUTH OAK (U55) |
| 28 | 133653-60-U62 | EA | COUNTERTOP - LAMINATED - KALHARI TOPAZ/SIERRA MAPLE (U56) |
| 29 | P58940-01-U57 | EA | CABINET - GALLEY - W/O COUNTERTOP/DOORS/DRAWERS/HDW - PORTSMOUTH OAK |
| 29 | P58940-01-U58 | EA | CABINET - GALLEY - W/O COUNTERTOP/DOORS/DRAWERS/HDW - SIERRA MAPLE |
| 29 | P58940-02-U57 | EA | CABINET-W/O COUNTERTOP/DRS/DRWR/HDW-PORTSMOUTH OAK- HOME THEATER SOUND SYSTEM |
| 29 | P58940-02-U58 | EA | CABINET-W/O COUNTERTOP/DRS/DRWR/HDW-SIERRA MAPLE- HOME THEATER SOUND SYSTEM |
| 29 | P58940-05-U57 | EA | CABINET-W/O CNTRTP/DRS/DRWRS/HDW-PORTSMOUTH OAK - WTR HTR-6GAL/110/LP/MTR/AUTO |
| 29 | P58940-05-U58 | EA | CABINET-W/O CNTRTP/DRS/DRWRS/HDW - SIERRA MAPLE - WTR HTR-6GAL/110/LP/MTR/AUT |
| 29 | P58940-06-U57 | EA | CABINET - PORTSMOUTH OAK - WTR HTR-6GAL/110/LP/MTR/AUT-HOME THEATER SOUND SYSTEM |
| 29 | P58940-06-U58 | EA | CABINET - SIERRA MAPLE - WTR HTR-6GAL/110/LP/MTR/AUT-HOME THEATER SOUND SYSTEM |
| 30 | 129503-04-U57 | EA | EXTENSION - GALLEY COUNTERTOP - W/O HDW (U51) |
| 30 | 129503-04-U58 | EA | EXTENSION - GALLEY COUNTERTOP - W/O HDW (U52) |
| 30 | 129503-04-U59 | EA | EXTENSION - GALLEY COUNTERTOP - W/O HDW (U53) |
| 30 | 129503-04-U60 | EA | EXTENSION - GALLEY COUNTERTOP - W/O HDW (U54) |
| 30 | 129503-04-U61 | EA | EXTENSION - GALLEY COUNTERTOP - W/O HDW (U55) |
| 30 | 129503-04-U62 | EA | EXTENSION - GALLEY COUNTERTOP - W/O HDW (U56) |
| 31 | P58940-03-U57 | EA | CABINET - GALLEY - W/O COUNTERTOP/DOORS/DRAWERS/HDW - PORTSMOUTH OAK - RANGE TOP |
| 31 | P58940-03-U58 | EA | CABINET - GALLEY - W/O COUNTERTOP/DOORS/DRAWERS/HDW - SIERRA MAPLE - RANGE TOP |

CABINET & APPLIANCE GROUP (CONTINUED)
CABINET & APPLIANCE LAYOUT (CONTINUED)

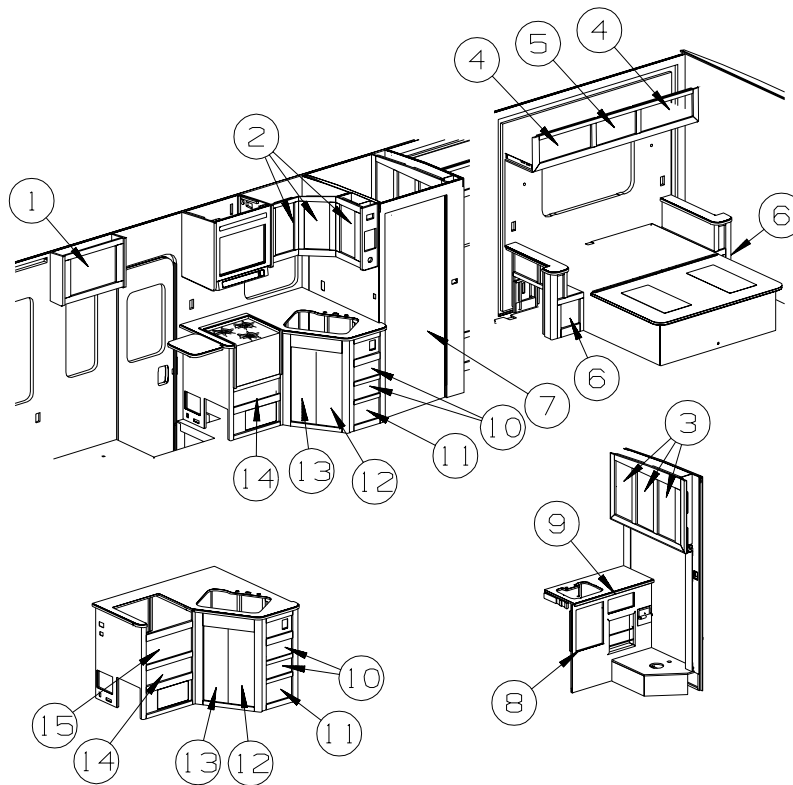


| KEY | PART NUMBER | U/M | DESCRIPTION |
|-----|---------------|-----|---|
| 31 | P58940-04-U57 | EA | CABINET - PORTSMOUTH OAK - RANGE TOP - HOME THEATER SOUND SYSTEM |
| 31 | P58940-04-U58 | EA | CABINET - SIERRA MAPLE - RANGE TOP - HOME THEATER SOUND SYSTEM |
| 31 | P58940-07-U57 | EA | CABINET - PORTSMOUTH OAK - RANGE TOP - WTR HTR-6GAL/110/LP/MTR/AUTO |
| 31 | P58940-07-U58 | EA | CABINET - SIERRA MAPLE - RANGE TOP - WTR HTR-6GAL/110/LP/MTR/AUTO |
| 31 | P58940-08-U57 | EA | CABINET-PORTSMOUTH OAK-RANGE TP-WTR HTR-6GAL/110/LP/MTR/AUTO-HOME THEATER SOUND |
| 31 | P58940-08-U58 | EA | CABINET-SIERRA MAPLE-RANGE TOP-WTR HTR-6GAL/110/LP/MTR/AUTO - HOME THEATER SOUND |
| 32* | 136354-01-02A | EA | HOOD - RANGE - W/LITE/FAN - BLACK TEXTURED - US |
| 32* | 136354-02-02A | EA | HOOD - RANGE - W/LITE/FAN - BLACK TEXTURED - CSA - CANADIAN |
| 32* | 136354-05-01A | EA | HOOD - RANGE - W/LITE/FAN - BLACK TEXTURED - UL - MICROWAVE/CONVECTION OVEN |
| 32* | 136354-06-01A | EA | HOOD - RANGE - W/LITE/FAN - BLACK TEXTURED-CSA - CANADIAN/MICROWAVE/CONVECTION OVEN |
| | 117806-01-000 | EA | BULB - 12V - #912 - 1.0 AMP |
| 33 | 140176-03-02B | EA | BRACKET/TIEDOWN - STOVE - E-COATED |
| 34 | 140176-04-02B | EA | BRACKET/TIEDOWN - STOVE - E-COATED |
| 35 | 154495-24-T53 | EA | SHELF - W/PLASTIC MOLDING - PORTSMOUTH OAK |
| 35 | 154495-24-TL0 | EA | SHELF - W/PLASTIC MOLDING - SIERRA MAPLE |
| 36 | 162694-01-01A | EA | ENCLOSURE - STOVE - 20.7"W X 16.1"H X 18.7"D |
| | | | FROM: 01-02-07 THRU: 99-99-99 |
| 37 | 149420-06-02B | EA | BRACE - MICROWAVE - E-COATED - MICROWAVE/CONVECTION OVEN |
| 38 | 149420-05-02B | EA | BRACE - MICROWAVE - E-COATED - MICROWAVE/CONVECTION OVEN |
| 39 | 154468-16-T53 | EA | SHELF - MEDICINE CABINET |
| 39 | 154468-16-TL0 | EA | SHELF - MEDICINE CABINET |

*COMPONENT PARTS LISTED LATER IN THIS GROUP

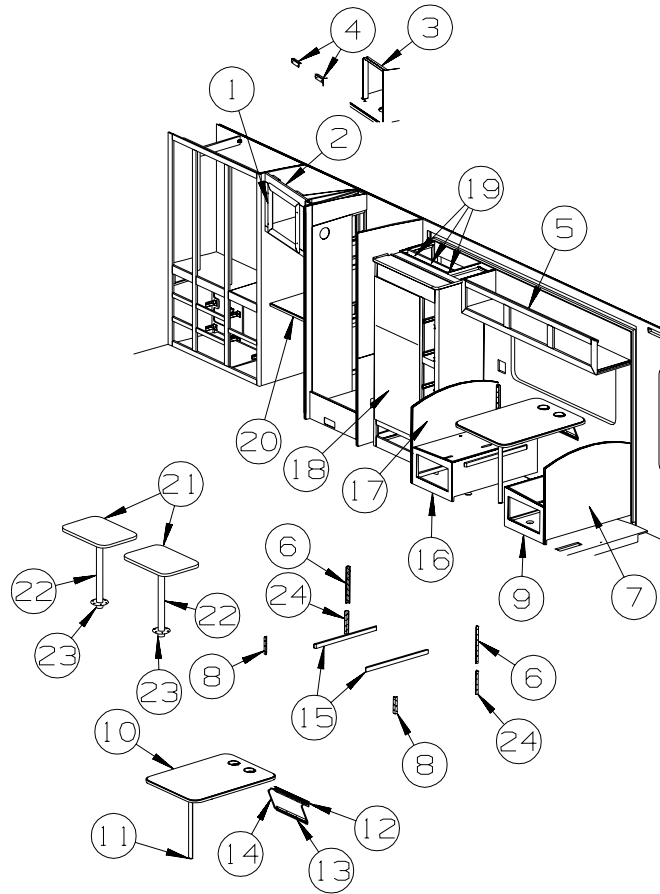
CABINET & APPLIANCE GROUP (CONTINUED)

CABINET & APPLIANCE LAYOUT (CONTINUED)



| KEY | PART NUMBER | U/M | DESCRIPTION |
|-----|---------------|-----|--|
| 1 | 136954-B8-T53 | EA | DOOR - RAISED PANEL/OGEE EDGE - 15" X 21.9" - W/O HDW - PORTSMOUTH OAK |
| 1 | 136954-B8-TL0 | EA | DOOR - RAISED PANEL/OGEE EDGE - 15" X 21.9" - W/O HDW - SIERRA MAPLE |
| 2 | 136954-22-T53 | EA | DOOR - RAISED PANEL/OGEE EDGE - 10" X 19.1" - W/O HDW - PORTSMOUTH OAK |
| 2 | 136954-22-TL0 | EA | DOOR - RAISED PANEL/OGEE EDGE - 10" X 19.1" - W/O HDW - SIERRA MAPLE |
| 3 | 136918-40-T53 | EA | DOOR - FLAT/OGEE EDGE - 10.8" X 21.8" - W/O HARDWARE - PORTSMOUTH OAK |
| 3 | 136918-40-TL0 | EA | DOOR - FLAT/OGEE EDGE - 10.8" X 21.8" - W/O HARDWARE - SIERRA MAPLE |
| 4 | 136918-25-T53 | EA | DOOR - FLAT/OGEE EDGE - 10" X 25.2" - W/O HARDWARE - PORTSMOUTH OAK |
| 4 | 136918-25-TL0 | EA | DOOR - FLAT/OGEE EDGE - 10" X 25.2" - W/O HARDWARE - SIERRA MAPLE |
| 5 | 136918-22-T53 | EA | DOOR - FLAT/OGEE EDGE - 10" X 19.1" - W/O HARDWARE - PORTSMOUTH OAK |
| 5 | 136918-22-TL0 | EA | DOOR - FLAT/OGEE EDGE - 10" X 19.1" - W/O HARDWARE - SIERRA MAPLE |
| 6 | 153121-L3-T53 | EA | DRAWER - OGEE EDGE - 7.6"W X 23.6"D - W/O SLIDES/HDW - PORTSMOUTH OAK |
| 6 | 153121-L3-TL0 | EA | DRAWER - OGEE EDGE - 7.6"W X 23.6"D - W/O SLIDES/HDW - SIERRA MAPLE |
| 7 | 144645-04-R13 | EA | DOOR - BATH - W/O FRAME (PICTURE)/TOWEL RACK/HDW - PORTSMOUTH OAK |
| 7 | 144645-04-S67 | EA | DOOR - BATH - W/O FRAME (PICTURE)/TOWEL RACK/HDW - SIERRA MAPLE |
| 8 | 136918-89-T53 | EA | DOOR - FLAT/OGEE EDGE - 13.4" X 21.8" - W/O HARDWARE - PORTSMOUTH OAK |
| 8 | 136918-89-TL0 | EA | DOOR - FLAT/OGEE EDGE - 13.4" X 21.8" - W/O HARDWARE - SIERRA MAPLE |
| 9 | 153121-J1-T53 | EA | DRAWER - OGEE EDGE - 10.8"W X 13.8"D - W/O SLIDES/HDW - PORTSMOUTH OAK |
| 9 | 153121-J1-T23 | EA | DRAWER - OGEE EDGE - 10.8"W X 13.8"D - W/O SLIDES/HDW - SIERRA MAPLE |
| 10 | 153121-63-T77 | EA | DRAWER - OGEE EDGE - 10.8"W X 15.7"D - W/O SLIDES/HDW - PORTSMOUTH OAK |
| 10 | 153121-63-T80 | EA | DRAWER - OGEE EDGE - 10.8"W X 15.7"D - W/O SLIDES/HDW - SIERRA MAPLE |
| 11 | 153121-65-T77 | EA | DRAWER - OGEE EDGE - 10.8"W X 15.7"D - W/O SLIDES/HDW - PORTSMOUTH OAK |
| 11 | 153121-65-T80 | EA | DRAWER - OGEE EDGE - 10.8"W X 15.7"D - W/O SLIDES/HDW - SIERRA MAPLE |
| 12 | 136918-29-T53 | EA | DOOR - FLAT/OGEE EDGE - 10" X 29.5" - W/O HARDWARE - PORTSMOUTH OAK |
| 12 | 136918-29-TL0 | EA | DOOR - FLAT/OGEE EDGE - 10" X 29.5" - W/O HARDWARE - SIERRA MAPLE |
| 13 | 136918-30-T53 | EA | DOOR - FLAT/OGEE EDGE - 10" X 29.5" - W/O HARDWARE - PORTSMOUTH OAK |
| 13 | 136918-30-TL0 | EA | DOOR - FLAT/OGEE EDGE - 10" X 29.5" - W/O HARDWARE - SIERRA MAPLE |
| 14 | 153121-AG-T53 | EA | DRAWER - OGEE EDGE - 19.8"W X 17.7"D - W/O SLIDES/HDW - PORTSMOUTH OAK |
| 14 | 153121-AG-TL0 | EA | DRAWER - OGEE EDGE - 19.8"W X 17.7"D - W/O SLIDES/HDW - SIERRA MAPLE |
| 15 | 153121-N4-T53 | EA | DRAWER - OGEE EDGE - 19.8"W X 11.8"D - W/O SLIDES/HDW - PORTSMOUTH OAK - RANGE TOP |
| 15 | 153121-N4-TL0 | EA | DRAWER - OGEE EDGE - 19.8"W X 11.8"D - W/O SLIDES/HDW - SIERRA MAPLE - RANGE TOP |

CABINET & APPLIANCE GROUP (CONTINUED)
CABINET & APPLIANCE LAYOUT (CONTINUED)



| KEY | PART NUMBER | U/M | DESCRIPTION |
|-----|---------------|-----|--|
| 1 | 144351-08-TL0 | EA | FRAME/TV CABINET - PORTSMOUTH OAK - TV (REAR)-19"COLOR, STEREO |
| 1 | 144351-08-T56 | EA | FRAME/TV CABINET - SIERRA MAPLE - TV (REAR)-19"COLOR, STEREO |
| 2 | 159266-01-TL0 | EA | CABINET - TV - W/O DOORS/HARDWARE - PORTSMOUTH OAK |
| 2 | 159266-01-T53 | EA | CABINET - TV - W/O DOORS/HARDWARE - SIERRA MAPLE |
| 2 | 159266-02-TL0 | EA | CABINET - OVERHEAD/TV - W/O DRS/HDWARE - PORTSMOUTH OAK - TV (REAR)-19"COLOR, STEREO |
| 2 | 159266-02-T53 | EA | CABINET - OVERHEAD/TV - W/O DRS/HARDWARE - SIERRA MAPLE - TV (REAR)-19"COLOR, STEREO |
| 3 | 148247-15-02B | EA | STRAP/TIEDOWN - TV - E-COATED - TV (REAR)-19"COLOR, STEREO |
| 4 | 106699-01-01A | EA | BRACKET F/TV INSTALLATION - OVERHEAD CABINET |
| 5 | 159315-01-U57 | EA | CABINET - OVERHEAD/COUCH - W/O DOORS/HDW - PORTSMOUTH OAK |
| 5 | 159315-01-U58 | EA | CABINET - OVERHEAD/COUCH - W/O DOORS/HDW - SIERRA MAPLE |
| 5 | 159315-02-U57 | EA | CABINET - OVERHEAD/COUCH - W/O DOORS/HDW - PORTSMOUTH OAK - COUCH |
| 5 | 159315-02-U58 | EA | CABINET - OVERHEAD/COUCH - W/O DOORS/HDW - SIERRA MAPLE - COUCH |
| 6 | 122021-02-02A | EA | ANGLE - W/HOLES - 13.7" LONG - OFF WHITE |
| 7 | 137092-D3-P31 | EA | PANEL - BACK - F/RIGHT HAND DINETTE - PORTSMOUTH OAK |
| 7 | 137092-D3-SJ0 | EA | PANEL - BACK - F/RIGHT HAND DINETTE - SIERRA MAPLE |
| 7 | 137092-G8-T53 | EA | DINETTE SEAT BACK - W/O HARDWARE - PORTSMOUTH OAK - GALLEY UPGRADE PKG |
| 7 | 137092-G8-TL0 | EA | DINETTE SEAT BACK - W/O HARDWARE - SIERRA MAPLE - GALLEY UPGRADE PKG |
| 8 | 122021-09-02A | EA | ANGLE - W/HOLES - OFF WHITE |
| 9 | P37092-17-P31 | EA | CABINET/SEAT BASE - RIGHT HAND - W/O DOOR/DRAWER/HDW - PORTSMOUTH OAK |
| 9 | P37092-17-SJ0 | EA | CABINET/SEAT BASE - RIGHT HAND - W/O DOOR/DRAWER/HDW - SIERRA MAPLE |
| 9 | P37092-26-T53 | EA | CABINET/SEAT BASE - RH - W/O DOOR/DRAWER/HDW - PORTSMOUTH OAK - GALLEY UPGRADE PKG |
| 9 | P37092-26-TL0 | EA | CABINET/SEAT BASE - RH - W/O DOOR/DRAWER/HDW - SIERRA MAPLE - GALLEY UPGRADE PKG |
| | 096764-02-000 | FT | SLIPNOT - ANTISLIP - 1" WIDE (20' ROLLS) - WHITE |
| 10 | 144605-05-U57 | EA | TABLE - DINETTE - 37.7" X 27.8" - W/O HARDWARE (U51) |
| 10 | 144605-05-U58 | EA | TABLE - DINETTE - 37.7" X 27.8" - W/O HARDWARE (U52) |
| 10 | 144605-05-U59 | EA | TABLE - DINETTE - 37.7" X 27.8" - W/O HARDWARE (U53) |
| 10 | 144605-05-U60 | EA | TABLE - DINETTE - 37.7" X 27.8" - W/O HARDWARE (U54) |
| 10 | 144605-05-U61 | EA | TABLE - DINETTE - 37.7" X 27.8" - W/O HARDWARE (U55) |
| 10 | 144605-05-U62 | EA | TABLE - DINETTE - 37.7" X 27.8" - W/O HARDWARE (U56) |
| 11 | 143798-01-02A | EA | CATCH - FLOOR TO TABLE LEG - ALMOND |
| 12 | 140921-02-02A | EA | BRACKET/TABLE SUPPORT - 18.5" - ALMOND |
| 13 | 024281-12-000 | EA | BRACKET/WALL - TABLE LIFT - 17.1" - ALMOND |
| 14 | 024275-16-000 | EA | ROD - TABLE LIFT - W/ARMS 8" & BASE ROD 18.5" - ALMOND |

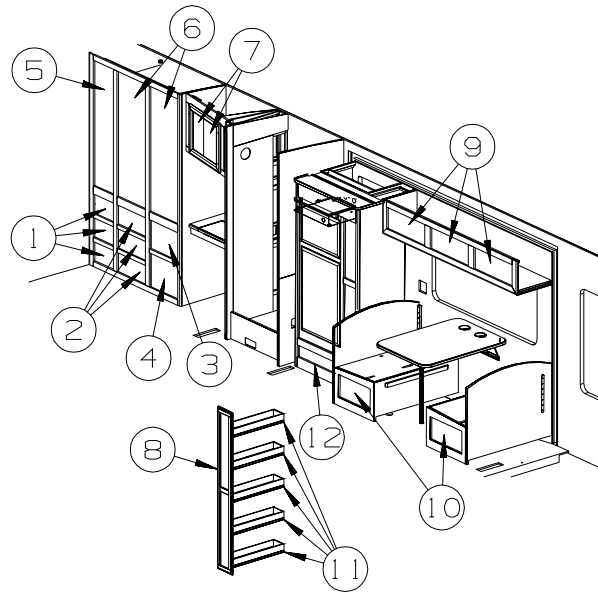
CABINET & APPLIANCE GROUP (CONTINUED)
CABINET & APPLIANCE LAYOUT (CONTINUED)

| KEY | PART NUMBER | U/M | DESCRIPTION |
|-----|---------------|-----|--|
| 15 | 081295-01-N70 | EA | SUPPORT - BED/DINETTE - 28" LONG - PORTSMOUTH OAK |
| 15 | 081295-01-RE0 | EA | SUPPORT - BED/DINETTE - 28" LONG - SIERRA MAPLE |
| 16 | P37092-18-P31 | EA | CABINET/SEAT BASE - LEFT HAND - W/O DOOR/DRAWER/HDW - PORTSMOUTH OAK |
| 16 | P37092-18-SJ0 | EA | CABINET/SEAT BASE - LEFT HAND - W/O DOOR/DRAWER/HDW - SIERRA MAPLE |
| 16 | P37092-27-T53 | EA | CABINET/SEAT BASE - L H - W/O DR/DRAWER/HDW - PORTSMOUTH OAK - GALLEY UPGRADE PKG |
| 16 | P37092-27-TL0 | EA | CABINET/SEAT BASE - LH - W/O DR/DRAWER/HDW - SIERRA MAPLE - GALLEY UPGRADE PKG |
| | 096764-02-000 | FT | SLIPNOT - ANTISLIP - 1'WIDE (20' ROLLS) - WHITE |
| 17 | 137092-D9-P31 | EA | PANEL - BACK - F/LEFT HAND DINETTE - PORTSMOUTH OAK |
| 17 | 137092-D9-SJ0 | EA | PANEL - BACK - F/LEFT HAND DINETTE - SIERRA MAPLE |
| 17 | 137092-G9-T53 | EA | DINETTE SEAT BACK - W/O HARDWARE - PORTSMOUTH OAK - GALLEY UPGRADE PKG |
| 17 | 137092-G9-TL0 | EA | DINETTE SEAT BACK - W/O HARDWARE - SIERRA MAPLE - GALLEY UPGRADE PKG |
| | P34457-03-N47 | EA | PANEL - INSERT RAISED MEMBRANE - 21.5" X 14.5" - PORTSMOUTH OAK |
| | P34457-03-SA3 | EA | PANEL - INSERT RAISED MEMBRANE - 21.5" X 14.5" - SIERRA MAPLE |
| | P34457-74-T11 | EA | PANEL - INSERT RAISED MEMBRANE - 21.5" X 31.5" - PORTSMOUTH OAK |
| | P34457-74-TK0 | EA | PANEL - INSERT RAISED MEMBRANE - 21.5" X 31.5" - SIERRA MAPLE |
| 18* | 121568-08-01A | EA | REFRIGERATOR - SMALL DBL DOOR-LH/2 WAY- 52.8"HX23.5"WX24"D |
| | 054450-01-000 | EA | LEVEL - REFRIGERATOR |
| | 116751-01-01A | EA | TRAY - REFRIGERATOR |
| 19 | | | REFRIGERATOR CABINET SEALS |
| | 090329-01-000 | FT | SEAL - "T" - REFRIGERATOR CABINET |
| 20 | 140889-26-U57 | EA | COUNTERTOP - VANITY - SUNSTONE/PORTSMOUTH OAK (U51) |
| 20 | 140889-26-U58 | EA | COUNTERTOP - VANITY - SUNSTONE/SIERRA MAPLE (U52) |
| 20 | 140889-26-U59 | EA | COUNTERTOP - VANITY - CLASSIC ROCK/PORTSMOUTH OAK (U53) |
| 20 | 140889-26-U60 | EA | COUNTERTOP - VANITY - CLASSIC ROCK/SIERRA MAPLE (U54) |
| 20 | 140889-26-U61 | EA | COUNTERTOP - VANITY - KALHARI TOPAZ/PORTSMOUTH OAK (U55) |
| 20 | 140889-26-U62 | EA | COUNTERTOP - VANITY - KALHARI TOPAZ/SIERRA MAPLE (U56) |
| 21 | 081298-17-U57 | EA | TABLE - W/BASE F/TABLE LEG (U51) |
| 21 | 081298-17-U58 | EA | TABLE - W/BASE F/TABLE LEG (U52) |
| 21 | 081298-17-U59 | EA | TABLE - W/BASE F/TABLE LEG (U53) |
| 21 | 081298-17-U60 | EA | TABLE - W/BASE F/TABLE LEG (U54) |
| 21 | 081298-17-U61 | EA | TABLE - W/BASE F/TABLE LEG (U55) |
| 21 | 081298-17-U62 | EA | TABLE - W/BASE F/TABLE LEG (U56) |
| | 130969-05-U57 | EA | TABLE TOP ONLY - PEDESTAL TYPE (U51) |
| | 130969-05-U58 | EA | TABLE TOP ONLY - PEDESTAL TYPE (U52) |
| | 130969-05-U59 | EA | TABLE TOP ONLY - PEDESTAL TYPE (U53) |
| | 130969-05-U60 | EA | TABLE TOP ONLY - PEDESTAL TYPE (U54) |
| | 130969-05-U61 | EA | TABLE TOP ONLY - PEDESTAL TYPE (U55) |
| | 130969-05-U62 | EA | TABLE TOP ONLY - PEDESTAL TYPE (U56) |
| 22 | 009040-02-000 | EA | PEDESTAL TABLE LEG - 27.5" X 2.25" DIAMETER |
| 23 | 041194-01-000 | EA | BASE - FLOOR MOUNT |
| | 042438-02-000 | EA | DOWEL - WOOD - 2"DIAMETER X 2" |
| 24 | 122021-01-02A | EA | ANGLE - W/HOLES - 8.6" LONG - OFF WHITE |

FROM: 10-16-06 THRU: 99-99-99

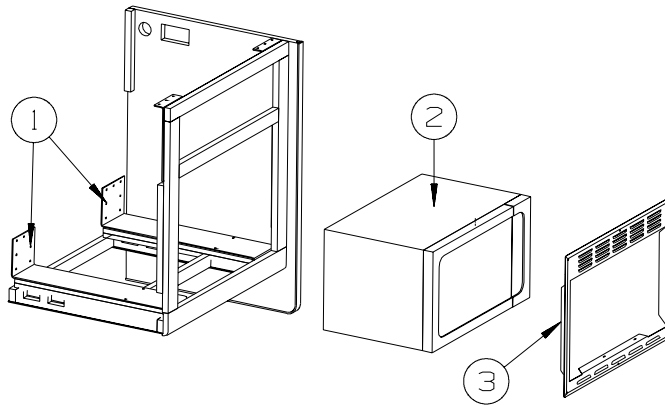
***COMPONENT PARTS LISTED LATER IN THIS GROUP**

CABINET & APPLIANCE GROUP (CONTINUED)
CABINET & APPLIANCE LAYOUT (CONTINUED)



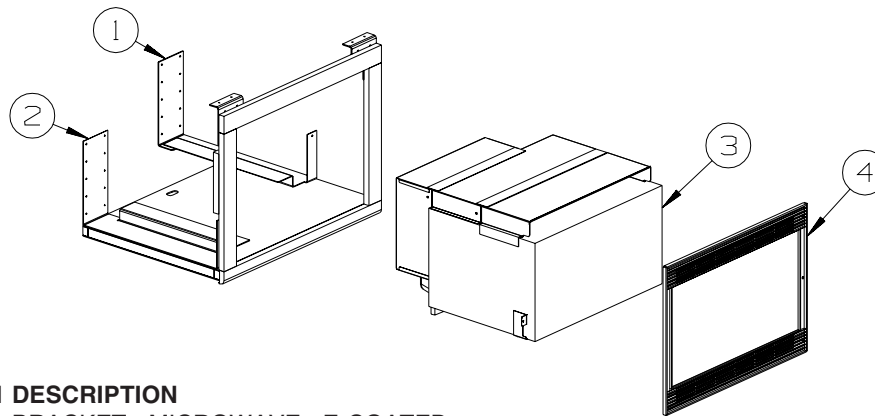
| KEY | PART NUMBER | U/M | DESCRIPTION |
|-----|---------------|-----|---|
| 1 | 153121-H7-T53 | EA | DRAWER - OGEE EDGE - 10"W X 17.7"D - W/O SLIDES/HDW - PORTSMOUTH OAK |
| 1 | 153121-H7-T23 | EA | DRAWER - OGEE EDGE - 10"W X 17.7"D - W/O SLIDES/HDW - SIERRA MAPLE |
| 2 | 153121-P2-T53 | EA | DRAWER - OGEE EDGE - 6.8"W X 17.7"D - W/O SLIDES/HDW - PORTSMOUTH OAK |
| 2 | 153121-P2-TL0 | EA | DRAWER - OGEE EDGE - 6.8"W X 17.7"D - W/O SLIDES/HDW - SIERRA MAPLE |
| 3 | 153121-H5-T53 | EA | DRAWER - OGEE EDGE - 14.7"W X 17.7"D - W/O SLIDES/HDW - PORTSMOUTH OAK |
| 3 | 153121-H5-T23 | EA | DRAWER - OGEE EDGE - 14.7"W X 17.7"D - W/O SLIDES/HDW - SIERRA MAPLE |
| 4 | 153121-H9-T53 | EA | DRAWER - OGEE EDGE - 15.1"W X 13.8"D - W/O SLIDES/HDW - PORTSMOUTH OAK |
| 4 | 153121-H9-T23 | EA | DRAWER - OGEE EDGE - 15.1"W X 13.8"D - W/O SLIDES/HDW - SIERRA MAPLE |
| 5 | 136918-76-T53 | EA | DOOR - FLAT/OGEE EDGE - 12" X 48" - W/O HARDWARE - PORTSMOUTH OAK |
| 5 | 136918-76-TL0 | EA | DOOR - FLAT/OGEE EDGE - 12" X 48" - W/O HARDWARE - SIERRA MAPLE |
| 6 | 141506-03-T53 | EA | DOOR - MIRRORRED/OGEE EDGE - 16.7" X 48" - W/O HDW - PORTSMOUTH OAK |
| 6 | 141506-03-TL0 | EA | DOOR - MIRRORRED/OGEE EDGE - 16.7" X 48" - W/O HDW - SIERRA MAPLE |
| 7 | 136918-34-T53 | EA | DOOR - FLAT/OGEE EDGE - 10.6" X 19.9" - W/O HARDWARE - PORTSMOUTH OAK |
| 7 | 136918-34-TL0 | EA | DOOR - FLAT/OGEE EDGE - 10.6" X 19.9" - W/O HARDWARE - SIERRA MAPLE |
| 8 | 136918-01-T53 | EA | DOOR - FLAT/OGEE EDGE - 8.1" X 60.7" - W/O HARDWARE - PORTSMOUTH OAK |
| 8 | 136918-01-TL0 | EA | DOOR - FLAT/OGEE EDGE - 8.1" X 60.7" - W/O HARDWARE - SIERRA MAPLE |
| 9 | 136954-07-T53 | EA | DOOR - RAISED PANEL/OGEE EDGE - 9.3" X 21.9" - W/O HDW - PORTSMOUTH OAK |
| 9 | 136954-07-TL0 | EA | DOOR - RAISED PANEL/OGEE EDGE - 9.3" X 21.9" - W/O HDW - SIERRA MAPLE |
| 10 | 147084-07-T11 | EA | DOOR - FLAT PANEL/OGEE EDGE - 10" X 19.1" - W/O HDW - PORTSMOUTH OAK |
| 10 | 147084-07-S35 | EA | DOOR - FLAT PANEL/OGEE EDGE - 10" X 19.1" - W/O HDW - SIERRA MAPLE |
| 11 | 153120-P1-T53 | EA | DRAWER - BOX - W/O SLIDES/HDW |
| 12 | 153121-AE-T53 | EA | DRAWER - OGEE EDGE - 22.6"W X 17.7"D - W/O SLIDES/HDW - PORTSMOUTH OAK |
| 12 | 153121-AE-TL0 | EA | DRAWER - OGEE EDGE - 22.6"W X 17.7"D - W/O SLIDES/HDW - SIERRA MAPLE |

CABINET & APPLIANCE GROUP (CONTINUED)
CABINET & APPLIANCE LAYOUT (CONTINUED)



| KEY | PART NUMBER | U/M | DESCRIPTION |
|-----|---------------|-----|--|
| 1 | 094750-10-000 | EA | BRACKET - MICROWAVE - 89 DEGREE |
| 2* | 158686-01-01A | EA | OVEN/MICROWAVE - .9 CU FT - NON-CONV - BLACK FROM: 00-00-00 THRU: 04-08-07 |
| 2 | 158686-02-01A | EA | OVEN/MICROWAVE - .9 CU FT - NON-CONV - W/O TRIM/VENTS-BLK FROM: 04-09-07 THRU: 99-99-99 |
| 3 | 164197-01-01A | EA | TRIM KIT - MICROWAVE - BLACK FROM: 04-09-07 THRU: 99-99-99 |

***COMPONENT PARTS LISTED LATER IN THIS GROUP**

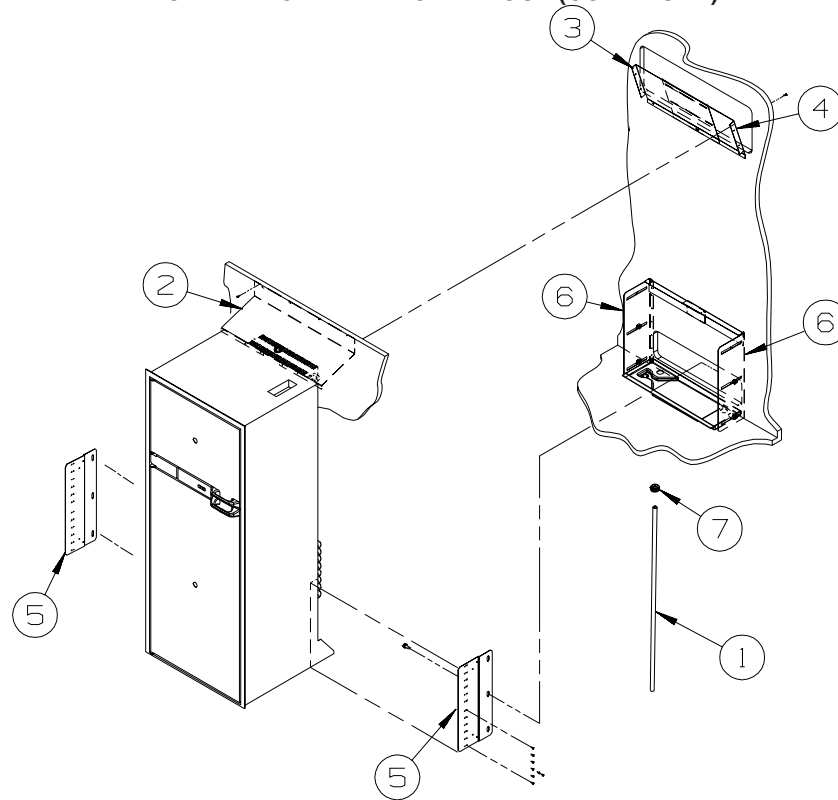


CONVECTION

| KEY | PART NUMBER | U/M | DESCRIPTION |
|-----|---------------|-----|---|
| 1 | 149418-11-02B | EA | BRACKET - MICROWAVE - E-COATED |
| 2 | 149418-12-02B | EA | BRACKET - MICROWAVE - E-COATED |
| 3* | 150606-04-01A | EA | OVEN - MICROWAVE/CONVECTION/BLACK - .9 CU FT - #R-820BK |
| 4 | 150606-05-01A | EA | TRIM KIT - MICROWAVE .9 CU FT - BLACK - MAGNADYNE #R820 |

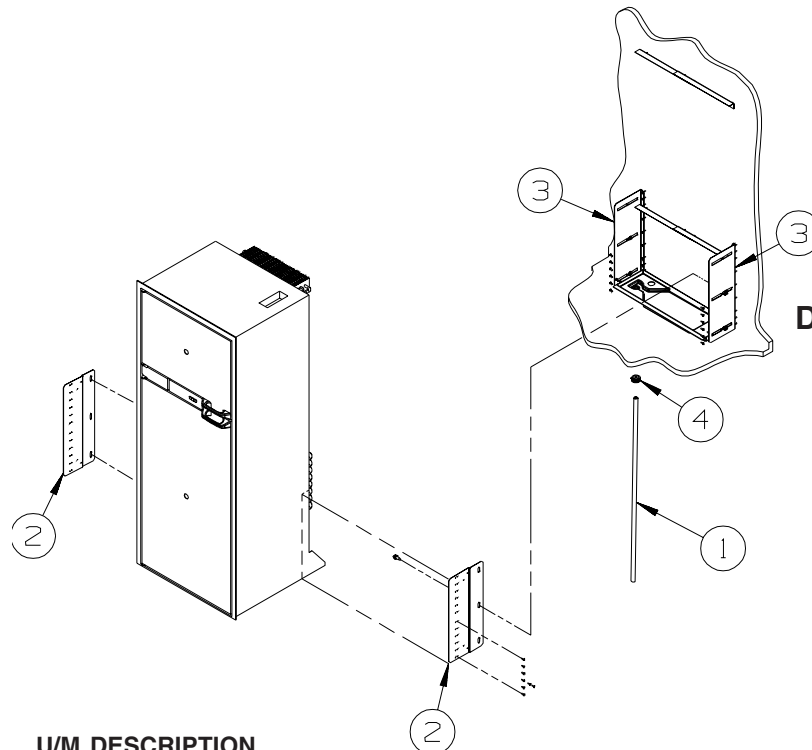
***COMPONENT PARTS LISTED LATER IN THIS GROUP**

CABINET & APPLIANCE GROUP (CONTINUED)
CABINET & APPLIANCE LAYOUT (CONTINUED)



D26P

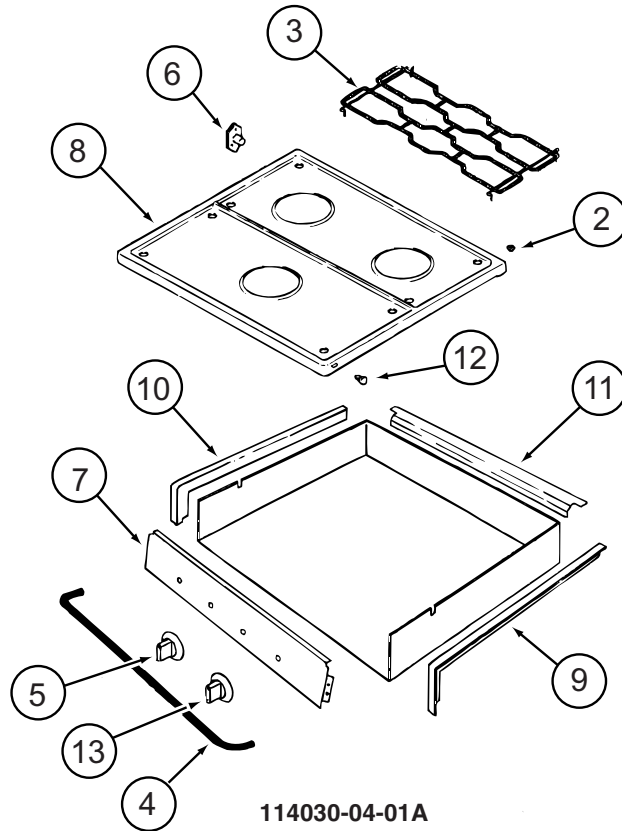
| KEY | PART NUMBER | U/M | DESCRIPTION |
|-----|---------------|-----|--|
| 1 | 112176-01-000 | FT | TUBING - VINYL - REINFORCED - 1/2" ID |
| 2 | 136966-04-02B | EA | BAFFLE - REFRIGERATOR - E-COATED |
| 3 | 143195-01-02B | EA | BAFFLE - REFRIGERATOR - E-COATED |
| 4 | 143195-02-02B | EA | BAFFLE - REFRIGERATOR - E-COATED |
| 5 | 150740-01-02B | EA | BRACKET - REFRIGERATOR - E-COATED |
| 6 | 150740-02-02B | EA | BRACKET - REFRIGERATOR - E-COATED |
| 7 | 152417-01-01A | EA | CLAMP/RATCHET - F/REFRIDGERATOR DRIP TRAY HOSE - BLACK |



D29R, D30B, D33T, D34A, D35J

| KEY | PART NUMBER | U/M | DESCRIPTION |
|-----|---------------|-----|--|
| 1 | 112176-01-000 | FT | TUBING - VINYL - REINFORCED - 1/2" ID |
| 2 | 150740-01-02B | EA | BRACKET/TIEDOWN - REFRIGERATOR - E-COATED |
| 3 | 150740-02-02B | EA | BRACKET/TIEDOWN - REFRIGERATOR - E-COATED |
| 4 | 152417-01-01A | EA | CLAMP/RATCHET - F/REFRIDGERATOR DRIP TRAY HOSE - BLACK |

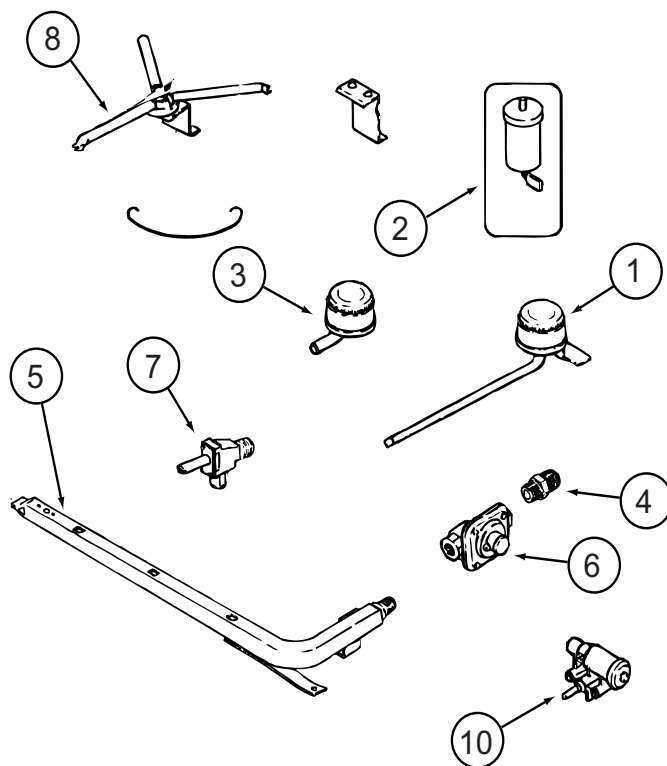
CABINET & APPLIANCE GROUP (CONTINUED)
COMPONENT PARTS FOR CABINET & APPLIANCE LAYOUT



| KEY | PART NUMBER | U/M | DESCRIPTION | VENDOR NO. |
|-----|---------------|-----|-----------------------------|------------------|
| 2 | 102020-01-709 | EA | BUMPER-GRATE | 8007P020-60 |
| 3 | 112881-04-702 | EA | GRATE - BLACK | 74007277 |
| 4 | 114030-02-700 | EA | GUARD/FABRIC - TOWEL BAR | 3609F006-70 |
| 5 | 128728-01-701 | EA | KNOB - BURNER - REAR | 74003941 (1 PER) |
| 5 | 128728-01-702 | EA | KNOB - BURNER - FRONT | 74003942 |
| 6 | 128728-01-703 | EA | PIN/T-NUT F/HINGE | 7103P109-60 |
| 7 | 114030-04-700 | EA | PANEL - MANIFOLD - BLACK | 74007325 |
| 8 | 126023-01-728 | EA | TOP - MAIN (BLACK) | 74003323 |
| 9 | 114030-01-704 | EA | TRIM - RIGHT/BLACK TEXTURED | 74002839 |
| 10 | 114030-01-705 | EA | TRIM - LEFT/BLACK TEXTURED | 74002840 |
| 11 | 114030-01-706 | EA | TRIM - REAR/BLACK TEXTURED | 74002841 |
| 12 | 102020-01-724 | EA | BUMPER - MAIN TOP | 8003P008-60 |
| 13 | 128728-01-707 | EA | KNOB - IGNITER | 74003944 |

CONTACT WINNEBAGO PART SALES FOR UNLISTED COMPONENT(S)

CABINET & APPLIANCE GROUP (CONTINUED)
COMPONENT PARTS FOR CABINET & APPLIANCE LAYOUT (CONTINUED)

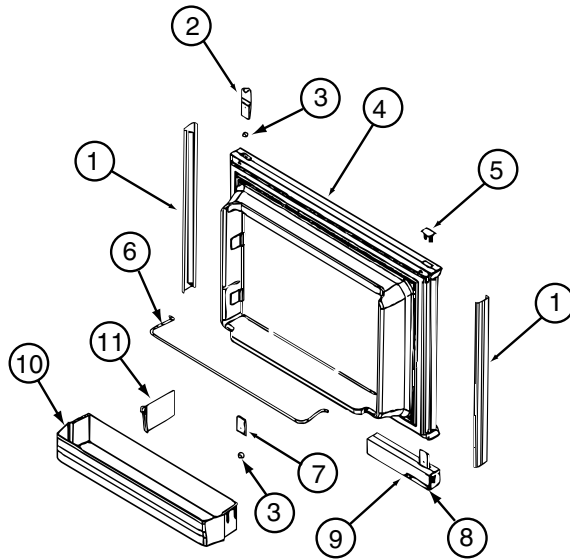


114030-04-01A (CONTINUED)

| KEY | PART NUMBER | U/M | DESCRIPTION | VENDOR NO. |
|-----|---------------|-----|---------------------------------|-------------|
| 1 | 112881-04-700 | EA | BURNER - TOP /LEFT REAR | 74004584 |
| 1 | 126023-01-700 | EA | BURNER - TOP (RT-REAR) 5100 BTU | 74004583 |
| 2 | 112881-04-705 | EA | PUSH RING (ELECTRODE MTG) | 7104P002-60 |
| 2 | 126023-01-711 | EA | ELECTRODE - IGNITER (ONLY) | 7432P077-60 |
| 3 | 112881-04-701 | EA | BURNER - TOP/FRONT | 74004582 |
| 4 | 135065-03-700 | EA | FITTING - HALF UNION | 74004234 |
| 5 | 135065-01-702 | EA | PIPE/MANIFOLD | 74004642 |
| 6 | 126023-02-702 | EA | PIPE - MANIFOLD | 74004360 |
| 7 | 126023-02-705 | EA | VALVE - BURNER - REAR | 74004362 |
| 7 | 126023-02-706 | EA | VALVE - BURNER - FRONT | 74004363 |
| 8 | 126023-01-736 | EA | FLASH TUBE EXTENSION (REAR) | 74003326 |
| 8 | 126023-01-737 | EA | FLASH TUBE EXTENSION (FRONT) | 74003327 |
| 10 | 126023-01-719 | EA | IGNITER HEAD - TOP BURNER | 74002413 |
| | 126023-02-703 | EA | REGULATOR - PRESSURE | 74004235 |

CONTACT WINNEBAGO PART SALES FOR UNLISTED COMPONENT(S)

CABINET & APPLIANCE GROUP (CONTINUED)
COMPONENT PARTS FOR CABINET & APPLIANCE LAYOUT (CONTINUED)

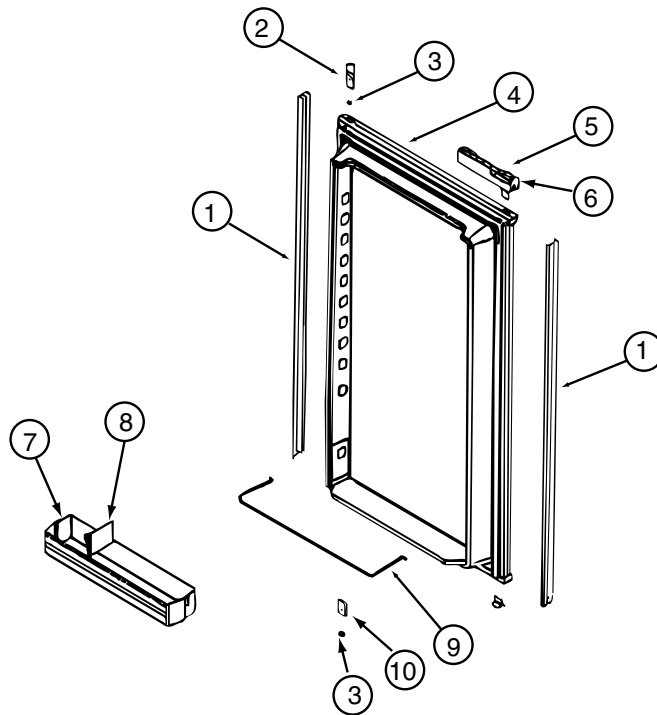


121568-06-01A, 121568-07-01A, 121568-08-01A

| KEY | PART NUMBER | U/M | DESCRIPTION | VENDOR NO. |
|------------|--------------------|------------|------------------------------|--------------------|
| 1 | 121568-03-700 | EA | RETAINER-DOOR PNL/WAFFLE/BLK | 619558-WDL-UPPER |
| 2 | 120075-01-701 | EA | HINGE-TOP RH/BOTTOM LH(DOOR) | 618511 |
| 3 | 121568-03-701 | EA | BUSHING - HINGE PIN/GRAY | 619671 |
| 4 | 121568-03-702 | EA | DOOR LINER-UPR/WAFFLED/BLACK | 619627 - SMALL WDL |
| 5 | 120075-01-702 | EA | CAP, (HINGE PLUG) | 618160 |
| 6 | 121568-01-700 | EA | RAIL - DOOR UPPER | 618618 |
| 7 | 120075-01-705 | EA | HINGE-TOP LH/BOTTOM RH(DOOR) | 618510 |
| 8 | 121568-03-705 | EA | STORAGE LATCH - GRAY | 619648 |
| 9 | 121568-03-721 | EA | HANDLE/DOOR UPPER RH SWING | 621465 |
| 9 | 121568-03-722 | EA | HANDLE/DOOR LOWER RH SWING | 621469 |
| 10 | 121568-01-701 | EA | BIN - DOOR WHITE-WAFFLED LNR | 618619 WDL |

CONTACT WINNEBAGO PART SALES FOR UNLISTED COMPONENT(S)

CABINET & APPLIANCE GROUP (CONTINUED)
COMPONENT PARTS FOR CABINET & APPLIANCE LAYOUT (CONTINUED)

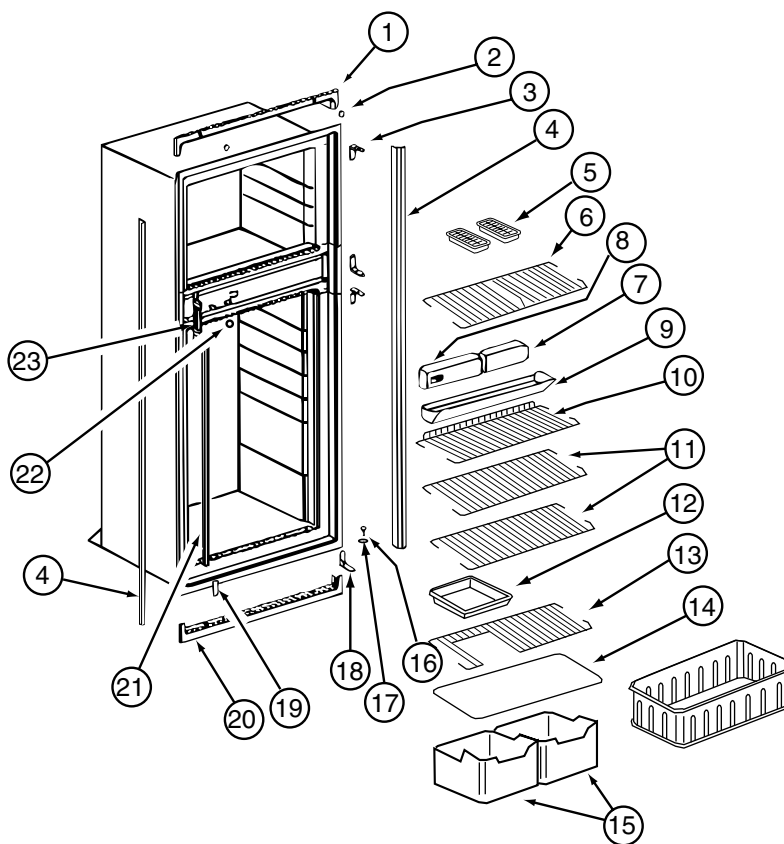


121568-06-01A, 121568-07-01A, 121568-08-01A (CONTINUED)

| KEY | PART NUMBER | U/M | DESCRIPTION | VENDOR NO. |
|-----|---------------|-----|------------------------------|------------------|
| 1 | 121568-03-706 | EA | RETAINER-DOOR PNL/WAFFLE/BLK | 619559-WDL-LOWER |
| 2 | 120075-01-701 | EA | HINGE-TOP RH/BOTTOM LH(DOOR) | 618511 |
| 3 | 121568-03-701 | EA | BUSHING - HINGE PIN/GRAY | 619671 |
| 4 | 121568-03-707 | EA | DOOR LINER-LWR/WAFFLED/B/TRM | 619629 |
| 5 | 121568-03-721 | EA | HANDLE/DOOR UPPER RH SWING | 621465 |
| 5 | 121568-03-722 | EA | HANDLE/DOOR LOWER RH SWING | 621469 |
| 6 | 121568-03-705 | EA | STORAGE LATCH - GRAY | 619648 |
| 7 | 121568-01-701 | EA | BIN - DOOR WHITE-WAFFLED LNR | 618619 WDL |
| 9 | 121568-01-704 | EA | RAIL - DOOR LOWER | 618578 |
| 10 | 120075-01-705 | EA | HINGE-TOP LH/BOTTOM RH(DOOR) | 618510 |

CONTACT WINNEBAGO PART SALES FOR UNLISTED COMPONENT(S)

CABINET & APPLIANCE GROUP (CONTINUED)
COMPONENT PARTS FOR CABINET & APPLIANCE LAYOUT (CONTINUED)

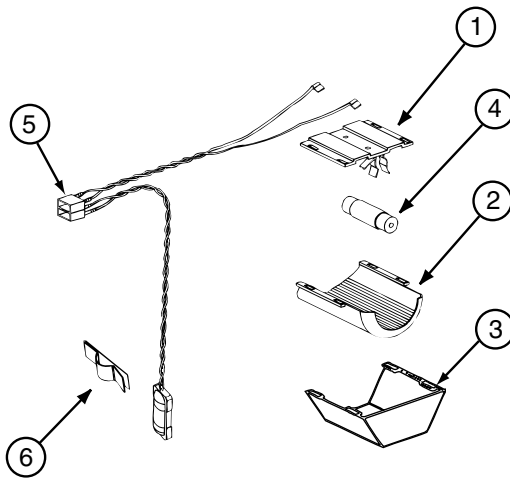


121568-06-01A, 121568-07-01A, 121568-08-01A (CONTINUED)

| KEY | PART NUMBER | U/M | DESCRIPTION | VENDOR NO. |
|-----|---------------|-----|-----------------------------|----------------|
| 1 | 120075-01-713 | EA | TRIM-TOP PIECE | 619687 |
| 2 | 120075-01-714 | EA | PLUG-HOLE (BLACK) | 618170 |
| 3 | 121568-03-710 | EA | HINGE/CABINET-TOP/RH-LWR/LH | 619335 WAFFLED |
| 4 | 121568-03-711 | EA | TRIM - SIDE/BLACK | 622295 |
| 6 | 121568-01-705 | EA | SHELF - WIRE FREEZER | 620250 |
| 7 | 121568-06-700 | EA | FRONT BOX-N611 | 622002 |
| 8 | 121568-06-701 | EA | CONTROL ASSY-OPTICAL/N611 | 621988 |
| 9 | 120075-01-720 | EA | TRAY-DRIP | 623250 |
| 9 | 120075-01-721 | EA | LOUVER-DRIP TRAY | 618176 |
| 11 | 121568-01-708 | EA | SHELF - WIRE | 620273 |
| 13 | 121568-01-707 | EA | SHELF - WIRE - SHORT | 620272 |
| 14 | 120075-01-725 | EA | COVER-CRISPER - 18.5" WIDE | 618158 |
| 15 | 121568-01-709 | EA | CRISPER | 618571 |
| 16 | 120075-01-727 | EA | PIN-HINGE | 618145 |
| 17 | 121568-03-701 | EA | BUSHING - HINGE PIN/GRAY | 619671 |
| 18 | 121568-03-715 | EA | HINGE/CABINET-TOP/LH-LWR/RH | 619336 WAFFLED |
| 19 | 121568-03-716 | EA | COVER - HINGE HOLES | 619301 |
| 20 | 120075-01-729 | EA | TRIM-BOTTOM PIECE | 620958 |
| 21 | 121568-06-702 | EA | CLIP - SHELF | 61536522 |
| 22 | 121568-06-703 | EA | HOLE PLUG - WHITE | 620282 |
| 23 | 120075-01-732 | EA | PLATE-STRIKE | 618167 |

CONTACT WINNEBAGO PART SALES FOR UNLISTED COMPONENT(S)

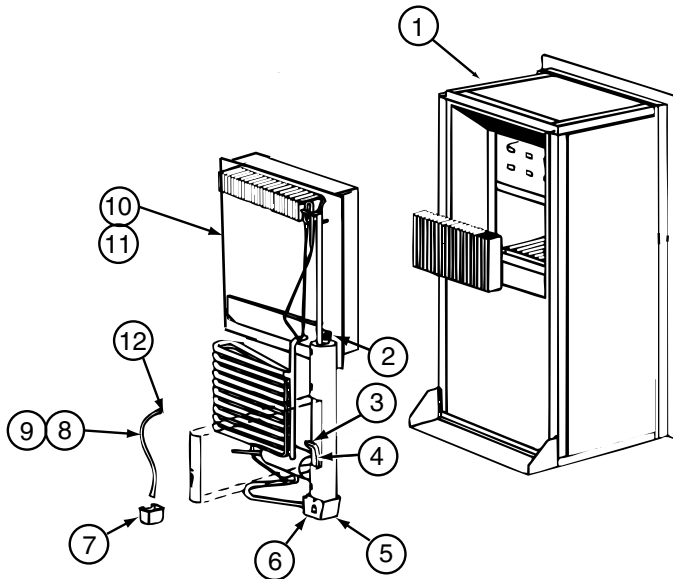
CABINET & APPLIANCE GROUP (CONTINUED)
COMPONENT PARTS FOR CABINET & APPLIANCE LAYOUT (CONTINUED)



121568-03-01A, 121568-04-01A, 121568-05-01A, 121568-06-01A, 121568-07-01A, 121568-08-01A (CONTINUED)

| KEY | PART NUMBER | U/M | DESCRIPTION | VENDOR NO. |
|-----|---------------|-----|------------------------------|------------|
| 1 | 084880-01-760 | EA | CLIP (THERMISTER) | 61689122 |
| 2 | 120075-01-735 | EA | THERMISTER W/LAMP & WIRE/ASM | 618548 |
| 3 | 084880-03-705 | EA | BRACKET-LIGHT-INTERIOR | 61629722 |
| 4 | 084880-03-706 | EA | BULB-LAMP | 61628922 |
| 6 | 084880-03-707 | EA | COVER-LAMP, LENS | 61627922 |

CONTACT WINNEBAGO PART SALES FOR UNLISTED COMPONENT(S)

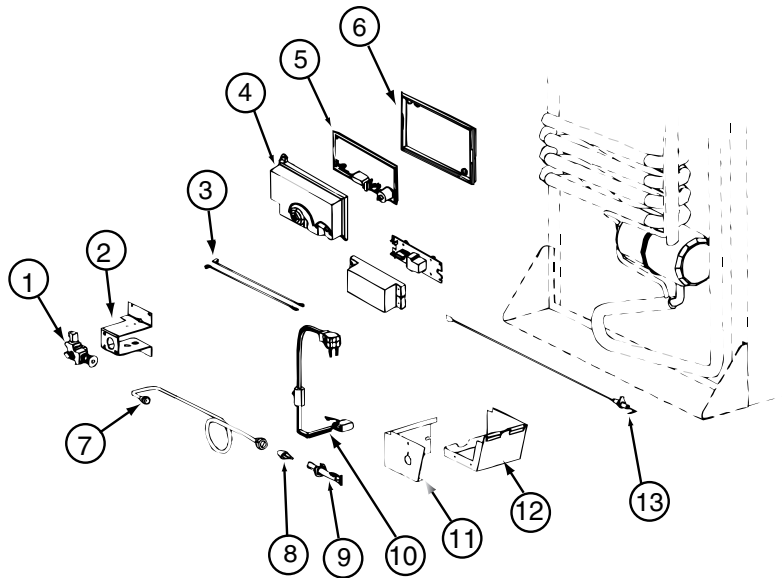


121568-06-01A, 121568-07-01A, 121568-08-01A (CONTINUED)

| KEY | PART NUMBER | U/M | DESCRIPTION | VENDOR NO. |
|-----|---------------|-----|----------------------------|------------|
| 4 | 121568-06-704 | EA | HEATER-AC/300W/120VAC | 621702 |
| 10 | 120076-01-704 | EA | COOLING UNIT, SERVICE PACK | 618543 |

CONTACT WINNEBAGO PART SALES FOR UNLISTED COMPONENT(S)

CABINET & APPLIANCE GROUP (CONTINUED)
COMPONENT PARTS FOR CABINET & APPLIANCE LAYOUT (CONTINUED)

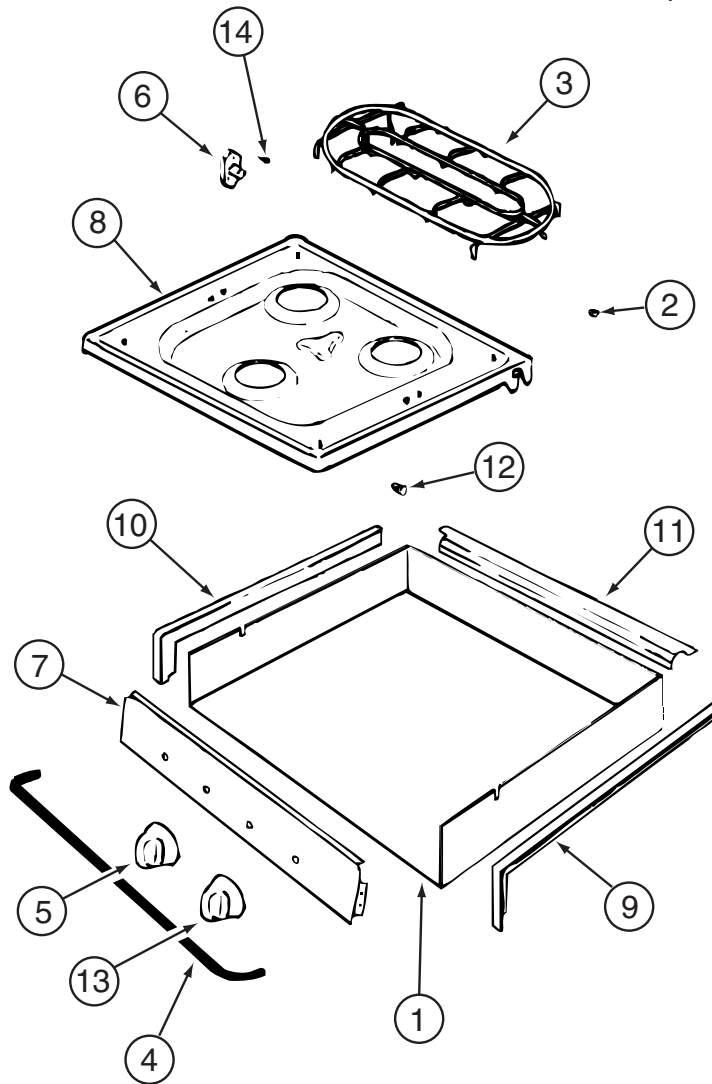


121568-06-01A, 121568-07-01A, 121568-08-01A (CONTINUED)

| KEY | PART NUMBER | U/M | DESCRIPTION | VENDOR NO. |
|-----|---------------|-----|-----------------------------|--------------------|
| 1 | 121568-06-705 | EA | GAS VALVE/BRKT ASSY-COMBO | 621439 |
| 1 | 121568-06-706 | EA | GAS VALVE-COMBO/WRENCH FLAT | 621329 |
| 4 | 120075-01-738 | EA | COVER-POWER BOARD | 618185 |
| 5 | 121568-06-707 | EA | BOARD/POWER-N611 | 621991 = 621991001 |
| 6 | 120075-01-740 | EA | BASE - POWER BOARD | 618186 |
| 8 | 121568-06-708 | EA | BURNER/ORFICE-ADAPTER KIT | 621957 |
| 13 | 104137-06-715 | EA | ELECTRODE-SPARK/SENSOR, SGL | 61692222 |
| | 121569-08-704 | EA | TUBE/BURNER - N8/N6 | 624682 |

CONTACT WINNEBAGO PART SALES FOR UNLISTED COMPONENT(S)

CABINET & APPLIANCE GROUP (CONTINUED)
COMPONENT PARTS FOR CABINET & APPLIANCE LAYOUT (CONTINUED)

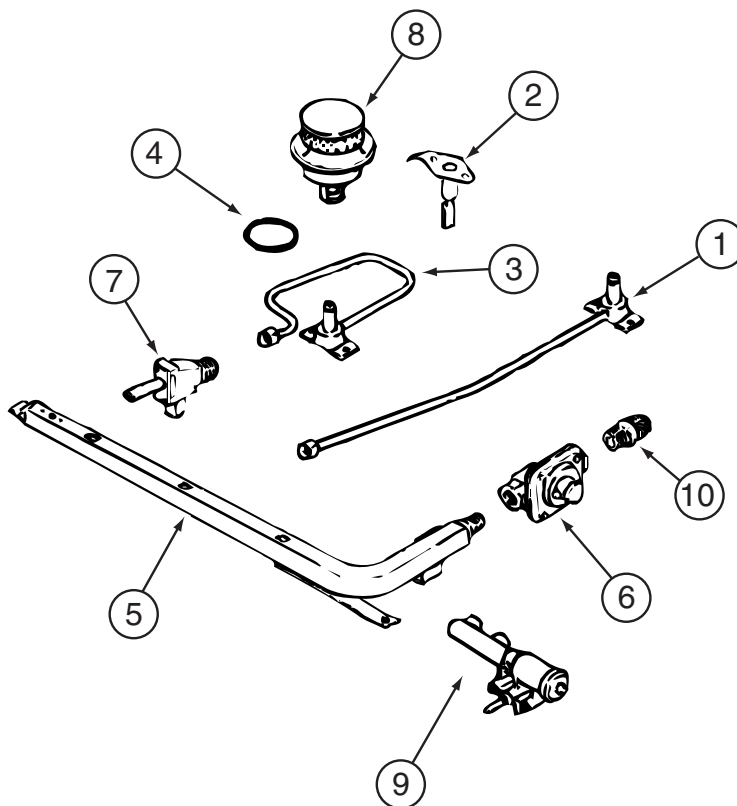


135065-03-01A, 135065-03-03A, 135065-04-01A

| KEY | PART NUMBER | U/M | DESCRIPTION | VENDOR NO. |
|-----|---------------|-----|------------------------------|--------------|
| 2 | 102020-01-709 | EA | BUMPER-GRATE | 8007-P020-60 |
| 3 | 135065-03-703 | EA | GRATE - BLACK(SEALED BURNER) | 74007304 |
| 4 | 114030-02-700 | EA | GUARD/FABRIC - TOWEL BAR | 3609F006-70 |
| 5 | 128728-01-701 | EA | KNOB - BURNER - REAR | 74003941 |
| 5 | 128728-01-702 | EA | KNOB - BURNER - FRONT | 74003942 |
| 6 | 128728-01-703 | EA | PIN/T-NUT F/HINGE | 7103P109-60 |
| 7 | 135065-03-704 | EA | PANEL - MANIFOLD (BLACK) | 74007330 |
| 8 | 128728-01-705 | EA | TOP - MAIN - BLACK | 74003928 |
| 8 | 135065-03-715 | EA | TOP - MAIN - STAINLESS STEEL | 74007299 |
| 9 | 114030-01-704 | EA | TRIM - RIGHT/BLACK TEXTURED | 74002839 |
| 10 | 114030-01-705 | EA | TRIM - LEFT/BLACK TEXTURED | 74002840 |
| 11 | 114030-01-706 | EA | TRIM - REAR/BLACK TEXTURED | 74002841 |
| 12 | 102020-01-724 | EA | BUMPER-MAIN TOP | 8003P008-60 |
| 13 | 128728-01-707 | EA | KNOB - IGNITOR | 74003944 |

CONTACT WINNEBAGO PART SALES FOR UNLISTED COMPONENT(S)

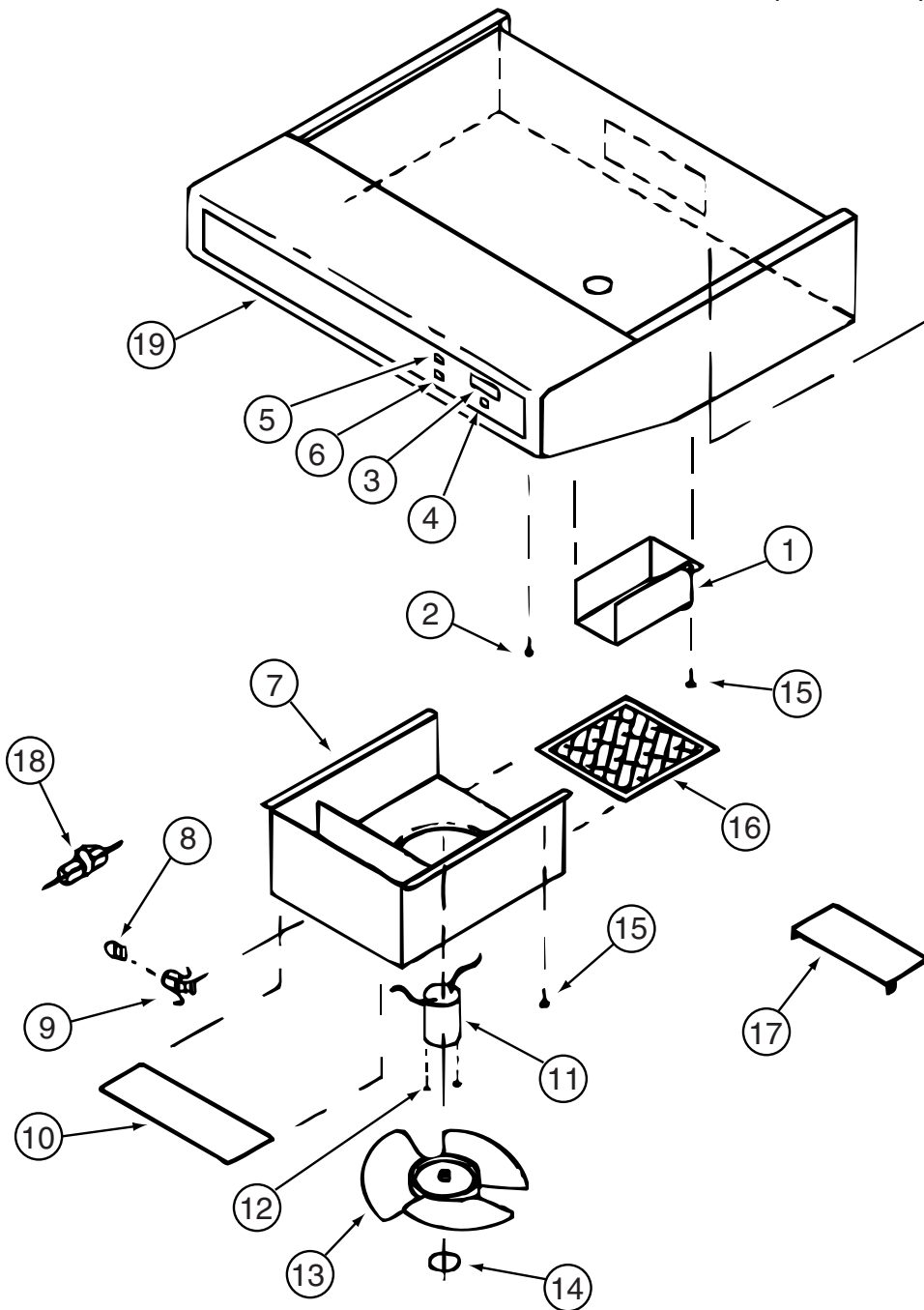
CABINET & APPLIANCE GROUP (CONTINUED)
COMPONENT PARTS FOR CABINET & APPLIANCE LAYOUT (CONTINUED)



135065-03-01A, 135065-03-03A, 135065-04-01A (CONTINUED)

| KEY | PART NUMBER | U/M | DESCRIPTION | VENDOR NO. |
|-----|---------------|-----|------------------------------|------------|
| 1 | 128728-01-708 | EA | FITTING W/ORFICE/TUBE - REAR | 74003931 |
| 2 | 135065-01-701 | EA | IGNITOR/PORCELAIN-TOP BURNER | 74004053 |
| 3 | 128728-01-710 | EA | FITTING W/ORFICE/TUBE - FRT | 74003930 |
| 4 | 135065-03-700 | EA | FITTING - HALF UNION | 74004234 |
| 5 | 135065-01-702 | EA | PIPE/MANIFOLD | 74004642 |
| 6 | 126023-02-703 | EA | REGULATOR - PRESSURE | 74004235 |
| 7 | 135065-01-703 | EA | VALVE/BURNER - REAR | 74004643 |
| 7 | 135065-01-704 | EA | VALVE/BURNER-FRT-HI | 74004644 |
| 7 | 135065-03-701 | EA | SCREW - VALVE | 71003231 |
| 8 | 135065-03-702 | EA | SEALED BURNER ASM.(BLACK) RV | 74003967 |
| 9 | 128728-01-716 | EA | BURNER - IGNITOR | 74003946 |
| 9 | 128728-01-717 | EA | WIRES - IGNITOR | 74003947 |

CABINET & APPLIANCE GROUP (CONTINUED)
COMPONENT PARTS FOR CABINET & APPLIANCE LAYOUT (CONTINUED)



136354-01-02A

| KEY | PART NUMBER | U/M | DESCRIPTION | VENDOR NO. |
|-----|---------------|-----|------------------------------|------------------|
| 3 | 100258-10-700 | EA | GAUGE-HOUR METER, SCREW ON | L0150-00 WAS 150 |
| 4 | 096983-01-702 | EA | SWITCH - MOM/OFF/MOM/3 TERM | L0112-00 |
| 5 | 096983-01-700 | EA | SWITCH/1 SPEED -ON/OFF- BLK | L0108-00 |
| 8 | 117806-01-000 | EA | BULB - 12V NO.912 1.0 AMPS | |
| 9 | 092696-01-710 | EA | HOLDER-LAMP | CB267-02 |
| 10 | 096983-01-708 | EA | LENS-LAMP | CC0179 |
| 11 | 136354-05-700 | EA | MOTOR-12 VOLT | VC0536-02 |
| 13 | 136354-05-701 | EA | BLADE-FAN 7" DIA | VD0216-00 |
| 16 | 096983-01-707 | EA | FILTER-MESH | CC0246-00 |
| 17 | 100258-01-701 | EA | DAMPER ASSEMBLY (METAL FLAP) | CA0565-00 |
| 19 | 100258-01-700 | EA | LABEL-HOOD NOSE | CC0428-00 |

CONTACT WINNEBAGO PART SALES FOR UNLISTED COMPONENT(S)

CABINET & APPLIANCE GROUP (CONTINUED)
COMPONENT PARTS FOR CABINET & APPLIANCE LAYOUT (CONTINUED)

136354-02-02A

| KEY | PART NUMBER | U/M | DESCRIPTION | VENDOR NO. |
|--|--------------------|------------|------------------------------|-------------------|
| 5 | 096983-01-700 | EA | SWITCH/1 SPEED -ON/OFF- BLK | L0108-00 |
| 9 | 092696-01-710 | EA | HOLDER-LAMP | CB267-02 |
| 10 | 096983-01-708 | EA | LENS-LAMP | CC0179 |
| 11 | 136354-06-700 | EA | MOTOR - FAN (CSA) | VC0535-02 |
| 13 | 136354-05-701 | EA | BLADE-FAN 7" DIA | VD0216-00 |
| 16 | 096983-01-707 | EA | FILTER-MESH | CC0246-00 |
| 17 | 100258-01-701 | EA | DAMPER ASSEMBLY (METAL FLAP) | CA0565-00 |
| 19 | 100258-01-700 | EA | LABEL-HOOD NOSE | CC0428-00 |
| CONTACT WINNEBAGO PART SALES FOR UNLISTED COMPONENT(S) | | | | |

136354-05-01A, 136354-05-02A

| KEY | PART NUMBER | U/M | DESCRIPTION | VENDOR NO. |
|--|--------------------|------------|------------------------------|---------------------|
| 3 | 100258-10-700 | EA | GAUGE-HOUR METER, SCREW ON | L0150-00 WAS 150 |
| 4 | 096983-01-702 | EA | SWITCH - MOM/OFF/MOM/3 TERM | L0112-00 |
| 6 | 096983-01-700 | EA | SWITCH/1 SPEED -ON/OFF- BLK | L0108-00 |
| 8 | 117806-01-000 | EA | BULB-12V NO.912 1.0 AMPS | GENERAL MOTOR HOMES |
| 9 | 092696-01-710 | EA | HOLDER-LAMP | CB0267-02 |
| 10 | 096983-01-708 | EA | LENS-LAMP | CC0179 |
| 11 | 136354-05-700 | EA | MOTOR-12 VOLT | VC0536-02 |
| 13 | 136354-05-701 | EA | BLADE-FAN 7" DIA | VD0216-00 |
| 16 | 096983-01-707 | EA | FILTER-MESH | CC0246-00 |
| 17 | 100258-01-701 | EA | DAMPER ASSEMBLY (METAL FLAP) | CA0565-00 |
| 19 | 100258-01-700 | EA | LABEL-HOOD NOSE | CC0428-00 |
| CONTACT WINNEBAGO PART SALES FOR UNLISTED COMPONENT(S) | | | | |

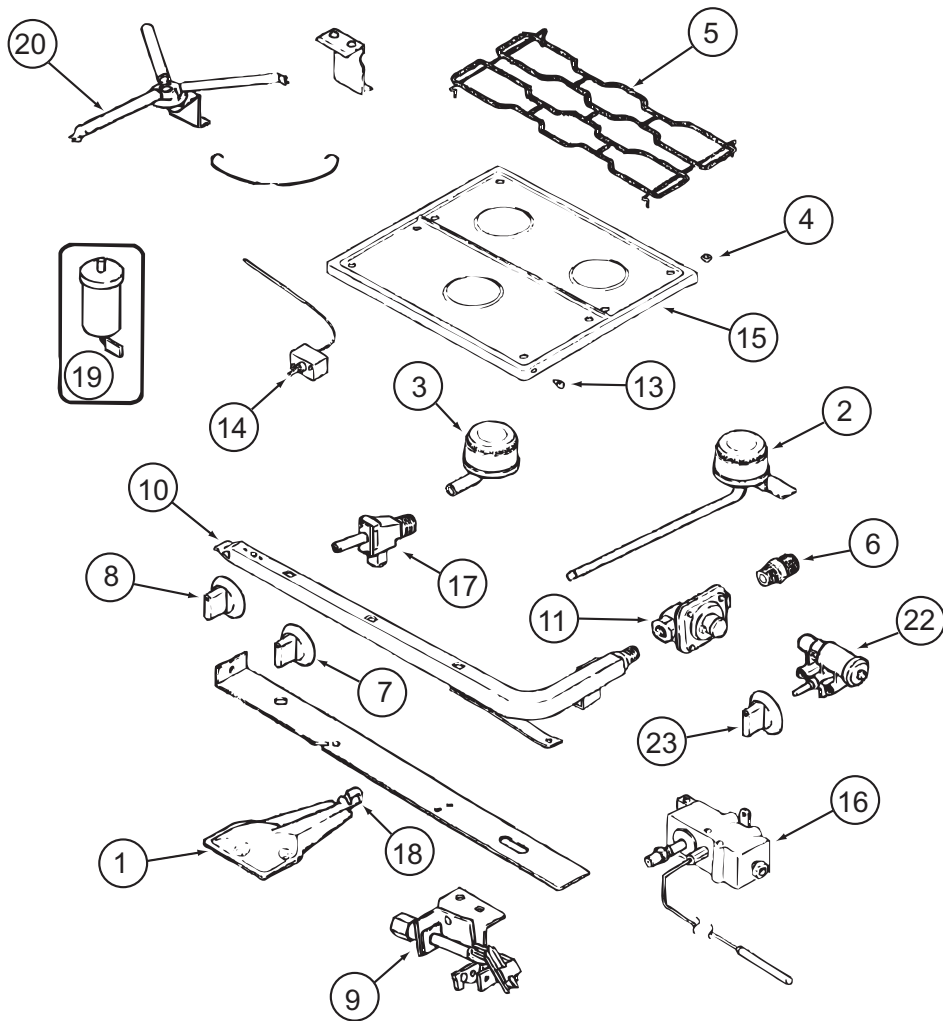
136354-06-01A, 136354-06-02A

| KEY | PART NUMBER | U/M | DESCRIPTION | VENDOR NO. |
|--|--------------------|------------|------------------------------|---------------------|
| 3 | 100258-10-700 | EA | GAUGE-HOUR METER, SCREW ON | L0150-00 WAS 150 |
| 4 | 096983-01-702 | EA | SWITCH - MOM/OFF/MOM/3 TERM | L0112-00 |
| 5 | 096983-01-700 | EA | SWITCH/1 SPEED -ON/OFF- BLK | L0108-00 |
| 8 | 117806-01-000 | EA | BULB-12V NO.912 1.0 AMPS | GENERAL MOTOR HOMES |
| 9 | 092696-01-710 | EA | HOLDER-LAMP | CB0267-02 |
| 10 | 096983-01-708 | EA | LENS-LAMP | CC0179 |
| 11 | 136354-06-700 | EA | MOTOR - FAN (CSA) | VC0535-02 |
| 13 | 136354-05-701 | EA | BLADE-FAN 7" DIA | VD0216-00 |
| 16 | 096983-01-707 | EA | FILTER-MESH | CC0246-00 |
| 17 | 100258-01-701 | EA | DAMPER ASSEMBLY (METAL FLAP) | CA0565-00 |
| 19 | 100258-01-700 | EA | LABEL-HOOD NOSE | CC0428-00 |
| CONTACT WINNEBAGO PART SALES FOR UNLISTED COMPONENT(S) | | | | |

150606-04-01A, 150606-04-02A

| KEY | PART NUMBER | U/M | DESCRIPTION | VENDOR NO. |
|------------|--------------------|------------|----------------------|-------------------|
| | 122753-02-700 | EA | PLATE/CAROUSEL-GLASS | NTNT-A097WREO |
| | 150606-04-700 | EA | RACK - BAKING | FAMI-A104WRM0 |

CABINET & APPLIANCE GROUP (CONTINUED)
COMPONENT PARTS FOR CABINET & APPLIANCE LAYOUT (CONTINUED)



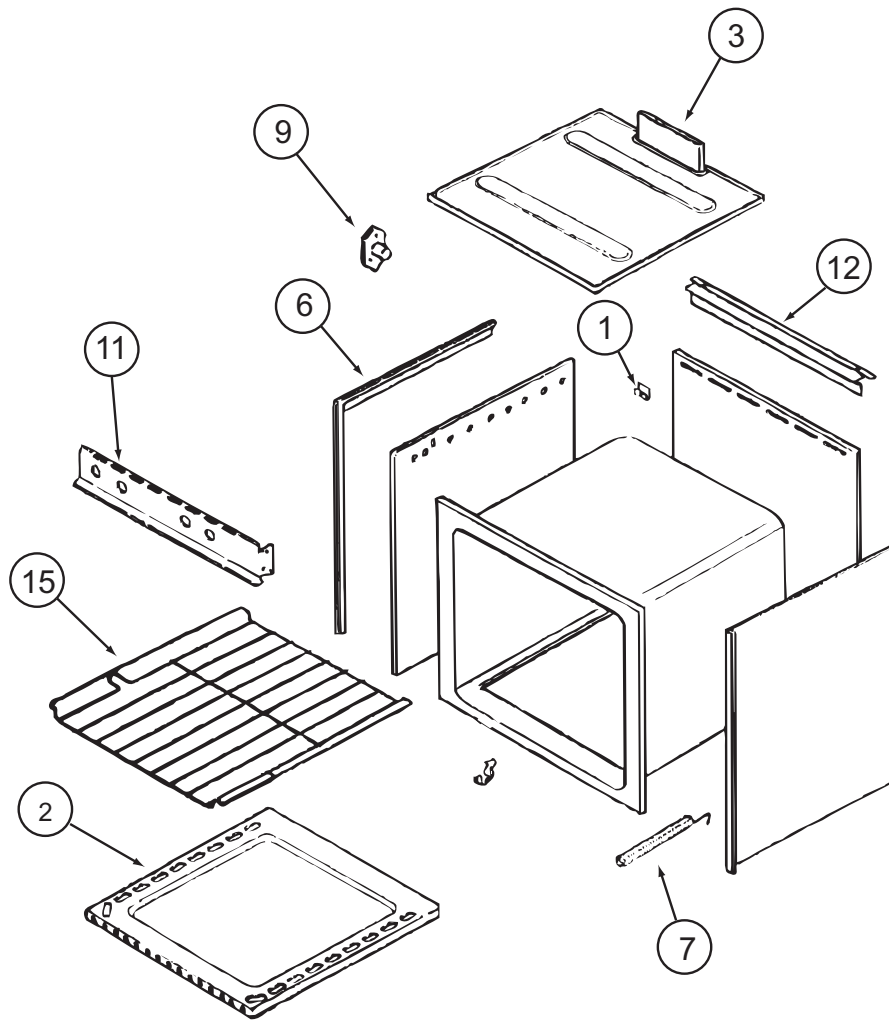
151277-01-01A, 151277-02-01A

CABINET & APPLIANCE GROUP (CONTINUED)
COMPONENT PARTS FOR CABINET & APPLIANCE LAYOUT (CONTINUED)

151277-01-01A, 151277-02-01A (CONTINUED)

| KEY | PART NUMBER | U/M | DESCRIPTION | VENDOR NO. |
|------------|--------------------|------------|--|---------------------|
| 1 | 151279-02-700 | EA | BURNER - OVEN - W/SHUTTER | 74009853 |
| 2 | 112881-04-700 | EA | BURNER - TOP/LEFT REAR | 74004584 |
| 2 | 126023-01-700 | EA | BURNER-TOP (RT-REAR) 5100BTU | 74004583 |
| 3 | 112881-04-701 | EA | BURNER - TOP/FRONT | 74004582 |
| 4 | 102020-01-709 | EA | BUMPER-GRATE | 8007P020-60 |
| 5 | 112881-04-702 | EA | GRATE - BLACK | 74007277 |
| 6 | 135065-03-700 | EA | FITTING - HALF UNION | 74004234 |
| 7 | 128728-01-701 | EA | KNOB - BURNER - REAR | 74003941 (1 PER) |
| 7 | 128728-01-702 | EA | KNOB - BURNER - FRONT | 74003942 |
| 8 | 151279-02-701 | EA | KNOB - THERMOSTAT - BLACK | 74009858 |
| 9 | 151279-01-700 | EA | PILOT - BURNER - 16" SERIES | 74009852 |
| 10 | 151279-02-702 | EA | PIPE - MANIFOLD | 74009856 |
| 11 | 112881-03-701 | EA | REGULATOR KIT W/FITTINGS | 12001285 |
| 13 | 102020-01-724 | EA | BUMPER-MAIN TOP | 8003P008-60 |
| 14 | 151279-02-703 | EA | THERMOSTAT | 74009855 |
| 15 | 151277-01-700 | EA | TOP - MAIN (BLACK) | 74007287 |
| 16 | 151279-02-704 | EA | ELBOW BLOCK ASM (VALVE-OVEN) | 74009864 |
| 17 | 151277-01-701 | EA | VALVE/REAR - W/SET SCREW | 12002254 |
| 17 | 151277-01-702 | EA | VALVE/FRONT - W/SET SCREW | 12002246 |
| 19 | 112881-04-705 | EA | PUSH RING (ELECTRODE MTG) | 7104P002-60 |
| 19 | 126023-01-711 | EA | ELECTRODE - IGNITER (ONLY) | 7432P077-60 |
| 20 | 126023-01-736 | EA | FLASH TUBE EXTENSION (REAR) | 74003326 |
| 20 | 126023-01-737 | EA | FLASH TUBE EXTENSION (FRONT) | 74003327 |
| 21 | 112881-04-708 | EA | CLIP-FLASH TUBE | 7112P068-60 |
| 22 | 126023-01-735 | EA | KIT - IGNITOR TOP BRNER & KNOB | 12001296=74002413&4 |
| 23 | 128728-01-707 | EA | KNOB - IGNITOR | 74003944 |
| 26 | 112881-04-709 | EA | SHIELD-SPARK | 3604F211-45 |
| | | | CONTACT WINNEBAGO PART SALES FOR UNLISTED COMPONENT(S) | |

CABINET & APPLIANCE GROUP (CONTINUED)
COMPONENT PARTS FOR CABINET & APPLIANCE LAYOUT (CONTINUED)

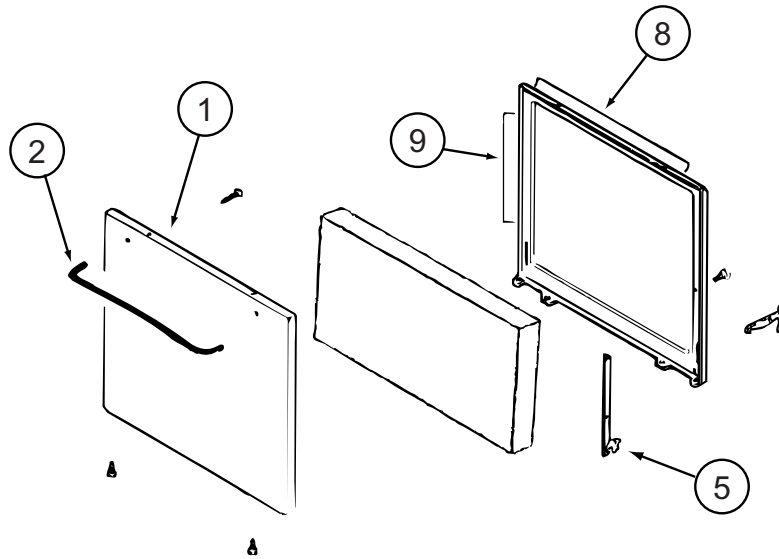


151277-01-01A (CONTINUED)

| KEY | PART NUMBER | U/M | DESCRIPTION | VENDOR NO. |
|-----|---------------|-----|------------------------------|-------------|
| 1 | 112881-03-702 | EA | CLIP - MAIN TOP | 74003998 |
| 2 | 126023-01-731 | EA | BOTTOM - OVEN | 2205F016-19 |
| 3 | 126023-01-718 | EA | FLUE BOX ASSEMBLY | 4006W075-80 |
| 6 | 126023-01-713 | EA | TRIM - SIDE (RIGHT) BLACK | 74002827 |
| 6 | 126023-01-714 | EA | TRIM - SIDE (LEFT) BLACK | 74002828 |
| 7 | 135066-03-700 | EA | SPRING - OVEN DOOR | 74001835 |
| 9 | 128728-01-703 | EA | PIN/T-NUT F/HINGE | 7103P109-60 |
| 11 | 112881-04-707 | EA | MANIFOLD - BLACK | 74007296 |
| 12 | 112881-01-721 | EA | DEFLECTOR/FLUE-BLK-SEALED BR | 74002829 |
| 15 | 126023-01-716 | EA | RACK - OVEN | 74003106 |

CONTACT WINNEBAGO PART SALES FOR UNLISTED COMPONENT(S)

CABINET & APPLIANCE GROUP (CONTINUED)
COMPONENT PARTS FOR CABINET & APPLIANCE LAYOUT (CONTINUED)

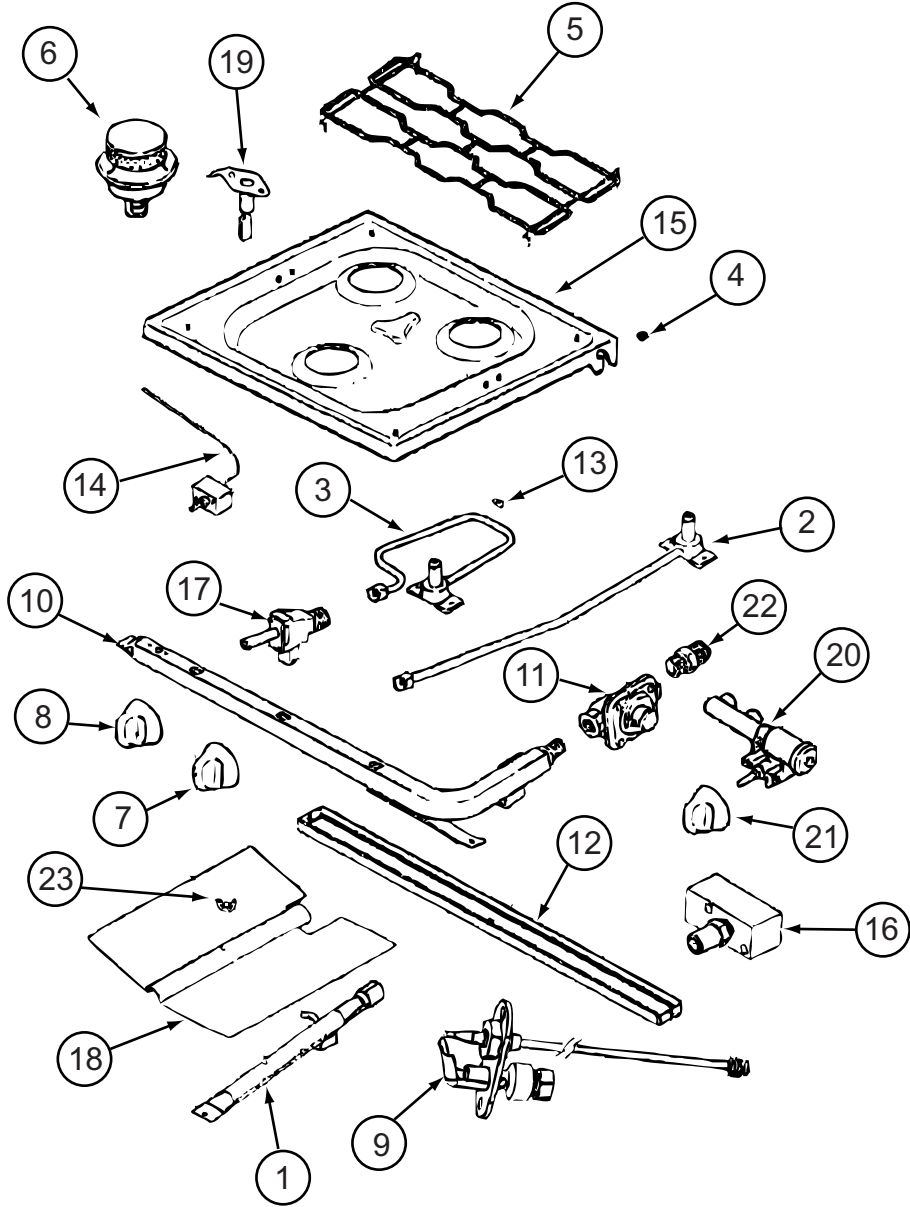


151277-01-01A (CONTINUED)

| KEY | PART NUMBER | U/M | DESCRIPTION | VENDOR NO. |
|-----|---------------|-----|------------------------------|-------------|
| 1 | 102022-01-704 | EA | GLASS-OUTER | 7902P261-60 |
| 1 | 112881-01-713 | EA | DOOR/OVEN-TEXT/BLK NO WINDOW | 2401F126-70 |
| 2 | 128727-01-701 | EA | HANDLE - OVEN DOOR | 74003929 |
| 5 | 151277-01-704 | EA | HINGE KIT-OVEN DR/LT | 12400028 |
| 5 | 151277-01-705 | EA | HINGE KIT-OVEN DR/RT | 12400029 |
| 8 | 126023-01-732 | EA | SEAL/OVEN DR TOP | 7212P014-60 |
| 9 | 135066-03-714 | EA | SEAL - OVEN DOOR SIDES | 7212P039-60 |

CONTACT WINNEBAGO PART SALES FOR UNLISTED COMPONENT(S)

CABINET & APPLIANCE GROUP (CONTINUED)
COMPONENT PARTS FOR CABINET & APPLIANCE LAYOUT (CONTINUED)



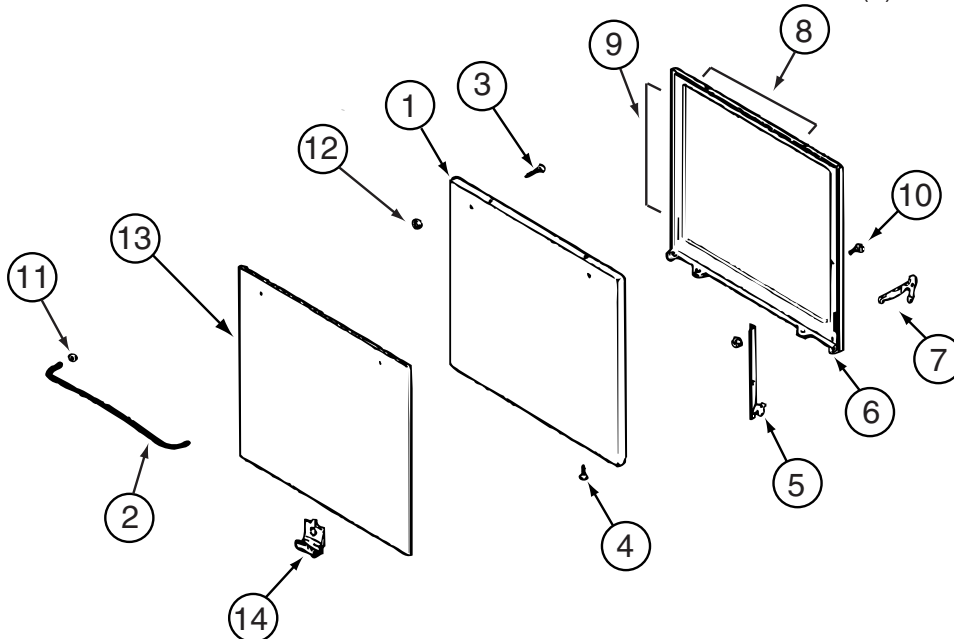
151277-03-01A, 151279-01-01A, 151279-02-01A/02A, 151279-03-01A

CABINET & APPLIANCE GROUP (CONTINUED)
COMPONENT PARTS FOR CABINET & APPLIANCE LAYOUT (CONTINUED)

151277-03-01A, 151279-01-01A, 151279-02-01A/02A, 151279-03-01A (CONTINUED)

| KEY | PART NUMBER | U/M DESCRIPTION | VENDOR NO. |
|-----|---------------|---|------------------|
| 1 | 151279-02-700 | EA BURNER - OVEN - W/SHUTTER | 74009853 |
| 2 | 128728-01-708 | EA FITTING W/ORFICE/TUBE - REAR | 74003931 |
| 3 | 128728-01-710 | EA FITTING W/ORFICE/TUBE - FRT | 74003930 |
| 4 | 102020-01-709 | EA BUMPER-GRATE | 8007P020-60 |
| 5 | 135065-03-703 | EA GRATE - BLACK(SEALED BURNER) | 74007304 |
| 6 | 135065-03-702 | EA SEALED BURNER ASM.(BLACK) RV | 74003967 |
| 7 | 128728-01-701 | EA KNOB - BURNER - REAR | 74003941 (1 PER) |
| 7 | 128728-01-702 | EA KNOB - BURNER - FRONT | 74003942 (2 PER) |
| 8 | 151279-02-701 | EA KNOB - THERMOSTAT - BLACK | 74009858 |
| 9 | 112881-04-706 | EA PILOT-OVEN (151279-01-01A ONLY) | 74006334 |
| 9 | 151279-01-700 | EA PILOT-BURNER- 16" (151279-01-01A ONLY) | 74009852 |
| 9 | 151279-02-705 | EA PILOT - OVEN - 22" SERIES | 74010544 |
| 10 | 151279-02-702 | EA PIPE - MANIFOLD | 74009856 |
| 11 | 126023-02-703 | EA REGULATOR - PRESSURE | 74004235 |
| 11 | 112881-03-701 | EA REGULATOR KIT W/FITTINGS | 12001285 |
| 13 | 102020-01-724 | EA BUMPER-MAIN TOP | 8003P008-60 |
| 14 | 151279-02-703 | EA THERMOSTAT | 74009855 |
| 15 | 128728-01-705 | EA TOP - MAIN - BLACK | 74003928 |
| 15 | 135065-03-715 | EA TOP - MAIN - STAINLESS STEEL | 74007299 |
| 16 | 151279-02-704 | EA ELBOW BLOCK ASM (VALVE-OVEN) | 74009864 |
| 17 | 135065-01-703 | EA VALVE/BURNER - REAR | 74004643 |
| 17 | 135065-01-704 | EA VALVE/BURNER-FRT-HI | 74004644 |
| 18 | 135656-01-701 | EA MIXER/AIR | 3411F003-34 |
| 19 | 135065-01-701 | EA IGNITOR/PORCELAIN-TOP BURNER | 74004053 |
| 20 | 128728-01-716 | EA IGNITOR - F/BURNERS | 74003946 |
| 20 | 128728-01-717 | EA WIRES - IGNITOR | 74003947 |
| 21 | 128728-01-707 | EA KNOB - IGNITOR | 74003944 |
| 22 | 135065-03-700 | EA FITTING - HALF UNION | 74004234 |

CONTACT WINNEBAGO PART SALES FOR UNLISTED COMPONENT(S)

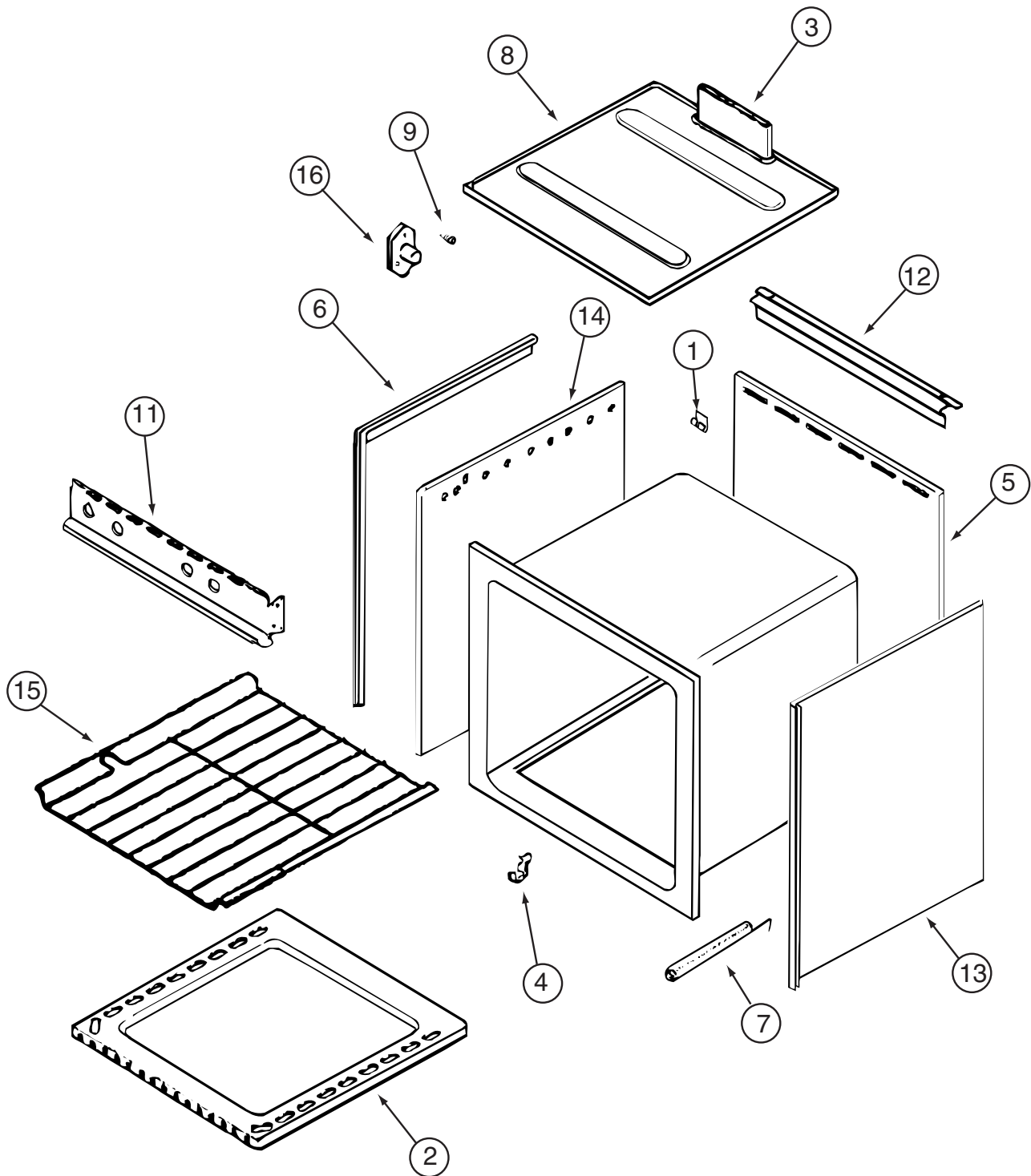


150778-01-01A, 151277-03-01A, 151279-02-01A, 151279-03-01A (CONTINUED)

| KEY | PART NUMBER | U/M DESCRIPTION | VENDOR NO. |
|-----|---------------|----------------------------|-------------|
| 1 | 126023-01-712 | EA PANEL - DOOR (BLACK) | 74001190 |
| 2 | 128727-01-701 | EA HANDLE - OVEN DOOR | 74003929 |
| 5 | 151277-01-704 | EA HINGE KIT-OVEN DR/LT | 12400028 |
| 5 | 151277-01-705 | EA HINGE KIT-OVEN DR/RT | 12400029 |
| 8 | 126023-01-732 | EA SEAL/OVEN DR TOP | 7212P014-60 |
| 9 | 135066-03-714 | EA SEAL - OVEN DOOR SIDES | 7212P039-60 |
| 13 | 102020-01-725 | EA GLASS OUTER | 7902P266-60 |
| 14 | 126023-01-738 | EA CLIP - GLASS OVEN/BLACK | 7112P093-60 |

CONTACT WINNEBAGO PART SALES FOR UNLISTED COMPONENT(S)

CABINET & APPLIANCE GROUP (CONTINUED)
COMPONENT PARTS FOR CABINET & APPLIANCE LAYOUT (CONTINUED)



135066-03-01A/04A, 150778-01-01A, 151277-03-01A, 151279-02-01A/02A, 151279-03-01A (CONTINUED)

| KEY | PART NUMBER | U/M | DESCRIPTION | VENDOR NO. |
|-----|---------------|-----|------------------------------|-------------|
| 1 | 112881-03-702 | EA | CLIP - MAIN TOP | 74003998 |
| 2 | 126023-01-731 | EA | BOTTOM - OVEN | 2205F016-19 |
| 3 | 126023-01-718 | EA | FLUE BOX ASSEMBLY | 4006W075-80 |
| 6 | 126023-01-713 | EA | TRIM - SIDE (RIGHT) | 74002827 |
| 6 | 126023-01-714 | EA | TRIM - SIDE (LEFT) | 74002828 |
| 7 | 135066-03-708 | EA | SPRING - OVEN DOOR | 7803P053-60 |
| 9 | 128728-01-703 | EA | PIN/T-NUT F/HINGE | 7103P109-60 |
| 11 | 135066-03-701 | EA | PANEL - MANIFOLD - BLACK | 74007306 |
| 12 | 112881-01-721 | EA | DEFLECTOR/FLUE-BLK-SEALED BR | 74002829 |
| 15 | 126023-01-716 | EA | RACK - OVEN | 74003106 |

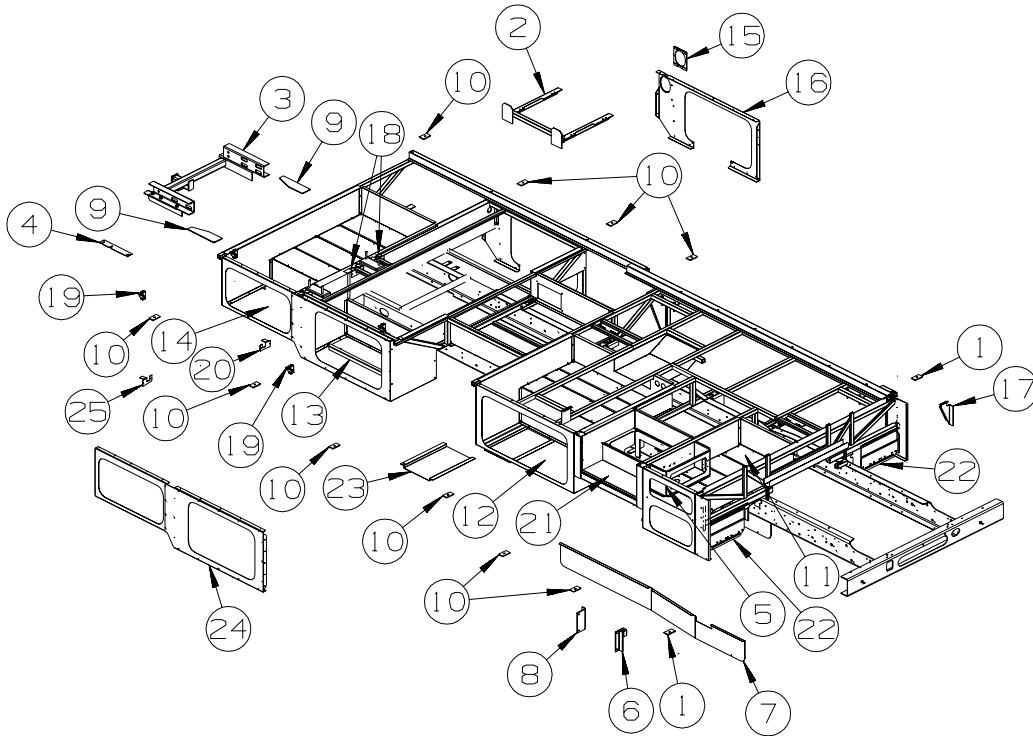
CONTACT WINNEBAGO PART SALES FOR UNLISTED COMPONENT(S)

CABINET & APPLIANCE GROUP (CONTINUED)
COMPONENT PARTS FOR CABINET & APPLIANCE LAYOUT (CONTINUED)

158686-01-01A

| KEY | PART NUMBER | U/M | DESCRIPTION | VENDOR NO. |
|------------|--------------------|------------|--------------------|-------------------|
| | 158686-01-700 | EA | PLATE-GLASS | SR11092PLATE |
| | 158686-01-701 | EA | TRIM KIT - 2 PC. | ODY-2-92KIT |

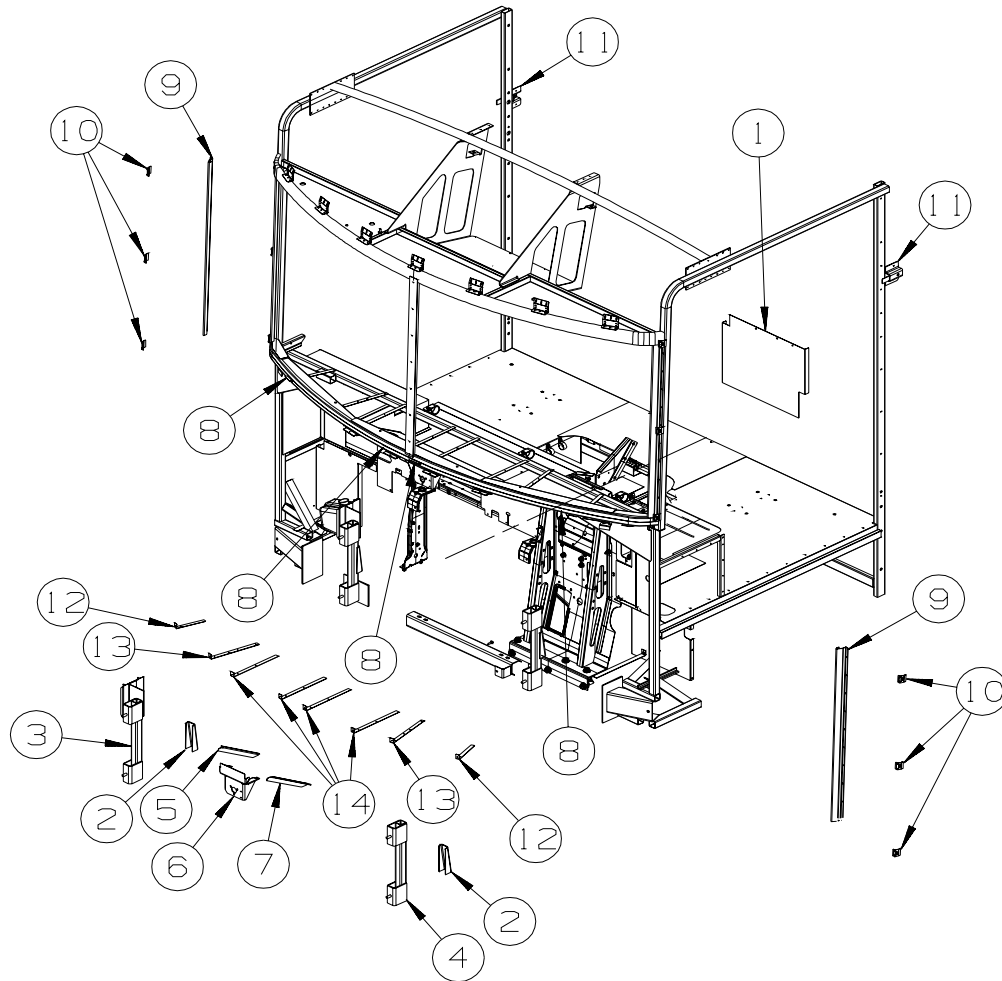
CHASSIS GROUP FRAME



| KEY | PART NUMBER | U/M | DESCRIPTION |
|-----|---------------|-----|---|
| 1 | 135712-02-02B | EA | PLATE - BODY MOUNT - E-COATED |
| 2 | 152901-01-02B | EA | OUTRIGGER - GENERATOR - E-COATED |
| 3 | 154052-15-01A | EA | CLIP/REAR EXTENSION RAIL - W/HITCH - W/O TIRE CARRIER |
| 4 | 136538-01-02B | EA | SHIM - HITCH - E-COATED |
| 5 | 113452-01-000 | FT | SEAL/TRIM - FRONT - VINYL W/WIRE CARRIER - .020" |
| 6 | 139189-01-02B | EA | BRACKET - LP SUPPORT - E-COATED |
| 7 | 134325-02-02B | EA | SHIELD - HEAT/EXHAUST - E-COATED |
| 8 | 139188-02-02B | EA | BRACKET - LP SUPPORT |
| 9 | 133095-01-02B | EA | PLATE - CLIP - E-COATED |
| 10 | 135712-01-02B | EA | PLATE - BODY MOUNT - E-COATED |
| 11 | 137815-07-02B | EA | COMPARTMENT - RIGHT/FRONT - E-COATED |
| 12 | 137814-07-02B | EA | COMPARTMENT - RIGHT - E-COATED |
| 13 | 138044-06-02B | EA | COMPARTMENT - DRAINAGE - E-COATED |
| 14 | 153020-14-02B | EA | COMPARTMENT - REAR - E-COATED |
| 15 | 154223-01-02B | EA | SPACER/PLATE - FUEL FILL - E-COATED |
| 16 | 142221-10-02B | EA | PLATE/SEAL - E-COATED |
| 17 | 123440-14-02B | EA | SUPPORT - PANEL - 9.9"/7.6" X 4.8" - E-COATED |
| 18 | 145642-01-02B | EA | COVER-COMPARTMENT |
| 19 | 136780-03-02B | EA | ADJUSTER - SLIDE - E-COATED |
| 20 | 145642-03-02B | EA | COVER-COMPARTMENT |
| 21 | 132607-17-02B | EA | BOX/ENTRANCE STEP - E-COATED |
| | | | FROM: 00-00-00 THRU: 11-26-06 |
| 21 | 162351-02-02B | EA | BOX - ENTRY STEP - E-COATED |
| | | | FROM: 11-27-06 THRU: 99-99-99 |
| 22 | 136391-01-02B | EA | GUARD/ROCK - STEEL - W/ANGLE - 18"W X 11"H - E-COATED |
| 23 | 140963-02-02B | EA | SHIELD - EXHAUST - E-COATED |
| 24 | 142221-09-02B | EA | PLATE/SEAL - E-COATED |
| 25 | 145642-02-02B | EA | COVER-COMPARTMENT |
| | 113452-01-000 | FT | SEAL/TRIM - FRONT - VINYL W/WIRE CARRIER - .020" |

CHASSIS GROUP (CONTINUED)

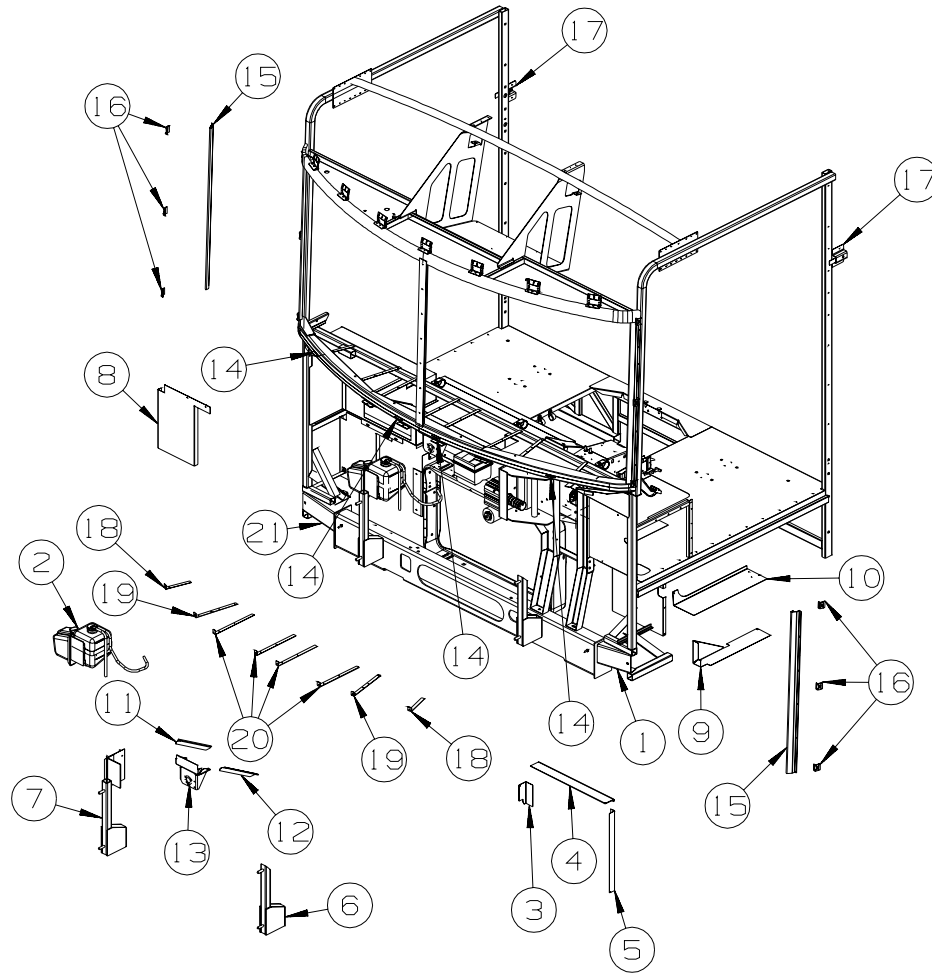
FRONT END



FORD

| KEY | PART NUMBER | U/M | DESCRIPTION |
|-----|---------------|-----|---|
| 1 | 157869-01-02B | EA | FRONT END - CHASSIS - E-COATED |
| 2 | 117622-01-02B | EA | BRACE - TUBE/BUMPER - VERTICAL - E-COATED |
| 3 | 152916-02-02B | EA | SUPPORT - FRONT - E-COATED |
| 4 | 152916-01-02B | EA | SUPPORT - FRONT - E-COATED |
| 5 | 134371-02-01B | EA | ANGLE/MOUNT - WIPER MOTOR |
| 6 | 134506-01-01B | EA | BRACKET - WIPER MOTOR |
| 6 | 134506-05-01B | EA | BRACKET - WIPER MOTOR |
| | | | FROM: 00-00-00 THRU: 02-22-07 |
| | | | FROM: 02-23-07 THRU: 99-99-99 |
| 7 | 134371-01-01B | EA | ANGLE/MOUNT - WIPER MOTOR |
| 8 | 126289-65-01B | EA | ANGLE - FORMED |
| 9 | 137584-01-01B | EA | FRAME/PILLAR - WINDSHIELD |
| 10 | 148935-01-01B | EA | BRACKET - WINDSHIELD - MILL |
| 11 | 140387-02-01B | EA | MOUNT - SEATBELT/WALL - E-COATED |
| 12 | 137047-06-01B | EA | STRAP - DEFROSTER PLENUM |
| 13 | 137047-05-01B | EA | STRAP - DEFROSTER PLENUM |
| 14 | 137047-04-01B | EA | STRAP - DEFROSTER PLENUM |
| 15 | 144679-02-02B | EA | SHIELD/SPLASH - HEADLIGHT - E-COATED |

CHASSIS GROUP (CONTINUED) FRONT END (CONTINUED)

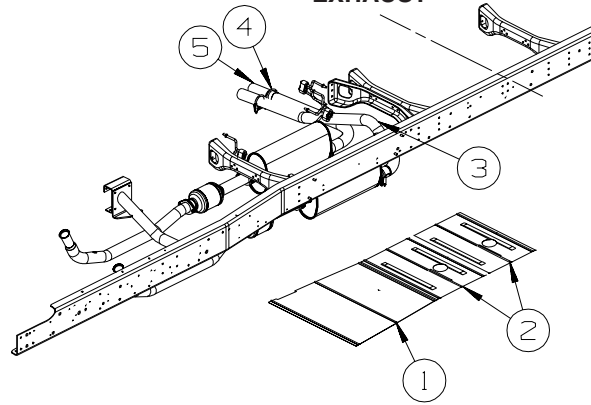


WORKHORSE

| KEY | PART NUMBER | U/M | DESCRIPTION |
|-----|---------------|-----|--|
| 1 | 137048-02-02B | EA | CHANNEL/SUPPORT - FRONT END - E-COATED |
| 2 | 117766-02-000 | EA | RESERVOIR/PUMP - WINDSHIELD WASHER |
| | | | FROM: 00-00-00 THRU: 08-31-06 |
| 3 | 139131-01-02B | EA | ANGLE - W/NOTCH - E-COATED |
| 4 | 137037-01-02B | EA | ANGLE/FILLER - E-COATED |
| 5 | 137037-02-02B | EA | ANGLE/FILLER - E-COATED |
| 6 | 134807-12-02B | EA | SUPPORT - FRONT - E-COATED |
| 7 | 134807-11-02B | EA | SUPPORT - FRONT - E-COATED |
| 8 | 121962-02-02B | EA | SHIELD/SPLASH - HEADLIGHT - E-COATED |
| 9 | 137045-01-02B | EA | PANEL - FILLER - BULKHEAD - E-COATED |
| 10 | 137041-01-02B | EA | ANGLE/FILLER - MOTOR COVER - E-COATED |
| 11 | 134371-02-01B | EA | ANGLE/MOUNT - WIPER MOTOR |
| 12 | 134371-01-01B | EA | ANGLE/MOUNT - WIPER MOTOR |
| 13 | 134506-01-01B | EA | BRACKET - WIPER MOTOR |
| | | | FROM: 00-00-00 THRU: 02-22-07 |
| 13 | 134506-05-01B | EA | BRACKET - WIPER MOTOR |
| | | | FROM: 02-23-07 THRU: 99-99-99 |
| 14 | 126289-65-01B | EA | ANGLE - FORMED |
| 15 | 137584-01-01B | EA | FRAME/PILLAR - WINDSHIELD |
| 16 | 148935-01-01B | EA | BRACKET - WINDSHIELD - MILL |
| 17 | 140387-02-01B | EA | MOUNT - SEATBELT/WALL - E-COATED |
| 18 | 137047-06-01B | EA | STRAP - DEFROSTER PLENUM |
| 19 | 137047-05-01B | EA | STRAP - DEFROSTER PLENUM |
| 20 | 137047-04-01B | EA | STRAP - DEFROSTER PLENUM |
| 21 | 137048-01-02B | EA | CHANNEL/SUPPORT - FRONT END - E-COATED |

CHASSIS GROUP (CONTINUED)

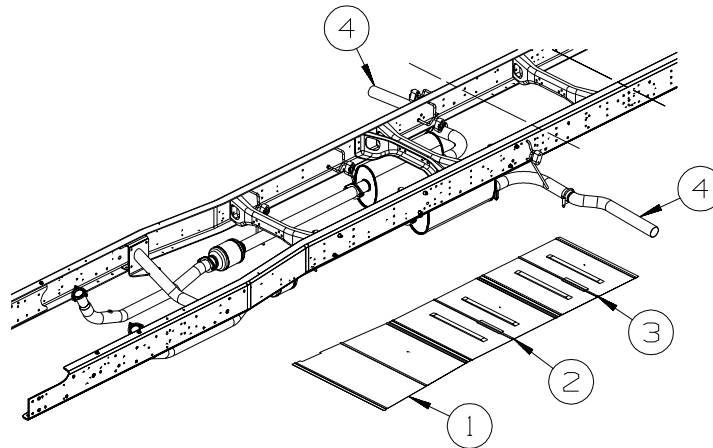
EXHAUST



**WORKHORSE
D26P**

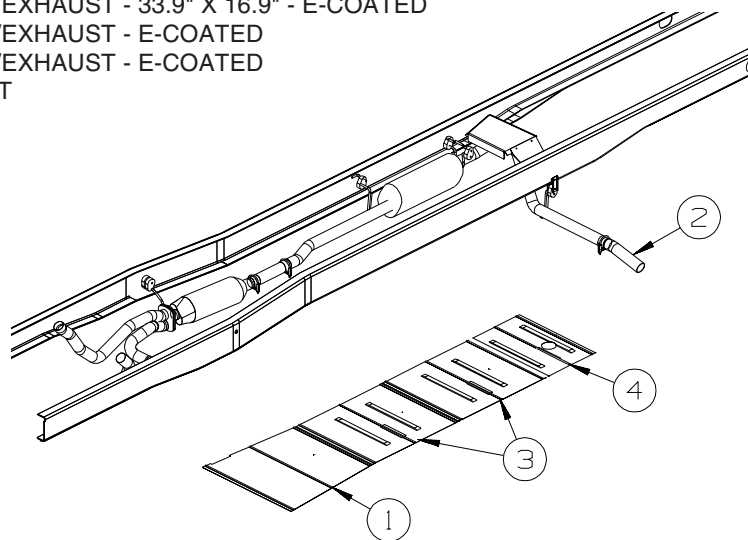
158.5" WHEELBASE

| KEY | PART NUMBER | U/M | DESCRIPTION |
|-----|---------------|-----|---|
| 1 | 128756-01-02B | EA | SHIELD - HEAT/EXHAUST - 33.9" X 16.9" - E-COATED |
| 2 | 143712-01-02B | EA | SHIELD - HEAT/EXHAUST - E-COATED |
| 3 | 141412-01-000 | EA | PIPE - EXHAUST |
| 4 | 098762-05-000 | EA | EXTENSION - EXHAUST - STRAIGHT - 3" O.D X 7.9" LONG - SST |
| 5 | 155919-01-02B | EA | HANGER - TAILPIPE - DOUBLE - E-COATED |



**WORKHORSE
D29R**

| KEY | PART NUMBER | U/M | DESCRIPTION |
|-----|---------------|-----|--|
| 1 | 128756-01-02B | EA | SHIELD - HEAT/EXHAUST - 33.9" X 16.9" - E-COATED |
| 2 | 143712-05-02B | EA | SHIELD - HEAT/EXHAUST - E-COATED |
| 3 | 143712-02-02B | EA | SHIELD - HEAT/EXHAUST - E-COATED |
| 4 | 129726-02-000 | EA | PIPE - EXHAUST |

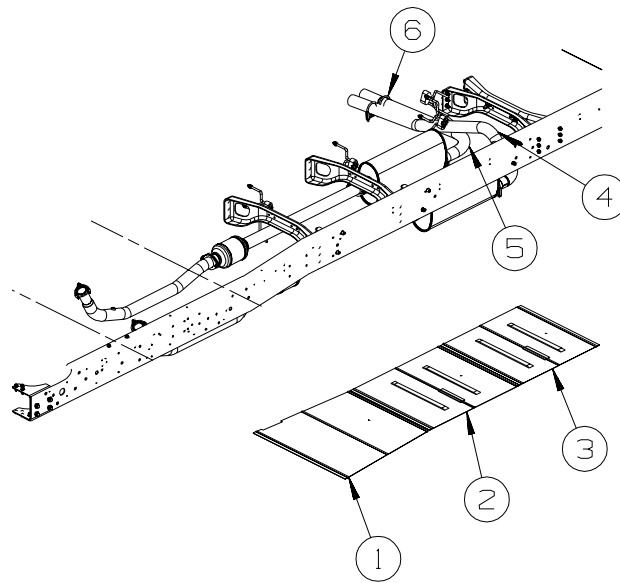


**FORD
D29R**

190" WHEELBASE

| KEY | PART NUMBER | U/M | DESCRIPTION |
|-----|---------------|-----|--|
| 1 | 128756-01-02B | EA | SHIELD - HEAT/EXHAUST - 33.9" X 16.9" - E-COATED |
| 2 | 142985-01-000 | EA | PIPE - EXHAUST |
| 3 | 143712-05-02B | EA | SHIELD/HEAT - EXHAUST - E-COATED |
| 4 | 143712-07-02B | EA | SHIELD/HEAT - EXHAUST - E-COATED |

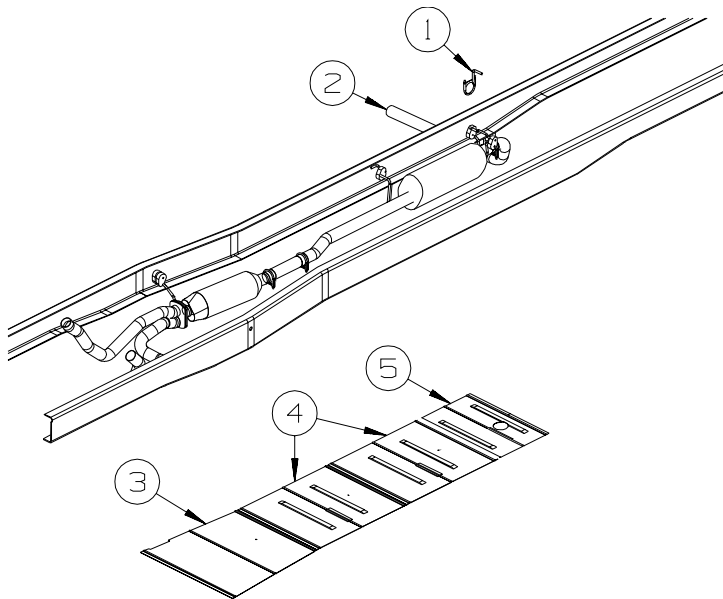
CHASSIS GROUP (CONTINUED)
EXHAUST (CONTINUED)



**WORKHORSE
D30B**

190" WHEELBASE

| KEY | PART NUMBER | U/M | DESCRIPTION |
|-----|---------------|-----|---|
| 1 | 128756-01-02B | EA | SHIELD - HEAT/EXHAUST - 33.9" X 16.9" - E-COATED |
| 2 | 143712-05-02B | EA | SHIELD - HEAT/EXHAUST - E-COATED |
| 3 | 143712-02-02B | EA | SHIELD - HEAT/EXHAUST - E-COATED |
| 4 | 141412-01-000 | EA | PIPE - EXHAUST |
| 5 | 098762-05-000 | EA | EXTENSION - EXHAUST - STRAIGHT - 3" O.D X 7.9" LONG - SST |
| 6 | 155919-01-02B | EA | HANGER - TAILPIPE - DOUBLE - E-COATED |

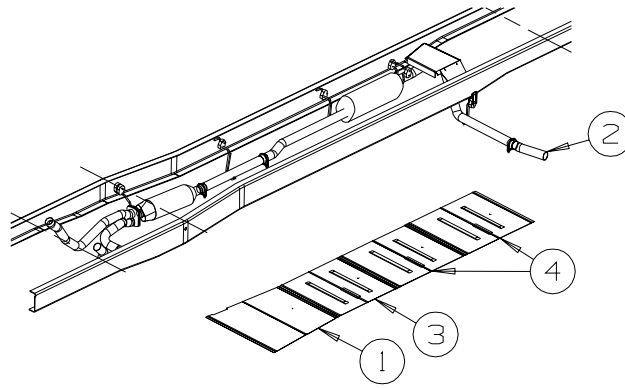


**FORD
D30B**

190" WHEELBASE

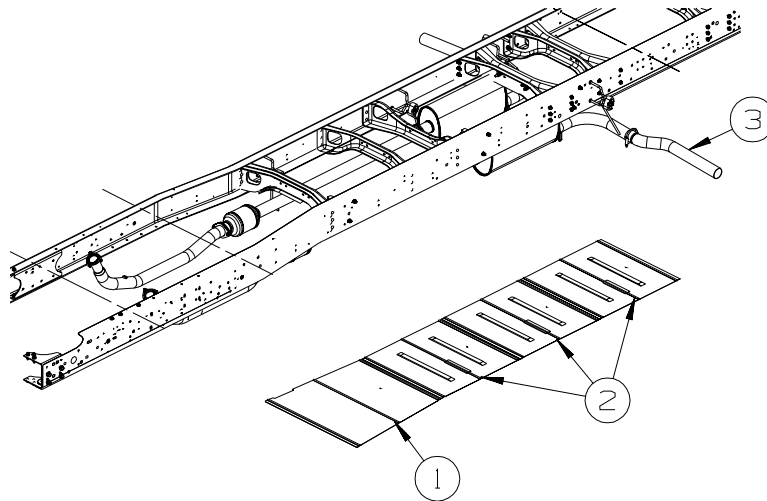
| KEY | PART NUMBER | U/M | DESCRIPTION |
|-----|---------------|-----|--|
| 1 | 122392-16-02B | EA | HANGER - TAILPIPE - E-COATED |
| | 094918-01-000 | EA | CLAMP - EXHAUST - 3" - GUILLOTINE STYLE |
| 2 | 122529-03-000 | EA | PIPE - EXHAUST |
| 3 | 128756-01-02B | EA | SHIELD - HEAT/EXHAUST - 33.9" X 16.9" - E-COATED |
| 4 | 143712-05-02B | EA | SHIELD/HEAT - EXHAUST - E-COATED |
| 5 | 143712-07-02B | EA | SHIELD/HEAT - EXHAUST - E-COATED |

CHASSIS GROUP (CONTINUED)
EXHAUST (CONTINUED)



**FORD
D33T**

| KEY | PART NUMBER | U/M | DESCRIPTION |
|-----|---------------|-----|--|
| 1 | 128756-01-02B | EA | SHIELD - HEAT/EXHAUST - 33.9" X 16.9" - E-COATED |
| 2 | 142985-01-000 | EA | PIPE - EXHAUST |
| 3 | 143712-02-02B | EA | SHIELD - HEAT/EXHAUST - E-COATED |
| 4 | 143712-05-02B | EA | SHIELD/HEAT - EXHAUST - E-COATED |

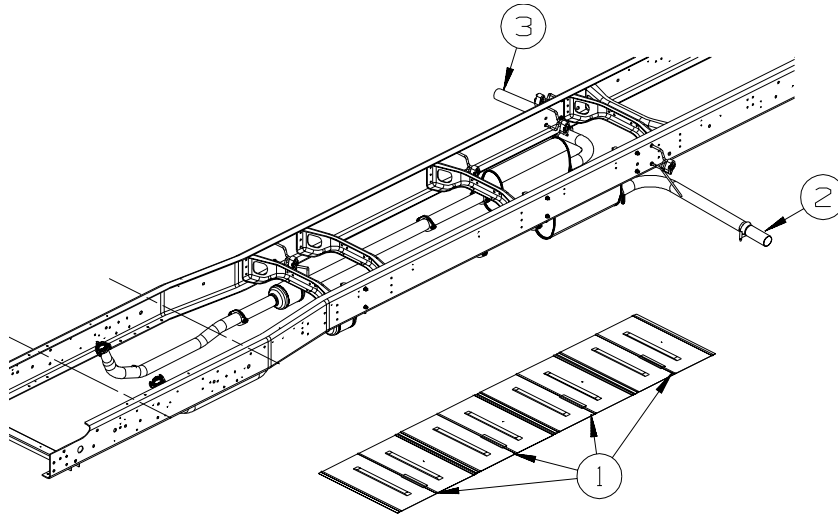


**WORKHORSE
D33T**

| KEY | PART NUMBER | U/M | DESCRIPTION |
|-----|---------------|-----|--|
| 1 | 128756-01-02B | EA | SHIELD - HEAT/EXHAUST - 33.9" X 16.9" - E-COATED |
| 2 | 143712-02-02B | EA | SHIELD - HEAT/EXHAUST - E-COATED |
| 3 | 129726-02-000 | EA | PIPE - EXHAUST |

208" WHEELBASE

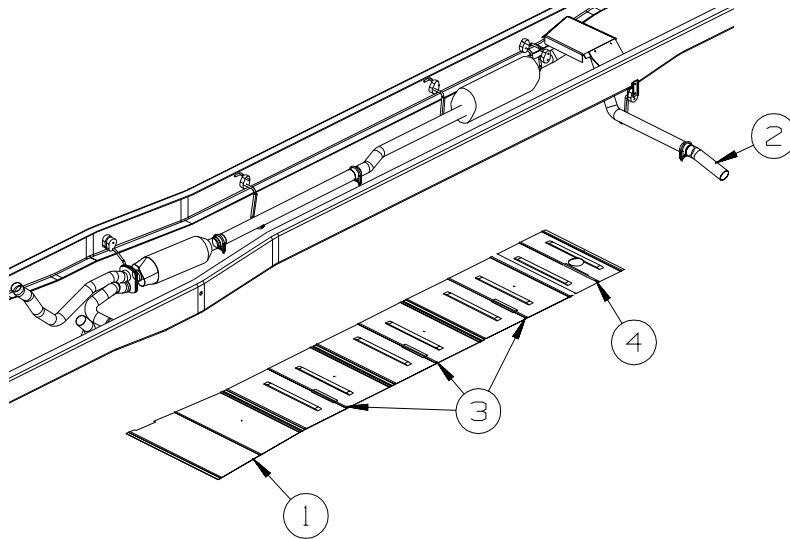
CHASSIS GROUP (CONTINUED)
EXHAUST (CONTINUED)



WORKHORSE
D34A - D35J

228" WHEELBASE

| KEY | PART NUMBER | U/M | DESCRIPTION |
|-----|---------------|-----|---|
| 1 | 143712-02-02B | EA | SHIELD - HEAT/EXHAUST - E-COATED |
| 2 | 098762-05-000 | EA | EXTENSION - EXHAUST - STRAIGHT - 3" O.D X 7.9" LONG - SST |
| | 094918-01-000 | EA | CLAMP - EXHAUST - 3" - GUILLOTINE STYLE |
| 3 | 129726-02-000 | EA | PIPE - EXHAUST |



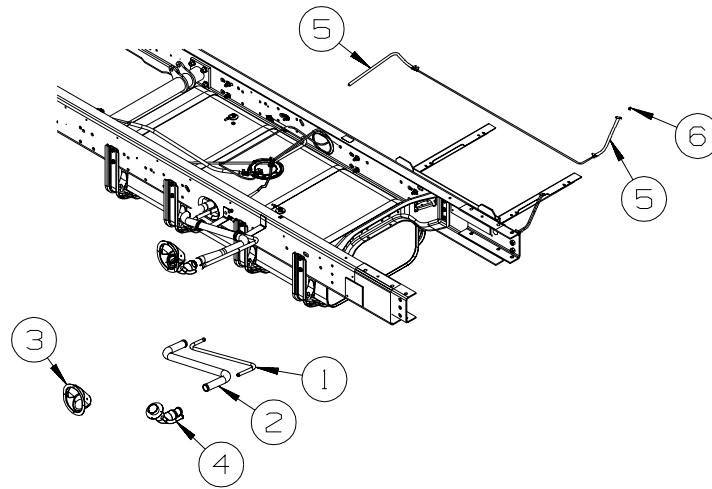
FORD
D34A - D35J

228" WHEELBASE

| KEY | PART NUMBER | U/M | DESCRIPTION |
|-----|---------------|-----|--|
| 1 | 128756-01-02B | EA | SHIELD - HEAT/EXHAUST - 33.9" X 16.9" - E-COATED |
| 2 | 142985-01-000 | EA | PIPE - EXHAUST |
| 3 | 143712-05-02B | EA | SHIELD/HEAT - EXHAUST - E-COATED |
| 4 | 143712-07-02B | EA | SHIELD/HEAT - EXHAUST - E-COATED |

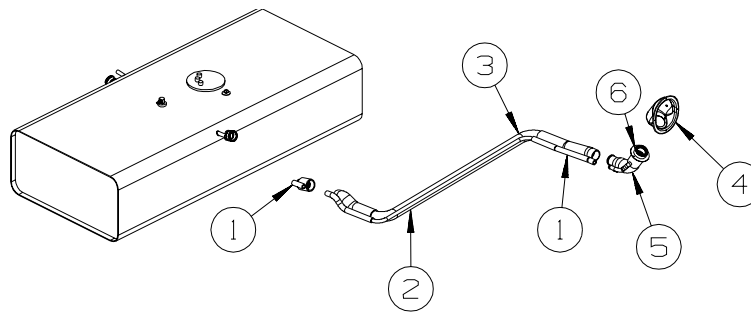
CHASSIS GROUP (CONTINUED)

FUEL



FORD

| KEY | PART NUMBER | U/M | DESCRIPTION |
|-----|---------------|-----|--|
| 1 | 129320-13-000 | EA | PIPE - VENT - FILL - D29R |
| 1 | 129320-06-000 | EA | PIPE - VENT - FILL - D30B, D33T, D34A, D35J |
| 2 | 129321-14-000 | EA | TUBE - FUEL INLET - D29R |
| 2 | 129321-06-000 | EA | TUBE - FUEL INLET - D30B, D33T, D34A, D35J |
| 3 | 128299-02-01A | EA | SHROUD - FUEL FILL |
| 4 | 138884-02-000 | EA | NECK - FUEL FILL - FORD |
| 5 | 128139-03-000 | FT | HOSE - FUEL - LOW PERMEABILITY - 1/4" DIAMETER |
| 6 | 084884-01-000 | EA | PLUG - BRASS - 3/8" |
| | 068382-06-000 | EA | BUSHING - 3/8"MPT X 1/8"FPT - BRASS |

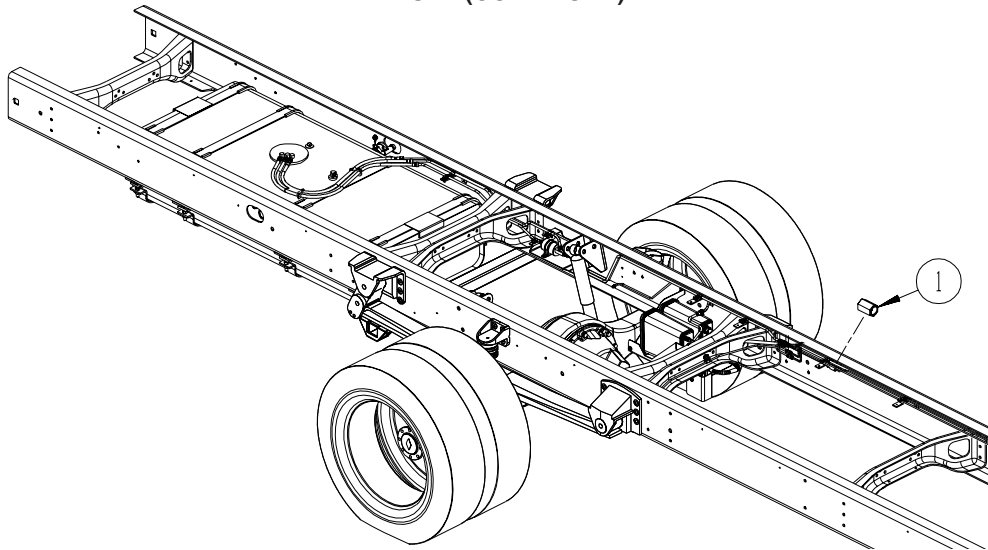


WORKHORSE

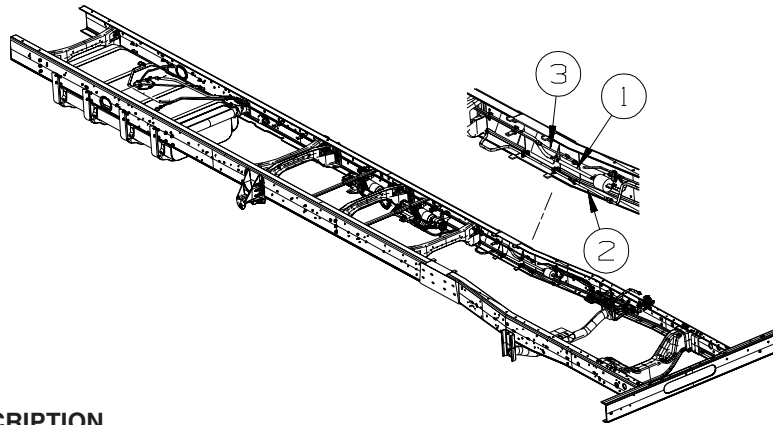
| KEY | PART NUMBER | U/M | DESCRIPTION |
|-----|---------------|-----|--|
| 1 | 128139-03-000 | FT | HOSE - FUEL - LOW PERMEABILITY - 1/4" DIAMETER |
| 2 | 128524-08-000 | EA | PIPE - VENT - FUEL FILL - D26P |
| 2 | 128524-04-000 | EA | PIPE - VENT - FUEL FILL - D29R |
| 2 | 128524-09-000 | EA | PIPE - VENT - FUEL FILL - D30B - D33T |
| 2 | 128524-06-000 | EA | PIPE - VENT - FUEL FILL - D34A, D35J |
| 3 | 124327-13-000 | EA | TUBE - FUEL INLET - D26P |
| 3 | 124327-08-000 | EA | TUBE - FUEL INLET - D29R |
| 3 | 124327-14-000 | EA | TUBE - FUEL INLET - D30B - D33T |
| 3 | 124327-11-000 | EA | TUBE - FUEL INLET - D34A, D35J |
| 4 | 128299-02-01A | EA | SHROUD - FUEL FILL |
| 5 | 127301-05-000 | EA | NECK - FUEL FILL - UNLEADED |
| 6 | 163743-01-000 | EA | CAP - FUEL FILL - 1/4 TURN - WORKHORSE |
| | 010499-01-000 | EA | CLAMP - CLOSED - 3/8"ID - D33T - D34A, D35J |
| | 068382-06-000 | EA | BUSHING - 3/8"MPT X 1/8"FPT - BRASS |

CHASSIS GROUP (CONTINUED)
FUEL (CONTINUED)

WORKHORSE



| KEY | PART NUMBER | U/M DESCRIPTION |
|-----|---------------|--|
| 1 | 098779-02-000 | EA COUPLER - FUEL LINE - 1.2" LONG X 16MM THREAD - STRETCHED CHASSIS ONLY |

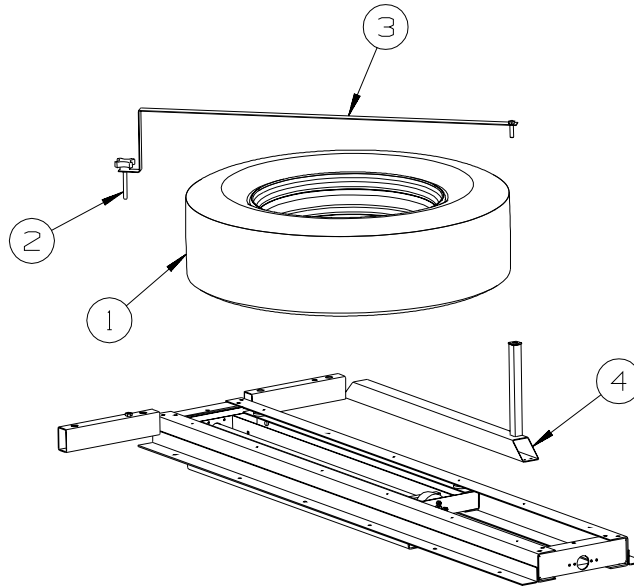


FORD

| KEY | PART NUMBER | U/M DESCRIPTION |
|-----|---------------|--|
| 1 | 129494-02-000 | EA FUEL LINE - 5/16" X 34.9" - FORD CHASSIS |
| 2 | 155359-01-000 | EA EXTENSION - TUBE/VAPOR 1/2" - EMISSION CANISTER |
| 3 | 155360-01-000 | EA EXTENSION - TUBE/VAPOR 5/16" - FUEL TANK VENT |

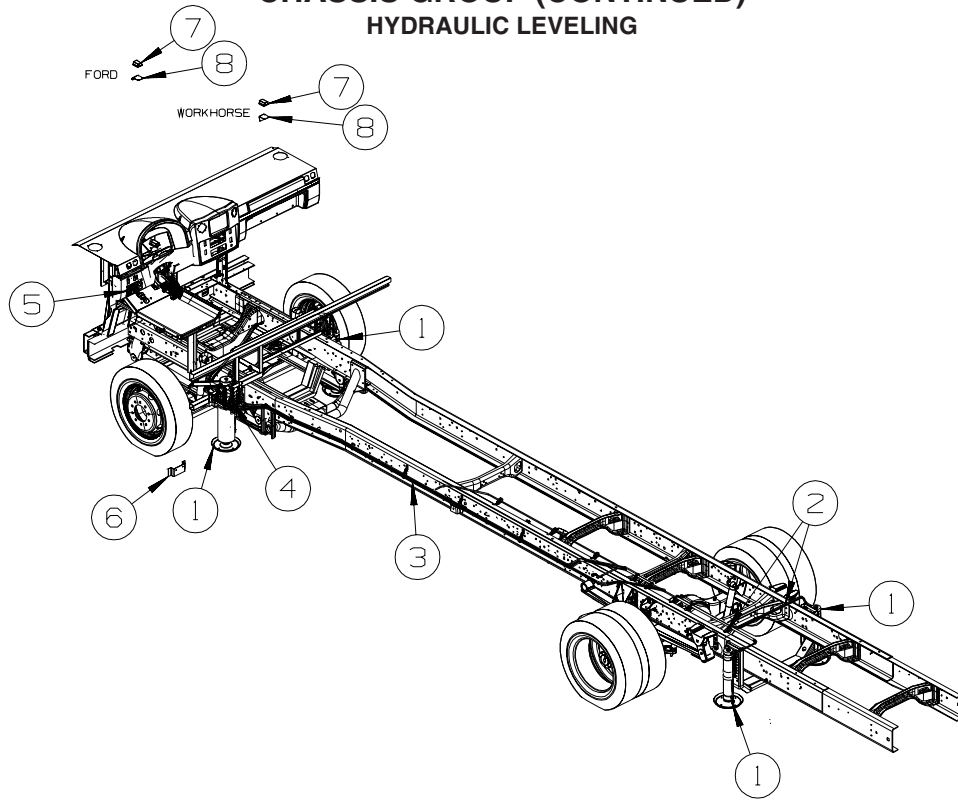
CHASSIS GROUP (CONTINUED)

SPARE TIRE



| KEY | PART NUMBER | U/M | DESCRIPTION |
|-----|---------------|-----|---|
| 1 | 102340-08-000 | EA | TIRE - 245/70R X 19.5F - GOODYEAR - FORD |
| 1 | 091673-07-000 | EA | TIRE - 225/70R19.5 LRF - MICHELIN XRV - W16/W18 16000/18000 GVWR WORKHORSE |
| 1 | 102340-07-000 | EA | TIRE - 245/70R X 19.5F - MICHELIN XRV - W20 20700 GVWR WORKHORSE |
| 1 | 102340-09-000 | EA | TIRE - 245/70R X 19.5G - GOODYEAR - W21 21200 GVWR WORKHORSE |
| 1 | | | WHEEL - FORD IS CHASSIS SUPPLIED |
| 1 | 156482-01-000 | EA | WHEEL - STEEL - 19.5" X 6" - 10 BOLT - W16/W18 16000/18000 GVWR WORKHORSE |
| 1 | 118814-05-000 | EA | WHEEL - STEEL - 19.5" X 6.75" - W/STEM - GRAY - W20/W21 20700/21200 GVWR GVWR WORKHORSE |
| 2 | 134194-01-01A | EA | KNOB - HOLD DOWN/RECLINER - BLACK |
| 3 | 148969-02-02B | EA | STRAP - SPARE TIRE - E-COATED |
| 4 | 148982-01-02B | EA | BRACKET - SPARE TIRE - E-COATED |
| | 051377-07-000 | EA | VALVE STEM - 1.5" - W16/W18 16000/18000 GVWR WORKHORSE |
| | 051377-01-000 | EA | VALVE STEM - W20 20700 GVWR WORKHORSE |
| | 051377-06-000 | EA | VALVE STEM - .5" X 2 1/3" W/22 DEGREE BEND - W21 21200 GVWR WORKHORSE |

CHASSIS GROUP (CONTINUED) HYDRAULIC LEVELING



| KEY | PART NUMBER | U/M | DESCRIPTION |
|-----|---------------|-----|---|
| 1* | 139641-09-000 | EA | LEVELING SYSTEM-W/O PUMP-W/HARNESS/RMT SWITCH CAPABLE - FORD |
| 1* | 139641-10-000 | EA | LEVELING SYSTEM-W/O PUMP-W/HARNESS/RMT SWITCH CAPABLE - WORKHORSE |
| 2 | 126624-01-02B | EA | ANGLE - WIRE SUPPORT - E-COAT |
| 3 | 139644-03-000 | EA | HOSE KIT - LEVELING JACKS |
| 4* | 156056-02-000 | EA | PUMP - F/AUTOMATIC LEVELING SYSTEM |
| 5 | 139643-08-000 | EA | CONTROL-LEVEL - AUTO SYST-W/SENSOR HARNESS/RMT SW CAPABLE |
| 6 | 154816-01-02B | EA | BRACKET - PUMP/LEVELING - E-COATED |
| 7 | 156057-01-000 | EA | SENSOR - F/AUTOMATIC LEVELING SYSTEM |
| 8 | 153870-01-02B | EA | BRACKET - SENSOR/LEVEL - E-COATED |
| 8 | 153870-02-02B | EA | BRACKET - SENSOR/LEVEL - E-COATED - FORD |

*COMPONENT PARTS LISTED LATER IN THIS GROUP

CHASSIS GROUP (CONTINUED)
COMPONENT PARTS FOR HYDRAULIC LEVELING

139641-09-000

| KEY | PART NUMBER | U/M | DESCRIPTION | VENDOR NO. |
|------------|--------------------|------------|-------------------------------|-------------------|
| | 139641-01-701 | EA | HARNESSE -AIR PUMP/WARN LIGHT | 1809891 |
| | 139641-01-704 | EA | SWITCH/SENSOR-JACK (UP/DOWN) | 1812992 |
| | 139641-01-705 | EA | FITTING HYD (1/4"X90 DEGREE) | 1904500 |
| | 139641-01-706 | EA | FITTING HYD (1/4" STRAIGHT) | 1904510 |
| | 139641-01-709 | EA | JACK - REAR 15"/10K | 3700701 |
| | 139641-01-710 | EA | CYLINDER ONLY - 15"/10K | 1905200 |
| | 139641-01-715 | EA | BOLT KIT(CROSS MBR/JK/PUMP) | 3717794 |
| | 139641-01-720 | EA | JACK - FRONT 15"/10K | 3700702 |
| | 139641-01-723 | EA | FOOT PAD - JACK | 3700367 |
| | 139641-01-724 | EA | BOLT/FOOT - 3/4-10 X 1 1/2" | 1204645 |
| | 139641-01-725 | EA | HARNESSE - EMERGENCY RETRACT | 1809908 |
| | 139641-02-700 | EA | HARNESSE F/READ SWITCH (FORD) | 1809911 |
| | 139641-02-701 | EA | BRACKET MTG (F53/W22 REAR) | 3717742 |
| | 139641-02-703 | EA | CROSS MEMBER/REAR (F53/W22) | 3717795 |
| | 139641-09-700 | EA | BRACKET/MOUNTING (F53 FRONT) | 3717809 |
| | 139641-09-701 | EA | BRACKET/FRONT X-MEMBER | 3717808 |

139641-10-000

| KEY | PART NUMBER | U/M | DESCRIPTION | VENDOR NO. |
|------------|--------------------|------------|-------------------------------|-------------------|
| | 139641-01-701 | EA | HARNESSE -AIR PUMP/WARN LIGHT | 1809891 |
| | 139641-01-704 | EA | SWITCH/SENSOR-JACK (UP/DOWN) | 1812992 |
| | 139641-01-705 | EA | FITTING HYD (1/4"X90 DEGREE) | 1904500 |
| | 139641-01-706 | EA | FITTING HYD (1/4" STRAIGHT) | 1904510 |
| | 139641-01-709 | EA | JACK - REAR 15"/10K | 3700701 |
| | 139641-01-710 | EA | CYLINDER ONLY - 15"/10K | 1905200 |
| | 139641-01-711 | EA | BRACKET MTG (WORKHORSE REAR) | 3717740 |
| | 139641-01-715 | EA | BOLT KIT(CROSS MBR/JK/PUMP) | 3717794 |
| | 139641-01-720 | EA | JACK - FRONT 15"/10K | 3700702 |
| | 139641-01-723 | EA | FOOT PAD - JACK | 3700367 |
| | 139641-01-724 | EA | BOLT/FOOT - 3/4-10 X 1 1/2" | 1204645 |
| | 139641-01-725 | EA | HARNESSE - EMERGENCY RETRACT | 1809908 |
| | 139641-02-700 | EA | HARNESSE F/READ SWITCH (FORD) | 1809911 |
| | 139641-02-701 | EA | BRACKET MTG (F53/W22 REAR) | 3717742 |
| | 139641-02-703 | EA | CROSS MEMBER/REAR (F53/W22) | 3717795 |
| | 139641-03-700 | EA | CROSSMEMBER/FRONT (W22) | 3717804 |

156056-02-000

| KEY | PART NUMBER | U/M | DESCRIPTION | VENDOR NO. |
|------------|--------------------|------------|----------------------------|-------------------|
| | 156056-02-700 | EA | PRESSURE SWITCH - 1500 PSI | 1812993 |

CHASSIS GROUP (CONTINUED)

WHEEL, TIRE, COVERS &/OR LINERS

| KEY | PART NUMBER | U/M | DESCRIPTION |
|-----|---------------|-----|---|
| * | 154672-01-000 | EA | LINER - WHEEL - SET/4 - 19.5 - 10 BOLT - FORD |
| * | 145580-06-000 | EA | LINER - WHEEL (SET OF 4) - 19.5"/10 BOLT - 16,000 & 18,000 GVWR WORKHORSE |
| * | 145580-03-000 | EA | LINER - WHEEL (SET OF 4) - 19.5" - 8 BOLT/4 HAND HOLE - 20,700 GVWR WORKHORSE |
| | 077030-10-000 | EA | EXTENSION - VALVE STEM - .50" - METAL |
| | 095012-10-000 | EA | EXTENSION/VALVE STEM - LIVE - 8.5" |
| | 095012-07-000 | EA | STABILIZER/VALVE EXTENSION - LIVE - 4" |

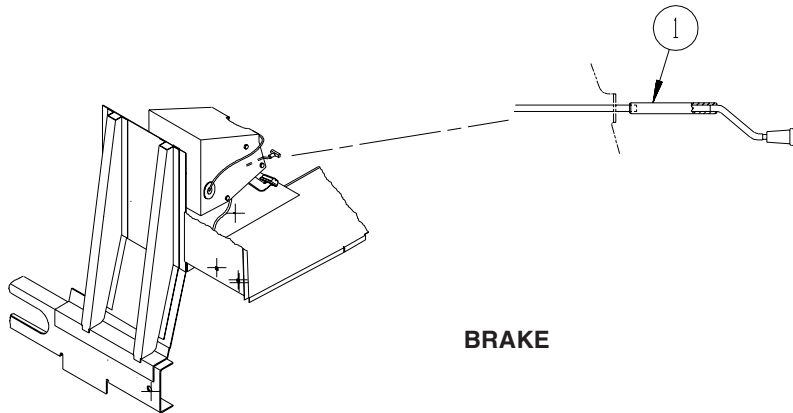
*COMPONENT PARTS LISTED LATER IN THIS GROUP

COMPONENT PARTS FOR WHEEL, TIRE, COVERS &/OR LINERS

| 145580-03-000 | | | | |
|---------------|---------------|-----|-----------------------------|---------------------|
| KEY | PART NUMBER | U/M | DESCRIPTION | VENDOR NO. |
| | 110435-04-705 | EA | DECAL-CTR HUB 2 3/4" | 2 3/4 DECAL DIAMOND |
| | 110435-05-700 | EA | CAP-CENTER 4.50"D W/O DECAL | V22510-POC |
| | 110435-12-700 | EA | LINER - WHEEL - FRONT | V19580-FWC |
| | 110435-12-701 | EA | LINER - WHEEL - REAR | V19580-RWC |
| | 145580-01-702 | EA | COVER-LUG NUT/JAM NUT 22M | V19582-EJN |
| | 145580-01-703 | EA | TOOL-INSTALLATION | V22501-TOL |

| 145580-06-000 | | | | |
|---------------|---------------|-----|-------------------------------------|---------------------|
| KEY | PART NUMBER | U/M | DESCRIPTION | VENDOR NO. |
| | 110435-04-705 | EA | DECAL-CTR HUB 2 3/4" | 2 3/4 DECAL DIAMOND |
| | 110435-10-702 | EA | JAMB NUT/JAMB NUT COVER COMBINATION | |
| | 110435-10-705 | EA | TOOL/JAMB NUT INSTALLATION | V195P7-TOL |
| | 145580-06-700 | EA | LINER - WHEEL/FRONT - 1EA=1 | V195W18-FWC |
| | 145580-06-701 | EA | LINER - WHEEL/REAR - 1EA=1 | V195W18-RWC |

| 154672-01-000 | | | | |
|---------------|---------------|-----|-----------------------|------------|
| KEY | PART NUMBER | U/M | DESCRIPTION | VENDOR NO. |
| | 154672-01-700 | EA | LINER - WHEEL - FRONT | V195F6-FWC |
| | 154672-01-701 | EA | LINER - WHEEL - REAR | V195F6-RWC |



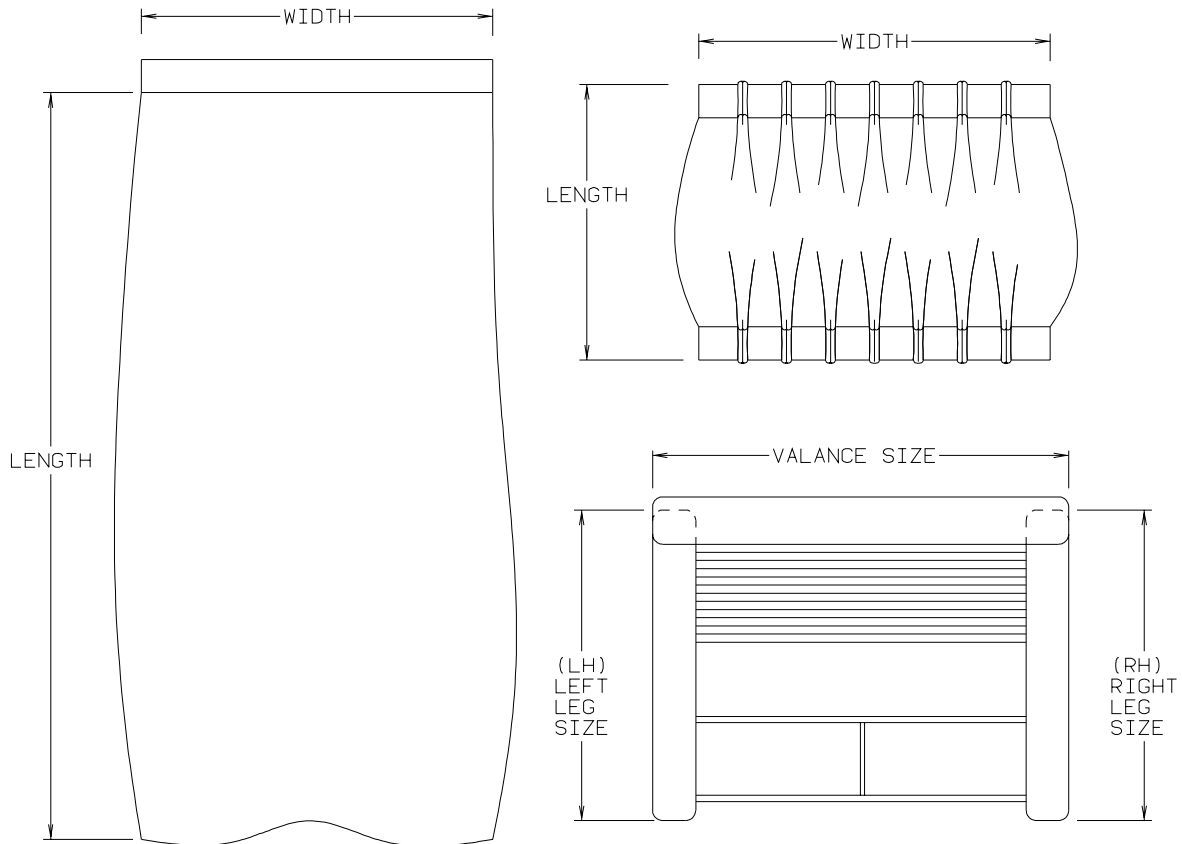
| KEY | PART NUMBER | U/M | DESCRIPTION |
|-----|---------------|-----|--------------------------|
| 1 | 113007-01-000 | EA | PIN - SPRING - .375 X 3" |

CURTAIN & CUSHION GROUP

NOTICE

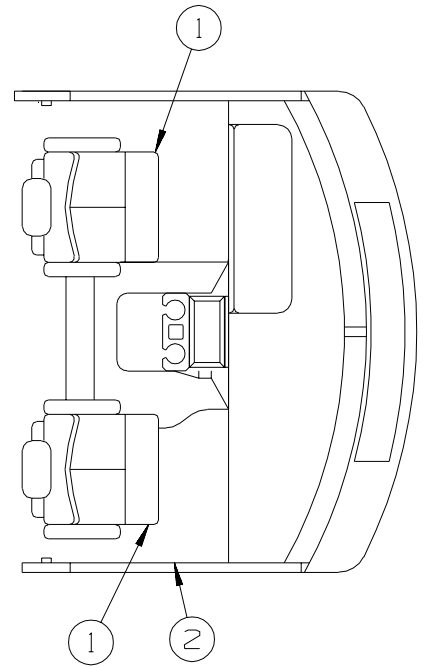
IN ORDER TO ASSIST OUR PARTS SALES DEPT. IN PROVIDING INTERIOR SOFTWARE ITEMS, PLEASE INCLUDE THE SERIAL NUMBER AND THE COLOR CODE NUMBER FROM THE VEHICLE CERTIFICATION LABEL WHEN ORDERING. THIS LABEL IS LOCATED ON THE LEFT SIDEWALL AT THE END OF THE DASH (A-BODY), OR ON THE DRIVER'S DOOR LATCH PLATE (C-BODY).

AN EXAMPLE OF A COLOR CODE NUMBER IS B07, WHICH DESIGNATES AN OVERALL COLOR SCHEME OF A PARTICULAR UNIT. THE COLOR LISTED AFTER THE ITEM DESCRIPTION ON THE MICROFICHE, INDICATES THE OVERALL UNIT COLOR. ORDER THE ITEM YOU DESIRE ACCORDING TO UNIT COLOR CODE. IF ALL COLORS USE THE SAME ITEM NO COLOR CODE WILL BE NOTED.

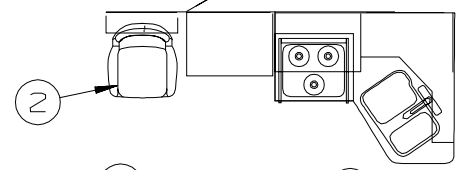


NOTE: USE THIS ILLUSTRATION WHEN DETERMINING LENGTH AND WIDTH MEASUREMENTS FOR CURTAINS. YOU WILL NOTE THE WIDTH MEASUREMENT IS TAKEN ON THE TOP OF THE CURTAIN WITH THE CURTAIN FULLY EXTENDED. THE LENGTH MEASUREMENT IS TAKEN FROM TOP TO BOTTOM. LEFT AND RIGHT WINDOW LEGS ARE DETERMINED WHEN FACING THE WINDOW.

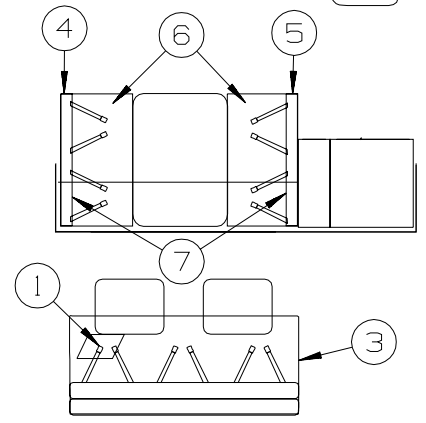
CURTAIN & CUSHION GROUP (CONTINUED)
CUSHION LAYOUT



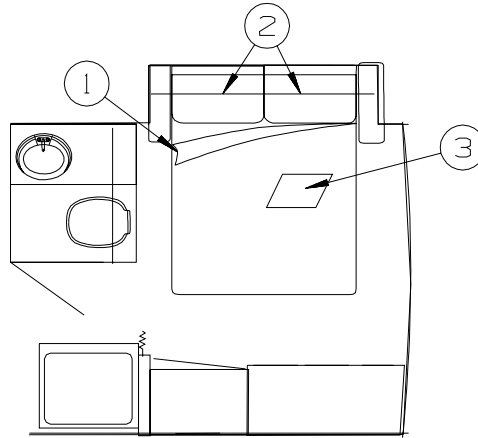
| KEY | PART NUMBER | U/M | DESCRIPTION |
|-----|---------------|-----|--|
| 1 | 135473-32-U51 | EA | BUCKET SEAT - DRIVER/PASSENGER (U51, U52) |
| 1 | 135473-31-U53 | EA | BUCKET SEAT - DRIVER/PASSENGER (U53, U54) |
| 1 | 135473-32-U55 | EA | BUCKET SEAT - DRIVER/PASSENGER (U55, U56) |
| 1 | 135473-33-U57 | EA | BUCKET SEAT - DRIVER/PASSENGER - LEATHER (U51, U52, U53, U54) - ULTRA LEATHER |
| 1 | 135473-33-U59 | EA | BUCKET SEAT - DRIVER/PASSENGER - LEATHER (U55, U56) - ULTRA LEATHER |
| 2 | 086120-01-U51 | EA | PAD - MAP POCKET - 12" X 16" (U51, U52) |
| 2 | 086120-01-U57 | EA | PAD - MAP POCKET - 12" X 16" (U53, U54) |
| 2 | 086120-01-U55 | EA | PAD - MAP POCKET - 12" X 16" (U55, U56) |



| KEY | PART NUMBER | U/M | DESCRIPTION |
|-----|---------------|-----|--|
| 1 | 145245-04-U51 | EA | PILLOW - 17" W/1/4" WELT (U51, U52) |
| 1 | 145245-04-U53 | EA | PILLOW - 17" W/1/4" WELT (U53, U54) |
| 1 | 145245-04-U55 | EA | PILLOW - 17" W/1/4" WELT (U55, U56) |
| 2 | 157947-02-U51 | EA | CHAIR - GLIDER - W/SWIVEL HOOP (U51, U52) |
| 2 | 157947-01-U53 | EA | CHAIR - GLIDER - W/SWIVEL HOOP (U53, U54) |
| 2 | 157947-01-U55 | EA | CHAIR - GLIDER - W/SWIVEL HOOP (U55, U56) |
| 2 | 157947-03-U37 | EA | CHAIR - GLIDER - W/SWIVEL HOOP (U51, U52, U53, U54) - ULTRA LEATHER |
| 2 | 157947-03-U55 | EA | CHAIR - GLIDER - W/SWIVEL HOOP (U55, U56) - ULTRA LEATHER |
| 3 | | | SEE SOFA AREA FOR FRONT LEFT COUCH |
| 4 | 153519-15-U51 | EA | PAD - TOP/RH - F/DINETTE BACK - W/TAB - FABRIC COVERED (U51, U52) |
| 4 | 153519-05-U53 | EA | PAD - TOP/RH - F/DINETTE BACK - W/TAB - FABRIC COVERED (U53, U54) |
| 4 | 153519-15-U55 | EA | PAD - TOP/RH - F/DINETTE BACK - W/TAB - FABRIC COVERED (U55, U56) |
| 5 | 153519-16-U51 | EA | PAD - TOP/LH - F/DINETTE BACK - W/TAB - FABRIC COVERED (U51, U52) |
| 5 | 153519-06-U53 | EA | PAD - TOP/LH - F/DINETTE BACK - W/TAB - FABRIC COVERED (U53, U54) |
| 5 | 153519-16-U55 | EA | PAD - TOP/LH - F/DINETTE BACK - W/TAB - FABRIC COVERED (U55, U56) |
| 6 | 153671-08-U51 | EA | CUSHION - SEAT - 21" X 38" X 5" (U51, U52) |
| 6 | 153671-08-U57 | EA | CUSHION - SEAT - 21" X 38" X 5" (U53, U54) |
| 6 | 153671-08-U55 | EA | CUSHION - SEAT - 21" X 38" X 5" (U55, U56) |
| | 153671-A8-U51 | EA | COVER/SEAT - 21" X 38" X 5" (U51, U52) |
| | 153671-A8-U57 | EA | COVER/SEAT - 21" X 38" X 5" (U53, U54) |
| | 153671-A8-U55 | EA | COVER/SEAT - 21" X 38" X 5" (U55, U56) |
| 7 | 153672-05-U51 | EA | CUSHION - SEAT BACK - 13.5" X 38" X 5" (U51, U52) |
| 7 | 153672-02-T54 | EA | COVER/BACK - 13.5" X 38" X 5" (U53, U54) |
| 7 | 153672-05-U55 | EA | CUSHION - SEAT BACK - 13.5" X 38" X 5" (U55, U56) |
| | P53672-05-U51 | EA | COVER/BACK - 13.5" X 38" X 5" (U51, U52) |
| | P53672-02-T54 | EA | COVER/BACK - 13.5" X 38" X 5" (U53, U54) |
| | P53672-05-U55 | EA | COVER/BACK - 13.5" X 38" X 5" (U55, U56) |

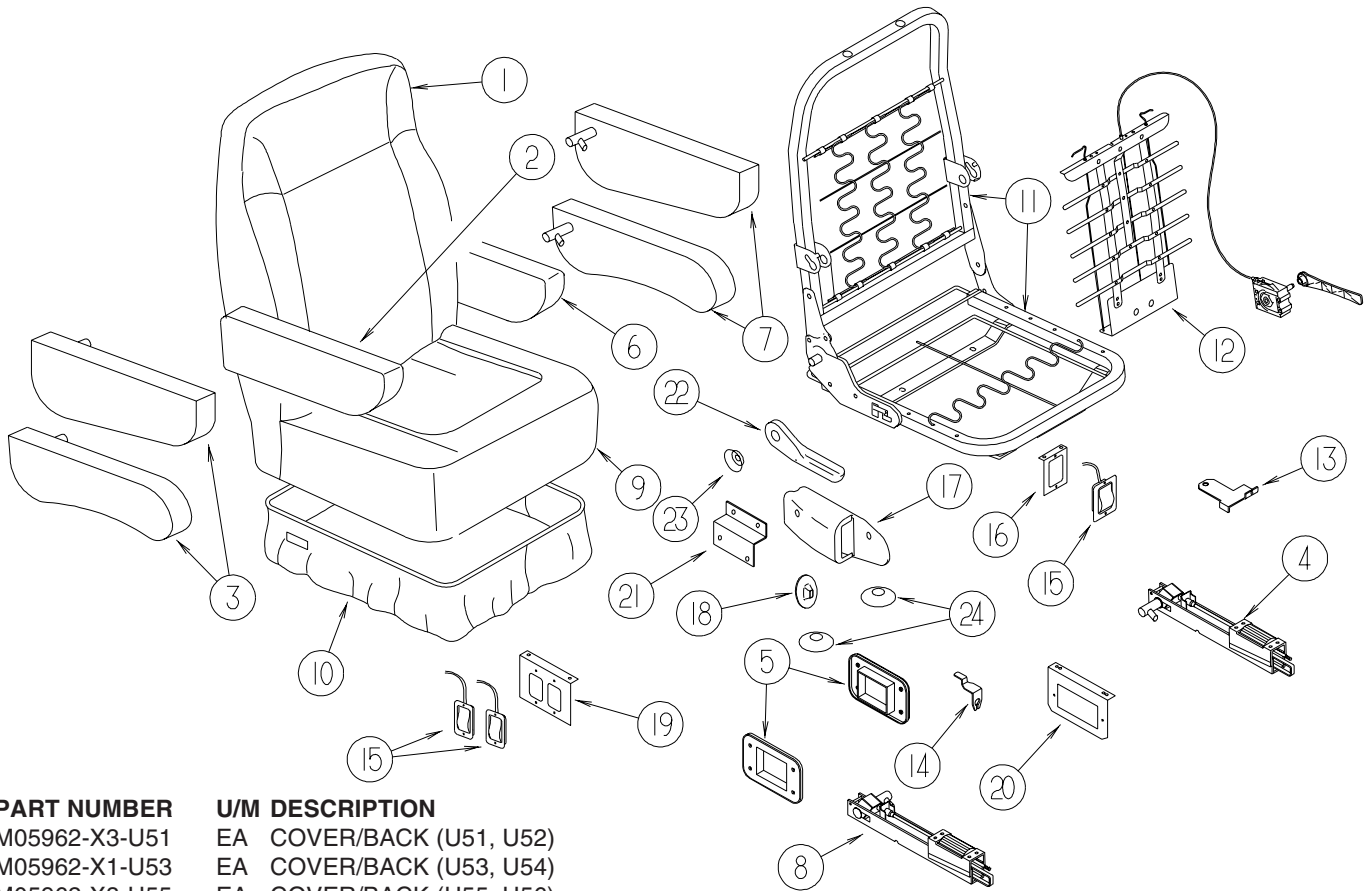


CURTAIN & CUSHION GROUP (CONTINUED)
CUSHION LAYOUT (LAYOUT)



| KEY | PART NUMBER | U/M | DESCRIPTION |
|-----|---------------|-----|--|
| 1 | 132336-09-U21 | EA | BEDSPREAD/CAP - 60" X 75" (U51, U52) |
| 1 | 132336-09-U23 | EA | BEDSPREAD/CAP - 60" X 75" (U53, U54) |
| 1 | 132336-09-U55 | EA | BEDSPREAD/CAP - 60" X 75" (U55, U56) |
| 2 | 145244-01-U51 | EA | PILLOW SHAM - DELMONT - 1/4" WELT (U51, U52) |
| 2 | 145244-01-U53 | EA | PILLOW SHAM - DELMONT - 1/4" WELT (U53, U54) |
| 2 | 145244-01-U55 | EA | PILLOW SHAM - DELMONT - 1/4" WELT (U55, U56) |
| 3 | 150709-13-U51 | EA | PILLOW - 15" X 24" (U51, U52) |
| 3 | 150709-13-U53 | EA | PILLOW - 15" X 24" (U53, U54) |
| 3 | 150709-13-U55 | EA | PILLOW - 15" X 24" (U55, U56) |

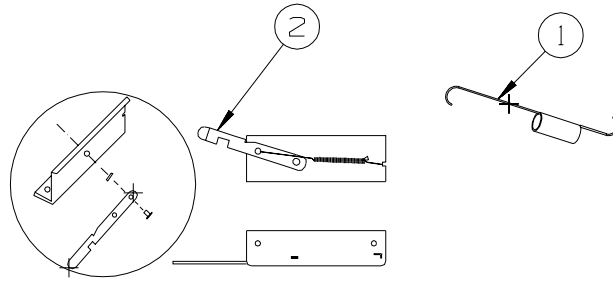
CURTAIN & CUSHION GROUP (CONTINUED)



| KEY | PART NUMBER | U/M | DESCRIPTION |
|-----|---------------|-----|---|
| 1 | M05962-X3-U51 | EA | COVER/BACK (U51, U52) |
| 1 | M05962-X1-U53 | EA | COVER/BACK (U53, U54) |
| 1 | M05962-X3-U55 | EA | COVER/BACK (U55, U56) |
| 1 | M05962-X5-U57 | EA | COVER/BACK (U51, U52, U53, U54) - ULTRA LEATHER |
| 1 | M05962-X5-U59 | EA | COVER/BACK (U55, U56) - ULTRA LEATHER |
| 2 | 148652-01-U51 | EA | ARMREST - RIGHT (U51, U52) |
| 2 | 148652-07-T54 | EA | ARMREST - RIGHT (U53, U54) |
| 2 | 148652-01-U55 | EA | ARMREST - RIGHT (U55, U56) |
| 2 | 148652-03-U51 | EA | ARMREST - RIGHT (U51, U52, U53, U54) - ULTRA LEATHER |
| 2 | 148652-03-S55 | EA | ARMREST - RIGHT (U55, U56) - ULTRA LEATHER |
| | P48652-01-U51 | EA | COVER/ARMREST - RIGHT (U51, U52) |
| | P48652-07-T54 | EA | COVER/ARMREST - RIGHT (U53, U54) |
| | P48652-01-U55 | EA | COVER/ARMREST - RIGHT (U55, U56) |
| | P48652-03-U51 | EA | COVER/ARMREST - RIGHT (U51, U52, U53, U54) - ULTRA LEATHER |
| | P48652-03-S55 | EA | COVER/ARMREST - RIGHT (U55, U56) - ULTRA LEATHER |
| 3 | 130698-03-000 | EA | ARMREST/MOLDED - RIGHT - W/O COVER |
| 4 | NOT USED | | |
| 5 | NOT USED | | |
| 6 | 148652-02-U51 | EA | ARMREST - LEFT (U51, U52) |
| 6 | 148652-08-T54 | EA | ARMREST - LEFT (U53, U54) |
| 6 | 148652-02-U55 | EA | ARMREST - LEFT (U55, U56) |
| 6 | 148652-04-U51 | EA | ARMREST - LEFT (U51, U52, U53, U54) - ULTRA LEATHER |
| 6 | 148652-04-S55 | EA | ARMREST - LEFT (U55, U56) - ULTRA LEATHER |
| | P48652-02-U51 | EA | COVER/ARMREST - LEFT (U51, U52) |
| | P48652-08-T54 | EA | COVER/ARMREST - LEFT (U53, U54) |
| | P48652-02-U55 | EA | COVER/ARMREST - LEFT (U55, U56) |
| | P48652-04-U51 | EA | COVER/ARMREST - LEFT (U51, U52, U53, U54) - ULTRA LEATHER |
| | P48652-04-S55 | EA | COVER/ARMREST - LEFT (U55, U56) - ULTRA LEATHER |
| 7 | 130698-04-000 | EA | ARMREST/MOLDED - LEFT - W/O COVER |
| 8 | NOT USED | | |
| 9 | M05962-X4-U51 | EA | COVER/SEAT (U51, U52) |
| 9 | M05962-X2-U53 | EA | COVER/SEAT (U53, U54) |
| 9 | M05962-X4-U55 | EA | COVER/SEAT (U55, U56) |
| 9 | M05962-X6-U57 | EA | COVER/SEAT (U51, U52, U53, U54) - ULTRA LEATHER |
| 9 | M05962-X6-U59 | EA | COVER/SEAT (U55, U56) - ULTRA LEATHER |
| 10 | 148630-01-U51 | EA | SKIRT - W/SEAT BELT SLOT (U51, U52) |
| 10 | 148630-14-T54 | EA | SKIRT - W/SEAT BELT SLOT (U53, U54) |
| 10 | 148630-01-U55 | EA | SKIRT - W/SEAT BELT SLOT (U55, U56) |

CURTAIN & CUSHION GROUP (CONTINUED)
BUCKET SEATS (CONTINUED)

| KEY | PART NUMBER | U/M | DESCRIPTION |
|-----|---------------|-----|--|
| 10 | 148630-02-S58 | EA | SKIRT - W/SEAT BELT SLOT (U51, U52, U53, U54) - ULTRA LEATHER |
| 10 | 148630-02-S55 | EA | SKIRT - W/SEAT BELT SLOT (U55, U56) - ULTRA LEATHER |
| 11 | 134532-01-000 | EA | FRAME - SEAT/HIGH BACK |
| 12 | NOT USED | | |
| 13 | 117125-01-02B | EA | BRACKET - CABLE MOUNT - ADJUSTER W/LOCK |
| 14 | 108049-02-000 | EA | CLIP - CABLE/PEDESTAL |
| 15 | 108049-04-000 | EA | CABLE - W/MINI LEVER ACTION SWITCH - 28" SHEATH/30" CABLE |
| 16 | NOT USED | | |
| 17 | NOT USED | | |
| 18 | NOT USED | | |
| 19 | 127159-02-02B | EA | BRACKET - SEAT RELEASE - DUAL REMOTE - E-COATED |
| 20 | NOT USED | | |
| 21 | NOT USED | | |
| 22 | 130802-02-000 | EA | LEVER - RIGHT HAND |
| | 130802-03-000 | EA | SCREW F/LEVER |
| 23 | 148668-01-01A | EA | CUP/WASHER COVER - F/LEVER - BLACK |
| 24 | NOT USED | | |
| | 152337-01-000 | EA | PROTECTOR - SEAT - CLEAR VINYL |

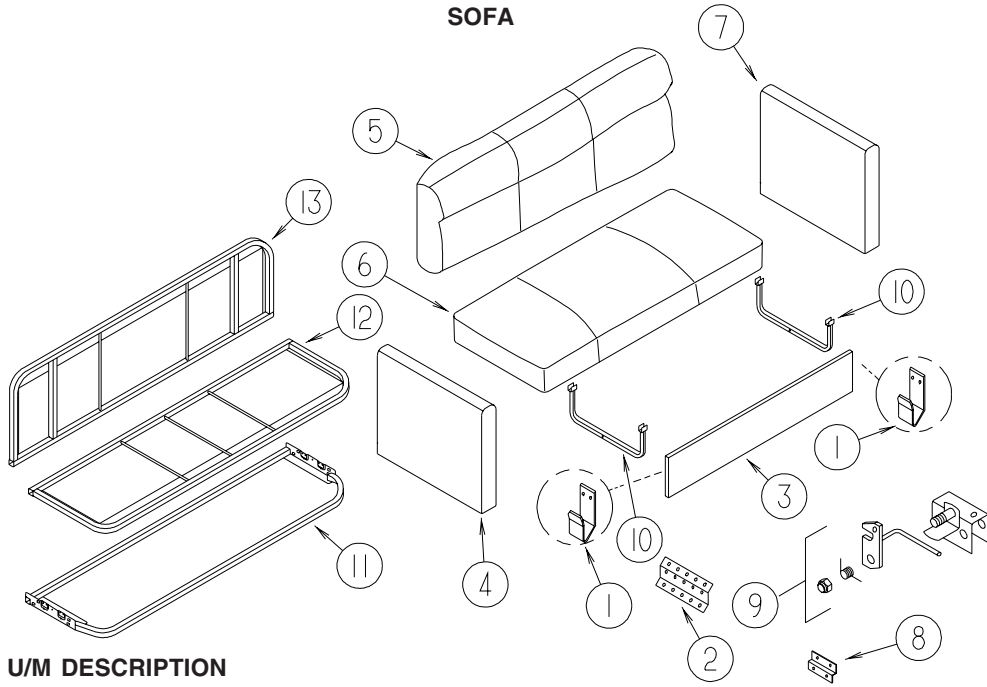


LOUNGE CHAIR

| KEY | PART NUMBER | U/M | DESCRIPTION |
|-----|---------------|-----|---|
| | 157947-A2-U51 | EA | COVER/CHAIR - GLIDER (U51, U52) |
| | 157947-A1-U53 | EA | COVER/CHAIR - GLIDER (U53, U54) |
| | 157947-A1-U55 | EA | COVER/CHAIR - GLIDER (U55, U56) |
| | 157947-A3-U37 | EA | COVER/CHAIR - GLIDER - LEATHER (U51, U52, U53, U54) - ULTRALEATHER |
| | 157947-A3-U55 | EA | COVER/CHAIR - GLIDER - LEATHER (U55, U56) - ULTRALEATHER |
| | 139208-01-000 | EA | SUPPORT BAR - TALL - W/HOOP |
| 1 | 139342-02-000 | EA | SPRING - LOCK OUT |
| 2 | 139342-03-000 | EA | BRACKET - ROCKER LOCK - W/HANDLE |
| | 133126-15-000 | EA | BASE - SWIVEL/GLIDER - W/FLOOR RING |

CURTAIN & CUSHION GROUP (CONTINUED)

SOFA

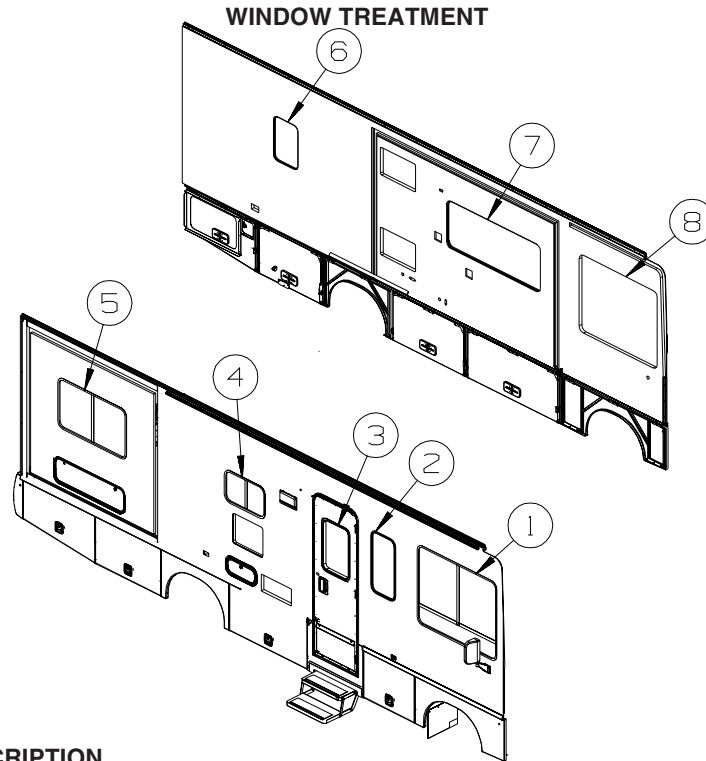


| KEY | PART NUMBER | U/M | DESCRIPTION |
|-----|---------------|-----|--|
| 1 | 121906-01-02B | EA | BRACKET - KICKBOARD - E-COATED |
| 2 | NOT USED | | |
| 3 | 120992-18-U51 | EA | PANEL/FRONT KICK - SOFA/BED - 70" - FABRIC COVERED (U51, U52) |
| 3 | 120992-18-T12 | EA | PANEL/FRONT KICK - SOFA/BED - 70" - FABRIC COVERED (U53, U54) |
| 3 | 120992-18-U55 | EA | PANEL/FRONT KICK - SOFA/BED - 70" - FABRIC COVERED (U55, U56) |
| 3 | 120992-39-U57 | EA | PANEL/FRONT KICK - SOFA/BED - FABRIC COVERED - 70" (U51, U52) - ULTRA LEATHER |
| 3 | 120992-39-U57 | EA | PANEL/FRONT KICK - SOFA/BED - FABRIC COVERED - 70" (U53, U54) - ULTRA LEATHER |
| 3 | 120992-39-U59 | EA | PANEL/FRONT KICK - SOFA/BED - FABRIC COVERED - 70" (U55, U56) - ULTRA LEATHER |
| 4 | 134282-01-U51 | EA | PANEL - RIGHT END/SHORT - SOFA/BED - FABRIC COVERED (U51, U52) |
| 4 | 134282-01-T12 | EA | PANEL - RIGHT END/SHORT - SOFA/BED - FABRIC COVERED (U53, U54) |
| 4 | 134282-01-U55 | EA | PANEL - RIGHT END/SHORT - SOFA/BED - FABRIC COVERED (U55, U56) |
| 4 | 134282-30-U51 | EA | PANEL/RIGHT END/SHORT - SOFA/BED - LEATHER (U51, U52, U53, U54) - ULTRA LEATHER |
| 4 | 134282-30-U55 | EA | PANEL/RIGHT END/SHORT - SOFA/BED - LEATHER (U55, U56) - ULTRA LEATHER |
| 5 | 135138-12-U51 | EA | BACK - SOFA/BED - 70" (U51, U52) |
| 5 | 135138-12-T12 | EA | BACK - SOFA/BED - 70" (U53, U54) |
| 5 | 135138-12-U55 | EA | BACK - SOFA/BED - 70" (U55, U56) |
| 5 | 135138-30-U51 | EA | BACK - SOFA/BED - 70" - LEATHER (U51, U52, U53, U54) - ULTRA LEATHER FROM: 00-00-00 THRU: 06-29-06 |
| 5 | 161040-01-U51 | EA | BACK - SOFA/BED - 70" - LEATHER (U51, U52, U53, U54) - ULTRA LEATHER FROM: 06-30-06 THRU: 99-99-99 |
| 5 | 135138-30-U55 | EA | BACK - SOFA/BED - 70" - LEATHER (U55, U56) - ULTRA LEATHER FROM: 00-00-00 THRU: 06-29-06 |
| 5 | 161040-01-U55 | EA | BACK - SOFA/BED - 70" - LEATHER (U51, U52, U53, U54) - ULTRA LEATHER FROM: 06-30-06 THRU: 99-99-99 |
| | P35138-12-U51 | EA | COVER/BACK - SOFA/BED - 70" (U51, U52) |
| | P35138-12-T12 | EA | COVER/BACK - SOFA/BED - 70" (U53, U54) |
| | P35138-12-U55 | EA | COVER/BACK - SOFA/BED - 70" (U55, U56) |
| | P35138-30-U51 | EA | COVER/BACK - SOFA/BED - 70" - LEATHER (U51, U52, U53, U54) - ULTRA LEATHER FROM: 00-00-00 THRU: 06-29-06 |
| | 161040-A1-U51 | EA | COVER/BACK - SOFA/BED - 70" - LEATHER (U51, U52, U53, U54) - ULTRA LEATHER FROM: 06-30-06 THRU: 99-99-99 |
| | P35138-30-U55 | EA | COVER/BACK - SOFA/BED - 70" - LEATHER (U55, U56) - ULTRA LEATHER FROM: 00-00-00 THRU: 06-29-06 |
| | 161040-A1-U55 | EA | COVER/BACK - SOFA/BED - 70" - LEATHER (U55, U56) - ULTRA LEATHER FROM: 06-30-06 THRU: 99-99-99 |
| 6 | 135138-20-U51 | EA | SEAT - SOFA/BED - 70" (U51, U52) |
| 6 | 135138-20-T54 | EA | SEAT - SOFA/BED - 70" (U53, U54) |
| 6 | 135138-20-U55 | EA | SEAT - SOFA/BED - 70" (U55, U56) |
| 6 | 135138-31-U51 | EA | SEAT - SOFA/BED - 70" - LEATHER (U51, U52, U53, U54) - ULTRA LEATHER |
| 6 | 135138-31-U55 | EA | SEAT - SOFA/BED - 70" - LEATHER (U55, U56) - ULTRA LEATHER |
| | P35138-11-U51 | EA | COVER/SEAT - SOFA/BED - 70" (U51, U52) |
| | P35138-11-T54 | EA | COVER/SEAT - SOFA/BED - 70" (U53, U54) |
| | P35138-11-U55 | EA | COVER/SEAT - SOFA/BED - 70" (U55, U56) |

CURTAIN & CUSHION GROUP (CONTINUED)
SOFA (CONTINUED)

| KEY | PART NUMBER | U/M | DESCRIPTION |
|------------|--------------------|------------|---|
| | P35138-31-U51 | EA | COVER/SEAT - SOFA/BED - 70" - LEATHER (U51, U52, U53, U54) - ULTRA LEATHER |
| | P35138-31-U55 | EA | COVER/SEAT - SOFA/BED - 70" - LEATHER (U55, U56) - ULTRA LEATHER |
| 7 | 134282-02-U51 | EA | PANEL - LEFT END/SHORT - SOFA/BED - FABRIC COVERED (U51, U52) |
| 7 | 134282-02-T12 | EA | PANEL - LEFT END/SHORT - SOFA/BED - FABRIC COVERED (U53, U54) |
| 7 | 134282-02-U55 | EA | PANEL - LEFT END/SHORT - SOFA/BED - FABRIC COVERED (U55, U56) |
| 7 | 134282-31-U57 | EA | PANEL/LEFT END/SHORT - SOFA/BED - LEATHER (U51, U52, U53, U54) - ULTRA LEATHER |
| 7 | 134282-31-U59 | EA | PANEL/LEFT END/SHORT - SOFA/BED - LEATHER (U55, U56) - ULTRA LEATHER |
| 8 | 116104-04-02B | EA | BRACKET - ZEE W/HOLES - 3.2" - E-COATED |
| 9 | NOT USED | | |
| 10 | 127335-07-000 | EA | LEG - SOFA/BED - 8" |
| 11 | 151290-21-000 | EA | FRAME - BASE - 27.25" X 70" |
| 12 | 151290-06-000 | EA | FRAME - SEAT - 70" |
| 13 | 132870-01-000 | EA | FRAME/BACK - 70" - CUSTOM LOUNGE |

CURTAIN & CUSHION GROUP (CONTINUED)



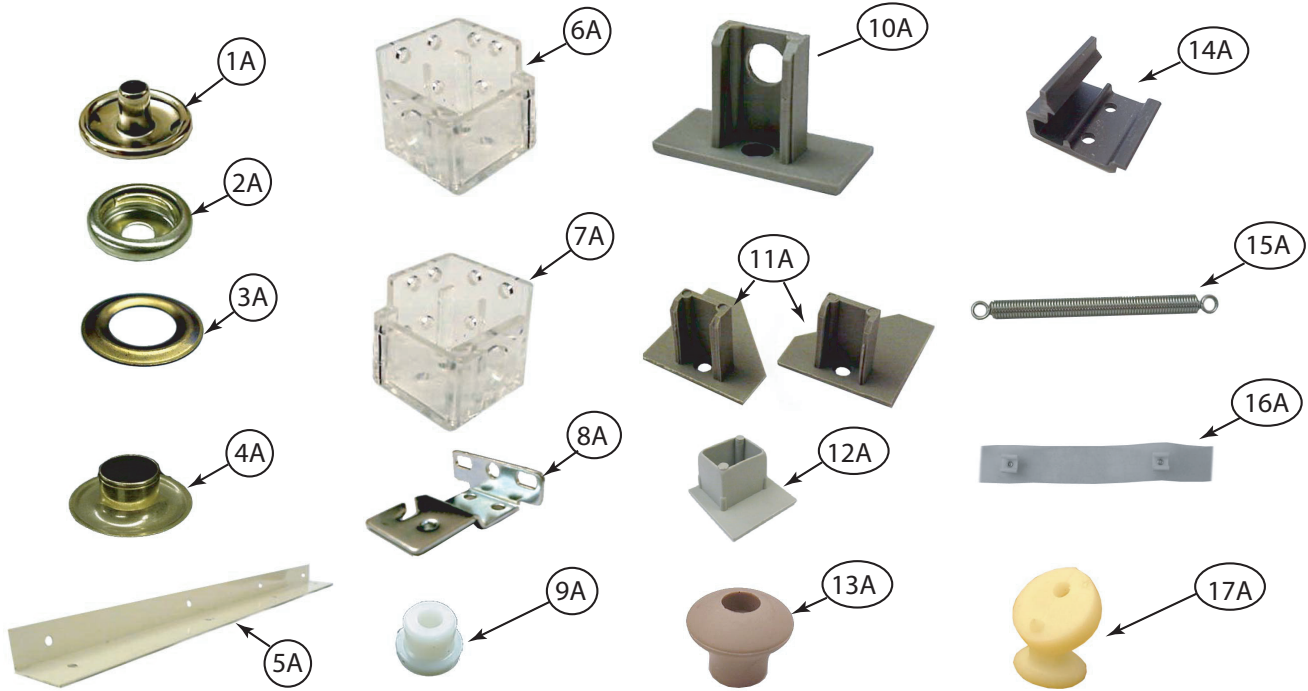
| KEY | PART NUMBER | U/M | DESCRIPTION |
|-----|---------------|-----|---|
| 1 | 101668-71-U51 | EA | CURTAIN - RIGHT HAND - TAPE TOP - 40.5" X 110" (U51, U52) |
| 1 | 101668-71-U53 | EA | CURTAIN - RIGHT HAND - TAPE TOP - 40.5" X 110" (U53, U54) |
| 1 | 101668-71-U55 | EA | CURTAIN - RIGHT HAND - TAPE TOP - 40.5" X 110" (U55, U56) |
| 1 | 073260-42-U51 | EA | TIEBACK - 6" X 18" (U51, U52) |
| 1 | 073260-42-U53 | EA | TIEBACK - 6" X 18" (U53, U54) |
| 1 | 073260-42-U55 | EA | TIEBACK - 6" X 18" (U55, U56) |
| 2 | 109041-62-02A | EA | BLIND - MINI - 17" X 32" |
| 2 | 142210-56-U51 | EA | VALANCE - FLANDER - 19" (U51, U52) |
| 2 | 142210-57-U53 | EA | VALANCE - FLANDER - 19" (U53, U54) |
| 2 | 142210-58-U55 | EA | VALANCE - FLANDER - 19" (U55, U56) |
| 2 | 140789-31-P31 | EA | BLIND - DAY/NIGHTER - 17" X 32" WINDOW COVERING EXCHANGE |
| 3 | 153643-67-U51 | EA | VALANCE - MODERATE - 12" X 30.5" (U51, U52) |
| 3 | 153643-68-U53 | EA | VALANCE - MODERATE - 12" X 30.5" (U53, U54) |
| 3 | 153643-67-U55 | EA | VALANCE - MODERATE - 12" X 30.5" (U55, U56) |
| 3 | 084755-57-P37 | EA | SHADE - PULL - 27.25" |
| 4 | 109041-57-02A | EA | BLIND - MINI - 26" X 17" |
| 5 | 142210-51-U51 | EA | VALANCE - FLANDER - 47" (U51, U52) |
| 5 | 142210-48-U53 | EA | VALANCE - FLANDER - 47" (U53, U54) |
| 5 | 142210-48-U55 | EA | VALANCE - FLANDER - 47" (U55, U56) |
| 5 | 152664-23-U51 | EA | LEG - RIGHT - 26" (U51, U52) |
| 5 | 152664-29-U53 | EA | LEG - RIGHT - 26" (U53, U54) |
| 5 | 152664-29-U55 | EA | LEG - RIGHT - 26" (U55, U56) |
| 5 | 152664-24-U51 | EA | LEG - LEFT - 26" (U51, U52) |
| 5 | 152664-30-U53 | EA | LEG - LEFT - 26" (U53, U54) |
| 5 | 152664-30-U55 | EA | LEG - LEFT - 26" (U55, U56) |
| 5 | 109802-64-N21 | EA | BLIND - PLEATED - 43" X 28" |
| 5 | 140789-02-N02 | EA | BLIND - DAY/NIGHTER - 43" X 28" WINDOW COVERING EXCHANGE |
| 6 | 142210-46-U51 | EA | VALANCE - FLANDER - 19" (U51, U52) |
| 6 | 142210-47-U53 | EA | VALANCE - FLANDER - 19" (U53, U54) |
| 6 | 142210-47-U55 | EA | VALANCE - FLANDER - 19" (U55, U56) |
| 6 | 152664-23-U51 | EA | LEG - RIGHT - 26" (U51, U52) |
| 6 | 152664-29-U53 | EA | LEG - RIGHT - 26" (U53, U54) |
| 6 | 152664-29-U55 | EA | LEG - RIGHT - 26" (U55, U56) |
| 6 | 152664-24-U51 | EA | LEG - LEFT - 26" (U51, U52) |
| 6 | 152664-30-U53 | EA | LEG - LEFT - 26" (U53, U54) |
| 6 | 152664-30-U55 | EA | LEG - LEFT - 26" (U55, U56) |
| 6 | 109802-68-S31 | EA | BLIND - PLEATED - 17.5" X 28" |
| 6 | 140789-50-S28 | EA | BLIND - DAY/NIGHTER - 17.5" X 28" - WINDOW COVERING EXCHANGE |

CURTAIN & CUSHION GROUP (CONTINUED)
WINDOW TREATMENT (CONTINUED)

| KEY | PART NUMBER | U/M | DESCRIPTION |
|-----|---------------|-----|--|
| 7 | 142210-42-U51 | EA | VALANCE - FLANDER - 62.5" (U51, U52) |
| 7 | 142210-44-U53 | EA | VALANCE - FLANDER - 62.5" (U53, U54) |
| 7 | 142210-52-U55 | EA | VALANCE - FLANDER - 62.5" (U55, U56) |
| 7 | 152445-13-U21 | EA | LEG - RIGHT - 25" (U51, U52) |
| 7 | 152445-13-U53 | EA | LEG - RIGHT - 25" (U53, U54) |
| 7 | 152445-05-U55 | EA | LEG - RIGHT - 25" (U55, U56) |
| 7 | 152445-14-U21 | EA | LEG - LEFT - 25" (U51, U52) |
| 7 | 152445-14-U53 | EA | LEG - LEFT - 25" (U53, U54) |
| 7 | 152445-06-U55 | EA | LEG - LEFT - 25" (U55, U56) |
| 7 | 109041-66-02A | EA | BLIND - MINI - 59" X 26" |
| 7 | 140789-08-N02 | EA | BLIND - DAY/NIGHTER - 59" X 26.5" - WINDOW COVERING EXCHANGE |
| 8 | 101668-72-U51 | EA | CURTAIN - LEFT HAND - TAPE TOP - 40.5" X 110" (U51, U52) |
| 8 | 101668-72-U53 | EA | CURTAIN - LEFT HAND - TAPE TOP - 40.5" X 110" (U53, U54) |
| 8 | 101668-72-U55 | EA | CURTAIN - LEFT HAND - TAPE TOP - 40.5" X 110" (U55, U56) |
| 8 | 073260-42-U51 | EA | TIEBACK - 6" X 18" (U51, U52) |
| 8 | 073260-42-U53 | EA | TIEBACK - 6" X 18" (U53, U54) |
| 8 | 073260-42-U55 | EA | TIEBACK - 6" X 18" (U55, U56) |

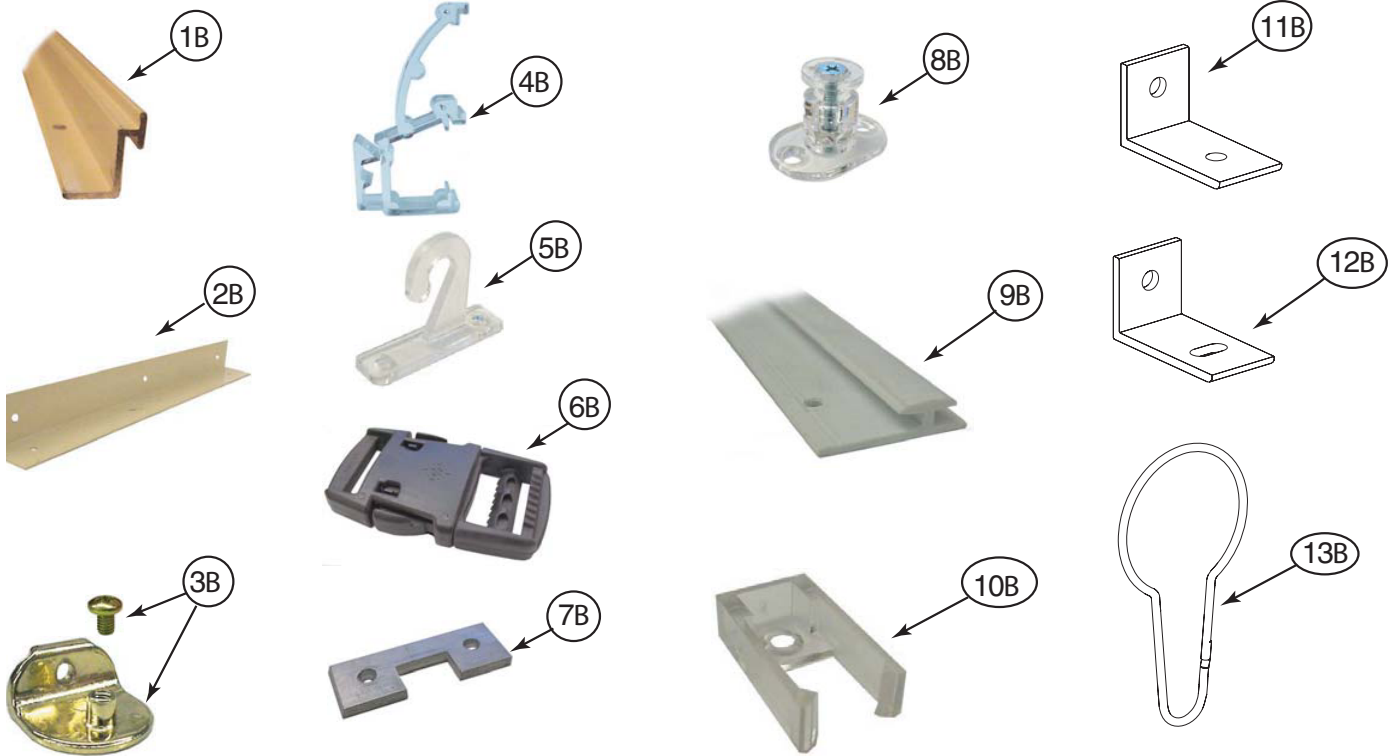
CURTAIN & CUSHION GROUP (CONTINUED)

HARDWARE



| KEY | PART NUMBER | U/M | DESCRIPTION |
|-----|---------------|-----|--|
| 1A | 029155-01-000 | EA | CAP - SNAP - 5/32" OUTSIDE DIAMETER OF PIN |
| 2A | 029156-01-000 | EA | SOCKET - SNAP - 9/16" O.D. |
| 3A | 046867-02-000 | EA | WASHER - HANDY BUTTON #3 |
| 4A | 046867-03-000 | EA | GROMMET - HANDY BUTTON #3 |
| 5A | 075943-10-000 | EA | BRACE - VALANCE - 20" - OFF WHITE |
| 6A | 083170-01-000 | EA | BRACKET/BLIND - LEFT SIDE WHEN FACING WINDOW - CLEAR |
| 7A | 083170-02-000 | EA | BRACKET/BLIND - RIGHT SIDE WHEN FACING WINDOW - CLEAR |
| 8A | 084434-01-000 | EA | BRACKET - MOUNTING - ROLLER SHADE - 1 3/8" |
| 9A | 094896-02-000 | EA | GROMMET - CORD/PLEATED BLIND - NYLON - GRAY |
| 10A | 094907-02-000 | EA | END CAP - PLEATED BLIND/TOP - RH/LH - GRAY PLASTIC |
| 11A | 094907-04-000 | EA | END CAP - PLEATED BLIND/BOTTOM - RH/LH |
| 12A | 094907-09-000 | EA | END CAP/BLIND - CENTER RAIL - RH/LH |
| 13A | 097564-03-000 | EA | HANDLE - KNOB - E-Z LIFT SHADE - TAN |
| | 097593-02-000 | FT | CORD - BLIND - PLEATED - GRAY |
| | 097593-10-000 | FT | CORD - BLIND - PLEATED - VANILLA |
| 14A | 097565-01-000 | EA | BRACKET - MOUNTING - PLEATED BLIND |
| 15A | 097591-01-000 | EA | SPRING - EXTENSION - PLEATED BLIND |
| 15A | 155748-01-000 | EA | SPRING - EXTENSION - DAY/NIGHTER BLIND |
| 16A | 101031-01-000 | YD | TAPE/GLIDE - 4.25" SPACING |
| 17A | 102555-03-000 | EA | BRACKET - (CLEAT TYPE) - F/BLIND HOLDOWN - MILKY WHITE |

CURTAIN & CUSHION GROUP (CONTINUED)
HARDWARE (CONTINUED)



| KEY | PART NUMBER | U/M | DESCRIPTION |
|-----|---------------|-----|--|
| 1B | 105450-14-01A | EA | TRACK-90"-OW - FRT BUNK PRIVACY OUTLOOK/SPIRIT 300-SERIES, ACCESS/IMPULSE 200-SERIES |
| 2B | 105648-01-02A | EA | BRACE - VALANCE - 14" - OFF WHITE |
| 2B | 105648-02-02A | EA | BRACE - VALANCE - 8.5" - OFF WHITE |
| 3B | 106544-01-000 | EA | PULL - SHADE/BRASS |
| 3B | 106544-01-001 | EA | SCREW - SHADE/BRASS |
| 3B | 106544-02-000 | EA | PULL-SHADE - NICKEL |
| 4B | 109353-04-000 | EA | CLIP - VALANCE SLAT MOUNTING - CLEAR PLASTIC |
| 5B | 109441-01-000 | EA | BRACKET/HOOK - BLIND HOLD DOWN |
| | 109441-02-000 | EA | SPACER/BRACKET - BLIND HOLD DOWN |
| 6B | 129491-01-000 | EA | CATCH - SNAP HOOK - 1" |
| 7B | 130549-01-01A | EA | STOP - CURTAIN TRACK |
| 8B | 141634-01-000 | EA | BRACKET-(BOBBIN TYPE) 7/8"H HOLDUPBASE(OVAL)-2 HOLE-CLEAR |
| 9B | 156172-01-01A | EA | TRACK/WALL - 75" - BONE |
| 9B | 156172-02-01A | EA | TRACK/WALL - 32" - BONE |
| 9B | 156172-03-01A | EA | TRACK/WALL - 21" - BONE |
| 10B | 156172-04-01A | EA | END CAP - WALL TRACK - CLEAR |
| 11B | 154316-01-01A | EA | BRACE/ANGLE - W/HOLE - CASHMERE |
| 12B | 154316-02-01A | EA | BRACE/ANGLE - W/SLOT - CASHMERE |
| 13B | 159702-01-01A | EA | HOOK/RING - CURTAIN/SHOWER - NICKEL |

CURTAIN & CUSHION GROUP (CONTINUED)

ACCESSORIES

| KEY | PART NUMBER | U/M | DESCRIPTION |
|-----|---------------|-----|-----------------------------------|
| | 070578-02-N30 | EA | BUTTON - SCREW - STUD - #30 VINYL |

FABRICS

W51, W52

| | |
|---------------|---|
| 148797-R5-000 | FABRIC - UPHOLSTERY - MAIN |
| 148797-CM-000 | FABRIC - UPHOLSTERY - PLAIN ACCENT |
| 148797-R7-000 | FABRIC - UPHOLSTERY - PATTERN ACCENT |
| 148797-R7-000 | FABRIC - O/H CABINET, DINETTE & LOUNGE |
| 137813-M4-000 | FABRIC - UPHOLSTERY, BEDSPREAD - MAIN |
| 137813-X5-000 | FABRIC - DRAPERY, MAIN |
| 142523-19-000 | FABRIC - UPHOLSTERY - ULTRALEATHER - MAIN |
| 137813-S5-000 | FABRIC - O/H CABINET BEDROOM |
| 142523-03-000 | VINYL - CABINET ENDS |
| 009767-12-000 | VINYL - CABINET TRIM, MAIN |
| 009767-12-000 | VINYL - WELTING - BACKSPLASH |
| 009767-17-000 | VINYL - WELTING - CABINET TRIM, ACCENT |
| 103907-01-01A | VINYL - DINETTE CUSHION |
| 142523-04-000 | VINYL - SUNVISORS |
| 113979-09-01A | CARPET-HEADLINER (SY) - CEILING |
| 113979-10-01A | CARPET-HEADLINER - SLDOUT (SY) - CEILING |
| 113979-11-01A | CARPET-HEADLINER - SLDOUT (SY) - CEILING |

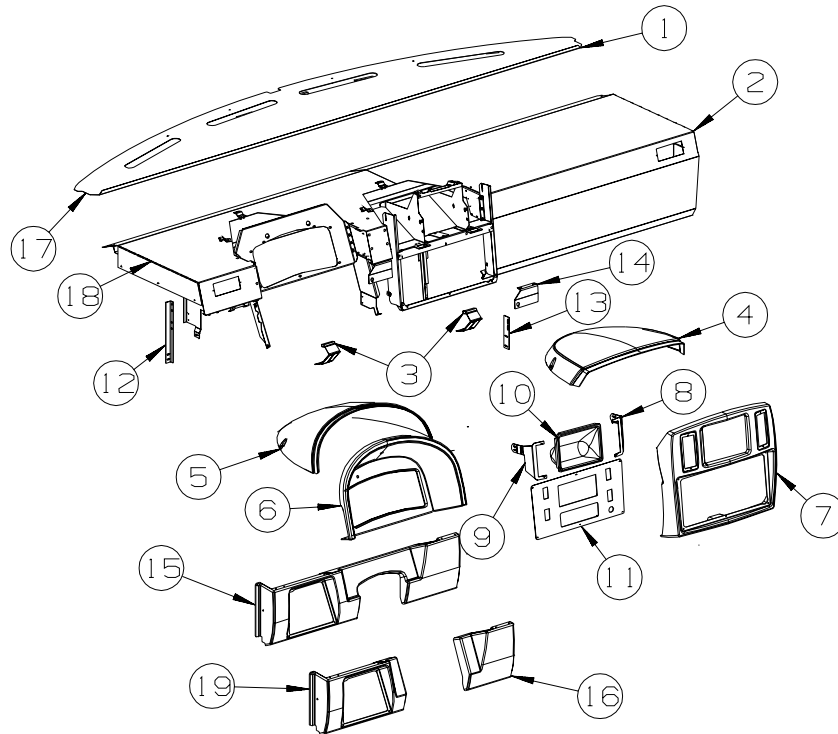
W53, W54

| | |
|---------------|---|
| 148797-AK-000 | FABRIC - UPHOLSTERY - MAIN |
| 148797-AL-000 | FABRIC - UPHOLSTERY - PLAIN ACCENT |
| 148797-AL-000 | FABRIC - O/H CABINET, DINETTE & LOUNGE |
| 148797-AM-000 | FABRIC - UPHOLSTERY - PATTERN ACCENT |
| 148797-AM-000 | FABRIC - UPHOLSTERY, BEDSPREAD - PATTERN ACCENT |
| 156773-37-000 | FABRIC - UPHOLSTERY, BEDSPREAD - MAIN |
| 156773-37-000 | FABRIC - DRAPERY, MAIN |
| 156773-37-000 | FABRIC - O/H CABINET BEDROOM |
| 142523-19-000 | FABRIC - UPHOLSTERY - ULTRALEATHER - MAIN |
| 142523-03-000 | VINYL - CABINET ENDS |
| 009767-12-000 | VINYL - CABINET TRIM, MAIN |
| 009767-12-000 | VINYL - WELTING - BACKSPLASH |
| 009767-17-000 | VINYL - WELTING - CABINET TRIM, ACCENT |
| 103907-01-01A | VINYL - DINETTE CUSHION |
| 142523-04-000 | VINYL - SUNVISORS |
| 113979-09-01A | CARPET-HEADLINER (SY) - CEILING |
| 113979-10-01A | CARPET-HEADLINER - SLDOUT (SY) - CEILING |
| 113979-11-01A | CARPET-HEADLINER - SLDOUT (SY) - CEILING |

W55, W56

| | |
|---------------|---|
| 148797-CC-000 | FABRIC - UPHOLSTERY - MAIN |
| 148797-T2-000 | FABRIC - UPHOLSTERY - PLAIN ACCENT |
| 148797-AJ-000 | FABRIC - UPHOLSTERY - PATTERN ACCENT |
| 156773-46-000 | FABRIC - UPHOLSTERY, BEDSPREAD - MAIN |
| 156773-47-000 | FABRIC - DRAPERY, MAIN |
| 156773-47-000 | FABRIC - UPHOLSTERY, BEDSPREAD - PATTERN ACCENT |
| 156773-47-000 | FABRIC - O/H CABINET, DINETTE & LOUNGE |
| 156773-47-000 | FABRIC - O/H CABINET BEDROOM |
| 142523-07-000 | FABRIC - UPHOLSTERY - ULTRALEATHER - MAIN |
| 009767-12-000 | VINYL - CABINET TRIM, MAIN |
| 009767-12-000 | VINYL - WELTING - BACKSPLASH |
| 009767-17-000 | VINYL - WELTING - CABINET TRIM, ACCENT |
| 103907-01-01A | VINYL - DINETTE CUSHION |
| 142523-03-000 | VINYL - CABINET ENDS |
| 142523-04-000 | VINYL - SUNVISORS |
| 113979-09-01A | CARPET-HEADLINER (SY) - CEILING |
| 113979-10-01A | CARPET-HEADLINER - SLDOUT (SY) - CEILING |
| 113979-11-01A | CARPET-HEADLINER - SLDOUT (SY) - CEILING |

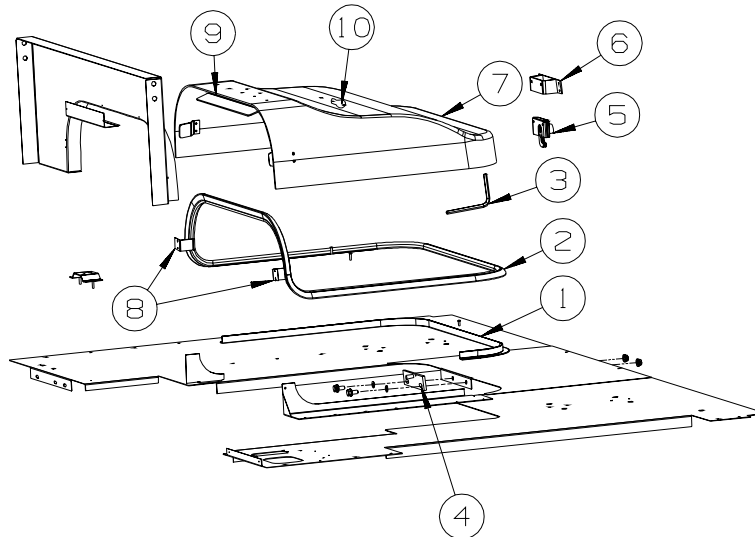
DRIVERS COMPARTMENT GROUP DASH



| KEY | PART NUMBER | U/M | DESCRIPTION |
|-----|---------------|-----|--|
| 1 | 154741-02-02B | EA | PANEL - DASH TOP - E-COATED |
| 2 | 156677-01-02B | EA | DASH - W/O VINYL - E-COATED |
| 3 | 110530-01-000 | FT | SEAL - SPONGE - .31" X .62" |
| 4 | 156682-01-20A | EA | DASH POD - CENTER - CASHMERE |
| 4 | 156682-01-19A | EA | DASH POD - CENTER - RIVERSTONE |
| 4 | 156682-02-20A | EA | DASH POD - CENTER - CASHMERE - REARVIEW MONITOR SYSTEM W/AUDIO |
| 4 | 156682-02-19A | EA | DASH POD - CENTER - RIVERSTONE - REARVIEW MONITOR SYSTEM W/AUDIO |
| 5 | 155700-01-20A | EA | POD - INSTRUMENT PANEL - CASHMERE |
| 5 | 155700-01-19A | EA | POD - INSTRUMENT PANEL - RIVERSTONE |
| 6 | 155698-06-U57 | EA | BEZEL - INSTRUMENT PANEL - WORKHORSE - CASHMERE |
| 6 | 155698-06-U59 | EA | BEZEL - INSTRUMENT PANEL - WORKHORSE - RIVERSTONE |
| | 155698-05-20A | EA | BEZEL - INSTRUMENT PANEL - WORKHORSE - CASHMERE |
| | 155698-05-19A | EA | BEZEL - INSTRUMENT PANEL - WORKHORSE - RIVERSTONE |
| 6 | 155699-06-U57 | EA | BEZEL - INSTRUMENT PANEL - FORD - CASHMERE |
| 6 | 155699-06-U59 | EA | BEZEL - INSTRUMENT PANEL - FORD - RIVERSTONE |
| | 155699-05-20A | EA | BEZEL - INSTRUMENT PANEL - FORD - CASHMERE |
| | 155699-05-19A | EA | BEZEL - INSTRUMENT PANEL - FORD - RIVERSTONE |
| 6 | 155698-04-U57 | EA | BEZEL - INSTRUMENT PANEL - WORKHORSE - CASHMERE - HYDRAULIC LEVEL JACKS-AUTO |
| 6 | 155698-04-U59 | EA | BEZEL - INSTRUMENT PANEL - WORKHORSE - RIVERSTONE - HYDRAULIC LEVEL JACKS-AUTO |
| | 155698-03-20A | EA | BEZEL - INSTRUMENT PANEL - WORKHORSE - CASHMERE |
| | 155698-03-19A | EA | BEZEL - INSTRUMENT PANEL - WORKHORSE - RIVERSTONE |
| 6 | 155699-04-U57 | EA | BEZEL - INSTRUMENT PANEL - FORD - HYDRAULIC LEVEL JACKS-AUTO |
| 6 | 155699-04-U59 | EA | BEZEL - INSTRUMENT PANEL - FORD - HYDRAULIC LEVEL JACKS-AUTO |
| | 155699-03-20A | EA | BEZEL - INSTRUMENT PANEL - FORD - CASHMERE |
| | 155699-03-19A | EA | BEZEL - INSTRUMENT PANEL - FORD - RIVERSTONE |
| 7 | 156681-01-20A | EA | BEZEL - DASH/CENTER - CASHMERE |
| 7 | 156681-01-19A | EA | BEZEL - DASH/CENTER - RIVERSTONE |
| 8 | 157043-01-02B | EA | RETAINER - LOUVER/RIGHT - E-COATED |
| 9 | 157043-02-02B | EA | RETAINER - LOUVER/LEFT - E-COATED |
| 10 | 111350-02-20A | EA | POCKET - INSTRUMENT PANEL - UPPER/RIGHT - CASHMERE |
| 10 | 111350-02-19A | EA | POCKET - INSTRUMENT PANEL - UPPER/RIGHT - RIVERSTONE |
| 11 | 156051-02-02B | EA | PANEL - BEZEL - CENTER DASH - E-COATED |
| 12 | 128692-01-02B | EA | ANGLE - FORMED - DASH SUPPORT - E-COATED |
| 13 | 139603-01-02B | EA | STRAP - DASH SUPPORT - CENTER - E-COATED |
| 14 | 155948-01-02B | EA | SUPPORT - PARK BRAKE SWITCH - E-COATED |

DRIVERS COMPARTMENT GROUP (CONTINUED)
DASH (CONTINUED)

| KEY | PART NUMBER | U/M | DESCRIPTION |
|-----|---------------|-----|---|
| 15 | 156253-01-02A | EA | PANEL/TRIM - DASH/LOWER - DRIVER/RIGHT - CASHMERE - FORD |
| 15 | 156253-01-01A | EA | PANEL/TRIM - DASH/LOWER - DRIVER/RIGHT - RIVERSTONE - FORD |
| 16 | 155129-01-02A | EA | PANEL/TRIM - DASH/LOWER LEFT - CASHMERE - WORKHORSE |
| 16 | 155129-01-01A | EA | PANEL/TRIM - DASH/LOWER LEFT - RIVERSTONE - WORKHORSE |
| 17 | 106569-07-09A | EA | VINYL - LAMINATE - 1/4" X 17" X 100" - DRIFTWOOD (U51, U52, U53, U54) |
| 17 | 106569-07-08A | EA | VINYL - LAMINATE - 1/4" X 17" X 100" - PUTTY (U55, U56) |
| 18 | 106569-17-09A | EA | VINYL - LAMINATE - 1/4" X 40" X 100" - DRIFTWOOD (U51, U52, U53, U54) |
| 18 | 106569-17-08A | EA | VINYL - LAMINATE - 1/4" X 40" X 100" - PUTTY (U55, U56) |
| 19 | 156254-01-02A | EA | PANEL/TRIM - DASH/LOWER - DRIVER/LEFT - CASHMERE - FORD |
| 19 | 156254-01-01A | EA | PANEL/TRIM - DASH/LOWER - DRIVER/LEFT - RIVERSTONE - FORD |



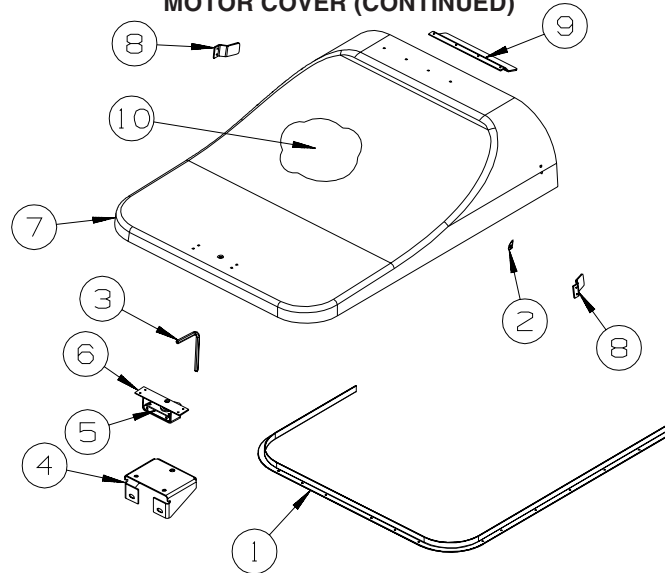
MOTOR COVER

| KEY | PART NUMBER | U/M | DESCRIPTION |
|-----|---------------|-----|--|
| 1 | 115860-06-01A | EA | TRIM - MOTOR COVER - FORD - MILL FINISH |
| 2 | 039623-01-000 | FT | SEAL - MOTOR COVER - RUBBER BULB TYPE |
| 3 | 116833-01-02B | EA | WRENCH - HEX MOTOR COVER - E-COATED |
| 4 | 115852-01-02B | EA | STRIKE - LATCH - MOTOR COVER - E-COATED |
| 5 | 116581-01-000 | EA | LATCH - W/O STRIKE - MOTOR COVER |
| 6 | 115850-01-02B | EA | RETAINER - LATCH - MOTOR COVER - RIGHT HAND - E-COATED |
| 7 | 156754-02-U57 | EA | COVER - MOTOR - W/CARPET - FORD (U51, U52, U55, U56) |
| 7 | 156754-02-U59 | EA | COVER - MOTOR - W/CARPET - FORD (U53, U54) |
| | 153970-02-01A | EA | COVER - MOTOR - W/O CARPET |
| 8 | 115855-04-02B | EA | RETAINER - MOTOR COVER/SIDE - E-COATED |
| 9 | 115855-01-02B | EA | RETAINER - MOTOR COVER/TOP - E-COATED |
| 10 | 134497-01-000 | SF | FOIL/ALUMINUM - REINFORCED |

FORD

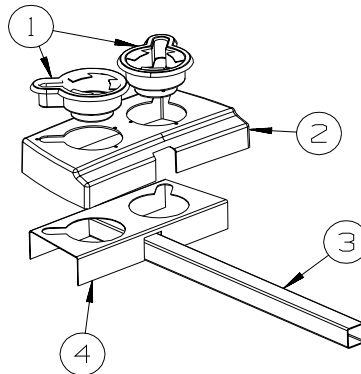
DRIVERS COMPARTMENT GROUP (CONTINUED)

MOTOR COVER (CONTINUED)



WORKHORSE

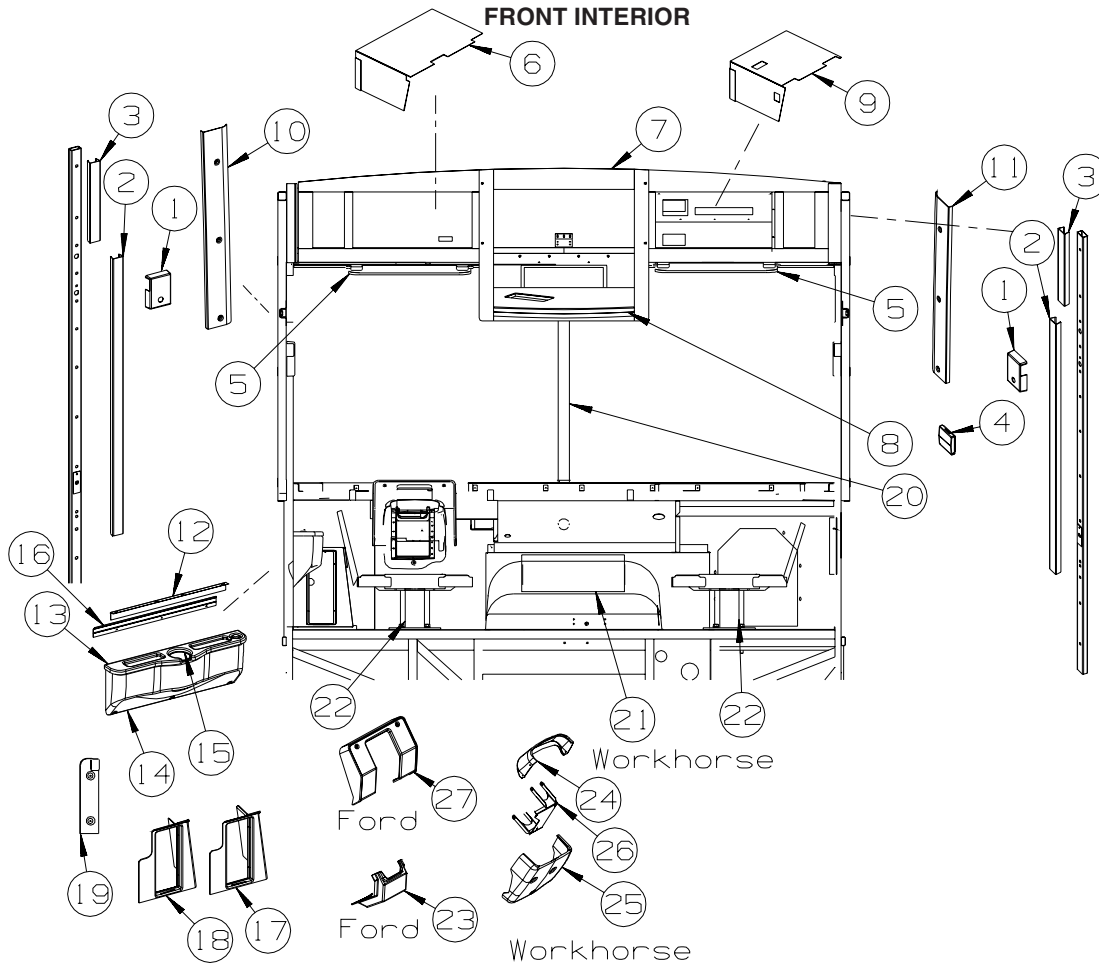
| KEY | PART NUMBER | U/M | DESCRIPTION |
|-----|---------------|-----|--|
| 1 | 137332-01-01A | EA | TRIM - MOTOR COVER |
| 2 | 039623-01-000 | FT | SEAL - MOTOR COVER - RUBBER BULB TYPE |
| 3 | 116833-01-02B | EA | WRENCH - HEX MOTOR COVER - E-COATED |
| 4 | 137305-02-02B | EA | BRACKET - STRIKE SUPPORT - E-COATED |
| 5 | 116581-01-000 | EA | LATCH - W/O STRIKE - MOTOR COVER |
| 6 | 115850-01-02B | EA | RETAINER - LATCH - MOTOR COVER - RIGHT HAND - E-COATED |
| 7 | 137097-01-U57 | EA | COVER - MOTOR - W/CARPET (U51, U52) |
| 7 | 137097-01-T53 | EA | COVER - MOTOR - W/CARPET (U53, U54) |
| 7 | 137097-01-T55 | EA | COVER - MOTOR - W/CARPET (U55, U56) |
| | 137096-01-01A | EA | COVER - MOTOR - W/O CARPET |
| 8 | 115855-04-02B | EA | RETAINER - MOTOR COVER/SIDE - E-COATED |
| 9 | 115855-03-02B | EA | RETAINER - MOTOR COVER/TOP - E-COATED |
| 10 | NOT USED | | |



BEVERAGE TRAY

| KEY | PART NUMBER | U/M | DESCRIPTION |
|-----|---------------|-----|--|
| 1 | 133831-01-01A | EA | HOLDER - CUP W/THREE CENTERLINE RUBBER FINGERS |
| 2 | 156018-01-20A | EA | TRAY - BEVERAGE - CASHMERE |
| 2 | 156018-01-19A | EA | TRAY - BEVERAGE - RIVERSTONE |
| 3 | 156047-01-02B | EA | SUPPORT - BEVERAGE TRAY - E-COATED |
| 4 | 156016-01-01B | EA | BRACKET - BEVERAGE TRAY - E-COATED |

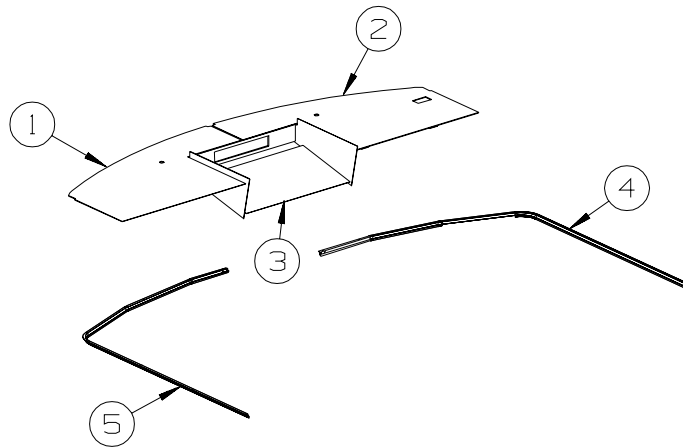
DRIVERS COMPARTMENT GROUP (CONTINUED)



| KEY | PART NUMBER | U/M | DESCRIPTION |
|-----|---------------|-----|---|
| 1 | 103961-03-01A | EA | COVER - BRACKET - SEATBELT/OFF WHITE FROM: 00-00-00 THRU: 07-31-06 |
| 1 | 103961-03-02A | EA | COVER - BRACKET - SEATBELT/BLACK FROM: 08-01-06 THRU: 99-99-99 |
| 2 | 024700-38-000 | EA | COVER - ROLL BAR - SIDEWALL - 15.3" - OFF WHITE FROM: 00-00-00 THRU: 07-31-06 |
| 2 | 024700-76-000 | EA | COVER - ROLL BAR - SIDEWALL - 15.3" - MEDIUM OAK FROM: 08-01-06 THRU: 08-13-06 |
| 2 | 024700-71-000 | EA | COVER - ROLL BAR - SIDEWALL - 16.5" - MEDIUM OAK FROM: 08-14-06 THRU: 99-99-99 |
| 3 | 024700-44-000 | EA | COVER - ROLL BAR - SIDEWALL - 53" - OFF WHITE FROM: 00-00-00 THRU: 07-31-06 |
| 3 | 024700-75-000 | EA | COVER - ROLL BAR - SIDEWALL - 53" - MEDIUM OAK FROM: 08-01-06 THRU: 99-99-99 |
| 4 | 118718-01-02A | EA | HOLDER/DRINK - COLLAPSIBLE MUG - WHITE PLASTIC |
| 5 | 123298-04-09A | EA | SUNVISOR - 10.5" X 21" - DRIVER/PASSENGER - CASHMERE |
| 5 | 123298-04-08A | EA | SUNVISOR - 10.5" X 21" - DRIVER/PASSENGER - RIVERSTONE |
| 6 | 136422-05-T53 | EA | PANEL - FABRIC COVERED |
| 7 | 144351-07-U57 | EA | CABINET - FRAME/TV - W/O DOORS/HARDWARE - PORTSMOUTH OAK |
| 7 | 144351-07-U58 | EA | CABINET - FRAME/TV - W/O DOORS/HARDWARE - SIERRA MAPLE |
| 8 | 144278-03-U57 | EA | CABINET/BASE - TV - W/O DOORS/HARDWARE |
| 9 | 136422-03-R28 | EA | PANEL - FABRIC COVERED |
| 10 | 136351-05-20A | EA | TRIM - A-PILLAR - INTERIOR/PASSENGER - CASHMERE |
| 10 | 136351-05-19A | EA | TRIM - A-PILLAR - INTERIOR/PASSENGER - RIVERSTONE |
| 11 | 136351-06-20A | EA | TRIM - A-PILLAR - INTERIOR/DRIVER - CASHMERE |
| 11 | 136351-06-19A | EA | TRIM - A-PILLAR - INTERIOR/DRIVER - RIVERSTONE |
| 12 | 132595-02-02B | EA | BRACKET - BEVERAGE TRAY HOLDER - E-COATED |
| 13 | 132297-03-06A | EA | PANEL-TRIM - BEVERAGE TRAY |
| 14 | 132354-05-20A | EA | PANEL/TRIM - INNER - W/O BEVERAGE TRAY - CASHMERE |
| 14 | 132354-05-19A | EA | PANEL/TRIM - INNER - W/O BEVERAGE TRAY - RIVERSTONE |

DRIVERS COMPARTMENT GROUP (CONTINUED)
FRONT INTERIOR (CONTINUED)

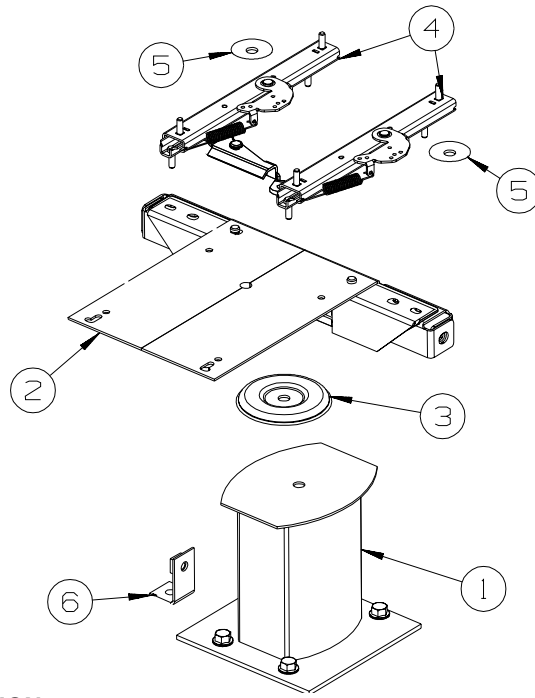
| KEY | PART NUMBER | U/M | DESCRIPTION |
|-----|---------------|-----|---|
| 14 | 132354-06-20A | EA | PANEL/TRIM - INNER - W/O BEVERAGE TRAY - CASHMERE - MIRRORS-EXTERIOR W/DEFROST FROM: 00-00-00 THRU: 11-05-06 |
| 14 | 132354-08-20A | EA | PANEL/TRIM - INNER - W/O BEVERAGE TRAY - CASHMERE - MIRRORS-EXTERIOR W/DEFROST FROM: 11-06-06 THRU: 99-99-99 |
| 14 | 132354-06-19A | EA | PANEL/TRIM - INNER - W/O BEVERAGE TRAY - RIVERSTONE - MIRRORS-EXTERIOR W/DEFROST FROM: 00-00-00 THRU: 11-05-06 |
| 14 | 132354-08-19A | EA | PANEL/TRIM - INNER - W/O BEVERAGE TRAY - RIVERSTONE - MIRRORS-EXTERIOR W/DEFROST FROM: 11-06-06 THRU: 99-99-99 |
| | 122717-07-01A | EA | PAD - NON-SKID - PSA - 3.2" X 8.3" |
| 15 | 134566-01-01A | EA | HOLDER - CUP - TWO STEP - BLACK |
| 16 | 130034-11-02B | EA | CLIP - TRIM - E-COATED |
| 17 | 148824-01-20A | EA | PANEL/TRIM - FUSE PANEL/LEFT HAND - CASHMERE |
| 17 | 148824-01-19A | EA | PANEL/TRIM - FUSE PANEL/LEFT HAND - RIVERSTONE |
| 17 | 148824-02-20A | EA | PANEL/TRIM - FUSE PANEL/LEFT HAND - CASHMERE - FORD |
| 17 | 148824-02-19A | EA | PANEL/TRIM - FUSE PANEL/LEFT HAND - RIVERSTONE - FORD |
| 18 | 148826-01-20A | EA | PANEL/DOOR - FUSE PANEL/LEFT HAND - CASHMERE |
| 18 | 148826-01-19A | EA | PANEL/DOOR - FUSE PANEL/LEFT HAND - RIVERSTONE |
| 19 | 127901-01-20A | EA | PANEL - TOEKICK/LEFT HAND - CASHMERE |
| 19 | 127901-01-19A | EA | PANEL - TOEKICK/LEFT HAND - RIVERSTONE |
| 20 | 118452-10-20A | EA | TRIM - WINDSHIELD/CENTER - CASHMERE |
| 20 | 118452-10-19A | EA | TRIM - WINDSHIELD/CENTER - RIVERSTONE |
| 21 | 156018-01-20A | EA | TRAY - BEVERAGE - CASHMERE |
| 21 | 156018-01-19A | EA | TRAY - BEVERAGE - RIVERSTONE |
| 22 | 133408-01-000 | EA | PEDESTAL - SEAT - DRIVER/PASSENGER - 9 3/4" |
| 23 | 125795-01-20A | EA | COVER - STEERING COLUMN/LOWER - FORD - CASHMERE |
| 23 | 125795-01-19A | EA | COVER - STEERING COLUMN/LOWER - FORD - RIVERSTONE |
| 24 | 155934-01-20A | EA | COVER - STEERING COMUMN - UPPER - WORKHORSE - CASHMERE |
| 24 | 155934-01-19A | EA | COVER - STEERING COMUMN - UPPER - WORKHORSE - RIVERSTONE |
| 25 | 155935-01-20A | EA | COVER - STEERING COLUMN - LOWER - WORKHORSE - CASHMERE |
| 25 | 155935-01-19A | EA | COVER - STEERING COLUMN - LOWER - WORKHORSE - RIVERSTONE |
| 26 | 148806-01-02B | EA | MOUNT - STEERING COVE - E-COATED |
| 27 | 148815-02-20A | EA | COVER - STEERING COLUMN - LOWER - FORD - CASHMERE |
| 27 | 148815-02-19A | EA | COVER - STEERING COLUMN - LOWER - FORD - RIVERSTONE |



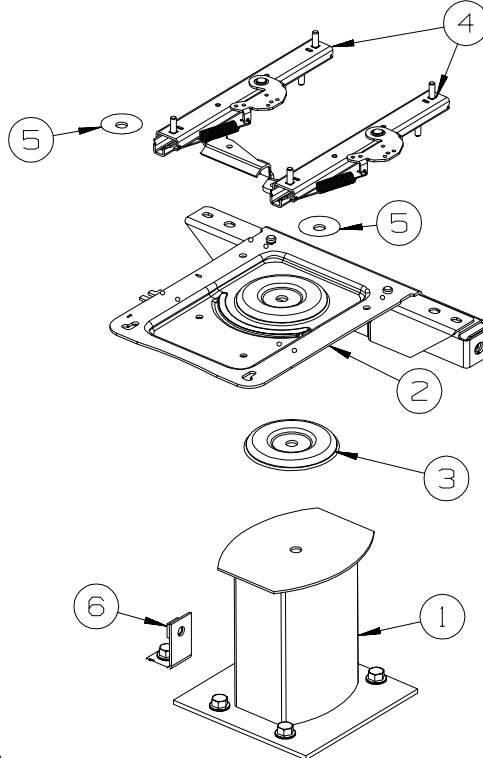
| KEY | PART NUMBER | U/M | DESCRIPTION |
|-----|---------------|-----|---|
| 1 | 134146-06-U57 | EA | PANEL - OVERHEAD/FRONT/BOTTOM/LEFT HAND |
| 2 | 134146-05-U57 | EA | PANEL - OVERHEAD/FRONT/BOTTOM/RIGHT HAND |
| 3 | P34142-04-U57 | EA | COVER - TV - OVERHEAD/BOTTOM - VINYL COVERED - CASHMERE |
| 3 | P34142-04-U59 | EA | COVER - TV - OVERHEAD/BOTTOM - VINYL COVERED - RIVERSTONE |
| 4 | 127254-14-20A | EA | TRACK/WRAPAROUND - PASSENGER - CASHMERE |
| 4 | 127254-14-19A | EA | TRACK/WRAPAROUND - PASSENGER - RIVERSTONE |
| 5 | 127254-04-20A | EA | TRACK/WRAPAROUND - DRIVER - CASHMERE |
| 5 | 127254-04-19A | EA | TRACK/WRAPAROUND - DRIVER - RIVERSTONE |

DRIVERS COMPARTMENT GROUP (CONTINUED)
FRONT INTERIOR (CONTINUED)

DRIVER MANUAL



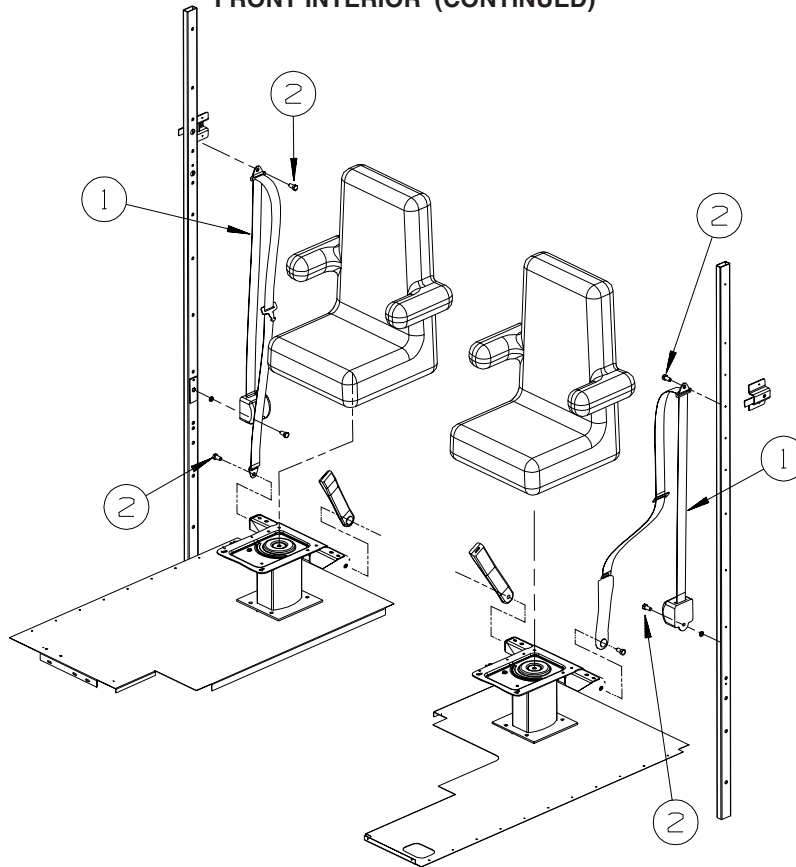
| KEY | PART NUMBER | U/M | DESCRIPTION |
|-----|---------------|-----|--------------------------------------|
| 1 | 133408-01-000 | EA | PEDESTAL - SEAT/DRIVER - 9 3/4" |
| 2 | 133408-19-000 | EA | TOP PLATE - DRIVERS - W/ANCHOR |
| 3 | 107921-06-000 | EA | BEARING KIT - PEDESTAL |
| 4 | 131566-04-000 | EA | SLIDE/SEAT - HEAVY DUTY LOCKING - 5" |
| | 119952-07-000 | EA | WIRE - LATCH RELEASE/ROTARY |
| 5 | 131566-05-000 | EA | WASHER - SLIDE SPACER |
| 6 | 133408-04-000 | EA | BRACKET - ANCHOR/FLOOR |



**PASSENGER
MANUAL**

| KEY | PART NUMBER | U/M | DESCRIPTION |
|-----|---------------|-----|---|
| 1 | 133408-01-000 | EA | PEDESTAL - SEAT - DRIVER/PASSENGER - 9 3/4" |
| 2 | 133408-20-000 | EA | TOP PLATE - PASSENGER - W/ANCHOR |
| 3 | 107921-06-000 | EA | BEARING KIT - PEDESTAL |
| 4 | 131566-04-000 | EA | SLIDE/SEAT - HEAVY DUTY LOCKING - 5" |
| | 119952-07-000 | EA | WIRE - LATCH RELEASE/ROTARY |
| 5 | 131566-05-000 | EA | WASHER - SLIDE SPACER |
| 6 | 133408-04-000 | EA | BRACKET - ANCHOR/FLOOR |

DRIVERS COMPARTMENT GROUP (CONTINUED)
FRONT INTERIOR (CONTINUED)



| KEY | PART NUMBER | U/M | DESCRIPTION |
|-----|---------------|-----|--|
| 1* | 091990-04-01A | EA | SEAT BELT/SHOULDER HARNESS - DRIVERS/PASSENGER - BLACK |
| 2 | 109146-01-000 | EA | BOLT - SHOULDER/SEAT BELT |

***COMPONENT PARTS LISTED LATER IN THIS GROUP**

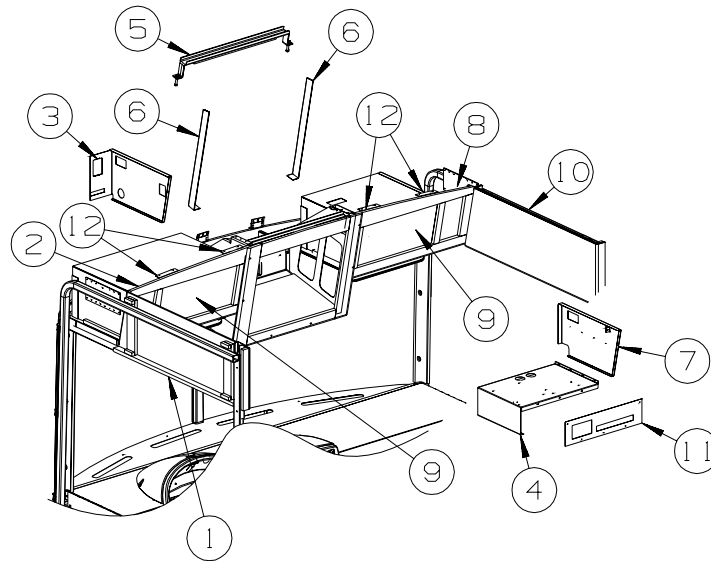
COMPONENT PARTS FOR FRONT INTERIOR

091990-04-01A

| KEY | PART NUMBER | U/M | DESCRIPTION | VENDOR NO. |
|-----|---------------|-----|------------------------------|------------|
| | 091990-01-701 | EA | EXTENDER 9" FOR A8408 3 PT | I-1331-02 |
| | 091990-01-703 | EA | RECEIVER/FEMALE END-SEATBELT | I-1159-02 |
| | 091990-05-700 | EA | SLEEVE/BUCKLE COVER-PLASTIC | 209S-2 |
| | 091990-05-701 | EA | CAP/COVER - BOLT HOLE COVER | 209SC-02 |
| | 091990-05-702 | EA | SLEEVE/RETRACTABLE COVER | 309C-02 |
| | 091990-05-703 | EA | EXTENDER 12" | I-1442-02 |

DRIVERS COMPARTMENT GROUP (CONTINUED)

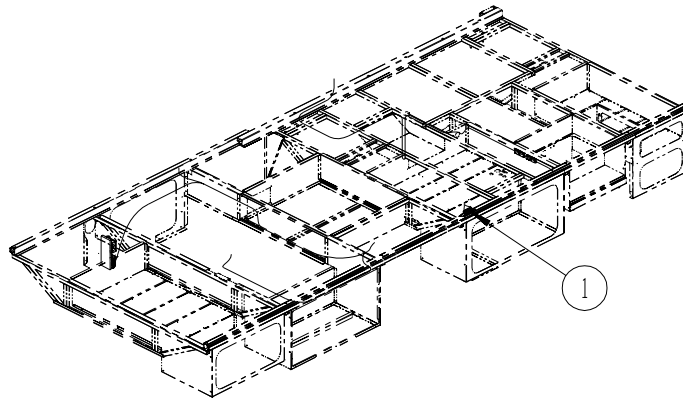
CABINETS



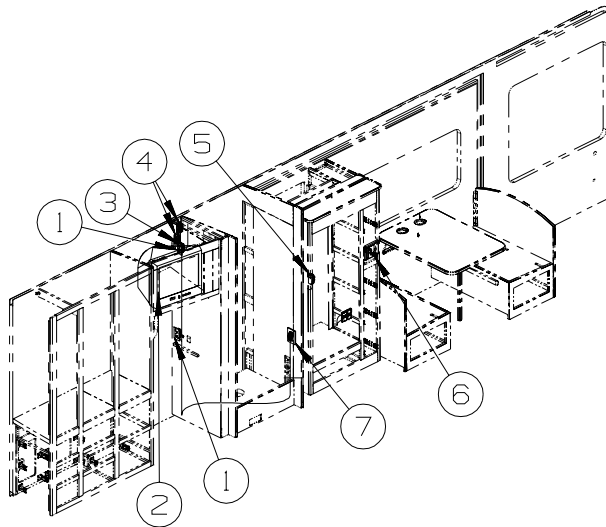
| KEY | PART NUMBER | U/M | DESCRIPTION |
|-------------------------------|---------------|-----|---|
| 1 | 138258-13-P31 | EA | PANEL - FRONT/OVERHEAD - LEFT HAND |
| 2 | 148442-02-U51 | EA | CABINET - OVERHEAD/FRONT/LEFT HAND - W/O DOORS/HARDWARE (U51) |
| 2 | 148442-02-U52 | EA | CABINET - OVERHEAD/FRONT/LEFT HAND - W/O DOORS/HARDWARE (U52) |
| 2 | 148442-02-T54 | EA | CABINET - OVERHEAD/FRONT/LEFT HAND - W/O DOORS/HARDWARE (U53) |
| 2 | 148442-02-TL1 | EA | CABINET - OVERHEAD/FRONT/LEFT HAND - W/O DOORS/HARDWARE (U54) |
| 2 | 148442-02-U55 | EA | CABINET - OVERHEAD/FRONT/LEFT HAND - W/O DOORS/HARDWARE (U55) |
| 2 | 148442-02-U56 | EA | CABINET - OVERHEAD/FRONT/LEFT HAND - W/O DOORS/HARDWARE (U56) |
| 3 | 134147-05-02B | EA | PANEL/SHELF - LEFT HAND - E-COATED |
| 4 | 155345-01-02B | EA | BRACKET/SUPPORT - E-COATED |
| FROM: 00-00-00 THRU: 05-07-06 | | | |
| 5 | 160735-02-02B | EA | STRAP - TIEDOWN/TV - 31" - E-COATED |
| 6 | 127842-01-01A | EA | SEAL - SIGHT SHIELD - 2" BLACK |
| 7 | 134147-04-02B | EA | PANEL/SHELF - RIGHT HAND - E-COATED |
| 8 | 148442-01-U51 | EA | CABINET - OVERHEAD/FRONT/RIGHT HAND - W/O DOORS/HARDWARE (U51) |
| 8 | 148442-01-U52 | EA | CABINET - OVERHEAD/FRONT/RIGHT HAND - W/O DOORS/HARDWARE (U52) |
| 8 | 148442-01-T54 | EA | CABINET - OVERHEAD/FRONT/RIGHT HAND - W/O DOORS/HARDWARE (U53) |
| 8 | 148442-01-U54 | EA | CABINET - OVERHEAD/FRONT/RIGHT HAND - W/O DOORS/HARDWARE (U54) |
| 8 | 148442-01-U55 | EA | CABINET - OVERHEAD/FRONT/RIGHT HAND - W/O DOORS/HARDWARE (U55) |
| 8 | 148442-01-U56 | EA | CABINET - OVERHEAD/FRONT/RIGHT HAND - W/O DOORS/HARDWARE (U56) |
| 9 | 146028-54-T54 | EA | DOOR - GLASS INSERT/OGEE EDGE - 12" X 21.8" - W/O HDW - PORTSMOUTH OAK |
| 9 | 146028-54-TL1 | EA | DOOR - GLASS INSERT/OGEE EDGE - 12" X 21.8" - W/O HDW - SIERRA MAPLE |
| 10 | 138258-12-R65 | EA | PANEL - FRONT/OVERHEAD - RIGHT HAND |
| 11 | 144923-03-U57 | EA | PANEL/SHELF - W/CUTOUTS - VINYL COVERED (U51, U52, U53, U54) |
| FROM: 00-00-00 THRU: 05-07-06 | | | |
| 11 | 144923-07-U57 | EA | PANEL/SHELF - W/CUTOUTS - VINYL COVERED (U51, U52, U53, U54) |
| FROM: 05-08-06 THRU: 99-99-99 | | | |
| 11 | 144923-03-U59 | EA | PANEL/SHELF - W/CUTOUTS - VINYL COVERED (U55, U56) |
| FROM: 00-00-00 THRU: 05-07-06 | | | |
| 11 | 144923-07-U59 | EA | PANEL/SHELF - W/CUTOUTS - VINYL COVERED (U55, U56) |
| FROM: 05-08-06 THRU: 99-99-99 | | | |
| 11 | 144923-04-U57 | EA | PANEL/SHELF - W/CUTOUTS F/VIDEO/INVERTER (U51, U52, U53, U54)- INVERTER-DC/AC, 300 WATT |
| FROM: 00-00-00 THRU: 05-07-06 | | | |
| 11 | 144923-06-U57 | EA | PANEL - W/CUTOUTS F/VIDEO/INVERTER (U51, U52, U53, U54)- INVERTER-DC/AC, 300 WATT |
| FROM: 05-08-06 THRU: 99-99-99 | | | |
| 11 | 144923-04-U59 | EA | PANEL/SHELF - W/CUTOUTS F/VIDEO/INVERTER (U55, U56)- INVERTER-DC/AC, 300 WATT |
| FROM: 00-00-00 THRU: 05-07-06 | | | |
| 11 | 144923-06-U59 | EA | PANEL - W/CUTOUTS F/VIDEO/INVERTER (U55, U56)- INVERTER-DC/AC, 300 WATT |
| FROM: 05-08-06 THRU: 99-99-99 | | | |
| 12 | 106699-01-01A | EA | BRACKET F/TV INSTALLATION - OVERHEAD CABINET |

ELECTRICAL GROUP

110V BODY WIRING



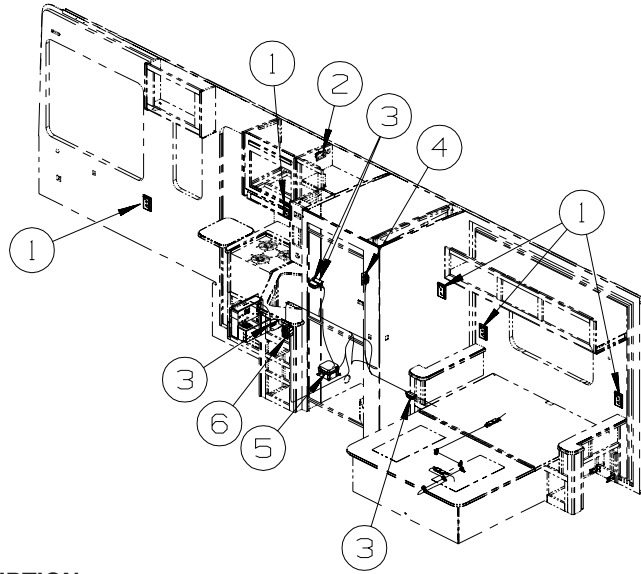
| KEY | PART NUMBER | U/M | DESCRIPTION |
|-----|---------------|-----|--|
| 1 | 058708-01-000 | EA | RECEPTACLE - ELECTRIC - DOUBLE - BROWN |



| KEY | PART NUMBER | U/M | DESCRIPTION |
|-----|---------------|-----|--|
| 1 | 058708-01-000 | EA | RECEPTACLE - ELECTRIC - DOUBLE - BROWN |
| 2 | 159178-01-000 | EA | TV - 19" - W/RCA INPUT - UL - TOSHIBA |
| | | | FROM: 00-00-00 THRU: 06-11-06 |
| 2* | 159178-03-000 | EA | TV - 19" - W/RCA INPUT - UL - TOSHIBA |
| | | | FROM: 06-12-06 THRU: 99-99-99 |
| 3 | 158542-02-01A | EA | LABEL - RECEPTACLE - ELECTRONICS - WHITE/BLACK - CANADIAN |
| 4 | 058707-02-000 | EA | RECEPTACLE - BLANK - JUNCTION BOX |
| 5 | 058707-01-000 | EA | RECEPTACLE - ELECTRIC - SINGLE - BROWN |
| 6 | 058708-01-000 | EA | RECEPTACLE - ELECTRIC - DOUBLE - BROWN |
| 6 | 133713-04-08A | EA | SPACER/RECEPTACLE - VINYL - PORTSMOUTH OAK |
| 6 | 133713-04-22A | EA | SPACER/RECEPTACLE - VINYL - SIERRA MAPLE |
| 7 | 058708-01-000 | EA | RECEPTACLE - ELECTRIC - DOUBLE - BROWN |
| 7 | 133713-01-08A | EA | SPACER/RECEPTACLE - VINYL - PORTSMOUTH OAK |
| 7 | 133713-01-22A | EA | SPACER/RECEPTACLE - VINYL - SIERRA MAPLE |

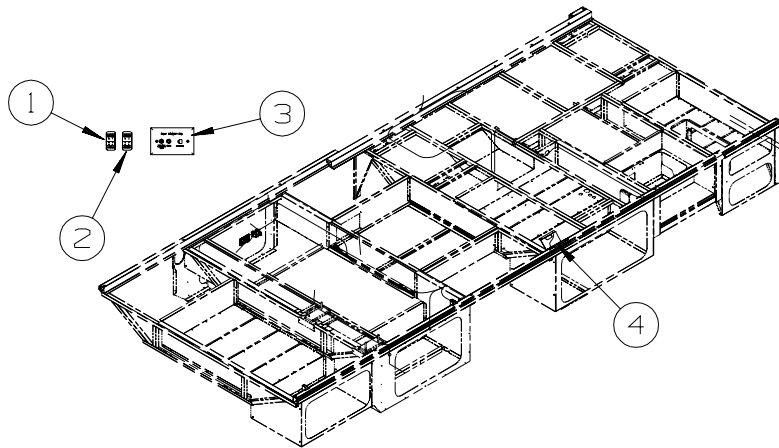
***COMPONENT PARTS LISTED LATER IN THIS GROUP**

ELECTRICAL GROUP (CONTINUED)
110V BODY WIRING (CONTINUED)



| KEY | PART NUMBER | U/M | DESCRIPTION |
|-----|---------------|-----|--|
| 1 | 058708-01-000 | EA | RECEPTACLE - ELECTRIC - DOUBLE - BROWN |
| 1 | 133713-01-08A | EA | SPACER/RECEPTACLE - VINYL - PORTSMOUTH OAK |
| 1 | 133713-01-22A | EA | SPACER/RECEPTACLE - VINYL - SIERRA MAPLE |
| 2 | 058708-05-000 | EA | RECEPTACLE - ELECTRICAL - SINGLE - BROWN |
| 2 | 160984-01-01A | EA | RECEPTACLE - ELECTRICAL - SINGLE/FLUSH - 20 AMP - BROWN - CANADIAN |
| 3 | 058707-02-000 | EA | RECEPTACLE - BLANK - JUNCTION BOX |
| 4 | 058708-01-000 | EA | RECEPTACLE - ELECTRIC - DOUBLE - BROWN |
| 5 | 136481-01-000 | EA | MODULE - AUTO ENERGY SELECTOR |
| 6 | 147446-01-02A | EA | RECEPTACLE - GFCI - 15A 125V - BROWN |
| | | | FROM: 00-00-00 THRU: 12-20-06 |
| 6 | 163319-01-02A | EA | RECEPTACLE - GFCI - 15A 125V - BROWN |
| | | | FROM: 12-21-06 THRU: 99-99-99 |

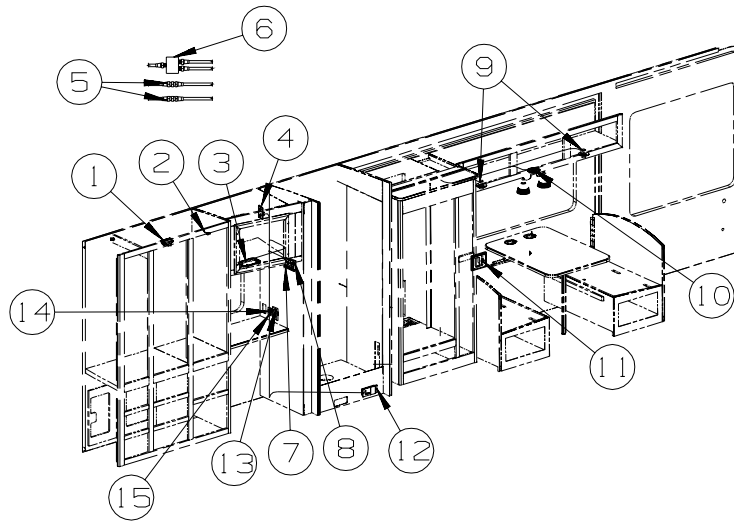
ELECTRICAL GROUP (CONTINUED)
12V BODY WIRING



| KEY | PART NUMBER | U/M | DESCRIPTION |
|-----|---------------|-----|--|
| 1 | 108357-15-000 | EA | SWITCH - ROCKER - DPDT - ON/NONE/ON - W/LIGHT W/O COVER |
| 1 | 108356-04-01A | EA | COVER/ACTUATOR SWITCH - 2 ROWS DIMPLES W/LENS - BLACK |
| 1 | 108355-01-000 | EA | HOUSING - SWITCH |
| 2 | 108357-18-000 | EA | SWITCH - ROCKER - DPDT - MOM/OFF/MOM - W/O COVER - HYDRAULIC LEVEL JACKS-AUTO |
| 2 | 108356-04-01A | EA | COVER/ACTUATOR SWITCH - 2 ROWS DIMPLES W/LENS - BLACK - HYDRAULIC LEVEL JACKS-AUTO |
| 2 | 108355-01-000 | EA | HOUSING - SWITCH - HYDRAULIC LEVEL JACKS-AUTO |
| 2 | 096241-03-000 | EA | SWITCH - BLANK - BLACK |
| 3 | 149557-02-01A | EA | PLATE/WALL - PHONE/DUAL COAXIAL/HORIZONTAL - WHITE |
| 4 | 082134-01-000 | EA | ADAPTER - TV - CABLE TO CABLE |
| 4 | 082136-01-000 | EA | NUT - HEX JAM - 3/8-32 |
| 4 | 157486-01-02A | EA | LABEL - TV/EXTERIOR |

ELECTRICAL GROUP (CONTINUED)

12V BODY WIRING (CONTINUED)

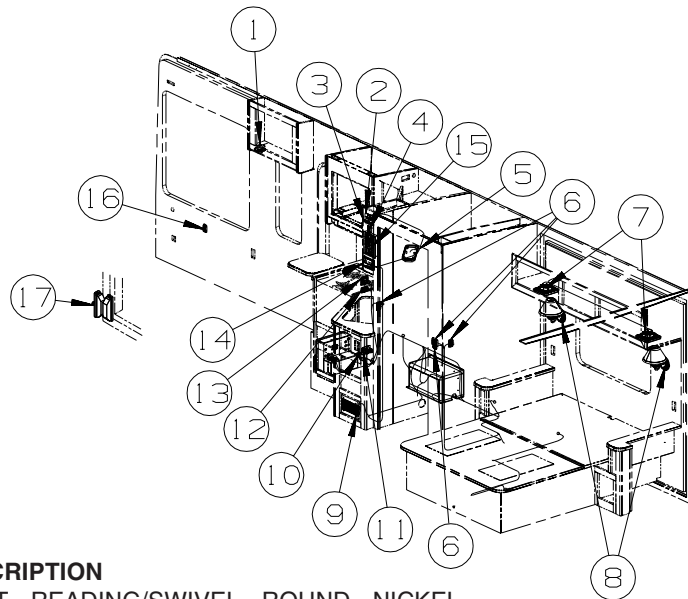


| KEY | PART NUMBER | U/M | DESCRIPTION |
|-----|---------------|-----|--|
| 1* | 087694-01-000 | EA | LIGHT - WARDROBE/CLOSET - W/SWITCH |
| 2 | 056264-01-000 | EA | SWITCH - LEAF ACTUATOR |
| 3* | 137417-02-01A | EA | LIGHT - DOME - SINGLE - W/SWITCH/OPTIC LENS - WHITE |
| 4 | 076319-09-000 | EA | WALLPLATE - TV CABLE RECEPTACLE - SINGLE - BROWN |
| 5 | 082134-01-000 | EA | ADAPTER - TV - CABLE TO CABLE |
| 6 | 086756-01-000 | EA | SPLITTER - TV/2 WAY |
| 7 | 116549-01-000 | EA | LABEL - WARNING - SLIDEOUT |
| 8 | 140464-02-000 | EA | CONTROL PANEL/SLIDEOUT - 2 CIRCUIT BOARDS/1 LED |
| 9 | 132427-01-02A | EA | LIGHT - READING/SWIVEL - ROUND - NICKEL - COUCH |
| 10 | 093575-47-01A | EA | LIGHT - CEILING/DOUBLE - BRUSHED NICKEL - DINETTE |
| 11 | 132958-01-000 | EA | RECEPTACLE - 12 VOLT - MOUNTING FLANGE - BLACK |
| 12 | 150138-01-02A | EA | DETECTOR - LP GAS - BROWN |
| 12 | 150138-01-01A | EA | DETECTOR - LP GAS - WHITE |
| 13 | 093253-01-02A | EA | PLATE - WALL - TELEPHONE - BROWN |
| 14 | 111414-01-000 | EA | RECEPTACLE/SOCKET - 12 VOLT |
| 15 | 111386-01-04B | EA | PLATE - RECEPTACLE - 12 VOLT - BLACK |

***COMPONENT PARTS LISTED LATER IN THIS GROUP**

ELECTRICAL GROUP (CONTINUED)

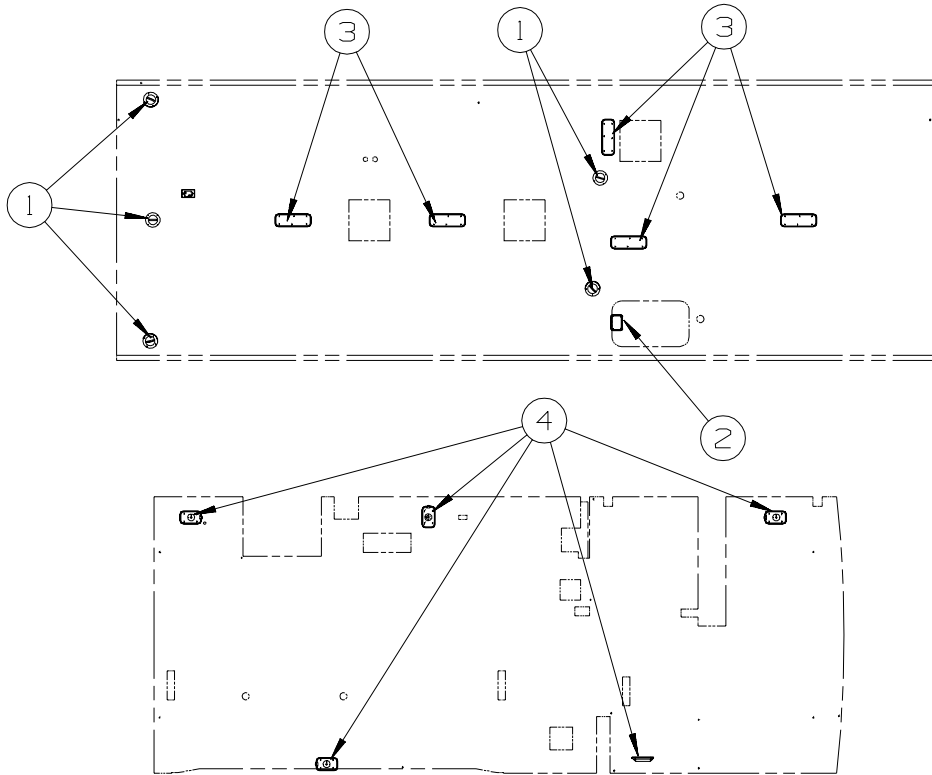
12V BODY WIRING (CONTINUED)



| KEY | PART NUMBER | U/M | DESCRIPTION |
|-----|---------------|-----|---|
| 1 | 132427-01-02A | EA | LIGHT - READING/SWIVEL - ROUND - NICKEL |
| 2 | 138173-04-000 | EA | CONTROL PANEL (TOUCH PAD) - ELECTRIC SLIDEOUT - #1802931 |
| 3 | 116549-01-000 | EA | LABEL - WARNING - SLIDEOUT |
| 4 | 135740-06-01A | EA | SWITCH - ROCKER - ON/OFF - LIGHTED - RED - WTR HTR-6GAL/110/LP/MTR/AUTO |
| 4 | 135741-01-01A | EA | SWITCH - BASE - SINGLE - BROWN - WTR HTR-6GAL/110/LP/MTR/AUTO |
| 4 | 135742-35-02A | EA | BEZEL - SWITCH - WATER HEATER/110 VOLT - BROWN - WTR HTR-6GAL/110/LP/MTR/AUTO |
| 5* | 137417-05-01A | EA | LIGHT - DOME - DOUBLE - W/SWITCH/OPTIC LENS - WHITE |
| 6 | 135740-01-01A | EA | SWITCH - ROCKER - SPST - ON/OFF - BROWN |
| 6 | 135741-01-01A | EA | SWITCH - BASE - SINGLE - BROWN |
| 6 | 135742-07-02A | EA | BEZEL - SWITCH - CEILING - BROWN |
| 7 | 094097-01-000 | EA | SPEAKER - RADIO/TV - W/O GRILLE - 5.25" DIAMETER |
| 7 | 089340-02-000 | EA | GRILLE - SPEAKER - 6.5" SQUARE |
| 8 | 119258-55-01A | EA | LAMP - WALL - UL/CSA - BRUSHED NICKEL |
| 8 | 119257-25-01A | EA | SHADE - LAMP - IVORY |
| 9 | 124884-01-000 | EA | SPEAKER - 6" X 9" - SUB-WOOFER - W/O GRILLE - HOME THEATER SOUND SYSTEM |
| 9 | 151844-01-01A | EA | GRILLE - SPEAKER - 6" X 9" - SUB WOOFER - BLACK - HOME THEATER SOUND SYSTEM |
| 10 | 061424-01-000 | EA | LIGHT - AISLE - 12 VOLT - RECTANGULAR |
| 11 | 108357-06-000 | EA | SWITCH - ROCKER - DPDT - MOM/OFF/MOM - 6 TERM - W/O COVER |
| 11 | 108356-11-01A | EA | COVER/ACTUATOR SWITCH - 3 GROOVES - AUX BATT - BLACK |
| 11 | 108355-01-000 | EA | HOUSING - SWITCH |
| 11 | 098351-22-02A | EA | PLATE/SWITCH - 2 GANG - CHROME |
| 11 | 108357-18-000 | EA | SWITCH - ROCKER - DPDT - MOM/OFF/MOM - W/O COVER - HYDRAULIC LEVEL JACKS-AUTO |
| 11 | 108356-15-01A | EA | COVER/ACTUATOR SWITCH - 3 GROOVES-LEVEL JACKS/REMOTE - HYDRAULIC LEVEL JACKS-AUTO |
| 11 | 108355-01-000 | EA | HOUSING - SWITCH - HYDRAULIC LEVEL JACKS-AUTO |
| 11 | 096241-03-000 | EA | SWITCH - BLANK - BLACK |
| 12 | 135740-01-01A | EA | SWITCH - ROCKER - SPST - ON/OFF - BROWN |
| 12 | 135741-01-01A | EA | SWITCH - BASE - SINGLE - BROWN |
| 12 | 135742-11-02A | EA | BEZEL - SWITCH - STEP - BROWN |
| 13 | 135740-01-01A | EA | SWITCH - ROCKER - SPST - ON/OFF - BROWN |
| 13 | 135741-02-01A | EA | SWITCH - BASE - DOUBLE - BROWN |
| 13 | 135742-19-02A | EA | BEZEL - SWITCH - CEILING/PORCH - BROWN |
| 14 | 135618-01-01A | EA | THERMOSTAT - HEAT PUMP/FURNACE - WHITE - AC HEAT PUMP-1 |
| 14 | 135618-03-01A | EA | THERMOSTAT - ROOF A/C & FURNACE - WHITE - A/C ROOF AIR (1) 14,800 BTU |
| 15* | 134940-06-01A | EA | PANEL - MONITOR - 2 TANK - W/GENERATOR SWITCH |
| 16 | 135740-01-01A | EA | SWITCH - ROCKER - SPST - ON/OFF - BROWN |
| 16 | 135741-01-01A | EA | SWITCH - BASE - SINGLE - BROWN |
| 16 | 135742-01-01A | EA | BEZEL - SWITCH - SINGLE - BROWN |
| 17 | 116995-02-000 | EA | SWITCH/MAGNET - ELECTRIC STEP - BLACK/WHITE- NORMALLY OPEN |

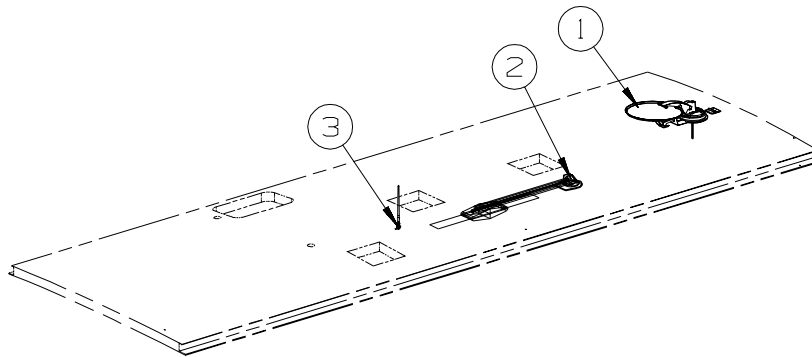
*COMPONENT PARTS LISTED LATER IN THIS GROUP

ELECTRICAL GROUP (CONTINUED)
12V BODY WIRING (CONTINUED)



| KEY | PART NUMBER | U/M | DESCRIPTION |
|-----|---------------|-----|--|
| 1 | 151314-01-01A | EA | SPEAKER - CUBE/CEILING - WHITE - MAGNADYNE - LS3CM-WN FROM: 00-00-00 THRU: 07-09-06 |
| 1 | 160867-01-01A | EA | SPEAKER - ROUND/CEILING - CREAM - MAGNADYNE - LS3EYC-WN FROM: 07-10-06 THRU: 99-99-99 |
| 2* | 121935-01-01A | EA | LIGHT - DOME - SHOWER - W/HOLE IN LENS |
| 3* | 137417-06-01A | EA | LIGHT - DOME - DOUBLE - W/O SWITCH - W/FROSTED LENS-WHITE |
| 4* | 137417-01-01A | EA | LIGHT - DOME - SINGLE - W/SWITCH/FROSTED LENS - WHITE |

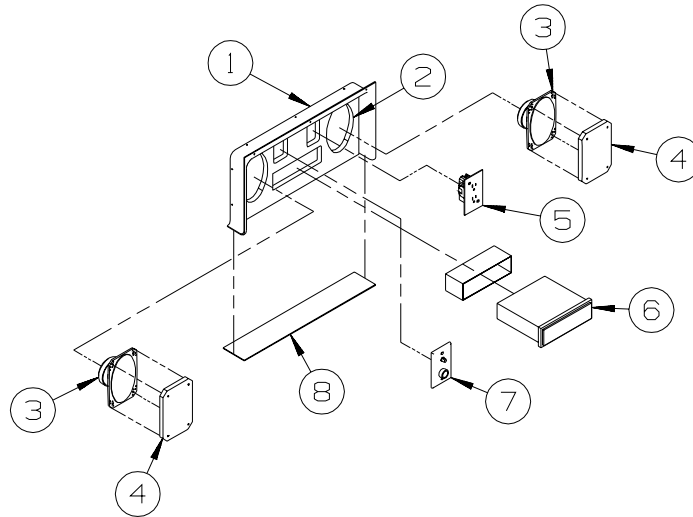
***COMPONENT PARTS LISTED LATER IN THIS GROUP**



| KEY | PART NUMBER | U/M | DESCRIPTION |
|-----|---------------|-----|--|
| 1* | 137135-02-000 | EA | ANTENNA - SATELLITE DSS - W/SENSOR - SATELLITE DISH & ELEV.SENSOR |
| 2* | 076319-23-000 | EA | ANTENNA - TV ROOF MOUNT - 44.5" MAST |
| 2* | 076319-25-000 | EA | KIT - HARDWARE INTERIOR |
| 2 | 069726-02-000 | EA | BUMPER - .88" OD X .40" THICK - BLACK |
| 3 | 090944-01-000 | EA | ANTENNA - RADIO - 16" RUBBER - W/72" LEAD WIRE |
| 3 | 109889-04-000 | EA | EXTENDER - ANTENNA SHAFT - 3.7" |
| 3 | 147741-01-09B | EA | BRACKET - ANTENNA GROUND - GALVANIZED |

***COMPONENT PARTS LISTED LATER IN THIS GROUP**

ELECTRICAL GROUP (CONTINUED)
12V BODY WIRING (CONTINUED)

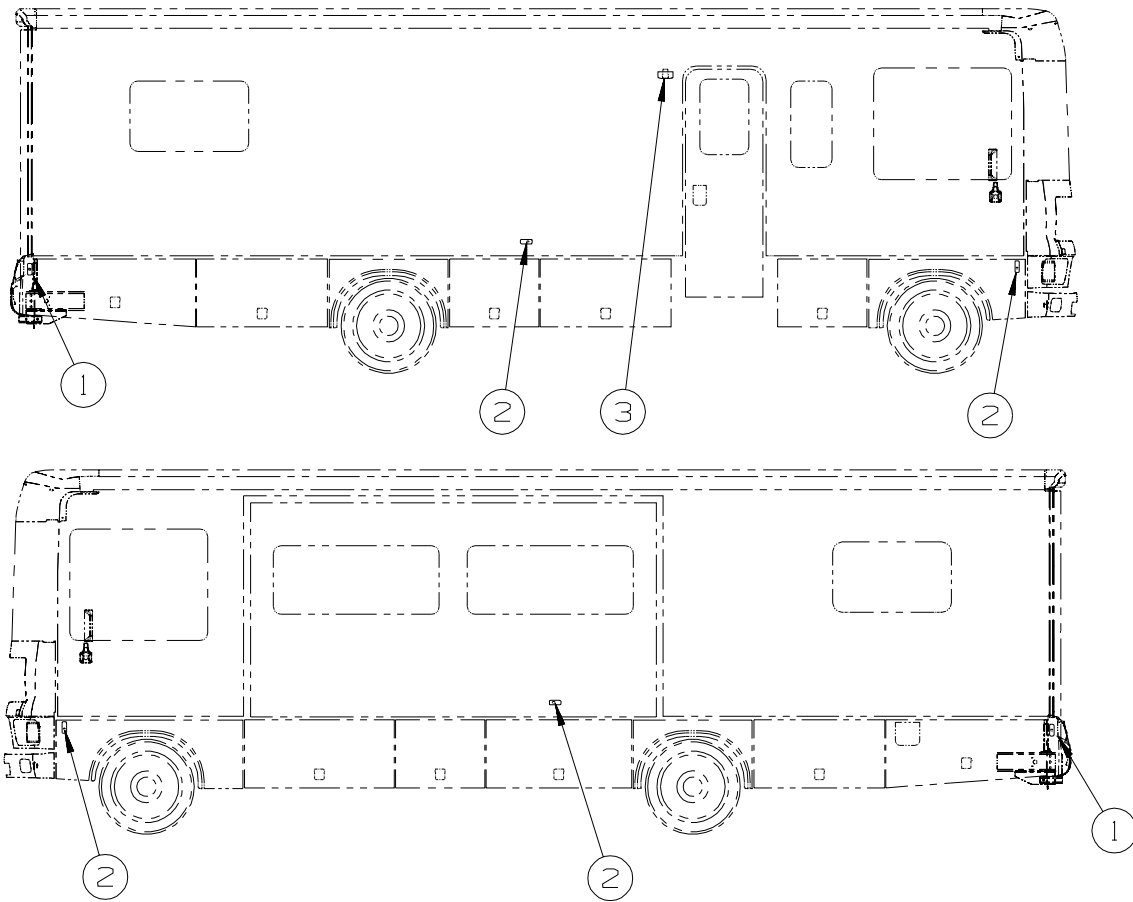


| KEY | PART NUMBER | U/M | DESCRIPTION |
|-----|---------------|-----|---|
| 1 | 124696-02-01A | EA | BOX-ENTERTAINMENT CTR/EXT-19.4"W X 10"H X 2.5"D - BRT WHT |
| | 124696-01-01A | EA | BOX-ENTERTAINMENT CTR/EXT-19.4"W X 10"H X 10.2"D W/CUTOUTS |
| 2 | 127409-03-U89 | EA | PLATE - RADIO MOUNTING |
| 3 | 110469-01-000 | EA | SPEAKER - 4" X 6" OVAL - COAXIAL |
| 4 | 110470-01-01A | EA | GRILLE - 4" X 6" - OVAL SPEAKER - BLACK |
| 5 | 058708-01-000 | EA | RECEPTACLE - ELECTRIC - DOUBLE - BROWN |
| 6* | 155619-01-000 | EA | RADIO - AM/FM CD - W/REMOTE - MAGNADYNE M3200CD FROM: 00-00-00 THRU: 08-01-06 |
| 6 | 155619-02-000 | EA | RADIO - AM/FM CD-W/O REMOTE/WIRE HARNESS-MAGNADYNE M3200CD FROM: 08-02-06 THRU: 99-99-99 |
| | 155619-03-000 | EA | REMOTE - RADIO FROM: 08-02-06 THRU: 99-99-99 |
| 7 | 132958-01-000 | EA | RECEPTACLE - 12 VOLT - MOUNTING FLANGE - BLACK |
| 8 | 104898-01-02A | EA | PLATE - PLASTIC BOTTOM - BRIGHT WHITE |

***COMPONENT PARTS LISTED LATER IN THIS GROUP**

ELECTRICAL GROUP (CONTINUED)

EXTERIOR LAMPS

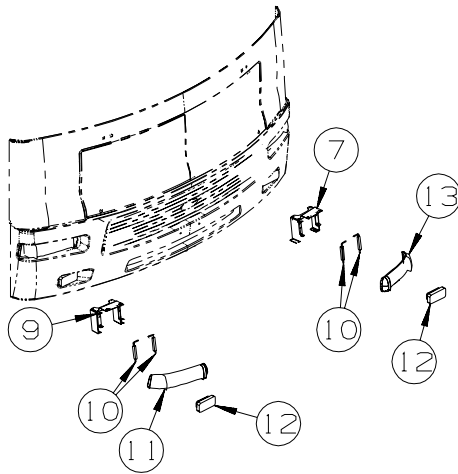
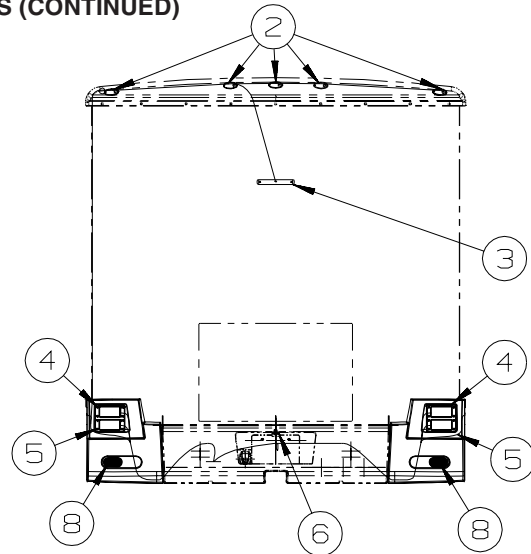
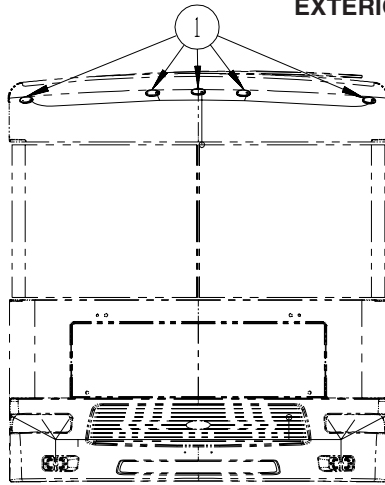


| KEY | PART NUMBER | U/M | DESCRIPTION |
|-----|---------------|-----|---|
| 1 | 147680-01-01A | EA | BASE - MARKER LAMP - WHITE |
| 1 | 147680-03-01A | EA | LAMP - MARKER - LENS - RED |
| 2 | 147680-01-01A | EA | BASE - MARKER LAMP - WHITE |
| 2 | 147680-02-01A | EA | LAMP - MARKER - LENS - AMBER |
| 3* | 097917-01-06A | EA | LIGHT - PORCH - ENTRY DOOR - BRIGHT WHITE |
| | 008215-01-000 | EA | BULB - 12 VOLT - #1003 - .94 AMP |

***COMPONENT PARTS LISTED LATER IN THIS GROUP**

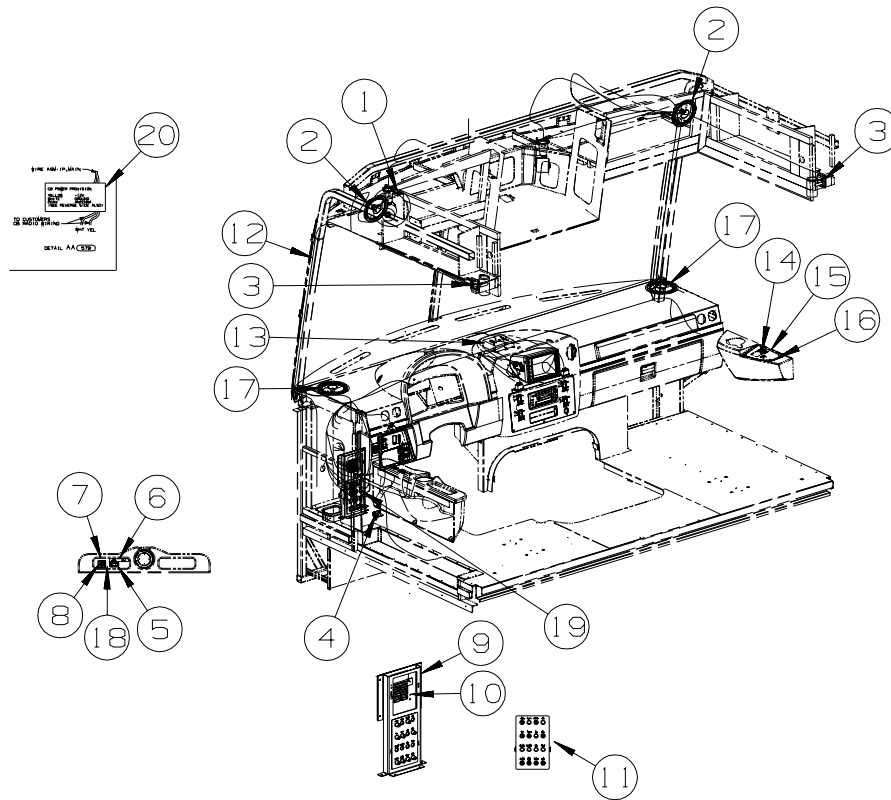
ELECTRICAL GROUP (CONTINUED)

EXTERIOR LAMPS (CONTINUED)



| KEY | PART NUMBER | U/M DESCRIPTION |
|-----|---------------|--|
| 1 | 147680-01-01A | EA BASE - MARKER LAMP - WHITE |
| 1 | 147680-02-01A | EA LAMP - MARKER - LENS - AMBER |
| 2 | 147680-01-01A | EA BASE - MARKER LAMP - WHITE |
| 2 | 147680-03-01A | EA LAMP - MARKER - LENS - RED |
| 3 | 136916-01-000 | EA LIGHT - BRAKE - CENTER MOUNT - RECTANGLE - 1.3" X 9.8" |
| 4 | 152352-03-000 | EA LAMP - STOP/TURN/TAIL - RED |
| | 037935-01-000 | EA BULB - 12V - #1157 OR #2057 - 2.1 AMP - CLEAR GLASS |
| 5 | 152352-01-000 | EA LIGHT - BACKUP - CLEAR LENS - W/O SOCKET |
| | 037934-01-000 | EA BULB - 12V - #1156 - 2.1 AMP - CLEAR GLASS |
| 6 | 087201-01-000 | EA LIGHT - HALF ROUND - 1" X 1.7" - PLASTIC - BLACK OR WHITE |
| 7 | 147901-02-02B | EA BRACKET/HEADLAMP - DRIVER - E-COATED |
| | | FROM: 00-00-00 THRU: 03-04-07 |
| 7 | 164261-02-02B | EA BRACKET/HEADLAMP - DRIVER - E-COATED |
| | | FROM: 03-05-07 THRU: 99-99-99 |
| 8 | 157998-01-000 | EA REFLECTOR - OVAL/RED - 1.9" X 4.3" |
| 9 | 147901-01-02B | EA BRACKET/HEADLAMP - PASSENGER - E-COATED |
| | | FROM: 00-00-00 THRU: 03-04-07 |
| 9 | 164261-01-02B | EA BRACKET/HEADLAMP - PASSENGER - E-COATED |
| | | FROM: 03-05-07 THRU: 99-99-99 |
| 10 | 148111-01-01A | EA PIN-MOUNT - HEADLAMP - BLACK |
| | | FROM: 00-00-00 THRU: 03-04-07 |
| 11 | 148629-01-000 | EA HEADLAMP - PASSENGER/(HIGH/LOW) - W/BULB |
| | 124187-01-000 | EA SOCKET/HOUSING |
| | 124187-02-000 | EA SOCKET/HOUSING - HIGH BEAM HEADLAMP |
| 12 | 159077-01-000 | EA LAMP - PARK/TURN - AMBER |
| 13 | 148629-02-000 | EA HEADLAMP - DRIVER/(HIGH/LOW) - W/BULB |
| | 124187-01-000 | EA SOCKET/HOUSING |
| | 124187-02-000 | EA SOCKET/HOUSING - HIGH BEAM HEADLAMP |
| | 157593-01-000 | EA CONNECTOR - PLUG - TRAILER - 7 SOCKET |
| | 146246-01-000 | EA CONNECTOR/PLUG - TRAILER - 7 PIN |

ELECTRICAL GROUP (CONTINUED) FRONT END

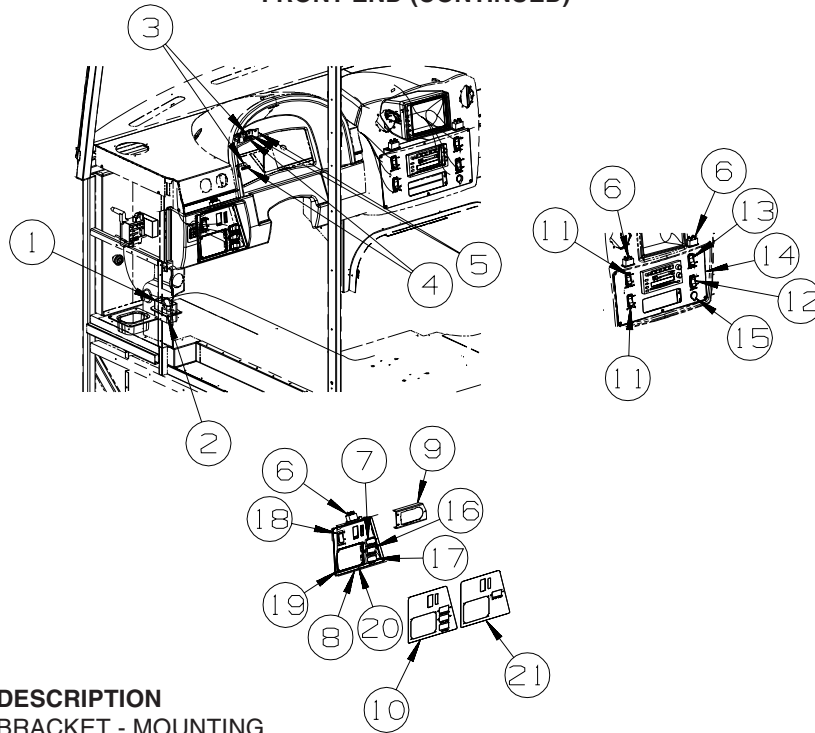


| KEY | PART NUMBER | U/M | DESCRIPTION |
|-----|---------------|-----|--|
| 1 | 122856-01-01A | EA | FAN-DEFROSTER-2 SPEED W/SWIVEL BASE/NON-OSCILLATING-CHROME |
| 2 | 094097-01-000 | EA | SPEAKER - RADIO/TV - W/O GRILLE - 5.25" DIAMETER |
| 3 | 149590-01-02A | EA | LIGHT - READING/SWIVEL - W/O SWITCH - NICKEL |
| | 123917-01-000 | EA | BULB - 12V - HALOGEN SPOT |
| 4 | 147428-01-02B | EA | BRACKET/ZEE - F/TEMPERATURE SENSOR - E-COATED - WORKHORSE |
| 5 | 145638-02-01A | EA | SWITCH/ROCKER - SPST (ON/OFF) - LIGHTED - BLACK |
| 6 | 133533-04-01A | EA | LABEL - WINDOW/MIRROR HEAT - BLACK/CLEAR |
| 7 | 158280-01-02B | EA | PLATE - SWITCH - MIRROR/HEAT - E-COATED |
| 8 | 088246-01-000 | EA | SWITCH/REMOTE MIRROR - W/2PIN & 6 PIN CONNECTORS/PIGTAIL |
| 9 | 149689-01-02B | EA | BRACKET - CIRCUIT BREAKER - E-COATED |
| 10 | 149690-01-02B | EA | BRACKET - FUSE PANEL - E-COATED - WORKHORSE |
| 10 | 149690-02-02B | EA | BRACKET - FUSE PANEL - E-COATED - FORD |
| 11 | 093236-47-000 | EA | LABEL - CIRCUIT BREAKER |
| 12 | 158494-02-000 | EA | CABLE/ANTENNA - SATELLITE RADIO SIRRUS |
| 13 | 135420-20-000 | EA | RECEIVER - SATELLITE RADIO |
| 14 | NOT USED | | |
| 15 | NOT USED | | |
| 16 | NOT USED | | |
| 17 | NOT USED | | |
| 18 | 158280-01-02B | EA | PLATE - SWITCH - MIRROR/HEAT - E-COATED |
| 19 | NOT USED | | |
| 20 | 104678-01-000 | EA | LABEL - CB PREP |

CANADIAN DAY RUN LAMPS ON 2007 FORD CHASSIS

| KEY | PART NUMBER | U/M | DESCRIPTION |
|-----|---------------|-----|---|
| | 163912-01-000 | EA | RESISITOR - DAYTIME RUNNING LIGHTS - FORD/CSA |
| | 163913-01-000 | EA | RELAY - DAYTIME RUNNING LIGHTS - FORD/CSA |

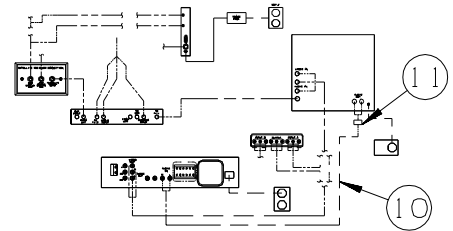
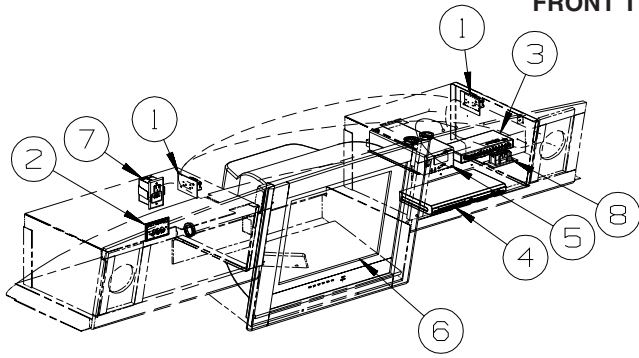
ELECTRICAL GROUP (CONTINUED) FRONT END (CONTINUED)



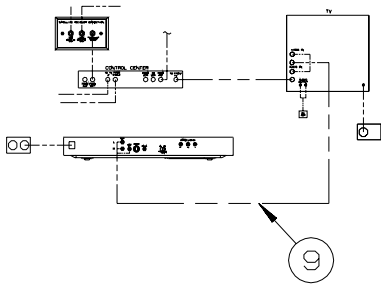
| KEY | PART NUMBER | U/M | DESCRIPTION |
|-----|---------------|-----|---|
| 1 | 118571-03-000 | EA | BRACKET - MOUNTING |
| 2 | 118571-04-000 | EA | GASKET |
| 3 | 150237-01-000 | EA | LIGHT - INDICATOR - RED |
| 4 | 133533-01-01A | EA | LABEL - JACKS DOWN - CLEAR W/WHITE LETTERING |
| 5 | 063912-02-000 | EA | RELAY - CANISTER - SPDT |
| 6 | 157655-01-01A | EA | LIGHT - DASH/SWITCH - 2 LAMP INCANDESCANT - BLACK HOUSING |
| 7 | 145638-04-01A | EA | SWITCH/ROCKER - SPDT (ON/ON) - BLACK |
| 8 | 156292-10-01A | EA | APPLIQUE - DRIVERS/LEFT - FORD - DARK ANTELOPE |
| 9 | 155516-01-02B | EA | MOUNT - HEADLAMP SWITCH - E-COATED |
| 10 | 156292-08-01A | EA | APPLIQUE - DRIVERS/LEFT - WORKHORSE - DARK ANTELOPE |
| 11 | 145638-03-01A | EA | SWITCH/ROCKER - SPDT (ON/OFF/ON) - BLACK |
| 11 | 108355-02-000 | EA | HOUSING - SWITCH - 12 POSITION |
| 11 | 145754-01-01A | EA | SWITCH - BLANK - BLACK |
| 12 | NOT USED | | |
| 13 | 145638-07-01A | EA | SWITCH/ROCKER - DPDT (ON/ON) - BLACK |
| 14 | 156292-07-01A | EA | APPLIQUE - BEZEL - CENTER - DARK ANTELOPE |
| 15 | 111414-01-000 | EA | RECEPTACLE/SOCKET - 12 VOLT |
| 16 | 145638-01-01A | EA | SWITCH/ROCKER - SPST (ON/OFF) - BLACK - WORKHORSE |
| 17 | 145638-14-01A | EA | SWITCH/ROCKER - DPDT (ON/OFF/ON) - BLACK - WORKHORSE |
| 18 | 103603-01-000 | EA | BULB - 12V - #74 - .12A WEDGE - GE 22-25 USED IN DASH |
| 18 | NOT USED | | |
| 19 | 134149-01-04B | EA | PLATE - COVER - LEVEL JACK CONTROL - BLACK |
| 20 | 156292-11-01A | EA | APPLIQUE - COVER - LEVEL JACK - DARK ANTELOPE |
| 21 | 156292-09-01A | EA | APPLIQUE - DRIVERS/LEFT - WORKHORSE - DARK ANTELOPE |

ELECTRICAL GROUP (CONTINUED)

FRONT TV/VCR



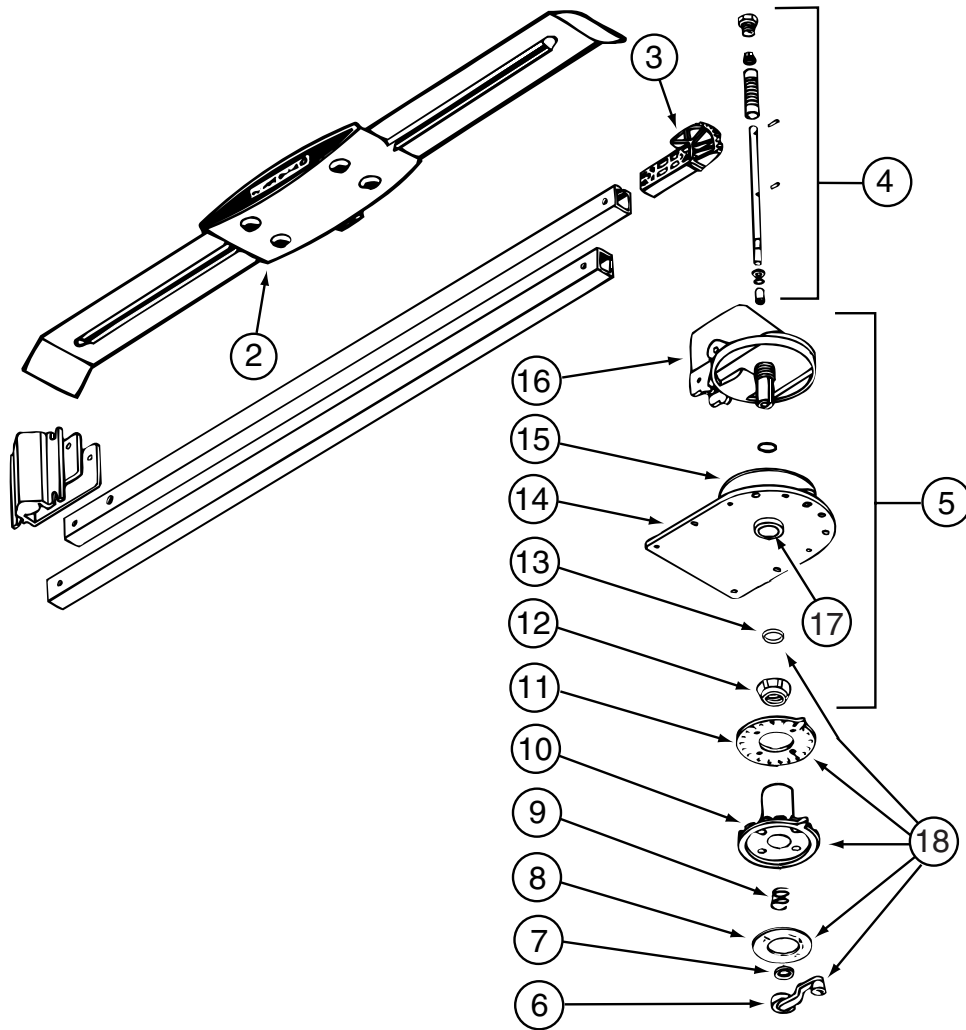
HOME THEATER SOUND SYSTEM



| KEY | PART NUMBER | U/M | DESCRIPTION |
|-----|---------------|-----|--|
| 1 | 058708-01-000 | EA | RECEPTACLE - ELECTRIC - DOUBLE - BROWN |
| 1 | 158542-02-01A | EA | LABEL - RECEPTACLE - ELECTRONICS - WHITE/BLACK - CANADIAN |
| 2 | 149557-04-01A | EA | PLATE/WALL - TRIPLE COAXIAL/HORIZONTAL - WHITE |
| 3 | 142258-01-000 | EA | SWITCH - VIDEO/ANTENNA POWER SUPPLY - VIDEO SELECTION SYSTEM |
| 4 | 159771-01-000 | EA | DVD/MP3 PLAYER - PROGRESSIVE SCAN - MEMOREX MVD2022 - DVD PLAYER FROM: 00-00-00 THRU: 04-11-06 |
| 4 | 164584-01-000 | EA | DVD/MP3 PLAYER - PROGRESSIVE SCAN - MEMOREX MVD2023 - DVD PLAYER FROM: 04-12-06 THRU: 99-99-99 |
| 4* | 150089-01-000 | EA | DVD/VCR PLAYER - RCA RTD300/SP - HOME THEATER SYSTEM FROM: 00-00-00 THRU: 03-12-06 |
| 4* | 158836-01-000 | EA | DVD - HOME THEATER - W/O SPEAKERS - MEMOREX STS71E-R - HOME THEATER SYSTEM FROM: 03-13-06 THRU: 99-99-99 |
| 5 | 099048-04-000 | EA | INVERTER - 300 WATT |
| 6 | 152441-03-000 | EA | TV - 24" - STEREO/5 JACKS - RCA 24V412TAO |
| 7 | 156676-01-000 | EA | CONTROLLER/OUTLET - POWER/TV - AUTO SHUTOFF W/IGNITION |
| 8 | 058708-01-000 | EA | RECEPTACLE - ELECTRIC - DOUBLE - BROWN |
| 9 | 136860-01-000 | EA | CABLE - RCA - SHIELDED - 3 MALE TO MALE CONNECTORS - 12' |
| 10 | 117420-02-000 | EA | CABLE - W/MALE RCA ENDS - SHIELDED - 4' |
| 11 | 123324-01-000 | EA | FILTER - GROUND LOOP |

*COMPONENT PARTS LISTED LATER IN THIS GROUP

ELECTRICAL GROUP (CONTINUED)
COMPONENT PARTS FOR WIRING



076319-23-000

| KEY | PART NUMBER | U/M | DESCRIPTION | VENDOR NO. |
|-----|---------------|-----|-------------------------|------------|
| 2 | 076319-01-700 | EA | HEAD-ANTENNA, AMPLIFIED | RVSA U/V |
| 3 | 076319-01-701 | EA | GEAR-ELEVATING, PLASTIC | 2200046 |
| 4 | 076319-01-702 | EA | SHAFT ASM-ELEVATING | RP-4000 |
| 5 | 076319-01-711 | EA | BASE & LIFT ASM | 2762802 |
| 7 | 076319-01-705 | EA | GROMMET-NYLON, 7/8"ID | 3200658 |
| 8 | 076319-01-708 | EA | DECAL-CRANK | 5413002 |
| 9 | 076319-01-707 | EA | SPRING-HANDLE | 2160822 |
| 11 | 076319-01-712 | EA | PLATE - CEILING | 3200608 |
| 12 | 076319-01-715 | EA | NUT (GEAR HOUSING) | 2200047 |
| 14 | 076319-01-713 | EA | PLATE-BASE, STEEL | 3100523 |
| 15 | 076319-01-703 | EA | BEARING-NYLON, 5"OD | 3200656 |
| 16 | 076319-01-714 | EA | HOUSING, ROTATING GEAR | 2200049 |
| 17 | 076319-01-704 | EA | BEARING-NYLON, 1.25"OD | 3200657 |
| 18 | 076319-01-709 | EA | HANDLE-HEAD DIRECTIONAL | 200644 |
| | 076319-01-716 | EA | TUBING, ELEVATING | RP-2900 |

CONTACT WINNEBAGO PART SALES FOR UNLISTED COMPONENT(S)

076319-25-000

| KEY | PART NUMBER | U/M | DESCRIPTION | VENDOR NO. |
|-----|---------------|-----|------------------------------|------------|
| 6 | 076319-01-706 | EA | CRANK-W/SET SCREW UNIV/BEIGE | 2750897 |
| 6 | 120233-01-710 | EA | HANDLE-CRANK W/SCREW - WHITE | RP-6795 |
| 8 | 076319-01-708 | EA | DECAL-CRANK | 5413002 |
| 10 | 076319-25-700 | EA | DIRECTIONAL HANDLE(WHITE) | 3200612 |
| 11 | 076319-25-701 | EA | PLATE - CEILING(WHITE) | 3200609 |
| 13 | 120233-01-709 | EA | WASHER-NYLON | RP-2658 |

CONTACT WINNEBAGO PART SALES FOR UNLISTED COMPONENT(S)

ELECTRICAL GROUP (CONTINUED)
COMPONENT PARTS FOR WIRING (CONTINUED)

083208-07-000

| KEY | PART NUMBER | U/M DESCRIPTION | VENDOR NO. |
|-----|---------------|--------------------------------|------------|
| | 083208-06-701 | EA CONVERTER ONLY (LOWER UNIT) | 7345R |

087694-01-000

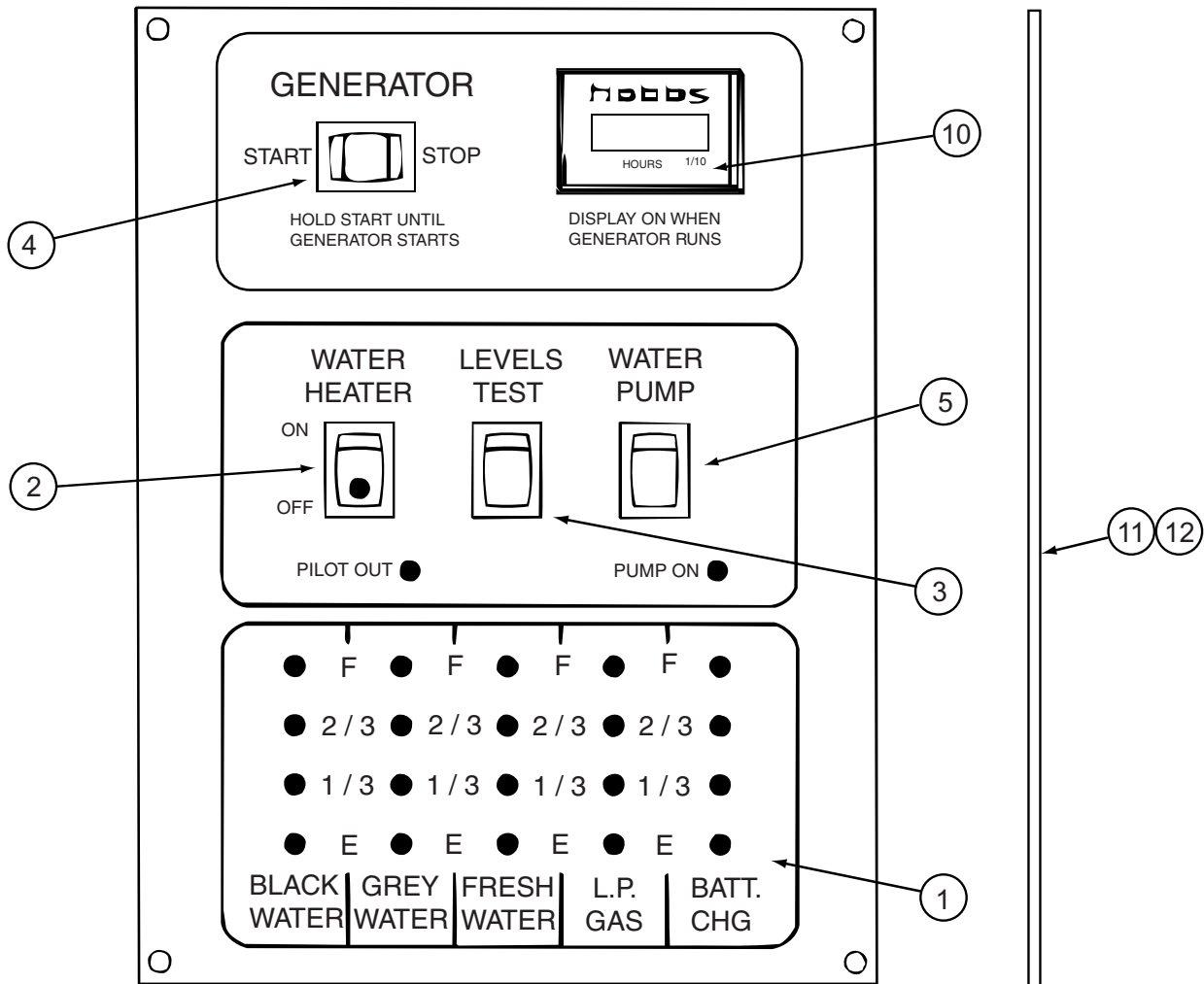
| KEY | PART NUMBER | U/M DESCRIPTION | VENDOR NO. |
|-----|---------------|-----------------|------------|
| | 087694-01-700 | EA BULB | GE561 |

097917-01-06A

| KEY | PART NUMBER | U/M DESCRIPTION | VENDOR NO. |
|-----|---------------|----------------------|------------|
| | 097917-01-700 | EA LENS-LIGHT, CLEAR | 30-78-021 |

121935-01-01A

| KEY | PART NUMBER | U/M DESCRIPTION | VENDOR NO. |
|-----|---------------|-----------------|------------|
| | 121935-01-700 | EA LENS ONLY | 809511 |

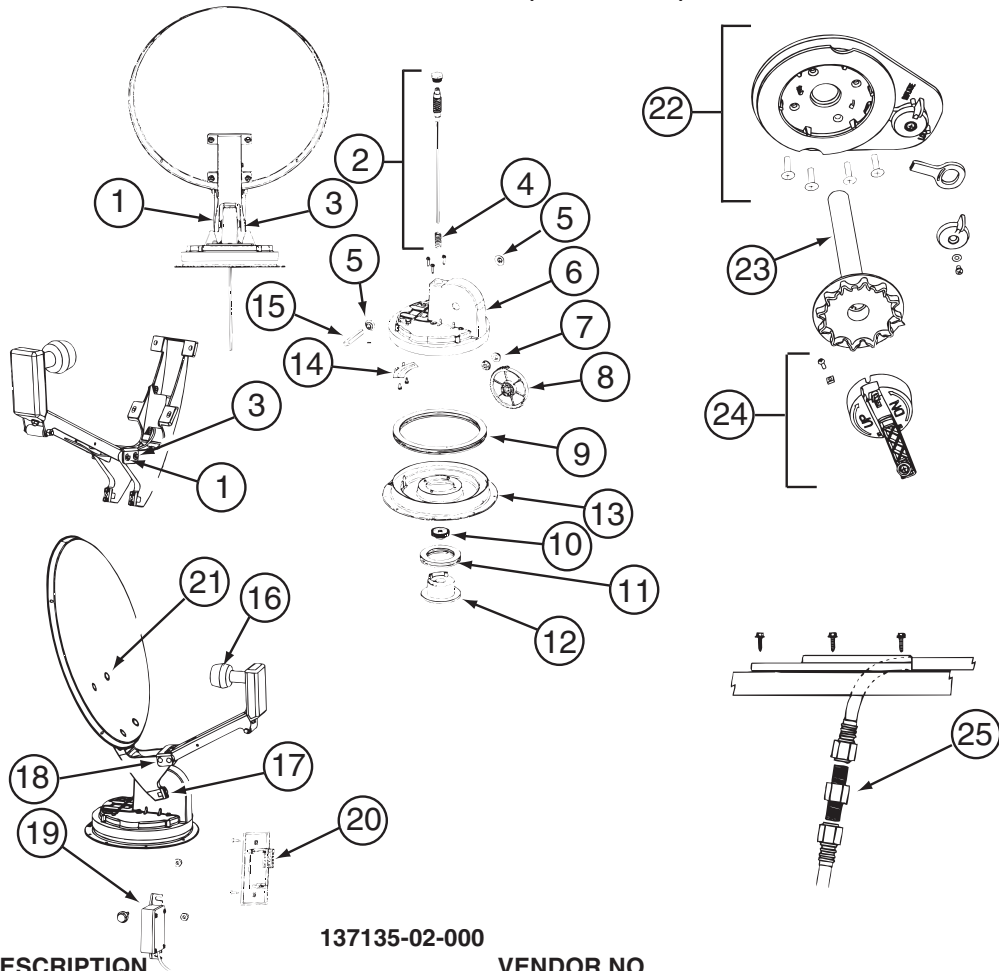


134940-06-01A

| KEY | PART NUMBER | U/M DESCRIPTION | VENDOR NO. |
|-----|---------------|---------------------------------|------------|
| 1 | 134940-01-702 | EA CHASSIS - SILKSCREENED | CC0558-00 |
| 2 | 134940-01-701 | EA SWITCH-SPST/ON-OFF/BLK W/LGT | L0109 |
| 3 | 096983-01-701 | EA SWITCH - SPST/MOM 2 TERMINAL | L0111-00 |
| 4 | 096983-01-702 | EA SWITCH - MOM/OFF/MOM/3 TERM | L0112-00 |
| 5 | 096983-01-703 | EA SWITCH - ON/ON | L0115-00 |
| 10 | 100258-10-701 | EA GAUGE-HR METER ONLY (LCD) | L0775-00 |
| 11 | 134940-06-700 | EA PC BOARD - SENSOR SYSTEM/RED | L5131-02 |

CONTACT WINNEBAGO PART SALES FOR UNLISTED COMPONENT(S)

ELECTRICAL GROUP (CONTINUED)
COMPONENT PARTS FOR WIRING (CONTINUED)



137135-02-000

| KEY | PART NUMBER | U/M | DESCRIPTION | VENDOR NO. |
|-----|---------------|-----|------------------------------|----------------|
| 1 | 120233-01-714 | EA | CLIP-E | 5160818 |
| 2 | 137135-01-703 | EA | KIT ELEV - SHAFT/GEAR/SPRING | RP-4400 |
| 3 | 137135-01-704 | EA | PIN - 1/4" X 3.25" | 2160813 |
| 4 | 137135-01-705 | EA | SPRING | 2160818 |
| 5 | 137135-01-707 | EA | SEAL - PIVOT SHAFT | 2200852 |
| 6 | 137135-01-708 | EA | TURRET | 3100728 |
| 7 | 137135-01-709 | EA | PIVOT BEARING | 2200470 |
| 8 | 137135-01-711 | EA | GEAR - ELEVATING | 2200464 |
| 9 | 137135-01-712 | EA | BEARING - OUTER | 2590347 |
| 10 | 137135-01-714 | EA | GEAR - ELEVATING SHAFT | 2200465 |
| 11 | 137135-01-715 | EA | BEARING - INNER | 2590348 |
| 12 | 137135-01-716 | EA | HUB | 3100731 |
| 13 | 137135-01-713 | EA | TURRET BASE | 3100730 |
| 14 | 137135-01-710 | EA | PLATE - ROTATE LIMIT | 3720052 |
| 16 | 137135-02-703 | EA | LOW NOISE BLOCK FILTER | LB-6000 - DUAL |
| 17 | 137135-01-722 | EA | CLAMP | 2590343 |
| 18 | 137135-01-719 | EA | BRACKET - PIVOT | 2744945 |
| 19 | 137135-01-720 | EA | DE-SENSOR UNIT W/43" CABLE | DM4000 |
| 20 | 137135-02-701 | EA | BOX - SURFACE MOUNT | SM-100 |
| 21 | 137135-01-717 | EA | BOLT - FLAT HEAD | 2160362 |
| 22 | 120233-01-737 | EA | PLATE/INT-W/DIRECTIONAL HDLE | RK-CEIL |
| 23 | 120233-01-704 | EA | DIAL/DIRECTIONAL 4"W/SPRING | 3200364 |
| 24 | 120233-01-738 | EA | HDW PKG-HANDLE/SPRING/WASHER | RK-HAND |
| 25 | 137135-01-701 | EA | CONNECTOR - F - MALE TO MALE | FS-8100 |
| | 120233-04-700 | EA | KIT-WALL PLATE/CABLE - GRAY | DM4000 |
| | 137135-01-700 | EA | ROOF WEDGE W/GASKET | RW-5000 |
| | 137135-01-706 | EA | KIT-TURRET/SEAL/BEARING/GEAR | RP-RM30 |
| | 137135-01-718 | EA | REFLECTOR/WHITE-46CM W/HDW | RP-35RM |
| | 137135-02-700 | EA | DE-SENSOR | 2780096 |
| | 137135-02-704 | EA | KIT-UPDATE DIRECTIONAL HDL | RP-RMDH |
| | 137135-02-705 | EA | KIT-TURRET & SHAFT COMPLETE | RP-RM46 |

CONTACT WINNEBAGO PART SALES FOR UNLISTED COMPONENT(S)

ELECTRICAL GROUP (CONTINUED)
COMPONENT PARTS FOR WIRING (CONTINUED)

137417-01-01A, 137417-03-01A

| KEY | PART NUMBER | U/M | DESCRIPTION | VENDOR NO. |
|------------|--------------------|------------|-------------------------|-------------------|
| | 137417-01-700 | EA | LENS - SINGLE (FROSTED) | 810868 |

137417-02-01A

| KEY | PART NUMBER | U/M | DESCRIPTION | VENDOR NO. |
|------------|--------------------|------------|---------------------|-------------------|
| | 137417-02-700 | EA | LENS - SINGLE OPTIC | 810844 |

137417-05-01A

| KEY | PART NUMBER | U/M | DESCRIPTION | VENDOR NO. |
|------------|--------------------|------------|---------------------|-------------------|
| | 137417-05-700 | EA | LENS - DOUBLE OPTIC | 810845 |

137417-06-01A

| KEY | PART NUMBER | U/M | DESCRIPTION | VENDOR NO. |
|------------|--------------------|------------|---------------------|-------------------|
| | 137417-06-700 | EA | LENS - DOUBLE WHITE | 810867 |

150089-01-000

| KEY | PART NUMBER | U/M | DESCRIPTION | VENDOR NO. |
|------------|--------------------|------------|--------------------|-------------------|
| | 150089-01-700 | EA | REMOTE | 265683 |

155619-01-000

| KEY | PART NUMBER | U/M | DESCRIPTION | VENDOR NO. |
|------------|--------------------|------------|--------------------|-------------------|
| | 155619-01-700 | EA | REMOTE | RC3200 |

158836-01-000

| KEY | PART NUMBER | U/M | DESCRIPTION | VENDOR NO. |
|------------|--------------------|------------|--------------------|-------------------|
| | 158836-01-700 | EA | REMOTE | STS71WREM |

159178-03-000

| KEY | PART NUMBER | U/M | DESCRIPTION | VENDOR NO. |
|------------|--------------------|------------|--------------------|-------------------|
| | 159178-03-700 | EA | REMOTE | AE003331 |

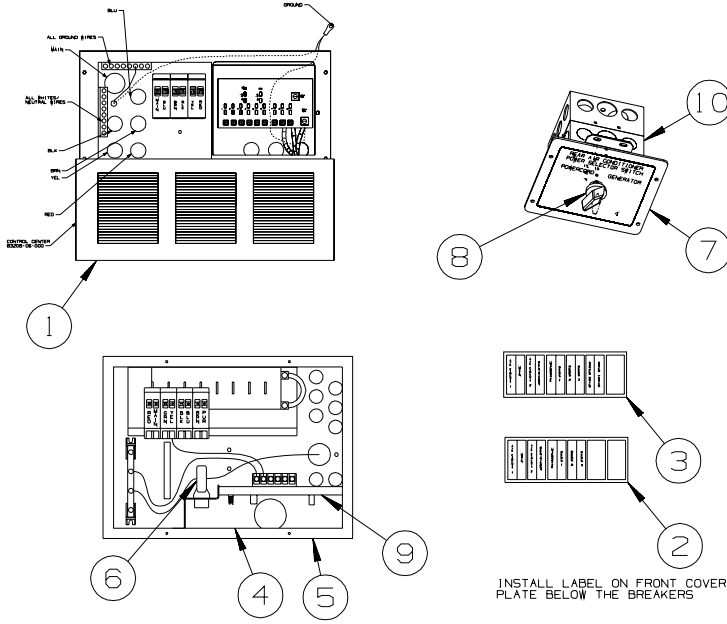
ELECTRICAL GROUP (CONTINUED)
CIRCUIT BREAKERS, FUSES & RELAYS

| KEY | PART NUMBER | U/M | DESCRIPTION |
|------------|--------------------|------------|--|
| | 008235-01-000 | EA | FUSE - 15 AMP/12VOLT - AUTOMOTIVE |
| | 062901-02-000 | EA | FUSE - 5 AMP - AUTOMOTIVE |
| | 062901-04-000 | EA | FUSE - 10 AMP - AUTOMOTIVE |
| | 062901-05-000 | EA | FUSE - 15 AMP - AUTOMOTIVE |
| | 062901-06-000 | EA | FUSE - 20 AMP - AUTOMOTIVE |
| | 062901-07-000 | EA | FUSE - 25 AMP - AUTOMOTIVE |
| | 062901-08-000 | EA | FUSE - 30 AMP - AUTOMOTIVE |
| | 063910-01-000 | EA | HOUSING - RELAY |
| | 063912-02-000 | EA | RELAY - CANISTER - SPDT |
| | 083209-01-000 | EA | CIRCUIT BREAKER - 15 AMP - 120 VOLT - CANADIAN |
| | 083209-02-000 | EA | CIRCUIT BREAKER - 15/15 AMP - 120 VOLT |
| | 083209-03-000 | EA | CIRCUIT BREAKER - 15/20 AMP - 120 VOLT |
| | 083209-04-000 | EA | CIRCUIT BREAKER - 30 AMP - 120 VOLT |
| | 083209-05-000 | EA | CIRCUIT BREAKER - 20 AMP - 120 VOLT |
| | 083209-06-000 | EA | CIRCUIT BREAKER - 30/15 AMP - 120 VOLT |
| | 083209-07-000 | EA | CIRCUIT BREAKER - 20/20 AMP - 120 VOLT |
| | 083209-10-000 | EA | CIRCUIT BREAKER - 20/30 AMP - 120 VOLT |
| | 083209-11-000 | EA | CIRCUIT BREAKER - 20/15 AMP - 120 VOLT |
| | 092786-03-000 | EA | BUSS BAR - 6.9" LONG |
| | 092786-06-000 | EA | BUSS BAR |
| | 093654-01-000 | EA | CIRCUIT BREAKER - 6 AMP - 12 VOLT - PUSH BUTTON - WHITE |
| | 093654-02-000 | EA | CIRCUIT BREAKER - 15 AMP - 12 VOLT - PUSH BUTTON - WHITE |
| | 093654-03-000 | EA | CIRCUIT BREAKER - 20 AMP - 12 VOLT - PUSH BUTTON - WHITE |
| | 093655-01-000 | EA | CIRCUIT BREAKER - 25 AMP - 12 VOLT - PUSH BUTTON - WHITE |
| | 093655-02-000 | EA | CIRCUIT BREAKER - 30 AMP - 12 VOLT - PUSH BUTTON - WHITE |
| | 093655-03-000 | EA | CIRCUIT BREAKER - 40 AMP - 12 VOLT - PUSH BUTTON - WHITE |
| | 097611-01-000 | EA | CIRCUIT BREAKER - 10 AMP |
| | 100341-01-000 | EA | FUSE HOLDER - IN LINE TYPE |
| | 113482-01-000 | EA | CIRCUIT BREAKER - 55 AMP - MANUAL |
| | 115187-01-000 | EA | FUSE - 300 AMP - NON-DELAY |
| | 115187-02-000 | EA | HOLDER - FUSE |
| | 115187-03-000 | EA | FUSE - 60 AMP - NON-DELAY |
| | 122811-01-000 | EA | CIRCUIT BREAKER - 20/50/50/20 AMP - 250V |
| | 125986-02-000 | EA | FUSE - 5 AMP - AUTO - MINI BLADE |
| | 125986-05-000 | EA | FUSE - 15 AMP - AUTO - MINI BLADE |
| | 141789-01-000 | EA | SPACER - CIRCUIT BREAKER |

ELECTRICAL GROUP (CONTINUED)

CONVERTER, INVERTER, LOAD CENTERS

| KEY | PART NUMBER | U/M | DESCRIPTION |
|-----|---------------|-----|--|
| | 099048-04-000 | EA | INVERTER - 300 WATT |
| | 123058-02-000 | EA | CONVERTER - 45 AMP - ELECTRONIC - 4 1/8"H X 7"W X 12 3/8"L |
| | 024924-02-000 | EA | RECEPTACLE - POWER CORD - W/PARTIAL PLATE |



| KEY | PART NUMBER | U/M | DESCRIPTION |
|-----|---------------|-----|--|
| 1* | 083208-07-000 | EA | CONTROL CENTER - 45 AMP - 120V/12V - W/O BREAKERS |
| 2 | 095721-27-000 | EA | LABEL - CONTROL CENTER - 30 AMP |
| 3 | 095721-31-000 | EA | LABEL - CONTROL CENTER - 30 AMP - US - WTR HTR-6GAL/110/LP/MTR/AUTO |
| 4 | 141258-01-000 | EA | LOAD CENTER - 120/240 - 30/50 AMP |
| 5 | 141258-02-000 | EA | LOAD CENTER - COVER |
| 6 | 127002-07-000 | EA | SENSOR - CURRENT |
| 7 | 121365-03-01A | EA | COVER - REAR A/C POWER SELECT SWITCH - POWERCORD/GENERATOR |
| 8 | 073937-03-000 | EA | SWITCH - ROTARY- AC - SELECTOR - 3 DECK |
| 9 | 127002-11-000 | EA | MODULE - EMS CENTER - W/REMOTE SENSOR |
| 10 | 074890-01-000 | EA | BOX - EXTENSION/STEEL - OPEN SIDES - 4" X 4" X 1 1/2" |

*COMPONENT PARTS LISTED LATER IN THIS GROUP

ELECTRICAL GROUP (CONTINUED)
BOXES & CORDS

| KEY | PART NUMBER | U/M | DESCRIPTION |
|------------|--------------------|------------|--|
| | 008054-01-000 | EA | CORD - POWER - 10/3 WIRE - 30 AMP - 25' |
| | 008289-01-000 | EA | BOX - ELECTRIC/STEEL - 4" X 4" - 1/2" & 3/4" KNOCKOUTS |
| | 008294-01-000 | EA | COVER - ELECTRIC BOX - BLANK/STEEL - 4" X 4" - GRAY |
| | 069238-01-000 | EA | COVER - ELECTRICAL BOX - W/HOLE - 4" X 4" - GRAY |
| | 115832-01-000 | FT | CORD - HEAVY DUTY - 14-2 W/GROUND |
| | 131679-01-000 | EA | BOX/ELECTRIC-WATERPROOF-4" X 4" - W/4 3/4"OUTLETS-UL/CSA |
| | 131680-01-000 | EA | COVER - F/ELECTRIC BOX W/GASKET 4" X 4" - UL/CSA |
| | 133070-01-000 | EA | BOX - ELECTRIC/PLASTIC - 3" X 2" X 2.8" - UL |
| | 133070-02-000 | EA | BOX - ELECTRIC/PLASTIC - 3" X 2" X 2.8" - CSA |

WIRE ASSEMBLIES

| KEY | PART NUMBER | U/M | DESCRIPTION |
|------------|--------------------|------------|---|
| | 077069-02-000 | EA | CABLE/EXTENSION - RADIO ANTENNA - 96" |
| | 077069-03-000 | EA | CABLE/EXTENSION - RADIO ANTENNA - 260" |
| | 126030-01-000 | EA | WIRE ASM-WIPER/WASHER |
| | 125853-04-000 | EA | WIRE LOOM - ENTERTAINMENT CENTER |
| | 135420-16-000 | EA | WIRE LOOM - RADIO |
| | 137135-03-000 | EA | WIRE LOOM - DIGITAL ELEVATION SENSOR |
| | 137135-04-000 | EA | WIRE HARNESS - POWER - DIGITAL ELEVATION SENSOR |
| | 142258-02-000 | EA | WIRE LOOM - VIDEO SWITCH/POWER SUPPLY |
| | 144677-07-000 | EA | WIRE - MONITOR - POWER - 3 PIN TO 6 PIN (3 WIRE) |
| | 144677-09-000 | EA | WIRE - MONITOR - POWER - 3 PIN/2 PIN |
| | 145210-01-000 | FT | CABLE - COAXIAL |
| | 147313-01-000 | EA | WIRE - OUTSIDE TEMP SENSOR - W/O SENSOR |
| | 151316-01-000 | EA | WIRE ASM - W/NON CONTACT SENSORS - GREY WATER - 3.9" |
| | 151316-02-000 | EA | WIRE ASM - W/NON CONTACT SENSORS - GREY WATER - 23.6" |
| | 151316-03-000 | EA | WIRE ASM - W/NON CONTACT SENSORS - GREY WATER - 43.2" |
| | 151317-01-000 | EA | WIRE ASM-W/NON CONTACT SENSORS-FRESH WATER/BLK TANK-3.9" |
| | 151317-02-000 | EA | WIRE ASM-W/NON CONTACT SENSORS-FRESH WATER/BLK TANK-23.6" |
| | 155619-05-000 | EA | WIRE ASSEMBLY - RADIO - 12 PIN |

ELECTRICAL GROUP (CONTINUED)
CONNECTORS & CONDUIT

| KEY | PART NUMBER | U/M | DESCRIPTION |
|-----|---------------|-----|--|
| | 007940-01-000 | EA | RECEPTACLE/SLIDE 16 TO 12 AWG - FEMALE END |
| | 007940-02-000 | EA | RECEPTACLE/SLIDE 10 AWG |
| | 007954-01-000 | EA | RECEPTACLE - HOUSING - 6 POSITION |
| | 007956-05-000 | EA | INSULATOR - SHRINK - 1/4"ID X 1 1/2" |
| | 008058-01-000 | EA | ADAPTER - POWER CORD - 30 AMP TO 15 AMP |
| | 008311-01-000 | EA | CONNECTOR - WIRE NUT - INSULATED - RED |
| | 008312-01-000 | EA | CONNECTOR - WIRE NUT - INSULATED - BLUE |
| | 008313-01-000 | EA | CONNECTOR - WIRE NUT - INSULATED - YELLOW |
| | 008314-01-000 | EA | CONNECTOR - WIRE NUT - INSULATED - GRAY |
| | 008328-01-000 | EA | TERMINAL - RING - 12/10 WIRE - #10 STUD FIT |
| | 008331-01-000 | EA | TERMINAL - RING - TONGUE - #4 WIRE - 3/8" STUD - COPPER |
| | 008348-01-000 | EA | TERMINAL - RING - 3/8" STUD 2 GA. WIRE |
| | 008355-01-000 | EA | CONNECTOR - CABLE CLAMPING - 3/4" |
| | 008356-01-000 | EA | CONNECTOR - PLASTIC - 3/8" |
| | 008356-02-000 | EA | CONNECTOR - PLASTIC - 21/32" |
| | 008398-01-000 | EA | CONNECTOR - 1/2" X 90 DEGREE - FLEX CONDUIT - UL & CSA |
| | 035416-04-000 | EA | TERMINAL - RING - #10 STUD FIT - INSULATED BARREL #16/14 |
| | 041953-01-000 | FT | CONDUIT - CONVOLUTE SLIT - .5" ID - POLYETHYLENE |
| | 041953-02-000 | FT | CONDUIT - CONVOLUTE SLIT - .6" ID - POLYETHYLENE |
| | 041953-03-000 | FT | CONDUIT - CONVOLUTE SLIT - 1" ID (CLOTHES ROD COVER) |
| | 041953-06-000 | FT | CONDUIT - CONVOLUTE SLIT - .4" ID - POLYETHYLENE |
| | 041953-07-000 | FT | CONDUIT - CONVOLUTE SLIT - .25" ID - POLYETHYLENE |
| | 041953-08-000 | FT | CONDUIT - CONVOLUTE SLIT - 1.5" ID - POLYETHYLENE |
| | 041953-09-000 | FT | CONDUIT - CONVOLUTE SLIT - .5" ID - NYLON |
| | 041953-10-000 | FT | CONDUIT - CONVOLUTE SLIT - .75" ID - NYLON |
| | 041953-11-000 | FT | CONDUIT - CONVOLUTE SLIT - 1.06" ID - NYLON |
| | 041953-12-000 | FT | CONDUIT - CONVOLUTE SOLID - 1.1" ID - NYLON |
| | 041953-13-000 | FT | CONDUIT - CONVOLUTE SLIT - 1.25" ID |
| | 041953-14-000 | FT | CONDUIT - CONVOLUTE SLIT - 1.5" ID |
| | 041953-15-000 | FT | CONDUIT - CONVOLUTE SLIT - 2" |
| | 041953-16-000 | FT | CONDUIT - CONVOLUTE SLIT - 2" |
| | 047441-01-000 | EA | TERMINAL-BATTERY, HORIZONTAL LUG |
| | 047443-01-000 | EA | TERMINAL - .250 RECEPTACLE FIT - INSULATED - 16/14 AWG |
| | 047443-02-000 | EA | TERMINAL - .250 RECEPTACLE FIT - INSULATED - 12/10 AWG |
| | 047443-05-000 | EA | TERMINAL - .250 RECEPTACLE FIT - 18GA AWG |
| | 058028-01-000 | EA | CONNECTOR - ELECTRICAL PIGTAIL - NYLON - CLEAR |
| | 062036-01-000 | EA | TERMINAL - PACK - CON - 12/10 AWG |
| | 076319-12-000 | EA | CONNECTOR - COAXIAL - ONE PIECE |
| | 077479-01-000 | EA | BOOT - BATTERY TERMINAL - DOUBLE CABLE |
| | 077479-02-000 | EA | BOOT - BATTERY TERMINAL - SINGLE CABLE |
| | 080015-02-000 | EA | RECEPTACLE - FLAG - .185 - 16/14 GAUGE |
| | 080015-03-000 | EA | RECEPTACLE - FLAG - .250 - 14/16 GAUGE |
| | 080015-04-000 | EA | RECEPTACLE - FLAG - .187 - 16/14 GAUGE |
| | 082109-01-000 | EA | HOUSING - CONNECTOR - PACKARD |
| | 082741-01-000 | EA | CONNECTOR BODY - 2 CONNECTOR MALE |
| | 087225-01-000 | FT | SLEEVING - 1/2" - TYPE H |
| | 088473-01-000 | EA | HOUSING - PIN - 12 CAVITY (3 ROWS OF 4) |
| | 088473-02-000 | EA | HOUSING - PIN - 15 CAVITY (3 ROWS OF 5) |
| | 088473-03-000 | EA | HOUSING - PIN - 9 CAVITY (3 ROWS OF 3) |
| | 088473-04-000 | EA | HOUSING - PIN - 8 CAVITY IN-LINE |
| | 088473-06-000 | EA | HOUSING - PIN - 6 CAVITY (2 ROWS OF 3) |
| | 088473-07-000 | EA | HOUSING - PIN - 5 CAVITY - IN-LINE |
| | 088473-08-000 | EA | HOUSING - PIN - 4 CAVITY - IN-LINE |
| | 088473-09-000 | EA | HOUSING - PIN - 3 CAVITY - IN-LINE |
| | 088473-10-000 | EA | HOUSING - PIN - 2 CAVITY - IN-LINE |
| | 088473-12-000 | EA | HOUSING - PIN - 3 CAVITY - BLUE |
| | 088473-13-000 | EA | HOUSING - PIN - 3 CAVITY - GREEN |
| | 088473-14-000 | EA | HOUSING - PIN - 3 CAVITY - RED |
| | 088474-01-000 | EA | HOUSING - SOCKET - 12 CAVITY |
| | 088474-02-000 | EA | HOUSING - SOCKET - 15 CAVITY |
| | 088474-03-000 | EA | HOUSING - SOCKET - 9 CAVITY |
| | 088474-06-000 | EA | HOUSING - SOCKET - 6 CAVITY |
| | 088474-07-000 | EA | HOUSING - SOCKET - 5 CAVITY |
| | 088474-08-000 | EA | HOUSING - SOCKET - 4 CAVITY |

ELECTRICAL GROUP (CONTINUED)
CONNECTORS & CONDUIT (CONTINUED)

| KEY | PART NUMBER | U/M | DESCRIPTION |
|-----|---------------|-----|---|
| | 088474-09-000 | EA | HOUSING - SOCKET - 3 CAVITY |
| | 088474-10-000 | EA | HOUSING - SOCKET - 2 CAVITY |
| | 088475-01-000 | EA | PIN - CONNECTOR - 14-20 AWG |
| | 088475-02-000 | EA | PIN - CONNECTOR - 10-12 AWG |
| | 088476-01-000 | EA | TERMINAL - ELECTRICAL |
| | 088476-02-000 | EA | SOCKET - CONNECTOR - 12-10 GA - PRE-TIN |
| | 098261-01-000 | EA | SOCKET - CONNECTOR - WEATHERPACK - 12 AWG |
| | 098261-02-000 | EA | SOCKET - CONNECTOR - WEATHERPACK - 14-18 AWG |
| | 098262-01-000 | EA | SEAL - CONNECTOR - WEATHERPACK |
| | 098264-01-000 | EA | HOUSING - 2 PIN - WEATHER PACK - MALE W/FEMALE PINS |
| | 098264-02-000 | EA | HOUSING - 2 PIN - WEATHER PACK - FEMALE W/MALE PINS |
| | 098265-02-000 | EA | PIN - CONNECTOR - WEATHER PACK |
| | 102777-02-000 | EA | TERMINAL - RING - #6 STUD - 10 AWG |
| | 103608-01-000 | EA | SOCKET - WEDGE BASE W/LEADS |
| | 104100-01-000 | EA | HOUSING - 1 POSITION - 75 AMPS |
| | 104100-03-000 | EA | TERMINAL - 75 AMP |
| | 106007-02-000 | EA | TERMINAL - FEMALE - 10-12 AWG |
| | 110178-01-000 | EA | HOUSING - WIPER MOTOR |
| | 112823-01-000 | EA | SPLICE - REDUCER - 16-14 TO 18-22 |
| | 113072-02-000 | EA | HOUSING - ELECTRICAL - BACK-UP/TAIL LAMP |
| | 113072-03-000 | EA | HOUSING - ELECTRICAL - STOP/MARKER TAILLAMP |
| | 113073-01-000 | EA | WEDGELOCK - HOUSING - TAIL LAMP |
| | 113074-01-000 | EA | TERMINAL - TAILLAMP |
| | 113135-01-000 | EA | TERMINAL - FEMALE - M/P - 14-16 - F/SEALED TERMINAL |
| | 113308-01-000 | EA | TERMINAL - FEMALE - M/P - 14-16 - 280 |
| | 113308-02-000 | EA | TERMINAL - FEMALE - M/P - 14-18 - 280 |
| | 113468-01-000 | EA | HOUSING - 2 POSITION-FEMALE-USED ON WIPER/WASHER WIRE ASM |
| | 113468-02-000 | EA | HOUSING - 2 POSITION - FEMALE |
| | 115931-02-000 | EA | COVER - CONNECTOR - 50 AMP W/LOCKING RING |
| | 115932-02-000 | EA | CONNECTOR - FEMALE - 50 AMP/240 VOLT |
| | 116811-01-000 | EA | TERMINAL - .110 RECEPTACLE - 16-14 AWG |
| | 118571-01-000 | EA | CONNECTOR - 3-WAY - MALE/SEALED |
| | 118571-02-000 | EA | CONNECTOR - 3-WAY - FEMALE/SEALED |
| | 118571-05-000 | EA | LOCK - SECONDARY - FEMALE |
| | 118571-06-000 | EA | LOCK - SECONDARY - MALE |
| | 118599-02-000 | EA | TERMINAL - MALE - M/P - 280/14-12 |
| | 118820-01-000 | EA | INSULATOR - TERMINAL |
| | 129233-01-000 | EA | HOUSING - 2-POSITION/FEMALE - 280-SERIES |
| | 129233-02-000 | EA | HOUSING - 2-POSITION/FEMALE - 280-SERIES |
| | 129233-03-000 | EA | HOUSING - 2-POSITION/FEMALE - 280-SERIES |
| | 131681-01-000 | EA | CONNECTOR - 3/4" SO CORD - UL/CS |
| | 137207-01-000 | EA | HOUSING - PIN - 2 CAVITY/HIGH AMP |
| | 137208-01-000 | EA | HOUSING - SOCKET - 2 CAVITY/HIGH AMP |
| | 137209-01-000 | EA | PIN - CONNECTOR - 10AWG/HIGH AMP |
| | 137210-01-000 | EA | SOCKET - CONNECTOR - 10 AWG/HIGH AMP |
| | 138996-04-000 | EA | CONNECTOR - LAMP |
| | 142520-01-000 | EA | TERMINAL - FEMALE - MINI-FIT 16 |
| | 142522-01-000 | EA | HOUSING - 4 PIN/MALE - MINI FIT |
| | 142522-02-000 | EA | HOUSING - 6 PIN/MALE - MINI FIT |
| | 142522-03-000 | EA | HOUSING - 8 PIN/MALE - MINI FIT |
| | 142522-04-000 | EA | HOUSING - 10 PIN/MALE - MINI FIT |
| | 142522-05-000 | EA | HOUSING - 12 PIN/MALE - MINI FIT |
| | 142522-06-000 | EA | HOUSING - 14 PIN/MALE - MINI FIT |
| | 142524-01-000 | EA | HOUSING - 4 PIN/FEMALE - WEATHER PACK |
| | 142524-02-000 | EA | HOUSING - 4 PIN/FEMALE - WEATHER PACK |
| | 144283-01-000 | EA | CONNECTOR - 110V - F/USE WITH SOW WIRE - BLUE |
| | 144283-02-000 | EA | CONNECTOR - 110V - F/USE WITH NM ROMEX WIRE - CLEAR |
| | 145171-01-000 | EA | CONNECTOR - COAXIAL |
| | 148335-01-000 | EA | HOUSING - 8-POSITION/MALE - 280-GT SERIES |
| | 148335-02-000 | EA | HOUSING - 4-POSITION/MALE - 280-GT SERIES |
| | 148335-03-000 | EA | HOUSING - 6-POSITION/MALE - 280-GT SERIES |
| | 149683-01-000 | EA | HOUSING - F/5 CAVITY RECEPTACLE - W/SQUARE GUIDE PIN |
| | 149683-02-000 | EA | HOUSING - F/5 CAVITY RECEPTACLE - W/ROUND GUIDE PIN |
| | 149686-01-000 | EA | TERMINAL - .250 RECEPTACLE |

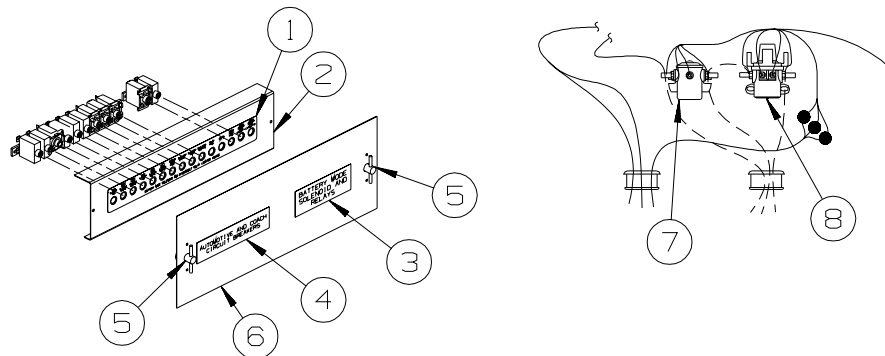
ELECTRICAL GROUP (CONTINUED)

CONNECTORS & CONDUIT (CONTINUED)

| KEY | PART NUMBER | U/M | DESCRIPTION |
|-----|---------------|-----|---|
| | 149687-01-000 | EA | HOUSING - 2 POSITION/MALE - PACKARD |
| | 149687-02-000 | EA | LOCK - F/2 POSITION HOUSING - PACKARD |
| | 149688-01-000 | EA | TERMINAL - MALE - 16 GAUGE WIRE |
| | 156035-01-000 | EA | HOUSING - 12-POSITION/FEMALE - 280-GT SERIES |
| | 156041-01-000 | EA | TERMINAL - FEMALE - 16-12 - 280-GT SERIES |
| | 156043-01-000 | EA | HOUSING - 2-POSITION/FEMALE - 480-MP SERIES |
| | 156043-02-000 | EA | LOCK - F/2 POSITION HOUSING - 480 SERIES |
| | 156044-01-000 | EA | TERMINAL - FEMALE - 16-12 - 280-GT - F/SEALED HOUSING |
| | 156045-01-000 | EA | HOUSING - 10-POSITION/FEMALE - 280-GT SERIES |
| | 156045-02-000 | EA | HOUSING - 4-POSITION/FEMALE - 280-GT SERIES |
| | 156045-03-000 | EA | HOUSING - 8-POSITION/FEMALE - 280-GT SERIES |
| | 156045-04-000 | EA | HOUSING - 6-POSITION/FEMALE - 280-GT SERIES |
| | 156207-01-000 | EA | HOUSING - 6-POSITION/MALE - 150-GT SERIES |
| | 156208-01-000 | EA | TERMINAL - MALE - 18-16 - 150-GT SERIES |
| | 157590-01-000 | EA | TERMINAL - FEMALE - M/P - 10-12 - 630 |
| | 157592-01-000 | EA | HOUSING - 7-POSITION/FEMAL - M/P |
| | 157592-02-000 | EA | LOCK - SECONDARY - F/7 POSITION HOUSING |
| | 157656-01-01A | EA | CONNECTOR - DASH LIGHT - BLACK |
| | 158357-01-000 | EA | HOUSING - 3 PIN/MALE - MINI FIT |
| | 158373-01-000 | EA | HOUSING - SOCKET - 16 CAVITY - MINI MATE-N-LOCK |
| | 158374-01-000 | EA | SOCKET - 16-20 CAVITY - MINI MATE-N-LOCK |

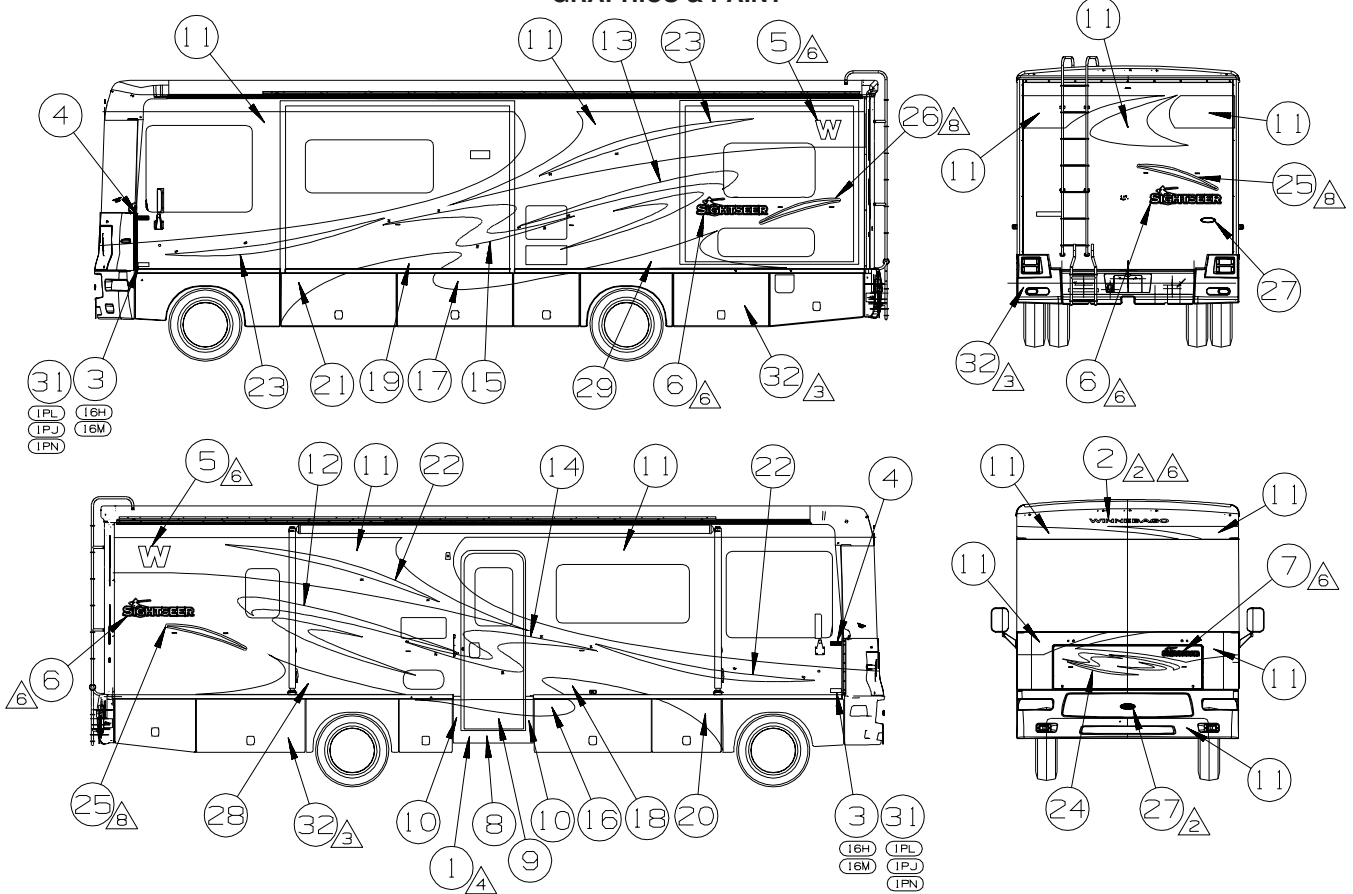
CHASSIS

| KEY | PART NUMBER | U/M | DESCRIPTION |
|-----|---------------|-----|--|
| | 065450-05-000 | EA | TIEDOWN - BATTERY - 8.4" TUBE |
| | | | FROM: 00-00-00 THRU: 03-26-06 |
| | 160014-01-02B | EA | TIEDOWN - BATTERY - E-COATED |
| | | | FROM: 03-27-06 THRU: 99-99-99 |
| | 149825-01-000 | EA | CONTROL MODULE - DIGISYNC/HIGH SPEED - F/C-BODY RAM |
| | 138173-03-000 | EA | MODULE - (CONTROL BOX) - SLIDEOUT CONTROL - #1802930 |
| | 142142-05-02B | EA | DOOR - ELECTRICAL BOX - E-COATED |



| KEY | PART NUMBER | U/M | DESCRIPTION |
|-----|---------------|-----|--|
| 1 | 093236-43-000 | EA | LABEL - CIRCUIT BREAKER |
| 2 | 118531-07-02B | EA | PLATE - CIRCUIT BREAKER - E-COATED |
| 3 | 098379-04-000 | EA | LABEL - ELECTRICAL BOX - SIDE |
| 4 | 098379-01-000 | EA | LABEL - CIRCUIT BREAKER - FRONT BOX |
| 5 | 098196-01-000 | EA | LATCH - 1/4 TURN - T-BAR |
| 6 | 109925-04-000 | EA | DOOR - ELECTRICAL BOX - 6.9" X 18.5" - GM/FORD |
| | 092492-11-000 | EA | SEAL - ELECTRIC BOX - 7" X 18.4" |
| 7 | 008188-01-000 | EA | SOLENOID - 3 POST - BATTERY CHANGE OVER |
| 8 | 086273-01-000 | EA | RELAY - BATTERY DISCONNECT |

EXTERIOR BODY GROUP GRAPHICS & PAINT



| (27G) KEY | PART NUMBER | U/M | DESCRIPTION |
|-----------|---------------------|-----|---|
| 1 | 109506-01-000 | EA | FILM-URETHANE PROTECTANT |
| 2 | 120702-03-CHT(153A) | EA | DECAL-LOGO WINNEBAGO - SUNSET |
| 3 | 129922-02-CHT(01A) | EA | DECAL-EMBLEM TRITON V10 - BLACK/CHROME |
| 4 | 132664-02-CHT(01A) | EA | DECAL-LOGO DOMED WINNEBAGO - CHROME/RED/BLACK |
| 5 | 135381-02-CHT(113A) | EA | DECAL-LOGO W - SUNSET |
| 6 | 135453-03-CHT(03A) | EA | DECAL-LOGO SIGHTSEER VYL LG - BRT WHITE/DP FOREST GREEN/MED PARCHEMENT/MYAN GREEN/CHARCOAL |
| 7 | 135453-04-CHT(05A) | EA | DECAL-LOGO SIGHTSEER VYL SML - BRT WHITE/DP FOREST GREEN/MED PARCHEMENT/MYAN GREEN/CHARCOAL |
| 8 | 138348-01-CHT(02A) | EA | DECAL-DOOR TRIM - MED PARCHEMENT |
| 9 | 138349-01-CHT(02A) | EA | DECAL-DOOR - MED PARCHEMENT |
| 10 | 139657-01-CHT(02A) | EA | DECAL-DOOR TRIM SIDE - MED PARCHEMENT |
| 11 | 141599-42-000 | GL | PAINT-DK TITANIUM - DUPONT #373-P765286 |
| 12 | 148521-03-CHT(01A) | EA | DECAL-SWIRL RH - MYAN GREEN/SUNSET |
| 13 | 148521-04-CHT(01A) | EA | DECAL-SWIRL LH - MYAN GREEN/SUNSET |
| 14 | 148523-03-CHT(01A) | EA | DECAL-S CURVE RH - CHARCOAL |
| 15 | 148523-04-CHT(01A) | EA | DECAL-S CURVE LH - CHARCOAL |
| 16 | 148524-01-CHT(01A) | EA | DECAL-PAINT LINE #3 RH - BRT WHITE |
| 17 | 148524-02-CHT(01A) | EA | DECAL-PAINT LINE #3 LH - BRT WHITE |
| 18 | 148525-01-CHT(02A) | EA | DECAL-PAINT LINE #2 RH - MED PARCHEMENT |
| 19 | 148525-02-CHT(02A) | EA | DECAL-PAINT LINE #2 LH - MED PARCHEMENT |
| 20 | 148526-01-CHT(01A) | EA | DECAL-PAINT LINE #1 RH - BRT WHITE |
| 21 | 148526-02-CHT(01A) | EA | DECAL-PAINT LINE #1 LH - BRT WHITE |
| 22 | 148528-03-CHT(01A) | EA | DECAL-SWEEP RH - OLYMPIC GOLD |
| 23 | 148528-04-CHT(01A) | EA | DECAL-SWEEP LH - OLYMPIC GOLD |
| 24 | 148531-02-CHT(01A) | EA | DECAL-HOOD - MYAN GREEN/CHARCOAL/SUNSET |
| 25 | 148532-01-CHT(04A) | EA | DECAL-SWEEP SML RH - BRT WHITE/OLYMPIC GOLD |
| 26 | 148532-02-CHT(04A) | EA | DECAL-SWEEP SML LH - BRT WHITE/OLYMPIC GOLD |
| 27 | 151687-01-CHT(01A) | EA | DECAL-BEZEL DOMED NAMEPLATE WINNEBAGO - CHROME/RED |
| 28 | 151687-01-CHT(01A) | EA | DECAL-PAINT LINE #4 RH - MED PARCHEMENT |
| 29 | 151687-02-CHT(01A) | EA | DECAL-PAINT LINE #4 LH - MED PARCHEMENT |
| 30 | 141599-27-000 | GL | PAINT-IMRON CLEAR 55 GAL - DUPONT #34405 |
| 31 | | EA | DECAL-EMBLEM - CHASSIS SUPPLIED |
| 32 | | GL | COLORLED PLASTIC AND STEEL - MED PARCHEMENT |

| (92K) KEY | PART NUMBER | U/M | DESCRIPTION |
|-----------|---------------------|-----|--|
| 1 | 109506-01-000 | EA | FILM-URETHANE PROTECTANT |
| 2 | 120702-03-CHT(152A) | EA | DECAL-LOGO WINNEBAGO - MOSS GREEN |
| 3 | 129922-02-CHT(01A) | EA | DECAL-EMBLEM TRITON V10 - BLACK/CHROME |
| 4 | 132664-02-CHT(01A) | EA | DECAL-LOGO DOMED WINNEBAGO - CHROME/RED/BLACK |
| 5 | 135381-02-CHT(114A) | EA | DECAL-LOGO W - MOSS GREEN |
| 6 | 135453-03-CHT(03A) | EA | DECAL-LOGO SIGHTSEER VYL LG - BRT WHITE/DP FOREST GREEN/MED PARCHEMENT/BURGUNDY/DK CHERRY |
| 7 | 135453-04-CHT(03A) | EA | DECAL-LOGO SIGHTSEER VYL SML - BRT WHITE/DP FOREST GREEN/MED PARCHEMENT/BURGUNDY/DK CHERRY |
| 8 | 138348-01-CHT(02A) | EA | DECAL-DOOR TRIM - MED PARCHEMENT |
| 9 | 138349-01-CHT(02A) | EA | DECAL-DOOR - MED PARCHEMENT |
| 10 | 139657-01-CHT(02A) | EA | DECAL-DOOR TRIM SIDE - MED PARCHEMENT |
| 11 | 141599-31-000 | GL | PAINT-METALLIC GOLD - DUPONT #P73-P7436 |
| 12 | 148521-03-CHT(02A) | EA | DECAL-SWIRL RH - BROWN/MOSS GREEN |
| 13 | 148521-04-CHT(02A) | EA | DECAL-SWIRL LH - BROWN/MOSS GREEN |
| 14 | 148523-03-CHT(02A) | EA | DECAL-S CURVE RH - BURGUNDY |
| 15 | 148523-04-CHT(02A) | EA | DECAL-S CURVE LH - BURGUNDY |
| 16 | 148524-01-CHT(01A) | EA | DECAL-PAINT LINE #3 RH - BRT WHITE |
| 17 | 148524-02-CHT(01A) | EA | DECAL-PAINT LINE #3 LH - BRT WHITE |
| 18 | 148525-01-CHT(02A) | EA | DECAL-PAINT LINE #2 RH - MED PARCHEMENT |
| 19 | 148525-02-CHT(02A) | EA | DECAL-PAINT LINE #2 LH - MED PARCHEMENT |
| 20 | 148526-01-CHT(01A) | EA | DECAL-PAINT LINE #1 RH - BRT WHITE |
| 21 | 148526-02-CHT(01A) | EA | DECAL-PAINT LINE #1 LH - BRT WHITE |
| 22 | 148528-03-CHT(02A) | EA | DECAL-SWEEP RH - DK CHERRY |
| 23 | 148528-04-CHT(02A) | EA | DECAL-SWEEP LH - DK CHERRY |
| 24 | 148531-02-CHT(02A) | EA | DECAL-HOOD - BROWN/BURGUNDY/MOSS GREEN |
| 25 | 148532-01-CHT(05A) | EA | DECAL-SWEEP SML RH - BRT WHITE/DK CHERRY |
| 26 | 148532-02-CHT(05A) | EA | DECAL-SWEEP SML LH - BRT WHITE/DK CHERRY |
| 27 | 151687-01-CHT(01A) | EA | DECAL-BEZEL DOMED NAMEPLATE WINNEBAGO - CHROME/RED |
| 28 | 151687-01-CHT(01A) | EA | DECAL-PAINT LINE #4 RH - MED PARCHEMENT |
| 29 | 151687-02-CHT(01A) | EA | DECAL-PAINT LINE #4 LH - MED PARCHEMENT |
| 30 | 141599-27-000 | GL | PAINT-IMRON CLEAR 55 GAL - DUPONT #34405 |
| 31 | | EA | DECAL-EMBLEM - CHASSIS SUPPLIED |
| 32 | | GL | COLORLED PLASTIC AND STEEL - MED PARCHEMENT |

- ▲ FILM TO PROTECT BOTTOM OF DOOR FROM SCUFF MARKS.
- ▲ PARTS BELOW FEATURE LINE WILL BE COLORED PRIOR TO ASSEMBLY.
- ▲ CENTER ON UNIT.
- 1. APPLY PROTECTOR 116424-01 TO WATER HEATER LATCH.

NOTES:

- ▲ DECAL NOT USED ON D34A.
- ▲ USE ALIGNMENT TABS ON DECAL FOR LOCATION.
- ▲ DECAL WILL NOT BE USED ON D26P SIDEWALL.
- ▲ LOGO IS TO BE HELD TO :1 MM ON A HORIZONTAL PLANE (END TO END).
- ▲ CLEAR COAT TO BE APPLIED ON PAINTED AREAS TO PROTECT PAINT.

- (1PN) WORKHORSE 20,700*
- (1PL) WORKHORSE 18,000* GVWR (W18)
- (1PJ) WORKHORSE 16,000* GVWR (W16)
- (16M) FORD CHASSIS 20,500*/V10 ENG
- (16H) FORD CHASSIS 18,000*/V10 ENG
- (26H) EXT GRAPHICS-DELUXE PKG #2
- (26F) EXT GRAPHICS-DELUXE, PKG #1
- (92K) EXTERIOR GRAPHICS PACKAGE #2
- (27G) EXTERIOR GRAPHICS PACKAGE #1

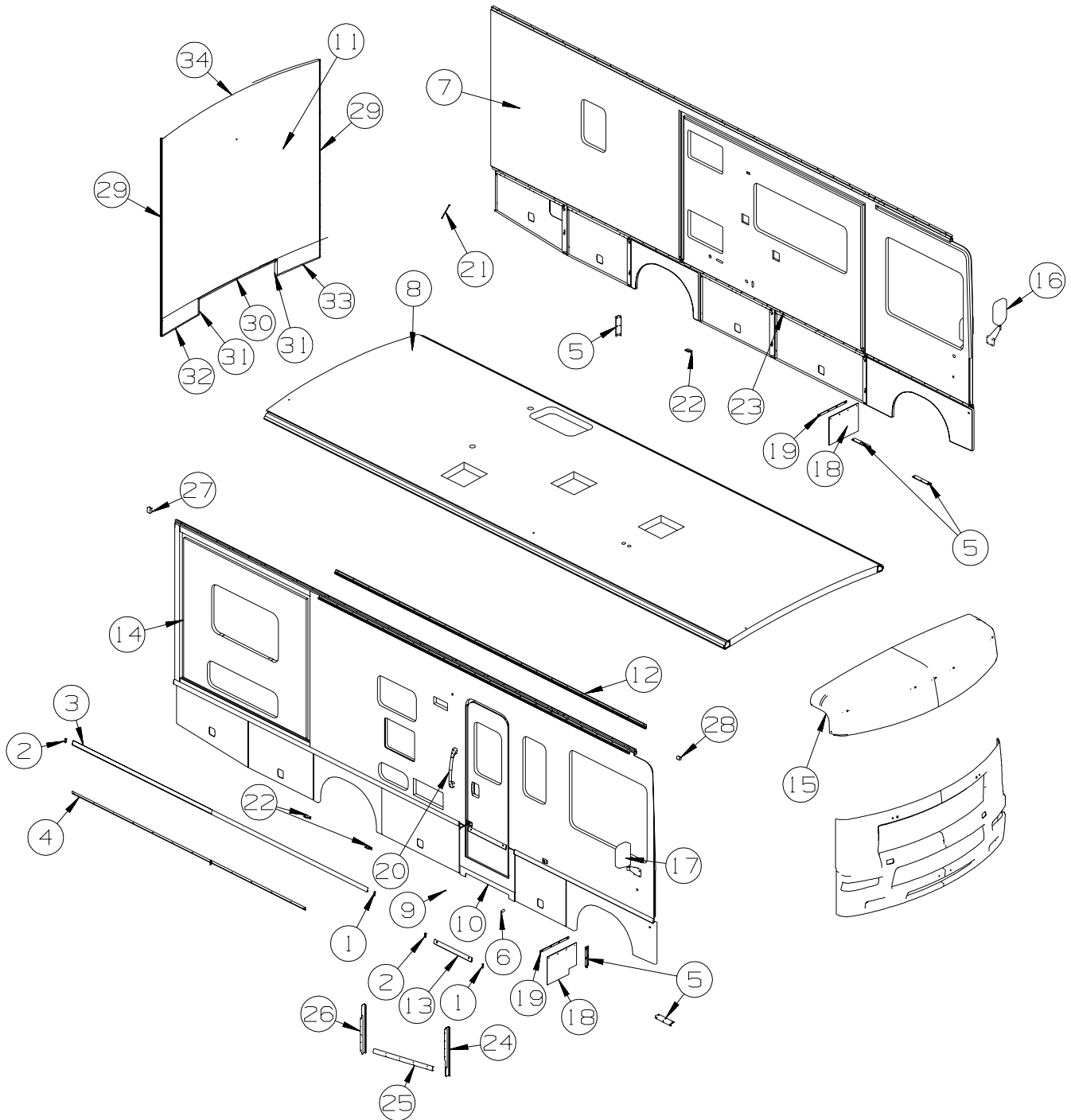
EXTERIOR BODY GROUP (CONTINUED)
GRAPHICS & PAINT (CONTINUED)

| KEY | PART NUMBER | U/M | DESCRIPTION |
|------------|--------------------|------------|----------------------------------|
| | 072882-01-000 | GL | PAINT - LOW BAKE - OFF WHITE |
| | 116424-01-000 | EA | PROTECTOR - LATCH - WATER HEATER |

**DUPONT COLOR CODES ARE NOW FOUND IN THE PAINT CODE MANUAL.
YOU CAN FIND THIS MANUAL ON YOUR DEALER INDEX WEBPAGE UNDER SERVICE.**

EXTERIOR BODY GROUP (CONTINUED)

PANELS & TRIMS



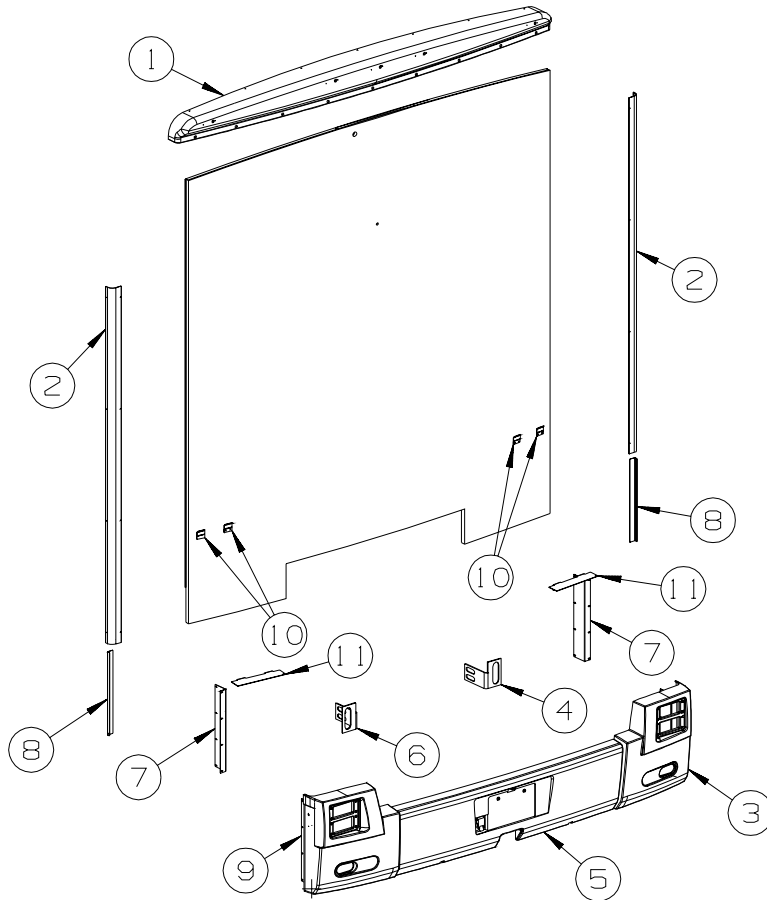
| KEY | PART NUMBER | U/M | DESCRIPTION |
|-----|---------------|-----|---|
| 1 | 146576-01-01A | EA | END CAP/TRIM - RIGHT HAND - BRIGHT WHITE |
| 2 | 146576-02-01A | EA | END CAP/TRIM - LEFT HAND - BRIGHT WHITE |
| 3 | 146550-01-03A | EA | TRIM COVER - SIDEWALL - 182" - BRIGHT WHITE |
| 4 | 146548-01-01A | EA | TRIM - RETAINER |
| 5 | 113904-18-02B | EA | ANGLE - ATTACHMENT/WHEEL LIP - E-COATED |
| 6 | 120863-02-000 | EA | BUMPER - RUBBER/RADIUS TOP - 1" X 1 1/2" |
| 7 | 159014-01-U57 | EA | SIDEWALL - DRIVER - W/O WINDOWS/TRIMS (U51, U52) |
| 7 | 159014-01-U59 | EA | SIDEWALL - DRIVER - W/O WINDOWS/TRIMS (U53, U54) |
| 7 | 159014-01-U61 | EA | SIDEWALL - DRIVER - W/O WINDOWS/TRIMS (U55, U56) |
| 7 | 159014-02-U57 | EA | SIDEWALL - DRIVER - W/O WINDOWS/TRIMS (U51, U52) - SIDEWALL-PREMIUM HIGH GLOSS |
| 7 | 159014-02-U59 | EA | SIDEWALL - DRIVER - W/O WINDOWS/TRIMS (U53, U54) - SIDEWALL-PREMIUM HIGH GLOSS |
| 7 | 159014-02-U61 | EA | SIDEWALL - DRIVER - W/O WINDOWS/TRIMS (U55, U56) - SIDEWALL-PREMIUM HIGH GLOSS |
| 8 | 159015-01-U57 | EA | ROOF - W/O LIGHTS/VENTS - W/WIRING |
| 9 | 153498-01-01A | EA | BUMPER - RUBBER - WHITE |
| 10 | 138021-06-18B | EA | VALANCE/PANEL - ENTRY STEP/U-SHAPED - 33.8"X4.3"-PARCHMENT |

EXTERIOR BODY GROUP (CONTINUED)
PANELS & TRIMS (CONTINUED)

| KEY | PART NUMBER | U/M | DESCRIPTION |
|------------|--------------------|------------|--|
| 11 | P57062-01-U57 | EA | BACKWALL - W/O WINDOW/TRIMS (U51, U52) |
| 11 | P57062-01-U59 | EA | BACKWALL - W/O WINDOW/TRIMS (U53, U54) |
| 11 | P57062-01-U61 | EA | BACKWALL - W/O WINDOW/TRIMS (U55, U56) |
| 11 | P57062-02-U57 | EA | BACKWALL - W/O WINDOW/TRIMS (U51, U52) - SIDEWALL-PREMIUM HIGH GLOSS |
| 11 | P57062-02-U59 | EA | BACKWALL - W/O WINDOW/TRIMS (U53, U54) - SIDEWALL-PREMIUM HIGH GLOSS |
| 11 | P57062-02-U61 | EA | BACKWALL - W/O WINDOW/TRIMS (U55, U56) - SIDEWALL-PREMIUM HIGH GLOSS |
| 12 | 157284-01-01A | EA | RAIL - AWNING - 192" - BRIGHT WHITE |
| 13 | 149822-02-01A | EA | TRIM - SIDEWALL/ENTRY DOOR - 23.1" - BRIGHT WHITE |
| 14 | 159016-01-U57 | EA | SIDEWALL - PASSENGER - W/O WINDOWS/TRIMS (U52, U52) |
| 14 | 159016-01-U59 | EA | SIDEWALL - PASSENGER - W/O WINDOWS/TRIMS (U53, U54) |
| 14 | 159016-01-U61 | EA | SIDEWALL - PASSENGER - W/O WINDOWS/TRIMS (U55, U56) |
| 14 | 159016-02-U57 | EA | SIDEWALL - PASSENGER - W/O WINDOWS/TRIMS (U52, U52) - SIDEWALL-PREMIUM HIGH GLOSS |
| 14 | 159016-02-U59 | EA | SIDEWALL - PASSENGER - W/O WINDOWS/TRIMS (U53, U54) - SIDEWALL-PREMIUM HIGH GLOSS |
| 14 | 159016-02-U61 | EA | SIDEWALL - PASSENGER - W/O WINDOWS/TRIMS (U55, U56) - SIDEWALL-PREMIUM HIGH GLOSS |
| 15 | 138017-02-N21 | EA | CAP - ROOF/FRONT SECTION - W/O LIGHTS/VENTS - W/WIRING |
| 16* | 106015-15-01A | EA | MIRROR - EXTERIOR ADJUSTABLE GLASS |
| 16* | 106015-13-01A | EA | MIRROR - EXTERIOR REMOTE/HEAT - MIRRORS-EXTERIOR W/DEFROST |
| 17* | 106015-14-01A | EA | MIRROR - EXTERIOR ADJUSTABLE GLASS |
| 17* | 106015-12-01A | EA | MIRROR - EXTERIOR REMOTE/HEAT - MIRRORS-EXTERIOR W/DEFROST |
| 18 | 017516-01-000 | EA | MUD FLAP - 14"H X 18"W - W/O MOUNTING HOLES - RUBBER - BLK |
| 19 | 140922-01-02B | EA | RETAINER - MUD FLAP - 1" X 17.7" - E-COATED/BLACK |
| 20 | 152854-01-01A | EA | HANDLE - ASSIST - WHITE W/BLACK RUBBER GRIP - 18 5/8" |
| 21 | 107865-06-000 | EA | ROD - SUPPORT - VALANCE PANEL - 15" |
| 22 | 113904-19-02B | EA | ANGLE - ATTACHMENT/WHEEL LIP - E-COATED |
| 23 | 104692-01-000 | EA | SEAL - ADHESIVE BACKED FOAM - 3/4" THICK X 3/4" WIDE X 25' |
| 24 | 133100-01-04A | EA | TRIM - SIDEWALL - 24.5" - PARCHMENT |
| 25 | 137599-09-04A | EA | TRIM - SIDEWALL/LOWER - 33.7" - PARCHMENT |
| 26 | 133100-02-04A | EA | TRIM - SIDEWALL - 24.5" - PARCHMENT |
| 27 | 156094-01-000 | EA | FOAM - PLUG - SIDEWALL TUBE |
| 28 | 156094-02-000 | EA | FOAM - PLUG - SIDEWALL TUBE |
| 29 | 135270-02-02B | EA | BRACKET/Z - BACKWALL MOUNT - E-COAT |
| 30 | 158141-01-01A | EA | TRIM - BACKWALL/LOWER - 49.3" |
| 31 | 158141-02-01A | EA | TRIM - BACKWALL/LOWER - 8.6" |
| 32 | 158141-03-01A | EA | TRIM - BACKWALL/LOWER - 24.6" |
| 33 | 158141-04-01A | EA | TRIM - BACKWALL/LOWER - 24.6" |
| 34 | 114248-02-04A | EA | ANGLE - PLASTIC - .7" X .4" X 96.7" - BEIGE |

***COMPONENT PARTS LISTED LATER IN THIS GROUP**

EXTERIOR BODY GROUP (CONTINUED)
PANELS & TRIMS (CONTINUED)



| KEY | PART NUMBER | U/M | DESCRIPTION |
|-----|---------------|-----|--|
| 1 | 137582-02-N21 | EA | CAP - REAR/ROOF - W/O LIGHTS/VENTS - W/WIRING - BRIGHT WHT |
| 2 | 139969-01-02A | EA | COVE - BACKWALL - BRIGHT WHITE |
| 3 | 157713-03-U57 | EA | TRIM/POD - BACKWALL/TAILLIGHT - LOWER/PASSENGER |
| 4 | 138162-05-02B | EA | BRACKET/BUMPER - RR/RH HAND - 4.3"X 3.5"X 7.3" - E-COATED |
| 5 | P57727-02-U57 | EA | PANEL - BUMPER/REAR - W/O HARDWARE |
| 6 | 138162-06-02B | EA | BRACKET/BUMPER - RR/LH HAND - 4.3"X 3.5"X 7.3" - E-COATED |
| 7 | 139811-01-02B | EA | SEAL PLANE/ANGLE MOUNT FILLER (SIDEWALL/BACKWALL ATTACH) |
| 8 | 132721-02-02B | EA | BRACKET/MOUNT - TRIM - REAR - E-COATED |
| 9 | 157713-04-U57 | EA | TRIM/POD - BACKWALL/TAILLIGHT - LOWER/DRIVER |
| 10 | 130034-07-02B | EA | CLIP - TRIM - E-COATED |
| 11 | 159554-01-02B | EA | BRACKET/MOUNT - TRIM/POD - TAILLIGHT - E-COATED |

EXTERIOR BODY GROUP (CONTINUED)
COMPONENT PARTS FOR PANELS & TRIMS

106015-12-01A

| KEY | PART NUMBER | U/M | DESCRIPTION | VENDOR NO. |
|------------|--------------------|------------|------------------------------|-------------------|
| | 106015-12-700 | EA | MIRROR-FLAT-W/W/O HEAT | 709448 |
| | 106015-12-701 | EA | MIRROR-CONVEX - W/W/O HEAT | 709449 |
| | 106015-12-702 | EA | CAP/SCREW - (PKG OF 4) - BLK | 748329 RND |
| | 106015-12-703 | EA | CONVEX GLASS/HANDSET/HOUSING | 7095892 |
| | 106015-19-701 | EA | GLASS/FLAT-W/BEZEL/HEAT/ANTI | 709644 |
| | 119774-09-700 | EA | PLATE-INNER SUPT/MIRROR HEAD | 709418-7RH |
| | 131431-01-701 | EA | MOTOR | 7475400 |

106015-13-01A

| KEY | PART NUMBER | U/M | DESCRIPTION | VENDOR NO. |
|------------|--------------------|------------|------------------------------|-------------------|
| | 106015-12-700 | EA | MIRROR-FLAT-W/W/O HEAT | 709448 |
| | 106015-12-701 | EA | MIRROR-CONVEX - W/W/O HEAT | 709449 |
| | 106015-12-702 | EA | CAP/SCREW - (PKG OF 4) - BLK | 748329 RND |
| | 106015-12-703 | EA | CONVEX GLASS/HANDSET/HOUSING | 7095892 |
| | 106015-19-701 | EA | GLASS/FLAT-W/BEZEL/HEAT/ANTI | 709644 |
| | 119774-09-701 | EA | PLATE INNER SUPT/MIRROR HEAD | 709419-7LH |
| | 131431-01-701 | EA | MOTOR | 7475400 |

106015-14-01A

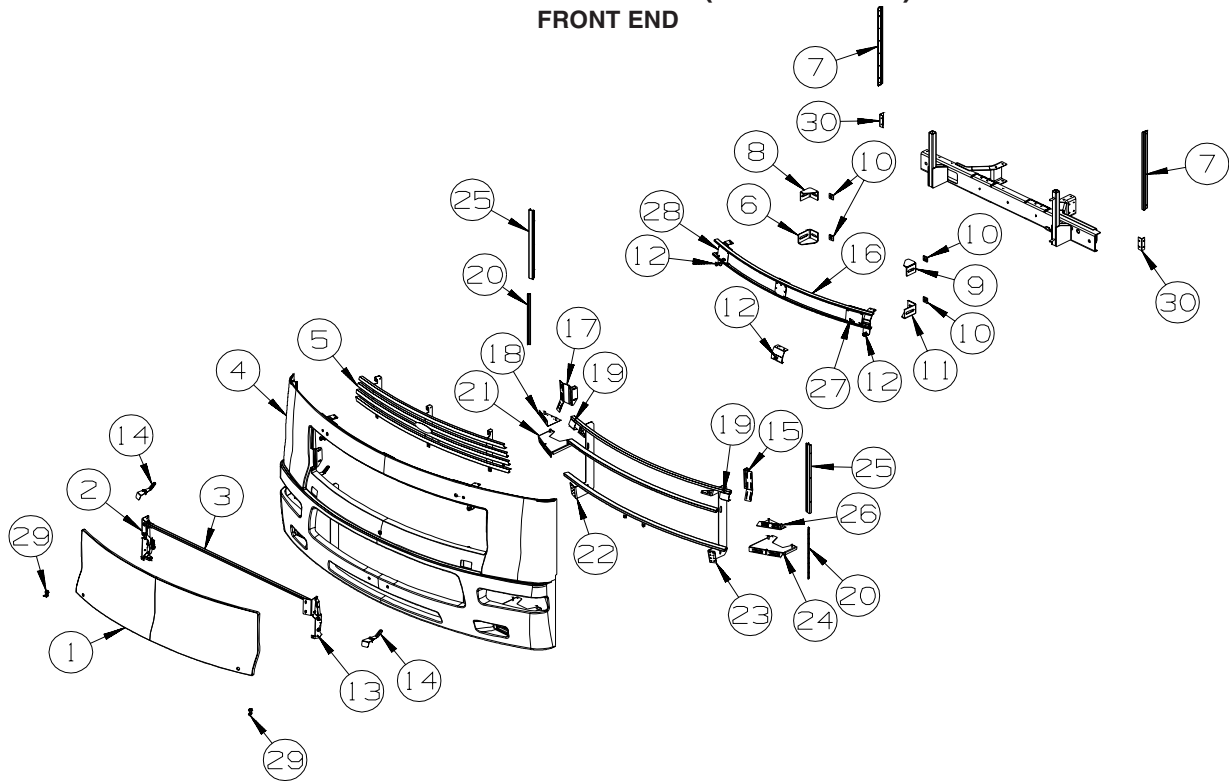
| KEY | PART NUMBER | U/M | DESCRIPTION | VENDOR NO. |
|------------|--------------------|------------|------------------------------|-------------------|
| | 106015-12-700 | EA | MIRROR-FLAT-W/W/O HEAT | 709448 |
| | 106015-12-701 | EA | MIRROR-CONVEX - W/W/O HEAT | 709449 |
| | 106015-12-702 | EA | CAP/SCREW - (PKG OF 4) - BLK | 748329 RND |
| | 106015-12-703 | EA | CONVEX GLASS/HANDSET/HOUSING | 7095892 |
| | 106015-19-701 | EA | GLASS/FLAT-W/BEZEL/HEAT/ANTI | 709644 |
| | 119774-09-700 | EA | PLATE-INNER SUPT/MIRROR HEAD | 709418-7RH |

106015-15-01A

| KEY | PART NUMBER | U/M | DESCRIPTION | VENDOR NO. |
|------------|--------------------|------------|------------------------------|-------------------|
| | 106015-12-700 | EA | MIRROR-FLAT-W/W/O HEAT | 709448 |
| | 106015-12-701 | EA | MIRROR-CONVEX - W/W/O HEAT | 709449 |
| | 106015-12-702 | EA | CAP/SCREW - (PKG OF 4) - BLK | 748329 RND |
| | 106015-12-703 | EA | CONVEX GLASS/HANDSET/HOUSING | 7095892 |
| | 106015-19-701 | EA | GLASS/FLAT-W/BEZEL/HEAT/ANTI | 709644 |
| | 119774-09-701 | EA | PLATE INNER SUPT/MIRROR HEAD | 709419-7LH |

EXTERIOR BODY GROUP (CONTINUED)

FRONT END



| KEY | PART NUMBER | U/M | DESCRIPTION |
|-----|---------------|-----|--|
| 1 | 137590-01-N21 | EA | HOOD - FRONT |
| 2 | 137072-13-01A | EA | HINGE - HOOD - PASSENGER - BLACK |
| 3 | 137300-01-02B | EA | TUBE/TIMING - HOOD - 63.2" - E-COATED - WORKHORSE |
| 3 | 154091-05-02B | EA | TUBE/TIMING - HOOD - E-COATED - FORD |
| 4 | 147557-02-S28 | EA | PANEL - FRONT/LOWER - BRIGHT WHITE |
| 5 | 157957-01-U57 | EA | GRILLE - FRONT |
| 6 | 128455-02-02B | EA | BRACKET - BUMPER - E-COATED |
| 7 | 092041-10-01A | EA | TRIM - FRONT/REAR CAP (SIDEWALL) - 25.2" - BRIGHT WHITE |
| 7 | 091985-01-07A | FT | INSERT - TRIM - REAR CAP TO SIDEWALL - .66" - BRIGHT WHITE |
| 8 | 128455-05-02B | EA | BRACKET - BUMPER - E-COATED |
| 9 | 128455-06-02B | EA | BRACKET - BUMPER - E-COATED |
| 10 | 116617-02-02B | EA | SPACER - BUMPER |
| 11 | 128455-01-02B | EA | BRACKET - BUMPER - E-COATED |
| 12 | 058786-01-000 | EA | BOLT - HOOD ADJUSTMENT - 5/16"-18 X 1.5"-2"- W/BLACK PAD |
| 13 | 137072-14-01A | EA | HINGE - HOOD - DRIVER - BLACK |
| 14 | 141017-01-02B | EA | SUPPORT/HINGE - FRONT - E-COATED |
| 15 | 134530-06-02B | EA | SUPPORT - HOOD LINK - E-COATED |
| 16 | 149784-03-S46 | EA | SUPPORT - WIPER |
| 17 | 134530-05-02B | EA | SUPPORT - HOOD LINK - E-COATED |
| 18 | 147894-02-02B | EA | BRACKET - HEADLAMP - E-COATED |
| 19 | 137679-01-02B | EA | STRIKE - HOOD LATCH - E-COATED |
| 20 | 134066-04-02B | EA | BRACKET - ZEE - W/HOLES - E-COATED |
| 21 | 147895-02-02B | EA | BRACKET - HEADLAMP - E-COATED |
| 22 | 137591-03-02B | EA | BRACKET - FRONT MOUNT/RIGHT HAND - E-COATED |
| 23 | 137591-04-02B | EA | BRACKET - FRONT MOUNT/LEFT HAND - E-COATED |
| 24 | 147895-04-02B | EA | BRACKET - HEADLAMP - E-COATED |
| 25 | 132864-01-01A | EA | SUPPORT - FRONT/INNER PANEL TRIM |
| 26 | 147894-04-02B | EA | BRACKET - HEADLAMP - E-COATED |
| 27 | 149788-08-02B | EA | SUPPORT - PIVOT SHAFT - E-COATED |
| 28 | 149788-06-02B | EA | SUPPORT - PIVOT SHAFT - E-COATED |
| 29 | 102330-02-000 | EA | LATCH - VISE ACTION/KEY OPERATED |
| | 102328-01-000 | EA | KEY - BARREL - NICKEL PLATED |
| 30 | 113041-10-02B | EA | ANGLE/MOUNT - BUMPER - E-COATED |

EXTERIOR BODY GROUP (CONTINUED)

LADDER

| KEY | PART NUMBER | U/M | DESCRIPTION |
|-----|---------------|-----|--|
| | 152869-03-01A | EA | LADDER/FOLDING - 78.6"/141.5" - 11 STEP - BRUSHED ALUMINUM |

STRUCTURAL COMPONENTS

| KEY | PART NUMBER | U/M | DESCRIPTION |
|-----|---------------|-----|---|
| | 089297-01-000 | SF | PLYWOOD - LUAN - OVERLAY GRADE - 4' X 8' |
| | 089297-03-000 | SF | PLYWOOD - LUAN - OVERLAY GRADE - 4' X 8.3' |
| | 100619-01-000 | BF | FOAM - EXPANDED POLYSTYRENE - 1.34" X 48" X 96" |
| | 100619-02-000 | BF | FOAM - EXPANDED POLYSTYRENE - 1.5" X 48" X 96" |
| | 100619-04-000 | BF | FOAM - EXPANDED POLYSTYRENE - .5" X 48" X 96" |
| | 100619-05-000 | BF | FOAM - EXPANDED POLYSTYRENE - .75" X 48" X 96"-1.5"DENSITY |
| | 100619-16-000 | BF | FOAM - EXPANDED POLYSTYRENE - .75" X 48" X 96"-2" DENSITY |
| | 100619-22-000 | BF | FOAM - EXPANDED POLYSTYRENE - 1.34" X 48" X 120" |
| | 120107-07-000 | EA | FOAM - ROOF COVE |
| | 152490-01-000 | EA | FOAM - PLUG - ROOF TUBE |
| | 116942-03-01A | LB | ALUMINUM - .7" X 40" X 158" |
| | 108535-05-03A | SF | FIBERGLASS SHEET - 108" X 500' ROLL - BRIGHT WHITE |
| | 128782-07-01A | EA | FIBERGLASS SHEET - 5/32" X 78.9" X 456" - HIGH GLOSS - B/W |
| | 128782-09-01A | EA | FIBERGLASS SHEET - 31" X 68.2" - HIGH GLOSS - BRIGHT WHITE |
| | 128782-14-01A | EA | FIBERGLASS SHEET - 102.4" X 99.2" - HIGH GLOSS - BRT WHITE |
| | 128782-24-01A | EA | FIBERGLASS SHEET - 99.5" X 100.2" - HIGH GLOSS - BRT WHITE |
| | 148884-12-01A | EA | FIBERGLASS SHEET - 31.1" X 68.2" - HIGH GLOSS-BRIGHT WHITE FROM: 00-00-00 THRU: 02-26-06 |
| | 159631-10-01A | EA | FIBERGLASS SHEET - 31.1" X 68.2" - BRIGHT WHITE FROM: 02-27-06 THRU: 01-14-07 |
| | 162931-10-01A | EA | FIBERGLASS SHEET - 31.1" X 68.2" - BRIGHT WHITE FROM: 01-15-07 THRU: 99-99-99 |
| | 159631-15-01A | EA | FIBERGLASS SHEET - 4" X 93.8" - BRIGHT WHITE FROM: 00-00-00 THRU: 01-14-07 |
| | 162931-15-01A | EA | FIBERGLASS SHEET - 4" X 93.8" - BRIGHT WHITE FROM: 01-15-07 THRU: 99-99-99 |
| | 148884-16-01A | EA | FIBERGLASS SHEET - 78.9" X 396.1" -HIGH GLOSS-BRIGHT WHITE FROM: 00-00-00 THRU: 02-26-06 |
| | 159631-13-01A | EA | FIBERGLASS SHEET - 78.9" X 396.1" - BRIGHT WHITE FROM: 02-27-06 THRU: 01-14-07 |
| | 162931-01-01A | EA | FIBERGLASS SHEET - 78.9" X 396.1" - BRIGHT WHITE FROM: 01-15-07 THRU: 99-99-99 |
| | 159631-19-01A | EA | FIBERGLASS SHEET - 25" X 47.9" - BRIGHT WHITE FROM: 00-00-00 THRU: 01-14-07 |
| | 148884-32-01A | EA | FIBERGLASS SHEET - 107.3" X 100.2" - BRIGHT WHITE FROM: 01-15-07 THRU: 99-99-99 |
| | 159631-24-01A | EA | FIBERGLASS SHEET - 107.3" X 100.2" - BRIGHT WHITE FROM: 00-00-00 THRU: 01-14-07 |
| | 162931-24-01A | EA | FIBERGLASS SHEET - 107.3" X 100.2" - BRIGHT WHITE FROM: 01-15-07 THRU: 99-99-99 |

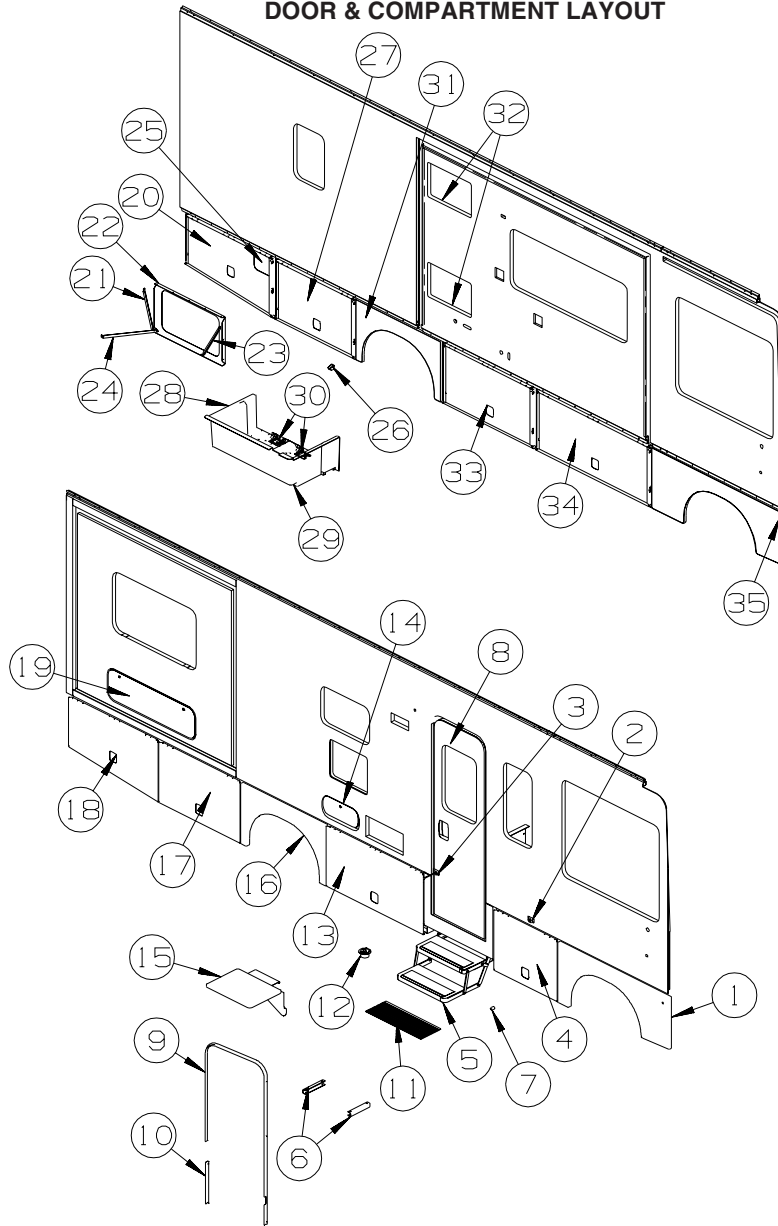
AWNINGS

**ORDER AWNINGS & REPAIR PARTS FROM DOMETIC. CALL #800-366-3842.
THE DOMETIC AWNING INFORMATION YOU WILL NEED IS LOCATED ON THE MOTORHOME
NEAR THE TOP OF THE RAIL**

| KEY | PART NUMBER | U/M | DESCRIPTION |
|-----|---------------|-----|--|
| | 113874-11-01A | EA | SCREW/LAG - AWNING - 1/4" X 1" STAINLESS STEEL |
| | 113874-12-01A | EA | SCREW/LAG - AWNING - 1/4" X 2 3/4" STAINLESS STEEL |
| | 137054-01-02A | EA | BRACKET - AWNING - BRIGHT WHITE - D26P, D29R, D30B, D33T, D35J FROM: 00-00-00 THRU: 12-10-06 |
| | 161739-01-02A | EA | BRACKET - AWNING - BRIGHT WHITE - D26P, D29R, D30B, D33T, D35J FROM: 12-11-06 THRU: 99-99-99 |
| | 146457-02-03A | EA | BRACKET - AWNING - BRIGHT WHITE - D34A |

EXTERIOR DOORS & COMPARTMENTS GROUP

DOOR & COMPARTMENT LAYOUT



| KEY | PART NUMBER | U/M | DESCRIPTION |
|-----|---------------|-----|--|
| 1 | 147493-01-S28 | EA | PANEL/WHEEL LIP - FRONT |
| | 139793-03-01A | EA | HINGE - CENTER/VALANCE DOOR - W/O BALL STUD |
| 2 | 104099-02-04A | EA | CATCH/RETAINER - DOOR HOLDER - BRIGHT WHITE |
| 3 | 104099-03-04A | EA | CATCH - DOOR HOLDER - STRIKE - 6" - BRIGHT WHITE |
| 4 | 141743-01-T53 | EA | VALANCE/DOOR - W/O PADDLE LATCH/HDWR - 31.2" X 24.3" |
| | | | FROM: 00-00-00 THRU: 04-02-06 |
| 4 | 159965-01-U57 | EA | VALANCE/DOOR - W/O LATCH/HDW/NON LOCKING - 31.1"W X 24.3"H |
| | | | FROM: 04-03-06 THRU: 99-99-99 |
| | 132873-99-000 | EA | ROD - LATCH - 9.4" W/3/4" DOG LEG |
| | 135624-96-01B | EA | ROD - LATCH |
| | 142569-12-000 | EA | SPRING/GAS - 90 LB - 15" EXTENDED/9.5" COMPRESSED |
| | 126263-02-02B | EA | BRACKET - GAS SPRING W/BALL STUD - E-COATED |
| | 130053-02-01A | EA | STRIKER - LUGGAGE DOOR - OFF SET - BLACK |
| | 143793-01-01A | EA | SHIM - STRIKER - LUGGAGE - 3/64" - BLACK |
| | 120494-04-02B | EA | SHIM - STRIKER - LUGGAGE DOOR - 3/16" - E-COATED |
| | 076767-15-000 | EA | CABLE - STAINLESS STEEL - 9.8" |
| | 132892-08-01A | FT | SEAL - BULB/SINGLE - W/U CHANNEL - BLACK |
| | 099418-01-000 | FT | SEAL - D-SECTION/ADHESIVE BACK - .44" X .44" - BLK RUBBER |
| 5* | 094707-04-01A | EA | STEP - ELECTRIC DOUBLE - KWIKEE |
| | 116975-01-01A | EA | LATCH - W/O STRIKE - BLACK - NEW STYLE |
| 6 | 138787-02-02B | EA | CHANNEL/MOUNT - E-COAT |

EXTERIOR DOORS & COMPARTMENTS GROUP (CONTINUED)
DOOR & COMPARTMENT LAYOUT (CONTINUED)

| KEY | PART NUMBER | U/M | DESCRIPTION |
|-----|---------------|-----|--|
| 7 | 120863-02-000 | EA | BUMPER - RUBBER/RADIUS TOP - 1" X 1 1/2" |
| 8 | P32206-09-U57 | EA | DOOR - ENTRY W/SCREEN DOOR - W/O WINDOW/LATCH (U51,U52) |
| 8 | P32206-09-U59 | EA | DOOR - ENTRY W/SCREEN DOOR - W/O WINDOW/LATCH (U53,U54) |
| 8 | P32206-09-U61 | EA | DOOR - ENTRY W/SCREEN DOOR - W/O WINDOW/LATCH (U55,U56) |
| 8 | P32206-20-U57 | EA | DOOR - ENTRY W/SCREEN DOOR - W/O WINDOW/LATCH (U51,U52) - PREMIUM HIGH GLOSS |
| 8 | P32206-20-U59 | EA | DOOR - ENTRY W/SCREEN DOOR - W/O WINDOW/LATCH (U53,U54) - PREMIUM HIGH GLOSS |
| 8 | P32206-20-U61 | EA | DOOR - ENTRY W/SCREEN DOOR - W/O WINDOW/LATCH (U55,U56) - PREMIUM HIGH GLOSS |

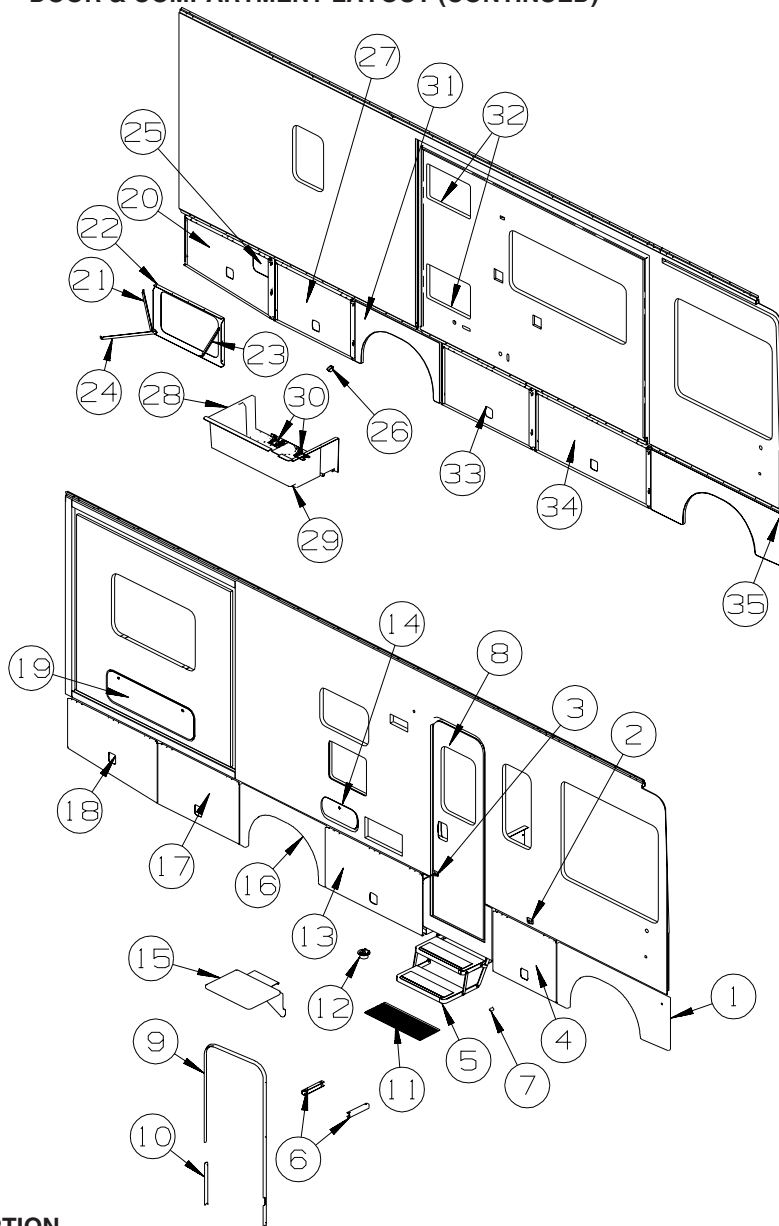
ENTRY DOOR LOCK CYLINDERS

| | | |
|---------------|----|--|
| 138287-11-000 | EA | CYLINDER/LOCK - ENTRY DOOR - MASTER W/3M ICON - (3041) |
| 138287-12-000 | EA | CYLINDER/LOCK - ENTRY DOOR - MASTER W/3M ICON - (3042) |
| 138287-13-000 | EA | CYLINDER/LOCK - ENTRY DOOR - MASTER W/3M ICON - (3043) |
| 138287-14-000 | EA | CYLINDER/LOCK - ENTRY DOOR - MASTER W/3M ICON - (3044) |
| 138287-15-000 | EA | CYLINDER/LOCK - ENTRY DOOR - MASTER W/3M ICON - (3045) |
| 138287-16-000 | EA | CYLINDER/LOCK - ENTRY DOOR - MASTER W/3M ICON - (3046) |
| 138287-17-000 | EA | CYLINDER/LOCK - ENTRY DOOR - MASTER W/3M ICON - (3047) |
| 138287-18-000 | EA | CYLINDER/LOCK - ENTRY DOOR - MASTER W/3M ICON - (3048) |
| 138287-19-000 | EA | CYLINDER/LOCK - ENTRY DOOR - MASTER W/3M ICON - (3049) |
| 138287-20-000 | EA | CYLINDER/LOCK - ENTRY DOOR - MASTER W/3M ICON - (3050) |
| 138292-01-000 | EA | SEAL - LOCK CYLINDER |

VALANCE DOOR LOCK CYLINDERS

| | | | |
|---------------|---------------|---|--|
| 138289-11-000 | EA | CYLINDER/LOCK - ACCESS DOORS - REDUCED SENSITIVITY (3041) | |
| 138289-12-000 | EA | CYLINDER/LOCK - ACCESS DOORS - REDUCED SENSITIVITY (3042) | |
| 138289-13-000 | EA | CYLINDER/LOCK - ACCESS DOORS - REDUCED SENSITIVITY (3043) | |
| 138289-14-000 | EA | CYLINDER/LOCK - ACCESS DOORS - REDUCED SENSITIVITY (3044) | |
| 138289-15-000 | EA | CYLINDER/LOCK - ACCESS DOORS - REDUCED SENSITIVITY (3045) | |
| 138289-16-000 | EA | CYLINDER/LOCK - ACCESS DOORS - REDUCED SENSITIVITY (3046) | |
| 138289-17-000 | EA | CYLINDER/LOCK - ACCESS DOORS - REDUCED SENSITIVITY (3047) | |
| 138289-18-000 | EA | CYLINDER/LOCK - ACCESS DOORS - REDUCED SENSITIVITY (3048) | |
| 138289-19-000 | EA | CYLINDER/LOCK - ACCESS DOORS - REDUCED SENSITIVITY (3049) | |
| 138289-20-000 | EA | CYLINDER/LOCK - ACCESS DOORS - REDUCED SENSITIVITY (3050) | |
| 138288-11-000 | EA | KEY - REVERSIBLE - #3041 - T/M 16169-02-3041 | |
| 138288-12-000 | EA | KEY - REVERSIBLE - #3042 - T/M 16169-02-3042 | |
| 138288-13-000 | EA | KEY - REVERSIBLE - #3043 - T/M 16169-02-3043 | |
| 138288-14-000 | EA | KEY - REVERSIBLE - #3044 - T/M 16169-02-3044 | |
| 138288-15-000 | EA | KEY - REVERSIBLE - #3045 - T/M 16169-02-3045 | |
| 138288-16-000 | EA | KEY - REVERSIBLE - #3046 - T/M 16169-02-3046 | |
| 138288-17-000 | EA | KEY - REVERSIBLE - #3047 - T/M 16169-02-3047 | |
| 138288-18-000 | EA | KEY - REVERSIBLE - #3048 - T/M 16169-02-3048 | |
| 138288-19-000 | EA | KEY - REVERSIBLE - #3049 - T/M 16169-02-3049 | |
| 138288-20-000 | EA | KEY - REVERSIBLE - #3050 - T/M 16169-02-3050 | |
| 9 | 139100-10-01A | EA | GARNISH/RADIUS - ENTRY DOOR - BRIGHT WHITE |
| 10 | 139101-01-01A | EA | GARNISH/STRAIGHT - W/NOTCH - 36.31" - BRIGHT WHITE |
| 11 | 133114-03-01A | EA | TREAD - STEP/RUBBER - 27.1" X 10.1" - TAUPE |
| 12 | 009426-01-000 | EA | HATCH - POWER CORD - WHITE |
| 13 | 141743-36-T53 | EA | VALANCE/DOOR - W/O PADDLE LATCH/HDW - 47.7" X 24.3" FROM: 00-00-00 THRU: 04-02-06 |
| 13 | 159965-23-U57 | EA | VALANCE/DOOR - W/O PADDLE LATCH/HDW - 42.7"W X 24.3"H FROM: 04-03-06 THRU: 99-99-99 |
| | 132873-G7-000 | EA | ROD - LATCH - 17.8" W/3/4" DOG LEG |
| | 135624-B8-01B | EA | ROD - LATCH |
| | 142569-12-000 | EA | SPRING/GAS - 90 LB - 15" EXTENDED/9.5" COMPRESSED |
| | 126263-02-02B | EA | BRACKET - GAS SPRING W/BALL STUD - E-COATED |
| | 130053-02-01A | EA | STRIKER - LUGGAGE DOOR - OFF SET - BLACK |
| | 143793-01-01A | EA | SHIM - STRIKER - LUGGAGE - 3/64" - BLACK |
| | 120494-04-02B | EA | SHIM - STRIKER - LUGGAGE DOOR - 3/16" - E-COATED |
| | 076767-15-000 | EA | CABLE - STAINLESS STEEL - 9.8" |
| | 132892-08-01A | FT | SEAL - BULB/SINGLE - W/U CHANNEL - BLACK |
| | 099418-01-000 | FT | SEAL - D-SECTION/ADHESIVE BACK - .44" X .44" - BLK RUBBER |
| 14 | 126945-09-N42 | EA | DOOR/STORAGE - W/O HARDWARE - 18.3" X 9.9" |
| 15 | 142034-01-01A | EA | SHELF - F/EXTERIOR TV - BRIGHT WHITE |
| 16 | 147492-03-T53 | EA | PANEL/WHEEL LIP - REAR |
| | 139793-03-01A | EA | HINGE - CENTER/VALANCE DOOR - W/O BALL STUD |

EXTERIOR DOORS & COMPARTMENTS GROUP (CONTINUED)
DOOR & COMPARTMENT LAYOUT (CONTINUED)

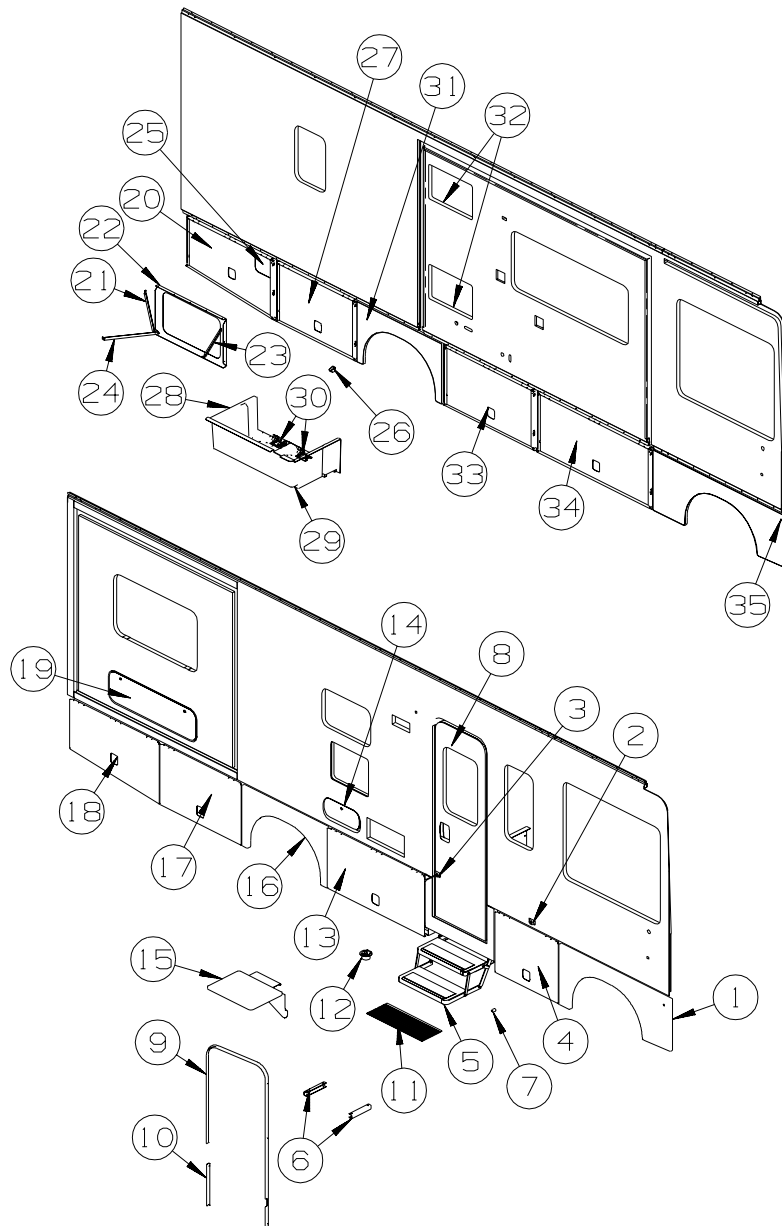


| KEY | PART NUMBER | U/M | DESCRIPTION |
|-----|---------------|-----|--|
| 17 | 141743-35-T53 | EA | VALANCE/DOOR - W/O PADDLE LATCH/HDW - 40" X 24.3" FROM: 00-00-00 THRU: 04-02-06 |
| 17 | 159965-22-U57 | EA | VALANCE/DOOR - W/O PADDLE LATCH/HDW - 39.9"W X 24.3"H FROM: 04-03-06 THRU: 99-99-99 |
| | 132873-G5-000 | EA | ROD - LATCH - 13.9" W/3/4" DOG LEG |
| | 135624-B7-01B | EA | ROD - LATCH |
| | 142569-12-000 | EA | SPRING/GAS - 90 LB - 15" EXTENDED/9.5" COMPRESSED |
| | 126263-02-02B | EA | BRACKET - GAS SPRING W/BALL STUD - E-COATED |
| | 130053-02-01A | EA | STRIKER - LUGGAGE DOOR - OFF SET - BLACK |
| | 143793-01-01A | EA | SHIM - STRIKER - LUGGAGE - 3/64" - BLACK |
| | 120494-04-02B | EA | SHIM - STRIKER - LUGGAGE DOOR - 3/16" - E-COATED |
| | 076767-14-000 | EA | CABLE - STAINLESS STEEL - 14.9" |
| | 132892-08-01A | FT | SEAL - BULB/SINGLE - W/U CHANNEL - BLACK |
| | 099418-01-000 | FT | SEAL - D-SECTION/ADHESIVE BACK - .44" X .44" - BLK RUBBER |

EXTERIOR DOORS & COMPARTMENTS GROUP (CONTINUED)
DOOR & COMPARTMENT LAYOUT (CONTINUED)

| KEY | PART NUMBER | U/M | DESCRIPTION |
|-----|---------------|-----|--|
| 18 | 141743-38-T53 | EA | VALANCE/DOOR - PASS W/O LATCH/HDW - 24.3" X 44" X 20.1" FROM: 00-00-00 THRU: 04-02-06 |
| 18 | 159965-25-U57 | EA | VALANCE/DOOR - W/O PADDLE LATCH/HDW - 44"W X 24.3"H FROM: 04-03-06 THRU: 99-99-99 |
| | 132873-G9-000 | EA | ROD - LATCH - 15.9" W/3/4" DOG LEG |
| | 132873-H0-000 | EA | ROD - LATCH - 17.7" W/3/4" DOG LEG FROM: 00-00-00 THRU: 08-28-05 |
| | 135624-B9-01B | EA | ROD - LATCH FROM: 08-29-05 THRU: 99-99-99 |
| | 142569-17-000 | EA | SPRING/GAS - 90 LB - 12" EXTENDED/8.5" COMPRESSED |
| | 126263-02-02B | EA | BRACKET - GAS SPRING W/BALL STUD - E-COATED |
| | 130053-02-01A | EA | STRIKER - LUGGAGE DOOR - OFF SET - BLACK |
| | 143793-01-01A | EA | SHIM - STRIKER - LUGGAGE - 3/64" - BLACK |
| | 120494-04-02B | EA | SHIM - STRIKER - LUGGAGE DOOR - 3/16" - E-COATED |
| | 076767-14-000 | EA | CABLE - STAINLESS STEEL - 14.9" |
| | 132892-08-01A | FT | SEAL - BULB/SINGLE - W/U CHANNEL - BLACK |
| | 099418-01-000 | FT | SEAL - D-SECTION/ADHESIVE BACK - .44" X .44" - BLK RUBBER |
| 19 | 126946-51-SJ0 | EA | DOOR/STORAGE - W/O HARDWARE - 43.3" X 12.7" |
| 19 | 126946-75-U57 | EA | DOOR/STORAGE - W/O HARDWARE - 43.3" X 12.7" - PREMIUM HIGH GLOSS |
| | 056795-01-000 | FT | TAPE-SEAL, 1/8~ X 3/8~ WIDE - PRESS ON |
| | 106850-02-000 | FT | SEAL - E-SPONGE RUBBER - .43" X .75" |
| | 156386-01-01A | FT | SEAL - BULB - .4" X .5" - W/ADHESIVE BACK |
| 20 | 141743-37-T53 | EA | VALANCE/DOOR - DRVR W/O LATCH/HDW - 20.1" X 44" X 24.3" FROM: 00-00-00 THRU: 04-02-06 |
| 20 | 159965-24-U57 | EA | VALANCE/DOOR - W/O PADDLE LATCH/HDW - 44"W X 24.3"H FROM: 04-03-06 THRU: 99-99-99 |
| | 132873-G9-000 | EA | ROD - LATCH - 15.9" W/3/4" DOG LEG |
| | 135624-B9-01B | EA | ROD - LATCH |
| | 142569-17-000 | EA | SPRING/GAS - 90 LB - 12" EXTENDED/8.5" COMPRESSED |
| | 126263-02-02B | EA | BRACKET - GAS SPRING W/BALL STUD - E-COATED |
| | 130053-02-01A | EA | STRIKER - LUGGAGE DOOR - OFF SET - BLACK |
| | 143793-01-01A | EA | SHIM - STRIKER - LUGGAGE - 3/64" - BLACK |
| | 120494-04-02B | EA | SHIM - STRIKER - LUGGAGE DOOR - 3/16" - E-COATED |
| | 132892-08-01A | FT | SEAL - BULB/SINGLE - W/U CHANNEL - BLACK |
| 21 | 138075-07-02B | EA | ANGLE/SUPPORT - SEAL PLANE - E-COATED |
| 22 | 137934-18-02B | EA | PLATE/SEAL - E-COATED |
| 23 | 138075-08-02B | EA | ANGLE/SUPPORT - SEAL PLANE - E-COATED |
| 24 | 138075-01-02B | EA | ANGLE/SUPPORT - SEAL PLANE - E-COATED |
| 25 | 131905-03-T53 | EA | PANEL/DOOR - FUEL FILL - W/O LOCK - SANDSTONE |
| * | 110506-A2-000 | EA | LOCK - TWIST - 26.45MM |
| | 110506-51-000 | EA | CASE/CYLINDER - TWIST LATCH - W/O CAM - 1" - 596669 |
| | 110506-78-000 | EA | CAM - LATCHING - 2.3" |
| | 153306-01-01A | EA | HINGE - PIANO - 1 1/2" X 5" - UNPAINTED |
| 26 | 131383-03-02A | EA | BRACKET - SHOWER HEAD - WHITE |
| 27 | 141743-35-T53 | EA | VALANCE/DOOR - W/O PADDLE LATCH/HDW - 40" X 24.3" FROM: 00-00-00 THRU: 04-02-06 |
| 27 | 159965-22-U57 | EA | VALANCE/DOOR - W/O PADDLE LATCH/HDW - 39.9"W X 24.3"H FROM: 04-03-06 THRU: 99-99-99 |
| | 132873-G5-000 | EA | ROD - LATCH - 13.9" W/3/4" DOG LEG |
| | 135624-B7-01B | EA | ROD - LATCH |
| | 142569-12-000 | EA | SPRING/GAS - 90 LB - 15" EXTENDED/9.5" COMPRESSED |
| | 126263-02-02B | EA | BRACKET - GAS SPRING W/BALL STUD - E-COATED |
| | 130053-02-01A | EA | STRIKER - LUGGAGE DOOR - OFF SET - BLAC |
| | 143793-01-01A | EA | SHIM - STRIKER - LUGGAGE - 3/64" - BLACK |
| | 120494-04-02B | EA | SHIM - STRIKER - LUGGAGE DOOR - 3/16" - E-COATED |
| | 107721-07-000 | EA | SEAL - ACCESS DOOR - .9"WIDE X 1.1"HIGH |
| | 099418-01-000 | FT | SEAL - D-SECTION/ADHESIVE BACK - .44" X .44" - BLK RUBBER |
| 29 | 154472-01-01A | EA | COMPARTMENT - DRAINAGE |
| 30* | 142226-02-01A | EA | HATCH - POWER |
| 31 | 147492-02-T53 | EA | PANEL/WHEEL LIP - REAR |
| | 139793-03-01A | EA | HINGE - CENTER/VALANCE DOOR - W/O BALL STUD |
| 32 | 137395-01-01A | EA | DOOR - REFRIGERATOR VENT - 21.6" X 13.9" - BRIGHT WHITE |
| 32 | 084104-08-000 | EA | JAMB - VENT DOOR/REFRIGERATOR - BRIGHT WHITE |

EXTERIOR DOORS & COMPARTMENTS GROUP (CONTINUED)
DOOR & COMPARTMENT LAYOUT (CONTINUED)

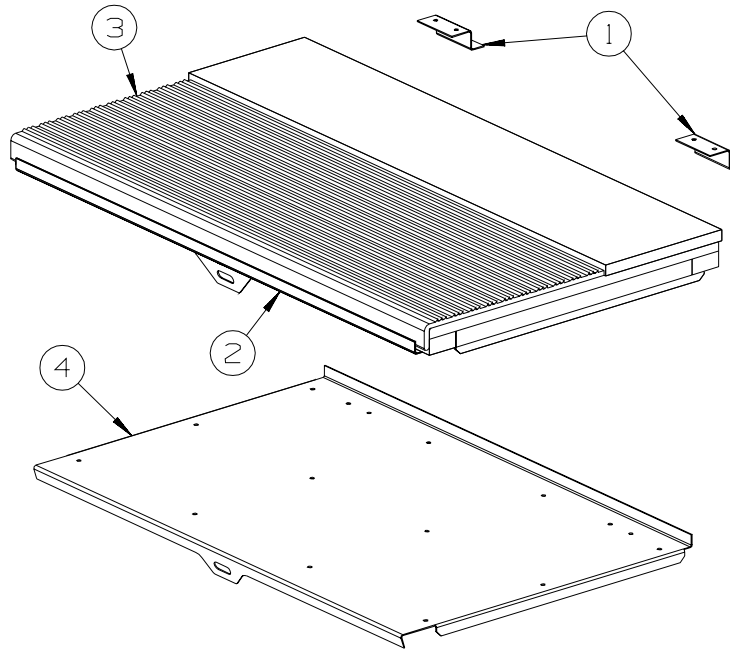


| KEY | PART NUMBER | U/M | DESCRIPTION |
|-----|---------------|-----|--|
| 33 | 141743-03-T53 | EA | VALANCE/DOOR - W/O PADDLE LATCH/HDW - 45.6" X 24.3" FROM: 00-00-00 THRU: 04-02-06 |
| 33 | 159965-03-U57 | EA | VALANCE/DOOR - W/O PADDLE LATCH/HDW - 45.6"W X 24.3"H FROM: 04-03-06 THRU: 99-99-99 |
| | 132873-A3-000 | EA | ROD - LATCH - 16.6" W/3/4" DOG LEG |
| | 132873-A4-000 | EA | ROD - LATCH - 18.6" W/3/4" DOG LEG FROM: 00-00-00 THRU: 08-28-05 |
| | 135624-97-01B | EA | ROD - LATCH FROM: 08-29-05 THRU: 99-99-99 |
| | 142569-12-000 | EA | SPRING/GAS - 90 LB - 15" EXTENDED/9.5" COMPRESSED |
| | 126263-02-02B | EA | BRACKET - GAS SPRING W/BALL STUD - E-COATED |
| | 130053-01-01A | EA | STRIKER - LUGGAGE DOOR - FLUSH - BLACK |
| | 130053-02-01A | EA | STRIKER - LUGGAGE DOOR - OFF SET - BLACK |
| | 143793-01-01A | EA | SHIM - STRIKER - LUGGAGE - 3/64" - BLACK |
| | 120494-04-02B | EA | SHIM - STRIKER - LUGGAGE DOOR - 3/16" - E-COATED |
| | 132892-08-01A | FT | SEAL - BULB/SINGLE - W/U CHANNEL - BLACK |
| | 099418-01-000 | FT | SEAL - D-SECTION/ADHESIVE BACK - .44" X .44" - BLK RUBBER |

EXTERIOR DOORS & COMPARTMENTS GROUP (CONTINUED)
DOOR & COMPARTMENT LAYOUT (CONTINUED)

| KEY | PART NUMBER | U/M | DESCRIPTION |
|------------|--------------------|------------|--|
| 34 | 141743-13-T53 | EA | VALANCE/DOOR - W/O PADDLE LATCH/HDWR - 55.1" X 24.3" FROM: 00-00-00 THRU: 04-02-06 |
| 34 | 159965-06-U57 | EA | VALANCE/DOOR - W/O PADDLE LATCH/HDW - 57.6"W X 24.3"H FROM: 04-03-06 THRU: 99-99-99 |
| | 132873-C8-000 | EA | ROD - LATCH - 22.5" W/3/4" DOG LEG |
| | 135624-35-01B | EA | ROD - LATCH |
| | 142569-12-000 | EA | SPRING/GAS - 90 LB - 15" EXTENDED/9.5" COMPRESSED |
| | 126263-02-02B | EA | BRACKET - GAS SPRING W/BALL STUD - E-COATED |
| | 130053-01-01A | EA | STRIKER - LUGGAGE DOOR - FLUSH - BLACK |
| | 130053-02-01A | EA | STRIKER - LUGGAGE DOOR - OFF SET - BLACK |
| | 143793-01-01A | EA | SHIM - STRIKER - LUGGAGE - 3/64" - BLACK |
| | 120494-04-02B | EA | SHIM - STRIKER - LUGGAGE DOOR - 3/16" - E-COATED |
| | 132892-08-01A | FT | SEAL - BULB/SINGLE - W/U CHANNEL - BLACK |
| | 099418-01-000 | FT | SEAL - D-SECTION/ADHESIVE BACK - .44" X .44" - BLK RUBBER |
| 35 | 147493-02-S28 | EA | PANEL/WHEEL LIP - FRONT |
| | 139793-03-01A | EA | HINGE - CENTER/VALANCE DOOR - W/O BALL STUD |

***COMPONENT PARTS LISTED LATER IN THIS GROUP**



| KEY | PART NUMBER | U/M | DESCRIPTION |
|------------|--------------------|------------|--|
| 1 | 101222-01-04A | EA | BRACKET - CATCH - LID - E-COATED |
| 2 | P20256-08-000 | EA | LID/DOOR - ENTRY STEP - W/O CARPET/HARDWARE |
| 3 | 133114-04-01A | EA | TREAD - STEP/RUBBER - W/LIP - 27.1" X 9.8" - TAUPE |
| 4 | 123330-02-02B | EA | SUPPORT - ENTRY STEP - E-COATED |

FLOORCOVERING-VINYL-THRU OUT

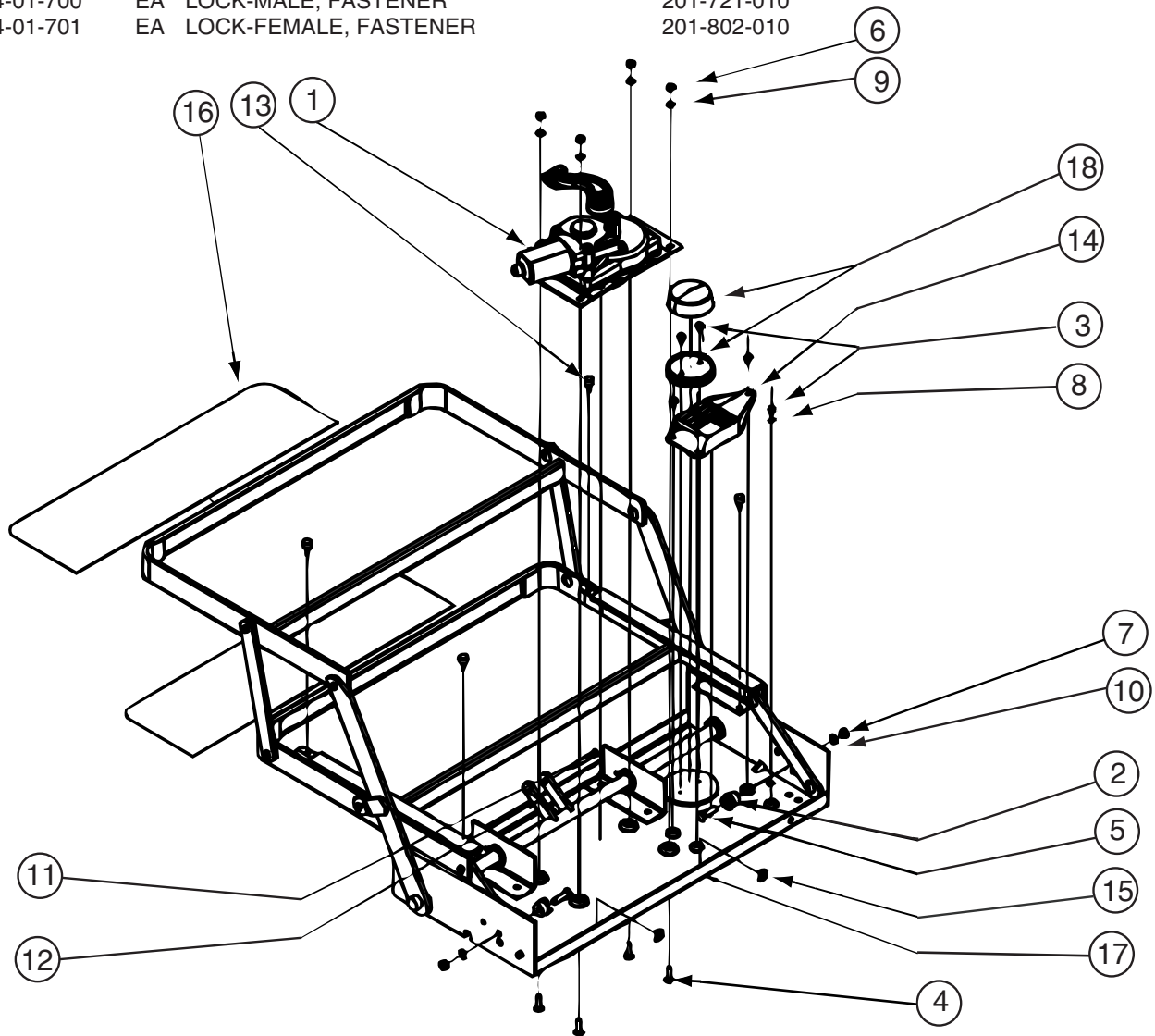
| KEY | PART NUMBER | U/M | DESCRIPTION |
|------------|--------------------|------------|--|
| 1 | 101222-01-04A | EA | BRACKET - CATCH - LID - E-COATED |
| 2 | P20256-14-000 | EA | LID/DOOR - ENTRY STEP - W/O CARPET/HARDWARE |
| 3 | 133114-02-01A | EA | TREAD - STEP/RUBBER - W/LIP - 28.5" X 9.8" - TAUPE |
| 4 | 123330-03-02B | EA | SUPPORT - ENTRY STEP - E-COATED |

EXTERIOR DOORS & COMPARTMENTS GROUP (CONTINUED)

COMPONENT PARTS FOR DOOR & COMPARTMENT LAYOUT

084103-08-000

| KEY | PART NUMBER | U/M | DESCRIPTION | VENDOR NO. |
|-----|---------------|-----|-----------------------|-------------|
| | 084104-01-700 | EA | LOCK-MALE, FASTENER | 201-721-010 |
| | 084104-01-701 | EA | LOCK-FEMALE, FASTENER | 201-802-010 |



094707-04-01A

| KEY | PART NUMBER | U/M | DESCRIPTION | VENDOR NO. |
|-----|---------------|-----|------------------------------|------------|
| 1 | 094707-04-701 | EA | MOTOR "AM 214" F/IMGL STEPS | 1101428 |
| 1 | 094707-04-703 | EA | GEAR BOX W/LINKAGE-CURVED | 1101425 |
| 2 | 143709-01-700 | EA | CAM STOP | 1102200 |
| 12 | 094707-04-702 | EA | COTTOR PIN - W/CLEVIS PIN | 905205000 |
| 13 | 143709-01-701 | EA | BUMPER - BLACK (RUBBER STOP) | 1602000 |
| 14 | 094707-04-700 | EA | CONTROL UNIT W/OVERRIDE | 909510000 |
| 16 | 143709-01-702 | EA | TREAD/NON-SKID 6" X 21" BLK | 1915260 |
| 17 | 094707-04-704 | EA | FRAME W/DBL STEP-32REINF SRS | 3202082 |
| 18 | 088746-01-705 | EA | LIGHT-UNDER STEP | 9004 |
| | 094707-03-701 | EA | PLUG - 4-WAY - PACKARD | 909306 |
| | 094707-04-711 | EA | KWIKTEST - W/4-WAY PIGTAIL | 909518000 |

CONTACT WINNEBAGO PART SALES FOR UNLISTED COMPONENT(S)

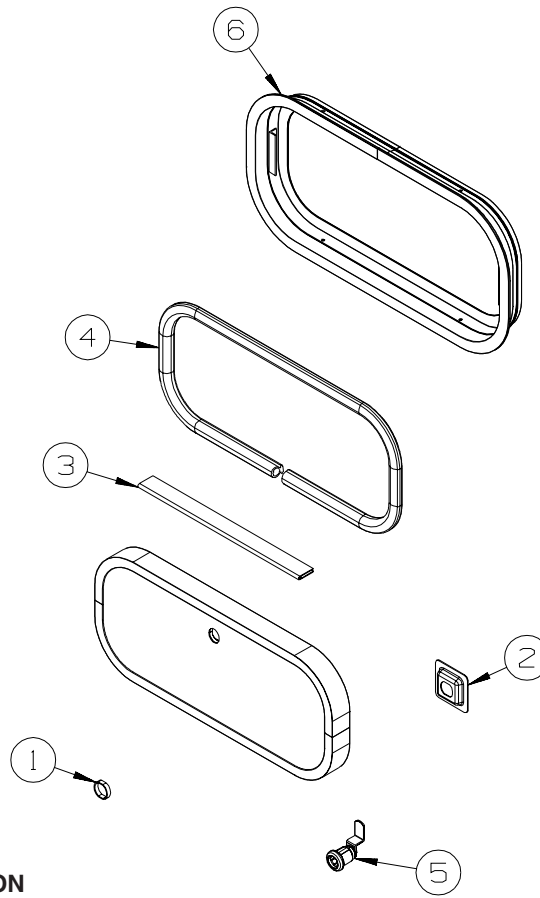
110506-A1-000, 110506-A2-000, 110506-26-000, 110506-27-000

| KEY | PART NUMBER | U/M | DESCRIPTION | VENDOR NO . |
|-----|---------------|-----|--------------------------------|-------------|
| | 110506-40-700 | EA | HARDWARE PACKAGE-CYLINDER/CASE | 596950AAL |

142226-02-01A

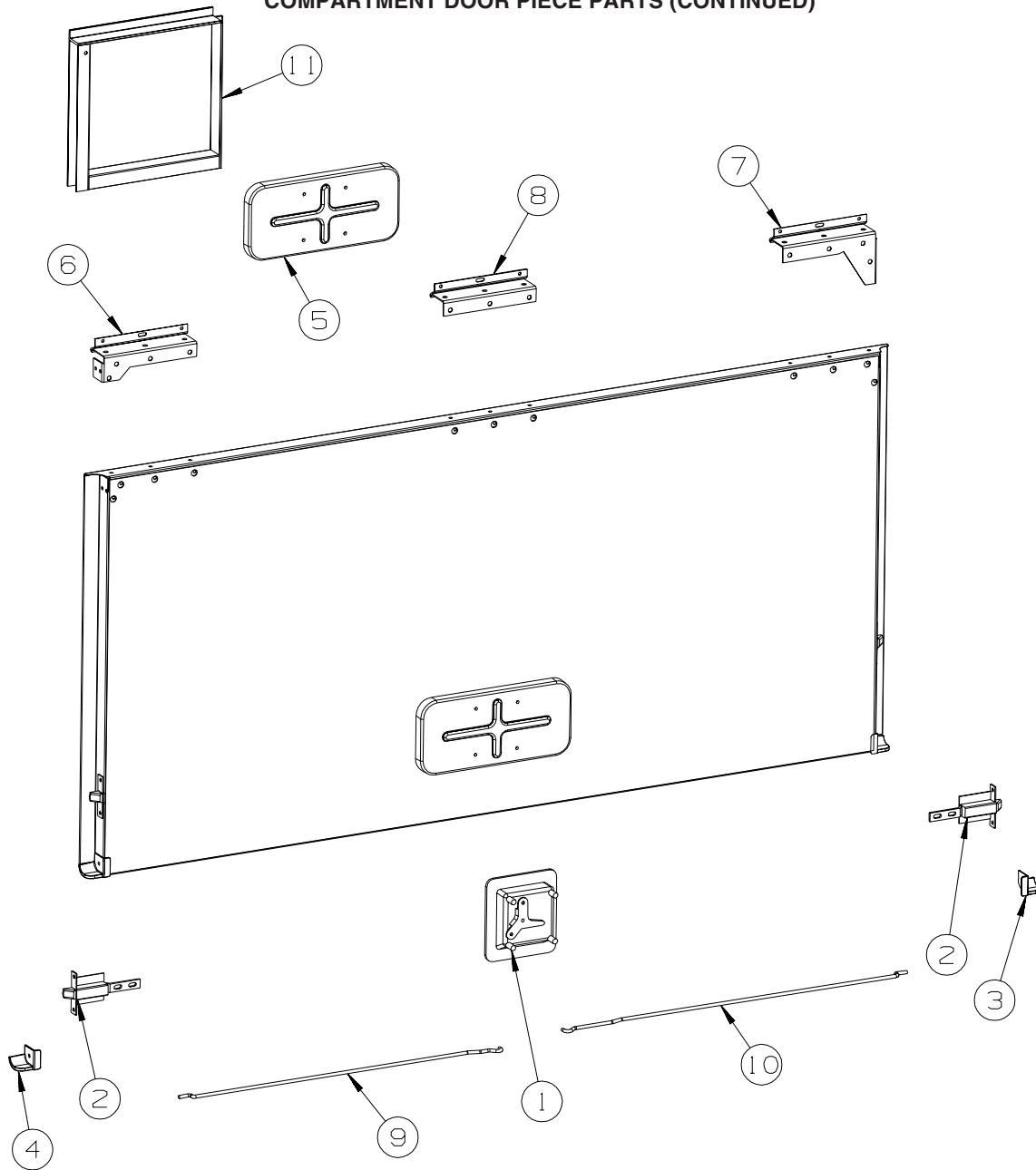
| KEY | PART NUMBER | U/M | DESCRIPTION | VENDOR NO |
|-----|---------------|-----|----------------------------|-----------|
| | 142226-02-700 | EA | TAB/LOCKING - ESCAPE (RED) | 9667709 |

EXTERIOR DOORS & COMPARTMENTS GROUP (CONTINUED)
COMPARTMENT DOOR PIECE PARTS



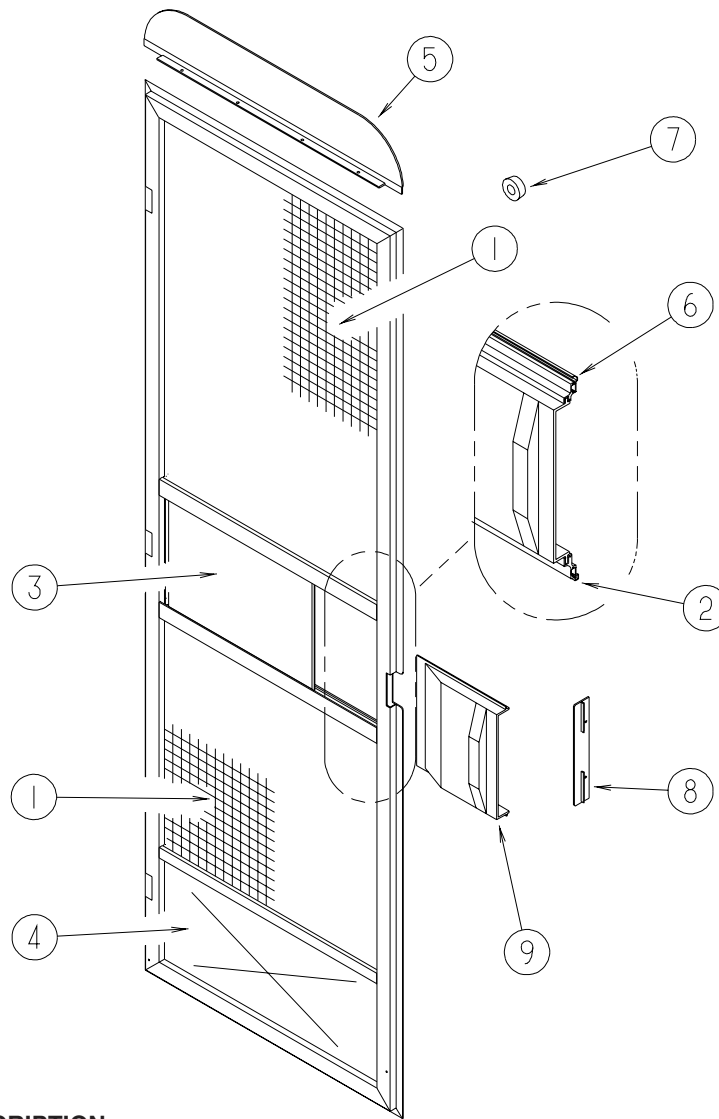
| KEY | PART NUMBER | U/M | DESCRIPTION |
|-----|---------------|-----|--|
| 1 | 139325-01-000 | EA | SPACER - LOCK - 6MM |
| | 139337-01-000 | EA | GASKET - LOCK |
| 2 | 097111-02-04A | EA | POCKET - LOCK - REAR DOOR - BLACK |
| 2 | 097111-02-05A | EA | POCKET - LOCK - REAR DOOR - BRIGHT WHITE |
| 3 | 081801-FN-000 | EA | HINGE - DOOR - PIANO - 2" X 96" - BLACK |
| 3 | 081801-V3-000 | EA | HINGE - DOOR - PIANO - 2" X 96" - BRIGHT WHITE |
| 4 | 156386-01-01A | FT | SEAL - BULB - W/ADHESIVE BACK |
| 5 | 138290-02-000 | EA | CASE - W/CAM - W/O CYLINDER/KEY |
| 6 | 056795-01-000 | FT | TAPE - SEAL - 1/8" X 3/8" WIDE - PRESS ON |

EXTERIOR DOORS & COMPARTMENTS GROUP (CONTINUED)
COMPARTMENT DOOR PIECE PARTS (CONTINUED)



| KEY | PART NUMBER | U/M DESCRIPTION |
|-----|---------------|---|
| 1 | 154900-01-01A | EA LATCH/PADDLE - LOCKING - COMPT DOOR - KEY ONE - BLACK |
| 1 | 154900-02-01A | EA LATCH/PADDLE - NON LOCKING - COMPT DOOR - BLACK |
| 2 | 121947-01-01A | EA BOLT - SLIDE W/PLASTIC PLUNGER |
| 3 | 135276-01-03A | EA REINFORCEMENT - CORNER - LEFT HAND (FACING DOOR)-PARCHMENT |
| 4 | 135276-02-03A | EA REINFORCEMENT - CORNER -RIGHT HAND (FACING DOOR)-PARCHMENT |
| 5 | 137359-01-01A | EA COVER - LATCH - WHITE |
| 6 | 139793-05-01A | EA HINGE - LEFT HAND/VALANCE DOOR - W/O BALL STUD |
| 6 | 139793-02-01A | EA HINGE - VALANCE DOOR - W/BALL STUD - REAR PASSENGER |
| 7 | 139793-01-01A | EA HINGE - RIGHT HAND/VALANCE DOOR - W/BALL STUD |
| 7 | 139793-04-01A | EA HINGE - VALANCE DOOR - W/O BALL STUD - REAR PASSENGER |
| 8 | 139793-03-01A | EA HINGE - CENTER/VALANCE DOOR - W/O BALL STUD |
| 9 | 132873-01-000 | EA ROD - LATCH (BLANK) - 37.3" |
| 10 | 135624-71-01B | EA ROD - LATCH (BLANK) - 37.3" |
| 11 | 133049-07-T53 | EA TRIM - FUEL FILL |

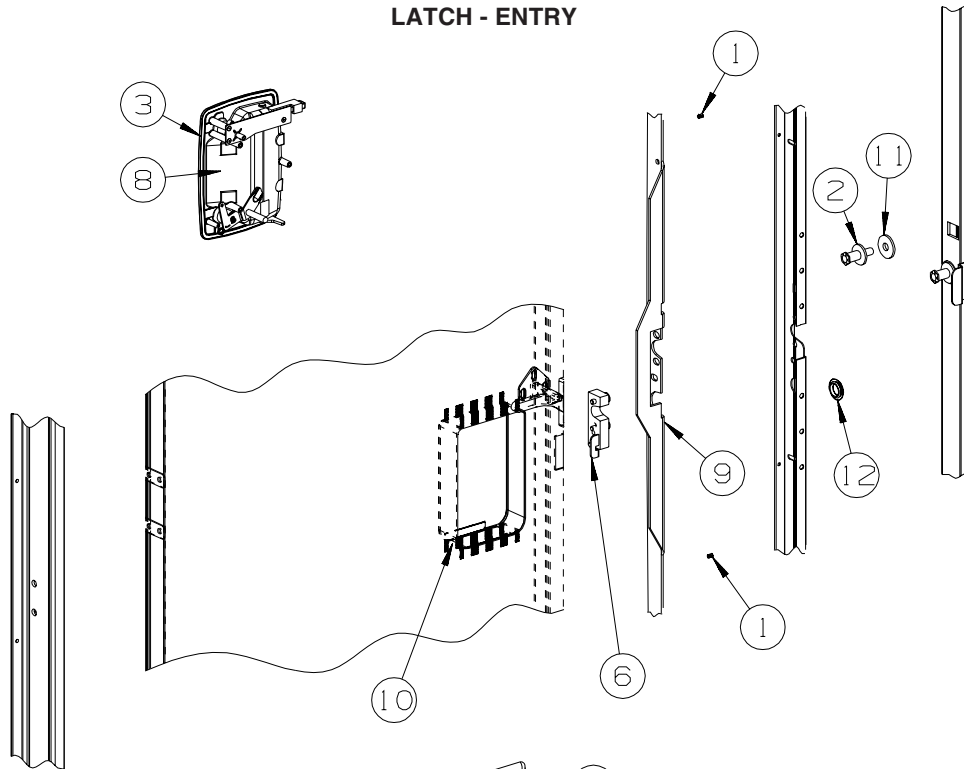
EXTERIOR DOORS & COMPARTMENTS GROUP (CONTINUED)
SCREEN



| KEY | PART NUMBER | U/M | DESCRIPTION |
|-----|---------------|-----|--|
| 1 | 002293-02-000 | SF | SCREEN - 26" - CHARCOAL |
| 2 | 002294-01-000 | FT | SPLINE - SCREENING - .13" X .14" |
| 3 | 016454-18-000 | EA | INSERT/CENTER - SCREEN DOOR |
| 4 | 078552-09-000 | EA | INSERT - SCREEN DOOR - LOWER |
| 5 | 078595-03-000 | EA | PLATE - SCREEN DOOR |
| 6 | 078777-08-000 | FT | CHANNEL - SLIDER - 4 FOOT INCREMENTS |
| 7 | 120863-09-000 | EA | BUMPER - RUBBER/RADIUS TOP - 3/4" X 3/8" - LT GRAY |
| 8 | 132081-01-01A | EA | STRIKE - SLIDER - SCREEN DOOR - BRIGHT WHITE |
| 9 | 132082-01-01A | EA | SLIDER - SCREEN DOOR - BRIGHT WHITE |

EXTERIOR DOORS & COMPARTMENTS GROUP (CONTINUED)

LATCH - ENTRY

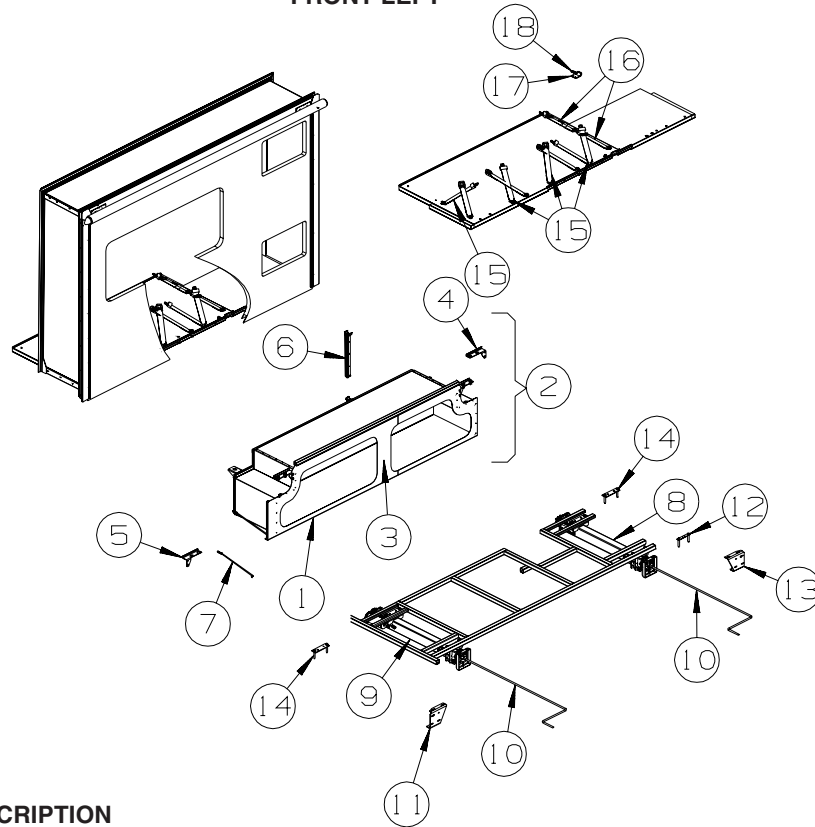


| KEY | PART NUMBER | U/M | DESCRIPTION |
|-----|---------------|-----|--|
| 1 | 072893-04-000 | EA | NUTSERT - 10-32 |
| 2 | 092927-20-000 | EA | STRIKER - BOLT |
| 3 | 112782-04-01A | EA | GASKET |
| 4 | 112782-05-01A | EA | CAP - VINYL - RED |
| 5 | 112782-08-01A | EA | SCREW - MOUNTING/PLATE - ZINC |
| 6 | 112782-22-01A | EA | LATCH - SINGLE ROTOR |
| 7 | 112782-21-01A | EA | LATCH - INTERIOR PLATE |
| 7 | 112782-27-01A | EA | LATCH - INTERIOR PLATE - WHITE |
| 8 | 112782-20-01A | EA | LATCH - EXTERIOR - W/O LOCK CYLINDER W/ICON-REVERSIBLE KEY |
| 9 | 132207-01-02B | EA | STIFFENER/DOOR - FORMED - E-COATED |
| 10 | 137230-01-01A | EA | SPACER - NOTCHED, MILL |
| 11 | 147900-01-01A | EA | SPACER - STRIKE BOLT, MILL |
| 12 | 061420-14-000 | EA | PLUG/PLASTIC - 7/8" DIAMETER - BLACK |

FROM: 00-00-00 THRU: 05-28-06

FROM: 05-29-06 THRU: 99-99-99

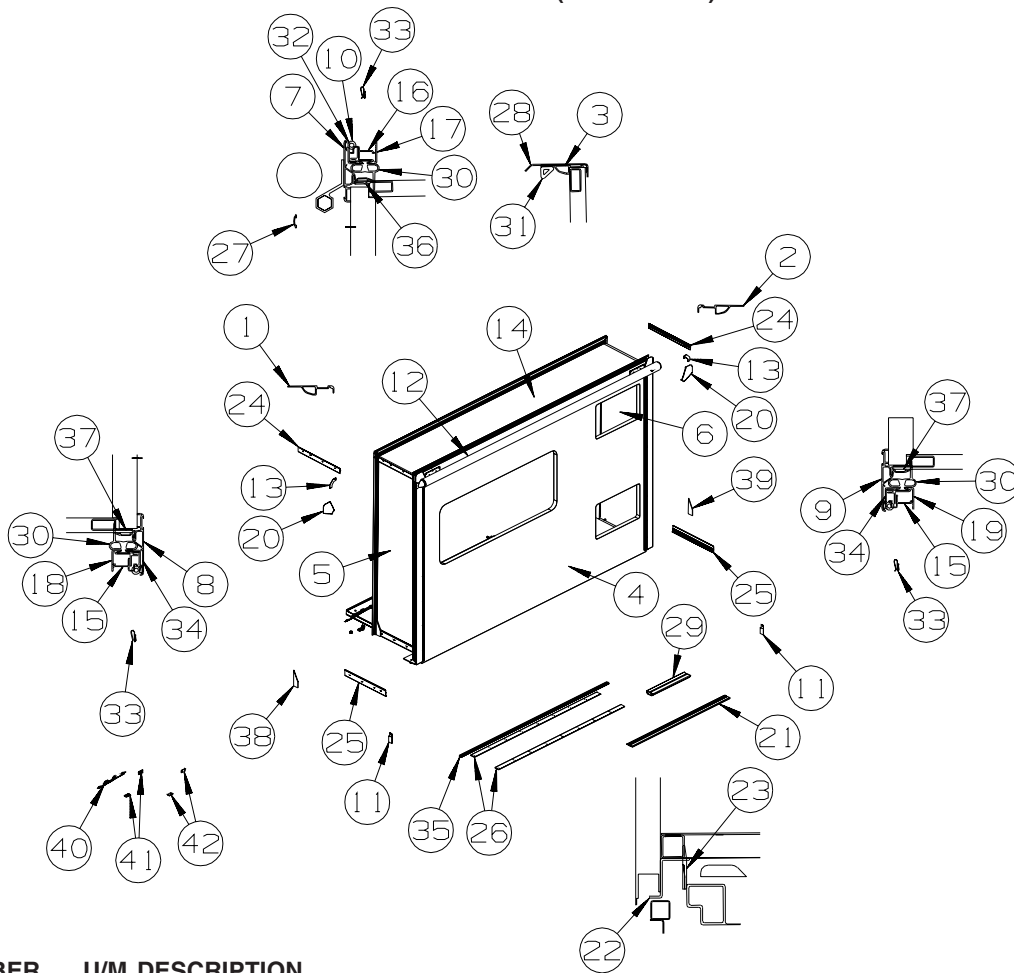
EXTERIOR SLIDEOUT GROUP FRONT LEFT



| KEY | PART NUMBER | U/M | DESCRIPTION |
|-----|---------------|-----|---|
| 1 | 126516-01-01A | FT | TRIM - VINYL/EXTRUDED - 8' |
| 2 | 141162-13-T53 | EA | COMPARTMENT - F/SLIDEOUT |
| 3 | 137064-15-02B | EA | SEAL PLANE - F/SLIDEOUT - E-COATED |
| 4 | 125888-05-02B | EA | BRACKET/SLIDEOUT COMPARTMENT - RIGHT HAND - E-COATED |
| 5 | 125888-06-02B | EA | BRACKET/SLIDEOUT COMPARTMENT - LEFT HAND - E-COATED |
| 6 | 126591-01-02B | EA | CARRIER/EXTENSION - F/SLIDEOUT-F/WIRE/HOSES - E-COATED |
| 7 | 107865-26-000 | EA | ROD - SUPPORT - VALANCE PANEL - 18.9" |
| 8* | 151027-02-000 | EA | SLIDEOUT - ELECTRIC 20" - LEFT HAND |
| 9* | 151027-01-000 | EA | SLIDEOUT - ELECTRIC 20" - RIGHT HAND |
| 10 | 138173-05-000 | EA | WRENCH - RETRACT CRANK HANDLE - F/SLIDEOUT |
| 11 | 127030-07-02B | EA | BRACKET - INNER FRONT/MOUNT - E-COATED |
| 12 | 136995-05-02B | EA | PLATE W/BOLTS - 5.9" X 1" W/7/16" X 3" BOLTS |
| 13 | 127030-08-02B | EA | BRACKET - INNER REAR/MOUNT - E-COATED |
| 14 | 136995-03-02B | EA | PLATE W/BOLTS - 6.9" X 2" W/1/2" X 3" BOLTS |
| 15 | 160167-01-01A | EA | SEAT BELT - 2" X 102" - BLACK |
| 16 | 160167-02-01A | EA | SEAT BELT - 2" X 90" - BLACK |
| 17 | 150697-02-01B | EA | BRACKET - RESTRAINT/CHILD - E-COATED |
| 18 | 150700-01-02B | EA | PLATE/MOUNTING - RESTRAINT/CHILD - 1" X 2.3" - E-COATED |

***COMPONENT PARTS LISTED LATER IN THIS GROUP**

EXTERIOR SLIDEOUT GROUP (CONTINUED)
FRONT LEFT (CONTINUED)



| KEY | PART NUMBER | U/M | DESCRIPTION |
|-----|---------------|-----|---|
| 1 | 139624-01-02A | EA | TRIM/SEAL - INNER/RIGHT HAND - 73.4" - ALMOND |
| 2 | 139624-02-02A | EA | TRIM/SEAL - INNER/LEFT HAND - 73.4" - ALMOND |
| 3 | 139624-27-02A | EA | TRIM/SEAL - INNER/TOP - 114.5" - ALMOND |
| 4 | 159014-11-U57 | EA | SLUG - F/SLIDEOUT (U51, U52) |
| 4 | 159014-11-U59 | EA | SLUG - F/SLIDEOUT (U53, U54) |
| 4 | 159014-11-U61 | EA | SLUG - F/SLIDEOUT (U55, U56) |
| 4 | 159014-12-U57 | EA | SLUG - F/SLIDEOUT (U51, U52) - SIDEWALL - PREMIUM |
| 4 | 159014-12-U59 | EA | SLUG - F/SLIDEOUT (U53, U54) - SIDEWALL - PREMIUM |
| 4 | 159014-12-U61 | EA | SLUG - F/SLIDEOUT (U55, U56) - SIDEWALL - PREMIUM |
| 5 | 153296-08-U57 | EA | PANEL END - F/SLIDEOUT (U51, U52) |
| | | | FROM: 00-00-00 THRU: 02-11-07 |
| 5 | 162977-07-U57 | EA | PANEL END - F/SLIDEOUT (U51, U52) |
| | | | FROM: 02-12-07 THRU: 99-99-99 |
| 5 | 153296-08-U59 | EA | PANEL END - F/SLIDEOUT (U53, U54) |
| | | | FROM: 00-00-00 THRU: 02-11-07 |
| 5 | 162977-07-U59 | EA | PANEL END - F/SLIDEOUT (U53, U54) |
| | | | FROM: 02-12-07 THRU: 99-99-99 |
| 5 | 153296-08-U61 | EA | PANEL END - F/SLIDEOUT (U55, U56) |
| | | | FROM: 00-00-00 THRU: 02-11-07 |
| 5 | 162977-07-U61 | EA | PANEL END - F/SLIDEOUT (U55, U56) |
| | | | FROM: 02-12-07 THRU: 99-99-99 |
| 5 | 153296-13-U57 | EA | PANEL END - F/SLIDEOUT (U51, U52) - SIDEWALL - PREMIUM |
| | | | FROM: 00-00-00 THRU: 02-11-07 |
| 5 | 162977-09-U57 | EA | PANEL END - F/SLIDEOUT (U51, U52) - SIDEWALL - PREMIUM |
| | | | FROM: 02-12-07 THRU: 99-99-99 |
| 5 | 153296-13-U59 | EA | PANEL END - F/SLIDEOUT (U53, U54) - SIDEWALL - PREMIUM |
| | | | FROM: 00-00-00 THRU: 02-11-07 |
| 5 | 162977-09-U59 | EA | PANEL END - F/SLIDEOUT (U53, U54) - SIDEWALL - PREMIUM |
| | | | FROM: 02-12-07 THRU: 99-99-99 |

EXTERIOR SLIDEOUT GROUP (CONTINUED)
FRONT LEFT (CONTINUED)

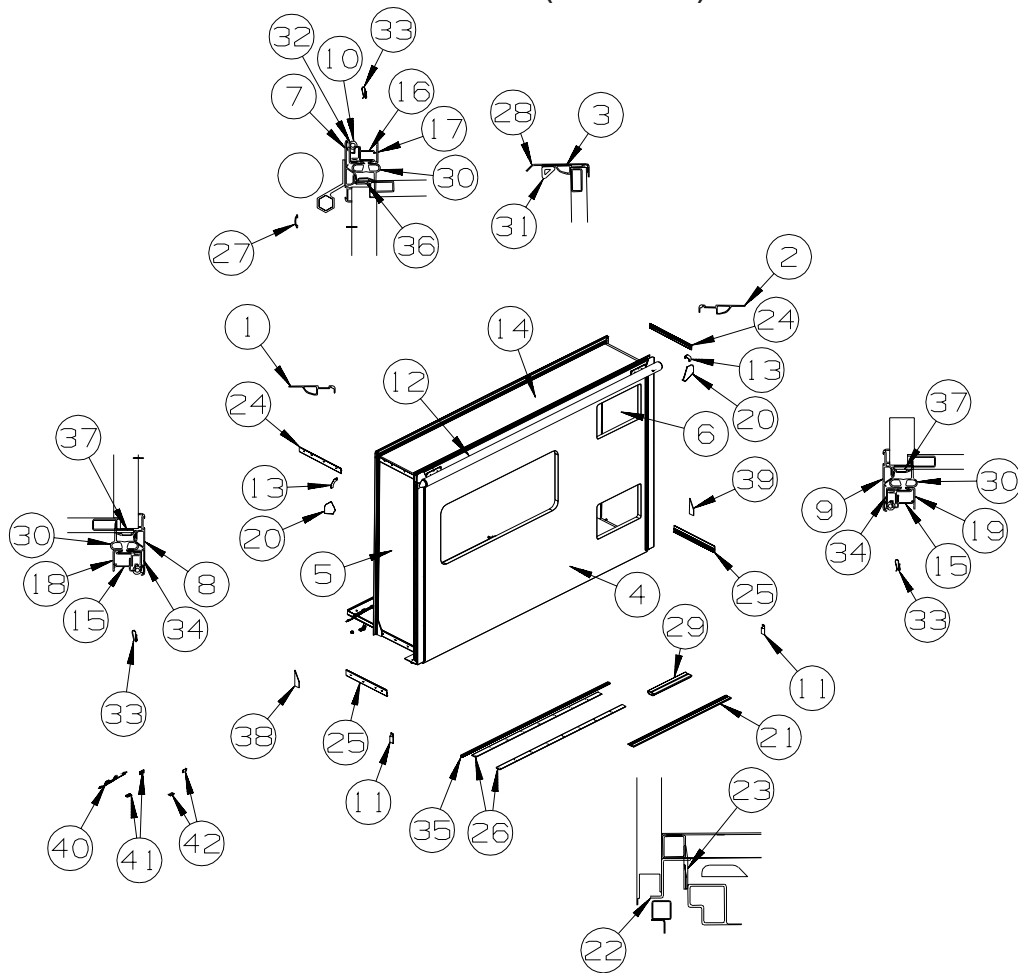
| KEY | PART NUMBER | U/M | DESCRIPTION |
|-----|---------------|-----|--|
| 5 | 153296-13-U61 | EA | PANEL END - F/SLIDEOUT (U55, U56) - SIDEWALL - PREMIUM FROM: 00-00-00 THRU: 02-11-07 |
| 5 | 162977-09-U61 | EA | PANEL END - F/SLIDEOUT (U55, U56) - SIDEWALL - PREMIUM FROM: 02-12-07 THRU: 99-99-99 |
| 6 | 153297-09-U57 | EA | PANEL END - F/SLIDEOUT (U51, U52) FROM: 00-00-00 THRU: 02-11-07 |
| 6 | 162977-03-U57 | EA | PANEL END - F/SLIDEOUT (U51, U52) FROM: 02-12-07 THRU: 99-99-99 |
| 6 | 153297-09-U53 | EA | PANEL END - F/SLIDEOUT (U53, U54) FROM: 00-00-00 THRU: 02-11-07 |
| 6 | 162977-03-U59 | EA | PANEL END - F/SLIDEOUT (U53, U54) FROM: 02-12-07 THRU: 99-99-99 |
| 6 | 153297-09-U61 | EA | PANEL END - F/SLIDEOUT (U55, U56) FROM: 00-00-00 THRU: 02-11-07 |
| 6 | 162977-03-U61 | EA | PANEL END - F/SLIDEOUT (U55, U56) FROM: 02-12-07 THRU: 99-99-99 |
| 6 | 153297-14-U57 | EA | PANEL END - F/SLIDEOUT (U51, U52) - SIDEWALL - PREMIUM FROM: 00-00-00 THRU: 02-11-07 |
| 6 | 162977-04-U57 | EA | PANEL END - F/SLIDEOUT (U51, U52) - SIDEWALL - PREMIUM FROM: 02-12-07 THRU: 99-99-99 |
| 6 | 153297-14-U59 | EA | PANEL END - F/SLIDEOUT (U53, U54) - SIDEWALL - PREMIUM FROM: 00-00-00 THRU: 02-11-07 |
| 6 | 162977-04-U59 | EA | PANEL END - F/SLIDEOUT (U53, U54) - SIDEWALL - PREMIUM FROM: 02-12-07 THRU: 99-99-99 |
| 6 | 153297-14-U61 | EA | PANEL END - F/SLIDEOUT (U55, U56) - SIDEWALL - PREMIUM FROM: 00-00-00 THRU: 02-11-07 |
| 6 | 162977-04-U61 | EA | PANEL END - F/SLIDEOUT (U55, U56) - SIDEWALL - PREMIUM FROM: 02-12-07 THRU: 99-99-99 |
| 7 | 156417-01-01A | EA | TRIM/SEAL - W/MITERED ENDS - 76.5" - BRIGHT WHITE FROM: 00-00-00 THRU: 02-25-07 |
| 7 | 162052-01-01A | EA | TRIM/SEAL - W/MITERED ENDS - 76.5" - BRIGHT WHITE FROM: 02-26-07 THRU: 99-99-99 |
| 8 | 156417-09-01A | EA | TRIM/SEAL - W/MITERED ENDS - 76.3" - BRIGHT WHITE FROM: 00-00-00 THRU: 02-25-07 |
| 8 | 162052-09-01A | EA | TRIM/SEAL - W/MITERED ENDS - 76.3" - BRIGHT WHITE FROM: 02-26-07 THRU: 99-99-99 |
| 9 | 142233-20-01A | EA | TRIM/SEAL - W/MITERED ENDS - 78.4" - BRIGHT WHITE FROM: 00-00-00 THRU: 02-25-07 |
| 9 | 162052-20-01A | EA | TRIM/SEAL - W/MITERED ENDS - 78.4" - BRIGHT WHITE FROM: 02-26-07 THRU: 99-99-99 |
| 10 | 158297-01-000 | FT | SEAL - D-SECTION/BULB/TEE - ADHESIVE BACK - BLACK |
| 11 | 126546-03-03A | EA | COVER - END/SIDEWALL - BLACK |
| 12 | | | SLIDEOUT AWNING |

ORDER AWNINGS & REPAIR PARTS FROM DOMETIC. CALL #800-366-3842.

**THE DOMETIC AWNING INFORMATION YOU WILL NEED IS LOCATED ON THE MOTOR HOME NEAR
THE TOP OF THE AWNING RAIL.**

| | | | |
|----|---------------|----|---|
| 13 | 156416-01-12B | EA | BRACKET - CORNER TRIM/SLIDEOUT - 3.1"X 3.1" - BRIGHT WHITE FROM: 00-00-00 THRU: 01-06-07 |
| 13 | 156416-01-02B | EA | BRACKET - CORNER TRIM/SLIDEOUT - 3.1"X 3.1" - E-COATED FROM: 00-00-00 THRU: 01-06-07 |
| 13 | 160421-01-01A | EA | CORNER TRIM/SLIDEOUT - 3.1" X 3.1" - BLACK FROM: 01-07-07 THRU: 99-99-99 |
| 14 | 153716-02-U57 | EA | ROOF - F/SLIDEOUT |
| 15 | 142718-01-01A | EA | RETAINER - SIDEWALL/SLIDEOUT - 72.8" |
| 16 | 142718-10-01A | EA | RETAINER - SIDEWALL/SLIDEOUT - 114" |
| 17 | 151761-15-02A | EA | TRIM - SIDEWALL/SLIDEOUT/TOP - 115.9" - ALMOND |
| 18 | 151760-04-02A | EA | TRIM - SIDEWALL/SLIDEOUT - 74.5" - ALMOND |
| 19 | 151760-03-02A | EA | TRIM - SIDEWALL/SLIDEOUT - 74.5" - ALMOND |
| 20 | 156151-01-02A | EA | PROTECTOR - CORNER - SLIDEOUT - BRIGHT WHITE |
| 21 | 134837-01-01A | EA | RAMP - SLIDEOUT - BLACK PVC |
| 22 | 128621-49-01A | EA | BRACKET/ZEE - SLIDEOUT - 109.8" - MILL |
| 23 | 115075-03-000 | FT | SEAL - WIPE - .25" X 2.9" |

EXTERIOR SLIDEOUT GROUP (CONTINUED)
FRONT LEFT (CONTINUED)



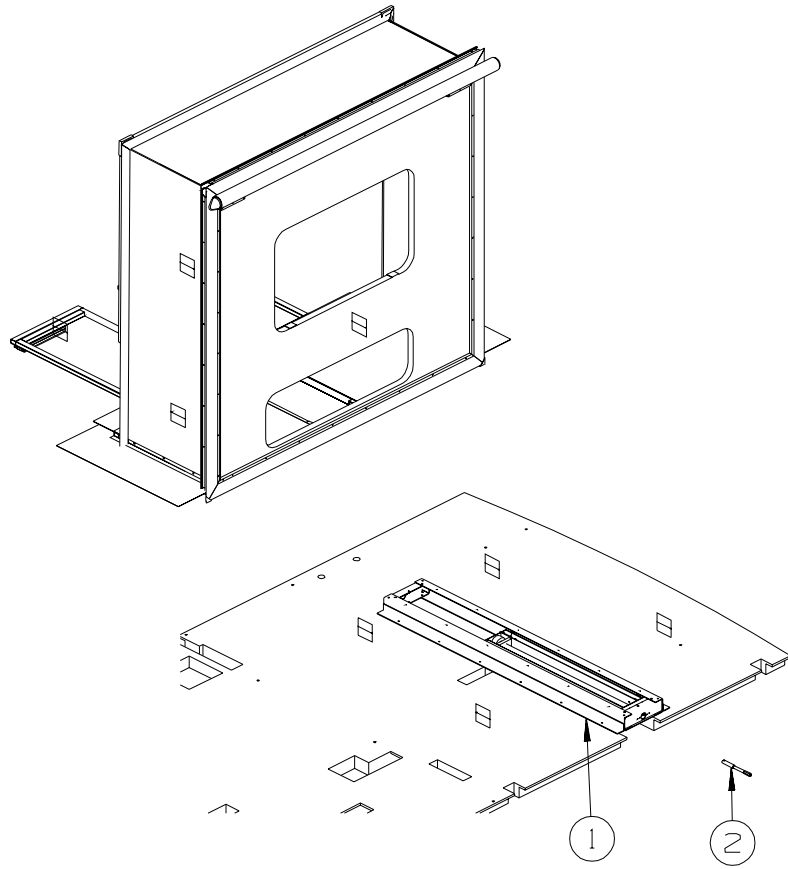
| KEY | PART NUMBER | U/M | DESCRIPTION |
|-----|---------------|-----|---|
| 24 | 158375-03-01A | EA | TRIM - FEATURE STRIP - 20.6" - BRIGHT WHITE |
| 25 | 158030-01-02A | EA | TRIM - FEATURE STRIP/LOWER - 2.3" X 20" - BLACK |
| 25 | 163020-06-02A | EA | TRIM - FEATURE STRIP/LOWER - 2.3" X 19.8" - BLACK FROM: 00-00-00 THRU: 02-11-07 FROM: 02-12-07 THRU: 99-99-99 |
| 26 | 152641-01-000 | EA | SKID/GLIDE - SLIDEOUT ROOM - 1/4"X2"X95.5"- POLYETHYLENE |
| 27 | 105312-01-07A | FT | INSERT - FEATURE STRIP - VINYL - BRIGHT WHITE |
| 28 | 125466-08-04A | EA | SUPPORT - ROOF/INTERIOR - ALMOND |
| 29 | 134756-03-M30 | EA | RAMP - FABRIC COVERED - SLIDEOUT - 18.3" |
| 30 | 136978-01-01A | FT | SEAL - SLIDEOUT - BLACK |
| 31 | 146056-01-000 | FT | SEAL - TRIANGLE - W/PSA |
| 32 | 136824-13-01A | EA | TRIM - SIDEWALL/SLIDEOUT - 115.8" - BRIGHT WHITE |
| 33 | 142549-01-000 | EA | CLIP - "S" TYPE |
| 34 | 136824-45-01A | EA | TRIM - SIDEWALL/SLIDEOUT - 74.4" |
| 35 | 151282-12-01A | EA | TRIM - CARPET EDGE/F-ANGLE - 72.5" - BLACK |
| 36 | 133954-19-01A | EA | TRIM/SEAL - 111.4" - BRIGHT WHITE - NOT ILLUSTRATED FROM: 00-00-00 THRU: 04-23-06 |
| 36 | 146606-19-01A | EA | TRIM/RETAINER - 110.1" - BRIGHT WHITE FROM: 04-24-06 THRU: 99-99-99 |
| 37 | 133954-05-01A | EA | TRIM/SEAL - 67.9" - BRIGHT WHITE - NOT ILLUSTRATED FROM: 00-00-00 THRU: 04-23-06 |
| 37 | 146606-05-01A | EA | TRIM/RETAINER - 69.5" - BRIGHT WHITE FROM: 04-24-06 THRU: 06-25-06 |
| 37 | 146606-48-01A | EA | TRIM/RETAINER - 69.3" - BRIGHT WHITE FROM: 06-26-06 THRU: 99-99-99 |
| 38 | 157809-01-01A | EA | SEAL - FOAM BLOCK/RIGHT SIDE - ADHESIVE BACK |
| 39 | 157809-02-01A | EA | SEAL - FOAM BLOCK/LEFT SIDE - ADHESIVE BACK |
| 40 | 135619-01-01A | EA | STRAP - TIEDOWN - SLIDEOUT ROOM |
| 41 | 135619-02-01A | EA | PLATE - TIEDOWN - SLIDEOUT ROOM |
| 42 | 135622-01-02B | EA | PLATE - TIEDOWN - SLIDEOUT ROOM |

EXTERIOR SLIDEOUT GROUP (CONTINUED)
COMPONENT PARTS FOR FRONT LEFT

151027-01-000, 151027-02-000

| KEY | PART NUMBER | U/M | DESCRIPTION | VENDOR NO. |
|------------|--------------------|------------|------------------------------|-------------------|
| | 130294-04-700 | EA | SCREW - 5/16"-18 X 1 1/2" | 1202060 |
| | 131281-01-704 | EA | HAIRPIN/COTTER - 3/8" SPRING | 1213460 |
| | 131682-01-700 | EA | ROLLER - (BEARING) | 1912040 |
| | 138173-01-701 | EA | POP RIVET - SS 3/16"X1/4" | 1214630 |
| | 138173-01-707 | EA | WEAR PUCK - PLASTIC F/DRIVE | 1612523 |
| | 140457-01-701 | EA | BUSHING - 1" X 3/4" X 1/2"ID | 1614006 |
| | 140457-01-704 | EA | SHAFT/AXLE - REAR ROLLER | 7204523 |
| | 148875-01-702 | EA | PIN/ROLL - 1/4" X 1" | 1213701 |
| | 148875-01-703 | EA | NUT - PLASTIC - 1" | 1612548 |
| | 148875-01-704 | EA | END CARRIER - PLASTIC - 1" | 1612549 |
| | 148875-01-705 | EA | MOTOR/LINEAR - SLIDE ROOM | 1820111 |
| | 148875-01-707 | EA | END GUIDE F/SCREW - 1" | 1820450 |
| | 149165-01-701 | EA | PIN/CLEVIS - 1/4" X 2" | 1213204 |
| | 151027-01-700 | EA | DRIVE SCREW 1" X 20" | 1820402 |
| | 151027-01-701 | EA | ROLL PIN - 3/16" X 1" | 1213694 |
| | 151027-01-702 | EA | CLEVIS PIN - 1/4" X 1 1/4" | 1213202 |

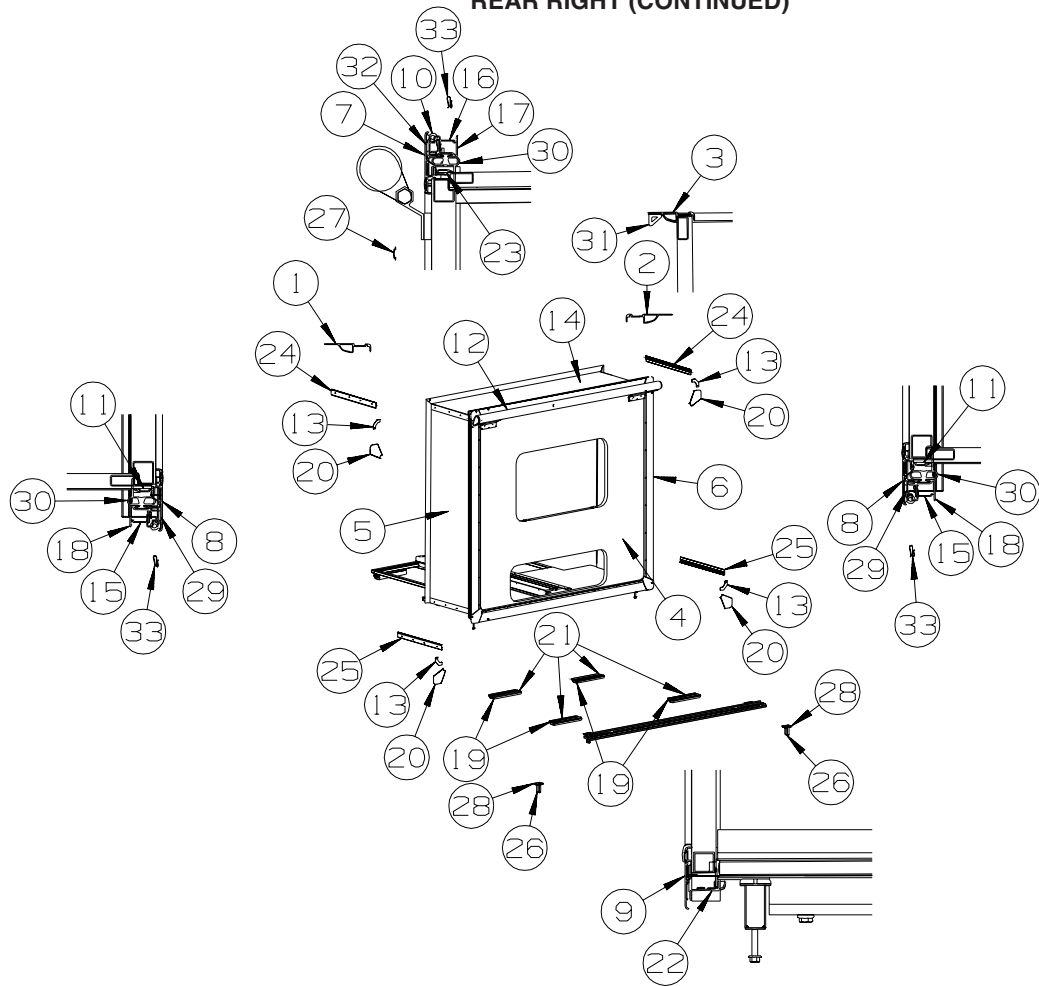
EXTERIOR SLIDEOUT GROUP (CONTINUED)
REAR RIGHT



| KEY | PART NUMBER | U/M | DESCRIPTION |
|-----|---------------|-----|---|
| 1* | 140464-01-000 | EA | SLIDEOUT CYLINDER ASM - REAR/SINGLE - ELECTRIC - KWIKEE |
| 2 | 140464-03-000 | EA | WRENCH - SLIDE ROOM RETRACT - RATCHET W/2 EXTENSIONS |

***COMPONENT PARTS LISTED LATER IN THIS GROUP**

EXTERIOR SLIDEOUT GROUP (CONTINUED)
REAR RIGHT (CONTINUED)



| KEY | PART NUMBER | U/M | DESCRIPTION |
|-----|---------------|-----|--|
| 1 | 139624-15-02A | EA | TRIM/SEAL - INNER/RIGHT HAND - 72.9" - ALMOND |
| 2 | 139624-16-02A | EA | TRIM/SEAL - INNER/LEFT HAND - 72.9" - ALMOND |
| 3 | 139624-04-02A | EA | TRIM/SEAL - INNER/TOP - 80.2" - ALMOND |
| 4 | 159016-11-U57 | EA | SLUG - F/SLIDEOUT (U51, U52) |
| 4 | 159016-11-U59 | EA | SLUG - F/SLIDEOUT (U53, U54) |
| 4 | 159016-11-U61 | EA | SLUG - F/SLIDEOUT (U55, U56) |
| 4 | 159016-12-U57 | EA | SLUG - F/SLIDEOUT (U51, U52) - SIDEWALL - PREMIUM |
| 4 | 159016-12-U59 | EA | SLUG - F/SLIDEOUT (U53, U54) - SIDEWALL - PREMIUM |
| 4 | 159016-12-U61 | EA | SLUG - F/SLIDEOUT (U55, U56) - SIDEWALL - PREMIUM |
| 5 | 153296-03-U57 | EA | PANEL END - F/SLIDEOUT (U51, U52) |
| 5 | 153296-03-U59 | EA | PANEL END - F/SLIDEOUT (U53, U54) |
| 5 | 153296-03-U61 | EA | PANEL END - F/SLIDEOUT (U55, U56) |
| 5 | 153296-10-U57 | EA | PANEL END - F/SLIDEOUT (U51, U52) - SIDEWALL - PREMIUM |
| 5 | 153296-10-U59 | EA | PANEL END - F/SLIDEOUT (U53, U54) - SIDEWALL - PREMIUM |
| 5 | 153296-10-U61 | EA | PANEL END - F/SLIDEOUT (U55, U56) - SIDEWALL - PREMIUM |
| 6 | 153297-03-U57 | EA | PANEL END - F/SLIDEOUT (U51, U52) |
| 6 | 153297-03-U59 | EA | PANEL END - F/SLIDEOUT (U53, U54) |
| 6 | 153297-03-U61 | EA | PANEL END - F/SLIDEOUT (U55, U56) |
| 6 | 153297-11-U57 | EA | PANEL END - F/SLIDEOUT (U51, U52) - SIDEWALL - PREMIUM |
| 6 | 153297-11-U59 | EA | PANEL END - F/SLIDEOUT (U53, U54) - SIDEWALL - PREMIUM |
| 6 | 153297-11-U61 | EA | PANEL END - F/SLIDEOUT (U55, U56) - SIDEWALL - PREMIUM |
| 7 | 156417-09-01A | EA | TRIM/SEAL - W/MITERED ENDS - 76.3" - BRIGHT WHITE FROM: 00-00-00 THRU: 02-25-07 |
| 7 | 162052-09-01A | EA | TRIM/SEAL - W/MITERED ENDS - 76.3" - BRIGHT WHITE FROM: 02-26-07 THRU: 99-99-99 |
| 8 | 156417-01-01A | EA | TRIM/SEAL - W/MITERED ENDS - 76.5" - BRIGHT WHITE FROM: 00-00-00 THRU: 02-25-07 |
| 8 | 162052-01-01A | EA | TRIM/SEAL - W/MITERED ENDS - 78.4" - BRIGHT WHITE FROM: 02-26-07 THRU: 99-99-99 |

EXTERIOR SLIDEOUT GROUP (CONTINUED)
REAR RIGHT (CONTINUED)

| KEY | PART NUMBER | U/M | DESCRIPTION |
|------------|--------------------|------------|--|
| 9 | 142233-20-01A | EA | TRIM/SEAL - W/MITERED ENDS - 78.4" - BRIGHT WHITE FROM: 00-00-00 THRU: 02-25-07 |
| 9 | 162052-20-01A | EA | TRIM/SEAL - W/MITERED ENDS - 78.4" - BRIGHT WHITE FROM: 02-26-07 THRU: 99-99-99 |
| 10 | 158297-01-000 | FT | SEAL - D-SECTION/BULB/TEE - ADHESIVE BACK - BLACK |
| 11 | 133954-46-01A | EA | TRIM/SEAL - 68.8" - BRIGHT WHITE - NOT ILLUSTRATED FROM: 00-00-00 THRU: 04-23-06 |
| 11 | 146606-46-01A | EA | TRIM/RETAINER - 68.8" - BRIGHT WHITE FROM: 04-24-06 THRU: 99-99-99 |
| 12 | | | SLIDEOUT AWNING |

ORDER AWNINGS & REPAIR PARTS FROM DOMETIC. CALL #800-366-3842.

**THE DOMETIC AWNING INFORMATION YOU WILL NEED IS LOCATED ON THE MOTOR HOME NEAR
THE TOP OF THE AWNING RAIL.**

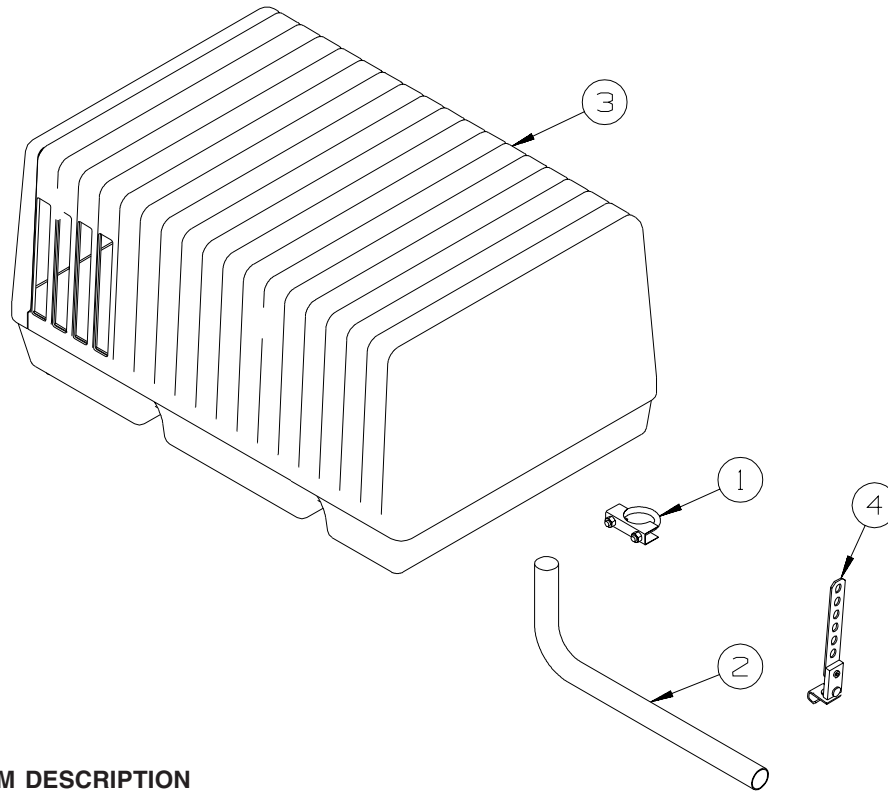
| | | | |
|----|---------------|----|--|
| 13 | 156416-01-12B | EA | BRACKET - CORNER TRIM/SLIDEOUT - 3.1"X 3.1" - BRIGHT WHITE FROM: 00-00-00 THRU: 01-06-07 |
| 13 | 156416-01-02B | EA | BRACKET - CORNER TRIM/SLIDEOUT - 3.1"X 3.1" - E-COATED FROM: 00-00-00 THRU: 01-06-07 |
| 13 | 160421-01-01A | EA | CORNER TRIM/SLIDEOUT - 3.1" X 3.1" - BLACK - NOT ILLUSTRATED FROM: 01-07-07 THRU: 99-99-99 |
| 14 | 136557-01-S01 | EA | ROOF - F/SLIDEOUT |
| 15 | 142718-01-01A | EA | RETAINER - SIDEWALL/SLIDEOUT - 72.8" |
| 16 | 142718-23-01A | EA | RETAINER - SIDEWALL/SLIDEOUT - 79.9" |
| 17 | 151761-02-02A | EA | TRIM - SIDEWALL/SLIDEOUT/TOP - 81.2" - ALMOND |
| 18 | 151760-18-02A | EA | TRIM - SIDEWALL/SLIDEOUT - 72.3" - ALMOND |
| 19 | 115661-01-000 | FT | SHOE/GLIDE - SLIDEOUT ROOM - 1/16" X 3" - POLYETHYLENE |
| 20 | 156151-01-02A | EA | PROTECTOR - CORNER - SLIDEOUT - BRIGHT WHITE |
| 21 | 115325-08-01A | EA | RAIL - FLOOR/SLIDEOUT ROOM - 12" LONG - BLACK |
| 22 | 157584-02-AA2 | EA | TRIM/ZEE - W/SEAL/END CAPS - SLIDEOUT/LOWER - 80.7" - BRIGHT WHITE |
| 23 | 133954-12-01A | EA | TRIM/SEAL - 75.7" - BRIGHT WHITE - NOT ILLUSTRATED FROM: 00-00-00 THRU: 04-23-06 |
| 23 | 146606-12-01A | EA | TRIM/RETAINER - 75.7" - BRIGHT WHITE FROM: 04-24-06 THRU: 99-99-99 |
| 24 | 158375-04-01A | EA | TRIM - FEATURE STRIP - 24.6" - BRIGHT WHITE |
| 25 | 157385-04-01A | EA | TRIM - FEATURE STRIP/LOWER - 21.8" - BRIGHT WHITE FROM: 00-00-00 THRU: 02-25-07 |
| 25 | 157385-07-01A | EA | TRIM - FEATURE STRIP/LOWER - 23.8" - BRIGHT WHITE FROM: 02-26-07 THRU: 99-99-99 |
| 26 | 126313-02-02B | EA | SUPPORT - SLIDE - F/SLIDE-OUT ROOM - E-COATED |
| 27 | 105312-01-07A | FT | INSERT - FEATURE STRIP - VINYL - BRIGHT WHITE |
| 28 | 128599-03-000 | EA | PAD - F/SLIDEOUT - 2" X 2.6" |
| 29 | 136824-16-01A | EA | TRIM - SIDEWALL/SLIDEOUT - 72.7" - BRIGHT WHITE |
| 30 | 136978-01-01A | FT | SEAL - SLIDEOUT - BLACK |
| 31 | 146056-01-000 | FT | SEAL - TRIANGLE - W/PSA |
| 32 | 136824-02-01A | EA | TRIM - SIDEWALL/SLIDEOUT - 81.2" - BRIGHT WHITE |
| 33 | 142549-01-000 | EA | CLIP - "S" TYPE |

COMPONENT PARTS FOR REAR RIGHT

140464-01-000

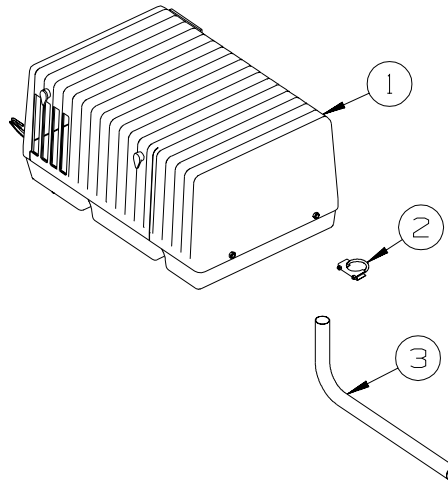
| KEY | PART NUMBER | U/M | DESCRIPTION | VENDOR NO. |
|------------|--------------------|------------|-----------------------------|-------------------|
| | 138173-01-700 | EA | PIN/CLEVIS - PLATED/FRONT | 1213810 |
| | 138173-01-706 | EA | MOTOR - DRIVE W/WORM SHAFT | 1820106 |
| | 138173-01-707 | EA | WEAR PUCK - PLASTIC F/DRIVE | 1612523 |

**GENERATOR GROUP
GAS**



**MICROLITE
D26P, D29R, D30B**

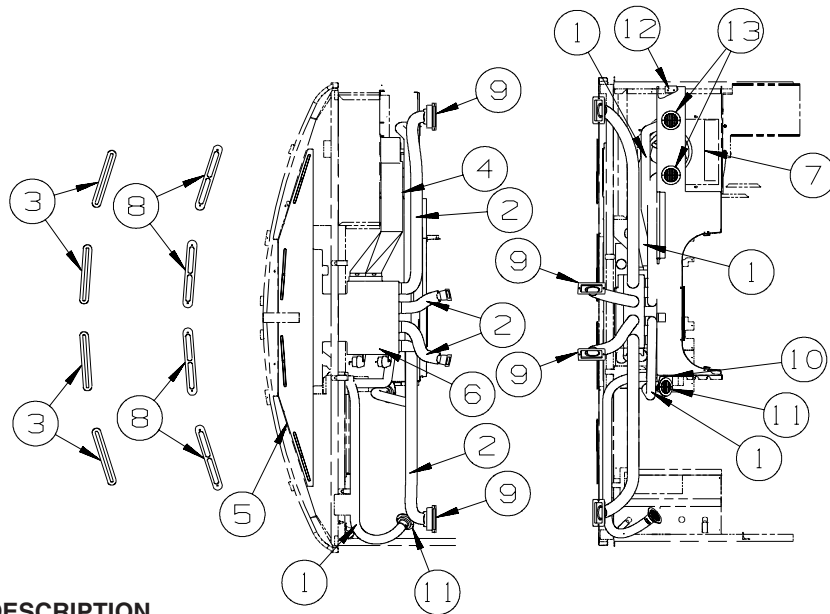
| KEY | PART NUMBER | U/M | DESCRIPTION |
|-----|---------------|-----|------------------------------------|
| 1 | 007125-04-000 | EA | CLAMP - MUFFLER - 1.12" DIAMETER |
| 2 | 158240-01-000 | EA | PIPE - EXHAUST/GENERATOR |
| 3 | 109982-03-000 | EA | GENERATOR - 4.0 MICROLITE |
| 4 | 007131-01-000 | EA | HANGER - TAILPIPE - 6 SLOTS - D29R |



**MARQUIS GOLD
D33T, D34A, D35J**

| KEY | PART NUMBER | U/M | DESCRIPTION |
|-----|---------------|-----|--|
| 1 | 135707-07-000 | EA | GENERATOR - 5.5 - 30/20 - GAS - MARQUIS GOLD |
| 2 | 007125-03-000 | EA | CLAMP - MUFFLER - 1.5" DIAMETER |
| 3 | 105958-07-000 | EA | PIPE - EXHAUST - 1.4" INLET X 1.5" O.D. - 4.9" X 20.1" |

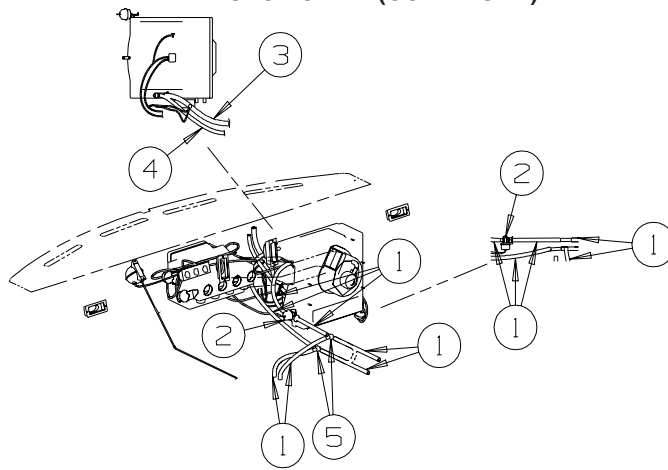
HEATING & A/C GROUP AUTOMOTIVE



| KEY | PART NUMBER | U/M | DESCRIPTION |
|-----|---------------|-----|---|
| 1 | 007076-01-000 | EA | HOSE - FLEXIBLE PVC - 2" ID - INCREMENTS OF 50' |
| 2 | 007281-01-000 | EA | HOSE - FLEXIBLE PVC - 2 1/2" ID X 50' |
| 3 | 077075-01-000 | EA | GASKET - INSTRUMENT PANEL/DEFROSTER PLENUM - .6" X 10.2" |
| 4 | 103016-03-000 | EA | PLENUM - TRANSITION |
| 5 | 103017-03-000 | EA | PLENUM - DEFROSTER |
| 6* | 103930-49-000 | EA | CONTROL/PLENUM - LARGE ROTARY |
| 7* | 103930-55-000 | EA | EVAPORATOR/HEATER - NONCHARGED - SINGLE OUTPUT |
| 8 | 135265-01-06A | EA | VENT - DEFROSTER - PLASTIC - CASHMERE |
| 8 | 135265-01-07A | EA | VENT - DEFROSTER - PLASTIC - RIVERSTONE |
| 9 | 135803-02-01A | EA | LOUVER/A/C - ADJ W/MOUNT HOLES - 2.5" X 5.8" F/2.5" HOSE |
| 10 | 136157-03-02B | EA | BRACKET - HEATER - E-COATED |
| 11 | 157225-01-01A | EA | OUTLET - DEFROSTER - W/SWIVEL - 2" SLEEVE/4"OD - BLACK |
| 12 | 156732-01-01A | EA | BRACE |
| 13 | 157225-01-06A | EA | OUTLET - DEFROSTER - W/SWIVEL - 2" SLEEVE/4"OD - CASHMERE |
| 13 | 157225-01-05A | EA | OUTLET - DEFROSTER - W/SWIVEL - 2" SLEEVE/4"OD - RIVERSTONE |
| | 113452-02-000 | FT | SEAL/TRIM - FRONT - VINYL W/WIRE CARRIER - .027" - WHERE WIRES & HOSES CROSS METAL |

*COMPONENT PARTS LISTED LATER IN THIS GROUP

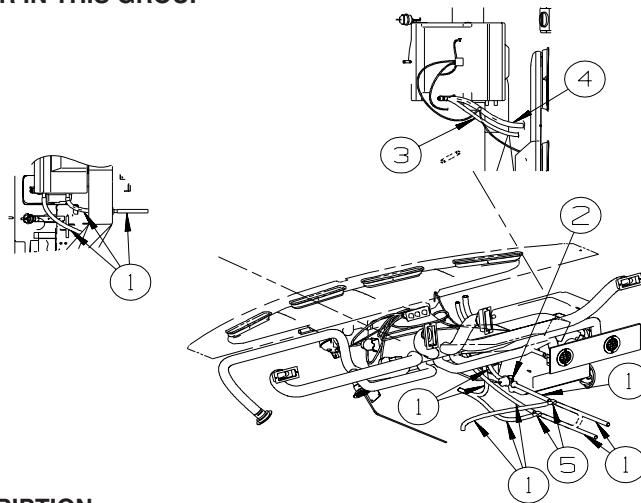
HEATING & A/C GROUP (CONTINUED)
AUTOMOTIVE (CONTINUED)



FORD

| KEY | PART NUMBER | U/M DESCRIPTION |
|-----|---------------|---|
| 1 | 007108-01-000 | FT HOSE - HEATER - 5/8"ID - HI-TEMP |
| 2 | 103930-23-000 | EA VALVE/WATER - 2 PORT/VACUUM CONTROLLED - "NEW DESIGN" |
| 3* | 103930-44-000 | EA HOSE - EVAPORATOR/DRYER - #6 |
| 4* | 103930-45-000 | EA HOSE - EVAPORATOR/COMPRESSOR - PRIOR TO 2007 FORD CHASSIS |
| 4 | 103930-64-000 | EA HOSE - EVAPORATOR/COMPRESSOR - 2007 FORD CHASSIS |
| 5 | 076776-01-000 | EA TEE - BEADED - 5/8" X 5/8" X 5/8" |

***COMPONENT PARTS LISTED LATER IN THIS GROUP**



WORKHORSE

| KEY | PART NUMBER | U/M DESCRIPTION |
|-----|---------------|--|
| 1 | 007108-01-000 | FT HOSE - HEATER - 5/8"ID - HI-TEMP |
| 2 | 103930-23-000 | EA VALVE/WATER - 2 PORT/VACUUM CONTROLLED - "NEW DESIGN" |
| 3* | 103930-46-000 | EA HOSE - EXPANSION BLOCK (EVAPORATOR) TO COMPRESSOR |
| 4* | 103930-47-000 | EA HOSE - EXPANSION VALVE (EVAPORATOR) TO DRIER |
| 5 | 076776-01-000 | EA TEE - BEADED - 5/8" X 5/8" X 5/8" |

***COMPONENT PARTS LISTED LATER IN THIS GROUP**

HEATING & A/C GROUP (CONTINUED)
COMPONENT PARTS FOR AUTOMOTIVE

103930-44-000

| KEY | PART NUMBER | U/M | DESCRIPTION | VENDOR NO |
|------------|--------------------|------------|------------------------------|------------------|
| | 103930-29-701 | EA | O'RING F/LOW PRESSURE SWITCH | 045-0483 |
| | 103930-44-700 | EA | HOSE ASSEMBLY #6 | 085-0462 |
| | 113245-01-711 | EA | O'RING #6 | 045-0129 |

103930-45-000

| KEY | PART NUMBER | U/M | DESCRIPTION | VENDOR NO. |
|------------|--------------------|------------|---------------------------|-------------------|
| | 103930-17-702 | EA | O'RING #10 | 045-0127 |
| | 103930-45-700 | EA | HOSE - #10 EVAP/COMP - 3' | 085-0463 |

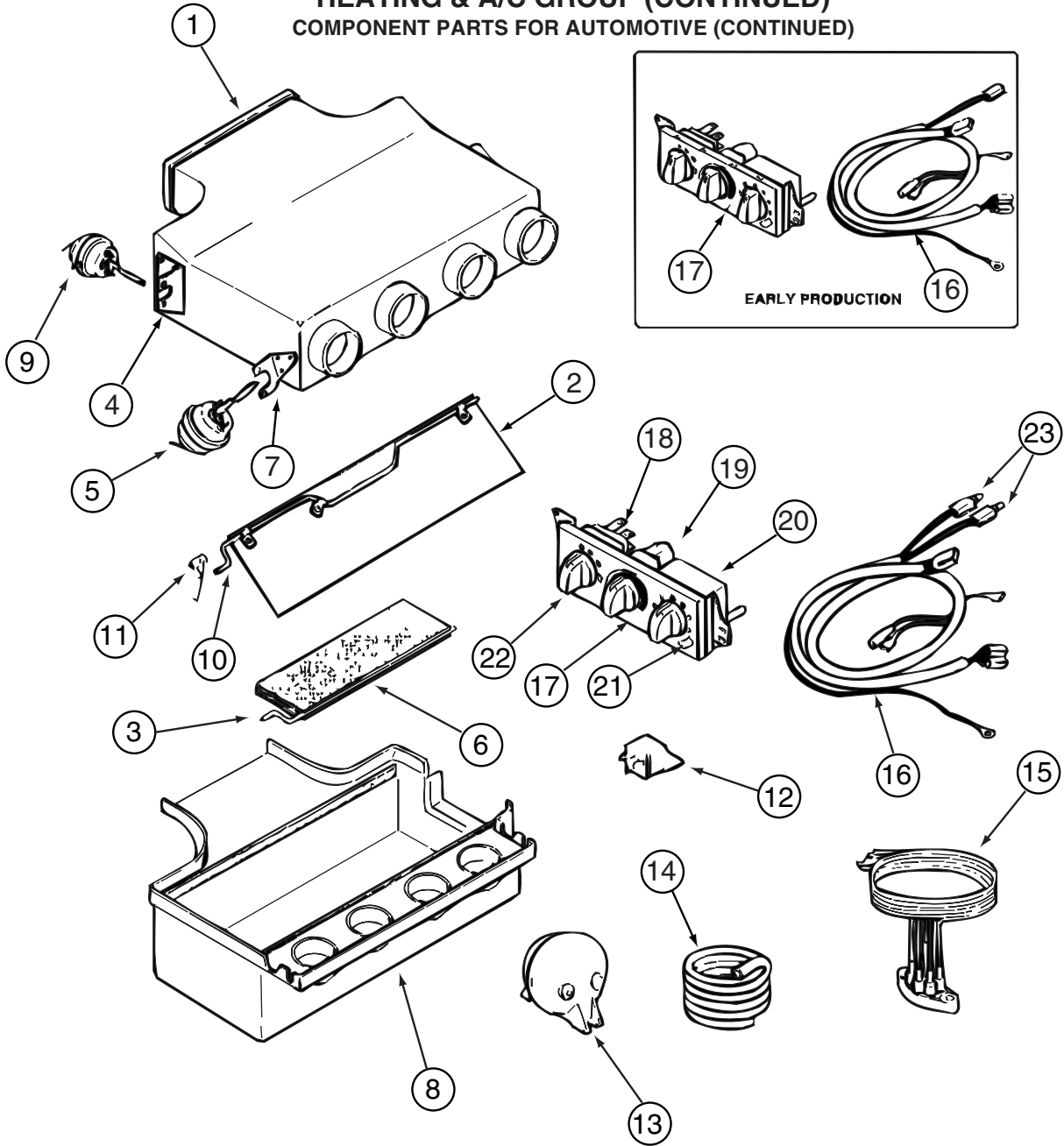
103930-46-000

| KEY | PART NUMBER | U/M | DESCRIPTION | VENDOR NO |
|------------|--------------------|------------|------------------------------|------------------|
| | 103930-17-702 | EA | O'RING #10 | 045-0127 |
| | 103930-29-701 | EA | O'RING F/LOW PRESSURE SWITCH | 045-0483 |
| | 103930-46-700 | EA | HOSE - #10 EVAP/COMP - 4.3' | 085-0486 |

103930-47-000

| KEY | PART NUMBER | U/M | DESCRIPTION | VENDOR NO |
|------------|--------------------|------------|-----------------------------|------------------|
| | 103930-47-700 | EA | HOSE - #6-EVAP/DRIER - 2.2' | 085-0485 |
| | 113245-01-710 | EA | O'RING, #12 | 045-0128 |

HEATING & A/C GROUP (CONTINUED)
COMPONENT PARTS FOR AUTOMOTIVE (CONTINUED)



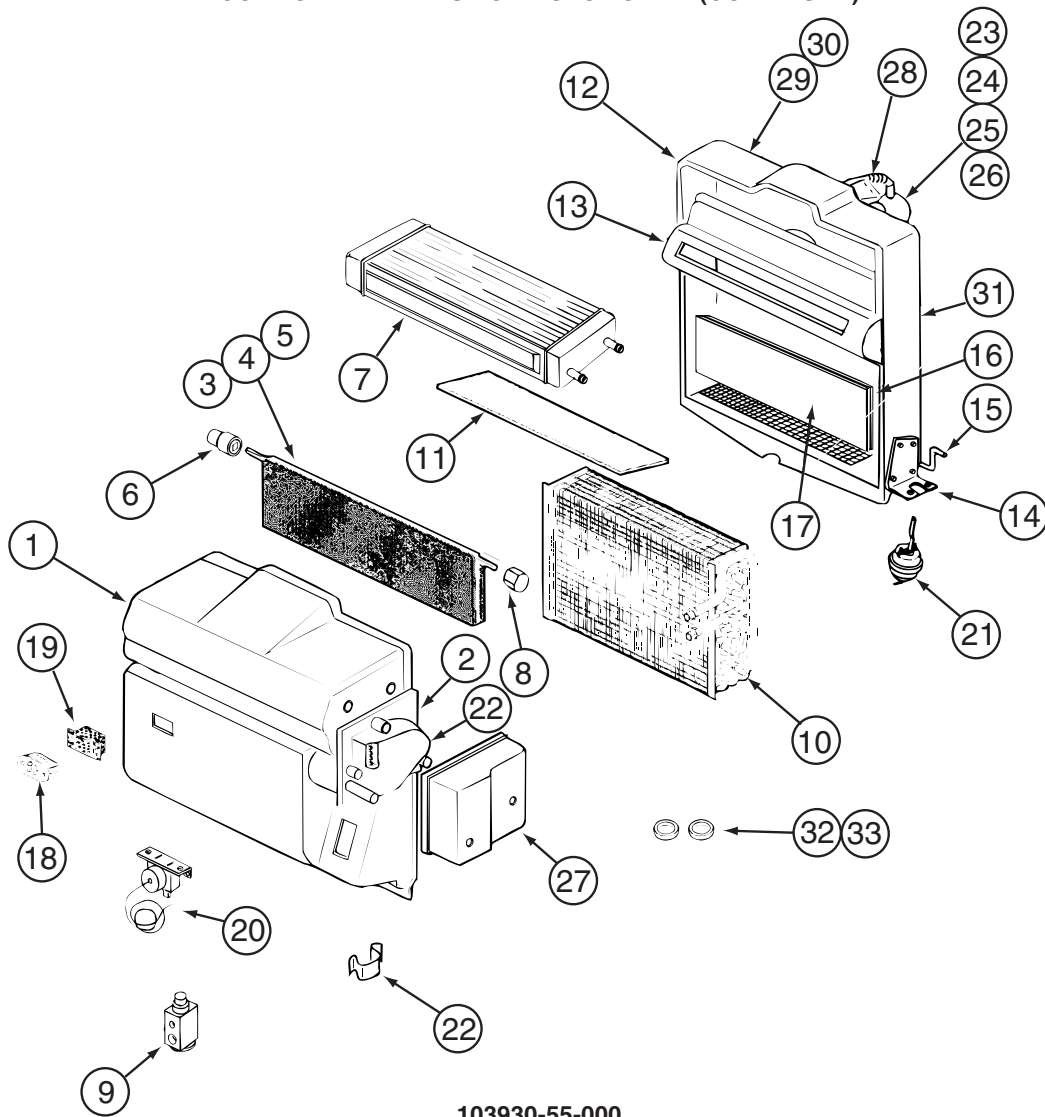
103930-49-000

HEATING & A/C GROUP (CONTINUED)
COMPONENT PARTS FOR AUTOMOTIVE (CONTINUED)

103930-49-000 (CONTINUED)

| KEY | PART NUMBER | U/M | DESCRIPTION | VENDOR NO. |
|------------|--------------------|------------|--|-------------------|
| 1 | 103930-39-705 | EA | PLENUM - TOP | 060-0482 |
| 2 | 103930-04-700 | EA | DOOR - DEFROSTER-A/C | 071-0149 |
| 3 | 103930-39-700 | EA | ROD - DOOR - AC/HEAT | 073-067 |
| 5 | 103930-02-708 | EA | MOTOR-VACUUM SERVO, A/C | 030-0025 |
| 6 | 103930-39-706 | EA | PLATE - DOOR - A/C | 071-0623 |
| 8 | 103930-39-707 | EA | PLENUM - BOTTOM | 060-0483 |
| 9 | 103930-33-701 | EA | MOTOR - VACUUM, 3 STAGE | 030-0105 |
| 10 | 103930-39-701 | EA | ROD - DOOR - AC/DEFROST | 073-0069 |
| 11 | 103930-39-704 | EA | SPRING | 022-0119 |
| 12 | 103930-02-707 | EA | RELAY-BOSCH W/RESISTER | 031-0001 |
| 13 | 103930-02-710 | EA | CANISTER-VACUUM | 054-0002 |
| 15 | 103930-33-703 | EA | VACUUM HARNESS | 036-0466 |
| 16 | 103930-49-700 | EA | HARNESS - WIRE | 036-556 |
| 16 | 103930-49-701 | EA | HARNESS - WIRE W/BULBS | 036-0557 |
| 17 | 103930-49-702 | EA | CONTROL PANEL-RECESSED FACE | 032-0054 |
| 17 | 103930-49-703 | EA | CONTROL PANEL - NON RECESSED | 083-0223 |
| 18 | 103930-49-704 | EA | SWITCH - BLOWER | 032-0332 |
| 19 | 103930-49-705 | EA | POTENTIOMETER | 032-0182 |
| 20 | 103930-49-706 | EA | SWITCH - VACUUM | 032-0185 |
| 21 | 103930-49-707 | EA | DECAL CONTROL PANEL-N/RECESS | 058-0144 |
| 22 | 103930-49-708 | EA | KNOB - BLOWER - NONRECESSED | 062-0620 |
| 23 | 103930-33-705 | EA | LIGHT BULBS | 035-0030 |
| | | | CONTACT WINNEBAGO PART SALES FOR UNLISTED COMPONENT(S) | |

HEATING & A/C GROUP (CONTINUED)
COMPONENT PARTS FOR AUTOMOTIVE (CONTINUED)



103930-55-000

| KEY | PART NUMBER | U/M | DESCRIPTION | VENDOR NO. |
|-----|---------------|-----|------------------------------|------------|
| 1 | 103930-55-701 | EA | CASE - FRONT | 062-0658 |
| 2 | 103930-30-701 | EA | PLATE - MOTOR MOUNT | 062-0544 |
| 3 | 103930-55-705 | EA | DOOR - BLEND AIR | 071-0892 |
| 6 | 103930-30-702 | EA | BUSHING/DRIVE (BLEND DOOR) | 062-0168 |
| 7 | 103930-55-706 | EA | CORE - HEATER - W/GASKET | 084-0271 |
| 8 | 103930-30-709 | EA | COUPLING - BLEND DOOR SHAFT | 062-0634 |
| 9 | 103930-20-700 | EA | VALVE-EXPANSION-BLOCK, 2 TON | 034-0032 |
| 10 | 103930-55-700 | EA | CORE-EVAPORATOR | 041-00168 |
| 12 | 103930-55-702 | EA | CASE-REAR | 062-0657 |
| 14 | 103930-01-708 | EA | BRACKET-VACUUM MOTOR | 070-0113 |
| 15 | 103930-20-704 | EA | ROD-DOOR-RECIRCULATING | 073-0018 |
| 16 | 103930-55-707 | EA | DOOR - RECIRCULATION | 071-0891 |
| 18 | 103930-01-710 | EA | RESISTOR-FUSED, A/C 4 TERM | 035-0006 |
| 20 | 103930-01-711 | EA | THERMOSTAT | 033-0003 |
| 21 | 103930-02-708 | EA | MOTOR-VACUUM SERVO, A/C | 030-0025 |
| 22 | 103930-30-703 | EA | MOTOR - SERVO | 030-0104 |
| 23 | 103930-20-707 | EA | HOUSING-BLOWER | 062-0145 |
| 24 | 103930-55-703 | EA | MOTOR-BLOWER W/O PIGTAIL | 030-0137 |
| 25 | 103930-01-717 | EA | WHEEL-BLOWER, CLOCKWISE | 062-0010 |
| 26 | 103930-20-708 | EA | CLIP-MOTOR SHAFT | 022-0001 |
| 27 | 103930-30-704 | EA | COVER - SERVO | 062-0545 |
| 32 | 113245-01-707 | EA | O'RING #8 | 045-0126 |
| 33 | 103930-17-702 | EA | O'RING #10 | 045-0127 |
| | 103930-55-704 | EA | CORE-HEATER | 042-0059 |
| | 110279-01-703 | EA | HOSE-VENT F/BLOWER MOTOR | 051-0034 |

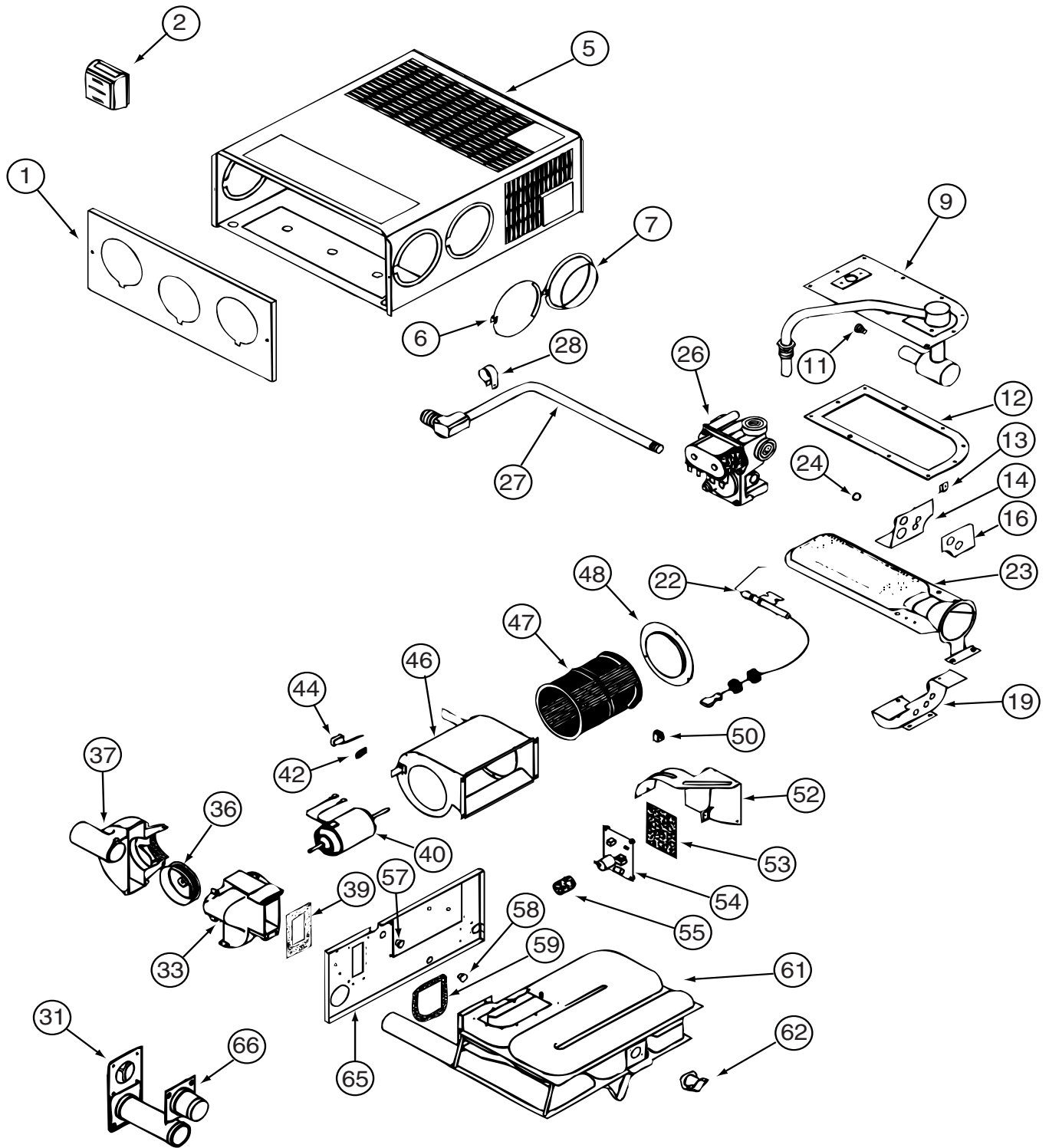
CONTACT WINNEBAGO PART SALES FOR UNLISTED COMPONENT(S)

HEATING & A/C GROUP (CONTINUED)
FURNACE

| KEY | PART NUMBER | U/M | DESCRIPTION |
|------------|--------------------|------------|---|
| * | 139980-02-000 | EA | FURNACE - 30000 BTU - SF QUIET - SUBURBAN SF-30 2321J - FURNACE-30,000BTU |
| * | 143563-01-000 | EA | FURNACE - 35000 BTU/HIGH QUIET - SUBURBAN SH-35 2322 - FURNACE-40,000 BTU |
| | 138056-03-02B | EA | PANEL - FURNACE COMPARTMENT - E-COATED |
| | 098668-26-000 | EA | BOTTOM DUCT KIT - 40,000 BTU |
| | 143563-06-000 | EA | DUCT KIT - BOTTOM |
| | 143563-05-000 | EA | GASKET - FIBERGLASS - SUBURBAN #071018 |
| | 098668-23-000 | EA | DOOR - ACCESS - FURNACE - BRIGHT WHITE |
| | 056464-10-000 | EA | REGISTER W/O DAMPER - 4" DIAMETER - PLASTIC - BEIGE |
| | 130837-02-01A | EA | REGISTER - HEAT - W/DAMPER - DURA BEIGE |
| | 137965-02-02A | EA | REGISTER - 11.2" X 3.6"(9.7 X 2.1"R/O) W/DAMPER - ANT PWTR |
| | 093614-02-02A | EA | GRILLE - AIR RETURN - 9.9" X 9.9" - BEIGE |
| | 009198-01-000 | FT | DUCT - HEAT - FLEXIBLE - 4" ID X 25' |
| | 134588-02-000 | EA | GASKET - DUCT - 6.4" X 7.4" IS - 8.3" X 9.4" OS |
| | 069636-02-000 | EA | CONNECTOR - DUCT - 4" ID |
| | 092776-01-000 | EA | ADAPTER - DUCT - 2" |
| | 009200-01-000 | EA | TAPE - FURNACE - 1 1/2" |
| | 105290-01-000 | SF | INSULATION - AIR POCKET W/FOIL - 4' WIDE |

***COMPONENT PARTS LISTED LATER IN THIS GROUP**

HEATING & A/C GROUP (CONTINUED)
COMPONENT PARTS FOR FURNACE



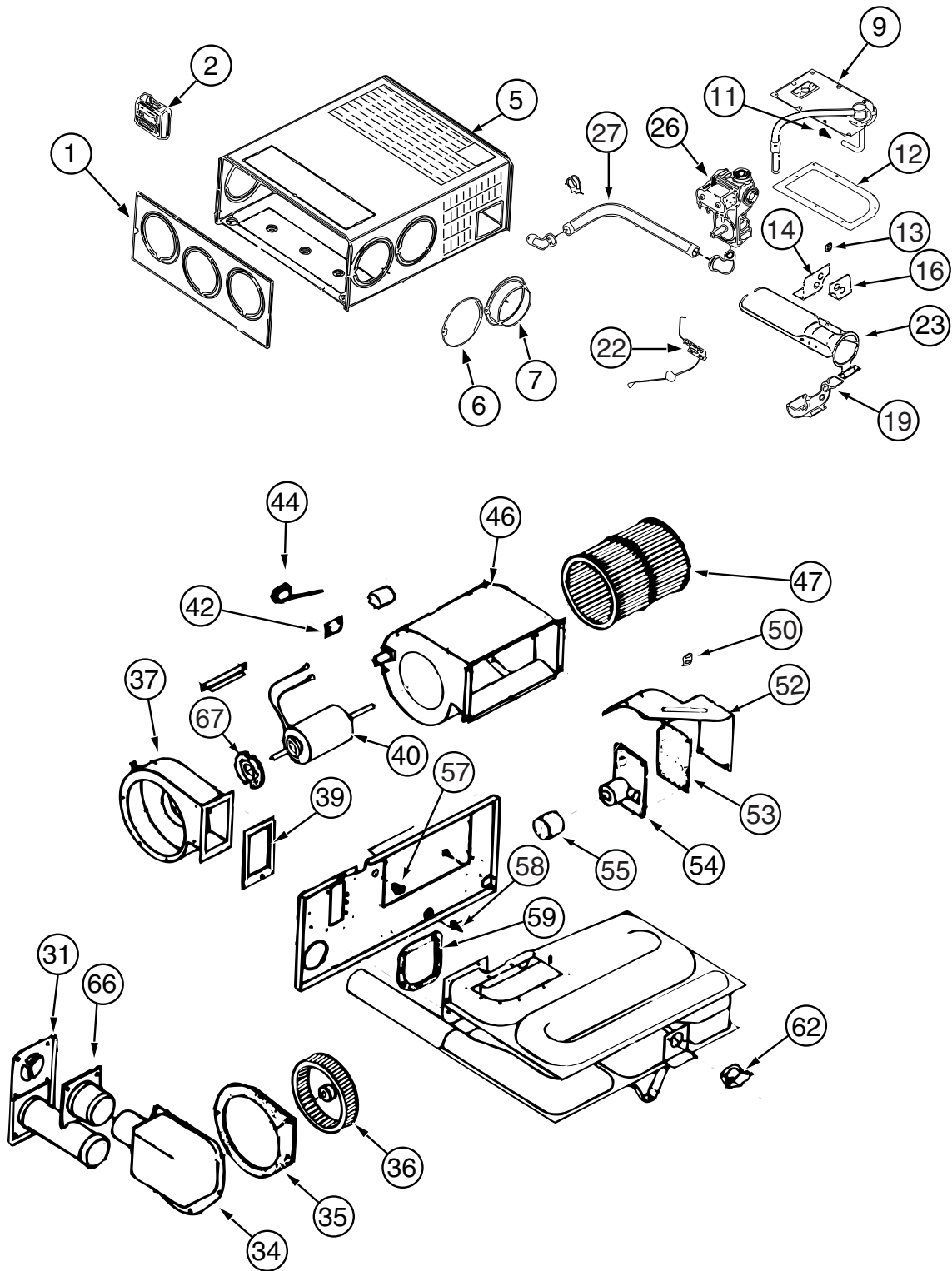
139980-02-000

HEATING & A/C GROUP (CONTINUED)
COMPONENT PARTS FOR FURNACE (CONTINUED)

139980-02-000 (CONTNUED)

| KEY | PART NUMBER | U/M | DESCRIPTION | VENDOR NO. |
|------------|--------------------|------------|--|-------------------|
| 9 | 139980-01-700 | EA | MANIFOLD ASSEMBLY | 171571 |
| 11 | 092300-02-701 | EA | ORIFICE-MAIN BURNER (NT-30BW | 180214 |
| 12 | 098668-22-703 | EA | GASKET - BURNER ACCESS COVER | 070811 |
| 22 | 139980-01-701 | EA | ELECTRODE | 232286 |
| 23 | 098668-02-700 | EA | BURNER ASSEMBLY,SF-30 & SF35 | 010745 |
| 26 | 098668-01-718 | EA | VALVE-GAS SF S.N.974903079 | 161122 |
| 27 | 139980-01-702 | EA | PIPE ASSEMBLY/GAS INLET | 171574 |
| 31 | 098668-01-707 | EA | TUBE ASSEMBLY, EXHAUST W/CAP | 260231 |
| 33 | 139980-01-703 | EA | HOUSING/COMB. - FRONT/HALF | 390852 |
| 36 | 098668-01-706 | EA | WHEEL-COMBUSTION AIR | 350184 |
| 37 | 139980-01-704 | EA | HOUSING/COMB. - REAR/HALF | 390848 |
| 39 | 139980-01-705 | EA | GASKET/FIREWALL-COMB AIR | 071084 |
| 40 | 139980-01-706 | EA | MOTOR ASSEMBLY W/GASKET | 232682 |
| 42 | 101990-01-714 | EA | GASKET-MICROSWITCH | 230877 |
| 44 | 098668-21-700 | EA | SWITCH-MICRO-W/O FLAG 3 1/4" | 232261 |
| 46 | 139980-01-708 | EA | BLOWER ASSEMBLY - ROOM AIR | 390739BK |
| 47 | 098668-01-711 | EA | WHEEL-BLOWER, ROOM AIR | 350129 |
| 48 | 139980-01-709 | EA | ORFICE RING | 390696 |
| 50 | 139980-01-710 | EA | SWITCH - ON/OFF | 232351 |
| 52 | 139980-01-711 | EA | PANEL ASSEMBLY-MODULE BD | 101663 |
| 53 | 139980-01-712 | EA | INSULATOR - MODULE BD | 070807 |
| 54 | 098668-22-705 | EA | MODULE BD W/RELAY TIME DELAY | 520820 |
| 55 | 139980-01-713 | EA | CAP/INSULATOR-MODULE BD | 070973 |
| 57 | 139980-01-714 | EA | BUSHING - UNIVERSAL | 070362 |
| 58 | 139980-01-715 | EA | BUSHING - STRAIN RELIEF | 231809 |
| 59 | 098668-01-716 | EA | GASKET-FIREWALL,CHAMBER SIDE | 070808 |
| 61 | 139980-01-716 | EA | CHAMBER ASSEMBLY - FINAL | 021149BK |
| 62 | 098668-21-701 | EA | SWITCH - LIMIT | 232504 |
| 66 | 098668-01-713 | EA | TUBE ASSEMBLY, INTAKE | 051248 |
| | 139980-02-700 | EA | BLOWER ASM-1/2 HOUSING/OUTER | 390851 |
| | 139980-02-701 | EA | BLOWER ASM-1/2 HOUSING/INNER | 390872 |
| | | | CONTACT WINNEBAGO PART SALES FOR UNLISTED COMPONENT(S) | |

HEATING & A/C GROUP (CONTINUED)
COMPONENT PARTS FOR FURNACE (CONTINUED)



143563-01-000

HEATING & A/C GROUP (CONTINUED)
COMPONENT PARTS FOR FURNACE (CONTINUED)

143563-01-000 (CONTINUED)

| KEY | PART NUMBER | U/M | DESCRIPTION | VENDOR NO. |
|------------|--------------------|------------|--|-------------------|
| 1 | 143563-01-700 | EA | CABINET - FRONT | 101907 |
| 2 | | | 12 VOLT WIRING AREAS FOR CORRECT THERMOSTAT | |
| 5 | 143563-01-701 | EA | CABINET | 101921 |
| 7 | 075696-02-703 | EA | COLLAR - DUCT | 050715 |
| 9 | 143563-01-702 | EA | MANIFOLD ASSEMBLY | 171599 |
| 11 | 143563-01-703 | EA | ORFICE - MAIN BURNER | 180308 |
| 12 | 098668-22-703 | EA | GASKET - BURNER ACCESS COVER | 070811 |
| 14 | 143563-01-704 | EA | PLATE - SECONDARY AIR/TOP BACK | 063199 |
| 16 | 143563-01-705 | EA | PLATE - SECONDARY AIR/TOP FRT | 062936 |
| 19 | 143563-01-706 | EA | PLATE - SECONDARY AIR/BOTTOM | 062938 |
| 22 | 139980-01-701 | EA | ELECTRODE | 232286 |
| 23 | 098668-02-700 | EA | BURNER ASSEMBLY,SF-30 & SF35 | 010745 |
| 26 | 098668-01-718 | EA | VALVE-GAS SF S.N.974903079 | 161122 |
| 27 | 143563-01-707 | EA | PIPE ASSEMBLY (GAS INLET) | 171603 |
| 31 | 098668-01-707 | EA | TUBE ASSEMBLY, EXHAUST W/CAP | 260231 |
| 34 | 143563-01-708 | EA | BOX ASM (COMB. AIR INTAKE) | 051430BK |
| 35 | 143563-01-709 | EA | GASKET (COMB. AIR HOUSING) | 071108 |
| 36 | 143563-01-710 | EA | WHEEL (COMBUSTION AIR) | 350199 |
| 37 | 143563-01-711 | EA | HOUSING (COMBUSTION AIR) | 390862BK |
| 39 | 143563-01-715 | EA | GASKET-FIREWALL/COMB. AIR | 071107 |
| 40 | 143563-01-712 | EA | MOTOR ASSEMBLY | 232727 |
| 42 | 101990-01-714 | EA | GASKET-MICROSWITCH | 230877 |
| 44 | 098668-21-700 | EA | SWITCH-MICRO-W/O FLAG 3 1/4" | 232261 |
| 46 | 143563-01-713 | EA | BLOWER ASSEMBLY(ROOM AIR) | 390867BK |
| 47 | 143563-01-714 | EA | WHEEL - ROOM AIR | 350198 |
| 50 | 139980-01-710 | EA | SWITCH - ON/OFF | 232351 |
| 52 | 139980-01-711 | EA | PANEL ASSEMBLY-MODULE BD | 101663 |
| 53 | 139980-01-712 | EA | INSULATOR - MODULE BD | 070807 |
| 54 | 098668-22-705 | EA | MODULE BD W/RELAY TIME DELAY | 520820 |
| 55 | 139980-01-713 | EA | CAP/INSULATOR-MODULE BD | 070973 |
| 57 | 139980-01-714 | EA | BUSHING - UNIVERSAL | 070362 |
| 58 | 139980-01-715 | EA | BUSHING - STRAIN RELIEF | 231809 |
| 59 | 098668-01-716 | EA | GASKET-FIREWALL,CHAMBER SIDE | 070808 |
| 62 | 098668-21-701 | EA | SWITCH - LIMIT | 232504 |
| 66 | 098668-01-713 | EA | TUBE ASSEMBLY, INTAKE | 051248 |
| 67 | 075697-07-703 | EA | GASKET - MOTOR | 070448 |
| | 143563-01-716 | EA | CHAMBER ASM. - FINAL | |
| | | | CONTACT WINNEBAGO PART SALES FOR UNLISTED COMPONENT(S) | |

HEATING & A/C GROUP (CONTINUED)

REAR HEATER

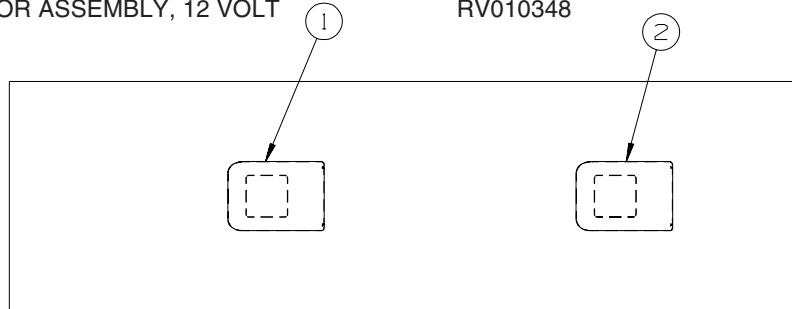
| KEY | PART NUMBER | U/M | DESCRIPTION |
|-----|---------------|-----|---|
| * | 084405-01-000 | EA | HEATER - REAR/DUCTED - W/MOTOR AID |
| | 007108-01-000 | FT | HOSE - HEATER - 5/8" ID - HI-TEMP |
| | 079059-01-000 | EA | HOSE - 90 DEGREE - 5/8"ID X 4" X 36" |
| | | | FROM: 00-00-00 THRU: 10-24-06 |
| | 079059-22-000 | EA | HOSE - 90 DEGREE - 5/8"ID X 4" X 22" |
| | | | FROM: 10-25-06 THRU: 99-99-99 |
| | 079059-02-000 | EA | HOSE - 90 DEGREE - .61" ID X 4" X 6" |
| | 009198-01-000 | FT | DUCT - HEAT - FLEXIBLE - 4" ID X 25 |
| | 069636-02-000 | EA | CONNECTOR - DUCT - 4" ID |
| | 118761-01-000 | EA | REDUCER - 4"-2" - GALVANIZED |
| | 076776-01-000 | EA | TEE - BEADED - 5/8" X 5/8" X 5/8" |
| | 056464-10-000 | EA | REGISTER W/O DAMPER - 4" DIAMETER - PLASTIC - BEIGE |

*COMPONENT PARTS LISTED LATER IN THIS GROUP

COMPONENT PARTS FOR REAR HEATER

084405-01-000

| KEY | PART NUMBER | U/M | DESCRIPTION | VENDOR NO. |
|-----|---------------|-----|-------------------------|------------|
| | 084405-01-700 | EA | CORE-HEATER | FT200229 |
| | 084405-01-701 | EA | FAN BLADES | HV029931 |
| | 084405-01-702 | EA | MOTOR ASSEMBLY, 12 VOLT | RV010348 |



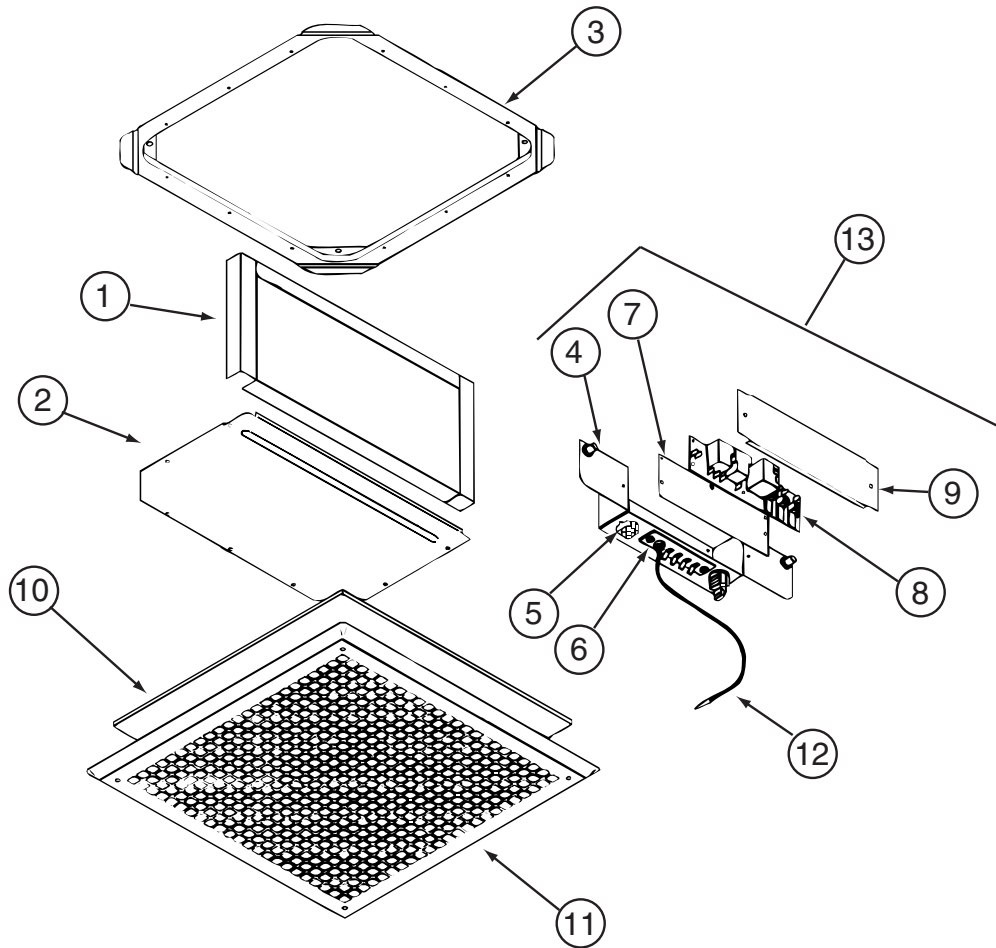
ROOF

| KEY | PART NUMBER | U/M | DESCRIPTION |
|-----|---------------|-----|---|
| 1 | 131184-02-01A | EA | BOARD - DIVIDER - SILVER |
| 1* | 131188-03-01A | EA | A/C/ROOF - 14,800 BTU/MACH 15 - NEW MODEL #8335B676 - WHT - D26P, D29R, D30B |
| | | | FROM: 00-00-00 THRU: 10-29-06 |
| 1 | 131188-05-01A | EA | A/C - ROOF - 14,800 BTU-MACH 15 - 2 PEICE SHROUD STYLE-WHT - D26P, D29R, D30B |
| | | | FROM: 10-30-06 THRU: 99-99-99 |
| 1* | 131187-03-01A | EA | A/C - ROOF - MACH 3 POWER SAVER - WHITE - D33T, D34A, D35J |
| | | | FROM: 00-00-00 THRU: 08-13-06 |
| 1 | 131187-05-01A | EA | A/C - ROOF - MACH 3 POWER SAVER-2 PEICE SHROUD STYLE - WHT - D33T, D34A, D35J |
| | | | FROM: 10-30-06 THRU: 99-99-99 |
| 1* | 131184-01-01A | EA | CEILING ASSEMBLY - A/C DUCTED - WHITE |
| 1* | 131188-04-01A | EA | A/C - ROOF - 14,800 BTU/HEAT PUMP - #8535B676- WHT - AC HEAT PUMP |
| | | | FROM: 00-00-00 THRU: 08-13-06 |
| 1 | 131188-06-01A | EA | A/C - ROOF-14,800 BTU-MACH 15/HEAT PUMP-2 PCE SHROUD STYLE |
| | | | FROM: 10-30-06 THRU: 99-99-99 |
| 1* | 131187-04-01A | EA | A/C - ROOF - MACH 3 POWER SAVER - WHITE - AC HEAT PUMP-2 HI EFFICIENCY |
| | | | FROM: 00-00-00 THRU: 10-29-06 |
| 1 | 131187-06-01A | EA | A/C - ROOF - MACH 3 POWER SAVER-2 PEICE SHROUD STYLE - WHT |
| | | | FROM: 10-30-06 THRU: 99-99-99 |
| 1* | 131184-05-01A | EA | CEILING ASSEMBLY - HEAT PUMP - WHITE - AC HEAT PUMP/AC HEAT PUMP-2 HI EFFICIENCY |
| 2 | 131184-02-01A | EA | BOARD - DIVIDER - SILVER - D33T, D34A |
| 2* | 131186-02-01A | EA | A/C - ROOF - MACH 1 POWER SAVER - 9,600 BTU - WHITE - D33T, D34A, D35J |
| | | | FROM: 00-00-00 THRU: 10-29-06 |
| 2 | 131186-03-01A | EA | A/C - ROOF - MACH 1 PWR SAVER-11,000 BTU-2 PCE SHROUD-WHT - D33T, D34A, D35J |
| | | | FROM: 10-30-06 THRU: 99-99-99 |
| 2* | 131184-01-01A | EA | CEILING ASSEMBLY - A/C DUCTED - WHITE - D33T, D34A |
| 2* | 131187-04-01A | EA | A/C - ROOF - MACH 3 POWER SAVER - WHITE - AC HEAT PUMP-2 HI EFFICIENCY |
| | | | FROM: 00-00-00 THRU: 10-29-06 |
| 2 | 131187-06-01A | EA | A/C - ROOF - MACH 3 POWER SAVER-2 PEICE SHROUD STYLE - WHT |
| | | | FROM: 10-30-06 THRU: 99-99-99 |
| 2* | 131184-05-01A | EA | CEILING ASM - HT PMP - WHT - AC HEAT PUMP/AC HEAT PUMP-2 HI EFFICIENCY - D33T, D34A |

*COMPONENT PARTS LISTED LATER IN THIS GROUP

HEATING & A/C GROUP (CONTINUED)

COMPONENT PARTS FOR ROOF

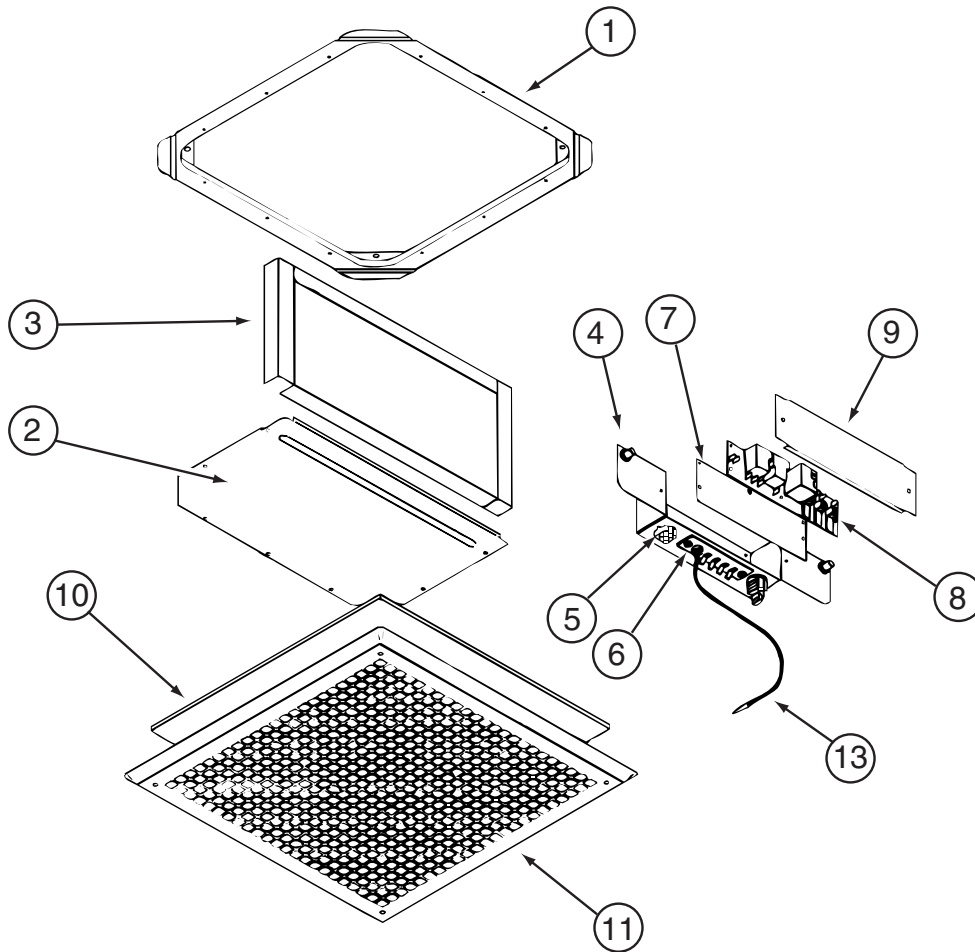


131184-01-01A

| KEY | PART NUMBER | U/M | DESCRIPTION | VENDOR NO. |
|-----|---------------|-----|-----------------------------|------------|
| 1 | 131184-01-707 | EA | DUCT DIVIDER | 8330-3501 |
| 5 | 131184-01-700 | EA | PLUG ASSEMBLY | 7330A389 |
| 6 | 131184-01-701 | EA | TERMINAL BOARD | 7330B3201 |
| 7 | 131184-01-702 | EA | ISOLATOR - BLANK | 7330C365 |
| 8 | 108892-01-702 | EA | BOARD-P.C. | 7330A3211 |
| 10 | 108892-01-703 | EA | FILTER | 6798A3761 |
| 11 | 108892-01-704 | EA | GRILLE 16 3/8X16 3/8 RETURN | 6798-3041 |
| 12 | 131184-01-704 | EA | COIL SENSOR | 7330-6111 |
| 13 | 131184-01-705 | EA | JUNCTION BOX ASSEMBLY | 7330B5551 |
| | 131184-01-703 | EA | SMALL PARTS PKG | 8330-5961 |

CONTACT WINNEBAGO PART SALES FOR UNLISTED COMPONENT(S)

HEATING & A/C GROUP (CONTINUED)
COMPONENT PARTS FOR ROOF (CONTINUED)

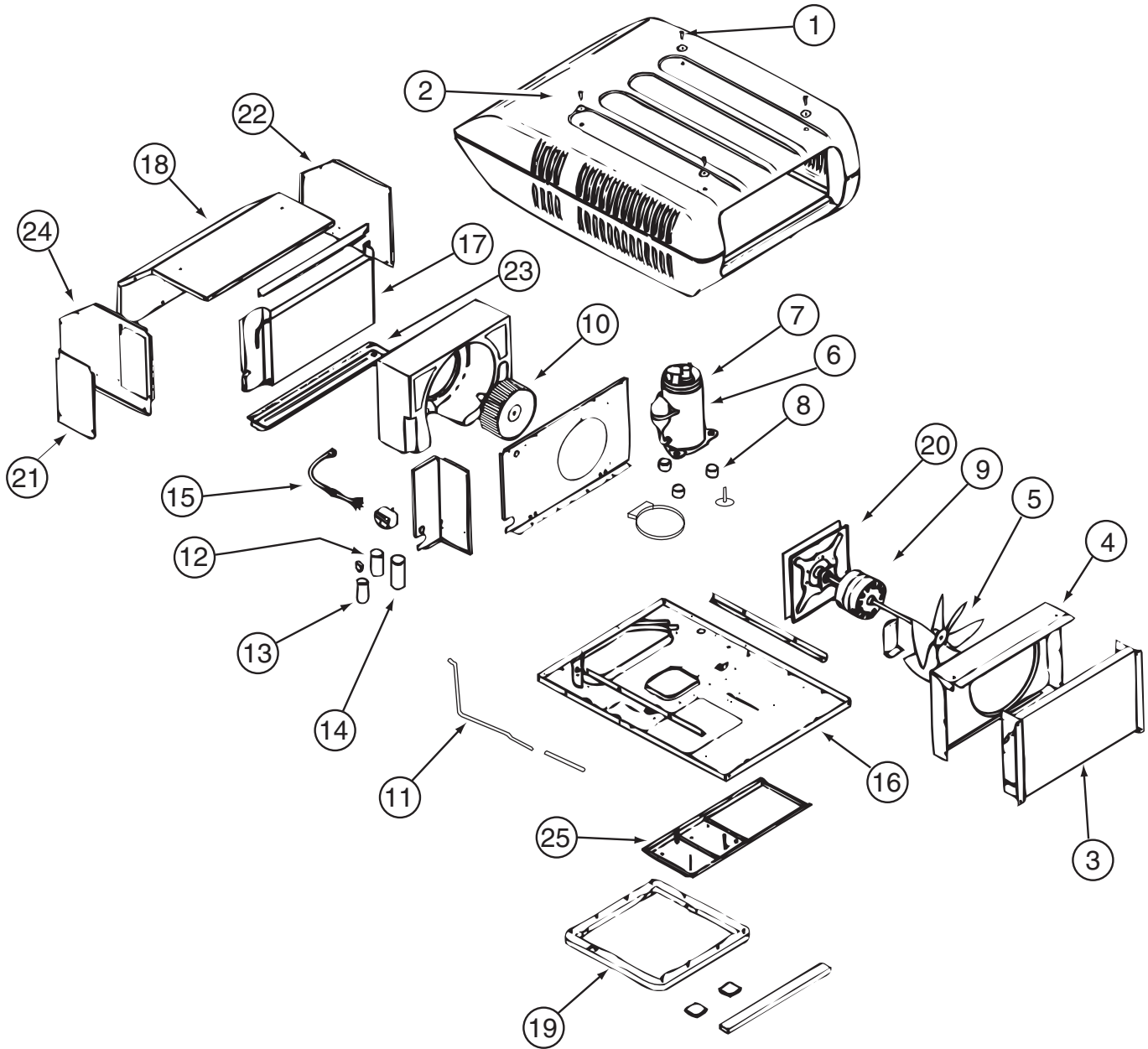


131184-05-01A

| KEY | PART NUMBER | U/M | DESCRIPTION | VENDOR NO. |
|-----|---------------|-----|-----------------------------|------------|
| 4 | 131184-05-700 | EA | BOX - JUNCTION | 8530-5091 |
| 5 | 131184-04-700 | EA | PLUG ASSEMBLY | 7530A340 |
| 6 | 131184-04-702 | EA | BOARD - TERMINAL | 7530B3201 |
| 7 | 131184-01-702 | EA | ISOLATOR - BLANK | 7330C365 |
| 8 | 131184-04-705 | EA | BOARD - P.C. | 7330B3311 |
| 10 | 108892-01-703 | EA | FILTER | 6798A3761 |
| 11 | 108892-01-704 | EA | GRILLE 16 3/8X16 3/8 RETURN | 6798-3041 |
| 13 | 105620-12-719 | EA | COIL SENSOR | 7330A3231 |
| | 131184-01-703 | EA | SMALL PARTS PKG | 8330-5961 |

CONTACT WINNEBAGO PART SALES FOR UNLISTED COMPONENT(S)

HEATING & A/C GROUP (CONTINUED)
COMPONENT PARTS FOR ROOF (CONTINUED)

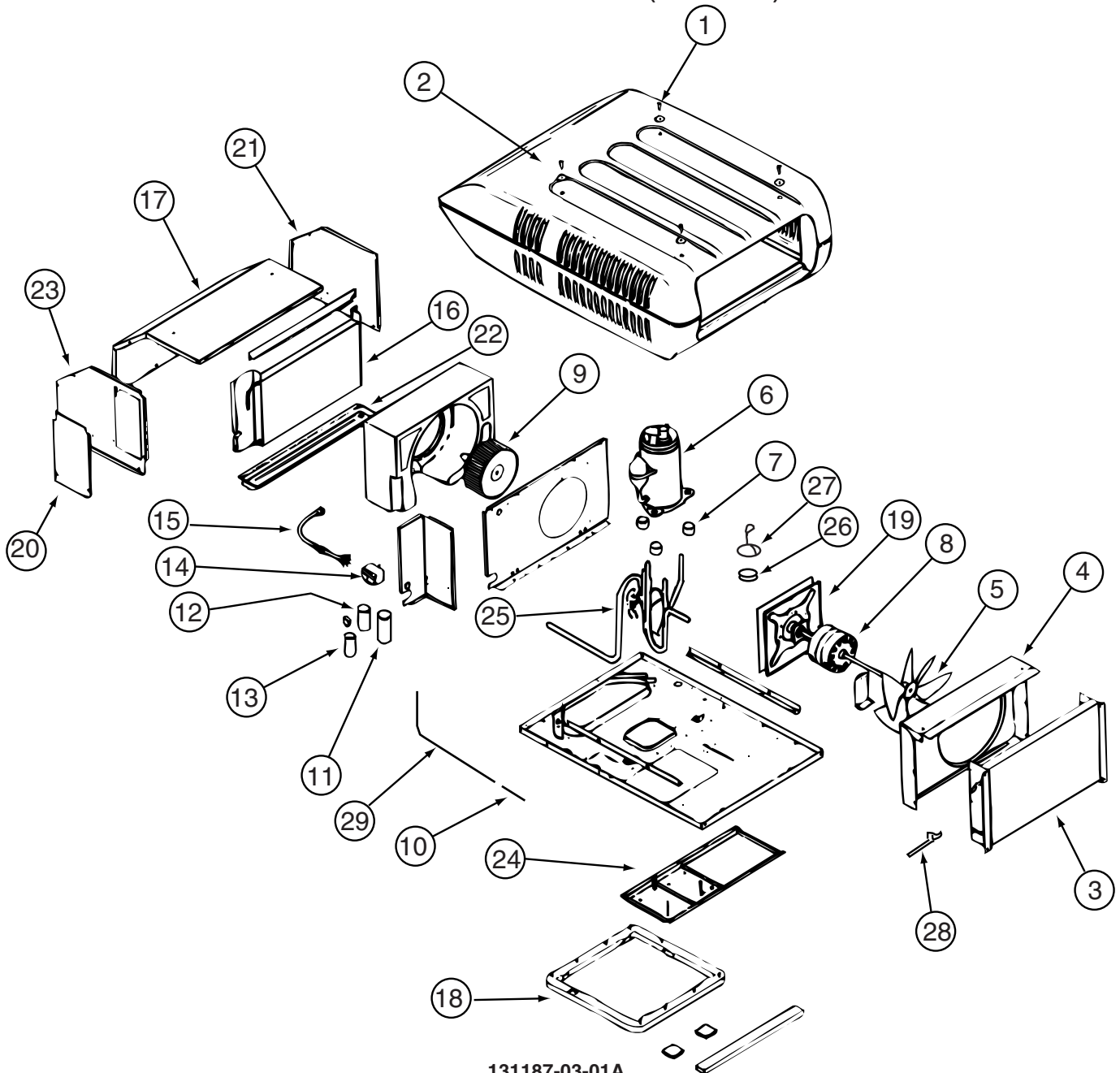


131186-02-01A

| KEY | PART NUMBER | U/M | DESCRIPTION | VENDOR NO. |
|-----|---------------|-----|------------------------------|------------|
| 2 | 131185-03-700 | EA | SHROUD - ROOF AIR | 8333-4161 |
| 3 | 115219-01-700 | EA | COIL-CONDENSER | 1452A1321 |
| 5 | 093763-01-712 | EA | BLADE-FAN-CONDENSER | 6733-3221 |
| 6 | 126859-01-700 | EA | COMPRESSOR RK124AT-001-A4Y | 1450-2109 |
| 7 | 126859-01-701 | EA | OVERLOAD PROTECTORMRA# 4761 | 1450-0061 |
| 8 | 105620-01-706 | EA | MOUNTING PKG.,COMP., 3 PER | 6759-3081 |
| 9 | 131186-01-700 | EA | MOTOR - 115V, 60 HURTZ | 1468-3109 |
| 10 | 131185-01-702 | EA | BLOWER WHEEL PACKAGE | 1472-1091 |
| 12 | 126859-01-703 | EA | CAPACITOR - RUN | 1499-5671 |
| 13 | 093763-01-704 | EA | CAPACITOR-FAN | 1499-5461 |
| 14 | 105620-10-704 | EA | START COMPACITOR | 1497-0861 |
| 15 | 105620-10-705 | EA | PTCR (START DEVICE) - W/CAP. | 8333A9021 |
| 18 | 131186-01-701 | EA | EVAPORATOR COIL | 1452-1521 |
| 21 | 131185-01-704 | EA | MOTOR MOUNT & SEAL KIT | 8333-5151 |
| | 093306-01-701 | EA | DECAL PACKAGE, LEFT & RIGHT | 6798B3591 |
| | 108889-01-710 | EA | PAD-FILLER, CONDENSER SEAL | 6759B3971 |
| | 126859-01-706 | EA | LINE - SUCTION | 7532A130 |

CONTACT WINNEBAGO PART SALES FOR UNLISTED COMPONENT

HEATING & A/C GROUP (CONTINUED)
COMPONENT PARTS FOR ROOF (CONTINUED)



131187-03-01A

| KEY | PART NUMBER | U/M | DESCRIPTION | VENDOR NO. |
|-----|---------------|-----|------------------------------|------------|
| 2 | 131185-03-700 | EA | SHROUD - ROOF AIR | 8333-4161 |
| 3 | 115219-01-700 | EA | COIL-CONDENSER | 1452A1321 |
| 5 | 093763-01-712 | EA | BLADE-FAN-CONDENSER | 6733-3221 |
| 6 | 126860-01-700 | EA | COMPRESSOR RK136AT-002-A4Y | 1450A2119 |
| 7 | 105620-01-706 | EA | MOUNTING PKG.,COMP., 3 PER | 6759-3081 |
| 8 | 131186-01-700 | EA | MOTOR - 115V, 60 HURTZ | 1468-3109 |
| 9 | 131185-01-702 | EA | BLOWER WHEEL PACKAGE | 1472-1091 |
| 11 | 126859-01-703 | EA | CAPACITOR - RUN | 1499-5671 |
| 12 | 105620-01-725 | EA | CAPACITOR-BLOWER,I.D. 7.5MFD | 1499-5461 |
| 13 | 105620-10-705 | EA | PTCR (START DEVICE) - W/CAP. | 8333A9021 |
| 16 | 131186-01-701 | EA | EVAPORATOR COIL | 1452-1521 |
| 19 | 131185-01-704 | EA | MOTOR MOUNT & SEAL KIT | 8333-5151 |
| | 093306-01-701 | EA | DECAL PACKAGE, LEFT & RIGHT | 6798B3591 |
| | 105620-10-704 | EA | START CAPACITOR | 1497-0861 |
| | 108889-01-710 | EA | PAD-FILLER, CONDENSER SEAL | 6759B3971 |
| | 126859-01-706 | EA | LINE - SUCTION | 7532A130 |
| | 126860-01-701 | EA | OVERLOAD PROTECTOR MRA# 1460 | 1450-0071 |

CONTACT WINNEBAGO PART SALES FOR UNLISTED COMPONENT

HEATING & A/C GROUP (CONTINUED)
COMPONENT PARTS FOR ROOF (CONTINUED)

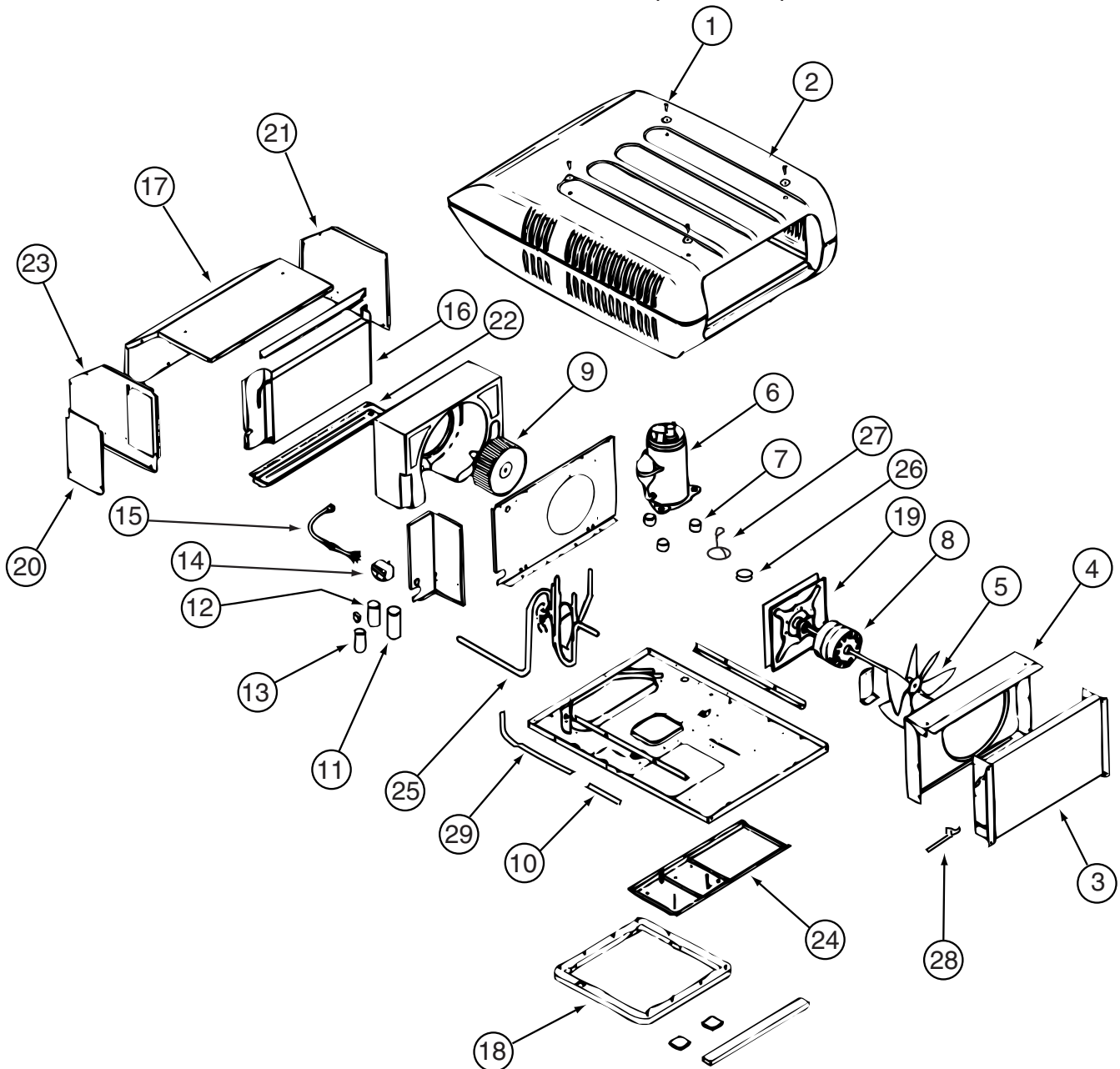
131187-04-01A

| KEY | PART NUMBER | U/M | DESCRIPTION | VENDOR NO. |
|-----|---------------|-----|------------------------------|------------|
| 2 | 131185-03-700 | EA | SHROUD - ROOF AIR | 8333-4161 |
| 3 | 131188-02-700 | EA | CONDENSER COIL | 1452-1441 |
| 5 | 093763-01-712 | EA | BLADE-FAN-CONDENSER | 6733-3221 |
| 6 | 126860-01-700 | EA | COMPRESSOR RK136AT-002-A4Y | 1450A2119 |
| 7 | 105620-01-706 | EA | MOUNTING PKG.,COMP., 3 PER | 6759-3081 |
| 8 | 131186-01-700 | EA | MOTOR - 115V, 60 HURTZ | 1468-3109 |
| 9 | 131185-01-702 | EA | BLOWER WHEEL PACKAGE | 1472-1091 |
| 10 | 105620-12-711 | EA | RESTRICTOR - BY FLOW | 1454-2521 |
| 11 | 126859-01-703 | EA | CAPACITOR - RUN | 1499-5671 |
| 12 | 093763-01-704 | EA | CAPACITOR-FAN | 1499-5461 |
| 13 | 105620-10-705 | EA | PTCR (START DEVICE) - W/CAP. | 8333A9021 |
| 16 | 131186-01-701 | EA | EVAPORATOR COIL | 1452-1521 |
| 18 | 037648-01-714 | EA | GASKET PACKAGE | 8332-3301 |
| 19 | 131185-01-704 | EA | MOTOR MOUNT & SEAL KIT | 8333-5151 |
| 25 | 131188-02-704 | EA | VALVE/REVERSE ASSEMBLY | 7535A5301 |
| 26 | 105620-12-708 | EA | COIL - SOLENOID | 1460-1081 |
| 27 | 131188-02-705 | EA | WIRE HARNESS F/SOLENOID | 7535-109 |
| 28 | 131188-02-706 | EA | SWITCH - FREEZE | 1460-2041 |
| 29 | 131188-02-707 | EA | LIQUID LINE | 7535-135 |

CONTACT WINNEBAGO PART SALES FOR UNLISTED COMPONENT

HEATING & A/C GROUP (CONTINUED)

COMPONENT PARTS FOR ROOF (CONTINUED)



131188-03-01A

| KEY | PART NUMBER | U/M | DESCRIPTION | VENDOR NO. |
|-----|---------------|-----|------------------------------|------------|
| 2 | 131185-03-700 | EA | SHROUD-ROOF AIR W/HAIL GUARD | 8333-4161 |
| 3 | 115219-01-700 | EA | COIL-CONDENSER | 1452A1321 |
| 5 | 093763-01-712 | EA | BLADE-FAN-CONDENSER | 6733-3221 |
| 6 | 131188-01-700 | EA | COMPRESSOR - TECUMSEH | 1450A2609 |
| 7 | 105620-01-706 | EA | MOUNTING PKG.,COMP., 3 PER | 6759-3081 |
| 8 | 131185-01-701 | EA | MOTOR (115V, 60HZ) | 1468-3069 |
| 9 | 131185-01-702 | EA | BLOWER WHEEL PACKAGE | 1472-1091 |
| 11 | 131188-01-701 | EA | RUN CAP. (COMP-40MFD/370V) | 1499-5721 |
| 12 | 108889-01-708 | EA | CAPACITOR-FAN, 7.5MFD. 370U | 1499-5461 |
| 13 | 126859-01-704 | EA | CAPACITOR - START | 1497-0871 |
| 14 | 091225-01-709 | EA | RELAY-START | 1497-4131 |
| 16 | 131186-01-701 | EA | EVAPORATOR COIL | 1452-1521 |
| 18 | 037648-01-714 | EA | GASKET PACKAGE | 8332-3301 |
| 19 | 131185-01-704 | EA | MOTOR MOUNT & SEAL KIT | 8333-5151 |
| | 093306-01-701 | EA | DECAL PACKAGE, LEFT & RIGHT | 6798B3591 |
| | 108889-01-710 | EA | PAD-FILLER, CONDENSER SEAL | 6759B3971 |
| | 131188-01-702 | EA | LINE - SUCTION | 7335A134 |
| | 131188-01-703 | EA | LINE - DISCHARGE | 7335A135 |

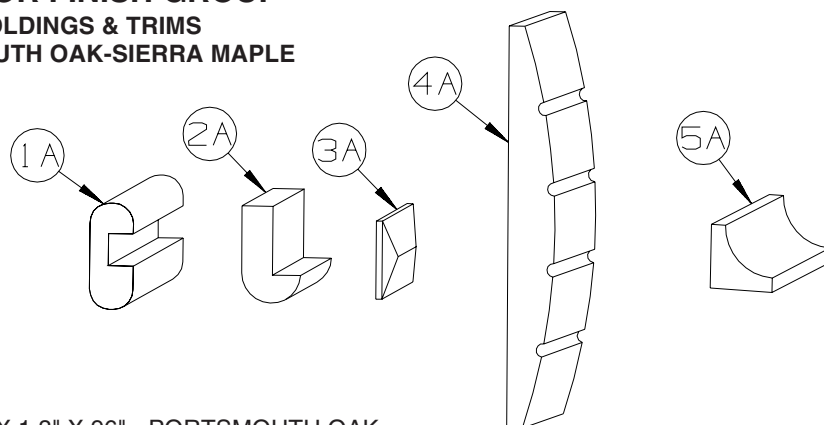
CONTACT WINNEBAGO PART SALES FOR UNLISTED COMPONENT(S)

HEATING & A/C GROUP (CONTINUED)
COMPONENT PARTS FOR ROOF (CONTINUED)

131188-04-01A

| KEY | PART NUMBER | U/M | DESCRIPTION | VENDOR NO. |
|-----|---------------|-----|--|------------|
| 3 | 131188-02-700 | EA | CONDENSER COIL | 1452-1441 |
| 5 | 093763-01-712 | EA | BLADE-FAN-CONDENSER | 6733-3221 |
| 6 | 131188-02-701 | EA | COMPRESSOR(TECUMSEH-RK225AT) | 1450A2069 |
| 7 | 105620-01-706 | EA | MOUNTING PKG.,COMP., 3 PER | 6759-3081 |
| 8 | 131185-01-701 | EA | MOTOR (115V, 60HZ) | 1468-3069 |
| 9 | 131185-01-702 | EA | BLOWER WHEEL PACKAGE | 1472-1091 |
| 10 | 131188-02-702 | EA | RESTRICTOR - BY FLOW | 1454-2501 |
| 11 | 131188-01-701 | EA | RUN CAP. (COMP-40MFD/370V) | 1499-5721 |
| 12 | 093763-01-704 | EA | CAPACITOR-FAN (INDOOR MOTOR) | 1499-5461 |
| 13 | 131188-02-703 | EA | CAPACITOR-START(21-25MFD) | 1497-0211 |
| 14 | 091225-01-709 | EA | RELAY-START | 1497-4131 |
| 16 | 131186-01-701 | EA | EVAPORATOR COIL | 1452-1521 |
| 18 | 037648-01-714 | EA | GASKET PACKAGE | 8332-3301 |
| 19 | 131185-01-704 | EA | MOTOR MOUNT & SEAL KIT | 8333-5151 |
| 25 | 131188-02-704 | EA | VALVE/REVERSE ASSEMBLY | 7535A5301 |
| 26 | 105620-12-708 | EA | COIL - SOLENOID | 1460-1081 |
| 27 | 131188-02-705 | EA | WIRE HARNESS F/SOLENOID | 7535-109 |
| 28 | 131188-02-706 | EA | SWITCH - FREEZE | 1460-2041 |
| 29 | 131188-02-707 | EA | LIQUID LINE | 7535-135 |
| | | | CONTACT WINNEBAGO PART SALES FOR UNLISTED COMPONENT(S) | |

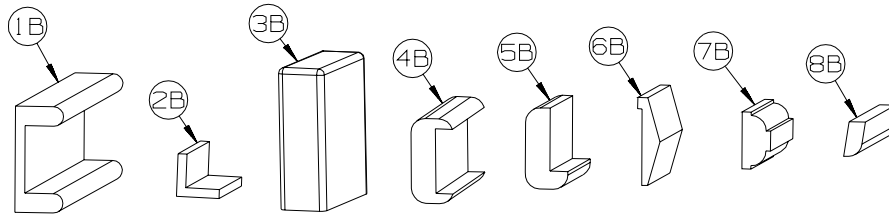
INTERIOR FINISH GROUP
MOLDINGS & TRIMS
PORTSMOUTH OAK-SIERRA MAPLE



| KEY | PART NUMBER | U/M | DESCRIPTION |
|-----|---------------|-----|---|
| 1A | M09412-62-N42 | EA | MOLDING/SHELF EDGE - .6" X 1.3" X 96" - PORTSMOUTH OAK |
| 1A | M09412-62-M52 | EA | MOLDING/SHELF EDGE - .6" X 1.3" X 96" - CHERRY - CONCERT CHERRY |
| 1A | M09412-62-M62 | EA | MOLDING/SHELF EDGE - .6" X 1.3" X 96" - WASHED MAPLE - WASHED MAPLE |
| 1A | M09412-62-RC3 | EA | MOLDING/SHELF EDGE - .6" X 1.3" X 96" - HONEY CHERRY - HONEY CHERRY |
| 1A | M09412-62-SA3 | EA | MOLDING/SHELF EDGE - .6" X 1.3" X 96" - MAPLE - SIERRA MAPLE |
| 2A | M09450-77-PC0 | EA | MOLDING - TRIM/HDWD W/LIP -.4"X3.2"X79.6" - PORTSMOUTH OAK |
| 2A | M09450-77-PC1 | EA | MOLDING - TRIM/HDWD W/LIP -.4"X3.2"X79.6" - CONCERT CHERRY |
| 2A | M09450-77-PC2 | EA | MOLDING - TRIM/HDWD W/LIP -.4"X3.2"X79.6" - WASHED MAPLE |
| 2A | M09450-77-RC3 | EA | MOLDING - TRIM/HDWD W/LIP -.4"X3.2"X79.6" - HONEY CHERRY |
| 2A | M09501-32-TG1 | EA | MOLDING/TRIM - W/NOTCH - .8" X 2.5" X 86.2"-CONCERT CHERRY |
| 2A | M09501-32-TG2 | EA | MOLDING/TRIM - W/NOTCH - .8" X 2.5" X 86.2" - WASHED MAPLE, |
| 2A | M09501-32-TD3 | EA | MOLDING/TRIM - W/NOTCH - .8" X 2.5" X 86.2" - SIERRA MAPLE |
| 2A | M09503-52-T77 | EA | MOLDING/TRIM - .75" X 1.2" X 86.5" - PORTSMOUTH OAK |
| 2A | M09503-52-T78 | EA | MOLDING/TRIM - .75" X 1.2" X 86.5" - CONCERT CHERRY |
| 2A | M09503-52-T79 | EA | MOLDING/TRIM - .75" X 1.2" X 86.5" - WASHED MAPLE |
| 2A | M09503-52-T80 | EA | MOLDING/TRIM - .75" X 1.2" X 86.5" - SIERRA MAPLE |
| 2A | M09511-43-T78 | EA | MOLDING - TRIM - W/NOTCH - .8" X 1.4" X 86.3" - CONCERT CHERRY |
| 2A | M09525-80-UM1 | EA | MOLDING - TRIM - W/NOTCH - .8"X 1.4"X 86.5" - CONCERT CHERRY |
| 2A | M09511-43-T79 | EA | MOLDING - TRIM - W/NOTCH - .8" X 1.4" X 86.3" - WASHED MAPLE |
| 2A | M09525-80-U91 | EA | MOLDING - TRIM - W/NOTCH - .8" X 1.4" X 86.5" - WASHED MAPLE |
| 2A | M09511-43-T80 | EA | MOLDING - TRIM - W/NOTCH - .8" X 1.4" X 86.3" - SIERRA MAPLE |
| 2A | M09525-80-U92 | EA | MOLDING - TRIM - W/NOTCH - .8" X 1.4" X 86.5" - SIERRA MAPLE |
| 2A | M09438-25-RA3 | EA | MOLDING - HARDWOOD-W/NOTCH - 1.4"X 80.2" - HONEY CHERRY |
| 2A | M09515-72-TD1 | EA | MOLDING/TRIM - .8" X 2.2" X 86.1" - CONCERT CHERRY |
| 2A | M09515-72-TD2 | EA | MOLDING/TRIM - .8" X 2.2" X 86.1" - WASHED MAPLE |
| 2A | M09515-72-TD3 | EA | MOLDING/TRIM - .8" X 2.2" X 86.1" - SIERRA MAPLE |
| 3A | M09471-91-R69 | EA | MOLDING - TRIM/VEE - .2" X 1" X 34.4" - CONCERT CHERRY |
| 3A | M09471-91-R76 | EA | MOLDING - TRIM/VEE - .2" X 1" X 34.4" - WASHED MAPLE |
| 3A | M09471-91-SA3 | EA | MOLDING - TRIM/VEE - .2" X 1" X 34.4" - SIERRA MAPLE |
| 3A | M09477-88-S34 | EA | MOLDING - TRIM/VEE - .2" X 1" X 19.9" - WASHED MAPLE |
| 3A | M09477-88-S35 | EA | MOLDING - TRIM/VEE - .2" X 1" X 19.9" - SIERRA MAPLE |
| 3A | M09501-30-SD2 | EA | MOLDING - TRIM/VEE - .2" X 1" X 35.1" - WASHED MAPLE |
| 3A | M09501-30-SD3 | EA | MOLDING - TRIM/VEE - .2" X 1" X 35.1" - HONEY CHERRY |
| 3A | M09501-37-TG1 | EA | MOLDING - TRIM/VEE - .2" X 1" X 19.2" - CONCERT CHERRY |
| 3A | M09501-37-TG2 | EA | MOLDING - TRIM/VEE - .2" X 1" X 19.2" - WASHED MAPLE |
| 3A | M09501-37-TD3 | EA | MOLDING - TRIM/VEE - .2" X 1" X 19.2" - SIERRA MAPLE |
| 3A | M09501-37-TG3 | EA | MOLDING - TRIM/VEE - .2" X 1" X 19.2" - HONEY CHERRY |
| 3A | M09501-63-T78 | EA | MOLDING - TRIM/VEE - .2" X 1" X 15" - CONCERT CHERRY |
| 3A | M09501-63-T79 | EA | MOLDING - TRIM/VEE - .2" X 1" X 15" - WASHED MAPLE |
| 3A | M09501-63-T80 | EA | MOLDING - TRIM/VEE - .2" X 1" X 15" - SIERRA MAPLE |
| 3A | M09503-62-TG1 | EA | MOLDING - TRIM/VEE - .2" X 1" X 26.3" - CONCERT CHERRY |
| 3A | M09503-62-TG2 | EA | MOLDING - TRIM/VEE - .2" X 1" X 26.3" - WASHED MAPLE |
| 3A | M09503-62-TG3 | EA | MOLDING - TRIM/VEE - .2" X 1" X 26.3" - HONEY CHERRY |
| 3A | M09511-90-TG1 | EA | MOLDING - TRIM/VEE - .2" X 1" X 42.1" - CONCERT CHERRY |
| 3A | M09511-90-TG3 | EA | MOLDING - TRIM/VEE - .2" X 1" X 42.1" - HONEY CHERRY |
| 3A | M09511-90-TG2 | EA | MOLDING - TRIM/VEE - .2" X 1" X 42.1" - WASHED MAPLE |
| 3A | M09520-15-TD1 | EA | MOLDING - TRIM/VEE - .2" X 1" X 15.3" - CONCERT CHERRY |
| 3A | M09520-15-TD2 | EA | MOLDING - TRIM/VEE - .2" X 1" X 15.3" - WASHED MAPLE |
| 3A | M09520-15-TD3 | EA | MOLDING - TRIM/VEE - .2" X 1" X 15.3" - SIERRA MAPLE |
| 3A | M09520-96-T59 | EA | MOLDING - TRIM/VEE - .2" X 1" X 32.7" - PORTSMOUTH OAK |
| 3A | M09520-96-T60 | EA | MOLDING - TRIM/VEE - .2" X 1" X 32.7" - CONCERT CHERRY |
| 3A | M09520-96-T61 | EA | MOLDING - TRIM/VEE - .2" X 1" X 32.7" - WASHED MAPLE |
| 3A | M09520-96-TP0 | EA | MOLDING - TRIM/VEE - .2" X 1" X 32.7" - SIERRA MAPLE |

INTERIOR FINISH GROUP (CONTINUED)
MOLDINGS & TRIMS (CONTINUED)

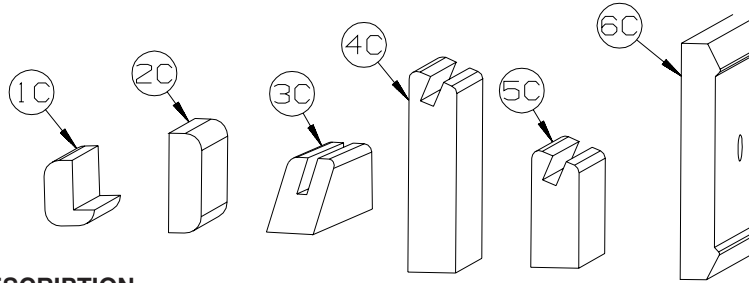
| KEY | PART NUMBER | U/M | DESCRIPTION |
|-----|---------------|-----|--|
| 3A | M09525-96-TA0 | EA | MOLDING - TRIM/VEE - .2" X 1" X 36.2" - PORTSMOUTH OAK |
| 3A | M09525-96-TA1 | EA | MOLDING - TRIM/VEE - .2" X 1" X 36.2" - CONCERT CHERRY |
| 3A | M09525-96-TA2 | EA | MOLDING - TRIM/VEE - .2" X 1" X 36.2" - WASHED MAPLE |
| 3A | M09525-96-TA3 | EA | MOLDING - TRIM/VEE - .2" X 1" X 36.2" - SIERRA MAPLE |
| 3A | M09534-08-T01 | EA | MOLDING - TRIM/VEE - .2" X 1" X 24.5" - SIERRA MAPLE |
| 3A | M09534-08-T02 | EA | MOLDING - TRIM/VEE - .2" X 1" X 24.5" - HONEY CHERRY |
| 3A | M09511-32-T78 | EA | MOLDING - TRIM/VEE - .4" X 1" X 26.8" - CONCERT CHERRY |
| 3A | M09511-32-T79 | EA | MOLDING - TRIM/VEE - .4" X 1" X 26.8" - WASHED MAPLE |
| 3A | M09511-32-T80 | EA | MOLDING - TRIM/VEE - .4" X 1" X 26.8" - SIERRA MAPLE |
| 3A | M09511-86-T78 | EA | MOLDING - TRIM/VEE - .4" X 1" X 28.3" - CONCERT CHERRY |
| 3A | M09511-86-T79 | EA | MOLDING - TRIM/VEE - .4" X 1" X 28.3" - WASHED MAPLE |
| 3A | M09511-86-T80 | EA | MOLDING - TRIM/VEE - .4" X 1" X 28.3" - SIERRA MAPLE |
| 3A | M09477-63-S46 | EA | MOLDING - TRIM/VEE - .4" X 1" X 64.1" - PORTSMOUTH OAK - BATH DOOR TRIM |
| 3A | M09477-63-SR0 | EA | MOLDING - TRIM/VEE - .4" X 1" X 64.1" - SIERRA MAPLE - BATH DOOR TRIM |
| 3A | M09477-64-S46 | EA | MOLDING - TRIM/VEE - .4" X 1" X 14.9" - PORTSMOUTH OAK - BATH DOOR TRIM |
| 3A | M09477-64-SR0 | EA | MOLDING - TRIM/VEE - .4" X 1" X 14.9" - SIERRA MAPLE - BATH DOOR TRIM |
| 4A | M09462-54-R90 | EA | MOLDING - FLUTED, CURVED - .6" X 6" X 82.7" - CONCERT CHERRY |
| 4A | M09462-54-R91 | EA | MOLDING - FLUTED, CURVED - .6" X 6" X 82.7" - WASHED MAPLE |
| 4A | M09462-54-RE3 | EA | MOLDING - FLUTED, CURVED - .6" X 6" X 82.7" - HONEY CHERRY |
| 5A | M09471-79-R38 | EA | MOLDING - TRIM/COVE - .8" X .8" X 95.8" - OAK/PORTS OAK - PORTSMOUTH OAK |
| 5A | M09471-79-R39 | EA | MOLDING - TRIM/COVE - .8" X .8" X 95.8" - CHERRY/CHERRY - CONCERT CHERRY |
| 5A | M09471-79-R46 | EA | MOLDING - TRIM/COVE - .8" X .8" X 95.8" - MAPLE/MAPLE - WASHED MAPLE |
| 5A | M09471-79-RE0 | EA | MOLDING - TRIM/COVE - .8" X .8" X 95.8" - HONEY/CHERRY- HONEY CHERRY |
| 5A | M09471-79-SA3 | EA | MOLDING - TRIM/COVE - .8" X .8" X 95.8" - HONEY/MAPLE - SIERRA MAPLE |



| KEY | PART NUMBER | U/M | DESCRIPTION |
|-----|---------------|-----|---|
| 1B | M09501-84-TG0 | EA | MOLDING/TRIM - CAP/WALL - 2.2" X 85.9" - PORTSMOUTH OAK |
| 1B | M09501-84-TG1 | EA | MOLDING/TRIM - CAP/WALL - 2.2" X 85.9" - CONCERT CHERRY |
| 1B | M09501-84-TG2 | EA | MOLDING/TRIM - CAP/WALL - 2.2" X 85.9" - WASHED MAPLE |
| 1B | M09520-07-TD3 | EA | MOLDING/TRIM - CAP/WALL - 2.2" X 80.5" - SIERRA MAPLE |
| 1B | M09501-84-TG3 | EA | MOLDING/TRIM - CAP/WALL - 2.2" X 85.9" - HONEY CHERRY |
| 2B | M09511-81-TA1 | EA | MOLDING/TRIM - L SHAPE - .8"X .8"X 80.2" - CONCERT CHERRY |
| 2B | M09511-81-TA2 | EA | MOLDING/TRIM - L SHAPE - .8"X .8"X 80.2" - WASHED MAPLE |
| 2B | M09511-81-TA3 | EA | MOLDING/TRIM - L SHAPE - .8"X .8"X 80.2" - SIERRA MAPLE |
| 3B | M09515-81-T01 | EA | MOLDING/HARDWOOD STRAIGHT - 74.3" - WASHED MAPLE |
| 3B | M09515-81-T02 | EA | MOLDING/HARDWOOD STRAIGHT - 74.3" - HONEY CHERRY |
| 4B | M09511-42-T77 | EA | MOLDING - TRIM - W/NOTCH - 1.5" X 86.4" - PORTSMOUTH OAK |
| 4B | M09511-42-T78 | EA | MOLDING - TRIM - W/NOTCH - 1.5" X 86.4" - CONCERT CHERRY |
| 4B | M09511-42-T79 | EA | MOLDING - TRIM - W/NOTCH - 1.5" X 86.4" - WASHED MAPLE |
| 4B | M09511-42-T80 | EA | MOLDING - TRIM - W/NOTCH - 1.5" X 86.4" - SIERRA MAPLE |
| 5B | M09515-18-T78 | EA | MOLDING - HARDWOOD-W/NOTCH - 1.4"X 86.2" - CONCERT CHERRY |
| 5B | M09515-18-T79 | EA | MOLDING - HARDWOOD-W/NOTCH - 1.4"X 86.2" - WASHED MAPLE |
| 5B | M09515-18-T80 | EA | MOLDING - HARDWOOD-W/NOTCH - 1.4"X 86.2" - SIERRA MAPLE |
| 6B | M09515-52-TG1 | EA | MOLDING - TRIM/VEE - 1.5" X 73.9" - CONCERT CHERRY |
| 6B | M09515-52-TG2 | EA | MOLDING - TRIM/VEE - 1.5" X 73.9" - WASHED MAPLE |
| 6B | M09515-52-TG3 | EA | MOLDING - TRIM/VEE - 1.5" X 73.9" - HONEY CHERRY |
| 7B | Y00076-32-438 | EA | MOLDING/TRIM - .5" X 1" X 96" - CHERRY (UNSTAINED) |
| 7B | Y00076-22-438 | EA | MOLDING/TRIM - .5" X 1" X 96" - MAPLE (UNSTAINED) |
| 8B | Y00086-72-438 | EA | MOLDING - VINYL WRAP - .7" X 1.6" X 96" - PORTSMOUTH OAK - PORTSMOUTH OAK |
| 8B | Y00086-62-438 | EA | MOLDING - 96" - CONCERT CHERRY (U90/94/98/A1/A5/B1/C1/C5/D1/D5/E1/E5/F1/F5/G1/G5/H1/H5) |
| 8B | Y00086-D2-438 | EA | MOLDING - VINYL WRAP - .7" X 1.6" X 96" - CONCERT CHERRY (UM1 THRU UM9, UN1 THRU UN9) |
| 8B | Y00086-A2-438 | EA | MOLDING - VINYL WRAP - .7" X 1.6" X 96" - WASHED MAPLE |
| 8B | Y00086-92-438 | EA | MOLDING - VINYL WRAP - .7" X 1.6" X 96" - SIERRA MAPLE - SIERRA MAPLE |

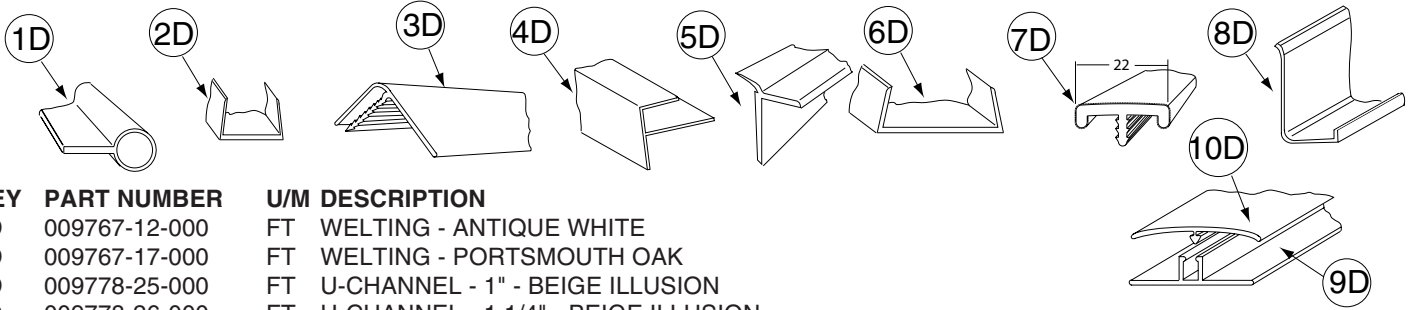
INTERIOR FINISH GROUP (CONTINUED)
MOLDINGS & TRIMS (CONTINUED)

| KEY | PART NUMBER | U/M | DESCRIPTION |
|-----|---------------|-----|---|
| 8B | Y00087-62-438 | EA | MOLDING - 96" - CONCERT CHERRY (U90/94/98/A1/A5/B1/C1/C5/D1/D5/E1/E5/F1/F5/G1/G5/H1/H5) |
| 8B | Y00087-D2-438 | EA | MOLDING - VINYL WRAP - .7" X 2.9" X 96" - CONCERT CHERRY (UM1 THRU UM9, UN1 THRU UN9) |
| 8B | Y00087-A2-438 | EA | MOLDING - VINYL WRAP - .7" X 2.9" X 96" - WASHED MAPLE |
| 8B | Y00087-92-438 | EA | MOLDING - VINYL WRAP - .7" X 2.9" X 96" - SIERRA MAPLE |
| 8B | Y00300-62-438 | EA | MOLDING - 96" - CONCERT CHERRY (U90/94/98/A1/A5/B1/C1/C5/D1/D5/E1/E5/F1/F5/G1/G5/H1/H5) |
| 8B | Y00300-D2-438 | EA | MOLDING - VINYL WRAP - .3" X .6" X 96" - CONCERT CHERRY (UM1 THRU UM9, UN1 THRU UN9) |
| 8B | Y00300-A2-438 | EA | MOLDING - VINYL WRAP - .3" X .6" X 96" - WASHED MAPLE |
| 8B | Y00300-92-438 | EA | MOLDING - VINYL WRAP - .3" X .6" X 96" - SIERRA MAPLE |



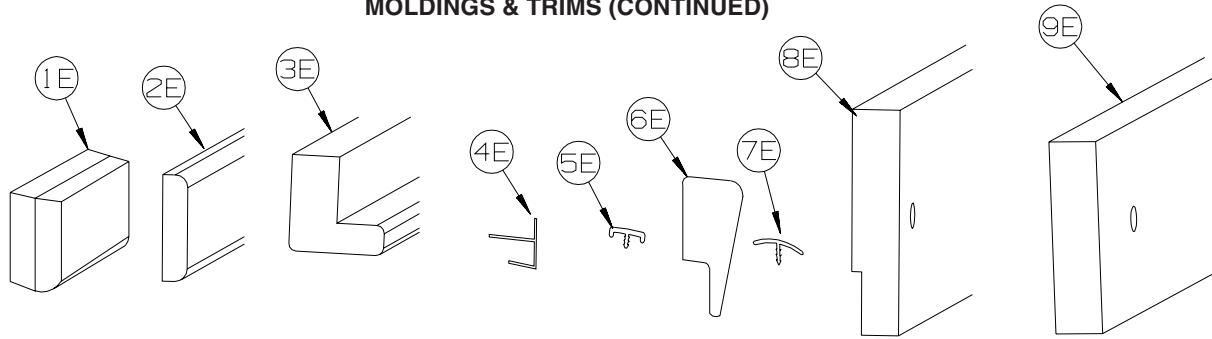
| KEY | PART NUMBER | U/M | DESCRIPTION |
|-----|---------------|-----|---|
| 1C | M09520-19-TD1 | EA | MOLDING - TRIM - W/NOTCH - 1" X 86.3" - CONCERT CHERRY |
| 1C | M09520-19-TD2 | EA | MOLDING - TRIM - W/NOTCH - 1" X 86.3" - WASHED MAPLE |
| 1C | M09520-19-TD3 | EA | MOLDING - TRIM - W/NOTCH - 1" X 86.3" - HONEY CHERRY |
| 1C | M09525-27-UF1 | EA | MOLDING - HARDWOOD - .75" X 1.4" X 32.4" - CONCERT CHERRY |
| 1C | M09525-27-UF2 | EA | MOLDING - HARDWOOD - .75" X 1.4" X 32.4" - WASHED MAPLE |
| 1C | M09525-27-UF3 | EA | MOLDING - HARDWOOD - .75" X 1.4" X 32.4" - SIERRA MAPLE |
| 2C | M09511-46-T77 | EA | MOLDING/TRIM - .5" X 1.5" X 86.5" - PORTSMOUTH OAK |
| 2C | M09511-46-T78 | EA | MOLDING/TRIM - .5" X 1.5" X 86.5" - CONCERT CHERRY |
| 2C | M09511-46-T79 | EA | MOLDING/TRIM - .5" X 1.5" X 86.5" - WASHED MAPLE |
| 2C | M09511-46-T80 | EA | MOLDING/TRIM - .5" X 1.5" X 86.5" - SIERRA MAPLE |
| 3C | Y00223-42-438 | EA | MOLDING - HARDWOOD/OAK - .7" X 1" X 96" |
| 3C | Y00223-32-438 | EA | MOLDING - HARDWOOD/CHERRY - .7" X 1" X 96" |
| 3C | Y00223-22-438 | EA | MOLDING - HARDWOOD/MAPLE - .7" X 1" X 96" |
| 4C | Y00054-62-438 | EA | MOLDING- 96" - CONCERT CHERRY (U90/94/98/A1/A5/B1/C1/C5/D1/D5/E1/E5/F1/F5/G1/G5/H1/H5) |
| 4C | Y00054-D2-438 | EA | MOLDING/VYL WRP-BVLD-.73" X 3.1" X 96" - CONCERT CHERRY (UM1 THRU UM9, UN1 THRU UN9) |
| 4C | Y00054-A2-438 | EA | MOLDING/VINYL WRAP-BEVELED ENDS-.73"X3.1"X96" - WASHED MAPLE |
| 4C | Y00054-92-438 | EA | MOLDING/VINYL WRAP-BEVELED-.73" X 3.1" X 96" - SIERRA MAPLE |
| 4C | Y00258-62-438 | EA | MOLDING/VYL 96" - CONCERT CHERRY (U90/94/98/A1/A5/B1/C1/C5/D1/D5/E1/E5/F1/F5/G1/G5/H1/H5) |
| 4C | Y00258-D2-438 | EA | MOLDING/VINYL WRP-BVLD-.73" X 3.1" X 96" - CONCERT CHERRY (UM1 THRU UM9, UN1 THRU UN9) |
| 4C | Y00258-A2-438 | EA | MOLDING/VINYL WRAP-BEVELED ENDS-.73"X3.1"X96" - WASHED MAPLE |
| 4C | Y00258-92-438 | EA | MOLDING/VINYL WRAP-BEVELED-.73" X 3.1" X 96" - SIERRA MAPLE |
| 5C | Y00259-62-438 | EA | MOLDING/VYL 96" - CONCERT CHERRY (U90/94/98/A1/A5/B1/C1/C5/D1/D5/E1/E5/F1/F5/G1/G5/H1/H5) |
| 5C | Y00259-D2-438 | EA | MOLDING/VINYL WRP-BVLD-.73" X 1.8" X 96" - CONCERT CHERRY (UM1 THRU UM9, UN1 THRU UN9) |
| 5C | Y00259-A2-438 | EA | MOLDING/VINYL WRAP-BEVELED-.73"X1.8"X96" - WASHED MAPLE |
| 5C | Y00259-92-438 | EA | MOLDING/VINYL WRAP-BEVELED-.73"X1.8"X96" - SIERRA MAPLE |
| 6C | Y00152-A2-438 | EA | MOLDING/TRIM - VINYL - .6" X 3.5" X 96" - WASHED MAPLE |
| 6C | Y00152-92-438 | EA | MOLDING/TRIM - VINYL - .6" X 3.5" X 96" - SIERRA MAPLE |

INTERIOR FINISH GROUP (CONTINUED)
MOLDINGS & TRIMS (CONTINUED)



| KEY | PART NUMBER | U/M | DESCRIPTION |
|-----|---------------|-----|---|
| 1D | 009767-12-000 | FT | WELTING - ANTIQUE WHITE |
| 1D | 009767-17-000 | FT | WELTING - PORTSMOUTH OAK |
| 2D | 009778-25-000 | FT | U-CHANNEL - 1" - BEIGE ILLUSION |
| 2D | 009778-26-000 | FT | U-CHANNEL - 1 1/4" - BEIGE ILLUSION |
| 2D | 009778-38-000 | FT | U-CHANNEL - 1" - BONE |
| 2D | 009778-32-000 | FT | U-CHANNEL - 1" - PORTSMOUTH OAK |
| 2D | 009778-34-000 | FT | U-CHANNEL - 1" - CONCERT CHERRY |
| 2D | 009778-27-000 | FT | U-CHANNEL - 1" - WASHED MAPLE |
| 2D | 009778-35-000 | FT | U-CHANNEL - 1" - HONEY CHERRY |
| 2D | 009778-36-000 | FT | U-CHANNEL - 1" - SIERRA MAPLE |
| 3D | 009809-30-000 | EA | MOLDING - CORNER - OUTSIDE - 1" X 84" - BEIGE ILLUSION |
| 3D | 009809-37-000 | EA | MOLDING - CORNER - OUTSIDE - 1" X 84" - BONE |
| 3D | 009809-32-000 | EA | MOLDING - CORNER - OUTSIDE - 1" X 84" - PORTSMOUTH OAK |
| 3D | 009809-33-000 | EA | MOLDING - CORNER - OUTSIDE - 1" X 84" - CONCERT CHERRY |
| 3D | 009809-31-000 | EA | MOLDING - CORNER - OUTSIDE - 1" X 84" - WASHED MAPLE |
| 3D | 009809-34-000 | EA | MOLDING - CORNER - OUTSIDE - 1" X 84" - HONEY CHERRY |
| 3D | 009809-35-000 | EA | MOLDING - CORNER - OUTSIDE - 1" X 84" - SIERRA MAPLE |
| 4D | 009812-31-000 | EA | MOLDING - CORNER - 1/2" W/1/4"CHAN X 84" - BEIGE ILLUSION |
| 4D | 009812-40-000 | EA | MOLDING - CORNER - 1/2" W/1/4"CHAN X 84" - BONE |
| 4D | 009812-35-000 | EA | MOLDING - CORNER - 1/2" W/1/4"CHAN X 84" - PORTSMOUTH OAK |
| 4D | 009812-36-000 | EA | MOLDING - CORNER - 1/2" W/1/4"CHAN X 84" - CONCERT CHERRY |
| 4D | 009812-33-000 | EA | MOLDING - CORNER - 1/2" W/1/4"CHAN X 84" - WASHED MAPLE |
| 4D | 009812-37-000 | EA | MOLDING - CORNER - 1/2" W/1/4"CHAN X 84" - HONEY CHERRY |
| 4D | 009812-38-000 | EA | MOLDING - CORNER - 1/2" W/1/4"CHAN X 84" - SIERRA MAPLE |
| 5D | 022992-11-000 | FT | MOLDING - REVERSE COVE - T-SHAPED - IVORY |
| 5D | 022992-18-000 | FT | MOLDING - REVERSE COVE - T-SHAPED - BONE |
| 5D | 022992-14-000 | FT | MOLDING - REVERSE COVE - T-SHAPED - BRIGHT WHITE |
| 6D | 070504-42-000 | FT | U-CHANNEL - PLASTIC - .13" X 84" - BEIGE ILLUSION |
| 6D | 070504-69-000 | FT | U-CHANNEL - PLASTIC - .13" X 84" - BONE |
| 6D | 070504-43-000 | FT | U-CHANNEL - PLASTIC - .9" X 96" - BEIGE ILLUSION |
| 6D | 070504-70-000 | FT | U-CHANNEL - PLASTIC - .8" X 84" - BONE |
| 6D | 070504-57-000 | FT | U-CHANNEL - PLASTIC - .13" X 84" - PORTSMOUTH OAK |
| 6D | 070504-58-000 | FT | U-CHANNEL - PLASTIC - .9" X 84" - PORTSMOUTH OAK |
| 6D | 070504-60-000 | FT | U-CHANNEL - PLASTIC - .13" X 84" - CONCERT CHERRY |
| 6D | 070504-61-000 | FT | U-CHANNEL - PLASTIC - .9" X 84" - CONCERT CHERRY |
| 6D | 070504-50-000 | FT | U-CHANNEL - PLASTIC - .13" X 96" - WASHED MAPLE |
| 6D | 070504-51-000 | FT | U-CHANNEL - PLASTIC - .9" X 96" - WASHED MAPLE |
| 6D | 070504-62-000 | FT | U-CHANNEL - PLASTIC - 1.65" X 84" - HONEY CHERRY |
| 6D | 070504-63-000 | FT | U-CHANNEL - PLASTIC - .9" X 84" - HONEY CHERRY |
| 6D | 070504-65-000 | FT | U-CHANNEL - PLASTIC - 1.65" X 84" - SIERRA MAPLE |
| 6D | 070504-66-000 | FT | U-CHANNEL - PLASTIC - .9" X 84" - SIERRA MAPLE |
| 7D | 083620-15-000 | FT | MOLDING-T - W/EDGE LIP - 7/8" FACE - BEIGE ILLUSION |
| 7D | 083620-25-000 | FT | MOLDING-T - W/EDGE LIP - 7/8" FACE - BONE |
| 7D | 083620-20-000 | FT | MOLDING-T - W/EDGE LIP - 7/8" FACE - PORTSMOUTH OAK |
| 7D | 083620-21-000 | FT | MOLDING-T - W/EDGE LIP - 7/8" FACE - CONCERT CHERRY |
| 7D | 083620-19-000 | FT | MOLDING-T - W/EDGE LIP - 7/8" FACE - WASHED MAPLE |
| 7D | 083620-24-000 | FT | MOLDING-T - W/EDGE LIP - 7/8" FACE - HONEY CHERRY |
| 7D | 083620-22-000 | FT | MOLDING-T - W/EDGE LIP - 7/8" FACE - SIERRA MAPLE |
| 8D | 085746-04-000 | FT | TRIM-J - CARPET 1.2" X .5" ANGLE - 12' LONG - OFF WHITE |
| 9D | 086229-01-000 | EA | RETAINER - BATTEN - .75" X 92.1" - ANY COLOR |
| 10D | 086229-20-000 | EA | BATTEN - 1" X 96" - BEIGE |

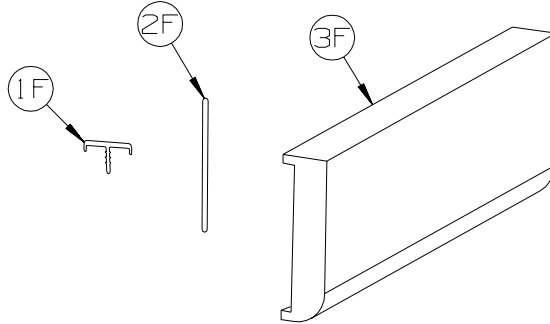
INTERIOR FINISH GROUP (CONTINUED)
MOLDINGS & TRIMS (CONTINUED)



| KEY | PART NUMBER | U/M | DESCRIPTION |
|-----|---------------|-----|---|
| 1E | 100659-30-N75 | EA | MOLDING - TRIM - 8' - PORTSMOUTH OAK |
| 1E | 100659-30-N74 | EA | MOLDING - TRIM - 8' - CONCERT CHERRY |
| 1E | 100659-30-M84 | EA | MOLDING - TRIM - 8' - WASHED MAPLE |
| 1E | 100659-27-RA3 | EA | MOLDING - TRIM - HONEY CHERRY |
| 1E | 100659-31-SA3 | EA | MOLDING - TRIM - SIERRA MAPLE |
| 2E | 100818-01-12A | EA | MOLDING - VINYL WRAPPED - 1.6" X .4" X 84" - PORTSMOUTH OAK |
| 2E | 100818-01-13A | EA | MOLDING - VYL 84" - CONCERT CHERRY (U90/94/98/A1/A5/B1/C1/C5/D1/D5/E1/E5/F1/F5/G1/G5/H1/H5) |
| 2E | 100818-01-23A | EA | MOLDING - VINYL WRPPD - 1.6" X .4" X 84" - CONCERT CHERRY (UM1 THRU UM9, UN1 THRU UN9) |
| 2E | 100818-01-21A | EA | MOLDING - VINYL WRAPPED - 1.6" X .4" X 84" - WASHED MAPLE |
| 2E | 100818-01-14A | EA | MOLDING - VINYL WRAPPED - 1.6" X .4" X 84" - HONEY CHERRY |
| 2E | 100818-01-22A | EA | MOLDING - VINYL WRAPPED - 1.6" X .4" X 84" - SIERRA MAPLE |
| 3E | 100819-01-12A | EA | MOLDING - VINYL WRAPPED-L-SHAPED-1.5"X1.5"X84" - PORTSMOUTH OAK |
| 3E | 100819-01-13A | EA | MOLDING - VYL 84" - CONCERT CHERRY (U90/94/98/A1/A5/B1/C1/C5/D1/D5/E1/E5/F1/F5/G1/G5/H1/H5) |
| 3E | 100819-01-23A | EA | MOLDING - VYL WRPPD-L-SHPD-1.5"X1.5"X84" - CONCERT CHERRY (UM1 THRU UM9, UN1 THRU UN9) |
| 3E | 100819-01-21A | EA | MOLDING - VINYL WRAPPED-L-SHAPED-1.5"X1.5"X84" - WASHED MAPLE |
| 3E | 100819-01-14A | EA | MOLDING - VINYL WRAPPED-L-SHAPED-1.5"X1.5"X84" - HONEY CHERRY |
| 3E | 100819-01-22A | EA | MOLDING - VINYL WRAPPED-L-SHAPED-1.5"X1.5"X84" - SIERRA MAPLE |
| 4E | 103186-01-07A | FT | MOLDING/PLASTIC - 3/8" U-CHANNEL-3/4" FACE -BEIGE ILLUSION |
| 4E | 103186-01-09A | FT | MOLDING/PLASTIC - 3/8" U-CHAN'L-3/4" FACE - PORTSMOUTH OAK |
| 4E | 103186-01-10A | FT | MOLDING/PLASTIC - 3/8" U-CHAN'L-3/4" FACE - CONCERT CHERRY |
| 4E | 103186-01-08A | FT | MOLDING/PLASTIC - 3/8" U-CHANNEL-3/4"FACE-WASHED MAPLE 8' - WASHED MAPLE |
| 4E | 103186-01-11A | FT | MOLDING/PLASTIC - 3/8" U-CHAN'L-3/4" FACE - HONEY CHERRY |
| 4E | 103186-01-12A | FT | MOLDING/PLASTIC - 3/8" U-CHAN'L-3/4" FACE - SIERRA MAPLE |
| 4E | 103186-02-07A | FT | MOLDING/PLASTIC-1" U-CHAN'L-1 3/8" FACE - BEIGE ILLUSION |
| 4E | 103186-02-09A | FT | MOLDING/PLASTIC - 1" U-CHAN'L-1 3/8" FACE - PORTSMOUTH OAK |
| 4E | 103186-02-10A | FT | MOLDING/PLASTIC - 1" U-CHAN'L-1 3/8" FACE - CONCERT CHERRY |
| 4E | 103186-02-08A | FT | MOLDING/PLASTIC - 1" U-CHANNEL-1 3/8"FACE - WASHED MAPLE |
| 4E | 103186-02-11A | FT | MOLDING/PLASTIC - 1" U-CHAN'L-1 3/8" FACE - HONEY CHERRY |
| 4E | 103186-02-12A | FT | MOLDING/PLASTIC - 1" U-CHAN'L-1 3/8" FACE - SIERRA MAPLE |
| 5E | 104676-02-08A | FT | MOLDING-T - W/EDGE LIP - 11/16" FACE - PORTSMOUTH OAK |
| 5E | 104676-02-09A | FT | MOLDING-T - W/EDGE LIP - 11/16" FACE - CONCERT CHERRY |
| 5E | 104676-02-06A | FT | MOLDING-T - W/EDGE LIP - 11/16" FACE - WASHED MAPLE |
| 5E | 104676-02-10A | FT | MOLDING-T - W/EDGE LIP - 11/16" FACE - HONEY CHERRY |
| 5E | 104676-02-12A | FT | MOLDING-T - W/EDGE LIP - 11/16" FACE - SIERRA MAPLE |
| 6E | 105004-01-12A | EA | MOLDING - VINYL WRAPPED - 1" X 96" - PORTSMOUTH OAK |
| 6E | 105004-01-13A | EA | MOLDING - V W 8' - CONCERT CHERRY (U90/94/98/A1/A5/B1/C1/C5/D1/D5/E1/E5/F1/F5/G1/G5/H1/H5) |
| 6E | 105004-01-23A | EA | MOLDING - VINYL WRAPPD 1" X 8' - CONCERT CHERRY (UM1 THRU UM9, UN1 THRU UN9) |
| 6E | 105004-01-21A | EA | MOLDING - VINYL WRAPPED - 1" X 8' - WASHED MAPLE |
| 6E | 105004-01-24A | EA | MOLDING - VINYL WRAPPED - 1" X 8' - HONEY CHERRY |
| 6E | 105004-01-22A | EA | MOLDING - VINYL WRAPPED - 1" X 8' - SIERRA MAPLE |
| 7E | 105709-02-000 | FT | MOLDING-T - W/EDGE LIP 3/4" FACE - BEIGE ILLUSION |
| 8E | 116951-45-R68 | EA | MOLDING - TRIM - 3" X 30.3" - PORTSMOUTH OAK |
| 8E | 116951-45-R69 | EA | MOLDING - TRIM - 3" X 30.3" - CONCERT CHERRY |
| 8E | 116951-45-R76 | EA | MOLDING - TRIM - 3" X 30.3" - WASHED MAPLE |
| 8E | 116951-45-SA3 | EA | MOLDING - TRIM - 3" X 30.3" - SIERRA MAPLE |
| 9E | 116951-37-R68 | EA | MOLDING - TRIM - 3.5" X 38.6" - PORTSMOUTH OAK |
| 9E | 116951-37-R69 | EA | MOLDING - TRIM - 3.5" X 38.6" - CONCERT CHERRY |
| 9E | 116951-37-R76 | EA | MOLDING - TRIM - 3.5" X 38.6" - WASHED MAPLE |
| 9E | 116951-37-SA3 | EA | MOLDING - TRIM - 3.5" X 38.6" - SIERRA MAPLE |
| 9E | 116951-51-SA0 | EA | MOLDING - TRIM - 3.5" X 47.3" - PORTSMOUTH OAK |
| 9E | 116951-51-SA1 | EA | MOLDING - TRIM - 3.5" X 47.3" - CONCERT CHERRY |
| 9E | 116951-51-SA2 | EA | MOLDING - TRIM - 3.5" X 47.3" - WASHED MAPLE |
| 9E | 116951-51-SA3 | EA | MOLDING - TRIM - 3.5" X 47.3" - SIERRA MAPLE |

INTERIOR FINISH GROUP (CONTINUED)
MOLDINGS & TRIMS (CONTINUED)

| KEY | PART NUMBER | U/M | DESCRIPTION |
|-----|---------------|-----|--|
| 9E | 116951-55-TD0 | EA | MOLDING - TRIM - 4.5" X 52.3" - PORTSMOUTH OAK |
| 9E | 116951-55-TD1 | EA | MOLDING - TRIM - 4.5" X 52.3" - CONCERT CHERRY |
| 9E | 116951-55-TD2 | EA | MOLDING - TRIM - 4.5" X 52.3" - WASHED MAPLE |
| 9E | 116951-55-TD3 | EA | MOLDING - TRIM - 4.5" X 52.3" - SIERRA MAPLE |
| 9E | 116951-56-TD0 | EA | MOLDING - TRIM - 4.5" X 52.3" - PORTSMOUTH OAK |
| 9E | 116951-56-TD1 | EA | MOLDING - TRIM - 4.5" X 52.3" - CONCERT CHERRY |
| 9E | 116951-56-TD2 | EA | MOLDING - TRIM - 4.5" X 52.3" - WASHED MAPLE |
| 9E | 116951-56-TD3 | EA | MOLDING - TRIM - 4.5" X 52.3" - SIERRA MAPLE |

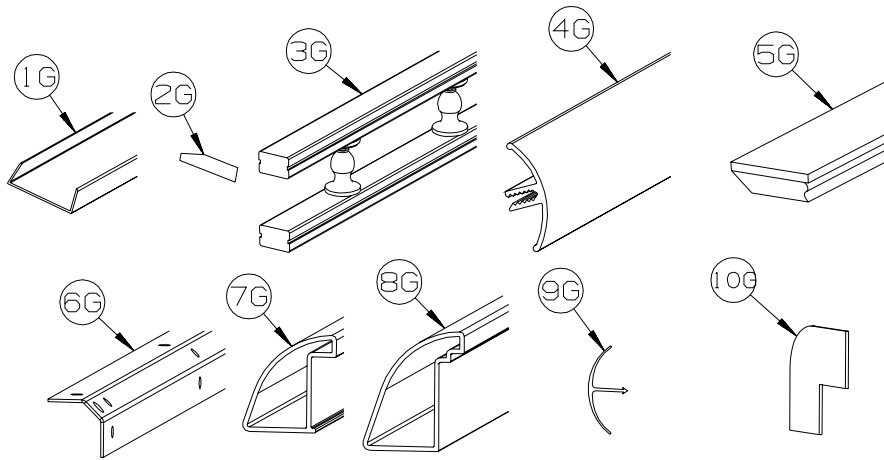


| KEY | PART NUMBER | U/M | DESCRIPTION |
|-----|---------------|-----|---|
| 1F | 119520-01-01A | FT | MOLDING-T - OFFSET W/EDGE LIP - 1.3" FACE - OFF WHITE |
| 1F | 119520-03-03A | FT | MOLDING-T - OFFSET W/EDGE LIP - 1" FACE - WASHED MAPLE |
| 1F | 119520-03-06A | FT | MOLDING-T - OFFSET W/EDGE LIP - 1" FACE - HONEY CHERRY |
| 2F | 127842-01-01A | FT | SEAL - SIGHT SHIELD - 2" BLACK |
| | 137885-A2-438 | EA | LUMBER - VYL .75" - CONCERT CHERRY (U90/94/98/A1/A5/B1/C1/C5/D1/D5/E1/E5/F1/F5/G1/G5/H1/H5) |
| | 160300-A2-438 | EA | LUMBER - VINYL WRAPPED - .7" X .75" X 96" - CONCERT CHERRY (UM1 THRU UM9, UN1 THRU UN9) |
| | 137885-D2-438 | EA | LUMBER - VYL1.5" - CONCERT CHERRY (U90/94/98/A1/A5/B1/C1/C5/D1/D5/E1/E5/F1/F5/G1/G5/H1/H5) |
| | 160300-D2-438 | EA | LUMBER - VINYL WRAPPED - .7" X 1.5" X 96" - CONCERT CHERRY (UM1 THRU UM9, UN1 THRU UN9) |
| | 137885-E2-438 | EA | LUMBER - VYL2" -CONCERT CHERRY (U90/94/98/A1/A5/B1/C1/C5/D1/D5/E1/E5/F1/F5/G1/G5/H1/H5) |
| | 160300-E2-438 | EA | LUMBER - VINYL WRAPPED - .7" X 2" X 96" - CONCERT CHERRY (UM1 THRU UM9, UN1 THRU UN9) |
| | 137885-F2-438 | EA | LUMBER - VYL2.5" - CONCERT CHERRY (U90/94/98/A1/A5/B1/C1/C5/D1/D5/E1/E5/F1/F5/G1/G5/H1/H5) |
| | 160300-F2-438 | EA | LUMBER - VINYL WRAPPED - .7" X 2.5" X 96" - CONCERT CHERRY (UM1 THRU UM9, UN1 THRU UN9) |
| | 137885-G2-438 | EA | LUMBER - VYL3" - CONCERT CHERRY (U90/94/98/A1/A5/B1/C1/C5/D1/D5/E1/E5/F1/F5/G1/G5/H1/H5) |
| | 160300-G2-438 | EA | LUMBER - VINYL WRAPPED - .7" X 3" X 96" - CONCERT CHERRY (UM1 THRU UM9, UN1 THRU UN9) |
| | 137885-H2-438 | EA | LUMBER - VYL3.5" - CONCERT CHERRY (U90/94/98/A1/A5/B1/C1/C5/D1/D5/E1/E5/F1/F5/G1/G5/H1/H5) |
| | 160300-H2-438 | EA | LUMBER - VINYL WRAPPED - .7" X 3.5" X 96" - CONCERT CHERRY (UM1 THRU UM9, UN1 THRU UN9) |
| | 137885-J2-438 | EA | LUMBER - VYL5.5" - CONCERT CHERRY (U90/94/98/A1/A5/B1/C1/C5/D1/D5/E1/E5/F1/F5/G1/G5/H1/H5) |
| | 160300-J2-438 | EA | LUMBER - VINYL WRAPPED - .7" X 5.5" X 96" - CONCERT CHERRY (UM1 THRU UM9, UN1 THRU UN9) |
| | 137885-J2-743 | EA | LUMBER - VYL5.5" - CONCERT CHERRY (U90/94/98/A1/A5/B1/C1/C5/D1/D5/E1/E5/F1/F5/G1/G5/H1/H5) |
| | 160300-J2-743 | EA | LUMBER - VINYL WRAPPED - .7" X 5.5" X 108" - CONCERT CHERRY (UM1 THRU UM9, UN1 THRU UN9) |
| | 137885-K2-438 | EA | LUMBER - VYL3.9" - CONCERT CHERRY (U90/94/98/A1/A5/B1/C1/C5/D1/D5/E1/E5/F1/F5/G1/G5/H1/H5) |
| | 160300-K2-438 | EA | LUMBER - VINYL WRAPPED - .7" X 3.9" X 96" - CONCERT CHERRY (UM1 THRU UM9, UN1 THRU UN9) |
| | 137885-R2-438 | EA | LUMBER - VYL 3" - CONCERT CHERRY (U90/94/98/A1/A5/B1/C1/C5/D1/D5/E1/E5/F1/F5/G1/G5/H1/H5) |
| | 160300-R2-438 | EA | LUMBER - VINYL WRAPPED - .7" X 3" X 96" - CONCERT CHERRY (UM1 THRU UM9, UN1 THRU UN9) |
| 3F | 137887-D2-134 | EA | MOLDING - 1.6" X 84"- CONCERT CHERRY (U90/94/98/A1/A5/B1/C1/C5/D1/D5/E1/E5/F1/F5/G1/G5/H1/H5) |
| 3F | 160301-D2-134 | EA | MOLDING -VINYL WRAPPED - .7" X 1.6" X 84" - CONCERT CHERRY (UM1 THRU UM9, UN1 THRU UN9) |
| 3F | 137887-D2-743 | EA | MLDG - 1.6" X 108" - CONCERT CHERRY (U90/94/98/A1/A5/B1/C1/C5/D1/D5/E1/E5/F1/F5/G1/G5/H1/H5) |
| 3F | 160301-D2-743 | EA | MOLDING - VINYL WRAPPED- .7" X 1.6" X 108" - CONCERT CHERRY (UM1 THRU UM9, UN1 THRU UN9) |
| 3F | 137887-F2-134 | EA | MLDNG - 2.5" X 84" - CONCERT CHERRY (U90/94/98/A1/A5/B1/C1/C5/D1/D5/E1/E5/F1/F5/G1/G5/H1/H5) |
| 3F | 160301-F2-134 | EA | MOLDING - VINYL WRAPPED - .7" X 2.5" X 84" - CONCERT CHERRY (UM1 THRU UM9, UN1 THRU UN9) |
| 3F | 137887-F2-743 | EA | MLDG - 2.5" X 108" - CONCERT CHERRY (U90/94/98/A1/A5/B1/C1/C5/D1/D5/E1/E5/F1/F5/G1/G5/H1/H5) |
| 3F | 160301-F2-743 | EA | MOLDING - VINYL WRPPD - .7" X 2.5" X 108" - CONCERT CHERRY (UM1 THRU UM9, UN1 THRU UN9) |
| 3F | 137887-F2-438 | EA | MLDG - 2.5" X 96" - CONCERT CHERRY (U90/94/98/A1/A5/B1/C1/C5/D1/D5/E1/E5/F1/F5/G1/G5/H1/H5) |
| 3F | 160301-F2-438 | EA | MOLDING - VINYL WRPPD - .7" X 2.5" X 96" - CONCERT CHERRY (UM1 THRU UM9, UN1 THRU UN9) |
| | 137894-A2-438 | EA | LUMBER - VINYL WRAPPED - .7" X .75" X 96" - PORTSMOUTH OAK |
| | 137894-D2-438 | EA | LUMBER - VINYL WRAPPED - .7" X 1.5" X 96" - PORTSMOUTH OAK |
| | 137894-E2-438 | EA | LUMBER - VINYL WRAPPED - .7" X 2" X 96" - PORTSMOUTH OAK |
| | 137894-F2-438 | EA | LUMBER - VINYL WRAPPED - .7" X 2.5" X 96" - PORTSMOUTH OAK |
| | 137894-G2-438 | EA | LUMBER - VINYL WRAPPED - .7" X 3" X 96" - PORTSMOUTH OAK |
| | 137894-H2-438 | EA | LUMBER - VINYL WRAPPED - .7" X 3.5" X 96" - PORTSMOUTH OAK |
| | 137894-J2-438 | EA | LUMBER - VINYL WRAPPED - .7" X 5.5" X 80.2" - PORTSMOUTH OAK |
| | 137894-J2-743 | EA | LUMBER - VINYL WRAPPED - .7" X 5.5" X 96" - PORTSMOUTH OAK |
| | 137894-K2-438 | EA | LUMBER - VINYL WRAPPED - .7" X 3.9" X 96" - PORTSMOUTH OAK |
| | 137894-R2-438 | EA | LUMBER - VINYL WRAPPED - .7" X 3" X 96" - PORTSMOUTH OAK |

INTERIOR FINISH GROUP (CONTINUED)
MOLDINGS & TRIMS (CONTINUED)

| KEY | PART NUMBER | U/M | DESCRIPTION |
|-----|---------------|-----|--|
| 3F | 137895-D2-134 | EA | MOLDING - VINYL WRAPPED - .7" X 1.6" X 84"-PORTSMOUTH OAK |
| 3F | 137895-D2-743 | EA | MOLDING - VINYL WRAPPED - .7" X 1.6" X 108"-PORTSMOUTH OAK |
| 3F | 137895-F2-438 | EA | MOLDING - VINYL WRAPPED - .7" X 2.5" X 96" - PORTSMOUTH OAK |
| 3F | 137895-F2-743 | EA | MOLDING - VINYL WRAPPED - .7" X 2.5" X 108" - PORTSMOUTH OAK |
| | 146419-A2-438 | EA | LUMBER - VINYL WRAPPED - .7" X .75" X 96" - HONEY CHERRY |
| | 146419-D2-438 | EA | LUMBER - VINYL WRAPPED - .7" X 1.5" X 96" - HONEY CHERRY |
| | 146419-E2-438 | EA | LUMBER - VINYL WRAPPED - .7" X 2" X 96" - HONEY CHERRY |
| | 146419-F2-438 | EA | LUMBER - VINYL WRAPPED - .7" X 2.5" X 96" - HONEY CHERRY |
| | 146419-G2-438 | EA | LUMBER - VINYL WRAPPED - .7" X 3" X 96" - HONEY CHERRY |
| | 146419-H2-438 | EA | LUMBER - VINYL WRAPPED - .7" X 3.5" X 96" - HONEY CHERRY |
| | 146419-J2-438 | EA | LUMBER - VINYL WRAPPED - .7" X 5.5" X 96" - HONEY CHERRY |
| | 146419-J2-743 | EA | LUMBER - VINYL WRAPPED - .7" X 5.5" X 108" - HONEY CHERRY |
| | 146419-K2-438 | EA | LUMBER - VINYL WRAPPED - .7" X 3.9" X 96" - HONEY CHERRY |
| | 146419-R2-438 | EA | LUMBER - VINYL WRAPPED - .7" X 3" X 96" - HONEY CHERRY |
| | 146419-S2-438 | EA | LUMBER - VINYL WRAPPED/FULL - .7"X 3.5"X 96"- HONEY CHERRY |
| | 146419-T2-438 | EA | LUMBER - VINYL WRAPPED/FULL - .7"X 5.5"X 96"- HONEY CHERRY |
| 3F | 146425-D2-134 | EA | MOLDING - VINYL WRAPPED - .7" X 1.6" X 83.9" - HONEY CHERRY |
| 3F | 146425-F2-438 | EA | MOLDING - VINYL WRAPPED - .7" X 2.6" X 96" - HONEY CHERRY |
| | 149325-A2-438 | EA | LUMBER - VINYL WRAPPED - .7" X .75" X 96" - WASHED MAPLE |
| | 149325-D2-438 | EA | LUMBER - VINYL WRAPPED - .7" X 1.5" X 96" - WASHED MAPLE |
| | 149325-E2-438 | EA | LUMBER - VINYL WRAPPED - .7" X 2" X 96" - WASHED MAPLE |
| | 149325-F2-438 | EA | LUMBER - VINYL WRAPPED - .7" X 2.5" X 96" - WASHED MAPLE |
| | 149325-G2-438 | EA | LUMBER - VINYL WRAPPED - .7" X 3" X 96" - WASHED MAPLE |
| | 149325-H2-438 | EA | LUMBER - VINYL WRAPPED - .7" X 3.5" X 96" - WASHED MAPLE |
| | 149325-J2-438 | EA | LUMBER - VINYL WRAPPED - .7" X 5.5" X 96" - WASHED MAPLE |
| | 149325-J2-743 | EA | LUMBER - VINYL WRAPPED - .7" X 5.5" X 108" - WASHED MAPLE |
| | 149325-K2-438 | EA | LUMBER - VINYL WRAPPED - .7" X 3.9" X 96" - WASHED MAPLE |
| | 149325-R2-438 | EA | LUMBER - VINYL WRAPPED - .7" X 3" X 96" - WASHED MAPLE |
| 3F | 149326-D2-134 | EA | MOLDING - VINYL WRAPPED - .7" X 1.5" X 83.9" - WASHED MAPLE |
| 3F | 149326-D2-743 | EA | MOLDING - VINYL WRAPPED - .7" X 1.5" X 108" - WASHED MAPLE |
| 3F | 149326-F2-134 | EA | MOLDING - VINYL WRAPPED - .7" X 2.5" X 83.9" - WASHED MAPLE |
| 3F | 149326-F2-438 | EA | MOLDING - VINYL WRAPPED - .7" X 2.5" X 96" - WASHED MAPLE |
| 3F | 149326-F2-743 | EA | MOLDING - VINYL WRAPPED - .7" X 2.5" X 108" - WASHED MAPLE |
| | 149330-A2-438 | EA | LUMBER - VINYL WRAPPED - .7" X .75" X 96" - SIERRA MAPLE |
| | 149330-D2-438 | EA | LUMBER - VINYL WRAPPED - .7" X 1.5" X 96" - SIERRA MAPLE |
| | 149330-E2-438 | EA | LUMBER - VINYL WRAPPED - .7" X 2" X 96" - SIERRA MAPLE |
| | 149330-F2-438 | EA | LUMBER - VINYL WRAPPED - .7" X 2.5" X 96" - SIERRA MAPLE |
| | 149330-G2-438 | EA | LUMBER - VINYL WRAPPED - .7" X 3" X 96" - SIERRA MAPLE |
| | 149330-H2-438 | EA | LUMBER - VINYL WRAPPED - .7" X 3.5" X 96" - SIERRA MAPLE |
| | 149330-J2-438 | EA | LUMBER - VINYL WRAPPED - .7" X 5.5" X 96" - SIERRA MAPLE |
| | 149330-J2-743 | EA | LUMBER - VINYL WRAPPED - .7" X 5.5" X 108" - SIERRA MAPLE |
| | 149330-K2-438 | EA | LUMBER - VINYL WRAPPED - .7" X 3.9" X 96" - SIERRA MAPLE |
| | 149330-R2-438 | EA | LUMBER - VINYL WRAPPED - .7" X 3" X 96" - SIERRA MAPLE |
| 3F | 149331-D2-134 | EA | MOLDING - VINYL WRAPPED - .7" X 1.5" X 83.9" - SIERRA MAPLE |
| 3F | 149331-D2-743 | EA | MOLDING - VINYL WRAP - .7" X 1.5" X 108" - SIERRA MAPLE |
| 3F | 149331-F2-134 | EA | MOLDING - VINYL WRAPPED - .7" X 2.5" X 83.9" - SIERRA MAPLE |
| 3F | 149331-F2-438 | EA | MOLDING - VINYL WRAPPED - .7" X 2.5" X 96" - SIERRA MAPLE |
| 3F | 149331-F2-743 | EA | MOLDING - VINYL WRAPPED - .7" X 2.5" X 108" - SIERRA MAPLE |

INTERIOR FINISH GROUP (CONTINUED)
MOLDINGS & TRIMS (CONTINUED)



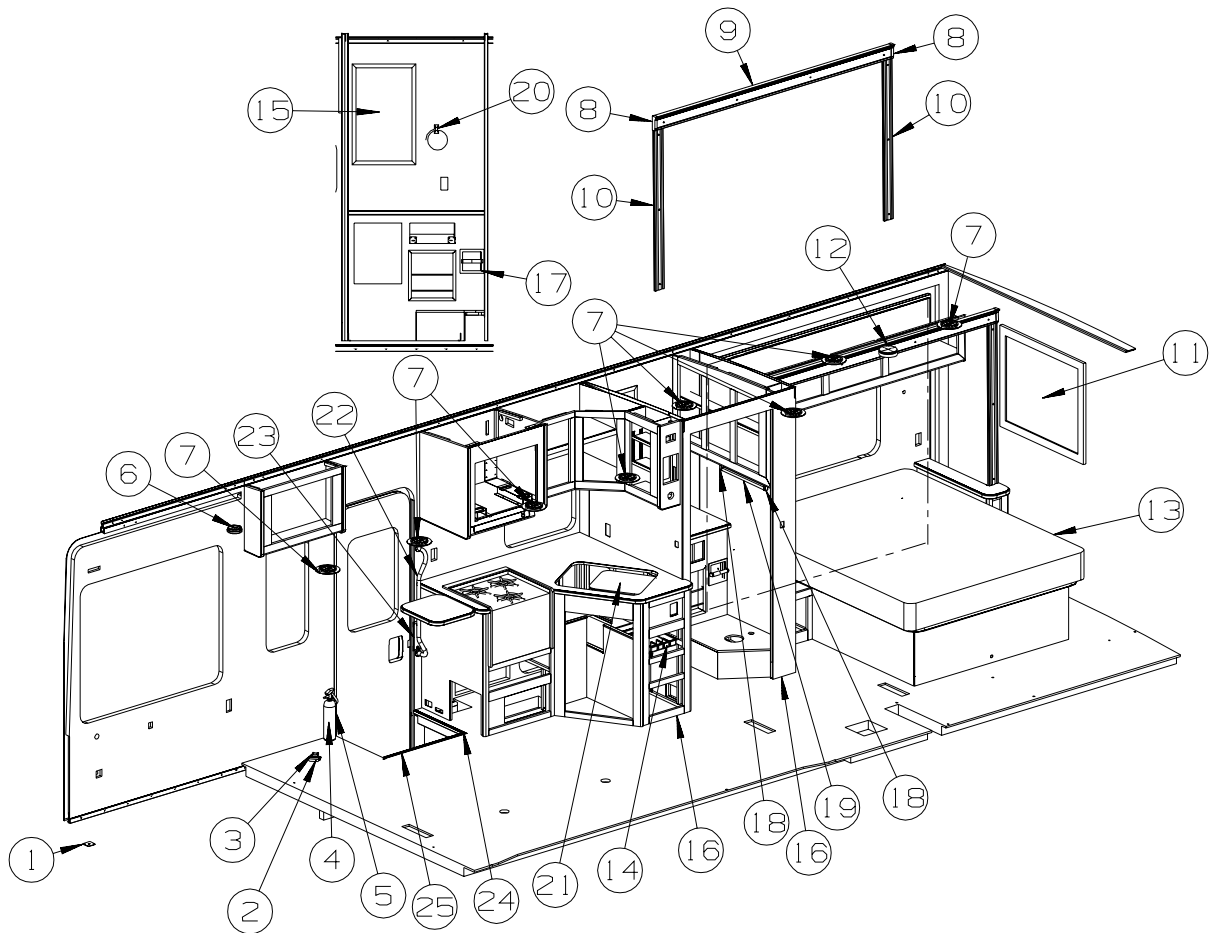
| KEY | PART NUMBER | U/M | DESCRIPTION |
|-----|---------------|-----|---|
| 1G | 141260-01-01A | FT | U-CHANNEL - 1" - VILLAGE OAK |
| 1G | 141260-01-02A | FT | U-CHANNEL - 1" - GRADY BROWN |
| 1G | 141260-02-01A | FT | U-CHANNEL - 1 1/8" - VILLAGE OAK |
| 1G | 141260-02-02A | FT | U-CHANNEL - 1 1/8" - GRADY BROWN |
| 2G | 146306-01-01A | FT | TRANSITION - CARPET/TILE |
| 3G | 150167-01-07A | EA | RAIL - DECORATIVE - 96" W/O REVERSE SIDE GROOVE - PORTSMOUTH OAK |
| 3G | 150167-01-02A | EA | RAIL - DECORATIVE - 96" W/O REVERSE SIDE GROOVE - SALEM CHERRY - CONCERT CHERRY |
| 3G | 150167-01-03A | EA | RAIL - DECORATIVE - 96" W/O REVERSE SIDE GROOVE - WASHED MAPLE |
| 3G | 150167-01-09A | EA | RAIL - DECORATIVE - 96" W/O REVERSE SIDE GROOVE - SIERRA MAPLE |
| 4G | 151653-10-02A | EA | TRIM/RADIUS - CABINET CORNER - 79.6" - DULL METALLIC |
| 4G | 151653-13-02A | EA | TRIM/RADIUS - CABINET CORNER - 79.8" - DULL METALLIC |
| 5G | 151676-26-S46 | EA | MOLDING/TRIM - .75" X 1.6" X 80.2" - PORTSMOUTH OAK |
| 5G | 151676-26-S47 | EA | MOLDING/TRIM - .75" X 1.6" X 80.2" - CONCERT CHERRY |
| 5G | 151676-26-S48 | EA | MOLDING/TRIM - .75" X 1.6" X 80.2" - WASHED MAPLE |
| 5G | 151676-26-SR0 | EA | MOLDING/TRIM - .75" X 1.6" X 80.2" - SIERRA MAPLE |
| 6G | 151861-05-02B | EA | ANGLE - SUPPORT/CORNER - 1.4" X 78.6" - E-COATED |
| 7G | 151893-01-02A | EA | TRIM/RADIUS - CABINET BOTTOM - 72.6" - DULL METALLIC |
| 8G | 152077-01-02A | EA | TRIM/RADIUS - CABINET BOTTOM - 27.7" - DULL METALLIC |
| 9G | 156464-01-01A | FT | MOLDING - CORNER - RADIUS/PLASTIC - 8' - HONEY CHERRY |
| 9G | 156464-01-02A | FT | MOLDING - CORNER - RADIUS/PLASTIC - 8' - WASHED MAPLE |
| 9G | 156464-01-03A | FT | MOLDING - CORNER - RADIUS/PLASTIC - 8' - BONE |
| 10G | 160989-01-06A | FT | CAP - CORNER - RADIUS MOLDING - PLASTIC - WASHED MAPLE |
| 10G | 160989-01-07A | FT | CAP - CORNER - RADIUS MOLDING - PLASTIC - HONEY CHERRY |

INTERIOR FINISH GROUP (CONTINUED)
PANELING & LAMINATES

| KEY | PART NUMBER | U/M | DESCRIPTION |
|-----|---------------|-----|--|
| | 076773-15-000 | SF | PANELING - 2 SIDED/PORTSMOUTH OAK - 1/8" X 4' X 8' |
| | 076773-19-000 | SF | PANELING - 2 SIDED/SIERRA MAPLE - 1/8" X 4' X 8' |
| | 074497-42-000 | SF | PANELING - PORTSMOUTH OAK - 1/8" X 4' X 8' |
| | 074497-48-000 | SF | PANELING - SIERRA MAPLE - 1/8" X 4' X 8' |
| | 088272-M9-000 | SF | PANELING - WHITE THATCHED - 4' X 8' |
| | 088272-M7-000 | SF | PANELING - KURTA/CANVAS - 4' X 7.4' (U51, U52) |
| | 088272-L8-000 | SF | PANELING - D'VINCI ALMOND - 1/8" X 4' X 7' (U53, U54) |
| | | | FROM: 00-00-00 THRU: 03-27-07 |
| | 088272-M7-000 | SF | PANELING - KURTA/CANVAS - 4' X 7.4' (U53, U54) |
| | | | FROM: 03-28-07 THRU: 99-99-99 |
| | 088272-M8-000 | SF | PANELING - WISTERIA/DUNE - 4' X 7.4' (U55, U56) |
| | 085284-G8-000 | FT | BATT TAPE - ADHESIVE BACKED/PAPER WRAP - PORTSMOUTH OAK |
| | 085284-J4-000 | FT | BATT TAPE - ADHESIVE BACKED - DECORATIVE - SIERRA MAPLE |
| | 085284-K9-000 | FT | BATT TAPE - ADHESIVE BACKED - DECORATIVE - WHITE THATCHED |
| | 085284-K7-000 | FT | BATT TAPE - ADHESIVE BACKED - DECORATIVE - KURTA/CANVAS (U51, U52) |
| | 085284-J3-000 | FT | BATT TAPE - ADHESIVE BACKED - DECORATIVE - D'VINCI ALMOND (U53, U54) |
| | | | FROM: 00-00-00 THRU: 03-27-07 |
| | 085284-K7-000 | FT | BATT TAPE - ADHESIVE BACKED - DECORATIVE - KURTA/CANVAS (U53, U54) |
| | | | FROM: 03-28-07 THRU: 99-99-99 |
| | 085284-K8-000 | FT | BATT TAPE - ADHESIVE BACKED - DECORATIVE - WISTERIA/DUNE (U55, U56) |
| | 074498-B9-000 | SF | LAMINATE - PLASTIC - SUNSTONE - 5' X 8' (U51, U52) |
| | 074498-B8-000 | SF | LAMINATE - PLASTIC - CLASSIC ROCK - 5' X 8' (U53, U54) |
| | 074498-A9-000 | SF | LAMINATE - PLASTIC - KALAHARI/TOPAZ - 5' X 8' (U55, U56) |
| | 076325-39-000 | FT | MOLDING - EDGE BAND - 1 5/16" X .030" - ALMOND |
| | 076325-40-000 | FT | MOLDING - EDGE BAND - .93" X .024" - ALMOND |
| | 000885-C3-000 | SF | PARTICLE BOARD - 3/8" X 4' X 8' - WHITE THATCH EMB-1 SIDED |
| | 000885-92-000 | SF | PARTICLE BOARD - 3/8" X 4' X 8' - PORTSMOUTH OAK - 1 SIDED |
| | 000885-B1-000 | SF | PARTICLE BOARD - 3/8" X 4' X 8' - SIERRA MAPLE - 1 SIDED |
| | 000885-93-000 | SF | PARTICLE BOARD - 3/8" X 4' X 8' - PORTSMOUTH OAK - 2 SIDED |
| | 000885-B0-000 | SF | PARTICLE BOARD - 3/8" X 4' X 8' - SIERRA MAPLE - 2 SIDED |
| | 000885-94-000 | SF | PARTICLE BOARD - 1/2" X 4' X 8' - PORTSMOUTH OAK - 2 SIDED |
| | 000885-B3-000 | SF | PARTICLE BOARD - 1/2" X 4' X 8' - SIERRA MAPLE - 2 SIDED |
| | 000885-95-000 | SF | PARTICLE BOARD - 3/4" X 4' X 8' - PORTSMOUTH OAK - 2 SIDED |
| | 000885-B2-000 | SF | PARTICLE BOARD - 3/4" X 4' X 8' - SIERRA MAPLE - 2 SIDED |
| | 057882-04-000 | SF | TAMBOUR - 48" X 96" SHEET - UNFINISHED |

INTERIOR FINISH GROUP (CONTINUED)

INTERIOR TRIM LAYOUT



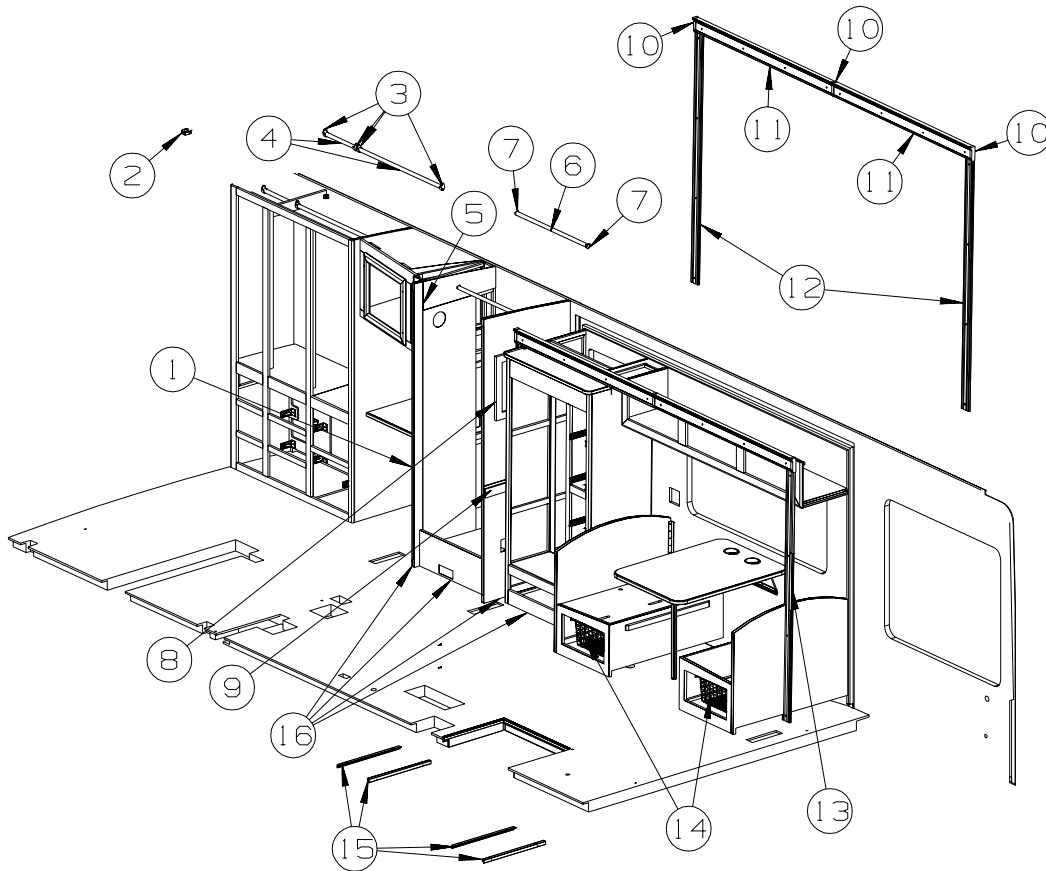
| KEY | PART NUMBER | U/M | DESCRIPTION |
|-----|---------------|-----|--|
| 1 | 134128-02-02B | EA | PLATE - W/HOLES - W/WELDNUT - E-COATED |
| 2 | 134057-01-11B | EA | BRACKET - RECLINER - FLAT BLACK |
| 3 | 134194-01-01A | EA | KNOB - HOLD DOWN/RECLINER - BLACK |
| 4* | 094499-02-000 | EA | EXTINGUISHER/FIRE - DRY - 10BC - W/GAUGE - CANADIAN |
| 4 | 094499-03-000 | EA | EXTINGUISHER/FIRE - DRY - 10BC - W/GAUGE/BRACKET |
| 5 | 094499-04-000 | EA | STRAP - FIRE EXTINGUISHER MOUNTING - METAL |
| 6 | 072852-01-000 | EA | DETECTOR - SMOKE - W/9 VOLT BATTERY - US |
| 6 | 072852-02-000 | EA | DETECTOR - SMOKE - W/9 VOLT BATTERY - CANADIAN |
| | 077956-01-000 | EA | LABEL - WARNING/SMOKE DETECTOR |
| 7 | 120134-01-02A | EA | REGISTER - W/DAMPER - 4" PIPE/6.4" O.D. FACE - WHITE |
| 8 | 149151-01-S46 | EA | MOLDING/BLOCK - PORTSMOUTH OAK |
| 8 | 149151-01-SR0 | EA | MOLDING/BLOCK - SIERRA MAPLE |
| 9 | Y00282-72-438 | EA | MOLDING - SLIDEOUT/VINYL WRAP - 3.9"X 96" - PORTSMOUTH OAK |
| 9 | Y00282-92-438 | EA | MOLDING - SLIDEOUT/VINYL WRAP - 3.9"X 96" - SIERRA MAPLE |
| 10 | 132663-17-08A | EA | MOLDING-VINYL WRAP/PRE DRILLED-.6"X3"X45.5" - PORTSMOUTH OAK |
| 10 | 132663-17-22A | EA | MOLDING-VINYL WRAP/PRE DRILLED - .6" X 3" X 45.5"SIERRA MAPLE |
| 11 | 131493-09-01A | EA | PICTURE - DECORATIVE - 8" X 10" - HIGH ART II (U51, U52) |
| 11 | 131493-05-04A | EA | PICTURE - DECORATIVE - 10" X 10" - ARCHITECTURAL (U53, U54) |
| 11 | 131493-09-04A | EA | PICTURE - DECORATIVE - 8" X 10" - MINIATURE ROSETTE I (U55, U56) |
| 12 | 125136-02-000 | EA | DETECTOR/CO - GAS MODEL - 9 VOLT |
| 13 | 154430-01-000 | EA | MATTRESS - INNERSPRING - 60" X 74.5" |
| 14 | 100081-01-01A | EA | TRAY - SILVERWARE - 9" X 13.3" RUBBERMAID ALMOND PLASTIC |
| 15 | 113195-17-01A | EA | MIRROR - BEVELED SAFETY GLASS - CLEAR - 16.6" X 26.2" |
| | 009089-01-000 | EA | CLIP - MIRROR |
| 16 | M09471-79-R38 | EA | MOLDING - TRIM/COVE - .8" X .8" X 96" - PORTSMOUTH OAK |
| 16 | M09471-79-SA3 | EA | MOLDING - TRIM/COVE - .8" X .8" X 96" - SIERRA MAPLE |
| 17 | 145980-02-02A | EA | HOLDER - TOILET TISSUE - RECESSED - NICKEL |
| 18 | 145980-04-02A | EA | TOWEL BAR - POST - PAIR - CHROME |
| 19 | 145980-05-02A | EA | TOWEL BAR - 18" - CHROME |
| 20 | 145980-06-03A | EA | TOWEL RING - CHROME |

INTERIOR FINISH GROUP (CONTINUED)
INTERIOR TRIM LAYOUT (CONTINUED)

| KEY | PART NUMBER | U/M | DESCRIPTION |
|-----|---------------|-----|--|
| 21 | 103610-04-U57 | EA | COVER - SINK - 15.7" X 13.8" - SUNSTONE (U51) FROM: 00-00-00 THRU: 10-01-06 |
| 21 | 159542-01-U57 | EA | COVER - SINK - 15.6" X 13.9" - PORTSMOUTH OAK (U51) FROM: 10-02-06 THRU: 99-99-99 |
| 21 | 103610-04-U57 | EA | COVER - SINK - 15.7" X 13.8" - SUNSTONE (U52) FROM: 00-00-00 THRU: 10-01-06 |
| 21 | 159542-01-U58 | EA | COVER - SINK - 15.6" X 13.9" - SIERRA MAPLE (U52) FROM: 10-02-06 THRU: 99-99-99 |
| 21 | 103610-04-U49 | EA | COVER - SINK - 15.7" X 13.8" - CLASSIC ROCK (U53) FROM: 00-00-00 THRU: 10-02-06 |
| 21 | 159542-01-U57 | EA | COVER - SINK - 15.6" X 13.9" - PORTSMOUTH OAK (U53) FROM: 10-02-06 THRU: 99-99-99 |
| 21 | 103610-04-U49 | EA | COVER - SINK - 15.7" X 13.8" - CLASSIC ROCK (U54) FROM: 00-00-00 THRU: 10-02-06 |
| 21 | 159542-01-U58 | EA | COVER - SINK - 15.6" X 13.9" - SIERRA MAPLE (U54) FROM: 10-02-06 THRU: 99-99-99 |
| 21 | 103610-04-U41 | EA | COVER - SINK - 15.7" X 13.8" - KALAHARI/TOPAZ (U55) FROM: 00-00-00 THRU: 10-01-06 |
| 21 | 159542-01-U57 | EA | COVER - SINK - 15.6" X 13.9" - PORTSMOUTH OAK (U55) FROM: 10-02-06 THRU: 99-99-99 |
| 21 | 103610-04-U41 | EA | COVER - SINK - 15.7" X 13.8" - KALAHARI/TOPAZ (U56) FROM: 00-00-00 THRU: 10-01-06 |
| 21 | 159542-01-U58 | EA | COVER - SINK - 15.6" X 13.9" - SIERRA MAPLE (U56) FROM: 10-02-06 THRU: 99-99-99 |
| 22 | 137605-01-01A | EA | HAND RAIL - INTERIOR ENTRY DOOR - BLACK |
| 23 | 148362-01-01A | EA | COVER - BRACKET/STRIKE - BRIGHT WHITE FROM: 00-00-00 THRU: 07-31-06 |
| 23 | 148362-01-02A | EA | COVER - BRACKET/STRIKE - MEDIUM OAK FROM: 08-01-06 THRU: 99-99-99 |
| | 140151-02-02A | EA | COVER - SCREW - BRIGHT WHITE FROM: 00-00-00 THRU: 07-31-06 |
| | 140151-02-03A | EA | COVER - SCREW - MEDIUM OAK FROM: 08-01-06 THRU: 99-99-99 |
| 24 | 139955-05-01A | EA | TRIM - STEP/ENTRY - 20.9" - MILL |
| 25 | 139955-23-01A | EA | TRIM - STEP/ENTRY - 11.6" - MILL |

***COMPONENT PARTS LISTED LATER IN THIS GROUP**

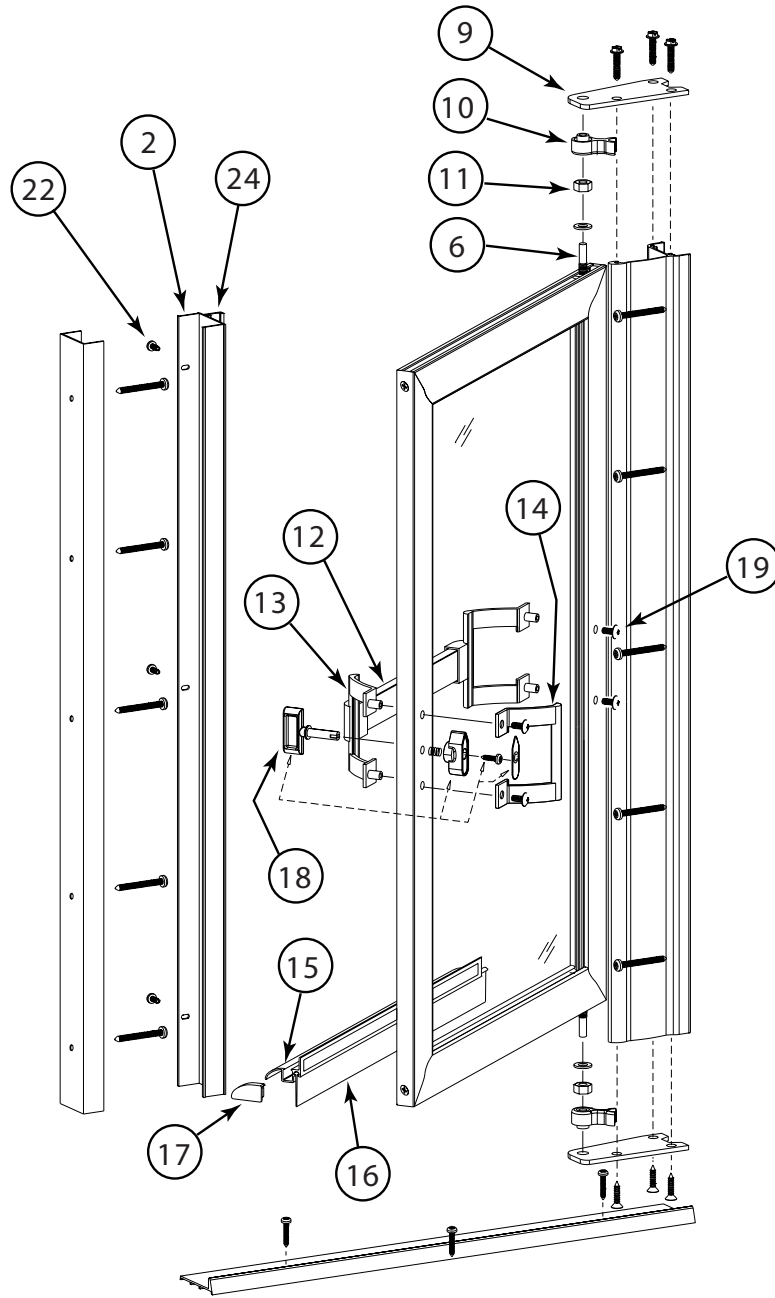
INTERIOR FINISH GROUP (CONTINUED)
INTERIOR TRIM LAYOUT (CONTINUED)



| KEY | PART NUMBER | U/M | DESCRIPTION |
|-----|---------------|-----|--|
| 1* | 131595-01-01A | EA | DOOR/FOLDING-36.9"X 74.9"-4 CEILING BRKTS & STRAIGHT TRACK |
| | 057534-03-000 | EA | TIEBACK - CLEAR PLASTIC - 7.5" |
| 2 | 062046-01-000 | EA | CLIP - LEG - PEDESTAL - 1.7" X 2.2" - DIA FROM 2" - 2.5" |
| 3 | 152301-01-01A | EA | FLANGE - PLASTIC - 1" CLOTHES ROD HOLDER - WHITE |
| 4 | Y00136-21-218 | EA | DOWEL - WOOD - CLOTHES ROD - 1"DIAMETER X 4' |
| | 041953-12-000 | FT | CONDUIT - CONVOLUTE SOLID - 1.1" ID - NYLON |
| 5* | 089318-05-000 | EA | DOOR - SHOWER - HINGED W/CHROME FRAME - 29.8" X 65" |
| 6 | 102075-09-02A | EA | ROD - SHOWER CURTAIN - 3/4"OD X 29.5" - SOFT WHITE |
| 7 | 113236-01-01A | EA | BRACKET - CLOTHES - ROD |
| 8 | 131493-07-04A | EA | PICTURE - DECORATIVE - 24" X 30" - RED VELVET |
| 9 | 100182-10-N47 | EA | TRIM/WOOD - CHAIR RAIL - 2.5" X 8' - PORTSMOUTH OAK FROM: 00-00-00 THRU: 08-20-06 |
| 9 | M09462-66-R74 | EA | MOLDING - TRIM/RAIL - .6" X 2.4" X 96" - PORTSMOUTH OAK FROM: 08-21-06 THRU: 99-99-99 |
| 9 | 100182-10-S67 | EA | TRIM/WOOD - CHAIR RAIL - 2.5" X 8' - SIERRA MAPLE FROM: 00-00-00 THRU: 08-20-06 |
| 9 | M09462-66-SA3 | EA | MOLDING - TRIM/RAIL - .6" X 2.4" X 96" - - SIERRA MAPLE FROM: 08-21-06 THRU: 99-99-99 |
| 10 | 149151-01-S46 | EA | MOLDING/BLOCK - PORTSMOUTH OAK |
| 10 | 149151-01-SR0 | EA | MOLDING/BLOCK - SIERRA MAPLE |
| 11 | Y00282-72-438 | EA | MOLDING - SLIDEOUT/VINYL WRAP - 3.9"X 96" - PORTSMOUTH OAK |
| 11 | Y00282-92-438 | EA | MOLDING - SLIDEOUT/VINYL WRAP - 3.9"X 96" - SIERRA MAPLE |
| 12 | 132663-17-08A | EA | MOLDING-VINYL WRAP/PRE DRILLED-.6"X3"X45.5" - PORTSMOUTH OAK |
| 12 | 132663-17-22A | EA | MOLDING-VINYL WRAP/PRE DRILLED - .6" X 3" X 45.5"SIERRA MAPLE |
| 13 | 130262-05-000 | EA | PROTECTOR - CORNER - .4" X .7" |
| 14 | 149728-01-01A | EA | BASKET/DRAWER - WHITE - 12.9"W X 20.7"D X 7.3"H |
| 15 | 149728-02-01A | EA | RUNNER/RAIL - F/BASKET - 21"DEEP |
| 16 | M09471-79-R38 | EA | MOLDING - TRIM/COVE - .8" X .8" X 96" - PORTSMOUTH OAK |
| 16 | M09471-79-SA3 | EA | MOLDING - TRIM/COVE - .8" X .8" X 96" - SIERRA MAPLE |

*COMPONENT PARTS LISTED LATER IN THIS GROUP

INTERIOR FINISH GROUP (CONTINUED)
COMPONENT PARTS FOR INTERIOR TRIM LAYOUT



089318-05-000

| KEY | PART NUMBER | U/M | DESCRIPTION | VENDOR NO. |
|-----|---------------|-----|------------------------------|----------------|
| 2 | 147577-01-700 | EA | STRIKE-JAMB-W/MAGNETIC STRIP | 150B |
| 6 | 089318-01-704 | EA | BOLT-PIVOT, TOP OR BOTTOM | 1428B |
| 9 | 089318-01-706 | EA | PLATE - PIVOT (UPPER/LOWER) | 796 |
| 10 | 089318-01-702 | EA | BUSHING W/ARM, LOWER | 18712A |
| 11 | 131618-01-703 | EA | PIVOT NUT | 1428N |
| 12 | 147577-01-708 | EA | BAR - TOWEL - 17 5/16" | 68B |
| 13 | 147577-01-701 | EA | BRACKET-DOOR PULL/TOWEL BAR | 8141C |
| 14 | 147577-01-702 | EA | BRACKET/DOOR PULL-W/O STUDS | 8149B |
| 15 | 147577-01-704 | EA | DRIP - RAIL - (SWEEP) | 927B |
| 16 | 089318-01-701 | FT | SWEEP-VINYL-1 1/8"W WHITE | C171G 500FT RL |
| 17 | 089318-05-700 | EA | PLUG - DRIP CAP (SET) | DCP2 |
| 18 | 089318-01-707 | EA | LATCH/CATCH-TURN-SAFETY-BLK | 9730N |
| 19 | 147577-01-706 | EA | SCREW - F/TOWEL BAR | 83212B |
| 22 | 147577-01-703 | EA | SCREW - #6X3/8" | 638B |
| 24 | 147577-01-705 | EA | STRIP - MAGNETIC - 66" | 98-41 |

CONTACT WINNEBAGO PART SALES FOR UNLISTED COMPONENT(S)

INTERIOR FINISH GROUP (CONTINUED)
COMPONENT PARTS FOR INTERIOR TRIM LAYOUT (CONTINUED)

094499-02-000

| KEY | PART NUMBER | U/M DESCRIPTION | VENDOR NO |
|-----|---------------|-------------------------------|-----------|
| | 094499-01-700 | EA BRACKET MTG. W/PLAS. STRAP | 294039 |

131595-01-01A, 131595-05-01A, 131595-10-01A

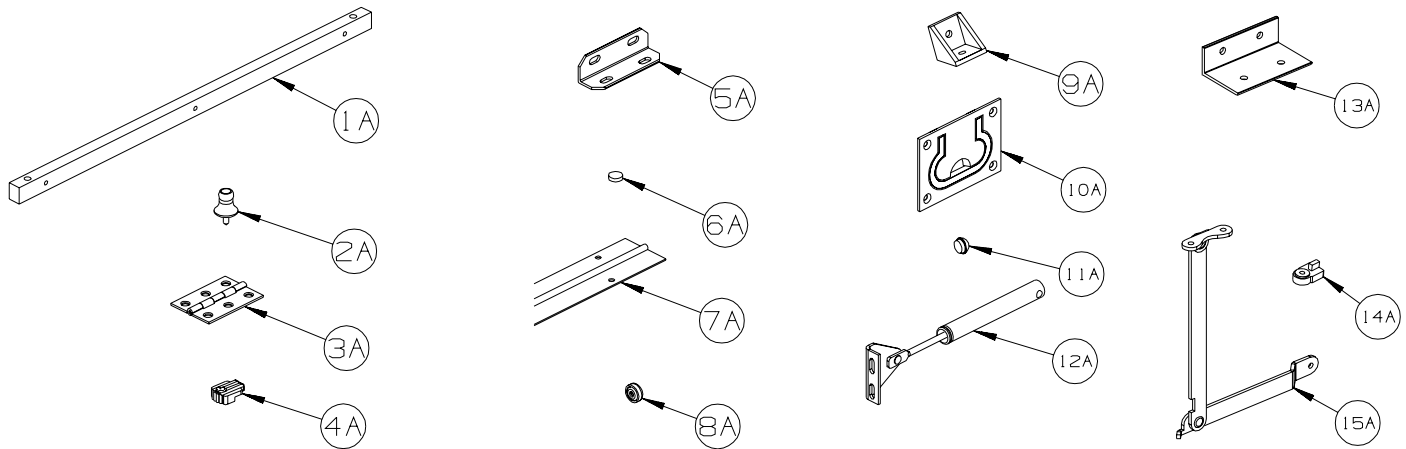
| KEY | PART NUMBER | U/M DESCRIPTION | VENDOR NO. |
|-----|---------------|-------------------------|------------|
| | 117431-01-707 | EA CATCH/PIN - PLASTIC | |
| | 131595-01-700 | EA END STOP ONLY | |
| | 131595-01-701 | EA BRACKET/MOUNTING | 908956 |
| | 131595-01-702 | EA TRACK/STRAIGHT - 37" | |

FLOOR COVERINGS

| KEY | PART NUMBER | U/M DESCRIPTION |
|-----|---------------|--|
| | 152251-05-07A | SY CARPET - 4 SQUARE YARD INCREMENTS - RAFFIA (U51, U52, U55, U56) |
| | 152251-05-02A | SY CARPET - 4 SQUARE YARD INCREMENTS - BURLWOOD (U53, U54) |
| | 093486-01-000 | SY CARPET - COMPARTMENT - 72" WIDE - DARK GRAY |
| | 042720-38-000 | SY VINYL - FLOOR COVERING - BRIDGEWAY |
| | 075233-01-000 | SY PAD - CARPET - 3/8" X 6'W ROLL - SOLD BY THE SQUARE YARD |
| | 089275-02-000 | FT STRIP - 3/4" X 84" BLACK POLYETHYLENE |

INTERIOR FINISH GROUP (CONTINUED)

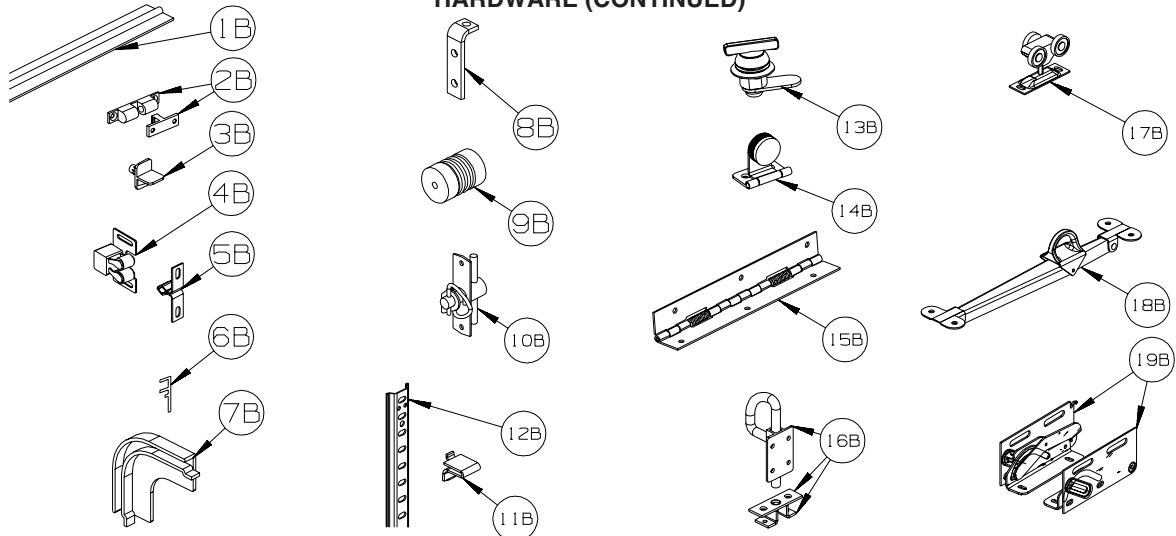
HARDWARE



| KEY | PART NUMBER | U/M | DESCRIPTION |
|-----|---------------|-----|--|
| 1A | P34509-01-N01 | EA | RAIL END - RH/LH - TOWEL RACK - PORTSMOUTH |
| 1A | P34509-01-P14 | EA | RAIL END - RH/LH - TOWEL RACK - CONCERT CHERRY |
| 1A | P34509-01-J70 | EA | RAIL END - RH/LH - TOWEL RACK - WASHED MAPLE |
| 1A | P34509-01-RE0 | EA | RAIL END - RH/LH - TOWEL RACK - HONEY CHERRY |
| 1A | P34509-01-SA3 | EA | RAIL END - RH/LH - TOWEL RACK - SIERRA MAPLE |
| 2A | 009013-01-000 | EA | CATCH - BULLDOG - MALE/FEMALE |
| 3A | 009059-01-000 | EA | HINGE - DOOR - 2" X 1.4" - BRASS |
| 3A | 009059-02-000 | EA | HINGE - DOOR - 2" X 2.7" - BRASS |
| 3A | 009059-03-000 | EA | HINGE - BRASS - 1.75" |
| 3A | 009059-04-000 | EA | HINGE - 2" - ZINC |
| 4A | 009089-01-000 | EA | CLIP - MIRROR |
| 5A | 016604-01-000 | EA | BRACE - ANGLE - 2 1/2" - UNPAINTED METAL |
| 5A | 016604-05-000 | EA | BRACE - ANGLE - 2 1/2" - OFF WHITE METAL |
| 5A | 016604-10-000 | EA | BRACE - SEAT ANGLE - 2.5" - BLACK |
| 6A | 023320-01-000 | EA | PAD - FELT 3/8" DIAMETER |
| 7A | 041389-19-000 | EA | HINGE - PIANO - 1 1/2" X 71.9" - UNPAINTED |
| 7A | 041389-25-000 | EA | HINGE - PIANO - 1 1/2" X 55" - UNPAINTED |
| 7A | 041389-32-000 | EA | HINGE - PIANO - 68" - OFF WHITE |
| 8A | 057671-01-000 | EA | COVER - SCREW - #8 - OFF WHITE |
| 8A | 057671-15-000 | EA | COVER - SCREW - #8 - BRIGHT WHITE |
| 8A | 057671-16-000 | EA | COVER - SCREW - #8 - SOFT WHITE |
| 8A | 057671-18-000 | EA | COVER - SCREW - #8 - OFF WHITE |
| 9A | 065740-01-000 | EA | BRACE - CABINET/CORNER - PLASTIC |
| 10A | 072871-01-000 | EA | PULL - FLUSH - CHROME |
| 11A | 074045-13-000 | EA | PLUG - OAK - 3/8" DOWEL-1/2" HEAD - PORTSMOUTH OAK |
| 11A | 074045-08-000 | EA | PLUG - OAK - 3/8" DOWEL-1/2" HEAD - CONCERT CHERRY |
| 11A | 074045-12-000 | EA | PLUG - OAK - 3/8" DOWEL-1/2" HEAD - WASHED MAPLE |
| 11A | 074045-14-000 | EA | PLUG - OAK - 3/8" DOWEL-1/2" HEAD - HONEY CHERRY |
| 11A | 074045-15-000 | EA | PLUG - OAK - 3/8" DOWEL-1/2" HEAD - SIERRA MAPLE |
| 12A | 074493-02-000 | EA | SUPPORT - PISTON SPRING - CABINET DOOR - 26 LBS |
| 12A | 074493-03-000 | EA | SUPPORT - PISTON SPRING - CABINET DOOR - 12 LBS |
| 12A | 074493-04-000 | EA | SUPPORT - PISTON SPRING - CABINET DOOR - 32LBS |
| 13A | 156732-01-01A | EA | BRACE - ANGLE/COUCH - 2.5" - MILL |
| 13A | 156732-01-02A | EA | BRACE - ANGLE/COUCH - 2.5" - OFF WHITE |
| 13A | 156732-03-01A | EA | BRACE - ANGLE/COUCH - BLACK |
| 14A | 083204-03-000 | EA | BUTTON - RETAINING MIRROR 5/16" TIP |
| 15A | 084412-01-000 | EA | SUPPORT/HINGE KIT (LEFT & RIGHT HINGES) |

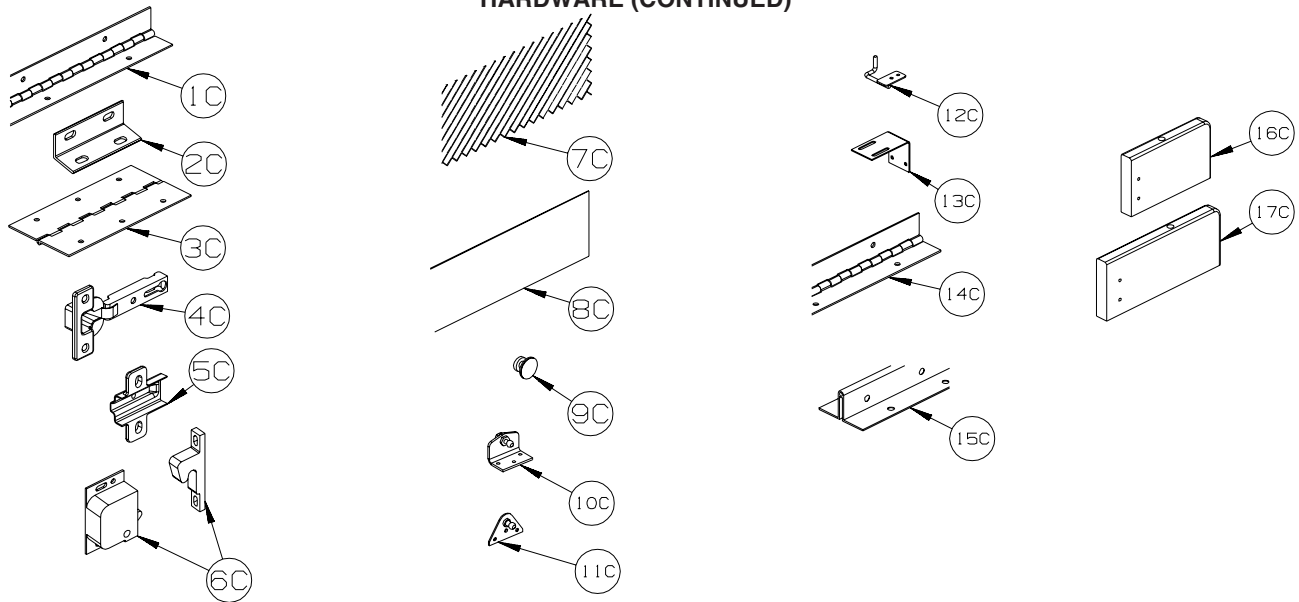
INTERIOR FINISH GROUP (CONTINUED)

HARDWARE (CONTINUED)



| KEY | PART NUMBER | U/M | DESCRIPTION |
|-----|---------------|-----|---|
| 1B | 084413-01-000 | EA | HINGE - 1" X 72" - ALUMINUM - W/HOLES |
| 2B | 084451-01-000 | EA | CATCH & LATCH - 1.7" - BRASS |
| 3B | 092907-01-000 | EA | SUPPORT - SHELF - PIN - 1/4" - CLEAR PLASTIC |
| 4B | 093586-03-000 | EA | CATCH - SPRING ROLLER - .377" |
| 4B | 093586-06-000 | EA | CATCH - SPRING ROLLER - .236" |
| 5B | 093586-04-000 | EA | STRIKE - SPRING STEEL - 1.14" |
| 6B | 093622-01-000 | EA | TRACK - DOOR - TAMBOUR - PLASTIC - 8' LENGTHS |
| 7B | 093623-01-000 | EA | CORNER - TRACK - TAMBOUR DOOR |
| 8B | 096826-01-01A | EA | BRACE-CABINET E-COATED |
| 9B | 097872-04-000 | EA | DOWEL - WOOD - 1" DIAMETER X 1.38" LONG - UNFINISHED |
| 10B | 098196-01-000 | EA | LATCH - 1/4 TURN - T-BAR |
| 11B | 098979-01-000 | EA | CLIP - ADJUSTABLE SHELF |
| 12B | 098980-01-000 | EA | PILASTER - ADJUSTABLE SHELF - 18" |
| 12B | 098980-02-000 | EA | PILASTER - ADJUSTABLE SHELF - 12" |
| 12B | 098980-03-000 | EA | PILASTER - ADJUSTABLE SHELF - 9" |
| 12B | 098980-04-000 | EA | PILASTER - ADJUSTABLE SHELF - 48" |
| 12B | 098980-05-000 | EA | PILASTER - ADJUSTABLE SHELF - 15" |
| 12B | 098980-06-000 | EA | PILASTER - ADJUSTABLE SHELF - 24" |
| 13B | 100710-01-02A | EA | LOCK - GLASS DOOR/TWIST TYPE - NICKEL |
| 14B | 100711-01-02A | EA | HINGE - GLASS DOOR - NICKEL |
| 15B | 102920-01-01A | EA | HINGE - SPRING LOADED - BRASS |
| 15B | 102920-01-02A | EA | HINGE - SPRING LOADED - NICKEL |
| 15B | 129753-01-01A | EA | HINGE - SPRING LOADED - 19" X 19" - BLACK |
| 16B | 103256-01-000 | EA | LATCH COMPLETE (SLIDE) |
| 17B | 103874-01-000 | EA | HANGER - SLIDING DOOR |
| 18B | 104181-01-01A | EA | SUPPORT - LEAF 5.3" EXTENDS TO 7.5" - SAFETY RING - METAL |
| 19B | 108126-01-000 | EA | TRAY HINGE SET (QTY. 2 PER SET) |

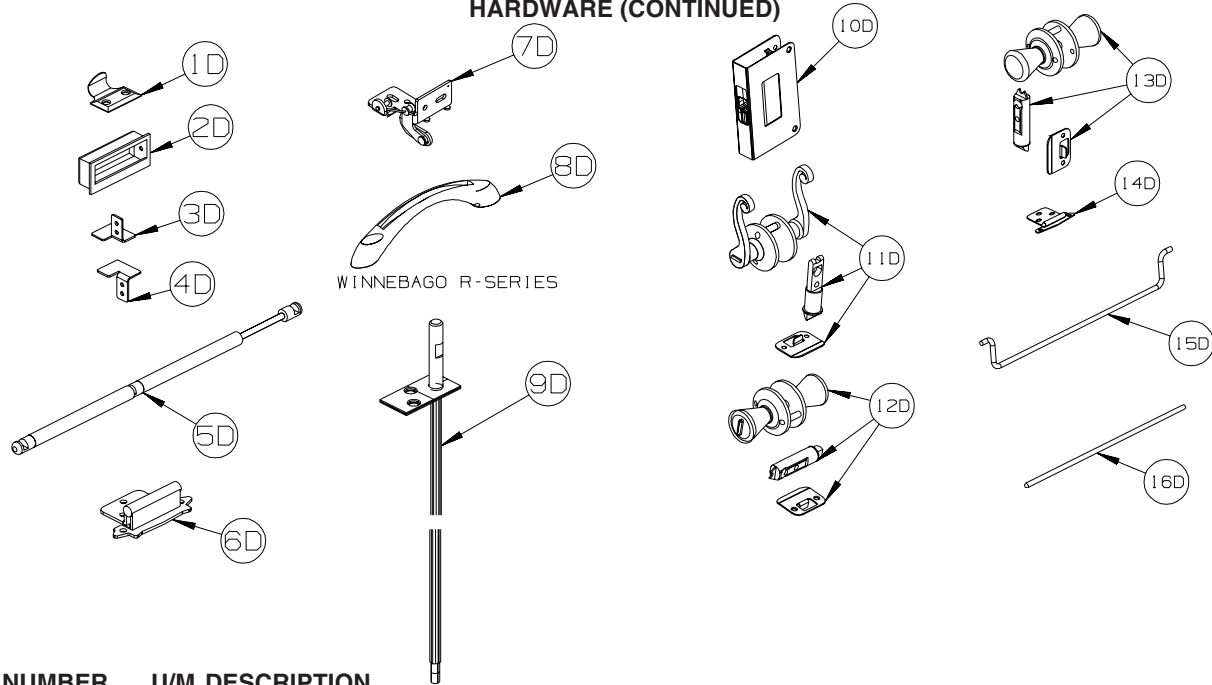
INTERIOR FINISH GROUP (CONTINUED) HARDWARE (CONTINUED)



| KEY | PART NUMBER | U/M | DESCRIPTION |
|-----|---------------|-----|--|
| 1C | 110496-01-01A | EA | HINGE - BRASS - 2" X 32" |
| 1C | 110496-01-02A | EA | HINGE - NICKEL - 2" X 32" |
| 1C | 110496-05-02A | EA | HINGE - NICKEL - 2" X 11.5" |
| 1C | 110496-06-02A | EA | HINGE - NICKEL - 2" X 9.5" |
| 2C | 111866-01-02A | EA | BRACE - SEAT - ANGLE - OFF WHITE |
| 3C | 114278-02-000 | EA | HINGE - CONTINUOUS - 3" WIDE |
| 4C | 114443-02-01A | EA | HINGE - CABINET DOOR - W/O CLIP - SILVER |
| 5C | 114443-03-01A | EA | CLIP - HINGE/CABINET DOOR - SILVER |
| 6C | 117095-01-01A | EA | LATCH - DOOR - GRABBER W/KEEPER - PLASTIC - BLK-5 LB PULL |
| 6C | 117095-02-01A | EA | LATCH - DOOR - GRABBER W/KEEPER - PLASTIC - BLK-10 LB PULL |
| 6C | 117095-03-01A | EA | LATCH - DOOR - GRABBER W/KEEPER - PLASTIC - BLK-15 LB PULL |
| 7C | 118200-01-01A | SF | MESH - PLASTIC 1/2" - 48" X LENGTH = SF - BLACK |
| 8C | 122717-06-01A | FT | PAD - NON-SKID - PSA - 5"W |
| 9C | 125221-01-01A | EA | PULL - MIRROR - W/ROUND HANDLE |
| 10C | 126263-06-02B | EA | BRACKET - GAS SPRING W/INSIDE BALL STUD - E-COATED |
| 11C | 126263-05-02B | EA | BRACKET - GAS SPRING W/BALL STUD - E-COATED |
| 11C | 126263-08-02B | EA | BRACKET - GAS SPRING W/CENTERED BALL STUD - E-COATED |
| 11C | 126263-19-02B | EA | BRACKET - GAS SPRING W/BALL STUD - E-COATED |
| 12C | 130798-01-02B | EA | GUIDE - POCKET DOOR - E-COATED |
| 13C | 132871-02-02B | EA | BRACKET/L-ANGLE W/HOLES - 1.9" X 2.8" - E-COATED |
| 14C | 134099-01-02A | EA | HINGE - PIANO - WRAP AROUND - 15.7" - NICKEL PLATED |
| 15C | 135538-03-02A | EA | HINGE - PIANO - FULL WRAP - 15.7" - CHROME |
| 16C | 137445-02-P46 | EA | STOP - F/SLIDING DOOR - CONCERT CHERRY |
| 16C | 137445-02-P56 | EA | STOP - F/SLIDING DOOR - WASHED MAPLE |
| 16C | 137445-02-S67 | EA | STOP - F/SLIDING DOOR - SIERRA MAPLE |
| 17C | 137445-03-T78 | EA | STOP - F/SLIDING DOOR - CONCERT CHERRY |
| 17C | 137445-03-T79 | EA | STOP - F/SLIDING DOOR - WASHED MAPLE |
| 17C | 137445-03-T80 | EA | STOP - F/SLIDING DOOR - SIERRA MAPLE |

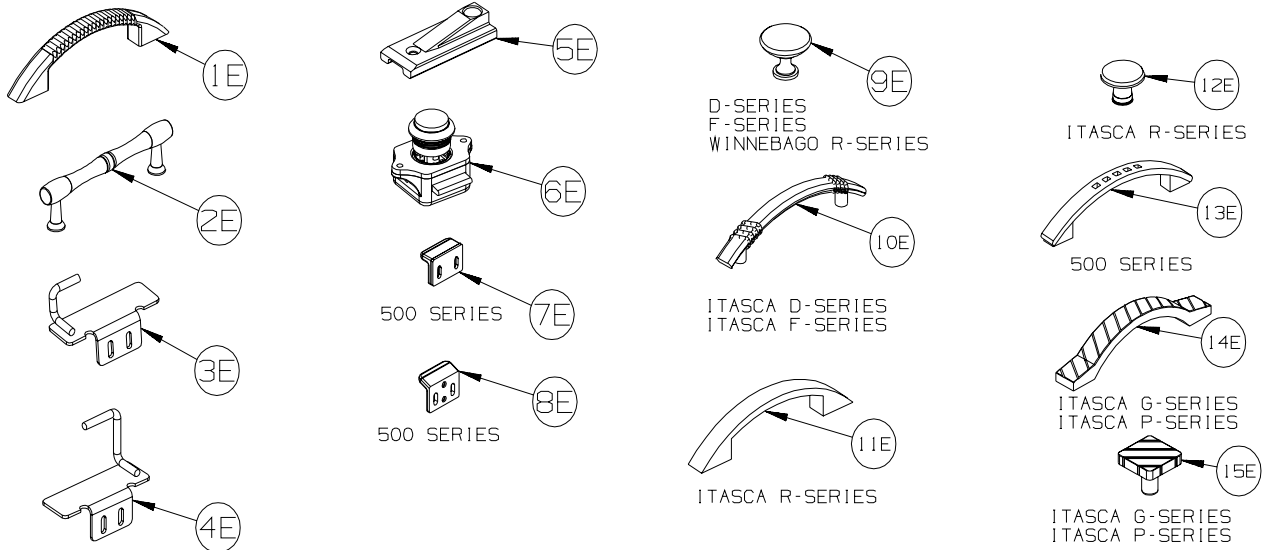
INTERIOR FINISH GROUP (CONTINUED)

HARDWARE (CONTINUED)



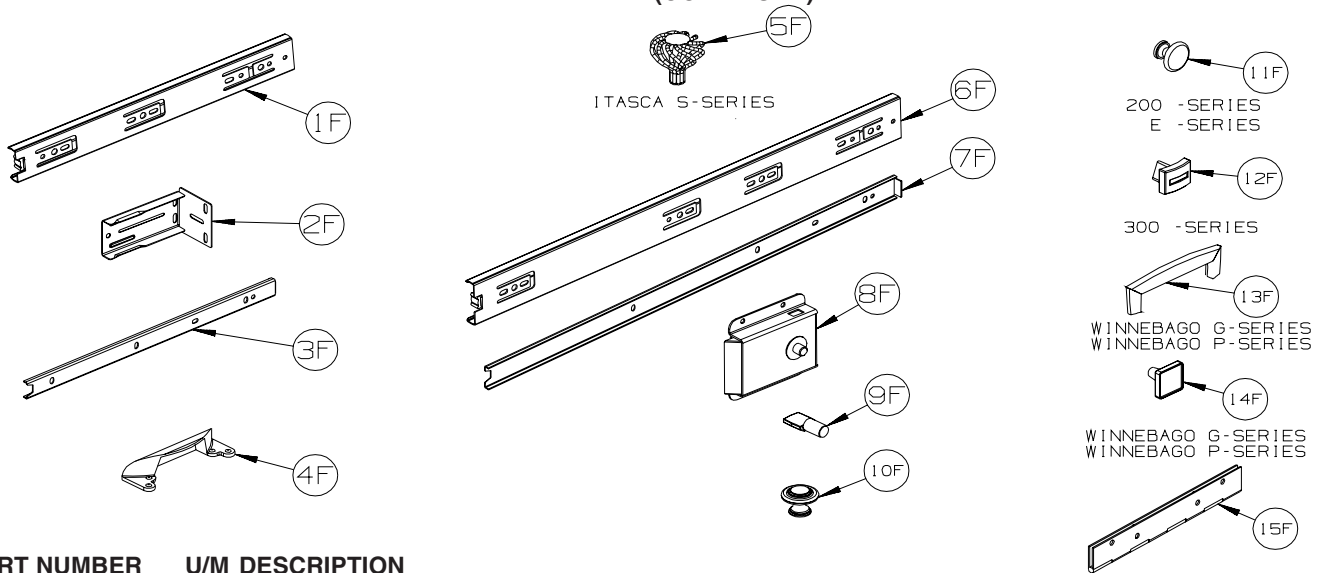
| KEY | PART NUMBER | U/M | DESCRIPTION |
|-----|---------------|-----|--|
| 1D | 137463-01-02A | EA | LIFT - HOOK - PEWTER |
| 2D | 139136-01-02A | EA | HANDLE - .75" RECESSED - PEWTER |
| 2D | 139136-02-02A | EA | HANDLE - .35" RECESSED - PEWTER |
| 3D | 139264-01-02B | EA | STOP - DOOR - TAMBOUR/RH HAND - E-COATED |
| 4D | 139264-02-02B | EA | STOP - DOOR - TAMBOUR/LH HAND - E-COATED |
| 5D | 142569-07-000 | EA | SPRING/GAS - 20 LB - 20" EXTENDED/12" COMPRESSED |
| 5D | 142569-15-000 | EA | SPRING/GAS - 120 LB - 20" EXTENDED/12" COMPRESSED |
| 5D | 142569-16-000 | EA | SPRING/GAS - 90 LB - 20" EXTENDED/12" COMPRESSED |
| 5D | 142569-29-000 | EA | SPRING/GAS - 20 LB - 9.9" EXTENDED/5.9" COMPRESSED |
| 6D | 143468-02-03A | EA | HINGE - SELF CLOSING - SATIN NICKEL |
| 7D | 144488-01-02A | EA | HINGE - CABINET - NICKEL |
| 8D | 144917-01-01A | EA | PULL - DRAWER - SATIN NICKEL - TOUR R-SERIES |
| 9D | 145939-03-01A | EA | ROD/LATCH - AISLE DOOR - BRASS |
| | | | FROM: 00-00-00 THRU: 04-16-06 |
| 9D | 145939-05-01A | EA | ROD/LATCH - AISLE DOOR - BRASS - NOT ILLUSTRATED |
| | | | FROM: 04-17-06 THRU: 07-30-06 |
| 9D | 145939-05-02A | EA | ROD/LATCH - AISLE DOOR - NICKEL - NOT ILLUSTRATED |
| | | | FROM: 07-31-06 THRU: 99-99-99 |
| 10D | 145939-04-02A | EA | LATCH/SLIDE - AISLE DOOR(1" THICK DOOR)-NICKEL/BLACK SLIDE |
| 11D | 146064-01-02A | EA | LOCK/PRIVACY (LOCKING) LEVER STYLE - SATIN PEWTER |
| 12D | 146064-05-01A | EA | LOCK/PRIVACY (LOCKING) KNOB STYLE - SATIN NICKEL |
| 13D | 146064-06-01A | EA | LOCK/PASSAGE (NON LOCKING) KNOB STYLE - SATIN NICKEL |
| 14D | 146553-01-01A | EA | HINGE - CABINET DOOR - BURNISHED BRASS |
| 14D | 146553-01-03A | EA | HINGE - CABINET DOOR - SATIN NICKEL |
| 15D | 146801-01-01A | EA | ROD/TOWEL BAR (OFFSET) - BRASS |
| 15D | 146801-01-02A | EA | ROD/TOWEL BAR (OFFSET) - PEWTER |
| 16D | 146840-03-01A | EA | ROD - .25" X 11.7" - BRASS |
| 16D | 146840-03-02A | EA | ROD - .25" X 11.7" - PEWTER |
| 16D | 146840-04-01A | EA | ROD - .25" X 13.1" - BRASS |
| 16D | 146840-04-02A | EA | ROD - .25" X 13.1" - PEWTER |
| 16D | 146840-05-01A | EA | ROD - .25" X 14.8" - BRASS |
| 16D | 146840-05-02A | EA | ROD - .25" X 14.8" - PEWTER |
| 16D | 146840-07-01A | EA | ROD - .25" X 4.2" - BRASS |
| 16D | 146840-07-02A | EA | ROD - .25" X 4.2" - PEWTER |

INTERIOR FINISH GROUP (CONTINUED) HARDWARE (CONTINUED)



| KEY | PART NUMBER | U/M | DESCRIPTION |
|-----|---------------|-----|---|
| 1E | 148816-01-02A | EA | PULL - CABINET DOOR - NICKEL - ASPECT, CAMBRIA 700-SERIES |
| 2E | 149090-01-02A | EA | PULL - CABINET DOOR - NICKEL - SIGHTSEER D-SERIES, VOYAGE F-SERIES |
| 3E | 149607-01-02B | EA | GUIDE - F/POCKET DOOR - 1.6" BENT ROD - E-COATED |
| 3E | 149607-03-02B | EA | GUIDE - F/POCKET DOOR - 2.9" BENT ROD - E-COATED |
| 4E | 149607-04-02B | EA | GUIDE - F/POCKET DOOR - E-COATED |
| 5E | 150983-01-01A | EA | STRIKE/BLOCK - WEDGE STYLE - F/SLIDE DOOR - 3" X 1.2" - BLACK |
| 6E | 151380-01-01A | EA | LATCH - CABINET DOOR - PUSH BUTTON - VIEW & NAVION 500-SERIES |
| 7E | 151380-02-01A | EA | STRIKE - CABINET DOOR - VIEW & NAVION 500-SERIES |
| 8E | 151380-03-01A | EA | STRIKE - CABINET DOOR - VIEW & NAVION 500-SERIES |
| 9E | 152080-01-01A | EA | PULL-NICKEL - SIGHTSEER & SUNOVA D-SERIES, VOYAGE & SUNRISE F-SERIES, TOUR R-SERIES |
| 10E | 152302-01-01A | EA | PULL - CABINET DOOR - SATIN NICKEL - SUNOVA D-SERIES, SUNRISE F-SERIES |
| 11E | 152304-01-01A | EA | PULL - CABINET DOOR - BRONZE- ELLIPSE R-SERIES |
| 12E | 152305-01-01A | EA | KNOB - DOOR/DRAWER - BRONZE - ELLIPSE R-SERIES |
| 13E | 152950-01-01A | EA | PULL - DOOR/DRAWER - BRUSHED NICKEL - VIEW & NAVION 500-SERIES |
| 14E | 152951-01-01A | EA | PULL - DOOR/DRAWER - PEWTER - SUNCRUISER G-SERIES, MERIDIAN P-SERIES |
| 15E | 152952-01-01A | EA | PULL - KNOB/DRAWER - PEWTER - SUNCRUISER G-SERIES, MERIDIAN P-SERIES |

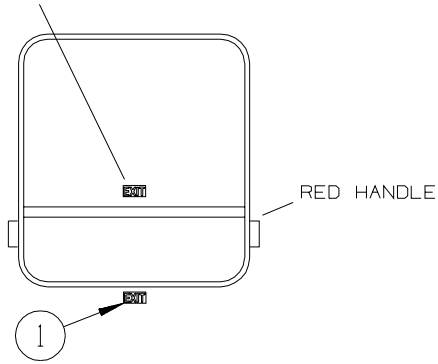
INTERIOR FINISH GROUP (CONTINUED) HARDWARE (CONTINUED)



| KEY | PART NUMBER | U/M | DESCRIPTION |
|-----|---------------|-----|--|
| 1F | 153000-01-01A | EA | SLIDE - CABINET MOUNT - 11.8" |
| 1F | 153000-03-01A | EA | SLIDE - CABINET MOUNT - 13.8" |
| 1F | 153000-05-01A | EA | SLIDE - CABINET MOUNT - 15.7" |
| 1F | 153000-07-01A | EA | SLIDE - CABINET MOUNT - 17.7" |
| 1F | 153000-09-01A | EA | SLIDE - CABINET MOUNT - 19.7" |
| 1F | 153000-11-01A | EA | SLIDE - CABINET MOUNT - 21.6" |
| 1F | 153000-14-01A | EA | SLIDE - CABINET MOUNT - 23.6" |
| 1F | 153000-18-01A | EA | SLIDE - CABINET MOUNT - 9.8" |
| 1F | 153000-20-01A | EA | SLIDE - CABINET MOUNT - 25.6" |
| 2F | 153000-13-01A | EA | BACKSOCKET - DRAWER SLIDE |
| 3F | 153000-02-01A | EA | SLIDE - DRAWER MOUNT - 11.8" |
| 3F | 153000-04-01A | EA | SLIDE - DRAWER MOUNT - 13.8" |
| 3F | 153000-06-01A | EA | SLIDE - DRAWER MOUNT - 15.7" |
| 3F | 153000-08-01A | EA | SLIDE - DRAWER MOUNT - 17.7" |
| 3F | 153000-10-01A | EA | SLIDE - DRAWER MOUNT - 19.7" |
| 3F | 153000-12-01A | EA | SLIDE - DRAWER MOUNT - 21.6" |
| 3F | 153000-15-01A | EA | SLIDE - DRAWER MOUNT - 23.4" |
| 3F | 153000-19-01A | EA | SLIDE - DRAWER MOUNT - 9.8" |
| 3F | 153000-21-01A | EA | SLIDE - DRAWER MOUNT - 25.4" |
| 4F | 153308-01-01A | EA | PULL - VANITY STOOL - SATIN NICKEL |
| 5F | 153335-01-02A | EA | PULL - KNOB - DOOR/DRAWER - FLAT BLACK - HORIZON S-SERIES |
| 6F | 153352-01-01A | EA | SLIDE - PANTRY - 19.7" - CABINET MOUNT |
| 6F | 153352-03-01A | EA | SLIDE - EXT ENTERTAINMENT CNTR - 13.8" - CABINET MOUNT |
| 7F | 153352-02-01A | EA | SLIDE - PANTRY - 19.5" - DRAWER MOUNT |
| 7F | 153352-04-01A | EA | SLIDE - EXT ENTERTAINMENT CNTR - 13.6" - DRAWER MOUNT |
| 8F | 153353-01-01A | EA | LATCH - SLIDING/FLUSH - BLACK |
| 9F | 154385-01-02A | EA | PIN - SUPPORT/GLASS DOOR - 1/4" - NICKEL |
| 10F | 155803-01-01A | EA | KNOB CABINET DOOR - WROUGHT IRON |
| 11F | 155925-01-01A | EA | KNOB - DOOR/DRAWER - SATIN NICKEL - ACCESS & IMPULSE 200-SERIES |
| 12F | 156579-01-01A | EA | KNOB - DOOR/DRAWER - PEWTER - OUTLOOK & SPIRIT 300-SERIES |
| 13F | 157246-01-01A | EA | PULL - CABINET DOOR/DRAWER - SATIN NICKEL - ADVENTURER G-SERIES, JOURNEY P-SERIES |
| 14F | 157246-02-01A | EA | KNOB - CABINET DOOR/DRAWER - SATIN NICKEL - ADVENTURER G-SERIES, JOURNEY P-SERIES |
| 15F | 158982-01-04B | EA | HINGE - CONTINUOUS - 2" X 8" - BLACK |
| | 158982-01-01A | EA | HINGE - CONTINUOUS - 2" X 8" - ZINC |

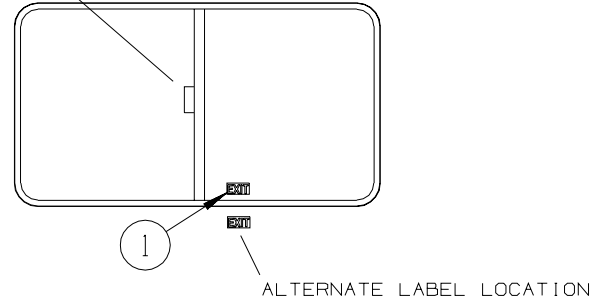
LABELS GROUP

ALTERNATE LABEL LOCATION



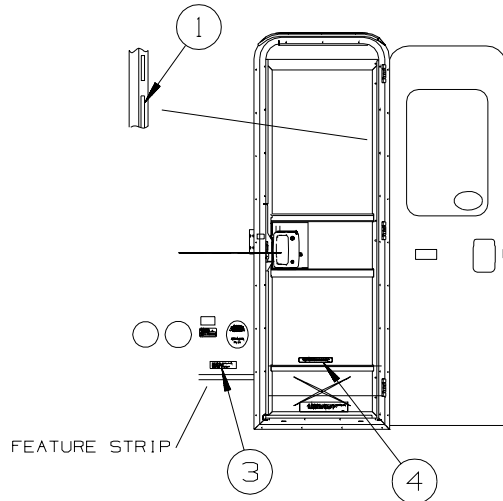
EXIT WINDOW
(HINGE STYLE)

RED HANDLE

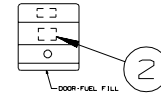


EXIT WINDOW
(SLIDER STYLE)

| KEY | PART NUMBER | U/M DESCRIPTION |
|-----|---------------|---------------------------|
| 1 | 039290-01-000 | EA LABEL - WARNING - EXIT |

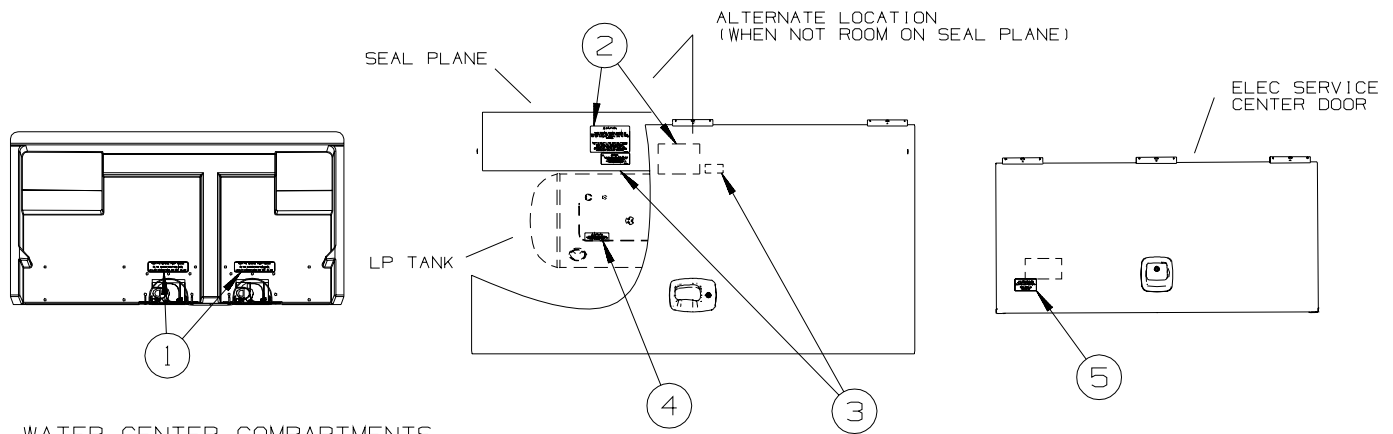


ENTRANCE DOOR



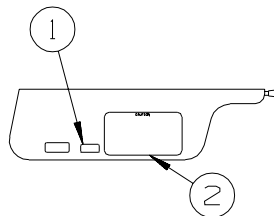
| KEY | PART NUMBER | U/M DESCRIPTION |
|-----|---------------|---|
| 1 | 135869-01-01A | EA LABEL - MERCURY CONTENT - BLACK ON CLEAR |
| 2 | 124519-01-01A | EA LABEL - WARNING/REFUELING - BLACK ON CLEAR |
| 2 | 124519-02-01A | EA LABEL - WARNING/REFUELING - BLACK ON CLEAR - CSA |
| 3 | 099509-01-000 | EA LABEL - AWNING INSTALLATION |
| 4 | 065748-01-000 | EA LABEL - WARNING - BATTERY CHARGING - UL |
| 4 | 065748-02-000 | EA LABEL - WARNING - BATTERY CHARGING - CSA |

LABELS GROUP (CONTINUED)



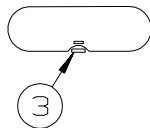
TYPICAL WATER CENTER COMPARTMENTS

| KEY | PART NUMBER | U/M | DESCRIPTION |
|-----|---------------|-----|--|
| 1 | 123562-01-000 | EA | LABEL - SERVICE/UTILITY ACCESS |
| 2 | 124520-01-01A | EA | LABEL - LP GAS ONLY - BLACK ON CLEAR |
| 2 | 023769-01-000 | EA | LABEL - WARNING - LPG - CANADIAN |
| 3 | 124519-01-01A | EA | LABEL - WARNING/REFUELING - BLACK ON CLEAR |
| 3 | 124519-02-01A | EA | LABEL - WARNING/REFUELING - BLACK ON CLEAR - CSA |
| 4 | 079965-01-000 | EA | LABEL - LPG - 80% CAPACITY |
| 5 | 125306-01-01A | EA | LABEL - ELECTRICAL ENTRANCE - 110V 30 AMP - BLACK ON CLEAR |
| 5 | 125306-04-01A | EA | LABEL - ELECTRICAL ENTRANCE-120/20V 50 AMP-BLACK ON CLEAR |

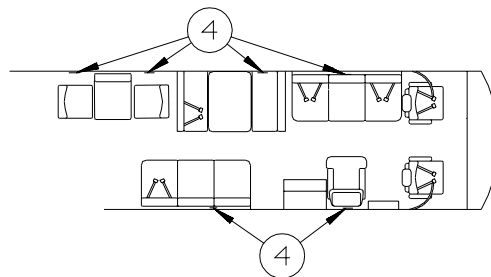


LABELS SHALL BE LOCATED ON OPPOSITE SIDE OF VISOR THAT THE AIR BAG LABEL IS INSTALLED ON

INSTRUMENT CLUSTER REF

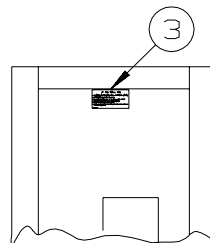
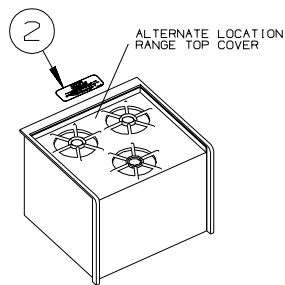
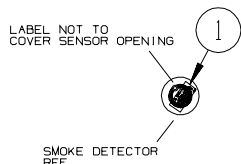


TYPICAL SEAT AND BELT CONFIGURATIONS



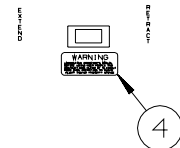
ATTACH LABEL ON OR NEXT TO:
 •ANY SINGLE CHAIR WITHOUT BELTS.
 •ANY DINETTE SEAT WITHOUT BELTS.
 •ANY COUCH WITHOUT BELTS OR ANY SEATING POSITION ON THAT COUCH.
 DO NOT ATTACH LABEL IF:
 •DINETTE SEAT HAS AT LEAST ONE SET OF BELTS INSTALLED.

| KEY | PART NUMBER | U/M | DESCRIPTION |
|-----|---------------|-----|---|
| 1 | 099689-01-000 | EA | LABEL - WARNING - CANCER/TOXICITY |
| 2 | 056259-01-000 | EA | LABEL - SAFETY CHECK LIST |
| 3 | 155692-01-02A | EA | LABEL - ODOMETER - READ IN MILE - WHITE/CLEAR |
| 4 | 134538-01-01A | EA | LABEL - OCCUPANCY - NO SEAT BELT - BLACK ON CLEAR - US |
| 4 | 134538-02-01A | EA | LABEL - OCCUPANCY - NO SEAT BELT - BLACK ON CLEAR - CSA |



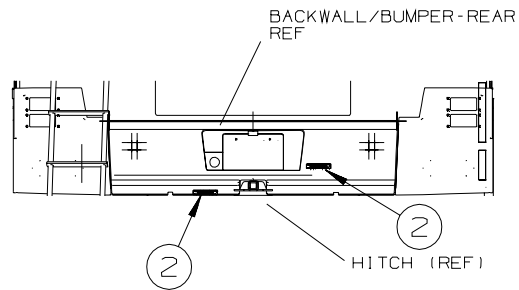
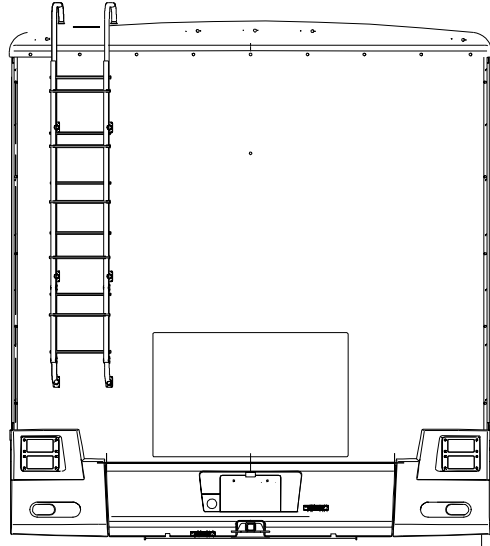
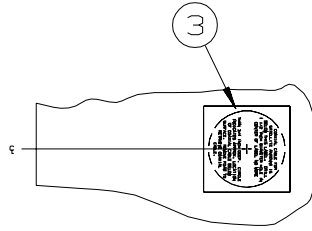
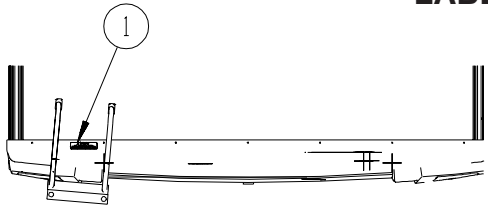
INSIDE OF GALLEY CABINET DOOR REF

SLIDEOUT SWITCH

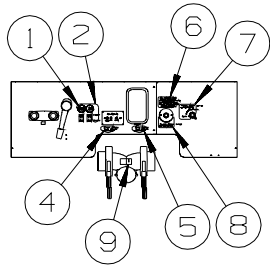


| KEY | PART NUMBER | U/M | DESCRIPTION |
|-----|---------------|-----|--|
| 1 | 077956-01-000 | EA | LABEL - WARNING/SMOKE DETECTOR |
| 2 | 134539-01-01A | EA | LABEL - WARNING - STOVE/HEATING - US - BLACK ON CLEAR |
| 2 | 134540-01-01A | EA | LABEL - WARNING - STOVE/HEATING - CSA - BLACK ON CLEAR |
| 3 | 073998-01-000 | EA | LABEL - LPG/ODOR WARNING |
| 4 | 116549-02-000 | EA | LABEL - WARNING - SLIDEOUT |

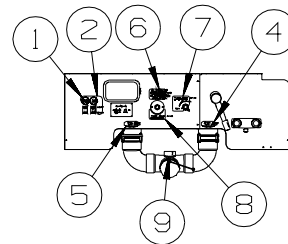
LABELS GROUP (CONTINUED)



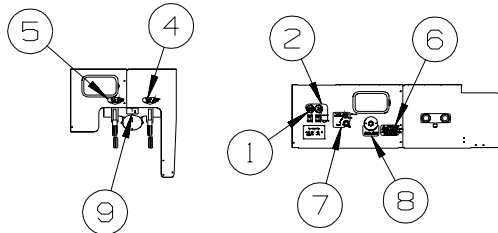
| KEY | PART NUMBER | U/M DESCRIPTION |
|-----|---------------|---|
| 1 | 128218-01-01A | EA LABEL - WARNING - SLIPPERY ROOF |
| 2 | 129669-02-01A | EA LABEL - HITCH/VEHICLE RATE - 500 - WHITE ON CLEAR |
| 3 | 120431-01-000 | EA LABEL - LOCATION - COAXIAL CABLE/SATELLITE ANTENNA |



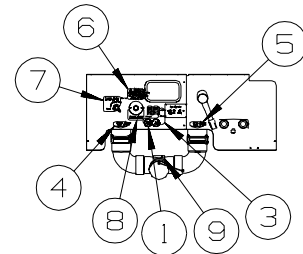
30B, 33T, 34A SERVICE PANEL



35J SERVICE PANEL



29R SERVICE PANEL



26P SERVICE PANEL

| KEY | PART NUMBER | U/M DESCRIPTION |
|-----|---------------|---|
| 1 | 152544-03-01A | EA LABEL - SWITCHES - WATER PUMP |
| 2 | 152544-07-01A | EA LABEL - SWITCHES - WTR PUMP/AUTO LVL-W/LVL/STORE DWN |
| 3 | 152544-08-01A | EA LABEL - SWITCHES - WTR PUMP/AUTO LVL-W/LVL/STORE UP |
| 4 | 152543-03-01A | EA LABEL - BLACK WASTE |
| 5 | 152541-03-01A | EA LABEL - GRAY WASTE |
| 6 | 154292-01-01A | EA LABEL - TANK FILL VALVE |
| 7 | 152548-01-01A | EA LABEL - VALVE/FRESH |
| 8 | 152538-01-01A | EA LABEL - FRESH WATER - PANTONE/CLEAR |
| 9 | 144649-01-01A | EA LABEL - ADJUSTABLE VALVE - WHITE ON CLEAR |

**LP GROUP
LP SYSTEM**

| KEY | PART NUMBER | U/M | DESCRIPTION |
|-----|---------------|-----|--|
| | 045703-03-000 | EA | HOSE - LP - 3/8"ID X 18" - 3/8"MPT X 1/2"F SWIVEL - US |
| | 045703-12-000 | EA | HOSE - LP - 3/8"ID X 18" - 3/8"MPT X 1/2"F SWIVEL - CSA |
| | 045703-15-000 | EA | HOSE - LP - 3/8"ID X 142" - 1/2"F SWIVEL X 3/8"F SWIVEL |
| | 045703-17-000 | EA | HOSE - LP - 3/8"ID X 24" - 1/2"F SWIVEL X 3/8"F SWIVEL US |
| | 106150-05-000 | EA | REGULATOR - TWO STAGE |
| | 144485-01-000 | EA | COVER - LP REGULATOR |
| | 040440-02-000 | EA | TRANSMITTER - DIAL/BOLT-ON - 0-90 OHM 2 TERM(POWER/GROUND) |
| * | 144116-04-000 | EA | TANK - LP - 60 LB - 14"D X 29.75"L |
| | 010589-01-000 | EA | NIPPLE - PIPE - 1/2" X 1 1/2" - BLACK |
| | 141090-01-02B | EA | SHIELD - HEAT - E-COATED |
| | 010265-01-000 | EA | ELBOW - BRASS - 90 DEGREE - 3/8"F X 1/2"FPT |
| | 010323-01-000 | EA | ADAPTER - 3/8"F X 1/2"MPT - BRASS |
| | 010329-01-000 | EA | ADAPTER - 1/2"F X 1/2"MPT - BRASS |
| | 010377-02-000 | EA | NUT - 3/8" FLARE - FORGED - BRASS |
| | 010380-02-000 | EA | NUT - 1/2" FLARE - FORGED - BRASS |

***COMPONENT PARTS LISTED LATER IN THIS GROUP**

COMPONENT PARTS FOR LP SYSTEM

144116-04-000

| KEY | PART NUMBER | U/M | DESCRIPTION | VENDOR NO. |
|-----|---------------|-----|------------------------------|---------------|
| | 040421-01-712 | EA | VALVE-SERV. W/O VAPOR RELIEF | V20373/V21202 |
| | 040421-01-713 | EA | VALVE-RELIEF 1" W/SPRING 7" | V12560/V21207 |
| | 144116-01-700 | EA | VALVE-OUTAGE(NO STEM REMOVE) | V20058 |
| | 144116-01-701 | EA | VALVE/FILL 80 % W/YELLOW CAP | V13414 |
| | 144116-04-700 | EA | FLOAT/SENDING UNIT W/O DIAL | G11530 |
| | 144116-04-701 | EA | DIAL - TRANSMITER | G12845 |

SEALANTS & FASTENERS GROUP
SEALANTS & ADHESIVES

| KEY | PART NUMBER | U/M | DESCRIPTION |
|------------|--------------------|------------|--|
| | 004001-02-000 | EA | GUN - PLEXUS ADHESIVE - W/O NOZZLE |
| | 004001-05-000 | EA | ADHESIVE - SCOTCH-WELD - 3M DP100 - CLEAR - 50ML |
| | 004011-01-000 | EA | ADHESIVE-3M-4475 TUBE |
| | 010405-02-000 | EA | TAPE - THREAD SEALING - 3/8" |
| | 064075-07-000 | FT | SEAL - BULB - W/WIRED U CHANNEL - .3" X .5" CHANNEL-BLACK |
| | 067788-01-000 | EA | ADHESIVE - SPRAY - 3M - 19.5 OZ AEROSOL CAN |
| | 069640-01-000 | FT | SEALER - RIBBON - 1/4"DIAMETER X 30 FT - BLACK OR GRAY |
| | 069640-02-000 | FT | SEALER - TAPE - 1/8"THICK X 1/2"WIDE X 60 FT - GRAY |
| | 069640-03-000 | FT | SEALER - TAPE - 1/8"THICK X 3/4"WIDE X 60 FT - BLACK |
| | 069640-07-000 | FT | SEALER - TAPE - 3/32"THICK X 2"WIDE X 45 FT - GRAY |
| | 069640-09-000 | FT | SEALER - TAPE - 1/32"THICK X 2 1/2"WIDE X 80 FT - BRT WHT |
| | 069640-10-000 | FT | SEALER - TAPE - 1/32"THICK X 1 1/2"WIDE X 90 FT - BRT WHT |
| | 069640-11-000 | FT | SEALER - TAPE - 3/16"THICK X 3/8"WIDE X 40 FT - BLACK |
| | 069640-13-000 | FT | SEALER - TAPE - 3/32"THICK X 2"WIDE X 45 FT - BLACK |
| | 069640-14-000 | FT | SEALER - TAPE - 1/16"THICK X 1"WIDE X 100 FT - BLACK |
| | 069640-15-000 | FT | SEALER - TAPE - 1/16"THICK X 3/8"WIDE X 100 FT - BRT WHT |
| | 069640-17-000 | FT | SEALER - TAPE - 1/32"THICK X 1"WIDE X 150 FT - GRAY |
| | 069640-18-000 | FT | SEALER - TAPE - 1/8"THICK X 1/2"WIDE X 60 FT - BRT WHT |
| | 069640-19-000 | FT | SEALER - TAPE - 1/8"THICK X 3/4"WIDE X 60 FT - BRT WHT |
| | 069640-20-000 | FT | SEALER - TAPE - 1/8"THICK X 1/2"WIDE X 60 FT - BLACK |
| | 069640-21-000 | FT | SEALER - TAPE - 1/16"THICK X 1/2"WIDE X 100 FT - BRT WHT |
| | 069640-22-000 | FT | SEALER - TAPE - 1/32"THICK X 1/4"WIDE X 200 FT - BRT WHT |
| | 069640-23-000 | FT | SEALER - TAPE - 1/16"THICK X 3/4"WIDE X 100 FT - BRT WHT |
| | 069640-27-000 | FT | SEALER - TAPE - 1/16"THICK X 2 1/4"WIDE X 50 FT - BRT WHT |
| | 069640-28-000 | FT | SEALER - TAPE - 1/32"THICK X 1 7/8"WIDE X 90 FT - GRAY |
| | 069640-30-000 | FT | SEALER - TAPE - 1/32"THICK X 5/8"WIDE X 50 FT - GRAY |
| | 069640-31-000 | FT | SEALER - TAPE - 1/4"THICK X 3/4"WIDE X 15 FT - BLACK |
| | 069640-32-000 | FT | SEALER - TAPE - 1/16"THICK X 3/8"WIDE X 100 FT - BLACK |
| | 069640-33-000 | FT | SEALER - RIBBON - 3/8"DIAMETER X 20 FT - BLACK |
| | 069640-34-000 | FT | SEALER - RIBBON - 1/4"DIAMETER X 30 FT - BRIGHT WHITE |
| | 072889-28-000 | EA | SEALANT/URETHANE-10 OZ TUBE W/NOZZLE-SELF LEVELING-BRT WHT |
| | 076322-01-000 | FT | TAPE-DOUBLE COATED/ADHESIVE BK-.03"THK X .8"W X 216' - WHT |
| | 076322-02-000 | FT | TAPE-DOUBLE COATED/ADHESIVE BK-.05"THK X 1"W X 108' - WHT |
| | 076322-03-000 | FT | TAPE-DOUBLE COATED/ADHESIVE BK-.05"THK X .5"W X 108' - WHT |
| | 076322-05-000 | FT | TAPE-DOUBLE COATED/ADHESIVE BK-.05"THK X .8"W X 108' - WHT |
| | 076322-07-000 | FT | TAPE-DOUBLE COATED/ADHESIVE BK-.05"THK X .5"W X 200' - BLK |
| | 076322-13-000 | FT | TAPE - FOAM/DOUBLE COATED - .020"THK X .75"W - CLEAR |
| | 076322-21-000 | FT | TAPE - FOAM/DOUBLE COATED - .045"THK X .50"W |
| | 076322-22-000 | FT | TAPE - FOAM/DOUBLE COATED - .045"THK X .75"W |
| | 076322-23-000 | FT | TAPE - FOAM/DOUBLE COATED - .045"THK X 1"W |
| | 076322-25-000 | FT | TAPE - FOAM/DOUBLE COATED - .025"THK X .5"W |
| | 086276-01-000 | EA | TAPE - DOUBLE SIDED - 1/2" WIDE X 108' LONG (SOLD BY ROLL) |
| | 088479-01-000 | EA | TAPE - ALUMINUM - 3" |
| | 090340-01-000 | FT | SEAL - FOAM - CLOSED CELL - 1/4" X 1/2" X 50' |
| | 091255-02-000 | FT | SEAL - ADHESIVE BACKED/FOAM - 3/64"THICK X 3/16"W X 1000' |
| | 091255-03-000 | FT | SEAL - ADHESIVE BACKED/FOAM - 1/4" THICK X 1/4"W X 1000' |
| | 094401-01-000 | EA | SEALER - BODY SEAM - FLEXICLEAR |
| | 094401-04-000 | EA | SEALER - BODY SEAM - CLEAR |
| | 094401-05-000 | EA | SEALER - BODY SEAM - 20OZ BLACK |
| | 094401-06-000 | EA | SEALER - BODY SEAM - 12OZ BLACK |
| | 094401-07-000 | EA | SEALER - BODY SEAM - CLEAR |
| | 098408-01-000 | FT | SEAL - SPONGE RUBBER - CLOSED CELL |
| | 099069-01-000 | FT | SEAL - RUBBER - CLOSED SPONGE - .5" WIDE X .12" THICK-BLK |
| | 099418-01-000 | FT | SEAL - D-SECTION/ADHESIVE BACK - .44" X .44" - BLK RUBBER |
| | 107828-01-000 | EA | SEALANT - SB - 190 EVERSEAL |
| | 112864-01-000 | FT | SEAL - FOAM/BUTYL COVERED - 3/8" X 35' |
| | 112864-02-000 | FT | FOAM - BUTYL COVERED - 5/16" X 44' |
| | 112864-04-000 | FT | FOAM - BUTYL COVERED - 3/8" X 1/8" |
| | 112901-02-000 | EA | ADHESIVE - PLEXUS - MA330 - 50ML - GRAY |
| | 112901-03-000 | EA | ADHESIVE - PLEXUS - MA300 - 50ML - WHITE |
| | 112902-01-000 | EA | NOZZLE - ELEMENT - 3/8" X 24 |
| | 112902-03-000 | EA | MIXER NOZZLE - F/GUN #00400102000 - SCOTCH-WELD & PLEXUS |
| | 112902-04-000 | EA | NOZZLE - ELEMENT - 1/4" X 3.5" |
| | 112902-05-000 | EA | NOZZLE - BAYONET - 3/8" X 18 |

SEALANTS & FASTENERS GROUP (CONTINUED)
SEALANTS & ADHESIVES (CONTINUED)

| KEY | PART NUMBER | U/M | DESCRIPTION |
|-----|---------------|-----|--|
| | 112902-06-000 | EA | NOZZLE - ELEMENT - 1/2" X 32 |
| | 113366-01-000 | EA | ADHESIVE - INSTANT - 1 OZ |
| | 120074-02-03A | EA | SILICONE - TUBE - W/O NOZZLE - LOW ODOR - SMOKEY WHITE |
| | 120534-01-01A | EA | TAPE - SCOTCH - 3M - 1/2" FINE LINE |
| | 123244-01-000 | FT | TAPE - DOUBLE SIDED/FOAM - 5/64"THICK X 3/4"WIDE X 108' |
| | 123816-01-000 | FT | TAPE - DOUBLE SIDED - 1" X .020" X 200' - CLEAR |
| | 123816-02-000 | FT | TAPE - DOUBLE SIDED - 1/2" X .035" X 200' - CLEAR |
| | 123816-03-000 | FT | TAPE - DOUBLE SIDED - 1/2" X .020" X 200' - CLEAR |
| | 123816-04-000 | FT | TAPE - DOUBLE SIDED - 6" X .0035" X 750' - CLEAR |
| | 123816-06-000 | FT | TAPE - DOUBLE SIDED - 3/4" X 3/4" X 200' - CLEAR |
| | 123816-07-000 | FT | TAPE - DOUBLE SIDED - 1 3/4" X 200' - CLEAR |
| | 126427-01-000 | EA | ADHESIVE - ALL PURPOSE - ABS/PVC |
| | 126427-02-000 | EA | PRIMER - CLEANER - FLEX PIPING |
| | 131264-01-11A | EA | SILICONE - TUBE - W/NOZZLE - BEIGE |
| | 131264-01-12A | EA | SILICONE - TUBE - W/NOZZLE - BONE |
| | 131264-01-13A | EA | SILICONE - TUBE - W/NOZZLE - TRANSLUCENT |
| | 131264-02-01A | EA | SILICONE - TUBE - W/NOZZLE - VW GRAY - BATH ONLY |
| | 131264-03-01A | EA | SILICONE - TUBE - W/O NOZZLE - SELF LEVELING -BRIGHT WHITE |
| | 131264-04-01A | EA | SILICONE/SEALANT/ADHESIVE - FAST CURE F/GLASS/VINYL - B/W |
| | 131264-04-02A | EA | SILICONE/SEALANT/ADHESIVE-FAST CURE F/GLASS/VINYL-SOFT WHT |
| | 131264-05-01A | EA | SILICONE/SEALANT - ODORLESS - TUBE - W/NOZZLE - BLACK |
| | 131264-05-02A | EA | SILICONE/SEALANT - ODORLESS - TUBE - W/NOZZLE - CLEAR |
| | 131384-01-000 | EA | ADHESIVE - JET WELD - 10 OZ CARTRIDGE |
| | 132892-07-01A | FT | SEAL - BULB/SINGLE - W/U CHANNEL - .5" X 1" - BLACK |
| | 152038-01-01A | EA | TAPE - PRESERVATION SEAL - 2" X 36YD ROLL - BLACK |
| | 154585-01-01A | FT | SEAL - FOAM TAPE - ADHESIVE BACK - 3/8" X 3/8" - BLACK |
| | 154585-02-01A | FT | SEAL - FOAM TAPE - ADHESIVE BACK - 3/4" X 1/2" - BLACK |
| | 154585-03-01A | FT | SEAL - FOAM TAPE - ADHESIVE 2 SIDED - 1/8" X 3/4" - BLACK |
| | 154585-04-01A | FT | SEAL - FOAM TAPE - ADHESIVE BACK - 5/8" X 1/8" - WHITE |

BOLTS, NUTS AND WASHERS

| KEY | PART NUMBER | U/M | DESCRIPTION |
|-----|---------------|-----|---|
| | 0MD54F-06-000 | EA | NUT - HEX W/SERATED FLANGE |
| | 000C12-04-08B | EA | BOLT - HEX - 1/4-20 X 1/2 - GRADE #5 - ZINC |
| | 000C12-04-40B | EA | BOLT - HEX - 1/4-20 X 2 1/2 - GRADE #5 ZINC |
| | 000C12-04-20F | EA | BOLT - HEX - 1/4-20 X 1 1/4 - GRADE #5 - STAINLESS STEEL |
| | 000C12-04-12A | EA | BOLT - HEX - 1/4-20 X 3/4 - PLAIN 5 |
| | 000C12-05-16B | EA | BOLT - HEX - 5/16 - 18X1 - GRADE #5 - ZINC |
| | 000C12-05-40B | EA | BOLT - HEX - 5/16"-18 X 2.5" - GRADE #5 - ZINC |
| | 000C12-06-28B | EA | BOLT-HEX-3/8-16X13/4 ZN 5 - 5185-01 |
| | 000C12-08-44B | EA | BOLT - HEX - 1/2-13 X 2 3/4 - GRADE #5 - ZINC |
| | 000C12-08-24B | EA | BOLT - HEX - 1/2-13 X 1 1/2 - GRADE #5 - ZINC |
| | 000C12-08-28B | EA | BOLT - HEX - 1/2-13 X 1 3/4 - GRADE #5 - ZINC |
| | 000C13-07-40B | EA | BOLT - HEX - 7/16-20 X 2 1/2 - GRADE #5 - ZINC |
| | 000C13-07-48B | EA | BOLT - HEX - 7/16-20 X 3 - GRADE #5 - ZINC |
| | 000C13-07-72B | EA | BOLT - HEX - 7/16-20 X 4.5" - GRADE #5 - ZINC |
| | 000C16-07-16B | EA | BOLT - CARRIAGE - ASSIST HANDLE - 7/16-14 X 1 |
| | 000C18-05-40A | EA | BOLT - ELEVATOR - 5/16-18 X 2 1/2 - PL |
| | 000C26-04-18B | EA | BOLT - HEX - SERRATED FLANGE - 1/4-20 X 1 1/8 - ZINC |
| | 000C26-04-14B | EA | BOLT - HEX - SERRATED FLANGE - 1/4-20 X 7/8 - ZINC |
| | 000C26-04-12F | EA | BOLT - HEX - SERRATED FLANGE -1/4-20 X 3/4-STAINLESS STEEL |
| | 000C26-04-10B | EA | BOLT - HEX - SERRATED FLANGE - 1/4-20 X 5/8 - ZINC |
| | 000C26-04-40F | EA | BOLT - HEX - SERRATED FLANGE -1/4-20 X 2.5-STAINLESS STEEL |
| | 000C26-05-12B | EA | BOLT - HEX - SERRATED FLANGE - 5/16-18 X 3/4 - ZINC |
| | 000C26-06-12B | EA | BOLT - HEX - SERRATED FLANGE - 3/8-16 X 3/4 - ZINC |
| | 000C26-06-20B | EA | BOLT - HEX - SERRATED FLANGE - 3/8-16 X 1 1/4 - ZINC |
| | 000C26-06-28B | EA | BOLT - HEX - SERRATED FLANGE - 3/8-16 X 1 3/4 - ZINC |
| | 000C26-06-40B | EA | BOLT - HEX - SERRATED FLANGE - 3/8-16 X 2 1/2 - ZINC |
| | 000C26-08-28B | EA | BOLT - HEX - SERRATED FLANGE - 1/2-13 X 1 3/4 - ZINC |
| | 000C26-08-24B | EA | BOLT - HEX - SERRATED FLANGE - 1/2-13 X 1 1/2 - ZINC |
| | 000C26-08-40B | EA | BOLT - HEX - SERRATED FLANGE - 1/2-13 X 2 1/2-GRADE #5 ZINC |
| | 000C27-08-48B | EA | BOLT-CARR 1/2-13X3.00 GR5 - 97 M-SERIES |
| | 000C27-08-64B | EA | BOLT - CARRIAGE - 1/2-13 X 4 - GRADE 5 |
| | 000D16-07-00B | EA | NUT - HEX - 7/16-14 - ZINC |

SEALANTS & FASTENERS GROUP (CONTINUED)
BOLTS, NUTS AND WASHERS (CONTINUED)

| KEY | PART NUMBER | U/M | DESCRIPTION |
|-----|---------------|-----|--|
| | 000D24-10-00B | EA | NUT - HEX - SELF LOCKING - 10-32 - ZINC |
| | 000D27-05-00B | EA | NUT - HEX LOCK - 5-40 - ZINC |
| | 000D28-10-00B | EA | NUT - HEX - W/NYLON LOCK - 10-32 - ZINC |
| | 000D29-04-00F | EA | NUT - HEX - SELF LOCKING - 1/4 X 20 - STAINLESS STEEL |
| | 000D29-04-00B | EA | NUT - HEX - SELF LOCKING - 1/4 X 20 - ZINC |
| | 000D29-06-00B | EA | NUT - HEX - W/NYLON LOCK - 3/8-16 - ZINC |
| | 000D29-09-00B | EA | NUT - HEX - SELF LOCKING - 9/16-12 - ZINC |
| | 000D34-04-00B | EA | NUT - HEX - LOCKING - 1/4-20 - ZINC |
| | 000D34-06-00B | EA | NUT - HEX - LOCKING - 3/8-16 GRADE C - ZINC |
| | 000D39-04-00B | EA | NUT - HEX - LOCKING W/SERRATED FLANGE - 1/4-20 - ZINC |
| | 000D39-05-00B | EA | NUT - HEX - LOCKING W/SERRATED FLANGE - 5/16-18 - ZINC |
| | 000D39-06-00B | EA | NUT - HEX - LOCKING W/SERRATED FLANGE - 3/8-18 - ZINC |
| | 000D39-06-00D | EA | NUT - HEX - LOCKING W/SERRATED FLANGE - 3/8"-16 BLACK |
| | 000D39-07-00B | EA | NUT - HEX - LOCKING W/SERRATED FLANGE - 7/16-14 - ZINC |
| | 000D39-08-00B | EA | NUT - HEX - LOCKING W/SERRATED FLANGE - 1/2-13 - ZINC |
| | 000D39-09-00B | EA | NUT - HEX - LOCKING W/SERRATED FLANGE - 9/16-12 - ZINC |
| | 000D44-04-00B | EA | NUT - HEX - LOCKING W/SERRATED FLANGE - 1/4-28 - ZINC |
| | 000D44-07-00B | EA | NUT - HEX - LOCKING W/SERRATED FLANGE - 7/16-20 - ZINC |
| | 000D44-08-00B | EA | NUT - HEX - LOCKING W/SERRATED FLANGE - 1/2-20 - ZINC |
| | 000D46-04-00A | EA | NUT - HEX - WELD - 1/4-20 - PLAIN |
| | 000D65-08-00B | EA | NUT - HEX - LOCKING W/SERRATED FLANGE - 8-32 - ZINC |
| | 000D73-08-00C | EA | NUT - HEX FLANGE - 1/2-13 |
| | 000D75-09-00B | EA | NUT - HEX LOCKING - 9/16-12 - ZINC |
| | 000D76-06-00B | EA | NUT - HEX FLANGE - 3/8-16 |
| | 000E11-04-00F | EA | WASHER - LOCKING - 1/4 MED SPLIT - STAINLESS STEEL |
| | 000E11-07-00B | EA | WASHER - LOCKING - 7/16 MED SPLIT - ZINC |
| | 000E11-08-00B | EA | WASHER - LOCKING - 1/2 MED SPLIT - ZINC |
| | 000E13-17-00B | EA | WASHER - FLAT - 3/8 AR - ZINC |
| | 000E13-18-00B | EA | WASHER - FLAT - 3/8 WIDE - ZINC |
| | 000E13-20-00B | EA | WASHER - FLAT - 7/16 WIDE - ZINC |
| | 000E13-22-00B | EA | WASHER - FLAT - 1/2 WIDE - ZINC |
| | 000E13-26-00B | EA | WASHER - FLAT - 5/8 WIDE - ZINC |
| | 000E14-10-00B | EA | WASHER - LOCKING - #10 EXTERNAL TOOTH - ZINC |
| | 000E16-10-00B | EA | WASHER - HARDENED - 5/8 - FLAT - ZINC |
| | 000G45-05-16B | EA | BOLT - LAG - 5/16-9 X 1 - ZINC |
| | 005081-01-000 | EA | NUT - SPEED - C-TYPE - #8 SCREW |
| | 039715-01-000 | EA | NUT-SERT - 1/4" DIAMETER - 20 THREADS |
| | 040921-01-000 | EA | NUT - SPEED - U TYPE - #10-24 - BLACK |
| | 040921-03-000 | EA | NUT - SPEED - U TYPE - #10 |
| | 040921-04-000 | EA | NUT - SPEED - U TYPE - #8-.59" LENGTH X .44" WIDTH |
| | 040921-05-000 | EA | NUT - SPEED - U-TYPE - 8-.67" X .44" WIDE |
| | 040921-11-000 | EA | NUT - SPEED - U-TYPE - 8-.59" LENGTH X .44" WIDTH - BLACK |
| | 041322-01-000 | EA | WASHER - FLANGE - 15/32"ID X 2 3/8"OD - F/SEAT BELT MTG |
| | 044364-02-000 | EA | NUT - SPEED - FLAT - ROUND |
| | 044533-01-000 | EA | WASHER - 1 3/8"OD - FOR BUTTONS - PLASTIC |
| | 051387-06-000 | EA | BOLT - CARRIAGE W/O HOLE - 5/16-18 X 9 1/2 - ZINC |
| | 058716-02-000 | EA | WASHER - FLAT NYLON |
| | 064081-03-000 | EA | NUT - WING 3/8-16 - W/WELD NUT |
| | 077071-01-000 | EA | WASHER - FENDER - 3/16"ID X 1"OD |
| | 087234-01-000 | EA | NUT - JACK - 1/4 X 20 THD - MOLLY |
| | 088787-12-000 | EA | STUD - WELD - 1/4 - 20 X 1.0 LG - MN |
| | 102540-02-000 | EA | SEAL - SCREW |
| | 106956-03-000 | EA | BOLT - HEX TAP - 1/2-13NC X 3 - GRADE 5 - FULL THREAD/ZINC |
| | 106956-10-000 | EA | BOLT - HEX TAP - 9/16-12NC X 3 5/8 -GRD 5-FULL THREAD/ZINC |
| | 106956-11-000 | EA | BOLT - HEX TAP - 1/2-13NC X 2 1/2 - GRD 5-FULL THREAD/ZINC |
| | 106956-13-000 | EA | BOLT - HEX TAP - 1/2-20 X 2 1/2 - GRD 5-FULL THREAD/ZINC |
| | 107397-01-000 | EA | WASHER - FENDER - 3/4"ID X 1"OD |
| | 108067-03-000 | EA | STUD - WELD - 1/4 - 20 X 1/2 CD |
| | 109917-03-000 | EA | WASHER - 1" X .50" |
| | 109917-04-000 | EA | WASHER - 1" X .75" |
| | 128444-01-000 | EA | WASHER - SPRING - CONICAL |
| | 135092-02-01A | EA | BOLT - HEX - SERRATED FLANGE - 1/2-20 X 2 1/2-GRADE 5 ZINC |
| | 135092-05-01A | EA | BOLT - HEX - SERRATED FLANGE - 1/2-20 X 1 - GRADE 5 ZINC |
| | 143399-01-01A | EA | NUT/RETAINING - 3/8" - 24 NFT |

SEALANTS & FASTENERS GROUP (CONTINUED)

BOLTS, NUTS AND WASHERS (CONTINUED)

| KEY | PART NUMBER | U/M | DESCRIPTION |
|-----|---------------|-----|-------------------------------|
| | 144904-01-01A | EA | BOLT - ADJUSTMENT - HEADLAMP |
| | 147284-02-000 | EA | NUT/SELF RETAINING - 5/16"-18 |
| | 148817-01-000 | EA | WASHER/SPUR - LOCKING |

SCREWS

| KEY | PART NUMBER | U/M | DESCRIPTION |
|-----|---------------|-----|---|
| | 0G1208-12-170 | EA | SCREW - 8-18 X 3/4 POH - BRIGHT WHITE |
| | 0G3908-08-170 | EA | SCREW - SF/DR - 8-18 X 1/2 PPH - BRIGHT WHITE |
| | 0G3908-08-410 | EA | SCREW - SF/DR - 8-18 X 1/2 PPH - PARCHMENT |
| | 0G3908-16-170 | EA | SCREW - SF/DR - 8-18 X 1 PPH - BRIGHT WHITE |
| | 0G3908-24-170 | EA | SCREW - SF/DR - 8-18 X 1 1/2 PPH - BRIGHT WHITE |
| | 0G3910-10-330 | EA | SCREW - SF/DR - 20-16 X 5/8 PPH - PUTTY |
| | 0G3910-12-170 | EA | SCREW - SF/DR - 10-16 X 3/4 PPH - BRIGHT WHITE |
| | 0G3910-12-240 | EA | SCREW - SF/DR - 10-16 X .75 PPH - VW LIGHT GRAY |
| | 0G3910-12-380 | EA | SCREW - SF/DR - 10-16 X .75 PPH - CASHMERE |
| | 0G3910-12-370 | EA | SCREW - SF/DR - 10-16 X .75 PPH - RIVERSTONE |
| | 0G3910-24-170 | EA | SCREW - SF/DR - 10-16 X 1 1/2 PPH - BRIGHT WHITE |
| | 0G3910-32-330 | EA | SCREW - SF/DR - 10-16 X 2.00 PPH - PUTTY |
| | 0G5508-08-380 | EA | SCREW - SF/DR - 8-18 X .5 PWH - CASHMERE |
| | 0G5508-08-370 | EA | SCREW - SF/DR - 8-18 X .5 PWH - RIVERSTONE |
| | 0G5508-12-170 | EA | SCREW - SF/DR - 8-18 X 3/4 PWH - BRIGHT WHITE |
| | 0G5508-12-320 | EA | SCREW - SF/DR - 8-18 X 3/4 PWH - GLACIER |
| | 0G5508-12-330 | EA | SCREW - SF/DR - 8-18 X 3/4 PWH - PUTTY |
| | 0G6008-16-170 | EA | SCREW - SF/DR - 8-18 X 1 POH - BRIGHT WHITE |
| | 0G5508-16-250 | EA | SCREW - SF/DR - 8-18 X 1 PWH - VW DARK GRAY |
| | 0G5508-16-330 | EA | SCREW - SF/DR - 8-18 X 1 PWH - PUTTY |
| | 0G5508-16-370 | EA | SCREW - SF/DR - 8-18 X 1 PWH - RIVERSTONE |
| | 0G5508-16-380 | EA | SCREW - SF/DR - 8-18 X 1 PWH - CASHMERE |
| | 0G5508-16-410 | EA | SCREW - SF/DR - 8-18 X 1 PWH - MEDIUM PARCHMENT |
| | 0G6012-32-170 | EA | SCREW - SF/DR - 12-14 X 2 POH - BRIGHT WHITE |
| | 0G6710-08-170 | EA | SCREW - 10-12 X 1/2 PPH - BRIGHT WHITE |
| | 0G6710-12-170 | EA | SCREW - 10-12 X 3/4 PPH - BRIGHT WHITE |
| | 0G6806-16-170 | EA | SCREW - 6-18 X 1 POH - BRIGHT WHITE |
| | 0G6810-24-280 | EA | SCREW - 10-12 X 1 1/2 POH - SOFT WHITE |
| | 000C20-06-24T | EA | SCREW - 3/8-16 X 1 1/2 - FLAT SOCKET |
| | 000C28-05-24D | EA | CAPSCREW/BUTTON HEAD - 5/16-18 X 1 1/2 - #8-BLK PHOSPHATE |
| | 000G11-06-08B | EA | SCREW - 6-20 X 1/2 PPH - ZINC |
| | 000G11-06-10B | EA | SCREW - 6-20 X 5/8 PPH - ZINC |
| | 000G11-06-10J | EA | SCREW - 6-20 X 5/8 PPH - BRASS |
| | 000G11-07-08B | EA | SCREW - 7-19 X 1/2 PPH - ZINC |
| | 000G11-08-06B | EA | SCREW - 8-18 X 3/8 PPH - ZINC |
| | 000G11-08-08T | EA | SCREW - 8-18 X 1/2 PPH - FLUOROCARBON COATING |
| | 000G11-08-12B | EA | SCREW - 8-18 X 3/4 PPH - ZINC |
| | 000G11-08-12P | EA | SCREW - 8-18 X 3/4 PPH - DARK BROWN |
| | 000G11-08-12S | EA | SCREW - 8-18 X 3/4 PPH - OFF WHITE |
| | 000G11-08-12T | EA | SCREW - 8-18 X 3/4 PPH - BLACK MAGNESIUM |
| | 000G11-08-20B | EA | SCREW - 8-18 X 1 1/4 PPH - ZINC |
| | 000G11-08-20G | EA | SCREW - 8-18 X 1 1/4 - ANTIQUE BRASS |
| | 000G11-10-12D | EA | SCREW - 10-16 X 3/4 PPH - BLACK |
| | 000G12-06-08T | EA | SCREW - 6-20 X 1/2 POH - BLACK |
| | 000G12-06-12J | EA | SCREW - 6-20 X .75 POH - BRASS |
| | 000G12-10-16F | EA | SCREW - 10-16 X 1 POH - STAINLESS STEEL |
| | 000G13-05-10B | EA | SCREW - 5-12 X 5/8 PFH - ZINC |
| | 000G13-06-08B | EA | SCREW - 6-20 X 1/2 PFH - ZINC |
| | 000G13-06-08G | EA | SCREW - 6-20 X 1/2 PFH - ANTIQUE BRASS |
| | 000G13-06-10G | EA | SCREW - 6-20 X 5/8 PFH - ANTIQUE BRASS |
| | 000G13-06-16J | EA | SCREW - 6-20 X 1 PFH - BRASS |
| | 000G13-06-169 | EA | SCREW - SF/DR - 6-20 X 1 PFH - SILVER |
| | 000G13-06-24J | EA | SCREW - 6-20 X 1 1/2 PFH - BRASS |
| | 000G13-07-10H | EA | SCREW - 7-19 X 5/8 PFH - BLACK |
| | 000G13-07-12B | EA | SCREW - 7-19 X 3/4 PFH - ZINC |
| | 000G13-08-109 | EA | SCREW - 8-18 X 5/8 PFH |
| | 000G13-08-10B | EA | SCREW - 8-18 X 5/8 PFH - ZINC |
| | 000G13-08-16B | EA | SCREW - 8-18 X 1 PFH - ZINC |

SEALANTS & FASTENERS GROUP (CONTINUED)
SCREWS (CONTINUED)

| KEY | PART NUMBER | U/M | DESCRIPTION |
|-----|---------------|-----|---|
| | 000G13-08-24B | EA | SCREW - 8-18 X 1 1/2 PFH - ZINC |
| | 000G16-04-24B | EA | SCREW - MACHINE - 1/4-20 X 1 1/2 PPH |
| | 000G18-08-12B | EA | SCREW - MACHINE - 8-32 X 3/4 PPH - ZINC |
| | 000G18-08-16B | EA | SCREW - MACHINE - 8-32 X 1 PPH - ZINC |
| | 000G18-08-24B | EA | SCREW - MACHINE - 8-32 X 1 1/2 PPH - ZINC |
| | 000G18-08-22B | EA | SCREW - MACHINE - 8-32 X 1 3/8 PPH - ZINC |
| | 000G19-10-08B | EA | SCREW - MACHINE - 10-32 X 1/2 PPH - ZINC |
| | 000G19-10-10B | EA | SCREW - MACHINE - 10-32 X 5/8 - PPH - ZINC |
| | 000G19-10-12F | EA | SCREW - MACHINE - 10-32 X 3/4 PPH - STAINLESS STEEL |
| | 000G19-10-20B | EA | SCREW - MACHINE - 10-32 X 1 1/2 PPH - ZINC |
| | 000G32-10-06B | EA | SCREW - 10-32 X 3/8 PPH - ZINC |
| | 000G34-05-12B | EA | SCREW - HEX HEAD TAPPING - 5/16 X 3/4 LONG |
| | 000G36-10-12T | EA | SCREW - 10-24X 3/4 PFH TYPE 23 - BLACK |
| | 000G39-06-10T | EA | SCREW - SF/DR - 6-20 X 5/8 PPH - BLACK |
| | 000G39-06-16T | EA | SCREW - SF/DR - 6-20 X 1 PPH - BLACK |
| | 000G39-08-06B | EA | SCREW - SF/DR - 8-18 X 3/8 PPH - ZINC |
| | 000G39-08-08B | EA | SCREW - SF/DR - 8-18 X 1/2 PPH - ZINC |
| | 000G39-08-08S | EA | SCREW - SF/DR - 8-18 X 1/2 PPH - OFF WHITE |
| | 000G39-08-08T | EA | SCREW - SF/DR - 8-18 X 1/2 PPH - BLACK |
| | 000G39-08-12T | EA | SCREW - SF/DR - 8-18 X 3/4 PPH - BLACK |
| | 000G39-08-16B | EA | SCREW - SF/DR - 8-18 X 1 PPH - ZINC |
| | 000G39-08-16T | EA | SCREW - SF/DR - 6-20 X 1 PPH - BLACK |
| | 000G39-08-24B | EA | SCREW - SF/DR - 8-18 X 1 1/2 PPH - ZINC |
| | 000G39-08-24S | EA | SCREW - SF/DR - 8-18 X 1 1/2 - OFF WHITE |
| | 000G39-08-24T | EA | SCREW - SF/DR - 8-18 X 1 1/2 PPH - BLACK |
| | 000G39-08-32B | EA | SCREW - SF/DR - 8-18 X 2 PPH - ZINC |
| | 000G39-10-08B | EA | SCREW - SF/DR - 10-16 X 1/2 PPH - ZINC |
| | 000G39-10-10B | EA | SCREW - SF/DR - 10-16 X 5/8 PPH - ZINC |
| | 000G39-10-12B | EA | SCREW - SF/DR - 10-16 X 3/4 PPH - ZINC |
| | 000G39-10-129 | EA | SCREW - SF/DR - 10-16 X 3/4 PPH - FLUOROCARBON SILVER |
| | 000G39-10-169 | EA | SCREW - SF/DR - 10-16 X 1 PPH - FLUOROCARBON SILVER |
| | 000G39-10-20B | EA | SCREW - SF/DR - 10-16 X 1 1/4 PPH - ZINC |
| | 000G39-10-20T | EA | SCREW - SF/DR - 10-16 X 1 1/4 PPH - BLACK |
| | 000G39-10-24T | EA | SCREW - SF/DR - 10-16 X 1 1/2" PPH - BLACK |
| | 000G39-10-28T | EA | SCREW - SF/DR - 10-16 X 1 3/4" PPH - BLACK |
| | 000G39-10-32B | EA | SCREW - SF/DR - 10-16 X 2 - PPH - ZINC |
| | 000G39-10-48B | EA | SCREW - SF/DR - 10-16 X 3 - PPH - ZINC |
| | 000G39-10-48T | EA | SCREW - SF/DR - 10-16 X 3 PPH - BLACK |
| | 000G42-04-16B | EA | SCREW - SF/DR - 1/4-14 X 1 HWH - ZINC |
| | 000G42-04-24B | EA | SCREW - SF/DR - 1/4-14 X 1 1/2 - ZINC |
| | 000G46-08-24T | EA | SCREW - MACHINE - 8-32 X 1 1/2 PFH - ZINC |
| | 000G52-06-05B | EA | SCREW - MACHINE - 6-32 X 5/16 PTH - ZINC |
| | 000G52-06-06B | EA | SCREW - MACHINE - 6-32 X 3/8 PTH - ZINC |
| | 000G54-04-14B | EA | SCREW - 1/4-20 X 7/8 PTH - TYPE 23 - ZINC PLATED |
| | 000G55-08-12T | EA | SCREW - SF/DR - 8-18 X 3/4 PWH - BLACK |
| | 000G55-08-124 | EA | SCREW - SF/DR - 8-18 X 3/4 PWH - ASH GRAY |
| | 000G55-08-16T | EA | SCREW - SF/DR - 8-18 X 1 PWH - BLACK |
| | 000G56-12-48B | EA | SCREW - WOOD - 12-11 X 3 POH - SPECIAL HARDENED |
| | 000G57-14-64B | EA | SCREW - 14-10 X 4 PFH ZINC |
| | 000G60-08-16E | EA | SCREW - SF/DR - 8-1 X 1 POH - CHROME |
| | 000G60-08-20F | EA | SCREW - SF/DR - 8-19X1.25 POH |
| | 000G60-08-22B | EA | SCREW - SF/DR - 8-18 X 1.38 POH - ZINC |
| | 000G60-10-16J | EA | SCREW - SF/DR - 10-16 X 1 POH - BRIGHT BRASS |
| | 000G60-10-20B | EA | SCREW - SF/DR - 10-16 X 1 1/4 POH - ZINC |
| | 000G60-10-209 | EA | SCREW - SF/DR - 10-16 X 1 1/4 POH - SILVER STALGAARD |
| | 000G60-10-28T | EA | SCREW - SF/DR - 10-16 X 1 3/4 - BLACK |
| | 000G62-06-24I | EA | SCREW - SF/DR - 8-18 X 1.5 PPH - BLACK |
| | 000G62-06-249 | EA | SCREW - SF/DR - 8-18 X 1.5 PPH - SILVER |
| | 000G62-08-24B | EA | SCREW - SF/DR - 8-18 X 1 1/2 PFH |
| | 000G67-08-32B | EA | SCREW - 8-15 X 2 PPH - ZINC |
| | 000G67-10-08B | EA | SCREW - 10-12 X 1/2 PPH - ZINC |
| | 000G67-10-08S | EA | SCREW - 10-12 X 1/2 PPH - OFF WHITE |
| | 000G67-10-10B | EA | SCREW - 10-12 X 5/8 PPH - ZINC - TYPE A |
| | 000G67-10-10S | EA | SCREW - 10-12 X 5/8 PPH - OFF WHITE |

SEALANTS & FASTENERS GROUP (CONTINUED)
SCREWS (CONTINUED)

| KEY | PART NUMBER | U/M | DESCRIPTION |
|-----|---------------|-----|--|
| | 000G67-10-10T | EA | SCREW - 10-12 X 5/8 PPH - BLACK |
| | 000G67-10-10P | EA | SCREW - 10-12 X 5/8 PPH - DARK BROWN |
| | 000G67-10-12P | EA | SCREW - 10-12 X 3/4 PPH - DARK BROWN |
| | 000G67-10-24B | EA | SCREW - 10-12 X 1 1/2 PPH - ZINC |
| | 000G67-10-24S | EA | SCREW - 10-12 X 1 1/2 PPH - OFF WHITE |
| | 000G67-10-32J | EA | SCREW-10-12X2 PPH - BRIGHT BRASS |
| | 000G68-06-10J | EA | SCREW - 6-18 X 5/8 POH - BRASS |
| | 000G68-06-12B | EA | SCREW - 6-18 X 3/4 POH - ZINC & CLEAR |
| | 000G68-06-12J | EA | SCREW - 6-18 X 3/4 POH - BRASS |
| | 000G68-06-12S | EA | SCREW - 6-18 X 3/4 POH |
| | 029130-01-000 | EA | SCREW - SNAP STUD - #8-16 X 5/8" LONG |
| | 029130-03-000 | EA | SCREW - SNAP STUD - #8-16 X 1" LONG |
| | 049465-01-000 | EA | SCREW - 10-16 PTH W/WASHER - DARK BROWN |
| | 049465-03-000 | EA | SCREW - 10-16 X 1 POH W/WASHER - OFF WHITE |
| | 049465-13-000 | EA | SCREW - 10-16 X 1 PTH W/WASHER - ASH GRAY |
| | 049465-17-000 | EA | SCREW - 10-16 X 1 POH W/WASHER - BRIGHT WHITE |
| | 049465-18-000 | EA | SCREW - 10-16 X 1 POH W/WASHER - VW GRAY |
| | 054434-02-000 | EA | SCREW - SF/DR - 10-16 X 2 - ZINC |
| | 054434-03-000 | EA | SCREW - SF/DR - 10-16 X 2 - PWH - ZINC |
| | 075908-01-000 | EA | SCREW - MACHINE - 10-32 X .56 PTH - EXTERNAL TOOTH - ZINC |
| | 076790-01-000 | EA | SCREW - 6-20 X 1 1/4 PPH - BLACK |
| | 076790-05-000 | EA | SCREW - 6-20 X 1/2 PPH - BLACK - THREAD CUTTING/WOOD |
| | 083554-01-000 | EA | SCREW - DRYWALL - 8 X 1 1/4 |
| | 083554-04-000 | EA | SCREW - DRYWALL - 8 X 2 1/2 |
| | 087721-01-000 | EA | SCREW - FLAT HEAD - TAPPING - 1/4" X 1 1/4" LONG - ZINC |
| | 095772-01-000 | EA | SOCKET-SNAP FASTNER1" SF/DR - SELF DRIVER |
| | 097974-01-000 | EA | SCREW - PARTICLE BOARD - 7-9 X 3/4 PPH |
| | 097974-02-000 | EA | SCREW-PART BD 8-9X.75 PFH - BEIGE |
| | 101618-01-000 | EA | SCREW - 1/4-20 X 3/4 HEX - TAPPING - STALGARD TYPE F |
| | 113563-01-01A | EA | SCREW - 8 X 5/8 LONG SHOULDER/WASHER HEAD |
| | 113563-01-02A | EA | SCREW - 8 X 5/8 LONG SHOULDER/WASHER HEAD - BRIGHT WHITE |
| | 118383-01-09A | EA | RETAINER/RECESSED - F/.22" SCREW - GLACIER |
| | 118383-01-12A | EA | RETAINER/RECESSED - F/.22" SCREW - RIVERSTONE |
| | 118383-01-10A | EA | RETAINER/RECESSED - F/.22" SCREW - STORM GRAY |
| | 118383-01-11A | EA | RETAINER/RECESSED - F/.22" SCREW - CASHMERE |
| | 118383-02-10A | EA | RETAINER/RECESSED - F/.27" SCREW - RIVERSTONE |
| | 118383-02-11A | EA | RETAINER/RECESSED - F/.27" SCREW - CASHMERE |
| | 118383-02-13A | EA | RETAINER/RECESSED - F/.27" SCREW - OFF WHITE |
| | 118383-03-09A | EA | RETAINER/RECESSED - F/.32" SCREW - GLACIER |
| | 118383-04-04A | EA | CAP - F/RECESSED RETAINER - BRIGHT WHITE |
| | 118383-04-09A | EA | CAP - F/RECESSED RETAINER - GLACIER |
| | 118383-04-10A | EA | CAP - F/RECESSED RETAINER - RIVERSTONE |
| | 118383-04-11A | EA | CAP - F/RECESSED RETAINER - CASHMERE |
| | 118383-04-12A | EA | CAP - F/RECESSED RETAINER - STORM GRAY |
| | 118383-04-13A | EA | CAP - F/RECESSED RETAINER - OFF WHITE |
| | 134126-01-01A | EA | SCREW/NAIL - HEX HEAD - 3/4" |
| | 140040-01-000 | EA | SCREW - 1/4-20 X 1 - BUTTON HEAD/SOCKET - W/LOCTITE |
| | 149753-01-01A | EA | RETAINER/RECESSED - F/.22" SCREW - BLACK |
| | 149753-01-02A | EA | RETAINER/RECESSED - F/.22" SCREW - BRIGHT WHITE |
| | 149753-02-01A | EA | CAP - F/RECESSED RETAINER - BLACK |
| | 149753-02-02A | EA | CAP - F/RECESSED RETAINER - BRIGHT WHITE |
| | 154938-01-01A | EA | SCREW - SF/DR - 10-16 X 3/4 PPH - W/SELF SEAL - BRIGHT WHITE |
| | 154938-01-02A | EA | SCREW - SF/DR - 10-16 X 3/4 PPH - W/SELF SEAL - BLACK |
| | 154938-02-01A | EA | SCREW - SF/DR - 8-18 X 1 PFH - W/SELF SEAL - BRIGHT WHITE |
| | 154938-02-02A | EA | SCREW - SF/DR - 8-18 X 1 PFH - W/SELF SEAL - BLACK |
| | 154938-02-03A | EA | SCREW - SF/DR - 8-18 X 1 PFH - W/SELF SEAL - SILVER |
| | 154938-03-01A | EA | SCREW - SF/DR - 8-18 X 5/8 PFH - W/SELF SEAL - BRT WHT |
| | 154935-03-02A | EA | SCREW - SF/DR - 8-18 X 5/8 PFH - W/SELF SEAL - BLACK |
| | 154938-04-01A | EA | SCREW - SF/DR - 10-16 X 1" TPH - W/SELF SEAL - BRT WHT |
| | 154938-04-02A | EA | SCREW - SF/DR - 10-16 X 1" TPH - W/SELF SEAL - BLACK |
| | 154938-05-03A | EA | SCREW - SF/DR - 8-18 X 1.25" PFH - W/SELF SEAL - SILVER |

SEALANTS & FASTENERS GROUP (CONTINUED)
CLAMPS, CLIPS, GROMMETS, RIVETS & PLUGS

| KEY | PART NUMBER | U/M | DESCRIPTION |
|-----|---------------|-----|---|
| | 000H16-04-06R | EA | RIVET - POP ALUMINUM - 1/8 X .313 - .375 |
| | 000H16-06-10R | EA | RIVET - POP ALUMINUM - 3/16 X .501 - .625 |
| | 007161-01-000 | EA | CLAMP - HOSE - SPRING TYPE - 1/2" |
| | 008386-01-000 | EA | GROMMET - SNAP - 3/8" DIAMETER - NYLON |
| | 010495-01-000 | EA | CLAMP - CABLE - 9/16"ID - BLACK |
| | 010495-02-000 | EA | CLAMP - CABLE - 3/8"ID - BLACK |
| | 010495-04-000 | EA | CLAMP - CABLE - 11/16"ID - WHITE |
| | 010497-01-000 | EA | CLAMP - CLOSED - 5/8"ID |
| | 010497-02-000 | EA | CLAMP - CLOSED - 1.5"ID |
| | 010497-03-000 | EA | CLAMP - CLOSED - 1"ID - CUSHIONED |
| | 010497-04-000 | EA | CLAMP - CLOSED - 1 5/8"ID |
| | 010497-05-000 | EA | CLAMP - CLOSED - 1/2"ID |
| | 010497-07-000 | EA | CLAMP - CLOSED - 3/8"ID |
| | 010497-09-000 | EA | CLAMP - CLOSED - 5/16"ID |
| | 010497-10-000 | EA | CLAMP - CLOSED - 7/8"ID |
| | 010499-01-000 | EA | CLAMP - CLOSED - 3/8"ID |
| | 016188-03-000 | EA | GROMMET - LP LINE - 3/8"HOLE X 2 1/2"LONG - RUBBER |
| | 016188-04-000 | EA | GROMMET - LP LINE - 1/2"HOLE X 2 1/2"LONG - RUBBER |
| | 016188-05-000 | EA | GROMMET - LP LINE - 3/8"HOLE X 1 1/4"LONG - RUBBER |
| | 016188-06-000 | EA | GROMMET - LP LINE - 3/8"HOLE X 3 1/4"LONG - RUBBER |
| | 016188-07-000 | EA | GROMMET - L/P LINE - 1/2"HOLE X 3 1/4"LONG |
| | 016188-08-000 | EA | GROMMET - LP LINE - 1/2"HOLE X 1 1/4"LONG - RUBBER |
| | 016188-09-000 | EA | GROMMET - LP LINE - .68"HOLE X 1 1/4"LONG - RUBBER |
| | 016188-10-000 | EA | GROMMET - LP GAS - .68" X 2.5" |
| | 023942-01-000 | EA | GROMMET - RUBBER - 2"OD |
| | 041930-11-000 | EA | RIVET - POP ALUMINUM - 1/8 X .188 - .250 - BRIGHT WHITE |
| | 061420-04-000 | EA | PLUG/PLASTIC - 1 1/4" DIAMETER |
| | 061420-05-000 | EA | PLUG/PLASTIC - 1 1/2" DIAMETER |
| | 061420-09-000 | EA | PLUG/PLASTIC - 1.00" DIAMETER |
| | 061420-10-000 | EA | PLUG/PLASTIC - 1 1/2" DIAMETER - BLACK |
| | 061420-12-000 | EA | PLUG/PLASTIC - 1.50" DIAMETER - RED |
| | 061420-13-000 | EA | PLUG/PLASTIC - 3/8" - FLUSH |
| | 061420-14-000 | EA | PLUG/PLASTIC - 7/8" DIAMETER - BLACK |
| | 061420-15-000 | EA | PLUG/PLASTIC - 2" DIAMETER - BLACK |
| | 061420-16-000 | EA | PLUG/PLASTIC - 2 1/8" DIAMETER - BLACK |
| | 062401-01-000 | EA | CLAMP - HOSE - WORMGEAR - .25" - 1" |
| | 062401-02-000 | EA | CLAMP - HOSE - WORMGEAR - 1.56" - 2.5" ID |
| | 062401-03-000 | EA | CLAMP - HOSE - WORMGEAR - .22" - 1" ID |
| | 062401-04-000 | EA | CLAMP - HOSE - WORMGEAR - .69" - 1.25" ID |
| | 062401-05-000 | EA | CLAMP - HOSE - WORMGEAR - 2" - 3" ID |
| | 062401-06-000 | EA | CLAMP - HOSE - WORMGEAR - .22" - .62" ID |
| | 062401-09-000 | EA | CLAMP - HOSE - WORMGEAR - 2.8" - 3.75" ID |
| | 062401-11-000 | EA | CLAMP - HOSE - WORMGEAR - 3.50" - 4.50" ID |
| | 062401-13-000 | EA | CLAMP - HOSE - WORMGEAR |
| | 063729-12-000 | EA | RIVNUT - 5/16 - 18 UNCUT - FLATHEAD - STAINLESS |
| | 071015-01-000 | EA | GROMMET - RUBBER - .5"ID X 1"OD-W/.38" GROOVE - BLACK |
| | 071015-11-000 | EA | GROMMET - RUBBER - 1"ID FITS .12 MATERIAL - BLACK |
| | 071015-13-000 | EA | GROMMET - RUBBER - .62"ID X 1"OD W/.09" GROOVE - BLACK |
| | 071015-22-000 | EA | GROMMET - RUBBER - .62"ID X 1.12"OD W/.19" GROOVE - BLACK |
| | 071015-26-000 | EA | GROMMET - RUBBER - 1.5"ID X 2.1"OD W/.06" GROOVE - BLACK |
| | 071015-29-000 | EA | GROMMET - RUBBER - .3"ID X 1.3"OD W/.12" GROOVE - BLACK |
| | 071015-30-000 | EA | GROMMET - RUBBER - .3"ID X .81"OD W/.12" GROOVE - BLACK |
| | 071015-39-000 | EA | GROMMET - .75 ID FITS .06 MTL |
| | 071015-41-000 | EA | GROMMET - .125 ID FITS .188 MTL |
| | 071015-42-000 | EA | GROMMET - .25 ID FITS .06 MTL |
| | 075148-02-000 | EA | CLAMP - GROUNDING - BRONZE SCREWS |
| | 077955-01-000 | EA | CLIP/J - 3/8" - VINYL COATED |
| | 080734-02-000 | EA | CLIP - WIRE NYLON |
| | 081211-01-000 | EA | PLUG - PLASTIC - .31"DIA - BLACK |
| | 081211-03-000 | EA | PLUG - PLASTIC - .50"DIAMETER - TRUSS HEAD - BLACK |
| | 081211-04-000 | EA | PLUG - PLASTIC - .46"DIAMETER - TRUSS HEAD - BLACK |
| | 083609-01-000 | EA | CLAMP - WIRE - DUAL - EQUAL DIAMETERS - 5/8" |
| | 083610-01-000 | EA | CLAMP - WIRE - DUAL - UNEQUAL DIAMETERS - 3/4" & 1 1/4" |
| | 083610-02-000 | EA | CLAMP - WIRE - DUAL - UNEQUAL DIAMETERS - 3/4" & 2" |

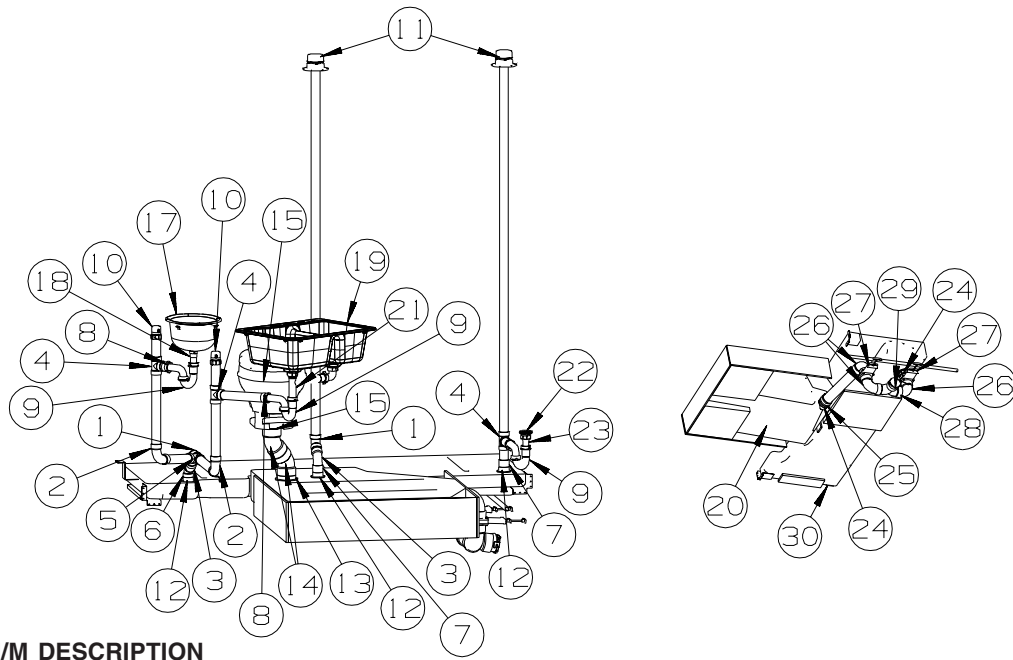
SEALANTS & FASTENERS GROUP (CONTINUED)
CLAMPS, CLIPS, GROMMETS, RIVETS & PLUGS (CONTINUED)

| KEY | PART NUMBER | U/M | DESCRIPTION |
|-----|---------------|-----|--|
| | 083610-03-000 | EA | CLAMP - WIRE - DUAL - EQUAL DIAMETERS - 2" |
| | 088756-01-000 | EA | GROMMET - WEB - 1 1/8"ID |
| | 089329-02-000 | EA | CLIP - SPRING |
| | 091952-01-000 | EA | CLIP - GRIPPER - 1" - BLACK VINYL COATED |
| | 091952-02-000 | EA | CLIP - GRIPPER - 3/4" - BLACK VINYL COATED |
| | 091952-03-000 | EA | CLIP - GRIPPER - 1/2" - BLACK VINYL COATED |
| | 094362-02-000 | EA | CLIP - XMAS TREE - BINDER HEAD - .9" LONG/ANY COLOR |
| | 094362-05-000 | EA | CLIP - XMAS TREE - ROUND HEAD - 1.4" LONG/ANY COLOR |
| | 113133-02-01A | EA | RIVET - POP - ALUMINUM - 3/16 X .252 - .504 - BLACK |
| | 114208-05-000 | EA | GROMMET - EDGE LINER - FITS 2" |
| | 118626-01-02A | EA | RIVET/POP - ALUMINUM - 3/16 X .08 - .375 |
| | 118626-01-01A | EA | RIVET/POP - ALUMINUM - 3/16 X 1.2"(GRIP RANGE .1"-.4") |
| | 118626-02-01A | EA | RIVET/POP - ALUMINUM - 3/16 X .500 - .750 |
| | 118626-03-01A | EA | RIVET/POP - STAINLESS STEEL - 3/16 X .500 - .750 |
| | 137014-01-02A | EA | GROMMET - CABLE - BROWN |
| | 137014-01-01A | EA | GROMMET - CABLE - ALMOND |
| | 137014-01-03A | EA | GROMMET - CABLE - BLACK |
| | 139118-02-01A | EA | GROMMET - SCREW - PLASTIC |
| | 155498-01-01A | EA | CLAMP - CLOSED - 7/8"ID - VINYL DIP/GALVONIZED - BLACK |

MISCELLANEOUS FASTENERS

| KEY | PART NUMBER | U/M | DESCRIPTION |
|-----|---------------|-----|---|
| | 008343-01-000 | EA | TIE - WIRE - 6" |
| | 008343-02-000 | EA | TIE - WIRE - 14" |
| | 008343-03-000 | EA | TIE - WIRE - 7 1/2" - BLACK |
| | 029094-04-000 | YD | VELCRO TAPE/LOOP - 1"WIDE - W/ADHESIVE BACK - BLACK |
| | 029096-04-000 | YD | VELCRO TAPE/HOOK - 1"WIDE - BLACK - W/ADHESIVE BACK (PSA) |
| | 048394-02-000 | YD | VELCRO TAPE - HOOK - ADHESIVE BACK - 3/4" WIDE - BEIGE |
| | 085774-01-000 | FT | FASTENER - DUAL LOCK - 1" WIDE - ADHESIVE BACK - BLACK |
| | 085774-02-000 | FT | FASTENER - DUAL HOOK - 1" WIDE - ADHESIVE BACK - BLACK |
| | 088792-02-000 | YD | VELCRO TAPE - LOOP - 3/4" - ADHESIVE BACK - BEIGE |
| | 088792-04-000 | YD | VELCRO TAPE - HOOK - 5/8" - NON-ADHESIVE BACK - WHITE |
| | 088792-05-000 | YD | VELCRO TAPE - LOOP - 5/8" - NON-ADHESIVE BACK - WHITE |
| | 108046-02-000 | EA | CABLE TIE - SCREW MOUNT 15" |

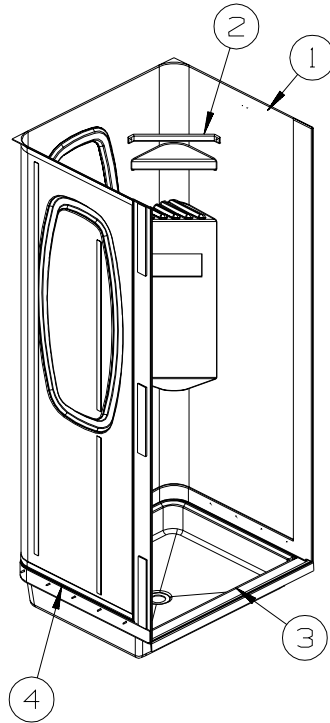
WATER & SEWAGE GROUP DRAINAGE SYSTEM



| KEY | PART NUMBER | U/M | DESCRIPTION |
|-----|---------------|-----|--|
| 1 | 010006-01-000 | EA | ELBOW - 45 DEGREE - 1 1/2" HUB X HUB - PLASTIC |
| 2 | 010008-01-000 | EA | ELBOW - 90 DEGREE - 1 1/2" HUB X HUB - PLASTIC |
| 3 | 010051-01-000 | EA | ELBOW - 45 DEGREE - 1 1/2" SPIGOT X HUB - PLASTIC |
| 4 | 010071-01-000 | EA | TEE - SANITARY - 1 1/2" HUB X HUB X HUB - PLASTIC |
| 5 | 010073-01-000 | EA | WYE - 45 DEGREE - 1 1/2" HUB X HUB X HUB - PLASTIC |
| 6 | 034250-01-000 | EA | ELBOW - 90 DEGREE - LONG TURN - 1 1/2" HUB X HUB - ABS |
| 7 | 010115-01-000 | EA | COUPLING - 1 1/2" HUB X HUB - PLASTIC |
| 8 | 152146-01-000 | EA | CONNECTOR - 1 1/2"P X 1 1/2"MPT |
| 9 | 107538-02-000 | EA | P-TRAP - PLASTIC - 1 1/2" W/EXTENSION ARM |
| 9 | 011071-01-000 | EA | P-TRAP - 1 1/2" - CSA - PLASTIC - CANADIAN |
| 10 | 079968-01-000 | EA | VENT - MECHANICAL/TRAP ARM - ANTI-SIPHON-2" X 7.3" PLASTIC |
| 11 | 083558-03-000 | EA | VENT - W/COVER - F/PLUMBING STACK - OFF WHITE |
| 12 | 061607-01-000 | EA | GROMMET - HOLDING TANK - 1 1/2" NPS |
| 13 | 061607-02-000 | EA | GROMMET - HOLDING TANK - 3" NPS |
| 14 | 010024-01-000 | EA | ELBOW - 45 DEGREE - 3" HUB X HUB - PLASTIC |
| 15* | 147421-02-01A | EA | TOILET/AQUA MAGIC 5 (LOW) FOOTFLUSH - W/SPRAY - WHITE |
| 16 | 063641-01-000 | EA | FLANGE - CLOSET - 4" X 3" |
| 17 | 156661-01-01A | EA | SINK - LAVATORY - OVAL - 15" X 12" X 6.5" - GLACIER WHITE |
| 18 | 106116-01-02A | EA | STRAINER/PLASTIC - STOPPER/TAILPIECE/GASKET & NUT-LAVATORY |
| 18 | 106116-02-01A | EA | GASKET - STRAINER |
| 19 | 148870-01-01A | EA | SINK/DOUBLE - LRG/SML BASIN - 25" X 19" X 7" |
| | 092303-01-000 | EA | STRAINER - W/BASKET - GALLEY SINK - 4" OD |
| | 127440-02-01A | EA | WASHER - RUBBER - 1.8" X .1" |
| 20 | 154458-01-700 | EA | TANK - HOLDING - 38 GALLON - W/3" NIPPLE - W/O FITTINGS |
| | 049032-01-000 | EA | PATCH - SPINWELD - 3/8" - PLASTIC |
| 21 | 011091-02-000 | EA | WASTE - CONTINUOUS - DOUBLE SINK |
| 22 | 066440-01-000 | EA | STRAINER - SHOWER DRAIN - W/RUBBER WASHER |
| | 127440-02-01A | EA | WASHER - RUBBER - 1.8" X .1" |
| 23 | 011069-02-000 | EA | TAILPIECE - TUB/SHOWER - 1 1/2" X 1 1/4" X 4" - BRASS |
| | 130403-01-000 | EA | NUT - SLIP - W/WINGS 1 1/2" |
| 24 | 010129-03-000 | EA | NIPPLE - 3" X 3" TOE - PLASTIC |
| 25 | 078406-01-000 | EA | COUPLER - 3" X 3" W/CLAMPS - RUBBER |
| 26 | 010062-01-000 | EA | ELBOW - 3 90 SPIGOT X HUB - PLASTIC |
| 27 | 062418-01-000 | EA | VALVE - DUMP - W/HANDLE - 3" - PLASTIC/BLACK |
| 28 | 010065-01-000 | EA | TEE - 3" FEMALE - PLASTIC |
| 29 | 109450-01-000 | EA | ADAPTER - SEWER HOSE - PLASTIC |
| 29* | 062415-01-000 | EA | CAP - SEWER - 3" DIAMETER |
| 29 | 139513-01-000 | EA | HOSE - SEWER - 3" X 10' - W/ADAPTER |
| | 062416-01-000 | EA | ADAPTER - SEWER HOSE TO 3" PIPE |
| 30 | 154457-01-700 | EA | TANK - HOLDING - 36 GALLON - W/3" SPINWELD - W/O FITTINGS |
| | 010232-01-000 | EA | FITTING - SPINWELD - PLASTIC 3FPT |
| | 049032-01-000 | EA | PATCH - SPINWELD - 3/8" - PLASTIC |

*COMPONENT PARTS LISTED LATER IN THIS GROUP

WATER & SEWAGE GROUP (CONTINUED)
DRAINAGE SYSTEM (CONTINUED)



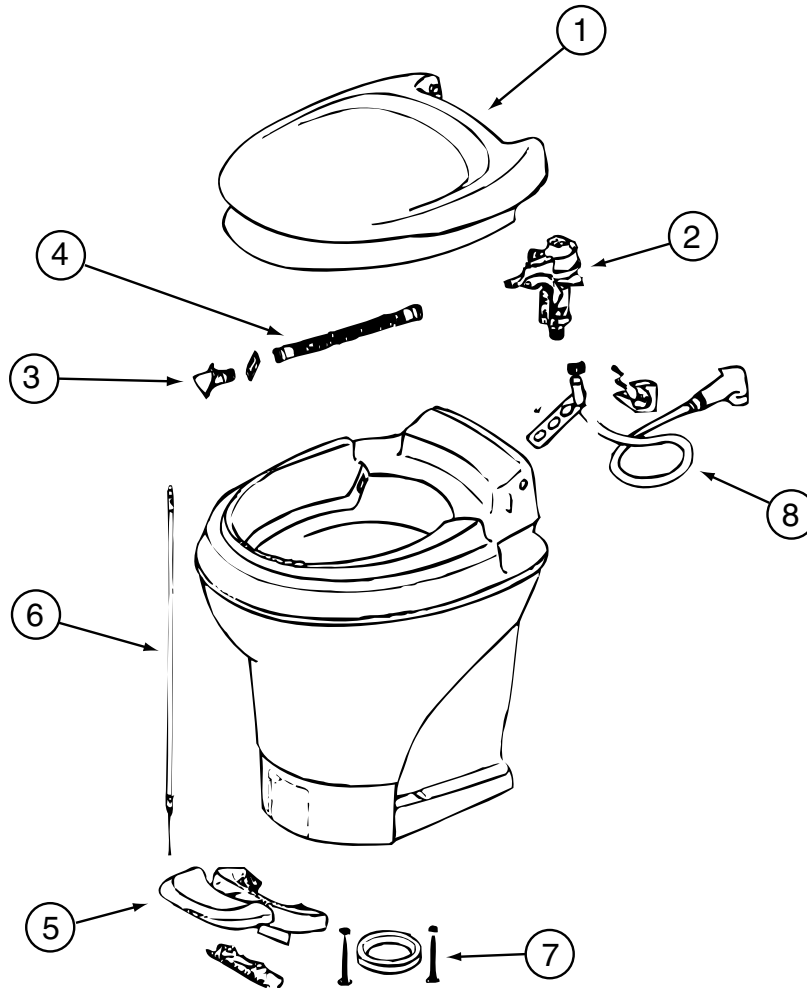
| KEY | PART NUMBER | U/M | DESCRIPTION |
|-----|---------------|-----|---|
| 1 | 147070-01-18A | EA | SURROUND - SHOWER - SOFT WHITE |
| 2 | 113714-02-02A | EA | RETAINER - SHELF/SHOWER - 10.6" - SOFT WHITE |
| 3 | M02673-14-R28 | EA | SHOWER PAN - W/STRAINER |
| 4 | 154585-03-01A | FT | SEAL - FOAM TAPE - ADHESIVE 2 SIDED - 1/8" X 3/4" - BLACK |

WATER & SEWAGE GROUP (CONTINUED)

COMPONENT PARTS FOR DRAINAGE SYSTEM

062415-01-000

| KEY | PART NUMBER | U/M | DESCRIPTION | VENDOR NO. |
|-----|---------------|-----|------------------|-------------|
| | 062415-01-700 | EA | STRING-SEWER CAP | V#SV7 STRAP |

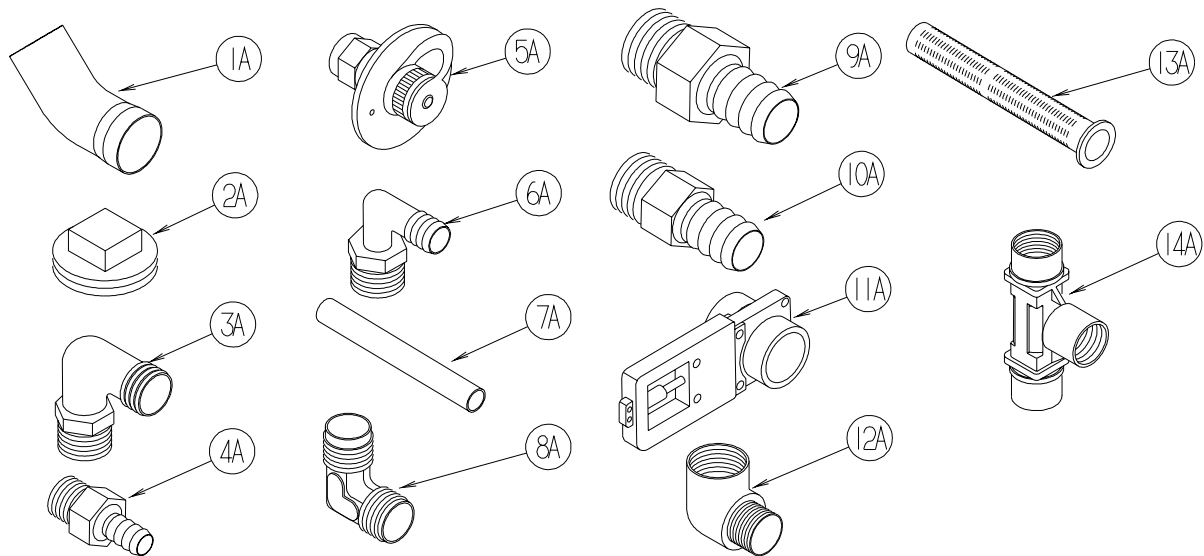


147421-01-01A, 147421-02-01A

| KEY | PART NUMBER | U/M | DESCRIPTION | VENDOR NO. |
|-----|---------------|-----|------------------------------|----------------|
| 1 | 147421-01-700 | EA | SEAT & COVER ASSEMBLY(WHT) | 31703 |
| 2 | 147421-01-701 | EA | WATER MODULE ASSEMBLY | 31705 |
| 3 | 147421-01-702 | EA | NOZZLE ASSEMBLY | 31706 |
| 4 | 147421-01-703 | EA | LINK - WATER MODULE | 31621 |
| 5 | 147421-01-704 | EA | PEDAL - WHITE | 31709 |
| 6 | 147421-01-705 | EA | FOOT CABLE | 31711 |
| 7 | 063740-01-706 | EA | BOLT PACKAGE-FLOOR FLANGE | 12524 THETFORD |
| 8 | 147421-01-708 | EA | HAND SPRAY KIT - WHITE HEAD | 33226 |
| | 147421-01-706 | EA | SEAL - BLADE | 31708 |
| | 147421-01-707 | EA | CAP (UNIVERSAL BOLT) - WHITE | 31713 |

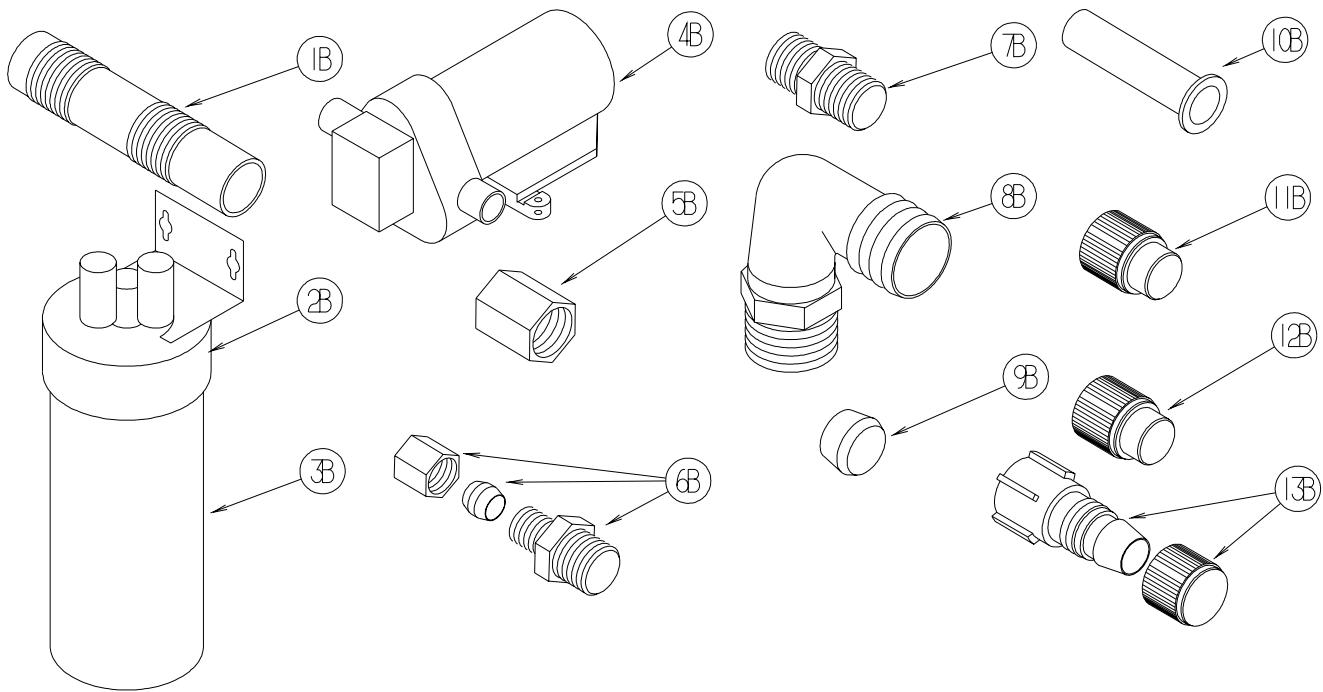
WATER & SEWAGE GROUP (CONTINUED)

WATER SYSTEM



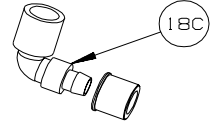
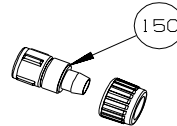
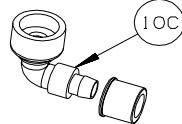
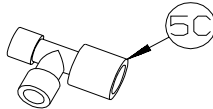
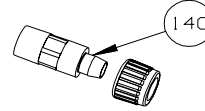
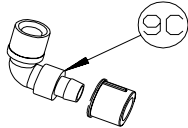
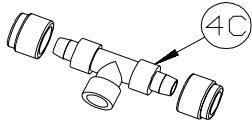
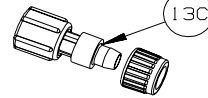
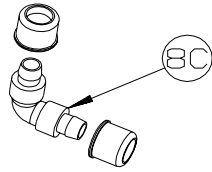
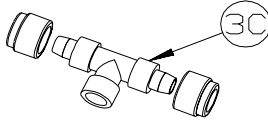
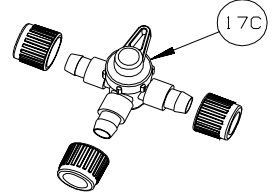
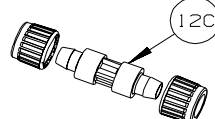
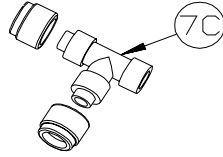
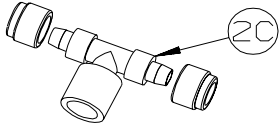
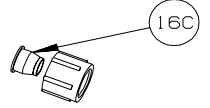
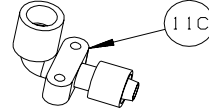
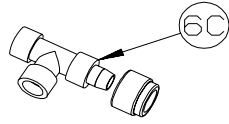
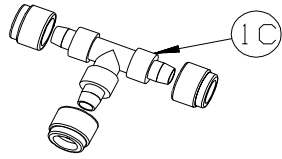
| KEY | PART NUMBER | U/M | DESCRIPTION |
|-----|---------------|-----|---|
| 1A | 010009-01-000 | EA | ELBOW - 90 DEGREE - 1/4 BEND - 1 1/2" PLASTIC |
| 2A | 010166-01-000 | EA | PLUG/THREADED - 1 1/4"MPT - PLASTIC - BLACK - UL |
| 3A | 010219-01-000 | EA | ELBOW - 1 1/4 MPT X 1 1/4 BARB - WATER FILL - PLASTIC |
| 4A | 010224-01-000 | EA | ADAPTER - HOSE TO PIPE - 3/8 MPT X 3/8 BARB - PLASTIC |
| 5A | 010230-06-000 | EA | FILL - CITY WATER - W/CHECK VALVE - MPT - BRUSHED ALUM |
| 6A | 035539-01-000 | EA | ELBOW - 3/8 MPT X 3/8 BARB - PLASTIC |
| 7A | 039800-04-000 | FT | TUBING - POLYBUTYL - 1/4"OD |
| 7A | 074462-02-000 | FT | TUBING - VINYL - 3/8 ID X 20' - CLEAR |
| 7A | 112176-01-000 | FT | TUBING - VINYL - REINFORCED - 1/2" ID |
| 7A | 124188-01-000 | FT | TUBING - PEX - 1/2" ID X 20' - BLUE(COLD) |
| 7A | 124188-02-000 | FT | TUBING - PEX - 1/2" ID X 20' - RED(HOT) |
| 8A | 039808-03-000 | EA | ELBOW - 1/2" MPT X 1/2" MPT - PLASTIC |
| 9A | 044927-01-000 | EA | ADAPTER - HOSE TO PIPE-1 1/4 MPTX1 1/4 BARB-BLACK PLASTIC |
| 10A | 044927-02-000 | EA | ADAPTER - REDUCING - 1" MPT X 1.3" BARB - PLASTIC |
| 11A | 062421-03-000 | EA | VALVE/DUMP W/O HANDLE - 1 1/2" X 1 1/2" HUB |
| | 062421-05-000 | EA | CABLE/ROD - F/DUMP VALVE - W/HANDLE - 48" |
| | 062421-07-000 | EA | CABLE/ROD - F/DUMP VALVE - W/HANDLE - 144" |
| | 062421-08-000 | EA | CABLE/ROD - F/DUMP VALVE - W/HANDLE - 108" |
| 12A | 065318-02-000 | EA | ELBOW - 90 DEGREE - 3/8" MPT TO 3/8" FPT |
| 13A | 077954-02-000 | EA | FILTER - WATER TANK - W/SCREEN IN TANK |
| 14A | 039798-01-000 | EA | TEE - 1/2"MPT X 1/2"MPT X 1/2"MPT - PLASTIC |

WATER & SEWAGE GROUP (CONTINUED)
WATER SYSTEM (CONTINUED)



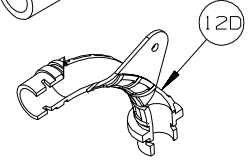
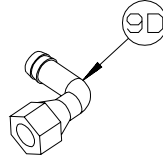
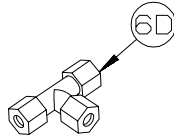
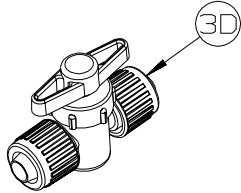
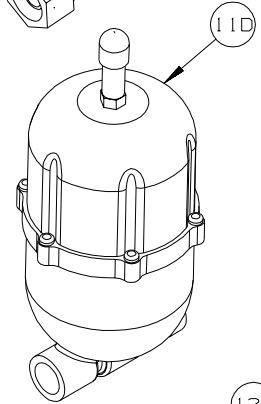
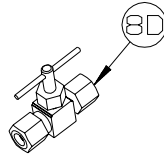
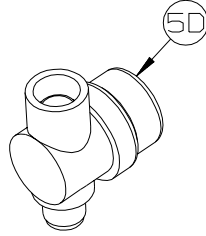
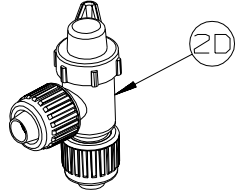
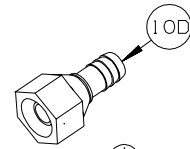
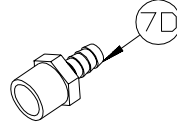
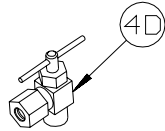
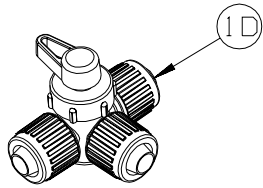
| KEY | PART NUMBER | U/M | DESCRIPTION |
|-----|---------------|-----|---|
| 1B | 079381-01-000 | FT | TUBING - RIBBED FLEXIBLE - WATER FILL - 1.4" ID |
| 2B | 087200-01-000 | EA | FILTER-WATER PURIFCATION, EVERPURE QC2-AC |
| 3B | 087200-02-000 | EA | CARTRIDGE-WATER FILTER,AC - EVERPURE 9601-11 |
| 4B* | 098607-01-000 | EA | PUMP - WATER - W/.5" MPT FITTING - FLOW 2.8 GPM |
| | | | FROM: 00-00-00 THRU: 06-21-06 |
| 4B | 160702-01-000 | EA | PUMP - WATER - 3.0 GPM - W/1/2" MPT |
| | | | FROM: 06-22-06 THRU: 99-99-99 |
| 5B | 101814-01-000 | EA | COUPLING - FEMALE - 1/2" X 1/2" FPT - GRAY |
| 6B | 103798-01-000 | EA | CONNECTOR - 1/4 OD X 3/8 MPT |
| 7B | 110438-02-000 | EA | VALVE - CHECK - BRASS - 1/2 MPT X 1/2 MPT |
| 8B | 111223-02-000 | EA | ELBOW - 1/2" MPT X 3/8" BARB - PLASTIC |
| 8B | 111223-03-000 | EA | ELBOW - 3/4" MPT X 1/2" BARB - PLASTIC |
| 8B | 111223-04-000 | EA | ELBOW - 1/2" MPT X 1/2" BARB - PLASTIC |
| 9B | 111888-01-000 | EA | FERRULE - PLASTIC - .250 ID X .375 OD |
| 10B | 111888-02-000 | EA | INSERT - BRASS - 1/4 COMP |
| 11B | 113697-01-000 | EA | CAP - 3/8"P |
| 12B | 114427-01-000 | EA | CAP - 1/2"P |
| 13B | 114427-02-000 | EA | PLUG - W/COMP NUT - 1/2" PLASTIC PIPE/1/2" FLAIR-IT |

WATER & SEWAGE GROUP (CONTINUED)
WATER SYSTEM (CONTINUED)



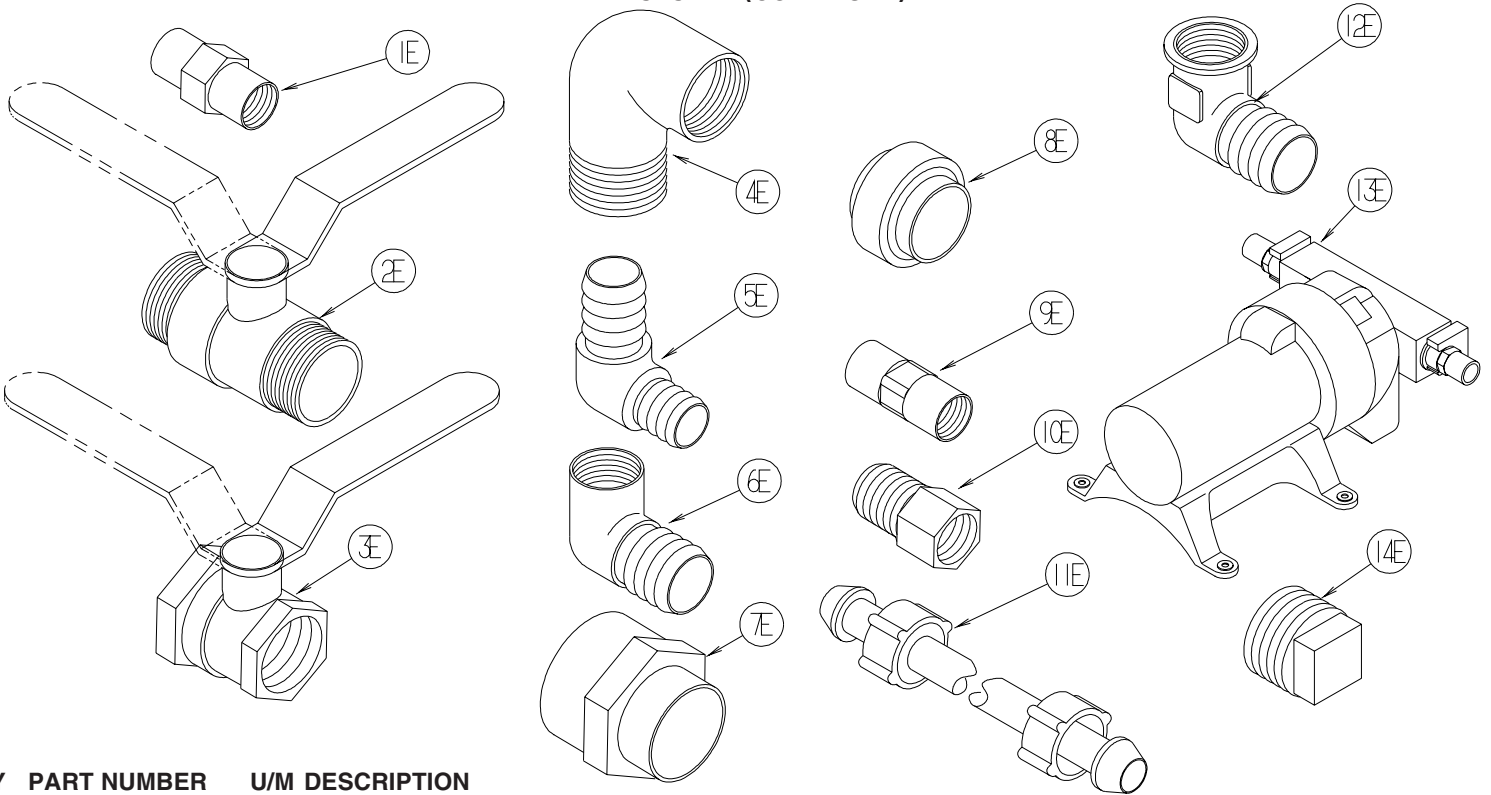
| KEY | PART NUMBER | U/M | DESCRIPTION |
|-----|---------------|-----|---|
| 1C | 114428-01-000 | EA | TEE - 1/2"P X 1/2"P X 1/2"P |
| 2C | 114428-02-000 | EA | TEE - SWIVEL - 1/2"P X 1/2"P X 1/2"FPT |
| 3C | 114428-03-000 | EA | TEE - 1/2"P X 1/2"P X 1/2"MPT |
| 4C | 114428-04-000 | EA | TEE - 1/2"P X 1/2"P X 1/8"FPT |
| 5C | 114428-05-000 | EA | TEE - 1/2" SWIVEL X 1/2" MPT X 1/2" MPT |
| 6C | 114428-06-000 | EA | TEE - 1/2" P X 1/2" MPT X 1/2" MPT |
| 7C | 114428-07-000 | EA | TEE - 1/2" P X 1/2" MPT X 1/2" P |
| 8C | 114429-01-000 | EA | ELBOW - 1/2"P X 1/2"P |
| 9C | 114429-02-000 | EA | ELBOW - 1/2"P X 1/2"MPT |
| 9C | 114429-04-000 | EA | ELBOW - 1/2"P X 3/8"MPT |
| 9C | 114429-05-000 | EA | ELBOW - 1/2"P X 3/4"MPT |
| 9C | 114429-10-000 | EA | ELBOW - SWIVEL - 1/2"MPT X 1/2"FPT |
| 10C | 114429-06-000 | EA | ELBOW - SWIVEL - 1/2"P X 3/4"FPT |
| 10C | 114429-08-000 | EA | ELBOW - SWIVEL - 1/2"P X 1/2"FPT |
| 11C | 114429-09-000 | EA | ELBOW - 1/2"P X 1/2"FPT DROP EAR |
| 12C | 114430-01-000 | EA | ADAPTER - 1/2"P X 1/2"P |
| 13C | 114430-02-000 | EA | ADAPTER - SWIVEL - 1/2"P X 1/2"FPT |
| 13C | 114430-04-000 | EA | ADAPTER - SWIVEL - 1/2"P X 3/8"MPT |
| 14C | 114430-03-000 | EA | ADAPTER - 1/2"P X 1/2"MPT |
| 15C | 114430-06-000 | EA | ADAPTER - 1/2"P X 3/8"FPT |
| 15C | 114430-09-000 | EA | ADAPTER - 1/2"P X 1/2"FPT |
| 16C | 114430-10-000 | EA | ADAPTER - NUT - PIPE CONNECTION - 1/2" |
| 17C | 114431-01-000 | EA | VALVE - 180 DEGREE/CENTER DRAIN - 1/2"P - THREE WAY |
| 18C | 114429-11-000 | EA | ELBOW - 1/2"P X 1/2"FPT |

WATER & SEWAGE GROUP (CONTINUED)
WATER SYSTEM (CONTINUED)



| KEY | PART NUMBER | U/M | DESCRIPTION |
|-----|---------------|-----|--|
| 1D | 114431-02-000 | EA | VALVE - WATER BYPASS - 1/2"P - THREE WAY (WATER HEATER) |
| 2D | 114431-03-000 | EA | VALVE - 90 DEGREE DRAIN - 1/2"P |
| 3D | 114431-04-000 | EA | VALVE - "INLINE SHUT-OFF" - 1/2"P |
| 4D | 114431-05-000 | EA | VALVE - NEEDLE - 1/8" MPT X 1/4" COMPRESSION (ICE MAKER) |
| 5D | 152925-01-01A | EA | FILTER - IN LINE - TWIST ON - 1/2" - BLACK |
| 6D | 118423-01-000 | EA | FITTING - BRASS-TEE - 1/4C X 1/4C X 1/4C |
| 7D | 118809-01-000 | EA | ADAPTER - 1/2" MPT X 3/8" BARB - PLASTIC |
| 7D | 118809-02-000 | EA | ADAPTER - 1/2" MPT X 1/2" BARB - PLASTIC |
| 8D | 120868-01-000 | EA | VALVE - NEEDLE - 1/4" COMPRESSION X 1/4" COMPRESSION |
| 9D | 123150-01-000 | EA | ELBOW - 1/2 FPT X 1/2 BARB - SWIVEL |
| 10D | 123152-01-000 | EA | ADAPTER - 1/2 FPT X 1/2 BARB - SWIVEL |
| 11D | 123243-01-000 | EA | TANK - ACCUMULATOR - 24 OZ |
| | 123317-01-000 | EA | TANK - ACCUMULATOR - 2 GALLON |
| 12D | 124184-01-000 | EA | SUPPORT - WATER LINE - BEND |

WATER & SEWAGE GROUP (CONTINUED)
WATER SYSTEM (CONTINUED)

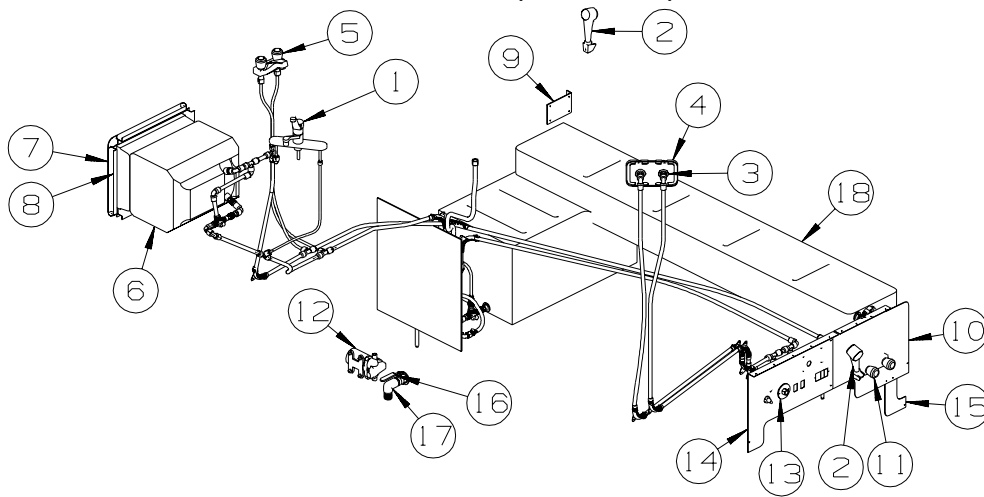


| KEY | PART NUMBER | U/M | DESCRIPTION |
|------|---------------|-----|---|
| 1E | 132148-01-000 | EA | CONNECTOR - 1/2" X 1/2"MPT - BRASS |
| 2E | 132483-01-000 | EA | VALVE/BALL - 1" - THREADED ENDS |
| 3E | 132483-02-000 | EA | VALVE/BALL - 1/2" - BRASS - FPT |
| 4E | 132484-01-000 | EA | ELBOW - 90 DEGREE - 1MPT X 1FPT - PLASTIC |
| 5E | 132781-01-000 | EA | ELBOW - 1.3" BARB X 1.3" BARB - 90 DEGREE - PLASTIC |
| 6E | 132782-01-000 | EA | ELBOW - 1"FPT X 1.3" BARB - 90 DEGREE - PLASTIC |
| 7E | 133835-01-000 | EA | ADAPTER - REDUCING - 1 1/2" X 1 1/4" |
| 8E | 133889-01-000 | EA | UNION - 1 1/2 DOUBLE SLIP - PVC |
| 9E | 135386-01-000 | EA | NIPPLE - 1/2" |
| 10E | 136333-01-000 | EA | ADAPTER - BRASS - 1/2"MPT X 1/2"FPT |
| 11E | 140821-01-000 | EA | TUBE - WATER SUPPLY - 3/8" X 24" |
| 11E | 140821-02-000 | EA | TUBE - WATER SUPPLY - 3/8" X 30" |
| 11E | 140821-03-000 | EA | TUBE - WATER SUPPLY - 3/8" X 36" |
| 11E | 140821-04-000 | EA | TUBE - WATER SUPPLY - 3/8" X 48" |
| 11E | 140821-05-000 | EA | TUBE - WATER SUPPLY - 3/8" X 54" |
| 11E | 140821-06-000 | EA | TUBE - WATER SUPPLY - 3/8" X 60" |
| 11E | 140821-07-000 | EA | TUBE - WATER SUPPLY - 3/8" X 72" |
| 11E | 140821-08-000 | EA | TUBE - WATER SUPPLY - 1/2" X 24" |
| 11E | 140821-09-000 | EA | TUBE - WATER SUPPLY - 1/2" X 36" |
| 11E | 140821-10-000 | EA | TUBE - WATER SUPPLY - 1/2" X 48" |
| 12E | 142812-01-000 | EA | ELBOW - BRASS - 1/2"MPT X 1/2"FPT |
| 13E* | 144215-01-000 | EA | PUMP - WATER - 5.7 GPM - W/1/2" MPT |

FROM: 00-00-00 THRU: 02-05-06

14E 145609-01-000 EA PLUG - BRASS - 1/2" MPT/HEX HEAD
***COMPONENT PARTS LISTED LATER IN THIS GROUP**

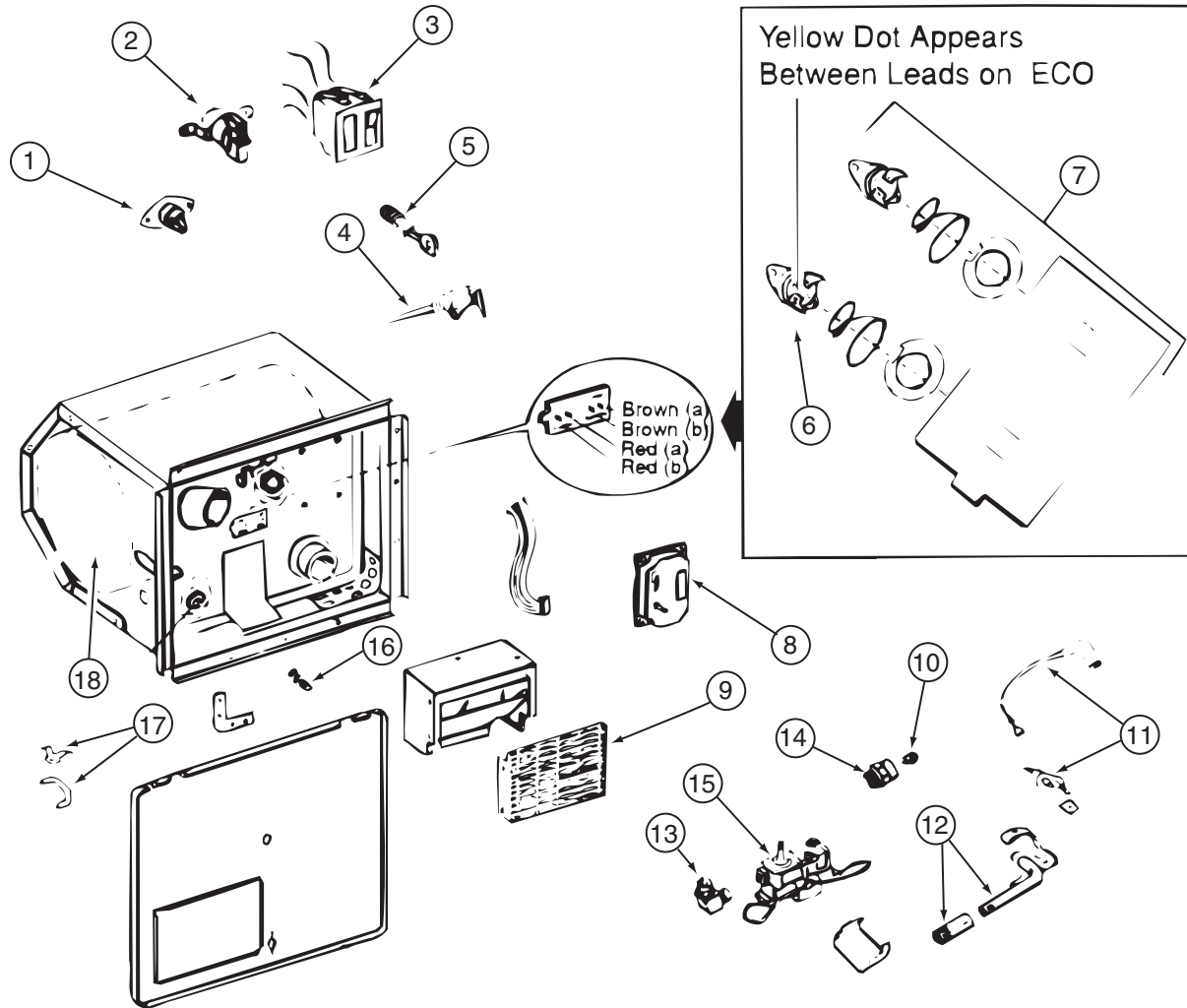
WATER & SEWAGE GROUP (CONTINUED)
WATER SYSTEM (CONTINUED)



| KEY | PART NUMBER | U/M | DESCRIPTION |
|-----|---------------|-----|--|
| 1 | 149164-01-01A | EA | FAUCET - GALLEY - SINGLE CONTROL - CHROME |
| 2 | 131383-01-02A | EA | SHOWER HEAD - W/60" HOSE & BRACKET - WHITE |
| 3 | 163269-01-02A | EA | FAUCET/SHOWER - .5"MPT W/1.9" INLET PIPES- EXTERIOR/CHROME |
| 4 | 075606-03-000 | EA | PANEL - FAUCET SHOWER - SOFT WHITE |
| 5 | 148886-01-01A | EA | FAUCET - LAVATORY/DUAL CONTROL/4" CENTER - CHROME |
| 6* | 051391-03-000 | EA | WATER HEATER G6A-8E ELECTRONIC IGNITION - WATER HEATER-ELEC. IGNITION |
| 6* | 145541-02-000 | EA | WATER HEATER-6 GAL-GAS/ELEC/120'-REM IGN-W/HEAT EXC-4E - WTR HTR-6GAL/110/LP/MTR/AUTO |
| 7 | 052009-06-000 | EA | DOOR - WATER HEATER - BRIGHT WHITE - 18" X 14.6" |
| | 076767-03-000 | EA | CABLE - STAINLESS STEEL - 18.5" |
| 8 | 152239-01-01A | EA | FLANGE/MOUNTING/RECESSED - 19.3" X 15.8" - BRIGHT WHITE |
| 9 | 094756-02-01A | EA | BRACKET - L - 6.1" LONG X 3.9" WIDE - STEEL |
| 10 | 154824-01-12B | EA | PANEL - SERVICE CENTER - BRIGHT WHITE |
| 11 | 163269-01-01A | EA | FAUCET/SHOWER - .5"MPT W/1.9" INLET PIPES- EXTERIOR/BRT WHT |
| 12* | 098607-01-000 | EA | PUMP - WATER - W/.5" MPT FITTING - FLOW 2.8 GPM |
| | | | FROM: 00-00-00 THRU: 06-21-06 |
| 12 | 160702-01-000 | EA | PUMP - WATER - 3.0 GPM - W/1/2" MPT |
| | | | FROM: 06-22-06 THRU: 99-99-99 |
| 13 | 010230-06-000 | EA | FILL - CITY WATER - W/CHECK VALVE - MPT - BRUSHED ALUM |
| 14 | 154823-02-12B | EA | PANEL - SERVICE CENTER - BRIGHT WHITE |
| 15 | 159583-01-12B | EA | PANEL - SERVICE CENTER - BRIGHT WHITE |
| 16 | 132483-01-000 | EA | VALVE/BALL - 1" - THREADED ENDS |
| 17 | 132782-01-000 | EA | ELBOW - 1"FPT X 1.3" BARB - 90 DEGREE - PLASTIC |
| 18 | 158499-02-000 | EA | TANK - WATER - 68 GALLON - W/FITTINGS |
| 18 | 042989-08-000 | EA | FITTING - SPINWELD - 1"FPT - PLASTIC |

***COMPONENT PARTS LISTED LATER IN THIS GROUP**

WATER & SEWAGE GROUP (CONTINUED)
COMPONENT PARTS FOR WATER SYSTEM



051391-03-000

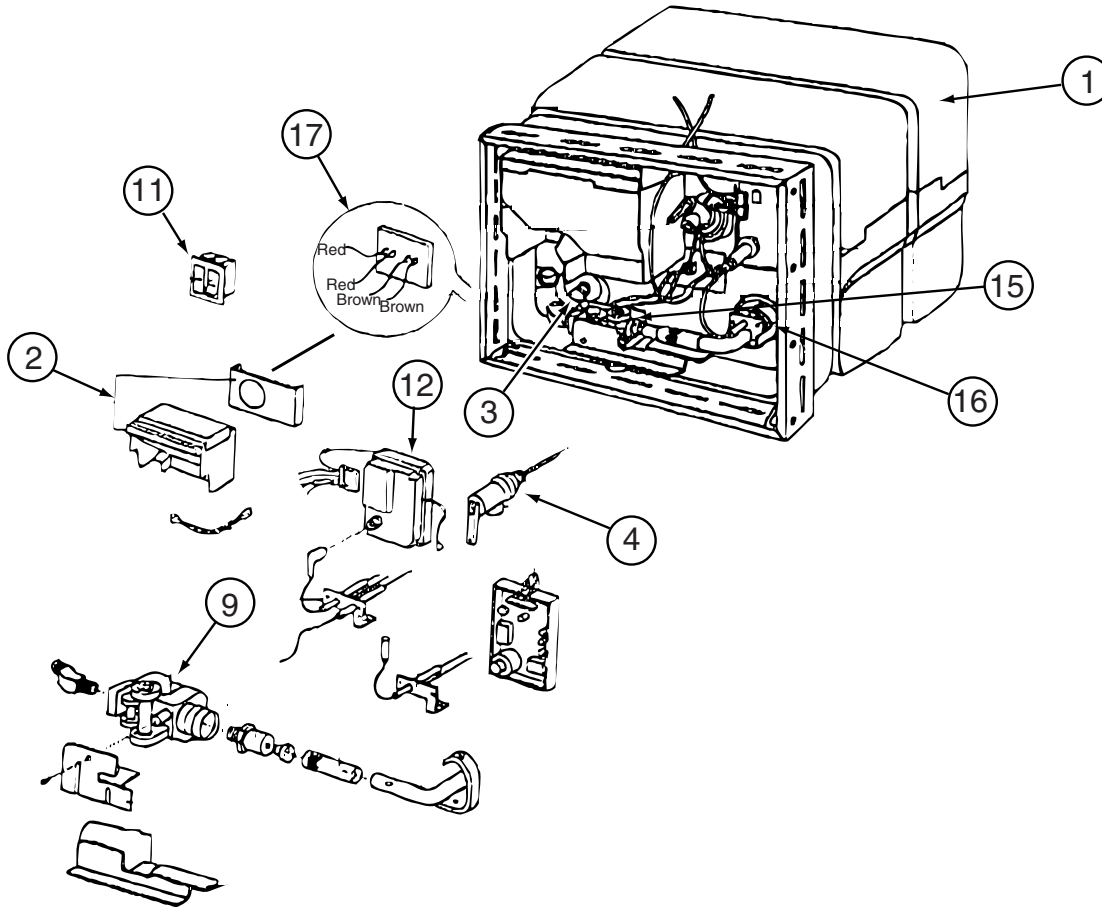
| KEY | PART NUMBER | U/M | DESCRIPTION | VENDOR NO. |
|-----|---------------|-----|-------------------------------|-----------------|
| 3 | 051393-01-701 | EA | SWITCH - REMOTE - W/LIGHT | 91959 |
| 4 | 051391-01-704 | EA | VALVE-RELIEF, 1/2" FITTING | 91604 |
| 4 | 051391-03-701 | EA | VALVE-RELIEF - 3/4" FITTING | 90028 |
| 5 | 051391-01-705 | EA | FASTENER-CAMLOCK | 92609 |
| 6 | 051391-04-701 | EA | THERMOSTAT 12V DC-120 PRESET | 91470 |
| 7 | 051393-01-721 | EA | THERMOSTAT W/ECO, 140 FRT MT | 91447 |
| 9 | 051391-04-707 | EA | KIT-EXHAUST, (FLUE & GASKET) | 90960 |
| 10 | 051391-01-710 | EA | ORIFICE-MAIN BURNER | 92742 |
| 12 | 051391-04-703 | EA | BURNER-MAIN/ELECTRONIC IG | 91638 |
| 13 | 051391-01-714 | EA | FITTING-ELBOW 45,3/8F X 3/8 | MPT 1044 |
| 14 | 051391-03-700 | EA | HOLDER-ORIFICE | 91563 |
| 16 | 051391-01-715 | EA | PLUG-DRAIN, 1 EA = 2 PER PKG | 91857 |
| 17 | 051391-01-700 | EA | HINGE KIT, (PIN & CLIP) | 92568&92559 |
| 18 | 051391-04-706 | EA | TANK-G6A-4E/6E/7E/8E-FRT.MT | 91641 - INNER |
| | 051391-01-717 | EA | GRILLE-WATER HEATER DOOR | 92640 |
| | 051393-01-723 | EA | SWITCH - THERMAL CUTOUT 2/PK | 93866 WAS 93853 |
| | 051393-01-724 | EA | BOARD-CIRCUIT, SPADE TERMINAL | 93865 |
| | 051393-01-725 | EA | ELECTRODE-SGL SPADE CONNECT. | 93868 |
| | 051393-01-726 | EA | VALVE/SOLENOID - W/O BRACKET | 93870 |
| | 111129-01-711 | EA | BRACKET-CORNER, SET OF FOUR | 91928 |

CONTACT WINNEBAGO PARTS SALES FOR UNLISTED COMPONENT(S)

WATER & SEWAGE GROUP (CONTINUED)
COMPONENT PARTS FOR WATER SYSTEM (CONTINUED)

098607-01-000

| KEY | PART NUMBER | U/M | DESCRIPTION | VENDOR NO. |
|-----|---------------|-----|------------------------------|------------|
| | 098607-01-702 | EA | DIAPHRAGM/DRIVE ASSEMBLY KIT | 94-238-04 |
| | 098607-01-703 | EA | VALVE KIT | 94-232-00 |
| | 098607-01-705 | EA | VALVE-CHECK, KIT | 94-237-00 |
| | 098607-01-706 | EA | HOUSING, W/SWITCH ONLY | 94-231-20 |
| | 098607-01-707 | EA | MOTOR W/BASEPLATE | 11-148-04 |



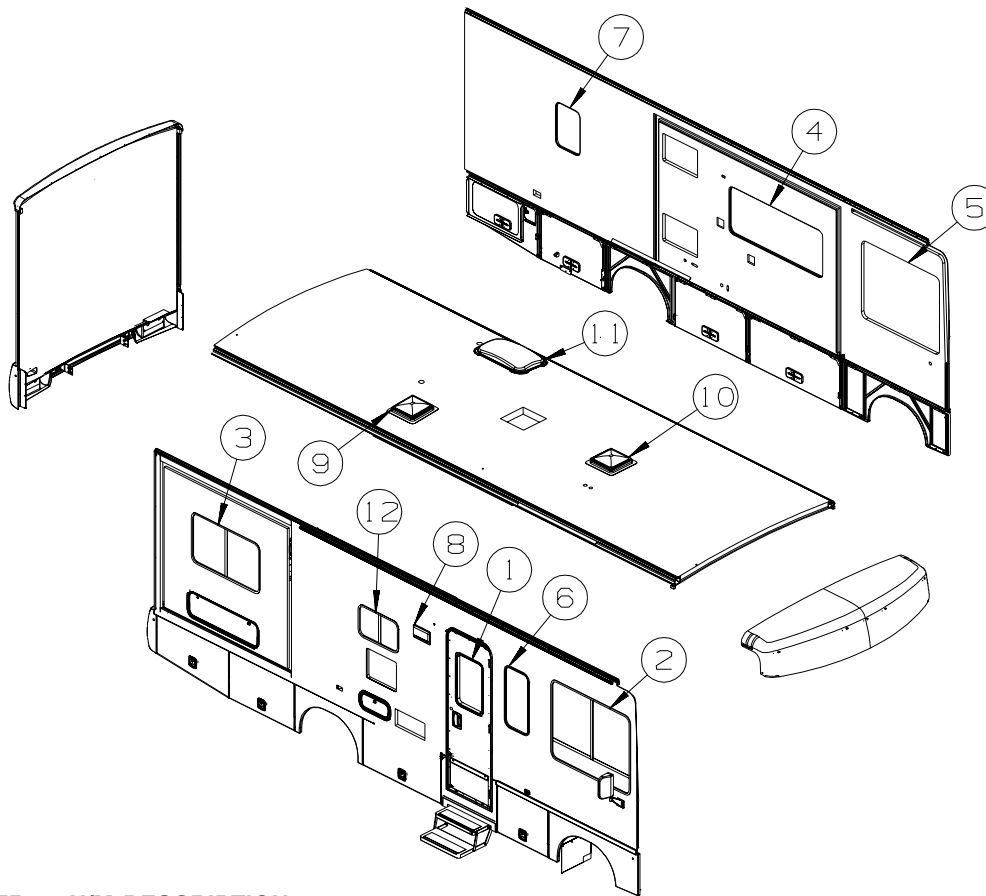
145541-02-000

| KEY | PART NUMBER | U/M | DESCRIPTION | VENDOR NO. |
|-----|---------------|-----|------------------------------|----------------|
| 1 | 145541-02-700 | EA | TANK/SERVICE KIT PCS- 6 GAL | 91053 |
| 2 | 051391-04-707 | EA | KIT-EXHAUST, (FLUE & GASKET) | 90960 |
| 3 | 051391-01-715 | EA | PLUG-DRAIN, 1 EA = 2 PER PKG | 91857 |
| 4 | 051391-01-704 | EA | VALVE-RELIEF, 1/2" FITTING | 91604 |
| 9 | 051393-01-726 | EA | VALVE-SOLENOID - W/O BRACKET | 93870 |
| 11 | 051393-01-701 | EA | SWITCH - REMOTE - W/LIGHT | 91959 |
| 11 | 145541-01-701 | EA | SWITCH - ON/OFF - WHITE | 91859 |
| 12 | 145541-01-702 | EA | CIRCUIT BOARD | 91226 |
| 15 | 145541-01-703 | EA | SWITCH - THERMAL CUT OFF | 93866 |
| 16 | 051393-01-725 | EA | ELECTRODE-SGL SPADE CONNECT. | 93868 |
| 17 | 051393-01-721 | EA | THERMOSTAT W/ECO, 140 FRT MT | 91447 |
| | 051391-05-706 | EA | ELEMENT-HEATING 1500 WATT | 92249 W/GASKET |
| | 145541-01-704 | EA | RELAY | 90061 |
| | 145541-02-701 | EA | JUNCTION BOX(PLASTIC) 6 GAL | 91222 |

CONTACT WINNEBAGO PARTS SALES FOR UNLISTED COMPONENT(S)

WINDOW & VENTS GROUP

WINDOW & VENT LAYOUT



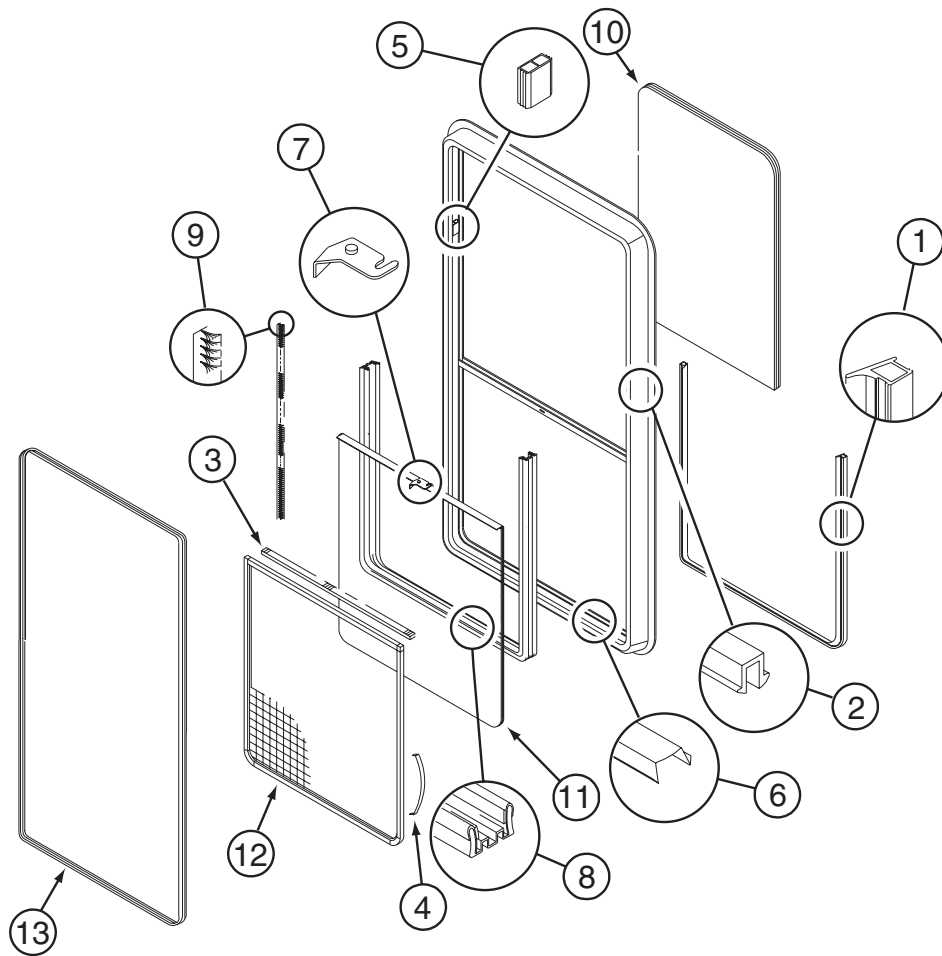
| KEY | PART NUMBER | U/M | DESCRIPTION |
|-----|---------------|-----|---|
| 1 | 117053-02-F36 | EA | WINDOW - PICTURE - W/O TRIM - 60% TINTING - 26.4" X 17" |
| | 002181-25-000 | EA | GLASS - PICTURE WINDOW - 25.8"W X 16.4"H |
| | 087561-01-000 | FT | SEAL - GLASS - EXTERIOR - .5" WIDE - VINYL BLACK |
| 1 | 117054-02-03A | EA | TRIM/RETAINER - INSIDE - 16.9" X 26.2" - BLACK |
| 1* | 150651-01-01A | EA | WINDOW - STATIONARY/FLUSH/THERMO - 26.3" X 17" - DUAL PANE |
| 2* | 145573-05-01A | EA | WINDOW - CAB/PASSENGER/RADIUS/3 GLASS - 39" X 47.9" - BLK |
| 2* | 151069-04-01A | EA | WINDOW - CAB/RIGHT HAND/FLUSH/THERMO - 39" X 47.9" - DUAL PANE |
| 3* | 098647-73-01A | EA | WINDOW - PASS HORIZ SLIDER W/TRIM - 24.5" X 41.2" |
| 3* | 150648-15-01A | EA | WINDOW-HORIZ SLIDER/FLUSH/THERMO/RH - 24.5" X 41.2" - DUAL PANE |
| 4* | 098647-54-01A | EA | WINDOW - DRVR HORIZ SLIDER/EGRESS W/TRIM - 57.5" X 23.6" |
| 4* | 150648-01-01A | EA | WINDOW-HORIZ SLIDER/ESCAPE/FLUSH/THERMO/LH-23.8"X57.7"-BLK - DUAL PANE |
| 5* | 145573-06-01A | EA | WINDOW - CAB/DRIVER/RADIUS/3 GLASS - 39" X 47.9" - BLACK |
| 5* | 151069-05-01A | EA | WINDOW - CAB/LEFT HAND/FLUSH/THERMO - 39" X 47.9" - DUAL PANE |
| 6* | 098644-07-02A | EA | WINDOW - VERTICAL SLIDER W/TRIM - TINTED - 14" X 30" |
| 6* | 150649-01-01A | EA | WINDOW - VERT SLIDER/FLUSH/THERMO - 30.9" X 14.2" - DUAL PANE |
| 7* | 098644-01-01A | EA | WINDOW - VERTICLE SLIDER W/TRIM - TINTED - 22.2" X 15.2" |
| 7* | 150649-15-01A | EA | WINDOW - VERT SLIDER/FLUSH/THERMO - 22.2" X 15.2" - DUAL PANE |
| 8 | 147821-02-01A | EA | SHROUD - EXHAUST VENT/RANGE HOOD - BRIGHT WHITE |
| 8 | 147821-02-02A | EA | VENT - EXHAUST/RANGE HOOD - BLACK - DELUXE GRAPHICS PACKAGE |
| 8 | 147821-01-01A | EA | VENT - EXHAUST/RANGE HOOD - BRIGHT WHITE |
| 9* | 122882-02-01A | EA | VENT - ROOF - W/FAN - W/O INSIDE GARNISH - UL |
| 9* | 122882-03-01A | EA | VENT - ROOF - W/FAN - W/O INSIDE GARNISH - CSA - CANADIAN - POWER VENT |
| | 009440-01-000 | EA | GEAR/ARM - LIFT - ROOF VENT COVER |
| | 048648-01-000 | EA | MOTOR/ROOF VENT - W/RESISTER - 1/8"SHAFT - 12VOLT |
| | 048649-01-000 | EA | FAN BLADE - ROOF VENT - 6 BLADED - 6"RADIUS |
| 9 | 122882-07-01A | EA | GARNISH - ROOF VENT - 2.5" TO 4.1" |

WINDOW & VENTS GROUP (CONTINUED)
WINDOW & VENT LAYOUT (CONTINUED)

| KEY | PART NUMBER | U/M | DESCRIPTION |
|------------|--------------------|------------|--|
| 10* | 122882-01-01A | EA | VENT - ROOF - NONPOWERED - W/O INSIDE GARNISH |
| | 009440-01-000 | EA | GEAR/ARM - LIFT - ROOF VENT COVER |
| 10 | 122882-07-01A | EA | GARNISH - ROOF VENT - 2.5" TO 4.1" |
| 10* | 123780-03-01A | EA | FANTASTIC VENT-3"/4"ROOF-W/FAN-W/O THERM/PWR LIFT/WHT CVR - POWER VENTILATOR VENT |
| | 009440-01-000 | EA | GEAR/ARM - LIFT - ROOF VENT COVER |
| 11 | 122193-01-02A | EA | PANEL - SKYLITE - INNER - W/LIGHT INDENTATION |
| 11 | 138372-01-02B | EA | TRIM - CORNER - SKYLIGHT - E-COATED |
| 11 | 138379-02-01A | EA | PANEL/SKYLIGHT OTR - RECT/4"H CTR DOME-18.4" X 29.5 - WHT |
| 12* | 098647-06-01A | EA | WINDOW - PASS HORIZ SLIDER W/BLK TRIM-TINTED - 23.7" X 15" |
| 12* | 150648-08-01A | EA | WINDOW-HORIZ SLIDER/FLUSH/THERMO/RH - 15.2" X 24" - DUAL PANE |

***COMPONENT PARTS LISTED LATER IN THIS GROUP**

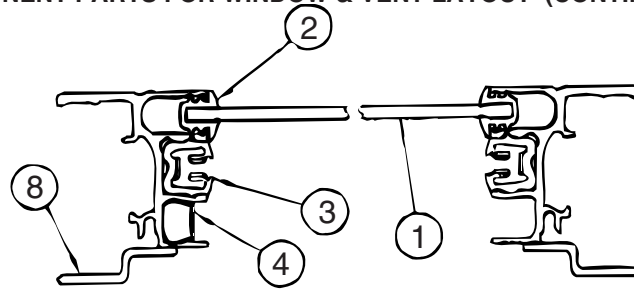
WINDOW & VENTS GROUP (CONTINUED)
COMPONENT PARTS FOR WINDOW & VENT LAYOUT



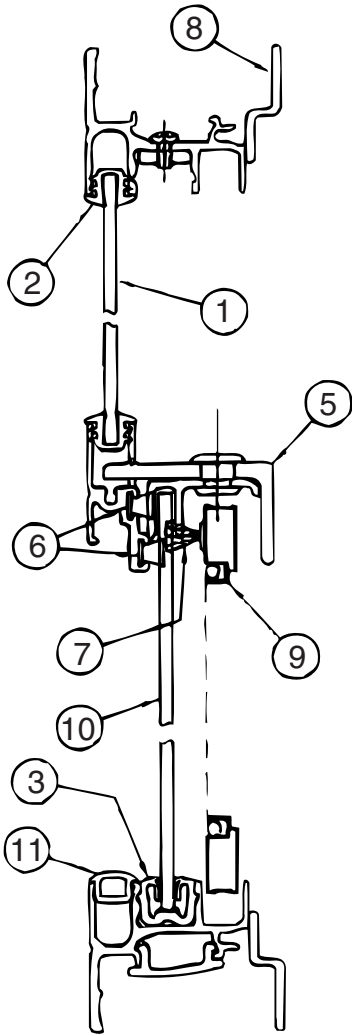
098644-01-01A

| KEY | PART NUMBER | U/M | DESCRIPTION | VENDOR NO. |
|-----|---------------|-----|------------------------------|------------|
| 1 | 098644-01-716 | FT | PLUG - FILLER | 132-014470 |
| 2 | 098644-01-705 | FT | GLAZING - STRIP | 132-010231 |
| 3 | 098644-01-706 | FT | WEATHERSTRIP - GLASS | 171-010668 |
| 4 | 098644-01-713 | EA | CLIP - SCREEN - METAL | 226-016966 |
| 4 | 125582-01-701 | EA | CLIP - SCREEN - PLASTIC | 130-005153 |
| 5 | 098644-01-719 | EA | STOP - SLIDER GLASS | 132-014203 |
| 6 | 098644-01-710 | FT | TRACK - SCREEN SPACER 12' | 132-017135 |
| 7 | 098644-01-700 | EA | LATCH - REPAIR KIT (BLACK) | B801-CK |
| 7 | 098647-54-701 | EA | LATCH - REPAIR KIT (RED) | B081-CK |
| 8 | 098644-01-708 | FT | CHANNEL - RUN PIERCED | 122-016543 |
| 9 | 098644-01-711 | FT | WEATHERSTRIP - SCREEN BLACK | 171-016965 |
| 10 | 098644-01-704 | EA | GLASS - STATIONARY 10"X13.7" | 106-011866 |
| 11 | 098644-01-709 | EA | GLASS - SLIDING W/SASH/LATCH | B963-G9 |
| 12 | 098644-01-712 | EA | SCREEN ASM - W/SEALS & CLIPS | 410-016476 |
| 13 | 098644-01-714 | EA | RETAINER - TRIM | B963-67 |
| | 098644-01-717 | FT | SPLINE - SCREEN | 132-004716 |

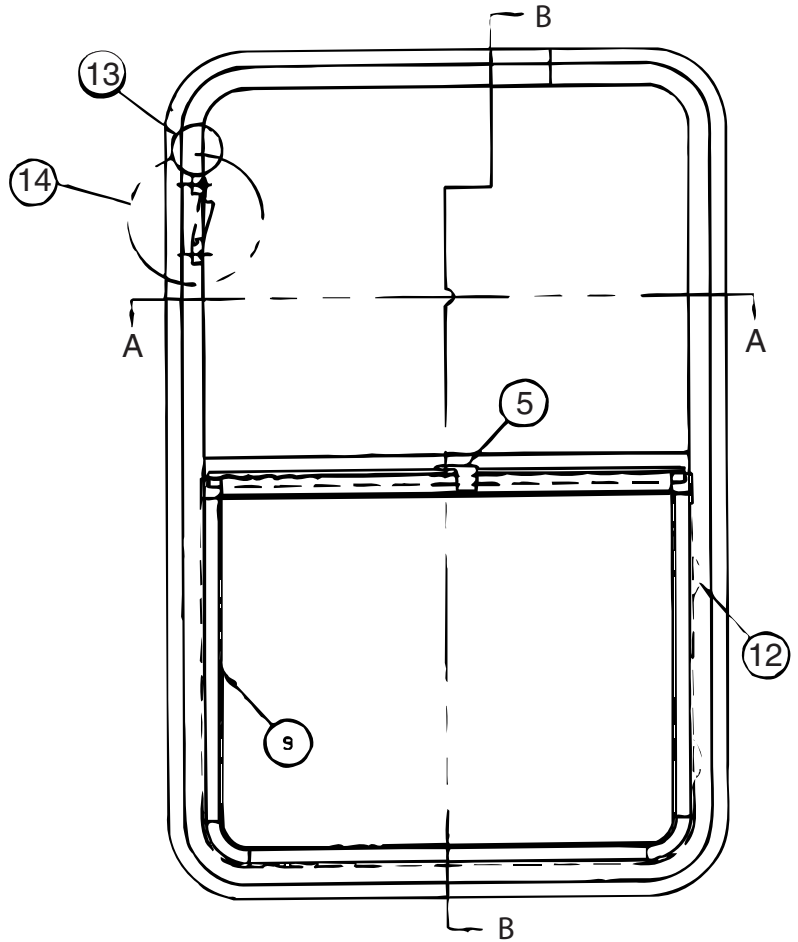
WINDOW & VENTS GROUP (CONTINUED)
COMPONENT PARTS FOR WINDOW & VENT LAYOUT (CONTINUED)



CROSS SECTION A-A



CROSS SECTION B-B

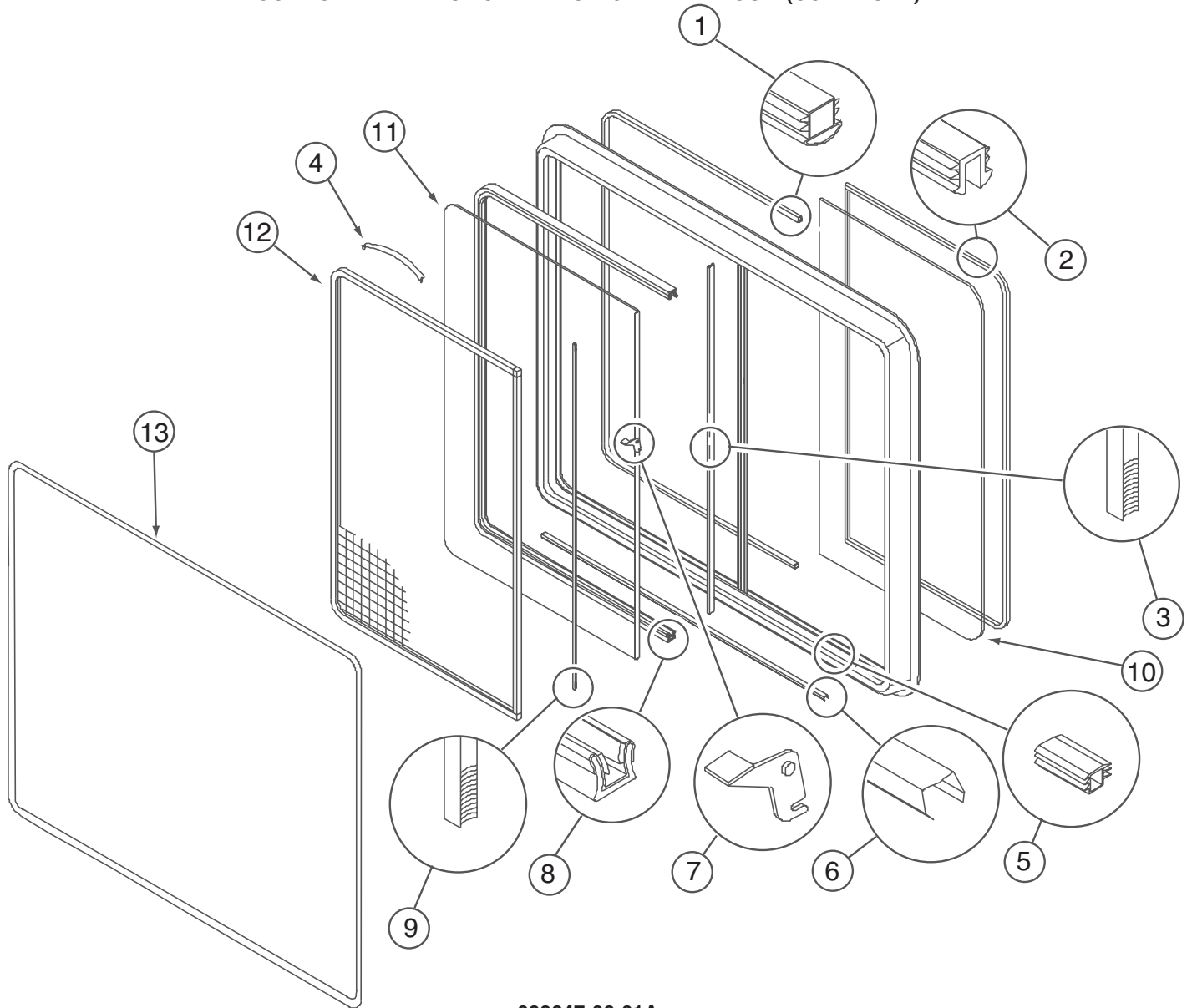


098644-07-02A

| KEY | PART NUMBER | U/M | DESCRIPTION | VENDOR NO. |
|-----|---------------|-----|------------------------------|------------|
| 1 | 098644-07-702 | EA | GLASS - STATIONARY | 106-015777 |
| 2 | 098644-01-705 | FT | GLAZING - STRIP | 132-010231 |
| 3 | 098644-01-708 | FT | CHANNEL - RUN PIERCED | 122-016543 |
| 4 | 098644-01-710 | FT | TRACK - SCREEN SPACER 12' | 132-017135 |
| 5 | 098644-01-700 | EA | LATCH - REPAIR KIT (BLACK) | B801-CK |
| 6 | 098644-01-706 | FT | WEATHERSTRIP - GLASS | 171-010668 |
| 7 | 098644-01-711 | FT | WEATHERSTRIP - SCREEN BLACK | 171-016965 |
| 8 | 098644-07-705 | EA | RETAINER - TRIM | CH02-66 |
| 9 | 098644-07-704 | EA | SCREEN ASM - W/SEALS & CLIPS | 410-018863 |
| 10 | 098644-07-703 | EA | GLASS-SLIDING W/SASH & LATCH | H170G9 |
| 11 | 098644-01-716 | FT | PLUG - FILLER | 132-014470 |
| 12 | 125582-01-701 | EA | CLIP - SCREEN - PLASTIC | 130-005153 |
| 13 | 098644-01-719 | EA | STOP - SLIDER GLASS | 132-014203 |

CONTACT WINNEBAGO PARTS SALES FOR UNLISTED COMPONENT(S)

WINDOW & VENTS GROUP (CONTINUED)
COMPONENT PARTS FOR WINDOW & VENT LAYOUT (CONTINUED)



098647-06-01A

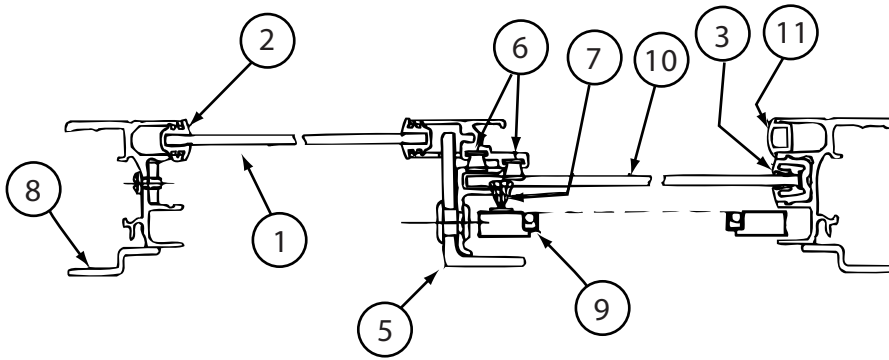
| KEY | PART NUMBER | U/M | DESCRIPTION | VENDOR NO. |
|-----|---------------|-----|------------------------------|------------|
| 1 | 098644-01-716 | FT | PLUG - FILLER | 132-014470 |
| 2 | 098644-01-705 | FT | GLAZING - STRIP | 132-010231 |
| 3 | 098644-01-706 | FT | WEATHERSTRIP - GLASS | 171-010668 |
| 4 | 098644-01-713 | EA | CLIP - SCREEN - METAL | 226-016966 |
| 4 | 125582-01-701 | EA | CLIP - SCREEN - PLASTIC | 130-005153 |
| 5 | 098644-01-719 | EA | STOP - SLIDER GLASS | 132-014203 |
| 6 | 098644-01-710 | FT | TRACK - SCREEN SPACER 12' | 132-017135 |
| 7 | 098644-01-700 | EA | LATCH - REPAIR KIT (BLACK) | B801-CK |
| 7 | 098647-54-701 | EA | LATCH - REPAIR KIT (RED) | B081-CK |
| 8 | 098644-01-708 | FT | CHANNEL - RUN PIERCED | 122-016543 |
| 9 | 098644-01-711 | FT | WEATHERSTRIP - SCREEN BLACK | 171-016965 |
| 10 | 098647-06-700 | EA | GLASS - STATIONARY 10.9X13.8 | 106-016921 |
| 11 | 098647-06-702 | EA | GLASS-SLIDING W/SASH & LATCH | B969-G9 |
| 12 | 098647-06-703 | EA | SCREEN ASM - W/SEALS & CLIPS | 410-016477 |
| 13 | 098647-06-704 | EA | RETAINER - TRIM | B969-67 |
| | 098644-01-717 | FT | SPLINE - SCREEN | 132-004716 |

WINDOW & VENTS GROUP (CONTINUED)
COMPONENT PARTS FOR WINDOW & VENT LAYOUT (CONTINUED)

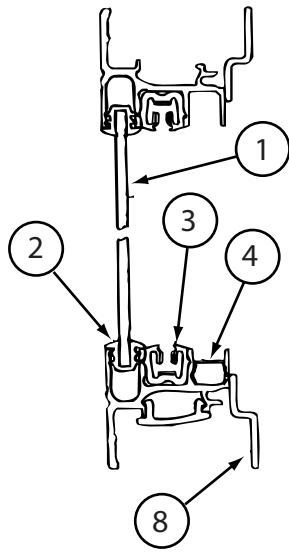
098647-54-01A

| KEY | PART NUMBER | U/M | DESCRIPTION | VENDOR NO. |
|-----|---------------|-----|------------------------------|------------|
| 1 | 098644-01-716 | FT | PLUG - FILLER | 132-014470 |
| 2 | 098644-01-705 | FT | GLAZING - STRIP | 132-010231 |
| 3 | 098644-01-706 | FT | WEATHERSTRIP - GLASS | 171-010668 |
| 4 | 098644-01-713 | EA | CLIP - SCREEN - METAL | 226-016966 |
| 4 | 125582-01-701 | EA | CLIP - SCREEN - PLASTIC | 130-0 |
| 5 | 098644-01-719 | EA | STOP - SLIDER GLASS | 132-014203 |
| 6 | 098644-01-710 | FT | TRACK - SCREEN SPACER 12' | 132-017135 |
| 7 | 098647-54-701 | EA | LATCH - REPAIR KIT (RED) | B081-CK |
| 8 | 098644-01-708 | FT | CHANNEL - RUN PIERCED | 122-016543 |
| 9 | 098644-01-711 | FT | WEATHERSTRIP - SCREEN BLACK | 171-016965 |
| 10 | 098647-47-700 | EA | GLASS - STATIONARY | 106-025224 |
| 11 | 098647-54-700 | EA | GLASS-SLIDING W/SASH & LATCH | H666-G9 |
| 12 | 098647-47-702 | EA | SCREEN ASM - W/SEALS & CLIPS | 410-025226 |
| 13 | 098647-47-704 | EA | RETAINER - TRIM | H493-66 |
| | 098644-01-717 | FT | SPLINE - SCREEN | 132-004716 |

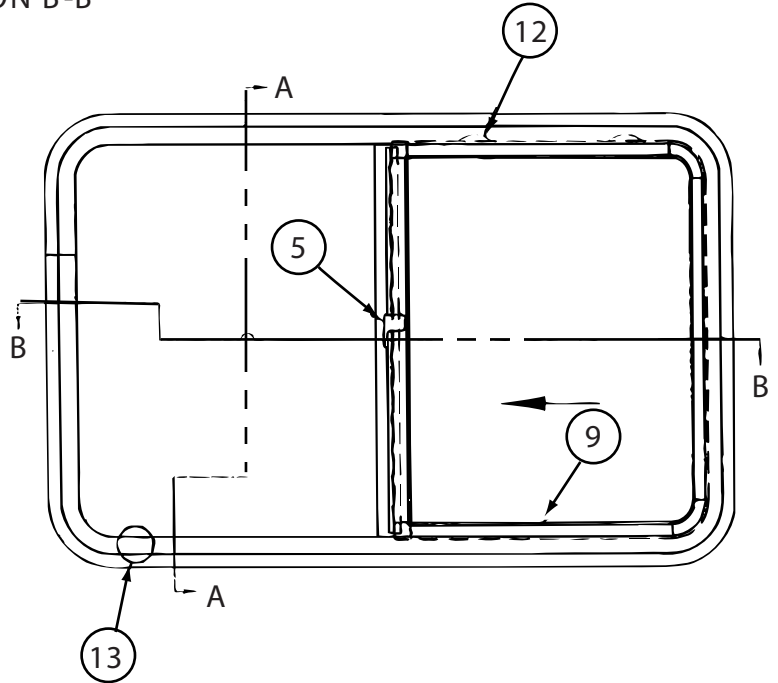
WINDOW & VENTS GROUP (CONTINUED)
COMPONENT PARTS FOR WINDOW & VENT LAYOUT (CONTINUED)



CROSS SECTION B-B



CROSS SECTION A-A



098647-73-01A

| KEY | PART NUMBER | U/M | DESCRIPTION | VENDOR NO. |
|-----|---------------|-----|------------------------------|------------|
| 1 | 098647-56-700 | EA | GLASS - STATIONARY | 106-019401 |
| 2 | 098644-01-705 | FT | GLAZING - STRIP | 132-010231 |
| 3 | 098644-01-708 | FT | CHANNEL - RUN PIERCED | 122-016543 |
| 4 | 098644-01-710 | FT | TRACK - SCREEN SPACER 12' | 132-017135 |
| 5 | 098644-01-700 | EA | LATCH - REPAIR KIT (BLACK) | B801-CK |
| 6 | 098644-01-706 | FT | WEATHERSTRIP - GLASS | 171-010668 |
| 7 | 098644-01-711 | FT | WEATHERSTRIP - SCREEN BLACK | 171-016965 |
| 8 | 112795-62-704 | EA | RETAINER - TRIM | H422-64 |
| 9 | 112795-62-702 | EA | SCREEN ASM W/SEALS & CLIPS | 410-018866 |
| 10 | 098647-56-701 | EA | GLASS-SLIDING W/SASH & LATCH | H422-G9 |
| 11 | 098644-01-716 | FT | PLUG - FILLER | 132-014470 |
| 12 | 125582-01-701 | EA | CLIP - SCREEN - PLASTIC | 130-005153 |
| 13 | 098644-01-719 | EA | STOP - SLIDER GLASS | 132-014203 |
| 14 | 112898-06-708 | EA | HANDLE/LH-EGRESS(SLD)ESC-RED | 182-025912 |
| 15 | 112898-06-707 | EA | HANDLE/RH-EGRESS(SLD)ESC-RED | 182-025911 |

WINDOW & VENTS GROUP (CONTINUED)
COMPONENT PARTS FOR WINDOW & VENT LAYOUT (CONTINUED)

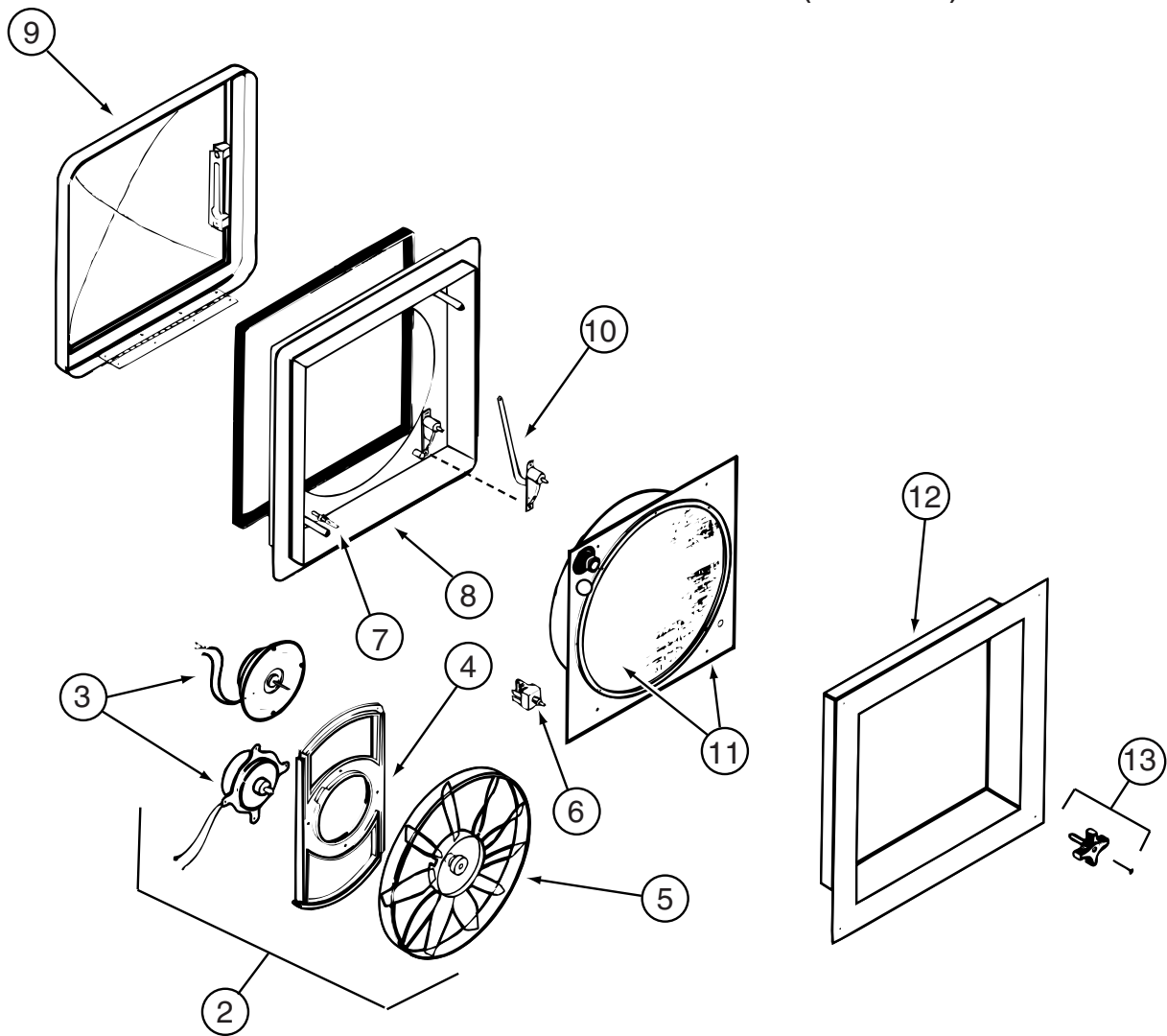
122882-01-01A

| KEY | PART NUMBER | U/M | DESCRIPTION | VENDOR NO. |
|------------|--------------------|------------|------------------------|-------------------|
| | 064470-01-700 | EA | COVER - VENT | J7291 |
| | 064470-01-701 | EA | SLIDE BAR - VENT LID | JRP1291B |
| | 122882-01-700 | EA | HANDLE - CRANK - BLACK | 90128 |
| | 122882-01-701 | EA | SCREEN | JRP-1124-B |
| | 122882-01-702 | EA | HANDLE - CRANK - WHITE | JRP1031B |

122882-02-01A, 122882-03-01A

| KEY | PART NUMBER | U/M | DESCRIPTION | VENDOR NO. |
|------------|--------------------|------------|--------------------------|-------------------|
| | 064470-01-700 | EA | COVER - VENT | J7291 |
| | 064470-01-701 | EA | SLIDE BAR - VENT LID | JRP1291B |
| | 110051-03-700 | EA | SWITCH-BLACK/PUSH BUTTON | 27-0164 |
| | 122882-01-700 | EA | HANDLE - CRANK - BLACK | 90128 |
| | 122882-01-701 | EA | SCREEN | JRP-1124-B |
| | 122882-01-702 | EA | HANDLE - CRANK - WHITE | JRP1031B |

WINDOW & VENTS GROUP (CONTINUED)
COMPONENT PARTS FOR WINDOWS & VENT LAYOUT (CONTINUED)

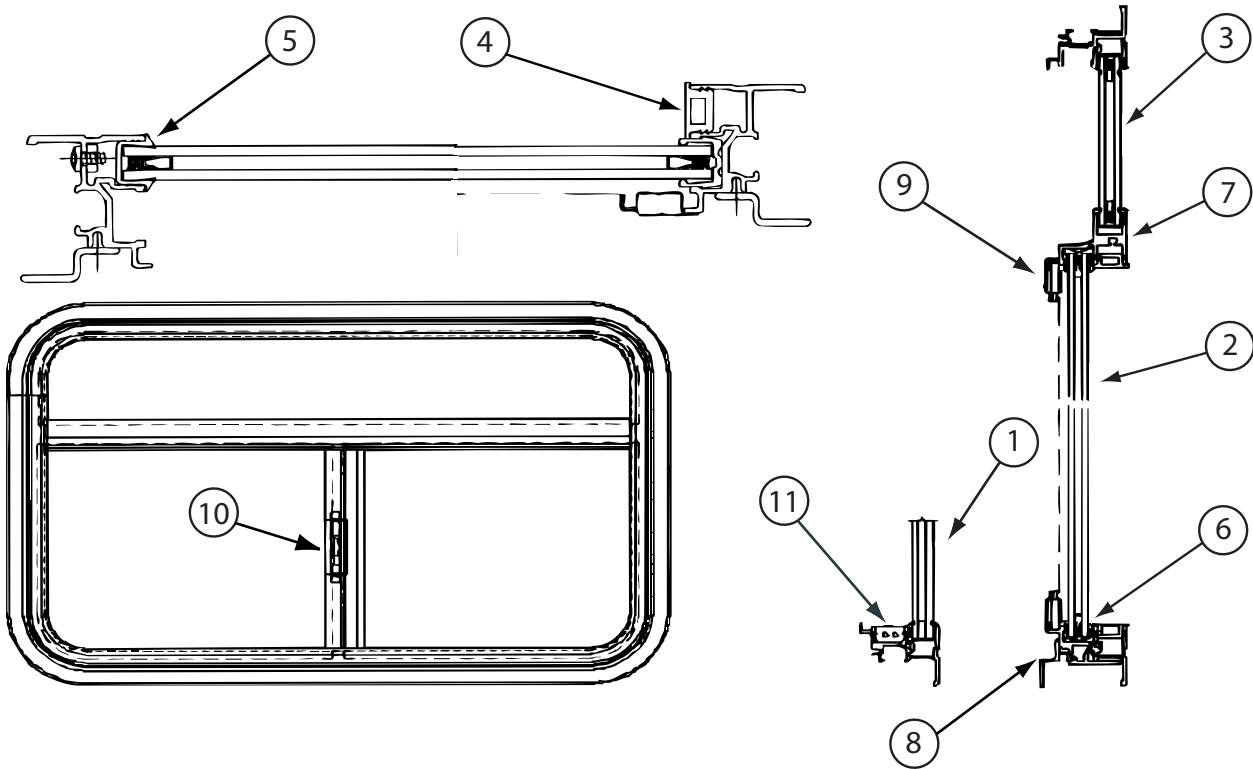


123780-03-01A

| KEY | PART NUMBER | U/M | DESCRIPTION | VENDOR NO. |
|-----|---------------|-----|------------------------------|------------|
| 2 | 084079-11-700 | EA | MOTOR & FAN BLADE W/BRACKET | K4017-09 |
| 3 | 084079-01-705 | EA | MOTOR/EXT BRKT/FAN BLADE KIT | 1080-00 |
| 4 | 084079-01-711 | EA | MOTOR MOUNT (BOWTIE) | 1015-00 |
| 5 | 084079-01-704 | EA | BLADE-FAN | 1138-00 |
| 6 | 084079-01-709 | EA | SWITCH - MAIN - 3 SPEED | 1031-05 |
| 7 | 084079-01-707 | EA | SWITCH - SAFETY | 1122-05 |
| 8 | 123780-05-700 | EA | BASE/MAIN-BRT WHT W/GASKET | 1010-81 |
| 9 | 123780-01-700 | EA | COVER - VENT W/HINGE & SLIDE | 1020K-81 |
| 10 | 009440-01-000 | EA | GEAR-ARM-ROOF VENT | 705221K38 |
| 11 | 123780-03-701 | EA | SCREEN ASM 78-100MM W/SWITCH | 1030BT-81 |
| 12 | 123780-03-700 | EA | GARNISH - INT. 3"-4" BRT/WHT | 2040-81 |
| 13 | 084079-01-703 | EA | KNOB-LIFT | 1140K-00 |
| | 084079-01-706 | EA | PLUG, 12 VOLT | 1090 |
| | 123780-01-702 | EA | SCREEN INSERT (SCREEN RING) | K1035-81 |

CONTACT WINNEBAGO PART SALES FOR UNLISTED COMPONENT(S)

WINDOW & VENTS GROUP (CONTINUED)
COMPONENT PARTS FOR WINDOWS & VENT LAYOUT (CONTINUED)



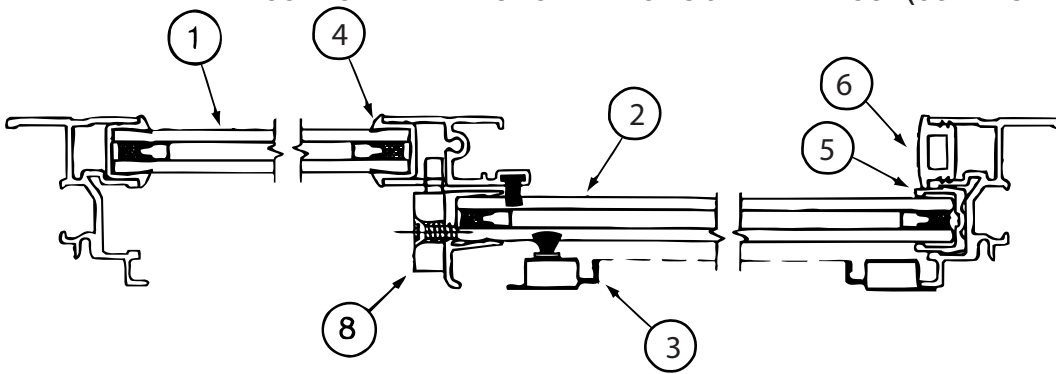
145573-05-01A

| KEY | PART NUMBER | U/M | DESCRIPTION | VENDOR NO |
|-----|---------------|-----|------------------------------|------------|
| 1 | 145573-01-702 | EA | GLASS - STATIONARY (LOWER) | 106-030926 |
| 2 | 145573-01-703 | EA | GLASS-SLIDING W/SASH & LATCH | H841-A9 |
| 3 | 145573-01-700 | EA | GLASS - STATIONARY (TOP) | 106-030654 |
| 4 | 098644-01-716 | FT | PLUG - FILLER | 132-014470 |
| 5 | 098644-01-705 | FT | GLAZING - STRIP | 132-010231 |
| 6 | 098644-01-708 | FT | CHANNEL - RUN PIERCED | 122-016543 |
| 7 | 145573-05-700 | EA | WEATHERSTRIP F/LOCKING RAIL | H29219 |
| 8 | 112795-66-703 | EA | RETAINER - TRIM | H611-66 |
| 9 | 145573-01-700 | EA | SCREEN ASM - W/SEALS & CLIP | 410-030660 |
| 10 | 098644-01-700 | EA | LATCH - REPAIR KIT (BLACK) | B801-CK |
| 11 | 098644-01-719 | EA | STOP - SLIDER GLASS | 132-014203 |

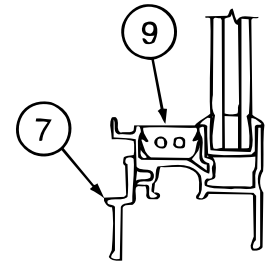
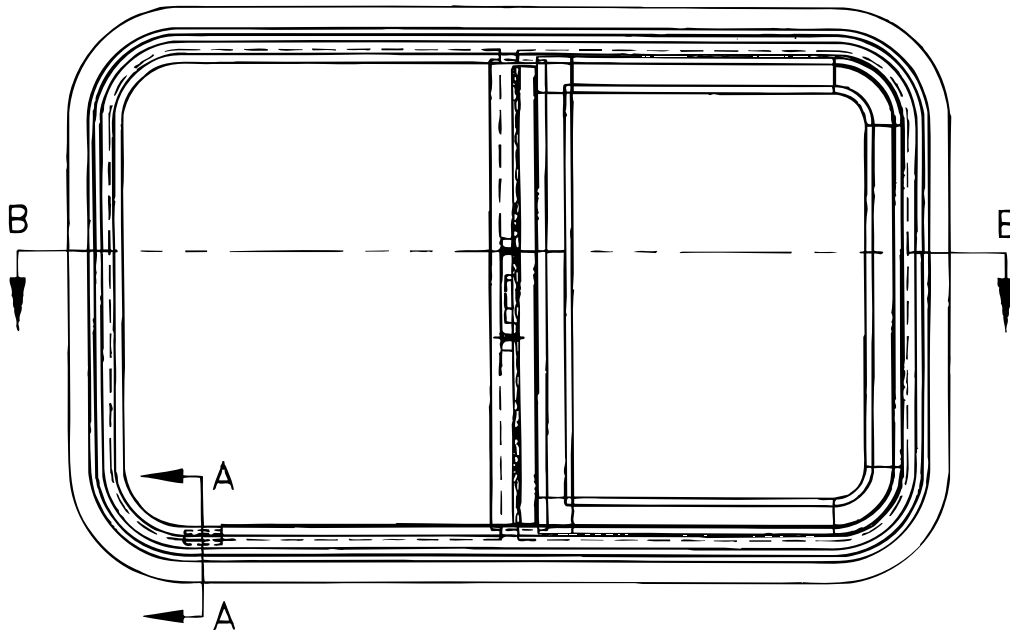
145573-06-01A

| KEY | PART NUMBER | U/M | DESCRIPTION | VENDOR NO |
|-----|---------------|-----|------------------------------|------------|
| 1 | 145573-01-702 | EA | GLASS - STATIONARY (LOWER) | 106-030926 |
| 2 | 145573-02-701 | EA | GLASS-SLIDING W/SASH & LATCH | H841-A9R |
| 3 | 145573-01-701 | EA | GLASS - STATIONARY (TOP) | 106-030654 |
| 4 | 098644-01-716 | FT | PLUG - FILLER | 132-014470 |
| 5 | 098644-01-705 | FT | GLAZING - STRIP | 132-010231 |
| 6 | 098644-01-708 | FT | CHANNEL - RUN PIERCED | 122-016543 |
| 7 | 145573-05-700 | EA | WEATHERSTRIP F/LOCKING RAIL | H29219 |
| 8 | 112795-66-703 | EA | RETAINER - TRIM | H611-66 |
| 9 | 145573-01-700 | EA | SCREEN ASM - W/SEALS & CLIP | 410-030660 |
| 10 | 098644-01-700 | EA | LATCH - REPAIR KIT (BLACK) | B801-CK |
| 11 | 098644-01-719 | EA | STOP - SLIDER GLASS | 132-014203 |

WINDOW & VENTS GROUP (CONTINUED)
COMPONENT PARTS FOR WINDOWS & VENT LAYOUT (CONTINUED)



CROSS SECTION B-B



CROSS SECTION
A-A

150648-01-01A

| KEY | PART NUMBER | U/M | DESCRIPTION | VENDOR NO |
|-----|---------------|-----|------------------------------|------------|
| 1 | 150648-01-705 | EA | GLASS - STATIONARY | 390-028313 |
| 2 | 150648-01-706 | EA | GLASS-SLIDING W/SASH & LATCH | FH3003G8 |
| 3 | 150648-01-702 | EA | SCREEN ASM | 410-031156 |
| 4 | 112795-01-705 | FT | VINYL - GLAZING | 132-027331 |
| 5 | 151069-01-700 | EA | CHANNEL-RUN, SLIDING | 122-030627 |
| 6 | 150648-01-703 | EA | PLUG - FILLER | 132-030308 |
| 7 | 150648-01-707 | EA | RETAINER - TRIM | H493-67 |
| 8 | 150648-01-700 | EA | LATCH-HORIZONTAL SLIDE-BLK | FH3000-CK |
| 8 | 150648-01-701 | EA | LATCH-HORIZONTAL SLIDE-RED | FH3003-CK |
| 9 | 150648-01-704 | EA | SLIDE STOP | 132-030866 |
| | 150648-05-702 | FT | FIN SEAL-F/LOCKING RAIL-BLK | 171-06234 |

WINDOW & VENTS GROUP (CONTINUED)
COMPONENT PARTS FOR WINDOWS & VENT LAYOUT (CONTINUED)

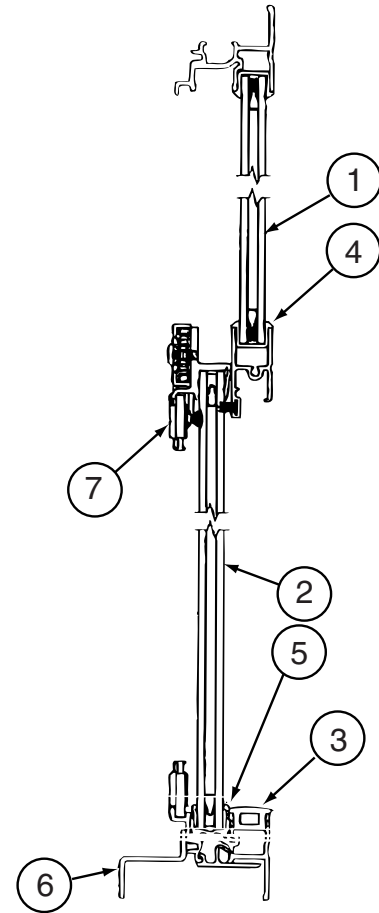
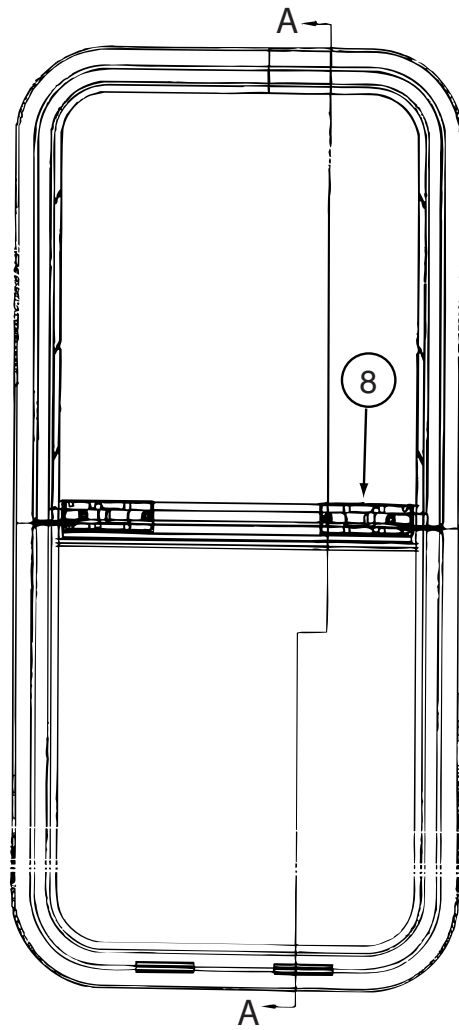
150648-08-01A, 150648-09-01A

| KEY | PART NUMBER | U/M | DESCRIPTION | VENDOR NO |
|------------|--------------------|------------|------------------------------|------------------|
| 1 | 112795-78-700 | EA | GLASS - STATIONARY | 390-028338 |
| 2 | 150648-08-700 | EA | GLASS-SLIDING W/SASH & LATCH | FH3015G8 |
| 3 | 150648-09-700 | EA | SCREEN ASM | 410-035336 |
| 4 | 112795-01-705 | FT | VINYL - GLAZING | 132-027331 |
| 5 | 151069-01-700 | EA | CHANNEL-RUN, SLIDING | 122-030627 |
| 6 | 150648-01-703 | EA | PLUG - FILLER | 132-030308 |
| 7 | 098674-06-704 | EA | RETAINER - TRIM | B969-67 |
| 8 | 150648-01-700 | EA | LATCH-HORIZONTAL SLIDE-BLK | FH3000-CK |
| 8 | 150648-01-701 | EA | LATCH-HORIZONTAL SLIDE-RED | FH3003-CK |
| 9 | 150648-01-704 | EA | SLIDE STOP | 132-030866 |
| | 150648-05-702 | FT | FIN SEAL-F/LOCKING RAIL-BLK | 171-062348 |

150648-12-01A & 150648-15-01A

| KEY | PART NUMBER | U/M | DESCRIPTION | VENDOR NO |
|------------|--------------------|------------|----------------------------------|------------------|
| 1 | 150648-15-700 | EA | GLASS - STATIONARY | 390-035689 |
| 2 | 150648-15-701 | EA | GLASS-SLIDING W/SASH & LATCH | FH3060G8 |
| 3 | 150648-15-702 | EA | SCREEN ASM | 410-035691 |
| 4 | 112795-01-705 | FT | VINYL - GLAZING | 132-027331 |
| 5 | 151069-01-700 | EA | CHANNEL-RUN, SLIDING | 122-030627 |
| 6 | 150648-01-703 | FT | PLUG - FILLER | 132-030308 |
| 7 | 150648-15-703 | EA | RETAINER - TRIM | FH814-60 |
| 8 | 150648-01-700 | EA | LATCH-HORIZONTAL SLIDE-BLK | FH3000-CK |
| 8 | 150648-01-701 | EA | LATCH-HORIZONTAL SLIDE-RED | FH3003-CK |
| 9 | 150648-01-704 | EA | SLIDE STOP | 132-030866 |
| | 150648-05-702 | FT | FIN SEAL-F/LOCKING RAIL-BLK | 171-062348 |
| | 112898-06-707 | EA | HANDLE/RH - EGRESS (SLD) ESC-RED | 182-025911 |
| | 112898-06-708 | EA | HANDLE/LH - EGRESS (SLD) ESC-RED | 182-025912 |

WINDOW & VENTS GROUP (CONTINUED)
COMPONENT PARTS FOR WINDOWS & VENT LAYOUT (CONTINUED)



CROSS SECTION A-A

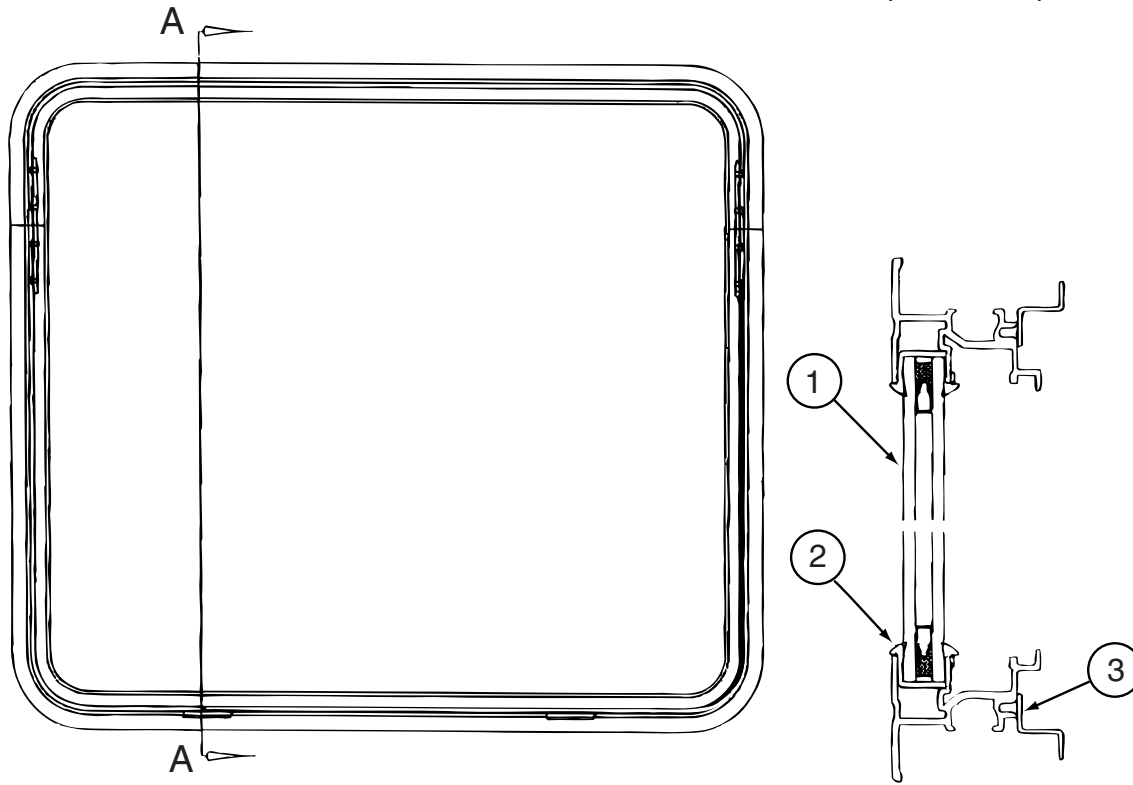
150649-01-01A

| KEY | PART NUMBER | U/M | DESCRIPTION | VENDOR NO |
|-----|---------------|-----|------------------------------|------------|
| 1 | 112898-22-700 | EA | GLASS - STATIONARY | 390-028345 |
| 2 | 150649-01-704 | EA | GLASS-SLIDING W/PULL & LATCH | FH3016G8 |
| 3 | 150648-01-703 | FT | PLUG - FILLER | 132-030308 |
| 4 | 112795-01-705 | FT | VINYL - GLAZING | 132-027331 |
| 5 | 151069-01-700 | FT | CHANNEL-RUN, SLIDING | 122-030627 |
| 6 | 150649-01-703 | EA | RETAINER - TRIM | CH02-67 |
| 7 | 150649-01-702 | EA | SCREEN ASM | 410-035464 |
| 8 | 150649-01-700 | EA | LATCH-VERTICLE SLIDE-BLK | FH3016-CK |

150649-15-01A

| KEY | PART NUMBER | U/M | DESCRIPTION | VENDOR NO |
|-----|---------------|-----|------------------------------|------------|
| 1 | 150649-15-701 | EA | GLASS - STATIONARY | 390-035768 |
| 2 | 150649-15-702 | EA | GLASS-SLIDING W/PULL & LATCH | FH3069G8 |
| 3 | 150648-01-703 | FT | PLUG - FILLER | 132-030308 |
| 4 | 112795-01-705 | FT | VINYL - GLAZING | 132-027331 |
| 5 | 151069-01-700 | FT | CHANNEL-RUN, SLIDING | 122-030627 |
| 6 | 150649-15-703 | EA | RETAINER - TRIM | H3069-67 |
| 7 | 150649-15-700 | EA | SCREEN ASM | 410-035769 |
| 8 | 150649-01-700 | EA | LATCH-VERTICLE SLIDE-BLK | FH3016-CK |

WINDOW & VENTS GROUP (CONTINUED)
COMPONENT PARTS FOR WINDOWS & VENT LAYOUT (CONTINUED)

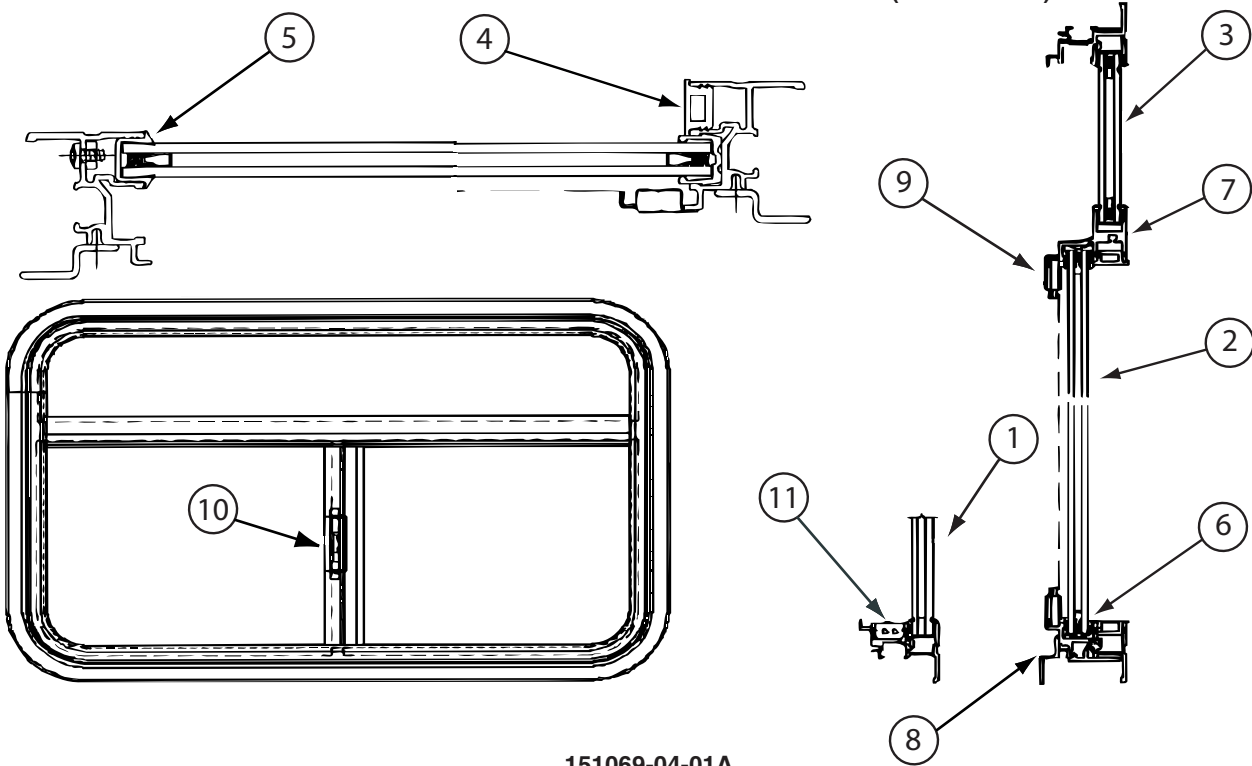


CROSS SECTION A-A

150651-01-01A

| KEY | PART NUMBER | U/M | DESCRIPTION | VENDOR NO |
|-----|---------------|-----|------------------|------------|
| 1 | 113733-10-700 | EA | GLASS-STATIONARY | 390-028306 |
| 2 | 112795-01-705 | FT | VINYL - GLAZING | 132-027331 |
| 3 | 150651-01-700 | EA | RETAINER - TRIM | H416-67 |

WINDOW & VENTS GROUP (CONTINUED)
COMPONENT PARTS FOR WINDOWS & VENT LAYOUT (CONTINUED)



151069-04-01A

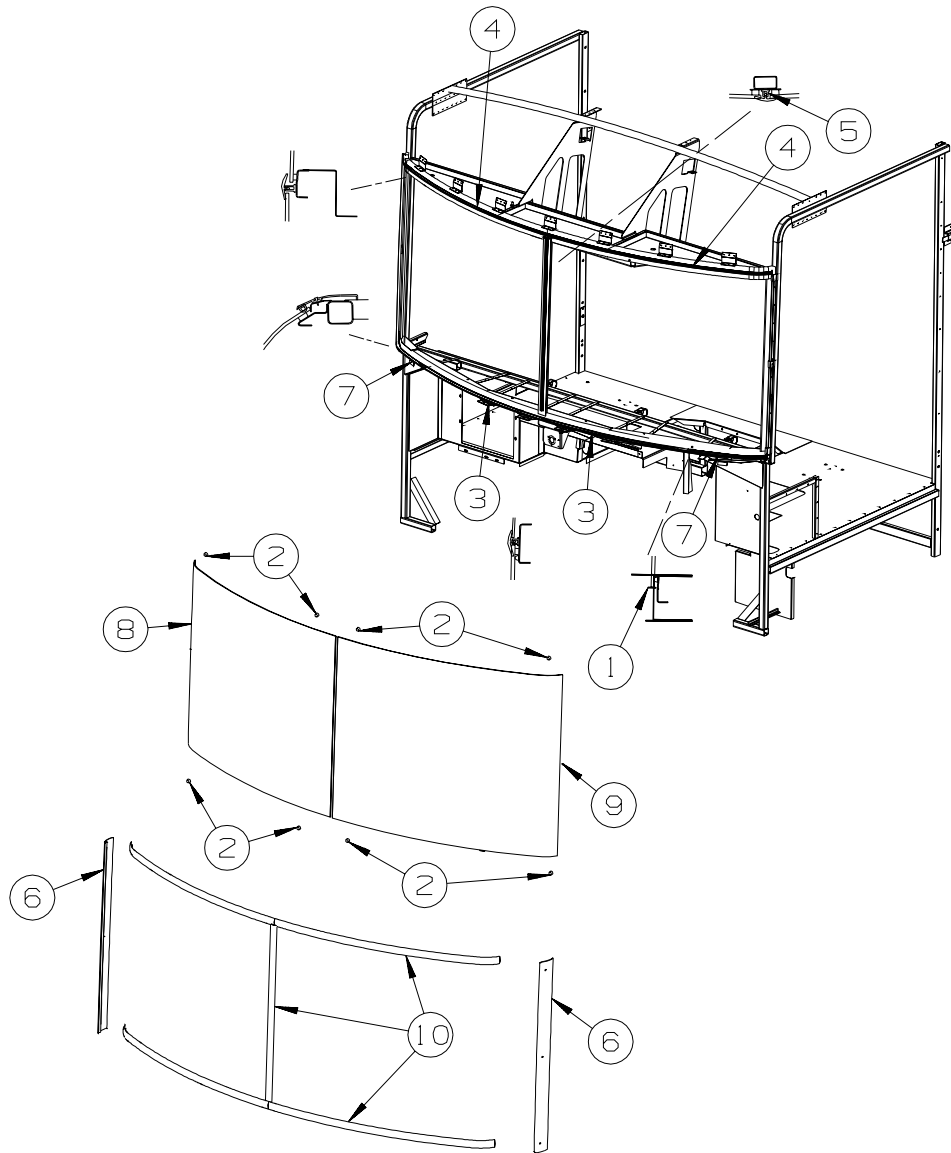
| KEY | PART NUMBER | U/M | DESCRIPTION | VENDOR NO |
|-----|---------------|-----|------------------------------|-----------------|
| 1 | 145573-03-701 | EA | GLASS - STATIONARY LWR RH | 390-035011 |
| 2 | 151069-02-701 | EA | GLASS-SLIDING W/SASH & LATCH | FH3059A9R |
| 3 | 151069-05-700 | EA | GLASS - STATIONARY - UPPER | 390-036525 |
| 4 | 150648-01-703 | FT | PLUG - FILLER | 132-030308 |
| 5 | 112795-01-705 | FT | VINYL - GLAZING | 132-027331 |
| 6 | 151069-01-700 | FT | CHANNEL-RUN, SLIDING | 122-030627 |
| 7 | 151069-05-702 | EA | WEATHERSTRIP F/LOCKING RAIL | FH305919 |
| 8 | 150648-16-702 | EA | RETAINER - TRIM | H611-67 |
| 9 | 151069-02-700 | EA | SCREEN ASM - RIGHT | 410-035637 (RH) |
| 10 | 150648-01-700 | EA | LATCH-HORIZONTAL SLIDE-BLK | FH3000-CK |
| 11 | 150648-01-704 | EA | SLIDE STOP | 132-030866 |

151069-05-01A

| KEY | PART NUMBER | U/M | DESCRIPTION | VENDOR NO |
|-----|---------------|-----|------------------------------|---------------------|
| 1 | 145573-04-700 | EA | GLASS - STATIONARY LWR | 390-035010 |
| 2 | 151069-01-702 | EA | GLASS-SLIDING W/SASH & LATCH | FH3059A9L |
| 3 | 151069-05-700 | EA | GLASS - STATIONARY - UPPER | 390-036525 |
| 4 | 150648-01-703 | FT | PLUG - FILLER | 132-030308 |
| 5 | 151069-05-701 | EA | VINYL GLAZING-PRE-CUT/FORMED | DH841-12 MITER/WELD |
| 6 | 151069-01-700 | FT | CHANNEL-RUN, SLIDING | 122-030627 |
| 7 | 151069-05-702 | EA | WEATHERSTRIP F/LOCKING RAIL | FH305919 |
| 8 | 151069-05-703 | EA | RETAINER - TRIM | H611-67 |
| 9 | 151069-05-704 | EA | SCREEN ASM | 410-035641 |
| 10 | 150648-01-700 | EA | LATCH-HORIZONTAL SLIDE-BLK | FH3000-CK |
| 11 | 150648-01-704 | EA | SLIDE STOP | 132-030866 |

WINDSHIELD & WIPER GROUP

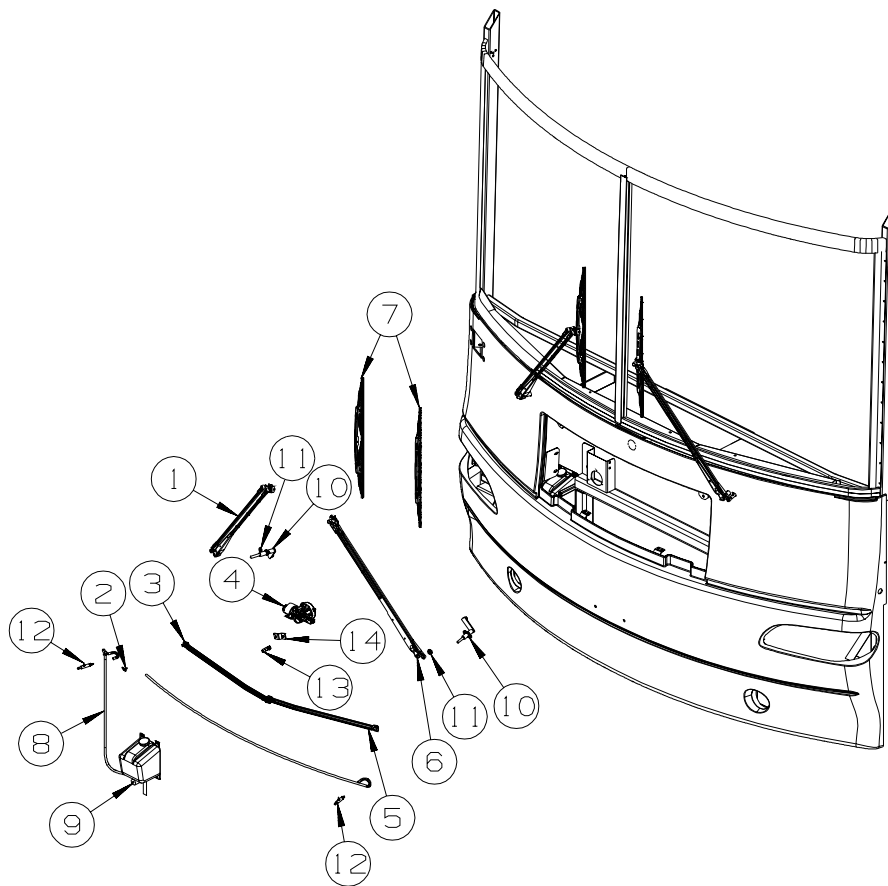
WINDSHIELD



| KEY | PART NUMBER | U/M | DESCRIPTION |
|-----|---------------|-----|---|
| 1 | 002328-03-000 | EA | BLOCK - WINDSHIELD - .125" X .5" X .98" |
| 2 | 081914-02-000 | EA | BUMPER - RUBBER - ROUND - 5/16" DIA. X 13/64" THICK |
| 3 | 132375-04-000 | EA | CARRIER/REVEAL - WINDSHIELD - 29.8" |
| 4 | 127862-01-000 | EA | CARRIER/REVEAL - WINDSHIELD - 47.2" |
| 5 | 127862-09-000 | EA | CARRIER/REVEAL - WINDSHIELD - 38.6" |
| 6 | 129497-07-03A | EA | TRIM - WINDSHIELD/"A"-PILLAR - PASSENGER - BRIGHT WHITE |
| 7 | 132375-01-000 | EA | CARRIER/REVEAL - WINDSHIELD - 5.5" |
| 8 | 137583-01-000 | EA | WINDSHIELD - PASSENGER (CURVED) 52.4" X 40.5" |
| 9 | 137583-02-000 | EA | WINDSHIELD - DRIVER (CURVED) 52.4" X 40.5" |
| 10 | 120533-01-000 | FT | MOLDING - REVEAL - WINDSHIELD |

WINDSHIELD & WIPER GROUP (CONTINUED)

WIPER



| KEY | PART NUMBER | U/M | DESCRIPTION |
|-----|---------------|-----|---|
| 1* | 149402-03-000 | EA | ARM - WINDSHIELD WIPER/PANTOGRAPH - RIGHT HAND - 28" |
| 2 | 146486-01-000 | EA | TEE - PLASTIC - 5/32" X 5/32" X 5/32" - ON LEFT SIDE OF WORKHORSE CHASSIS |
| 3 | 149403-01-000 | EA | LINK/CONNECTING-WINDSHIELD WIPER - CLOSED/CLOSED - 24" |
| 4 | 149409-01-000 | EA | MOTOR - WIPER - DYNAMIC PARK |
| 5 | 149403-02-000 | EA | LINK/CONNECTING-WINDSHIELD WIPER - OPEN/CLOSED GROMMET-24" |
| 6* | 149402-04-000 | EA | ARM - WINDSHIELD WIPER/PANTOGRAPH - LEFT HAND - 28" |
| 7 | 149399-01-000 | EA | BLADE - WINDSHIELD WIPER - 24" |
| 8 | 045794-01-000 | FT | HOSE - WINDSHIELD WASHER - 5/32"ID - BLACK - ON LEFT SIDE OF WORKHORSE CHASSIS |
| 9 | 117766-02-000 | EA | RESERVOIR/PUMP - WINDSHIELD WASHER - ON LEFT SIDE OF WORKHORSE CHASSIS |
| 10* | 149401-03-000 | EA | SHAFT/PIVOT - WINDSHIELD WIPER |
| 11 | 110742-03-000 | EA | GASKET - WIPER |
| 12 | 145698-01-01A | EA | SHAFT/IDLER - PANTOGRAPH - W/WASHER DIVERTER - STAINLESS |
| 13 | 149395-01-000 | EA | STUD/DOUBLE BALL CRANK - WIPER MOTOR |
| 14 | 149408-01-000 | EA | ARM - DRIVE/WIPER MOTOR |

*COMPONENT PARTS LISTED LATER IN THIS GROUP

COMPONENT PARTS FOR WIPER

149401-03-000

| KEY | PART NUMBER | U/M | DESCRIPTION | VENDOR NO. |
|-----|---------------|-----|------------------------------|-----------------|
| | 096505-02-703 | EA | NUT/ACORN - HD W/.687 BRL | 51065-40-NT27WC |
| | 149401-01-700 | EA | HARDWARE PKG - F/SHAFT&PIVOT | PSHWKIT |
| | 149401-01-701 | EA | SEAL CAP/RUBBER GROMMET | 300749 |

149402-03-000 & 149402-04-000

| KEY | PART NUMBER | U/M | DESCRIPTION | VENDOR NO. |
|-----|---------------|-----|--------------------------|------------|
| | 149402-03-700 | EA | WASHER NOZZLE KIT W/HDWR | 19476 |
| | 149402-03-701 | EA | COVER/CAP - BLACK | 200342 |