

2007
JOURNEY & JOURNEY SE
WKP34H & WKP34SH
P-SERIES

CONCERT CHERRY

- UC1 PERSIAN MIST
- UM7 PERSIAN MIST
- UC5 HADLEY SQUARE
- UM8HADLEY SQUARE
- UD1 SAUSALITO
- UM9 SAUSALITO

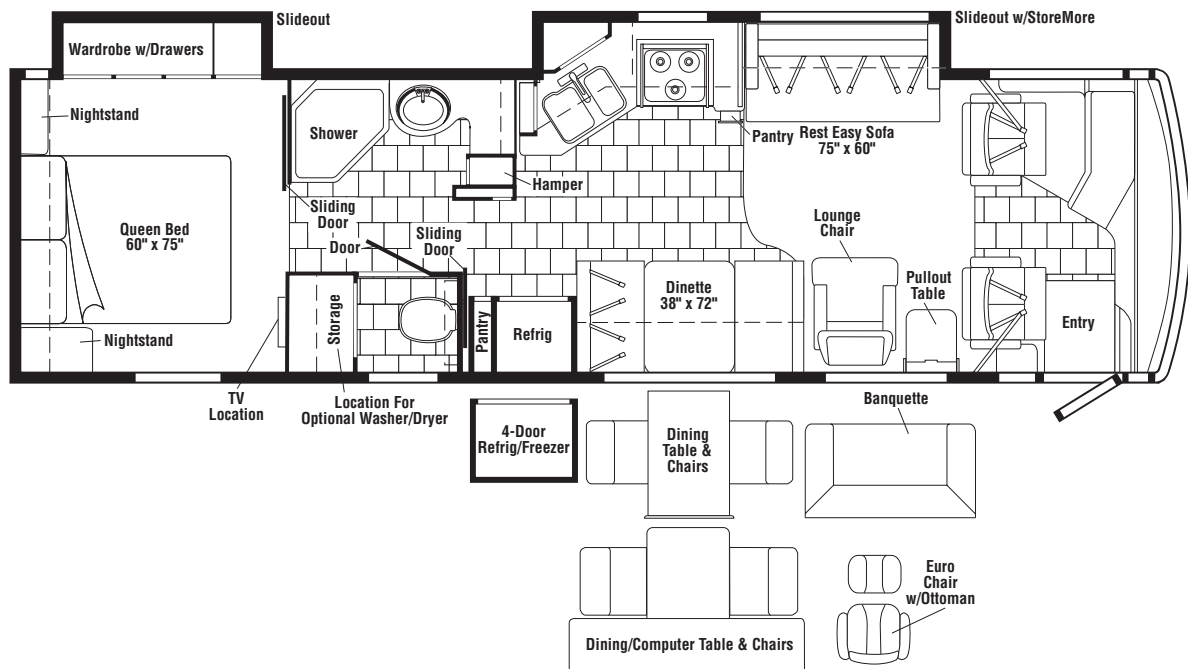
WASHED MAPLE

- UC2 PERSIAN MIST
- UC6 HADLEY SQUARE
- UD2 SAUSALITO
- SIERRA MAPLE**
- UC3 PERSIAN MIST
- UC7 HADLEY SQUARE

- UD3 SAUSALITO
- UP1 SYMPHONY
- UP2 CABOT COVE
- UP3 MANHATTAN

DASH ACCENT COLORS

- UC1,UC2,UC3,UC5,UC6,UC7,UD1,UD2,UD3,UM7,UM8,UM9,UP3 - CASHMERE
- UP1,UP2 - RIVERSTONE



FLOORPLAN

CONTENTS

FLOORPLAN	1
ACCESSORIES GROUP	6
OPERATORS MANUAL	6
AUDIO VIDEO GROUP	7
RADIO SYSTEM	7
REAR MONITOR	7
COMPONENT PARTS FOR REAR MONITOR	7
144677-10-01A	7
144677-11-01A	7
144677-10-02A & 144677-11-02A	7
CABINET & APPLIANCE GROUP	8
CABINET & APPLIANCE LAYOUT	8
COMPONENT PARTS FOR CABINET & APPLIANCE LAYOUT	21
119267-12-02A	21
120075-12-01A, 120075-13-01A, 120075-14-01A, 120075-15-01A	22
120075-23-01A	29
121569-05-01A, 121569-06-01A, 121569-07-01A	36
125242-03-02A	42
125242-05-02A	49
126022-01-01A, 126022-02-01A, 126022-03-01A	58
135065-03-01A, 135065-03-03A, 135065-04-01A	59
CHASSIS GROUP	61
FRAME	61
FRONT END	63
AIR INTAKE	64
INSULATION	65
STEPWELL COVER	68
COMPONENT PARTS FOR STEPWELL COVER	68
141691-01-01A	68
EXHAUST	69
HITCH	69
REAR BUMPER	69
FUEL	70
HYDRAULIC LEVELING	71
COMPONENT PARTS FOR HYDRAULIC LEVELING	72
100536-47-000	72
153452-22-000	72
153452-23-000	72
WHEEL, TIRE, COVERS &/OR LINERS	72
COMPONENT PARTS FOR WHEEL, TIRE, COVERS &/OR LINERS	72
145580-05-000	72
CURTAIN & CUSHION GROUP	73
NOTICE	73
CUSHION LAYOUT	74
BUCKET SEATS	76
COMPONENT PARTS FOR BUCKET SEATS	78
122611-02-000	78
LOUNGE CHAIR	79
SOFA	80
COMPONENT PARTS FOR SOFA	85
136534-02-000, 136534-03-000, 136534-13-000, 136534-15-000	85
136534-17-000	85
WINDOW TREATMENT	86
HARDWARE	88
FABRICS	90

CONTENTS (CONTINUED)

DRIVERS COMPARTMENT GROUP	92
DASH	92
FRONT INTERIOR	93
COMPONENT PARTS FOR FRONT INTERIOR	99
091990-08-01A	99
094499-02-000	99
CABINETS	100
ELECTRICAL GROUP	102
110V BODY WIRING	102
12V BODY WIRING	104
EXTERIOR LAMPS	111
FRONT END	113
GPS	117
FRONT TV/VCR	118
COMPONENT PARTS FOR WIRING	119
076319-23-000	119
076319-25-000	119
086280-01-000	120
087694-01-000	120
091206-04-000	120
093575-23-03A	120
108354-01-01A	120
121935-01-01A	120
123775-01-02A	120
133004-05-01A	121
133054-03-000	122
133054-04-000	122
136119-01-000	122
137417-01-01A, 137417-03-01A	122
137417-05-01A	122
137417-06-01A	122
137424-01-000	122
137424-08-000	122
141454-03-01A	123
146048-01-01A	124
146299-02-000	124
151458-01-000	124
153464-03/06-01A	124
154548-01-000	124
155619-01-000	124
156413-01-01A	124
158836-01-000	124
159759-01-000	124
CIRCUIT BREAKERS, FUSES & RELAYS	125
CONVERTER, INVERTER, LOAD CENTERS	126
BOXES & CORDS	127
WIRE ASSEMBLIES	127
CONNECTORS & CONDUIT	128
CHASSIS	130

CONTENTS (CONTINUED)

EXTERIOR BODY GROUP	132
AIR HORN	132
COMPONENT PARTS FOR AIR HORN	132
077497-06-000	132
GRAPHICS & PAINT	133
PANELS & TRIMS	138
COMPONENT PARTS FOR PANELS & TRIMS	141
131431-08-01A	141
131431-08-02A	141
142721-01-01A, 142721-02-01A	141
142721-01-02A, 142721-02-02A	141
LADDER	141
FRONT END	142
STRUCTURAL COMPONENTS	144
AWNINGS	144
EXTERIOR DOORS & COMPARTMENTS GROUP	145
DOOR & COMPARTMENT LAYOUT	145
COMPONENT PARTS FOR DOOR & COMPARTMENT LAYOUT	150
084103-08-000	150
094708-06-01A	150
142226-02-01A	150
COMPARTMENT DOOR PIECE PARTS	151
ENTRY	153
COMPONENT PARTS FOR ENTRY	154
128913-14-05A	154
128913-14-06A	155
EXTERIOR SLIDEOUT GROUP	157
FRONT LEFT	157
COMPONENT PARTS FOR FRONT SLIDEOUT	160
100536-52-000	160
151323-01-000 , 151323-02-000, 151323-03-000	160
152710-01-000, 152710-02-000	160
155325-03-000	160
153651-02-01A	160
LEFT REAR	161
COMPONENT PARTS FOR LEFT REAR SLIDEOUT	164
100536-46-000	164
139507-01-000	164
GENERATOR GROUP	165
DIESEL	165
HEATING & A/C GROUP	166
AUTOMOTIVE	166
COMPONENT PARTS FOR AUTOMOTIVE	168
072342-15-000	168
072342-16-000	168
072342-17-000	168
072342-18-000	169
103930-36-000	170
103930-41-000	171
103930-51-000	171
103930-55-000	171
FURNACE	172
COMPONENT PARTS FOR FURNACE	173
143563-02-000	173
CENTRAL	175
COMPONENT PARTS FOR CENTRAL	176
105620-16-000	176

CONTENTS (CONTINUED)

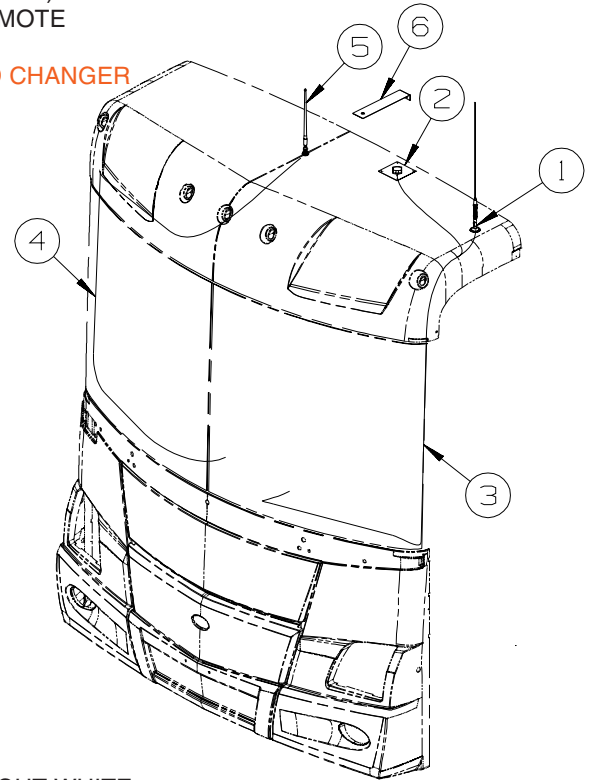
INTERIOR FINISH GROUP	178
MOLDINGS & TRIMS	178
PANELING & LAMINATES	186
INTERIOR TRIM LAYOUT	188
COMPONENT PARTS FOR INTERIOR TRIM LAYOUT	191
094499-02-000	191
158076-03-01A	191
FLOOR COVERINGS	192
HARDWARE	193
LABELS GROUP	199
LP GROUP	203
LP SYSTEM	203
COMPONENT PARTS FOR LP SYSTEM	203
151784-03-000	203
SEALANTS & FASTENERS GROUP	204
SEALANTS & ADHESIVES	204
BOLTS, NUTS AND WASHERS	205
SCREWS	207
CLAMPS, CLIPS, GROMMETS, RIVETS & PLUGS	210
MISCELLANEOUS FASTENERS	211
WATER & SEWAGE GROUP	212
DRAINAGE SYSTEM	212
COMPONENT PARTS FOR DRAINAGE SYSTEM	214
144728-01-000	214
152830-01-01A	214
WATER SYSTEM	215
COMPONENT PARTS FOR WATER SYSTEM	221
075241-04-000, 075241-05-000, 075241-06-000	221
098607-01-000	221
103635-01-000	221
123744-03-01A	221
125420-01-02A, 125420-01-03A, 125420-03-03A, 125420-04-03A	221
129390-03-02A	221
144596-01-01A	221
145541-01-000	222
WINDOW & VENTS GROUP	223
WINDOW & VENT LAYOUT	223
COMPONENT PARTS FOR WINDOW & VENT LAYOUT	225
122882-02-01A, 122882-03-01A	225
123780-09-01A	225
150648-01-01A	226
150648-02-01A, 150648-03-01A	227
150648-04-01A, 150648-05-01A	227
150648-17-01A	227
150648-13-01A, 150648-18-01A	227
150648-20-01A, 150648-30-01A	228
150649-05-01A	229
150656-10-01A	230
151069-03-01A	231
161452-05-01A	232
WINDSHIELD & WIPER GROUP	233
WINDSHIELD	233
WIPER	234
COMPONENT PARTS FOR WIPER	235
145270-01-000	235
149401-01-000, 149401-02-000	235
149402-03-000 & 149402-04-000	235

ACCESSORIES GROUP
OPERATORS MANUAL

KEY	PART NUMBER	U/M	DESCRIPTION
	156864-01-000	DW	TOP LEVEL-P,2007
	129079-04-01A	EA	CASE - VINYL/BLK-EXPANDABLE ACCORDION SIDES-11"WX9"HX14"L FROM: 00-00-00 THRU: 07-30-06
	159842-01-01A	EA	CASE - VINYL - F/MANUALS - W/SLEEVES - BLACK FROM: 07-31-06 THRU: 99-99-99
	132000-09-007	EA	MANUAL/OWNER - JOURNEY - 2007
	132000-36-007	EA	MANUAL/OWNER - JOURNEY SE - P SERIES SE - 2007
	158603-07-008	EA	MANUAL/OWNER - SUPPLEMENT - P-SERIES - 2007
	132001-14-007	EA	GUIDE/BASIC OPERATOR - AUDIO/VIDEO - P SERIES - 2007
	132001-19-007	EA	GUIDE/BASIC OPERATOR - AUDIO/VIDEO - P SERIES SE 2007
	159842-01-01A	EA	CASE - VINYL - F/MANUALS - W/SLEEVES - BLACK

AUDIO VIDEO GROUP RADIO SYSTEM

KEY	PART NUMBER	U/M	DESCRIPTION
	135420-07-000	EA	MOUNTING KIT - RADIO - A-BODY
	135420-19-000	EA	REMOTE CONTROL/RADIO (CREDIT CARD SIZE)
	135420-18-000	EA	REMOTE CONTROL/RADIO (STEERING WHEEL MOUNT)
	135420-15-000	EA	RADIO-AM/FM/CD/SIRIUS SATELLITE READY/IR REMOTE
	135420-14-000	EA	RECEIVER (EYE) - INFRARED
	148134-01-000	EA	CHANGER - COMPACT DISC - SANYO EAX-510 - CD CHANGER



KEY	PART NUMBER	U/M	DESCRIPTION
1	NA	EA	ANTENNA - CB - W/O CABLE
2	158494-01-000	EA	ANTENNA/SATELLITE - RADIO/SIRIUS
3	NA	EA	CABLE - CB - COAX
4	090944-03-000	EA	CABLE - ANTENNA
5	090944-02-000	EA	ANTENNA - RADIO - 16" RUBBER - W/O LEAD WIRE
6	140600-06-01B	EA	BRACKET/ANTENNA MOUNT - MILL FINISH

REAR MONITOR

KEY	PART NUMBER	U/M	DESCRIPTION
*	144677-10-01A	EA	CAMERA - REAR VIEW - WALL MOUNT/RIGHT - BRIGHT WHITE
*	144677-11-01A	EA	CAMERA - REAR VIEW - WALL MOUNT/LEFT - BRIGHT WHITE
*	144677-10-02A	EA	CAMERA - REAR VIEW - WALL MOUNT/RIGHT - PRIMED
*	144677-11-02A	EA	CAMERA - REAR VIEW - WALL MOUNT/LEFT - PRIMED
	098819-01-000	EA	SPEAKER - 4" - 2 WATT - 8 OHM
	157160-01-01A	EA	GASKET - CAMERA/SIDE MOUNT
	137919-03-01A	EA	SHROUD - CAMERA/OUTER - BRIGHT WHITE
	144677-04-000	EA	CAMERA - REAR VIEW W/BRACKET - BLACK & WHITE - VBSC150
	136514-02-000	EA	CABLE - MONITOR/CAMERA
	114870-01-000	EA	PLUG - AUDIO W/LEADS - 48.5"
	144677-06-000	EA	MONITOR/BLACK & WHITE - 7" - 3 PIN/MECH CONTROLS - RESIZED
	144677-08-000	EA	MONITOR/BLACK & WHITE - 7" - W/O SIDE CAMERAS/WIRE ASM/CABLE
	143363-03-000	EA	CABLE - MONITOR/CAMERA - COLOR - SONY VCB-MHC20
	144677-12-000	EA	CABLE - MONITOR/CAMERA - 12'

*COMPONENT PARTS LISTED LATER IN THIS GROUP

COMPONENT PARTS FOR REAR MONITOR

144677-10-01A

KEY	PART NUMBER	U/M	DESCRIPTION	VENDOR NO.
	144677-10-700	EA	HOUSING/CAMERA-RT/LT-WHITE	SIDHSGWHT
	144677-10-702	EA	SERVICE PACK-SCREW COVER	PSVCSIDHSGWHT
	144677-10-703	EA	SERVICE PACK-SCREW COVER	PSVCSIDHSGGPR

144677-11-01A

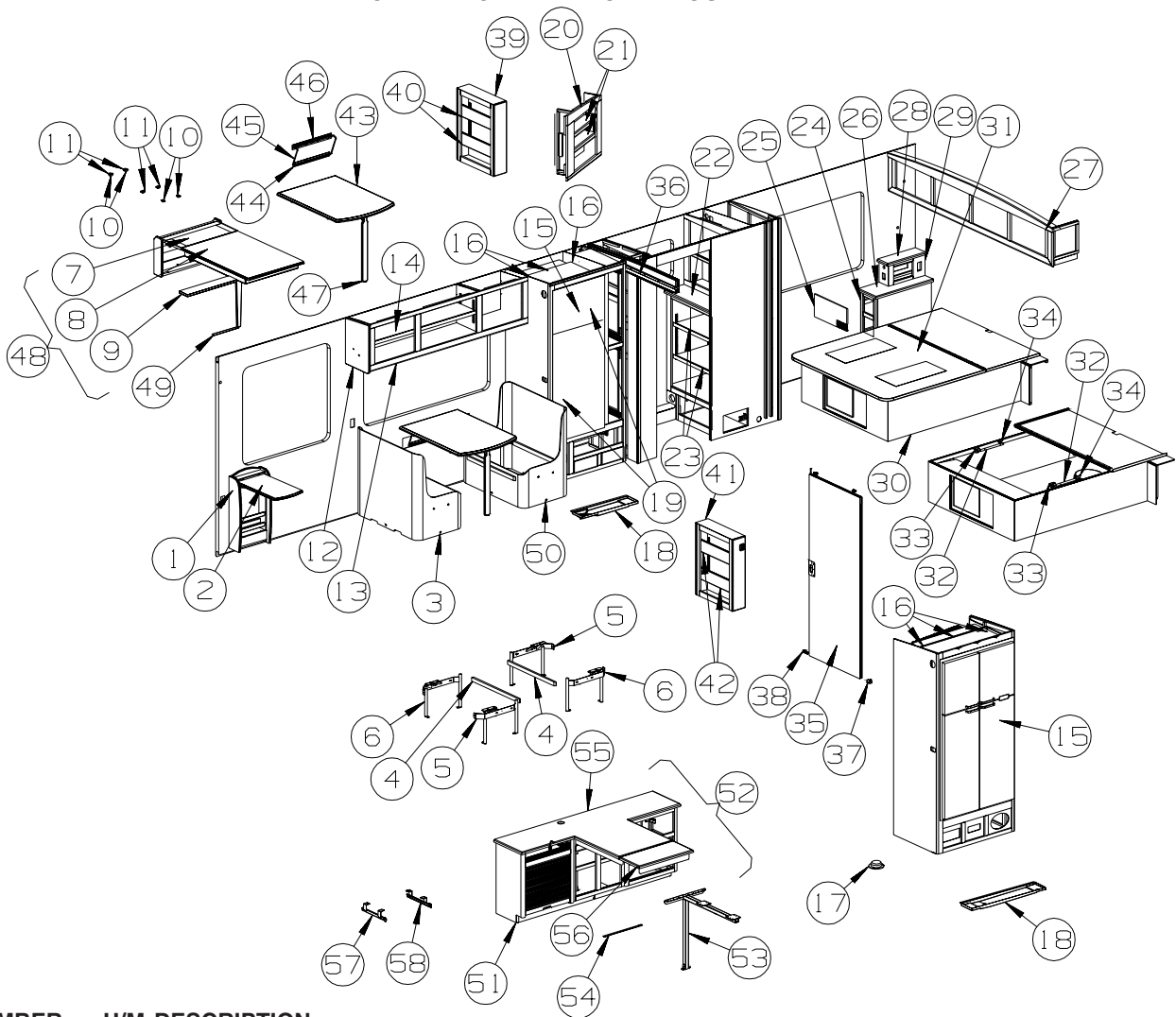
KEY	PART NUMBER	U/M	DESCRIPTION	VENDOR NO.
	144677-10-700	EA	HOUSING/CAMERA-RT/LT-WHITE	SIDHSGWHT

144677-10-02A & 144677-11-02A

KEY	PART NUMBER	U/M	DESCRIPTION	VENDOR NO.
	144677-10-701	EA	HOUSING/CAMERA-RT/LT-PRIMED	SIDHSGGTR

CABINET & APPLIANCE GROUP

CABINET & APPLIANCE LAYOUT



KEY	PART NUMBER	U/M	DESCRIPTION
1	149044-01-S65	EA	CABINET - W/PULLOUT TABLE - CONCERT CHERRY
1	149044-01-S66	EA	CABINET - W/PULLOUT TABLE - WASHED MAPLE
1	149044-01-S67	EA	CABINET - W/PULLOUT TABLE - SIERRA MAPLE
2	149044-21-S65	EA	TABLE - F/PULLOUT CABINET - BROWN PLANK CHERRY - CONCERT CHERRY
2	149044-21-S66	EA	TABLE - F/PULLOUT CABINET - HARDROCK MAPLE - WASHED MAPLE
2	149044-21-S67	EA	TABLE - F/PULLOUT CABINET - HONEY MAPLE - SIERRA MAPLE
3	141859-57-UC1	EA	CABINET/DINETTE W/BACK(WRAPPED)-LEFT HAND - W/O DOORS/HDW (UC1,UM7)
3	141859-57-UC2	EA	CABINET/DINETTE W/BACK(WRAPPED)-LEFT HAND - W/O DOORS/HDW (UC2)
3	141859-57-UC3	EA	CABINET/DINETTE W/BACK(WRAPPED)-LEFT HAND - W/O DOORS/HDW (UC3)
3	141859-57-UC5	EA	CABINET/DINETTE W/BACK(WRAPPED)-LEFT HAND - W/O DOORS/HDW (UC5,UM8)
3	141859-57-UC6	EA	CABINET/DINETTE W/BACK(WRAPPED)-LEFT HAND - W/O DOORS/HDW (UC6)
3	141859-57-UC7	EA	CABINET/DINETTE W/BACK(WRAPPED)-LEFT HAND - W/O DOORS/HDW (UC7)
3	141859-57-UD1	EA	CABINET/DINETTE W/BACK(WRAPPED)-LEFT HAND - W/O DOORS/HDW (UD1,UM9)
3	141859-57-UD2	EA	CABINET/DINETTE W/BACK(WRAPPED)-LEFT HAND - W/O DOORS/HDW (UD2)
3	141859-57-UD3	EA	CABINET/DINETTE W/BACK(WRAPPED)-LEFT HAND - W/O DOORS/HDW (UD3)
3	141859-57-UP1	EA	CAB./DINETTE W/BACK(WRAPPED)-LH (UP1,UP2,UP3) - P34SH, SPECIAL EDITION (SE)
4	081295-01-M52	EA	SUPPORT - BED/DINETTE - 28" LONG - CONCERT CHERRY
4	081295-01-RE0	EA	SUPPORT - BED/DINETTE - 28" LONG - WASHED MAPLE
4	081295-01-T01	EA	SUPPORT - BED/DINETTE - 28" LONG - SIERRA MAPLE
5	142033-02-000	EA	BRACKET - DINETTE - LEFT HAND
6	142033-01-000	EA	BRACKET - DINETTE - RIGHT HAND
7	131637-12-UC1	EA	TABLE TOP - SMALL HINGED SECTION - CONCERT CHERRY - DINING TABLE/CHAIRS
7	131637-12-RW7	EA	TABLE TOP - SMALL HINGED SECTION - WASHED MAPLE - DINING TABLE/CHAIRS
7	131637-12-UC3	EA	TABLE TOP - SMALL HINGED SECTION - SIERRA MAPLE - DINING TABLE/CHAIRS
8	131637-11-UC1	EA	TABLE TOP - LARGE HINGED SECTION - CONCERT CHERRY - DINING TABLE/CHAIRS
8	131637-11-UC2	EA	TABLE TOP - LARGE HINGED SECTION - WASHED MAPLE - DINING TABLE/CHAIRS
8	131637-11-UC3	EA	TABLE TOP - LARGE HINGED SECTION - SIERRA MAPLE - DINING TABLE/CHAIRS

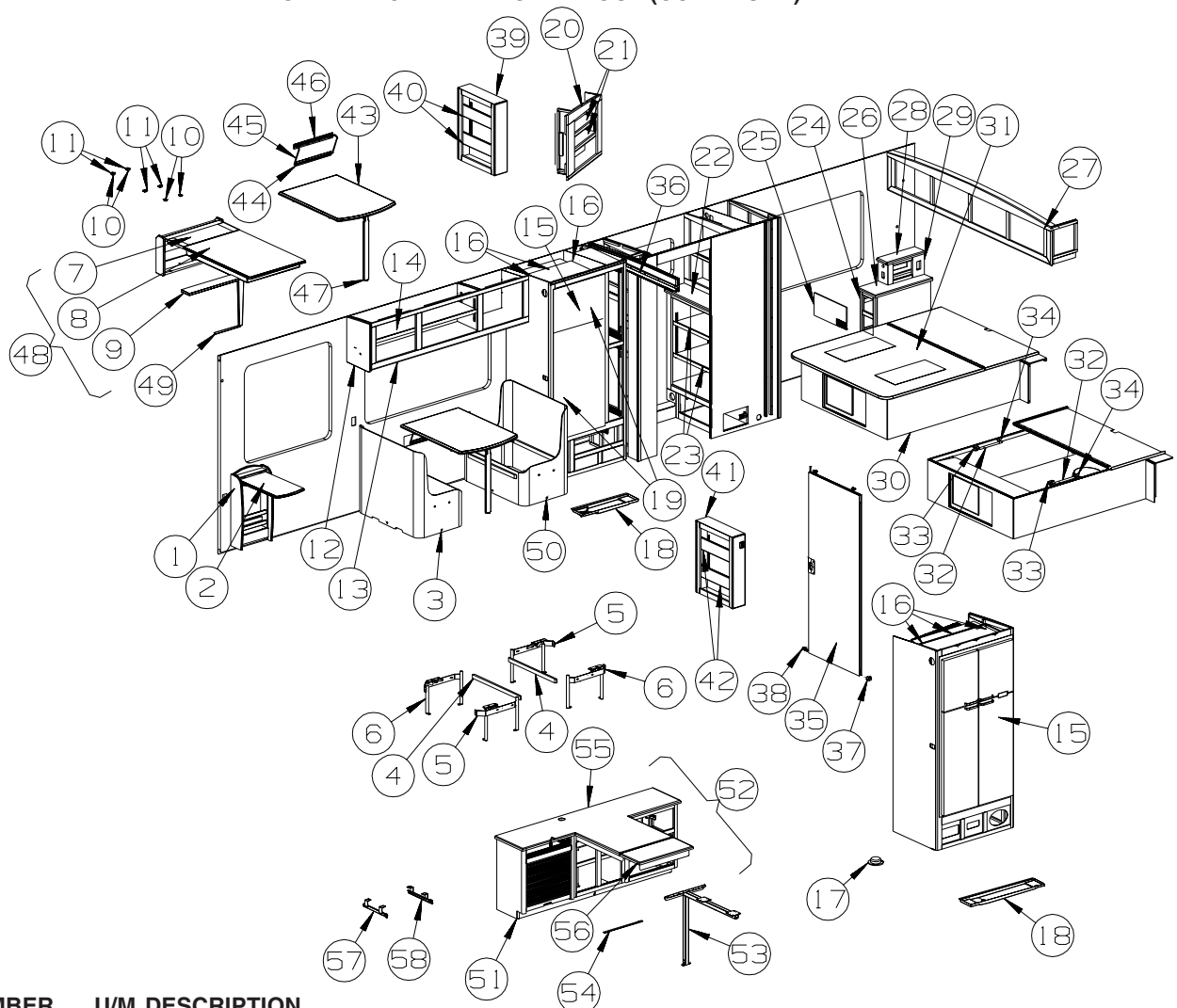
CABINET & APPLIANCE GROUP (CONTINUED)

CABINET & APPLIANCE LAYOUT (CONTINUED)

KEY	PART NUMBER	U/M	DESCRIPTION
9	131637-23-M94	EA	SHELF - REAR OF TABLE TOP - CONCERT CHERRY - DINING TABLE/CHAIRS
9	131637-23-RW7	EA	SHELF - REAR OF TABLE TOP - WASHED MAPLE - DINING TABLE/CHAIRS
9	131637-23-SA3	EA	SHELF - REAR OF TABLE TOP - SIERRA MAPLE - DINING TABLE/CHAIRS
10	009050-02-000	EA	LEVELER - TABLE TOP - MALE END W/4 SCREWS - PLASTIC
11	009050-03-000	EA	LEVELER - TABLE TOP - FEMALE END W/2 SCREWS - PLASTIC
12	145517-42-TA1	EA	END CAP - OVERHEAD CABINET - CONCERT CHERRY
12	145517-42-TA2	EA	END CAP - OVERHEAD CABINET - WASHED MAPLE
12	145517-42-TA3	EA	END CAP - OVERHEAD CABINET - SIERRA MAPLE
13	160397-01-UC1	EA	CABINET - OVERHEAD/DINETTE - W/O DOORS/HDW - CONCERT CHERRY (UC1,UC5,UD1)
13	160397-01-UM7	EA	CABINET - OVERHEAD/DINETTE - W/O DOORS/HDW - CONCERT CHERRY (UM7,UM8,UM9)
13	160397-01-UC2	EA	CABINET - OVERHEAD/DINETTE - W/O DOORS/HDW - WASHED MAPLE
13	160397-01-UC3	EA	CABINET - OVERHEAD/DINETTE - W/O DOORS/HDW - SIERRA MAPLE
14	160397-22-UC1	EA	SHELF - W/PLASTIC EDGE MOLDING - CONCERT CHERRY
14	160397-22-UC2	EA	SHELF - W/PLASTIC EDGE MOLDING - WASHED MAPLE
14	160397-22-UC3	EA	SHELF - W/PLASTIC EDGE MOLDING - SIERRA MAPLE
15*	121569-05-01A	EA	REFRIG.-LARGE DBL DR/2 WAY/NON-FLUSH HANDLE-BLK RH
15*	120075-13-01A	EA	REFRIG.-LGE DBL DR-2-WAY/RH/ICE MAKER/RSD HDL-BLACK - REFRIG./FRZR W/ICEMAKER
15*	125242-03-02A	EA	REFRIGERATOR - 4 DOOR - W/ICE MAKER - TITANIUM SST - REFRIGERATOR-4 DOOR FROM: 00-00-00 THRU: 07-09-06
15*	125242-05-02A	EA	REFRIGERATOR - 4 DOOR - W/ICE MAKER - TITANIUM SST - REFRIGERATOR-4 DOOR FROM: 07-10-06 THRU: 99-99-99
15	125242-06-01A	EA	REFRIGERATOR - 4 DOOR - W/ICE MAKER - NORCOLD 1211IM - P34SH, SPECIAL EDITION (SE)
16			REFRIGERATOR CABINET SEALS
	090329-01-000	FT	SEAL - "T" - REFRIGERATOR CABINET
17	054450-01-000	EA	LEVEL - REFRIGERATOR
18	116751-02-01A	EA	TRAY-REFRIGERATOR-BLACK
18	118871-05-01A	EA	TRAY - REFRIGERATOR - SIDE/SIDE - BLACK - 35.5" LONG - REFRIGERATOR-4 DOOR
18	118871-02-01A	EA	TRAY - REFRIGERATOR - SIDE/SIDE - BLACK - 34.4" LONG - P34SH, SPECIAL EDITION (SE)
19	158456-01-01A	EA	INSERT/REFRIG.-21.5"WX14.5"H-TITANIUM SST
19	158456-03-01A	EA	INSERT/REFRIG.-21.5"WX38.5"H-TITANIUM SST
19	103251-10-01A	EA	INSERT/REFRIGERATOR DOOR - 16.2" X 18.4" - BLACK ACRYLIC - P34SH, SPECIAL EDITION (SE)
19	103251-11-01A	EA	INSERT/REFRIGERATOR DOOR - 16.2" X 41.2" - BLACK ACRYLIC - P34SH, SPECIAL EDITION (SE)
20	140191-01-N85	EA	CABINET - OVERHEAD/BATH - W/O DOORS/HARDWARE - CONCERT CHERRY (UC1,UC5,UD1)
20	140191-01-UM7	EA	CABINET - OVERHEAD/BATH - W/O DOORS/HARDWARE - CONCERT CHERRY (UM7,UM8,UM9)
20	140191-01-RW7	EA	CABINET - OVERHEAD/BATH - W/O DOORS/HARDWARE - WASHED MAPLE
20	140191-01-SA3	EA	CABINET - OVERHEAD/BATH - W/O DOORS/HARDWARE - SIERRA MAPLE
21	140191-18-N85	EA	SHELF - W/MOLDING - CONCERT CHERRY (UC1,UC5,UD1)
21	140191-18-UM7	EA	SHELF - W/MOLDING - CONCERT CHERRY (UM7,UM8,UM9)
21	140191-18-RW7	EA	SHELF - W/MOLDING - WASHED MAPLE
21	140191-18-SA3	EA	SHELF - W/MOLDING - SIERRA MAPLE
22	140889-51-UC1	EA	COUNTERTOP - LAMINATED - CONCERT CHERRY
22	140889-51-UC2	EA	COUNTERTOP - LAMINATED - WASHED MAPLE
22	140889-51-UC3	EA	COUNTERTOP - LAMINATED - SIERRA MAPLE
23	149957-32-SA1	EA	SHELF - W/PLASTIC EDGE MOLDING - CONCERT CHERRY
23	149957-32-SA2	EA	SHELF - W/PLASTIC EDGE MOLDING - WASHED MAPLE
23	149957-32-SA3	EA	SHELF - W/PLASTIC EDGE MOLDING - SIERRA MAPLE
24	149014-01-TB1	EA	CABINET - NIGHTSTAND/RH - W/O COUNTERTOP/DOORS/DRAWERS/HDW (UC1)
24	149014-01-TB2	EA	CABINET - NIGHTSTAND/RH - W/O COUNTERTOP/DOORS/DRAWERS/HDW (UC2)
24	149014-01-TB3	EA	CABINET - NIGHTSTAND/RH - W/O COUNTERTOP/DOORS/DRAWERS/HDW (UC3)
24	149014-01-TA1	EA	CABINET - NIGHTSTAND/RH - W/O COUNTERTOP/DOORS/DRAWERS/HDW (UC5)
24	149014-01-TA2	EA	CABINET - NIGHTSTAND/RH - W/O COUNTERTOP/DOORS/DRAWERS/HDW (UC6)
24	149014-01-TA3	EA	CABINET - NIGHTSTAND/RH - W/O COUNTERTOP/DOORS/DRAWERS/HDW (UC7)
24	149014-01-UD1	EA	CABINET - NIGHTSTAND/RH - W/O COUNTERTOP/DOORS/DRAWERS/HDW (UD1)
24	149014-01-UD2	EA	CABINET - NIGHTSTAND/RH - W/O COUNTERTOP/DOORS/DRAWERS/HDW (UD2)
24	149014-01-UD3	EA	CABINET - NIGHTSTAND/RH - W/O COUNTERTOP/DOORS/DRAWERS/HDW (UD3,UP1,UP2,UP3)
24	149014-01-UM7	EA	CABINET - NIGHTSTAND/RH - W/O COUNTERTOP/DOORS/DRAWERS/HDW (UM7)
24	149014-01-UM8	EA	CABINET - NIGHTSTAND/RH - W/O COUNTERTOP/DOORS/DRAWERS/HDW (UM8)
24	149014-01-UM9	EA	CABINET - NIGHTSTAND/RH - W/O COUNTERTOP/DOORS/DRAWERS/HDW (UM9)
25	140594-17-01A	EA	GRILL - RETURN AIR - 18.8" X 9" - BLACK
26	145182-09-SB5	EA	COUNTERTOP - LAMINATED - BROWN PLANK CHERRY/CHERRY - CONCERT CHERRY
26	145182-09-SB6	EA	COUNTERTOP - LAMINATED - HARDROCK MAPLE/WASHED MAPLE - WASHED MAPLE
26	145182-09-SB7	EA	COUNTERTOP - LAMINATED - HONEY MAPLE/SIERRA MAPLE - SIERRA MAPLE

CABINET & APPLIANCE GROUP (CONTINUED)

CABINET & APPLIANCE LAYOUT (CONTINUED)



KEY	PART NUMBER	U/M	DESCRIPTION
27	156066-01-TA1	EA	CABINET - OVERHEAD/REAR - W/O DOORS/HDW - CONCERT CHERRY (UC1,UC5,UD1)
27	156066-01-UM7	EA	CABINET - OVERHEAD/REAR - W/O DOORS/HDW - CONCERT CHERRY (UM7,UM8,UM9)
27	156066-01-TA2	EA	CABINET - OVERHEAD/REAR - W/O DOORS/HDW - WASHED MAPLE
27	156066-01-TA3	EA	CABINET - OVERHEAD/REAR - W/O DOORS/HDW - SIERRA MAPLE
27	156066-02-TA1	EA	CAB.-OVHD/REAR-CONCERT CHERRY (UC1,UC5,UD1)-STEREO SYSTEM/W/CD/DVD REAR
27	156066-02-UM7	EA	CAB.-OVHD/REAR-CONCERT CHERRY (UM7,UM8,UM9)-STEREO SYSTEM/W/CD/DVD REAR
27	156066-02-TA2	EA	CAB.-OVHD/REAR-WASHED MAPLE-STEREO SYSTEM/W/CD/DVD REAR
27	156066-02-TA3	EA	CAB.-OVHD/REAR-SIERRA MAPLE-STEREO SYSTEM/W/CD/DVD REAR
28	145182-10-SB5	EA	COUNTERTOP - LAMINATED - CONCERT CHERRY-STEREO SYSTEM/W/CD/DVD REAR
28	145182-10-SB6	EA	COUNTERTOP - LAMINATED - WASHED MAPLE-STEREO SYSTEM/W/CD/DVD REAR
28	145182-10-SB7	EA	COUNTERTOP - LAMINATED - SIERRA MAPLE-STEREO SYSTEM/W/CD/DVD REAR
29	140452-03-P79	EA	CABINET - F/RADIO - W/O HARDWARE - CONCERT CHERRY-STEREO SYSTEM/W/CD/DVD REAR
29	140452-03-P28	EA	CABINET - F/RADIO - W/O HARDWARE - WASHED MAPLE-STEREO SYSTEM/W/CD/DVD REAR
29	140452-03-SA3	EA	CABINET - F/RADIO - W/O HARDWARE - SIERRA MAPLE-STEREO SYSTEM/W/CD/DVD REAR
30	P49016-01-R69	EA	CABINET/BASE - F/QUEEN BED - W/O DR/DWR/HDW-CONCERT CHERRY
30	P49016-01-SA3	EA	CABINET/BASE - F/QUEEN BED - W/O DR/DWR/HDW-WASHED MAPLE
30	P49016-02-R69	EA	CABINET/BASE - F/QUEEN BED-W/O DR/DWR/HDW-CONCERT CHERRY-INVERTER/CHARGER 2.0 KW
30	P49016-02-RW7	EA	CABINET/BASE - F/QUEEN BED-W/O DR/DWR/HDW-WASHED MAPLE-INVERTER/CHARGER 2.0 KW
30	P49016-02-SA3	EA	CABINET/BASE - F/QUEEN BED-W/O DR/DWR/HDW-SIERRA MAPLE-INVERTER/CHARGER 2.0 KW
31	137406-05-P13	EA	BEDBOARD - W/HINGE/T-MOLDING/SLIPNOT - FLIP-UP
32	142569-15-000	EA	SPRING/GAS - 120 LB - 20" EXTENDED/12" COMPRESSED
32	142569-16-000	EA	SPRING/GAS - 90 LB - 20" EXTENDED/12" COMPRESSED - SLEEP NUMBER BED-QUEEN SIZE
33	126263-06-02B	EA	BRACKET - GAS SPRING W/BALL STUD - E-COATED
34	126263-08-02B	EA	BRACKET - GAS SPRING W/CENTERED BALL STUD - E-COATED
35	146047-04-R90	EA	DOOR - SLIDING - W/O HARDWARE - CONCERT CHERRY
35	146047-04-RW5	EA	DOOR - SLIDING - W/O HARDWARE - WASHED MAPLE
35	146047-04-SN3	EA	DOOR - SLIDING - W/O HARDWARE - SIERRA MAPLE
35	146047-04-UP3	EA	DOOR - SLIDING - W/O HARDWARE - SIERRA MAPLE - P34SH, SPECIAL EDITION (SE)

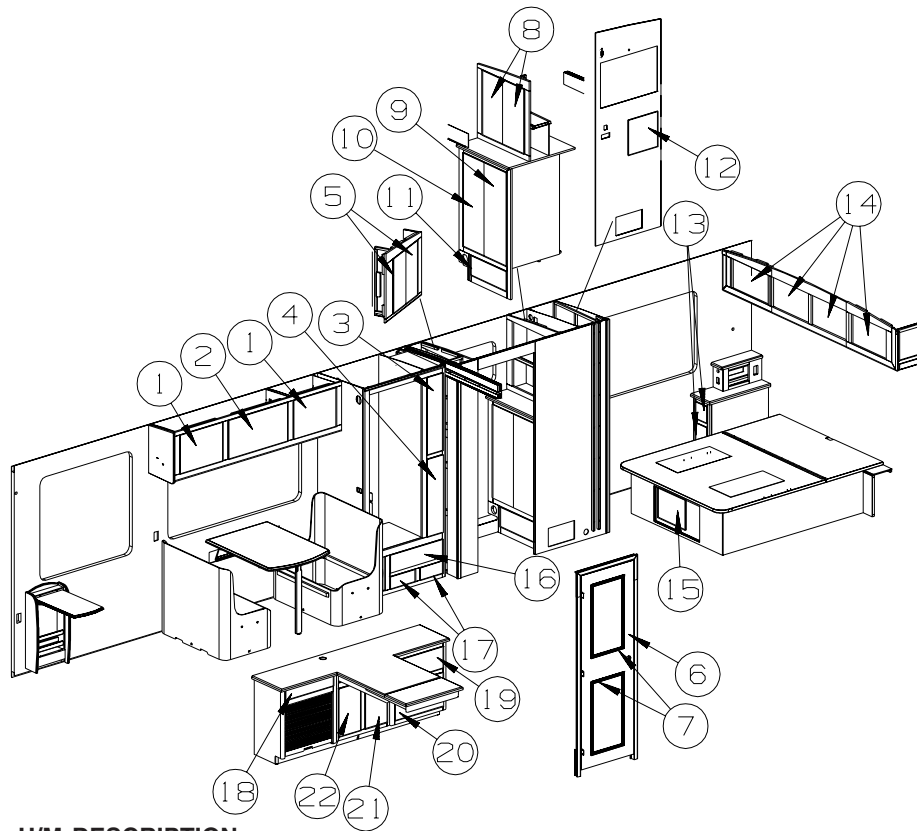
CABINET & APPLIANCE GROUP (CONTINUED)

CABINET & APPLIANCE LAYOUT (CONTINUED)

KEY	PART NUMBER	U/M	DESCRIPTION
36	145608-05-01A	EA	TRACK - DOOR - 51.8" - OFF WHITE
37	064467-01-000	EA	GUIDE - POCKET - SLIDING DOOR - WALL MOUNTED
38	150983-01-01A	EA	STRIKE/BLOCK - WEDGE STYLE - F/SLIDE DOOR - 3"X1.2"-BLACK
39	153343-01-SD1	EA	CABINET - PANTRY/SLIDE - W/O DOORS/DRAWERS/HDW - CONCERT CHERRY
39	153343-01-SD2	EA	CABINET - PANTRY/SLIDE - W/O DOORS/DRAWERS/HDW - WASHED MAPLE
39	153343-01-S67	EA	CABINET - PANTRY/SLIDE - W/O DOORS/DRAWERS/HDW - SIERRA MAPLE
40	153343-21-SD1	EA	SHELF - W/WOOD MOLDING - CONCERT CHERRY
40	153343-21-SD2	EA	SHELF - W/WOOD MOLDING - WASHED MAPLE
40	153343-21-S67	EA	SHELF - W/WOOD MOLDING - SIERRA MAPLE
41	153343-03-SD1	EA	CABINET - PANTRY/SLIDE - W/O DOORS/DRAWERS/HDW - CONCERT CHERRY
41	153343-03-SD2	EA	CABINET - PANTRY/SLIDE - W/O DOORS/DRAWERS/HDW - WASHED MAPLE
41	153343-03-S67	EA	CABINET - PANTRY/SLIDE - W/O DOORS/DRAWERS/HDW - SIERRA MAPLE
42	153343-27-SD1	EA	SHELF - W/WOOD MOLDING - CONCERT CHERRY
42	153343-27-SD2	EA	SHELF - W/WOOD MOLDING - WASHED MAPLE
42	153343-27-S67	EA	SHELF - W/WOOD MOLDING - SIERRA MAPLE
43	151683-03-UC1	EA	TABLE - DINETTE - 27.8" X 37.7" - CONCERT CHERRY
43	151683-03-UC2	EA	TABLE - DINETTE - 27.8" X 37.7" - WASHED MAPLE
43	151683-03-UC3	EA	TABLE - DINETTE - 27.8" X 37.7" - SIERRA MAPLE
43	151683-03-UP1	EA	TABLE - DINETTE - 27.8" X 37.7" - SIERRA MAPLE - P34SH, SPECIAL EDITION (SE)
44	024281-12-000	EA	BRACKET/WALL - TABLE LIFT - 17.1" - ALMOND
45	024275-16-000	EA	ROD - TABLE LIFT - W/ARMS 8" & BASE ROD 18.5" - ALMOND
46	140921-02-02A	EA	BRACKET/TABLE SUPPORT - 18.5" - ALMOND
46	140921-02-01A	EA	BRACKET/TABLE SUPPORT - 18.5" - OFF WHITE (UM7,UM8,UM9)
47	143798-01-02A	EA	CATCH - FLOOR TO TABLE LEG - ALMOND
47	143798-01-01A	EA	CATCH - FLOOR TO TABLE LEG - BRIGHT WHITE (UM7,UM8,UM9)
48	131637-01-UC1	EA	TABLE COMPLETE - W/LEG & WALL MOUNT - CONCERT CHERRY - DINING TABLE/CHAIRS
48	131637-01-UC2	EA	TABLE COMPLETE - W/LEG & WALL MOUNT - WASHED MAPLE - DINING TABLE/CHAIRS
48	131637-01-UC3	EA	TABLE COMPLETE - W/LEG & WALL MOUNT - SIERRA MAPLE - DINING TABLE/CHAIRS
49	105402-03-000	EA	STRAP - DINING CHAIR/TIEDOWN - 18" - DINING TABLE/CHAIRS
FROM: 00-00-00 THRU: 03-18-07			
50	141859-56-UC1	EA	CABINET/DINETTE W/BACK(WRAPPED)-RIGHT HAND - W/O DOORS/HDW (UC1,UM7)
50	141859-56-UC2	EA	CABINET/DINETTE W/BACK(WRAPPED)-RIGHT HAND - W/O DOORS/HDW (UC2)
50	141859-56-UC3	EA	CABINET/DINETTE W/BACK(WRAPPED)-RIGHT HAND - W/O DOORS/HDW (UC3)
50	141859-56-UC5	EA	CABINET/DINETTE W/BACK(WRAPPED)-RIGHT HAND - W/O DOORS/HDW (UC5,UM8)
50	141859-56-UC6	EA	CABINET/DINETTE W/BACK(WRAPPED)-RIGHT HAND - W/O DOORS/HDW (UC6)
50	141859-56-UC7	EA	CABINET/DINETTE W/BACK(WRAPPED)-RIGHT HAND - W/O DOORS/HDW (UC7)
50	141859-56-UD1	EA	CABINET/DINETTE W/BACK(WRAPPED)-RIGHT HAND - W/O DOORS/HDW (UD1,UM9)
50	141859-56-UD2	EA	CABINET/DINETTE W/BACK(WRAPPED)-RIGHT HAND - W/O DOORS/HDW (UD2)
50	141859-56-UD3	EA	CABINET/DINETTE W/BACK(WRAPPED)-RIGHT HAND - W/O DOORS/HDW (UD3)
50	141859-56-UP1	EA	CAB./DINETTE W/BACK(WRAPPED)-RH-W/O DR/HDW (UP1,UP2,UP3)-P34SH, SPECIAL EDITION (SE)
51	P53846-01-UC1	EA	CABINET - DINETTE/COMPUTER - W/O CTRTP/DRAWERS/HDW - CONCERT CHERRY (UC1,UC5,UD1)
51	P53846-01-UM7	EA	CABINET - DINETTE/COMPUTER - W/O CTRTP/DRAWERS/HDW - CONCERT CHERRY (UM7,UM8,UM9)
51	P53846-01-UC2	EA	CABINET - DINETTE/COMPUTER - W/O CTRTP/DRAWERS/HDW - WASHED MAPLE
51	P53846-01-UC3	EA	CABINET - DINETTE/COMPUTER - W/O CTRTP/DRAWERS/HDW - SIERRA MAPLE
52	153389-01-TA1	EA	TABLE - DINETTE/COMPUTER DESK - W/EXTENSION - CONCERT CHERRY
52	153389-01-TA2	EA	TABLE - DINETTE/COMPUTER DESK - W/EXTENSION - WASHED MAPLE
52	153389-01-TA3	EA	TABLE - DINETTE/COMPUTER DESK - W/EXTENSION - SIERRA MAPLE
53	153362-02-02B	EA	SUPPORT - TABLE - E-COATED
54	099856-12-000	EA	STRAP - TIEDOWN - 121.9"
FROM: 00-00-00 THRU: 03-18-07			
55	140889-29-TA1	EA	COUNTERTOP - COMPUTER DESK - CONCERT CHERRY
55	140889-29-TA2	EA	COUNTERTOP - COMPUTER DESK - WASHED MAPLE
55	140889-29-TA3	EA	COUNTERTOP - COMPUTER DESK - SIERRA MAPLE
56	140889-24-SA1	EA	COUNTERTOP - COMPUTER DESK - GRAY TRANQUILITY/CONCERT CHERRY
56	140889-24-SA2	EA	COUNTERTOP - COMPUTER DESK - GRAY TRANQUILITY/WASHED MAPLE
56	140889-24-SA3	EA	COUNTERTOP - COMPUTER DESK - GRAY TRANQUILITY/SIERRA MAPLE
57	136944-06-05B	EA	SLIDE - DRAWER/LEFT HAND - 13.8" - BEIGE
57	160470-01-02B	EA	ANGLE - SLIDE/DRAWER - E-COATED
58	136944-05-05B	EA	SLIDE - DRAWER/RIGHT HAND - 13.8" - BEIGE
58	160470-01-02B	EA	ANGLE - SLIDE/DRAWER - E-COATED

*COMPONENT PARTS LISTED LATER IN THIS GROUP

CABINET & APPLIANCE GROUP (CONTINUED)
CABINET & APPLIANCE LAYOUT (CONTINUED)

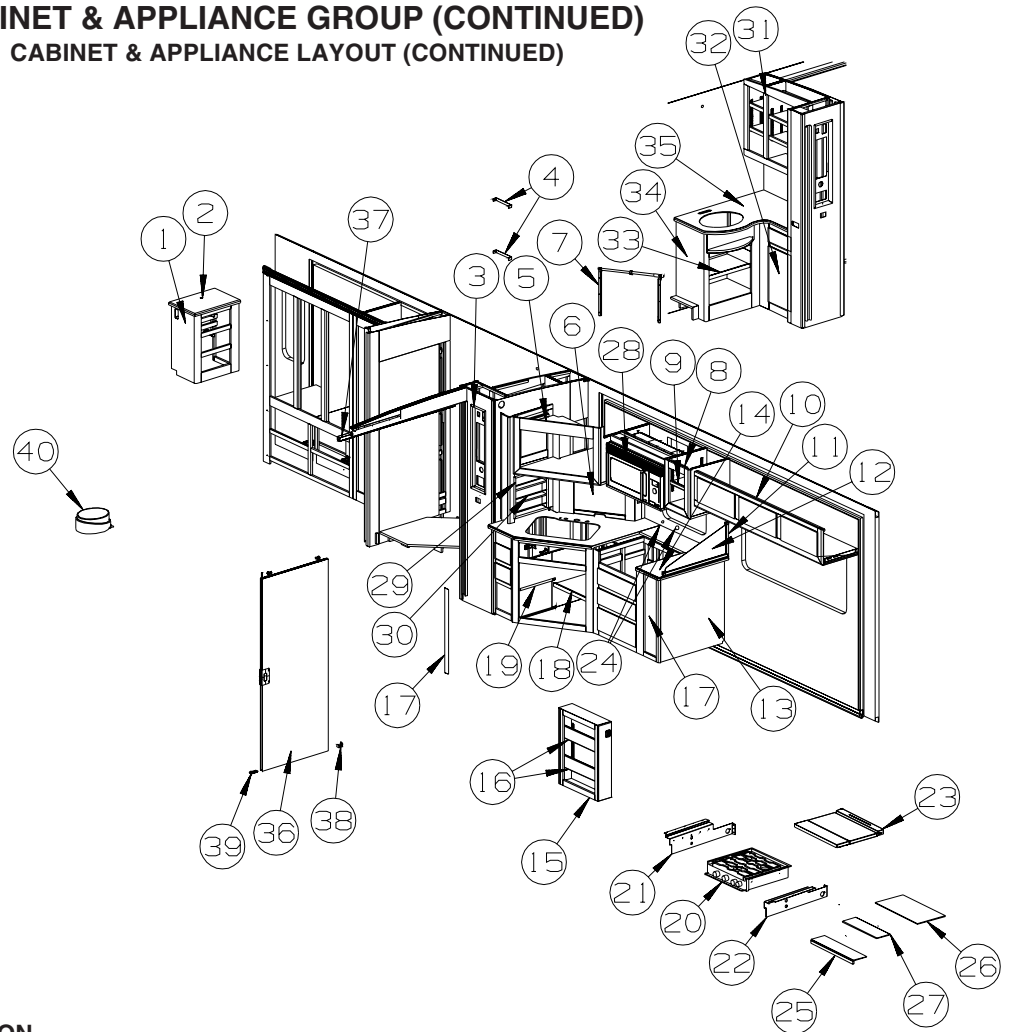


KEY	PART NUMBER	U/M	DESCRIPTION
1	136954-D0-UC1	EA	DOOR - RAISED PANEL/OGEE EDGE - 15.7" X 20.5" - W/O HDW - CONCERT CHERRY
1	136954-D0-UC2	EA	DOOR - RAISED PANEL/OGEE EDGE - 15.7" X 20.5" - W/O HDW - WASHED MAPLE
1	136954-D0-UC3	EA	DOOR - RAISED PANEL/OGEE EDGE - 15.7" X 20.5" - W/O HDW - SIERRA MAPLE
1	136954-D0-TK0	EA	DR-RAISED PANEL/OGEE ED.-15.7" X 20.5"-W/O HDW-SIERRA MAPLE - P34SH, SPECIAL EDITION (SE)
2	136954-D3-UC1	EA	DOOR - RAISED PANEL/OGEE EDGE - 15.7" X 28" - W/O HDW - CONCERT CHERRY
2	136954-D3-UC2	EA	DOOR - RAISED PANEL/OGEE EDGE - 15.7" X 28" - W/O HDW - WASHED MAPLE
2	136954-D3-UC3	EA	DOOR - RAISED PANEL/OGEE EDGE - 15.7" X 28" - W/O HDW - SIERRA MAPLE
2	136954-D3-TK0	EA	DR-RAISED PANEL/OGEE ED.-15.7" X 28"-W/O HDW-SIERRA MAPLE - P34SH, SPECIAL EDITION (SE)
3	154289-06-U90	EA	DOOR - RAISED PANEL/OGEE EDGE - 7.9" X 30.3" - W/O HDW - CONCERT CHERRY
3	154289-06-U91	EA	DOOR - RAISED PANEL/OGEE EDGE - 7.9" X 30.3" - W/O HDW - WASHED MAPLE
3	154289-06-U92	EA	DOOR - RAISED PANEL/OGEE EDGE - 7.9" X 30.3" - W/O HDW - SIERRA MAPLE
4	154289-05-U90	EA	DOOR - RAISED PANEL/OGEE EDGE - 7.9" X 30.3" - W/O HDW - CONCERT CHERRY
4	154289-05-U91	EA	DOOR - RAISED PANEL/OGEE EDGE - 7.9" X 30.3" - W/O HDW - WASHED MAPLE
4	154289-05-U92	EA	DOOR - RAISED PANEL/OGEE EDGE - 7.9" X 30.3" - W/O HDW - SIERRA MAPLE
4	154289-05-U68	EA	DR-RAISED PANEL/OGEE ED.-7.9" X 30.3"-W/O HDW-SIERRA MAPLE - P34SH, SPECIAL EDITION (SE)
5	136954-31-UC1	EA	DOOR - RAISED PANEL/OGEE EDGE - 10.2" X 21.5" - W/O HDW - CONCERT CHERRY
5	136954-31-UC2	EA	DOOR - RAISED PANEL/OGEE EDGE - 10.2" X 21.5" - W/O HDW - WASHED MAPLE
5	136954-31-UC3	EA	DOOR - RAISED PANEL/OGEE EDGE - 10.2" X 21.5" - W/O HDW - SIERRA MAPLE
5	136954-31-TL0	EA	DR-RAISED PANEL/OGEE ED.-10.2" X 21.5"-W/O HDW-SIERRA MAPLE - P34SH, SPECIAL EDITION (SE)
6	144645-03-R54	EA	DOOR - BATH - W/O FRAME (PICTURE)/TOWEL RACK/HDW - CONCERT CHERRY
6	144645-03-RW4	EA	DOOR - BATH - W/O FRAME (PICTURE)/TOWEL RACK/HDW - WASHED MAPLE
6	144645-03-SJ0	EA	DOOR - BATH - W/O FRAME (PICTURE)/TOWEL RACK/HDW - SIERRA MAPLE
7	141993-03-P64	EA	FRAME/PICTURE - F/BATH DOOR - 15" X 27.8" - CONCERT CHERRY
7	141993-03-P28	EA	FRAME/PICTURE - F/BATH DOOR - 15" X 27.8" - WASHED MAPLE
7	141993-03-S67	EA	FRAME/PICTURE - F/BATH DOOR - 15" X 27.8" - SIERRA MAPLE
8	136954-70-UC1	EA	DOOR - RAISED PANEL/OGEE EDGE - 12" X 26" - W/O HDW - CONCERT CHERRY
8	136954-70-UC2	EA	DOOR - RAISED PANEL/OGEE EDGE - 12" X 26" - W/O HDW - WASHED MAPLE
8	136954-70-UC3	EA	DOOR - RAISED PANEL/OGEE EDGE - 12" X 26" - W/O HDW - SIERRA MAPLE
8	136954-70-TK0	EA	DR-RAISED PANEL/OGEE EDGE-12" X 26"-W/O HDW-SIERRA MAPLE - P34SH, SPECIAL EDITION (SE)
9	145268-53-UC1	EA	DOOR - RAISED PANEL/OGEE EDGE - 12.4" X 36" - W/O HDW - CONCERT CHERRY
9	145268-53-UC2	EA	DOOR - RAISED PANEL/OGEE EDGE - 12.4" X 36" - W/O HDW - WASHED MAPLE
9	145268-53-UC3	EA	DOOR - RAISED PANEL/OGEE EDGE - 12.4" X 36" - W/O HDW - SIERRA MAPLE

CABINET & APPLIANCE GROUP (CONTINUED)
CABINET & APPLIANCE LAYOUT (CONTINUED)

KEY	PART NUMBER	U/M	DESCRIPTION
10	145268-53-UC1	EA	DOOR - RAISED PANEL/OGEE EDGE - 12.4" X 36" - W/O HDW - CONCERT CHERRY
10	145268-53-UC2	EA	DOOR - RAISED PANEL/OGEE EDGE - 12.4" X 36" - W/O HDW - WASHED MAPLE
10	145268-53-UC3	EA	DOOR - RAISED PANEL/OGEE EDGE - 12.4" X 36" - W/O HDW - SIERRA MAPLE
10	145268-53-UP2	EA	DR-RAISED PANEL/OGEE ED.-12.4" X 36"-W/O HDW-SIERRA MAPLE - P34SH, SPECIAL EDITION (SE)
11	153121-C2-TA1	EA	DRAWER - OGEE EDGE - 18.6"W X 15.7"D - W/O SLIDES/HDW - CONCERT CHERRY
11	153121-C2-TA2	EA	DRAWER - OGEE EDGE - 18.6"W X 15.7"D - W/O SLIDES/HDW - WASHED MAPLE
11	153121-C2-TA3	EA	DRAWER - OGEE EDGE - 18.6"W X 15.7"D - W/O SLIDES/HDW - SIERRA MAPLE
12	136954-A0-U90	EA	DOOR - RAISED PANEL/OGEE EDGE - 14.4" X 14.4" - W/O HDW - CONCERT CHERRY
12	136954-A0-U91	EA	DOOR - RAISED PANEL/OGEE EDGE - 14.4" X 14.4" - W/O HDW - WASHED MAPLE
12	136954-A0-U92	EA	DOOR - RAISED PANEL/OGEE EDGE - 14.4" X 14.4" - W/O HDW - SIERRA MAPLE
13	153121-01-SA1	EA	DRAWER - OGEE EDGE - 5.3"W X 19.7"D - W/O SLIDES/HDW - CONCERT CHERRY
13	153121-01-SA2	EA	DRAWER - OGEE EDGE - 5.3"W X 19.7"D - W/O SLIDES/HDW - WASHED MAPLE
13	153121-01-SA3	EA	DRAWER - OGEE EDGE - 5.3"W X 19.7"D - W/O SLIDES/HDW - SIERRA MAPLE
14	136954-85-U90	EA	DOOR - RAISED PANEL/OGEE EDGE - 12.8" X 21.8" - W/O HDW - CONCERT CHERRY
14	136954-85-U91	EA	DOOR - RAISED PANEL/OGEE EDGE - 12.8" X 21.8" - W/O HDW - WASHED MAPLE
14	136954-85-U92	EA	DOOR - RAISED PANEL/OGEE EDGE - 12.8" X 21.8" - W/O HDW - SIERRA MAPLE
14	136954-85-TK0	EA	DR-RAISED PANEL/OGEE ED.-12.8" X 21.8"-W/O HDW-SIERRA MAPLE - P34SH, SPECIAL EDITION (SE)
15	136954-A9-UC1	EA	DOOR - RAISED PANEL/OGEE EDGE - 14.4" X 26.8" - W/O HDW - CONCERT CHERRY
15	136954-A9-UC2	EA	DOOR - RAISED PANEL/OGEE EDGE - 14.4" X 26.8" - W/O HDW - WASHED MAPLE
15	136954-A9-UC3	EA	DOOR - RAISED PANEL/OGEE EDGE - 14.4" X 26.8" - W/O HDW - SIERRA MAPLE
15	136954-A9-UP2	EA	DR-RAISED PANEL/OGEE ED.-14.4" X 26.8"-W/O HDW-SIERRA MAPLE - P34SH, SPECIAL EDITION (SE)
16	153121-Z8-TA1	EA	DWR-OGEE EDGE-22.6"W X 11.8"D-CONCERT CHERRY
16	153121-Z8-TA2	EA	DWR-OGEE EDGE-22.6"W X 11.8"D-WASHED MAPLE
16	153121-Z8-TA3	EA	DWR-OGEE EDGE-22.6"W X 11.8"D-SIERRA MAPLE
17	145298-03-UC1	EA	DR SOLID PANEL/OG ED-12.6"X6.1"-CONCERT CHERRY
17	145298-03-UC2	EA	DR SOLID PANEL/OG ED-12.6"X6.1"-WASHED MAPLE
17	145298-03-UC3	EA	DR SOLID PANEL/OG ED-12.6"X6.1"-SIERRA MAPLE
17	145298-05-UC1	EA	DR-SOLID PANEL/OGEE EDGE-9.2" X 10.2"-W/O HDW-CONCERT CHERRY-REFRIGERATOR-4 DOOR
17	145298-05-UC2	EA	DR-SOLID PANEL/OGEE EDGE-9.2" X 10.2"-W/O HDW-WASHED MAPLE-REFRIGERATOR-4 DOOR
17	145298-05-UC3	EA	DR-SOLID PANEL/OGEE EDGE-9.2" X 10.2"-W/O HDW-SIERRA MAPLE-REFRIGERATOR-4 DOOR
17	145298-05-UP2	EA	DR-SOLID PANEL/OGEE ED.-9.2"X 10.2"-SIERRA MAPLE-REF.-4 DOOR - P34SH, SPECIAL EDITION (SE)
18	P36353-02-UC1	EA	DRAWER-KEYBOARD - W/DRAWER SLIDES - W/O CABINET SLIDES/HDW - CONCERT CHERRY
18	P36353-02-UC2	EA	DRAWER-KEYBOARD - W/DRAWER SLIDES - W/O CABINET SLIDES/HDW - WASHED MAPLE
18	P36353-02-UC3	EA	DRAWER-KEYBOARD - W/DRAWER SLIDES - W/O CABINET SLIDES/HDW - SIERRA MAPLE
19	153121-29-TA1	EA	DRAWER - OGEE EDGE - 18.6"W X 13.8"D - W/O SLIDES/HDW - CONCERT CHERRY
19	153121-29-TA2	EA	DRAWER - OGEE EDGE - 18.6"W X 13.8"D - W/O SLIDES/HDW - WASHED MAPLE
19	153121-29-TA3	EA	DRAWER - OGEE EDGE - 18.6"W X 13.8"D - W/O SLIDES/HDW - SIERRA MAPLE
20	153121-31-TA1	EA	DRAWER - OGEE EDGE - 18.6"W X 13.8"D - W/O SLIDES/HDW - CONCERT CHERRY
20	153121-31-TA2	EA	DRAWER - OGEE EDGE - 18.6"W X 13.8"D - W/O SLIDES/HDW - WASHED MAPLE
20	153121-31-TA3	EA	DRAWER - OGEE EDGE - 18.6"W X 13.8"D - W/O SLIDES/HDW - SIERRA MAPLE
21	136954-36-U90	EA	DOOR - RAISED PANEL/OGEE EDGE - 10.6" X 19.9" - W/O HDW - CONCERT CHERRY
21	136954-36-U91	EA	DOOR - RAISED PANEL/OGEE EDGE - 10.6" X 19.9" - W/O HDW - WASHED MAPLE
21	136954-36-U92	EA	DOOR - RAISED PANEL/OGEE EDGE - 10.6" X 19.9" - W/O HDW - SIERRA MAPLE
22	136954-35-U90	EA	DOOR - RAISED PANEL/OGEE EDGE - 10.6" X 19.9" - W/O HDW - CONCERT CHERRY
22	136954-35-U91	EA	DOOR - RAISED PANEL/OGEE EDGE - 10.6" X 19.9" - W/O HDW - WASHED MAPLE
22	136954-35-U92	EA	DOOR - RAISED PANEL/OGEE EDGE - 10.6" X 19.9" - W/O HDW - SIERRA MAPLE

CABINET & APPLIANCE GROUP (CONTINUED)
CABINET & APPLIANCE LAYOUT (CONTINUED)

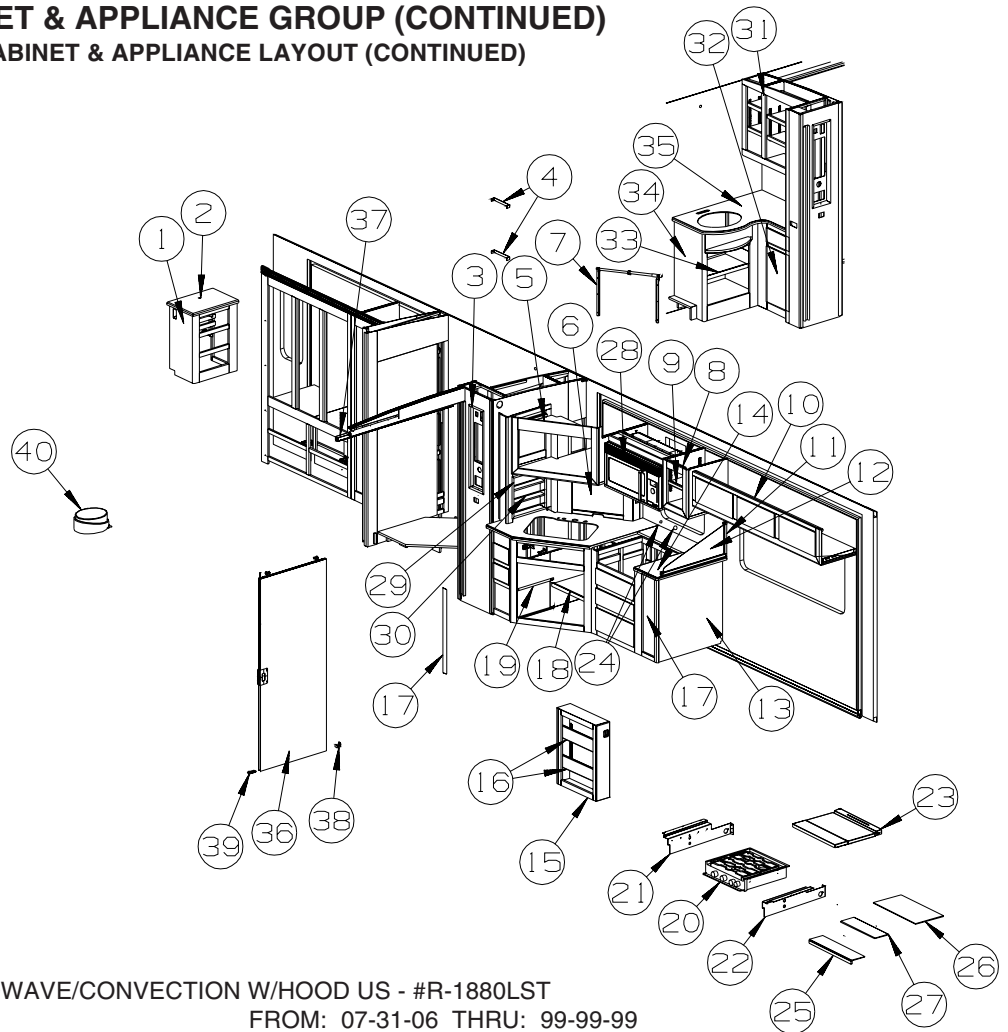


KEY	PART NUMBER	U/M	DESCRIPTION
1	149015-01-R69	EA	CAB.-NIGHTSTAND/LH-W/O CTRTP/DR/DWR/HDW-CONCERT CHERRY (UC1,UC5,UD1)
1	149015-01-UM7	EA	CAB.-NIGHTSTAND/LH-W/O CTRTP/DR/DWR/HDW-CONCERT CHERRY (UM7,UM8,UM9)
1	149015-01-RW7	EA	CAB.-NIGHTSTAND/LH-W/O CTRTP/DR/DWR/HDW-WASHED MAPLE
1	149015-01-SA3	EA	CAB.-NIGHTSTAND/LH-W/O CTRTP/DR/DWR/HDW-SIERRA MAPLE
1	149015-02-R69	EA	CAB.-NIGHTSTAND/LH-CONCERT CHERRY (UC1,UC5,UD1)- SLEEP NUMBER BED-QUEEN SIZE
1	149015-02-UM7	EA	CAB.-NIGHTSTAND/LH-CONCERT CHERRY (UM7,UM8,UM9)- SLEEP NUMBER BED-QUEEN SIZE
1	149015-02-RW7	EA	CAB.-NIGHTSTAND/LH-WASHED MAPLE- SLEEP NUMBER BED-QUEEN SIZE
1	149015-02-SA3	EA	CAB.-NIGHTSTAND/LH-SIERRA MAPLE- SLEEP NUMBER BED-QUEEN SIZE
2	145182-11-SB5	EA	COUNTERTOP - LAMINATED - BROWN PLANK CHERRY/CONCERT CHERRY
2	145182-11-SB6	EA	COUNTERTOP - LAMINATED - HARDROCK MAPLE/WASHED MAPLE
2	145182-11-SB7	EA	COUNTERTOP - LAMINATED - HONEY MAPLE/SIERRA MAPLE
2	145182-49-UP2	EA	COUNTERTOP - LAMINATED - SIERRA MAPLE - P34SH, SPECIAL EDITION (SE)
3	137602-C1-R69	EA	POCKET - MONITOR PANEL - CONCERT CHERRY - INVERTER/CHARGER 2.0 KW
3	137602-C1-RW7	EA	POCKET - MONITOR PANEL - WASHED MAPLE - INVERTER/CHARGER 2.0 KW
3	137602-C1-SA3	EA	POCKET - MONITOR PANEL - SIERRA MAPLE - INVERTER/CHARGER 2.0 KW
3	137602-K1-TA1	EA	POCKET - MONITOR PANEL - CONCERT CHERRY
			FROM: 00-00-00 THRU: 06-19-06
3	137602-G5-TA1	EA	POCKET - MONITOR PANEL - CONCERT CHERRY
			FROM: 06-20-06 THRU: 10-29-06
3	137602-L9-T60	EA	POCKET - MONITOR PANEL - CONCERT CHERRY
			FROM: 10-30-06 THRU: 99-99-99
3	137602-K1-TA2	EA	POCKET - MONITOR PANEL - WASHED MAPLE
			FROM: 00-00-00 THRU: 06-19-06
3	137602-G5-TA2	EA	POCKET - MONITOR PANEL - WASHED MAPLE
			FROM: 06-20-06 THRU: 10-29-06
3	137602-L9-T61	EA	POCKET - MONITOR PANEL - WASHED MAPLE
			FROM: 10-30-06 THRU: 99-99-99
3	137602-K1-TA3	EA	POCKET - MONITOR PANEL - SIERRA MAPLE
			FROM: 00-00-00 THRU: 06-19-06
3	137602-G5-TA3	EA	POCKET - MONITOR PANEL - SIERRA MAPLE
			FROM: 06-20-06 THRU: 10-29-06

CABINET & APPLIANCE GROUP (CONTINUED)
CABINET & APPLIANCE LAYOUT (CONTINUED)

KEY	PART NUMBER	U/M	DESCRIPTION
3	137602-L9-TP0	EA	POCKET - MONITOR PANEL - SIERRA MAPLE FROM: 10-30-06 THRU: 99-99-99
4	154649-01-02B	EA	BRACKET - ONE PLACE - E-COATED
5	159177-01-UC1	EA	CABINET - OVERHEAD/GALLEY - W/O DOORS/HDW - CONCERT CHERRY (UC1,UC5,UD1)
5	159177-01-UM7	EA	CABINET - OVERHEAD/GALLEY - W/O DOORS/HDW - CONCERT CHERRY (UM7,UM8,UM9)
5	159177-01-UC2	EA	CABINET - OVERHEAD/GALLEY - W/O DOORS/HDW - WASHED MAPLE
5	159177-01-UC3	EA	CABINET - OVERHEAD/GALLEY - W/O DOORS/HDW - SIERRA MAPLE
6	158829-01-UC1	EA	CABINET - STORAGE/APPLIANCE - W/TAMBOUR DOOR - W/O HDW - CONCERT CHERRY
6	158829-01-UC2	EA	CABINET - STORAGE/APPLIANCE - W/TAMBOUR DOOR - W/O HDW - WASHED MAPLE
6	158829-01-UC3	EA	CABINET - STORAGE/APPLIANCE - W/TAMBOUR DOOR - W/O HDW - SIERRA MAPLE
7	130787-02-000	EA	TRACK - TAMBOUR DOOR/SPRING - 24"
8	154648-01-TA1	EA	CABINET - OVERHEAD/GALLEY - W/O DOORS/HDW - CONCERT CHERRY (UC1,UC5,UD1)
8	154648-01-UM7	EA	CABINET - OVERHEAD/GALLEY - W/O DOORS/HDW - CONCERT CHERRY (UM7,UM8,UM9)
8	154648-01-TA2	EA	CABINET - OVERHEAD/GALLEY - W/O DOORS/HDW - WASHED MAPLE
8	154648-01-TA3	EA	CABINET - OVERHEAD/GALLEY - W/O DOORS/HDW - SIERRA MAPLE
9	154648-21-TA1	EA	SHELF - W/WOOD MOLDING - CONCERT CHERRY
9	154648-21-TA2	EA	SHELF - W/WOOD MOLDING - WASHED MAPLE
9	154648-21-TA3	EA	SHELF - W/WOOD MOLDING - SIERRA MAPLE
10	142230-02-P79	EA	CABINET - OVERHEAD/FRONT/LEFT HAND - W/O DOORS/HDW - CONCERT CHERRY (UC1,UC5,UD1)
10	142230-02-UM7	EA	CABINET - OVERHEAD/FRONT/LEFT HAND - W/O DOORS/HDW - CONCERT CHERRY (UM7,UM8,UM9)
10	142230-02-RW7	EA	CABINET - OVERHEAD/FRONT/LEFT HAND - W/O DOORS/HDW - WASHED MAPLE
10	142230-02-SA3	EA	CABINET - OVERHEAD/FRONT/LEFT HAND - W/O DOORS/HDW - SIERRA MAPLE
11	145211-01-SP1	EA	SPLASHGUARD - CONCERT CHERRY
11	145211-01-SP2	EA	SPLASHGUARD - WASHED MAPLE
11	145211-01-SP3	EA	SPLASHGUARD - SIERRA MAPLE
12	127117-01-01A	EA	GLASS - STATIONARY - SPLASHGUARD
13	P55021-01-TA1	EA	CABINET - GALLEY - W/O COUNTERTOP/DRS/DRAWERS/HDW - CONCERT CHERRY (UC1,UC5,UD1)
13	P55021-01-UM7	EA	CABINET - GALLEY - W/O COUNTERTOP/DRS/DRAWERS/HDW - CONCERT CHERRY (UM7,UM8,UM9)
13	P55021-01-TA2	EA	CABINET - GALLEY - W/O COUNTERTOP/DRS/DRAWERS/HDW - WASHED MAPLE
13	P55021-01-TA3	EA	CABINET - GALLEY - W/O COUNTERTOP/DRS/DRAWERS/HDW - SIERRA MAPLE
14	149086-43-09A	EA	COUNTERTOP - 1/4" VENDURA - BUTTER BRICKLE FROM: 00-00-00 THRU: 12-17-06
14	161458-01-UM7	EA	COUNTERTOP - GALLEY FROM: 12-18-06 THRU: 99-99-99
15	153343-03-SD1	EA	CABINET - PANTRY/SLIDE - W/O DOORS/DRAWERS/HDW - CONCERT CHERRY
15	153343-03-SD2	EA	CABINET - PANTRY/SLIDE - W/O DOORS/DRAWERS/HDW - WASHED MAPLE
15	153343-03-S67	EA	CABINET - PANTRY/SLIDE - W/O DOORS/DRAWERS/HDW - SIERRA MAPLE
16	153343-27-SD1	EA	SHELF - W/WOOD MOLDING - CONCERT CHERRY
16	153343-27-SD2	EA	SHELF - W/WOOD MOLDING - WASHED MAPLE
16	153343-27-S67	EA	SHELF - W/WOOD MOLDING - SIERRA MAPLE
17	127842-01-01A	FT	SEAL - SIGHT SHIELD - 2" BLACK
18	155021-36-TA0	EA	SHELF - W/PLASTIC EDGE MOLDING
19	057534-08-000	EA	TIEBACK - CLEAR PLASTIC - 16"
19	029130-01-000	EA	SCREW - SNAP STUD - #8-16 X 5/8" LONG
20*	135065-03-01A	EA	RANGE-3 BURNER (SEALED)-W/O OVEN-NEW STYLE KNOBS-BLK GLASS
20*	135065-04-01A	EA	RANGE - 3 BURNER (SEALED) - W/O OVEN - CSA - BLACK TOP - CANADIAN
21	106936-21-04B	EA	BRACKET - TIEDOWN - RANGE/FRONT - BLACK
22	106936-22-04B	EA	BRACKET - TIEDOWN - RANGE/REAR - BLACK
23*	126022-01-01A	EA	COVER/RANGE - BI-FOLD - 22" - BLACK TEXTURED
24	109506-12-000	EA	FILM/ABRASION-RESISTANT - TRANSPARENT - 1" DIA.
25	149094-01-09A	EA	COVER/STOVE TOP - 1/4" VENDURA - BUTTER BRICKLE FROM: 00-00-00 THRU: 12-17-06
25	161211-01-UM1	EA	COVER - STOVE TOP - LAMINATED FROM: 12-18-06 THRU: 99-99-99
26	130816-06-09A	EA	COUNTERTOP/STOVE LID - 1/4" VENDURA - BUTTER BRICKLE FROM: 00-00-00 THRU: 12-17-06
26	161211-03-UM1	EA	COVER - STOVE TOP - LAMINATED FROM: 12-18-06 THRU: 99-99-99
27	130816-08-09A	EA	COUNTERTOP/PANTRY-6.1"X19.7" - 1/4" VENDURA-BUTTER BRICKLE FROM: 00-00-00 THRU: 12-17-06
27	161211-06-UM7	EA	COVER - STOVE TOP - LAMINATED FROM: 12-18-06 THRU: 99-99-99
28*	119267-12-02A	EA	OVEN - MICROWAVE/CONVECTION W/HOOD US - #R-1874T FROM: 00-00-00 THRU: 07-30-06

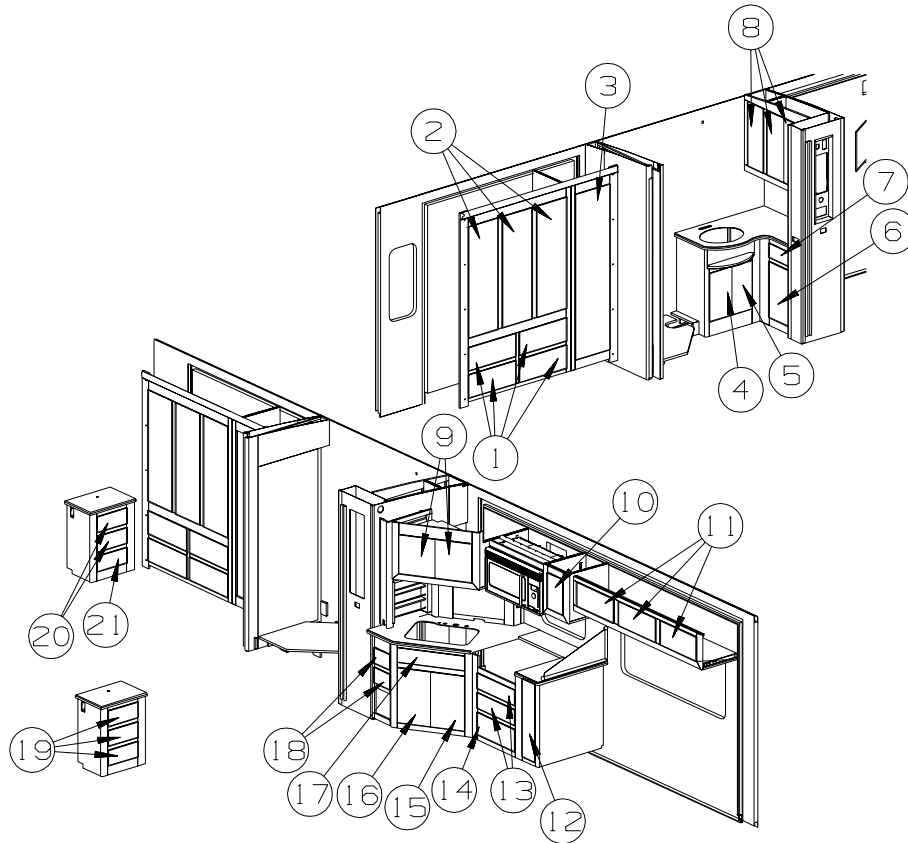
CABINET & APPLIANCE GROUP (CONTINUED)
CABINET & APPLIANCE LAYOUT (CONTINUED)



KEY	PART NUMBER	U/M	DESCRIPTION
28	119267-17-01A	EA	OVEN - MICROWAVE/CONVECTION W/HOOD US - #R-1880LST FROM: 07-31-06 THRU: 99-99-99
29	158828-01-UC1	EA	CABINET - SPICE RACK - W/O HARDWARE - CONCERT CHERRY (UC1,UC5,UD1)
29	158828-01-UM7	EA	CABINET - SPICE RACK - W/O HARDWARE - CONCERT CHERRY (UM7,UM8,UM9)
29	158828-01-UC2	EA	CABINET - SPICE RACK - W/O HARDWARE - WASHED MAPLE
29	158828-01-UC3	EA	CABINET - SPICE RACK - W/O HARDWARE - SIERRA MAPLE
30	137602-H2-TA1	EA	POCKET - SPICE RACK - W/RAIL - CONCERT CHERRY
30	137602-H2-TA2	EA	POCKET - SPICE RACK - W/RAIL - WASHED MAPLE
30	137602-H2-TA3	EA	POCKET - SPICE RACK - W/RAIL - SIERRA MAPLE
31	140310-01-N85	EA	CABINET - OVERHEAD/LAVATORY - W/O DOORS/HARDWARE - CONCERT CHERRY (UC1,UC5,UD1)
31	140310-01-UM7	EA	CABINET - OVERHEAD/LAVATORY - W/O DOORS/HARDWARE - CONCERT CHERRY (UM7,UM8,UM9)
31	140310-01-RW7	EA	CABINET - OVERHEAD/LAVATORY - W/O DOORS/HARDWARE - WASHED MAPLE
31	140310-01-SA3	EA	CABINET - OVERHEAD/LAVATORY - W/O DOORS/HARDWARE - SIERRA MAPLE
32	144376-01-R69	EA	CABINET - HAMPER - W/O DOORS/HARDWARE - CONCERT CHERRY (UC1,UC5,UD1)
32	144376-01-UM7	EA	CABINET - HAMPER - W/O DOORS/HARDWARE - CONCERT CHERRY (UM7,UM8,UM9)
32	144376-01-RW7	EA	CABINET - HAMPER - W/O DOORS/HARDWARE - WASHED MAPLE
32	144376-01-SA3	EA	CABINET - HAMPER - W/O DOORS/HARDWARE - SIERRA MAPLE
33	144344-18-R68	EA	SHELF - W/PLASTIC EDGE MOLDING
34	P44344-01-R69	EA	CABINET - LAVATORY - W/O COUNTERTOP/DRS/DWR/HDW - CONCERT CHERRY (UC1,UC5,UD1)
34	P44344-01-UM7	EA	CABINET - LAVATORY - W/O COUNTERTOP/DRS/DWR/HDW - CONCERT CHERRY (UM7,UM8,UM9)
34	P44344-01-RW7	EA	CABINET - LAVATORY - W/O COUNTERTOP/DRS/DWR/HDW - WASHED MAPLE
34	P44344-01-SA3	EA	CABINET - LAVATORY - W/O COUNTERTOP/DRS/DWR/HDW - SIERRA MAPLE
35	149105-07-09A	EA	COUNTERTOP - 1/4" VENDURA - BUTTER BRICKLE FROM: 00-00-00 THRU: 09-30-06
35	161459-01-UM7	EA	COUNTERTOP - LAVATORY FROM: 10-01-06 THRU: 99-99-99
36	146047-06-SN1	EA	DOOR - SLIDING - W/O HARDWARE - CONCERT CHERRY
36	146047-06-SN2	EA	DOOR - SLIDING - W/O HARDWARE - WASHED MAPLE
36	146047-06-SN3	EA	DOOR - SLIDING - W/O HARDWARE - SIERRA MAPLE
37	145608-08-01A	EA	TRACK - DOOR - 62.2" - OFF WHITE
38	064467-01-000	EA	GUIDE - POCKET - SLIDING DOOR - WALL MOUNTED
39	150983-01-01A	EA	STRIKE/BLOCK - WEDGE STYLE - F/SLIDE DOOR - 3"X1.2"-BLACK
40	142411-03-000	EA	AIR PUMP W/CONTROLS - F/SELECT COMFORT MATTRESS-SLEEP NUMBER BED-QUEEN SIZE

*COMPONENT PARTS LISTED LATER IN THIS GROUP

CABINET & APPLIANCE GROUP (CONTINUED)
CABINET & APPLIANCE LAYOUT (CONTINUED)

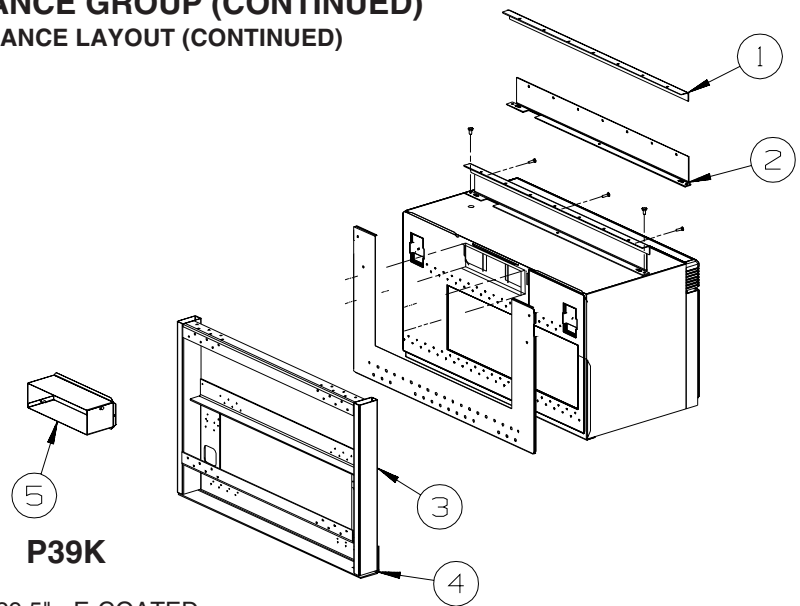


KEY	PART NUMBER	U/M	DESCRIPTION
1	153121-05-SA1	EA	DRAWER - OGEE EDGE - 20.2"W X 17.7"D - W/O SLIDES/HDW - CONCERT CHERRY
1	153121-05-SA2	EA	DRAWER - OGEE EDGE - 20.2"W X 17.7"D - W/O SLIDES/HDW - WASHED MAPLE
1	153121-05-SA3	EA	DRAWER - OGEE EDGE - 20.2"W X 17.7"D - W/O SLIDES/HDW - SIERRA MAPLE
2	136954-E2-UC1	EA	DOOR - RAISED PANEL/OGEE EDGE - 14.3" X 45.4" - W/O HDW - CONCERT CHERRY
2	136954-E2-UC2	EA	DOOR - RAISED PANEL/OGEE EDGE - 14.3" X 45.4" - W/O HDW - WASHED MAPLE
2	136954-E2-UC3	EA	DOOR - RAISED PANEL/OGEE EDGE - 14.3" X 45.4" - W/O HDW - SIERRA MAPLE
2	136954-E2-UP2	EA	DR-RAISED PANEL/OGEE ED.-14.3" X 45.4"-W/O HDW-SIERRA MAPLE - P34SH, SPECIAL EDITION (SE)
3	141506-01-UC1	EA	DOOR - MIRRORED/OGEE EDGE - 16.1" X 65.3" - W/O HDW - CONCERT CHERRY
3	141506-01-UC2	EA	DOOR - MIRRORED/OGEE EDGE - 16.1" X 65.3" - W/O HDW - WASHED MAPLE
3	141506-01-UC3	EA	DOOR - MIRRORED/OGEE EDGE - 16.1" X 65.3" - W/O HDW - SIERRA MAPLE
3	141506-01-TK0	EA	DR-MIRRORED/OGEE EDGE-16.1" X 65.3"-W/O HDW-SIERRA MAPLE- P34SH, SPECIAL EDITION (SE)
3	140374-11-000	EA	MIRROR - SAFETY GLASS - 12.9" X 62"
4	136954-23-UC1	EA	DOOR - RAISED PANEL/OGEE EDGE - 10" X 19.1" - W/O HDW - CONCERT CHERRY
4	136954-23-UC2	EA	DOOR - RAISED PANEL/OGEE EDGE - 10" X 19.1" - W/O HDW - WASHED MAPLE
4	136954-23-UC3	EA	DOOR - RAISED PANEL/OGEE EDGE - 10" X 19.1" - W/O HDW - SIERRA MAPLE
4	136954-23-UP1	EA	DR-RAISED PANEL/OGEE ED.-10" X 19.1"-W/O HDW-SIERRA MAPLE - P34SH, SPECIAL EDITION (SE)
5	136954-24-UC1	EA	DOOR - RAISED PANEL/OGEE EDGE - 10" X 19.1" - W/O HDW - CONCERT CHERRY
5	136954-24-UC2	EA	DOOR - RAISED PANEL/OGEE EDGE - 10" X 19.1" - W/O HDW - WASHED MAPLE
5	136954-24-UC3	EA	DOOR - RAISED PANEL/OGEE EDGE - 10" X 19.1" - W/O HDW - SIERRA MAPLE
5	136954-24-UP1	EA	DR-RAISED PANEL/OGEE ED.-10" X 19.1"-W/O HDW-SIERRA MAPLE - P34SH, SPECIAL EDITION (SE)
6	145268-17-UC1	EA	DOOR - RAISED PANEL/OGEE EDGE - 21.8" X 13.4" - W/O HDW - CONCERT CHERRY
6	145268-17-UC2	EA	DOOR - RAISED PANEL/OGEE EDGE - 21.8" X 13.4" - W/O HDW - WASHED MAPLE
6	145268-17-UC3	EA	DOOR - RAISED PANEL/OGEE EDGE - 21.8" X 13.4" - W/O HDW - SIERRA MAPLE
6	145268-17-UP1	EA	DR-RAISED PANEL/OGEE ED.-21.8" X 13.4"-W/O HDW-SIERRA MAPLE - P34SH, SPECIAL EDITION (SE)
7	153121-AA-TA1	EA	DRAWER - OGEE EDGE - 11.2"W X 9.8"D - W/O SLIDES/HDW - CONCERT CHERRY
7	153121-AA-TA2	EA	DRAWER - OGEE EDGE - 11.2"W X 9.8"D - W/O SLIDES/HDW - WASHED MAPLE
7	153121-AA-TA3	EA	DRAWER - OGEE EDGE - 11.2"W X 9.8"D - W/O SLIDES/HDW - SIERRA MAPLE
8	136954-25-UC1	EA	DOOR - RAISED PANEL/OGEE EDGE - 10" X 25.2" - W/O HDW - CONCERT CHERRY
8	136954-25-UC2	EA	DOOR - RAISED PANEL/OGEE EDGE - 10" X 25.2" - W/O HDW - WASHED MAPLE
8	136954-25-UC3	EA	DOOR - RAISED PANEL/OGEE EDGE - 10" X 25.2" - W/O HDW - SIERRA MAPLE
8	136954-25-TL0	EA	DR-RAISED PANEL/OGEE ED.-10" X 25.2"-W/O HDW-SIERRA MAPLE - P34SH, SPECIAL EDITION (SE)

CABINET & APPLIANCE GROUP (CONTINUED)
CABINET & APPLIANCE LAYOUT (CONTINUED)

KEY	PART NUMBER	U/M	DESCRIPTION
8	136954-25-TL0	EA	DR-RAISED PANEL/OGEE ED.E-10" X 25.2"-W/O HDW-SIERRA MAPLE - P34SH, SPECIAL EDITION (SE)
9	136954-A3-U90	EA	DOOR - RAISED PANEL/OGEE EDGE - 14.4" X 17.9" - W/O HDW - CONCERT CHERRY
9	136954-A3-U91	EA	DOOR - RAISED PANEL/OGEE EDGE - 14.4" X 17.9" - W/O HDW - WASHED MAPLE
9	136954-A3-U92	EA	DOOR - RAISED PANEL/OGEE EDGE - 14.4" X 17.9" - W/O HDW - SIERRA MAPLE
9	136954-A3-TK0	EA	DR-RAISED PANEL/OGEE ED.-14.4" X 17.9"-W/O HDW-SIERRA MAPLE - P34SH, SPECIAL EDITION (SE)
10	136954-16-UC1	EA	DOOR - RAISED PANEL/OGEE EDGE - 9.8" X 14.6" - W/O HDW - CONCERT CHERRY
10	136954-16-UC2	EA	DOOR - RAISED PANEL/OGEE EDGE - 9.8" X 14.6" - W/O HDW - WASHED MAPLE
10	136954-16-UC3	EA	DOOR - RAISED PANEL/OGEE EDGE - 9.8" X 14.6" - W/O HDW - SIERRA MAPLE
10	136954-16-UP2	EA	DR-RAISED PANEL/OGEE ED.-9.8" X 14.6"-W/O HDW-SIERRA MAPLE - P34SH, SPECIAL EDITION (SE)
11	136954-31-UC1	EA	DOOR - RAISED PANEL/OGEE EDGE - 10.2" X 21.5" - W/O HDW - CONCERT CHERRY
11	136954-31-UC2	EA	DOOR - RAISED PANEL/OGEE EDGE - 10.2" X 21.5" - W/O HDW - WASHED MAPLE
11	136954-31-UC3	EA	DOOR - RAISED PANEL/OGEE EDGE - 10.2" X 21.5" - W/O HDW - SIERRA MAPLE
12	154289-05-U90	EA	DOOR - RAISED PANEL/OGEE EDGE - 7.9" X 30.3" - W/O HDW - CONCERT CHERRY
12	154289-05-U91	EA	DOOR - RAISED PANEL/OGEE EDGE - 7.9" X 30.3" - W/O HDW - WASHED MAPLE
12	154289-05-U92	EA	DOOR - RAISED PANEL/OGEE EDGE - 7.9" X 30.3" - W/O HDW - SIERRA MAPLE
13	153121-67-T78	EA	DRAWER - OGEE EDGE - 19.8"W X 21.6"D - W/O SLIDES/HDW - CONCERT CHERRY
13	153121-67-T79	EA	DRAWER - OGEE EDGE - 19.8"W X 21.6"D - W/O SLIDES/HDW - WASHED MAPLE
13	153121-67-T80	EA	DRAWER - OGEE EDGE - 19.8"W X 21.6"D - W/O SLIDES/HDW - SIERRA MAPLE
14	153121-69-T78	EA	DRAWER - OGEE EDGE - 19.8"W X 21.6"D - W/O SLIDES/HDW - CONCERT CHERRY
14	153121-69-T79	EA	DRAWER - OGEE EDGE - 19.8"W X 21.6"D - W/O SLIDES/HDW - WASHED MAPLE
14	153121-69-T80	EA	DRAWER - OGEE EDGE - 19.8"W X 21.6"D - W/O SLIDES/HDW - SIERRA MAPLE
15	136954-87-U90	EA	DOOR - RAISED PANEL/OGEE EDGE - 12.8" X 21.9" - W/O HDW - CONCERT CHERRY
15	136954-87-U91	EA	DOOR - RAISED PANEL/OGEE EDGE - 12.8" X 21.9" - W/O HDW - WASHED MAPLE
15	136954-87-U92	EA	DOOR - RAISED PANEL/OGEE EDGE - 12.8" X 21.9" - W/O HDW - SIERRA MAPLE
15	136954-87-U68	EA	DR-RAISED PANEL/OGEE ED.-12.8"X 21.9"-W/O HDW-SIERRA MAPLE - P34SH, SPECIAL EDITION (SE)
16	136954-86-U90	EA	DOOR - RAISED PANEL/OGEE EDGE - 12.8" X 21.9" - W/O HDW - CONCERT CHERRY
16	136954-86-U91	EA	DOOR - RAISED PANEL/OGEE EDGE - 12.8" X 21.9" - W/O HDW - WASHED MAPLE
16	136954-86-U92	EA	DOOR - RAISED PANEL/OGEE EDGE - 12.8" X 21.9" - W/O HDW - SIERRA MAPLE
16	136954-86-U68	EA	DR-RAISED PANEL/OGEE ED.-12.8" X 21.9"-W/O HDW-SIERRA MAPLE - P34SH, SPECIAL EDITION (SE)
17	146910-15-U90	EA	DRAWER - TIPOUT - W/HIDDEN TRAY - CONCERT CHERRY
17	146910-15-U91	EA	DRAWER - TIPOUT - W/HIDDEN TRAY - WASHED MAPLE
17	146910-15-U92	EA	DRAWER - TIPOUT - W/HIDDEN TRAY - SIERRA MAPLE
17	146910-15-UP1	EA	DRAWER - TIPOUT - W/HIDDEN TRAY - SIERRA MAPLE - P34SH, SPECIAL EDITION (SE)
17	108127-01-01A	EA	CAP - TRAY
17	108128-01-01A	EA	TRAY - HIDDEN
18	153121-AC-TA1	EA	DRAWER - OGEE EDGE - 7.6"W X 15.7"D - W/O SLIDES/HDW - CONCERT CHERRY
18	153121-AC-TA2	EA	DRAWER - OGEE EDGE - 7.6"W X 15.7"D - W/O SLIDES/HDW - WASHED MAPLE
18	153121-AC-TA3	EA	DRAWER - OGEE EDGE - 7.6"W X 15.7"D - W/O SLIDES/HDW - SIERRA MAPLE
19	153121-03-SA1	EA	DRAWER - OGEE EDGE - 12.3"W X 11.8"D - W/O SLIDES/HDW - CONCERT CHERRY
19	153121-03-SA2	EA	DRAWER - OGEE EDGE - 12.3"W X 11.8"D - W/O SLIDES/HDW - WASHED MAPLE
19	153121-03-SA3	EA	DRAWER - OGEE EDGE - 12.3"W X 11.8"D - W/O SLIDES/HDW - SIERRA MAPLE
20	153121-03-SA1	EA	DWR-OGEE EDGE-12.3"W X 11.8"D-CONCERT CHERRY-SLEEP NUMBER BED-QUEEN SIZE
20	153121-03-SA2	EA	DWR-OGEE EDGE-12.3"W X 11.8"D-WASHED MAPLE-SLEEP NUMBER BED-QUEEN SIZE
20	153121-03-SA3	EA	DWR-OGEE EDGE-12.3"W X 11.8"D-SIERRA MAPLE-SLEEP NUMBER BED-QUEEN SIZE
21	144803-CX-R84	EA	FACE/DWR-SOLID PANEL/OG ED-6.7" X 14.5"-CONCERT CHERRY-SLEEP NUMBER BED-QUEEN SIZE
21	144803-CX-SA2	EA	FACE/DWR-SOLID PANEL/OG ED-6.7" X 14.5"-WASHED MAPLE-SLEEP NUMBER BED-QUEEN SIZE
21	144803-CX-SA3	EA	FACE/DWR-SOLID PANEL/OG ED-6.7" X 14.5"-SIERRA MAPLE-SLEEP NUMBER BED-QUEEN SIZE

CABINET & APPLIANCE GROUP (CONTINUED)
CABINET & APPLIANCE LAYOUT (CONTINUED)



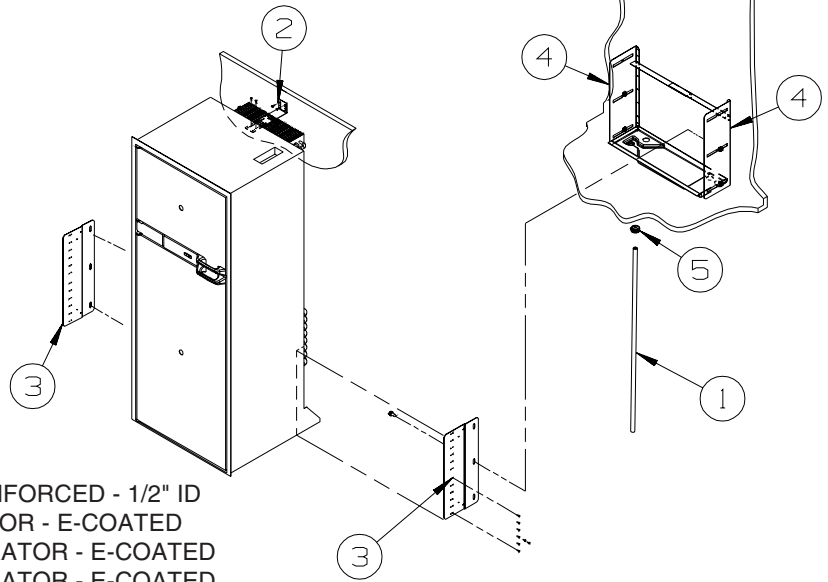
P39K

KEY	PART NUMBER	U/M	DESCRIPTION
1	129836-02-02B	EA	ANGLE - W/HOLES - 1" X .8" X 29.5" - E-COATED
2	129836-05-02B	EA	ANGLE - W/HOLES - 1" X 3" X 29.5" - E-COATED
3	137824-02-02B	EA	BRACKET - MICROWAVE - E-COATED
4	NOT USED		
5	140093-01-02B	EA	DUCT - E-COATED

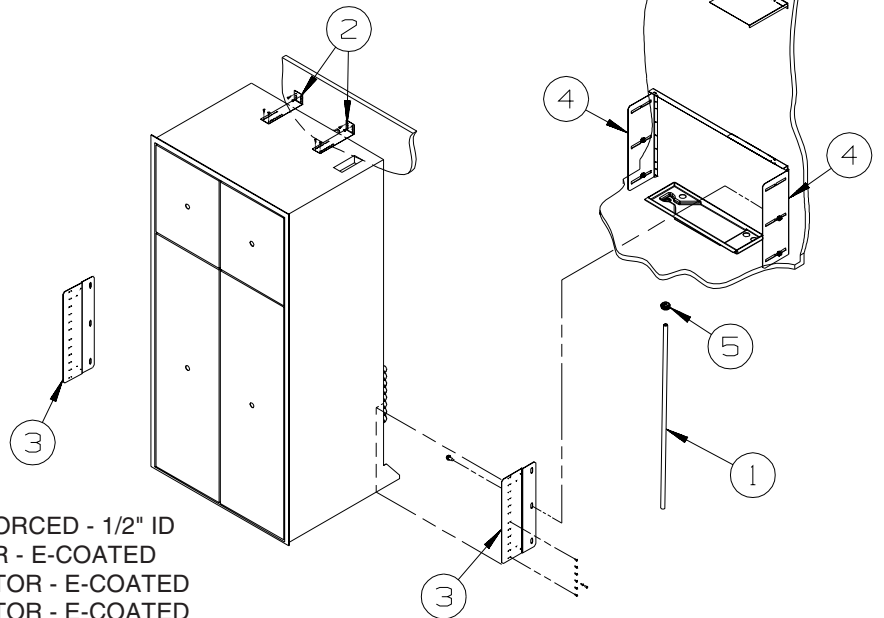
P34H,P34SH

KEY	PART NUMBER	U/M	DESCRIPTION
1	129836-02-02B	EA	ANGLE - W/HOLES - 1" X .8" X 29.5" - E-COATED
2	129836-01-02B	EA	ANGLE - W/HOLES - 1" X .8" X 29.5" - E-COATED
3	137824-03-02B	EA	BRACKET - MICROWAVE - E-COATED
4	093305-01-01A	EA	TRIM - EDGE C-TYPE - WIRE CARRIER - .35" X .24" - VINYL
5	140093-03-02B	EA	DUCT - E-COATED

CABINET & APPLIANCE GROUP (CONTINUED)
CABINET & APPLIANCE LAYOUT (CONTINUED)



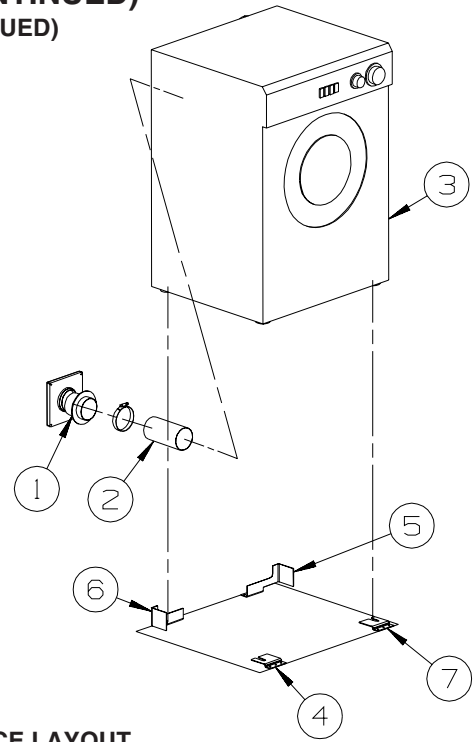
KEY	PART NUMBER	U/M	DESCRIPTION
1	112176-01-000	FT	TUBING - VINYL - REINFORCED - 1/2" ID
2	145445-02-02B	EA	STRAP - REFRIGERATOR - E-COATED
3	150740-01-02B	EA	BRACKET - REFRIGERATOR - E-COATED
4	150740-02-02B	EA	BRACKET - REFRIGERATOR - E-COATED
5	152417-01-01A	EA	CLAMP/RATCHET - F/REFRIGERATOR DRIP TRAY HOSE - BLACK



KEY	PART NUMBER	U/M	DESCRIPTION
1	112176-01-000	FT	TUBING - VINYL - REINFORCED - 1/2" ID
2	145445-02-02B	EA	STRAP - REFRIGERATOR - E-COATED
3	150740-01-02B	EA	BRACKET - REFRIGERATOR - E-COATED
4	150740-02-02B	EA	BRACKET - REFRIGERATOR - E-COATED
5	152417-01-01A	EA	CLAMP/RATCHET - F/REFRIDGERATOR DRIP TRAY HOSE - BLACK

CABINET & APPLIANCE GROUP (CONTINUED)
CABINET & APPLIANCE LAYOUT (CONTINUED)

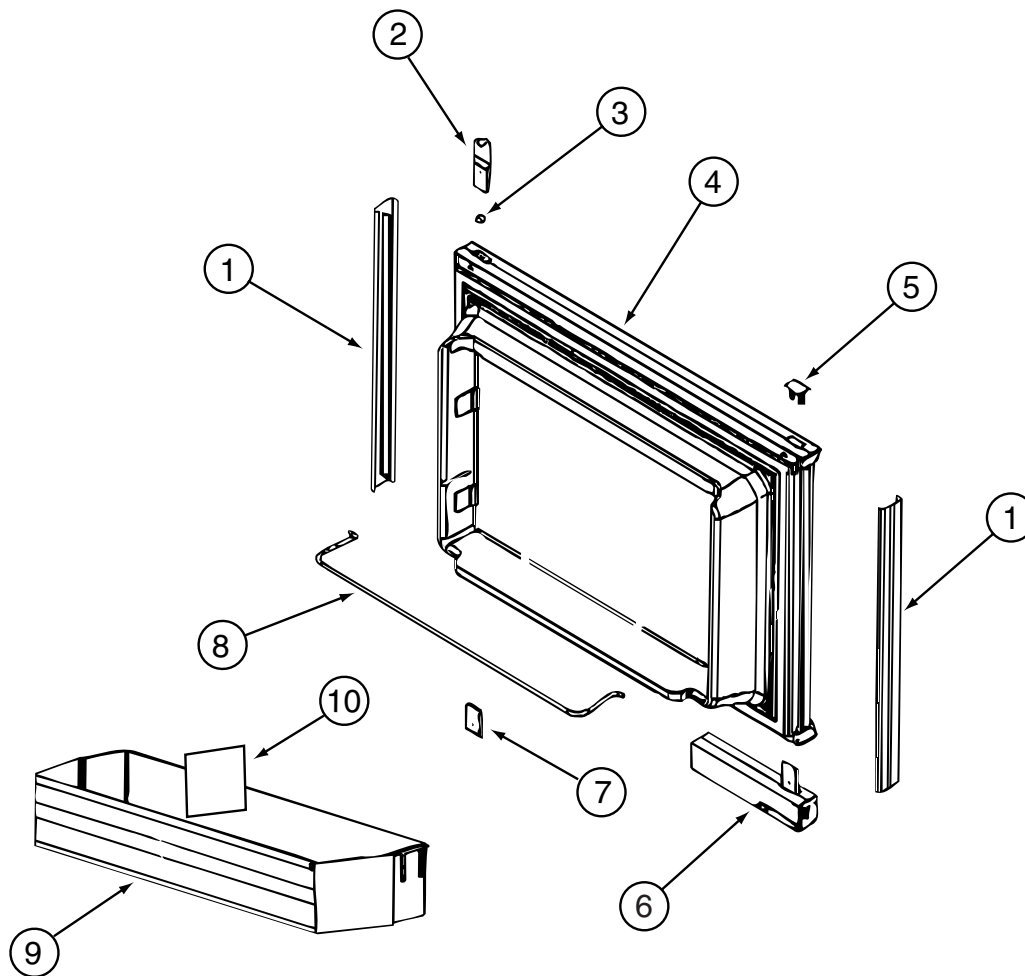
KEY	PART NUMBER	U/M	DESCRIPTION
1	146292-01-01A	EA	COVER - DRYER VENT - BRIGHT WHITE
1	146292-01-02A	EA	COVER - DRYER VENT - BLACK - FULL BODY PAINT
1	146292-02-01A	EA	DRYER VENT - INNER - BRIGHT WHITE
1	146292-02-02A	EA	DRYER VENT - INNER - BLACK - FULL BODY PAINT
2	116653-02-000	FT	DUCT - FLEXIBLE - 3' COMPRESSED/8' EXTENDED
3	153204-01-01A	EA	WASHER/DRYER - VENTED - UL/CSA - WHITE
4	111913-02-04B	EA	BRACKET/WASHER - TIE DOWN - BLACK
5	113795-01-02B	EA	BRACKET - WASHER - E-COATED
6	113795-02-02B	EA	BRACKET - WASHER - E-COATED
7	111913-03-04B	EA	BRACKET/WASHER - TIE DOWN - BLACK
	141523-01-01A	EA	LABEL - WASHER/DRYER BRACKETS - BLACK/WHITE
	157665-01-000	GL	RV ANTIFREEZE-50 POTABLE WTR



COMPONENT PARTS FOR CABINET & APPLIANCE LAYOUT
119267-12-02A

KEY	PART NUMBER	U/M	DESCRIPTION	VENDOR NO.
	119267-04-700	EA	FILTER-GREASE	BOO2
	119267-04-703	EA	PLATE - MOUNTING	FANGTB003MRY0
	119267-04-704	EA	LIGHT COVER-F/MOD R1480/1850	FANGKB009MRYO
	119267-04-705	EA	SCREW	LX-BZB011MREO
	119267-12-701	EA	SUPPORT - F/GLASS TRAY	FROLPB020MRKO
	119267-12-702	EA	RACK - HIGH	FAMI-B006MR0
	119267-12-703	EA	RACK - LOW	FAMI-B005MR0
	119267-12-704	EA	LOUVER - EXHAUST	PDIF-BO13MRKO

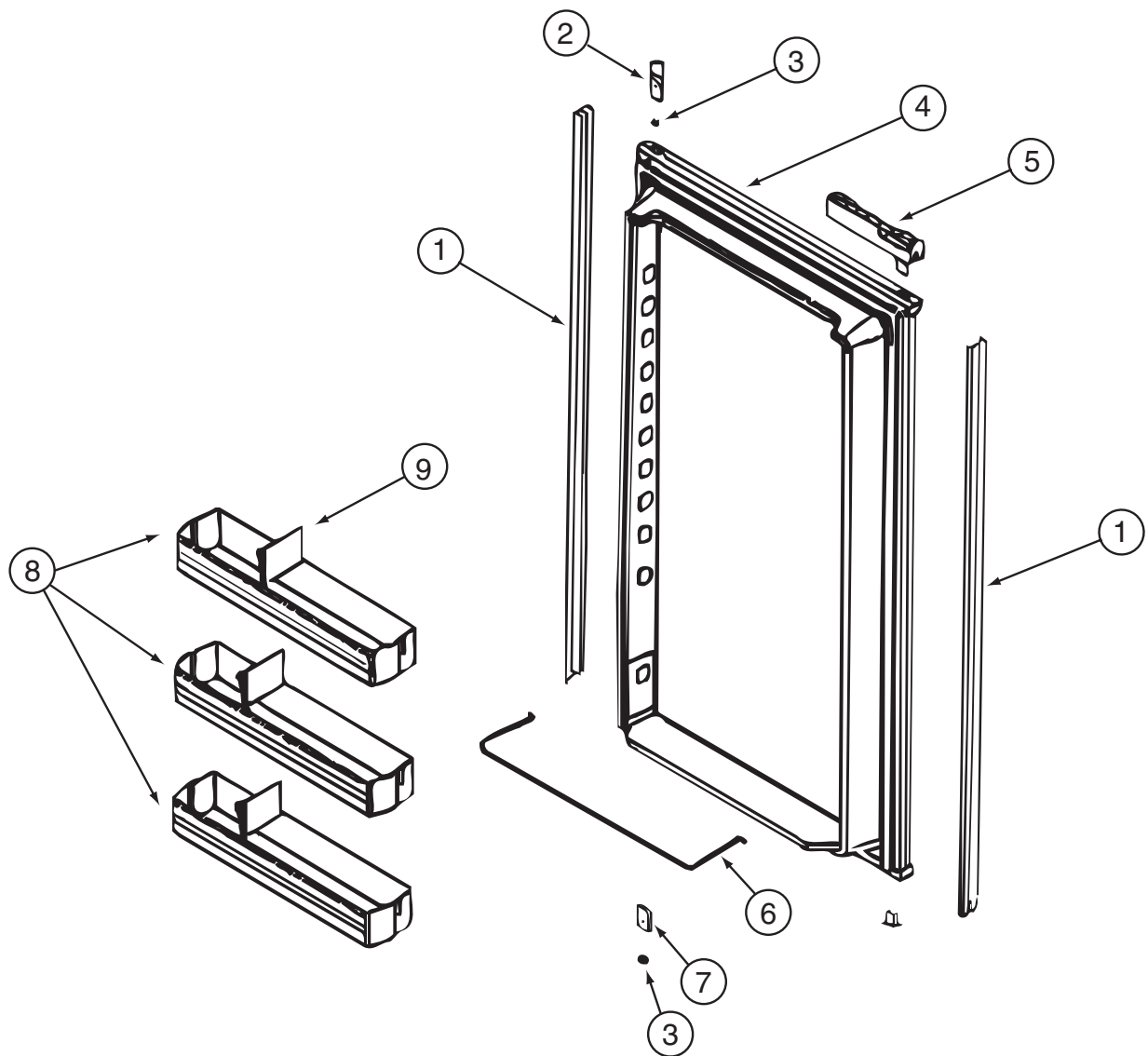
CABINET & APPLIANCE GROUP (CONTINUED)
COMPONENT PARTS FOR CABINET & APPLIANCE LAYOUT (CONTINUED)



120075-12-01A, 120075-13-01A, 120075-14-01A, 120075-15-01A

KEY	PART NUMBER	U/M	DESCRIPTION	VENDOR NO.
1	121568-03-700	EA	RETAINER - DOOR PNL/WAFFLE/BLK	619558-WDL-UPPER
2	120075-01-701	EA	HINGE-TOP RH/BOTTOM LH(DOOR)	618511
3	121568-03-701	EA	BUSHING - HINGE PIN/GRAY	619671
4	121568-03-702	EA	DOOR LINER-UPR/WAFFLED/BLACK	619627 - SMALL WDL
5	120075-01-702	EA	CAP, (HINGE PLUG)	618160
6	120075-12-700	EA	HANDLE(CONTOUR)TOP LH/BTM RH	621105
6	120075-12-701	EA	HANDLE(CONTOUR)TOP RH/BTM LH	621104
6	121568-03-703	EA	HANDLE/FLUSH-TOP/RH-LWR/LH	619865
6	121568-03-708	EA	HANDLE/FLUSH-TOP/LH-LWR/RH	619866
7	120075-01-705	EA	HINGE-TOP LH/BOTTOM RH(DOOR)	618510
8	121568-01-700	EA	RAIL - DOOR UPPER	618618
9	120075-07-700	EA	DOOR BIN - SMALL/CLEAR F/WDL	619006 WDL
10	120075-07-701	EA	DIVIDER/DOOR BIN CLEAR	619008 WDL & SDL
	121568-03-704	EA	TRAVEL LATCH - GRAY	619647
	121568-03-705	EA	STORAGE LATCH - GRAY	619648

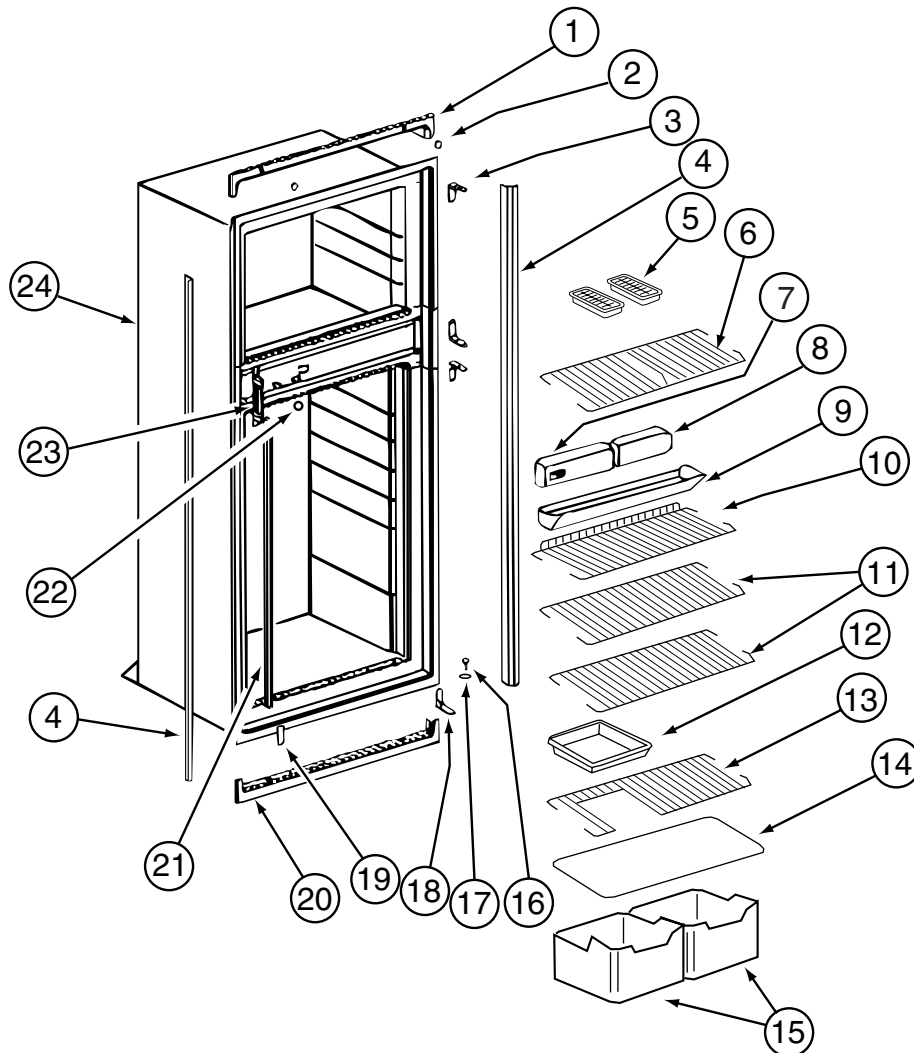
CABINET & APPLIANCE GROUP (CONTINUED)
COMPONENT PARTS FOR CABINET & APPLIANCE LAYOUT (CONTINUED)



120075-12-01A, 120075-13-01A, 120075-14-01A, 120075-15-01A (CONTINUED)

KEY	PART NUMBER	U/M	DESCRIPTION	VENDOR NO.
1	120075-07-702	EA	RETAINER-DOOR PNL/WAFFLE/BLK	619560-WDL-LOWER
2	120075-01-701	EA	HINGE-TOP RH/BOTTOM LH(DOOR)	618511
3	121568-03-701	EA	BUSHING - HINGE PIN/GRAY	619671
4	120075-07-703	EA	DOOR LINER-LWR/WAFFLED/BLACK	619631 - LARGE WDL
5	120075-12-700	EA	HANDLE(CONTOUR)TOP LH/BTM RH	621105
5	120075-12-701	EA	HANDLE(CONTOUR)TOP RH/BTM LH	621104
5	121568-03-703	EA	HANDLE/FLUSH-TOP/RH-LWR/LH	619865
5	121568-03-708	EA	HANDLE/FLUSH-TOP/LH-LWR/RH	619866
6	121568-01-704	EA	RAIL - DOOR LOWER	618578
7	120075-01-705	EA	HINGE-TOP LH/BOTTOM RH(DOOR)	618510
8	120075-07-700	EA	DOOR BIN - SMALL/CLEAR F/WDL	619006 WDL
8	120075-07-704	EA	DOOR BIN - LARGE/CLEAR F/WDL	619005 WDL
9	120075-07-701	EA	DIVIDER/DOOR BIN CLEAR	619008 WDL & SDL
	121568-03-704	EA	TRAVEL LATCH - GRAY	619647
	121568-03-705	EA	STORAGE LATCH - GRAY	619648

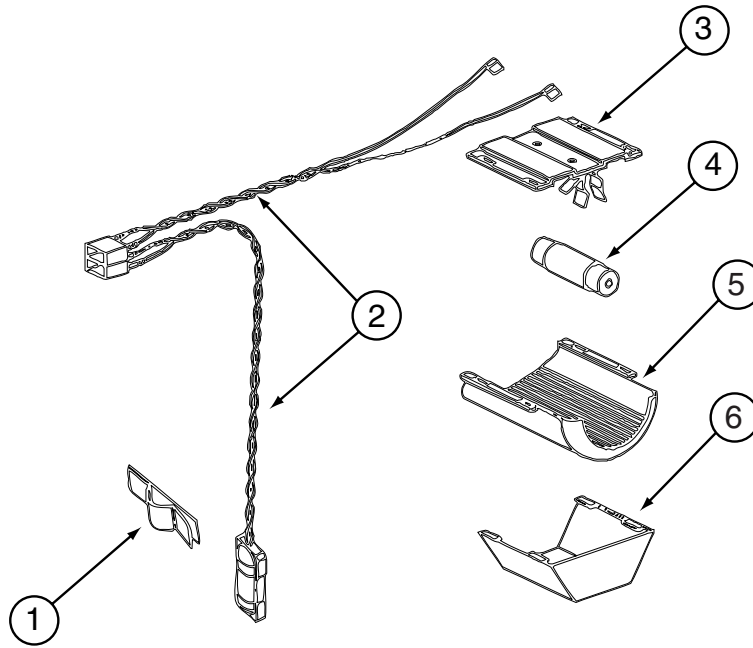
CABINET & APPLIANCE GROUP (CONTINUED)
COMPONENT PARTS FOR CABINET & APPLIANCE LAYOUT (CONTINUED)



120075-09-01A, 120075-10-01A, 120075-12-01A, 120075-13-01A, 120075-14-01A, 120075-15-01A (CONTINUED)

KEY	PART NUMBER	U/M	DESCRIPTION	VENDOR NO.
1	121568-03-709	EA	TRIM - TOP/BLACK	619687
2	120075-01-714	EA	PLUG-HOLE (BLACK)	618170
3	121568-03-710	EA	HINGE/CABINET-TOP/RH-LWR/LH	619335 WAFFLED
4	120075-07-705	EA	TRIM - SIDE - BLACK	622296
5	104137-06-724	EA	ICE TRAY	61630422
6	120075-07-706	EA	SHELF - WIRE F/ICEMAKER MODELS	620249
7	120075-07-707	EA	CONTROL BOX - BLACK	619665
8	121568-03-713	EA	FRONT BOX/DECORATIVE-BLACK	619282
9	120075-01-720	EA	TRAY-DRIP	623250
10	120075-01-722	EA	SHELF-WIRE, SHORT	620269
11	120075-01-723	EA	SHELF-WIRE	620270
12	104137-06-718	EA	SHELF-TRAY, WHITE, W/CUTOUT	617756
13	120075-01-724	EA	SHELF-WIRE, W/CUTOUT	620268
14	120075-01-725	EA	COVER-CRISPER	618158
15	120075-07-708	EA	CRISPER/ICE BIN	619007
16	120075-01-727	EA	PIN-HINGE	618145
17	121568-03-701	EA	BUSHING - HINGE PIN/GRAY	619671
18	121568-03-715	EA	HINGE/CABINET-TOP/LH-LWR/RH	619336 WAFFLED
19	121568-03-716	EA	COVER - HINGE HOLES	619301
20	120075-01-729	EA	TRIM-BOTTOM PIECE	620958
21	120075-01-730	EA	RETAINER-SHELF(SER#926684 DN)	618181
22	121568-03-717	EA	HOLE PLUG - WHITE	619561
23	120075-01-732	EA	PLATE-STRIKE	618167
24	120075-09-700	EA	CABINET - FOAMED	619660
	120075-01-721	EA	LOUVER-DRIP TRAY	618176

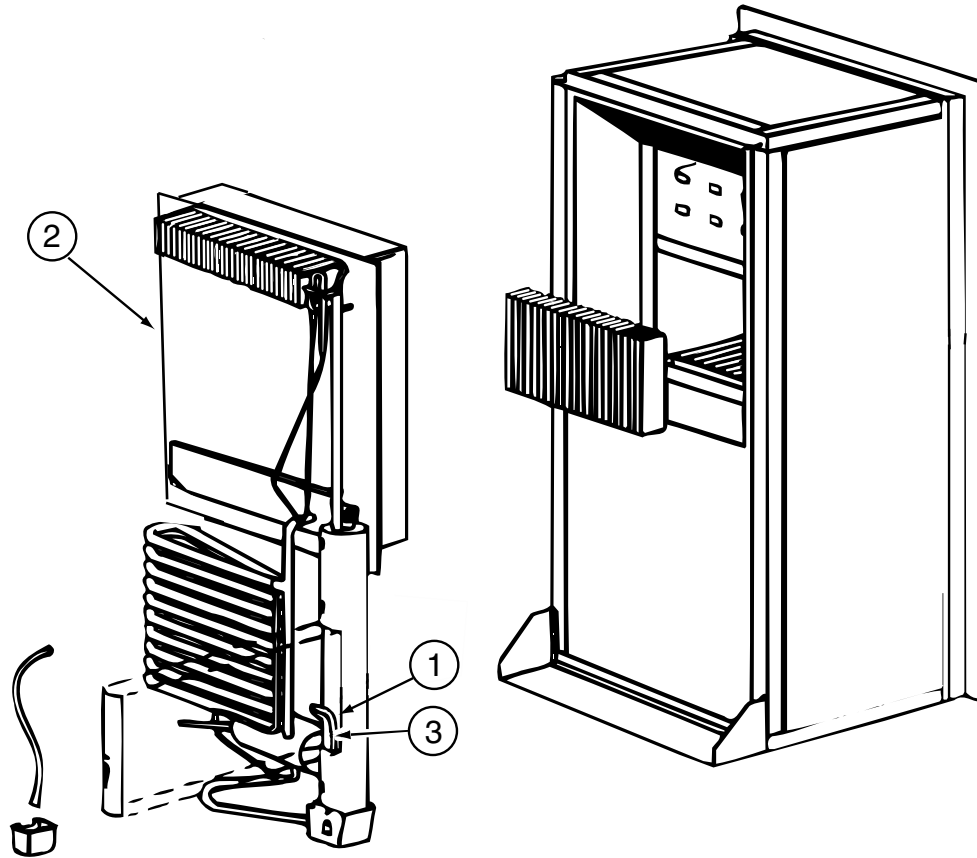
CABINET & APPLIANCE GROUP (CONTINUED)
COMPONENT PARTS FOR CABINET & APPLIANCE LAYOUT (CONTINUED)



120075-09-01A, 120075-10-01A, 120075-12-01A, 120075-13-01A, 120075-14-01A, 120075-15-01A (CONTINUED)

KEY	PART NUMBER	U/M	DESCRIPTION	VENDOR NO.
1	084880-01-760	EA	CLIP (THERMISTER)	61689122
2	120075-01-735	EA	THERMISTER W/LAMP & WIRE/ASM	618548
3	084880-03-705	EA	BRACKET-LIGHT-INTERIOR	61629722
4	084880-03-706	EA	BULB-LAMP	61628922
5	120075-01-734	EA	COVER-LENS	618190
6	084880-03-707	EA	COVER-LAMP, LENS	61627922

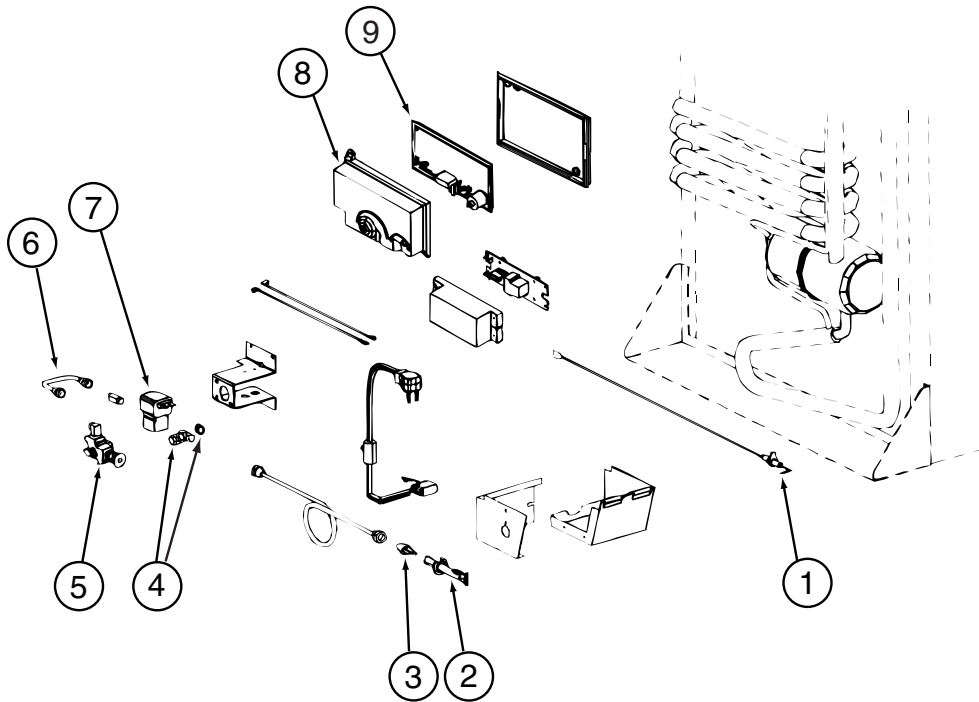
CABINET & APPLIANCE GROUP (CONTINUED)
COMPONENT PARTS FOR CABINET & APPLIANCE LAYOUT (CONTINUED)



120075-09-01A, 120075-10-01A, 120075-12-01A, 120075-13-01A, 120075-14-01A, 120075-15-01A (CONTINUED)

KEY	PART NUMBER	U/M	DESCRIPTION	VENDOR NO.
1	088248-01-710	EA	HEATER DC (HORIZONTAL)	61562822
2	120075-01-736	EA	COOLING UNIT, SERVICE PACK	618542
3	088248-01-709	EA	HEATER-AC (HORIZONTAL)	61562722

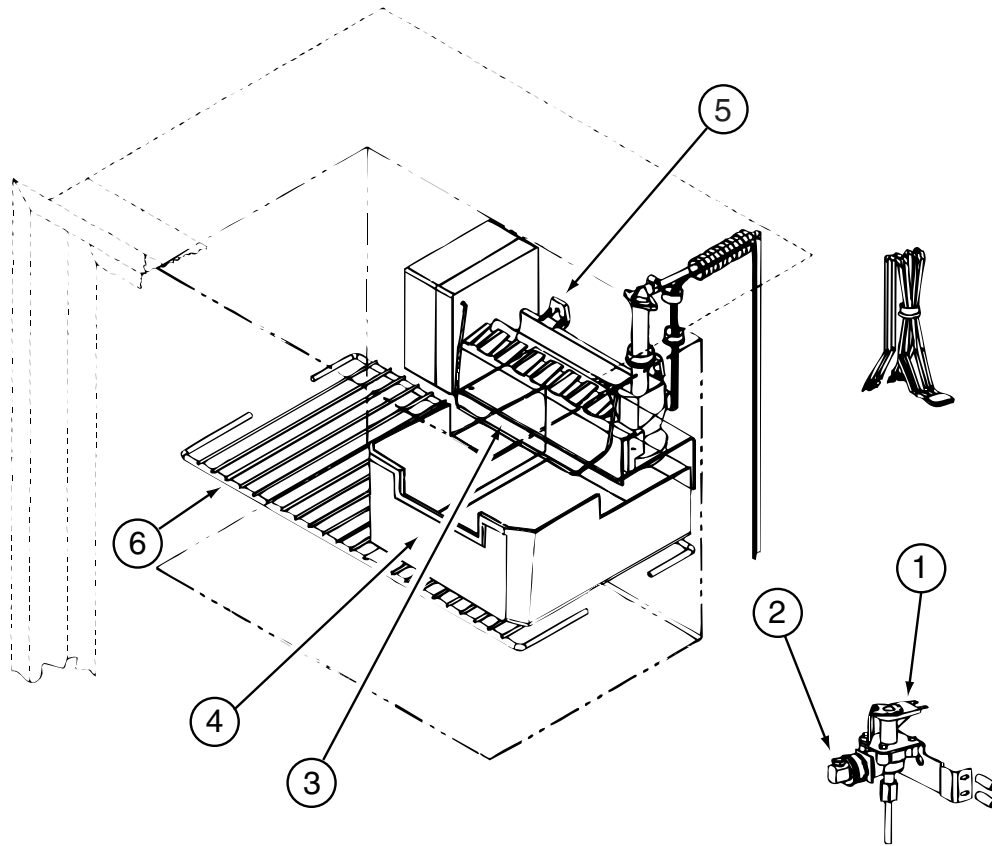
CABINET & APPLIANCE GROUP (CONTINUED)
COMPONENT PARTS FOR CABINET & APPLIANCE LAYOUT (CONTINUED)



120075-09-01A, 120075-10-01A, 120075-12-01A, 120075-13-01A, 120075-14-01A, 120075-15-01A (CONTINUED)

KEY	PART NUMBER	U/M	DESCRIPTION	VENDOR NO.
1	104137-06-715	EA	ELECTRODE-SPARK/SENSOR, SGL	61692222
2	104137-06-714	EA	BURNER ASSEMBLY, 5-SLOT	61705222
3	120075-01-737	EA	ORIFICE - JEWEL - .0155	618284
4	113737-01-702	EA	PLUG 1/8" F/PRESSURE TAP	61445322
4	113737-01-716	EA	TAP-PRESSURE	61594422
5	104137-06-709	EA	VALVE-SHUT OFF/MAN-OLD STYLE	61694922
5	104137-06-734	EA	VALVE-SHUT OFF/MAN-NEW STYLE	618696
6	113737-01-750	EA	TUBE-UNION	61694622
7	084880-01-718	EA	VALVE-GAS, (ASCO)	621447
8	120075-01-738	EA	COVER-POWER BOARD	618185
9	120075-07-710	EA	POWER - BOARD - 2-WAY	619360 = 621269
	120075-01-744	EA	KIT - GAS VALVE/BURNER TUBE	620609

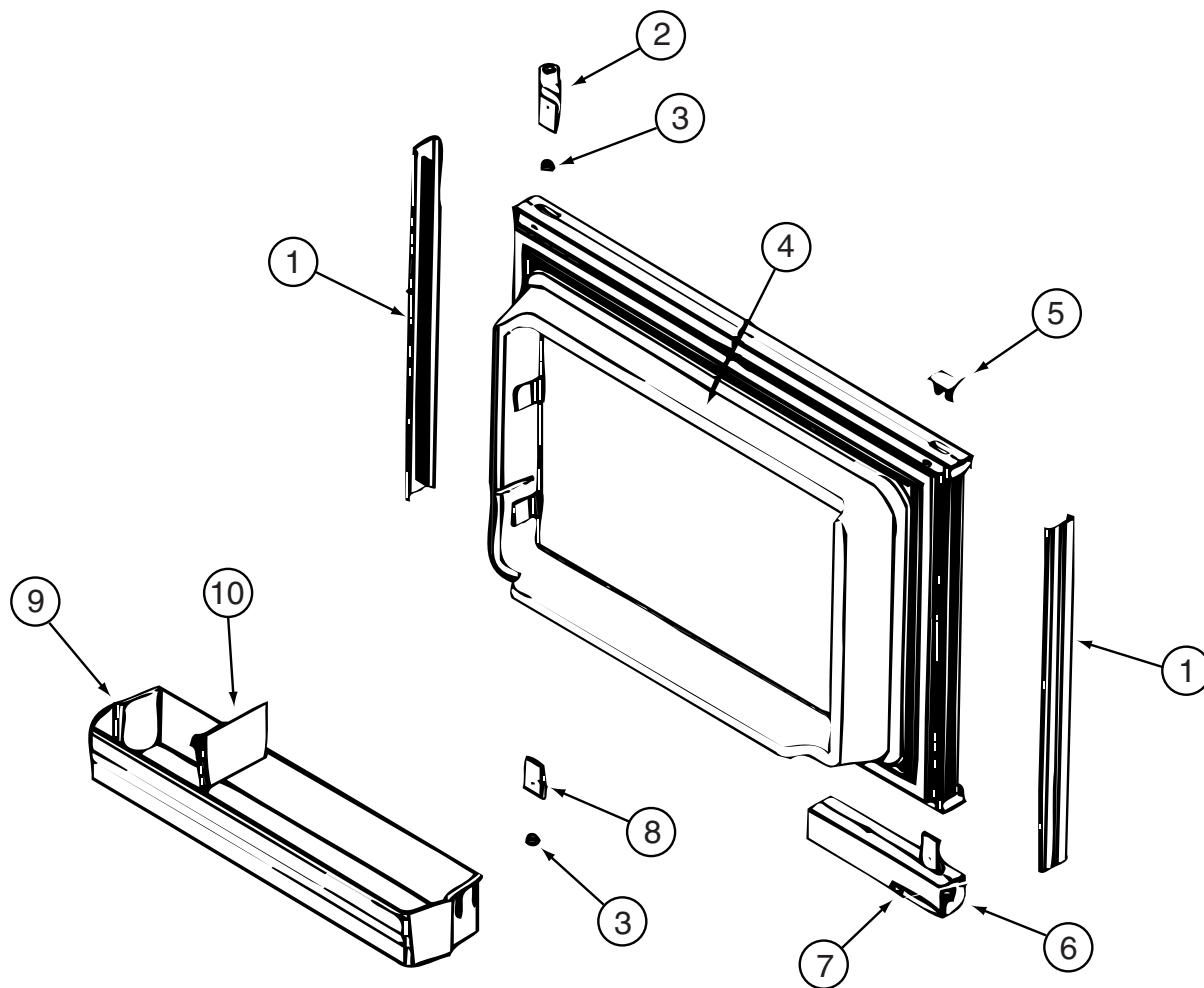
CABINET & APPLIANCE GROUP (CONTINUED)
COMPONENT PARTS FOR CABINET & APPLIANCE LAYOUT (CONTINUED)



120075-09-01A, 120075-10-01A, 120075-13-01A, 120075-14-01A (CONTINUED)

KEY	PART NUMBER	U/M	DESCRIPTION	VENDOR NO.
1	120075-09-701	EA	WATER VALVE W/BRACKET	618253
2	120075-03-702	EA	NUT/COMPRESSION - FITTING	61678722
3	120075-03-703	EA	ARM-SHUT OFF	61656922
4	120075-03-704	EA	BIN-ICE CUBE	618154
5	094039-07-706	EA	ICE MAKER W/O PLATES	61656522
6	120075-01-717	EA	SHELF-FREEZER, WIRE	618172

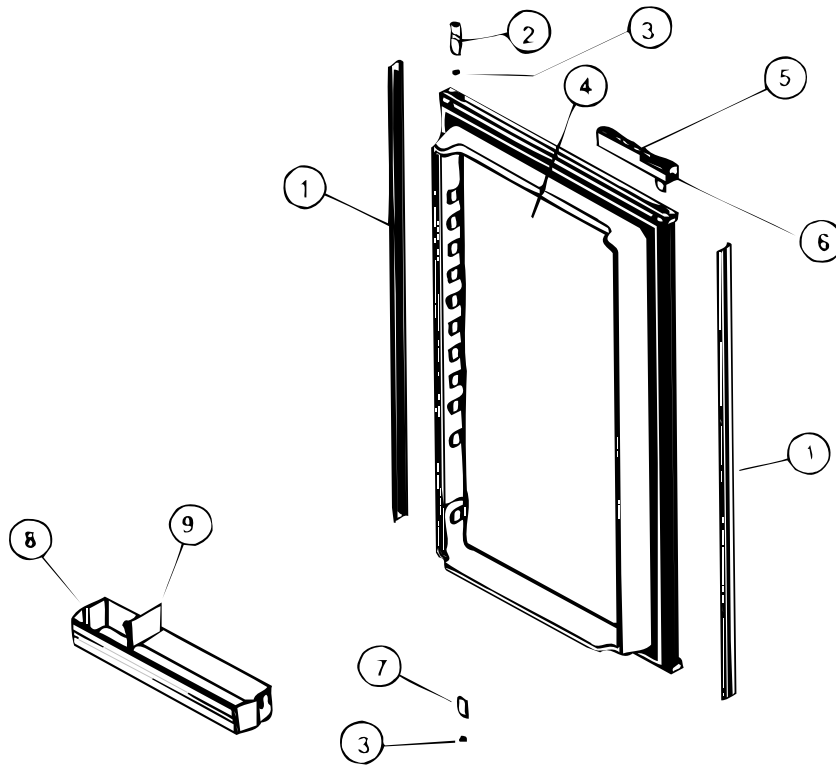
CABINET & APPLIANCE GROUP (CONTINUED)
COMPONENT PARTS FOR CABINET & APPLIANCE LAYOUT (CONTINUED)



120075-23-01A

KEY	PART NUMBER	U/M	DESCRIPTION	VENDOR NO.
1	121568-03-700	EA	RETAINER - DOOR PANEL/BLACK	619558
2	120075-01-701	EA	HINGE-TOP RH/BOTTOM LH(DOOR)	618511
3	121568-03-701	EA	BUSHING - HINGE PIN/GRAY	619671
4	121568-03-702	EA	DOOR LINER - W/TRIM/BLACK	619627 - SMALL DOOR
5	120075-01-702	EA	CAP, (HINGE PLUG)	618160
6	120075-12-700	EA	HANDLE(CONTOUR)TOP LH/BTM RH	621105
6	120075-12-701	EA	HANDLE(CONTOUR)TOP RH/BTM LH	621104
7	121568-03-705	EA	STORAGE LATCH - GRAY	619648
8	120075-01-705	EA	HINGE-TOP LH/BOTTOM RH(DOOR)	618510
9	120075-07-700	EA	DOOR BIN - SMALL/CLEAR	619006
10	120075-07-701	EA	DIVIDER/DOOR BIN CLEAR	619008

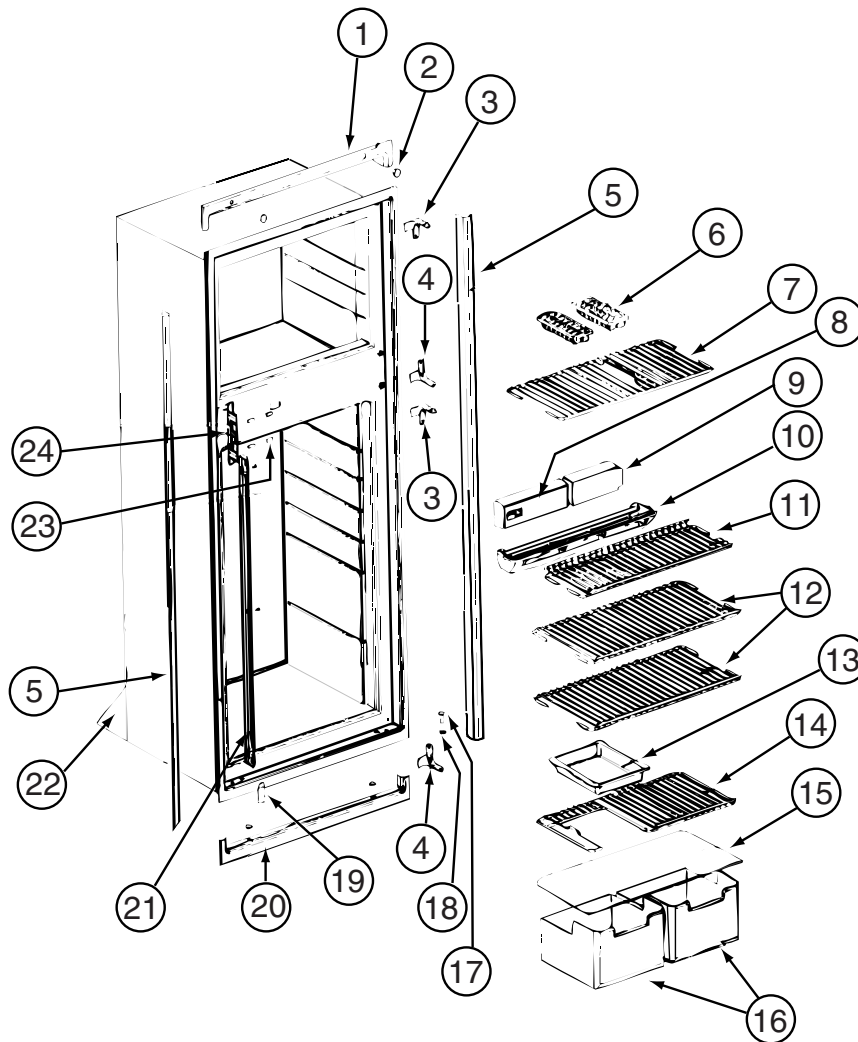
CABINET & APPLIANCE GROUP (CONTINUED)
COMPONENT PARTS FOR CABINET & APPLIANCE LAYOUT (CONTINUED)



120075-23-01A (CONTINUED)

KEY	PART NUMBER	U/M	DESCRIPTION	VENDOR NO.
1	120075-07-702	EA	RETAINER - DOOR PANEL/BLACK	619560
2	120075-01-701	EA	HINGE-TOP RH/BOTTOM LH(DOOR)	618511
3	121568-03-701	EA	BUSHING - HINGE PIN/GRAY	619671
4	120075-07-703	EA	DOOR LINER - BLACK	619631 - LARGE DOOR
5	120075-12-700	EA	HANDLE(CONTOUR)TOP LH/BTM RH	621105
5	120075-12-701	EA	HANDLE(CONTOUR)TOP RH/BTM LH	621104
6	121568-03-705	EA	STORAGE LATCH - GRAY	619648
7	120075-01-705	EA	HINGE-TOP LH/BOTTOM RH(DOOR)	618510
8	120075-07-700	EA	DOOR BIN - SMALL/CLEAR	619006
8	120075-07-704	EA	DOOR BIN - LARGE/CLEAR	619005
9	120075-07-701	EA	DIVIDER/DOOR BIN CLEAR	619008

CABINET & APPLIANCE GROUP (CONTINUED)
COMPONENT PARTS FOR CABINET & APPLIANCE LAYOUT (CONTINUED)

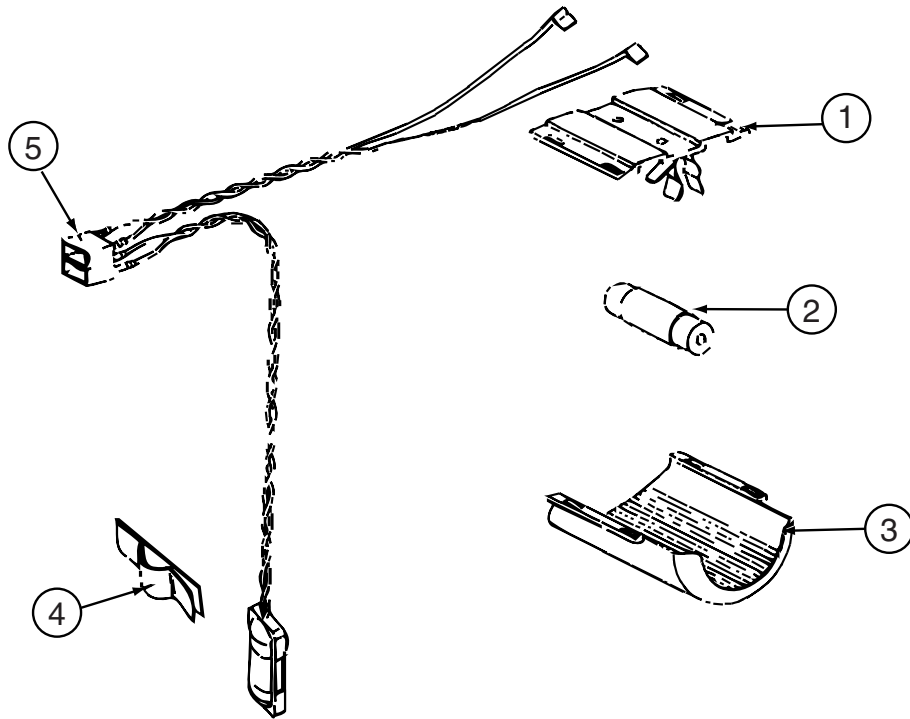


120075-16, 120075-17, 120075-18, 120075-19, 120075-20, 120075-21, 120075-22, 120075-23-01A (CONTINUED)

KEY	PART NUMBER	U/M	DESCRIPTION	VENDOR NO.
1	120075-20-700	EA	TRIM/TOP ASM W/INSERTS-BLACK	622319
2	120075-01-714	EA	PLUG-HOLE (BLACK)	618170
3	121568-03-710	EA	HINGE/CABINET-TOP/RH-LWR/LH	619335
4	121568-03-715	EA	HINGE/CABINET-TOP/LH-LWR/RH	619336
5	120075-07-705	EA	TRIM - SIDE - BLACK	622296
6	104137-06-724	EA	ICE TRAY	61630422
7	121568-03-712	EA	SHELF-WIRE FREEZER	620250
7	120075-07-706	EA	SHELF-WIRE F/ICEMAKER MODELS	620250
8	120075-07-707	EA	CONTROL BOX - BLACK	619665
9	121568-03-713	EA	FRONT BOX/DECORATIVE-BLACK	619282
10	120075-20-701	EA	TRAY/DRIP(INSIDE 1 PC)LOUVER	623250
11	120075-01-722	EA	SHELF-WIRE, SHORT	620269
12	120075-01-723	EA	SHELF-WIRE	620270
13	104137-06-718	EA	SHELF-TRAY, WHITE, W/CUTOUT	617756
14	120075-20-703	EA	SHELF - WIRE W/CUTOUT	620268
15	120075-01-725	EA	COVER-CRISPER	618158
16	120075-07-708	EA	CRISPER/ICE BIN	619007
17	120075-01-727	EA	PIN-HINGE	618145
18	121568-03-701	EA	BUSHING - HINGE PIN/GRAY	619671
19	121568-03-716	EA	COVER - HINGE HOLES	619301
20	120075-20-702	EA	TRIM PC(FOAM/TAPE)BTM BLACK	622323
21	120075-01-730	EA	RETAINER-SHELF(SER#926684 DN	618181
21	125242-02-720	EA	RETAINER/SHELF(SER#926685 UP	622033
23	121568-06-703	EA	HOLE PLUG - WHITE	620282
24	120075-01-732	EA	PLATE-STRIKE	618167

CONTACT WINNEBAGO PART SALES FOR UNLISTED COMPONENT(S)

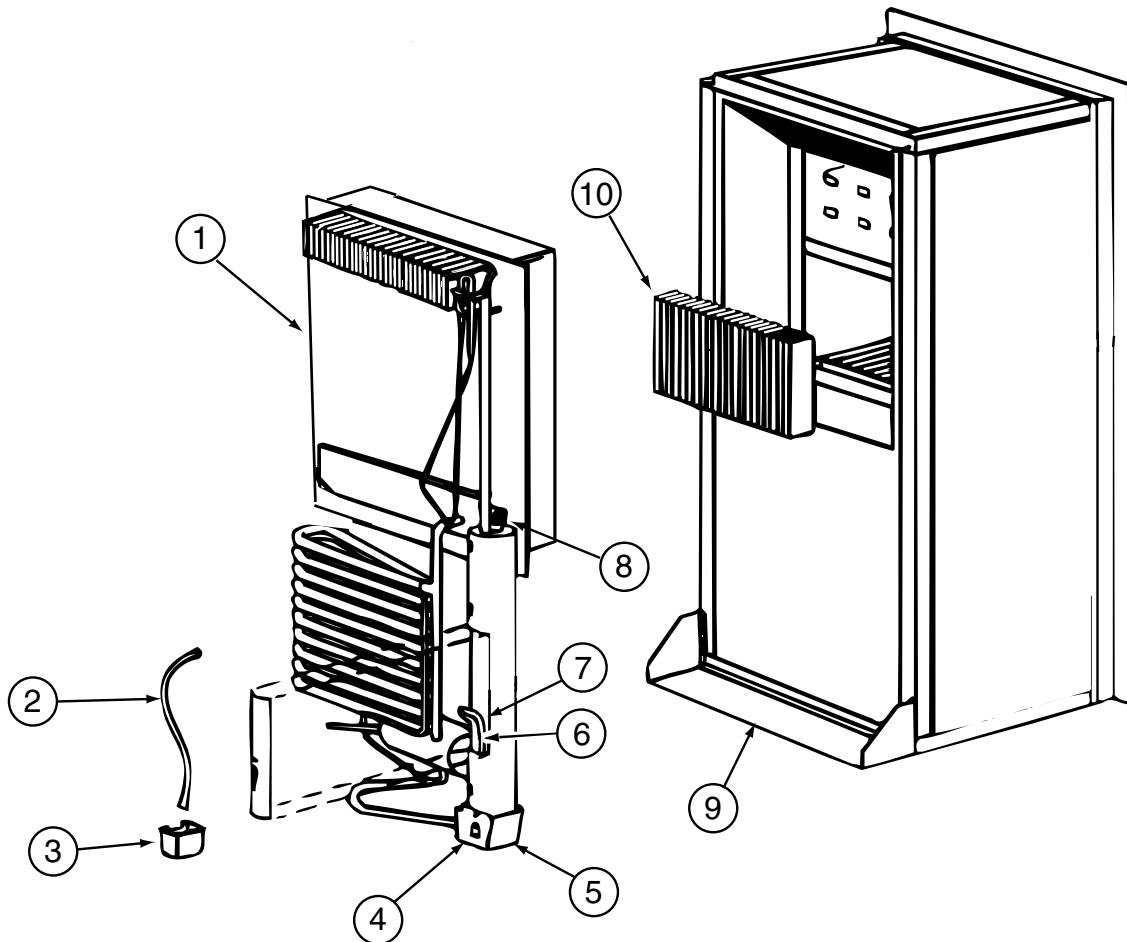
CABINET & APPLIANCE GROUP (CONTINUED)
COMPONENT PARTS FOR CABINET & APPLIANCE LAYOUT (CONTINUED)



120075-16, 120075-17, 120075-18, 120075-19, 120075-20, 120075-21, 120075-22, 120075-23, 121569-08-01A (CONTINUED)

KEY	PART NUMBER	U/M	DESCRIPTION	VENDOR NO.
1	084880-03-705	EA	BRACKET-LIGHT-INTERIOR	61629722
2	084880-03-706	EA	BULB-LAMP	61628922
3	125242-02-708	EA	COVER/LAMP BRACKET	621827
4	084880-01-760	EA	CLIP (THERMISTER)	61689122
5	120075-01-735	EA	THERMISTER W/LAMP & WIRE/ASM	618548

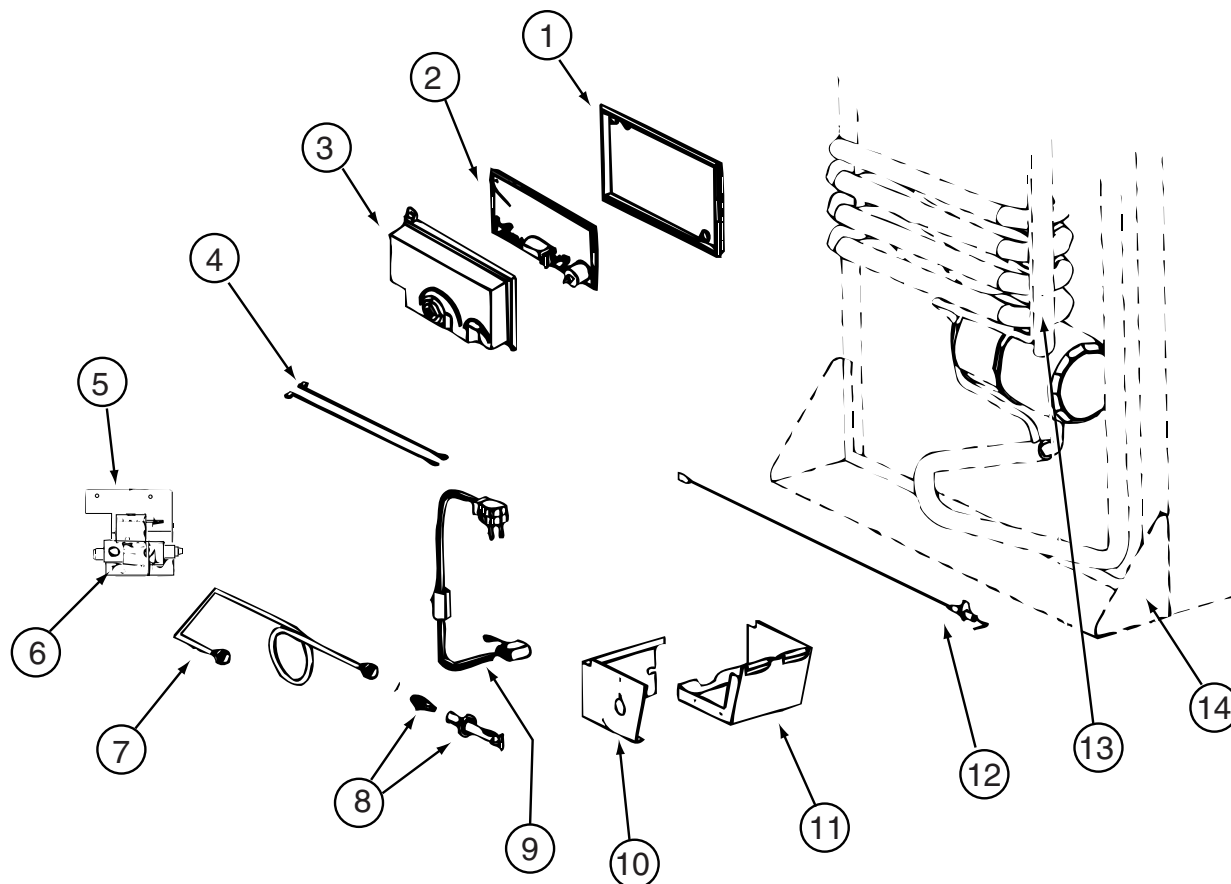
CABINET & APPLIANCE GROUP (CONTINUED)
COMPONENT PARTS FOR CABINET & APPLIANCE LAYOUT (CONTINUED)



120075-16, 120075-17, 120075-18, 120075-19, 120075-20, 120075-21, 120075-22, 120075-23-01A (CONTINUED)

KEY	PART NUMBER	U/M	DESCRIPTION	VENDOR NO.
1	120075-01-736	EA	COOLING UNIT, SERVICE PACK	618542
6	121568-06-704	EA	HEATER-AC/300W/120VAC	621702
			CONTACT WINNEBAGO PART SALES FOR UNLISTED COMPONENT(S)	

CABINET & APPLIANCE GROUP (CONTINUED)
COMPONENT PARTS FOR CABINET & APPLIANCE LAYOUT (CONTINUED)

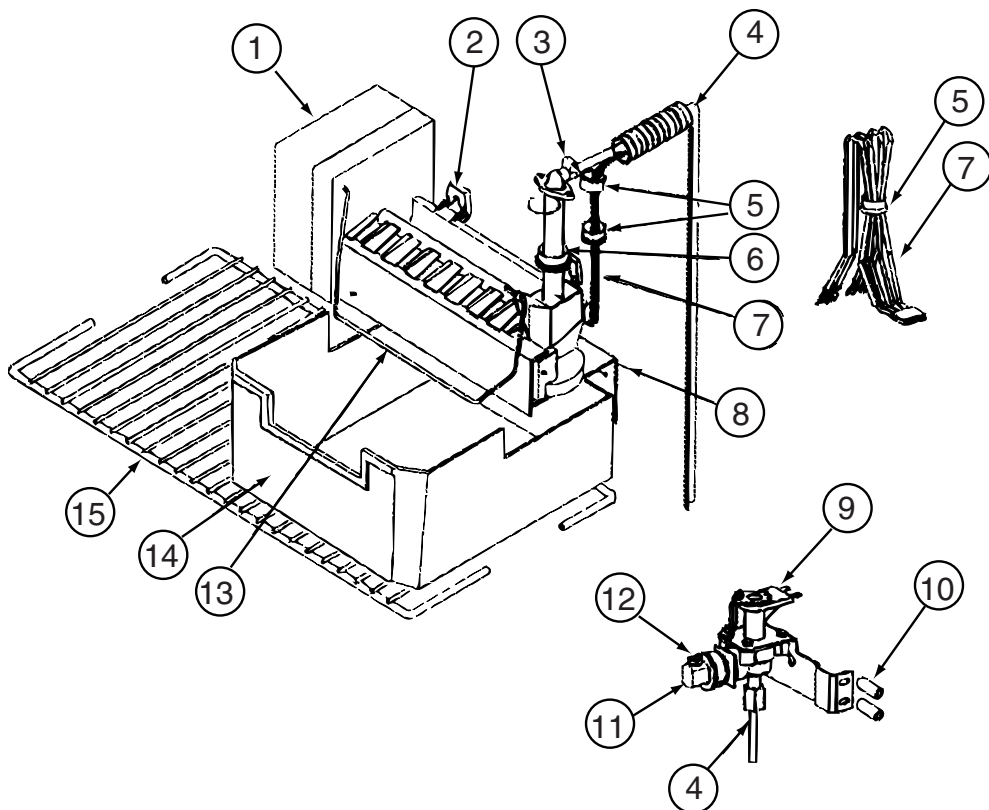


120075-16, 120075-17, 120075-18, 120075-19, 120075-20, 120075-21, 120075-22, 120075-23-01A (CONTINUED)

KEY	PART NUMBER	U/M	DESCRIPTION	VENDOR NO.
1	120075-01-740	EA	COVER-BASE, POWER BOARD	618186
2	120075-20-704	EA	KIT-POWER BOARD/EG2-2 WAY	621269001
3	120075-01-738	EA	COVER-POWER BOARD	618185
4	125242-02-709	EA	WIRE/WHITE/9"/GAS VALVE	621448
5	125242-02-710	EA	GAS VALVE/BRKT/WIRES COMB.	621334
6	121568-06-706	EA	GAS VALVE-COMBO/WRENCH FLAT	621329
7	120075-20-705	EA	TUBE/BURNER - N8/N6	620033
8	121568-06-708	EA	BURNER/ORFICE-ADAPTER KIT	621957
12	104137-06-715	EA	ELECTRODE-SPARK/SENSOR, SGL	61692222

CONTACT WINNEBAGO PART SALES FOR UNLISTED COMPONENT(S)

CABINET & APPLIANCE GROUP (CONTINUED)
COMPONENT PARTS FOR CABINET & APPLIANCE LAYOUT (CONTINUED)

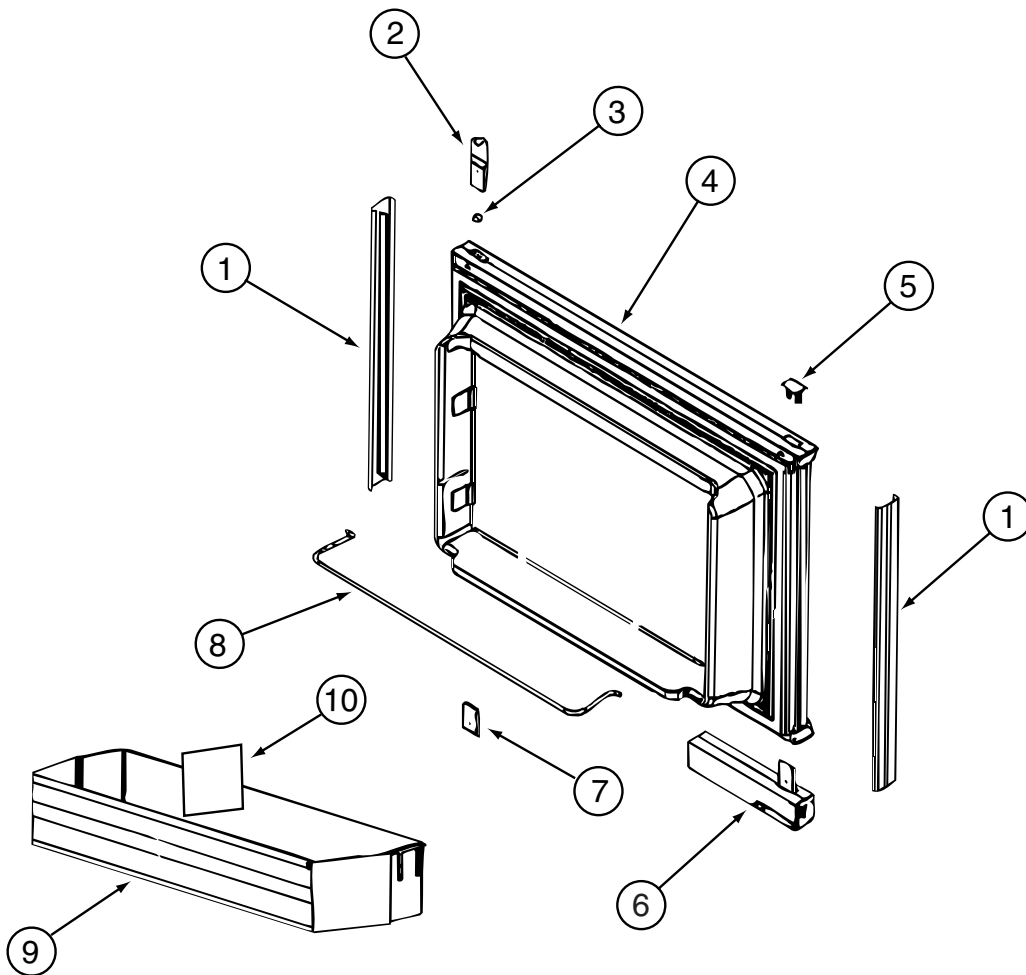


120075-16-01A, 120075-17-01A, 120075-18-01A, 120075-19-01A, 120075-20-01A, 120075-23-01A (CONTINUED)

KEY	PART NUMBER	U/M	DESCRIPTION	VENDOR NO.
2	094039-07-706	EA	ICE MAKER W/O PLATES	61656522
9	120075-03-701	EA	VALVE ASM., WATER, W/BRACKET	618253
13	120075-03-703	EA	ARM-SHUT OFF	61656922
14	120075-07-708	EA	CRISPER/ICE BIN	619007
15	120075-07-706	EA	SHELF-WIRE F/ICEMAKER MODELS	620249

CONTACT WINNEBAGO PART SALES FOR UNLISTED COMPONENT(S)

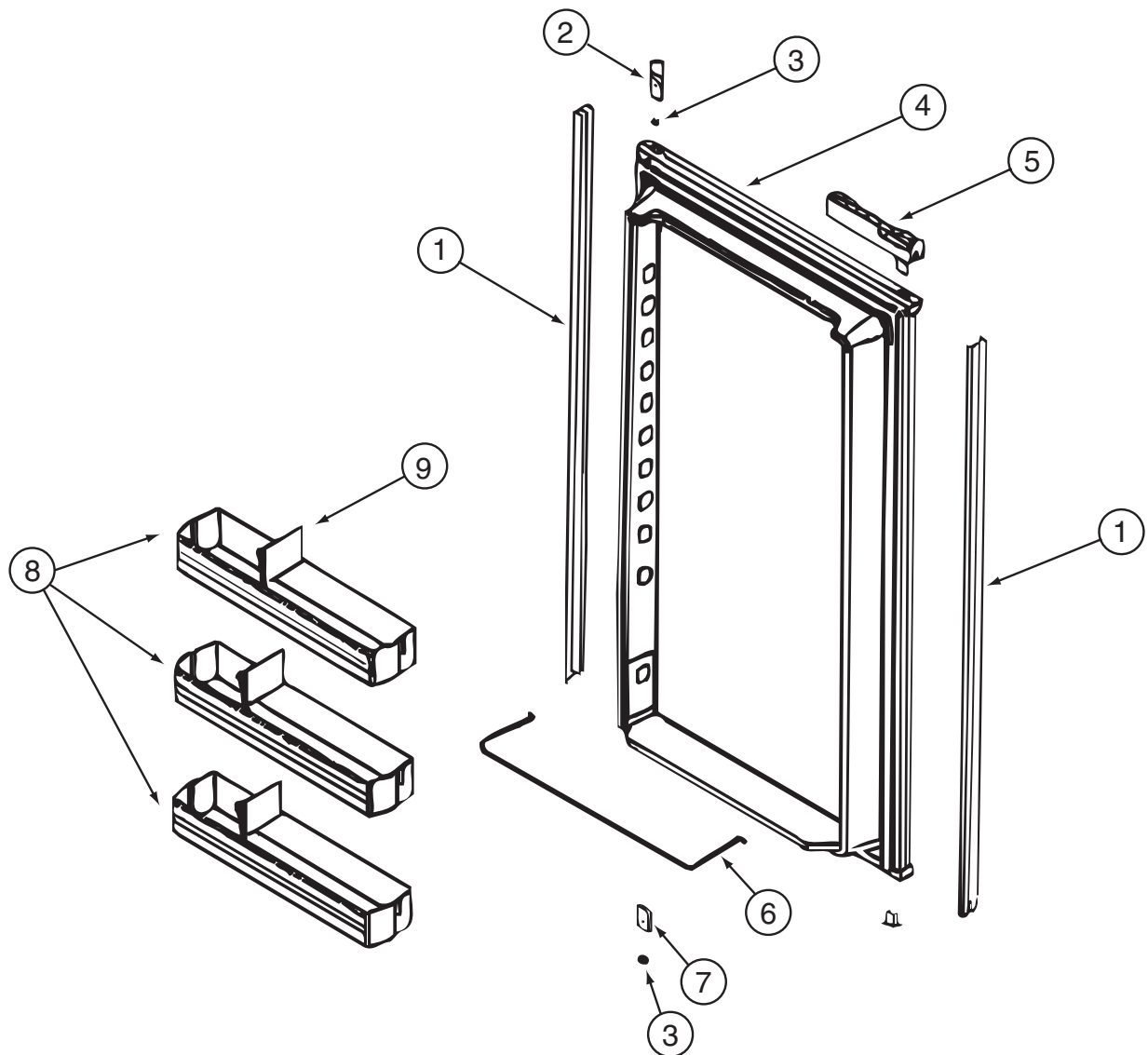
CABINET & APPLIANCE GROUP (CONTINUED)
COMPONENT PARTS FOR CABINET & APPLIANCE LAYOUT (CONTINUED)



121569-05-01A, 121569-06-01A, 121569-07-01A

KEY	PART NUMBER	U/M	DESCRIPTION	VENDOR NO.
1	121568-03-700	EA	RETAINER - DOOR PNL/WAFFLE/BLK	619558-WDL-UPPER
2	120075-01-701	EA	HINGE-TOP RH/BOTTOM LH(DOOR)	618511
3	121568-03-701	EA	BUSHING - HINGE PIN/GRAY	619671
4	121568-03-702	EA	DOOR LINER-UPR/WAFFLED/BLACK	619627 - SMALL WDL
5	120075-01-702	EA	CAP, (HINGE PLUG)	618160
6	120075-12-700	EA	HANDLE(CONTOUR)TOP LH/BTM RH	621105
7	120075-01-705	EA	HINGE-TOP LH/BOTTOM RH(DOOR)	618510
8	121568-01-700	EA	RAIL - DOOR UPPER	618618
9	120075-07-700	EA	DOOR BIN - SMALL/CLEAR F/WDL	619006 WDL
10	120075-07-701	EA	DIVIDER/DOOR BIN CLEAR	619008 WDL & SDL
	121568-03-705	EA	STORAGE LATCH - GRAY	619648

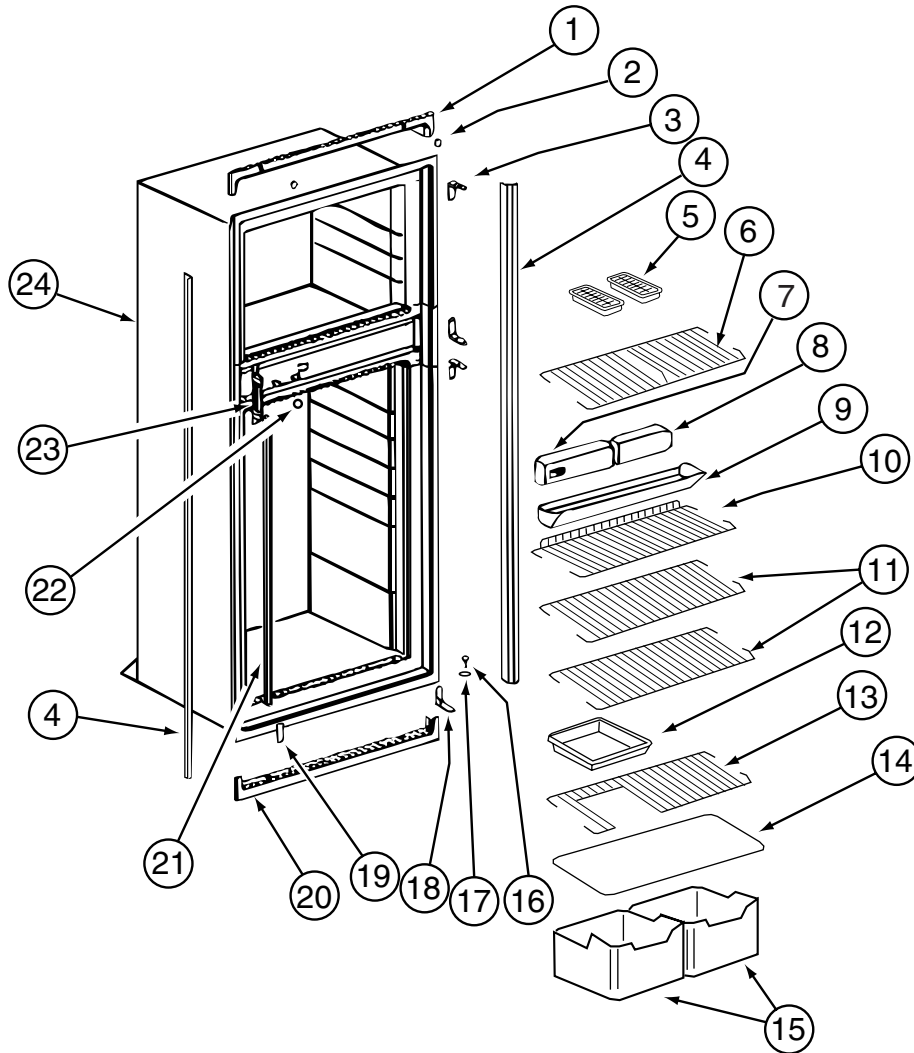
CABINET & APPLIANCE GROUP (CONTINUED)
COMPONENT PARTS FOR CABINET & APPLIANCE LAYOUT (CONTINUED)



121569-05-01A, 121569-06-01A, 121569-07-01A (CONTINUED)

KEY	PART NUMBER	U/M	DESCRIPTION	VENDOR NO.
1	120075-07-702	EA	RETAINER - DOOR PNL/WAFFLE/BLK	619560 -WDL-LOWER
2	120075-01-701	EA	HINGE-TOP RH/BOTTOM LH(DOOR)	618511
3	121568-03-701	EA	BUSHING - HINGE PIN/GRAY	619671
4	120075-07-703	EA	DOOR LINER-LWR/WAFFLED/BLACK	619631 LARGE WDL
5	120075-12-701	EA	HANDLE(CONTOUR)TOP RH/BTM LH	621104
6	121568-01-704	EA	RAIL - DOOR LOWER	618578
7	120075-01-705	EA	HINGE-TOP LH/BOTTOM RH(DOOR)	618510
8	121568-01-701	EA	BIN - DOOR WHITE-WAFFLED LNR	618619 WDL
9	120075-07-701	EA	DIVIDER/DOOR BIN CLEAR	619008 WDL & SDL
	121568-03-705	EA	STORAGE LATCH - GRAY	619648

CABINET & APPLIANCE GROUP (CONTINUED)
COMPONENT PARTS FOR CABINET & APPLIANCE LAYOUT (CONTINUED)

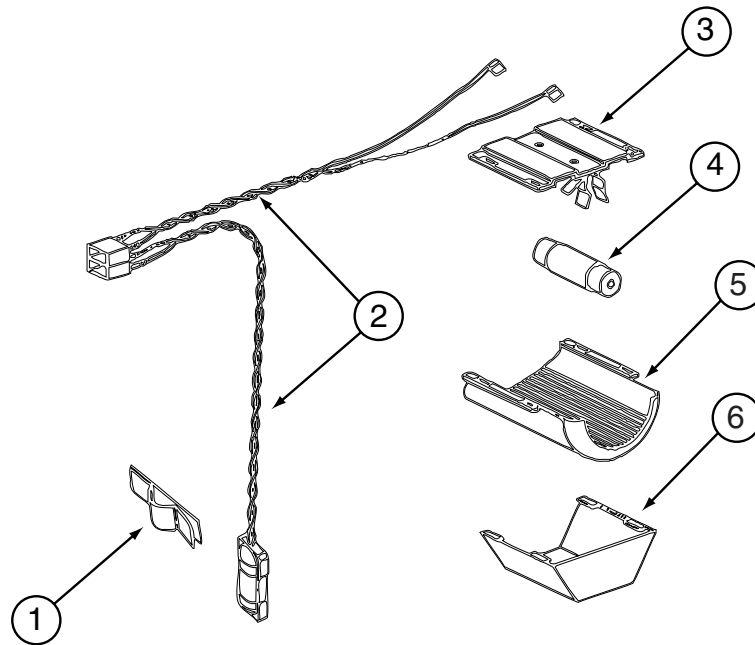


121569-03-01A, 121569-04-01A, 121569-05-01A, 121569-06-01A, 121569-07-01A (CONTINUED)

KEY	PART NUMBER	U/M	DESCRIPTION	VENDOR NO.
1	121568-03-709	EA	TRIM - TOP/BLACK	619687
2	120075-01-714	EA	PLUG-HOLE (BLACK)	618170
3	121568-03-710	EA	HINGE/CABINET-TOP/RH-LWR/LH	619335 WAFFLED
4	120075-07-705	EA	TRIM - SIDE - BLACK	622296
6	121568-03-712	EA	SHELF - WIRE/FREEZER	620250
7	121568-03-714	EA	CONTROL ASM - 2 WAY BLACK	619350
8	121568-03-713	EA	FRONT BOX/DECORATIVE-BLACK	619282
9	120075-01-720	EA	TRAY-DRIP	623250
10	121568-01-707	EA	SHELF - WIRE - SHORT	620272
11	121568-01-708	EA	SHELF - WIRE	620273
14	120075-01-725	EA	COVER-CRISPER	618158
15	121568-01-709	EA	CRISPER	618571
16	120075-01-727	EA	PIN-HINGE	618145
18	121568-03-715	EA	HINGE/CABINET-TOP/LH-LWR/RH	619336 WAFFLED
19	121568-03-716	EA	COVER - HINGE HOLES	619301
20	120075-01-729	EA	TRIM-BOTTOM PIECE	620958
21	120075-01-730	EA	RETAINER-SHELF(SER#926684 DN)	618181
22	121568-03-717	EA	HOLE PLUG - WHITE	619561
23	120075-01-732	EA	PLATE-STRIKE	618167
24	120075-07-709	EA	CABINET - FOAMED	619347
	120075-01-721	EA	LOUVER-DRIP TRAY	618176

CONTACT WINNEBAGO PART SALES FOR UNLISTED COMPONENT(S)

CABINET & APPLIANCE GROUP (CONTINUED)
COMPONENT PARTS FOR CABINET & APPLIANCE LAYOUT (CONTINUED)

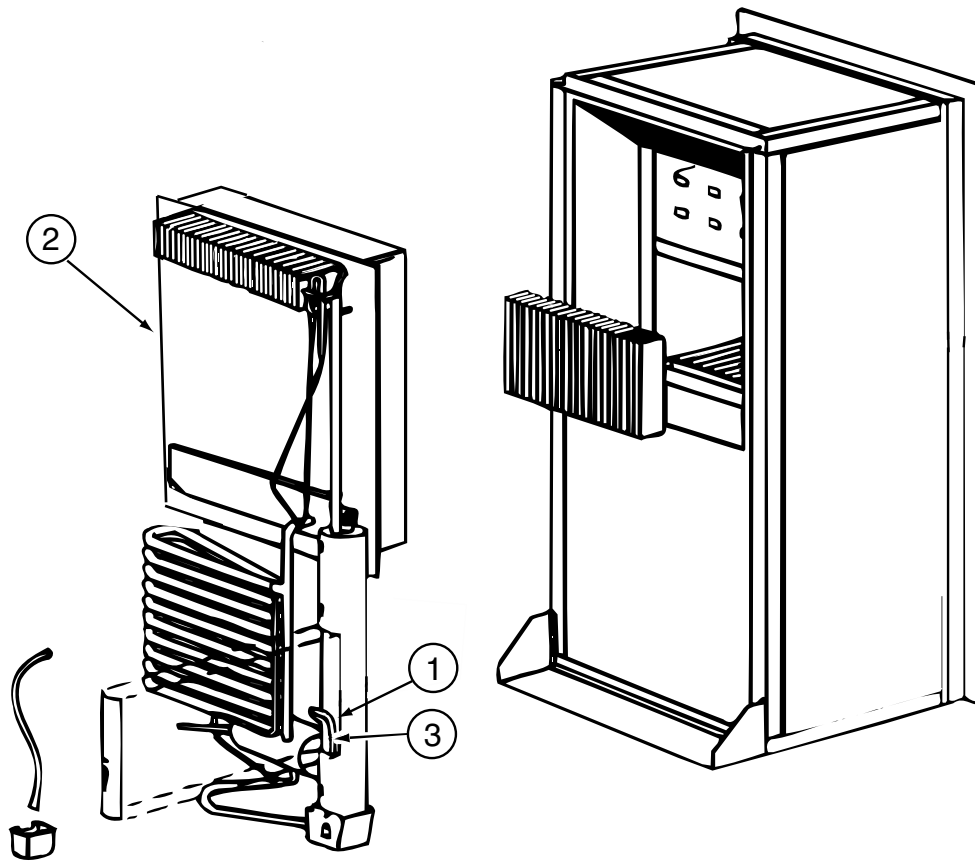


121569-03-01A, 121569-04-01A, 121569-05-01A, 121569-06-01A, 121569-07-01A (CONTINUED)

KEY	PART NUMBER	U/M	DESCRIPTION	VENDOR NO.
1	084880-01-760	EA	CLIP (THERMISTER)	61689122
2	120075-01-735	EA	THERMISTER W/LAMP & WIRE/ASM	618548
3	084880-03-705	EA	BRACKET-LIGHT-INTERIOR	61629722
4	084880-03-706	EA	BULB-LAMP	61628922
6	084880-03-707	EA	COVER-LAMP, LENS	61627922

CONTACT WINNEBAGO PART SALES FOR UNLISTED COMPONENT(S)

CABINET & APPLIANCE GROUP (CONTINUED)
COMPONENT PARTS FOR CABINET & APPLIANCE LAYOUT (CONTINUED)

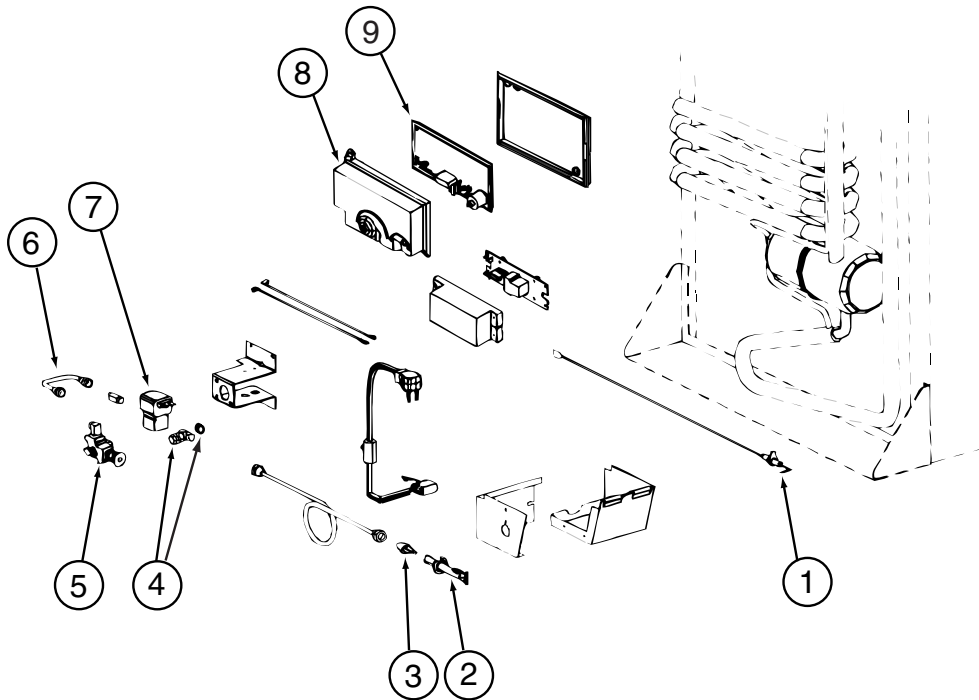


121569-03-01A, 121569-04-01A, 121569-05-01A, 121569-06-01A, 121569-07-01A (CONTINUED)

KEY	PART NUMBER	U/M	DESCRIPTION	VENDOR NO.
2	120075-01-736	EA	COOLING UNIT, SERVICE PACK	618542
3	088248-01-709	EA	HEATER-AC (HORIZONTAL)	61562722
	120075-01-744	EA	KIT - GAS VALVE/BURNER TUBE	620609

CONTACT WINNEBAGO PART SALES FOR UNLISTED COMPONENT(S)

CABINET & APPLIANCE GROUP (CONTINUED)
COMPONENT PARTS FOR CABINET & APPLIANCE LAYOUT (CONTINUED)

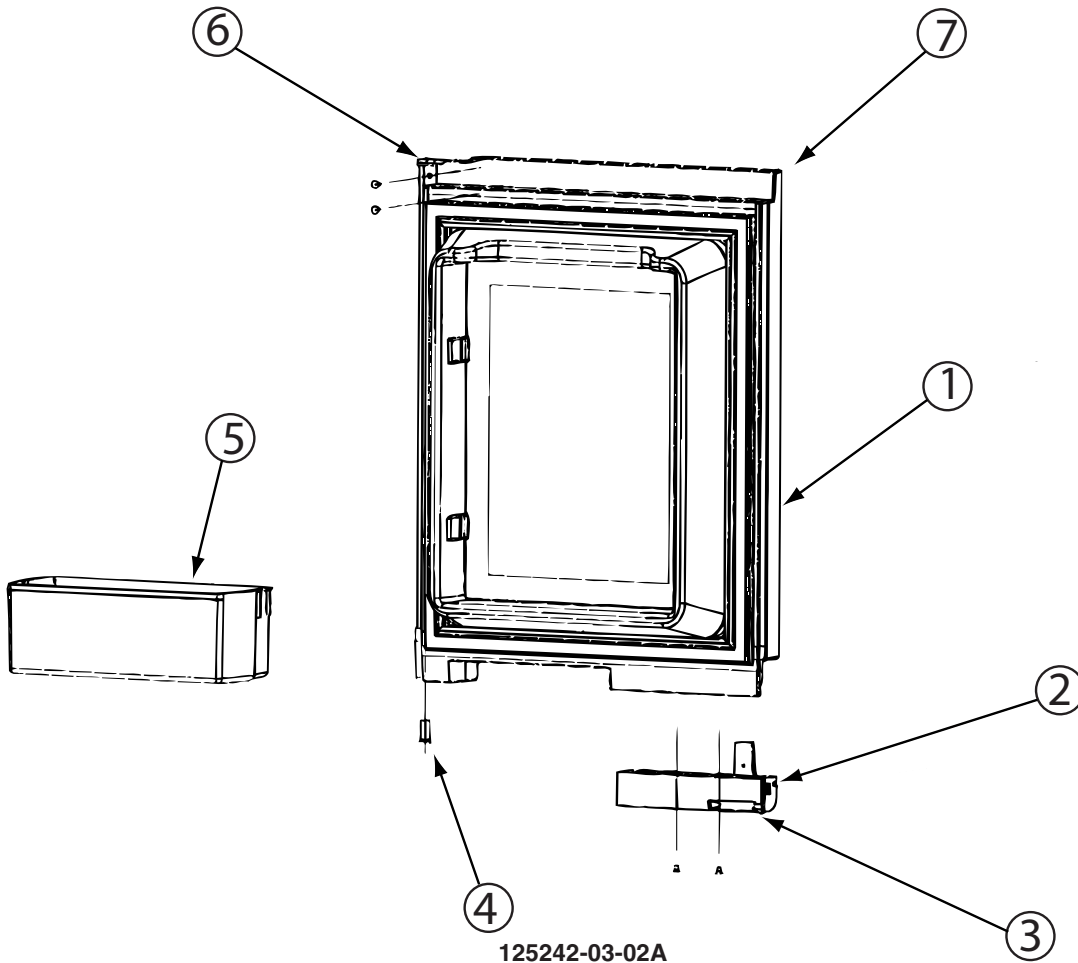


121569-03-01A, 121569-04-01A, 121569-05-01A, 121569-06-01A, 121569-07-01A (CONTINUED)

KEY	PART NUMBER	U/M	DESCRIPTION	VENDOR NO.
1	104137-06-715	EA	ELECTRODE-SPARK/SENSOR, SGL	61692222
2	104137-06-714	EA	BURNER ASSEMBLY, 5-SLOT	61705222
3	120075-01-737	EA	ORIFICE - JEWEL - .0155	618284
4	113737-01-702	EA	PLUG 1/8" F/PRESSURE TAP	61445322
4	113737-01-716	EA	TAP-PRESSURE	61594422
6	113737-01-750	EA	TUBE-UNION	61694622
7	084880-01-718	EA	KIT-GAS VALVE/SOLENOID/TUBE	621447
8	120075-01-738	EA	COVER-POWER BOARD	618185
9	121568-03-719	EA	POWER - BOARD - 2-WAY	621267
	121568-03-720	EA	VALVE/SOLENOID-MAN SHUT OFF	618696
	121569-07-700	EA	CORD - AC POWER	61554422

CONTACT WINNEBAGO PART SALES FOR UNLISTED COMPONENT(S)

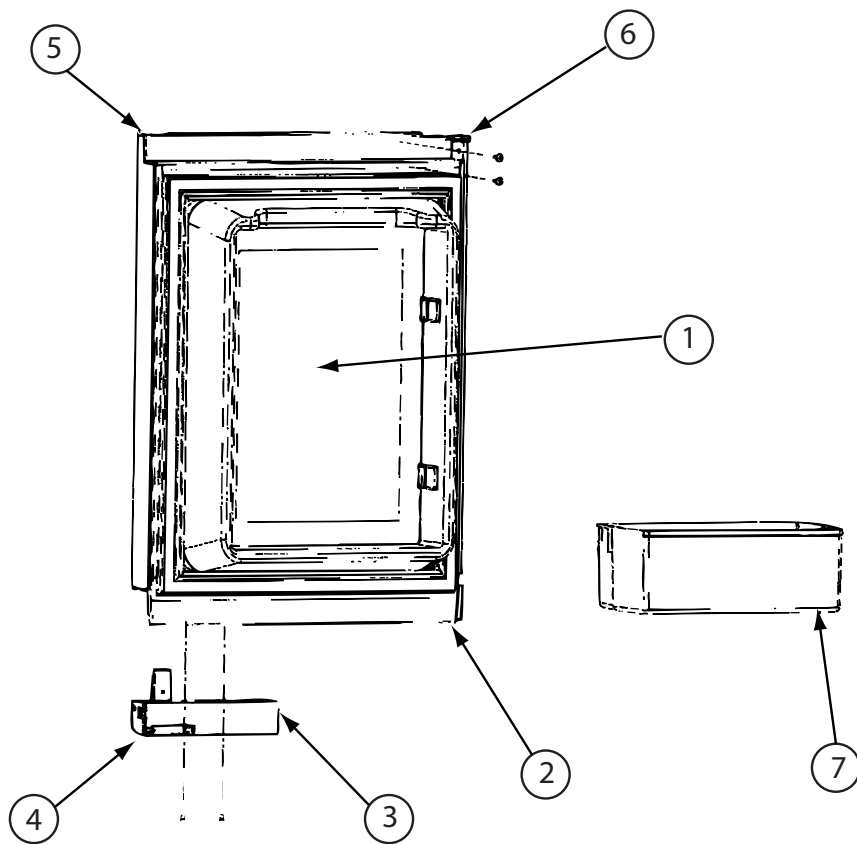
CABINET & APPLIANCE GROUP (CONTINUED)
COMPONENT PARTS FOR CABINET & APPLIANCE LAYOUT (CONTINUED)



125242-03-02A

KEY	PART NUMBER	U/M	DESCRIPTION	VENDOR NO.
1	125242-03-721	EA	LINER-DOOR/UPPER RH/WRP WPM	62906101
2	125242-02-701	EA	HANDLE(CONTOUR)TOP RH LWR LH	621106
3	125242-02-722	EA	LATCH-STORAGE DR/BLK POINTED	619374
4	125242-01-704	EA	BUSHING-HINGE MIDDLE	618746
5	125242-03-704	EA	BIN - DOOR SHELF	622831
6	125242-03-722	EA	CAP/DOOR HINGE-UPR RH/LWR LH	623819
7	125242-03-723	EA	CAP/DR CENTER-UPR RH/LWR LH	623820

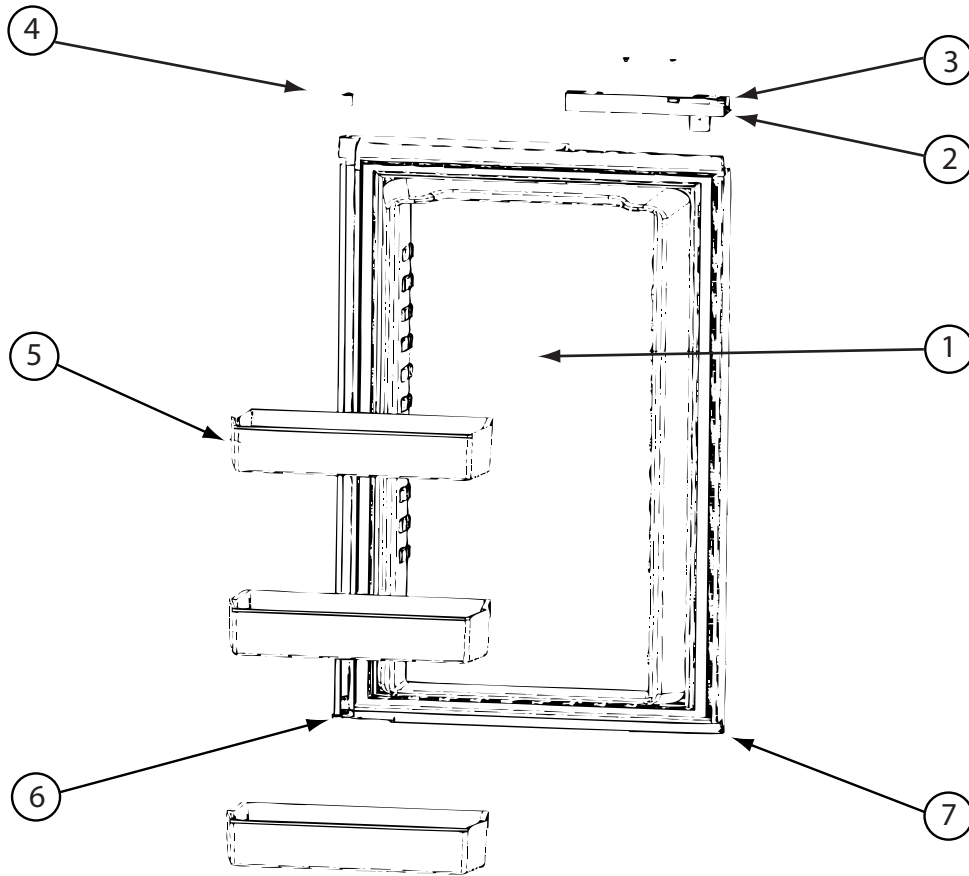
CABINET & APPLIANCE GROUP (CONTINUED)
COMPONENT PARTS FOR CABINET & APPLIANCE LAYOUT (CONTINUED)



125242-03-02A (CONTINUED)

KEY	PART NUMBER	U/M	DESCRIPTION	VENDOR NO.
1	125242-03-724	EA	LINER-DOOR/UPPER LH/WRP WPM	62906001
2	125242-01-704	EA	BUSHING-HINGE MIDDLE	618746
3	125242-02-700	EA	HANDLE(CONTOUR)TOP LH BTM RH	621107
4	125242-02-722	EA	LATCH-STORAGE DR/BLK POINTED	619374
5	125242-03-726	EA	CAP/DR CENTER-UPR LH/LWR RH	623492
6	125242-03-725	EA	CAP/DOOR HINGE-UPR LH/LWR RH	623491
7	125242-03-704	EA	BIN - DOOR SHELF	622831

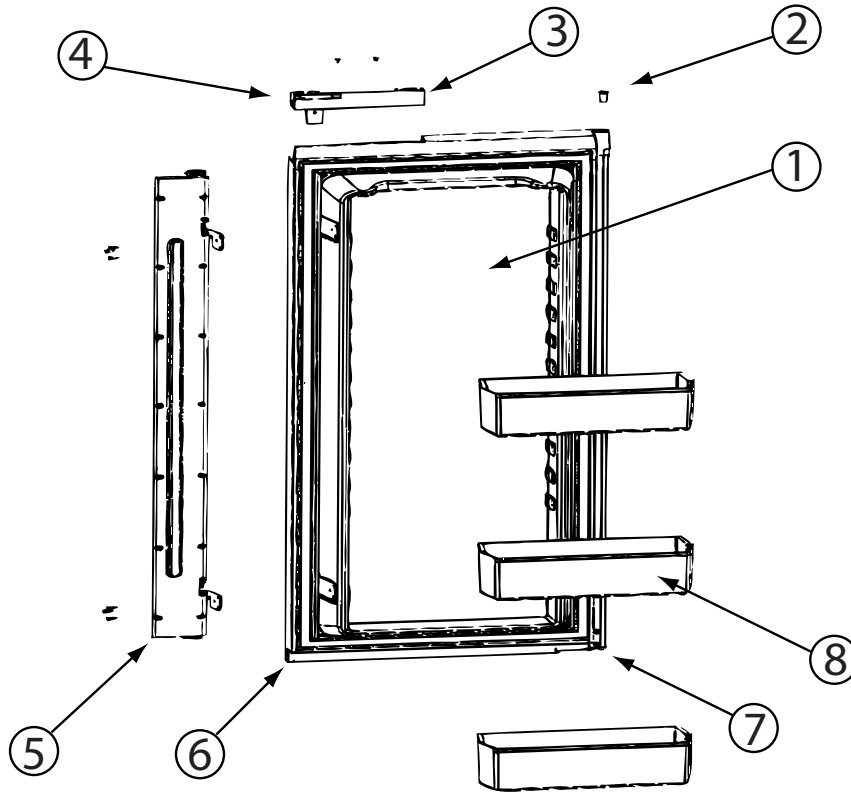
CABINET & APPLIANCE GROUP (CONTINUED)
COMPONENT PARTS FOR CABINET & APPLIANCE LAYOUT (CONTINUED)



125242-03-02A (CONTINUED)

KEY	PART NUMBER	U/M	DESCRIPTION	VENDOR NO.
1	125242-03-727	EA	LINER-DOOR/LOWER RH/WRP WPM	62906301
2	125242-02-700	EA	HANDLE(CONTOUR)TOP LH BTM RH	621107
3	125242-02-722	EA	LATCH-STORAGE DR/BLK POINTED	619374
4	125242-01-704	EA	BUSHING-HINGE MIDDLE	618746
5	125242-03-704	EA	BIN - DOOR SHELF	622831
6	125242-03-725	EA	CAP/DOOR HINGE-UPR LH/LWR RH	623491
7	125242-03-726	EA	CAP/DR CENTER-UPR LH/LWR RH	623492
	125242-01-769	EA	SHIM DOOR HINGE SERVICE KIT	625129

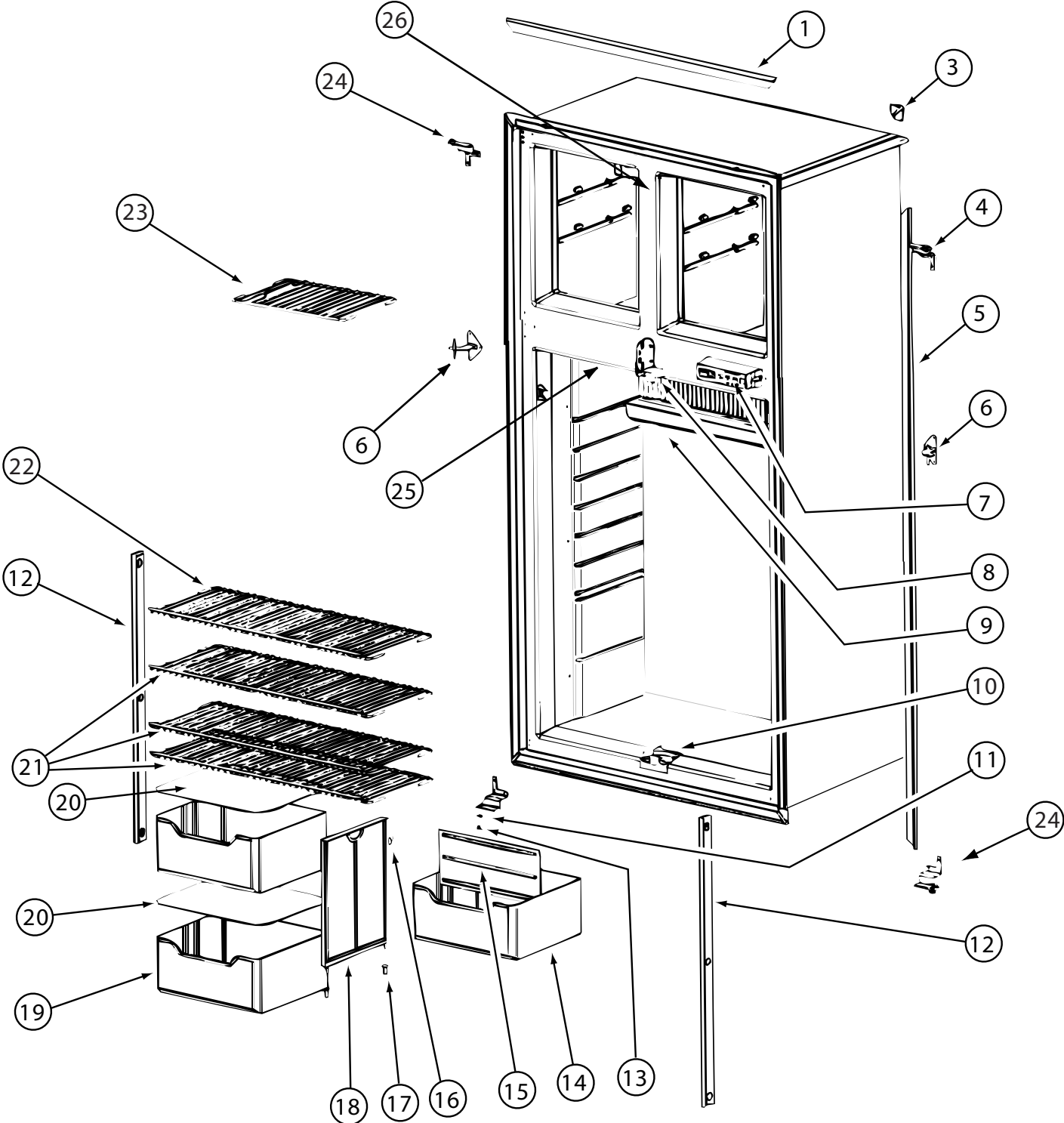
CABINET & APPLIANCE GROUP (CONTINUED)
COMPONENT PARTS FOR CABINET & APPLIANCE LAYOUT (CONTINUED)



125242-03-02A (CONTINUED)

KEY	PART NUMBER	U/M	DESCRIPTION	VENDOR NO.
1	125242-03-728	EA	LINER-DOOR/LOWER LH/WRP WPM	62906201-NO FLAPPE
2	125242-01-704	EA	BUSHING-HINGE MIDDLE	618746
3	125242-02-701	EA	HANDLE(CONTOUR)TOP RH LWR LH	621106
4	125242-02-722	EA	LATCH-STORAGE DR/BLK POINTED	619374
5	125242-02-727	EA	FLAPPER/DOUBLE POLE - FOR S.N.#540295 TO 1291390	
5	125242-02-740	EA	FLAPPER/DBL POLE-SER#1291391AND UP	
6	125242-03-722	EA	CAP/DOOR HINGE-UPR RH/LWR LH	623819
7	125242-03-723	EA	CAP/DR CENTER-UPR RH/LWR LH	623820
8	125242-03-704	EA	BIN - DOOR SHELF	622831
	125242-01-769	EA	SHIM DOOR HINGE SERVICE KIT	625129

CABINET & APPLIANCE GROUP (CONTINUED)
COMPONENT PARTS FOR CABINET & APPLIANCE LAYOUT (CONTINUED)



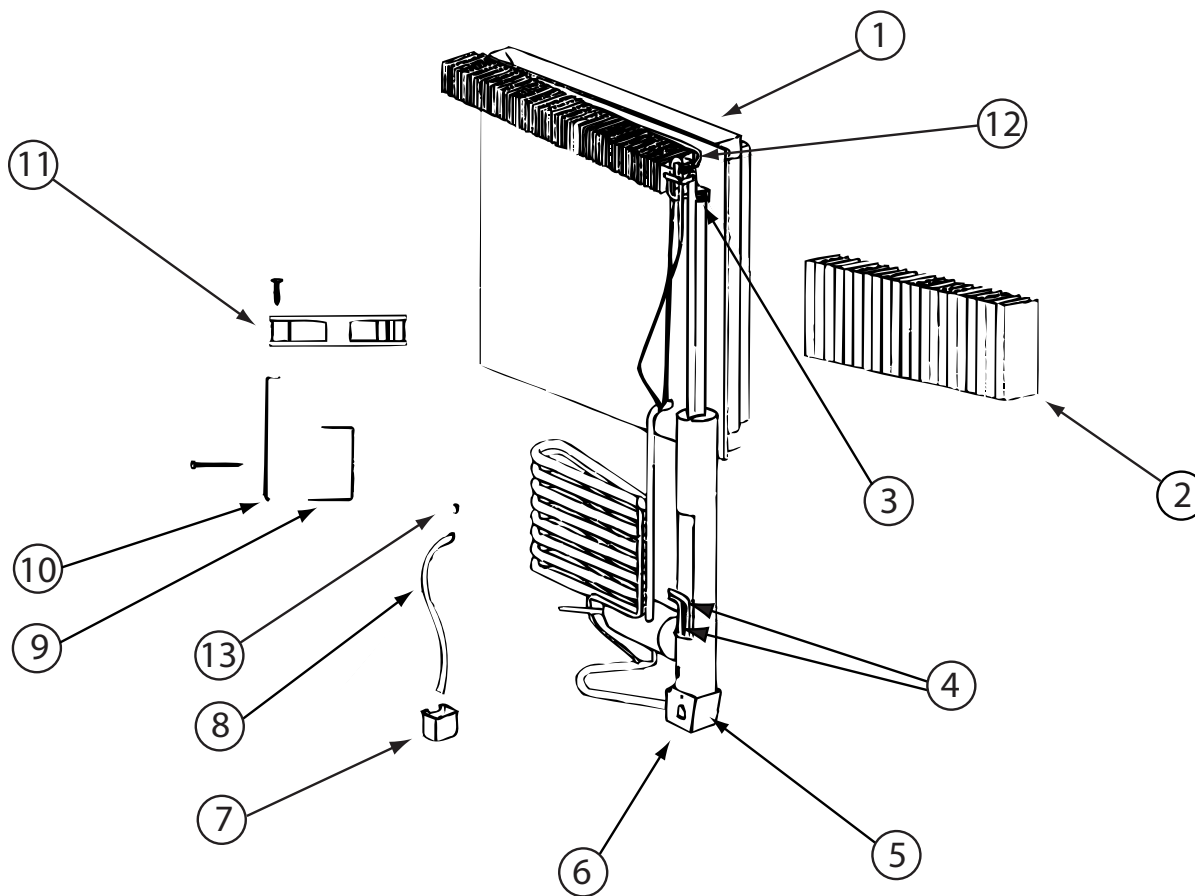
125242-03-02A (CONTINUED)

CABINET & APPLIANCE GROUP (CONTINUED)
COMPONENT PARTS FOR CABINET & APPLIANCE LAYOUT (CONTINUED)

125242-03-02A (CONTINUED)

KEY	PART NUMBER	U/M	DESCRIPTION	VENDOR NO.
1	125242-02-713	EA	TRIM/UPR/LWR - SIDE SNAP ON	621975
1	125242-02-730	EA	TRIM - TOP/BOTTOM - SCREW ON	623255
3	125242-01-722	EA	TRIM - CORNER	618844
4	125242-03-711	EA	HINGE-UPR RH/LWR LH WRAP/DRS	623824
5	125242-01-766	EA	TRIM-LT/RT HAND-SCREW ON	623254
5	125242-02-714	EA	TRIM/SIDES - SIDE SNAP ON	621976
6	125242-03-729	EA	HINGE - MIDDLE	627685
6	125242-03-730	EA	HINGE PIN - MIDDLE HINGE	627684
7	125242-03-731	EA	CONTROL-OPT/ SN8981139 & UP	628970
7	125242-03-712	EA	CONTROL-OPT/GRAY- SN832172 UP	624868
8	125242-01-721	EA	STRIKE PLATE	618835
9	125242-01-712	EA	DRIP TRAY	618774
10	125242-02-717	EA	GUIDE ASM LWR(SER#540295 UP)	620043
10	125242-02-719	EA	GUIDE ASM UPR(SER#540295 UP)	620041
10	125242-03-713	EA	GUIDE BLOCK/FLAPPER/BTM BLK	624140
10	125242-03-714	EA	GUIDE-FLAPPERTOP/BLACK	624141
12	120075-01-730	EA	RETAINER-SHELF(SER#926684 DN)	618181
12	125242-02-720	EA	RETAINER/SHEF(SER#926685 UP)	622033
13	125242-03-715	EA	HINGE PIN/UPR-WRAPPED DOORS	623899
15	125242-01-733	EA	DIVIDER-BOTTLE CRISPER	618877
16	125242-01-750	EA	CLIP	61409622
18	125242-01-749	EA	SUPPORT - WALL	618840
20	125242-01-706	EA	COVER-CRISPER	618757
21	125242-01-726	EA	SHELF-WIRE (LONG)	618848
22	125242-01-727	EA	SHELF-WIRE (SHORT)	618849
23	125242-01-725	EA	SHELF-FREEZER (WIRE)	618847
24	125242-03-716	EA	HINGE-TOP LH/WRAPPED DOORS	623823
25	125242-01-735	EA	SWITCH - DOOR LIGHT	618884
25	125242-01-768	EA	SWITCH - DOOR LIGHT	623918
	120075-01-714	EA	PLUG-HOLE (BLACK)	618170
	125242-01-728	EA	CAP-SCREW WHITE	618853
	125242-03-706	EA	PROBE - CONTACT/LARGE	620689
			CONTACT WINNEBAGO PART SALES FOR UNLISTED COMPONENT(S)	

CABINET & APPLIANCE GROUP (CONTINUED)
COMPONENT PARTS FOR CABINET & APPLIANCE LAYOUT (CONTINUED)

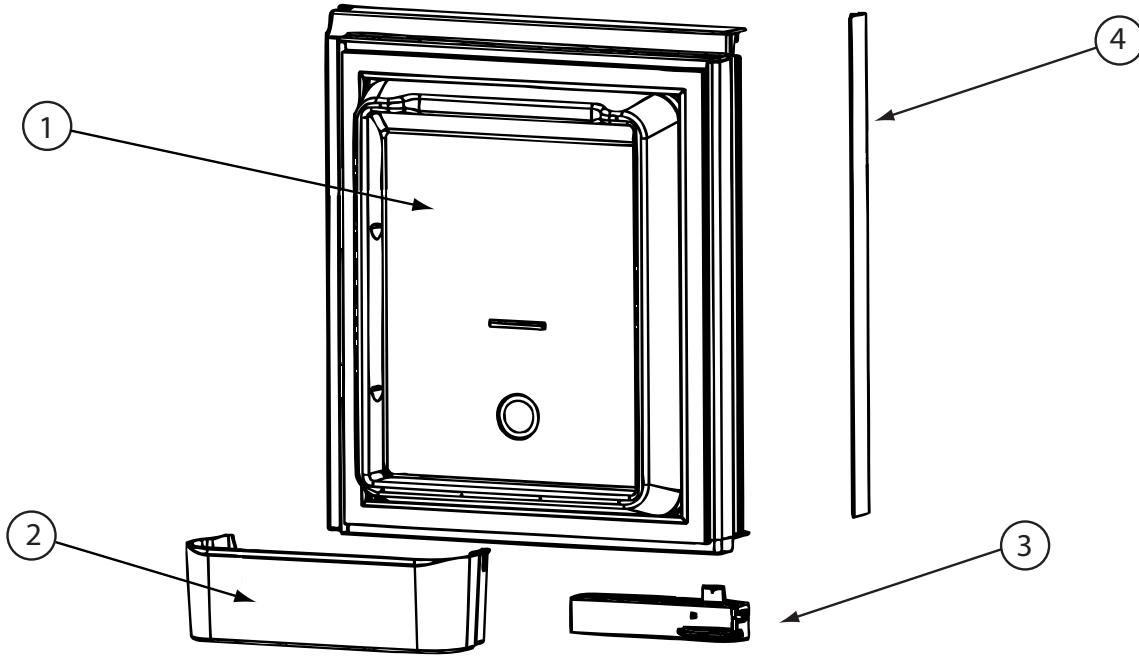


125242-03-02A (CONTINUED)

KEY	PART NUMBER	U/M	DESCRIPTION	VENDOR NO.
1	125242-01-746	EA	COOLING UNIT - 1200	618964
1	125242-05-719	EA	COOLING UNIT - SN 8835498 UP	629507
2	125242-05-713	EA	FINS	618785
4	125242-01-732	EA	HEATER AC - 225W/110VAC	618872
5	125242-01-739	EA	BASE-BURNER BOX	618902
6	125242-01-740	EA	COVER-BURNER BOX	618910
9	125242-01-730	EA	BRACKET-DC FAN	618857
9	125242-05-721	EA	BRACKET-DC FAN-SN 914576 UP	628747
10	125242-01-741	EA	SUPPORT-DC FAN	618912
11	125242-01-729	EA	FAN-EXTERNAL DC	618856
11	125242-05-722	EA	FAN-EXTRNL DC-SN 914576 UP	628685
12	113737-01-754	EA	THERMOSTAT (FAN 12V DC)	618093
	125242-01-742	EA	WIRE ASM.-BAFFLE 55.15"	618915

CONTACT WINNEBAGO PART SALES FOR UNLISTED COMPONENT(S)

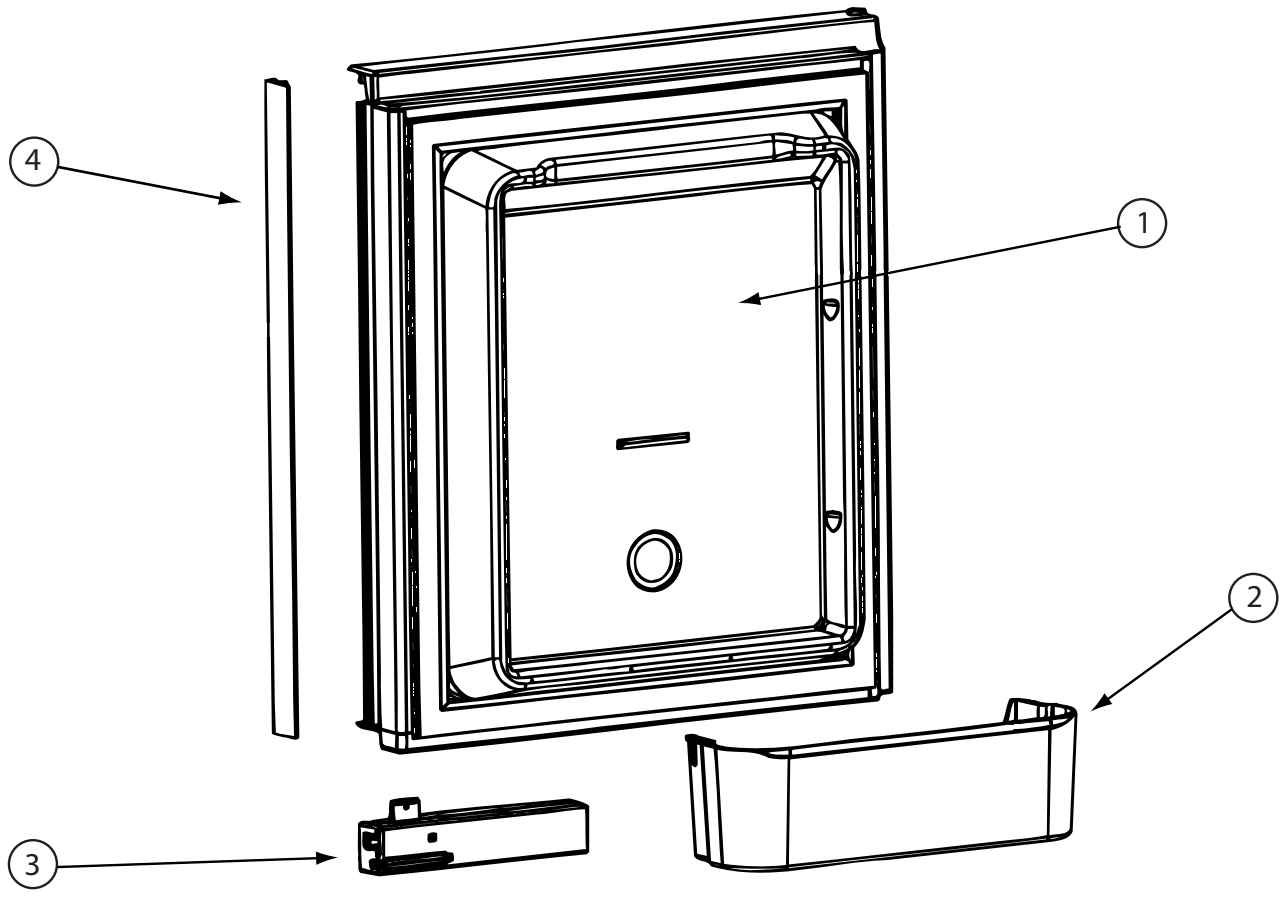
CABINET & APPLIANCE GROUP (CONTINUED)
COMPONENT PARTS FOR CABINET & APPLIANCE LAYOUT (CONTINUED)



125242-05-02A

KEY	PART NUMBER	U/M	DESCRIPTION	VENDOR NO.
1	125242-05-700	EA	LINER-DOOR/UPPER RH/WRP WPM	62913401
2	125242-05-701	EA	BIN - DOOR SHELF	628686
3	125242-02-701	EA	HANDLE(CONTOUR)TOP RH LWR LH	621106
	125242-02-722	EA	LATCH-STORAGE DR/BLK POINTED	619374
CONTACT WINNEBAGO PART SALES FOR UNLISTED COMPONENT(S)				

CABINET & APPLIANCE GROUP (CONTINUED)
COMPONENT PARTS FOR CABINET & APPLIANCE LAYOUT (CONTINUED)

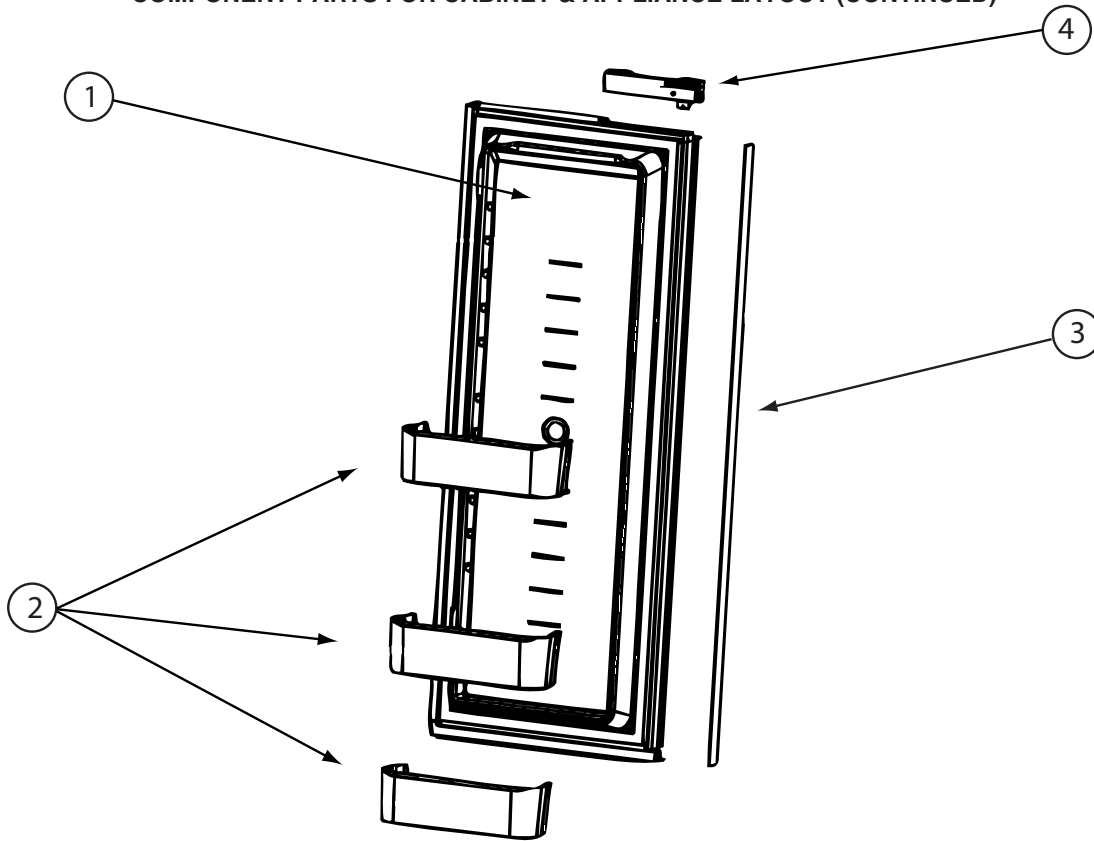


125242-05-02A (CONTINUED)

KEY	PART NUMBER	U/M	DESCRIPTION	VENDOR NO.
1	125242-05-702	EA	LINER-DOOR/UPPER LH/WRP WPM	62913301
2	125242-05-701	EA	BIN - DOOR SHELF	628686
3	125242-02-700	EA	HANDLE(CONTOUR)TOP LH BTM RH	621107
	125242-02-722	EA	LATCH-STORAGE DR/BLK POINTED	619374

CONTACT WINNEBAGO PART SALES FOR UNLISTED COMPONENT(S)

CABINET & APPLIANCE GROUP (CONTINUED)
COMPONENT PARTS FOR CABINET & APPLIANCE LAYOUT (CONTINUED)

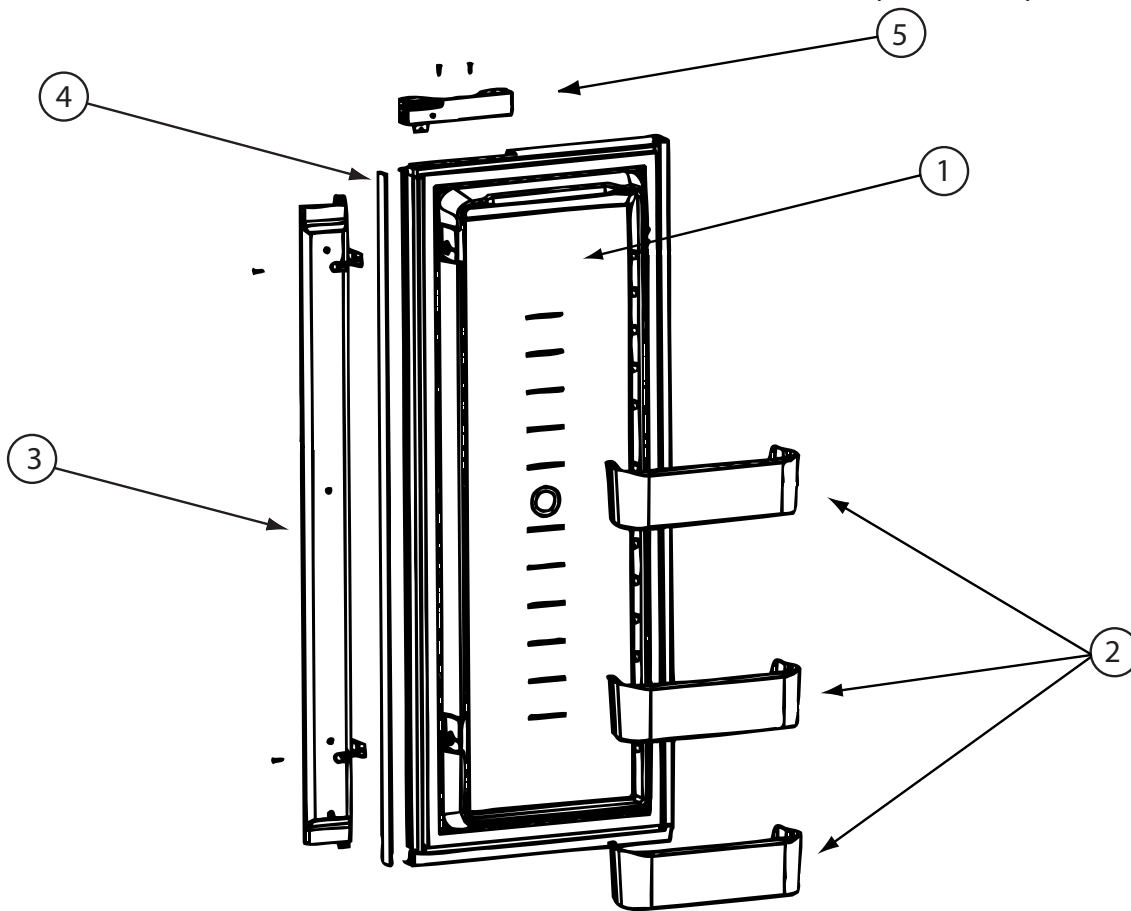


125242-05-02A (CONTINUED)

KEY	PART NUMBER	U/M	DESCRIPTION	VENDOR NO.
1	125242-05-703	EA	LINER-DOOR/LOWER RH/WRP WPM	62913601
2	125242-05-701	EA	BIN - DOOR SHELF	628686
4	125242-02-700	EA	HANDLE(CONTOUR)TOP LH BTM RH	621107
	125242-02-722	EA	LATCH-STORAGE DR/BLK POINTED	619374

CONTACT WINNEBAGO PART SALES FOR UNLISTED COMPONENT(S)

CABINET & APPLIANCE GROUP (CONTINUED)
COMPONENT PARTS FOR CABINET & APPLIANCE LAYOUT (CONTINUED)

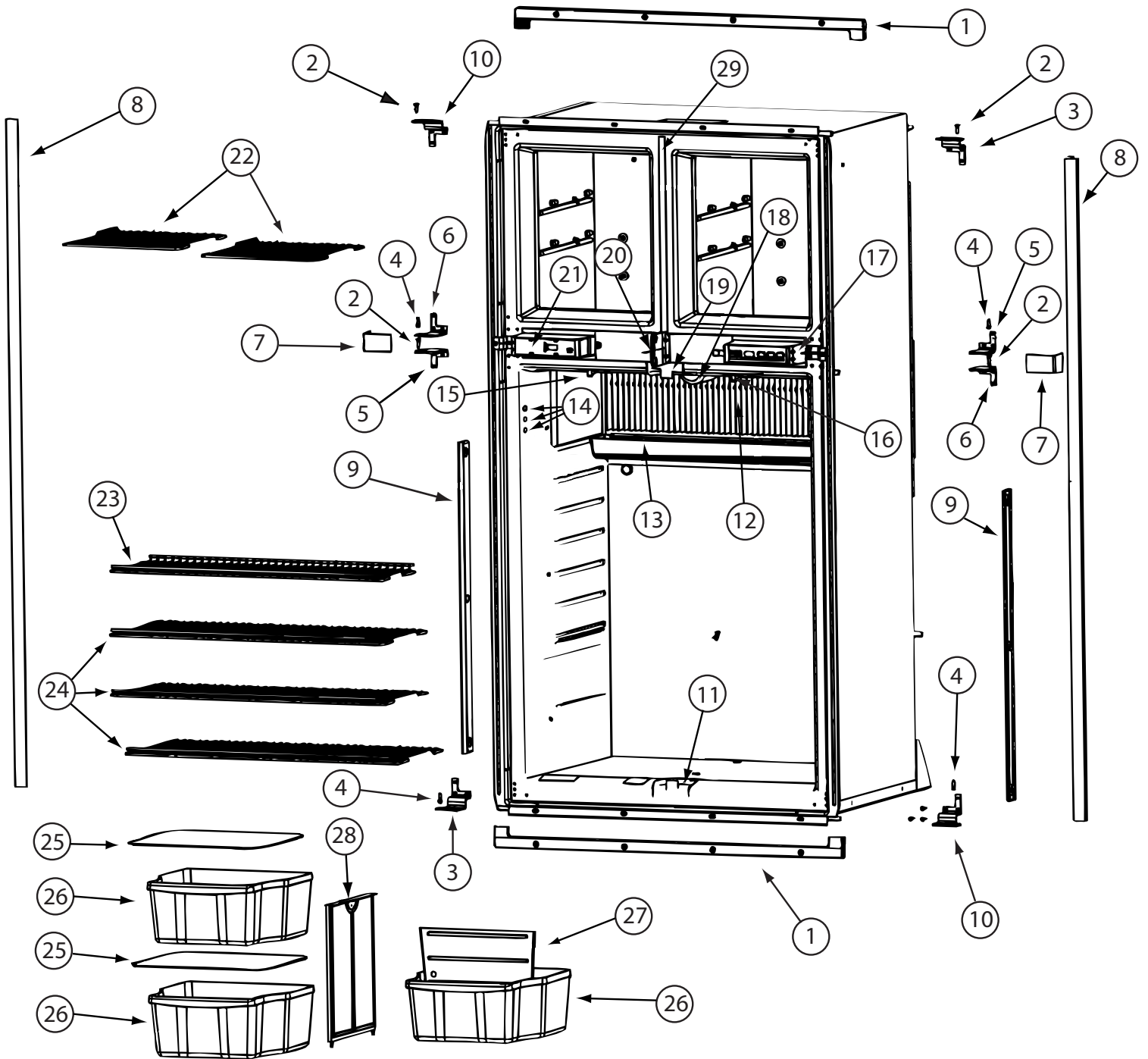


125242-05-02A (CONTINUED)

KEY	PART NUMBER	U/M	DESCRIPTION	VENDOR NO.
1	125242-05-704	EA	LINER-DOOR/LOWER LH/WRP WPM	62913501
2	125242-05-701	EA	BIN - DOOR SHELF	628686
3	125242-05-705	EA	FLAPPER ASM	629049
5	125242-02-701	EA	HANDLE(CONTOUR)TOP RH LWR LH	621106
	125242-02-722	EA	LATCH-STORAGE DR/BLK POINTED	619374

CONTACT WINNEBAGO PART SALES FOR UNLISTED COMPONENT(S)

CABINET & APPLIANCE GROUP (CONTINUED)
COMPONENT PARTS FOR CABINET & APPLIANCE LAYOUT (CONTINUED)



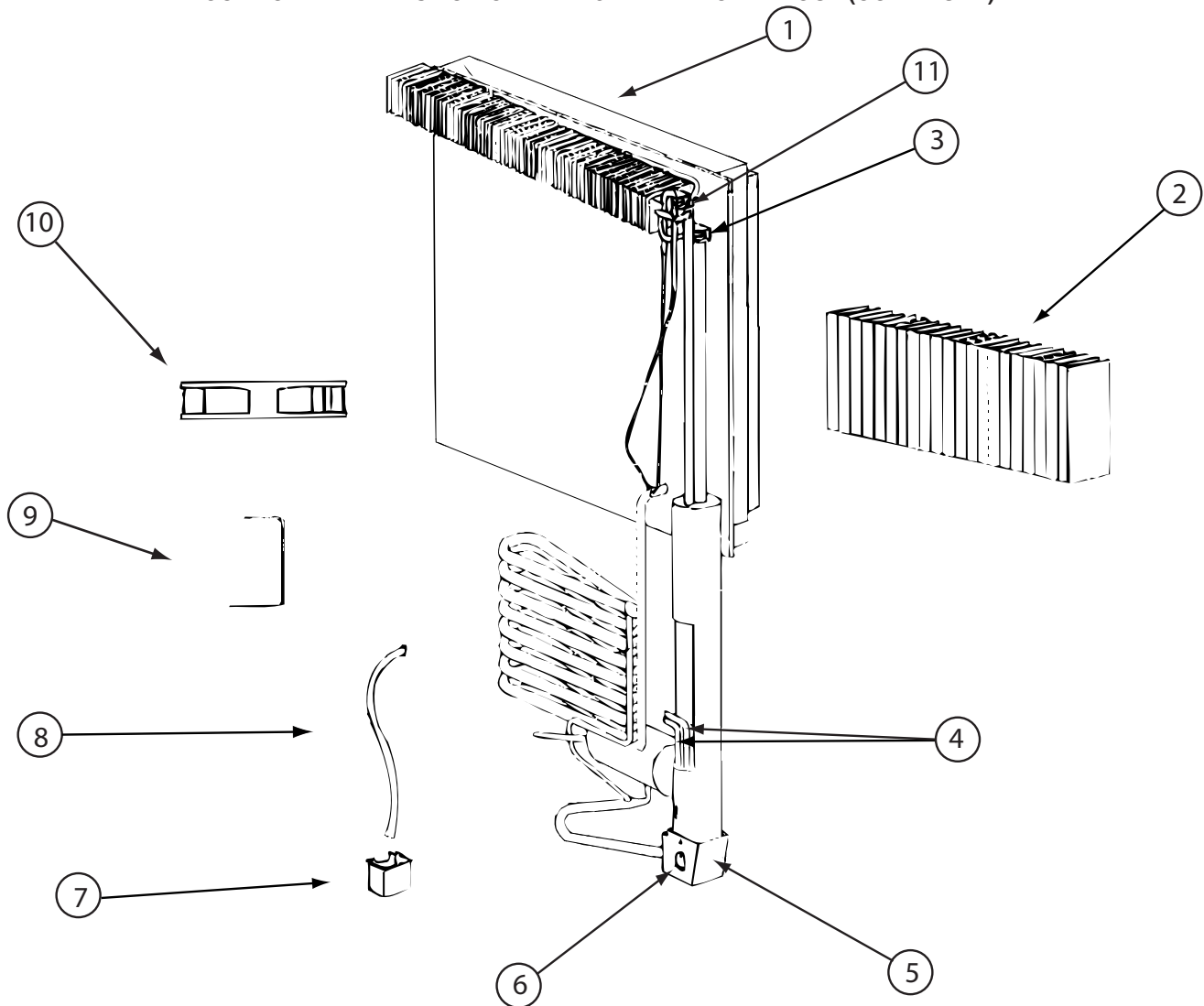
125242-05-02A (CONTINUED)

CABINET & APPLIANCE GROUP (CONTINUED)
COMPONENT PARTS FOR CABINET & APPLIANCE LAYOUT (CONTINUED)

125242-05-02A (CONTINUED)

KEY	PART NUMBER	U/M	DESCRIPTION	VENDOR NO.
1	125242-01-767	EA	KIT - UNIVERSAL TRIM (MAKE YOUR OWN)CORNERS/ETC - SCREW-ON	
2	125242-03-715	EA	HINGE PIN/UPR-WRAPPED DOORS	623899
3	125242-05-707	EA	HINGE-OUTER/UPPER RH/LWR LH	628946
4	113737-01-710	EA	PIN-HINGE, BOTTOM	61550722
5	125242-05-708	EA	HINGE-INNER/UPPER RH/LWR LH	624363
6	125242-05-709	EA	HINGE-INNER/UPPER LH/LWR RH	624364
7	125242-05-710	EA	COVER - HINGE	627955
8	125242-01-766	EA	TRIM - LEFT HAND/RIGHT HAND - VERTICAL - SCREW-ON	
9	125242-02-720	EA	RETAINER/SHELF(SER#926685 UP)	622033
10	125242-05-711	EA	HINGE-OUTER/UPPER LH/LWR RH	628945
11	125242-05-712	EA	GUIDE BLOCK-FLAPPER/BTM/BLK	629112
12	125242-05-713	EA	FINS	618785
13	125242-01-712	EA	DRIP TRAY	618774
14	125242-03-706	EA	PROBE - CONTACT/LARGE	620689
15	125242-01-768	EA	SWITCH - DOOR LIGHT	623918
16	125242-02-706	EA	LAMP/WIRE ASM/SER#849677 UP	620871
17	125242-05-706	EA	CONTROL ASM - OPTICAL	629113
18	125242-02-708	EA	COVER/LAMP BRACKET	621827
19	125242-05-714	EA	GUIDE BLOCK-FLAPPER/TOP/BLK	629111
20	125242-05-715	EA	PLATE/STRIKE - BLACK	628473
21	125242-05-716	EA	BOX/FRONT - DUMMY	624366
22	125242-01-725	EA	SHELF-FREEZER (WIRE)	618847
23	125242-01-727	EA	SHELF-WIRE (SHORT)	618849
24	125242-01-726	EA	SHELF-WIRE (LONG)	618848
25	125242-01-706	EA	COVER-CRISPER	618757
26	125242-05-717	EA	BIN - BOTTLE/CRISPER	628688
27	125242-05-718	EA	DIVIDER - BOTTLE/CRISPER	628694
28	125242-01-749	EA	SUPPORT - WALL	618840
29	125242-02-741	EA	STRIP-FREEZER-BLACK	625210 #1291391 &UP
	084880-03-705	EA	BRACKET-LIGHT-INTERIOR	61629722
	084880-03-706	EA	BULB-LAMP	61628922
	120075-01-714	EA	PLUG-HOLE (BLACK)	618170

CABINET & APPLIANCE GROUP (CONTINUED)
COMPONENT PARTS FOR CABINET & APPLIANCE LAYOUT (CONTINUED)

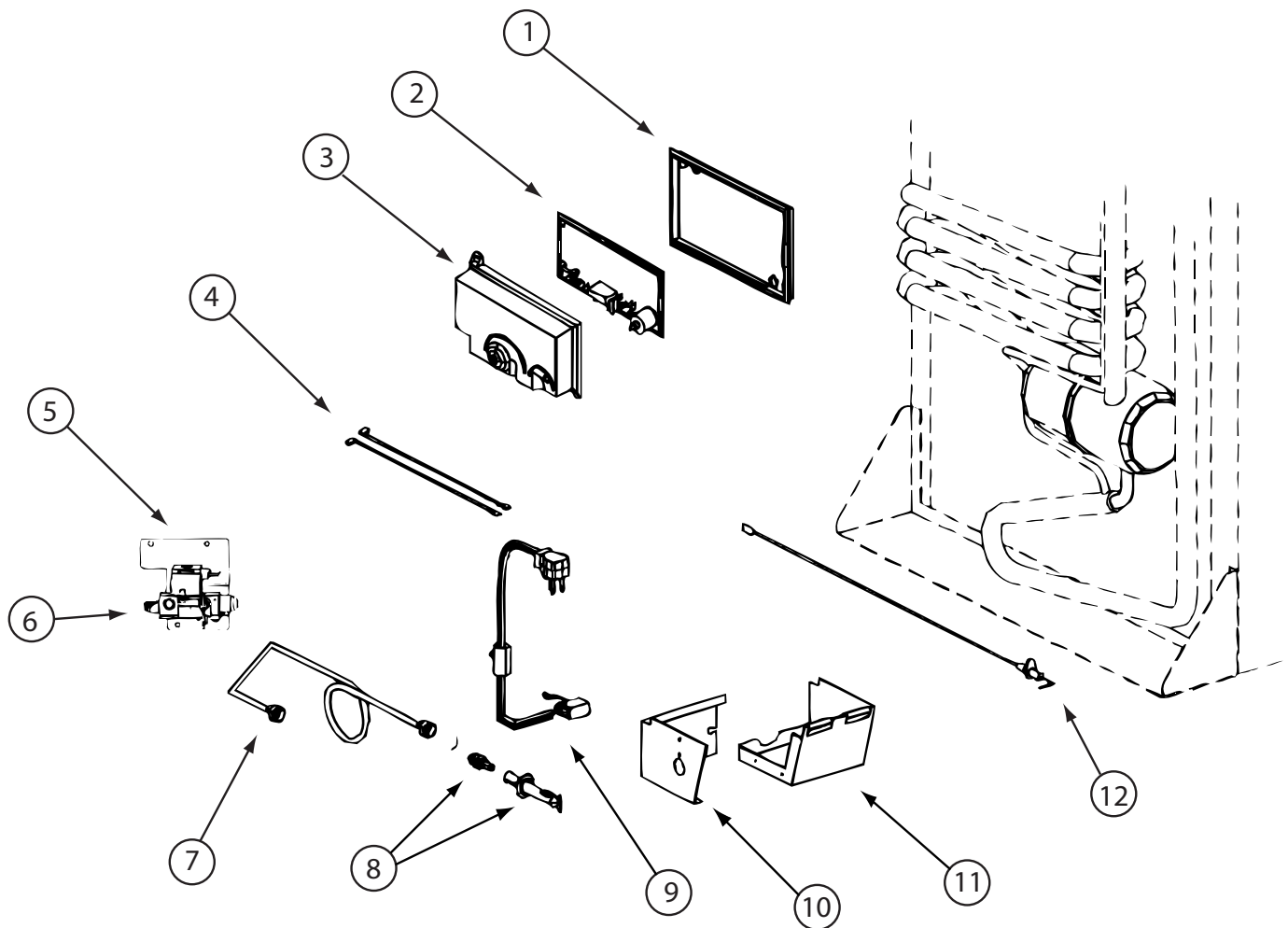


125242-05-02A (CONTINUED)

KEY	PART NUMBER	U/M	DESCRIPTION	VENDOR NO.
1	125242-05-719	EA	COOLING UNIT - SN 8835498 UP	629507
2	125242-05-713	EA	FINS	618785
4	125242-01-732	EA	HEATER AC - 225W/110VAC	618872
5	125242-01-739	EA	BASE-BURNER BOX	618902
6	125242-01-740	EA	COVER-BURNER BOX	618910
9	125242-05-721	EA	BRACKET-DC FAN-SN 9144576 UP	628747
10	125242-05-722	EA	FAN-EXTRNL DC-SN 9144576 UP	628685
11	113737-01-754	EA	THERMOSTAT (FAN 12V DC)	618093
	125242-01-742	EA	WIRE ASM.-BAFFLE 55.15"	618915
	125242-05-720	EA	SWITCH-THERMAL	628118

CONTACT WINNEBAGO PART SALES FOR UNLISTED COMPONENT(S)

CABINET & APPLIANCE GROUP (CONTINUED)
COMPONENT PARTS FOR CABINET & APPLIANCE LAYOUT (CONTINUED)

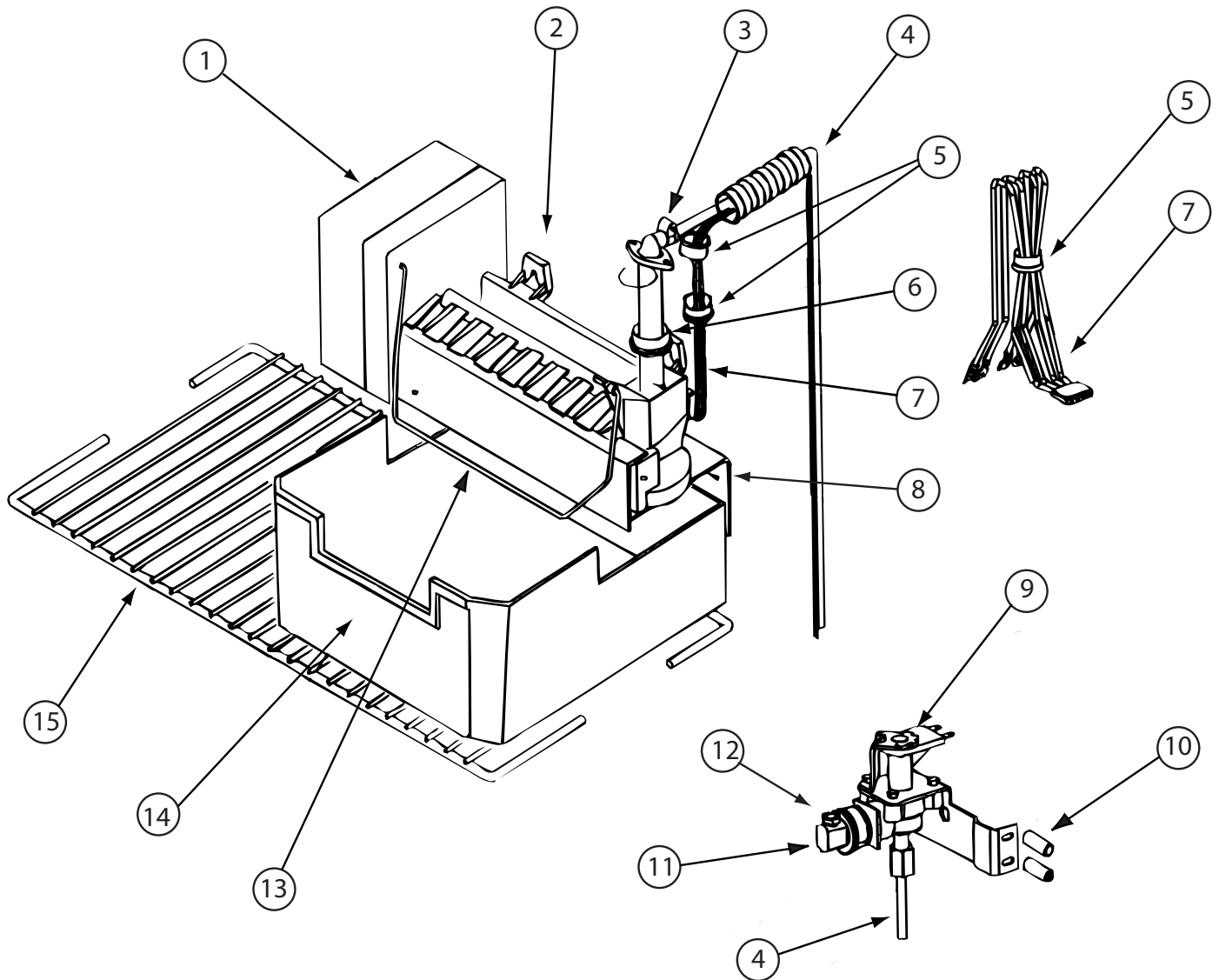


125242-03-02A & 125242-05-02A (CONTINUED)

KEY	PART NUMBER	U/M	DESCRIPTION	VENDOR NO.
1	121569-08-701	EA	BASE - POWER BOARD	628674
2	121568-06-709	EA	BOARD/POWER-N611/N822F	628661
3	121569-08-702	EA	COVER-POWER BOARD	628677
4	125242-02-709	EA	WIRE/WHITE/9"/GAS VALVE	621448
6	121569-08-703	EA	VALVE - SOLENOID	628741
7	125242-05-723	EA	BURNER TUBE	624683
8	125242-02-743	EA	BURNER ORFICE ADAPTER ASSY - NORCOLD# 629013	
9	121569-07-700	EA	CORD - AC POWER	61554422
10	125242-01-740	EA	COVER-BURNER BOX	618910
11	125242-01-739	EA	BASE-BURNER BOX	618902
12	104137-06-715	EA	ELECTRODE-SPARK/SENSOR, SGL	61692222

CONTACT WINNEBAGO PART SALES FOR UNLISTED COMPONENT(S)

CABINET & APPLIANCE GROUP (CONTINUED)
COMPONENT PARTS FOR CABINET & APPLIANCE LAYOUT (CONTINUED)

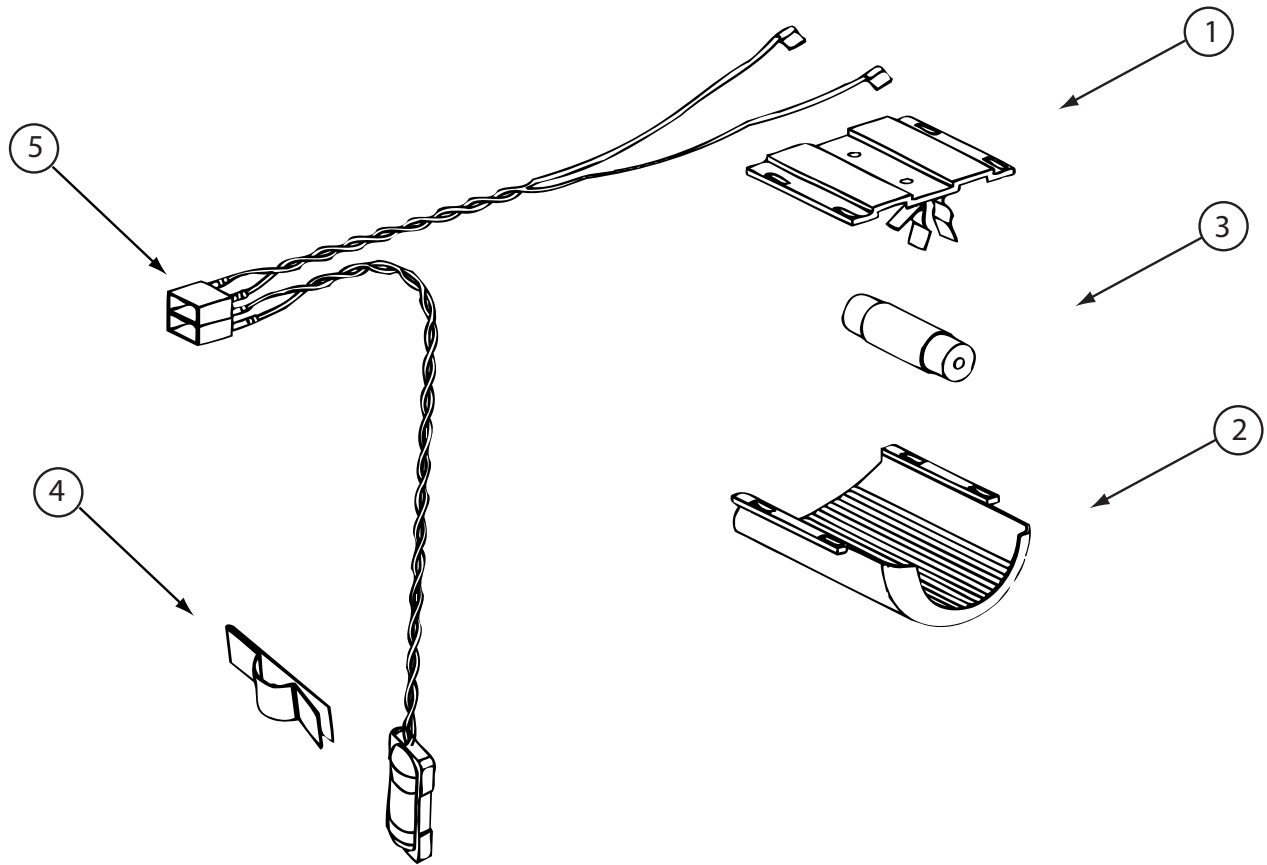


125242-03-02A & 125242-05-02A (CONTINUED)

KEY	PART NUMBER	U/M	DESCRIPTION	VENDOR NO.
2	094039-07-706	EA	ICE MAKER W/O PLATES	61656522
4	125242-05-724	EA	WATER TUBE/HEATER ASM	621429
6	120075-03-706	EA	FITTING WATER LINE	620039
8	125242-01-737	EA	BRACKET-MOUNTING (ICE MAKER)	618894/620890
9	120075-03-701	EA	WATER VALVE - W/BRACKET	618253
11	094039-07-707	EA	GARDEN HOSE ADAP W/BRASS NUT	61679622
12	094039-07-708	EA	NUT - COMPRESSION	622991
13	120075-03-703	EA	ARM-SHUT OFF	61656922
14	125242-01-716	EA	ICE BIN	618803
15	125242-01-725	EA	SHELF-FREEZER (WIRE)	618847
	120075-09-703	EA	THERMOSTAT	620240

CONTACT WINNEBAGO PART SALES FOR UNLISTED COMPONENT(S)

CABINET & APPLIANCE GROUP (CONTINUED)
COMPONENT PARTS FOR CABINET & APPLIANCE LAYOUT (CONTINUED)



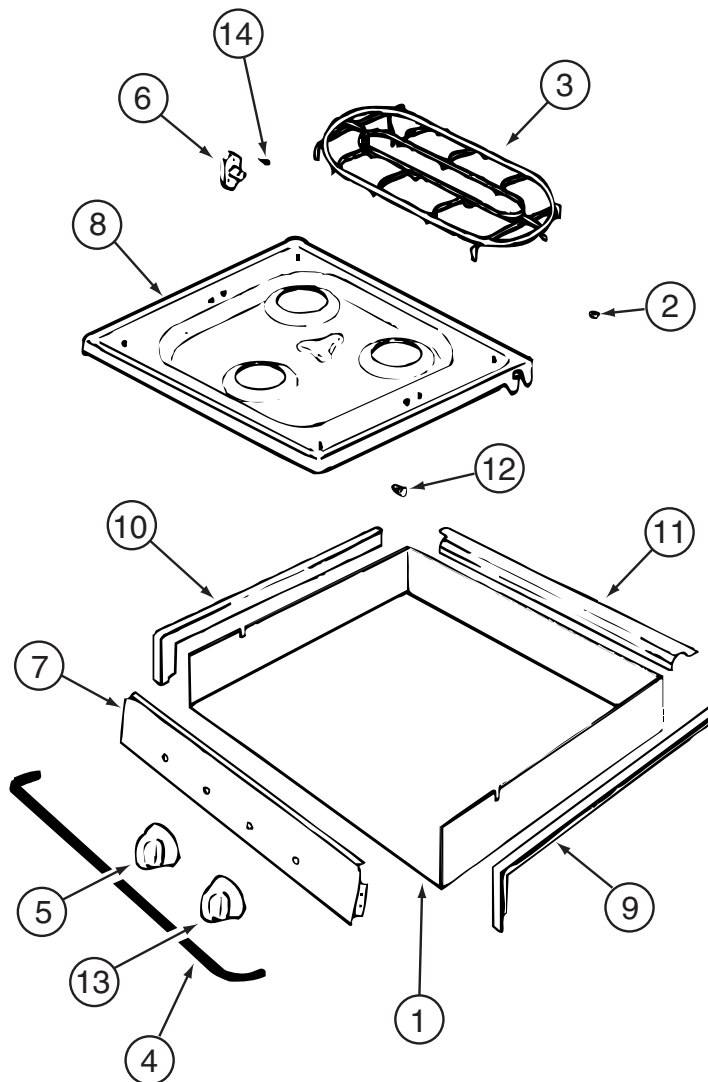
125242-03-02A & 125242-05-02A (CONTINUED)

KEY	PART NUMBER	U/M	DESCRIPTION	VENDOR NO.
1	084880-03-705	EA	BRACKET-LIGHT-INTERIOR	61629722
2	125242-02-708	EA	COVER/LAMP BRACKET	621827
3	084880-03-706	EA	BULB-LAMP	61628922
4	084880-01-760	EA	CLIP (THERMISTER)	61689122
5	125242-02-706	EA	LAMP/WIRE ASM/SER#849677 UP	620871

126022-01-01A, 126022-02-01A, 126022-03-01A

KEY	PART NUMBER	U/M	DESCRIPTION	VENDOR NO.
	114030-01-707	EA	PLUG BUTTON BLACK	74002628
	126022-01-700	EA	BUMPER - RANGE BIFOLD COVER	MAGIC 8003P007-60
	126022-01-701	EA	HINGE-RANGE BIFOLD COVER-22"	MAGIC 3418F067-34

CABINET & APPLIANCE GROUP (CONTINUED)
COMPONENT PARTS FOR CABINET & APPLIANCE LAYOUT (CONTINUED)

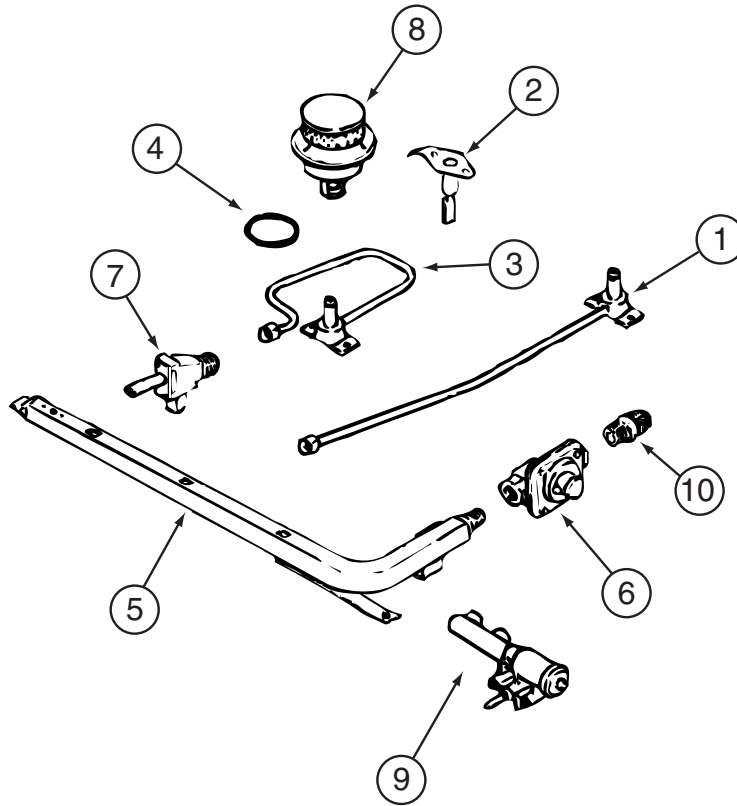


135065-03-01A, 135065-03-03A, 135065-04-01A

KEY	PART NUMBER	U/M	DESCRIPTION	VENDOR NO.
2	102020-01-709	EA	BUMPER-GRATE	8007-P020-60
3	135065-03-703	EA	GRATE - BLACK(SEALED BURNER)	74007304
4	114030-02-700	EA	GUARD/FABRIC - TOWEL BAR	3609F006-70
5	128728-01-701	EA	KNOB - BURNER - REAR	74003941
5	128728-01-702	EA	KNOB - BURNER - FRONT	74003942
6	128728-01-703	EA	PIN/T-NUT F/HINGE	7103P109-60
7	135065-03-704	EA	PANEL - MANIFOLD (BLACK)	74007330
8	128728-01-705	EA	TOP - MAIN - BLACK	74003928
8	135065-03-715	EA	TOP - MAIN - STAINLESS STEEL	74007299
9	114030-01-704	EA	TRIM - RIGHT/BLACK TEXTURED	74002839
10	114030-01-705	EA	TRIM - LEFT/BLACK TEXTURED	74002840
11	114030-01-706	EA	TRIM - REAR/BLACK TEXTURED	74002841
12	102020-01-724	EA	BUMPER-MAIN TOP	8003P008-60
13	128728-01-707	EA	KNOB - IGNITOR	74003944

CONTACT WINNEBAGO PART SALES FOR UNLISTED COMPONENT(S)

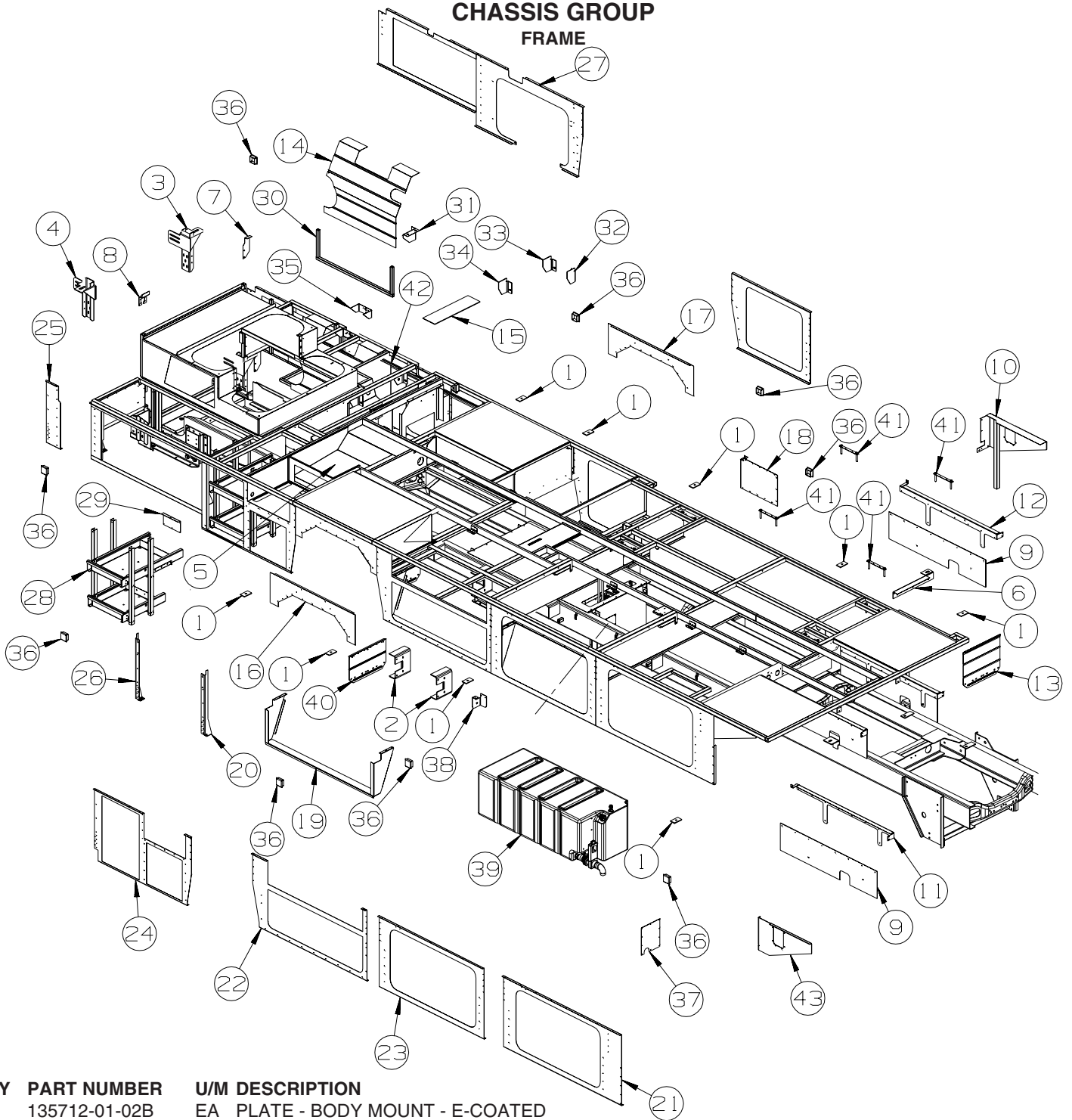
CABINET & APPLIANCE GROUP (CONTINUED)
COMPONENT PARTS FOR CABINET & APPLIANCE LAYOUT (CONTINUED)



135065-03-01A, 135065-03-03A, 135065-04-01A (CONTINUED)

KEY	PART NUMBER	U/M	DESCRIPTION	VENDOR NO.
1	128728-01-708	EA	FITTING W/ORFICE/TUBE - REAR	74003931
2	135065-01-701	EA	IGNITOR/PORCELAIN-TOP BURNER	74004053
3	128728-01-710	EA	FITTING W/ORFICE/TUBE - FRT	74003930
4	135065-03-700	EA	FITTING - HALF UNION	74004234
5	135065-01-702	EA	PIPE/MANIFOLD	74004642
6	126023-02-703	EA	REGULATOR - PRESSURE	74004235
7	135065-01-703	EA	VALVE/BURNER - REAR	74004643
7	135065-01-704	EA	VALVE/BURNER-FRT-HI	74004644
7	135065-03-701	EA	SCREW - VALVE	71003231
8	135065-03-702	EA	SEALED BURNER ASM.(BLACK) RV	74003967
9	128728-01-716	EA	BURNER - IGNITOR	74003946
9	128728-01-717	EA	WIRES - IGNITOR	74003947

CHASSIS GROUP FRAME



KEY	PART NUMBER	U/M	DESCRIPTION
1	135712-01-02B	EA	PLATE - BODY MOUNT - E-COATED
2	120867-01-02B	EA	MOUNT - LP TANK - E-COAT
3	131328-03-02B	EA	SUPPORT - REAR RISER - RIGHT HAND - E-COATED
4	131328-04-02B	EA	SUPPORT - REAR RISER - LEFT HAND - E-COATED
5	144842-01-02B	EA	COMPARTMENT - FURNACE - E-COATED
6	157712-02-02B	EA	BRACE - ROCK GUARD - E-COATED
7	141728-01-02B	EA	HANGER - EXHAUST - E-COATED
8	149628-01-02B	EA	BRACKET - TOW POWER - CUMMINS
9	143917-01-01A	EA	SHIELD/SPLASH - WHEELWELL
10	158526-02-02B	EA	PANEL - FUEL FILL - LEFT HAND - E-COATED
11	143916-01-02B	EA	BRACKET/SHIELD - SPLASH - E-COATED
12	143916-02-02B	EA	BRACKET/SHIELD - SPLASH - E-COATED
13	136391-02-02B	EA	GUARD/ROCK - STEEL - W/ANGLE - 18"W X 15"H - E-COATED
14	139420-02-02B	EA	SHIELD - AC CONDENSOR - E-COATED
15	146245-01-000	EA	INSULATION - FIEBERGLASS/FOIL - 25"
16	119750-11-02B	EA	PANEL/SEAL PLANE - WHEELWELL/RIGHT HAND - E-COATED
17	119750-12-02B	EA	PANEL/SEAL PLANE - WHEELWELL/LEFT HAND - E-COATED
18	132564-02-02B	EA	PANEL/CLOSEOUT - HOLDING TANK - E-COATED

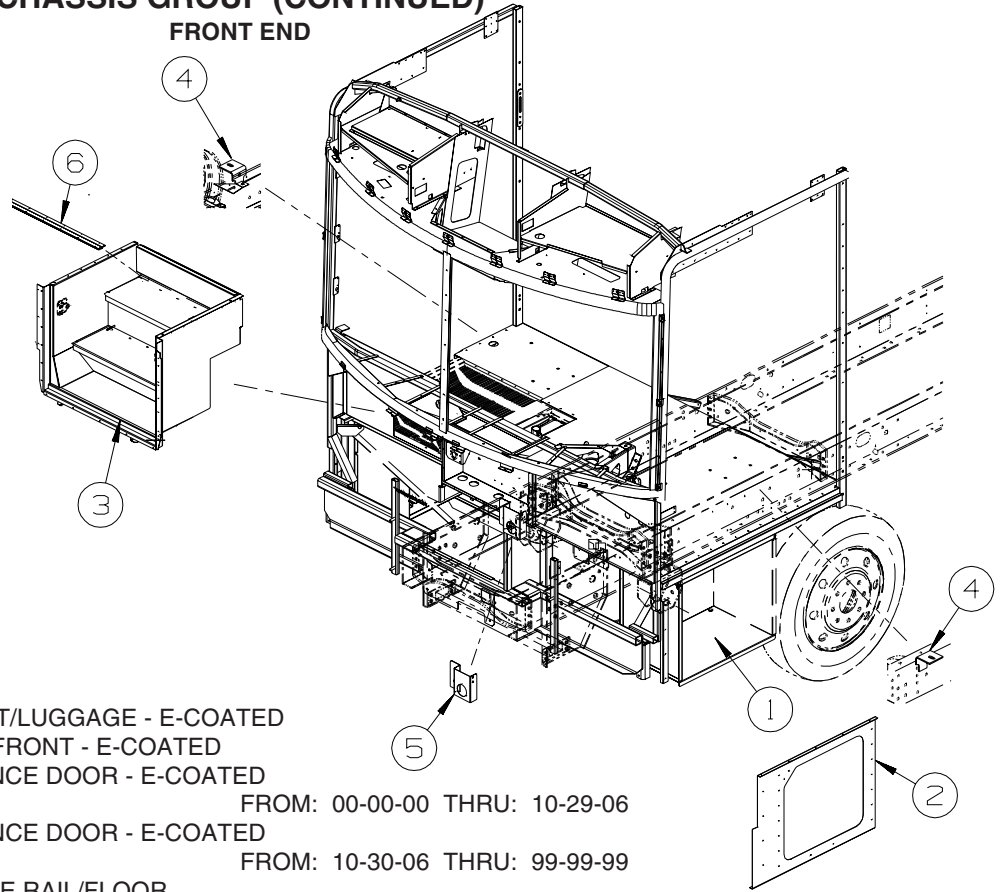
CHASSIS GROUP (CONTINUED)

FRAME (CONTINUED)

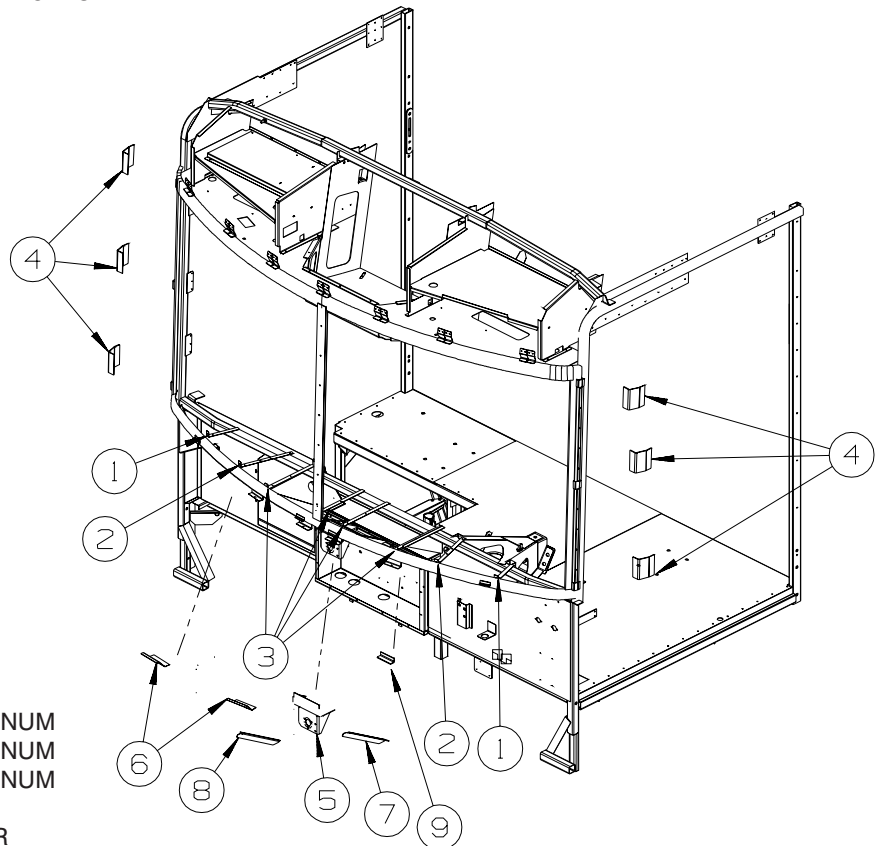
KEY	PART NUMBER	U/M	DESCRIPTION
19	140166-01-02B	EA	SUPPORT - SEAL PLANE - E-COATED
20	141649-03-02B	EA	BRACKET - A/C - E-COATED
21	135643-02-02B	EA	PLATE/SEAL - E-COATED
22	135642-01-02B	EA	PLATE/SEAL - E-COATED
23	136105-02-02B	EA	PLATE/SEAL - E-COATED
24	149117-01-02B	EA	PLATE/SEAL - E-COATED
25	141650-03-02B	EA	PLATE/SEAL - E-COATED
26	141649-01-02B	EA	BRACKET - A/C - E-COATED
27	141223-02-02B	EA	SEAL PLANE - E-COATED
28	138866-01-01A	EA	SLIDE - BATTERY TRAY
29	139982-01-02B	EA	PANEL/COVER - ACCESS - RAM - E-COATED
30	134225-01-02B	EA	SUPPORT - CONDENSOR SHIELD - E-COATED
31	140045-02-02B	EA	BRACKET - CYLINDER - (RAM) - E-COATED
32	136910-01-02B	EA	BRACKET - CYLINDER/RAM - RIGHT HAND - E-COATED
33	136910-02-02B	EA	BRACKET - CYLINDER/RAM - LEFT HAND - E-COATED
34	136910-04-02B	EA	BRACKET - CYLINDER (RAM) - E-COATED
35	139409-02-02B	EA	BRACKET - MOUNTING - CYLINDER - E-COATED
36	119845-01-000	EA	PLUG/PLASTIC - 1 1/2" SQUARE - BLACK
37	133352-01-02B	EA	PANEL - ACCESS - WATER TANK - E-COATED
38	143994-02-12B	EA	BRACKET/MOUNTING - VALVE - BRIGHT WHITE
39	132678-04-000	EA	TANK - WATER - 82 GALLON - W/FITTINGS
	042989-03-000	EA	FITTING - SPINWELD - 1 1/4"NPT - PLASTIC
	042989-04-000	EA	FITTING - SPINWELD - 3/8"FPT - PLASTIC
	042989-05-000	EA	FITTING - SPINWELD - 1/2"FPT - PLASTIC
40	136391-01-02B	EA	GUARD/ROCK - STEEL - W/ANGLE - 18"W X 11"H - E-COATED
41	136995-09-02B	EA	PLATE W/BOLTS - 7.2" X 1" W/1/2" X 3" BOLTS
42	158455-01-02B	EA	COMPARTMENT - POWER CORD - E-COATED
43	158525-01-02B	EA	PANEL - FUEL FILL - RIGHT HAND - E-COATED

CHASSIS GROUP (CONTINUED)

FRONT END



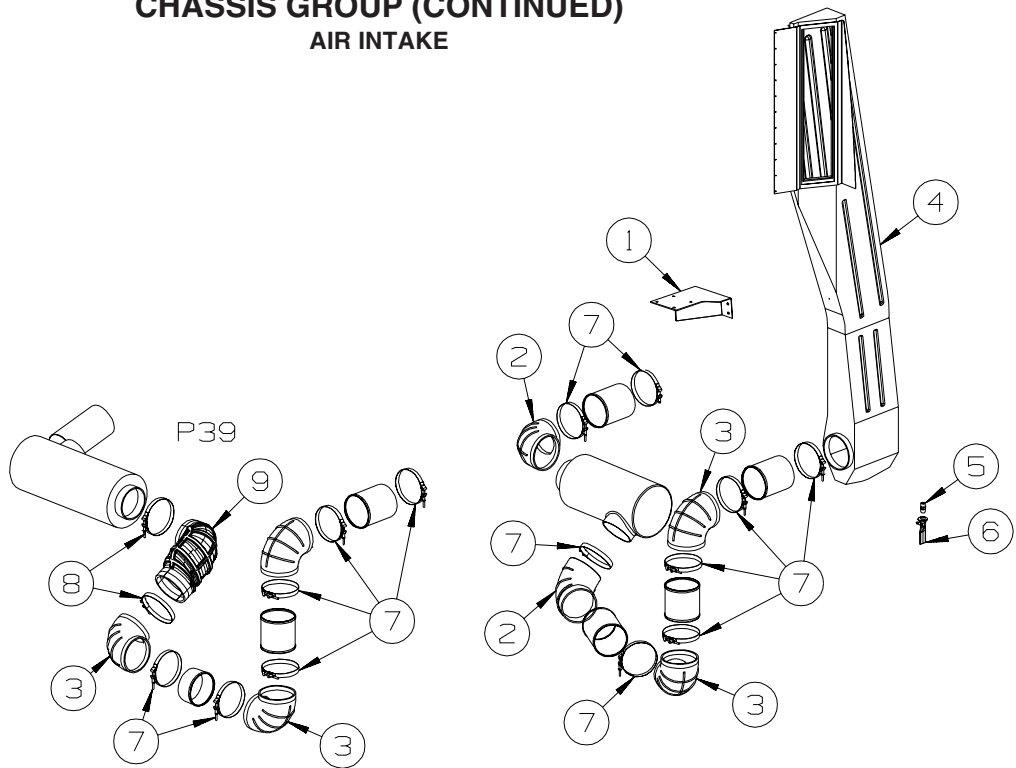
KEY	PART NUMBER	U/M	DESCRIPTION
1	123764-05-02B	EA	COMPARTMENT/LUGGAGE - E-COATED
2	136332-02-02B	EA	PANEL/SEAL - FRONT - E-COATED
3	144034-04-02B	EA	STEP - ENTRANCE DOOR - E-COATED
3	162109-02-02B	EA	STEP - ENTRANCE DOOR - E-COATED
FROM: 00-00-00 THRU: 10-29-06			
FROM: 10-30-06 THRU: 99-99-99			
4	117154-04-02B	EA	MOUNT - FRAME RAIL/FLOOR
5	142478-01-01B	EA	BRACKET - GAUGE - AIR SOURCE - MILL
6	009065-03-000	EA	HINGE - ALUMINUM - 2" X 72.5" - UNPAINTED



KEY	PART NUMBER	U/M	DESCRIPTION
1	137047-06-01B	EA	STRAP - DEFROSTER PLENUM
2	137047-05-01B	EA	STRAP - DEFROSTER PLENUM
3	137047-04-01B	EA	STRAP - DEFROSTER PLENUM
4	148935-01-01B	EA	BRACKET - WINDSHIELD
5	134506-01-01B	EA	BRACKET - WIPER MOTOR
6	134202-01-01B	EA	REINFORCEMENT - SUPPORT - LOWER WINDSHIELD/MIDDLE
7	134371-01-01B	EA	ANGLE/MOUNT - WIPER MOTOR
8	134371-02-01B	EA	ANGLE/MOUNT - WIPER MOTOR
9	126289-65-01B	EA	ANGLE - FORMED

CHASSIS GROUP (CONTINUED)

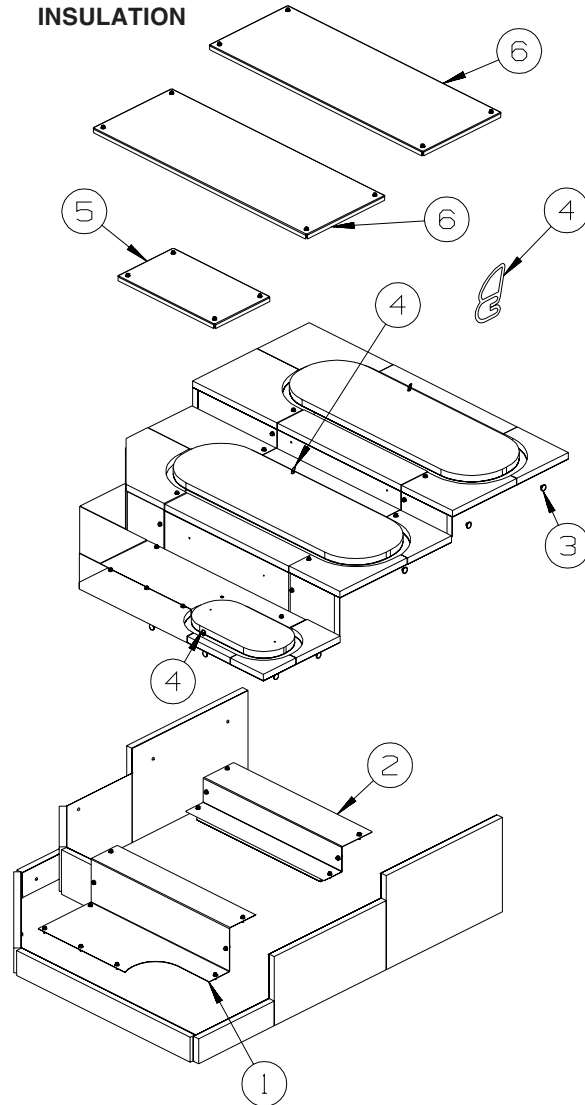
AIR INTAKE



KEY	PART NUMBER	U/M	DESCRIPTION
1	NOT USED		
2	123362-03-000	EA	ELBOW - RUBBER - 68 DEGREE 6" ID
3	123362-02-000	EA	ELBOW - AIR INTAKE - RUBBER - 90 DEGREE 6" ID
4	129514-02-01A	EA	DUCT - INTAKE AIR - W/FITTING
	129514-01-01A	EA	DUCT - INTAKE AIR
5	135386-01-000	EA	NIPPLE - 1/2"
6	130377-01-000	EA	TUBE/DRAIN - KAZOO - 1 1/4" X 4"
7	125083-01-01A	EA	CLAMP - T BOLT - 6"
8	125083-03-01A	EA	CLAMP - T BOLT - 6.5"
9	150586-01-000	EA	ELBOW - RUBBER/COBRA HEAD - F/AIR INTAKE - 6" DIAMETER

CHASSIS GROUP (CONTINUED)

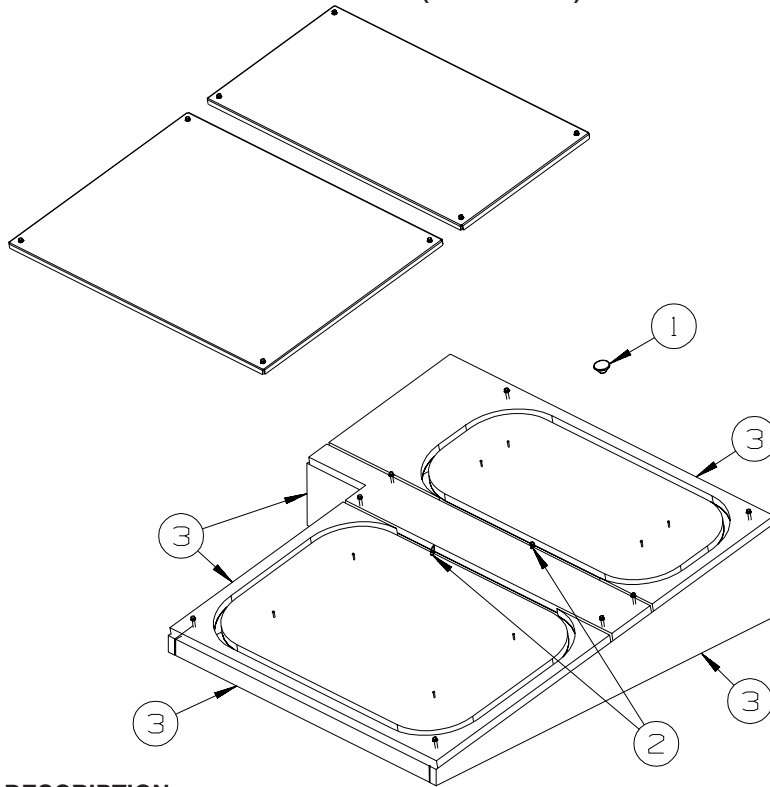
INSULATION



P39K

KEY	PART NUMBER	U/M	DESCRIPTION
1	140564-02-02B	EA	PANEL/ACCESS - ENGINE COMPARTMENT - E-COATED
2	140351-02-02B	EA	PANEL - ACCESS/COMPARTMENT - E-COATED
3	106648-01-000	EA	CAP - STUD - .120 TO .130 DIAMETER
4	039623-01-000	EA	SEAL - MOTOR COVER - RUBBER BULB TYPE
5	140420-01-02B	EA	COVER - ENGINE - E-COATED
6	140399-01-02B	EA	COVER - ENGINE - E-COATED
	072877-03-000	EA	INSULATION - SOUND BARRIER- 1" X 36" X 57" - ADHESIVE BACK FROM: 00-00-00 THRU: 12-10-06
	072877-08-000	EA	INSULATION - SOUND BARRIER- 1" X 54" X 48" - ADHESIVE BACK FROM: 12-11-06 THRU: 99-99-99

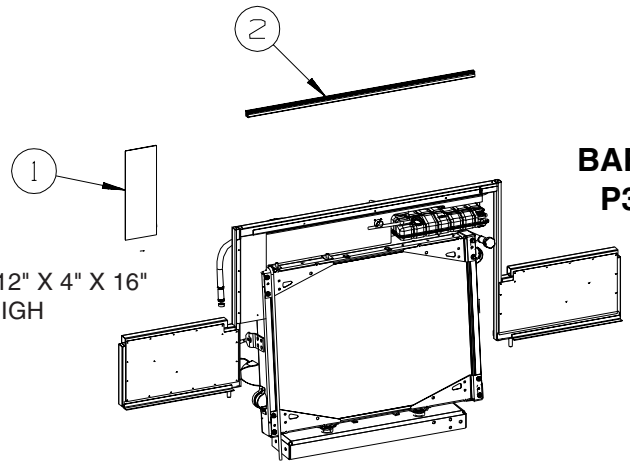
CHASSIS GROUP (CONTINUED)
INSULATION (CONTINUED)



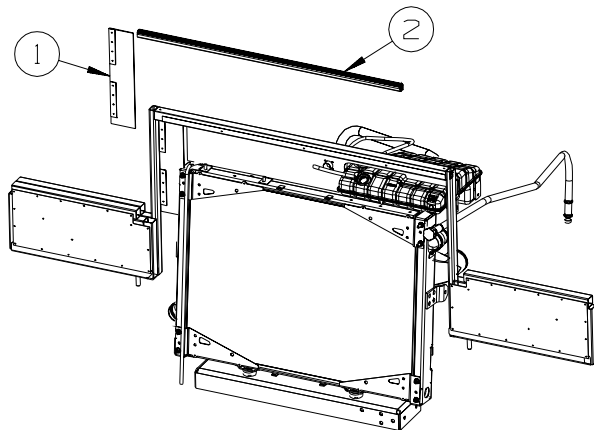
**P34H/SH &
P36G/SG**

KEY	PART NUMBER	U/M	DESCRIPTION
1	106648-01-000	EA	CAP - STUD - .120 TO .130 DIAMETER
2	039623-01-000	FT	SEAL - MOTOR COVER - RUBBER BULB TYPE
3	072877-03-000	EA	INSULATION - SOUND BARRIER- 1" X 36" X 57" - ADHESIVE BACK FROM: 00-00-00 THRU: 12-10-06
3	072877-08-000	EA	INSULATION - SOUND BARRIER- 1" X 54" X 48" - ADHESIVE BACK FROM: 12-11-06 THRU: 99-99-99

KEY	PART NUMBER	U/M	DESCRIPTION
1	076310-05-000	EA	SHEET/RUBBER - RADIATOR BAFFLE - .12" X 4" X 16"
2	107721-07-000	FT	SEAL - ACCESS DOOR - .9"WIDE X 1.1"HIGH



**BAFFLE
P39K**

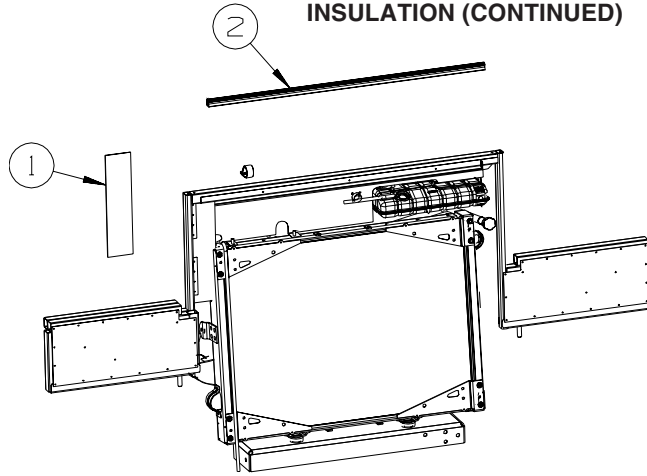


**BAFFLE
C7 CAT
P34H, P36G**

KEY	PART NUMBER	U/M	DESCRIPTION
1	076310-05-000	EA	SHEET/RUBBER - RADIATOR BAFFLE - .12" X 4" X 16"
2	107721-07-000	FT	SEAL - ACCESS DOOR - .9"WIDE X 1.1"HIGH

CHASSIS GROUP (CONTINUED)

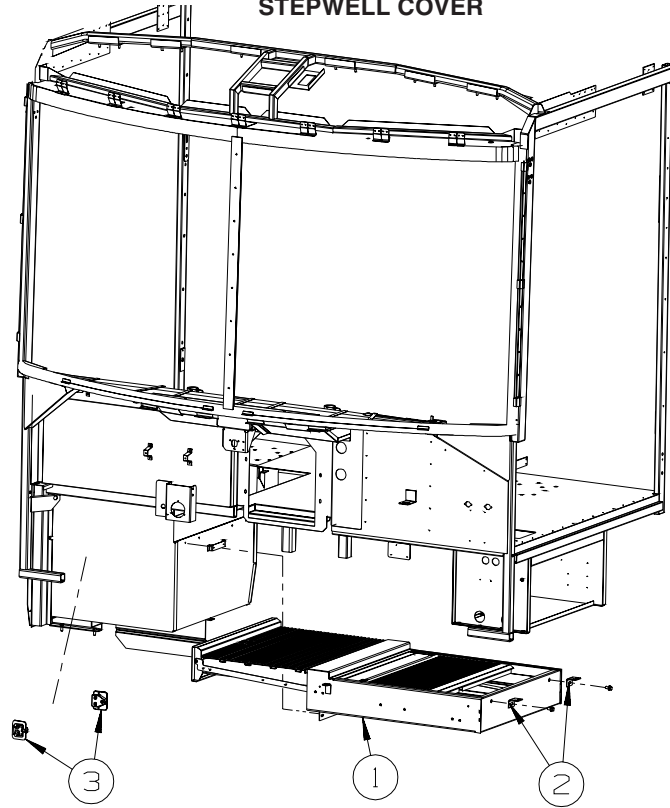
INSULATION (CONTINUED)



**BAFFLE
CUMMINS
P34H/SH, P36G/SG**

KEY	PART NUMBER	U/M	DESCRIPTION
1	076310-05-000	EA	SHEET/RUBBER - RADIATER BAFFLE - .12" X 4" X 16"
2	107721-07-000	FT	SEAL - ACCESS DOOR - .9"WIDE X 1.1"HIGH

CHASSIS GROUP (CONTINUED)
STEPWELL COVER



KEY	PART NUMBER	U/M	DESCRIPTION
1*	141691-01-01A	EA	STEP COVER - SLIDING
2	142274-01-02B	EA	BRACKET - STEP COVER - E-COATED
3	142499-01-01A	EA	BLOCK/SUPPORT (STEP COVER)

*COMPONENT PARTS LISTED LATER IN THIS GROUP

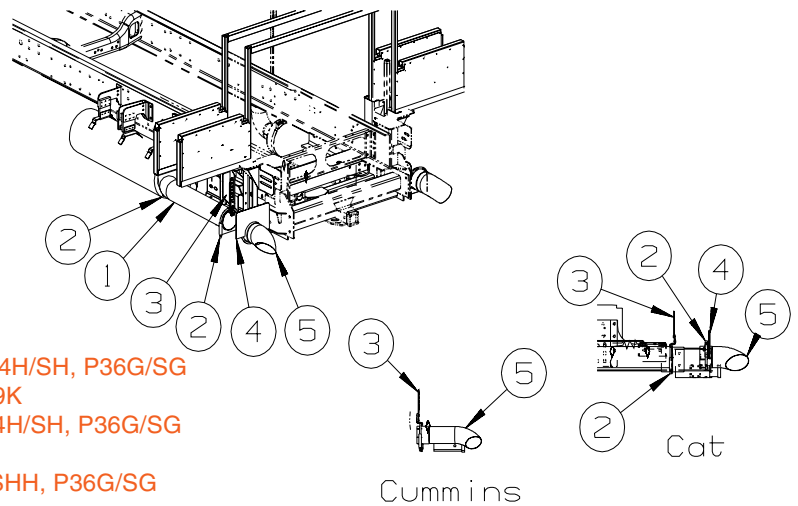
COMPONENT PARTS FOR STEPWELL COVER

141691-01-01A

KEY	PART NUMBER	U/M	DESCRIPTION	VENDOR NO.
	141691-01-700	EA	CABLE - 36"	1218751
	141691-01-701	EA	CABLE - 63"	1218752
	141691-01-702	EA	BEARING/ROLLER	1912040
	141691-01-703	EA	LATCH - CABLE RELEASE	1912125
	141691-01-704	EA	SPRING - CABLE PRELOAD	1217507
	141691-01-705	EA	DRUM - CABLE TO MOTOR	1612535
	141691-01-706	EA	BUSHING - .625" X .813"	1614003
	141691-01-707	EA	WIRE HARNESS - PACKARD END	1809938
	141691-01-708	EA	MOTOR W/9 TOOTH PINION	1820122
	141691-01-709	EA	BRACKET-SPRING DRAW BARCONN	3610586
	141691-01-710	EA	BRACKET-SPRING DRAW BAR CBL	3610599

CHASSIS GROUP (CONTINUED)

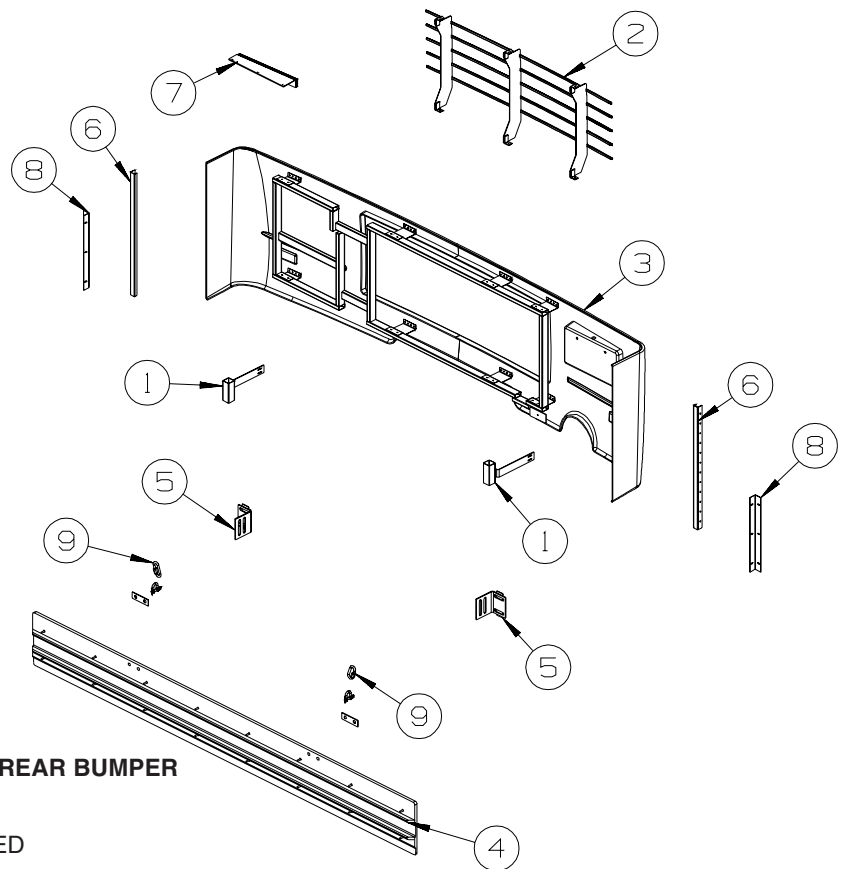
EXHAUST



KEY	PART NUMBER	U/M	DESCRIPTION
1	114869-10-000	EA	PIPE - EXHAUST - CAT - P39K, P34H/SH, P36G/SG
1	114869-16-000	EA	PIPE - EXHAUST - CUMMINS - P39K
1	114869-06-000	EA	PIPE - EXHAUST - CUMMINS - P34H/SH, P36G/SG
2	094918-08-000	EA	CLAMP - EXHAUST - 5" - P39K
2	094918-05-000	EA	CLAMP - EXHAUST - 4 7/16" - P3/SHH, P36G/SG
3	007131-01-000	EA	HANGER - TAILPIPE - 6 SLOTS
	156441-01-02B	EA	STRAP/EXHAUST - E-COATED
4	143766-02-02B	EA	SHIELD - EXHAUST/TAIPIPE - E-COATED - P39K, P34H/SH, P36G/SG
5	116425-04-000	EA	EXTENSION - EXHAUST - CHROMED - 5" - CAT
5	116425-03-000	EA	EXTENSION - EXHAUST - CHROMED - 4" - CUMMINS

HITCH

KEY	PART NUMBER	U/M	DESCRIPTION
	134016-03-01A	EA	DRAWBAR/HITCH - CLASS 4

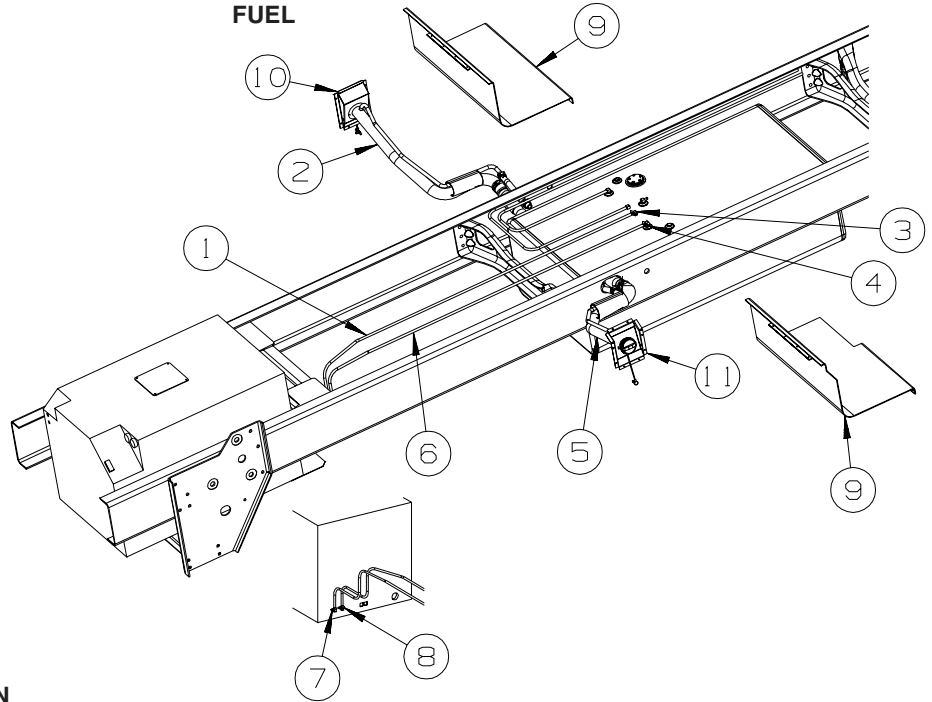


REAR BUMPER

KEY	PART NUMBER	U/M	DESCRIPTION
1	134007-01-02B	EA	BRACE - BUMPER - E-COATED
2	132447-01-L76	EA	GRILL - REAR BUMPER
3	131898-02-L76	EA	PANEL - BUMPER/REAR
4	151908-01-01A	EA	MUD FLAP - REAR - 10.6" X 93.9" - BRUSHED ALUMINUM
	142627-02-01A	EA	DECAL/LOGO - "WINNEBAGO" - MUDFLAP - CHROME/BLACK
5	107524-03-000	EA	ANGLE - BUMPER - INNER/RIGHT & LEFT HAND
6	132071-01-02B	EA	BRACKET - BUMPER - FRONT/REAR - E-COATED
7	132857-02-R68	EA	SUPPORT - LOWER/LADDER
8	113041-03-02B	EA	ANGLE - BUMPER MOUNT - E-COATED
9	139818-01-01A	EA	LINK - QUICK - STAINLESS STEEL

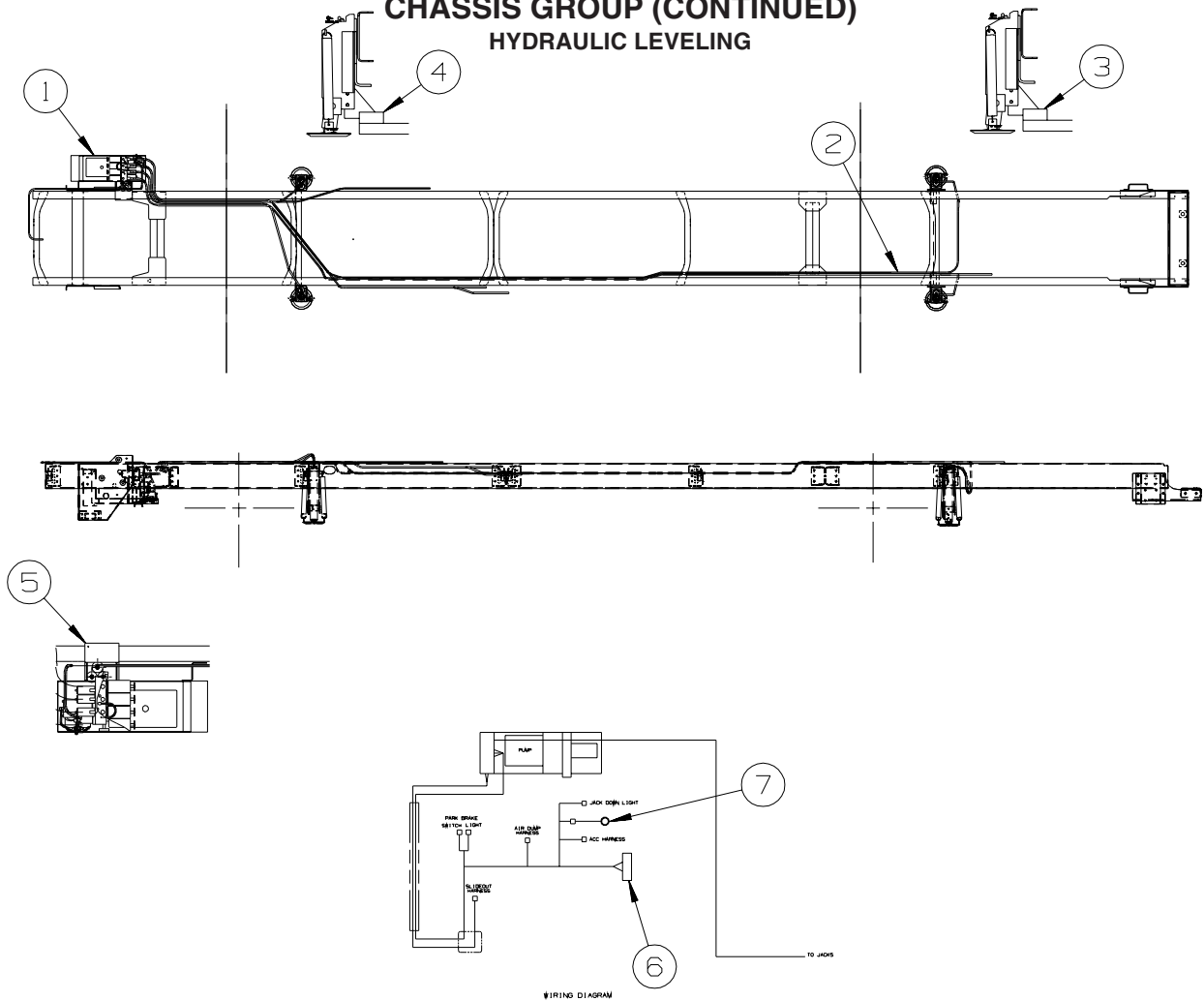
CHASSIS GROUP (CONTINUED)

FUEL



KEY	PART NUMBER	U/M	DESCRIPTION
1	128139-03-000	FT	HOSE - FUEL - LOW PERMEABILITY - 1/4" DIAMETER
2	157172-02-000	EA	NECK - FUEL FILL - RIGHT HAND
3	114253-01-000	EA	ELBOW - 1/4 SINGLE BARB X 1/8 MPT
3	068382-06-000	EA	BUSHING - BRASS - 3/8"MPT X 1/8"FPT
4	114253-02-000	EA	ELBOW - 5/16 SINGLE BARB X 1/4 MPT
4	068382-02-000	EA	BUSHING - 3/8"MPT X 1/4"FPT - BRASS
5	157172-01-000	EA	NECK - FUEL FILL - LEFT HAND
6	024138-01-000	FT	HOSE - FUEL - 5/16" ID
7	114253-04-000	EA	ELBOW - 5/16 SINGLE BARB X 1/8 MPT
8	114253-01-000	EA	ELBOW - 1/4 SINGLE BARB X 1/8 MPT
9	118726-05-000	EA	BAFFLE - FUEL FILL
10	157237-02-02B	EA	PANEL - FUEL FILL - E-COATED
11	157237-01-02B	EA	PANEL - FUEL FILL - E-COATED - P36G/SG,P39K
11	157237-02-02B	EA	PANEL - FUEL FILL - E-COATED - P34H/SH

CHASSIS GROUP (CONTINUED) HYDRAULIC LEVELING



KEY	PART NUMBER	U/M	DESCRIPTION
1*	153452-22-000	EA	LEVELING SYSTEM - 625 SYSTEM W/2 SLIDEOUTS - FREIGHTLINER - P34H/SH, P36G/SG
1*	153452-23-000	EA	LEVELING SYSTEM - 625 SYSTEM W/3 SLIDEOUTS - FREIGHTLINER - P39K
2*	100536-47-000	EA	HOSE KIT - LEVELING JACKS - P34H/SH, P36G/SG
2	100536-50-000	EA	HOSE KIT - LEVELING JACKS - P39K
			FROM: 00-00-00 THRU: 06-06-06
2*	100536-47-000	EA	HOSE KIT - LEVELING JACKS - P39K
			FROM: 06-07-06 THRU: 99-99-99
3	114748-08-02B	EA	BRACKET - JACKS/REAR - E-COATED
4	114748-02-02B	EA	CROSSMEMBER - REAR JACK MOUNTING
5	144224-02-01A	EA	BRACKET - PUMP/LEVELING - BLACK
6	107889-12-000	EA	PANEL - CONTROL - 625 AIR DUMP W/PLUG F/REMOTE - W/HARNESS - AUTOMATIC CONTROL
			FROM: 00-00-00 THRU: 01-16-07
6	107889-13-000	EA	PANEL - CONTROL - 625 AIR DUMP W/PLUG F/REMOTE - W/HARNESS - AUTOMATIC CONTROL
			FROM: 01-17-07 THRU: 99-99-99
7	134092-05-000	EA	CHIME KIT - LEVELING SYSTEM - 325/625

***COMPONENT PARTS LISTED LATER IN THIS GROUP**

CHASSIS GROUP (CONTINUED)
COMPONENT PARTS FOR HYDRAULIC LEVELING
100536-47-000

KEY	PART NUMBER	U/M	DESCRIPTION	VENDOR NO.
	100536-31-701	EA	HOSE - HYDRAULIC - 96"	RAP5352
	100536-47-700	EA	HOSE-HYDRAULIC - 1/4" X 416"	RAP91507
	100536-47-701	EA	HOSE-HYDRAULIC - 1/4" X 378"	RAP91501
	115767-01-704	EA	HOSE-HYDRAULIC - 1/4" X 146"	RAP90004/AP2443

153452-22-000

KEY	PART NUMBER	U/M	DESCRIPTION	VENDOR NO.
	100532-03-716	EA	SOLENOID-CONTINUOUS DUTY	RAP7505
	100532-03-717	EA	VALVE-PRESS., RETURN SHUTTLE	RAP7964
	100532-09-704	EA	VALVE - PRESSURE SOLENOID - 4.5" LONG X 2.3" DIA	
	100532-09-705	EA	SWITCH-PRESS - 3000 LB.	RAP0993
	100532-12-707	EA	SPRING KIT (PAIR)	R3847
	100532-32-704	EA	CHIME - JACK WARNING	
	100532-39-702	EA	CYLINDER - 9K	RAP9567
	131306-02-701	EA	FOOT/JACK - 9K & 12K	RAP8464/AP17525
	131306-09-700	EA	VELOCITY VALVE ASM.W/4 VALVE	RAP90280
	131306-09-701	EA	VELOCITY VALVE - SINGLE	RAP90279/AP11578
	131306-11-704	EA	PRESSURE SWITCH - 50 PSI	RAP2082
	131306-12-702	EA	VALVE - PRESSURE SOLENOID - 3.3" LONG X 1.6" DIAMETER	
	144226-01-700	EA	SWITCH - WARNING/MAGNETIC W/GRAY CONNECTOR	
	153452-18-705	EA	MOTOR ONLY - 3.7" MONARCH	RAP91249
	153452-22-700	EA	BRACKET - 9K JACK MOUNT	RAP9536
	153452-22-701	EA	BRACKET - 12K JACK MOUNT	AP91601
	153452-22-702	EA	ENCLOSURE BOX W/SENSING UNIT	RAP91764/AP36764
	153452-22-703	EA	PUMP/MOTOR/TANK ASM.	RAP91686/AP36694

153452-23-000

KEY	PART NUMBER	U/M	DESCRIPTION	VENDOR NO.
	100532-03-716	EA	SOLENOID-CONTINUOUS DUTY	RAP7505
	100532-03-717	EA	VALVE-PRESS., RETURN SHUTTLE	RAP7964
	100532-09-704	EA	VALVE - PRESSURE SOLENOID - 4.5" LONG X 2.3" DIA	
	100532-09-705	EA	SWITCH-PRESS - 3000 LB.	RAP0993
	100532-12-707	EA	SPRING KIT (PAIR)	R3847
	100532-32-704	EA	CHIME - JACK WARNING	
	100532-39-702	EA	CYLINDER - 9K	RAP9567
	131306-02-701	EA	FOOT/JACK - 9K & 12K	RAP8464/AP17525
	131306-09-700	EA	VELOCITY VALVE ASM.W/4 VALVE	RAP90280
	131306-09-701	EA	VELOCITY VALVE - SINGLE	RAP90279/AP11578
	131306-11-704	EA	PRESSURE SWITCH - 50 PSI	RAP2082
	131306-12-702	EA	VALVE - PRESSURE SOLENOID - 3.3" LONG X 1.6" DIAMETER	
	144226-01-700	EA	SWITCH - WARNING/MAGNETIC W/GRAY CONNECTOR	
	153452-18-705	EA	MOTOR ONLY - 3.7" MONARCH	RAP91249
	153452-22-700	EA	BRACKET - 9K JACK MOUNT	RAP9536
	153452-22-701	EA	BRACKET - 12K JACK MOUNT	AP91601
	153452-22-703	EA	PUMP/MOTOR/TANK ASM.	RAP91686/AP36694
	153452-23-700	EA	ENCLOSURE BOX W/SENSING UNIT	RAP91766/AP36769

WHEEL, TIRE, COVERS &/OR LINERS

KEY	PART NUMBER	U/M	DESCRIPTION
*	145580-05-000	EA	LINER - WHEEL(SET OF 4) - 22.5"/10 BOLT - 5-SPEED CHASSIS ONLY
	077030-10-000	EA	EXTENSION - VALVE STEM - .50"
	077030-11-000	EA	EXTENSION - VALVE STEM - 6.5" LONG

***COMPONENT PARTS LISTED LATER IN THIS GROUP**

COMPONENT PARTS FOR WHEEL, TIRE, COVERS &/OR LINERS

145580-05-000

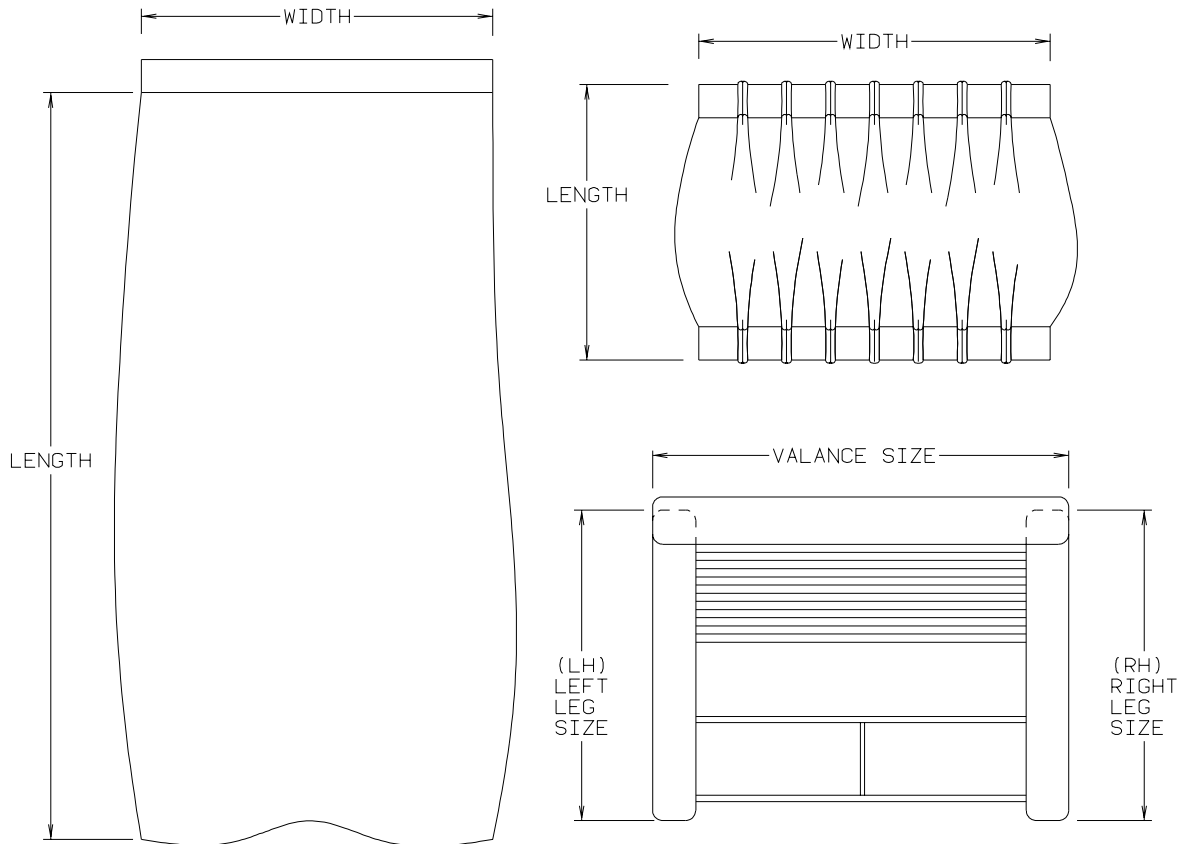
KEY	PART NUMBER	U/M	DESCRIPTION	VENDOR NO.
	110435-04-705	EA	DECAL-CTR HUB 2 3/4"	
	110435-05-700	EA	CAP-CENTER 4.50"D W/O DECAL	V22510-POC
	145580-01-702	EA	COVER-LUG NUT/JAM NUT 22M	V19582-EJN
	145580-01-703	EA	TOOL-INSTALLATION	V22501-TOL
	145580-05-700	EA	LINER - WHEEL/FRONT - 1EA=1	V22587-FWC
	145580-05-701	EA	LINER - WHEEL/REAR - 1EA=1	V22587-RWC

CURTAIN & CUSHION GROUP

NOTICE

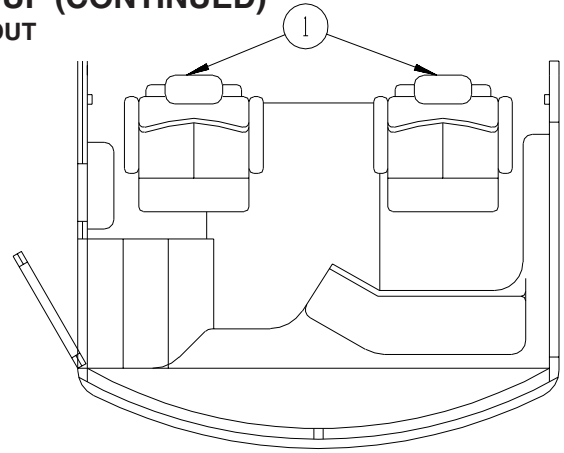
IN ORDER TO ASSIST OUR PARTS SALES DEPT. IN PROVIDING INTERIOR SOFTWARE ITEMS, PLEASE INCLUDE THE SERIAL NUMBER AND THE COLOR CODE NUMBER FROM THE VEHICLE CERTIFICATION LABEL WHEN ORDERING. THIS LABEL IS LOCATED ON THE LEFT SIDEWALL AT THE END OF THE DASH (A-BODY), OR ON THE DRIVER'S DOOR LATCH PLATE (C-BODY).

AN EXAMPLE OF A COLOR CODE NUMBER IS B07, WHICH DESIGNATES AN OVERALL COLOR SCHEME OF A PARTICULAR UNIT. THE COLOR LISTED AFTER THE ITEM DESCRIPTION ON THE MICROFICHE, INDICATES THE OVERALL UNIT COLOR. ORDER THE ITEM YOU DESIRE ACCORDING TO UNIT COLOR CODE. IF ALL COLORS USE THE SAME ITEM NO COLOR CODE WILL BE NOTED.

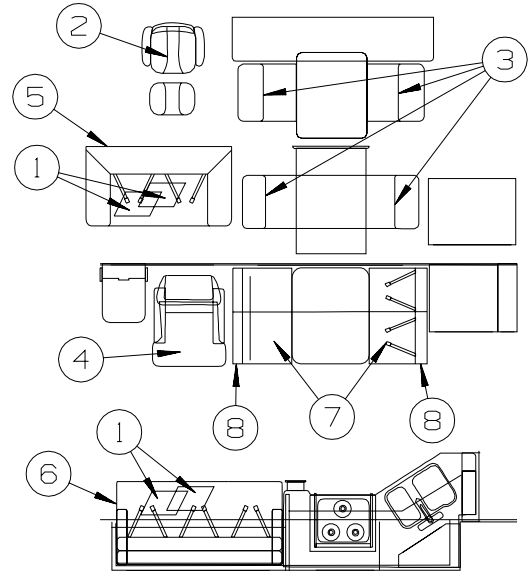


NOTE: USE THIS ILLUSTRATION WHEN DETERMINING LENGTH AND WIDTH MEASUREMENTS FOR CURTAINS. YOU WILL NOTE THE WIDTH MEASUREMENT IS TAKEN ON THE TOP OF THE CURTAIN WITH THE CURTAIN FULLY EXTENDED. THE LENGTH MEASUREMENT IS TAKEN FROM TOP TO BOTTOM. LEFT AND RIGHT WINDOW LEGS ARE DETERMINED WHEN FACING THE WINDOW.

CURTAIN & CUSHION GROUP (CONTINUED)
CUSHION LAYOUT



KEY	PART NUMBER	U/M	DESCRIPTION
1	145291-03-UC1	EA	SEAT - BUCKET W/LUMBAR - DRIVER/PASSENGER (UC1, UC2, UC3, UM7)
1	145291-03-UC5	EA	SEAT - BUCKET W/LUMBAR - DRIVER/PASSENGER (UC5, UC6, UC7, UM8)
1	145291-03-TA4	EA	SEAT - BUCKET W/LUMBAR - DRIVER/PASSENGER (UD1, UD2, UD3, UM9)
1	145291-03-UP1	EA	SEAT - BUCKET W/LUMBAR - DRIVER/PASSENGER (UP1)
1	145291-04-SA0	EA	SEAT - W/LBR-DR/PS (UC1 THRU UC3, UC5 THRU UC7, UD1 THRU UD3, UM7 THRU UM9) - LEATHER
1	145291-04-S72	EA	SEAT - BUCKET W/LUMBAR - DRIVER/PASSENGER (UP1) - LEATHER
	152337-01-000	EA	PROTECTOR - SEAT - CLEAR VINYL

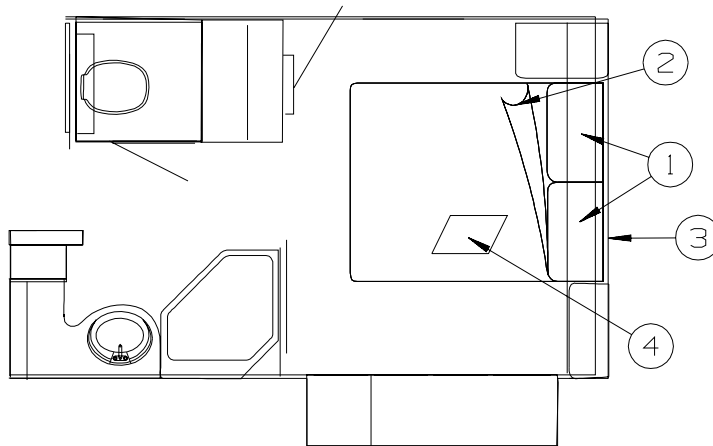


KEY	PART NUMBER	U/M	DESCRIPTION
1	149230-05-UC1	EA	PILLOW - VICTORIA - 18" (UC1, UC2, UC3, UM7)
1	149230-06-UC5	EA	PILLOW - VICTORIA - 18" (UC5, UC6, UC7, UM8)
1	149230-06-TA4	EA	PILLOW - VICTORIA - 18" (UD1, UD2, UD3, UM9)
1	149993-04-UP1	EA	PILLOW - 18" - W/FRINGE (UP1)
2	155369-01-T81	EA	CHAIR/EURO - APOLLO - W/OTTOMAN - LEATHER - EURO LEATHER
3	148710-03-UC1	EA	CHAIR - DINING
3	148710-03-UC2	EA	CHAIR - DINING
3	148710-03-UC3	EA	CHAIR - DINING
3	148710-01-UC5	EA	CHAIR - DINING
3	148710-01-UC6	EA	CHAIR - DINING
3	148710-01-UC7	EA	CHAIR - DINING
3	148710-01-UD1	EA	CHAIR - DINING
3	148710-01-UD2	EA	CHAIR - DINING
3	148710-01-UD3	EA	CHAIR - DINING
	157868-04-UC1	EA	CHAIR - FOLDING
	157868-04-UC2	EA	CHAIR - FOLDING
	157868-04-UC3	EA	CHAIR - FOLDING
	157868-01-UC5	EA	CHAIR - FOLDING
	157868-01-UC6	EA	CHAIR - FOLDING
	157868-01-UC7	EA	CHAIR - FOLDING
	157868-01-UD1	EA	CHAIR - FOLDING
	157868-01-UD2	EA	CHAIR - FOLDING
	157868-01-UD3	EA	CHAIR - FOLDING
4	149747-06-UC1	EA	CHAIR/RECLINER - W/FOOTREST (UC1, UC2, UC3, UM7)
4	149747-05-UC5	EA	CHAIR/RECLINER - W/FOOTREST (UC5, UC6, UC7, UM8)
4	149747-05-TA4	EA	CHAIR/RECLINER - W/FOOTREST (UD1, UD2, UD3, UM9)
4	149747-05-UP1	EA	CHAIR/RECLINER - W/FOOTREST (UP1)
4	149747-07-TA0	EA	CHAIR/RCL - W/FTRST (UC1 THRU UC3, UC5 THRU UC7, UD1 THRU UD3, UM7 THRU UM9) - LEATHER

CURTAIN & CUSHION GROUP (CONTINUED)

CUSHION LAYOUT (CONTINUED)

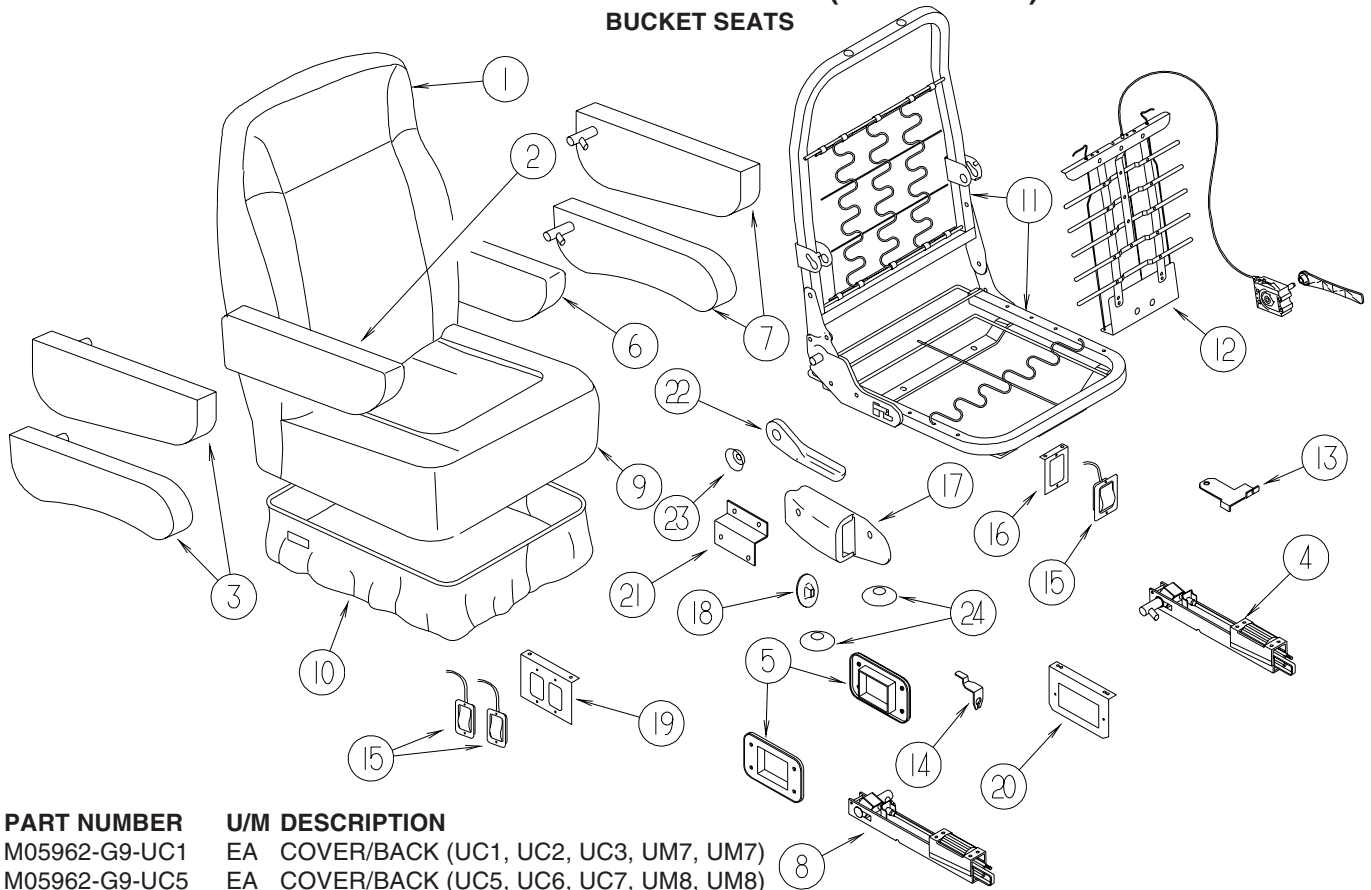
KEY	PART NUMBER	U/M	DESCRIPTION
5	149950-01-UC1	EA	LOVE SEAT - 40" (UC1, UC2, UC3, UM7)
5	149950-01-TA4	EA	LOVE SEAT - 40" (UD1, UD2, UD3, UM9)
5	149950-01-UC5	EA	LOVE SEAT - 40" (UC5, UC6, UC7, UM8)
5	149950-05-SA0	EA	LOVE SEAT - 40" - LEATHER
6	159279-05-UC1	EA	SOFA/SLEEPER - MULTI POSITION - #822/#824 ARMS - 30"FF (UC1, UC2, UC3, UM7)
6	159279-05-UC5	EA	SOFA/SLEEPER - MULTI POSITION - #822/#824 ARMS - 30"FF (UC5, UC6, UC7, UM8)
6	159279-05-UD1	EA	SOFA/SLEEPER - MULTI POSITION - #822/#824 ARMS - 30"FF (UD1, UD2, UD3, UM9)
6	159279-05-UP1	EA	SOFA/SLEEPER - MULTI POSITION - #822/#824 ARMS - 30"FF (UP1)
6	159279-06-UC1	EA	SOFA/SLEEPER - MULTI POSITION - #834/#834 ARMS - 30"FF-LTH - LEATHER
6	159279-07-UC1	EA	SOFA/SLEEPER - DUAL/MULTI POSITION - #822/#824 ARMS (UC1, UC2, UC3, UM7)) - DUAL REST EASY
6	159279-07-UC5	EA	SOFA/SLEEPER - DUAL/MULTI POSITION - #822/#824 ARMS (UC5, UC6, UC7, UM8)) - DUAL REST EASY
6	159279-07-UD1	EA	SOFA/SLEEPER - DUAL/MULTI POSITION - #822/#824 ARMS (UD1, UD2, UD3, UM9)) - DUAL REST EASY
6	159279-08-UC1	EA	SOFA/SLEEPER - DUAL/MULTI POSITION - #822/#824 ARMS - LTH- LEATHER - DUAL REST EASY
7	142292-03-UC1	EA	SEAT - DINETTE CUSHION (SPRUNG) - 23" X 33.5" (UC1, UC2, UC3, UM7)
7	142292-03-UC5	EA	SEAT - DINETTE CUSHION (SPRUNG) - 23" X 33.5" (UC5, UC6, UC7, UM8)
7	142292-03-TA4	EA	SEAT - DINETTE CUSHION (SPRUNG) - 23" X 33.5" (UD1, UD2, UD3, UM9)
7	142292-13-UP1	EA	SEAT - DINETTE CUSHION (SPRUNG) - 23" X 33.5" (UP1)
	P42292-03-UC1	EA	COVER/SEAT - DINETTE CUSHION (SPRUNG) - 23.5" X 33.5" (UC1, UC2, UC3, UM7)
	P42292-03-UC5	EA	COVER/SEAT - DINETTE CUSHION (SPRUNG) - 23.5" X 33.5" (UC5, UC6, UC7, UM8)
	P42292-03-TA4	EA	COVER/SEAT - DINETTE CUSHION (SPRUNG) - 23.5" X 33.5" (UD1, UD2, UD3, UM9)
	P42292-13-UP1	EA	COVER/SEAT - DINETTE CUSHION (SPRUNG) - 23.5" X 33.5" (UP1)
	142366-04-000	EA	FRAME - SPRUNG - DINETTE SEAT
8	142431-02-UC1	EA	CUSHION - BACK - 13.5" X 36" (UC1, UC2, UC3, UM7)
8	142431-02-UC5	EA	CUSHION - BACK - 13.5" X 40" (UC5, UC6, UC7, UM8)
8	142431-02-TA4	EA	CUSHION - BACK - 13.5" X 40" (UD1, UD2, UD3, UM9)
8	142431-03-UP1	EA	CUSHION - BACK - 13.5" X 40" (UP1)
	P42431-02-UC1	EA	COVER/BACK - 13.5" X 40" (UC1, UC2, UC3, UM7)
	P42431-02-UC5	EA	COVER/BACK - 13.5" X 40" (UC5, UC6, UC7, UM8)
	P42431-02-TA4	EA	COVER/BACK - 13.5" X 40" (UD1, UD2, UD3, UM9)
	P42431-03-UP1	EA	COVER/BACK - 13.5" X 40" (UP1)
	143164-01-000	EA	CLIP - F/DINETTE CUSHION BACK
	143730-01-000	EA	CAP - F/DINETTE BRACKET TUBE - PLASTIC



KEY	PART NUMBER	U/M	DESCRIPTION
1	126211-11-UC1	EA	PILLOW SHAM - 20" X 33" (UC1, UC2, UC3, UM7)
1	126211-11-TA4	EA	PILLOW SHAM - 20" X 33" (UD1, UD2, UD3, UM9)
1	126211-11-UC5	EA	PILLOW SHAM - 20" X 33" (UC5, UC6, UC7, UM8)
1	104565-26-UP1	EA	PILLOW SHAM (UP1)
2	132336-05-UC1	EA	BEDSPREAD/CAP - 60" X 75" (UC1, UC2, UC3, UM7)
2	132336-05-TA4	EA	BEDSPREAD/CAP - 60" X 75" (UD1, UD2, UD3, UM9)
2	132336-05-UC5	EA	BEDSPREAD/CAP - 60" X 75" (UC5, UC6, UC7, UM8)
2	132336-05-UP1	EA	BEDSPREAD/CAP - 60" X 75" (UP1)
3	140489-03-UC1	EA	HEADBOARD - FABRIC COVERED - 25" X 62.5" (UC1, UC2, UC3, UM7)
3	140489-03-TA4	EA	HEADBOARD - FABRIC COVERED - 25" X 62.5" (UD1, UD2, UD3, UM9)
3	140489-03-UC5	EA	HEADBOARD - FABRIC COVERED - 25" X 62.5" (UC5, UC6, UC7, UM8)
3	140489-03-UP1	EA	HEADBOARD - FABRIC COVERED - 25" X 62.5" (UP1)
4	150709-04-UC1	EA	PILLOW - 14" X 20" (UC1, UC2, UC3, UM7)
4	150709-04-TA4	EA	PILLOW - 14" X 20" (UD1, UD2, UD3, UM9)
4	150709-04-UC5	EA	PILLOW - 14" X 20" (UC5, UC6, UC7, UM8)
4	150709-04-UP1	EA	PILLOW - 14" X 20" (UP1)

CURTAIN & CUSHION GROUP (CONTINUED)

BUCKET SEATS



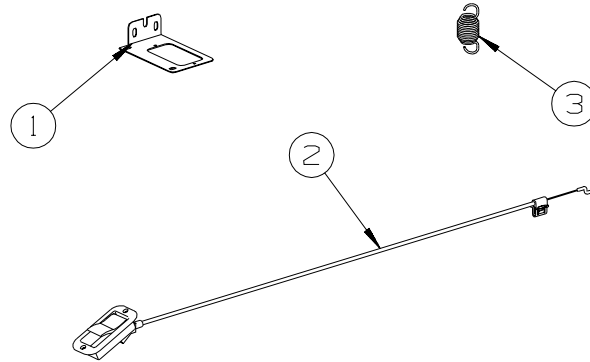
KEY	PART NUMBER	U/M	DESCRIPTION
1	M05962-G9-UC1	EA	COVER/BACK (UC1, UC2, UC3, UM7, UM7)
1	M05962-G9-UC5	EA	COVER/BACK (UC5, UC6, UC7, UM8, UM8)
1	M05962-G9-TA4	EA	COVER/BACK (UD1, UD2, UD3, UM9, UM9)
1	M05962-G9-UP1	EA	COVER/BACK (UP1)
1	M05962-G9-UP2	EA	COVER/BACK (UP2)
1	M05962-G9-UP3	EA	COVER/BACK (UP3)
1	M05962-H1-SA0	EA	COVER/BACK (UC1 THRU UC3, UC5 THRU UC7, UD1 THRU UD3, UM7 THRU UM9, UP3) - LEATHER
1	M05962-H1-S72	EA	COVER/BACK (UP1, UP2) - LEATHER
2	148705-01-UC1	EA	ARMREST - RIGHT (UC1, UC2, UC3, UM7, UM7)
2	148705-01-UC5	EA	ARMREST - RIGHT (UC5, UC6, UC7, UM8, UM8)
2	148705-01-TA4	EA	ARMREST - RIGHT (UD1, UD2, UD3, UM9, UM9)
2	148705-01-UP1	EA	ARMREST - RIGHT (UP1)
2	148705-01-TB4	EA	ARMREST - RIGHT (UP2)
2	148705-01-UP3	EA	ARMREST - RIGHT (UP3)
2	148705-03-SA0	EA	ARMREST - RT (UC1 THRU UC3, UC5 THRU UC7, UD1 THRU UD3, UM7 THRU UM9, UP3) - LEATHER
2	148705-03-S72	EA	ARMREST - RIGHT (UP1, UP2) - LEATHER
	P48705-01-UC1	EA	COVER/ARMREST - RIGHT (UC1, UC2, UC3, UM7, UM7)
	P48705-01-UC5	EA	COVER/ARMREST - RIGHT (UC5, UC6, UC7, UM8, UM8)
	P48705-01-TA4	EA	COVER/ARMREST - RIGHT (UD1, UD2, UD3, UM9, UM9)
	P48705-01-UP1	EA	COVER/ARMREST - RIGHT (UP1)
	P48705-01-TB4	EA	COVER/ARMREST - RIGHT (UP2)
	P48705-01-UP3	EA	COVER/ARMREST - RIGHT (UP3)
	P48705-03-SA0	EA	COVER - RT (UC1 THRU UC3, UC5 THRU UC7, UD1 THRU UD3, UM7 THRU UM9, UP3) - LEATHER
	P48705-03-S72	EA	COVER/ARMREST - RIGHT (UP1, UP2) - LEATHER
3	NOT USED		
4	148751-01-000	EA	BRACKET - RIGHT (ADJUSTABLE) W/ROLLER
5	148751-03-000	EA	BRACKET - ROLLER TRIM PLATE
6	148705-02-UC1	EA	ARMREST - LEFT (UC1, UC2, UC3, UM7, UM7)
6	148705-02-UC5	EA	ARMREST - LEFT (UC5, UC6, UC7, UM8, UM8)
6	148705-02-TA4	EA	ARMREST - LEFT (UD1, UD2, UD3, UM9, UM9)
6	148705-02-UP1	EA	ARMREST - LEFT (UP1)
6	148705-02-TB4	EA	ARMREST - LEFT (UP2)
6	148705-02-UP3	EA	ARMREST - LEFT (UP3)
6	148705-04-SA0	EA	ARMREST - LEFT (UC1 THRU UC3, UC5 THRU UC7, UD1 THRU UD3, UM7 THRU UM9, UP3) - LEATHER
6	148705-04-S72	EA	ARMREST - LEFT (UP1, UP2) - LEATHER
	P48705-02-UC1	EA	COVER/ARMREST - LEFT (UC1, UC2, UC3, UM7, UM7)
	P48705-02-UC5	EA	COVER/ARMREST - LEFT (UC5, UC6, UC7, UM8, UM8)

CURTAIN & CUSHION GROUP (CONTINUED)
BUCKET SEATS (CONTINUED)

KEY	PART NUMBER	U/M	DESCRIPTION
	P48705-02-TA4	EA	COVER/ARMREST - LEFT (UD1, UD2, UD3, UM9, UM9)
	P48705-02-UP1	EA	COVER/ARMREST - LEFT (UP1)
	P48705-02-TB4	EA	COVER/ARMREST - LEFT (UP2)
	P48705-02-UP3	EA	COVER/ARMREST - LEFT (UP3)
	P48705-04-SA0	EA	COVER - ARMRT (UC1 THRU UC3, UC5 THRU UC7, UD1 THRU UD3, UM7 THRU UM9, UP3) - LEATHER
	P48705-04-S72	EA	COVER/ARMREST - LEFT (UP1, UP2) - LEATHER
7	NOT USED		
8	148751-02-000	EA	BRACKET - LEFT (ADJUSTABLE) W/ROLLER
9	M05962-H0-UC1	EA	COVER/SEAT (UC1, UC2, UC3, UM7, UM7)
9	M05962-H0-UC5	EA	COVER/SEAT (UC5, UC6, UC7, UM8, UM8)
9	M05962-H0-TA4	EA	COVER/SEAT (UD1, UD2, UD3, UM9, UM9)
9	M05962-H0-UP1	EA	COVER/SEAT (UP1)
9	M05962-H0-UP2	EA	COVER/SEAT (UP2)
9	M05962-H0-UP3	EA	COVER/SEAT (UP3)
9	M05962-H2-SA0	EA	COVER/SEAT (UC1 THRU UC3, UC5 THRU UC7, UD1 THRU UD3, UM7 THRU UM9, UP3) - LEATHER
9	M05962-H2-S72	EA	COVER/SEAT (UP1, UP2) - LEATHER
10	148630-01-UC1	EA	SKIRT - W/SEAT BELT SLOT (UC1, UC2, UC3, UM7, UM7)
10	148630-01-UC5	EA	SKIRT - W/SEAT BELT SLOT (UC5, UC6, UC7, UM8, UM8)
10	148630-01-TA4	EA	SKIRT - W/SEAT BELT SLOT (UD1, UD2, UD3, UM9, UM9)
10	148630-01-UP1	EA	SKIRT - W/SEAT BELT SLOT (UP1)
10	148630-01-TB4	EA	SKIRT - W/SEAT BELT SLOT (UP2)
10	148630-01-UP3	EA	SKIRT - W/SEAT BELT SLOT (UP3)
10	148630-02-SA0	EA	SKIRT - W/SLOT (UC1 THRU UC3, UC5 THRU UC7, UD1 THRU UD3, UM7 THRU UM9, UP3) - LEATHER
10	148630-02-S72	EA	SKIRT - W/SEAT BELT SLOT (UP1, UP2) - LEATHER
10	148630-03-UC1	EA	SKIRT - F/6-WAY POWER (UC1, UC2, UC3, UM7, UM7) - POWER SEAT
10	148630-03-UC5	EA	SKIRT - F/6-WAY POWER (UC5, UC6, UC7, UM8, UM8) - POWER SEAT
10	148630-03-TA4	EA	SKIRT - F/6-WAY POWER (UD1, UD2, UD3, UM9, UM9) - POWER SEAT
10	148630-04-SA0	EA	SKIRT - F/6-WAY POWER - LEATHER, POWER SEAT
10	148630-21-UC1	EA	SKIRT - W/SEAT BELT/FTREST SLOTS (UC1, UC2, UC3, UM7, UM7) - SEAT-PASSENGER W/FOOTREST
10	148630-21-UC5	EA	SKIRT - W/SEAT BELT/FTREST SLOTS (UC5, UC6, UC7, UM8, UM8) - SEAT-PASSENGER W/FOOTREST
10	148630-21-TA4	EA	SKIRT - W/SEAT BELT/FTREST SLOTS (UD1, UD2, UD3, UM9, UM9) - SEAT-PASSENGER W/FOOTREST
10	148630-22-TA0	EA	SKIRT - W/SEAT BELT/FOOTREST SLOTS - LEATHER, SEAT-PASSENGER W/FOOTREST
11	134532-01-000	EA	FRAME - SEAT/HIGH BACK
12*	122611-02-000	EA	LUMBAR - W/LEVER
13	117125-01-02B	EA	BRACKET - CABLE MOUNT - ADJUSTER W/LOCK
14	108049-02-000	EA	CLIP - CABLE/PEDESTAL
15	108049-04-000	EA	CABLE - W/MINI LEVER ACTION SWITCH - 28" SHEATH/30" CABLE
16	127159-01-02B	EA	BRACKET - SEAT RELEASE - SINGLE REMOTE - E-COATED - POWER SEAT
17	NOT USED		
18	NOT USED		
19	127159-02-02B	EA	BRACKET - SEAT RELEASE - DUAL REMOTE - E-COATED
20	128699-01-02B	EA	BRACKET - SEAT SWITCH - E-COATED - POWER SEAT
21	147457-01-02B	EA	BRACKET - ZEE W/HOLES - 2.8" - E-COATED
22	130802-02-000	EA	LEVER - RIGHT HAND
	130802-03-000	EA	SCREW F/LEVER
23	148668-01-01A	EA	CUP/TRIM COVER - F/LEVER - BLACK
24	NOT USED		
	152337-01-000	EA	PROTECTOR - SEAT - CLEAR VINYL

*COMPONENT PARTS LISTED LATER IN THIS GROUP

CURTAIN & CUSHION GROUP (CONTINUED)
BUCKET SEATS (CONTINUED)



KEY	PART NUMBER	U/M	DESCRIPTION
	154060-01-UC1	EA	FOOTREST - BUCKET SEAT/PASSENGER (UC1, UC2, UC3, UM7)
	154060-01-UC5	EA	FOOTREST - BUCKET SEAT/PASSENGER (UC5, UC6, UC7, UM8)
	154060-01-TA4	EA	FOOTREST - BUCKET SEAT/PASSENGER (UD1, UD2, UD3, UM9)
	154060-02-TG0	EA	FOOTREST - BUCKET SEAT/PASSENGER - LEATHER
1	127159-01-02B	EA	BRACKET - SEAT RELEASE - SINGLE REMOTE - E-COATED
	131566-07-000	EA	5" DOUBLE LOCKING SLIDE W/TAB
2	153956-02-01A	EA	CABLE - FOOTREST - W/BLACK HANDLE
3	154190-06-000	EA	SPRING/FOOTREST - 2.8"

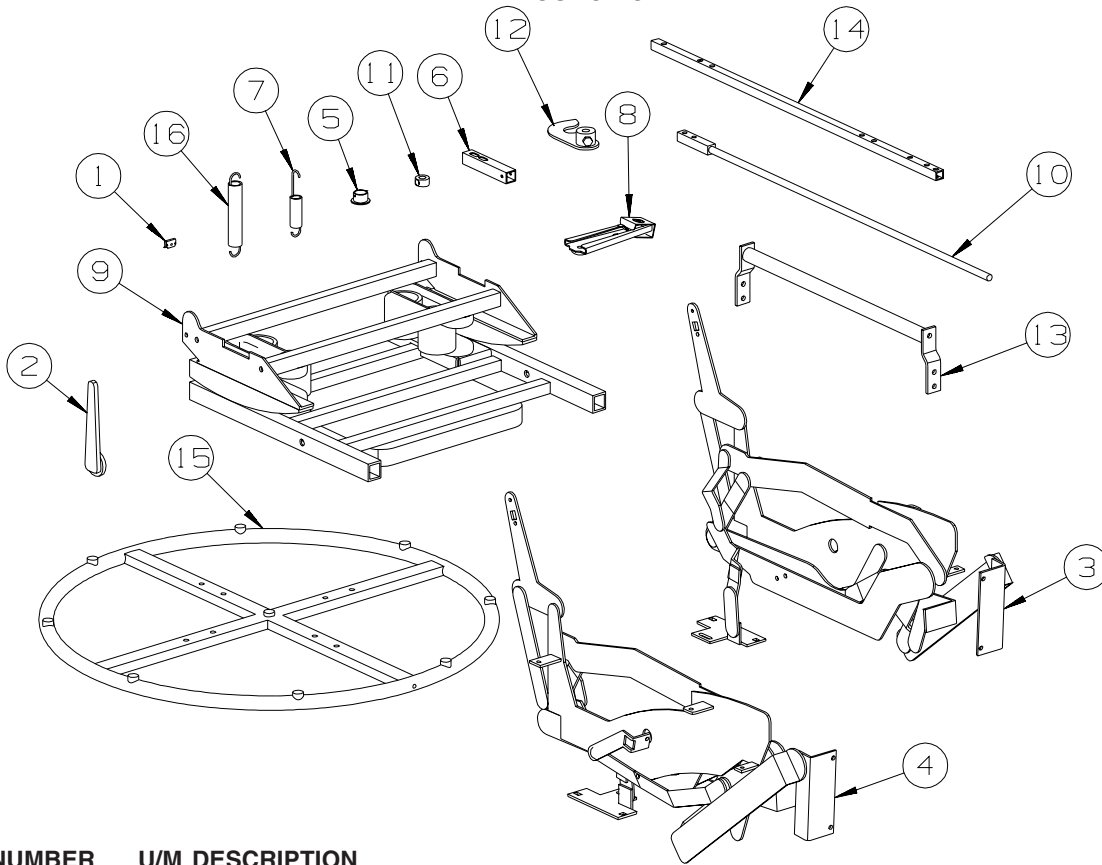
COMPONENT PARTS FOR BUCKET SEATS

122611-02-000

KEY	PART NUMBER	U/M	DESCRIPTION	VENDOR NO.
	122611-02-701	EA	LUMBAR - LEVER	412
	122611-02-702	EA	LUMBAR MECHANISM	24395-FLEXSTEEL

CURTAIN & CUSHION GROUP (CONTINUED)

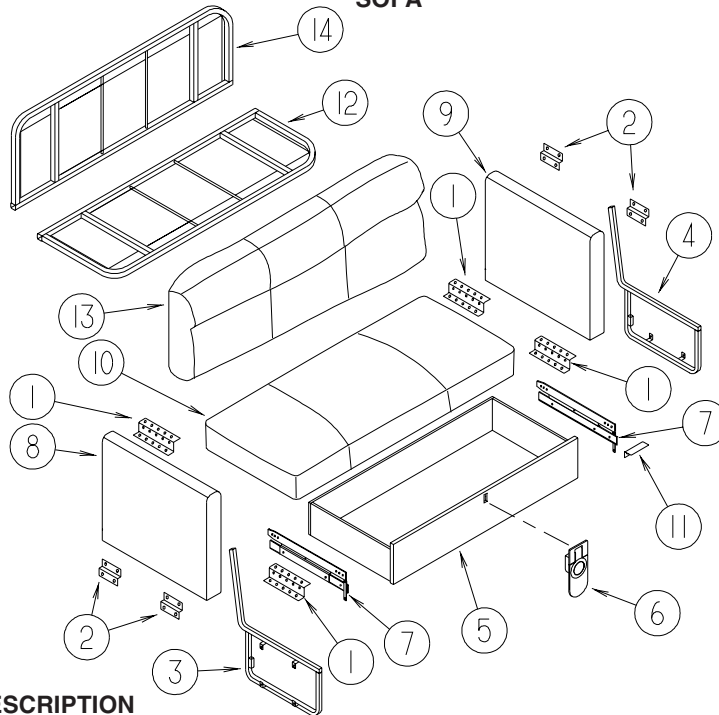
LOUNGE CHAIR



KEY	PART NUMBER	U/M	DESCRIPTION
	P49747-03-UC1	EA	COVER/CHAIR - RECLINER - W/FOOTREST (UC1, UC2, UC3, UM7)
	P49747-01-UC5	EA	COVER/CHAIR - RECLINER - W/FOOTREST (UC5, UC6, UC7, UM8)
	P49747-01-TA4	EA	COVER/CHAIR - RECLINER - W/FOOTREST (UD1, UD2, UD3, UM9)
	P49747-01-UP1	EA	COVER/CHAIR - RECLINER - W/FOOTREST (UP1)
	P49747-03-UP2	EA	COVER/CHAIR - RECLINER - W/FOOTREST (UP2)
	P49747-03-UP3	EA	COVER/CHAIR - RECLINER - W/FOOTREST (UP3)
	P49747-02-SA0	EA	COVER/CHAIR - RECLINER - W/FOOTREST - LEATHER
1	029134-01-000	EA	CLIP - FINISH - UPHOLSTERY
2	133126-11-000	EA	HANDLE/RECLINE - PLASTIC
3	154077-01-000	EA	RECLINER MECHANISM - RIGHT HAND (WHEN SITTING IN CHAIR)
4	154077-02-000	EA	RECLINER MECHANISM - LEFT HAND (WHEN SITTING IN CHAIR)
5	154077-03-000	EA	BUSHING - PLASTIC/WHITE
6	154077-04-000	EA	TUBE - HANDLE MOUNTING - 3.6" LONG - BLACK
7	154077-05-000	EA	SPRING - EXTENSION - 3.7"
8	154077-06-000	EA	SLEEVE/CLIP - 1.6" X 5.1"
9	154077-07-000	EA	BASE - SWIVEL/ROCKER - BLACK
10	154077-08-000	EA	LATCH ROD - 25.5" - BLACK
11	154077-09-000	EA	LOCK COLLAR - W/SET SCREW LOCK-OUT
12	154077-10-000	EA	LATCH BRACKET - RIGHT FRONT LOCK OUT - BLACK
13	154077-11-000	EA	LATCH TUBE - W/LOCK OUT ENDS - 15.1" - BLACK
14	154077-12-000	EA	LOCK TUBE - .5" X .5" X 23.5"
15	154077-13-000	EA	GRID RING - 24" - BLACK
16	154077-14-000	EA	SPRING/EXTENSION - 4.7"

CURTAIN & CUSHION GROUP (CONTINUED)

SOFA



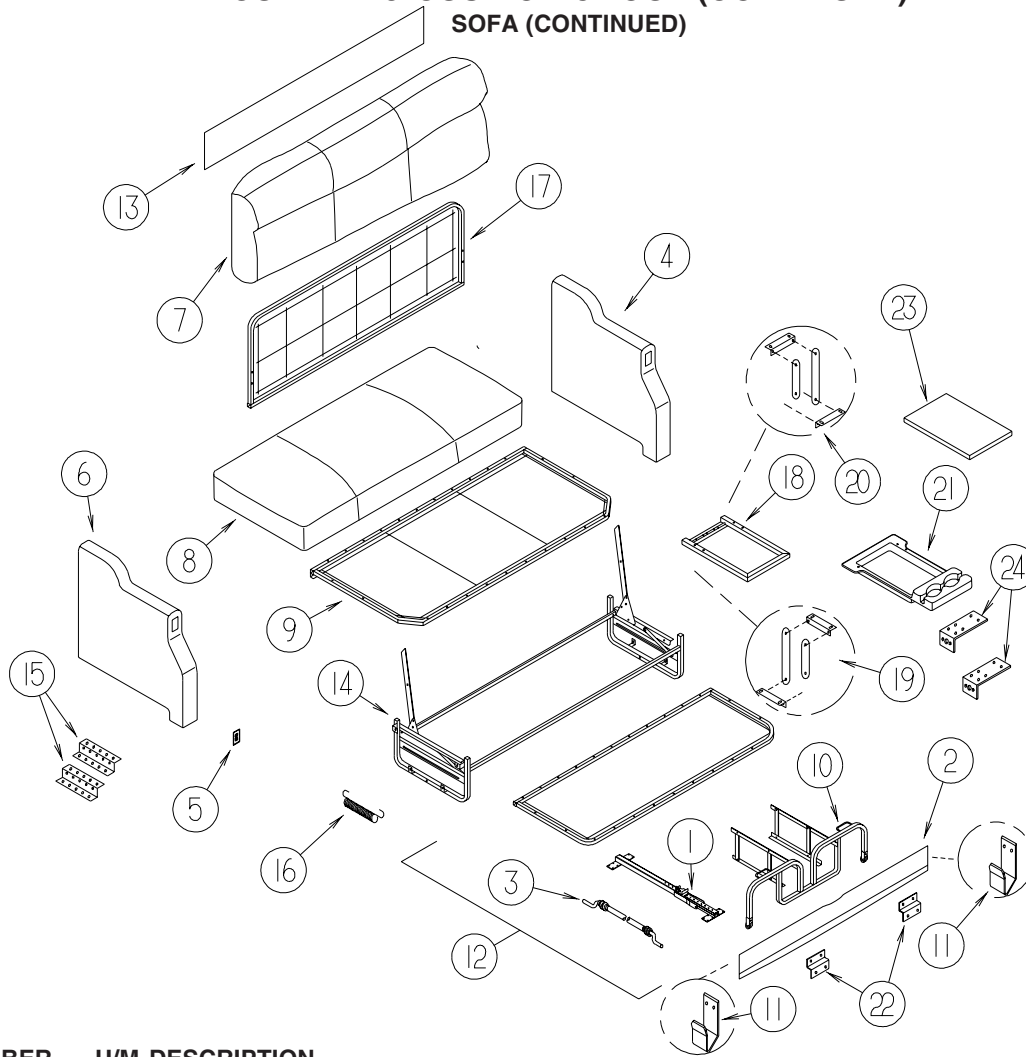
BANQUETTE

KEY	PART NUMBER	U/M	DESCRIPTION
1	101926-01-02A	EA	BRACKET - ZEE - 2" - BLACK
2	116104-04-02B	EA	BRACKET - ZEE W/HOLES - 3.2" - E-COATED
3	134306-03-000	EA	LEG - RIGHT W/O DRAWER TRACK - 48"
4	134306-04-000	EA	LEG - LEFT W/O DRAWER TRACK - 48"
5	149950-04-UC1	EA	DRAWER - LOVE SEAT - 40" (UC1, UC2, UC3, UM7)
5	149950-04-UC4	EA	DRAWER - LOVE SEAT - 40" (UC5, UC6, UC7, UM8)
5	149950-04-TA4	EA	DRAWER - LOVE SEAT - 40" (UD1, UD2, UD3, UM9)
5	149950-08-SD4	EA	DRAWER - LOVE SEAT - 40" - LEATHER
6	134511-01-000	EA	LATCH - BANQUETTE
7	134576-01-000	EA	SLIDE/RAIL KIT - HEAVY DUTY (PAIR) - 22"
8	149808-05-UC1	EA	ARMREST - RIGHT HAND (UC1, UC2, UC3, UM7)
8	149808-05-UC5	EA	ARMREST - RIGHT HAND (UC5, UC6, UC7, UM8)
8	149808-05-TA4	EA	ARMREST - RIGHT HAND (UD1, UD2, UD3, UM9)
8	149808-07-SA0	EA	ARMREST - RIGHT HAND - LEATHER
	P49808-01-UC1	EA	COVER/ARMREST - RIGHT (UC1, UC2, UC3, UM7)
	P49808-01-UC5	EA	COVER/ARMREST - RIGHT (UC5, UC6, UC7, UM8)
	P49808-01-TA4	EA	COVER/ARMREST - RIGHT (UD1, UD2, UD3, UM9)
	P49808-03-SA0	EA	COVER/ARMREST - RIGHT - LEATHER
9	149808-06-UC1	EA	ARMREST - LEFT HAND (UC1, UC2, UC3, UM7)
9	149808-06-UC5	EA	ARMREST - LEFT HAND (UC5, UC6, UC7, UM8)
9	149808-06-TA4	EA	ARMREST - LEFT HAND (UD1, UD2, UD3, UM9)
9	149808-08-SA0	EA	ARMREST - LEFT HAND - LEATHER
	P49808-02-UC1	EA	COVER/ARMREST - LEFT (UC1, UC2, UC3, UM7)
	P49808-02-UC5	EA	COVER/ARMREST - LEFT (UC5, UC6, UC7, UM8)
	P49808-02-TA4	EA	COVER/ARMREST - LEFT (UD1, UD2, UD3, UM9)
	P49808-04-SA0	EA	COVER/ARMREST - LEFT - LEATHER
10	149950-03-UC1	EA	SEAT - LOVE SEAT - 40" (UC1, UC2, UC3, UM7)
10	149950-03-UC5	EA	SEAT - LOVE SEAT - 40" (UC5, UC6, UC7, UM8)
10	149950-03-TA4	EA	SEAT - LOVE SEAT - 40" (UD1, UD2, UD3, UM9)
10	149950-07-SA0	EA	SEAT - LOVE SEAT - 40" - LEATHER
	P49950-03-UC1	EA	COVER/SEAT - LOVE SEAT - 40" (UC1, UC2, UC3, UM7)
	P49950-03-UC5	EA	COVER/SEAT - LOVE SEAT - 40" (UC5, UC6, UC7, UM8)
	P49950-03-TA4	EA	COVER/SEAT - LOVE SEAT - 40" (UD1, UD2, UD3, UM9)
	P49950-07-SA0	EA	COVER/SEAT - LOVE SEAT - 40" - LEATHER
11	NOT USED		
12	134306-07-000	EA	FRAME ASM-SEAT,676,40"
13	149950-02-UC1	EA	BACK - LOVE SEAT - 40" (UC1, UC2, UC3, UM7)
13	149950-02-UC5	EA	BACK - LOVE SEAT - 40" (UC5, UC6, UC7, UM8)
13	149950-02-TA4	EA	BACK - LOVE SEAT - 40" (UD1, UD2, UD3, UM9)
13	149950-06-SA0	EA	BACK - LOVE SEAT - 40" - LEATHER

CURTAIN & CUSHION GROUP (CONTINUED)
SOFA (CONTINUED)

KEY	PART NUMBER	U/M	DESCRIPTION
	P49950-02-UC1	EA	COVER/BACK - LOVE SEAT - 40" (UC1, UC2, UC3, UM7)
	P49950-02-UC5	EA	COVER/BACK - LOVE SEAT - 40" (UC5, UC6, UC7, UM8)
	P49950-02-TA4	EA	COVER/BACK - LOVE SEAT - 40" (UD1, UD2, UD3, UM9)
	P49950-06-SA0	EA	COVER/BACK - LOVE SEAT - 40" - LEATHER
14	134306-08-000	EA	FRAME ASM-BACK,676,40"

CURTAIN & CUSHION GROUP (CONTINUED)
SOFA (CONTINUED)



RESTEASY

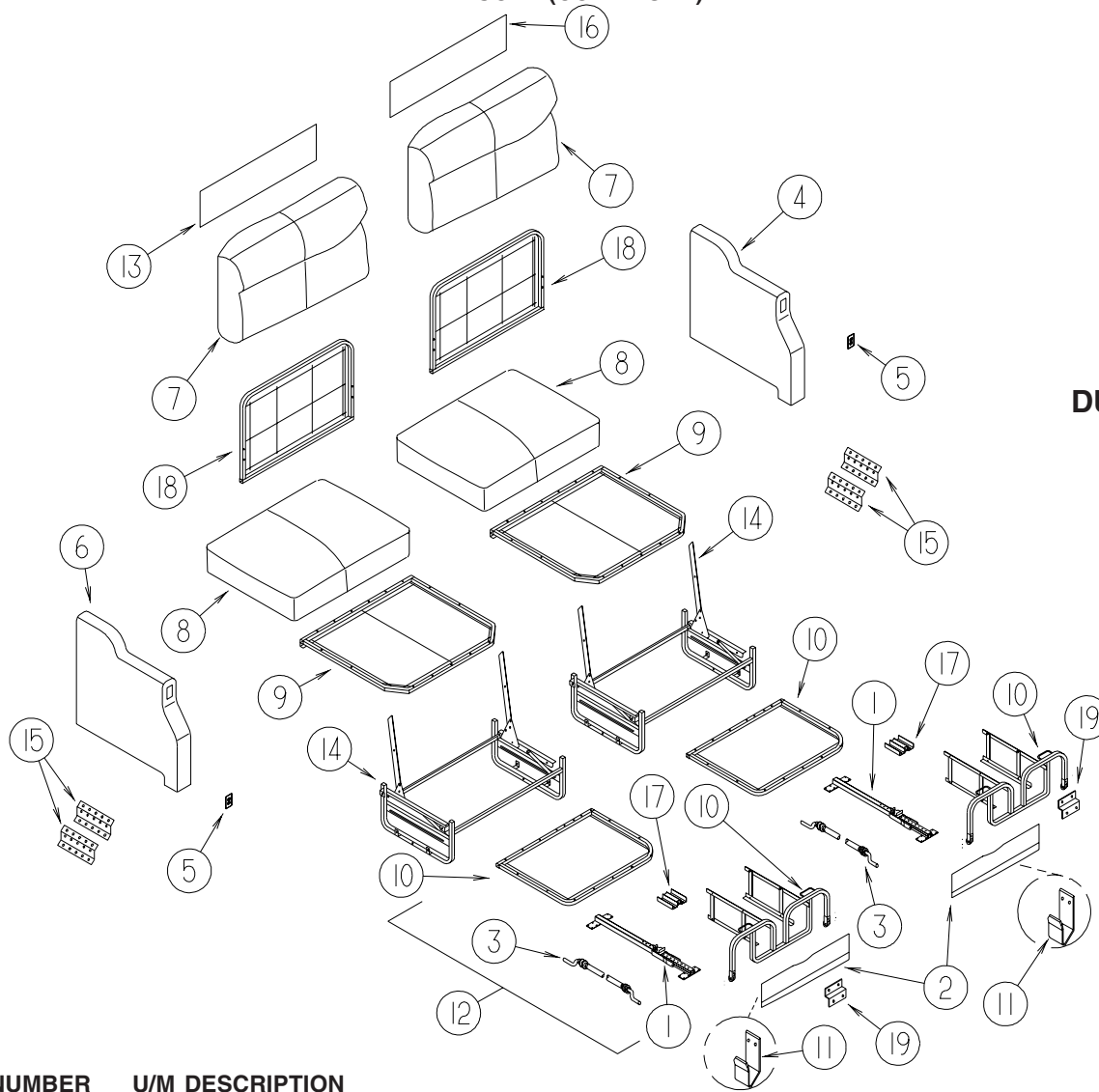
KEY	PART NUMBER	U/M	DESCRIPTION
1	159707-03-000	EA	SLIDE RAIL - W/LATCH MECH/PLATES/STOP F/20" RSD FLOOR
2	149744-04-UC1	EA	PANEL/FRONT KICK - SOFA/SLEEPER - 59.5" (UC1, UC2, UC3, UM7)
2	149744-04-UC5	EA	PANEL/FRONT KICK - SOFA/SLEEPER - 59.5" (UC5, UC6, UC7, UM8)
2	149744-04-TA4	EA	PANEL/FRONT KICK - SOFA/SLEEPER - 59.5" (UD1, UD2, UD3, UM9)
2	149744-04-UP1	EA	PANEL/FRONT KICK - SOFA/SLEEPER - 59.5" (UP1)
2	149744-09-S64	EA	PANEL/FRONT KICK - SOFA/SLEEPER - 59.5" - LEATHER
3	148225-01-000	EA	CABLE ONLY - REMOTE - 31.9" W/Z-ENDS
4	150408-08-UC1	EA	ARMREST - LEFT HAND (UC1, UC2, UC3, UM7)
4	150408-08-UC5	EA	ARMREST - LEFT HAND (UC5, UC6, UC7, UM8)
4	150408-08-TA4	EA	ARMREST - LEFT HAND (UD1, UD2, UD3, UM9)
4	150408-08-UP1	EA	ARMREST - LEFT HAND (UP1)
4	150408-10-SA0	EA	ARMREST - LEFT HAND - LEATHER
	P50408-02-UC1	EA	COVER/ARMREST - LEFT (UC1, UC2, UC3, UM7)
	P50408-02-UC5	EA	COVER/ARMREST - LEFT (UC5, UC6, UC7, UM8)
	P50408-02-TA4	EA	COVER/ARMREST - LEFT (UD1, UD2, UD3, UM9)
	P50408-06-UP1	EA	COVER/ARMREST - LEFT (UP1)
	P50408-04-SA0	EA	COVER/ARMREST - LEFT HAND - LEATHER
5	136118-01-000	EA	SWITCH - SOFA/RECLINER
6	150408-07-UC1	EA	ARMREST - RIGHT HAND (UC1, UC2, UC3, UM7)
6	150408-07-UC5	EA	ARMREST - RIGHT HAND (UC5, UC6, UC7, UM8)
6	150408-07-TA4	EA	ARMREST - RIGHT HAND (UD1, UD2, UD3, UM9)
6	150408-07-UP1	EA	ARMREST - RIGHT HAND (UP1)
6	150408-09-SA0	EA	ARMREST - RIGHT HAND - W/SWITCH - LEATHER
	P50408-01-UC1	EA	COVER/ARMREST - RIGHT (UC1, UC2, UC3, UM7)
	P50408-01-UC5	EA	COVER/ARMREST - RIGHT (UC5, UC6, UC7, UM8)
	P50408-01-TA4	EA	COVER/ARMREST - RIGHT (UD1, UD2, UD3, UM9)
	P50408-05-UP1	EA	COVER/ARMREST - RIGHT (UP1)
	P50408-03-SA0	EA	COVER/ARMREST - RIGHT - LEATHER

CURTAIN & CUSHION GROUP (CONTINUED)
SOFA (CONTINUED)

KEY	PART NUMBER	U/M	DESCRIPTION
7	159280-01-UC1	EA	BACK - SOFA/SLEEPER REST EASY (UC1, UC2, UC3, UM7)
7	159280-01-UC5	EA	BACK - SOFA/SLEEPER REST EASY (UC5, UC6, UC7, UM8)
7	159280-01-UD1	EA	BACK - SOFA/SLEEPER REST EASY (UD1, UD2, UD3, UM9)
7	159280-01-UP1	EA	BACK - SOFA/SLEEPER REST EASY (UP1)
7	159280-02-UC1	EA	BACK - SOFA/SLEEPER REST EASY - LEATHER
	159280-A1-UC1	EA	COVER/BACK - SOFA/SLEEPER REST EASY (UC1, UC2, UC3, UM7)
	159280-A1-UC5	EA	COVER/BACK - SOFA/SLEEPER REST EASY (UC5, UC6, UC7, UM8)
	159280-A1-UD1	EA	COVER/BACK - SOFA/SLEEPER REST EASY (UD1, UD2, UD3, UM9)
	159280-A1-UP1	EA	COVER/BACK - SOFA/SLEEPER REST EASY (UP1)
	159280-A2-UC1	EA	COVER/BACK - SOFA/SLEEPER REST EASY - LEATHER
8	149744-15-UC1	EA	SEAT - SOFA/SLEEPER REST EASY (UC1, UC2, UC3, UM7)
8	149744-15-UC5	EA	SEAT - SOFA/SLEEPER REST EASY (UC5, UC6, UC7, UM8)
8	149744-15-TA4	EA	SEAT - SOFA/SLEEPER REST EASY (UD1, UD2, UD3, UM9)
8	149744-15-UP1	EA	SEAT - SOFA/SLEEPER REST EASY (UP1)
8	149744-16-S64	EA	SEAT - SOFA/SLEEPER REST EASY - LEATHER
	P49744-15-UC1	EA	COVER/SEAT - SOFA/SLEEPER REST EASY (UC1, UC2, UC3, UM7)
	P49744-15-UC5	EA	COVER/SEAT - SOFA/SLEEPER REST EASY (UC5, UC6, UC7, UM8)
	P49744-15-TA4	EA	COVER/SEAT - SOFA/SLEEPER REST EASY (UD1, UD2, UD3, UM9)
	P49744-15-UP1	EA	COVER/SEAT - SOFA/SLEEPER REST EASY (UP1)
	P49744-16-S64	EA	COVER/SEAT - SOFA/SLEEPER REST EASY - LEATHER
9	151290-04-000	EA	FRAME - SEAT - 60"
10*	136534-17-000	EA	TRUNDLE FRAME - 17.5" X 55" - W/LINKAGE, LATCH & HANDLE
11	121906-01-02B	EA	BRACKET - KICKBOARD - E-COATED
12	155647-01-UC1	EA	TRUNDLE - SOFA/SLEEPER REST EASY - 59.5" (UC1, UC2, UC3, UM7)
12	155647-01-UC5	EA	TRUNDLE - SOFA/SLEEPER REST EASY - 59.5" (UC5, UC6, UC7, UM8)
12	155647-01-UD1	EA	TRUNDLE - SOFA/SLEEPER REST EASY - 59.5" (UD1, UD2, UD3, UM9)
12	155647-01-UP1	EA	TRUNDLE - SOFA/SLEEPER REST EASY - 59.5" (UP1)
12	155647-02-TD0	EA	TRUNDLE - SOFA/SLEEPER REST EASY - 59.5" - LEATHER
	155647-A1-UC1	EA	COVER/TRUNDLE - SOFA/SLEEPER REST EASY (UC1, UC2, UC3, UM7)
	155647-A1-UC5	EA	COVER/TRUNDLE - SOFA/SLEEPER REST EASY (UC5, UC6, UC7, UM8)
	155647-A1-UD1	EA	COVER/TRUNDLE - SOFA/SLEEPER REST EASY (UD1, UD2, UD3, UM9)
	155647-A1-UP1	EA	COVER/TRUNDLE - SOFA/SLEEPER REST EASY (UP1)
	155647-A2-TD0	EA	COVER/TRUNDLE - SOFA/SLEEPER REST EASY - LEATHER
13	NOT USED		
14*	136534-13-000	EA	BASE - 27.25" X 60" - POWERED
15	101926-01-02A	EA	BRACKET - ZEE - 2" - BLACK
16	136534-33-000	EA	SPRING/ASSIST - 1/2" X 7" W/HOOK ENDS - REST EASY SOFAS
17	136534-18-000	EA	FRAME/BACK - 16.5" X 60"
18	NOT USED		
19	NOT USED		
20	NOT USED		
21	NOT USED		
22	NOT USED		
23	NOT USED		
24	152034-01-02B	EA	BRACKET - HOLD DOWN/COUCH - E-COATED

*COMPONENT PARTS LISTED LATER IN THIS GROUP

CURTAIN & CUSHION GROUP (CONTINUED)
SOFA (CONTINUED)



DUAL RESTEASY

KEY	PART NUMBER	U/M	DESCRIPTION
1	159707-03-000	EA	SLIDE RAIL - W/LATCH MECH/PLATES/STOP F/20" RSD FLOOR
2	149891-04-UC1	EA	PANEL/FRONT KICK - SOFA/SLEEPER REST EASY-DUAL CONTROLS (UC1, UC2, UC3, UM7)
2	149891-04-UC5	EA	PANEL/FRONT KICK - SOFA/SLEEPER REST EASY-DUAL CONTROLS (UC5, UC6, UC7, UM8)
2	149891-04-TA4	EA	PANEL/FRONT KICK - SOFA/SLEEPER REST EASY-DUAL CONTROLS (UD1, UD2, UD3, UM9)
2	149891-09-SA0	EA	PANEL/FRONT KICK - SOFA/SLEEPER REST EASY-DUAL CONTROLS - LEATHER
3	148225-01-000	EA	CABLE ONLY - REMOTE - 31.9" W/Z-ENDS
4	150408-12-UC1	EA	ARMREST - LEFT HAND - W/SWITCH (UC1, UC2, UC3, UM7)
4	150408-12-UC5	EA	ARMREST - LEFT HAND - W/SWITCH (UC5, UC6, UC7, UM8)
4	150408-12-TA4	EA	ARMREST - LEFT HAND - W/SWITCH (UD1, UD2, UD3, UM9)
4	150408-14-SA0	EA	ARMREST - LEFT HAND - W/SWITCH - LEATHER
	P50408-02-UC1	EA	COVER/ARMREST - LEFT (UC1, UC2, UC3, UM7)
	P50408-02-UC5	EA	COVER/ARMREST - LEFT (UC5, UC6, UC7, UM8)
	P50408-02-TA4	EA	COVER/ARMREST - LEFT (UD1, UD2, UD3, UM9)
	P50408-04-SA0	EA	COVER/ARMREST - LEFT HAND - LEATHER
5	136118-01-000	EA	SWITCH - SOFA/RECLINER
6	150408-11-UC1	EA	ARMREST - RIGHT HAND - W/SWITCH (UC1, UC2, UC3, UM7)
6	150408-11-UC5	EA	ARMREST - RIGHT HAND - W/SWITCH (UC5, UC6, UC7, UM8)
6	150408-11-TA4	EA	ARMREST - RIGHT HAND - W/SWITCH (UD1, UD2, UD3, UM9)
6	150408-13-SA0	EA	ARMREST - RIGHT HAND - W/SWITCH - LEATHER
	P50408-01-UC1	EA	COVER/ARMREST - RIGHT (UC1, UC2, UC3, UM7)
	P50408-01-UC5	EA	COVER/ARMREST - RIGHT (UC5, UC6, UC7, UM8)
	P50408-01-TA4	EA	COVER/ARMREST - RIGHT (UD1, UD2, UD3, UM9)
	P50408-03-SA0	EA	COVER/ARMREST - RIGHT - LEATHER

CURTAIN & CUSHION GROUP (CONTINUED)
SOFA (CONTINUED)

KEY	PART NUMBER	U/M	DESCRIPTION
7	159280-03-UC1	EA	BACK - SOFA/SLEEPER REST EASY-DUAL CONTROLS (UC1, UC2, UC3, UM7)
7	159280-03-UC5	EA	BACK - SOFA/SLEEPER REST EASY-DUAL CONTROLS (UC5, UC6, UC7, UM8)
7	159280-03-UD1	EA	BACK - SOFA/SLEEPER REST EASY-DUAL CONTROLS (UD1, UD2, UD3, UM9)
7	159280-04-UC1	EA	BACK - SOFA/SLEEPER REST EASY-DUAL CONTROLS - LEATHER
	159280-A3-UC1	EA	COVER/BACK - SOFA/SLEEPER REST EASY-DUAL CONTROLS (UC1, UC2, UC3, UM7)
	159280-A3-UC5	EA	COVER/BACK - SOFA/SLEEPER REST EASY-DUAL CONTROLS (UC5, UC6, UC7, UM8)
	159280-A3-UD1	EA	COVER/BACK - SOFA/SLEEPER REST EASY-DUAL CONTROLS (UD1, UD2, UD3, UM9)
	159280-A4-UC1	EA	COVER/BACK - SOFA/SLEEPER REST EASY-DUAL CONTROLS - LEATHER
8	149891-03-UC1	EA	SEAT - SOFA/SLEEPER REST EASY-DUAL CONTROLS (UC1, UC2, UC3, UM7)
8	149891-03-UC5	EA	SEAT - SOFA/SLEEPER REST EASY-DUAL CONTROLS (UC5, UC6, UC7, UM8)
8	149891-03-TA4	EA	SEAT - SOFA/SLEEPER REST EASY-DUAL CONTROLS (UD1, UD2, UD3, UM9)
8	149891-08-SA0	EA	SEAT - SOFA/SLEEPER REST EASY-DUAL CONTROLS - LEATHER
	P49891-03-UC1	EA	COVER/SEAT - SOFA/SLEEPER REST EASY (UC1, UC2, UC3, UM7)
	P49891-03-UC5	EA	COVER/SEAT - SOFA/SLEEPER REST EASY (UC5, UC6, UC7, UM8)
	P49891-03-TA4	EA	COVER/SEAT - SOFA/SLEEPER REST EASY (UD1, UD2, UD3, UM9)
	P49891-08-SA0	EA	COVER/SEAT - SOFA/SLEEPER REST EASY - LEATHER
9	151290-02-000	EA	FRAME - SEAT - 30"
10	136534-27-000	EA	TRUNDLE FRAME - 26" WIDE/DUAL - W/LINKAGE, LATCH & HANDLE
11	121906-01-02B	EA	BRACKET - KICKBOARD - E-COATED
12	155647-07-UC1	EA	TRUNDLE - SOFA/SLEEPER - REST EASY/DUAL CONTROLLED (UC1, UC2, UC3, UM7)
12	155647-07-UC5	EA	TRUNDLE - SOFA/SLEEPER - REST EASY/DUAL CONTROLLED (UC5, UC6, UC7, UM8)
12	155647-07-UD1	EA	TRUNDLE - SOFA/SLEEPER - REST EASY/DUAL CONTROLLED (UD1, UD2, UD3, UM9)
12	155647-08-TD0	EA	TRUNDLE - SOFA/SLEEPER - REST EASY/DUAL CONTROLLED - LEATHER
	155647-A7-UC1	EA	COVER/TRUNDLE - REST EASY/DUAL CONTROLLED - SOFA/SLEEPER (UC1, UC2, UC3, UM7)
	155647-A7-UC5	EA	COVER/TRUNDLE - REST EASY/DUAL CONTROLLED - SOFA/SLEEPER (UC5, UC6, UC7, UM8)
	155647-A7-UD1	EA	COVER/TRUNDLE - REST EASY/DUAL CONTROLLED - SOFA/SLEEPER (UD1, UD2, UD3, UM9)
	155647-A8-TD0	EA	COVER/TRUNDLE - REST EASY/DUAL CONTROLLED - SOFA/SLEEPER - LEATHER
13	139716-16-UC1	EA	SIGHT SHIELD - DUAL BACK/RIGHT HAND (UC1, UC2, UC3, UM7)
13	139716-16-UC5	EA	SIGHT SHIELD - DUAL BACK/RIGHT HAND (UC5, UC6, UC7, UM8)
13	139716-16-TA4	EA	SIGHT SHIELD - DUAL BACK/RIGHT HAND (UD1, UD2, UD3, UM9)
13	139716-14-S64	EA	SIGHT SHIELD - DUAL BACK/RIGHT HAND - LEATHER
14	151290-12-000	EA	FRAME - BASE - 27.25" X 30" X 8" - LEFT
14	151290-13-000	EA	FRAME - BASE - 27.25" X 30" X 8" - RIGHT
15	116104-04-02B	EA	BRACKET - ZEE W/HOLES - 3.2" - E-COATED
16	139716-15-UC1	EA	SIGHT SHIELD - DUAL BACK/LEFT HAND (UC1, UC2, UC3, UM7)
16	139716-15-UC5	EA	SIGHT SHIELD - DUAL BACK/LEFT HAND (UC5, UC6, UC7, UM8)
16	139716-15-TA4	EA	SIGHT SHIELD - DUAL BACK/LEFT HAND (UD1, UD2, UD3, UM9)
16	139716-13-S64	EA	SIGHT SHIELD - DUAL BACK/LEFT HAND - LEATHER
17	136534-32-000	EA	BRACKET - DUAL BASE
18	136534-25-000	EA	FRAME/BACK - FOR DUAL REST EASY SOFA - ONE SIDE ONLY
19	101926-01-02A	EA	BRACKET - ZEE - 2" - BLACK

***COMPONENT PARTS LISTED LATER IN THIS GROUP**

COMPONENT PARTS FOR SOFA

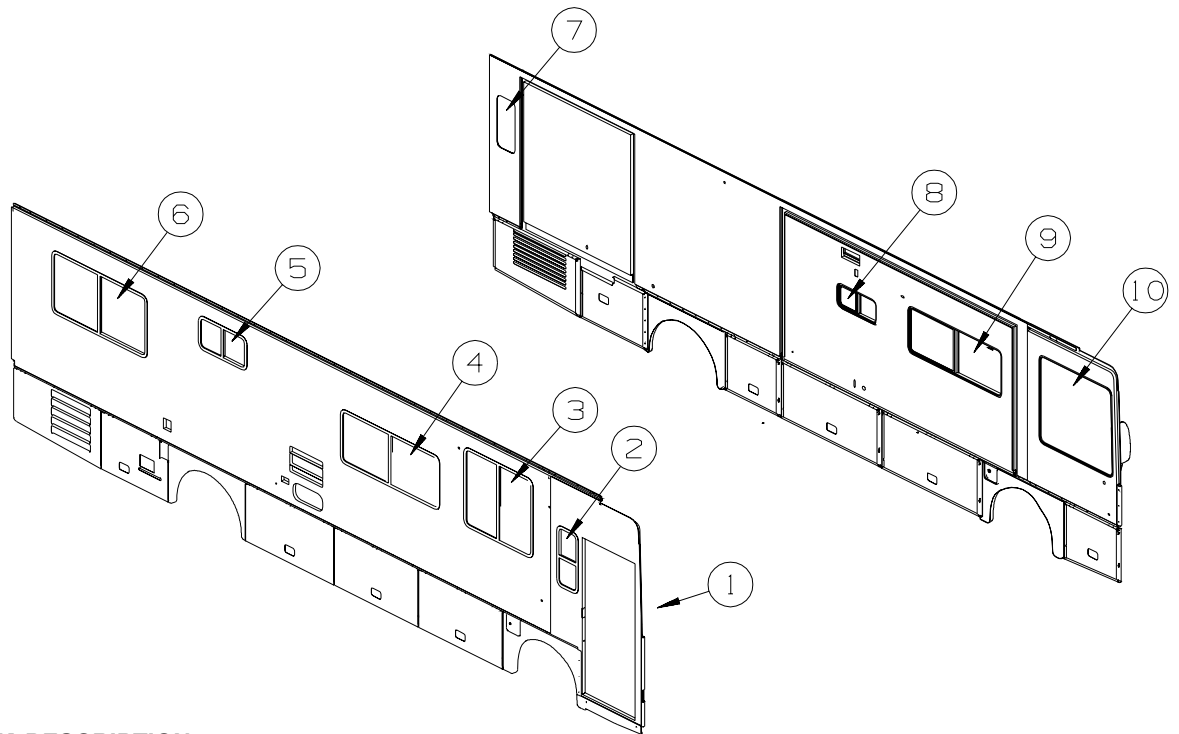
136534-02-000, 136534-03-000, 136534-13-000, 136534-15-000

KEY	PART NUMBER	U/M	DESCRIPTION	VENDOR NO.
	136534-02-700	EA	MOTOR	9PL-MO-W/T-1
	136534-02-701	EA	CABLE/DRV MTR-REST EASY SOFA	9PL-FCA27.75

136534-17-000

KEY	PART NUMBER	U/M	DESCRIPTION	VENDOR NO.
	136534-07-701	EA	WHEEL - NYLON - 1 5/8"	9WHEEL-1.62

CURTAIN & CUSHION GROUP (CONTINUED)
WINDOW TREATMENT



KEY	PART NUMBER	U/M	DESCRIPTION
1	147460-02-TA0	EA	CURTAIN - PASS/FRONT WRAP/PRIVACY/PLEATED - 42.5" X 119.8"
2	147460-03-TA0	EA	CURTAIN - PASS/REAR WRAP/PRIVACY/PLEATED - 42.5" X 74.9"
3	142635-36-UC1	EA	LAMBREQUIN - AVERY - 44.5" X 41" (UC1, UC2, UC3, UM7)
3	142635-A5-UC5	EA	VALANCE - AVERY - 44.5" X 41" (UC5, UC6, UC7, UM8)
3	142635-36-TA4	EA	LAMBREQUIN - AVERY - 44.5" X 41" (UD1, UD2, UD3, UM9)
3	142635-B7-UP1	EA	LAMBREQUIN - AVERY - 44.5" X 41" (UP1)
3	140789-16-TA0	EA	BLIND - DAY/NIGHTER - 42.5" X 41" (UC1, UC2, UC3, UC5, UC6, UC7, UD1, UD2, UD3, UM7, UM8, UM9)
3	157506-19-UP1	EA	BLIND - PLEATED - 42.5" X 41" (UP1)
4	142635-35-UC1	EA	LAMBREQUIN - AVERY - 63" X 27" (UC1, UC2, UC3, UM7)
4	142635-A4-UC5	EA	VALANCE - AVERY - 63" X 27" (UC5, UC6, UC7, UM8)
4	142635-35-TA4	EA	LAMBREQUIN - AVERY - 63" X 27" (UD1, UD2, UD3, UM9)
4	142635-B6-UP1	EA	LAMBREQUIN - AVERY - 63" X 27" (UP1)
4	140789-14-SD0	EA	BLIND - DAY/NIGHTER - 61" X 28.5" (UC1, UC2, UC3, UC5, UC6, UC7, UD1, UD2, UD3, UM7, UM8, UM9)
4	157506-03-TR0	EA	BLIND - PLEATED - 61" X 28.5" (UP1)
5	153643-69-UC1	EA	VALANCE - MODERATE - 33" - W/BRAID (UC1, UC2, UC3, UM7)
5	153643-69-UC5	EA	VALANCE - MODERATE - 33" - W/BRAID (UC5, UC6, UC7, UM8)
5	153643-69-UD1	EA	VALANCE - MODERATE - 33" - W/BRAID (UD1, UD2, UD3, UM9)
5	153643-73-UP1	EA	VALANCE - MODERATE - 33" (UP1)
5	109041-44-02A	EA	BLIND - 30.5" X 18"
6	142635-74-UC1	EA	VALANCE - AVERY - 65" (UC1, UC2, UC3, UM7)
6	142635-74-UC5	EA	VALANCE - AVERY - 65" (UC5, UC6, UC7, UM8)
6	142635-74-TA4	EA	VALANCE - AVERY - 65" (UD1, UD2, UD3, UM9)
6	142635-75-UP1	EA	VALANCE - AVERY - 65" (UP1)
6	152664-B6-UC1	EA	LEG - RIGHT - 32" (UC1, UC2, UC3, UM7)
6	152664-B6-UC5	EA	LEG - RIGHT - 32" (UC5, UC6, UC7, UM8)
6	152664-B6-TA4	EA	LEG - RIGHT - 32" (UD1, UD2, UD3, UM9)
6	152664-B2-UP1	EA	LEG - RIGHT - 32" (UP1)
6	152664-B7-UC1	EA	LEG - LEFT - 32" (UC1, UC2, UC3, UM7)
6	152664-B7-UC5	EA	LEG - LEFT - 32" (UC5, UC6, UC7, UM8)
6	152664-B7-TA4	EA	LEG - LEFT - 32" (UD1, UD2, UD3, UM9)
6	152664-B3-UP1	EA	LEG - LEFT - 32" (UP1)
6	140789-84-TA0	EA	BLIND - DAY/NIGHTER - 59" X 32" (UC1, UC2, UC3, UC5, UC6, UC7, UD1, UD2, UD3, UM7, UM8, UM9)
6	157506-09-TS0	EA	BLIND - PLEATED - 59" X 32" (UP1)
7	142635-A2-UC1	EA	VALANCE - AVERY - 16" (UC1, UC2, UC3, UM7)
7	142635-A2-UC5	EA	VALANCE - AVERY - 16" (UC5, UC6, UC7, UM8)
7	142635-A2-UD1	EA	VALANCE - AVERY - 16" (UD1, UD2, UD3, UM9)
7	142635-B5-UP1	EA	VALANCE - AVERY - 16" (UP1)
7	140789-58-SD0	EA	BLIND - DAY/NIGHTER - 14.5" X 28.5" (UC1, UC2, UC3, UC5, UC6, UC7, UD1, UD2, UD3, UM7, UM8, UM9)
7	157506-10-TS0	EA	BLIND - PLEATED - 14.5" X 28.5" (UP1)

CURTAIN & CUSHION GROUP (CONTINUED)
WINDOW TREATMENT (CONTINUED)

KEY	PART NUMBER	U/M	DESCRIPTION
8	109041-72-02A	EA	BLIND - MINI - 26" X 13.5"
9	142635-33-UC1	EA	LAMBREQUIN - AVERY - 61" X 25" (UC1, UC2, UC3, UM7)
9	142635-78-UC5	EA	VALANCE - AVERY - 61" X 25" (UC5, UC6, UC7, UM8)
9	142635-33-TA4	EA	LAMBREQUIN - AVERY - 61" X 25" (UD1, UD2, UD3, UM9)
9	142635-A6-UP1	EA	LAMBREQUIN - AVERY - 61" X 25" (UP1)
9	140789-08-SD0	EA	BLIND - DAY/NIGHTER - 59" X 26.5" (UC1, UC2, UC3, UC5, UC6, UC7, UD1, UD2, UD3, UM7, UM8, UM9)
9	157506-02-TR0	EA	BLIND - PLEATED - 59" X 26.5" (UP1)
10	147460-01-TA0	EA	CURTAIN - DRVR/WRAP/PRIVACY/PLEATED - 45" X 113.8"

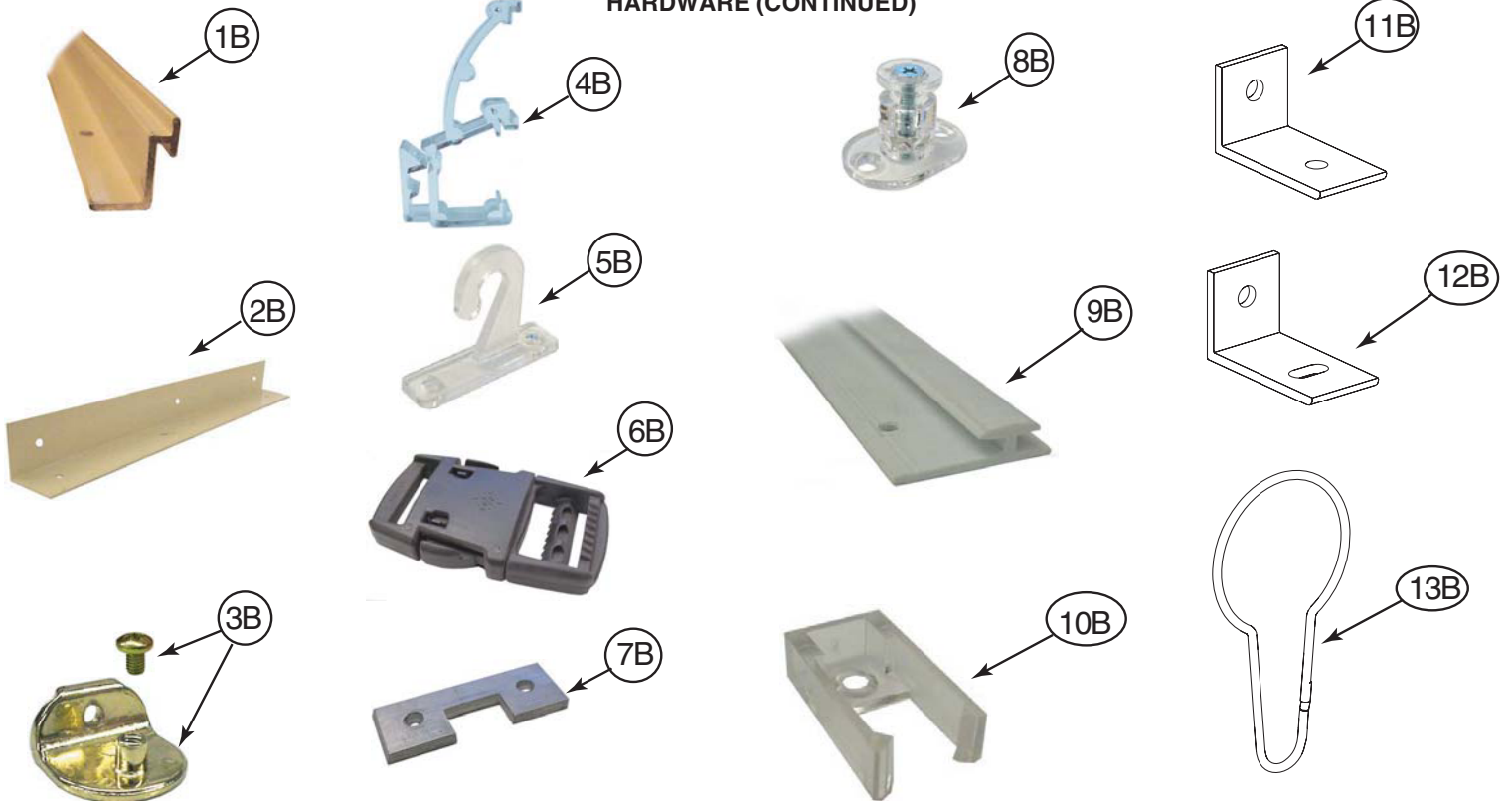
CURTAIN & CUSHION GROUP (CONTINUED)

HARDWARE



KEY	PART NUMBER	U/M	DESCRIPTION
1A	029155-01-000	EA	CAP - SNAP - 5/32" OUTSIDE DIAMETER OF PIN
2A	029156-01-000	EA	SOCKET - SNAP - 9/16" O.D.
3A	046867-02-000	EA	WASHER - HANDY BUTTON #3
4A	046867-03-000	EA	GROMMET - HANDY BUTTON #3
5A	075943-10-000	EA	BRACE - VALANCE - 20" - OFF WHITE
6A	083170-01-000	EA	BRACKET/BLIND - LEFT SIDE WHEN FACING WINDOW - CLEAR
7A	083170-02-000	EA	BRACKET/BLIND - RIGHT SIDE WHEN FACING WINDOW - CLEAR
8A	084434-01-000	EA	BRACKET - MOUNTING - ROLLER SHADE - 1 3/8"
9A	094896-02-000	EA	GROMMET - CORD/PLEATED BLIND - NYLON - GRAY
10A	094907-02-000	EA	END CAP - PLEATED BLIND/TOP - RH/LH - GRAY PLASTIC
11A	094907-04-000	EA	END CAP - PLEATED BLIND/BOTTOM - RH/LH
12A	094907-09-000	EA	END CAP/BLIND - CENTER RAIL - RH/LH
13A	097564-03-000	EA	HANDLE - KNOB - E-Z LIFT SHADE - TAN
	097593-02-000	FT	CORD - BLIND - PLEATED - GRAY
	097593-10-000	FT	CORD - BLIND - PLEATED - VANILLA
14A	097565-01-000	EA	BRACKET - MOUNTING - PLEATED BLIND
15A	097591-01-000	EA	SPRING - EXTENSION - PLEATED BLIND
15A	155748-01-000	EA	SPRING - EXTENSION - DAY/NIGHTER BLIND
16A	101031-01-000	YD	TAPE/GLIDE - 4.25" SPACING
17A	102555-03-000	EA	BRACKET - (CLEAT TYPE) - F/BLIND HOLDOWN - MILKY WHITE

CURTAIN & CUSHION GROUP (CONTINUED)
HARDWARE (CONTINUED)



KEY	PART NUMBER	U/M	DESCRIPTION
1B	105450-14-01A	EA	TRACK-90"-OW - FRT BUNK PRIVACY OUTLOOK/SPIRIT 300-SERIES, ACCESS/IMPULSE 200-SERIES
2B	105648-01-02A	EA	BRACE - VALANCE - 14" - OFF WHITE
2B	105648-02-02A	EA	BRACE - VALANCE - 8.5" - OFF WHITE
3B	106544-01-000	EA	PULL - SHADE/BRASS
3B	106544-01-001	EA	SCREW - SHADE/BRASS
3B	106544-02-000	EA	PULL-SHADE - NICKEL
4B	109353-04-000	EA	CLIP - VALANCE SLAT MOUNTING - CLEAR PLASTIC
5B	109441-01-000	EA	BRACKET/HOOK - BLIND HOLD DOWN
	109441-02-000	EA	SPACER/BACKET - BLIND HOLD DOWN
6B	129491-01-000	EA	CATCH - SNAP HOOK - 1"
7B	130549-01-01A	EA	STOP - CURTAIN TRACK
8B	141634-01-000	EA	BRACKET-(BOBBIN TYPE) 7/8"H HOLDUPBASE(OVAL)-2 HOLE-CLEAR
9B	156172-01-01A	EA	TRACK/WALL - 75" - BONE
9B	156172-02-01A	EA	TRACK/WALL - 32" - BONE
9B	156172-03-01A	EA	TRACK/WALL - 21" - BONE
10B	156172-04-01A	EA	END CAP - WALL TRACK - CLEAR
11B	154316-01-01A	EA	BRACE/ANGLE - W/HOLE - CASHMERE
12B	154316-02-01A	EA	BRACE/ANGLE - W/SLOT - CASHMERE
13B	159702-01-01A	EA	HOOK/RING - CURTAIN/SHOWER - NICKEL

CURTAIN & CUSHION GROUP (CONTINUED)

FABRICS

UC1, UC2, UC3, UM7

113979-09-01A CARPET-HEADLINER (SY) - CEILING
106569-15-01A CARPET-HEADLINER (YD) VINYL - CEILING SLIDEOUT
137813-X1-000 FABRIC-UPHOSTERY,BEDSPREAD MAIN
137813-X1-000 FABRIC-O/H CABT,BEDROOM
137813-X2-000 FABRIC-BEDSPREAD ACCENT PATTERN ACCENT
142523-04-000 FABRIC-UPHOSTERY,ACCENT PLAIN
142523-04-000 FABRIC-UPHL,SEAT INSERT
148797-P9-000 FABRIC-UPHOSTERY MAIN ONE
148797-R0-000 FABRIC-UPHLSTRY,PLAIN ACCENT
148797-R1-000 FABRIC-UPHOLSTERY ACCENT PATTERN
148797-R0-000 FABRIC-O/H CABT,DIN/LOUNGE
148797-R1-000 FABRIC-DINETTE WRAP DINETTES
126883-V0-000 FABRIC-INSERT S/O TRIM

UC5, UC6, UC7, UM8

113979-09-01A CARPET-HEADLINER (SY) - CEILING
106569-15-01A CARPET-HEADLINER (YD) VINYL - CEILING SLIDEOUT
137813-U0-000 FABRIC-UPHOSTERY,BEDSPREAD MAIN
137813-U2000 FABRIC-UPHOSTERY,BEDSPREAD PATTERN ACCENT
137813-U0-000 FABRIC-O/H CABT,BEDROOM
142523-04-000 FABRIC-UPHOSTERY,ACCENT PLAIN
142523-04-000 FABRIC-UPHL,SEAT INSERT
148797-L0-000 FABRIC-UPHOSTERY MAIN ONE
148797-U2-000 FABRIC-UPHLSTRY,PLAIN ACCENT
148797-L1-000 FABRIC-DINETTE WRAP DINETTES
148797-L1-000 FABRIC-UPHOLSTERY ACCENT PATTERN
148797-U2-000 FABRIC-O/H CABT,DIN/LOUNGE
126883-V0-000 FABRIC-INSERT S/O TRIM

UD1, UD2, UD3, UM9

113979-09-01A CARPET-HEADLINER (SY) - CEILING
106569-15-01A CARPET-HEADLINER (YD) VINYL - CEILING SLIDEOUT
137813-L2-000 FABRIC-UPHOSTERY,BEDSPREAD MAIN
137813-L4-000 FABRIC-UPHOSTERY,BEDSPREAD PATTERN ACCENT
137813-L2-000 FABRIC-O/H CABT,BEDROOM
142523-04-000 FABRIC-UPHOSTERY,ACCENT PLAIN
142523-04-000 FABRIC-UPHL,SEAT INSERT
148797-A3-000 FABRIC-DINETTE WRAP DINETTES
148797-B7-000 FABRIC-UPHOLSTERY ACCENT PATTERN
148797-A3-000 FABRIC-O/H CABT,DIN/LOUNGE
126883-V0-000 FABRIC-INSERT S/O TRIM

UP1

113979-09-01A CARPET-HEADLINER (SY) - CEILING
106569-15-01A CARPET-HEADLINER (YD) VINYL - CEILING SLIDEOUT
148797-E1-000 FABRIC-UPHOLSTERY MAIN ONE
148797-G7-000 FABRIC-UPHOLSTERY PLAIN ACCENT
148797-G7-000 FABRIC-O/H CABT, DINETTE/LOUNGE
148797-G3-000 FABRIC-UPHOLSTERY ACCENT
148797-G5-000 FABRIC-DINETTE WRAP
137813-S0-000 FABRIC-UPHOSTERY,BEDSPREAD MAIN
137813-N6-000 FABRIC-UPHOSTERY,BEDSPREAD PATTERN ACCENT
137813-N6-000 FABRIC-O/H CABT,BEDROOM
137813-58-000 FABRIC-INSERT SLIDEOUT TRIM
142523-03-000 FABRIC-UPHOSTERY,ACCENT PLAIN
142523-03-000 FABRIC-UPHL,SEAT INSERT

CURTAIN & CUSHION GROUP (CONTINUED)
FABRICS (CONTINUED)

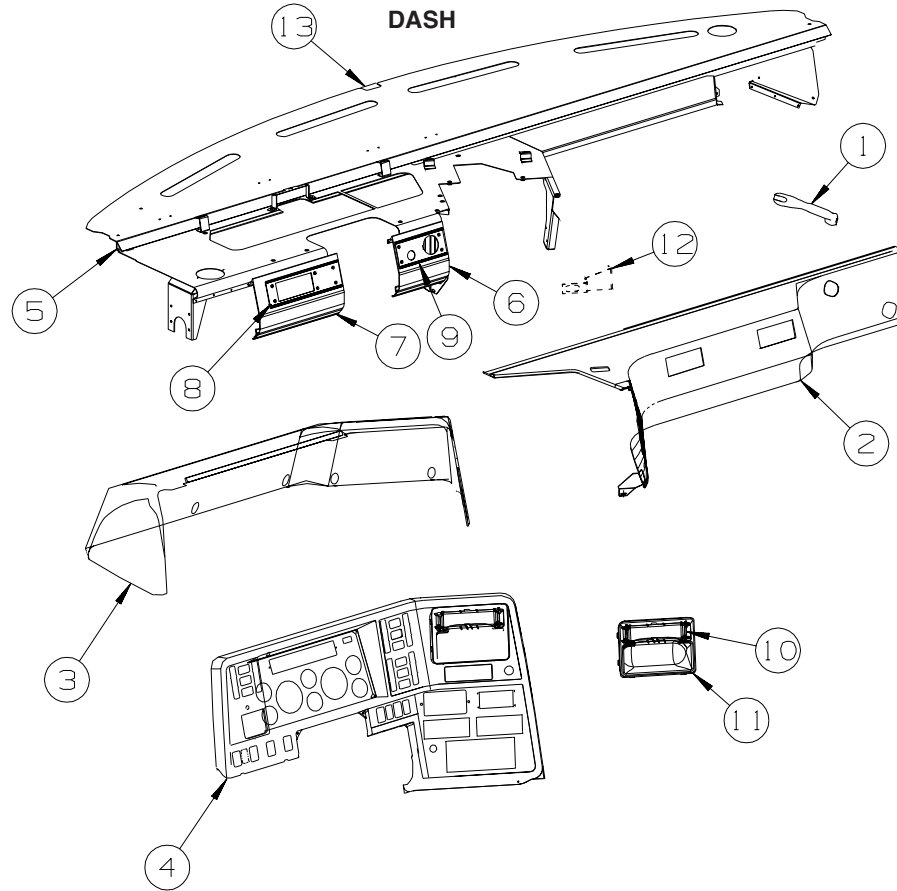
UP2

113979-09-01A CARPET-HEADLINER (SY) - CEILING
106569-14-01A CARPET-HEADLINER (YD) VINYL - CEILING SLIDEOUT
148797-E7-000 FABRIC-UPHOLSTERY MAIN ONE
148797-E6-000 FABRIC-UPHOLSTERY PLAIN ACCENT
148797-E6-000 FABRIC-O/H CABT, DINETTE/LOUNGE
148797-E5-000 FABRIC-UPHOLSTERY ACCENT
148797-E7-000 FABRIC-DINETTE WRAP
137813-E8-000 FABRIC-UPHOLSTERY,2ND PATTERN
137813-D3-000 FABRIC-UPHOLSTERY,BEDSPREAD MAIN
137813-R0-000 FABRIC-UPHOLSTERY,BEDSPREAD PATTERN ACCENT
137813-R0-000 FABRIC-O/H CABT,BEDROOM
137813-58-000 FABRIC-INSERT SLIDEOUT TRIM
142523-03-000 FABRIC-UPHOLSTERY,ACCENT PLAIN
142523-03-000 FABRIC-UPHL,SEAT INSERT

UP3

113979-09-01A CARPET-HEADLINER (SY) - CEILING
106569-14-01A CARPET-HEADLINER (YD) VINYL - CEILING SLIDEOUT
148797-F0-000 FABRIC-UPHOLSTERY MAIN ONE
148797-F5-000 FABRIC-UPHOLSTERY PLAIN ACCENT
148797-F5-000 FABRIC-O/H CABT, DINETTE/LOUNGE
148797-E9-000 FABRIC-UPHOLSTERY ACCENT
148797-F1-000 FABRIC-DINETTE WRAP
137813-N9-000 FABRIC-UPHOLSTERY,2ND PATTERN
137813-L0-000 FABRIC-UPHOLSTERY,BEDSPREAD MAIN
137813-L5-000 FABRIC-UPHOLSTERY,BEDSPREAD PATTERN ACCENT A
137813-P1-000 FABRIC-UPHOLSTERY,BEDSPREAD PATTERN ACCENT B
137813-L5-000 FABRIC-O/H CABT,BEDROOM
137813-58-000 FABRIC-INSERT SLIDEOUT TRIM
142523-04-000 FABRIC-UPHOLSTERY,ACCENT PLAIN
142523-04-000 FABRIC-UPHL,SEAT INSERT

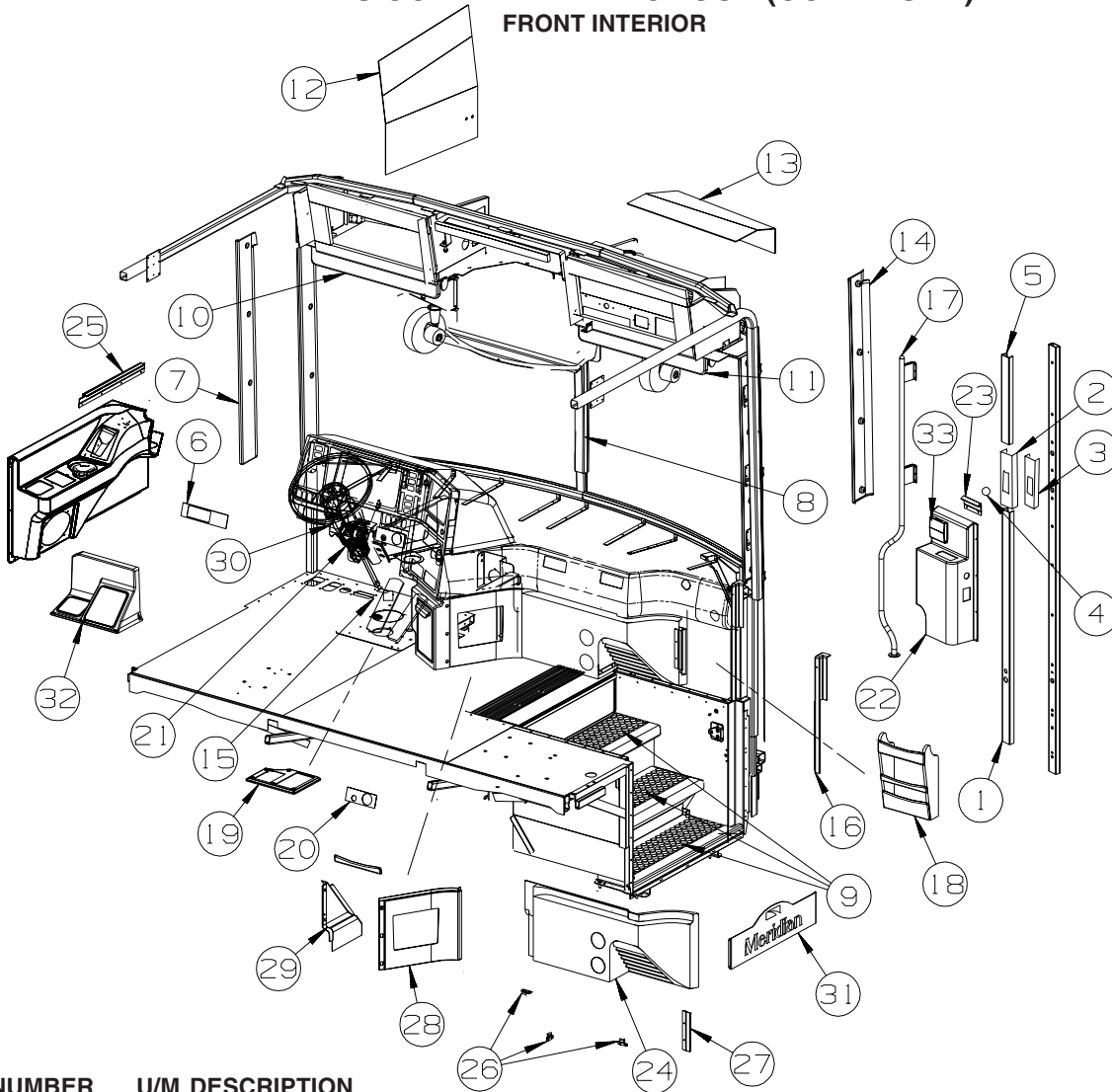
DRIVERS COMPARTMENT GROUP



KEY	PART NUMBER	U/M	DESCRIPTION
1	123246-01-07A	EA	HANDLE - GRAB - CASHMERE
1	123246-01-06A	EA	HANDLE - GRAB - RIVERSTONE (UP1, UP2)
2	122853-02-TA0	EA	TRIM - DASH PANEL/RIGHT HAND - CASHMERE
2	122853-02-TB0	EA	TRIM - DASH PANEL/RIGHT HAND - RIVERSTONE (UP1, UP2)
3	107263-03-TA0	EA	POD - INSTRUMENT PANEL - CASHMERE - REARVIEW MONITOR
3	107263-03-TB0	EA	POD - INSTRUMENT PANEL - RIVERSTONE (UP1, UP2) - REARVIEW MONITOR/
3	107263-04-TA0	EA	POD - INSTRUMENT PANEL - CASHMERE
3	107263-04-TB0	EA	POD - INSTRUMENT PANEL - RIVERSTONE (UP1, UP2)
4	107031-16-03A	EA	BEZEL - EARLY CHASSIS (SEPARATE INFO CENTER ON DASH, CHECK ANTENNA LIGHT IN DASH)
4	158202-01-03A	EA	BEZEL - LATE CHASSIS (INFO CENTER IN LIGHT BAR IN CLUSTER, NO CHECK ANTENNA LIGHT)
4	158202-01-02A	EA	BEZEL-RS - LATE CHASSIS (INFO CENTER IN LIGHT BAR IN CLUSTER, NO CHECK ANTENNA LIGHT)
5	P23278-03-000	EA	DASH - W/O VINYL
	106569-09-09A	EA	VINYL - LAMINATE - 1/4" X 25" X 100" - DRIFTWOOD - CASHMERE
	106569-09-08A	EA	VINYL - LAMINATE - 1/4" X 25" X 100" - PUTTY - RIVERSTONE (UP1, UP2)
	106569-10-09A	EA	VINYL - LAMINATE - 1/4" X 25" X 20" - DRIFTWOOD - CASHMERE
	106569-10-08A	EA	VINYL - LAMINATE - 1/4" X 25" X 20" - PUTTY - RIVERSTONE (UP1, UP2)
6	117991-06-01A	EA	EXTENSION - DASH - DRIVER/LOWER/RIGHT HAND
7	117991-05-01A	EA	EXTENSION - DASH - DRIVER/LOWER/LEFT HAND
8	118024-07-08A	EA	TRIM - DASH - DRIVER - LOWER/RIGHT HAND - CASHMERE
8	118024-07-07A	EA	TRIM - DASH - DRIVER - LOWER/RIGHT HAND - RIVERSTONE (UP1, UP2)
9	118024-05-08A	EA	TRIM - DASH - DRIVER - LOWER/LEFT HAND - CASHMERE
9	118024-05-07A	EA	TRIM - DASH - DRIVER - LOWER/LEFT HAND - RIVERSTONE (UP1, UP2)
10	096776-03-000	EA	STORAGE BOX - CD'S - 4 DISC HOLDER
11	111350-01-20A	EA	POCKET - INSTRUMENT PANEL - UPPER - CASHMERE
11	111350-01-19A	EA	POCKET - INSTRUMENT PANEL - UPPER - RIVERSTONE (UP1, UP2)
12	138721-01-02B	EA	BRACKET/SUPPORT - RADIO - E-COATED
13	118101-13-02B	EA	DASH PANEL/TOP ONLY - E-COATED

DRIVERS COMPARTMENT GROUP (CONTINUED)

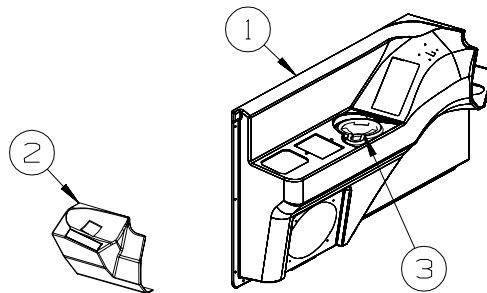
FRONT INTERIOR



KEY	PART NUMBER	U/M	DESCRIPTION
1	024700-59-000	EA	COVER - ROLL BAR - SIDEWALL - 44.1" - OFF WHITE FROM: 00-00-00 THRU: 07-31-06
1	024700-72-000	EA	COVER - ROLL BAR - SIDEWALL - 44.1" - MEDIUM OAK FROM: 08-01-06 THRU: 99-99-99
2	140151-01-01A	EA	COVER - SEAT BELT - OFF WHITE FROM: 00-00-00 THRU: 07-31-06
2	140151-01-02A	EA	COVER - SEAT BELT - MEDIUM OAK FROM: 08-01-06 THRU: 99-99-99
3	140151-03-01A	EA	COVER - SLIDING - F/SEATBELT - BLACK FROM: 00-00-00 THRU: 07-31-06
3	140151-03-02A	EA	COVER - SLIDING - F/SEATBELT - MEDIUM OAK FROM: 08-01-06 THRU: 99-99-99
4	140151-02-01A	EA	COVER - SCREW - OFF WHITE FROM: 00-00-00 THRU: 07-31-06
4	140151-02-03A	EA	COVER - SCREW - MEDIUM OAK FROM: 08-01-06 THRU: 99-99-99
5	024700-58-000	EA	COVER - ROLL BAR - SIDEWALL - 16.5" - OFF WHITE FROM: 00-00-00 THRU: 07-31-06
5	024700-71-000	EA	COVER - ROLL BAR - SIDEWALL - 16.5" - MEDIUM OAK FROM: 08-01-06 THRU: 99-99-99
6	118377-06-11A	EA	APPLIQUE - LOWER DASH - FREIGHTLINER - CASHMERE
6	118377-06-10A	EA	APPLIQUE - LOWER DASH - FREIGHTLINER - RIVERSTONE (UP1, UP2)
7	151370-01-03A	EA	TRIM - A-PILLAR/DRIVER - INTERIOR - CASHMERE
7	151370-01-02A	EA	TRIM - A-PILLAR/DRIVER - INTERIOR - RIVERSTONE (UP1, UP2)
8	118452-09-20A	EA	TRIM - WINDSHIELD/CENTER - CASHMERE
8	118452-09-19A	EA	TRIM - WINDSHIELD/CENTER - RIVERSTONE (UP1, UP2)
9	120231-01-02A	EA	FLOORING - RUBBER - 66.4" X 19.8"
10	129004-02-07A	EA	TRIM - WINDSHIELD - INTERIOR/DRIVER TOP - CASHMERE
10	129004-02-06A	EA	TRIM - WINDSHIELD - INTERIOR/DRIVER TOP - RIVERSTONE (UP1, UP2)

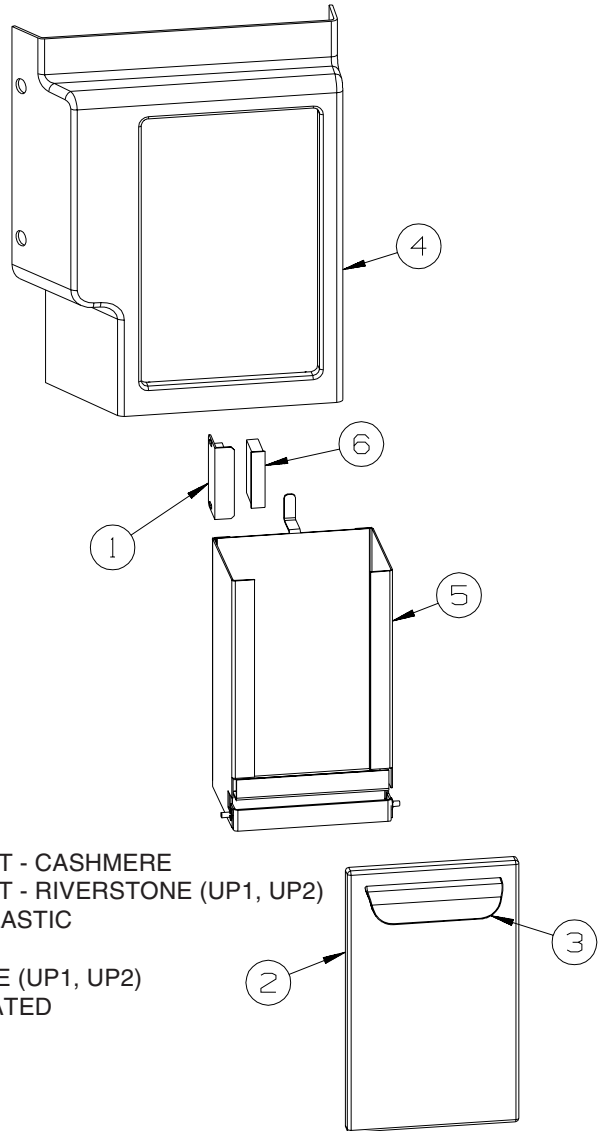
DRIVERS COMPARTMENT GROUP (CONTINUED)
FRONT INTERIOR (CONTINUED)

KEY	PART NUMBER	U/M	DESCRIPTION
11	129004-01-07A	EA	TRIM - WINDSHIELD - INTERIOR/PASSENGER TOP - CASHMERE
11	129004-01-06A	EA	TRIM - WINDSHIELD - INTERIOR/PASS TOP - RIVERSTONE (UP1, UP2)
12	133017-03-TA0	EA	PANEL - OVERHEAD/FRONT/BOTTOM/RIGHT HAND - CASHMERE
12	133017-03-TB0	EA	PANEL - OVHD/FRONT/BOTTOM/RIGHT HAND - RIVERSTONE (UP1, UP2)
12	133017-05-TA0	EA	PANEL - OVERHEAD/FRONT/BOTTOM/RIGHT HAND - CASHMERE - POWER SUNVISOR
13	133017-04-TA0	EA	PANEL - OVERHEAD/FRONT/BOTTOM/LEFT HAND - CASHMERE
13	133017-04-TB0	EA	PANEL - OVHD/FRONT/BOTTOM/LEFT HAND - RIVERSTONE (UP1, UP2)
13	133017-06-TA0	EA	PANEL - OVERHEAD/FRONT/BOTTOM/LEFT HAND - CASHMERE - POWER SUNVISOR
14	151369-01-03A	EA	TRIM - A-PILLAR/PASSENGER - INTERIOR - CASHMERE
14	151369-01-02A	EA	TRIM - A-PILLAR/PASSENGER - INTERIOR - RIVERSTONE (UP1, UP2)
15	103498-09-000	EA	BOOT - STEERING COLUMN - W/1/2 CIRCLE
16	129657-01-07A	EA	TRIM - A-PILLAR - INTERIOR/PASSENGER LOWER - CASHMERE
16	129657-01-06A	EA	TRIM - A-PILLAR - INTERIOR/PASS LOWER - RIVERSTONE (UP1, UP2)
17	123577-01-01A	EA	HANDRAIL - ASSIST - ENTRY
18	P56866-01-TA1	EA	CABINET - MAGAZINE RACK - CONCERT CHERRY
18	P56866-01-TA2	EA	CABINET - MAGAZINE RACK - WASHED MAPLE
18	P56866-01-TA3	EA	CABINET - MAGAZINE RACK - SIERRA MAPLE
19	116993-01-01A	EA	COVER - PEDALS - BLACK
20	149101-01-03A	EA	APPLIQUE - LOWER DASH - FREIGHTLINER - CASHMERE
20	149101-01-02A	EA	APPLIQUE - LOWER DASH - FREIGHTLINER - RIVERSTONE (UP1, UP2)
21	109832-03-20A	EA	COVER - STEERING COLUMN - CASHMERE
21	109832-03-19A	EA	COVER - STEERING COLUMN - RIVERSTONE (UP1, UP2)
22	142206-11-UC1	EA	PANEL/TRIM - INNER/RIGHT HAND - CASHMERE
22	142206-11-UP2	EA	PANEL/TRIM - INNER/RIGHT HAND - RIVERSTONE (UP1, UP2)
	130463-03-02B	EA	ANGLE - TRIM/BACKWALL - E-COATED
23	130034-03-02B	EA	CLIP - TRIM - E-COATED
24	133037-02-SA0	EA	PANEL - TRIM - HEATER/A/C - RIGHT HAND - CASHMERE
24	133037-02-SC0	EA	PANEL - TRIM - HEATER/A/C - RIGHT HAND - RIVERSTONE (UP1, UP2)
25	130034-04-02B	EA	CLIP - TRIM - E-COATED
26	073050-03-000	EA	MOUNTING CLIP - VALANCE PANEL
27	130034-02-02B	EA	CLIP - TRIM - E-COATED
28	133163-03-SA0	EA	PANEL - BEVERAGE TRAY - W/O CUTOUT - RIGHT HAND - CASHMERE
28	133163-03-SC0	EA	PANEL - BEV TRAY - W/O CUTOUT - RH - RIVERSTONE (UP1, UP2)
29	133164-02-SA0	EA	PANEL - BEVERAGE TRAY - LEFT HAND - CASHMERE
29	133164-02-SC0	EA	PANEL - BEVERAGE TRAY - LEFT HAND - RIVERSTONE (UP1, UP2)
30	095933-07-000	EA	STOP/TILT - STEERING COLUMN
31	NOT USED		
32	151302-01-01A	EA	PANEL/FOOTREST - DRIVER - W/TREAD INSERTS - BLACK
33	118718-01-01A	EA	HOLDER/DRINK - COLLAPSIBLE MUG - BLACK PLASTIC FROM: 00-00-00 THRU: 10-22-06
33	118718-01-02A	EA	HOLDER/DRINK - COLLAPSIBLE MUG - WHITE PLASTIC FROM: 10-23-06 THRU: 12-31-06
33	118718-01-03A	EA	HOLDER/DRINK - COLLAPSIBLE MUG - ALMOND FROM: 01-01-07 THRU: 99-99-99



KEY	PART NUMBER	U/M	DESCRIPTION
1	140578-16-TA0	EA	PANEL/TRIM - INNER/LEFT HAND - CASHMERE
1	140578-16-TB0	EA	PANEL/TRIM - INNER/LEFT HAND - RIVERSTONE (UP1, UP2)
1	140578-27-TA0	EA	PANEL/TRIM - INNER/LEFT HAND - CASHMERE - 6-SPEED TRANSMISSION
2	140580-01-01A	EA	PANEL/TRIM - INSERT - LEFT HAND
3	133831-01-01A	EA	HOLDER - CUP W/THREE CENTERLINE RUBBER FINGERS

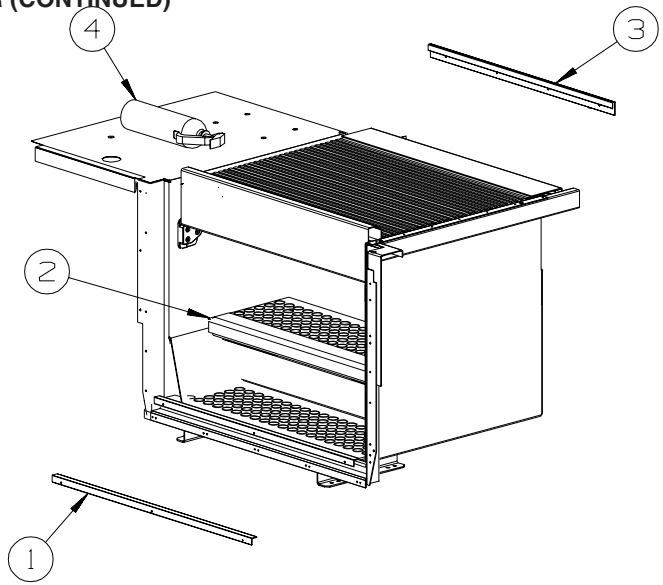
DRIVERS COMPARTMENT GROUP (CONTINUED)
FRONT INTERIOR (CONTINUED)



KEY	PART NUMBER	U/M	DESCRIPTION
1	137018-03-01A	EA	BRACKET - MOUNTING - 2"
2	142272-01-20A	EA	PANEL/DOOR - GLOVE COMPARTMENT - CASHMERE
2	142272-01-19A	EA	PANEL/DOOR - GLOVE COMPARTMENT - RIVERSTONE (UP1, UP2)
3	074762-01-000	EA	PULL - CABINET - 4.8" X .9" - BLACK PLASTIC
4	142273-01-20A	EA	PANEL - DASH - LOWER - CASHMERE
4	142273-01-19A	EA	PANEL - DASH - LOWER - RIVERSTONE (UP1, UP2)
5	142283-01-02B	EA	COMPARTMENT - GLOVE BOX - E-COATED
6	137018-01-01A	EA	CATCH - MAGNETIC - 1.6"

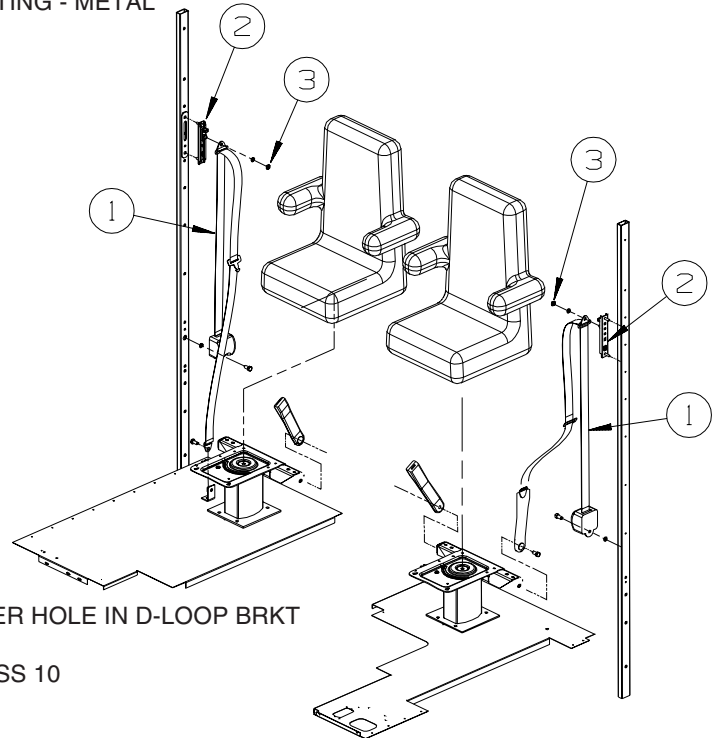
DRIVERS COMPARTMENT GROUP (CONTINUED)

FRONT INTERIOR (CONTINUED)



KEY	PART NUMBER	U/M	DESCRIPTION
1	136002-63-02A	EA	ANGLE - W/HOLES - BRIGHT WHITE
2	120231-01-02A	EA	FLOORING - RUBBER - 66.4" X 19.8"
3	136839-07-01A	EA	TRIM-J - CARPET EDGE/SLIDEOUT - 28.3" - BLACK
4	094499-03-000	EA	EXTINGUISHER/FIRE - DRY - 10BC - W/GAUGE/BRACKET
4*	094499-02-000	EA	EXTINGUISHER/FIRE - DRY - 10BC - W/GAUGE - CANADIAN
4	094499-04-000	EA	STRAP - FIRE EXTINGUISHER MOUNTING - METAL

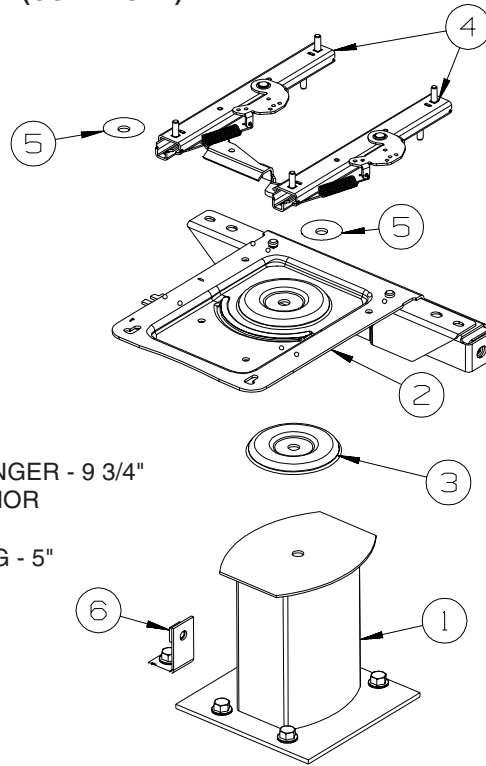
***COMPONENT PARTS LISTED LATER IN THIS GROUP**



KEY	PART NUMBER	U/M	DESCRIPTION
1*	091990-08-01A	EA	SEAT BELT - 3 POINT - .766" DIAMETER HOLE IN D-LOOP BRKT
2	127598-01-01A	EA	ADJUSTER - SEATBELT - D-LOOP
3	127598-02-000	EA	NUT - HEX FLANGE - M10 X 1.5 - CLASS 10

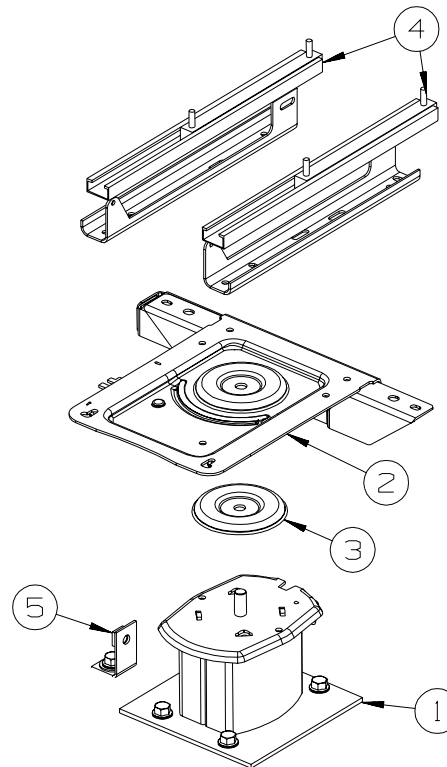
***COMPONENT PARTS LISTED LATER IN THIS GROUP**

DRIVERS COMPARTMENT GROUP (CONTINUED)
FRONT INTERIOR (CONTINUED)



**PASSENGER
MANUAL**

KEY	PART NUMBER	U/M	DESCRIPTION
1	133408-01-000	EA	PEDESTAL - SEAT - DRIVER/PASSENGER - 9 3/4"
2	133408-20-000	EA	TOP PLATE - PASSENGER - W/ANCHOR
3	107921-06-000	EA	BEARING KIT - PEDESTAL
4	131566-04-000	EA	SLIDE/SEAT - HEAVY DUTY LOCKING - 5"
	119952-07-000	EA	WIRE - LATCH RELEASE/ROTARY
5	131566-05-000	EA	WASHER - SLIDE SPACER
6	133408-04-000	EA	BRACKET - ANCHOR/FLOOR

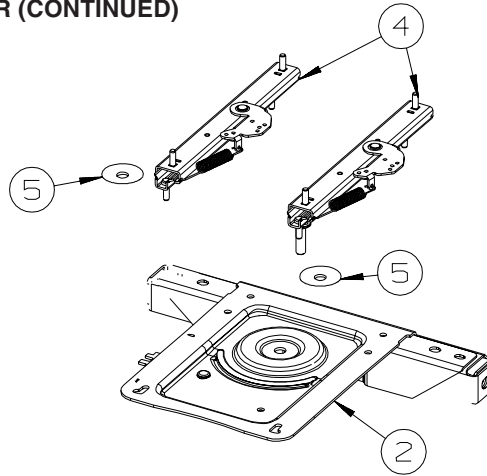


**PASSENGER
POWERED**

KEY	PART NUMBER	U/M	DESCRIPTION
1	133408-05-000	EA	PEDESTAL - SEAT - 5.75"
2	133408-20-000	EA	TOP PLATE - PASSENGER - W/ANCHOR
3	107921-06-000	EA	BEARING KIT - PEDESTAL
4*	147767-02-000	EA	SEAT - POWER - 6-WAY - PASSENGER
5	133408-04-000	EA	BRACKET - ANCHOR/FLOOR

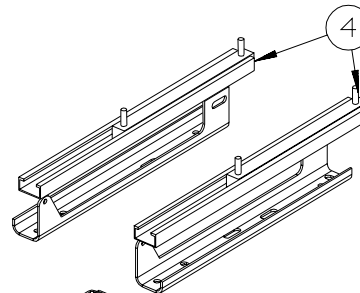
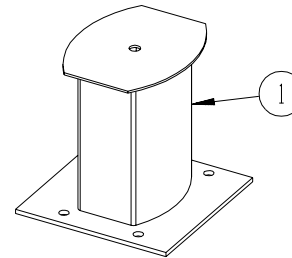
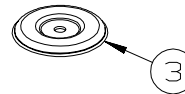
***COMPONENT PARTS LISTED LATER IN THIS GROUP**

DRIVERS COMPARTMENT GROUP (CONTINUED)
FRONT INTERIOR (CONTINUED)



**DRIVERS
MANUAL**

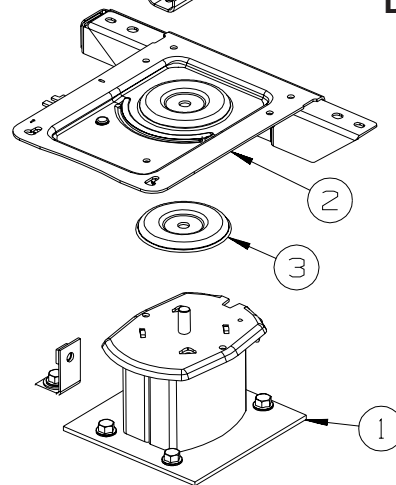
KEY	PART NUMBER	U/M	DESCRIPTION
1	133408-01-000	EA	PEDESTAL - SEAT - DRIVER/PASSENGER - 9 3/4"
2	133408-08-000	EA	TOP PLATE - W/BAR
3	107921-06-000	EA	BEARING KIT - PEDESTAL
4	131566-04-000	EA	SLIDE/SEAT - HEAVY DUTY LOCKING - 5"
	119952-07-000	EA	WIRE - LATCH RELEASE/ROTARY
5	131566-05-000	EA	WASHER - SLIDE SPACER



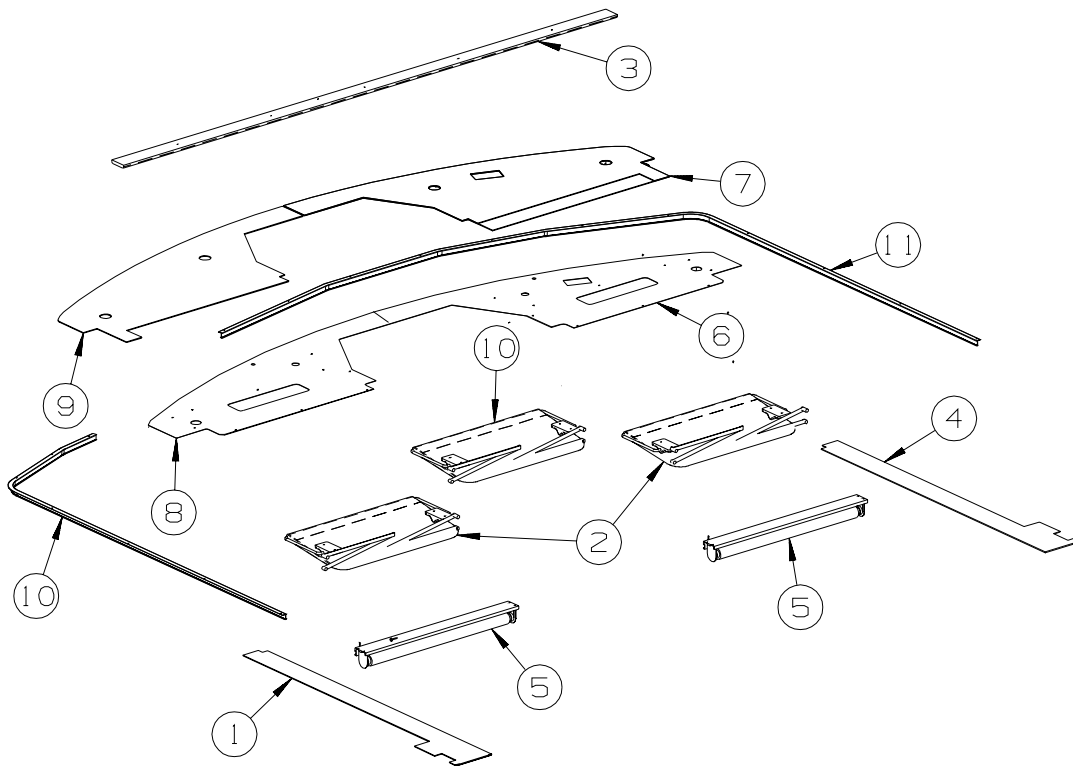
DRIVER POWERED

KEY	PART NUMBER	U/M	DESCRIPTION
1	133408-05-000	EA	PEDESTAL - SEAT - 5.75"
2	133408-08-000	EA	TOP PLATE - W/BAR
3	107921-06-000	EA	BEARING KIT - PEDESTAL
4*	147767-01-000	EA	SEAT - POWER - 6-WAY - DRIVER

***COMPONENT PARTS LISTED LATER IN THIS GROUP**



DRIVERS COMPARTMENT GROUP (CONTINUED)
FRONT INTERIOR (CONTINUED)



KEY	PART NUMBER	U/M	DESCRIPTION
1	146600-02-TA0	EA	PANEL - OVERHEAD/LEFT HAND - CASHMERE
1	146600-02-TB0	EA	PANEL - OVERHEAD/LEFT HAND - RIVERSTONE (UP1, UP2)
2	123298-04-09A	EA	SUNVISOR - 10.5" X 21" - DRIVER/PASSENGER - DRIFTWOOD - CASHMERE
2	123298-04-08A	EA	SUNVISOR - 10.5" X 21" - DRIVER/PASSENGER - PUTTY - RIVERSTONE (UP1, UP2)
3	133771-04-R69	EA	MOLDING - CAP - CONCERT CHERRY
3	133771-04-R76	EA	MOLDING - CAP - WASHED MAPLE
3	133771-04-SA3	EA	MOLDING - CAP - SIERRA MAPLE
	042356-01-000	EA	PLUG - MAHOGANY - 3/8" DOWEL X 1/2" HEAD
4	146600-01-TA0	EA	PANEL - OVERHEAD/RIGHT HAND - CASHMERE
4	146600-01-TB0	EA	PANEL - OVERHEAD/RIGHT HAND - RIVERSTONE (UP1, UP2)
5	142380-01-01A	EA	SHADE - POWER - 25.7"
6	133017-03-TA0	EA	PANEL - OVERHEAD/FRONT/BOTTOM/RIGHT HAND - CASHMERE
6	133017-03-TB0	EA	PANEL - OVERHEAD/FRONT/BOTTOM/RIGHT HAND - RIVERSTONE (UP1, UP2)
7	133017-05-TA0	EA	PANEL - OVERHEAD/FRONT/BOTTOM/RIGHT HAND - CASHMERE - POWER SUNVISOR
8	133017-04-TA0	EA	PANEL - OVERHEAD/FRONT/BOTTOM/LEFT HAND - CASHMERE
8	133017-04-TB0	EA	PANEL - OVERHEAD/FRONT/BOTTOM/LEFT HAND - RIVERSTONE (UP1, UP2)
9	133017-06-TA0	EA	PANEL - OVERHEAD/FRONT/BOTTOM/LEFT HAND - CASHMERE - POWER SUNVISOR
10	146591-01-03A	EA	TRACK - CURTAIN - LEFT HAND - CASHMERE
10	146591-01-02A	EA	TRACK - CURTAIN - LEFT HAND - RIVERSTONE (UP1, UP2)
11	146591-02-03A	EA	TRACK - CURTAIN - RIGHT HAND - CASHMERE
11	146591-02-02A	EA	TRACK - CURTAIN - RIGHT HAND - RIVERSTONE (UP1, UP2)

COMPONENT PARTS FOR FRONT INTERIOR

091990-08-01A

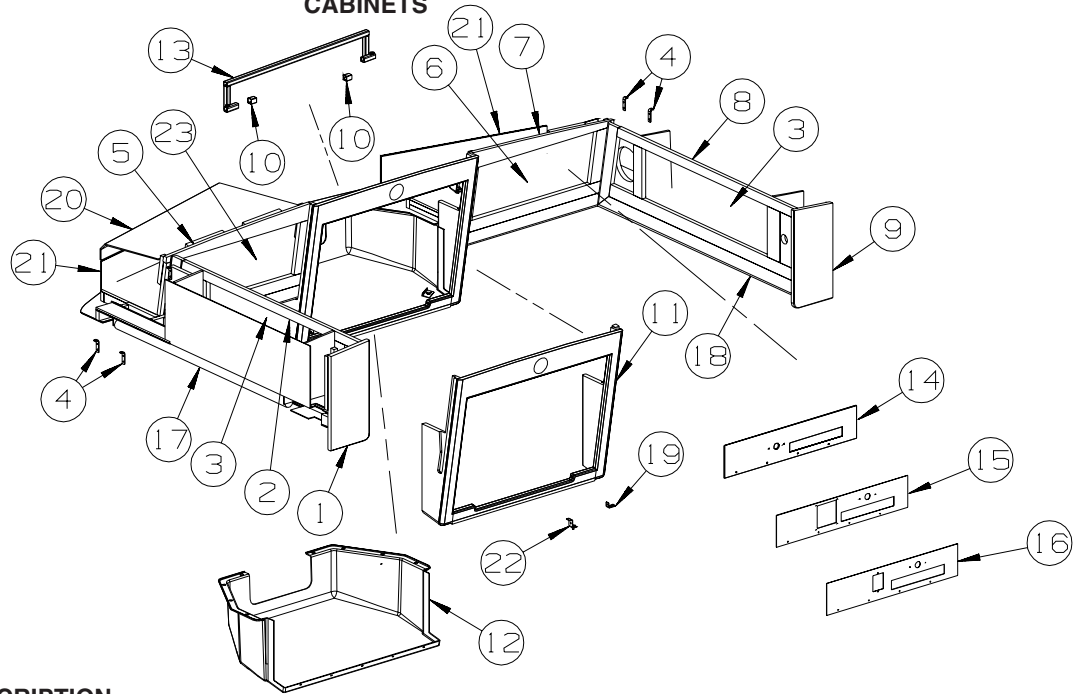
KEY	PART NUMBER	U/M	DESCRIPTION	VENDOR NO.
	091990-01-701	EA	EXTENDER 9" FOR A8408 3 PT	I-1331-02
	091990-01-703	EA	RECEIVER/FEMALE END-SEATBELT	I-1159-02
	091990-05-700	EA	SLEEVE/BUCKLE COVER-PLASTIC	209S-2
	091990-05-701	EA	CAP/COVER - BOLT HOLE COVER	209SC-02
	091990-05-702	EA	SLEEVE/RETRACTABLE COVER	309C-02

094499-02-000

KEY	PART NUMBER	U/M	DESCRIPTION	VENDOR NO
	094499-01-700	EA	BRACKET MTG. W/PLAS. STRAP	294039

DRIVERS COMPARTMENT GROUP (CONTINUED)

CABINETS

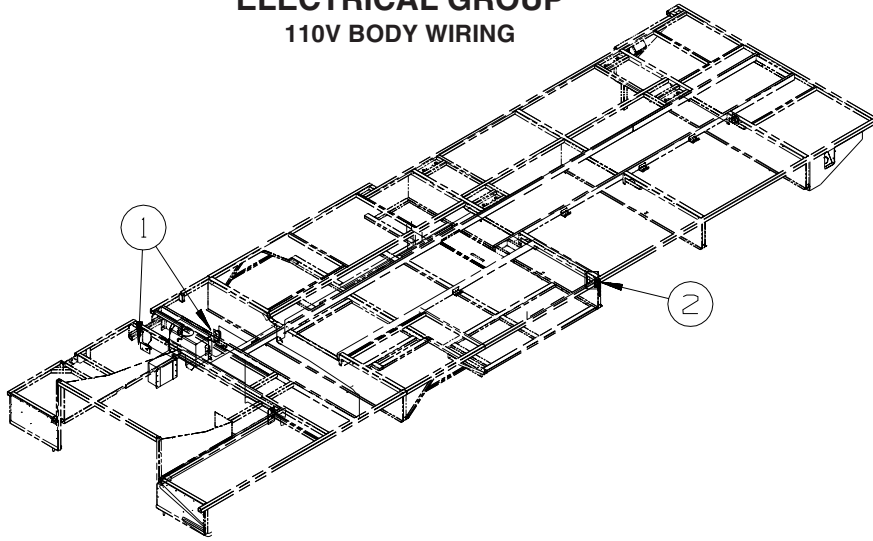


KEY	PART NUMBER	U/M	DESCRIPTION
1	146124-36-R69	EA	END CAP - OVERHEAD CABINET - CONCERT CHERRY
1	146124-36-R76	EA	END CAP - OVERHEAD CABINET - WASHED MAPLE
1	146124-36-SA3	EA	END CAP - OVERHEAD CABINET - SIERRA MAPLE
2	146124-02-UC1	EA	CABINET - FRONT/SIDE (DRVR) - W/O DOORS/HARDWARE (UC1)
2	146124-02-UC2	EA	CABINET - FRONT/SIDE (DRVR) - W/O DOORS/HARDWARE (UC2)
2	146124-02-UC3	EA	CABINET - FRONT/SIDE (DRVR) - W/O DOORS/HARDWARE (UC3)
2	146124-02-UC5	EA	CABINET - FRONT/SIDE (DRVR) - W/O DOORS/HARDWARE (UC5)
2	146124-02-UC6	EA	CABINET - FRONT/SIDE (DRVR) - W/O DOORS/HARDWARE (UC6)
2	146124-02-UC7	EA	CABINET - FRONT/SIDE (DRVR) - W/O DOORS/HARDWARE (UC7)
2	146124-02-TA5	EA	CABINET - FRONT/SIDE (DRVR) - W/O DOORS/HARDWARE (UD1)
2	146124-02-TA6	EA	CABINET - FRONT/SIDE (DRVR) - W/O DOORS/HARDWARE (UD2)
2	146124-02-TA7	EA	CABINET - FRONT/SIDE (DRVR) - W/O DOORS/HARDWARE (UD3)
2	146124-02-UM7	EA	CABINET - FRONT/SIDE (DRVR) - W/O DOORS/HARDWARE (UM7)
2	146124-02-UM8	EA	CABINET - FRONT/SIDE (DRVR) - W/O DOORS/HARDWARE (UM8)
2	146124-02-UM9	EA	CABINET - FRONT/SIDE (DRVR) - W/O DOORS/HARDWARE (UM9)
2	146124-02-UP1	EA	CABINET - FRONT/SIDE (DRVR) - W/O DOORS/HARDWARE (UP1)
2	146124-02-TB7	EA	CABINET - FRONT/SIDE (DRVR) - W/O DOORS/HARDWARE (UP2)
2	146124-02-UP3	EA	CABINET - FRONT/SIDE (DRVR) - W/O DOORS/HARDWARE (UP3)
3	145268-14-UC1	EA	DOOR - RAISED PANEL/OGEE EDGE - 12" X 30.3" - W/O HDW - CONCERT CHERRY
3	145268-14-UC2	EA	DOOR - RAISED PANEL/OGEE EDGE - 12" X 30.3" - W/O HDW - WASHED MAPLE
3	145268-14-UC3	EA	DOOR - RAISED PANEL/OGEE EDGE - 12" X 30.3" - W/O HDW - SIERRA MAPLE
3	145268-14-UP2	EA	DR-RAISED PANEL/OGEE ED.-12" X 30.3"-SIERRA MAPLE - P34SH,P36SG SPECIAL EDITION (SE)
4	109216-03-000	EA	ANGLE - FURNACE DOOR
5	145656-02-R39	EA	CABINET - FRONT/OVERHEAD - W/O DOORS/HARDWARE - CONCERT CHERRY (UC1,UC5,UD1)
5	145656-02-UM7	EA	CABINET - FRONT/OVERHEAD - W/O DOORS/HARDWARE - CONCERT CHERRY (UM7,UM8,UM9)
5	145656-02-RW4	EA	CABINET - FRONT/OVERHEAD - W/O DOORS/HARDWARE - WASHED MAPLE
5	145656-02-SA3	EA	CABINET - FRONT/OVERHEAD - W/O DOORS/HARDWARE - SIERRA MAPLE
6	146028-20-UC1	EA	DOOR - GLASS INSERT/OGEE EDGE - 12" X 23.8" - W/O HDW - CONCERT CHERRY
6	146028-20-UC2	EA	DOOR - GLASS INSERT/OGEE EDGE - 12" X 23.8" - W/O HDW - WASHED MAPLE
6	146028-20-UC3	EA	DOOR - GLASS INSERT/OGEE EDGE - 12" X 23.8" - W/O HDW - SIERRA MAPLE
7	145656-01-R39	EA	CABINET - FRONT/OVERHEAD - W/O DOORS/HARDWARE - CONCERT CHERRY (UC1,UC5,UD1)
7	145656-01-UM7	EA	CABINET - FRONT/OVERHEAD - W/O DOORS/HARDWARE - CONCERT CHERRY (UM7,UM8,UM9)
7	145656-01-RW4	EA	CABINET - FRONT/OVERHEAD - W/O DOORS/HARDWARE - WASHED MAPLE
7	145656-01-SA3	EA	CABINET - FRONT/OVERHEAD - W/O DOORS/HARDWARE - SIERRA MAPLE
8	146124-01-UC1	EA	CABINET - FRONT/SIDE (PASS) - W/O DOORS/HARDWARE (UC1)
8	146124-01-UC2	EA	CABINET - FRONT/SIDE (PASS) - W/O DOORS/HARDWARE (UC2)
8	146124-01-UC3	EA	CABINET - FRONT/SIDE (PASS) - W/O DOORS/HARDWARE (UC3)
8	146124-01-UC5	EA	CABINET - FRONT/SIDE (PASS) - W/O DOORS/HARDWARE (UC5)
8	146124-01-UC6	EA	CABINET - FRONT/SIDE (PASS) - W/O DOORS/HARDWARE (UC6)
8	146124-01-UC7	EA	CABINET - FRONT/SIDE (PASS) - W/O DOORS/HARDWARE (UC7)
8	146124-01-TA5	EA	CABINET - FRONT/SIDE (PASS) - W/O DOORS/HARDWARE (UD1)
8	146124-01-TA6	EA	CABINET - FRONT/SIDE (PASS) - W/O DOORS/HARDWARE (UD2)

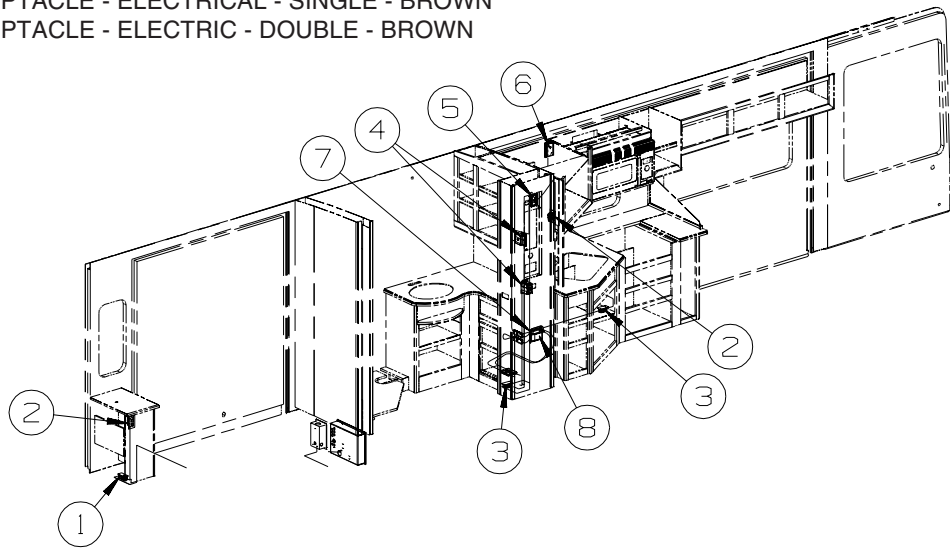
DRIVERS COMPARTMENT GROUP (CONTINUED)
CABINETS (CONTINUED)

KEY	PART NUMBER	U/M	DESCRIPTION
8	146124-01-TA7	EA	CABINET - FRONT/SIDE (PASS) - W/O DOORS/HARDWARE (UD3)
8	146124-01-UM7	EA	CABINET - FRONT/SIDE (PASS) - W/O DOORS/HARDWARE (UM7)
8	146124-01-UM8	EA	CABINET - FRONT/SIDE (PASS) - W/O DOORS/HARDWARE (UM8)
8	146124-01-UM9	EA	CABINET - FRONT/SIDE (PASS) - W/O DOORS/HARDWARE (UM9)
8	146124-01-UP1	EA	CABINET - FRONT/SIDE (PASS) - W/O DOORS/HARDWARE (UP1)
8	146124-01-TB7	EA	CABINET - FRONT/SIDE (PASS) - W/O DOORS/HARDWARE (UP2)
8	146124-01-UP3	EA	CABINET - FRONT/SIDE (PASS) - W/O DOORS/HARDWARE (UP3)
9	146124-24-R69	EA	END CAP - OVERHEAD CABINET - CONCERT CHERRY
9	146124-24-R76	EA	END CAP - OVERHEAD CABINET - WASHED MAPLE
9	146124-24-SA3	EA	END CAP - OVERHEAD CABINET - SIERRA MAPLE
10	152665-01-01A	EA	CAP - TUBE - 3/4" X 3/4" X 1" - RUBBER/BLACK
11	151804-01-SA1	EA	CABINET/FACE - TV - W/O HARDWARE - CONCERT CHERRY
11	151804-01-SA2	EA	CABINET/FACE - TV - W/O HARDWARE - WASHED MAPLE
11	151804-01-SA3	EA	CABINET/FACE - TV - W/O HARDWARE - SIERRA MAPLE
12	145659-01-03A	EA	COVER - FRONT TV/OVERHEAD - CASHMERE
12	145659-01-02A	EA	COVER - FRONT TV/OVERHEAD - RIVERSTONE (UP1, UP2)
13	151954-02-02B	EA	BRACKET/HOLD DOWN - TV - E-COATED
	152665-01-01A	EA	CAP - TUBE - 3/4" X 3/4" X 1" - RUBBER/BLACK
14	144652-02-TA0	EA	PANEL/VINYL COVERED - WIRE HOLE CUT - CASHMERE
14	144652-02-TB0	EA	PANEL/VINYL COVERED - WIRE HOLE CUT - RIVERSTONE (UP1, UP2)
15	144652-05-TA0	EA	PANEL/VINYL COVERED - WIRE HOLE CUT - CASHMERE - AUTOMATIC SATELLITE DISH FROM: 00-00-00 THRU: 01-28-07
15	144652-17-TA0	EA	PANEL/VINYL COVERED - WIRE HOLE CUT - CASHMERE - AUTOMATIC SATELLITE DISH FROM: 01-29-07 THRU: 99-99-99
16	144652-14-TA0	EA	PANEL/VINYL COVERED - WIRE HOLE CUT (SAT. SYS MOTION) - CASHMERE
16	144652-14-TB0	EA	PAN./VIN. CVR-WIRE HOLE (SAT. SYS MOTION)-RIVERSTONE (UP1, UP2)
17	126841-09-000	EA	SHADE - PULL - CHARCOAL MESH - 40.25" X 60"
18	126841-05-000	EA	SHADE - PULL - CHARCOAL MESH - 30.3" X 60"
19	152168-01-02B	EA	ANGLE/FORMED - W/STUD WELD - E-COATED
20	132909-10-SA0	EA	PANEL - VINYL COVERED
21	132909-04-R38	EA	PANEL - VINYL COVERED
22	152025-03-02B	EA	ANGLE/FORMED - W/O STUD - E-COATED
23	146028-20-UC1	EA	DOOR - GLASS INSERT/OGEE EDGE - 12" X 23.8" - W/O HDW - CONCERT CHERRY
23	146028-20-UC2	EA	DOOR - GLASS INSERT/OGEE EDGE - 12" X 23.8" - W/O HDW - WASHED MAPLE
23	146028-20-UC3	EA	DOOR - GLASS INSERT/OGEE EDGE - 12" X 23.8" - W/O HDW - SIERRA MAPLE
23	146028-01-UP2	EA	DR-GLASS INSERT/OGEE ED.-12" X 23.8"-SIERRA MAPLE - P34SH,P36SG SPECIAL EDITION (SE)
23	100708-32-000	EA	DOOR/GLASS - TV CABINET - 9.24" X 21.03" - W/O HARDWARE - P34SH,P36SG SPECIAL EDITION (SE)

ELECTRICAL GROUP 110V BODY WIRING

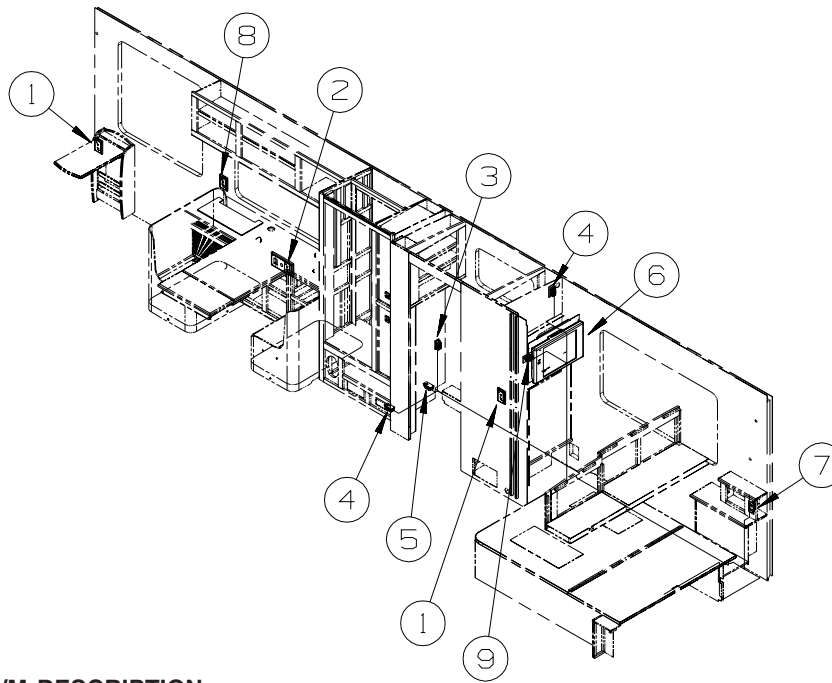


KEY	PART NUMBER	U/M	DESCRIPTION
1	058708-05-000	EA	RECEPTACLE - ELECTRICAL - SINGLE - BROWN
2	058708-01-000	EA	RECEPTACLE - ELECTRIC - DOUBLE - BROWN



KEY	PART NUMBER	U/M	DESCRIPTION
1	058707-01-000	EA	RECEPTACLE - ELECTRIC - SINGLE - BROWN - SLEEP NUMBER BED-QUEEN SIZE
2	058708-01-000	EA	RECEPTACLE - ELECTRIC - DOUBLE - BROWN
3	058707-02-000	EA	RECEPTACLE - BLANK - JUNCTION BOX
4	147446-01-02A	EA	RECEPTACLE - GFCI - 15A 125V - BROWN
			FROM: 00-00-00 THRU: 12-20-06
4	163319-01-02A	EA	RECEPTACLE - GFCI - 15A 125V - BROWN
			FROM: 12-21-06 THRU: 99-99-99
5	084420-01-000	EA	SWITCH - TOGGLE - 15 AMP/120 VOLT - BROWN
5	083588-02-000	EA	LABEL - ON/OFF - ENGINE HEATER
6	058708-05-000	EA	RECEPTACLE - ELECTRIC - SINGLE - BROWN
6	133713-01-24A	EA	SPACER/RECEPTACLE - VINYL - CONCERT CHERRY (UC1, UC5, UD1)
6	133713-01-25A	EA	SPACER/RECEPTACLE - VINYL - CONCERT CHERRY (UM7, UM8, UM9)
6	133713-01-21A	EA	SPACER/RECEPTACLE - VINYL - WASHED MAPLE
6	133713-01-22A	EA	SPACER/RECEPTACLE - VINYL - SIERRA MAPLE
7	155469-01-01A	EA	COVER - WIRE - .9" X 6.3" X 5.6" - BLACK
			FROM: 04-13-06 THRU: 99-99-99
8	153862-02-01A	EA	COVER - WIRE - 5.9" X 3.8" X 2.2" - BLACK
			FROM: 04-13-06 THRU: 99-99-99

ELECTRICAL GROUP (CONTINUED)
110V BODY WIRING (CONTINUED)

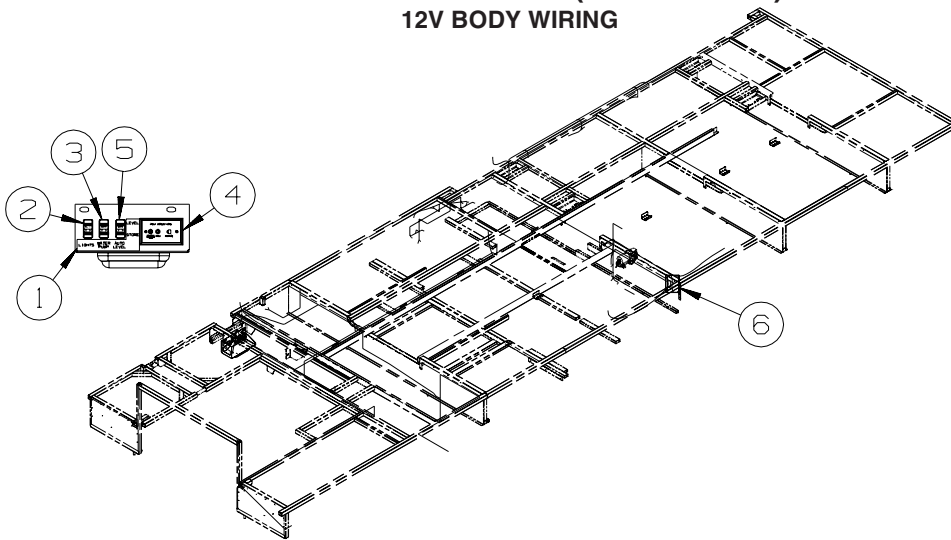


KEY	PART NUMBER	U/M	DESCRIPTION
1	133713-01-24A	EA	SPACER/RECEPTACLE - VINYL - CONCERT CHERRY (UC1, UC5, UD1)
1	133713-01-25A	EA	SPACER/RECEPTACLE - VINYL - CONCERT CHERRY (UM7, UM8, UM9)
1	133713-01-21A	EA	SPACER/RECEPTACLE - VINYL - WASHED MAPLE
1	133713-01-22A	EA	SPACER/RECEPTACLE - VINYL - SIERRA MAPLE
1	058708-01-000	EA	RECEPTACLE - ELECTRIC - DOUBLE - BROWN
2	133713-06-24A	EA	SPACER/RECEPTACLE - PHONE - VINYL - CONCERT CHERRY (UC1, UC5, UD1)
2	133713-06-25A	EA	SPACER/RECEPTACLE - PHONE - VINYL - CONCERT CHERRY (UM7, UM8, UM9)
2	133713-06-21A	EA	SPACER/RECEPTACLE - PHONE - VINYL - WASHED MAPLE
2	133713-06-22A	EA	SPACER/RECEPTACLE - PHONE - VINYL - SIERRA MAPLE
2	058708-01-000	EA	RECEPTACLE - ELECTRIC - DOUBLE - BROWN
3	058707-01-000	EA	RECEPTACLE - ELECTRIC - SINGLE - BROWN
4	058708-05-000	EA	RECEPTACLE - ELECTRIC - SINGLE - BROWN
5	058707-02-000	EA	RECEPTACLE - BLANK - JUNCTION BOX
6*	159759-01-000	EA	TV - 20" FLAT PANEL/LCD/STEREO - SHARP LC-20SH3U
7	058708-01-000	EA	RECEPTACLE - ELECTRIC - DOUBLE - BROWN
8	133713-01-24A	EA	SPACER/RECEPTACLE - VINYL - CONCERT CHERRY (UC1, UC5, UD1) - DINING/COMPT TBL/CHR
8	133713-01-25A	EA	SPACER/RECEPTACLE - VINYL - CONCERT CHERRY (UM7, UM8, UM9) - DINING/COMPT TBL/CHR
8	133713-01-21A	EA	SPACER/RECEPTACLE - VINYL - WASHED MAPLE - DINING/COMPT TBL/CHR
8	133713-01-22A	EA	SPACER/RECEPTACLE - VINYL - SIERRA MAPLE - DINING/COMPT TBL/CHR
8	058708-01-000	EA	RECEPTACLE - ELECTRIC - DOUBLE - BROWN - DINING/COMPT TBL/CHR
9	058708-05-000	EA	RECEPTACLE - ELECTRIC - SINGLE - BROWN
9	158542-01-01A	EA	LABEL - RECEPTACLE - WASHER/DRYER - WHITE/BLACK

*COMPONENT PARTS LISTED LATER IN THIS GROUP

ELECTRICAL GROUP (CONTINUED)

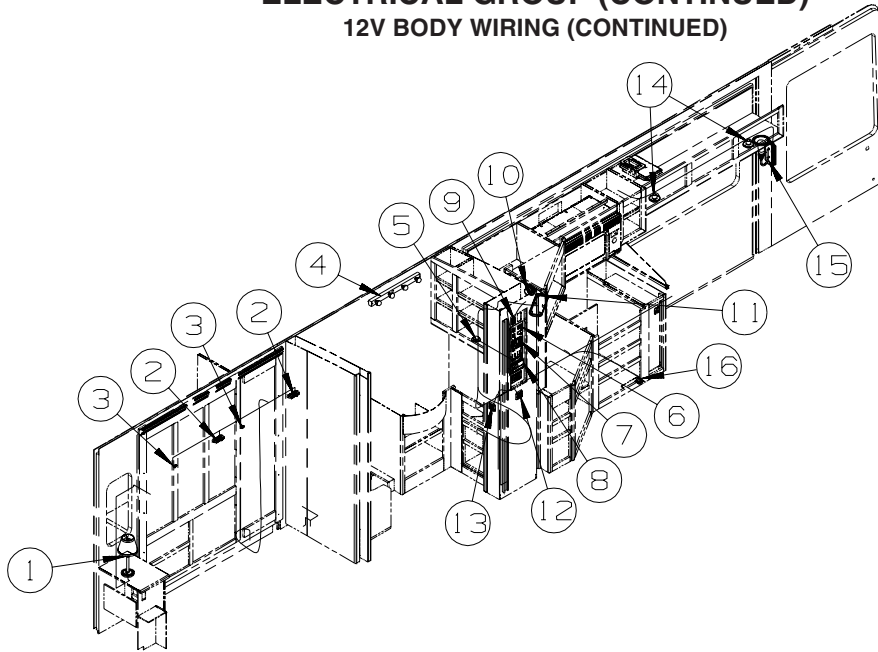
12V BODY WIRING



KEY	PART NUMBER	U/M	DESCRIPTION
1	117628-02-000	EA	LABEL - SWITCH - WATER PUMP/LIGHTS-WHITE/CLEAR BACKGROUND
2	108357-01-000	EA	SWITCH - ROCKER - SPST - ON/OFF - 2 TERMINAL - W/O COVER
2	108356-01-01A	EA	COVER/ACTUATOR SWITCH - 3 GROOVES - BLACK
2	108355-01-000	EA	HOUSING - SWITCH
3	108357-15-000	EA	SWITCH - ROCKER - DPDT - ON/NONE/ON - W/LIGHT W/O COVER
3	108356-03-01A	EA	COVER/ACTUATOR SWITCH - 3 GROOVES W/LENS - BLACK
3	108355-01-000	EA	HOUSING - SWITCH
4	149557-02-01A	EA	PLATE/WALL - PHONE/DUAL COAXIAL/HORIZONTAL - WHITE
5	108357-18-000	EA	SWITCH - ROCKER - DPDT - MOM/OFF/MOM - W/O COVER
5	108356-03-01A	EA	COVER/ACTUATOR SWITCH - 3 GROOVES W/LENS - BLACK
5	108355-01-000	EA	HOUSING - SWITCH
6	082134-01-000	EA	ADAPTER - TV - CABLE TO CABLE
6	082136-01-000	EA	NUT - HEX JAM - 3/8-32
6	157486-01-02A	EA	LABEL - TV/EXTERIOR

ELECTRICAL GROUP (CONTINUED)

12V BODY WIRING (CONTINUED)

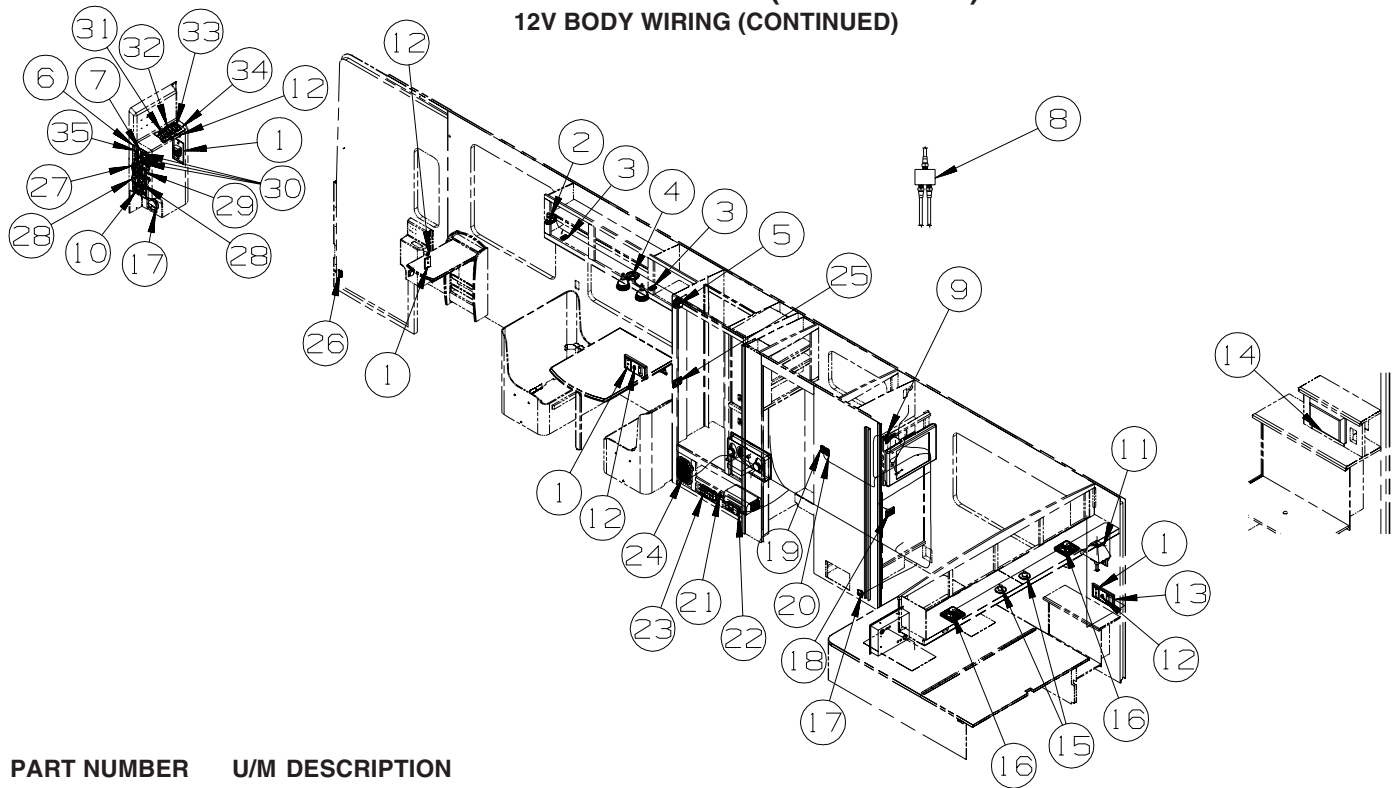


KEY	PART NUMBER	U/M	DESCRIPTION
1	142612-06-01A	EA	LAMP/TABLE - SATIN NICKEL
1	119257-18-01A	EA	SHADE - LAMP - PARCHMENT
1	117805-02-000	EA	BULB - 12V - #921 - 1.4 AMPS
2*	087694-01-000	EA	LIGHT - WARDROBE/CLOSET - W/SWITCH
3	056264-01-000	EA	SWITCH - LEAF ACTUATOR
4	138116-02-02A	EA	LIGHT/MAKE UP - 4 BULB - CURVED - W/O BULB - SATIN NICKEL
4	123918-01-000	EA	BULB - 12V - MAKEUP - WHITE
5*	123775-01-02A	EA	LIGHT - HALOGEN - ROUND - SATIN NICKEL
5	123917-01-000	EA	BULB - 12V - HALOGEN SPOT
6*	133004-05-01A	EA	PANEL/MONITOR-2 TANK-DIGITAL VOLT MT/SOLAR-W/WATER HTR SWT
7	127002-10-000	EA	PANEL/MONITOR - ENERGY MANAGEMENT SYSTEMS CTRL - W/3 PLUG
8	105620-18-000	EA	THERMOSTAT - FURNACE/HEAT PUMP-A/C - W/CHOKE MODULE
9	135740-06-01A	EA	SWITCH - ROCKER - ON/OFF - LIGHTED - RED
9	135741-01-01A	EA	SWITCH - BASE - SINGLE - BROWN
9	135742-35-02A	EA	BEZEL - SWITCH - WATER HEATER/110 VOLT - BROWN
10	148026-03-01A	EA	SPEAKER - CUBE - W/O CASE
			FROM: 00-00-00 THRU: 07-30-06
10	160868-01-01A	EA	SPEAKER - ROUND/CEILING - W/O CASE - BLACK
			FROM: 07-31-06 THRU: 99-99-99
10	148026-02-01A	EA	SPEAKER GRILLE - CUBE - SILVER
			FROM: 00-00-00 THRU: 07-30-06
10	160868-02-01A	EA	GRILLE/ROUND - SPEAKER - SILVER
			FROM: 07-31-06 THRU: 99-99-99
11*	137417-05-01A	EA	LIGHT - DOME - DOUBLE - W/SWITCH/OPTIC LENS - WHITE
12	135740-01-01A	EA	SWITCH - ROCKER - SPST - ON/OFF - BROWN
12	135741-02-01A	EA	SWITCH - BASE - DOUBLE - BROWN
12	135742-31-02A	EA	BEZEL - SWITCH - CEILING/MONITOR - BROWN
13	135740-01-01A	EA	SWITCH - ROCKER - SPST - ON/OFF - BROWN - MAKE UP
13	135740-02-01A	EA	SWITCH - ROCKER - SPDT - ON/ON - BROWN - CEILING
13	135741-02-01A	EA	SWITCH - BASE - TRIPLE - BROWN
13	135742-14-02A	EA	BEZEL - SWITCH - MAKEUP/CEILING - BROWN
14	132427-01-02A	EA	LIGHT - READING/SWIVEL - ROUND - NICKEL
14	123917-01-000	EA	BULB - 12V - HALOGEN SPOT
15	119258-35-03A	EA	LAMP - WALL - SATIN NICKEL
15	117805-01-000	EA	BULB - 12V - #921F - 1.4 AMPS
15	119258-55-01A	EA	LAMP - WALL - UL/CSA - BRUSHED NICKEL - P34SH - SPECIAL EDITION (SE)
15	119257-25-01A	EA	SHADE - LAMP - IVORY - P34SH - SPECIAL EDITION (SE)
16*	108354-01-01A	EA	LIGHT - COURTESY

*COMPONENT PARTS LISTED LATER IN THIS GROUP

ELECTRICAL GROUP (CONTINUED)

12V BODY WIRING (CONTINUED)



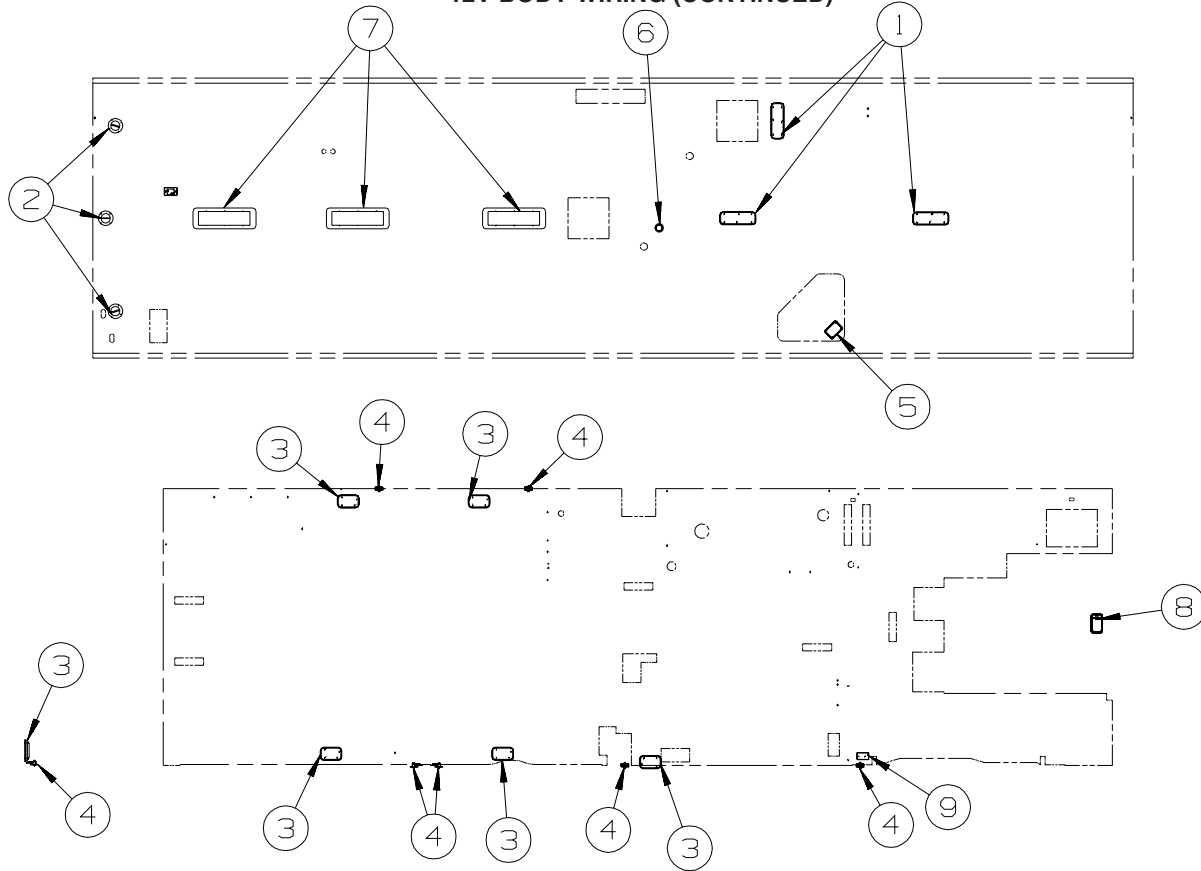
KEY	PART NUMBER	U/M	DESCRIPTION
1	093253-01-02A	EA	PLATE - WALL - TELEPHONE - BROWN
2	128786-02-02A	EA	LIGHT - READING/SWIVEL - W/O SWITCH - SATIN NICKEL
	123917-01-000	EA	BULB - 12V - HALOGEN SPOT
3	135740-01-01A	EA	SWITCH - ROCKER - SPST - ON/OFF - BROWN
3	135741-01-01A	EA	SWITCH - BASE - SINGLE - BROWN
3	135742-01-01A	EA	BEZEL - SWITCH - SINGLE - BROWN
4*	093575-23-03A	EA	LIGHT - CEILING/DOUBLE - SATIN NICKEL
4	117805-01-000	EA	BULB - 12V - #921F - 1.4 AMPS
4	093575-47-01A	EA	LIGHT - CEILING/DOUBLE - BRUSHED NICKEL - P34SH - SPECIAL EDITION (SE)
5	148026-03-01A	EA	SPEAKER - CUBE - W/O CASE
			FROM: 00-00-00 THRU: 07-30-06
5	160868-01-01A	EA	SPEAKER - ROUND/CEILING - W/O CASE - BLACK
			FROM: 07-31-06 THRU: 99-99-99
5	148026-02-01A	EA	SPEAKER GRILLE - CUBE - SILVER
			FROM: 00-00-00 THRU: 07-30-06
5	160868-02-01A	EA	GRILLE/ROUND - SPEAKER - SILVER
			FROM: 07-31-06 THRU: 99-99-99
6	149521-01-02B	EA	PLATE - SWITCH/CONSOLE - RIGHT HAND - E-COATED
7	149527-02-03A	EA	APPLIQUE/SWITCH - PASSENGER - DARK PUTTY
8	086756-01-000	EA	SPLITTER - TV/2 WAY - TV REAR - 20" COLOR, STEREO
9	144363-09-02B	EA	PLATE - SWITCH - E-COATED
9	108357-06-000	EA	SWITCH - ROCKER - DPDT - MOM/OFF/MOM - 6 TERM - W/O COVER
9	108356-01-01A	EA	COVER/ACTUATOR SWITCH - 3 GROOVES - BLACK
9	108355-01-000	EA	HOUSING - SWITCH
9	116220-01-000	EA	APPLIQUE - SWITCH/SLIDEOUT
9	116549-02-000	EA	LABEL - WARNING - SLIDEOUT
10	108357-18-000	EA	SWITCH - ROCKER - DPDT - MOM/OFF/MOM - W/O COVER
10	108356-03-01A	EA	COVER/ACTUATOR SWITCH - 3 GROOVES W/LENS - BLACK
10	108355-01-000	EA	HOUSING - SWITCH
11	119258-37-03A	EA	LAMP - WALL - SATIN NICKEL
11	119257-18-01A	EA	SHADE - LAMP - PARCHMENT
11	117805-02-000	EA	BULB - 12V - #921 - 1.4 AMPS
11	119258-55-01A	EA	LAMP - WALL - UL/CSA - BRUSHED NICKEL - P34SH - SPECIAL EDITION (SE)
11	119257-25-01A	EA	SHADE - LAMP - IVORY - P34SH - SPECIAL EDITION (SE)
12	132958-01-000	EA	RECEPTACLE - 12 VOLT - MOUNTING FLANGE - BLACK
13	133713-06-24A	EA	SPACER/RECEPTACLE - PHONE - VINYL - CONCERT CHERRY (UC1, UC5, UD1) - W/O REAR STEREO
13	133713-06-25A	EA	SPACER/RECEPTACLE - PHONE - VINYL - CONCERT CHERRY (UM7, UM8, UM9) - W/O REAR STEREO
13	133713-06-21A	EA	SPACER/RECEPTACLE - PHONE - VINYL - WASHED MAPLE - W/O REAR STEREO
13	133713-06-22A	EA	SPACER/RECEPTACLE - PHONE - VINYL - SIERRA MAPLE - W/O REAR STEREO

ELECTRICAL GROUP (CONTINUED)
12V BODY WIRING (CONTINUED)

KEY	PART NUMBER	U/M	DESCRIPTION
14*	156413-01-01A	EA	RADIO - WALL MOUNT - DVD/CD - W/ALARM - JENSEN AWM950 FROM: 00-00-00 THRU: 01-01-07
14	163031-01-01A	EA	RADIO - WALL MOUNT - DVD/CD - W/ALARM - JENSEN AWM960 FROM: 01-02-07 THRU: 99-99-99
15	132427-01-02A	EA	LIGHT - READING/SWIVEL - ROUND - NICKEL
15	123917-01-000	EA	BULB - 12V - HALOGEN SPOT
16	094097-01-000	EA	SPEAKER - RADIO/TV - W/O GRILLE - 5.25" DIAMETER- STEREO SYSTEM W/CD REAR
16	089340-02-000	EA	GRILLE - SPEAKER - 6.5" SQUARE- STEREO SYSTEM W/CD REAR
17*	108354-01-01A	EA	LIGHT - COURTESY
18	135740-01-01A	EA	SWITCH - ROCKER - SPST - ON/OFF - BROWN - CEILING
18	135740-02-01A	EA	SWITCH - ROCKER - SPDT - ON/ON - BROWN - AISLE/HALL
18	135741-03-01A	EA	SWITCH - BASE - TRIPLE - BROWN
18	135742-25-02A	EA	BEZEL - SWITCH - CEILING/AISLE/HALL - BROWN
19	135740-01-01A	EA	SWITCH - ROCKER - SPST - ON/OFF - BROWN
19	135741-01-01A	EA	SWITCH - BASE - SINGLE - BROWN
19	135742-07-02A	EA	BEZEL - SWITCH - CEILING - BROWN
20	135740-01-01A	EA	SWITCH - ROCKER - SPST - ON/OFF - BROWN
20	135741-01-01A	EA	SWITCH - BASE - SINGLE - BROWN
20	135742-12-02A	EA	BEZEL - SWITCH - FAN - BROWN
21	086233-01-000	EA	STUD - ISOLATED - 3/8" X 7/8" LONG
22	150138-01-02A	EA	DETECTOR - LP GAS - BROWN
23	092547-12-000	EA	LABEL - CIRCUIT BREAKER
23	139067-03-02B	EA	PLATE - CIRCUIT BREAKER/HOUSE - E-COATED
24	124884-01-000	EA	SPEAKER - 6" X 9" - SUB-WOOFER - W/O GRILLE
24	151844-01-01A	EA	GRILLE - SPEAKER - 6" X 9" - SUB WOOFER - BLACK
25	135740-02-01A	EA	SWITCH - ROCKER - SPDT - ON/ON - BROWN
25	135741-02-01A	EA	SWITCH - BASE - DOUBLE - BROWN
25	135742-13-02A	EA	BEZEL - SWITCH - CEILING/AISLE - BROWN
26	116995-03-000	EA	SWITCH/MAGNET - ELECTRIC STEP
27	096241-03-000	EA	SWITCH - BLANK - BLACK
27	108357-08-000	EA	SWITCH - ROCKER - DPDT - ON/NONE/ON - 6 TERM - W/O COVER - AWNING ELECTRIC PACKAGE
27	108356-13-01A	EA	COVER/ACTUATOR SWITCH - 3 GROOVES - AWNING/PATIO/DOOR - AWNING ELECTRIC PACKAGE
27	108355-01-000	EA	HOUSING - SWITCH - AWNING ELECTRIC PACKAGE
28	108357-07-000	EA	SWITCH - ROCKER - SPDT - MOM/OFF/MOM - 3 TERM - W/O COVER
28	108356-01-01A	EA	COVER/ACTUATOR SWITCH - 3 GROOVES - BLACK
28	108355-01-000	EA	HOUSING - SWITCH
29	096241-03-000	EA	SWITCH - BLANK - BLACK
29	108357-06-000	EA	SWITCH - ROCKER - DPDT - MOM/OFF/MOM - 6 TERM - W/O COVER - AWNING ELECTRIC PACKAGE
29	108356-13-01A	EA	COVER/ACTUATOR SWITCH - 3 GROOVES - AWNING/PATIO/DOOR - AWNING ELECTRIC PACKAGE
29	108355-01-000	EA	HOUSING - SWITCH - AWNING ELECTRIC PACKAGE
30	132180-01-01A	EA	SWITCH - PADDLE - SPST - ON/OFF - BLACK
31	108357-06-000	EA	SWITCH - ROCKER - DPDT - MOM/OFF/MOM - 6 TERM - W/O COVER
31	108356-01-01A	EA	COVER/ACTUATOR SWITCH - 3 GROOVES - BLACK
31	108355-01-000	EA	HOUSING - SWITCH
32	096241-03-000	EA	SWITCH - BLANK - BLACK
32	108357-16-000	EA	SWITCH - ROCKER - DPDT - MOM/ON/MOM - W/O COVER - SUNVISOR - POWERED
32	108356-01-01A	EA	COVER/ACTUATOR SWITCH - 3 GROOVES - BLACK - SUNVISOR - POWERED
32	108355-01-000	EA	HOUSING - SWITCH - SUNVISOR - POWERED
33	108357-01-000	EA	SWITCH - ROCKER - SPST - ON/OFF - 2 TERMINAL - W/O COVER
33	108356-01-01A	EA	COVER/ACTUATOR SWITCH - 3 GROOVES - BLACK
33	108355-01-000	EA	HOUSING - SWITCH
34	142487-01-02B	EA	PLATE - SWITCH - E-COATED
34	142475-01-03A	EA	APPLIQUE/SWITCH - PASSENGER - DARK PUTTY
35	132180-02-01A	EA	SWITCH - PADDLE - SPDT - ON/ON - BLACK

*COMPONENT PARTS LISTED LATER IN THIS GROUP

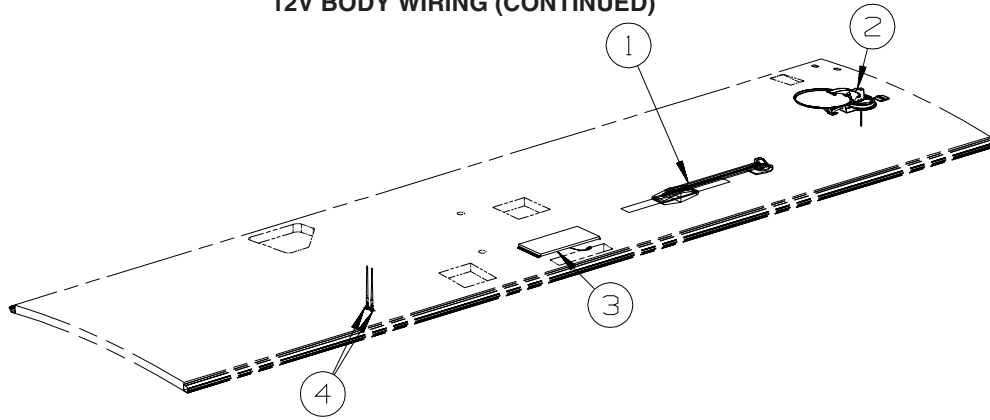
ELECTRICAL GROUP (CONTINUED)
12V BODY WIRING (CONTINUED)



KEY	PART NUMBER	U/M	DESCRIPTION
1*	137417-06-01A	EA	LIGHT - DOME - DOUBLE - W/O SWITCH - W/FROSTED LENS-WHITE
2	151314-01-01A	EA	SPEAKER - CUBE/CEILING - WHITE - MAGNADYNE - LS3CM-WN
2	160867-01-01A	EA	SPEAKER - ROUND/CEILING - CREAM - MAGNADYNE - LS3EYC-WN FROM: 00-00-00 THRU: 07-30-06 FROM: 07-31-06 THRU: 99-99-99
3*	137417-03-01A	EA	LIGHT - DOME - SINGLE - W/O SWITCH - W/FROSTED LENS-WHITE
4	041250-01-000	EA	SWITCH - PUSH BUTTON/DOOR JAMB - METAL/CHROME
4	138494-01-02B	EA	BRACKET - SWITCH/LIGHT - E-COATED
5*	121935-01-01A	EA	LIGHT - DOME - SHOWER
6*	146048-01-01A	EA	LIGHT - HALOGEN/ADJUSTABLE - WHITE
7*	153464-06-01A	EA	LIGHT-FLUORESCENT 21.8"- RECESSED/WARM WHT BULB-W/O SWITCH
7*	137417-06-01A	EA	LIGHT - DOME - DOUBLE - W/O SWITCH - W/FROSTED LENS-WHITE - P34SH - SPECIAL EDITION (SE)
8*	137417-01-01A	EA	LIGHT - DOME - SINGLE - W/SWITCH/FROSTED LENS - WHITE
9*	086280-01-000	EA	LIGHT - SURFACE MOUNT - 12 VOLT

*COMPONENT PARTS LISTED LATER IN THIS GROUP

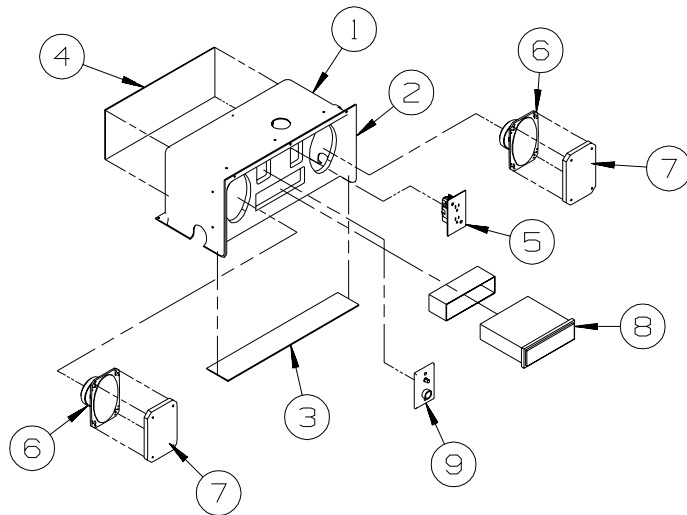
ELECTRICAL GROUP (CONTINUED)
12V BODY WIRING (CONTINUED)



KEY	PART NUMBER	U/M	DESCRIPTION
1*	076319-23-000	EA	ANTENNA - TV ROOF MOUNT - 44.5" MAST
1*	076319-25-000	EA	KIT - HARDWARE INTERIOR
1	069726-02-000	EA	BUMPER - .88" OD X .40" THICK - BLACK
2	154474-04-01A	EA	ANTENNA/SATELLITE - DISH IN DOME/SEARCH IN MOTION - WHITE - IN MOTION SATELLITE
2	154474-04-02A	EA	ANTENNA/SAT. - DISH IN DOME/SRCH IN MOTION - BLACK- IN MOTION SATELLITE/FULL BODY PAINT
2	154474-02-000	EA	CONTROL/SATELLITE KIT - IDB BOX/IDD BOX-POWER SUPPLY-CABLE - IN MOTION SATELLITE
2	154474-03-000	EA	CABLE - SATELLITE - RG6 COAX - 7' W/CONNECTORS - IN MOTION SATELLITE
2	146488-01-000	EA	PLATE - ROOF - CABLE ENTRY - IN MOTION SATELLITE
2*	141454-03-01A	EA	ANTENNA/SATELLITE - "AUTO SEARCH WHILE PARKED/GPS SYSTEM" - SAT DISH - AUTOMATIC FROM: 00-00-00 THRU: 01-28-07
2	163598-01-02A	EA	ANTENNA/SATELLITE - DISH IN DOME/AUT - BLACK - SAT DISH - AUTOMATIC - NOT ILLUSTRATED FROM: 01-29-07 THRU: 99-99-99
2	146488-01-000	EA	PLATE - ROOF - CABLE ENTRY - SAT DISH - AUTOMATIC - NOT ILLUSTRATED FROM: 01-29-07 THRU: 99-99-99
2	141454-04-000	EA	WIRE - SATELLITE - AUTOMATIC
3	151647-01-000	EA	PANEL - SOLAR 10 WATT
4	090944-01-000	EA	ANTENNA - RADIO - 16" RUBBER - W/72" LEAD WIRE
4	109889-04-000	EA	EXTENDER - ANTENNA SHAFT - 3.7"
4	147741-01-09B	EA	BRACKET - ANTENNA GROUND - GALVANIZED

***COMPONENT PARTS LISTED LATER IN THIS GROUP**

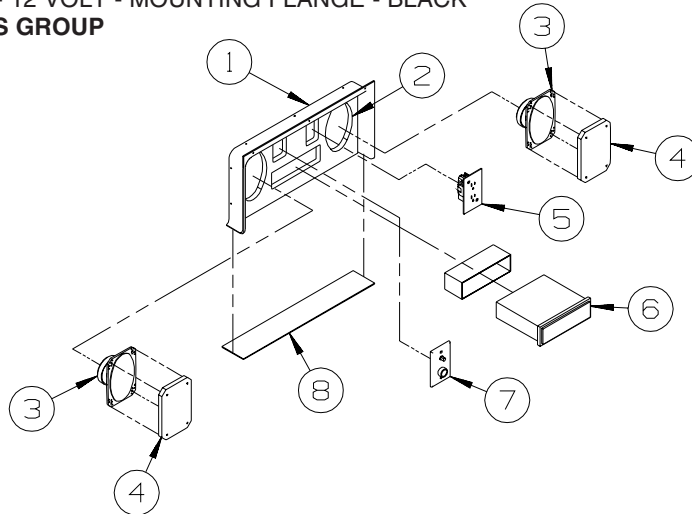
ELECTRICAL GROUP (CONTINUED)
12V BODY WIRING (CONTINUED)



**P36G/SG &
P39K**

KEY	PART NUMBER	U/M	DESCRIPTION
1	124696-01-01A	EA	BOX-ENTERTAINMENT CTR/EXT-19.4"W X 10"H X 10.2"D W/CUTOUTS
2	127409-03-UC1	EA	PLATE - RADIO MOUNTING
3	104898-01-02A	EA	PLATE - PLASTIC BOTTOM - BRIGHT WHITE
4	104898-02-02A	EA	PLATE - PLASTIC BACK - BRIGHT WHITE
5	058708-01-000	EA	RECEPTACLE - ELECTRIC - DOUBLE - BROWN
6	110469-01-000	EA	SPEAKER - 4" X 6" OVAL - COAXIAL
7	110470-01-01A	EA	GRILLE - 4" X 6" - OVAL SPEAKER - BLACK
8*	155619-01-000	EA	RADIO - AM/FM CD - W/REMOTE - MAGNADYNE M3200CD
			FROM: 00-00-00 THRU: 08-01-06
8	155619-02-000	EA	RADIO - AM/FM CD-W/O REMOTE/WIRE HARNESS-MAGNADYNE M3200CD
			FROM: 08-02-06 THRU: 99-99-99
	155619-03-000	EA	REMOTE - RADIO
			FROM: 08-02-06 THRU: 99-99-99
9	132958-01-000	EA	RECEPTACLE - 12 VOLT - MOUNTING FLANGE - BLACK

***COMPONENT PARTS LISTED LATER IN THIS GROUP**

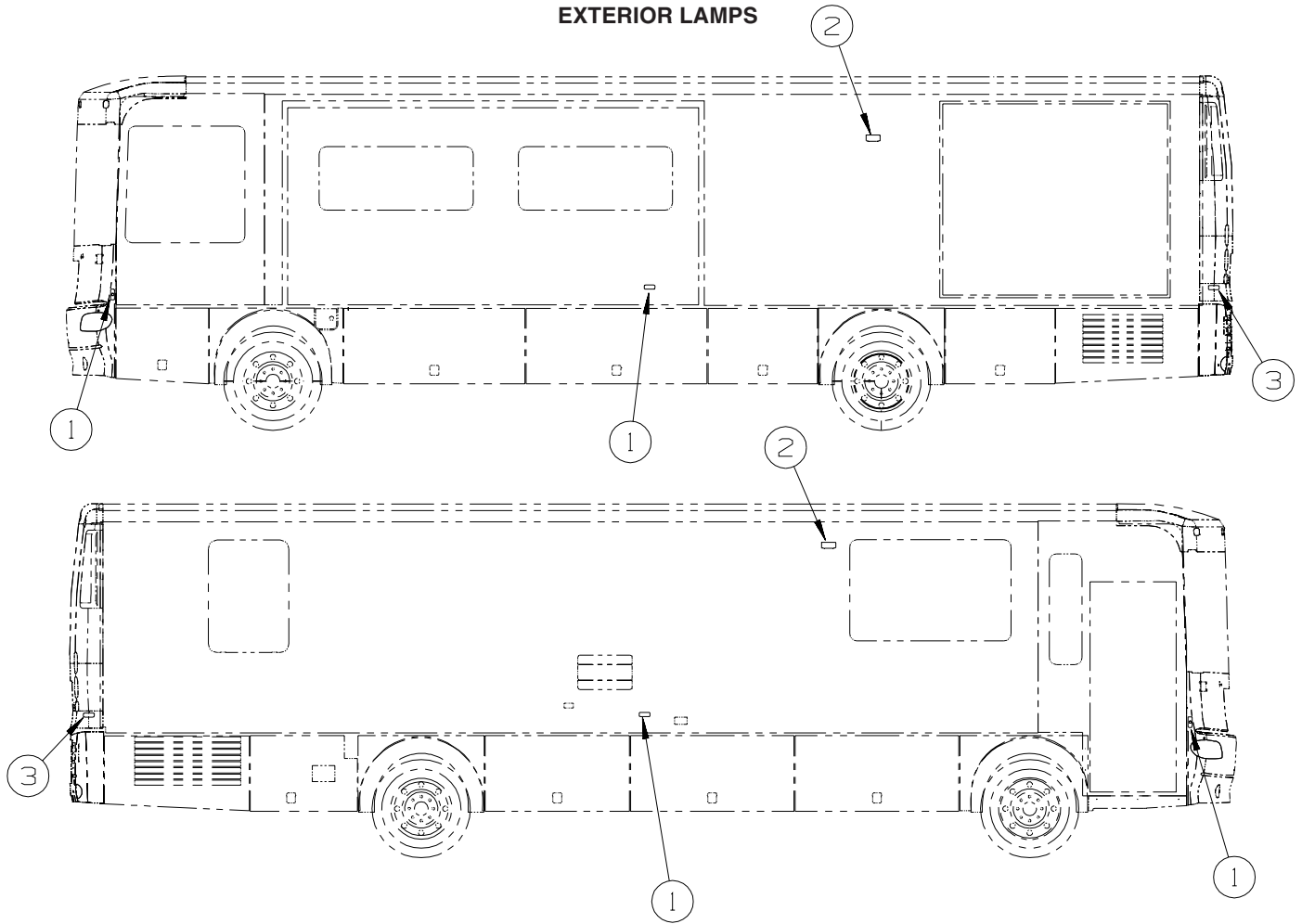


P34H/SH

KEY	PART NUMBER	U/M	DESCRIPTION
1	124696-02-01A	EA	BOX-ENTERTAINMENT CTR/EXT-19.4"W X 10"H X 2.5"D - BRT WHT
	124696-01-01A	EA	BOX-ENTERTAINMENT CTR/EXT-19.4"W X 10"H X 10.2"D W/CUTOUTS
2	127409-03-U89	EA	PLATE - RADIO MOUNTING
3	110469-01-000	EA	SPEAKER - 4" X 6" OVAL - COAXIAL
4	110470-01-01A	EA	GRILLE - 4" X 6" - OVAL SPEAKER - BLACK
5	058708-01-000	EA	RECEPTACLE - ELECTRIC - DOUBLE - BROWN
6*	155619-01-000	EA	RADIO - AM/FM CD - W/REMOTE - MAGNADYNE M3200CD
			FROM: 00-00-00 THRU: 08-01-06
6	155619-02-000	EA	RADIO - AM/FM CD-W/O REMOTE/WIRE HARNESS-MAGNADYNE M3200CD
			FROM: 08-02-06 THRU: 99-99-99
	155619-03-000	EA	REMOTE - RADIO
			FROM: 08-02-06 THRU: 99-99-99
7	132958-01-000	EA	RECEPTACLE - 12 VOLT - MOUNTING FLANGE - BLACK
8	104898-01-02A	EA	PLATE - PLASTIC BOTTOM - BRIGHT WHITE

***COMPONENT PARTS LISTED LATER IN THIS GROUP**

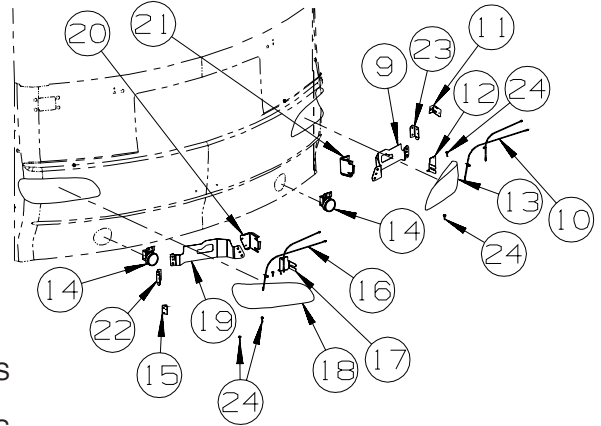
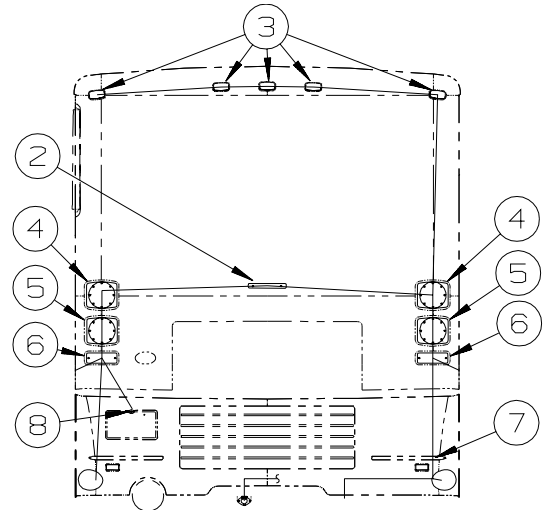
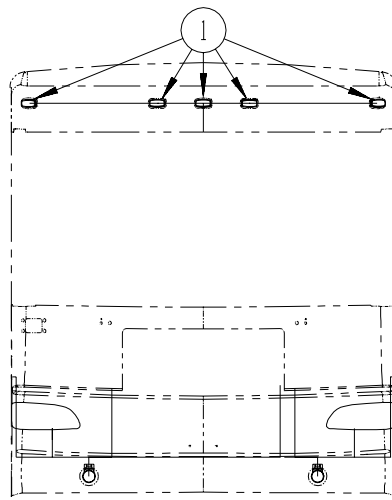
ELECTRICAL GROUP (CONTINUED)
EXTERIOR LAMPS



KEY	PART NUMBER	U/M	DESCRIPTION
1	111102-01-000	EA	BASE - MARKER LAMP
1	111102-02-000	EA	LENS - AMBER - MARKER LAMP
	036196-01-000	EA	BULB - 12V - #194 - .27 AMP - BAYONETTE
2	097917-01-08A	EA	LIGHT/PORCH - CHROME
	008215-01-000	EA	BULB - 12 VOLT - #1003 - .94 AMP
3	111102-01-000	EA	BASE - MARKER LAMP
3	111102-03-000	EA	LENS - RED - MARKER LAMP
	036196-01-000	EA	BULB - 12V - #194 - .27 AMP - BAYONETTE

ELECTRICAL GROUP (CONTINUED)

EXTERIOR LAMPS (CONTINUED)



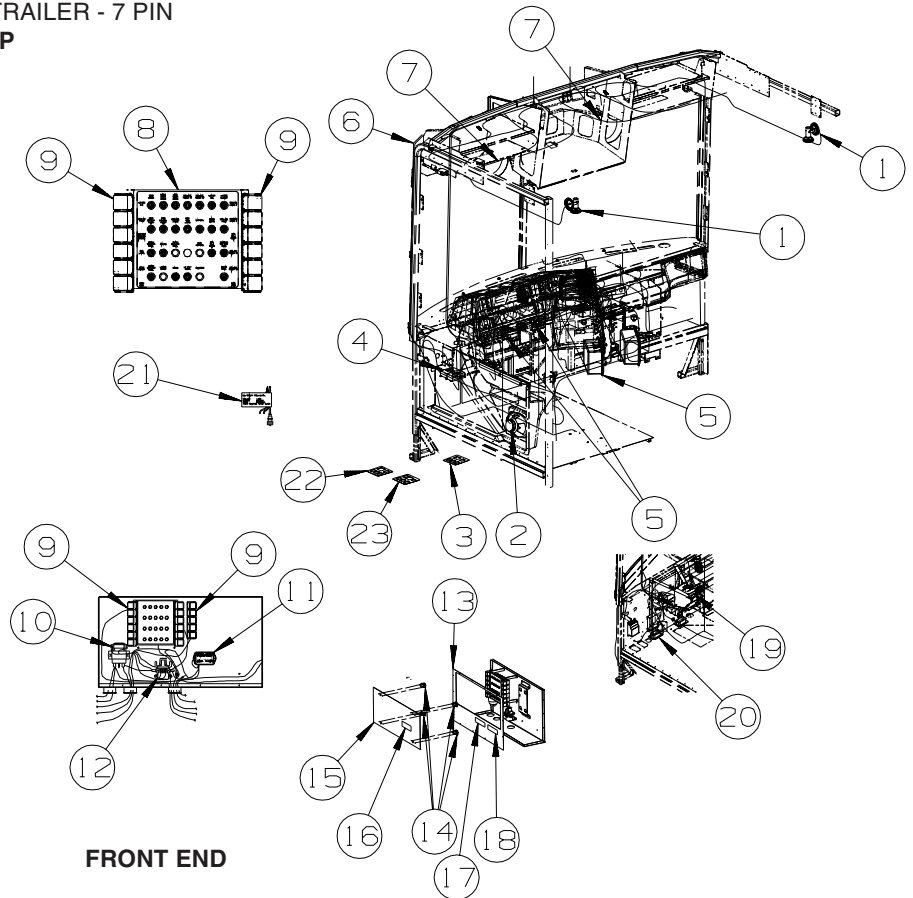
KEY	PART NUMBER	U/M	DESCRIPTION
1	133055-03-000	EA	BASE - F/CLEARANCE/MARKER - WHITE
1	133055-02-000	EA	LENS - AMBER - F/CLEARANCE/MARKER
	036196-01-000	EA	BULB - 12V - #194 - .27 AMP - BAYONETTE
	127536-02-000	EA	SOCKET - LIGHT - 194 WEDGE
2	136917-01-000	EA	LIGHT - BRAKE - CENTER MOUNT - OVAL
	106687-01-000	EA	SOCKET - LIGHT - 2-WIRE
3	133055-03-000	EA	BASE - F/CLEARANCE/MARKER - WHITE
3	133055-01-000	EA	LENS - RED - F/CLEARANCE/MARKER
	036196-01-000	EA	BULB - 12V - #194 - .27 AMP - BAYONETTE
	127536-02-000	EA	SOCKET - LIGHT - 194 WEDGE
4*	133054-03-000	EA	LIGHT - STOP/TURN/TAILLIGHT - RED
4	037934-01-000	EA	BULB - 12V - #1156 - 2.1 AMP - CLEAR GLASS
5*	133054-04-000	EA	LIGHT - TURN - AMBER
5	037934-01-000	EA	BULB - 12V - #1156 - 2.1 AMP - CLEAR GLASS
6	106688-01-000	EA	LIGHT - BACK-UP W/WHITE LENS (LENS/BACK PAN)
6	037934-01-000	EA	BULB - 12V - #1156 - 2.1 AMP - CLEAR GLASS
7	106646-02-000	EA	REFLECTOR - STICK ON - RED
8	087201-01-000	EA	LIGHT - HALF ROUND - 1" X 1.7" - PLASTIC - BLACK OR WHITE
9	143903-02-01A	EA	BRACKET/HEADLAMP - DRIVER
10	145919-02-000	EA	CABLE - HEADLAMP - 21"
10	145919-01-000	EA	CABLE - HEADLAMP ADJUSTER - 16.9" LONG
10	145927-01-000	EA	CLAMP - CABLE - PLASTIC
10	147644-02-02B	EA	PLATE - HEADLAMP ADJUSTER - E-COATED
10	149562-01-02B	EA	HOUSING - CABLE TUBE - E-COATED
11	149559-02-02B	EA	BRACKET - CABLE/HEADLAMP - E-COATED
12	146101-02-02B	EA	BRACKET - HEADLAMP/ADJUST - LEFT - E-COATED
13	144834-02-000	EA	HEADLAMP - W/PARK&TURN - DRIVER
13	037936-01-000	EA	BULB - 12V NUMBER 1157A - 2.10 AMP - AMBER GLASS
13	124187-01-000	EA	SOCKET/HOUSING - LOW BEAM HEADLAMP
13	124187-02-000	EA	SOCKET/HOUSING - HIGH BEAM HEADLAMP
13	145787-01-000	EA	SOCKET - PARK/TURN - GM# 12141302
14	151421-01-000	EA	LAMP - FOG - CLEAR/ROUND
14	139686-01-02B	EA	ANGLE - MOUNT - FOG/LAMP - E-COATED
15	149559-01-02B	EA	BRACKET - CABLE/HEADLAMP - E-COATED
16	145919-02-000	EA	CABLE - HEADLAMP - 21"
16	145919-01-000	EA	CABLE - HEADLAMP ADJUSTER - 16.9" LONG
16	145927-01-000	EA	CLAMP - CABLE - PLASTIC
16	147644-01-02B	EA	PLATE - HEADLAMP ADJUSTER - E-COATED
16	149562-01-02B	EA	HOUSING - CABLE TUBE - E-COATED
17	146101-01-02B	EA	BRACKET - HEADLAMP/ADJUST - RIGHT - E-COATED
18	144834-01-000	EA	HEADLAMP - W/PARK&TURN - PASSENGER
18	037936-01-000	EA	BULB - 12V NUMBER 1157A - 2.10 AMP - AMBER GLASS
18	124187-01-000	EA	SOCKET/HOUSING - LOW BEAM HEADLAMP
18	124187-02-000	EA	SOCKET/HOUSING - HIGH BEAM HEADLAMP
18	145787-01-000	EA	SOCKET - PARK/TURN - GM# 12141302
19	143903-01-01A	EA	BRACKET/HEADLAMP - PASSENGER

ELECTRICAL GROUP (CONTINUED)

EXTERIOR LAMPS (CONTINUED)

KEY	PART NUMBER	U/M	DESCRIPTION
20	151374-02-02B	EA	BRACKET - HEADLAMP MOUNT/INNER - E-COATED
21	151374-04-02B	EA	BRACKET - HEADLAMP MOUNT/INNER - E-COATED
22	151373-02-02B	EA	BRACKET - HEADLAMP MOUNT/OUTER - E-COATED
23	151373-04-02B	EA	BRACKET - HEADLAMP MOUNT/OUTER - E-COATED
24	144078-01-01A	EA	SCREW - HEX/FLANGE HEAD CAP-1" W/.75" THREAD LENGTH-ZINC
	146246-01-000	EA	CONNECTOR/PLUG - TRAILER - 7 PIN

*COMPONENT PARTS LISTED LATER IN THIS GROUP



KEY	PART NUMBER	U/M	DESCRIPTION
1	128786-02-02A	EA	LIGHT - READING/SWIVEL - W/O SWITCH - SATIN NICKEL
	123917-01-000	EA	BULB - 12V - HALOGEN SPOT
2	150090-01-000	EA	SPEAKER - 6" X 9" - SUB-WOOFER - MAGNADYNE LS69W FROM: 00-00-00 THRU: 02-26-06
2	124884-01-000	EA	SPEAKER - 6" X 9" - SUB-WOOFER - W/O GRILLE FROM: 02-27-06 THRU: 99-99-99
2	151569-01-01A	EA	GRILLE - SPEAKER - 6" X 9" - SUB WOOFER - BLACK FROM: 00-00-00 THRU: 02-26-06
2	151844-01-01A	EA	GRILLE - SPEAKER - 6" X 9" - SUB WOOFER - BLACK FROM: 02-27-06 THRU: 99-99-99
3	118662-14-02B	EA	PLATE - EARLY CHASSIS (SEPARATE INFO CENTER ON DASH, CHECK ANTENNA LIGHT IN DASH)
3	118662-16-02B	EA	PLATE - LATE CHASSIS (INFO CENTER IN LIGHT BAR IN CLUSTER, NO CHECK ANTENNA LIGHT)
3	108357-07-000	EA	SWITCH - ROCKER - SPDT - MOM/OFF/MOM - 3 TERMINAL - POWER DOOR LOCK WITH REMOTE
3	108356-01-01A	EA	COVER/ACTUATOR SWITCH - 3 GROOVES - CONTURA III-BLACK- POWER DOOR LOCK WITH REMOTE
3	108355-01-000	EA	HOUSING - SWITCH - POWER DOOR LOCK WITH REMOTE
3	108357-16-000	EA	SWITCH - ROCKER - DPDT - MOM/ON/MOM - W/O COVER - SUNVISORS - POWERED (2)
3	108356-01-01A	EA	COVER/ACTUATOR SWITCH - 3 GROOVES - CONTURA III - BLACK - SUNVISORS - POWERED (2)
3	108355-01-000	EA	HOUSING - SWITCH - SUNVISORS - POWERED (2)
3	096241-03-000	EA	SWITCH - BLANK - BLACK
3	088246-01-000	EA	SWITCH/REMOTE MIRROR -W/2PIN & 6 PIN CONNECTORS/PIGTAIL
3	108357-14-000	EA	SWITCH - ROCKER SPDT - W/LIGHT - ON/OFF - 4 TERMINAL
3	108356-03-01A	EA	COVER/ACTUATOR SWITCH-3 GROOVES W/LIGHT-CONTRA III-BLACK
3	108355-01-000	EA	HOUSING - SWITCH

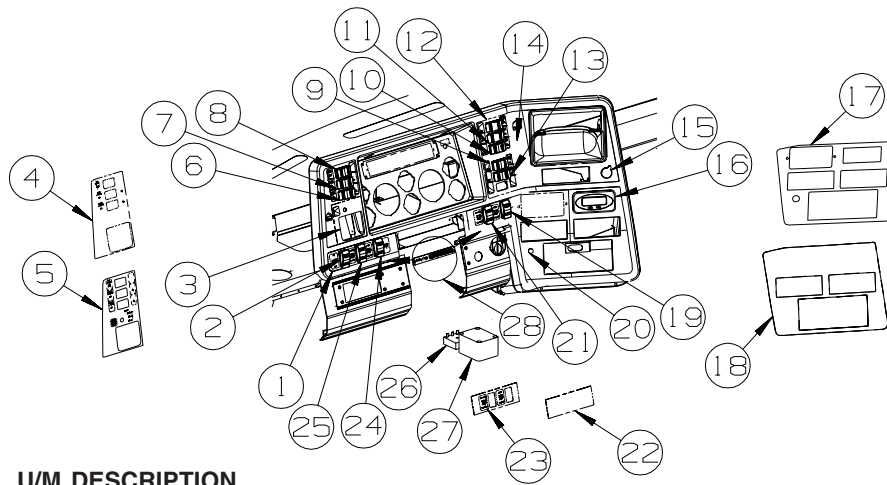
ELECTRICAL GROUP (CONTINUED)

FRONT END (CONTINUED)

KEY	PART NUMBER	U/M	DESCRIPTION
4	135420-20-000	EA	RECEIVER - SATELLITE RADIO
5	113452-01-000	FT	SEAL/TRIM - FRONT - VINYL W/WIRE CARRIER - .020"
6	158494-02-000	EA	CABLE/ANTENNA - SATELLITE RADIO SIRRUS
7	122856-01-01A	EA	FAN-DEFROSTER-2 SPEED W/SWIVEL BASE/NON-OSCILLATING-CHROME
8	093236-46-000	EA	LABEL - CIRCUIT BREAKER
9	063912-02-000	EA	RELAY - CANISTER - SPDT
10	008188-02-000	EA	SOLENOID - VENTED - HEAVY DUTY
11	156431-01-000	EA	CHARGER/BATTERY - CHASSIS TO HOUSE
12	086273-01-000	EA	RELAY - BATTERY DISCONNECT
13	113029-06-02B	EA	PANEL - ELECTRICAL BOX FRONT - E-COATED
14	098196-01-000	EA	LATCH - 1/4 TURN - T-BAR
15	142209-03-02B	EA	DOOR - ELECTRICAL BOX - E-COATED
15	092492-17-000	EA	SEAL - ELECTRICAL BOX
16	098379-03-000	EA	LABEL - ELECTRICAL BOX - FRONT
17	116273-01-000	EA	LABEL - WARNING - GENERATOR
18	098379-04-000	EA	LABEL - ELECTRICAL BOX - SIDE
19*	151458-01-000	EA	KEYLESS ENTRY SYSTEM - ENTRY DOOR & CARGO DOORS - W/REMOTE
20	118571-03-000	EA	BRACKET - MOUNTING
20	118571-04-000	EA	GASKET
21	104678-01-000	EA	LABEL - CB PREP
22	143057-01-03A	EA	APPLIQUE - EARLY CHASSIS (SEPARATE INFO CENTER ON DASH, CHECK ANTENNA LIGHT IN DASH)
23	143057-02-03A	EA	APPLIQUE - LATE CHASSIS (INFO CENTER IN LIGHT BAR IN CLUSTER, NO CHECK ANTENNA LIGHT)

*COMPONENT PARTS LISTED LATER IN THIS GROUP

ELECTRICAL GROUP (CONTINUED)
FRONT END (CONTINUED)



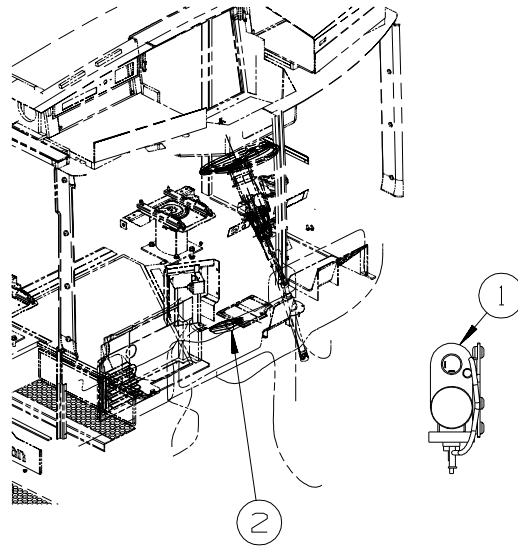
KEY	PART NUMBER	U/M	DESCRIPTION
1	104056-66-09A	EA	APPLIQUE - BEZEL - LOWER/DRIVER - DARK PUTTY
2	108357-15-000	EA	SWITCH - ROCKER - DPDT - ON/NONE/ON - W/LIGHT W/O COVER
2	108356-03-01A	EA	COVER/ACTUATOR SWITCH -3 GROOVES W/LIGHT-CONTRA III-BLACK
2	108355-01-000	EA	HOUSING - SWITCH
3*	091206-04-000	EA	MODULE/WIPER CONTROL KIT - DYNAMIC PARK
4	104056-56-09A	EA	APPLIQUE - EARLY CHASSIS (SEPARATE INFO CENTER ON DASH, CHECK ANTENNA LIGHT IN DASH)
5	104056-61-09A	EA	APPLIQUE - LATE CHASSIS (INFO CENTER IN LIGHT BAR IN CLUSTER, NO CHECK ANTENNA LIGHT)
6	096241-03-000	EA	SWITCH - BLANK - BLACK
7	108357-14-000	EA	SWITCH - ROCKER - SPST - W/LIGHT - ON/OFF - 4 TERMINAL
7	108356-03-01A	EA	COVER/ACTUATOR SWITCH -3 GROOVES W/LIGHT-CONTRA III-BLACK
7	108355-01-000	EA	HOUSING - SWITCH
8	108357-09-000	EA	SWITCH - ROCKER SPDT - ON/NONE/MOM - 3 TERMINAL
8	108356-01-01A	EA	COVER/ACTUATOR SWITCH - 3 GROOVES - CONTURA III - BLACK
8	108355-01-000	EA	HOUSING - SWITCH
9	108357-03-000	EA	SWITCH - ROCKER SPDT - ON/OFF/ON - 3 TERMINAL - AUXILIARY FANS
9	108356-01-01A	EA	COVER/ACTUATOR SWITCH - 3 GROOVES - CONTURA III - BLACK - AUXILIARY FANS
9	108355-01-000	EA	HOUSING - SWITCH - AUXILIARY FANS
9	096241-03-000	EA	SWITCH - BLANK - BLACK
10	108357-10-000	EA	SWITCH - ROCKER SPDT - W/LIGHT - MOM/NONE/MOM - 5 TERMINAL
10	108356-03-01A	EA	COVER/ACTUATOR SWITCH -3 GROOVES W/LIGHT-CONTRA III-BLACK
10	108355-01-000	EA	HOUSING - SWITCH
11	108357-06-000	EA	SWITCH - ROCKER DPDT - MOM/OFF/MOM - 6 TERMINAL
11	108356-01-01A	EA	COVER/ACTUATOR SWITCH - 3 GROOVES - CONTURA III - BLACK
11	108355-01-000	EA	HOUSING - SWITCH
12	108357-08-000	EA	SWITCH - ROCKER - DPDT - ON/NONE/ON - 6 TERM - W/O COVER
12	108356-01-01A	EA	COVER/ACTUATOR SWITCH - 3 GROOVES - CONTURA III - BLACK
12	108355-01-000	EA	HOUSING - SWITCH
13	108357-15-000	EA	SWITCH - ROCKER - DPDT - ON/NONE/ON - W/LIGHT W/O COVER - AIR HORNS-CHROME
13	108356-03-01A	EA	COVER/ACTUATOR SWITCH -3 GROOVES W/LIGHT-CONTRA III-BLACK - AIR HORNS-CHROME
13	108355-01-000	EA	HOUSING - SWITCH - AIR HORNS-CHROME
13	096241-03-000	EA	SWITCH - BLANK - BLACK
14	104056-40-09A	EA	APPLIQUE - BEZEL/6 SWITCH - PASSENGER/UPPER - DARK PUTTY
15	111414-01-000	EA	RECEPTACLE/SOCKET - 12 VOLT
16*	136119-01-000	EA	COMPASS - EARLY CHASSIS (SEPARATE INFO CENTER ON DASH, CHECK ANTENNA LIGHT IN DASH)
17	104056-60-09A	EA	APPLIQUE - EARLY CHASSIS (SEPARATE INFO CENTER ON DASH, CHECK ANTENNA LIGHT IN DASH)
18	104056-68-09A	EA	APPLIQUE - LATE CHASSIS (INFO CENTER IN LIGHT BAR IN CLUSTER, NO CHECK ANTENNA LIGHT)
19	108357-17-000	EA	SWITCH - ROCKER - DPDT - MOM/OFF/MOM-W/LIGHT-W/O COVER - SLIDEOUT ROOM - FRONT RIGHT FROM: 00-00-00 THRU: 10-28-06
19	108357-06-000	EA	SWITCH - ROCKER DPDT - MOM/OFF/MOM - 6 TERMINAL - SLIDEOUT ROOM - FRONT RIGHT FROM: 10-29-06 THRU: 99-99-99
19	108356-03-01A	EA	COVER/ACTUATOR SWITCH-3 GROOVES W/LT-CONTRA III-BLK - SLIDEOUT ROOM - FRONT RIGHT FROM: 00-00-00 THRU: 10-28-06
19	108356-01-01A	EA	COVER/ACTUATOR SWITCH - 3 GROOVES - CONTURA III - BLACK - SLIDEOUT ROOM - FRONT RIGHT FROM: 10-29-06 THRU: 99-99-99
19	108355-01-000	EA	HOUSING - SWITCH - SLIDEOUT ROOM - FRONT RIGHT
20	133534-02-000	EA	LIGHT - EARLY CHASSIS (SEPARATE INFO CENTER ON DASH, CHECK ANTENNA LIGHT IN DASH)

ELECTRICAL GROUP (CONTINUED)

FRONT END (CONTINUED)

KEY	PART NUMBER	U/M	DESCRIPTION
21	108357-06-000	EA	SWITCH - ROCKER DPDT - MOM/OFF/MOM - 6 TERMINAL - SLIDEOUT ROOM - FRONT RIGHT
21	108356-01-01A	EA	COVER/ACTUATOR SWITCH - 3 GROOVES - CONTURA III - BLACK - SLIDEOUT ROOM - FRONT RIGHT
21	108355-01-000	EA	HOUSING - SWITCH - SLIDEOUT ROOM - FRONT RIGHT
22	104056-11-09A	EA	APPLIQUE - BEZEL - LOWER - W/O SLIDEOUT - DARK PUTTY
23	104056-67-09A	EA	APPLIQUE - BEZEL - LOWER/PASSENGER - DARK PUTTY - SLIDEOUT ROOM - FRONT RIGHT
24	108357-17-000	EA	SWITCH - ROCKER - DPDT - MOM/OFF/MOM-W/LIGHT-W/O COVER - SLIDEOUT ROOM FRONT LEFT FROM: 00-00-00 THRU: 10-28-06
24	108357-06-000	EA	SWITCH - ROCKER DPDT - MOM/OFF/MOM - 6 TERMINAL - SLIDEOUT ROOM FRONT LEFT FROM: 10-29-06 THRU: 99-99-99
24	108356-03-01A	EA	COVER/ACTUATOR SWITCH-3 GROOVES W/LT-CONTRA III-BLK - SLIDEOUT ROOM FRONT LEFT FROM: 00-00-00 THRU: 10-28-06
24	108356-01-01A	EA	COVER/ACTUATOR SWITCH - 3 GROOVES - CONTURA III - BLACK - SLIDEOUT ROOM FRONT LEFT FROM: 10-29-06 THRU: 99-99-99
24	108355-01-000	EA	HOUSING - SWITCH - SLIDEOUT ROOM FRONT LEFT
25	108357-06-000	EA	SWITCH - ROCKER DPDT - MOM/OFF/MOM - 6 TERMINAL - SLIDEOUT ROOM FRONT LEFT
25	108356-01-01A	EA	COVER/ACTUATOR SWITCH - 3 GROOVES - CONTURA III - BLACK - SLIDEOUT ROOM FRONT LEFT
25	108355-01-000	EA	HOUSING - SWITCH - SLIDEOUT ROOM FRONT LEFT
26	133535-01-000	EA	MODULE - TIMER 20 SECOND
27	128074-02-000	EA	FILTER - NOISE - 12 VOLT DC W/PLUGS
28	116549-01-000	EA	LABEL - WARNING - SLIDEOUT
	077031-01-000	EA	FILM - BLACK - 1" X 1.75"
	103603-01-000	EA	BULB - 12 VOLT - #74 - .12A WEDGE - GE 22-25 USED IN DASH
	103608-01-000	EA	SOCKET - WEDGE BASE W/LEADS

*COMPONENT PARTS LISTED LATER IN THIS GROUP

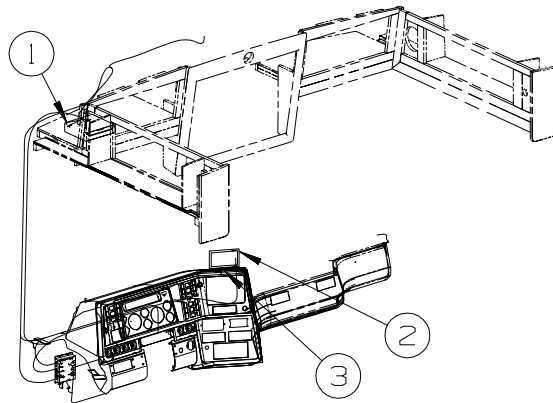


KEY	PART NUMBER	U/M	DESCRIPTION
1	114802-01-000	EA	PUMP - VACUUM - 12V
2*	137417-01-01A	EA	LIGHT - DOME - SINGLE - W/SWITCH/FROSTED LENS - WHITE

*COMPONENT PARTS LISTED LATER IN THIS GROUP

ELECTRICAL GROUP (CONTINUED)

GPS

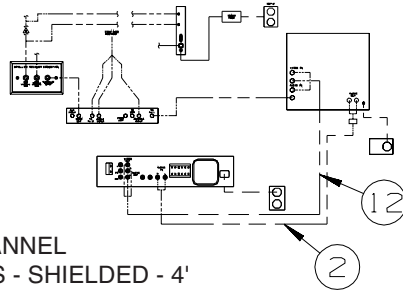
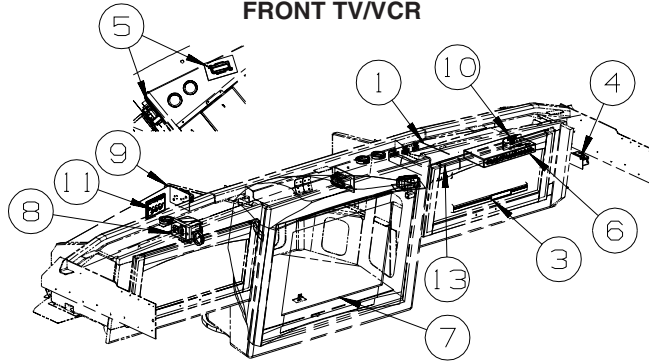


KEY	PART NUMBER	U/M	DESCRIPTION
1*	137424-01-000	EA	GPS-NAVAGATION SYS-W/DVD DIVIT/MAPS/GPS ANT & WIRE HARNESS FROM: 00-00-00 THRU: 04-02-06
1*	137424-08-000	EA	GPS-NAVAGATION SYS-W/DVD DIVIT/MAPS/GPS ANT/WIRE HARNESS FROM: 04-03-06 THRU: 99-99-99
2	137424-06-000	EA	MONITOR/LCD - COLOR - 6.5" FROM: 00-00-00 THRU: 04-02-06
2	137424-07-000	EA	MONITOR/LCD - COLOR - 6.5" FROM: 04-03-06 THRU: 03-11-07
2	137424-09-000	EA	MONITOR/LCD - COLOR - 7" - ALPINE #TME-M740BT FROM: 03-12-07 THRU: 99-99-99
3	137424-04-000	EA	BRACKET - MONITOR

***COMPONENT PARTS LISTED LATER IN THIS GROUP**

ELECTRICAL GROUP (CONTINUED)

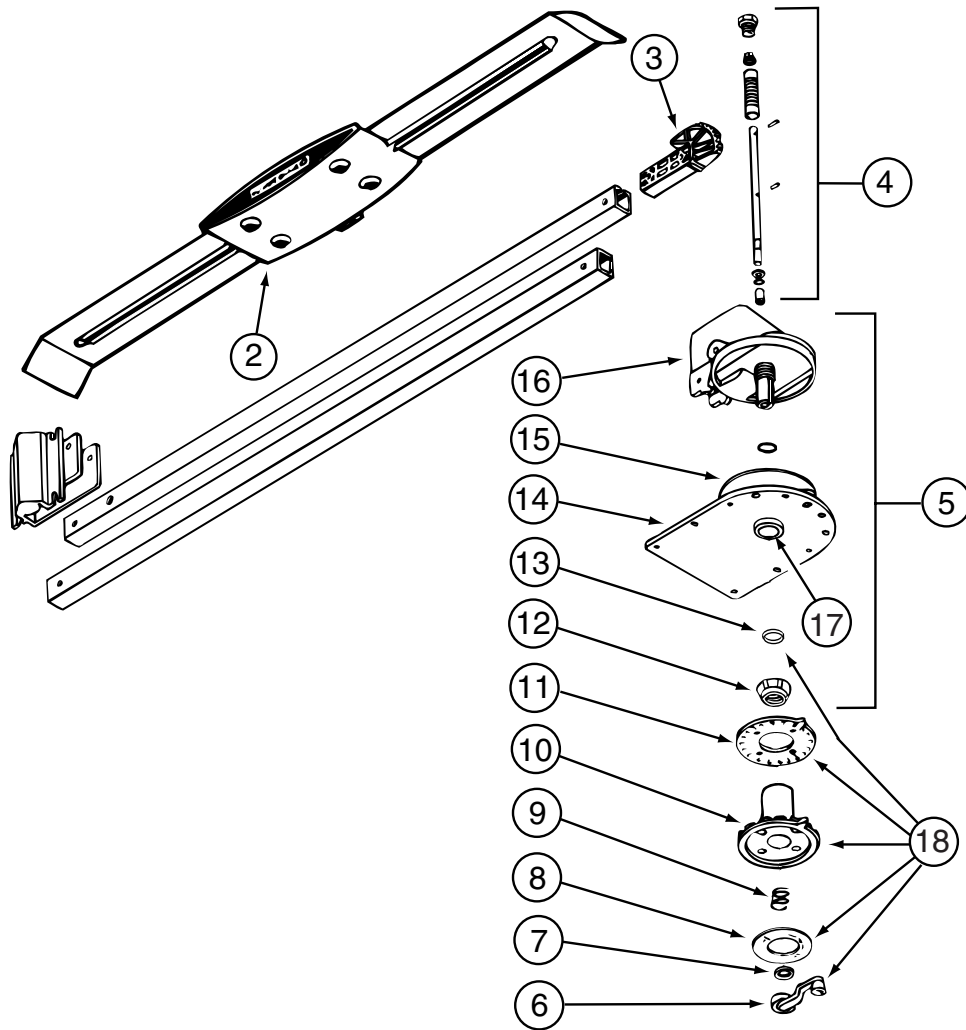
FRONT TV/VCR



KEY	PART NUMBER	U/M	DESCRIPTION
1	140062-01-000	EA	SWITCH - SPEAKER - 6 CHANNEL
2	117420-02-000	EA	CABLE - W/MALE RCA ENDS - SHIELDED - 4'
3*	154548-01-000	EA	DVD/VCR - HOME THEATER COMBO - SONY HTV700DP
			FROM: 00-00-00 THRU: 02-12-06
3	158931-01-000	EA	DVD/VCR - HOME THEATER COMBO-W/O SPEAKERS-TOSHIBA SD-V57HT
			FROM: 02-13-06 THRU: 03-12-06
3*	158836-01-000	EA	DVD - HOME THEATER - W/O SPEAKERS - MEMOREX STS71E-R
			FROM: 03-13-06 THRU: 99-99-99
4	058707-02-000	EA	RECEPTACLE - BLANK - JUNCTION BOX
5	058708-01-000	EA	RECEPTACLE - ELECTRIC - DOUBLE - BROWN
6	142258-01-000	EA	SWITCH - VIDEO/ANTENNA POWER SUPPLY
7*	146299-02-000	EA	TV - 24" STEREO W/5 JACKS - SONY 24FS120MT02
8	156676-01-000	EA	CONTROLLER/OUTLET - POWER/TV - AUTO SHUTOFF W/IGNITION
9	058708-01-000	EA	RECEPTACLE - ELECTRIC - DOUBLE - BROWN
9	158542-02-01A	EA	LABEL - RECEPTACLE - ELECTRONICS - WHITE/BLACK - CODES/STANDARDS-CSA/CMVSS
10	079364-04-000	EA	SWITCH - ON/OFF ROCKER - 2 TERMINAL - BLACK
10	098351-09-02A	EA	PLATE/SWITCH - 1 GANG - CHROME - SPEAKER SELECT/TV - NICKEL
11	149557-04-01A	EA	PLATE/WALL - TRIPLE COAXIAL/HORIZONTAL - WHITE
12	136860-01-000	EA	CABLE - RCA - SHIELDED - 3 MALE TO MALE CONNECTORS - 12'
13	163598-02-000	EA	SWITCH/CONTROL - SATELLITE
			FROM: 01-29-07 THRU: 99-99-99

*COMPONENT PARTS LISTED LATER IN THIS GROUP

ELECTRICAL GROUP (CONTINUED)
COMPONENT PARTS FOR WIRING



076319-23-000

KEY	PART NUMBER	U/M	DESCRIPTION	VENDOR NO.
2	076319-01-700	EA	HEAD-ANTENNA, AMPLIFIED	RVSA U/V
3	076319-01-701	EA	GEAR-ELEVATING, PLASTIC	2200046
4	076319-01-702	EA	SHAFT ASM-ELEVATING	RP-4000
5	076319-01-711	EA	BASE & LIFT ASM	2762802
7	076319-01-705	EA	GROMMET-NYLON, 7/8"ID	3200658
8	076319-01-708	EA	DECAL-CRANK	5413002
9	076319-01-707	EA	SPRING-HANDLE	2160822
11	076319-01-712	EA	PLATE - CEILING	3200608
12	076319-01-715	EA	NUT (GEAR HOUSING)	2200047
14	076319-01-713	EA	PLATE-BASE, STEEL	3100523
15	076319-01-703	EA	BEARING-NYLON, 5"OD	3200656
16	076319-01-714	EA	HOUSING, ROTATING GEAR	2200049
17	076319-01-704	EA	BEARING-NYLON, 1.25"OD	3200657
18	076319-01-709	EA	HANDLE-HEAD DIRECTIONAL	200644
	076319-01-716	EA	TUBING, ELEVATING	RP-2900

CONTACT WINNEBAGO PART SALES FOR UNLISTED COMPONENT(S)

076319-25-000

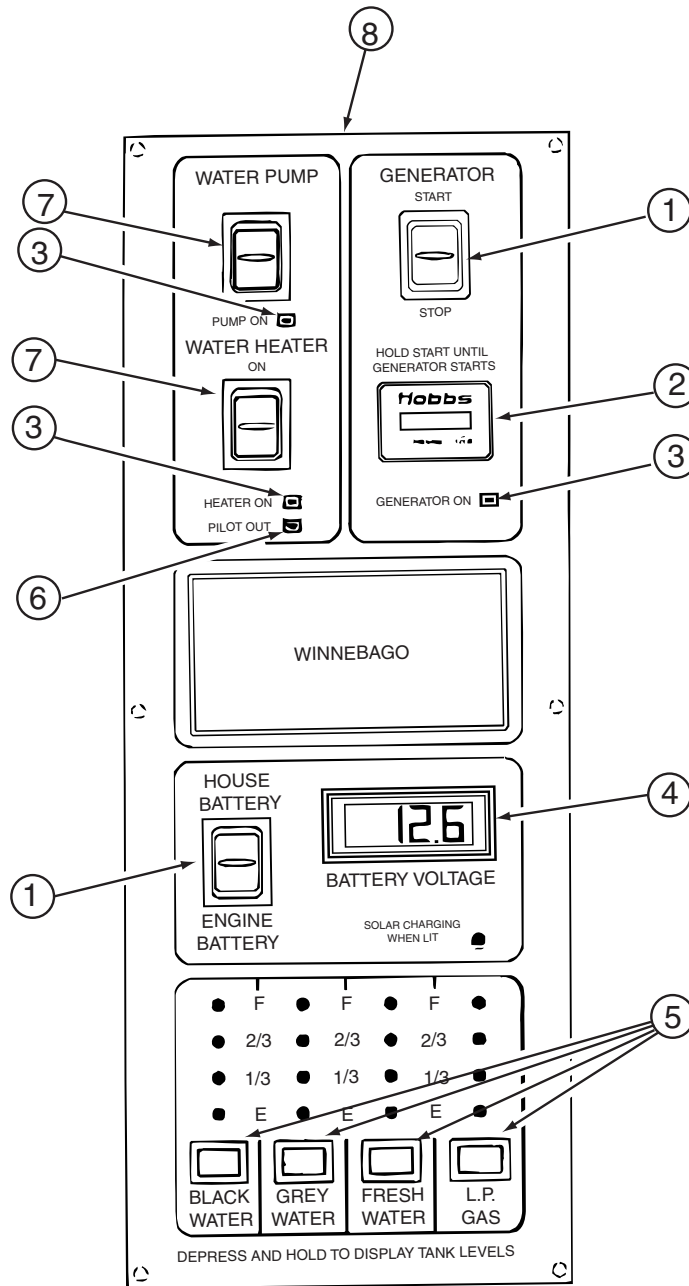
KEY	PART NUMBER	U/M	DESCRIPTION	VENDOR NO.
6	076319-01-706	EA	CRANK-W/SET SCREW UNIV/BEIGE	2750897
6	120233-01-710	EA	HANDLE-CRANK W/SCREW - WHITE	RP-6795
8	076319-01-708	EA	DECAL-CRANK	5413002
10	076319-25-700	EA	DIRECTIONAL HANDLE(WHITE)	3200612
11	076319-25-701	EA	PLATE - CEILING(WHITE)	3200609
13	120233-01-709	EA	WASHER-NYLON	RP-2658

CONTACT WINNEBAGO PART SALES FOR UNLISTED COMPONENT(S)

ELECTRICAL GROUP (CONTINUED)
COMPONENT PARTS FOR WIRING (CONTINUED)

			086280-01-000	
KEY	PART NUMBER	U/M	DESCRIPTION	VENDOR NO.
	086280-01-700	EA	BULB,12V	ARP1089
			087694-01-000	
KEY	PART NUMBER	U/M	DESCRIPTION	VENDOR NO.
	087694-01-700	EA	BULB	GE561
			091206-04-000	
KEY	PART NUMBER	U/M	DESCRIPTION	VENDOR NO.
	091206-02-700	EA	KNOB-INNER	66C-00019
	091206-02-701	EA	KNOB-OUTER	66C-00020
	091206-04-700	EA	SWITCH ASSEM. ONLY	250-6623
	102362-03-700	EA	MODULE-WIPER CONT., DYNAMIC	66D-00093
			093575-23-03A	
KEY	PART NUMBER	U/M	DESCRIPTION	VENDOR NO.
	093575-23-700	EA	GLOBE - SQUARE	
			108354-01-01A	
KEY	PART NUMBER	U/M	DESCRIPTION	VENDOR NO.
	108354-01-700	EA	BULB-COURTESY LIGHT	395-B
			121935-01-01A	
KEY	PART NUMBER	U/M	DESCRIPTION	VENDOR NO.
	121935-01-700	EA	LENS ONLY	809511
			123775-01-02A	
KEY	PART NUMBER	U/M	DESCRIPTION	VENDOR NO.
	123775-01-702	EA	BEZEL/LENS - SATIN NICKEL	99 953470

ELECTRICAL GROUP (CONTINUED)
COMPONENT PARTS FOR WIRING (CONTINUED)



133004-05-01A

KEY	PART NUMBER	U/M	DESCRIPTION	VENDOR NO.
1	133004-01-702	EA	SWITCH/DPDT MOM=ON-OFF-ON	L1011-00
2	100258-10-701	EA	GAUGE-HR METER ONLY (LCD)	L0775-00
3	133004-01-706	EA	L.E.D. GREEN-PANEL MOUNT	L0785
4	133004-01-704	EA	METER/VOLT-DIGITAL - LCD	L1008-00
5	133004-01-705	EA	SWITCH/MOM ON - PUSH BUTTON	L0950-00
6	130004-01-703	EA	L.E.D. RED-PANEL MOUNT	L1009-00
7	133004-01-701	EA	SWITCH/DPDT ON-ON/MAINTAINED	L1025-00
8	133004-05-700	EA	SCREENED CHASSIS	CC0563-00
	133004-05-701	EA	BOARD - PC	L5130-02

ELECTRICAL GROUP (CONTINUED)
COMPONENT PARTS FOR WIRING (CONTINUED)

133054-03-000

KEY	PART NUMBER	U/M	DESCRIPTION	VENDOR NO
	133054-03-700	EA	LENS	2011-0000-10
	133054-03-701	EA	GASKET - LIGHT MOUNTING	2004-0000-00
	133054-03-702	EA	GASKET - LENS	2003-0000-00

133054-04-000

KEY	PART NUMBER	U/M	DESCRIPTION	VENDOR NO
	133054-03-701	EA	GASKET - LIGHT MOUNTING	2004-0000-00
	133054-03-702	EA	GASKET - LENS	2003-0000-00
	133054-04-700	EA	LENS	2011-0000-20

136119-01-000

KEY	PART NUMBER	U/M	DESCRIPTION	VENDOR NO.
	136119-01-700	EA	COMPASS SENSOR (BLACK BOX)	AP-SUB-005
	136119-01-701	EA	PROBE/TEMPERATURE SENSOR(V1)	AP-SUB-004A
	136119-01-702	EA	DISPLAY MODULE-LED (V1)	AP-SUB-004B
	136119-01-703	EA	HARNESS - COMPASS POWER	AP-HRN-175
	136119-01-704	EA	HARNESS - COMPASS ENGINE	AP-HRN-176
	136119-01-705	EA	HRNSS-COMP.TEMP SENSOR V1	AP-HRN-177
	136119-01-706	EA	PROBE/TEMPERATURE SENSOR (V2)	AP-SUB-006
	136119-01-707	EA	DISPLAY MODULE - VISUAL (V2)	AP-SUB-007
	136119-01-708	EA	HARNESS/COMP. COMP/THERM(V2)	AP-HRN-239 W/PACKRD

137417-01-01A, 137417-03-01A

KEY	PART NUMBER	U/M	DESCRIPTION	VENDOR NO.
	137417-01-700	EA	LENS - SINGLE (FROSTED)	810868

137417-05-01A

KEY	PART NUMBER	U/M	DESCRIPTION	VENDOR NO.
	137417-05-700	EA	LENS - DOUBLE OPTIC	810845

137417-06-01A

KEY	PART NUMBER	U/M	DESCRIPTION	VENDOR NO.
	137417-06-700	EA	LENS - DOUBLE WHITE	810867

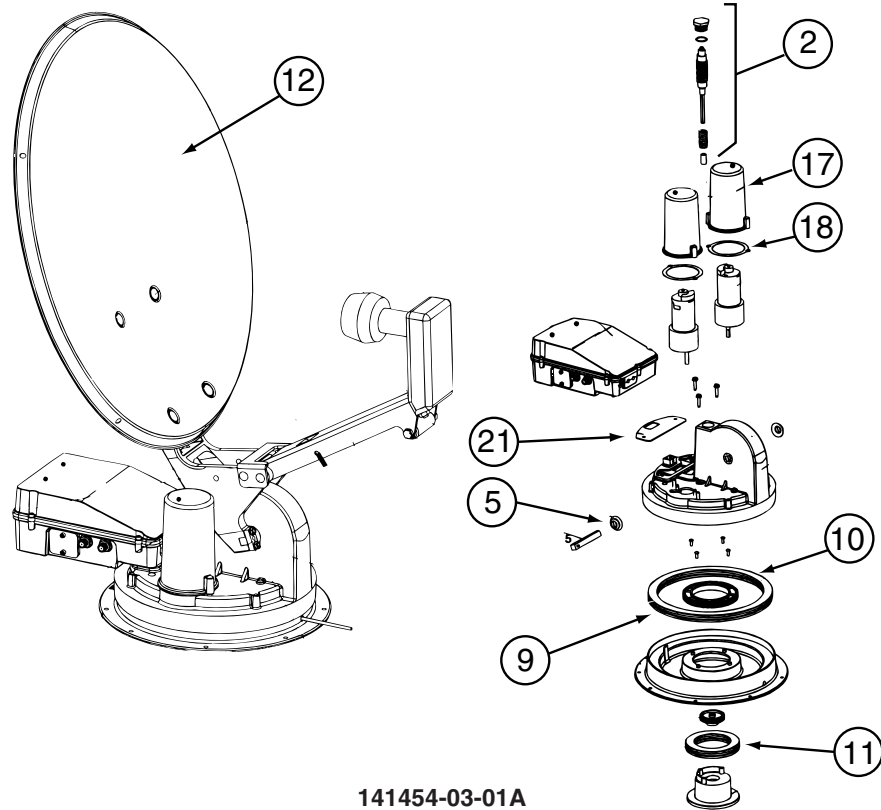
137424-01-000

KEY	PART NUMBER	U/M	DESCRIPTION	VENDOR NO.
	137424-01-700	EA	DISC - SETUP - DVD	NVD-A131
	137424-01-701	EA	REMOTE	RUE-4190
	137424-01-702	EA	CABLE/GPS-13 PIN RGB/6M EXTN	01T15696Y02

137424-08-000

KEY	PART NUMBER	U/M	DESCRIPTION	VENDOR NO.
	137424-08-700	EA	REMOTE	RUE-4140

ELECTRICAL GROUP (CONTINUED)
COMPONENT PARTS FOR WIRING (CONTINUED)



141454-03-01A

KEY	PART NUMBER	U/M	DESCRIPTION	VENDOR NO.
2	141454-01-700	EA	KIT ELEV-SHAFT/GEARS/SPRING	RP-RM20
4	137135-01-705	EA	SPRING	2160818
5	137135-01-707	EA	SEAL - PIVOT SHAFT	2200852
9	137135-01-712	EA	BEARING - OUTER	2590347
10	137135-01-714	EA	GEAR - ELEVATING SHAFT	2200465
10	141454-01-712	EA	GEAR - ROTATE	2200469
11	137135-01-715	EA	BEARING - INNER	2590348
12	137135-01-718	EA	REFLECTOR/WHITE-46CM W/HDWE	RP-35RM
13	137135-01-713	EA	TURRET BASE	3100730
17	141454-01-705	EA	HOUSING - MOTOR	3200260
18	141454-01-706	EA	GASKET - MOTOR HOUSING	2240054
21	141454-01-709	EA	GASKET	2240056
	120233-01-714	EA	CLIP-E	5160818
	137135-01-704	EA	PIN - 1/4" X 3.25"	2160813
	137135-01-719	EA	BRACKET - PIVOT	2744945
	137135-01-722	EA	CLAMP	2590343
	137135-01-723	EA	SUPPORT/FRAME-BACKUP-W/HDWE	RP-RM00
	137135-02-703	EA	LOW NOISE BLOCK FILTER	LB-6000 - DUAL
	141454-01-701	EA	KIT - GEAR/MOTOR-GEAR/ROTATE	RP-RM25
	141454-01-702	EA	HOUSING/ELECTRONICS - UPPER	RP-RM10
	141454-01-703	EA	HOUSING/ELECTRONICS - LOWER	RP-RM15
	141454-01-704	EA	KIT LIFT ASSEMBLY COMPLETE	RP-RM05
	141454-03-700	EA	MOTOR (AZIMUTH)	2665042
	141454-03-701	EA	MOTOR (ELEVATION)	2665041
	141454-03-702	EA	CIRCUIT BOARD(CONTROL BOARD)	RP-RM80
	141454-03-703	EA	CONTRL PANEL W/BOX (AS2003)	RP-AS85

CONTACT WINNEBAGO PART SALES FOR UNLISTED COMPONENT(S)

ELECTRICAL GROUP (CONTINUED)
COMPONENT PARTS FOR WIRING (CONTINUED)

146048-01-01A

KEY	PART NUMBER	U/M	DESCRIPTION	VENDOR NO.
	123775-01-700	EA	BULB - 10 WATT - HALOGEN	

146299-02-000

KEY	PART NUMBER	U/M	DESCRIPTION	VENDOR NO.
	146299-02-700	EA	REMOTE - TV	1-468-835-11

151458-01-000

KEY	PART NUMBER	U/M	DESCRIPTION	VENDOR NO.
	102756-02-702	EA	BATTERY - 12 VOLT	402-1002
	102756-03-701	EA	REMOTE-KEYLESS ENTRY	412-1115
	102756-03-702	EA	RELAY- 30AMP - SPDT	463-1000
	151458-01-700	EA	MODULE BOARD	202-3227
	151458-01-701	EA	WIRE HARNESS - KEYLESS ENTRY	203-6908

153464-03/06-01A

KEY	PART NUMBER	U/M	DESCRIPTION	VENDOR NO.
	091937-08-700	EA	LENS - LIGHT - FLUORESCENT	D-766

154548-01-000

KEY	PART NUMBER	U/M	DESCRIPTION	VENDOR NO.
	154548-01-700	EA	REMOTE - DVD/VCR	1-478-247-11

155619-01-000

KEY	PART NUMBER	U/M	DESCRIPTION	VENDOR NO.
	155619-01-700	EA	REMOTE	RC3200

156413-01-01A

KEY	PART NUMBER	U/M	DESCRIPTION	VENDOR NO.
	156413-01-700	EA	REMOTE	REMAWM950

158836-01-000

KEY	PART NUMBER	U/M	DESCRIPTION	VENDOR NO.
	158836-01-700	EA	REMOTE	STS71WREM

159759-01-000

KEY	PART NUMBER	U/M	DESCRIPTION	VENDOR NO.
	159759-01-700	EA	REMOTE - TV	RRMCGA367WJSA

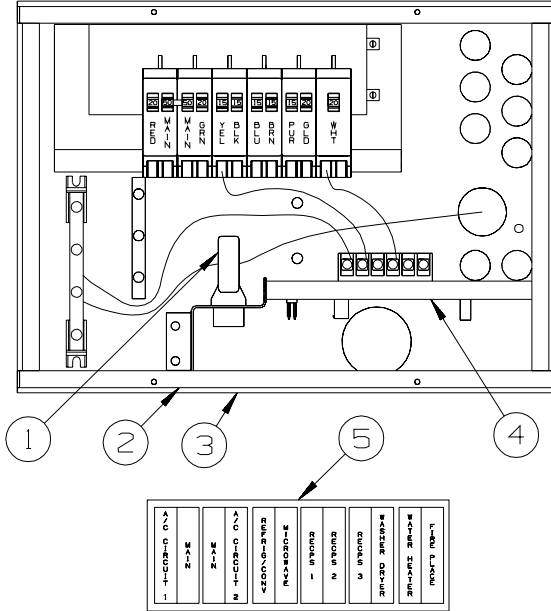
ELECTRICAL GROUP (CONTINUED)
CIRCUIT BREAKERS, FUSES & RELAYS

KEY	PART NUMBER	U/M	DESCRIPTION
	008235-01-000	EA	FUSE - 15 AMP/12VOLT - AUTOMOTIVE
	062901-02-000	EA	FUSE - 5 AMP - AUTOMOTIVE
	062901-04-000	EA	FUSE - 10 AMP - AUTOMOTIVE
	062901-05-000	EA	FUSE - 15 AMP - AUTOMOTIVE
	062901-06-000	EA	FUSE - 20 AMP - AUTOMOTIVE
	062901-07-000	EA	FUSE - 25 AMP - AUTOMOTIVE
	062901-08-000	EA	FUSE - 30 AMP - AUTOMOTIVE
	063910-01-000	EA	HOUSING - RELAY
	063912-02-000	EA	RELAY - CANISTER - SPDT
	083209-01-000	EA	CIRCUIT BREAKER - 15 AMP - 120 VOLT - CANADIAN
	083209-02-000	EA	CIRCUIT BREAKER - 15/15 AMP - 120 VOLT
	083209-03-000	EA	CIRCUIT BREAKER - 15/20 AMP - 120 VOLT
	083209-04-000	EA	CIRCUIT BREAKER - 30 AMP - 120 VOLT
	083209-05-000	EA	CIRCUIT BREAKER - 20 AMP - 120 VOLT
	083209-06-000	EA	CIRCUIT BREAKER - 30/15 AMP - 120 VOLT
	083209-07-000	EA	CIRCUIT BREAKER - 20/20 AMP - 120 VOLT
	083209-10-000	EA	CIRCUIT BREAKER - 20/30 AMP - 120 VOLT
	083209-11-000	EA	CIRCUIT BREAKER - 20/15 AMP - 120 VOLT
	092786-03-000	EA	BUSS BAR - 6.9" LONG
	092786-06-000	EA	BUSS BAR
	093654-01-000	EA	CIRCUIT BREAKER - 6 AMP - 12 VOLT - PUSH BUTTON - WHITE
	093654-02-000	EA	CIRCUIT BREAKER - 15 AMP - 12 VOLT - PUSH BUTTON - WHITE
	093654-03-000	EA	CIRCUIT BREAKER - 20 AMP - 12 VOLT - PUSH BUTTON - WHITE
	093655-01-000	EA	CIRCUIT BREAKER - 25 AMP - 12 VOLT - PUSH BUTTON - WHITE
	093655-02-000	EA	CIRCUIT BREAKER - 30 AMP - 12 VOLT - PUSH BUTTON - WHITE
	093655-03-000	EA	CIRCUIT BREAKER - 40 AMP - 12 VOLT - PUSH BUTTON - WHITE
	097611-01-000	EA	CIRCUIT BREAKER - 10 AMP
	100341-01-000	EA	FUSE HOLDER - IN LINE TYPE
	113482-01-000	EA	CIRCUIT BREAKER - 55 AMP - MANUAL
	115187-01-000	EA	FUSE - 300 AMP - NON-DELAY
	115187-02-000	EA	HOLDER - FUSE
	115187-03-000	EA	FUSE - 60 AMP - NON-DELAY
	122811-01-000	EA	CIRCUIT BREAKER - 20/50/50/20 AMP - 250V
	125986-02-000	EA	FUSE - 5 AMP - AUTO - MINI BLADE
	125986-05-000	EA	FUSE - 15 AMP - AUTO - MINI BLADE
	141789-01-000	EA	SPACER - CIRCUIT BREAKER

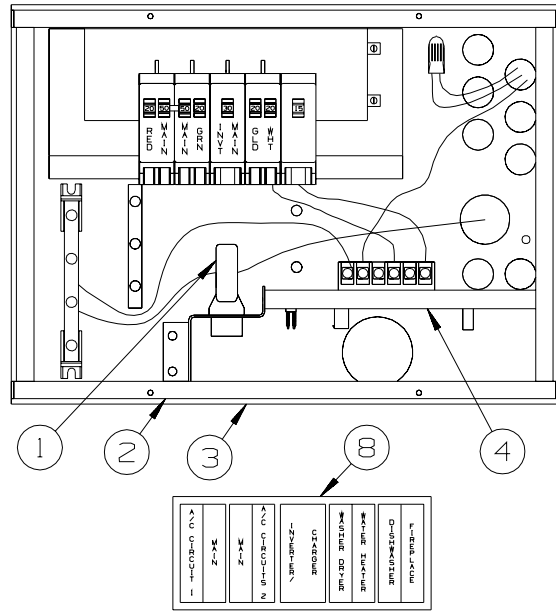
ELECTRICAL GROUP (CONTINUED)

CONVERTER, INVERTER, LOAD CENTERS

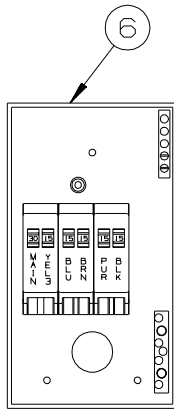
KEY	PART NUMBER	U/M	DESCRIPTION
	148254-01-000	EA	INVERTER - CHARGER - 2000W AC
	148254-05-000	EA	REMOTE/PANEL - INVERTER/CHARGER
	148254-03-000	EA	CABLE - MODULAR JACK - 50'
	123058-01-000	EA	CONVERTER - 55 AMP - ELECTRONIC - 4 1/8"H X 7"W X 12 3/8"L
	154511-01-000	EA	INVERTER - 600 WATT - W/O REMOTE PANEL
	154511-02-000	EA	REMOTE/PANEL - INVERTER/600 WATT



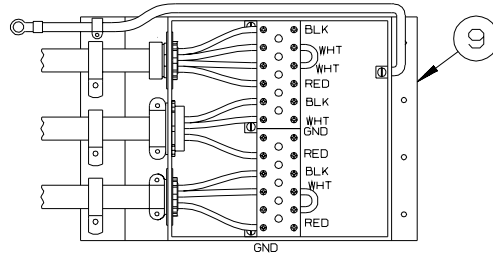
INSTALL LABEL ON FRONT PANEL BELOW BREAKERS BETWEEN MOUNTING HOLES



INSTALL LABEL ON FRONT PANEL BELOW BREAKER BETWEEN MOUNTING HOLES



INSTALL LABEL BELOW PANEL ON CABINET DOOR



KEY	PART NUMBER	U/M	DESCRIPTION
1	127002-07-000	EA	SENSOR - CURRENT
2	141258-01-000	EA	LOAD CENTER - 120/240 - 50 AMP
3	141258-02-000	EA	LOAD CENTER - COVER
4	127002-11-000	EA	MODULE - EMS CENTER - W/REMOTE SENSOR
5	095721-47-000	EA	LABEL - CONTROL CENTER - 50 AM
6	109677-01-000	EA	LOAD CENTER - 120 VOLT - 40 AMP
7	095721-43-000	EA	LABEL - CONTROL CENTER - 50 AMP
8	095721-49-000	EA	LABEL - CONTROL CENTER - 50 AMP
9	106071-06-000	EA	SWITCH - AUTOMATIC TRANSFER - PARALLAX 5070 - 50 AMP

ELECTRICAL GROUP (CONTINUED)

BOXES & CORDS

KEY	PART NUMBER	U/M	DESCRIPTION
	091910-01-000	EA	BOX - ELECTRIC - 3.8" X 3.5" X 1.8" - PLASTIC
	091910-02-000	EA	BOX - ELECTRIC - 2.2" X 3.5" X 1.8" - PLASTIC
	108934-02-000	EA	CORD - POWER - 50 AMP - 4-WIRE - 36'
	113029-06-02B	EA	PANEL - ELECTRICAL BOX FRONT - E-COATED
	110080-05-000	EA	SEAL - ELECTRICAL BOX
	115832-01-000	FT	CORD - HEAVY DUTY - 14-2W GROUND
	133070-01-000	EA	BOX - ELECTRIC/PLASTIC - 3" X 2" X 2.8" - UL
	133070-02-000	EA	BOX - ELECTRIC/PLASTIC - 3" X 2" X 2.8" - CSA
	142209-03-02B	EA	DOOR - ELECTRICAL BOX - E-COATED

WIRE ASSEMBLIES

KEY	PART NUMBER	U/M	DESCRIPTION
	077069-02-000	EA	CABLE/EXTENSION - RADIO ANTENNA - 96"
	077069-03-000	EA	CABLE/EXTENSION - RADIO ANTENNA - 260"
	108029-05-000	EA	WIRE ASSEMBLY - POWER PASSENGER SEAT
	103991-01-000	EA	WIRE ASM-CRT BKR,POWER
	125853-04-000	EA	WIRE LOOM - ENTERTAINMENT CENTER
	132267-01-000	EA	WIRE ASSEMBLY - DOOR LOC
	135131-01-000	EA	WIRE LOOM - THERMOSTAT
	135420-16-000	EA	WIRE LOOM - RADIO
	136028-01-000	EA	WIRE ASM-SOFA,REST EASY
	136860-01-000	EA	CABLE - RCA - SHIELDED - 3 MALE TO MALE CONNECTORS - 12'
	136860-02-000	EA	CABLE - RCA - #3 MALE TO #50F MALE CONNECTOR
	137135-03-000	EA	WIRE LOOM - DIGITAL ELEVATION SENSOR
	137135-04-000	EA	WIRE HARNESS - POWER - DIGITAL ELEVATION SENSOR
	139583-01-000	EA	WIRE LOOM - SOFA/DOUBLE REST EASY
	139583-02-000	EA	WIRE LOOM - SOFA/REAR SWITCH
	140167-01-000	EA	WIRE LOOM - GPS ADAPTER
	140195-01-000	EA	WIRE LOOM - RESISTOR/FAN
	145210-01-000	FT	CABLE - COAXIAL
	139297-01-000	EA	RESISTOR - 10 OHM/10W CERAMIC
	141454-04-000	EA	WIRE - SATELLITE - AUTOMATIC
	142258-02-000	EA	WIRE LOOM - VIDEO SWITCH/POWER SUPPLY
	144677-07-000	EA	WIRE - MONITOR - POWER - 3 PIN TO 6 PIN (3 WIRE)
	144677-09-000	EA	WIRE - MONITOR - POWER - 3 PIN/2 PIN
	149750-02-000	EA	CABLE - (RECEIVER TO MODULE) - 45'
			FROM: 00-00-00 THRU: 02-19-06
	145778-02-000	EA	WIRE - WINDSHIELD WIPER/WASHER - F/FL MMDC ELECTRICAL SYST
	149214-05-000	EA	WIRE - WINDSHIELD WIPER/WASHER - MMDC ELECTRICAL SYSTEM
	151316-01-000	EA	WIRE ASM - W/NON CONTACT SENSORS - GREY WATER - 3.9"
	151316-02-000	EA	WIRE ASM - W/NON CONTACT SENSORS - GREY WATER - 23.6"
	151317-01-000	EA	WIRE ASM-W/NO CONTACT SENSORS - FRESH WATER/BLK TANK - MALE PLUG - 3.9"
	151317-02-000	EA	WIRE ASM-W/NO CONTACT SENSORS - FRESH WATER/BLK TANK - MALE PLUG - 23.6"
	151422-01-000	EA	PIGTAIL - F/FOG LIGHT
	155619-05-000	EA	WIRE ASSEMBLY - RADIO - 12 PIN

FROM: 08-14-06 THRU: 99-99-99

ELECTRICAL GROUP (CONTINUED)
CONNECTORS & CONDUIT

KEY	PART NUMBER	U/M	DESCRIPTION
	007940-01-000	EA	RECEPTACLE/SLIDE 16 TO 12 AWG - FEMALE END
	007940-02-000	EA	RECEPTACLE/SLIDE 10 AWG
	007954-01-000	EA	RECEPTACLE - HOUSING - 6 POSITION
	007956-05-000	EA	INSULATOR - SHRINK - 1/4"ID X 1 1/2"
	008058-01-000	EA	ADAPTER - POWER CORD - 30 AMP TO 15 AMP
	008311-01-000	EA	CONNECTOR - WIRE NUT - INSULATED - RED
	008312-01-000	EA	CONNECTOR - WIRE NUT - INSULATED - BLUE
	008313-01-000	EA	CONNECTOR - WIRE NUT - INSULATED - YELLOW
	008314-01-000	EA	CONNECTOR - WIRE NUT - INSULATED - GRAY
	008328-01-000	EA	TERMINAL - RING - 12/10 WIRE - #10 STUD FIT
	008331-01-000	EA	TERMINAL - RING - TONGUE - #4 WIRE - 3/8" STUD - COPPER
	008348-01-000	EA	TERMINAL - RING - 3/8" STUD 2 GA. WIRE
	008355-01-000	EA	CONNECTOR - CABLE CLAMPING - 3/4"
	008356-01-000	EA	CONNECTOR - PLASTIC - 3/8"
	008356-02-000	EA	CONNECTOR - PLASTIC - 21/32"
	008398-01-000	EA	CONNECTOR - 1/2" X 90 DEGREE - FLEX CONDUIT - UL & CSA
	035416-04-000	EA	TERMINAL - RING - #10 STUD FIT - INSULATED BARREL #16/14
	041953-01-000	FT	CONDUIT - CONVOLUTE SLIT - .5" ID - POLYETHYLENE
	041953-02-000	FT	CONDUIT - CONVOLUTE SLIT - .6" ID - POLYETHYLENE
	041953-03-000	FT	CONDUIT - CONVOLUTE SLIT - 1" ID (CLOTHES ROD COVER)
	041953-06-000	FT	CONDUIT - CONVOLUTE SLIT - .4" ID - POLYETHYLENE
	041953-07-000	FT	CONDUIT - CONVOLUTE SLIT - .25" ID - POLYETHYLENE
	041953-08-000	FT	CONDUIT - CONVOLUTE SLIT - 1.5" ID - POLYETHYLENE
	041953-09-000	FT	CONDUIT - CONVOLUTE SLIT - .5" ID - NYLON
	041953-10-000	FT	CONDUIT - CONVOLUTE SLIT - .75" ID - NYLON
	041953-11-000	FT	CONDUIT - CONVOLUTE SLIT - 1.06" ID - NYLON
	041953-12-000	FT	CONDUIT - CONVOLUTE SOLID - 1.1" ID - NYLON
	041953-13-000	FT	CONDUIT - CONVOLUTE SLIT - 1.25" ID
	041953-14-000	FT	CONDUIT - CONVOLUTE SLIT - 1.5" ID
	041953-15-000	FT	CONDUIT - CONVOLUTE SLIT - 2"
	041953-16-000	FT	CONDUIT - CONVOLUTE SLIT - 2"
	047441-01-000	EA	TERMINAL-BATTERY, HORIZONTAL LUG
	047443-01-000	EA	TERMINAL - .250 RECEPTACLE FIT - INSULATED - 16/14 AWG
	047443-02-000	EA	TERMINAL - .250 RECEPTACLE FIT - INSULATED - 12/10 AWG
	047443-05-000	EA	TERMINAL - .250 RECEPTACLE FIT - 18GA AWG
	058028-01-000	EA	CONNECTOR - ELECTRICAL PIGTAIL - NYLON - CLEAR
	062036-01-000	EA	TERMINAL - PACK - CON - 12/10 AWG
	076319-12-000	EA	CONNECTOR - COAXIAL - ONE PIECE
	077479-01-000	EA	BOOT - BATTERY TERMINAL - DOUBLE CABLE
	077479-02-000	EA	BOOT - BATTERY TERMINAL - SINGLE CABLE
	080015-02-000	EA	RECEPTACLE - FLAG - .185 - 16/14 GAUGE
	080015-03-000	EA	RECEPTACLE - FLAG - .250 - 14/16 GAUGE
	080015-04-000	EA	RECEPTACLE - FLAG - .187 - 16/14 GAUGE
	082109-01-000	EA	HOUSING - CONNECTOR - PACKARD
	082741-01-000	EA	CONNECTOR BODY - 2 CONNECTOR MALE
	087225-01-000	FT	SLEEVING - 1/2" - TYPE H
	088473-01-000	EA	HOUSING - PIN - 12 CAVITY (3 ROWS OF 4)
	088473-02-000	EA	HOUSING - PIN - 15 CAVITY (3 ROWS OF 5)
	088473-03-000	EA	HOUSING - PIN - 9 CAVITY (3 ROWS OF 3)
	088473-04-000	EA	HOUSING - PIN - 8 CAVITY IN-LINE
	088473-06-000	EA	HOUSING - PIN - 6 CAVITY (2 ROWS OF 3)
	088473-07-000	EA	HOUSING - PIN - 5 CAVITY - IN-LINE
	088473-08-000	EA	HOUSING - PIN - 4 CAVITY - IN-LINE
	088473-09-000	EA	HOUSING - PIN - 3 CAVITY - IN-LINE
	088473-10-000	EA	HOUSING - PIN - 2 CAVITY - IN-LINE
	088473-12-000	EA	HOUSING - PIN - 3 CAVITY - BLUE
	088473-13-000	EA	HOUSING - PIN - 3 CAVITY - GREEN
	088473-14-000	EA	HOUSING - PIN - 3 CAVITY - RED
	088474-01-000	EA	HOUSING - SOCKET - 12 CAVITY
	088474-02-000	EA	HOUSING - SOCKET - 15 CAVITY
	088474-03-000	EA	HOUSING - SOCKET - 9 CAVITY
	088474-06-000	EA	HOUSING - SOCKET - 6 CAVITY
	088474-07-000	EA	HOUSING - SOCKET - 5 CAVITY
	088474-08-000	EA	HOUSING - SOCKET - 4 CAVITY

ELECTRICAL GROUP (CONTINUED)
CONNECTORS & CONDUIT (CONTINUED)

KEY	PART NUMBER	U/M	DESCRIPTION
	088474-09-000	EA	HOUSING - SOCKET - 3 CAVITY
	088474-10-000	EA	HOUSING - SOCKET - 2 CAVITY
	088475-01-000	EA	PIN - CONNECTOR - 14-20 AWG
	088475-02-000	EA	PIN - CONNECTOR - 10-12 AWG
	088476-01-000	EA	TERMINAL - ELECTRICAL
	088476-02-000	EA	SOCKET - CONNECTOR - 12-10 GA - PRE-TIN
	098261-01-000	EA	SOCKET - CONNECTOR - WEATHERPACK - 12 AWG
	098261-02-000	EA	SOCKET - CONNECTOR - WEATHERPACK - 14-18 AWG
	098262-01-000	EA	SEAL - CONNECTOR - WEATHERPACK
	098264-01-000	EA	HOUSING - 2 PIN - WEATHER PACK - MALE W/FEMALE PINS
	098264-02-000	EA	HOUSING - 2 PIN - WEATHER PACK - FEMALE W/MALE PINS
	098265-02-000	EA	PIN - CONNECTOR - WEATHER PACK
	102777-02-000	EA	TERMINAL - RING - #6 STUD - 10 AWG
	103608-01-000	EA	SOCKET - WEDGE BASE W/LEADS
	104100-01-000	EA	HOUSING - 1 POSITION - 75 AMPS
	104100-03-000	EA	TERMINAL - 75 AMP
	106007-02-000	EA	TERMINAL - FEMALE - 10-12 AWG
	110178-01-000	EA	HOUSING - WIPER MOTOR
	112823-01-000	EA	SPLICE - REDUCER - 16-14 TO 18-22
	113072-02-000	EA	HOUSING - ELECTRICAL - BACK-UP/TAIL LAMP
	113072-03-000	EA	HOUSING - ELECTRICAL - STOP/MARKER TAILLAMP
	113073-01-000	EA	WEDGELOCK - HOUSING - TAIL LAMP
	113074-01-000	EA	TERMINAL - TAILLAMP
	113135-01-000	EA	TERMINAL - FEMALE - M/P - 14-16 - F/SEALED TERMINAL
	113308-01-000	EA	TERMINAL - FEMALE - M/P - 14-16 - 280
	113308-02-000	EA	TERMINAL - FEMALE - M/P - 14-18 - 280
	113468-01-000	EA	HOUSING - 2 POSITION-FEMALE-USED ON WIPER/WASHER WIRE ASM
	113468-02-000	EA	HOUSING - 2 POSITION - FEMALE
	115931-02-000	EA	COVER - CONNECTOR - 50 AMP W/LOCKING RING
	115932-02-000	EA	CONNECTOR - FEMALE - 50 AMP/240 VOLT
	116811-01-000	EA	TERMINAL - .110 RECEPTACLE - 16-14 AWG
	118571-01-000	EA	CONNECTOR - 3-WAY - MALE/SEALED
	118571-02-000	EA	CONNECTOR - 3-WAY - FEMALE/SEALED
	118571-05-000	EA	LOCK - SECONDARY - FEMALE
	118571-06-000	EA	LOCK - SECONDARY - MALE
	118599-02-000	EA	TERMINAL - MALE - M/P - 280/14-12
	118820-01-000	EA	INSULATOR - TERMINAL
	129233-01-000	EA	HOUSING - 2-POSITION/FEMALE - 280-SERIES
	129233-02-000	EA	HOUSING - 2-POSITION/FEMALE - 280-SERIES
	129233-03-000	EA	HOUSING - 2-POSITION/FEMALE - 280-SERIES
	131681-01-000	EA	CONNECTOR - 3/4" SO CORD - UL/CS
	137207-01-000	EA	HOUSING - PIN - 2 CAVITY/HIGH AMP
	137208-01-000	EA	HOUSING - SOCKET - 2 CAVITY/HIGH AMP
	137209-01-000	EA	PIN - CONNECTOR - 10AWG/HIGH AMP
	137210-01-000	EA	SOCKET - CONNECTOR - 10 AWG/HIGH AMP
	138996-04-000	EA	CONNECTOR - LAMP
	142520-01-000	EA	TERMINAL - FEMALE - MINI-FIT 16
	142522-01-000	EA	HOUSING - 4 PIN/MALE - MINI FIT
	142522-02-000	EA	HOUSING - 6 PIN/MALE - MINI FIT
	142522-03-000	EA	HOUSING - 8 PIN/MALE - MINI FIT
	142522-04-000	EA	HOUSING - 10 PIN/MALE - MINI FIT
	142522-05-000	EA	HOUSING - 12 PIN/MALE - MINI FIT
	142522-06-000	EA	HOUSING - 14 PIN/MALE - MINI FIT
	142524-01-000	EA	HOUSING - 4 PIN/FEMALE - WEATHER PACK
	142524-02-000	EA	HOUSING - 4 PIN/FEMALE - WEATHER PACK
	144283-01-000	EA	CONNECTOR - 110V - F/USE WITH SOW WIRE - BLUE
	144283-02-000	EA	CONNECTOR - 110V - F/USE WITH NM ROMEX WIRE - CLEAR
	145171-01-000	EA	CONNECTOR - COAXIAL
	148335-01-000	EA	HOUSING - 8-POSITION/MALE - 280-GT SERIES
	148335-02-000	EA	HOUSING - 4-POSITION/MALE - 280-GT SERIES
	148335-03-000	EA	HOUSING - 6-POSITION/MALE - 280-GT SERIES
	149683-01-000	EA	HOUSING - F/5 CAVITY RECEPTACLE - W/SQUARE GUIDE PIN
	149683-02-000	EA	HOUSING - F/5 CAVITY RECEPTACLE - W/ROUND GUIDE PIN
	149686-01-000	EA	TERMINAL - .250 RECEPTACLE

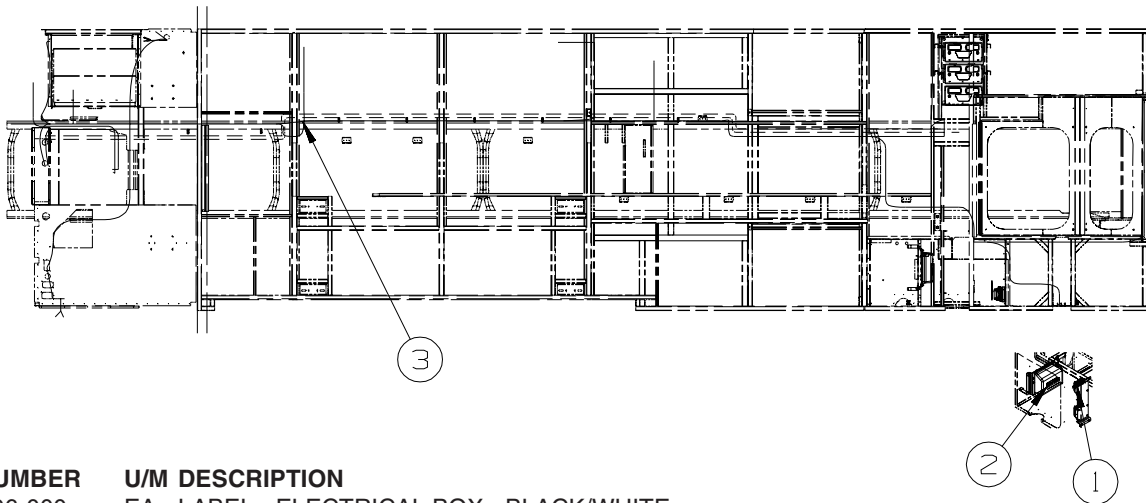
ELECTRICAL GROUP (CONTINUED)

CONNECTORS & CONDUIT (CONTINUED)

KEY	PART NUMBER	U/M	DESCRIPTION
	149687-01-000	EA	HOUSING - 2 POSITION/MALE - PACKARD
	149687-02-000	EA	LOCK - F/2 POSITION HOUSING - PACKARD
	149688-01-000	EA	TERMINAL - MALE - 16 GAUGE WIRE
	156035-01-000	EA	HOUSING - 12-POSITION/FEMALE - 280-GT SERIES
	156041-01-000	EA	TERMINAL - FEMALE - 16-12 - 280-GT SERIES
	156043-01-000	EA	HOUSING - 2-POSITION/FEMALE - 480-MP SERIES
	156043-02-000	EA	LOCK - F/2 POSITION HOUSING - 480 SERIES
	156044-01-000	EA	TERMINAL - FEMALE - 16-12 - 280-GT - F/SEALED HOUSING
	156045-01-000	EA	HOUSING - 10-POSITION/FEMALE - 280-GT SERIES
	156045-02-000	EA	HOUSING - 4-POSITION/FEMALE - 280-GT SERIES
	156045-03-000	EA	HOUSING - 8-POSITION/FEMALE - 280-GT SERIES
	156045-04-000	EA	HOUSING - 6-POSITION/FEMALE - 280-GT SERIES
	156207-01-000	EA	HOUSING - 6-POSITION/MALE - 150-GT SERIES
	156208-01-000	EA	TERMINAL - MALE - 18-16 - 150-GT SERIES
	157590-01-000	EA	TERMINAL - FEMALE - M/P - 10-12 - 630
	157592-01-000	EA	HOUSING - 7-POSITION/FEMAL - M/P
	157592-02-000	EA	LOCK - SECONDARY - F/7 POSITION HOUSING
	157656-01-01A	EA	CONNECTOR - DASH LIGHT - BLACK
	158357-01-000	EA	HOUSING - 3 PIN/MALE - MINI FIT
	158373-01-000	EA	HOUSING - SOCKET - 16 CAVITY - MINI MATE-N-LOCK
	158374-01-000	EA	SOCKET - 16-20 CAVITY - MINI MATE-N-LOCK

CHASSIS

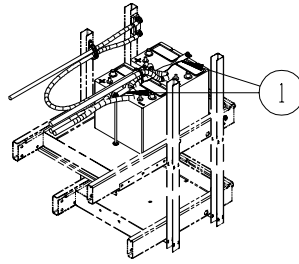
KEY	PART NUMBER	U/M	DESCRIPTION
	008188-02-000	EA	SOLENOID - VENTED - HEAVY DUTY
	086273-01-000	EA	RELAY - BATTERY DISCONNECT
	098379-06-000	EA	LABEL - ELECTRICAL BOX - BLACK/WHITE
	138914-02-02B	EA	STRAP/TIEDOWN - BATTERY - E-COATED
	148254-04-000	EA	CABLE - TEMPERTURE/BATTERY
	156431-01-000	EA	CHARGER/BATTERY - CHASSIS TO HOUSE



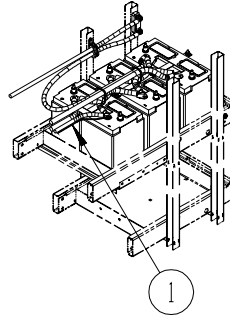
KEY	PART NUMBER	U/M	DESCRIPTION
1	098379-06-000	EA	LABEL - ELECTRICAL BOX - BLACK/WHITE
2	098379-07-000	EA	LABEL - ELECTRICAL BOX - BLACK/WHITE
3	113452-02-000	FT	SEAL/TRIM - FRONT - VINYL W/WIRE CARRIER - .027"

FROM: 04-10-06 THRU: 99-99-99

ELECTRICAL GROUP (CONTINUED)
CHASSIS (CONTINUED)

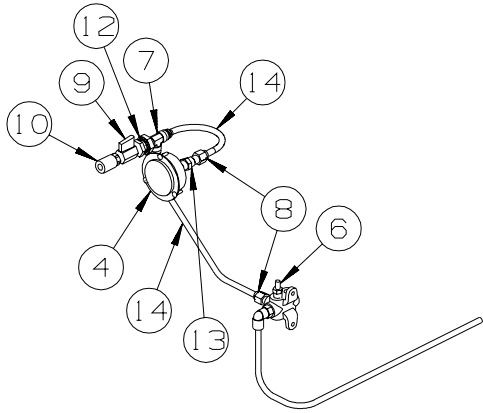


KEY	PART NUMBER	U/M	DESCRIPTION
1	138914-02-02B	EA	STRAP/TIEDOWN - BATTERY - E-COATED

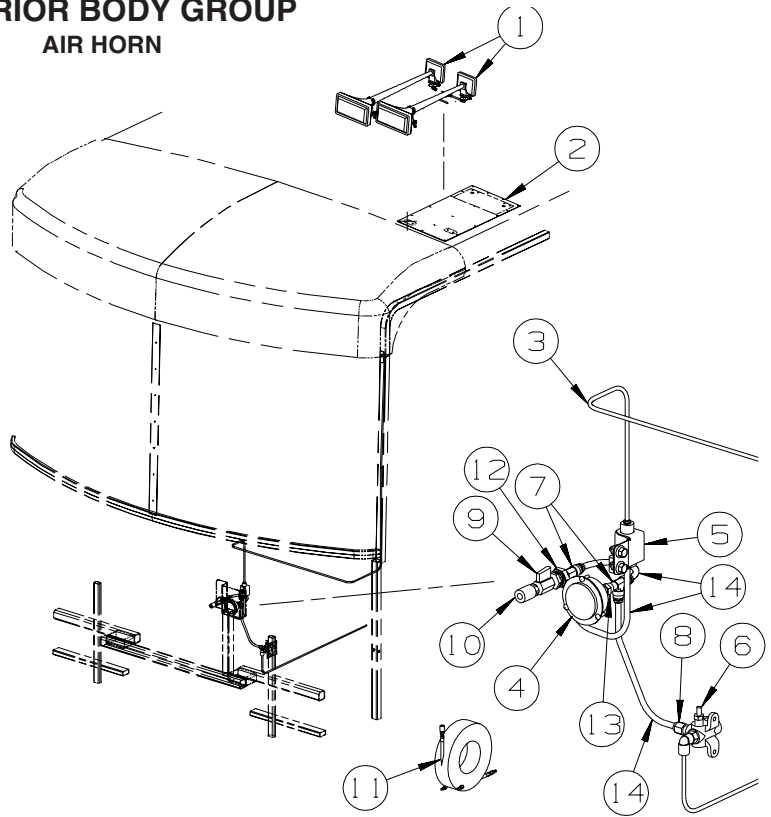


KEY	PART NUMBER	U/M	DESCRIPTION
1	148254-04-000	EA	CABLE - TEMPATURE/BATTERY - P36G/SG, P34H/SH
1	148254-06-000	EA	CABLE - TEMPATURE/BATTERY - P39K

EXTERIOR BODY GROUP AIR HORN



W/O Air Horns



W/Air Horns

KEY	PART NUMBER	U/M	DESCRIPTION
1*	077497-06-000	EA	HORN - AIR - CHROME - TWIN
1	077497-08-000	EA	HORN/AIR - TWIN SHORT - BLACK - P34SH,P36SG SPECIAL EDITION (SE)
2	125123-01-12B	EA	PLATE/MOUNT - AIR HORN - 25" X 13" - BRIGHT WHITE
3	071390-04-000	FT	TUBING - AIR BRAKE - 1/4" OD-BLK WEATHERHEAD(BRKS & HORN)
4	142609-01-000	EA	GAUGE/AIR - 2.5" MOUNTING FLANGE - 1/4" MPT
5	077497-11-000	EA	SOLENOID - HORN - REMOTE MOUNT
6	086241-01-000	EA	VALVE - AIR - 1/4 MPT X TIRE STEM
7	142570-01-000	EA	TEE - 3/8" T X 1/4" P
8	142571-01-000	EA	CONNECTOR - 3/8" T X 1/4" P
9	142597-01-000	EA	VALVE - BALL - AIR - 1/4" MFPT
10	142595-01-000	EA	COUPLER - QUICK CONNECT - AIR - 1/4" MPT
11	142607-03-000	EA	HOSE - AIR - 50'
12	071374-03-000	EA	FITTING - BULKHEAD - 1/4" X 1/4" MNPT
13	075155-03-000	EA	COUPLING-PIPE, 1/4 BRASS
14	071390-07-000	FT	TUBING - AIR BRAKE - 3/8" - BLACK
14	071390-04-000	FT	TUBING-AIR BRAKE-1/4"OD-BLK WEATHERHEAD(BRKS& HORN)-P34SH,P36SG SPECIAL EDITION (SE)

*COMPONENT PARTS LISTED LATER IN THIS GROUP

COMPONENT PARTS FOR AIR HORN

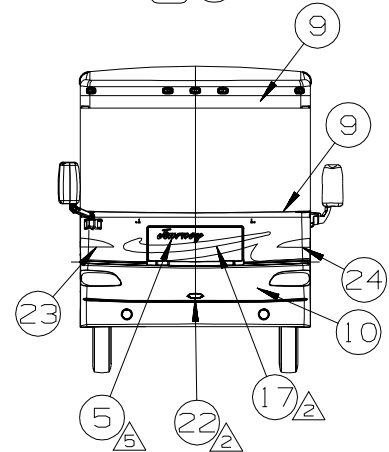
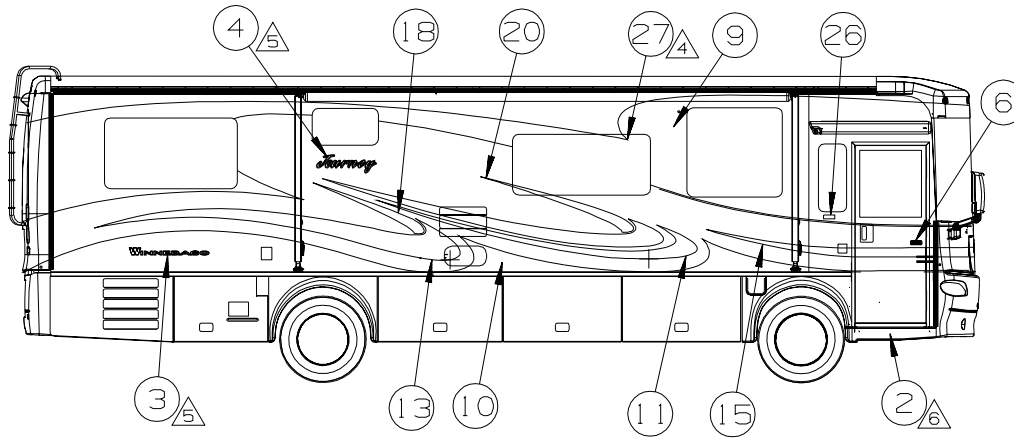
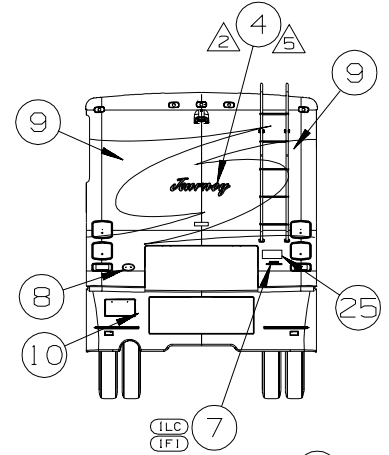
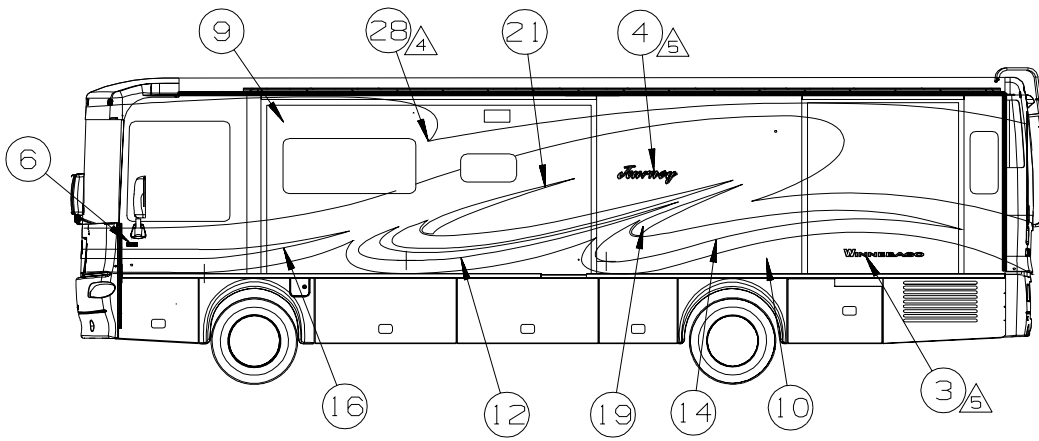
077497-06-000

KEY	PART NUMBER	U/M	DESCRIPTION	VENDOR NO.
	077497-01-701	EA	SWITCH - COMPRESSOR	13940-S
	077497-01-702	EA	SWITCH - TOGGLE - W/WIRE	12949-S

EXTERIOR BODY GROUP (CONTINUED)

GRAPHICS & PAINT

GRAPHICS



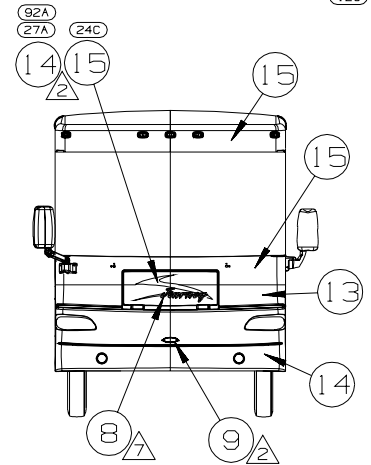
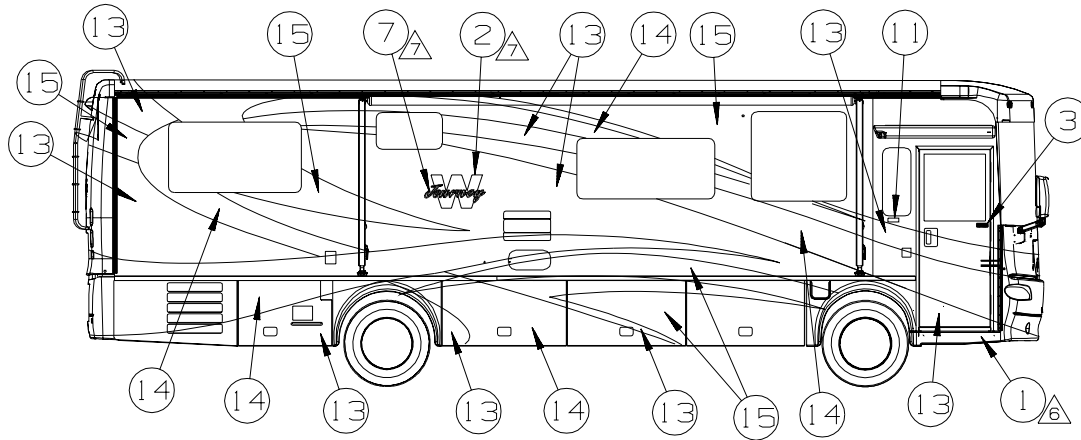
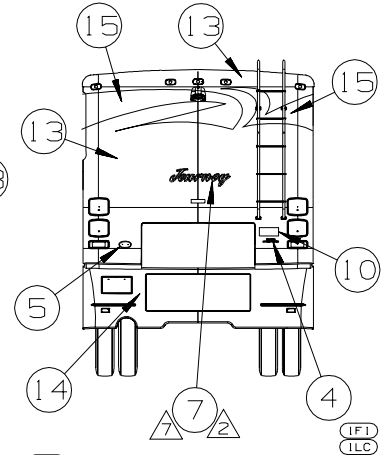
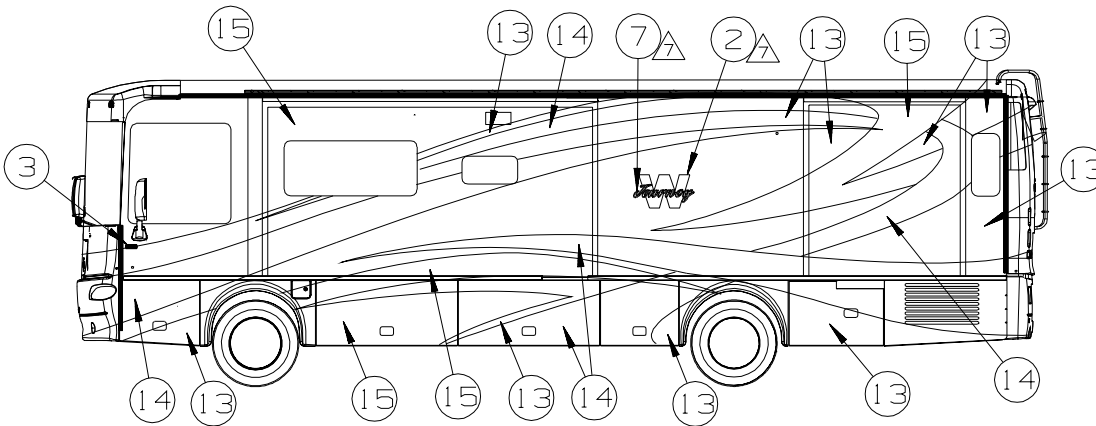
(276) KEY	PART NUMBER	U/M	DESCRIPTION
3 → 1	141599-27-000	GL	PAINT-IRON GLEAR 55 GAL - DUPONT #34405
2	109506-01-000	EA	FILM-URETHANE PROTECTANT
3	120702-04-CHT (01A)	EA	DECAL-LOGO WINNEBAGO - BRT WHITE/BLACK/GRAY
4	131947-04-CHT (01A)	EA	DECAL-LOGO JOURNEY LG - BRT WHITE/BLACK/GRAY
5	131947-05-CHT (01A)	EA	DECAL-LOGO JOURNEY SML - BRT WHITE/BLACK/GRAY
6	132684-02-CHT (01A)	EA	DECAL-LOGO DOME WINNEBAGO - CHROME/RED/BLACK
7	158621-02-CHT (01A)	EA	DECAL-HORSEPOWER 350 FLEXSCRIPT - CHROME
8	137618-04-CHT (01A)	EA	DECAL-BEZEL-DOME WINNEBAGO - CHROME/RED
9	141599-31-000	GL	PAINT-METALLIC GOLD - DUPONT #373-P7436
10	141599-42-000	GL	PAINT-DK TITANIUM MET - DUPONT #373-P76-5286
11	142083-01-CHT (08A)	EA	DECAL-SWEEP FRT LWR RH - RASPBERRY/NEW GOLD/SADDLE BROWN
12	142083-02-CHT (08A)	EA	DECAL-SWEEP FRT LWR LH - RASPBERRY/NEW GOLD/SADDLE BROWN
13	142086-01-CHT (07A)	EA	DECAL-SWEEP MID RH - SADDLE BROWN/NEW GOLD
14	142086-02-CHT (07A)	EA	DECAL-SWEEP MID LH - SADDLE BROWN/NEW GOLD
15	142087-01-CHT (07A)	EA	DECAL-SWEEP STRIPE RH - RASPBERRY
16	142087-02-CHT (07A)	EA	DECAL-SWEEP STRIPE LH - RASPBERRY
17	142091-01-CHT (07A)	EA	DECAL-SWEEP HOOD - BRT WHITE/SADDLE BROWN/NEW GOLD
18	142094-03-CHT (03A)	EA	DECAL-POINT MID RH - NEW GOLD/RASPBERRY
19	142094-04-CHT (03A)	EA	DECAL-POINT MID LH - NEW GOLD/RASPBERRY
20	142095-03-CHT (03A)	EA	DECAL-POINT FRT RH - NEW GOLD/RASPBERRY
21	142095-04-CHT (03A)	EA	DECAL-POINT FRT LH - NEW GOLD/RASPBERRY
22	151837-01-CHT (01A)	EA	DECAL-BEZEL-DOME NAMEPLATE WINNEBAGO - CHROME/RED
23	158071-01-CHT (01A)	EA	DECAL-CORNER RH - RASPBERRY
24	158071-02-CHT (01A)	EA	DECAL-CORNER LH - RASPBERRY
25	-----	EA	PLATE-FREIGHTLINER LG - CHASSIS SUPPLIED
26	-----	EA	PLATE-FREIGHTLINER SML - CHASSIS SUPPLIED
27	158477-01-CHT (01A)	EA	DECAL-PAINT MASK TIP UPPER RH - WHITE VINYL
28	158477-02-CHT (01A)	EA	DECAL-PAINT MASK TIP UPPER LH - WHITE VINYL

**DUPONT COLOR CODES ARE NOW FOUND IN THE PAINT CODE MANUAL.
YOU CAN FIND THIS MANUAL ON YOUR DEALER INDEX WEBPAGE UNDER SERVICE.**

EXTERIOR BODY GROUP (CONTINUED)

GRAPHICS & PAINT (CONTINUED)

FULL BODY PAINT



(27A) KEY	PART NUMBER	U/M	DESCRIPTION - SLATE
1	109506-01-000	EA	FILM-URETHANE PROTECTANT
2	120700-12-CHT(O1A)	EA	DECAL-LOGO W - FROSTY JACK
3	132664-02-CHT(O1A)	EA	DECAL-LOGO DOMED WINNEBAGO - CHROME/RED/BLACK
4	158621-02-CHT(O1A)	EA	DECAL-HORSEPOWER 350 FLEXSCRIPT - CHROME
5	137618-04-CHT(O1A)	EA	DECAL/BEZEL-DOMED WINNEBAGO - CHROME/RED
6	147279-01-000	EA	KIT-PAINT PROTECTION
7	151309-01-CHT(O1A)	EA	DECAL-LOGO JOURNEY LG - CHROME/BLACK/UMBRA
8	151309-02-CHT(O1A)	EA	DECAL-LOGO JOURNEY SML - CHROME/BLACK/UMBRA
9	151687-01-CHT(O1A)	EA	DECAL/BEZEL-DOMED NAMEPLATE WINNEBAGO - CHROME/RED
10	EA	PLATE-FREIGHTLINER LG - CHASSIS SUPPLIED
11	EA	PLATE-FREIGHTLINER SML - CHASSIS SUPPLIED
12	GL	PAINT-CLEAR COAT - SHERWIN WILLIAMS
13	GL	PAINT-PLATINUM GOLD MET - SHERWIN WILLIAMS #50655
14	GL	PAINT-IRON GRAY MET - SHERWIN WILLIAMS #63300
15	GL	PAINT-MED MALACHITE MET - SHERWIN WILLIAMS #42023

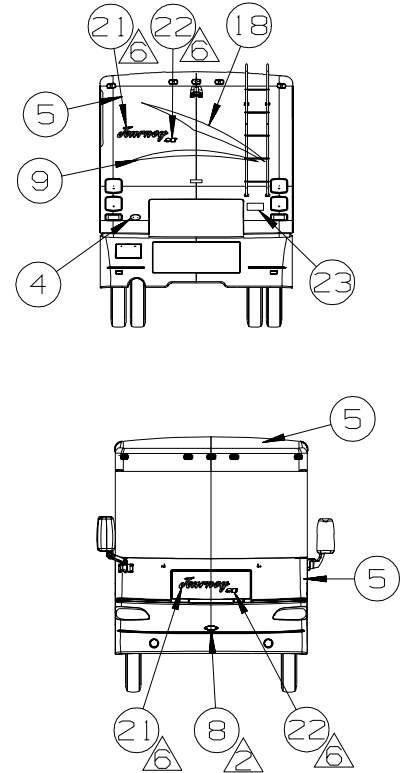
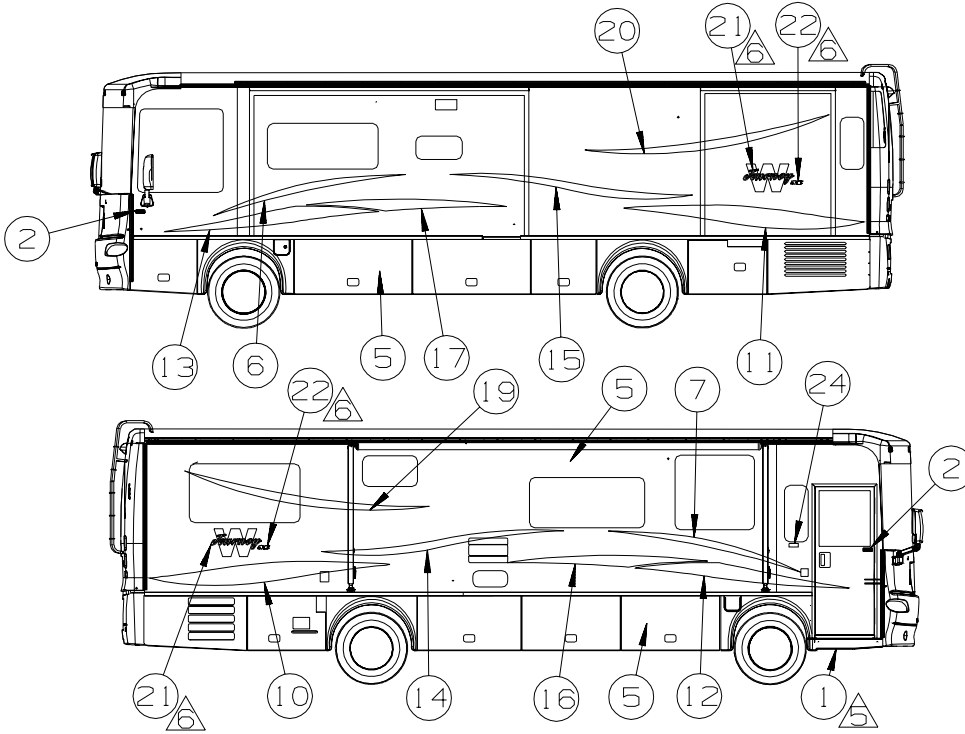
(92A) KEY	PART NUMBER	U/M	DESCRIPTION - RED MAPLE
1	109506-01-000	EA	FILM-URETHANE PROTECTANT
2	120700-12-CHT(O1A)	EA	DECAL-LOGO W - FROSTY JACK
3	132664-02-CHT(O1A)	EA	DECAL-LOGO DOMED WINNEBAGO - CHROME/RED/BLACK
4	158621-02-CHT(O1A)	EA	DECAL-HORSEPOWER 350 FLEXSCRIPT - CHROME
5	137618-04-CHT(O1A)	EA	DECAL/BEZEL-DOMED WINNEBAGO - CHROME/RED
6	147279-01-000	EA	KIT-PAINT PROTECTION
7	151309-01-CHT(O1A)	EA	DECAL-LOGO JOURNEY LG - CHROME/BLACK/UMBRA
8	151309-02-CHT(O1A)	EA	DECAL-LOGO JOURNEY SML - CHROME/BLACK/UMBRA
9	151687-01-CHT(O1A)	EA	DECAL/BEZEL-DOMED NAMEPLATE WINNEBAGO - CHROME/RED
10	EA	PLATE-FREIGHTLINER LG - CHASSIS SUPPLIED
11	EA	PLATE-FREIGHTLINER SML - CHASSIS SUPPLIED
12	GL	PAINT-CLEAR COAT - SHERWIN WILLIAMS
13	GL	PAINT-COOL BEIGE MET - SHERWIN WILLIAMS #62261
14	GL	PAINT-BLACK GARNET MET - SHERWIN WILLIAMS #64010
15	GL	PAINT-CHESTNUT PEARL MET - SHERWIN WILLIAMS #62447

(24C) KEY	PART NUMBER	U/M	DESCRIPTION - SAND DUNE
1	109506-01-000	EA	FILM-URETHANE PROTECTANT
2	120700-12-CHT(O1A)	EA	DECAL-LOGO W - FROSTY JACK
3	132664-02-CHT(O1A)	EA	DECAL-LOGO DOMED WINNEBAGO - CHROME/RED/BLACK
4	158621-02-CHT(O1A)	EA	DECAL-HORSEPOWER 350 FLEXSCRIPT - CHROME
5	137618-04-CHT(O1A)	EA	DECAL/BEZEL-DOMED WINNEBAGO - CHROME/RED
6	147279-01-000	EA	KIT-PAINT PROTECTION
7	151309-01-CHT(O1A)	EA	DECAL-LOGO JOURNEY LG - CHROME/BLACK/UMBRA
8	151309-02-CHT(O1A)	EA	DECAL-LOGO JOURNEY SML - CHROME/BLACK/UMBRA
9	151687-01-CHT(O1A)	EA	DECAL/BEZEL-DOMED NAMEPLATE WINNEBAGO - CHROME/RED
10	EA	PLATE-FREIGHTLINER LG - CHASSIS SUPPLIED
11	EA	PLATE-FREIGHTLINER SML - CHASSIS SUPPLIED
12	GL	PAINT-CLEAR COAT - SHERWIN WILLIAMS
13	GL	PAINT-MED GOLD MET - SHERWIN WILLIAMS #60121
14	GL	PAINT-DK BEIGE MET - SHERWIN WILLIAMS #57776
15	GL	PAINT-LT KHAKI MET - SHERWIN WILLIAMS #64023

EXTERIOR BODY GROUP (CONTINUED)

GRAPHICS & PAINT (CONTINUED)

SPECIAL EDITION GRAPHICS
FROM: 00-00-00 THRU: 01-07-07



27B	KEY	PART NUMBER	U/M	DESCRIPTION
	1	109506-01-000	EA	FILM-URETHANE PROTECTANT
	2	132664-02-CHT (01A)	EA	DECAL-LOGO DOMED WINNEBAGO - CHROME/RED/BLACK
	3	-----	GL	PAINT-CLEAR COAT - SHERWIN WILLIAMS
	4	137618-04-CHT (01A)	EA	DECAL/BEZEL-DOMED GRILL LOGO - CHROME/RED
	5	141599-37-000	GL	PAINT-LT AUTUMNWOOD MET - DUPONT #373-P7441
	6	148528-01-CHT (04A)	EA	DECAL-SWEEP RH - LT GOLD
	7	148528-02-CHT (04A)	EA	DECAL-SWEEP LH - LT GOLD
	8	151687-01-CHT (01A)	EA	DECAL/BEZEL-DOMED NAMEPLATE WINNEBAGO - CHROME/RED
	9	152147-02-CHT (01A)	EA	DECAL-SWEEP RR - NUTMEG
	10	152155-01-CHT (03A)	EA	DECAL-SWEEP LG RH - NUTMEG
	11	152155-02-CHT (03A)	EA	DECAL-SWEEP LG LH - NUTMEG
	12	153062-01-CHT (04A)	EA	DECAL-SWEEP MID RH - CHOCOLATE BROWN
	13	153062-02-CHT (04A)	EA	DECAL-SWEEP MID LH - CHOCOLATE BROWN
	14	153063-01-CHT (04A)	EA	DECAL-SWEEP LWR RH - LT GOLD
	15	153063-02-CHT (04A)	EA	DECAL-SWEEP LWR LH - LT GOLD
	16	153065-03-CHT (01A)	EA	DECAL-POINT RH - NUTMEG
	17	153065-04-CHT (01A)	EA	DECAL-POINT LH - NUTMEG
	18	153076-03-CHT (01A)	EA	DECAL-SWEEP UPPER REAR - CHOCOLATE BROWN
	19	156405-01-CHT (02A)	EA	DECAL-SLASH #7 RH - CHOCOLATE BROWN
	20	156405-02-CHT (02A)	EA	DECAL-SLASH #7 LH - CHOCOLATE BROWN
	21	161350-01-CHT (01A)	EA	DECAL-LOGO JOURNEY LG - SILVER/BLACK/BRT WHITE
	22	161351-01-CHT (01A)	EA	DECAL-LOGO SE LG - SILVER/BLACK/BRT WHITE
	23	-----	EA	PLATE-FREIGHTHLINER LG - CHASSIS SUPPLIED
	24	-----	EA	PLATE-FREIGHTHLINER SML - CHASSIS SUPPLIED
	25	120700-12-CHT (01A)	EA	DECAL-LOGO WINNEBAGO - FROSTY JACK

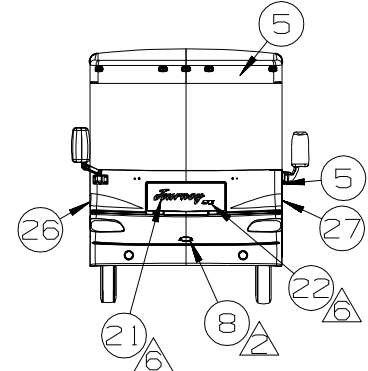
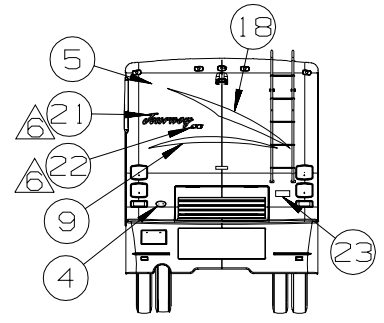
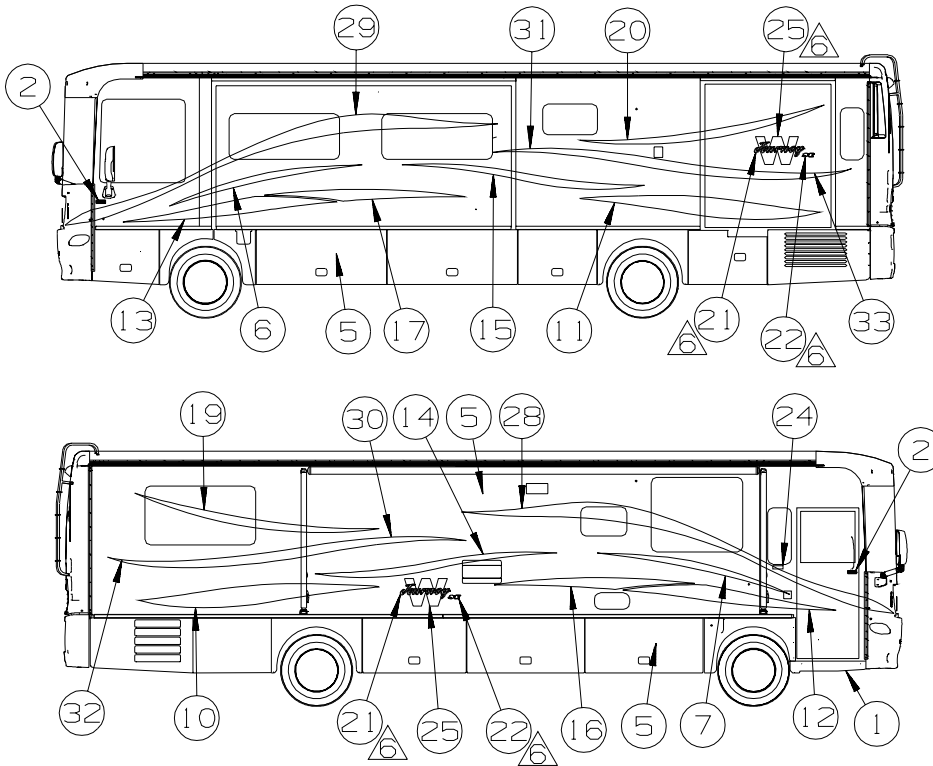
- 10. APPLY SEALER-BODY SEAM CLEAR, 94401-04-000 TO HELP SECURE PAINT ON EDGES.
- 9. MANIPULATE DECALS PER DESIGN - DECALS MAY BE FLIPPED/TURNED OR USED ON OPPOSITE SIDE OF DECAL DESCRIPTION.
- △ NO DECAL WILL BE USED TO CALL OUT 300 HORSEPOWER CHASSIS.
- 7. END PANELS OF SLIDEOUT ROOMS WILL BE PAINTED WITH BASE COAT AND CLEAR COAT ONLY. THERE WILL BE NO COLORED DESIGN GRAPHICS ELEMENTS PAINTED ON THE END PANELS.
- △ LOGO IS TO BE HELD TO ±1 MM ON A HORIZONTAL PLANE (END TO END).
- △ FILM TO PROTECT BOTTOM OF DOOR FROM SCUFF MARKS.
- 4. USE 145487-02-000 (100 FT) TO COVER UNSEALED ROOF SEAMS.
- △ CLEAR COAT TO BE APPLIED ON PAINTED AREAS TO PROTECT PAINT.
- △ CENTER ON UNIT.
- 1. APPLY PROTECTOR 116424-01-000 TO WATER HEATER LATCH.

NOTES:

EXTERIOR BODY GROUP (CONTINUED)

GRAPHICS & PAINT (CONTINUED)

SPECIAL EDITION GRAPHICS
FROM: 01-08-07 THRU: 99-99-99



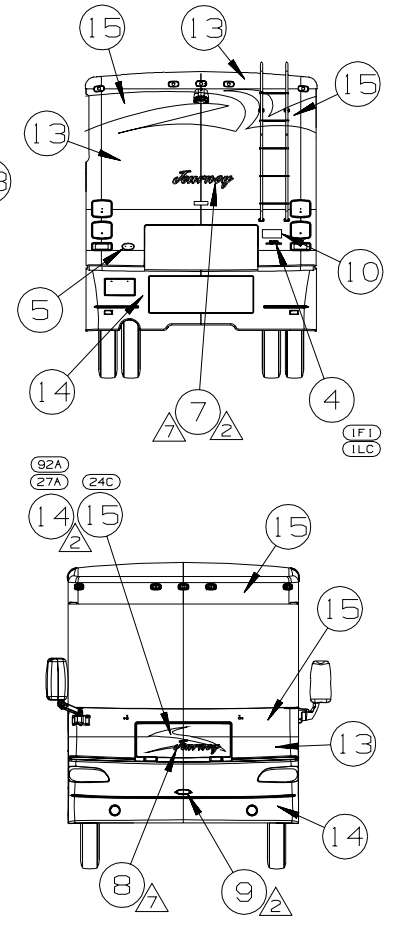
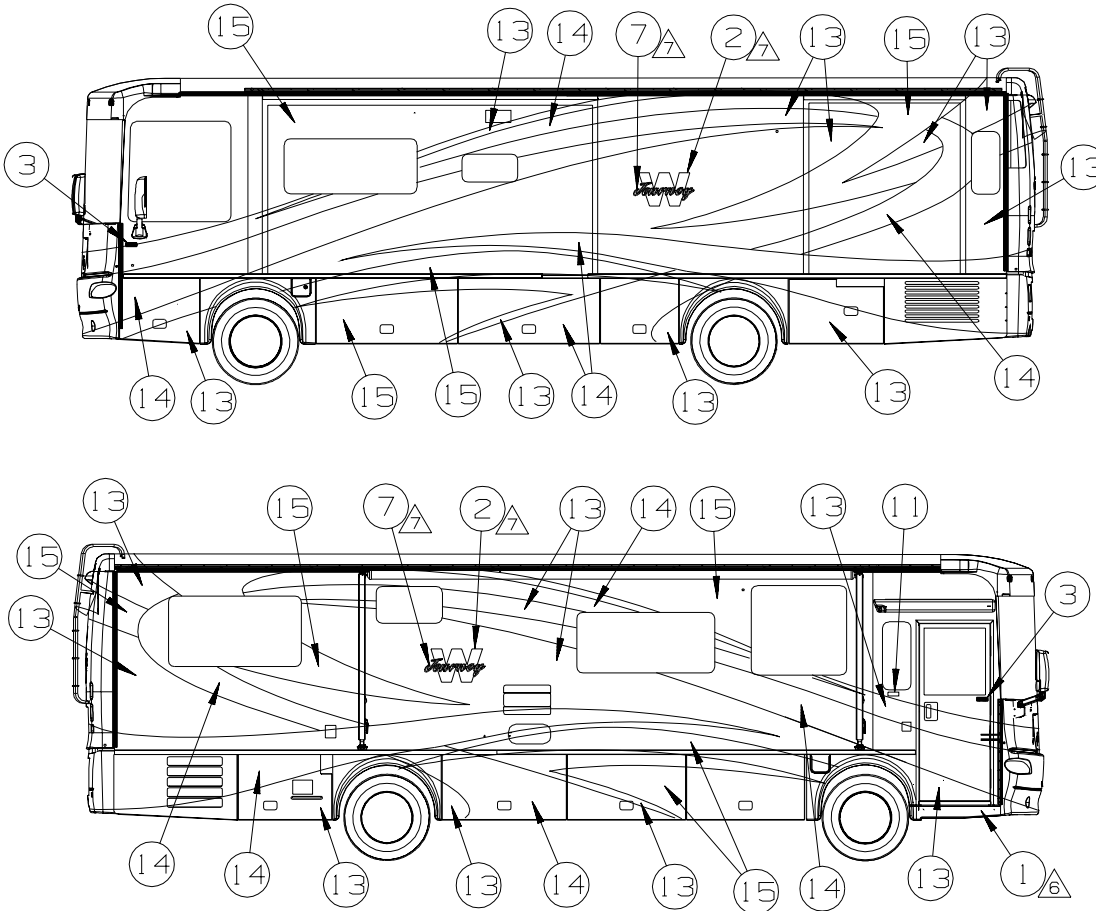
(27B) KEY	PART NUMBER	U/M	DESCRIPTION
1	109506-01-000	EA	FILM-URETHANE PROTECTANT
2	132664-02-CHT (01A)	EA	DECAL-LOGO DOMED WINNEBAGO - CHROME/RED/BLACK
3	-----	GL	PAINT-CLEAR COAT - SHERWIN WILLIAMS
4	137618-04-CHT (01A)	EA	DECAL-BEZEL-DOMED GRILL LOGO - CHROME/RED
5	141596-37-000	GL	PAINT-LT AUTUMNWOOD MET - DUPONT #373-P7441
6	148528-01-CHT (04A)	EA	DECAL-SWEEP RH - LT GOLD
7	148528-02-CHT (04A)	EA	DECAL-SWEEP LH - LT GOLD
8	151687-01-CHT (01A)	EA	DECAL-BEZEL-DOMED NAMEPLATE WINNEBAGO - CHROME/RED
9	152147-02-CHT (01A)	EA	DECAL-SWEEP RR - NUTMEG
10	152155-01-CHT (03A)	EA	DECAL-SWEEP LG RH - NUTMEG
11	152155-02-CHT (03A)	EA	DECAL-SWEEP LG LH - NUTMEG
12	153062-01-CHT (04A)	EA	DECAL-SWEEP MID RH - CHOCOLATE BROWN
13	153062-02-CHT (04A)	EA	DECAL-SWEEP MID LH - CHOCOLATE BROWN
14	153063-01-CHT (04A)	EA	DECAL-SWEEP LWR RH - LT GOLD
15	153063-02-CHT (04A)	EA	DECAL-SWEEP LWR LH - LT GOLD
16	153065-03-CHT (01A)	EA	DECAL-POINT RH - NUTMEG
17	153065-04-CHT (01A)	EA	DECAL-POINT LH - NUTMEG
18	153076-03-CHT (01A)	EA	DECAL-SWEEP UPPER REAR - CHOCOLATE BROWN
19	156405-01-CHT (02A)	EA	DECAL-SLASH #7 RH - CHOCOLATE BROWN
20	156405-02-CHT (02A)	EA	DECAL-SLASH #7 LH - CHOCOLATE BROWN
21	161350-01-CHT (01A)	EA	DECAL-LOGO JOURNEY LG - SILVER/BLACK/BRT WHITE
22	161351-01-CHT (01A)	EA	DECAL-LOGO SE LG - SILVER/BLACK/BRT WHITE
23	-----	EA	PLATE-FREIGHTLINER LG - CHASSIS SUPPLIED
24	-----	EA	PLATE-FREIGHTLINER SML - CHASSIS SUPPLIED
25	120700-12-CHT (01A)	EA	DECAL-LOGO WINNEBAGO - FROSTY JACK
26	163635-01-CHT (01A)	EA	PAINT MASK-DECAL, FRONT, RH - WHITE VINYL
27	163635-02-CHT (01A)	EA	PAINT MASK-DECAL, FRONT, LH - WHITE VINYL
28	163636-01-CHT (01A)	EA	PAINT MASK-DECAL, UPPER, RH - WHITE VINYL
29	163636-02-CHT (01A)	EA	PAINT MASK-DECAL, UPPER, LH - WHITE VINYL
30	163637-01-CHT (01A)	EA	PAINT MASK-DECAL, MID FRT, RH - WHITE VINYL
31	163637-02-CHT (01A)	EA	PAINT MASK-DECAL, MID FRT, LH - WHITE VINYL
32	163638-01-CHT (01A)	EA	PAINT MASK-DECAL, MID REAR, RH - WHITE VINYL
33	163638-02-CHT (01A)	EA	PAINT MASK-DECAL, MID REAR, LH - WHITE VINYL

- 10. APPLY SEALER-BODY SEAM CLEAR, 94401-04-000 TO HELP SECURE PAINT ON EDGES.
- 9. MANIPULATE DECALS PER DESIGN - DECALS MAY BE FLIPPED/TURNED OR USED ON OPPOSITE SIDE OF DECAL DESCRIPTION.
- 8. NO DECAL WILL BE USED TO CALL OUT 300 HORSEPOWER CHASSIS.
- 7. END PANELS OF SLIDEOUT ROOMS WILL BE PAINTED WITH BASE COAT AND CLEAR COAT ONLY. THERE WILL BE NO COLORED DESIGN GRAPHICS ELEMENTS PAINTED ON THE END PANELS.
- 6. LOGO IS TO BE HELD TO ± 1 MM ON A HORIZONTAL PLANE (END TO END).
- 5. FILM TO PROTECT BOTTOM OF DOOR FROM SCUFF MARKS.
- 4. USE 145487-02-000 (100 FT) TO COVER UNSEALED ROOF SEAMS.
- 3. CLEAR COAT TO BE APPLIED ON PAINTED AREAS TO PROTECT PAINT.
- 2. CENTER ON UNIT.
- 1. APPLY PROTECTOR 116424-01-000 TO WATER HEATER LATCH.

NOTES:

EXTERIOR BODY GROUP (CONTINUED) GRAPHICS & PAINT (CONTINUED)

SPECIAL EDITION W/24C FULL BODY PAINT



27A KEY	PART NUMBER	U/M	DESCRIPTION - SLATE
1	109506-01-000	EA	FILM-URETHANE PROTECTANT
2	120700-12-CHT(01A)	EA	DECAL-LOGO W - FROSTY JACK
3	132664-02-CHT(01A)	EA	DECAL-LOGO DOMED WINNEBAGO - CHROME/RED/BLACK
4	158621-02-CHT(01A)	EA	DECAL-HORSEPOWER 350 FLEXSCRIPT - CHROME
5	137618-04-CHT(01A)	EA	DECAL/BEZEL-DOMED WINNEBAGO - CHROME/RED
6	147279-01-000	EA	KIT-PAINT PROTECTION
7	151309-01-CHT(01A)	EA	DECAL-LOGO JOURNEY LG - CHROME/BLACK/UMBRA
8	151309-02-CHT(01A)	EA	DECAL-LOGO JOURNEY SML - CHROME/BLACK/UMBRA
9	151687-01-CHT(01A)	EA	DECAL/BEZEL-DOMED NAMEPLATE WINNEBAGO - CHROME/RED
10	EA	PLATE-FREIGHTLINER LG - CHASSIS SUPPLIED
11	EA	PLATE-FREIGHTLINER SML - CHASSIS SUPPLIED
12	GL	PAINT-CLEAR COAT - SHERWIN WILLIAMS
13	GL	PAINT-PLATINUM GOLD MET - SHERWIN WILLIAMS #50655
14	GL	PAINT-IRON GRAY MET - SHERWIN WILLIAMS #63300
15	GL	PAINT-MED MALACHITE MET - SHERWIN WILLIAMS #42023

92A KEY	PART NUMBER	U/M	DESCRIPTION - RED MAPLE
1	109506-01-000	EA	FILM-URETHANE PROTECTANT
2	120700-12-CHT(01A)	EA	DECAL-LOGO W - FROSTY JACK
3	132664-02-CHT(01A)	EA	DECAL-LOGO DOMED WINNEBAGO - CHROME/RED/BLACK
4	158621-02-CHT(01A)	EA	DECAL-HORSEPOWER 350 FLEXSCRIPT - CHROME
5	137618-04-CHT(01A)	EA	DECAL/BEZEL-DOMED WINNEBAGO - CHROME/RED
6	147279-01-000	EA	KIT-PAINT PROTECTION
7	151309-01-CHT(01A)	EA	DECAL-LOGO JOURNEY LG - CHROME/BLACK/UMBRA
8	151309-02-CHT(01A)	EA	DECAL-LOGO JOURNEY SML - CHROME/BLACK/UMBRA
9	151687-01-CHT(01A)	EA	DECAL/BEZEL-DOMED NAMEPLATE WINNEBAGO - CHROME/RED
10	EA	PLATE-FREIGHTLINER LG - CHASSIS SUPPLIED
11	EA	PLATE-FREIGHTLINER SML - CHASSIS SUPPLIED
12	GL	PAINT-CLEAR COAT - SHERWIN WILLIAMS
13	GL	PAINT-COOL BEIGE MET - SHERWIN WILLIAMS #62261
14	GL	PAINT-BLACK GARNET MET - SHERWIN WILLIAMS - #64010
15	GL	PAINT-CHESTNUT PEARL MET - SHERWIN WILLIAMS - #62447

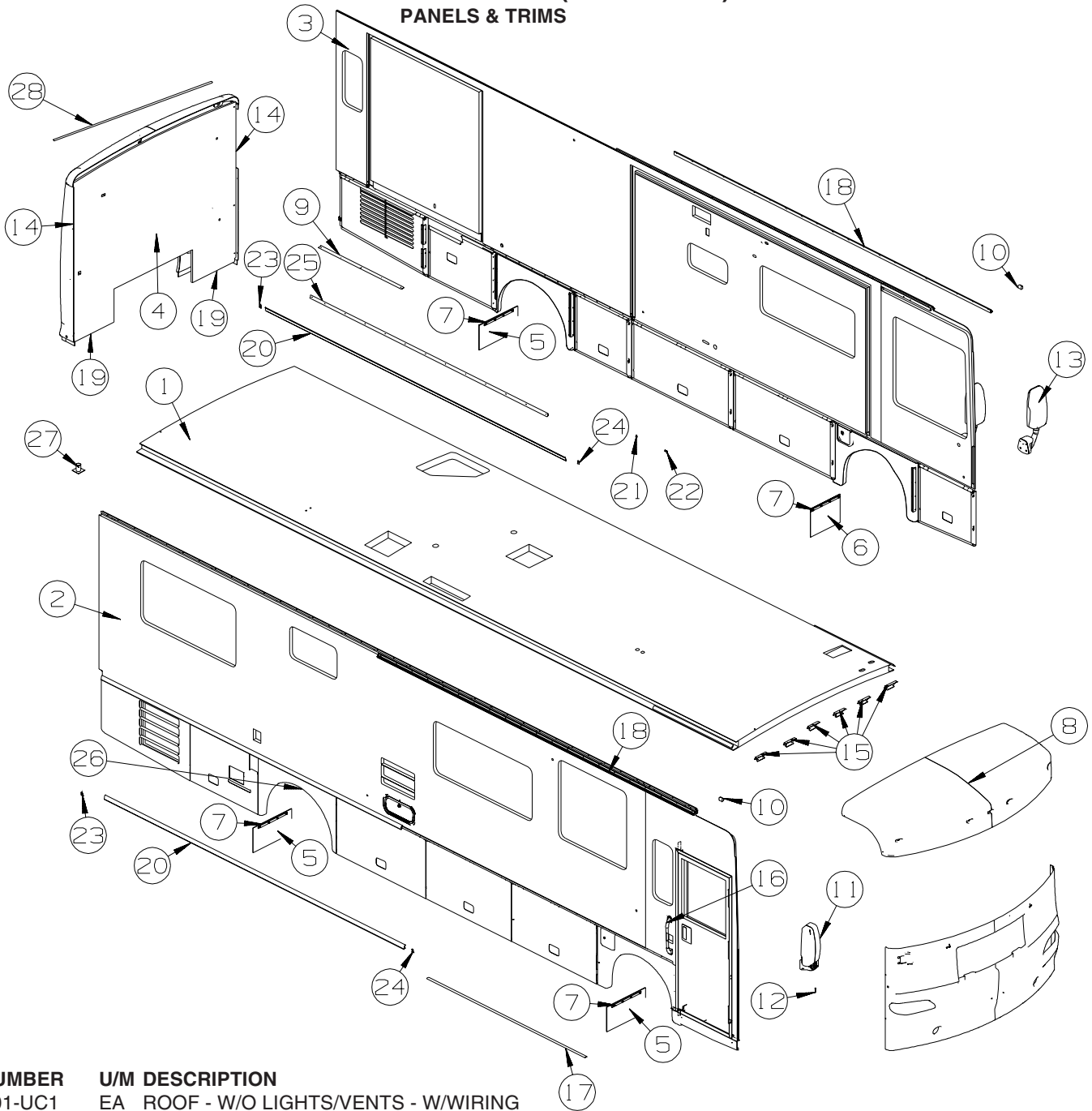
24C KEY	PART NUMBER	U/M	DESCRIPTION - SAND DUNE
1	109506-01-000	EA	FILM-URETHANE PROTECTANT
2	120700-12-CHT(01A)	EA	DECAL-LOGO W - FROSTY JACK
3	132664-02-CHT(01A)	EA	DECAL-LOGO DOMED WINNEBAGO - CHROME/RED/BLACK
4	158621-02-CHT(01A)	EA	DECAL-HORSEPOWER 350 FLEXSCRIPT - CHROME
5	137618-04-CHT(01A)	EA	DECAL/BEZEL-DOMED WINNEBAGO - CHROME/RED
6	147279-01-000	EA	KIT-PAINT PROTECTION
7	151309-01-CHT(01A)	EA	DECAL-LOGO JOURNEY LG - CHROME/BLACK/UMBRA
8	151309-02-CHT(01A)	EA	DECAL-LOGO JOURNEY SML - CHROME/BLACK/UMBRA
9	151687-01-CHT(01A)	EA	DECAL/BEZEL-DOMED NAMEPLATE WINNEBAGO - CHROME/RED
10	EA	PLATE-FREIGHTLINER LG - CHASSIS SUPPLIED
11	EA	PLATE-FREIGHTLINER SML - CHASSIS SUPPLIED
12	GL	PAINT-CLEAR COAT - SHERWIN WILLIAMS
13	GL	PAINT-MED GOLD MET - SHERWIN WILLIAMS #60121
14	GL	PAINT-DK BEIGE MET - SHERWIN WILLIAMS #57776
15	GL	PAINT-LT KHAKI MET - SHERWIN WILLIAMS #64023

USE PARTS LIST BELOW FOR KEYS 7 & 8

KEY	PART NUMBER	U/M	DESCRIPTION
7	161350-01-01A	EA	DECAL - LOGO - JOURNEY - SILVER/BLACK/WHITE
7	161351-01-01A	EA	DECAL - LOGO - SE/LARGE - SILVER/BLACK/WHITE
8	161350-01-01A	EA	DECAL - LOGO - JOURNEY - SILVER/BLACK/WHITE
8	161351-01-01A	EA	DECAL - LOGO - SE/LARGE - SILVER/BLACK/WHITE

EXTERIOR BODY GROUP (CONTINUED)

PANELS & TRIMS



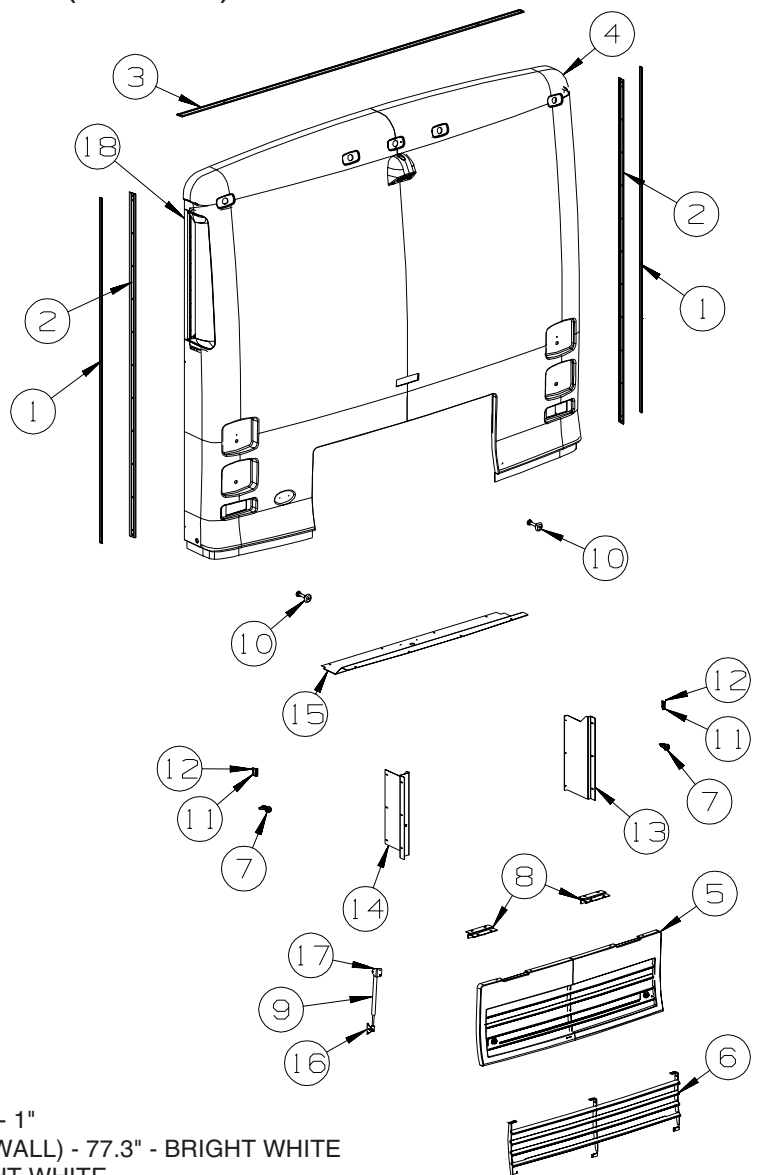
KEY	PART NUMBER	U/M	DESCRIPTION
1	158351-01-UC1	EA	ROOF - W/O LIGHTS/VENTS - W/WIRING
1	158351-02-UP1	EA	ROOF - W/O LIGHTS/VENTS - W/WIRING - P34SH, SPECIAL EDITION (SE)
2	158352-01-UC1	EA	SIDEWALL - PASSENGER - W/O WINDOWS/TRIMS (UC1, UC2, UC3, UM7)
2	158352-01-UC5	EA	SIDEWALL - PASSENGER - W/O WINDOWS/TRIMS (UC5, UC6, UC7, UM8)
2	158352-01-UD1	EA	SIDEWALL - PASSENGER - W/O WINDOWS/TRIMS (UD1, UD2, UD3, UM9, UP1)
2	P58352-01-UC1	EA	SIDEWALL - PASSENGER - W/O WDO/TRIMS (UC1, UC2, UC3, UM7) - FULL BODY PAINT
2	P58352-01-UC5	EA	SIDEWALL - PASSENGER - W/O WDO/TRIMS (UC5, UC6, UC7, UM8) - FULL BODY PAINT
2	P58352-01-UD1	EA	SIDEWALL - PASSENGER - W/O WDO/TRIMS (UD1, UD2, UD3, UM9) - FULL BODY PAINT
3	158353-01-UC1	EA	SIDEWALL - DRIVER - W/O WINDOWS/TRIMS (UC1, UC2, UC3, UM7)
3	158353-01-UC5	EA	SIDEWALL - DRIVER - W/O WINDOWS/TRIMS (UC5, UC6, UC7, UM8)
3	158353-01-UD1	EA	SIDEWALL - DRIVER - W/O WINDOWS/TRIMS (UD1, UD2, UD3, UM9, UP1)
3	P58353-01-UC1	EA	SIDEWALL - DRIVER - W/O WINDOWS/TRIMS (UC1, UC2, UC3, UM7) - FULL BODY PAINT
3	P58353-01-UC5	EA	SIDEWALL - DRIVER - W/O WINDOWS/TRIMS (UC5, UC6, UC7, UM8) - FULL BODY PAINT
3	P58353-01-UD1	EA	SIDEWALL - DRIVER - W/O WINDOWS/TRIMS (UD1, UD2, UD3, UM9) - FULL BODY PAINT
4	156894-01-UC1	EA	BACKWALL - W/O WINDOW/TRIMS (UC1, UC2, UC3, UM7)
4	156894-01-UC5	EA	BACKWALL - W/O WINDOW/TRIMS (UC5, UC6, UC7, UM8)
4	156894-01-UD1	EA	BACKWALL - W/O WINDOW/TRIMS (UD1, UD2, UD3, UM9, UP1)
5	017516-09-000	EA	MUD FLAP - 12.2"H X 23.5"W - RUBBER - BLACK
	017516-07-000	EA	MUD FLAP - 14"H X 23.5"W - RUBBER - BLACK
6	017516-01-000	EA	MUD FLAP - 14"H X 18"W - W/O MOUNTING HOLES - BLACK

EXTERIOR BODY GROUP (CONTINUED)
PANELS & TRIMS (CONTINUED)

KEY	PART NUMBER	U/M	DESCRIPTION
7	140922-01-02B	EA	PLATE - MUD FLAP - E-COATED
8	131635-02-L76	EA	CAP - ROOF - W/O LIGHTS/WIRING
9	146548-02-01A	EA	TRIM - RETAINER - 50.3" - MILL
10	156094-02-000	EA	FOAM - PLUG - SIDEWALL TUBE
11*	131431-08-01A	EA	MIRROR - EXTERIOR/REMOTE/HEAT/PASSENGER-W/TURN SIGNAL-BLK
11*	131431-08-02A	EA	MIRROR - EXTERIOR/REMOTE/HEAT/PASSENGER-W/TURN SIGNAL-CHR - FULL BODY PAINT
	108825-03-000	EA	GASKET - MIRROR
12	133379-01-01A	EA	SCREW - MACHINE - 5/16-18 X 2.00 - TORX
13*	142721-02-01A	EA	MIRROR - EXTERIOR REMOTE/HEAT/DRVR - (BREAKAWAY) - BLACK
13*	142721-02-02A	EA	MIRROR - EXTERIOR REMOTE/HEAT/DRVR - (BREAKAWAY) - CHROME - FULL BODY PAINT
14	156622-01-01A	FT	SEALER - TAPE - 1/4"THICK X 3"WIDE X 100 FT
15	134774-01-02B	EA	BRACKET - CAB ATTACHMENT - E-COATED
16	157749-01-01A	EA	ASSIST HANDLE - NON-LIGHTED - 18" - CHROME - NOT ILLUSTRATED
			FROM: 00-00-00 THRU: 09-24-06
16	132442-02-01A	EA	HANDLE - ASSIST/CLEAR-BLANK - 20" - W/CHROME ENDS
			FROM: 09-25-06 THRU: 99-99-99
17	093673-01-06A	FT	TRIM/MOLDING - 1.4" WIDE X 8' LONG - BRIGHT WHITE
18	157284-01-01A	EA	RAIL - AWNING - 192" - BRIGHT WHITE
19	104692-01-000	EA	SEAL - ADHESIVE BACKED FOAM - 3/4" THICK X 3/4" WIDE X 25'
20	146550-01-02A	EA	TRIM COVER - SIDEWALL
21	143143-01-01A	EA	ANGLE - SUPPORT/TRIM
22	143143-02-01A	EA	ANGLE - SUPPORT/TRIM
23	146576-01-02A	EA	CAP - END/TRIM - RIGHT HAND
24	146576-02-02A	EA	CAP - END/TRIM - LEFT HAND - BLACK
25	151782-01-01A	EA	TRIM - RETAINER - 143.8"
26	105290-01-000	SF	INSULATION - AIR POCKET W/FOIL - 4' WIDE
27	092776-03-000	EA	ADAPTER - DUCT - 2" X 4" X 3"
28	114248-02-04A	EA	ANGLE - PLASTIC - .7" X .4" X 96.7" - BEIGE

***COMPONENT PARTS LISTED LATER IN THIS GROUP**

EXTERIOR BODY GROUP (CONTINUED)
PANELS & TRIMS (CONTINUED)



KEY	PART NUMBER	U/M	DESCRIPTION
1	091985-01-07A	FT	INSERT - TRIM - BRIGHT WHITE - 1"
2	092041-09-01A	EA	TRIM - FRONT/REAR CAP (SIDEWALL) - 77.3" - BRIGHT WHITE
3	083805-23-000	EA	TRIM - ROOF CAP - 92.1" - BRIGHT WHITE
4	131897-06-R68	EA	PANEL/REAR CAP - W/O DOOR/LIGHTS - W/SHROUD BACKING PLATE
4	131897-06-SB4	EA	PAN./RR CAP-W/O DR/LTS-W/SHROUD PLATE-NON-PRIMED - FULL BODY PAINT/ P34SH, P36SG
5	132182-01-SB4	EA	DOOR - REAR ENGINE - W/O HARDWARE - NON-PRIMED
6	132412-01-L76	EA	GRILLE/DOOR - TRUNK
7	102330-02-000	EA	LATCH - VISE ACTION/KEY OPERATED
8	102325-04-07A	EA	HINGE/TRUNK DOOR - 6" - OFF SET - BRIGHT WHITE
9	142569-08-000	EA	SPRING/GAS - 45 LB - 18.5" EXTENDED/11" COMPRESSED
10	058786-01-000	EA	BOLT - HOOD ADJUSTMENT - 5/16"-18 X 1.5"-2"- W/BLACK PAD
11	107719-01-01A	EA	STRIKE - VALANCE DOOR
12	118931-01-02B	EA	SHIM - STRIKER - DOOR
13	147729-01-02B	EA	SHIELD/ENGINE - SIDE/RIGHT HAND - E-COATED
14	132636-05-02B	EA	SHIELD/ENGINE - SIDE/LEFT HAND - E-COATED
15	132635-02-02B	EA	SHIELD-ENGINE - UPPER - E-COATED - P39K
15	132635-01-02B	EA	SHIELD-ENGINE - UPPER - E-COATED - P34H/SH, P36G/SG
16	126263-08-02B	EA	BRACKET - GAS SPRING W/CENTERED BALL STUD - E-COATED
17	126263-10-02B	EA	BRACKET - GAS SPRING W/BALL STUD - E-COATED
18	131896-01-01A	EA	PANEL/AIR SCOOP - BRIGHT WHITE
18	131896-01-02A	EA	PANEL/AIR SCOOP - GRAY

EXTERIOR BODY GROUP (CONTINUED)

COMPONENT PARTS FOR PANELS & TRIMS

131431-08-01A

KEY	PART NUMBER	U/M	DESCRIPTION	VENDOR NO.
	106015-16-700	EA	GLASS-FLAT W/HEAT ELEMENT	709450
	106015-18-700	EA	GLASS/CONVEX	709650
	106015-18-701	EA	ACTUATOR - CONVEX GLASS	7475410
	106015-18-702	EA	MOTOR - FLAT GLASS	7471180
	106015-18-703	EA	GLASS/CONVEX-ACT/HOUSING	709651
	131431-03-700	EA	LIGHT/TURN SIGNAL - AMBER	7475510
	131431-07-700	EA	KIT(SCREW CVR BLK)ROUND/OVAL	748344
	131431-08-700	EA	CAP/BASE - BLK - 1 PKG OF 2	Q7095150

131431-08-02A

KEY	PART NUMBER	U/M	DESCRIPTION	VENDOR NO.
	106015-16-700	EA	GLASS/FLAT-W/HEAT ELEMENT	709450
	106015-18-700	EA	GLASS/CONVEX	709650
	106015-18-701	EA	ACTUATOR - CONVEX GLASS	7475410
	106015-18-702	EA	MOTOR - FLAT GLASS	7471180
	106015-18-703	EA	GLASS/CONVEX-ACT/HOUSING	709651 KIT
	106015-19-700	EA	GLASS/FLAT-W/BEZEL/HEAT/ANTI	709645
	131431-03-700	EA	LIGHT/TURN SIGNAL - AMBER	7475510
	131431-07-700	EA	KIT(SCREW CVR BLK)ROUND/OVAL	748344
	131431-08-700	EA	CAP/BASE - BLK - 1 PKG OF 2	Q7095150

142721-01-01A, 142721-02-01A

KEY	PART NUMBER	U/M	DESCRIPTION	VENDOR NO.
	106015-16-700	EA	GLASS/FLAT-W/HEAT ELEMENT	709450
	106015-18-700	EA	GLASS/CONVEX	709650
	106015-18-702	EA	MOTOR - FLAT GLASS	7471180
	106015-18-703	EA	GLASS/CONVEX-ACT/HOUSING	709651
	131431-03-700	EA	LIGHT/TURN SIGNAL - AMBER	7475510
	142721-01-700	EA	COVER/CAP - BOTTOM	Q709678
	142721-01-701	EA	CAP - RECTANGULAR (VELVAC)	709557
	142721-01-702	EA	BRACKET/MOUNT - MIRROR	7096800
	142721-01-703	EA	GASKET/MOUNT - MIRROR	7094700
	142721-01-704	EA	SET SCREW - 5/16"-18 X 1.25"	4082140

142721-01-02A, 142721-02-02A

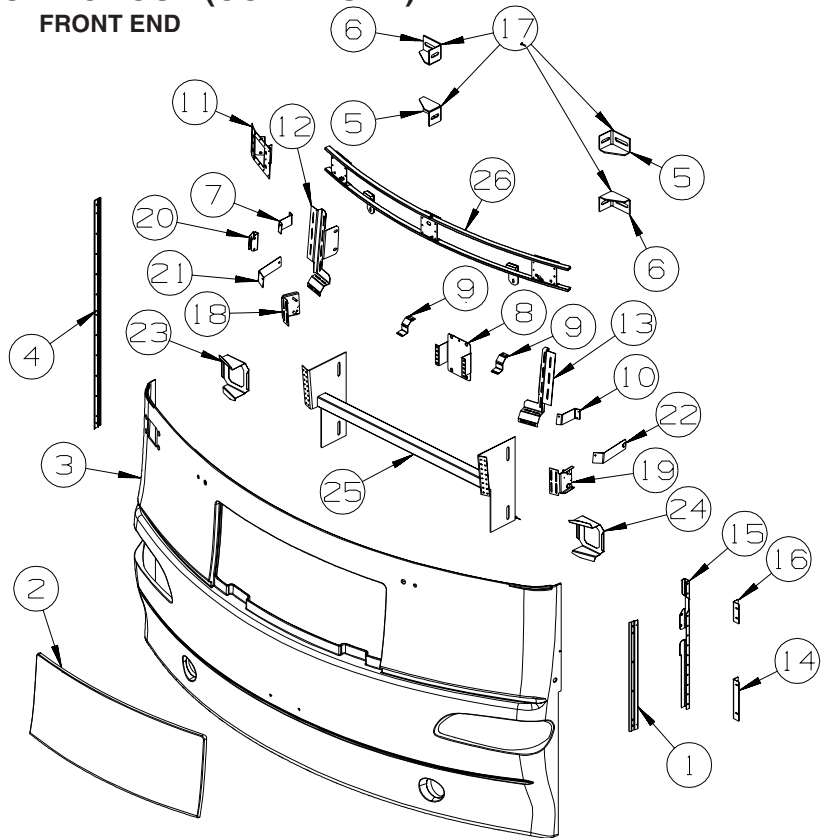
KEY	PART NUMBER	U/M	DESCRIPTION	VENDOR NO.
	106015-16-700	EA	GLASS/FLAT-W/HEAT ELEMENT	709450
	106015-18-700	EA	GLASS/CONVEX	709650
	106015-18-701	EA	ACTUATOR - CONVEX GLASS	7475410
	106015-18-702	EA	MOTOR - FLAT GLASS	7471180
	106015-18-703	EA	GLASS/CONVEX-ACT/HOUSING	709651 KIT
	131431-03-700	EA	LIGHT/TURN SIGNAL - AMBER	7475510
	142721-01-700	EA	COVER/CAP - BOTTOM	Q709678
	142721-01-701	EA	CAP - RECTANGULAR (VELVAC)	709557
	142721-01-702	EA	BRACKET/MOUNT - MIRROR	7096800
	142721-01-703	EA	GASKET/MOUNT - MIRROR	7097400
	142721-01-704	EA	SET SCREW - 5/16"-18 X 1.25"	4082140

LADDER

KEY	PART NUMBER	U/M	DESCRIPTION
	132804-01-01A	EA	LADDER - UPPER - ANODIZED ALUMINUM
	150785-01-01A	EA	LADDER - LOWER - 47.6"¼ STEP W/DOG LEG - HINGED STANDOFF
	129375-02-000	EA	SEAL - LADDER BRACKET

EXTERIOR BODY GROUP (CONTINUED)

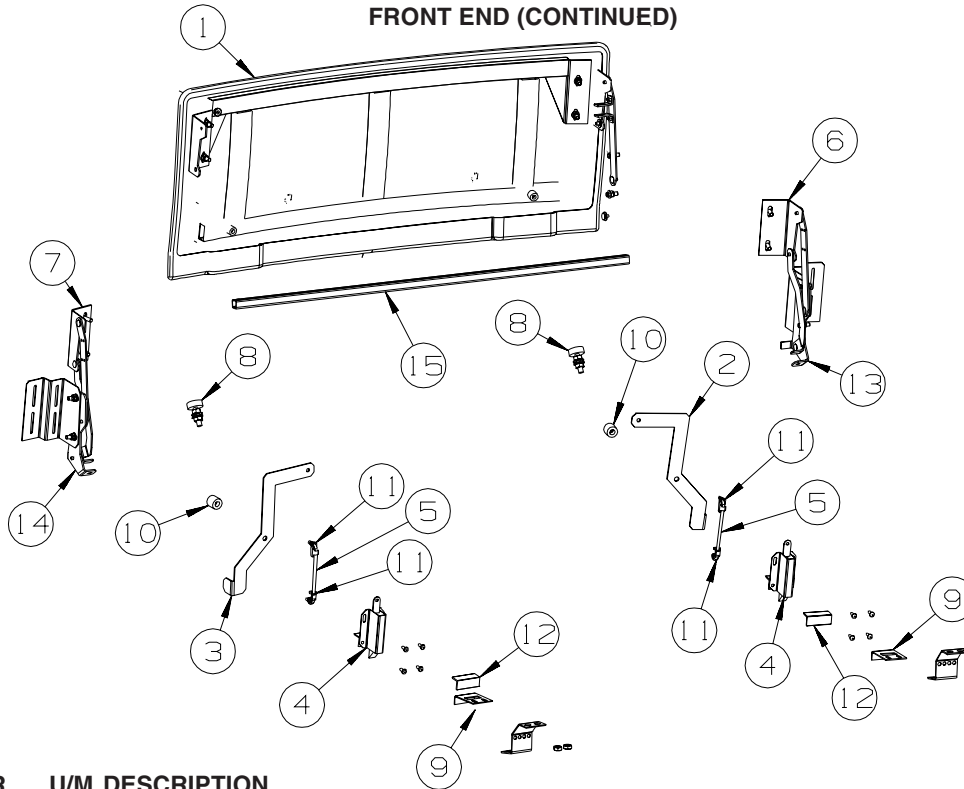
FRONT END



KEY	PART NUMBER	U/M	DESCRIPTION
1	092041-15-01A	EA	TRIM - FRONT/REAR CAP (SIDEWALL) - 22" - BRIGHT WHITE
1	091985-01-07A	FT	INSERT - TRIM - .65" WIDE - BRIGHT WHITE
2	137771-01-M76	EA	HOOD - FRONT - W/O HDW - NON-PRIMED
2	137771-01-SA0	EA	HOOD - FRONT - W/O HDW - NON-PRIMED - FULL BODY PAINT
2	137771-01-SA0	EA	HOOD - FRONT - W/O HDW - NON-PRIMED - P34SH, P36SG
			FROM: 00-00-00 THRU: 01-07-07
2	137771-01-M76	EA	HOOD - FRONT - W/O HDW - NON-PRIMED - P34SH, P36SG
			FROM: 01-08-07 THRU: 99-99-99
3	143830-07-UC1	EA	PANEL - FRONT/LOWER - W/O HOOD/LIGHTS
3	143830-07-UC2	EA	PANEL - FRONT/LOWER - W/O HOOD/LIGHTS - FULL BODY PAINT
3	143830-07-UC2	EA	PANEL - FRONT/LOWER - W/O HOOD/LIGHTS - P34SH, P36SG
			FROM: 00-00-00 THRU: 01-07-07
3	143830-07-UC1	EA	PANEL - FRONT/LOWER - W/O HOOD/LIGHTS - P34SH, P36SG
			FROM: 01-08-07 THRU: 99-99-99
4	092041-11-01A	EA	TRIM - FRONT/REAR CAP (SIDEWALL) - 45.4" - BRIGHT WHITE
4	091985-01-07A	FT	INSERT - TRIM - .65" WIDE - BRIGHT WHITE
5	128455-03-02B	EA	BRACKET - BUMPER - RIGHT HAND UPPER/LEFT HAND LOWER
6	128455-04-02B	EA	BRACKET - BUMPER - LEFT HAND UPPER/RIGHT HAND LOWER
7	146103-02-02B	EA	PLATE - DRIVER HEADLAMP ADJUSTER - E-COATED
8	157431-02-02B	EA	BRACKET - RESERVOIR/WASHER - E-COATED
9	134189-02-02B	EA	BRACKET - MOUNT/STRIKER - E-COATED
10	146103-01-02B	EA	PLATE - PASSENGER HEADLAMP ADJUSTER - E-COATED
11	120850-04-02B	EA	PLATE - SUPPORT/MIRROR - E-COATED
12	137703-03-02B	EA	SUPPORT - HINGE - RIGHT HAND - E-COATED
13	137703-04-02B	EA	SUPPORT - HINGE - LEFT HAND - E-COATED
14	113041-10-02B	EA	ANGLE - MOUNT - E-COATED
15	152134-01-02B	EA	BRACKET - HEADLAMP MOUNT - E-COATED
16	113041-17-02B	EA	ANGLE/MOUNT - BUMPER - E-COATED
17	116617-02-02B	EA	SPACER - BUMPER
18	152132-02-02B	EA	BRACKET - HEADLAMP MOUNT/PASSENGER - E-COATED
19	152132-04-02B	EA	BRACKET - HEADLAMP MOUNT/DRIVER - E-COATED
20	152133-01-02B	EA	BRACKET - HEADLAMP MOUNT - E-COATED
21	152142-02-02B	EA	BRACKET - HEADLAMP MOUNT/PASSENGER - E-COATED
22	152142-04-02B	EA	BRACKET - HEADLAMP MOUNT/DRIVER - E-COATED
23	139685-18-02B	EA	SUPPORT - FOGLAMP - RIGHT HAND - E-COATED
24	139685-20-02B	EA	SUPPORT - FOGLAMP - LEFT HAND - E-COATED
25	148232-01-02B	EA	SUPPORT - FRONT END - E-COATED
26	149784-01-SA0	EA	SUPPORT - WIPER

EXTERIOR BODY GROUP (CONTINUED)

FRONT END (CONTINUED)



KEY	PART NUMBER	U/M	DESCRIPTION
1	137771-01-M76	EA	HOOD - FRONT - W/O HDW - NON-PRIMED
1	137771-01-SA0	EA	HOOD - FRONT - W/O HDW - NON-PRIMED - FULL BODY PAINT
1	137771-01-SA0	EA	HOOD - FRONT - W/O HDW - NON-PRIMED - P34SH, P36SG
			FROM: 00-00-00 THRU: 01-07-07
1	137771-01-M76	EA	HOOD - FRONT - W/O HDW - NON-PRIMED - P34SH, P36SG
			FROM: 01-08-07 THRU: 99-99-99
2	131545-01-02B	EA	LATCH - HOOD HANDLE - RIGHT HAND - E-COATED
3	131545-02-02B	EA	LATCH - HOOD HANDLE - LEFT HAND - E-COATED
4	113908-01-000	EA	LATCH/PLUNGER - F/HOOD
5	131606-01-01A	EA	ROD - HOOD LATCH
6	137761-01-01A	EA	PLATE - HOOD - MOUNTING - RIGHT HAND
7	137761-02-01A	EA	PLATE - HOOD - MOUNTING - LEFT HAND
8	058786-01-000	EA	BOLT - HOOD ADJUSTMENT - 5/16"-18 X 1.5"-2"- W/BLACK PAD
9	134190-01-02B	EA	BRACKET - STRIKER/HOOD - E-COATED
10	120863-07-000	EA	BUMPER - RUBBER - .7" DIA X .7" THICK
11	102265-01-000	EA	CLIP - ROD END - 5/32" - BLACK PLASTIC
12	134189-02-02B	EA	BRACKET - MOUNT/STRIKER - E-COATED
13	137072-03-01A	EA	HINGE - HOOD - RIGHT HAND - BLACK
14	137072-04-01A	EA	HINGE - HOOD - LEFT HAND - BLACK
15	137300-02-02B	EA	TUBE/TIMING - HOOD - 38.5" - E-COATED

EXTERIOR BODY GROUP (CONTINUED)
STRUCTURAL COMPONENTS

KEY	PART NUMBER	U/M	DESCRIPTION
	022754-01-001	EA	ANGLE - EXTRUDED - 3/4" X 3/4" X 16' - MILL ALUMINUM
	002766-01-001	EA	ANGLE - EXTRUDED - 1" X 1 1/2" X 17'
	089297-01-000	SF	PLYWOOD - LUAN - OVERLAY GRADE - 4' X 8'
	089297-03-000	SF	PLYWOOD - LUAN - OVERLAY GRADE - 4' X 8.3'
	100619-01-000	BF	FOAM - EXPANDED POLYSTYRENE - 1.34" X 48" X 96"
	100619-02-000	BF	FOAM - EXPANDED POLYSTYRENE - 1.5" X 48" X 96"
	100619-04-000	BF	FOAM - EXPANDED POLYSTYRENE - .5" X 48" X 96"
	100619-05-000	BF	FOAM - EXPANDED POLYSTYRENE - .75" X 48" X 96"-1.5 DENSITY
	100619-13-000	BF	FOAM - EXPANDED POLYSTYRENE - .34" X 34.65" X 96"
	100619-16-000	BF	FOAM - EXPANDED POLYSTYRENE - .75" X 48" X 96"-2.0 DENSITY
	105077-08-000	EA	FOAM - PLUG - ROOF CAP
	120107-07-000	EA	FOAM - ROOF COVE
	108535-05-03A	SF	FIBERGLASS SHEET - 108" X 500' ROLL - BRIGHT WHITE
	113192-06-02A	EA	FIBERGLASS/LUAN LAMINATED - .2"X79"X446"- GRAY SANDING GEL
	128782-17-01A	EA	FIBERGLASS SHEET - 30.9" X 74.7" - HIGH GLOSS - BRT WHITE
	128782-07-01A	EA	FIBERGLASS SHEET - 5/32" X 78.9" X 456" - HIGH GLOSS - B/W
	128782-09-01A	EA	FIBERGLASS SHEET - 31" X 68.2" - HIGH GLOSS - BRIGHT WHITE
	148884-20-01A	EA	FIBERGLASS SHEET - 4" X 93.8" - HIGH GLOSS - BRIGHT WHITE
	151523-01-01A	EA	CEILING PANEL - 48" X 97.1" - LAMINATED VINYL/FOAM/LUAN
	151523-01-02A	EA	CEILING PANEL - 48" X 97.1" - VINYL/FOAM/LUAN - SPINDRIFT
	152490-01-000	EA	FOAM - PLUG - ROOF TUBE

AWNINGS

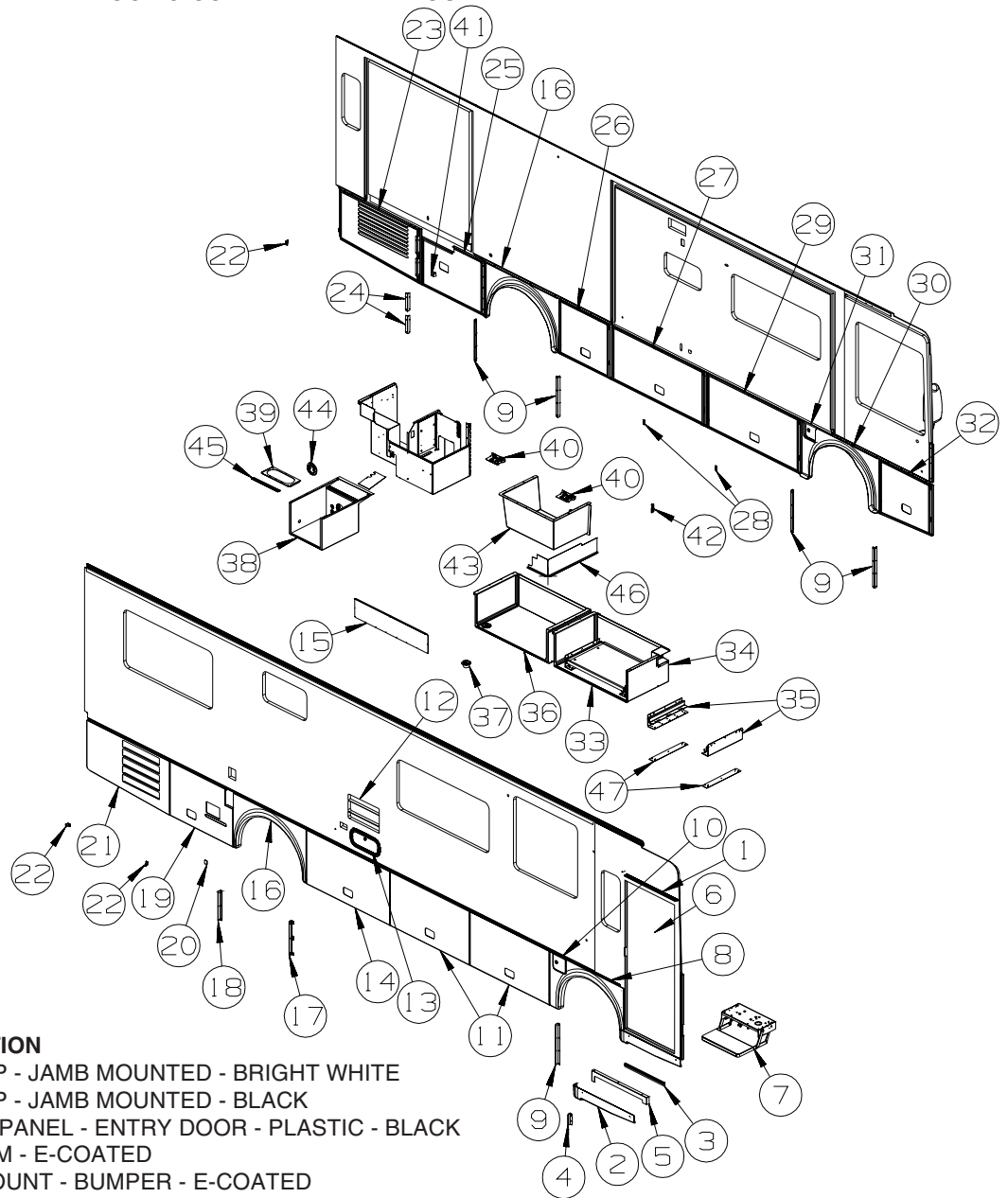
ORDER AWNINGS & REPAIR PARTS FROM DOMETIC. CALL #800-366-3842.

**THE DOMETIC AWNING INFORMATION YOU WILL NEED IS LOCATED ON THE MOTOR HOME NEAR
THE TOP OF THE AWNING RAIL.**

KEY	PART NUMBER	U/M	DESCRIPTION
	113874-11-01A	EA	SCREW/LAG - AWNING - 1/4" X 1" STAINLESS STEEL
	113874-12-01A	EA	SCREW/LAG - AWNING - 1/4" X 2 3/4" STAINLESS STEEL
	137054-01-01A	EA	BRACKET - AWNING - BLACK
	137054-01-02A	EA	BRACKET - AWNING - BRIGHT WHITE

EXTERIOR DOORS & COMPARTMENTS GROUP

DOOR & COMPARTMENT LAYOUT



KEY	PART NUMBER	U/M	DESCRIPTION
1	139054-23-01A	EA	CAP - DRIP - JAMB MOUNTED - BRIGHT WHITE
1	139054-23-02A	EA	CAP - DRIP - JAMB MOUNTED - BLACK
2	131900-02-P75	EA	VALANCE/PANEL - ENTRY DOOR - PLASTIC - BLACK
3	143362-02-02B	EA	CLIP - TRIM - E-COATED
4	113041-15-02B	EA	ANGLE/MOUNT - BUMPER - E-COATED
5	134125-04-02B	EA	SUPPORT - DOOR/VALANCE - E-COATED
6*	128913-14-05A	EA	DOOR - ENTRY/FRONT - POWER LOCK - WHITE/BLACK
6*	128913-14-06A	EA	DOOR - ENTRY/FRONT - POWER LOCK - BLACK/BLACK - FULL BODY PAINT
6*	128913-14-06A	EA	DOOR - ENTRY/FRONT - POWER LOCK - BLACK/BLACK - P34SH
			FROM: 00-00-00 THRU: 01-07-07
6*	128913-14-05A	EA	DOOR - ENTRY/FRONT - POWER LOCK - WHITE/BLACK - P34SH
			FROM: 01-08-07 THRU: 99-99-99

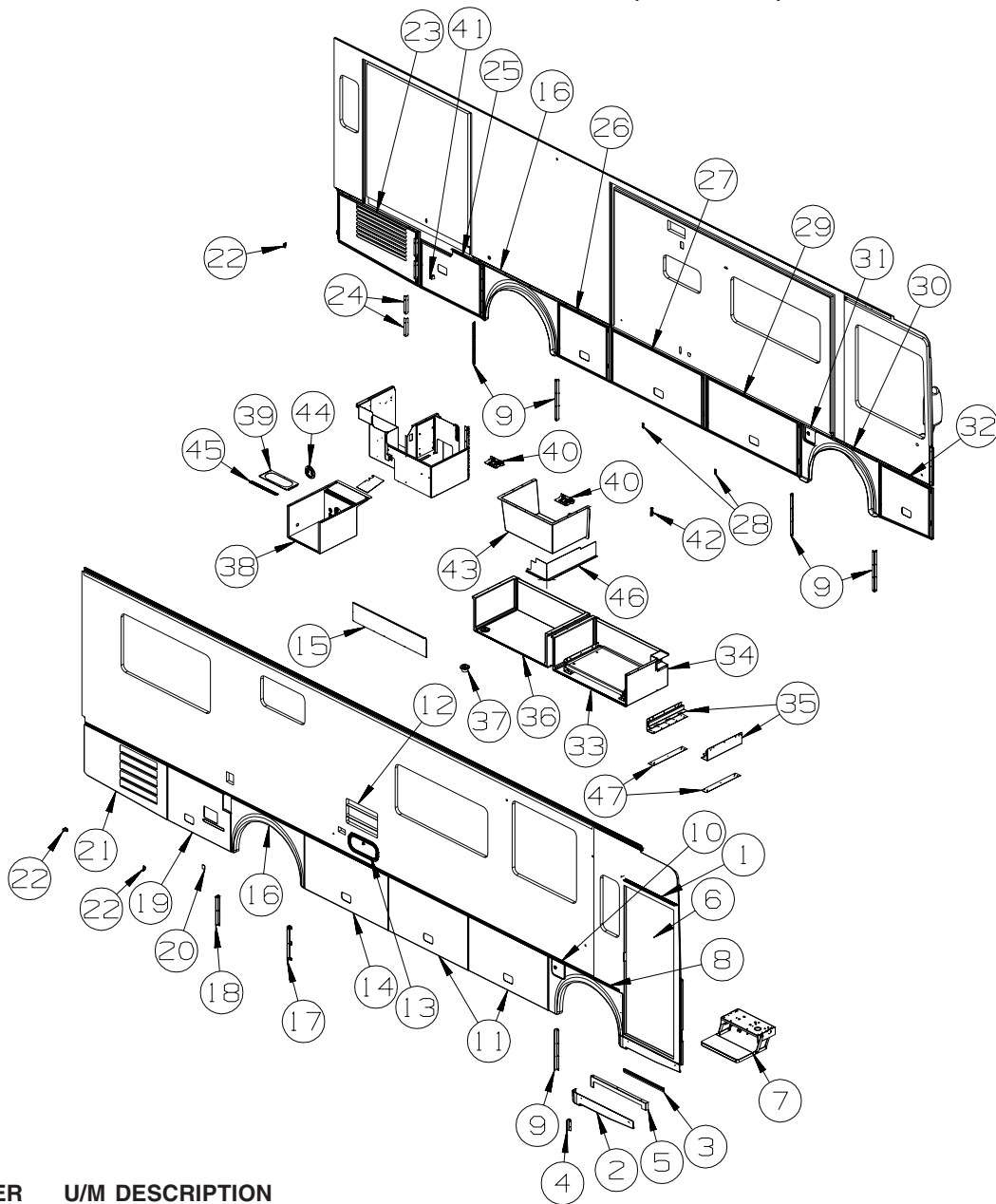
ENTRY DOOR LOCK CYLINDERS

138287-11-000	EA	CYLINDER/LOCK - ENTRY DOOR - MASTER W/3M ICON - (3041)
138287-12-000	EA	CYLINDER/LOCK - ENTRY DOOR - MASTER W/3M ICON - (3042)
138287-13-000	EA	CYLINDER/LOCK - ENTRY DOOR - MASTER W/3M ICON - (3043)
138287-14-000	EA	CYLINDER/LOCK - ENTRY DOOR - MASTER W/3M ICON - (3044)
138287-15-000	EA	CYLINDER/LOCK - ENTRY DOOR - MASTER W/3M ICON - (3045)
138287-16-000	EA	CYLINDER/LOCK - ENTRY DOOR - MASTER W/3M ICON - (3046)
138287-17-000	EA	CYLINDER/LOCK - ENTRY DOOR - MASTER W/3M ICON - (3047)
138287-18-000	EA	CYLINDER/LOCK - ENTRY DOOR - MASTER W/3M ICON - (3048)
138287-19-000	EA	CYLINDER/LOCK - ENTRY DOOR - MASTER W/3M ICON - (3049)
138287-20-000	EA	CYLINDER/LOCK - ENTRY DOOR - MASTER W/3M ICON - (3050)
138292-01-000	EA	SEAL - LOCK CYLINDER

EXTERIOR DOORS & COMPARTMENTS GROUP (CONTINUED)
DOOR & COMPARTMENT LAYOUT (CONTINUED)

KEY	PART NUMBER	U/M	DESCRIPTION
VALANCE DOOR & WATER FILL DOOR LOCK CYLINDERS			
	138289-11-000	EA	CYLINDER/LOCK - ACCESS DOORS - REDUCED SENSITIVITY (3041)
	138289-12-000	EA	CYLINDER/LOCK - ACCESS DOORS - REDUCED SENSITIVITY (3042)
	138289-13-000	EA	CYLINDER/LOCK - ACCESS DOORS - REDUCED SENSITIVITY (3043)
	138289-14-000	EA	CYLINDER/LOCK - ACCESS DOORS - REDUCED SENSITIVITY (3044)
	138289-15-000	EA	CYLINDER/LOCK - ACCESS DOORS - REDUCED SENSITIVITY (3045)
	138289-16-000	EA	CYLINDER/LOCK - ACCESS DOORS - REDUCED SENSITIVITY (3046)
	138289-17-000	EA	CYLINDER/LOCK - ACCESS DOORS - REDUCED SENSITIVITY (3047)
	138289-18-000	EA	CYLINDER/LOCK - ACCESS DOORS - REDUCED SENSITIVITY (3048)
	138289-19-000	EA	CYLINDER/LOCK - ACCESS DOORS - REDUCED SENSITIVITY (3049)
	138289-20-000	EA	CYLINDER/LOCK - ACCESS DOORS - REDUCED SENSITIVITY (3050)
	138288-11-000	EA	KEY - REVERSIBLE - #3041 - T/M 16169-02-3041
	138288-12-000	EA	KEY - REVERSIBLE - #3042 - T/M 16169-02-3042
	138288-13-000	EA	KEY - REVERSIBLE - #3043 - T/M 16169-02-3043
	138288-14-000	EA	KEY - REVERSIBLE - #3044 - T/M 16169-02-3044
	138288-15-000	EA	KEY - REVERSIBLE - #3045 - T/M 16169-02-3045
	138288-16-000	EA	KEY - REVERSIBLE - #3046 - T/M 16169-02-3046
	138288-17-000	EA	KEY - REVERSIBLE - #3047 - T/M 16169-02-3047
	138288-18-000	EA	KEY - REVERSIBLE - #3048 - T/M 16169-02-3048
	138288-19-000	EA	KEY - REVERSIBLE - #3049 - T/M 16169-02-3049
	138288-20-000	EA	KEY - REVERSIBLE - #3050 - T/M 16169-02-3050
7*	094708-06-01A	EA	STEP - ELECTRIC - SINGLE - BLACK - KWIKEE
8	131922-07-SA0	EA	PANEL/WHEEL LIP - FRONT/PASSENGER - 47.6" W/FUEL DOOR
	139793-03-01A	EA	HINGE - CENTER/VALANCE DOOR - W/O BALL STUD
9	113904-11-02B	EA	ANGLE - ATTACHMENT/WHEEL LIP - 21.6" - E-COAT
10	131905-07-R83	EA	PANEL/DOOR - FUEL FILL - W/O LOCK - BLACK
	138290-01-000	EA	CASE - W/CAM - W/O CYLINDER/KEY
	153306-01-01A	EA	HINGE - PIANO - 1 1/2" X 5" - UNPAINTED
11	149777-04-SA0	EA	VALANCE/DOOR - W/O LATCH/HDW - 51.4" X 28.7"
	135624-12-01B	EA	ROD - LATCH
	135624-23-01B	EA	ROD - LATCH
	142569-14-000	EA	SPRING/GAS - 100 LB - 20" EXTENDED/12" COMPRESSED
	126263-02-02B	EA	BRACKET - GAS SPRING W/BALL STUD - E-COATED
	130053-01-01A	EA	STRIKER - LUGGAGE DOOR - FLUSH - BLACK
	143793-01-01A	EA	SHIM/STRIKER - LUGGAGE - 1.5" - BLACK
	132892-08-01A	FT	SEAL - BULB/SINGLE - W/U CHANNEL - BLACK
12*	084103-08-000	EA	DOOR - VENT - REFRIGERATOR - W/O JAMB - BRIGHT WHITE
12	084104-08-000	EA	JAMB - VENT DOOR/REFRIGERATOR - BRIGHT WHITE
13	126945-09-P07	EA	DOOR/STORAGE - W/O HARDWARE - 18.3" X 9.9"
13	126945-09-R38	EA	DOOR/STORAGE - W/O HARDWARE - 18.3" X 9.9" - FULL BODY PAINT
14	149777-05-SA0	EA	VALANCE/DOOR - W/O LATCH/HDW - 54" X 28.7"
	135624-13-01B	EA	ROD - LATCH
	135624-14-01B	EA	ROD - LATCH
	142569-14-000	EA	SPRING/GAS - 100 LB - 20" EXTENDED/12" COMPRESSED
	126263-02-02B	EA	BRACKET - GAS SPRING W/BALL STUD - E-COATED
	130053-01-01A	EA	STRIKER - LUGGAGE DOOR - FLUSH - BLACK
	143793-01-01A	EA	SHIM/STRIKER - LUGGAGE - 1.5" - BLACK
	132892-08-01A	FT	SEAL - BULB/SINGLE - W/U CHANNEL - BLACK
15	133386-01-02B	EA	PANEL - CLOSEOUT - HOLDING TANK - E-COATED
16	131922-03-L76	EA	PANEL/WHEEL LIP - REAR - 47.2"
	139793-03-01A	EA	HINGE - CENTER/VALANCE DOOR - W/O BALL STUD
17	138789-01-02B	EA	ANGLE/MOUNT - WHEEL LIP/BACKWALL - E-COATED
18	113904-13-02B	EA	ANGLE - ATTACHMENT/WHEEL LIP - 15.7" - E-COAT
19	149777-31-UC1	EA	VALANCE/DOOR - W/O LATCH/HDW - W/CUT OUT - 40.7" X 28.7"
	133049-13-UC1	EA	TRIM - COVER/WATER HEATER
	135624-45-01B	EA	ROD - LATCH
	135624-46-01B	EA	ROD - LATCH
	142569-15-000	EA	SPRING/GAS - 120 LB - 20" EXTENDED/12" COMPRESSED
	126263-02-02B	EA	BRACKET - GAS SPRING W/BALL STUD - E-COATED
	130053-01-01A	EA	STRIKER - LUGGAGE DOOR - FLUSH - BLACK
	143793-01-01A	EA	SHIM/STRIKER - LUGGAGE - 1.5" - BLACK
	132892-08-01A	FT	SEAL - BULB/SINGLE - W/U CHANNEL - BLACK

EXTERIOR DOORS & COMPARTMENTS GROUP (CONTINUED)
DOOR & COMPARTMENT LAYOUT (CONTINUED)



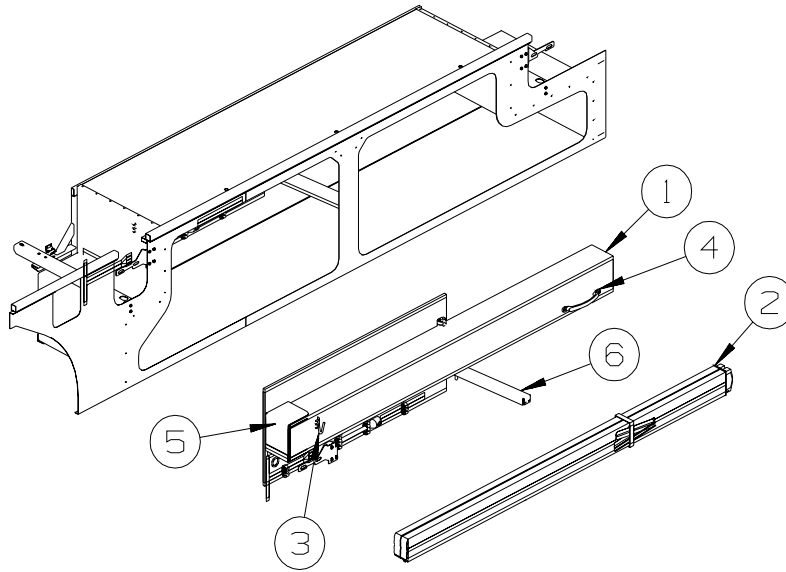
KEY	PART NUMBER	U/M	DESCRIPTION
20	115620-01-12B	EA	PLATE - BACKING - BRIGHT WHITE
21	149777-10-SA0	EA	VALANCE/DOOR - W/O HDW - LOUVERED - 53.6" X 28.7" W/TAPER
	145993-01-000	FT	SEAL - "D SECTION" W/ADHESIVE BACK
22	140309-03-02B	EA	ANGLE - FURNACE DOOR - E-COATED
23	149777-11-SA0	EA	VALANCE/DOOR - W/O HDW - LOUVERED - 53.3" X 28.7" W/TAPER
24	113904-15-02B	EA	ANGLE - ATTACHMENT/WHEEL LIP - 9.4" - E-COAT
25	149777-09-SA0	EA	VALANCE/DOOR - W/O LATCH/HDW - W/CUT OUT - 41" X 28.7"
	137228-04-02B	EA	HINGE - PIANO - COMPARTMENT DOOR - 27" - E-COATED
	135624-26-01B	EA	ROD - LATCH
	130053-01-01A	EA	STRIKER - LUGGAGE DOOR - FLUSH - BLACK
	143793-01-01A	EA	SHIM/STRIKER - LUGGAGE - 1.5" - BLACK
	076767-11-000	EA	CABLE - STAINLESS STEEL - 5.9"
	107721-07-000	FT	SEAL - ACCESS DOOR - .9"WIDE X 1.1"HIGH
26	149777-01-SA0	EA	VALANCE/DOOR - W/O LATCH/HDW - 34" X 28.7"
	135624-37-01B	EA	ROD - LATCH
	135624-40-01B	EA	ROD - LATCH
	142569-21-000	EA	SPRING/GAS - 60 LB - 20" EXTENDED/12" COMPRESSED
	126263-02-02B	EA	BRACKET - GAS SPRING W/BALL STUD - E-COATED
	130053-01-01A	EA	STRIKER - LUGGAGE DOOR - FLUSH - BLACK
	143793-01-01A	EA	SHIM/STRIKER - LUGGAGE - 1.5" - BLACK
	107721-07-000	FT	SEAL - ACCESS DOOR - .9"WIDE X 1.1"HIGH

EXTERIOR DOORS & COMPARTMENTS GROUP (CONTINUED)
DOOR & COMPARTMENT LAYOUT (CONTINUED)

KEY	PART NUMBER	U/M	DESCRIPTION
27	149777-26-SA0	EA	VALANCE/DOOR - W/O LATCH/HDW - 61.4" X 28.7"
	135624-38-01B	EA	ROD - LATCH
	135624-39-01B	EA	ROD - LATCH
	142569-14-000	EA	SPRING/GAS - 100 LB - 20" EXTENDED/12" COMPRESSED
	126263-02-02B	EA	BRACKET - GAS SPRING W/BALL STUD - E-COATED
	130053-01-01A	EA	STRIKER - LUGGAGE DOOR - FLUSH - BLACK
	130053-02-01A	EA	STRIKER - LUGGAGE DOOR - OFF SET - BLACK
	143793-01-01A	EA	SHIM/STRIKER - LUGGAGE - 1.5" - BLACK
	132892-08-01A	FT	SEAL - BULB/SINGLE - W/U CHANNEL - BLACK
28	120494-04-02B	EA	SHIM - STRIKER - LUGGAGE DOOR - 3/16" - E-COATED
29	149777-06-SA0	EA	VALANCE/DOOR - W/O LATCH/HDW - 61.4" X 28.7"
	135624-38-01B	EA	ROD - LATCH
	135624-39-01B	EA	ROD - LATCH
	142569-14-000	EA	SPRING/GAS - 100 LB - 20" EXTENDED/12" COMPRESSED
	126263-02-02B	EA	BRACKET - GAS SPRING W/BALL STUD - E-COATED
	130053-01-01A	EA	STRIKER - LUGGAGE DOOR - FLUSH - BLACK
	130053-02-01A	EA	STRIKER - LUGGAGE DOOR - OFF SET - BLACK
	143793-01-01A	EA	SHIM/STRIKER - LUGGAGE - 1.5" - BLACK
	132892-08-01A	FT	SEAL - BULB/SINGLE - W/U CHANNEL - BLACK
30	131922-04-N70	EA	PANEL/WHEEL LIP - FRONT/DRIVER - 50" - BLACK
	139793-03-01A	EA	HINGE - CENTER/VALANCE DOOR - W/O BALL STUD
31	131905-05-N70	EA	PANEL/DOOR - FUEL FILL - W/O LOCK - BLACK
	138290-01-000	EA	CASE - W/CAM - W/O CYLINDER/KEY
	153306-01-01A	EA	HINGE - PIANO - 1 1/2" X 5" - UNPAINTED
32	149777-08-SA0	EA	VALANCE/DOOR - W/O LATCH/HDW - 34.9" X 28.7" - W/TAPER
	135624-41-01B	EA	ROD - LATCH
	135624-42-01B	EA	ROD - LATCH
	142569-27-000	EA	SPRING/GAS - 112 LB - 17" EXTENDED/11" COMPRESSED
	126263-02-02B	EA	BRACKET - GAS SPRING W/BALL STUD - E-COATED
	130053-01-01A	EA	STRIKER - LUGGAGE DOOR - FLUSH - BLACK
	143793-01-01A	EA	SHIM/STRIKER - LUGGAGE - 1.5" - BLACK
	132892-08-01A	FT	SEAL - BULB/SINGLE - W/U CHANNEL - BLACK
33	149509-04-SA0	EA	COMPARTMENT - LUGGAGE
34	149509-03-SA0	EA	COMPARTMENT - LUGGAGE - SLIDEOUT COMPARTMENT TRAY
	099069-01-000	FT	SEAL - RUBBER - CLOSED SPONGE - .5" WIDE X .12" THICK-BLK
35	145663-01-000	EA	SLIDE - TRAY/LUGGAGE - KWIKEE
36	135927-21-TA0	EA	COMPARTMENT - LUGGAGE
37	009426-01-000	EA	HATCH - POWER CORD - WHITE
38	132902-03-R68	EA	COMPARTMENT - LUGGAGE
39	142436-02-02B	EA	PLATE-COVER - E-COATED
40*	142226-02-01A	EA	HATCH - POWER
41	131383-03-02A	EA	BRACKET - SHOWER HEAD - WHITE
42	130377-02-000	EA	TUBE/DRAIN - KAZOO - 1 1/2" X 4"
43	144523-01-01A	EA	COMPARTMENT - DRAINAGE
44	092887-03-000	EA	HATCH/PLATE - 6.1" FLANGE/4.5" R.O. - BLACK
45	130034-08-02B	EA	CLIP - TRIM - E-COATED
46	134811-01-02B	EA	PANEL - COVER - WATER SYSTEM - E-COATED
47	147393-01-02B	EA	RETAINER - COMPARTMENT/SLIDE - E-COATED

***COMPONENT PARTS LISTED LATER IN THIS GROUP**

EXTERIOR DOORS & COMPARTMENTS GROUP (CONTINUED)
DOOR & COMPARTMENT LAYOUT (CONTINUED)



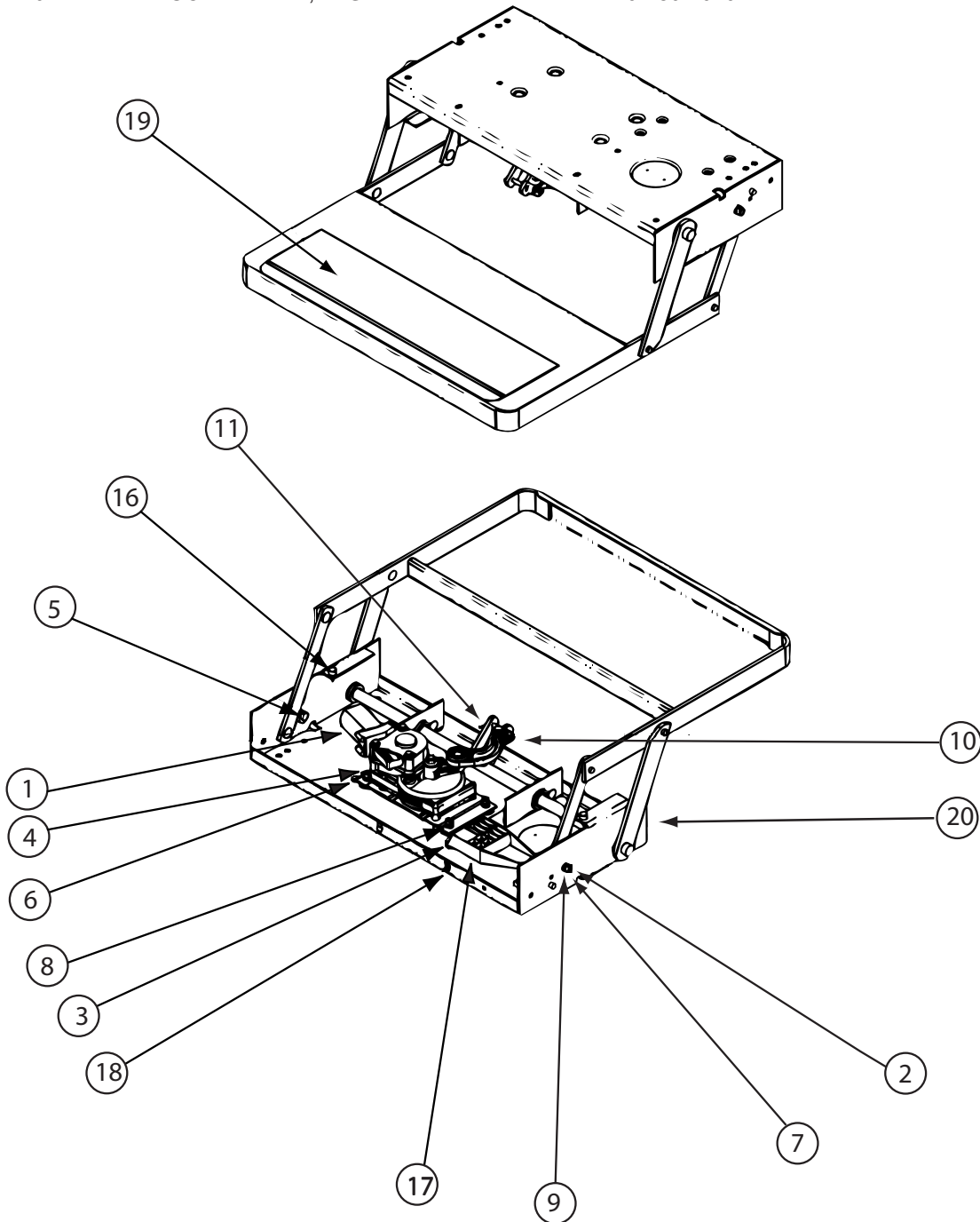
KEY	PART NUMBER	U/M	DESCRIPTION
1	148788-01-R83	EA	CABINET - LADDER BOX - P36G,P39K
1	148788-02-R83	EA	CABINET - LADDER BOX - P34H
2	148880-02-01A	EA	LADDER - FOLDING - ALUMINUM - P36G,P39K
2	148880-01-01A	EA	LADDER - FOLDING - ALUMINUM - P34H
3	143505-01-01A	EA	STRAP - RETAINING W/VELCRO - BLACK
	143506-01-000	EA	HOOK - J
4	009126-03-000	EA	HANDLE - ASSIST - BLACK TEXTURED
5	149366-01-02B	EA	BRACKET - STORAGE BOX/LADDER - E-COATED
6	148892-03-02B	EA	CHANNEL - "U" - FORMED - 21.3" - E-COATED - P36G,P39K
6	148892-04-02B	EA	CHANNEL - "U" - FORMED - 21.1" - E-COATED - P34H

EXTERIOR DOORS & COMPARTMENTS GROUP (CONTINUED)

COMPONENT PARTS FOR DOOR & COMPARTMENT LAYOUT

084103-08-000

KEY	PART NUMBER	U/M	DESCRIPTION	VENDOR NO.
	084104-01-700	EA	LOCK-MALE, FASTENER	201-721-010
	084104-01-701	EA	LOCK-FEMALE, FASTENER	201-802-010



094708-06-01A

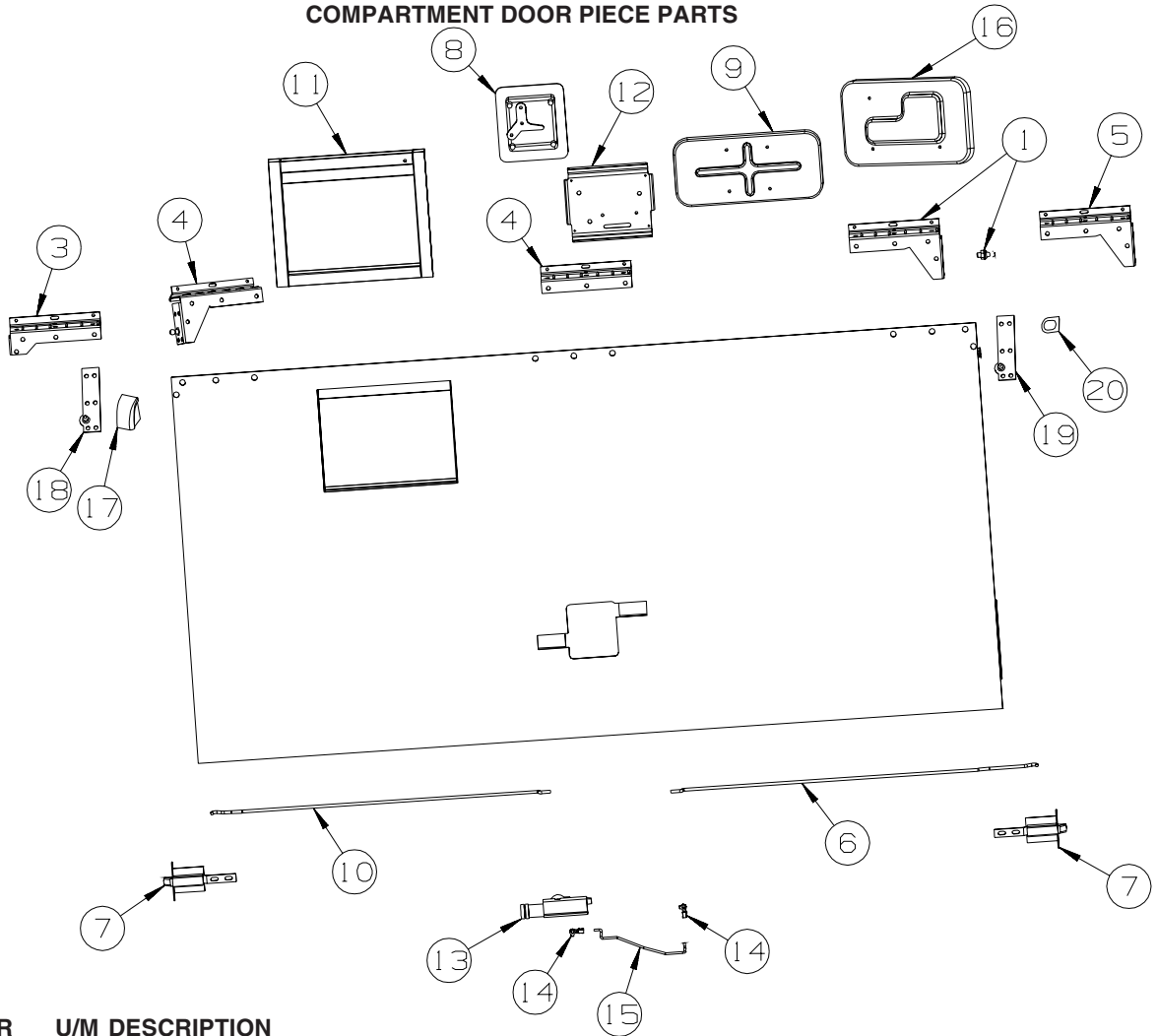
KEY	PART NUMBER	U/M	DESCRIPTION	VENDOR NO.
1	094707-04-701	EA	MOTOR "AM 214" F/IMGL STEPS	1101428
11	094707-04-702	EA	COTTER PIN - W/CLEVIS PIN	905205000
16	143709-01-701	EA	BUMPER - BLACK (RUBBER STOP)	1602000
17	094707-04-700	EA	CONTROL UNIT W/OVERRIDE	909510000
19	143709-01-702	EA	TREAD/NON-SKID _6" X 21" BLK	1915260
20	094708-06-700	EA	FRAME W/SGL STEP,28RNF SRS	3202086
	094707-03-701	EA	PLUG - 4-WAY - PACKARD	909306
	094707-04-703	EA	GEAR BOX W/LINKAGE-CURVED	1101425
	094707-04-711	EA	KWIKTEST - W/4-WAY PIGTAIL	909518000

142226-02-01A

KEY	PART NUMBER	U/M	DESCRIPTION	VENDOR NO
	142226-02-700	EA	TAB/LOCKING - ESCAPE (RED)	9667709

EXTERIOR DOORS & COMPARTMENTS GROUP (CONTINUED)

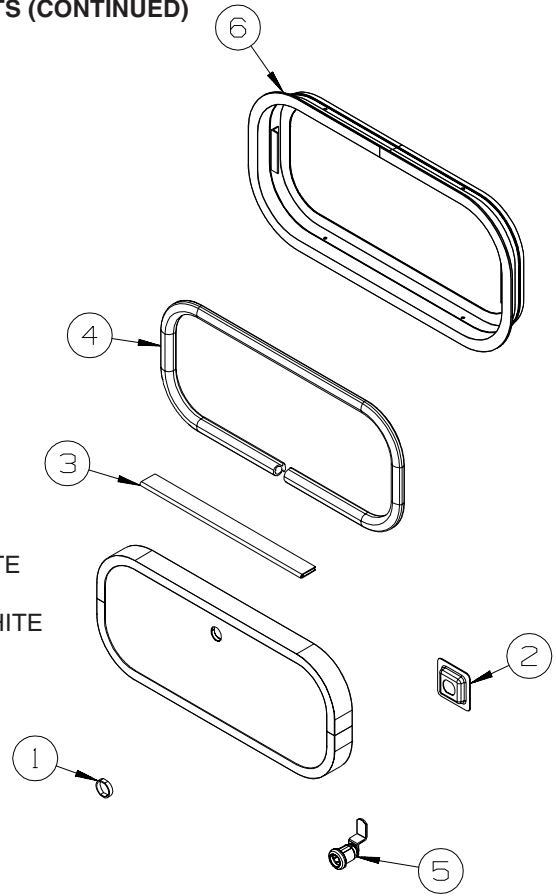
COMPARTMENT DOOR PIECE PARTS



KEY	PART NUMBER	U/M	DESCRIPTION
1	139793-01-01A	EA	HINGE - RIGHT HAND/VALANCE DOOR - W/BALL STUD
2	139793-02-01A	EA	HINGE - LEFT HAND/VALANCE DOOR - W/BALL STUD
3	139793-05-01A	EA	HINGE - LEFT HAND/VALANCE DOOR - W/O BALL STUD
4	139793-03-01A	EA	HINGE - CENTER/VALANCE DOOR - W/O BALL STUD
5	139793-04-01A	EA	HINGE - RIGHT HAND/VALANCE DOOR - W/O BALL STUD
6	135624-71-01B	EA	ROD - LATCH (BLANK) - 37.3"
7	121947-01-01A	EA	BOLT - SLIDE W/PLASTIC PLUNGER
8	141940-01-01A	EA	LATCH - PADDLE - BLACK
8	141940-02-01A	EA	LATCH - PADDLE - NON LOCKING - BLACK
9	144172-01-01A	EA	COVER - LATCH - WHITE
9	144172-01-02A	EA	COVER - LATCH - BLACK
10	132873-02-000	EA	ROD - LATCH (BLANK) - LEFT HAND
11	133049-13-UC1	EA	TRIM - COVER/WATER HEATER
12	141940-04-01A	EA	BRACKET - PADDLE LATCH
13	138898-01-000	EA	ACTUATOR/LOCK - ELECTRIC
14	102265-03-000	EA	CLIP/ROD END - LEFT HAND - .18" - METAL
15	141940-03-01A	EA	ROD - PADDLE LATCH
16	151904-01-01A	EA	COVER - LATCH/VALANCE DOOR - BRIGHT WHITE
17	138643-01-01A	EA	CORNER - VAL DOOR - REAR - RIGHT - BLACK
	138643-02-01A	EA	CORNER - VAL DOOR - REAR - LEFT - BLACK
18	147513-01-01A	EA	BALL STUD
19	147513-02-01A	EA	BALL STUD
20	145993-01-000	FT	SEAL - "D SECTION" W/ADHESIVE BACK

EXTERIOR DOORS & COMPARTMENTS GROUP (CONTINUED)
COMPARTMENT DOOR PIECE PARTS (CONTINUED)

KEY	PART NUMBER	U/M	DESCRIPTION
1	139325-01-000	EA	SPACER - LOCK - 6MM
	139337-01-000	EA	GASKET - LOCK
2	097111-02-04A	EA	POCKET - LOCK - REAR DOOR - BLACK
2	097111-02-05A	EA	POCKET - LOCK - REAR DOOR - BRIGHT WHITE
3	081801-FN-000	EA	HINGE - DOOR - PIANO - 2" X 96" - BLACK
3	081801-V3-000	EA	HINGE - DOOR - PIANO - 2" X 96" - BRIGHT WHITE
4	156386-01-01A	FT	SEAL - BULB - W/ADHESIVE BACK
5	138290-02-000	EA	CASE - W/CAM - W/O CYLINDER/KEY
6	056795-01-000	FT	TAPE - SEAL - 1/8" X 3/8" WIDE - PRESS ON



EXTERIOR DOORS & COMPARTMENTS GROUP (CONTINUED)

ENTRY

KEY	PART NUMBER	U/M	DESCRIPTION
*	128913-14-05A	EA	DOOR - ENTRY/FRONT - POWER LOCK - WHITE/BLACK
*	128913-14-06A	EA	DOOR - ENTRY/FRONT - POWER LOCK - BLACK/BLACK - FULL BODY PAINT
*	128913-14-06A	EA	DOOR - ENTRY/FRONT - POWER LOCK - BLACK/BLACK - P34SH,P36SG,SPECIAL EDITION (SE) FROM: 00-00-00 THRU: 01-07-07
*	128913-14-05A	EA	DOOR - ENTRY/FRONT - POWER LOCK - WHITE/BLACK - P34SH,P36SG,SPECIAL EDITION (SE) FROM: 01-08-07 THRU: 99-99-99
	139054-23-02A	EA	CAP - DRIP - JAMB MOUNTED - BLACK-FULL BODY PAINT/P34SH,P36SG,SPECIAL EDITION (SE)
	112782-04-01A	EA	GASKET
	112782-20-01A	EA	LATCH - EXTERIOR - W/O LOCK CYLINDER W/ICON-REVERSIBLE KEY
	112782-21-01A	EA	LATCH - INTERIOR PLATE
	112782-22-01A	EA	LATCH - SINGLE ROTOR
	138898-01-000	EA	ACTUATOR/LOCK - ELECTRIC
	134450-02-01A	EA	TAPE - ANTI SLIP - 1.25" X 29.9" - BLACK
	138287-11-000	EA	CYLINDER/LOCK - ENTRY DOOR - MASTER W/3M ICON - (3041)
	138287-12-000	EA	CYLINDER/LOCK - ENTRY DOOR - MASTER W/3M ICON - (3042)
	138287-13-000	EA	CYLINDER/LOCK - ENTRY DOOR - MASTER W/3M ICON - (3043)
	138287-14-000	EA	CYLINDER/LOCK - ENTRY DOOR - MASTER W/3M ICON - (3044)
	138287-15-000	EA	CYLINDER/LOCK - ENTRY DOOR - MASTER W/3M ICON - (3045)
	138287-16-000	EA	CYLINDER/LOCK - ENTRY DOOR - MASTER W/3M ICON - (3046)
	138287-17-000	EA	CYLINDER/LOCK - ENTRY DOOR - MASTER W/3M ICON - (3047)
	138287-18-000	EA	CYLINDER/LOCK - ENTRY DOOR - MASTER W/3M ICON - (3048)
	138287-19-000	EA	CYLINDER/LOCK - ENTRY DOOR - MASTER W/3M ICON - (3049)
	138287-20-000	EA	CYLINDER/LOCK - ENTRY DOOR - MASTER W/3M ICON - (3050)
	138288-11-000	EA	KEY - REVERSIBLE - #3041 - T/M 16169-02-3041
	138288-12-000	EA	KEY - REVERSIBLE - #3042 - T/M 16169-02-3042
	138288-13-000	EA	KEY - REVERSIBLE - #3043 - T/M 16169-02-3043
	138288-14-000	EA	KEY - REVERSIBLE - #3044 - T/M 16169-02-3044
	138288-15-000	EA	KEY - REVERSIBLE - #3045 - T/M 16169-02-3045
	138288-16-000	EA	KEY - REVERSIBLE - #3046 - T/M 16169-02-3046
	138288-17-000	EA	KEY - REVERSIBLE - #3047 - T/M 16169-02-3047
	138288-18-000	EA	KEY - REVERSIBLE - #3048 - T/M 16169-02-3048
	138288-19-000	EA	KEY - REVERSIBLE - #3049 - T/M 16169-02-3049
	138288-20-000	EA	KEY - REVERSIBLE - #3050 - T/M 16169-02-3050

*COMPONENT PARTS LISTED LATER IN THIS GROUP

EXTERIOR DOORS & COMPARTMENTS GROUP (CONTINUED)
COMPONENT PARTS FOR ENTRY

ART NOT YET AVAILABLE

128913-14-05A

KEY	PART NUMBER	U/M	DESCRIPTION	VENDOR NO.
1	128913-14-701	EA	PANEL - OUTER DOOR - WHITE	490389
2	128913-12-703	EA	HINGE (TAKES 3)	490487
4	128913-01-728	EA	SEAL - DOOR/CORNER- MITERED	122-041917
5	128913-01-727	EA	STRIKER BOLT - SPEC COATING	490780—TM 11628-01
6	106469-04-704	EA	NUT ASSEMBLY-CAGED W/STRIKER	11920-16
9	128913-04-714	EA	RIVET - POP F/EXT DOOR PANEL	490219
10	128913-12-709	EA	WINDOW-DUAL PANE	490751
18	112782-22-01A	EA	LATCH - SINGLE ROTOR	
19	128913-05-702	EA	COVER, BOLT HOLE WHITE CIRCL	292-042252
21	128913-04-717	EA	CAP - VINYL - RED	130-042257
22	128913-13-700	EA	BUMPER/RUBBER - ENTRY/SCREEN	490792
24	128913-01-744	EA	SEAL/BULB-STICK ON/THRESHOLD	122-042230
26	128913-15-711	EA	PANEL/INNER PLASTIC-BLACK	491099
27	128913-15-712	EA	BACKER PLATE - BLACK	490940
30	128913-01-714	EA	CONTACT - MALE/2-POSITION	400-041934
31	128913-01-713	EA	CONTACT - FEMALE/2-POSITION	400-041973
34	128913-15-702	EA	ACTUATOR - POWER LOCK	490932
36	128913-15-705	EA	FRAME/CLAMP - WELD ASM BLACK	490811
40	128913-01-710	EA	STRIKER - LATCH/SCREEN DOOR	130-041815
41	128913-01-709	EA	TRIKER-SCREEN DR/FRAME MT	130-041824
44	128913-03-708	EA	SEAL/HINGE (3 PER DOOR	124-042236
45	128913-15-706	EA	LATCH - BRACKET	490705
47	128913-01-746	EA	SCREW #8 X 3/4" OVAL HEAD	276-042030
48	128913-04-700	FT	TAPE/BUTYL - FOAM CORE	154-041549
49	106469-05-700	EA	ROD CLIP	231-041095
50	128913-12-710	EA	ROD/LOCK - (POWER)	203-042371/17770-01
54	128913-15-707	EA	DOOR CHECK KIT W/HOUSING	490043
61	128913-01-704	EA	BRACKET - PIVOT/BRASS	370-042315
62	128913-02-714	EA	GUIDE BLOCK - DOOR CHECK	146-042045
65	128913-04-709	EA	PIN/CLEVIS-GROOVED W/E-RING	245-042260
67	128913-01-732	FT	SEAL - LAZY T	122-041986
68	128913-01-748	FT	SEAL/BULB	132-042483

CONTACT WINNEBAGO PARTS SALES FOR UNLISTED COMPONENT(S)

EXTERIOR DOORS & COMPARTMENTS GROUP (CONTINUED)
COMPONENT PARTS FOR ENTRY (CONTINUED)

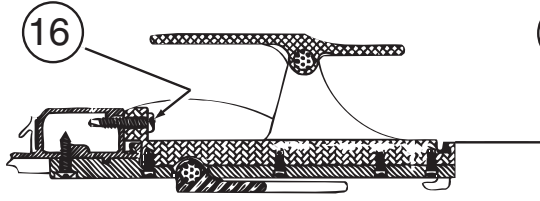
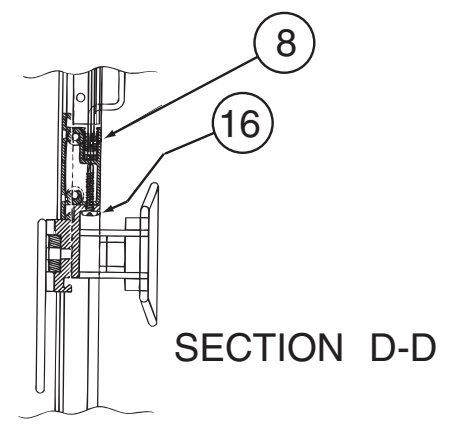
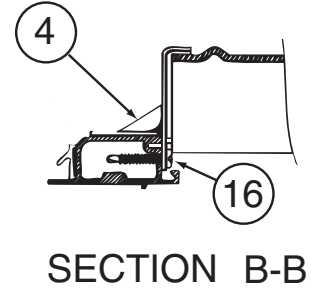
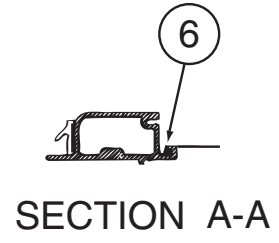
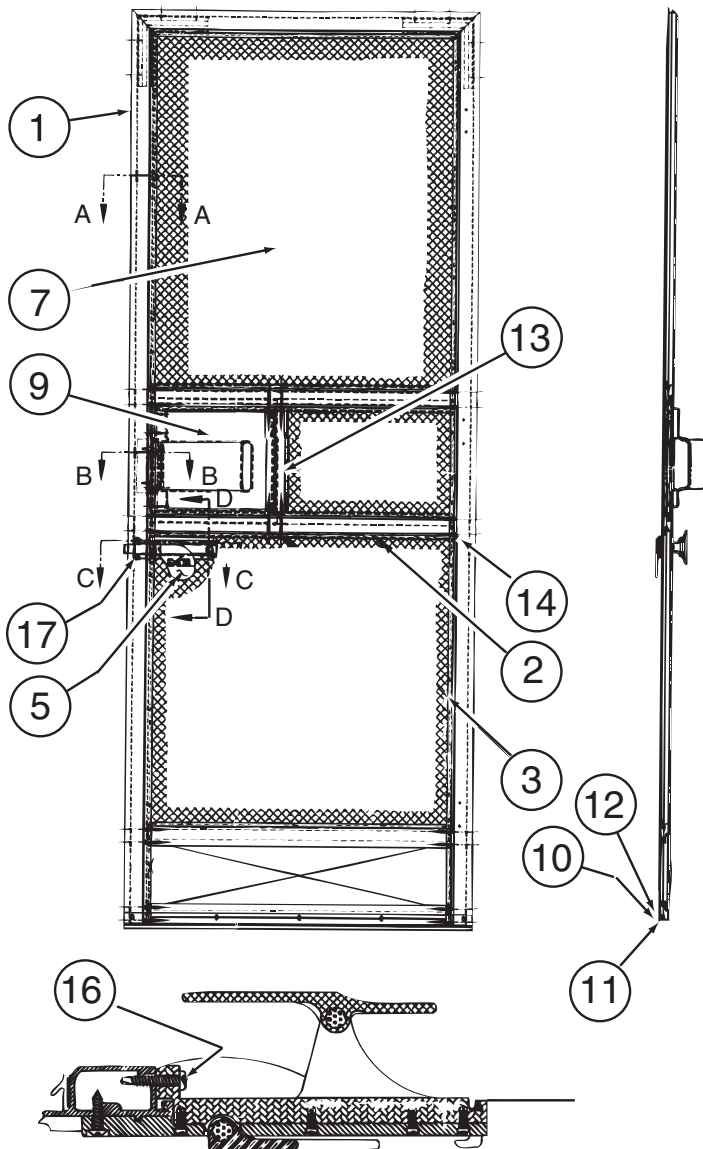
ART NOT YET AVAILABLE

128913-14-06A

KEY	PART NUMBER	U/M	DESCRIPTION	VENDOR NO.
1	128913-15-703	EA	PANEL - OUTER DOOR - BLACK	490388
2	128913-12-703	EA	HINGE (TAKES 3)	490487
4	128913-01-728	EA	SEAL - DOOR/CORNER- MITERED	122-041917
5	128913-01-727	EA	STRIKER BOLT - SPEC COATING	490780—TM 11628-01
6	106469-04-704	EA	NUT ASSEMBLY-CAGED W/STRIKER	11920-16
9	128913-04-714	EA	RIVET - POP F/EXT DOOR PANEL	490219
10	128913-12-709	EA	WINDOW-DUAL PANE	490751
19	128913-12-714	EA	COVER - BOLT HOLE - BLACK	292-042339
21	128913-04-717	EA	CAP - VINYL - RED	130-042257
22	128913-13-700	EA	BUMPER/RUBBER - ENTRY/SCREEN	490792
24	128913-01-744	EA	SEAL/BULB-STICK ON/THRESHOLD	122-042230
26	128913-15-711	EA	PANEL/INNER PLASTIC-BLACK	491099
27	128913-15-712	EA	BACKER PLATE - BLACK	490940
30	128913-01-714	EA	CONTACT - MALE/2-POSITION	400-041934
31	128913-01-713	EA	CONTACT - FEMALE/2-POSITION	400-041973
34	128913-15-702	EA	ACTUATOR - POWER LOCK	490932
36	128913-15-705	EA	FRAME/CLAMP - WELD ASM BLACK	490811
40	128913-01-710	EA	STRIKER - LATCH/SCREEN DOOR	130-041815
41	128913-01-709	EA	TRIKER-SCREEN DR/FRAME MT	130-041824
44	128913-03-708	EA	SEAL/HINGE (3 PER DOOR	124-042236
45	128913-15-706	EA	LATCH - BRACKET	490705
47	128913-01-746	EA	SCREW #8 X 3/4" OVAL HEAD	276-042030
48	128913-04-700	FT	TAPE/BUTYL - FOAM CORE	154-041549
49	106469-05-700	EA	ROD CLIP	231-041095
50	128913-12-710	EA	ROD/LOCK - (POWER)	203-042371/17770-01
54	128913-15-707	EA	DOOR CHECK KIT W/HOUSING	490043
61	128913-01-704	EA	BRACKET - PIVOT/BRASS	370-042315
62	128913-02-714	EA	GUIDE BLOCK - DOOR CHECK	146-042045
65	128913-04-709	EA	PIN/CLEVIS-GROOVED W/E-RING	245-042260
67	128913-01-732	FT	SEAL - LAZY T	122-041986
68	128913-01-748	FT	SEAL/BULB	132-042483

CONTACT WINNEBAGO PARTS SALES FOR UNLISTED COMPONENT(S)

EXTERIOR DOORS & COMPARTMENTS GROUP (CONTINUED)
COMPONENT PARTS FOR ENTRY (CONTINUED)

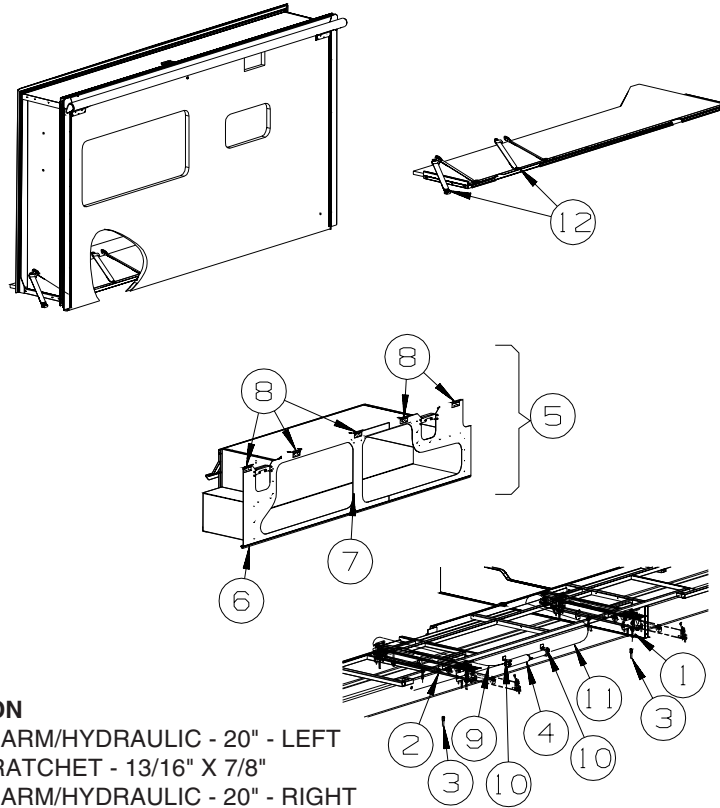


128913-12-03A, 128913-14-01A THRU 06A (CONTINUED)

KEY	PART NUMBER	U/M	DESCRIPTION	VENDOR NO.
4	128913-12-713	EA	END CAP/SLIDER - BLK/SMOKE	490319
5	128913-01-731	EA	LATCH - SCREEN DOOR	146-041950
6	128913-01-742	FT	SPLINE - SCREEN	132-041775
7	128913-01-741	EA	SCREEN ONLY - SCREENDOOR	110-041928
8	128913-01-740	FT	RUN CHANNEL-SCREEN DR SLIDER	170-041263
9	128913-12-712	EA	SLIDER/SCREENDOOR-BLK/SMOKE	490320
10	128913-12-711	EA	SWEEPER/SCREENDOOR-BLACK	490742
11	128913-01-736	FT	WEATHERSTRIP-SCREEN DOOR	171-041284
13	128913-01-738	FT	WEATHERSTRIP - SLIDER	171-041285
	128913-13-704	EA	BACKER-F/SCREEN LATCH-BLACK	130-041818

CONTACT WINNEBAGO PARTS SALES FOR UNLISTED COMPONENT(S)

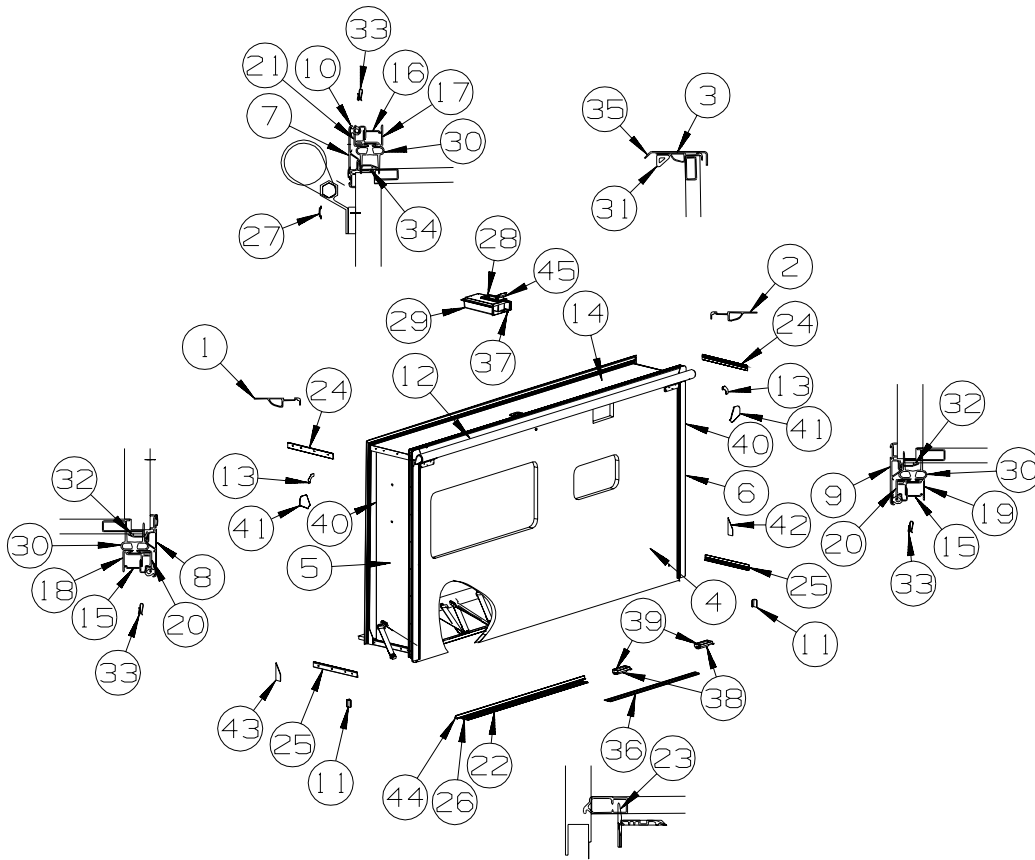
EXTERIOR SLIDEOUT GROUP FRONT LEFT



KEY	PART NUMBER	U/M	DESCRIPTION
1*	152710-01-000	EA	SLIDEOUT - ARM/HYDRAULIC - 20" - LEFT
	143738-01-000	EA	WRENCH - RATCHET - 13/16" X 7/8"
2*	152710-02-000	EA	SLIDEOUT - ARM/HYDRAULIC - 20" - RIGHT
	143738-01-000	EA	WRENCH - RATCHET - 13/16" X 7/8"
3*	151323-01-000	EA	BOLT - HANGER/STOREMORE - SHORT/3.25"X1/2" THREAD - AP31951
4*	152553-03-000	EA	HOSE KIT - SLIDEOUT/SYNCHRONIZING CYLINDER - NOT ILLUSTRATED
			FROM: 00-00-00 THRU: 12-10-06
4	163102-01-000	EA	SLIDEOUT - HYDRAULIC - 20"
			FROM: 12-11-06 THRU: 99-99-99
	163324-01-000	EA	BRACKETS/HARDWARE - 20" RAM/SYNCH CYLINDER
5	158806-01-UC1	EA	COMPARTMENT - SLIDEOUT
6	126516-01-01A	FT	TRIM - VINYL/EXTRUDED - 8'
7	158805-01-02B	EA	SEAL PLANE - F/SLIDEOUT - E-COATED
8	153821-01-01A	EA	BRACKET - MOUNT/SEAL PLANE - BLACK
9*	100536-68-000	EA	HOSE KIT - F/SLIDEOUT
10	122922-02-02B	EA	BRACKET/CYLINDER SUPPORT - E-COATED
11	155476-02-000	EA	HOSE KIT - SLIDEOUT
12	160167-01-01A	EA	SEAT BELT - 2" X 102" - BLACK

*COMPONENT PARTS LISTED LATER IN THIS GROUP

EXTERIOR SLIDEOUT GROUP (CONTINUED)
FRONT LEFT (CONTINUED)



KEY	PART NUMBER	U/M	DESCRIPTION
1	139624-01-02A	EA	TRIM/SEAL - INNER/RIGHT HAND - 73.4" - ALMOND
2	139624-02-02A	EA	TRIM/SEAL - INNER/LEFT HAND - 73.4" - ALMOND
3	139624-06-02A	EA	TRIM/SEAL - INNER/TOP - 145.2" - ALMOND
4	158353-11-UC1	EA	SLUG - F/SLIDEOUT (UC1, UC2, UC3, UM7)
4	158353-11-UC5	EA	SLUG - F/SLIDEOUT (UC5, UC6, UC7, UM8)
4	158353-11-UD1	EA	SLUG - F/SLIDEOUT (UD1, UD2, UD3, UM9, UP1)
5	157747-02-UC1	EA	PANEL END - F/SLIDEOUT (UC1, UC2, UC3, UM7)
			FROM: 00-00-00 THRU: 05-30-06
5	157747-04-UC1	EA	PANEL END - F/SLIDEOUT (UC1, UC2, UC3, UM7)
			FROM: 05-31-06 THRU: 99-99-99
5	157747-02-UC5	EA	PANEL END - F/SLIDEOUT (UC5, UC6, UC7, UM8)
			FROM: 00-00-00 THRU: 05-30-06
5	157747-04-UC5	EA	PANEL END - F/SLIDEOUT (UC5, UC6, UC7, UM8)
			FROM: 05-31-06 THRU: 99-99-99
5	157747-02-UD1	EA	PANEL END - F/SLIDEOUT (UD1, UD2, UD3, UM9)
			FROM: 00-00-00 THRU: 05-30-06
5	157747-04-UD1	EA	PANEL END - F/SLIDEOUT (UD1, UD2, UD3, UM9)
			FROM: 05-31-06 THRU: 99-99-99
5	P57747-04-UP1	EA	PANEL END - F/SLIDEOUT (UP1)
6	157747-01-UC1	EA	PANEL END - F/SLIDEOUT (UC1, UC2, UC3, UM7)
			FROM: 00-00-00 THRU: 05-30-06
6	157747-03-UC1	EA	PANEL END - F/SLIDEOUT (UC1, UC2, UC3, UM7)
			FROM: 05-31-06 THRU: 99-99-99
6	157747-01-UC5	EA	PANEL END - F/SLIDEOUT (UC5, UC6, UC7, UM8)
			FROM: 00-00-00 THRU: 05-30-06
6	157747-03-UC5	EA	PANEL END - F/SLIDEOUT (UC5, UC6, UC7, UM8)
			FROM: 05-31-06 THRU: 99-99-99
6	157747-01-UD1	EA	PANEL END - F/SLIDEOUT (UD1, UD2, UD3, UM9)
			FROM: 00-00-00 THRU: 05-30-06
6	157747-03-UD1	EA	PANEL END - F/SLIDEOUT (UD1, UD2, UD3, UM9)
			FROM: 05-31-06 THRU: 99-99-99
6	P57747-03-UP1	EA	PANEL END - F/SLIDEOUT (UP1)

EXTERIOR SLIDEOUT GROUP (CONTINUED)
FRONT LEFT (CONTINUED)

KEY	PART NUMBER	U/M	DESCRIPTION
7	156417-04-01A	EA	TRIM/SEAL - W/MITERED ENDS - 156.5" - BRIGHT WHITE
7	156417-04-02A	EA	TRIM/SEAL - W/MITERED ENDS - 156.5" - BLACK
8	156417-25-01A	EA	TRIM/SEAL - W/MITERED ENDS - 74.2" - BRIGHT WHITE
8	156417-25-02A	EA	TRIM/SEAL - W/MITERED ENDS - 74.2" - BLACK
9	156417-26-01A	EA	TRIM/SEAL - W/MITERED ENDS - 74.2" - BRIGHT WHITE
9	156417-26-02A	EA	TRIM/SEAL - W/MITERED ENDS - 74.2" - BLACK
10	158297-01-000	FT	SEAL - D-SECTION/BULB/TEE - ADHESIVE BACK - BLACK
11	156480-01-01A	EA	SEAL/BLOCK - SLIDEOUT - 2.6"W X 1.6"H X 1.6"D - BLACK
12			SLIDEOUT AWNING

ORDER AWNINGS & REPAIR PARTS FROM DOMETIC. CALL #800-366-3842.

**THE DOMETIC AWNING INFORMATION YOU WILL NEED IS LOCATED ON THE MOTOR HOME NEAR
THE TOP OF THE AWNING RAIL.**

13	156416-01-12B	EA	BRACKET - CORNER TRIM/SLIDEOUT - 3.1"X 3.1" - BRIGHT WHITE FROM: 00-00-00 THRU: 01-06-07
13	156416-01-02B	EA	BRACKET - CORNER TRIM/SLIDEOUT - 3.1"X 3.1" - E-COATED - BLACK FROM: 00-00-00 THRU: 01-06-07
13	160421-01-01A	EA	CORNER TRIM/SLIDEOUT - 3.1" X 3.1" - BLACK - NOT ILLUSTRATED FROM: 01-07-07 THRU: 99-99-99
14	158524-01-UC1	EA	ROOF - F/SLIDEOUT
15	142718-01-01A	EA	RETAINER - SIDEWALL/SLIDEOUT - 72.8"
16	142718-02-01A	EA	RETAINER - SIDEWALL/SLIDEOUT - 144.9" - MILL
17	151761-01-02A	EA	TRIM - SIDEWALL/SLIDEOUT/TOP - 146.4" - ALMOND
18	151760-04-02A	EA	TRIM - SIDEWALL/SLIDEOUT - 74.5" - ALMOND
19	151760-03-02A	EA	TRIM - SIDEWALL/SLIDEOUT - 74.5" - ALMOND
20	136824-45-01A	EA	TRIM - SIDEWALL/SLIDEOUT - 74.4"
20	136824-45-02A	EA	TRIM - SIDEWALL/SLIDEOUT - 74.6" - BLACK
21	136824-05-01A	EA	TRIM - SIDEWALL/SLIDEOUT - 146.4" - BRIGHT WHITE
21	136824-05-02A	EA	TRIM - SIDEWALL/SLIDEOUT - 146.4" - BLACK
22	115325-03-02A	EA	RAIL - FLOOR/SLIDEOUT ROOM - 64.5" LONG - BLACK
23	115075-03-000	FT	SEAL - WIPE - .25" X 2.9"
24	158375-03-01A	EA	TRIM - FEATURE STRIP - 20.6" - BRIGHT WHITE
24	158375-03-02A	EA	TRIM - FEATURE STRIP - 20.6" - BLACK
25	157385-03-01A	EA	TRIM - FEATURE - LOWER - 31.8" - BRIGHT WHITE
25	157385-03-02A	EA	TRIM - FEATURE - LOWER - 31.8" - BLACK
26	115661-01-000	FT	SHOE/GLIDE - SLIDEOUT ROOM - 1/16" X 3" - POLYETHYLENE
27	105312-01-07A	FT	INSERT - FEATURE STRIP - VINYL - BRIGHT WHITE
27	105312-01-13A	FT	INSERT - FEATURE STRIP - VINYL - BLACK
28*	153651-02-01A	EA	LOCK/LATCH - TRAVEL/SLIDEOUT - W/MOTOR - LEFT HAND - BLACK - NOT ILLUSTRATED FROM: 00-00-00 THRU: 09-25-06
28	153651-04-01A	EA	LOCK/LATCH - TRAVEL/SLIDEOUT - W/MOTOR - LEFT HAND - BLACK FROM: 09-26-06 THRU: 99-99-99
29	155194-01-01A	EA	COVER - LATCH/TRAVEL- PLASTIC - BLACK
30	153161-01-01A	FT	SEAL - SLIDEOUT - DOUBLE WIPE LIP - BLACK
31	146056-01-000	FT	SEAL - TRIANGLE - W/PSA
32	146606-48-01A	EA	TRIM/RETAINER - 69.3" - BRIGHT WHITE
32	146606-48-02A	EA	TRIM/RETAINER - 69.3" - BLACK
33	142549-01-000	EA	CLIP - "S" TYPE
34	146606-07-01A	EA	TRIM/RETAINER - 141" - BRIGHT WHITE
34	146606-07-02A	EA	TRIM/RETAINER - 141" - BLACK
35	125466-02-04A	FT	SEAL - ROOF/INTERIOR - ALMOND
36	134837-01-01A	EA	RAMP - SLIDEOUT - BLACK PVC
37	155262-01-02A	EA	TUBE/DRAIN - LATCH/TRAVEL/ROOF - WHITE
37	155262-01-01A	EA	TUBE/DRAIN - LATCH/TRAVEL/ROOF - BLACK
38	127033-02-01A	EA	ROLLER - GUIDE
39	140928-05-02B	EA	BRACKET - ROLLER - E-COATED
40	093681-39-01A	FT	FILM - 3.1" - FLAT BLACK
41	156151-01-02A	EA	PROTECTOR - CORNER - SLIDEOUT - BRIGHT WHITE
41	156151-01-01A	EA	PROTECTOR - CORNER - SLIDEOUT - BLACK
42	157809-01-01A	EA	SEAL - FOAM BLOCK/RIGHT SIDE - ADHESIVE BACK
43	157809-02-02A	EA	SEAL - FOAM BLOCK/LEFT SIDE - ADHESIVE BACK
44	151282-03-01A	EA	TRIM - CARPET EDGE/F-ANGLE - 69.6" - BLACK
45	156015-01-01A	EA	TAPE/PROTECTION - .06" X 1.25" X 3.5" - W/PSA - NATURAL WHT

*COMPONENT PARTS LISTED LATER IN THIS GROUP

EXTERIOR SLIDEOUT GROUP (CONTINUED)
COMPONENT PARTS FOR FRONT SLIDEOUT

100536-52-000

KEY	PART NUMBER	U/M	DESCRIPTION	VENDOR NO.
	100536-52-700	EA	HOSE-HYDRAULIC - 1/4" X 207"	RAP90119/AP11212
	100536-52-701	EA	HOSE-HYDRAULIC 1/4" X 228"	AP5924

151323-01-000 , 151323-02-000, 151323-03-000

KEY	PART NUMBER	U/M	DESCRIPTION	VENDOR NO.
	151323-01-700	EA	BOLT KIT - STORE-MORE	RAP91641

152710-01-000, 152710-02-000

KEY	PART NUMBER	U/M	DESCRIPTION	VENDOR NO.
	125687-01-700	EA	CYLINDER/RAM - 21" STROKE	RAP90512/AP15190

155325-03-000

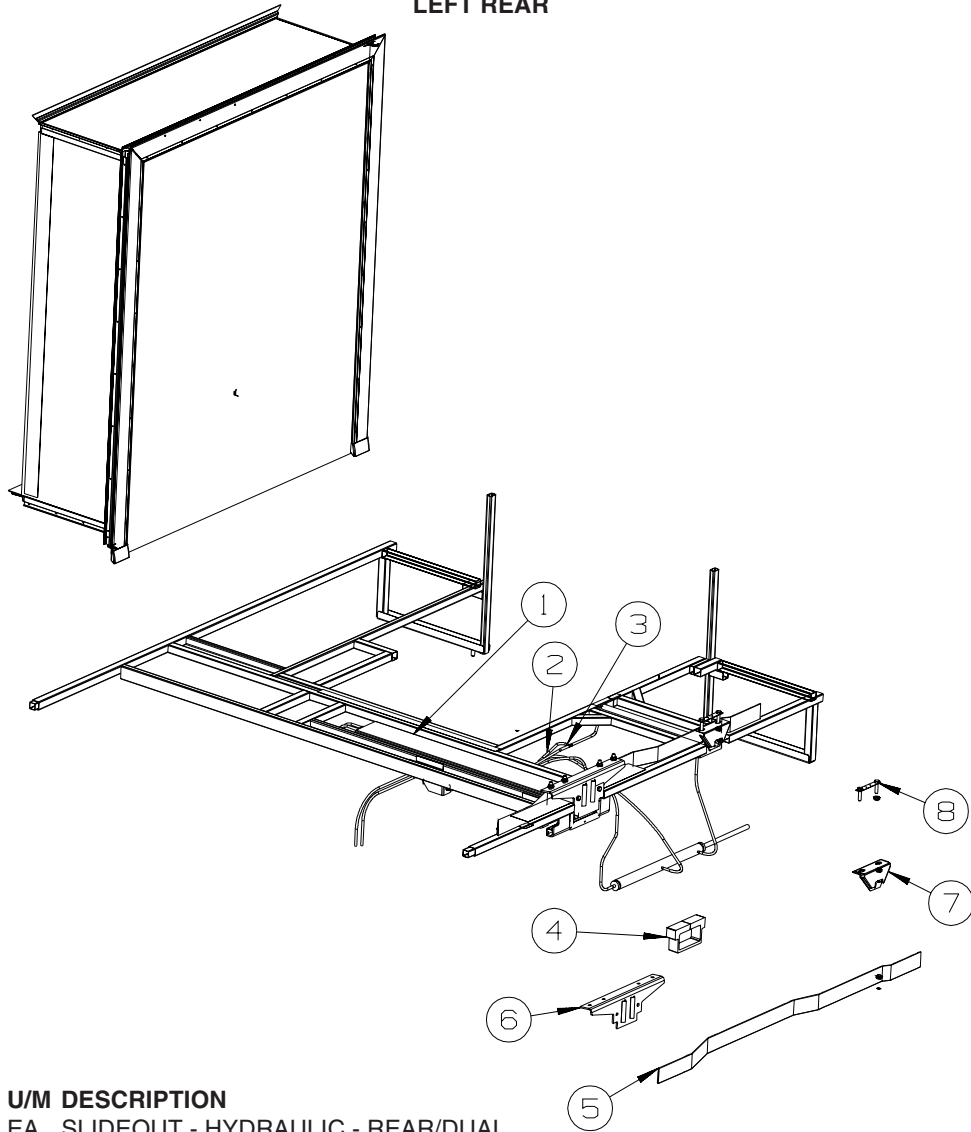
KEY	PART NUMBER	U/M	DESCRIPTION	VENDOR NO.
	125687-01-702	EA	CYLINDER - SYNCHRONIZING	RAP90471/AP13607

153651-02-01A

KEY	PART NUMBER	U/M	DESCRIPTION	VENDOR NO.
	153651-01-701	EA	LIMIT - SWITCH	1812996
	153651-01-702	EA	COVER/BOOT - SEAL	1612011
	153651-02-700	EA	MOTOR/LH - F/TRAVEL LOCK	1820131
	153651-02-701	EA	BRACKET/MOUNTING - MOTOR	1102223

EXTERIOR SLIDEOUT GROUP (CONTINUED)

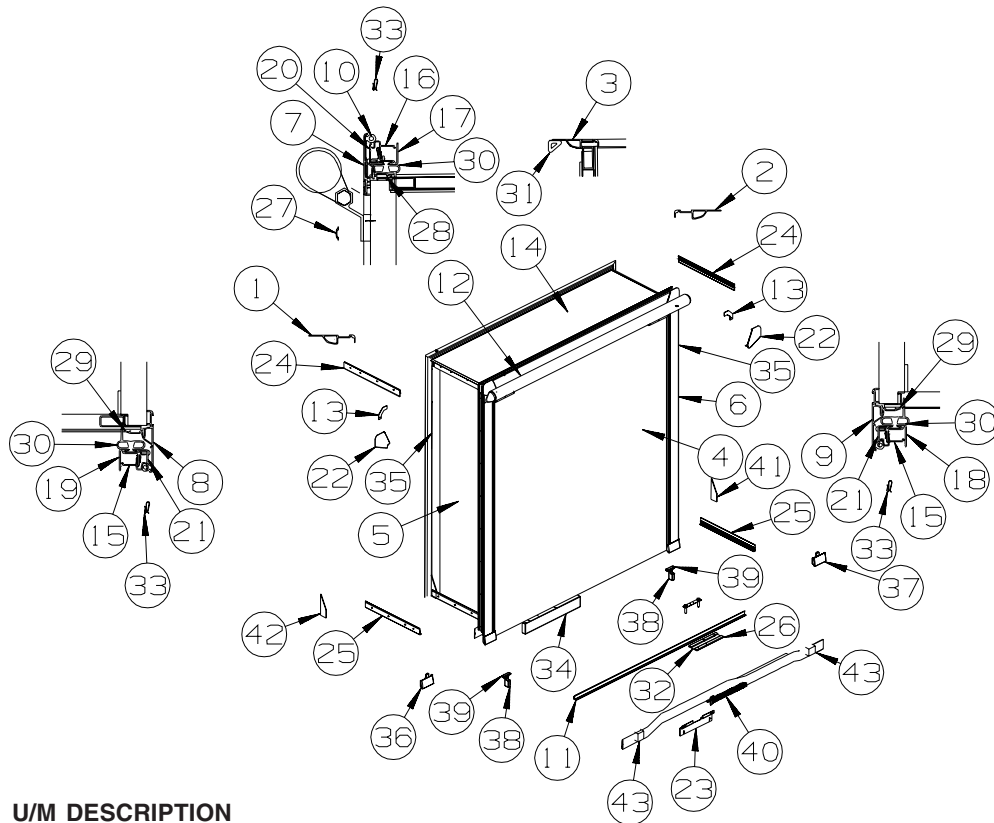
LEFT REAR



KEY	PART NUMBER	U/M	DESCRIPTION
1*	139507-01-000	EA	SLIDEOUT - HYDRAULIC - REAR/DUAL
2*	100536-46-000	EA	HOSE KIT - F/SLIDEOUT
3	123264-01-000	EA	TEE - UNION - 1/4" X 1/4" X 1/4"
4	140664-01-01A	EA	SEAL/RAM - F/SLIDEOUT
5	115075-03-000	FT	SEAL - WIPE - .25" X 2.9"
6	136963-01-02B	EA	BRACKET - SLIDEOUT - E-COATED
7	139407-03-02B	EA	BRACKET/MOUNT - F/SLIDEOUT - E-COATED
8	136995-07-02B	EA	PLATE W/BOLTS - 5.9" X 1" W/1/2" X 2" BOLTS

*COMPONENT PARTS LISTED LATER IN THIS GROUP

EXTERIOR SLIDEOUT GROUP (CONTINUED)
LEFT REAR (CONTINUED)



KEY	PART NUMBER	U/M	DESCRIPTION
1	139624-15-02A	EA	TRIM/SEAL - INNER/RIGHT HAND - 72.9" - ALMOND
2	139624-16-02A	EA	TRIM/SEAL - INNER/LEFT HAND - 72.9" - ALMOND
3	139624-08-02A	EA	TRIM/SEAL - INNER/TOP - 70.1" - ALMOND
4	158353-12-UC1	EA	SLUG - F/SLIDEOUT (UC1, UC2, UC3, UM7)
4	158353-12-UC5	EA	SLUG - F/SLIDEOUT (UC5, UC6, UC7, UM8)
4	158353-12-UD1	EA	SLUG - F/SLIDEOUT (UD1, UD2, UD3, UM9, UP1)
5	153674-01-UC1	EA	PANEL END - F/SLIDEOUT (UC1, UC2, UC3, UM7)
5	153674-01-TA0	EA	PANEL END - F/SLIDEOUT (UC5, UC6, UC7, UM8)
5	153674-01-TS0	EA	PANEL END - F/SLIDEOUT (UD1, UD2, UD3)
5	153674-01-UE5	EA	PANEL END - F/SLIDEOUT (UM9)
5	P53674-01-UP1	EA	PANEL END - F/SLIDEOUT (UP1)
6	153675-01-UC1	EA	PANEL END - F/SLIDEOUT (UC1, UC2, UC3, UM7)
6	153675-01-TA0	EA	PANEL END - F/SLIDEOUT (UC5, UC6, UC7, UM8)
6	153675-01-TS0	EA	PANEL END - F/SLIDEOUT (UD1, UD2, UD3)
6	153675-01-UE5	EA	PANEL END - F/SLIDEOUT (UM9)
6	P53675-01-UP1	EA	PANEL END - F/SLIDEOUT (UP1)
7	156417-07-01A	EA	TRIM/SEAL - W/MITERED ENDS - 68.4" - BRIGHT WHITE
7	156417-07-02A	EA	TRIM/SEAL - W/MITERED ENDS - 68.4" - BLACK
8	156417-23-01A	EA	TRIM/SEAL - W/MITERED ENDS - 74.5" - BRIGHT WHITE
8	156417-23-02A	EA	TRIM/SEAL - W/MITERED ENDS - 74.5" - BLACK
9	156417-24-01A	EA	TRIM/SEAL - W/MITERED ENDS - 74.5" - BRIGHT WHITE
9	156417-24-02A	EA	TRIM/SEAL - W/MITERED ENDS - 74.5" - BLACK
10	158297-01-000	FT	SEAL - D-SECTION/BULB/TEE - ADHESIVE BACK - BLACK
11	151282-06-01A	EA	TRIM - CARPET EDGE/F-ANGLE - 62.7" - BLACK
12			SLIDEOUT AWNING

ORDER AWNINGS & REPAIR PARTS FROM DOMETIC. CALL #800-366-3842.

THE DOMETIC AWNING INFORMATION YOU WILL NEED IS LOCATED ON THE MOTOR HOME NEAR THE TOP OF THE AWNING RAIL.

13	156416-01-12B	EA	BRACKET - CORNER TRIM/SLIDEOUT - 3.1"X 3.1" - BRIGHT WHITE FROM: 00-00-00 THRU: 01-06-07
13	156416-01-02B	EA	BRACKET - CORNER TRIM/SLIDEOUT - 3.1"X 3.1" - E-COATED - BLACK FROM: 00-00-00 THRU: 01-06-07
13	160421-01-01A	EA	CORNER TRIM/SLIDEOUT - 3.1" X 3.1" - BLACK - NOT ILLUSTRATED FROM: 01-07-07 THRU: 99-99-99

EXTERIOR SLIDEOUT GROUP (CONTINUED)
LEFT REAR (CONTINUED)

KEY	PART NUMBER	U/M	DESCRIPTION
14	141228-02-UC1	EA	ROOF - F/SLIDEOUT
15	142718-01-01A	EA	RETAINER - SIDEWALL/SLIDEOUT - 72.8"
16	142718-21-01A	EA	RETAINER - SIDEWALL/SLIDEOUT - 69.5"
17	151761-03-02A	EA	TRIM - SIDEWALL/SLIDEOUT/TOP - 71.3" - ALMOND
18	151760-03-02A	EA	TRIM - SIDEWALL/SLIDEOUT - 74.5" - ALMOND
19	151760-04-02A	EA	TRIM - SIDEWALL/SLIDEOUT - 74.5" - ALMOND
20	136824-12-01A	EA	TRIM - SIDEWALL/SLIDEOUT - 71.5" - BRIGHT WHITE
20	136824-12-02A	EA	TRIM - SIDEWALL/SLIDEOUT - 71.4" - BLACK
21	136824-38-01A	EA	TRIM - SIDEWALL/SLIDEOUT - 74.6" - BRIGHT WHITE
21	136824-38-02A	EA	TRIM - SIDEWALL/SLIDEOUT - 74.6" - BLACK
22	156151-01-02A	EA	PROTECTOR - CORNER - SLIDEOUT - BRIGHT WHITE
22	156151-01-01A	EA	PROTECTOR - CORNER - SLIDEOUT - BLACK
23	137112-02-02B	EA	BRACKET - COVER - SLIDEOUT - E-COATED
24	158375-03-01A	EA	TRIM - FEATURE STRIP - 20.6" - BRIGHT WHITE
24	158375-03-02A	EA	TRIM - FEATURE STRIP - 20.6" - BLACK
25	157385-03-01A	EA	TRIM - FEATURE STRIP/LOWER - 26.9" - BRIGHT WHITE
25	157385-03-02A	EA	TRIM - FEATURE STRIP/LOWER - 26.9" - BLACK
26	115325-16-01A	EA	RAIL - FLOOR/SLIDEOUT ROOM - 9.8" LONG - BLACK
27	105312-01-07A	FT	INSERT - FEATURE STRIP - VINYL - BRIGHT WHITE
27	105312-01-13A	FT	INSERT - FEATURE STRIP - VINYL - BLACK
28	133954-20-01A	EA	TRIM/SEAL - 64.1" - BRIGHT WHITE - NOT ILLUSTRATED FROM: 00-00-00 THRU: 04-16-06
28	146606-20-01A	EA	TRIM/SEAL - 64.1" - BRIGHT WHITE FROM: 04-17-06 THRU: 99-99-99
28	133954-20-02A	EA	TRIM/SEAL - 64.1" - BLACK - NOT ILLUSTRATED FROM: 00-00-00 THRU: 04-16-06
28	146606-20-02A	EA	TRIM/SEAL - 64.1" - BLACK FROM: 04-17-06 THRU: 99-99-99
29	133954-48-01A	EA	TRIM/SEAL - 71.7" - BRIGHT WHITE - NOT ILLUSTRATED FROM: 00-00-00 THRU: 04-16-06
29	146606-48-01A	EA	TRIM/RETAINER - 69.3" - BRIGHT WHITE FROM: 04-17-06 THRU: 99-99-99
29	133954-48-02A	EA	TRIM/SEAL - 71.7" - BLACK - NOT ILLUSTRATED FROM: 00-00-00 THRU: 04-16-06
29	146606-48-02A	EA	TRIM/RETAINER - 69.3" - BLACK FROM: 04-17-06 THRU: 99-99-99
30	136978-01-01A	FT	SEAL - SLIDEOUT - BLACK
31	146056-01-000	FT	SEAL - TRIANGLE - W/PSA
32	115661-01-000	FT	SHOE/GLIDE - SLIDEOUT ROOM - 1/16" X 3" - POLYETHYLENE
33	142549-01-000	EA	CLIP - "S" TYPE
34	137125-04-N74	EA	COVER - RAM - F/SLIDEOUT
35	093681-39-01A	FT	FILM - 3.1" - FLAT BLACK
36	148593-01-01A	EA	CAP - F/SLIDEOUT TRIM - BRIGHT WHITE
36	148593-01-02A	EA	CAP - F/SLIDEOUT TRIM - BLACK
37	148593-02-01A	EA	CAP - F/SLIDEOUT TRIM - BRIGHT WHITE
37	148593-02-02A	EA	CAP - F/SLIDEOUT TRIM - BLACK
38	126313-09-02B	EA	SUPPORT - ROLLER - SLIDE-OUT ROOM - E-COATED
39	134855-01-000	EA	BEARING PAD - NARROW
40	143172-01-01A	EA	CARRIER ASM-WIRE, BLACK
41	157809-01-01A	EA	SEAL - FOAM BLOCK/RIGHT SIDE - ADHESIVE BACK
42	157809-02-01A	EA	SEAL - FOAM BLOCK/LEFT SIDE - ADHESIVE BACK
43	137408-01-000	EA	SEAL - BLOCK - F/SLIDEOUT - 2.2" FROM: 04-17-06 THRU: 99-99-99

EXTERIOR SLIDEOUT GROUP (CONTINUED)
COMPONENT PARTS FOR LEFT REAR SLIDEOUT

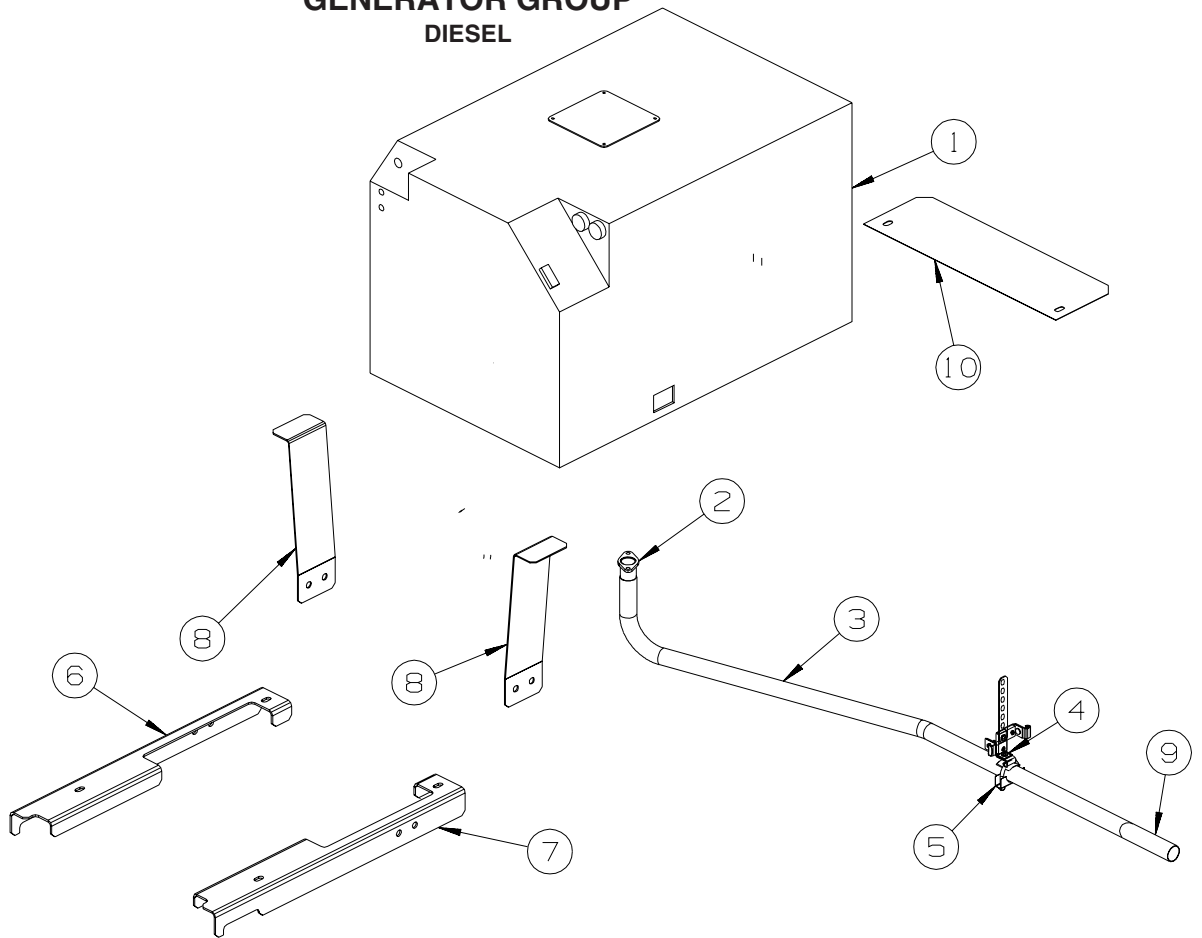
100536-46-000

KEY	PART NUMBER	U/M	DESCRIPTION	VENDOR NO.
	100536-46-700	EA	HOSE/HYDRAULIC - 1/4" X 408"	RAP4669/AP4669
	100536-46-701	EA	HOSE/HYDRAULIC - 1/4" X 412"	AP7130

139507-01-000

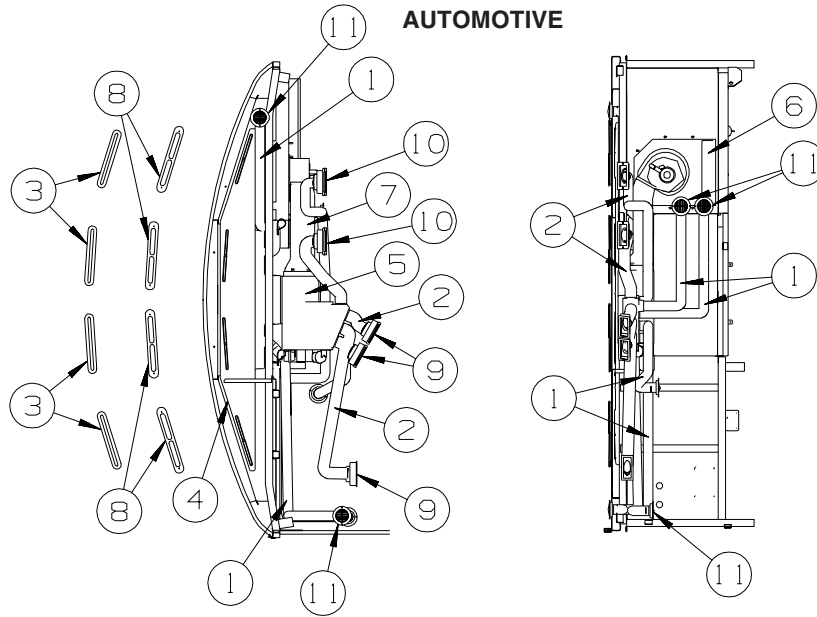
KEY	PART NUMBER	U/M	DESCRIPTION	VENDOR NO.
	115767-01-703	EA	HOSE-HYD., 90" F/SLIDEOUT	RAP90001/AP2445
	139507-01-700	EA	CYLINDER - SYNCRONIZING	RAP90879/AP24825
	139507-01-701	EA	HOSE - HYDRAULIC 1/8" X 102"	AP23738
	139507-01-702	EA	CYLINDER - ASSIST	RAP90878/AP25743
	139507-01-703	EA	CYLINDER/RAM - MAIN	RAP90877/AP23286
	139507-01-704	EA	RESTRICTOR/PROPORTION VALVE	RAP90819/AP10195

GENERATOR GROUP DIESEL



KEY	PART NUMBER	U/M	DESCRIPTION
1	158258-01-000	EA	GENERATOR - 8.0KW DIESEL - ONAN #HDKAK/1145
2	106235-01-000	EA	ADAPTOR - GENERATOR EXHAUST
3	137330-03-000	EA	PIPE - EXHAUST - GENERATOR/DIESEL
4	007131-01-000	EA	HANGER - TAILPIPE - 6 SLOTS
5	007125-03-000	EA	CLAMP - MUFFLER - 1.5" DIAMETER
6	137328-02-02B	EA	SUPPORT - GENERATOR - LH - E-COATED
7	137328-01-02B	EA	SUPPORT - GENERATOR - RH - E-COATED
8	137329-02-02B	EA	BRACKET - HANGAR/GENERATOR - E-COATED
9	138246-01-01A	EA	EXTENSION - TAILPIPE - 1.6"ID X 7.7"
10	156768-01-02B	EA	SHIELD/HEAT - GENERATOR - E-COATED

HEATING & A/C GROUP AUTOMOTIVE



KEY	PART NUMBER	U/M	DESCRIPTION
1	007076-01-000	EA	HOSE - FLEXIBLE PVC - 2" ID - INCREMENTS OF 50'
2	007281-01-000	EA	HOSE - FLEXIBLE PVC - 2 1/2" ID X 50'
3	077075-01-000	EA	GASKET - INSTRUMENT PANEL/DEFROSTER PLENUM - .6" X 10.2"
4	103017-03-000	EA	PLENUM - DEFROSTER
5*	103930-36-000	EA	CONTROL/PLENUM - ROTARY CONTROL HEAD
6*	103930-55-000	EA	EVAPORATOR/HEATER - NONCHARGED - SINGLE OUTPUT
7	122822-01-01A	EA	PLENUM - TRANSITION
8	135265-01-06A	EA	VENT - DEFROSTER - PLASTIC - CASHMERE
8	135265-01-07A	EA	VENT - DEFROSTER - PLASTIC - RIVERSTONE
9	135803-01-01A	EA	LOUVER - A/C - 2.5" X 5.2" - BLACK
10	135803-02-01A	EA	LOUVER - A/C - 2.5" - 5.7" - W/SCREW HOLES - BLACK
11	157225-01-01A	EA	OUTLET - DEFROSTER - W/SWIVEL - 2" SLEEVE/4"OD - BLACK
11	157225-01-06A	EA	OUTLET - DEFROSTER - W/SWIVEL - 2" SLEEVE/4"OD - CASHMERE
11	157225-01-05A	EA	OUTLET - DEFROSTER - W/SWIVEL - 2" SLEEVE/4"OD - RIVERSTONE
	113452-02-000	FT	SEAL/TRIM - FRONT - VINYL W/WIRE CARRIER - .027" - WHERE WIRES & HOSES CROSS METAL

***COMPONENT PARTS LISTED LATER IN THIS GROUP**

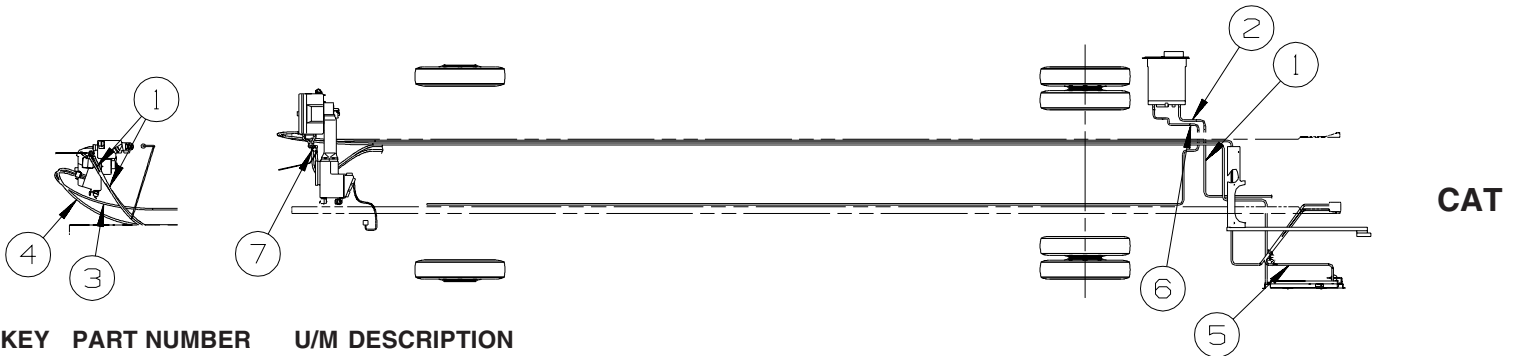
HEATING & A/C GROUP (CONTINUED)

AUTOMOTIVE (CONTINUED)



KEY	PART NUMBER	U/M	DESCRIPTION
1	079059-01-000	EA	HOSE - 90 DEGREE - 5/8"ID X 4" X 36"
2	007108-01-000	FT	HOSE - HEATER - 5/8"ID - HI-TEMP
3*	072342-15-000	EA	CONDENSER - W/FAN ON SIDE - NO HOSE
4*	072342-17-000	EA	HOSE - #8 - CONDENSER/COMPRESSOR - 98.3" - W/90 DEGREE END
5*	072342-18-000	EA	HOSE - #6 - REC DRIER/EVAPORATOR - 42.8' LONG W/SWITCHES
			FROM: 00-00-00 THRU: 07-09-06
5	072342-26-000	EA	HOSE - #6 - REC DRIER/EVAPORATOR - 42.8' LONG W/SWITCHES
			FROM: 07-10-06 THRU: 99-99-99
6	103930-24-000	EA	VALVE/WATER CONTROL - 4 PORT/VACUUM CONTROLLED
7*	103930-51-000	EA	HOSE KIT - #12 - COMPRESSOR/EVAPORATOR - 41.5' W/90 DEGREE
8	158039-01-02B	EA	BRACKET - CONDENSER - E-COATED
9	158039-02-02B	EA	BRACKET-A/C CONDENSER
10	158039-03-02B	EA	BRACKET-A/C CONDENSER
11	158038-01-02B	EA	BRACKET - CONDENSOR/SIDE - E-COATED
12	158038-02-02B	EA	BRACKET-A/C CONDENSER
	113452-02-000	FT	SEAL/TRIM - FRONT - VINYL W/WIRE CARRIER - .027" - WHERE WIRES & HOSES CROSS METAL

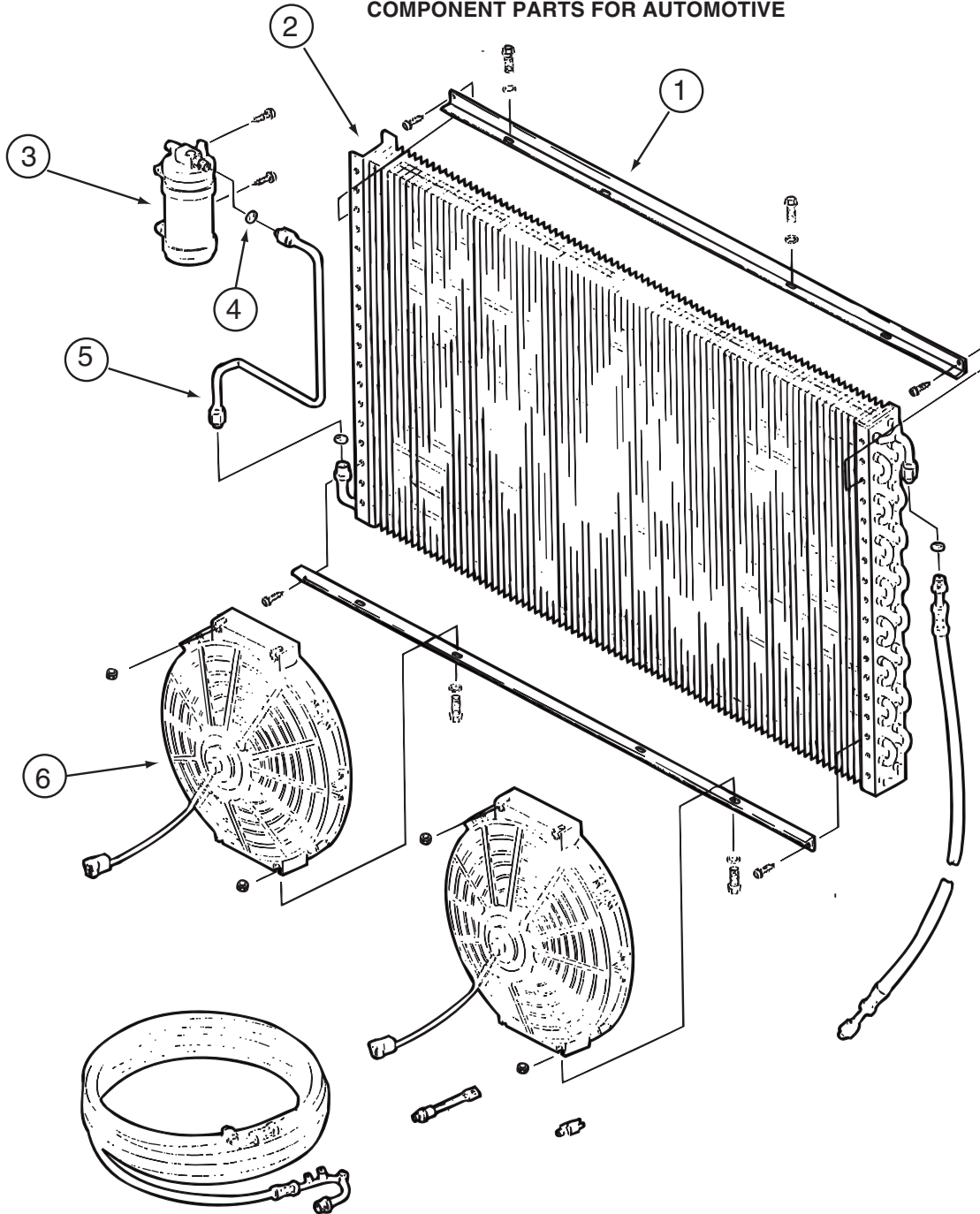
*COMPONENT PARTS LISTED LATER IN THIS GROUP



KEY	PART NUMBER	U/M	DESCRIPTION
1	007108-01-000	FT	HOSE - HEATER - 5/8"ID - HI-TEMP
2	072342-23-000	EA	HOSE - #6 - 175" LONG
3*	103930-41-000	EA	HOSE KIT - EVAPORATOR/COMPRESSOR #12 - 41.3'- STRAIGHT END
4*	072342-18-000	EA	HOSE - #6 - REC DRIER/EVAPORATOR - 42.8' LONG W/SWITCHES
			FROM: 00-00-00 THRU: 07-09-06
4	072342-26-000	EA	HOSE - #6 - REC DRIER/EVAPORATOR - 42.8' LONG W/SWITCHES
			FROM: 07-10-06 THRU: 99-99-99
5*	072342-16-000	EA	HOSE - #8 - CONDENSER/COMPRESSOR - 5.2' - W/STRAIGHT END
6	079059-01-000	EA	HOSE - 90 DEGREE - 5/8"ID X 4" X 36"
7	103930-24-000	EA	VALVE/WATER CONTROL - 4 PORT/VACUUM CONTROLLED
	113452-02-000	FT	SEAL/TRIM - FRONT - VINYL W/WIRE CARRIER - .027" - WHERE WIRES & HOSES CROSS METAL

*COMPONENT PARTS LISTED LATER IN THIS GROUP

HEATING & A/C GROUP (CONTINUED)
COMPONENT PARTS FOR AUTOMOTIVE



072342-15-000

KEY	PART NUMBER	U/M	DESCRIPTION	VENDOR NO.
	072342-13-700	EA	BRACKET - CONDENSER FAN	070-0148
	072342-12-700	EA	COIL-CONDENSER	040-0027
	072342-12-703	EA	RECEIVER DRIER	054-0001
	113245-01-711	EA	O'RING #6	045-0129
	072342-13-703	EA	TUBE ASM. #6	052-0040
	072342-08-703	EA	FAN BLADE/MOTOR & SHROUD 11"	062-0097

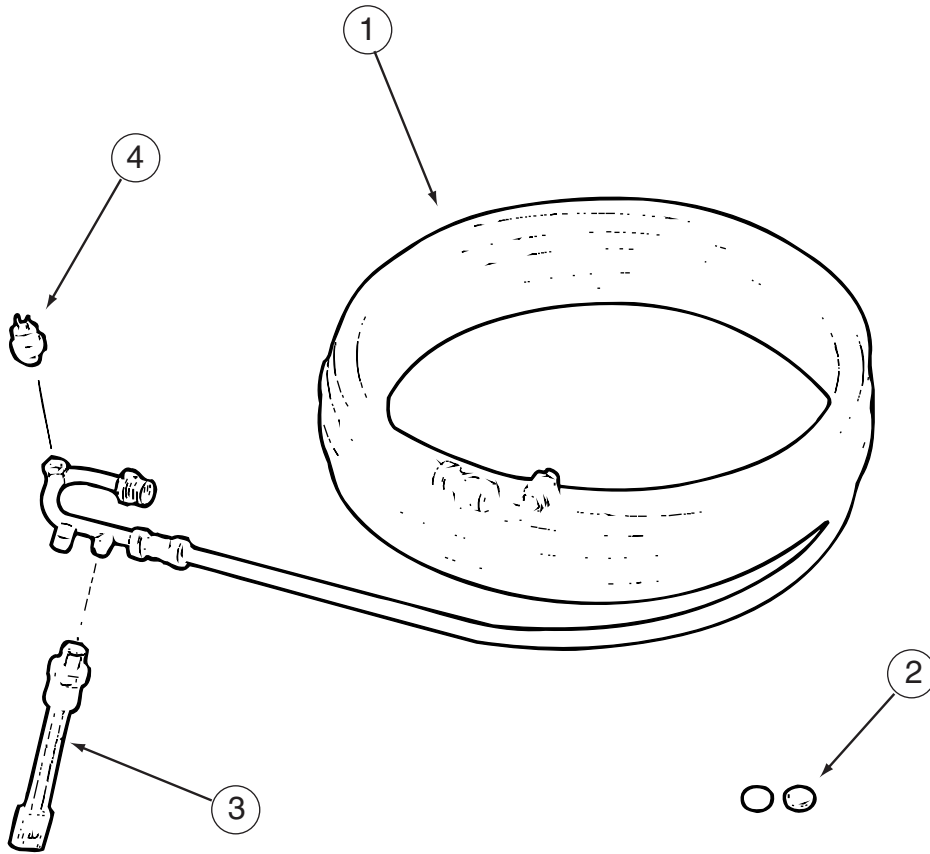
072342-16-000

KEY	PART NUMBER	U/M	DESCRIPTION	VENDOR NO.
	072342-13-701	EA	HOSE ASM. #8	085-0459
	113245-01-707	EA	O'RING #8	045-0126

072342-17-000

KEY	PART NUMBER	U/M	DESCRIPTION	VENDOR NO.
	072342-12-701	EA	HOSE ASM #8 CONDENSER/COMP	085-0142
	113245-01-707	EA	O'RING #8	045-0126

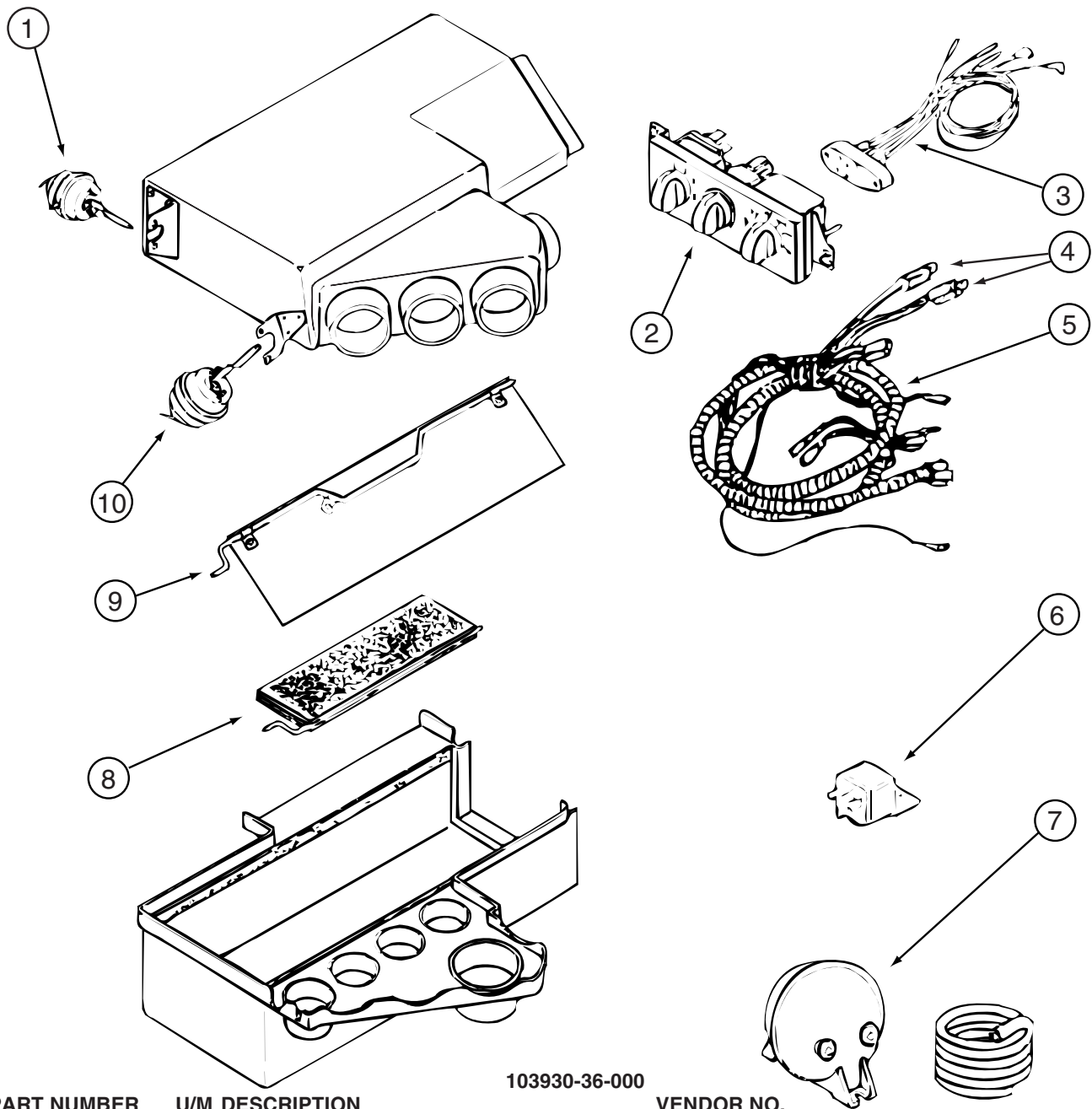
HEATING & A/C GROUP (CONTINUED)
COMPONENT PARTS FOR AUTOMOTIVE (CONTINUED)



072342-18-000

KEY	PART NUMBER	U/M	DESCRIPTION	VENDOR NO.
1	072342-13-702	EA	HOSE ASM. #6	085-0460
2	113245-01-711	EA	O'RING #6	045-0129
3	103930-01-716	EA	SWITCH - PRESSURE - FAN	032-0036
4	103930-12-708	EA	SWITCH-BINARY-HI/LOW CUTOUT	032-0048

HEATING & A/C GROUP (CONTINUED)
COMPONENT PARTS FOR AUTOMOTIVE (CONTINUED)



KEY	PART NUMBER	U/M	DESCRIPTION	VENDOR NO.
	103930-36-000	EA	CONTROL/PLENUM - ROTARY CONTROL HEAD	
1	103930-33-701	EA	MOTOR - VACUUM, 3 STAGE	030-0105
2	103930-33-702	EA	CONTROL PANEL	083-0169
3	103930-33-703	EA	VACUUM HARNESS	036-0466
4	103930-33-705	EA	LIGHT BULBS	035-0030
5	103930-33-711	EA	WIRE HARNESS-W/BULBS(CAVITY)	036-0496
6	103930-02-707	EA	RELAY-BOSCH W/RESISTER	031-0001
7	103930-02-710	EA	CANISTER-VACUUM	054-0002
8	103930-36-701	EA	ROD - DOOR, AC	073-0062
9	103930-36-700	EA	ROD - DOOR, DEFROST	073-0061
10	103930-02-708	EA	MOTOR-VACUUM SERVO, A/C	030-0025
	103930-33-707	EA	SWITCH - BLOWER	032-00066
	103930-33-708	EA	SWITCH - POTENTIOMETER	032-0184
	103930-33-709	EA	SWITCH - VACUUM	032-0183
	103930-33-710	EA	DECAL F/CONTROL HEAD	058-0102
	103930-33-712	EA	KNOB - BLOWER	062-00539
	103930-33-713	EA	KNOB	062-0540
	103930-36-702	EA	PLENUM CASE - UPPER	060-0442
	103930-36-703	EA	PLENUM CASE - LOWER	060-0443
	103930-36-704	EA	SPRING	022-0119

HEATING & A/C GROUP (CONTINUED)

COMPONENT PARTS FOR AUTOMOTIVE (CONTINUED)

103930-41-000

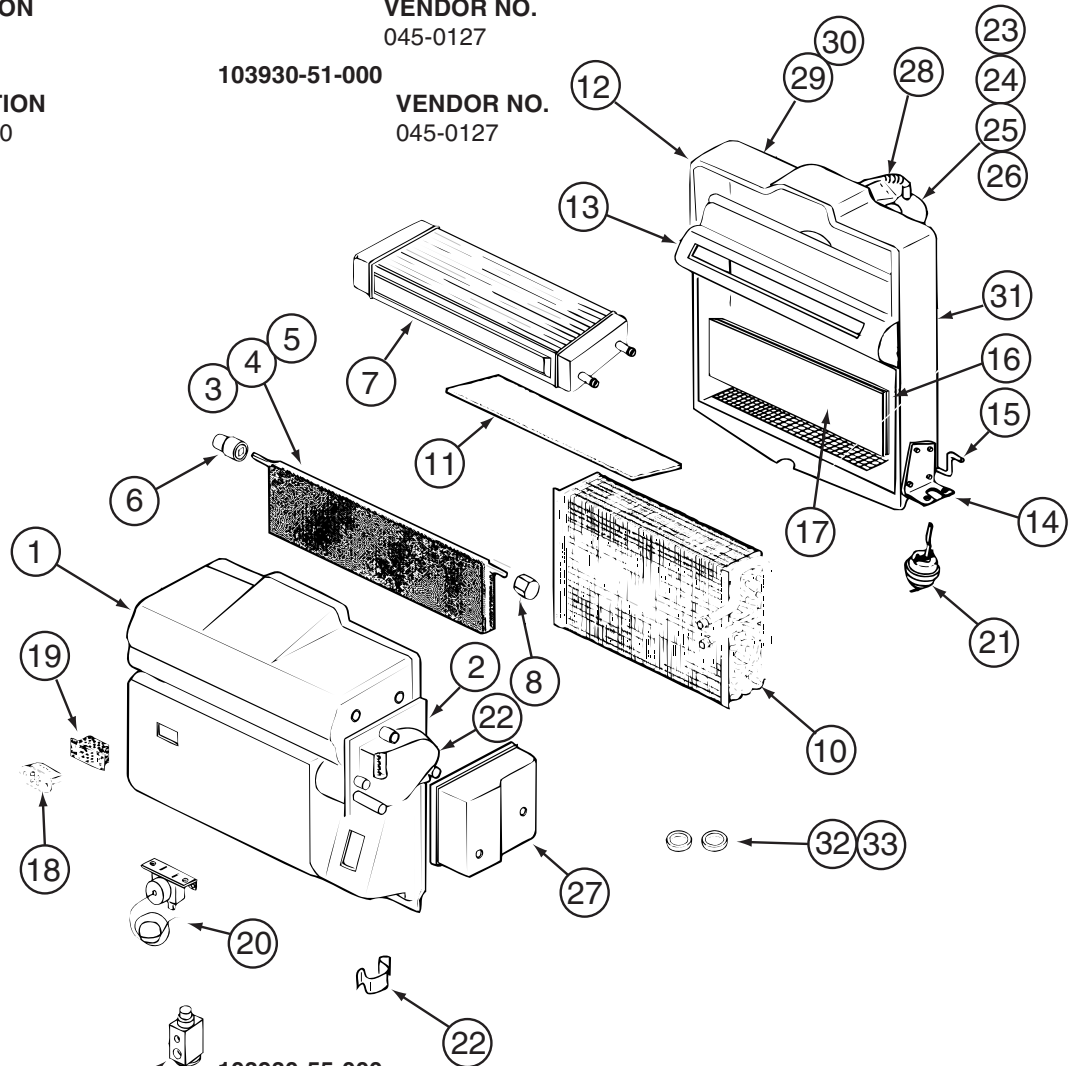
KEY	PART NUMBER	U/M DESCRIPTION
	103930-17-702	EA O'RING #10

VENDOR NO.
045-0127

KEY	PART NUMBER	U/M DESCRIPTION
	103930-17-702	EA O'RING #10

103930-51-000

VENDOR NO.
045-0127



103930-55-000

KEY	PART NUMBER	U/M DESCRIPTION	VENDOR NO.
1	103930-55-701	EA CASE - FRONT	062-0658
2	103930-30-701	EA PLATE - MOTOR MOUNT	062-0544
3	103930-55-705	EA DOOR - BLEND AIR	071-0892
6	103930-30-702	EA BUSHING/DRIVE (BLEND DOOR)	062-0168
7	103930-55-706	EA CORE - HEATER - W/GASKET	084-0271
8	103930-30-709	EA COUPLING - BLEND DOOR SHAFT	062-0634
9	103930-20-700	EA VALVE-EXPANSION-BLOCK, 2 TON	034-0032
10	103930-55-700	EA CORE-EVAPORATOR	041-00168
12	103930-55-702	EA CASE-REAR	062-0657
14	103930-01-708	EA BRACKET-VACUUM MOTOR	070-0113
15	103930-20-704	EA ROD-DOOR-RECIRCULATING	073-0018
16	103930-55-707	EA DOOR - RECIRCULATION	071-0891
18	103930-01-710	EA RESISTOR-FUSED, A/C 4 TERM	035-0006
20	103930-01-711	EA THERMOSTAT	033-0003
21	103930-02-708	EA MOTOR-VACUUM SERVO, A/C	030-0025
22	103930-30-703	EA MOTOR - SERVO	030-0104
23	103930-20-707	EA HOUSING-BLOWER	062-0145
24	103930-55-703	EA MOTOR-BLOWER W/O PIGTAIL	030-0137
25	103930-01-717	EA WHEEL-BLOWER, CLOCKWISE	062-0010
26	103930-20-708	EA CLIP-MOTOR SHAFT	022-0001
27	103930-30-704	EA COVER - SERVO	062-0545
32	113245-01-707	EA O'RING #8	045-0126
33	103930-17-702	EA O'RING #10	045-0127
	103930-55-704	EA CORE-HEATER	042-0059
	110279-01-703	EA HOSE-VENT F/BLOWER MOTOR	051-0034

CONTACT WINNEBAGO PART SALES FOR UNLISTED COMPONENT(S)

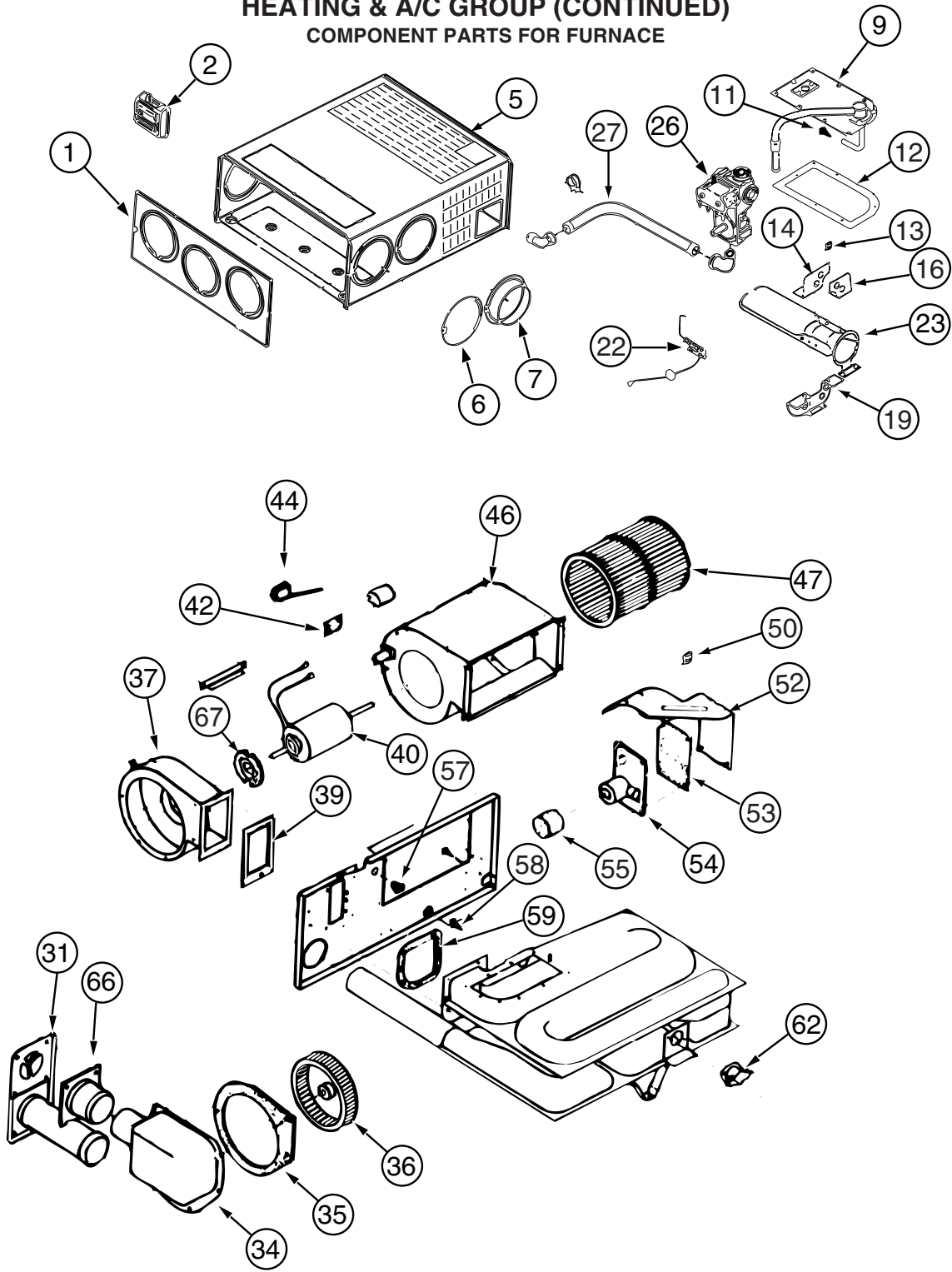
HEATING & A/C GROUP (CONTINUED)
FURNACE

KEY	PART NUMBER	U/M	DESCRIPTION
*	143563-02-000	EA	FURNACE - 40000 BTU HIGH QUIET - SUBURBAN SH-42 2346A
	009198-02-000	FT	DUCT - HEAT - FLEXIBLE - 2" ID X 25'
	092776-01-000	EA	ADAPTER - DUCT - 2"
	092776-03-000	EA	ADAPTER - DUCT 2" X 4" X 3"
	093614-08-02A	EA	GRILLE - AIR RETURN - 9.8" X 13.9" - BEIGE
	093614-10-01A	EA	GRILLE -AIR RETURN-13.9" X 7.9"/11.6" X 5.6" OPENING-BEIGE
	093614-11-01A	EA	GRILLE -AIR RETURN-13.9" X 7.9" - BEIGE
	098668-16-000	EA	VENT - INTAKE
	126693-05-02B	EA	PANEL - EXHAUST/FURNACE - E-COATED
	141337-01-01A	EA	GASKET - FURNACE
	133323-01-01A	EA	SHROUD - FURNACE - BRIGHT WHITE
	137965-02-02A	EA	REGISTER - 11.2" X 3.6"(9.7 X 2.1"R/O) W/DAMPER - ANT PWTR
	137965-03-02A	EA	REGISTER - 11.2" X 3.6"(9.7 X 2.1"R/O) W/O DAMPER-ANT PWTR
	137965-06-02A	EA	REGISTER - 15.3" X 3.6"(13.9"X2.1"R/O) W/O DAMPER-ANT PWTR
	143563-04-000	EA	PLATE END - COLLAR
	143563-05-000	EA	GASKET - FIBERGLASS - SUBURBAN #071018
	158710-01-000	EA	ELBOW/DUCT - 2 1/4" X 14"
	105620-18-000	EA	THERMOSTAT - FURNACE/HEAT PUMP-A/C

***COMPONENT PARTS LISTED LATER IN THIS GROUP**

HEATING & A/C GROUP (CONTINUED)

COMPONENT PARTS FOR FURNACE



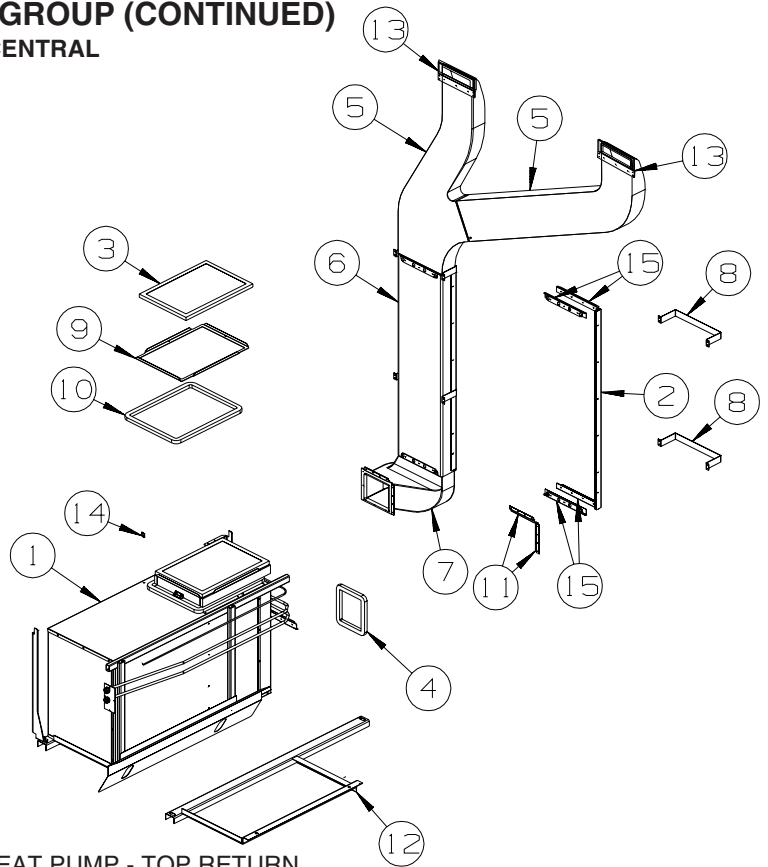
143563-02-000

HEATING & A/C GROUP (CONTINUED)
COMPONENT PARTS FOR FURNACE (CONTINUED)

143563-02-000 (CONTINUED)

KEY	PART NUMBER	U/M	DESCRIPTION	VENDOR NO.
1	143563-01-700	EA	CABINET - FRONT	101907
2			SEE 12 VOLT WIRING AREAS FOR CORRECT THERMOSTAT	
5	143563-02-700	EA	CABINET	101915
7	075696-02-703	EA	COLLAR - DUCT	050715
9	143563-01-702	EA	MANIFOLD ASSEMBLY	171599
11	143563-02-701	EA	ORFICE - MAIN BURNER	180309
12	098668-22-703	EA	GASKET - BURNER ACCESS COVER	070811
14	143563-02-702	EA	PLATE - SECONDARY AIR/TOP BACK	063198
16	143563-02-703	EA	PLATE - SECONDARY AIR/TOP FRT	062933
19	143563-02-704	EA	PLATE - SECONDARY AIR/BOTTOM	062935
22	139980-01-701	EA	ELECTRODE	232286
23	098668-11-701	EA	BURNER ASSEMBLY, SF-42F	010799
26	098668-01-718	EA	VALVE-GAS SF S.N.974903079	161122
27	143563-01-707	EA	PIPE ASSEMBLY (GAS INLET)	171603
31	098668-01-707	EA	TUBE ASSEMBLY, EXHAUST W/CAP	260231
34	143563-01-708	EA	BOX ASM (COMB. AIR INTAKE)	051430BK
35	143563-01-709	EA	GASKET (COMB. AIR HOUSING)	071108
36	143563-01-710	EA	WHEEL (COMBUSTION AIR)	350199
37	143563-01-711	EA	HOUSING (COMBUSTION AIR)	390862BK
39	143563-01-715	EA	GASKET-FIREWALL/COMB. AIR	071107
40	143563-02-705	EA	MOTOR ASSEMBLY	232726
42	101990-01-714	EA	GASKET-MICROSWITCH	230877
44	098668-21-700	EA	SWITCH-MICRO-W/O FLAG 3 1/4"	232261
46	143563-01-713	EA	BLOWER ASSEMBLY(ROOM AIR)	390867BK
47	143563-01-714	EA	WHEEL - ROOM AIR	350198
50	139980-01-710	EA	SWITCH - ON/OFF	232351
52	139980-01-711	EA	PANEL ASSEMBLY-MODULE BD	101663
53	139980-01-712	EA	INSULATOR - MODULE BD	070807
54	098668-22-705	EA	MODULE BD W/RELAY TIME DELAY	520820
55	139980-01-713	EA	CAP/INSULATOR-MODULE BD	070973
57	139980-01-714	EA	BUSHING - UNIVERSAL	070362
58	139980-01-715	EA	BUSHING - STRAIN RELIEF	231809
59	098668-01-716	EA	GASKET-FIREWALL,CHAMBER SIDE	070808
62	143563-02-706	EA	SWITCH - LIMIT	232735
66	098668-01-713	EA	TUBE ASSEMBLY, INTAKE	051248
67	075697-07-703	EA	GASKET - MOTOR	070448
	143563-02-707	EA	CHAMBER ASM. - FINAL	021172BK
			CONTACT WINNEBAGO PART SALES FOR UNLISTED COMPONENT(S)	

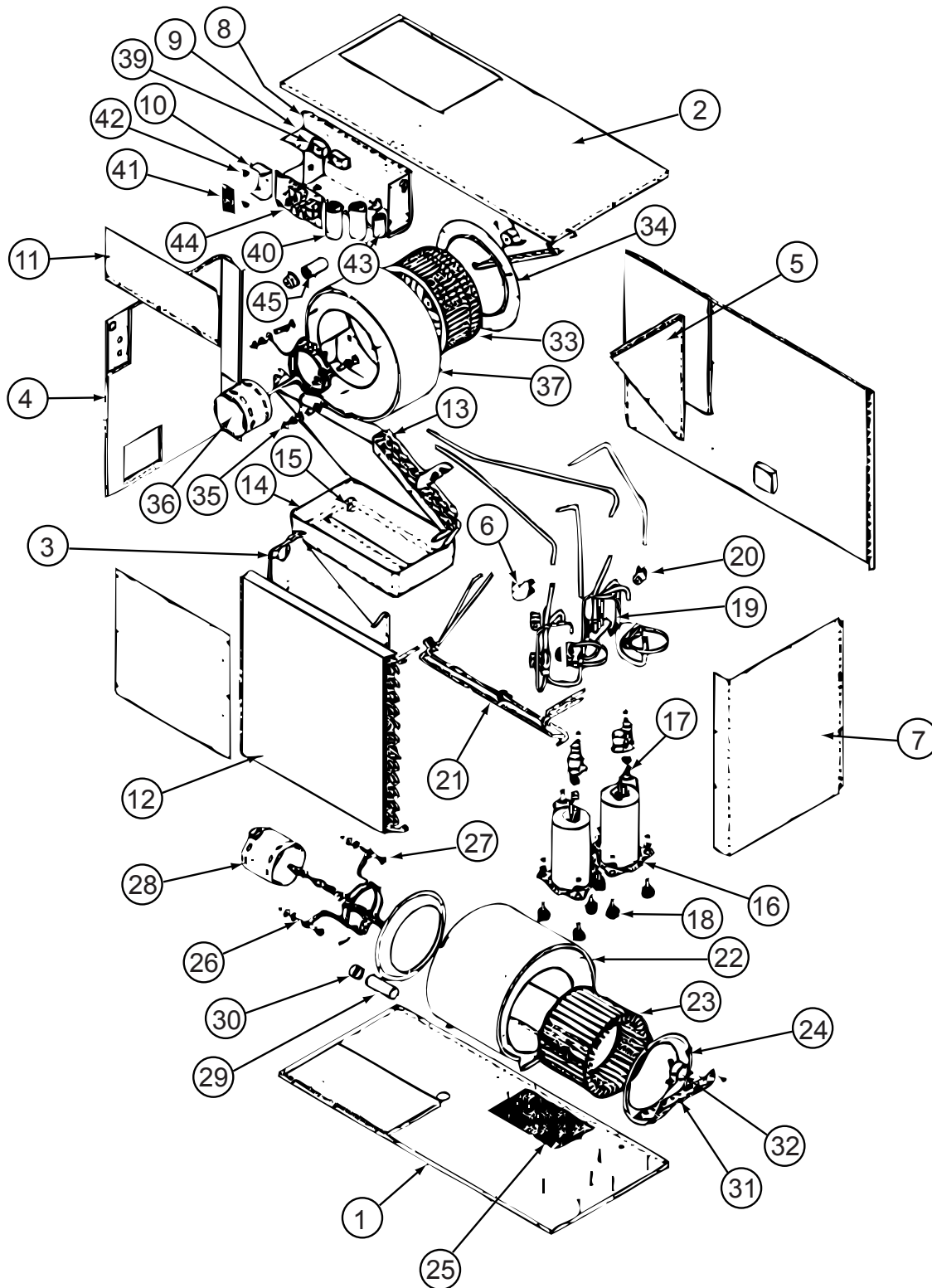
HEATING & A/C GROUP (CONTINUED) CENTRAL



KEY	PART NUMBER	U/M	DESCRIPTION
1*	105620-16-000	EA	A/C - CENTRAL - RIGHT HAND/HEAT PUMP - TOP RETURN
2	159408-01-01A	EA	CORNER-W/HOLES,MILL,1212 MM
			FROM: 07-31-06 THRU: 99-99-99
3	109050-02-000	EA	FILTER/FURNACE-AC - FIBERGLASS - 1" X 14" X 20"
4	134588-02-000	EA	GASKET - DUCT - 6.4" X 7.4" IS - 8.3" X 9.4" OS
5	M09204-01-000	EA	DUCT/AC - UPPER RIGHT HAND/LEFT HAND
5	105290-01-000	SF	INSULATION - AIR POCKET W/FOIL
6	117870-10-01A	EA	PLENUM - A/C - 48.5"
			FROM: 00-00-00 THRU: 07-30-06
6	159404-01-000	EA	PLENUM - A/C - 48.5"
			FROM: 07-31-06 THRU: 99-99-99
7	P47621-01-000	EA	DUCT - CENTRAL AIR/FORCED - LOWER
7	105290-01-000	SF	INSULATION - AIR POCKET W/FOIL
8	129047-01-02B	EA	STRAP/MOUNTING - AIR DUCT - E-COATED
9	139757-01-02B	EA	PANEL - TRAY - A/C FILTER - E-COATED
10	134588-04-000	EA	GASKET - DUCT - 13.9" X 18.2" IS - 15.9" X 20.2" OS
11	130481-01-01A	EA	BRACKET - ZEE W/HOLES - 7"
12	147613-01-02B	EA	CRADLE - A/C - E-COATED
13	129051-01-01A	EA	STRAP - MOUNTING, AIR DUCT, MILL
14	107721-07-000	FT	SEAL - ACCESS DOOR - .9"WIDE X 1.1"HIGH
	130262-01-000	EA	PROTECTOR - CORNER SAVER - .7" X .7" X 48"
			FROM: 00-00-00 THRU: 07-30-06
	115886-11-02A	EA	RETAINER - SIDEWALL - BRIGHT WHITE - 11.8"
			FROM: 00-00-00 THRU: 07-30-06
15	160755-01-02B	EA	U-CHANNEL-W/HOLES
			FROM: 07-31-06 THRU: 99-99-99

*COMPONENT PARTS LISTED LATER IN THIS GROUP

HEATING & A/C GROUP (CONTINUED)
COMPONENT PARTS FOR CENTRAL



105620-16-000

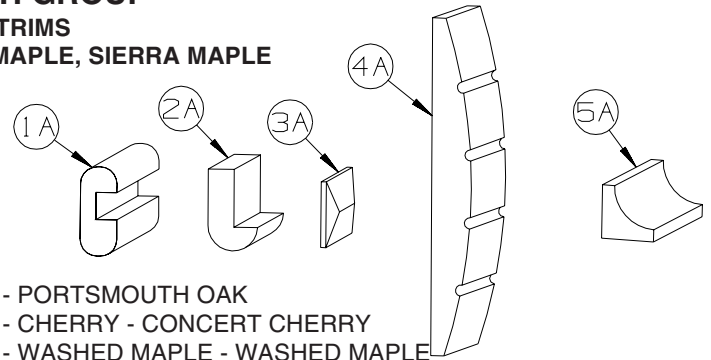
HEATING & A/C GROUP (CONTINUED)
COMPONENT PARTS FOR CENTRAL (CONTINUED)

105620-16-000 (CONTINUED)

KEY	PART NUMBER	U/M	DESCRIPTION	VENDOR NO.
10	105620-01-733	EA	ISOLATOR-HIGH VOLTAGE	6795-117
10	105620-12-704	EA	COMPRESSOR (TECHUMSEH)	1450-2149
12	105620-16-700	EA	CONDENSOR COIL	1452-1681
13	105620-16-701	EA	EVAPORATOR COIL	14521671
14	105620-16-702	EA	DRAIN PAN	6537-104
15	105620-12-703	EA	VALVE - DRAIN	6795-200
16	105620-12-723	EA	COMPRESSOR (PANASONIC)	1450-2229
17	105620-16-703	EA	OVERLOAD	1450-0161
18	105620-01-706	EA	MOUNTING PKG.,COMP., 3 PER	6759-3081
19	105620-16-704	EA	REVERSING VALVE	6537-5321
20	105620-12-708	EA	COIL - SOLENOID	1460-1081
21	105620-16-705	EA	BY-FLO RESTRICTOR	1454-2561
22	105620-10-718	EA	BLOWER HOUSING/OUTSIDE AIR	6536-515
23	105620-01-713	EA	WHEEL-BLOWER/OUTSIDE AIR	1472-1011
24	105620-01-714	EA	VENTURI-BLOWER/OUTSIDE AIR	6795A150
26	105620-01-715	EA	MOUNT-BLOWER/OUTSIDE AIR	6795A3011
27	105620-01-716	EA	SLEEVE & GROMMET, 4 PER PKG	6795A3031
28	105620-10-721	EA	MOTOR/BLOWER-8 3/4" SHAFT	1468A3029
29	105620-01-718	EA	CAPACITOR-FAN(OUTDOOR MOTOR)	1499-5631
30	105620-10-715	EA	RUBBER CAPACITOR BOOT	1499-951
31	105620-12-713	EA	BRACKET/BEARING-O/S AIR BLWR	6536-514
32	105620-10-701	EA	BEARING/PILLOW BLOCK-O/S AIR	6536-3011
33	105620-11-701	EA	BLOWER WHEEL/INSIDE AIR	1472-1151
34	105620-12-715	EA	BLOWER VENTURI/INSIDE AIR	6535A287
35	105620-01-723	EA	MOUNT-BLOWER MOTOR - I/S AIR	6795-302
36	105620-12-716	EA	BLOWER MTR/IN AIR/REVERSIBLE	1468-3219
37	105620-16-707	EA	BLOWER HOUSING/INSIDE AIR	6537-590
38	105620-12-719	EA	COIL SENSOR	7330A3231
39	105620-01-729	EA	RELAY-COMPRESSOR -4 TERMINAL	1460-1131
40	105620-12-725	EA	COMPRESSOR RUN CAPACITOR	1499-5731
41	105620-16-708	EA	BOARD/TERMINAL- HIGH VOLTAGE	6795-3151
43	105620-10-705	EA	PTCR (START DEVICE) - W/CAP.	8333A9021
45	093763-01-704	EA	CAPACITOR-FAN (INDOOR MOTOR)	1499-5461
	105620-12-720	EA	KIT-CIRCUIT BD (6535-SERIES)	6535-3201

CONTACT WINNEBAGO PART SALES FOR UNLISTED COMPONENTS

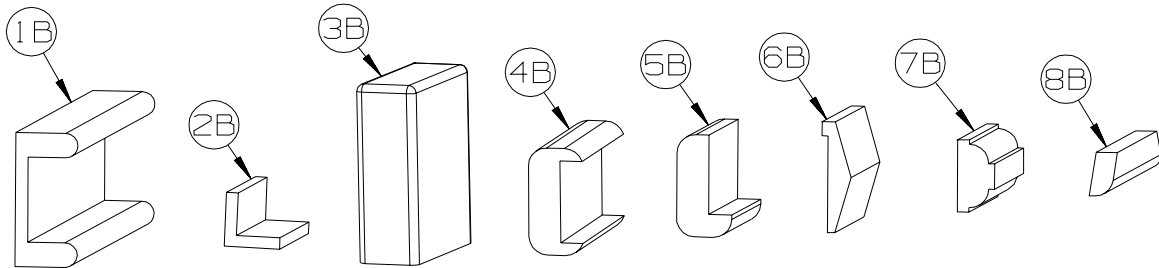
INTERIOR FINISH GROUP
MOLDINGS & TRIMS
CONCERT CHERRY, WASHED MAPLE, SIERRA MAPLE



KEY	PART NUMBER	U/M	DESCRIPTION
1A	M09412-62-N42	EA	MOLDING/SHELF EDGE - .6" X 1.3" X 96" - PORTSMOUTH OAK
1A	M09412-62-M52	EA	MOLDING/SHELF EDGE - .6" X 1.3" X 96" - CHERRY - CONCERT CHERRY
1A	M09412-62-M62	EA	MOLDING/SHELF EDGE - .6" X 1.3" X 96" - WASHED MAPLE - WASHED MAPLE
1A	M09412-62-RC3	EA	MOLDING/SHELF EDGE - .6" X 1.3" X 96" - HONEY CHERRY - HONEY CHERRY
1A	M09412-62-SA3	EA	MOLDING/SHELF EDGE - .6" X 1.3" X 96" - MAPLE - SIERRA MAPLE
2A	M09450-77-PC0	EA	MOLDING - TRIM/HDWD W/LIP -.4"X3.2"X79.6" - PORTSMOUTH OAK
2A	M09450-77-PC1	EA	MOLDING - TRIM/HDWD W/LIP -.4"X3.2"X79.6" - CONCERT CHERRY
2A	M09450-77-PC2	EA	MOLDING - TRIM/HDWD W/LIP -.4"X3.2"X79.6" - WASHED MAPLE
2A	M09450-77-RC3	EA	MOLDING - TRIM/HDWD W/LIP -.4"X3.2"X79.6" - HONEY CHERRY
2A	M09501-32-TG1	EA	MOLDING/TRIM - W/NOTCH - .8" X 2.5" X 86.2"-CONCERT CHERRY
2A	M09501-32-TG2	EA	MOLDING/TRIM - W/NOTCH - .8" X 2.5" X 86.2" - WASHED MAPLE,
2A	M09501-32-TD3	EA	MOLDING/TRIM - W/NOTCH - .8" X 2.5" X 86.2" - SIERRA MAPLE
2A	M09503-52-T77	EA	MOLDING/TRIM - .75" X 1.2" X 86.5" - PORTSMOUTH OAK
2A	M09503-52-T78	EA	MOLDING/TRIM - .75" X 1.2" X 86.5" - CONCERT CHERRY
2A	M09503-52-T79	EA	MOLDING/TRIM - .75" X 1.2" X 86.5" - WASHED MAPLE
2A	M09503-52-T80	EA	MOLDING/TRIM - .75" X 1.2" X 86.5" - SIERRA MAPLE
2A	M09511-43-T78	EA	MOLDING - TRIM - W/NOTCH - .8" X 1.4" X 86.3" - CONCERT CHERRY
2A	M09525-80-UM1	EA	MOLDING - TRIM - W/NOTCH - .8"X 1.4"X 86.5" - CONCERT CHERRY
2A	M09511-43-T79	EA	MOLDING - TRIM - W/NOTCH - .8" X 1.4" X 86.3" - WASHED MAPLE
2A	M09525-80-U91	EA	MOLDING - TRIM - W/NOTCH - .8" X 1.4" X 86.5" - WASHED MAPLE
2A	M09511-43-T80	EA	MOLDING - TRIM - W/NOTCH - .8" X 1.4" X 86.3" - SIERRA MAPLE
2A	M09525-80-U92	EA	MOLDING - TRIM - W/NOTCH - .8" X 1.4" X 86.5" - SIERRA MAPLE
2A	M09438-25-RA3	EA	MOLDING - HARDWOOD-W/NOTCH - 1.4"X 80.2" - HONEY CHERRY
2A	M09515-72-TD1	EA	MOLDING/TRIM - .8" X 2.2" X 86.1" - CONCERT CHERRY
2A	M09515-72-TD2	EA	MOLDING/TRIM - .8" X 2.2" X 86.1" - WASHED MAPLE
2A	M09515-72-TD3	EA	MOLDING/TRIM - .8" X 2.2" X 86.1" - SIERRA MAPLE
3A	M09471-91-R69	EA	MOLDING - TRIM/VEE - .2" X 1" X 34.4" - CONCERT CHERRY
3A	M09471-91-R76	EA	MOLDING - TRIM/VEE - .2" X 1" X 34.4" - WASHED MAPLE
3A	M09471-91-SA3	EA	MOLDING - TRIM/VEE - .2" X 1" X 34.4" - SIERRA MAPLE
3A	M09477-88-S34	EA	MOLDING - TRIM/VEE - .2" X 1" X 19.9" - WASHED MAPLE
3A	M09477-88-S35	EA	MOLDING - TRIM/VEE - .2" X 1" X 19.9" - SIERRA MAPLE
3A	M09501-30-SD2	EA	MOLDING - TRIM/VEE - .2" X 1" X 35.1" - WASHED MAPLE
3A	M09501-30-SD3	EA	MOLDING - TRIM/VEE - .2" X 1" X 35.1" - HONEY CHERRY
3A	M09501-37-TG1	EA	MOLDING - TRIM/VEE - .2" X 1" X 19.2" - CONCERT CHERRY
3A	M09501-37-TG2	EA	MOLDING - TRIM/VEE - .2" X 1" X 19.2" - WASHED MAPLE
3A	M09501-37-TD3	EA	MOLDING - TRIM/VEE - .2" X 1" X 19.2" - SIERRA MAPLE
3A	M09501-37-TG3	EA	MOLDING - TRIM/VEE - .2" X 1" X 19.2" - HONEY CHERRY
3A	M09501-63-T78	EA	MOLDING - TRIM/VEE - .2" X 1" X 15" - CONCERT CHERRY
3A	M09501-63-T79	EA	MOLDING - TRIM/VEE - .2" X 1" X 15" - WASHED MAPLE
3A	M09501-63-T80	EA	MOLDING - TRIM/VEE - .2" X 1" X 15" - SIERRA MAPLE
3A	M09503-62-TG1	EA	MOLDING - TRIM/VEE - .2" X 1" X 26.3" - CONCERT CHERRY
3A	M09503-62-TG2	EA	MOLDING - TRIM/VEE - .2" X 1" X 26.3" - WASHED MAPLE
3A	M09503-62-TG3	EA	MOLDING - TRIM/VEE - .2" X 1" X 26.3" - HONEY CHERRY
3A	M09511-90-TG1	EA	MOLDING - TRIM/VEE - .2" X 1" X 42.1" - CONCERT CHERRY
3A	M09511-90-TG3	EA	MOLDING - TRIM/VEE - .2" X 1" X 42.1" - HONEY CHERRY
3A	M09511-90-TG2	EA	MOLDING - TRIM/VEE - .2" X 1" X 42.1" - WASHED MAPLE
3A	M09520-15-TD1	EA	MOLDING - TRIM/VEE - .2" X 1" X 15.3" - CONCERT CHERRY
3A	M09520-15-TD2	EA	MOLDING - TRIM/VEE - .2" X 1" X 15.3" - WASHED MAPLE
3A	M09520-15-TD3	EA	MOLDING - TRIM/VEE - .2" X 1" X 15.3" - SIERRA MAPLE
3A	M09520-96-T59	EA	MOLDING - TRIM/VEE - .2" X 1" X 32.7" - PORTSMOUTH OAK
3A	M09520-96-T60	EA	MOLDING - TRIM/VEE - .2" X 1" X 32.7" - CONCERT CHERRY
3A	M09520-96-T61	EA	MOLDING - TRIM/VEE - .2" X 1" X 32.7" - WASHED MAPLE
3A	M09520-96-TP0	EA	MOLDING - TRIM/VEE - .2" X 1" X 32.7" - SIERRA MAPLE

INTERIOR FINISH GROUP (CONTINUED)
MOLDINGS & TRIMS (CONTINUED)

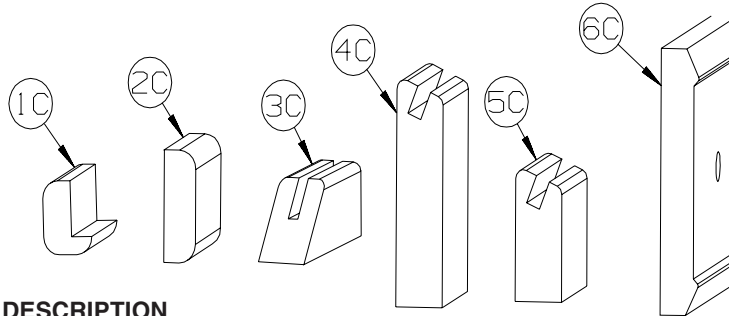
KEY	PART NUMBER	U/M	DESCRIPTION
3A	M09525-96-TA0	EA	MOLDING - TRIM/VEE - .2" X 1" X 36.2" - PORTSMOUTH OAK
3A	M09525-96-TA1	EA	MOLDING - TRIM/VEE - .2" X 1" X 36.2" - CONCERT CHERRY
3A	M09525-96-TA2	EA	MOLDING - TRIM/VEE - .2" X 1" X 36.2" - WASHED MAPLE
3A	M09525-96-TA3	EA	MOLDING - TRIM/VEE - .2" X 1" X 36.2" - SIERRA MAPLE
3A	M09534-08-T01	EA	MOLDING - TRIM/VEE - .2" X 1" X 24.5" - SIERRA MAPLE
3A	M09534-08-T02	EA	MOLDING - TRIM/VEE - .2" X 1" X 24.5" - HONEY CHERRY
3A	M09511-32-T78	EA	MOLDING - TRIM/VEE - .4" X 1" X 26.8" - CONCERT CHERRY
3A	M09511-32-T79	EA	MOLDING - TRIM/VEE - .4" X 1" X 26.8" - WASHED MAPLE
3A	M09511-32-T80	EA	MOLDING - TRIM/VEE - .4" X 1" X 26.8" - SIERRA MAPLE
3A	M09511-86-T78	EA	MOLDING - TRIM/VEE - .4" X 1" X 28.3" - CONCERT CHERRY
3A	M09511-86-T79	EA	MOLDING - TRIM/VEE - .4" X 1" X 28.3" - WASHED MAPLE
3A	M09511-86-T80	EA	MOLDING - TRIM/VEE - .4" X 1" X 28.3" - SIERRA MAPLE
3A	M09477-63-S46	EA	MOLDING - TRIM/VEE - .4" X 1" X 64.1" - PORTSMOUTH OAK - BATH DOOR TRIM
3A	M09477-63-SR0	EA	MOLDING - TRIM/VEE - .4" X 1" X 64.1" - SIERRA MAPLE - BATH DOOR TRIM
3A	M09477-64-S46	EA	MOLDING - TRIM/VEE - .4" X 1" X 14.9" - PORTSMOUTH OAK - BATH DOOR TRIM
3A	M09477-64-SR0	EA	MOLDING - TRIM/VEE - .4" X 1" X 14.9" - SIERRA MAPLE - BATH DOOR TRIM
4A	M09462-54-R90	EA	MOLDING - FLUTED, CURVED - .6" X 6" X 82.7" - CONCERT CHERRY
4A	M09462-54-R91	EA	MOLDING - FLUTED, CURVED - .6" X 6" X 82.7" - WASHED MAPLE
4A	M09462-54-RE3	EA	MOLDING - FLUTED, CURVED - .6" X 6" X 82.7" - HONEY CHERRY
5A	M09471-79-R38	EA	MOLDING - TRIM/COVE - .8" X .8" X 95.8" - OAK/PORTS OAK - PORTSMOUTH OAK
5A	M09471-79-R39	EA	MOLDING - TRIM/COVE - .8" X .8" X 95.8" - CHERRY/CHERRY - CONCERT CHERRY
5A	M09471-79-R46	EA	MOLDING - TRIM/COVE - .8" X .8" X 95.8" - MAPLE/MAPLE - WASHED MAPLE
5A	M09471-79-RE0	EA	MOLDING - TRIM/COVE - .8" X .8" X 95.8" - HONEY/CHERRY- HONEY CHERRY
5A	M09471-79-SA3	EA	MOLDING - TRIM/COVE - .8" X .8" X 95.8" - HONEY/MAPLE - SIERRA MAPLE



KEY	PART NUMBER	U/M	DESCRIPTION
1B	M09501-84-TG0	EA	MOLDING/TRIM - CAP/WALL - 2.2" X 85.9" - PORTSMOUTH OAK
1B	M09501-84-TG1	EA	MOLDING/TRIM - CAP/WALL - 2.2" X 85.9" - CONCERT CHERRY
1B	M09501-84-TG2	EA	MOLDING/TRIM - CAP/WALL - 2.2" X 85.9" - WASHED MAPLE
1B	M09520-07-TD3	EA	MOLDING/TRIM - CAP/WALL - 2.2" X 80.5" - SIERRA MAPLE
1B	M09501-84-TG3	EA	MOLDING/TRIM - CAP/WALL - 2.2" X 85.9" - HONEY CHERRY
2B	M09511-81-TA1	EA	MOLDING/TRIM - L SHAPE - .8"X .8"X 80.2" - CONCERT CHERRY
2B	M09511-81-TA2	EA	MOLDING/TRIM - L SHAPE - .8"X .8"X 80.2" - WASHED MAPLE
2B	M09511-81-TA3	EA	MOLDING/TRIM - L SHAPE - .8"X .8"X 80.2" - SIERRA MAPLE
3B	M09515-81-T01	EA	MOLDING/HARDWOOD STRAIGHT - 74.3" - WASHED MAPLE
3B	M09515-81-T02	EA	MOLDING/HARDWOOD STRAIGHT - 74.3" - HONEY CHERRY
4B	M09511-42-T77	EA	MOLDING - TRIM - W/NOTCH - 1.5" X 86.4" - PORTSMOUTH OAK
4B	M09511-42-T78	EA	MOLDING - TRIM - W/NOTCH - 1.5" X 86.4" - CONCERT CHERRY
4B	M09511-42-T79	EA	MOLDING - TRIM - W/NOTCH - 1.5" X 86.4" - WASHED MAPLE
4B	M09511-42-T80	EA	MOLDING - TRIM - W/NOTCH - 1.5" X 86.4" - SIERRA MAPLE
5B	M09515-18-T78	EA	MOLDING - HARDWOOD-W/NOTCH - 1.4"X 86.2" - CONCERT CHERRY
5B	M09515-18-T79	EA	MOLDING - HARDWOOD-W/NOTCH - 1.4"X 86.2" - WASHED MAPLE
5B	M09515-18-T80	EA	MOLDING - HARDWOOD-W/NOTCH - 1.4"X 86.2" - SIERRA MAPLE
6B	M09515-52-TG1	EA	MOLDING - TRIM/VEE - 1.5" X 73.9" - CONCERT CHERRY
6B	M09515-52-TG2	EA	MOLDING - TRIM/VEE - 1.5" X 73.9" - WASHED MAPLE
6B	M09515-52-TG3	EA	MOLDING - TRIM/VEE - 1.5" X 73.9" - HONEY CHERRY
7B	Y00076-32-438	EA	MOLDING/TRIM - .5" X 1" X 96" - CHERRY (UNSTAINED)
7B	Y00076-22-438	EA	MOLDING/TRIM - .5" X 1" X 96" - MAPLE (UNSTAINED)
8B	Y00086-72-438	EA	MOLDING - VINYL WRAP - .7" X 1.6" X 96" - PORTSMOUTH OAK - PORTSMOUTH OAK
8B	Y00086-62-438	EA	MOLDING - 96" - CONCERT CHERRY (U90/94/98/A1/A5/B1/C1/C5/D1/D5/E1/E5/F1/F5/G1/G5/H1/H5)
8B	Y00086-D2-438	EA	MOLDING - VINYL WRAP - .7" X 1.6" X 96" - CONCERT CHERRY (UM1 THRU UM9, UN1 THRU UN9)
8B	Y00086-A2-438	EA	MOLDING - VINYL WRAP - .7" X 1.6" X 96" - WASHED MAPLE
8B	Y00086-92-438	EA	MOLDING - VINYL WRAP - .7" X 1.6" X 96" - SIERRA MAPLE - SIERRA MAPLE

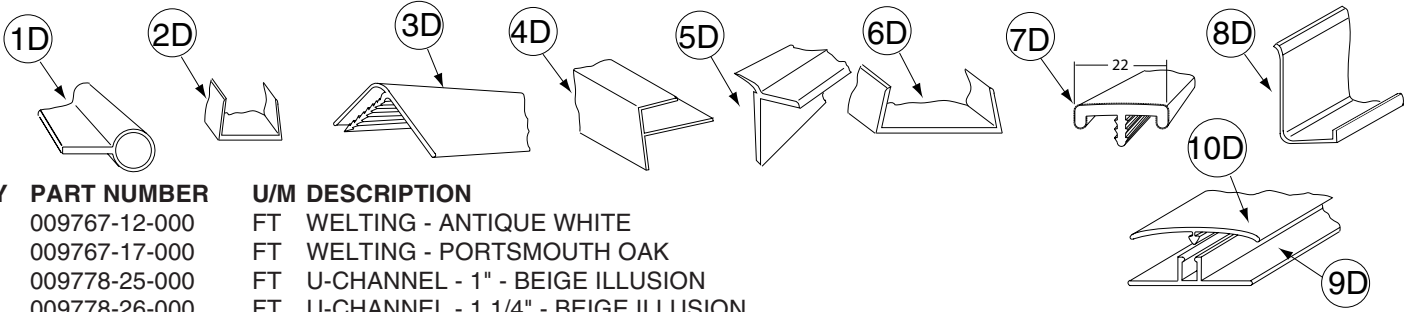
INTERIOR FINISH GROUP (CONTINUED)
MOLDINGS & TRIMS (CONTINUED)

KEY	PART NUMBER	U/M	DESCRIPTION
8B	Y00087-62-438	EA	MOLDING - 96" - CONCERT CHERRY (U90/94/98/A1/A5/B1/C1/C5/D1/D5/E1/E5/F1/F5/G1/G5/H1/H5)
8B	Y00087-D2-438	EA	MOLDING - VINYL WRAP - .7" X 2.9" X 96" - CONCERT CHERRY (UM1 THRU UM9, UN1 THRU UN9)
8B	Y00087-A2-438	EA	MOLDING - VINYL WRAP - .7" X 2.9" X 96" - WASHED MAPLE
8B	Y00087-92-438	EA	MOLDING - VINYL WRAP - .7" X 2.9" X 96" - SIERRA MAPLE
8B	Y00300-62-438	EA	MOLDING - 96" - CONCERT CHERRY (U90/94/98/A1/A5/B1/C1/C5/D1/D5/E1/E5/F1/F5/G1/G5/H1/H5)
8B	Y00300-D2-438	EA	MOLDING - VINYL WRAP - .3" X .6" X 96" - CONCERT CHERRY (UM1 THRU UM9, UN1 THRU UN9)
8B	Y00300-A2-438	EA	MOLDING - VINYL WRAP - .3" X .6" X 96" - WASHED MAPLE
8B	Y00300-92-438	EA	MOLDING - VINYL WRAP - .3" X .6" X 96" - SIERRA MAPLE



KEY	PART NUMBER	U/M	DESCRIPTION
1C	M09520-19-TD1	EA	MOLDING - TRIM - W/NOTCH - 1" X 86.3" - CONCERT CHERRY
1C	M09520-19-TD2	EA	MOLDING - TRIM - W/NOTCH - 1" X 86.3" - WASHED MAPLE
1C	M09520-19-TD3	EA	MOLDING - TRIM - W/NOTCH - 1" X 86.3" - HONEY CHERRY
1C	M09525-27-UF1	EA	MOLDING - HARDWOOD - .75" X 1.4" X 32.4" - CONCERT CHERRY
1C	M09525-27-UF2	EA	MOLDING - HARDWOOD - .75" X 1.4" X 32.4" - WASHED MAPLE
1C	M09525-27-UF3	EA	MOLDING - HARDWOOD - .75" X 1.4" X 32.4" - SIERRA MAPLE
2C	M09511-46-T77	EA	MOLDING/TRIM - .5" X 1.5" X 86.5" - PORTSMOUTH OAK
2C	M09511-46-T78	EA	MOLDING/TRIM - .5" X 1.5" X 86.5" - CONCERT CHERRY
2C	M09511-46-T79	EA	MOLDING/TRIM - .5" X 1.5" X 86.5" - WASHED MAPLE
2C	M09511-46-T80	EA	MOLDING/TRIM - .5" X 1.5" X 86.5" - SIERRA MAPLE
3C	Y00223-42-438	EA	MOLDING - HARDWOOD/OAK - .7" X 1" X 96"
3C	Y00223-32-438	EA	MOLDING - HARDWOOD/CHERRY - .7" X 1" X 96"
3C	Y00223-22-438	EA	MOLDING - HARDWOOD/MAPLE - .7" X 1" X 96"
4C	Y00054-62-438	EA	MOLDING- 96" - CONCERT CHERRY (U90/94/98/A1/A5/B1/C1/C5/D1/D5/E1/E5/F1/F5/G1/G5/H1/H5)
4C	Y00054-D2-438	EA	MOLDING/VYL WRP-BVLD-.73" X 3.1" X 96" - CONCERT CHERRY (UM1 THRU UM9, UN1 THRU UN9)
4C	Y00054-A2-438	EA	MOLDING/VINYL WRAP-BEVELED ENDS-.73"X3.1"X96" - WASHED MAPLE
4C	Y00054-92-438	EA	MOLDING/VINYL WRAP-BEVELED-.73" X 3.1" X 96" - SIERRA MAPLE
4C	Y00258-62-438	EA	MOLDING/VYL 96" - CONCERT CHERRY (U90/94/98/A1/A5/B1/C1/C5/D1/D5/E1/E5/F1/F5/G1/G5/H1/H5)
4C	Y00258-D2-438	EA	MOLDING/VINYL WRP-BVLD-.73" X 3.1" X 96" - CONCERT CHERRY (UM1 THRU UM9, UN1 THRU UN9)
4C	Y00258-A2-438	EA	MOLDING/VINYL WRAP-BEVELED ENDS-.73"X3.1"X96" - WASHED MAPLE
4C	Y00258-92-438	EA	MOLDING/VINYL WRAP-BEVELED-.73" X 3.1" X 96" - SIERRA MAPLE
5C	Y00259-62-438	EA	MOLDING/VYL 96" - CONCERT CHERRY (U90/94/98/A1/A5/B1/C1/C5/D1/D5/E1/E5/F1/F5/G1/G5/H1/H5)
5C	Y00259-D2-438	EA	MOLDING/VINYL WRP-BVLD-.73" X 1.8" X 96" - CONCERT CHERRY (UM1 THRU UM9, UN1 THRU UN9)
5C	Y00259-A2-438	EA	MOLDING/VINYL WRAP-BEVELED-.73"X1.8"X96" - WASHED MAPLE
5C	Y00259-92-438	EA	MOLDING/VINYL WRAP-BEVELED-.73"X1.8"X96" - SIERRA MAPLE
6C	Y00152-A2-438	EA	MOLDING/TRIM - VINYL - .6" X 3.5" X 96" - WASHED MAPLE
6C	Y00152-92-438	EA	MOLDING/TRIM - VINYL - .6" X 3.5" X 96" - SIERRA MAPLE

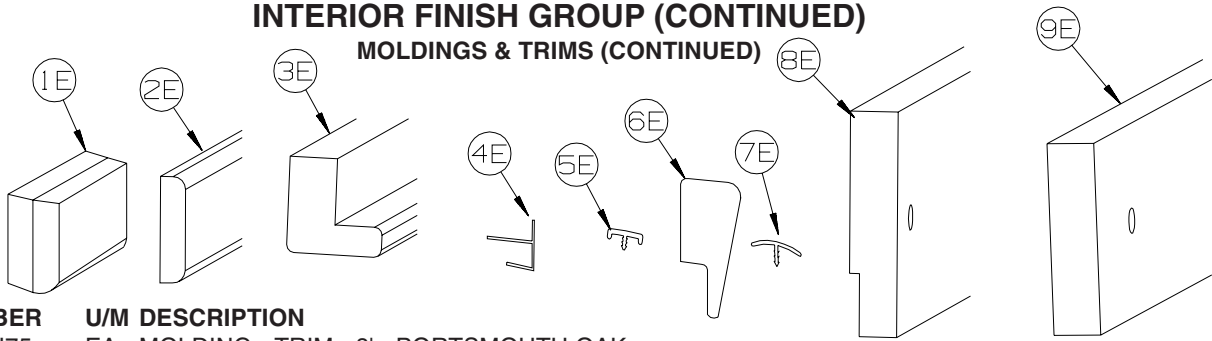
INTERIOR FINISH GROUP (CONTINUED)
MOLDINGS & TRIMS (CONTINUED)



KEY	PART NUMBER	U/M	DESCRIPTION
1D	009767-12-000	FT	WELTING - ANTIQUE WHITE
1D	009767-17-000	FT	WELTING - PORTSMOUTH OAK
2D	009778-25-000	FT	U-CHANNEL - 1" - BEIGE ILLUSION
2D	009778-26-000	FT	U-CHANNEL - 1 1/4" - BEIGE ILLUSION
2D	009778-38-000	FT	U-CHANNEL - 1" - BONE
2D	009778-32-000	FT	U-CHANNEL - 1" - PORTSMOUTH OAK
2D	009778-34-000	FT	U-CHANNEL - 1" - CONCERT CHERRY
2D	009778-27-000	FT	U-CHANNEL - 1" - WASHED MAPLE
2D	009778-35-000	FT	U-CHANNEL - 1" - HONEY CHERRY
2D	009778-36-000	FT	U-CHANNEL - 1" - SIERRA MAPLE
3D	009809-30-000	EA	MOLDING - CORNER - OUTSIDE - 1" X 84" - BEIGE ILLUSION
3D	009809-37-000	EA	MOLDING - CORNER - OUTSIDE - 1" X 84" - BONE
3D	009809-32-000	EA	MOLDING - CORNER - OUTSIDE - 1" X 84" - PORTSMOUTH OAK
3D	009809-33-000	EA	MOLDING - CORNER - OUTSIDE - 1" X 84" - CONCERT CHERRY
3D	009809-31-000	EA	MOLDING - CORNER - OUTSIDE - 1" X 84" - WASHED MAPLE
3D	009809-34-000	EA	MOLDING - CORNER - OUTSIDE - 1" X 84" - HONEY CHERRY
3D	009809-35-000	EA	MOLDING - CORNER - OUTSIDE - 1" X 84" - SIERRA MAPLE
4D	009812-31-000	EA	MOLDING - CORNER - 1/2" W/1/4"CHAN X 84" - BEIGE ILLUSION
4D	009812-40-000	EA	MOLDING - CORNER - 1/2" W/1/4"CHAN X 84" - BONE
4D	009812-35-000	EA	MOLDING - CORNER - 1/2" W/1/4"CHAN X 84" - PORTSMOUTH OAK
4D	009812-36-000	EA	MOLDING - CORNER - 1/2" W/1/4"CHAN X 84" - CONCERT CHERRY
4D	009812-33-000	EA	MOLDING - CORNER - 1/2" W/1/4"CHAN X 84" - WASHED MAPLE
4D	009812-37-000	EA	MOLDING - CORNER - 1/2" W/1/4"CHAN X 84" - HONEY CHERRY
4D	009812-38-000	EA	MOLDING - CORNER - 1/2" W/1/4"CHAN X 84" - SIERRA MAPLE
5D	022992-11-000	FT	MOLDING - REVERSE COVE - T-SHAPED - IVORY
5D	022992-18-000	FT	MOLDING - REVERSE COVE - T-SHAPED - BONE
5D	022992-14-000	FT	MOLDING - REVERSE COVE - T-SHAPED - BRIGHT WHITE
6D	070504-42-000	FT	U-CHANNEL - PLASTIC - .13" X 84" - BEIGE ILLUSION
6D	070504-69-000	FT	U-CHANNEL - PLASTIC - .13" X 84" - BONE
6D	070504-43-000	FT	U-CHANNEL - PLASTIC - .9" X 96" - BEIGE ILLUSION
6D	070504-70-000	FT	U-CHANNEL - PLASTIC - .8" X 84" - BONE
6D	070504-57-000	FT	U-CHANNEL - PLASTIC - .13" X 84" - PORTSMOUTH OAK
6D	070504-58-000	FT	U-CHANNEL - PLASTIC - .9" X 84" - PORTSMOUTH OAK
6D	070504-60-000	FT	U-CHANNEL - PLASTIC - .13" X 84" - CONCERT CHERRY
6D	070504-61-000	FT	U-CHANNEL - PLASTIC - .9" X 84" - CONCERT CHERRY
6D	070504-50-000	FT	U-CHANNEL - PLASTIC - .13" X 96" - WASHED MAPLE
6D	070504-51-000	FT	U-CHANNEL - PLASTIC - .9" X 96" - WASHED MAPLE
6D	070504-62-000	FT	U-CHANNEL - PLASTIC - 1.65" X 84" - HONEY CHERRY
6D	070504-63-000	FT	U-CHANNEL - PLASTIC - .9" X 84" - HONEY CHERRY
6D	070504-65-000	FT	U-CHANNEL - PLASTIC - 1.65" X 84" - SIERRA MAPLE
6D	070504-66-000	FT	U-CHANNEL - PLASTIC - .9" X 84" - SIERRA MAPLE
7D	083620-15-000	FT	MOLDING-T - W/EDGE LIP - 7/8" FACE - BEIGE ILLUSION
7D	083620-25-000	FT	MOLDING-T - W/EDGE LIP - 7/8" FACE - BONE
7D	083620-20-000	FT	MOLDING-T - W/EDGE LIP - 7/8" FACE - PORTSMOUTH OAK
7D	083620-21-000	FT	MOLDING-T - W/EDGE LIP - 7/8" FACE - CONCERT CHERRY
7D	083620-19-000	FT	MOLDING-T - W/EDGE LIP - 7/8" FACE - WASHED MAPLE
7D	083620-24-000	FT	MOLDING-T - W/EDGE LIP - 7/8" FACE - HONEY CHERRY
7D	083620-22-000	FT	MOLDING-T - W/EDGE LIP - 7/8" FACE - SIERRA MAPLE
8D	085746-04-000	FT	TRIM-J - CARPET 1.2" X .5" ANGLE - 12' LONG - OFF WHITE
9D	086229-01-000	EA	RETAINER - BATTEN - .75" X 92.1" - ANY COLOR
10D	086229-20-000	EA	BATTEN - 1" X 96" - BEIGE

INTERIOR FINISH GROUP (CONTINUED)

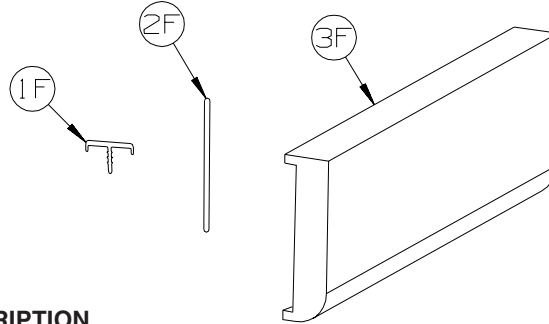
MOLDINGS & TRIMS (CONTINUED)



KEY	PART NUMBER	U/M	DESCRIPTION
1E	100659-30-N75	EA	MOLDING - TRIM - 8' - PORTSMOUTH OAK
1E	100659-30-N74	EA	MOLDING - TRIM - 8' - CONCERT CHERRY
1E	100659-30-M84	EA	MOLDING - TRIM - 8' - WASHED MAPLE
1E	100659-27-RA3	EA	MOLDING - TRIM - HONEY CHERRY
1E	100659-31-SA3	EA	MOLDING - TRIM - SIERRA MAPLE
2E	100818-01-12A	EA	MOLDING - VINYL WRAPPED - 1.6" X .4" X 84" - PORTSMOUTH OAK
2E	100818-01-13A	EA	MOLDING - VYL 84" - CONCERT CHERRY (U90/94/98/A1/A5/B1/C1/C5/D1/D5/E1/E5/F1/F5/G1/G5/H1/H5)
2E	100818-01-23A	EA	MOLDING - VINYL WRPPD - 1.6" X .4" X 84" - CONCERT CHERRY (UM1 THRU UM9, UN1 THRU UN9)
2E	100818-01-21A	EA	MOLDING - VINYL WRAPPED - 1.6" X .4" X 84" - WASHED MAPLE
2E	100818-01-14A	EA	MOLDING - VINYL WRAPPED - 1.6" X .4" X 84" - HONEY CHERRY
2E	100818-01-22A	EA	MOLDING - VINYL WRAPPED - 1.6" X .4" X 84" - SIERRA MAPLE
3E	100819-01-12A	EA	MOLDING - VINYL WRAPPED-L-SHAPED-1.5"X1.5"X84" - PORTSMOUTH OAK
3E	100819-01-13A	EA	MOLDING - VYL 84" - CONCERT CHERRY (U90/94/98/A1/A5/B1/C1/C5/D1/D5/E1/E5/F1/F5/G1/G5/H1/H5)
3E	100819-01-23A	EA	MOLDING - VYL WRPPD-L-SHPD-1.5"X1.5"X84" - CONCERT CHERRY (UM1 THRU UM9, UN1 THRU UN9)
3E	100819-01-21A	EA	MOLDING - VINYL WRAPPED-L-SHAPED-1.5"X1.5"X84" - WASHED MAPLE
3E	100819-01-14A	EA	MOLDING - VINYL WRAPPED-L-SHAPED-1.5"X1.5"X84" - HONEY CHERRY
3E	100819-01-22A	EA	MOLDING - VINYL WRAPPED-L-SHAPED-1.5"X1.5"X84" - SIERRA MAPLE
4E	103186-01-07A	FT	MOLDING/PLASTIC - 3/8" U-CHANNEL-3/4" FACE - BEIGE ILLUSION
4E	103186-01-09A	FT	MOLDING/PLASTIC - 3/8" U-CHAN'L-3/4" FACE - PORTSMOUTH OAK
4E	103186-01-10A	FT	MOLDING/PLASTIC - 3/8" U-CHAN'L-3/4" FACE - CONCERT CHERRY
4E	103186-01-08A	FT	MOLDING/PLASTIC - 3/8" U-CHANNEL-3/4"FACE-WASHED MAPLE 8' - WASHED MAPLE
4E	103186-01-11A	FT	MOLDING/PLASTIC - 3/8" U-CHAN'L-3/4" FACE - HONEY CHERRY
4E	103186-01-12A	FT	MOLDING/PLASTIC - 3/8" U-CHAN'L-3/4" FACE - SIERRA MAPLE
4E	103186-02-07A	FT	MOLDING/PLASTIC-1" U-CHAN'L-1 3/8" FACE - BEIGE ILLUSION
4E	103186-02-09A	FT	MOLDING/PLASTIC - 1" U-CHAN'L-1 3/8" FACE - PORTSMOUTH OAK
4E	103186-02-10A	FT	MOLDING/PLASTIC - 1" U-CHAN'L-1 3/8" FACE - CONCERT CHERRY
4E	103186-02-08A	FT	MOLDING/PLASTIC - 1" U-CHANNEL-1 3/8"FACE - WASHED MAPLE
4E	103186-02-11A	FT	MOLDING/PLASTIC - 1" U-CHAN'L-1 3/8" FACE - HONEY CHERRY
4E	103186-02-12A	FT	MOLDING/PLASTIC - 1" U-CHAN'L-1 3/8" FACE - SIERRA MAPLE
5E	104676-02-08A	FT	MOLDING-T - W/EDGE LIP - 11/16" FACE - PORTSMOUTH OAK
5E	104676-02-09A	FT	MOLDING-T - W/EDGE LIP - 11/16" FACE - CONCERT CHERRY
5E	104676-02-06A	FT	MOLDING-T - W/EDGE LIP - 11/16" FACE - WASHED MAPLE
5E	104676-02-10A	FT	MOLDING-T - W/EDGE LIP - 11/16" FACE - HONEY CHERRY
5E	104676-02-12A	FT	MOLDING-T - W/EDGE LIP - 11/16" FACE - SIERRA MAPLE
6E	105004-01-12A	EA	MOLDING - VINYL WRAPPED - 1" X 96" - PORTSMOUTH OAK
6E	105004-01-13A	EA	MOLDING - V W 8' - CONCERT CHERRY (U90/94/98/A1/A5/B1/C1/C5/D1/D5/E1/E5/F1/F5/G1/G5/H1/H5)
6E	105004-01-23A	EA	MOLDING - VINYL WRAPPD 1" X 8' - CONCERT CHERRY (UM1 THRU UM9, UN1 THRU UN9)
6E	105004-01-21A	EA	MOLDING - VINYL WRAPPED - 1" X 8' - WASHED MAPLE
6E	105004-01-24A	EA	MOLDING - VINYL WRAPPED - 1" X 8' - HONEY CHERRY
6E	105004-01-22A	EA	MOLDING - VINYL WRAPPED - 1" X 8' - SIERRA MAPLE
7E	105709-02-000	FT	MOLDING-T - W/EDGE LIP 3/4" FACE - BEIGE ILLUSION
8E	116951-45-R68	EA	MOLDING - TRIM - 3" X 30.3" - PORTSMOUTH OAK
8E	116951-45-R69	EA	MOLDING - TRIM - 3" X 30.3" - CONCERT CHERRY
8E	116951-45-R76	EA	MOLDING - TRIM - 3" X 30.3" - WASHED MAPLE
8E	116951-45-SA3	EA	MOLDING - TRIM - 3" X 30.3" - SIERRA MAPLE
9E	116951-37-R68	EA	MOLDING - TRIM - 3.5" X 38.6" - PORTSMOUTH OAK
9E	116951-37-R69	EA	MOLDING - TRIM - 3.5" X 38.6" - CONCERT CHERRY
9E	116951-37-R76	EA	MOLDING - TRIM - 3.5" X 38.6" - WASHED MAPLE
9E	116951-37-SA3	EA	MOLDING - TRIM - 3.5" X 38.6" - SIERRA MAPLE
9E	116951-51-SA0	EA	MOLDING - TRIM - 3.5" X 47.3" - PORTSMOUTH OAK
9E	116951-51-SA1	EA	MOLDING - TRIM - 3.5" X 47.3" - CONCERT CHERRY
9E	116951-51-SA2	EA	MOLDING - TRIM - 3.5" X 47.3" - WASHED MAPLE
9E	116951-51-SA3	EA	MOLDING - TRIM - 3.5" X 47.3" - SIERRA MAPLE

INTERIOR FINISH GROUP (CONTINUED)
MOLDINGS & TRIMS (CONTINUED)

KEY	PART NUMBER	U/M	DESCRIPTION
9E	116951-55-TD0	EA	MOLDING - TRIM - 4.5" X 52.3" - PORTSMOUTH OAK
9E	116951-55-TD1	EA	MOLDING - TRIM - 4.5" X 52.3" - CONCERT CHERRY
9E	116951-55-TD2	EA	MOLDING - TRIM - 4.5" X 52.3" - WASHED MAPLE
9E	116951-55-TD3	EA	MOLDING - TRIM - 4.5" X 52.3" - SIERRA MAPLE
9E	116951-56-TD0	EA	MOLDING - TRIM - 4.5" X 52.3" - PORTSMOUTH OAK
9E	116951-56-TD1	EA	MOLDING - TRIM - 4.5" X 52.3" - CONCERT CHERRY
9E	116951-56-TD2	EA	MOLDING - TRIM - 4.5" X 52.3" - WASHED MAPLE
9E	116951-56-TD3	EA	MOLDING - TRIM - 4.5" X 52.3" - SIERRA MAPLE

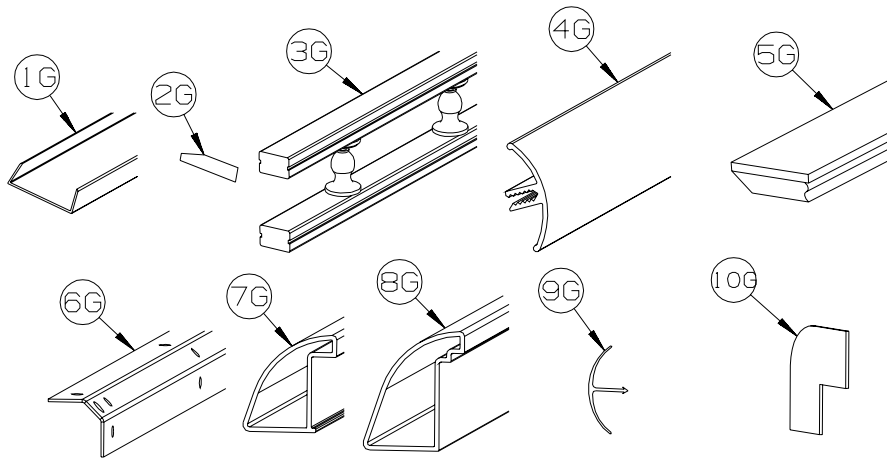


KEY	PART NUMBER	U/M	DESCRIPTION
1F	119520-01-01A	FT	MOLDING-T - OFFSET W/EDGE LIP - 1.3" FACE - OFF WHITE
1F	119520-03-03A	FT	MOLDING-T - OFFSET W/EDGE LIP - 1" FACE - WASHED MAPLE
1F	119520-03-06A	FT	MOLDING-T - OFFSET W/EDGE LIP - 1" FACE - HONEY CHERRY
2F	127842-01-01A	FT	SEAL - SIGHT SHIELD - 2" BLACK
	137885-A2-438	EA	LUMBER - VYL .75" - CONCERT CHERRY (U90/94/98/A1/A5/B1/C1/C5/D1/D5/E1/E5/F1/F5/G1/G5/H1/H5)
	160300-A2-438	EA	LUMBER - VINYL WRAPPED - .7" X .75" X 96" - CONCERT CHERRY (UM1 THRU UM9, UN1 THRU UN9)
	137885-D2-438	EA	LUMBER - VYL1.5" - CONCERT CHERRY (U90/94/98/A1/A5/B1/C1/C5/D1/D5/E1/E5/F1/F5/G1/G5/H1/H5)
	160300-D2-438	EA	LUMBER - VINYL WRAPPED - .7" X 1.5" X 96" - CONCERT CHERRY (UM1 THRU UM9, UN1 THRU UN9)
	137885-E2-438	EA	LUMBER - VYL2" -CONCERT CHERRY (U90/94/98/A1/A5/B1/C1/C5/D1/D5/E1/E5/F1/F5/G1/G5/H1/H5)
	160300-E2-438	EA	LUMBER - VINYL WRAPPED - .7" X 2" X 96" - CONCERT CHERRY (UM1 THRU UM9, UN1 THRU UN9)
	137885-F2-438	EA	LUMBER - VYL2.5" - CONCERT CHERRY (U90/94/98/A1/A5/B1/C1/C5/D1/D5/E1/E5/F1/F5/G1/G5/H1/H5)
	160300-F2-438	EA	LUMBER - VINYL WRAPPED - .7" X 2.5" X 96" - CONCERT CHERRY (UM1 THRU UM9, UN1 THRU UN9)
	137885-G2-438	EA	LUMBER - VYL3" - CONCERT CHERRY (U90/94/98/A1/A5/B1/C1/C5/D1/D5/E1/E5/F1/F5/G1/G5/H1/H5)
	160300-G2-438	EA	LUMBER - VINYL WRAPPED - .7" X 3" X 96" - CONCERT CHERRY (UM1 THRU UM9, UN1 THRU UN9)
	137885-H2-438	EA	LUMBER - VYL3.5" - CONCERT CHERRY (U90/94/98/A1/A5/B1/C1/C5/D1/D5/E1/E5/F1/F5/G1/G5/H1/H5)
	160300-H2-438	EA	LUMBER - VINYL WRAPPED - .7" X 3.5" X 96" - CONCERT CHERRY (UM1 THRU UM9, UN1 THRU UN9)
	137885-J2-438	EA	LUMBER - VYL5.5" - CONCERT CHERRY (U90/94/98/A1/A5/B1/C1/C5/D1/D5/E1/E5/F1/F5/G1/G5/H1/H5)
	160300-J2-438	EA	LUMBER - VINYL WRAPPED - .7" X 5.5" X 96" - CONCERT CHERRY (UM1 THRU UM9, UN1 THRU UN9)
	137885-K2-438	EA	LUMBER - VYL3.9" - CONCERT CHERRY (U90/94/98/A1/A5/B1/C1/C5/D1/D5/E1/E5/F1/F5/G1/G5/H1/H5)
	160300-K2-438	EA	LUMBER - VINYL WRAPPED - .7" X 3.9" X 96" - CONCERT CHERRY (UM1 THRU UM9, UN1 THRU UN9)
	137885-R2-438	EA	LUMBER - VYL 3" - CONCERT CHERRY (U90/94/98/A1/A5/B1/C1/C5/D1/D5/E1/E5/F1/F5/G1/G5/H1/H5)
	160300-R2-438	EA	LUMBER - VINYL WRAPPED - .7" X 3" X 96" - CONCERT CHERRY (UM1 THRU UM9, UN1 THRU UN9)
3F	137887-D2-134	EA	MOLDING - 1.6" X 84"- CONCERT CHERRY (U90/94/98/A1/A5/B1/C1/C5/D1/D5/E1/E5/F1/F5/G1/G5/H1/H5)
3F	160301-D2-134	EA	MOLDING -VINYL WRAPPED - .7" X 1.6" X 84" - CONCERT CHERRY (UM1 THRU UM9, UN1 THRU UN9)
3F	137887-D2-743	EA	MLDG - 1.6" X 108" - CONCERT CHERRY (U90/94/98/A1/A5/B1/C1/C5/D1/D5/E1/E5/F1/F5/G1/G5/H1/H5)
3F	160301-D2-743	EA	MOLDING - VINYL WRAPPED- .7" X 1.6" X 108" - CONCERT CHERRY (UM1 THRU UM9, UN1 THRU UN9)
3F	137887-F2-134	EA	MLDNG - 2.5" X 84" - CONCERT CHERRY (U90/94/98/A1/A5/B1/C1/C5/D1/D5/E1/E5/F1/F5/G1/G5/H1/H5)
3F	160301-F2-134	EA	MOLDING - VINYL WRAPPED - .7" X 2.5" X 84" - CONCERT CHERRY (UM1 THRU UM9, UN1 THRU UN9)
3F	137887-F2-743	EA	MLDG - 2.5" X 108" - CONCERT CHERRY (U90/94/98/A1/A5/B1/C1/C5/D1/D5/E1/E5/F1/F5/G1/G5/H1/H5)
3F	160301-F2-743	EA	MOLDING - VINYL WRPPD - .7" X 2.5" X 108" - CONCERT CHERRY (UM1 THRU UM9, UN1 THRU UN9)
3F	137887-F2-438	EA	MLDG - 2.5" X 96" - CONCERT CHERRY (U90/94/98/A1/A5/B1/C1/C5/D1/D5/E1/E5/F1/F5/G1/G5/H1/H5)
3F	160301-F2-438	EA	MOLDING - VINYL WRPPD - .7" X 2.5" X 96" - CONCERT CHERRY (UM1 THRU UM9, UN1 THRU UN9)
	137894-A2-438	EA	LUMBER - VINYL WRAPPED - .7" X .75" X 96" - PORTSMOUTH OAK
	137894-D2-438	EA	LUMBER - VINYL WRAPPED - .7" X 1.5" X 96" - PORTSMOUTH OAK
	137894-E2-438	EA	LUMBER - VINYL WRAPPED - .7" X 2" X 96" - PORTSMOUTH OAK
	137894-F2-438	EA	LUMBER - VINYL WRAPPED - .7" X 2.5" X 96" - PORTSMOUTH OAK
	137894-G2-438	EA	LUMBER - VINYL WRAPPED - .7" X 3" X 96" - PORTSMOUTH OAK
	137894-H2-438	EA	LUMBER - VINYL WRAPPED - .7" X 3.5" X 96" - PORTSMOUTH OAK
	137894-J2-438	EA	LUMBER - VINYL WRAPPED - .7" X 5.5" X 80.2" - PORTSMOUTH OAK
	137894-J2-743	EA	LUMBER - VINYL WRAPPED - .7" X 5.5" X 96" - PORTSMOUTH OAK
	137894-K2-438	EA	LUMBER - VINYL WRAPPED - .7" X 3.9" X 96" - PORTSMOUTH OAK
	137894-R2-438	EA	LUMBER - VINYL WRAPPED - .7" X 3" X 96" - PORTSMOUTH OAK

INTERIOR FINISH GROUP (CONTINUED)
MOLDINGS & TRIMS (CONTINUED)

KEY	PART NUMBER	U/M	DESCRIPTION
3F	137895-D2-134	EA	MOLDING - VINYL WRAPPED - .7" X 1.6" X 84"-PORTSMOUTH OAK
3F	137895-D2-743	EA	MOLDING - VINYL WRAPPED - .7" X 1.6" X 108"-PORTSMOUTH OAK
3F	137895-F2-438	EA	MOLDING - VINYL WRAPPED - .7" X 2.5" X 96" - PORTSMOUTH OAK
3F	137895-F2-743	EA	MOLDING - VINYL WRAPPED - .7" X 2.5" X 108" - PORTSMOUTH OAK
	146419-A2-438	EA	LUMBER - VINYL WRAPPED - .7" X .75" X 96" - HONEY CHERRY
	146419-D2-438	EA	LUMBER - VINYL WRAPPED - .7" X 1.5" X 96" - HONEY CHERRY
	146419-E2-438	EA	LUMBER - VINYL WRAPPED - .7" X 2" X 96" - HONEY CHERRY
	146419-F2-438	EA	LUMBER - VINYL WRAPPED - .7" X 2.5" X 96" - HONEY CHERRY
	146419-G2-438	EA	LUMBER - VINYL WRAPPED - .7" X 3" X 96" - HONEY CHERRY
	146419-H2-438	EA	LUMBER - VINYL WRAPPED - .7" X 3.5" X 96" - HONEY CHERRY
	146419-J2-438	EA	LUMBER - VINYL WRAPPED - .7" X 5.5" X 96" - HONEY CHERRY
	146419-J2-743	EA	LUMBER - VINYL WRAPPED - .7" X 5.5" X 108" - HONEY CHERRY
	146419-K2-438	EA	LUMBER - VINYL WRAPPED - .7" X 3.9" X 96" - HONEY CHERRY
	146419-R2-438	EA	LUMBER - VINYL WRAPPED - .7" X 3" X 96" - HONEY CHERRY
	146419-S2-438	EA	LUMBER - VINYL WRAPPED/FULL - .7"X 3.5"X 96"- HONEY CHERRY
	146419-T2-438	EA	LUMBER - VINYL WRAPPED/FULL - .7"X 5.5"X 96"- HONEY CHERRY
3F	146425-D2-134	EA	MOLDING - VINYL WRAPPED - .7" X 1.6" X 83.9" - HONEY CHERRY
3F	146425-F2-438	EA	MOLDING - VINYL WRAPPED - .7" X 2.6" X 96" - HONEY CHERRY
	149325-A2-438	EA	LUMBER - VINYL WRAPPED - .7" X .75" X 96" - WASHED MAPLE
	149325-D2-438	EA	LUMBER - VINYL WRAPPED - .7" X 1.5" X 96" - WASHED MAPLE
	149325-E2-438	EA	LUMBER - VINYL WRAPPED - .7" X 2" X 96" - WASHED MAPLE
	149325-F2-438	EA	LUMBER - VINYL WRAPPED - .7" X 2.5" X 96" - WASHED MAPLE
	149325-G2-438	EA	LUMBER - VINYL WRAPPED - .7" X 3" X 96" - WASHED MAPLE
	149325-H2-438	EA	LUMBER - VINYL WRAPPED - .7" X 3.5" X 96" - WASHED MAPLE
	149325-J2-438	EA	LUMBER - VINYL WRAPPED - .7" X 5.5" X 96" - WASHED MAPLE
	149325-J2-743	EA	LUMBER - VINYL WRAPPED - .7" X 5.5" X 108" - WASHED MAPLE
	149325-K2-438	EA	LUMBER - VINYL WRAPPED - .7" X 3.9" X 96" - WASHED MAPLE
	149325-R2-438	EA	LUMBER - VINYL WRAPPED - .7" X 3" X 96" - WASHED MAPLE
3F	149326-D2-134	EA	MOLDING - VINYL WRAPPED - .7" X 1.5" X 83.9" - WASHED MAPLE
3F	149326-D2-743	EA	MOLDING - VINYL WRAPPED - .7" X 1.5" X 108" - WASHED MAPLE
3F	149326-F2-134	EA	MOLDING - VINYL WRAPPED - .7" X 2.5" X 83.9" - WASHED MAPLE
3F	149326-F2-438	EA	MOLDING - VINYL WRAPPED - .7" X 2.5" X 96" - WASHED MAPLE
3F	149326-F2-743	EA	MOLDING - VINYL WRAPPED - .7" X 2.5" X 108" - WASHED MAPLE
	149330-A2-438	EA	LUMBER - VINYL WRAPPED - .7" X .75" X 96" - SIERRA MAPLE
	149330-D2-438	EA	LUMBER - VINYL WRAPPED - .7" X 1.5" X 96" - SIERRA MAPLE
	149330-E2-438	EA	LUMBER - VINYL WRAPPED - .7" X 2" X 96" - SIERRA MAPLE
	149330-F2-438	EA	LUMBER - VINYL WRAPPED - .7" X 2.5" X 96" - SIERRA MAPLE
	149330-G2-438	EA	LUMBER - VINYL WRAPPED - .7" X 3" X 96" - SIERRA MAPLE
	149330-H2-438	EA	LUMBER - VINYL WRAPPED - .7" X 3.5" X 96" - SIERRA MAPLE
	149330-J2-438	EA	LUMBER - VINYL WRAPPED - .7" X 5.5" X 96" - SIERRA MAPLE
	149330-J2-743	EA	LUMBER - VINYL WRAPPED - .7" X 5.5" X 108" - SIERRA MAPLE
	149330-K2-438	EA	LUMBER - VINYL WRAPPED - .7" X 3.9" X 96" - SIERRA MAPLE
	149330-R2-438	EA	LUMBER - VINYL WRAPPED - .7" X 3" X 96" - SIERRA MAPLE
3F	149331-D2-134	EA	MOLDING - VINYL WRAPPED - .7" X 1.5" X 83.9" - SIERRA MAPLE
3F	149331-D2-743	EA	MOLDING - VINYL WRAP - .7" X 1.5" X 108" - SIERRA MAPLE
3F	149331-F2-134	EA	MOLDING - VINYL WRAPPED - .7" X 2.5" X 83.9" - SIERRA MAPLE
3F	149331-F2-438	EA	MOLDING - VINYL WRAPPED - .7" X 2.5" X 96" - SIERRA MAPLE
3F	149331-F2-743	EA	MOLDING - VINYL WRAPPED - .7" X 2.5" X 108" - SIERRA MAPLE

INTERIOR FINISH GROUP (CONTINUED)
MOLDINGS & TRIMS (CONTINUED)



KEY	PART NUMBER	U/M	DESCRIPTION
1G	141260-01-01A	FT	U-CHANNEL - 1" - VILLAGE OAK
1G	141260-01-02A	FT	U-CHANNEL - 1" - GRADY BROWN
1G	141260-02-01A	FT	U-CHANNEL - 1 1/8" - VILLAGE OAK
1G	141260-02-02A	FT	U-CHANNEL - 1 1/8" - GRADY BROWN
2G	146306-01-01A	FT	TRANSITION - CARPET/TILE
3G	150167-01-07A	EA	RAIL - DECORATIVE - 96" W/O REVERSE SIDE GROOVE - PORTSMOUTH OAK
3G	150167-01-02A	EA	RAIL - DECORATIVE - 96" W/O REVERSE SIDE GROOVE - SALEM CHERRY - CONCERT CHERRY
3G	150167-01-03A	EA	RAIL - DECORATIVE - 96" W/O REVERSE SIDE GROOVE - WASHED MAPLE
3G	150167-01-09A	EA	RAIL - DECORATIVE - 96" W/O REVERSE SIDE GROOVE - SIERRA MAPLE
4G	151653-10-02A	EA	TRIM/RADIUS - CABINET CORNER - 79.6" - DULL METALLIC
4G	151653-13-02A	EA	TRIM/RADIUS - CABINET CORNER - 79.8" - DULL METALLIC
5G	151676-26-S46	EA	MOLDING/TRIM - .75" X 1.6" X 80.2" - PORTSMOUTH OAK
5G	151676-26-S47	EA	MOLDING/TRIM - .75" X 1.6" X 80.2" - CONCERT CHERRY
5G	151676-26-S48	EA	MOLDING/TRIM - .75" X 1.6" X 80.2" - WASHED MAPLE
5G	151676-26-SR0	EA	MOLDING/TRIM - .75" X 1.6" X 80.2" - SIERRA MAPLE
6G	151861-05-02B	EA	ANGLE - SUPPORT/CORNER - 1.4" X 78.6" - E-COATED
7G	151893-01-02A	EA	TRIM/RADIUS - CABINET BOTTOM - 72.6" - DULL METALLIC
8G	152077-01-02A	EA	TRIM/RADIUS - CABINET BOTTOM - 27.7" - DULL METALLIC
9G	156464-01-01A	FT	MOLDING - CORNER - RADIUS/PLASTIC - 8' - HONEY CHERRY
9G	156464-01-02A	FT	MOLDING - CORNER - RADIUS/PLASTIC - 8' - WASHED MAPLE
9G	156464-01-03A	FT	MOLDING - CORNER - RADIUS/PLASTIC - 8' - BONE
10G	160989-01-06A	FT	CAP - CORNER - RADIUS MOLDING - PLASTIC - WASHED MAPLE
10G	160989-01-07A	FT	CAP - CORNER - RADIUS MOLDING - PLASTIC - HONEY CHERRY

INTERIOR FINISH GROUP (CONTINUED)
PANELING & LAMINATES

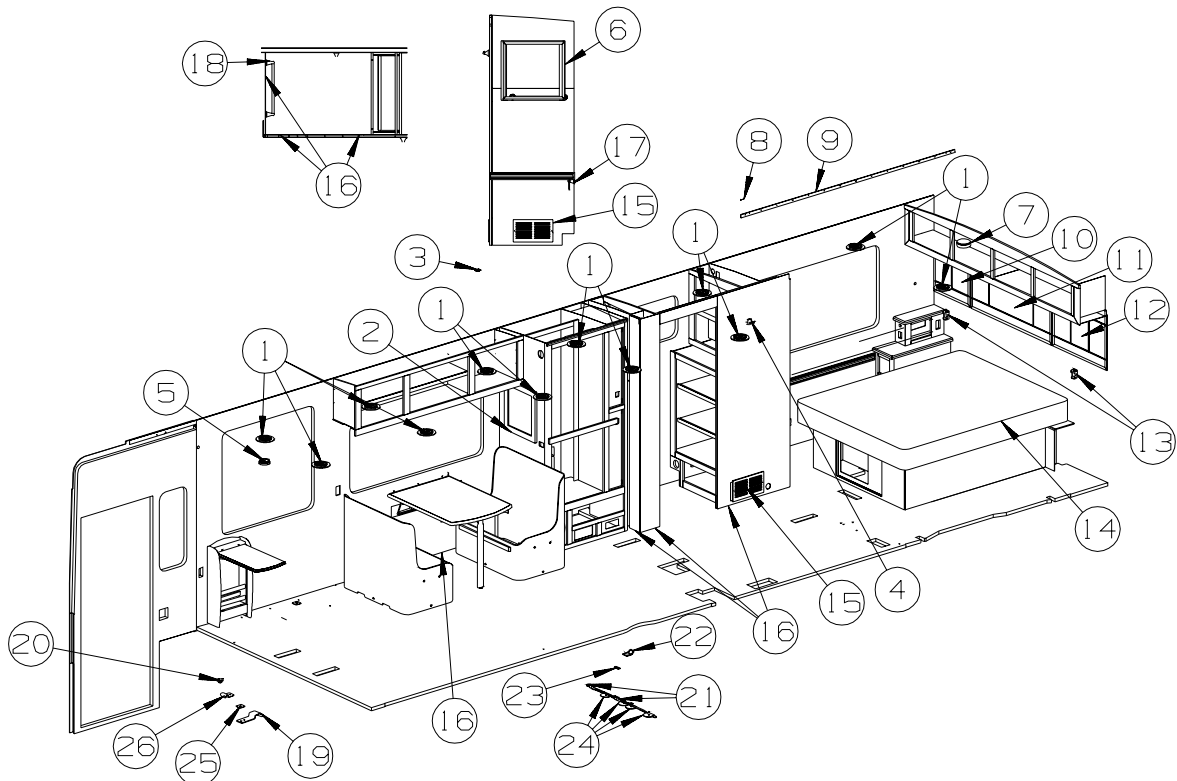
KEY	PART NUMBER	U/M	DESCRIPTION
	000885-B9-000	SF	PARTICLE BOARD - 3/8" X 4' X 8'- CONCERT CHERRY - 1 SIDED - CONCERT CHERRY
	000885-B5-000	SF	PARTICLE BOARD - 3/8" X 4' X 8'- WASHED MAPLE - 1 SIDED - WASHED MAPLE
	000885-B1-000	SF	PARTICLE BOARD - 3/8" X 4' X 8'- SIERRA MAPLE - 1 SIDED - SIERRA MAPLE
	000885-C1-000	SF	PARTICLE BOARD - 1/2" X 4' X 8'- NEW CONC CHERRY - 2 SIDED - CONCERT CHERRY
	000885-B7-000	SF	PARTICLE BOARD - 1/2" X 4' X 8'- WASHED MAPLE - 2 SIDED - WASHED MAPLE
	000885-B3-000	SF	PARTICLE BOARD - 1/2" X 4' X 8'- SIERRA MAPLE - 2 SIDED - SIERRA MAPLE
	000885-C0-000	SF	PARTICLE BOARD - 3/4" X 4' X 8'- NEW CONC CHERRY - 2 SIDED - CONCERT CHERRY
	000885-B6-000	SF	PARTICLE BOARD - 3/4" X 4' X 8'- WASHED MAPLE - 2 SIDED - WASHED MAPLE
	000885-B2-000	SF	PARTICLE BOARD - 3/4" X 4' X 8'- SIERRA MAPLE - 2 SIDED - SIERRA MAPLE
	000885-B8-000	SF	PARTICLE BOARD - 3/8" X 4' X 8'- NEW CONC CHERRY - 2 SIDED - CONCERT CHERRY
	000885-B4-000	SF	PARTICLE BOARD - 3/8" X 4' X 8'- WASHED MAPLE - 2 SIDED - WASHED MAPLE
	000885-B0-000	SF	PARTICLE BOARD - 3/8" X 4' X 8'- SIERRA MAPLE - 2 SIDED - SIERRA MAPLE
	000885-C3-000	SF	PARTICLE BOARD - 3/8" X 4' X 8'- WHITE THATCH EMB-1 SIDED
	088272-M9-000	SF	PANELING - WHITE THATCHED - 4' X 8'
	074497-50-000	SF	PANELING - NEW CONCERT CHERRY - 1/8" X 4' X 8' - CONCERT CHERRY
	074497-49-000	SF	PANELING - WASHED MAPLE - 1/8" X 4' X 8' - WASHED MAPLE
	074497-48-000	SF	PANELING - SIERRA MAPLE - 1/8" X 4' X 8' - SIERRA MAPLE
	076773-21-000	SF	PANELING - 2 SIDED/NEW CONC CHERRY - 1/8" X 4' X 8' - CONCERT CHERRY
	076773-20-000	SF	PANELING - 2 SIDED/WASHED MAPLE - 1/8" X 4' X 8' - WASHED MAPLE
	076773-19-000	SF	PANELING - 2 SIDED/SIERRA MAPLE - 1/8" X 4' X 8' - SIERRA MAPLE
	080215-17-000	SF	PANELING-PAPER WRAP - 2 SIDED/N CON CHERRY-3/16" X 4' X 8' - CONCERT CHERRY
	080215-18-000	SF	PANELING/PAPER WRAP - 2 SIDED/WASHED MAPLE-3/16" X 4' X 8' - WASHED MAPLE
	080215-19-000	SF	PANELING/PAPER WRAP - 2 SIDED/SIERRA MAPLE-3/16" X 4' X 8' - SIERRA MAPLE
	088272-N1-000	SF	PANELING - OASIS/RATTAN - 4' X 7.4' (UC1,UC2,UC3,UM7) FROM: 00-00-00 THRU: 03-27-07
	088272-M7-000	SF	PANELING - KURTA/CANVAS - 4' X 7.4' (UC1,UC2,UC3,UM7) FROM: 03-28-07 THRU: 99-99-99
	088272-M1-000	SF	PANELING - MORITZ/TUSCANY - 4' X 7.4' (UC5,UC6,UC7,UM8)
	088272-L8-000	SF	PANELING - D'VINCI ALMOND - 1/8" X 4' X 7' (UD1,UD2,UD3,UM9,UP1) FROM: 00-00-00 THRU: 03-27-07
	088272-M7-000	SF	PANELING - KURTA/CANVAS - 4' X 7.4' (UD1,UD2,UD3,UM9,UP1) FROM: 03-28-07 THRU: 99-99-99
	088272-L3-000	SF	PANELING - TEAHOUSE - 4' X 7' (UP2,UP3)
	088263-K7-000	EA	BATT STRIP - DECORATIVE - RATTAN - 8' (UC1,UC2,UC3,UM7) FROM: 00-00-00 THRU: 03-27-07
	088263-K3-000	EA	BATT STRIP - DECORATIVE - KURTA/CANVAS - 8' (UC1,UC2,UC3,UM7) FROM: 03-28-07 THRU: 99-99-99
	088263-J7-000	EA	BATT STRIP - DECORATIVE - MORITZ/TUSCANY (UC5,UC6,UC7,UM8)
	088263-J0-000	EA	BATT STRIP - DECORATIVE - D'VINCI ALMOND (UD1,UD2,UD3,UM9,UP1) FROM: 00-00-00 THRU: 03-27-07
	088263-K3-000	EA	BATT STRIP - DECORATIVE - KURTA/CANVAS - 8' (UD1,UD2,UD3,UM9,UP1) FROM: 03-28-07 THRU: 99-99-99
	088263-J5-000	EA	BATT STRIP - DECORATIVE - TEAHOUSE (UP2,UP3)
	085284-L1-000	FT	BATT TAPE - ADHESIVE BACKED - DECORATIVE - RATTAN (UC1,UC2,UC3,UM7) FROM: 00-00-00 THRU: 03-27-07
	085284-K7-000	FT	BATT TAPE - ADHESIVE BACKED - DECORATIVE - KURTA/CANVAS (UC1,UC2,UC3,UM7) FROM: 03-28-07 THRU: 99-99-99
	085284-K1-000	FT	BATT TAPE - ADHESIVE BACKED - DECORATIVE - MORITZ/TUSCANY (UC5,UC6,UC7,UM8)
	085284-J3-000	FT	BATT TAPE - ADHESIVE BACKED - DECORATIVE - D'VINCI ALMOND (UD1,UD2,UD3,UM9,UP1) FROM: 00-00-00 THRU: 03-27-07
	085284-K7-000	FT	BATT TAPE - ADHESIVE BACKED - DECORATIVE - KURTA/CANVAS (UD1,UD2,UD3,UM9,UP1) FROM: 03-28-07 THRU: 99-99-99
	085284-J9-000	FT	BATT TAPE - ADHESIVE BACKED - DECORATIVE - TEAHOUSE (UP2,UP3)
	085284-J7-000	FT	BATT TAPE - ADHESIVE BACKED - DECORATIVE (UC1,UC2,UC3,UM7)
	085284-J5-000	FT	BATT TAPE - ADHESIVE BACKED - DECORATIVE (UC5,UC6,UC7,UM8)
	085284-J4-000	FT	BATT TAPE - ADHESIVE BACKED - DECORATIVE (UD1,UD2,UD3,UM9)
	074498-96-000	SF	LAMINATE - PLASTIC - CHERRY - 4' X 8' - CONCERT CHERRY FROM: 00-00-00 THRU: 10-02-06
	074498-C2-000	SF	LAMINATE - PLASTIC - CHERRY - 4' X 8' - CONCERT CHERRY FROM: 10-01-06 THRU: 99-99-99

INTERIOR FINISH GROUP (CONTINUED)
PANELING & LAMINATES (CONTINUED)

KEY	PART NUMBER	U/M	DESCRIPTION
	074498-A6-000	SF	LAMINATE - PLASTIC - HARDROCK MAPLE - 5' X 8' - WASHED MAPLE
	074498-A8-000	SF	LAMINATE - PLASTIC - SUEDE/HONEY MAPLE - 5' X 8' - SIERRA MAPLE
	074498-B8-000	SF	LAMINATE - PLASTIC - CLASSIC ROCK - 5' X 8'
	074498-A2-000	SF	LAMINATE - PLASTIC - PHANTOM GRAY - 5' X 8'
	074498-A0-000	SF	LAMINATE - PLASTIC - ROCKY MOUNTAIN HIGH - 4' X 8'
	P26866-11-N74	EA	HANDLE - DOOR/TAMBOUR - 20.8" - CHERRY - CONCERT CHERRY
	P26866-11-N84	EA	HANDLE - DOOR/TAMBOUR - 20.8" - WASHED MAPLE
	P26866-11-SA3	EA	HANDLE - DOOR/TAMBOUR - 20.8" - MAPLE/HONEY - SIERRA MAPLE

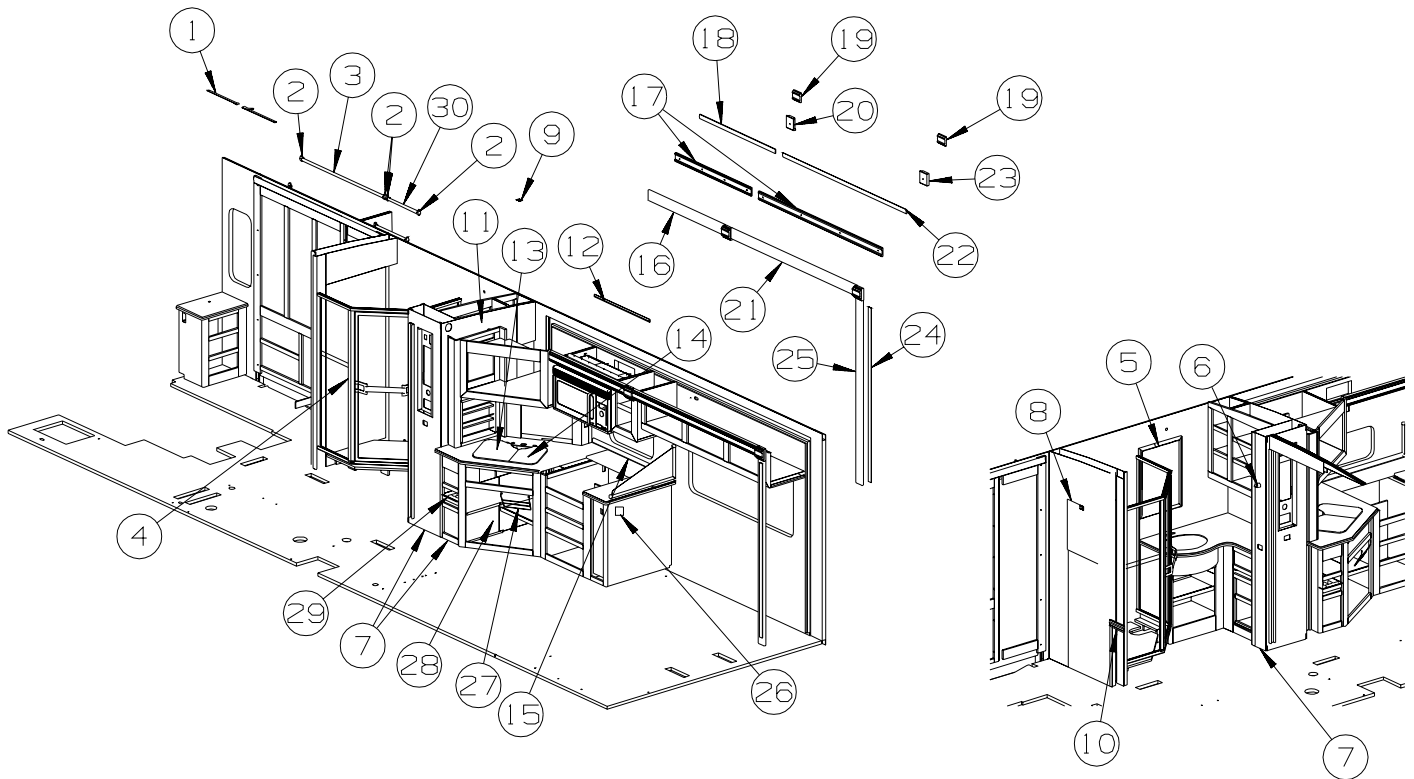
INTERIOR FINISH GROUP (CONTINUED)

INTERIOR TRIM LAYOUT



KEY	PART NUMBER	U/M	DESCRIPTION
1	120134-01-02A	EA	REGISTER - W/DAMPER - 4" PIPE/6.4" O.D. FACE - WHITE
	120134-02-01A	EA	REGISTER - TRIM RING - WHITE
2	131493-02-39A	EA	PICTURE - DECORATIVE - 13" X 15" - CASUAL ELEGANCE - P34H
3	130120-01-01A	EA	BRACKET/MOUNTING - MIRROR
4	145849-03-02A	EA	HOOK - ROBE - CHROME
5	072852-01-000	EA	DETECTOR - SMOKE - W/9 VOLT BATTERY - US
5	072852-02-000	EA	DETECTOR - SMOKE - W/9 VOLT BATTERY - CANADIAN
	077956-01-000	EA	LABEL - WARNING/SMOKE DETECTOR
6	159793-01-UC1	EA	TRIM - CABINET/TV FACE - CONCERT CHERRY
6	159793-01-UC2	EA	TRIM - CABINET/TV FACE - WASHED MAPLE
6	159793-01-UC3	EA	TRIM - CABINET/TV FACE - SIERRA MAPLE
7	125136-02-000	EA	DETECTOR/CO - GAS MODEL - 9 VOLT
8	138359-01-01A	FT	COVER - ROOF BREAK - PEARL CREAM/PLASTIC - 96"
9	138403-01-01A	EA	TRIM - ROOF - MILL
10	147282-01-01A	EA	MIRROR - BEVELED W/V-GROOVES - 20" X 21"
11	147282-02-01A	EA	MIRROR - BEVELED W/V-GROOVES - 44.4" X 21"
12	147282-03-01A	EA	MIRROR - BEVELED W/V-GROOVES - 30" X 21"
13	142411-05-000	EA	HOLDER - F/CONTROL (SELECT COMFORT)
14	154430-01-000	EA	MATTRESS - INNERSPRING - 60" X 74.5"
14	159853-02-000	EA	MATTRESS - INNERSPRING - 60" X 75" - QUILTED - P34SH
14	142411-01-000	EA	MATTRESS/AIR - 60" X 75" - SELECT COMFORT - QUEEN SLEEP NUMBER BED-QUEEN SIZE
	142411-03-000	EA	AIR PUMP W/CONTROL-SELECT COMFORT MATTRESS - QUEEN SLEEP NUMBER BED-QUEEN SIZE
15	093614-11-01A	EA	GRILLE - AIR RETURN - 13.9" X 7.9" - BEIGE
16	M09471-79-R39	EA	MOLDING - TRIM/COVE - .8" X .8" X 96" - CONCERT CHERRY
16	M09471-79-R46	EA	MOLDING - TRIM/COVE - .8" X .8" X 96" - WASHED MAPLE
16	M09471-79-SA3	EA	MOLDING - TRIM/COVE - .8" X .8" X 96" - SIERRA MAPLE
17	140973-01-02A	EA	HOLDER - TOILET TISSUE - CHROME
18	140849-01-02A	EA	BAR - TOWEL - 18" - CHROME
19	143956-03-04B	EA	BRACKET/TIEDOWN - EURO CHAIR - BLACK
20	134194-01-01A	EA	KNOB - HOLD DOWN/RECLINER - BLACK
21	160167-02-01A	EA	SEAT BELT - 2" X 90" - BLACK
22	150697-01-02B	EA	BRACKET - RESTRAINT/CHILD - E-COATED
23	150700-01-02B	EA	PLATE/MOUNTING - RESTRAINT/CHILD - 1" X 2.3" - E-COATED
24	140221-04-02B	EA	WASHER - SEAT BELT - E-COAT
25	134128-02-02B	EA	PLATE - W/HOLES - W/WELDNUT - E-COATED
26	134057-01-11B	EA	BRACKET - RECLINER - FLAT BLACK

INTERIOR FINISH GROUP (CONTINUED)
INTERIOR TRIM LAYOUT (CONTINUED)



KEY	PART NUMBER	U/M	DESCRIPTION
1	099717-05-000	EA	STRAP - W/16.5" FEMALE STRAP AND 17.7" MALE STRAP
2	152301-01-01A	EA	FLANGE - PLASTIC - 1" CLOTHES ROD HOLDER - WHITE
3	102075-22-03A	EA	ROD - SHOWER CURTAIN - 45.4" - MILL
	041953-12-000	EA	CONDUIT - CONVOLUTE SOLID - 1.1" ID - NYLON
4*	158076-03-01A	EA	DOOR - SHOWER - NEO ANGLE - 66.4" TALL - NICKEL/AQUA
	158076-06-01A	EA	LATCH KIT - TRAVEL/SAFETY - LEFT HINGED
	158076-07-01A	EA	SCREW - F/TRAVEL LATCH - 6-32 X .25" PPH
	158076-08-01A	EA	NUT-HEX - F/TRAVEL LATCH - 6X32 SST - W/NYLON INSERT
	158076-09-01A	EA	LABEL - TRAVEL LATCH - SILVER FOIL
5	149147-05-04A	EA	MIRROR - FRAMED - 19" X 26" - CHAMPAGNE SILVER
6	132046-03-02A	EA	RING - TOWEL - CHROME
7	M09471-79-R39	EA	MOLDING - TRIM/COVE - .8" X .8" X 96" - CONCERT CHERRY
7	M09471-79-R46	EA	MOLDING - TRIM/COVE - .8" X .8" X 96" - WASHED MAPLE
7	M09471-79-SA3	EA	MOLDING - TRIM/COVE - .8" X .8" X 96" - SIERRA MAPLE
8	131493-02-38A	EA	PICTURE - DECORATIVE - 13" X 15" - ROSETTE II - P34H
9	130120-01-01A	EA	BRACKET/MOUNTING - MIRROR
10	M09462-66-R75	EA	MOLDING - TRIM/RAIL - .6" X 2.4" X 96" - CONCERT CHERRY
10	M09462-66-R76	EA	MOLDING - TRIM/RAIL - .6" X 2.4" X 96" - WASHED MAPLE
10	M09462-66-SA3	EA	MOLDING - TRIM/RAIL - .6" X 2.4" X 96" - SIERRA MAPLE
11	131494-05-01A	EA	MIRROR - ARCHED TOP - 20" X 30"
12	M09520-75-TA1	EA	MOLDING - TRIM/VEE - .4" X 1" X 30.4" - CONCERT CHERRY
12	M09520-75-TA2	EA	MOLDING - TRIM/VEE - .4" X 1" X 30.4" - WASHED MAPLE
12	M09520-75-TA3	EA	MOLDING - TRIM/VEE - .4" X 1" X 30.4" - SIERRA MAPLE
13	137489-01-09A	EA	COVER - SINK/LARGE - 13.8"X17"X1/4" VENDURA-BUTTER BRICKLE
			FROM: 00-00-00 THRU: 09-30-06
13	161218-01-UM1	EA	COVER - SINK/LARGE - 13.8" X 16.9" X VENDURA
			FROM: 10-01-06 THRU: 99-99-99
14	137489-02-09A	EA	COVER - SINK/SMALL - 9.6"X15.7"X1/4"VENDURA-BUTTER BRICKLE
			FROM: 00-00-00 THRU: 09-30-06
14	161218-02-UM1	EA	COVER - SINK/SMALL - 9.6" X 15.7" X VENDURA
			FROM: 10-01-06 THRU: 99-99-99
15	130813-C0-09A	EA	BACKSPLASH/COUNTERTOP - 1/2" VENDURA - BUTTER BRICKLE
			FROM: 00-00-00 THRU: 09-30-06
15	161216-06-UM7	EA	BACKSPLASH - COUNTERTOP
			FROM: 10-01-06 THRU: 99-99-99
16	150144-05-UC1	EA	MOLDING - F/SLIDEOUT - 3.9" X 42.1" - FABRIC COVERED

INTERIOR FINISH GROUP (CONTINUED)
INTERIOR TRIM LAYOUT (CONTINUED)

KEY	PART NUMBER	U/M	DESCRIPTION
17	M09477-87-SA1	EA	MOLDING - TRIM - 3.2" X 80.2" - CONCERT CHERRY
17	M09477-87-SA2	EA	MOLDING - TRIM - 3.2" X 80.2" - WASHED MAPLE
17	M09477-87-SA3	EA	MOLDING - TRIM - 3.2" X 80.2" - SIERRA MAPLE
18	149496-44-UD5	EA	TRIM - DECORATIVE - 1.6" X 41.8" - FABRIC COVERED
19	P49188-02-SA1	EA	MOLDING/BLOCK - CONCERT CHERRY
19	P49188-02-SA2	EA	MOLDING/BLOCK - WASHED MAPLE
19	P49188-02-SA3	EA	MOLDING/BLOCK - SIERRA MAPLE
20	P49186-04-SA1	EA	MOLDING/BLOCK - CENTER - CONCERT CHERRY
20	P49186-04-SA2	EA	MOLDING/BLOCK - CENTER - WASHED MAPLE
20	P49186-04-SA3	EA	MOLDING/BLOCK - CENTER - SIERRA MAPLE
21	150144-06-UC1	EA	MOLDING - F/SLIDEOUT - 3.9" X 69" - FABRIC COVERED
22	149496-45-UD5	EA	TRIM - DECORATIVE - 1.6" X 68.6" - FABRIC COVERED
23	P49186-06-SA1	EA	MOLDING/BLOCK - CORNER/RH - CONCERT CHERRY
23	P49186-06-SA2	EA	MOLDING/BLOCK - CORNER/RH - WASHED MAPLE
23	P49186-06-SA3	EA	MOLDING/BLOCK - CORNER/RH - SIERRA MAPLE
24	M09494-49-SA1	EA	MOLDING - TRIM/VEE - 1.5" X 65.5" - CONCERT CHERRY
24	M09494-49-SA2	EA	MOLDING - TRIM/VEE - 1.5" X 65.5" - WASHED MAPLE
24	M09494-49-SA3	EA	MOLDING - TRIM/VEE - 1.5" X 65.5" - SIERRA MAPLE
25	149626-04-UC1	EA	MOLDING - F/SLIDEOUT - 3.5" X 70" - FABRIC COVERED
26	131333-01-01A	EA	HOLDER - CUP - VERTICAL DROP/FLUSH MOUNT - BLACK
27	093605-02-01A	EA	RACK - TOWEL/WIRE - ALMOND
28	159032-01-01A	EA	CONTAINER - WASTEBASKET - 14.3 QT - WHITE
29	100081-01-01A	EA	TRAY - SILVERWARE - 9" X 13.3" RUBBERMAID ALMOND PLASTIC
30	Y00136-21-218	EA	DOWEL - WOOD - CLOTHES ROD - 1"DIAMETER X 4'

***COMPONENT PARTS LISTED LATER IN THIS GROUP**

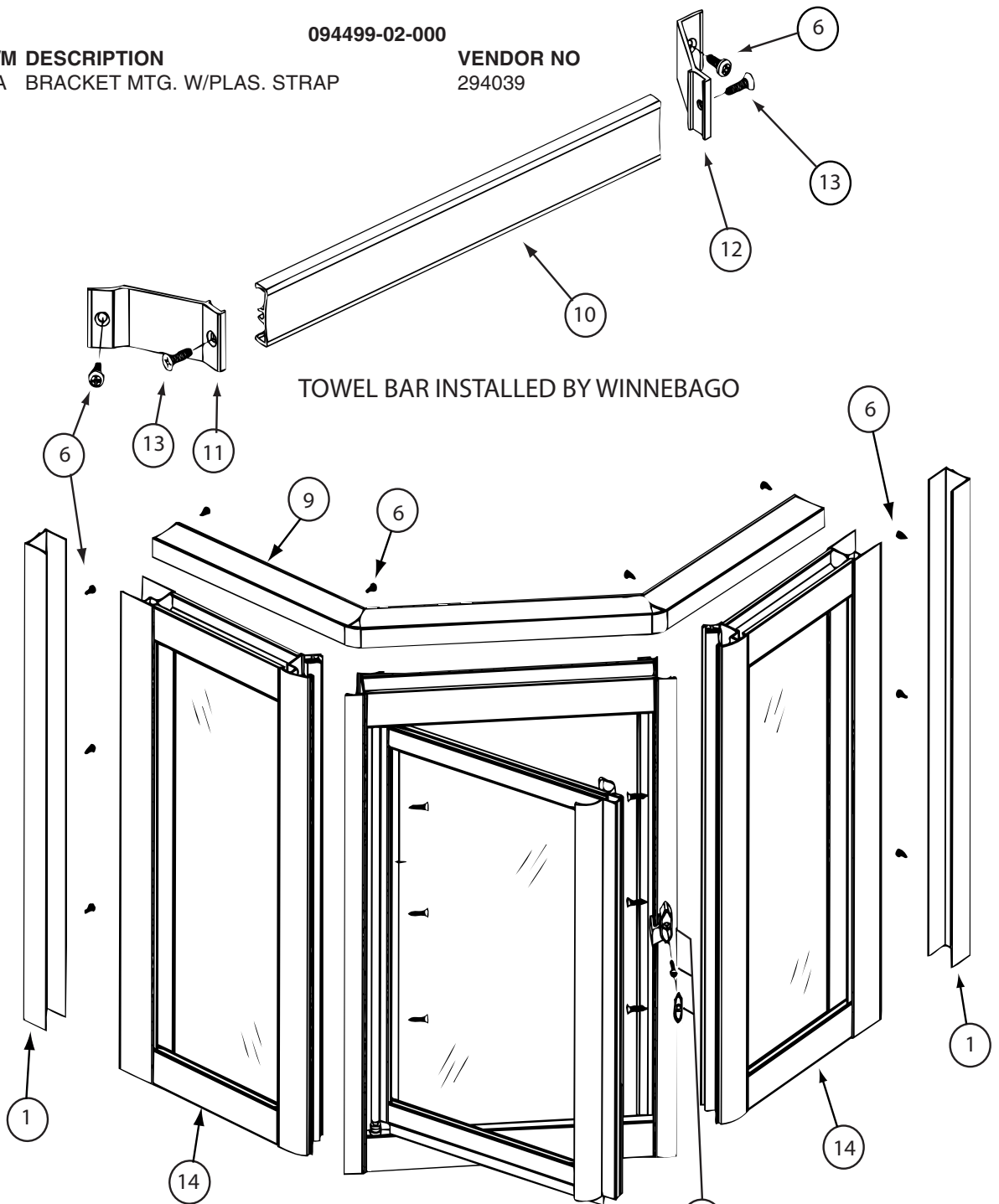
INTERIOR FINISH GROUP (CONTINUED)
COMPONENT PARTS FOR INTERIOR TRIM LAYOUT

094499-02-000

KEY PART NUMBER
094499-01-700

U/M DESCRIPTION
EA BRACKET MTG. W/PLAS. STRAP

VENDOR NO
294039



158076-03-01A

KEY PART NUMBER
 1 158076-03-700
 6 158076-02-701
 7 158076-03-704
 8 089318-01-707
 9 158076-03-705
 10 115011-03-714
 11 158076-03-706
 12 158076-03-707
 13 115011-03-716
 14 158076-03-708
 158076-03-701
 158076-03-702
 158076-03-703
 139047-01-709

U/M DESCRIPTION
 EA JAMB - WALL - NICKEL
 EA SCREW - ADJUSTMENT - NICKEL
 FT VINYL SWEEP
 EA LATCH/CATCH-TURN-SAFETY-BLK
 EA HEADER CAP
 EA TOWEL BAR - NICKEL
 EA BRACKET/TOWEL BAR-LH/FACING
 EA BRACKET/TOWEL BAR-RH/FACING
 EA SCREW F/TOWEL BAR - NICKEL
 EA WING PNL-RT/LT-FRAMED GLASS
 EA PIVOT PIN
 EA PIVOT BUSHING
 EA PIVOT WASHER - PLASTIC
 EA STRIP/MAGNETIC- 55" (NARROW)

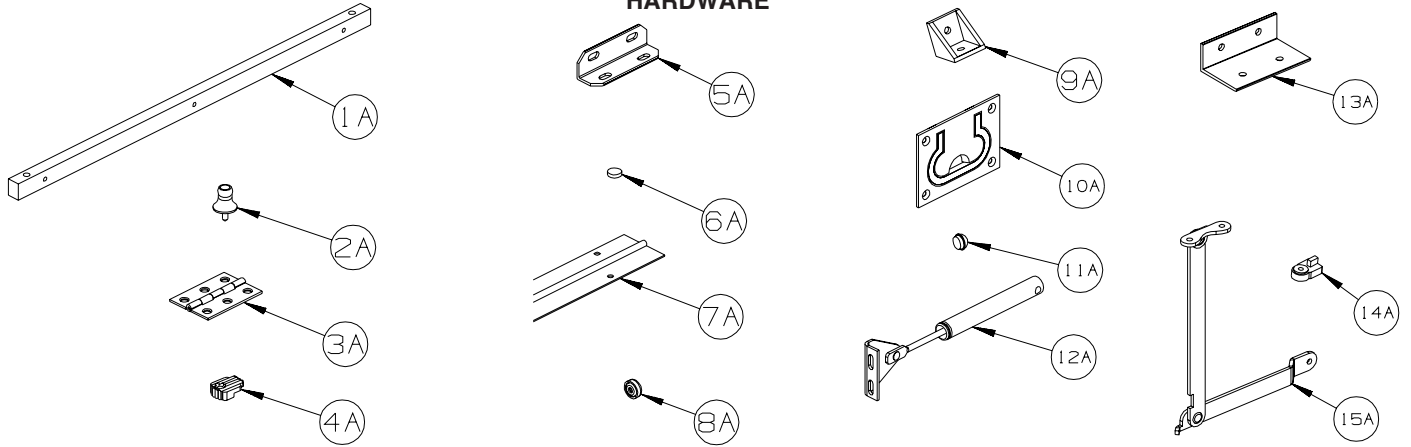
VENDOR NO
 201N
 638PHPT-N
 C176B
 9730N
 247N
 136N
 246N
 199N
 612F-N
 WB383N-AWP
 CP201
 CP209
 FW 10-093
 98-42

INTERIOR FINISH GROUP (CONTINUED)
FLOOR COVERINGS

KEY	PART NUMBER	U/M	DESCRIPTION
	075233-01-000	SY	PAD - CARPET - 3/8" X 6' ROLL
	089275-02-000	FT	STRIP - 3/4" X 84" BLACK POLYETHYLENE
	093486-01-000	SY	CARPET - COMPARTMENT - 72" WIDE - DARK GRAY
	096060-H5-000	SY	CARPET - CHARCOAL - INCREMENTS OF 4 SQ YARDS
	152251-02-01A	SY	CARPET - 4 SQUARE YARD INCREMENTS - CORK (UC1,UC2,UC3,UM7)
	152251-02-03A	SY	CARPET - 4 SQUARE YARD INCREMENTS - TANNED HIDE (UC5,UC6,UC7,UM8)
	152251-07-01A	SY	CARPET - 4 SQUARE YARD INCREMENTS - SAFFRON (UD1,UD2,UD3,UM9)
	152251-05-02A	SY	CARPET - 4 SQUARE YARD INCREMENTS - BURLWOOD (UP1,UP2,UP3)
	131711-01-11A	EA	TILE/FLOOR - VINYL - 12" X 12" - STONEY TAUPE

INTERIOR FINISH GROUP (CONTINUED)

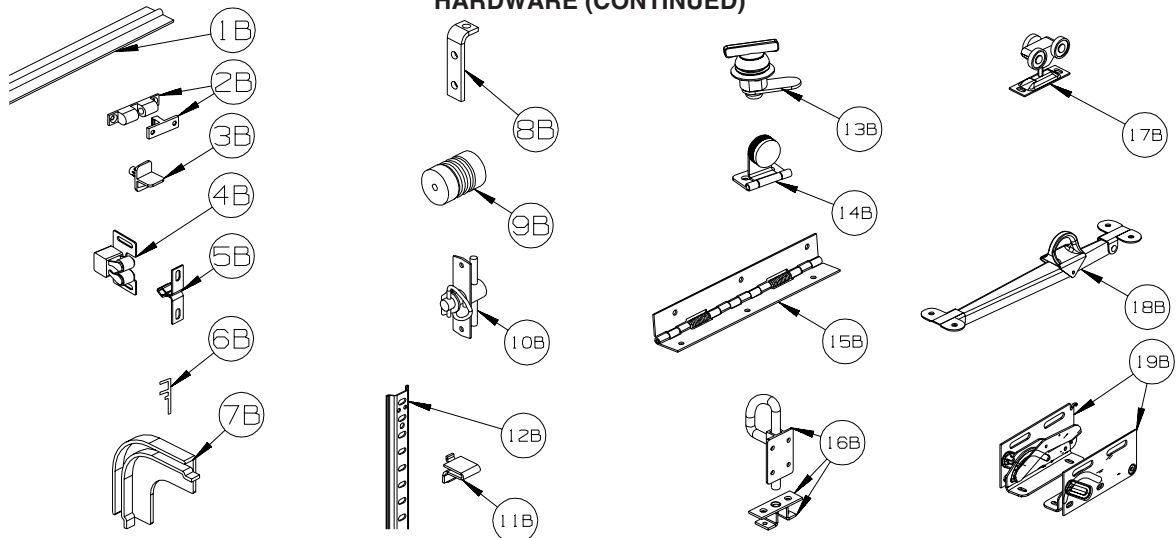
HARDWARE



KEY	PART NUMBER	U/M	DESCRIPTION
1A	P34509-01-N01	EA	RAIL END - RH/LH - TOWEL RACK - PORTSMOUTH
1A	P34509-01-P14	EA	RAIL END - RH/LH - TOWEL RACK - CONCERT CHERRY
1A	P34509-01-J70	EA	RAIL END - RH/LH - TOWEL RACK - WASHED MAPLE
1A	P34509-01-RE0	EA	RAIL END - RH/LH - TOWEL RACK - HONEY CHERRY
1A	P34509-01-SA3	EA	RAIL END - RH/LH - TOWEL RACK - SIERRA MAPLE
2A	009013-01-000	EA	CATCH - BULLDOG - MALE/FEMALE
3A	009059-01-000	EA	HINGE - DOOR - 2" X 1.4" - BRASS
3A	009059-02-000	EA	HINGE - DOOR - 2" X 2.7" - BRASS
3A	009059-03-000	EA	HINGE - BRASS - 1.75"
3A	009059-04-000	EA	HINGE - 2" - ZINC
4A	009089-01-000	EA	CLIP - MIRROR
5A	016604-01-000	EA	BRACE - ANGLE - 2 1/2" - UNPAINTED METAL
5A	016604-05-000	EA	BRACE - ANGLE - 2 1/2" - OFF WHITE METAL
5A	016604-10-000	EA	BRACE - SEAT ANGLE - 2.5" - BLACK
6A	023320-01-000	EA	PAD - FELT 3/8" DIAMETER
7A	041389-19-000	EA	HINGE - PIANO - 1 1/2" X 71.9" - UNPAINTED
7A	041389-25-000	EA	HINGE - PIANO - 1 1/2" X 55" - UNPAINTED
7A	041389-32-000	EA	HINGE - PIANO - 68" - OFF WHITE
8A	057671-01-000	EA	COVER - SCREW - #8 - OFF WHITE
8A	057671-15-000	EA	COVER - SCREW - #8 - BRIGHT WHITE
8A	057671-16-000	EA	COVER - SCREW - #8 - SOFT WHITE
8A	057671-18-000	EA	COVER - SCREW - #8 - OFF WHITE
9A	065740-01-000	EA	BRACE - CABINET/CORNER - PLASTIC
10A	072871-01-000	EA	PULL - FLUSH - CHROME
11A	074045-13-000	EA	PLUG - OAK - 3/8" DOWEL-1/2" HEAD - PORTSMOUTH OAK
11A	074045-08-000	EA	PLUG - OAK - 3/8" DOWEL-1/2" HEAD - CONCERT CHERRY
11A	074045-12-000	EA	PLUG - OAK - 3/8" DOWEL-1/2" HEAD - WASHED MAPLE
11A	074045-14-000	EA	PLUG - OAK - 3/8" DOWEL-1/2" HEAD - HONEY CHERRY
11A	074045-15-000	EA	PLUG - OAK - 3/8" DOWEL-1/2" HEAD - SIERRA MAPLE
12A	074493-02-000	EA	SUPPORT - PISTON SPRING - CABINET DOOR - 26 LBS
12A	074493-03-000	EA	SUPPORT - PISTON SPRING - CABINET DOOR - 12 LBS
12A	074493-04-000	EA	SUPPORT - PISTON SPRING - CABINET DOOR - 32LBS
13A	156732-01-01A	EA	BRACE - ANGLE/COUCH - 2.5" - MILL
13A	156732-01-02A	EA	BRACE - ANGLE/COUCH - 2.5" - OFF WHITE
13A	156732-03-01A	EA	BRACE - ANGLE/COUCH - 2.5" - BLACK
14A	083204-03-000	EA	BUTTON - RETAINING MIRROR 5/16" TIP
15A	084412-01-000	EA	SUPPORT/HINGE KIT (LEFT & RIGHT HINGES)

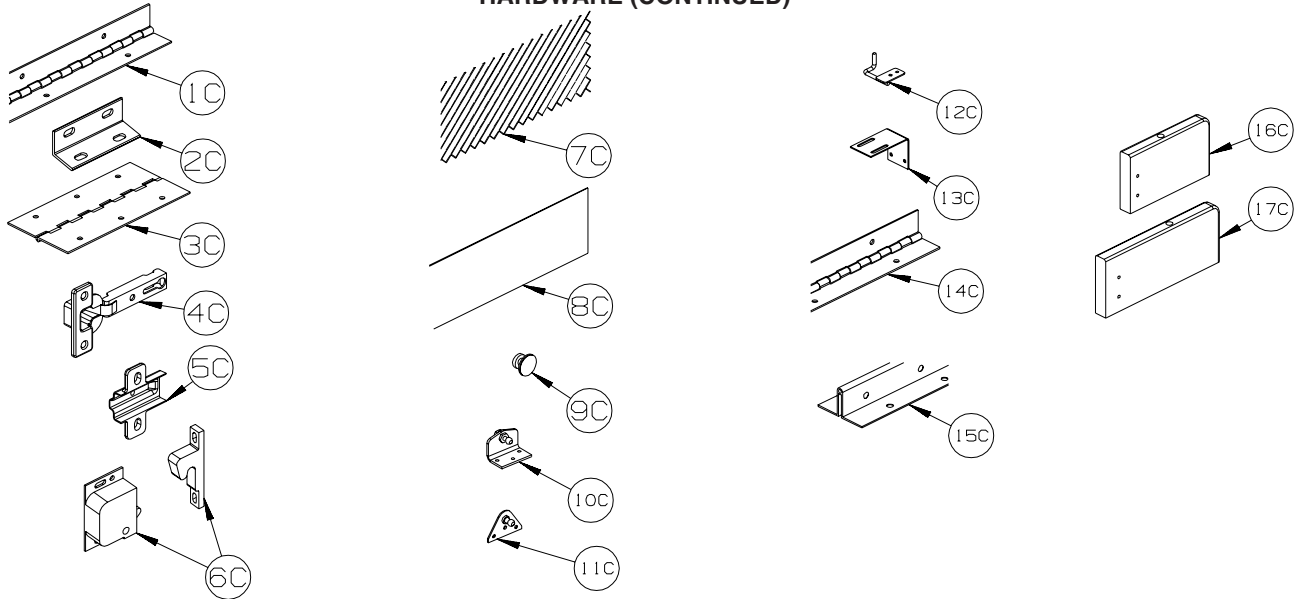
INTERIOR FINISH GROUP (CONTINUED)

HARDWARE (CONTINUED)



KEY	PART NUMBER	U/M	DESCRIPTION
1B	084413-01-000	EA	HINGE - 1" X 72" - ALUMINUM - W/HOLES
2B	084451-01-000	EA	CATCH & LATCH - 1.7" - BRASS
3B	092907-01-000	EA	SUPPORT - SHELF - PIN - 1/4" - CLEAR PLASTIC
4B	093586-03-000	EA	CATCH - SPRING ROLLER - .377"
4B	093586-06-000	EA	CATCH - SPRING ROLLER - .236"
5B	093586-04-000	EA	STRIKE - SPRING STEEL - 1.14"
6B	093622-01-000	EA	TRACK - DOOR - TAMBOUR - PLASTIC - 8' LENGTHS
7B	093623-01-000	EA	CORNER - TRACK - TAMBOUR DOOR
8B	096826-01-01A	EA	BRACE-CABINET E-COATED
9B	097872-04-000	EA	DOWEL - WOOD - 1" DIAMETER X 1.38" LONG - UNFINISHED
10B	098196-01-000	EA	LATCH - 1/4 TURN - T-BAR
11B	098979-01-000	EA	CLIP - ADJUSTABLE SHELF
12B	098980-01-000	EA	PILASTER - ADJUSTABLE SHELF - 18"
12B	098980-02-000	EA	PILASTER - ADJUSTABLE SHELF - 12"
12B	098980-03-000	EA	PILASTER - ADJUSTABLE SHELF - 9"
12B	098980-04-000	EA	PILASTER - ADJUSTABLE SHELF - 48"
12B	098980-05-000	EA	PILASTER - ADJUSTABLE SHELF - 15"
12B	098980-06-000	EA	PILASTER - ADJUSTABLE SHELF - 24"
13B	100710-01-02A	EA	LOCK - GLASS DOOR/TWIST TYPE - NICKEL
14B	100711-01-02A	EA	HINGE - GLASS DOOR - NICKEL
15B	102920-01-01A	EA	HINGE - SPRING LOADED - BRASS
15B	102920-01-02A	EA	HINGE - SPRING LOADED - NICKEL
15B	129753-01-01A	EA	HINGE - SPRING LOADED - 19" X 19" - BLACK
16B	103256-01-000	EA	LATCH COMPLETE (SLIDE)
17B	103874-01-000	EA	HANGER - SLIDING DOOR
18B	104181-01-01A	EA	SUPPORT - LEAF 5.3" EXTENDS TO 7.5" - SAFETY RING - METAL
19B	108126-01-000	EA	TRAY HINGE SET (QTY. 2 PER SET)

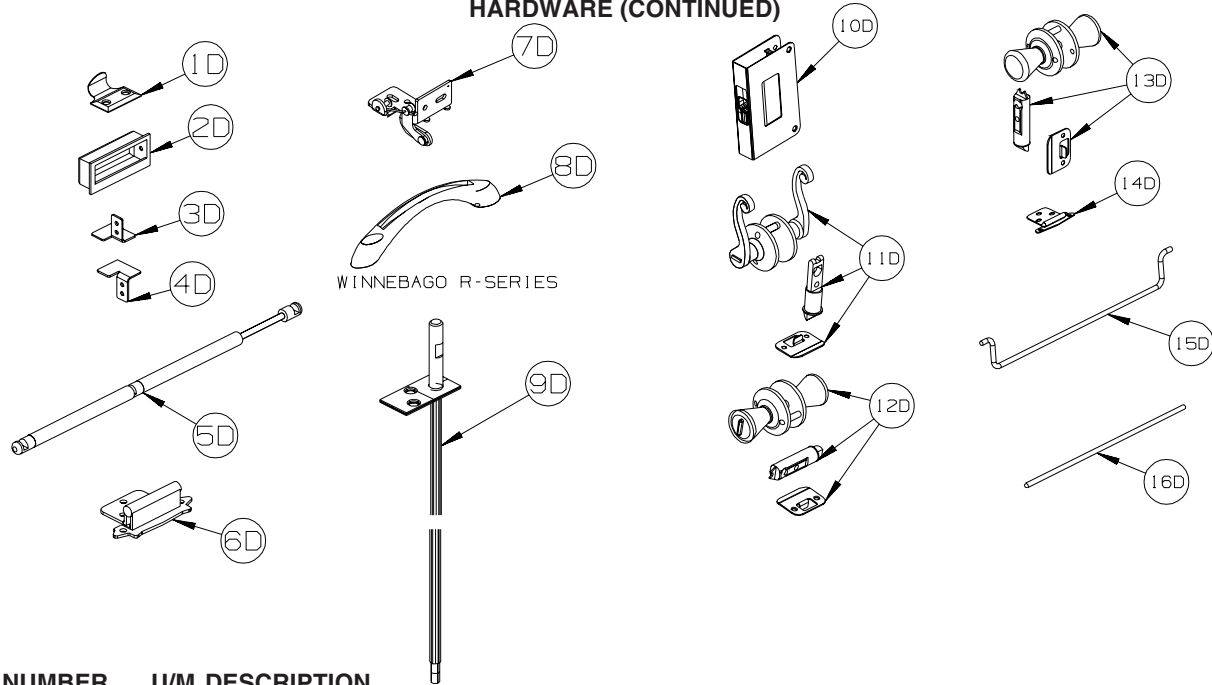
INTERIOR FINISH GROUP (CONTINUED)
HARDWARE (CONTINUED)



KEY	PART NUMBER	U/M	DESCRIPTION
1C	110496-01-01A	EA	HINGE - BRASS - 2" X 32"
1C	110496-01-02A	EA	HINGE - NICKEL - 2" X 32"
1C	110496-05-02A	EA	HINGE - NICKEL - 2" X 11.5"
1C	110496-06-02A	EA	HINGE - NICKEL - 2" X 9.5"
2C	111866-01-02A	EA	BRACE - SEAT - ANGLE - OFF WHITE
3C	114278-02-000	EA	HINGE - CONTINUOUS - 3" WIDE
4C	114443-02-01A	EA	HINGE - CABINET DOOR - W/O CLIP - SILVER
5C	114443-03-01A	EA	CLIP - HINGE/CABINET DOOR - SILVER
6C	117095-01-01A	EA	LATCH - DOOR - GRABBER W/KEEPER - PLASTIC - BLK-5 LB PULL
6C	117095-02-01A	EA	LATCH - DOOR - GRABBER W/KEEPER - PLASTIC - BLK-10 LB PULL
6C	117095-03-01A	EA	LATCH - DOOR - GRABBER W/KEEPER - PLASTIC - BLK-15 LB PULL
7C	118200-01-01A	SF	MESH - PLASTIC 1/2" - 48" X LENGTH = SF - BLACK
8C	122717-06-01A	FT	PAD - NON-SKID - PSA - 5"W
9C	125221-01-01A	EA	PULL - MIRROR - W/ROUND HANDLE
10C	126263-06-02B	EA	BRACKET - GAS SPRING W/INSIDE BALL STUD - E-COATED
11C	126263-05-02B	EA	BRACKET - GAS SPRING W/BALL STUD - E-COATED
11C	126263-08-02B	EA	BRACKET - GAS SPRING W/CENTERED BALL STUD - E-COATED
11C	126263-19-02B	EA	BRACKET - GAS SPRING W/BALL STUD - E-COATED
12C	130798-01-02B	EA	GUIDE - POCKET DOOR - E-COATED
13C	132871-02-02B	EA	BRACKET/L-ANGLE W/HOLES - 1.9" X 2.8" - E-COATED
14C	134099-01-02A	EA	HINGE - PIANO - WRAP AROUND - 15.7" - NICKEL PLATED
15C	135538-03-02A	EA	HINGE - PIANO - FULL WRAP - 15.7" - CHROME
16C	137445-02-P46	EA	STOP - F/SLIDING DOOR - CONCERT CHERRY
16C	137445-02-P56	EA	STOP - F/SLIDING DOOR - WASHED MAPLE
16C	137445-02-S67	EA	STOP - F/SLIDING DOOR - SIERRA MAPLE
17C	137445-03-T78	EA	STOP - F/SLIDING DOOR - CONCERT CHERRY
17C	137445-03-T79	EA	STOP - F/SLIDING DOOR - WASHED MAPLE
17C	137445-03-T80	EA	STOP - F/SLIDING DOOR - SIERRA MAPLE

INTERIOR FINISH GROUP (CONTINUED)

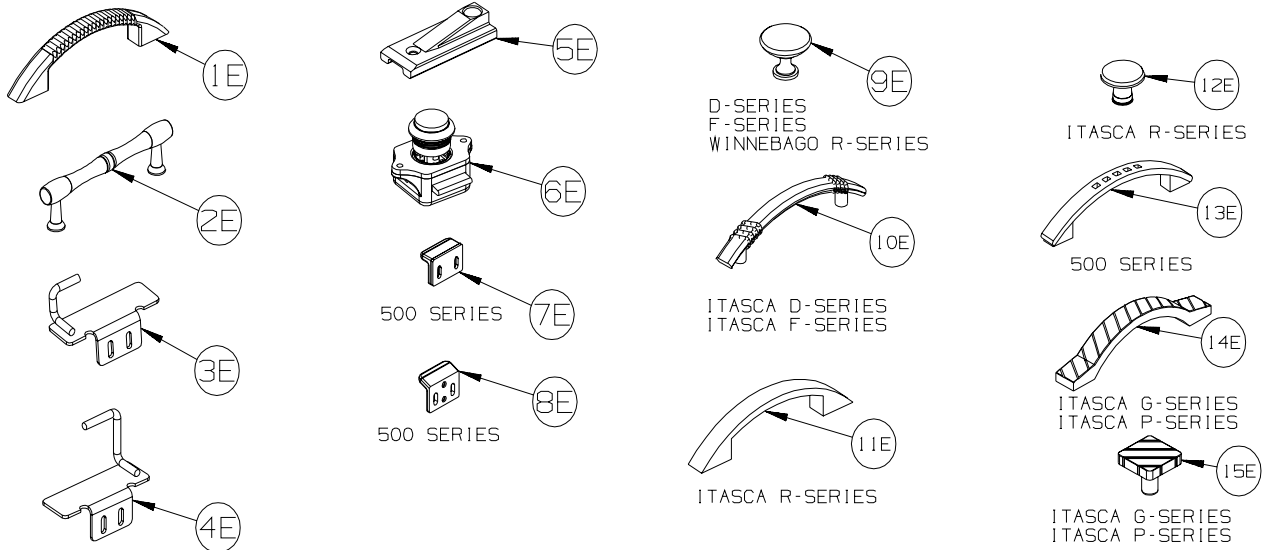
HARDWARE (CONTINUED)



KEY	PART NUMBER	U/M	DESCRIPTION
1D	137463-01-02A	EA	LIFT - HOOK - PEWTER
2D	139136-01-02A	EA	HANDLE - .75" RECESSED - PEWTER
2D	139136-02-02A	EA	HANDLE - .35" RECESSED - PEWTER
3D	139264-01-02B	EA	STOP - DOOR - TAMBOUR/RH HAND - E-COATED
4D	139264-02-02B	EA	STOP - DOOR - TAMBOUR/LH HAND - E-COATED
5D	142569-07-000	EA	SPRING/GAS - 20 LB - 20" EXTENDED/12" COMPRESSED
5D	142569-15-000	EA	SPRING/GAS - 120 LB - 20" EXTENDED/12" COMPRESSED
5D	142569-16-000	EA	SPRING/GAS - 90 LB - 20" EXTENDED/12" COMPRESSED
5D	142569-29-000	EA	SPRING/GAS - 20 LB - 9.9" EXTENDED/5.9" COMPRESSED
6D	143468-02-03A	EA	HINGE - SELF CLOSING - SATIN NICKEL
7D	144488-01-02A	EA	HINGE - CABINET - NICKEL
8D	144917-01-01A	EA	PULL - DRAWER - SATIN NICKEL - TOUR R-SERIES
9D	145939-03-01A	EA	ROD/LATCH - AISLE DOOR - BRASS
			FROM: 00-00-00 THRU: 04-16-06
9D	145939-05-01A	EA	ROD/LATCH - AISLE DOOR - BRASS - NOT ILLUSTRATED
			FROM: 04-17-06 THRU: 07-30-06
9D	145939-05-02A	EA	ROD/LATCH - AISLE DOOR - NICKEL - NOT ILLUSTRATED
			FROM: 07-31-06 THRU: 99-99-99
10D	145939-04-02A	EA	LATCH/SLIDE - AISLE DOOR(1" THICK DOOR)-NICKEL/BLACK SLIDE
11D	146064-01-02A	EA	LOCK/PRIVACY (LOCKING) LEVER STYLE - SATIN PEWTER
12D	146064-05-01A	EA	LOCK/PRIVACY (LOCKING) KNOB STYLE - SATIN NICKEL
13D	146064-06-01A	EA	LOCK/PASSAGE (NON LOCKING) KNOB STYLE - SATIN NICKEL
14D	146553-01-01A	EA	HINGE - CABINET DOOR - BURNISHED BRASS
14D	146553-01-03A	EA	HINGE - CABINET DOOR - SATIN NICKEL
15D	146801-01-01A	EA	ROD/TOWEL BAR (OFFSET) - BRASS
15D	146801-01-02A	EA	ROD/TOWEL BAR (OFFSET) - PEWTER
16D	146840-03-01A	EA	ROD - .25" X 11.7" - BRASS
16D	146840-03-02A	EA	ROD - .25" X 11.7" - PEWTER
16D	146840-04-01A	EA	ROD - .25" X 13.1" - BRASS
16D	146840-04-02A	EA	ROD - .25" X 13.1" - PEWTER
16D	146840-05-01A	EA	ROD - .25" X 14.8" - BRASS
16D	146840-05-02A	EA	ROD - .25" X 14.8" - PEWTER
16D	146840-07-01A	EA	ROD - .25" X 4.2" - BRASS
16D	146840-07-02A	EA	ROD - .25" X 4.2" - PEWTER

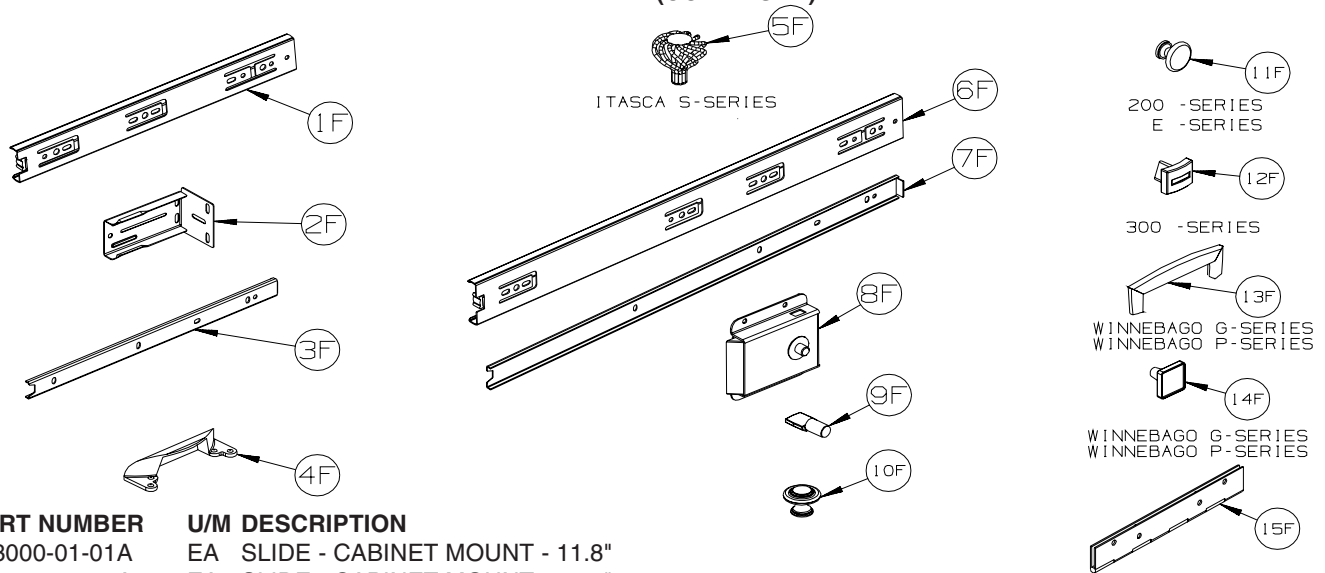
INTERIOR FINISH GROUP (CONTINUED)

HARDWARE (CONTINUED)



KEY	PART NUMBER	U/M	DESCRIPTION
1E	148816-01-02A	EA	PULL - CABINET DOOR - NICKEL - ASPECT, CAMBRIA 700-SERIES
2E	149090-01-02A	EA	PULL - CABINET DOOR - NICKEL - SIGHTSEER D-SERIES, VOYAGE F-SERIES
3E	149607-01-02B	EA	GUIDE - F/POCKET DOOR - 1.6" BENT ROD - E-COATED
3E	149607-03-02B	EA	GUIDE - F/POCKET DOOR - 2.9" BENT ROD - E-COATED
4E	149607-04-02B	EA	GUIDE - F/POCKET DOOR - E-COATED
5E	150983-01-01A	EA	STRIKE/BLOCK - WEDGE STYLE - F/SLIDE DOOR - 3" X 1.2" - BLACK
6E	151380-01-01A	EA	LATCH - CABINET DOOR - PUSH BUTTON - VIEW & NAVION 500-SERIES
7E	151380-02-01A	EA	STRIKE - CABINET DOOR - VIEW & NAVION 500-SERIES
8E	151380-03-01A	EA	STRIKE - CABINET DOOR - VIEW & NAVION 500-SERIES
9E	152080-01-01A	EA	PULL-NICKEL - SIGHTSEER & SUNOVA D-SERIES, VOYAGE & SUNRISE F-SERIES, TOUR R-SERIES
10E	152302-01-01A	EA	PULL - CABINET DOOR - SATIN NICKEL - SUNOVA D-SERIES, SUNRISE F-SERIES
11E	152304-01-01A	EA	PULL - CABINET DOOR - BRONZE - ELLIPSE R-SERIES
12E	152305-01-01A	EA	KNOB - DOOR/DRAWER - BRONZE - ELLIPSE R-SERIES
13E	152950-01-01A	EA	PULL - DOOR/DRAWER - BRUSHED NICKEL - VIEW & NAVION 500-SERIES
14E	152951-01-01A	EA	PULL - DOOR/DRAWER - PEWTER - SUNCRUISER G-SERIES, MERIDIAN P-SERIES
15E	152952-01-01A	EA	PULL - KNOB/DRAWER - PEWTER - SUNCRUISER G-SERIES, MERIDIAN P-SERIES

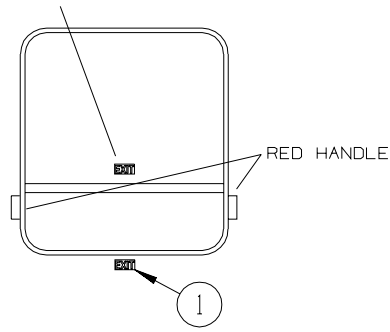
INTERIOR FINISH GROUP (CONTINUED) HARDWARE (CONTINUED)



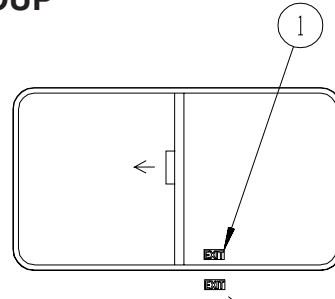
KEY	PART NUMBER	U/M	DESCRIPTION
1F	153000-01-01A	EA	SLIDE - CABINET MOUNT - 11.8"
1F	153000-03-01A	EA	SLIDE - CABINET MOUNT - 13.8"
1F	153000-05-01A	EA	SLIDE - CABINET MOUNT - 15.7"
1F	153000-07-01A	EA	SLIDE - CABINET MOUNT - 17.7"
1F	153000-09-01A	EA	SLIDE - CABINET MOUNT - 19.7"
1F	153000-11-01A	EA	SLIDE - CABINET MOUNT - 21.6"
1F	153000-14-01A	EA	SLIDE - CABINET MOUNT - 23.6"
1F	153000-18-01A	EA	SLIDE - CABINET MOUNT - 9.8"
1F	153000-20-01A	EA	SLIDE - CABINET MOUNT - 25.6"
2F	153000-13-01A	EA	BACKSOCKET - DRAWER SLIDE
3F	153000-02-01A	EA	SLIDE - DRAWER MOUNT - 11.8"
3F	153000-04-01A	EA	SLIDE - DRAWER MOUNT - 13.8"
3F	153000-06-01A	EA	SLIDE - DRAWER MOUNT - 15.7"
3F	153000-08-01A	EA	SLIDE - DRAWER MOUNT - 17.7"
3F	153000-10-01A	EA	SLIDE - DRAWER MOUNT - 19.7"
3F	153000-12-01A	EA	SLIDE - DRAWER MOUNT - 21.6"
3F	153000-15-01A	EA	SLIDE - DRAWER MOUNT - 23.4"
3F	153000-19-01A	EA	SLIDE - DRAWER MOUNT - 9.8"
3F	153000-21-01A	EA	SLIDE - DRAWER MOUNT - 25.4"
4F	153308-01-01A	EA	PULL - VANITY STOOL - SATIN NICKEL
5F	153335-01-02A	EA	PULL - KNOB - DOOR/DRAWER - FLAT BLACK - HORIZON S-SERIES
6F	153352-01-01A	EA	SLIDE - PANTRY - 19.7" - CABINET MOUNT
6F	153352-03-01A	EA	SLIDE - EXT ENTERTAINMENT CNTR - 13.8" - CABINET MOUNT
7F	153352-02-01A	EA	SLIDE - PANTRY - 19.5" - DRAWER MOUNT
7F	153352-04-01A	EA	SLIDE - EXT ENTERTAINMENT CNTR - 13.6" - DRAWER MOUNT
8F	153353-01-01A	EA	LATCH - SLIDING/FLUSH - BLACK
9F	154385-01-02A	EA	PIN - SUPPORT/GLASS DOOR - 1/4" - NICKEL
10F	155803-01-01A	EA	KNOB CABINET DOOR - WROUGHT IRON
11F	155925-01-01A	EA	KNOB - DOOR/DRAWER - SATIN NICKEL - ACCESS & IMPULSE 200-SERIES
12F	156579-01-01A	EA	KNOB - DOOR/DRAWER - PEWTER - OUTLOOK & SPIRIT 300-SERIES
13F	157246-01-01A	EA	PULL - CABINET DOOR/DRAWER - SATIN NICKEL - ADVENTURER G-SERIES, JOURNEY P-SERIES
14F	157246-02-01A	EA	KNOB - CABINET DOOR/DRAWER - SATIN NICKEL - ADVENTURER G-SERIES, JOURNEY P-SERIES
15F	158982-01-04B	EA	HINGE - CONTINUOUS - 2" X 8" - BLACK
	158982-01-01A	EA	HINGE - CONTINUOUS - 2" X 8" - ZINC

ALTERNATE LABEL LOCATION

LABELS GROUP

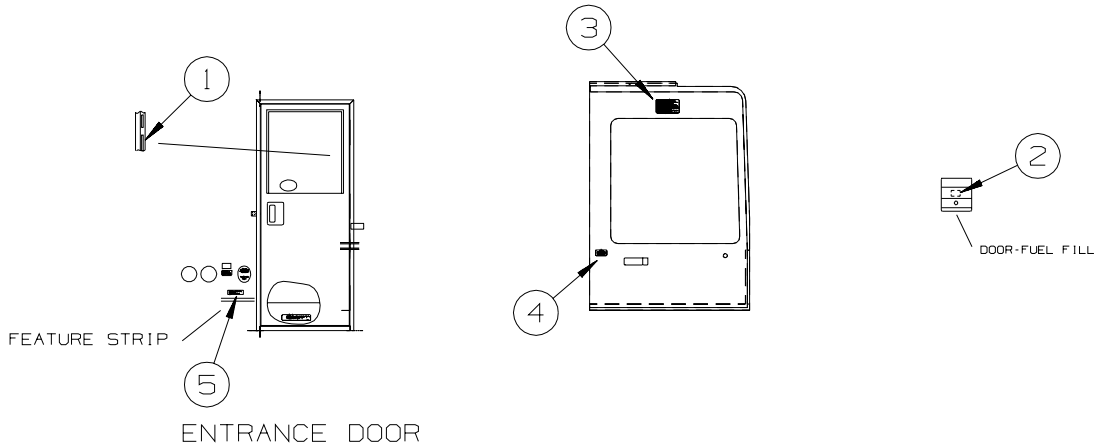


EXIT WINDOW
(HINGE STYLE)



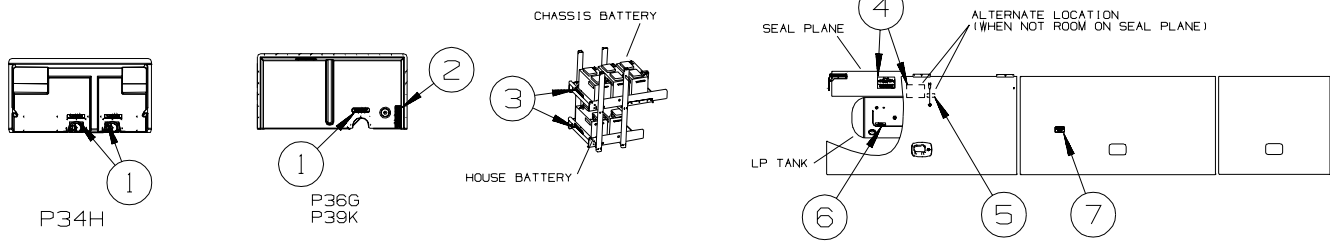
EXIT WINDOW
(SLIDER STYLE)

KEY	PART NUMBER	U/M	DESCRIPTION
1	039290-01-000	EA	LABEL - WARNING - EXIT



KEY	PART NUMBER	U/M	DESCRIPTION
1	135869-01-01A	EA	LABEL - MERCURY CONTENT - BLACK ON CLEAR
1	135869-01-02A	EA	LABEL - MERCURY CONTENT - WHITE ON CLEAR
2	068383-01-000	EA	LABEL - DIESEL FUEL
3	056259-01-000	EA	LABEL - SAFETY CHECK LIST
4	099689-01-000	EA	LABEL - WARNING - CANCER/TOXICITY
5	099509-01-000	EA	LABEL - AWNING INSTALLATION

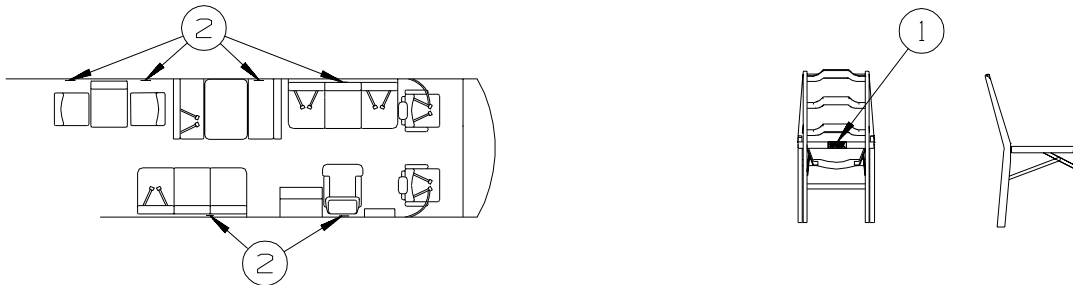
LABELS GROUP (CONTINUED)



TYPICAL UTILITY ACCESS

KEY	PART NUMBER	U/M	DESCRIPTION
1	123562-01-000	EA	LABEL - SERVICE/UTILITY ACCESS
2	147845-01-01A	EA	LABEL - DRIP VALVE
3	065748-01-000	EA	LABEL - WARNING - BATTERY CHARGING - UL
3	065748-02-000	EA	LABEL - WARNING - BATTERY CHARGING - CSA
4	124519-01-02A	EA	LABEL - WARNING/REFUELING - WHITE ON CLEAR
4	023769-01-000	EA	LABEL - WARNING - LPG - CANADIAN
5	124519-01-02A	EA	LABEL - WARNING/REFUELING - WHITE ON CLEAR
5	124519-02-01A	EA	LABEL - WARNING/REFUELING - BLACK ON CLEAR - CSA
6	079965-01-000	EA	LABEL - LPG - 80% CAPACITY
7	125306-04-01A	EA	LABEL - ELECTRICAL ENTRANCE-120/240V 50 AMP-BLACK ON CLEAR
7	125306-04-02A	EA	LABEL - ELECTRICAL ENTRANCE-120/240V 50 AMP-WHITE ON CLEAR

TYPICAL SEAT AND BELT CONFIGURATIONS

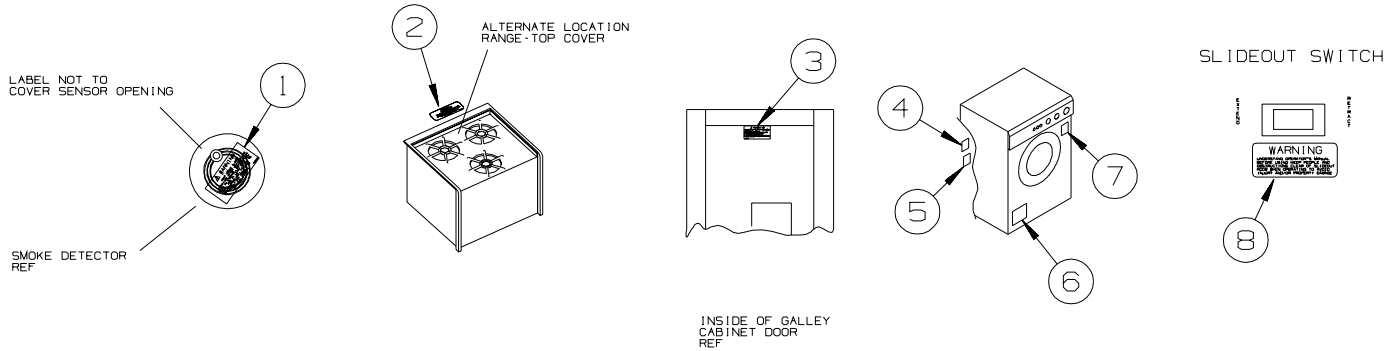


ATTACH LABEL ON OR NEXT TO:
 +ANY SINGLE CHAIR WITHOUT BELTS.
 +ANY DINETTE SEAT WITHOUT BELTS.
 +ANY COUCH WITHOUT BELTS OR ANY SEATING POSITION ON THAT COUCH.
 DO NOT ATTACH LABEL IF:
 +DINETTE SEAT HAS AT LEAST ONE SET OF BELTS INSTALLED.
 FOLDING CHAIRS

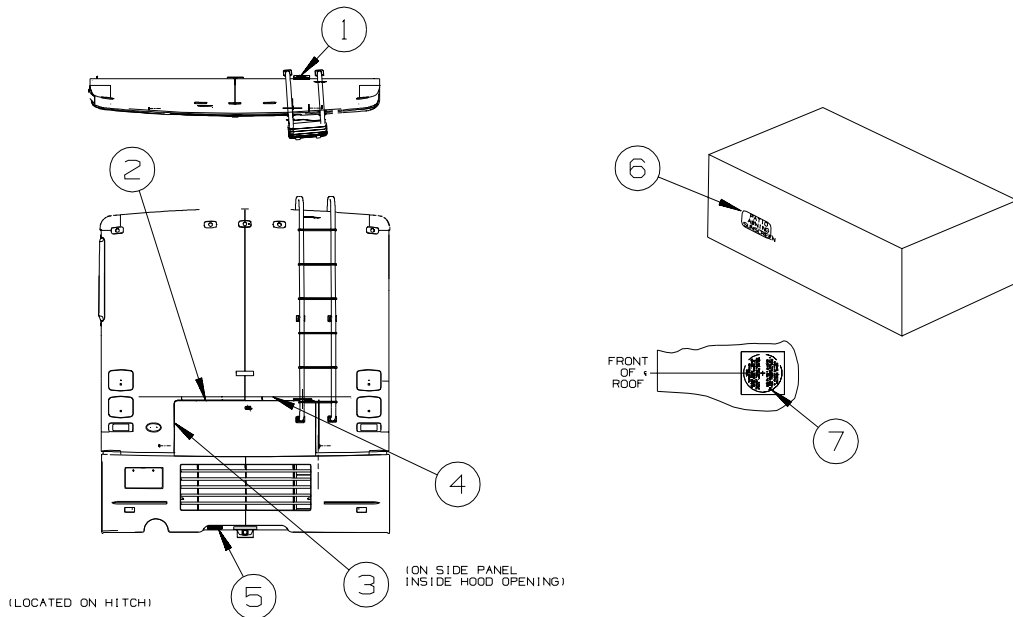
FOLDING CHAIRS

KEY	PART NUMBER	U/M	DESCRIPTION
1	134537-01-01A	EA	LABEL - OCCUPANCY - CHAIR - US
1	134537-02-01A	EA	LABEL - OCCUPANCY - CHAIR - CSA
2	134538-01-01A	EA	LABEL - OCCUPANCY - NO SEAT BELT - BLACK ON CLEAR - US
2	134538-02-01A	EA	LABEL - OCCUPANCY - NO SEAT BELT - BLACK ON CLEAR - CSA

LABELS GROUP (CONTINUED)

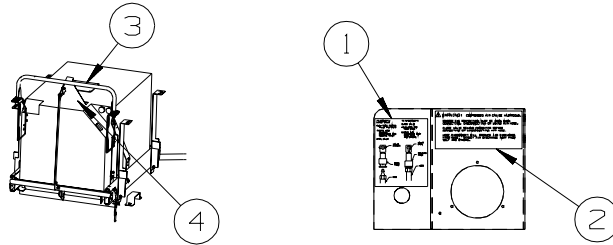


KEY	PART NUMBER	U/M	DESCRIPTION
1	077956-01-000	EA	LABEL - WARNING/SMOKE DETECTOR
2	134539-01-01A	EA	LABEL - WARNING - STOVE/HEATING - US - BLACK ON CLEAR
2	134540-01-01A	EA	LABEL - WARNING - STOVE/HEATING - CSA - BLACK ON CLEAR
3	073998-01-000	EA	LABEL - LPG/ODOR WARNING
4	147525-01-000	EA	LABEL - DRYER VENT CUTOUT
5	147524-01-000	EA	LABEL - DRYER VENTING
6	130670-01-01A	EA	LABEL - CAUTION DRYER VENTING - BLACK ON CLEAR
7	153640-01-01A	EA	LABEL - WINTERIZATION - WASHER/DRYER
8	116549-02-000	EA	LABEL - WARNING - SLIDEOUT - 1.18" x 3"



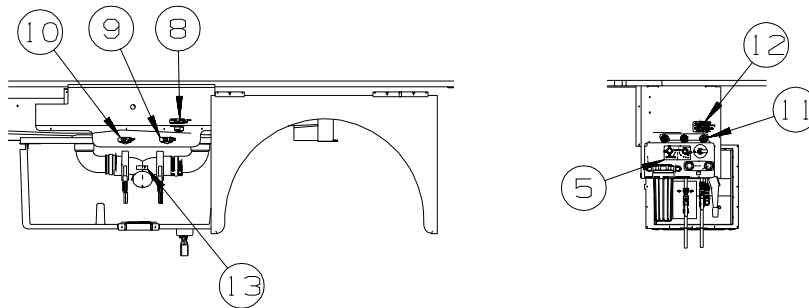
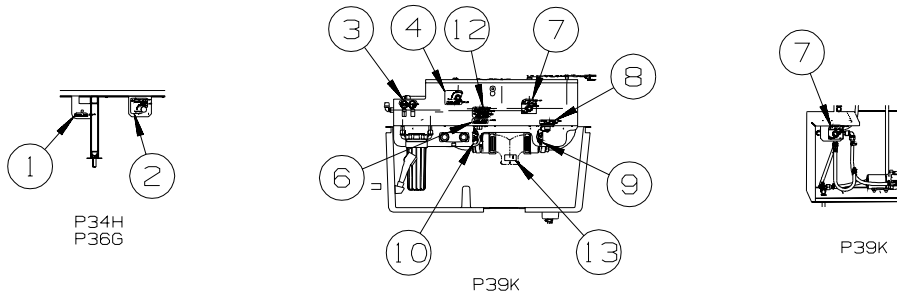
KEY	PART NUMBER	U/M	DESCRIPTION
1	128218-01-01A	EA	LABEL - WARNING - SLIPPERY ROOF
2	134359-01-01A	EA	LABEL - WARNING - DRIVE BELTS
3	116756-03-000	EA	LABEL - WARNING - ETHER/STARTING - RED W/WHITE BACKGROUND
4	156213-01-01A	EA	LABEL - CHASSIS BATTERY DISCONNECT - WHITE/BLACK
5	129669-02-01A	EA	LABEL - HITCH/VEHICLE RATE - 500 - WHITE ON CLEAR
6	156214-01-01A	EA	LABEL - PATIO AWNING SUNSCREEN - WHITE/BLACK
7	120431-01-000	EA	LABEL - LOCATION - COAXIAL CABLE/SATELLITE ANTENNA

LABELS GROUP (CONTINUED)



AIR ACCESS PANEL

KEY	PART NUMBER	U/M	DESCRIPTION
1	142773-01-01A	EA	LABEL - CONNECT/COMPRESSED AIR - WHITE LETTERING ON CLEAR
2	142771-01-01A	EA	LABEL - WARNING/COMPRESSED AIR - WHITE LETTERING ON CLEAR
3	116273-01-000	EA	LABEL - WARNING - GENERATOR
4	131779-01-01A	EA	LABEL - GENERATOR



KEY	PART NUMBER	U/M	DESCRIPTION
1	152547-01-01A	EA	LABEL - TANK DRAIN
2	152545-01-01A	EA	LABEL - WINTERIZATION
3	152544-02-01A	EA	LABEL - SWITCHES
4	152548-02-01A	EA	LABEL - VALVE/FRESH - PANTONE/CLEAR
5	147581-01-01A	EA	LABEL - WATERFILL/BYPASS - BLACK/CLEAR
6	152538-02-01A	EA	LABEL - FRESH WATER - PANTONE/CLEAR
7	152539-01-01A	EA	LABEL - BYPASS
8	152546-02-01A	EA	LABEL - TANK FLUSH - PANTONE/CLEAR
9	152541-03-01A	EA	LABEL - GRAY WASTE
10	152543-03-01A	EA	LABEL - BLACK WASTE
11	153905-01-01A	EA	LABEL - VALVES/INLET - PANTONE/CLEAR/PANTONE
12	128725-02-01A	EA	LABEL - POTABLE WATER ONLY - BLACK ON CLEAR
13	144649-01-01A	EA	LABEL - ADJUSTABLE VALVE - WHITE ON CLEAR

P34H
P36G

**LP GROUP
LP SYSTEM**

KEY	PART NUMBER	U/M	DESCRIPTION
	045703-03-000	EA	HOSE - LP - 3/8"ID X 18" - 3/8"MPT X 1/2"F SWIVEL - U.S.
	045703-09-000	EA	HOSE - LP - 3/8"ID X 24" - 3/8"ID F SWIVEL X 3/8"ID F SWIV
	045703-12-000	EA	HOSE - LP - 3/8"ID X 18" - 3/8"MPT X 1/2"F SWIVEL - CANADA
	045703-15-000	EA	HOSE - LP - 3/8"ID X 142" - 1/2"F SWIVEL X 3/8"F SWIVEL
	106150-05-000	EA	REGULATOR - TWO STAGE
	144485-01-000	EA	COMPARTMENT - LP REGULATOR
	033759-01-000	EA	ELBOW - 90 DEGREE - 3/8" F X 3/8" F
	010265-01-000	EA	ELBOW - BRASS - 90 DEGREE - 3/8"F X 1/2"FPT
	010515-03-000	EA	ELBOW - BLACK - 1/2 X 90 DEGREE STEEL
	010326-01-000	EA	ADAPTER - FLARE - W/CONE GASKET - 3/8"F X 1/2"F
	010329-01-000	EA	ADAPTER - BRASS - 1/2"F X 1/2"MPT
	010323-01-000	EA	ADAPTER - BRASS - 3/8"F X 1/2"MPT
	010377-02-000	EA	NUT - BRASS - 3/8" FLARE - FORGED
	010380-02-000	EA	NUT - BRASS - 1/2" FLARE - FORGED
	010589-03-000	EA	NIPPLE - PIPE - 1/2" X 2 1/2" - BLACK
*	151784-03-000	EA	TANK - LP - 100 LB - 14"D X 36"L - VAPOR DRAW - W/O CRADLE
	151786-01-01A	EA	BRACKET - LP TANK MOUNTING
	151786-02-01A	EA	STRAP - LP TANK MOUNTING - 1.5"
	040440-03-000	EA	TRANSMITTER - DIAL/SNAP-ON - 0-90 OHM 2 TERM(POWER/GROUND)

***COMPONENT PARTS LISTED LATER IN THIS GROUP**

COMPONENT PARTS FOR LP SYSTEM

151784-03-000

KEY	PART NUMBER	U/M	DESCRIPTION	VENDOR NO.
	040421-01-700	EA	VALVE-LIQUID LEVEL, 20%	V20058/V21199/G101
	040421-01-712	EA	VALVE-SERV. W/O VAPOR RELIEF	29000853
	040421-01-713	EA	VALVE-RELIEF 1" W/SPRING 7"	V-20479
	088253-01-702	EA	FLOAT/SCREW IN-SNAP ON DIAL	SG16C0001442
	144116-01-701	EA	VALVE/FILL 80 % W/YELLOW CAP	V13414

SEALANTS & FASTENERS GROUP
SEALANTS & ADHESIVES

KEY	PART NUMBER	U/M	DESCRIPTION
	004001-02-000	EA	GUN - PLEXUS ADHESIVE - W/O NOZZLE
	004001-05-000	EA	ADHESIVE - SCOTCH-WELD - 3M DP100 - CLEAR - 50ML
	004011-01-000	EA	ADHESIVE-3M-4475 TUBE
	010405-02-000	EA	TAPE - THREAD SEALING - 3/8"
	064075-07-000	FT	SEAL - BULB - W/WIRED U CHANNEL - .3" X .5" CHANNEL-BLACK
	067788-01-000	EA	ADHESIVE - SPRAY - 3M - 19.5 OZ AEROSOL CAN
	069640-01-000	FT	SEALER - RIBBON - 1/4"DIAMETER X 30 FT - BLACK OR GRAY
	069640-02-000	FT	SEALER - TAPE - 1/8"THICK X 1/2"WIDE X 60 FT - GRAY
	069640-03-000	FT	SEALER - TAPE - 1/8"THICK X 3/4"WIDE X 60 FT - BLACK
	069640-07-000	FT	SEALER - TAPE - 3/32"THICK X 2"WIDE X 45 FT - GRAY
	069640-09-000	FT	SEALER - TAPE - 1/32"THICK X 2 1/2"WIDE X 80 FT - BRT WHT
	069640-10-000	FT	SEALER - TAPE - 1/32"THICK X 1 1/2"WIDE X 90 FT - BRT WHT
	069640-11-000	FT	SEALER - TAPE - 3/16"THICK X 3/8"WIDE X 40 FT - BLACK
	069640-13-000	FT	SEALER - TAPE - 3/32"THICK X 2"WIDE X 45 FT - BLACK
	069640-14-000	FT	SEALER - TAPE - 1/16"THICK X 1"WIDE X 100 FT - BLACK
	069640-15-000	FT	SEALER - TAPE - 1/16"THICK X 3/8"WIDE X 100 FT - BRT WHT
	069640-17-000	FT	SEALER - TAPE - 1/32"THICK X 1"WIDE X 150 FT - GRAY
	069640-18-000	FT	SEALER - TAPE - 1/8"THICK X 1/2"WIDE X 60 FT - BRT WHT
	069640-19-000	FT	SEALER - TAPE - 1/8"THICK X 3/4"WIDE X 60 FT - BRT WHT
	069640-20-000	FT	SEALER - TAPE - 1/8"THICK X 1/2"WIDE X 60 FT - BLACK
	069640-21-000	FT	SEALER - TAPE - 1/16"THICK X 1/2"WIDE X 100 FT - BRT WHT
	069640-22-000	FT	SEALER - TAPE - 1/32"THICK X 1/4"WIDE X 200 FT - BRT WHT
	069640-23-000	FT	SEALER - TAPE - 1/16"THICK X 3/4"WIDE X 100 FT - BRT WHT
	069640-27-000	FT	SEALER - TAPE - 1/16"THICK X 2 1/4"WIDE X 50 FT - BRT WHT
	069640-28-000	FT	SEALER - TAPE - 1/32"THICK X 1 7/8"WIDE X 90 FT - GRAY
	069640-30-000	FT	SEALER - TAPE - 1/32"THICK X 5/8"WIDE X 50 FT - GRAY
	069640-31-000	FT	SEALER - TAPE - 1/4"THICK X 3/4"WIDE X 15 FT - BLACK
	069640-32-000	FT	SEALER - TAPE - 1/16"THICK X 3/8"WIDE X 100 FT - BLACK
	069640-33-000	FT	SEALER - RIBBON - 3/8"DIAMETER X 20 FT - BLACK
	069640-34-000	FT	SEALER - RIBBON - 1/4"DIAMETER X 30 FT - BRIGHT WHITE
	072889-28-000	EA	SEALANT/URETHANE-10 OZ TUBE W/NOZZLE-SELF LEVELING-BRT WHT
	076322-01-000	FT	TAPE-DOUBLE COATED/ADHESIVE BK-.03"THK X .8"W X 216' - WHT
	076322-02-000	FT	TAPE-DOUBLE COATED/ADHESIVE BK-.05"THK X 1"W X 108' - WHT
	076322-03-000	FT	TAPE-DOUBLE COATED/ADHESIVE BK-.05"THK X .5"W X 108' - WHT
	076322-05-000	FT	TAPE-DOUBLE COATED/ADHESIVE BK-.05"THK X .8"W X 108' - WHT
	076322-07-000	FT	TAPE-DOUBLE COATED/ADHESIVE BK-.05"THK X .5"W X 200' - BLK
	076322-13-000	FT	TAPE - FOAM/DOUBLE COATED - .020"THK X .75"W - CLEAR
	076322-21-000	FT	TAPE - FOAM/DOUBLE COATED - .045"THK X .50"W
	076322-22-000	FT	TAPE - FOAM/DOUBLE COATED - .045"THK X .75"W
	076322-23-000	FT	TAPE - FOAM/DOUBLE COATED - .045"THK X 1"W
	076322-25-000	FT	TAPE - FOAM/DOUBLE COATED - .025"THK X .5"W
	086276-01-000	EA	TAPE - DOUBLE SIDED - 1/2" WIDE X 108' LONG (SOLD BY ROLL)
	088479-01-000	EA	TAPE - ALUMINUM - 3"
	090340-01-000	FT	SEAL - FOAM - CLOSED CELL - 1/4" X 1/2" X 50'
	091255-02-000	FT	SEAL - ADHESIVE BACKED/FOAM - 3/64"THICK X 3/16"W X 1000'
	091255-03-000	FT	SEAL - ADHESIVE BACKED/FOAM - 1/4" THICK X 1/4"W X 1000'
	094401-01-000	EA	SEALER - BODY SEAM - FLEXICLEAR
	094401-04-000	EA	SEALER - BODY SEAM - CLEAR
	094401-05-000	EA	SEALER - BODY SEAM - 20OZ BLACK
	094401-06-000	EA	SEALER - BODY SEAM - 12OZ BLACK
	094401-07-000	EA	SEALER - BODY SEAM - CLEAR
	098408-01-000	FT	SEAL - SPONGE RUBBER - CLOSED CELL
	099069-01-000	FT	SEAL - RUBBER - CLOSED SPONGE - .5" WIDE X .12" THICK-BLK
	099418-01-000	FT	SEAL - D-SECTION/ADHESIVE BACK - ..44" X .44" - BLK RUBBER
	107828-01-000	EA	SEALANT - SB - 190 EVERSEAL
	112864-01-000	FT	SEAL - FOAM/BUTYL COVERED - 3/8" X 35'
	112864-02-000	FT	FOAM - BUTYL COVERED - 5/16" X 44'
	112864-04-000	FT	FOAM - BUTYL COVERED - 3/8" X 1/8"
	112901-02-000	EA	ADHESIVE - PLEXUS - MA330 - 50ML - GRAY
	112901-03-000	EA	ADHESIVE - PLEXUS - MA300 - 50ML - WHITE
	112902-01-000	EA	NOZZLE - ELEMENT - 3/8" X 24
	112902-03-000	EA	MIXER NOZZLE - F/GUN #00400102000 - SCOTCH-WELD & PLEXUS
	112902-04-000	EA	NOZZLE - ELEMENT - 1/4" X 3.5"
	112902-05-000	EA	NOZZLE - BAYONET - 3/8" X 18

SEALANTS & FASTENERS GROUP (CONTINUED)

SEALANTS & ADHESIVES (CONTINUED)

KEY	PART NUMBER	U/M	DESCRIPTION
	112902-06-000	EA	NOZZLE - ELEMENT - 1/2" X 32
	113366-01-000	EA	ADHESIVE - INSTANT - 1 OZ
	120074-02-03A	EA	SILICONE - TUBE - W/O NOZZLE - LOW ODOR - SMOKEY WHITE
	120534-01-01A	EA	TAPE - SCOTCH - 3M - 1/2" FINE LINE
	123244-01-000	FT	TAPE - DOUBLE SIDED/FOAM - 5/64" THICK X 3/4" WIDE X 108'
	123816-01-000	FT	TAPE - DOUBLE SIDED - 1" X .020" X 200' - CLEAR
	123816-02-000	FT	TAPE - DOUBLE SIDED - 1/2" X .035" X 200' - CLEAR
	123816-03-000	FT	TAPE - DOUBLE SIDED - 1/2" X .020" X 200' - CLEAR
	123816-04-000	FT	TAPE - DOUBLE SIDED - 6" X .0035" X 750' - CLEAR
	123816-06-000	FT	TAPE - DOUBLE SIDED - 3/4" X 3/4" X 200' - CLEAR
	123816-07-000	FT	TAPE - DOUBLE SIDED - 1 3/4" X 200' - CLEAR
	126427-01-000	EA	ADHESIVE - ALL PURPOSE - ABS/PVC
	126427-02-000	EA	PRIMER - CLEANER - FLEX PIPING
	131264-01-11A	EA	SILICONE - TUBE - W/NOZZLE - BEIGE
	131264-01-12A	EA	SILICONE - TUBE - W/NOZZLE - BONE
	131264-01-13A	EA	SILICONE - TUBE - W/NOZZLE - TRANSLUCENT
	131264-02-01A	EA	SILICONE - TUBE - W/NOZZLE - VW GRAY - BATH ONLY
	131264-03-01A	EA	SILICONE - TUBE - W/O NOZZLE - SELF LEVELING - BRIGHT WHITE
	131264-04-01A	EA	SILICONE/SEALANT/ADHESIVE - FAST CURE F/GLASS/VINYL - B/W
	131264-04-02A	EA	SILICONE/SEALANT/ADHESIVE-FAST CURE F/GLASS/VINYL-SOFT WHT
	131264-05-01A	EA	SILICONE/SEALANT - ODORLESS - TUBE - W/NOZZLE - BLACK
	131264-05-02A	EA	SILICONE/SEALANT - ODORLESS - TUBE - W/NOZZLE - CLEAR
	131384-01-000	EA	ADHESIVE - JET WELD - 10 OZ CARTRIDGE
	132892-07-01A	FT	SEAL - BULB/SINGLE - W/U CHANNEL - .5" X 1" - BLACK
	152038-01-01A	EA	TAPE - PRESERVATION SEAL - 2" X 36YD ROLL - BLACK
	154585-01-01A	FT	SEAL - FOAM TAPE - ADHESIVE BACK - 3/8" X 3/8" - BLACK
	154585-02-01A	FT	SEAL - FOAM TAPE - ADHESIVE BACK - 3/4" X 1/2" - BLACK
	154585-03-01A	FT	SEAL - FOAM TAPE - ADHESIVE 2 SIDED - 1/8" X 3/4" - BLACK
	154585-04-01A	FT	SEAL - FOAM TAPE - ADHESIVE BACK - 5/8" X 1/8" - WHITE

BOLTS, NUTS AND WASHERS

KEY	PART NUMBER	U/M	DESCRIPTION
	0MD54F-06-000	EA	NUT - HEX W/SERATED FLANGE
	000C12-04-08B	EA	BOLT - HEX - 1/4-20 X 1/2 - GRADE #5 - ZINC
	000C12-04-40B	EA	BOLT - HEX - 1/4-20 X 2 1/2 - GRADE #5 ZINC
	000C12-04-20F	EA	BOLT - HEX - 1/4-20 X 1 1/4 - GRADE #5 - STAINLESS STEEL
	000C12-04-12A	EA	BOLT - HEX - 1/4-20 X 3/4 - PLAIN 5
	000C12-05-16B	EA	BOLT - HEX - 5/16 - 18X1 - GRADE #5 - ZINC
	000C12-05-40B	EA	BOLT - HEX - 5/16"-18 X 2.5" - GRADE #5 - ZINC
	000C12-06-28B	EA	BOLT-HEX-3/8-16X13/4 ZN 5 - 5185-01
	000C12-08-44B	EA	BOLT - HEX - 1/2-13 X 2 3/4 - GRADE #5 - ZINC
	000C12-08-24B	EA	BOLT - HEX - 1/2-13 X 1 1/2 - GRADE #5 - ZINC
	000C12-08-28B	EA	BOLT - HEX - 1/2-13 X 1 3/4 - GRADE #5 - ZINC
	000C13-07-40B	EA	BOLT - HEX - 7/16-20 X 2 1/2 - GRADE #5 - ZINC
	000C13-07-48B	EA	BOLT - HEX - 7/16-20 X 3 - GRADE #5 - ZINC
	000C13-07-72B	EA	BOLT - HEX - 7/16-20 X 4.5" - GRADE #5 - ZINC
	000C16-07-16B	EA	BOLT - CARRIAGE - ASSIST HANDLE - 7/16-14 X 1
	000C18-05-40A	EA	BOLT - ELEVATOR - 5/16-18 X 2 1/2 - PL
	000C26-04-18B	EA	BOLT - HEX - SERRATED FLANGE - 1/4-20 X 1 1/8 - ZINC
	000C26-04-14B	EA	BOLT - HEX - SERRATED FLANGE - 1/4-20 X 7/8 - ZINC
	000C26-04-12F	EA	BOLT - HEX - SERRATED FLANGE -1/4-20 X 3/4-STAINLESS STEEL
	000C26-04-10B	EA	BOLT - HEX - SERRATED FLANGE - 1/4-20 X 5/8 - ZINC
	000C26-04-40F	EA	BOLT - HEX - SERRATED FLANGE -1/4-20 X 2.5-STAINLESS STEEL
	000C26-05-12B	EA	BOLT - HEX - SERRATED FLANGE - 5/16-18 X 3/4 - ZINC
	000C26-06-12B	EA	BOLT - HEX - SERRATED FLANGE - 3/8-16 X 3/4 - ZINC
	000C26-06-20B	EA	BOLT - HEX - SERRATED FLANGE - 3/8-16 X 1 1/4 - ZINC
	000C26-06-28B	EA	BOLT - HEX - SERRATED FLANGE - 3/8-16 X 1 3/4 - ZINC
	000C26-06-40B	EA	BOLT - HEX - SERRATED FLANGE - 3/8-16 X 2 1/2 - ZINC
	000C26-08-28B	EA	BOLT - HEX - SERRATED FLANGE - 1/2-13 X 1 3/4 - ZINC
	000C26-08-24B	EA	BOLT - HEX - SERRATED FLANGE - 1/2-13 X 1 1/2 - ZINC
	000C26-08-40B	EA	BOLT - HEX - SERRATED FLANGE - 1/2-13 X 2 1/2-GRADE #5 ZINC
	000C27-08-48B	EA	BOLT-CARR 1/2-13X3.00 GR5 - 97 M-SERIES
	000C27-08-64B	EA	BOLT - CARRIAGE - 1/2-13 X 4 - GRADE 5
	000D16-07-00B	EA	NUT - HEX - 7/16-14 - ZINC

SEALANTS & FASTENERS GROUP (CONTINUED)
BOLTS, NUTS AND WASHERS (CONTINUED)

KEY	PART NUMBER	U/M	DESCRIPTION
	000D24-10-00B	EA	NUT - HEX - SELF LOCKING - 10-32 - ZINC
	000D27-05-00B	EA	NUT - HEX LOCK - 5-40 - ZINC
	000D28-10-00B	EA	NUT - HEX - W/NYLON LOCK - 10-32 - ZINC
	000D29-04-00F	EA	NUT - HEX - SELF LOCKING - 1/4 X 20 - STAINLESS STEEL
	000D29-04-00B	EA	NUT - HEX - SELF LOCKING - 1/4 X 20 - ZINC
	000D29-06-00B	EA	NUT - HEX - W/NYLON LOCK - 3/8-16 - ZINC
	000D29-09-00B	EA	NUT - HEX - SELF LOCKING - 9/16-12 - ZINC
	000D34-04-00B	EA	NUT - HEX - LOCKING - 1/4-20 - ZINC
	000D34-06-00B	EA	NUT - HEX - LOCKING - 3/8-16 GRADE C - ZINC
	000D39-04-00B	EA	NUT - HEX - LOCKING W/SERRATED FLANGE - 1/4-20 - ZINC
	000D39-05-00B	EA	NUT - HEX - LOCKING W/SERRATED FLANGE - 5/16-18 - ZINC
	000D39-06-00B	EA	NUT - HEX - LOCKING W/SERRATED FLANGE - 3/8-18 - ZINC
	000D39-06-00D	EA	NUT - HEX - LOCKING W/SERRATED FLANGE - 3/8"-16 BLACK
	000D39-07-00B	EA	NUT - HEX - LOCKING W/SERRATED FLANGE - 7/16-14 - ZINC
	000D39-08-00B	EA	NUT - HEX - LOCKING W/SERRATED FLANGE - 1/2-13 - ZINC
	000D39-09-00B	EA	NUT - HEX - LOCKING W/SERRATED FLANGE - 9/16-12 - ZINC
	000D44-04-00B	EA	NUT - HEX - LOCKING W/SERRATED FLANGE - 1/4-28 - ZINC
	000D44-07-00B	EA	NUT - HEX - LOCKING W/SERRATED FLANGE - 7/16-20 - ZINC
	000D44-08-00B	EA	NUT - HEX - LOCKING W/SERRATED FLANGE - 1/2-20 - ZINC
	000D46-04-00A	EA	NUT - HEX - WELD - 1/4-20 - PLAIN
	000D65-08-00B	EA	NUT - HEX - LOCKING W/SERRATED FLANGE - 8-32 - ZINC
	000D73-08-00C	EA	NUT - HEX FLANGE - 1/2-13
	000D75-09-00B	EA	NUT - HEX LOCKING - 9/16-12 - ZINC
	000D76-06-00B	EA	NUT - HEX FLANGE - 3/8-16
	000E11-04-00F	EA	WASHER - LOCKING - 1/4 MED SPLIT - STAINLESS STEEL
	000E11-07-00B	EA	WASHER - LOCKING - 7/16 MED SPLIT - ZINC
	000E11-08-00B	EA	WASHER - LOCKING - 1/2 MED SPLIT - ZINC
	000E13-17-00B	EA	WASHER - FLAT - 3/8 AR - ZINC
	000E13-18-00B	EA	WASHER - FLAT - 3/8 WIDE - ZINC
	000E13-20-00B	EA	WASHER - FLAT - 7/16 WIDE - ZINC
	000E13-22-00B	EA	WASHER - FLAT - 1/2 WIDE - ZINC
	000E13-26-00B	EA	WASHER - FLAT - 5/8 WIDE - ZINC
	000E14-10-00B	EA	WASHER - LOCKING - #10 EXTERNAL TOOTH - ZINC
	000E16-10-00B	EA	WASHER - HARDENED - 5/8 - FLAT - ZINC
	000G45-05-16B	EA	BOLT - LAG - 5/16-9 X 1 - ZINC
	005081-01-000	EA	NUT - SPEED - C-TYPE - #8 SCREW
	039715-01-000	EA	NUT-SERT - 1/4" DIAMETER - 20 THREADS
	040921-01-000	EA	NUT - SPEED - U TYPE - #10-24 - BLACK
	040921-03-000	EA	NUT - SPEED - U TYPE - #10
	040921-04-000	EA	NUT - SPEED - U TYPE - #8-.59" LENGTH X .44" WIDTH
	040921-05-000	EA	NUT - SPEED - U-TYPE - 8-.67" X .44" WIDE
	040921-11-000	EA	NUT - SPEED - U-TYPE - 8-.59" LENGTH X .44" WIDTH - BLACK
	041322-01-000	EA	WASHER - FLANGE - 15/32"ID X 2 3/8"OD - F/SEAT BELT MTG
	044364-02-000	EA	NUT - SPEED - FLAT - ROUND
	044533-01-000	EA	WASHER - 1 3/8"OD - FOR BUTTONS - PLASTIC
	051387-06-000	EA	BOLT - CARRIAGE W/O HOLE - 5/16-18 X 9 1/2 - ZINC
	058716-02-000	EA	WASHER - FLAT NYLON
	064081-03-000	EA	NUT - WING 3/8-16 - W/WELD NUT
	077071-01-000	EA	WASHER - FENDER - 3/16"ID X 1"OD
	087234-01-000	EA	NUT - JACK - 1/4 X 20 THD - MOLLY
	088787-12-000	EA	STUD - WELD - 1/4 - 20 X 1.0 LG - MN
	102540-02-000	EA	SEAL - SCREW
	106956-03-000	EA	BOLT - HEX TAP - 1/2-13NC X 3 - GRADE 5 - FULL THREAD/ZINC
	106956-10-000	EA	BOLT - HEX TAP - 9/16-12NC X 3 5/8 -GRD 5-FULL THREAD/ZINC
	106956-11-000	EA	BOLT - HEX TAP - 1/2-13NC X 2 1/2 - GRD 5-FULL THREAD/ZINC
	106956-13-000	EA	BOLT - HEX TAP - 1/2-20 X 2 1/2 - GRD 5-FULL THREAD/ZINC
	107397-01-000	EA	WASHER - FENDER - 3/4"ID X 1"OD
	108067-03-000	EA	STUD - WELD - 1/4 - 20 X 1/2 CD
	109917-03-000	EA	WASHER - 1" X .50"
	109917-04-000	EA	WASHER - 1" X .75"
	128444-01-000	EA	WASHER - SPRING - CONICAL
	135092-02-01A	EA	BOLT - HEX - SERRATED FLANGE - 1/2-20 X 2 1/2-GRADE 5 ZINC
	135092-05-01A	EA	BOLT - HEX - SERRATED FLANGE - 1/2-20 X 1 - GRADE 5 ZINC
	143399-01-01A	EA	NUT/RETAINING - 3/8" - 24 NFT

SEALANTS & FASTENERS GROUP (CONTINUED)

BOLTS, NUTS AND WASHERS (CONTINUED)

KEY	PART NUMBER	U/M	DESCRIPTION
	144904-01-01A	EA	BOLT - ADJUSTMENT - HEADLAMP
	147284-02-000	EA	NUT/SELF RETAINING - 5/16"-18
	148817-01-000	EA	WASHER/SPUR - LOCKING

SCREWS

KEY	PART NUMBER	U/M	DESCRIPTION
	0G1208-12-170	EA	SCREW - 8-18 X 3/4 POH - BRIGHT WHITE
	0G3908-08-170	EA	SCREW - SF/DR - 8-18 X 1/2 PPH - BRIGHT WHITE
	0G3908-08-410	EA	SCREW - SF/DR - 8-18 X 1/2 PPH - PARCHMENT
	0G3908-16-170	EA	SCREW - SF/DR - 8-18 X 1 PPH - BRIGHT WHITE
	0G3908-24-170	EA	SCREW - SF/DR - 8-18 X 1 1/2 PPH - BRIGHT WHITE
	0G3910-10-330	EA	SCREW - SF/DR - 20-16 X 5/8 PPH - PUTTY
	0G3910-12-170	EA	SCREW - SF/DR - 10-16 X 3/4 PPH - BRIGHT WHITE
	0G3910-12-240	EA	SCREW - SF/DR - 10-16 X .75 PPH - VW LIGHT GRAY
	0G3910-12-380	EA	SCREW - SF/DR - 10-16 X .75 PPH - CASHMERE
	0G3910-12-370	EA	SCREW - SF/DR - 10-16 X .75 PPH - RIVERSTONE
	0G3910-24-170	EA	SCREW - SF/DR - 10-16 X 1 1/2 PPH - BRIGHT WHITE
	0G3910-32-330	EA	SCREW - SF/DR - 10-16 X 2.00 PPH - PUTTY
	0G5508-08-380	EA	SCREW - SF/DR - 8-18 X .5 PWH - CASHMERE
	0G5508-08-370	EA	SCREW - SF/DR - 8-18 X .5 PWH - RIVERSTONE
	0G5508-12-170	EA	SCREW - SF/DR - 8-18 X 3/4 PWH - BRIGHT WHITE
	0G5508-12-320	EA	SCREW - SF/DR - 8-18 X 3/4 PWH - GLACIER
	0G5508-12-330	EA	SCREW - SF/DR - 8-18 X 3/4 PWH - PUTTY
	0G6008-16-170	EA	SCREW - SF/DR - 8-18 X 1 POH - BRIGHT WHITE
	0G5508-16-250	EA	SCREW - SF/DR - 8-18 X 1 PWH - VW DARK GRAY
	0G5508-16-330	EA	SCREW - SF/DR - 8-18 X 1 PWH - PUTTY
	0G5508-16-370	EA	SCREW - SF/DR - 8-18 X 1 PWH - RIVERSTONE
	0G5508-16-380	EA	SCREW - SF/DR - 8-18 X 1 PWH - CASHMERE
	0G5508-16-410	EA	SCREW - SF/DR - 8-18 X 1 PWH - MEDIUM PARCHMENT
	0G6012-32-170	EA	SCREW - SF/DR - 12-14 X 2 POH - BRIGHT WHITE
	0G6710-08-170	EA	SCREW - 10-12 X 1/2 PPH - BRIGHT WHITE
	0G6710-12-170	EA	SCREW - 10-12 X 3/4 PPH - BRIGHT WHITE
	0G6806-16-170	EA	SCREW - 6-18 X 1 POH - BRIGHT WHITE
	0G6810-24-280	EA	SCREW - 10-12 X 1 1/2 POH - SOFT WHITE
	000C20-06-24T	EA	SCREW - 3/8-16 X 1 1/2 - FLAT SOCKET
	000C28-05-24D	EA	CAPSCREW/BUTTON HEAD - 5/16-18 X 1 1/2 - #8-BLK PHOSPHATE
	000G11-06-08B	EA	SCREW - 6-20 X 1/2 PPH - ZINC
	000G11-06-10B	EA	SCREW - 6-20 X 5/8 PPH - ZINC
	000G11-06-10J	EA	SCREW - 6-20 X 5/8 PPH - BRASS
	000G11-07-08B	EA	SCREW - 7-19 X 1/2 PPH - ZINC
	000G11-08-06B	EA	SCREW - 8-18 X 3/8 PPH - ZINC
	000G11-08-08T	EA	SCREW - 8-18 X 1/2 PPH - FLUOROCARBON COATING
	000G11-08-12B	EA	SCREW - 8-18 X 3/4 PPH - ZINC
	000G11-08-12P	EA	SCREW - 8-18 X 3/4 PPH - DARK BROWN
	000G11-08-12S	EA	SCREW - 8-18 X 3/4 PPH - OFF WHITE
	000G11-08-12T	EA	SCREW - 8-18 X 3/4 PPH - BLACK MAGNESIUM
	000G11-08-20B	EA	SCREW - 8-18 X 1 1/4 PPH - ZINC
	000G11-08-20G	EA	SCREW - 8-18 X 1 1/4 - ANTIQUE BRASS
	000G11-10-12D	EA	SCREW - 10-16 X 3/4 PPH - BLACK
	000G12-06-08T	EA	SCREW - 6-20 X 1/2 POH - BLACK
	000G12-06-12J	EA	SCREW - 6-20 X .75 POH - BRASS
	000G12-10-16F	EA	SCREW - 10-16 X 1 POH - STAINLESS STEEL
	000G13-05-10B	EA	SCREW - 5-12 X 5/8 PFH - ZINC
	000G13-06-08B	EA	SCREW - 6-20 X 1/2 PFH - ZINC
	000G13-06-08G	EA	SCREW - 6-20 X 1/2 PFH - ANTIQUE BRASS
	000G13-06-10G	EA	SCREW - 6-20 X 5/8 PFH - ANTIQUE BRASS
	000G13-06-16J	EA	SCREW - 6-20 X 1 PFH - BRASS
	000G13-06-169	EA	SCREW - SF/DR - 6-20 X 1 PFH - SILVER
	000G13-06-24J	EA	SCREW - 6-20 X 1 1/2 PFH - BRASS
	000G13-07-10H	EA	SCREW - 7-19 X 5/8 PFH - BLACK
	000G13-07-12B	EA	SCREW - 7-19 X 3/4 PFH - ZINC
	000G13-08-109	EA	SCREW - 8-18 X 5/8 PFH
	000G13-08-10B	EA	SCREW - 8-18 X 5/8 PFH - ZINC
	000G13-08-16B	EA	SCREW - 8-18 X 1 PFH - ZINC

SEALANTS & FASTENERS GROUP (CONTINUED)
SCREWS (CONTINUED)

KEY	PART NUMBER	U/M	DESCRIPTION
	000G13-08-24B	EA	SCREW - 8-18 X 1 1/2 PFH - ZINC
	000G16-04-24B	EA	SCREW - MACHINE - 1/4-20 X 1 1/2 PPH
	000G18-08-12B	EA	SCREW - MACHINE - 8-32 X 3/4 PPH - ZINC
	000G18-08-16B	EA	SCREW - MACHINE - 8-32 X 1 PPH - ZINC
	000G18-08-24B	EA	SCREW - MACHINE - 8-32 X 1 1/2 PPH - ZINC
	000G18-08-22B	EA	SCREW - MACHINE - 8-32 X 1 3/8 PPH - ZINC
	000G19-10-08B	EA	SCREW - MACHINE - 10-32 X 1/2 PPH - ZINC
	000G19-10-10B	EA	SCREW - MACHINE - 10-32 X 5/8 - PPH - ZINC
	000G19-10-12F	EA	SCREW - MACHINE - 10-32 X 3/4 PPH - STAINLESS STEEL
	000G19-10-20B	EA	SCREW - MACHINE - 10-32 X 1 1/2 PPH - ZINC
	000G32-10-06B	EA	SCREW - 10-32 X 3/8 PPH - ZINC
	000G34-05-12B	EA	SCREW - HEX HEAD TAPPING - 5/16 X 3/4 LONG
	000G36-10-12T	EA	SCREW - 10-24X 3/4 PFH TYPE 23 - BLACK
	000G39-06-10T	EA	SCREW - SF/DR - 6-20 X 5/8 PPH - BLACK
	000G39-06-16T	EA	SCREW - SF/DR - 6-20 X 1 PPH - BLACK
	000G39-08-06B	EA	SCREW - SF/DR - 8-18 X 3/8 PPH - ZINC
	000G39-08-08B	EA	SCREW - SF/DR - 8-18 X 1/2 PPH - ZINC
	000G39-08-08S	EA	SCREW - SF/DR - 8-18 X 1/2 PPH - OFF WHITE
	000G39-08-08T	EA	SCREW - SF/DR - 8-18 X 1/2 PPH - BLACK
	000G39-08-12T	EA	SCREW - SF/DR - 8-18 X 3/4 PPH - BLACK
	000G39-08-16B	EA	SCREW - SF/DR - 8-18 X 1 PPH - ZINC
	000G39-08-16T	EA	SCREW - SF/DR - 6-20 X 1 PPH - BLACK
	000G39-08-24B	EA	SCREW - SF/DR - 8-18 X 1 1/2 PPH - ZINC
	000G39-08-24S	EA	SCREW - SF/DR - 8-18 X 1 1/2 - OFF WHITE
	000G39-08-24T	EA	SCREW - SF/DR - 8-18 X 1 1/2 PPH - BLACK
	000G39-08-32B	EA	SCREW - SF/DR - 8-18 X 2 PPH - ZINC
	000G39-10-08B	EA	SCREW - SF/DR - 10-16 X 1/2 PPH - ZINC
	000G39-10-10B	EA	SCREW - SF/DR - 10-16 X 5/8 PPH - ZINC
	000G39-10-12B	EA	SCREW - SF/DR - 10-16 X 3/4 PPH - ZINC
	000G39-10-129	EA	SCREW - SF/DR - 10-16 X 3/4 PPH - FLUOROCARBON SILVER
	000G39-10-169	EA	SCREW - SF/DR - 10-16 X 1 PPH - FLUOROCARBON SILVER
	000G39-10-20B	EA	SCREW - SF/DR - 10-16 X 1 1/4 PPH - ZINC
	000G39-10-20T	EA	SCREW - SF/DR - 10-16 X 1 1/4 PPH - BLACK
	000G39-10-24T	EA	SCREW - SF/DR - 10-16 X 1 1/2" PPH - BLACK
	000G39-10-28T	EA	SCREW - SF/DR - 10-16 X 1 3/4" PPH - BLACK
	000G39-10-32B	EA	SCREW - SF/DR - 10-16 X 2 - PPH - ZINC
	000G39-10-48B	EA	SCREW - SF/DR - 10-16 X 3 - PPH - ZINC
	000G39-10-48T	EA	SCREW - SF/DR - 10-16 X 3 PPH - BLACK
	000G42-04-16B	EA	SCREW - SF/DR - 1/4-14 X 1 HWH - ZINC
	000G42-04-24B	EA	SCREW - SF/DR - 1/4-14 X 1 1/2 - ZINC
	000G46-08-24T	EA	SCREW - MACHINE - 8-32 X 1 1/2 PFH - ZINC
	000G52-06-05B	EA	SCREW - MACHINE - 6-32 X 5/16 PTH - ZINC
	000G52-06-06B	EA	SCREW - MACHINE - 6-32 X 3/8 PTH - ZINC
	000G54-04-14B	EA	SCREW - 1/4-20 X 7/8 PTH - TYPE 23 - ZINC PLATED
	000G55-08-12T	EA	SCREW - SF/DR - 8-18 X 3/4 PWH - BLACK
	000G55-08-124	EA	SCREW - SF/DR - 8-18 X 3/4 PWH - ASH GRAY
	000G55-08-16T	EA	SCREW - SF/DR - 8-18 X 1 PWH - BLACK
	000G56-12-48B	EA	SCREW - WOOD - 12-11 X 3 POH - SPECIAL HARDENED
	000G57-14-64B	EA	SCREW - 14-10 X 4 PFH ZINC
	000G60-08-16E	EA	SCREW - SF/DR - 8-1 X 1 POH - CHROME
	000G60-08-20F	EA	SCREW - SF/DR - 8-19X1.25 POH
	000G60-08-22B	EA	SCREW - SF/DR - 8-18 X 1.38 POH - ZINC
	000G60-10-16J	EA	SCREW - SF/DR - 10-16 X 1 POH - BRIGHT BRASS
	000G60-10-20B	EA	SCREW - SF/DR - 10-16 X 1 1/4 POH - ZINC
	000G60-10-209	EA	SCREW - SF/DR - 10-16 X 1 1/4 POH - SILVER STALGAARD
	000G60-10-28T	EA	SCREW - SF/DR - 10-16 X 1 3/4 - BLACK
	000G62-06-24I	EA	SCREW - SF/DR - 8-18 X 1.5 PPH - BLACK
	000G62-06-249	EA	SCREW - SF/DR - 8-18 X 1.5 PPH - SILVER
	000G62-08-24B	EA	SCREW - SF/DR - 8-18 X 1 1/2 PFH
	000G67-08-32B	EA	SCREW - 8-15 X 2 PPH - ZINC
	000G67-10-08B	EA	SCREW - 10-12 X 1/2 PPH - ZINC
	000G67-10-08S	EA	SCREW - 10-12 X 1/2 PPH - OFF WHITE
	000G67-10-10B	EA	SCREW - 10-12 X 5/8 PPH - ZINC - TYPE A
	000G67-10-10S	EA	SCREW - 10-12 X 5/8 PPH - OFF WHITE

SEALANTS & FASTENERS GROUP (CONTINUED)
SCREWS (CONTINUED)

KEY	PART NUMBER	U/M	DESCRIPTION
	000G67-10-10T	EA	SCREW - 10-12 X 5/8 PPH - BLACK
	000G67-10-10P	EA	SCREW - 10-12 X 5/8 PPH - DARK BROWN
	000G67-10-12P	EA	SCREW - 10-12 X 3/4 PPH - DARK BROWN
	000G67-10-24B	EA	SCREW - 10-12 X 1 1/2 PPH - ZINC
	000G67-10-24S	EA	SCREW - 10-12 X 1 1/2 PPH - OFF WHITE
	000G67-10-32J	EA	SCREW-10-12X2 PPH - BRIGHT BRASS
	000G68-06-10J	EA	SCREW - 6-18 X 5/8 POH - BRASS
	000G68-06-12B	EA	SCREW - 6-18 X 3/4 POH - ZINC & CLEAR
	000G68-06-12J	EA	SCREW - 6-18 X 3/4 POH - BRASS
	000G68-06-12S	EA	SCREW - 6-18 X 3/4 POH
	029130-01-000	EA	SCREW - SNAP STUD - #8-16 X 5/8" LONG
	029130-03-000	EA	SCREW - SNAP STUD - #8-16 X 1" LONG
	049465-01-000	EA	SCREW - 10-16 PTH W/WASHER - DARK BROWN
	049465-03-000	EA	SCREW - 10-16 X 1 POH W/WASHER - OFF WHITE
	049465-13-000	EA	SCREW - 10-16 X 1 PTH W/WASHER - ASH GRAY
	049465-17-000	EA	SCREW - 10-16 X 1 POH W/WASHER - BRIGHT WHITE
	049465-18-000	EA	SCREW - 10-16 X 1 POH W/WASHER - VW GRAY
	054434-02-000	EA	SCREW - SF/DR - 10-16 X 2 - ZINC
	054434-03-000	EA	SCREW - SF/DR - 10-16 X 2 - PWH - ZINC
	075908-01-000	EA	SCREW - MACHINE - 10-32 X .56 PTH - EXTERNAL TOOTH - ZINC
	076790-01-000	EA	SCREW - 6-20 X 1 1/4 PPH - BLACK
	076790-05-000	EA	SCREW - 6-20 X 1/2 PPH - BLACK - THREAD CUTTING/WOOD
	083554-01-000	EA	SCREW - DRYWALL - 8 X 1 1/4
	083554-04-000	EA	SCREW - DRYWALL - 8 X 2 1/2
	087721-01-000	EA	SCREW - FLAT HEAD - TAPPING - 1/4" X 1 1/4" LONG - ZINC
	095772-01-000	EA	SOCKET-SNAP FASTNER1" SF/DR - SELF DRIVER
	097974-01-000	EA	SCREW - PARTICLE BOARD - 7-9 X 3/4 PPH
	097974-02-000	EA	SCREW-PART BD 8-9X.75 PFH - BEIGE
	101618-01-000	EA	SCREW - 1/4-20 X 3/4 HEX - TAPPING - STALGARD TYPE F
	113563-01-01A	EA	SCREW - 8 X 5/8 LONG SHOULDER/WASHER HEAD
	113563-01-02A	EA	SCREW - 8 X 5/8 LONG SHOULDER/WASHER HEAD - BRIGHT WHITE
	118383-01-09A	EA	RETAINER/RECESSED - F/.22" SCREW - GLACIER
	118383-01-12A	EA	RETAINER/RECESSED - F/.22" SCREW - RIVERSTONE
	118383-01-10A	EA	RETAINER/RECESSED - F/.22" SCREW - STORM GRAY
	118383-01-11A	EA	RETAINER/RECESSED - F/.22" SCREW - CASHMERE
	118383-02-10A	EA	RETAINER/RECESSED - F/.27" SCREW - RIVERSTONE
	118383-02-11A	EA	RETAINER/RECESSED - F/.27" SCREW - CASHMERE
	118383-02-13A	EA	RETAINER/RECESSED - F/.27" SCREW - OFF WHITE
	118383-03-09A	EA	RETAINER/RECESSED - F/.32" SCREW - GLACIER
	118383-04-04A	EA	CAP - F/RECESSED RETAINER - BRIGHT WHITE
	118383-04-09A	EA	CAP - F/RECESSED RETAINER - GLACIER
	118383-04-10A	EA	CAP - F/RECESSED RETAINER - RIVERSTONE
	118383-04-11A	EA	CAP - F/RECESSED RETAINER - CASHMERE
	118383-04-12A	EA	CAP - F/RECESSED RETAINER - STORM GRAY
	118383-04-13A	EA	CAP - F/RECESSED RETAINER - OFF WHITE
	134126-01-01A	EA	SCREW/NAIL - HEX HEAD - 3/4"
	140040-01-000	EA	SCREW - 1/4-20 X 1 - BUTTON HEAD/SOCKET - W/LOCTITE
	149753-01-01A	EA	RETAINER/RECESSED - F/.22" SCREW - BLACK
	149753-01-02A	EA	RETAINER/RECESSED - F/.22" SCREW - BRIGHT WHITE
	149753-02-01A	EA	CAP - F/RECESSED RETAINER - BLACK
	149753-02-02A	EA	CAP - F/RECESSED RETAINER - BRIGHT WHITE
	154938-01-01A	EA	SCREW - SF/DR - 10-16 X 3/4 PPH - W/SELF SEAL - BRIGHT WHITE
	154938-01-02A	EA	SCREW - SF/DR - 10-16 X 3/4 PPH - W/SELF SEAL - BLACK
	154938-02-01A	EA	SCREW - SF/DR - 8-18 X 1 PFH - W/SELF SEAL - BRIGHT WHITE
	154938-02-02A	EA	SCREW - SF/DR - 8-18 X 1 PFH - W/SELF SEAL - BLACK
	154938-02-03A	EA	SCREW - SF/DR - 8-18 X 1 PFH - W/SELF SEAL - SILVER
	154938-03-01A	EA	SCREW - SF/DR - 8-18 X 5/8 PFH - W/SELF SEAL - BRT WHT
	154935-03-02A	EA	SCREW - SF/DR - 8-18 X 5/8 PFH - W/SELF SEAL - BLACK
	154938-04-01A	EA	SCREW - SF/DR - 10-16 X 1" TPH - W/SELF SEAL - BRT WHT
	154938-04-02A	EA	SCREW - SF/DR - 10-16 X 1" TPH - W/SELF SEAL - BLACK
	154938-05-03A	EA	SCREW - SF/DR - 8-18 X 1.25" PFH - W/SELF SEAL - SILVER

SEALANTS & FASTENERS GROUP (CONTINUED)
CLAMPS, CLIPS, GROMMETS, RIVETS & PLUGS

KEY	PART NUMBER	U/M	DESCRIPTION
	000H16-04-06R	EA	RIVET - POP ALUMINUM - 1/8 X .313 - .375
	000H16-06-10R	EA	RIVET - POP ALUMINUM - 3/16 X .501 - .625
	007161-01-000	EA	CLAMP - HOSE - SPRING TYPE - 1/2"
	008386-01-000	EA	GROMMET - SNAP - 3/8" DIAMETER - NYLON
	010495-01-000	EA	CLAMP - CABLE - 9/16"ID - BLACK
	010495-02-000	EA	CLAMP - CABLE - 3/8"ID - BLACK
	010495-04-000	EA	CLAMP - CABLE - 11/16"ID - WHITE
	010497-01-000	EA	CLAMP - CLOSED - 5/8"ID
	010497-02-000	EA	CLAMP - CLOSED - 1.5"ID
	010497-03-000	EA	CLAMP - CLOSED - 1"ID - CUSHIONED
	010497-04-000	EA	CLAMP - CLOSED - 1 5/8"ID
	010497-05-000	EA	CLAMP - CLOSED - 1/2"ID
	010497-07-000	EA	CLAMP - CLOSED - 3/8"ID
	010497-09-000	EA	CLAMP - CLOSED - 5/16"ID
	010497-10-000	EA	CLAMP - CLOSED - 7/8"ID
	010499-01-000	EA	CLAMP - CLOSED - 3/8"ID
	016188-03-000	EA	GROMMET - LP LINE - 3/8"HOLE X 2 1/2"LONG - RUBBER
	016188-04-000	EA	GROMMET - LP LINE - 1/2"HOLE X 2 1/2"LONG - RUBBER
	016188-05-000	EA	GROMMET - LP LINE - 3/8"HOLE X 1 1/4"LONG - RUBBER
	016188-06-000	EA	GROMMET - LP LINE - 3/8"HOLE X 3 1/4"LONG - RUBBER
	016188-07-000	EA	GROMMET - L/P LINE - 1/2"HOLE X 3 1/4"LONG
	016188-08-000	EA	GROMMET - LP LINE - 1/2"HOLE X 1 1/4"LONG - RUBBER
	016188-09-000	EA	GROMMET - LP LINE - .68"HOLE X 1 1/4"LONG - RUBBER
	016188-10-000	EA	GROMMET - LP GAS - .68" X 2.5"
	023942-01-000	EA	GROMMET - RUBBER - 2"OD
	041930-11-000	EA	RIVET - POP ALUMINUM - 1/8 X .188 - .250 - BRIGHT WHITE
	061420-04-000	EA	PLUG/PLASTIC - 1 1/4" DIAMETER
	061420-05-000	EA	PLUG/PLASTIC - 1 1/2" DIAMETER
	061420-09-000	EA	PLUG/PLASTIC - 1.00" DIAMETER
	061420-10-000	EA	PLUG/PLASTIC - 1 1/2" DIAMETER - BLACK
	061420-12-000	EA	PLUG/PLASTIC - 1.50" DIAMETER - RED
	061420-13-000	EA	PLUG/PLASTIC - 3/8" - FLUSH
	061420-14-000	EA	PLUG/PLASTIC - 7/8" DIAMETER - BLACK
	061420-15-000	EA	PLUG/PLASTIC - 2" DIAMETER - BLACK
	061420-16-000	EA	PLUG/PLASTIC - 2 1/8" DIAMETER - BLACK
	062401-01-000	EA	CLAMP - HOSE - WORMGEAR - .25" - 1"
	062401-02-000	EA	CLAMP - HOSE - WORMGEAR - 1.56" - 2.5" ID
	062401-03-000	EA	CLAMP - HOSE - WORMGEAR - .22" - 1" ID
	062401-04-000	EA	CLAMP - HOSE - WORMGEAR - .69" - 1.25" ID
	062401-05-000	EA	CLAMP - HOSE - WORMGEAR - 2" - 3" ID
	062401-06-000	EA	CLAMP - HOSE - WORMGEAR - .22" - .62" ID
	062401-09-000	EA	CLAMP - HOSE - WORMGEAR - 2.8" - 3.75" ID
	062401-11-000	EA	CLAMP - HOSE - WORMGEAR - 3.50" - 4.50" ID
	062401-13-000	EA	CLAMP - HOSE - WORMGEAR
	063729-12-000	EA	RIVNUT - 5/16 - 18 UNCUT - FLATHEAD - STAINLESS
	071015-01-000	EA	GROMMET - RUBBER - .5"ID X 1"OD-W/.38" GROOVE - BLACK
	071015-11-000	EA	GROMMET - RUBBER - 1"ID FITS .12 MATERIAL - BLACK
	071015-13-000	EA	GROMMET - RUBBER - .62"ID X 1"OD W/.09" GROOVE - BLACK
	071015-22-000	EA	GROMMET - RUBBER - .62"ID X 1.12"OD W/.19" GROOVE - BLACK
	071015-26-000	EA	GROMMET - RUBBER - 1.5"ID X 2.1"OD W/.06" GROOVE - BLACK
	071015-29-000	EA	GROMMET - RUBBER - .3"ID X 1.3"OD W/.12" GROOVE - BLACK
	071015-30-000	EA	GROMMET - RUBBER - .3"ID X .81"OD W/.12" GROOVE - BLACK
	071015-39-000	EA	GROMMET - .75 ID FITS .06 MTL
	071015-41-000	EA	GROMMET - .125 ID FITS .188 MTL
	071015-42-000	EA	GROMMET - .25 ID FITS .06 MTL
	075148-02-000	EA	CLAMP - GROUNDING - BRONZE SCREWS
	077955-01-000	EA	CLIP/J - 3/8" - VINYL COATED
	080734-02-000	EA	CLIP - WIRE NYLON
	081211-01-000	EA	PLUG - PLASTIC - .31"DIA - BLACK
	081211-03-000	EA	PLUG - PLASTIC - .50"DIAMETER - TRUSS HEAD - BLACK
	081211-04-000	EA	PLUG - PLASTIC - .46"DIAMETER - TRUSS HEAD - BLACK
	083609-01-000	EA	CLAMP - WIRE - DUAL - EQUAL DIAMETERS - 5/8"
	083610-01-000	EA	CLAMP - WIRE - DUAL - UNEQUAL DIAMETERS - 3/4" & 1 1/4"
	083610-02-000	EA	CLAMP - WIRE - DUAL - UNEQUAL DIAMETERS - 3/4" & 2"

SEALANTS & FASTENERS GROUP (CONTINUED)

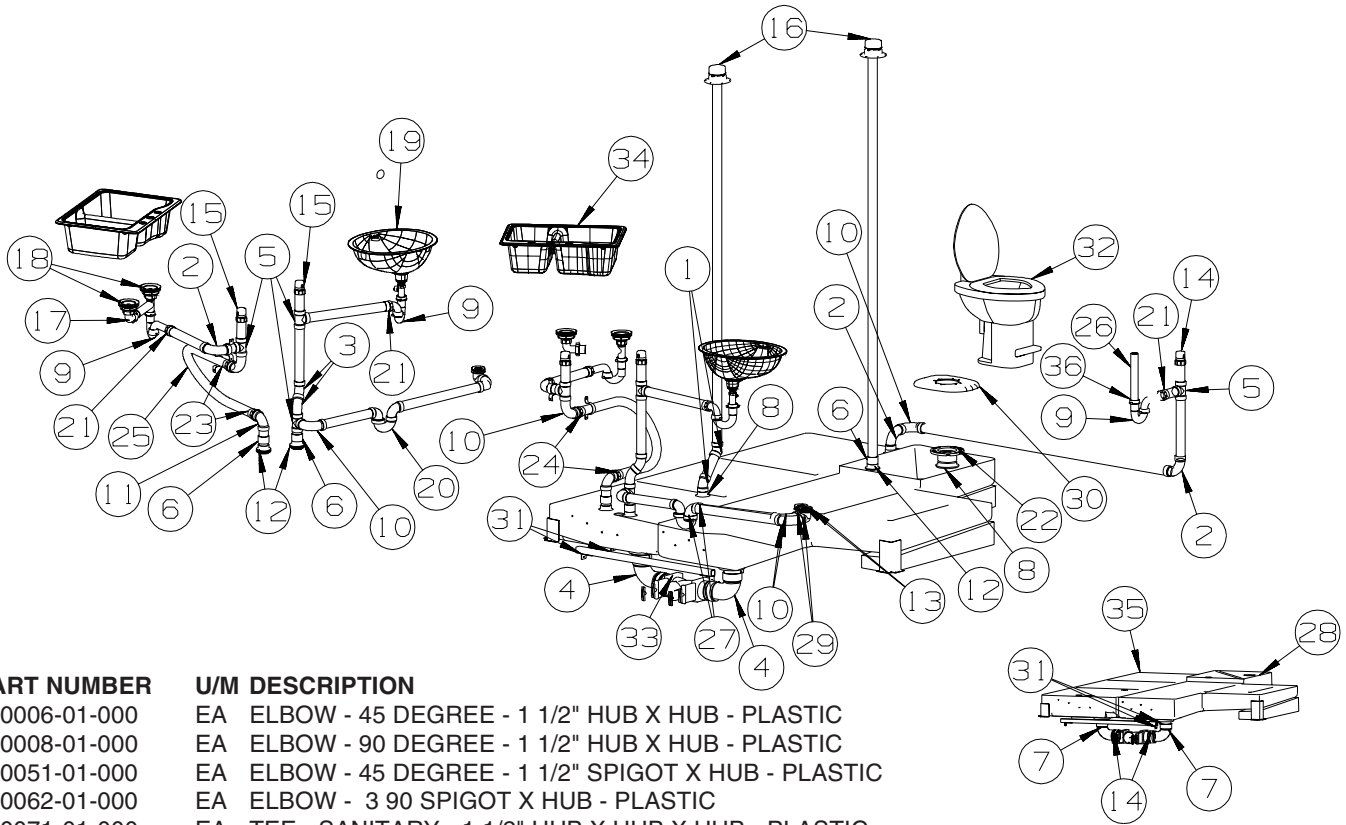
CLAMPS, CLIPS, GROMMETS, RIVETS & PLUGS (CONTINUED)

KEY	PART NUMBER	U/M	DESCRIPTION
	083610-03-000	EA	CLAMP - WIRE - DUAL - EQUAL DIAMETERS - 2"
	088756-01-000	EA	GROMMET - WEB - 1 1/8"ID
	089329-02-000	EA	CLIP - SPRING
	091952-01-000	EA	CLIP - GRIPPER - 1" - BLACK VINYL COATED
	091952-02-000	EA	CLIP - GRIPPER - 3/4" - BLACK VINYL COATED
	091952-03-000	EA	CLIP - GRIPPER - 1/2" - BLACK VINYL COATED
	094362-02-000	EA	CLIP - XMAS TREE - BINDER HEAD - .9" LONG/ANY COLOR
	094362-05-000	EA	CLIP - XMAS TREE - ROUND HEAD - 1.4" LONG/ANY COLOR
	113133-02-01A	EA	RIVET - POP - ALUMINUM - 3/16 X .252 - .504 - BLACK
	114208-05-000	EA	GROMMET - EDGE LINER - FITS 2"
	118626-01-02A	EA	RIVET/POP - ALUMINUM - 3/16 X .08 - .375
	118626-01-01A	EA	RIVET/POP - ALUMINUM - 3/16 X 1.2"(GRIP RANGE .1"-.4")
	118626-02-01A	EA	RIVET/POP - ALUMINUM - 3/16 X .500 - .750
	118626-03-01A	EA	RIVET/POP - STAINLESS STEEL - 3/16 X .500 - .750
	137014-01-02A	EA	GROMMET - CABLE - BROWN
	137014-01-01A	EA	GROMMET - CABLE - ALMOND
	137014-01-03A	EA	GROMMET - CABLE - BLACK
	139118-02-01A	EA	GROMMET - SCREW - PLASTIC
	155498-01-01A	EA	CLAMP - CLOSED - 7/8"ID - VINYL DIP/GALVONIZED - BLACK

MISCELLANEOUS FASTENERS

KEY	PART NUMBER	U/M	DESCRIPTION
	008343-01-000	EA	TIE - WIRE - 6"
	008343-02-000	EA	TIE - WIRE - 14"
	008343-03-000	EA	TIE - WIRE - 7 1/2" - BLACK
	029094-04-000	YD	VELCRO TAPE/LOOP - 1"WIDE - W/ADHESIVE BACK - BLACK
	029096-04-000	YD	VELCRO TAPE/HOOK - 1"WIDE - BLACK - W/ADHESIVE BACK (PSA)
	048394-02-000	YD	VELCRO TAPE - HOOK - ADHESIVE BACK - 3/4" WIDE - BEIGE
	085774-01-000	FT	FASTENER - DUAL LOCK - 1" WIDE - ADHESIVE BACK - BLACK
	085774-02-000	FT	FASTENER - DUAL HOOK - 1" WIDE - ADHESIVE BACK - BLACK
	088792-02-000	YD	VELCRO TAPE - LOOP - 3/4" - ADHESIVE BACK - BEIGE
	088792-04-000	YD	VELCRO TAPE - HOOK - 5/8" - NON-ADHESIVE BACK - WHITE
	088792-05-000	YD	VELCRO TAPE - LOOP - 5/8" - NON-ADHESIVE BACK - WHITE
	108046-02-000	EA	CABLE TIE - SCREW MOUNT 15"

WATER & SEWAGE GROUP DRAINAGE SYSTEM

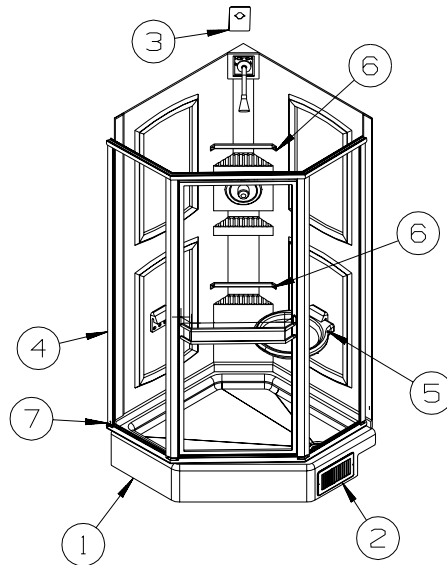


KEY	PART NUMBER	U/M	DESCRIPTION
1	010006-01-000	EA	ELBOW - 45 DEGREE - 1 1/2" HUB X HUB - PLASTIC
2	010008-01-000	EA	ELBOW - 90 DEGREE - 1 1/2" HUB X HUB - PLASTIC
3	010051-01-000	EA	ELBOW - 45 DEGREE - 1 1/2" SPIGOT X HUB - PLASTIC
4	010062-01-000	EA	ELBOW - 3 90 SPIGOT X HUB - PLASTIC
5	010071-01-000	EA	TEE - SANITARY - 1 1/2" HUB X HUB X HUB - PLASTIC
6	010115-01-000	EA	COUPLING - 1 1/2" HUB X HUB - PLASTIC
7	010129-03-000	EA	NIPPLE - 3" X 3" TOE - PLASTIC
8	061607-02-000	EA	GROMMET - HOLDING TANK - 3" NPS
9	107538-02-000	EA	P-TRAP - PLASTIC - 1 1/2" W/EXTENSION ARM
9	011071-01-000	EA	P-TRAP - PLASTIC - 1 1/2" - CSA - CANADIAN
10	033761-01-000	EA	ELBOW - 90 DEGREE - TURN - 1 1/2" HUB X 1 1/2" SPIGOT
11	034250-01-000	EA	ELBOW - 90 DEGREE - LONG TURN - 1 1/2" HUB X HUB - ABS
12	061607-01-000	EA	GROMMET - HOLDING TANK - 1 1/2" NPS
13	066440-01-000	EA	STRAINER - SHOWER DRAIN - W/RUBBER WASHER
	127440-02-01A	EA	WASHER - RUBBER - 1.8" X .1"
	130403-01-000	EA	NUT - SLIP - W/WINGS 1 1/2"
14	078406-01-000	EA	COUPLER - 3" X 3" W/CLAMPS - RUBBER
15	079968-01-000	EA	VENT - MECHANICAL/TRAP ARM - ANTI-SIPHON-2" X 7.3" PLASTIC
16	083558-03-000	EA	VENT W/COVER F/PLUMBING STACK - OFF WHITE
17	011091-02-000	EA	WASTE - CONTINUOUS - DOUBLE SINK
18	092303-01-000	EA	STRAINER - W/BASKET - GALLEY SINK - 4" OD
19	155318-01-01A	EA	SINK - LAVATORY - OVAL - 14" X 17" - OFF WHITE
	106116-02-01A	EA	GASKET - STRAINER
			FROM: 00-00-00 THRU: 05-07-06
20	037763-01-000	EA	P-TRAP - PLASTIC - 1 1/2" HXH W/UNION
21	152146-01-000	EA	CONNECTOR - 1 1/2" P X 1 1/2" MPT
22	116644-01-000	EA	FLANGE/CLOSET - 3" FEMALE - 4 BOLT
			FROM: 00-00-00 THRU: 05-28-06
22	024676-01-000	EA	FLANGE/CLOSET - 4" X 3" - BLACK PLASTIC
			FROM: 05-29-06 THRU: 99-99-99
23	126424-01-000	EA	ADAPTER - 1 1/2" MPT X 1 1/2" HUB
24	126425-02-000	EA	ADAPTER - SWIVEL - 1 1/2" FPT X SPIGOT
25	126426-01-000	FT	PIPE - 1 1/2" FLEXIBLE
26	126588-02-000	EA	ARM - WASTE - 1 1/2" X 20" - FEMALE
	061420-10-000	EA	PLUG/PLASTIC - 1 1/2" DIAMETER - BLACK
27	010009-01-000	EA	ELBOW - 90 DEGREE - 1/4 BEND - 1 1/2" - PLASTIC
28	140050-01-700	EA	TANK - HOLDING
	010232-01-000	EA	FITTING - SPINWELD - PLASTIC 3FPT
	114429-02-000	EA	ELBOW - 1/2" P X 1/2" MPT
	125697-02-000	EA	NOZZLE - WELD-A-FLUSH
	049032-01-000	EA	PATCH - SPINWELD - 3/8" - PLASTIC

WATER & SEWAGE GROUP (CONTINUED)
DRAINAGE SYSTEM (CONTINUED)

KEY	PART NUMBER	U/M	DESCRIPTION
29	131486-01-000	EA	ELBOW - DRAIN 1 1/2" - LOW PROFILE - TUB DRAIN
30	131786-07-01A	EA	SPACER/TOILET - OVAL - 13.5" LONG X 1.25" HIGH - SOFT WHT
31	132871-03-02B	EA	BRACKET/L ANGLE W/HOLES - 1.2" X 2.8" - E-COATED
32*	152829-01-01A	EA	TOILET/AQUA MAGIC STYLE LITE - TALL - W/SPRAY - WHITE
33	136143-01-000	EA	VALVE - DUAL - 3" X 3"
	139513-01-000	EA	HOSE - SEWER - 3" X 10' - W/ADAPTER
	062416-01-000	EA	ADAPTER - SEWER HOSE TO 3" PIPE
*	144728-01-000	EA	VALVE - SEWER HOSE - 3"
	147845-01-01A	EA	LABEL - DRIP VALVE
34	148870-01-01A	EA	SINK/DOUBLE - LRG/SML BASIN - 25" X 19" X 7"
35	132407-01-700	EA	TANK - HOLDING - 54 GALLON - W/3" OUTLET - W/O FITTINGS
	010232-01-000	EA	FITTING - SPINWELD - PLASTIC 3FPT
	049032-01-000	EA	PATCH - SPINWELD - 3/8" - PLASTIC

***COMPONENT PARTS LISTED LATER IN THIS GROUP**



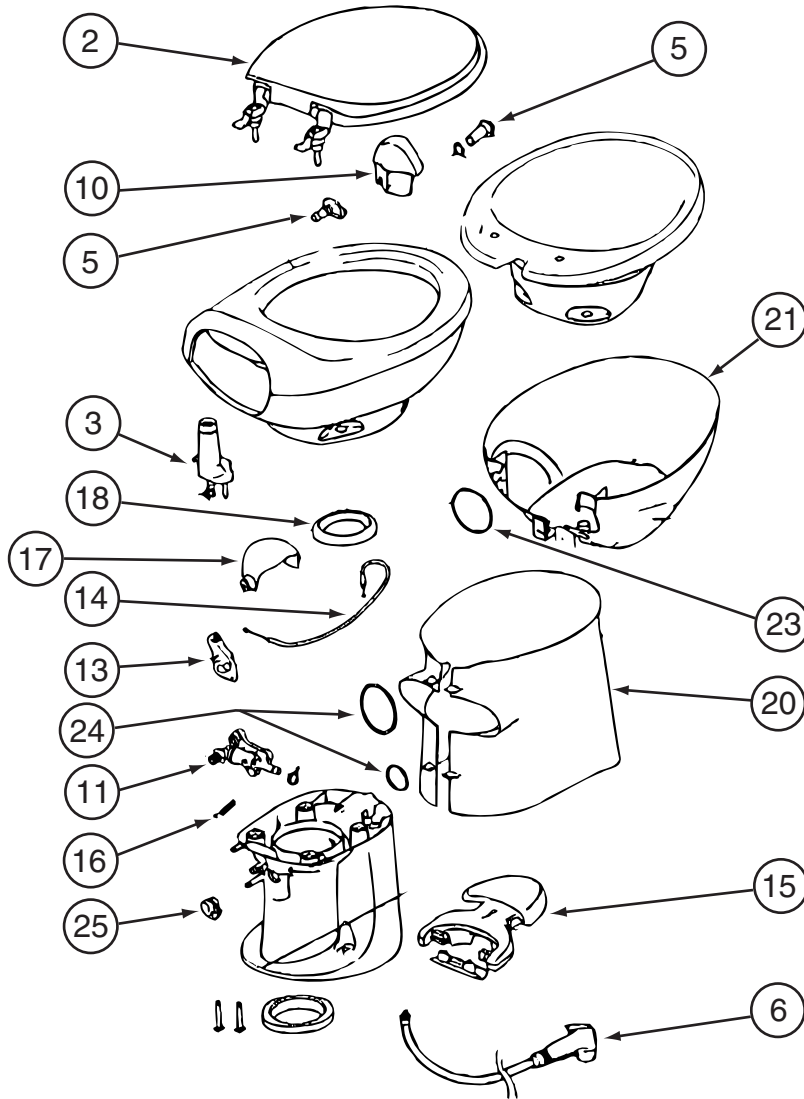
KEY	PART NUMBER	U/M	DESCRIPTION
1	M02630-83-SA0	EA	SHOWER PAN - W/STRAINER
2	089326-02-000	EA	GRILLE - FLOOR - HEATING - 9.3" X 5.3" - SOFT WHITE
3	131549-01-01A	EA	PLATE/COVER - SHOWER HEAD - PLASTIC
4	147575-01-01A	EA	ENCLOSURE - SHOWER - SIDES/BACK - 1 PIECE
5	135607-03-01A	EA	SEAT - SHOWER/FOLDING-WHT - FOLD DOWN SHOWER SEAT
6	113714-02-02A	EA	RETAINER - SHELF/SHOWER - 10.6" - SOFT WHITE
7	154585-03-01A	FT	SEAL - FOAM TAPE - ADHESIVE 2 SIDED - 1/8" X 3/4"

WATER & SEWAGE GROUP (CONTINUED)

COMPONENT PARTS FOR DRAINAGE SYSTEM

144728-01-000

KEY	PART NUMBER	U/M	DESCRIPTION	VENDOR NO.
	144728-01-700	EA	GASKET-RUBBER, INSIDE VALVE	9667310-11
	144728-01-701	EA	GASKET-RUBBER, OUTSIDE	9667310-10



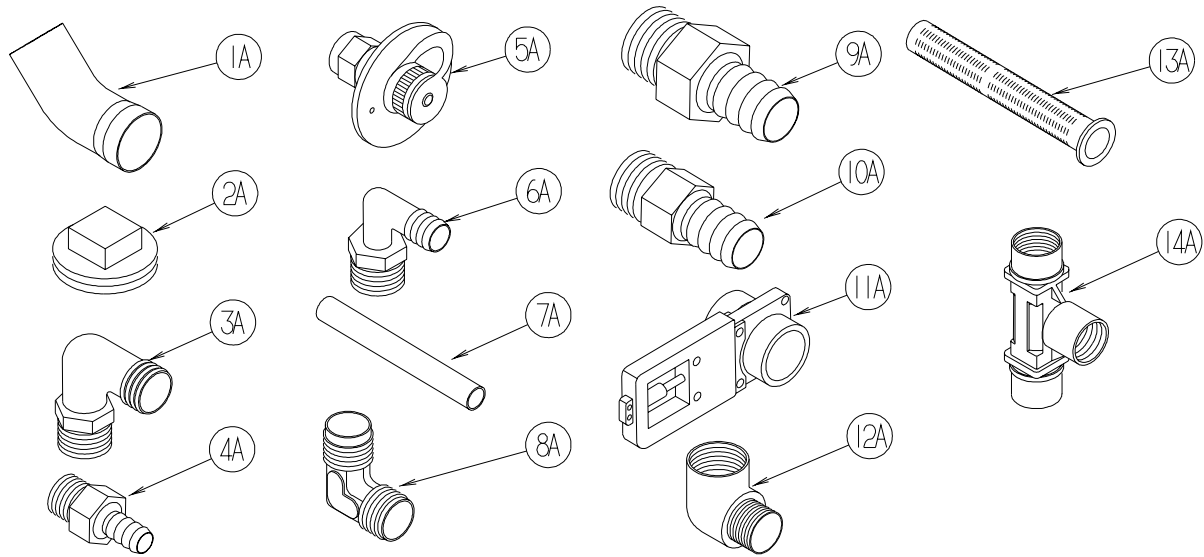
152830-01-01A

KEY	PART NUMBER	U/M	DESCRIPTION	VENDOR NO.
2	152829-01-700	EA	SEAT/COVER ASSEMBLY - WHITE	34144
3	152829-01-708	EA	VACUUM BREAKER	34122
5	152830-01-701	EA	FLUSH NOZZLE - WHITE	34127
11	152829-01-701	EA	WATER VALVE	34100
13	152829-01-703	EA	WATER VALVE DRIVE ARM	34104
14	152829-01-704	EA	CABLE - F/PEDAL	34106
15	152830-01-700	EA	PEDAL PACKAGE - WHITE	34114
16	152829-01-705	EA	SPRING/RETURN-F/WATER VALVE	34110
17	152829-01-706	EA	WASTE BALL - WHITE	34117
18	152829-01-707	EA	SEAL - F/WASTE BALL	34120
20	152830-01-703	EA	SHROUD - TALL/WHITE	34138
24	152830-01-702	EA	O-RING PKG - F/SHROUD	34136
25	152829-01-702	EA	WASTE BALL DRIVE ARM	34102

CONTACT WINNEBAGO PART SALES FOR UNLISTED COMPONENT(S)

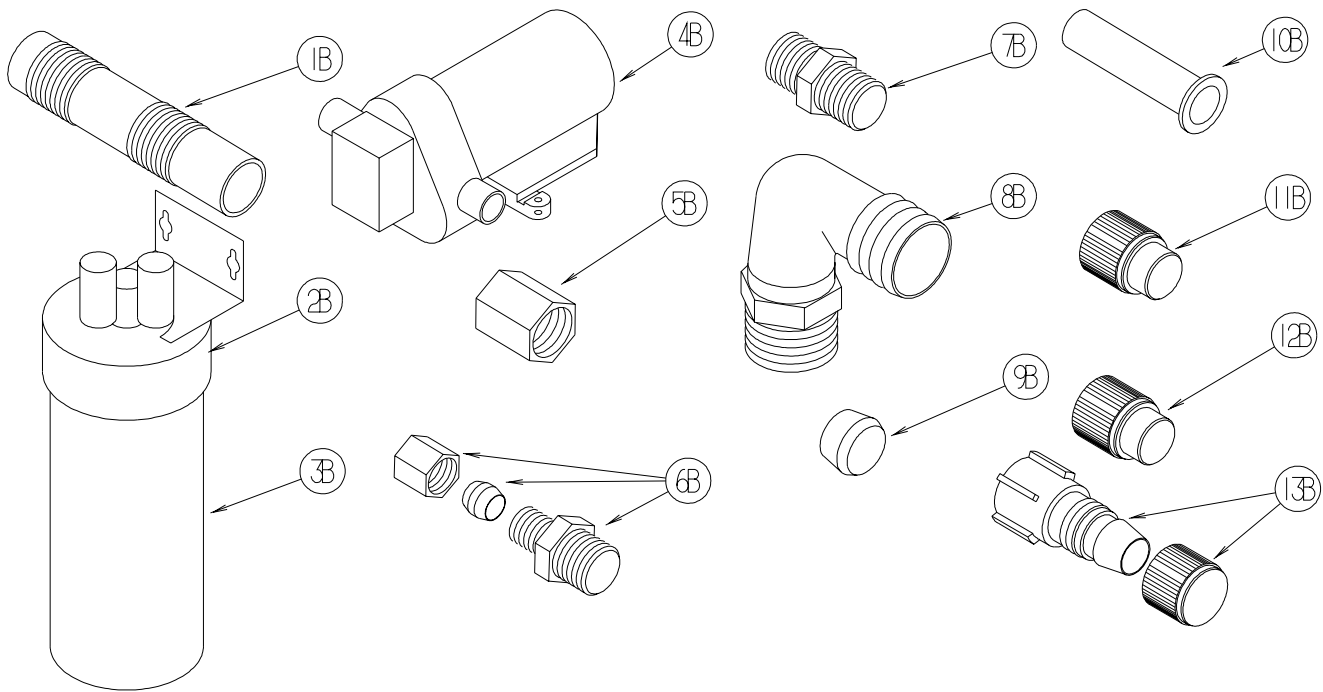
WATER & SEWAGE GROUP (CONTINUED)

WATER SYSTEM



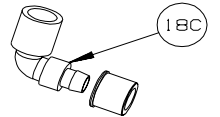
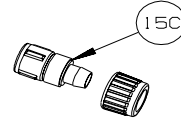
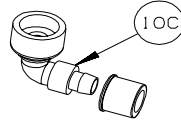
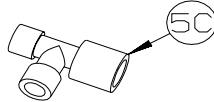
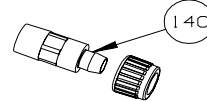
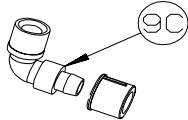
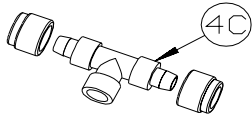
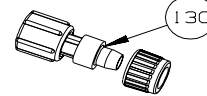
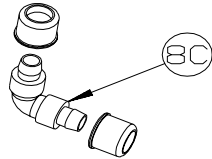
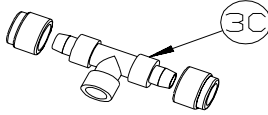
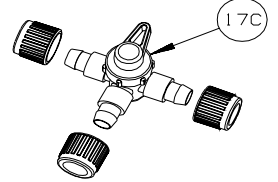
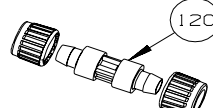
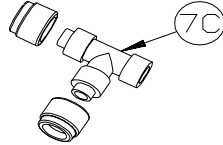
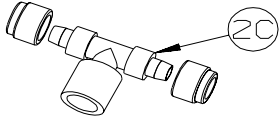
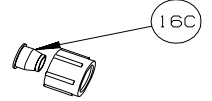
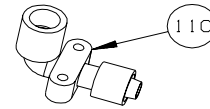
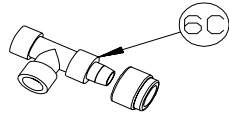
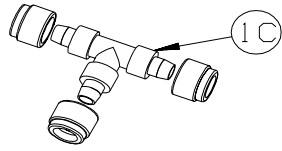
KEY	PART NUMBER	U/M	DESCRIPTION
1A	010009-01-000	EA	ELBOW - 90 DEGREE - 1/4 BEND - 1 1/2" PLASTIC
2A	010166-01-000	EA	PLUG/THREADED - 1 1/4"MPT - PLASTIC - BLACK - UL
3A	010219-01-000	EA	ELBOW - 1 1/4 MPT X 1 1/4 BARB - WATER FILL - PLASTIC
4A	010224-01-000	EA	ADAPTER - HOSE TO PIPE - 3/8 MPT X 3/8 BARB - PLASTIC
5A	010230-06-000	EA	FILL - CITY WATER - W/CHECK VALVE - MPT - BRUSHED ALUM
6A	035539-01-000	EA	ELBOW - 3/8 MPT X 3/8 BARB - PLASTIC
7A	039800-04-000	FT	TUBING - POLYBUTYL - 1/4"OD
7A	074462-02-000	FT	TUBING - VINYL - 3/8 ID X 20' - CLEAR
7A	112176-01-000	FT	TUBING - VINYL - REINFORCED - 1/2" ID
7A	124188-01-000	FT	TUBING - PEX - 1/2" ID X 20' - BLUE(COLD)
7A	124188-02-000	FT	TUBING - PEX - 1/2" ID X 20' - RED(HOT)
8A	039808-03-000	EA	ELBOW - 1/2" MPT X 1/2" MPT - PLASTIC
9A	044927-01-000	EA	ADAPTER - HOSE TO PIPE-1 1/4 MPTX1 1/4 BARB-BLACK PLASTIC
10A	044927-02-000	EA	ADAPTER - REDUCING - 1" MPT X 1.3" BARB - PLASTIC
11A	062421-03-000	EA	VALVE/DUMP W/O HANDLE - 1 1/2" X 1 1/2" HUB
	062421-05-000	EA	CABLE/ROD - F/DUMP VALVE - W/HANDLE - 48"
	062421-07-000	EA	CABLE/ROD - F/DUMP VALVE - W/HANDLE - 144"
	062421-08-000	EA	CABLE/ROD - F/DUMP VALVE - W/HANDLE - 108"
12A	065318-02-000	EA	ELBOW - 90 DEGREE - 3/8" MPT TO 3/8" FPT
13A	077954-02-000	EA	FILTER - WATER TANK - W/SCREEN IN TANK
14A	039798-01-000	EA	TEE - 1/2"MPT X 1/2"MPT X 1/2"MPT - PLASTIC

WATER & SEWAGE GROUP (CONTINUED)
WATER SYSTEM (CONTINUED)



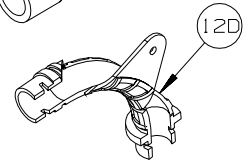
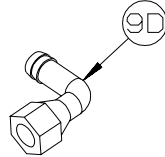
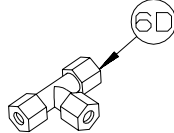
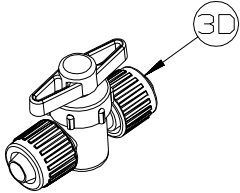
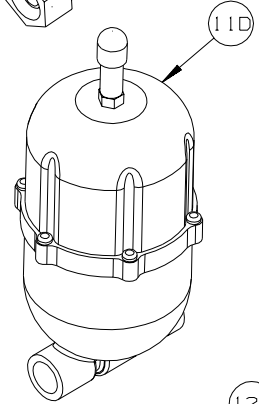
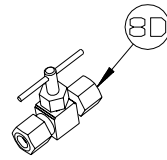
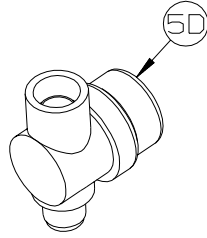
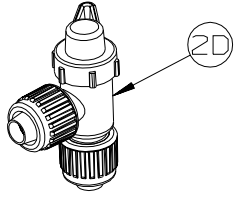
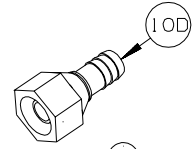
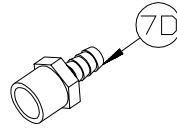
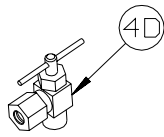
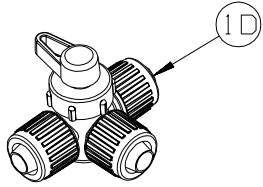
KEY	PART NUMBER	U/M	DESCRIPTION
1B	079381-01-000	FT	TUBING - RIBBED FLEXIBLE - WATER FILL - 1.4" ID
2B	087200-01-000	EA	FILTER-WATER PURIFCATION, EVERPURE QC2-AC
3B	087200-02-000	EA	CARTRIDGE-WATER FILTER,AC - EVERPURE 9601-11
4B*	098607-01-000	EA	PUMP - WATER - W/.5" MPT FITTING - FLOW 2.8 GPM
			FROM: 00-00-00 THRU: 06-21-06
4B	160702-01-000	EA	PUMP - WATER - 3.0 GPM - W/1/2" MPT
			FROM: 06-22-06 THRU: 99-99-99
5B	101814-01-000	EA	COUPLING - FEMALE - 1/2" X 1/2" FPT - GRAY
6B	103798-01-000	EA	CONNECTOR - 1/4 OD X 3/8 MPT
7B	110438-02-000	EA	VALVE - CHECK - BRASS - 1/2 MPT X 1/2 MPT
8B	111223-02-000	EA	ELBOW - 1/2" MPT X 3/8" BARB - PLASTIC
8B	111223-03-000	EA	ELBOW - 3/4" MPT X 1/2" BARB - PLASTIC
8B	111223-04-000	EA	ELBOW - 1/2" MPT X 1/2" BARB - PLASTIC
9B	111888-01-000	EA	FERRULE - PLASTIC - .250 ID X .375 OD
10B	111888-02-000	EA	INSERT - BRASS - 1/4 COMP
11B	113697-01-000	EA	CAP - 3/8"P
12B	114427-01-000	EA	CAP - 1/2"P
13B	114427-02-000	EA	PLUG - W/COMP NUT - 1/2" PLASTIC PIPE/1/2" FLAIR-IT

WATER & SEWAGE GROUP (CONTINUED)
WATER SYSTEM (CONTINUED)



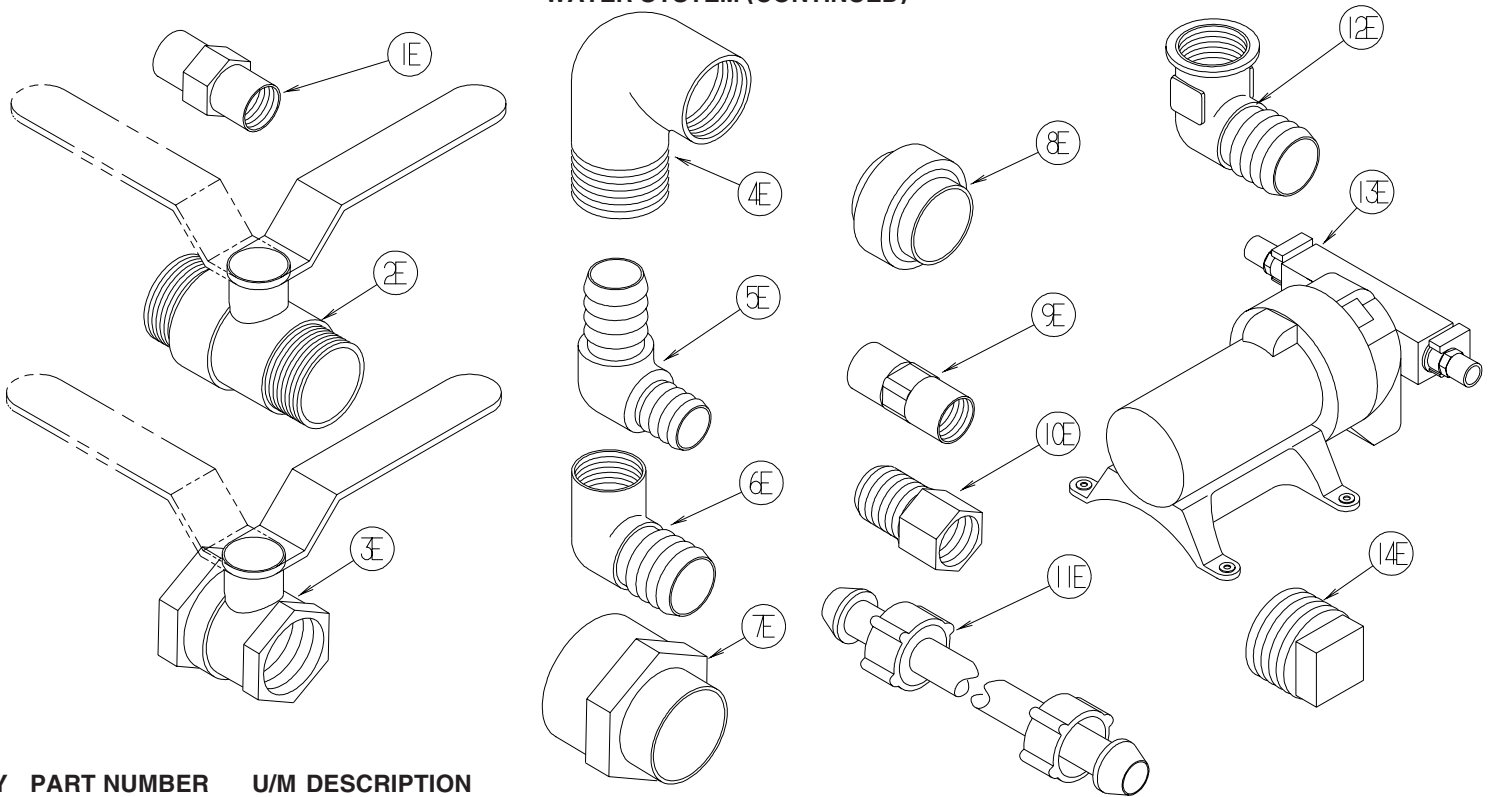
KEY	PART NUMBER	U/M	DESCRIPTION
1C	114428-01-000	EA	TEE - 1/2"P X 1/2"P X 1/2"P
2C	114428-02-000	EA	TEE - SWIVEL - 1/2"P X 1/2"P X 1/2"FPT
3C	114428-03-000	EA	TEE - 1/2"P X 1/2"P X 1/2"MPT
4C	114428-04-000	EA	TEE - 1/2"P X 1/2"P X 1/8"FPT
5C	114428-05-000	EA	TEE - 1/2" SWIVEL X 1/2" MPT X 1/2" MPT
6C	114428-06-000	EA	TEE - 1/2" P X 1/2" MPT X 1/2" MPT
7C	114428-07-000	EA	TEE - 1/2" P X 1/2" MPT X 1/2" P
8C	114429-01-000	EA	ELBOW - 1/2"P X 1/2"P
9C	114429-02-000	EA	ELBOW - 1/2"P X 1/2"MPT
9C	114429-04-000	EA	ELBOW - 1/2"P X 3/8"MPT
9C	114429-05-000	EA	ELBOW - 1/2"P X 3/4"MPT
9C	114429-10-000	EA	ELBOW - SWIVEL - 1/2"MPT X 1/2"FPT
10C	114429-06-000	EA	ELBOW - SWIVEL - 1/2"P X 3/4"FPT
10C	114429-08-000	EA	ELBOW - SWIVEL - 1/2"P X 1/2"FPT
11C	114429-09-000	EA	ELBOW - 1/2"P X 1/2"FPT DROP EAR
12C	114430-01-000	EA	ADAPTER - 1/2"P X 1/2"P
13C	114430-02-000	EA	ADAPTER - SWIVEL - 1/2"P X 1/2"FPT
13C	114430-04-000	EA	ADAPTER - SWIVEL - 1/2"P X 3/8"MPT
14C	114430-03-000	EA	ADAPTER - 1/2"P X 1/2"MPT
15C	114430-06-000	EA	ADAPTER - 1/2"P X 3/8"FPT
15C	114430-09-000	EA	ADAPTER - 1/2"P X 1/2"FPT
16C	114430-10-000	EA	ADAPTER - NUT - PIPE CONNECTION - 1/2"
17C	114431-01-000	EA	VALVE - 180 DEGREE/CENTER DRAIN - 1/2"P - THREE WAY
18C	114429-11-000	EA	ELBOW - 1/2"P X 1/2"FPT

WATER & SEWAGE GROUP (CONTINUED)
WATER SYSTEM (CONTINUED)



KEY	PART NUMBER	U/M	DESCRIPTION
1D	114431-02-000	EA	VALVE - WATER BYPASS - 1/2"P - THREE WAY (WATER HEATER)
2D	114431-03-000	EA	VALVE - 90 DEGREE DRAIN - 1/2"P
3D	114431-04-000	EA	VALVE - "INLINE SHUT-OFF" - 1/2"P
4D	114431-05-000	EA	VALVE - NEEDLE - 1/8" MPT X 1/4" COMPRESSION (ICE MAKER)
5D	152925-01-01A	EA	FILTER - IN LINE - TWIST ON - 1/2" - BLACK
6D	118423-01-000	EA	FITTING - BRASS-TEE - 1/4C X 1/4C X 1/4C
7D	118809-01-000	EA	ADAPTER - 1/2" MPT X 3/8" BARB - PLASTIC
7D	118809-02-000	EA	ADAPTER - 1/2" MPT X 1/2" BARB - PLASTIC
8D	120868-01-000	EA	VALVE - NEEDLE - 1/4" COMPRESSION X 1/4" COMPRESSION
9D	123150-01-000	EA	ELBOW - 1/2 FPT X 1/2 BARB - SWIVEL
10D	123152-01-000	EA	ADAPTER - 1/2 FPT X 1/2 BARB - SWIVEL
11D	123243-01-000	EA	TANK - ACCUMULATOR - 24 OZ
	123317-01-000	EA	TANK - ACCUMULATOR - 2 GALLON
12D	124184-01-000	EA	SUPPORT - WATER LINE - BEND

WATER & SEWAGE GROUP (CONTINUED)
WATER SYSTEM (CONTINUED)



KEY	PART NUMBER	U/M	DESCRIPTION
1E	132148-01-000	EA	CONNECTOR - 1/2" X 1/2"MPT - BRASS
2E	132483-01-000	EA	VALVE/BALL - 1" - THREADED ENDS
3E	132483-02-000	EA	VALVE/BALL - 1/2" - BRASS - FPT
4E	132484-01-000	EA	ELBOW - 90 DEGREE - 1MPT X 1FPT - PLASTIC
5E	132781-01-000	EA	ELBOW - 1.3" BARB X 1.3" BARB - 90 DEGREE - PLASTIC
6E	132782-01-000	EA	ELBOW - 1"FPT X 1.3" BARB - 90 DEGREE - PLASTIC
7E	133835-01-000	EA	ADAPTER - REDUCING - 1 1/2" X 1 1/4"
8E	133889-01-000	EA	UNION - 1 1/2 DOUBLE SLIP - PVC
9E	135386-01-000	EA	NIPPLE - 1/2"
10E	136333-01-000	EA	ADAPTER - BRASS - 1/2"MPT X 1/2"FPT
11E	140821-01-000	EA	TUBE - WATER SUPPLY - 3/8" X 24"
11E	140821-02-000	EA	TUBE - WATER SUPPLY - 3/8" X 30"
11E	140821-03-000	EA	TUBE - WATER SUPPLY - 3/8" X 36"
11E	140821-04-000	EA	TUBE - WATER SUPPLY - 3/8" X 48"
11E	140821-05-000	EA	TUBE - WATER SUPPLY - 3/8" X 54"
11E	140821-06-000	EA	TUBE - WATER SUPPLY - 3/8" X 60"
11E	140821-07-000	EA	TUBE - WATER SUPPLY - 3/8" X 72"
11E	140821-08-000	EA	TUBE - WATER SUPPLY - 1/2" X 24"
11E	140821-09-000	EA	TUBE - WATER SUPPLY - 1/2" X 36"
11E	140821-10-000	EA	TUBE - WATER SUPPLY - 1/2" X 48"
12E	142812-01-000	EA	ELBOW - BRASS - 1/2"MPT X 1/2"FPT
13E*	144215-01-000	EA	PUMP - WATER - 5.7 GPM - W/1/2" MPT

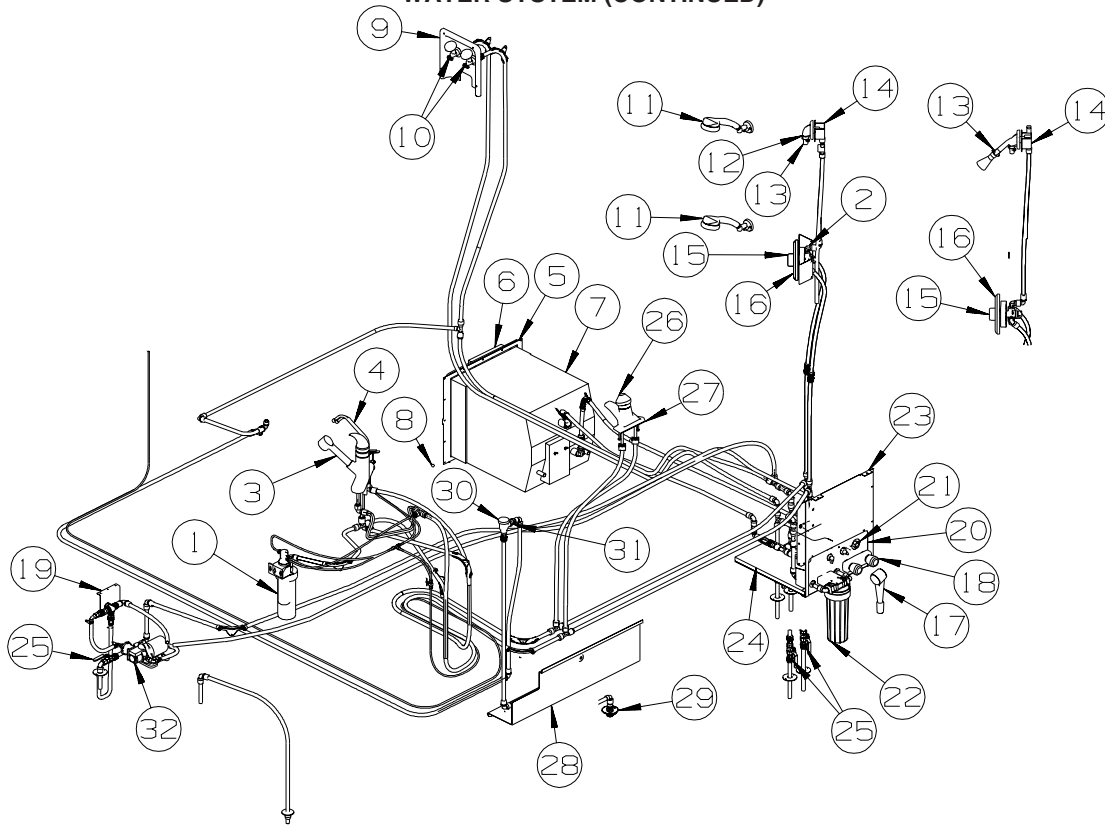
FROM: 00-00-00 THRU: 02-05-06

14E 145609-01-000 EA PLUG - BRASS - 1/2" MPT/HEX HEAD

***COMPONENT PARTS LISTED LATER IN THIS GROUP**

WATER & SEWAGE GROUP (CONTINUED)

WATER SYSTEM (CONTINUED)



KEY	PART NUMBER	U/M	DESCRIPTION
1	087200-01-000	EA	FILTER - WATER PURIFICATION
1	160946-01-000	EA	FILTER - WATER PURIFICATION - SINK - P34SH, SPECIAL EDITION (SE)
1	087200-02-000	EA	CARTRIDGE - WATER FILTER
1	160946-01-000	EA	FILTER - REPLACEMENT - P34SH, SPECIAL EDITION (SE)
2	131554-01-02B	EA	BRACKET/SHOWER CONTROL - E-COATED
3*	123744-03-01A	EA	FAUCET - GALLEY/SINGLE CONTROL W/SPRAYER HEAD - CHROME
3	149164-01-01A	EA	FAUCET - GALLEY - SINGLE CONTROL - CHROME - P34SH, SPECIAL EDITION (SE)
4*	103635-01-000	EA	FAUCET - SINGLE CONTROL/DRINKING WATER
5	144898-01-02B	EA	PLATE - WATER HEATER - E-COATED
6*	125420-01-03A	EA	DOOR - WATER HEATER - 10 GALLON - 18" X 17.7" - BLACK
7*	145541-01-000	EA	WATER HEATER/MOTOR AID-GAS/ELECT IGN - GCH10A-4E - 10 GAL
8	117047-02-000	EA	BUMPER - RUBBER/WASHER INSERT
9	149259-01-R68	EA	PANEL - FAUCET (WASHER/DRYER)
9	149257-01-01A	EA	PANEL - FAUCET - F/WASHER/DRYER INSTALL - BRIGHT WHITE
10	098419-01-000	EA	FAUCET - 90 DEGREE
11*	129390-03-02A	EA	SHOWER HEAD - W/HOSE & BRACKET - CHROME - SHOWER HEAD-HAND HELD
12	135028-02-02A	EA	DROP ELL - F/HAND HELD SHOWER HEAD/OVAL - W/1/2"IPS-CHROME - SHOWER HEAD-HAND HELD
12	130041-03-18A	EA	SPACER/SHOWER HEAD - SOFT WHITE - SHOWER HEAD-HAND HELD
13	128974-01-02A	EA	VALVE - SHOWER HEAD/WATER SAVER (ON/OFF) - CHROME
14	131551-01-02B	EA	BRACKET - SHOWER HEAD
15*	144596-01-01A	EA	VALVE ONLY - FAUCET/SHOWER - W/TEMP LIMIT STOP(MOEN 62300)
15	145609-01-000	EA	PLUG - BRASS - 1/2" MPT/HEX HEAD
16	144596-03-02A	EA	TRIM KIT - (KNOB/HANDLE/PLATE/SHOWER HEAD & ARM) - CHROME
16	144596-02-02A	EA	TRIM KIT - (KNOB & PLATE) - CHATEAU - CHROME - SHOWER HEAD-HAND HELD
17	131383-01-02A	EA	SHOWER HEAD - W/60" HOSE & BRACKET - WHITE
18*	075241-06-000	EA	FAUCET/SHOWER - .5"MPT W/1.9" INLET PIPES
19	137410-02-02B	EA	BRACKET - VALVE - WINTERIZATION - E-COATED
20	159065-01-12B	EA	PANEL - WATER CENTER - BRIGHT WHITE
	156845-01-12B	EA	BRACKET - SHOWER - EXTERIOR - BRIGHT WHITE
21	010230-06-000	EA	FILL - CITY WATER - W/CHECK VALVE - MPT - BRUSHED ALUM
22	155482-01-01A	EA	PREFILTER/WATER SYSTEM - HOUSING/FILTER CARTRIDGE/WRENCH
23	156843-01-12B	EA	PANEL - WATER/SERVICE CENTER - BRIGHT WHITE
23	130034-02-02B	EA	CLIP - TRIM - E-COATED
24	156851-01-UC1	EA	SHELF - WATER CENTER
25	132483-02-000	EA	VALVE/BALL - 1/2"FPT - BRASS
26	152311-02-01A	EA	FAUCET - LAVATORY - SINGLE CONTROL - W/WASTE - CHROME

WATER & SEWAGE GROUP (CONTINUED)
WATER SYSTEM (CONTINUED)

KEY	PART NUMBER	U/M	DESCRIPTION
27	105218-01-01A	EA	SPACER - FAUCET/LAVATORY SINK - 2" X 5.9" - ABS PLASTIC
28	142093-03-12B	EA	PANEL/COVER - DRAIN - BRIGHT WHITE
29	125697-05-000	EA	INLET/WATER - F/FLUSHING SYSTEM
30	125697-03-000	EA	CHECK VALVE - F/FLUSHING SYSTEM
31	125697-04-000	EA	BREAKER/VACUUM - F/FLUSHING SYSTEM
32*	098607-01-000	EA	PUMP - WATER - W/.5" MPT FITTING - FLOW 2.8 GPM - NOT ILLUSTRATED FROM: 00-00-00 THRU: 06-21-06
32	160702-01-000	EA	PUMP - WATER - 3.0 GPM - W/1/2" MPT FROM: 06-22-06 THRU: 99-99-99

***COMPONENT PARTS LISTED LATER IN THIS GROUP**

COMPONENT PARTS FOR WATER SYSTEM

075241-04-000, 075241-05-000, 075241-06-000

KEY	PART NUMBER	U/M	DESCRIPTION	VENDOR NO.
	075240-05-700	EA	CARTRIDGE - WASHERLESS	9-P42

098607-01-000

KEY	PART NUMBER	U/M	DESCRIPTION	VENDOR NO.
	098607-01-702	EA	DIAPHRAGM/DRIVE ASSEMBLY KIT	94-238-04
	098607-01-703	EA	VALVE KIT	94-232-00
	098607-01-705	EA	VALVE-CHECK, KIT	94-237-00
	098607-01-706	EA	HOUSING, W/SWITCH ONLY	94-231-20
	098607-01-707	EA	MOTOR W/BASEPLATE	11-148-04

103635-01-000

KEY	PART NUMBER	U/M	DESCRIPTION	VENDOR NO.
	103635-01-703	EA	CARTRIDGE - 10"	ADC-959201

123744-03-01A

KEY	PART NUMBER	U/M	DESCRIPTION	VENDOR NO.
	135027-01-700	EA	CLIP - RETAINER	883
	135027-01-705	EA	CARTRIDGE F/SGL LEVER FAUCET	1225

125420-01-02A, 125420-01-03A, 125420-03-03A, 125420-04-03A

KEY	PART NUMBER	U/M	DESCRIPTION	VENDOR NO.
	051391-01-705	EA	FASTENER - CAMLOCK	92609

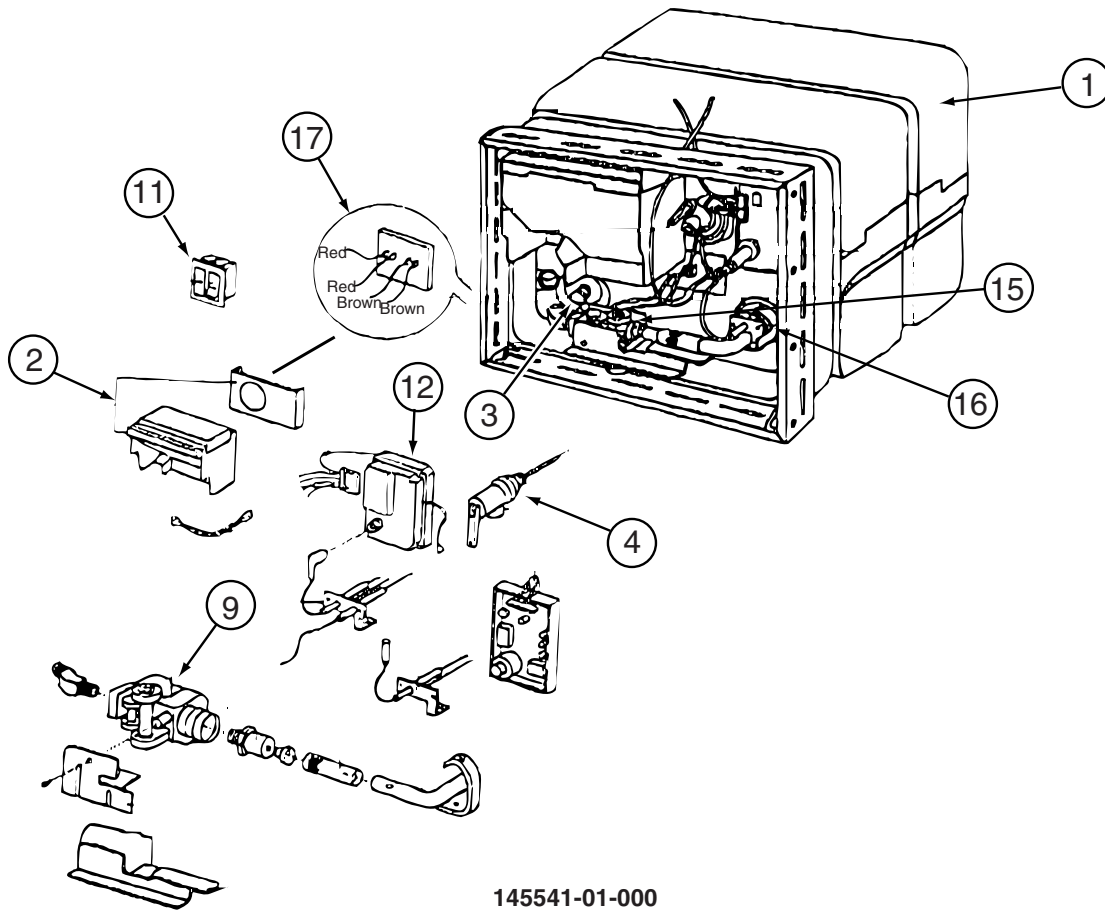
129390-03-02A

KEY	PART NUMBER	U/M	DESCRIPTION	VENDOR NO.
	129390- 03- 702	EA	CONNECTOR-SWIVEL - CHROME	A-4002-CPK

144596-01-01A

KEY	PART NUMBER	U/M	DESCRIPTION	VENDOR NO.
	144596-01-700	EA	CARTRIDGE (REPLACEMENT)	1222

WATER & SEWAGE GROUP (CONTINUED)
COMPONENT PARTS FOR WATER SYSTEM (CONTINUED)



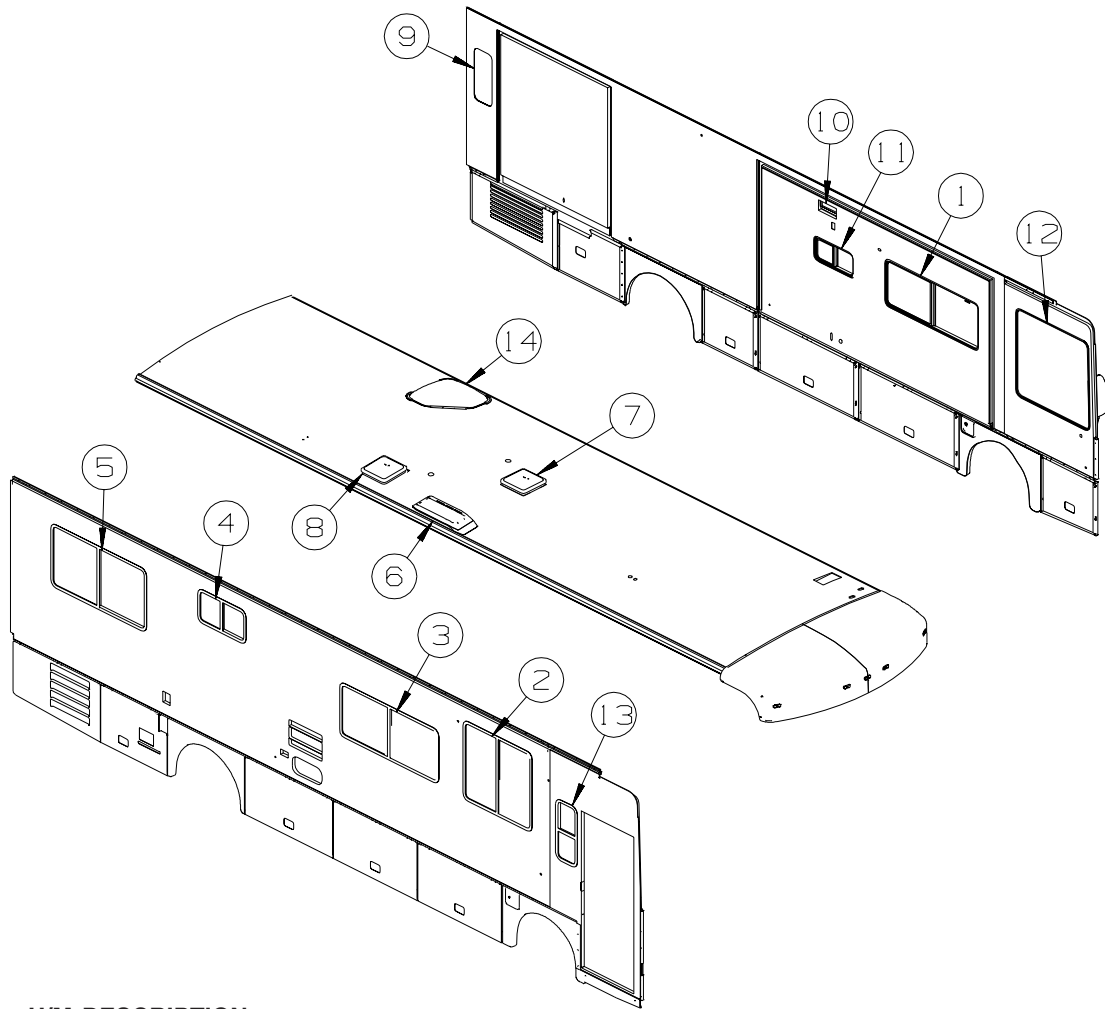
145541-01-000

KEY	PART NUMBER	U/M	DESCRIPTION	VENDOR NO.
1	145541-01-700	EA	TANK - W/INSULATION - 10 GAL	91028
2	051391-04-707	EA	KIT-EXHAUST, (FLUE & GASKET)	90960
3	051391-01-715	EA	PLUG-DRAIN, 1 EA = 2 PER PKG	91857
4	051391-01-704	EA	VALVE-RELIEF, 1/2" FITTING	91604
9	051393-01-726	EA	VALVE/SOLENOID - W/O BRACKET	93870
11	145541-01-701	EA	SWITCH - ON/OFF - WHITE	91859
12	145541-01-702	EA	CIRCUIT BOARD	91226
15	145541-01-703	EA	SWITCH - THERMAL CUT OFF	93866
16	051393-01-725	EA	ELECTRODE-SGL SPADE CONNECT.	93868
17	051393-01-721	EA	THERMOSTAT W/ECO, 140 FRT MT	91447
	051391-05-706	EA	ELEMENT-HEATING 1500 WATT	92249 W/GASKET
	051393-01-701	EA	SWITCH - REMOTE - W/LIGHT	91959
	145541-01-704	EA	RELAY	90061
	145541-01-705	EA	JUNCTION BOX(PLASTIC) 10 GAL	91224

CONTACT WINNEBAGO PARTS SALES FOR UNLISTED COMPONENT(S)

WINDOW & VENTS GROUP

WINDOW & VENT LAYOUT



KEY	PART NUMBER	U/M	DESCRIPTION
1*	150648-01-01A	EA	WINDOW-HORIZ SLIDER/ESCAPE/FLUSH/THERMO/LH-23.8"X57.7"-BLK
2*	150648-17-01A	EA	WINDOW-HORIZ SLIDER/FLUSH/THERMO/RH - 39" X 41.4"
3*	150648-03-01A	EA	WINDOW-HORIZ SLIDER/FLUSH/THERMO/RH - 26.3" X 59.9" - BLK
4*	150648-04-01A	EA	WINDOW-HORIZ SLIDER/FLUSH/THERMO/RH - 16" X 28.7"
5*	150648-30-01A	EA	WINDOW-HORIZ SLIDER/ESCAPE/FLUSH/THERMO/RH - 30.7" X 57.7"
6	149508-01-02A	EA	CAP - ROOF/REFRIGERATOR VENT - WHITE
6	149508-01-01A	EA	CAP - ROOF/REFRIGERATOR VENT - GRAY - FULL BODY PAINT/P34SH - SPECIAL EDITION (SE)
6	149508-02-02A	EA	BASE - ROOF/REFRIGERATOR VENT - BRIGHT WHITE
6	149508-02-01A	EA	BASE - ROOF/REFRIGERATOR VENT - BLACK - FULL BODY PAINTP34SH - SPECIAL EDITION (SE)
7*	123780-09-01A	EA	FANTASTIC VENT-4"ROOF- W/FAN/DBL DOME-W/O THERM/PWR LIFT
	009440-01-000	EA	GEAR/ARM - LIFT - ROOF VENT COVER
7	123780-26-01A	EA	FNTSTC VENT-4"ROOF- W/FAN/DBL DOME-W/O THERM/PWR LIFT - P34SH - SPECIAL EDITION (SE)
8*	123780-09-01A	EA	FANTASTIC VENT-4"ROOF- W/FAN/DBL DOME-W/O THERM/PWR LIFT
	009440-01-000	EA	GEAR/ARM - LIFT - ROOF VENT COVER
8*	122882-02-01A	EA	VENT - ROOF - W/FAN - W/O INSIDE GARNISH - P34SH - SPECIAL EDITION (SE)
8*	122882-03-01A	EA	VENT - ROOF - W/FAN - W/O INSIDE GARNISH - CANADIAN - P34SH - SPECIAL EDITION (SE)
	009440-01-000	EA	GEAR/ARM - LIFT - ROOF VENT COVER - P34SH - SPECIAL EDITION (SE)
	048648-01-000	EA	MOTOR/ROOF VENT - W/RESISTER - 1/8"SHAFT - 12VOLT - P34SH - SPECIAL EDITION (SE)
	048649-01-000	EA	FAN BLADE - ROOF VENT - 6 BLADED - 6"RADIUS - P34SH - SPECIAL EDITION (SE)
8	122882-07-01A	EA	GARNISH - ROOF VENT - 2.5" TO 4.1" - P34SH - SPECIAL EDITION (SE)
9*	150656-10-01A	EA	WINDOW - TIPOUT/FLUSH/THERMO - 27.2" X 12.3"
			FROM: 00-00-00 THRU: 10-01-06
9*	161452-05-01A	EA	WINDOW - TIPOUT/FLUSH/THERMO - 27.2" X 12.3"
			FROM: 10-02-06 THRU: 99-99-99
10	138983-01-01A	EA	VENT - MICROWAVE/OUTER - BRIGHT WHITE
10	138983-01-02A	EA	VENT - MICROWAVE/OUTER - BLACK - FULL BODY PAINTP34SH - SPECIAL EDITION (SE)
10	138983-03-01A	EA	COVER - VENT MICROWAVE/OUTER - BRIGHT WHITE
11*	150648-13-01A	EA	WINDOW-HORIZ SLIDER/FLUSH/THERMO/LH - 12.2" X 24.2"
12*	151069-03-01A	EA	WINDOW - CAB/LEFT HAND/FLUSH/THERMO - 43.6" X 44.9"/43.6"
13*	150649-05-01A	EA	WINDOW - VERT SLIDER/FLUSH/THERMO - 29.6" X 12.3"

WINDOW & VENTS GROUP (CONTINUED)

WINDOW & VENT LAYOUT (CONTINUED)

KEY	PART NUMBER	U/M	DESCRIPTION
14	122214-01-02A	EA	PANEL - SKYLITE - INNER - W/ANGLED CORNER - WHITE
14	138372-01-02B	EA	TRIM - CORNER - SKYLIGHT - E-COATED
14	139411-01-01A	EA	PANEL/SKYLITE - OUTER - NEO ANGLE - WHITE

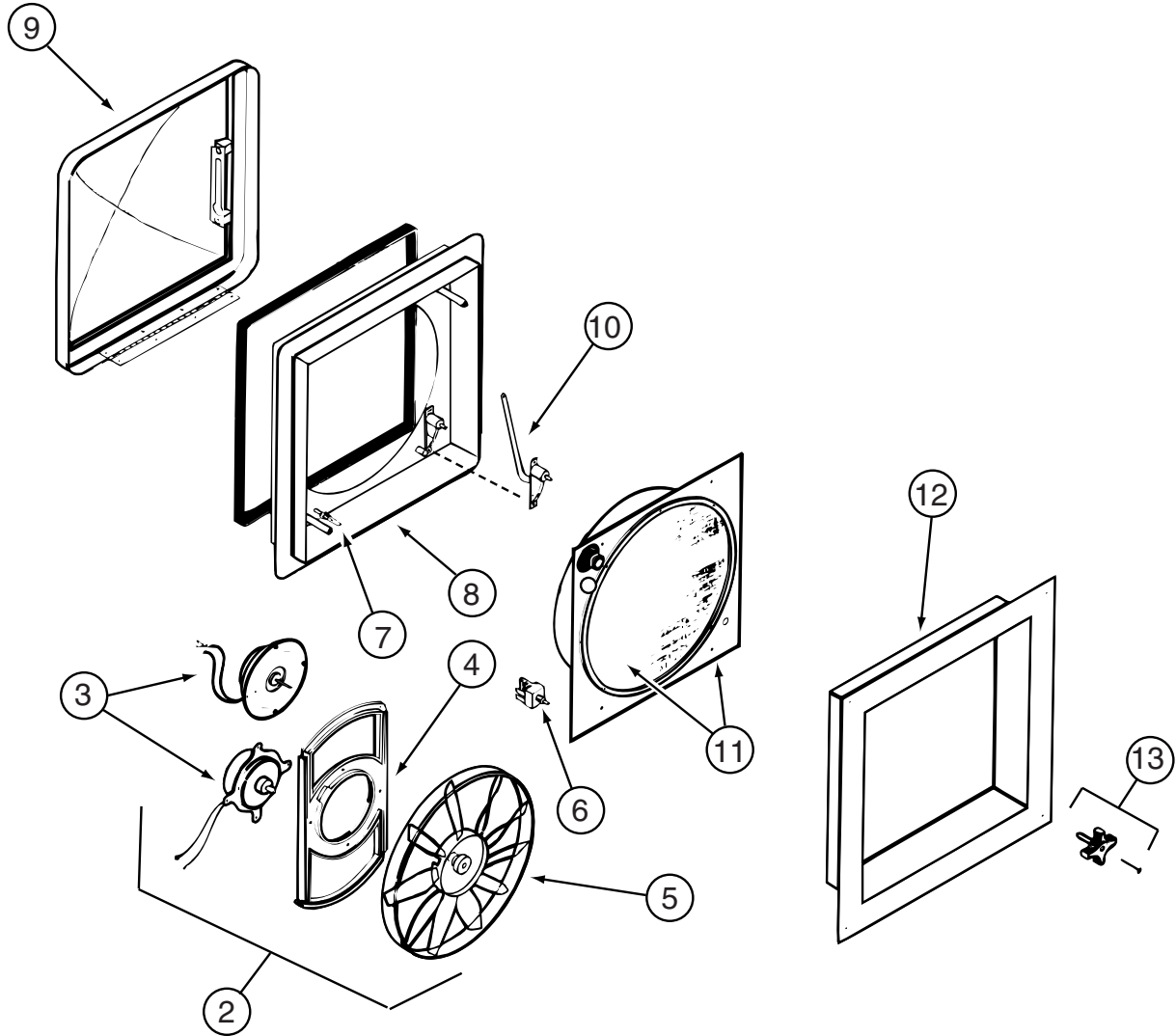
***COMPONENT PARTS LISTED LATER IN THIS GROUP**

WINDOW & VENTS GROUP (CONTINUED)

COMPONENT PARTS FOR WINDOW & VENT LAYOUT

122882-02-01A, 122882-03-01A

KEY	PART NUMBER	U/M	DESCRIPTION	VENDOR NO.
	064470-01-700	EA	COVER - VENT	J7291
	064470-01-701	EA	SLIDE BAR - VENT LID	JRP1291B
	110051-03-700	EA	SWITCH-BLACK/PUSH BUTTON	27-0164
	122882-01-700	EA	HANDLE - CRANK - BLACK	90128
	122882-01-701	EA	SCREEN	JRP-1124-B
	122882-01-702	EA	HANDLE - CRANK - WHITE	JRP1031B

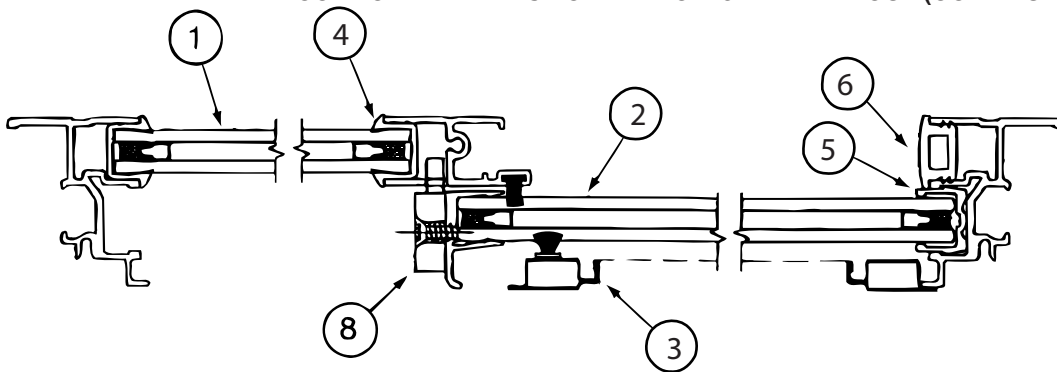


123780-09-01A

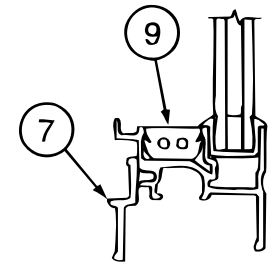
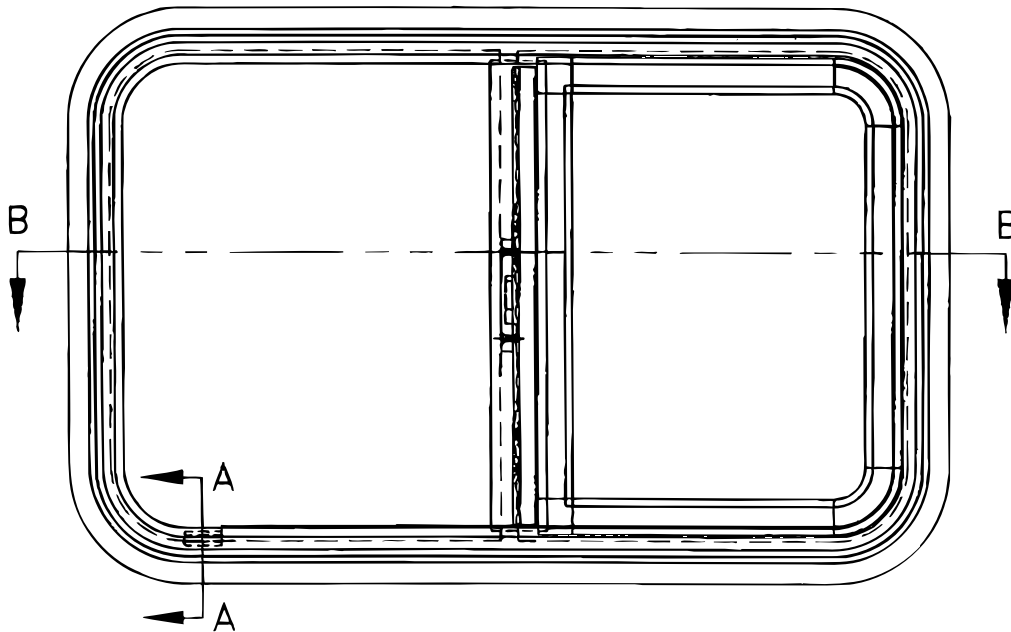
KEY	PART NUMBER	U/M	DESCRIPTION	VENDOR NO.
2	084079-11-700	EA	MOTOR & FAN BLADE W/BRACKET	K4017-09
3	084079-01-705	EA	MOTOR/EXT BRKT/FAN BLADE KIT	1080-00
5	084079-01-704	EA	BLADE-FAN	1138-00
6	084079-01-709	EA	SWITCH - MAIN - 3 SPEED	1031-05
7	084079-01-707	EA	SWITCH - SAFETY	1122-05
8	123780-05-700	EA	BASE/MAIN-BRT WHT W/GASKET	1010-81
9	123780-09-700	EA	DOME (DOUBLE)WHT TRANSPARENT	K2020-82
11	123780-03-701	EA	SCREEN ASM 78-100MM W/SWITCH	1030BT-81
12	123780-03-700	EA	GARNISH - INT. 3"-4" BRT/WHT	2040-81
13	084079-01-703	EA	KNOB-LIFT	1140K-00
	084079-01-706	EA	PLUG, 12 VOLT	1090
	123780-01-702	EA	SCREEN INSERT (SCREEN RING)	K1035-81

CONTACT WINNEBAGO PART SALES FOR UNLISTED COMPONENT(S)

WINDOW & VENTS GROUP (CONTINUED)
COMPONENT PARTS FOR WINDOW & VENT LAYOUT (CONTINUED)



CROSS SECTION B-B



CROSS SECTION
A-A

150648-01-01A

KEY	PART NUMBER	U/M	DESCRIPTION	VENDOR NO
1	150648-01-705	EA	GLASS - STATIONARY	390-028313
2	150648-01-706	EA	GLASS-SLIDING W/SASH & LATCH	FH3003G8
3	150648-01-702	EA	SCREEN ASM	410-031156
4	112795-01-705	FT	VINYL - GLAZING	132-027331
5	151069-01-700	EA	CHANNEL-RUN, SLIDING	122-030627
6	150648-01-703	EA	PLUG - FILLER	132-030308
7	150648-01-707	EA	RETAINER - TRIM	H493-67
8	150648-01-700	EA	LATCH-HORIZONTAL SLIDE-BLK	FH3000-CK
8	150648-01-701	EA	LATCH-HORIZONTAL SLIDE-RED	FH3003-CK
9	150648-01-704	EA	SLIDE STOP	132-030866
	150648-05-702	FT	FIN SEAL-F/LOCKING RAIL-BLK	171-06234

WINDOW & VENTS GROUP (CONTINUED)
COMPONENT PARTS FOR WINDOW & VENT LAYOUT (CONTINUED)

150648-02-01A, 150648-03-01A

KEY	PART NUMBER	U/M	DESCRIPTION	VENDOR NO
1	112795-68-700	EA	GLASS - STATIONARY	390-028353
2	150648-02-700	EA	GLASS-SLIDING W/SASH & LATCH	FH3009G8
3	150648-19-700	EA	SCREEN ASM	410-035332
4	112795-01-705	FT	VINYL - GLAZING	132-027331
5	151069-01-700	EA	CHANNEL-RUN, SLIDING	122-030627
6	150648-01-703	EA	PLUG - FILLER	132-030308
7	098647-22-701	EA	RETAINER - TRIM	H287-67
8	150648-01-700	EA	LATCH-HORIZONTAL SLIDE-BLK	FH3000-CK
8	150648-01-701	EA	LATCH-HORIZONTAL SLIDE-RED	FH3003-CK
9	150648-01-704	EA	SLIDE STOP	132-030866
	150648-05-702	FT	FIN SEAL-F/LOCKING RAIL-BLK	171-062348

150648-04-01A, 150648-05-01A

KEY	PART NUMBER	U/M	DESCRIPTION	VENDOR NO
1	112795-72-700	EA	GLASS - STATIONARY	390-028307
2	150648-04-700	EA	GLASS-SLIDING W/SASH & LATCH	FH3002G8
3	150648-05-700	EA	SCREEN ASM	410-031158
4	112795-01-705	FT	VINYL - GLAZING	132-027331
5	151069-01-700	EA	CHANNEL-RUN, SLIDING	122-030627
6	150648-01-703	EA	PLUG - FILLER	132-030308
7	150648-05-701	EA	RETAINER - TRIM	CH29-67
8	150648-01-700	EA	LATCH-HORIZONTAL SLIDE-BLK	FH3000-CK
8	150648-01-701	EA	LATCH-HORIZONTAL SLIDE-RED	FH3003-CK
9	150648-01-704	EA	SLIDE STOP	132-030866
	150648-05-702	FT	FIN SEAL-F/LOCKING RAIL-BLK	171-062348

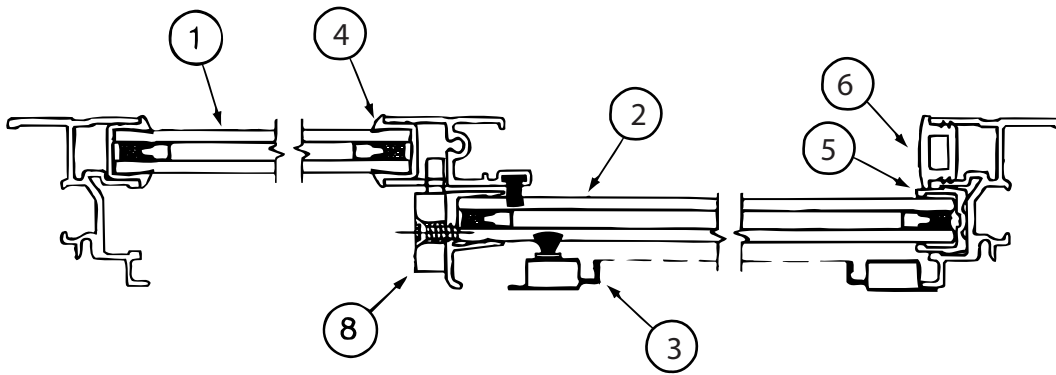
150648-17-01A

KEY	PART NUMBER	U/M	DESCRIPTION	VENDOR NO
1	112795-83-700	EA	GLASS - STATIONARY	390-028332
2	150648-17-701	EA	GLASS-SLIDING W/SASH & LATCH	FH3013G8
3	150648-17-700	EA	SCREEN ASM	410-035335
4	112795-01-705	FT	VINYL - GLAZING	132-027331
5	151069-01-700	FT	CHANNEL-RUN, SLIDING	122-030627
6	150648-01-703	FT	PLUG - FILLER	132-030308
7	150648-17-702	EA	RETAINER - TRIM	H650-67
8	150648-01-701	EA	LATCH-HORIZONTAL SLIDE-RED	FH3003-CK
8	150658-01-700	EA	LATCH-HORIZONTAL SLIDE-BLK	FH3000-CK
9	150648-01-704	EA	SLIDE STOP	132-030866
	150648-05-702	FT	FIN SEAL-F/LOCKING RAIL-BLK	171-06234

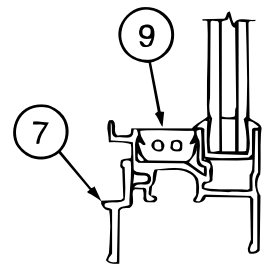
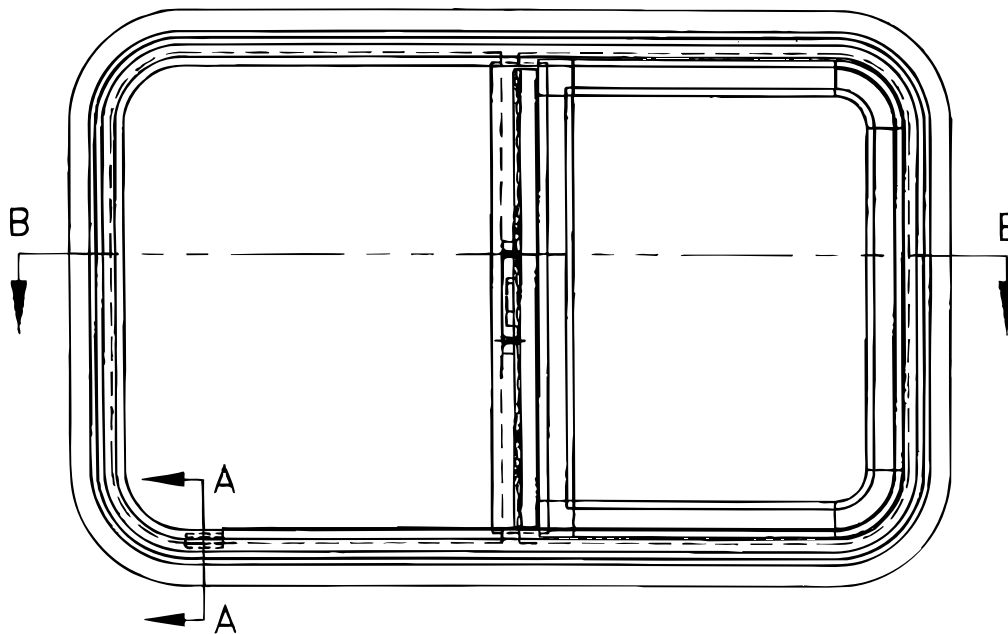
150648-13-01A, 150648-18-01A

KEY	PART NUMBER	U/M	DESCRIPTION	VENDOR NO
1	150648-13-700	EA	GLASS - STATIONARY	390-036159
2	150648-13-701	EA	GLASS-SLIDING W/SASH & LATCH	FH3005G8
3	150648-13-702	EA	SCREEN ASM	410-035328
4	112795-01-705	FT	VINYL - GLAZING	132-027331
5	151069-01-700	EA	CHANNEL-RUN, SLIDING	122-030627
6	150648-01-703	EA	PLUG - FILLER	132-030308
7	150648-13-703	EA	RETAINER - TRIM	B951-67
8	150648-01-700	EA	LATCH-HORIZONTAL SLIDE-BLK	FH3000-CK
8	150648-01-701	EA	LATCH-HORIZONTAL SLIDE-RED	FH3003-CK
9	150648-01-704	EA	SLIDE STOP	132-030866
	150648-05-702	FT	FIN SEAL-F/LOCKING RAIL-BLK	171-062348

WINDOW & VENTS GROUP (CONTINUED)
COMPONENT PARTS FOR WINDOW & VENT LAYOUT (CONTINUED)



CROSS SECTION B-B

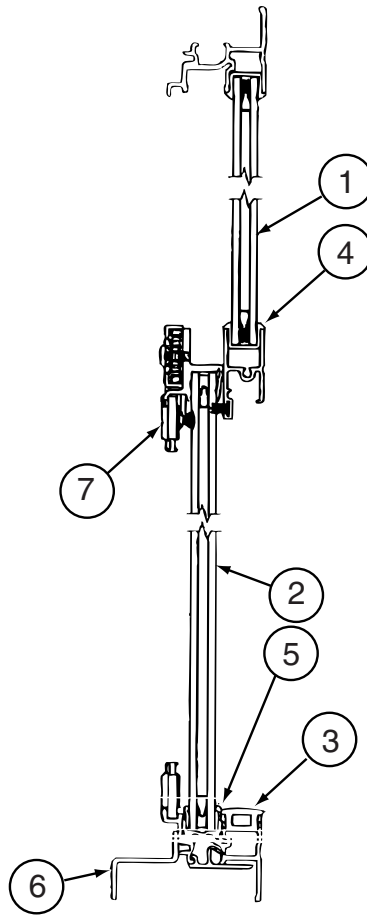
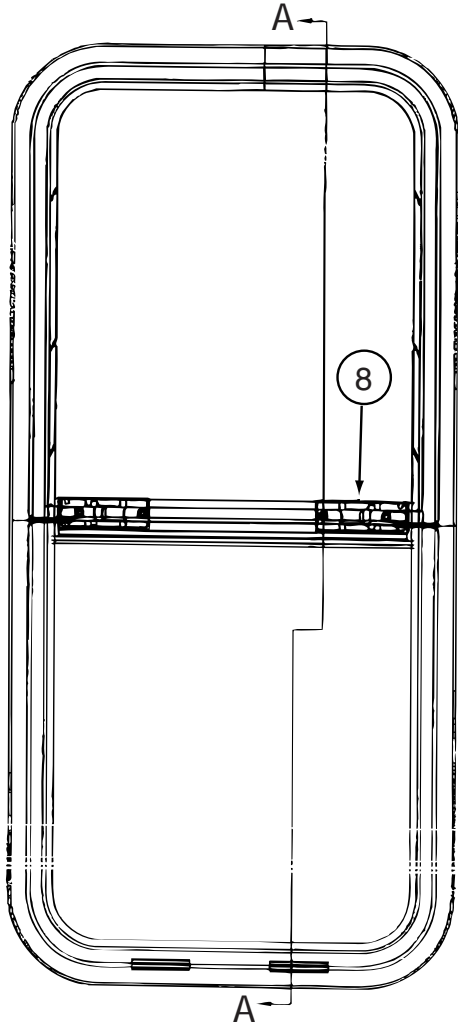


CROSS SECTION A-A

150648-20-01A, 150648-30-01A

KEY	PART NUMBER	U/M	DESCRIPTION	VENDOR NO
1	112795-76-700	EA	GLASS - STATIONARY	390-028347
2	150648-20-700	EA	GLASS-SLIDING W/SASH & LATCH	FH3014G8
3	150648-20-701	EA	SCREEN ASM	410-035331
4	112795-01-705	FT	VINYL - GLAZING	132-027331
5	151069-01-700	FT	CHANNEL-RUN, SLIDING	122-030627
6	150648-01-703	FT	PLUG - FILLER	132-030308
7	098647-01-704	EA	RETAINER - TRIM	H112-67
8	150648-01-701	EA	LATCH-HORIZONTAL SLIDE-RED	FH3003-CK
8	150658-01-700	EA	LATCH-HORIZONTAL SLIDE-BLK	FH3000-CK
9	150648-01-704	EA	SLIDE STOP	132-030866
	150648-05-702	FT	FIN SEAL-F/LOCKING RAIL-BLK	171-062348

WINDOW & VENTS GROUP (CONTINUED)
COMPONENT PARTS FOR WINDOW & VENT LAYOUT (CONTINUED)

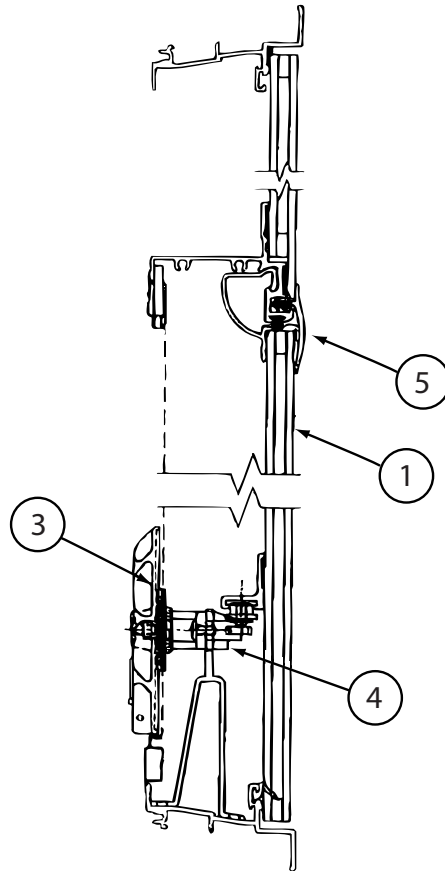
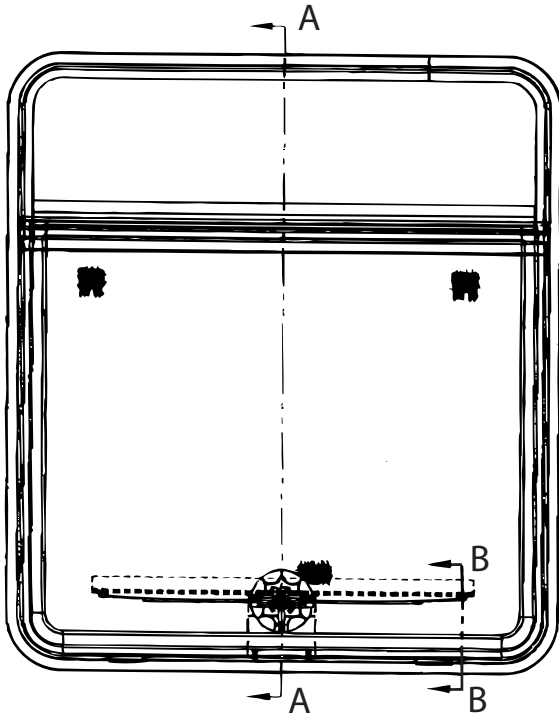


CROSS SECTION A-A

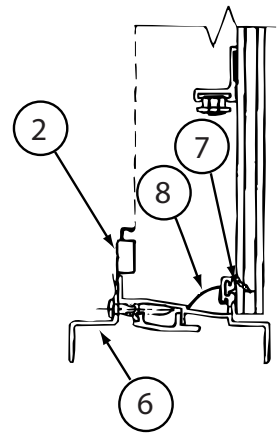
150649-05-01A

KEY	PART NUMBER	U/M	DESCRIPTION	VENDOR NO
1	150649-05-704	EA	GLASS - STATIONARY	390-035648
2	150649-05-705	EA	GLASS-SLIDING W/PULL & LATCH	FH3054A9
3	150648-01-703	EA	PLUG - FILLER	132-030308
4	112795-01-705	FT	VINYL-GLAZING	132-027331
5	151069-01-700	EA	CHANNEL-RUN, SLIDING	122-030627
6	150649-05-700	EA	RETAINER - TRIM	H754-67
7	150649-05-703	EA	SCREEN ASM	410-035633
8	150649-01-700	EA	LATCH KIT - F/VERTICAL SLIDE - BLACK	FH3016-CK
	150649-05-702	EA	FIN SEAL-F/LOCKING RAIL-BLK	171-062348

WINDOW & VENTS GROUP (CONTINUED)
COMPONENT PARTS FOR WINDOW & VENT LAYOUT (CONTINUED)



CROSS SECTION A-A

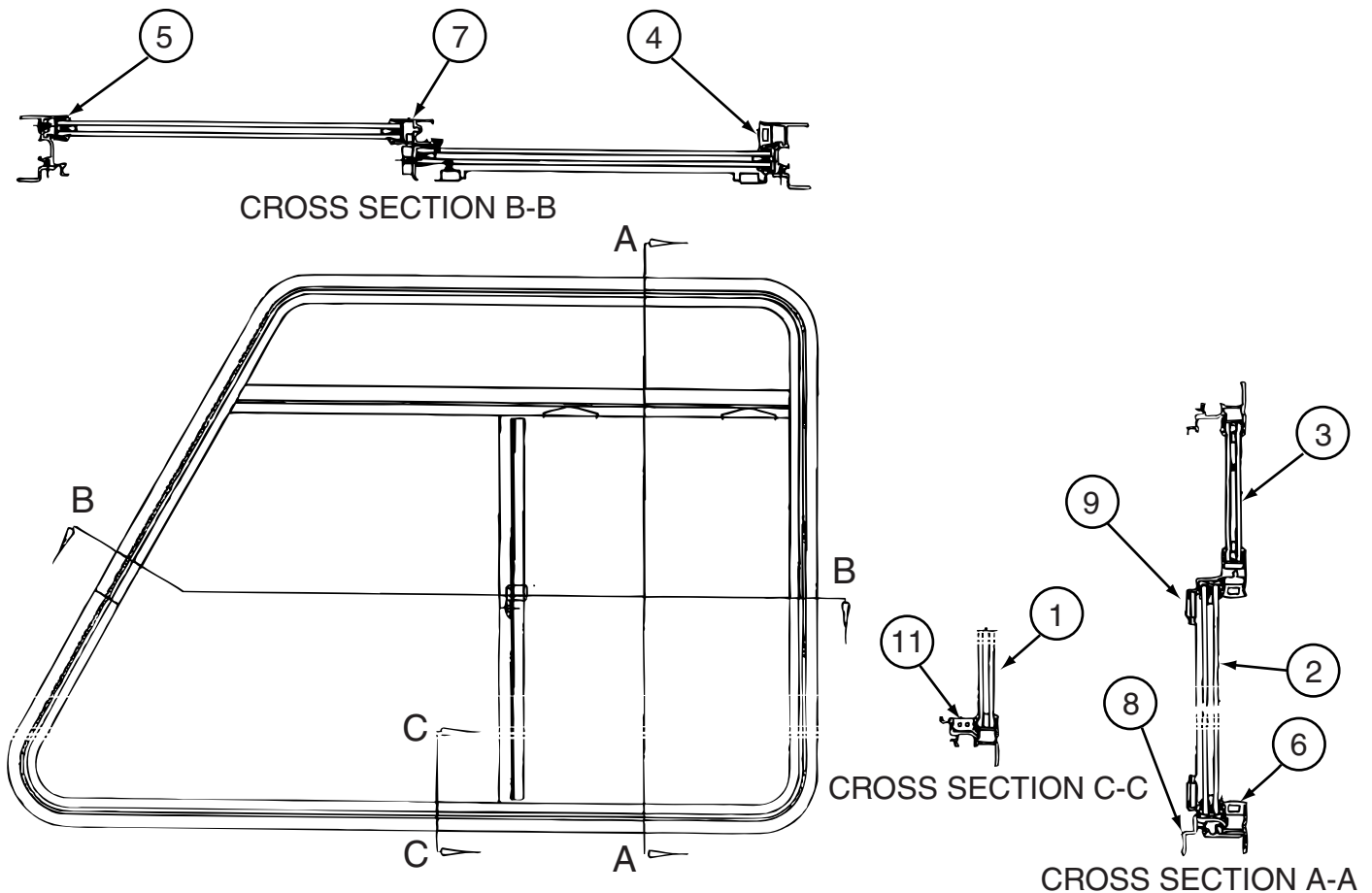


CROSS SECTION B-B

150656-10-01A

KEY	PART NUMBER	U/M	DESCRIPTION	VENDOR NO
1	150656-10-700	EA	GLASS-TIPOUT W/GUIDE RAIL	DTH3042G8
2	150656-10-702	EA	SCREEN ASM	410-035639
3	150656-02-702	EA	HANDLE-DIAL	410-016081E
4	150656-01-701	EA	OPERATOR - TIPOUT/SMALL	410-036142
5	150656-08-700	EA	SEAL/DUAL - WINDOW - 100"	132-030725
6	150656-10-703	EA	RETAINER - TRIM	DTH3042-56
7	100322-01-701	FT	SEAL-VENT	122-016071
8	150651-03-702	EA	COVER - DRAIN SLOT	132-030723

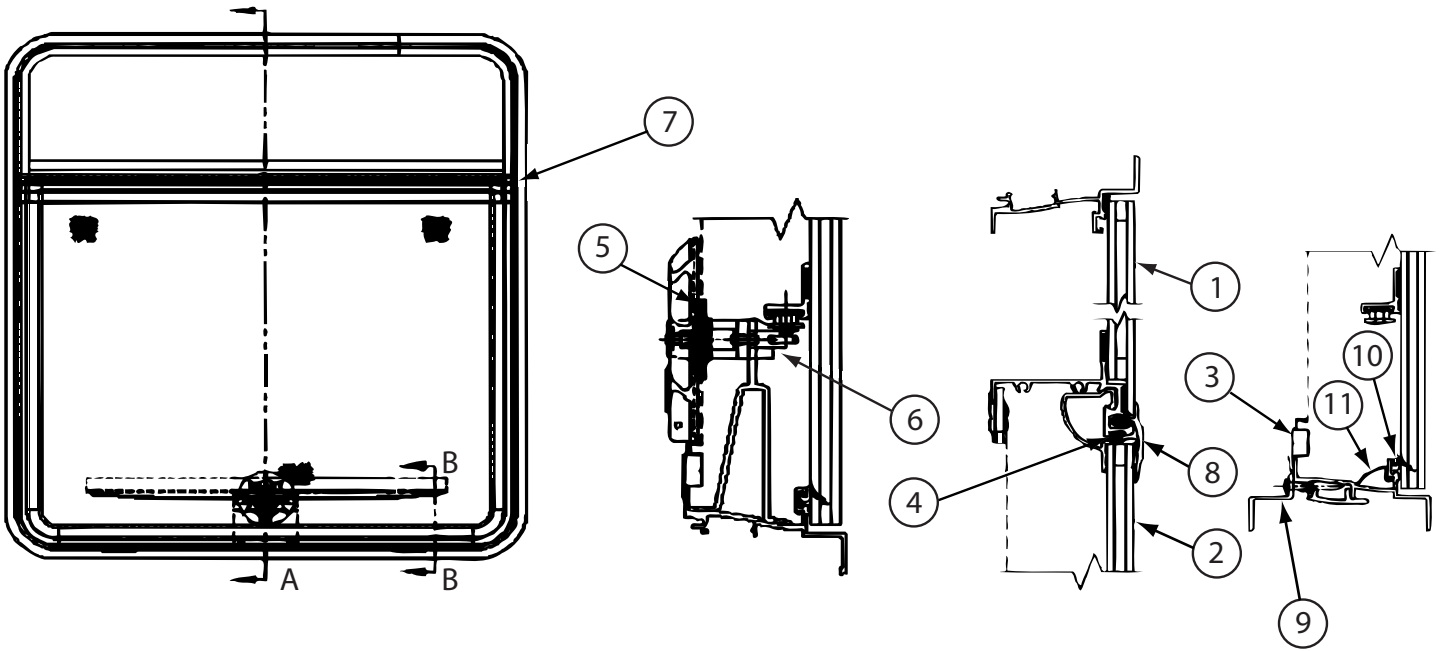
WINDOW & VENTS GROUP (CONTINUED)
COMPONENT PARTS FOR WINDOW & VENT LAYOUT (CONTINUED)



151069-03-01A

KEY	PART NUMBER	U/M	DESCRIPTION	VENDOR NO
1	151069-03-702	EA	GLASS - STATIONARY - LOWER	390-027478
2	151069-03-701	EA	GLASS-SLIDING W/SASH & LATCH	FH3041A9L
3	151069-03-703	EA	GLASS - STATIONARY - UPPER	390-035508
4	150648-01-703	FT	PLUG - FILLER	132-030308
5	151069-03-705	EA	VINYL GLAZING - F/STATIONARY	DH567-12 MITER/WELD
5	151069-03-706	EA	VINYL GLAZING - F/STATIONARY	DH373-12 MITER/WELD
6	151069-01-700	FT	CHANNEL-RUN, SLIDING	122-030627
7	098644-01-706	FT	WEATHERSTRIP - GLASS	171-010668
8	151069-03-704	EA	RETAINER - TRIM	H671-67L
9	151069-03-700	EA	SCREEN ASM	410-035962
10	150648-01-700	EA	LATCH-HORIZONTAL SLIDE-BLK	FH3000-CK
11	112795-01-701	EA	SLIDE-STOP	132-019092
	151069-01-703	EA	COVER - DRAIN SLOT - LH	130-030398 LEFT

WINDOW & VENTS GROUP (CONTINUED)
COMPONENT PARTS FOR WINDOW & VENT LAYOUT (CONTINUED)



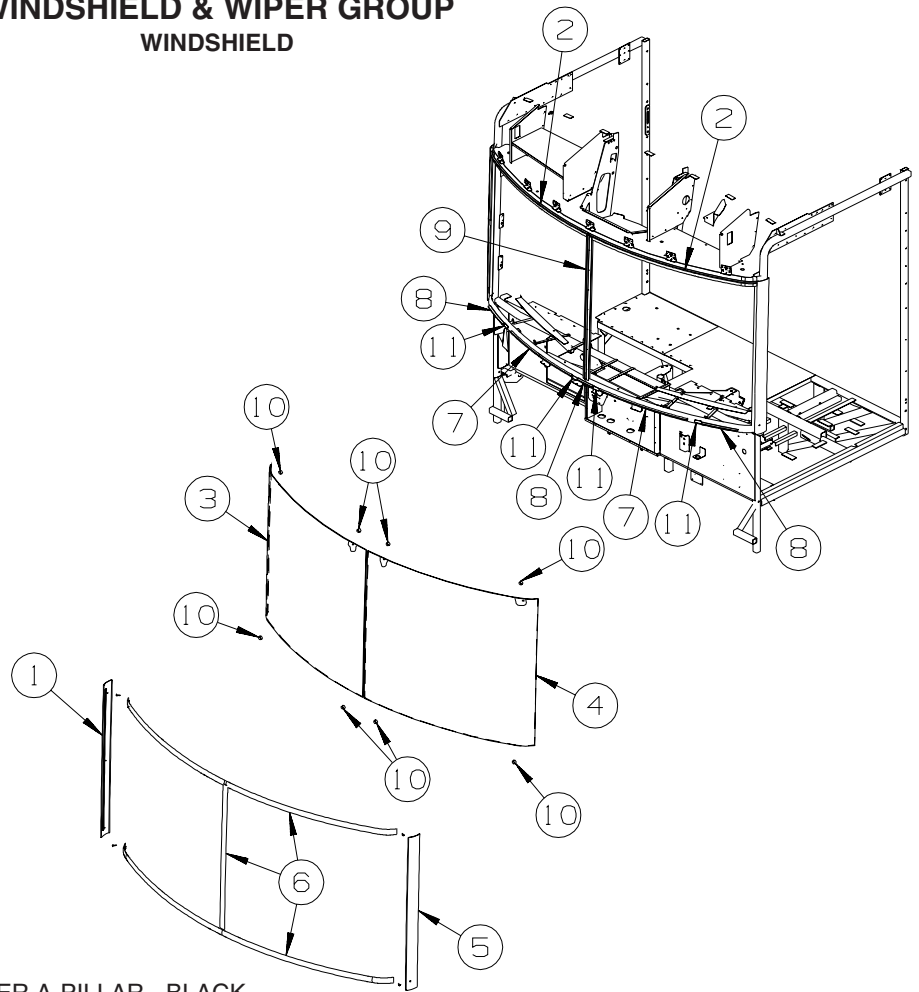
161452-05-01A

KEY	PART NUMBER	U/M	DESCRIPTION	VENDOR NO.
3	150656-01-702	EA	SCREEN ASM	410-035639
4	098644-01-706	FT	WEATHERSTRIP - GLASS	171-010668
5	100322-01-718	EA	HANDLE-DIAL	410-016081
6	150656-01-701	EA	OPERATOR - TIPOUT/SMALL	410-036142
7	161452-01-700	FT	FELT SEAL	160-014688
9	150656-01-703	EA	RETAINER - TRIM	DTH3042-56
10	100322-01-701	FT	SEAL-VENT	122-016071
11	150651-03-702	FT	COVER - DRAIN SLOT	132-030723

CONTACT WINNEBAGO PARTS SALES FOR UNLISTED COMPONENTS

WINDSHIELD & WIPER GROUP

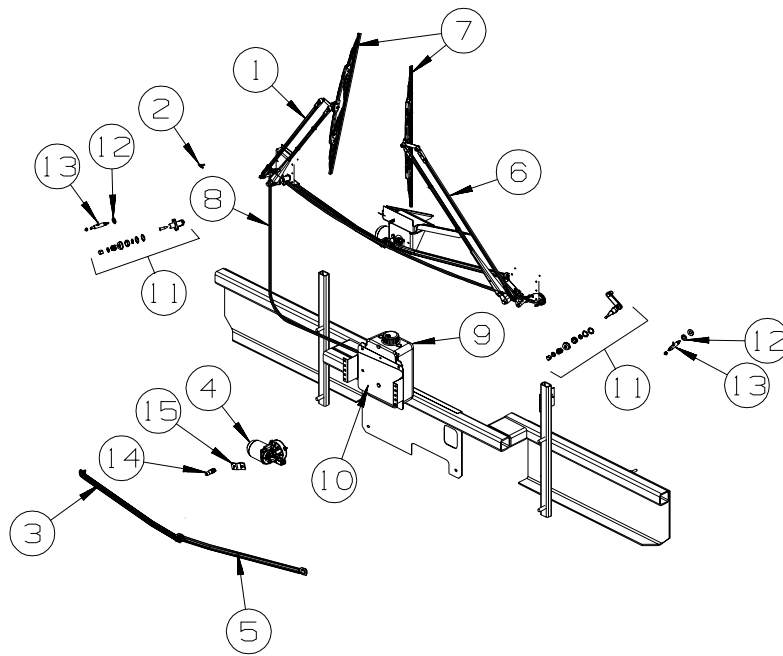
WINDSHIELD



KEY	PART NUMBER	U/M	DESCRIPTION
1	129497-05-02A	EA	TRIM - PASSENGER A-PILLAR - BLACK
2	127862-01-000	EA	CARRIER - REVEAL - WINDSHIELD - 47.2"
3	131244-01-000	EA	WINDSHIELD - PASSENGER - 52.5" X 44.4" (CURVED)
4	131244-02-000	EA	WINDSHIELD - DRIVER - 52.5" X 44.4" (CURVED)
5	129497-06-02A	EA	TRIM - DRIVER A-PILLAR - BLACK
6	120533-01-000	FT	MOLDING - REVEAL - WINDSHIELD
7	117335-06-000	EA	CARRIER/REVEAL - 29.8"
8	132375-01-000	EA	CARRIER/REVEAL - WINDSHIELD - 5.5"
9	127862-06-000	EA	CARRIER/REVEAL - WINDSHIELD - 41.9"
10	081914-02-000	EA	BUMPER - RUBBER - ROUND - 5/16" DIA. X 13/64" THICK
11	002328-03-000	EA	BLOCK - WINDSHIELD - .125" X .5" X .98"

WINDSHIELD & WIPER GROUP (CONTINUED)

WIPER

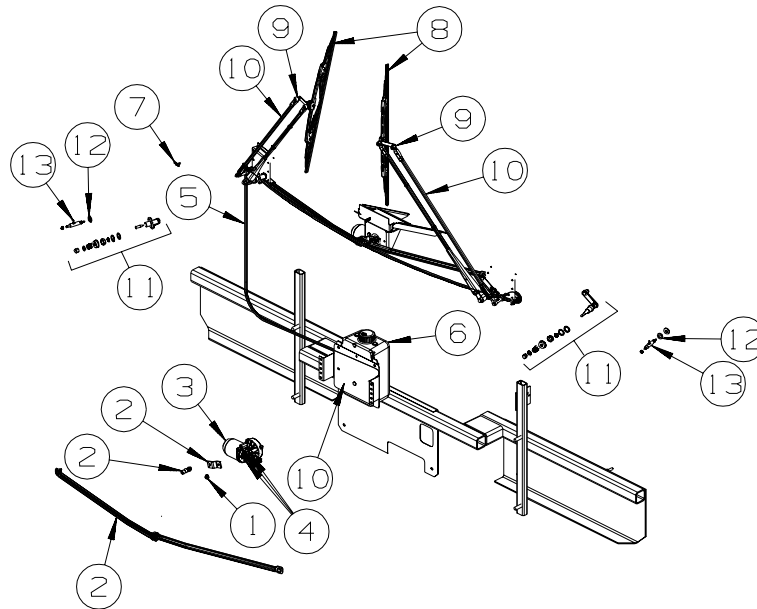


**FROM: 00-00-00
THRU: 12-16-05**

KEY	PART NUMBER	U/M	DESCRIPTION
1*	149402-03-000	EA	ARM - WINDSHIELD WIPER/PANTOGRAPH - RIGHT HAND - 28"
2	146486-01-000	EA	TEE - PLASTIC - 5/32" X 5/32" X 5/32"
3	149403-01-000	EA	LINK/CONNECTING-WINDSHIELD WIPER - CLOSED/CLOSED - 24"
4	149409-01-000	EA	MOTOR - WIPER - DYNAMIC PARK
5	149403-02-000	EA	LINK/CONNECTING-WINDSHIELD WIPER - OPEN/CLOSED GROMMET-24"
6*	149402-04-000	EA	ARM - WINDSHIELD WIPER/PANTOGRAPH - LEFT HAND - 28"
7	149399-01-000	EA	BLADE - WINDSHIELD WIPER - 24"
8	045794-01-000	FT	HOSE - WINDSHIELD WASHER - 5/32"ID - BLACK
9	157507-01-000	EA	RESERVOIR/PUMP - WINDSHIELD WASHER
10	157431-02-02B	EA	BRACKET - RESERVOIR/WASHER - E-COATED
11*	149401-02-000	EA	SHAFT & PIVOT ASM. - WINDSHIELD WIPER
12	110742-03-000	EA	GASKET - WIPER
13	145698-01-01A	EA	SHAFT/IDLER - PANTOGRAPH - W/WASHER DIVERTER - STAINLESS
14	149395-01-000	EA	STUD/DOUBLE BALL CRANK - WIPER MOTOR
15	149408-01-000	EA	ARM - DRIVE/WIPER MOTOR

***COMPONENT PARTS LISTED LATER IN THIS GROUP**

WINDSHIELD & WIPER GROUP (CONTINUED)
WIPER (CONTINUED)



FROM: 12-17-05
THRU: 99-99-99

KEY	PART NUMBER	U/M	DESCRIPTION
1	145637-01-000	EA	NUT/RETAINING - WIPER MOTOR TO DRIVE ARM - M8-1.25
2	145624-01-000	EA	LINK/WIPER DRIVE ASM. - DRV CRANK-DOUBLE BALL-RH & LH LINK
3	145321-01-000	EA	MOTOR - WIPER
4	145627-01-000	EA	SCREW - WIPER MOTOR MOUNTING - M6-1.25 X 5/8"
5	045794-01-000	FT	HOSE - WINDSHIELD WASHER - 5/32"ID - BLACK
6	117766-02-000	EA	RESERVOIR/PUMP - WINDSHIELD WASHER
7	146486-01-000	EA	TEE - PLASTIC - 5/32" X 5/32" X 5/32"
8	145277-01-000	EA	BLADE - WINDSHIELD WIPER - 24"
9	145631-01-000	EA	SCREW - F/JET NOZZLE - #4 X 1/4" PAN HEAD/SELF TAPPING
10*	145270-01-000	EA	ARM - WIPER - PANTOGRAPH - 28"
			FROM: 00-00-00 THRU: 02-11-07
10	145270-02-000	EA	ARM - WIPER - PANTOGRAPH - 28" - TRICO AW-15609
			FROM: 02-12-07 THRU: 99-99-99
11	145623-01-000	EA	SHAFT/PIVOT - WINDSHIELD WIPER
12	110742-03-000	EA	GASKET - WIPER
13	145698-01-01A	EA	SHAFT/IDLER - PANTOGRAPH - W/WASHER DIVERTER - STAINLESS

***COMPONENT PARTS LISTED LATER IN THIS GROUP**

COMPONENT PARTS FOR WIPER

145270-01-000

KEY	PART NUMBER	U/M	DESCRIPTION	VENDOR NO.
	145270-01-700	EA	WASHER JET W/HOSE & TEE	AW-PJ96
	145270-01-701	EA	COVER/HEAD - LOWER WIPER ARM	AW-RPHC
	145270-01-702	EA	COVER/BRG - UPPER WIPER ARM	AW-RBC
	145270-01-703	EA	COVER/ARM & HOSE - WIPER ARM	AW-PWAC
	145270-01-706	EA	BOLT & NUT KIT - WIPER ARM	PART SALES

149401-01-000,149401-02-000

KEY	PART NUMBER	U/M	DESCRIPTION	VENDOR NO.
	096505-02-703	EA	NUT/ACORN - HD W/.687 BRL	51065-40-NT27WC
	149401-01-700	EA	HARDWARE PKG - F/SHAFT&PIVOT	PSHWKIT
	149401-01-701	EA	SEAL CAP/RUBBER GROMMET	300749

149402-03-000 & 149402-04-000

KEY	PART NUMBER	U/M	DESCRIPTION	VENDOR NO.
	149402-03-700	EA	WASHER NOZZLE KIT W/HDWR	19476
	149402-03-701	EA	COVER/CAP - BLACK	200342