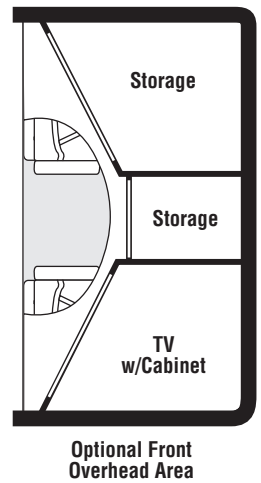
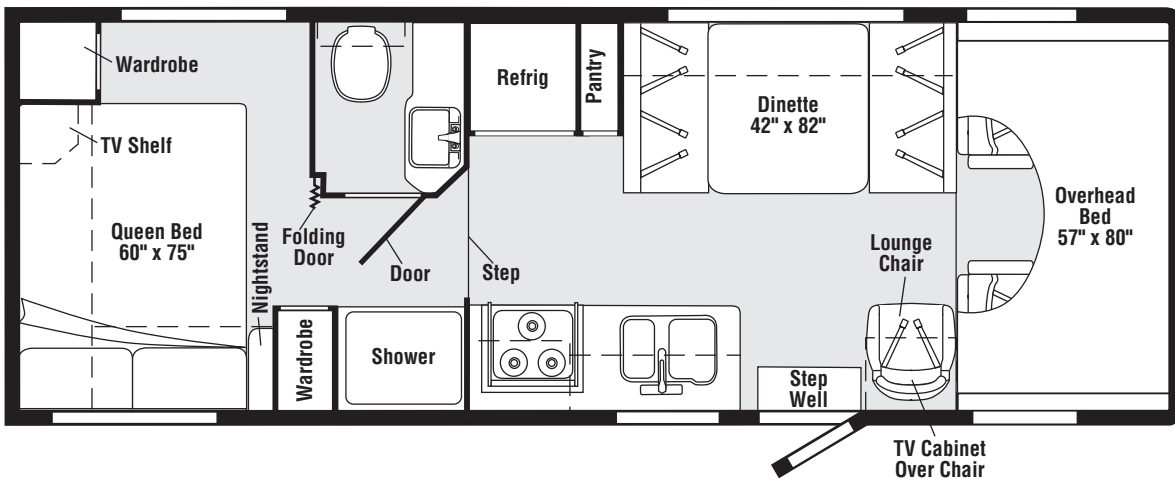
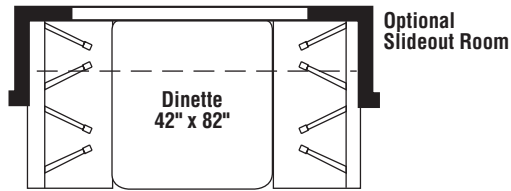
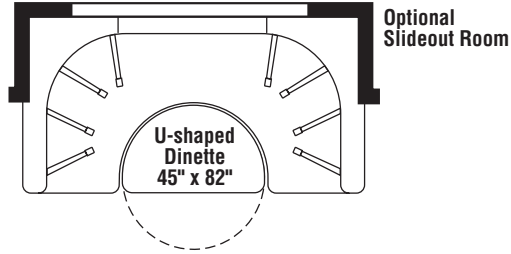


**2007  
ACCESS  
WF228P  
WINNEBAGO 200-SERIES  
PORTSMOUTH OAK  
U01 HARVEST MOON  
U03 WILLOWSTONE  
SIERRA MAPLE  
U02 HARVEST MOON  
U04 WILLOWSTONE**



**FLOORPLAN**

# CONTENTS

<b>FLOORPLAN</b> .....	<b>1</b>
<b>ACCESSORIES GROUP</b> .....	<b>5</b>
OPERATORS MANUAL .....	5
<b>AUDIO VIDEO GROUP</b> .....	<b>6</b>
RADIO SYSTEM .....	6
REAR MONITOR .....	6
COMPONENT PARTS FOR REAR MONITOR .....	6
156930-02-01A .....	6
<b>CABINET &amp; APPLIANCE GROUP</b> .....	<b>7</b>
CABINET & APPLIANCE LAYOUT .....	7
COMPONENT PARTS FOR CABINET & APPLIANCE LAYOUT .....	15
114030-04-01A .....	15
121568-06-01A, 121568-07-01A, 121568-08-01A .....	17
136354-05-01A, 136354-05-02A .....	21
136354-06-01A, 136354-06-02A .....	22
151277-01-01A, 151277-02-01A .....	23
158686-01-01A .....	26
<b>CHASSIS GROUP</b> .....	<b>27</b>
FRAME .....	27
EXHAUST .....	28
HITCH .....	28
REAR BUMPER .....	29
FUEL .....	29
SPARE TIRE .....	31
WHEEL, TIRE, COVERS &/OR LINERS .....	32
COMPONENT PARTS FOR WHEEL, TIRE, COVERS &/OR LINERS .....	32
109443-05-000 .....	32
BRAKELINE .....	32
<b>CURTAIN &amp; CUSHION GROUP</b> .....	<b>33</b>
NOTICE .....	33
CUSHION LAYOUT .....	34
LOUNGE CHAIR .....	37
WINDOW TREATMENT .....	38
HARDWARE .....	39
FABRICS .....	41
<b>DRIVERS COMPARTMENT GROUP</b> .....	<b>42</b>
FRONT INTERIOR .....	42
COMPONENT PARTS FOR FRONT INTERIOR .....	43
106025-02-01A .....	43
CABINETS .....	44

# CONTENTS (CONTINUED)

<b>ELECTRICAL GROUP</b> .....	<b>45</b>
110V BODY WIRING .....	45
12V BODY WIRING .....	47
EXTERIOR LAMPS .....	50
FRONT END .....	52
FRONT TV/DVD .....	53
SIDE TV/DVD .....	54
COMPONENT PARTS FOR WIRING .....	56
076319-23-000 .....	56
076319-25-000 .....	56
086231-10-000 .....	56
097917-01-06A .....	57
120269-07-01A .....	57
133908-09-01A .....	57
134940-06-01A .....	57
134940-07-01A .....	58
137417-01-01A, 137417-03-01A .....	58
137417-02-01A .....	58
137417-05-01A .....	58
137417-06-01A .....	58
149040-02-000 .....	58
149040-03-000 .....	58
150089-01-000 .....	58
153658-01-01A, 153658-01-02A .....	58
157282-01-000 .....	58
157282-02-000 .....	58
158778-01-000 .....	58
158778-02-000 .....	58
158836-01-000 .....	58
159733-01-000 .....	58
160123-01-000 .....	58
160603-01-000 .....	59
CIRCUIT BREAKERS, FUSES & RELAYS .....	60
CONVERTER, INVERTER, LOAD CENTERS .....	60
COMPONENT PARTS FOR CONVERTER, INVERTER, LOAD CENTERS .....	60
083208-07-000 .....	60
BOXES & CORDS .....	61
WIRE ASSEMBLIES .....	61
CONNECTORS & CONDUIT .....	62
CHASSIS .....	64
COMPONENT PARTS FOR CHASSIS .....	65
086280-01-000 .....	65
<b>EXTERIOR BODY GROUP</b> .....	<b>66</b>
GRAPHICS & PAINT .....	66
PANELS & TRIMS .....	67
MIRRORS .....	70
COMPONENT PARTS FOR MIRRORS .....	70
133908-01 THRU 133908-08, 133908-10 THRU 133908-13, -01A/-02A/-03A .....	70
STRUCTURAL COMPONENTS .....	71
AWNINGS .....	71
<b>EXTERIOR DOORS &amp; COMPARTMENTS GROUP</b> .....	<b>72</b>
DOOR & COMPARTMENT LAYOUT .....	72
COMPONENT PARTS FOR DOOR & COMPARTMENT LAYOUT .....	74
084103-08-000 .....	74
094708-05-01A .....	75
138637-03-000, 138637-04-000 .....	75
COMPARTMENT DOOR PIECE PARTS .....	76
COMPONENT PARTS FOR COMPARTMENT DOOR PIECE PARTS .....	77
110506-A1-000, 110506-A2-000, 110506-26-000, 110506-27-000, 110506-36-000 .....	77
138637-03-000, 138637-04-000 .....	77
ENTRY .....	78
SCREEN .....	79
LATCH - ENTRY .....	80

## CONTENTS (CONTINUED)

<b>EXTERIOR SLIDEOUT GROUP</b> .....	<b>81</b>
FRONT LEFT .....	81
COMPONENT PARTS FOR FRONT LEFT .....	87
158945-01-000 .....	87
<b>GENERATOR GROUP</b> .....	<b>88</b>
GAS .....	88
<b>HEATING &amp; A/C GROUP</b> .....	<b>89</b>
FURNACE .....	89
COMPONENT PARTS FOR FURNACE .....	90
139980-01-000 .....	90
139980-02-000 .....	92
ROOF .....	94
COMPONENT PARTS FOR ROOF .....	95
131185-03-01A .....	95
131188-03-01A .....	96
156860-01-01A .....	97
<b>INTERIOR FINISH GROUP</b> .....	<b>98</b>
MOLDINGS & TRIMS .....	98
PANELING & LAMINATES .....	106
INTERIOR TRIM LAYOUT .....	107
COMPONENT PARTS FOR INTERIOR TRIM LAYOUT .....	109
094499-02-000 .....	109
135615-01-01A .....	109
FLOOR COVERINGS .....	110
HARDWARE .....	111
<b>LABELS GROUP</b> .....	<b>117</b>
<b>LP GROUP</b> .....	<b>120</b>
LP SYSTEM .....	120
COMPONENT PARTS FOR LP SYSTEM .....	120
144116-04-000 .....	120
<b>SEALANTS &amp; FASTENERS GROUP</b> .....	<b>121</b>
SEALANTS & ADHESIVES .....	121
BOLTS, NUTS AND WASHERS .....	122
SCREWS .....	124
CLAMPS, CLIPS, GROMMETS, RIVETS & PLUGS .....	127
MISCELLANEOUS FASTENERS .....	128
<b>WATER &amp; SEWAGE GROUP</b> .....	<b>129</b>
DRAINAGE SYSTEM .....	129
COMPONENT PARTS FOR DRAINAGE SYSTEM .....	131
062415-01-000 .....	131
096927-01-02A .....	131
147421-04-01A, 147421-05-01A .....	131
WATER SYSTEM .....	132
COMPONENT PARTS FOR WATER SYSTEM .....	138
051391-03-000 .....	138
098607-01-000 .....	139
138637-03-000, 138637-04-000 .....	139
<b>WINDOW &amp; VENTS GROUP</b> .....	<b>140</b>
WINDOW & VENT LAYOUT .....	140
COMPONENT PARTS FOR WINDOW & VENT LAYOUT .....	141
098647-27-02A, 098647-28-02A .....	141
098647-29-02A, 098647-30-02A .....	142
098647-31-02A, 098647-32-02A .....	142
098647-49-02A .....	142
098647-74-01A .....	143
098647-83-01A .....	144
122882-01-01A .....	144
122882-02-01A, 122882-03-01A .....	144

**ACCESSORIES GROUP**  
**OPERATORS MANUAL**

<b>KEY</b>	<b>PART NUMBER</b>	<b>U/M</b>	<b>DESCRIPTION</b>
	155404-01-000	DW	TOP LEVEL-200,2007
	129079-01-01A	EA	CASE - VINYL/BLACK-EXPANDABLE ACCORDION SIDES-7"WX9"HX14"L FROM: 00-00-00 THRU: 07-09-06
	129079-04-01A	EA	CASE - VINYL/BLK-EXPANDABLE ACCORDION SIDES-11"WX9"HX14"L FROM: 07-10-06 THRU: 07-30-06
	159842-01-01A	EA	CASE - VINYL - F/MANUALS - W/SLEEVES - BLACK FROM: 07-31-06 THRU: 99-99-99
	132000-34-007	EA	MANUAL/OWNER - ACCESS - 200 SERIES - 2007
	158603-07-001	EA	MANUAL/OWNER - SUPPLEMENT - 200-SERIES - 2007

**AUDIO VIDEO GROUP  
RADIO SYSTEM**

KEY	PART NUMBER	U/M	DESCRIPTION
	108137-01-000	EA	PLUG - ANTENNA
	152593-01-000	EA	BRACKET - RADIO MOUNTING - FORD
	155619-02-000	EA	RADIO - AM/FM CD-W/O REMOTE/WIRE HARNESS-MAGNADYNE M3200CD

**REAR MONITOR**

KEY	PART NUMBER	U/M	DESCRIPTION
	156442-01-01A	EA	COLOR MONITOR/LCD - 5.6" - NO AUDIO - PLAS POD MOUNT - TAN FROM: 00-00-00 THRU: 07-09-06
	156442-02-01A	EA	COLOR MONITOR/LCD - 5.6" - NO AUDIO-PLAS POD MOUNT-TAN/BLK FROM: 07-10-06 THRU: 99-99-99
	156930-01-01A	EA	MONITOR/LCD - 5.6" - NO AUDIO - PLASTIC POD MOUNT - TAN - CHEVY FROM: 00-00-00 THRU: 07-09-06
*	156930-02-01A	EA	MONITOR/LCD - 5.6" - NO AUDIO - PLASTIC POD MOUNT - TAN - CHEVY FROM: 07-10-06 THRU: 99-99-99
	144677-04-000	EA	CAMERA - REAR VIEW W/BRACKET - BLACK & WHITE - VBCS150
	149227-01-02B	EA	BRACKET - CAMERA - E-COATED - ASPECT, CAMBRIA
	149237-01-01A	EA	SHROUD - CAMERA/OUTER - BRIGHT WHITE - ASPECT, CAMBRIA
	149237-01-02A	EA	SHROUD - CAMERA/OUTER - PRIMED - ASPECT, CAMBRIA / DLX GRAPHICS
	154189-04-02A	EA	COVER/TRIM - WIRING - 15.3" - ALMOND - ACCESS, IMPULSE 226A, 228P, 229T, 231C
	154189-06-02A	EA	COVER/TRIM - WIRING - 17.3" - ALMOND - ACCESS, IMPULSE 224V
	160883-01-02B	EA	BRACKET-MONITOR-E-COATED - ACCESS, IMPULSE / OUTLOOK, SPIRIT - FORD FROM: 06-12-06 THRU: 99-99-99

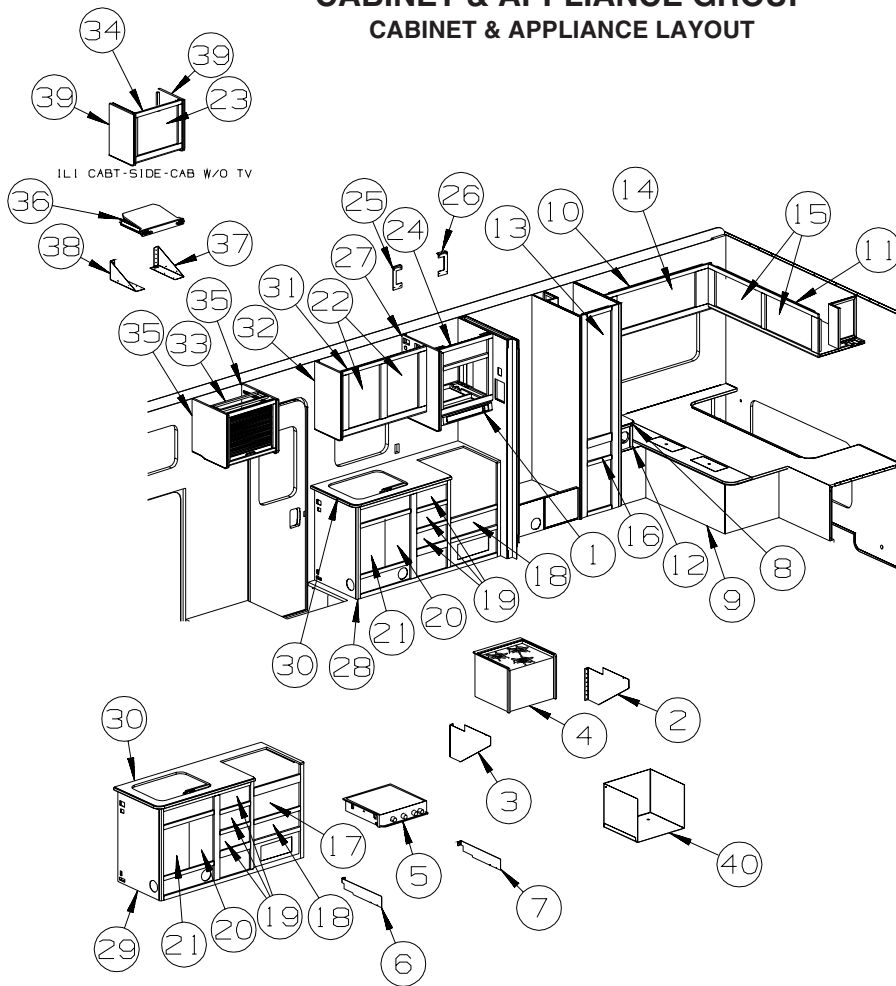
\*COMPONENT PARTS LISTED LATER IN THIS GROUP

**COMPONENT PARTS FOR REAR MONITOR**

KEY	PART NUMBER	U/M	DESCRIPTION	VENDOR NO.
	156930-02-700	EA	SHROUD - REAR VIEW MONITOR	33200012

# CABINET & APPLIANCE GROUP

## CABINET & APPLIANCE LAYOUT



KEY	PART NUMBER	U/M	DESCRIPTION
1*	136354-05-01A	EA	HOOD - RANGE - W/LITE/FAN - BLACK TEXTURED - UL
1*	136354-06-01A	EA	HOOD - RANGE - W/LITE/FAN - BLACK TEXTURED - CSA - CANADIAN
2	140176-03-02B	EA	BRACKET/TIEDOWN - STOVE - E-COATED - RANGE 3 BURNER WITH OVEN
3	140176-04-02B	EA	BRACKET/TIEDOWN - STOVE - E-COATED - RANGE 3 BURNER WITH OVEN
4*	151277-01-01A	EA	RANGE-16"-3 BURNER - MERCURY FREE - BLACK DOOR/TEXTURED - RANGE 3 BURNER WITH OVEN
5*	114030-04-01A	EA	RANGE - 3 BRNR TOP/NEW STYLE KNOBS/GRATES-W/O OVEN-BLK
6	142139-15-02B	EA	BRACKET/TIEDOWN - STOVE - E-COATED
7	142139-16-02B	EA	BRACKET/TIEDOWN - STOVE - E-COATED
8	140888-22-U07	EA	COUNTERTOP - LAMINATED - HOUSE ROCK/PORTSMOUTH OAK (U01)
8	140888-22-U08	EA	COUNTERTOP - LAMINATED - HOUSE ROCK/SIERRA MAPLE (U02)
8	140888-22-U09	EA	COUNTERTOP - LAMINATED - CLASSIC ROCK/PORTSMOUTH OAK (U03)
8	140888-22-U10	EA	COUNTERTOP - LAMINATED - CLASSIC ROCK/SIERRA MAPLE (U04)
9	158574-01-U07	EA	CABINET - BED BASE - QUEEN - W/O DOORS/DRAWERS/HDW - PORTSMOUTH OAK
9	158574-01-U08	EA	CABINET - BED BASE - QUEEN - W/O DOORS/DRAWERS/HDW - SIERRA MAPLE
10	158682-01-U07	EA	CABINET - OVERHEAD/BED - W/O DOORS/HARDWARE - PORTSMOUTH OAK
10	158682-01-U08	EA	CABINET - OVERHEAD/BED - W/O DOORS/HARDWARE - SIERRA MAPLE
11	158687-01-U07	EA	CABINET - OVERHEAD/BED - W/O DOORS/HARDWARE - PORTSMOUTH OAK
11	158687-01-U08	EA	CABINET - OVERHEAD/BED - W/O DOORS/HARDWARE - SIERRA MAPLE
12	158863-01-U07	EA	CABINET - NIGHTSTAND - W/O COUNTERTOP/DOORS/DRAWERS/HDW - PORTSMOUTH OAK
12	158863-01-U08	EA	CABINET - NIGHTSTAND - W/O COUNTERTOP/DOORS/DRAWERS/HDW - SIERRA MAPLE
13	157972-76-U07	EA	DOOR - VERT/BEADED/PENCIL EDGE - 12" X 48" - W/O HDW - PORTSMOUTH OAK
13	157972-76-U08	EA	DOOR - VERT/BEADED/PENCIL EDGE - 12" X 48" - W/O HDW - SIERRA MAPLE
14	157971-B5-U01	EA	DOOR - HORIZ/BEADED/PENCIL EDGE - 14.3" X 36.4" - W/O HDW - PORTSMOUTH OAK
14	157971-B5-U02	EA	DOOR - HORIZ/BEADED/PENCIL EDGE - 14.3" X 36.4" - W/O HDW - SIERRA MAPLE
15	157971-A9-U01	EA	DOOR - HORIZ/BEADED/PENCIL EDGE - 14.3" X 26.7" - W/O HDW - PORTSMOUTH OAK
15	157971-A9-U02	EA	DOOR - HORIZ/BEADED/PENCIL EDGE - 14.3" X 26.7" - W/O HDW - SIERRA MAPLE
16	153121-PT-U07	EA	DRAWER - PENCIL EDGE - 10"W X 23.6"D - W/O SLIDES/HDW - PORTSMOUTH OAK
16	153121-PT-U08	EA	DRAWER - PENCIL EDGE - 10"W X 23.6"D - W/O SLIDES/HDW - SIERRA MAPLE

## CABINET & APPLIANCE GROUP (CONTINUED)

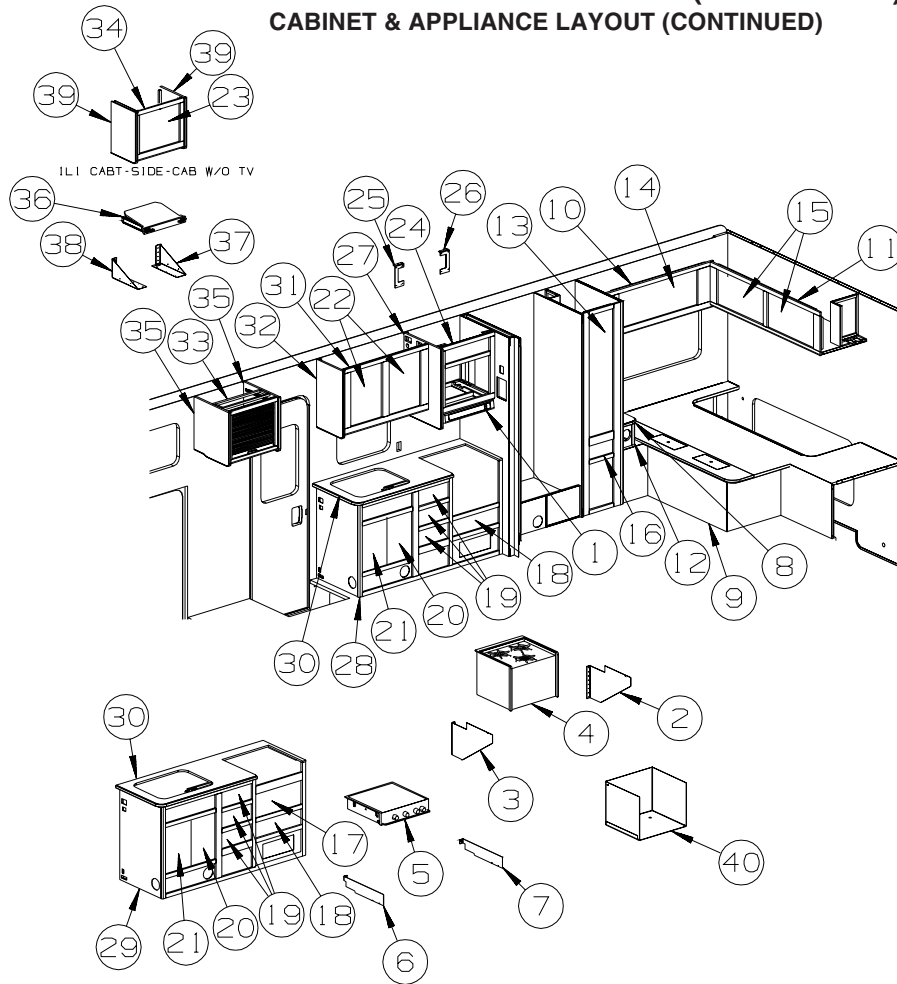
### CABINET & APPLIANCE LAYOUT (CONTINUED)

KEY	PART NUMBER	U/M	DESCRIPTION
17	157972-51-U07	EA	DOOR - VERT/BEADED/PENCIL EDGE - 10.8" X 36.4" - W/O HDW - PORTSMOUTH OAK FROM: 00-00-00 THRU: 02-04-07
17	157972-E7-W01	EA	DOOR - VERT/BEADED/PENCIL EDGE - 21.8" X 10.8" - W/O HDW - PORTSMOUTH OAK FROM: 02-05-07 THRU: 99-99-99
17	157972-51-U08	EA	DOOR - VERT/BEADED/PENCIL EDGE - 10.8" X 36.4" - W/O HDW - SIERRA MAPLE FROM: 00-00-00 THRU: 02-04-07
17	157972-E7-W02	EA	DOOR - VERT/BEADED/PENCIL EDGE - 21.8" X 10.8" - W/O HDW - SIERRA MAPLE FROM: 02-05-07 THRU: 99-99-99
18	153121-PR-U07	EA	DRAWER - PENCIL EDGE - 19.8"W X 15.7"D - W/O SLIDES/HDW - PORTSMOUTH OAK
18	153121-PR-U08	EA	DRAWER - PENCIL EDGE - 19.8"W X 15.7"D - W/O SLIDES/HDW - SIERRA MAPLE
19	153121-PS-U07	EA	DRAWER - PENCIL EDGE - 12.7"W X 15.7"D - W/O SLIDES/HDW - PORTSMOUTH OAK
19	153121-PS-U08	EA	DRAWER - PENCIL EDGE - 12.7"W X 15.7"D - W/O SLIDES/HDW - SIERRA MAPLE
20	157972-66-U07	EA	DOOR - VERT/BEADED/PENCIL EDGE - 12" X 18.7" - W/O HDW - PORTSMOUTH OAK
20	157972-66-U08	EA	DOOR - VERT/BEADED/PENCIL EDGE - 12" X 18.7" - W/O HDW - SIERRA MAPLE
21	157972-65-U07	EA	DOOR - VERT/BEADED/PENCIL EDGE - 12" X 18.7" - W/O HDW - PORTSMOUTH OAK
21	157972-65-U08	EA	DOOR - VERT/BEADED/PENCIL EDGE - 12" X 18.7" - W/O HDW - SIERRA MAPLE
22	157972-B8-U07	EA	DOOR - VERT/BEADED/PENCIL EDGE - 14.9" X 21.8" - W/O HDW - PORTSMOUTH OAK
22	157972-B8-U08	EA	DOOR - VERT/BEADED/PENCIL EDGE - 14.9" X 21.8" - W/O HDW - SIERRA MAPLE
23	157971-D0-U01	EA	DOOR-HRZ/BEADED/PNCL EDGE-15.7"X20.4" - PORTSMOUTH OAK - TV-27" W/VIDEO SELECTION SYS
23	157971-D0-U02	EA	DOOR - HRZ/BEADED/PENCIL EDGE-15.7" X 20.4"- SIERRA MAPLE - TV-27" W/VIDEO SELECTION SYS
24	156276-03-U01	EA	CABINET - OVERHEAD/MICROWAVE - W/O DOORS/HDW
24	156276-03-U02	EA	CABINET - OVERHEAD/MICROWAVE - W/O DOORS/HDW
24	156276-03-U03	EA	CABINET - OVERHEAD/MICROWAVE - W/O DOORS/HDW
24	156276-03-U04	EA	CABINET - OVERHEAD/MICROWAVE - W/O DOORS/HDW
24	156276-04-U01	EA	CABINET - OVERHEAD/MICROWAVE - W/O DOORS/HDW - TV-27" W/VIDEO SELECTION SYS
24	156276-04-U02	EA	CABINET - OVERHEAD/MICROWAVE - W/O DOORS/HDW - TV-27" W/VIDEO SELECTION SYS
24	156276-04-U03	EA	CABINET - OVERHEAD/MICROWAVE - W/O DOORS/HDW - TV-27" W/VIDEO SELECTION SYS
24	156276-04-U04	EA	CABINET - OVERHEAD/MICROWAVE - W/O DOORS/HDW - TV-27" W/VIDEO SELECTION SYS
25	098916-40-02B	EA	BRACE - MICROWAVE CABINET - LEFT HAND - E-COATED
26	098916-41-02B	EA	BRACE - MICROWAVE CABINET - RIGHT HAND - E-COATED
27	140307-53-U01	EA	END CAP - OVERHEAD CABINET - PORTSMOUTH OAK
27	140307-53-U02	EA	END CAP - OVERHEAD CABINET - SIERRA MAPLE
28	P58423-02-U07	EA	CABINET - GALLEY - W/O COUNTERTOP/DOORS/DRAWERS/HDW - PORTSMOUTH OAK
28	P58423-02-U08	EA	CABINET - GALLEY - W/O COUNTERTOP/DOORS/DRAWERS/HDW - SIERRA MAPLE
28	P58423-01-U07	EA	CABINET - GALLEY - W/O C-TOP/DRS/DRWRS/HDW - PORTSMOUTH OAK - ENTRANCE STEP-ELEC.
28	P58423-01-U08	EA	CABINET - GALLEY - W/O C-TOP/DOORS/DRAWERS/HDW - SIERRA MAPLE - ENTRANCE STEP-ELEC.
29	P58423-04-U07	EA	CABINET - GALLEY-W/O C-TOP/DR/DRWR/HDW - PORTSMOUTH OAK - RANGE 3 BURNER WITH OVEN
29	P58423-04-U08	EA	CABINET - GALLEY - W/O C-TOP/DR/DRWR/HDW - SIERRA MAPLE - RANGE 3 BURNER WITH OVEN
29	P58423-03-U07	EA	CABINET - GALLEY - PORTSMOUTH OAK - RANGE 3 BURNER WITH OVEN, ENTRANCE STEP-ELEC.
29	P58423-03-U08	EA	CABINET - GALLEY - SIERRA MAPLE - RANGE 3 BURNER WITH OVEN, ENTRANCE STEP-ELEC.
30	133653-72-U07	EA	COUNTERTOP - LAMINATED - HOUSE ROCK/PORTSMOUTH OAK (U01)
30	133653-72-U08	EA	COUNTERTOP - LAMINATED - HOUSE ROCK/SIERRA MAPLE (U02)
30	133653-72-U09	EA	COUNTERTOP - LAMINATED - CLASSIC ROCK/PORTSMOUTH OAK (U03)
30	133653-72-U10	EA	COUNTERTOP - LAMINATED - CLASSIC ROCK/SIERRA MAPLE (U04)
31	158691-01-U07	EA	CABINET - OVERHEAD/GALLEY - W/O DOORS/HDW - PORTSMOUTH OAK
31	158691-01-U08	EA	CABINET - OVERHEAD/GALLEY - W/O DOORS/HDW - SIERRA MAPLE
32	140307-54-U01	EA	END CAP - OVERHEAD CABINET - PORTSMOUTH OAK
32	140307-54-U02	EA	END CAP - OVERHEAD CABINET - SIERRA MAPLE
33	159610-03-U01	EA	CABINET - OVERHEAD/TV - W/TAMBOUR DOOR - PORTSMOUTH OAK FROM: 00-00-00 THRU: 10-14-06
33	161423-04-U01	EA	CABINET - OVERHEAD/STORAGE - W/O TV SLIDE - W/TAMBOUR DOOR - PORTSMOUTH OAK FROM: 10-15-06 THRU: 99-99-99
33	159610-03-U02	EA	CABINET - OVERHEAD/TV - W/TAMBOUR DOOR - SIERRA MAPLE FROM: 00-00-00 THRU: 10-14-06
33	161423-04-U02	EA	CABINET - OVERHEAD/STORAGE - W/O TV SLIDE - W/TAMBOUR DOOR - SIERRA MAPLE FROM: 10-15-06 THRU: 99-99-99
33	159610-02-U01	EA	CABINET - OVERHEAD/TV - W/TAMBOUR DOOR - PORTSMOUTH OAK - TV-13" W/DVD-12V
33	159610-02-U02	EA	CABINET - OVERHEAD/TV - W/TAMBOUR DOOR - SIERRA MAPLE - TV-13" W/DVD-12V
33	161423-03-U01	EA	CABINET - OVERHEAD/TV - W/TAMBOUR DOOR - PORTSMOUTH OAK - TV-14" DC, LCD, & DVD, DC
33	161423-03-U02	EA	CABINET - OVERHEAD/TV - W/TAMBOUR DOOR - SIERRA MAPLE - TV-14" DC, LCD, & DVD, DC
34	159297-01-U01	EA	CABINET - OVHD/FRT/RH - W/O DOORS/HDW - PORTSMOUTH OAK - TV-27" W/VIDEO SELECTION SYS
34	159297-01-U02	EA	CABINET - OVHD/FRT/RH - W/O DOORS/HDW - SIERRA MAPLE - TV-27" W/VIDEO SELECTION SYS



## CABINET & APPLIANCE GROUP (CONTINUED)

### CABINET & APPLIANCE LAYOUT (CONTINUED)

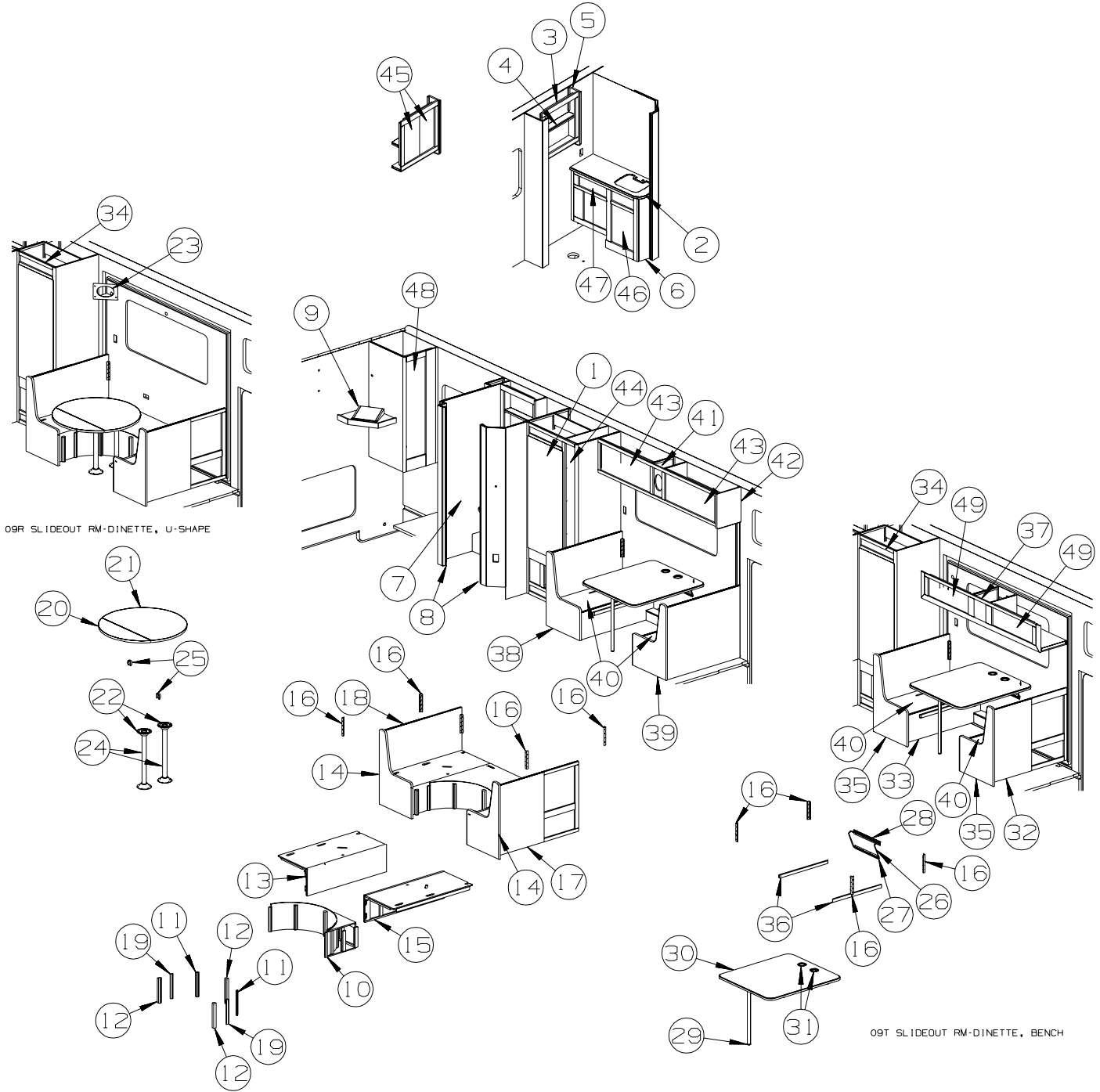


KEY	PART NUMBER	U/M	DESCRIPTION
35	140307-62-U01	EA	END CAP - OVERHEAD CABINET - PORTSMOUTH OAK FROM: 00-00-00 THRU: 10-14-06
35	140307-52-U01	EA	END CAP - OVERHEAD CABINET - PORTSMOUTH OAK FROM: 10-15-06 THRU: 99-99-99
35	140307-62-U02	EA	END CAP - OVERHEAD CABINET - SIERRA MAPLE FROM: 00-00-00 THRU: 10-14-06
35	140307-52-U02	EA	END CAP - OVERHEAD CABINET - SIERRA MAPLE FROM: 10-15-06 THRU: 99-99-99
35	140307-62-U01	EA	END CAP - OVERHEAD CABINET - PORTSMOUTH OAK - TV-13" W/DVD-12V
35	140307-62-U02	EA	END CAP - OVERHEAD CABINET - SIERRA MAPLE - TV-13" W/DVD-12V
35	140307-52-U01	EA	END CAP - OVERHEAD CABINET - PORTSMOUTH OAK - TV-14" DC, LCD, & DVD, DC
35	140307-52-U02	EA	END CAP - OVERHEAD CABINET - SIERRA MAPLE - TV-14" DC, LCD, & DVD, DC
36	159610-18-T11	EA	SHELF - W/SLIDE AND SWIVEL - PORTSMOUTH OAK - TV-13" W/DVD-12V
36	159610-18-TK0	EA	SHELF - W/SLIDE AND SWIVEL - SIERRA MAPLE - TV-13" W/DVD-12V
36	161423-21-U01	EA	SHELF - W/SLIDE AND SWIVEL - PORTSMOUTH OAK - TV-14" DC, LCD, & DVD, DC
36	161423-21-U02	EA	SHELF - W/SLIDE AND SWIVEL - SIERRA MAPLE - TV-14" DC, LCD, & DVD, DC
	116773-02-000	EA	SWIVEL/SLIDES-F/TV SHELF - 17.9"D X 1.6"H X 15.3"W - TV-13" W/DVD-12V/TV-14" DC, LCD, & DVD, DC
37	122298-02-02B	EA	BRACKET - TV/VCR W/ANGLE - LH HAND - E-COATED
38	122298-03-02B	EA	BRACKET - TV/VCR W/ANGLE - RH HAND - E-COATED
39	140307-59-U01	EA	END CAP - OVERHEAD CABINET - PORTSMOUTH OAK - TV-27" W/VIDEO SELECTION SYS
39	140307-59-U02	EA	END CAP - OVERHEAD CABINET - SIERRA MAPLE - TV-27" W/VIDEO SELECTION SYS
40	162694-01-01A	EA	ENCLOSURE - STOVE - 20.7"W X 16.1"H X 18.7"D - RANGE 3 BURNER WITH OVEN FROM: 01-02-07 THRU: 99-99-99

\*COMPONENT PARTS LISTED LATER IN THIS GROUP

# CABINET & APPLIANCE GROUP (CONTINUED)

## CABINET & APPLIANCE LAYOUT (CONTINUED)



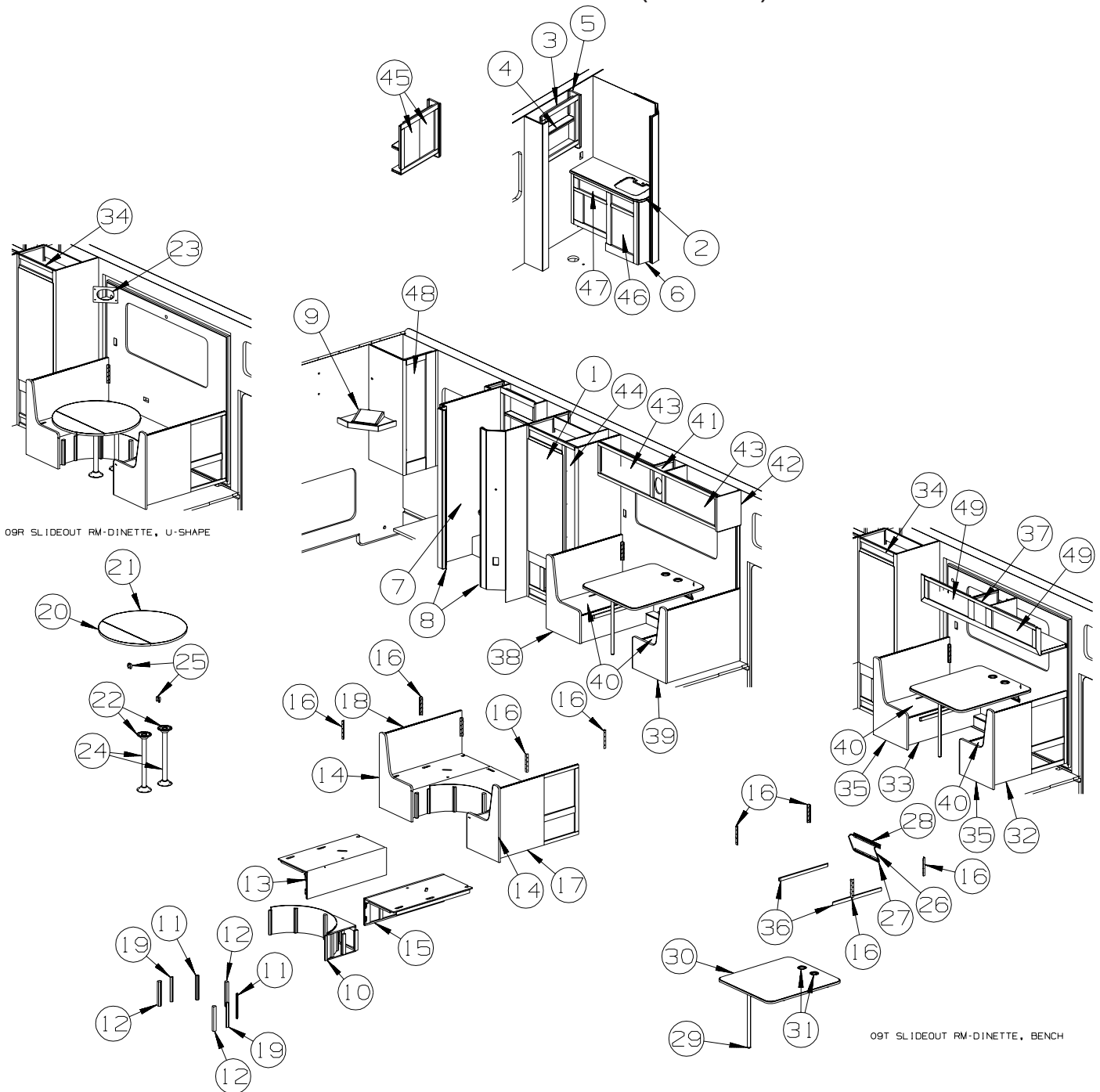
KEY	PART NUMBER	U/M	DESCRIPTION
1*	121568-07-01A	EA	REFRIGERATOR - SMALL DBL DOOR-LH/2 WAY- 52.8"HX23.5"WX24"D
	054450-01-000	EA	LEVEL - REFRIGERATOR
	116751-02-01A	EA	TRAY - REFRIGERATOR - BLACK
2	133654-48-U01	EA	COUNTERTOP - LAMINATED - HOUSE ROCK/PORTSMOUTH OAK (U01)
2	133654-48-U02	EA	COUNTERTOP - LAMINATED - HOUSE ROCK/SIERRA MAPLE (U02)
2	133654-48-U09	EA	COUNTERTOP - LAMINATED - CLASSIC ROCK/PORTSMOUTH OAK (U03)
2	133654-48-U10	EA	COUNTERTOP - LAMINATED - CLASSIC ROCK/SIERRA MAPLE (U04)
3	156278-01-U01	EA	CABINET - OVERHEAD/MEDICINE - W/O DOORS/HDW - PORTSMOUTH OAK
3	156278-01-U02	EA	CABINET - OVERHEAD/MEDICINE - W/O DOORS/HDW - SIERRA MAPLE
4	156278-15-U01	EA	SHELF - W/PLASTIC EDGE MOLDING - PORTSMOUTH OAK
4	156278-15-U02	EA	SHELF - W/PLASTIC EDGE MOLDING - SIERRA MAPLE
5	140307-15-P07	EA	END CAP - OVERHEAD CABINET - PORTSMOUTH OAK
5	140307-15-S88	EA	END CAP - OVERHEAD CABINET - SIERRA MAPLE
6	P56248-02-U07	EA	CABINET - LAVATORY - W/O COUNTERTOP/DOORS/DRAWERS/HDW - PORTSMOUTH OAK
6	P56248-02-U08	EA	CABINET - LAVATORY - W/O COUNTERTOP/DOORS/DRAWERS/HDW - SIERRA MAPLE

**CABINET & APPLIANCE GROUP (CONTINUED)**  
**CABINET & APPLIANCE LAYOUT (CONTINUED)**

KEY	PART NUMBER	U/M	DESCRIPTION
7	144645-04-R13	EA	DOOR - BATH - W/O FRAME (PICTURE)/TOWEL RACK/HDW - PORTSMOUTH OAK
7	144645-04-S67	EA	DOOR - BATH - W/O FRAME (PICTURE)/TOWEL RACK/HDW - SIERRA MAPLE
8	105394-02-09A	EA	JAMB - DOOR/MOLDED PLASTIC - 79.8" - PORTSMOUTH OAK
8	105394-02-08A	EA	JAMB - DOOR/MOLDED PLASTIC - 79.8" - SIERRA MAPLE
9	144387-01-R07	EA	CABINET/SHELF/TV - W/O HARDWARE - PORTSMOUTH OAK
9	144387-01-U08	EA	CABINET/SHELF/TV - W/O HARDWARE - SIERRA MAPLE
10	P59012-AA-U07	EA	CABINET - SEATBASE/CENTER "CURVED" ONLY - W/O HDW - PORTSMOUTH OAK
10	P59012-AA-U08	EA	CABINET - SEATBASE/CENTER "CURVED" ONLY - W/O HDW - SIERRA MAPLE
11	159012-34-U07	EA	LUMBER - STAINED - BEVELED - .8" X 1.5" X 11.8" - PORTSMOUTH OAK
11	159012-34-U08	EA	LUMBER - STAINED - BEVELED - .8" X 1.5" X 11.8" - SIERRA MAPLE
12	159012-35-U07	EA	LUMBER - STAINED - BEVELED - 1.5" X 1.5" X 11.8" - PORTSMOUTH OAK
12	159012-35-U08	EA	LUMBER - STAINED - BEVELED - 1.5" X 1.5" X 11.8" - SIERRA MAPLE
13	P59012-AB-U07	EA	CABINET - SEATBASE/LEFT HAND ONLY - W/O HDW - PORTSMOUTH OAK
13	P59012-AB-U08	EA	CABINET - SEATBASE/LEFT HAND ONLY - W/O HDW - SIERRA MAPLE
14	112367-30-U07	EA	END CAP - DINETTE SEAT BASE - RIGHT/LEFT - PORTSMOUTH OAK
14	112367-30-U08	EA	END CAP - DINETTE SEAT BASE - RIGHT/LEFT - SIERRA MAPLE
15	P59012-AC-U07	EA	CABINET - SEATBASE/RIGHT HAND ONLY - W/O HDW - PORTSMOUTH OAK
15	P59012-AC-U08	EA	CABINET - SEATBASE/RIGHT HAND ONLY - W/O HDW - SIERRA MAPLE
16	122021-01-02A	EA	ANGLE - W/HOLES - 8.6" LONG - OFF WHITE
17	159012-11-U07	EA	SEAT BACK - DINETTE - RIGHT - PORTSMOUTH OAK
17	159012-11-U08	EA	SEAT BACK - DINETTE - RIGHT - SIERRA MAPLE
18	159012-20-U07	EA	SEAT BACK - DINETTE - LEFT - PORTSMOUTH OAK
18	159012-20-U08	EA	SEAT BACK - DINETTE - LEFT - SIERRA MAPLE
19	159012-36-U07	EA	LUMBER - STAINED - BEVELED - .8" X 1.5" X 11.8" - PORTSMOUTH OAK
19	159012-36-U08	EA	LUMBER - STAINED - BEVELED - .8" X 1.5" X 11.8" - SIERRA MAPLE
20	150183-02-U01	EA	TABLE/DINETTE - DROP LEAF - W/O HDW (U01)
20	150183-02-U38	EA	TABLE/DINETTE - DROP LEAF - W/O HDW (U02)
20	150183-02-U03	EA	TABLE/DINETTE - DROP LEAF - W/O HDW (U03)
20	150183-02-U50	EA	TABLE/DINETTE - DROP LEAF - W/O HDW (U04)
21	150183-03-U01	EA	TABLE/DINETTE - ROUND - W/O DROP LEAF/LEG/HDW (U01)
21	150183-03-U38	EA	TABLE/DINETTE - ROUND - W/O DROP LEAF/LEG/HDW (U02)
21	150183-03-U03	EA	TABLE/DINETTE - ROUND - W/O DROP LEAF/LEG/HDW (U03)
21	150183-03-U50	EA	TABLE/DINETTE - ROUND - W/O DROP LEAF/LEG/HDW (U04)
22	155001-02-01A	EA	BASE - LEG MOUNT/FLOOR/TABLE - RAISED - SILVER
23	151005-01-U01	EA	CABINET - SPEAKER - W/O HARDWARE
23	151005-01-U02	EA	CABINET - SPEAKER - W/O HARDWARE
23	151005-01-U03	EA	CABINET - SPEAKER - W/O HARDWARE
23	151005-01-U04	EA	CABINET - SPEAKER - W/O HARDWARE
24	155001-01-01A	EA	LEG - PEDESTAL TABLE - 27" - SILVER
25	062046-01-000	EA	CLIP - LEG - PEDESTAL - 1.7" X 2.2" - DIA FROM 2" - 2.5"
26	024275-16-000	EA	ROD - TABLE LIFT - W/ARMS 8" & BASE ROD 18.5" - ALMOND
27	024281-12-000	EA	BRACKET/WALL - TABLE LIFT - 17.1" - ALMOND
28	140921-02-02A	EA	BRACKET/TABLE SUPPORT - 18.5" - ALMOND
29	143798-01-02A	EA	CATCH - FLOOR TO TABLE LEG - ALMOND
30	144605-08-U01	EA	TABLE - DINETTE - 41.6" X 37.6" - W/O HARDWARE
30	144605-08-U02	EA	TABLE - DINETTE - 41.6" X 37.6" - W/O HARDWARE
30	144605-08-U03	EA	TABLE - DINETTE - 41.6" X 37.6" - W/O HARDWARE
30	144605-08-U04	EA	TABLE - DINETTE - 41.6" X 37.6" - W/O HARDWARE
31	064781-06-000	EA	HOLDER/CUP - TWO STEP - OFF WHITE
			FROM: 00-00-00 THRU: 04-29-07
31	164128-02-01A	EA	HOLDER/CUP - TWO STEP - COLONIAL WHITE
			FROM: 04-30-07 THRU: 99-99-99
32	145004-18-U01	EA	CABINET/DINETTE-RH-W/END CAP/BACK/FACE-W/O SEAT BOARD - PORTSMOUTH OAK
			FROM: 00-00-00 THRU: 07-05-06
32	145004-29-U01	EA	CABINET/DINETTE-RH-W/END CAP/BACK/FACE-W/O SEAT BOARD - PORTSMOUTH OAK
			FROM: 07-06-06 THRU: 99-99-99
32	145004-18-U02	EA	CABINET/DINETTE-RH-W/END CAP/BACK/FACE-W/O SEAT BOARD - SIERRA MAPLE
			FROM: 00-00-00 THRU: 07-05-06
32	145004-29-U02	EA	CABINET/DINETTE-RH-W/END CAP/BACK/FACE-W/O SEAT BOARD - SIERRA MAPLE
			FROM: 07-06-06 THRU: 99-99-99

# CABINET & APPLIANCE GROUP (CONTINUED)

## CABINET & APPLIANCE LAYOUT (CONTINUED)



KEY	PART NUMBER	U/M	DESCRIPTION
33	145004-19-U01	EA	CABINET/DINETTE-LH-W/END CAP/BACK/FACE-W/O SEAT BOARD - PORTSMOUTH OAK FROM: 00-00-00 THRU: 07-05-06
33	145004-30-U01	EA	CABINET/DINETTE-LH-W/END CAP/BACK/FACE-W/O SEAT BOARD - PORTSMOUTH OAK FROM: 07-06-06 THRU: 99-99-99
33	145004-19-U02	EA	CABINET/DINETTE-LH-W/END CAP/BACK/FACE-W/O SEAT BOARD - SIERRA MAPLE FROM: 00-00-00 THRU: 07-05-06
33	145004-30-U02	EA	CABINET/DINETTE-LH-W/END CAP/BACK/FACE-W/O SEAT BOARD - SIERRA MAPLE FROM: 07-06-06 THRU: 99-99-99
34			REFRIGERATOR CABINET SEALS
	090329-01-000	FT	SEAL - "T" - REFRIGERATOR CABINET
35	112367-31-U01	EA	END CAP - DINETTE SEAT BASE - RIGHT/LEFT - PORTSMOUTH OAK FROM: 07-06-06 THRU: 99-99-99
35	112367-31-U02	EA	END CAP - DINETTE SEAT BASE - RIGHT/LEFT - SIERRA MAPLE FROM: 07-06-06 THRU: 99-99-99
36	081295-01-N70	EA	SUPPORT - BED/DINETTE - 28" LONG - PORTSMOUTH OAK
36	081295-01-RE0	EA	SUPPORT - BED/DINETTE - 28" LONG - SIERRA MAPLE

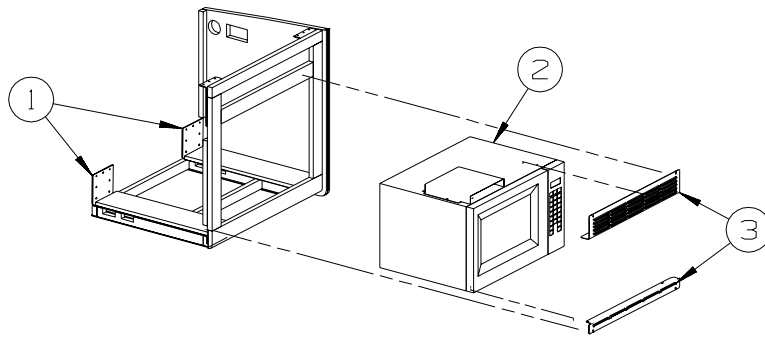
## CABINET & APPLIANCE GROUP (CONTINUED)

### CABINET & APPLIANCE LAYOUT (CONTINUED)

KEY	PART NUMBER	U/M	DESCRIPTION
37	151051-02-U01	EA	CABINET - OVERHEAD/DINETTE - W/O DOORS/HARDWARE
37	151051-02-U02	EA	CABINET - OVERHEAD/DINETTE - W/O DOORS/HARDWARE
37	151051-02-U03	EA	CABINET - OVERHEAD/DINETTE - W/O DOORS/HARDWARE
37	151051-02-U04	EA	CABINET - OVERHEAD/DINETTE - W/O DOORS/HARDWARE
38	145004-24-U07	EA	CABINET/DINETTE-LH-W/END CAP/BACK/FACE-W/O SEAT BOARD - PORTSMOUTH OAK
38	145004-24-U08	EA	CABINET/DINETTE-LH-W/END CAP/BACK/FACE-W/O SEAT BOARD - SIERRA MAPLE
39	145004-25-U07	EA	CABINET/DINETTE-RH-W/END CAP/BACK/FACE-W/O SEAT BOARD - PORTSMOUTH OAK
39	145004-25-U08	EA	CABINET/DINETTE-RH-W/END CAP/BACK/FACE-W/O SEAT BOARD - SIERRA MAPLE
40	091261-01-000	FT	SLIPNOT - ANTISLIP - 1' WIDE X 12' - BLACK
			FROM: 00-00-00 THRU: 10-22-06
40	096764-02-000	FT	SLIPNOT - ANTISLIP - 1'WIDE (180' ROLLS) - WHITE
			FROM: 10-23-06 THRU: 99-99-99
41	157786-01-U01	EA	CABINET - OVERHEAD/DINETTE - W/O DOORS/HDW
41	157786-01-U02	EA	CABINET - OVERHEAD/DINETTE - W/O DOORS/HDW
41	157786-01-U03	EA	CABINET - OVERHEAD/DINETTE - W/O DOORS/HDW
41	157786-01-U04	EA	CABINET - OVERHEAD/DINETTE - W/O DOORS/HDW
42	140307-55-U01	EA	END CAP - OVERHEAD CABINET - PORTSMOUTH OAK
42	140307-55-U02	EA	END CAP - OVERHEAD CABINET - SIERRA MAPLE
43	157971-B5-U01	EA	DOOR - HORIZ/BEADED/PENCIL EDGE - 14.3" X 36.4" - W/O HDW - PORTSMOUTH OAK
43	157971-B5-U02	EA	DOOR - HORIZ/BEADED/PENCIL EDGE - 14.3" X 36.4" - W/O HDW - SIERRA MAPLE
44	157972-01-U07	EA	DOOR - VERT/BEADED/PENCIL EDGE - 8.1" X 60.7" - W/O HDW - PORTSMOUTH OAK
44	157972-01-U08	EA	DOOR - VERT/BEADED/PENCIL EDGE - 8.1" X 60.7" - W/O HDW - SIERRA MAPLE
45	157972-40-U01	EA	DOOR - VERT/BEADED/PENCIL EDGE - 10.8" X 21.8" - W/O HDW - PORTSMOUTH OAK
45	157972-40-U02	EA	DOOR - VERT/BEADED/PENCIL EDGE - 10.8" X 21.8" - W/O HDW - SIERRA MAPLE
46	157972-A7-U01	EA	DOOR - VERT/BEADED/PENCIL EDGE - 14.3" X 21.8" - W/O HDW - PORTSMOUTH OAK
46	157972-A7-U02	EA	DOOR - VERT/BEADED/PENCIL EDGE - 14.3" X 21.8" - W/O HDW - SIERRA MAPLE
47	153121-JC-U01	EA	DRAWER - PENCIL EDGE - 15.5"W X 11.8"D - W/O SLIDES/HDW - PORTSMOUTH OAK
47	153121-JC-U02	EA	DRAWER - PENCIL EDGE - 15.5"W X 11.8"D - W/O SLIDES/HDW - SIERRA MAPLE
48	157972-76-U07	EA	DOOR - VERT/BEADED/PENCIL EDGE - 12" X 48" - W/O HDW - PORTSMOUTH OAK
48	157972-76-U08	EA	DOOR - VERT/BEADED/PENCIL EDGE - 12" X 48" - W/O HDW - SIERRA MAPLE
49	157971-28-U07	EA	DOOR - HORIZ/BEADED/PENCIL EDGE - 10" X 29.5" - W/O HDW - PORTSMOUTH OAK
49	157971-28-U08	EA	DOOR - HORIZ/BEADED/PENCIL EDGE - 10" X 29.5" - W/O HDW - SIERRA MAPLE

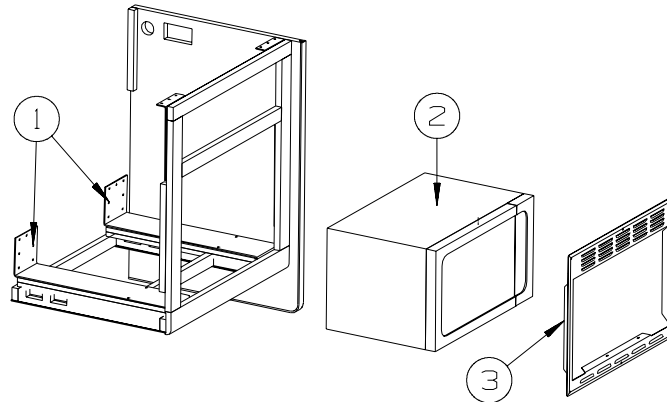
\*COMPONENT PARTS LISTED LATER IN THIS GROUP

**CABINET & APPLIANCE GROUP (CONTINUED)**  
**CABINET & APPLIANCE LAYOUT (CONTINUED)**



**FROM: 00-00-00 THRU: 02-08-06**

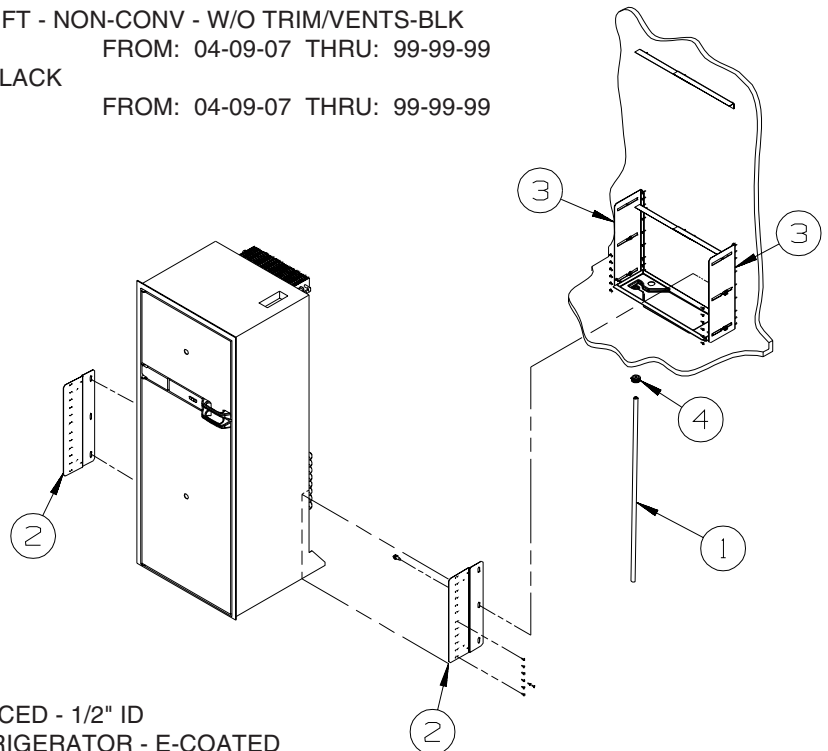
KEY	PART NUMBER	U/M DESCRIPTION
1	143759-11-02B	EA BRACKET - MICROWAVE - E-COATED
2	153390-01-01A	EA OVEN/MICROWAVE - 1.1 CU FT-NON-CONV-W/O TRIM-BLACK-UL/CSA
3	153390-02-01A	EA TRIM KIT W/VENT - MICROWAVE 1.1 CU FT - BLACK - WHIRLPOOL



**FROM: 02-09-06 THRU: 99-99-99**

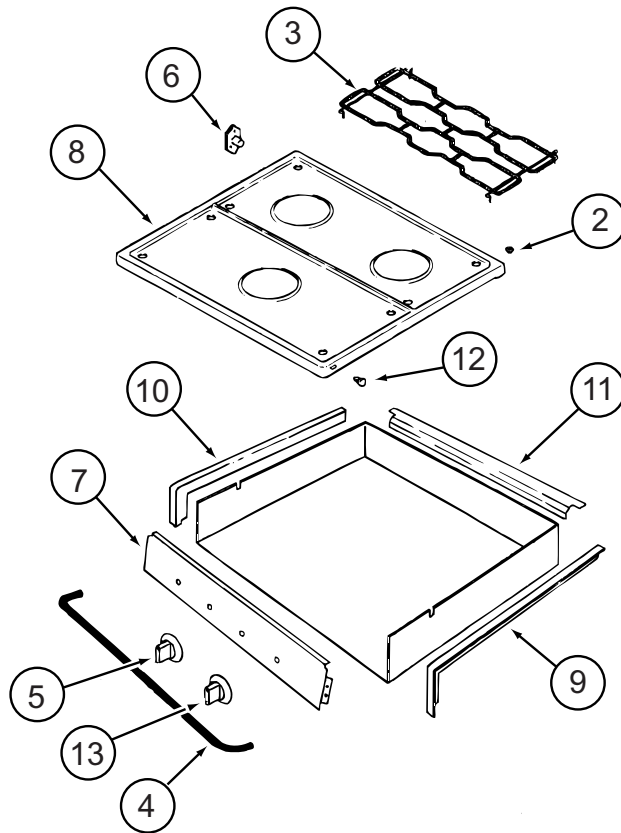
KEY	PART NUMBER	U/M DESCRIPTION
1	143759-11-02B	EA BRACKET - MICROWAVE - E-COATED
2*	158686-01-01A	EA OVEN/MICROWAVE - .9 CU FT - NON-CONV - BLACK FROM: 00-00-00 THRU: 04-08-07
2	158686-02-01A	EA OVEN/MICROWAVE - .9 CU FT - NON-CONV - W/O TRIM/VENTS-BLK FROM: 04-09-07 THRU: 99-99-99
3	164197-01-01A	EA TRIM KIT - MICROWAVE - BLACK FROM: 04-09-07 THRU: 99-99-99

**\*COMPONENT PARTS LISTED LATER IN THIS GROUP**



KEY	PART NUMBER	U/M DESCRIPTION
1	112176-01-000	FT TUBING - VINYL - REINFORCED - 1/2" ID
2	150740-01-02B	EA BRACKET/TIEDOWN - REFRIGERATOR - E-COATED
3	150740-02-02B	EA BRACKET/TIEDOWN - REFRIGERATOR - E-COATED
4	152417-01-01A	EA CLAMP/RATCHET - F/REFRIGERATOR DRIP TRAY HOSE - BLACK

**CABINET & APPLIANCE GROUP (CONTINUED)**  
**COMPONENT PARTS FOR CABINET & APPLIANCE LAYOUT**

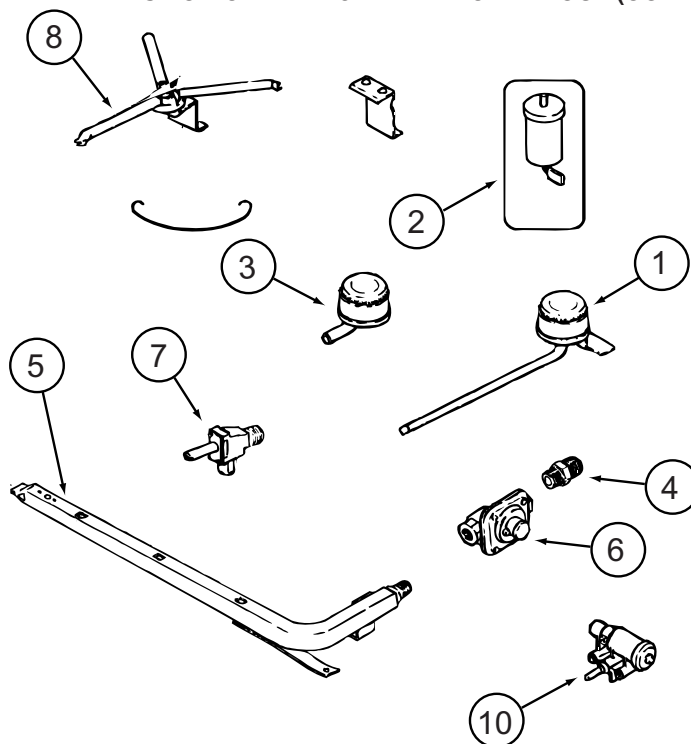


114030-04-01A

KEY	PART NUMBER	U/M	DESCRIPTION	VENDOR NO.
2	102020-01-709	EA	BUMPER-GRATE	8007P020-60
3	112881-04-702	EA	GRATE - BLACK	74007277
4	114030-02-700	EA	GUARD/FABRIC - TOWEL BAR	3609F006-70
5	128728-01-701	EA	KNOB - BURNER - REAR	74003941 (1 PER)
5	128728-01-702	EA	KNOB - BURNER - FRONT	74003942
6	128728-01-703	EA	PIN/T-NUT F/HINGE	7103P109-60
7	114030-04-700	EA	PANEL - MANIFOLD - BLACK	74007325
8	126023-01-728	EA	TOP - MAIN (BLACK)	74003323
9	114030-01-704	EA	TRIM - RIGHT/BLACK TEXTURED	74002839
10	114030-01-705	EA	TRIM - LEFT/BLACK TEXTURED	74002840
11	114030-01-706	EA	TRIM - REAR/BLACK TEXTURED	74002841
12	102020-01-724	EA	BUMPER - MAIN TOP	8003P008-60
13	128728-01-707	EA	KNOB - IGNITER	74003944

CONTACT WINNEBAGO PART SALES FOR UNLISTED COMPONENT(S)

**CABINET & APPLIANCE GROUP (CONTINUED)**  
**COMPONENT PARTS FOR CABINET & APPLIANCE LAYOUT (CONTINUED)**



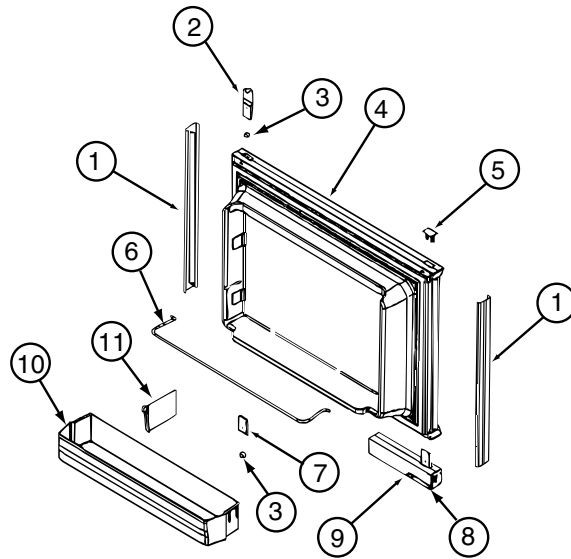
**114030-04-01A (CONTINUED)**

KEY	PART NUMBER	U/M	DESCRIPTION	VENDOR NO.
1	112881-04-700	EA	BURNER - TOP /LEFT REAR	74004584
1	126023-01-700	EA	BURNER - TOP (RT-REAR) 5100 BTU	74004583
2	112881-04-705	EA	PUSH RING (ELECTRODE MTG)	7104P002-60
2	126023-01-711	EA	ELECTRODE - IGNITER (ONLY)	7432P077-60
3	112881-04-701	EA	BURNER - TOP/FRONT	74004582
4	135065-03-700	EA	FITTING - HALF UNION	74004234
5	135065-01-702	EA	PIPE/MANIFOLD	74004642
6	126023-02-702	EA	PIPE - MANIFOLD	74004360
7	126023-02-705	EA	VALVE - BURNER - REAR	74004362
7	126023-02-706	EA	VALVE - BURNER - FRONT	74004363
8	126023-01-736	EA	FLASH TUBE EXTENSION (REAR)	74003326
8	126023-01-737	EA	FLASH TUBE EXTENSION (FRONT)	74003327
10	126023-01-719	EA	IGNITER HEAD - TOP BURNER	74002413
	126023-02-703	EA	REGULATOR - PRESSURE	74004235

CONTACT WINNEBAGO PART SALES FOR UNLISTED COMPONENT(S)



**CABINET & APPLIANCE GROUP (CONTINUED)**  
**COMPONENT PARTS FOR CABINET & APPLIANCE LAYOUT (CONTINUED)**

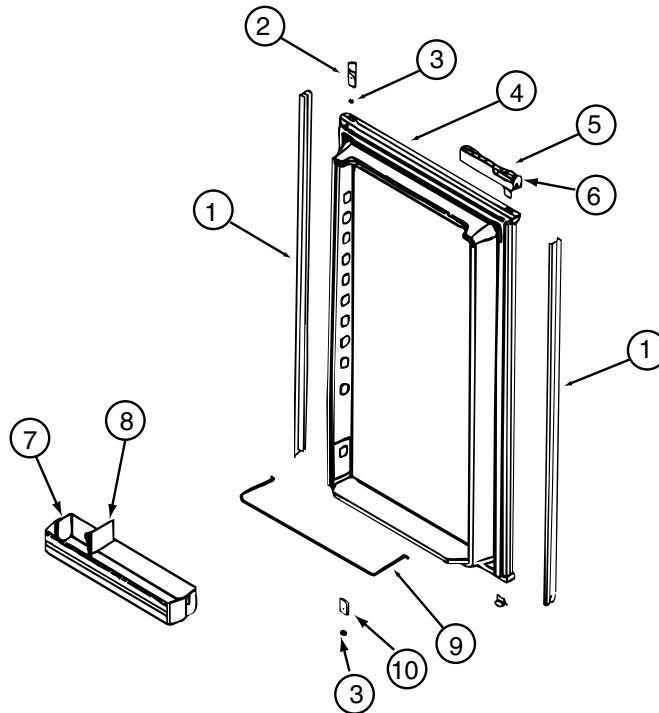


121568-06-01A, 121568-07-01A, 121568-08-01A

KEY	PART NUMBER	U/M	DESCRIPTION	VENDOR NO.
1	121568-03-700	EA	RETAINER-DOOR PNL/WAFFLE/BLK	619558-WDL-UPPER
2	120075-01-701	EA	HINGE-TOP RH/BOTTOM LH(DOOR)	618511
3	121568-03-701	EA	BUSHING - HINGE PIN/GRAY	619671
4	121568-03-702	EA	DOOR LINER-UPR/WAFFLED/BLACK	619627 - SMALL WDL
5	120075-01-702	EA	CAP, (HINGE PLUG)	618160
6	121568-01-700	EA	RAIL - DOOR UPPER	618618
7	120075-01-705	EA	HINGE-TOP LH/BOTTOM RH(DOOR)	618510
8	121568-03-705	EA	STORAGE LATCH - GRAY	619648
9	121568-03-721	EA	HANDLE/DOOR UPPER RH SWING	621465
9	121568-03-722	EA	HANDLE/DOOR LOWER RH SWING	621469
10	121568-01-701	EA	BIN - DOOR WHITE-WAFFLED LNR	618619 WDL

CONTACT WINNEBAGO PART SALES FOR UNLISTED COMPONENT(S)

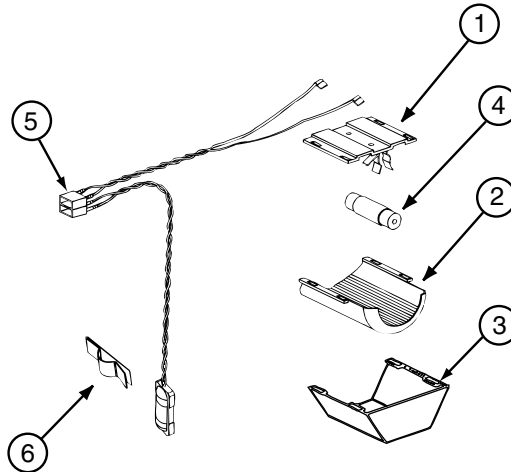
**CABINET & APPLIANCE GROUP (CONTINUED)**  
**COMPONENT PARTS FOR CABINET & APPLIANCE LAYOUT (CONTINUED)**



121568-06-01A, 121568-07-01A, 121568-08-01A (CONTINUED)

KEY	PART NUMBER	U/M	DESCRIPTION	VENDOR NO.
1	121568-03-706	EA	RETAINER-DOOR PNL/WAFFLE/BLK	619559-WDL-LOWER
2	120075-01-701	EA	HINGE-TOP RH/BOTTOM LH(DOOR)	618511
3	121568-03-701	EA	BUSHING - HINGE PIN/GRAY	619671
4	121568-03-707	EA	DOOR LINER-LWR/WAFFLED/B/TRM	619629
5	121568-03-721	EA	HANDLE/DOOR UPPER RH SWING	621465
5	121568-03-722	EA	HANDLE/DOOR LOWER RH SWING	621469
6	121568-03-705	EA	STORAGE LATCH - GRAY	619648
7	121568-01-701	EA	BIN - DOOR WHITE-WAFFLED LNR	618619 WDL
9	121568-01-704	EA	RAIL - DOOR LOWER	618578
10	120075-01-705	EA	HINGE-TOP LH/BOTTOM RH(DOOR)	618510

CONTACT WINNEBAGO PART SALES FOR UNLISTED COMPONENT(S)

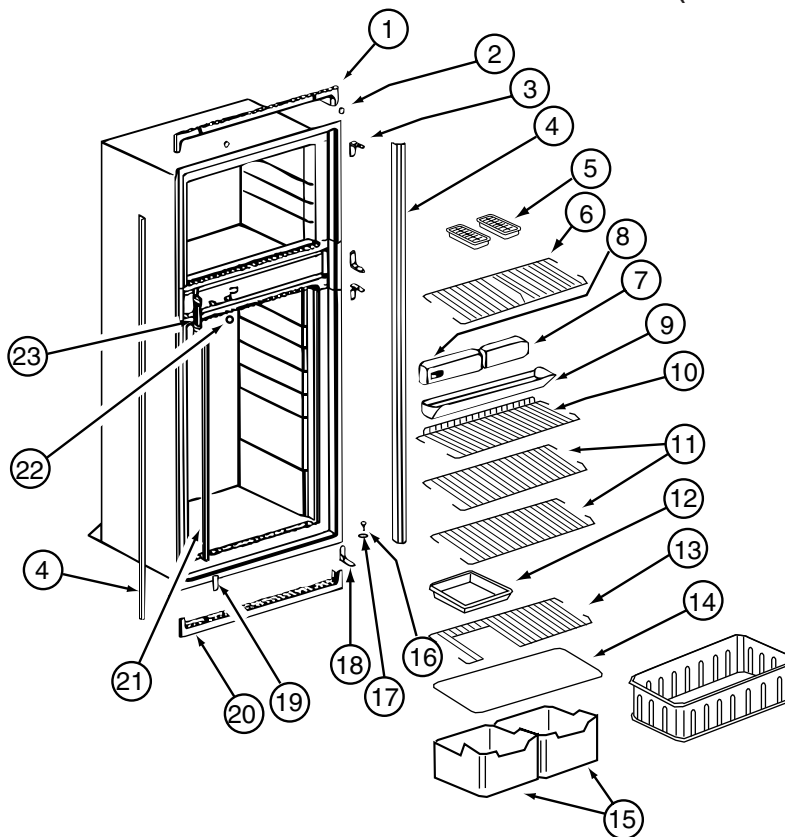


121568-03-01A, 121568-04-01A, 121568-05-01A, 121568-06-01A, 121568-07-01A, 121568-08-01A (CONTINUED)

KEY	PART NUMBER	U/M	DESCRIPTION	VENDOR NO.
1	084880-01-760	EA	CLIP (THERMISTER)	61689122
2	120075-01-735	EA	THERMISTER W/LAMP & WIRE/ASM	618548
3	084880-03-705	EA	BRACKET-LIGHT-INTERIOR	61629722
4	084880-03-706	EA	BULB-LAMP	61628922
6	084880-03-707	EA	COVER-LAMP, LENS	61627922

CONTACT WINNEBAGO PART SALES FOR UNLISTED COMPONENT(S)

**CABINET & APPLIANCE GROUP (CONTINUED)**  
**COMPONENT PARTS FOR CABINET & APPLIANCE LAYOUT (CONTINUED)**

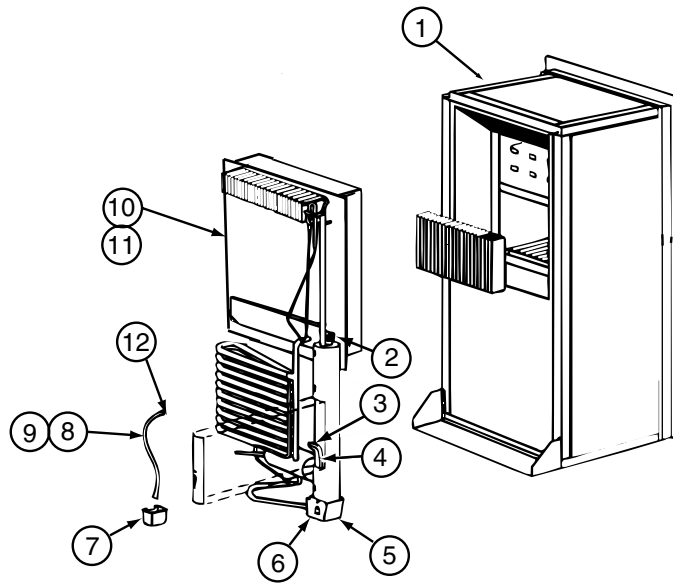


**121568-06-01A, 121568-07-01A, 121568-08-01A (CONTINUED)**

KEY	PART NUMBER	U/M	DESCRIPTION	VENDOR NO.
1	120075-01-713	EA	TRIM-TOP PIECE	619687
2	120075-01-714	EA	PLUG-HOLE (BLACK)	618170
3	121568-03-710	EA	HINGE/CABINET-TOP/RH-LWR/LH	619335 WAFFLED
4	121568-03-711	EA	TRIM - SIDE/BLACK	622295
6	121568-01-705	EA	SHELF - WIRE FREEZER	620250
7	121568-06-700	EA	FRONT BOX-N611	622002
8	121568-06-701	EA	CONTROL ASSY-OPTICAL/N611	621988
9	120075-01-720	EA	TRAY-DRIP	623250
9	120075-01-721	EA	LOUVER-DRIP TRAY	618176
11	121568-01-708	EA	SHELF - WIRE	620273
13	121568-01-707	EA	SHELF - WIRE - SHORT	620272
14	120075-01-725	EA	COVER-CRISPER - 18.5" WIDE	618158
15	121568-01-709	EA	CRISPER	618571
16	120075-01-727	EA	PIN-HINGE	618145
17	121568-03-701	EA	BUSHING - HINGE PIN/GRAY	619671
18	121568-03-715	EA	HINGE/CABINET-TOP/LH-LWR/RH	619336 WAFFLED
19	121568-03-716	EA	COVER - HINGE HOLES	619301
20	120075-01-729	EA	TRIM-BOTTOM PIECE	620958
21	121568-06-702	EA	CLIP - SHELF	61536522
22	121568-06-703	EA	HOLE PLUG - WHITE	620282
23	120075-01-732	EA	PLATE-STRIKE	618167

CONTACT WINNEBAGO PART SALES FOR UNLISTED COMPONENT(S)

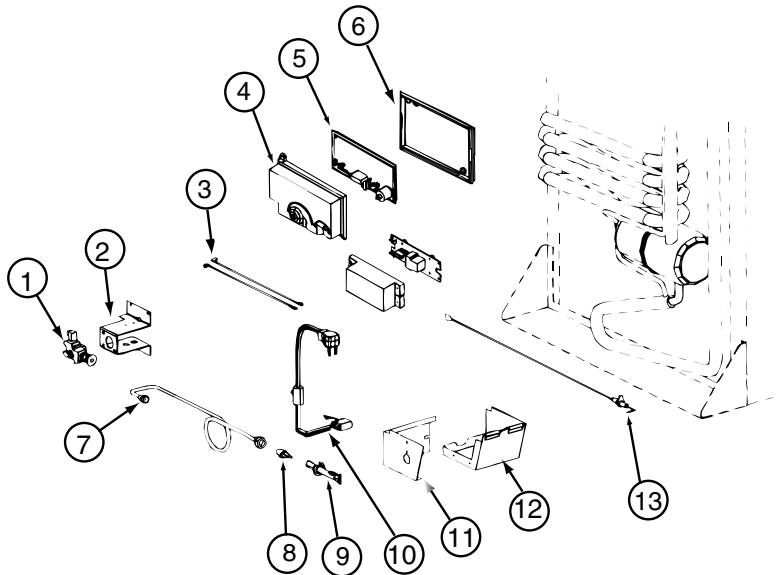
**CABINET & APPLIANCE GROUP (CONTINUED)**  
**COMPONENT PARTS FOR CABINET & APPLIANCE LAYOUT (CONTINUED)**



**121568-06-01A, 121568-07-01A, 121568-08-01A (CONTINUED)**

KEY	PART NUMBER	U/M	DESCRIPTION	VENDOR NO.
4	121568-06-704	EA	HEATER-AC/300W/120VAC	621702
10	120076-01-704	EA	COOLING UNIT, SERVICE PACK	618543

CONTACT WINNEBAGO PART SALES FOR UNLISTED COMPONENT(S)



**121568-06-01A, 121568-07-01A, 121568-08-01A (CONTINUED)**

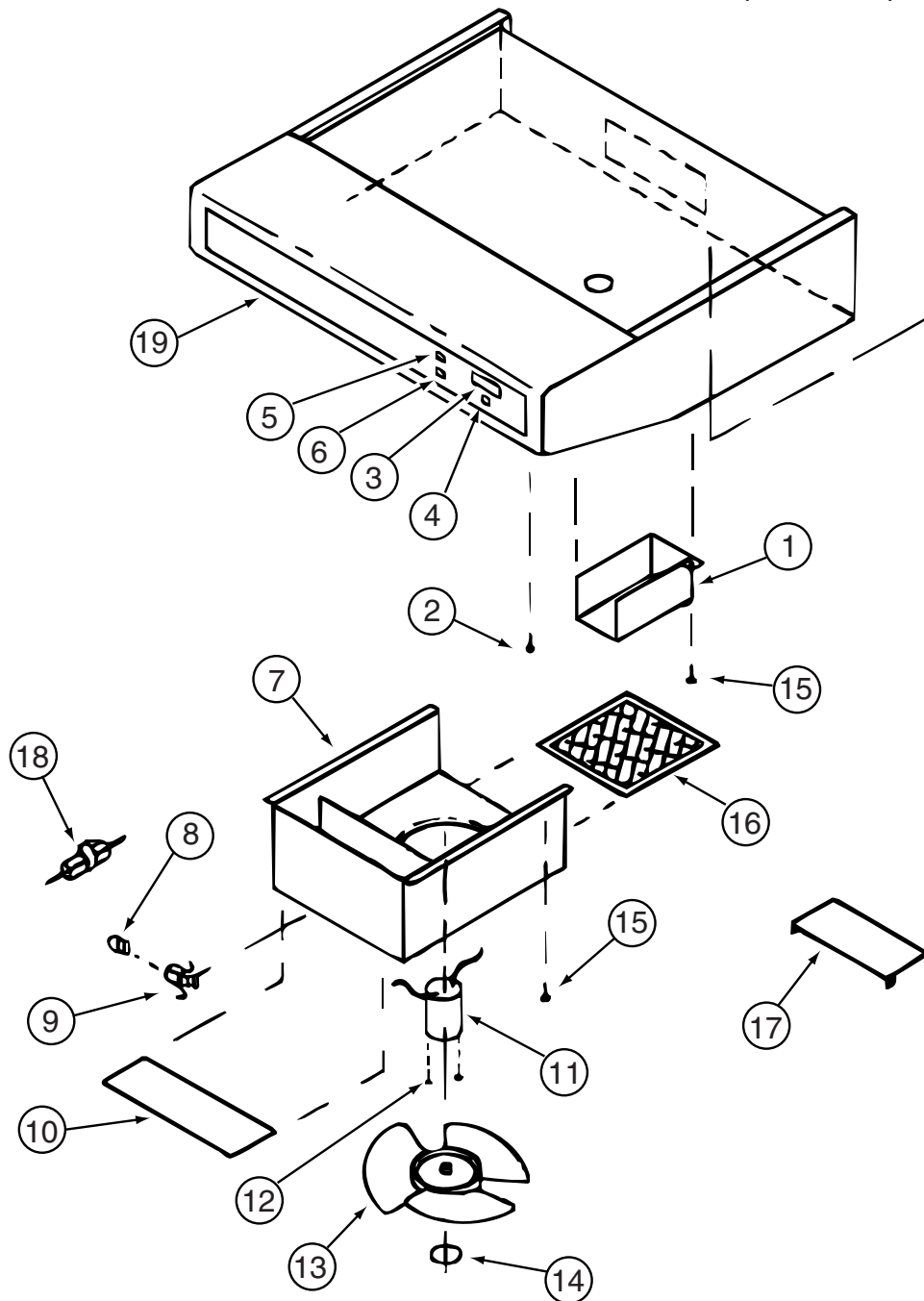
KEY	PART NUMBER	U/M	DESCRIPTION	VENDOR NO.
1	121568-06-705	EA	GAS VALVE/BRKT ASSY-COMBO	621439
1	121568-06-706	EA	GAS VALVE-COMBO/WRENCH FLAT	621329
4	120075-01-738	EA	COVER-POWER BOARD	618185
5	121568-06-707	EA	BOARD/POWER-N611	621991 = 621991001
6	120075-01-740	EA	BASE - POWER BOARD	618186
8	121568-06-708	EA	BURNER/ORFICE-ADAPTER KIT	621957
13	104137-06-715	EA	ELECTRODE-SPARK/SENSOR, SGL	61692222
	121569-08-704	EA	TUBE/BURNER - N8/N6	624682

CONTACT WINNEBAGO PART SALES FOR UNLISTED COMPONENT(S)

**121568-05-01A, 121568-07-01A, 121568-08-01A (CONTINUED)**

KEY	PART NUMBER	U/M	DESCRIPTION	VENDOR NO.
	121568-05-700	EA	FAN 12V KIT DBLE SIDEWALL	619020

**CABINET & APPLIANCE GROUP (CONTINUED)**  
**COMPONENT PARTS FOR CABINET & APPLIANCE LAYOUT (CONTINUED)**

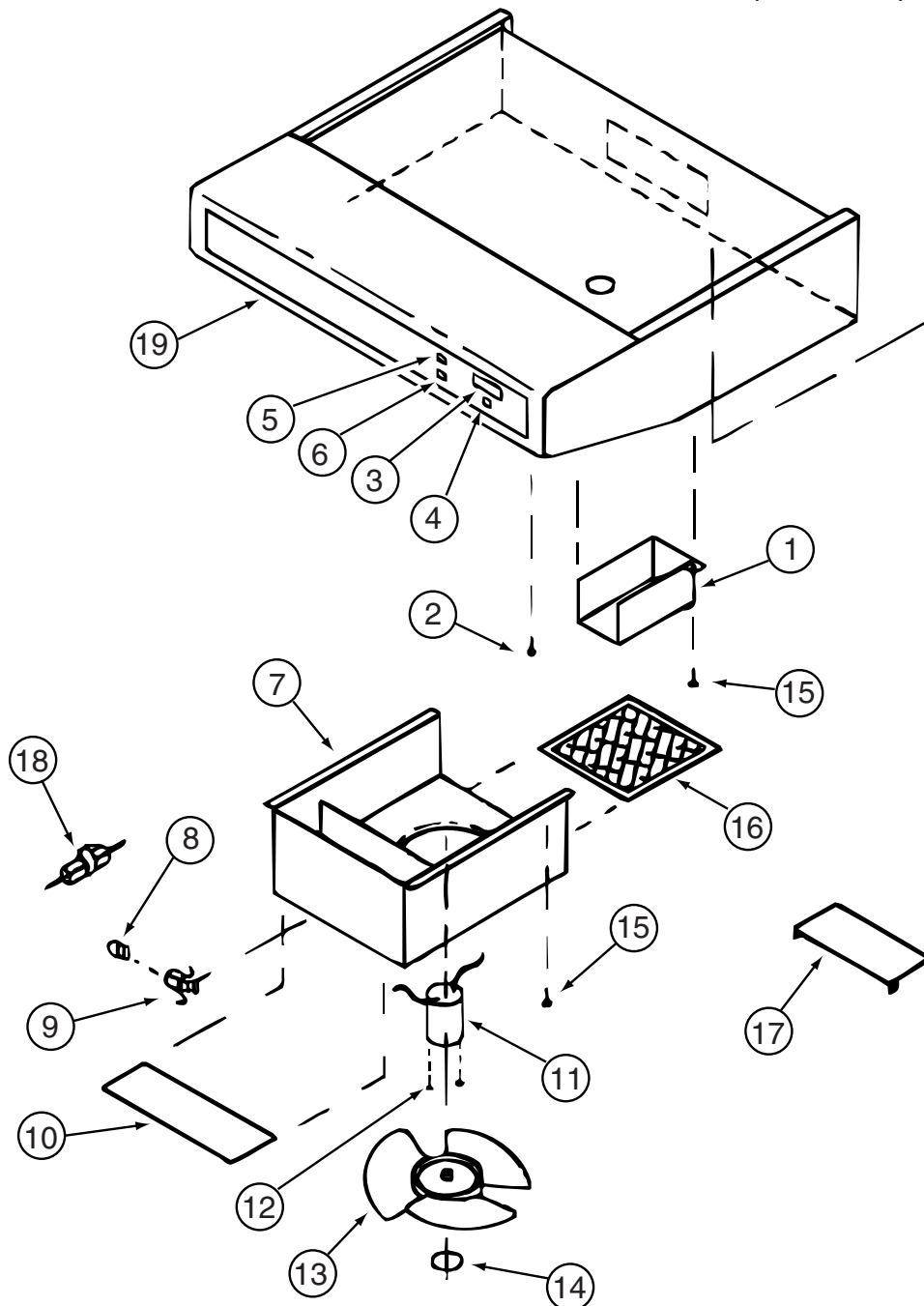


136354-05-01A, 136354-05-02A

KEY	PART NUMBER	U/M DESCRIPTION	VENDOR NO.
3	100258-10-700	EA GAUGE-HOUR METER, SCREW ON	L0150-00 WAS 150
4	096983-01-702	EA SWITCH - MOM/OFF/MOM/3 TERM	L0112-00
6	096983-01-700	EA SWITCH/1 SPEED -ON/OFF- BLK	L0108-00
8	117806-01-000	EA BULB-12V NO.912 1.0 AMPS	GENERAL MOTOR HOMES
9	092696-01-710	EA HOLDER-LAMP	CB0267-02
10	096983-01-708	EA LENS-LAMP	CC0179
11	136354-05-700	EA MOTOR-12 VOLT	VC0536-02
13	136354-05-701	EA BLADE-FAN 7" DIA	VD0216-00
16	096983-01-707	EA FILTER-MESH	CC0246-00
17	100258-01-701	EA DAMPER ASSEMBLY (METAL FLAP)	CA0565-00
19	100258-01-700	EA LABEL-HOOD NOSE	CC0428-00

CONTACT WINNEBAGO PART SALES FOR UNLISTED COMPONENT(S)

**CABINET & APPLIANCE GROUP (CONTINUED)**  
**COMPONENT PARTS FOR CABINET & APPLIANCE LAYOUT (CONTINUED)**

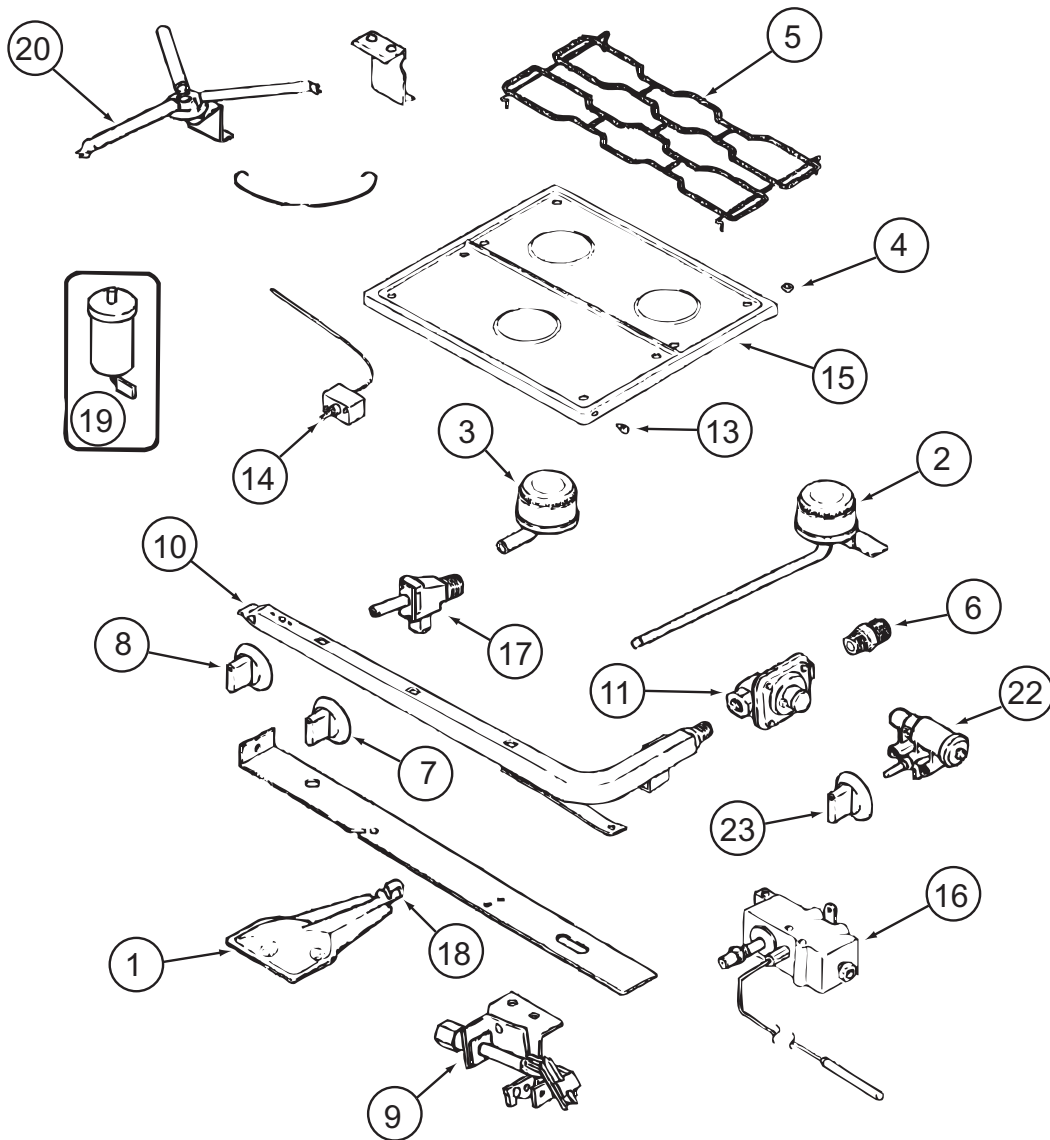


136354-06-01A, 136354-06-02A

KEY	PART NUMBER	U/M	DESCRIPTION	VENDOR NO.
3	100258-10-700	EA	GAUGE-HOUR METER, SCREW ON	L0150-00 WAS 150
4	096983-01-702	EA	SWITCH - MOM/OFF/MOM/3 TERM	L0112-00
5	096983-01-700	EA	SWITCH/1 SPEED -ON/OFF- BLK	L0108-00
8	117806-01-000	EA	BULB-12V NO.912 1.0 AMPS	GENERAL MOTOR HOMES
9	092696-01-710	EA	HOLDER-LAMP	CB0267-02
10	096983-01-708	EA	LENS-LAMP	CC0179
11	136354-06-700	EA	MOTOR - FAN (CSA)	VC0535-02
13	136354-05-701	EA	BLADE-FAN 7" DIA	VD0216-00
16	096983-01-707	EA	FILTER-MESH	CC0246-00
17	100258-01-701	EA	DAMPER ASSEMBLY (METAL FLAP)	CA0565-00
19	100258-01-700	EA	LABEL-HOOD NOSE	CC0428-00

CONTACT WINNEBAGO PART SALES FOR UNLISTED COMPONENT(S)

**CABINET & APPLIANCE GROUP (CONTINUED)**  
**COMPONENT PARTS FOR CABINET & APPLIANCE LAYOUT (CONTINUED)**



151277-01-01A, 151277-02-01A

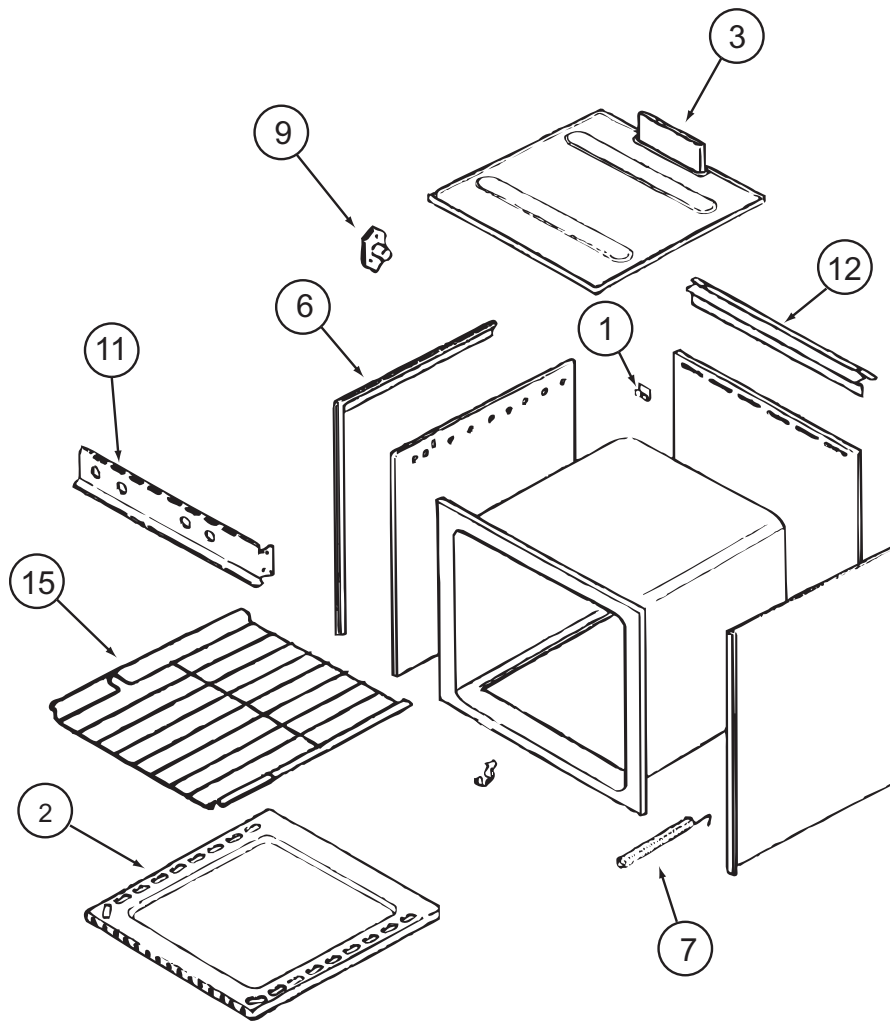
**CABINET & APPLIANCE GROUP (CONTINUED)**  
**COMPONENT PARTS FOR CABINET & APPLIANCE LAYOUT (CONTINUED)**

151277-01-01A, 151277-02-01A (CONTINUED)

KEY	PART NUMBER	U/M	DESCRIPTION	VENDOR NO.
1	151279-02-700	EA	BURNER - OVEN - W/SHUTTER	74009853
2	112881-04-700	EA	BURNER - TOP/LEFT REAR	74004584
2	126023-01-700	EA	BURNER-TOP (RT-REAR) 5100BTU	74004583
3	112881-04-701	EA	BURNER - TOP/FRONT	74004582
4	102020-01-709	EA	BUMPER-GRATE	8007P020-60
5	112881-04-702	EA	GRATE - BLACK	74007277
6	135065-03-700	EA	FITTING - HALF UNION	74004234
7	128728-01-701	EA	KNOB - BURNER - REAR	74003941 (1 PER)
7	128728-01-702	EA	KNOB - BURNER - FRONT	74003942
8	151279-02-701	EA	KNOB - THERMOSTAT - BLACK	74009858
9	151279-01-700	EA	PILOT - BURNER - 16" SERIES	74009852
10	151279-02-702	EA	PIPE - MANIFOLD	74009856
11	112881-03-701	EA	REGULATOR KIT W/FITTINGS	12001285
13	102020-01-724	EA	BUMPER-MAIN TOP	8003P008-60
14	151279-02-703	EA	THERMOSTAT	74009855
15	151277-01-700	EA	TOP - MAIN (BLACK)	74007287
16	151279-02-704	EA	ELBOW BLOCK ASM (VALVE-OVEN)	74009864
17	151277-01-701	EA	VALVE/REAR - W/SET SCREW	12002254
17	151277-01-702	EA	VALVE/FRONT - W/SET SCREW	12002246
19	112881-04-705	EA	PUSH RING (ELECTRODE MTG)	7104P002-60
19	126023-01-711	EA	ELECTRODE - IGNITER (ONLY)	7432P077-60
20	126023-01-736	EA	FLASH TUBE EXTENSION (REAR)	74003326
20	126023-01-737	EA	FLASH TUBE EXTENSION (FRONT)	74003327
21	112881-04-708	EA	CLIP-FLASH TUBE	7112P068-60
22	126023-01-735	EA	KIT - IGNITOR TOP BRNER & KNOB	12001296=74002413&4
23	128728-01-707	EA	KNOB - IGNITOR	74003944
26	112881-04-709	EA	SHIELD-SPARK	3604F211-45
			CONTACT WINNEBAGO PART SALES FOR UNLISTED COMPONENT(S)	



**CABINET & APPLIANCE GROUP (CONTINUED)**  
**COMPONENT PARTS FOR CABINET & APPLIANCE LAYOUT (CONTINUED)**

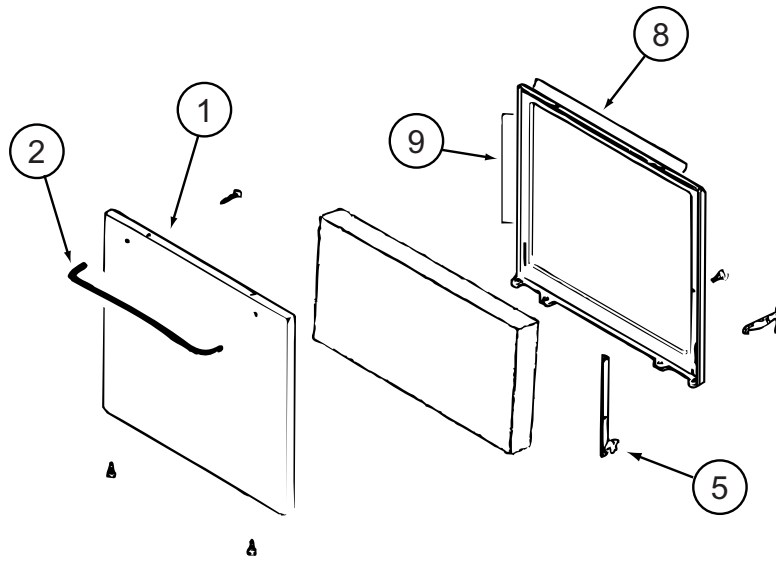


**151277-01-01A (CONTINUED)**

KEY	PART NUMBER	U/M	DESCRIPTION	VENDOR NO.
1	112881-03-702	EA	CLIP - MAIN TOP	74003998
2	126023-01-731	EA	BOTTOM - OVEN	2205F016-19
3	126023-01-718	EA	FLUE BOX ASSEMBLY	4006W075-80
6	126023-01-713	EA	TRIM - SIDE (RIGHT) BLACK	74002827
6	126023-01-714	EA	TRIM - SIDE (LEFT) BLACK	74002828
7	135066-03-700	EA	SPRING - OVEN DOOR	74001835
9	128728-01-703	EA	PIN/T-NUT F/HINGE	7103P109-60
11	112881-04-707	EA	MANIFOLD - BLACK	74007296
12	112881-01-721	EA	DEFLECTOR/FLUE-BLK-SEALED BR	74002829
15	126023-01-716	EA	RACK - OVEN	74003106

CONTACT WINNEBAGO PART SALES FOR UNLISTED COMPONENT(S)

**CABINET & APPLIANCE GROUP (CONTINUED)**  
**COMPONENT PARTS FOR CABINET & APPLIANCE LAYOUT (CONTINUED)**



**151277-01-01A (CONTINUED)**

KEY	PART NUMBER	U/M	DESCRIPTION	VENDOR NO.
1	102022-01-704	EA	GLASS-OUTER	7902P261-60
1	112881-01-713	EA	DOOR/OVEN-TEXT/BLK NO WINDOW	2401F126-70
2	128727-01-701	EA	HANDLE - OVEN DOOR	74003929
5	151277-01-704	EA	HINGE KIT-OVEN DR/LT	12400028
5	151277-01-705	EA	HINGE KIT-OVEN DR/RT	12400029
8	126023-01-732	EA	SEAL/OVEN DR TOP	7212P014-60
9	135066-03-714	EA	SEAL - OVEN DOOR SIDES	7212P039-60

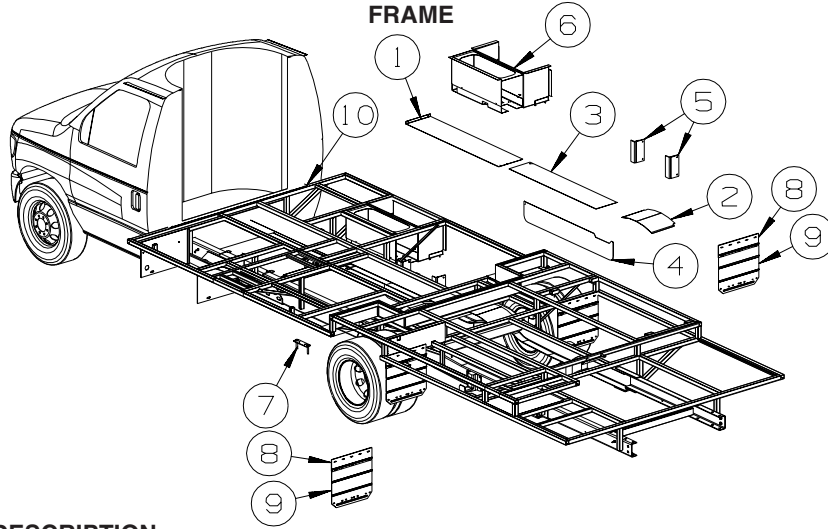
CONTACT WINNEBAGO PART SALES FOR UNLISTED COMPONENT(S)

**158686-01-01A**

KEY	PART NUMBER	U/M	DESCRIPTION	VENDOR NO.
	158686-01-700	EA	PLATE-GLASS	SR11092PLATE
	158686-01-701	EA	TRIM KIT - 2 PC.	ODY-2-92KIT

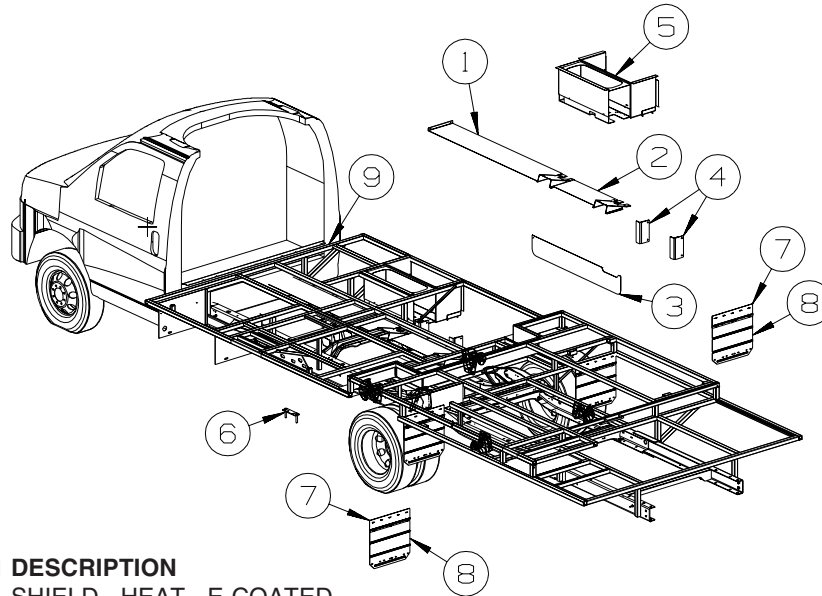
# CHASSIS GROUP

## FRAME



FORD

KEY	PART NUMBER	U/M	DESCRIPTION
1	135676-08-02B	EA	SHIELD - HEAT - E-COATED
2	158704-01-02B	EA	SHIELD/HEAT - E-COATED
3	145027-01-02B	EA	SHIELD - HEAT - E-COATED
4	149346-03-02B	EA	SHIELD - HEAT EXHAUST - E-COATED
			FROM: 05-30-06 THRU: 99-99-99
5	136042-01-02B	EA	BRACKET - LP SUPPORT - E-COATED
6	135458-04-02B	EA	BOX - ENTRY STEP - E-COATED
			FROM: 00-00-00 THRU: 12-03-06
6	162352-01-02B	EA	BOX - ENTRY STEP - E-COATED
			FROM: 12-04-06 THRU: 99-99-99
7	136995-03-02B	EA	PLATE W/BOLTS - 6.9" X 2" W/1/2" X 3" BOLTS
8	157464-02-02B	EA	BRACKET/MOUNTING - MUD GUARD - E-COATED
9	136391-02-02B	EA	GUARD/ROCK - STEEL - W/ANGLE - 18"W X 15"H - E-COATED
10	098408-01-000	FT	SEAL - SPONGE RUBBER - CLOSED CELL

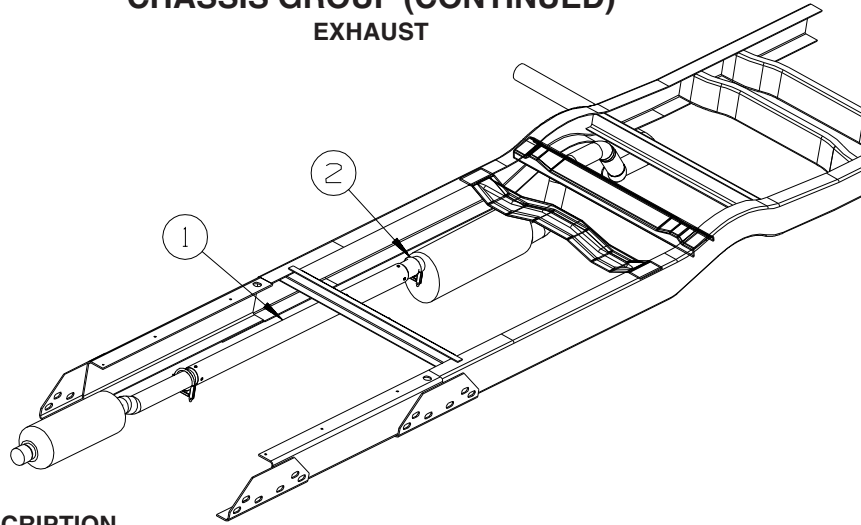


CHEVY

KEY	PART NUMBER	U/M	DESCRIPTION
1	135676-13-02B	EA	SHIELD - HEAT - E-COATED
2	145027-06-02B	EA	SHIELD - HEAT - E-COATED
3	149346-03-02B	EA	SHIELD - HEAT EXHAUST - E-COATED
			FROM: 05-30-06 THRU: 99-99-99
4	136042-01-02B	EA	BRACKET - LP SUPPORT - E-COATED
5	135458-04-02B	EA	BOX - ENTRY STEP - E-COATED
			FROM: 00-00-00 THRU: 12-03-06
5	162352-01-02B	EA	BOX - ENTRY STEP - E-COATED
			FROM: 12-04-06 THRU: 99-99-99
6	136995-03-02B	EA	PLATE W/BOLTS - 6.9" X 2" W/1/2" X 3" BOLTS
7	157464-02-02B	EA	BRACKET/MOUNTING - MUD GUARD - E-COATED
8	136391-02-02B	EA	GUARD/ROCK - STEEL - W/ANGLE - 18"W X 15"H - E-COATED
9	098408-01-000	FT	SEAL - SPONGE RUBBER - CLOSED CELL

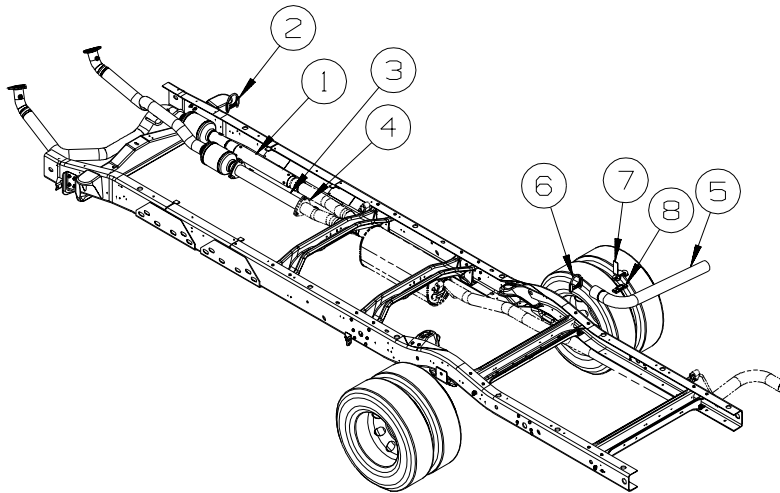
## CHASSIS GROUP (CONTINUED)

### EXHAUST



**FORD**

KEY	PART NUMBER	U/M	DESCRIPTION
1	111478-07-000	EA	EXHAUST PIPE - DOUBLE WALL STAINLESS STEEL - 25.9"
2	094918-06-000	EA	CLAMP - EXHAUST - 3" - HEAVY DUTY



**CHEVY**

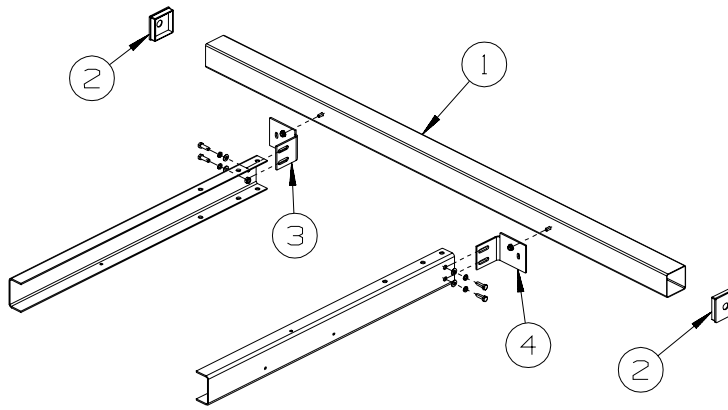
KEY	PART NUMBER	U/M	DESCRIPTION
1	111478-07-000	EA	EXHAUST PIPE - DOUBLE WALL STAINLESS STEEL - 25.9"
2	007125-08-000	EA	CLAMP - MUFFLER - 3" DIAMETER
3	155581-04-000	EA	PIPE - EXHAUST - 24" EXTENSION - W/OXYGEN OUTLET
4	124610-01-000	EA	GASKET - EXHAUST
5	155696-01-000	EA	PIPE - EXHAUST/TAIL
6	094918-06-000	EA	CLAMP - EXHAUST - 3" - HEAVY DUTY
7	117380-05-02B	EA	HANGER - TAILPIPE - E-COATED
8	095190-01-000	EA	HANGER - EXHAUST - 4" X 1.4"

### HITCH

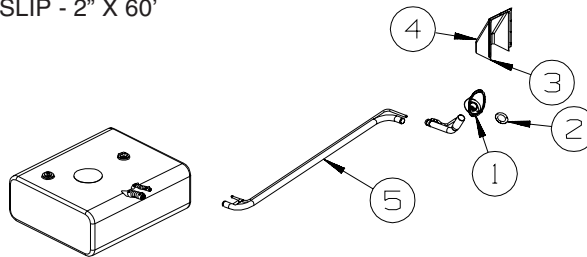
KEY	PART NUMBER	U/M	DESCRIPTION
	154054-02-01A	EA	HITCH RECEIVER - BOLT ON CLASS III - BLACK
	140441-05-02B	EA	PLATE - SKID - E-COATED - 222B, 229T, 231C

## CHASSIS GROUP (CONTINUED)

### REAR BUMPER



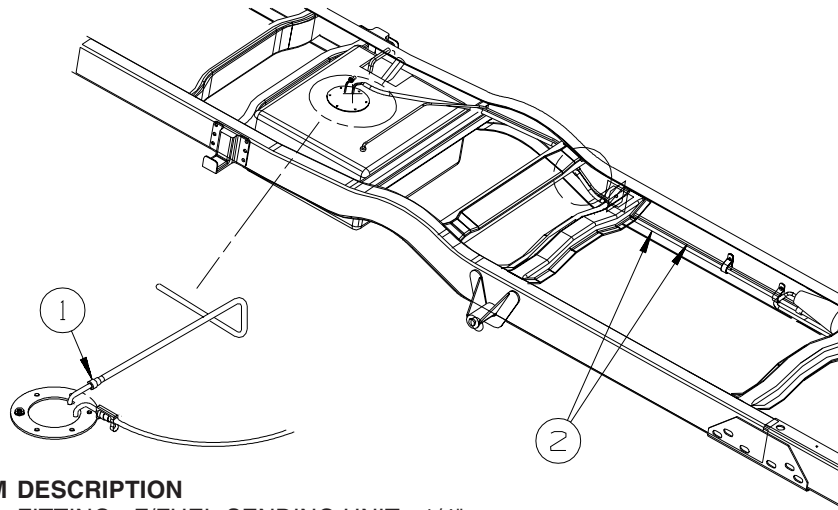
KEY	PART NUMBER	U/M DESCRIPTION
1	103422-05-02A	EA BUMPER - REAR - SQUARE ALUMINUM - 97.3" - BRIGHT WHITE
2	039779-01-000	EA CAP - BUMPER - RUBBER - 4" X 4" - BLACK
3	138811-01-02B	EA SUPPORT/ANGLE - REAR BUMPER - E-COATED
4	138811-02-02B	EA SUPPORT/ANGLE - REAR BUMPER - E-COATED
	038327-01-000	EA TAPE - ANTI-SLIP - 2" X 60'



### FUEL

KEY	PART NUMBER	U/M DESCRIPTION
1	127291-02-01A	EA SHROUD - FUEL FILL - BRIGHT WHITE
2	078200-01-000	EA GASKET - FUEL FILL - 3.5"OD X 2"ID
3	099069-01-000	FT SEAL - RUBBER - CLOSED SPONGE - .5" WIDE X .12" THICK-BLK
4	135557-05-01A	EA SHROUD - FUEL FILL - UPPER - 12.7" X 8.2"
5	148650-06-000	EA NECK - FILLER/MAIN/EXTENSION

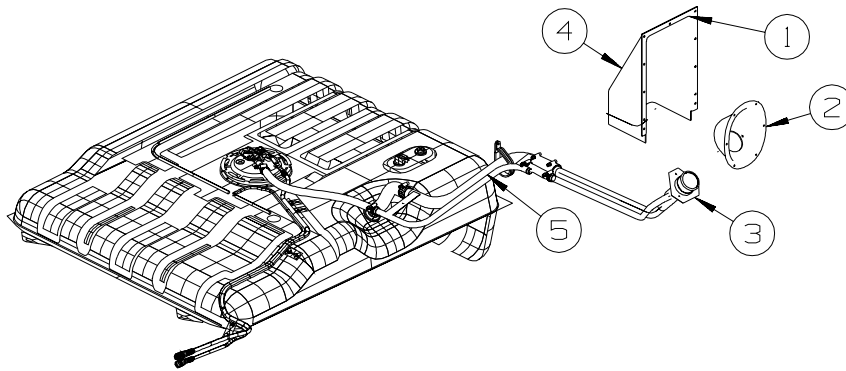
**FORD**



**FORD**

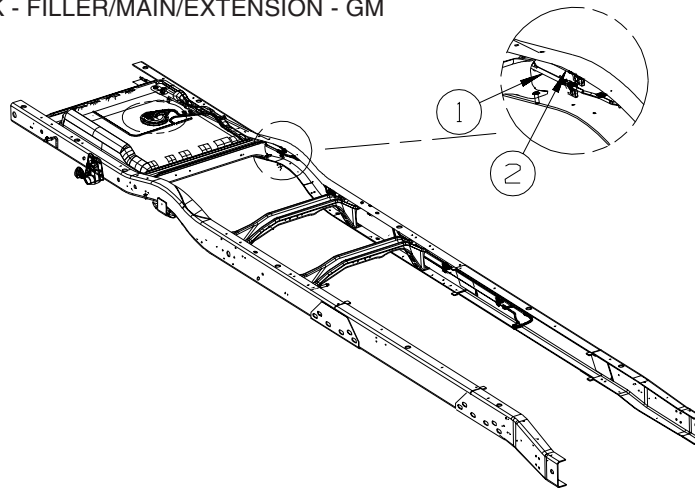
KEY	PART NUMBER	U/M DESCRIPTION
1	149468-01-000	EA FITTING - F/FUEL-SENDING UNIT - 1/4"
2	106388-13-000	EA FUEL LINE - FORD - 5/16 HP - FORD E450

**CHASSIS GROUP (CONTINUED)**  
**FUEL (CONTINUED)**



**CHEVY**

KEY	PART NUMBER	U/M	DESCRIPTION
1	099069-01-000	FT	SEAL - RUBBER - CLOSED SPONGE - .5" WIDE X .12" THICK-BLK
2	095854-01-04A	EA	SHROUD - FUEL FILL - RADIUS - BRIGHT WHITE
3	078200-01-000	EA	GASKET - FUEL FILL - 3.5"OD X 2"ID
4	135557-05-01A	EA	SHROUD - FUEL FILL - UPPER - 12.7" X 8.2"
5	159845-01-000	EA	NECK - FILLER/MAIN/EXTENSION - GM

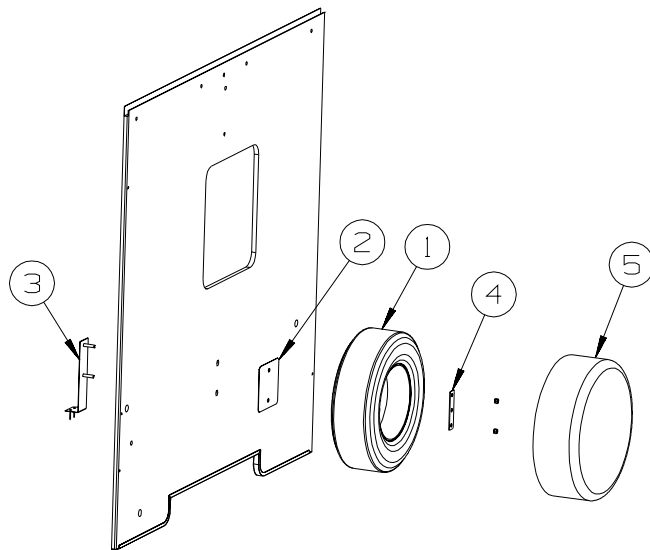


**CHEVY**

KEY	PART NUMBER	U/M	DESCRIPTION
1	106388-06-000	EA	FUEL LINE - 5/16 HP - W/FEMALE CONNECTOR - 28.3"
2	106389-06-000	EA	FUEL LINE - 3/8 HP - W/FEMALE CONNECTOR - 28.3"

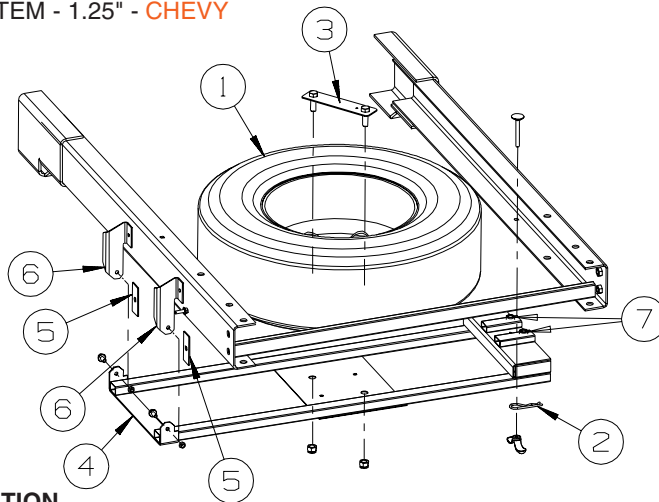
## CHASSIS GROUP (CONTINUED)

### SPARE TIRE



222B, 224V

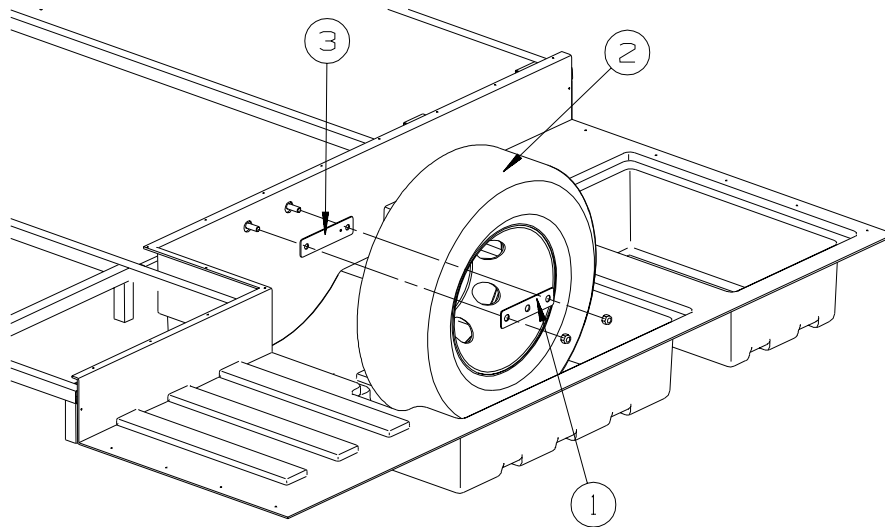
KEY	PART NUMBER	U/M	DESCRIPTION
1	083425-14-000	EA	TIRE - LT225/75R16 LRE - MICHELIN LTX M/S - FORD
1	144388-02-000	EA	TIRE - LT225/75R16 LRE - UNIROYAL LAREDO - CHEVY
1	083617-05-000	EA	WHEEL - STEEL - 6" X 16" - FORD W/6 VENT HOLES
1	164137-01-01A	EA	WHEEL - STEEL - 6" X 16" - 4 VENT HOLES/OVAL - FORD W/4 VENT HOLES
1	144386-02-000	EA	WHEEL - STEEL - 6.5" X 16" - 8 BOLT - CHEVY
2	105208-01-000	EA	PLATE - SPARE TIRE
3	160058-03-02B	EA	BRACKET - SPARE TIRE - E-COATED
4	143547-01-02B	EA	RETAINER - SPARE TIRE - E-COATED
5	073322-09-S01	EA	COVER - TIRE - 30"
	051377-07-000	EA	VALVE STEM - FORD W/6 VENT HOLES
	051377-09-000	EA	VALVE STEM - 1.8" - FORD W/4 VENT HOLES
	155645-01-000	EA	VALVE STEM - 1.25" - CHEVY



226A

KEY	PART NUMBER	U/M	DESCRIPTION
1	083425-14-000	EA	TIRE - LT225/75R16 LRE - MICHELIN LTX M/S - FORD
1	144388-02-000	EA	TIRE - LT225/75R16 LRE - UNIROYAL LAREDO - CHEVY
1	083617-05-000	EA	WHEEL - STEEL - 6" X 16" - FORD W/6 VENT HOLES
1	164137-01-01A	EA	WHEEL - STEEL - 6" X 16" - 4 VENT HOLES/OVAL - FORD W/4 VENT HOLES
1	144386-02-000	EA	WHEEL - STEEL - 6.5" X 16" - 8 BOLT - CHEVY
2	034513-01-000	EA	PIN - HITCH - 3/16" WIRE
3	116338-02-02B	EA	BRACKET - SPARE TIRE - E-COATED
4	135796-02-02B	EA	CRADLE - SPARE TIRE - E-COATED
5	138739-08-02B	EA	PLATE - ANCHOR - E-COATED
6	159923-01-02B	EA	BRACKET/HINGE - SPARE TIRE - E-COATED
7	069726-02-000	EA	BUMPER - .88" OD X .40" THICK - BLACK
	051377-07-000	EA	VALVE STEM - FORD W/6 VENT HOLES
	051377-09-000	EA	VALVE STEM - 1.8" - FORD W/4 VENT HOLES
	155645-01-000	EA	VALVE STEM - 1.25" - CHEVY

**CHASSIS GROUP (CONTINUED)**  
**SPARE TIRE (CONTINUED)**



**228P, 229T,  
231C**

KEY	PART NUMBER	U/M	DESCRIPTION
1	143547-01-02B	EA	RETAINER - SPARE TIRE - E-COATED
2	083425-14-000	EA	TIRE - LT225/75R16 LRE - MICHELIN LTX M/S - FORD
2	144388-02-000	EA	TIRE - LT225/75R16 LRE - UNIROYAL LAREDO - CHEVY
2	083617-05-000	EA	WHEEL - STEEL - 6" X 16" - FORD W/6 VENT HOLES
2	164137-01-01A	EA	WHEEL - STEEL - 6" X 16" - 4 VENT HOLES/OVAL - FORD W/4 VENT HOLES
2	144386-02-000	EA	WHEEL - STEEL - 6.5" X 16" - 8 BOLT - CHEVY
3	116338-01-02B	EA	BRACKET - SPARE TIRE - E-COATED
	051377-07-000	EA	VALVE STEM - FORD W/6 VENT HOLES
	051377-09-000	EA	VALVE STEM - 1.8" - FORD W/4 VENT HOLES
	155645-01-000	EA	VALVE STEM - 1.25" - CHEVY

**WHEEL, TIRE, COVERS &/OR LINERS**

KEY	PART NUMBER	U/M	DESCRIPTION
	077030-01-000	EA	EXTENSION - VALVE STEM - 1.25" - METAL
	077030-10-000	EA	EXTENSION - VALVE STEM - .50" - METAL
*	109443-05-000	EA	WHEEL COVER SET - 16" STAINLESS/8 LUG (1 SET=4 COVERS)
	112358-01-000	EA	WRENCH - LUG - 7/8" - L-SHAPE

\*COMPONENT PARTS LISTED LATER IN THIS GROUP

**COMPONENT PARTS FOR WHEEL, TIRE, COVERS &/OR LINERS**

KEY	PART NUMBER	U/M	DESCRIPTION	109443-05-000	VENDOR NO.
	098532-01-700	EA	COVER-FAKE LUG NUT (PLASTIC)		SHAU-LNC
	109443-05-700	EA	WHEEL COVER - 16"SS EA=1		SHFM16-CVR

**BRAKELINE**

KEY	PART NUMBER	U/M	DESCRIPTION
	088498-01-000	EA	UNION - INVERTED FLARE - BRASS - 3/16 - FORD CHASSIS

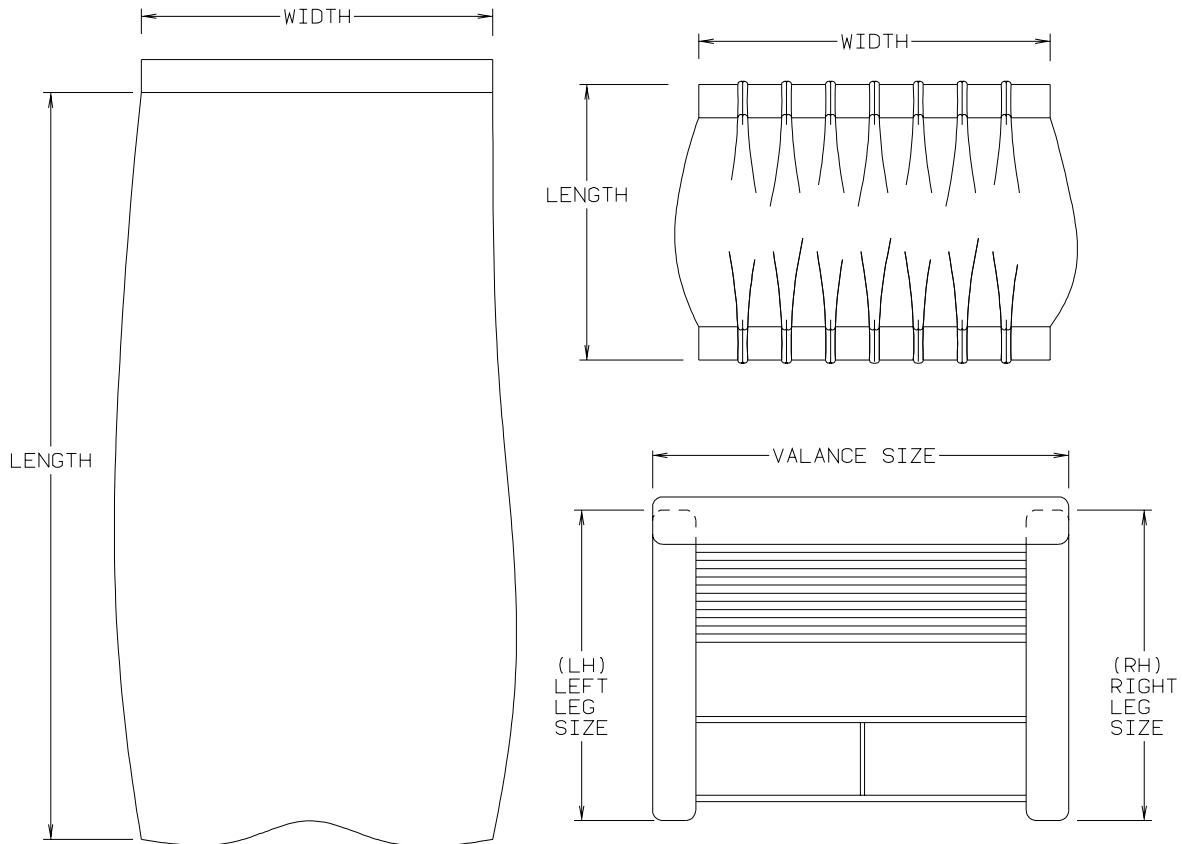


## CURTAIN & CUSHION GROUP

### NOTICE

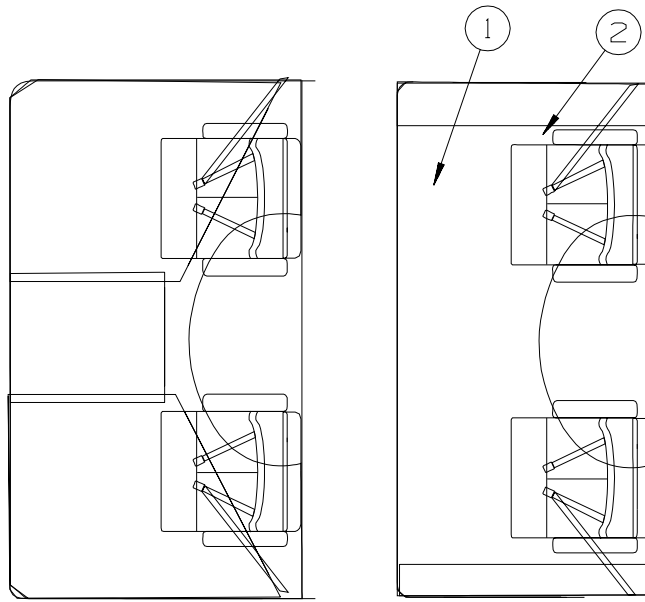
IN ORDER TO ASSIST OUR PARTS SALES DEPT. IN PROVIDING INTERIOR SOFTWARE ITEMS, PLEASE INCLUDE THE SERIAL NUMBER AND THE COLOR CODE NUMBER FROM THE VEHICLE CERTIFICATION LABEL WHEN ORDERING. THIS LABEL IS LOCATED ON THE LEFT SIDEWALL AT THE END OF THE DASH (A-BODY), OR ON THE DRIVER'S DOOR LATCH PLATE (C-BODY).

AN EXAMPLE OF A COLOR CODE NUMBER IS B07, WHICH DESIGNATES AN OVERALL COLOR SCHEME OF A PARTICULAR UNIT. THE COLOR LISTED AFTER THE ITEM DESCRIPTION ON THE MICROFICHE, INDICATES THE OVERALL UNIT COLOR. ORDER THE ITEM YOU DESIRE ACCORDING TO UNIT COLOR CODE. IF ALL COLORS USE THE SAME ITEM NO COLOR CODE WILL BE NOTED.



NOTE: USE THIS ILLUSTRATION WHEN DETERMINING LENGTH AND WIDTH MEASUREMENTS FOR CURTAINS. YOU WILL NOTE THE WIDTH MEASUREMENT IS TAKEN ON THE TOP OF THE CURTAIN WITH THE CURTAIN FULLY EXTENDED. THE LENGTH MEASUREMENT IS TAKEN FROM TOP TO BOTTOM. LEFT AND RIGHT WINDOW LEGS ARE DETERMINED WHEN FACING THE WINDOW.

**CURTAIN & CUSHION GROUP (CONTINUED)**  
**CUSHION LAYOUT**

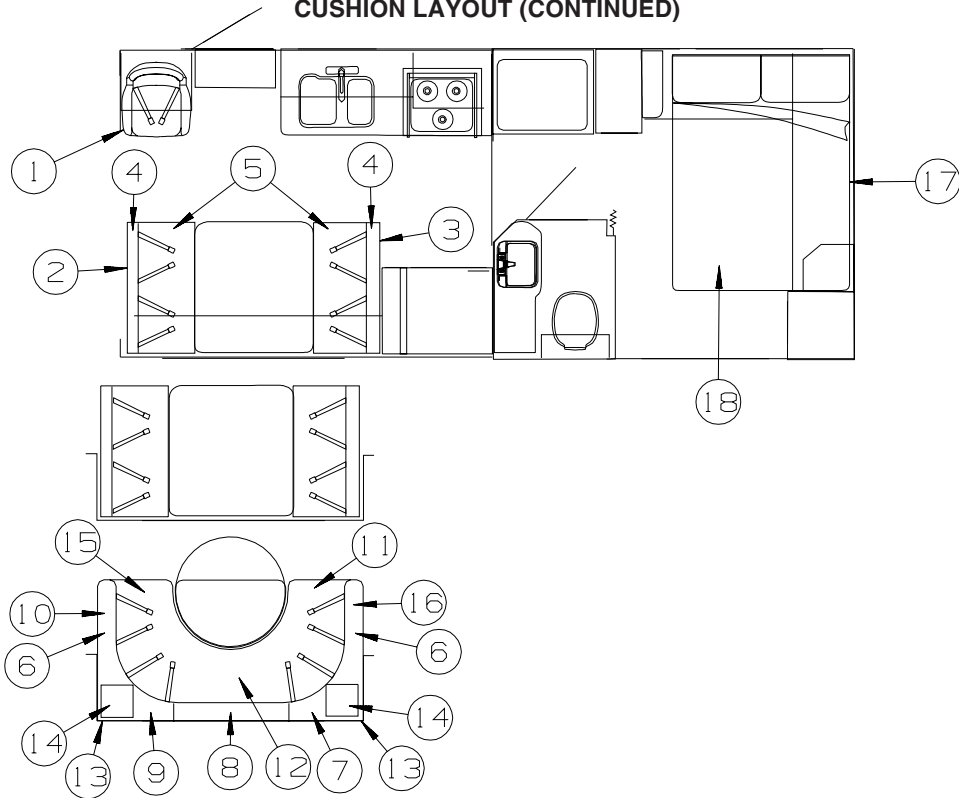


27" TV SYSTEM

KEY	PART NUMBER	U/M	DESCRIPTION
1	157657-03-U01	EA	CUSHION - OVERHEAD BUNK/FRONT - 32.5" X 80" X 5" (U01, U02)
1	157657-03-U03	EA	CUSHION - OVERHEAD BUNK/FRONT - 32.5" X 80" X 5" (U03, U04)
	157657-A3-U01	EA	COVER - CUSHION/OVERHEAD/FRT BUNK -32.5"X80"X5"-DBL ANGLED (U01, U02)
	157657-A3-U03	EA	COVER - CUSHION/OVERHEAD/FRT BUNK -32.5"X80"X5"-DBL ANGLED (U03, U04)
2	157657-04-U01	EA	CUSHION - OVERHEAD BUNK/REAR - 27" X 80" X 5" (U01, U02)
2	157657-04-U03	EA	CUSHION - OVERHEAD BUNK/REAR - 27" X 80" X 5" (U03, U04)
	157657-A4-U01	EA	COVER - CUSHION/OVERHEAD BUNK/REAR - 27" X 80" X 5" (U01, U02)
	157657-A4-U03	EA	COVER - CUSHION/OVERHEAD BUNK/REAR - 27" X 80" X 5" (U03, U04)

## CURTAIN & CUSHION GROUP (CONTINUED)

### CUSHION LAYOUT (CONTINUED)



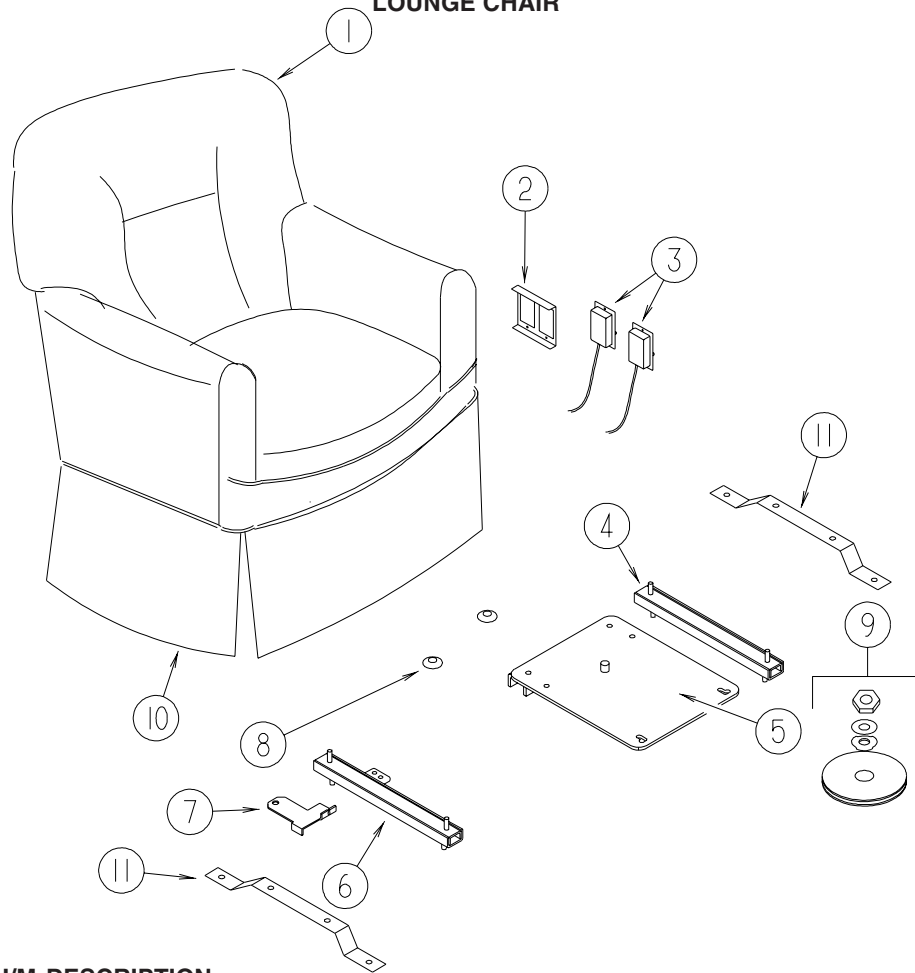
KEY	PART NUMBER	U/M	DESCRIPTION
1	138523-02-U01	EA	CHAIR - W/SPRUNG SEAT (U01, U02)
1	138523-02-U03	EA	CHAIR - W/SPRUNG SEAT (U03, U04)
2	153519-19-U01	EA	PAD - TOP/RH - F/DINETTE BACK - FABRIC COVERED (U01, U02)
2	153519-19-U03	EA	PAD - TOP/RH - F/DINETTE BACK - FABRIC COVERED (U03, U04)
3	153519-20-U01	EA	PAD - TOP/LH - F/DINETTE BACK - FABRIC COVERED (U01, U02)
3	153519-20-U03	EA	PAD - TOP/LH - F/DINETTE BACK - FABRIC COVERED (U03, U04)
4	153670-10-U01	EA	CUSHION - SEAT BACK - 17.5" X 42" X 5" (U01, U02)
4	153670-10-U03	EA	CUSHION - SEAT BACK - 17.5" X 42" X 5" (U03, U04)
	P53670-10-U01	EA	COVER/BACK - 17.5" X 42" X 5" (U01, U02)
	P53670-10-U03	EA	COVER/BACK - 17.5" X 42" X 5" (U03, U04)
5	153671-02-U01	EA	CUSHION - SEAT - 23" X 42" X 5" (U01, U02)
5	153671-02-U03	EA	CUSHION - SEAT - 23" X 42" X 5" (U03, U04)
	153671-A2-U01	EA	COVER/SEAT - 23" X 42" X 5" (U01, U02)
	153671-A2-U03	EA	COVER/SEAT - 23" X 42" X 5" (U03, U04)
6	150855-39-U01	EA	CUSHION - BACK/TOP - SQUARE - DINETTE (U01, U02)
6	150855-39-U03	EA	CUSHION - BACK/TOP - SQUARE - DINETTE (U03, U04)
	P50855-39-U01	EA	COVER/CUSHION - BACK/TOP - SQUARE - DINETTE (U01, U02)
	P50855-39-U03	EA	COVER/CUSHION - BACK/TOP - SQUARE - DINETTE (U03, U04)
7	150855-03-U01	EA	CUSHION - BACK/CORNER TOP - LEFT - DINETTE (U01, U02)
7	150855-03-U03	EA	CUSHION - BACK/CORNER TOP - LEFT - DINETTE (U03, U04)
	P50855-03-U01	EA	COVER/CUSHION - BACK/CORNER TOP - LEFT - DINETTE (U01, U02)
	P50855-03-U03	EA	COVER/CUSHION - BACK/CORNER TOP - LEFT - DINETTE (U03, U04)
8	150855-05-U01	EA	CUSHION - BACK/CENTER TOP - DINETTE (U01, U02)
8	150855-05-U03	EA	CUSHION - BACK/CENTER TOP - DINETTE (U03, U04)
	P50855-05-U01	EA	COVER/CUSHION - BACK/CENTER TOP - DINETTE (U01, U02)
	P50855-05-U03	EA	COVER/CUSHION - BACK/CENTER TOP - DINETTE (U03, U04)
9	150855-07-U01	EA	CUSHION - BACK/CORNER TOP - RIGHT - DINETTE (U01, U02)
9	150855-07-U03	EA	CUSHION - BACK/CORNER TOP - RIGHT - DINETTE (U03, U04)
	P50855-07-U01	EA	COVER/CUSHION - BACK/CORNER TOP - RIGHT - DINETTE (U01, U02)
	P50855-07-U03	EA	COVER/CUSHION - BACK/CORNER TOP - RIGHT - DINETTE (U03, U04)
10	153519-17-U01	EA	PAD - TOP/RH - F/DINETTE BACK - FABRIC COVERED (U01, U02)
10	153519-17-U03	EA	PAD - TOP/RH - F/DINETTE BACK - FABRIC COVERED (U03, U04)
11	150855-41-U01	EA	CUSHION - SEAT/LEFT - SQUARE - DINETTE (U01, U02)
11	150855-41-U03	EA	CUSHION - SEAT/LEFT - SQUARE - DINETTE (U03, U04)
	P50855-41-U01	EA	COVER/CUSHION - SEAT/LEFT - SQUARE - DINETTE (U01, U02)
	P50855-41-U03	EA	COVER/CUSHION - SEAT/LEFT - SQUARE - DINETTE (U03, U04)

**CURTAIN & CUSHION GROUP (CONTINUED)**  
**CUSHION LAYOUT (CONTINUED)**

KEY	PART NUMBER	U/M	DESCRIPTION
12	150855-10-U01	EA	CUSHION - SEAT/CENTER - DINETTE (U01, U02)
12	150855-10-U03	EA	CUSHION - SEAT/CENTER - DINETTE (U03, U04)
	P50855-10-U01	EA	COVER/CUSHION - SEAT/CENTER - DINETTE (U01, U02)
	P50855-10-U03	EA	COVER/CUSHION - SEAT/CENTER - DINETTE (U03, U04)
13	150855-11-U01	EA	CUSHION - CORNER BLOCK - LEFT/RIGHT - DINETTE (U01, U02)
13	150855-11-U03	EA	CUSHION - CORNER BLOCK - LEFT/RIGHT - DINETTE (U03, U04)
	P50855-11-U01	EA	COVER/CUSHION - CORNER BLOCK - LEFT/RIGHT - DINETTE (U01, U02)
	P50855-11-U03	EA	COVER/CUSHION - CORNER BLOCK - LEFT/RIGHT - DINETTE (U03, U04)
14	150855-12-U01	EA	CUSHION - FILLER - DINETTE (U01, U02)
14	150855-12-U03	EA	CUSHION - FILLER - DINETTE (U03, U04)
	P50855-12-U01	EA	COVER/CUSHION - FILLER - DINETTE (U01, U02)
	P50855-12-U03	EA	COVER/CUSHION - FILLER - DINETTE (U03, U04)
15	150855-40-U01	EA	CUSHION - SEAT/RIGHT - SQUARE - DINETTE (U01, U02)
15	150855-40-U03	EA	CUSHION - SEAT/RIGHT - SQUARE - DINETTE (U03, U04)
	P50855-40-U01	EA	COVER/CUSHION - SEAT/RIGHT - SQUARE - DINETTE (U01, U02)
	P50855-40-U03	EA	COVER/CUSHION - SEAT/RIGHT - SQUARE - DINETTE (U03, U04)
16	153519-18-U01	EA	PAD - TOP/LH - F/DINETTE BACK - FABRIC COVERED (U01, U02)
16	153519-18-U03	EA	PAD - TOP/LH - F/DINETTE BACK - FABRIC COVERED (U03, U04)
17	155541-03-U01	EA	MATTRESS/CUSHION - LEFT HAND - 28" X 75" (U01, U02)
			FROM: 00-00-00 THRU: 07-09-06
17	157657-12-U01	EA	CUSHION - BUNK/LEFT - W/FRAME/STRAP - 28" X 75" - LEATHER (U01, U02)
			FROM: 07-10-06 THRU: 99-99-99
17	155541-01-U03	EA	MATTRESS/CUSHION - LEFT HAND - 28" X 75" (U03, U04)
			FROM: 00-00-00 THRU: 07-09-06
17	157657-11-U03	EA	CUSHION - BUNK/LEFT - W/FRAME/STRAP - 28" X 75" (U03, U04)
			FROM: 07-10-06 THRU: 99-99-99
	P55541-03-U01	EA	COVER - MATTRESS/LEFT - 28" X 75" (U01, U02)
			FROM: 00-00-00 THRU: 07-09-06
	157657-B2-U01	EA	COVER - CUSHION/OVERHEAD/LEFT - 28" X 75" - W/STRAP - LTH (U01, U02)
			FROM: 07-10-06 THRU: 99-99-99
	P55541-01-U03	EA	COVER - MATTRESS/LEFT - 28" X 75" (U03, U04)
			FROM: 00-00-00 THRU: 07-09-06
	157657-B1-U03	EA	COVER - CUSHION/OVERHEAD/LEFT - 28" X 75" - W/STRAP (U03, U04)
			FROM: 07-10-06 THRU: 99-99-99
18	157657-08-U01	EA	CUSHION - OVERHEAD BUNK - 30" X 76" X 6" (U01, U02)
18	157657-07-U03	EA	CUSHION - OVERHEAD BUNK - 30" X 76" X 6" (U03, U04)
	157657-A8-U01	EA	COVER - CUSHION/OVERHEAD - 30" X 76" X 6" - W/ANGLE (U01, U02)
	157657-A7-U03	EA	COVER - CUSHION/OVERHEAD - 30" X 76" X 6" - W/ANGLE (U03, U04)

# CURTAIN & CUSHION GROUP (CONTINUED)

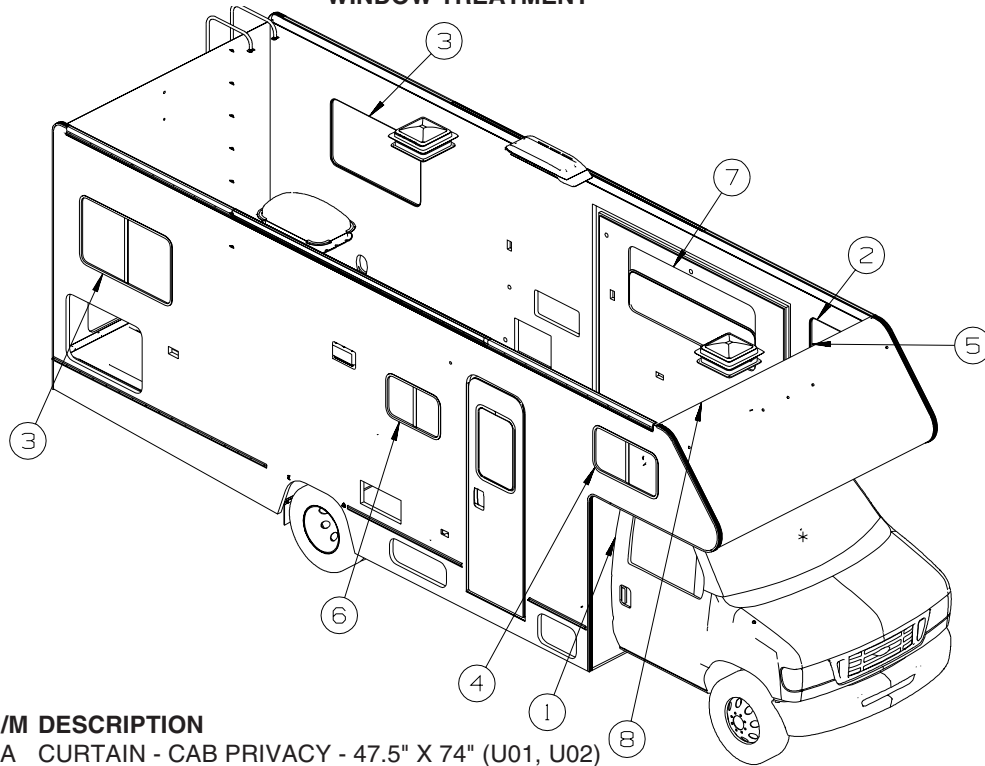
## LOUNGE CHAIR



KEY	PART NUMBER	U/M	DESCRIPTION
1	P38523-01-U01	EA	COVER - CHAIR/GLIDER (U01, U02)
1	P38523-01-U03	EA	COVER - CHAIR/GLIDER (U03, U04)
2	127159-02-02B	EA	BRACKET - SEAT RELEASE - DUAL REMOTE - E-COATED
3	108049-02-000	EA	CLIP - CABLE/PEDESTAL
	108049-04-000	EA	CABLE - W/MINI LEVER ACTION SWITCH - 28" SHEATH/30" CABLE
4	131566-04-000	EA	SLIDE/SEAT - HEAVY DUTY LOCKING - 5"
5	133408-07-000	EA	TOP PLATE - W/O BAR
6	131566-04-000	EA	SLIDE/SEAT - HEAVY DUTY LOCKING - 5"
7	117125-01-02B	EA	BRACKET - CABLE MOUNT - ADJUSTER W/LOCK
	119952-07-000	EA	WIRE - LATCH RELEASE/ROTARY
8	NOT USED		
9	107921-06-000	EA	BEARING KIT - PEDESTAL
10	139083-01-U01	EA	SKIRT - F/GLIDER CHAIR (U01, U02)
10	139083-01-U03	EA	SKIRT - F/GLIDER CHAIR (U03, U04)
11	139208-02-000	EA	SUPPORT BAR - SHORT - W/PEDESTAL

## CURTAIN & CUSHION GROUP (CONTINUED)

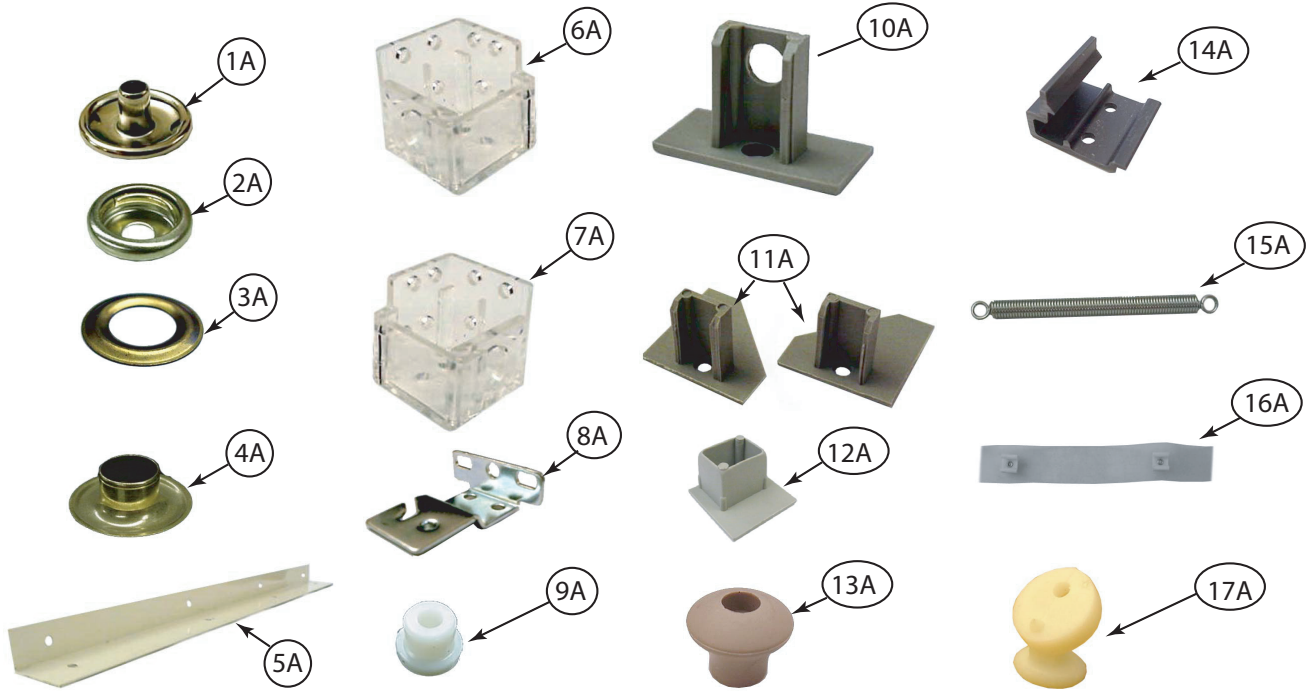
### WINDOW TREATMENT



KEY	PART NUMBER	U/M	DESCRIPTION
1	076892-30-U01	EA	CURTAIN - CAB PRIVACY - 47.5" X 74" (U01, U02)
1	076892-30-U03	EA	CURTAIN - CAB PRIVACY - 47.5" X 74" (U03, U04)
1	076892-29-U01	EA	CURTAIN - CAB PRIVACY - 47.5" X 74" (U01, U02) - 27" TV W/VIDEO SEL SYS
1	076892-29-U03	EA	CURTAIN - CAB PRIVACY - 47.5" X 74" (U03, U04) - 27" TV W/VIDEO SEL SYS
1	073260-23-U01	EA	TIEBACK - 3" X 18" (U01, U02)
1	073260-23-U03	EA	TIEBACK - 3" X 18" (U03, U04)
2	101034-64-U01	EA	CURTAIN - PRIVACY/LEFT HAND - 19.5" X 31" (U01, U02) FROM: 00-00-00 THRU: 07-09-06
2	161091-07-U01	EA	CURTAIN - PRIVACY - 19.5" X 35" (U01, U02) FROM: 07-10-06 THRU: 99-99-99
2	101034-64-U03	EA	CURTAIN - PRIVACY/LEFT HAND - 19.5" X 31" (U03, U04) FROM: 00-00-00 THRU: 07-09-06
2	161091-07-U03	EA	CURTAIN - PRIVACY - 19.5" X 35" (U03, U04) FROM: 07-10-06 THRU: 99-99-99
3	152026-08-U01	EA	VALANCE - W/WELT - 45" (U01, U02)
3	152026-08-U03	EA	VALANCE - W/WELT - 45" (U03, U04)
3	157506-04-T12	EA	BLIND - PLEATED - 43" X 28" (U01, U02)
3	157506-04-TR0	EA	BLIND - PLEATED - 43" X 28" (U03, U04)
4	101034-63-U01	EA	CURTAIN - PRIVACY/RIGHT HAND - 19.5" X 31" (U01, U02) FROM: 00-00-00 THRU: 07-09-06
4	161091-07-U01	EA	CURTAIN - PRIVACY - 19.5" X 35" (U01, U02) FROM: 07-10-06 THRU: 99-99-99
4	101034-63-U03	EA	CURTAIN - PRIVACY/RIGHT HAND - 19.5" X 31" (U03, U04) FROM: 00-00-00 THRU: 07-09-06
4	161091-07-U03	EA	CURTAIN - PRIVACY - 19.5" X 35" (U03, U04) FROM: 07-10-06 THRU: 99-99-99
5	101668-40-U01	EA	CURTAIN - PRIVACY/BUNK/LEFT HAND - 35" X 50" (U01, U02)
5	101668-40-U03	EA	CURTAIN - PRIVACY/BUNK/LEFT HAND - 35" X 50" (U03, U04)
6	109041-57-02A	EA	BLIND - MINI - 26" X 17" (U01, U02)
6	109041-57-03A	EA	BLIND - MINI - 26" X 17" (U03, U04)
7	152026-01-U01	EA	VALANCE - W/WELT - 63" (U01, U02)
7	152026-01-U03	EA	VALANCE - W/WELT - 63" (U03, U04)
7	157506-02-T12	EA	BLIND - PLEATED - 59" X 26.5" (U01, U02)
7	157506-02-TR0	EA	BLIND - PLEATED - 59" X 26.5" (U03, U04)
7	159953-03-U01	EA	LEG - RIGHT - 26" (U01, U02)
7	159953-03-U03	EA	LEG - RIGHT - 26" (U03, U04)
7	159953-04-U01	EA	LEG - LEFT - 26" (U01, U02)
7	159953-04-U03	EA	LEG - LEFT - 26" (U03, U04)
8	101668-39-U01	EA	CURTAIN - PRIVACY/BUNK/RIGHT HAND - 35" X 50" (U01, U02)
8	101668-39-U03	EA	CURTAIN - PRIVACY/BUNK/RIGHT HAND - 35" X 50" (U03, U04)

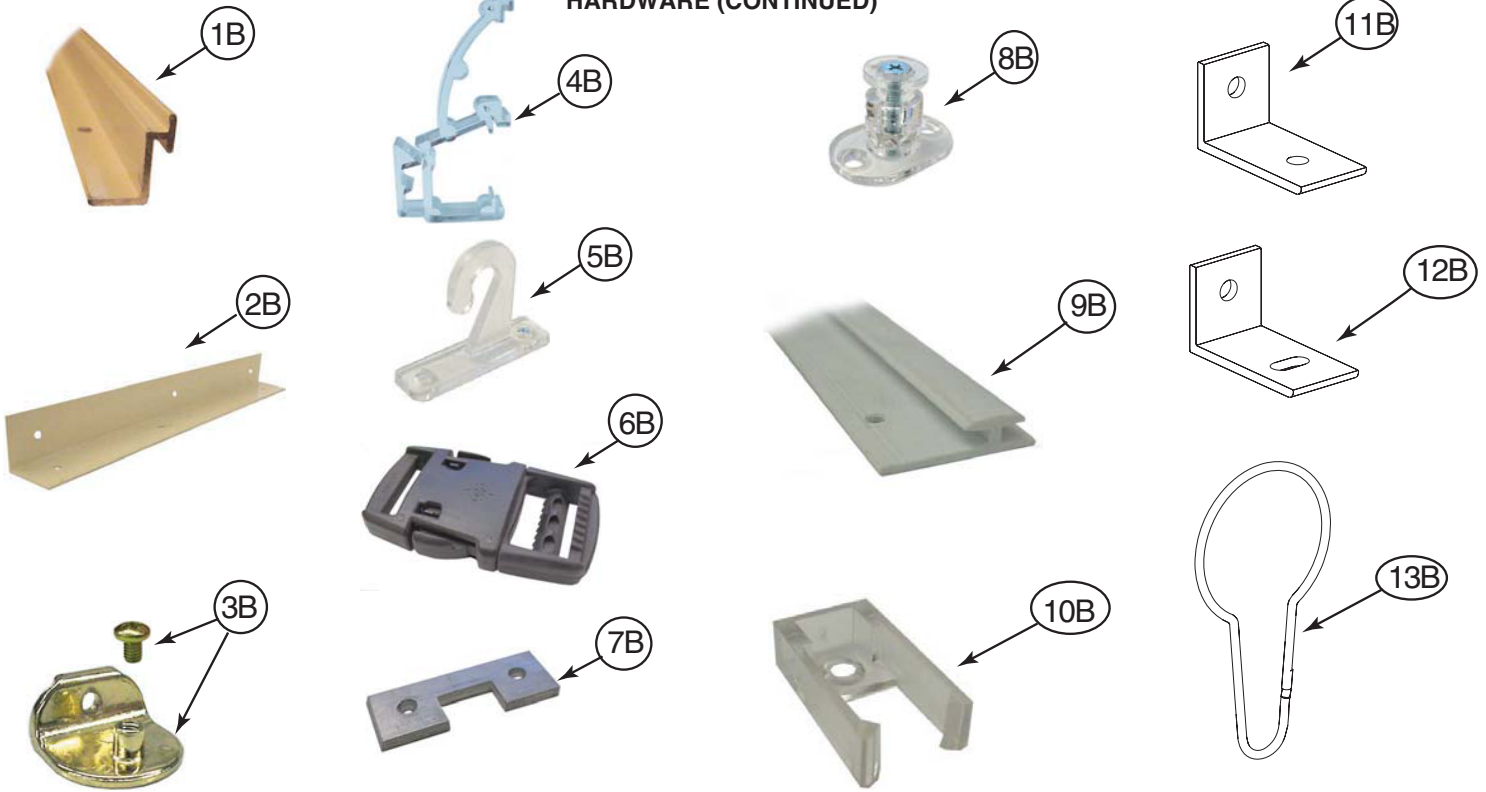
## CURTAIN & CUSHION GROUP (CONTINUED)

### HARDWARE



KEY	PART NUMBER	U/M	DESCRIPTION
1A	029155-01-000	EA	CAP - SNAP - 5/32" OUTSIDE DIAMETER OF PIN
2A	029156-01-000	EA	SOCKET - SNAP - 9/16" O.D.
3A	046867-02-000	EA	WASHER - HANDY BUTTON #3
4A	046867-03-000	EA	GROMMET - HANDY BUTTON #3
5A	075943-10-000	EA	BRACE - VALANCE - 20" - OFF WHITE
6A	083170-01-000	EA	BRACKET/BLIND - LEFT SIDE WHEN FACING WINDOW - CLEAR
7A	083170-02-000	EA	BRACKET/BLIND - RIGHT SIDE WHEN FACING WINDOW - CLEAR
8A	084434-01-000	EA	BRACKET - MOUNTING - ROLLER SHADE - 1 3/8"
9A	094896-02-000	EA	GROMMET - CORD/PLEATED BLIND - NYLON - GRAY
10A	094907-02-000	EA	END CAP - PLEATED BLIND/TOP - RH/LH - GRAY PLASTIC
11A	094907-04-000	EA	END CAP - PLEATED BLIND/BOTTOM - RH/LH
12A	094907-09-000	EA	END CAP/BLIND - CENTER RAIL - RH/LH
13A	097564-03-000	EA	HANDLE - KNOB - E-Z LIFT SHADE - TAN
	097593-02-000	FT	CORD - BLIND - PLEATED - DAWN GRAY
	097593-10-000	FT	CORD - BLIND - PLEATED - VANILLA
14A	097565-01-000	EA	BRACKET - MOUNTING - PLEATED BLIND
15A	097591-01-000	EA	SPRING - EXTENSION - PLEATED BLIND
15A	155748-01-000	EA	SPRING - EXTENSION - DAY/NIGHTER BLIND
16A	101031-01-000	YD	TAPE/GLIDE - 4.25" SPACING
17A	102555-03-000	EA	BRACKET - (CLEAT TYPE) - F/BLIND HOLDOWN - MILKY WHITE

**CURTAIN & CUSHION GROUP (CONTINUED)**  
**HARDWARE (CONTINUED)**



KEY	PART NUMBER	U/M	DESCRIPTION
1B	105450-14-01A	EA	TRACK-90"-OW - <b>FRT BUNK PRIVACY OUTLOOK/SPIRIT 300-SERIES, ACCESS/IMPULSE 200-SERIES</b>
2B	105648-01-02A	EA	BRACE - VALANCE - 14" - OFF WHITE
2B	105648-02-02A	EA	BRACE - VALANCE - 8.5" - OFF WHITE
3B	106544-01-000	EA	PULL - SHADE/BRASS
3B	106544-01-001	EA	SCREW - SHADE/BRASS
3B	106544-02-000	EA	PULL-SHADE - NICKEL
4B	109353-04-000	EA	CLIP - VALANCE SLAT MOUNTING - CLEAR PLASTIC
5B	109441-01-000	EA	BRACKET/HOOK - BLIND HOLD DOWN
5B	109441-02-000	EA	SPACER/BRACKET - BLIND HOLD DOWN
6B	129491-01-000	EA	CATCH - SNAP HOOK - 1"
7B	130549-01-01A	EA	STOP - CURTAIN TRACK
8B	141634-01-000	EA	BRACKET-(BOBBIN TYPE) 7/8"H HOLDUPBASE(OVAL)-2 HOLE-CLEAR
9B	156172-01-01A	EA	TRACK/WALL - 75" - BONE
9B	156172-02-01A	EA	TRACK/WALL - 32" - BONE
9B	156172-03-01A	EA	TRACK/WALL - 21" - BONE
10B	156172-04-01A	EA	END CAP - WALL TRACK - CLEAR
11B	154316-01-01A	EA	BRACE/ANGLE - W/HOLE - CASHMERE
12B	154316-02-01A	EA	BRACE/ANGLE - W/SLOT - CASHMERE
13B	159702-01-01A	EA	HOOK/RING - CURTAIN/SHOWER - NICKEL



## CURTAIN & CUSHION GROUP (CONTINUED)

### FABRICS

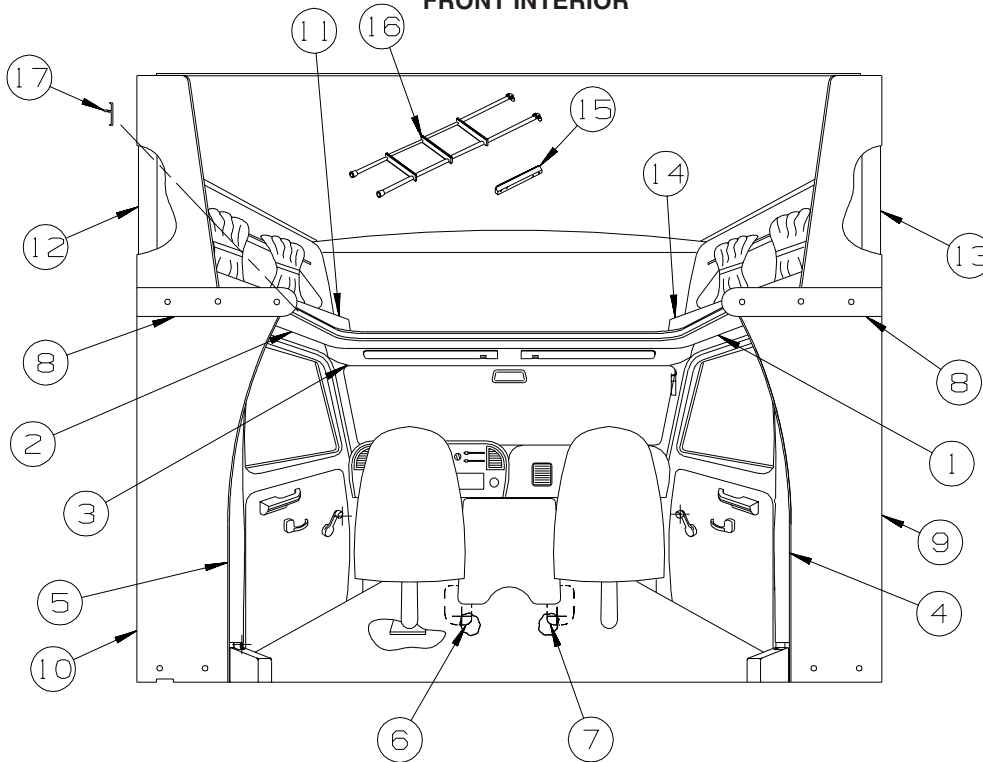
#### U01, U02

113979-09-01A CARPET - HEADLINER (SY)  
113979-10-01A CARPET-HEADLINER,SLDOUT (SY), 21.5 WIDE  
137813-T5-000 FABRIC - UPHOLSTERY, BEDSPREAD, MAIN  
137813-T6-000 FABRIC - DRAPERY, MAIN  
137813-T6-000 FABRIC - UPHOLSTERY, BEDSPREAD, PATTERN ACCENT A  
148797-K4-000 FABRIC - UPHOLSTERY MAIN ONE, MAIN  
148797-K5-000 FABRIC - UPHOLSTERY, PLAIN ACCENT  
148797-K5-000 FABRIC - UPHOLSTERY ACCENT, PATTERN  
148797-K5-000 FABRIC - O/H CABT, DIN/LOUNGE  
148797-K5-000 FABRIC - DINETTE WRAP, DINETTES  
142523-08-000 VINYL - HEADLINERS/BUNKS  
142523-08-000 VINYL - ACCENT TRIMS, CAB AREA

#### U03, U04

113979-09-01A CARPET - HEADLINER (SY)  
113979-10-01A CARPET-HEADLINER,SLDOUT (SY), 21.5 WIDE  
137813-T7-000 FABRIC - UPHOLSTERY, BEDSPREAD, MAIN  
137813-T8-000 FABRIC - DRAPERY, MAIN  
137813-T8-000 FABRIC - UPHOLSTERY, BEDSPREAD, PATTERN ACCENT A  
148797-K6-000 FABRIC - UPHOLSTERY MAIN ONE, MAIN  
148797-K7-000 FABRIC - UPHOLSTERY, PLAIN ACCENT  
148797-K7-000 FABRIC - UPHOLSTERY ACCENT, PATTERN  
148797-K7-000 FABRIC - O/H CABT, DIN/LOUNGE  
148797-K7-000 FABRIC - DINETTE WRAP, DINETTES  
142523-08-000 VINYL - HEADLINERS/BUNKS  
142523-08-000 VINYL - ACCENT TRIMS, CAB AREA

## DRIVERS COMPARTMENT GROUP FRONT INTERIOR

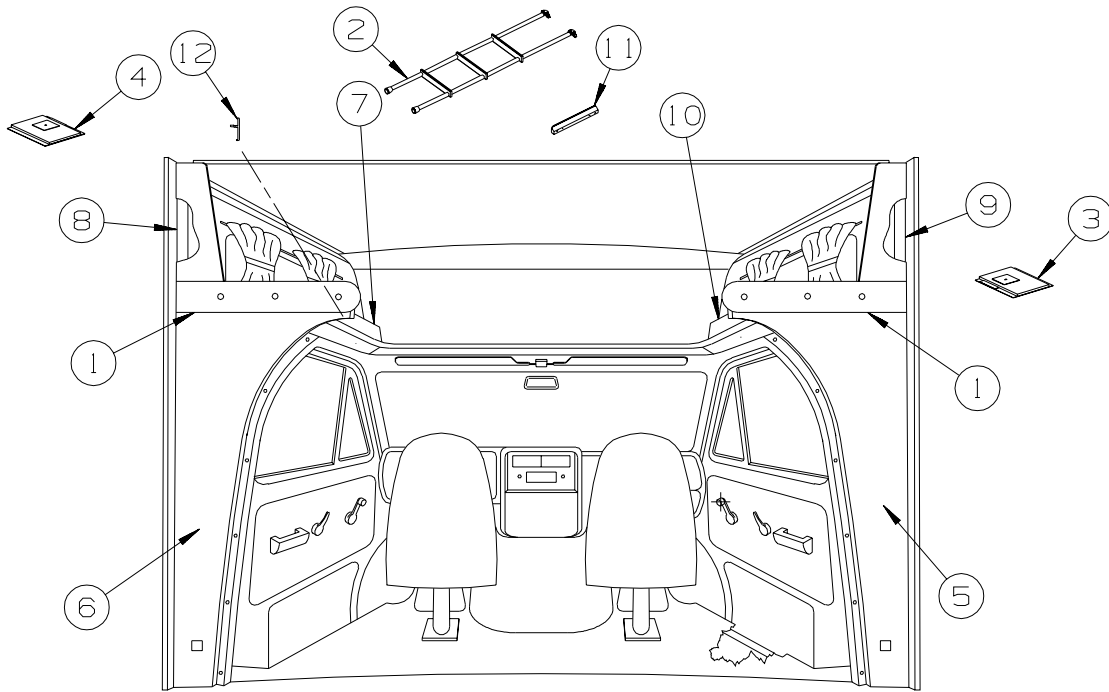


**FORD**

KEY	PART NUMBER	U/M	DESCRIPTION
1	106447-07-U01	EA	TRIM - CAB DOOR - UPPER/RIGHT HAND
2	106447-08-U01	EA	TRIM - CAB DOOR - UPPER/LEFT HAND
3	106448-07-T11	EA	HEADLINER - W/VINYL
4	125031-01-T11	EA	TRIM - CAB - B-PILLAR - PASSENGER SIDE
5	125031-02-T11	EA	TRIM - CAB - B-PILLAR - DRIVER SIDE
6	135426-01-000	EA	INSULATION-FLOOR,CAB,LH
7	135426-02-000	EA	INSULATION-FLOOR,CAB,RH
8	141793-01-U01	EA	CAP - SLEEPERBOARD (U01, U02)
8	141793-01-U03	EA	CAP - SLEEPERBOARD (U03, U04)
9	141803-01-U01	EA	WINGWALL - INNER/LOWER (U01, U02) - 222B, 224V, 226A
9	141803-01-U03	EA	WINGWALL - INNER/LOWER (U03, U04) - 222B, 224V, 226A
9	156957-01-U01	EA	WINGWALL - INNER/LOWER - PASSENGER (U01, U02) - 228P, 229T, 231C
9	156957-01-U03	EA	WINGWALL - INNER/LOWER - PASSENGER (U03, U04) - 228P, 229T, 231C
10	141803-02-U01	EA	WINGWALL - INNER/LOWER (U01, U02) - 222B, 224V, 226A
10	141803-02-U03	EA	WINGWALL - INNER/LOWER (U03, U04) - 222B, 224V, 226A
10	156957-02-U01	EA	WINGWALL - INNER/LOWER - DRIVER (U01, U02) - 228P, 229T, 231C
10	156957-02-U03	EA	WINGWALL - INNER/LOWER - DRIVER (U03, U04) - 228P, 229T, 231C
11	141795-01-U01	EA	CABINET - HAMPER - W/DOOR - W/O HARDWARE (U01, U02)
11	141795-01-U03	EA	CABINET - HAMPER - W/DOOR - W/O HARDWARE (U03, U04)
12	109709-01-01A	EA	BRACKET - WINGWALL - OFF WHITE
13	109709-02-01A	EA	BRACKET - WINGWALL - OFF WHITE
14	141795-02-U01	EA	CABINET - HAMPER - W/DOOR - W/O HARDWARE (U01, U02)
14	141795-02-U03	EA	CABINET - HAMPER - W/DOOR - W/O HARDWARE (U03, U04)
15	094658-04-T11	EA	HANDLE - BUNK - 1.1" X 2" X 14.9" - PORTSMOUTH OAK
15	094658-04-TK0	EA	HANDLE - BUNK - 1.1" X 2" X 14.9" - SIERRA MAPLE
16*	106025-02-01A	EA	LADDER - BUNK - 52" - BLACK
			FROM: 00-00-00 THRU: 09-03-06
16	106025-05-01A	EA	LADDER - BUNK - 50.1" - BLACK - 222B, 224V, 226A
			FROM: 09-04-06 THRU: 99-99-99
16	106025-05-01A	EA	LADDER - BUNK - 50.1" - BLACK - 228P, 229T, 231C
			FROM: 09-04-06 THRU: 03-11-07
16	106025-08-01A	EA	LADDER - BUNK - 51.9" - BLACK - 228P, 229T, 231C
			FROM: 03-12-07 THRU: 99-99-99
	162356-01-000	EA	STRAP/TIEDOWN - LADDER
			FROM: 10-16-06 THRU: 99-99-99
17	119520-01-01A	FT	MOLDING-T - OFFSET W/EDGE LIP - 1.3" FACE - OFF WHITE

**\*COMPONENT PARTS LISTED LATER IN THIS GROUP**

**DRIVERS COMPARTMENT GROUP (CONTINUED)**  
**FRONT INTERIOR (CONTINUED)**



**CHEVY**

KEY	PART NUMBER	U/M	DESCRIPTION
1	141793-01-U01	EA	CAP - SLEEPERBOARD (U01, U02)
1	141793-01-U03	EA	CAP - SLEEPERBOARD (U03, U04)
2*	106025-02-01A	EA	LADDER - BUNK - 52" - BLACK
			FROM: 00-00-00 THRU: 09-03-06
2	106025-05-01A	EA	LADDER - BUNK - 50.1" - BLACK - 222B, 224V, 226A
			FROM: 09-04-06 THRU: 99-99-99
2	106025-05-01A	EA	LADDER - BUNK - 50.1" - BLACK - 228P, 229T, 231C
			FROM: 09-04-06 THRU: 03-11-07
2	106025-08-01A	EA	LADDER - BUNK - 51.9" - BLACK - 228P, 229T, 231C
			FROM: 03-12-07 THRU: 99-99-99
	162356-01-000	EA	STRAP/TIEDOWN - LADDER
			FROM: 10-16-06 THRU: 99-99-99
3	156218-04-U01	EA	HEADLINER - W/VINYL
4	156218-05-U01	EA	HEADLINER - W/VINYL
5	141803-01-U01	EA	WINGWALL - INNER/LOWER (U01, U02) - 222B, 224V, 226A
5	141803-01-U03	EA	WINGWALL - INNER/LOWER (U03, U04) - 222B, 224V, 226A
5	156957-01-U01	EA	WINGWALL - INNER/LOWER - PASSENGER (U01, U02) - 228P, 229T, 231C
5	156957-01-U03	EA	WINGWALL - INNER/LOWER - PASSENGER (U03, U04) - 228P, 229T, 231C
6	141803-02-U01	EA	WINGWALL - INNER/LOWER (U01, U02) - 222B, 224V, 226A
6	141803-02-U03	EA	WINGWALL - INNER/LOWER (U03, U04) - 222B, 224V, 226A
6	156957-02-U01	EA	WINGWALL - INNER/LOWER - DRIVER (U01, U02) - 228P, 229T, 231C
6	156957-02-U03	EA	WINGWALL - INNER/LOWER - DRIVER (U03, U04) - 228P, 229T, 231C
7	141795-01-U01	EA	CABINET - HAMPER - W/DOOR - W/O HARDWARE (U01, U02)
7	141795-01-U03	EA	CABINET - HAMPER - W/DOOR - W/O HARDWARE (U03, U04)
8	109709-01-01A	EA	BRACKET - WINGWALL - OFF WHITE
9	109709-02-01A	EA	BRACKET - WINGWALL - OFF WHITE
10	141795-02-U01	EA	CABINET - HAMPER - W/DOOR - W/O HARDWARE (U01, U02)
10	141795-02-U03	EA	CABINET - HAMPER - W/DOOR - W/O HARDWARE (U03, U04)
	094658-04-T11	EA	HANDLE - BUNK - 1.1" X 2" X 14.9" - PORTSMOUTH OAK
	094658-04-TK0	EA	HANDLE - BUNK - 1.1" X 2" X 14.9" - SIERRA MAPLE
	119520-01-01A	FT	MOLDING-T - OFFSET W/EDGE LIP - 1.3" FACE - OFF WHITE

\*COMPONENT PARTS LISTED LATER IN THIS GROUP

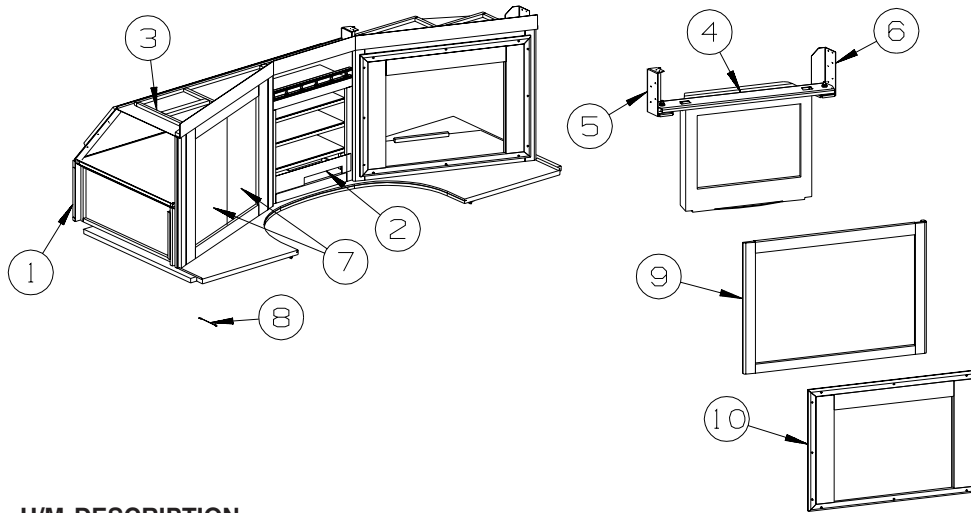
**COMPONENT PARTS FOR FRONT INTERIOR**

**106025-02-01A**

KEY	PART NUMBER	U/M	DESCRIPTION	VENDOR NO.
	106025-01-700	EA	BRACKET SET-F/BUNK LADDER	08-0030-00
	106025-01-701	EA	END CAP-F/STEP LADDER RUNGS	

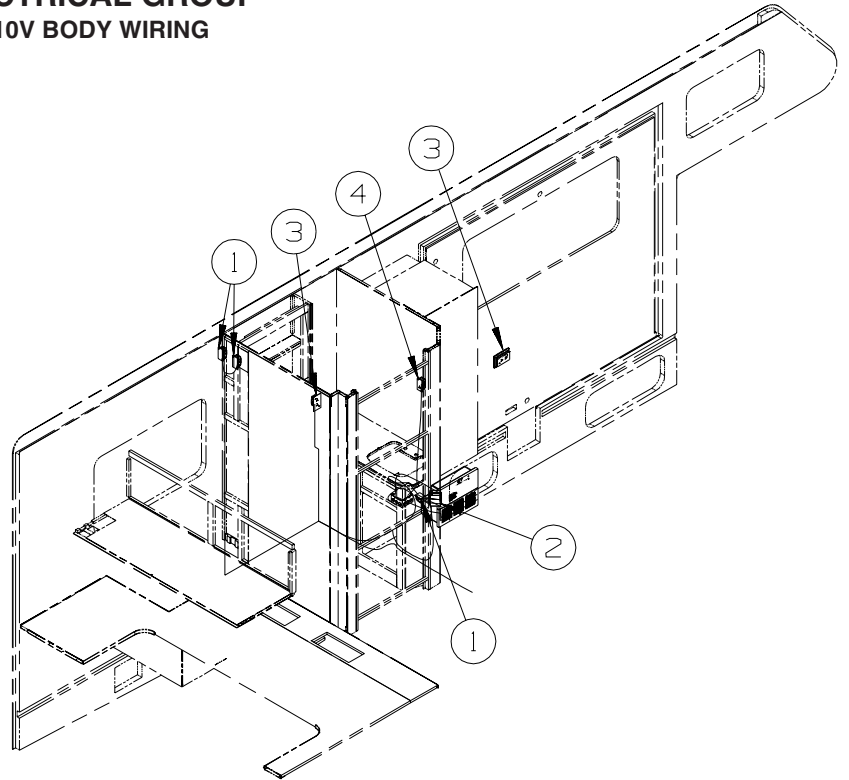
## DRIVERS COMPARTMENT GROUP (CONTINUED)

### CABINETS



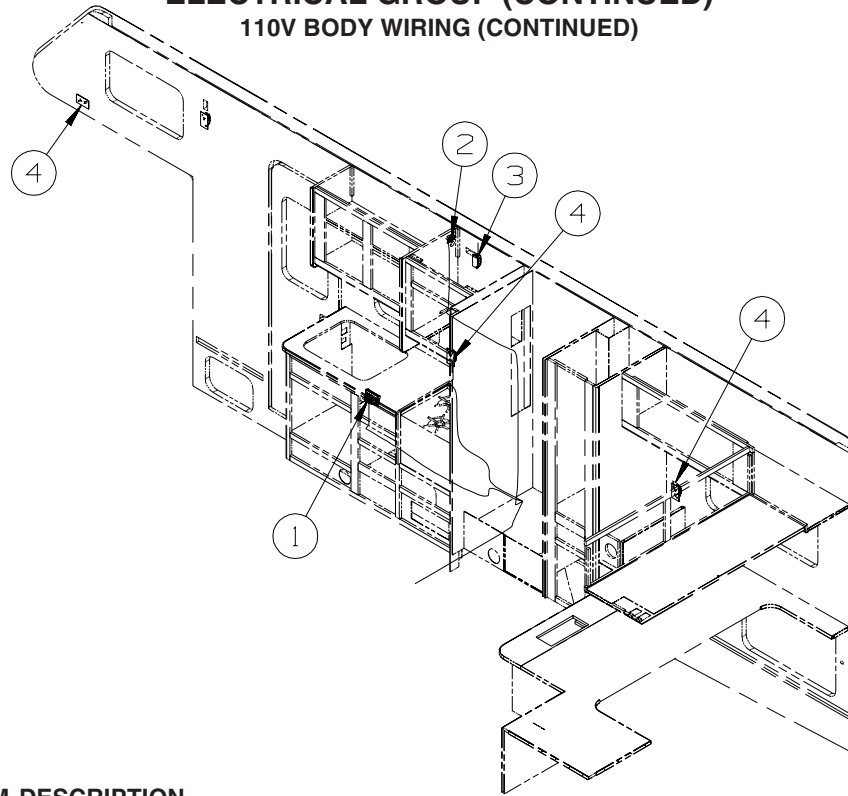
KEY	PART NUMBER	U/M	DESCRIPTION
1	P56718-01-U01	EA	CABINET - ENTERTAINMENT CENTER/LEFT HAND - W/O DOORS/HDW - PORTSMOUTH OAK
1	P56718-01-U02	EA	CABINET - ENTERTAINMENT CENTER/LEFT HAND - W/O DOORS/HDW - SIERRA MAPLE
2	142200-01-T11	EA	PANEL - VINYL COVERED
3	156720-01-U01	EA	CABINET - ENTERTAINMENT CENTER/TOP - W/O HDW
4	157549-01-02B	EA	BRACKET/MOUNTING - TV - E-COATED
5	158139-01-02B	EA	BRACKET - TV - E-COATED
6	158139-02-02B	EA	BRACKET - TV - E-COATED
7	147084-50-U01	EA	DOOR - FLAT PANEL/PENCIL EDGE - 14.4" X 26.7" W/O HDW - PORTSMOUTH OAK
7	147084-50-U02	EA	DOOR - FLAT PANEL/PENCIL EDGE - 14.4" X 26.7" W/O HDW - SIERRA MAPLE
8	076767-04-000	EA	CABLE - STAINLESS STEEL - 5.9"
9	156719-11-U01	EA	FACE/FRAME - CABINET/FRONT/INNER TRIM - PORTSMOUTH OAK
9	156719-11-U02	EA	FACE/FRAME - CABINET/FRONT/INNER TRIM - SIERRA MAPLE
10	156719-14-U01	EA	FACE/FRAME - CABINET/FRONT/OUTER TRIM - PORTSMOUTH OAK
10	156719-14-U02	EA	FACE/FRAME - CABINET/FRONT/OUTER TRIM - SIERRA MAPLE

## ELECTRICAL GROUP 110V BODY WIRING



KEY	PART NUMBER	U/M	DESCRIPTION
1	058707-02-000	EA	RECEPTACLE - BLANK - JUNCTION BOX
2	147446-01-02A	EA	RECEPTACLE - GFCI - 15A 125V - BROWN FROM: 00-00-00 THRU: 12-10-06
2	163319-01-02A	EA	RECEPTACLE - GFCI - 15A 125V - BROWN FROM: 12-11-06 THRU: 99-99-99
2	147450-01-02A	EA	PLATE - ELECTRICAL OUTLET - BROWN FROM: 00-00-00 THRU: 07-09-06
2	147446-01-01A	EA	RECEPTACLE - GFCI - 15A 125V - WHITE FROM: 00-00-00 THRU: 12-10-06
2	163319-01-01A	EA	RECEPTACLE - GFCI - 15A 125V - WHITE FROM: 12-11-06 THRU: 99-99-99
2	147450-01-01A	EA	PLATE - ELECTRICAL OUTLET - WHITE FROM: 00-00-00 THRU: 07-09-06
3	058708-01-000	EA	RECEPTACLE - ELECTRIC - DOUBLE - BROWN
3	058708-06-000	EA	RECEPTACLE - DUPLEX - WHITE
3	133713-01-08A	EA	SPACER/RECEPTACLE - VINYL - PORTSMOUTH OAK
3	133713-01-22A	EA	SPACER/RECEPTACLE - VINYL - SIERRA MAPLE
3	133713-01-20A	EA	SPACER/RECEPTACLE - VINYL - WHITE
4	058707-01-000	EA	RECEPTACLE - ELECTRIC - SINGLE - BROWN

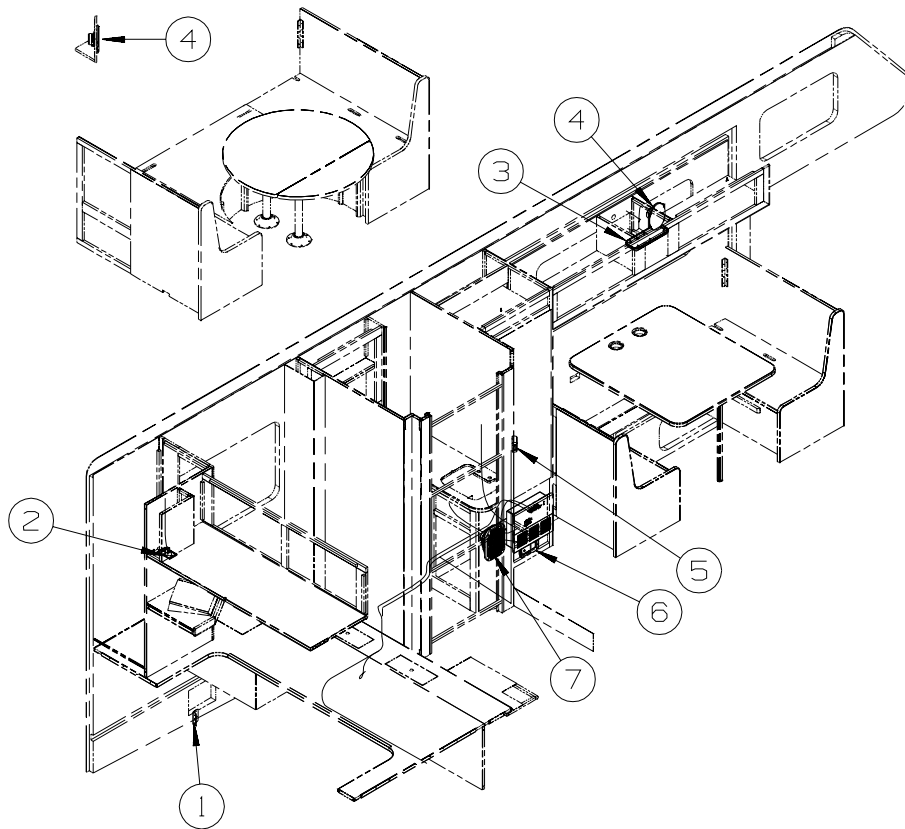
**ELECTRICAL GROUP (CONTINUED)**  
**110V BODY WIRING (CONTINUED)**



KEY	PART NUMBER	U/M	DESCRIPTION
1	131826-01-01A	EA	RECEPTACLE - EXTERIOR - W/COVER/GASKET - WHITE
2	058708-01-000	EA	RECEPTACLE - ELECTRIC - DOUBLE - BROWN
3	058707-02-000	EA	RECEPTACLE - BLANK - JUNCTION BOX
4	058708-01-000	EA	RECEPTACLE - ELECTRIC - DOUBLE - BROWN
4	058708-06-000	EA	RECEPTACLE - DUPLEX - WHITE
4	133713-01-08A	EA	SPACER/RECEPTACLE - VINYL - PORTSMOUTH OAK
4	133713-01-20A	EA	SPACER/RECEPTACLE - VINYL - WHITE
4	133713-01-22A	EA	SPACER/RECEPTACLE - VINYL - SIERRA MAPLE

## ELECTRICAL GROUP (CONTINUED)

### 12V BODY WIRING

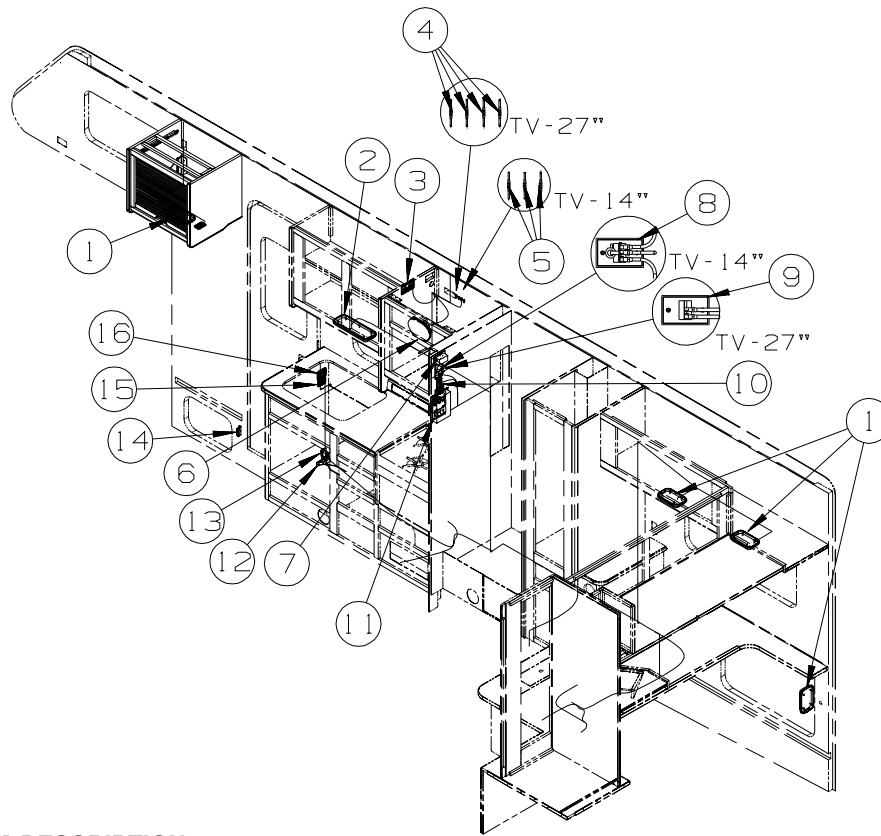


KEY	PART NUMBER	U/M	DESCRIPTION
1	139335-01-02B	EA	PLATE - ELECTRICAL - E-COATED
1	082134-01-000	EA	ADAPTER - TV - CABLE TO CABLE
1	082136-01-000	EA	NUT - HEX JAM - 3/8-32
1	087236-01-000	EA	LABEL - CABLE - INPUT
2	076319-09-000	EA	WALLPLATE - TV CABLE RECEPTACLE - SINGLE - BROWN
3*	137417-05-01A	EA	LIGHT - DOME - DOUBLE - W/SWITCH/OPTIC LENS - WHITE
4	110465-01-000	EA	SPEAKER KIT,4 5X7 SPEAKERS - FORD F2UF-18814-CD
5	115764-01-01A	EA	THERMOSTAT - FURNACE - WHITE
6	150138-01-02A	EA	DETECTOR - LP GAS - BROWN
7	124884-01-000	EA	SPEAKER - 6" X 9" - SUB-WOOFER - W/O GRILLE - HOME THEATER SYSTEM
7	151844-01-01A	EA	GRILLE - SPEAKER - 6" X 9" - SUB WOOFER - BLACK - HOME THEATER SYSTEM

\*COMPONENT PARTS LISTED LATER IN THIS GROUP

## ELECTRICAL GROUP (CONTINUED)

### 12V BODY WIRING (CONTINUED)



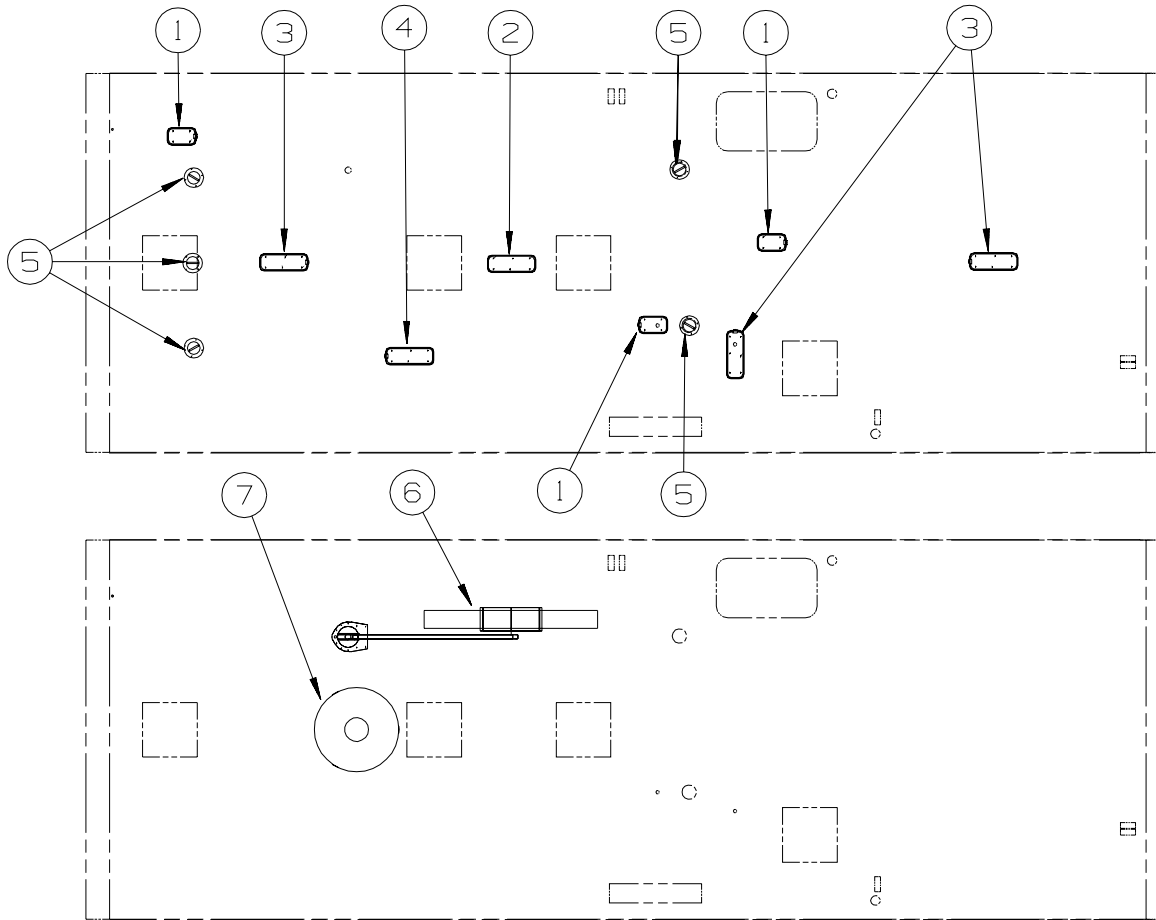
KEY	PART NUMBER	U/M	DESCRIPTION
1*	137417-02-01A	EA	LIGHT - DOME - SINGLE - W/SWITCH/OPTIC LENS - WHITE
2*	137417-05-01A	EA	LIGHT - DOME - DOUBLE - W/SWITCH/OPTIC LENS - WHITE
3	149557-05-01A	EA	PLATE/WALL - DUAL COAXIAL/HORIZONTAL - WHITE
4	082134-01-000	EA	ADAPTER - TV - CABLE TO CABLE
5	082134-01-000	EA	ADAPTER - TV - CABLE TO CABLE
6	110465-01-000	EA	SPEAKER KIT,4 5X7 SPEAKERS - FORD F2UF-18814-CD
7	140464-02-000	EA	CONTROL PANEL/SLIDEOUT - 2 CIRCUIT BOARDS/1 LED - <b>SLIDEOUT RM-DINETTE, BENCH/U-SHAPE</b>
7	116549-01-000	EA	LABEL - WARNING - SLIDEOUT
8	086777-02-000	EA	WALLPLATE/TV CABLE W/ANTENNA SWITCH/BOOSTER - 2 TV - BLACK
9	086777-05-000	EA	WALLPLATE - TV CABLE - ANTENNA BOOSTER/1 OUTPUT - IVORY
9	086777-06-000	EA	WALLPLATE - TV CABLE - ANTENNA BOOSTER/1 OUTPUT - BLACK
10	135740-01-01A	EA	SWITCH - ROCKER - SPST - ON/OFF - BROWN
10	135741-01-01A	EA	SWITCH - BASE - SINGLE - BROWN
10	135741-01-02A	EA	SWITCH - BASE - SINGLE - WHITE
10	135742-01-01A	EA	BEZEL - SWITCH - SINGLE - BROWN
10	135742-01-02A	EA	BEZEL - SWITCH - SINGLE - WHITE
11*	134940-06-01A	EA	PANEL - MONITOR - 2 TANK - W/GENERATOR SWITCH - <b>GEN-4.0KW-ONANGAS-MICROQUIET</b>
11*	134940-07-01A	EA	PANEL - MONITOR - 2 TANK
12	061424-01-000	EA	LIGHT - AISLE - 12 VOLT - RECTANGULAR
	036196-01-000	EA	BULB - 12V - #194 - .27 AMP - BAYONETTE
13	108357-06-000	EA	SWITCH - ROCKER - DPDT - MOM/OFF/MOM - 6 TERM - W/O COVER
13	108356-11-01A	EA	COVER/ACTUATOR SWITCH - 3 GROOVES - AUX BATT - BLACK
13	098351-07-02A	EA	PLATE/SWITCH - 1 GANG - CHROME - GENERATOR SWITCH
14	116995-02-000	EA	SWITCH/MAGNET - ELECTRIC STEP - BLACK/WHITE- NORMALLY OPEN
15	135740-01-01A	EA	SWITCH - ROCKER - SPST - ON/OFF - BROWN - <b>ENTRANCE STEP-ELECTRIC</b>
15	135741-02-01A	EA	SWITCH - BASE - DOUBLE - BROWN - <b>ENTRANCE STEP-ELECTRIC</b>
15	135742-19-02A	EA	BEZEL - SWITCH - CEILING/PORCH - BROWN - <b>ENTRANCE STEP-ELECTRIC</b>
15	108356-11-01A	EA	COVER/ACTUATOR SWITCH - 3 GROOVES - AUX BATT - BLACK - <b>ENTRANCE STEP-ELECTRIC</b>
16	135740-01-01A	EA	SWITCH - ROCKER - SPST - ON/OFF - BROWN
16	135741-01-02A	EA	SWITCH - BASE - SINGLE - WHITE
16	135742-11-02A	EA	BEZEL - SWITCH - STEP - BROWN

\*COMPONENT PARTS LISTED LATER IN THIS GROUP



## ELECTRICAL GROUP (CONTINUED)

### 12V BODY WIRING (CONTINUED)

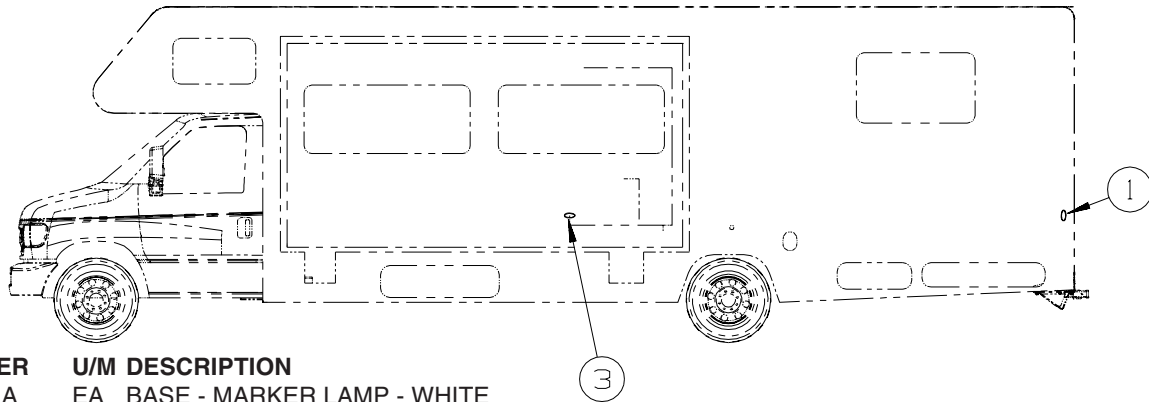
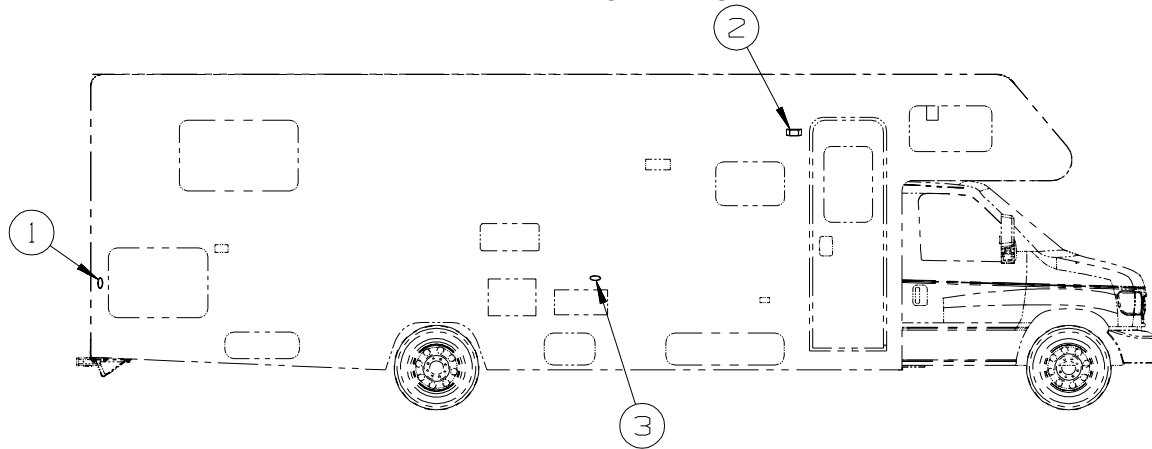


KEY	PART NUMBER	U/M	DESCRIPTION
1*	137417-01-01A	EA	LIGHT - DOME - SINGLE - W/SWITCH/FROSTED LENS - WHITE
2*	137417-06-01A	EA	LIGHT - DOME - DOUBLE - W/O SWITCH - W/FROSTED LENS-WHITE
3	137417-04-01A	EA	LIGHT - DOME - DOUBLE - W/SWITCH/FROSTED LENS - WHITE
4	137417-04-01A	EA	LIGHT - DOME - DOUBLE - W/SWITCH/FROSTED LENS - WHITE - <b>SLIDEOUT RM-DINETTE, U-SHAPE</b>
5	151314-01-01A	EA	SPEAKER - CUBE/CEILING - WHITE - MAGNADYNE - LS3CM-WN
			FROM: 00-00-00 THRU: 07-09-06
5	160867-01-01A	EA	SPEAKER - ROUND/CEILING - CREAM - MAGNADYNE - LS3EYC-WN
			FROM: 07-10-06 THRU: 99-99-99
6*	076319-23-000	EA	ANTENNA - TV ROOF MOUNT - 44.5" MAST
*	076319-25-000	EA	KIT - HARDWARE INTERIOR
7	132935-01-000	EA	ANTENNA - TV ROOF MOUNT - ROUND - W/O POWER SUPPLY

**\*COMPONENT PARTS LISTED LATER IN THIS GROUP**

# ELECTRICAL GROUP (CONTINUED)

## EXTERIOR LAMPS

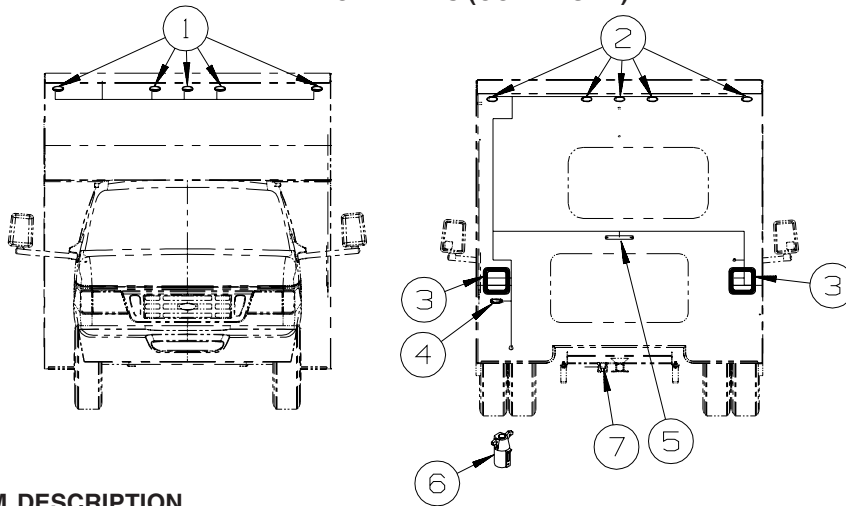


KEY	PART NUMBER	U/M	DESCRIPTION	
1	147680-01-01A	EA	BASE - MARKER LAMP - WHITE	FROM: 00-00-00 THRU: 03-12-07
1	111102-01-000	EA	BASE - MARKER LAMP - <b>NOT ILLUSTRATED</b>	FROM: 03-13-07 THRU: 99-99-99
	036196-01-000	EA	BULB - 12V - #194 - .27 AMP - BAYONETTE	FROM: 03-13-07 THRU: 99-99-99
1	147680-03-01A	EA	LAMP - MARKER - LENS - RED	FROM: 00-00-00 THRU: 03-12-07
1	111102-03-000	EA	LENS - RED - MARKER LAMP - <b>NOT ILLUSTRATED</b>	FROM: 03-13-07 THRU: 99-99-99
2*	097917-01-06A	EA	LIGHT - PORCH - ENTRY DOOR - BRIGHT WHITE	
	008215-01-000	EA	BULB - 12 VOLT - #1003 - .94 AMP	
3	147680-01-01A	EA	BASE - MARKER LAMP - WHITE - <b>229T, 231C</b>	FROM: 00-00-00 THRU: 03-12-07
3	111102-01-000	EA	BASE - MARKER LAMP - <b>229T, 231C - NOT ILLUSTRATED</b>	FROM: 03-13-07 THRU: 99-99-99
	036196-01-000	EA	BULB - 12V - #194 - .27 AMP - BAYONETTE - <b>229T, 231C</b>	FROM: 03-13-07 THRU: 99-99-99
3	147680-02-01A	EA	LAMP - MARKER - LENS - AMBER - <b>229T, 231C</b>	FROM: 00-00-00 THRU: 03-12-07
3	111102-02-000	EA	LENS - AMBER - MARKER LAMP - <b>229T, 231C - NOT ILLUSTRATED</b>	FROM: 03-13-07 THRU: 99-99-99

\*COMPONENT PARTS LISTED LATER IN THIS GROUP

## ELECTRICAL GROUP (CONTINUED)

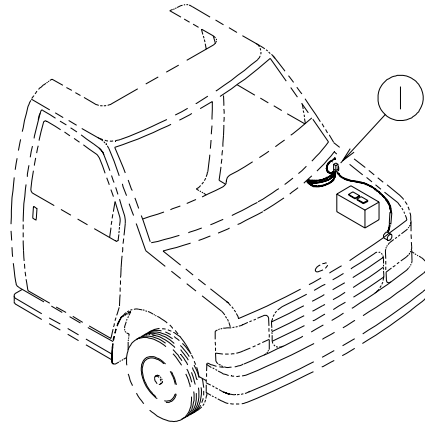
### EXTERIOR LAMPS (CONTINUED)



KEY	PART NUMBER	U/M	DESCRIPTION
1	147680-01-01A	EA	BASE - MARKER LAMP - WHITE FROM: 00-00-00 THRU: 03-12-07
1	111102-01-000	EA	BASE - MARKER LAMP - <b>NOT ILLUSTRATED</b> FROM: 03-13-07 THRU: 99-99-99
	036196-01-000	EA	BULB - 12V - #194 - .27 AMP - BAYONETTE FROM: 03-13-07 THRU: 99-99-99
1	147680-02-01A	EA	LAMP - MARKER - LENS - AMBER FROM: 00-00-00 THRU: 03-12-07
1	111102-02-000	EA	LENS - AMBER - MARKER LAMP - <b>NOT ILLUSTRATED</b> FROM: 03-13-07 THRU: 99-99-99
2	147680-01-01A	EA	BASE - MARKER LAMP - WHITE FROM: 00-00-00 THRU: 03-12-07
2	111102-01-000	EA	BASE - MARKER LAMP - <b>NOT ILLUSTRATED</b> FROM: 03-13-07 THRU: 99-99-99
	036196-01-000	EA	BULB - 12V - #194 - .27 AMP - BAYONETTE FROM: 03-13-07 THRU: 99-99-99
2	147680-03-01A	EA	LAMP - MARKER - LENS - RED FROM: 00-00-00 THRU: 03-12-07
2	111102-03-000	EA	LENS - RED - MARKER LAMP - <b>NOT ILLUSTRATED</b> FROM: 03-13-07 THRU: 99-99-99
3*	153658-01-01A	EA	LAMP - STOP/TURN/TAIL/BACK UP - BRIGHT WHITE
4	066432-02-000	EA	LIGHT - LICENSE - BLACK
4	066432-03-000	EA	BRACKET - LICENSE PLATE
5	136916-01-000	EA	LIGHT - BRAKE - CENTER MOUNT - RECTANGLE - 1.3" X 9.8"
6	146246-01-000	EA	CONNECTOR/PLUG - TRAILER - 7 PIN
7	157593-01-000	EA	CONNECTOR - PLUG - TRAILER - 7 SOCKET

\*COMPONENT PARTS LISTED LATER IN THIS GROUP

**ELECTRICAL GROUP (CONTINUED)**  
**FRONT END**



KEY	PART NUMBER	U/M DESCRIPTION
1	100138-01-000	EA MODULE - DAYTIME/RUNNING LIGHT - HAMSAR DRL #H8005B

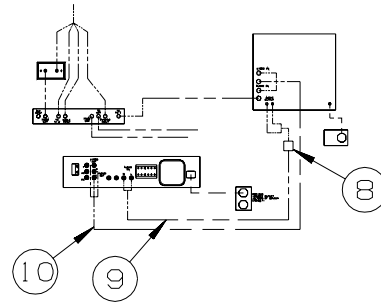
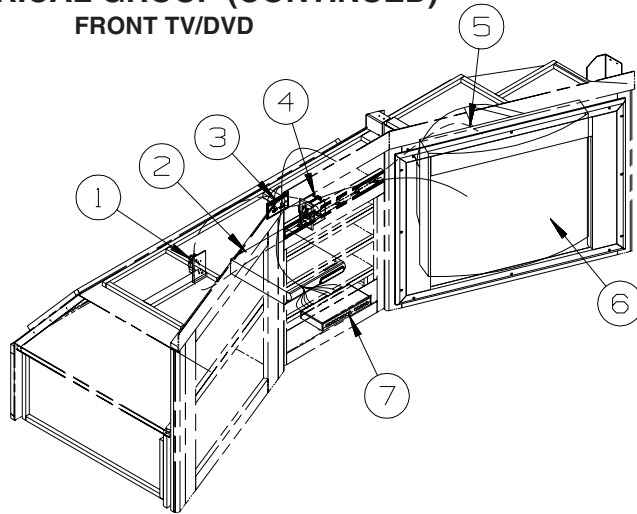


KEY	PART NUMBER	U/M DESCRIPTION
*	120269-07-01A	EA PANEL - W/ELECTRIC MIRROR/HEAT SWITCH - F/#L28X OPTION - MIRRORS-EXTERIOR W/DEFROST
*	133908-09-01A	EA PANEL - F/ELECTRIC MIRROR ONLY - L28X OPTION - MIRRORS-EXTERIOR W/DEFROST - CHEVY

**\*COMPONENT PARTS LISTED LATER IN THIS GROUP**

## ELECTRICAL GROUP (CONTINUED)

### FRONT TV/DVD

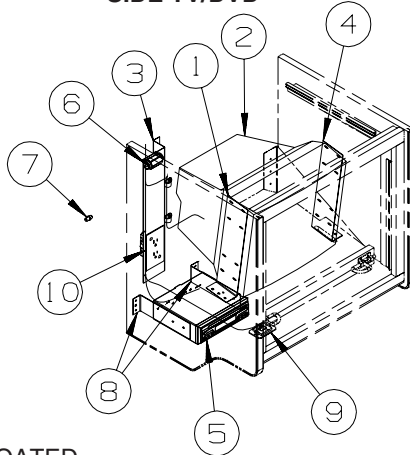


KEY	PART NUMBER	U/M	DESCRIPTION
1	058708-01-000	EA	RECEPTACLE - ELECTRIC - DOUBLE - BROWN
1	158542-02-01A	EA	LABEL - RECEPTACLE - ELECTRONICS - WHITE/BLACK - <b>CANADIAN</b>
2*	150089-01-000	EA	DVD/VCR - HOME THEATER SYSTEM - RCA RTD300/SP - <b>HOME THEATER SOUND SYSTEM</b> FROM: 00-00-00 THRU: 12-11-05
2*	158836-01-000	EA	DVD - HOME THEATER - W/O SPEAKERS - MEMOREX STS71E-R - <b>HOME THEATER SOUND SYSTEM</b> FROM: 12-12-05 THRU: 99-99-99
2	159771-01-000	EA	DVD/MP3 PLAYER - PROGRESSIVE SCAN - MEMOREX MVD2022 - <b>DIGITAL VIDEO DISC PLAYER</b> FROM: 00-00-00 THRU: 04-11-07
2	164584-01-000	EA	DVD/MP3 PLAYER - PROGRESSIVE SCAN - MEMOREX MVD2023 - <b>DIGITAL VIDEO DISC PLAYER</b> FROM: 04-12-07 THRU: 99-99-99
3	149557-05-01A	EA	PLATE/WALL - DUAL COAXIAL/HORIZONTAL - WHITE
4	156676-01-000	EA	CONTROLLER/OUTLET - POWER/TV - AUTO SHUTOFF W/IGNITION
5	058707-02-000	EA	RECEPTACLE - BLANK - JUNCTION BOX
6*	157282-01-000	EA	TV - 27" STEREO - W/3 JACKS - RCA 27V412TAO FROM: 00-00-00 THRU: 05-07-06
6*	157282-02-000	EA	TV - 27" STEREO - W/5 JACKS/DIGITAL TUNER - RCA 27V414TAO FROM: 05-08-06 THRU: 99-99-99
7	086757-04-000	EA	CONTROL CENTER - SWITCH - VCR/TV - 5 INPUTS
8	123324-01-000	EA	FILTER - GROUND LOOP - ISOLATION TRANSFORMER - <b>HOME THEATER SOUND SYSTEM</b>
9	117420-02-000	EA	CABLE - W/MALE RCA ENDS - SHIELDED - 4' - <b>HOME THEATER SOUND SYSTEM</b>
10	136860-03-000	EA	CABLE - RCA - SHIELDED - 3 MALE TO MALE CONNECTORS - 6'- <b>HOME THEATER SOUND SYSTEM</b>

\*COMPONENT PARTS LISTED LATER IN THIS GROUP

## ELECTRICAL GROUP (CONTINUED)

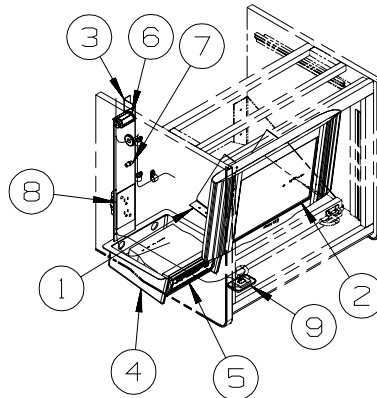
### SIDE TV/DVD



**TV - 13"**  
**222B, 224V,**  
**226A, 228P,**  
**229T**

KEY	PART NUMBER	U/M	DESCRIPTION
1	143650-01-02B	EA	BRACKET - TV - E-COATED
2*	086231-10-000	EA	TV - 13" COLOR - AUDIOVOX - FLEX VISION/AVT-1498/DC - <b>NOT ILLUSTRATED</b> FROM: 00-00-00 THRU: 05-21-06
2*	159733-01-000	EA	TV - 13" DC - COLOR - KEC 13BNL/3 FROM: 05-22-06 THRU: 99-99-99
3	122469-02-02B	EA	BRACKET - ZEE - W/CUTOUT - E-COATED
3	122469-01-02B	EA	BRACKET - ZEE - <b>13" TV W/DVD-12V</b>
4	143676-04-02B	EA	BRACKET - DVD - E-COATED - <b>NOT ILLUSTRATED</b> FROM: 00-00-00 THRU: 03-19-06
4	143650-01-02B	EA	BRACKET - TV - E-COATED FROM: 03-20-06 THRU: 99-99-99
5*	158778-02-000	EA	DVD PLAYER - VERTICAL MOUNT - 12V - JENSEN - DV352VMWIN - <b>NOT ILLUSTRATED</b> FROM: 00-00-00 THRU: 03-19-06
5*	158778-01-000	EA	DVD PLAYER - SLOT-IN - 12V - JENSEN - DV352WIN FROM: 03-20-06 THRU: 99-99-99
6	111414-01-000	EA	RECEPTACLE/SOCKET - 12 VOLT
7	082134-01-000	EA	ADAPTER - TV - CABLE TO CABLE
8	159773-01-02B	EA	BRACKET - DVD - E-COATED FROM: 03-20-06 THRU: 99-99-99
9	135740-01-01A	EA	SWITCH - ROCKER - SPST - ON/OFF - BROWN
9	135741-01-01A	EA	SWITCH - BASE - SINGLE - BROWN
9	135742-45-02A	EA	BEZEL - SWITCH - TV - BROWN
10	058708-01-000	EA	RECEPTACLE - ELECTRIC - DOUBLE - BROWN

**\*COMPONENT PARTS LISTED LATER IN THIS GROUP**

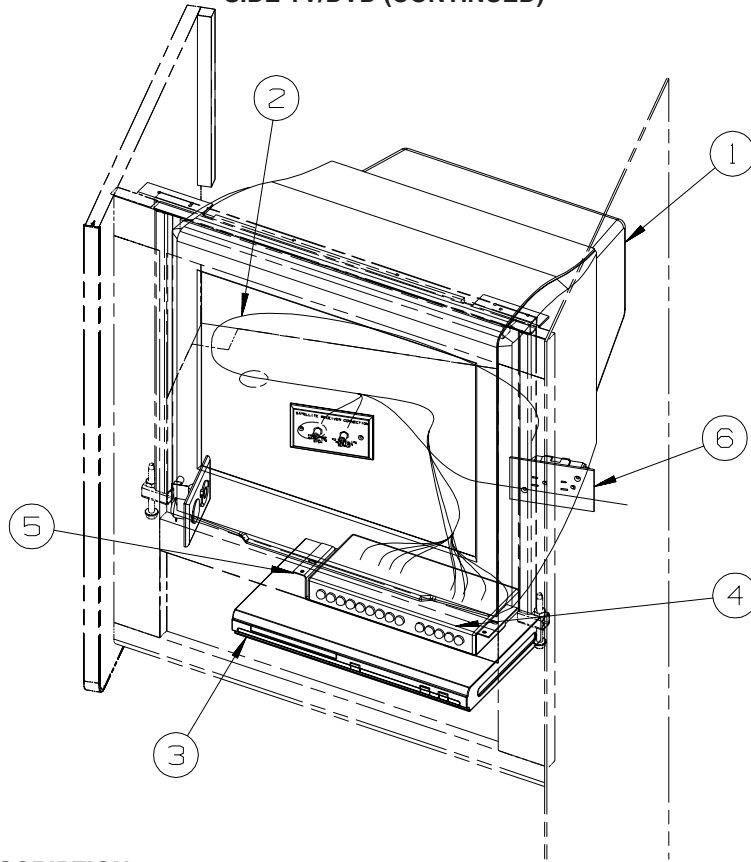


**TV - 14"**  
**222B, 224V,**  
**226A, 228P,**  
**229T**

KEY	PART NUMBER	U/M	DESCRIPTION
1	152308-03-02B	EA	BRACKET/SUPPORT - TV - E-COATED
2*	160123-01-000	EA	TV - 14" LCD/STEREO - 12V - PROVIEW HV-145
3	122469-02-02B	EA	BRACKET - ZEE - W/CUTOUT - E-COATED
3	122469-01-02B	EA	BRACKET - ZEE - <b>TV-14" DC, LCD, &amp; DVD, DC</b>
4	160604-01-000	EA	SHROUD - RADIO/DVD - BLACK
5*	160603-01-000	EA	DVD PLAYER - HORIZONTAL MNT - 12V - BLK - NESA DVD-1002
6	111414-01-000	EA	RECEPTACLE/SOCKET - 12 VOLT
7	082134-01-000	EA	ADAPTER - TV - CABLE TO CABLE
8	058708-01-000	EA	RECEPTACLE - ELECTRIC - DOUBLE - BROWN
9	135740-01-01A	EA	SWITCH - ROCKER - SPST - ON/OFF - BROWN
9	135741-01-01A	EA	SWITCH - BASE - SINGLE - BROWN
9	135742-45-02A	EA	BEZEL - SWITCH - TV - BROWN

**\*COMPONENT PARTS LISTED LATER IN THIS GROUP**

**ELECTRICAL GROUP (CONTINUED)**  
**SIDE TV/DVD (CONTINUED)**

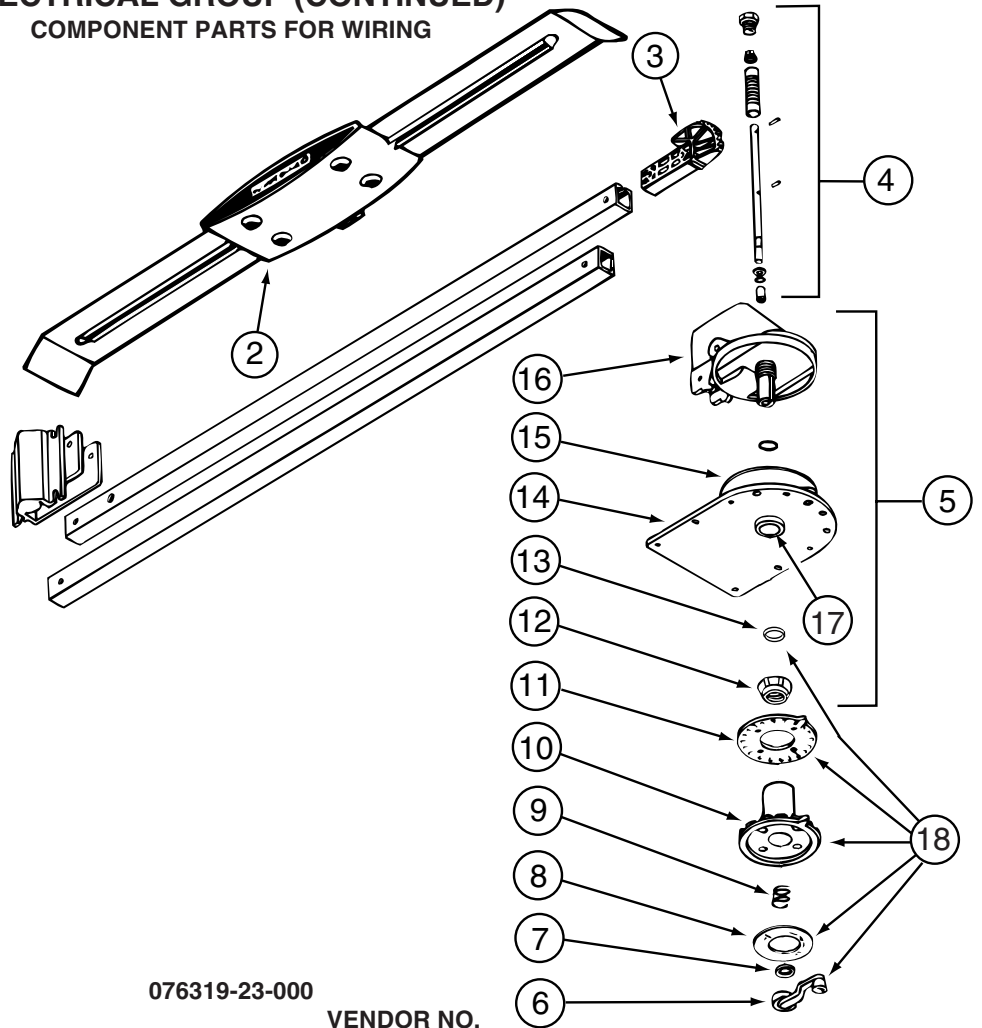


231C

KEY	PART NUMBER	U/M	DESCRIPTION
1*	149040-02-000	EA	TV - 20" FLAT SCREEN/STEREO - RCA 20F410T - <b>NOT ILLUSTRATED</b> FROM: 00-00-00 THRU: 05-14-06
1*	149040-03-000	EA	TV - 20" FLAT SCREEN/STEREO - RCA 20F420T FROM: 05-15-06 THRU: 99-99-99
2	136860-01-000	EA	CABLE - RCA - SHIELDED - 3 MALE TO MALE CONNECTORS - 12'
3	159771-01-000	EA	DVD/MP3 PLAYER - PROGRESSIVE SCAN - MEMOREX MVD2022 FROM: 00-00-00 THRU: 04-11-07
3	164584-01-000	EA	DVD/MP3 PLAYER - PROGRESSIVE SCAN - MEMOREX MVD2023 - <b>NOT ILLUSTRATED</b> FROM: 04-12-07 THRU: 99-99-99
4	086757-04-000	EA	CONTROL CENTER - SWITCH - VCR/TV - 5 INPUTS
5	118847-02-02B	EA	MOUNT - SWITCH BOX - E-COATED
6	058708-01-000	EA	RECEPTACLE - ELECTRIC - DOUBLE - BROWN
	148247-05-02B	EA	STRAP/TIEDOWN - TV - E-COATED FROM: 00-00-00 THRU: 05-14-06

**\*COMPONENT PARTS LISTED LATER IN THIS GROUP**

**ELECTRICAL GROUP (CONTINUED)**  
**COMPONENT PARTS FOR WIRING**



**076319-23-000**

KEY	PART NUMBER	U/M	DESCRIPTION	VENDOR NO.
2	076319-01-700	EA	HEAD-ANTENNA, AMPLIFIED	RVSA U/V
3	076319-01-701	EA	GEAR-ELEVATING, PLASTIC	2200046
4	076319-01-702	EA	SHAFT ASM-ELEVATING	RP-4000
5	076319-01-711	EA	BASE & LIFT ASM	2762802
7	076319-01-705	EA	GROMMET-NYLON, 7/8"ID	3200658
8	076319-01-708	EA	DECAL-CRANK	5413002
9	076319-01-707	EA	SPRING-HANDLE	2160822
11	076319-01-712	EA	PLATE - CEILING	3200608
12	076319-01-715	EA	NUT (GEAR HOUSING)	2200047
14	076319-01-713	EA	PLATE-BASE, STEEL	3100523
15	076319-01-703	EA	BEARING-NYLON, 5"OD	3200656
16	076319-01-714	EA	HOUSING, ROTATING GEAR	2200049
17	076319-01-704	EA	BEARING-NYLON, 1.25"OD	3200657
18	076319-01-709	EA	HANDLE-HEAD DIRECTIONAL	200644
	076319-01-716	EA	TUBING, ELEVATING	RP-2900

CONTACT WINNEBAGO PART SALES FOR UNLISTED COMPONENT(S)

**076319-25-000**

KEY	PART NUMBER	U/M	DESCRIPTION	VENDOR NO.
6	076319-01-706	EA	CRANK-W/SET SCREW UNIV/BEIGE	2750897
6	120233-01-710	EA	HANDLE-CRANK W/SCREW - WHITE	RP-6795
8	076319-01-708	EA	DECAL-CRANK	5413002
10	076319-25-700	EA	DIRECTIONAL HANDLE(WHITE)	3200612
11	076319-25-701	EA	PLATE - CEILING(WHITE)	3200609
13	120233-01-709	EA	WASHER-NYLON	RP-2658

CONTACT WINNEBAGO PART SALES FOR UNLISTED COMPONENT(S)

**086231-10-000**

KEY	PART NUMBER	U/M	DESCRIPTION	VENDOR NO.
	086231-08-700	EA	REMOTE-UNIVERSAL	0892325
	086231-10-700	EA	ADAPTER WIRE - (CIGARETTE)	0894000
	086231-10-701	EA	CONVERTER/POWER SUP 110/12 V	0891412



**ELECTRICAL GROUP (CONTINUED)**  
**COMPONENT PARTS FOR WIRING (CONTINUED)**

097917-01-06A

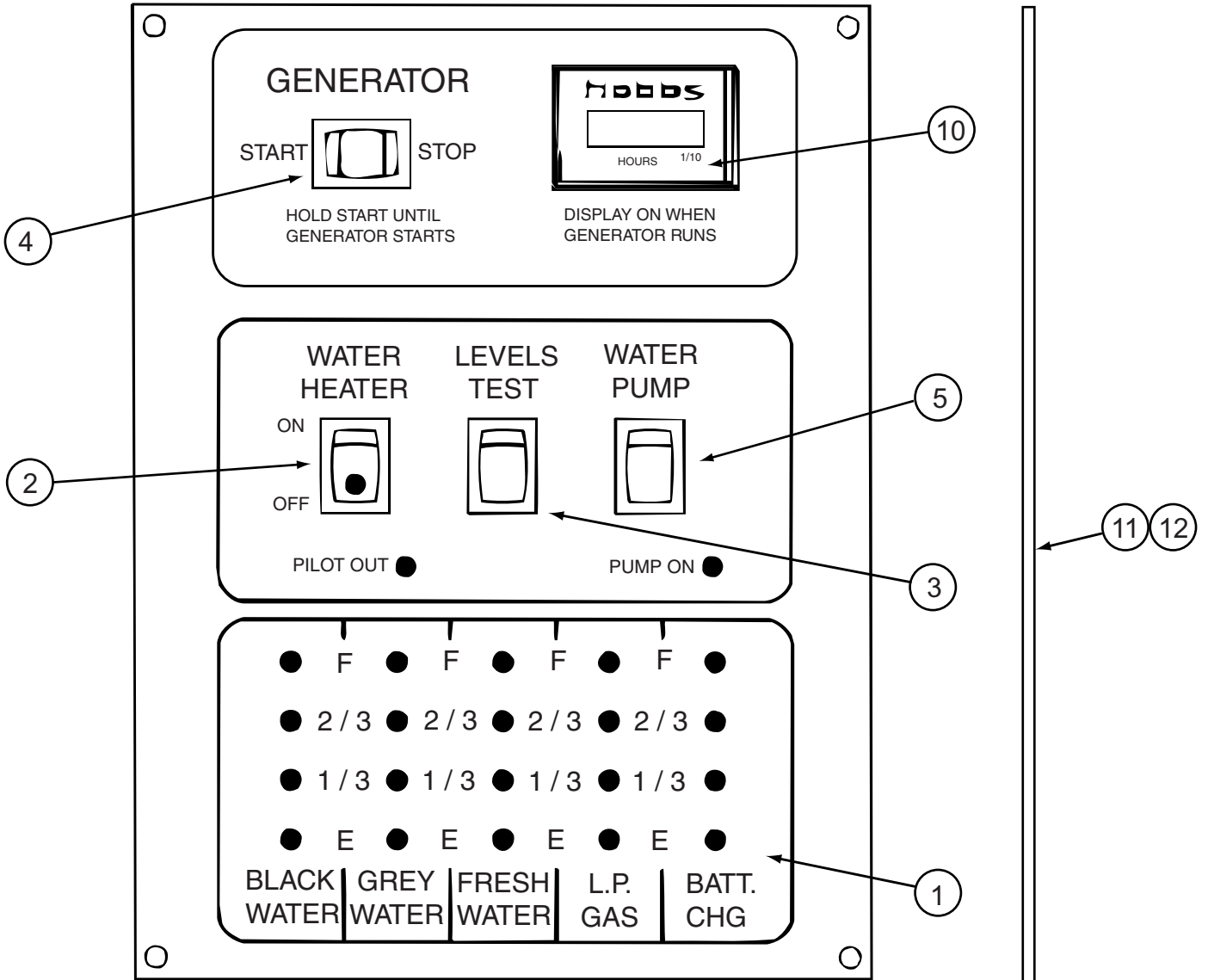
KEY	PART NUMBER	U/M DESCRIPTION	VENDOR NO.
	097917-01-700	EA LENS-LIGHT, CLEAR	30-78-021

120269-07-01A

KEY	PART NUMBER	U/M DESCRIPTION	VENDOR NO.
	120269-07-700	EA SWITCH - REMOTE	7475720
	133908-09-700	EA SWITCH - MIRROR HEATER	7475150

133908-09-01A

KEY	PART NUMBER	U/M DESCRIPTION	VENDOR NO.
	133908-09-700	EA SWITCH-MIRROR HEATER	7475150



134940-06-01A

KEY	PART NUMBER	U/M DESCRIPTION	VENDOR NO.
1	134940-01-702	EA CHASSIS - SILKSCREENED	CC0558-00
2	134940-01-701	EA SWITCH-SPST/ON-OFF/BLK W/LGT	L0109
3	096983-01-701	EA SWITCH - SPST/MOM 2 TERMINAL	L0111-00
4	096983-01-702	EA SWITCH - MOM/OFF/MOM/3 TERM	L0112-00
5	096983-01-703	EA SWITCH - ON/ON	L0115-00
10	100258-10-701	EA GAUGE-HR METER ONLY (LCD)	L0775-00
11	134940-06-700	EA PC BOARD - SENSOR SYSTEM/RED	L5131-02

CONTACT WINNEBAGO PART SALES FOR UNLISTED COMPONENT(S)

**ELECTRICAL GROUP (CONTINUED)**  
**COMPONENT PARTS FOR WIRING (CONTINUED)**

**134940-07-01A**

<b>KEY</b>	<b>PART NUMBER</b>	<b>U/M</b>	<b>DESCRIPTION</b>	<b>VENDOR NO.</b>
1	134940-01-702	EA	CHASSIS - SILKSCREENED	CC0558-00
2	134940-01-701	EA	SWITCH-SPST/ON-OFF/BLK W/LGT	L0109
3	096983-01-701	EA	SWITCH - SPST/MOM 2 TERMINAL	L0111-00
4	096983-01-703	EA	SWITCH - ON/ON	L0115-00
5	134940-02-700	EA	SWITCH - DUMMY	L0118
11	134940-06-700	EA	PC BOARD - SENSOR SYSTEM/RED	L5131-02

CONTACT WINNEBAGO PART SALES FOR UNLISTED COMPONENT(S)

**137417-01-01A, 137417-03-01A**

<b>KEY</b>	<b>PART NUMBER</b>	<b>U/M</b>	<b>DESCRIPTION</b>	<b>VENDOR NO.</b>
	137417-01-700	EA	LENS - SINGLE (FROSTED)	810868

**137417-02-01A**

<b>KEY</b>	<b>PART NUMBER</b>	<b>U/M</b>	<b>DESCRIPTION</b>	<b>VENDOR NO.</b>
	137417-02-700	EA	LENS - SINGLE OPTIC	810844

**137417-05-01A**

<b>KEY</b>	<b>PART NUMBER</b>	<b>U/M</b>	<b>DESCRIPTION</b>	<b>VENDOR NO.</b>
	137417-05-700	EA	LENS - DOUBLE OPTIC	810845

**137417-06-01A**

<b>KEY</b>	<b>PART NUMBER</b>	<b>U/M</b>	<b>DESCRIPTION</b>	<b>VENDOR NO.</b>
	137417-06-700	EA	LENS - DOUBLE WHITE	810867

**149040-02-000**

<b>KEY</b>	<b>PART NUMBER</b>	<b>U/M</b>	<b>DESCRIPTION</b>	<b>VENDOR NO.</b>
	149040-02-700	EA	REMOTE - TV	RCR311TBM1-RCA

**149040-03-000**

<b>KEY</b>	<b>PART NUMBER</b>	<b>U/M</b>	<b>DESCRIPTION</b>	<b>VENDOR NO.</b>
	149040-03-700	EA	REMOTE - TV	265714

**150089-01-000**

<b>KEY</b>	<b>PART NUMBER</b>	<b>U/M</b>	<b>DESCRIPTION</b>	<b>VENDOR NO.</b>
	150089-01-700	EA	REMOTE	265683

**153658-01-01A, 153658-01-02A**

<b>KEY</b>	<b>PART NUMBER</b>	<b>U/M</b>	<b>DESCRIPTION</b>	<b>VENDOR NO.</b>
	153658-01-700	EA	LENS ONLY	8511LRC

**157282-01-000**

<b>KEY</b>	<b>PART NUMBER</b>	<b>U/M</b>	<b>DESCRIPTION</b>	<b>VENDOR NO.</b>
	157282-01-700	EA	REMOTE - TV	270372

**157282-02-000**

<b>KEY</b>	<b>PART NUMBER</b>	<b>U/M</b>	<b>DESCRIPTION</b>	<b>VENDOR NO.</b>
	157282-02-700	EA	REMOTE - TV	271706

**158778-01-000**

<b>KEY</b>	<b>PART NUMBER</b>	<b>U/M</b>	<b>DESCRIPTION</b>	<b>VENDOR NO.</b>
	158778-01-700	EA	REMOTE - DVD	PSVCDV352

**158778-02-000**

<b>KEY</b>	<b>PART NUMBER</b>	<b>U/M</b>	<b>DESCRIPTION</b>	<b>VENDOR NO.</b>
	158778-02-700	EA	REMOTE - DVD	PRC13

**158836-01-000**

<b>KEY</b>	<b>PART NUMBER</b>	<b>U/M</b>	<b>DESCRIPTION</b>	<b>VENDOR NO.</b>
	158836-01-700	EA	REMOTE	STS71WREM

**159733-01-000**

<b>KEY</b>	<b>PART NUMBER</b>	<b>U/M</b>	<b>DESCRIPTION</b>	<b>VENDOR NO.</b>
	159733-01-700	EA	REMOTE - TV	RC9799

**160123-01-000**

<b>KEY</b>	<b>PART NUMBER</b>	<b>U/M</b>	<b>DESCRIPTION</b>	<b>VENDOR NO.</b>
	160123-01-700	EA	REMOTE - TV	HV145-REM

**ELECTRICAL GROUP (CONTINUED)**  
**COMPONENT PARTS FOR WIRING (CONTINUED)**

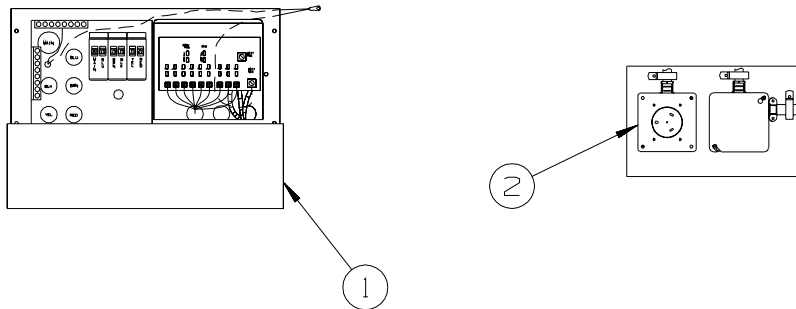
160603-01-000

<b>KEY</b>	<b>PART NUMBER</b>	<b>U/M</b>	<b>DESCRIPTION</b>	<b>VENDOR NO.</b>
	160603-01-700	EA	REMOTE	DVD-1002-REM
	160603-01-701	EA	REMOTE SENSOR	DVD-1002-EYE

## ELECTRICAL GROUP (CONTINUED)

### CIRCUIT BREAKERS, FUSES & RELAYS

KEY	PART NUMBER	U/M	DESCRIPTION
	008235-01-000	EA	FUSE - 15 AMP/12VOLT - AUTOMOTIVE
	062901-02-000	EA	FUSE - 5 AMP - AUTOMOTIVE
	062901-04-000	EA	FUSE - 10 AMP - AUTOMOTIVE
	062901-05-000	EA	FUSE - 15 AMP - AUTOMOTIVE
	062901-06-000	EA	FUSE - 20 AMP - AUTOMOTIVE
	062901-07-000	EA	FUSE - 25 AMP - AUTOMOTIVE
	062901-08-000	EA	FUSE - 30 AMP - AUTOMOTIVE
	063910-01-000	EA	HOUSING - RELAY
	063912-02-000	EA	RELAY - CANISTER - SPDT
	083209-01-000	EA	CIRCUIT BREAKER - 15 AMP - 120 VOLT - CANADIAN
	083209-02-000	EA	CIRCUIT BREAKER - 15/15 AMP - 120 VOLT
	083209-03-000	EA	CIRCUIT BREAKER - 15/20 AMP - 120 VOLT
	083209-04-000	EA	CIRCUIT BREAKER - 30 AMP - 120 VOLT
	083209-05-000	EA	CIRCUIT BREAKER - 20 AMP - 120 VOLT
	083209-06-000	EA	CIRCUIT BREAKER - 30/15 AMP - 120 VOLT
	083209-07-000	EA	CIRCUIT BREAKER - 20/20 AMP - 120 VOLT
	083209-10-000	EA	CIRCUIT BREAKER - 20/30 AMP - 120 VOLT
	083209-11-000	EA	CIRCUIT BREAKER - 20/15 AMP - 120 VOLT
	092786-03-000	EA	BUSS BAR - 6.9" LONG
	092786-06-000	EA	BUSS BAR
	093654-01-000	EA	CIRCUIT BREAKER - 6 AMP - 12 VOLT - PUSH BUTTON - WHITE
	093654-02-000	EA	CIRCUIT BREAKER - 15 AMP - 12 VOLT - PUSH BUTTON - WHITE
	093654-03-000	EA	CIRCUIT BREAKER - 20 AMP - 12 VOLT - PUSH BUTTON - WHITE
	093655-01-000	EA	CIRCUIT BREAKER - 25 AMP - 12 VOLT - PUSH BUTTON - WHITE
	093655-02-000	EA	CIRCUIT BREAKER - 30 AMP - 12 VOLT - PUSH BUTTON - WHITE
	093655-03-000	EA	CIRCUIT BREAKER - 40 AMP - 12 VOLT - PUSH BUTTON - WHITE
	097611-01-000	EA	CIRCUIT BREAKER - 10 AMP
	100341-01-000	EA	FUSE HOLDER - IN LINE TYPE
	113482-01-000	EA	CIRCUIT BREAKER - 55 AMP - MANUAL
	115187-01-000	EA	FUSE - 300 AMP - NON-DELAY
	115187-02-000	EA	HOLDER - FUSE
	115187-03-000	EA	FUSE - 60 AMP - NON-DELAY
	122811-01-000	EA	CIRCUIT BREAKER - 20/50/50/20 AMP - 250V
	125986-02-000	EA	FUSE - 5 AMP - AUTO - MINI BLADE
	125986-05-000	EA	FUSE - 15 AMP - AUTO - MINI BLADE
	141789-01-000	EA	SPACER - CIRCUIT BREAKER



### CONVERTER, INVERTER, LOAD CENTERS

KEY	PART NUMBER	U/M	DESCRIPTION
1*	083208-07-000	EA	CONTROL CENTER - 45 AMP - 120V/12V - W/O BREAKERS
2	024924-02-000	EA	RECEPTACLE - POWER CORD - W/PARTIAL PLATE

\*COMPONENT PARTS LISTED LATER IN THIS GROUP

### COMPONENT PARTS FOR CONVERTER, INVERTER, LOAD CENTERS

**083208-07-000**

KEY	PART NUMBER	U/M	DESCRIPTION	VENDOR NO.
	083208-06-701	EA	CONVERTER ONLY (LOWER UNIT)	7345R

## ELECTRICAL GROUP (CONTINUED)

### BOXES & CORDS

KEY	PART NUMBER	U/M	DESCRIPTION
	008054-01-000	EA	CORD - POWER - 10/3 WIRE - 30 AMP - 25'
	115832-01-000	FT	CORD - HEAVY DUTY - 14-2 W/GROUND
	008289-01-000	EA	BOX - ELECTRIC/STEEL - 4" X 4" - 1/2" & 3/4" KNOCKOUTS
	091910-01-000	EA	BOX - ELECTRIC - 3.8" X 3.5" X 1.8" - PLASTIC
	091910-02-000	EA	BOX - ELECTRIC - 2.2" X 3.5" X 1.8" - PLASTIC
	131679-01-000	EA	BOX/ELECTRIC-WATERPROOF-4" X 4" - W/4 3/4"OUTLETS-UL/CSA
	133070-01-000	EA	BOX - ELECTRIC/PLASTIC - 3" X 2" X 2.8" - UL
	133070-02-000	EA	BOX - ELECTRIC/PLASTIC - 3" X 2" X 2.8" - CANADIAN
	008294-01-000	EA	COVER - ELECTRIC BOX - BLANK/STEEL - 4" X 4" - GRAY
	069238-01-000	EA	COVER - ELECTRICAL BOX - W/HOLE - 4" X 4" - GRAY
	131680-01-000	EA	COVER - F/ELECTRIC BOX W/GASKET 4" X 4" - UL/CSA

### WIRE ASSEMBLIES

KEY	PART NUMBER	U/M	DESCRIPTION
	106851-01-000	EA	WIRE ASSEMBLY - RUNNING LIGHTS - FUSE
	116894-01-000	EA	WIRE ASSEMBLY - SPEED SENSOR EXTENDED
	120269-08-000	EA	HARNES/WIRE - F/ELECTRIC MIRRORS
	134551-08-000	EA	WIRE ASSEMBLY - HEATER/TANKS - 2 PAD -216.2"(LONGEST WIRE)
	134551-09-000	EA	WIRE ASSEMBLY - HEATER/TANKS - 2 PAD - 114"(LONGEST WIRE)
	134551-12-000	EA	WIRE ASSEMBLY - HEATER/TANKS - 2 PAD - 78.6"(LONGEST WIRE)
	134551-13-000	EA	WIRE ASSEMBLY - HEATER/TANKS - 2 PAD - 86.5"(LONGEST WIRE)
	136514-02-000	EA	CABLE - MONITOR/CAMERA
	145210-01-000	FT	CABLE - COAXIAL
	151316-03-000	EA	WIRE ASM - W/NON CONTACT SENSORS - GREY WATER - 43.2"
	151316-06-000	EA	WIRE ASM - W/NON CONTACT SENSORS - GREY WATER - 78.6"
	151317-01-000	EA	WIRE ASM-W/NON CONTACT SENSORS-FRESH WATER/BLK TANK-3.9"
	151317-03-000	EA	WIRE ASM-W/NON CONTACT SENSORS-FRSH WATER/BLK TANK-43.2"
	151317-06-000	EA	WIRE ASM-W/NON CONTACT SENSORS-FRESH WATER/BLK TANK-78.6"
	153891-01-000	EA	WIRE ASM-HEATER,RELAY
	155619-04-000	EA	WIRE ASSEMBLY-RADIO - F/UNITS W/O RADIO POWER SWITCH-FORD
	160123-02-000	EA	WIRE/CABLE - POWER - PROVIEW WB101-06 - TV-14" DC, LCD, & DVD, DC

**ELECTRICAL GROUP (CONTINUED)**  
**CONNECTORS & CONDUIT**

KEY	PART NUMBER	U/M	DESCRIPTION
	007940-01-000	EA	RECEPTACLE/SLIDE 16 TO 12 AWG - FEMALE END
	007940-02-000	EA	RECEPTACLE/SLIDE 10 AWG
	007954-01-000	EA	RECEPTACLE - HOUSING - 6 POSITION
	007956-05-000	EA	INSULATOR - SHRINK - 1/4"ID X 1 1/2"
	008058-01-000	EA	ADAPTER - POWER CORD - 30 AMP TO 15 AMP
	008311-01-000	EA	CONNECTOR - WIRE NUT - INSULATED - RED
	008312-01-000	EA	CONNECTOR - WIRE NUT - INSULATED - BLUE
	008313-01-000	EA	CONNECTOR - WIRE NUT - INSULATED - YELLOW
	008314-01-000	EA	CONNECTOR - WIRE NUT - INSULATED - GRAY
	008328-01-000	EA	TERMINAL - RING - 12/10 WIRE - #10 STUD FIT
	008331-01-000	EA	TERMINAL - RING - TONGUE - #4 WIRE - 3/8" STUD - COPPER
	008348-01-000	EA	TERMINAL - RING - 3/8" STUD 2 GA. WIRE
	008355-01-000	EA	CONNECTOR - CABLE CLAMPING - 3/4"
	008356-01-000	EA	CONNECTOR - PLASTIC - 3/8"
	008356-02-000	EA	CONNECTOR - PLASTIC - 21/32"
	008398-01-000	EA	CONNECTOR - 1/2" X 90 DEGREE - FLEX CONDUIT - UL & CSA
	035416-04-000	EA	TERMINAL - RING - #10 STUD FIT - INSULATED BARREL #16/14
	041953-01-000	FT	CONDUIT - CONVOLUTE SLIT - .5" ID - POLYETHYLENE
	041953-02-000	FT	CONDUIT - CONVOLUTE SLIT - .6" ID - POLYETHYLENE
	041953-03-000	FT	CONDUIT - CONVOLUTE SLIT - 1" ID (CLOTHES ROD COVER)
	041953-06-000	FT	CONDUIT - CONVOLUTE SLIT - .4" ID - POLYETHYLENE
	041953-07-000	FT	CONDUIT - CONVOLUTE SLIT - .25" ID - POLYETHYLENE
	041953-08-000	FT	CONDUIT - CONVOLUTE SLIT - 1.5" ID - POLYETHYLENE
	041953-09-000	FT	CONDUIT - CONVOLUTE SLIT - .5" ID - NYLON
	041953-10-000	FT	CONDUIT - CONVOLUTE SLIT - .75" ID - NYLON
	041953-11-000	FT	CONDUIT - CONVOLUTE SLIT - 1.06" ID - NYLON
	041953-12-000	FT	CONDUIT - CONVOLUTE SOLID - 1.1" ID - NYLON
	041953-13-000	FT	CONDUIT - CONVOLUTE SLIT - 1.25" ID
	041953-14-000	FT	CONDUIT - CONVOLUTE SLIT - 1.5" ID
	041953-15-000	FT	CONDUIT - CONVOLUTE SLIT - 2"
	041953-16-000	FT	CONDUIT - CONVOLUTE SLIT - 2"
	047441-01-000	EA	TERMINAL-BATTERY, HORIZONTAL LUG
	047443-01-000	EA	TERMINAL - .250 RECEPTACLE FIT - INSULATED - 16/14 AWG
	047443-02-000	EA	TERMINAL - .250 RECEPTACLE FIT - INSULATED - 12/10 AWG
	047443-05-000	EA	TERMINAL - .250 RECEPTACLE FIT - 18GA AWG
	058028-01-000	EA	CONNECTOR - ELECTRICAL PIGTAIL - NYLON - CLEAR
	062036-01-000	EA	TERMINAL - PACK - CON - 12/10 AWG
	076319-12-000	EA	CONNECTOR - COAXIAL - ONE PIECE
	077479-01-000	EA	BOOT - BATTERY TERMINAL - DOUBLE CABLE
	077479-02-000	EA	BOOT - BATTERY TERMINAL - SINGLE CABLE
	080015-02-000	EA	RECEPTACLE - FLAG - .185 - 16/14 GAUGE
	080015-03-000	EA	RECEPTACLE - FLAG - .250 - 14/16 GAUGE
	080015-04-000	EA	RECEPTACLE - FLAG - .187 - 16/14 GAUGE
	082109-01-000	EA	HOUSING - CONNECTOR - PACKARD
	082741-01-000	EA	CONNECTOR BODY - 2 CONNECTOR MALE
	087225-01-000	FT	SLEEVING - 1/2" - TYPE H
	088473-01-000	EA	HOUSING - PIN - 12 CAVITY (3 ROWS OF 4)
	088473-02-000	EA	HOUSING - PIN - 15 CAVITY (3 ROWS OF 5)
	088473-03-000	EA	HOUSING - PIN - 9 CAVITY (3 ROWS OF 3)
	088473-04-000	EA	HOUSING - PIN - 8 CAVITY IN-LINE
	088473-06-000	EA	HOUSING - PIN - 6 CAVITY (2 ROWS OF 3)
	088473-07-000	EA	HOUSING - PIN - 5 CAVITY - IN-LINE
	088473-08-000	EA	HOUSING - PIN - 4 CAVITY - IN-LINE
	088473-09-000	EA	HOUSING - PIN - 3 CAVITY - IN-LINE
	088473-10-000	EA	HOUSING - PIN - 2 CAVITY - IN-LINE
	088473-12-000	EA	HOUSING - PIN - 3 CAVITY - BLUE
	088473-13-000	EA	HOUSING - PIN - 3 CAVITY - GREEN
	088473-14-000	EA	HOUSING - PIN - 3 CAVITY - RED
	088474-01-000	EA	HOUSING - SOCKET - 12 CAVITY
	088474-02-000	EA	HOUSING - SOCKET - 15 CAVITY
	088474-03-000	EA	HOUSING - SOCKET - 9 CAVITY
	088474-06-000	EA	HOUSING - SOCKET - 6 CAVITY
	088474-07-000	EA	HOUSING - SOCKET - 5 CAVITY
	088474-08-000	EA	HOUSING - SOCKET - 4 CAVITY

**ELECTRICAL GROUP (CONTINUED)**  
**CONNECTORS & CONDUIT (CONTINUED)**

<b>KEY</b>	<b>PART NUMBER</b>	<b>U/M</b>	<b>DESCRIPTION</b>
	088474-09-000	EA	HOUSING - SOCKET - 3 CAVITY
	088474-10-000	EA	HOUSING - SOCKET - 2 CAVITY
	088475-01-000	EA	PIN - CONNECTOR - 14-20 AWG
	088475-02-000	EA	PIN - CONNECTOR - 10-12 AWG
	088476-01-000	EA	TERMINAL - ELECTRICAL
	088476-02-000	EA	SOCKET - CONNECTOR - 12-10 GA - PRE-TIN
	098261-01-000	EA	SOCKET - CONNECTOR - WEATHERPACK - 12 AWG
	098261-02-000	EA	SOCKET - CONNECTOR - WEATHERPACK - 14-18 AWG
	098262-01-000	EA	SEAL - CONNECTOR - WEATHERPACK
	098264-01-000	EA	HOUSING - 2 PIN - WEATHER PACK - MALE W/FEMALE PINS
	098264-02-000	EA	HOUSING - 2 PIN - WEATHER PACK - FEMALE W/MALE PINS
	098265-02-000	EA	PIN - CONNECTOR - WEATHER PACK
	102777-02-000	EA	TERMINAL - RING - #6 STUD - 10 AWG
	103608-01-000	EA	SOCKET - WEDGE BASE W/LEADS
	104100-01-000	EA	HOUSING - 1 POSITION - 75 AMPS
	104100-03-000	EA	TERMINAL - 75 AMP
	106007-02-000	EA	TERMINAL - FEMALE - 10-12 AWG
	110178-01-000	EA	HOUSING - WIPER MOTOR
	112823-01-000	EA	SPLICE - REDUCER - 16-14 TO 18-22
	113072-02-000	EA	HOUSING - ELECTRICAL - BACK-UP/TAIL LAMP
	113072-03-000	EA	HOUSING - ELECTRICAL - STOP/MARKER TAILLAMP
	113073-01-000	EA	WEDGELOCK - HOUSING - TAIL LAMP
	113074-01-000	EA	TERMINAL - TAILLAMP
	113135-01-000	EA	TERMINAL - FEMALE - M/P - 14-16 - F/SEALED TERMINAL
	113308-01-000	EA	TERMINAL - FEMALE - M/P - 14-16 - 280
	113308-02-000	EA	TERMINAL - FEMALE - M/P - 14-18 - 280
	113468-01-000	EA	HOUSING - 2 POSITION-FEMALE-USED ON WIPER/WASHER WIRE ASM
	113468-02-000	EA	HOUSING - 2 POSITION - FEMALE
	115931-02-000	EA	COVER - CONNECTOR - 50 AMP W/LOCKING RING
	115932-02-000	EA	CONNECTOR - FEMALE - 50 AMP/240 VOLT
	116811-01-000	EA	TERMINAL - .110 RECEPTACLE - 16-14 AWG
	118571-01-000	EA	CONNECTOR - 3-WAY - MALE/SEALED
	118571-02-000	EA	CONNECTOR - 3-WAY - FEMALE/SEALED
	118571-05-000	EA	LOCK - SECONDARY - FEMALE
	118571-06-000	EA	LOCK - SECONDARY - MALE
	118599-02-000	EA	TERMINAL - MALE - M/P - 280/14-12
	118820-01-000	EA	INSULATOR - TERMINAL
	129233-01-000	EA	HOUSING - 2-POSITION/FEMALE - 280-SERIES
	129233-02-000	EA	HOUSING - 2-POSITION/FEMALE - 280-SERIES
	129233-03-000	EA	HOUSING - 2-POSITION/FEMALE - 280-SERIES
	131681-01-000	EA	CONNECTOR - 3/4" SO CORD - UL/CS
	137207-01-000	EA	HOUSING - PIN - 2 CAVITY/HIGH AMP
	137208-01-000	EA	HOUSING - SOCKET - 2 CAVITY/HIGH AMP
	137209-01-000	EA	PIN - CONNECTOR - 10AWG/HIGH AMP
	137210-01-000	EA	SOCKET - CONNECTOR - 10 AWG/HIGH AMP
	138996-04-000	EA	CONNECTOR - LAMP
	142520-01-000	EA	TERMINAL - FEMALE - MINI-FIT 16
	142522-01-000	EA	HOUSING - 4 PIN/MALE - MINI FIT
	142522-02-000	EA	HOUSING - 6 PIN/MALE - MINI FIT
	142522-03-000	EA	HOUSING - 8 PIN/MALE - MINI FIT
	142522-04-000	EA	HOUSING - 10 PIN/MALE - MINI FIT
	142522-05-000	EA	HOUSING - 12 PIN/MALE - MINI FIT
	142522-06-000	EA	HOUSING - 14 PIN/MALE - MINI FIT
	142524-01-000	EA	HOUSING - 4 PIN/FEMALE - WEATHER PACK
	142524-02-000	EA	HOUSING - 4 PIN/FEMALE - WEATHER PACK
	144283-01-000	EA	CONNECTOR - 110V - F/USE WITH SOW WIRE - BLUE
	144283-02-000	EA	CONNECTOR - 110V - F/USE WITH NM ROMEX WIRE - CLEAR
	145171-01-000	EA	CONNECTOR - COAXIAL
	148335-01-000	EA	HOUSING - 8-POSITION/MALE - 280-GT SERIES
	148335-02-000	EA	HOUSING - 4-POSITION/MALE - 280-GT SERIES
	148335-03-000	EA	HOUSING - 6-POSITION/MALE - 280-GT SERIES
	149683-01-000	EA	HOUSING - F/5 CAVITY RECEPTACLE - W/SQUARE GUIDE PIN
	149683-02-000	EA	HOUSING - F/5 CAVITY RECEPTACLE - W/ROUND GUIDE PIN
	149686-01-000	EA	TERMINAL - .250 RECEPTACLE

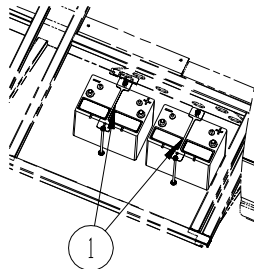
**ELECTRICAL GROUP (CONTINUED)**  
**CONNECTORS & CONDUIT (CONTINUED)**

KEY	PART NUMBER	U/M	DESCRIPTION
	149687-01-000	EA	HOUSING - 2 POSITION/MALE - PACKARD
	149687-02-000	EA	LOCK - F/2 POSITION HOUSING - PACKARD
	149688-01-000	EA	TERMINAL - MALE - 16 GAUGE WIRE
	156035-01-000	EA	HOUSING - 12-POSITION/FEMALE - 280-GT SERIES
	156041-01-000	EA	TERMINAL - FEMALE - 16-12 - 280-GT SERIES
	156043-01-000	EA	HOUSING - 2-POSITION/FEMALE - 480-MP SERIES
	156043-02-000	EA	LOCK - F/2 POSITION HOUSING - 480 SERIES
	156044-01-000	EA	TERMINAL - FEMALE - 16-12 - 280-GT - F/SEALED HOUSING
	156045-01-000	EA	HOUSING - 10-POSITION/FEMALE - 280-GT SERIES
	156045-02-000	EA	HOUSING - 4-POSITION/FEMALE - 280-GT SERIES
	156045-03-000	EA	HOUSING - 8-POSITION/FEMALE - 280-GT SERIES
	156045-04-000	EA	HOUSING - 6-POSITION/FEMALE - 280-GT SERIES
	156207-01-000	EA	HOUSING - 6-POSITION/MALE - 150-GT SERIES
	156208-01-000	EA	TERMINAL - MALE - 18-16 - 150-GT SERIES
	157590-01-000	EA	TERMINAL - FEMALE - M/P - 10-12 - 630
	157592-01-000	EA	HOUSING - 7-POSITION/FEMAL - M/P
	157592-02-000	EA	LOCK - SECONDARY - F/7 POSITION HOUSING
	157656-01-01A	EA	CONNECTOR - DASH LIGHT - BLACK
	158357-01-000	EA	HOUSING - 3 PIN/MALE - MINI FIT
	158373-01-000	EA	HOUSING - SOCKET - 16 CAVITY - MINI MATE-N-LOCK
	158374-01-000	EA	SOCKET - 16-20 CAVITY - MINI MATE-N-LOCK

**CHASSIS**

KEY	PART NUMBER	U/M	DESCRIPTION
*	086280-01-000	EA	LIGHT - SURFACE MOUNT - 12 VOLT
	136514-02-000	EA	CABLE - MONITOR/CAMERA
	144363-07-04B	EA	PLATE - SWITCH - BLACK

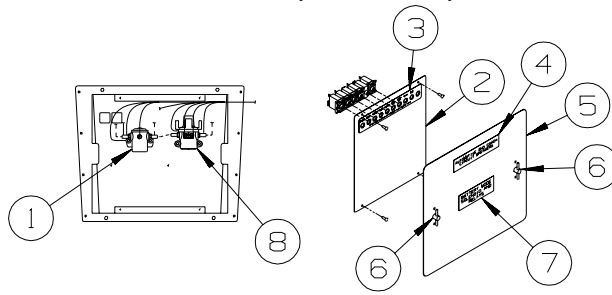
**\*COMPONENT PARTS LISTED LATER IN THIS GROUP**



KEY	PART NUMBER	U/M	DESCRIPTION
1	160014-01-02B	EA	TIEDOWN - BATTERY - E-COATED - <b>NOT ILLUSTRATED</b> FROM: 00-00-00 THRU: 02-18-07
1	160014-03-02B	EA	TIEDOWN - BATTERY - E-COATED FROM: 02-19-07 THRU: 99-99-99



**ELECTRICAL GROUP (CONTINUED)**  
**CHASSIS (CONTINUED)**



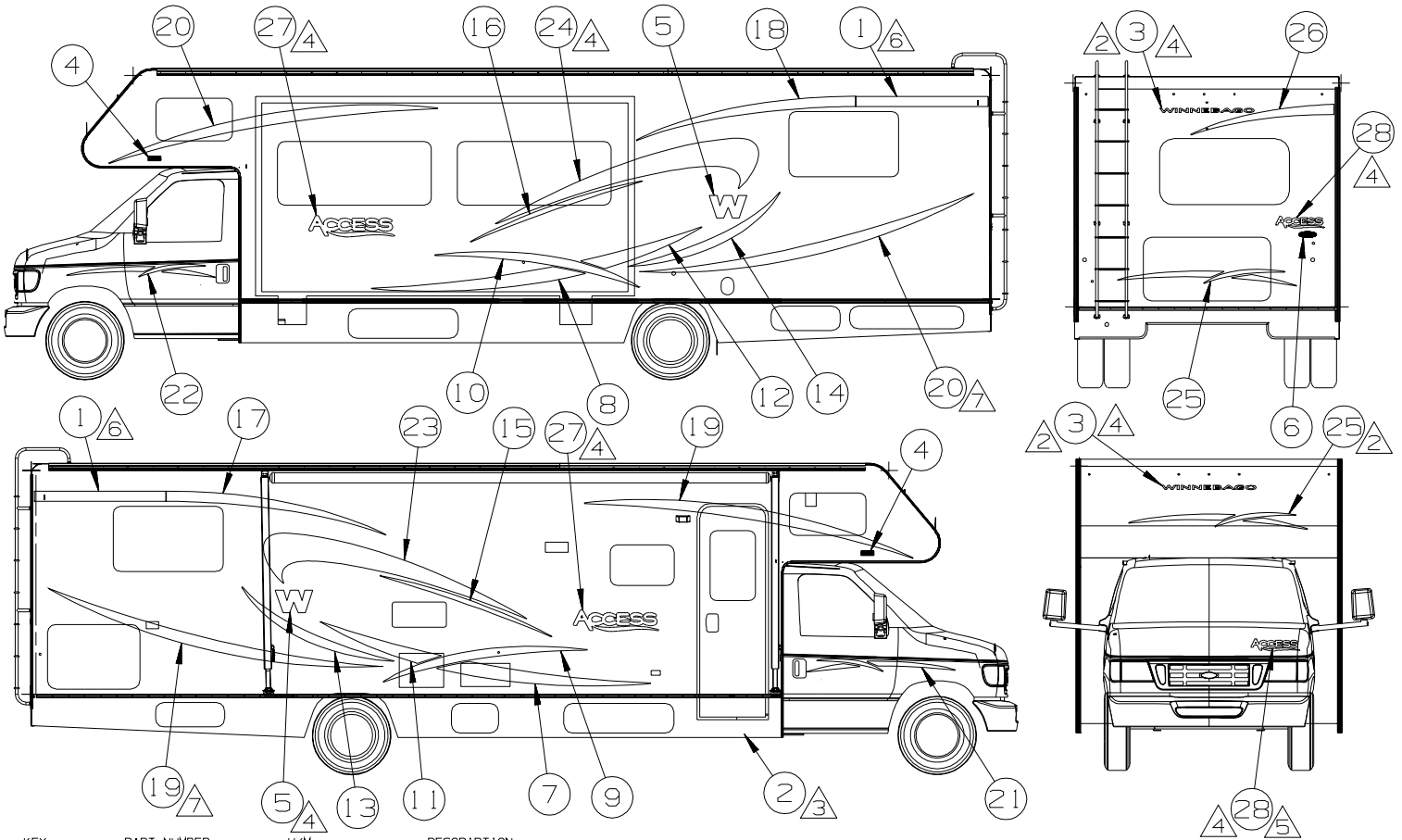
KEY	PART NUMBER	U/M	DESCRIPTION
1	008188-01-000	EA	SOLENOID - 3 POST - BATTERY CHANGE OVER
2	139067-10-02B	EA	PLATE - CIRCUIT BREAKER/HOUSE - E-COATED
3	093236-38-000	EA	LABEL - CIRCUIT BREAKER
4	098379-01-000	EA	LABEL - CIRCUIT BREAKER - FRONT BOX
5	141273-05-02B	EA	COVER - ELECTRICAL BOX - E-COATED
6	098196-01-000	EA	LATCH - 1/4 TURN - T-BAR
7	098379-04-000	EA	LABEL - ELECTRICAL BOX - SIDE
8	086273-01-000	EA	RELAY - BATTERY DISCONNECT

**COMPONENT PARTS FOR CHASSIS**

**086280-01-000**

KEY	PART NUMBER	U/M	DESCRIPTION	VENDOR NO.
	086280-01-700	EA	BULB,12V	ARP1089

# EXTERIOR BODY GROUP GRAPHICS & PAINT



KEY	PART NUMBER	U/M	DESCRIPTION
1	093681-65-CHT(107A)	FT	FILM-95.3 MM - LT GOLD
2	109506-01-000	EA	FILM-URETHANE PROTECTANT
3	120702-01-CHT(160A)	EA	DECAL-WINNEBAGO - DK BLUE
4	132664-02-CHT(101A)	EA	DECAL-LOGO DOMED WINNEBAGO - CHROME/RED/BLACK
5	135381-02-CHT(10A)	EA	DECAL-W - LT GOLD
6	151687-01-CHT(101A)	EA	DECAL-DOMED NAMEPLATE WINNEBAGO - CHROME/RED PANTONE
7	156398-01-CHT(101A)	EA	DECAL-SLASH #1 RH - DK BLUE
8	156398-02-CHT(101A)	EA	DECAL-SLASH #1 LH - DK BLUE
9	156399-01-CHT(101A)	EA	DECAL-SLASH #2 RH - LT GOLD
10	156399-02-CHT(101A)	EA	DECAL-SLASH #2 LH - LT GOLD
11	156401-01-CHT(101A)	EA	DECAL-SLASH #3 RH - DK BLUE
12	156401-02-CHT(101A)	EA	DECAL-SLASH #3 LH - DK BLUE
13	156402-01-CHT(101A)	EA	DECAL-SLASH #4 RH - KHAKI
14	156402-02-CHT(101A)	EA	DECAL-SLASH #4 LH - KHAKI
15	156403-01-CHT(101A)	EA	DECAL-SLASH #5 RH - KHAKI
16	156403-02-CHT(101A)	EA	DECAL-SLASH #5 LH - KHAKI
17	156404-01-CHT(101A)	EA	DECAL-SLASH #6 RH - LT GOLD
18	156404-02-CHT(101A)	EA	DECAL-SLASH #6 LH - LT GOLD
19	156405-01-CHT(101A)	EA	DECAL-SLASH #7 RH - KHAKI
20	156405-02-CHT(101A)	EA	DECAL-SLASH #7 LH - KHAKI
21	156406-01-CHT(101A)	EA	DECAL-CAB RH - LT GOLD/DK BLUE
22	156406-02-CHT(101A)	EA	DECAL-CAB LH - LT GOLD/DK BLUE
23	156407-01-CHT(101A)	EA	DECAL-HOOK RH - DK BLUE
24	156407-02-CHT(101A)	EA	DECAL-HOOK LH - DK BLUE
25	156408-01-CHT(101A)	EA	DECAL-SLASHES FRN & RR - LT GOLD/DK BLUE
26	156411-01-CHT(101A)	EA	DECAL-SLASH RR - LT GOLD
27	156415-01-CHT(101A)	EA	DECAL-ACCESS LG - BRT WHITE/LT GOLD/BLACK/LT CHARCOAL
28	156415-02-CHT(101A)	EA	DECAL-ACCESS SML - BRT WHITE/LT GOLD/BLACK/LT CHARCOAL

- ⚠ DO NOT INSTALL WINNEBAGO DECALS ON FRONT BUNK FOR FEATURE #645. PUT IN BULK PACKAGE AND SHIP TO DEALERSHIP. MOTORIS DECALS SUPPLIED BY DEALER WILL BE INSTALLED IN THEIR PLACE. ALL OTHER PARTS ARE THE SAME AS ACCESS.
- ⚠ ADD MOTORIS DECALS SUPPLIED BY DEALER, FOR FEATURE #645. LOCATE ON REAR OF UNIT NEXT TO WINDOW (LEFT SIDE).
- ⚠ ON LONGER UNITS DECAL WILL BE USED IN MORE THAN ONE LOCATION.
- ⚠ TO BE USED ON LONGER UNITS ONLY.
- ⚠ LOCATE DECAL 120 MM LEFT OF HOOD EDGE AND 60 MM UP FROM FRONT EDGE OF HOOD.
- ⚠ LOGO IS TO BE ±1 MM ON A HORIZONTAL PLANE (END TO END).
- ⚠ FILM TO PROTECT BOTTOM OF DOOR FROM SCUFF MARKS.
- ⚠ CENTERED ON UNIT.
- 1. APPLY PROTECTOR 116424-01-000 TO WATER HEATER DOOR LATCH.

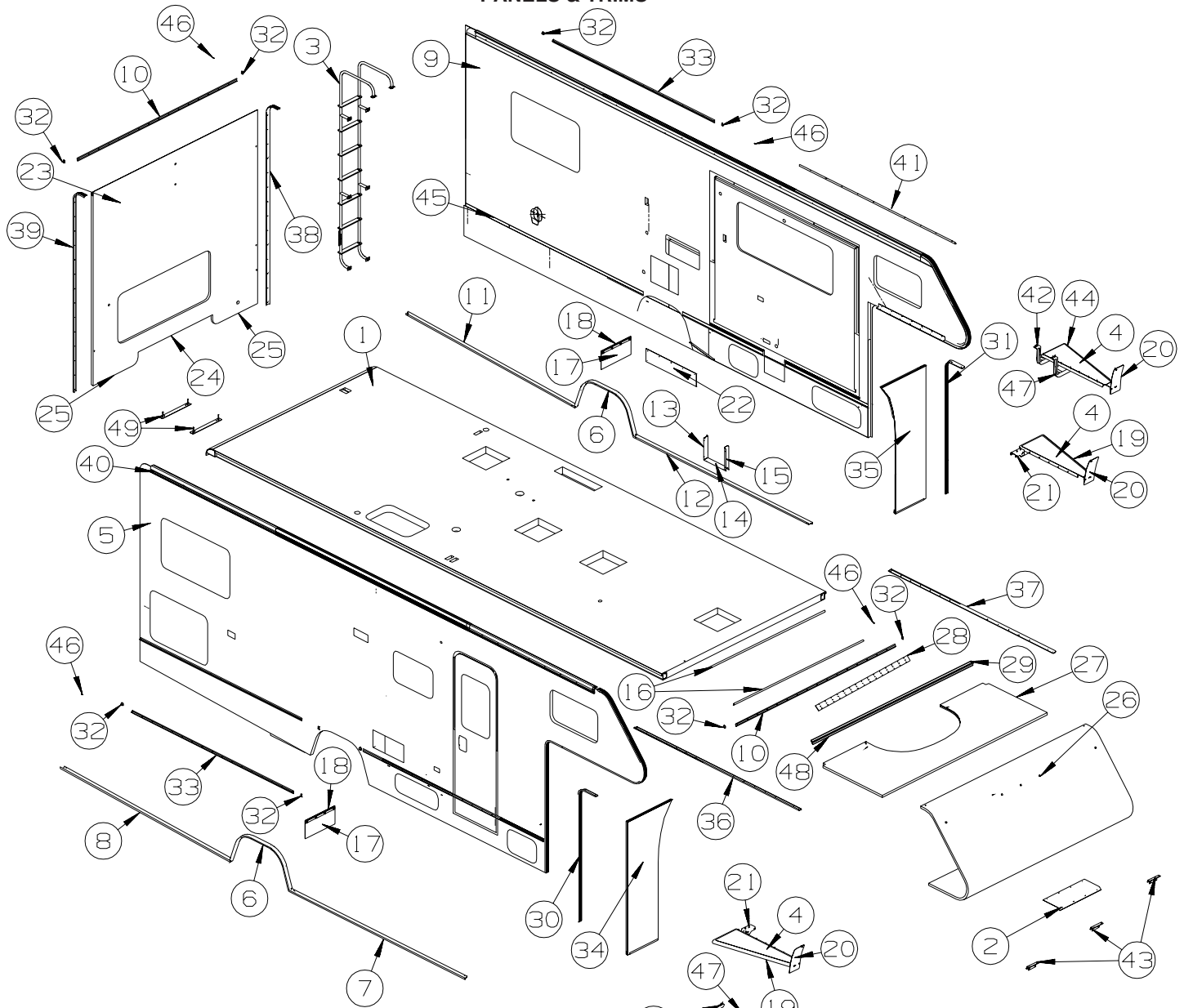
NOTES:

KEY	PART NUMBER	U/M	DESCRIPTION
	072882-01-000	GL	PAINT - LOW BAKE - OFF WHITE

**DUPONT COLOR CODES ARE NOW FOUND IN THE PAINT CODE MANUAL.  
YOU CAN FIND THIS MANUAL ON YOUR DEALER INDEX WEBPAGE UNDER SERVICE.**

## EXTERIOR BODY GROUP (CONTINUED)

### PANELS & TRIMS

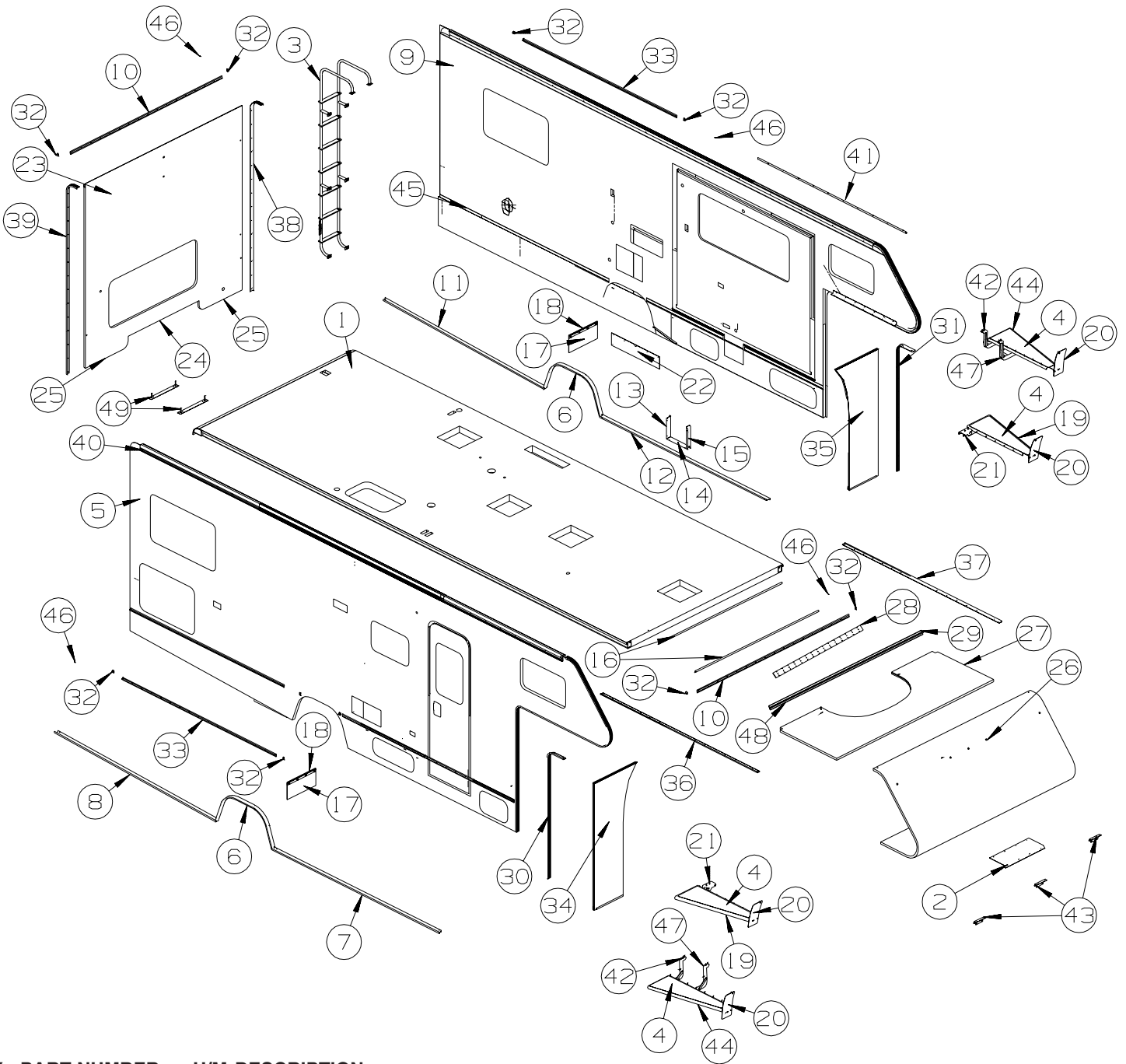


KEY	PART NUMBER	U/M	DESCRIPTION
1	158450-01-U07	EA	ROOF - W/O LIGHTS/VENTS - W/WIRING
2	156794-01-02B	EA	BRACKET/SUPPORT - 25" - E-COATED
3	129639-05-01A	EA	LADDER - 95.5" - 7 STEP - BRUSHED ALUMINUM
4	146515-01-01A	EA	MAT - ANTI SLIP - RIGHT HAND - BLACK
4	146515-02-01A	EA	MAT - ANTI SLIP - LEFT HAND - BLACK
5	P58447-01-U07	EA	SIDEWALL - PASSENGER - W/O WINDOWS/TRIMS (U01, U02)
5	P58447-01-U09	EA	SIDEWALL - PASSENGER - W/O WINDOWS/TRIMS (U03, U04)
6	127848-02-01A	EA	TRIM - WHEELWELL - BRIGHT WHITE
7	137970-36-01A	EA	TRIM - SIDEWALL - 106.1" - <b>NOT ILLUSTRATED</b>
7	159670-17-01A	EA	TRIM/SIDEWALL - U-CHANNEL - 1.8" X .8" X 106.1" - BRT WHT
8	137970-21-01A	EA	TRIM - SIDEWALL - 102.3" - <b>NOT ILLUSTRATED</b>
8	159670-11-01A	EA	TRIM/SIDEWALL - U-CHANNEL - 1.8" X .8" X 102.3" - BRT WHT
9	P58448-01-U07	EA	SIDEWALL - DRIVER - W/O WINDOWS/TRIMS (U01, U02)
9	P58448-01-U09	EA	SIDEWALL - DRIVER - W/O WINDOWS/TRIMS (U03, U04)
9	P58449-01-U07	EA	SIDEWALL - DRIVER - W/O WINDOWS/TRIMS (U01, U02) - <b>SLIDEOUT ROOM-FLH</b>
9	P58449-01-U09	EA	SIDEWALL - DRIVER - W/O WINDOWS/TRIMS (U03, U04) - <b>SLIDEOUT ROOM-FLH</b>
10	108688-08-03A	EA	STRIP - FEATURE - W/O INSERT/END CAPS - 95.9" - BRIGHT WHT

**EXTERIOR BODY GROUP (CONTINUED)**  
**PANELS & TRIMS (CONTINUED)**

KEY	PART NUMBER	U/M	DESCRIPTION
11	137970-22-01A	EA	TRIM - SIDEWALL - 102.3" - <b>NOT ILLUSTRATED</b> FROM: 00-00-00 THRU: 07-16-06
11	159670-12-01A	EA	TRIM/SIDEWALL - U-CHANNEL - 1.8" X .8" X 102.3" - BRT WHT FROM: 07-17-06 THRU: 99-99-99
12	137970-37-01A	EA	TRIM - SIDEWALL - 106.1" - <b>NOT ILLUSTRATED</b> FROM: 00-00-00 THRU: 07-16-06
12	159670-18-01A	EA	TRIM/SIDEWALL - U-CHANNEL - 1.8" X .8" X 106.1" - BRT WHT FROM: 07-17-06 THRU: 99-99-99
13	137970-26-01A	EA	TRIM - SIDEWALL - 11.2" - <b>SLIDEOUT ROOM-FLH - NOT ILLUSTRATED</b> FROM: 00-00-00 THRU: 07-16-06
13	159670-29-01A	EA	TRIM/SIDEWALL - U-CHANNEL - 1.8" X .8" X 11.5" - BRT WHT - <b>SLIDEOUT ROOM-FLH</b> FROM: 07-17-06 THRU: 99-99-99
14	137970-24-01A	EA	TRIM - SIDEWALL - 13.3" - <b>SLIDEOUT ROOM-FLH - NOT ILLUSTRATED</b> FROM: 00-00-00 THRU: 07-16-06
14	159670-27-01A	EA	TRIM/SIDEWALL - U-CHANNEL - 1.8" X .8" X 13.3" - BRT WH - <b>SLIDEOUT ROOM-FLH</b> FROM: 07-17-06 THRU: 99-99-99
15	137970-25-01A	EA	TRIM - SIDEWALL - 11.2" - <b>SLIDEOUT ROOM-FLH - NOT ILLUSTRATED</b> FROM: 00-00-00 THRU: 07-16-06
15	159670-28-01A	EA	TRIM/SIDEWALL - U-CHANNEL - 1.8" X .8" X 11.5" - BRT WHT - <b>SLIDEOUT ROOM-FLH</b> FROM: 07-17-06 THRU: 99-99-99
16	141829-01-01A	EA	TRIM - J MOLDING - OFF WHITE - 96" FROM: 05-22-06 THRU: 99-99-99
17	017516-05-000	EA	MUD FLAP - 9"H X 18"W - RUBBER - BLACK
18	140922-01-02B	EA	RETAINER - MUD FLAP - 1" X 17.7" - E-COATED/BLACK
19	146148-01-01A	EA	BOARD - RUNNING - RIGHT HAND/TAPPERED - BLACK
19	146148-02-01A	EA	BOARD - RUNNING - LEFT HAND/TAPPERED - BLACK
20	146148-03-01A	EA	GUARD - MUD FLAP/RIGHT - BLACK
20	146148-04-01A	EA	GUARD - MUD FLAP/LEFT - BLACK
21	146180-01-02B	EA	BRACKET - RUNNING BOARD - E-COATED
22	121948-02-000	EA	SHIELD - SIGHT
23	P57028-01-U07	EA	BACKWALL - W/O WINDOW/TRIMS (U01, U02)
23	P57028-01-U09	EA	BACKWALL - W/O WINDOW/TRIMS (U03, U04)
24	103335-02-02A	EA	TRIM - BACKWALL - LOWER/CENTER - 46.3" - BRIGHT WHITE
25	156623-03-02A	EA	TRIM - BACKWALL/LOWER - 27" - BRIGHT WHITE
26	P55962-01-U01	EA	ROOF - FRONT SECTION - W/O LIGHTS/VENTS - W/WIRING
27	125129-01-U01	EA	SLEEPERBOARD
28	100085-05-01A	EA	TRIM/STRAP - SLEEPERBOARD - OFF/WHITE - 92.9"
29	100086-03-02A	EA	TRIM - SLEEPER BOARD BRIGHT WHITE - 2" X 96.5"
30	104479-09-02A	EA	TRIM - WINGWALL - PASSENGER SIDE - VERTICAL - BRIGHT WHITE
31	104479-10-02A	EA	TRIM - WINGWALL - DRIVER SIDE - VERTICAL - BRIGHT WHITE
32	108651-01-01A	EA	END CAP - FEATURE STRIP
33	108688-06-03A	EA	STRIP - FEATURE - W/O INSERT/END CAPS - 96.9" - BRIGHT WHT
34	159600-01-T11	EA	WINGWALL
35	159600-02-T11	EA	WINGWALL
36	136826-07-01A	EA	TRIM - CONTOUR - 99.1" - BRIGHT WHITE
37	136826-08-01A	EA	TRIM - CONTOUR - 99.1" - BRIGHT WHITE
38	136826-17-01A	EA	TRIM - CONTOUR - 104.4" - BRIGHT WHITE - <b>NOT ILLUSTRATED</b> FROM: 00-00-00 THRU: 07-16-06
38	160807-02-01A	EA	TRIM - CONTOUR - 104.4" - BRIGHT WHITE FROM: 07-17-06 THRU: 99-99-99
39	136826-18-01A	EA	TRIM - CONTOUR - 104.4" - BRIGHT WHITE - <b>NOT ILLUSTRATED</b> FROM: 00-00-00 THRU: 07-16-06
39	160807-01-01A	EA	TRIM - CONTOUR - 104.4" - BRIGHT WHITE FROM: 07-17-06 THRU: 99-99-99
40	156840-01-01A	EA	RAIL - AWNING - 192" - BRIGHT WHITE
41	156981-03-01A	EA	RAIL - AWNING - 93.6" - BRIGHT WHITE
42	159045-05-01A	EA	BRACKET/SUPPORT - F/RUNNING BOARD - BLACK - <b>CHEVY</b>
43	134774-04-02B	EA	BRACKET - CAP ATTACHMENT - E-COATED
44	159045-01-01A	EA	BOARD - RUNNING - RIGHT HAND/TAPPERED - BLACK - <b>CHEVY</b>
44	159045-02-01A	EA	BOARD - RUNNING - LEFT HAND/TAPPERED - BLACK - <b>CHEVY</b>
45	104692-01-000	FT	SEAL - ADHESIVE BACKED FOAM - 3/4" THICK X 3/4" WIDE X 25'
46	105312-01-07A	FT	INSERT - FEATURE STRIP - VINYL - BRIGHT WHITE
47	159045-04-01A	EA	BRACKET/SUPPORT - F/RUNNING BOARD - BLACK - <b>CHEVY</b>

**EXTERIOR BODY GROUP (CONTINUED)**  
**PANELS & TRIMS (CONTINUED)**



KEY	PART NUMBER	U/M	DESCRIPTION
48	154585-04-01A	FT	SEAL - FOAM TAPE - ADHESIVE BACK - 5/8" X 1/8" - WHITE
49	156675-02-02B	EA	STRAP - WATER TANK - E-COATED
	107865-02-000	EA	ROD - SUPPORT - VALANCE PANEL - 13.2"

FROM: 00-00-00 THRU: 05-21-06

## EXTERIOR BODY GROUP (CONTINUED)

### MIRRORS

KEY	PART NUMBER	U/M	DESCRIPTION
*	133908-10-01A	EA	MIRROR/PASS - 102" C BODY/FORD 4-BOLT MT - BRIGHT WHITE
*	133908-11-01A	EA	MIRROR/DRVR - 102" C BODY/FORD 4-BOLT MT - BRIGHT WHITE
*	133908-12-01A	EA	MIRROR/PASS-102" C BODY/FORD 4 BLT MT-HEAT/REMOTE-B/W - MIRRORS-EXTERIOR W/DEFROST
*	133908-13-01A	EA	MIRROR/DRVR-102" C BODY/FORD 4-BLT MT-HEAT/REMOTE-B/W - MIRRORS-EXTERIOR W/DEFROST
*	133908-05-02A	EA	MIRROR/PASS - 102" WIDE BODY/CHEVY - BRIGHT WHITE - CHEVY
*	133908-06-02A	EA	MIRROR/DRVR - 102" WIDE BODY/CHEVY - BRIGHT WHITE - CHEVY
*	133908-07-02A	EA	MIRROR/PASS - 102" C BODY/CHEVY -HEAT/REMOTE BW - CHEVY, MIRRORS-EXTERIOR W/DEFROST
*	133908-08-02A	EA	MIRROR/DRVR - 102" C BODY/CHEVY-HEAT/REMOTE BW - CHEVY, MIRRORS-EXTERIOR W/DEFROST

**\*COMPONENT PARTS LISTED LATER IN THIS GROUP**

### COMPONENT PARTS FOR MIRRORS

133908-01 THRU 133908-08, 133908-10 THRU 133908-13, -01A/-02A/-03A

KEY	PART NUMBER	U/M	DESCRIPTION	VENDOR NO.
	117051-01-700	EA	MIRROR-CONVEX	723068-4
	120269-05-701	EA	GLASS-HTD/REM RH/LH W/CONVEX	709411
	133908-03-700	EA	CAP - RECT/BLACK-W/O LIGHT	709557
	133908-04-700	EA	CAP-MIRROR/ROUND - W/O LIGHT	7095470

**EXTERIOR BODY GROUP (CONTINUED)**  
**STRUCTURAL COMPONENTS**

KEY	PART NUMBER	U/M	DESCRIPTION
	002365-03-006	EA	U-CHANNEL - EXTRUDED - 1" X 192" - BRIGHT WHITE
	002726-01-001	EA	GARNISH - U-CHANNEL - 1.38" X 19" - SERRATED
	002766-01-001	EA	ANGLE - EXTRUDED - 1" X 1 1/2" X 17'
	076054-AC-000	EA	FIBERGLASS SHEET - 20" X 99.8" - OFF WHITE
	108535-10-01A	SF	FIBERGLASS SHEET - 99" X 500' ROLL - BRIGHT WHITE
	159631-04-01A	EA	FIBERGLASS SHEET - 99.5" X 100.2" - BRIGHT WHITE
			FROM: 00-00-00 THRU: 01-14-07
	162931-04-01A	EA	FIBERGLASS SHEET - 99.5" X 100.2" - BRIGHT WHITE
			FROM: 01-15-07 THRU: 99-99-99
	159631-06-01A	EA	FIBERGLASS SHEET - 56.4" X 99.8" - BRIGHT WHITE
			FROM: 00-00-00 THRU: 01-14-07
	162931-06-01A	EA	FIBERGLASS SHEET - 56.4" X 99.8" - BRIGHT WHITE
			FROM: 01-15-07 THRU: 99-99-99
	159631-10-01A	EA	FIBERGLASS SHEET - 31.1" X 68.2" - BRIGHT WHITE
			FROM: 00-00-00 THRU: 01-14-07
	162931-10-01A	EA	FIBERGLASS SHEET - 31.1" X 68.2" - BRIGHT WHITE
			FROM: 01-15-07 THRU: 99-99-99
	159631-15-01A	EA	FIBERGLASS SHEET - 4" X 93.8" - BRIGHT WHITE
			FROM: 00-00-00 THRU: 01-14-07
	162931-15-01A	EA	FIBERGLASS SHEET - 4" X 93.8" - BRIGHT WHITE
			FROM: 01-15-07 THRU: 99-99-99
	159631-22-01A	EA	FIBERGLASS SHEET - 102.6" X 346.3" - BRIGHT WHITE
			FROM: 00-00-00 THRU: 01-14-07
	162931-22-01A	EA	FIBERGLASS SHEET - 102.6" X 346.3" - BRIGHT WHITE
			FROM: 01-15-07 THRU: 99-99-99
	159631-23-01A	EA	FIBERGLASS SHEET - 71.8" X 99.8" - BRIGHT WHITE
			FROM: 00-00-00 THRU: 01-14-07
	162931-23-01A	EA	FIBERGLASS SHEET - 71.8" X 99.8" - BRIGHT WHITE
			FROM: 01-15-07 THRU: 99-99-99
	089297-01-000	SF	PLYWOOD - LUAN - OVERLAY GRADE - 4' X 8'
	089297-02-000	SF	PLYWOOD - LUAN - OVERLAY GRADE - 4' X 9'
	089297-03-000	SF	PLYWOOD - LUAN - OVERLAY GRADE - 4' X 8.3'
	100619-01-000	BF	FOAM - EXPANDED POLYSTYRENE - 1.34" X 48" X 96"
	100619-02-000	BF	FOAM - EXPANDED POLYSTYRENE - 1.5" X 48" X 96"
	100619-04-000	BF	FOAM - EXPANDED POLYSTYRENE - .5" X 48" X 96"
	100619-05-000	BF	FOAM - EXPANDED POLYSTYRENE - .75" X 48" X 96"-1.5"DENSITY
	100619-16-000	BF	FOAM - EXPANDED POLYSTYRENE - .75" X 48" X 96"-2" DENSITY
	100619-27-000	BF	FOAM - EXPANDED POLYSTYRENE - 3" X 48" X 92.8"
	116942-03-01A	LB	ALUMINUM - .7" X 40" X 158"

**AWNINGS**

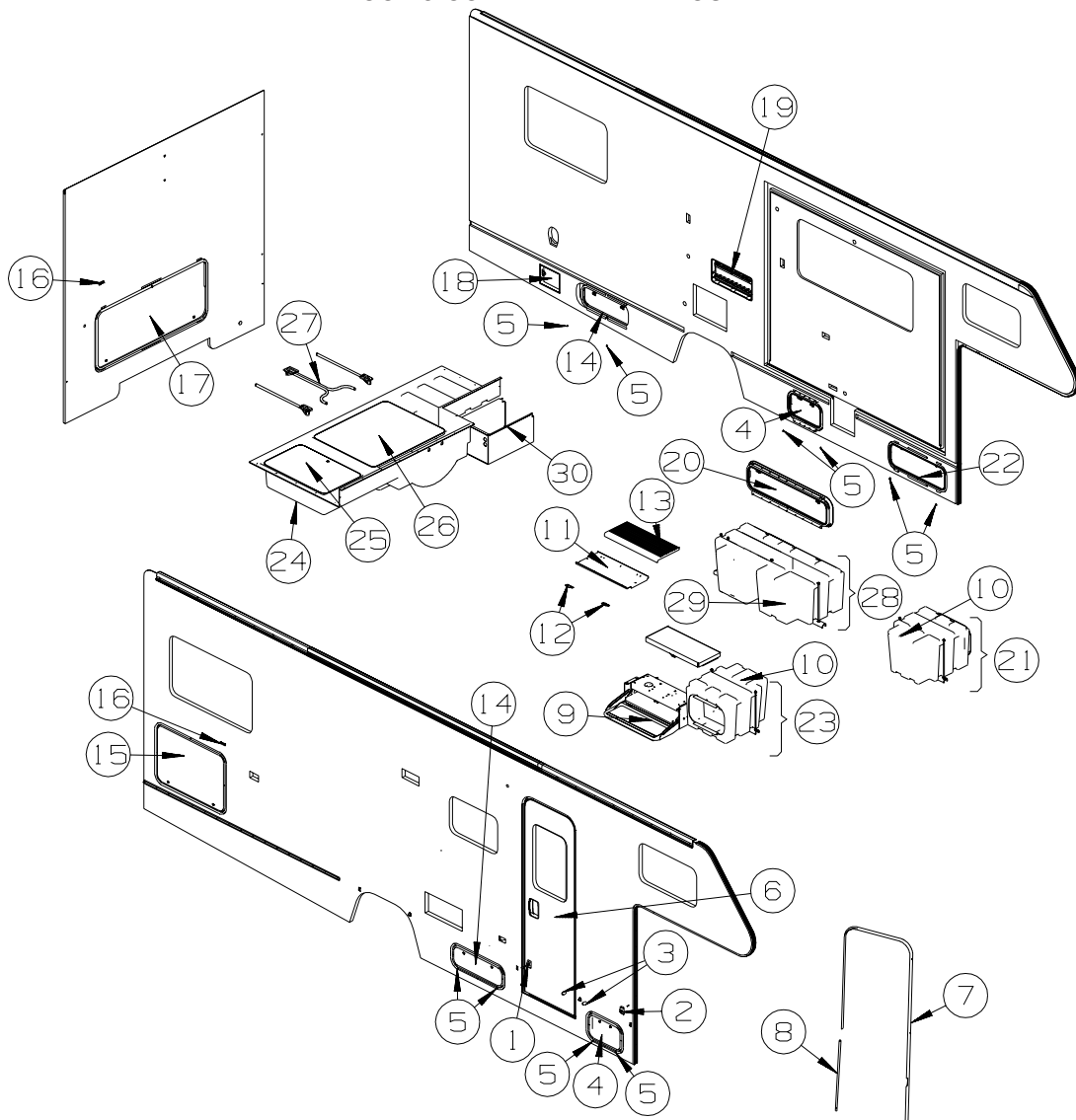
**ORDER AWNINGS & REPAIR PARTS FROM DOMETIC. CALL #800-366-3842.**

**THE DOMETIC AWNING INFORMATION YOU WILL NEED IS LOCATED ON THE MOTOR HOME NEAR THE TOP OF THE AWNING RAIL.**

KEY	PART NUMBER	U/M	DESCRIPTION
	113874-11-01A	EA	SCREW/LAG - AWNING - 1/4" X 1" STAINLESS STEEL
	113874-12-01A	EA	SCREW/LAG - AWNING - 1/4" X 2 3/4" STAINLESS STEEL
	127647-02-01A	EA	ROD/AWNING GUARD - ENTRY DOOR - 12.7" LONG
	127960-01-01A	EA	RETAINER - EYE - 3/8" - STAINLESS STEEL
	137054-01-02A	EA	BRACKET - AWNING - BRIGHT WHITE
			FROM: 00-00-00 THRU: 12-10-06
	161739-01-02A	EA	BRACKET - AWNING - BRIGHT WHITE
			FROM: 12-11-06 THRU: 99-99-99

# EXTERIOR DOORS & COMPARTMENTS GROUP

## DOOR & COMPARTMENT LAYOUT



KEY	PART NUMBER	U/M	DESCRIPTION
1	104099-01-04A	EA	CATCH - DOOR HOLDER - STRIKE - 3.9" - BRIGHT WHITE
2	104099-02-04A	EA	CATCH/RETAINER - DOOR HOLDER - BRIGHT WHITE
3	117046-02-000	EA	BUMPER - RUBBER/ROUND END - 1.5"
4	126946-68-U01	EA	DOOR/STORAGE - W/O HARDWARE - 17.1" X 10.6"
	056795-01-000	FT	TAPE-SEAL, 1/8" X 3/8" WIDE - PRESS ON
5	153498-01-01A	EA	BUMPER - RUBBER - WHITE
6	P32206-09-U01	EA	DOOR - ENTRY W/SCREEN DOOR - W/O WINDOW/LATCH (U01, U02)
6	P32206-09-U03	EA	DOOR - ENTRY W/SCREEN DOOR - W/O WINDOW/LATCH (U03, U04)

### ENTRY DOOR LOCK CYLINDERS

138287-11-000	EA	CYLINDER/LOCK - ENTRY DOOR - MASTER W/3M ICON - (3041)
138287-12-000	EA	CYLINDER/LOCK - ENTRY DOOR - MASTER W/3M ICON - (3042)
138287-13-000	EA	CYLINDER/LOCK - ENTRY DOOR - MASTER W/3M ICON - (3043)
138287-14-000	EA	CYLINDER/LOCK - ENTRY DOOR - MASTER W/3M ICON - (3044)
138287-15-000	EA	CYLINDER/LOCK - ENTRY DOOR - MASTER W/3M ICON - (3045)
138287-16-000	EA	CYLINDER/LOCK - ENTRY DOOR - MASTER W/3M ICON - (3046)
138287-17-000	EA	CYLINDER/LOCK - ENTRY DOOR - MASTER W/3M ICON - (3047)
138287-18-000	EA	CYLINDER/LOCK - ENTRY DOOR - MASTER W/3M ICON - (3048)
138287-19-000	EA	CYLINDER/LOCK - ENTRY DOOR - MASTER W/3M ICON - (3049)
138287-20-000	EA	CYLINDER/LOCK - ENTRY DOOR - MASTER W/3M ICON - (3050)

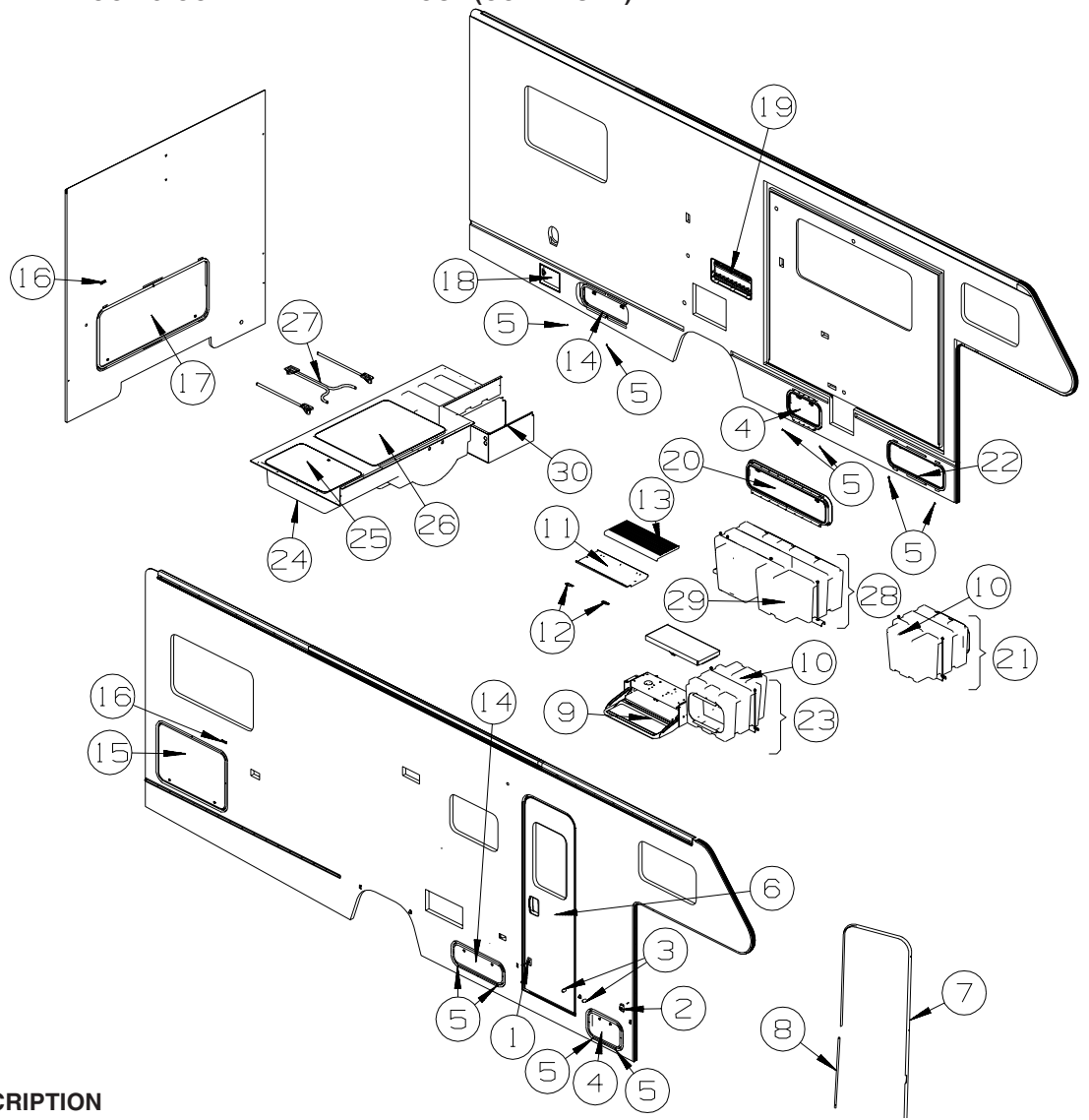


## EXTERIOR DOORS & COMPARTMENTS GROUP (CONTINUED)

### DOOR & COMPARTMENT LAYOUT (CONTINUED)

KEY	PART NUMBER	U/M	DESCRIPTION
	138288-11-000	EA	KEY - REVERSIBLE - #3041 - T/M 16169-02-3041
	138288-12-000	EA	KEY - REVERSIBLE - #3042 - T/M 16169-02-3042
	138288-13-000	EA	KEY - REVERSIBLE - #3043 - T/M 16169-02-3043
	138288-14-000	EA	KEY - REVERSIBLE - #3044 - T/M 16169-02-3044
	138288-15-000	EA	KEY - REVERSIBLE - #3045 - T/M 16169-02-3045
	138288-16-000	EA	KEY - REVERSIBLE - #3046 - T/M 16169-02-3046
	138288-17-000	EA	KEY - REVERSIBLE - #3047 - T/M 16169-02-3047
	138288-18-000	EA	KEY - REVERSIBLE - #3048 - T/M 16169-02-3048
	138288-19-000	EA	KEY - REVERSIBLE - #3049 - T/M 16169-02-3049
	138288-20-000	EA	KEY - REVERSIBLE - #3050 - T/M 16169-02-3050
	138292-01-000	EA	SEAL - LOCK CYLINDER
<b>VALANCE DOOR LOCK CYLINDERS</b>			
	138637-51-000	EA	KEYS - SET OF TWO
	138637-51-001	EA	KEYS - SET OF TWO
	138637-51-002	EA	KEYS - SET OF TWO
	138637-51-003	EA	KEYS - SET OF TWO
	138637-51-004	EA	KEYS - SET OF TWO
	138637-51-005	EA	KEYS - SET OF TWO
	138637-51-006	EA	KEYS - SET OF TWO
	138637-51-007	EA	KEYS - SET OF TWO
	138637-51-008	EA	KEYS - SET OF TWO
	138637-51-009	EA	KEYS - SET OF TWO
<b>WATER FILL DOOR LOCK CYLINDERS</b>			
*	138637-03-000	EA	LOCK ASM. - KEYED - .9" CASE (CYLINDER/CAM/HDWR PKG)
	138637-51-000	EA	KEYS - SET OF TWO
	138637-51-001	EA	KEYS - SET OF TWO
	138637-51-002	EA	KEYS - SET OF TWO
	138637-51-003	EA	KEYS - SET OF TWO
	138637-51-004	EA	KEYS - SET OF TWO
	138637-51-005	EA	KEYS - SET OF TWO
	138637-51-006	EA	KEYS - SET OF TWO
	138637-51-007	EA	KEYS - SET OF TWO
	138637-51-008	EA	KEYS - SET OF TWO
	138637-51-009	EA	KEYS - SET OF TWO
7	139100-02-01A	EA	GARNISH/RADIUS - ENTRY DOOR - BRIGHT WHITE
8	139101-02-01A	EA	GARNISH/STRAIGHT - 35.31" - W/O NOTCHES - BRIGHT WHITE
9	139748-04-04B	EA	STEP/PULLOUT - W/BRACKETS - BLACK
	102569-04-000	EA	MAT - ANTI SLIP
9*	094708-05-01A	EA	STEP - ELECTRIC - SINGLE - BLACK - KWIKEE
10	159400-01-01A	EA	COMPARTMENT/LUGGAGE
11	123330-05-02B	EA	SUPPORT - ENTRY STEP - E-COATED
	116975-01-01A	EA	LATCH - W/O STRIKE - BLACK - NEW STYLE
12	146747-01-02B	EA	BRACKET/CATCH - E-COATED
13	147781-01-01A	EA	TREAD/STEP - RUBBER - TAUPE
14	126945-17-U01	EA	DOOR/STORAGE - W/O HARDWARE - 14.4" X 10"
			FROM: 00-00-00 THRU: 05-29-06
14	126946-71-U01	EA	DOOR/STORAGE - W/O HARDWARE - 25.6" X 8.9"
			FROM: 05-0-06 THRU: 99-99-99
	056795-01-000	FT	TAPE-SEAL, 1/8" X 3/8" WIDE - PRESS ON
15	126946-70-U01	EA	DOOR/STORAGE - W/O HARDWARE - 34.3" X 23.7"
	056795-01-000	FT	TAPE-SEAL, 1/8" X 3/8" WIDE - PRESS ON
16	102768-01-000	EA	HOLDER - COMPARTMENT/ENTRY DOOR - METAL - MILL FINISH
17	126946-78-U01	EA	DOOR/STORAGE - W/O HARDWARE - 55.5" X 31.5"
	056795-01-000	FT	TAPE-SEAL, 1/8" X 3/8" WIDE - PRESS ON
18	142894-01-01A	EA	DOOR/POWER CORD - W/HATCH - W/LOCK - BRIGHT WHITE
19*	084103-08-000	EA	DOOR - VENT - REFRIGERATOR - W/O JAMB - BRIGHT WHITE
	084104-08-000	EA	JAMB - VENT DOOR/REFRIGERATOR - BRIGHT WHITE
20	126946-69-U01	EA	DOOR/STORAGE - W/O HARDWARE - 40.7" X 10.6"
	056795-01-000	FT	TAPE-SEAL, 1/8" X 3/8" WIDE - PRESS ON
21	157782-04-U01	EA	COMPARTMENT - LUGGAGE - SLIDEOUT RM-DINETTE, BENCH/SLIDEOUT RM-DINETTE, U-SHAPE
22	126946-62-S95	EA	DOOR/STORAGE - W/O HARDWARE - 28.9" X 10.6"
	056795-01-000	FT	TAPE-SEAL, 1/8" X 3/8" WIDE - PRESS ON
23	157782-04-U01	EA	COMPARTMENT - LUGGAGE
24	156227-01-01A	EA	COMPARTMENT - TRUNK
25	158154-02-U01	EA	TABLE - 31.6" X 19.7" - W/O HDW

**EXTERIOR DOORS & COMPARTMENTS GROUP (CONTINUED)**  
**DOOR & COMPARTMENT LAYOUT (CONTINUED)**



KEY	PART NUMBER	U/M	DESCRIPTION	
26	158154-01-U01	EA	TABLE - 36.6" X 30.7" - W/O HDW	FROM: 00-00-00 THRU: 06-25-06
26	160884-01-U01	EA	TABLE - 24" X 30.7" - W/FOLDING LEG/HDW	FROM: 06-26-06 THRU: 99-99-99
	158154-01-U01	EA	TABLE - 36.6" X 30.7" - W/O HDW	
27	160875-01-01A	EA	LEG - TABLE/FOLDING - W/HDW	
28	157782-03-U01	EA	COMPARTMENT - LUGGAGE	
29	156590-01-01A	EA	COMPARTMENT - LUGGAGE	
30	156759-02-02B	EA	COMPARTMENT - POWER CORD - E-COATED	

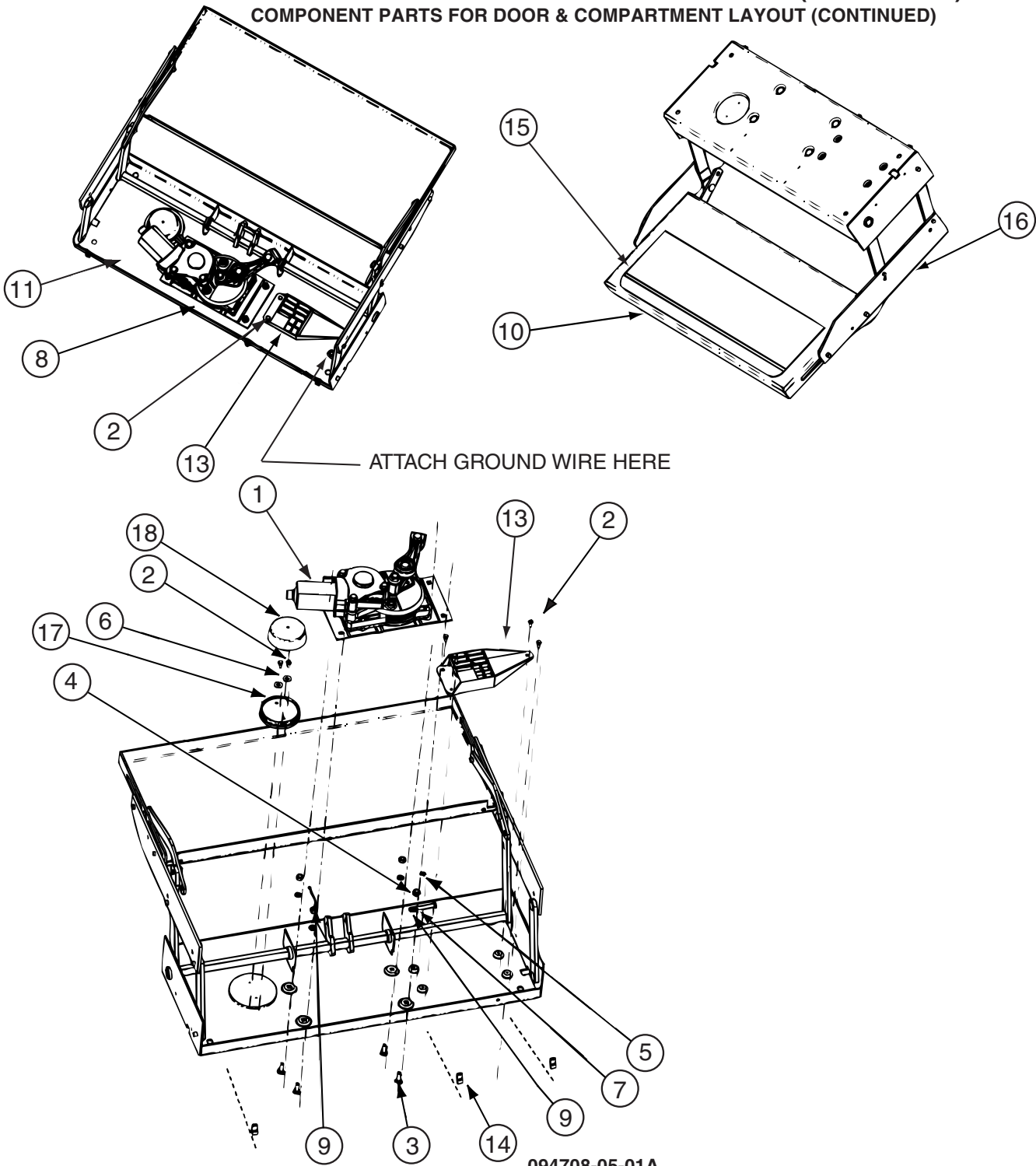
**\*COMPONENT PARTS LISTED LATER IN THIS GROUP**

**COMPONENT PARTS FOR DOOR & COMPARTMENT LAYOUT**

084103-08-000

KEY	PART NUMBER	U/M	DESCRIPTION	VENDOR NO.
	084104-01-700	EA	LOCK-MALE, FASTENER	201-721-010
	084104-01-701	EA	LOCK-FEMALE, FASTENER	201-802-010

**EXTERIOR DOORS & COMPARTMENTS GROUP (CONTINUED)**  
**COMPONENT PARTS FOR DOOR & COMPARTMENT LAYOUT (CONTINUED)**



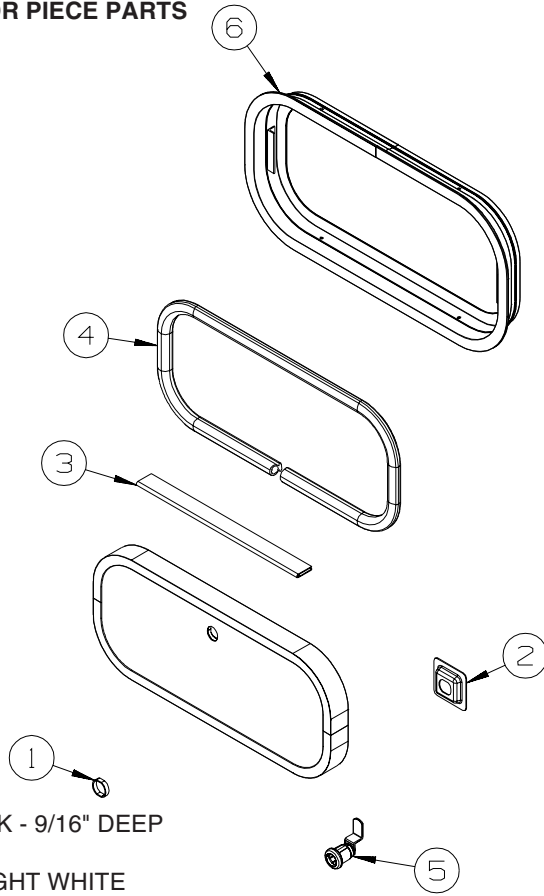
094708-05-01A

KEY	PART NUMBER	U/M	DESCRIPTION	VENDOR NO.
	1	094707-04-701	EA MOTOR "AM 214" F/IMGL STEPS	1101428
	13	094707-04-700	EA CONTROL UNIT W/OVERRIDE	909510000
	15	143709-01-702	EA TREAD/NON-SKID 6" X 21" BLK	1915260
	16	094708-05-701	EA FRAME W/SGL STEP,28 SERIES	908028000
	17	088746-01-705	EA LIGHT-UNDER STEP	9004
		094707-03-701	EA PLUG - 4-WAY - PACKARD	909306
		094707-04-702	EA COTTER PIN - W/CLEVIS PIN	905205000
		094707-04-711	EA KWIKTEST - W/4-WAY PIGTAIL	909518000
		094708-05-700	EA GEAR BOX W/LINKAGE-STRAIGHT	1101426
			CONTACT WINNEBAGO PART SALES FOR UNLISTED COMPONENT(S)	

138637-03-000, 138637-04-000

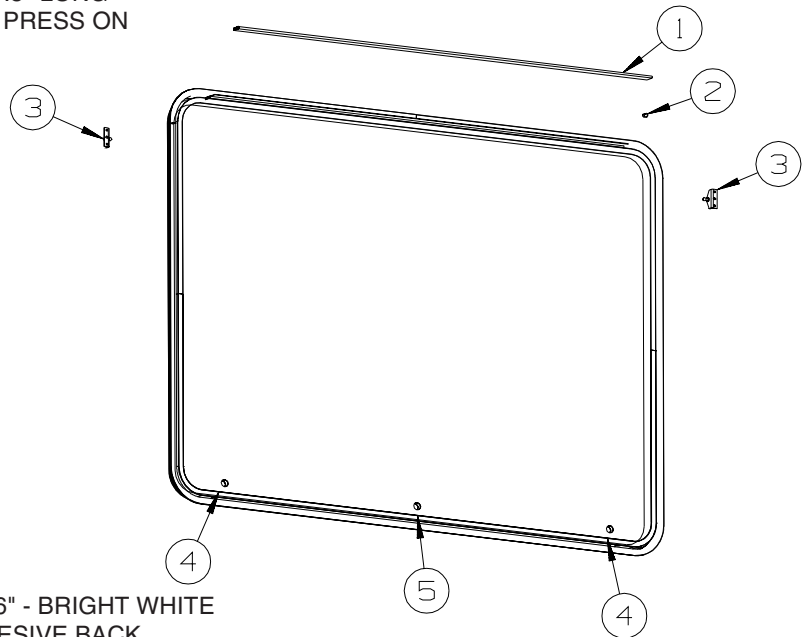
KEY	PART NUMBER	U/M	DESCRIPTION	VENDOR NO.
	110506-40-700	EA	HDWE KIT	596950AAL

**EXTERIOR DOORS & COMPARTMENTS GROUP (CONTINUED)**  
**COMPARTMENT DOOR PIECE PARTS**



KEY	PART NUMBER	U/M	DESCRIPTION
1	144734-01-000	EA	SPACER - COMPARTMENT DOOR LOCK - 9/16" DEEP
2	NOT USED		
3	081801-V3-000	EA	HINGE - DOOR - PIANO - 2" X 96" - BRIGHT WHITE
3	081801-FN-000	EA	HINGE - DOOR - PIANO - 2" X 96" - BLACK
4	156386-01-01A	FT	SEAL - BULB - .4" X .5" - W/ADHESIVE BACK
5*	110506-27-000	EA	LOCK - TWIST - 1.6"
	110506-55-000	EA	CASE/CYLINDER - TWIST LOCK - W/O CAM - 1.25" - 597312AA1
	110506-66-000	EA	CAM - LATCHING - DOG LEG - 1.5" LONG
6	056795-01-000	FT	TAPE-SEAL, 1/8~ X 3/8~ WIDE - PRESS ON

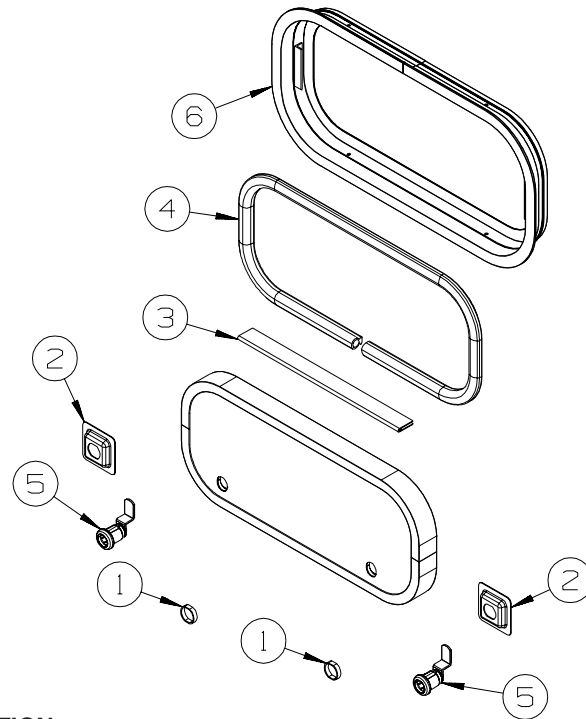
**\*COMPONENT PARTS LISTED LATER IN THIS GROUP**



KEY	PART NUMBER	U/M	DESCRIPTION
1	081801-V3-000	EA	HINGE - DOOR - PIANO - 2" X 96" - BRIGHT WHITE
2	156386-01-01A	FT	SEAL - BULB - .4" X .5" - W/ADHESIVE BACK
3	126263-02-02B	EA	BRACKET - GAS SPRING W/BALL STUD - E-COATED
4*	110506-27-000	EA	LOCK - TWIST - 1.6"
	110506-55-000	EA	CASE/CYLINDER - TWIST LOCK - W/O CAM - 1.25" - 597312AA1
	110506-66-000	EA	CAM - LATCHING - DOG LEG - 1.5" LONG
4	144734-01-000	EA	SPACER - COMPARTMENT DOOR LOCK - 9/16" DEEP
5	131035-01-000	EA	LOCK/COMPRESSION TYPE - KEYED W/CAM & HARDWARE - W/O KEY
	131035-60-000	EA	CAM - LOCK - COMPRESSION

**\*COMPONENT PARTS LISTED LATER IN THIS GROUP**

**EXTERIOR DOORS & COMPARTMENTS GROUP (CONTINUED)**  
**COMPARTMENT DOOR PIECE PARTS (CONTINUED)**



KEY	PART NUMBER	U/M	DESCRIPTION
1	144734-01-000	EA	SPACER - COMPARTMENT DOOR LOCK - 9/16" DEEP - <b>TWIST LOCK/STRATTEC LOCKS</b>
1	139325-01-000	EA	SPACER - LOCK - 6MM - <b>TRI/MARK LOCKS</b>
	139337-01-000	EA	GASKET - LOCK - <b>TRI/MARK LOCKS</b>
2	097111-02-04A	EA	POCKET - LOCK - REAR DOOR - BLACK
3	081801-V3-000	EA	HINGE - DOOR - PIANO - 2" X 96" - BRIGHT WHITE
3	081801-FN-000	EA	HINGE - DOOR - PIANO - 2" X 96" - BLACK
4	156386-01-01A	FT	SEAL - BULB - .4" X .5" - W/ADHESIVE BACK
5*	110506-27-000	EA	LOCK - TWIST - 1.6" - <b>TWIST LOCK</b>
	110506-55-000	EA	CASE/CYLINDER - TWIST LOCK - W/O CAM - 1.25" - 597312AA1 - <b>TWIST LOCK</b>
	110506-66-000	EA	CAM - LATCHING - DOG LEG - 1.5" LONG - <b>TWIST LOCK</b>
5*	138637-04-000	EA	LOCK ASM. - KEYED - 1.5" CASE (CYLINDER/CAM/HDWR PKG) - <b>KEYED LOCK/ STRATTEC</b>
	144474-01-000	EA	ADAPTER - LOCK - 180 DEGREE
	138637-63-000	EA	CAM - LATCHING - DOG LEG - 1 1/2" LONG
	138637-53-000	EA	CASE/CYLINDER - LOCKING - W/O CAM/KEY - 1.5"
	138637-53-001	EA	CASE/CYLINDER - LOCKING - W/O CAM/KEY - 1.5"
	138637-53-002	EA	CASE/CYLINDER - LOCKING - W/O CAM/KEY - 1.5"
	138637-53-003	EA	CASE/CYLINDER - LOCKING - W/O CAM/KEY - 1.5"
	138637-53-004	EA	CASE/CYLINDER - LOCKING - W/O CAM/KEY - 1.5"
	138637-53-005	EA	CASE/CYLINDER - LOCKING - W/O CAM/KEY - 1.5"
	138637-53-006	EA	CASE/CYLINDER - LOCKING - W/O CAM/KEY - 1.5"
	138637-53-007	EA	CASE/CYLINDER - LOCKING - W/O CAM/KEY - 1.5"
	138637-53-008	EA	CASE/CYLINDER - LOCKING - W/O CAM/KEY - 1.5"
	138637-53-009	EA	CASE/CYLINDER - LOCKING - W/O CAM/KEY - 1.5"
5	138290-02-000	EA	CASE - W/CAM - W/O CYLINDER/KEY - <b>KEYED ALIKE TRIMARK LOCK LISTED IN LAYOUT</b>
6	056795-01-000	FT	TAPE-SEAL, 1/8~ X 3/8~ WIDE - PRESS ON

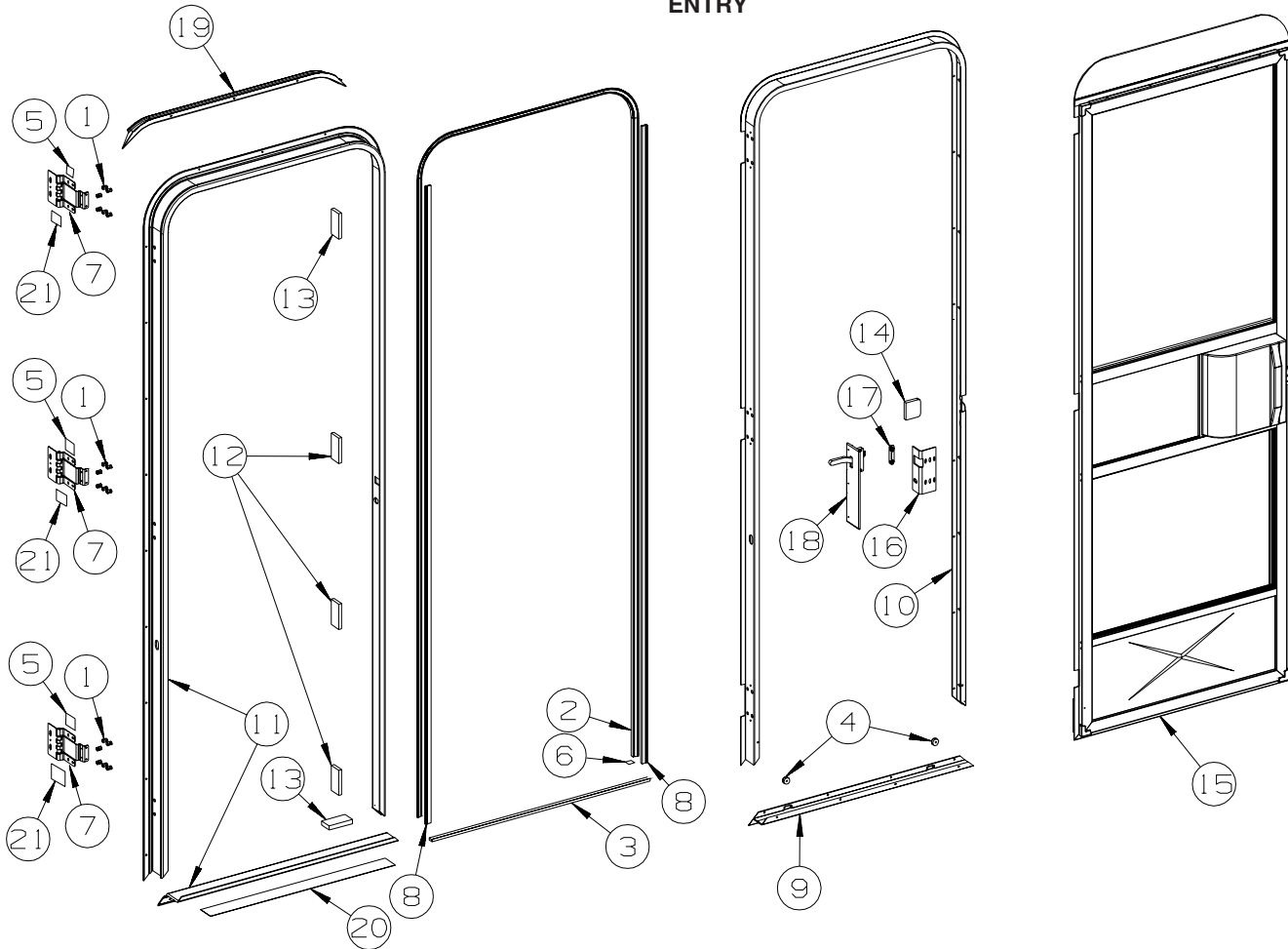
\*COMPONENT PARTS LISTED LATER IN THIS GROUP

**COMPONENT PARTS FOR COMPARTMENT DOOR PIECE PARTS**

KEY	PART NUMBER	U/M	DESCRIPTION	VENDOR NO.
			110506-A1-000, 110506-A2-000, 110506-26-000, 110506-27-000, 110506-36-000	
			138637-03-000, 138637-04-000	
KEY	PART NUMBER	U/M	DESCRIPTION	VENDOR NO.
	110506-40-700	EA	HDWE KIT	596950AAL
KEY	PART NUMBER	U/M	DESCRIPTION	VENDOR NO.
	110506-40-700	EA	HDWE KIT	596950AAL

# EXTERIOR DOORS & COMPARTMENTS GROUP (CONTINUED)

## ENTRY

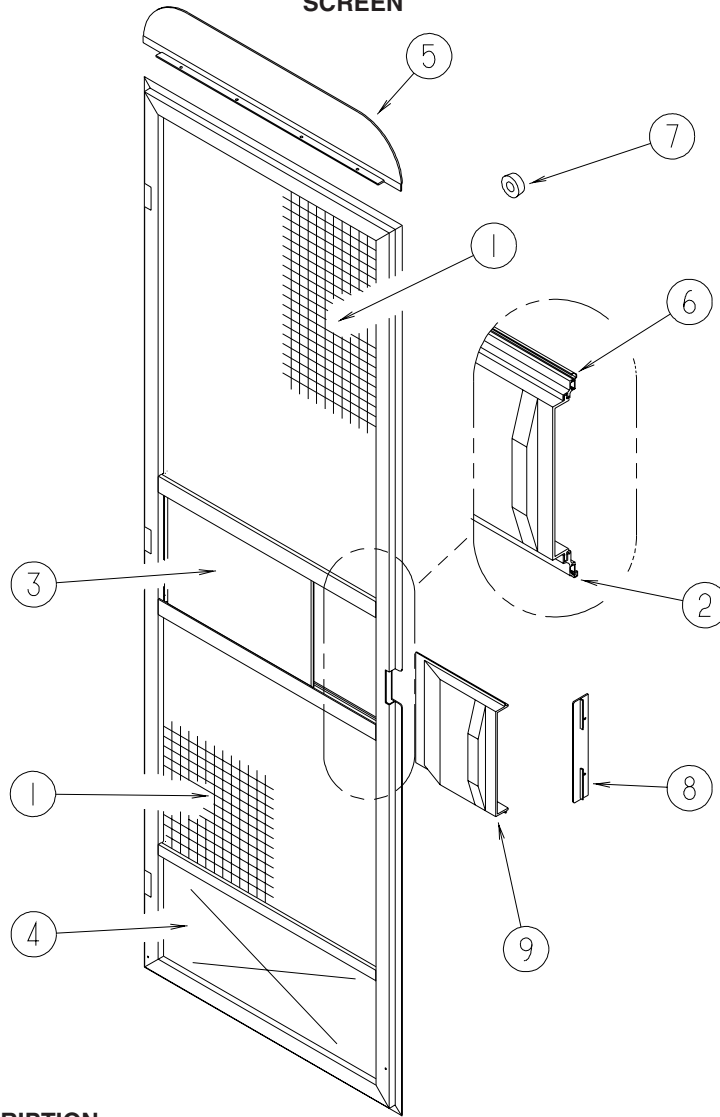


KEY	PART NUMBER	U/M	DESCRIPTION
1	039715-01-000	EA	NUT-SERT - 1/4" DIAMETER - 20 THREADS
2	075671-04-000	FT	SEAL - SPONGE - LAZY T - W/ADHESIVE STRIP - .5" WIDE
3	075673-05-000	FT	SEAL/PILE - .5" HIGH W/ADHESIVE BACK - BLACK
4	081914-02-000	EA	BUMPER - RUBBER - ROUND - 5/16" DIA. X 13/64" THICK
5	100128-02-000	FT	SEAL - FOAM/ADHESIVE BACK - .37" WIDE X .37" THICK X 60'
6	104692-01-000	FT	SEAL - ADHESIVE BACKED FOAM - 3/4" THICK X 3/4" WIDE X 25'
7	106719-01-05A	EA	HINGE - ENTRY DOOR - BRIGHT WHITE
8	118929-01-01A	FT	SEAL - PILE - PUSH ON
9	121893-01-01A	EA	FRAME - ENTRY DOOR/BOTTOM - BRIGHT WHITE
10	121894-28-01A	EA	FRAME - ENTRY DOOR - BRIGHT WHITE
11	121898-16-01A	EA	JAMB - DOOR/ENTRANCE - BRIGHT WHITE
12	125724-01-000	EA	SHIM - DOOR, ENTRANCE
13	125724-02-000	EA	SHIM - DOOR, ENTRANCE
14	130096-05-000	EA	FOAM - SCREEN DOOR, RETAINER
15	P32208-04-L07	EA	DOOR - SCREEN - W/O HARDWARE
16	137401-01-03B	EA	BRACKET - DOOR ANGLE - OFF WHITE
17	148364-01-12B	EA	STRIKE - SCREEN DOOR - BRIGHT WHITE
18	132915-01-01A	EA	LATCH - SCREEN DOOR - BLACK
19	139054-01-01A	EA	CAP - DRIP - JAMB MOUNTED - BRIGHT WHITE
20	038327-01-000	EA	TAPE - ANTI-SLIP - 2" X 60'
21	154585-01-01A	FT	SEAL - FOAM TAPE - ADHESIVE BACK - 3/8" X 3/8" - BLACK

FROM: 10-04-06 THRU: 99-99-99

# EXTERIOR DOORS & COMPARTMENTS GROUP (CONTINUED)

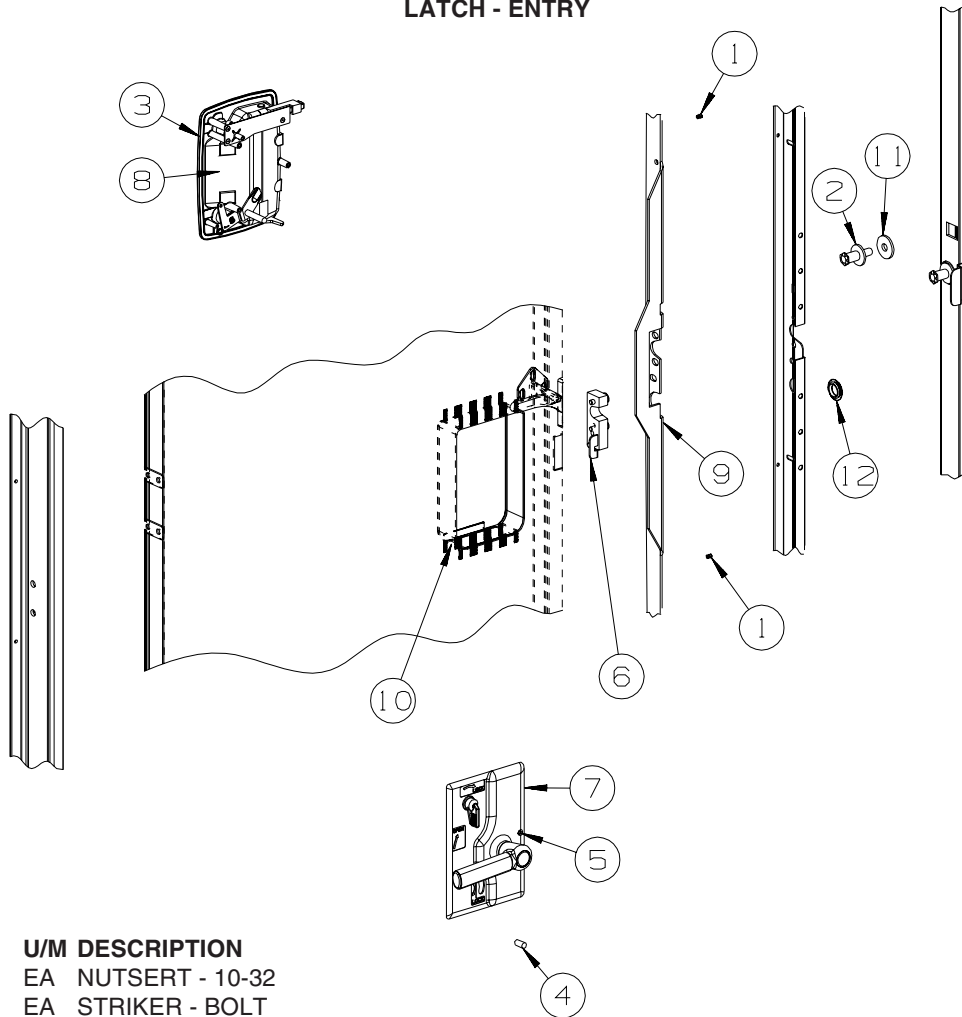
## SCREEN



KEY	PART NUMBER	U/M	DESCRIPTION
1	002293-02-000	SF	SCREEN - 26" - CHARCOAL
2	002294-01-000	FT	SPLINE - SCREENING - .13" X .14"
3	016454-21-000	EA	INSERT/CENTER - SCREEN DOOR
4	078552-03-000	EA	KICK PANEL - SCREEN DOOR - LOWER INSERT - UNPAINTED
5	078595-01-000	EA	TOP PLATE - SCREEN DOOR - CURVED TOP - 4.7" X 25.35"
6	078777-08-000	FT	CHANNEL - SLIDER - 4 FOOT INCREMENTS
7	120863-09-000	EA	BUMPER - RUBBER/RADIUS TOP - 3/4" X 3/8" - LT GRAY
8	132081-01-01A	EA	STRIKE - SLIDER - SCREEN DOOR - BRIGHT WHITE
9	132082-01-01A	EA	SLIDER - SCREEN DOOR - BRIGHT WHITE

# EXTERIOR DOORS & COMPARTMENTS GROUP (CONTINUED)

## LATCH - ENTRY

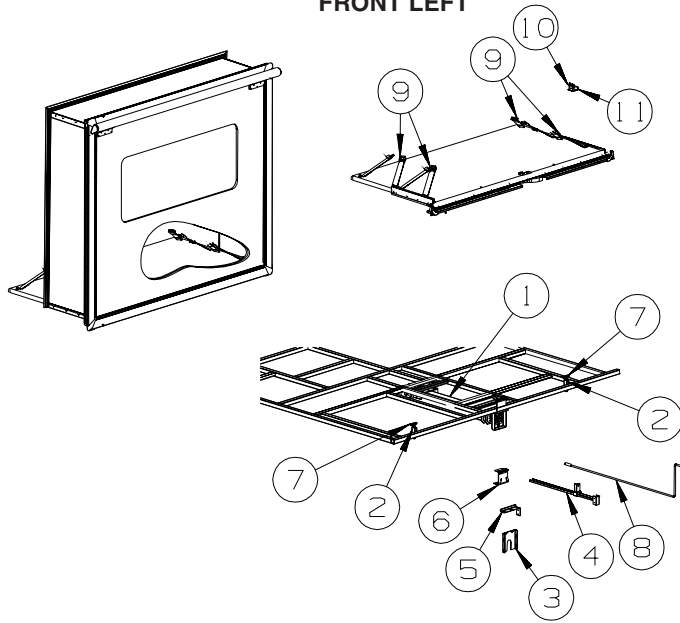


KEY	PART NUMBER	U/M	DESCRIPTION
1	072893-04-000	EA	NUTSERT - 10-32
2	092927-20-000	EA	STRIKER - BOLT
3	112782-04-01A	EA	GASKET
4	112782-05-01A	EA	CAP - VINYL - RED
5	112782-08-01A	EA	SCREW - MOUNTING/PLATE - ZINC
6	112782-22-01A	EA	LATCH - SINGLE ROTOR
7	112782-21-01A	EA	LATCH - INTERIOR PLATE
			FROM: 00-00-00 THRU: 05-28-06
7	112782-27-01A	EA	LATCH - INTERIOR PLATE - WHITE
			FROM: 05-29-06 THRU: 99-99-99
8	112782-20-01A	EA	LATCH - EXTERIOR - W/O LOCK CYLINDER W/ICON-REVERSIBLE KEY
9	132207-01-02B	EA	STIFFENER/DOOR - FORMED - E-COATED
10	137230-01-01A	EA	SPACER - NOTCHED, MILL
11	147900-01-01A	EA	SPACER - STRIKE BOLT, MILL
12	061420-14-000	EA	PLUG/PLASTIC - 7/8" DIAMETER - BLACK



## EXTERIOR SLIDEOUT GROUP

FRONT LEFT

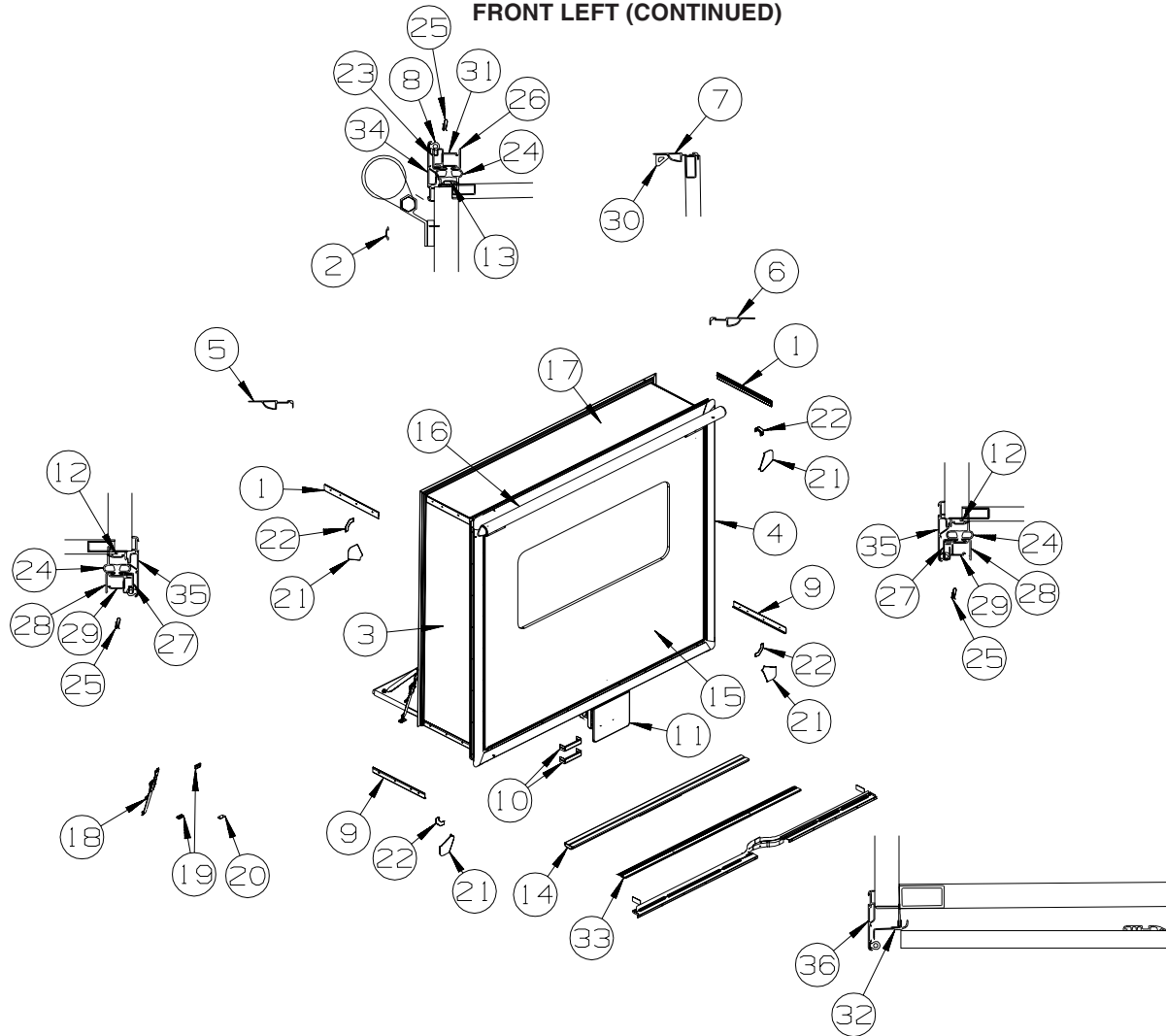


**BENCH  
DINETTE**

KEY	PART NUMBER	U/M	DESCRIPTION
1*	158945-01-000	EA	SLIDE ARM ASSEMBLY - 20"/FRONT - ELECTRIC
2	126313-09-02B	EA	SUPPORT - ROLLER - SLIDE-OUT ROOM - E-COATED
3	138082-03-02B	EA	BRACKET - COVER - E-COATED
4	141019-04-02B	EA	SUPPORT - WIRE - E-COATED
5	127828-04-02B	EA	BRACKET - F/SLIDEOUT COMPARTMENT - E-COATED
6	137964-04-02B	EA	BRACKET/MOUNT - F/SLIDEOUT - E-COATED
7	134855-01-000	EA	BEARING PAD - NARROW
8	138173-05-000	EA	WRENCH - RETRACT CRANK HANDLE - F/SLIDEOUT
9	160167-02-01A	EA	SEAT BELT - 2" X 90" - BLACK
	136995-11-02B	EA	PLATE W/BOLTS - 3.1" X 1" W/7/16" X 3" BOLTS
			FROM: 00-00-00 THRU: 05-31-06
10	150700-01-02B	EA	PLATE/MOUNTING - RESTRAINT/CHILD - 1" X 2.3" - E-COATED
11	150697-02-02B	EA	BRACKET - RESTRAINT/CHILD - E-COATED

**\*COMPONENT PARTS LISTED LATER IN THIS GROUP**

**EXTERIOR SLIDEOUT GROUP (CONTINUED)**  
**FRONT LEFT (CONTINUED)**



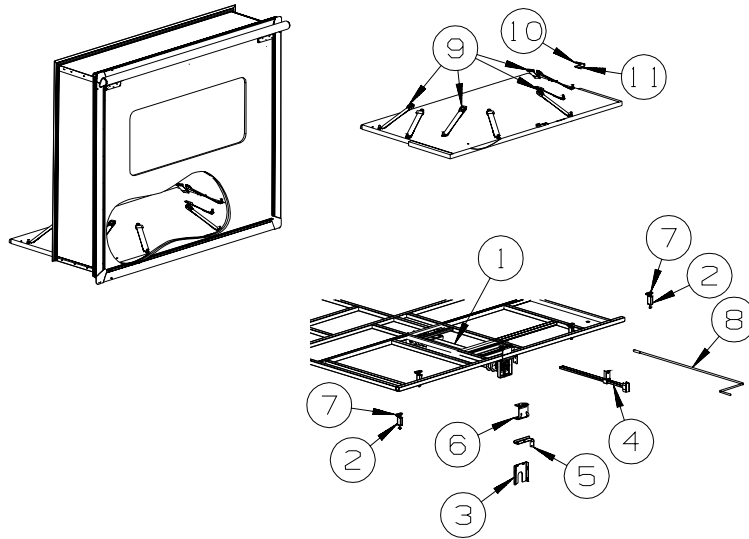
**BENCH  
DINETTE**

KEY	PART NUMBER	U/M	DESCRIPTION
1	158375-03-01A	EA	TRIM - FEATURE STRIP - 20.6" - BRIGHT WHITE
2	105312-01-07A	FT	INSERT - FEATURE STRIP - VINYL - BRIGHT WHITE
3	157247-01-U01	EA	PANEL END - F/SLIDEOUT (U01, U02)
			FROM: 00-00-00 THRU: 02-11-07
3	162977-01-U01	EA	PANEL END - F/SLIDEOUT (U01, U02)
			FROM: 02-12-07 THRU: 99-99-99
3	157247-01-U03	EA	PANEL END - F/SLIDEOUT (U03, U04)
			FROM: 00-00-00 THRU: 02-11-07
3	162977-01-U03	EA	PANEL END - F/SLIDEOUT (U03, U04)
			FROM: 02-12-07 THRU: 99-99-99
4	157361-01-U01	EA	PANEL END - F/SLIDEOUT (U01, U02)
			FROM: 00-00-00 THRU: 02-11-07
4	162977-03-U01	EA	PANEL END - F/SLIDEOUT (U01, U02)
			FROM: 02-12-07 THRU: 99-99-99
4	157361-01-U01	EA	PANEL END - F/SLIDEOUT (U03, U04)
			FROM: 00-00-00 THRU: 02-11-07
4	162977-03-U03	EA	PANEL END - F/SLIDEOUT (U03, U04)
			FROM: 02-12-07 THRU: 99-99-99
5	139624-01-02A	EA	TRIM/SEAL - INNER/RIGHT HAND - 73.4" - ALMOND
6	139624-02-02A	EA	TRIM/SEAL - INNER/LEFT HAND - 73.4" - BRIGHT WHITE
7	139624-32-02A	EA	TRIM/SEAL - INNER/TOP - 89.5" - BRIGHT WHITE
8	158297-01-000	FT	SEAL - D-SECTION/BULB/TEE - ADHESIVE BACK - BLACK
9	158030-01-01A	EA	TRIM - FEATURE STRIP/LOWER - 2.3" X 20" - BRIGHT WHITE
			FROM: 00-00-00 THRU: 02-11-07
9	163020-06-01A	EA	TRIM - FEATURE STRIP/LOWER - 2.3" X 19.8" - BRT WHT
			FROM: 02-12-07 THRU: 99-99-99
10	138083-02-02B	EA	BRACKET - COVER - E-COATED
11	140615-04-U01	EA	COVER - RAM - BRIGHT WHITE

**EXTERIOR SLIDEOUT GROUP (CONTINUED)**  
**FRONT LEFT (CONTINUED)**

KEY	PART NUMBER	U/M	DESCRIPTION
12	133954-48-01A	EA	TRIM/SEAL - 71.7" - BRIGHT WHITE FROM: 00-00-00 THRU: 05-07-06
12	146606-48-01A	EA	TRIM/RETAINER - 85.1" - BRIGHT WHITE FROM: 05-08-06 THRU: 99-99-99
12	133954-51-01A	EA	TRIM/SEAL - 86" - BRIGHT WHITE FROM: 00-00-00 THRU: 05-07-06
13	146606-51-01A	EA	TRIM/RETAINER - 86" - BRIGHT WHITE FROM: 05-08-06 THRU: 99-99-99
14	134756-01-L76	EA	RAMP - FABRIC COVERED - F/SLIDEOUT - 66.9"
15	158449-11-U07	EA	SLUG - F/SLIDEOUT (U01, U02)
15	158449-11-U09	EA	SLUG - F/SLIDEOUT (U03, U04)
16	122977-05-03A	EA	AWNING/SLIDEOUT W/COVER - 90" - VINYL WRAP/WHITE
17	158464-01-U07	EA	ROOF - F/SLIDEOUT
18	135619-01-01A	EA	STRAP - TIEDOWN - SLIDEOUT ROOM
19	135619-02-01A	EA	PLATE - TIEDOWN - SLIDEOUT ROOM
20	135622-01-02B	EA	PLATE - TIEDOWN - SLIDEOUT ROOM
21	156151-01-02A	EA	PROTECTOR - CORNER - SLIDEOUT - BRIGHT WHITE
22	156416-01-12B	EA	BRACKET - CORNER TRIM/SLIDEOUT - 3.1"X 3.1" - BRIGHT WHITE FROM: 00-00-00 THRU: 11-05-06
22	156416-01-02B	EA	BRACKET - CORNER TRIM/SLIDEOUT - 3.1"X 3.1" - E-COATED FROM: 11-06-06 THRU: 12-31-06
22	160421-01-01A	EA	CORNER TRIM/SLIDEOUT - 3.1"X 3.1" - BLACK FROM: 01-01-07 THRU: 99-99-99
23	136824-46-01A	EA	TRIM - SIDEWALL/SLIDEOUT - 90.7" - BRIGHT WHITE
24	136978-01-01A	EA	SEAL - SLIDEOUT - SINGLE WIPE LIP - BLACK
25	142549-01-000	EA	CLIP - "S" TYPE
26	151761-19-02A	EA	TRIM - SIDEWALL/SLIDEOUT/TOP - 90.7" - ALMOND
27	136824-31-01A	EA	TRIM - SIDEWALL/SLIDEOUT - 73.6" - BRIGHT WHITE
28	151760-16-02A	EA	TRIM - SIDEWALL/SLIDEOUT - 73.6" - ALMOND FROM: 00-00-00 THRU: 07-31-06
28	151760-17-02A	EA	TRIM - SIDEWALL/SLIDEOUT - 73" - ALMOND FROM: 08-01-06 THRU: 99-99-99
29	142718-01-01A	EA	RETAINER - SIDEWALL/SLIDEOUT - 72.8"
30	146056-01-000	FT	SEAL - TRIANGLE - W/PSA
31	142718-33-01A	EA	RETAINER - SIDEWALL/SLIDEOUT - 89.4"
32	140282-08-U01	EA	TRIM - SIDEWALL - 90.5" - BRIGHT WHITE FROM: 00-00-00 THRU: 07-23-06
32	159111-03-U01	EA	TRIM/ZEE - W/SEAL/END CAPS - SIDEWALL/LOWER-90.6" FROM: 07-24-06 THRU: 99-99-99
33	134837-01-01A	EA	RAMP - SLIDEOUT - BLACK PVC
34	156417-40-01A	EA	TRIM/SEAL - W/MITERED ENDS - 87.8" - BRIGHT WHITE
35	156417-03-01A	EA	TRIM/SEAL - W/MITERED ENDS - 73.5" - BRIGHT WHITE
36	142233-27-01A	EA	TRIM/SEAL - W/MITERED ENDS - 87.8" - BRIGHT WHITE
	149821-21-01A	EA	TRIM/ANGLE - SIDEWALL - BLACK - 1/2" X 1/2" X 30.1" FROM: 00-00-00 THRU: 07-23-06
	149821-22-01A	EA	TRIM/ANGLE - SIDEWALL - BLACK - 1/2" X 1/2" X 37.3" FROM: 00-00-00 THRU: 07-23-06
	123012-02-000	FT	SEAL - SLIDEOUT - .09"/.13" THICK X 2" - W/ADHESIVE FROM: 00-00-00 THRU: 07-23-06
	157809-01-01A	EA	SEAL - FOAM BLOCK/RIGHT SIDE - ADHESIVE BACK FROM: 00-00-00 THRU: 02-11-07
	157809-02-01A	EA	SEAL - FOAM BLOCK/LEFT SIDE - ADHESIVE BACK FROM: 00-00-00 THRU: 02-11-07

**EXTERIOR SLIDEOUT GROUP (CONTINUED)**  
**FRONT LEFT (CONTINUED)**

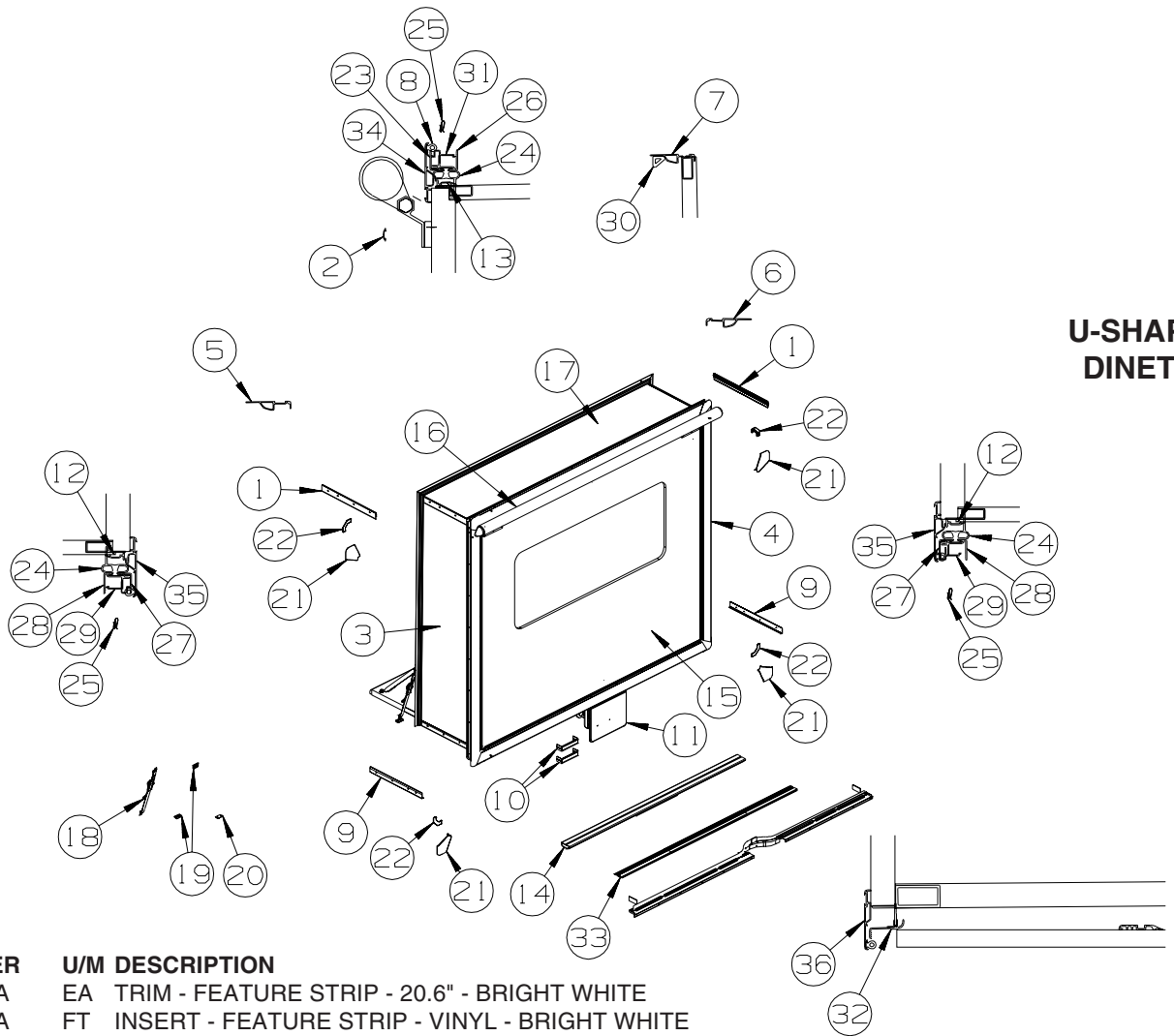


**U-SHAPED  
DINETTE**

<b>KEY</b>	<b>PART NUMBER</b>	<b>U/M</b>	<b>DESCRIPTION</b>
1*	158945-01-000	EA	SLIDE ARM ASSEMBLY - 20"/FRONT - ELECTRIC
2	126313-09-02B	EA	SUPPORT - ROLLER - SLIDE-OUT ROOM - E-COATED
3	138082-03-02B	EA	BRACKET - COVER - E-COATED
4	141019-04-02B	EA	SUPPORT - WIRE - E-COATED
5	127828-04-02B	EA	BRACKET - F/SLIDEOUT COMPARTMENT - E-COATED
6	137964-04-02B	EA	BRACKET/MOUNT - F/SLIDEOUT - E-COATED
7	134855-01-000	EA	BEARING PAD - NARROW
8	138173-05-000	EA	WRENCH - RETRACT CRANK HANDLE - F/SLIDEOUT
9	160167-02-01A	EA	SEAT BELT - 2" X 90" - BLACK
	136995-11-02B	EA	PLATE W/BOLTS - 3.1" X 1" W/7/16" X 3" BOLTS
			FROM: 00-00-00 THRU: 05-31-06
10	150700-01-02B	EA	PLATE/MOUNTING - RESTRAINT/CHILD - 1" X 2.3" - E-COATED
11	150697-02-02B	EA	BRACKET - RESTRAINT/CHILD - E-COATED

**\*COMPONENT PARTS LISTED LATER IN THIS GROUP**

**EXTERIOR SLIDEOUT GROUP (CONTINUED)**  
**FRONT LEFT (CONTINUED)**



**U-SHAPED  
DINETTE**

KEY	PART NUMBER	U/M	DESCRIPTION
1	158375-03-01A	EA	TRIM - FEATURE STRIP - 20.6" - BRIGHT WHITE
2	105312-01-07A	FT	INSERT - FEATURE STRIP - VINYL - BRIGHT WHITE
3	157247-01-U01	EA	PANEL END - F/SLIDEOUT (U01, U02)
			FROM: 00-00-00 THRU: 02-11-07
3	162977-01-U01	EA	PANEL END - F/SLIDEOUT (U01, U02)
			FROM: 02-12-07 THRU: 99-99-99
3	157247-01-U03	EA	PANEL END - F/SLIDEOUT (U03, U04)
			FROM: 00-00-00 THRU: 02-11-07
3	162977-01-U03	EA	PANEL END - F/SLIDEOUT (U03, U04)
			FROM: 02-12-07 THRU: 99-99-99
4	157361-01-U01	EA	PANEL END - F/SLIDEOUT (U01, U02)
			FROM: 00-00-00 THRU: 02-11-07
4	162977-03-U01	EA	PANEL END - F/SLIDEOUT (U01, U02)
			FROM: 02-12-07 THRU: 99-99-99
4	157361-01-U01	EA	PANEL END - F/SLIDEOUT (U03, U04)
			FROM: 00-00-00 THRU: 02-11-07
4	162977-03-U03	EA	PANEL END - F/SLIDEOUT (U03, U04)
			FROM: 02-12-07 THRU: 99-99-99
5	139624-01-02A	EA	TRIM/SEAL - INNER/RIGHT HAND - 73.4" - ALMOND
6	139624-02-02A	EA	TRIM/SEAL - INNER/LEFT HAND - 73.4" - BRIGHT WHITE
7	139624-32-02A	EA	TRIM/SEAL - INNER/TOP - 89.5" - BRIGHT WHITE
8	158297-01-000	FT	SEAL - D-SECTION/BULB/TEE - ADHESIVE BACK - BLACK
9	158030-01-01A	EA	TRIM - FEATURE STRIP/LOWER - 2.3" X 20" - BRIGHT WHITE
			FROM: 00-00-00 THRU: 02-11-07
9	163020-06-01A	EA	TRIM - FEATURE STRIP/LOWER - 2.3" X 19.8" - BRT WHT
			FROM: 02-12-07 THRU: 99-99-99
10	138083-02-02B	EA	BRACKET - COVER - E-COATED
11	140615-04-U01	EA	COVER - RAM - BRIGHT WHITE

**EXTERIOR SLIDEOUT GROUP (CONTINUED)**  
**FRONT LEFT (CONTINUED)**

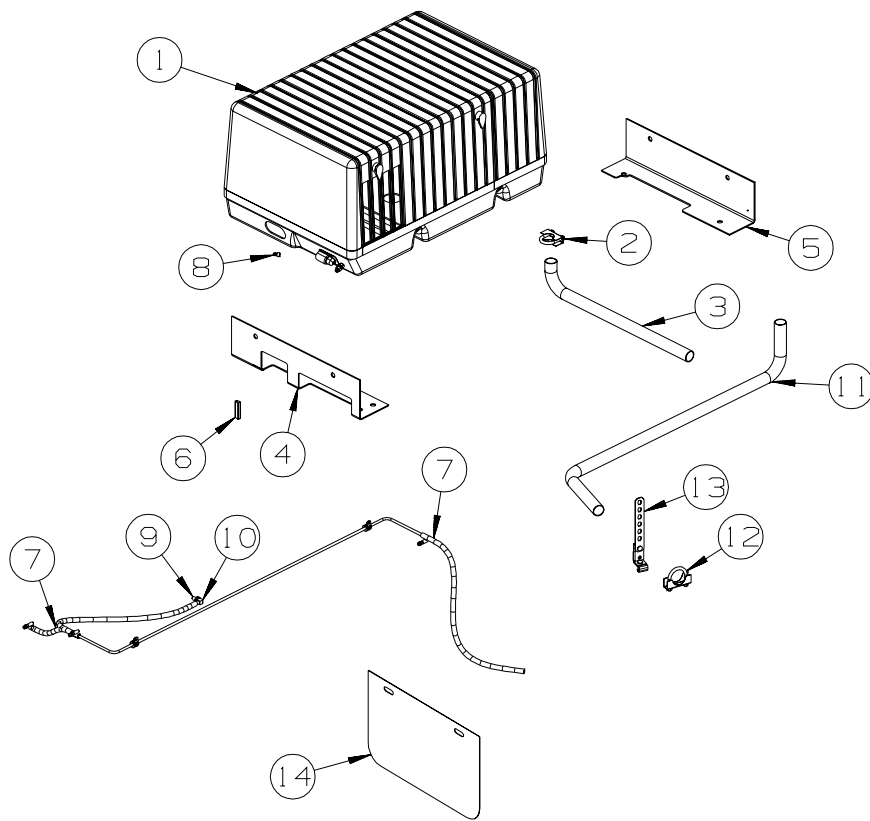
KEY	PART NUMBER	U/M	DESCRIPTION
12	133954-48-01A	EA	TRIM/SEAL - 71.7" - BRIGHT WHITE FROM: 00-00-00 THRU: 05-07-06
12	146606-48-01A	EA	TRIM/RETAINER - 85.1" - BRIGHT WHITE FROM: 05-08-06 THRU: 99-99-99
12	133954-51-01A	EA	TRIM/SEAL - 86" - BRIGHT WHITE FROM: 00-00-00 THRU: 05-07-06
13	146606-51-01A	EA	TRIM/RETAINER - 86" - BRIGHT WHITE FROM: 05-08-06 THRU: 99-99-99
14	134756-01-L76	EA	RAMP - FABRIC COVERED - F/SLIDEOUT - 66.9"
15	158449-11-U07	EA	SLUG - F/SLIDEOUT (U01, U02)
15	158449-11-U09	EA	SLUG - F/SLIDEOUT (U03, U04)
16	122977-05-03A	EA	AWNING/SLIDEOUT W/COVER - 90" - VINYL WRAP/WHITE
17	158464-02-U07	EA	ROOF - F/SLIDEOUT
18	135619-01-01A	EA	STRAP - TIEDOWN - SLIDEOUT ROOM
19	135619-02-01A	EA	PLATE - TIEDOWN - SLIDEOUT ROOM
20	135622-01-02B	EA	PLATE - TIEDOWN - SLIDEOUT ROOM
21	156151-01-02A	EA	PROTECTOR - CORNER - SLIDEOUT - BRIGHT WHITE
22	156416-01-12B	EA	BRACKET - CORNER TRIM/SLIDEOUT - 3.1"X 3.1" - BRIGHT WHITE FROM: 00-00-00 THRU: 11-05-06
22	156416-01-02B	EA	BRACKET - CORNER TRIM/SLIDEOUT - 3.1"X 3.1" - E-COATED FROM: 11-06-06 THRU: 12-31-06
22	160421-01-01A	EA	CORNER TRIM/SLIDEOUT - 3.1"X 3.1" - BLACK FROM: 01-01-07 THRU: 99-99-99
23	136824-46-01A	EA	TRIM - SIDEWALL/SLIDEOUT - 90.7" - BRIGHT WHITE
24	136978-01-01A	EA	SEAL - SLIDEOUT - SINGLE WIPE LIP - BLACK
25	142549-01-000	EA	CLIP - "S" TYPE
26	151761-19-02A	EA	TRIM - SIDEWALL/SLIDEOUT/TOP - 90.7" - ALMOND
27	136824-31-01A	EA	TRIM - SIDEWALL/SLIDEOUT - 73.6" - BRIGHT WHITE
28	151760-16-02A	EA	TRIM - SIDEWALL/SLIDEOUT - 73.6" - ALMOND FROM: 00-00-00 THRU: 07-31-06
28	151760-17-02A	EA	TRIM - SIDEWALL/SLIDEOUT - 73" - ALMOND FROM: 08-01-06 THRU: 99-99-99
29	142718-01-01A	EA	RETAINER - SIDEWALL/SLIDEOUT - 72.8"
30	146056-01-000	FT	SEAL - TRIANGLE - W/PSA
31	142718-33-01A	EA	RETAINER - SIDEWALL/SLIDEOUT - 89.4"
32	140282-08-U01	EA	TRIM - SIDEWALL - 90.5" - BRIGHT WHITE FROM: 00-00-00 THRU: 07-23-06
32	159111-03-U01	EA	TRIM/ZEE - W/SEAL/END CAPS - SIDEWALL/LOWER-90.6" FROM: 07-24-06 THRU: 99-99-99
33	134837-01-01A	EA	RAMP - SLIDEOUT - BLACK PVC
34	156417-40-01A	EA	TRIM/SEAL - W/MITERED ENDS - 87.8" - BRIGHT WHITE
35	156417-03-01A	EA	TRIM/SEAL - W/MITERED ENDS - 73.5" - BRIGHT WHITE
36	142233-27-01A	EA	TRIM/SEAL - W/MITERED ENDS - 87.8" - BRIGHT WHITE
	149821-21-01A	EA	TRIM/ANGLE - SIDEWALL - BLACK - 1/2" X 1/2" X 30.1" FROM: 00-00-00 THRU: 07-23-06
	149821-22-01A	EA	TRIM/ANGLE - SIDEWALL - BLACK - 1/2" X 1/2" X 37.3" FROM: 00-00-00 THRU: 07-23-06
	123012-02-000	FT	SEAL - SLIDEOUT - .09"/.13" THICK X 2" - W/ADHESIVE FROM: 00-00-00 THRU: 07-23-06
	157809-01-01A	EA	SEAL - FOAM BLOCK/RIGHT SIDE - ADHESIVE BACK FROM: 00-00-00 THRU: 02-11-07
	157809-02-01A	EA	SEAL - FOAM BLOCK/LEFT SIDE - ADHESIVE BACK FROM: 00-00-00 THRU: 02-11-07

**EXTERIOR SLIDEOUT GROUP (CONTINUED)**  
**COMPONENT PARTS FOR FRONT LEFT**

158945-01-000

<b>KEY</b>	<b>PART NUMBER</b>	<b>U/M</b>	<b>DESCRIPTION</b>	<b>VENDOR NO.</b>
	138173-01-700	EA	PIN/CLEVIS - PLATED/FRONT	1213810
	138173-01-705	EA	WEAR PAD - PLASTIC	1612531
	138173-01-706	EA	MOTOR - DRIVE W/WORM SHAFT	1820106
	138173-01-707	EA	WEAR PUCK - PLASTIC F/DRIVE	1612523
	138173-01-710	EA	MOUNT PLATE W/STUDS	7201098
	138173-01-711	EA	BOLT/SHOULDER 3/8 X 1/2	1203734
	140457-01-701	EA	ROLLER - 1"OD X 1/2"ID	1614006
	140457-01-704	EA	SHAFT/AXLE - REAR ROLLER	7204523
	142598-01-701	EA	TUBE/INNER - RH & LH	7201154
	142598-02-700	EA	TUBE/OUTER -LH (REAR)	7201150

# GENERATOR GROUP GAS



KEY	PART NUMBER	U/M	DESCRIPTION
1	109982-03-000	EA	GENERATOR - 4.0 MICROLITE - ONAN
2	007125-04-000	EA	CLAMP - MUFFLER - 1.12"DIAMETER
3	105958-08-000	EA	PIPE - EXHAUST/GENERATOR - 1.5" OD X 3.1" X 19.7" - 229T, 231C
4	114070-02-02B	EA	SUPPORT - GENERATOR - LEFT
5	114071-02-02B	EA	SUPPORT - GENERATOR - RIGHT
6	113452-01-000	FT	SEAL/TRIM - FRONT - VINYL W/WIRE CARRIER - .020
7	128139-03-000	FT	HOSE - FUEL - LOW PERMEABILITY - 1/4" DIAMETER
8	084884-01-000	EA	PLUG - BRASS - 3/8"
9	068382-06-000	EA	BUSHING - 3/8"MPT X 1/8"FPT - BRASS - CHEVY
10	114253-01-000	EA	ELBOW - 1/4 SINGLE BARB X 1/8 MPT - CHEVY
11	143954-02-000	EA	PIPE/EXHAUST - GENERATOR - 222B, 224V, 226A, 228P
12	007125-03-000	EA	CLAMP - MUFFLER - 1.5"DIAMETER - 222B, 224V, 226A, 228P
13	007131-01-000	EA	HANGER - TAILPIPE - 6 SLOTS - 222B, 224V, 226A, 228P
14	149346-04-02B	EA	SHIELD - HEAT EXHAUST - E-COATED - 222B, 224V, 226A



## HEATING & A/C GROUP

### FURNACE

KEY	PART NUMBER	U/M	DESCRIPTION
	009198-01-000	FT	DUCT - HEAT - FLEXIBLE - 4" ID X 25'
	009198-02-000	FT	DUCT - HEAT - FLEXIBLE - 2" ID X 25'
	009200-01-000	EA	TAPE - FURNACE - 1 1/2"
	056464-09-000	EA	REGISTER W/DAMPER - 4" DIAMETER - PLASTIC - BEIGE
	056464-10-000	EA	REGISTER W/O DAMPER - 4" DIAMETER - PLASTIC - BEIGE
	056464-11-000	EA	REGISTER W/DAMPER - 4" DIAMETER - PLASTIC - OFF WHITE
	069636-02-000	EA	CONNECTOR - DUCT - 4" ID
	089367-02-000	EA	TEE - 4" X 2" X 4"
	093614-01-02A	EA	GRILLE - AIR RETURN - 15.9" X 7.9" - BEIGE
	093614-08-02A	EA	GRILLE - AIR RETURN - 9.8" X 13.9" - BEIGE
	093614-11-01A	EA	GRILLE - AIR RETURN - 13.9" X 7.9" - BEIGE
	098668-23-000	EA	DOOR - ACCESS - FURNACE - BRIGHT WHITE
	118761-01-000	EA	REDUCER - 4"-2" - GALVANIZED
*	139980-01-000	EA	FURNACE - 25000 BTU - SF QUIET - SUBURBAN SF-25 2320J - FURNACE-25,000 BTU
*	139980-02-000	EA	FURNACE - 30000 BTU - SF QUIET - SUBURBAN SF-30 2321J - FURNACE-30,000 BTU
	157225-01-05A	EA	OUTLET - DEFROSTER - W/SWIVEL - 2" SLEEVE/4"OD -RIVERSTONE

**\*COMPONENT PARTS LISTED LATER IN THIS GROUP**

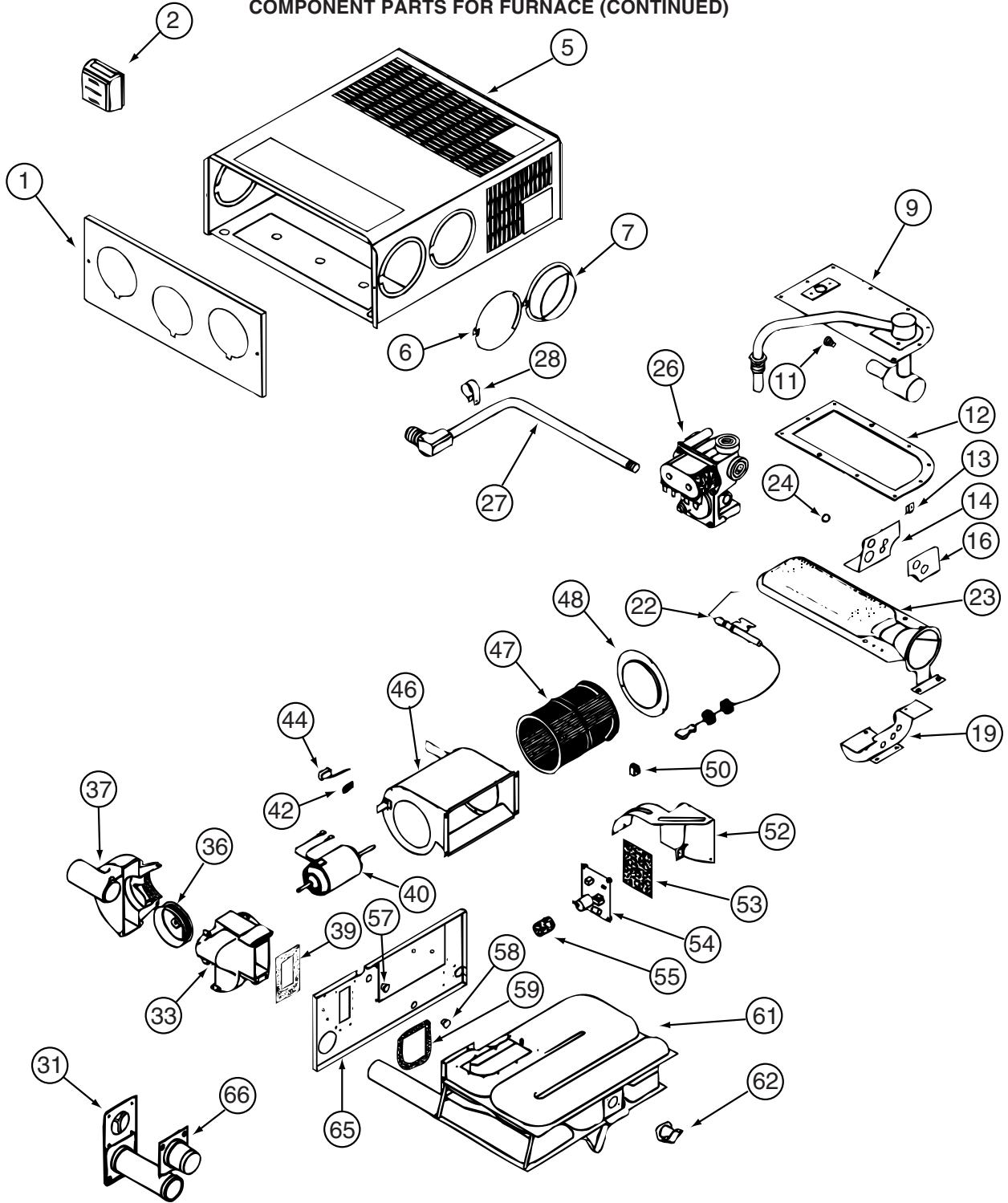


**HEATING & A/C GROUP (CONTINUED)**  
**COMPONENT PARTS FOR FURNACE (CONTINUED)**

139980-01-000 (CONTINUED)

KEY	PART NUMBER	U/M	DESCRIPTION	VENDOR NO.
9	139980-01-700	EA	MANIFOLD ASSEMBLY	171571
11	090039-01-703	EA	ORIFICE-MAIN BURNER	180193
12	098668-22-703	EA	GASKET - BURNER ACCESS COVER	070811
22	139980-01-701	EA	ELECTRODE	232286
23	098668-01-703	EA	BURNER ASSEMBLY	010762
26	098668-01-718	EA	VALVE-GAS SF S.N.974903079	161122
27	139980-01-702	EA	PIPE ASSEMBLY/GAS INLET	171574
31	098668-01-707	EA	TUBE ASSEMBLY, EXHAUST W/CAP	260231
33	139980-01-703	EA	HOUSING/COMB. - FRONT/HALF	390852
36	098668-01-706	EA	WHEEL-COMBUSTION AIR	350184
37	139980-01-704	EA	HOUSING/COMB. - REAR/HALF	390848
39	139980-01-705	EA	GASKET/FIREWALL-COMB AIR	071084
40	139980-01-706	EA	MOTOR ASSEMBLY W/GASKET	232682
42	101990-01-714	EA	GASKET-MICROSWITCH	230877
44	098668-21-700	EA	SWITCH-MICRO-W/O FLAG 3 1/4"	232261
46	139980-01-708	EA	BLOWER ASSEMBLY - ROOM AIR	390739BK
47	098668-01-711	EA	WHEEL-BLOWER, ROOM AIR	350129
48	139980-01-709	EA	ORFICE RING	390696
50	139980-01-710	EA	SWITCH - ON/OFF	232351
52	139980-01-711	EA	PANEL ASSEMBLY-MODULE BD	101663
53	139980-01-712	EA	INSULATOR - MODULE BD	070807
54	098668-22-705	EA	MODULE BD W/RELAY TIME DELAY	520820
55	139980-01-713	EA	CAP/INSULATOR-MODULE BD	070973
57	139980-01-714	EA	BUSHING - UNIVERSAL	070362
58	139980-01-715	EA	BUSHING - STRAIN RELIEF	231809
59	098668-01-716	EA	GASKET-FIREWALL,CHAMBER SIDE	070808
61	139980-01-716	EA	CHAMBER ASSEMBLY - FINAL	021149BK
62	098668-21-701	EA	SWITCH - LIMIT	232504
66	098668-01-713	EA	TUBE ASSEMBLY, INTAKE	051248
	098668-19-700	EA	DOOR/CABINET ACCESS	101888
	139980-02-700	EA	BLOWER ASM-1/2 HOUSING/OUTER	390851
	139980-02-701	EA	BLOWER ASM-1/2 HOUSING/INNER	390872
			CONTACT WINNEBAGO PART SALES FOR UNLISTED COMPONENT(S)	

**HEATING & A/C GROUP (CONTINUED)**  
**COMPONENT PARTS FOR FURNACE (CONTINUED)**



139980-02-000

**HEATING & A/C GROUP (CONTINUED)**  
**COMPONENT PARTS FOR FURNACE (CONTINUED)**

139980-02-000 (CONTNUED)

KEY	PART NUMBER	U/M	DESCRIPTION	VENDOR NO.
9	139980-01-700	EA	MANIFOLD ASSEMBLY	171571
11	092300-02-701	EA	ORIFICE-MAIN BURNER (NT-30BW	180214
12	098668-22-703	EA	GASKET - BURNER ACCESS COVER	070811
22	139980-01-701	EA	ELECTRODE	232286
23	098668-02-700	EA	BURNER ASSEMBLY,SF-30 & SF35	010745
26	098668-01-718	EA	VALVE-GAS SF S.N.974903079	161122
27	139980-01-702	EA	PIPE ASSEMBLY/GAS INLET	171574
31	098668-01-707	EA	TUBE ASSEMBLY, EXHAUST W/CAP	260231
33	139980-01-703	EA	HOUSING/COMB. - FRONT/HALF	390852
36	098668-01-706	EA	WHEEL-COMBUSTION AIR	350184
37	139980-01-704	EA	HOUSING/COMB. - REAR/HALF	390848
39	139980-01-705	EA	GASKET/FIREWALL-COMB AIR	071084
40	139980-01-706	EA	MOTOR ASSEMBLY W/GASKET	232682
42	101990-01-714	EA	GASKET-MICROSWITCH	230877
44	098668-21-700	EA	SWITCH-MICRO-W/O FLAG 3 1/4"	232261
46	139980-01-708	EA	BLOWER ASSEMBLY - ROOM AIR	390739BK
47	098668-01-711	EA	WHEEL-BLOWER, ROOM AIR	350129
48	139980-01-709	EA	ORFICE RING	390696
50	139980-01-710	EA	SWITCH - ON/OFF	232351
52	139980-01-711	EA	PANEL ASSEMBLY-MODULE BD	101663
53	139980-01-712	EA	INSULATOR - MODULE BD	070807
54	098668-22-705	EA	MODULE BD W/RELAY TIME DELAY	520820
55	139980-01-713	EA	CAP/INSULATOR-MODULE BD	070973
57	139980-01-714	EA	BUSHING - UNIVERSAL	070362
58	139980-01-715	EA	BUSHING - STRAIN RELIEF	231809
59	098668-01-716	EA	GASKET-FIREWALL,CHAMBER SIDE	070808
61	139980-01-716	EA	CHAMBER ASSEMBLY - FINAL	021149BK
62	098668-21-701	EA	SWITCH - LIMIT	232504
66	098668-01-713	EA	TUBE ASSEMBLY, INTAKE	051248
	139980-02-700	EA	BLOWER ASM-1/2 HOUSING/OUTER	390851
	139980-02-701	EA	BLOWER ASM-1/2 HOUSING/INNER	390872
			CONTACT WINNEBAGO PART SALES FOR UNLISTED COMPONENT(S)	

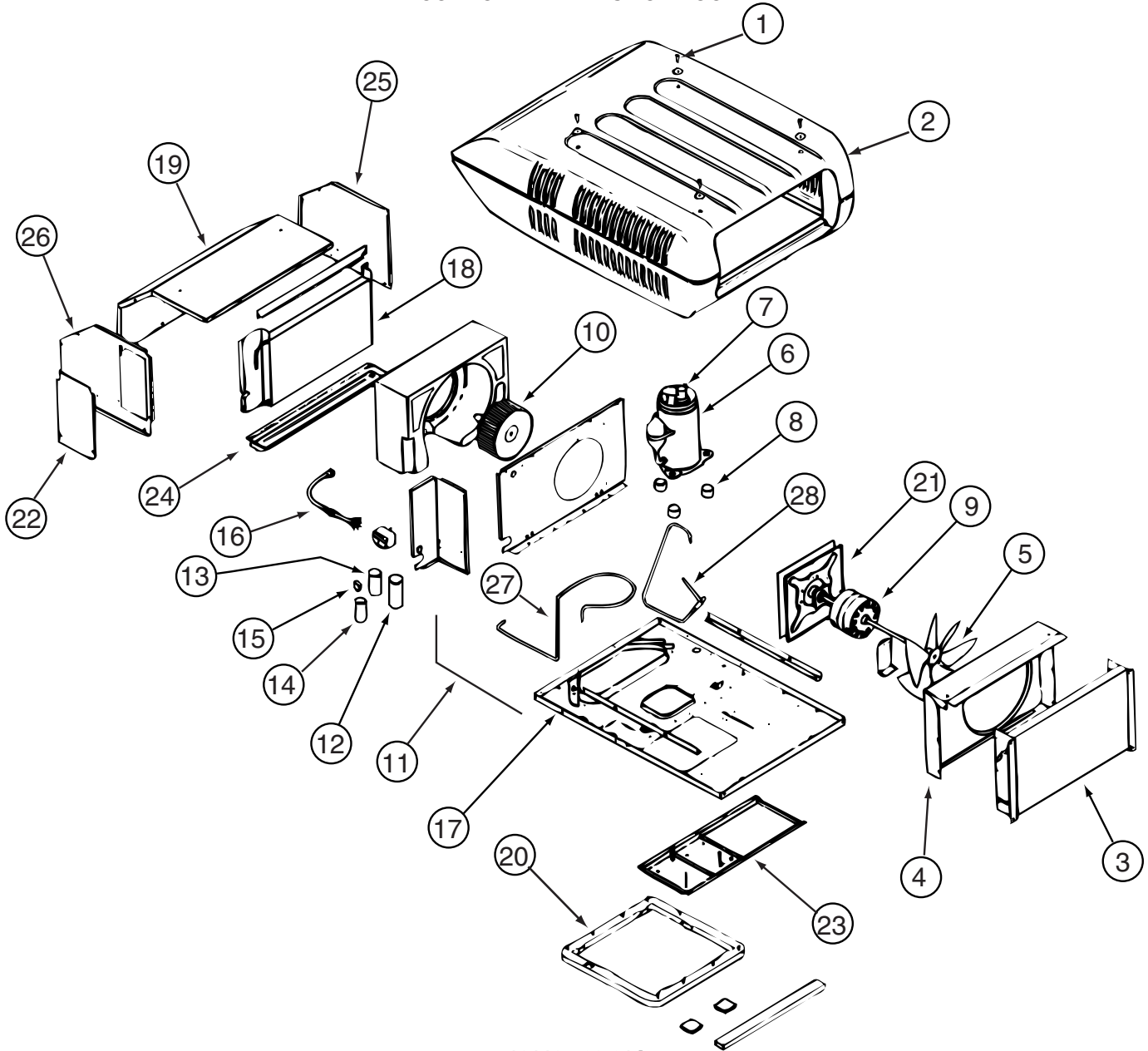
**HEATING & A/C GROUP (CONTINUED)**  
**ROOF**

<b>KEY</b>	<b>PART NUMBER</b>	<b>U/M</b>	<b>DESCRIPTION</b>
*	131185-03-01A	EA	A/C - ROOF - 13,500 BTU - MACH 3 WHITE FROM: 00-00-00 THRU: 10-29-06
	131185-04-01A	EA	A/C ROOF - 13,500 BTU - MACH 3 - 2 PIECE SHROUD STYLE FROM: 10-30-06 THRU: 99-99-99
*	131188-03-01A	EA	A/C/ROOF - 14,800 BTU/MACH 15 - NEW MODEL #8335B676 - WHT - A/C ROOF AIR 14,800 BTU FROM: 00-00-00 THRU: 10-29-06
	131188-05-01A	EA	A/C - ROOF - 14,800 BTU-MACH 15 - 2 PEICE SHROUD STYLE-WHT - A/C ROOF AIR 14,800 BTU FROM: 10-30-06 THRU: 99-99-99
*	156860-01-01A	EA	CEILING ASSEMBLY - A/C DUCTED - W/CONTROLS - WHITE

**\*COMPONENT PARTS LISTED LATER IN THIS GROUP**

## HEATING & A/C GROUP (CONTINUED)

### COMPONENT PARTS FOR ROOF



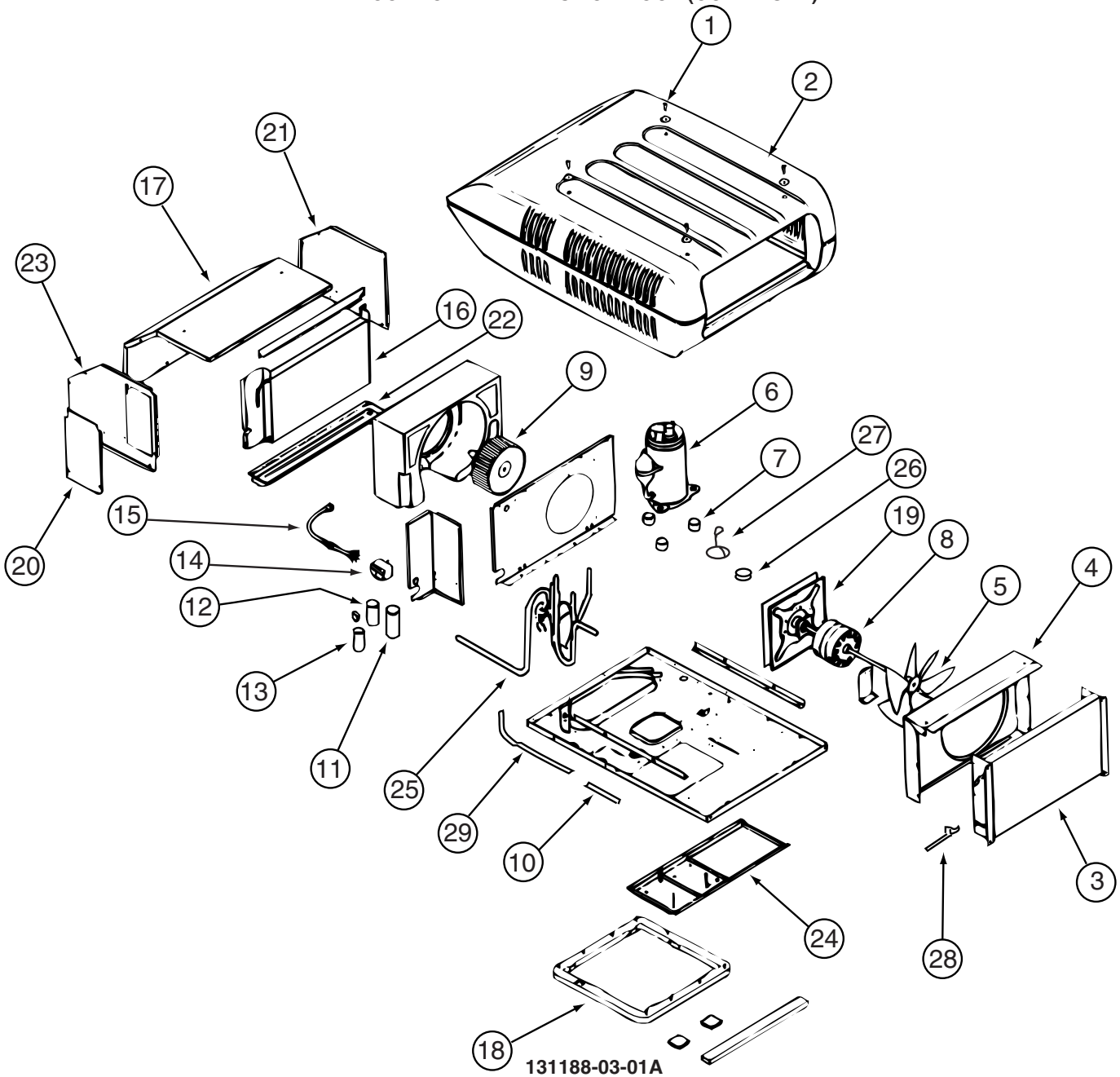
131185-03-01A

KEY	PART NUMBER	U/M	DESCRIPTION	VENDOR NO.
2	131185-03-700	EA	SHROUD-ROOF AIR W/HAIL GUARD	8333-4161
3	131185-01-700	EA	CONDENSER COIL	1452A1451
5	093763-01-712	EA	BLADE-FAN-CONDENSER	6733-3221
6	105620-01-706	EA	MOUNTING PKG.,COMP., 3 PER	6759-3081
6	131185-03-701	EA	COMPRESSOR - (PANASONIC)	1450A2059
7	131185-03-702	EA	OVERLOAD	1450-0141
9	131185-01-701	EA	MOTOR (115V, 60HZ)	1468-3069
10	131185-01-702	EA	BLOWER WHEEL PACKAGE	1472-1091
12	105620-12-725	EA	COMPRESSOR RUN CAPACITOR	1499-5731
13	108889-01-708	EA	CAPACITOR-FAN, 7.5MFD. 370U	1499-5461
15	105620-10-704	EA	START COMPACITOR	1497-0861
15	105620-10-705	EA	PTCR (START DEVICE) - W/CAP.	8333A9021
18	131185-01-703	EA	EVAPORATOR COIL	1452A1491
20	037648-01-714	EA	GASKET PACKAGE	8332-3301
21	131185-01-704	EA	MOTOR MOUNT & SEAL KIT	8333-5151
27	131185-03-704	EA	LINE - SUCTION	8333B530
28	131185-03-705	EA	LINE - DISCHARGE	8333-131
	093306-01-701	EA	DECAL PACKAGE, LEFT & RIGHT	6798B3591
	131185-03-703	EA	PAD/FILLER (COND AIR SEAL)	8332-3301

CONTACT WINNEBAGO PART SALES FOR UNLISTED COMPONENT(S)

## HEATING & A/C GROUP (CONTINUED)

### COMPONENT PARTS FOR ROOF (CONTINUED)



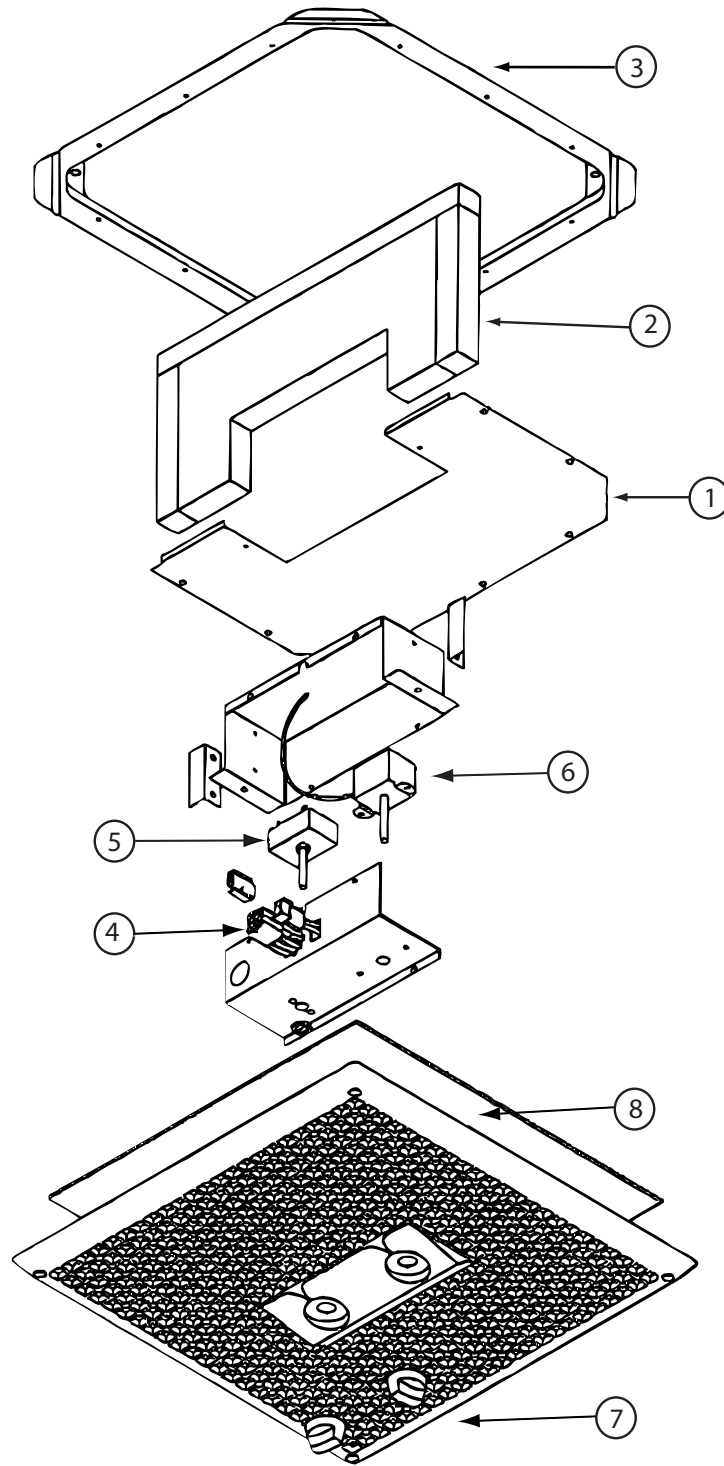
131188-03-01A

KEY	PART NUMBER	U/M	DESCRIPTION	VENDOR NO.
2	131185-03-700	EA	SHROUD-ROOF AIR W/HAIL GUARD	8333-4161
3	115219-01-700	EA	COIL-CONDENSER	1452A1321
5	093763-01-712	EA	BLADE-FAN-CONDENSER	6733-3221
6	131188-01-700	EA	COMPRESSOR - TECUMSEH	1450A2609
7	105620-01-706	EA	MOUNTING PKG.,COMP., 3 PER	6759-3081
8	131185-01-701	EA	MOTOR (115V, 60HZ)	1468-3069
9	131185-01-702	EA	BLOWER WHEEL PACKAGE	1472-1091
11	131188-01-701	EA	RUN CAP. (COMP-40MFD/370V)	1499-5721
12	108889-01-708	EA	CAPACITOR-FAN, 7.5MFD. 370U	1499-5461
13	126859-01-704	EA	CAPACITOR - START	1497-0871
14	091225-01-709	EA	RELAY-START	1497-4131
16	131186-01-701	EA	EVAPORATOR COIL	1452-1521
18	037648-01-714	EA	GASKET PACKAGE	8332-3301
19	131185-01-704	EA	MOTOR MOUNT & SEAL KIT	8333-5151
	093306-01-701	EA	DECAL PACKAGE, LEFT & RIGHT	6798B3591
	108889-01-710	EA	PAD-FILLER, CONDENSER SEAL	6759B3971
	131188-01-702	EA	LINE - SUCTION	7335A134
	131188-01-703	EA	LINE - DISCHARGE	7335A135

CONTACT WINNEBAGO PART SALES FOR UNLISTED COMPONENT(S)



**HEATING & A/C GROUP (CONTINUED)**  
**COMPONENT PARTS FOR ROOF (CONTINUED)**

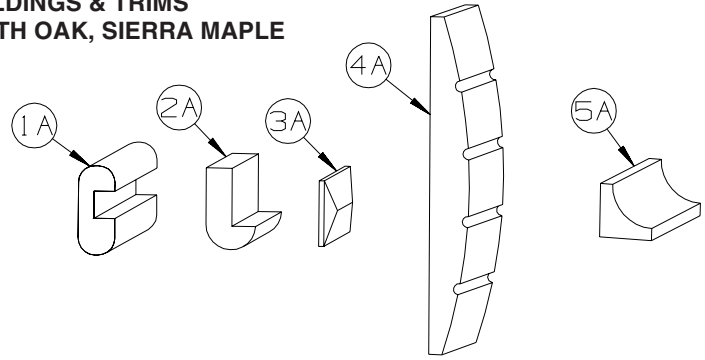


156860-01-01A

KEY	PART NUMBER	U/M	DESCRIPTION	VENDOR NO.
4	156860-01-702	EA	PLUG ASSEMBLY	7330-347
5	073742-01-701	EA	SWITCH - SELECTOR/5 TERMINAL	6759-3251
6	093307-04-701	EA	THERMOSTAT(90' IN-60' OUT)	6703-3401
7	156860-01-700	EA	GRILLE ASSEMBLY - WHITE	8330-4081
8	108892-01-703	EA	FILTER	6798A3761
	156860-01-701	EA	SMALL PARTS PKG-BOLTS/KNOBS	8330-5941

CONTACT WINNEBAGO PART SALES FOR UNLISTED COMPONENT(S)

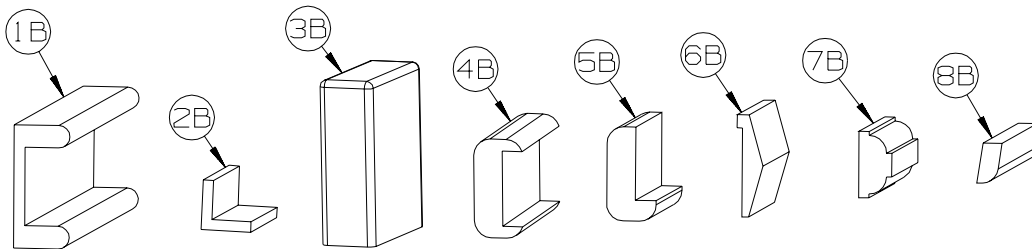
**INTERIOR FINISH GROUP**  
**MOLDINGS & TRIMS**  
**PORTSMOUTH OAK, SIERRA MAPLE**



KEY	PART NUMBER	U/M	DESCRIPTION
1A	M09412-62-N42	EA	MOLDING/SHELF EDGE - .6" X 1.3" X 96" - PORTSMOUTH OAK
1A	M09412-62-M52	EA	MOLDING/SHELF EDGE - .6" X 1.3" X 96" - CHERRY - CONCERT CHERRY
1A	M09412-62-M62	EA	MOLDING/SHELF EDGE - .6" X 1.3" X 96" - WASHED MAPLE - WASHED MAPLE
1A	M09412-62-RC3	EA	MOLDING/SHELF EDGE - .6" X 1.3" X 96" - HONEY CHERRY - HONEY CHERRY
1A	M09412-62-SA3	EA	MOLDING/SHELF EDGE - .6" X 1.3" X 96" - MAPLE - SIERRA MAPLE
2A	M09450-77-PC0	EA	MOLDING - TRIM/HDWD W/LIP -.4"X3.2"X79.6" - PORTSMOUTH OAK
2A	M09450-77-PC1	EA	MOLDING - TRIM/HDWD W/LIP -.4"X3.2"X79.6" - CONCERT CHERRY
2A	M09450-77-PC2	EA	MOLDING - TRIM/HDWD W/LIP -.4"X3.2"X79.6" - WASHED MAPLE
2A	M09450-77-RC3	EA	MOLDING - TRIM/HDWD W/LIP -.4"X3.2"X79.6" - HONEY CHERRY
2A	M09501-32-TG1	EA	MOLDING/TRIM - W/NOTCH - .8" X 2.5" X 86.2"-CONCERT CHERRY
2A	M09501-32-TG2	EA	MOLDING/TRIM - W/NOTCH - .8" X 2.5" X 86.2" - WASHED MAPLE,
2A	M09501-32-TD3	EA	MOLDING/TRIM - W/NOTCH - .8" X 2.5" X 86.2" - SIERRA MAPLE
2A	M09503-52-T77	EA	MOLDING/TRIM - .75" X 1.2" X 86.5" - PORTSMOUTH OAK
2A	M09503-52-T78	EA	MOLDING/TRIM - .75" X 1.2" X 86.5" - CONCERT CHERRY
2A	M09503-52-T79	EA	MOLDING/TRIM - .75" X 1.2" X 86.5" - WASHED MAPLE
2A	M09503-52-T80	EA	MOLDING/TRIM - .75" X 1.2" X 86.5" - SIERRA MAPLE
2A	M09511-43-T78	EA	MOLDING - TRIM - W/NOTCH - .8" X 1.4" X 86.3" - CONCERT CHERRY
2A	M09525-80-UM1	EA	MOLDING - TRIM - W/NOTCH - .8"X 1.4"X 86.5" - CONCERT CHERRY
2A	M09511-43-T79	EA	MOLDING - TRIM - W/NOTCH - .8" X 1.4" X 86.3" - WASHED MAPLE
2A	M09525-80-U91	EA	MOLDING - TRIM - W/NOTCH - .8" X 1.4" X 86.5" - WASHED MAPLE
2A	M09511-43-T80	EA	MOLDING - TRIM - W/NOTCH - .8" X 1.4" X 86.3" - SIERRA MAPLE
2A	M09525-80-U92	EA	MOLDING - TRIM - W/NOTCH - .8" X 1.4" X 86.5" - SIERRA MAPLE
2A	M09438-25-RA3	EA	MOLDING - HARDWOOD-W/NOTCH - 1.4"X 80.2" - HONEY CHERRY
2A	M09515-72-TD1	EA	MOLDING/TRIM - .8" X 2.2" X 86.1" - CONCERT CHERRY
2A	M09515-72-TD2	EA	MOLDING/TRIM - .8" X 2.2" X 86.1" - WASHED MAPLE
2A	M09515-72-TD3	EA	MOLDING/TRIM - .8" X 2.2" X 86.1" - SIERRA MAPLE
3A	M09471-91-R69	EA	MOLDING - TRIM/VEE - .2" X 1" X 34.4" - CONCERT CHERRY
3A	M09471-91-R76	EA	MOLDING - TRIM/VEE - .2" X 1" X 34.4" - WASHED MAPLE
3A	M09471-91-SA3	EA	MOLDING - TRIM/VEE - .2" X 1" X 34.4" - SIERRA MAPLE
3A	M09477-88-S34	EA	MOLDING - TRIM/VEE - .2" X 1" X 19.9" - WASHED MAPLE
3A	M09477-88-S35	EA	MOLDING - TRIM/VEE - .2" X 1" X 19.9" - SIERRA MAPLE
3A	M09501-30-SD2	EA	MOLDING - TRIM/VEE - .2" X 1" X 35.1" - WASHED MAPLE
3A	M09501-30-SD3	EA	MOLDING - TRIM/VEE - .2" X 1" X 35.1" - HONEY CHERRY
3A	M09501-37-TG1	EA	MOLDING - TRIM/VEE - .2" X 1" X 19.2" - CONCERT CHERRY
3A	M09501-37-TG2	EA	MOLDING - TRIM/VEE - .2" X 1" X 19.2" - WASHED MAPLE
3A	M09501-37-TD3	EA	MOLDING - TRIM/VEE - .2" X 1" X 19.2" - SIERRA MAPLE
3A	M09501-37-TG3	EA	MOLDING - TRIM/VEE - .2" X 1" X 19.2" - HONEY CHERRY
3A	M09501-63-T78	EA	MOLDING - TRIM/VEE - .2" X 1" X 15" - CONCERT CHERRY
3A	M09501-63-T79	EA	MOLDING - TRIM/VEE - .2" X 1" X 15" - WASHED MAPLE
3A	M09501-63-T80	EA	MOLDING - TRIM/VEE - .2" X 1" X 15" - SIERRA MAPLE
3A	M09503-62-TG1	EA	MOLDING - TRIM/VEE - .2" X 1" X 26.3" - CONCERT CHERRY
3A	M09503-62-TG2	EA	MOLDING - TRIM/VEE - .2" X 1" X 26.3" - WASHED MAPLE
3A	M09503-62-TG3	EA	MOLDING - TRIM/VEE - .2" X 1" X 26.3" - HONEY CHERRY
3A	M09511-90-TG1	EA	MOLDING - TRIM/VEE - .2" X 1" X 42.1" - CONCERT CHERRY
3A	M09511-90-TG3	EA	MOLDING - TRIM/VEE - .2" X 1" X 42.1" - HONEY CHERRY
3A	M09511-90-TG2	EA	MOLDING - TRIM/VEE - .2" X 1" X 42.1" - WASHED MAPLE
3A	M09520-15-TD1	EA	MOLDING - TRIM/VEE - .2" X 1" X 15.3" - CONCERT CHERRY
3A	M09520-15-TD2	EA	MOLDING - TRIM/VEE - .2" X 1" X 15.3" - WASHED MAPLE
3A	M09520-15-TD3	EA	MOLDING - TRIM/VEE - .2" X 1" X 15.3" - SIERRA MAPLE
3A	M09520-96-T59	EA	MOLDING - TRIM/VEE - .2" X 1" X 32.7" - PORTSMOUTH OAK
3A	M09520-96-T60	EA	MOLDING - TRIM/VEE - .2" X 1" X 32.7" - CONCERT CHERRY
3A	M09520-96-T61	EA	MOLDING - TRIM/VEE - .2" X 1" X 32.7" - WASHED MAPLE
3A	M09520-96-TP0	EA	MOLDING - TRIM/VEE - .2" X 1" X 32.7" - SIERRA MAPLE

**INTERIOR FINISH GROUP (CONTINUED)**  
**MOLDINGS & TRIMS (CONTINUED)**

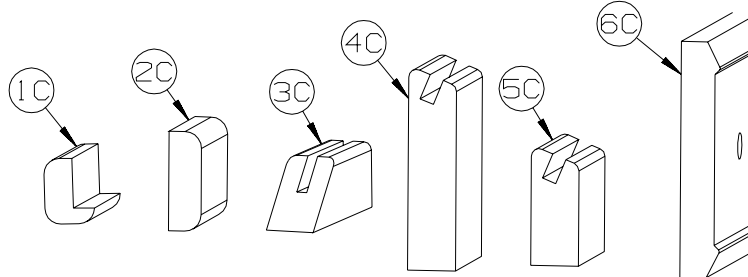
KEY	PART NUMBER	U/M	DESCRIPTION
3A	M09525-96-TA0	EA	MOLDING - TRIM/VEE - .2" X 1" X 36.2" - PORTSMOUTH OAK
3A	M09525-96-TA1	EA	MOLDING - TRIM/VEE - .2" X 1" X 36.2" - CONCERT CHERRY
3A	M09525-96-TA2	EA	MOLDING - TRIM/VEE - .2" X 1" X 36.2" - WASHED MAPLE
3A	M09525-96-TA3	EA	MOLDING - TRIM/VEE - .2" X 1" X 36.2" - SIERRA MAPLE
3A	M09534-08-T01	EA	MOLDING - TRIM/VEE - .2" X 1" X 24.5" - SIERRA MAPLE
3A	M09534-08-T02	EA	MOLDING - TRIM/VEE - .2" X 1" X 24.5" - HONEY CHERRY
3A	M09511-32-T78	EA	MOLDING - TRIM/VEE - .4" X 1" X 26.8" - CONCERT CHERRY
3A	M09511-32-T79	EA	MOLDING - TRIM/VEE - .4" X 1" X 26.8" - WASHED MAPLE
3A	M09511-32-T80	EA	MOLDING - TRIM/VEE - .4" X 1" X 26.8" - SIERRA MAPLE
3A	M09511-86-T78	EA	MOLDING - TRIM/VEE - .4" X 1" X 28.3" - CONCERT CHERRY
3A	M09511-86-T79	EA	MOLDING - TRIM/VEE - .4" X 1" X 28.3" - WASHED MAPLE
3A	M09511-86-T80	EA	MOLDING - TRIM/VEE - .4" X 1" X 28.3" - SIERRA MAPLE
3A	M09477-63-S46	EA	MOLDING - TRIM/VEE - .4" X 1" X 64.1" - PORTSMOUTH OAK - BATH DOOR TRIM
3A	M09477-63-SR0	EA	MOLDING - TRIM/VEE - .4" X 1" X 64.1" - SIERRA MAPLE - BATH DOOR TRIM
3A	M09477-64-S46	EA	MOLDING - TRIM/VEE - .4" X 1" X 14.9" - PORTSMOUTH OAK - BATH DOOR TRIM
3A	M09477-64-SR0	EA	MOLDING - TRIM/VEE - .4" X 1" X 14.9" - SIERRA MAPLE - BATH DOOR TRIM
4A	M09462-54-R90	EA	MOLDING - FLUTED, CURVED - .6" X 6" X 82.7" - CONCERT CHERRY
4A	M09462-54-R91	EA	MOLDING - FLUTED, CURVED - .6" X 6" X 82.7" - WASHED MAPLE
4A	M09462-54-RE3	EA	MOLDING - FLUTED, CURVED - .6" X 6" X 82.7" - HONEY CHERRY
5A	M09471-79-R38	EA	MOLDING - TRIM/COVE - .8" X .8" X 95.8" - OAK/PORTS OAK - PORTSMOUTH OAK
5A	M09471-79-R39	EA	MOLDING - TRIM/COVE - .8" X .8" X 95.8" - CHERRY/CHERRY - CONCERT CHERRY
5A	M09471-79-R46	EA	MOLDING - TRIM/COVE - .8" X .8" X 95.8" - MAPLE/MAPLE - WASHED MAPLE
5A	M09471-79-RE0	EA	MOLDING - TRIM/COVE - .8" X .8" X 95.8" - HONEY/CHERRY- HONEY CHERRY
5A	M09471-79-SA3	EA	MOLDING - TRIM/COVE - .8" X .8" X 95.8" - HONEY/MAPLE - SIERRA MAPLE



KEY	PART NUMBER	U/M	DESCRIPTION
1B	M09501-84-TG0	EA	MOLDING/TRIM - CAP/WALL - 2.2" X 85.9" - PORTSMOUTH OAK
1B	M09501-84-TG1	EA	MOLDING/TRIM - CAP/WALL - 2.2" X 85.9" - CONCERT CHERRY
1B	M09501-84-TG2	EA	MOLDING/TRIM - CAP/WALL - 2.2" X 85.9" - WASHED MAPLE
1B	M09520-07-TD3	EA	MOLDING/TRIM - CAP/WALL - 2.2" X 80.5" - SIERRA MAPLE
1B	M09501-84-TG3	EA	MOLDING/TRIM - CAP/WALL - 2.2" X 85.9" - HONEY CHERRY
2B	M09511-81-TA1	EA	MOLDING/TRIM - L SHAPE - .8"X .8"X 80.2" - CONCERT CHERRY
2B	M09511-81-TA2	EA	MOLDING/TRIM - L SHAPE - .8"X .8"X 80.2" - WASHED MAPLE
2B	M09511-81-TA3	EA	MOLDING/TRIM - L SHAPE - .8"X .8"X 80.2" - SIERRA MAPLE
3B	M09515-81-T01	EA	MOLDING/HARDWOOD STRAIGHT - 74.3" - WASHED MAPLE
3B	M09515-81-T02	EA	MOLDING/HARDWOOD STRAIGHT - 74.3" - HONEY CHERRY
4B	M09511-42-T77	EA	MOLDING - TRIM - W/NOTCH - 1.5" X 86.4" - PORTSMOUTH OAK
4B	M09511-42-T78	EA	MOLDING - TRIM - W/NOTCH - 1.5" X 86.4" - CONCERT CHERRY
4B	M09511-42-T79	EA	MOLDING - TRIM - W/NOTCH - 1.5" X 86.4" - WASHED MAPLE
4B	M09511-42-T80	EA	MOLDING - TRIM - W/NOTCH - 1.5" X 86.4" - SIERRA MAPLE
5B	M09515-18-T78	EA	MOLDING - HARDWOOD-W/NOTCH - 1.4"X 86.2" - CONCERT CHERRY
5B	M09515-18-T79	EA	MOLDING - HARDWOOD-W/NOTCH - 1.4"X 86.2" - WASHED MAPLE
5B	M09515-18-T80	EA	MOLDING - HARDWOOD-W/NOTCH - 1.4"X 86.2" - SIERRA MAPLE
6B	M09515-52-TG1	EA	MOLDING - TRIM/VEE - 1.5" X 73.9" - CONCERT CHERRY
6B	M09515-52-TG2	EA	MOLDING - TRIM/VEE - 1.5" X 73.9" - WASHED MAPLE
6B	M09515-52-TG3	EA	MOLDING - TRIM/VEE - 1.5" X 73.9" - HONEY CHERRY
7B	Y00076-32-438	EA	MOLDING/TRIM - .5" X 1" X 96" - CHERRY (UNSTAINED)
7B	Y00076-22-438	EA	MOLDING/TRIM - .5" X 1" X 96" - MAPLE (UNSTAINED)
8B	Y00086-72-438	EA	MOLDING - VINYL WRAP - .7" X 1.6" X 96" - PORTSMOUTH OAK - PORTSMOUTH OAK
8B	Y00086-62-438	EA	MOLDING - VINYL WRAP - .7" X 1.6" X 96" - CONCERT CHERRY (U90/94/98/A1/A5/B1/C1/C5/D1/D5/E1/E5/F1/F5/G1/G5/H1/H5)
8B	Y00086-D2-438	EA	MOLDING - VINYL WRAP - .7" X 1.6" X 96" - CONCERT CHERRY (UM1 THRU UM9, UN1 THRU UN9)
8B	Y00086-A2-438	EA	MOLDING - VINYL WRAP - .7" X 1.6" X 96" - WASHED MAPLE
8B	Y00086-92-438	EA	MOLDING - VINYL WRAP - .7" X 1.6" X 96" - SIERRA MAPLE - SIERRA MAPLE

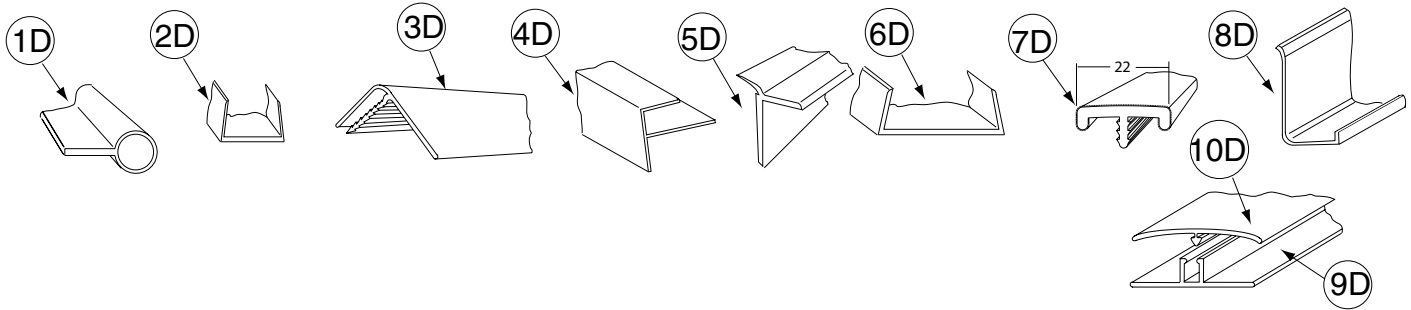
**INTERIOR FINISH GROUP (CONTINUED)**  
**MOLDINGS & TRIMS (CONTINUED)**

KEY	PART NUMBER	U/M	DESCRIPTION
8B	Y00087-62-438	EA	MOLDING - 96" - CONCERT CHERRY (U90/94/98/A1/A5/B1/C1/C5/D1/D5/E1/E5/F1/F5/G1/G5/H1/H5)
8B	Y00087-D2-438	EA	MOLDING - VINYL WRAP - .7" X 2.9" X 96" - CONCERT CHERRY (UM1 THRU UM9, UN1 THRU UN9)
8B	Y00087-A2-438	EA	MOLDING - VINYL WRAP - .7" X 2.9" X 96" - WASHED MAPLE
8B	Y00087-92-438	EA	MOLDING - VINYL WRAP - .7" X 2.9" X 96" - SIERRA MAPLE
8B	Y00300-62-438	EA	MOLDING - 96" - CONCERT CHERRY (U90/94/98/A1/A5/B1/C1/C5/D1/D5/E1/E5/F1/F5/G1/G5/H1/H5)
8B	Y00300-D2-438	EA	MOLDING - VINYL WRAP - .3" X .6" X 96" - CONCERT CHERRY (UM1 THRU UM9, UN1 THRU UN9)
8B	Y00300-A2-438	EA	MOLDING - VINYL WRAP - .3" X .6" X 96" - WASHED MAPLE
8B	Y00300-92-438	EA	MOLDING - VINYL WRAP - .3" X .6" X 96" - SIERRA MAPLE



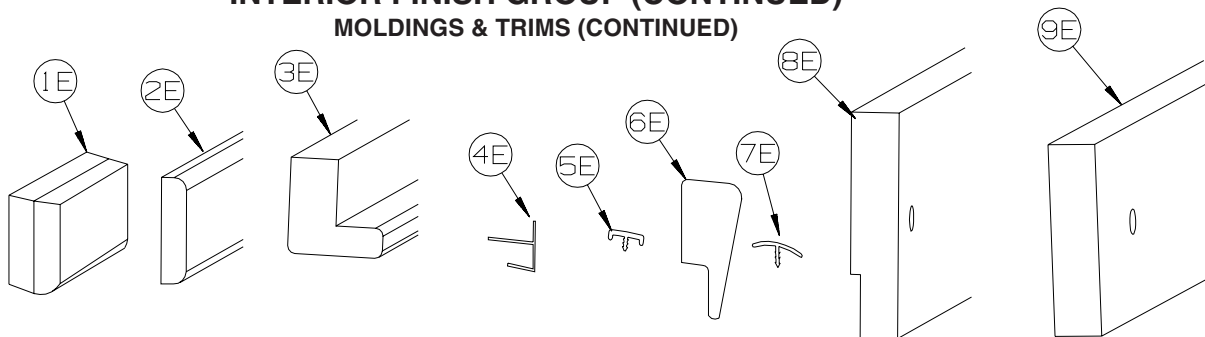
KEY	PART NUMBER	U/M	DESCRIPTION
1C	M09520-19-TD1	EA	MOLDING - TRIM - W/NOTCH - 1" X 86.3" - CONCERT CHERRY
1C	M09520-19-TD2	EA	MOLDING - TRIM - W/NOTCH - 1" X 86.3" - WASHED MAPLE
1C	M09520-19-TD3	EA	MOLDING - TRIM - W/NOTCH - 1" X 86.3" - HONEY CHERRY
1C	M09525-27-UF1	EA	MOLDING - HARDWOOD - .75" X 1.4" X 32.4" - CONCERT CHERRY
1C	M09525-27-UF2	EA	MOLDING - HARDWOOD - .75" X 1.4" X 32.4" - WASHED MAPLE
1C	M09525-27-UF3	EA	MOLDING - HARDWOOD - .75" X 1.4" X 32.4" - SIERRA MAPLE
2C	M09511-46-T77	EA	MOLDING/TRIM - .5" X 1.5" X 86.5" - PORTSMOUTH OAK
2C	M09511-46-T78	EA	MOLDING/TRIM - .5" X 1.5" X 86.5" - CONCERT CHERRY
2C	M09511-46-T79	EA	MOLDING/TRIM - .5" X 1.5" X 86.5" - WASHED MAPLE
2C	M09511-46-T80	EA	MOLDING/TRIM - .5" X 1.5" X 86.5" - SIERRA MAPLE
3C	Y00223-42-438	EA	MOLDING - HARDWOOD/OAK - .7" X 1" X 96"
3C	Y00223-32-438	EA	MOLDING - HARDWOOD/CHERRY - .7" X 1" X 96"
3C	Y00223-22-438	EA	MOLDING - HARDWOOD/MAPLE - .7" X 1" X 96"
4C	Y00054-62-438	EA	MOLDING- 96" - CONCERT CHERRY (U90/94/98/A1/A5/B1/C1/C5/D1/D5/E1/E5/F1/F5/G1/G5/H1/H5)
4C	Y00054-D2-438	EA	MOLDING/VYL WRP-BVLD-.73" X 3.1" X 96" - CONCERT CHERRY (UM1 THRU UM9, UN1 THRU UN9)
4C	Y00054-A2-438	EA	MOLDING/VINYL WRAP-BEVELED ENDS-.73"X3.1"X96" - WASHED MAPLE
4C	Y00054-92-438	EA	MOLDING/VINYL WRAP-BEVELED-.73" X 3.1" X 96" - SIERRA MAPLE
4C	Y00258-62-438	EA	MOLDING/VYL 96" - CONCERT CHERRY (U90/94/98/A1/A5/B1/C1/C5/D1/D5/E1/E5/F1/F5/G1/G5/H1/H5)
4C	Y00258-D2-438	EA	MOLDING/VINYL WRP-BVLD-.73" X 3.1" X 96" - CONCERT CHERRY (UM1 THRU UM9, UN1 THRU UN9)
4C	Y00258-A2-438	EA	MOLDING/VINYL WRAP-BEVELED ENDS-.73"X3.1"X96" - WASHED MAPLE
4C	Y00258-92-438	EA	MOLDING/VINYL WRAP-BEVELED-.73" X 3.1" X 96" - SIERRA MAPLE
5C	Y00259-62-438	EA	MOLDING/VYL 96" - CONCERT CHERRY (U90/94/98/A1/A5/B1/C1/C5/D1/D5/E1/E5/F1/F5/G1/G5/H1/H5)
5C	Y00259-D2-438	EA	MOLDING/VINYL WRP-BVLD-.73" X 1.8" X 96" - CONCERT CHERRY (UM1 THRU UM9, UN1 THRU UN9)
5C	Y00259-A2-438	EA	MOLDING/VINYL WRAP-BEVELED-.73"X1.8"X96" - WASHED MAPLE
5C	Y00259-92-438	EA	MOLDING/VINYL WRAP-BEVELED-.73"X1.8"X96" - SIERRA MAPLE
6C	Y00152-A2-438	EA	MOLDING/TRIM - VINYL - .6" X 3.5" X 96" - WASHED MAPLE
6C	Y00152-92-438	EA	MOLDING/TRIM - VINYL - .6" X 3.5" X 96" - SIERRA MAPLE

**INTERIOR FINISH GROUP (CONTINUED)**  
**MOLDINGS & TRIMS (CONTINUED)**



KEY	PART NUMBER	U/M	DESCRIPTION
1D	009767-12-000	FT	WELTING - ANTIQUE WHITE
1D	009767-17-000	FT	WELTING - PORTSMOUTH OAK
2D	009778-25-000	FT	U-CHANNEL - 1" - BEIGE ILLUSION
2D	009778-26-000	FT	U-CHANNEL - 1 1/4" - BEIGE ILLUSION
2D	009778-38-000	FT	U-CHANNEL - 1" - BONE
2D	009778-32-000	FT	U-CHANNEL - 1" - PORTSMOUTH OAK
2D	009778-34-000	FT	U-CHANNEL - 1" - CONCERT CHERRY
2D	009778-27-000	FT	U-CHANNEL - 1" - WASHED MAPLE
2D	009778-35-000	FT	U-CHANNEL - 1" - HONEY CHERRY
2D	009778-36-000	FT	U-CHANNEL - 1" - SIERRA MAPLE
3D	009809-30-000	EA	MOLDING - CORNER - OUTSIDE - 1" X 84" - BEIGE ILLUSION
3D	009809-37-000	EA	MOLDING - CORNER - OUTSIDE - 1" X 84" - BONE
3D	009809-32-000	EA	MOLDING - CORNER - OUTSIDE - 1" X 84" - PORTSMOUTH OAK
3D	009809-33-000	EA	MOLDING - CORNER - OUTSIDE - 1" X 84" - CONCERT CHERRY
3D	009809-31-000	EA	MOLDING - CORNER - OUTSIDE - 1" X 84" - WASHED MAPLE
3D	009809-34-000	EA	MOLDING - CORNER - OUTSIDE - 1" X 84" - HONEY CHERRY
3D	009809-35-000	EA	MOLDING - CORNER - OUTSIDE - 1" X 84" - SIERRA MAPLE
4D	009812-31-000	EA	MOLDING - CORNER - 1/2" W/1/4"CHAN X 84" - BEIGE ILLUSION
4D	009812-40-000	EA	MOLDING - CORNER - 1/2" W/1/4"CHAN X 84" - BONE
4D	009812-35-000	EA	MOLDING - CORNER - 1/2" W/1/4"CHAN X 84" - PORTSMOUTH OAK
4D	009812-36-000	EA	MOLDING - CORNER - 1/2" W/1/4"CHAN X 84" - CONCERT CHERRY
4D	009812-33-000	EA	MOLDING - CORNER - 1/2" W/1/4"CHAN X 84" - WASHED MAPLE
4D	009812-37-000	EA	MOLDING - CORNER - 1/2" W/1/4"CHAN X 84" - HONEY CHERRY
4D	009812-38-000	EA	MOLDING - CORNER - 1/2" W/1/4"CHAN X 84" - SIERRA MAPLE
5D	022992-11-000	FT	MOLDING - REVERSE COVE - T-SHAPED - IVORY
5D	022992-18-000	FT	MOLDING - REVERSE COVE - T-SHAPED - BONE
5D	022992-14-000	FT	MOLDING - REVERSE COVE - T-SHAPED - BRIGHT WHITE
6D	070504-42-000	FT	U-CHANNEL - PLASTIC - .13" X 84" - BEIGE ILLUSION
6D	070504-69-000	FT	U-CHANNEL - PLASTIC - .13" X 84" - BONE
6D	070504-43-000	FT	U-CHANNEL - PLASTIC - .9" X 96" - BEIGE ILLUSION
6D	070504-70-000	FT	U-CHANNEL - PLASTIC - .8" X 84" - BONE
6D	070504-57-000	FT	U-CHANNEL - PLASTIC - .13" X 84" - PORTSMOUTH OAK
6D	070504-58-000	FT	U-CHANNEL - PLASTIC - .9" X 84" - PORTSMOUTH OAK
6D	070504-60-000	FT	U-CHANNEL - PLASTIC - .13" X 84" - CONCERT CHERRY
6D	070504-61-000	FT	U-CHANNEL - PLASTIC - .9" X 84" - CONCERT CHERRY
6D	070504-50-000	FT	U-CHANNEL - PLASTIC - .13" X 96" - WASHED MAPLE
6D	070504-51-000	FT	U-CHANNEL - PLASTIC - .9" X 96" - WASHED MAPLE
6D	070504-62-000	FT	U-CHANNEL - PLASTIC - 1.65" X 84" - HONEY CHERRY
6D	070504-63-000	FT	U-CHANNEL - PLASTIC - .9" X 84" - HONEY CHERRY
6D	070504-65-000	FT	U-CHANNEL - PLASTIC - 1.65" X 84" - SIERRA MAPLE
6D	070504-66-000	FT	U-CHANNEL - PLASTIC - .9" X 84" - SIERRA MAPLE
7D	083620-15-000	FT	MOLDING-T - W/EDGE LIP - 7/8" FACE - BEIGE ILLUSION
7D	083620-25-000	FT	MOLDING-T - W/EDGE LIP - 7/8" FACE - BONE
7D	083620-20-000	FT	MOLDING-T - W/EDGE LIP - 7/8" FACE - PORTSMOUTH OAK
7D	083620-21-000	FT	MOLDING-T - W/EDGE LIP - 7/8" FACE - CONCERT CHERRY
7D	083620-19-000	FT	MOLDING-T - W/EDGE LIP - 7/8" FACE - WASHED MAPLE
7D	083620-24-000	FT	MOLDING-T - W/EDGE LIP - 7/8" FACE - HONEY CHERRY
7D	083620-22-000	FT	MOLDING-T - W/EDGE LIP - 7/8" FACE - SIERRA MAPLE
8D	085746-04-000	FT	TRIM-J - CARPET 1.2" X .5" ANGLE - 12' LONG - OFF WHITE
9D	086229-01-000	EA	RETAINER - BATTEN - .75" X 92.1" - ANY COLOR
10D	086229-20-000	EA	BATTEN - 1" X 96" - BEIGE

**INTERIOR FINISH GROUP (CONTINUED)**  
**MOLDINGS & TRIMS (CONTINUED)**

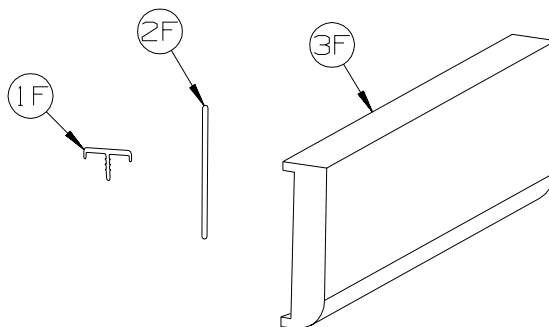


KEY	PART NUMBER	U/M	DESCRIPTION
1E	100659-30-N75	EA	MOLDING - TRIM - 8' - PORTSMOUTH OAK
1E	100659-30-N74	EA	MOLDING - TRIM - 8' - CONCERT CHERRY
1E	100659-30-M84	EA	MOLDING - TRIM - 8' - WASHED MAPLE
1E	100659-27-RA3	EA	MOLDING - TRIM - HONEY CHERRY
1E	100659-31-SA3	EA	MOLDING - TRIM - SIERRA MAPLE
2E	100818-01-12A	EA	MOLDING - VINYL WRAPPED - 1.6" X .4" X 84" - PORTSMOUTH OAK
2E	100818-01-13A	EA	MOLDING - VYL 84" - CONCERT CHERRY (U90/94/98/A1/A5/B1/C1/C5/D1/D5/E1/E5/F1/F5/G1/G5/H1/H5)
2E	100818-01-23A	EA	MOLDING - VINYL WRPPD - 1.6" X .4" X 84" - CONCERT CHERRY (UM1 THRU UM9, UN1 THRU UN9)
2E	100818-01-21A	EA	MOLDING - VINYL WRAPPED - 1.6" X .4" X 84" - WASHED MAPLE
2E	100818-01-14A	EA	MOLDING - VINYL WRAPPED - 1.6" X .4" X 84" - HONEY CHERRY
2E	100818-01-22A	EA	MOLDING - VINYL WRAPPED - 1.6" X .4" X 84" - SIERRA MAPLE
3E	100819-01-12A	EA	MOLDING - VINYL WRAPPED-L-SHAPED-1.5"X1.5"X84" - PORTSMOUTH OAK
3E	100819-01-13A	EA	MOLDING - VYL 84" - CONCERT CHERRY (U90/94/98/A1/A5/B1/C1/C5/D1/D5/E1/E5/F1/F5/G1/G5/H1/H5)
3E	100819-01-23A	EA	MOLDING - VYL WRPPD-L-SHPD-1.5"X1.5"X84" - CONCERT CHERRY (UM1 THRU UM9, UN1 THRU UN9)
3E	100819-01-21A	EA	MOLDING - VINYL WRAPPED-L-SHAPED-1.5"X1.5"X84" - WASHED MAPLE
3E	100819-01-14A	EA	MOLDING - VINYL WRAPPED-L-SHAPED-1.5"X1.5"X84" - HONEY CHERRY
3E	100819-01-22A	EA	MOLDING - VINYL WRAPPED-L-SHAPED-1.5"X1.5"X84" - SIERRA MAPLE
4E	103186-01-07A	FT	MOLDING/PLASTIC - 3/8" U-CHANNEL-3/4" FACE -BEIGE ILLUSION
4E	103186-01-09A	FT	MOLDING/PLASTIC - 3/8" U-CHAN'L-3/4" FACE - PORTSMOUTH OAK
4E	103186-01-10A	FT	MOLDING/PLASTIC - 3/8" U-CHAN'L-3/4" FACE - CONCERT CHERRY
4E	103186-01-08A	FT	MOLDING/PLASTIC - 3/8" U-CHANNEL-3/4"FACE-WASHED MAPLE 8' - WASHED MAPLE
4E	103186-01-11A	FT	MOLDING/PLASTIC - 3/8" U-CHAN'L-3/4" FACE - HONEY CHERRY
4E	103186-01-12A	FT	MOLDING/PLASTIC - 3/8" U-CHAN'L-3/4" FACE - SIERRA MAPLE
4E	103186-02-07A	FT	MOLDING/PLASTIC-1" U-CHAN'L-1 3/8" FACE - BEIGE ILLUSION
4E	103186-02-09A	FT	MOLDING/PLASTIC - 1" U-CHAN'L-1 3/8" FACE - PORTSMOUTH OAK
4E	103186-02-10A	FT	MOLDING/PLASTIC - 1" U-CHAN'L-1 3/8" FACE - CONCERT CHERRY
4E	103186-02-08A	FT	MOLDING/PLASTIC - 1" U-CHANNEL-1 3/8"FACE - WASHED MAPLE
4E	103186-02-11A	FT	MOLDING/PLASTIC - 1" U-CHAN'L-1 3/8" FACE - HONEY CHERRY
4E	103186-02-12A	FT	MOLDING/PLASTIC - 1" U-CHAN'L-1 3/8" FACE - SIERRA MAPLE
5E	104676-02-08A	FT	MOLDING-T - W/EDGE LIP - 11/16" FACE - PORTSMOUTH OAK
5E	104676-02-09A	FT	MOLDING-T - W/EDGE LIP - 11/16" FACE - CONCERT CHERRY
5E	104676-02-06A	FT	MOLDING-T - W/EDGE LIP - 11/16" FACE - WASHED MAPLE
5E	104676-02-10A	FT	MOLDING-T - W/EDGE LIP - 11/16" FACE - HONEY CHERRY
5E	104676-02-12A	FT	MOLDING-T - W/EDGE LIP - 11/16" FACE - SIERRA MAPLE
6E	105004-01-12A	EA	MOLDING - VINYL WRAPPED - 1" X 96" - PORTSMOUTH OAK
6E	105004-01-13A	EA	MOLDING - V W 8' - CONCERT CHERRY (U90/94/98/A1/A5/B1/C1/C5/D1/D5/E1/E5/F1/F5/G1/G5/H1/H5)
6E	105004-01-23A	EA	MOLDING - VINYL WRAPPD 1" X 8' - CONCERT CHERRY (UM1 THRU UM9, UN1 THRU UN9)
6E	105004-01-21A	EA	MOLDING - VINYL WRAPPED - 1" X 8' - WASHED MAPLE
6E	105004-01-24A	EA	MOLDING - VINYL WRAPPED - 1" X 8' - HONEY CHERRY
6E	105004-01-22A	EA	MOLDING - VINYL WRAPPED - 1" X 8' - SIERRA MAPLE
7E	105709-02-000	FT	MOLDING-T - W/EDGE LIP 3/4" FACE - BEIGE ILLUSION
8E	116951-45-R68	EA	MOLDING - TRIM - 3" X 30.3" - PORTSMOUTH OAK
8E	116951-45-R69	EA	MOLDING - TRIM - 3" X 30.3" - CONCERT CHERRY
8E	116951-45-R76	EA	MOLDING - TRIM - 3" X 30.3" - WASHED MAPLE
8E	116951-45-SA3	EA	MOLDING - TRIM - 3" X 30.3" - SIERRA MAPLE
9E	116951-37-R68	EA	MOLDING - TRIM - 3.5" X 38.6" - PORTSMOUTH OAK
9E	116951-37-R69	EA	MOLDING - TRIM - 3.5" X 38.6" - CONCERT CHERRY
9E	116951-37-R76	EA	MOLDING - TRIM - 3.5" X 38.6" - WASHED MAPLE
9E	116951-37-SA3	EA	MOLDING - TRIM - 3.5" X 38.6" - SIERRA MAPLE
9E	116951-51-SA0	EA	MOLDING - TRIM - 3.5" X 47.3" - PORTSMOUTH OAK
9E	116951-51-SA1	EA	MOLDING - TRIM - 3.5" X 47.3" - CONCERT CHERRY
9E	116951-51-SA2	EA	MOLDING - TRIM - 3.5" X 47.3" - WASHED MAPLE
9E	116951-51-SA3	EA	MOLDING - TRIM - 3.5" X 47.3" - SIERRA MAPLE

## INTERIOR FINISH GROUP (CONTINUED)

### MOLDINGS & TRIMS (CONTINUED)

KEY	PART NUMBER	U/M	DESCRIPTION
9E	116951-55-TD0	EA	MOLDING - TRIM - 4.5" X 52.3" - PORTSMOUTH OAK
9E	116951-55-TD1	EA	MOLDING - TRIM - 4.5" X 52.3" - CONCERT CHERRY
9E	116951-55-TD2	EA	MOLDING - TRIM - 4.5" X 52.3" - WASHED MAPLE
9E	116951-55-TD3	EA	MOLDING - TRIM - 4.5" X 52.3" - SIERRA MAPLE
9E	116951-56-TD0	EA	MOLDING - TRIM - 4.5" X 52.3" - PORTSMOUTH OAK
9E	116951-56-TD1	EA	MOLDING - TRIM - 4.5" X 52.3" - CONCERT CHERRY
9E	116951-56-TD2	EA	MOLDING - TRIM - 4.5" X 52.3" - WASHED MAPLE
9E	116951-56-TD3	EA	MOLDING - TRIM - 4.5" X 52.3" - SIERRA MAPLE



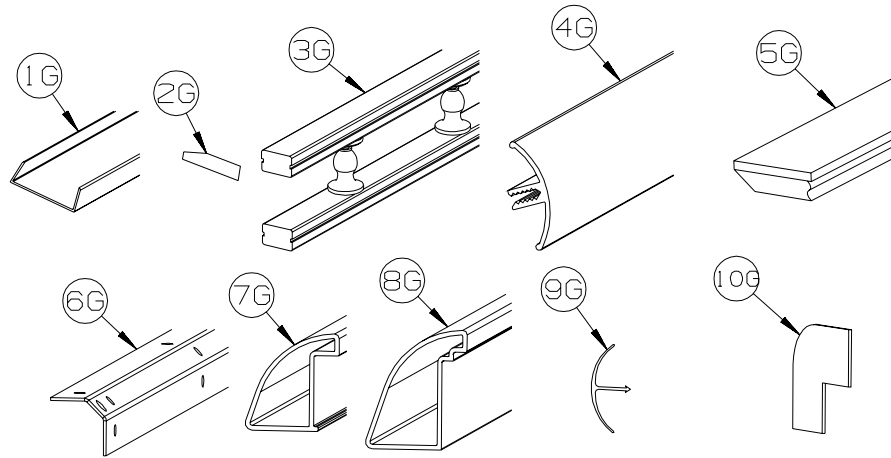
KEY	PART NUMBER	U/M	DESCRIPTION
1F	119520-01-01A	FT	MOLDING-T - OFFSET W/EDGE LIP - 1.3" FACE - OFF WHITE
1F	119520-03-03A	FT	MOLDING-T - OFFSET W/EDGE LIP - 1" FACE - WASHED MAPLE
1F	119520-03-06A	FT	MOLDING-T - OFFSET W/EDGE LIP - 1" FACE - HONEY CHERRY
2F	127842-01-01A	FT	SEAL - SIGHT SHIELD - 2" BLACK
	137885-A2-438	EA	LUMBER - VYL .75" - CONCERT CHERRY (U90/94/98/A1/A5/B1/C1/C5/D1/D5/E1/E5/F1/F5/G1/G5/H1/H5)
	160300-A2-438	EA	LUMBER - VINYL WRAPPED - .7" X .75" X 96" - CONCERT CHERRY (UM1 THRU UM9, UN1 THRU UN9)
	137885-D2-438	EA	LUMBER - VYL1.5" - CONCERT CHERRY (U90/94/98/A1/A5/B1/C1/C5/D1/D5/E1/E5/F1/F5/G1/G5/H1/H5)
	160300-D2-438	EA	LUMBER - VINYL WRAPPED - .7" X 1.5" X 96" - CONCERT CHERRY (UM1 THRU UM9, UN1 THRU UN9)
	137885-E2-438	EA	LUMBER - VYL2" -CONCERT CHERRY (U90/94/98/A1/A5/B1/C1/C5/D1/D5/E1/E5/F1/F5/G1/G5/H1/H5)
	160300-E2-438	EA	LUMBER - VINYL WRAPPED - .7" X 2" X 96" - CONCERT CHERRY (UM1 THRU UM9, UN1 THRU UN9)
	137885-F2-438	EA	LUMBER - VYL2.5" - CONCERT CHERRY (U90/94/98/A1/A5/B1/C1/C5/D1/D5/E1/E5/F1/F5/G1/G5/H1/H5)
	160300-F2-438	EA	LUMBER - VINYL WRAPPED - .7" X 2.5" X 96" - CONCERT CHERRY (UM1 THRU UM9, UN1 THRU UN9)
	137885-G2-438	EA	LUMBER - VYL3" - CONCERT CHERRY (U90/94/98/A1/A5/B1/C1/C5/D1/D5/E1/E5/F1/F5/G1/G5/H1/H5)
	160300-G2-438	EA	LUMBER - VINYL WRAPPED - .7" X 3" X 96" - CONCERT CHERRY (UM1 THRU UM9, UN1 THRU UN9)
	137885-H2-438	EA	LUMBER - VYL3.5" - CONCERT CHERRY (U90/94/98/A1/A5/B1/C1/C5/D1/D5/E1/E5/F1/F5/G1/G5/H1/H5)
	160300-H2-438	EA	LUMBER - VINYL WRAPPED - .7" X 3.5" X 96" - CONCERT CHERRY (UM1 THRU UM9, UN1 THRU UN9)
	137885-J2-438	EA	LUMBER - VYL5.5" - CONCERT CHERRY (U90/94/98/A1/A5/B1/C1/C5/D1/D5/E1/E5/F1/F5/G1/G5/H1/H5)
	160300-J2-438	EA	LUMBER - VINYL WRAPPED - .7" X 5.5" X 96" - CONCERT CHERRY (UM1 THRU UM9, UN1 THRU UN9)
	137885-J2-743	EA	LUMBER - VYL5.5" - CONCERT CHERRY (U90/94/98/A1/A5/B1/C1/C5/D1/D5/E1/E5/F1/F5/G1/G5/H1/H5)
	160300-J2-743	EA	LUMBER - VINYL WRAPPED - .7" X 5.5" X 108" - CONCERT CHERRY (UM1 THRU UM9, UN1 THRU UN9)
	137885-K2-438	EA	LUMBER - VYL3.9" - CONCERT CHERRY (U90/94/98/A1/A5/B1/C1/C5/D1/D5/E1/E5/F1/F5/G1/G5/H1/H5)
	160300-K2-438	EA	LUMBER - VINYL WRAPPED - .7" X 3.9" X 96" - CONCERT CHERRY (UM1 THRU UM9, UN1 THRU UN9)
	137885-R2-438	EA	LUMBER - VYL 3" - CONCERT CHERRY (U90/94/98/A1/A5/B1/C1/C5/D1/D5/E1/E5/F1/F5/G1/G5/H1/H5)
	160300-R2-438	EA	LUMBER - VINYL WRAPPED - .7" X 3" X 96" - CONCERT CHERRY (UM1 THRU UM9, UN1 THRU UN9)
3F	137887-D2-134	EA	MOLDING - 1.6" X 84"- CONCERT CHERRY (U90/94/98/A1/A5/B1/C1/C5/D1/D5/E1/E5/F1/F5/G1/G5/H1/H5)
3F	160301-D2-134	EA	MOLDING -VINYL WRAPPED - .7" X 1.6" X 84" - CONCERT CHERRY (UM1 THRU UM9, UN1 THRU UN9)
3F	137887-D2-743	EA	MLDG - 1.6" X 108" - CONCERT CHERRY (U90/94/98/A1/A5/B1/C1/C5/D1/D5/E1/E5/F1/F5/G1/G5/H1/H5)
3F	160301-D2-743	EA	MOLDING - VINYL WRAPPED-.7" X 1.6" X 108" - CONCERT CHERRY (UM1 THRU UM9, UN1 THRU UN9)
3F	137887-F2-134	EA	MLDNG - 2.5" X 84" - CONCERT CHERRY (U90/94/98/A1/A5/B1/C1/C5/D1/D5/E1/E5/F1/F5/G1/G5/H1/H5)
3F	160301-F2-134	EA	MOLDING - VINYL WRAPPED - .7" X 2.5" X 84" - CONCERT CHERRY (UM1 THRU UM9, UN1 THRU UN9)
3F	137887-F2-743	EA	MLDG - 2.5" X 108" - CONCERT CHERRY (U90/94/98/A1/A5/B1/C1/C5/D1/D5/E1/E5/F1/F5/G1/G5/H1/H5)
3F	160301-F2-743	EA	MOLDING - VINYL WRPPD - .7" X 2.5" X 108" - CONCERT CHERRY (UM1 THRU UM9, UN1 THRU UN9)
3F	137887-F2-438	EA	MLDG - 2.5" X 96" - CONCERT CHERRY (U90/94/98/A1/A5/B1/C1/C5/D1/D5/E1/E5/F1/F5/G1/G5/H1/H5)
3F	160301-F2-438	EA	MOLDING - VINYL WRPPD - .7" X 2.5" X 96" - CONCERT CHERRY (UM1 THRU UM9, UN1 THRU UN9)
	137894-A2-438	EA	LUMBER - VINYL WRAPPED - .7" X .75" X 96" - PORTSMOUTH OAK
	137894-D2-438	EA	LUMBER - VINYL WRAPPED - .7" X 1.5" X 96" - PORTSMOUTH OAK
	137894-E2-438	EA	LUMBER - VINYL WRAPPED - .7" X 2" X 96" - PORTSMOUTH OAK
	137894-F2-438	EA	LUMBER - VINYL WRAPPED - .7" X 2.5" X 96" - PORTSMOUTH OAK
	137894-G2-438	EA	LUMBER - VINYL WRAPPED - .7" X 3" X 96" - PORTSMOUTH OAK
	137894-H2-438	EA	LUMBER - VINYL WRAPPED - .7" X 3.5" X 96" - PORTSMOUTH OAK
	137894-J2-438	EA	LUMBER - VINYL WRAPPED - .7" X 5.5" X 80.2" - PORTSMOUTH OAK
	137894-J2-743	EA	LUMBER - VINYL WRAPPED - .7" X 5.5" X 96" - PORTSMOUTH OAK
	137894-K2-438	EA	LUMBER - VINYL WRAPPED - .7" X 3.9" X 96" - PORTSMOUTH OAK
	137894-R2-438	EA	LUMBER - VINYL WRAPPED - .7" X 3" X 96" - PORTSMOUTH OAK

**INTERIOR FINISH GROUP (CONTINUED)**  
**MOLDINGS & TRIMS (CONTINUED)**

KEY	PART NUMBER	U/M	DESCRIPTION
3F	137895-D2-134	EA	MOLDING - VINYL WRAPPED - .7" X 1.6" X 84"-PORTSMOUTH OAK
3F	137895-D2-743	EA	MOLDING - VINYL WRAPPED - .7" X 1.6" X 108"-PORTSMOUTH OAK
3F	137895-F2-438	EA	MOLDING - VINYL WRAPPED - .7" X 2.5" X 96" - PORTSMOUTH OAK
3F	137895-F2-743	EA	MOLDING - VINYL WRAPPED - .7" X 2.5" X 108" - PORTSMOUTH OAK
	146419-A2-438	EA	LUMBER - VINYL WRAPPED - .7" X .75" X 96" - HONEY CHERRY
	146419-D2-438	EA	LUMBER - VINYL WRAPPED - .7" X 1.5" X 96" - HONEY CHERRY
	146419-E2-438	EA	LUMBER - VINYL WRAPPED - .7" X 2" X 96" - HONEY CHERRY
	146419-F2-438	EA	LUMBER - VINYL WRAPPED - .7" X 2.5" X 96" - HONEY CHERRY
	146419-G2-438	EA	LUMBER - VINYL WRAPPED - .7" X 3" X 96" - HONEY CHERRY
	146419-H2-438	EA	LUMBER - VINYL WRAPPED - .7" X 3.5" X 96" - HONEY CHERRY
	146419-J2-438	EA	LUMBER - VINYL WRAPPED - .7" X 5.5" X 96" - HONEY CHERRY
	146419-J2-743	EA	LUMBER - VINYL WRAPPED - .7" X 5.5" X 108" - HONEY CHERRY
	146419-K2-438	EA	LUMBER - VINYL WRAPPED - .7" X 3.9" X 96" - HONEY CHERRY
	146419-R2-438	EA	LUMBER - VINYL WRAPPED - .7" X 3" X 96" - HONEY CHERRY
	146419-S2-438	EA	LUMBER - VINYL WRAPPED/FULL - .7"X 3.5"X 96"- HONEY CHERRY
	146419-T2-438	EA	LUMBER - VINYL WRAPPED/FULL - .7"X 5.5"X 96"- HONEY CHERRY
3F	146425-D2-134	EA	MOLDING - VINYL WRAPPED - .7" X 1.6" X 83.9" - HONEY CHERRY
3F	146425-F2-438	EA	MOLDING - VINYL WRAPPED - .7" X 2.6" X 96" - HONEY CHERRY
	149325-A2-438	EA	LUMBER - VINYL WRAPPED - .7" X .75" X 96" - WASHED MAPLE
	149325-D2-438	EA	LUMBER - VINYL WRAPPED - .7" X 1.5" X 96" - WASHED MAPLE
	149325-E2-438	EA	LUMBER - VINYL WRAPPED - .7" X 2" X 96" - WASHED MAPLE
	149325-F2-438	EA	LUMBER - VINYL WRAPPED - .7" X 2.5" X 96" - WASHED MAPLE
	149325-G2-438	EA	LUMBER - VINYL WRAPPED - .7" X 3" X 96" - WASHED MAPLE
	149325-H2-438	EA	LUMBER - VINYL WRAPPED - .7" X 3.5" X 96" - WASHED MAPLE
	149325-J2-438	EA	LUMBER - VINYL WRAPPED - .7" X 5.5" X 96" - WASHED MAPLE
	149325-J2-743	EA	LUMBER - VINYL WRAPPED - .7" X 5.5" X 108" - WASHED MAPLE
	149325-K2-438	EA	LUMBER - VINYL WRAPPED - .7" X 3.9" X 96" - WASHED MAPLE
	149325-R2-438	EA	LUMBER - VINYL WRAPPED - .7" X 3" X 96" - WASHED MAPLE
3F	149326-D2-134	EA	MOLDING - VINYL WRAPPED - .7" X 1.5" X 83.9" - WASHED MAPLE
3F	149326-D2-743	EA	MOLDING - VINYL WRAPPED - .7" X 1.5" X 108" - WASHED MAPLE
3F	149326-F2-134	EA	MOLDING - VINYL WRAPPED - .7" X 2.5" X 83.9" - WASHED MAPLE
3F	149326-F2-438	EA	MOLDING - VINYL WRAPPED - .7" X 2.5" X 96" - WASHED MAPLE
3F	149326-F2-743	EA	MOLDING - VINYL WRAPPED - .7" X 2.5" X 108" - WASHED MAPLE
	149330-A2-438	EA	LUMBER - VINYL WRAPPED - .7" X .75" X 96" - SIERRA MAPLE
	149330-D2-438	EA	LUMBER - VINYL WRAPPED - .7" X 1.5" X 96" - SIERRA MAPLE
	149330-E2-438	EA	LUMBER - VINYL WRAPPED - .7" X 2" X 96" - SIERRA MAPLE
	149330-F2-438	EA	LUMBER - VINYL WRAPPED - .7" X 2.5" X 96" - SIERRA MAPLE
	149330-G2-438	EA	LUMBER - VINYL WRAPPED - .7" X 3" X 96" - SIERRA MAPLE
	149330-H2-438	EA	LUMBER - VINYL WRAPPED - .7" X 3.5" X 96" - SIERRA MAPLE
	149330-J2-438	EA	LUMBER - VINYL WRAPPED - .7" X 5.5" X 96" - SIERRA MAPLE
	149330-J2-743	EA	LUMBER - VINYL WRAPPED - .7" X 5.5" X 108" - SIERRA MAPLE
	149330-K2-438	EA	LUMBER - VINYL WRAPPED - .7" X 3.9" X 96" - SIERRA MAPLE
	149330-R2-438	EA	LUMBER - VINYL WRAPPED - .7" X 3" X 96" - SIERRA MAPLE
3F	149331-D2-134	EA	MOLDING - VINYL WRAPPED - .7" X 1.5" X 83.9" - SIERRA MAPLE
3F	149331-D2-743	EA	MOLDING - VINYL WRAP - .7" X 1.5" X 108" - SIERRA MAPLE
3F	149331-F2-134	EA	MOLDING - VINYL WRAPPED - .7" X 2.5" X 83.9" - SIERRA MAPLE
3F	149331-F2-438	EA	MOLDING - VINYL WRAPPED - .7" X 2.5" X 96" - SIERRA MAPLE
3F	149331-F2-743	EA	MOLDING - VINYL WRAPPED - .7" X 2.5" X 108" - SIERRA MAPLE



**INTERIOR FINISH GROUP (CONTINUED)**  
**MOLDINGS & TRIMS (CONTINUED)**



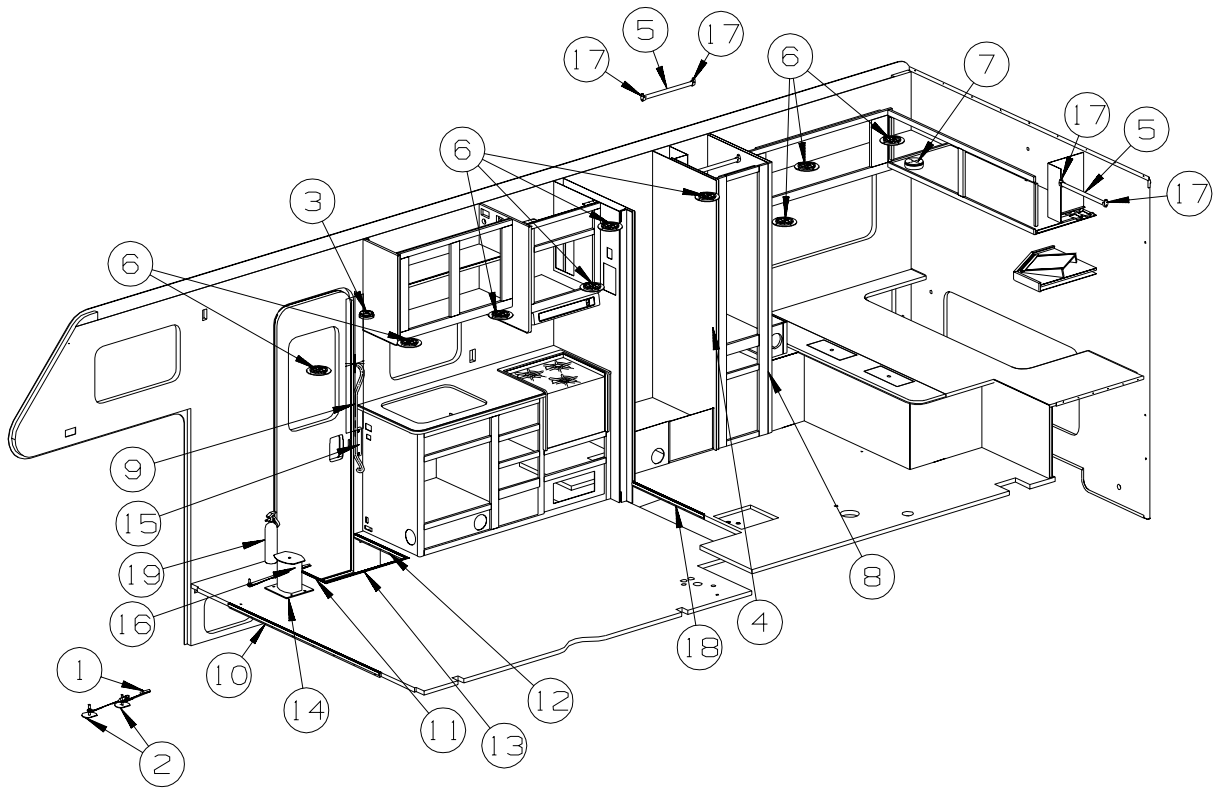
KEY	PART NUMBER	U/M	DESCRIPTION
1G	141260-01-01A	FT	U-CHANNEL - 1" - VILLAGE OAK
1G	141260-01-02A	FT	U-CHANNEL - 1" - GRADY BROWN
1G	141260-02-01A	FT	U-CHANNEL - 1 1/8" - VILLAGE OAK
1G	141260-02-02A	FT	U-CHANNEL - 1 1/8" - GRADY BROWN
2G	146306-01-01A	FT	TRANSITION - CARPET/TILE
3G	150167-01-07A	EA	RAIL - DECORATIVE - 96" W/O REVERSE SIDE GROOVE - PORTSMOUTH OAK
3G	150167-01-02A	EA	RAIL - DECORATIVE - 96" W/O REVERSE SIDE GROOVE - SALEM CHERRY - CONCERT CHERRY
3G	150167-01-03A	EA	RAIL - DECORATIVE - 96" W/O REVERSE SIDE GROOVE - WASHED MAPLE
3G	150167-01-09A	EA	RAIL - DECORATIVE - 96" W/O REVERSE SIDE GROOVE - SIERRA MAPLE
4G	151653-10-02A	EA	TRIM/RADIUS - CABINET CORNER - 79.6" - DULL METALLIC
4G	151653-13-02A	EA	TRIM/RADIUS - CABINET CORNER - 79.8" - DULL METALLIC
5G	151676-26-S46	EA	MOLDING/TRIM - .75" X 1.6" X 80.2" - PORTSMOUTH OAK
5G	151676-26-S47	EA	MOLDING/TRIM - .75" X 1.6" X 80.2" - CONCERT CHERRY
5G	151676-26-S48	EA	MOLDING/TRIM - .75" X 1.6" X 80.2" - WASHED MAPLE
5G	151676-26-SR0	EA	MOLDING/TRIM - .75" X 1.6" X 80.2" - SIERRA MAPLE
6G	151861-05-02B	EA	ANGLE - SUPPORT/CORNER - 1.4" X 78.6" - E-COATED
7G	151893-01-02A	EA	TRIM/RADIUS - CABINET BOTTOM - 72.6" - DULL METALLIC
8G	152077-01-02A	EA	TRIM/RADIUS - CABINET BOTTOM - 27.7" - DULL METALLIC
9G	156464-01-01A	FT	MOLDING - CORNER - RADIUS/PLASTIC - 8' - HONEY CHERRY
9G	156464-01-02A	FT	MOLDING - CORNER - RADIUS/PLASTIC - 8' - WASHED MAPLE
9G	156464-01-03A	FT	MOLDING - CORNER - RADIUS/PLASTIC - 8' - BONE
10G	160989-01-06A	FT	CAP - CORNER - RADIUS MOLDING - PLASTIC - WASHED MAPLE
10G	160989-01-07A	FT	CAP - CORNER - RADIUS MOLDING - PLASTIC - HONEY CHERRY

**INTERIOR FINISH GROUP (CONTINUED)**  
**PANELING & LAMINATES**

KEY	PART NUMBER	U/M	DESCRIPTION
	P26866-06-N70	EA	HANDLE - DOOR/TAMBOUR - 18.6" - OAK - PORTSMOUTH OAK
	P26866-06-SA3	EA	HANDLE - DOOR/TAMBOUR - 18.6" - HONEY/MAPLE - SIERRA MAPLE
	000885-C3-000	SF	PARTICLE BOARD - 3/8" X 4' X 8' - WHITE THATCH EMB-1 SIDED
	000885-92-000	SF	PARTICLE BOARD - 3/8" X 4' X 8' - PORTSMOUTH OAK - 1 SIDED - PORTSMOUTH OAK
	000885-93-000	SF	PARTICLE BOARD - 3/8" X 4' X 8' - PORTSMOUTH OAK - 2 SIDED - PORTSMOUTH OAK
	000885-94-000	SF	PARTICLE BOARD - 1/2" X 4' X 8' - PORTSMOUTH OAK - 2 SIDED - PORTSMOUTH OAK
	000885-95-000	SF	PARTICLE BOARD - 3/4" X 4' X 8' - PORTSMOUTH OAK - 2 SIDED - PORTSMOUTH OAK
	000885-B0-000	SF	PARTICLE BOARD - 3/8" X 4' X 8' - SIERRA MAPLE - 2 SIDED - SIERRA MAPLE
	000885-B1-000	SF	PARTICLE BOARD - 3/8" X 4' X 8' - SIERRA MAPLE - 1 SIDED - SIERRA MAPLE
	000885-B2-000	SF	PARTICLE BOARD - 3/4" X 4' X 8' - SIERRA MAPLE - 2 SIDED - SIERRA MAPLE
	000885-B3-000	SF	PARTICLE BOARD - 1/2" X 4' X 8' - SIERRA MAPLE - 2 SIDED - SIERRA MAPLE
	057882-04-000	SF	TAMBOUR - 48" X 96" SHEET - UNFINISHED - PORTSMOUTH OAK
	057882-05-000	SF	TAMBOUR - 48" X 96" SHEET - UNFINISHED - SIERRA MAPLE
	069733-87-000	EA	BATT STRIP - WOODGRAINED/PORTSMOUTH OAK - 8' - PORTSMOUTH OAK
	088263-J1-000	EA	BATT STRIP - DECORATIVE - SIERRA MAPLE
	088263-K3-000	EA	BATT STRIP - DECORATIVE - KURTA/CANVAS - 8' (U01, U02)
	088263-K4-000	EA	BATT STRIP - DECORATIVE - WISTERIA/DUNE - 8' (U03, U04)
	088263-K5-000	EA	BATT STRIP - DECORATIVE - WHITE THATCHED - 8'
	074497-42-000	SF	PANELING - PORTSMOUTH OAK - 1/8" X 4' X 8' - PORTSMOUTH OAK
	074497-48-000	SF	PANELING - SIERRA MAPLE - 1/8" X 4' X 8' - SIERRA MAPLE
	074497-52-000	SF	PANELING/PAPER WRAPPED - SCULPTURES PA - 1/8" X 48" X 100"
	088272-M7-000	SF	PANELING - KURTA/CANVAS - 4' X 7.4' (U01, U02)
	088272-M8-000	SF	PANELING - WISTERIA/DUNE - 4' X 7.4' (U03, U04)
	088272-M9-000	SF	PANELING - WHITE THATCHED - 4' X 8'
	074498-A2-000	SF	LAMINATE - PLASTIC - PHANTOM GRAY - 5' X 8'
	074498-B7-000	SF	LAMINATE - PLASTIC - HOUSE ROCK - 5' X 8' (U01, U02)
	074498-B8-000	SF	LAMINATE - PLASTIC - CLASSIC ROCK - 5' X 8' (U03, U04)
	076325-39-000	FT	MOLDING - EDGE BAND - 1 5/16" X .030" - ALMOND
	076325-40-000	FT	MOLDING - EDGE BAND - .93" X .024" - ALMOND
	076325-71-000	FT	MOLDING - EDGE BAND - 1 5/16" X .038" - GRAY
	076325-77-000	FT	MOLDING - EDGE BAND - 1 5/16" X .030" - PORTSMOUTH OAK
	076325-83-000	FT	MOLDING - EDGE BAND - .93" X .024" - SIERRA MAPLE
	076325-84-000	FT	MOLDING - EDGE BAND - 1 5/16" X .30" - SIERRA MAPLE
	085284-G8-000	FT	BATT TAPE - ADHESIVE BACKED/PAPER WRAP - PORTSMOUTH OAK
	085284-J4-000	FT	BATT TAPE - ADHESIVE BACKED - DECORATIVE - SIERRA MAPLE
	085284-J8-000	FT	BATT TAPE - ADHESIVE BACKED - DECORATIVE - SCULPTURES
	085284-K7-000	FT	BATT TAPE - ADHESIVE BACKED - DECORATIVE - KURTA/CANVAS (U01, U02)
	085284-K8-000	FT	BATT TAPE - ADHESIVE BACKED - DECORATIVE - WISTERIA/DUNE (U03, U04)
	085284-K9-000	FT	BATT TAPE - ADHESIVE BACKED - DECORATIVE - WHITE THATCHED

## INTERIOR FINISH GROUP (CONTINUED)

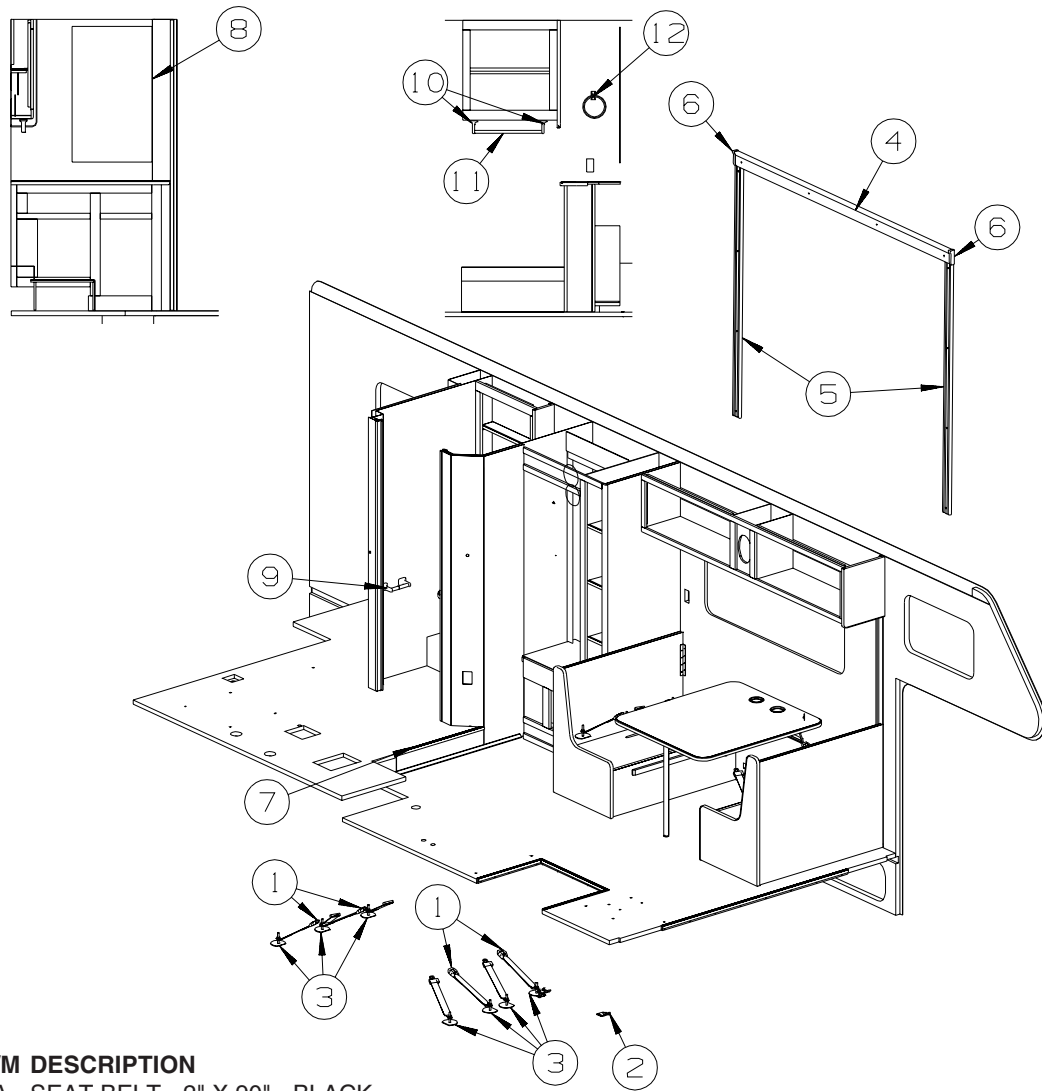
### INTERIOR TRIM LAYOUT



KEY	PART NUMBER	U/M	DESCRIPTION
1	160167-02-01A	EA	SEAT BELT - 2" X 90" - BLACK
2	140221-01-02B	EA	WASHER - SEAT BELT - E-COAT
			FROM: 00-00-00 THRU: 01-07-07
2	140221-04-02B	EA	WASHER - SEAT BELT - E-COATED - <b>NOT ILLUSTRATED</b>
			FROM: 01-08-07 THRU: 99-99-99
3	072852-01-000	EA	DETECTOR - SMOKE - W/9 VOLT BATTERY - US
3	072852-02-000	EA	DETECTOR - SMOKE - W/9 VOLT BATTERY - <b>CANADIAN</b>
3	077956-01-000	EA	LABEL - WARNING/SMOKE DETECTOR
4*	135615-01-01A	EA	DOOR - SHOWER/FOLDING - 29.7" X 62.9" - WHITE
5	Y00136-21-218	EA	DOWEL - WOOD - CLOTHES ROD - 1"DIAMETER X 4'
6	120134-01-02A	EA	REGISTER - W/DAMPER - 4" PIPE/6.4" O.D. FACE - WHITE
7	125136-02-000	EA	DETECTOR/CO - GAS MODEL - 9 VOLT
8	131595-13-01A	EA	DOOR/FOLDING - 37" X 71" - 4 CEILING BRKTS/STRAIGHT TRACK
9	137605-02-01A	EA	HAND RAIL - INTERIOR ENTRY DOOR - BLACK
10	139955-18-03A	EA	TRIM - STEP/ENTRY - 62.3" - TITANIUM
11	139955-15-01A	EA	TRIM - STEP/ENTRY - 21.7" - MILL
12	139955-16-01A	EA	TRIM - STEP/ENTRY - 21.7" - MILL
13	139955-17-01A	EA	TRIM - STEP/ENTRY - 28" - MILL
14	142169-02-02B	EA	PLATE - PEDESTAL SEAT - E-COATED
15	148362-01-01A	EA	COVER - BRACKET/STRIKE - BRIGHT WHITE
			FROM: 00-00-00 THRU: 07-31-06
15	148362-01-02A	EA	COVER - BRACKET/STRIKE - MEDIUM OAK
			FROM: 08-01-06 THRU: 99-99-99
	140151-02-02A	EA	COVER - SCREW - BRIGHT WHITE
			FROM: 00-00-00 THRU: 07-31-06
	140151-02-03A	EA	COVER - SCREW - MEDIUM OAK
			FROM: 08-01-06 THRU: 99-99-99
16	133408-01-000	EA	PEDESTAL - SEAT - DRIVER/PASSENGER - 9 3/4"
17	152301-01-01A	EA	FLANGE - PLASTIC - 1" CLOTHES ROD HOLDER - WHITE
18	158511-01-02A	EA	TRIM - STEP/ENTRANCE - 29.7" - TITANIUM
19	094499-03-000	EA	EXTINGUISHER/FIRE - DRY - 10BC - W/GAUGE/BRACKET
19*	094499-02-000	EA	EXTINGUISHER/FIRE - DRY - 10BC - W/GAUGE - <b>CANADIAN</b>
19	094499-04-000	EA	STRAP - FIRE EXTINGUISHER MOUNTING - METAL
	M09471-79-R38	EA	MOLDING - TRIM/COVE - .8" X .8" X 96" - PORTSMOUTH OAK
	M09471-79-SA3	EA	MOLDING - TRIM/COVE - .8" X .8" X 96" - SIERRA MAPLE

\*COMPONENT PARTS LISTED LATER IN THIS GROUP

**INTERIOR FINISH GROUP (CONTINUED)**  
**INTERIOR TRIM LAYOUT (CONTINUED)**

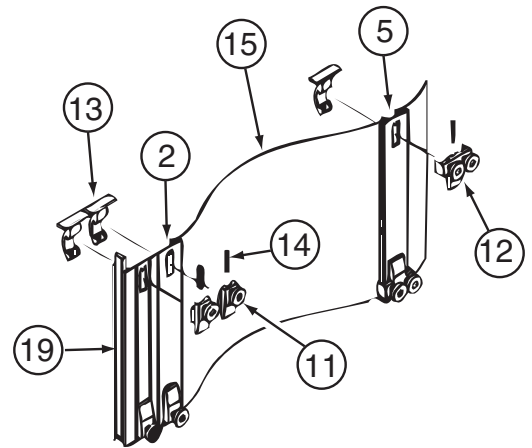
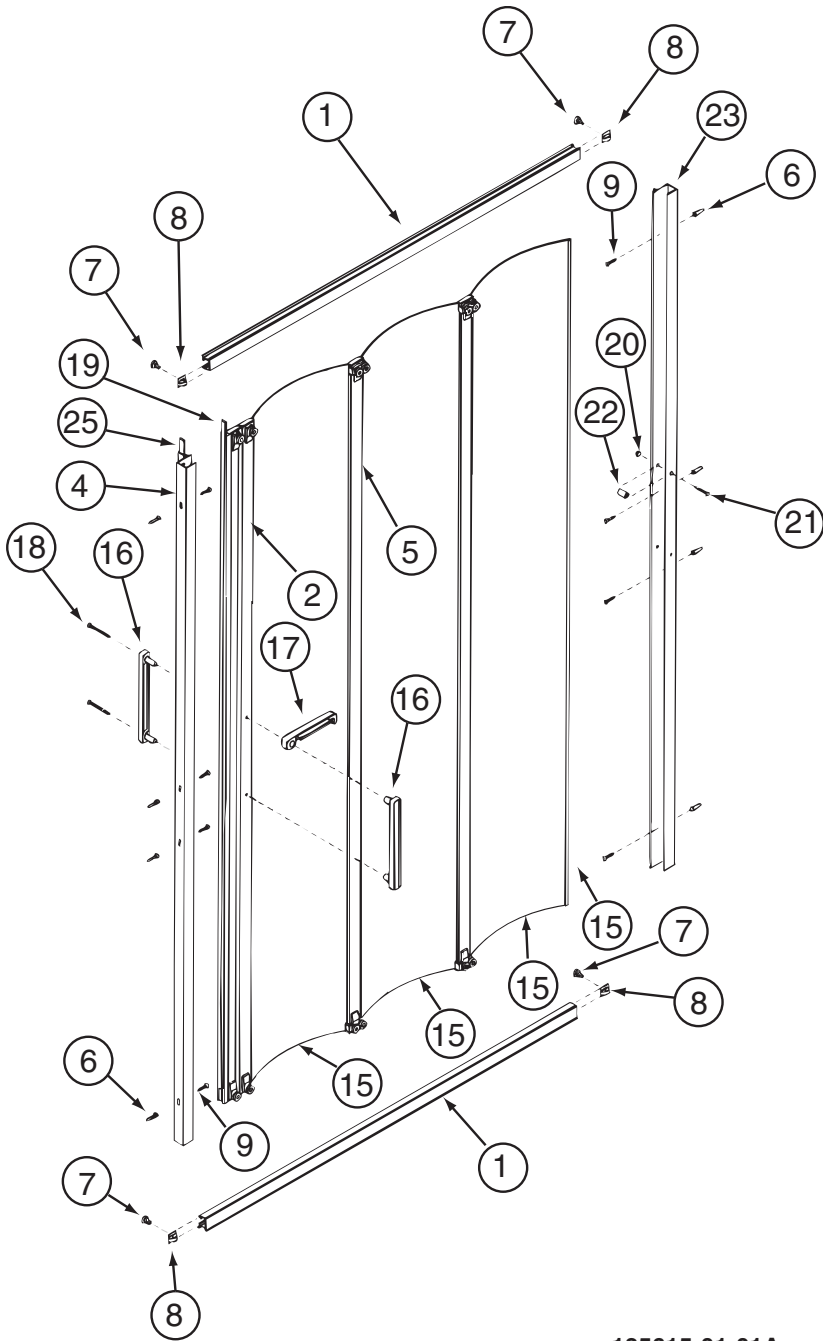


KEY	PART NUMBER	U/M	DESCRIPTION
1	160167-02-01A	EA	SEAT BELT - 2" X 90" - BLACK
2	150697-01-02B	EA	BRACKET - RESTRAINT/CHILD - E-COATED
3	140221-01-02B	EA	WASHER - SEAT BELT - E-COAT
3	140221-04-02B	EA	WASHER - SEAT BELT - E-COATED - <b>NOT ILLUSTRATED</b>
			FROM: 00-00-00 THRU: 01-07-07
			FROM: 01-08-07 THRU: 99-99-99
4	Y00282-72-438	EA	MOLDING - SLIDEOUT/VINYL WRAP - 3.9"X 96" - PORTSMOUTH OAK
4	Y00282-92-438	EA	MOLDING - SLIDEOUT/VINYL WRAP - 3.9"X 96" - SIERRA MAPLE
5	132663-04-08A	EA	MOLDING-VINYL WRAP/PRE DRILLED-.6"X3"X70.2" - PORTSMOUTH OAK
5	132663-04-22A	EA	MOLDING-VINYL WRAP/PRE DRILLED-.6"X3"X70.2" - SIERRA MAPLE
6	149151-01-S46	EA	MOLDING/BLOCK - PORTSMOUTH OAK
6	149151-01-SR0	EA	MOLDING/BLOCK - SIERRA MAPLE
7	Y00268-42-438	EA	MOLDING - TRIM/COVE - .8" X .8" X 96" - UNSTAINED OAK - PORTSMOUTH OAK
7	Y00268-22-438	EA	MOLDING - TRIM/COVE - .8" X .8" X 96" - UNSTAINED MAPLE - SIERRA MAPLE
8	140374-14-000	EA	MIRROR - SAFETY GLASS - 20.8" X 35.4"
9	145980-01-02A	EA	HOLDER - TOILET TISSUE - CHROME
10	145980-04-02A	EA	TOWEL BAR - POST - PAIR - CHROME
11	145980-05-02A	EA	TOWEL BAR - 18" - CHROME
12	145980-06-03A	EA	TOWEL RING - CHROME

**INTERIOR FINISH GROUP (CONTINUED)**  
**COMPONENT PARTS FOR INTERIOR TRIM LAYOUT**

094499-02-000

KEY	PART NUMBER	U/M DESCRIPTION	VENDOR NO
	094499-01-700	EA BRACKET MTG. W/PLAS. STRAP	294039



Roller Assembly Detail

135615-01-01A

KEY	PART NUMBER	U/M DESCRIPTION	VENDOR NO.
1	135615-01-702	EA TRACK - (TOP/BOTTOM) - 40"	117W
2	135615-01-701	EA STRIKE ASSEMBLY - 66"	109W
4	135615-01-703	EA JAMB/WALL - W/O MAG STRIKE 66"	112W
11	108351-01-703	EA BRACKET & ROLLER ASM. SINGLE	GRB1
12	108351-01-704	EA BRACKET & ROLLER ASM. DOUBLE	GRB2
13	108351-01-705	EA CLIP ONLY F/SGL/DBL ROLLER	GRC1
14	108351-01-706	EA SPRING-ROLLER BRACKET	GS1
15	135615-01-705	EA PANEL/SHOWER DR-1 ONLY-9"	PP9WPVC.65 F/71WH-W
16	108351-01-701	EA HANDLES-DOOR, SET	SFH
17	108351-01-702	EA LATCH-DOOR	SFL
23	135615-01-704	EA JAMB/WALL PANEL RECEIVER-66"	110W
25	135615-01-700	EA STRIP/MAGNETIC - 66"	98-41W

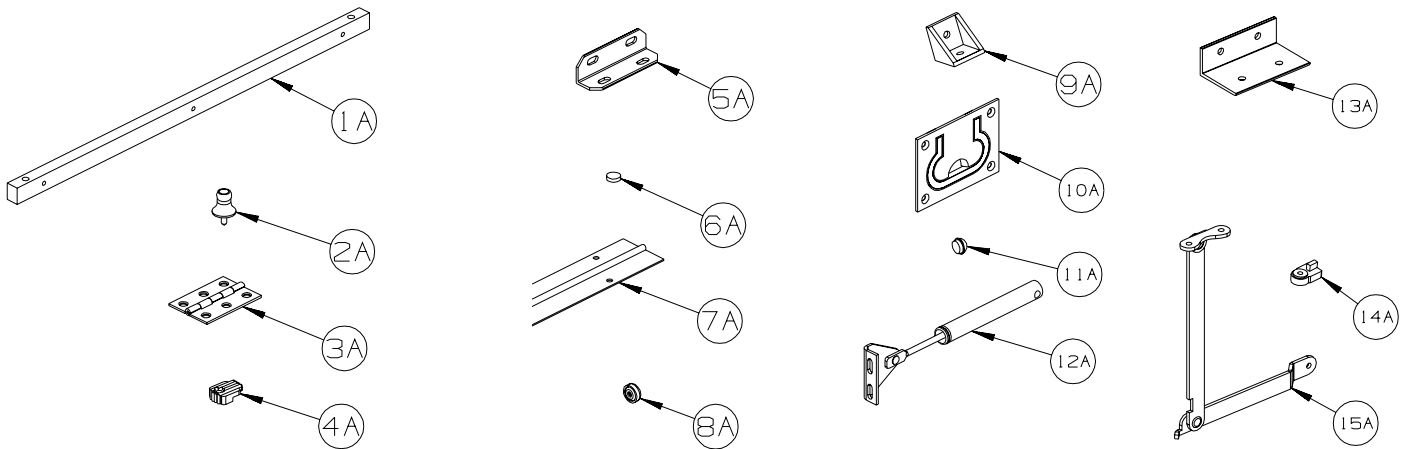
CONTACT WINNEBAGO PART SALES FOR UNLISTED COMPONENT(S)

**INTERIOR FINISH GROUP (CONTINUED)**  
**FLOOR COVERINGS**

<b>KEY</b>	<b>PART NUMBER</b>	<b>U/M</b>	<b>DESCRIPTION</b>
	042720-38-000	SY	VINYL - FLOOR COVERING - 7.5' WIDE - BRIDGEWAY
	075233-01-000	SY	PAD - CARPET - 3/8" X 6'W ROLL - SOLD BY THE SQUARE YARD
	093486-01-000	SY	CARPET - COMPARTMENT - 72" WIDE - DARK GRAY
	152251-05-02A	SY	CARPET - 4 SQUARE YARD INCREMENTS - BURLWOOD (U01, U02)
	152251-05-07A	SY	CARPET - 4 SQUARE YARD INCREMENTS - RAFFIA (U03, U04)

## INTERIOR FINISH GROUP (CONTINUED)

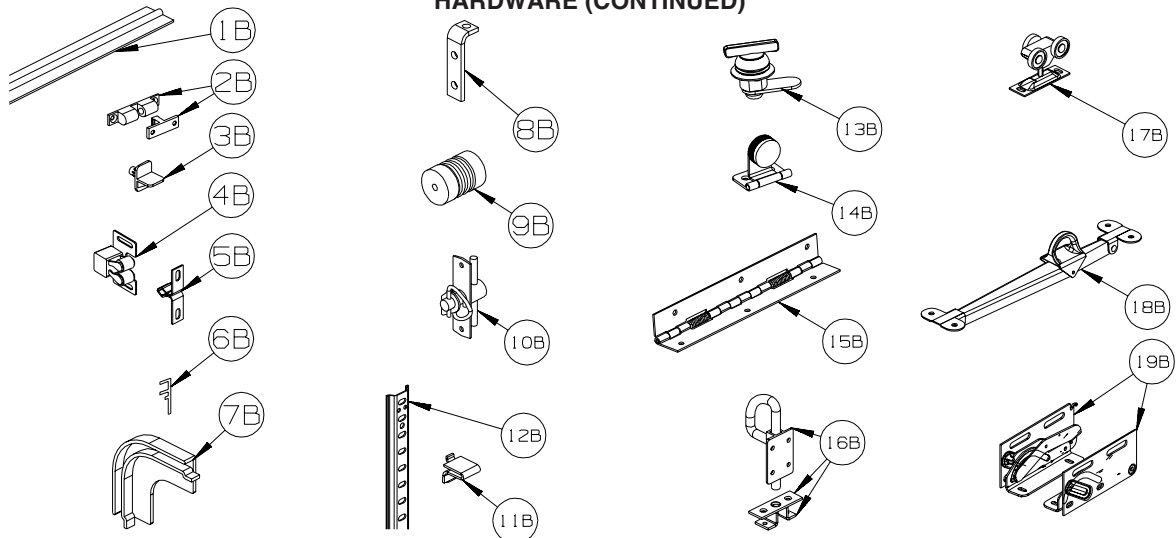
### HARDWARE



KEY	PART NUMBER	U/M	DESCRIPTION
1A	P34509-01-N01	EA	RAIL END - RH/LH - TOWEL RACK - PORTSMOUTH
1A	P34509-01-P14	EA	RAIL END - RH/LH - TOWEL RACK - CONCERT CHERRY
1A	P34509-01-J70	EA	RAIL END - RH/LH - TOWEL RACK - WASHED MAPLE
1A	P34509-01-RE0	EA	RAIL END - RH/LH - TOWEL RACK - HONEY CHERRY
1A	P34509-01-SA3	EA	RAIL END - RH/LH - TOWEL RACK - SIERRA MAPLE
2A	009013-01-000	EA	CATCH - BULLDOG - MALE/FEMALE
3A	009059-01-000	EA	HINGE - DOOR - 2" X 1.4" - BRASS
3A	009059-02-000	EA	HINGE - DOOR - 2" X 2.7" - BRASS
3A	009059-03-000	EA	HINGE - BRASS - 1.75"
3A	009059-04-000	EA	HINGE - 2" - ZINC
4A	009089-01-000	EA	CLIP - MIRROR
5A	016604-01-000	EA	BRACE - ANGLE - 2 1/2" - UNPAINTED METAL
5A	016604-05-000	EA	BRACE - ANGLE - 2 1/2" - OFF WHITE METAL
5A	016604-10-000	EA	BRACE - SEAT ANGLE - 2.5" - BLACK
6A	023320-01-000	EA	PAD - FELT 3/8" DIAMETER
7A	041389-19-000	EA	HINGE - PIANO - 1 1/2" X 71.9" - UNPAINTED
7A	041389-25-000	EA	HINGE - PIANO - 1 1/2" X 55" - UNPAINTED
7A	041389-32-000	EA	HINGE - PIANO - 68" - OFF WHITE
8A	057671-01-000	EA	COVER - SCREW - #8 - OFF WHITE
8A	057671-15-000	EA	COVER - SCREW - #8 - BRIGHT WHITE
8A	057671-16-000	EA	COVER - SCREW - #8 - SOFT WHITE
8A	057671-18-000	EA	COVER - SCREW - #8 - OFF WHITE
9A	065740-01-000	EA	BRACE - CABINET/CORNER - PLASTIC
10A	072871-01-000	EA	PULL - FLUSH - CHROME
11A	074045-13-000	EA	PLUG - OAK - 3/8" DOWEL-1/2" HEAD - PORTSMOUTH OAK
11A	074045-08-000	EA	PLUG - OAK - 3/8" DOWEL-1/2" HEAD - CONCERT CHERRY
11A	074045-12-000	EA	PLUG - OAK - 3/8" DOWEL-1/2" HEAD - WASHED MAPLE
11A	074045-14-000	EA	PLUG - OAK - 3/8" DOWEL-1/2" HEAD - HONEY CHERRY
11A	074045-15-000	EA	PLUG - OAK - 3/8" DOWEL-1/2" HEAD - SIERRA MAPLE
12A	074493-02-000	EA	SUPPORT - PISTON SPRING - CABINET DOOR - 26 LBS
12A	074493-03-000	EA	SUPPORT - PISTON SPRING - CABINET DOOR - 12 LBS
12A	074493-04-000	EA	SUPPORT - PISTON SPRING - CABINET DOOR - 32LBS
13A	156732-01-01A	EA	BRACE - ANGLE/COUCH - 2.5" - MILL
13A	156732-01-02A	EA	BRACE - ANGLE/COUCH - 2.5" - OFF WHITE
13A	156732-03-01A	EA	BRACE - ANGLE/COUCH - BLACK
14A	083204-03-000	EA	BUTTON - RETAINING MIRROR 5/16" TIP
15A	084412-01-000	EA	SUPPORT/HINGE KIT (LEFT & RIGHT HINGES)

# INTERIOR FINISH GROUP (CONTINUED)

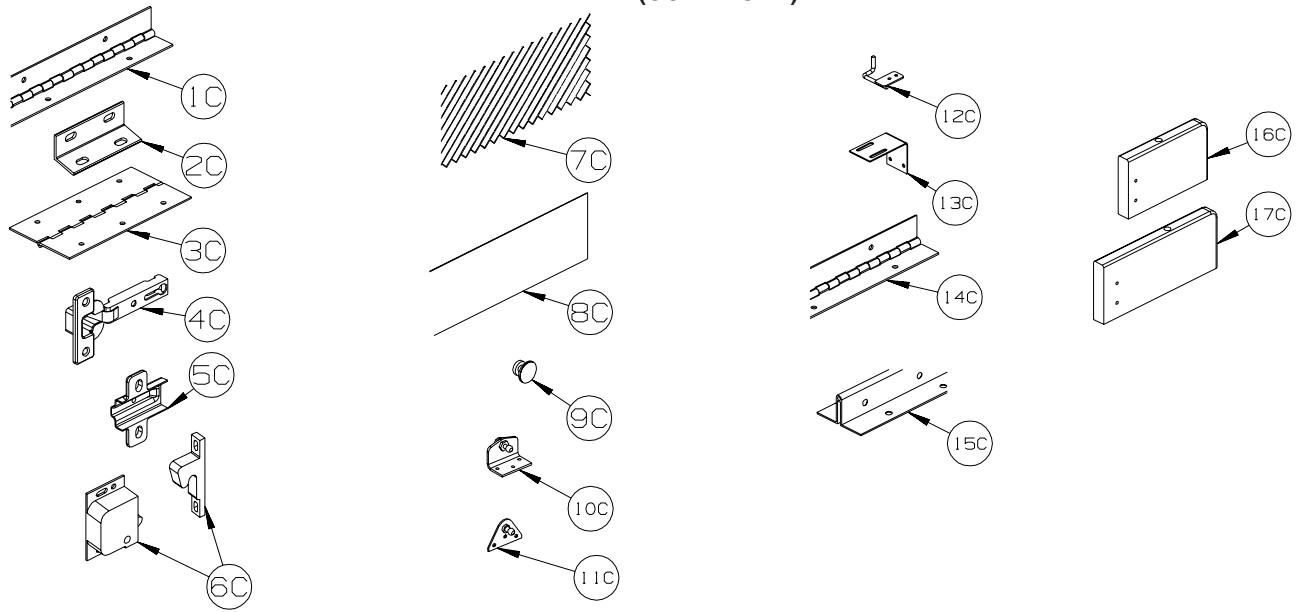
## HARDWARE (CONTINUED)



KEY	PART NUMBER	U/M	DESCRIPTION
1B	084413-01-000	EA	HINGE - 1" X 72" - ALUMINUM - W/HOLES
2B	084451-01-000	EA	CATCH & LATCH - 1.7" - BRASS
3B	092907-01-000	EA	SUPPORT - SHELF - PIN - 1/4" - CLEAR PLASTIC
4B	093586-03-000	EA	CATCH - SPRING ROLLER - .377"
4B	093586-06-000	EA	CATCH - SPRING ROLLER - .236"
5B	093586-04-000	EA	STRIKE - SPRING STEEL - 1.14"
6B	093622-01-000	EA	TRACK - DOOR - TAMBOUR - PLASTIC - 8' LENGTHS
7B	093623-01-000	EA	CORNER - TRACK - TAMBOUR DOOR
8B	096826-01-01A	EA	BRACE-CABINET E-COATED
9B	097872-04-000	EA	DOWEL - WOOD - 1" DIAMETER X 1.38" LONG - UNFINISHED
10B	098196-01-000	EA	LATCH - 1/4 TURN - T-BAR
11B	098979-01-000	EA	CLIP - ADJUSTABLE SHELF
12B	098980-01-000	EA	PILASTER - ADJUSTABLE SHELF - 18"
12B	098980-02-000	EA	PILASTER - ADJUSTABLE SHELF - 12"
12B	098980-03-000	EA	PILASTER - ADJUSTABLE SHELF - 9"
12B	098980-04-000	EA	PILASTER - ADJUSTABLE SHELF - 48"
12B	098980-05-000	EA	PILASTER - ADJUSTABLE SHELF - 15"
12B	098980-06-000	EA	PILASTER - ADJUSTABLE SHELF - 24"
13B	100710-01-02A	EA	LOCK - GLASS DOOR/TWIST TYPE - NICKEL
14B	100711-01-02A	EA	HINGE - GLASS DOOR - NICKEL
15B	102920-01-01A	EA	HINGE - SPRING LOADED - BRASS
15B	102920-01-02A	EA	HINGE - SPRING LOADED - NICKEL
15B	129753-01-01A	EA	HINGE - SPRING LOADED - 19" X 19" - BLACK
16B	103256-01-000	EA	LATCH COMPLETE (SLIDE)
17B	103874-01-000	EA	HANGER - SLIDING DOOR
18B	104181-01-01A	EA	SUPPORT - LEAF 5.3" EXTENDS TO 7.5" - SAFETY RING - METAL
19B	108126-01-000	EA	TRAY HINGE SET (QTY. 2 PER SET)



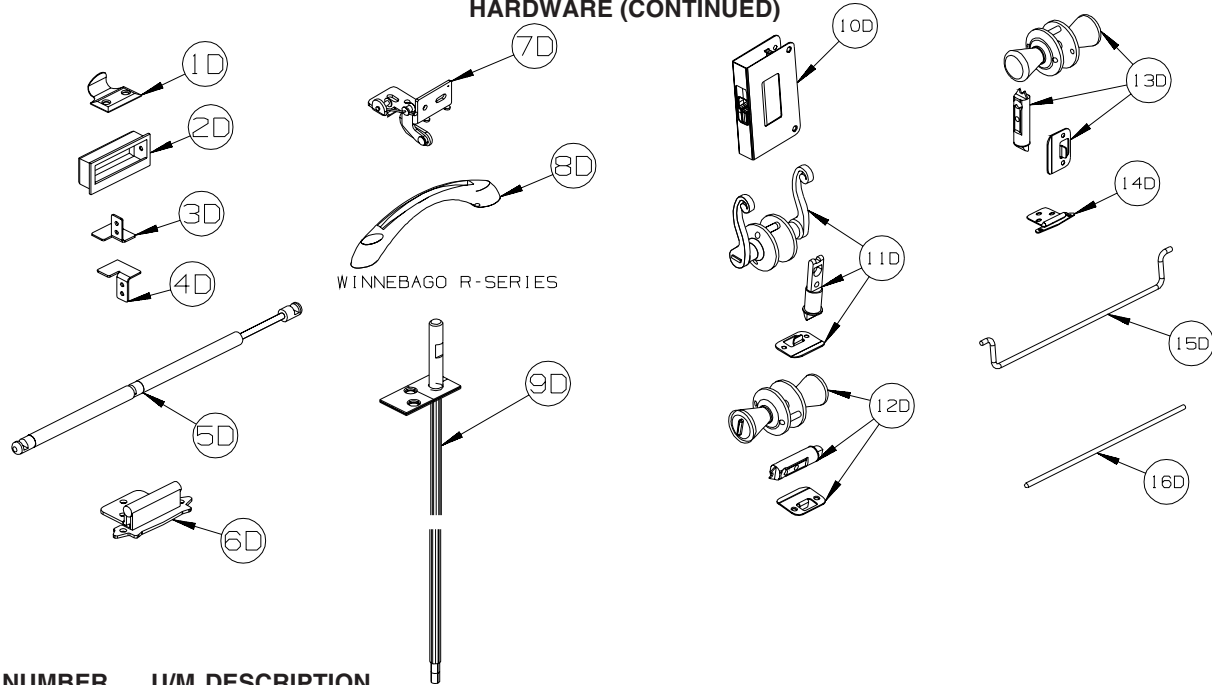
**INTERIOR FINISH GROUP (CONTINUED)**  
**HARDWARE (CONTINUED)**



KEY	PART NUMBER	U/M	DESCRIPTION
1C	110496-01-01A	EA	HINGE - BRASS - 2" X 32"
1C	110496-01-02A	EA	HINGE - NICKEL - 2" X 32"
1C	110496-05-02A	EA	HINGE - NICKEL - 2" X 11.5"
1C	110496-06-02A	EA	HINGE - NICKEL - 2" X 9.5"
2C	111866-01-02A	EA	BRACE - SEAT - ANGLE - OFF WHITE
3C	114278-02-000	EA	HINGE - CONTINUOUS - 3" WIDE
4C	114443-02-01A	EA	HINGE - CABINET DOOR - W/O CLIP - SILVER
5C	114443-03-01A	EA	CLIP - HINGE/CABINET DOOR - SILVER
6C	117095-01-01A	EA	LATCH - DOOR - GRABBER W/KEEPER - PLASTIC - BLK-5 LB PULL
6C	117095-02-01A	EA	LATCH - DOOR - GRABBER W/KEEPER - PLASTIC - BLK-10 LB PULL
6C	117095-03-01A	EA	LATCH - DOOR - GRABBER W/KEEPER - PLASTIC - BLK-15 LB PULL
7C	118200-01-01A	SF	MESH - PLASTIC 1/2" - 48" X LENGTH = SF - BLACK
8C	122717-06-01A	FT	PAD - NON-SKID - PSA - 5"W
9C	125221-01-01A	EA	PULL - MIRROR - W/ROUND HANDLE
10C	126263-06-02B	EA	BRACKET - GAS SPRING W/INSIDE BALL STUD - E-COATED
11C	126263-05-02B	EA	BRACKET - GAS SPRING W/BALL STUD - E-COATED
11C	126263-08-02B	EA	BRACKET - GAS SPRING W/CENTERED BALL STUD - E-COATED
11C	126263-19-02B	EA	BRACKET - GAS SPRING W/BALL STUD - E-COATED
12C	130798-01-02B	EA	GUIDE - POCKET DOOR - E-COATED
13C	132871-02-02B	EA	BRACKET/L-ANGLE W/HOLES - 1.9" X 2.8" - E-COATED
14C	134099-01-02A	EA	HINGE - PIANO - WRAP AROUND - 15.7" - NICKEL PLATED
15C	135538-03-02A	EA	HINGE - PIANO - FULL WRAP - 15.7" - CHROME
16C	137445-02-P46	EA	STOP - F/SLIDING DOOR - CONCERT CHERRY
16C	137445-02-P56	EA	STOP - F/SLIDING DOOR - WASHED MAPLE
16C	137445-02-S67	EA	STOP - F/SLIDING DOOR - SIERRA MAPLE
17C	137445-03-T78	EA	STOP - F/SLIDING DOOR - CONCERT CHERRY
17C	137445-03-T79	EA	STOP - F/SLIDING DOOR - WASHED MAPLE
17C	137445-03-T80	EA	STOP - F/SLIDING DOOR - SIERRA MAPLE

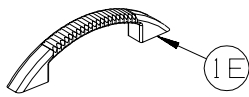
# INTERIOR FINISH GROUP (CONTINUED)

## HARDWARE (CONTINUED)

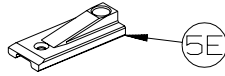


KEY	PART NUMBER	U/M	DESCRIPTION
1D	137463-01-02A	EA	LIFT - HOOK - PEWTER
2D	139136-01-02A	EA	HANDLE - .75" RECESSED - PEWTER
2D	139136-02-02A	EA	HANDLE - .35" RECESSED - PEWTER
3D	139264-01-02B	EA	STOP - DOOR - TAMBOUR/RH HAND - E-COATED
4D	139264-02-02B	EA	STOP - DOOR - TAMBOUR/LH HAND - E-COATED
5D	142569-07-000	EA	SPRING/GAS - 20 LB - 20" EXTENDED/12" COMPRESSED
5D	142569-15-000	EA	SPRING/GAS - 120 LB - 20" EXTENDED/12" COMPRESSED
5D	142569-16-000	EA	SPRING/GAS - 90 LB - 20" EXTENDED/12" COMPRESSED
5D	142569-29-000	EA	SPRING/GAS - 20 LB - 9.9" EXTENDED/5.9" COMPRESSED
6D	143468-02-03A	EA	HINGE - SELF CLOSING - SATIN NICKEL
7D	144488-01-02A	EA	HINGE - CABINET - NICKEL
8D	144917-01-01A	EA	PULL - DRAWER - SATIN NICKEL - <b>TOUR R-SERIES</b>
9D	145939-03-01A	EA	ROD/LATCH - AISLE DOOR - BRASS
			FROM: 00-00-00 THRU: 04-16-06
9D	145939-05-01A	EA	ROD/LATCH - AISLE DOOR - BRASS - <b>NOT ILLUSTRATED</b>
			FROM: 04-17-06 THRU: 07-30-06
9D	145939-05-02A	EA	ROD/LATCH - AISLE DOOR - NICKEL - <b>NOT ILLUSTRATED</b>
			FROM: 07-31-06 THRU: 99-99-99
10D	145939-04-02A	EA	LATCH/SLIDE - AISLE DOOR(1" THICK DOOR)-NICKEL/BLACK SLIDE
11D	146064-01-02A	EA	LOCK/PRIVACY (LOCKING) LEVER STYLE - SATIN PEWTER
12D	146064-05-01A	EA	LOCK/PRIVACY (LOCKING) KNOB STYLE - SATIN NICKEL
13D	146064-06-01A	EA	LOCK/PASSAGE (NON LOCKING) KNOB STYLE - SATIN NICKEL
14D	146553-01-01A	EA	HINGE - CABINET DOOR - BURNISHED BRASS
14D	146553-01-03A	EA	HINGE - CABINET DOOR - SATIN NICKEL
15D	146801-01-01A	EA	ROD/TOWEL BAR (OFFSET) - BRASS
15D	146801-01-02A	EA	ROD/TOWEL BAR (OFFSET) - PEWTER
16D	146840-03-01A	EA	ROD - .25" X 11.7" - BRASS
16D	146840-03-02A	EA	ROD - .25" X 11.7" - PEWTER
16D	146840-04-01A	EA	ROD - .25" X 13.1" - BRASS
16D	146840-04-02A	EA	ROD - .25" X 13.1" - PEWTER
16D	146840-05-01A	EA	ROD - .25" X 14.8" - BRASS
16D	146840-05-02A	EA	ROD - .25" X 14.8" - PEWTER
16D	146840-07-01A	EA	ROD - .25" X 4.2" - BRASS
16D	146840-07-02A	EA	ROD - .25" X 4.2" - PEWTER

## INTERIOR FINISH GROUP (CONTINUED) HARDWARE (CONTINUED)



1E

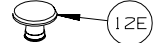


5E



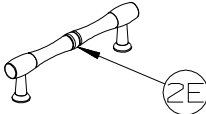
9E

D-SERIES  
F-SERIES  
WINNEBAGO R-SERIES

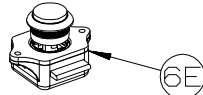


12E

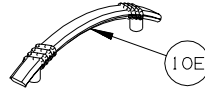
ITASCA R-SERIES



2E

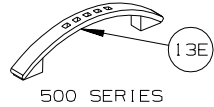


6E



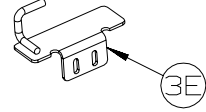
10E

ITASCA D-SERIES  
ITASCA F-SERIES



13E

500 SERIES



3E



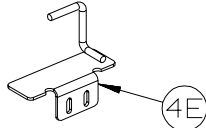
7E

500 SERIES



14E

ITASCA G-SERIES  
ITASCA P-SERIES

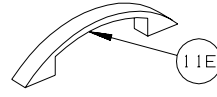


4E



8E

500 SERIES



11E

ITASCA R-SERIES

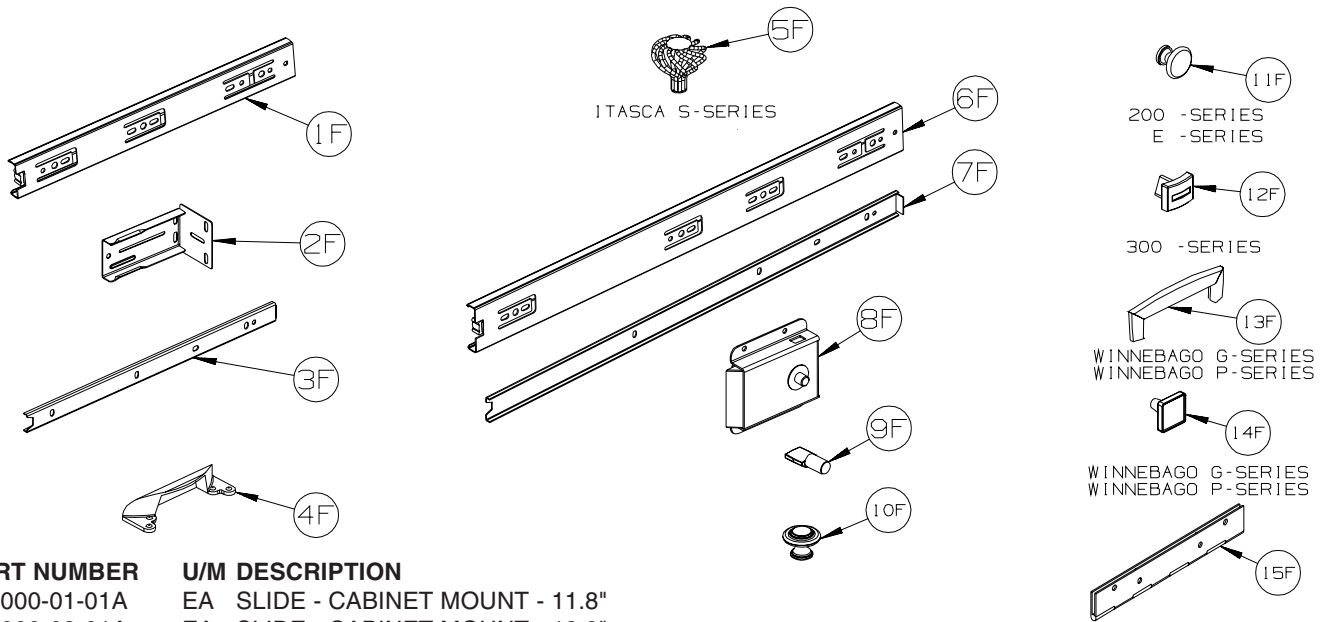


15E

ITASCA G-SERIES  
ITASCA P-SERIES

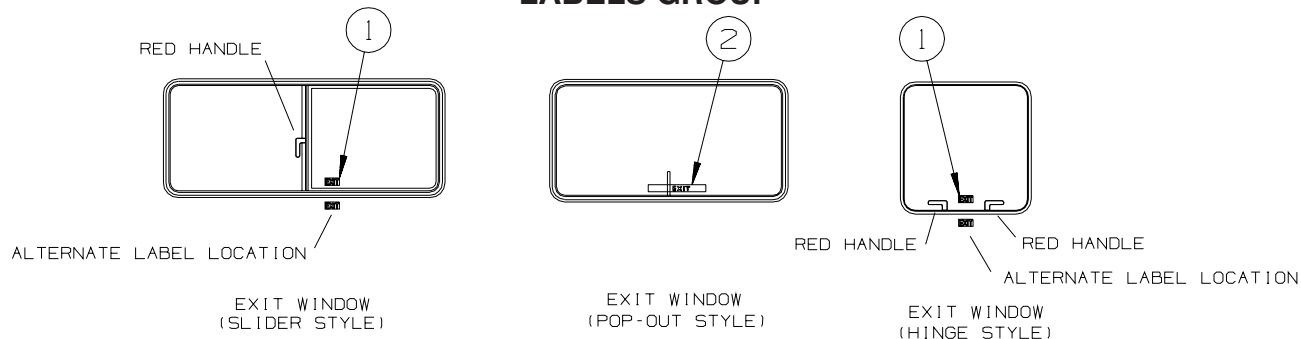
KEY	PART NUMBER	U/M	DESCRIPTION
1E	148816-01-02A	EA	PULL - CABINET DOOR - NICKEL - ASPECT, CAMBRIA 700-SERIES
2E	149090-01-02A	EA	PULL - CABINET DOOR - NICKEL - SIGHTSEER D-SERIES, VOYAGE F-SERIES
3E	149607-01-02B	EA	GUIDE - F/POCKET DOOR - 1.6" BENT ROD - E-COATED
3E	149607-03-02B	EA	GUIDE - F/POCKET DOOR - 2.9" BENT ROD - E-COATED
4E	149607-04-02B	EA	GUIDE - F/POCKET DOOR - E-COATED
5E	150983-01-01A	EA	STRIKE/BLOCK - WEDGE STYLE - F/SLIDE DOOR - 3" X 1.2" - BLACK
6E	151380-01-01A	EA	LATCH - CABINET DOOR - PUSH BUTTON - VIEW & NAVION 500-SERIES
7E	151380-02-01A	EA	STRIKE - CABINET DOOR - VIEW & NAVION 500-SERIES
8E	151380-03-01A	EA	STRIKE - CABINET DOOR - VIEW & NAVION 500-SERIES
9E	152080-01-01A	EA	PULL-NICKEL - SIGHTSEER & SUNOVA D-SERIES, VOYAGE & SUNRISE F-SERIES, TOUR R-SERIES
10E	152302-01-01A	EA	PULL - CABINET DOOR - SATIN NICKEL - SUNOVA D-SERIES, SUNRISE F-SERIES
11E	152304-01-01A	EA	PULL - CABINET DOOR - BRONZE- ELLIPSE R-SERIES
12E	152305-01-01A	EA	KNOB - DOOR/DRAWER - BRONZE - ELLIPSE R-SERIES
13E	152950-01-01A	EA	PULL - DOOR/DRAWER - BRUSHED NICKEL - VIEW & NAVION 500-SERIES
14E	152951-01-01A	EA	PULL - DOOR/DRAWER - PEWTER - SUNCRUISER G-SERIES, MERIDIAN P-SERIES
15E	152952-01-01A	EA	PULL - KNOB/DRAWER - PEWTER - SUNCRUISER G-SERIES, MERIDIAN P-SERIES

## INTERIOR FINISH GROUP (CONTINUED) HARDWARE (CONTINUED)

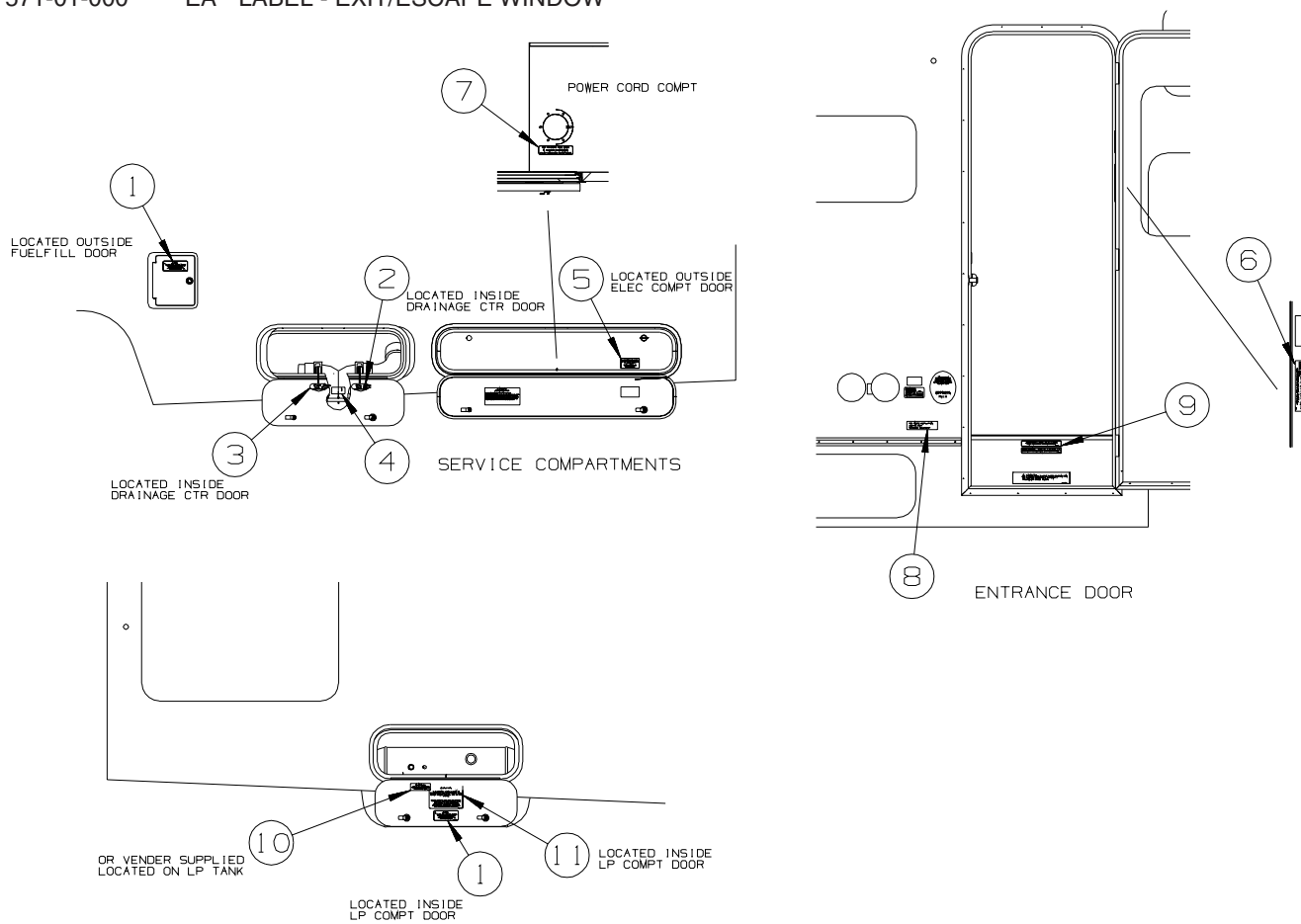


KEY	PART NUMBER	U/M	DESCRIPTION
1F	153000-01-01A	EA	SLIDE - CABINET MOUNT - 11.8"
1F	153000-03-01A	EA	SLIDE - CABINET MOUNT - 13.8"
1F	153000-05-01A	EA	SLIDE - CABINET MOUNT - 15.7"
1F	153000-07-01A	EA	SLIDE - CABINET MOUNT - 17.7"
1F	153000-09-01A	EA	SLIDE - CABINET MOUNT - 19.7"
1F	153000-11-01A	EA	SLIDE - CABINET MOUNT - 21.6"
1F	153000-14-01A	EA	SLIDE - CABINET MOUNT - 23.6"
1F	153000-18-01A	EA	SLIDE - CABINET MOUNT - 9.8"
1F	153000-20-01A	EA	SLIDE - CABINET MOUNT - 25.6"
2F	153000-13-01A	EA	BACKSOCKET - DRAWER SLIDE
3F	153000-02-01A	EA	SLIDE - DRAWER MOUNT - 11.8"
3F	153000-04-01A	EA	SLIDE - DRAWER MOUNT - 13.8"
3F	153000-06-01A	EA	SLIDE - DRAWER MOUNT - 15.7"
3F	153000-08-01A	EA	SLIDE - DRAWER MOUNT - 17.7"
3F	153000-10-01A	EA	SLIDE - DRAWER MOUNT - 19.7"
3F	153000-12-01A	EA	SLIDE - DRAWER MOUNT - 21.6"
3F	153000-15-01A	EA	SLIDE - DRAWER MOUNT - 23.4"
3F	153000-19-01A	EA	SLIDE - DRAWER MOUNT - 9.8"
3F	153000-21-01A	EA	SLIDE - DRAWER MOUNT - 25.4"
4F	153308-01-01A	EA	PULL - VANITY STOOL - SATIN NICKEL
5F	153335-01-02A	EA	PULL - KNOB - DOOR/DRAWER - FLAT BLACK - <b>HORIZON S-SERIES</b>
6F	153352-01-01A	EA	SLIDE - PANTRY - 19.7" - CABINET MOUNT
6F	153352-03-01A	EA	SLIDE - EXT ENTERTAINMENT CNTR - 13.8" - CABINET MOUNT
7F	153352-02-01A	EA	SLIDE - PANTRY - 19.5" - DRAWER MOUNT
7F	153352-04-01A	EA	SLIDE - EXT ENTERTAINMENT CNTR - 13.6" - DRAWER MOUNT
8F	153353-01-01A	EA	LATCH - SLIDING/FLUSH - BLACK
9F	154385-01-02A	EA	PIN - SUPPORT/GLASS DOOR - 1/4" - NICKEL
10F	155803-01-01A	EA	KNOB CABINET DOOR - WROUGHT IRON
11F	155925-01-01A	EA	KNOB - DOOR/DRAWER - SATIN NICKEL - <b>ACCESS &amp; IMPULSE 200-SERIES</b>
12F	156579-01-01A	EA	KNOB - DOOR/DRAWER - PEWTER - <b>OUTLOOK &amp; SPIRIT 300-SERIES</b>
13F	157246-01-01A	EA	PULL - CABINET DOOR/DRAWER - SATIN NICKEL - <b>ADVENTURER G-SERIES, JOURNEY P-SERIES</b>
14F	157246-02-01A	EA	KNOB - CABINET DOOR/DRAWER - SATIN NICKEL - <b>ADVENTURER G-SERIES, JOURNEY P-SERIES</b>
15F	158982-01-04B	EA	HINGE - CONTINUOUS - 2" X 8" - BLACK
	158982-01-01A	EA	HINGE - CONTINUOUS - 2" X 8" - ZINC

## LABELS GROUP

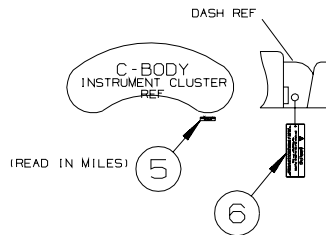
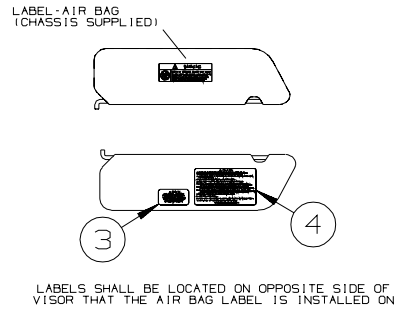
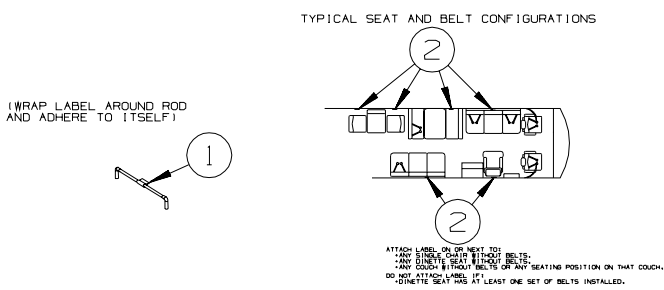


KEY	PART NUMBER	U/M	DESCRIPTION
1	039290-01-000	EA	LABEL - WARNING - EXIT
2	107571-01-000	EA	LABEL - EXIT/ESCAPE WINDOW

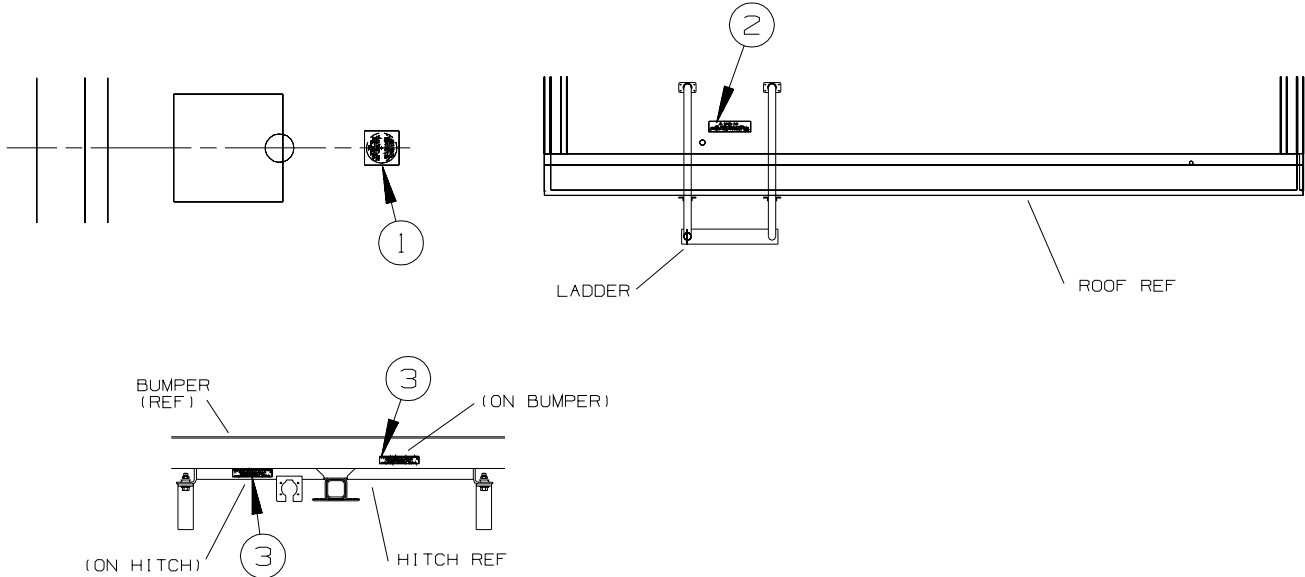


KEY	PART NUMBER	U/M	DESCRIPTION
1	124519-01-01A	EA	LABEL - WARNING/REFUELING - BLACK ON CLEAR
1	124519-02-01A	EA	LABEL - WARNING/REFUELING - BLACK ON CLEAR - CSA - CANADIAN
2	152541-03-01A	EA	LABEL - GRAY WASTE - 222B, 228P, 231C
	152543-03-01A	EA	LABEL - BLACK WASTE - 224V, 226A, 229T
3	152543-03-01A	EA	LABEL - BLACK WASTE - 222B, 228P, 231C
	152541-03-01A	EA	LABEL - GRAY WASTE - 224V, 226A, 229T
4	144649-01-01A	EA	LABEL - ADJUSTABLE VALVE - WHITE ON CLEAR
5	125306-01-01A	EA	LABEL - ELECTRICAL ENTRANCE - 110V 30 AMP - BLACK ON CLEAR
6	135869-01-01A	EA	LABEL - MERCURY CONTENT - BLACK ON CLEAR
7	123562-01-000	EA	LABEL - SERVICE/UTILITY ACCESS - 228P, 229T, 231C
8	099509-01-000	EA	LABEL - AWNING INSTALLATION
9	065748-01-000	EA	LABEL - WARNING - BATTERY CHARGING - UL
9	065748-02-000	EA	LABEL - WARNING - BATTERY CHARGING - CSA - CANADIAN
10	079965-01-000	EA	LABEL - LPG - 80% CAPACITY
11	124520-01-01A	EA	LABEL - LP GAS ONLY - BLACK ON CLEAR
11	023769-01-000	EA	LABEL - WARNING - LPG - CANADIAN

## LABELS GROUP (CONTINUED)

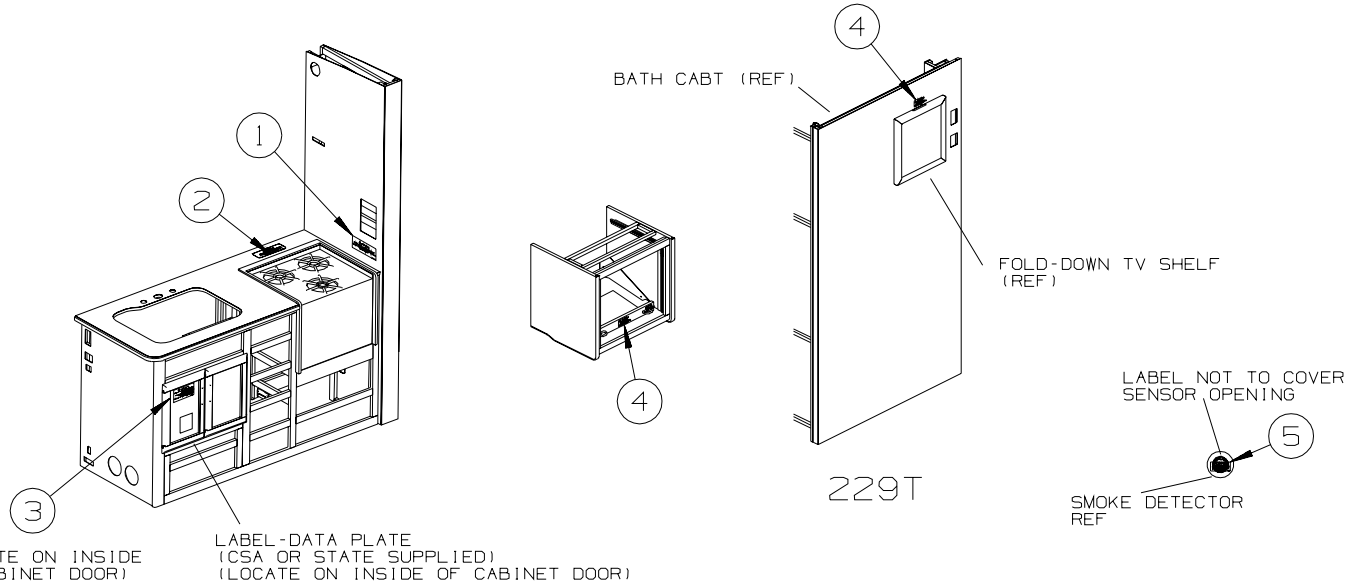


KEY	PART NUMBER	U/M DESCRIPTION
1	128658-01-000	EA LABEL - PROP ROD - ENTRY DOOR
2	134538-01-01A	EA LABEL - OCCUPANCY - NO SEAT BELT - BLACK ON CLEAR - US
2	134538-02-01A	EA LABEL - OCCUPANCY - NO SEAT BELT - BLACK ON CLEAR - CSA - <b>CANADIAN</b>
3	099689-01-000	EA LABEL - WARNING - CANCER/TOXICITY
4	056259-01-000	EA LABEL - SAFETY CHECK LIST
5	155692-01-02A	EA LABEL - ODOMETER - READ IN MILE - WHITE/CLEAR - <b>CANADIAN</b>
6	126612-01-000	EA LABEL - HANG TAG - AIR BAG - DASH



KEY	PART NUMBER	U/M DESCRIPTION
1	120431-01-000	EA LABEL - LOCATION - COAXIAL CABLE/SATELLITE ANTENNA
2	128218-01-01A	EA LABEL - WARNING - SLIPPERY ROOF
3	129669-01-02A	EA LABEL - HITCH/VEHICLE RATE - 350 - BLACK ON CLEAR

## LABELS GROUP (CONTINUED)



KEY	PART NUMBER	U/M	DESCRIPTION
1	143911-01-01A	EA	LABEL - CURTAIN SECUREMENT - BLACK ON CLEAR - 224V, 226A
2	134539-01-01A	EA	LABEL - WARNING - STOVE/HEATING - US - BLACK ON CLEAR
2	134540-01-01A	EA	LABEL - WARNING - STOVE/HEATING - CSA - BLACK ON CLEAR - CANADIAN
3	073998-01-000	EA	LABEL - LPG/ODOR WARNING
4	079966-01-000	EA	LABEL - WARNING - STOWED - MOTION
5	077956-01-000	EA	LABEL - WARNING/SMOKE DETECTOR

**LP GROUP**  
**LP SYSTEM**

KEY	PART NUMBER	U/M	DESCRIPTION
	010323-01-000	EA	ADAPTER - 3/8"F X 1/2"MPT - BRASS
	010326-01-000	EA	ADAPTER - FLARE - W/CONE GASKET - 3/8"F X 1/2"F
	010329-01-000	EA	ADAPTER - 1/2"F X 1/2"MPT - BRASS
	024250-01-000	EA	ADAPTER - BRASS - 3/8"F X 1/2"FPT
	057042-01-000	EA	ADAPTER - CROSS 1/2"PIPE
	010377-02-000	EA	NUT - 3/8" FLARE - FORGED - BRASS
	010380-02-000	EA	NUT - 1/2" FLARE - FORGED - BRASS
	010589-01-000	EA	NIPPLE - PIPE - 1/2" X 1 1/2" - BLACK
	010589-03-000	EA	NIPPLE - PIPE - 1/2" X 2 1/2" - BLACK
	040440-02-000	EA	TRANSMITTER - DIAL/BOLT-ON - 0-90 OHM 2 TERM(POWER/GROUND)
	045703-03-000	EA	HOSE - LP - 3/8"ID X 18" - 3/8"MPT X 1/2"F SWIVEL - US
	045703-05-000	EA	HOSE - LP - 3/8"ID X 28" - 3/8"MPT X 1/2"F SWIVEL - US
	045703-06-000	EA	HOSE - LP - 3/8"ID X 28" - 3/8"MPT X 1/2"F SWIVEL - CSA - CANADIAN
	045703-09-000	EA	HOSE - LP - 3/8"ID X 24" - 3/8"F SWIVEL X3/8"F SWVL US/CSA
	045703-12-000	EA	HOSE - LP - 3/8"ID X 18" - 3/8"MPT X 1/2"F SWIVEL - CSA - CANADIAN
	065318-02-000	EA	ELBOW - 90 DEGREE - 3/8" MPT TO 3/8" FPT
	106150-05-000	EA	REGULATOR - TWO STAGE
	111848-06-02B	EA	SHIELD - HEAT - EXHAUST - E-COATED - 226A, 228P
	160426-01-02B	EA	SHIELD/HEAT - EXHAUST - E-COATED - 231C CHEVY
*	144116-04-000	EA	TANK - LP - 60 LB - 14"D X 29.75"L
	144485-01-000	EA	COVER - LP REGULATOR
	159048-01-02B	EA	PANEL/GUARD - LP - E-COATED - 229T

\*COMPONENT PARTS LISTED LATER IN THIS GROUP

**COMPONENT PARTS FOR LP SYSTEM**

144116-04-000

KEY	PART NUMBER	U/M	DESCRIPTION	VENDOR NO.
	040421-01-712	EA	VALVE-SERV. W/O VAPOR RELIEF	V20373/V21202
	040421-01-713	EA	VALVE-RELIEF 1" W/SPRING 7"	V12560/V21207
	144116-01-700	EA	VALVE-OUTAGE(NO STEM REMOVE)	V20058
	144116-01-701	EA	VALVE/FILL 80 % W/YELLOW CAP	V13414
	144116-04-700	EA	FLOAT/SENDING UNIT W/O DIAL	G11530
	144116-04-701	EA	DIAL - TRANSMITER	G12845



**SEALANTS & FASTENERS GROUP**  
**SEALANTS & ADHESIVES**

KEY	PART NUMBER	U/M	DESCRIPTION
	004001-02-000	EA	GUN - PLEXUS ADHESIVE - W/O NOZZLE
	004001-05-000	EA	ADHESIVE - SCOTCH-WELD - 3M DP100 - CLEAR - 50ML
	004011-01-000	EA	ADHESIVE-3M-4475 TUBE
	010405-02-000	EA	TAPE - THREAD SEALING - 3/8"
	064075-07-000	FT	SEAL - BULB - W/WIRED U CHANNEL - .3" X .5" CHANNEL-BLACK
	067788-01-000	EA	ADHESIVE - SPRAY - 3M - 19.5 OZ AEROSOL CAN
	069640-01-000	FT	SEALER - RIBBON - 1/4"DIAMETER X 30 FT - BLACK OR GRAY
	069640-02-000	FT	SEALER - TAPE - 1/8"THICK X 1/2"WIDE X 60 FT - GRAY
	069640-03-000	FT	SEALER - TAPE - 1/8"THICK X 3/4"WIDE X 60 FT - BLACK
	069640-07-000	FT	SEALER - TAPE - 3/32"THICK X 2"WIDE X 45 FT - GRAY
	069640-09-000	FT	SEALER - TAPE - 1/32"THICK X 2 1/2"WIDE X 80 FT - BRT WHT
	069640-10-000	FT	SEALER - TAPE - 1/32"THICK X 1 1/2"WIDE X 90 FT - BRT WHT
	069640-11-000	FT	SEALER - TAPE - 3/16"THICK X 3/8"WIDE X 40 FT - BLACK
	069640-13-000	FT	SEALER - TAPE - 3/32"THICK X 2"WIDE X 45 FT - BLACK
	069640-14-000	FT	SEALER - TAPE - 1/16"THICK X 1"WIDE X 100 FT - BLACK
	069640-15-000	FT	SEALER - TAPE - 1/16"THICK X 3/8"WIDE X 100 FT - BRT WHT
	069640-17-000	FT	SEALER - TAPE - 1/32"THICK X 1"WIDE X 150 FT - GRAY
	069640-18-000	FT	SEALER - TAPE - 1/8"THICK X 1/2"WIDE X 60 FT - BRT WHT
	069640-19-000	FT	SEALER - TAPE - 1/8"THICK X 3/4"WIDE X 60 FT - BRT WHT
	069640-20-000	FT	SEALER - TAPE - 1/8"THICK X 1/2"WIDE X 60 FT - BLACK
	069640-21-000	FT	SEALER - TAPE - 1/16"THICK X 1/2"WIDE X 100 FT - BRT WHT
	069640-22-000	FT	SEALER - TAPE - 1/32"THICK X 1/4"WIDE X 200 FT - BRT WHT
	069640-23-000	FT	SEALER - TAPE - 1/16"THICK X 3/4"WIDE X 100 FT - BRT WHT
	069640-27-000	FT	SEALER - TAPE - 1/16"THICK X 2 1/4"WIDE X 50 FT - BRT WHT
	069640-28-000	FT	SEALER - TAPE - 1/32"THICK X 1 7/8"WIDE X 90 FT - GRAY
	069640-30-000	FT	SEALER - TAPE - 1/32"THICK X 5/8"WIDE X 50 FT - GRAY
	069640-31-000	FT	SEALER - TAPE - 1/4"THICK X 3/4"WIDE X 15 FT - BLACK
	069640-32-000	FT	SEALER - TAPE - 1/16"THICK X 3/8"WIDE X 100 FT - BLACK
	069640-33-000	FT	SEALER - RIBBON - 3/8"DIAMETER X 20 FT - BLACK
	069640-34-000	FT	SEALER - RIBBON - 1/4"DIAMETER X 30 FT - BRIGHT WHITE
	072889-28-000	EA	SEALANT/URETHANE-10 OZ TUBE W/NOZZLE-SELF LEVELING-BRT WHT
	076322-01-000	FT	TAPE-DOUBLE COATED/ADHESIVE BK-.03"THK X .8"W X 216' - WHT
	076322-02-000	FT	TAPE-DOUBLE COATED/ADHESIVE BK-.05"THK X 1"W X 108' - WHT
	076322-03-000	FT	TAPE-DOUBLE COATED/ADHESIVE BK-.05"THK X .5"W X 108' - WHT
	076322-05-000	FT	TAPE-DOUBLE COATED/ADHESIVE BK-.05"THK X .8"W X 108' - WHT
	076322-07-000	FT	TAPE-DOUBLE COATED/ADHESIVE BK-.05"THK X .5"W X 200' - BLK
	076322-13-000	FT	TAPE - FOAM/DOUBLE COATED - .020"THK X .75"W - CLEAR
	076322-21-000	FT	TAPE - FOAM/DOUBLE COATED - .045"THK X .50"W
	076322-22-000	FT	TAPE - FOAM/DOUBLE COATED - .045"THK X .75"W
	076322-23-000	FT	TAPE - FOAM/DOUBLE COATED - .045"THK X 1"W
	076322-25-000	FT	TAPE - FOAM/DOUBLE COATED - .025"THK X .5"W
	086276-01-000	EA	TAPE - DOUBLE SIDED - 1/2" WIDE X 108' LONG (SOLD BY ROLL)
	088479-01-000	EA	TAPE - ALUMINUM - 3"
	090340-01-000	FT	SEAL - FOAM - CLOSED CELL - 1/4" X 1/2" X 50'
	091255-02-000	FT	SEAL - ADHESIVE BACKED/FOAM - 3/64"THICK X 3/16"W X 1000'
	091255-03-000	FT	SEAL - ADHESIVE BACKED/FOAM - 1/4" THICK X 1/4"W X 1000'
	094401-01-000	EA	SEALER - BODY SEAM - FLEXICLEAR
	094401-04-000	EA	SEALER - BODY SEAM - CLEAR
	094401-05-000	EA	SEALER - BODY SEAM - 20OZ BLACK
	094401-06-000	EA	SEALER - BODY SEAM - 12OZ BLACK
	094401-07-000	EA	SEALER - BODY SEAM - CLEAR
	098408-01-000	FT	SEAL - SPONGE RUBBER - CLOSED CELL
	099069-01-000	FT	SEAL - RUBBER - CLOSED SPONGE - .5" WIDE X .12" THICK-BLK
	099418-01-000	FT	SEAL - D-SECTION/ADHESIVE BACK - ..44" X .44" - BLK RUBBER
	107828-01-000	EA	SEALANT - SB - 190 EVERSEAL
	112864-01-000	FT	SEAL - FOAM/BUTYL COVERED - 3/8" X 35'
	112864-02-000	FT	FOAM - BUTYL COVERED - 5/16" X 44'
	112864-04-000	FT	FOAM - BUTYL COVERED - 3/8" X 1/8"
	112901-02-000	EA	ADHESIVE - PLEXUS - MA330 - 50ML - GRAY
	112901-03-000	EA	ADHESIVE - PLEXUS - MA300 - 50ML - WHITE
	112902-01-000	EA	NOZZLE - ELEMENT - 3/8" X 24
	112902-03-000	EA	MIXER NOZZLE - F/GUN #00400102000 - SCOTCH-WELD & PLEXUS
	112902-04-000	EA	NOZZLE - ELEMENT - 1/4" X 3.5"
	112902-05-000	EA	NOZZLE - BAYONET - 3/8" X 18

## SEALANTS & FASTENERS GROUP (CONTINUED)

### SEALANTS & ADHESIVES (CONTINUED)

KEY	PART NUMBER	U/M	DESCRIPTION
	112902-06-000	EA	NOZZLE - ELEMENT - 1/2" X 32
	113366-01-000	EA	ADHESIVE - INSTANT - 1 OZ
	120074-02-03A	EA	SILICONE - TUBE - W/O NOZZLE - LOW ODOR - SMOKEY WHITE
	120534-01-01A	EA	TAPE - SCOTCH - 3M - 1/2" FINE LINE
	123244-01-000	FT	TAPE - DOUBLE SIDED/FOAM - 5/64"THICK X 3/4"WIDE X 108'
	123816-01-000	FT	TAPE - DOUBLE SIDED - 1" X .020" X 200' - CLEAR
	123816-02-000	FT	TAPE - DOUBLE SIDED - 1/2" X .035" X 200' - CLEAR
	123816-03-000	FT	TAPE - DOUBLE SIDED - 1/2" X .020" X 200' - CLEAR
	123816-04-000	FT	TAPE - DOUBLE SIDED - 6" X .0035" X 750' - CLEAR
	123816-06-000	FT	TAPE - DOUBLE SIDED - 3/4" X 3/4" X 200' - CLEAR
	123816-07-000	FT	TAPE - DOUBLE SIDED - 1 3/4" X 200' - CLEAR
	126427-01-000	EA	ADHESIVE - ALL PURPOSE - ABS/PVC
	126427-02-000	EA	PRIMER - CLEANER - FLEX PIPING
	131264-01-11A	EA	SILICONE - TUBE - W/NOZZLE - BEIGE
	131264-01-12A	EA	SILICONE - TUBE - W/NOZZLE - BONE
	131264-01-13A	EA	SILICONE - TUBE - W/NOZZLE - TRANSLUCENT
	131264-02-01A	EA	SILICONE - TUBE - W/NOZZLE - VW GRAY - BATH ONLY
	131264-03-01A	EA	SILICONE - TUBE - W/O NOZZLE - SELF LEVELING -BRIGHT WHITE
	131264-04-01A	EA	SILICONE/SEALANT/ADHESIVE - FAST CURE F/GLASS/VINYL - B/W
	131264-04-02A	EA	SILICONE/SEALANT/ADHESIVE-FAST CURE F/GLASS/VINYL-SOFT WHT
	131264-05-01A	EA	SILICONE/SEALANT - ODORLESS - TUBE - W/NOZZLE - BLACK
	131264-05-02A	EA	SILICONE/SEALANT - ODORLESS - TUBE - W/NOZZLE - CLEAR
	131384-01-000	EA	ADHESIVE - JET WELD - 10 OZ CARTRIDGE
	132892-07-01A	FT	SEAL - BULB/SINGLE - W/U CHANNEL - .5" X 1" - BLACK
	152038-01-01A	EA	TAPE - PRESERVATION SEAL - 2" X 36YD ROLL - BLACK
	154585-01-01A	FT	SEAL - FOAM TAPE - ADHESIVE BACK - 3/8" X 3/8" - BLACK
	154585-02-01A	FT	SEAL - FOAM TAPE - ADHESIVE BACK - 3/4" X 1/2" - BLACK
	154585-03-01A	FT	SEAL - FOAM TAPE - ADHESIVE 2 SIDED - 1/8" X 3/4" - BLACK
	154585-04-01A	FT	SEAL - FOAM TAPE - ADHESIVE BACK - 5/8" X 1/8" - WHITE

### BOLTS, NUTS AND WASHERS

KEY	PART NUMBER	U/M	DESCRIPTION
	0MD54F-06-000	EA	NUT - HEX W/SERATED FLANGE
	000C12-04-08B	EA	BOLT - HEX - 1/4-20 X 1/2 - GRADE #5 - ZINC
	000C12-04-40B	EA	BOLT - HEX - 1/4-20 X 2 1/2 - GRADE #5 ZINC
	000C12-04-20F	EA	BOLT - HEX - 1/4-20 X 1 1/4 - GRADE #5 - STAINLESS STEEL
	000C12-04-12A	EA	BOLT - HEX - 1/4-20 X 3/4 - PLAIN 5
	000C12-05-16B	EA	BOLT - HEX - 5/16 - 18X1 - GRADE #5 - ZINC
	000C12-05-40B	EA	BOLT - HEX - 5/16"-18 X 2.5" - GRADE #5 - ZINC
	000C12-06-28B	EA	BOLT-HEX-3/8-16X13/4 ZN 5 - 5185-01
	000C12-08-44B	EA	BOLT - HEX - 1/2-13 X 2 3/4 - GRADE #5 - ZINC
	000C12-08-24B	EA	BOLT - HEX - 1/2-13 X 1 1/2 - GRADE #5 - ZINC
	000C12-08-28B	EA	BOLT - HEX - 1/2-13 X 1 3/4 - GRADE #5 - ZINC
	000C13-07-40B	EA	BOLT - HEX - 7/16-20 X 2 1/2 - GRADE #5 - ZINC
	000C13-07-48B	EA	BOLT - HEX - 7/16-20 X 3 - GRADE #5 - ZINC
	000C13-07-72B	EA	BOLT - HEX - 7/16-20 X 4.5" - GRADE #5 - ZINC
	000C16-07-16B	EA	BOLT - CARRIAGE - ASSIST HANDLE - 7/16-14 X 1
	000C18-05-40A	EA	BOLT - ELEVATOR - 5/16-18 X 2 1/2 - PL
	000C26-04-18B	EA	BOLT - HEX - SERRATED FLANGE - 1/4-20 X 1 1/8 - ZINC
	000C26-04-14B	EA	BOLT - HEX - SERRATED FLANGE - 1/4-20 X 7/8 - ZINC
	000C26-04-12F	EA	BOLT - HEX - SERRATED FLANGE -1/4-20 X 3/4-STAINLESS STEEL
	000C26-04-10B	EA	BOLT - HEX - SERRATED FLANGE - 1/4-20 X 5/8 - ZINC
	000C26-04-40F	EA	BOLT - HEX - SERRATED FLANGE -1/4-20 X 2.5-STAINLESS STEEL
	000C26-05-12B	EA	BOLT - HEX - SERRATED FLANGE - 5/16-18 X 3/4 - ZINC
	000C26-06-12B	EA	BOLT - HEX - SERRATED FLANGE - 3/8-16 X 3/4 - ZINC
	000C26-06-20B	EA	BOLT - HEX - SERRATED FLANGE - 3/8-16 X 1 1/4 - ZINC
	000C26-06-28B	EA	BOLT - HEX - SERRATED FLANGE - 3/8-16 X 1 3/4 - ZINC
	000C26-06-40B	EA	BOLT - HEX - SERRATED FLANGE - 3/8-16 X 2 1/2 - ZINC
	000C26-08-28B	EA	BOLT - HEX - SERRATED FLANGE - 1/2-13 X 1 3/4 - ZINC
	000C26-08-24B	EA	BOLT - HEX - SERRATED FLANGE - 1/2-13 X 1 1/2 - ZINC
	000C26-08-40B	EA	BOLT - HEX - SERRATED FLANGE - 1/2-13 X 2 1/2-GRADE #5 ZINC
	000C27-08-48B	EA	BOLT-CARR 1/2-13X3.00 GR5 - 97 M-SERIES
	000C27-08-64B	EA	BOLT - CARRIAGE - 1/2-13 X 4 - GRADE 5
	000D16-07-00B	EA	NUT - HEX - 7/16-14 - ZINC

**SEALANTS & FASTENERS GROUP (CONTINUED)**  
**BOLTS, NUTS AND WASHERS (CONTINUED)**

<b>KEY</b>	<b>PART NUMBER</b>	<b>U/M</b>	<b>DESCRIPTION</b>
	000D24-10-00B	EA	NUT - HEX - SELF LOCKING - 10-32 - ZINC
	000D27-05-00B	EA	NUT - HEX LOCK - 5-40 - ZINC
	000D28-10-00B	EA	NUT - HEX - W/NYLON LOCK - 10-32 - ZINC
	000D29-04-00F	EA	NUT - HEX - SELF LOCKING - 1/4 X 20 - STAINLESS STEEL
	000D29-04-00B	EA	NUT - HEX - SELF LOCKING - 1/4 X 20 - ZINC
	000D29-06-00B	EA	NUT - HEX - W/NYLON LOCK - 3/8-16 - ZINC
	000D29-09-00B	EA	NUT - HEX - SELF LOCKING - 9/16-12 - ZINC
	000D34-04-00B	EA	NUT - HEX - LOCKING - 1/4-20 - ZINC
	000D34-06-00B	EA	NUT - HEX - LOCKING - 3/8-16 GRADE C - ZINC
	000D39-04-00B	EA	NUT - HEX - LOCKING W/SERRATED FLANGE - 1/4-20 - ZINC
	000D39-05-00B	EA	NUT - HEX - LOCKING W/SERRATED FLANGE - 5/16-18 - ZINC
	000D39-06-00B	EA	NUT - HEX - LOCKING W/SERRATED FLANGE - 3/8-18 - ZINC
	000D39-06-00D	EA	NUT - HEX - LOCKING W/SERRATED FLANGE - 3/8"-16 BLACK
	000D39-07-00B	EA	NUT - HEX - LOCKING W/SERRATED FLANGE - 7/16-14 - ZINC
	000D39-08-00B	EA	NUT - HEX - LOCKING W/SERRATED FLANGE - 1/2-13 - ZINC
	000D39-09-00B	EA	NUT - HEX - LOCKING W/SERRATED FLANGE - 9/16-12 - ZINC
	000D44-04-00B	EA	NUT - HEX - LOCKING W/SERRATED FLANGE - 1/4-28 - ZINC
	000D44-07-00B	EA	NUT - HEX - LOCKING W/SERRATED FLANGE - 7/16-20 - ZINC
	000D44-08-00B	EA	NUT - HEX - LOCKING W/SERRATED FLANGE - 1/2-20 - ZINC
	000D46-04-00A	EA	NUT - HEX - WELD - 1/4-20 - PLAIN
	000D65-08-00B	EA	NUT - HEX - LOCKING W/SERRATED FLANGE - 8-32 - ZINC
	000D73-08-00C	EA	NUT - HEX FLANGE - 1/2-13
	000D75-09-00B	EA	NUT - HEX LOCKING - 9/16-12 - ZINC
	000D76-06-00B	EA	NUT - HEX FLANGE - 3/8-16
	000E11-04-00F	EA	WASHER - LOCKING - 1/4 MED SPLIT - STAINLESS STEEL
	000E11-07-00B	EA	WASHER - LOCKING - 7/16 MED SPLIT - ZINC
	000E11-08-00B	EA	WASHER - LOCKING - 1/2 MED SPLIT - ZINC
	000E13-17-00B	EA	WASHER - FLAT - 3/8 AR - ZINC
	000E13-18-00B	EA	WASHER - FLAT - 3/8 WIDE - ZINC
	000E13-20-00B	EA	WASHER - FLAT - 7/16 WIDE - ZINC
	000E13-22-00B	EA	WASHER - FLAT - 1/2 WIDE - ZINC
	000E13-26-00B	EA	WASHER - FLAT - 5/8 WIDE - ZINC
	000E14-10-00B	EA	WASHER - LOCKING - #10 EXTERNAL TOOTH - ZINC
	000E16-10-00B	EA	WASHER - HARDENED - 5/8 - FLAT - ZINC
	000G45-05-16B	EA	BOLT - LAG - 5/16-9 X 1 - ZINC
	005081-01-000	EA	NUT - SPEED - C-TYPE - #8 SCREW
	039715-01-000	EA	NUT-SERT - 1/4" DIAMETER - 20 THREADS
	040921-01-000	EA	NUT - SPEED - U TYPE - #10-24 - BLACK
	040921-03-000	EA	NUT - SPEED - U TYPE - #10
	040921-04-000	EA	NUT - SPEED - U TYPE - #8-.59" LENGTH X .44" WIDTH
	040921-05-000	EA	NUT - SPEED - U-TYPE - 8-.67" X .44" WIDE
	040921-11-000	EA	NUT - SPEED - U-TYPE - 8-.59" LENGTH X .44" WIDTH - BLACK
	041322-01-000	EA	WASHER - FLANGE - 15/32"ID X 2 3/8"OD - F/SEAT BELT MTG
	044364-02-000	EA	NUT - SPEED - FLAT - ROUND
	044533-01-000	EA	WASHER - 1 3/8"OD - FOR BUTTONS - PLASTIC
	051387-06-000	EA	BOLT - CARRIAGE W/O HOLE - 5/16-18 X 9 1/2 - ZINC
	058716-02-000	EA	WASHER - FLAT NYLON
	064081-03-000	EA	NUT - WING 3/8-16 - W/WELD NUT
	077071-01-000	EA	WASHER - FENDER - 3/16"ID X 1"OD
	087234-01-000	EA	NUT - JACK - 1/4 X 20 THD - MOLLY
	088787-12-000	EA	STUD - WELD - 1/4 - 20 X 1.0 LG - MN
	102540-02-000	EA	SEAL - SCREW
	106956-03-000	EA	BOLT - HEX TAP - 1/2-13NC X 3 - GRADE 5 - FULL THREAD/ZINC
	106956-10-000	EA	BOLT - HEX TAP - 9/16-12NC X 3 5/8 -GRD 5-FULL THREAD/ZINC
	106956-11-000	EA	BOLT - HEX TAP - 1/2-13NC X 2 1/2 - GRD 5-FULL THREAD/ZINC
	106956-13-000	EA	BOLT - HEX TAP - 1/2-20 X 2 1/2 - GRD 5-FULL THREAD/ZINC
	107397-01-000	EA	WASHER - FENDER - 3/4"ID X 1"OD
	108067-03-000	EA	STUD - WELD - 1/4 - 20 X 1/2 CD
	109917-03-000	EA	WASHER - 1" X .50"
	109917-04-000	EA	WASHER - 1" X .75"
	128444-01-000	EA	WASHER - SPRING - CONICAL
	135092-02-01A	EA	BOLT - HEX - SERRATED FLANGE - 1/2-20 X 2 1/2-GRADE 5 ZINC
	135092-05-01A	EA	BOLT - HEX - SERRATED FLANGE - 1/2-20 X 1 - GRADE 5 ZINC
	143399-01-01A	EA	NUT/RETAINING - 3/8"- 24 NFT

**SEALANTS & FASTENERS GROUP (CONTINUED)**  
**BOLTS, NUTS AND WASHERS (CONTINUED)**

KEY	PART NUMBER	U/M	DESCRIPTION
	144904-01-01A	EA	BOLT - ADJUSTMENT - HEADLAMP
	147284-02-000	EA	NUT/SELF RETAINING - 5/16"-18
	148817-01-000	EA	WASHER/SPUR - LOCKING

**SCREWS**

KEY	PART NUMBER	U/M	DESCRIPTION
	0G1208-12-170	EA	SCREW - 8-18 X 3/4 POH - BRIGHT WHITE
	0G3908-08-170	EA	SCREW - SF/DR - 8-18 X 1/2 PPH - BRIGHT WHITE
	0G3908-08-410	EA	SCREW - SF/DR - 8-18 X 1/2 PPH - PARCHMENT
	0G3908-16-170	EA	SCREW - SF/DR - 8-18 X 1 PPH - BRIGHT WHITE
	0G3908-24-170	EA	SCREW - SF/DR - 8-18 X 1 1/2 PPH - BRIGHT WHITE
	0G3910-10-330	EA	SCREW - SF/DR - 20-16 X 5/8 PPH - PUTTY
	0G3910-12-170	EA	SCREW - SF/DR - 10-16 X 3/4 PPH - BRIGHT WHITE
	0G3910-12-240	EA	SCREW - SF/DR - 10-16 X .75 PPH - VW LIGHT GRAY
	0G3910-12-380	EA	SCREW - SF/DR - 10-16 X .75 PPH - CASHMERE
	0G3910-12-370	EA	SCREW - SF/DR - 10-16 X .75 PPH - RIVERSTONE
	0G3910-24-170	EA	SCREW - SF/DR - 10-16 X 1 1/2 PPH - BRIGHT WHITE
	0G3910-32-330	EA	SCREW - SF/DR - 10-16 X 2.00 PPH - PUTTY
	0G5508-08-380	EA	SCREW - SF/DR - 8-18 X .5 PWH - CASHMERE
	0G5508-08-370	EA	SCREW - SF/DR - 8-18 X .5 PWH - RIVERSTONE
	0G5508-12-170	EA	SCREW - SF/DR - 8-18 X 3/4 PWH - BRIGHT WHITE
	0G5508-12-320	EA	SCREW - SF/DR - 8-18 X 3/4 PWH - GLACIER
	0G5508-12-330	EA	SCREW - SF/DR - 8-18 X 3/4 PWH - PUTTY
	0G6008-16-170	EA	SCREW - SF/DR - 8-18 X 1 POH - BRIGHT WHITE
	0G5508-16-250	EA	SCREW - SF/DR - 8-18 X 1 PWH - VW DARK GRAY
	0G5508-16-330	EA	SCREW - SF/DR - 8-18 X 1 PWH - PUTTY
	0G5508-16-370	EA	SCREW - SF/DR - 8-18 X 1 PWH - RIVERSTONE
	0G5508-16-380	EA	SCREW - SF/DR - 8-18 X 1 PWH - CASHMERE
	0G5508-16-410	EA	SCREW - SF/DR - 8-18 X 1 PWH - MEDIUM PARCHMENT
	0G6012-32-170	EA	SCREW - SF/DR - 12-14 X 2 POH - BRIGHT WHITE
	0G6710-08-170	EA	SCREW - 10-12 X 1/2 PPH - BRIGHT WHITE
	0G6710-12-170	EA	SCREW - 10-12 X 3/4 PPH - BRIGHT WHITE
	0G6806-16-170	EA	SCREW - 6-18 X 1 POH - BRIGHT WHITE
	0G6810-24-280	EA	SCREW - 10-12 X 1 1/2 POH - SOFT WHITE
	000C20-06-24T	EA	SCREW - 3/8-16 X 1 1/2 - FLAT SOCKET
	000C28-05-24D	EA	CAPSCREW/BUTTON HEAD - 5/16-18 X 1 1/2 - #8-BLK PHOSPHATE
	000G11-06-08B	EA	SCREW - 6-20 X 1/2 PPH - ZINC
	000G11-06-10B	EA	SCREW - 6-20 X 5/8 PPH - ZINC
	000G11-06-10J	EA	SCREW - 6-20 X 5/8 PPH - BRASS
	000G11-07-08B	EA	SCREW - 7-19 X 1/2 PPH - ZINC
	000G11-08-06B	EA	SCREW - 8-18 X 3/8 PPH - ZINC
	000G11-08-08T	EA	SCREW - 8-18 X 1/2 PPH - FLUOROCARBON COATING
	000G11-08-12B	EA	SCREW - 8-18 X 3/4 PPH - ZINC
	000G11-08-12P	EA	SCREW - 8-18 X 3/4 PPH - DARK BROWN
	000G11-08-12S	EA	SCREW - 8-18 X 3/4 PPH - OFF WHITE
	000G11-08-12T	EA	SCREW - 8-18 X 3/4 PPH - BLACK MAGNESIUM
	000G11-08-20B	EA	SCREW - 8-18 X 1 1/4 PPH - ZINC
	000G11-08-20G	EA	SCREW - 8-18 X 1 1/4 - ANTIQUE BRASS
	000G11-10-12D	EA	SCREW - 10-16 X 3/4 PPH - BLACK
	000G12-06-08T	EA	SCREW - 6-20 X 1/2 POH - BLACK
	000G12-06-12J	EA	SCREW - 6-20 X .75 POH - BRASS
	000G12-10-16F	EA	SCREW - 10-16 X 1 POH - STAINLESS STEEL
	000G13-05-10B	EA	SCREW - 5-12 X 5/8 PFH - ZINC
	000G13-06-08B	EA	SCREW - 6-20 X 1/2 PFH - ZINC
	000G13-06-08G	EA	SCREW - 6-20 X 1/2 PFH - ANTIQUE BRASS
	000G13-06-10G	EA	SCREW - 6-20 X 5/8 PFH - ANTIQUE BRASS
	000G13-06-16J	EA	SCREW - 6-20 X 1 PFH - BRASS
	000G13-06-169	EA	SCREW - SF/DR - 6-20 X 1 PFH - SILVER
	000G13-06-24J	EA	SCREW - 6-20 X 1 1/2 PFH - BRASS
	000G13-07-10H	EA	SCREW - 7-19 X 5/8 PFH - BLACK
	000G13-07-12B	EA	SCREW - 7-19 X 3/4 PFH - ZINC
	000G13-08-109	EA	SCREW - 8-18 X 5/8 PFH
	000G13-08-10B	EA	SCREW - 8-18 X 5/8 PFH - ZINC
	000G13-08-16B	EA	SCREW - 8-18 X 1 PFH - ZINC

**SEALANTS & FASTENERS GROUP (CONTINUED)**  
**SCREWS (CONTINUED)**

KEY	PART NUMBER	U/M	DESCRIPTION
	000G13-08-24B	EA	SCREW - 8-18 X 1 1/2 PFH - ZINC
	000G16-04-24B	EA	SCREW - MACHINE - 1/4-20 X 1 1/2 PPH
	000G18-08-12B	EA	SCREW - MACHINE - 8-32 X 3/4 PPH - ZINC
	000G18-08-16B	EA	SCREW - MACHINE - 8-32 X 1 PPH - ZINC
	000G18-08-24B	EA	SCREW - MACHINE - 8-32 X 1 1/2 PPH - ZINC
	000G18-08-22B	EA	SCREW - MACHINE - 8-32 X 1 3/8 PPH - ZINC
	000G19-10-08B	EA	SCREW - MACHINE - 10-32 X 1/2 PPH - ZINC
	000G19-10-10B	EA	SCREW - MACHINE - 10-32 X 5/8 - PPH - ZINC
	000G19-10-12F	EA	SCREW - MACHINE - 10-32 X 3/4 PPH - STAINLESS STEEL
	000G19-10-20B	EA	SCREW - MACHINE - 10-32 X 1 1/2 PPH - ZINC
	000G32-10-06B	EA	SCREW - 10-32 X 3/8 PPH - ZINC
	000G34-05-12B	EA	SCREW - HEX HEAD TAPPING - 5/16 X 3/4 LONG
	000G36-10-12T	EA	SCREW - 10-24X 3/4 PFH TYPE 23 - BLACK
	000G39-06-10T	EA	SCREW - SF/DR - 6-20 X 5/8 PPH - BLACK
	000G39-06-16T	EA	SCREW - SF/DR - 6-20 X 1 PPH - BLACK
	000G39-08-06B	EA	SCREW - SF/DR - 8-18 X 3/8 PPH - ZINC
	000G39-08-08B	EA	SCREW - SF/DR - 8-18 X 1/2 PPH - ZINC
	000G39-08-08S	EA	SCREW - SF/DR - 8-18 X 1/2 PPH - OFF WHITE
	000G39-08-08T	EA	SCREW - SF/DR - 8-18 X 1/2 PPH - BLACK
	000G39-08-12T	EA	SCREW - SF/DR - 8-18 X 3/4 PPH - BLACK
	000G39-08-16B	EA	SCREW - SF/DR - 8-18 X 1 PPH - ZINC
	000G39-08-16T	EA	SCREW - SF/DR - 6-20 X 1 PPH - BLACK
	000G39-08-24B	EA	SCREW - SF/DR - 8-18 X 1 1/2 PPH - ZINC
	000G39-08-24S	EA	SCREW - SF/DR - 8-18 X 1 1/2 - OFF WHITE
	000G39-08-24T	EA	SCREW - SF/DR - 8-18 X 1 1/2 PPH - BLACK
	000G39-08-32B	EA	SCREW - SF/DR - 8-18 X 2 PPH - ZINC
	000G39-10-08B	EA	SCREW - SF/DR - 10-16 X 1/2 PPH - ZINC
	000G39-10-10B	EA	SCREW - SF/DR - 10-16 X 5/8 PPH - ZINC
	000G39-10-12B	EA	SCREW - SF/DR - 10-16 X 3/4 PPH - ZINC
	000G39-10-129	EA	SCREW - SF/DR - 10-16 X 3/4 PPH - FLUOROCARBON SILVER
	000G39-10-169	EA	SCREW - SF/DR - 10-16 X 1 PPH - FLUOROCARBON SILVER
	000G39-10-20B	EA	SCREW - SF/DR - 10-16 X 1 1/4 PPH - ZINC
	000G39-10-20T	EA	SCREW - SF/DR - 10-16 X 1 1/4 PPH - BLACK
	000G39-10-24T	EA	SCREW - SF/DR - 10-16 X 1 1/2" PPH - BLACK
	000G39-10-28T	EA	SCREW - SF/DR - 10-16 X 1 3/4" PPH - BLACK
	000G39-10-32B	EA	SCREW - SF/DR - 10-16 X 2 - PPH - ZINC
	000G39-10-48B	EA	SCREW - SF/DR - 10-16 X 3 - PPH - ZINC
	000G39-10-48T	EA	SCREW - SF/DR - 10-16 X 3 PPH - BLACK
	000G42-04-16B	EA	SCREW - SF/DR - 1/4-14 X 1 HWH - ZINC
	000G42-04-24B	EA	SCREW - SF/DR - 1/4-14 X 1 1/2 - ZINC
	000G46-08-24T	EA	SCREW - MACHINE - 8-32 X 1 1/2 PFH - ZINC
	000G52-06-05B	EA	SCREW - MACHINE - 6-32 X 5/16 PTH - ZINC
	000G52-06-06B	EA	SCREW - MACHINE - 6-32 X 3/8 PTH - ZINC
	000G54-04-14B	EA	SCREW - 1/4-20 X 7/8 PTH - TYPE 23 - ZINC PLATED
	000G55-08-12T	EA	SCREW - SF/DR - 8-18 X 3/4 PWH - BLACK
	000G55-08-124	EA	SCREW - SF/DR - 8-18 X 3/4 PWH - ASH GRAY
	000G55-08-16T	EA	SCREW - SF/DR - 8-18 X 1 PWH - BLACK
	000G56-12-48B	EA	SCREW - WOOD - 12-11 X 3 POH - SPECIAL HARDENED
	000G57-14-64B	EA	SCREW - 14-10 X 4 PFH ZINC
	000G60-08-16E	EA	SCREW - SF/DR - 8-1 X 1 POH - CHROME
	000G60-08-20F	EA	SCREW - SF/DR - 8-19X1.25 POH
	000G60-08-22B	EA	SCREW - SF/DR - 8-18 X 1.38 POH - ZINC
	000G60-10-16J	EA	SCREW - SF/DR - 10-16 X 1 POH - BRIGHT BRASS
	000G60-10-20B	EA	SCREW - SF/DR - 10-16 X 1 1/4 POH - ZINC
	000G60-10-209	EA	SCREW - SF/DR - 10-16 X 1 1/4 POH - SILVER STALGAARD
	000G60-10-28T	EA	SCREW - SF/DR - 10-16 X 1 3/4 - BLACK
	000G62-06-24I	EA	SCREW - SF/DR - 8-18 X 1.5 PPH - BLACK
	000G62-06-249	EA	SCREW - SF/DR - 8-18 X 1.5 PPH - SILVER
	000G62-08-24B	EA	SCREW - SF/DR - 8-18 X 1 1/2 PFH
	000G67-08-32B	EA	SCREW - 8-15 X 2 PPH - ZINC
	000G67-10-08B	EA	SCREW - 10-12 X 1/2 PPH - ZINC
	000G67-10-08S	EA	SCREW - 10-12 X 1/2 PPH - OFF WHITE
	000G67-10-10B	EA	SCREW - 10-12 X 5/8 PPH - ZINC - TYPE A
	000G67-10-10S	EA	SCREW - 10-12 X 5/8 PPH - OFF WHITE

**SEALANTS & FASTENERS GROUP (CONTINUED)**  
**SCREWS (CONTINUED)**

<b>KEY</b>	<b>PART NUMBER</b>	<b>U/M</b>	<b>DESCRIPTION</b>
	000G67-10-10T	EA	SCREW - 10-12 X 5/8 PPH - BLACK
	000G67-10-10P	EA	SCREW - 10-12 X 5/8 PPH - DARK BROWN
	000G67-10-12P	EA	SCREW - 10-12 X 3/4 PPH - DARK BROWN
	000G67-10-24B	EA	SCREW - 10-12 X 1 1/2 PPH - ZINC
	000G67-10-24S	EA	SCREW - 10-12 X 1 1/2 PPH - OFF WHITE
	000G67-10-32J	EA	SCREW-10-12X2 PPH - BRIGHT BRASS
	000G68-06-10J	EA	SCREW - 6-18 X 5/8 POH - BRASS
	000G68-06-12B	EA	SCREW - 6-18 X 3/4 POH - ZINC & CLEAR
	000G68-06-12J	EA	SCREW - 6-18 X 3/4 POH - BRASS
	000G68-06-12S	EA	SCREW - 6-18 X 3/4 POH
	029130-01-000	EA	SCREW - SNAP STUD - #8-16 X 5/8" LONG
	029130-03-000	EA	SCREW - SNAP STUD - #8-16 X 1" LONG
	049465-01-000	EA	SCREW - 10-16 PTH W/WASHER - DARK BROWN
	049465-03-000	EA	SCREW - 10-16 X 1 POH W/WASHER - OFF WHITE
	049465-13-000	EA	SCREW - 10-16 X 1 PTH W/WASHER - ASH GRAY
	049465-17-000	EA	SCREW - 10-16 X 1 POH W/WASHER - BRIGHT WHITE
	049465-18-000	EA	SCREW - 10-16 X 1 POH W/WASHER - VW GRAY
	054434-02-000	EA	SCREW - SF/DR - 10-16 X 2 - ZINC
	054434-03-000	EA	SCREW - SF/DR - 10-16 X 2 - PWH - ZINC
	075908-01-000	EA	SCREW - MACHINE - 10-32 X .56 PTH - EXTERNAL TOOTH - ZINC
	076790-01-000	EA	SCREW - 6-20 X 1 1/4 PPH - BLACK
	076790-05-000	EA	SCREW - 6-20 X 1/2 PPH - BLACK - THREAD CUTTING/WOOD
	083554-01-000	EA	SCREW - DRYWALL - 8 X 1 1/4
	083554-04-000	EA	SCREW - DRYWALL - 8 X 2 1/2
	087721-01-000	EA	SCREW - FLAT HEAD - TAPPING - 1/4" X 1 1/4" LONG - ZINC
	095772-01-000	EA	SOCKET-SNAP FASTNER1" SF/DR - SELF DRIVER
	097974-01-000	EA	SCREW - PARTICLE BOARD - 7-9 X 3/4 PPH
	097974-02-000	EA	SCREW-PART BD 8-9X.75 PFH - BEIGE
	101618-01-000	EA	SCREW - 1/4-20 X 3/4 HEX - TAPPING - STALGARD TYPE F
	113563-01-01A	EA	SCREW - 8 X 5/8 LONG SHOULDER/WASHER HEAD
	113563-01-02A	EA	SCREW - 8 X 5/8 LONG SHOULDER/WASHER HEAD - BRIGHT WHITE
	118383-01-09A	EA	RETAINER/RECESSED - F/.22" SCREW - GLACIER
	118383-01-12A	EA	RETAINER/RECESSED - F/.22" SCREW - RIVERSTONE
	118383-01-10A	EA	RETAINER/RECESSED - F/.22" SCREW - STORM GRAY
	118383-01-11A	EA	RETAINER/RECESSED - F/.22" SCREW - CASHMERE
	118383-02-10A	EA	RETAINER/RECESSED - F/.27" SCREW - RIVERSTONE
	118383-02-11A	EA	RETAINER/RECESSED - F/.27" SCREW - CASHMERE
	118383-02-13A	EA	RETAINER/RECESSED - F/.27" SCREW - OFF WHITE
	118383-03-09A	EA	RETAINER/RECESSED - F/.32" SCREW - GLACIER
	118383-04-04A	EA	CAP - F/RECESSED RETAINER - BRIGHT WHITE
	118383-04-09A	EA	CAP - F/RECESSED RETAINER - GLACIER
	118383-04-10A	EA	CAP - F/RECESSED RETAINER - RIVERSTONE
	118383-04-11A	EA	CAP - F/RECESSED RETAINER - CASHMERE
	118383-04-12A	EA	CAP - F/RECESSED RETAINER - STORM GRAY
	118383-04-13A	EA	CAP - F/RECESSED RETAINER - OFF WHITE
	134126-01-01A	EA	SCREW/NAIL - HEX HEAD - 3/4"
	140040-01-000	EA	SCREW - 1/4-20 X 1 - BUTTON HEAD/SOCKET - W/LOCTITE
	149753-01-01A	EA	RETAINER/RECESSED - F/.22" SCREW - BLACK
	149753-01-02A	EA	RETAINER/RECESSED - F/.22" SCREW - BRIGHT WHITE
	149753-02-01A	EA	CAP - F/RECESSED RETAINER - BLACK
	149753-02-02A	EA	CAP - F/RECESSED RETAINER - BRIGHT WHITE
	154938-01-01A	EA	SCREW - SF/DR - 10-16 X 3/4 PPH - W/SELF SEAL - BRIGHT WHITE
	154938-01-02A	EA	SCREW - SF/DR - 10-16 X 3/4 PPH - W/SELF SEAL - BLACK
	154938-02-01A	EA	SCREW - SF/DR - 8-18 X 1 PFH - W/SELF SEAL - BRIGHT WHITE
	154938-02-02A	EA	SCREW - SF/DR - 8-18 X 1 PFH - W/SELF SEAL - BLACK
	154938-02-03A	EA	SCREW - SF/DR - 8-18 X 1 PFH - W/SELF SEAL - SILVER
	154938-03-01A	EA	SCREW - SF/DR - 8-18 X 5/8 PFH - W/SELF SEAL - BRT WHT
	154935-03-02A	EA	SCREW - SF/DR - 8-18 X 5/8 PFH - W/SELF SEAL - BLACK
	154938-04-01A	EA	SCREW - SF/DR - 10-16 X 1" TPH - W/SELF SEAL - BRT WHT
	154938-04-02A	EA	SCREW - SF/DR - 10-16 X 1" TPH - W/SELF SEAL - BLACK
	154938-05-03A	EA	SCREW - SF/DR - 8-18 X 1.25" PFH - W/SELF SEAL - SILVER

# SEALANTS & FASTENERS GROUP (CONTINUED)

## CLAMPS, CLIPS, GROMMETS, RIVETS & PLUGS

KEY	PART NUMBER	U/M	DESCRIPTION
	000H16-04-06R	EA	RIVET - POP ALUMINUM - 1/8 X .313 - .375
	000H16-06-10R	EA	RIVET - POP ALUMINUM - 3/16 X .501 - .625
	007161-01-000	EA	CLAMP - HOSE - SPRING TYPE - 1/2"
	008386-01-000	EA	GROMMET - SNAP - 3/8" DIAMETER - NYLON
	010495-01-000	EA	CLAMP - CABLE - 9/16"ID - BLACK
	010495-02-000	EA	CLAMP - CABLE - 3/8"ID - BLACK
	010495-04-000	EA	CLAMP - CABLE - 11/16"ID - WHITE
	010497-01-000	EA	CLAMP - CLOSED - 5/8"ID
	010497-02-000	EA	CLAMP - CLOSED - 1.5"ID
	010497-03-000	EA	CLAMP - CLOSED - 1"ID - CUSHIONED
	010497-04-000	EA	CLAMP - CLOSED - 1 5/8"ID
	010497-05-000	EA	CLAMP - CLOSED - 1/2"ID
	010497-07-000	EA	CLAMP - CLOSED - 3/8"ID
	010497-09-000	EA	CLAMP - CLOSED - 5/16"ID
	010497-10-000	EA	CLAMP - CLOSED - 7/8"ID
	010499-01-000	EA	CLAMP - CLOSED - 3/8"ID
	016188-03-000	EA	GROMMET - LP LINE - 3/8"HOLE X 2 1/2"LONG - RUBBER
	016188-04-000	EA	GROMMET - LP LINE - 1/2"HOLE X 2 1/2"LONG - RUBBER
	016188-05-000	EA	GROMMET - LP LINE - 3/8"HOLE X 1 1/4"LONG - RUBBER
	016188-06-000	EA	GROMMET - LP LINE - 3/8"HOLE X 3 1/4"LONG - RUBBER
	016188-07-000	EA	GROMMET - L/P LINE - 1/2"HOLE X 3 1/4"LONG
	016188-08-000	EA	GROMMET - LP LINE - 1/2"HOLE X 1 1/4"LONG - RUBBER
	016188-09-000	EA	GROMMET - LP LINE - .68"HOLE X 1 1/4"LONG - RUBBER
	016188-10-000	EA	GROMMET - LP GAS - .68" X 2.5"
	023942-01-000	EA	GROMMET - RUBBER - 2"OD
	041930-11-000	EA	RIVET - POP ALUMINUM - 1/8 X .188 - .250 - BRIGHT WHITE
	061420-04-000	EA	PLUG/PLASTIC - 1 1/4" DIAMETER
	061420-05-000	EA	PLUG/PLASTIC - 1 1/2" DIAMETER
	061420-09-000	EA	PLUG/PLASTIC - 1.00" DIAMETER
	061420-10-000	EA	PLUG/PLASTIC - 1 1/2" DIAMETER - BLACK
	061420-12-000	EA	PLUG/PLASTIC - 1.50" DIAMETER - RED
	061420-13-000	EA	PLUG/PLASTIC - 3/8" - FLUSH
	061420-14-000	EA	PLUG/PLASTIC - 7/8" DIAMETER - BLACK
	061420-15-000	EA	PLUG/PLASTIC - 2" DIAMETER - BLACK
	061420-16-000	EA	PLUG/PLASTIC - 2 1/8" DIAMETER - BLACK
	062401-01-000	EA	CLAMP - HOSE - WORMGEAR - .25" - 1"
	062401-02-000	EA	CLAMP - HOSE - WORMGEAR - 1.56" - 2.5" ID
	062401-03-000	EA	CLAMP - HOSE - WORMGEAR - .22" - 1" ID
	062401-04-000	EA	CLAMP - HOSE - WORMGEAR - .69" - 1.25" ID
	062401-05-000	EA	CLAMP - HOSE - WORMGEAR - 2" - 3" ID
	062401-06-000	EA	CLAMP - HOSE - WORMGEAR - .22" - .62" ID
	062401-09-000	EA	CLAMP - HOSE - WORMGEAR - 2.8" - 3.75" ID
	062401-11-000	EA	CLAMP - HOSE - WORMGEAR - 3.50" - 4.50" ID
	062401-13-000	EA	CLAMP - HOSE - WORMGEAR
	063729-12-000	EA	RIVNUT - 5/16 - 18 UNCUT - FLATHEAD - STAINLESS
	071015-01-000	EA	GROMMET - RUBBER - .5"ID X 1"OD-W/.38" GROOVE - BLACK
	071015-11-000	EA	GROMMET - RUBBER - 1"ID FITS .12 MATERIAL - BLACK
	071015-13-000	EA	GROMMET - RUBBER - .62"ID X 1"OD W/.09" GROOVE - BLACK
	071015-22-000	EA	GROMMET - RUBBER - .62"ID X 1.12"OD W/.19" GROOVE - BLACK
	071015-26-000	EA	GROMMET - RUBBER - 1.5"ID X 2.1"OD W/.06" GROOVE - BLACK
	071015-29-000	EA	GROMMET - RUBBER - .3"ID X 1.3"OD W/.12" GROOVE - BLACK
	071015-30-000	EA	GROMMET - RUBBER - .3"ID X .81"OD W/.12" GROOVE - BLACK
	071015-39-000	EA	GROMMET - .75 ID FITS .06 MTL
	071015-41-000	EA	GROMMET - .125 ID FITS .188 MTL
	071015-42-000	EA	GROMMET - .25 ID FITS .06 MTL
	075148-02-000	EA	CLAMP - GROUNDING - BRONZE SCREWS
	077955-01-000	EA	CLIP/J - 3/8" - VINYL COATED
	080734-02-000	EA	CLIP - WIRE NYLON
	081211-01-000	EA	PLUG - PLASTIC - .31"DIA - BLACK
	081211-03-000	EA	PLUG - PLASTIC - .50"DIAMETER - TRUSS HEAD - BLACK
	081211-04-000	EA	PLUG - PLASTIC - .46"DIAMETER - TRUSS HEAD - BLACK
	083609-01-000	EA	CLAMP - WIRE - DUAL - EQUAL DIAMETERS - 5/8"
	083610-01-000	EA	CLAMP - WIRE - DUAL - UNEQUAL DIAMETERS - 3/4" & 1 1/4"
	083610-02-000	EA	CLAMP - WIRE - DUAL - UNEQUAL DIAMETERS - 3/4" & 2"

**SEALANTS & FASTENERS GROUP (CONTINUED)**  
**CLAMPS, CLIPS, GROMMETS, RIVETS & PLUGS (CONTINUED)**

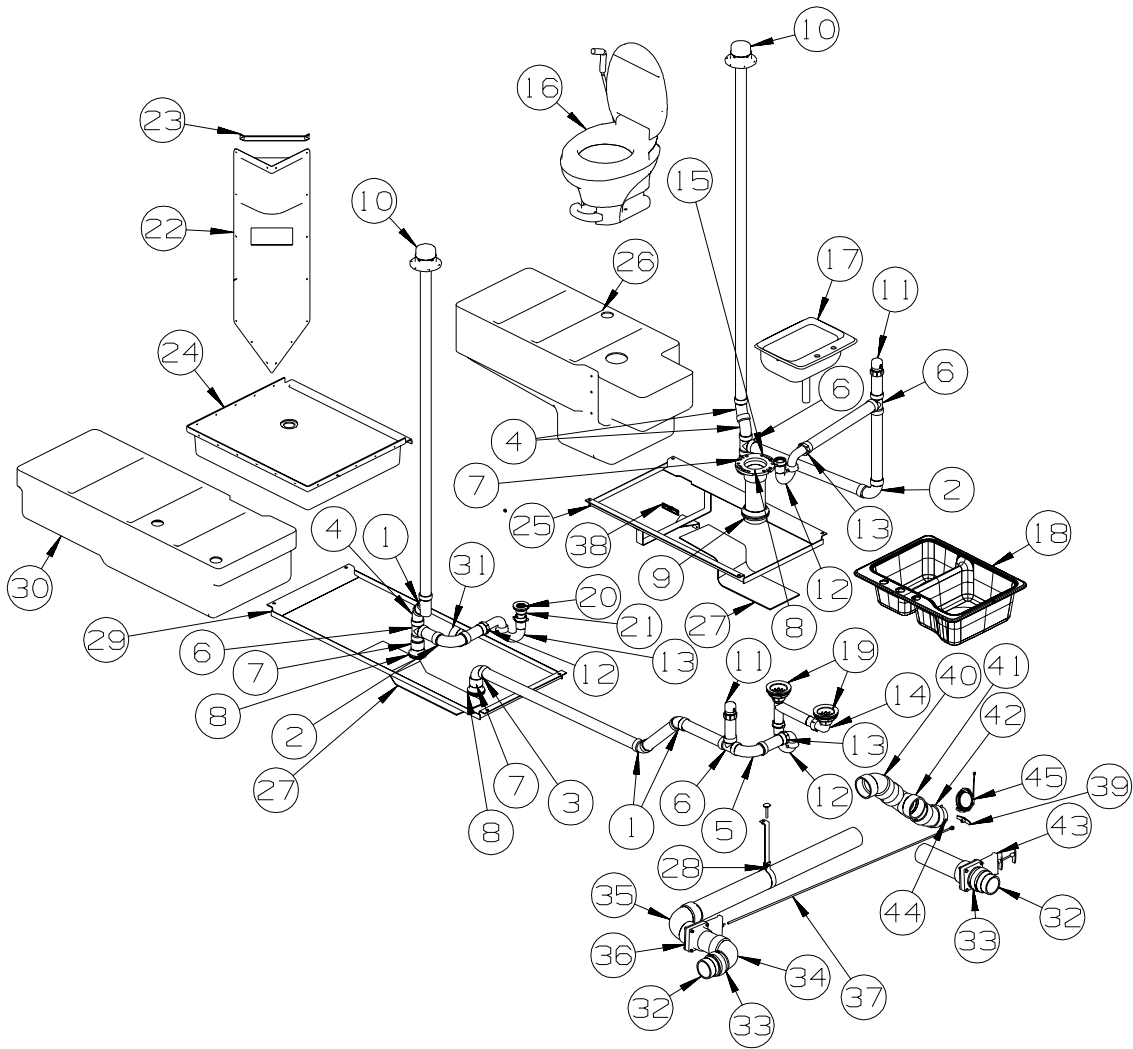
<b>KEY</b>	<b>PART NUMBER</b>	<b>U/M</b>	<b>DESCRIPTION</b>
	083610-03-000	EA	CLAMP - WIRE - DUAL - EQUAL DIAMETERS - 2"
	088756-01-000	EA	GROMMET - WEB - 1 1/8"ID
	089329-02-000	EA	CLIP - SPRING
	091952-01-000	EA	CLIP - GRIPPER - 1" - BLACK VINYL COATED
	091952-02-000	EA	CLIP - GRIPPER - 3/4" - BLACK VINYL COATED
	091952-03-000	EA	CLIP - GRIPPER - 1/2" - BLACK VINYL COATED
	094362-02-000	EA	CLIP - XMAS TREE - BINDER HEAD - .9" LONG/ANY COLOR
	094362-05-000	EA	CLIP - XMAS TREE - ROUND HEAD - 1.4" LONG/ANY COLOR
	113133-02-01A	EA	RIVET - POP - ALUMINUM - 3/16 X .252 - .504 - BLACK
	114208-05-000	EA	GROMMET - EDGE LINER - FITS 2"
	118626-01-02A	EA	RIVET/POP - ALUMINUM - 3/16 X .08 - .375
	118626-01-01A	EA	RIVET/POP - ALUMINUM - 3/16 X 1.2"(GRIP RANGE .1"-.4")
	118626-02-01A	EA	RIVET/POP - ALUMINUM - 3/16 X .500 - .750
	118626-03-01A	EA	RIVET/POP - STAINLESS STEEL - 3/16 X .500 - .750
	137014-01-02A	EA	GROMMET - CABLE - BROWN
	137014-01-01A	EA	GROMMET - CABLE - ALMOND
	137014-01-03A	EA	GROMMET - CABLE - BLACK
	139118-02-01A	EA	GROMMET - SCREW - PLASTIC
	155498-01-01A	EA	CLAMP - CLOSED - 7/8"ID - VINYL DIP/GALVONIZED - BLACK

**MISCELLANEOUS FASTENERS**

<b>KEY</b>	<b>PART NUMBER</b>	<b>U/M</b>	<b>DESCRIPTION</b>
	008343-01-000	EA	TIE - WIRE - 6"
	008343-02-000	EA	TIE - WIRE - 14"
	008343-03-000	EA	TIE - WIRE - 7 1/2" - BLACK
	029094-04-000	YD	VELCRO TAPE/LOOP - 1"WIDE - W/ADHESIVE BACK - BLACK
	029096-04-000	YD	VELCRO TAPE/HOOK - 1"WIDE - BLACK - W/ADHESIVE BACK (PSA)
	048394-02-000	YD	VELCRO TAPE - HOOK - ADHESIVE BACK - 3/4" WIDE - BEIGE
	085774-01-000	FT	FASTENER - DUAL LOCK - 1" WIDE - ADHESIVE BACK - BLACK
	085774-02-000	FT	FASTENER - DUAL HOOK - 1" WIDE - ADHESIVE BACK - BLACK
	088792-02-000	YD	VELCRO TAPE - LOOP - 3/4" - ADHESIVE BACK - BEIGE
	088792-04-000	YD	VELCRO TAPE - HOOK - 5/8" - NON-ADHESIVE BACK - WHITE
	088792-05-000	YD	VELCRO TAPE - LOOP - 5/8" - NON-ADHESIVE BACK - WHITE
	108046-02-000	EA	CABLE TIE - SCREW MOUNT 15"



## WATER & SEWAGE GROUP DRAINAGE SYSTEM



KEY	PART NUMBER	U/M	DESCRIPTION
1	010006-01-000	EA	ELBOW - 45 DEGREE - 1 1/2" HUB X HUB - PLASTIC
2	010008-01-000	EA	ELBOW - 90 DEGREE - 1 1/2" HUB X HUB - PLASTIC
3	010009-01-000	EA	ELBOW - 90 DEGREE - 1/4 BEND - 1 1/2" - PLASTIC
4	010051-01-000	EA	ELBOW - 45 DEGREE - 1 1/2" SPIGOT X HUB - PLASTIC
5	033761-01-000	EA	ELBOW - 90 DEGREE - TURN - 1 1/2" HUB X 1 1/2" SPIGOT
6	010071-01-000	EA	TEE - SANITARY - 1 1/2" HUB X HUB X HUB - PLASTIC
7	010115-01-000	EA	COUPLING - 1 1/2" HUB X HUB - PLASTIC
8	061607-01-000	EA	GROMMET - HOLDING TANK - 1 1/2" NPS
9	061607-02-000	EA	GROMMET - HOLDING TANK - 3" NPS
10	083558-03-000	EA	VENT - W/COVER - F/PLUMBING STACK - OFF WHITE
11	079968-01-000	EA	VENT - MECHANICAL/TRAP ARM - ANTI-SIPHON-2" X 7.3" PLASTIC
12	107538-02-000	EA	P-TRAP - PLASTIC - 1 1/2" W/EXTENSION ARM
12	011071-01-000	EA	P-TRAP - 1 1/2" - CSA - PLASTIC - <b>CANADIAN</b>
13	152146-01-000	EA	CONNECTOR - 1 1/2"P X 1 1/2"MPT
14	011091-02-000	EA	WASTE - CONTINUOUS - DOUBLE SINK
15	116644-01-000	EA	FLANGE/CLOSET - 3" FEMALE - 4 BOLT
15	024676-01-000	EA	FLANGE/CLOSET - 4" X 3" - BLACK PLASTIC
			FROM: 00-00-00 THRU: 05-28-06
			FROM: 05-29-06 THRU: 99-99-99
16*	147421-05-01A	EA	TOILET/AQUA MAGIC 5 (LOW) HANDFLUSH - W/O SPRAY - WHITE
17*	096927-01-02A	EA	SINK - LAVATORY - RECTANGULAR - PLASTIC - SOFT WHITE
	106116-01-02A	EA	STRAINER/PLASTIC - STOPPER/TAILPIECE/GASKET & NUT-LAVATORY
18	148870-01-01A	EA	SINK/DOUBLE - LRG/SML BASIN - 25" X 19" X 7"
19	092303-01-000	EA	STRAINER - W/BASKET - GALLEY SINK - 4" OD
20	066440-01-000	EA	STRAINER - SHOWER DRAIN - W/RUBBER WASHER
	127440-02-01A	EA	WASHER - RUBBER - 1.8" X .1"
21	011069-06-000	EA	TAILPIECE - 1 1/2" X 1 1/4" X 2 1/2" - BRASS
	130403-01-000	EA	NUT - SLIP - W/WINGS 1 1/2"

**WATER & SEWAGE GROUP (CONTINUED)**  
**DRAINAGE SYSTEM (CONTINUED)**

KEY	PART NUMBER	U/M	DESCRIPTION
22	105707-01-02A	EA	CADDY - SHOWER - SOFT WHITE
23	113714-02-02A	EA	RETAINER - SHELF/SHOWER - 10.6" - SOFT WHITE
24	M02673-13-N09	EA	SHOWER PAN - W/STRAINER
25	156612-01-02B	EA	CRADLE - TANK/HOLDING - E-COATED
			FROM: 00-00-00 THRU: 05-29-06
25	156612-03-02B	EA	CRADLE - TANK/HOLDING - E-COATED
			FROM: 05-30-06 THRU: 99-99-99
26	156228-01-700	EA	TANK - HOLDING - 41 GALLON - W/3" NIPPLE - W/O FITTINGS
	049032-01-000	EA	PATCH - SPINWELD - 3/8" - PLASTIC
27	133972-01-000	EA	PAD/HEATER - HOLDING TANK - F/40 GALLON - DRAINAGE SYSTEM-HEATED
			FROM: 05-30-06 THRU: 99-99-99
28	141443-05-02B	EA	HOLDER - RING - 3.6" DIAMETER - METAL
29	156612-02-02B	EA	CRADLE - TANK/HOLDING - E-COATED
30	156229-01-700	EA	TANK - HOLDING - 41 GALLON - W/3" NIPPLE - W/O FITTINGS
	049032-01-000	EA	PATCH - SPINWELD - 3/8" - PLASTIC
31	133972-05-000	EA	PAD/ELBOW HEATING - 3.0" DIAMETER - DRAINAGE SYSTEM-HEATED
			FROM: 05-30-06 THRU: 99-99-99
	010061-01-000	EA	ELBOW - 45 DEGREE ST - 3" SPIGOT & HUB - PLASTIC - 2 REQUIRED
			FROM: 00-00-00 THRU: 05-29-06
	010024-01-000	EA	ELBOW - 45 DEGREE - 3" HUB X HUB - PLASTIC
			FROM: 00-00-00 THRU: 05-29-06
	041956-01-000	EA	ELBOW - 3" STREET - 90 DEGREE - PLASTIC
			FROM: 00-00-00 THRU: 05-29-06
	136143-01-000	EA	VALVE - DUAL - 3" X 3"
			FROM: 00-00-00 THRU: 05-29-06
32	010129-03-000	EA	NIPPLE - 3" X 3" TOE - PLASTIC
33	078406-01-000	EA	COUPLER - 3" X 3" W/CLAMPS - RUBBER
34	010062-01-000	EA	ELBOW - 3 90 SPIGOT X HUB - PLASTIC
			FROM: 05-30-06 THRU: 99-99-99
35	031126-01-000	EA	ELBOW - 1/4 BEND - 3" X 90" XLT - BLACK PLASTIC
			FROM: 05-30-06 THRU: 99-99-99
36	062418-01-000	EA	VALVE - DUMP - W/HANDLE - 3" - PLASTIC/BLACK
			FROM: 05-30-06 THRU: 99-99-99
37	062419-04-000	EA	HANDLE/ROD - EXTENSION W/THREADED END - 55"
			FROM: 05-30-06 THRU: 99-99-99
38	062419-05-000	EA	BRACKET - VALVE - LOCKING
			FROM: 05-30-06 THRU: 99-99-99
39	062419-06-000	EA	HANDLE - T
			FROM: 05-30-06 THRU: 99-99-99
40	010024-01-000	EA	ELBOW - 45 DEGREE - 3" HUB X HUB - PLASTIC
			FROM: 05-30-06 THRU: 99-99-99
41	136664-01-000	EA	TEE - PLASTIC - 3"
			FROM: 05-30-06 THRU: 99-99-99
42	010023-01-000	EA	ELBOW/STREET - PLASTIC
			FROM: 05-30-06 THRU: 99-99-99
43	062418-02-000	EA	VALVE-3",HUBXSPIGOT,W/O HNDL - VALTERRA T40 WINN
			FROM: 05-30-06 THRU: 99-99-99
44	062417-01-000	EA	ADAPTER - TERMINATION - 3"
			FROM: 05-30-06 THRU: 99-99-99
45*	062415-01-000	EA	CAP - SEWER - 3" DIAMETER
			FROM: 05-30-06 THRU: 99-99-99

\*COMPONENT PARTS LISTED LATER IN THIS GROUP

## WATER & SEWAGE GROUP (CONTINUED)

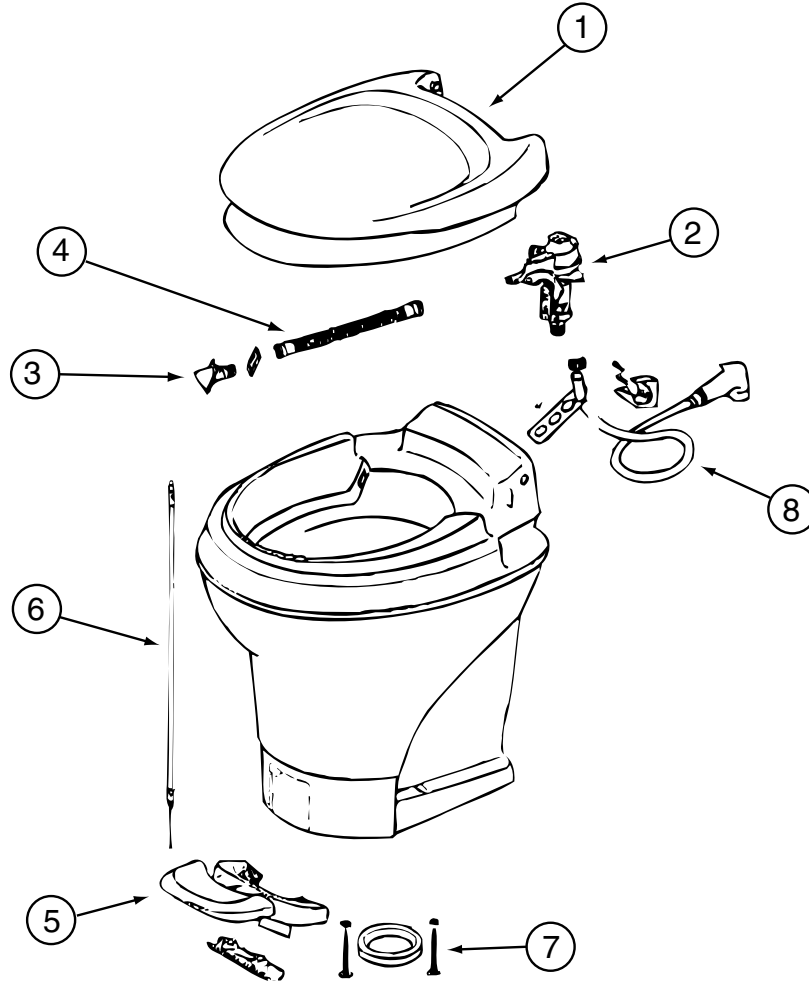
### COMPONENT PARTS FOR DRAINAGE SYSTEM

062415-01-000

KEY	PART NUMBER	U/M DESCRIPTION	VENDOR NO.
	062415-01-700	EA STRING-SEWER CAP	V#SV7 STRAP

096927-01-02A

KEY	PART NUMBER	U/M DESCRIPTION	VENDOR NO.
	096927-01-700	EA SINK STOPPER	M9801
	096927-01-701	EA TAILPIECE-DRAIN-LAVATORY	M9802



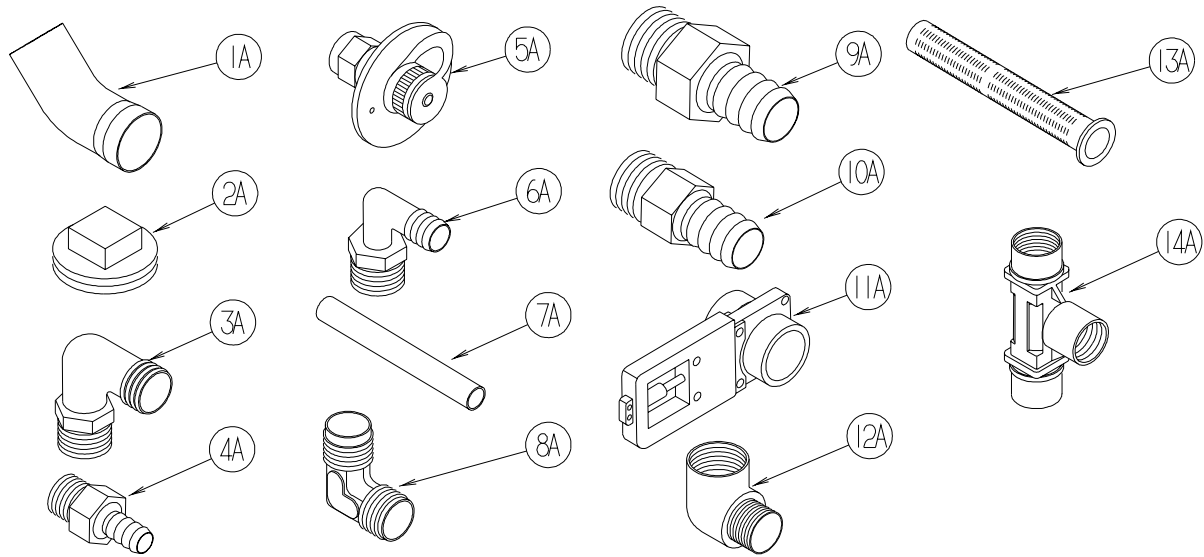
147421-04-01A, 147421-05-01A

KEY	PART NUMBER	U/M DESCRIPTION	VENDOR NO.
1	147421-01-700	EA SEAT & COVER ASSEMBLY(WHT)	31703
2	147421-01-701	EA WATER MODULE ASSEMBLY	31705
3	147421-01-702	EA NOZZLE ASSEMBLY	31706
4	147421-01-703	EA LINK - WATER MODULE	31621
7	063740-01-706	EA BOLT PACKAGE-FLOOR FLANGE	12524 THETFORD
	147421-01-706	EA SEAL - BLADE	31708
	147421-01-707	EA CAP (UNIVERSAL BOLT) - WHITE	31713

CONTACT WINNEBAGO PART SALES FOR UNLISTED COMPONENT(S)

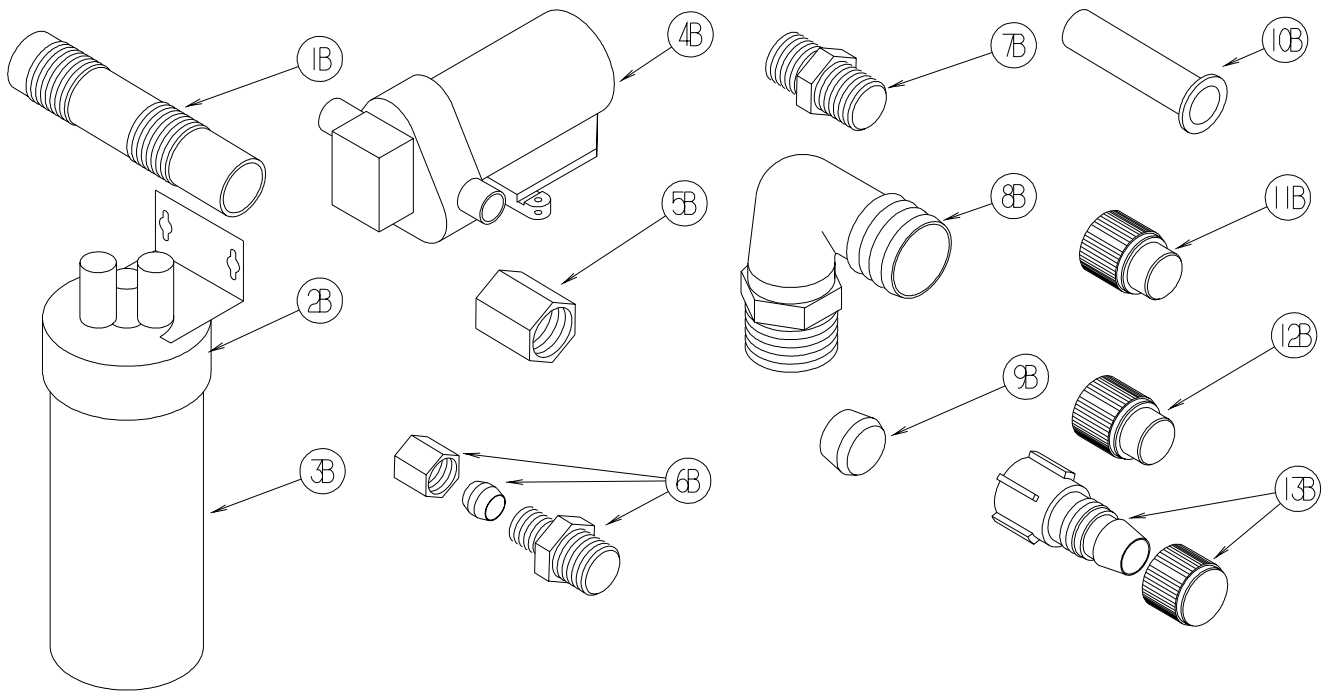
## WATER & SEWAGE GROUP (CONTINUED)

### WATER SYSTEM



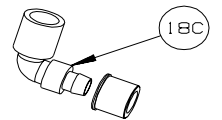
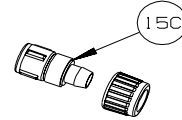
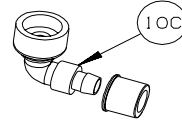
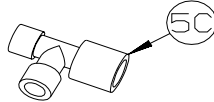
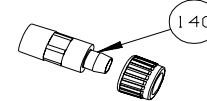
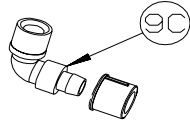
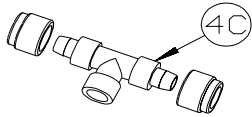
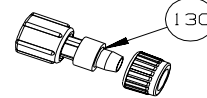
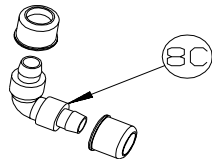
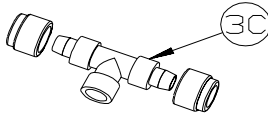
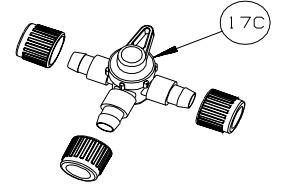
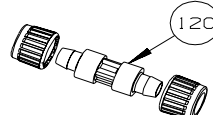
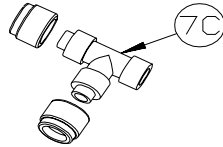
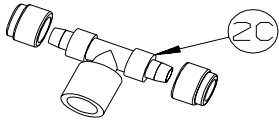
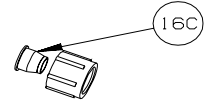
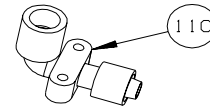
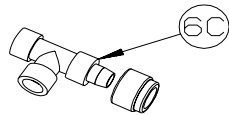
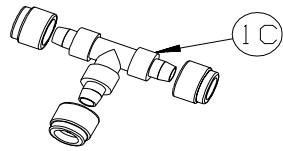
KEY	PART NUMBER	U/M	DESCRIPTION
1A	010009-01-000	EA	ELBOW - 90 DEGREE - 1/4 BEND - 1 1/2" PLASTIC
2A	010166-01-000	EA	PLUG/THREADED - 1 1/4"MPT - PLASTIC - BLACK - UL
3A	010219-01-000	EA	ELBOW - 1 1/4 MPT X 1 1/4 BARB - WATER FILL - PLASTIC
4A	010224-01-000	EA	ADAPTER - HOSE TO PIPE - 3/8 MPT X 3/8 BARB - PLASTIC
5A	010230-06-000	EA	FILL - CITY WATER - W/CHECK VALVE - MPT - BRUSHED ALUM
6A	035539-01-000	EA	ELBOW - 3/8 MPT X 3/8 BARB - PLASTIC
7A	039800-04-000	FT	TUBING - POLYBUTYL - 1/4"OD
7A	074462-02-000	FT	TUBING - VINYL - 3/8 ID X 20' - CLEAR
7A	112176-01-000	FT	TUBING - VINYL - REINFORCED - 1/2" ID
7A	124188-01-000	FT	TUBING - PEX - 1/2" ID X 20' - BLUE(COLD)
7A	124188-02-000	FT	TUBING - PEX - 1/2" ID X 20' - RED(HOT)
8A	039808-03-000	EA	ELBOW - 1/2" MPT X 1/2" MPT - PLASTIC
9A	044927-01-000	EA	ADAPTER - HOSE TO PIPE-1 1/4 MPTX1 1/4 BARB-BLACK PLASTIC
10A	044927-02-000	EA	ADAPTER - REDUCING - 1" MPT X 1.3" BARB - PLASTIC
11A	062421-03-000	EA	VALVE/DUMP W/O HANDLE - 1 1/2" X 1 1/2" HUB
	062421-05-000	EA	CABLE/ROD - F/DUMP VALVE - W/HANDLE - 48"
	062421-07-000	EA	CABLE/ROD - F/DUMP VALVE - W/HANDLE - 144"
	062421-08-000	EA	CABLE/ROD - F/DUMP VALVE - W/HANDLE - 108"
12A	065318-02-000	EA	ELBOW - 90 DEGREE - 3/8" MPT TO 3/8" FPT
13A	077954-02-000	EA	FILTER - WATER TANK - W/SCREEN IN TANK
14A	039798-01-000	EA	TEE - 1/2"MPT X 1/2"MPT X 1/2"MPT - PLASTIC

**WATER & SEWAGE GROUP (CONTINUED)**  
**WATER SYSTEM (CONTINUED)**



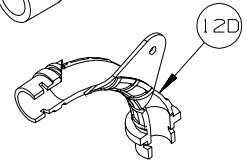
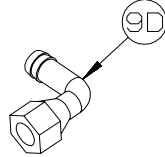
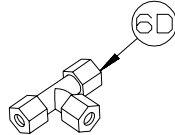
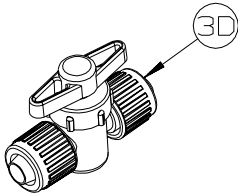
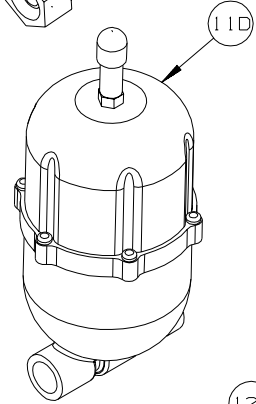
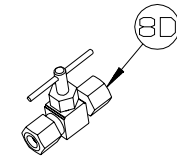
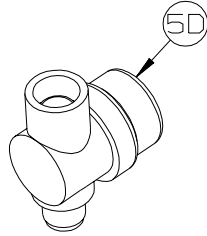
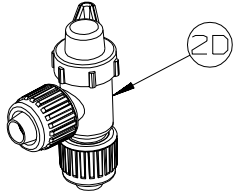
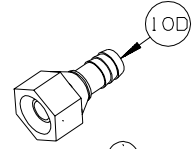
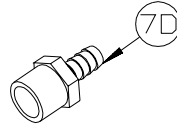
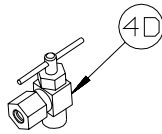
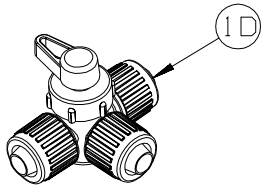
KEY	PART NUMBER	U/M	DESCRIPTION
1B	079381-01-000	FT	TUBING - RIBBED FLEXIBLE - WATER FILL - 1.4" ID
2B	087200-01-000	EA	FILTER-WATER PURIFCATION, EVERPURE QC2-AC
3B	087200-02-000	EA	CARTRIDGE-WATER FILTER,AC - EVERPURE 9601-11
4B*	098607-01-000	EA	PUMP - WATER - W/.5" MPT FITTING - FLOW 2.8 GPM
			FROM: 00-00-00 THRU: 06-21-06
4B	160702-01-000	EA	PUMP - WATER - 3.0 GPM - W/1/2" MPT
			FROM: 06-22-06 THRU: 99-99-99
5B	101814-01-000	EA	COUPLING - FEMALE - 1/2" X 1/2" FPT - GRAY
6B	103798-01-000	EA	CONNECTOR - 1/4 OD X 3/8 MPT
7B	110438-02-000	EA	VALVE - CHECK - BRASS - 1/2 MPT X 1/2 MPT
8B	111223-02-000	EA	ELBOW - 1/2" MPT X 3/8" BARB - PLASTIC
8B	111223-03-000	EA	ELBOW - 3/4" MPT X 1/2" BARB - PLASTIC
8B	111223-04-000	EA	ELBOW - 1/2" MPT X 1/2" BARB - PLASTIC
9B	111888-01-000	EA	FERRULE - PLASTIC - .250 ID X .375 OD
10B	111888-02-000	EA	INSERT - BRASS - 1/4 COMP
11B	113697-01-000	EA	CAP - 3/8"P
12B	114427-01-000	EA	CAP - 1/2"P
13B	114427-02-000	EA	PLUG - W/COMP NUT - 1/2" PLASTIC PIPE/1/2" FLAIR-IT

**WATER & SEWAGE GROUP (CONTINUED)**  
**WATER SYSTEM (CONTINUED)**



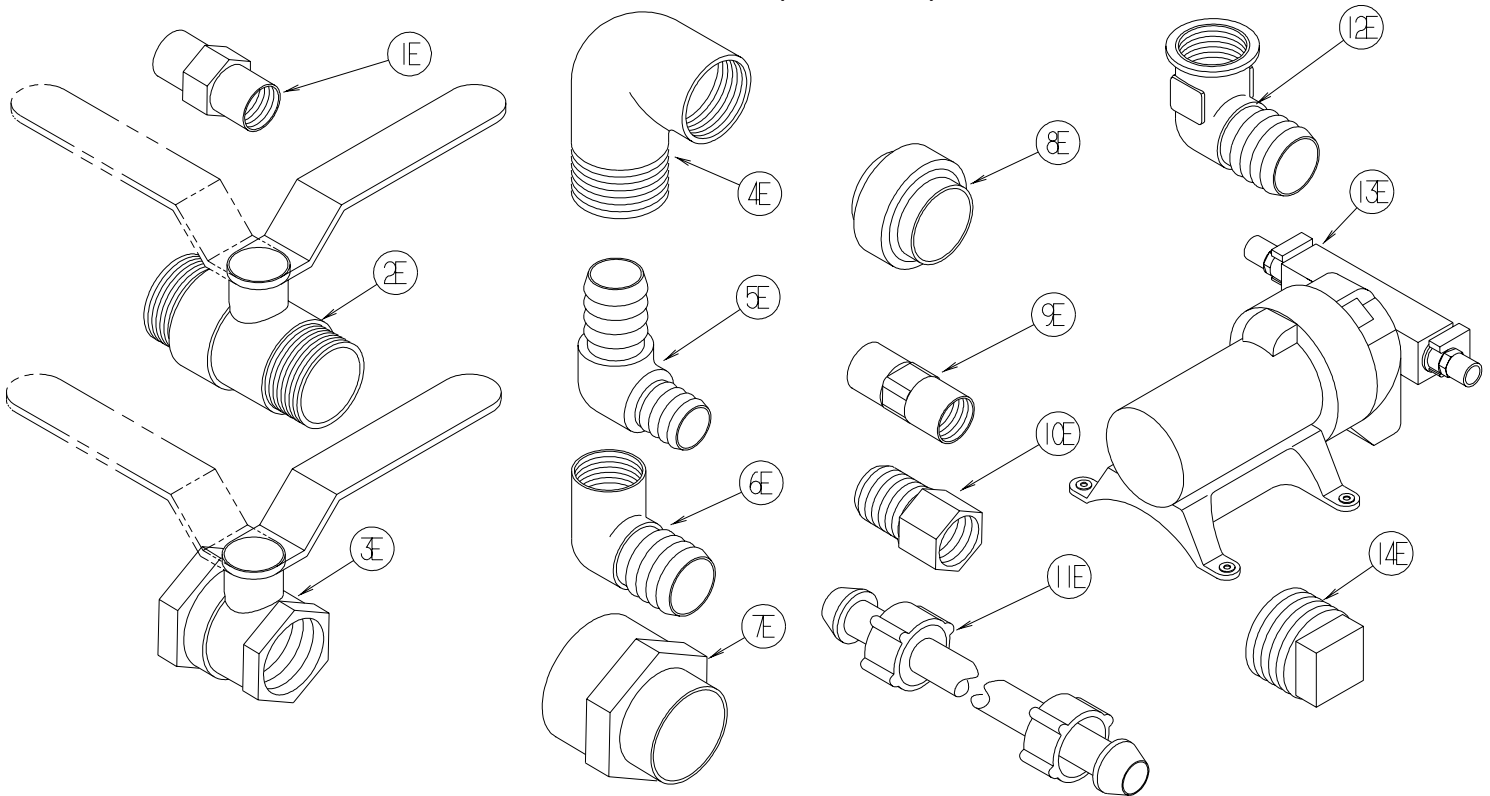
KEY	PART NUMBER	U/M	DESCRIPTION
1C	114428-01-000	EA	TEE - 1/2"P X 1/2"P X 1/2"P
2C	114428-02-000	EA	TEE - SWIVEL - 1/2"P X 1/2"P X 1/2"FPT
3C	114428-03-000	EA	TEE - 1/2"P X 1/2"P X 1/2"MPT
4C	114428-04-000	EA	TEE - 1/2"P X 1/2"P X 1/8"FPT
5C	114428-05-000	EA	TEE - 1/2" SWIVEL X 1/2" MPT X 1/2" MPT
6C	114428-06-000	EA	TEE - 1/2" P X 1/2" MPT X 1/2" MPT
7C	114428-07-000	EA	TEE - 1/2" P X 1/2" MPT X 1/2" P
8C	114429-01-000	EA	ELBOW - 1/2"P X 1/2"P
9C	114429-02-000	EA	ELBOW - 1/2"P X 1/2"MPT
9C	114429-04-000	EA	ELBOW - 1/2"P X 3/8"MPT
9C	114429-05-000	EA	ELBOW - 1/2"P X 3/4"MPT
9C	114429-10-000	EA	ELBOW - SWIVEL - 1/2"MPT X 1/2"FPT
10C	114429-06-000	EA	ELBOW - SWIVEL - 1/2"P X 3/4"FPT
10C	114429-08-000	EA	ELBOW - SWIVEL - 1/2"P X 1/2"FPT
11C	114429-09-000	EA	ELBOW - 1/2"P X 1/2"FPT DROP EAR
12C	114430-01-000	EA	ADAPTER - 1/2"P X 1/2"P
13C	114430-02-000	EA	ADAPTER - SWIVEL - 1/2"P X 1/2"FPT
13C	114430-04-000	EA	ADAPTER - SWIVEL - 1/2"P X 3/8"MPT
14C	114430-03-000	EA	ADAPTER - 1/2"P X 1/2"MPT
15C	114430-06-000	EA	ADAPTER - 1/2"P X 3/8"FPT
15C	114430-09-000	EA	ADAPTER - 1/2"P X 1/2"FPT
16C	114430-10-000	EA	ADAPTER - NUT - PIPE CONNECTION - 1/2"
17C	114431-01-000	EA	VALVE - 180 DEGREE/CENTER DRAIN - 1/2"P - THREE WAY
18C	114429-11-000	EA	ELBOW - 1/2"P X 1/2"FPT

**WATER & SEWAGE GROUP (CONTINUED)**  
**WATER SYSTEM (CONTINUED)**



KEY	PART NUMBER	U/M	DESCRIPTION
1D	114431-02-000	EA	VALVE - WATER BYPASS - 1/2"P - THREE WAY (WATER HEATER)
2D	114431-03-000	EA	VALVE - 90 DEGREE DRAIN - 1/2"P
3D	114431-04-000	EA	VALVE - "INLINE SHUT-OFF" - 1/2"P
4D	114431-05-000	EA	VALVE - NEEDLE - 1/8" MPT X 1/4" COMPRESSION (ICE MAKER)
5D	152925-01-01A	EA	FILTER - IN LINE - TWIST ON - 1/2" - BLACK
6D	118423-01-000	EA	FITTING - BRASS-TEE - 1/4C X 1/4C X 1/4C
7D	118809-01-000	EA	ADAPTER - 1/2" MPT X 3/8" BARB - PLASTIC
7D	118809-02-000	EA	ADAPTER - 1/2" MPT X 1/2" BARB - PLASTIC
8D	120868-01-000	EA	VALVE - NEEDLE - 1/4" COMPRESSION X 1/4" COMPRESSION
9D	123150-01-000	EA	ELBOW - 1/2 FPT X 1/2 BARB - SWIVEL
10D	123152-01-000	EA	ADAPTER - 1/2 FPT X 1/2 BARB - SWIVEL
11D	123243-01-000	EA	TANK - ACCUMULATOR - 24 OZ
11D	123317-01-000	EA	TANK - ACCUMULATOR - 2 GALLON
12D	124184-01-000	EA	SUPPORT - WATER LINE - BEND

**WATER & SEWAGE GROUP (CONTINUED)**  
**WATER SYSTEM (CONTINUED)**



KEY	PART NUMBER	U/M	DESCRIPTION
1E	132148-01-000	EA	CONNECTOR - 1/2" X 1/2"MPT - BRASS
2E	132483-01-000	EA	VALVE/BALL - 1" - THREADED ENDS
3E	132483-02-000	EA	VALVE/BALL - 1/2" - BRASS - FPT
4E	132484-01-000	EA	ELBOW - 90 DEGREE - 1MPT X 1FPT - PLASTIC
5E	132781-01-000	EA	ELBOW - 1.3" BARB X 1.3" BARB - 90 DEGREE - PLASTIC
6E	132782-01-000	EA	ELBOW - 1"FPT X 1.3" BARB - 90 DEGREE - PLASTIC
7E	133835-01-000	EA	ADAPTER - REDUCING - 1 1/2" X 1 1/4"
8E	133889-01-000	EA	UNION - 1 1/2 DOUBLE SLIP - PVC
9E	135386-01-000	EA	NIPPLE - 1/2"
10E	136333-01-000	EA	ADAPTER - BRASS - 1/2"MPT X 1/2"FPT
11E	140821-01-000	EA	TUBE - WATER SUPPLY - 3/8" X 24"
11E	140821-02-000	EA	TUBE - WATER SUPPLY - 3/8" X 30"
11E	140821-03-000	EA	TUBE - WATER SUPPLY - 3/8" X 36"
11E	140821-04-000	EA	TUBE - WATER SUPPLY - 3/8" X 48"
11E	140821-05-000	EA	TUBE - WATER SUPPLY - 3/8" X 54"
11E	140821-06-000	EA	TUBE - WATER SUPPLY - 3/8" X 60"
11E	140821-07-000	EA	TUBE - WATER SUPPLY - 3/8" X 72"
11E	140821-08-000	EA	TUBE - WATER SUPPLY - 1/2" X 24"
11E	140821-09-000	EA	TUBE - WATER SUPPLY - 1/2" X 36"
11E	140821-10-000	EA	TUBE - WATER SUPPLY - 1/2" X 48"
12E	142812-01-000	EA	ELBOW - BRASS - 1/2"MPT X 1/2"FPT
13E*	144215-01-000	EA	PUMP - WATER - 5.7 GPM - W/1/2" MPT

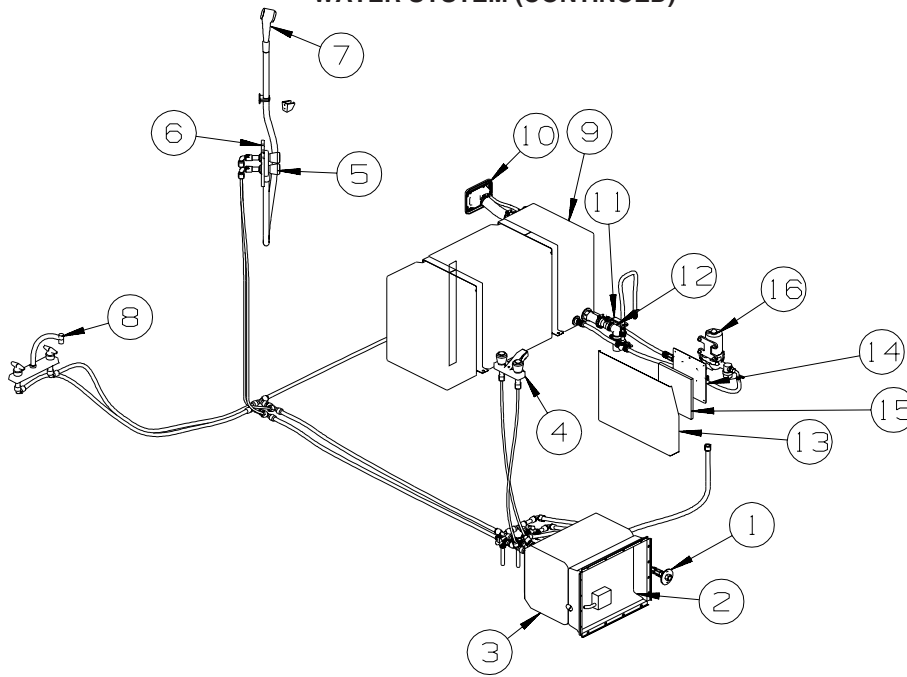
FROM: 00-00-00 THRU: 02-05-06

14E 145609-01-000 EA PLUG - BRASS - 1/2" MPT/HEX HEAD

**\*COMPONENT PARTS LISTED LATER IN THIS GROUP**



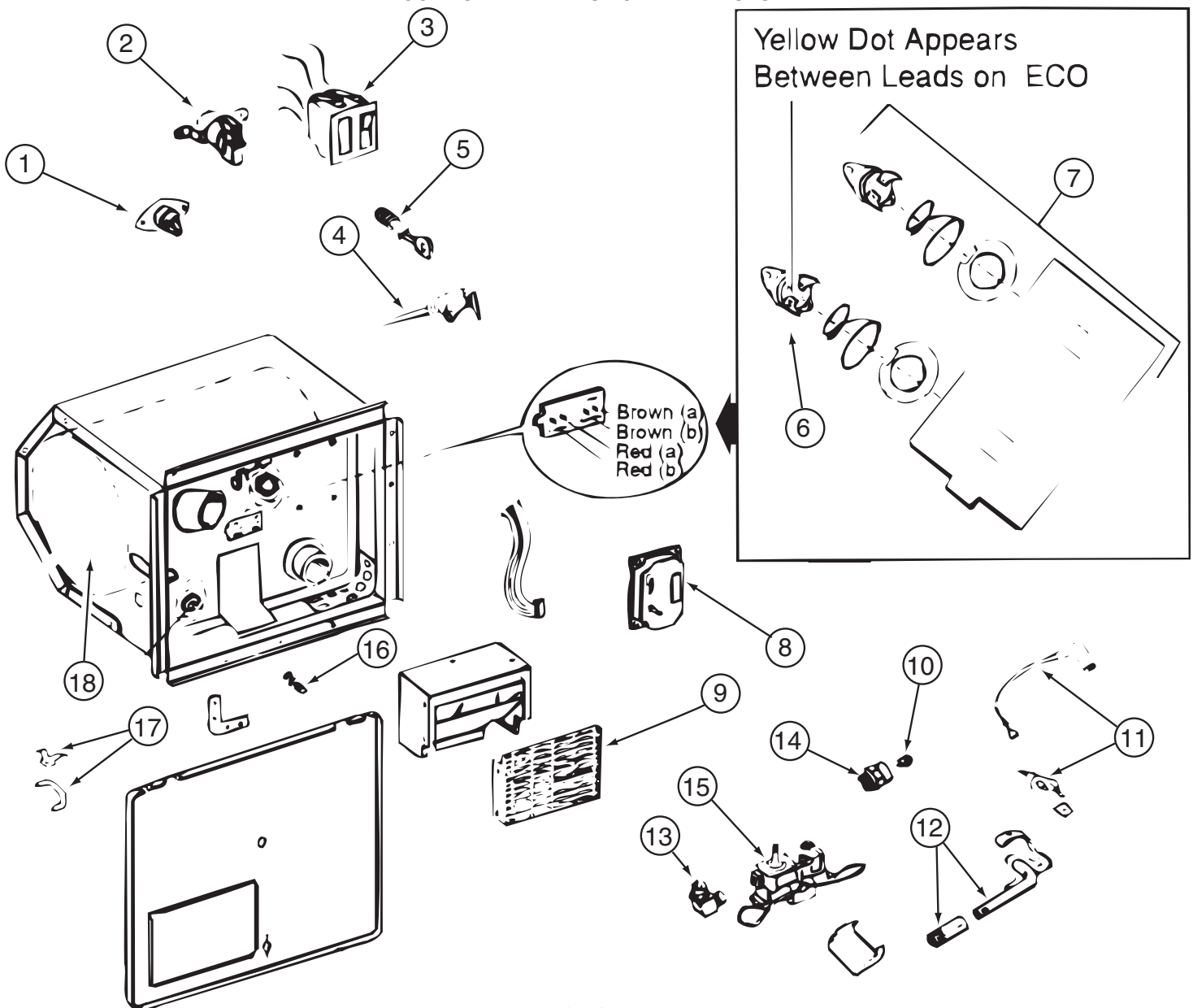
**WATER & SEWAGE GROUP (CONTINUED)**  
**WATER SYSTEM (CONTINUED)**



KEY	PART NUMBER	U/M	DESCRIPTION
1	010230-06-000	EA	FILL - CITY WATER - W/CHECK VALVE - MPT - BRUSHED ALUM
2	052009-06-000	EA	DOOR - WATER HEATER - BRIGHT WHITE - 18" X 14.6"
3*	051391-03-000	EA	WATER HEATER G6A-8E ELECTRONIC IGNITION
4	148886-01-01A	EA	FAUCET - LAVATORY/DUAL CONTROL/4" CENTER - CHROME
5	163269-01-02A	EA	FAUCET/SHOWER - .5"MPT W/1.9" INLET PIPES- EXTERIOR/CHROME
6	075606-03-000	EA	PANEL - FAUCET SHOWER - SOFT WHITE
7	131383-01-02A	EA	SHOWER HEAD - W/60" HOSE & BRACKET - WHITE
8	140117-02-01A	EA	FAUCET - GALLEY - DUAL LEVERS - CHROME/CLEAR
9	156167-04-000	EA	TANK - WATER - 36 GALLON - W/FITTINGS
	042989-03-000	EA	FITTING - SPINWELD - 1 1/4"NPT - PLASTIC
	042989-04-000	EA	FITTING - SPINWELD - 3/8"FPT - PLASTIC
	042989-05-000	EA	FITTING - SPINWELD - 1/2"FPT - PLASTIC
	042989-08-000	EA	FITTING - SPINWELD - 1"FPT - PLASTIC
	049032-01-000	EA	PATCH - SPINWELD - 3/8" - PLASTIC
10	137169-01-01A	EA	WATER FILL/GRAVITY - W/DOOR - W/O LOCK - BRIGHT WHITE
	137169-02-01A	EA	ADAPTER/LOCK - (WASHER) F/GRAVITY WATERFILL
*	138637-03-000	EA	LOCK ASM. - KEYED - .9" CASE (CYLINDER/CAM/HDWR PKG)
	138637-62-000	EA	CAM - LATCHING - DOG LEG - 1" LONG
	138637-53-000	EA	CASE/CYLINDER - LOCKING - W/O CAM/KEY - 1.5"
	138637-53-001	EA	CASE/CYLINDER - LOCKING - W/O CAM/KEY - 1.5"
	138637-53-002	EA	CASE/CYLINDER - LOCKING - W/O CAM/KEY - 1.5"
	138637-53-003	EA	CASE/CYLINDER - LOCKING - W/O CAM/KEY - 1.5"
	138637-53-004	EA	CASE/CYLINDER - LOCKING - W/O CAM/KEY - 1.5"
	138637-53-005	EA	CASE/CYLINDER - LOCKING - W/O CAM/KEY - 1.5"
	138637-53-006	EA	CASE/CYLINDER - LOCKING - W/O CAM/KEY - 1.5"
	138637-53-007	EA	CASE/CYLINDER - LOCKING - W/O CAM/KEY - 1.5"
	138637-53-008	EA	CASE/CYLINDER - LOCKING - W/O CAM/KEY - 1.5"
	138637-53-009	EA	CASE/CYLINDER - LOCKING - W/O CAM/KEY - 1.5"
11	132483-01-000	EA	VALVE/BALL - 1" - THREADED ENDS
12	132781-01-000	EA	ELBOW - 1.3" BARB X 1.3" BARB - 90 DEGREE - PLASTIC
13	156298-02-02B	EA	BRACKET/MOUNTING - WATER PUMP - E-COATED
14	149477-02-02B	EA	PANEL - WATER PUMP - E-COATED
15	140364-01-01A	EA	FOAM - PAD - .5" X 8" X 8"
16*	098607-01-000	EA	PUMP - WATER - W/.5" MPT FITTING - FLOW 2.8 GPM - <b>NOT ILLUSTRATED</b>
			FROM: 00-00-00 THRU: 06-21-06
16	160702-01-000	EA	PUMP - WATER - 3.0 GPM - W/1/2" MPT
			FROM: 06-22-06 THRU: 99-99-99

\*COMPONENT PARTS LISTED LATER IN THIS GROUP

**WATER & SEWAGE GROUP (CONTINUED)**  
**COMPONENT PARTS FOR WATER SYSTEM**



051391-03-000

KEY	PART NUMBER	U/M	DESCRIPTION	VENDOR NO.
3	051393-01-701	EA	SWITCH - REMOTE - W/LIGHT	91959
4	051391-01-704	EA	VALVE-RELIEF, 1/2" FITTING	91604
4	051391-03-701	EA	VALVE-RELIEF - 3/4" FITTING	90028
5	051391-01-705	EA	FASTENER-CAMLOCK	92609
6	051391-04-701	EA	THERMOSTAT 12V DC-120 PRESET	91470
7	051393-01-721	EA	THERMOSTAT W/ECO, 140 FRT MT	91447
9	051391-04-707	EA	KIT-EXHAUST, (FLUE & GASKET)	90960
10	051391-01-710	EA	ORIFICE-MAIN BURNER	92742
12	051391-04-703	EA	BURNER-MAIN/ELECTRONIC IG	91638
13	051391-01-714	EA	FITTING-ELBOW 45,3/8F X 3/8	MPT 1044
14	051391-03-700	EA	HOLDER-ORIFICE	91563
16	051391-01-715	EA	PLUG-DRAIN, 1 EA = 2 PER PKG	91857
17	051391-01-700	EA	HINGE KIT, (PIN & CLIP)	92568&92559
18	051391-04-706	EA	TANK-G6A-4E/6E/7E/8E-FRT.MT	91641 - INNER
	051391-01-717	EA	GRILLE-WATER HEATER DOOR	92640
	051393-01-723	EA	SWITCH - THERMAL CUTOUT 2/PK	93866 WAS 93853
	051393-01-724	EA	BOARD-CIRCUIT, SPADE TERMINAL	93865
	051393-01-725	EA	ELECTRODE-SGL SPADE CONNECT.	93868
	051393-01-726	EA	VALVE/SOLENOID - W/O BRACKET	93870
	111129-01-711	EA	BRACKET-CORNER, SET OF FOUR	91928

CONTACT WINNEBAGO PARTS SALES FOR UNLISTED COMPONENT(S)

**WATER & SEWAGE GROUP (CONTINUED)**  
**COMPONENT PARTS FOR WATER SYSTEM (CONTINUED)**

**098607-01-000**

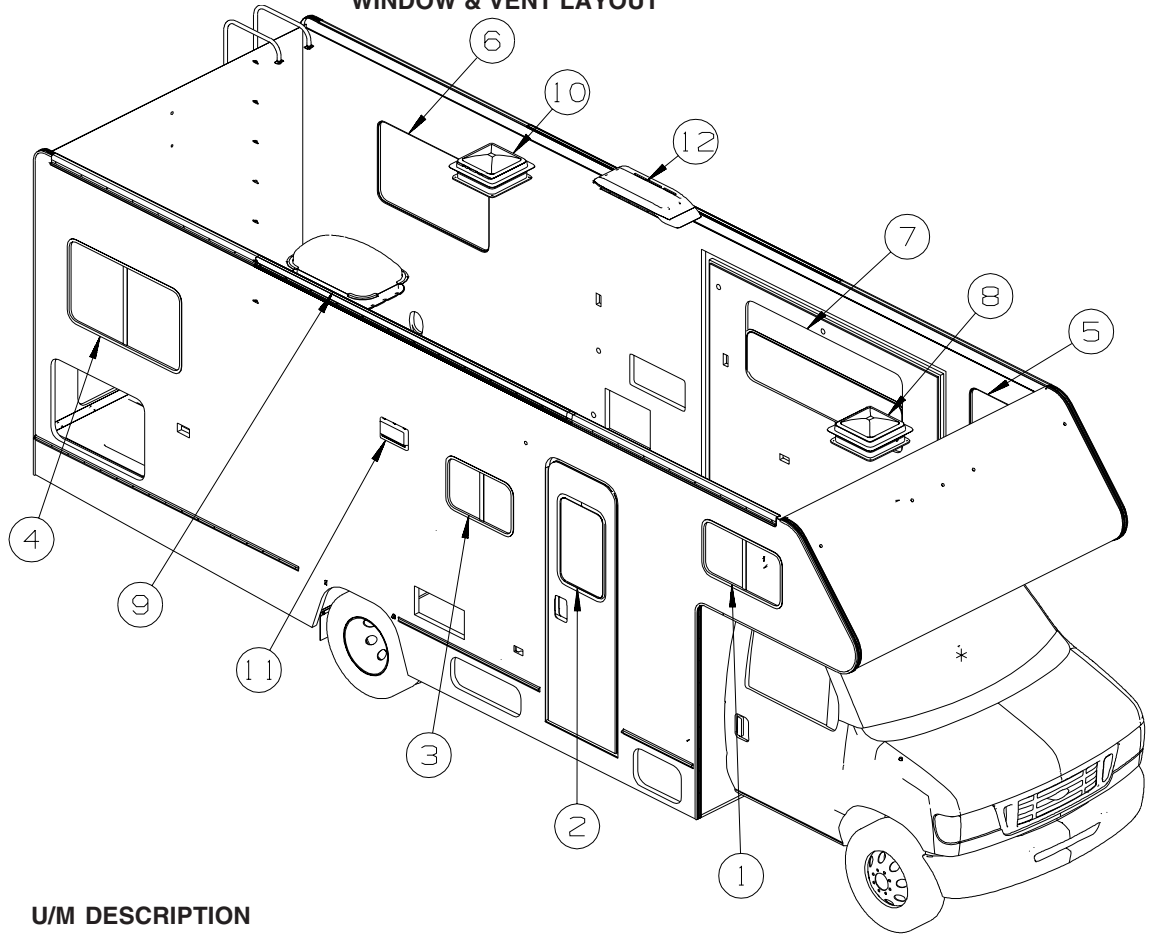
<b>KEY</b>	<b>PART NUMBER</b>	<b>U/M</b>	<b>DESCRIPTION</b>	<b>VENDOR NO.</b>
	098607-01-702	EA	DIAPHRAGM/DRIVE ASSEMBLY KIT	94-238-04
	098607-01-703	EA	VALVE KIT	94-232-00
	098607-01-705	EA	VALVE-CHECK, KIT	94-237-00
	098607-01-706	EA	HOUSING, W/SWITCH ONLY	94-231-20
	098607-01-707	EA	MOTOR W/BASEPLATE	11-148-04

**138637-03-000, 138637-04-000**

<b>KEY</b>	<b>PART NUMBER</b>	<b>U/M</b>	<b>DESCRIPTION</b>	<b>VENDOR NO.</b>
	110506-40-700	EA	HDWE KIT	596950AAL

## WINDOW & VENTS GROUP

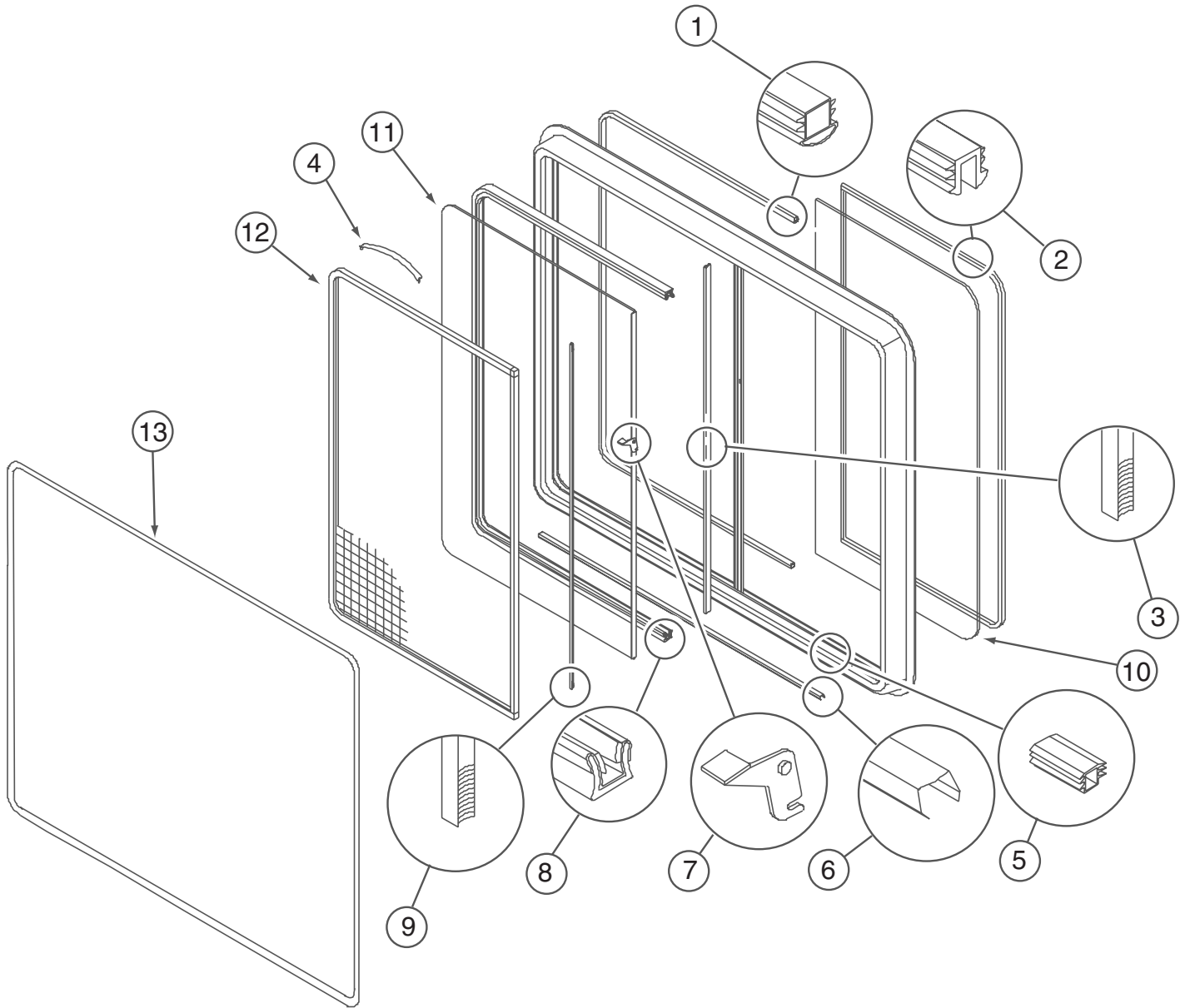
### WINDOW & VENT LAYOUT



KEY	PART NUMBER	U/M	DESCRIPTION
1*	098647-31-02A	EA	WINDOW - PASS HORIZ SLIDER W/TRIM - CLEAR - 15.7" X 28.5"
2	117053-08-S95	EA	WINDOW - PICTURE/FROSTED - W/O TRIM - 17" X 26.4"
	002181-34-000	EA	GLASS - PICTURE WINDOW - 25.8"W X 16.4"H - FROSTED
	087561-01-000	FT	SEAL - GLASS - EXTERIOR - .5" WIDE - VINYL BLACK
2	117054-02-03A	EA	TRIM/RETAINER - INSIDE - 16.9" X 26.2" - BLACK
3*	098647-49-02A	EA	WINDOW - PASS HORIZ SLIDER W/TRIM - TINTED - 15" X 23.7"
4*	098647-29-02A	EA	WINDOW - PASS HORIZ SLIDER W/TRIM - CLEAR - 24.2" X 41"
5*	098647-32-02A	EA	WINDOW - DRVR HORIZ SLIDER W/TRIM - CLEAR- 15.7" X 28.5"
6*	098647-83-01A	EA	WINDOW - DRVR HORIZ SLIDER/ESCAPE-W/TRIM-24.5"HX41.2"W-BLK
7*	098647-74-01A	EA	WINDOW - DRIVER HORIZ SLIDER W/TRIM - 23.6" X 57.5"
7*	098647-28-02A	EA	WINDOW - DRIVER HORIZ SLIDER W/TRIM-CLEAR - 59.7" X 26.1" - <b>SLIDEOUT ROOM FRONT LEFT</b>
8*	122882-01-01A	EA	VENT - ROOF - NONPOWERED - W/O INSIDE GARNISH
	009440-01-000	EA	GEAR/ARM - LIFT - ROOF VENT COVER
8	122882-07-01A	EA	GARNISH - ROOF VENT - 2.5" TO 4.1"
9	138372-01-02B	EA	TRIM - CORNER - SKYLIGHT - E-COATED
9	138379-03-01A	EA	PANEL/SKYLIGHT OTR - RECT/6"H CTR DOME - 18.4"X 29.5"- WHT
9	156693-01-01A	EA	PANEL/SKYLIGHT - INNER
10*	122882-02-01A	EA	VENT - ROOF - W/FAN - W/O INSIDE GARNISH - UL
10*	122882-03-01A	EA	VENT - ROOF - W/FAN - W/O INSIDE GARNISH - <b>CANADIAN</b>
	009440-01-000	EA	GEAR/ARM - LIFT - ROOF VENT COVER
	048648-01-000	EA	MOTOR/ROOF VENT - W/RESISTER - 1/8"SHAFT - 12VOLT
	048649-01-000	EA	FAN BLADE - ROOF VENT - 6 BLADED - 6"RADIUS
10	122882-07-01A	EA	GARNISH - ROOF VENT - 2.5" TO 4.1"
11	147821-01-01A	EA	VENT - EXHAUST/RANGE HOOD - BRIGHT WHITE
11	147821-02-01A	EA	SHROUD - EXHAUST VENT/RANGE HOOD - BRIGHT WHITE
12	149508-01-02A	EA	CAP - ROOF/REFRIGERATOR VENT - WHITE
12	149508-02-02A	EA	BASE - ROOF/REFRIGERATOR VENT - BRIGHT WHITE

\*COMPONENT PARTS LISTED LATER IN THIS GROUP

**WINDOW & VENTS GROUP (CONTINUED)**  
**COMPONENT PARTS FOR WINDOW & VENT LAYOUT**



**098647-27-02A, 098647-28-02A**

KEY	PART NUMBER	U/M	DESCRIPTION	VENDOR NO.
1	098644-01-716	FT	PLUG - FILLER	132-014470
2	098644-01-705	FT	GLAZING - STRIP	132-010231
3	098644-01-706	FT	WEATHERSTRIP - GLASS	171-010668
4	098644-01-713	EA	CLIP - SCREEN - METAL	226-016966
4	125582-01-701	EA	CLIP - SCREEN - PLASTIC	130-005153
5	098644-01-719	EA	STOP - SLIDER GLASS	132-014203
6	098644-01-710	FT	TRACK - SCREEN SPACER 12'	132-017135
7	098644-01-700	EA	LATCH - REPAIR KIT (BLACK)	B801-CK
7	098647-54-701	EA	LATCH - REPAIR KIT (RED)	B081-CK
8	098644-01-708	FT	CHANNEL - RUN PIERCED	122-016543
9	098644-01-711	FT	WEATHERSTRIP - SCREEN BLACK	171-016965
10	098647-27-702	EA	GLASS - STATIONARY	096-017868
11	098647-27-703	EA	GLASS-SLIDING W/SASH & LATCH	H287-C8
12	098647-23-704	EA	SCREEN ASM - W/SEALS & CLIPS	410-019066
13	098647-27-704	EA	RETAINER - TRIM	H287-66
	098644-01-717	FT	SPLINE - SCREEN	132-004716

**WINDOW & VENTS GROUP (CONTINUED)**  
**COMPONENT PARTS FOR WINDOW & VENT LAYOUT (CONTINUED)**

**098647-29-02A, 098647-30-02A**

KEY	PART NUMBER	U/M	DESCRIPTION	VENDOR NO.
1	098644-01-716	FT	PLUG - FILLER	132-014470
2	098644-01-705	FT	GLAZING - STRIP	132-010231
3	098644-01-706	FT	WEATHERSTRIP - GLASS	171-010668
4	098644-01-713	EA	CLIP - SCREEN - METAL	226-016966
4	125582-01-701	EA	CLIP - SCREEN - PLASTIC	130-005153
5	098644-01-719	EA	STOP - SLIDER GLASS	132-014203
6	098644-01-710	FT	TRACK - SCREEN SPACER 12'	132-017135
7	098644-01-700	EA	LATCH - REPAIR KIT (BLACK)	B801-CK
7	098647-54-701	EA	LATCH - REPAIR KIT (RED)	B081-CK
8	098644-01-708	FT	CHANNEL - RUN PIERCED	122-016543
9	098644-01-711	FT	WEATHERSTRIP - SCREEN BLACK	171-016965
10	098647-29-702	EA	GLASS - STATIONARY	096-019295
11	098647-29-703	EA	GLASS-SLIDING W/SASH & LATCH	H172-C8
12	098647-29-704	EA	SCREEN ASM - W/SEALS & CLIPS	410-018864
13	098647-29-705	EA	RETAINER - TRIM	CH04-66
	098644-01-717	FT	SPLINE - SCREEN	132-004716

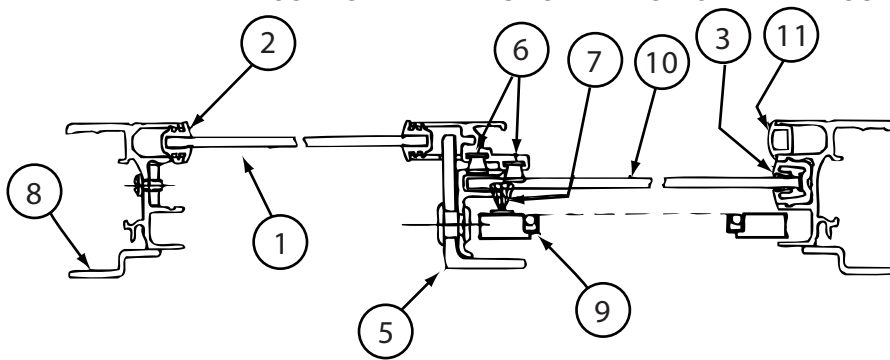
**098647-31-02A, 098647-32-02A**

KEY	PART NUMBER	U/M	DESCRIPTION	VENDOR NO.
1	098644-01-716	FT	PLUG - FILLER	132-014470
2	098644-01-705	FT	GLAZING - STRIP	132-010231
3	098644-01-706	FT	WEATHERSTRIP - GLASS	171-010668
4	098644-01-713	EA	CLIP - SCREEN - METAL	226-016966
4	125582-01-701	EA	CLIP - SCREEN - PLASTIC	130-005153
5	098644-01-719	EA	STOP - SLIDER GLASS	132-014203
6	098644-01-710	FT	TRACK - SCREEN SPACER 12'	132-017135
7	098644-01-700	EA	LATCH - REPAIR KIT (BLACK)	B801-CK
7	098647-54-701	EA	LATCH - REPAIR KIT (RED)	B081-CK
8	098644-01-708	FT	CHANNEL - RUN PIERCED	122-016543
9	098644-01-711	FT	WEATHERSTRIP - SCREEN BLACK	171-016965
10	098647-31-702	EA	GLASS - STATIONARY	096-019299
11	098647-31-703	EA	GLASS-SLIDING W/SASH & LATCH	H425-C8
12	098647-31-704	EA	SCREEN ASM - W/SEALS & CLIPS	410-019128
13	098647-31-705	EA	RETAINER - TRIM	CH29-66
	098644-01-717	FT	SPLINE - SCREEN	132-004716

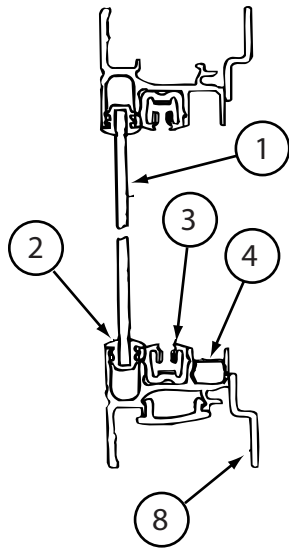
**098647-49-02A**

KEY	PART NUMBER	U/M	DESCRIPTION	VENDOR NO.
1	098644-01-716	FT	PLUG - FILLER	132-014470
2	098644-01-705	FT	GLAZING - STRIP	132-010231
3	098644-01-706	FT	WEATHERSTRIP - GLASS	171-010668
4	098644-01-713	EA	CLIP - SCREEN - METAL	226-016966
4	125582-01-701	EA	CLIP - SCREEN - PLASTIC	130-005153
5	098644-01-719	EA	STOP - SLIDER GLASS	132-014203
6	098644-01-710	FT	TRACK - SCREEN SPACER 12'	132-017135
7	098644-01-700	EA	LATCH - REPAIR KIT (BLACK)	B801-CK
7	098647-54-701	EA	LATCH - REPAIR KIT (RED)	B081-CK
8	098644-01-708	FT	CHANNEL - RUN PIERCED	122-016543
9	098644-01-711	FT	WEATHERSTRIP - SCREEN BLACK	171-016965
10	098647-49-700	EA	GLASS - STATIONARY	096-012066
11	098647-49-701	EA	GLASS-SLIDING W/SASH & LATCH	B969-G8
12	112795-56-702	EA	SCREEN ASM - W/SEALS & CLIPS	410-019414
13	098647-49-702	EA	RETAINER - TRIM	H969-66
	098644-01-717	FT	SPLINE - SCREEN	132-004716

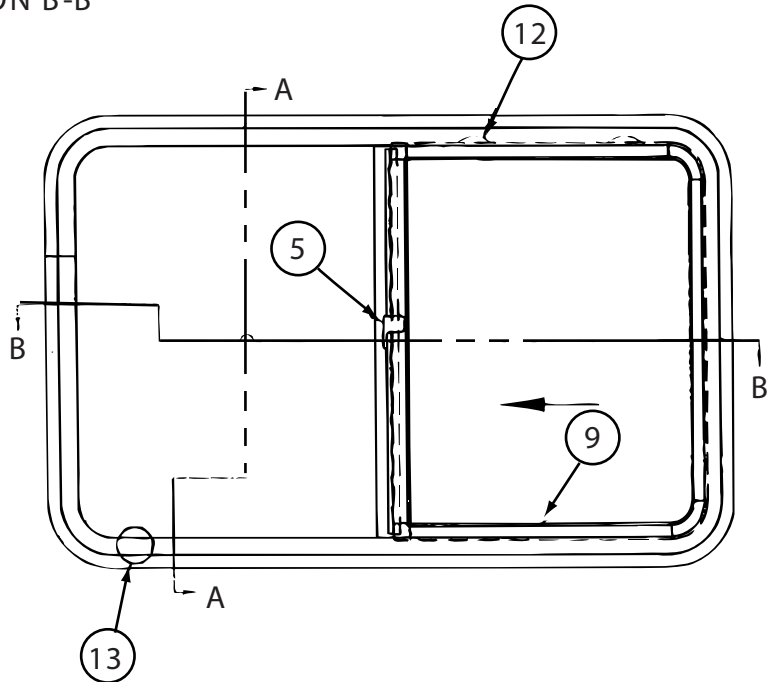
**WINDOW & VENTS GROUP (CONTINUED)**  
**COMPONENT PARTS FOR WINDOW & VENT LAYOUT (CONTINUED)**



CROSS SECTION B-B



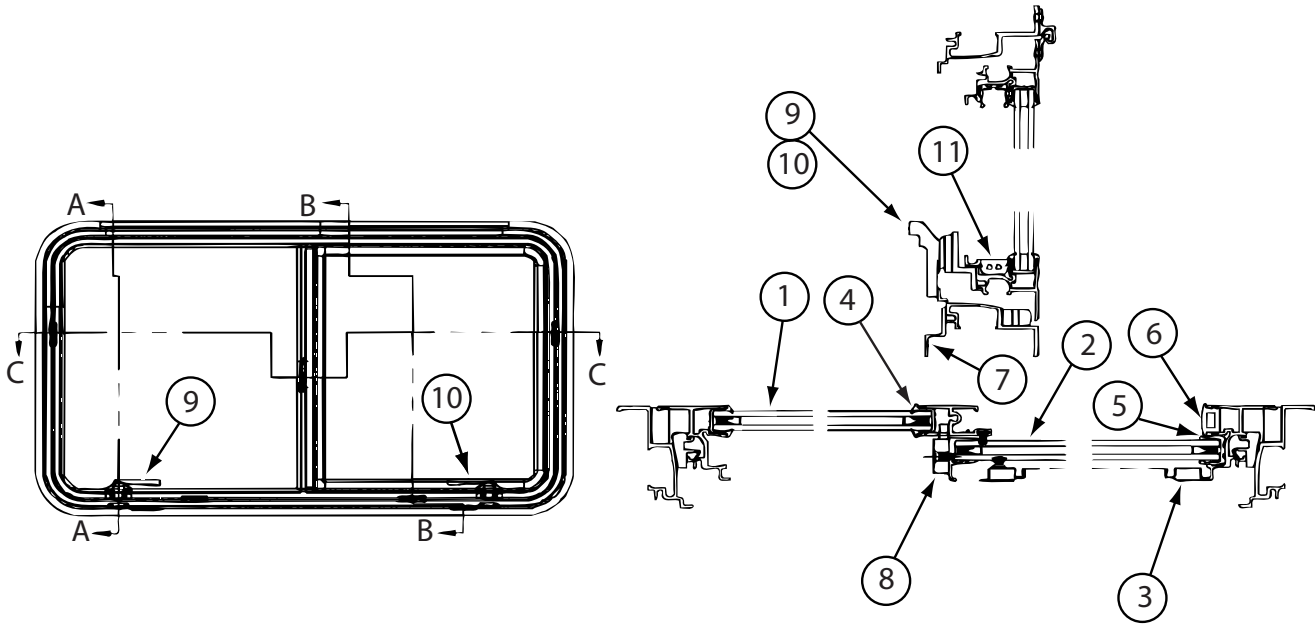
CROSS SECTION A-A



098647-74-01A

KEY	PART NUMBER	U/M	DESCRIPTION	VENDOR NO.
1	098647-68-701	EA	GLASS - STATIONARY	096-029585
2	098644-01-705	FT	GLAZING - STRIP	132-010231
3	098644-01-708	FT	CHANNEL - RUN PIERCED	122-016543
4	098644-01-710	FT	TRACK - SCREEN SPACER 12'	132-017135
5	098644-01-700	EA	LATCH - REPAIR KIT (BLACK)	B801-CK
6	098644-01-706	FT	WEATHERSTRIP - GLASS	171-010668
7	098644-01-711	FT	WEATHERSTRIP - SCREEN BLACK	171-016965
8	098647-47-704	EA	RETAINER - TRIM	H493-66
9	098647-47-702	EA	SCREEN ASM - W/SEALS & CLIPS	410-025226
10	098647-74-700	EA	GLASS SLIDING W/SASH & LATCH	H493C8
11	098644-01-716	FT	PLUG - FILLER	132-014470
12	125582-01-701	EA	CLIP - SCREEN - PLASTIC	130-005153
13	098644-01-719	EA	STOP - SLIDER GLASS	132-014203

**WINDOW & VENTS GROUP (CONTINUED)**  
**COMPONENT PARTS FOR WINDOW & VENT LAYOUT (CONTINUED)**



**098647-83-01A**

KEY	PART NUMBER	U/M	DESCRIPTION	VENDOR NO.
1	098647-83-700	EA	GLASS - STATIONARY	106-037137
2	098647-83-701	EA	GLASS-SLIDING W/LATCH & HNDL	H422C8
3	112795-62-702	EA	SCREEN ASM W/SEALS & CLIPS	410-018866
4	098644-01-705	FT	GLAZING - STRIP	132-010231
5	098644-01-708	FT	CHANNEL - RUN PIERCED	122-016543
6	098644-01-716	FT	PLUG - FILLER	132-014470
7	112795-62-704	EA	RETAINER - TRIM	H422-64
8	098644-01-700	EA	LATCH - REPAIR KIT (BLACK)	B801-CK
9	112898-06-707	EA	HANDLE/RH-EGRESS(SLD)ESC-RED	182-025911
10	112898-06-708	EA	HANDLE/LH-EGRESS(SLD)ESC-RED	182-025912
11	098644-01-719	EA	STOP - SLIDER GLASS	132-014203

**122882-01-01A**

KEY	PART NUMBER	U/M	DESCRIPTION	VENDOR NO.
	064470-01-700	EA	COVER - VENT	J7291
	064470-01-701	EA	SLIDE BAR - VENT LID	JRP1291B
	122882-01-700	EA	HANDLE - CRANK - BLACK	90128
	122882-01-701	EA	SCREEN	JRP-1124-B
	122882-01-702	EA	HANDLE - CRANK - WHITE	JRP1031B

**122882-02-01A, 122882-03-01A**

KEY	PART NUMBER	U/M	DESCRIPTION	VENDOR NO.
	064470-01-700	EA	COVER - VENT	J7291
	064470-01-701	EA	SLIDE BAR - VENT LID	JRP1291B
	110051-03-700	EA	SWITCH-BLACK/PUSH BUTTON	27-0164
	122882-01-700	EA	HANDLE - CRANK - BLACK	90128
	122882-01-701	EA	SCREEN	JRP-1124-B
	122882-01-702	EA	HANDLE - CRANK - WHITE	JRP1031B