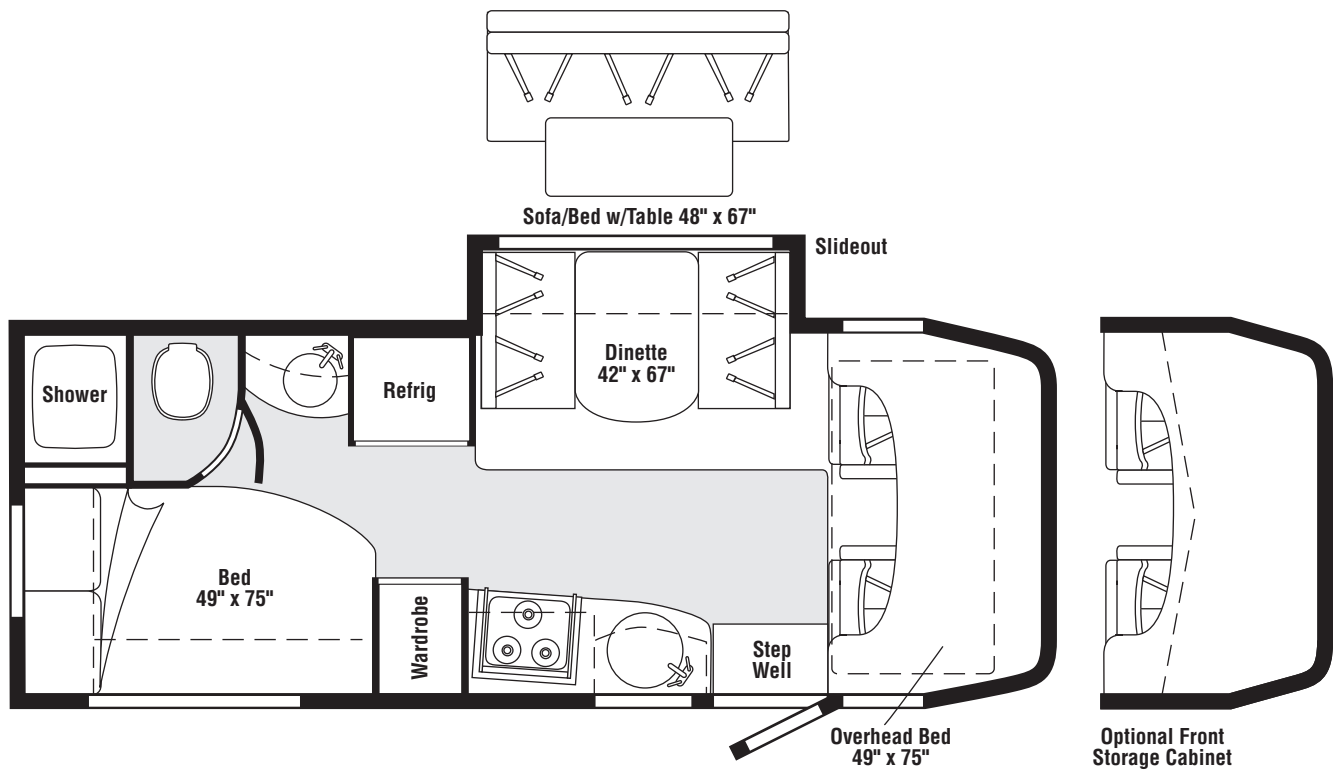


2007
VIEW
WD523J
500-SERIES
WASHED MAPLE
U13 OLIVE TREE
U15 STONE FENCE
U27 DURANGO DENIM
HONEY CHERRY
U14 OLIVE TREE
U16 STONE FENCE
U28 DURANGO DENIM



FLOORPLAN

CONTENTS

FLOORPLAN	1
ACCESSORIES GROUP	5
OPERATORS MANUAL	5
AUDIO VIDEO GROUP	6
RADIO SYSTEM	6
COMPONENT PARTS FOR RADIO SYSTEM	6
153792-02-000	6
REAR MONITOR	6
CABINET & APPLIANCE GROUP	7
CABINET & APPLIANCE LAYOUT	7
COMPONENT PARTS FOR CABINET & APPLIANCE LAYOUT	13
114030-04-01A	13
121568-06-01A, 121568-07-01A, 121568-08-01A	15
136354-05-01A, 136354-05-02A	20
136354-06-01A, 136354-06-02A	21
150606-04-01A, 150606-04-02A	21
158686-01-01A	21
CHASSIS GROUP	22
FRAME	22
EXHAUST	23
HITCH	23
SPARE TIRE	24
SUSPENSION	25
COMPONENT PARTS FOR SUSPENSION	25
154813-01-000	25
WHEEL, TIRE, COVERS &/OR LINERS	26
COMPONENT PARTS FOR WHEEL, TIRE, COVERS &/OR LINERS	26
154970-01-000	26
CURTAIN & CUSHION GROUP	27
NOTICE	27
CUSHION LAYOUT	28
BUCKET SEATS	30
SOFA	31
WINDOW TREATMENT	32
HARDWARE	33
ACCESSORIES	34
FABRICS	35
DRIVERS COMPARTMENT GROUP	36
FRONT INTERIOR	36

CONTENTS (CONTINUED)

ELECTRICAL GROUP	42
110V BODY WIRING	42
12V BODY WIRING	44
EXTERIOR LAMPS	47
SIDE TV/VCR	48
FRONT TV/VCR	48
COMPONENT PARTS FOR WIRING	51
076319-23-000	51
076319-25-000	51
087694-01-000	52
097917-01-06A	52
108354-01-01A	52
113589-01-000	52
113589-02-000	52
121935-01-01A	52
123775-01-02A	52
134940-06-01A	53
134940-07-01A	53
137417-01-01A, 137417-03-01A	54
137417-06-01A	54
151907-02-000	54
152438-01-01A	54
156413-01-01A	54
158703-01-000	54
158778-01-000	54
160123-01-000	54
160603-01-000	54
CIRCUIT BREAKERS, FUSES & RELAYS	55
CONVERTER, INVERTER, LOAD CENTERS	55
COMPONENT PARTS FOR CONVERTER, INVERTER, LOAD CENTER	55
083208-07-000	55
BOXES & CORDS	56
WIRE ASSEMBLIES	56
CONNECTORS & CONDUIT	57
CHASSIS	60
EXTERIOR BODY GROUP	61
GRAPHICS & PAINT	61
PANELS & TRIMS	62
FRONT END	65
STRUCTURAL COMPONENTS	66
AWNINGS	66
EXTERIOR DOORS & COMPARTMENTS GROUP	67
DOOR & COMPARTMENT LAYOUT	67
COMPONENT PARTS FOR DOOR & COMPARTMENT LAYOUT	72
084103-08-000	72
094707-04-01A	72
COMPARTMENT DOOR PIECE PARTS	73
COMPONENT PART FOR COMPARTMENT DOOR PIECE PARTS	76
110506-A1-000, 110506-A2-000, 110506-26-000, 110506-27-000, 110506-36-000	76
138637-03-000, 138637-04-000	76
ENTRY	77
SCREEN	78
LATCH - ENTRY	79
EXTERIOR SLIDEOUT GROUP	80
FRONT LEFT	80
COMPONENT PARTS FOR FRONT LEFT	85
148685-01-000	85
GENERATOR GROUP	86
GAS	86

CONTENTS (CONTINUED)

HEATING & A/C GROUP	87
FURNACE	87
COMPONENT PARTS FOR FURNACE	88
139980-01-000	88
ROOF	90
COMPONENT PARTS FOR ROOF	90
131184-01-01A	90
131184-05-01A	91
148644-01-01A	92
148644-02-01A	93
INTERIOR FINISH GROUP	94
MOLDINGS & TRIMS	94
PANELING & LAMINATES	102
INTERIOR TRIM LAYOUT	103
COMPONENT PARTS FOR INTERIOR TRIM LAYOUT	105
094499-02-000	105
FLOOR COVERINGS	105
HARDWARE	106
LABELS GROUP	112
LP GROUP	117
LP SYSTEM	117
COMPONENT PARTS FOR LP SYSTEM	117
144116-09-000	117
SEALANTS & FASTENERS GROUP	118
SEALANTS & ADHESIVES	118
BOLTS, NUTS AND WASHERS	119
SCREWS	121
CLAMPS, CLIPS, GROMMETS, RIVETS & PLUGS	124
MISCELLANEOUS FASTENERS	125
WATER & SEWAGE GROUP	126
DRAINAGE SYSTEM	126
COMPONENT PARTS FOR DRAINAGE SYSTEM	128
147421-01-01A, 147421-02-01A	128
WATER SYSTEM	129
COMPONENT PARTS FOR WATER SYSTEM	135
051391-03-000	135
098607-01-000	136
144215-01-000	136
145541-02-000	136
151678-01-01A	137
151680-01-01A	137
WINDOW & VENTS GROUP	138
WINDOW & VENT LAYOUT	138
COMPONENT PARTS FOR WINDOW & VENT LAYOUT	139
098647-75-02A	139
098647-77-02A	140
123780-03-01A	141
104691-18-02A	141
104691-19-02A	142
122882-02-01A, 122882-03-01A	143
123780-03-01A	143
151075-03-02A	144
151075-04-02A	145
152882-01-01A	146

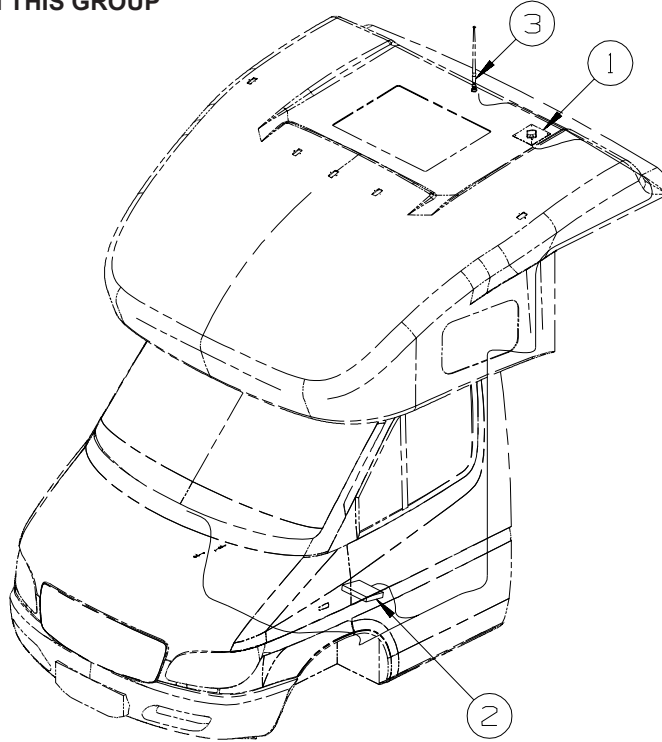
ACCESSORIES GROUP
OPERATORS MANUAL

KEY	PART NUMBER	U/M	DESCRIPTION
	158462-01-000	DW	TOP LEVEL-500,2007
	129079-01-01A	EA	CASE - VINYL/BLACK-EXPANDABLE ACCORDION SIDES-7"WX9"HX14"L FROM: 00-00-00 THRU: 07-09-06
	129079-04-01A	EA	CASE - VINYL/BLK-EXPANDABLE ACCORDION SIDES-11"WX9"HX14"L FROM: 07-10-06 THRU: 07-30-06
	159842-01-01A	EA	CASE - VINYL - F/MANUALS - W/SLEEVES - BLACK FROM: 07-31-06 THRU: 99-99-99
	132000-30-007	EA	MANUAL/OWNER - VIEW - 2007
	158603-07-003	EA	MANUAL/OWNER - SUPPLEMENT - 500 SERIES - 2007

**AUDIO VIDEO GROUP
RADIO SYSTEM**

KEY	PART NUMBER	U/M	DESCRIPTION
*	153792-02-000	EA	RADIO - AM/FM/CD PLAYER-SATELLITE READY-CLARION DXZ555MPM FROM: 00-00-00 THRU: 07-09-06
	160885-01-000	EA	RADIO - AM/FM/CD PLAYER-SATELLITE READY-SONY CDX-A251CMR05 FROM: 07-10-06 THRU: 99-99-99

***COMPONENT PARTS LISTED LATER IN THIS GROUP**



KEY	PART NUMBER	U/M	DESCRIPTION
1	158494-01-000	EA	ANTENNA/SATELLITE - RADIO/SIRIUS
2	158494-02-000	EA	CABLE/ANTENNA - SATELLITE RADIO SIRRUS
2	153816-01-000	EA	RECEIVER - SATELLITE RADIO - SIRIUS - CLARION SIRCL1 FROM: 00-00-00 THRU: 07-09-06
2	160886-01-000	EA	RECEIVER - SATELLITE RADIO - SIRIUS - SONY SIR-SNY1W FROM: 07-10-06 THRU: 99-99-99
3	090944-01-000	EA	ANTENNA - RADIO - 16" RUBBER - W/72" LEAD WIRE

COMPONENT PARTS FOR RADIO SYSTEM

153792-02-000

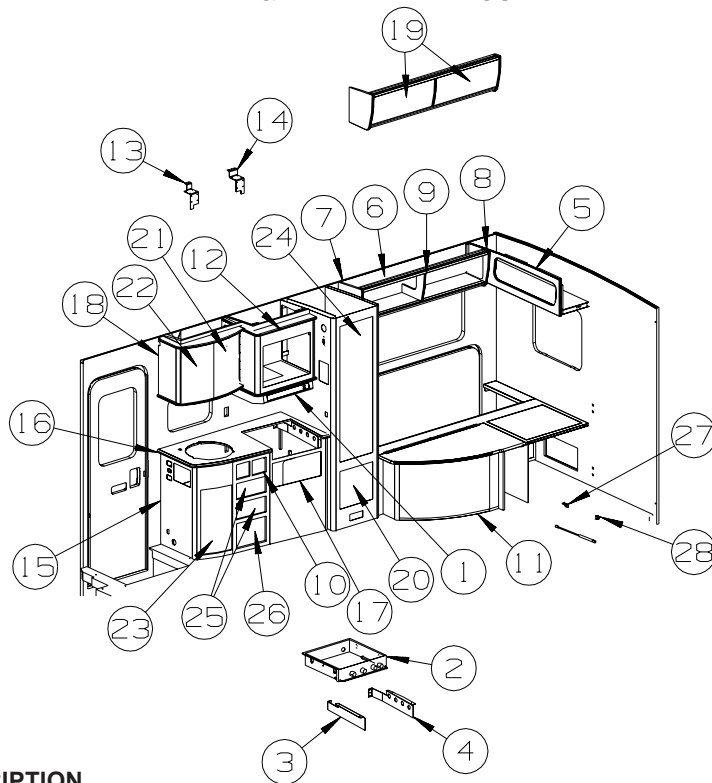
KEY	PART NUMBER	U/M	DESCRIPTION	VENDOR NO.
	153792-02-700	EA	REMOTE	RCB172

REAR MONITOR

KEY	PART NUMBER	U/M	DESCRIPTION
	136514-02-000	EA	CABLE - MONITOR/CAMERA
	136514-06-000	EA	MONITOR/COLOR - 7" FLAT PANEL/REAR VIEW - W/PWR & INT CBL FROM: 00-00-00 THRU: 12-03-06
	136514-07-000	EA	TELEVISION SYST-REAR VIEW 7" FROM: 12-04-06 THRU: 99-99-99
	144677-04-000	EA	CAMERA - REAR VIEW W/BACKET - BLACK & WHITE - VBSC150
	153383-01-02B	EA	BRACKET - MONITOR - E-COATED

CABINET & APPLIANCE GROUP

CABINET & APPLIANCE LAYOUT



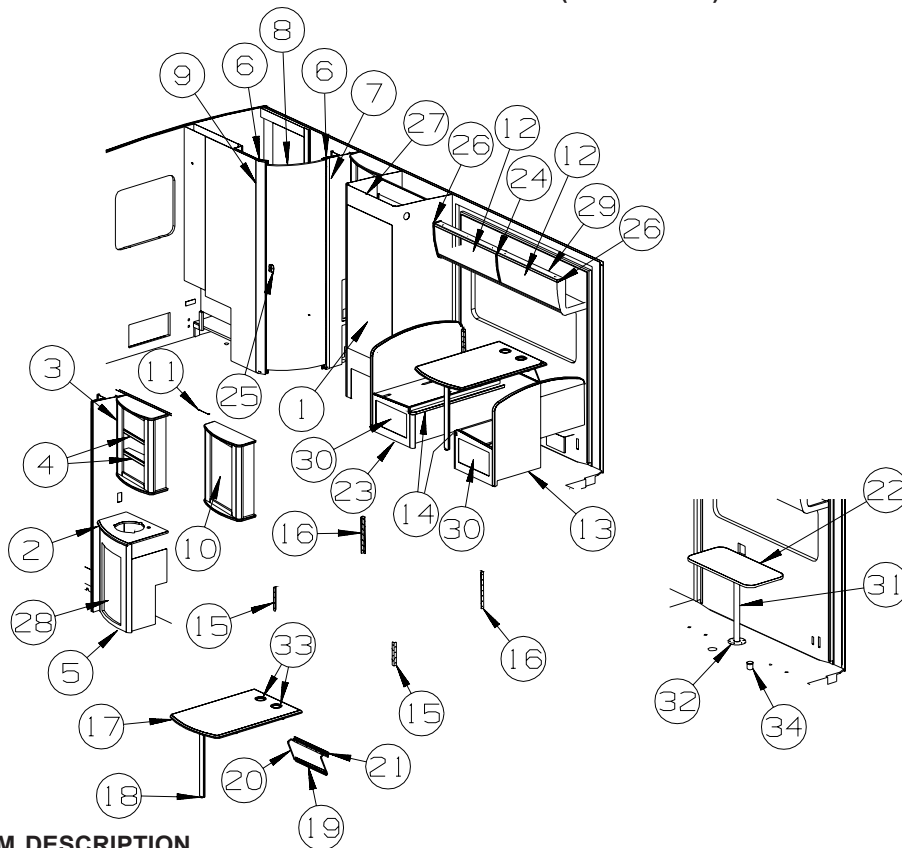
KEY	PART NUMBER	U/M	DESCRIPTION
1*	136354-05-02A	EA	HOOD - RANGE - W/LITE/FAN - SILVER TEXTURED
1*	136354-06-01A	EA	HOOD - RANGE - W/LITE/FAN - BLACK TEXTURED - CSA - CANADIAN
1*	136354-06-02A	EA	HOOD - RANGE - W/LITE/FAN - SILVER TEXTURED - MICROWAVE OVEN
2*	114030-04-01A	EA	RANGE - 3 BRNR TOP/NEW STYLE KNOBS/GRATES-W/O OVEN-BLK
3	151755-05-02B	EA	BRACKET - TIEDOWN/RANGE TOP - E-COATED
4	151755-06-02B	EA	BRACKET - TIEDOWN/RANGE TOP - E-COATED
5	159289-01-T01	EA	CABINET - OVERHEAD/SHELF - REAR - WASHED MAPLE
5	159289-01-T02	EA	CABINET - OVERHEAD/SHELF - REAR - HONEY CHERRY
6	154393-01-T01	EA	CABINET - OVERHEAD/REAR - W/O DOORS/HDW - WASHED MAPLE
6	154393-01-T02	EA	CABINET - OVERHEAD/REAR - W/O DOORS/HDW - HONEY CHERRY
7	151919-08-T01	EA	END CAP - OVERHEAD CABINET - WASHED MAPLE
7	151919-08-T02	EA	END CAP - OVERHEAD CABINET - HONEY CHERRY
8	151919-10-T01	EA	END CAP - OVERHEAD CABINET - WASHED MAPLE
8	151919-10-T02	EA	END CAP - OVERHEAD CABINET - HONEY CHERRY
9	151919-02-T01	EA	END CAP - OVERHEAD CABINET - WASHED MAPLE
9	151919-02-T02	EA	END CAP - OVERHEAD CABINET - HONEY CHERRY
10	153121-NN-T01	EA	DRAWER - 4.9"W X 17.7"D - W/O SLIDES/HDW - WASHED MAPLE
10	153121-NN-T02	EA	DRAWER - 4.9"W X 17.7"D - W/O SLIDES/HDW - HONEY CHERRY
11	153393-01-T01	EA	CABINET - BED BASE - W/O DOORS/DRAWERS/HDW - WASHED MAPLE
11	153393-01-T02	EA	CABINET - BED BASE - W/O DOORS/DRAWERS/HDW - HONEY CHERRY
12	158681-01-U17	EA	CABINET - OVERHEAD/MICROWAVE - W/O DOORS/HDW - WASHED MAPLE
12	158681-01-U18	EA	CABINET - OVERHEAD/MICROWAVE - W/O DOORS/HDW - HONEY CHERRY
12	158681-02-U17	EA	CABINET - OVERHEAD/MICROWAVE - W/O DOORS/HDW - WASHED MAPLE - CANADIAN FROM: 00-00-00 THRU: 05-21-06
12	158681-01-U17	EA	CABINET - OVERHEAD/MICROWAVE - W/O DOORS/HDW - WASHED MAPLE - CANADIAN FROM: 05-22-06 THRU: 99-99-99
12	158681-02-U18	EA	CABINET - OVERHEAD/MICROWAVE - W/O DOORS/HDW - HONEY CHERRY - CANADIAN FROM: 00-00-00 THRU: 05-21-06
12	158681-01-U18	EA	CABINET - OVERHEAD/MICROWAVE - W/O DOORS/HDW - HONEY CHERRY - CANADIAN FROM: 05-22-06 THRU: 99-99-99
13	140185-13-02B	EA	BRACE - MICROWAVE CABINET - E-COATED
13	140185-11-02B	EA	BRACE - MICROWAVE CABINET - E-COATED- CANADIAN FROM: 00-00-00 THRU: 05-21-06
13	140185-13-02B	EA	BRACE - MICROWAVE CABINET - E-COATED- CANADIAN FROM: 05-22-06 THRU: 99-99-99

CABINET & APPLIANCE GROUP (CONTINUED)
CABINET & APPLIANCE LAYOUT (CONTINUED)

KEY	PART NUMBER	U/M	DESCRIPTION
14	140185-12-02B	EA	BRACE - MICROWAVE CABINET - E-COATED
14	140185-07-02B	EA	BRACE - MICROWAVE CABINET - E-COATED- CANADIAN FROM: 00-00-00 THRU: 05-21-06
14	140185-12-02B	EA	BRACE - MICROWAVE CABINET - E-COATED- CANADIAN FROM: 05-22-06 THRU: 99-99-99
15	P59332-01-U17	EA	CABINET - GALLEY - W/O COUNTERTOP/DOORS/DRAWERS/HDW - WASHED MAPLE
15	P59332-01-U18	EA	CABINET - GALLEY - W/O COUNTERTOP/DOORS/DRAWERS/HDW - HONEY CHERRY
16	151681-05-U17	EA	COUNTERTOP - GALLEY - LAMINATED - WASHED MAPLE
16	151681-05-U18	EA	COUNTERTOP - GALLEY - LAMINATED - HONEY CHERRY
17	153121-NK-T01	EA	DRAWER - 19.4"W X 17.7"D - W/O SLIDES/HDW - WASHED MAPLE
17	153121-NK-T02	EA	DRAWER - 19.4"W X 17.7"D - W/O SLIDES/HDW - HONEY CHERRY
18	158209-01-U17	EA	CABINET - OVERHEAD/GALLEY - W/O DOORS/HDW - WASHED MAPLE
18	158209-01-U18	EA	CABINET - OVERHEAD/GALLEY - W/O DOORS/HDW - HONEY CHERRY
19	159187-01-T01	EA	DOOR - CURVED - 11.8" X 27.9" - W/O HDW - WASHED MAPLE FROM: 00-00-00 THRU: 03-26-06
19	159898-02-U17	EA	DOOR - CURVED - 27.9" X 11.8" - W/O HDW - WASHED MAPLE FROM: 03-27-06 THRU: 99-99-99
19	159187-01-T02	EA	DOOR - CURVED - 11.8" X 27.9" - W/O HDW - HONEY CHERRY FROM: 00-00-00 THRU: 03-26-06
19	159898-02-U18	EA	DOOR - CURVED - 27.9" X 11.8" - W/O HDW - HONEY CHERRY FROM: 03-27-06 THRU: 99-99-99
20	159321-01-T01	EA	DOOR - LOUVERED - 15.7" X 15.7" - W/O HDW - WASHED MAPLE
20	159321-01-T02	EA	DOOR - LOUVERED - 15.7" X 15.7" - W/O HDW - HONEY CHERRY
21	159187-07-T01	EA	DOOR - CURVED - 13" X 18.7" - W/O HDW - WASHED MAPLE FROM: 00-00-00 THRU: 03-26-06
21	159898-07-U17	EA	DOOR - CURVED - 18.7" X 13" - W/O HDW - WASHED MAPLE FROM: 03-27-06 THRU: 99-99-99
21	159187-07-T02	EA	DOOR - CURVED - 13" X 18.7" - W/O HDW - HONEY CHERRY FROM: 00-00-00 THRU: 03-26-06
21	159898-07-U18	EA	DOOR - CURVED - 18.7" X 13" - W/O HDW - HONEY CHERRY FROM: 03-27-06 THRU: 99-99-99
22	159187-08-T01	EA	DOOR - CURVED - 13" X 18.7" - W/O HDW - WASHED MAPLE FROM: 00-00-00 THRU: 03-26-06
22	159898-08-U17	EA	DOOR - CURVED - 18.7" X 13" - W/O HDW - WASHED MAPLE FROM: 03-27-06 THRU: 99-99-99
22	159187-08-T02	EA	DOOR - CURVED - 13" X 18.7" - W/O HDW - HONEY CHERRY FROM: 00-00-00 THRU: 03-26-06
22	159898-08-U18	EA	DOOR - CURVED - 18.7" X 13" - W/O HDW - HONEY CHERRY FROM: 03-27-06 THRU: 99-99-99
23	159216-06-T01	EA	DOOR - FLAT/SQUARE EDGE - 10.5" X 33" - W/O HDW - WASHED MAPLE FROM: 00-00-00 THRU: 03-26-06
23	159898-14-U17	EA	DOOR - CURVED - 33" X 13.2" - W/O HDW - WASHED MAPLE FROM: 03-27-06 THRU: 99-99-99
23	159216-06-T02	EA	DOOR - FLAT/SQUARE EDGE - 10.5" X 33" - W/O HDW - HONEY CHERRY FROM: 00-00-00 THRU: 03-26-06
23	159898-14-U18	EA	DOOR - CURVED - 33" X 13.2" - W/O HDW - HONEYC HERRY FROM: 03-27-06 THRU: 99-99-99
24	159216-05-T01	EA	DOOR - FLAT/SQUARE EDGE - 15.7" X 52.3" - W/O HDW - WASHED MAPLE
24	159216-05-T02	EA	DOOR - FLAT/SQUARE EDGE - 15.7" X 52.3" - W/O HDW - HONEY CHERRY
25	153121-NL-T01	EA	DRAWER - 11.6"W X 17.7"D - W/O SLIDES/HDW - WASHED MAPLE
25	153121-NL-T02	EA	DRAWER - 11.6"W X 17.7"D - W/O SLIDES/HDW - HONEY CHERRY
26	153121-NM-T01	EA	DRAWER - 11.6"W X 17.7"D - W/O SLIDES/HDW - WASHED MAPLE
26	153121-NM-T02	EA	DRAWER - 11.6"W X 17.7"D - W/O SLIDES/HDW - HONEY CHERRY
27	126263-06-02B	EA	BRACKET - GAS SPRING W/BALL STUD - E-COATED
28	126263-02-02B	EA	BRACKET - GAS SPRING W/BALL STUD - E-COATED
	057460-02-000	EA	BALL STUD - F/GAS SPRING .39" - 5/16"-18

***COMPONENT PARTS LISTED LATER IN THIS GROUP**

CABINET & APPLIANCE GROUP (CONTINUED)
CABINET & APPLIANCE LAYOUT (CONTINUED)



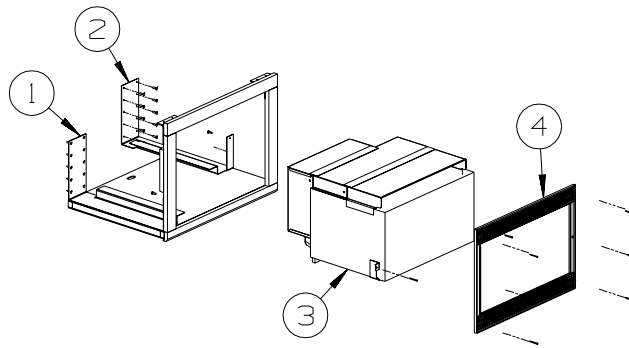
KEY	PART NUMBER	U/M	DESCRIPTION
1*	121568-07-01A	EA	REFRIGERATOR - SMALL DBL DOOR-LH/2 WAY- 52.8"HX23.5"WX24"D
	116751-05-01A	EA	TRAY - REFRIGERATOR - BLACK
	054450-01-000	EA	LEVEL - REFRIGERATOR
2	151682-04-U17	EA	COUNTERTOP - LAVATORY - LAMINATED - WASHED MAPLE
2	151682-04-U18	EA	COUNTERTOP - LAVATORY - LAMINATED - HONEY CHERRY
3	154705-01-U17	EA	CABINET - MEDICINE - W/O DOORS/HARDWARE - WASHED MAPLE
3	154705-01-U18	EA	CABINET - MEDICINE - W/O DOORS/HARDWARE - HONEY CHERRY
4	154705-23-T01	EA	SHELF - W/WOOD MOLDING - WASHED MAPLE
4	154705-23-T02	EA	SHELF - W/WOOD MOLDING - HONEY CHERRY
5	159193-01-T01	EA	CABINET - LAVATORY - W/O COUNTERTOP/DOORS/DRAWERS/HDW - WASHED MAPLE FROM: 00-00-00 THRU: 03-26-06
5	P59890-01-U17	EA	CABINET - LAVATORY - W/O COUNTERTOP/DOORS/DRAWERS/HDW - WASHED MAPLE FROM: 03-27-06 THRU: 99-99-99
5	159193-01-T02	EA	CABINET - LAVATORY - W/O COUNTERTOP/DOORS/DRAWERS/HDW - HONEY CHERRY FROM: 00-00-00 THRU: 03-26-06
5	P59890-01-U18	EA	CABINET - LAVATORY - W/O COUNTERTOP/DOORS/DRAWERS/HDW - HONEY CHERRY FROM: 03-27-06 THRU: 99-99-99
6	154618-01-01A	FT	INSERT - VINYL/EXTRUSION - SILVER
7	154626-01-02A	EA	JAMB - BATH DOOR/EXTRUSION - 2.7"X 78.9" - DULL METALLIC
8	144645-01-T01	EA	DOOR - BATH - W/O TOWEL RACK/HARDWARE - WASHED MAPLE FROM: 00-00-00 THRU: 03-05-06
8	159831-01-T01	EA	DOOR - BATH - CURVED - 21.2" X 76.7" - W/O HDW - WASHED MAPLE FROM: 03-06-06 THRU: 99-99-99
8	144645-01-T01	EA	DOOR - BATH - W/O TOWEL RACK/HARDWARE - HONEY CHERRY FROM: 00-00-00 THRU: 03-05-06
8	159831-01-T02	EA	DOOR - BATH - CURVED - 21.2" X 76.7" - W/O HDW - HONEY CHERRY FROM: 03-06-06 THRU: 99-99-99
9	154627-01-02A	EA	JAMB - BATH DOOR/EXTRUSION - 4.2"X 79.6" - DULL METALLIC
10	159204-01-U17	EA	DOOR - MIRRORED - 15.7" X 25.2" - W/O HDW - WASHED MAPLE
10	159204-01-U18	EA	DOOR - MIRRORED - 15.7" X 25.2" - W/O HDW - HONEY CHERRY
	140374-72-000	EA	MIRROR - SAFETY GLASS - 11.8" X 21.2"
11	076767-04-000	EA	CABLE - STAINLESS STEEL - 5.9"

CABINET & APPLIANCE GROUP (CONTINUED)
CABINET & APPLIANCE LAYOUT (CONTINUED)

KEY	PART NUMBER	U/M	DESCRIPTION
12	159187-09-U17	EA	DOOR - CURVED - 11.8" X 33.6" - W/O HDW - WASHED MAPLE FORM: 00-00-00 THRU: 03-26-06
12	159898-09-U17	EA	DOOR - CURVED - 34.8" X 11.8" - W/O HDW - WASHED MAPLE FROM: 03-27-06 THRU: 99-99-99
12	159187-09-U18	EA	DOOR - CURVED - 11.8" X 33.6" - W/O HDW - HONEY CHERRY FORM: 00-00-00 THRU: 03-26-06
12	159898-09-U18	EA	DOOR - CURVED - 34.8" X 11.8" - W/O HDW - HONEY CHERRY FROM: 03-27-06 THRU: 99-99-99
13	P52019-05-T01	EA	CABINET/DINETTE-RH-W/END CAP/BACK/FACE-W/O DOOR/SEAT BOARD - WASHED MAPLE
13	P52019-05-T02	EA	CABINET/DINETTE-RH-W/END CAP/BACK/FACE-W/O DOOR/SEAT BOARD - HONEY CHERRY
	096764-02-000	EA	SLIPNOT - ANTISLIP - 1'WIDE (180' ROLLS) - WHITE
14	080176-08-000	EA	CAP - CORNER - RADIUS MOLDING - PLASTIC - WASHED MAPLE FROM: 00-00-00 THRU: 07-12-06
14	160989-01-06A	EA	CAP - CORNER - RADIUS MOLDING - PLASTIC - WASHED MAPLE FROM: 07-13-06 THRU: 99-99-99
14	080176-09-000	EA	CAP - CORNER - RADIUS MOLDING - PLASTIC - HONEY CHERRY FROM: 00-00-00 THRU: 07-12-06
14	160989-01-07A	EA	CAP - CORNER - RADIUS MOLDING - PLASTIC - HONEY CHERRY FROM: 07-13-06 THRU: 99-99-99
15	122021-01-02A	EA	ANGLE - W/HOLES - 8.6" LONG - OFF WHITE
16	122021-02-02A	EA	ANGLE - W/HOLES - 13.7" LONG - OFF WHITE
17	151683-07-U17	EA	TABLE - DINETTE - 26.3" X 40.6"
17	151683-07-U18	EA	TABLE - DINETTE - 26.3" X 40.6"
18	143798-01-01A	EA	CATCH - FLOOR TO TABLE LEG - BRIGHT WHITE
19	024281-15-000	EA	BRACKET/WALL - TABLE LIFT - 17.12"
20	024275-13-000	EA	ROD - TABLE LIFT - OFF/WHITE
21	140921-02-01A	EA	BRACKET/TABLE SUPPORT - 18.5" - OFF WHITE
22	158092-01-U17	EA	TABLE - DINETTE - 16.9" X 35.7" - W/O HDW - WASHED MAPLE
22	158092-01-U18	EA	TABLE - DINETTE - 16.9" X 35.7" - W/O HDW - HONEY CHERRY
23	P52019-04-T01	EA	CABINET/DINETTE-LH-W/END CAP/BACK/FACE-W/O DOOR/SEAT BOARD - WASHED MAPLE
23	P52019-04-T02	EA	CABINET/DINETTE-LH-W/END CAP/BACK/FACE-W/O DOOR/SEAT BOARD - HONEY CHERRY
	096764-02-000	EA	SLIPNOT - ANTISLIP - 1'WIDE (180' ROLLS) - WHITE
24	P51918-02-T01	EA	END CAP - OVERHEAD CABINET - CENTER - WASHED MAPLE FROM: 00-00-00 THRU: 04-02-06
24	151919-02-T01	EA	END CAP - OVERHEAD CABINET - WASHED MAPLE FROM: 04-03-06 THRU: 99-99-99
24	P51918-02-T02	EA	END CAP - OVERHEAD CABINET - CENTER - HONEY CHERRY FROM: 00-00-00 THRU: 04-02-06
24	151919-02-T02	EA	END CAP - OVERHEAD CABINET - HONEY CHERRY FROM: 04-03-06 THRU: 99-99-99
25	058335-03-000	EA	LATCH W/O LOCK - BATHROOM DOOR - BLACK
26	151919-01-T01	EA	END CAP - OVERHEAD CABINET - WASHED MAPLE
26	151919-01-T02	EA	END CAP - OVERHEAD CABINET - HONEY CHERRY
27			REFRIGERATOR CABINET SEALS
	090329-01-000	FT	SEAL - "T" - REFRIGERATOR CABINET
28	159216-01-T01	EA	DOOR - FLAT/SQUARE EDGE - 16.4" X 31.3" - W/O HDW - WASHED MAPLE FROM: 00-00-00 THRU: 03-26-06
28	159898-01-U17	EA	DOOR - CURVED - 31.3" X 16.3" - W/O HDW - WASHED MAPLE FROM: 03-27-06 THRU: 99-99-99
28	159216-01-T02	EA	DOOR - FLAT/SQUARE EDGE - 16.4" X 31.3" - W/O HDW - HONEY CHERRY FROM: 00-00-00 THRU: 03-26-06
28	159898-01-U18	EA	DOOR - CURVED - 31.3" X 16.3" - W/O HDW - HONEY CHERRY FROM: 03-27-06 THRU: 99-99-99
29	157938-01-U17	EA	CABINET - OVERHEAD/COUCH - W/O DOORS/HDW - WASHED MAPLE
29	157938-01-U18	EA	CABINET - OVERHEAD/COUCH - W/O DOORS/HDW - HONEY CHERRY
30	159261-01-T01	EA	DOOR - FLAT/SQUARE EDGE - 18.9" X 9.6" - W/O HDW - WASHED MAPLE
30	159261-01-T02	EA	DOOR - FLAT/SQUARE EDGE - 18.9" X 9.6" - W/O HDW - HONEY CHERRY
31	155001-04-01A	EA	LEG - PEDESTAL TABLE - 29" - SILVER
32	155001-03-01A	EA	BASE - LEG MOUNT/FLOOR/TABLE - RECESSED - SILVER
33	064781-06-000	EA	HOLDER/CUP - TWO STEP - OFF WHITE
34	042438-02-000	EA	DOWEL - WOOD - 2"DIAMETER X 2"

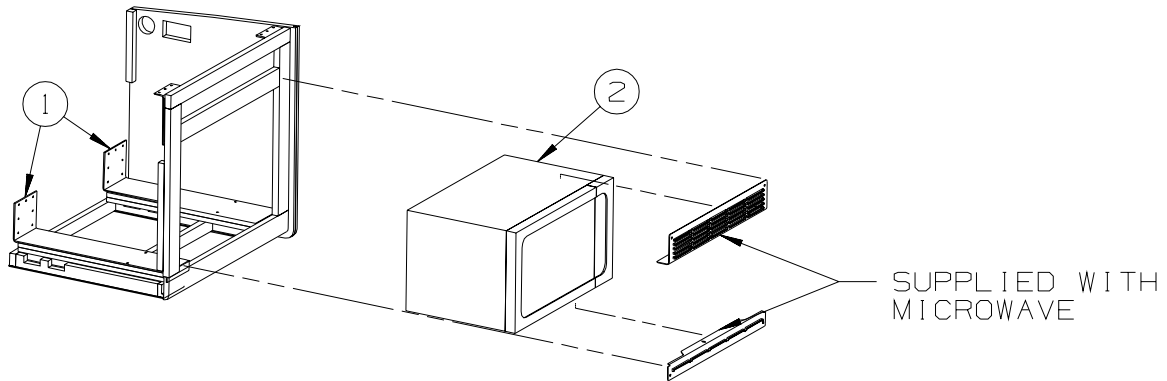
*COMPONENT PARTS LISTED LATER IN THIS GROUP

CABINET & APPLIANCE GROUP (CONTINUED)
CABINET & APPLIANCE LAYOUT (CONTINUED)



KEY	PART NUMBER	U/M	DESCRIPTION
1	149418-13-02B	EA	BRACKET - MICROWAVE - E-COATED
2	149418-14-02B	EA	BRACKET - MICROWAVE - E-COATED
3*	150606-04-02A	EA	OVEN - MICROWAVE/CONVECTION/SILVER - .9 CU FT - #R-820JS
3	150606-06-01A	EA	OVEN - MICROWAVE/CONVECTION/BLACK - .9 CU FT - #R820BK-CSA - CANADIAN
4	150606-05-02A	EA	TRIM KIT - MICROWAVE .9 CU FT - SILVER - MAGNADYNE #R820
4	150606-05-01A	EA	TRIM KIT - MICROWAVE .9 CU FT - BLACK - MAGNADYNE #R820 - CANADIAN

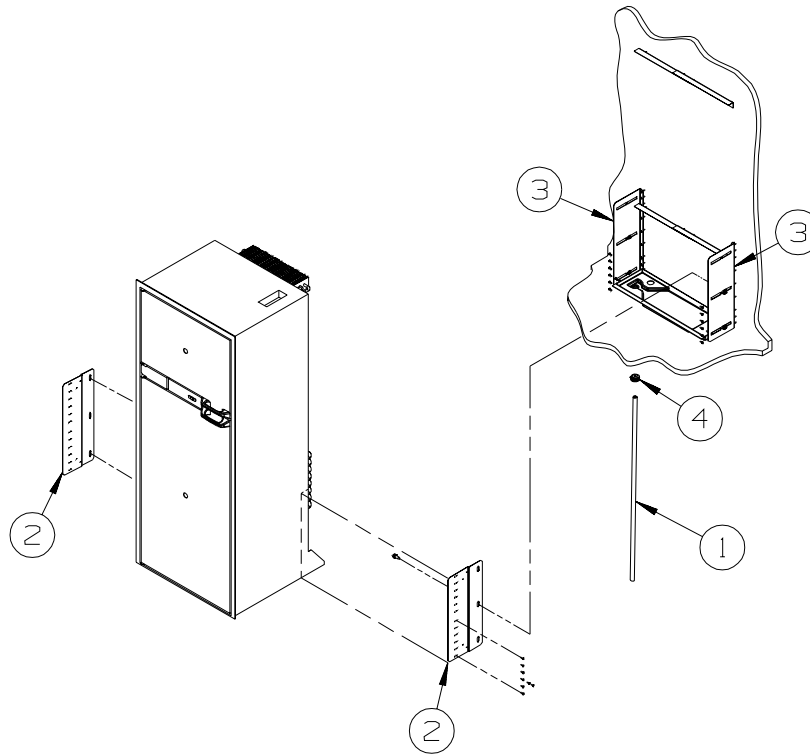
***COMPONENT PARTS LISTED LATER IN THIS GROUP**



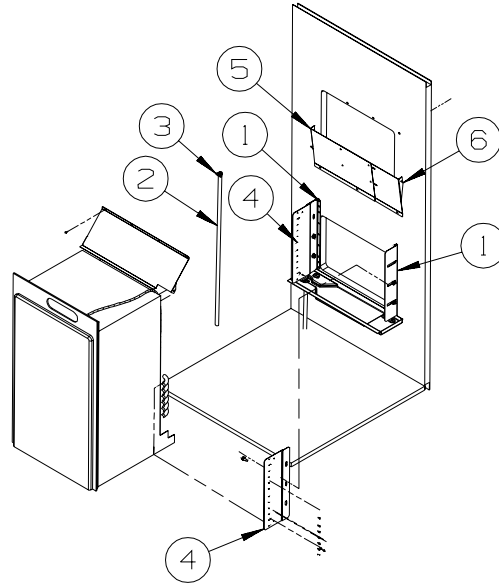
KEY	PART NUMBER	U/M	DESCRIPTION
1	143759-11-02B	EA	BRACKET - MICROWAVE - E-COATED
2*	158686-01-01A	EA	OVEN/MICROWAVE - .9 CU FT - NON-CONV - BLACK

***COMPONENT PARTS LISTED LATER IN THIS GROUP**

CABINET & APPLIANCE GROUP (CONTINUED)
CABINET & APPLIANCE LAYOUT (CONTINUED)

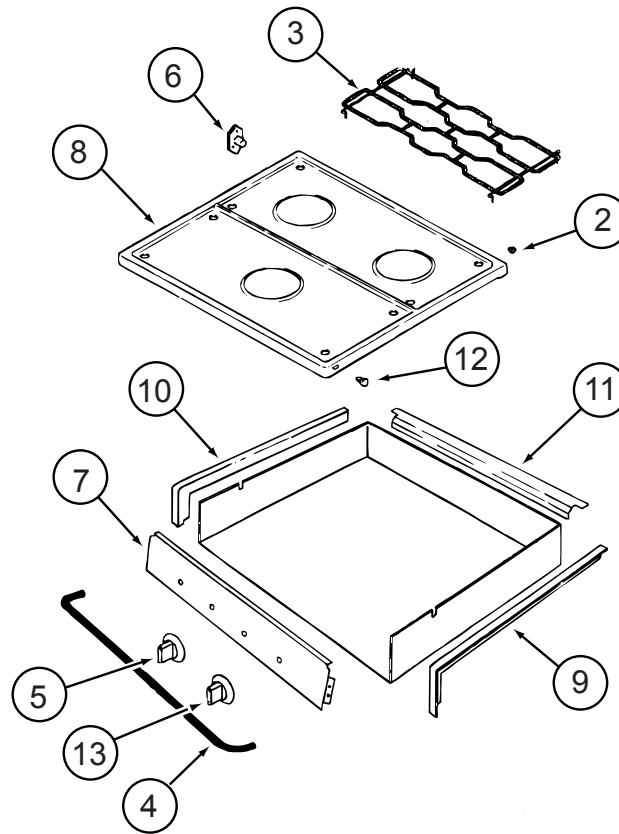


KEY	PART NUMBER	U/M	DESCRIPTION
1	112176-01-000	FT	TUBING - VINYL - REINFORCED - 1/2" ID
2	150740-01-02B	EA	BRACKET - REFRIGERATOR - E-COATED
3	150740-02-02B	EA	BRACKET - REFRIGERATOR - E-COATED
4	152417-01-01A	EA	CLAMP/RATCHET - F/REFRIDGERATOR DRIP TRAY HOSE - BLACK



KEY	PART NUMBER	U/M	DESCRIPTION
1	150740-02-02B	EA	BRACKET - REFRIGERATOR - E-COATED
1	160133-02-02B	EA	BRACKET/TIEDOWN - REFRIGERATOR - E-COATED
			FROM: 00-00-00 THRU: 05-21-06
2	112176-01-000	FT	TUBING - VINYL - REINFORCED - 1/2" ID
3	152417-01-01A	EA	CLAMP/RATCHET - F/REFRIDGERATOR DRIP TRAY HOSE - BLACK
4	160133-01-02B	EA	BRACKET-REFRIGERATOR
5	143195-01-02B	EA	BAFFLE - REFRIGERATOR - E-COATED
6	143195-02-02B	EA	BAFFLE - REFRIGERATOR - E-COATED

CABINET & APPLIANCE GROUP (CONTINUED)
COMPONENT PARTS FOR CABINET & APPLIANCE LAYOUT

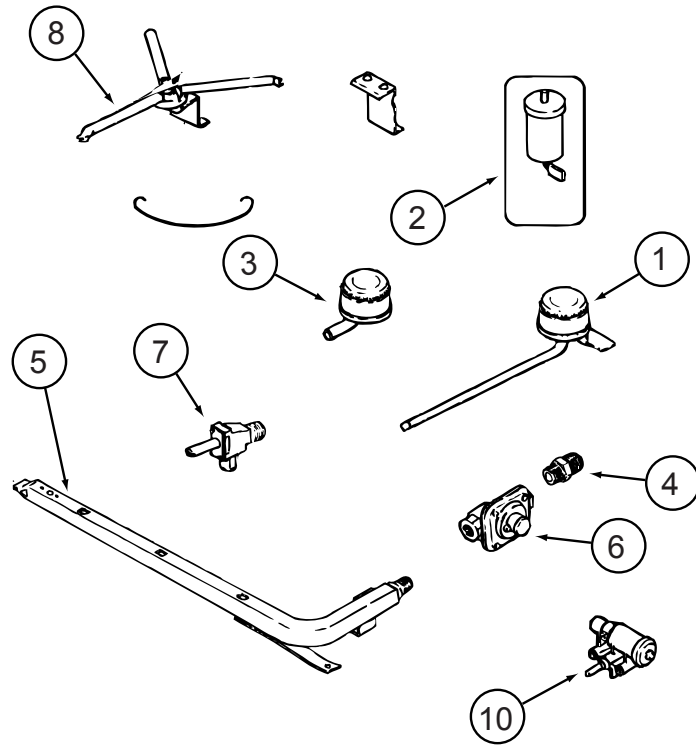


114030-04-01A

KEY	PART NUMBER	U/M	DESCRIPTION	VENDOR NO.
2	102020-01-709	EA	BUMPER-GRATE	8007P020-60
3	112881-04-702	EA	GRATE - BLACK	74007277
4	114030-02-700	EA	GUARD/FABRIC - TOWEL BAR	3609F006-70
5	128728-01-701	EA	KNOB - BURNER - REAR	74003941 (1 PER)
5	128728-01-702	EA	KNOB - BURNER - FRONT	74003942
6	128728-01-703	EA	PIN/T-NUT F/HINGE	7103P109-60
7	114030-04-700	EA	PANEL - MANIFOLD - BLACK	74007325
8	126023-01-728	EA	TOP - MAIN (BLACK)	74003323
9	114030-01-704	EA	TRIM - RIGHT/BLACK TEXTURED	74002839
10	114030-01-705	EA	TRIM - LEFT/BLACK TEXTURED	74002840
11	114030-01-706	EA	TRIM - REAR/BLACK TEXTURED	74002841
12	102020-01-724	EA	BUMPER - MAIN TOP	8003P008-60
13	128728-01-707	EA	KNOB - IGNITER	74003944

CONTACT WINNEBAGO PART SALES FOR UNLISTED COMPONENT(S)

CABINET & APPLIANCE GROUP (CONTINUED)
COMPONENT PARTS FOR CABINET & APPLIANCE LAYOUT (CONTINUED)

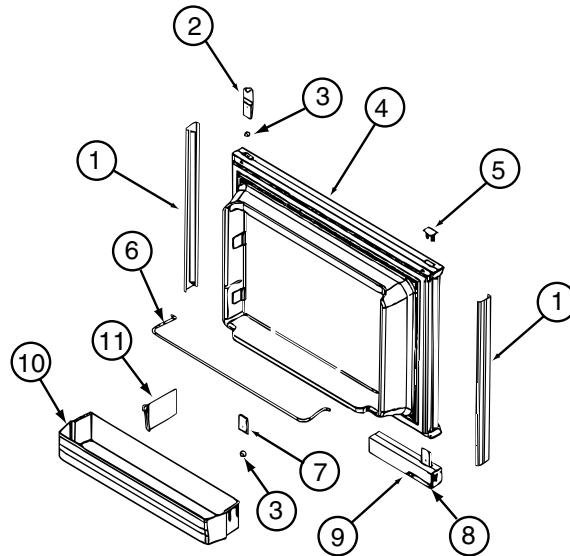


114030-04-01A (CONTINUED)

KEY	PART NUMBER	U/M	DESCRIPTION	VENDOR NO.
1	112881-04-700	EA	BURNER - TOP /LEFT REAR	74004584
1	126023-01-700	EA	BURNER - TOP (RT-REAR) 5100 BTU	74004583
2	112881-04-705	EA	PUSH RING (ELECTRODE MTG)	7104P002-60
2	126023-01-711	EA	ELECTRODE - IGNITER (ONLY)	7432P077-60
3	112881-04-701	EA	BURNER - TOP/FRONT	74004582
4	135065-03-700	EA	FITTING - HALF UNION	74004234
5	135065-01-702	EA	PIPE/MANIFOLD	74004642
6	126023-02-702	EA	PIPE - MANIFOLD	74004360
7	126023-02-705	EA	VALVE - BURNER - REAR	74004362
7	126023-02-706	EA	VALVE - BURNER - FRONT	74004363
8	126023-01-736	EA	FLASH TUBE EXTENSION (REAR)	74003326
8	126023-01-737	EA	FLASH TUBE EXTENSION (FRONT)	74003327
10	126023-01-719	EA	IGNITER HEAD - TOP BURNER	74002413
	126023-02-703	EA	REGULATOR - PRESSURE	74004235

CONTACT WINNEBAGO PART SALES FOR UNLISTED COMPONENT(S)

CABINET & APPLIANCE GROUP (CONTINUED)
COMPONENT PARTS FOR CABINET & APPLIANCE LAYOUT (CONTINUED)

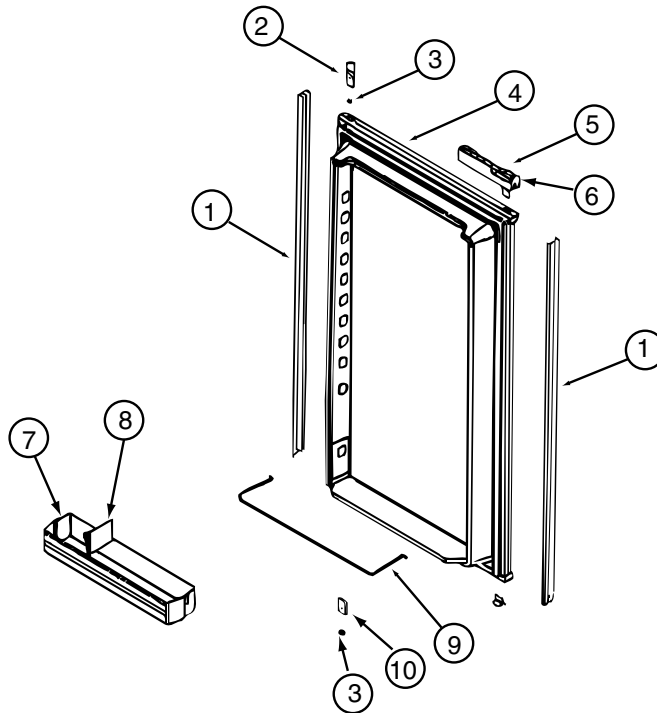


121568-06-01A, 121568-07-01A, 121568-08-01A

KEY	PART NUMBER	U/M	DESCRIPTION	VENDOR NO.
1	121568-03-700	EA	RETAINER-DOOR PNL/WAFFLE/BLK	619558-WDL-UPPER
2	120075-01-701	EA	HINGE-TOP RH/BOTTOM LH(DOOR)	618511
3	121568-03-701	EA	BUSHING - HINGE PIN/GRAY	619671
4	121568-03-702	EA	DOOR LINER-UPR/WAFFLED/BLACK	619627 - SMALL WDL
5	120075-01-702	EA	CAP, (HINGE PLUG)	618160
6	121568-01-700	EA	RAIL - DOOR UPPER	618618
7	120075-01-705	EA	HINGE-TOP LH/BOTTOM RH(DOOR)	618510
8	121568-03-705	EA	STORAGE LATCH - GRAY	619648
9	121568-03-721	EA	HANDLE/DOOR UPPER RH SWING	621465
9	121568-03-722	EA	HANDLE/DOOR LOWER RH SWING	621469
10	121568-01-701	EA	BIN - DOOR WHITE-WAFFLED LNR	618619 WDL

CONTACT WINNEBAGO PART SALES FOR UNLISTED COMPONENT(S)

CABINET & APPLIANCE GROUP (CONTINUED)
COMPONENT PARTS FOR CABINET & APPLIANCE LAYOUT (CONTINUED)

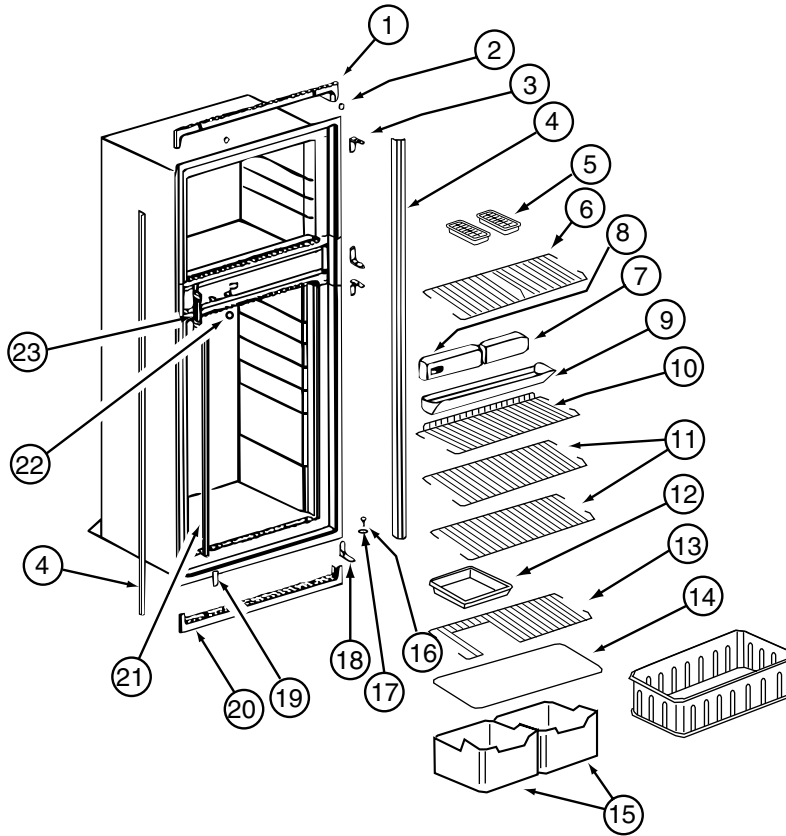


121568-06-01A, 121568-07-01A, 121568-08-01A (CONTINUED)

KEY	PART NUMBER	U/M	DESCRIPTION	VENDOR NO.
1	121568-03-706	EA	RETAINER-DOOR PNL/WAFFLE/BLK	619559-WDL-LOWER
2	120075-01-701	EA	HINGE-TOP RH/BOTTOM LH(DOOR)	618511
3	121568-03-701	EA	BUSHING - HINGE PIN/GRAY	619671
4	121568-03-707	EA	DOOR LINER-LWR/WAFFLED/B/TRM	619629
5	121568-03-721	EA	HANDLE/DOOR UPPER RH SWING	621465
5	121568-03-722	EA	HANDLE/DOOR LOWER RH SWING	621469
6	121568-03-705	EA	STORAGE LATCH - GRAY	619648
7	121568-01-701	EA	BIN - DOOR WHITE-WAFFLED LNR	618619 WDL
9	121568-01-704	EA	RAIL - DOOR LOWER	618578
10	120075-01-705	EA	HINGE-TOP LH/BOTTOM RH(DOOR)	618510

CONTACT WINNEBAGO PART SALES FOR UNLISTED COMPONENT(S)

CABINET & APPLIANCE GROUP (CONTINUED)
COMPONENT PARTS FOR CABINET & APPLIANCE LAYOUT (CONTINUED)

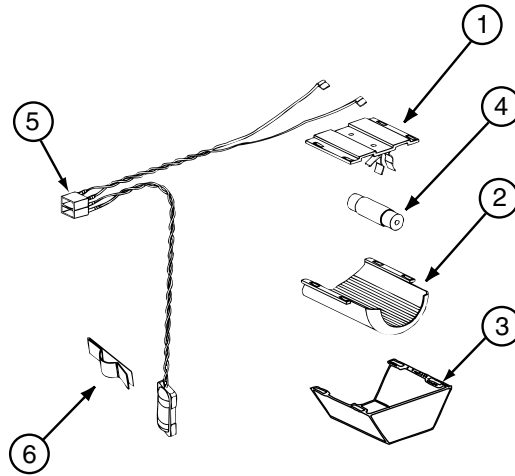


121568-06-01A, 121568-07-01A, 121568-08-01A (CONTINUED)

KEY	PART NUMBER	U/M	DESCRIPTION	VENDOR NO.
1	120075-01-713	EA	TRIM-TOP PIECE	619687
2	120075-01-714	EA	PLUG-HOLE (BLACK)	618170
3	121568-03-710	EA	HINGE/CABINET-TOP/RH-LWR/LH	619335 WAFFLED
4	121568-03-711	EA	TRIM - SIDE/BLACK	622295
6	121568-01-705	EA	SHELF - WIRE FREEZER	620250
7	121568-06-700	EA	FRONT BOX-N611	622002
8	121568-06-701	EA	CONTROL ASSY-OPTICAL/N611	621988
9	120075-01-720	EA	TRAY-DRIP	623250
9	120075-01-721	EA	LOUVER-DRIP TRAY	618176
11	121568-01-708	EA	SHELF - WIRE	620273
13	121568-01-707	EA	SHELF - WIRE - SHORT	620272
14	120075-01-725	EA	COVER-CRISPER - 18.5" WIDE	618158
15	121568-01-709	EA	CRISPER	618571
16	120075-01-727	EA	PIN-HINGE	618145
17	121568-03-701	EA	BUSHING - HINGE PIN/GRAY	619671
18	121568-03-715	EA	HINGE/CABINET-TOP/LH-LWR/RH	619336 WAFFLED
19	121568-03-716	EA	COVER - HINGE HOLES	619301
20	120075-01-729	EA	TRIM-BOTTOM PIECE	620958
21	121568-06-702	EA	CLIP - SHELF	61536522
22	121568-06-703	EA	HOLE PLUG - WHITE	620282
23	120075-01-732	EA	PLATE-STRIKE	618167

CONTACT WINNEBAGO PART SALES FOR UNLISTED COMPONENT(S)

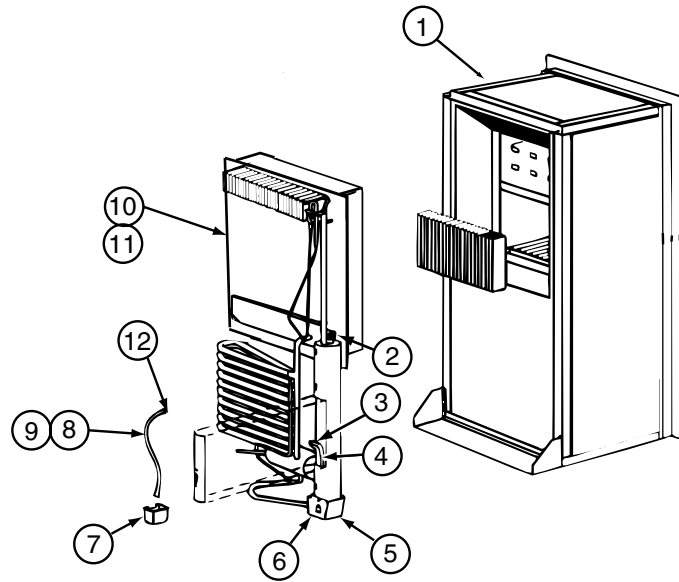
CABINET & APPLIANCE GROUP (CONTINUED)
COMPONENT PARTS FOR CABINET & APPLIANCE LAYOUT (CONTINUED)



121568-03-01A, 121568-04-01A, 121568-05-01A, 121568-06-01A, 121568-07-01A, 121568-08-01A (CONTINUED)

KEY	PART NUMBER	U/M	DESCRIPTION	VENDOR NO.
1	084880-01-760	EA	CLIP (THERMISTER)	61689122
2	120075-01-735	EA	THERMISTER W/LAMP & WIRE/ASM	618548
3	084880-03-705	EA	BRACKET-LIGHT-INTERIOR	61629722
4	084880-03-706	EA	BULB-LAMP	61628922
6	084880-03-707	EA	COVER-LAMP, LENS	61627922

CONTACT WINNEBAGO PART SALES FOR UNLISTED COMPONENT(S)

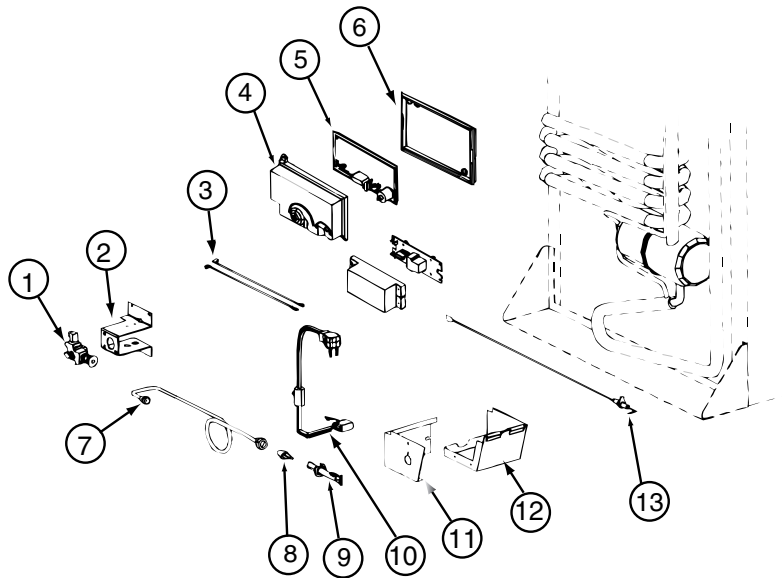


121568-06-01A, 121568-07-01A, 121568-08-01A (CONTINUED)

KEY	PART NUMBER	U/M	DESCRIPTION	VENDOR NO.
4	121568-06-704	EA	HEATER-AC/300W/120VAC	621702
10	120076-01-704	EA	COOLING UNIT, SERVICE PACK	618543

CONTACT WINNEBAGO PART SALES FOR UNLISTED COMPONENT(S)

CABINET & APPLIANCE GROUP (CONTINUED)
COMPONENT PARTS FOR CABINET & APPLIANCE LAYOUT (CONTINUED)



121568-06-01A, 121568-07-01A, 121568-08-01A (CONTINUED)

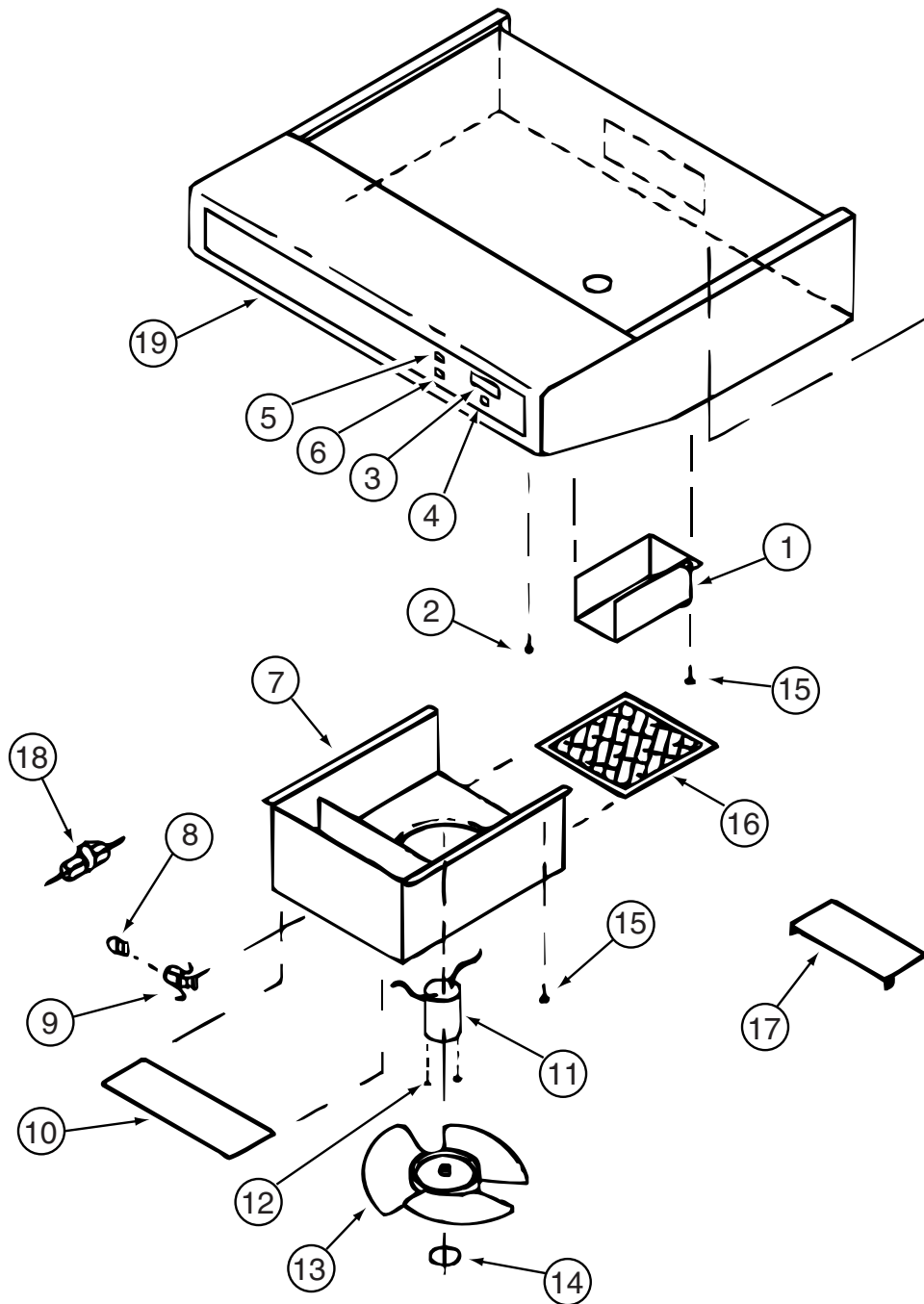
KEY	PART NUMBER	U/M	DESCRIPTION	VENDOR NO.
1	121568-06-705	EA	GAS VALVE/BRKT ASSY-COMBO	621439
1	121568-06-706	EA	GAS VALVE-COMBO/WRENCH FLAT	621329
4	120075-01-738	EA	COVER-POWER BOARD	618185
5	121568-06-707	EA	BOARD/POWER-N611	621991 = 621991001
6	120075-01-740	EA	BASE - POWER BOARD	618186
8	121568-06-708	EA	BURNER/ORFICE-ADAPTER KIT	621957
13	104137-06-715	EA	ELECTRODE-SPARK/SENSOR, SGL	61692222
	121569-08-704	EA	TUBE/BURNER - N8/N6	624682

CONTACT WINNEBAGO PART SALES FOR UNLISTED COMPONENT(S)

121568-05-01A, 121568-07-01A, 121568-08-01A (CONTINUED)

KEY	PART NUMBER	U/M	DESCRIPTION	VENDOR NO.
	121568-05-700	EA	FAN 12V KIT DBLE SIDEWALL	619020

CABINET & APPLIANCE GROUP (CONTINUED)
COMPONENT PARTS FOR CABINET & APPLIANCE LAYOUT (CONTINUED)



136354-05-01A, 136354-05-02A

KEY	PART NUMBER	U/M	DESCRIPTION	VENDOR NO.
3	100258-10-700	EA	GAUGE-HOUR METER, SCREW ON	L0150-00 WAS 150
4	096983-01-702	EA	SWITCH - MOM/OFF/MOM/3 TERM	L0112-00
6	096983-01-700	EA	SWITCH/1 SPEED -ON/OFF- BLK	L0108-00
8	117806-01-000	EA	BULB-12V NO.912 1.0 AMPS	GENERAL MOTOR HOMES
9	092696-01-710	EA	HOLDER-LAMP	CB0267-02
10	096983-01-708	EA	LENS-LAMP	CC0179
11	136354-05-700	EA	MOTOR-12 VOLT	VC0536-02
13	136354-05-701	EA	BLADE-FAN 7" DIA	VD0216-00
16	096983-01-707	EA	FILTER-MESH	CC0246-00
17	100258-01-701	EA	DAMPER ASSEMBLY (METAL FLAP)	CA0565-00
19	100258-01-700	EA	LABEL-HOOD NOSE	CC0428-00

CONTACT WINNEBAGO PART SALES FOR UNLISTED COMPONENT(S)

CABINET & APPLIANCE GROUP (CONTINUED)
COMPONENT PARTS FOR CABINET & APPLIANCE LAYOUT (CONTINUED)

136354-06-01A, 136354-06-02A

KEY	PART NUMBER	U/M	DESCRIPTION	VENDOR NO.
3	100258-10-700	EA	GAUGE-HOUR METER, SCREW ON	L0150-00 WAS 150
4	096983-01-702	EA	SWITCH - MOM/OFF/MOM/3 TERM	L0112-00
5	096983-01-700	EA	SWITCH/1 SPEED -ON/OFF- BLK	L0108-00
8	117806-01-000	EA	BULB-12V NO.912 1.0 AMPS	GENERAL MOTOR HOMES
9	092696-01-710	EA	HOLDER-LAMP	CB0267-02
10	096983-01-708	EA	LENS-LAMP	CC0179
11	136354-06-700	EA	MOTOR - FAN (CSA)	VC0535-02
13	136354-05-701	EA	BLADE-FAN 7" DIA	VD0216-00
16	096983-01-707	EA	FILTER-MESH	CC0246-00
17	100258-01-701	EA	DAMPER ASSEMBLY (METAL FLAP)	CA0565-00
19	100258-01-700	EA	LABEL-HOOD NOSE	CC0428-00
CONTACT WINNEBAGO PART SALES FOR UNLISTED COMPONENT(S)				

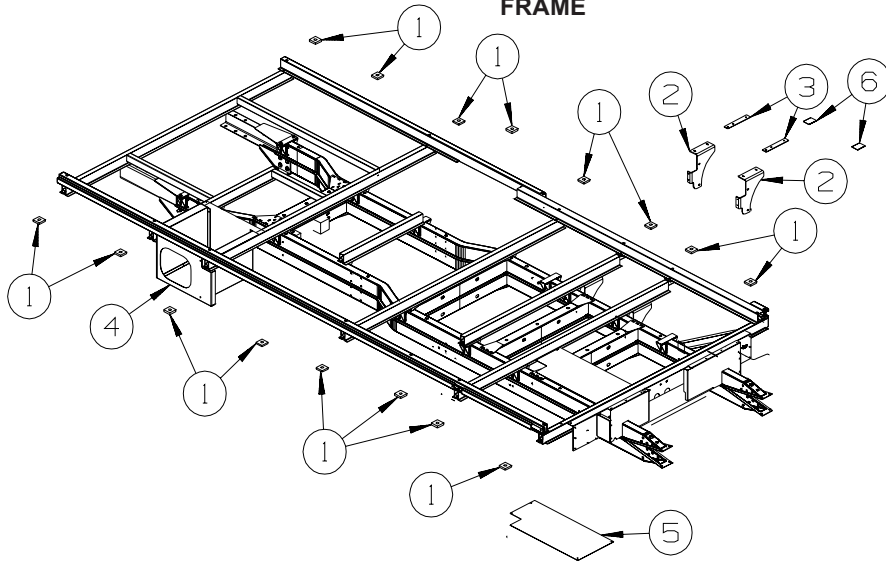
150606-04-01A, 150606-04-02A

KEY	PART NUMBER	U/M	DESCRIPTION	VENDOR NO.
	122753-02-700	EA	PLATE/CAROUSEL-GLASS	NTNT-A097WREO
	150606-04-700	EA	RACK - BAKING	FAMI-A104WRM0

158686-01-01A

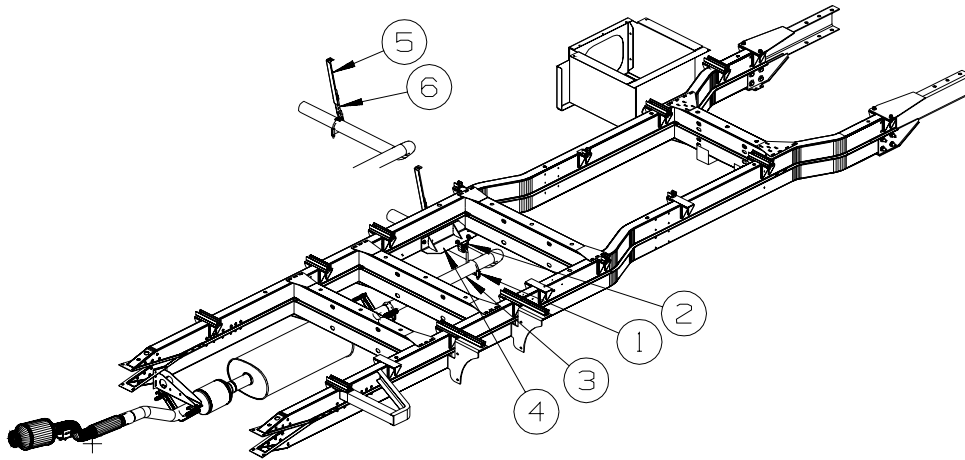
KEY	PART NUMBER	U/M	DESCRIPTION	VENDOR NO.
	158686-01-700	EA	PLATE-GLASS	SR11092PLATE
	158686-01-701	EA	TRIM KIT - 2 PC.	ODY-2-92KIT

CHASSIS GROUP FRAME



KEY	PART NUMBER	U/M	DESCRIPTION
1	135712-05-02B	EA	PLATE - BODY MOUNT - E-COATED
2	151504-01-02B	EA	BRACKET - SUPPORT/LP
3	152208-01-02B	EA	STRAP - LP TANK MOUNTING - E-COATED
4	151616-01-02B	EA	COMPARTMENT - LUGGAGE - E-COATED
5	152218-01-02B	EA	SHIELD - HEAT - E-COATED
6	035648-51-001	EA	STRAP - EXTRUSION - 2.25" X 80.6"

CHASSIS GROUP (CONTINUED)
EXHAUST



KEY	PART NUMBER	U/M DESCRIPTION
1	122392-14-02B	EA HANGER - TAILPIPE - FRONT - E-COATED
2	123935-01-000	EA HANGER - EXHAUST- RUBBER, RR
3	152169-01-000	EA PIPE - EXHAUST/TAIL
4	152195-01-02B	EA HANGER - EXHAUST - E-COATED
5	152196-01-02B	EA ANGLE/FORMED - EXHAUST HANGER - E-COATED
6	007131-01-000	EA HANGER - TAILPIPE - 6 SLOTS

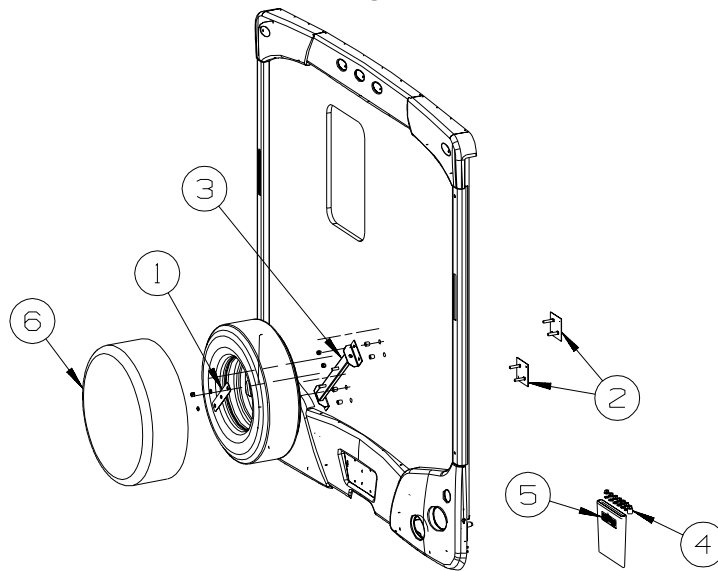
HITCH

KEY	PART NUMBER	U/M DESCRIPTION
	140441-04-02B	EA PLATE - SKID - E-COATED
	154054-04-01A	EA HITCH RECEIVER - BOLT ON CLASS II - BLACK

CHASSIS GROUP (CONTINUED)

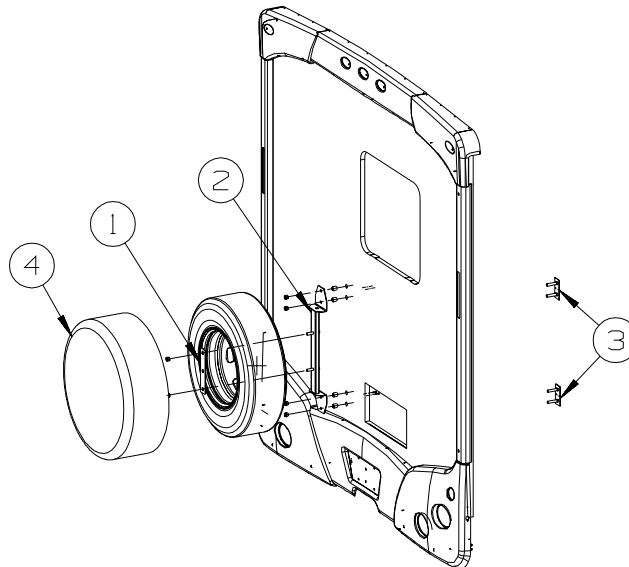
SPARE TIRE

523B
523H



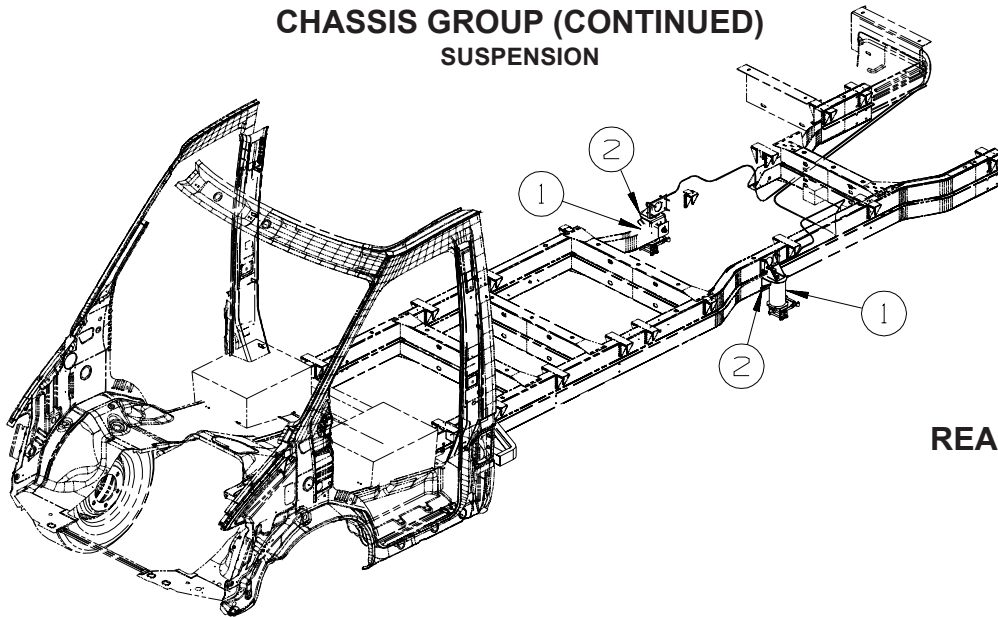
KEY	PART NUMBER	U/M	DESCRIPTION
1	143547-03-02B	EA	RETAINER - SPARE TIRE - E-COATED
2	152910-02-02B	EA	BRACKET - SUPPORT - SPARE TIRE - E-COATED
3	152913-01-02B	EA	BRACKET/SUPPORT - SPARE TIRE - E-COATED
4	153967-07-000	EA	ADAPTER - F/ALUMINUM LUG NUT COVERS - 7/8"HEX - 19MM DRIVE
5	155491-01-01A	EA	LABEL - WARNING - LUG NUTS - WHITE/CLEAR
6	073322-09-T01	EA	COVER - TIRE - 30"
6	073322-50-000	EA	COVER - UNIVERSAL LINER

523J



KEY	PART NUMBER	U/M	DESCRIPTION
1	143547-03-02B	EA	RETAINER - SPARE TIRE - E-COATED
2	152913-01-02B	EA	BRACKET/SUPPORT - SPARE TIRE - E-COATED
3	154445-02-02B	EA	BRACKET/SUPPORT - SPARE TIRE - E-COATED
4	073322-09-T01	EA	COVER - TIRE - 30"
4	073322-50-000	EA	COVER - UNIVERSAL LINER

CHASSIS GROUP (CONTINUED)
SUSPENSION



REAR AIR SPRINGS

KEY	PART NUMBER	U/M	DESCRIPTION
1*	154813-01-000	EA	AIRSPRING - AIR BAG KIT - 125"RH/160"LH AIR LINE
2	156388-02-02B	EA	BRACKET - AIR SPRING - E-COATED

***COMPONENT PARTS LISTED LATER IN THIS GROUP**

COMPONENT PARTS FOR SUSPENSION

154813-01-000

KEY	PART NUMBER	U/M	DESCRIPTION	VENDOR NO.
	154813-01-700	EA	AIR SLEEVE KIT - PASSENGER	T-9RKFSP
	154813-01-701	EA	AIR SLEEVE KIT - DRVR/PASS	T-9RKFSD
	154813-01-702	EA	VALVE KIT - AIR FILL	T-9AFVK

CHASSIS GROUP (CONTINUED)
WHEEL, TIRE, COVERS &/OR LINERS

KEY	PART NUMBER	U/M	DESCRIPTION
*	154970-01-000	EA	COVER/WHEEL - 16" - SET OF 4 - DODGE SPRINTER - DICOR

***COMPONENT PARTS LISTED LATER IN THIS GROUP**

COMPONENT PARTS FOR WHEEL, TIRE, COVERS &/OR LINERS

154970-01-000

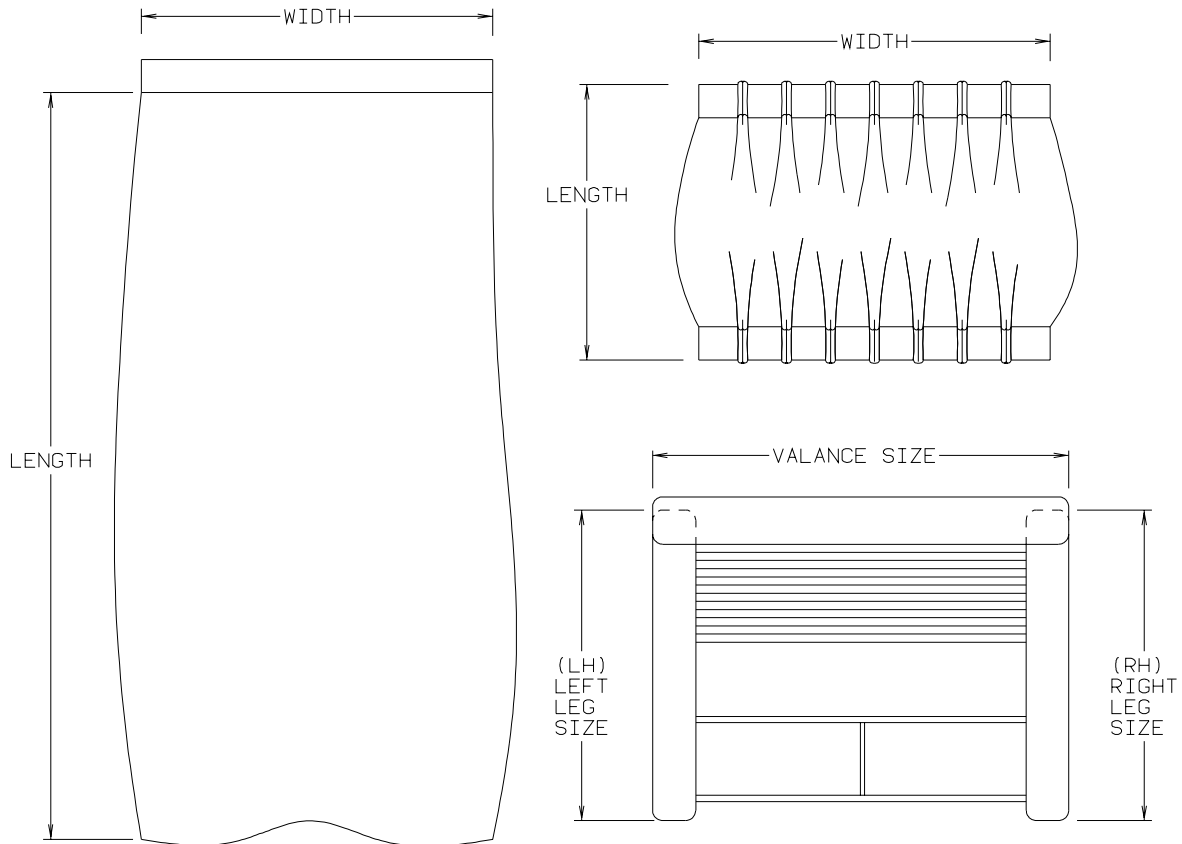
KEY	PART NUMBER	U/M	DESCRIPTION	VENDOR NO.
	154970-01-700	EA	COVER/WHEEL (1 EACH)	SHSF16/COV

CURTAIN & CUSHION GROUP

NOTICE

IN ORDER TO ASSIST OUR PARTS SALES DEPT. IN PROVIDING INTERIOR SOFTWARE ITEMS, PLEASE INCLUDE THE SERIAL NUMBER AND THE COLOR CODE NUMBER FROM THE VEHICLE CERTIFICATION LABEL WHEN ORDERING. THIS LABEL IS LOCATED ON THE LEFT SIDEWALL AT THE END OF THE DASH (A-BODY), OR ON THE DRIVER'S DOOR LATCH PLATE (C-BODY).

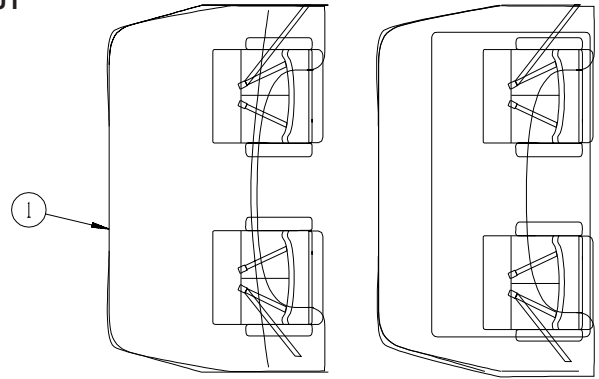
AN EXAMPLE OF A COLOR CODE NUMBER IS B07, WHICH DESIGNATES AN OVERALL COLOR SCHEME OF A PARTICULAR UNIT. THE COLOR LISTED AFTER THE ITEM DESCRIPTION ON THE MICROFICHE, INDICATES THE OVERALL UNIT COLOR. ORDER THE ITEM YOU DESIRE ACCORDING TO UNIT COLOR CODE. IF ALL COLORS USE THE SAME ITEM NO COLOR CODE WILL BE NOTED.



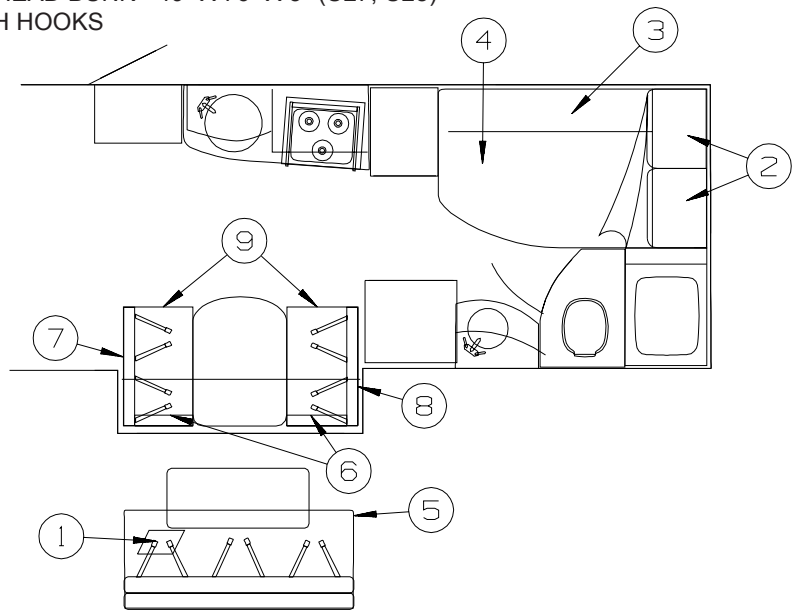
NOTE: USE THIS ILLUSTRATION WHEN DETERMINING LENGTH AND WIDTH MEASUREMENTS FOR CURTAINS. YOU WILL NOTE THE WIDTH MEASUREMENT IS TAKEN ON THE TOP OF THE CURTAIN WITH THE CURTAIN FULLY EXTENDED. THE LENGTH MEASUREMENT IS TAKEN FROM TOP TO BOTTOM. LEFT AND RIGHT WINDOW LEGS ARE DETERMINED WHEN FACING THE WINDOW.

CURTAIN & CUSHION GROUP (CONTINUED)

CUSHION LAYOUT



KEY	PART NUMBER	U/M	DESCRIPTION
1	153101-02-U13	EA	CUSHION - OVERHEAD BUNK - 49" X 76" X 5" (U13, U14)
1	153101-04-U15	EA	CUSHION - OVERHEAD BUNK - 49" X 76" X 5" (U15, U16)
1	153101-04-U27	EA	CUSHION - OVERHEAD BUNK - 49" X 76" X 5" (U27, U28)
	P53101-02-U13	EA	COVER - CUSHION/OVERHEAD BUNK - 49" X 76" X 5" (U13, U14)
	P53101-04-U15	EA	COVER - CUSHION/OVERHEAD BUNK - 49" X 76" X 5" (U15, U16)
	P53101-04-U27	EA	COVER - CUSHION/OVERHEAD BUNK - 49" X 76" X 5" (U27, U28)
	155842-02-000	EA	STRAP/BUNK - W/2 CATCH HOOKS



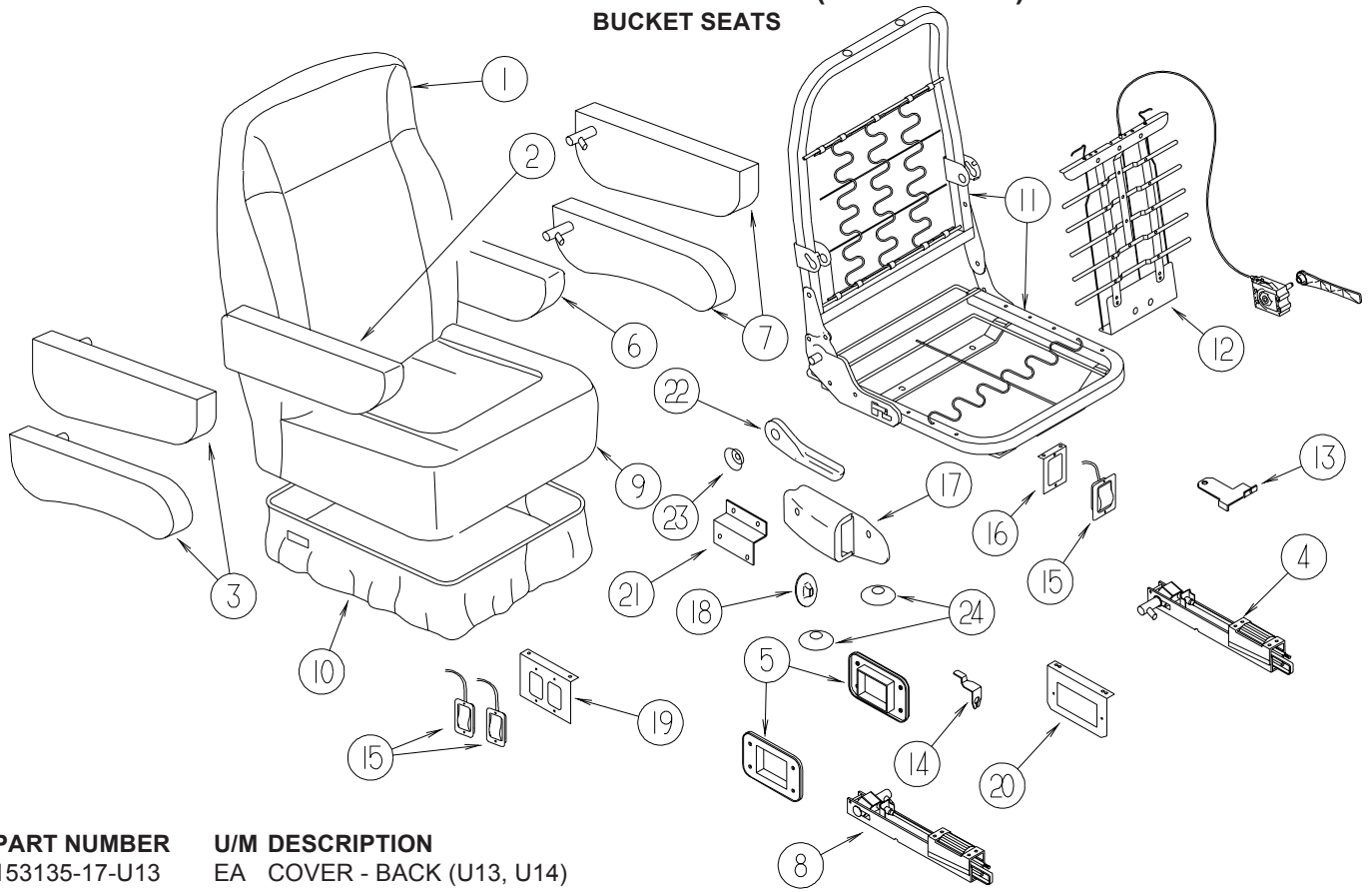
KEY	PART NUMBER	U/M	DESCRIPTION	
1	157810-08-U13	EA	PILLOW - 17" X 17" (U13, U14)	FROM: 00-00-00 THRU: 05-29-06
1	157810-11-U13	EA	PILLOW - 17" X 17" (U13, U14)	FROM: 05-30-06 THRU: 99-99-99
1	157810-09-U15	EA	PILLOW - 17" X 17" (U15, U16)	
1	157810-08-U27	EA	PILLOW - 17" X 17" (U27, U28)	FROM: 00-00-00 THRU: 05-29-06
1	157810-07-U27	EA	PILLOW - 17" X 17" (U27, U28)	FROM: 05-30-06 THRU: 99-99-99
2	126211-09-U13	EA	PILLOW SHAM (U13, U14)	
2	126211-09-U15	EA	PILLOW SHAM (U15, U16)	
2	126211-09-U27	EA	PILLOW SHAM (U27, U28)	
3	155541-01-U13	EA	MATTRESS/CUSHION - LEFT HAND - 28" X 75" (U13, U14)	
3	155541-01-U15	EA	MATTRESS/CUSHION - LEFT HAND - 28" X 75" (U15, U16)	
3	155541-01-T01	EA	MATTRESS/CUSHION - LEFT HAND - 28" X 75" (U27, U28)	
	P55541-01-U13	EA	COVER - MATTRESS/LEFT - 28" X 75" (U13, U14)	
	P55541-01-U15	EA	COVER - MATTRESS/LEFT - 28" X 75" (U15, U16)	
	P55541-01-T01	EA	COVER - MATTRESS/LEFT - 28" X 75" (U27, U28)	
4	155541-02-U13	EA	MATTRESS/CUSHION - RIGHT HAND W/RADIUS - 25" X 75" (U13, U14)	
	P55541-01-U15	EA	COVER - MATTRESS/LEFT - 28" X 75" (U15, U16)	
4	155541-02-T01	EA	MATTRESS/CUSHION - RIGHT HAND W/RADIUS - 25" X 75" (U27, U28)	
	P55541-02-U13	EA	COVER - MATTRESS/RIGHT W/RADIUS - 25" X 75" (U13, U14)	
	P55541-02-U15	EA	COVER - MATTRESS/RIGHT W/RADIUS - 25" X 75" (U15, U16)	
	P55541-02-T01	EA	COVER - MATTRESS/RIGHT W/RADIUS - 25" X 75" (U27, U28)	
5			SEA SOFA AREA	

CURTAIN & CUSHION GROUP (CONTINUED)
CUSHION LAYOUT (CONTINUED)

KEY	PART NUMBER	U/M	DESCRIPTION
6	150855-35-U13	EA	CUSHION - FILLER - DINETTE (U13, U14)
6	150855-38-U15	EA	CUSHION - FILLER - DINETTE (U15, U16)
6	150855-34-U27	EA	CUSHION - FILLER - DINETTE (U27, U28)
	P50855-35-U13	EA	COVER/CUSHION - FILLER - DINETTE (U13, U14)
	P50855-38-U15	EA	COVER/CUSHION - FILLER - DINETTE (U15, U16)
	P50855-34-U27	EA	COVER/CUSHION - FILLER - DINETTE (U27, U28)
7	153071-11-U13	EA	CUSHION/DINETTE - BACK/RH - 15.5" X 41" X 5" (U13, U14)
7	153071-13-U15	EA	CUSHION/DINETTE - BACK/RH - 15.5" X 41" X 5" (U15, U16)
7	153071-27-U27	EA	CUSHION/DINETTE - BACK/RH - 15.5" X 41" X 5" (U27, U28)
	P53071-11-U13	EA	COVER/BACK/RIGHT - 15.5" X 41" X 5" (U13, U14)
	P53071-13-U15	EA	COVER/BACK/RIGHT - 15.5" X 41" X 5" (U15, U16)
	P53071-27-U27	EA	COVER/BACK/RIGHT - 15.5" X 41" X 5" (U27, U28)
8	153071-12-U13	EA	CUSHION/DINETTE - BACK/LH - 15.5" X 41" X 5" (U13, U14)
8	153071-14-U15	EA	CUSHION/DINETTE - BACK/LH - 15.5" X 41" X 5" (U15, U16)
8	153071-28-U27	EA	CUSHION/DINETTE - BACK/LH - 15.5" X 41" X 5" (U27, U28)
	P53071-12-U13	EA	COVER/BACK/LEFT - 15.5" X 41" X 5" (U13, U14)
	P53071-14-U15	EA	COVER/BACK/LEFT - 15.5" X 41" X 5" (U15, U16)
	P53071-28-U27	EA	COVER/BACK/LEFT - 15.5" X 41" X 5" (U27, U28)
9	153073-03-U13	EA	CUSHION - SEAT - 23" X 41" X 5" (U13, U14)
9	153073-04-U15	EA	CUSHION - SEAT - 23" X 41" X 5" (U15, U16)
9	153073-08-U27	EA	CUSHION - SEAT - 23" X 41" X 5" (U27, U28)
	P53073-03-U13	EA	COVER/SEAT - 23" X 41" X 5" (U13, U14)
	P53073-04-U15	EA	COVER/SEAT - 23" X 41" X 5" (U15, U16)
	P53073-08-U27	EA	COVER/SEAT - 23" X 41" X 5" (U27, U28)

CURTAIN & CUSHION GROUP (CONTINUED)

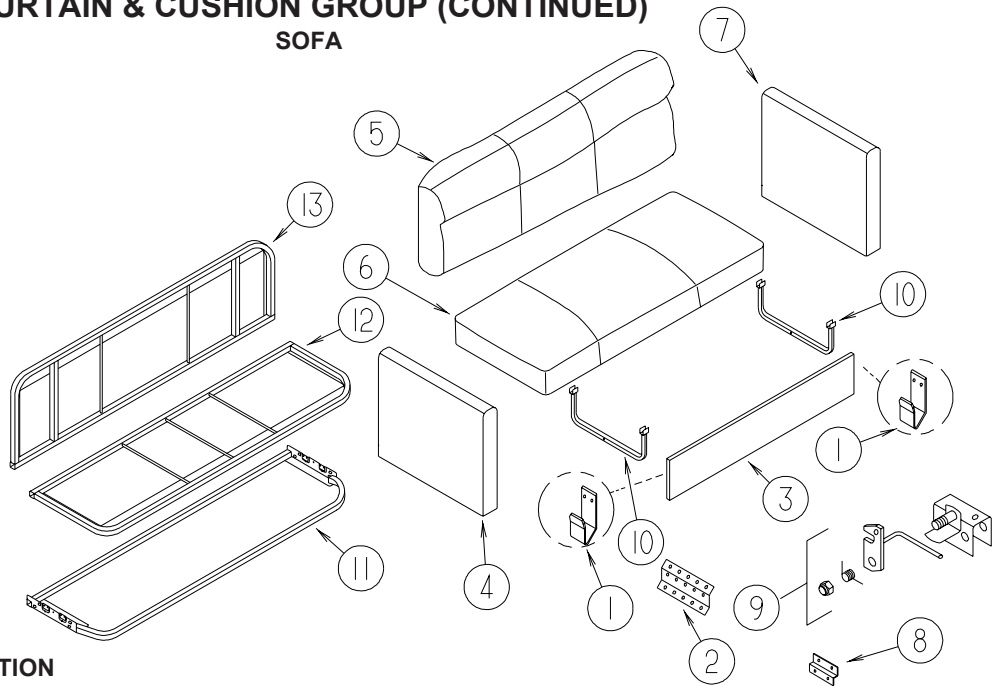
BUCKET SEATS



KEY	PART NUMBER	U/M	DESCRIPTION
1	153135-17-U13	EA	COVER - BACK (U13, U14)
1	153135-17-U15	EA	COVER - BACK (U15, U16)
1	153135-17-U27	EA	COVER - BACK (U27, U28)
1	153135-12-T01	EA	COVER - BACK - LEATHER - ULTRALEATHER
	153135-19-U13	EA	COVER - HEADREST (U13, U14)
	153135-19-U15	EA	COVER - HEADREST (U15, U16)
	153135-19-U27	EA	COVER - HEADREST (U27, U28)
	153135-14-T01	EA	COVER - HEADREST - LEATHER - ULTRALEATHER
2	NOT USED		
3	NOT USED		
4	NOT USED		
5	NOT USED		
6	NOT USED		
7	NOT USED		
8	NOT USED		
9	153135-18-U13	EA	COVER - SEAT (U13, U14)
9	153135-18-U15	EA	COVER - SEAT (U15, U16)
9	153135-18-U27	EA	COVER - SEAT (U27, U28)
9	153135-13-T01	EA	COVER - SEAT - LEATHER - ULTRALEATHER
10	153135-20-U13	EA	COVER - SKIRT - BACK FLAP (U13, U14)
10	153135-20-U15	EA	COVER - SKIRT - BACK FLAP (U15, U16)
10	153135-20-U27	EA	COVER - SKIRT - BACK FLAP (U27, U28)
10	153135-15-T01	EA	COVER - SKIRT - BACK FLAP - LEATHER - ULTRALEATHER
11	NOT USED		
12	NOT USED		
13	NOT USED		
14	NOT USED		
15	NOT USED		
16	NOT USED		
17	NOT USED		
18	NOT USED		
19	NOT USED		
20	NOT USED		
21	NOT USED		
22	NOT USED		
23	NOT USED		
24	NOT USED		

CURTAIN & CUSHION GROUP (CONTINUED)

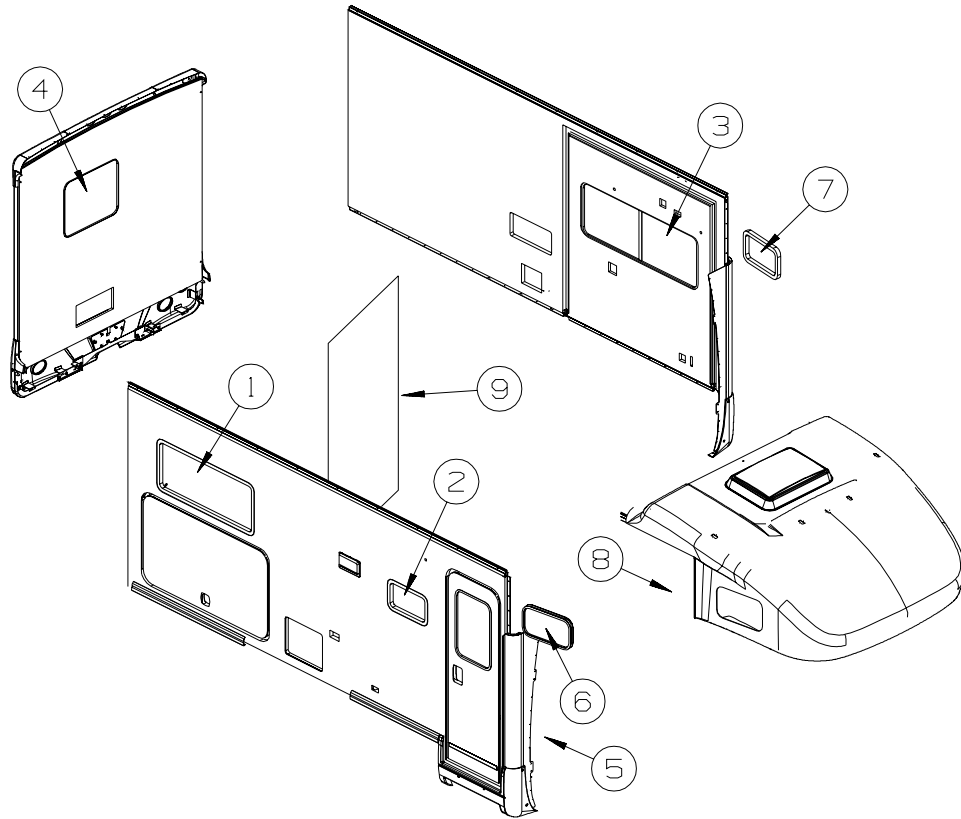
SOFA



KEY	PART NUMBER	U/M	DESCRIPTION
1	121906-01-02B	EA	BRACKET - KICKBOARD - E-COATED
2	116104-04-02B	EA	BRACKET - ZEE W/HOLES - 3.2" - E-COATED
3	155276-03-U13	EA	PANEL - FRONT KICK - SOFA/BED - FABRIC COVERED - 67.5" (U13, U14)
3	155276-02-U15	EA	PANEL - FRONT KICK - SOFA/BED - FABRIC COVERED (U15, U16)
3	155276-02-U27	EA	PANEL - FRONT KICK - SOFA/BED - FABRIC COVERED (U27, U28)
4	134282-09-U13	EA	PANEL - LEFT END/FILLER - SOFA/BED - FABRIC COVERED (U13, U14)
4	134282-34-U13	EA	PANEL/LEFT END/FILLER - SOFA/BED - FABRIC COVERED (U13, U14)
			FROM: 00-00-00 THRU: 05-29-06
4	134282-09-U15	EA	PANEL - LEFT END/FILLER - SOFA/BED - FABRIC COVERED (U15, U16)
4	134282-09-U27	EA	PANEL - LEFT END/FILLER - SOFA/BED - FABRIC COVERED (U27, U28)
5	153137-02-U13	EA	BACK - SOFA/BED - 67" (U13, U14)
5	153137-12-U13	EA	BACK - SOFA/BED - 67" (U13, U14)
			FROM: 00-00-00 THRU: 05-29-06
5	153137-03-U15	EA	BACK - SOFA/BED - 67" (U15, U16)
5	153137-02-U27	EA	BACK - SOFA/BED - 67" (U27, U28)
	153137-A2-U13	EA	COVER/BACK - SOFA/BED - 67" (U13, U14)
			FROM: 00-00-00 THRU: 05-29-06
	153137-B2-U13	EA	COVER/BACK - SOFA/BED - 67" (U13, U14)
			FROM: 05-30-06 THRU: 99-99-99
	153137-A3-U15	EA	COVER/BACK - SOFA/BED - 67" (U15, U16)
	153137-A2-U27	EA	COVER/BACK - SOFA/BED - 67" (U27, U28)
6	136278-22-U13	EA	SEAT - SOFA/BED - 67.5" (U13, U14)
			FROM: 00-00-00 THRU: 05-29-06
6	136278-25-U13	EA	SEAT - SOFA/BED - 67.5" (U13, U14)
			FROM: 05-30-06 THRU: 99-99-99
6	136278-23-U15	EA	SEAT - SOFA/BED - 67.5" (U15, U16)
6	136278-22-U27	EA	SEAT - SOFA/BED - 67.5" (U27, U28)
	P36278-22-U13	EA	COVER/SEAT - SOFA/BED - 67.5" (U13, U14)
			FROM: 00-00-00 THRU: 05-29-06
	P36278-25-U13	EA	COVER/SEAT - SOFA/BED - 67.5" (U13, U14)
			FROM: 05-30-06 THRU: 99-99-99
	P36278-23-U15	EA	COVER/SEAT - SOFA/BED - 67.5" (U15, U16)
	P36278-22-U27	EA	COVER/SEAT - SOFA/BED - 67.5" (U27, U28)
7	134282-08-U13	EA	PANEL - RIGHT END/FILLER - SOFA/BED - FABRIC COVERED (U13, U14)
			FROM: 00-00-00 THRU: 05-29-06
7	134282-33-U13	EA	PANEL/RIGHT END/FILLER - SOFA/BED - FABRIC COVERED (U13, U14)
			FROM: 05-30-06 THRU: 99-99-99
7	134282-08-U15	EA	PANEL - RIGHT END/FILLER - SOFA/BED - FABRIC COVERED (U15, U16)
7	134282-08-U27	EA	PANEL - RIGHT END/FILLER - SOFA/BED - FABRIC COVERED (U27, U28)
8	101926-01-02A	EA	BRACKET - ZEE - 2" - BLACK
9			NOT USED

CURTAIN & CUSHION GROUP (CONTINUED)
SOFA (CONTINUED)

KEY	PART NUMBER	U/M	DESCRIPTION
10	127335-07-000	EA	LEG - SOFA/BED - 8"
11	151290-20-000	EA	FRAME - BASE - 27.25" X 67.5"
12	151290-05-000	EA	FRAME - SEAT - 67.5"
13	127335-05-000	EA	FRAME/BASE - (BACK) - 67.5"



WINDOW TREATMENT

KEY	PART NUMBER	U/M	DESCRIPTION
1	140789-03-T12	EA	BLIND - DAY/NIGHTER - 51" X 27"
2	111861-26-01A	EA	BLIND - MINI - 23" X 16" - ALUMINUM
3	140789-81-U15	EA	BLIND - DAY/NIGHTER - 61" X 26.5"
4	140789-66-U15	EA	BLIND - DAY/NIGHTER - 30" X 28"
5	076892-35-U13	EA	CURTAIN - CAB PRIVACY - 47.5" X 74" (U13, U14)
5	076892-38-U15	EA	CURTAIN - CAB PRIVACY - 47.5" X 74" (U15, U16)
5	076892-38-U27	EA	CURTAIN - CAB PRIVACY - 47.5" X 74" (U27, U28)
6	101034-68-U13	EA	CURTAIN - PRIVACY/RIGHT HAND - 15" X 21" (U13, U14)
6	101034-75-U15	EA	CURTAIN - PRIVACY/RIGHT HAND - 15" X 21" (U15, U16)
6	101034-68-U27	EA	CURTAIN - PRIVACY/RIGHT HAND - 15" X 21" (U27, U28)
7	101034-69-U13	EA	CURTAIN - PRIVACY/LEFT HAND - 15" X 21" (U13, U14)
7	101034-76-U15	EA	CURTAIN - PRIVACY/LEFT HAND - 15" X 21" (U15, U16)
7	101034-69-U27	EA	CURTAIN - PRIVACY/LEFT HAND - 15" X 21" (U27, U28)
8	154002-01-U13	EA	CURTAIN - PRIVACY/BUNK/LINED - 30" X 87.5" (U13, U14)
8	154002-05-U15	EA	CURTAIN - PRIVACY/BUNK/LINED - 30" X 87.5" (U15, U16)
8	154002-01-U27	EA	CURTAIN - PRIVACY/BUNK/LINED - 30" X 87.5" (U27, U28)
9	101668-78-U13	EA	CURTAIN - TAPE TOP - 58" X 65" (U13, U14)
9	101668-82-U15	EA	CURTAIN - TAPE TOP - 58" X 65" (U15, U16)
9	101668-78-U27	EA	CURTAIN - TAPE TOP - 58" X 65" (U27, U28)
9	073260-23-U13	EA	TIEBACK - 3" X 18" (U13, U14)
9	073260-67-U15	EA	TIEBACK - 3" X 18" (U15, U16)
9	073260-23-U27	EA	TIEBACK - 3" X 18" (U27, U28)

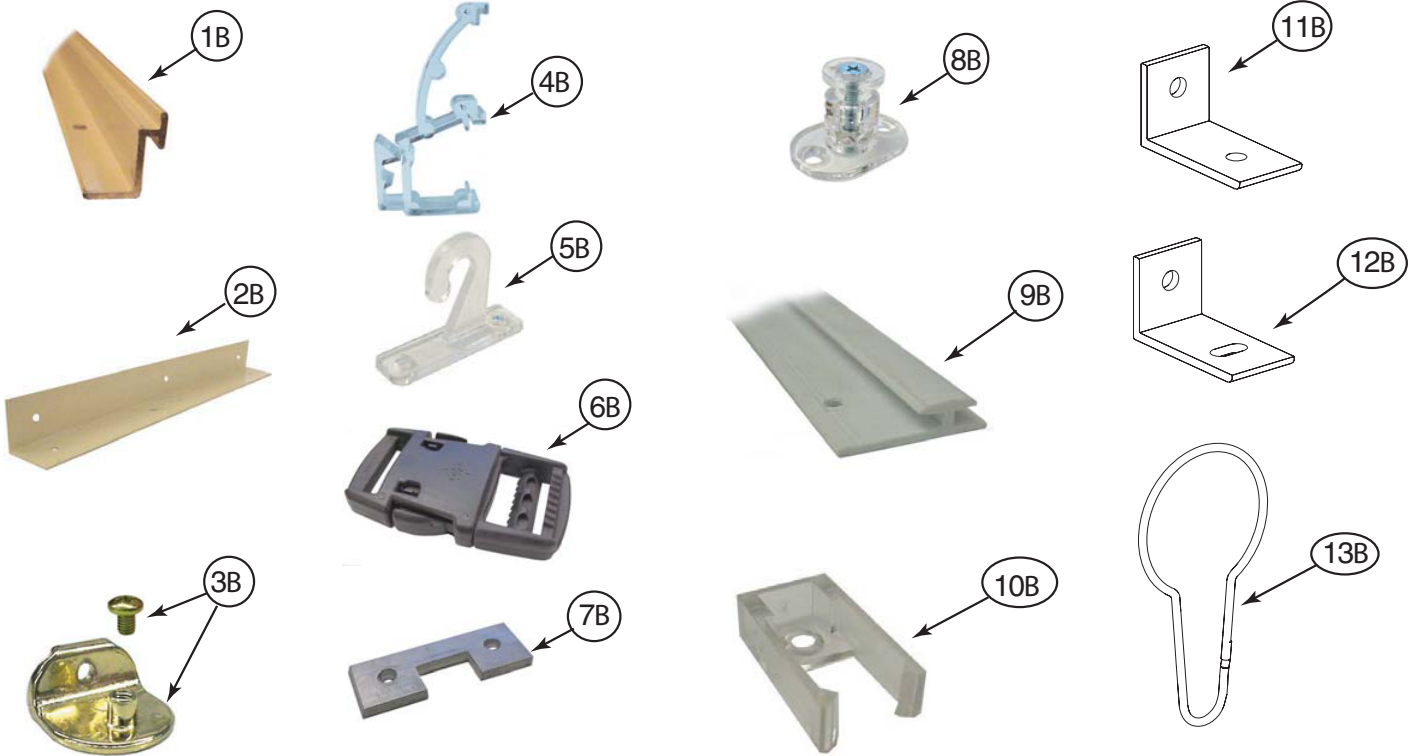
CURTAIN & CUSHION GROUP (CONTINUED)

HARDWARE



KEY	PART NUMBER	U/M	DESCRIPTION
1A	029155-01-000	EA	CAP - SNAP - 5/32" OUTSIDE DIAMETER OF PIN
2A	029156-01-000	EA	SOCKET - SNAP - 9/16" O.D.
3A	046867-02-000	EA	WASHER - HANDY BUTTON #3
4A	046867-03-000	EA	GROMMET - HANDY BUTTON #3
5A	075943-10-000	EA	BRACE - VALANCE - 20" - OFF WHITE
6A	083170-01-000	EA	BRACKET/BLIND - LEFT SIDE WHEN FACING WINDOW - CLEAR
7A	083170-02-000	EA	BRACKET/BLIND - RIGHT SIDE WHEN FACING WINDOW - CLEAR
8A	084434-01-000	EA	BRACKET - MOUNTING - ROLLER SHADE - 1 3/8"
9A	094896-02-000	EA	GROMMET - CORD/PLEATED BLIND - NYLON - GRAY
10A	094907-02-000	EA	END CAP - PLEATED BLIND/TOP - RH/LH - GRAY PLASTIC
11A	094907-04-000	EA	END CAP - PLEATED BLIND/BOTTOM - RH/LH
12A	094907-09-000	EA	END CAP/BLIND - CENTER RAIL - RH/LH
13A	097564-03-000	EA	HANDLE - KNOB - E-Z LIFT SHADE - TAN
	097593-02-000	FT	CORD - BLIND - PLEATED - GRAY
	097593-10-000	FT	CORD - BLIND - PLEATED - VANILLA
14A	097565-01-000	EA	BRACKET - MOUNTING - PLEATED BLIND
15A	097591-01-000	EA	SPRING - EXTENSION - PLEATED BLIND
15A	155748-01-000	EA	SPRING - EXTENSION - DAY/NIGHTER BLIND
16A	101031-01-000	YD	TAPE/GLIDE - 4.25" SPACING
17A	102555-03-000	EA	BRACKET - (CLEAT TYPE) - F/BLIND HOLDOWN - MILKY WHITE

CURTAIN & CUSHION GROUP (CONTINUED)
HARDWARE (CONTINUED)



KEY	PART NUMBER	U/M	DESCRIPTION
1B	105450-14-01A	EA	TRACK-90"-OW - FRT BUNK PRIVACY OUTLOOK/SPIRIT 300-SERIES, ACCESS/IMPULSE 200-SERIES
2B	105648-01-02A	EA	BRACE - VALANCE - 14" - OFF WHITE
2B	105648-02-02A	EA	BRACE - VALANCE - 8.5" - OFF WHITE
3B	106544-01-000	EA	PULL - SHADE/BRASS
3B	106544-01-001	EA	SCREW - SHADE/BRASS
3B	106544-02-000	EA	PULL-SHADE - NICKEL
4B	109353-04-000	EA	CLIP - VALANCE SLAT MOUNTING - CLEAR PLASTIC
5B	109441-01-000	EA	BRACKET/HOOK - BLIND HOLD DOWN
	109441-02-000	EA	SPACER/BRACKET - BLIND HOLD DOWN
6B	129491-01-000	EA	CATCH - SNAP HOOK - 1"
7B	130549-01-01A	EA	STOP - CURTAIN TRACK
8B	141634-01-000	EA	BRACKET-(BOBBIN TYPE) 7/8"H HOLDUPBASE(OVAL)-2 HOLE-CLEAR
9B	156172-01-01A	EA	TRACK/WALL - 75" - BONE
9B	156172-02-01A	EA	TRACK/WALL - 32" - BONE
9B	156172-03-01A	EA	TRACK/WALL - 21" - BONE
10B	156172-04-01A	EA	END CAP - WALL TRACK - CLEAR
11B	154316-01-01A	EA	BRACE/ANGLE - W/HOLE - CASHMERE
12B	154316-02-01A	EA	BRACE/ANGLE - W/SLOT - CASHMERE
13B	159702-01-01A	EA	HOOK/RING - CURTAIN/SHOWER - NICKEL

ACCESSORIES

KEY	PART NUMBER	U/M	DESCRIPTION
	070578-20-T03	EA	BUTTON - #30 - SCREW/STUD - FABRIC COVERED (U13, U14)
	070578-20-U15	EA	BUTTON - #30 - SCREW/STUD - FABRIC COVERED (U15, U16)
	070578-20-U27	EA	BUTTON - #30 - SCREW/STUD - FABRIC COVERED (U27, U28)
	156132-01-T01	EA	COVER/SLEEVE - SUNVISOR - VINYL
	118337-19-U13	EA	BUTTON - #36 W/TACK (U13, U14)
	118337-19-U15	EA	BUTTON - #36 W/TACK (U15, U16)
	118337-19-U27	EA	BUTTON - #36 W/TACK (U27, U28)

CURTAIN & CUSHION GROUP (CONTINUED)

FABRICS

U13, U14

113979-09-01A CARPET HEADLINER (102") - CEILING FABRIC
113979-10-01A CARPET HEADLINER (21.5) - CEILING FABRIC
113979-11-01A CARPET HEADLINER - SLIDEOUT (30") - CEILING FABRIC
113979-16-01A CARPET HEADLINER - SLIDEOUT (52") - CEILING FABRIC
087272-03-000 FABRIC-DRAPERY, MAIN
142523-16-000 FABRIC-UPHOSTERY,ACCEN PLAIN, "B"
142523-16-000 FABRIC-UPHL,SEAT INSERT
148797-48-000 FABRIC-HEADLINER/PADS/BUNKS, TRANS PANELS
148797-48-000 FABRIC-O/H CABT,DIN/LOUNGE
148797-48-000 FABRIC-INSERT S/O TRIM FRONT, SLIDEOUT TRIM
148797-U4-000 FABRIC-UPHOSTERY MAIN ONE
148797-U4-000 FABRIC-UPHOSTERY,BEDSPREA, PATTERN ACCENT
148797-U5-000 FABRIC-UPHLSTRY,PLAIN ACCENT
148797-U6-000 FABRIC-UPHOSTERY,BEDSPREAD, MAIN
148797-U6-000 FABRIC-UPHLSTRY,2ND PATTERN, ACCENT
148797-U0-000 FABRIC-SLEEPER DECK
148797-U0-000 FABRIC-UPHOLSTERY ACCENT, PATTERN

U15, U16

113979-09-01A CARPET HEADLINER (102") - CEILING FABRIC
113979-10-01A CARPET HEADLINER (21.5) - CEILING FABRIC
113979-11-01A CARPET HEADLINER - SLIDEOUT (30") - CEILING FABRIC
113979-16-01A CARPET HEADLINER - SLIDEOUT (52") - CEILING FABRIC
087272-03-000 FABRIC-DRAPERY, MAIN
142523-16-000 FABRIC-UPHOSTERY,ACCEN PLAIN, "B"
142523-16-000 FABRIC-UPHL,SEAT INSERT
148797-U7-000 FABRIC-UPHOSTERY MAIN ONE, MAIN
148797-U7-000 FABRIC-UPHOSTERY,BEDSPREAD, PATTERN ACCENT
148797-U8-000 FABRIC-UPHLSTRY,PLAIN ACCENT
148797-U8-000 FABRIC-UPHLSTRY,2ND PATTERN, ACCENT
148797-U9-000 FABRIC-UPHOLSTERY ACCENT, PATTERN
148797-U9-000 FABRIC-O/H CABT,DIN/LOUNGE
148797-U9-000 FABRIC-HEADLINER/PADS/BUNKS, TRANS PANELS
156773-10-000 FABRIC-UPHOSTERY,BEDSPREAD, MAIN
148797-U9-000 FABRIC-INSERT S/O TRIM FRONT, SLIDEOUT TRIM
156773-10-000 FABRIC-SLEEPER DECK

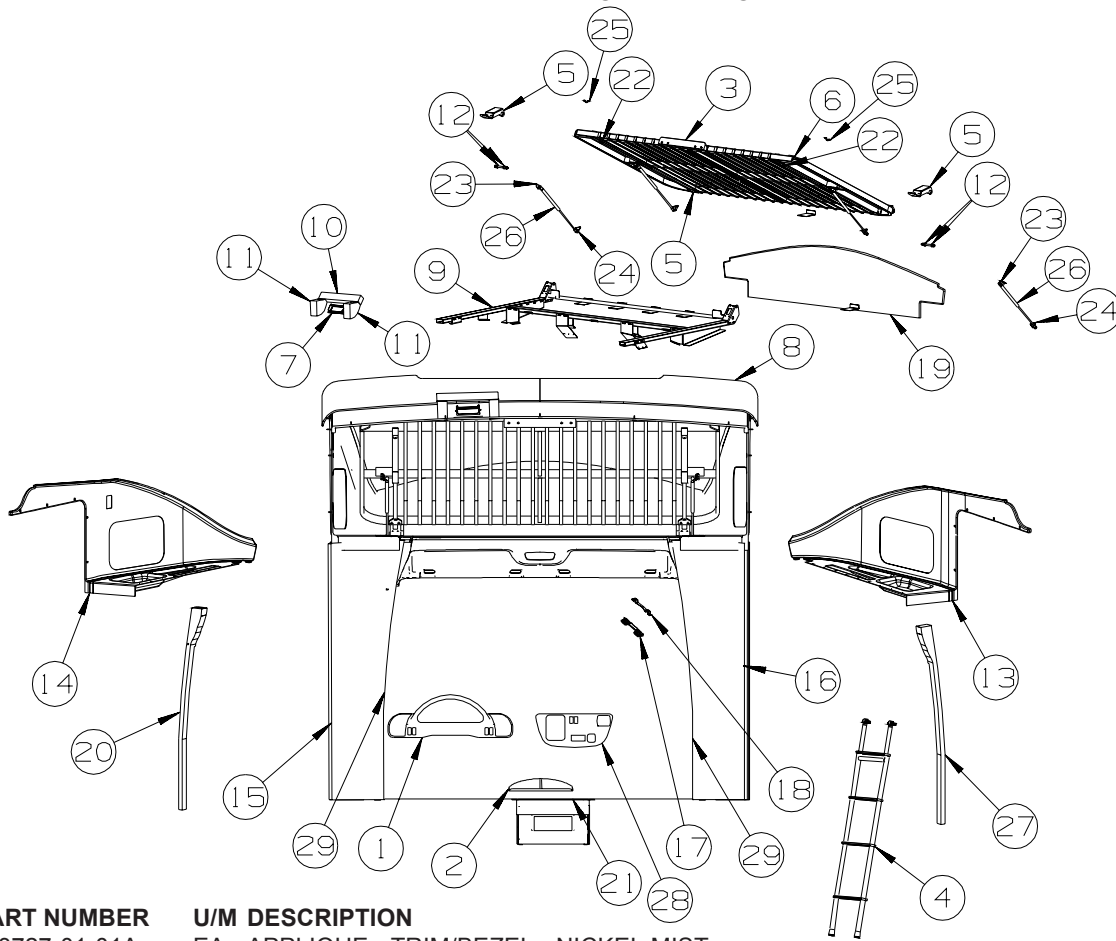
U27, U28

113979-09-01A CARPET HEADLINER (102") - CEILING FABRIC
113979-10-01A CARPET HEADLINER (21.5) - CEILING FABRIC
113979-11-01A CARPET HEADLINER - SLIDEOUT (30") - CEILING FABRIC
113979-16-01A CARPET HEADLINER - SLIDEOUT (52") - CEILING FABRIC
087272-03-000 FABRIC-DRAPERY, MAIN
137813-F8-000 FABRIC-UPHOSTERY,BEDSPREAD, MAIN
137813-58-000 FABRIC-HEADLINER/PADS/BUNKS, TRANS PANELS
142523-16-000 FABRIC-UPHOSTERY,ACCEN PLAIN, "B"
142523-16-000 FABRIC-UPHL,SEAT INSERT
148797-57-000 FABRIC-UPHOSTERY MAIN ONE, MAIN
148797-57-000 FABRIC-SLEEPER DECK
148797-58-000 FABRIC-UPHOLSTERY ACCENT, PATTERN
148797-58-000 FABRIC-UPHOSTERY,BEDSPREAD, PATTERN ACCENT
148797-M2-000 FABRIC-UPHLSTRY,PLAIN ACCENT
148797-M2-000 FABRIC-UPHLSTRY,2ND PATTERN, ACCENT
148797-M2-000 FABRIC-O/H CABT,DIN/LOUNGE
148797-M2-000 FABRIC-INSERT S/O TRIM FRONT, SLIDEOUT TRIM

DRIVERS COMPARTMENT GROUP

FRONT INTERIOR

523B
523J



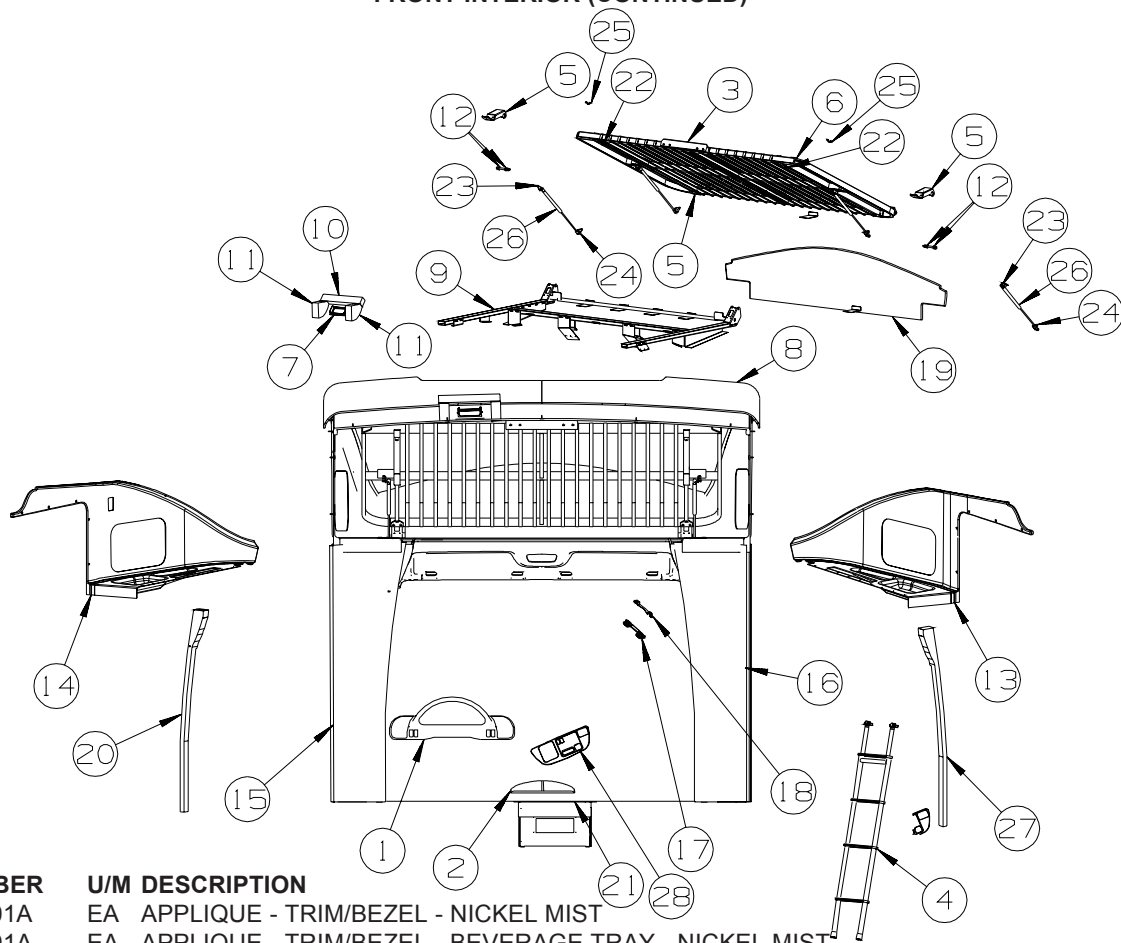
KEY	PART NUMBER	U/M	DESCRIPTION
1	153727-01-01A	EA	APPLIQUE - TRIM/BEZEL - NICKEL MIST
2	153727-02-01A	EA	APPLIQUE - TRIM/BEZEL - BEVERAGE TRAY - NICKEL MIST
3	094658-04-T25	EA	HANDLE - BUNK - 1.1" X 2" X 14.9" - WASHED MAPLE
3	094658-04-T02	EA	HANDLE - BUNK - 1.1" X 2" X 14.2" - HONEY CHERRY
4	106025-04-01A	EA	LADDER - BUNK - 58.1" - BLACK
4	106025-06-01A	EA	LADDER - BUNK - 58.6" - BLACK
5	151554-01-02B	EA	FRAME - SLEEPER HINGE - E-COATED
6	151565-01-T01	EA	FRAME - SLEEPER/BUNK
7	135803-03-01A	EA	LOUVER - A/C - OPEN FRAME
8	151553-01-12A	EA	PANEL/TRIM - CEILING CONTOUR - OFF WHITE
9	151564-01-02B	EA	SUPPORT - SLEEPER - E-COATED
10	151838-02-02A	EA	FOAM - LPE, DUCT
11	151838-03-02A	EA	FOAM - LPE, DUCT
12	151839-01-01A	EA	BEARING/FLANGED - 3/8" TO 7/8" X 1/2" DEEP - BRONZE
13	152206-01-T01	EA	PANEL/TRIM - BUNK/RIGHT HAND
	152205-01-12A	EA	PANEL/TRIM - BUNK/RIGHT HAND - OFF WHITE
14	152206-02-T01	EA	PANEL/TRIM - BUNK/LEFT HAND
	152205-02-12A	EA	PANEL/TRIM - BUNK/LEFT HAND - OFF WHITE
15	153323-01-T03	EA	PANEL/TRANSITION - INNER - LEFT HAND (U13, U14)
			FROM: 00-00-00 THRU: 05-14-06
15	153323-01-U13	EA	PANEL/TRANSITION - INNER - LEFT HAND (U13, U14)
			FROM: 05-15-06 THRU: 99-99-99
15	153323-01-U15	EA	PANEL/TRANSITION - INNER - LEFT HAND (U15, U16)
15	153323-01-U27	EA	PANEL/TRANSITION - INNER - LEFT HAND (U27, U28)
16	153323-02-T03	EA	PANEL/TRANSITION - INNER - RIGHT HAND (U13, U14)
			FROM: 00-00-00 THRU: 05-14-06
16	153323-02-U13	EA	PANEL/TRANSITION - INNER - RIGHT HAND (U13, U14)
			FROM: 05-15-06
16	153323-02-U15	EA	PANEL/TRANSITION - INNER - RIGHT HAND (U15, U16)
16	153323-02-U27	EA	PANEL/TRANSITION - INNER - RIGHT HAND (U27, U28)
17	153628-01-01A	EA	HANDLE - ASSIST/PASSENGER - W/O BRACKET - GRAY
18	153628-02-01A	EA	BRACKET - ASSIST HANDLE - GRAY

DRIVERS COMPARTMENT GROUP (CONTINUED)
FRONT INTERIOR (CONTINUED)

KEY	PART NUMBER	U/M	DESCRIPTION
19	153631-01-T01	EA	PANEL/OVERHEAD - FRONT
	128131-01-01A	EA	SPACER/SWITCH - DOME - BLACK
20	156188-01-T03	EA	PANEL/TRANSITION - FABRIC WRAPPED (U13, U14) FROM: 00-00-00 THRU: 05-14-06
20	156188-01-U13	EA	PANEL/TRANSITION - FABRIC WRAPPED (U13, U14) FROM: 05-15-06 THRU: 99-99-99
20	156188-01-U15	EA	PANEL/TRANSITION - FABRIC WRAPPED (U15, U16)
20	156188-01-U27	EA	PANEL/TRANSITION - FABRIC WRAPPED (U27, U28)
21	115870-01-000	FT	SEAL/EDGE - TRIM
22	120863-06-000	EA	BUMPER - RUBBER/RADIUS TOP - 3/4" X 3/8" - LT GRAY FROM: 00-00-00 THRU: 03-07-06
22	120863-09-000	EA	BUMPER - RUBBER/RADIUS TOP - 3/4" X 3/8" - LT GRAY FROM: 03-08-06 THRU: 04-16-06
22	120863-05-000	EA	BUMPER - RUBBER/RADIUS TOP - 3/4" X 3/8" FROM: 04-17-06 THRU: 99-99-99
23	126263-02-02B	EA	BRACKET - GAS SPRING W/BALL STUD - E-COATED
24	126263-15-02B	EA	BRACKET - GAS SPRING W/BALL STUD - E-COATED
25	127960-01-01A	EA	RETAINER - EYE - 3/8" - STAINLESS STEEL
26	142569-14-000	EA	SPRING/GAS - 100 LB - 20" EXTENDED/12" COMPRESSED
27	156188-02-T03	EA	PANEL/TRANSITION - FABRIC WRAPPED (U13, U14) FROM: 00-00-00 THRU: 05-14-06
27	156188-02-U13	EA	PANEL/TRANSITION - FABRIC WRAPPED (U13, U14) FROM: 05-15-06 THRU: 99-99-99
27	156188-02-U15	EA	PANEL/TRANSITION - FABRIC WRAPPED (U15, U16)
27	156188-02-U27	EA	PANEL/TRANSITION - FABRIC WRAPPED (U27, U28)
28	153727-03-01A	EA	APPLIQUE - SHIFTER BEZEL - BRUSHED ALUMINUM
29	105290-01-000	SF	INSULATION - AIR POCKET W/FOIL - 4' WIDE

DRIVERS COMPARTMENT GROUP (CONTINUED)
FRONT INTERIOR (CONTINUED)

523H

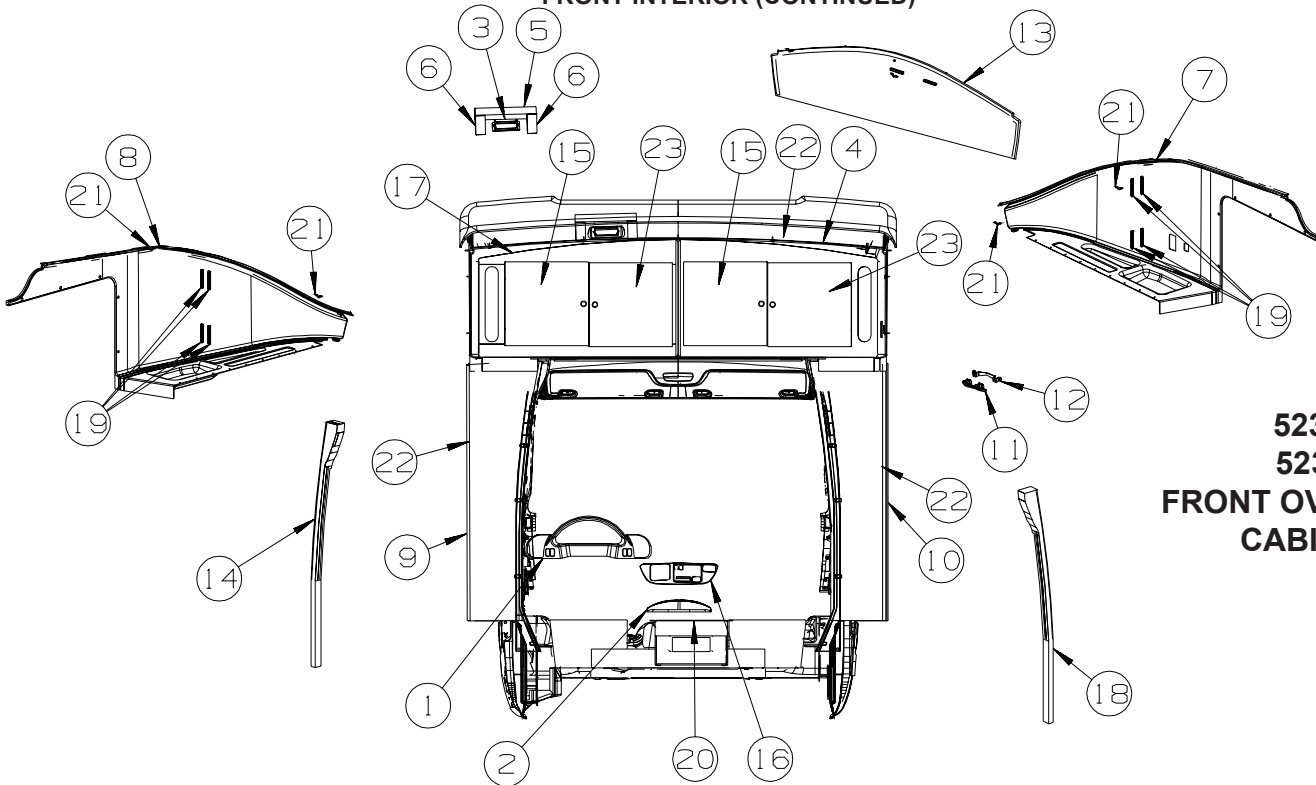


KEY	PART NUMBER	U/M	DESCRIPTION
1	153727-01-01A	EA	APPLIQUE - TRIM/BEZEL - NICKEL MIST
2	153727-02-01A	EA	APPLIQUE - TRIM/BEZEL - BEVERAGE TRAY - NICKEL MIST
3	094658-04-T25	EA	HANDLE - BUNK - 1.1" X 2" X 14.9" - WASHED MAPLE
3	094658-04-T02	EA	HANDLE - BUNK - 1.1" X 2" X 14.2" - HONEY CHERRY
4	106025-04-01A	EA	LADDER - BUNK - 58.1" - BLACK
4	106025-06-01A	EA	LADDER - BUNK - 58.6" - BLACK
			FROM: 00-00-00 THRU: 09-10-06
			FROM: 09-11-06 THRU: 99-99-99
5	151554-01-02B	EA	FRAME - SLEEPER HINGE - E-COATED
6	151565-01-T01	EA	FRAME - SLEEPER/BUNK
7	135803-03-01A	EA	LOUVER - A/C - OPEN FRAME
8	151553-01-12A	EA	PANEL/TRIM - CEILING CONTOUR - OFF WHITE
9	151564-01-02B	EA	SUPPORT - SLEEPER - E-COATED
10	151838-02-02A	EA	FOAM - LPE, DUCT
11	151838-03-02A	EA	FOAM - LPE, DUCT
12	151839-01-01A	EA	BEARING/FLANGED - 3/8" TO 7/8" X 1/2" DEEP - BRONZE
13	152206-01-T01	EA	PANEL/TRIM - BUNK/RIGHT HAND
	152205-01-12A	EA	PANEL/TRIM - BUNK/RIGHT HAND - OFF WHITE
14	152206-02-T01	EA	PANEL/TRIM - BUNK/LEFT HAND
	152205-02-12A	EA	PANEL/TRIM - BUNK/LEFT HAND - OFF WHITE
15	153323-01-T03	EA	PANEL/TRANSITION - INNER - LEFT HAND (U13, U14)
			FROM: 00-00-00 THRU: 05-14-06
15	153323-01-U13	EA	PANEL/TRANSITION - INNER - LEFT HAND (U13, U14)
			FROM: 05-15-06 THRU: 99-99-99
15	153323-01-U15	EA	PANEL/TRANSITION - INNER - LEFT HAND (U15, U16)
15	153323-01-U27	EA	PANEL/TRANSITION - INNER - LEFT HAND (U27, U28)
16	153323-02-T03	EA	PANEL/TRANSITION - INNER - RIGHT HAND (U13, U14)
			FROM: 00-00-00 THRU: 05-14-06
16	153323-02-U13	EA	PANEL/TRANSITION - INNER - RIGHT HAND (U13, U14)
			FROM: 05-15-06
16	153323-02-U15	EA	PANEL/TRANSITION - INNER - RIGHT HAND (U15, U16)
16	153323-02-U27	EA	PANEL/TRANSITION - INNER - RIGHT HAND (U27, U28)
17	153628-01-01A	EA	HANDLE - ASSIST/PASSENGER - W/O BRACKET - GRAY
18	153628-02-01A	EA	BRACKET - ASSIST HANDLE - GRAY

DRIVERS COMPARTMENT GROUP (CONTINUED)
FRONT INTERIOR (CONTINUED)

KEY	PART NUMBER	U/M	DESCRIPTION
19	153631-01-T01	EA	PANEL/OVERHEAD - FRONT
20	156188-01-T03	EA	PANEL/TRANSITION - FABRIC WRAPPED (U13, U14) FROM: 00-00-00 THRU: 05-14-06
20	156188-01-U13	EA	PANEL/TRANSITION - FABRIC WRAPPED (U13, U14) FROM: 05-15-06 THRU: 99-99-99
20	156188-01-U15	EA	PANEL/TRANSITION - FABRIC WRAPPED (U15, U16)
21	156188-01-U27	EA	PANEL/TRANSITION - FABRIC WRAPPED (U27, U28)
21	115870-01-000	FT	SEAL/EDGE - TRIM
22	120863-09-000	EA	BUMPER - RUBBER/RADIUS TOP - 3/4" X 3/8" - LT GRAY FROM: 00-00-00 THRU: 04-16-06
22	120863-05-000	EA	BUMPER - RUBBER/RADIUS TOP - 3/4" X 3/8" FROM: 04-17-06 THRU: 99-99-99
23	126263-02-02B	EA	BRACKET - GAS SPRING W/BALL STUD - E-COATED
24	126263-15-02B	EA	BRACKET - GAS SPRING W/BALL STUD - E-COATED
25	127960-01-01A	EA	RETAINER - EYE - 3/8" - STAINLESS STEEL
26	142569-14-000	EA	SPRING/GAS - 100 LB - 20" EXTENDED/12" COMPRESSED
27	156188-02-T03	EA	PANEL/TRANSITION - FABRIC WRAPPED (U13, U14) FROM: 00-00-00 THRU: 05-14-06
27	156188-02-U13	EA	PANEL/TRANSITION - FABRIC WRAPPED (U13, U14) FROM: 05-15-06 THRU: 99-99-99
27	156188-02-U15	EA	PANEL/TRANSITION - FABRIC WRAPPED (U15, U16)
27	156188-02-U27	EA	PANEL/TRANSITION - FABRIC WRAPPED (U27, U28)
28	105290-01-000	SF	INSULATION - AIR POCKET W/FOIL - 4' WIDE

DRIVERS COMPARTMENT GROUP (CONTINUED)
FRONT INTERIOR (CONTINUED)



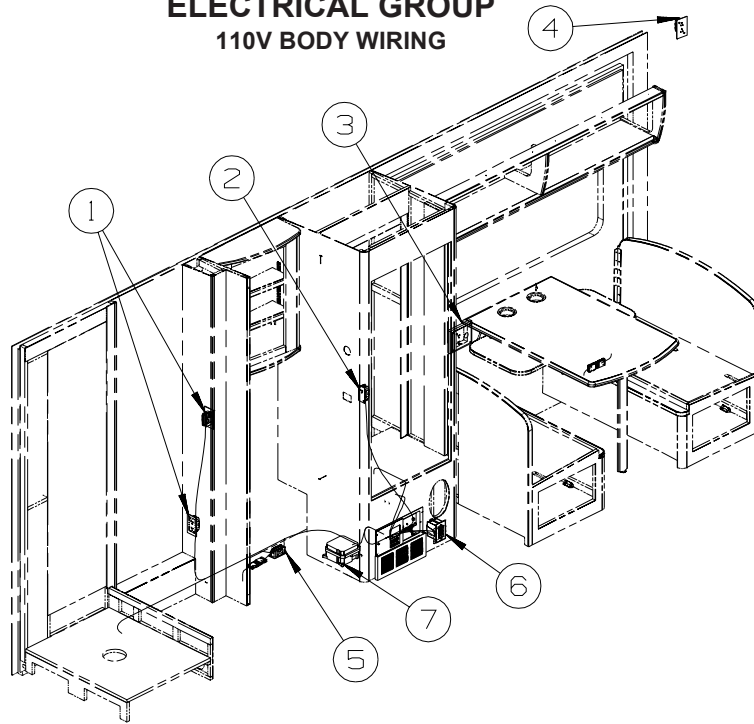
523B
523J
FRONT OVERHEAD
CABINET

KEY	PART NUMBER	U/M	DESCRIPTION
1	153727-01-01A	EA	APPLIQUE - TRIM/BEZEL - NICKEL MIST
2	153727-02-01A	EA	APPLIQUE - TRIM/BEZEL - BEVERAGE TRAY - NICKEL MIST
3	135803-03-01A	EA	LOUVER - A/C - OPEN FRAME
4	151553-01-12A	EA	PANEL/TRIM - CEILING CONTOUR - OFF WHITE
5	151838-02-02A	EA	FOAM - LPE, DUCT
6	151838-03-02A	EA	FOAM - LPE, DUCT
7	152206-05-T01	EA	PANEL/TRIM - BUNK/RIGHT HAND
8	152205-03-12A	EA	PANEL/TRIM - BUNK/RIGHT HAND - OFF WHITE
8	152206-06-T01	EA	PANEL/TRIM - BUNK/LEFT HAND
8	152205-04-12A	EA	PANEL/TRIM - BUNK/LEFT HAND - OFF WHITE
9	153323-01-T03	EA	PANEL/TRANSITION - INNER - LEFT HAND (U13, U14)
			FROM: 00-00-00 THRU: 05-14-06
9	153323-01-U13	EA	PANEL/TRANSITION - INNER - LEFT HAND (U13, U14)
			FROM: 05-15-06 THRU: 99-99-99
9	153323-01-U15	EA	PANEL/TRANSITION - INNER - LEFT HAND (U15, U16)
9	153323-01-U27	EA	PANEL/TRANSITION - INNER - LEFT HAND (U27, U28)
10	153323-02-T03	EA	PANEL/TRANSITION - INNER - RIGHT HAND (U13, U14)
			FROM: 00-00-00 THRU: 05-14-06
10	153323-02-U13	EA	PANEL/TRANSITION - INNER - RIGHT HAND (U13, U14)
			FROM: 05-15-06
10	153323-02-U15	EA	PANEL/TRANSITION - INNER - RIGHT HAND (U15, U16)
10	153323-02-U27	EA	PANEL/TRANSITION - INNER - RIGHT HAND (U27, U28)
11	153628-01-01A	EA	HANDLE - ASSIST/PASSENGER - W/O BRACKET - GRAY
12	153628-02-01A	EA	BRACKET - ASSIST HANDLE - GRAY
13	153631-02-T01	EA	PANEL/OVERHEAD - FRONT
14	156188-02-T03	EA	PANEL/TRANSITION - FABRIC WRAPPED (U13, U14)
			FROM: 00-00-00 THRU: 05-14-06
14	156188-02-U13	EA	PANEL/TRANSITION - FABRIC WRAPPED (U13, U14)
			FROM: 05-15-06 THRU: 99-99-99
14	156188-02-U15	EA	PANEL/TRANSITION - FABRIC WRAPPED (U15, U16)
14	156188-02-U27	EA	PANEL/TRANSITION - FABRIC WRAPPED (U27, U28)

DRIVERS COMPARTMENT GROUP (CONTINUED)
FRONT INTERIOR (CONTINUED)

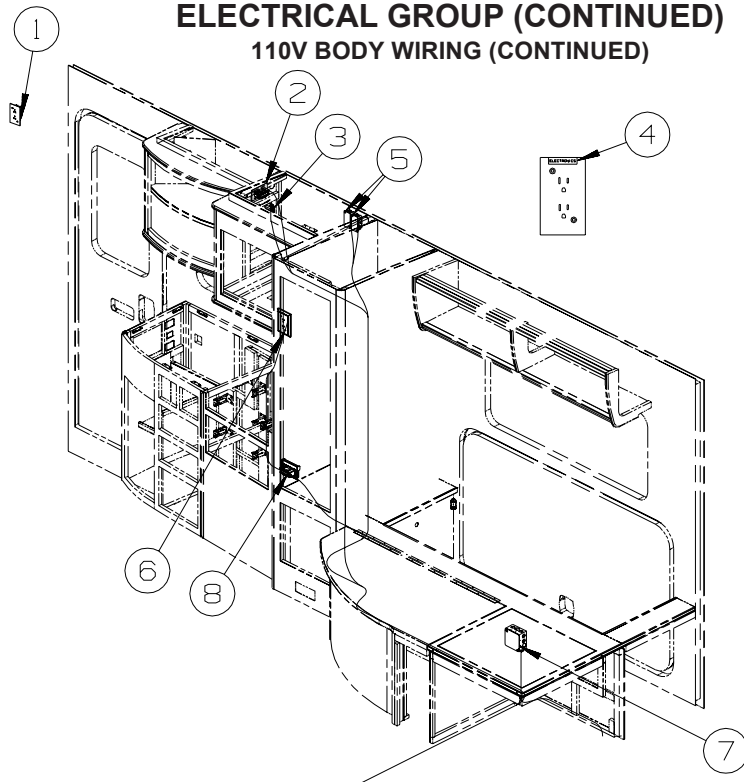
KEY	PART NUMBER	U/M	DESCRIPTION
15	155015-02-T01	EA	DOOR - CURVED - LH HAND - 17.7" X 17.7" - W/O HDW FROM: 00-00-00 THRU: 02-05-06
15	159216-07-T01	EA	DOOR - FLAT/SQUARE EDGE - 17.7" X 17.7" - W/O HDW - WASHED MAPLE FROM: 02-06-06 THRU: 99-99-99
15	155015-02-T01	EA	DOOR - CURVED - LH HAND - 17.7" X 17.7" - W/O HDW FROM: 00-00-00 THRU: 02-05-06
15	159216-07-T02	EA	DOOR - FLAT/SQUARE EDGE - 17.7" X 17.7" - W/O HDW - HONEY CHERRY FROM: 02-06-06 THRU: 99-99-99
16	153727-03-01A	EA	APPLIQUE - SHIFTER BEZEL - BRUSHED ALUMINUM
17	155050-01-U17	EA	CABINET/FACE - OVERHEAD/FRONT - W/INSERTS - WASHED MAPLE FROM: 00-00-00 THRU: 02-05-06
17	159344-01-T01	EA	CABINET/FACE - OVERHEAD/FRONT - W/INSERTS/WELT - WASHED MAPLE FROM: 02-06-06 THRU: 99-99-99
17	155050-01-U18	EA	CABINET/FACE - OVERHEAD/FRONT - W/INSERTS/WELT - HONEY CHERRY FROM: 00-00-00 THRU: 02-05-06
17	159344-01-T02	EA	CABINET/FACE - OVERHEAD/FRONT - W/INSERTS/WELT - HONEY CHERRY FROM: 02-06-06 THRU: 99-99-99
18	156188-02-T03	EA	PANEL/TRANSITION - FABRIC WRAPPED (U13, U14) FROM: 00-00-00 THRU: 05-14-06
18	156188-02-U13	EA	PANEL/TRANSITION - FABRIC WRAPPED (U13, U14) FROM: 05-15-06 THRU: 99-99-99
18	156188-02-U15	EA	PANEL/TRANSITION - FABRIC WRAPPED (U15, U16)
18	156188-02-U27	EA	PANEL/TRANSITION - FABRIC WRAPPED (U27, U28)
19	146514-04-000	EA	CHANNEL/MOUNT - F/ROPE LIGHT
20	115870-01-000	FT	SEAL/EDGE - TRIM
21	127960-01-01A	EA	RETAINER - EYE - 3/8" - STAINLESS STEEL
22	105290-01-000	SF	INSULATION - AIR POCKET W/FOIL - 4' WIDE
23	155015-01-T01	EA	DOOR - CURVED - RH HAND - 17.7" X 17.7" - W/O HDW - WASHED MAPLE FROM: 00-00-00 THRU: 02-05-06
23	159216-07-T01	EA	DOOR - FLAT/SQUARE EDGE - 17.7" X 17.7" - W/O HDW - WASHED MAPLE FROM: 02-06-06 THRU: 99-99-99
23	155015-01-T02	EA	DOOR - CURVED - RH HAND - 17.7" X 17.7" - W/O HDW - HONEY CHERRY FROM: 00-00-00 THRU: 02-05-06
23	159216-07-T02	EA	DOOR - FLAT/SQUARE EDGE - 17.7" X 17.7" - W/O HDW - HONEY CHERRY FROM: 02-06-06 THRU: 99-99-99

ELECTRICAL GROUP 110V BODY WIRING



KEY	PART NUMBER	U/M	DESCRIPTION
1	058708-06-000	EA	RECEPTACLE - DUPLEX - WHITE
1	058708-01-000	EA	RECEPTACLE - ELECTRIC - DOUBLE - BROWN
2	058707-01-000	EA	RECEPTACLE - ELECTRIC - SINGLE - BROWN
3	058708-06-000	EA	RECEPTACLE - DUPLEX - WHITE
3	058708-01-000	EA	RECEPTACLE - ELECTRIC - DOUBLE - BROWN
3	133713-04-21A	EA	SPACER/RECEPTACLE - VINYL - WASHED MAPLE
3	133713-04-23A	EA	SPACER/RECEPTACLE - VINYL - HONEY CHERRY
4	058708-06-000	EA	RECEPTACLE - DUPLEX - WHITE - BUNK FRONT OVERHEAD-SINGLE
4	058708-01-000	EA	RECEPTACLE - ELECTRIC - DOUBLE - BROWN - BUNK FRONT OVERHEAD-SINGLE
5	058707-02-000	EA	RECEPTACLE - BLANK - JUNCTION BOX
6	147446-01-02A	EA	RECEPTACLE - GFCI - 15A 125V - BROWN
			FROM: 00-00-00 THRU: 12-20-06
6	163319-01-02A	EA	RECEPTACLE - GFCI - 15A 125V - BROWN
			FROM: 12-21-06 THRU: 99-99-99
7	136481-01-000	EA	MODULE - AUTO ENERGY SELECTOR

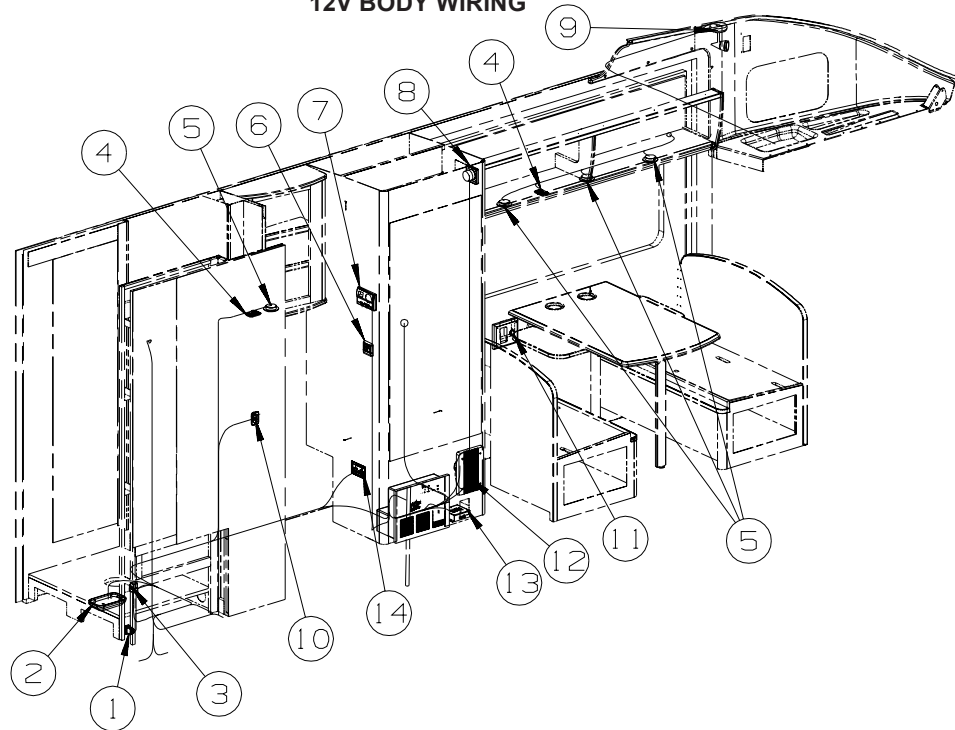
ELECTRICAL GROUP (CONTINUED)
110V BODY WIRING (CONTINUED)



KEY	PART NUMBER	U/M	DESCRIPTION
1	058708-06-000	EA	RECEPTACLE - DUPLEX - WHITE - CABINET, FRONT CAB OVERHEAD
1	058708-01-000	EA	RECEPTACLE - ELECTRIC - DOUBLE - BROWN - CABINET, FRONT CAB OVERHEAD
2	058708-05-000	EA	RECEPTACLE - ELECTRIC - SINGLE - BROWN
2	160984-01-01A	EA	RECEPTACLE - ELECTRICAL - SINGLE/FLUSH - 20 AMP - BROWN - CANADIAN
3	058708-06-000	EA	RECEPTACLE - DUPLEX - WHITE
3	058708-01-000	EA	RECEPTACLE - ELECTRIC - DOUBLE - BROWN
4	158542-02-01A	EA	LABEL - RECEPTACLE - ELECTRONICS - WHITE/BLACK - CANADIAN
5	058707-02-000	EA	RECEPTACLE - BLANK - JUNCTION BOX
6	058708-06-000	EA	RECEPTACLE - DUPLEX - WHITE
6	058708-01-000	EA	RECEPTACLE - ELECTRIC - DOUBLE - BROWN
6	133713-01-21A	EA	SPACER/RECEPTACLE - VINYL - WASHED MAPLE
6	133713-01-23A	EA	SPACER/RECEPTACLE - VINYL - HONEY CHERRY
7	008289-01-000	EA	BOX - ELECTRIC/STEEL - 4" X 4" - 1/2" & 3/4" KNOCKOUTS
8	131826-01-01A	EA	RECEPTACLE - EXTERIOR - W/COVER/GASKET - WHITE

ELECTRICAL GROUP (CONTINUED)

12V BODY WIRING

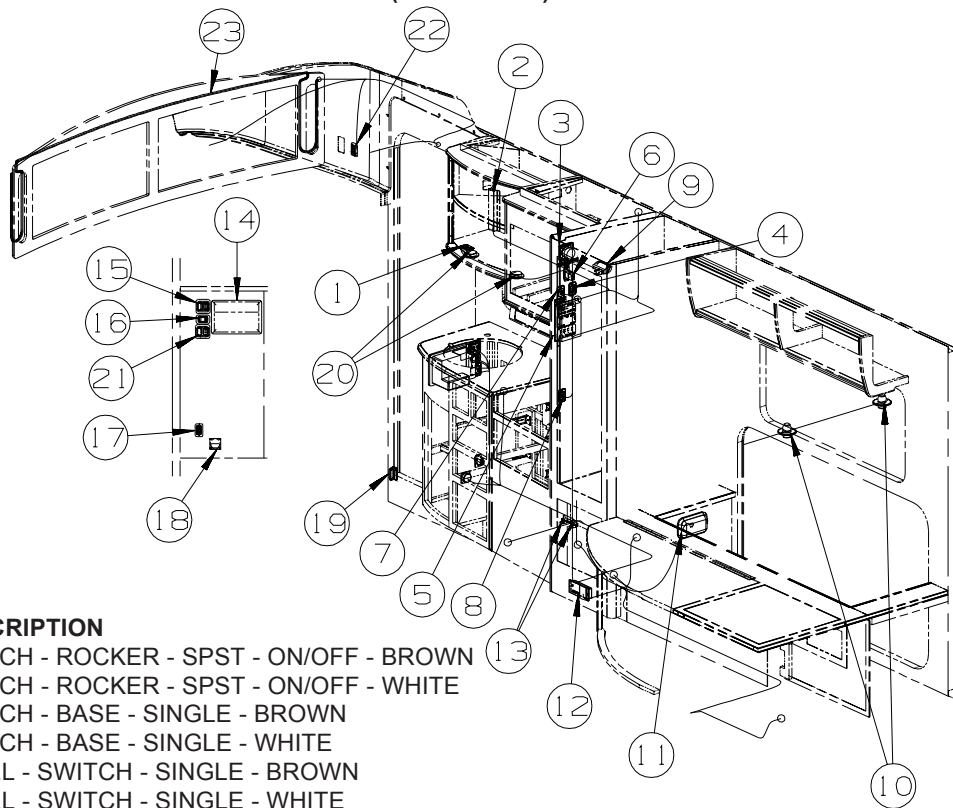


KEY	PART NUMBER	U/M	DESCRIPTION
1	108357-15-000	EA	SWITCH - ROCKER - DPDT - ON/NONE/ON - W/LIGHT W/O COVER
1	108356-04-02A	EA	COVER/ACTUATOR SWITCH - 2 ROWS DIMPLES W/LENS - BLACK
1	108355-01-000	EA	HOUSING - SWITCH
2*	137417-01-01A	EA	LIGHT - DOME - SINGLE - W/SWITCH/FROSTED LENS - WHITE
3	063912-02-000	EA	RELAY - CANISTER - SPDT - DRAINAGE SYSTEM-HEATED
4	135740-01-01A	EA	SWITCH - ROCKER - SPST - ON/OFF - BROWN
4	135740-01-02A	EA	SWITCH - ROCKER - SPST - ON/OFF - WHITE
4	135741-01-01A	EA	SWITCH - BASE - SINGLE - BROWN
4	135741-01-02A	EA	SWITCH - BASE - SINGLE - WHITE
4	135742-01-01A	EA	BEZEL - SWITCH - SINGLE - BROWN
4	135742-01-02A	EA	BEZEL - SWITCH - SINGLE - WHITE
5*	123775-01-02A	EA	LIGHT - HALOGEN - ROUND - SATIN NICKEL
6	135740-01-01A	EA	SWITCH - ROCKER - SPST - ON/OFF - BROWN
6	135741-02-01A	EA	SWITCH - BASE - DOUBLE - BROWN
6	135742-14-02A	EA	BEZEL - SWITCH - MAKEUP/CEILING - BROWN
7	135618-03-01A	EA	THERMOSTAT - ROOF A/C & FURNACE - WHITE
7	135618-01-01A	EA	THERMOSTAT - HEAT PUMP/FURNACE - WHITE - AC HEAT PUMP-HI EFF, LOW PFL
8	148026-03-01A	EA	SPEAKER - CUBE - W/O CASE
8	148026-02-01A	EA	SPEAKER GRILLE - CUBE - SILVER
9*	152438-01-01A	EA	LIGHT - READING/SWIVEL - W/SWITCH - SATIN NICKEL - BUNK FRONT OVERHEAD-SINGLE
10	135740-01-01A	EA	SWITCH - ROCKER - SPST - ON/OFF - BROWN
10	135741-01-01A	EA	SWITCH - BASE - SINGLE - BROWN
10	135742-07-02A	EA	BEZEL - SWITCH - CEILING - BROWN
11	132958-01-000	EA	RECEPTACLE - 12 VOLT - MOUNTING FLANGE - BLACK
12	124884-01-000	EA	SPEAKER - 6" X 9" - SUB-WOOFER - W/O GRILLE
12	151844-01-01A	EA	GRILLE - SPEAKER - 6" X 9" - SUB WOOFER - BLACK
13	150140-01-000	EA	CROSSOVER BOX - STANDARD STEREO TO DELUXE SOUND
13	150140-02-000	EA	CROSSOVER COIL - F/SUBWOOFER SPEAKER/LOW FREQUENCY
13	115539-01-000	EA	RELAY - RADIO/TV SPEAKER SWITCH W/WIRE - #SCLD-W-B-4PDT-C
14	149557-03-01A	EA	PLATE/WALL - DUAL COAXIAL/HORIZONTAL - WHITE

*COMPONENT PARTS LISTED LATER IN THIS GROUP

ELECTRICAL GROUP (CONTINUED)

12V BODY WIRING (CONTINUED)



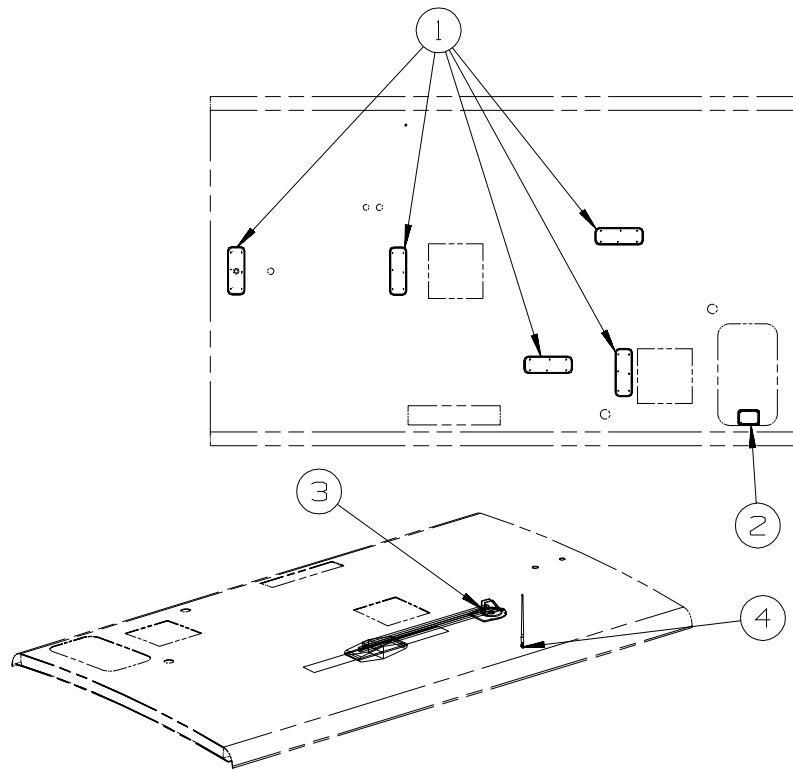
KEY	PART NUMBER	U/M	DESCRIPTION
1	135740-01-01A	EA	SWITCH - ROCKER - SPST - ON/OFF - BROWN
1	135740-01-02A	EA	SWITCH - ROCKER - SPST - ON/OFF - WHITE
1	135741-01-01A	EA	SWITCH - BASE - SINGLE - BROWN
1	135741-01-02A	EA	SWITCH - BASE - SINGLE - WHITE
1	135742-01-01A	EA	BEZEL - SWITCH - SINGLE - BROWN
1	135742-01-02A	EA	BEZEL - SWITCH - SINGLE - WHITE
2	152078-35-02A	EA	COVER/PIPE - 9.1" - DULL METALLIC
3	148026-03-01A	EA	SPEAKER - CUBE - W/O CASE
3	148026-02-01A	EA	SPEAKER GRILLE - CUBE - SILVER
4	135740-06-01A	EA	SWITCH - ROCKER - ON/OFF - LIGHTED - RED - WTR HTR-6GAL ELECTRIC/LP GAS
4	135741-01-01A	EA	SWITCH - BASE - SINGLE - BROWN - WTR HTR-6GAL ELECTRIC/LP GAS
4	135742-35-02A	EA	BEZEL - SWITCH - WATER HEATER/110 VOLT - BROWN - WTR HTR-6GAL ELECTRIC/LP GAS
5*	134940-07-01A	EA	PANEL - MONITOR - 2 TANK
5*	134940-06-01A	EA	PANEL - MONITOR - 2 TANK - W/GENERATOR SWITCH - GENERATOR
6	144363-09-02B	EA	PLATE - SWITCH - E-COATED
6	108357-06-000	EA	SWITCH - ROCKER - DPDT - MOM/OFF/MOM - 6 TERM - W/O COVER
6	108355-01-000	EA	HOUSING - SWITCH
6	108356-02-01A	EA	COVER/ACTUATOR SWITCH - 2 ROWS DIMPLES - BLACK
6	116220-01-000	EA	APPLIQUE - SWITCH/SLIDEOUT
6	116549-01-000	EA	LABEL - WARNING - SLIDEOUT
7	135740-06-01A	EA	SWITCH - ROCKER - ON/OFF - LIGHTED - RED - DRAINAGE SYSTEM HEATED
7	135741-01-01A	EA	SWITCH - BASE - SINGLE - BROWN
7	135742-01-01A	EA	BEZEL - SWITCH - SINGLE - BROWN
7	134563-01-01A	EA	LABEL - SWITCH - HEATER - WHITE/BLACK
			FROM: 00-00-00 THRU: 06-25-06
7	134563-01-02A	EA	LABEL - SWITCH - HEATER - BLACK/WHITE
			FROM: 06-26-06 THRU: 99-99-99
8	135740-01-01A	EA	SWITCH - ROCKER - SPST - ON/OFF - BROWN
8	135741-01-01A	EA	SWITCH - BASE - SINGLE - BROWN
8	135742-07-02A	EA	BEZEL - SWITCH - CEILING - BROWN
9*	087694-01-000	EA	LIGHT - WARDROBE/CLOSET - W/SWITCH
10	132427-01-02A	EA	LIGHT - READING/SWIVEL - ROUND - NICKEL
11*	137417-01-01A	EA	LIGHT - DOME - SINGLE - W/SWITCH/FROSTED LENS - WHITE
12	150138-01-01A	EA	DETECTOR - LP GAS - WHITE
12	150138-01-02A	EA	DETECTOR - LP GAS - BROWN
13	086233-01-000	EA	STUD - ISOLATED - 3/8" X 7/8" LONG
14*	156413-01-01A	EA	RADIO - WALL MOUNT - DVD/CD - W/ALARM - JENSEN AWM95 - RADIO/AM/FM/CD/DVD, COACH
			FROM: 00-00-00 THRU: 01-01-07
14	163031-01-01A	EA	RADIO - WALL MOUNT - DVD/CD - W/ALARM - JENSEN AWM960 - RADIO/AM/FM/CD/DVD, COACH
			FROM: 01-02-07 THRU: 99-99-99
15	135740-01-01A	EA	SWITCH - ROCKER - SPST - ON/OFF - BROWN
15	135741-02-01A	EA	SWITCH - BASE - DOUBLE - BROWN
15	135742-19-02A	EA	BEZEL - SWITCH - CEILING/PORCH - BROWN

ELECTRICAL GROUP (CONTINUED)

12V BODY WIRING (CONTINUED)

KEY	PART NUMBER	U/M	DESCRIPTION
16	135740-01-01A	EA	SWITCH - ROCKER - SPST - ON/OFF - BROWN - ENTRANCE STEP-ELEC.
16	135741-01-01A	EA	SWITCH - BASE - SINGLE - BROWN - ENTRANCE STEP-ELEC.
16	135742-11-02A	EA	BEZEL - SWITCH - STEP - BROWN - ENTRANCE STEP-ELEC.
17	108357-06-000	EA	SWITCH - ROCKER - DPDT - MOM/OFF/MOM - 6 TERM - W/O COVER
17	108355-01-000	EA	HOUSING - SWITCH
17	108356-11-01A	EA	COVER/ACTUATOR SWITCH - 3 GROOVES - AUX BATT - BLACK
17	098351-07-02A	EA	PLATE/SWITCH - 1 GANG - CHROME - GENERATOR SWITCH
18*	108354-01-01A	EA	LIGHT - COURTESY
19	116995-02-000	EA	SWITCH/MAGNET - ELECTRIC STEP - BLACK/WHITE- NORMALLY OPEN
20*	123775-01-02A	EA	LIGHT - HALOGEN - ROUND - SATIN NICKEL
21	135740-01-01A	EA	SW-ROCKER-SPST-ON/OFF-BN-TV-20"DC,COLOR,LCD W/REMOTE/RADIO/AM/FM/CD/DVD, COACH
21	135741-02-01A	EA	SWITCH-BASE - DOUBLE - BROWN-TV-20"DC,COLOR,LCD W/REMOTE/RADIO/AM/FM/CD/DVD, COACH
21	135742-55-02A	EA	BEZEL-SW-RADIO/TV/ON-TV-BN-TV-20"DC,COLOR,LCD W/REMOTE/RADIO/AM/FM/CD/DVD, COACH
22	135740-01-02A	EA	SWITCH - ROCKER - SPST - ON/OFF - WHITE - CABINET, FRONT CAB OVERHEAD
22	135741-01-02A	EA	SWITCH - BASE - SINGLE - WHITE - CABINET, FRONT CAB OVERHEAD
22	135742-50-01A	EA	BEZEL - SWITCH - ACCENT - WHITE - CABINET, FRONT CAB OVERHEAD
23	146514-03-000	EA	LIGHT - FLEX - ROPE/ROUND - W/O MOUNT CHANNEL
23	146514-02-000	EA	CONNECTOR - LIGHT

*COMPONENT PARTS LISTED LATER IN THIS GROUP

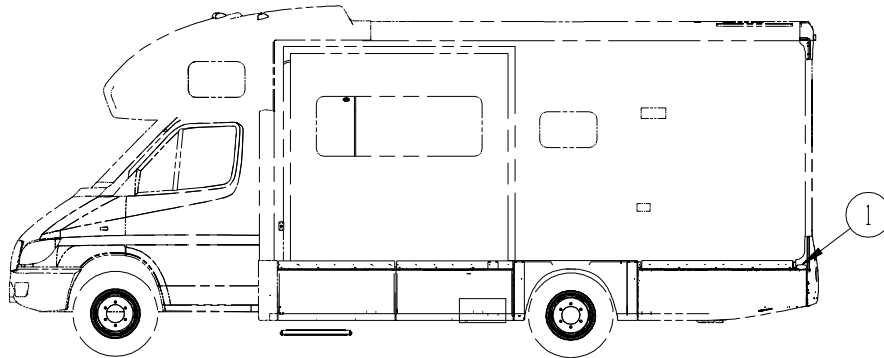
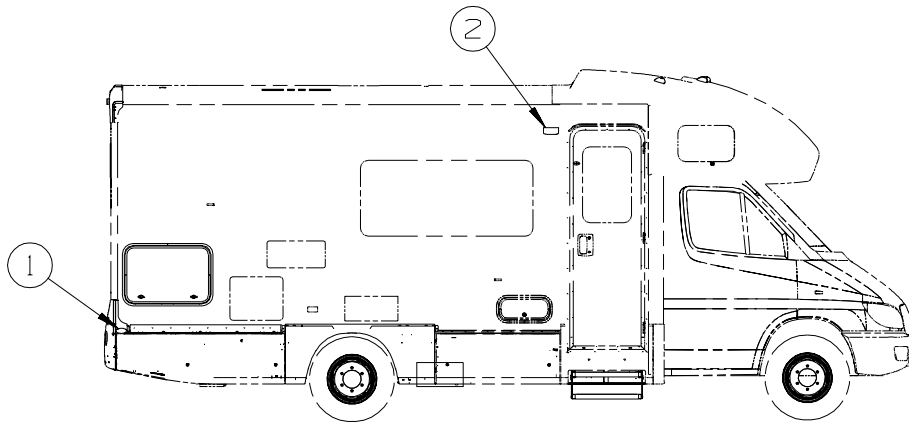


KEY	PART NUMBER	U/M	DESCRIPTION
1*	137417-06-01A	EA	LIGHT - DOME - DOUBLE - W/O SWITCH - W/FROSTED LENS-WHITE
2*	121935-01-01A	EA	LIGHT - DOME - SHOWER
3*	073619-25-000	EA	KIT - HARDWARE INTERIOR
3*	076319-23-000	EA	ANTENNA - TV ROOF MOUNT - 44.5" MAST
3	069726-02-000	EA	BUMPER - .88" OD X .40" THICK - BLACK
4	090944-01-000	EA	ANTENNA - RADIO - 16" RUBBER - W/72" LEAD WIRE - RADIO/AM/FM/CD/DVD, COACH
4	109889-04-000	EA	EXTENDER - ANTENNA SHAFT - 3.7" - RADIO/AM/FM/CD/DVD, COACH
4	147741-01-09B	EA	BRACKET - ANTENNA GROUND - GALVANIZED - RADIO/AM/FM/CD/DVD, COACH

*COMPONENT PARTS LISTED LATER IN THIS GROUP

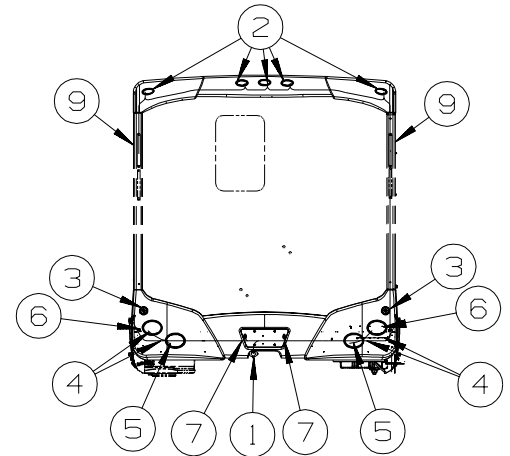
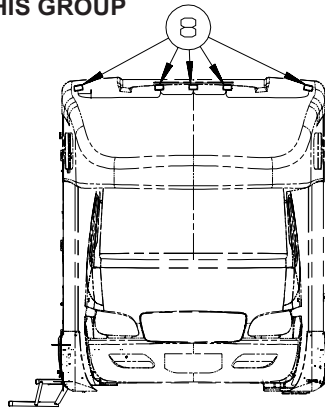
ELECTRICAL GROUP (CONTINUED)

EXTERIOR LAMPS



KEY	PART NUMBER	U/M DESCRIPTION
1	147680-01-01A	EA BASE - MARKER LAMP - WHITE
1	147680-03-01A	EA LAMP - MARKER - LENS - RED
2*	097917-01-06A	EA LIGHT - PORCH - ENTRY DOOR - BRIGHT WHITE
	008215-01-000	EA BULB - 12 VOLT - #1003 - .94 AMP

*COMPONENT PARTS LISTED LATER IN THIS GROUP



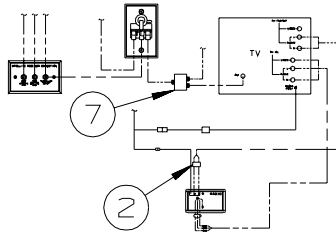
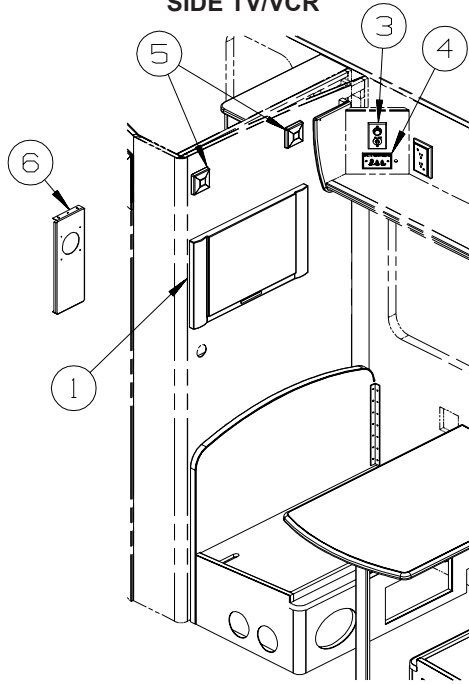
KEY	PART NUMBER	U/M DESCRIPTION
1*	113589-01-000	EA CONNECTOR - PLUG - TRAILER
1*	113589-02-000	EA CONNECTOR - SOCKET - TRAILER
2	147680-01-01A	EA BASE - MARKER LAMP - WHITE
2	147680-03-01A	EA LAMP - MARKER - LENS - RED
3	141514-01-000	EA REFLECTOR - ROUND/RED
4	151934-01-02B	EA CLAMP - TAIL LIGHT - E-COATED
5	152070-01-000	EA LIGHT - STOP/TAIL/BACK UP
6	152070-02-000	EA LIGHT - TURN - AMBER
7	087201-01-000	EA LIGHT - HALF ROUND - 1" X 1.7" - PLASTIC - BLACK OR WHITE
8	132978-01-000	EA LIGHT - CLEARANCE - AMBER
8	036196-01-000	EA BULB - 12V - #194 - .27 AMP - BAYONETTE
8	067789-02-000	EA SOCKET - LAMP
9	151076-01-000	EA LIGHT - BRAKE - CENTER MOUNT

*COMPONENT PARTS LISTED LATER IN THIS GROUP

ELECTRICAL GROUP (CONTINUED)

SIDE TV/VCR

523B

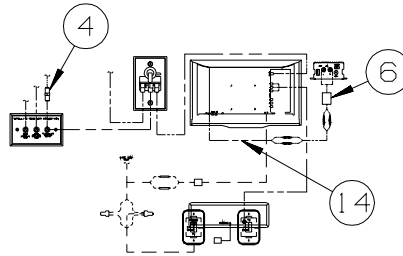
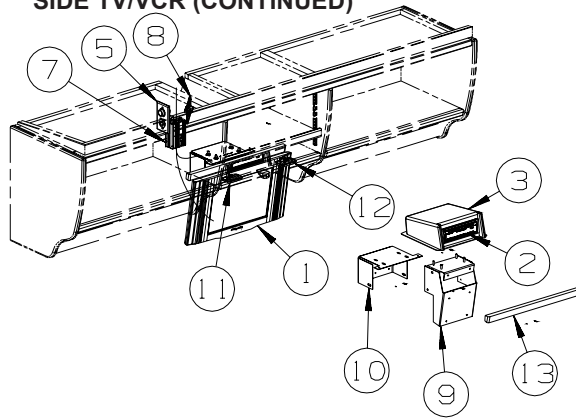


KEY	PART NUMBER	U/M	DESCRIPTION
1*	158703-01-000	EA	TV - 20" - LCD 4:3 - SIDE SPEAKER - JENSEN JE2043
2	123324-01-000	EA	FILTER - GROUND LOOP
3	086777-02-000	EA	WALLPLATE/TV CABLE W/ANTENNA SWITCH/BOOSTER - 2 TV - BLACK
4	149557-04-01A	EA	PLATE/WALL - TRIPLE COAXIAL/HORIZONTAL - WHITE
5	148026-03-01A	EA	SPEAKER - CUBE - W/O CASE
5	148026-02-01A	EA	SPEAKER GRILLE - CUBE - SILVER
6	159552-01-02B	EA	BRACKET - TV - E-COATED
7	086756-01-000	EA	SPLITTER - TV/2 WAY

*COMPONENT PARTS LISTED LATER IN THIS GROUP

ELECTRICAL GROUP (CONTINUED)
SIDE TV/VCR (CONTINUED)

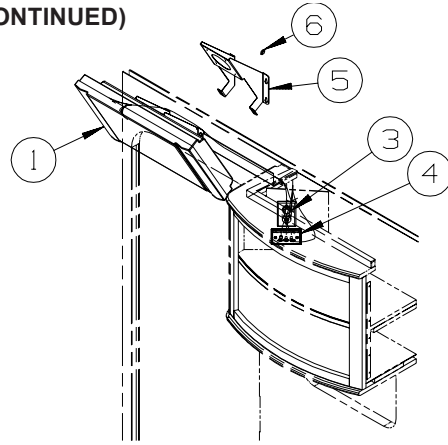
523H



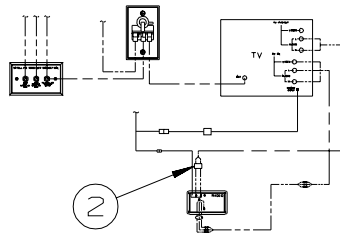
KEY	PART NUMBER	U/M	DESCRIPTION
1*	151907-02-000	EA	TV - 15" FLAT SCREEN/LCD/STEREO - SHARP LC-15S4U-S - NOT ILLUSTRATED FROM: 00-00-00 THRU: 04-30-06
1*	160123-01-000	EA	TV - 14" LCD/STEREO - 12V - PROVIEW HV-145 FROM: 05-01-06 THRU: 99-99-99
2*	158778-01-000	EA	DVD PLAYER - SLOT-IN - 12V - JENSEN - DV352WIN - NOT ILLUSTRATED FROM: 00-00-00 THRU: 05-01-06
2*	160603-01-000	EA	DVD PLAYER, 12V VERTICAL MT FROM: 05-02-06 THRU: 99-99-99
3	158807-01-02B	EA	BRACKET - DVD - E-COATED - NOT ILLUSTRATED FROM: 00-00-00 THRU: 05-01-06
3	160604-01-000	EA	SHROUD-RADIO/DVD, BLACK FROM: 05-02-06 THRU: 99-99-99
4	082134-01-000	EA	ADAPTER - TV - CABLE TO CABLE
5	086777-02-000	EA	WALLPLATE/TV CABLE W/ANTENNA SWITCH/BOOSTER - 2 TV - BLACK
6	123324-01-000	EA	FILTER - GROUND LOOP FROM: 05-24-06 THRU: 99-99-99
7	147139-01-000	EA	AMPLIFIER - STEREO 2 CHANNEL
8	149557-04-01A	EA	PLATE/WALL - TRIPLE COAXIAL/HORIZONTAL - WHITE
9	152310-01-02B	EA	BRACKET/SUPPORT - TV - E-COATED - NOT ILLUSTRATED FROM: 00-00-00 THRU: 04-30-06
9	152310-02-02B	EA	BRACKET/SUPPORT - TV - E-COATED FROM: 05-01-06 THRU: 99-99-99
10	152603-01-02B	EA	ANGLE/TIEDOWN - TV - E-COATED
11	135740-01-01A	EA	SWITCH - ROCKER - SPST - ON/OFF - BROWN
11	135741-01-01A	EA	SWITCH - BASE - SINGLE - BROWN
11	135742-40-02A	EA	BEZEL - SWITCH - RADIO/TV - BROWN
12	135740-01-01A	EA	SWITCH - ROCKER - SPST - ON/OFF - BROWN
12	135741-01-01A	EA	SWITCH - BASE - SINGLE - BROWN
12	135742-45-02A	EA	BEZEL - SWITCH - TV - BROWN
13	152604-01-T01	EA	CABINET - OVERHEAD/TV FACE - W/O DOORS/HARDWARE - WASHED MAPLE - NOT ILLUSTRATED FROM: 00-00-00 THRU: 04-30-06
13	M09534-89-U17	EA	LUMBER-STAIN,MOLDING - .75" X 1" X 18.5" - WASHED MAPLE FROM: 05-01-06 THRU: 99-99-99
13	152604-01-T02	EA	CABINET - OVERHEAD/TV FACE - W/O DOORS/HARDWARE - HONEY CHERRY - NOT ILLUSTRATED FROM: 00-00-00 THRU: 04-30-06
13	M09534-89-U18	EA	LUMBER-STAIN,MOLDING - .75" X 1" X 18.5" - HONEY CHERRY FROM: 05-01-06 THRU: 99-99-99
14	160574-01-000	EA	CABLE/AUDIO - 1/8" MALE TO 2 RCA FEMALE FROM: 05-01-06 THRU: 99-99-99
	117420-02-000	EA	CABLE - W/MALE RCA ENDS - SHIELDED - 4' FROM: 00-00-00 THRU: 04-30-06

*COMPONENT PARTS LISTED LATER IN THIS GROUP

ELECTRICAL GROUP (CONTINUED)
SIDE TV/VCR (CONTINUED)



523J

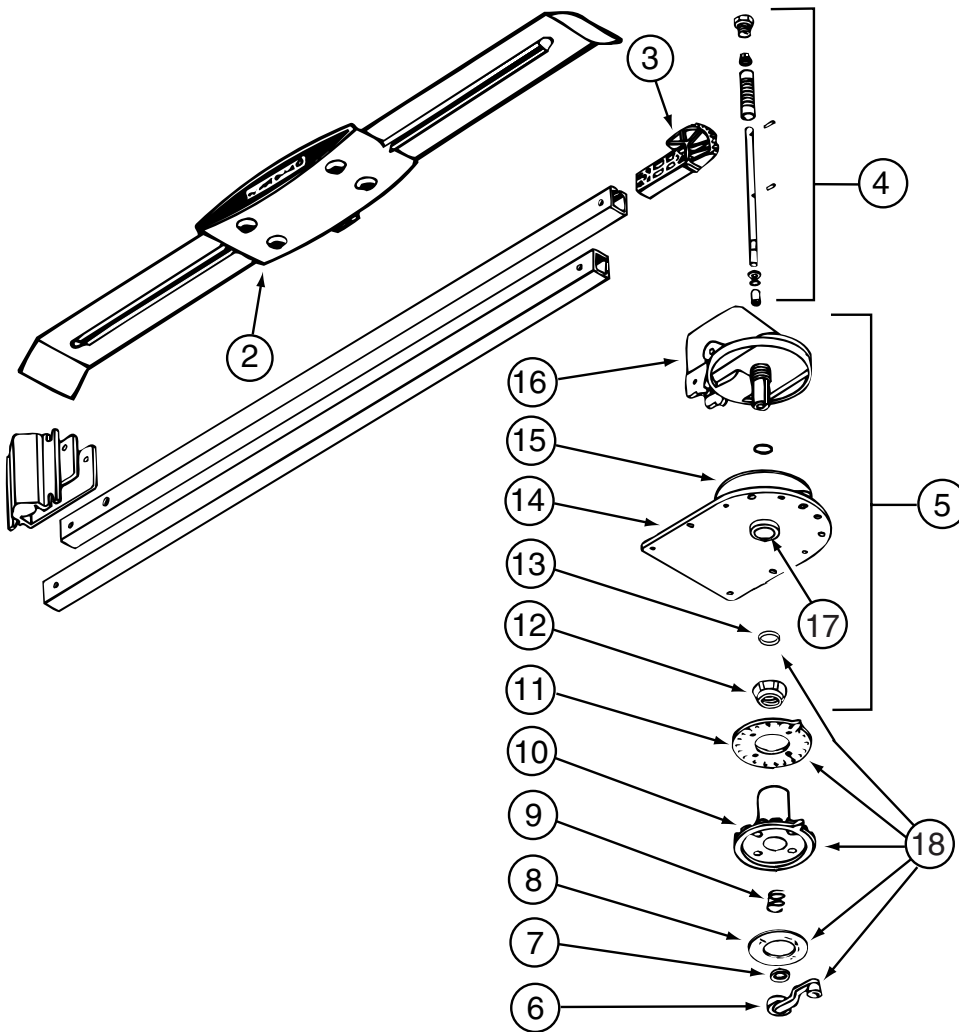


KEY	PART NUMBER	U/M	DESCRIPTION
1*	158703-01-000	EA	TV - 20" - LCD 4:3 - SIDE SPEAKER - JENSEN JE2043
2	123324-01-000	EA	FILTER - GROUND LOOP
3	086777-02-000	EA	WALLPLATE/TV CABLE W/ANTENNA SWITCH/BOOSTER - 2 TV - BLACK
4	149557-04-01A	EA	PLATE/WALL - TRIPLE COAXIAL/HORIZONTAL - WHITE
5	158394-01-02B	EA	BRACKET - TV - E-COATED
6	115870-01-000	FT	SEAL/EDGE - TRIM

FROM: 03-01-06 THRU: 99-99-99

*COMPONENT PARTS LISTED LATER IN THIS GROUP

ELECTRICAL GROUP (CONTINUED)
COMPONENT PARTS FOR WIRING



076319-23-000

KEY	PART NUMBER	U/M	DESCRIPTION	VENDOR NO.
2	076319-01-700	EA	HEAD-ANTENNA, AMPLIFIED	RVSA U/V
3	076319-01-701	EA	GEAR-ELEVATING, PLASTIC	2200046
4	076319-01-702	EA	SHAFT ASM-ELEVATING	RP-4000
5	076319-01-711	EA	BASE & LIFT ASM	2762802
7	076319-01-705	EA	GROMMET-NYLON, 7/8"ID	3200658
8	076319-01-708	EA	DECAL-CRANK	5413002
9	076319-01-707	EA	SPRING-HANDLE	2160822
11	076319-01-712	EA	PLATE - CEILING	3200608
12	076319-01-715	EA	NUT (GEAR HOUSING)	2200047
14	076319-01-713	EA	PLATE-BASE, STEEL	3100523
15	076319-01-703	EA	BEARING-NYLON, 5"OD	3200656
16	076319-01-714	EA	HOUSING, ROTATING GEAR	2200049
17	076319-01-704	EA	BEARING-NYLON, 1.25"OD	3200657
18	076319-01-709	EA	HANDLE-HEAD DIRECTIONAL	200644
	076319-01-716	EA	TUBING, ELEVATING	RP-2900

CONTACT WINNEBAGO PART SALES FOR UNLISTED COMPONENT(S)

076319-25-000

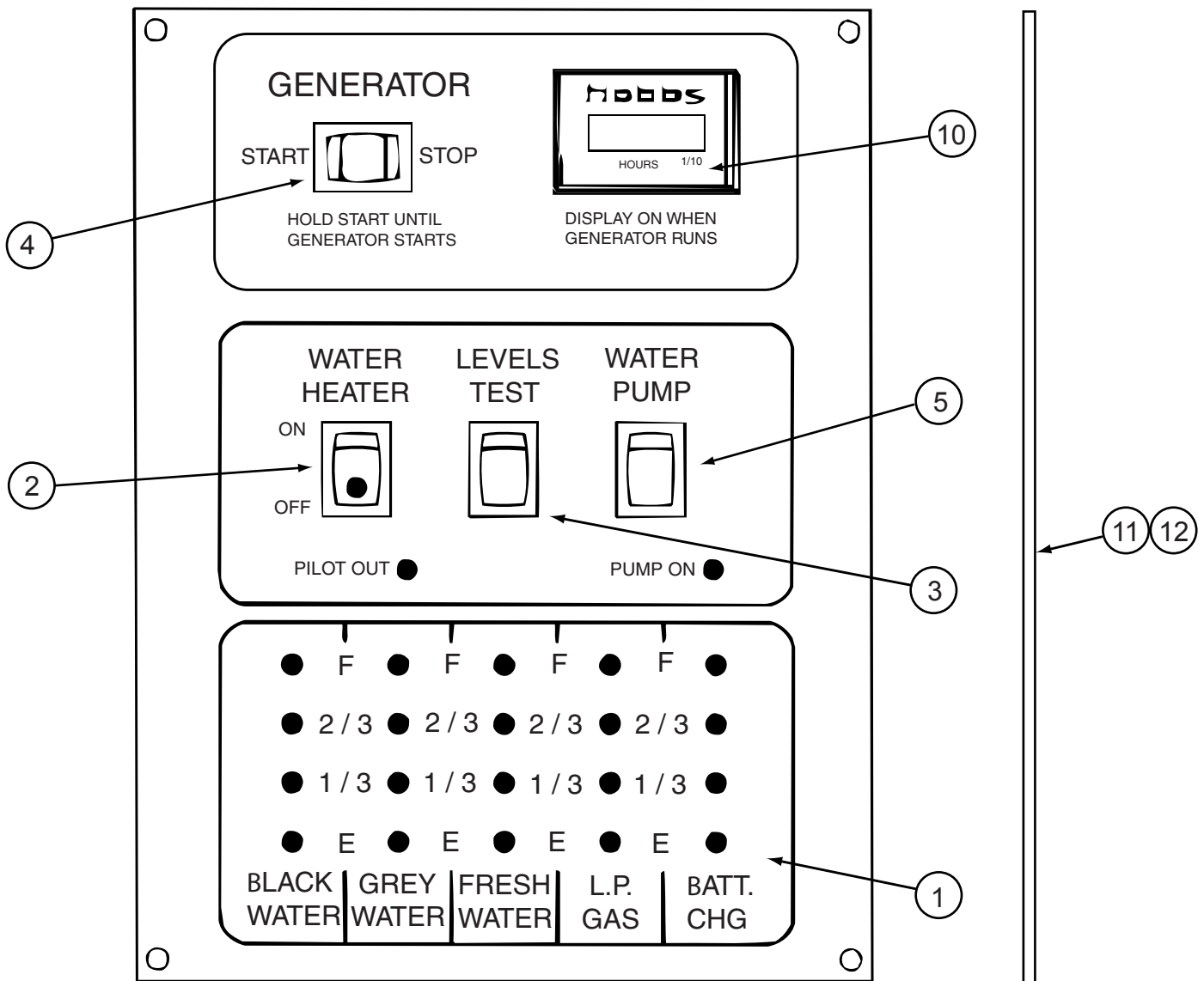
KEY	PART NUMBER	U/M	DESCRIPTION	VENDOR NO.
6	076319-01-706	EA	CRANK-W/SET SCREW UNIV/BEIGE	2750897
6	120233-01-710	EA	HANDLE-CRANK W/SCREW - WHITE	RP-6795
8	076319-01-708	EA	DECAL-CRANK	5413002
10	076319-25-700	EA	DIRECTIONAL HANDLE(WHITE)	3200612
11	076319-25-701	EA	PLATE - CEILING(WHITE)	3200609
13	120233-01-709	EA	WASHER-NYLON	RP-2658

CONTACT WINNEBAGO PART SALES FOR UNLISTED COMPONENT(S)

ELECTRICAL GROUP (CONTINUED)
COMPONENT PARTS FOR WIRING (CONTINUED)

			087694-01-000	
KEY	PART NUMBER	U/M DESCRIPTION		VENDOR NO.
	087694-01-700	EA BULB		GE561
			097917-01-06A	
KEY	PART NUMBER	U/M DESCRIPTION		VENDOR NO.
	097917-01-700	EA LENS-LIGHT, CLEAR		30-78-021
			108354-01-01A	
KEY	PART NUMBER	U/M DESCRIPTION		VENDOR NO.
	108354-01-700	EA BULB-COURTESY LIGHT		395-B
			113589-01-000	
KEY	PART NUMBER	U/M DESCRIPTION		VENDOR NO.
	113589-01-700	EA ADAPTER, 4-WAY/6-WAY		5291
			113589-02-000	
KEY	PART NUMBER	U/M DESCRIPTION		VENDOR NO.
	113589-03-700	EA ADAPTER 7 RND SPADE/4 FLAT		5290
			121935-01-01A	
KEY	PART NUMBER	U/M DESCRIPTION		VENDOR NO.
	121935-01-700	EA LENS ONLY		809511
			123775-01-02A	
KEY	PART NUMBER	U/M DESCRIPTION		VENDOR NO
	123775-01-702	EA BEZEL/LENS - SATIN NICKEL		99 953470

ELECTRICAL GROUP (CONTINUED)
COMPONENT PARTS FOR WIRING (CONTINUED)



134940-06-01A

KEY	PART NUMBER	U/M	DESCRIPTION	VENDOR NO.
1	134940-01-702	EA	CHASSIS - SILKSCREENED	CC0558-00
2	134940-01-701	EA	SWITCH-SPST/ON-OFF/BLK W/LGT	L0109
3	096983-01-701	EA	SWITCH - SPST/MOM 2 TERMINAL	L0111-00
4	096983-01-702	EA	SWITCH - MOM/OFF/MOM/3 TERM	L0112-00
5	096983-01-703	EA	SWITCH - ON/ON	L0115-00
10	100258-10-701	EA	GAUGE-HR METER ONLY (LCD)	L0775-00
11	134940-06-700	EA	PC BOARD - SENSOR SYSTEM/RED	L5131-02

CONTACT WINNEBAGO PART SALES FOR UNLISTED COMPONENT(S)

134940-07-01A

KEY	PART NUMBER	U/M	DESCRIPTION	VENDOR NO.
1	134940-01-702	EA	CHASSIS - SILKSCREENED	CC0558-00
2	134940-01-701	EA	SWITCH-SPST/ON-OFF/BLK W/LGT	L0109
3	096983-01-701	EA	SWITCH - SPST/MOM 2 TERMINAL	L0111-00
4	096983-01-703	EA	SWITCH - ON/ON	L0115-00
5	134940-02-700	EA	SWITCH - DUMMY	L0118
11	134940-06-700	EA	PC BOARD - SENSOR SYSTEM/RED	L5131-02

CONTACT WINNEBAGO PART SALES FOR UNLISTED COMPONENT(S)

ELECTRICAL GROUP (CONTINUED)
COMPONENT PARTS FOR WIRING (CONTINUED)

137417-01-01A, 137417-03-01A

KEY	PART NUMBER	U/M	DESCRIPTION	VENDOR NO.
	137417-01-700	EA	LENS - SINGLE (FROSTED)	810868
				137417-06-01A
KEY	PART NUMBER	U/M	DESCRIPTION	VENDOR NO.
	137417-06-700	EA	LENS - DOUBLE WHITE	810867
				151907-02-000
KEY	PART NUMBER	U/M	DESCRIPTION	VENDOR NO.
	150934-02-700	EA	REMOTE - TV	RRMCGA293WJSA
				152438-01-01A
KEY	PART NUMBER	U/M	DESCRIPTION	VENDOR NO.
	152438-01-700	EA	BULB	70MR16
				156413-01-01A
KEY	PART NUMBER	U/M	DESCRIPTION	VENDOR NO.
	156413-01-700	EA	REMOTE	REMAWM950
				158703-01-000
KEY	PART NUMBER	U/M	DESCRIPTION	VENDOR NO.
	158703-01-700	EA	REMOTE	PSVCJE2043
				158778-01-000
KEY	PART NUMBER	U/M	DESCRIPTION	VENDOR NO.
	158778-01-700	EA	REMOTE - DVD	PSVCDV352
				160123-01-000
KEY	PART NUMBER	U/M	DESCRIPTION	VENDOR NO.
	160123-01-700	EA	REMOTE - TV	HV145-REM
				160603-01-000
KEY	PART NUMBER	U/M	DESCRIPTION	VENDOR NO.
	160603-01-700	EA	REMOTE	DVD-1002-REM
	160603-01-701	EA	REMOTE SENSOR	DVD-1002-EYE

ELECTRICAL GROUP (CONTINUED)
CIRCUIT BREAKERS, FUSES & RELAYS

KEY	PART NUMBER	U/M	DESCRIPTION
	008235-01-000	EA	FUSE - 15 AMP/12VOLT - AUTOMOTIVE
	062901-02-000	EA	FUSE - 5 AMP - AUTOMOTIVE
	062901-04-000	EA	FUSE - 10 AMP - AUTOMOTIVE
	062901-05-000	EA	FUSE - 15 AMP - AUTOMOTIVE
	062901-06-000	EA	FUSE - 20 AMP - AUTOMOTIVE
	062901-07-000	EA	FUSE - 25 AMP - AUTOMOTIVE
	062901-08-000	EA	FUSE - 30 AMP - AUTOMOTIVE
	063910-01-000	EA	HOUSING - RELAY
	063912-02-000	EA	RELAY - CANISTER - SPDT
	083209-01-000	EA	CIRCUIT BREAKER - 15 AMP - 120 VOLT - CANADIAN
	083209-02-000	EA	CIRCUIT BREAKER - 15/15 AMP - 120 VOLT
	083209-03-000	EA	CIRCUIT BREAKER - 15/20 AMP - 120 VOLT
	083209-04-000	EA	CIRCUIT BREAKER - 30 AMP - 120 VOLT
	083209-05-000	EA	CIRCUIT BREAKER - 20 AMP - 120 VOLT
	083209-06-000	EA	CIRCUIT BREAKER - 30/15 AMP - 120 VOLT
	083209-07-000	EA	CIRCUIT BREAKER - 20/20 AMP - 120 VOLT
	083209-10-000	EA	CIRCUIT BREAKER - 20/30 AMP - 120 VOLT
	083209-11-000	EA	CIRCUIT BREAKER - 20/15 AMP - 120 VOLT
	092786-03-000	EA	BUSS BAR - 6.9" LONG
	092786-06-000	EA	BUSS BAR
	093654-01-000	EA	CIRCUIT BREAKER - 6 AMP - 12 VOLT - PUSH BUTTON - WHITE
	093654-02-000	EA	CIRCUIT BREAKER - 15 AMP - 12 VOLT - PUSH BUTTON - WHITE
	093654-03-000	EA	CIRCUIT BREAKER - 20 AMP - 12 VOLT - PUSH BUTTON - WHITE
	093655-01-000	EA	CIRCUIT BREAKER - 25 AMP - 12 VOLT - PUSH BUTTON - WHITE
	093655-02-000	EA	CIRCUIT BREAKER - 30 AMP - 12 VOLT - PUSH BUTTON - WHITE
	093655-03-000	EA	CIRCUIT BREAKER - 40 AMP - 12 VOLT - PUSH BUTTON - WHITE
	097611-01-000	EA	CIRCUIT BREAKER - 10 AMP
	100341-01-000	EA	FUSE HOLDER - IN LINE TYPE
	113482-01-000	EA	CIRCUIT BREAKER - 55 AMP - MANUAL
	115187-01-000	EA	FUSE - 300 AMP - NON-DELAY
	115187-02-000	EA	HOLDER - FUSE
	115187-03-000	EA	FUSE - 60 AMP - NON-DELAY
	122811-01-000	EA	CIRCUIT BREAKER - 20/50/50/20 AMP - 250V
	125986-02-000	EA	FUSE - 5 AMP - AUTO - MINI BLADE
	125986-05-000	EA	FUSE - 15 AMP - AUTO - MINI BLADE
	141789-01-000	EA	SPACER - CIRCUIT BREAKER

CONVERTER, INVERTER, LOAD CENTERS

KEY	PART NUMBER	U/M	DESCRIPTION
	024924-02-000	EA	RECEPTACLE - POWER CORD - W/PARTIAL PLATE
*	083208-07-000	EA	CONTROL CENTER - 45 AMP - 120V/12V - W/O BREAKERS

*COMPONENT PARTS LISTED LATER IN THIS GROUP

COMPONENT PARTS FOR CONVERTER, INVERTER, LOAD CENTER

083208-07-000

KEY	PART NUMBER	U/M	DESCRIPTION	VENDOR NO.
	083208-06-701	EA	CONVERTER ONLY (LOWER UNIT)	7345R

ELECTRICAL GROUP (CONTINUED)

BOXES & CORDS

KEY	PART NUMBER	U/M	DESCRIPTION
	008054-01-000	EA	CORD - POWER - 10/3 WIRE - 30 AMP - 25'
	008289-01-000	EA	BOX - ELECTRIC/STEEL - 4" X 4" - 1/2" & 3/4" KNOCKOUTS
	008294-01-000	EA	COVER - ELECTRIC BOX - BLANK/STEEL - 4" X 4" - GRAY
	069238-01-000	EA	COVER - ELECTRICAL BOX - W/HOLE - 4" X 4" - GRAY
	133070-01-000	EA	BOX - ELECTRIC/PLASTIC - 3" X 2" X 2.8" - UL
	133070-02-000	EA	BOX - ELECTRIC/PLASTIC - 3" X 2" X 2.8" - CSA - CANADIAN
	115832-01-000	FT	CORD - HEAVY DUTY - 14-2 W/GROUND

WIRE ASSEMBLIES

KEY	PART NUMBER	U/M	DESCRIPTION
	077069-02-000	EA	CABLE/EXTENSION - RADIO ANTENNA - 96"
	077069-03-000	EA	CABLE/EXTENSION - RADIO ANTENNA - 260"
	117420-03-000	EA	CABLE - W/MALE RCA ENDS - SHIELDED - 20'
	117420-04-000	EA	CABLE - RCA - (MALE/MALE) - 50 FT
	136860-01-000	EA	CABLE - RCA - SHIELDED - 3 MALE TO MALE CONNECTORS - 12'
	136860-02-000	EA	CABLE - RCA - SHIELDED - 3 MALE TO MALE CONNECTORS - 50'
	134551-03-000	EA	WIRE ASSEMBLY - HEATER/TANKS - 3 PAD
	134551-11-000	EA	WIRE ASSEMBLY - HEATER/TANKS - 2 PAD -133.7"(LONGEST WIRE)
	136514-02-000	EA	CABLE - MONITOR/CAMERA
	137135-03-000	EA	WIRE LOOM - DIGITAL ELEVATION SENSOR
	137135-04-000	EA	WIRE HARNESS - POWER - DIGITAL ELEVATION SENSOR
	145210-01-000	FT	CABLE - COAXIAL
	147139-02-000	EA	WIRE - STEREO KIT - ASA 100ZXIHAR
	151316-03-000	EA	WIRE ASM - W/NON CONTACT SENSORS - GREY WATER - 43.2"
	151316-05-000	EA	WIRE ASM - W/NON CONTACT SENSORS - GREY WATER - 70.8"
	151317-01-000	EA	WIRE ASM-W/NON CONTACT SENSORS-FRESH WATER/BLK TANK-3.9"
	151317-02-000	EA	WIRE ASM-W/NON CONTACT SENSORS-FRESH WATER/BLK TANK-23.6"
	151317-03-000	EA	WIRE ASM-W/NON CONTACT SENSORS-FRESH WATER/BLK TANK-43.2"
	151317-04-000	EA	WIRE ASM-W/NON CONTACT SENSORS-FRESH WATER/BLK TANK-62.9"
	151317-05-000	EA	WIRE ASM-W/NON CONTACT SENSORS-FRESH WATER/BLK TANK-70.8"
	153891-01-000	EA	WIRE ASM-HEATER,RELAY
	153924-01-000	EA	WIRE ASSEMBLY - POWER CABLE - 12V - F/15" SHARP LCD TV FROM: 00-00-00 THRU: 04-30-06
	160123-02-000	EA	WIRE/CABLE - POWER - PROVIEW WB101-06 FROM: 05-01-06 THRU: 99-99-99

ELECTRICAL GROUP (CONTINUED)
CONNECTORS & CONDUIT

KEY	PART NUMBER	U/M	DESCRIPTION
	007940-01-000	EA	RECEPTACLE/SLIDE 16 TO 12 AWG - FEMALE END
	007940-02-000	EA	RECEPTACLE/SLIDE 10 AWG
	007954-01-000	EA	RECEPTACLE - HOUSING - 6 POSITION
	007956-05-000	EA	INSULATOR - SHRINK - 1/4"ID X 1 1/2"
	008058-01-000	EA	ADAPTER - POWER CORD - 30 AMP TO 15 AMP
	008311-01-000	EA	CONNECTOR - WIRE NUT - INSULATED - RED
	008312-01-000	EA	CONNECTOR - WIRE NUT - INSULATED - BLUE
	008313-01-000	EA	CONNECTOR - WIRE NUT - INSULATED - YELLOW
	008314-01-000	EA	CONNECTOR - WIRE NUT - INSULATED - GRAY
	008328-01-000	EA	TERMINAL - RING - 12/10 WIRE - #10 STUD FIT
	008331-01-000	EA	TERMINAL - RING - TONGUE - #4 WIRE - 3/8" STUD - COPPER
	008348-01-000	EA	TERMINAL - RING - 3/8" STUD 2 GA. WIRE
	008355-01-000	EA	CONNECTOR - CABLE CLAMPING - 3/4"
	008356-01-000	EA	CONNECTOR - PLASTIC - 3/8"
	008356-02-000	EA	CONNECTOR - PLASTIC - 21/32"
	008398-01-000	EA	CONNECTOR - 1/2" X 90 DEGREE - FLEX CONDUIT - UL & CSA
	035416-04-000	EA	TERMINAL - RING - #10 STUD FIT - INSULATED BARREL #16/14
	041953-01-000	FT	CONDUIT - CONVOLUTE SLIT - .5" ID - POLYETHYLENE
	041953-02-000	FT	CONDUIT - CONVOLUTE SLIT - .6" ID - POLYETHYLENE
	041953-03-000	FT	CONDUIT - CONVOLUTE SLIT - 1" ID (CLOTHES ROD COVER)
	041953-06-000	FT	CONDUIT - CONVOLUTE SLIT - .4" ID - POLYETHYLENE
	041953-07-000	FT	CONDUIT - CONVOLUTE SLIT - .25" ID - POLYETHYLENE
	041953-08-000	FT	CONDUIT - CONVOLUTE SLIT - 1.5" ID - POLYETHYLENE
	041953-09-000	FT	CONDUIT - CONVOLUTE SLIT - .5" ID - NYLON
	041953-10-000	FT	CONDUIT - CONVOLUTE SLIT - .75" ID - NYLON
	041953-11-000	FT	CONDUIT - CONVOLUTE SLIT - 1.06" ID - NYLON
	041953-12-000	FT	CONDUIT - CONVOLUTE SOLID - 1.1" ID - NYLON
	041953-13-000	FT	CONDUIT - CONVOLUTE SLIT - 1.25" ID
	041953-14-000	FT	CONDUIT - CONVOLUTE SLIT - 1.5" ID
	041953-15-000	FT	CONDUIT - CONVOLUTE SLIT - 2"
	041953-16-000	FT	CONDUIT - CONVOLUTE SLIT - 2"
	047441-01-000	EA	TERMINAL-BATTERY, HORIZONTAL LUG
	047443-01-000	EA	TERMINAL - .250 RECEPTACLE FIT - INSULATED - 16/14 AWG
	047443-02-000	EA	TERMINAL - .250 RECEPTACLE FIT - INSULATED - 12/10 AWG
	047443-05-000	EA	TERMINAL - .250 RECEPTACLE FIT - 18GA AWG
	058028-01-000	EA	CONNECTOR - ELECTRICAL PIGTAIL - NYLON - CLEAR
	062036-01-000	EA	TERMINAL - PACK - CON - 12/10 AWG
	076319-12-000	EA	CONNECTOR - COAXIAL - ONE PIECE
	077479-01-000	EA	BOOT - BATTERY TERMINAL - DOUBLE CABLE
	077479-02-000	EA	BOOT - BATTERY TERMINAL - SINGLE CABLE
	080015-02-000	EA	RECEPTACLE - FLAG - .185 - 16/14 GAUGE
	080015-03-000	EA	RECEPTACLE - FLAG - .250 - 14/16 GAUGE
	080015-04-000	EA	RECEPTACLE - FLAG - .187 - 16/14 GAUGE
	082109-01-000	EA	HOUSING - CONNECTOR - PACKARD
	082741-01-000	EA	CONNECTOR BODY - 2 CONNECTOR MALE
	087225-01-000	FT	SLEEVING - 1/2" - TYPE H
	088473-01-000	EA	HOUSING - PIN - 12 CAVITY (3 ROWS OF 4)
	088473-02-000	EA	HOUSING - PIN - 15 CAVITY (3 ROWS OF 5)
	088473-03-000	EA	HOUSING - PIN - 9 CAVITY (3 ROWS OF 3)
	088473-04-000	EA	HOUSING - PIN - 8 CAVITY IN-LINE
	088473-06-000	EA	HOUSING - PIN - 6 CAVITY (2 ROWS OF 3)
	088473-07-000	EA	HOUSING - PIN - 5 CAVITY - IN-LINE
	088473-08-000	EA	HOUSING - PIN - 4 CAVITY - IN-LINE
	088473-09-000	EA	HOUSING - PIN - 3 CAVITY - IN-LINE
	088473-10-000	EA	HOUSING - PIN - 2 CAVITY - IN-LINE
	088473-12-000	EA	HOUSING - PIN - 3 CAVITY - BLUE
	088473-13-000	EA	HOUSING - PIN - 3 CAVITY - GREEN
	088473-14-000	EA	HOUSING - PIN - 3 CAVITY - RED
	088474-01-000	EA	HOUSING - SOCKET - 12 CAVITY
	088474-02-000	EA	HOUSING - SOCKET - 15 CAVITY
	088474-03-000	EA	HOUSING - SOCKET - 9 CAVITY
	088474-06-000	EA	HOUSING - SOCKET - 6 CAVITY
	088474-07-000	EA	HOUSING - SOCKET - 5 CAVITY
	088474-08-000	EA	HOUSING - SOCKET - 4 CAVITY

ELECTRICAL GROUP (CONTINUED)
CONNECTORS & CONDUIT (CONTINUED)

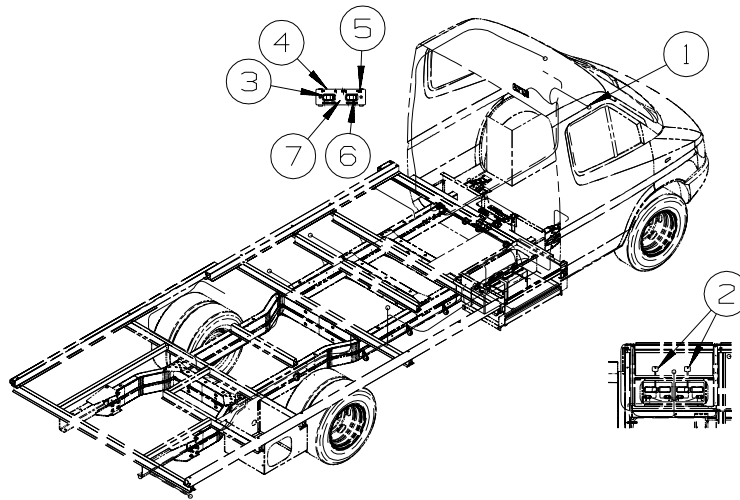
KEY	PART NUMBER	U/M	DESCRIPTION
	088474-09-000	EA	HOUSING - SOCKET - 3 CAVITY
	088474-10-000	EA	HOUSING - SOCKET - 2 CAVITY
	088475-01-000	EA	PIN - CONNECTOR - 14-20 AWG
	088475-02-000	EA	PIN - CONNECTOR - 10-12 AWG
	088476-01-000	EA	TERMINAL - ELECTRICAL
	088476-02-000	EA	SOCKET - CONNECTOR - 12-10 GA - PRE-TIN
	098261-01-000	EA	SOCKET - CONNECTOR - WEATHERPACK - 12 AWG
	098261-02-000	EA	SOCKET - CONNECTOR - WEATHERPACK - 14-18 AWG
	098262-01-000	EA	SEAL - CONNECTOR - WEATHERPACK
	098264-01-000	EA	HOUSING - 2 PIN - WEATHER PACK - MALE W/FEMALE PINS
	098264-02-000	EA	HOUSING - 2 PIN - WEATHER PACK - FEMALE W/MALE PINS
	098265-02-000	EA	PIN - CONNECTOR - WEATHER PACK
	102777-02-000	EA	TERMINAL - RING - #6 STUD - 10 AWG
	103608-01-000	EA	SOCKET - WEDGE BASE W/LEADS
	104100-01-000	EA	HOUSING - 1 POSITION - 75 AMPS
	104100-03-000	EA	TERMINAL - 75 AMP
	106007-02-000	EA	TERMINAL - FEMALE - 10-12 AWG
	110178-01-000	EA	HOUSING - WIPER MOTOR
	112823-01-000	EA	SPLICE - REDUCER - 16-14 TO 18-22
	113072-02-000	EA	HOUSING - ELECTRICAL - BACK-UP/TAIL LAMP
	113072-03-000	EA	HOUSING - ELECTRICAL - STOP/MARKER TAILLAMP
	113073-01-000	EA	WEDGELOCK - HOUSING - TAIL LAMP
	113074-01-000	EA	TERMINAL - TAILLAMP
	113135-01-000	EA	TERMINAL - FEMALE - M/P - 14-16 - F/SEALED TERMINAL
	113308-01-000	EA	TERMINAL - FEMALE - M/P - 14-16 - 280
	113308-02-000	EA	TERMINAL - FEMALE - M/P - 14-18 - 280
	113468-01-000	EA	HOUSING - 2 POSITION-FEMALE-USED ON WIPER/WASHER WIRE ASM
	113468-02-000	EA	HOUSING - 2 POSITION - FEMALE
	115931-02-000	EA	COVER - CONNECTOR - 50 AMP W/LOCKING RING
	115932-02-000	EA	CONNECTOR - FEMALE - 50 AMP/240 VOLT
	116811-01-000	EA	TERMINAL - .110 RECEPTACLE - 16-14 AWG
	118571-01-000	EA	CONNECTOR - 3-WAY - MALE/SEALED
	118571-02-000	EA	CONNECTOR - 3-WAY - FEMALE/SEALED
	118571-05-000	EA	LOCK - SECONDARY - FEMALE
	118571-06-000	EA	LOCK - SECONDARY - MALE
	118599-02-000	EA	TERMINAL - MALE - M/P - 280/14-12
	118820-01-000	EA	INSULATOR - TERMINAL
	129233-01-000	EA	HOUSING - 2-POSITION/FEMALE - 280-SERIES
	129233-02-000	EA	HOUSING - 2-POSITION/FEMALE - 280-SERIES
	129233-03-000	EA	HOUSING - 2-POSITION/FEMALE - 280-SERIES
	131681-01-000	EA	CONNECTOR - 3/4" SO CORD - UL/CS
	137207-01-000	EA	HOUSING - PIN - 2 CAVITY/HIGH AMP
	137208-01-000	EA	HOUSING - SOCKET - 2 CAVITY/HIGH AMP
	137209-01-000	EA	PIN - CONNECTOR - 10AWG/HIGH AMP
	137210-01-000	EA	SOCKET - CONNECTOR - 10 AWG/HIGH AMP
	138996-04-000	EA	CONNECTOR - LAMP
	142520-01-000	EA	TERMINAL - FEMALE - MINI-FIT 16
	142522-01-000	EA	HOUSING - 4 PIN/MALE - MINI FIT
	142522-02-000	EA	HOUSING - 6 PIN/MALE - MINI FIT
	142522-03-000	EA	HOUSING - 8 PIN/MALE - MINI FIT
	142522-04-000	EA	HOUSING - 10 PIN/MALE - MINI FIT
	142522-05-000	EA	HOUSING - 12 PIN/MALE - MINI FIT
	142522-06-000	EA	HOUSING - 14 PIN/MALE - MINI FIT
	142524-01-000	EA	HOUSING - 4 PIN/FEMALE - WEATHER PACK
	142524-02-000	EA	HOUSING - 4 PIN/FEMALE - WEATHER PACK
	144283-01-000	EA	CONNECTOR - 110V - F/USE WITH SOW WIRE - BLUE
	144283-02-000	EA	CONNECTOR - 110V - F/USE WITH NM ROMEX WIRE - CLEAR
	145171-01-000	EA	CONNECTOR - COAXIAL
	148335-01-000	EA	HOUSING - 8-POSITION/MALE - 280-GT SERIES
	148335-02-000	EA	HOUSING - 4-POSITION/MALE - 280-GT SERIES
	148335-03-000	EA	HOUSING - 6-POSITION/MALE - 280-GT SERIES
	149683-01-000	EA	HOUSING - F/5 CAVITY RECEPTACLE - W/SQUARE GUIDE PIN
	149683-02-000	EA	HOUSING - F/5 CAVITY RECEPTACLE - W/ROUND GUIDE PIN
	149686-01-000	EA	TERMINAL - .250 RECEPTACLE

ELECTRICAL GROUP (CONTINUED)
CONNECTORS & CONDUIT (CONTINUED)

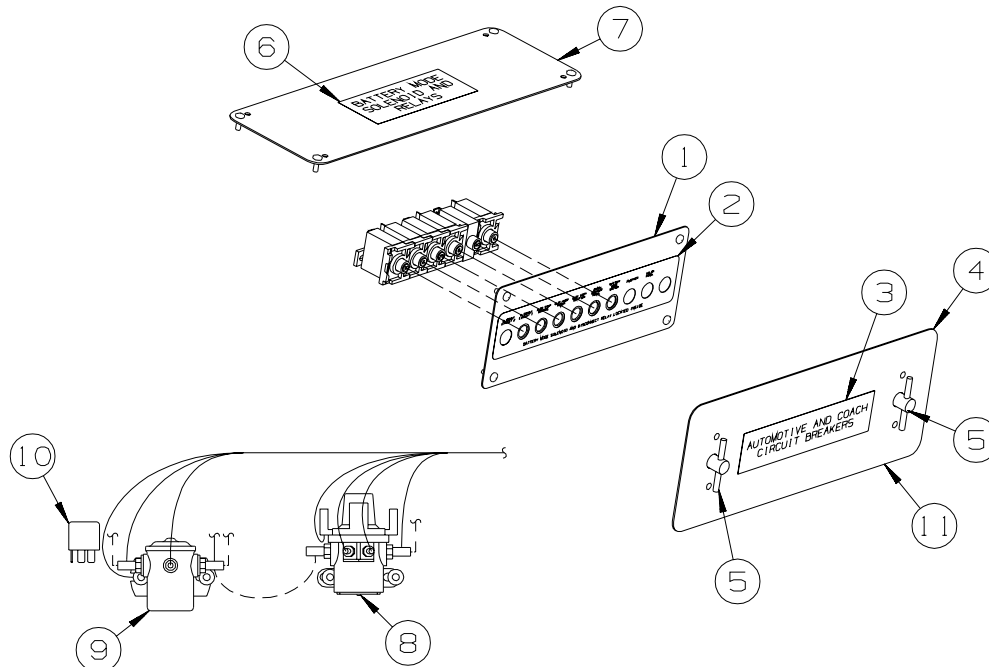
KEY	PART NUMBER	U/M	DESCRIPTION
	149687-01-000	EA	HOUSING - 2 POSITION/MALE - PACKARD
	149687-02-000	EA	LOCK - F/2 POSITION HOUSING - PACKARD
	149688-01-000	EA	TERMINAL - MALE - 16 GAUGE WIRE
	156035-01-000	EA	HOUSING - 12-POSITION/FEMALE - 280-GT SERIES
	156041-01-000	EA	TERMINAL - FEMALE - 16-12 - 280-GT SERIES
	156043-01-000	EA	HOUSING - 2-POSITION/FEMALE - 480-MP SERIES
	156043-02-000	EA	LOCK - F/2 POSITION HOUSING - 480 SERIES
	156044-01-000	EA	TERMINAL - FEMALE - 16-12 - 280-GT - F/SEALED HOUSING
	156045-01-000	EA	HOUSING - 10-POSITION/FEMALE - 280-GT SERIES
	156045-02-000	EA	HOUSING - 4-POSITION/FEMALE - 280-GT SERIES
	156045-03-000	EA	HOUSING - 8-POSITION/FEMALE - 280-GT SERIES
	156045-04-000	EA	HOUSING - 6-POSITION/FEMALE - 280-GT SERIES
	156207-01-000	EA	HOUSING - 6-POSITION/MALE - 150-GT SERIES
	156208-01-000	EA	TERMINAL - MALE - 18-16 - 150-GT SERIES
	157590-01-000	EA	TERMINAL - FEMALE - M/P - 10-12 - 630
	157592-01-000	EA	HOUSING - 7-POSITION/FEMAL - M/P
	157592-02-000	EA	LOCK - SECONDARY - F/7 POSITION HOUSING
	157656-01-01A	EA	CONNECTOR - DASH LIGHT - BLACK
	158357-01-000	EA	HOUSING - 3 PIN/MALE - MINI FIT
	158373-01-000	EA	HOUSING - SOCKET - 16 CAVITY - MINI MATE-N-LOCK
	158374-01-000	EA	SOCKET - 16-20 CAVITY - MINI MATE-N-LOCK

ELECTRICAL GROUP (CONTINUED)

CHASSIS

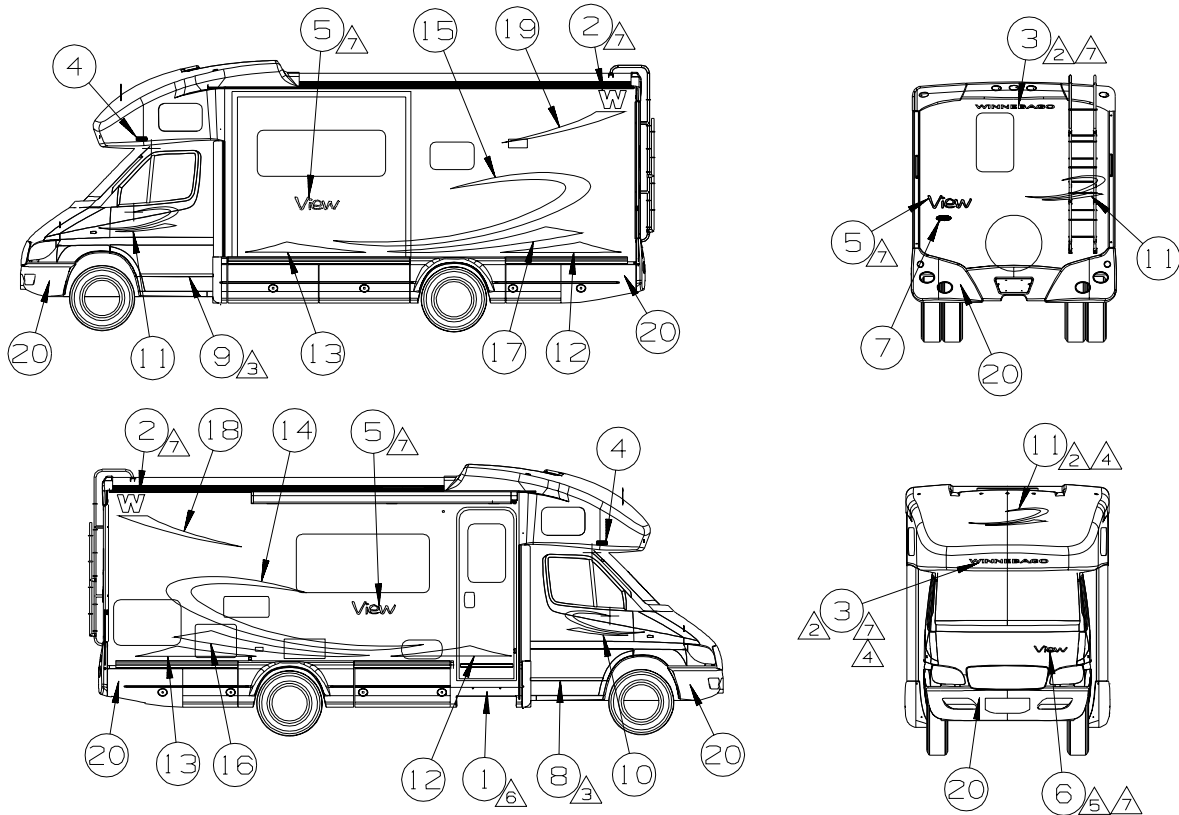


KEY	PART NUMBER	U/M	DESCRIPTION
1	077069-03-000	EA	CABLE/EXTENSION - RADIO ANTENNA - 260"
2	160014-01-02B	EA	TIEDOWN - BATTERY - E-COATED
3	145638-04-01A	EA	SWITCH/ROCKER - SPDT (ON/ON) - BLACK
3	108355-02-000	EA	HOUSING - SWITCH - 12 POSITION
4	144363-13-04B	EA	PLATE - SWITCH - BLACK
5	152419-01-02B	EA	PLATE - SWITCH/1 HOLE - 2.6" X 6.9" - E-COATED
6	145638-07-01A	EA	SWITCH/ROCKER - DPDT (ON/ON) - BLACK
6	108355-02-000	EA	HOUSING - SWITCH - 12 POSITION
7	132954-09-01A	EA	APPLIQUE - SWITCH - RADIO BOOST - BLACK



KEY	PART NUMBER	U/M	DESCRIPTION
1	139067-08-02B	EA	PLATE - CIRCUIT BREAKER/HOUSE - E-COATED
2	093236-38-000	EA	LABEL - CIRCUIT BREAKER
3	098379-01-000	EA	LABEL - CIRCUIT BREAKER - FRONT BOX
4	141273-02-02B	EA	COVER - ELECTRICAL BOX - E-COATED
5	098196-01-000	EA	LATCH - 1/4 TURN - T-BAR
6	098379-04-000	EA	LABEL - ELECTRICAL BOX - SIDE
7	152712-01-02B	EA	COVER - SOLENOID BOX - E-COATED
8	086273-01-000	EA	RELAY - BATTERY DISCONNECT
9	008188-01-000	EA	SOLENOID - 3 POST - BATTERY CHANGE OVER
10	063912-02-000	EA	RELAY - CANISTER - SPDT
11	092492-16-000	EA	SEAL - ELECTRICAL BOX

EXTERIOR BODY GROUP GRAPHICS & PAINT



(270) KEY	PART NUMBER	U/M	DESCRIPTION
1	109506-01-000	EA	FILM-URETHANE PROTECTANT
2	120700-10-CHT(19A)	EA	DECAL-LOGO W - BURGUNDY
3	120702-03-CHT(64A)	EA	DECAL-LOGO WINNEBAGO - BURGUNDY
4	132664-02-CHT(01A)	EA	DECAL-LOGO DOMED WINNEBAGO - CHROME/RED/BLACK
5	151611-01-CHT(03A)	EA	DECAL-LOGO VIEW LG - BURGUNDY
6	151611-02-CHT(03A)	EA	DECAL-LOGO VIEW SML - BURGUNDY
7	151687-01-CHT(01A)	EA	DECAL/BEZEL-DOMED NAMEPLATE WINNEBAGO - CHROME/RED
8	152795-01-CHT(01A)	EA	DECAL-CAB LOWER RH - STORM GRAY
9	152795-02-CHT(01A)	EA	DECAL-CAB LOWER LH - STORM GRAY
10	158333-01-CHT(01A)	EA	DECAL-STRIPES SML RH - CHAMOIS YELLOW/BURGUNDY
11	158333-02-CHT(01A)	EA	DECAL-STRIPES SML LH - CHAMOIS YELLOW/BURGUNDY
12	158334-01-CHT(01A)	EA	DECAL-PEAK RH - STORM GRAY
13	158334-02-CHT(01A)	EA	DECAL-PEAK LH - STORM GRAY
14	158335-01-CHT(01A)	EA	DECAL-STRIPE #1 RH - CHAMOIS YELLOW
15	158335-02-CHT(01A)	EA	DECAL-STRIPE #1 LH - CHAMOIS YELLOW
16	158336-01-CHT(01A)	EA	DECAL-STRIPE #2 RH - BURGUNDY
17	158336-02-CHT(01A)	EA	DECAL-STRIPE #2 LH - BURGUNDY
18	158337-01-CHT(01A)	EA	DECAL-STRIPE #3 RH - DARK BROWN
19	158337-02-CHT(01A)	EA	DECAL-STRIPE #3 LH - DARK BROWN
20	-----	GL	COLORLED PLASTIC AND STEEL - STORM GRAY

(92K) KEY	PART NUMBER	U/M	DESCRIPTION
1	109506-01-000	EA	FILM-URETHANE PROTECTANT
2	120700-10-CHT(20A)	EA	DECAL-LOGO W - MED PARCHMENT
3	120702-03-CHT(65A)	EA	DECAL-LOGO WINNEBAGO - MED PARCHMENT
4	132664-02-CHT(01A)	EA	DECAL-LOGO DOMED WINNEBAGO - CHROME/RED/BLACK
5	151611-01-CHT(04A)	EA	DECAL-LOGO VIEW LG - MED PARCHMENT
6	151611-02-CHT(04A)	EA	DECAL-LOGO VIEW SML - MED PARCHMENT
7	151687-01-CHT(01A)	EA	DECAL/BEZEL-DOMED NAMEPLATE WINNEBAGO - CHROME/RED
8	152795-01-CHT(01A)	EA	DECAL-CAB LOWER RH - STORM GRAY
9	152795-02-CHT(01A)	EA	DECAL-CAB LOWER LH - STORM GRAY
10	158333-01-CHT(02A)	EA	DECAL-STRIPES SML RH - MED PARCHMENT/SANDSTONE
11	158333-02-CHT(02A)	EA	DECAL-STRIPES SML LH - MED PARCHMENT/SANDSTONE
12	158334-01-CHT(01A)	EA	DECAL-PEAK RH - STORM GRAY
13	158334-02-CHT(01A)	EA	DECAL-PEAK LH - STORM GRAY
14	158335-01-CHT(02A)	EA	DECAL-STRIPE #1 RH - MED PARCHMENT
15	158335-02-CHT(02A)	EA	DECAL-STRIPE #1 LH - MED PARCHMENT
16	158336-01-CHT(02A)	EA	DECAL-STRIPE #2 RH - SANDSTONE
17	158336-02-CHT(02A)	EA	DECAL-STRIPE #2 LH - SANDSTONE
18	158337-01-CHT(02A)	EA	DECAL-STRIPE #3 RH - STORM GRAY
19	158337-02-CHT(02A)	EA	DECAL-STRIPE #3 LH - STORM GRAY
20	-----	GL	COLORLED PLASTIC AND STEEL - STORM GRAY

△ LOGO IS TO BE ±1 MM ON A HORIZONTAL PLANE (END TO END).

△ FILM TO PROTECT BOTTOM OF DOOR FROM SCUFF MARKS.

△ LOCATE DECAL 120 MM LEFT OF HOOD EDGE AND 60 MM UP FROM FRONT EDGE OF HOOD.

△ CENTER DECAL VERTICALLY ON PART FEATURE.

△ DECAL TO BE PLACED IN LOWER FEATURE RECESS.

△ CENTER ON UNIT.

1. APPLY PROTECTOR 116424-01-000 TO WATER HEATER LATCH.

(92K) EXTERIOR GRAPHICS PACKAGE #2

(270) EXTERIOR GRAPHICS PACKAGE #1

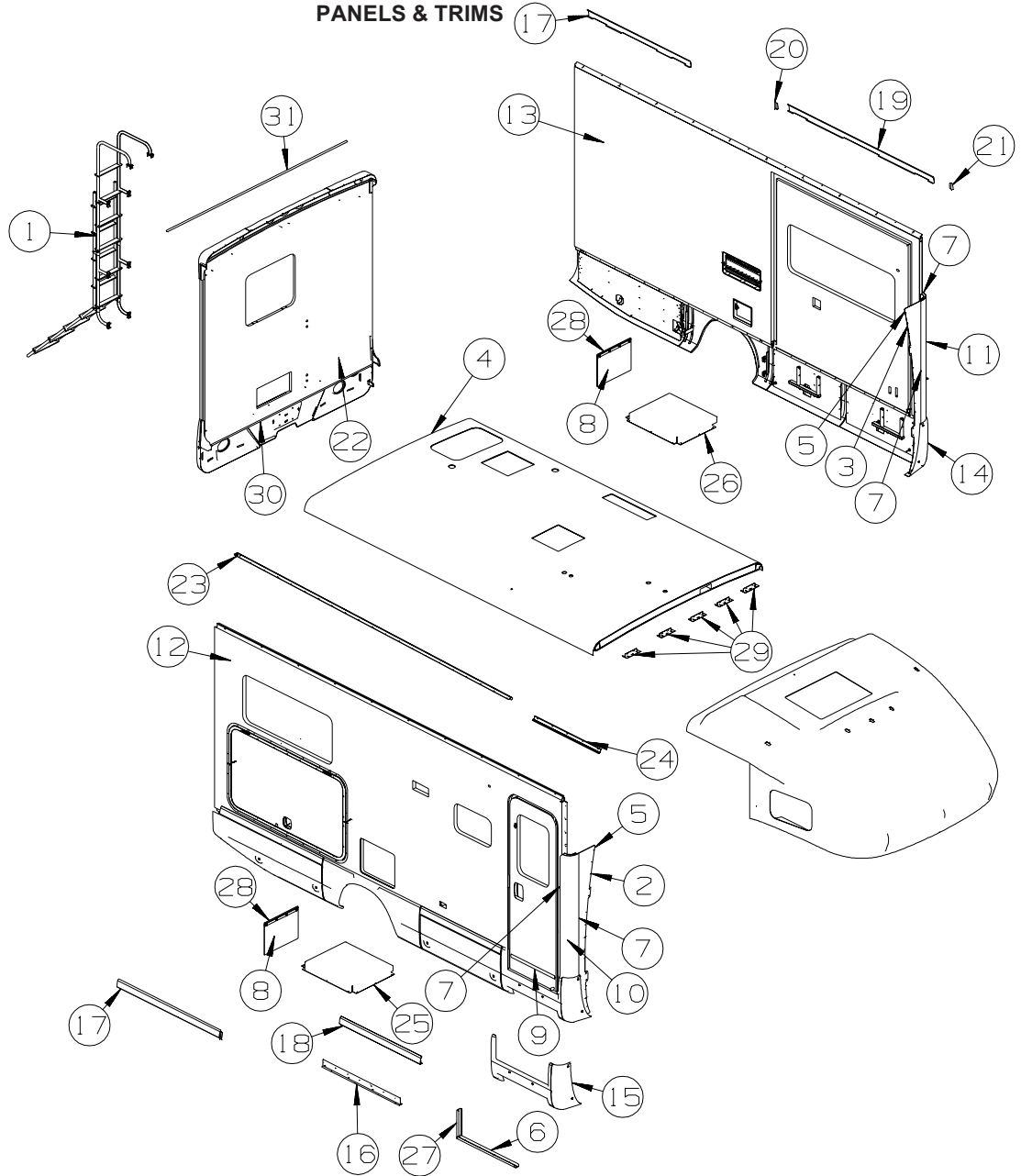
NOTES:

KEY	PART NUMBER	U/M	DESCRIPTION
	041561-03-000	EA	PAINT/SPRAY - 12 OZ. NET - OFF WHITE
	116424-01-000	EA	PROTECTOR - LATCH - WATER HEATER

**DUPONT COLOR CODES ARE NOW FOUND IN THE PAINT CODE MANUAL.
YOU CAN FIND THIS MANUAL ON YOUR DEALER INDEX WEBPAGE UNDER SERVICE.**

EXTERIOR BODY GROUP (CONTINUED)

PANELS & TRIMS

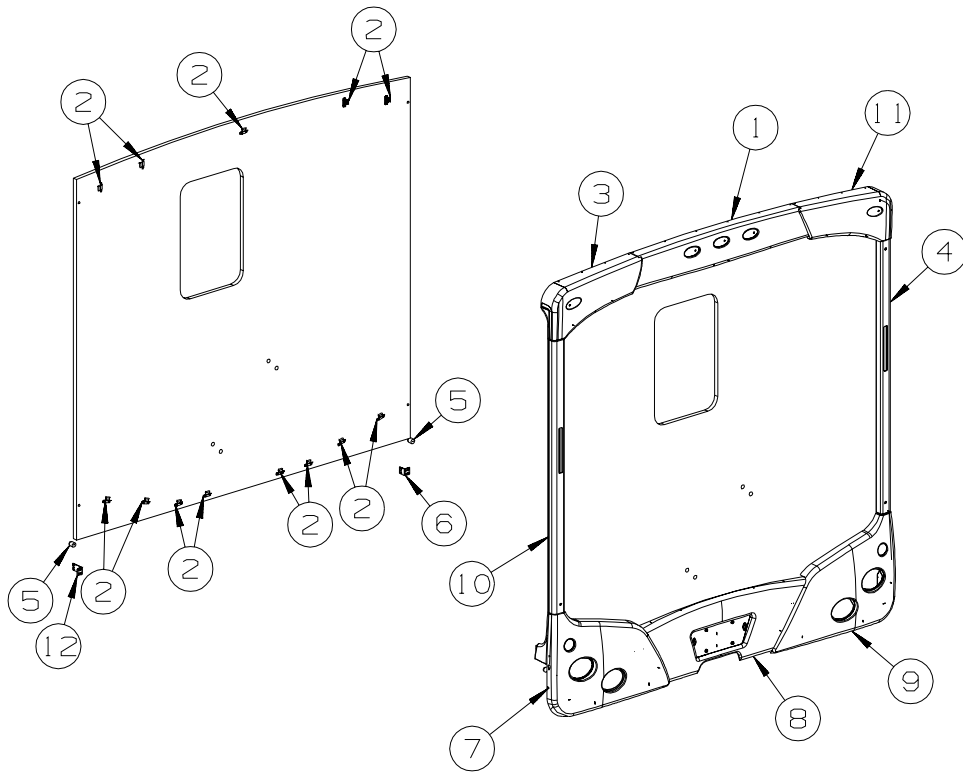


KEY	PART NUMBER	U/M	DESCRIPTION
1	152869-02-01A	EA	LADDER/FOLDING - 78.6"/126.2" - 10 STEP - BRUSHED ALUMINUM FROM: 00-00-00 THRU: 06-25-06
1	152869-01-01A	EA	LADDER/FOLDING - 78.6"/129.7" - 10 STEP - BRUSHED ALUMINUM FROM: 06-26-06 THRU: 99-99-99
2	152534-01-T01	EA	PANEL - TRANSITION - RIGHT HAND
3	152534-02-T01	EA	PANEL - TRANSITION - LEFT HAND
4	158469-01-U17	EA	ROOF - W/O LIGHTS/VENTS - W/WIRING
5	112160-01-000	EA	SEAL - D SECTION - .2 X .3" - FOAM RUBBER
6	137599-08-02A	EA	TRIM - SIDEWALL/LOWER - 31.3" - BRIGHT WHIT
7	056795-01-000	EA	TAPE-SEAL, 1/8~ X 3/8~ WIDE - PRESS ON
8	017516-01-000	EA	MUD FLAP - 14"H X 18"W - W/O MOUNTING HOLES - RUBBER - BLK
9	093673-01-06A	FT	TRIM/MOLDING - 1.4" WIDE X 8' LONG - BRIGHT WHITE
10	151222-01-01A	EA	TRANSITION - CORNER - 55.6" - BRIGHT WHITE
11	151222-02-01A	EA	TRANSITION - CORNER - LEFT - BRIGHT WHITE
12	158016-01-U17	EA	SIDEWALL - PASSENGER - W/O WINDOWS/TRIMS
13	158015-01-U17	EA	SIDEWALL - DRIVER - W/O WINDOWS/TRIMS
14	152426-01-T01	EA	PANEL/VALANCE - TRANSITION/DRIVER
15	152427-01-T01	EA	PANEL/VALANCE - ENTRANCE - W/RH TRANSITION
16	152537-03-01A	EA	TRIM - FEATURE/INNER - 42.5" - MILL
17	152549-01-02A	EA	TRIM - FEATURE/OUTER - NOTCHED - 3" X 51.5" - STORM GRAY
18	152549-02-02A	EA	TRIM - FEATURE/OUTER - NOTCHED - 3" X 42.9" - STORM GRAY

EXTERIOR BODY GROUP (CONTINUED)
PANELS & TRIMS (CONTINUED)

KEY	PART NUMBER	U/M	DESCRIPTION
19	152549-04-02A	EA	TRIM - FEATURE/OUTER - NOTCHED - 3" X 77.7" - STORM GRAY
20	153165-01-01A	EA	END CAP/TRIM - RIGHT HAND - STORMY GRAY
21	153165-02-01A	EA	END CAP/TRIM - LEFT HAND - STORMY GRAY
22	158468-01-U17	EA	BACKWALL - W/O WINDOW/TRIMS
23	157284-01-01A	EA	RAIL - AWNING - 192" - BRIGHT WHITE
24	152036-01-01A	EA	RAIL - AWNING - 35.4" - BRIGHT WHITE
25	P51877-01-02B	EA	WHEELWELL - STEEL - W/UNDERCOATING
26	P51877-02-02B	EA	WHEELWELL - STEEL - W/UNDERCOATING
27	133100-08-02A	EA	TRIM - SIDEWALL - 12.5" - BRIGHT WHITE
28	140922-01-02B	EA	RETAINER - MUD FLAP - 1" X 17.7" - E-COATED/BLACK
29	134774-03-02B	EA	BRACKET - CAP ATTACHMENT - E-COATED
30	103335-11-02A	EA	TRIM - BACKWALL - LOWER - 89.6" - BRIGHT WHITE
31	114248-02-04A	EA	ANGLE - PLASTIC - .7" X .4" X 96.7" - BEIGE

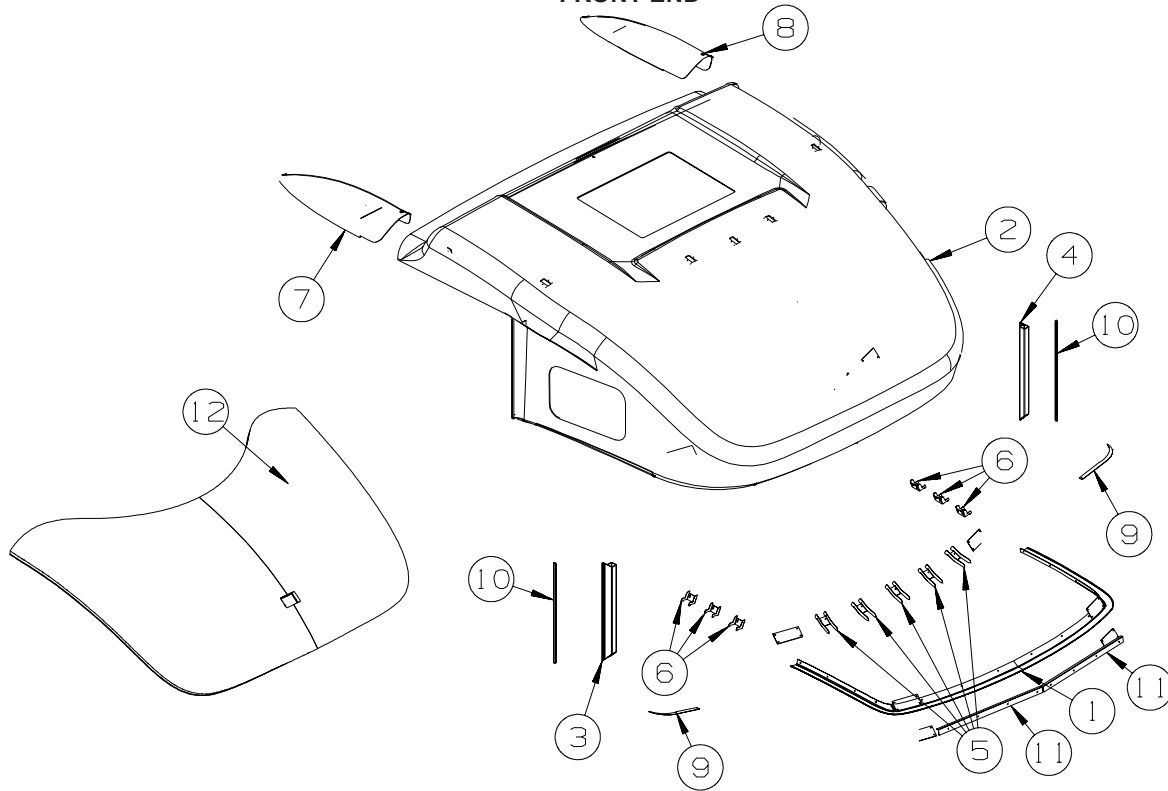
EXTERIOR BODY GROUP (CONTINUED)
PANELS & TRIMS (CONTINUED)



KEY	PART NUMBER	U/M	DESCRIPTION
1	P52238-01-T01	EA	TRIM/BACKWALL - UPPER/CENTER - W/LIGHTS - REARVIEW MONITOR
1	152238-01-T01	EA	TRIM/BACKWALL - UPPER/CENTER - W/O LIGHTS - REARVIEW MONITOR
1	P52238-02-T01	EA	TRIM/BACKWALL - UPPER/CENTER - W/LIGHTS
1	152238-02-T01	EA	TRIM/BACKWALL - UPPER/CENTER - W/O LIGHTS
2	073050-04-000	EA	CLIP/MOUNTING - VALANCE PANEL
3	P52232-02-T01	EA	TRIM/BACKWALL - UPPER/DRIVER - W/LIGHTS
3	152232-02-T01	EA	TRIM/BACKWALL - UPPER/DRIVER
4	151933-01-01A	EA	TRIM - BACKWALL - PASSENGER - STORM GRAY
5	120863-02-000	EA	BUMPER - RUBBER/RADIUS TOP - 1" X 1 1/2"
6	140309-03-02B	EA	ANGLE - FURNACE DOOR - E-COATED
7	P52230-01-T01	EA	TRIM/BACKWALL - LOWER/DRIVER - W/LIGHTS
7	152230-01-T01	EA	TRIM/BACKWALL - LOWER/DRIVER
8	152231-01-T01	EA	TRIM/BACKWALL - LOWER/MIDDLE
8	151428-01-21A	EA	TRIM - BACKWALL - LOWER/MIDDLE - STORM GRAY
9	P52230-02-T01	EA	TRIM/BACKWALL - LOWER/PASSENGER - W/LIGHTS
9	152230-02-T01	EA	TRIM/BACKWALL - LOWER/PASSENGER
10	151933-02-01A	EA	TRIM - BACKWALL - DRIVER - STORM GRAY
11	P52232-01-T01	EA	TRIM/BACKWALL - UPPER/PASSENGER - W/LIGHTS
11	152232-01-T01	EA	TRIM/BACKWALL - UPPER/PASSENGER
12	140309-05-02B	EA	ANGLE - FURNACE DOOR - E-COATED

EXTERIOR BODY GROUP (CONTINUED)

FRONT END



KEY	PART NUMBER	U/M	DESCRIPTION
1	151287-01-02A	EA	SILL - ROOF CAP/CAB - BRIGHT WHITE
2	151843-01-T01	EA	PANEL - ROOF CAP - W/O LIGHTS/WIRING
2	151843-02-T01	EA	PANEL - ROOF CAP - W/O LIGHTS/WIRING - CABINET, FRONT CAB OVERHEAD
	105290-01-000	SF	INSULATION - AIR POCKET W/FOIL - 4' WIDE
3	151686-01-01A	EA	TRIM - PANEL - FIBERGLASS/RH HAND
4	151686-02-01A	EA	TRIM - PANEL - FIBERGLASS/LH HAND
5	151741-01-02B	EA	CLAMP/ROOF CAP - FRONT - E-COATED
6	151741-02-02B	EA	CLAMP/ROOF CAP - SIDE - E-COATED
7	152037-03-T01	EA	TRIM/ROOF - RIGHT - PLASTIC - 8.2"W X 37.2"L X 5.8"H
8	152037-04-T01	EA	TRIM/ROOF - LEFT - PLASTIC - 8.2"W X 37.2"L X 5.8"H
9	152885-01-01A	EA	TRIM - CLOSEOUT/TRANSITION - BRIGHT WHITE
10	153151-01-01A	FT	TRIM - ROOF CAP/SIDEWALL
11	132273-03-02B	EA	BRACKET - REAR TRIM - E-COATED
12	152052-01-T01	EA	HEADLINER/MATERIAL - W/LAMINATED FOAM

EXTERIOR BODY GROUP (CONTINUED)
STRUCTURAL COMPONENTS

KEY	PART NUMBER	U/M	DESCRIPTION
	002726-01-001	EA	GARNISH - U-CHANNEL - 1.38" X 19' - SERRATED
	089297-01-000	SF	PLYWOOD - LUAN - OVERLAY GRADE - 4' X 8'
	100619-B3-000	BF	FOAM - EXPANDED POLYSTYRENE - .42" X 48" X 96"
	100619-01-000	BF	FOAM - EXPANDED POLYSTYRENE - 1.34" X 48" X 96"
	100619-02-000	BF	FOAM - EXPANDED POLYSTYRENE - 1.5" X 48" X 96" FROM: 00-00-00 THRU: 05-16-06
	100619-04-000	BF	FOAM - EXPANDED POLYSTYRENE - .5" X 48" X 96"
	100619-05-000	BF	FOAM - EXPANDED POLYSTYRENE - .75" X 48" X 96"-1.5"DENSITY
	100619-05-042	EA	FOAM - EXPANDED POLYSTYRENE - .75" X 48" X 96"-1.5"DENSITY FROM: 11-27-06 THRU: 99-99-99
	100619-16-000	BF	FOAM - EXPANDED POLYSTYRENE - .75" X 48" X 96"-2" DENSITY
	120107-01-000	EA	FOAM - ROOF COVE - 2.8" X 48" LONG
	120107-02-000	EA	FOAM - PLUG - ROOF TUBE - 2.2" X 2.9" X 1.8" LONG
	120107-03-000	EA	FOAM - PLUG - SIDEWALL TUBE - 1.2" X 2.1" X 1.8" LONG
	116942-03-01A	LB	ALUMINUM - .7" X 40" X 158"
	108535-10-01A	SF	FIBERGLASS SHEET - 99" X 500' ROLL - BRIGHT WHITE
	128782-17-01A	EA	FIBERGLASS SHEET - 30.9" X 74.7" - HIGH GLOSS - BRT WHITE
	128782-20-01A	EA	FIBERGLASS SHEET - 78.9" X 185.9" - HIGH GLOSS - BRT WHITE
	159631-15-01A	EA	FIBERGLASS SHEET - 4" X 93.8" - BRIGHT WHITE FROM: 03-06-06 THRU: 01-14-07
	162931-15-01A	EA	FIBERGLASS SHEET - 4" X 93.8" - BRIGHT WHITE FROM: 01-15-07 THRU: 99-99-99

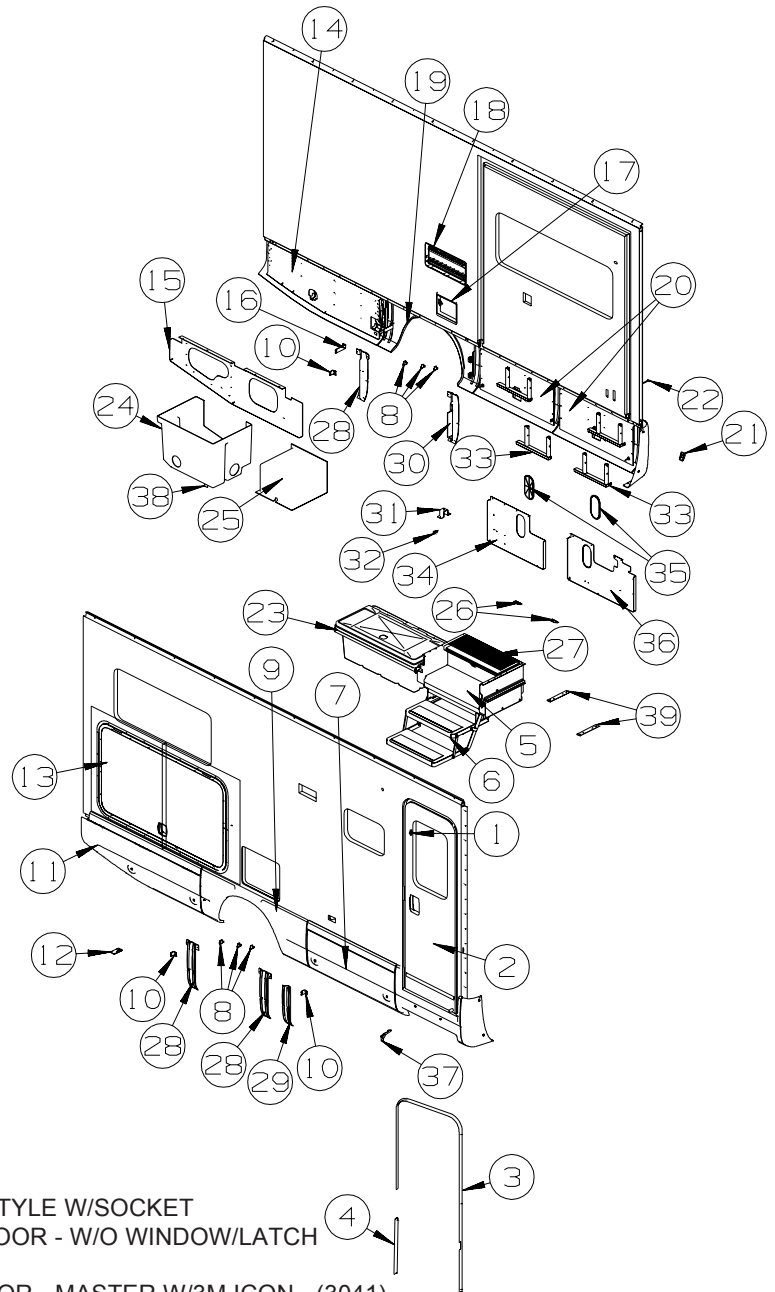
AWNINGS

ORDER AWNINGS & REPAIR PARTS FROM DOMETIC. CALL #800-366-3842.
THE DOMETIC AWNING INFORMATION YOU WILL NEED IS LOCATED ON THE MOTOR HOME NEAR
THE TOP OF THE AWNING RAIL.

KEY	PART NUMBER	U/M	DESCRIPTION
	113874-11-01A	EA	SCREW/LAG - AWNING - 1/4" X 1" STAINLESS STEEL
	113874-12-01A	EA	SCREW/LAG - AWNING - 1/4" X 2 3/4" STAINLESS STEEL
	120863-01-000	EA	BUMPER - RUBBER - 1 1/4" X 1 1/4"
	127647-03-01A	EA	ROD/AWNING GUARD - ENTRY DOOR - 19.4" LONG
	137054-01-02A	EA	BRACKET - AWNING - BRIGHT WHITE FROM: 00-00-00 THRU: 12-10-06
	161739-01-02A	EA	BRACKET - AWNING - BRIGHT WHITE FROM: 12-11-06 THRU: 99-99-99
	145993-01-000	FT	SEAL - "D SECTION" W/ADHESIVE BACK
	150702-01-12B	EA	BRACKET - AWNING - BRIGHT WHITE

EXTERIOR DOORS & COMPARTMENTS GROUP

DOOR & COMPARTMENT LAYOUT



KEY	PART NUMBER	U/M	DESCRIPTION
1	009101-02-000	EA	HOLDER/DOOR - PLUNGER STYLE W/SOCKET
2	P32206-21-U17	EA	DOOR - ENTRY W/SCREEN DOOR - W/O WINDOW/LATCH

ENTRY DOOR LOCK CYLINDERS

138287-11-000	EA	CYLINDER/LOCK - ENTRY DOOR - MASTER W/3M ICON - (3041)
138287-12-000	EA	CYLINDER/LOCK - ENTRY DOOR - MASTER W/3M ICON - (3042)
138287-13-000	EA	CYLINDER/LOCK - ENTRY DOOR - MASTER W/3M ICON - (3043)
138287-14-000	EA	CYLINDER/LOCK - ENTRY DOOR - MASTER W/3M ICON - (3044)
138287-15-000	EA	CYLINDER/LOCK - ENTRY DOOR - MASTER W/3M ICON - (3045)
138287-16-000	EA	CYLINDER/LOCK - ENTRY DOOR - MASTER W/3M ICON - (3046)
138287-17-000	EA	CYLINDER/LOCK - ENTRY DOOR - MASTER W/3M ICON - (3047)
138287-18-000	EA	CYLINDER/LOCK - ENTRY DOOR - MASTER W/3M ICON - (3048)
138287-19-000	EA	CYLINDER/LOCK - ENTRY DOOR - MASTER W/3M ICON - (3049)
138287-20-000	EA	CYLINDER/LOCK - ENTRY DOOR - MASTER W/3M ICON - (3050)
138288-11-000	EA	KEY - REVERSIBLE - #3041 - T/M 16169-02-3041
138288-12-000	EA	KEY - REVERSIBLE - #3042 - T/M 16169-02-3042
138288-13-000	EA	KEY - REVERSIBLE - #3043 - T/M 16169-02-3043
138288-14-000	EA	KEY - REVERSIBLE - #3044 - T/M 16169-02-3044
138288-15-000	EA	KEY - REVERSIBLE - #3045 - T/M 16169-02-3045
138288-16-000	EA	KEY - REVERSIBLE - #3046 - T/M 16169-02-3046
138288-17-000	EA	KEY - REVERSIBLE - #3047 - T/M 16169-02-3047
138288-18-000	EA	KEY - REVERSIBLE - #3048 - T/M 16169-02-3048
138288-19-000	EA	KEY - REVERSIBLE - #3049 - T/M 16169-02-3049
138288-20-000	EA	KEY - REVERSIBLE - #3050 - T/M 16169-02-3050
138292-01-000	EA	SEAL - LOCK CYLINDER

EXTERIOR DOORS & COMPARTMENTS GROUP (CONTINUED)
DOOR & COMPARTMENT LAYOUT (CONTINUED)

KEY PART NUMBER U/M DESCRIPTION

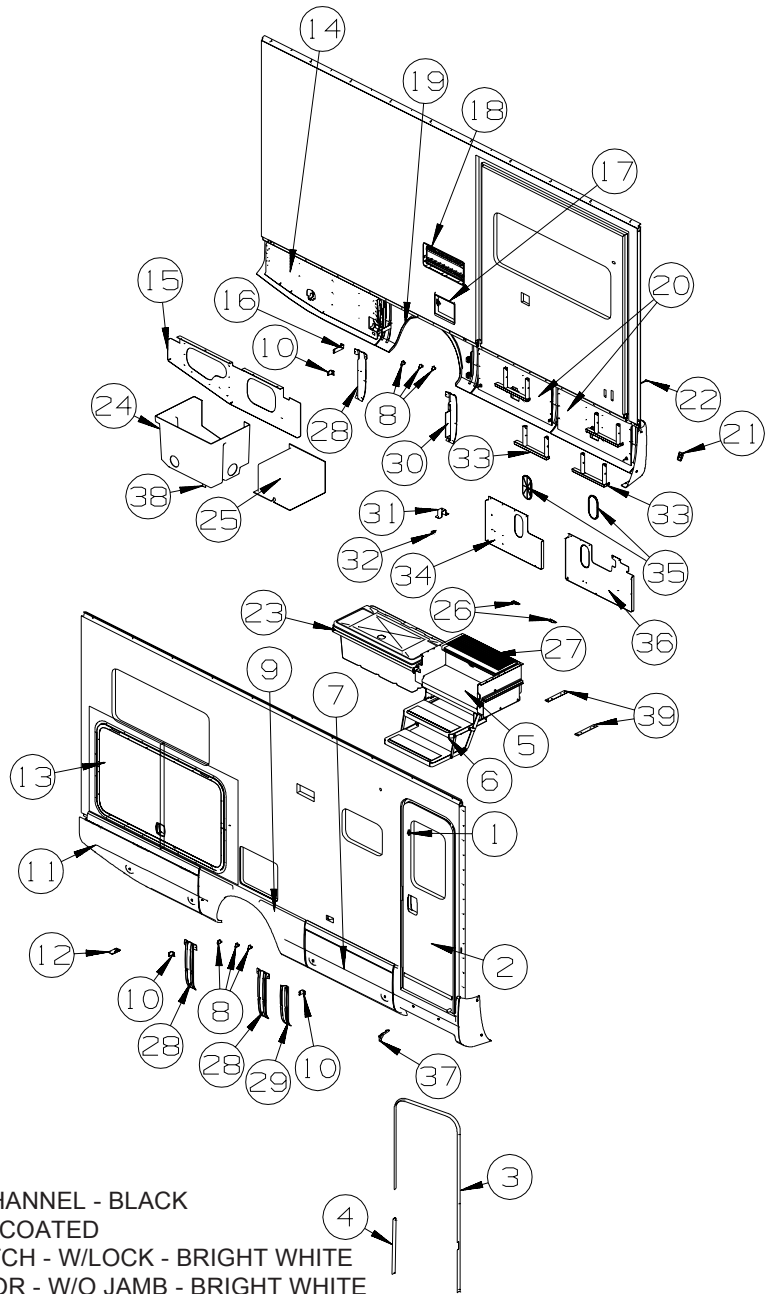
ENTERTAINMENT CENTER DOOR LOCK CYLINDERS

138289-11-000	EA	CYLINDER/LOCK - ACCESS DOORS - REDUCED SENSITIVITY (3041)
138289-12-000	EA	CYLINDER/LOCK - ACCESS DOORS - REDUCED SENSITIVITY (3042)
138289-13-000	EA	CYLINDER/LOCK - ACCESS DOORS - REDUCED SENSITIVITY (3043)
138289-14-000	EA	CYLINDER/LOCK - ACCESS DOORS - REDUCED SENSITIVITY (3044)
138289-15-000	EA	CYLINDER/LOCK - ACCESS DOORS - REDUCED SENSITIVITY (3045)
138289-16-000	EA	CYLINDER/LOCK - ACCESS DOORS - REDUCED SENSITIVITY (3046)
138289-17-000	EA	CYLINDER/LOCK - ACCESS DOORS - REDUCED SENSITIVITY (3047)
138289-18-000	EA	CYLINDER/LOCK - ACCESS DOORS - REDUCED SENSITIVITY (3048)
138289-19-000	EA	CYLINDER/LOCK - ACCESS DOORS - REDUCED SENSITIVITY (3049)
138289-20-000	EA	CYLINDER/LOCK - ACCESS DOORS - REDUCED SENSITIVITY (3050)
138288-11-000	EA	KEY - REVERSIBLE - #3041 - T/M 16169-02-3041
138288-12-000	EA	KEY - REVERSIBLE - #3042 - T/M 16169-02-3042
138288-13-000	EA	KEY - REVERSIBLE - #3043 - T/M 16169-02-3043
138288-14-000	EA	KEY - REVERSIBLE - #3044 - T/M 16169-02-3044
138288-15-000	EA	KEY - REVERSIBLE - #3045 - T/M 16169-02-3045
138288-16-000	EA	KEY - REVERSIBLE - #3046 - T/M 16169-02-3046
138288-17-000	EA	KEY - REVERSIBLE - #3047 - T/M 16169-02-3047
138288-18-000	EA	KEY - REVERSIBLE - #3048 - T/M 16169-02-3048
138288-19-000	EA	KEY - REVERSIBLE - #3049 - T/M 16169-02-3049
138288-20-000	EA	KEY - REVERSIBLE - #3050 - T/M 16169-02-3050

VALANCE DOOR & STORAGE DOOR LOCK CYLINDERS

	154066-50-001	EA	CASE/CYLINDER - LOCKING
	154066-50-002	EA	CASE/CYLINDER - LOCKING
	154066-50-003	EA	CASE/CYLINDER - LOCKING
	154066-50-004	EA	CASE/CYLINDER - LOCKING
	154066-50-005	EA	CASE/CYLINDER - LOCKING
	154066-50-006	EA	CASE/CYLINDER - LOCKING
	154066-50-007	EA	CASE/CYLINDER - LOCKING
	154066-50-008	EA	CASE/CYLINDER - LOCKING
	154066-50-009	EA	CASE/CYLINDER - LOCKING
	154066-50-010	EA	CASE/CYLINDER - LOCKING
	154066-51-001	EA	KEYS - SET OF TWO
	154066-51-002	EA	KEYS - SET OF TWO
	154066-51-003	EA	KEYS - SET OF TWO
	154066-51-004	EA	KEYS - SET OF TWO
	154066-51-005	EA	KEYS - SET OF TWO
	154066-51-006	EA	KEYS - SET OF TWO
	154066-51-007	EA	KEYS - SET OF TWO
	154066-51-008	EA	KEYS - SET OF TWO
	154066-51-009	EA	KEYS - SET OF TWO
	154066-51-010	EA	KEYS - SET OF TWO
3	139100-09-01A	EA	GARNISH/RADIUS - ENTRY DOOR - BRIGHT WHITE
4	139101-07-01A	EA	GARNISH/STRAIGHT - ENTRY DOOR - BRIGHT WHITE
5	133114-03-01A	EA	TREAD - STEP/RUBBER - 27.1" X 10.1" - TAUPE
6*	094707-04-01A	EA	STEP - ELECTRIC DOUBLE - KWIKEE
7	152079-01-T01	EA	DOOR/STORAGE - W/O HARDWARE - 43" X 16.1"
	154969-01-02B	EA	ZEE/KEEPER - LATCH - E-COATED
8	073050-04-000	EA	CLIP/MOUNTING - VALANCE PANEL
9	152220-02-T01	EA	PANEL - WHEEL LIP - PASSENGER
10	140309-03-02B	EA	ANGLE - FURNACE DOOR - E-COATED
11	152079-03-T01	EA	DOOR/STORAGE - PASS - W/O HARDWARE - 17.4" X 58.5" X 12.6"
	154969-01-02B	EA	ZEE/KEEPER - LATCH - E-COATED
	142569-17-000	EA	SPRING/GAS - 90 LB - 12" EXTENDED/8.5" COMPRESSED
	126263-02-02B	EA	BRACKET - GAS SPRING W/BALL STUD - E-COATED
	132892-08-01A	FT	SEAL - BULB/SINGLE - W/U CHANNEL - BLACK
12	155616-02-12B	EA	BRACKET - GAS SPRING - BRIGHT WHITE
13	154525-02-U17	EA	DOOR/STORAGE - 64.4" X 38.5" - W/O LATCH
	142569-21-000	EA	SPRING/GAS - 60 LB - 20" EXTENDED/12" COMPRESSED
14	152079-02-T01	EA	DOOR/STORAGE - DRVR - W/O HARDWARE - 17.4" X 58.5" X 12.6"
	154969-01-02B	EA	ZEE/KEEPER - LATCH - E-COATED
	142569-17-000	EA	SPRING/GAS - 90 LB - 12" EXTENDED/8.5" COMPRESSED
	126263-02-02B	EA	BRACKET - GAS SPRING W/BALL STUD - E-COATED

EXTERIOR DOORS & COMPARTMENTS GROUP (CONTINUED)
DOOR & COMPARTMENT LAYOUT (CONTINUED)



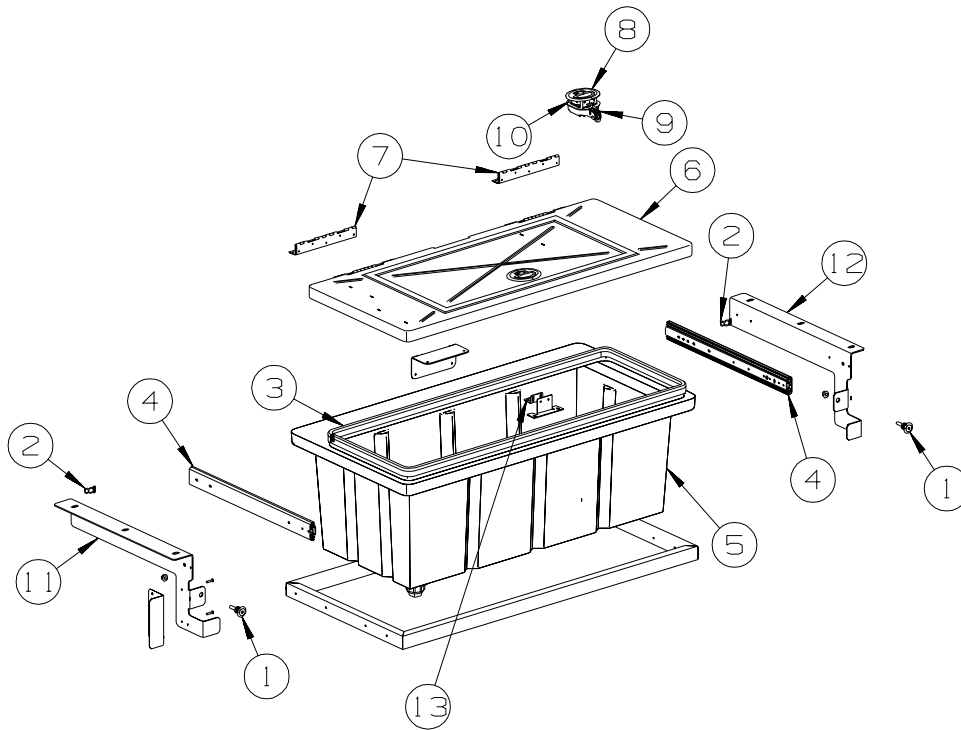
KEY	PART NUMBER	U/M	DESCRIPTION
15	152031-02-02B	EA	PLATE/SEAL - E-COATED
	132892-08-01A	FT	SEAL - BULB/SINGLE - W/U CHANNEL - BLACK
16	140309-06-02B	EA	ANGLE - FURNACE DOOR - E-COATED
17	142894-01-01A	EA	DOOR/POWER CORD - W/HATCH - W/LOCK - BRIGHT WHITE
18*	084103-08-000	EA	DOOR - VENT - REFRIGERATOR - W/O JAMB - BRIGHT WHITE
	084104-08-000	EA	JAMB - VENT DOOR/REFRIGERATOR - BRIGHT WHITE
19	152220-03-T01	EA	PANEL - WHEEL LIP
20	152079-05-T01	EA	DOOR/STORAGE - W/O HARDWARE - 38.8" X 17.4"
	154969-01-02B	EA	ZEE/KEEPER - LATCH - E-COATED
	132892-08-01A	FT	SEAL - BULB/SINGLE - W/U CHANNEL - 1" X .8" - BLACK
21	104099-02-05A	EA	CATCH/RETAINER - DOOR HOLDER - BLACK
22	104099-03-04A	EA	CATCH - DOOR HOLDER - STRIKE - 6" - BRIGHT WHITE
23			SEE COMPARTMENT ILLUSTRATION IN FOLLOWING PAGES
24	151634-01-000	EA	COMPARTMENT - HOLDING TANKS - E-COATED
25	153823-01-000	EA	BOX - POWER CORD
26	146747-01-02B	EA	BRACKET/CATCH - E-COATED
27	123330-05-02B	EA	SUPPORT - ENTRY STEP - E-COATED
27	147781-01-01A	EA	TREAD/STEP - RUBBER - TAUPE
27	116975-01-01A	EA	LATCH - W/O STRIKE - BLACK - NEW STYLE
28	155193-01-21A	EA	CHANNEL - HAT - PLASTIC/2 MOUNT TABS - STORM GRAY
29	152294-01-10A	EA	CHANNEL - HAT - PLASTIC - 2.9" X 15.7" - BLACK
30	155193-02-21A	EA	CHANNEL - HAT - PLASTIC/1 MOUNT TAB - STORM GRAY
31	154814-01-02B	EA	BRACKET/FORMED - ADJUSTING BOLT - E-COATED
32	058786-01-000	EA	BOLT - HOOD ADJUSTMENT - 5/16"-18 X 1.5"-2" - W/BLACK PAD
33	107721-07-000	FT	SEAL - ACCESS DOOR - .9"WIDE X 1.1"HIGH

EXTERIOR DOORS & COMPARTMENTS GROUP (CONTINUED)
DOOR & COMPARTMENT LAYOUT (CONTINUED)

KEY	PART NUMBER	U/M	DESCRIPTION
34	153347-01-02A	EA	PANEL - CLOSEOUT - LP/REAR - BLACK
35	148331-01-01A	EA	PLUG - OVAL/LARGE - BLACK
36	153346-01-02A	EA	PANEL - CLOSEOUT - LP/Front - BLACK
37	159052-01-02B	EA	CATCH - DRAWER - W/ANGLE CATCH - E-COATED
37	100414-01-000	EA	SPRING-CATCH, 3/8" OD X 1.5" - EXTERIOR COMPARTMENTS
38	130377-02-000	EA	TUBE/DRAIN - KAZOO - 1 1/2" X 4"
39	143130-02-02B	EA	PLATE - BACKING - RIGHT/LEFT - E-COATED

***COMPONENT PARTS LISTED LATER IN THIS GROUP**

EXTERIOR DOORS & COMPARTMENTS GROUP (CONTINUED)
DOOR & COMPARTMENT LAYOUT (CONTINUED)



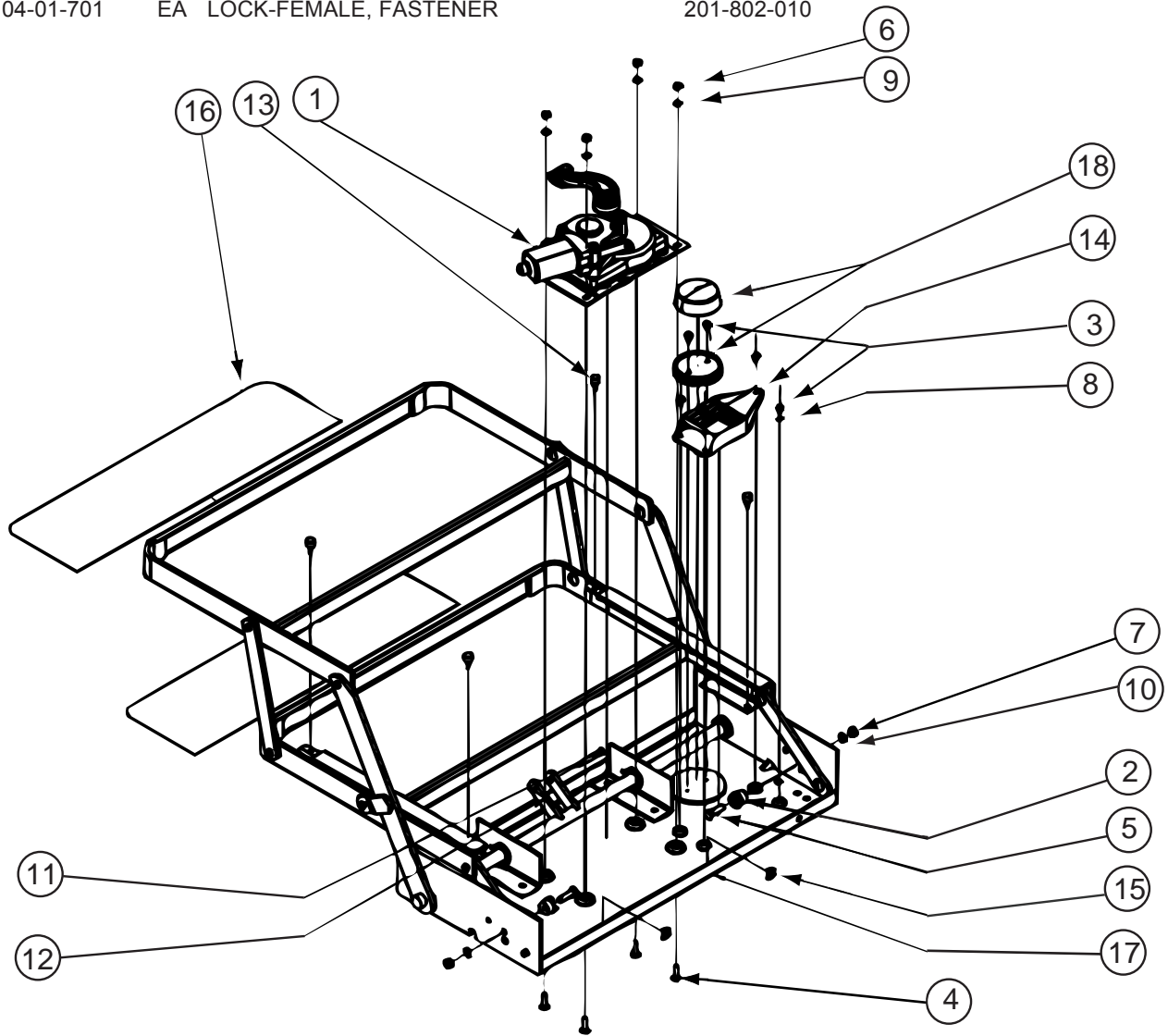
KEY	PART NUMBER	U/M	DESCRIPTION
1	058786-01-000	EA	BOLT - HOOD ADJUSTMENT - 5/16"-18 X 1.5"-2"- W/BLACK PAD
2	132892-04-01A	FT	SEAL - DOUBLE BULB - W/WIRED U CHANNEL - 1.3" X .8"-BLACK
3	132892-07-01A	FT	SEAL - BULB/SINGLE - W/U CHANNEL - .5" X 1" - BLACK
4	151463-02-000	EA	SLIDES - STORAGE COMPARTMENT (PAIR)
5	160748-02-000	EA	COMPARTMENT - STORAGE - PLASTIC - 523B
	160748-01-000	EA	COMPARTMENT - STORAGE - PLASTIC
	010166-01-000	EA	PLUG/THREADED - 1 1/4"MPT - PLASTIC - BLACK - UL
	042989-03-000	EA	FITTING - SPINWELD - 1 1/4"NPT - PLASTIC
5	151548-02-000	EA	COMPARTMENT - STORAGE - PLASTIC - 523H, 523J
	151548-01-000	EA	COMPARTMENT - STORAGE - PLASTIC
	010166-01-000	EA	PLUG/THREADED - 1 1/4"MPT - PLASTIC - BLACK - UL
	042989-03-000	EA	FITTING - SPINWELD - 1 1/4"NPT - PLASTIC
6	151728-01-T01	EA	LID - COMPARTMENT/STORAGE
6	151728-02-U17	EA	LID - COMPARTMENT/STORAGE
	151547-01-01A	EA	LID - COMPARTMENT/STORAGE - BLACK
7	101349-01-01A	EA	HINGE-PIANO - SPRING LOADED - STOCKER
8	152171-02-01A	EA	LATCH/PADDLE - NON-LOCKING - BLACK
9	152171-03-01A	EA	LATCH/INNER - BLACK
10	152171-06-01A	EA	GASKET - LATCH - FOAM
11	151737-01-02B	EA	BRACKET/SUPPORT - SLIDE - E-COATED
			FROM: 00-00-00 THRU: 04-02-06
11	151737-03-02B	EA	BRACKET/SUPPORT - SLIDE - E-COATED
			FROM: 04-03-06 THRU: 99-99-99
12	151737-02-02B	EA	BRACKET/SUPPORT - SLIDE - E-COATED
			FROM: 00-00-00 THRU: 04-02-06
12	151737-04-02B	EA	BRACKET/SUPPORT - SLIDE - E-COATED
			FROM: 04-03-06 THRU: 99-99-99
13	152171-05-01A	EA	KEEPER - LATCH - METAL

EXTERIOR DOORS & COMPARTMENTS GROUP (CONTINUED)

COMPONENT PARTS FOR DOOR & COMPARTMENT LAYOUT

084103-08-000

KEY	PART NUMBER	U/M	DESCRIPTION	VENDOR NO.
	084104-01-700	EA	LOCK-MALE, FASTENER	201-721-010
	084104-01-701	EA	LOCK-FEMALE, FASTENER	201-802-010

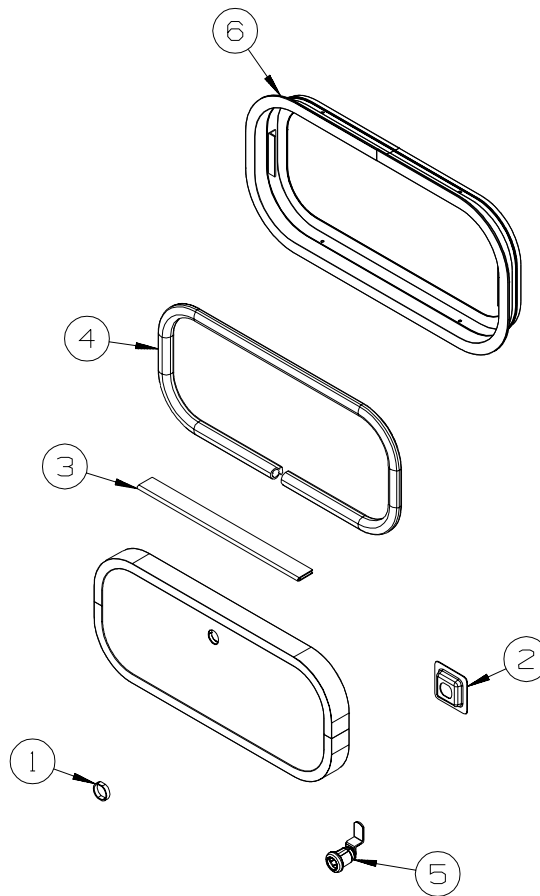


094707-04-01A

KEY	PART NUMBER	U/M	DESCRIPTION	VENDOR NO.
1	094707-04-701	EA	MOTOR "AM 214" F/IMGL STEPS	1101428
1	094707-04-703	EA	GEAR BOX W/LINKAGE-CURVED	1101425
2	143709-01-700	EA	CAM STOP	1102200
12	094707-04-702	EA	COTTOR PIN - W/CLEVIS PIN	905205000
13	143709-01-701	EA	BUMPER - BLACK (RUBBER STOP)	1602000
14	094707-04-700	EA	CONTROL UNIT W/OVERRIDE	909510000
16	143709-01-702	EA	TREAD/NON-SKID 6" X 21" BLK	1915260
17	094707-04-704	EA	FRAME W/DBL STEP-32REINF SRS	3202082
18	088746-01-705	EA	LIGHT-UNDER STEP	9004
	094707-03-701	EA	PLUG - 4-WAY - PACKARD	909306
	094707-04-711	EA	KWIKTEST - W/4-WAY PIGTAIL	909518000

CONTACT WINNEBAGO PART SALES FOR UNLISTED COMPONENT(S)

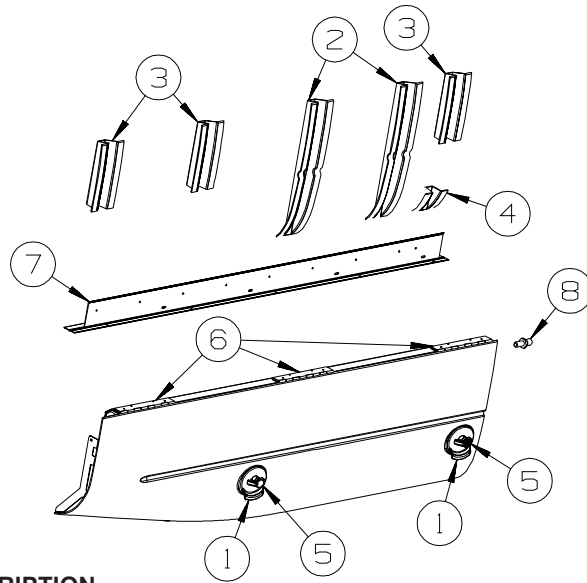
EXTERIOR DOORS & COMPARTMENTS GROUP (CONTINUED)
COMPARTMENT DOOR PIECE PARTS



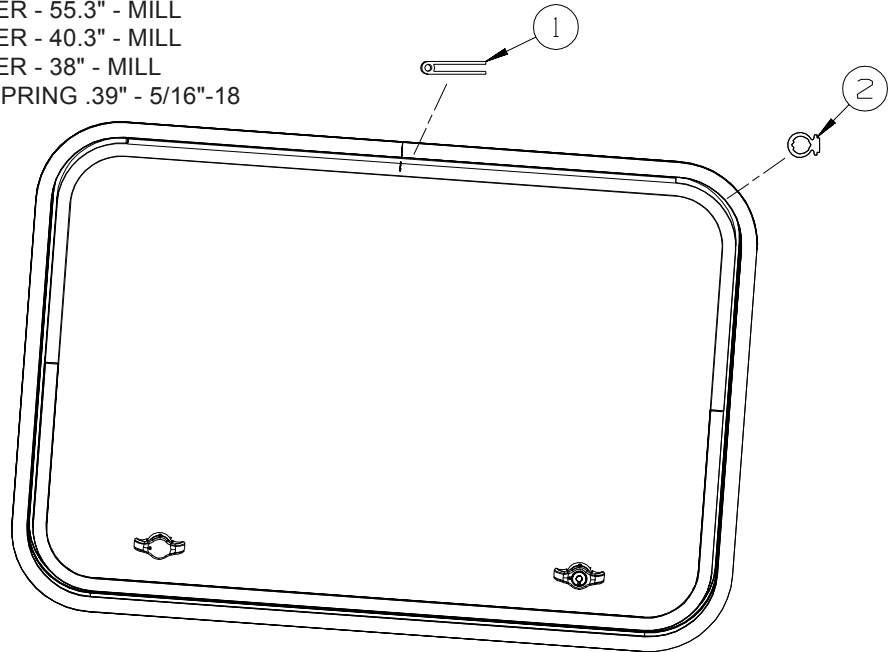
KEY	PART NUMBER	U/M	DESCRIPTION
1	139325-01-000	EA	SPACER - LOCK - 6MM - ENTERTAINMENT CENTER
	139337-01-000	EA	GASKET - LOCK - ENTERTAINMENT CENTER
1	144734-01-000	EA	SPACER - COMPARTMENT DOOR LOCK - 9/16" DEEP
2	097111-02-04A	EA	POCKET - LOCK - REAR DOOR - BLACK - ENTERTAINMENT CENTER
3	081801-V3-000	EA	HINGE - DOOR - PIANO - 2" X 96" - BRIGHT WHITE
3	081801-FN-000	EA	HINGE - DOOR - PIANO - 2" X 96" - BLACK
4	156386-01-01A	FT	SEAL - BULB - W/ADHESIVE BACK
5*	110506-27-000	EA	LOCK - TWIST - 1.6" - TWIST LOCK
	110506-55-000	EA	CASE/CYLINDER -TWIST -W/O CAM -1.25" -597312AA1 - TWIST LOCK
	110506-66-000	EA	CAM - LATCHING - DOG LEG - 1.5" LONG - TWIST LOCK
5	138290-02-000	EA	CASE - W/CAM - W/O CYLINDER/KEY - ENTERTAINMENT CENTER
5*	138637-04-000	EA	LOCK ASM. - KEYED - 1.5" CASE (CYLINDER/CAM/HDWR PKG) - KEYED LOCK
	144474-01-000	EA	ADAPTER - LOCK - 180 DEGREE - KEYED LOCK
	138637-63-000	EA	CAM - LATCHING - DOG LEG - 1.5" LONG - KEYED LOCK
	138637-53-000	EA	CASE/CYLINDER - LOCKING - W/O CAM/KEY - 1.5"
	138637-53-001	EA	CASE/CYLINDER - LOCKING - W/O CAM/KEY - 1.5"
	138637-53-002	EA	CASE/CYLINDER - LOCKING - W/O CAM/KEY - 1.5"
	138637-53-003	EA	CASE/CYLINDER - LOCKING - W/O CAM/KEY - 1.5"
	138637-53-004	EA	CASE/CYLINDER - LOCKING - W/O CAM/KEY - 1.5"
	138637-53-005	EA	CASE/CYLINDER - LOCKING - W/O CAM/KEY - 1.5"
	138637-53-006	EA	CASE/CYLINDER - LOCKING - W/O CAM/KEY - 1.5"
	138637-53-007	EA	CASE/CYLINDER - LOCKING - W/O CAM/KEY - 1.5"
	138637-53-008	EA	CASE/CYLINDER - LOCKING - W/O CAM/KEY - 1.5"
	138637-53-009	EA	CASE/CYLINDER - LOCKING - W/O CAM/KEY - 1.5"
6	056795-01-000	FT	TAPE-SEAL, 1/8~ X 3/8~ WIDE - PRESS ON

*COMPONENT PARTS LISTED LATER IN THIS GROUP

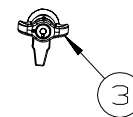
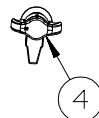
EXTERIOR DOORS & COMPARTMENTS GROUP (CONTINUED)
COMPARTMENT DOOR PIECE PARTS (CONTINUED)



KEY	PART NUMBER	U/M	DESCRIPTION
1	154825-01-01A	EA	LATCH/PULL - COMPARTMENT DOOR - BLACK
2	152294-01-10A	EA	CHANNEL - HAT - PLASTIC - 2.9" X 15.7" - BLACK
3	152294-02-10A	EA	CHANNEL - HAT - PLASTIC - 2.9" X 7.1" - BLACK
4	152294-03-10A	EA	CHANNEL - HAT - PLASTIC - 2.9" X 3.9" - BLACK
5	154066-01-01A	EA	LATCH - VISE ACTION/LOCKING-W/O CYLINDER/KEYS/HDW KIT-BLK - LOCKING
5	154066-02-01A	EA	LATCH - VISE ACTION/NON-LOCKING - BLACK - NONLOCKING
5	154066-11-000	EA	HARDWARE KIT - W/PAWL/CAM - STRAIGHT - PERPENDICULAR
5	154066-12-000	EA	HARDWARE KIT - W/PAWL/CAM - OFFSET - PARALLEL
6	158982-01-04B	EA	HINGE - CONTINUOUS - 2" X 8" - BLACK
7	152537-01-01A	EA	TRIM - FEATURE/INNER - 55.3" - MILL
7	152537-02-01A	EA	TRIM - FEATURE/INNER - 40.3" - MILL
7	152537-05-01A	EA	TRIM - FEATURE/INNER - 38" - MILL
8	057460-02-000	EA	BALL STUD - F/GAS SPRING .39" - 5/16"-18

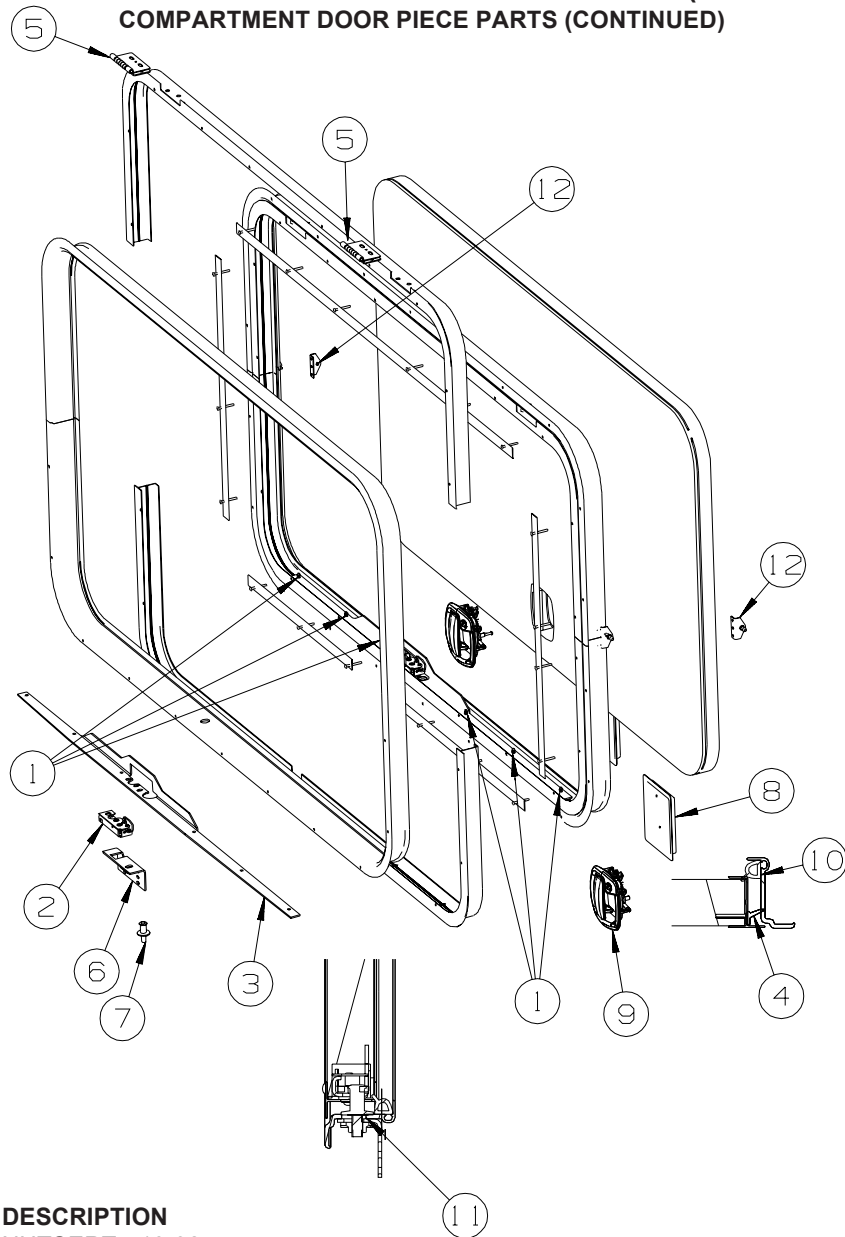


KEY	PART NUMBER	U/M	DESCRIPTION
1	081801-V3-000	EA	HINGE - DOOR - PIANO - 2" X 96" - BRIGHT WHITE
2	156386-01-01A	FT	SEAL - BULB - W/ADHESIVE BACK
3	154066-01-01A	EA	LATCH - VISE ACTION/LOCKING - BLACK
	154066-13-000	EA	HARDWARE KIT - W/PAWL/CAM - STRAIGHT
4	154066-02-01A	EA	LATCH - VISE ACTION/NON-LOCKING - BLACK
	154066-13-000	EA	HARDWARE KIT - W/PAWL/CAM - STRAIGHT



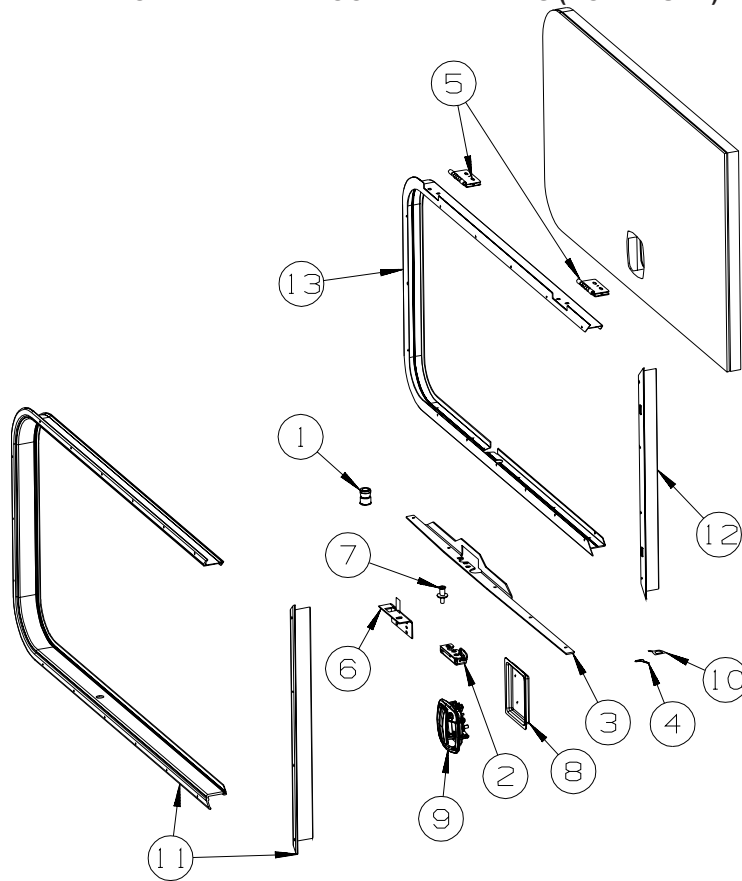
EXTERIOR DOORS & COMPARTMENTS GROUP (CONTINUED)

COMPARTMENT DOOR PIECE PARTS (CONTINUED)



KEY	PART NUMBER	U/M	DESCRIPTION
1	072893-04-000	EA	NUTSERT - 10-32
2	112782-22-01A	EA	LATCH - SINGLE ROTOR
3	154530-02-03B	EA	STIFFENER/DOOR - FORMED - OFF WHITE
4	075671-04-000	FT	SEAL - SPONGE - LAZY T - W/ADHESIVE STRIP - .5" WIDE
5	106719-02-05A	EA	HINGE - STORAGE DOOR - 3.6" X 3.8" - BRIGHT WHITE
6	137401-01-03B	EA	BRACKET - DOOR ANGLE - OFF WHITE
7	092927-14-000	EA	STRIKER - ROUND - JAMB MOUNTED
8	112782-25-01A	EA	COVER - LATCH PLATE - BLACK
9	112782-24-01A	EA	LATCH/PADDLE - COMPT DOOR - W/O CYLINDER - BLACK
10	146556-01-000	FT	SEAL - D SECTION W/LEG
11	104692-01-000	EA	SEAL - ADHESIVE BACKED FOAM - 3/4" THICK X 3/4" WIDE X 25'
12	126263-02-02B	EA	BRACKET - GAS SPRING W/BALL STUD - E-COATED

EXTERIOR DOORS & COMPARTMENTS GROUP (CONTINUED)
COMPARTMENT DOOR PIECE PARTS (CONTINUED)



KEY	PART NUMBER	U/M	DESCRIPTION
1	072893-04-000	EA	NUTSERT - 10-32
2	112782-22-01A	EA	LATCH - SINGLE ROTOR
3	154530-03-02B	EA	STIFFENER/DOOR - FORMED - E-COATED
4	075671-04-000	FT	SEAL - SPONGE - LAZY T - W/ADHESIVE STRIP - .5" WIDE
5	106719-02-05A	EA	HINGE - STORAGE DOOR - 3.6" X 3.8" - BRIGHT WHITE
6	137401-01-03B	EA	BRACKET - DOOR ANGLE - OFF WHITE
7	092927-14-000	EA	STRIKER - ROUND - JAMB MOUNTED
8	112782-25-02A	EA	COVER - LATCH PLATE - BRIGHT WHITE
9	112782-24-01A	EA	LATCH/PADDLE - COMPT DOOR - W/O CYLINDER - BLACK
10	146556-01-000	FT	SEAL - D SECTION W/LEG
11	121898-22-01A	EA	JAMB - DOOR/ENTRANCE - BRIGHT WHITE
12	121893-01-01A	EA	FRAME - ENTRY DOOR/BOTTOM - BRIGHT WHITE
13	121894-32-01A	EA	FRAME - ENTRY DOOR - BRIGHT WHITE

COMPONENT PART FOR COMPARTMENT DOOR PIECE PARTS

110506-A1-000, 110506-A2-000, 110506-26-000, 110506-27-000, 110506-36-000

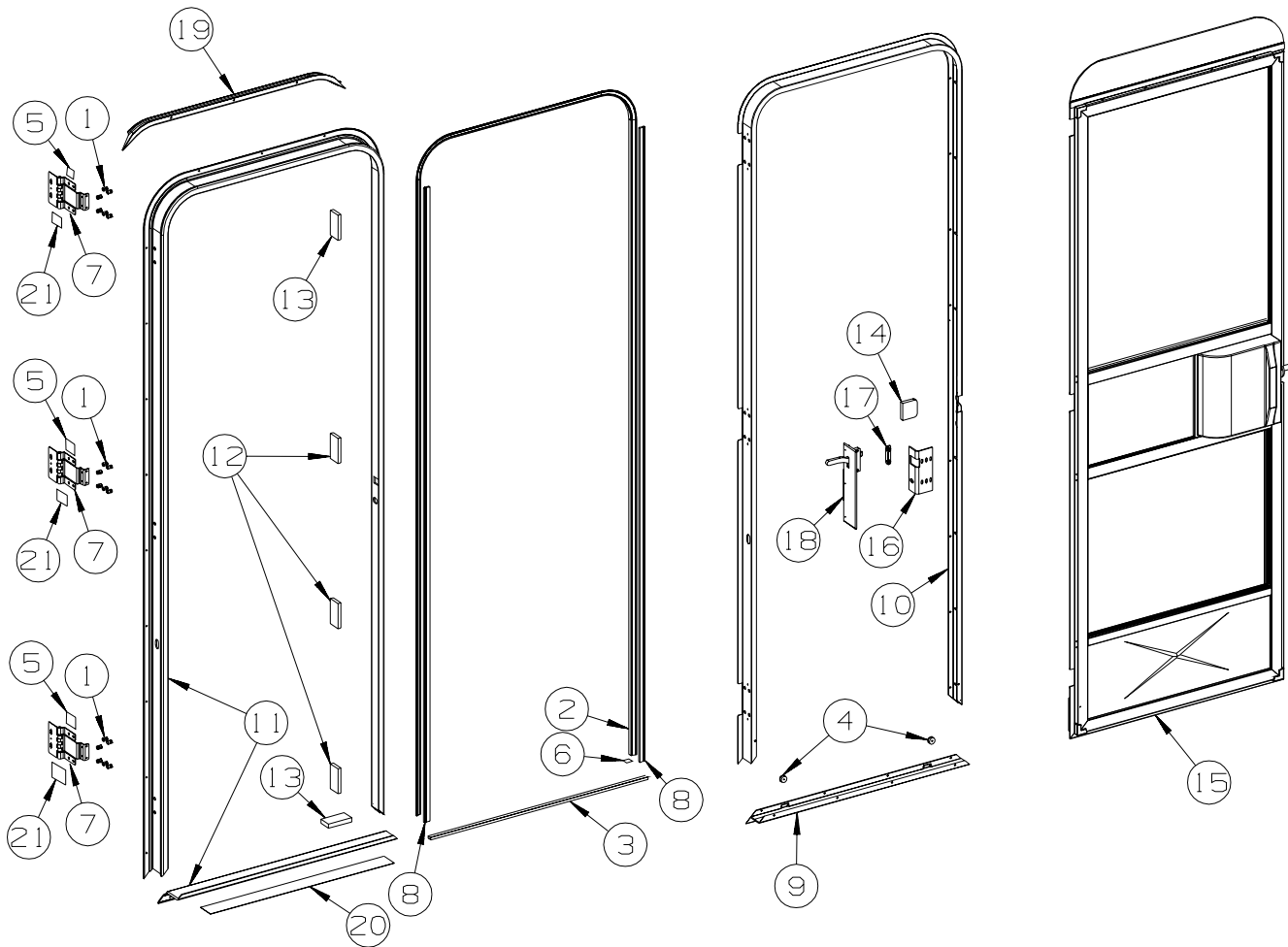
KEY	PART NUMBER	U/M	DESCRIPTION	VENDOR NO.
	110506-40-700	EA	HDWE KIT	596950AAL

138637-03-000, 138637-04-000

KEY	PART NUMBER	U/M	DESCRIPTION	VENDOR NO.
	110506-40-700	EA	HDWE KIT	596950AAL

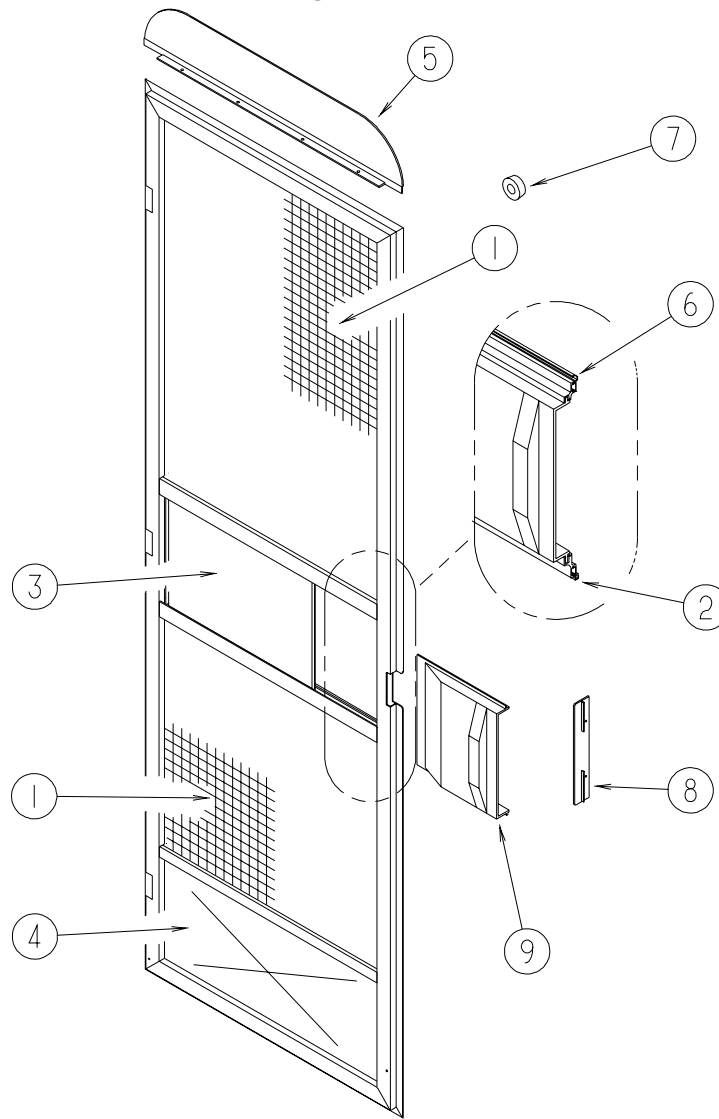
EXTERIOR DOORS & COMPARTMENTS GROUP (CONTINUED)

ENTRY



KEY	PART NUMBER	U/M	DESCRIPTION
1	039715-01-000	EA	NUT-SERT - 1/4" DIAMETER - 20 THREADS
2	075671-05-000	FT	SEAL - SPONGE - LAZY T - W/ADHESIVE STRIP - .5" WIDE
3	075673-05-000	FT	SEAL/PILE - .5" HIGH W/ADHESIVE BACK - BLACK
4	081914-02-000	EA	BUMPER - RUBBER - ROUND - 5/16" DIA. X 13/64" THICK
5	100128-02-000	FT	SEAL - FOAM/ADHESIVE BACK - .37" WIDE X .37" THICK
6	104692-01-000	FT	SEAL - ADHESIVE BACKED FOAM - 3/4" THICK X 3/4" WIDE X 25'
7	106719-01-05A	EA	HINGE - ENTRY DOOR - BRIGHT WHITE
8	118929-01-01A	FT	SEAL - PILE - PUSH ON
9	121893-01-01A	EA	FRAME - ENTRY DOOR/LOWER - BRIGHT WHITE
10	121894-31-01A	EA	FRAME - ENTRY DOOR - BRIGHT WHITE
11	121898-21-01A	EA	JAMB - DOOR/ENTRANCE - BRIGHT WHITE
12	125724-01-000	EA	SHIM - DOOR, ENTRANCE
13	125724-02-000	EA	SHIM - DOOR, ENTRANCE
14	130096-05-000	EA	FOAM - SCREEN DOOR, RETAINER
15	P32208-06-S34	EA	DOOR - SCREEN - W/O HARDWARE
16	137401-01-03B	EA	BRACKET - DOOR ANGLE - OFF WHITE
17	148364-01-12B	EA	STRIKE - SCREEN DOOR - BRIGHT WHITE
18	132915-01-01A	EA	LATCH - SCREEN DOOR - BLACK
19	139054-01-01A	EA	CAP - DRIP - JAMB MOUNTED - BRIGHT WHITE
20	038327-01-000	EA	TAPE - ANTI-SLIP - 2" X 60'
21	154585-01-01A	FT	SEAL - FOAM TAPE - ADHESIVE BACK - 3/8" X 3/8" - BLACK

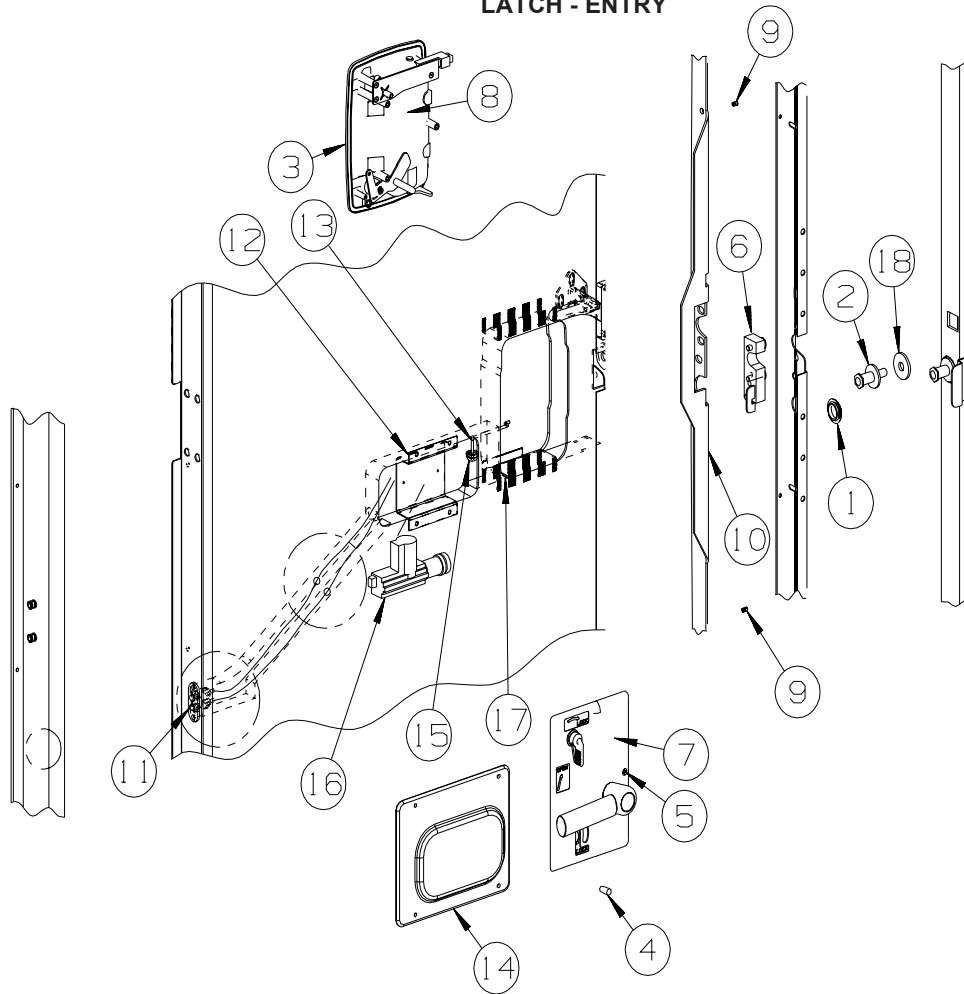
EXTERIOR DOORS & COMPARTMENTS GROUP (CONTINUED)
SCREEN



KEY	PART NUMBER	U/M	DESCRIPTION
1	002293-02-000	SF	SCREEN - 26" - CHARCOAL
2	002294-01-000	FT	SPLINE - SCREENING - .13" X .14"
3	016454-21-000	EA	INSERT/CENTER - SCREEN DOOR
4	078552-03-000	EA	KICK PANEL - SCREEN DOOR - LOWER INSERT - UNPAINTED
5	078595-01-000	EA	TOP PLATE - SCREEN DOOR - CURVED TOP - 4.7" X 25.35"
6	078777-08-000	FT	CHANNEL - SLIDER - 4 FOOT INCREMENTS
7	120863-09-000	EA	BUMPER - RUBBER/RADIUS TOP - 3/4" X 3/8" - LT GRAY
8	132081-01-01A	EA	STRIKE - SLIDER - SCREEN DOOR - BRIGHT WHITE
9	132082-01-01A	EA	SLIDER - SCREEN DOOR - BRIGHT WHITE

EXTERIOR DOORS & COMPARTMENTS GROUP (CONTINUED)

LATCH - ENTRY

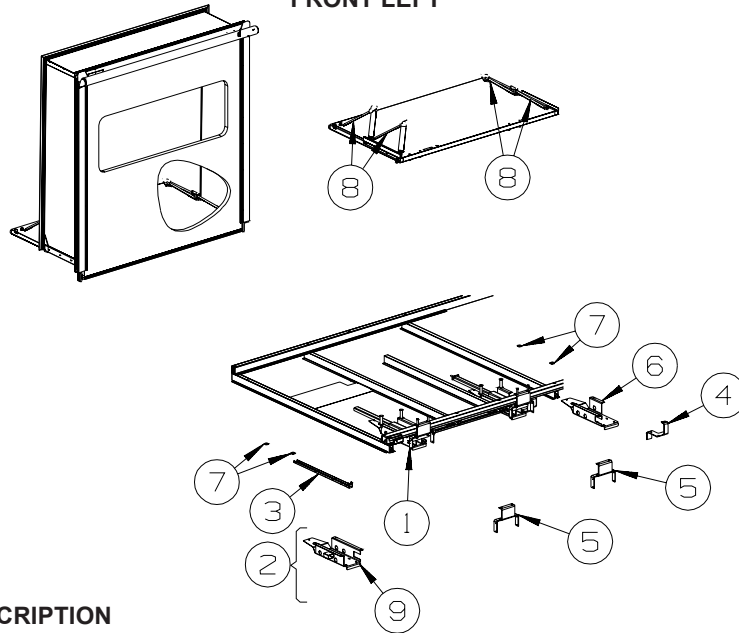


KEY	PART NUMBER	U/M	DESCRIPTION
1	061420-14-000	EA	PLUG/PLASTIC - 7/8" DIAMETER - BLACK
2	092927-20-000	EA	STRIKER - BOLT
3	112782-04-01A	EA	GASKET
4	112782-05-01A	EA	CAP - VINYL - RED
5	112782-08-01A	EA	SCREW - MOUNTING/PLATE - ZINC
6	112782-22-01A	EA	LATCH - SINGLE ROTOR
7	112782-21-01A	EA	LATCH - INTERIOR PLATE
7	112782-27-01A	EA	LATCH - INTERIOR PLATE
8	112782-20-01A	EA	LATCH - EXTERIOR - W/O LOCK CYLINDER W/ICON-REVERSIBLE KEY
9	072893-04-000	EA	NUTSERT - 10-32
10	132207-01-02B	EA	STIFFENER/DOOR - FORMED - E-COATED - OUTLOOK, SPIRIT, SIGHTSEER, SUNOVA
10	132207-03-02B	EA	STIFFENER/DOOR - FORMED - E-COATED - VIEW, ASPECT, NAVION, CAMBRIA
11	138897-01-000	EA	SWITCH - 2 PIN/SRING LOADED CONTACTS (EA=1 SWITCH)
12	113650-02-02B	EA	BRACKET - ACTUATOR - ELECTRIC - E-COATED
13	113651-01-01A	EA	ROD - CONTROL - MOTOR/LOCK
14	113960-01-01A	EA	COVER - ACTUATOR - POWER LOCK
15	114209-01-01A	EA	PUSHNUT - CAP - 1/8" - WHITE
16	138898-01-000	EA	ACTUATOR/LOCK - ELECTRIC
17	137230-01-01A	EA	SPACER- NOTCHED, MILL
18	147900-01-01A	EA	SPACER-STRIKE BOLT, MILL

FROM: 00-00-00 THRU: 04-30-06

FROM: 05-01-06 THRU: 99-99-99

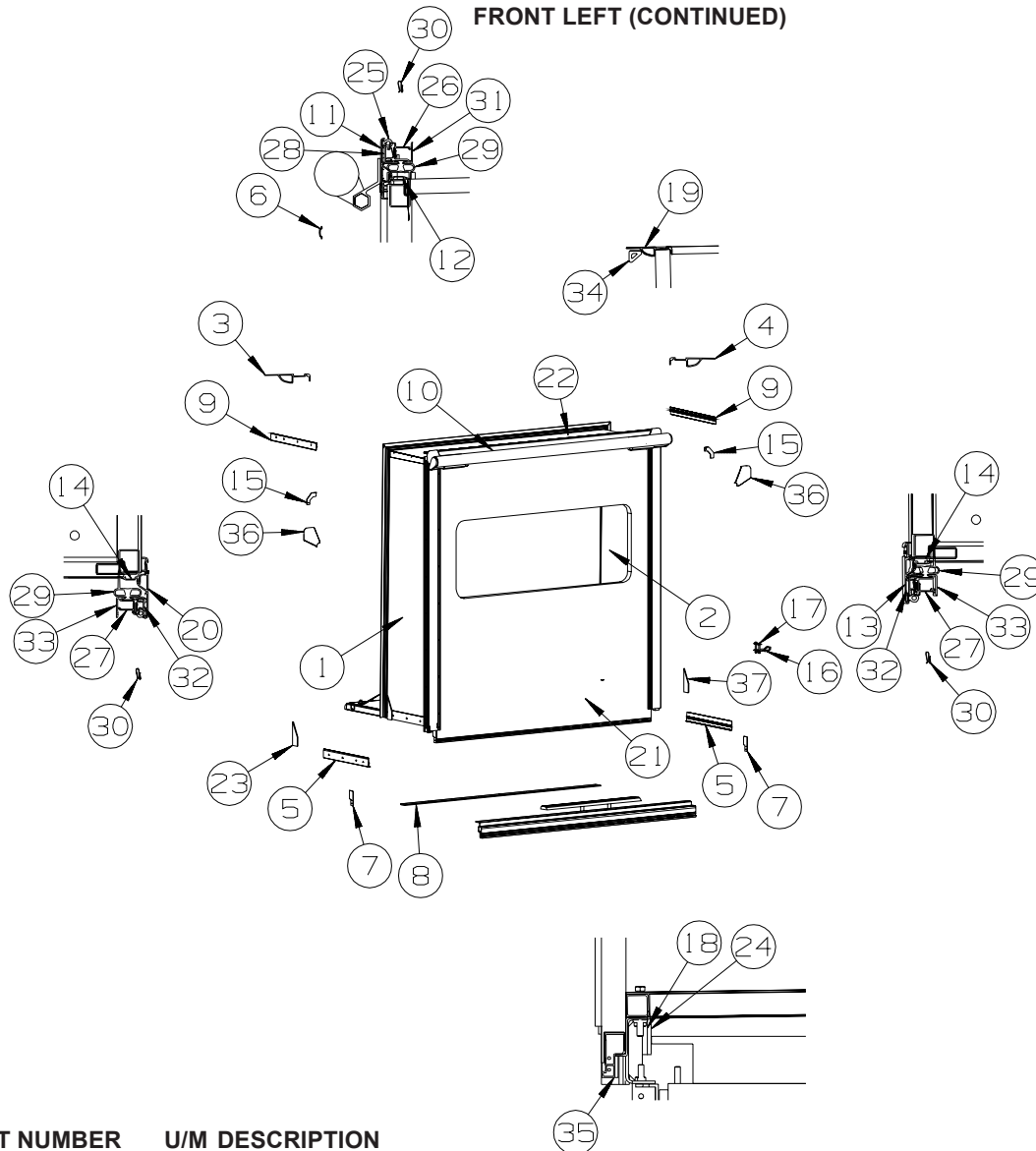
EXTERIOR SLIDEOUT GROUP FRONT LEFT



KEY	PART NUMBER	U/M	DESCRIPTION
1*	148685-01-000	EA	SLIDEOUT - ELECTRIC
2	154812-01-02B	EA	TRAY/MOUNTING - SLIDE MECHANISM - E-COATED
3	141019-03-02B	EA	SUPPORT - WIRE - E-COATED
4	151461-01-02B	EA	BRACKET/MOUNT - SLIDEOUT - E-COATED
5	151841-01-02B	EA	BRACKET/MOUNT - SLIDEOUT - E-COATED
6	151442-02-02B	EA	TRAY/MOUNTING - SLIDE MECHANISM - E-COATED
7	135712-05-02B	EA	PLATE - BODY MOUNT - E-COATED
8	160167-02-01A	EA	SEAT BELT - 2" X 90" - BLACK
9	151442-01-02B	EA	TRAY/MOUNTING - SLIDE MECHANISM - SILVER

*COMPONENT PARTS LISTED LATER IN THIS GROUP

EXTERIOR SLIDEOUT GROUP (CONTINUED)
FRONT LEFT (CONTINUED)



KEY	PART NUMBER	U/M	DESCRIPTION
1	154462-01-U17	EA	PANEL END - F/SLIDEOUT
2	154461-01-U17	EA	PANEL END - F/SLIDEOUT
3	139624-25-02A	EA	TRIM/SEAL - INNER/RIGHT HAND W/NOTCH - 73.3" - ALMOND
4	139624-26-02A	EA	TRIM/SEAL - INNER/LEFT HAND W/NOTCH - 73.3" - ALMOND
5	158030-01-01A	EA	TRIM - FEATURE STRIP/LOWER - 2.3" X 20" - BRIGHT WHITE
6	105312-01-07A	EA	INSERT - FEATURE STRIP - VINYL - BRIGHT WHITE
7	126546-03-03A	EA	COVER - END/SIDEWALL - BLACK
8	152641-01-000	EA	SKID/GLIDE - SLIDEOUT ROOM - 1/4"X2"X95.5"- POLYETHYLENE
9	158375-06-01A	EA	TRIM - FEATURE STRIP - 20.2" - BRIGHT WHITE
10	122977-14-03A	EA	AWNING/SLIDEOUT W/COVER - 77" - VINYL WRAP/WHITE
11	156417-37-01A	EA	TRIM/SEAL - W/MITERED ENDS - 73.3" - BRIGHT WHITE
12	133954-69-01A	EA	TRIM/SEAL - 70.8" - BRIGHT WHITE
			FROM: 00-00-00 THRU: 05-07-06
12	146606-69-01A	EA	TRIM/RETAINER - 70.8" - BRIGHT WHITE
			FROM: 05-08-06 THRU: 99-99-99
13	156417-36-01A	EA	TRIM/SEAL - W/MITERED ENDS - 73" - BRIGHT WHITE
14	133954-48-01A	EA	TRIM/SEAL - 71.7" - BRIGHT WHITE
			FROM: 00-00-00 THRU: 05-07-06
14	146606-48-01A	EA	TRIM/RETAINER - 69.3" - BRIGHT WHITE
			FROM: 05-08-06 THRU: 99-99-99
15	156416-01-12B	EA	BRACKET - CORNER TRIM/SLIDEOUT - 3.1" X 3.1" - BRIGHT WHITE
			FROM: 00-00-00 THRU: 11-05-06
15	156416-01-02B	EA	BRACKET - CORNER TRIM/SLIDEOUT - 3.1"X 3.1" - E-COATED
			FROM: 11-06-06 THRU: 12-31-06
15	160421-01-01A	EA	CORNER TRIM/SLIDEOUT - 3.1"X 3.1" - BLACK - NOT ILLUSTRATED
			FROM: 01-01-07 THRU: 99-99-99

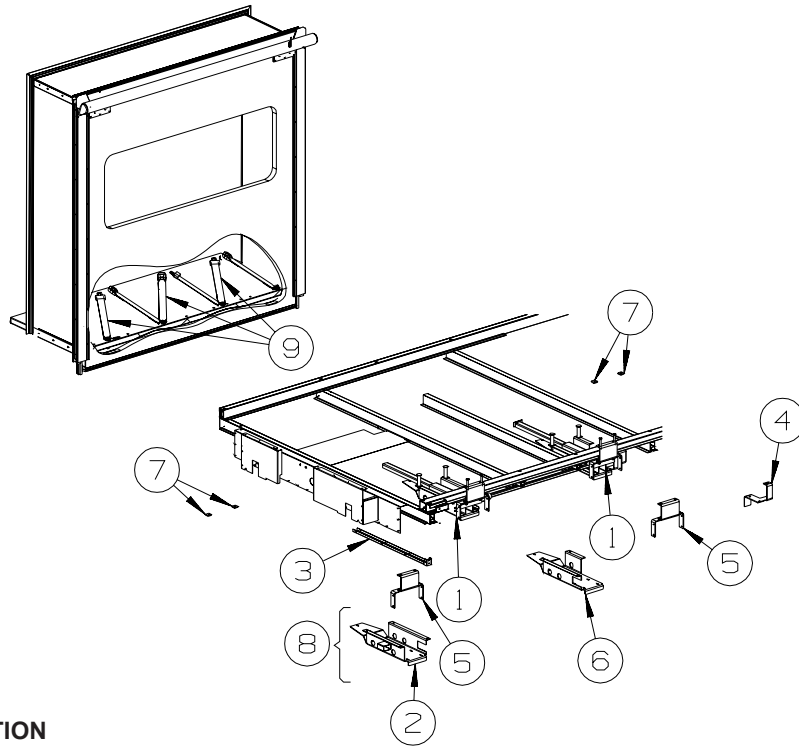
EXTERIOR SLIDEOUT GROUP (CONTINUED)
FRONT LEFT (CONTINUED)

KEY	PART NUMBER	U/M	DESCRIPTION
16	150697-03-02B	EA	BRACKET - RESTRAINT/CHILD - E-COATED
17	150700-01-02B	EA	PLATE/MOUNTING - RESTRAINT/CHILD - 1" X 2.3" - E-COATED
18	089275-02-000	EA	STRIP - 3/4" X 84" BLACK POLYETHYLENE
19	139624-05-02A	EA	TRIM/SEAL - INNER/TOP - 75.3" - ALMOND
20	156417-35-01A	EA	TRIM/SEAL - W/MITERED ENDS - 73" - BRIGHT WHITE
21	152807-11-U17	EA	SLUG - F/SLIDEOUT
22	154075-01-T01	EA	ROOF - F/SLIDEOUT
23	157809-02-01A	EA	SEAL - FOAM BLOCK/LEFT SIDE - ADHESIVE BACK
24	115075-03-000	FT	SEAL - WIPE - .25" X 2.9"
25	158297-01-000	FT	SEAL - D-SECTION/BULB/TEE - ADHESIVE BACK - BLACK
26	142718-05-01A	EA	RETAINER - SIDEWALL/SLIDEOUT - 74.6" - MILL
27	142718-01-01A	EA	RETAINER - SIDEWALL/SLIDEOUT - 72.8"
28	136824-04-01A	EA	TRIM - SIDEWALL/SLIDEOUT - 75.9" - BRIGHT WHITE
29	136978-01-01A	FT	SEAL - SLIDEOUT - SINGLE WIPE LIP - BLACK
30	142549-01-000	EA	CLIP - "S" TYPE
31	151761-13-02A	EA	TRIM - SIDEWALL/SLIDEOUT/TOP - 75.9" - ALMOND
32	136824-31-01A	EA	TRIM - SIDEWALL/SLIDEOUT - 73.6" - BRIGHT WHITE
33	151760-16-02A	EA	TRIM - SIDEWALL/SLIDEOUT - 73.6" - ALMOND
34	146056-01-000	FT	SEAL - TRIANGLE - W/PSA
35	128621-46-01A	EA	BRACKET/ZEE - SLIDEOUT - 70.1" - MILL
36	156151-01-02A	EA	PROTECTOR - CORNER - SLIDEOUT - BRIGHT WHITE
37	157809-01-01A	EA	SEAL - FOAM BLOCK/RIGHT SIDE - ADHESIVE BACK
	151282-14-01A	EA	TRIM - CARPET EDGE/F-ANGLE - 70.3" - BLACK

FROM: 00-00-00 THRU: 09-04-06

EXTERIOR SLIDEOUT GROUP (CONTINUED)
FRONT LEFT (CONTINUED)

W/COUCH



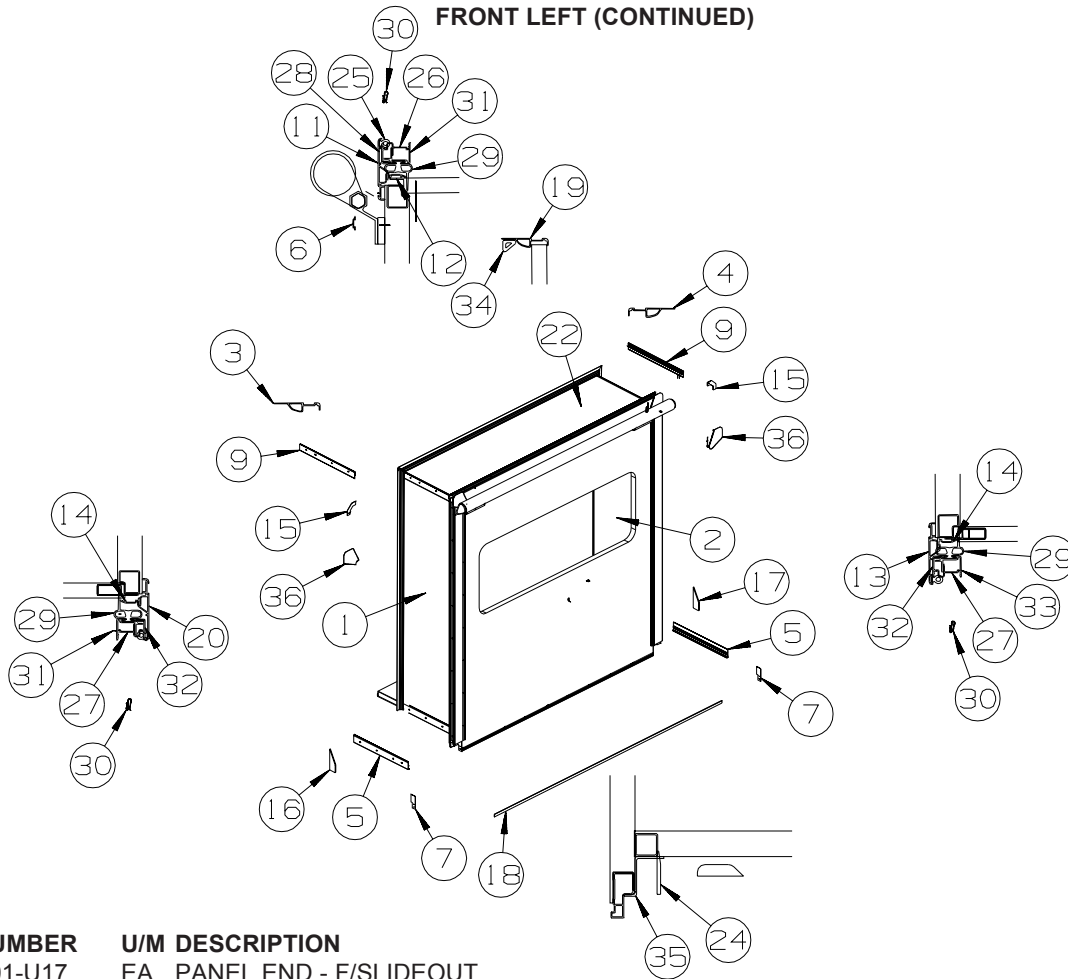
KEY	PART NUMBER	U/M	DESCRIPTION
1*	148685-01-000	EA	SLIDEOUT - ELECTRIC
2	151442-01-01B	EA	TRAY/MOUNTING - SLIDE MECHANISM - SILVER
3	141019-03-02B	EA	SUPPORT - WIRE - E-COATED
4	151461-01-02B	EA	BRACKET/MOUNT - SLIDEOUT - E-COATED
5	151841-01-02B	EA	BRACKET/MOUNT - SLIDEOUT - E-COATED
6	151442-02-02B	EA	TRAY/MOUNTING - SLIDE MECHANISM - E-COATED
7	135712-05-02B	EA	PLATE - BODY MOUNT - E-COATED
8	154812-01-02B	EA	TRAY/MOUNTING - SLIDE MECHANISM - E-COATED
	153608-01-02B	EA	BRACKET - WIRE SUPPORT - E-COATED
9	160167-01-01A	EA	SEAT BELT - 2" X 102" - BLACK

FROM: 02-05-07 THRU: 99-99-99

***COMPONENT PARTS LISTED LATER IN THIS GROUP**

EXTERIOR SLIDEOUT GROUP (CONTINUED)

FRONT LEFT (CONTINUED)



KEY	PART NUMBER	U/M	DESCRIPTION	
1	154462-01-U17	EA	PANEL END - F/SLIDEOUT	FROM: 00-00-00 THRU: 02-11-07
1	162977-05-U17	EA	PANEL END - F/SLIDEOUT	FROM: 02-12-07 THRU: 99-99-99
2	154461-01-U17	EA	PANEL END - F/SLIDEOUT	FROM: 00-00-00 THRU: 02-11-07
2	162977-06-U17	EA	PANEL END - F/SLIDEOUT	FROM: 02-12-07 THRU: 99-99-99
3	139624-25-02A	EA	TRIM/SEAL - INNER/RIGHT HAND W/NOTCH - 73.3" - ALMOND	
4	139624-26-02A	EA	TRIM/SEAL - INNER/LEFT HAND W/NOTCH - 73.3" - ALMOND	
5	158030-01-01A	EA	TRIM - FEATURE STRIP/LOWER - 2.3" X 20" - BRIGHT WHITE	FROM: 00-00-00 THRU: 02-11-07
5	163020-06-01A	EA	TRIM - FEATURE STRIP/LOWER - 2.3" X 19.8" - BRT WHT	FROM: 02-12-07 THRU: 99-99-99
6	105312-01-07A	EA	INSERT - FEATURE STRIP - VINYL - BRIGHT WHITE	
7	126546-03-03A	EA	COVER - END/SIDEWALL - BLACK	
8	152641-01-000	EA	SKID/GLIDE - SLIDEOUT ROOM - 1/4"X2"X95.5"- POLYETHYLENE	
9	158375-06-01A	EA	TRIM - FEATURE STRIP - 20.2" - BRIGHT WHITE	
10	122977-14-03A	EA	AWNING/SLIDEOUT W/COVER - 77" - VINYL WRAP/WHITE	
11	156417-37-01A	EA	TRIM/SEAL - W/MITERED ENDS - 73.3" - BRIGHT WHITE	FROM: 00-00-00 THRU: 02-11-07
11	162052-37-02A	EA	TRIM/SEAL - W/MITERED ENDS - 73.3" - BRIGHT WHITE	FROM: 02-12-07 THRU: 99-99-99
12	133954-69-01A	EA	TRIM/SEAL - 70.8" - BRIGHT WHITE	FROM: 00-00-00 THRU: 05-07-06
12	146606-69-01A	EA	TRIM/RETAINER - 70.8" - BRIGHT WHITE	FROM: 05-08-06 THRU: 99-99-99
13	156417-36-01A	EA	TRIM/SEAL - W/MITERED ENDS - 73" - BRIGHT WHITE	FROM: 00-00-00 THRU: 02-11-07
13	162052-36-01A	EA	TRIM/SEAL - W/MITERED ENDS - 73" - BRIGHT WHITE	FROM: 02-12-07 THRU: 99-99-99

EXTERIOR SLIDEOUT GROUP (CONTINUED)
FRONT LEFT (CONTINUED)

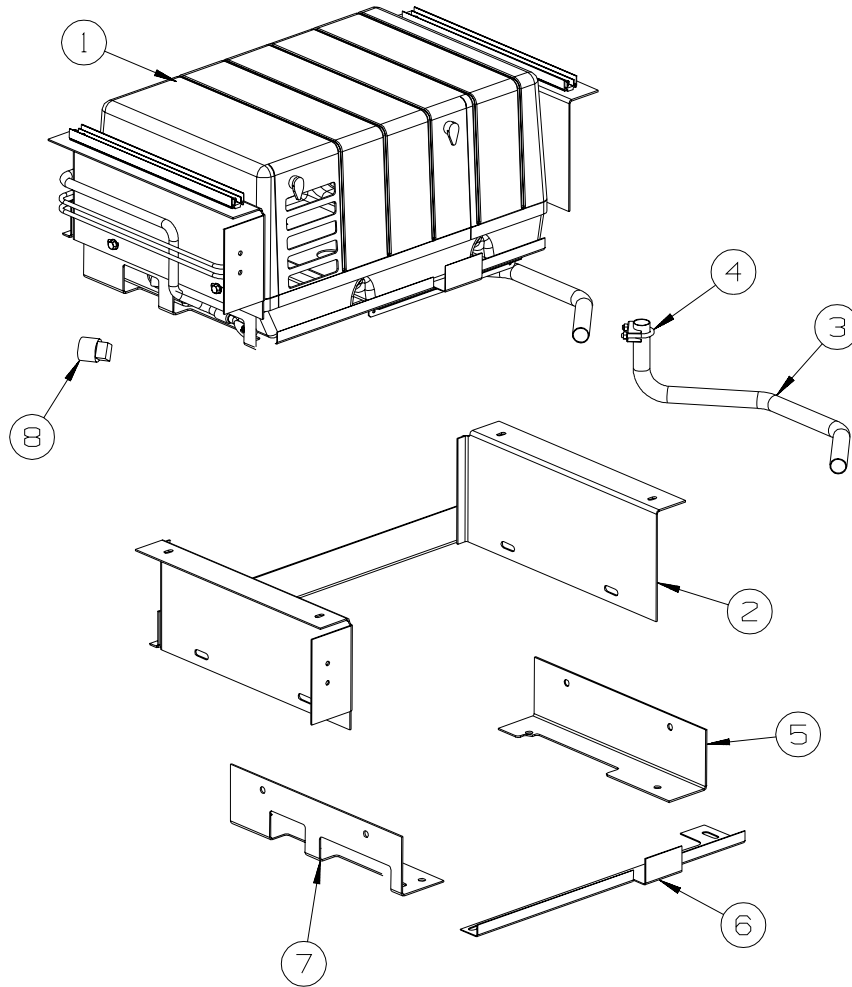
KEY	PART NUMBER	U/M	DESCRIPTION
14	133954-48-01A	EA	TRIM/SEAL - 71.7" - BRIGHT WHITE FROM: 00-00-00 THRU: 05-07-06
14	146606-48-01A	EA	TRIM/RETAINER - 69.3" - BRIGHT WHITE FROM: 05-08-06 THRU: 99-99-99
15	156416-01-12B	EA	BRACKET - CORNER TRIM/SLIDEOUT - 3.1" X 3.1" - BRIGHT WHITE FROM: 00-00-00 THRU: 11-05-06
15	156416-01-02B	EA	BRACKET - CORNER TRIM/SLIDEOUT - 3.1"X 3.1" - E-COATED FROM: 11-06-06 THRU: 12-31-06
15	160421-01-01A	EA	CORNER TRIM/SLIDEOUT - 3.1"X 3.1" - BLACK - NOT ILLUSTRATED FROM: 01-01-07 THRU: 99-99-99
16	157809-02-01A	EA	SEAL - FOAM BLOCK/LEFT SIDE - ADHESIVE BACK
17	157809-01-01A	EA	SEAL - FOAM BLOCK/RIGHT SIDE - ADHESIVE BACK
18	089275-02-000	EA	STRIP - 3/4" X 84" BLACK POLYETHYLENE
19	139624-05-02A	EA	TRIM/SEAL - INNER/TOP - 75.3" - ALMOND
20	156417-35-01A	EA	TRIM/SEAL - W/MITERED ENDS - 73" - BRIGHT WHITE FROM: 00-00-00 THRU: 02-11-07
20	162052-35-01A	EA	TRIM/SEAL - W/MITERED ENDS - 73" - BRIGHT WHITE FROM: 02-12-07 THRU: 99-99-99
21	158015-11-U17	EA	SLUG - F/SLIDEOUT
22	154075-01-T01	EA	ROOF - F/SLIDEOUT
23	151282-14-01A	EA	TRIM - CARPET EDGE/F-ANGLE - 70.3" - BLACK
24	115075-03-000	FT	SEAL - WIPE - .25" X 2.9"
25	158297-01-000	FT	SEAL - D-SECTION/BULB/TEE - ADHESIVE BACK - BLACK
26	142718-05-01A	EA	RETAINER - SIDEWALL/SLIDEOUT - 74.6" - MILL
27	142718-01-01A	EA	RETAINER - SIDEWALL/SLIDEOUT - 72.8"
28	136824-04-01A	EA	TRIM - SIDEWALL/SLIDEOUT - 75.9" - BRIGHT WHITE
29	136978-01-01A	FT	SEAL - SLIDEOUT - SINGLE WIPE LIP - BLACK
30	142549-01-000	EA	CLIP - "S" TYPE
31	151761-13-02A	EA	TRIM - SIDEWALL/SLIDEOUT/TOP - 75.9" - ALMOND
32	136824-31-01A	EA	TRIM - SIDEWALL/SLIDEOUT - 73.6" - BRIGHT WHITE
33	151760-16-02A	EA	TRIM - SIDEWALL/SLIDEOUT - 73.6" - ALMOND
34	146056-01-000	FT	SEAL - TRIANGLE - W/PSA
35	128621-53-01A	EA	BRACKET/ZEE - SLIDEOUT - 70.1" - MILL
36	156151-01-02A	EA	PROTECTOR - CORNER - SLIDEOUT - BRIGHT WHITE

COMPONENT PARTS FOR FRONT LEFT

148685-01-000

KEY	PART NUMBER	U/M	DESCRIPTION	VENDOR NO.
	148685-01-700	EA	MOTOR - 12 VOLT	28408
	148685-01-701	EA	BUSHING - 3/16" ID	80501
	148685-01-702	EA	HOLDING BRAKE	28662
	148685-01-703	EA	BEARING - F/TRANSFER GEAR	14691
	148685-01-704	EA	GEAR & SHAFT ASM.	26191
	148685-01-705	EA	TRANSFER GEAR	28564
	148685-01-706	EA	IDLER SHAFT ASM.	26209
	148685-01-707	EA	THRUST WASHER	14459
	148685-01-708	EA	GASKET - CASE	28995
	148685-01-709	EA	BEARING - FLANGE TYPE	645-0035
	148685-01-710	EA	BEARING - FLANGE TYPE	10055
	148685-01-711	EA	ADAPTER - MOTOR TO GEAR	28669
	148685-01-712	EA	BEARING - FLANGE TYPE	14458
	148685-01-713	EA	GASKET - MOTOR TO COVER	25596
	148685-01-714	EA	POWERHEAD ASM. W/MOTOR	29002

GENERATOR GROUP GAS



KEY	PART NUMBER	U/M	DESCRIPTION
1	109982-04-000	EA	GENERATOR - 3.6 MICROLITE - ONAN
2	151797-01-02B	EA	COMPARTMENT - GENERATOR - E-COATED
3	151809-01-000	EA	PIPE - EXHAUST/GENERATOR
4	007125-04-000	EA	CLAMP - MUFFLER - 1.12"DIAMETER
5	114071-02-02B	EA	SUPPORT - GENERATOR - RIGHT
6	153395-01-02B	EA	BRACE - DOOR LATCH/GENERATOR - E-COATED
7	114070-02-02B	EA	SUPPORT - GENERATOR - LEFT
8	145609-01-000	EA	PLUG - BRASS - 1/2" MPT/HEX HEAD

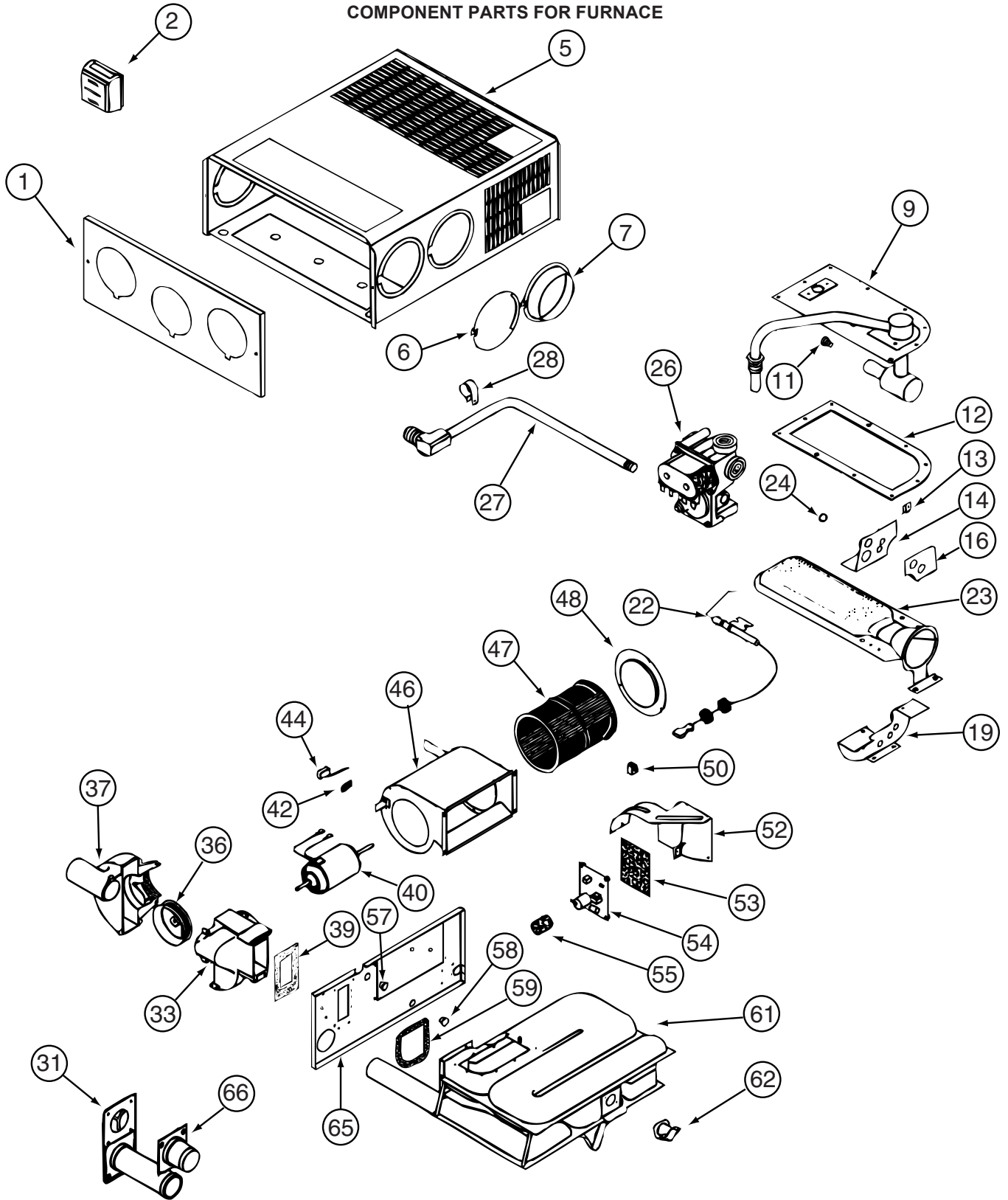
HEATING & A/C GROUP FURNACE

KEY	PART NUMBER	U/M	DESCRIPTION
	098668-15-000	EA	PLATE - FACE - SUBURBAN FURNACE
	098668-23-000	EA	DOOR - ACCESS - FURNACE - BRIGHT WHITE
*	139980-01-000	EA	FURNACE - 25000 BTU - SF QUIET - SUBURBAN SF-25 2320J
	143563-05-000	EA	GASKET - FIBERGLASS - SUBURBAN #071018
	093614-01-02A	EA	GRILLE - AIR RETURN - 15.9" X 7.9" - BEIGE
	056464-10-000	EA	REGISTER W/O DAMPER - 4" DIAMETER - PLASTIC - BEIGE
	137965-01-02A	EA	REGISTER - 11.2" X 3.6"(9.7 X 2.1"R/O) W/O DAMPER-ANT PWTR
	137965-02-02A	EA	REGISTER - 11.2" X 3.6"(9.7 X 2.1"R/O) W/DAMPER - ANT PWTR
	098668-26-000	EA	BOTTOM DUCT KIT - 40,000 BTU
	009198-02-000	FT	DUCT - HEAT - FLEXIBLE - 2" ID X 25'
	009198-01-000	FT	DUCT - HEAT - FLEXIBLE - 4" ID X 25'
	069636-02-000	EA	CONNECTOR - DUCT - 4" ID
	157225-01-02A	EA	OUTLET - DEFROSTER - W/SWIVEL - 2" SLEEVE/4"OD - WHITE
	157225-01-05A	EA	OUTLET - DEFROSTER - W/SWIVEL - 2" SLEEVE/4"OD -RIVERSTONE
	118761-01-000	EA	REDUCER - 4"-2" - GALVANIZED

***COMPONENT PARTS LISTED LATER IN THIS GROUP**

HEATING & A/C GROUP (CONTINUED)

COMPONENT PARTS FOR FURNACE



139980-01-000

HEATING & A/C GROUP (CONTINUED)
COMPONENT PARTS FOR FURNACE (CONTINUED)

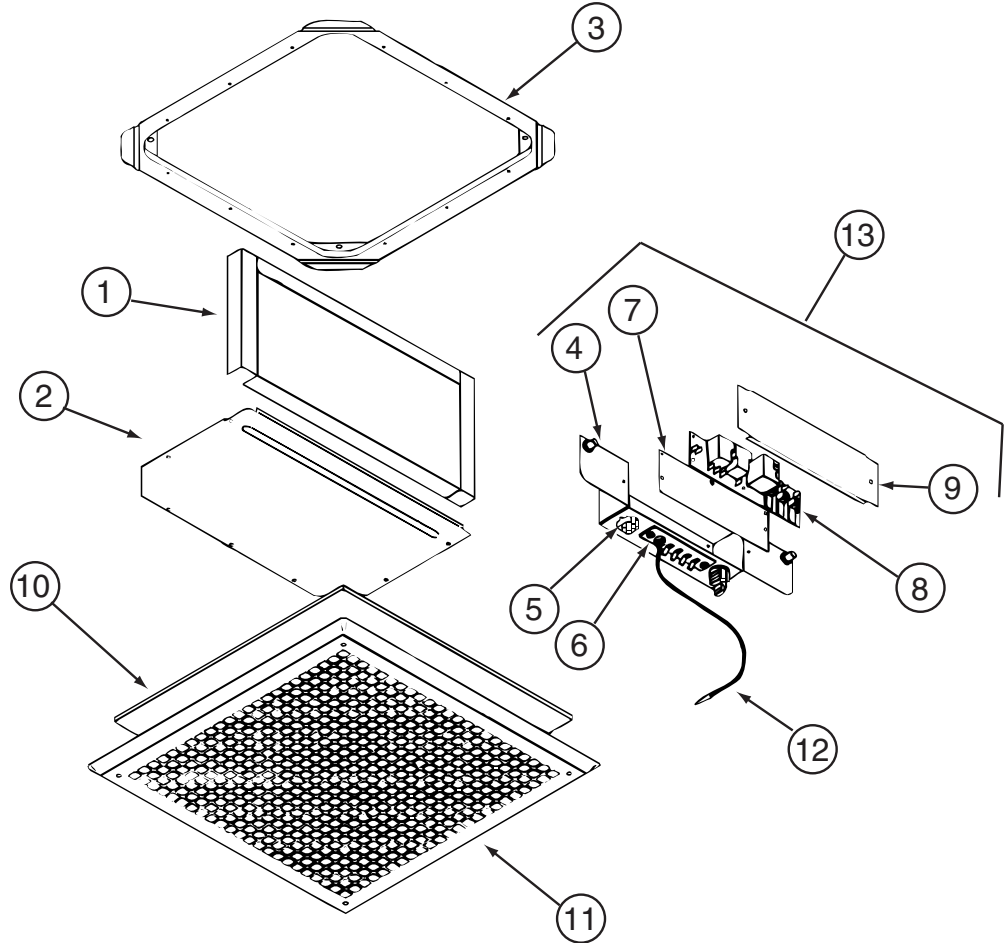
139980-01-000 (CONTINUED)

KEY	PART NUMBER	U/M	DESCRIPTION	VENDOR NO.
9	139980-01-700	EA	MANIFOLD ASSEMBLY	171571
11	090039-01-703	EA	ORIFICE-MAIN BURNER	180193
12	098668-22-703	EA	GASKET - BURNER ACCESS COVER	070811
22	139980-01-701	EA	ELECTRODE	232286
23	098668-01-703	EA	BURNER ASSEMBLY	010762
26	098668-01-718	EA	VALVE-GAS SF S.N.974903079	161122
27	139980-01-702	EA	PIPE ASSEMBLY/GAS INLET	171574
31	098668-01-707	EA	TUBE ASSEMBLY, EXHAUST W/CAP	260231
33	139980-01-703	EA	HOUSING/COMB. - FRONT/HALF	390852
36	098668-01-706	EA	WHEEL-COMBUSTION AIR	350184
37	139980-01-704	EA	HOUSING/COMB. - REAR/HALF	390848
39	139980-01-705	EA	GASKET/FIREWALL-COMB AIR	071084
40	139980-01-706	EA	MOTOR ASSEMBLY W/GASKET	232682
42	101990-01-714	EA	GASKET-MICROSWITCH	230877
44	098668-21-700	EA	SWITCH-MICRO-W/O FLAG 3 1/4"	232261
46	139980-01-708	EA	BLOWER ASSEMBLY - ROOM AIR	390739BK
47	098668-01-711	EA	WHEEL-BLOWER, ROOM AIR	350129
48	139980-01-709	EA	ORFICE RING	390696
50	139980-01-710	EA	SWITCH - ON/OFF	232351
52	139980-01-711	EA	PANEL ASSEMBLY-MODULE BD	101663
53	139980-01-712	EA	INSULATOR - MODULE BD	070807
54	098668-22-705	EA	MODULE BD W/RELAY TIME DELAY	520820
55	139980-01-713	EA	CAP/INSULATOR-MODULE BD	070973
57	139980-01-714	EA	BUSHING - UNIVERSAL	070362
58	139980-01-715	EA	BUSHING - STRAIN RELIEF	231809
59	098668-01-716	EA	GASKET-FIREWALL,CHAMBER SIDE	070808
61	139980-01-716	EA	CHAMBER ASSEMBLY - FINAL	021149BK
62	098668-21-701	EA	SWITCH - LIMIT	232504
66	098668-01-713	EA	TUBE ASSEMBLY, INTAKE	051248
	098668-19-700	EA	DOOR/CABINET ACCESS	101888
	139980-02-700	EA	BLOWER ASM-1/2 HOUSING/OUTER	390851
	139980-02-701	EA	BLOWER ASM-1/2 HOUSING/INNER	390872
			CONTACT WINNEBAGO PART SALES FOR UNLISTED COMPONENT(S)	

HEATING & A/C GROUP (CONTINUED) ROOF

KEY	PART NUMBER	U/M	DESCRIPTION
	131184-02-01A	EA	BOARD - DIVIDER - SILVER
*	131184-01-01A	EA	CEILING ASSEMBLY - A/C DUCTED - WHITE
*	131184-05-01A	EA	CEILING ASSEMBLY - HEAT PUMP - WHITE - A/C HEAT PUMP - HI EFF, LOW PFL
*	148644-01-01A	EA	A/C-ROOF - LOW PROFILE - ART WHITE - RVP 9203C876
*	148644-02-01A	EA	A/C-ROOF-LOW PROFILE/HEAT PMP-ART WHT-RVP9003C876 - A/C HEAT PUMP - HI EFF, LOW PFL

***COMPONENT PARTS LISTED LATER IN THIS GROUP**



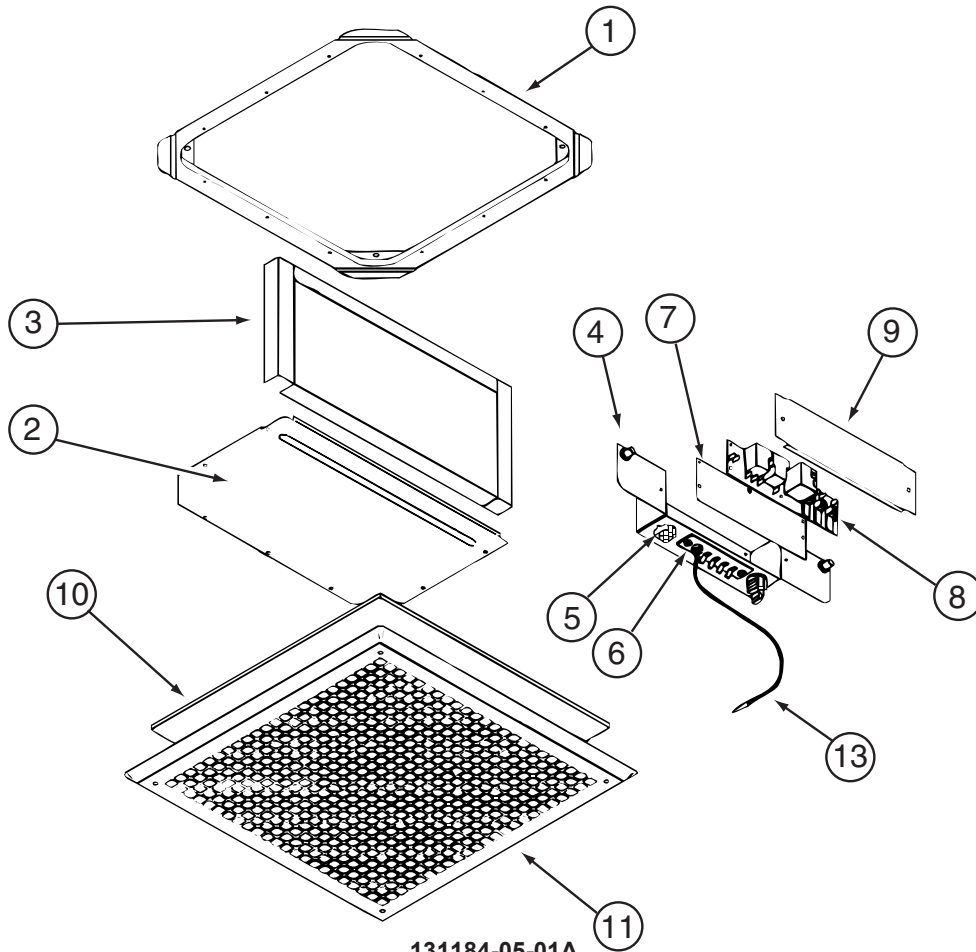
COMPONENT PARTS FOR ROOF

131184-01-01A

KEY	PART NUMBER	U/M	DESCRIPTION	VENDOR NO.
1	131184-01-707	EA	DUCT DIVIDER	8330-3501
5	131184-01-700	EA	PLUG ASSEMBLY	7330A389
6	131184-01-701	EA	TERMINAL BOARD	7330B3201
7	131184-01-702	EA	ISOLATOR - BLANK	7330C365
8	108892-01-702	EA	BOARD-P.C.	7330A3211
10	108892-01-703	EA	FILTER	6798A3761
11	108892-01-704	EA	GRILLE 16 3/8X16 3/8 RETURN	6798-3041
12	131184-01-704	EA	COIL SENSOR	7330-6111
13	131184-01-705	EA	JUNCTION BOX ASSEMBLY	7330B5551
	131184-01-703	EA	SMALL PARTS PKG	8330-5961

CONTACT WINNEBAGO PART SALES FOR UNLISTED COMPONENT(S)

HEATING & A/C GROUP (CONTINUED)
COMPONENT PARTS FOR ROOF (CONTINUED)

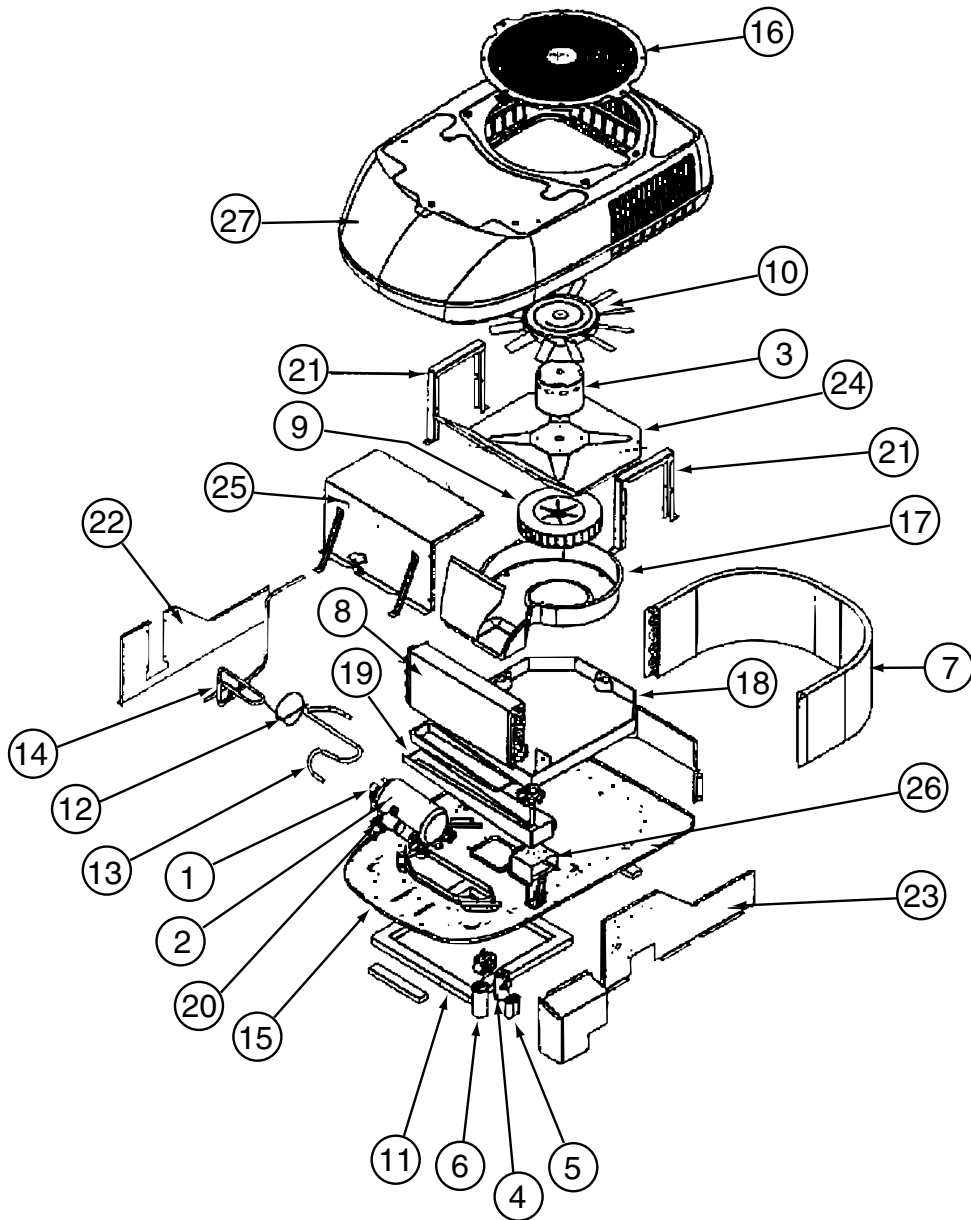


131184-05-01A

KEY	PART NUMBER	U/M	DESCRIPTION	VENDOR NO.
4	131184-05-700	EA	BOX - JUNCTION	8530-5091
5	131184-04-700	EA	PLUG ASSEMBLY	7530A340
6	131184-04-702	EA	BOARD - TERMINAL	7530B3201
7	131184-01-702	EA	ISOLATOR - BLANK	7330C365
8	131184-04-705	EA	BOARD - P.C.	7330B3311
10	108892-01-703	EA	FILTER	6798A3761
11	108892-01-704	EA	GRILLE 16 3/8X16 3/8 RETURN	6798-3041
13	105620-12-719	EA	COIL SENSOR	7330A3231
	131184-01-703	EA	SMALL PARTS PKG	8330-5961

CONTACT WINNEBAGO PART SALES FOR UNLISTED COMPONENT(S)

HEATING & A/C GROUP (CONTINUED)
COMPONENT PARTS FOR ROOF (CONTINUED)

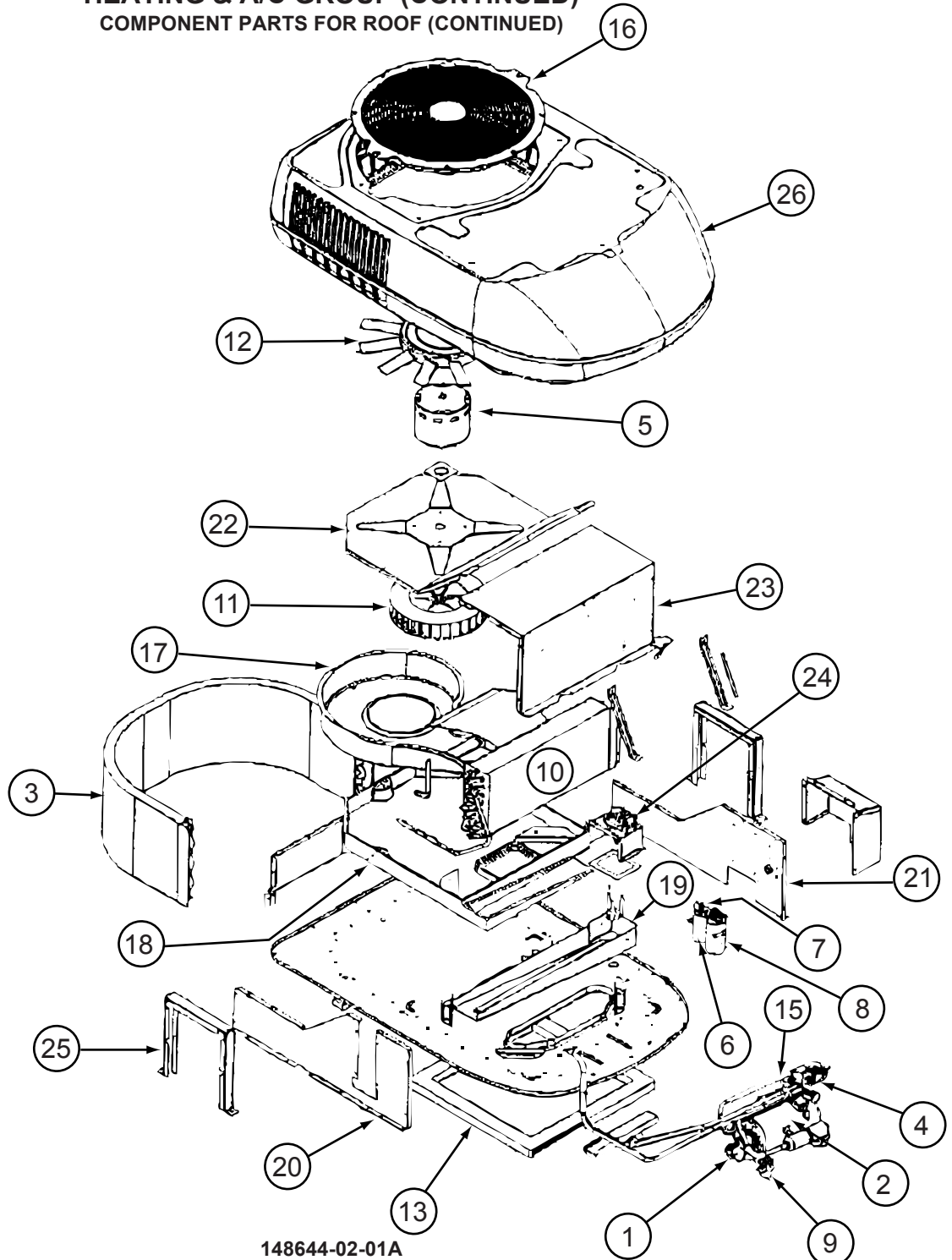


148644-01-01A

KEY	PART NUMBER	U/M	DESCRIPTION	VENDOR NO.
1	148644-01-701	EA	OVERLOAD	1450-0131
2	148644-01-702	EA	COMPRESSOR	1450A2189
3	148644-01-703	EA	MOTOR - BLOWER	1468A3239
4	105620-10-705	EA	PTCR (START DEVICE) - W/CAP.	8333A9021
5	093763-01-704	EA	CAPACITOR-FAN (INDOOR MOTOR)	1499-5461
6	131188-01-701	EA	RUN CAP. (COMP-40MFD/370V)	1499-5721
7	148644-01-704	EA	COIL-CONDENSER	1452-1201
8	148644-01-705	EA	COIL - EVAPORATOR	1452-1211
9	147102-01-705	EA	BLOWER WHEEL	1472-1111
10	147102-01-706	EA	FAN BLADE	1472-5021
11	037648-01-714	EA	GASKET PACKAGE	8332-3301
27	148644-01-700	EA	SHROUD - (ARCTIC WHITE)	9233A5461

CONTACT WINNEBAGO PART SALES FOR UNLISTED COMPONENT(S)

HEATING & A/C GROUP (CONTINUED)
COMPONENT PARTS FOR ROOF (CONTINUED)

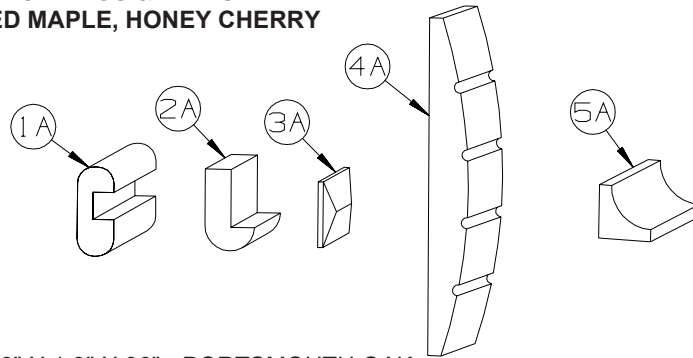


148644-02-01A

KEY	PART NUMBER	U/M	DESCRIPTION	VENDOR NO.
1	148644-01-701	EA	OVERLOAD	1450-0131
2	148644-01-702	EA	COMPRESSOR	1450A2189
3	148644-02-700	EA	COIL - CONDENSER	1452-1241
4	105620-12-708	EA	COIL - SOLENOID	1460-1081
5	148644-01-703	EA	MOTOR - BLOWER	1468A3239
6	105620-10-705	EA	PTCR (START DEVICE) - W/CAP.	8333A9021
7	093763-01-704	EA	CAPACITOR-FAN (INDOOR MOTOR)	1499-5461
8	131188-01-701	EA	RUN CAP. (COMP-40MFD/370V)	1499-5721
10	148644-02-701	EA	COIL - EVAPORATOR	1452-1261
11	147102-01-705	EA	BLOWER WHEEL	1472-1111
12	147102-01-706	EA	FAN BLADE	1472-5021
13	037648-01-714	EA	GASKET PACKAGE	8332-3301
26	148644-01-700	EA	SHROUD - (ARCTIC WHITE)	9233A5461

CONTACT WINNEBAGO PART SALES FOR UNLISTED COMPONENT(S)

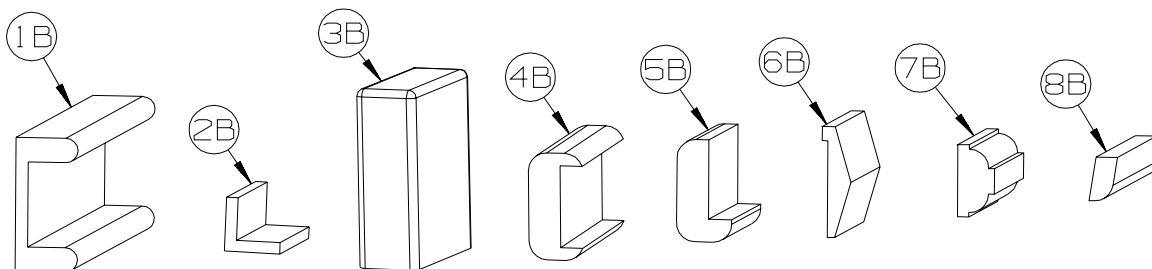
INTERIOR FINISH GROUP
MOLDINGS & TRIMS
WASHED MAPLE, HONEY CHERRY



KEY	PART NUMBER	U/M	DESCRIPTION
1A	M09412-62-N42	EA	MOLDING/SHELF EDGE - .6" X 1.3" X 96" - PORTSMOUTH OAK
1A	M09412-62-M52	EA	MOLDING/SHELF EDGE - .6" X 1.3" X 96" - CHERRY - CONCERT CHERRY
1A	M09412-62-M62	EA	MOLDING/SHELF EDGE - .6" X 1.3" X 96" - WASHED MAPLE - WASHED MAPLE
1A	M09412-62-RC3	EA	MOLDING/SHELF EDGE - .6" X 1.3" X 96" - HONEY CHERRY - HONEY CHERRY
1A	M09412-62-SA3	EA	MOLDING/SHELF EDGE - .6" X 1.3" X 96" - MAPLE - SIERRA MAPLE
2A	M09450-77-PC0	EA	MOLDING - TRIM/HDWD W/LIP -.4"X3.2"X79.6" - PORTSMOUTH OAK
2A	M09450-77-PC1	EA	MOLDING - TRIM/HDWD W/LIP -.4"X3.2"X79.6" - CONCERT CHERRY
2A	M09450-77-PC2	EA	MOLDING - TRIM/HDWD W/LIP -.4"X3.2"X79.6" - WASHED MAPLE
2A	M09450-77-RC3	EA	MOLDING - TRIM/HDWD W/LIP -.4"X3.2"X79.6" - HONEY CHERRY
2A	M09501-32-TG1	EA	MOLDING/TRIM - W/NOTCH - .8" X 2.5" X 86.2"-CONCERT CHERRY
2A	M09501-32-TG2	EA	MOLDING/TRIM - W/NOTCH - .8" X 2.5" X 86.2" - WASHED MAPLE,
2A	M09501-32-TD3	EA	MOLDING/TRIM - W/NOTCH - .8" X 2.5" X 86.2" - SIERRA MAPLE
2A	M09503-52-T77	EA	MOLDING/TRIM - .75" X 1.2" X 86.5" - PORTSMOUTH OAK
2A	M09503-52-T78	EA	MOLDING/TRIM - .75" X 1.2" X 86.5" - CONCERT CHERRY
2A	M09503-52-T79	EA	MOLDING/TRIM - .75" X 1.2" X 86.5" - WASHED MAPLE
2A	M09503-52-T80	EA	MOLDING/TRIM - .75" X 1.2" X 86.5" - SIERRA MAPLE
2A	M09511-43-T78	EA	MOLDING - TRIM - W/NOTCH - .8" X 1.4" X 86.3" - CONCERT CHERRY
2A	M09525-80-UM1	EA	MOLDING - TRIM - W/NOTCH - .8"X 1.4"X 86.5" - CONCERT CHERRY
2A	M09511-43-T79	EA	MOLDING - TRIM - W/NOTCH - .8" X 1.4" X 86.3" - WASHED MAPLE
2A	M09525-80-U91	EA	MOLDING - TRIM - W/NOTCH - .8" X 1.4" X 86.5" - WASHED MAPLE
2A	M09511-43-T80	EA	MOLDING - TRIM - W/NOTCH - .8" X 1.4" X 86.3" - SIERRA MAPLE
2A	M09525-80-U92	EA	MOLDING - TRIM - W/NOTCH - .8" X 1.4" X 86.5" - SIERRA MAPLE
2A	M09438-25-RA3	EA	MOLDING - HARDWOOD-W/NOTCH - 1.4"X 80.2" - HONEY CHERRY
2A	M09515-72-TD1	EA	MOLDING/TRIM - .8" X 2.2" X 86.1" - CONCERT CHERRY
2A	M09515-72-TD2	EA	MOLDING/TRIM - .8" X 2.2" X 86.1" - WASHED MAPLE
2A	M09515-72-TD3	EA	MOLDING/TRIM - .8" X 2.2" X 86.1" - SIERRA MAPLE
3A	M09471-91-R69	EA	MOLDING - TRIM/VEE - .2" X 1" X 34.4" - CONCERT CHERRY
3A	M09471-91-R76	EA	MOLDING - TRIM/VEE - .2" X 1" X 34.4" - WASHED MAPLE
3A	M09471-91-SA3	EA	MOLDING - TRIM/VEE - .2" X 1" X 34.4" - SIERRA MAPLE
3A	M09477-88-S34	EA	MOLDING - TRIM/VEE - .2" X 1" X 19.9" - WASHED MAPLE
3A	M09477-88-S35	EA	MOLDING - TRIM/VEE - .2" X 1" X 19.9" - SIERRA MAPLE
3A	M09501-30-SD2	EA	MOLDING - TRIM/VEE - .2" X 1" X 35.1" - WASHED MAPLE
3A	M09501-30-SD3	EA	MOLDING - TRIM/VEE - .2" X 1" X 35.1" - HONEY CHERRY
3A	M09501-37-TG1	EA	MOLDING - TRIM/VEE - .2" X 1" X 19.2" - CONCERT CHERRY
3A	M09501-37-TG2	EA	MOLDING - TRIM/VEE - .2" X 1" X 19.2" - WASHED MAPLE
3A	M09501-37-TD3	EA	MOLDING - TRIM/VEE - .2" X 1" X 19.2" - SIERRA MAPLE
3A	M09501-37-TG3	EA	MOLDING - TRIM/VEE - .2" X 1" X 19.2" - HONEY CHERRY
3A	M09501-63-T78	EA	MOLDING - TRIM/VEE - .2" X 1" X 15" - CONCERT CHERRY
3A	M09501-63-T79	EA	MOLDING - TRIM/VEE - .2" X 1" X 15" - WASHED MAPLE
3A	M09501-63-T80	EA	MOLDING - TRIM/VEE - .2" X 1" X 15" - SIERRA MAPLE
3A	M09503-62-TG1	EA	MOLDING - TRIM/VEE - .2" X 1" X 26.3" - CONCERT CHERRY
3A	M09503-62-TG2	EA	MOLDING - TRIM/VEE - .2" X 1" X 26.3" - WASHED MAPLE
3A	M09503-62-TG3	EA	MOLDING - TRIM/VEE - .2" X 1" X 26.3" - HONEY CHERRY
3A	M09511-90-TG1	EA	MOLDING - TRIM/VEE - .2" X 1" X 42.1" - CONCERT CHERRY
3A	M09511-90-TG3	EA	MOLDING - TRIM/VEE - .2" X 1" X 42.1" - HONEY CHERRY
3A	M09511-90-TG2	EA	MOLDING - TRIM/VEE - .2" X 1" X 42.1" - WASHED MAPLE
3A	M09520-15-TD1	EA	MOLDING - TRIM/VEE - .2" X 1" X 15.3" - CONCERT CHERRY
3A	M09520-15-TD2	EA	MOLDING - TRIM/VEE - .2" X 1" X 15.3" - WASHED MAPLE
3A	M09520-15-TD3	EA	MOLDING - TRIM/VEE - .2" X 1" X 15.3" - SIERRA MAPLE
3A	M09520-96-T59	EA	MOLDING - TRIM/VEE - .2" X 1" X 32.7" - PORTSMOUTH OAK
3A	M09520-96-T60	EA	MOLDING - TRIM/VEE - .2" X 1" X 32.7" - CONCERT CHERRY
3A	M09520-96-T61	EA	MOLDING - TRIM/VEE - .2" X 1" X 32.7" - WASHED MAPLE
3A	M09520-96-TP0	EA	MOLDING - TRIM/VEE - .2" X 1" X 32.7" - SIERRA MAPLE

INTERIOR FINISH GROUP (CONTINUED)
MOLDINGS & TRIMS (CONTINUED)

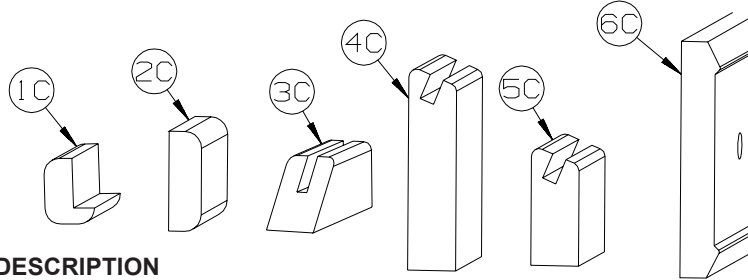
KEY	PART NUMBER	U/M	DESCRIPTION
3A	M09525-96-TA0	EA	MOLDING - TRIM/VEE - .2" X 1" X 36.2" - PORTSMOUTH OAK
3A	M09525-96-TA1	EA	MOLDING - TRIM/VEE - .2" X 1" X 36.2" - CONCERT CHERRY
3A	M09525-96-TA2	EA	MOLDING - TRIM/VEE - .2" X 1" X 36.2" - WASHED MAPLE
3A	M09525-96-TA3	EA	MOLDING - TRIM/VEE - .2" X 1" X 36.2" - SIERRA MAPLE
3A	M09534-08-T01	EA	MOLDING - TRIM/VEE - .2" X 1" X 24.5" - SIERRA MAPLE
3A	M09534-08-T02	EA	MOLDING - TRIM/VEE - .2" X 1" X 24.5" - HONEY CHERRY
3A	M09511-32-T78	EA	MOLDING - TRIM/VEE - .4" X 1" X 26.8" - CONCERT CHERRY
3A	M09511-32-T79	EA	MOLDING - TRIM/VEE - .4" X 1" X 26.8" - WASHED MAPLE
3A	M09511-32-T80	EA	MOLDING - TRIM/VEE - .4" X 1" X 26.8" - SIERRA MAPLE
3A	M09511-86-T78	EA	MOLDING - TRIM/VEE - .4" X 1" X 28.3" - CONCERT CHERRY
3A	M09511-86-T79	EA	MOLDING - TRIM/VEE - .4" X 1" X 28.3" - WASHED MAPLE
3A	M09511-86-T80	EA	MOLDING - TRIM/VEE - .4" X 1" X 28.3" - SIERRA MAPLE
3A	M09477-63-S46	EA	MOLDING - TRIM/VEE - .4" X 1" X 64.1" - PORTSMOUTH OAK - BATH DOOR TRIM
3A	M09477-63-SR0	EA	MOLDING - TRIM/VEE - .4" X 1" X 64.1" - SIERRA MAPLE - BATH DOOR TRIM
3A	M09477-64-S46	EA	MOLDING - TRIM/VEE - .4" X 1" X 14.9" - PORTSMOUTH OAK - BATH DOOR TRIM
3A	M09477-64-SR0	EA	MOLDING - TRIM/VEE - .4" X 1" X 14.9" - SIERRA MAPLE - BATH DOOR TRIM
4A	M09462-54-R90	EA	MOLDING - FLUTED, CURVED - .6" X 6" X 82.7" - CONCERT CHERRY
4A	M09462-54-R91	EA	MOLDING - FLUTED, CURVED - .6" X 6" X 82.7" - WASHED MAPLE
4A	M09462-54-RE3	EA	MOLDING - FLUTED, CURVED - .6" X 6" X 82.7" - HONEY CHERRY
5A	M09471-79-R38	EA	MOLDING - TRIM/COVE - .8" X .8" X 95.8" - OAK/PORTS OAK - PORTSMOUTH OAK
5A	M09471-79-R39	EA	MOLDING - TRIM/COVE - .8" X .8" X 95.8" - CHERRY/CHERRY - CONCERT CHERRY
5A	M09471-79-R46	EA	MOLDING - TRIM/COVE - .8" X .8" X 95.8" - MAPLE/MAPLE - WASHED MAPLE
5A	M09471-79-RE0	EA	MOLDING - TRIM/COVE - .8" X .8" X 95.8" - HONEY/CHERRY- HONEY CHERRY
5A	M09471-79-SA3	EA	MOLDING - TRIM/COVE - .8" X .8" X 95.8" - HONEY/MAPLE - SIERRA MAPLE



KEY	PART NUMBER	U/M	DESCRIPTION
1B	M09501-84-TG0	EA	MOLDING/TRIM - CAP/WALL - 2.2" X 85.9" - PORTSMOUTH OAK
1B	M09501-84-TG1	EA	MOLDING/TRIM - CAP/WALL - 2.2" X 85.9" - CONCERT CHERRY
1B	M09501-84-TG2	EA	MOLDING/TRIM - CAP/WALL - 2.2" X 85.9" - WASHED MAPLE
1B	M09520-07-TD3	EA	MOLDING/TRIM - CAP/WALL - 2.2" X 80.5" - SIERRA MAPLE
1B	M09501-84-TG3	EA	MOLDING/TRIM - CAP/WALL - 2.2" X 85.9" - HONEY CHERRY
2B	M09511-81-TA1	EA	MOLDING/TRIM - L SHAPE - .8"X .8"X 80.2" - CONCERT CHERRY
2B	M09511-81-TA2	EA	MOLDING/TRIM - L SHAPE - .8"X .8"X 80.2" - WASHED MAPLE
2B	M09511-81-TA3	EA	MOLDING/TRIM - L SHAPE - .8"X .8"X 80.2" - SIERRA MAPLE
3B	M09515-81-T01	EA	MOLDING/HARDWOOD STRAIGHT - 74.3" - WASHED MAPLE
3B	M09515-81-T02	EA	MOLDING/HARDWOOD STRAIGHT - 74.3" - HONEY CHERRY
4B	M09511-42-T77	EA	MOLDING - TRIM - W/NOTCH - 1.5" X 86.4" - PORTSMOUTH OAK
4B	M09511-42-T78	EA	MOLDING - TRIM - W/NOTCH - 1.5" X 86.4" - CONCERT CHERRY
4B	M09511-42-T79	EA	MOLDING - TRIM - W/NOTCH - 1.5" X 86.4" - WASHED MAPLE
4B	M09511-42-T80	EA	MOLDING - TRIM - W/NOTCH - 1.5" X 86.4" - SIERRA MAPLE
5B	M09515-18-T78	EA	MOLDING - HARDWOOD-W/NOTCH - 1.4"X 86.2" - CONCERT CHERRY
5B	M09515-18-T79	EA	MOLDING - HARDWOOD-W/NOTCH - 1.4"X 86.2" - WASHED MAPLE
5B	M09515-18-T80	EA	MOLDING - HARDWOOD-W/NOTCH - 1.4"X 86.2" - SIERRA MAPLE
6B	M09515-52-TG1	EA	MOLDING - TRIM/VEE - 1.5" X 73.9" - CONCERT CHERRY
6B	M09515-52-TG2	EA	MOLDING - TRIM/VEE - 1.5" X 73.9" - WASHED MAPLE
6B	M09515-52-TG3	EA	MOLDING - TRIM/VEE - 1.5" X 73.9" - HONEY CHERRY
7B	Y00076-32-438	EA	MOLDING/TRIM - .5" X 1" X 96" - CHERRY (UNSTAINED)
7B	Y00076-22-438	EA	MOLDING/TRIM - .5" X 1" X 96" - MAPLE (UNSTAINED)
8B	Y00086-72-438	EA	MOLDING - VINYL WRAP - .7" X 1.6" X 96" - PORTSMOUTH OAK - PORTSMOUTH OAK
8B	Y00086-62-438	EA	MOLDING - 96" - CONCERT CHERRY (U90/94/98/A1/A5/B1/C1/C5/D1/D5/E1/E5/F1/F5/G1/G5/H1/H5)
8B	Y00086-D2-438	EA	MOLDING - VINYL WRAP - .7" X 1.6" X 96" - CONCERT CHERRY (UM1 THRU UM9, UN1 THRU UN9)
8B	Y00086-A2-438	EA	MOLDING - VINYL WRAP - .7" X 1.6" X 96" - WASHED MAPLE
8B	Y00086-92-438	EA	MOLDING - VINYL WRAP - .7" X 1.6" X 96" - SIERRA MAPLE - SIERRA MAPLE

INTERIOR FINISH GROUP (CONTINUED)
MOLDINGS & TRIMS (CONTINUED)

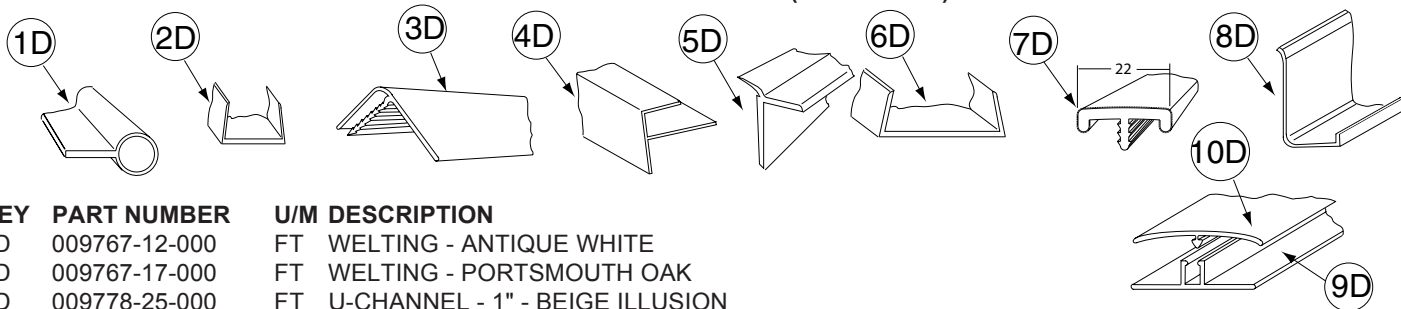
KEY	PART NUMBER	U/M	DESCRIPTION
8B	Y00087-62-438	EA	MOLDING - 96" - CONCERT CHERRY (U90/94/98/A1/A5/B1/C1/C5/D1/D5/E1/E5/F1/F5/G1/G5/H1/H5)
8B	Y00087-D2-438	EA	MOLDING - VINYL WRAP - .7" X 2.9" X 96" - CONCERT CHERRY (UM1 THRU UM9, UN1 THRU UN9)
8B	Y00087-A2-438	EA	MOLDING - VINYL WRAP - .7" X 2.9" X 96" - WASHED MAPLE
8B	Y00087-92-438	EA	MOLDING - VINYL WRAP - .7" X 2.9" X 96" - SIERRA MAPLE
8B	Y00300-62-438	EA	MOLDING - 96" - CONCERT CHERRY (U90/94/98/A1/A5/B1/C1/C5/D1/D5/E1/E5/F1/F5/G1/G5/H1/H5)
8B	Y00300-D2-438	EA	MOLDING - VINYL WRAP - .3" X .6" X 96" - CONCERT CHERRY (UM1 THRU UM9, UN1 THRU UN9)
8B	Y00300-A2-438	EA	MOLDING - VINYL WRAP - .3" X .6" X 96" - WASHED MAPLE
8B	Y00300-92-438	EA	MOLDING - VINYL WRAP - .3" X .6" X 96" - SIERRA MAPLE



KEY	PART NUMBER	U/M	DESCRIPTION
1C	M09520-19-TD1	EA	MOLDING - TRIM - W/NOTCH - 1" X 86.3" - CONCERT CHERRY
1C	M09520-19-TD2	EA	MOLDING - TRIM - W/NOTCH - 1" X 86.3" - WASHED MAPLE
1C	M09520-19-TD3	EA	MOLDING - TRIM - W/NOTCH - 1" X 86.3" - HONEY CHERRY
1C	M09525-27-UF1	EA	MOLDING - HARDWOOD - .75" X 1.4" X 32.4" - CONCERT CHERRY
1C	M09525-27-UF2	EA	MOLDING - HARDWOOD - .75" X 1.4" X 32.4" - WASHED MAPLE
1C	M09525-27-UF3	EA	MOLDING - HARDWOOD - .75" X 1.4" X 32.4" - SIERRA MAPLE
2C	M09511-46-T77	EA	MOLDING/TRIM - .5" X 1.5" X 86.5" - PORTSMOUTH OAK
2C	M09511-46-T78	EA	MOLDING/TRIM - .5" X 1.5" X 86.5" - CONCERT CHERRY
2C	M09511-46-T79	EA	MOLDING/TRIM - .5" X 1.5" X 86.5" - WASHED MAPLE
2C	M09511-46-T80	EA	MOLDING/TRIM - .5" X 1.5" X 86.5" - SIERRA MAPLE
3C	Y00223-42-438	EA	MOLDING - HARDWOOD/OAK - .7" X 1" X 96"
3C	Y00223-32-438	EA	MOLDING - HARDWOOD/CHERRY - .7" X 1" X 96"
3C	Y00223-22-438	EA	MOLDING - HARDWOOD/MAPLE - .7" X 1" X 96"
4C	Y00054-62-438	EA	MOLDING- 96" - CONCERT CHERRY (U90/94/98/A1/A5/B1/C1/C5/D1/D5/E1/E5/F1/F5/G1/G5/H1/H5)
4C	Y00054-D2-438	EA	MOLDING/VYL WRP-BVLD-.73" X 3.1" X 96" - CONCERT CHERRY (UM1 THRU UM9, UN1 THRU UN9)
4C	Y00054-A2-438	EA	MOLDING/VINYL WRAP-BEVELED ENDS-.73"X3.1"X96" - WASHED MAPLE
4C	Y00054-92-438	EA	MOLDING/VINYL WRAP-BEVELED-.73" X 3.1" X 96" - SIERRA MAPLE
4C	Y00258-62-438	EA	MOLDING/VYL 96" - CONCERT CHERRY (U90/94/98/A1/A5/B1/C1/C5/D1/D5/E1/E5/F1/F5/G1/G5/H1/H5)
4C	Y00258-D2-438	EA	MOLDING/VINYL WRP-BVLD-.73" X 3.1" X 96" - CONCERT CHERRY (UM1 THRU UM9, UN1 THRU UN9)
4C	Y00258-A2-438	EA	MOLDING/VINYL WRAP-BEVELED ENDS-.73"X3.1"X96" - WASHED MAPLE
4C	Y00258-92-438	EA	MOLDING/VINYL WRAP-BEVELED-.73" X 3.1" X 96" - SIERRA MAPLE
5C	Y00259-62-438	EA	MOLDING/VYL 96" - CONCERT CHERRY (U90/94/98/A1/A5/B1/C1/C5/D1/D5/E1/E5/F1/F5/G1/G5/H1/H5)
5C	Y00259-D2-438	EA	MOLDING/VINYL WRP-BVLD-.73" X 1.8" X 96" - CONCERT CHERRY (UM1 THRU UM9, UN1 THRU UN9)
5C	Y00259-A2-438	EA	MOLDING/VINYL WRAP-BEVELED-.73"X1.8"X96" - WASHED MAPLE
5C	Y00259-92-438	EA	MOLDING/VINYL WRAP-BEVELED-.73"X1.8"X96" - SIERRA MAPLE
6C	Y00152-A2-438	EA	MOLDING/TRIM - VINYL - .6" X 3.5" X 96" - WASHED MAPLE
6C	Y00152-92-438	EA	MOLDING/TRIM - VINYL - .6" X 3.5" X 96" - SIERRA MAPLE

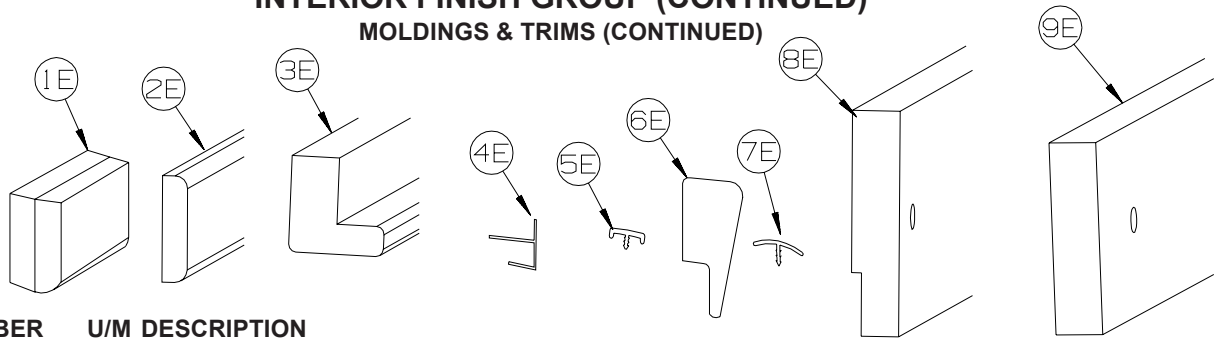
INTERIOR FINISH GROUP (CONTINUED)

MOLDINGS & TRIMS (CONTINUED)



KEY	PART NUMBER	U/M	DESCRIPTION
1D	009767-12-000	FT	WELTING - ANTIQUE WHITE
1D	009767-17-000	FT	WELTING - PORTSMOUTH OAK
2D	009778-25-000	FT	U-CHANNEL - 1" - BEIGE ILLUSION
2D	009778-26-000	FT	U-CHANNEL - 1 1/4" - BEIGE ILLUSION
2D	009778-38-000	FT	U-CHANNEL - 1" - BONE
2D	009778-32-000	FT	U-CHANNEL - 1" - PORTSMOUTH OAK
2D	009778-34-000	FT	U-CHANNEL - 1" - CONCERT CHERRY
2D	009778-27-000	FT	U-CHANNEL - 1" - WASHED MAPLE
2D	009778-35-000	FT	U-CHANNEL - 1" - HONEY CHERRY
2D	009778-36-000	FT	U-CHANNEL - 1" - SIERRA MAPLE
3D	009809-30-000	EA	MOLDING - CORNER - OUTSIDE - 1" X 84" - BEIGE ILLUSION
3D	009809-37-000	EA	MOLDING - CORNER - OUTSIDE - 1" X 84" - BONE
3D	009809-32-000	EA	MOLDING - CORNER - OUTSIDE - 1" X 84" - PORTSMOUTH OAK
3D	009809-33-000	EA	MOLDING - CORNER - OUTSIDE - 1" X 84" - CONCERT CHERRY
3D	009809-31-000	EA	MOLDING - CORNER - OUTSIDE - 1" X 84" - WASHED MAPLE
3D	009809-34-000	EA	MOLDING - CORNER - OUTSIDE - 1" X 84" - HONEY CHERRY
3D	009809-35-000	EA	MOLDING - CORNER - OUTSIDE - 1" X 84" - SIERRA MAPLE
4D	009812-31-000	EA	MOLDING - CORNER - 1/2" W/1/4"CHAN X 84" - BEIGE ILLUSION
4D	009812-40-000	EA	MOLDING - CORNER - 1/2" W/1/4"CHAN X 84" - BONE
4D	009812-35-000	EA	MOLDING - CORNER - 1/2" W/1/4"CHAN X 84" - PORTSMOUTH OAK
4D	009812-36-000	EA	MOLDING - CORNER - 1/2" W/1/4"CHAN X 84" - CONCERT CHERRY
4D	009812-33-000	EA	MOLDING - CORNER - 1/2" W/1/4"CHAN X 84" - WASHED MAPLE
4D	009812-37-000	EA	MOLDING - CORNER - 1/2" W/1/4"CHAN X 84" - HONEY CHERRY
4D	009812-38-000	EA	MOLDING - CORNER - 1/2" W/1/4"CHAN X 84" - SIERRA MAPLE
5D	022992-11-000	FT	MOLDING - REVERSE COVE - T-SHAPED - IVORY
5D	022992-18-000	FT	MOLDING - REVERSE COVE - T-SHAPED - BONE
5D	022992-14-000	FT	MOLDING - REVERSE COVE - T-SHAPED - BRIGHT WHITE
6D	070504-42-000	FT	U-CHANNEL - PLASTIC - .13" X 84" - BEIGE ILLUSION
6D	070504-69-000	FT	U-CHANNEL - PLASTIC - .13" X 84" - BONE
6D	070504-43-000	FT	U-CHANNEL - PLASTIC - .9" X 96" - BEIGE ILLUSION
6D	070504-70-000	FT	U-CHANNEL - PLASTIC - .8" X 84" - BONE
6D	070504-57-000	FT	U-CHANNEL - PLASTIC - .13" X 84" - PORTSMOUTH OAK
6D	070504-58-000	FT	U-CHANNEL - PLASTIC - .9" X 84" - PORTSMOUTH OAK
6D	070504-60-000	FT	U-CHANNEL - PLASTIC - .13" X 84" - CONCERT CHERRY
6D	070504-61-000	FT	U-CHANNEL - PLASTIC - .9" X 84" - CONCERT CHERRY
6D	070504-50-000	FT	U-CHANNEL - PLASTIC - .13" X 96" - WASHED MAPLE
6D	070504-51-000	FT	U-CHANNEL - PLASTIC - .9" X 96" - WASHED MAPLE
6D	070504-62-000	FT	U-CHANNEL - PLASTIC - 1.65" X 84" - HONEY CHERRY
6D	070504-63-000	FT	U-CHANNEL - PLASTIC - .9" X 84" - HONEY CHERRY
6D	070504-65-000	FT	U-CHANNEL - PLASTIC - 1.65" X 84" - SIERRA MAPLE
6D	070504-66-000	FT	U-CHANNEL - PLASTIC - .9" X 84" - SIERRA MAPLE
7D	083620-15-000	FT	MOLDING-T - W/EDGE LIP - 7/8" FACE - BEIGE ILLUSION
7D	083620-25-000	FT	MOLDING-T - W/EDGE LIP - 7/8" FACE - BONE
7D	083620-20-000	FT	MOLDING-T - W/EDGE LIP - 7/8" FACE - PORTSMOUTH OAK
7D	083620-21-000	FT	MOLDING-T - W/EDGE LIP - 7/8" FACE - CONCERT CHERRY
7D	083620-19-000	FT	MOLDING-T - W/EDGE LIP - 7/8" FACE - WASHED MAPLE
7D	083620-24-000	FT	MOLDING-T - W/EDGE LIP - 7/8" FACE - HONEY CHERRY
7D	083620-22-000	FT	MOLDING-T - W/EDGE LIP - 7/8" FACE - SIERRA MAPLE
8D	085746-04-000	FT	TRIM-J - CARPET 1.2" X .5" ANGLE - 12' LONG - OFF WHITE
9D	086229-01-000	EA	RETAINER - BATTEN - .75" X 92.1" - ANY COLOR
10D	086229-20-000	EA	BATTEN - 1" X 96" - BEIGE

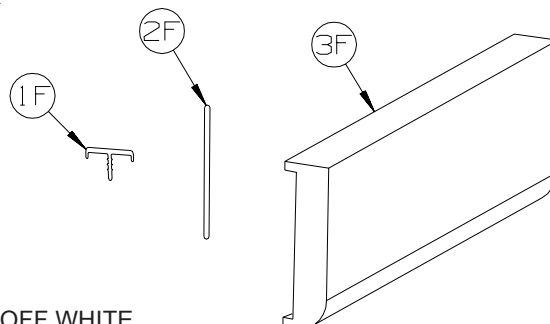
INTERIOR FINISH GROUP (CONTINUED)
MOLDINGS & TRIMS (CONTINUED)



KEY	PART NUMBER	U/M	DESCRIPTION
1E	100659-30-N75	EA	MOLDING - TRIM - 8' - PORTSMOUTH OAK
1E	100659-30-N74	EA	MOLDING - TRIM - 8' - CONCERT CHERRY
1E	100659-30-M84	EA	MOLDING - TRIM - 8' - WASHED MAPLE
1E	100659-27-RA3	EA	MOLDING - TRIM - HONEY CHERRY
1E	100659-31-SA3	EA	MOLDING - TRIM - SIERRA MAPLE
2E	100818-01-12A	EA	MOLDING - VINYL WRAPPED - 1.6" X .4" X 84" - PORTSMOUTH OAK
2E	100818-01-13A	EA	MOLDING - VYL 84" - CONCERT CHERRY (U90/94/98/A1/A5/B1/C1/C5/D1/D5/E1/E5/F1/F5/G1/G5/H1/H5)
2E	100818-01-23A	EA	MOLDING - VINYL WRPPD - 1.6" X .4" X 84" - CONCERT CHERRY (UM1 THRU UM9, UN1 THRU UN9)
2E	100818-01-21A	EA	MOLDING - VINYL WRAPPED - 1.6" X .4" X 84" - WASHED MAPLE
2E	100818-01-14A	EA	MOLDING - VINYL WRAPPED - 1.6" X .4" X 84" - HONEY CHERRY
2E	100818-01-22A	EA	MOLDING - VINYL WRAPPED - 1.6" X .4" X 84" - SIERRA MAPLE
3E	100819-01-12A	EA	MOLDING - VINYL WRAPPED-L-SHAPED-1.5"X1.5"X84" - PORTSMOUTH OAK
3E	100819-01-13A	EA	MOLDING - VYL 84" - CONCERT CHERRY (U90/94/98/A1/A5/B1/C1/C5/D1/D5/E1/E5/F1/F5/G1/G5/H1/H5)
3E	100819-01-23A	EA	MOLDING - VYL WRPPD-L-SHPD-1.5"X1.5"X84" - CONCERT CHERRY (UM1 THRU UM9, UN1 THRU UN9)
3E	100819-01-21A	EA	MOLDING - VINYL WRAPPED-L-SHAPED-1.5"X1.5"X84" - WASHED MAPLE
3E	100819-01-14A	EA	MOLDING - VINYL WRAPPED-L-SHAPED-1.5"X1.5"X84" - HONEY CHERRY
3E	100819-01-22A	EA	MOLDING - VINYL WRAPPED-L-SHAPED-1.5"X1.5"X84" - SIERRA MAPLE
4E	103186-01-07A	FT	MOLDING/PLASTIC - 3/8" U-CHANNEL-3/4" FACE -BEIGE ILLUSION
4E	103186-01-09A	FT	MOLDING/PLASTIC - 3/8" U-CHAN'L-3/4" FACE - PORTSMOUTH OAK
4E	103186-01-10A	FT	MOLDING/PLASTIC - 3/8" U-CHAN'L-3/4" FACE - CONCERT CHERRY
4E	103186-01-08A	FT	MOLDING/PLASTIC - 3/8" U-CHANNEL-3/4"FACE-WASHED MAPLE 8' - WASHED MAPLE
4E	103186-01-11A	FT	MOLDING/PLASTIC - 3/8" U-CHAN'L-3/4" FACE - HONEY CHERRY
4E	103186-01-12A	FT	MOLDING/PLASTIC - 3/8" U-CHAN'L-3/4" FACE - SIERRA MAPLE
4E	103186-02-07A	FT	MOLDING/PLASTIC-1" U-CHAN'L-1 3/8" FACE - BEIGE ILLUSION
4E	103186-02-09A	FT	MOLDING/PLASTIC - 1" U-CHAN'L-1 3/8" FACE - PORTSMOUTH OAK
4E	103186-02-10A	FT	MOLDING/PLASTIC - 1" U-CHAN'L-1 3/8" FACE - CONCERT CHERRY
4E	103186-02-08A	FT	MOLDING/PLASTIC - 1" U-CHANNEL-1 3/8"FACE - WASHED MAPLE
4E	103186-02-11A	FT	MOLDING/PLASTIC - 1" U-CHAN'L-1 3/8" FACE - HONEY CHERRY
4E	103186-02-12A	FT	MOLDING/PLASTIC - 1" U-CHAN'L-1 3/8" FACE - SIERRA MAPLE
5E	104676-02-08A	FT	MOLDING-T - W/EDGE LIP - 11/16" FACE - PORTSMOUTH OAK
5E	104676-02-09A	FT	MOLDING-T - W/EDGE LIP - 11/16" FACE - CONCERT CHERRY
5E	104676-02-06A	FT	MOLDING-T - W/EDGE LIP - 11/16" FACE - WASHED MAPLE
5E	104676-02-10A	FT	MOLDING-T - W/EDGE LIP - 11/16" FACE - HONEY CHERRY
5E	104676-02-12A	FT	MOLDING-T - W/EDGE LIP - 11/16" FACE - SIERRA MAPLE
6E	105004-01-12A	EA	MOLDING - VINYL WRAPPED - 1" X 96" - PORTSMOUTH OAK
6E	105004-01-13A	EA	MOLDING - V W 8' - CONCERT CHERRY (U90/94/98/A1/A5/B1/C1/C5/D1/D5/E1/E5/F1/F5/G1/G5/H1/H5)
6E	105004-01-23A	EA	MOLDING - VINYL WRAPPD 1" X 8' - CONCERT CHERRY (UM1 THRU UM9, UN1 THRU UN9)
6E	105004-01-21A	EA	MOLDING - VINYL WRAPPED - 1" X 8' - WASHED MAPLE
6E	105004-01-24A	EA	MOLDING - VINYL WRAPPED - 1" X 8' - HONEY CHERRY
6E	105004-01-22A	EA	MOLDING - VINYL WRAPPED - 1" X 8' - SIERRA MAPLE
7E	105709-02-000	FT	MOLDING-T - W/EDGE LIP 3/4" FACE - BEIGE ILLUSION
8E	116951-45-R68	EA	MOLDING - TRIM - 3" X 30.3" - PORTSMOUTH OAK
8E	116951-45-R69	EA	MOLDING - TRIM - 3" X 30.3" - CONCERT CHERRY
8E	116951-45-R76	EA	MOLDING - TRIM - 3" X 30.3" - WASHED MAPLE
8E	116951-45-SA3	EA	MOLDING - TRIM - 3" X 30.3" - SIERRA MAPLE
9E	116951-37-R68	EA	MOLDING - TRIM - 3.5" X 38.6" - PORTSMOUTH OAK
9E	116951-37-R69	EA	MOLDING - TRIM - 3.5" X 38.6" - CONCERT CHERRY
9E	116951-37-R76	EA	MOLDING - TRIM - 3.5" X 38.6" - WASHED MAPLE
9E	116951-37-SA3	EA	MOLDING - TRIM - 3.5" X 38.6" - SIERRA MAPLE
9E	116951-51-SA0	EA	MOLDING - TRIM - 3.5" X 47.3" - PORTSMOUTH OAK
9E	116951-51-SA1	EA	MOLDING - TRIM - 3.5" X 47.3" - CONCERT CHERRY
9E	116951-51-SA2	EA	MOLDING - TRIM - 3.5" X 47.3" - WASHED MAPLE
9E	116951-51-SA3	EA	MOLDING - TRIM - 3.5" X 47.3" - SIERRA MAPLE

INTERIOR FINISH GROUP (CONTINUED)
MOLDINGS & TRIMS (CONTINUED)

KEY	PART NUMBER	U/M	DESCRIPTION
9E	116951-55-TD0	EA	MOLDING - TRIM - 4.5" X 52.3" - PORTSMOUTH OAK
9E	116951-55-TD1	EA	MOLDING - TRIM - 4.5" X 52.3" - CONCERT CHERRY
9E	116951-55-TD2	EA	MOLDING - TRIM - 4.5" X 52.3" - WASHED MAPLE
9E	116951-55-TD3	EA	MOLDING - TRIM - 4.5" X 52.3" - SIERRA MAPLE
9E	116951-56-TD0	EA	MOLDING - TRIM - 4.5" X 52.3" - PORTSMOUTH OAK
9E	116951-56-TD1	EA	MOLDING - TRIM - 4.5" X 52.3" - CONCERT CHERRY
9E	116951-56-TD2	EA	MOLDING - TRIM - 4.5" X 52.3" - WASHED MAPLE
9E	116951-56-TD3	EA	MOLDING - TRIM - 4.5" X 52.3" - SIERRA MAPLE

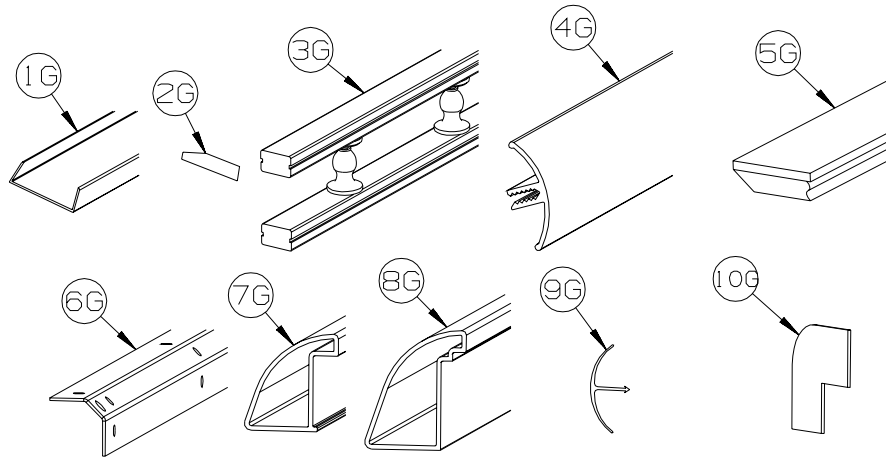


KEY	PART NUMBER	U/M	DESCRIPTION
1F	119520-01-01A	FT	MOLDING-T - OFFSET W/EDGE LIP - 1.3" FACE - OFF WHITE
1F	119520-03-03A	FT	MOLDING-T - OFFSET W/EDGE LIP - 1" FACE - WASHED MAPLE
1F	119520-03-06A	FT	MOLDING-T - OFFSET W/EDGE LIP - 1" FACE - HONEY CHERRY
2F	127842-01-01A	FT	SEAL - SIGHT SHIELD - 2" BLACK
	137885-A2-438	EA	LUMBER - VYL .75" - CONCERT CHERRY (U90/94/98/A1/A5/B1/C1/C5/D1/D5/E1/E5/F1/F5/G1/G5/H1/H5)
	160300-A2-438	EA	LUMBER - VINYL WRAPPED - .7" X .75" X 96" - CONCERT CHERRY (UM1 THRU UM9, UN1 THRU UN9)
	137885-D2-438	EA	LUMBER - VYL1.5" - CONCERT CHERRY (U90/94/98/A1/A5/B1/C1/C5/D1/D5/E1/E5/F1/F5/G1/G5/H1/H5)
	160300-D2-438	EA	LUMBER - VINYL WRAPPED - .7" X 1.5" X 96" - CONCERT CHERRY (UM1 THRU UM9, UN1 THRU UN9)
	137885-E2-438	EA	LUMBER - VYL2" -CONCERT CHERRY (U90/94/98/A1/A5/B1/C1/C5/D1/D5/E1/E5/F1/F5/G1/G5/H1/H5)
	160300-E2-438	EA	LUMBER - VINYL WRAPPED - .7" X 2" X 96" - CONCERT CHERRY (UM1 THRU UM9, UN1 THRU UN9)
	137885-F2-438	EA	LUMBER - VYL2.5" - CONCERT CHERRY (U90/94/98/A1/A5/B1/C1/C5/D1/D5/E1/E5/F1/F5/G1/G5/H1/H5)
	160300-F2-438	EA	LUMBER - VINYL WRAPPED - .7" X 2.5" X 96" - CONCERT CHERRY (UM1 THRU UM9, UN1 THRU UN9)
	137885-G2-438	EA	LUMBER - VYL3" - CONCERT CHERRY (U90/94/98/A1/A5/B1/C1/C5/D1/D5/E1/E5/F1/F5/G1/G5/H1/H5)
	160300-G2-438	EA	LUMBER - VINYL WRAPPED - .7" X 3" X 96" - CONCERT CHERRY (UM1 THRU UM9, UN1 THRU UN9)
	137885-H2-438	EA	LUMBER - VYL3.5" - CONCERT CHERRY (U90/94/98/A1/A5/B1/C1/C5/D1/D5/E1/E5/F1/F5/G1/G5/H1/H5)
	160300-H2-438	EA	LUMBER - VINYL WRAPPED - .7" X 3.5" X 96" - CONCERT CHERRY (UM1 THRU UM9, UN1 THRU UN9)
	137885-J2-438	EA	LUMBER - VYL5.5" - CONCERT CHERRY (U90/94/98/A1/A5/B1/C1/C5/D1/D5/E1/E5/F1/F5/G1/G5/H1/H5)
	160300-J2-438	EA	LUMBER - VINYL WRAPPED - .7" X 5.5" X 96" - CONCERT CHERRY (UM1 THRU UM9, UN1 THRU UN9)
	137885-J2-743	EA	LUMBER - VYL5.5" - CONCERT CHERRY (U90/94/98/A1/A5/B1/C1/C5/D1/D5/E1/E5/F1/F5/G1/G5/H1/H5)
	160300-J2-743	EA	LUMBER - VINYL WRAPPED - .7" X 5.5" X 108" - CONCERT CHERRY (UM1 THRU UM9, UN1 THRU UN9)
	137885-K2-438	EA	LUMBER - VYL3.9" - CONCERT CHERRY (U90/94/98/A1/A5/B1/C1/C5/D1/D5/E1/E5/F1/F5/G1/G5/H1/H5)
	160300-K2-438	EA	LUMBER - VINYL WRAPPED - .7" X 3.9" X 96" - CONCERT CHERRY (UM1 THRU UM9, UN1 THRU UN9)
	137885-R2-438	EA	LUMBER - VYL 3" - CONCERT CHERRY (U90/94/98/A1/A5/B1/C1/C5/D1/D5/E1/E5/F1/F5/G1/G5/H1/H5)
	160300-R2-438	EA	LUMBER - VINYL WRAPPED - .7" X 3" X 96" - CONCERT CHERRY (UM1 THRU UM9, UN1 THRU UN9)
3F	137887-D2-134	EA	MOLDING - 1.6" X 84"- CONCERT CHERRY (U90/94/98/A1/A5/B1/C1/C5/D1/D5/E1/E5/F1/F5/G1/G5/H1/H5)
3F	160301-D2-134	EA	MOLDING -VINYL WRAPPED - .7" X 1.6" X 84" - CONCERT CHERRY (UM1 THRU UM9, UN1 THRU UN9)
3F	137887-D2-743	EA	MLDG - 1.6" X 108" - CONCERT CHERRY (U90/94/98/A1/A5/B1/C1/C5/D1/D5/E1/E5/F1/F5/G1/G5/H1/H5)
3F	160301-D2-743	EA	MOLDING - VINYL WRAPPED- .7" X 1.6" X 108" - CONCERT CHERRY (UM1 THRU UM9, UN1 THRU UN9)
3F	137887-F2-134	EA	MLDNG - 2.5" X 84" - CONCERT CHERRY (U90/94/98/A1/A5/B1/C1/C5/D1/D5/E1/E5/F1/F5/G1/G5/H1/H5)
3F	160301-F2-134	EA	MOLDING - VINYL WRAPPED - .7" X 2.5" X 84" - CONCERT CHERRY (UM1 THRU UM9, UN1 THRU UN9)
3F	137887-F2-743	EA	MLDG - 2.5" X 108" - CONCERT CHERRY (U90/94/98/A1/A5/B1/C1/C5/D1/D5/E1/E5/F1/F5/G1/G5/H1/H5)
3F	160301-F2-743	EA	MOLDING - VINYL WRPPD - .7" X 2.5" X 108" - CONCERT CHERRY (UM1 THRU UM9, UN1 THRU UN9)
3F	137887-F2-438	EA	MLDG - 2.5" X 96" - CONCERT CHERRY (U90/94/98/A1/A5/B1/C1/C5/D1/D5/E1/E5/F1/F5/G1/G5/H1/H5)
3F	160301-F2-438	EA	MOLDING - VINYL WRPPD - .7" X 2.5" X 96" - CONCERT CHERRY (UM1 THRU UM9, UN1 THRU UN9)
	137894-A2-438	EA	LUMBER - VINYL WRAPPED - .7" X .75" X 96" - PORTSMOUTH OAK
	137894-D2-438	EA	LUMBER - VINYL WRAPPED - .7" X 1.5" X 96" - PORTSMOUTH OAK
	137894-E2-438	EA	LUMBER - VINYL WRAPPED - .7" X 2" X 96" - PORTSMOUTH OAK
	137894-F2-438	EA	LUMBER - VINYL WRAPPED - .7" X 2.5" X 96" - PORTSMOUTH OAK
	137894-G2-438	EA	LUMBER - VINYL WRAPPED - .7" X 3" X 96" - PORTSMOUTH OAK
	137894-H2-438	EA	LUMBER - VINYL WRAPPED - .7" X 3.5" X 96" - PORTSMOUTH OAK
	137894-J2-438	EA	LUMBER - VINYL WRAPPED - .7" X 5.5" X 80.2" - PORTSMOUTH OAK
	137894-J2-743	EA	LUMBER - VINYL WRAPPED - .7" X 5.5" X 96" - PORTSMOUTH OAK
	137894-K2-438	EA	LUMBER - VINYL WRAPPED - .7" X 3.9" X 96" - PORTSMOUTH OAK
	137894-R2-438	EA	LUMBER - VINYL WRAPPED - .7" X 3" X 96" - PORTSMOUTH OAK

INTERIOR FINISH GROUP (CONTINUED)
MOLDINGS & TRIMS (CONTINUED)

KEY	PART NUMBER	U/M	DESCRIPTION
3F	137895-D2-134	EA	MOLDING - VINYL WRAPPED - .7" X 1.6" X 84"-PORTSMOUTH OAK
3F	137895-D2-743	EA	MOLDING - VINYL WRAPPED - .7" X 1.6" X 108"-PORTSMOUTH OAK
3F	137895-F2-438	EA	MOLDING - VINYL WRAPPED - .7" X 2.5" X 96" - PORTSMOUTH OAK
3F	137895-F2-743	EA	MOLDING - VINYL WRAPPED - .7" X 2.5" X 108" - PORTSMOUTH OAK
	146419-A2-438	EA	LUMBER - VINYL WRAPPED - .7" X .75" X 96" - HONEY CHERRY
	146419-D2-438	EA	LUMBER - VINYL WRAPPED - .7" X 1.5" X 96" - HONEY CHERRY
	146419-E2-438	EA	LUMBER - VINYL WRAPPED - .7" X 2" X 96" - HONEY CHERRY
	146419-F2-438	EA	LUMBER - VINYL WRAPPED - .7" X 2.5" X 96" - HONEY CHERRY
	146419-G2-438	EA	LUMBER - VINYL WRAPPED - .7" X 3" X 96" - HONEY CHERRY
	146419-H2-438	EA	LUMBER - VINYL WRAPPED - .7" X 3.5" X 96" - HONEY CHERRY
	146419-J2-438	EA	LUMBER - VINYL WRAPPED - .7" X 5.5" X 96" - HONEY CHERRY
	146419-J2-743	EA	LUMBER - VINYL WRAPPED - .7" X 5.5" X 108" - HONEY CHERRY
	146419-K2-438	EA	LUMBER - VINYL WRAPPED - .7" X 3.9" X 96" - HONEY CHERRY
	146419-R2-438	EA	LUMBER - VINYL WRAPPED - .7" X 3" X 96" - HONEY CHERRY
	146419-S2-438	EA	LUMBER - VINYL WRAPPED/FULL - .7"X 3.5"X 96"- HONEY CHERRY
	146419-T2-438	EA	LUMBER - VINYL WRAPPED/FULL - .7"X 5.5"X 96"- HONEY CHERRY
3F	146425-D2-134	EA	MOLDING - VINYL WRAPPED - .7" X 1.6" X 83.9" - HONEY CHERRY
3F	146425-F2-438	EA	MOLDING - VINYL WRAPPED - .7" X 2.6" X 96" - HONEY CHERRY
	149325-A2-438	EA	LUMBER - VINYL WRAPPED - .7" X .75" X 96" - WASHED MAPLE
	149325-D2-438	EA	LUMBER - VINYL WRAPPED - .7" X 1.5" X 96" - WASHED MAPLE
	149325-E2-438	EA	LUMBER - VINYL WRAPPED - .7" X 2" X 96" - WASHED MAPLE
	149325-F2-438	EA	LUMBER - VINYL WRAPPED - .7" X 2.5" X 96" - WASHED MAPLE
	149325-G2-438	EA	LUMBER - VINYL WRAPPED - .7" X 3" X 96" - WASHED MAPLE
	149325-H2-438	EA	LUMBER - VINYL WRAPPED - .7" X 3.5" X 96" - WASHED MAPLE
	149325-J2-438	EA	LUMBER - VINYL WRAPPED - .7" X 5.5" X 96" - WASHED MAPLE
	149325-J2-743	EA	LUMBER - VINYL WRAPPED - .7" X 5.5" X 108" - WASHED MAPLE
	149325-K2-438	EA	LUMBER - VINYL WRAPPED - .7" X 3.9" X 96" - WASHED MAPLE
	149325-R2-438	EA	LUMBER - VINYL WRAPPED - .7" X 3" X 96" - WASHED MAPLE
3F	149326-D2-134	EA	MOLDING - VINYL WRAPPED - .7" X 1.5" X 83.9" - WASHED MAPLE
3F	149326-D2-743	EA	MOLDING - VINYL WRAPPED - .7" X 1.5" X 108" - WASHED MAPLE
3F	149326-F2-134	EA	MOLDING - VINYL WRAPPED - .7" X 2.5" X 83.9" - WASHED MAPLE
3F	149326-F2-438	EA	MOLDING - VINYL WRAPPED - .7" X 2.5" X 96" - WASHED MAPLE
3F	149326-F2-743	EA	MOLDING - VINYL WRAPPED - .7" X 2.5" X 108" - WASHED MAPLE
	149330-A2-438	EA	LUMBER - VINYL WRAPPED - .7" X .75" X 96" - SIERRA MAPLE
	149330-D2-438	EA	LUMBER - VINYL WRAPPED - .7" X 1.5" X 96" - SIERRA MAPLE
	149330-E2-438	EA	LUMBER - VINYL WRAPPED - .7" X 2" X 96" - SIERRA MAPLE
	149330-F2-438	EA	LUMBER - VINYL WRAPPED - .7" X 2.5" X 96" - SIERRA MAPLE
	149330-G2-438	EA	LUMBER - VINYL WRAPPED - .7" X 3" X 96" - SIERRA MAPLE
	149330-H2-438	EA	LUMBER - VINYL WRAPPED - .7" X 3.5" X 96" - SIERRA MAPLE
	149330-J2-438	EA	LUMBER - VINYL WRAPPED - .7" X 5.5" X 96" - SIERRA MAPLE
	149330-J2-743	EA	LUMBER - VINYL WRAPPED - .7" X 5.5" X 108" - SIERRA MAPLE
	149330-K2-438	EA	LUMBER - VINYL WRAPPED - .7" X 3.9" X 96" - SIERRA MAPLE
	149330-R2-438	EA	LUMBER - VINYL WRAPPED - .7" X 3" X 96" - SIERRA MAPLE
3F	149331-D2-134	EA	MOLDING - VINYL WRAPPED - .7" X 1.5" X 83.9" - SIERRA MAPLE
3F	149331-D2-743	EA	MOLDING - VINYL WRAP - .7" X 1.5" X 108" - SIERRA MAPLE
3F	149331-F2-134	EA	MOLDING - VINYL WRAPPED - .7" X 2.5" X 83.9" - SIERRA MAPLE
3F	149331-F2-438	EA	MOLDING - VINYL WRAPPED - .7" X 2.5" X 96" - SIERRA MAPLE
3F	149331-F2-743	EA	MOLDING - VINYL WRAPPED - .7" X 2.5" X 108" - SIERRA MAPLE

INTERIOR FINISH GROUP (CONTINUED)
MOLDINGS & TRIMS (CONTINUED)



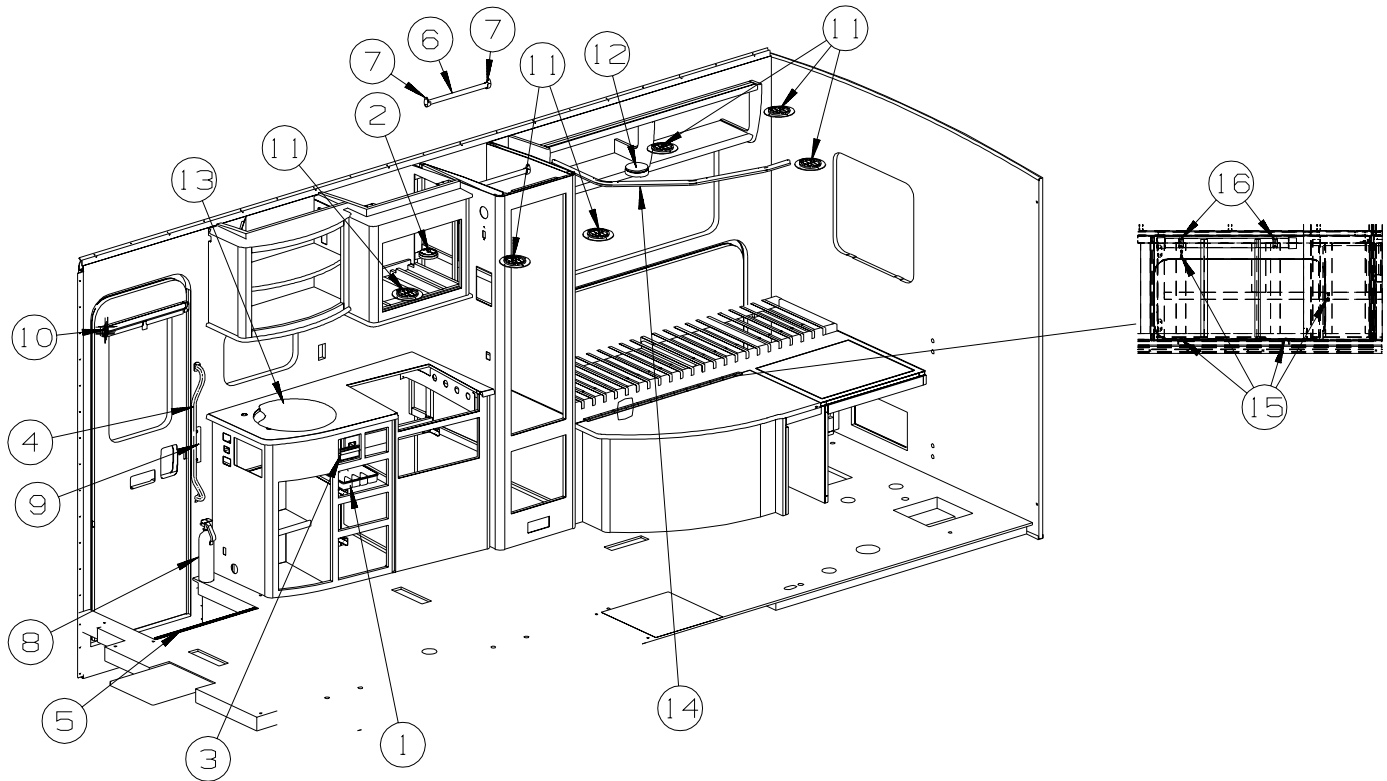
KEY	PART NUMBER	U/M	DESCRIPTION
1G	141260-01-01A	FT	U-CHANNEL - 1" - VILLAGE OAK
1G	141260-01-02A	FT	U-CHANNEL - 1" - GRADY BROWN
1G	141260-02-01A	FT	U-CHANNEL - 1 1/8" - VILLAGE OAK
1G	141260-02-02A	FT	U-CHANNEL - 1 1/8" - GRADY BROWN
2G	146306-01-01A	FT	TRANSITION - CARPET/TILE
3G	150167-01-07A	EA	RAIL - DECORATIVE - 96" W/O REVERSE SIDE GROOVE - PORTSMOUTH OAK
3G	150167-01-02A	EA	RAIL - DECORATIVE - 96" W/O REVERSE SIDE GROOVE - SALEM CHERRY - CONCERT CHERRY
3G	150167-01-03A	EA	RAIL - DECORATIVE - 96" W/O REVERSE SIDE GROOVE - WASHED MAPLE
3G	150167-01-09A	EA	RAIL - DECORATIVE - 96" W/O REVERSE SIDE GROOVE - SIERRA MAPLE
4G	151653-10-02A	EA	TRIM/RADIUS - CABINET CORNER - 79.6" - DULL METALLIC
4G	151653-13-02A	EA	TRIM/RADIUS - CABINET CORNER - 79.8" - DULL METALLIC
5G	151676-26-S46	EA	MOLDING/TRIM - .75" X 1.6" X 80.2" - PORTSMOUTH OAK
5G	151676-26-S47	EA	MOLDING/TRIM - .75" X 1.6" X 80.2" - CONCERT CHERRY
5G	151676-26-S48	EA	MOLDING/TRIM - .75" X 1.6" X 80.2" - WASHED MAPLE
5G	151676-26-SR0	EA	MOLDING/TRIM - .75" X 1.6" X 80.2" - SIERRA MAPLE
6G	151861-05-02B	EA	ANGLE - SUPPORT/CORNER - 1.4" X 78.6" - E-COATED
7G	151893-01-02A	EA	TRIM/RADIUS - CABINET BOTTOM - 72.6" - DULL METALLIC
8G	152077-01-02A	EA	TRIM/RADIUS - CABINET BOTTOM - 27.7" - DULL METALLIC
9G	156464-01-01A	FT	MOLDING - CORNER - RADIUS/PLASTIC - 8' - HONEY CHERRY
9G	156464-01-02A	FT	MOLDING - CORNER - RADIUS/PLASTIC - 8' - WASHED MAPLE
9G	156464-01-03A	FT	MOLDING - CORNER - RADIUS/PLASTIC - 8' - BONE
10G	160989-01-06A	FT	CAP - CORNER - RADIUS MOLDING - PLASTIC - WASHED MAPLE
10G	160989-01-07A	FT	CAP - CORNER - RADIUS MOLDING - PLASTIC - HONEY CHERRY

INTERIOR FINISH GROUP (CONTINUED)
PANELING & LAMINATES

KEY	PART NUMBER	U/M	DESCRIPTION
	057882-05-000	SF	TAMBOUR - 48" X 96" SHEET - UNFINISHED - WASHED MAPLE
	057882-06-000	SF	TAMBOUR - 48" X 96" SHEET - UNFINISHED - HONEY CHERRY
	000885-B4-000	SF	PARTICLE BOARD - 3/8" X 4' X 8'- WASHED MAPLE - 2 SIDED - WASHED MAPLE
	000885-B5-000	SF	PARTICLE BOARD - 3/8" X 4' X 8'- WASHED MAPLE - 1 SIDED - WASHED MAPLE
	000885-B6-000	SF	PARTICLE BOARD - 3/4" X 4' X 8'- WASHED MAPLE - 2 SIDED - WASHED MAPLE
	000885-A7-000	SF	PARTICLE BOARD - 3/4" X 4' X 8'- HONEY CHERRY - 2 SIDED - HONEY CHERRY
	000885-A8-000	SF	PARTICLE BOARD - 3/8" X 4' X 8'- HONEY CHERRY - 1 SIDED - HONEY CHERRY
	000885-A9-000	SF	PARTICLE BOARD - 3/8" X 4' X 8'- HONEY CHERRY - 2 SIDED - HONEY CHERRY
	000885-C3-000	SF	PARTICLE BOARD - 3/8" X 4' X 8' - WHITE THATCH EMB-1 SIDED
	074498-A2-000	SF	LAMINATE - PLASTIC - PHANTOM GRAY - 5' X 8'
	074498-B9-000	SF	LAMINATE - PLASTIC - SUNSTONE - 5' X 8'
	074498-C0-000	SF	LAMINATE - PLASTIC - PUNCHED STAINLESS - 5' X 8'
	079653-39-000	EA	BATT STRIP - KERFED - WASHED MAPLE - 8' - WASHED MAPLE
	088263-J2-000	EA	BATT STRIP - DECORATIVE - NEAT - WASHED MAPLE
	079653-50-000	EA	BATT STRIP - KERFED - HONEY CHERRY - 8' - HONEY CHERRY
	088263-K7-000	EA	BATT STRIP - DECORATIVE - RATTAN - 8'
	085284-J5-000	FT	BATT TAPE - ADHESIVE BACKED - DECORATIVE-NEAT - WASHED MAPLE
	085284-J6-000	FT	BATT TAPE - ADHESIVE BACKED - DECORATIVE - HONEY CHERRY
	085284-L1-000	FT	BATT TAPE - ADHESIVE BACKED - DECORATIVE - RATTAN
	074497-49-000	SF	PANELING - WASHED MAPLE - 1/8" X 4' X 8' - WASHED MAPLE
	076773-20-000	SF	PANELING - 2 SIDED/WASHED MAPLE - 1/8" X 4' X 8' - WASHED MAPLE
	076773-25-000	SF	PANELING - 1 SIDE/NEAT WASHED MAPLE - 1/8" X 4' X 7' - WASHED MAPLE
	074497-47-000	SF	PANELING - HONEY CHERRY - 1/8" X 4' X 8' - HONEY CHERRY
	076773-18-000	SF	PANELING - 2 SIDED/HONEY CHERRY - 1/8" X 4' X 8' - HONEY CHERRY
	076773-23-000	SF	PANELING - 1 SIDE/HONEY CHERRY - 1/8" X 4' X 7' - HONEY CHERRY
	088272-M9-000	SF	PANELING - WHITE THATCHED - 4' X 8'
	088272-N1-000	SF	PANELING - OASIS/RATTAN - 4' X 7.4'
	088272-L3-000	SF	PANELING - TEAHOUSE - 4' X 7'
			FROM: 00-00-00 THRU: 01-16-06
	076325-71-000	FT	MOLDING - EDGE BAND - 1 5/16" X .038" - GRAY

INTERIOR FINISH GROUP (CONTINUED)

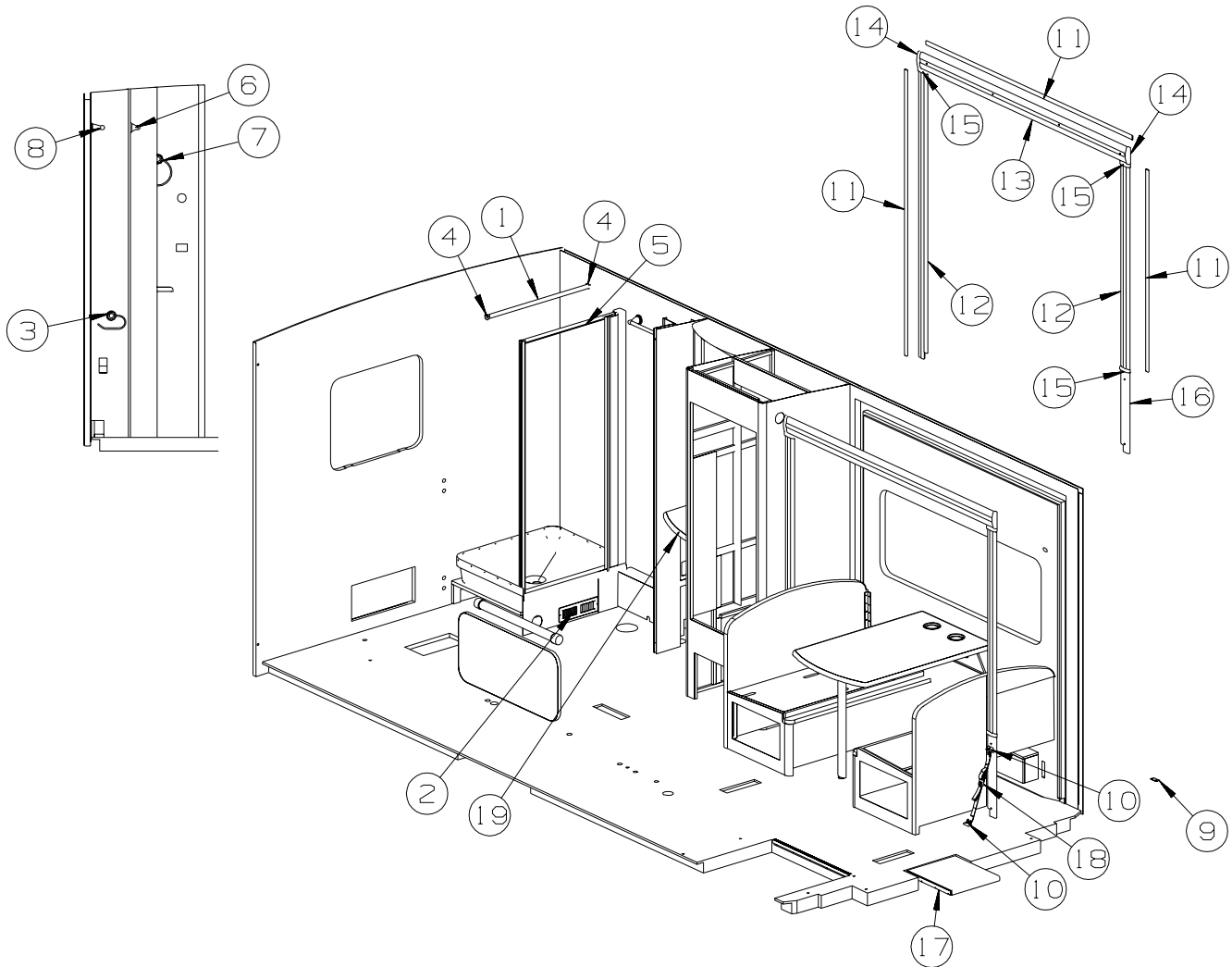
INTERIOR TRIM LAYOUT



KEY	PART NUMBER	U/M	DESCRIPTION
1	100081-01-01A	EA	TRAY - SILVERWARE - 9" X 13.3" RUBBERMAID ALMOND PLASTIC
2	072852-01-000	EA	DETECTOR - SMOKE - W/9 VOLT BATTERY - US
2	072852-02-000	EA	DETECTOR - SMOKE - W/9 VOLT BATTERY - CANADIAN
2	077956-01-000	EA	LABEL - WARNING/SMOKE DETECTOR
3	108128-01-01A	EA	TRAY - HIDDEN
3	108127-01-01A	EA	CAP - TRAY
4	137605-02-01A	EA	HAND RAIL - INTERIOR ENTRY DOOR - BLACK
5	139955-22-02A	EA	TRIM - STEP/ENTRY - 27.7" - TITANIUM
6	Y00136-21-218	EA	DOWEL - WOOD - CLOTHES ROD - 1"DIAMETER X 4'
7	152301-01-01A	EA	FLANGE - PLASTIC - 1" CLOTHES ROD HOLDER - WHITE
8	094499-03-000	EA	EXTINGUISHER/FIRE - DRY - 10BC - W/GAUGE/BRACKET
8*	094499-02-000	EA	EXTINGUISHER/FIRE - DRY - 10BC - W/GAUGE - CANADIAN
8	094499-04-000	EA	STRAP - FIRE EXTINGUISHER MOUNTING - METAL
9	148362-01-01A	EA	COVER - BRACKET/STRIKE - BRIGHT WHITE
			FROM: 00-00-00 THRU: 07-31-06
9	148362-01-02A	EA	COVER - BRACKET/STRIKE - MEDIUM OAK
			FROM: 08-01-06 THRU: 99-99-99
9	140151-02-02A	EA	COVER - SCREW - BRIGHT WHITE
			FROM: 00-00-00 THRU: 07-31-06
9	140151-02-03A	EA	COVER - SCREW - MEDIUM OAK
			FROM: 08-01-06 THRU: 99-99-99
10	144628-03-01A	EA	SHADE - SCREEN DOOR - 20.1" X 33.4" - BRIGHT WHITE
11	120134-01-02A	EA	REGISTER - W/DAMPER - 4" PIPE/6.4" O.D. FACE - WHITE
12	125136-02-000	EA	DETECTOR/CO - GAS MODEL - 9 VOLT
13	152198-01-T01	EA	COVER - SINK - WASHED MAPLE
13	152198-01-T02	EA	COVER - SINK - HONEY CHERRY
14	156172-04-01A	EA	END CAP - WALL TRACK - CLEAR
15	127960-01-01A	EA	RETAINER - EYE - 3/8" - STAINLESS STEEL
	076840-03-000	EA	HOLD DOWN CORD - BUNGEE 13"
16	062046-01-000	EA	CLIP - LEG - PEDESTAL - 1.7" X 2.2" - DIA FROM 2" - 2.5"

*COMPONENT PARTS LISTED LATER IN THIS GROUP

INTERIOR FINISH GROUP (CONTINUED)
INTERIOR TRIM LAYOUT (CONTINUED)



KEY	PART NUMBER	U/M	DESCRIPTION
1	102075-09-02A	EA	ROD - SHOWER CURTAIN - 3/4"OD X 29.5" - SOFT WHITE
2	137965-01-02A	EA	REGISTER - 11.2" X 3.6"(9.7 X 2.1"R/O) W/O DAMPER-ANT PWTR
3	140973-01-02A	EA	HOLDER - TOILET TISSUE - CHROME
4	113236-01-01A	EA	BRACKET - CLOTHES - ROD
5	151578-01-02A	EA	DOOR - SHOWER - 36.3" X 61.9" - WHT OPAQUE SCREEN/WHITE
6	145849-03-02A	EA	HOOK - ROBE - CHROME
7	132046-03-02A	EA	RING - TOWEL - CHROME
8	140849-01-02A	EA	BAR - TOWEL - 18" - CHROME
9	135622-01-02B	EA	PLATE - TIEDOWN - SLIDEOUT ROOM
10	135619-02-01A	EA	PLATE - TIEDOWN - SLIDEOUT ROOM
11	M09520-83-U21	EA	MOLDING/TRIM - .3" X 1" X 78.9" - WASHED MAPLE
11	M09520-83-U22	EA	MOLDING/TRIM - .3" X 1" X 78.9" - HONEY CHERRY
12	Y00360-A2-438	EA	MOLDING - VINYL/CURVED - 3" X 96" - WASHED MAPLE
12	Y00360-82-438	EA	MOLDING - VINYL/CURVED - 3" X 96" - HONEY CHERRY
13	Y00361-A2-438	EA	MOLDING - VINYL/CURVED - 3.9" X 96" - WASHED MAPLE
13	Y00361-82-438	EA	MOLDING - VINYL/CURVED - 3.9" X 96" - HONEY CHERRY
14	156636-05-U21	EA	MOLDING/BLOCK - .8" X 4" - HONEY CHERRY
15	156636-04-U21	EA	MOLDING/BLOCK - .8" X 3.1" - HONEY CHERRY
16	153973-03-U17	EA	MOLDING - CROWN/BLOCK - 3.1" X 20.4" - WASHED MAPLE
16	153973-03-U18	EA	MOLDING - CROWN/BLOCK - 3.1" X 20.4" - HONEY CHERRY
17	155189-01-02A	EA	HINGE - CONTINUOUS - 1.5" X 72.4" - BLACK
18	135619-01-01A	EA	STRAP - TIEDOWN - SLIDEOUT ROOM
19	081914-04-000	EA	BUMPER - RUBBER - ROUND - 1/2" DIA. X 1/8" THICK - CLEAR

INTERIOR FINISH GROUP (CONTINUED)
COMPONENT PARTS FOR INTERIOR TRIM LAYOUT

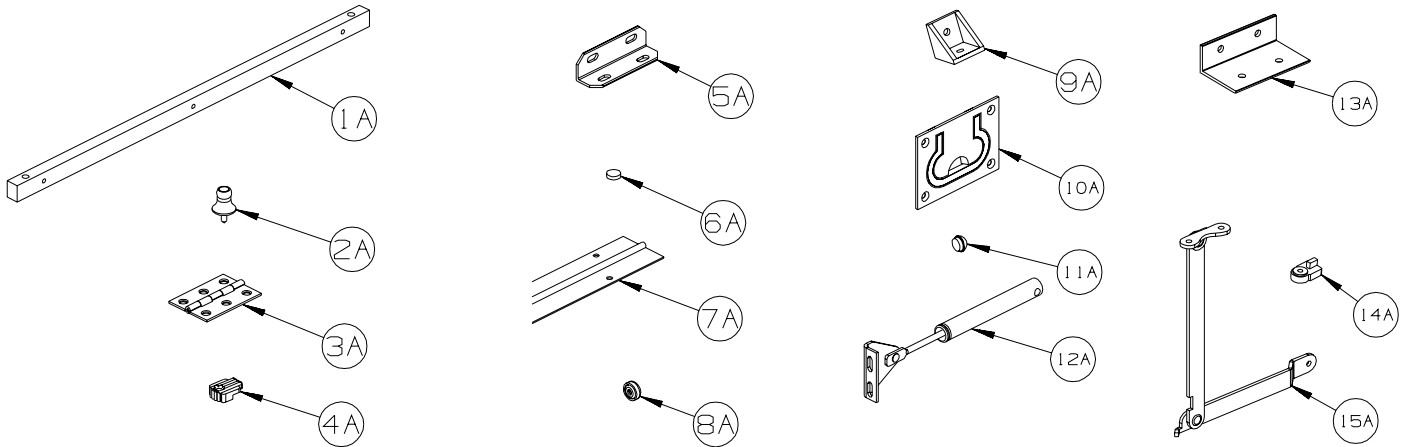
094499-02-000

KEY	PART NUMBER	U/M	DESCRIPTION	VENDOR NO
	094499-01-700	EA	BRACKET MTG. W/PLAS. STRAP	294039

FLOOR COVERINGS

KEY	PART NUMBER	U/M	DESCRIPTION
	042720-36-000	SY	VINYL - FLOOR COVERING - 7.5' WIDE - CAMEL
	075233-01-000	SY	PAD - CARPET - 3/8" X 6'W ROLL - SOLD BY THE SQUARE YARD
	093486-01-000	SY	CARPET - COMPARTMENT - 72" WIDE - DARK GRAY
	152251-01-02A	SY	CARPET - 4 SQUARE YARD INCREMENTS - TAUPE (U13, U14) FROM: 00-00-00 THRU: 04-02-06
	152251-07-03A	SY	CARPET - 4 SQUARE YARD INCREMENTS - COLUMBIAN SUPREME (U13, U14) FROM: 04-03-06 THRU: 99-99-99
	152251-01-01A	SY	CARPET - 4 SQUARE YARD INCREMENTS - BEIGE (U15, U16, U27, U28) FROM: 00-00-00 THRU: 02-22-06
	152251-07-02A	SY	CARPET - 4 SQUARE YARD INCREMENTS - WARM PASTRY (U15, U16, U27, U28) FROM: 02-23-06 THRU: 99-99-99
	152251-05-02A	SY	CARPET - 4 SQUARE YARD INCREMENTS - BURLWOOD

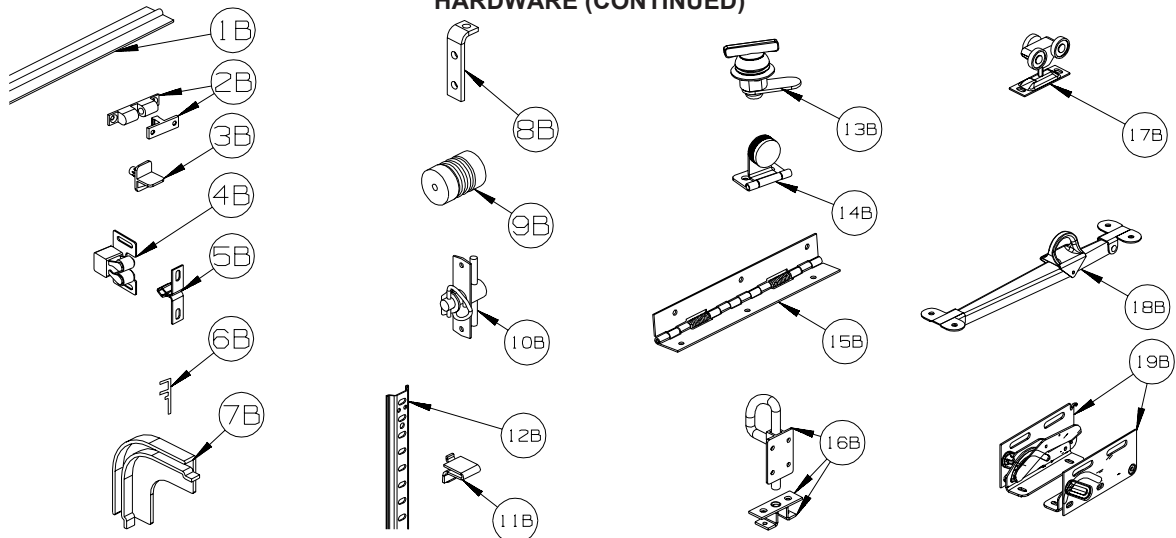
INTERIOR FINISH GROUP (CONTINUED) HARDWARE



KEY	PART NUMBER	U/M	DESCRIPTION
1A	P34509-01-N01	EA	RAIL END - RH/LH - TOWEL RACK - PORTSMOUTH
1A	P34509-01-P14	EA	RAIL END - RH/LH - TOWEL RACK - CONCERT CHERRY
1A	P34509-01-J70	EA	RAIL END - RH/LH - TOWEL RACK - WASHED MAPLE
1A	P34509-01-RE0	EA	RAIL END - RH/LH - TOWEL RACK - HONEY CHERRY
1A	P34509-01-SA3	EA	RAIL END - RH/LH - TOWEL RACK - SIERRA MAPLE
2A	009013-01-000	EA	CATCH - BULLDOG - MALE/FEMALE
3A	009059-01-000	EA	HINGE - DOOR - 2" X 1.4" - BRASS
3A	009059-02-000	EA	HINGE - DOOR - 2" X 2.7" - BRASS
3A	009059-03-000	EA	HINGE - BRASS - 1.75"
3A	009059-04-000	EA	HINGE - 2" - ZINC
4A	009089-01-000	EA	CLIP - MIRROR
5A	016604-01-000	EA	BRACE - ANGLE - 2 1/2" - UNPAINTED METAL
5A	016604-05-000	EA	BRACE - ANGLE - 2 1/2" - OFF WHITE METAL
5A	016604-10-000	EA	BRACE - SEAT ANGLE - 2.5" - BLACK
6A	023320-01-000	EA	PAD - FELT 3/8" DIAMETER
7A	041389-19-000	EA	HINGE - PIANO - 1 1/2" X 71.9" - UNPAINTED
7A	041389-25-000	EA	HINGE - PIANO - 1 1/2" X 55" - UNPAINTED
7A	041389-32-000	EA	HINGE - PIANO - 68" - OFF WHITE
8A	057671-01-000	EA	COVER - SCREW - #8 - OFF WHITE
8A	057671-15-000	EA	COVER - SCREW - #8 - BRIGHT WHITE
8A	057671-16-000	EA	COVER - SCREW - #8 - SOFT WHITE
8A	057671-18-000	EA	COVER - SCREW - #8 - OFF WHITE
9A	065740-01-000	EA	BRACE - CABINET/CORNER - PLASTIC
10A	072871-01-000	EA	PULL - FLUSH - CHROME
11A	074045-13-000	EA	PLUG - OAK - 3/8" DOWEL-1/2" HEAD - PORTSMOUTH OAK
11A	074045-08-000	EA	PLUG - OAK - 3/8" DOWEL-1/2" HEAD - CONCERT CHERRY
11A	074045-12-000	EA	PLUG - OAK - 3/8" DOWEL-1/2" HEAD - WASHED MAPLE
11A	074045-14-000	EA	PLUG - OAK - 3/8" DOWEL-1/2" HEAD - HONEY CHERRY
11A	074045-15-000	EA	PLUG - OAK - 3/8" DOWEL-1/2" HEAD - SIERRA MAPLE
12A	074493-02-000	EA	SUPPORT - PISTON SPRING - CABINET DOOR - 26 LBS
12A	074493-03-000	EA	SUPPORT - PISTON SPRING - CABINET DOOR - 12 LBS
12A	074493-04-000	EA	SUPPORT - PISTON SPRING - CABINET DOOR - 32LBS
13A	156732-01-01A	EA	BRACE - ANGLE/COUCH - 2.5" - MILL
13A	156732-01-02A	EA	BRACE - ANGLE/COUCH - 2.5" - OFF WHITE
13A	156732-03-01A	EA	BRACE - ANGLE/COUCH - BLACK
14A	083204-03-000	EA	BUTTON - RETAINING MIRROR 5/16" TIP
15A	084412-01-000	EA	SUPPORT/HINGE KIT (LEFT & RIGHT HINGES)

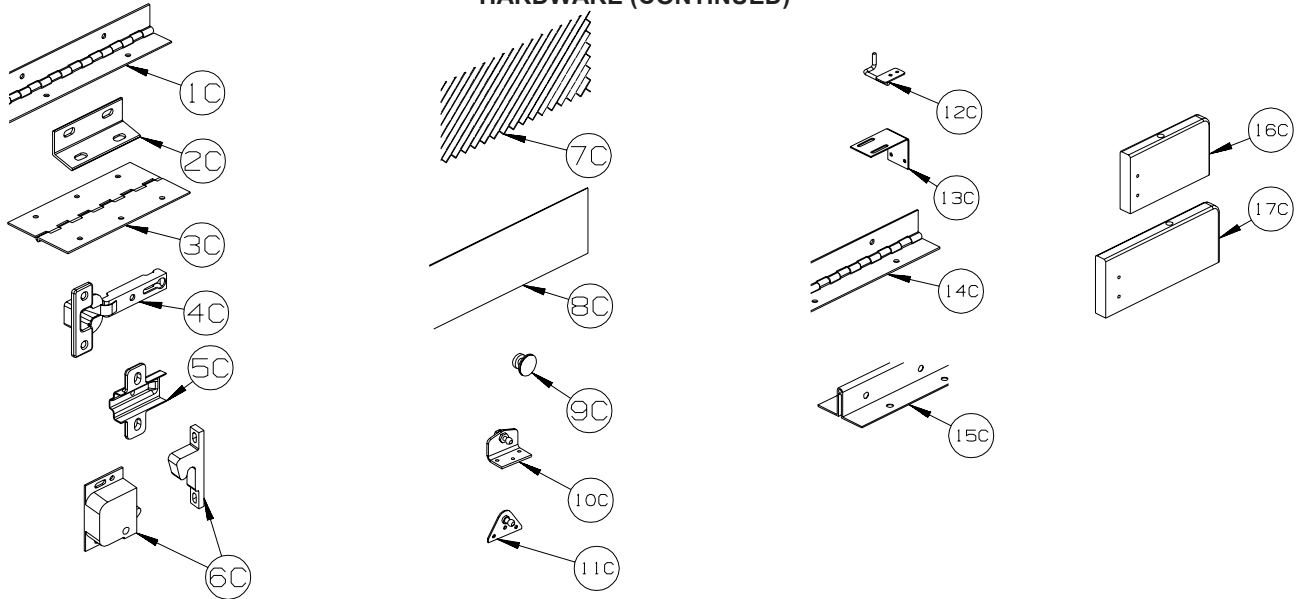
INTERIOR FINISH GROUP (CONTINUED)

HARDWARE (CONTINUED)



KEY	PART NUMBER	U/M	DESCRIPTION
1B	084413-01-000	EA	HINGE - 1" X 72" - ALUMINUM - W/HOLES
2B	084451-01-000	EA	CATCH & LATCH - 1.7" - BRASS
3B	092907-01-000	EA	SUPPORT - SHELF - PIN - 1/4" - CLEAR PLASTIC
4B	093586-03-000	EA	CATCH - SPRING ROLLER - .377"
4B	093586-06-000	EA	CATCH - SPRING ROLLER - .236"
5B	093586-04-000	EA	STRIKE - SPRING STEEL - 1.14"
6B	093622-01-000	EA	TRACK - DOOR - TAMBOUR - PLASTIC - 8' LENGTHS
7B	093623-01-000	EA	CORNER - TRACK - TAMBOUR DOOR
8B	096826-01-01A	EA	BRACE-CABINET E-COATED
9B	097872-04-000	EA	DOWEL - WOOD - 1" DIAMETER X 1.38" LONG - UNFINISHED
10B	098196-01-000	EA	LATCH - 1/4 TURN - T-BAR
11B	098979-01-000	EA	CLIP - ADJUSTABLE SHELF
12B	098980-01-000	EA	PILASTER - ADJUSTABLE SHELF - 18"
12B	098980-02-000	EA	PILASTER - ADJUSTABLE SHELF - 12"
12B	098980-03-000	EA	PILASTER - ADJUSTABLE SHELF - 9"
12B	098980-04-000	EA	PILASTER - ADJUSTABLE SHELF - 48"
12B	098980-05-000	EA	PILASTER - ADJUSTABLE SHELF - 15"
12B	098980-06-000	EA	PILASTER - ADJUSTABLE SHELF - 24"
13B	100710-01-02A	EA	LOCK - GLASS DOOR/TWIST TYPE - NICKEL
14B	100711-01-02A	EA	HINGE - GLASS DOOR - NICKEL
15B	102920-01-01A	EA	HINGE - SPRING LOADED - BRASS
15B	102920-01-02A	EA	HINGE - SPRING LOADED - NICKEL
15B	129753-01-01A	EA	HINGE - SPRING LOADED - 19" X 19" - BLACK
16B	103256-01-000	EA	LATCH COMPLETE (SLIDE)
17B	103874-01-000	EA	HANGER - SLIDING DOOR
18B	104181-01-01A	EA	SUPPORT - LEAF 5.3" EXTENDS TO 7.5" - SAFETY RING - METAL
19B	108126-01-000	EA	TRAY HINGE SET (QTY. 2 PER SET)

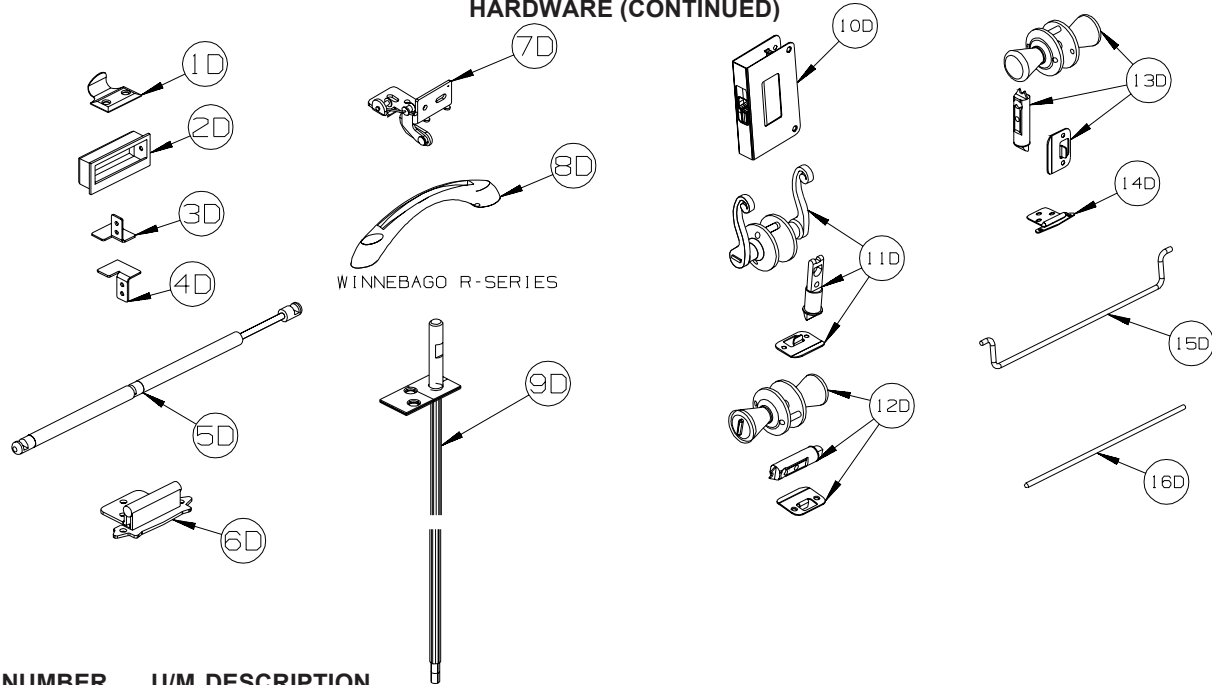
INTERIOR FINISH GROUP (CONTINUED) HARDWARE (CONTINUED)



KEY	PART NUMBER	U/M	DESCRIPTION
1C	110496-01-01A	EA	HINGE - BRASS - 2" X 32"
1C	110496-01-02A	EA	HINGE - NICKEL - 2" X 32"
1C	110496-05-02A	EA	HINGE - NICKEL - 2" X 11.5"
1C	110496-06-02A	EA	HINGE - NICKEL - 2" X 9.5"
2C	111866-01-02A	EA	BRACE - SEAT - ANGLE - OFF WHITE
3C	114278-02-000	EA	HINGE - CONTINUOUS - 3" WIDE
4C	114443-02-01A	EA	HINGE - CABINET DOOR - W/O CLIP - SILVER
5C	114443-03-01A	EA	CLIP - HINGE/CABINET DOOR - SILVER
6C	117095-01-01A	EA	LATCH - DOOR - GRABBER W/KEEPER - PLASTIC - BLK-5 LB PULL
6C	117095-02-01A	EA	LATCH - DOOR - GRABBER W/KEEPER - PLASTIC - BLK-10 LB PULL
6C	117095-03-01A	EA	LATCH - DOOR - GRABBER W/KEEPER - PLASTIC - BLK-15 LB PULL
7C	118200-01-01A	SF	MESH - PLASTIC 1/2" - 48" X LENGTH = SF - BLACK
8C	122717-06-01A	FT	PAD - NON-SKID - PSA - 5"W
9C	125221-01-01A	EA	PULL - MIRROR - W/ROUND HANDLE
10C	126263-06-02B	EA	BRACKET - GAS SPRING W/INSIDE BALL STUD - E-COATED
11C	126263-05-02B	EA	BRACKET - GAS SPRING W/BALL STUD - E-COATED
11C	126263-08-02B	EA	BRACKET - GAS SPRING W/CENTERED BALL STUD - E-COATED
11C	126263-19-02B	EA	BRACKET - GAS SPRING W/BALL STUD - E-COATED
12C	130798-01-02B	EA	GUIDE - POCKET DOOR - E-COATED
13C	132871-02-02B	EA	BRACKET/L-ANGLE W/HOLES - 1.9" X 2.8" - E-COATED
14C	134099-01-02A	EA	HINGE - PIANO - WRAP AROUND - 15.7" - NICKEL PLATED
15C	135538-03-02A	EA	HINGE - PIANO - FULL WRAP - 15.7" - CHROME
16C	137445-02-P46	EA	STOP - F/SLIDING DOOR - CONCERT CHERRY
16C	137445-02-P56	EA	STOP - F/SLIDING DOOR - WASHED MAPLE
16C	137445-02-S67	EA	STOP - F/SLIDING DOOR - SIERRA MAPLE
17C	137445-03-T78	EA	STOP - F/SLIDING DOOR - CONCERT CHERRY
17C	137445-03-T79	EA	STOP - F/SLIDING DOOR - WASHED MAPLE
17C	137445-03-T80	EA	STOP - F/SLIDING DOOR - SIERRA MAPLE

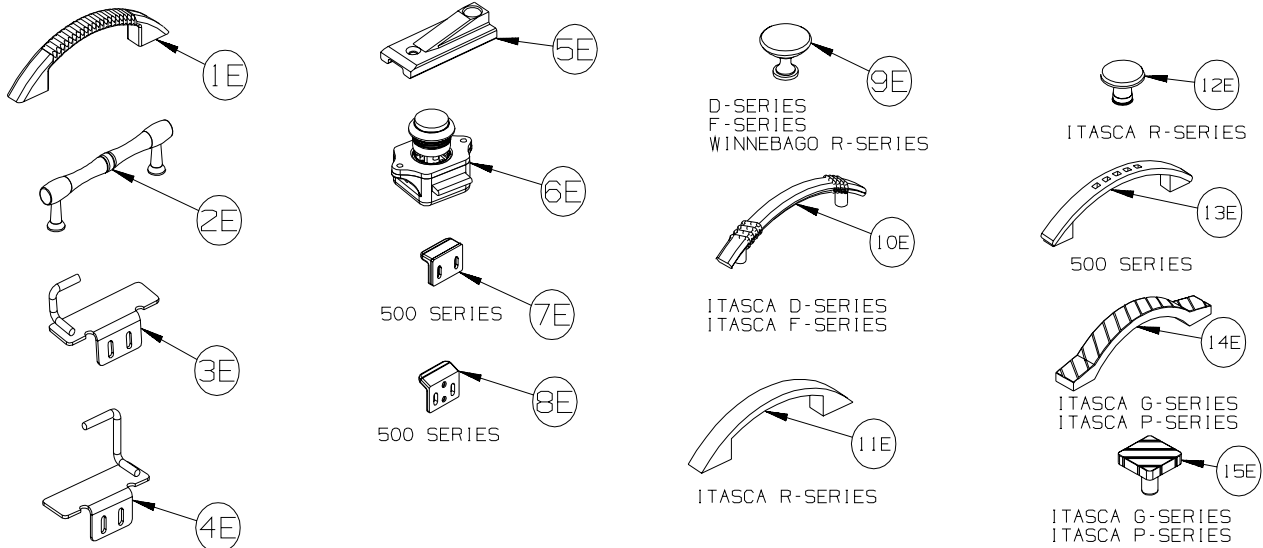
INTERIOR FINISH GROUP (CONTINUED)

HARDWARE (CONTINUED)



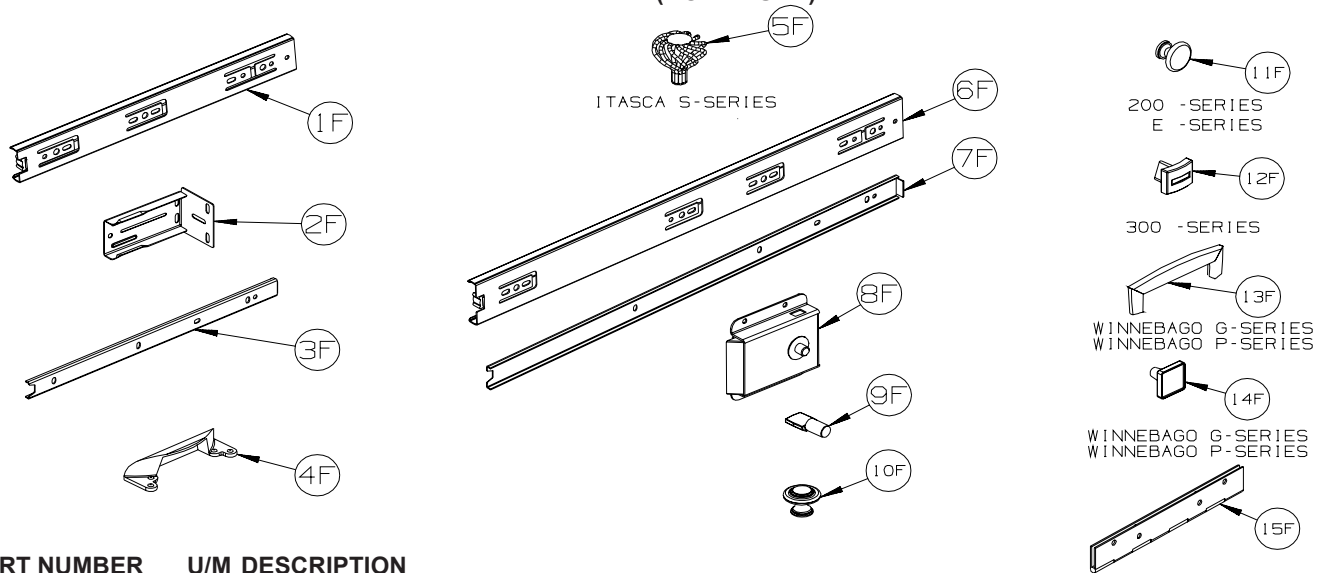
KEY	PART NUMBER	U/M	DESCRIPTION
1D	137463-01-02A	EA	LIFT - HOOK - PEWTER
2D	139136-01-02A	EA	HANDLE - .75" RECESSED - PEWTER
2D	139136-02-02A	EA	HANDLE - .35" RECESSED - PEWTER
3D	139264-01-02B	EA	STOP - DOOR - TAMBOUR/RH HAND - E-COATED
4D	139264-02-02B	EA	STOP - DOOR - TAMBOUR/LH HAND - E-COATED
5D	142569-07-000	EA	SPRING/GAS - 20 LB - 20" EXTENDED/12" COMPRESSED
5D	142569-15-000	EA	SPRING/GAS - 120 LB - 20" EXTENDED/12" COMPRESSED
5D	142569-16-000	EA	SPRING/GAS - 90 LB - 20" EXTENDED/12" COMPRESSED
5D	142569-29-000	EA	SPRING/GAS - 20 LB - 9.9" EXTENDED/5.9" COMPRESSED
6D	143468-02-03A	EA	HINGE - SELF CLOSING - SATIN NICKEL
7D	144488-01-02A	EA	HINGE - CABINET - NICKEL
8D	144917-01-01A	EA	PULL - DRAWER - SATIN NICKEL - TOUR R-SERIES
9D	145939-03-01A	EA	ROD/LATCH - AISLE DOOR - BRASS
			FROM: 00-00-00 THRU: 04-16-06
9D	145939-05-01A	EA	ROD/LATCH - AISLE DOOR - BRASS - NOT ILLUSTRATED
			FROM: 04-17-06 THRU: 07-30-06
9D	145939-05-02A	EA	ROD/LATCH - AISLE DOOR - NICKEL - NOT ILLUSTRATED
			FROM: 07-31-06 THRU: 99-99-99
10D	145939-04-02A	EA	LATCH/SLIDE - AISLE DOOR(1" THICK DOOR)-NICKEL/BLACK SLIDE
11D	146064-01-02A	EA	LOCK/PRIVACY (LOCKING) LEVER STYLE - SATIN PEWTER
12D	146064-05-01A	EA	LOCK/PRIVACY (LOCKING) KNOB STYLE - SATIN NICKEL
13D	146064-06-01A	EA	LOCK/PASSAGE (NON LOCKING) KNOB STYLE - SATIN NICKEL
14D	146553-01-01A	EA	HINGE - CABINET DOOR - BURNISHED BRASS
14D	146553-01-03A	EA	HINGE - CABINET DOOR - SATIN NICKEL
15D	146801-01-01A	EA	ROD/TOWEL BAR (OFFSET) - BRASS
15D	146801-01-02A	EA	ROD/TOWEL BAR (OFFSET) - PEWTER
16D	146840-03-01A	EA	ROD - .25" X 11.7" - BRASS
16D	146840-03-02A	EA	ROD - .25" X 11.7" - PEWTER
16D	146840-04-01A	EA	ROD - .25" X 13.1" - BRASS
16D	146840-04-02A	EA	ROD - .25" X 13.1" - PEWTER
16D	146840-05-01A	EA	ROD - .25" X 14.8" - BRASS
16D	146840-05-02A	EA	ROD - .25" X 14.8" - PEWTER
16D	146840-07-01A	EA	ROD - .25" X 4.2" - BRASS
16D	146840-07-02A	EA	ROD - .25" X 4.2" - PEWTER

INTERIOR FINISH GROUP (CONTINUED)
HARDWARE (CONTINUED)



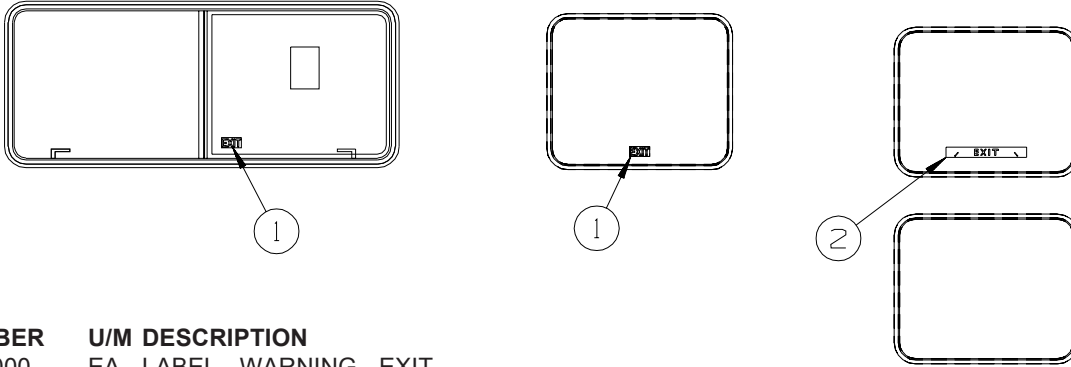
KEY	PART NUMBER	U/M	DESCRIPTION
1E	148816-01-02A	EA	PULL - CABINET DOOR - NICKEL - ASPECT, CAMBRIA 700-SERIES
2E	149090-01-02A	EA	PULL - CABINET DOOR - NICKEL - SIGHTSEER D-SERIES, VOYAGE F-SERIES
3E	149607-01-02B	EA	GUIDE - F/POCKET DOOR - 1.6" BENT ROD - E-COATED
3E	149607-03-02B	EA	GUIDE - F/POCKET DOOR - 2.9" BENT ROD - E-COATED
4E	149607-04-02B	EA	GUIDE - F/POCKET DOOR - E-COATED
5E	150983-01-01A	EA	STRIKE/BLOCK - WEDGE STYLE - F/SLIDE DOOR - 3" X 1.2" - BLACK
6E	151380-01-01A	EA	LATCH - CABINET DOOR - PUSH BUTTON - VIEW & NAVION 500-SERIES
7E	151380-02-01A	EA	STRIKE - CABINET DOOR - VIEW & NAVION 500-SERIES
8E	151380-03-01A	EA	STRIKE - CABINET DOOR - VIEW & NAVION 500-SERIES
9E	152080-01-01A	EA	PULL-NICKEL - SIGHTSEER & SUNOVA D-SERIES, VOYAGE & SUNRISE F-SERIES, TOUR R-SERIES
10E	152302-01-01A	EA	PULL - CABINET DOOR - SATIN NICKEL - SUNOVA D-SERIES, SUNRISE F-SERIES
11E	152304-01-01A	EA	PULL - CABINET DOOR - BRONZE- ELLIPSE R-SERIES
12E	152305-01-01A	EA	EA KNOB - DOOR/DRAWER - BRONZE - ELLIPSE R-SERIES
13E	152950-01-01A	EA	PULL - DOOR/DRAWER - BRUSHED NICKEL - VIEW & NAVION 500-SERIES
14E	152951-01-01A	EA	PULL - DOOR/DRAWER - PEWTER - SUNCRUISER G-SERIES, MERIDIAN P-SERIES
15E	152952-01-01A	EA	PULL - KNOB/DRAWER - PEWTER - SUNCRUISER G-SERIES, MERIDIAN P-SERIES

INTERIOR FINISH GROUP (CONTINUED) HARDWARE (CONTINUED)

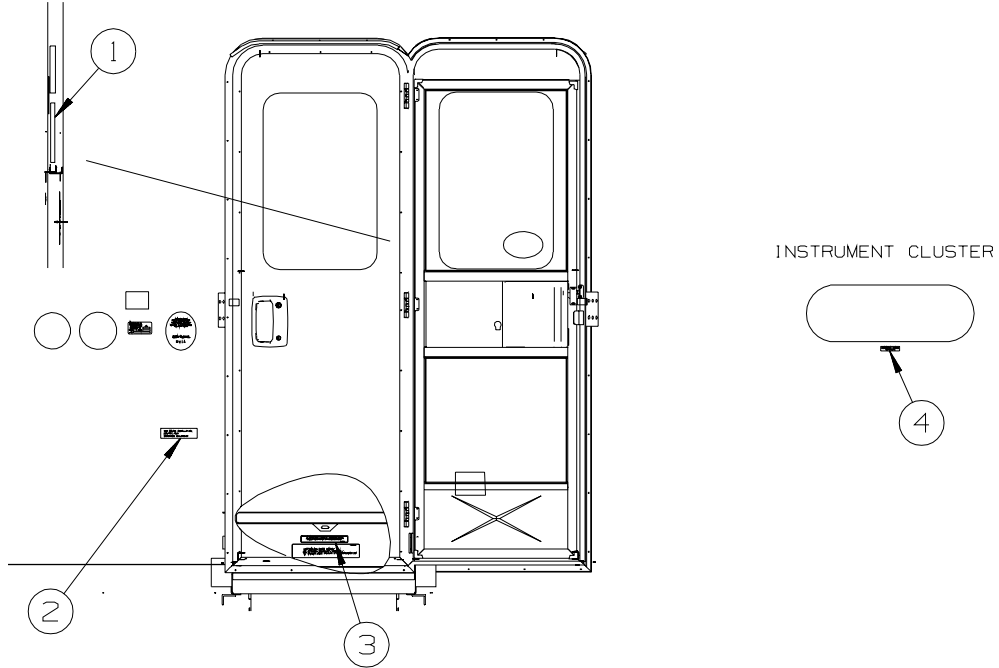


KEY	PART NUMBER	U/M	DESCRIPTION
1F	153000-01-01A	EA	SLIDE - CABINET MOUNT - 11.8"
1F	153000-03-01A	EA	SLIDE - CABINET MOUNT - 13.8"
1F	153000-05-01A	EA	SLIDE - CABINET MOUNT - 15.7"
1F	153000-07-01A	EA	SLIDE - CABINET MOUNT - 17.7"
1F	153000-09-01A	EA	SLIDE - CABINET MOUNT - 19.7"
1F	153000-11-01A	EA	SLIDE - CABINET MOUNT - 21.6"
1F	153000-14-01A	EA	SLIDE - CABINET MOUNT - 23.6"
1F	153000-18-01A	EA	SLIDE - CABINET MOUNT - 9.8"
1F	153000-20-01A	EA	SLIDE - CABINET MOUNT - 25.6"
2F	153000-13-01A	EA	BACKSOCKET - DRAWER SLIDE
3F	153000-02-01A	EA	SLIDE - DRAWER MOUNT - 11.8"
3F	153000-04-01A	EA	SLIDE - DRAWER MOUNT - 13.8"
3F	153000-06-01A	EA	SLIDE - DRAWER MOUNT - 15.7"
3F	153000-08-01A	EA	SLIDE - DRAWER MOUNT - 17.7"
3F	153000-10-01A	EA	SLIDE - DRAWER MOUNT - 19.7"
3F	153000-12-01A	EA	SLIDE - DRAWER MOUNT - 21.6"
3F	153000-15-01A	EA	SLIDE - DRAWER MOUNT - 23.4"
3F	153000-19-01A	EA	SLIDE - DRAWER MOUNT - 9.8"
3F	153000-21-01A	EA	SLIDE - DRAWER MOUNT - 25.4"
4F	153308-01-01A	EA	PULL - VANITY STOOL - SATIN NICKEL
5F	153335-01-02A	EA	PULL - KNOB - DOOR/DRAWER - FLAT BLACK - HORIZON S-SERIES
6F	153352-01-01A	EA	SLIDE - PANTRY - 19.7" - CABINET MOUNT
6F	153352-03-01A	EA	SLIDE - EXT ENTERTAINMENT CNTR - 13.8" - CABINET MOUNT
7F	153352-02-01A	EA	SLIDE - PANTRY - 19.5" - DRAWER MOUNT
7F	153352-04-01A	EA	SLIDE - EXT ENTERTAINMENT CNTR - 13.6" - DRAWER MOUNT
8F	153353-01-01A	EA	LATCH - SLIDING/FLUSH - BLACK
9F	154385-01-02A	EA	PIN - SUPPORT/GLASS DOOR - 1/4" - NICKEL
10F	155803-01-01A	EA	KNOB CABINET DOOR - WROUGHT IRON
11F	155925-01-01A	EA	KNOB - DOOR/DRAWER - SATIN NICKEL - ACCESS & IMPULSE 200-SERIES
12F	156579-01-01A	EA	KNOB - DOOR/DRAWER - PEWTER - OUTLOOK & SPIRIT 300-SERIES
13F	157246-01-01A	EA	PULL - CABINET DOOR/DRAWER - SATIN NICKEL - ADVENTURER G-SERIES, JOURNEY P-SERIES
14F	157246-02-01A	EA	KNOB - CABINET DOOR/DRAWER - SATIN NICKEL - ADVENTURER G-SERIES, JOURNEY P-SERIES
15F	158982-01-04B	EA	HINGE - CONTINUOUS - 2" X 8" - BLACK
	158982-01-01A	EA	HINGE - CONTINUOUS - 2" X 8" - ZINC

LABELS GROUP

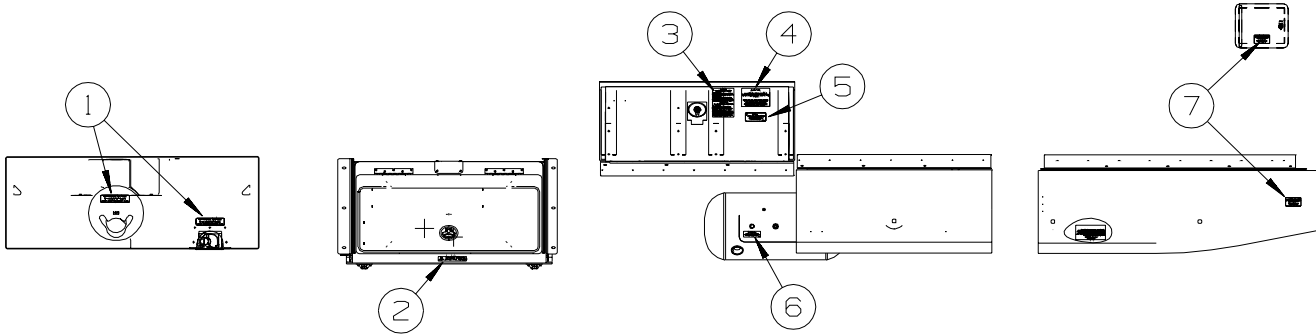


KEY	PART NUMBER	U/M	DESCRIPTION
1	039290-01-000	EA	LABEL - WARNING - EXIT
2	107571-02-000	EA	LABEL - EXIT/ESCAPE WINDOW - RED ON CLEAR



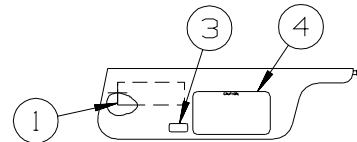
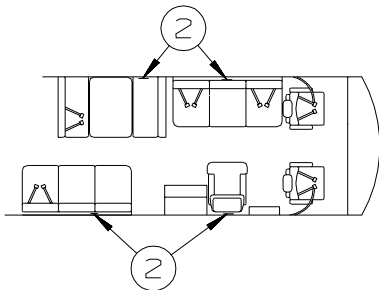
KEY	PART NUMBER	U/M	DESCRIPTION
1	135869-01-01A	EA	LABEL - MERCURY CONTENT - BLACK ON CLEAR
2	099509-01-000	EA	LABEL - AWNING INSTALLATION
3	065748-01-000	EA	LABEL - WARNING - BATTERY CHARGING - UL
4	155692-01-01A	EA	LABEL - ODOMETER - READ IN MILE - BLACK/WHITE
4	155692-01-02A	EA	LABEL - ODOMETER - READ IN MILE - WHITE/CLEAR

LABELS GROUP (CONTINUED)



KEY	PART NUMBER	U/M	DESCRIPTION
1	123562-01-000	EA	LABEL - SERVICE/UTILITY ACCESS
2	154801-01-01A	EA	LABEL - NO STEP/MAX CARGO - WHITE/CLEAR
3	023769-01-000	EA	LABEL - WARNING - LPG - CANADIAN
4	124520-01-02A	EA	LABEL - LP GAS ONLY - WHITE ON CLEAR
5	124519-01-02A	EA	LABEL - WARNING/REFUELING - WHITE ON CLEAR
6	079965-01-000	EA	LABEL - LPG - 80% CAPACITY
7	125306-01-01A	EA	LABEL - ELECTRICAL ENTRANCE - 110V 30 AMP - BLACK ON CLEAR
7	125306-01-02A	EA	LABEL - ELECTRICAL ENTRANCE - 110V 30 AMP - WHITE ON CLEAR

TYPICAL SEAT AND BELT CONFIGURATIONS

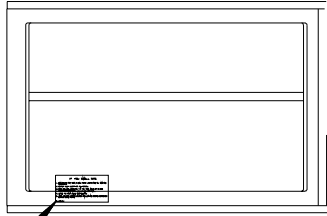
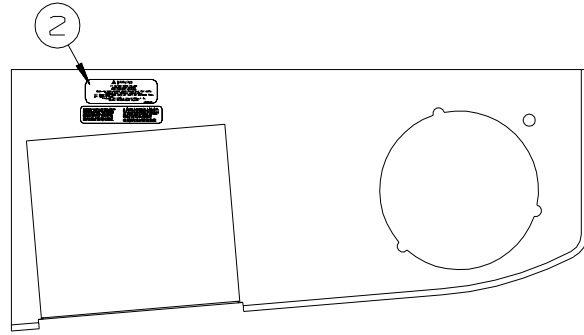
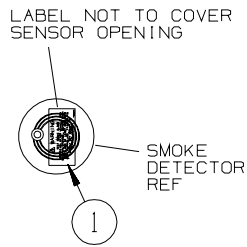


LABELS SHALL BE LOCATED ON OPPOSITE SIDE OF VISOR THAT THE AIR BAG LABEL IS INSTALLED ON.

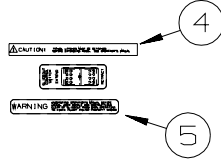
ATTACH LABEL ON OR NEXT TO:
 +ANY SINGLE CHAIR WITHOUT BELTS.
 +ANY DINETTE SEAT WITHOUT BELTS.
 +ANY COUCH WITHOUT BELTS OR ANY SEATING POSITION ON THAT COUCH.
 DO NOT ATTACH LABEL IF:
 +DINETTE SEAT HAS AT LEAST ONE SET OF BELTS INSTALLED.

KEY	PART NUMBER	U/M	DESCRIPTION
1	126611-01-000	EA	LABEL - AIR BAG - VISOR
2	134538-01-01A	EA	LABEL - OCCUPANCY - NO SEAT BELT - BLACK ON CLEAR - US
2	134538-02-01A	EA	LABEL - OCCUPANCY - NO SEAT BELT - BLACK ON CLEAR - CSA - CANADIAN
3	099689-01-000	EA	LABEL - WARNING - CANCER/TOXICITY
4	056259-01-000	EA	LABEL - SAFETY CHECK LIST

LABELS GROUP (CONTINUED)

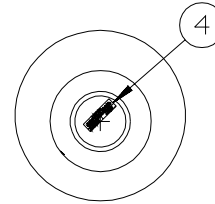
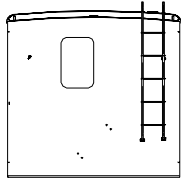
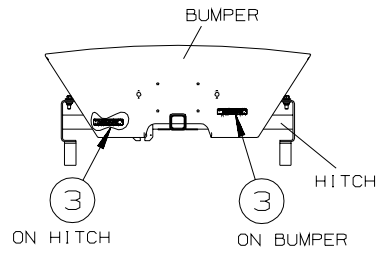
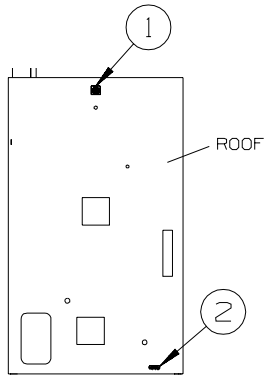


UPPER GALLEY CABINET

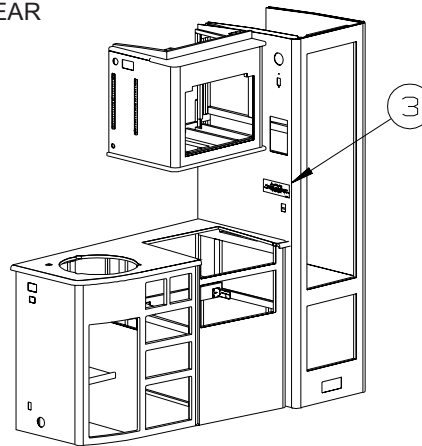
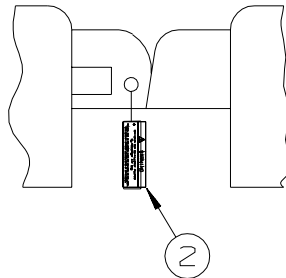
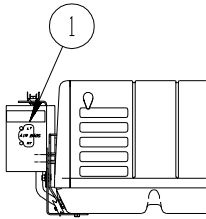


KEY	PART NUMBER	U/M	DESCRIPTION
1	077956-01-000	EA	LABEL - WARNING/SMOKE DETECTOR
2	134539-01-01A	EA	LABEL - WARNING - STOVE/HEATING - US - BLACK ON CLEAR
2	134540-01-01A	EA	LABEL - WARNING - STOVE/HEATING - CSA - BLACK ON CLEAR - CANADIAN
3	073998-01-000	EA	LABEL - LPG/ODOR WARNING
4	116775-01-000	EA	LABEL/CAUTION - TRAVEL LATCH
5	116549-01-000	EA	LABEL - WARNING - SLIDEOUT

LABELS GROUP (CONTINUED)

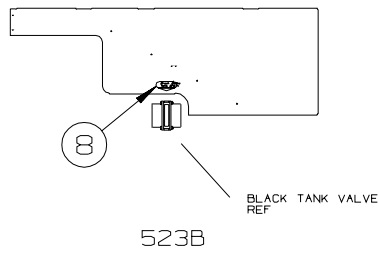
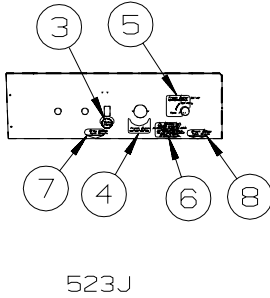
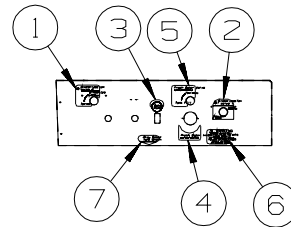
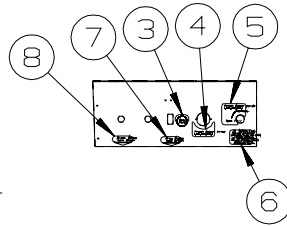
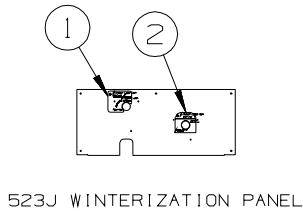


KEY	PART NUMBER	U/M	DESCRIPTION
1	120431-01-000	EA	LABEL - LOCATION - COAXIAL CABLE/SATELLITE ANTENNA
2	128218-01-01A	EA	LABEL - WARNING - SLIPPERY ROOF
3	129669-01-01A	EA	LABEL - HITCH/VEHICLE RATE - 350 - WHITE ON CLEAR
4	155491-01-01A	EA	LABEL - WARNING - LUG NUTS - WHITE/CLEAR



KEY	PART NUMBER	U/M	DESCRIPTION
1	136360-03-01A	EA	LABEL - AIR BAGS - BLACK/CLEAR
2	126612-01-000	EA	LABEL - HANG TAG - AIR BAG - DASH
3	143911-01-01A	EA	LABEL - CURTAIN SECUREMENT - BLACK ON CLEAR
3	155196-01-01A	EA	LABEL - CURTAIN SECUREMENT - BLACK ON CLEAR - CANADIAN

LABELS GROUP (CONTINUED)



KEY	PART NUMBER	U/M	DESCRIPTION
1	152545-01-01A	EA	LABEL - WINTERIZATION
2	152539-01-01A	EA	LABEL - BYPASS
3	152544-03-01A	EA	LABEL - SWITCHES
4	152538-01-01A	EA	LABEL - FRESH WATER - PANTONE/CLEAR
5	152548-01-01A	EA	LABEL - VALVE/FRESH
6	128725-02-01A	EA	LABEL - POTABLE WATER ONLY - BLACK ON CLEAR
7	152541-03-01A	EA	LABEL - GRAY WASTE
8	152543-03-01A	EA	LABEL - BLACK WASTE
8	152543-03-02A	EA	LABEL - BLACK WASTE - WHITE/BLACK

LP GROUP
LP SYSTEM

KEY	PART NUMBER	U/M	DESCRIPTION
	144485-01-000	EA	COVER - LP REGULATOR
	045703-03-000	EA	HOSE - LP - 3/8"ID X 18" - 3/8"MPT X 1/2"F SWIVEL - US
	045703-07-000	EA	HOSE - LP - 3/8"ID X 10" - 3/8"MPT X 1/2"F SWIVEL - US
	045703-12-000	EA	HOSE - LP - 3/8"ID X 18" - 3/8"MPT X 1/2"F SWIVEL - CSA
	045703-21-000	EA	HOSE - LP - 3/8"ID X 60" - 1/2"F SWIVEL X3/8"F SWVL US/CSA
	045703-29-000	EA	HOSE - LP - 3/8"ID X 79.7"-1/2"F SWIVEL X1/2"F SWVL US/CSA
	010326-01-000	EA	ADAPTER - FLARE - W/CONE GASKET - 3/8"F X 1/2"F
	010323-01-000	EA	ADAPTER - 3/8"F X 1/2"MPT - BRASS
	010329-01-000	EA	ADAPTER - 1/2"F X 1/2"MPT - BRASS
	024250-01-000	EA	ADAPTER - BRASS - 3/8"F X 1/2"FPT
	106150-05-000	EA	REGULATOR - TWO STAGE
	106150-06-000	EA	REGULATOR - TWO STAGE
			FROM: 05-19-06 THRU: 99-99-99
	145639-01-02B	EA	BRACKET - REGULATOR - E-COATED
	151726-01-02B	EA	BRACKET/LP MOUNTING - E-COATED
	151726-02-02B	EA	BRACKET/LP MOUNTING - E-COATED
	151726-03-02B	EA	BRACKET/LP MOUNTING - E-COATED
	152249-01-02B	EA	BRACKET - LP MOUNT - E-COATED
	010380-02-000	EA	NUT - 1/2" FLARE - FORGED - BRASS
	010377-02-000	EA	NUT - 3/8" FLARE - FORGED - BRASS
	040440-02-000	EA	TRANSMITTER - DIAL/BOLT-ON - 0-90 OHM 2 TERM(POWER/GROUND)
*	144116-09-000	EA	TANK - LP - 60 LB - 14"D X 29.75"L
	151725-01-02B	EA	GUARD/ROCK - W/PANEL/STEEL - E-COATED
	151725-02-02B	EA	GUARD/ROCK - W/PANEL/STEEL - E-COATED
	151725-03-02B	EA	GUARD/ROCK - W/PANEL/STEEL - E-COATED
	153874-01-T01	EA	GUARD - DIRT
	010589-01-000	EA	NIPPLE - PIPE - 1/2" X 1 1/2" - BLACK
	010589-03-000	EA	NIPPLE - PIPE - 1/2" X 2 1/2" - BLACK
	153893-01-02B	EA	ANGLE - FORMED - LP COVER - E-COATED

*COMPONENT PARTS LISTED LATER IN THIS GROUP

COMPONENT PARTS FOR LP SYSTEM

144116-09-000

KEY	PART NUMBER	U/M	DESCRIPTION	VENDOR NO.
	040421-01-712	EA	VALVE-SERV. W/O VAPOR RELIEF	V20373
	040421-01-713	EA	VALVE-RELIEF 1" W/SPRING 7"	V20479
	144116-01-700	EA	VALVE-OUTAGE(NO STEM REMOVE)	V20058
	144116-04-700	EA	FLOAT/SENDING UNIT W/O DIAL	G11530
	144116-04-701	EA	DIAL - TRANSMITER	G12845
	144116-09-700	EA	VALVE/FILL 80%	V20150

SEALANTS & FASTENERS GROUP
SEALANTS & ADHESIVES

KEY	PART NUMBER	U/M	DESCRIPTION
	004001-02-000	EA	GUN - PLEXUS ADHESIVE - W/O NOZZLE
	004001-05-000	EA	ADHESIVE - SCOTCH-WELD - 3M DP100 - CLEAR - 50ML
	004011-01-000	EA	ADHESIVE-3M-4475 TUBE
	010405-02-000	EA	TAPE - THREAD SEALING - 3/8"
	064075-07-000	FT	SEAL - BULB - W/WIRED U CHANNEL - .3" X .5" CHANNEL-BLACK
	067788-01-000	EA	ADHESIVE - SPRAY - 3M - 19.5 OZ AEROSOL CAN
	069640-01-000	FT	SEALER - RIBBON - 1/4"DIAMETER X 30 FT - BLACK OR GRAY
	069640-02-000	FT	SEALER - TAPE - 1/8"THICK X 1/2"WIDE X 60 FT - GRAY
	069640-03-000	FT	SEALER - TAPE - 1/8"THICK X 3/4"WIDE X 60 FT - BLACK
	069640-07-000	FT	SEALER - TAPE - 3/32"THICK X 2"WIDE X 45 FT - GRAY
	069640-09-000	FT	SEALER - TAPE - 1/32"THICK X 2 1/2"WIDE X 80 FT - BRT WHT
	069640-10-000	FT	SEALER - TAPE - 1/32"THICK X 1 1/2"WIDE X 90 FT - BRT WHT
	069640-11-000	FT	SEALER - TAPE - 3/16"THICK X 3/8"WIDE X 40 FT - BLACK
	069640-13-000	FT	SEALER - TAPE - 3/32"THICK X 2"WIDE X 45 FT - BLACK
	069640-14-000	FT	SEALER - TAPE - 1/16"THICK X 1"WIDE X 100 FT - BLACK
	069640-15-000	FT	SEALER - TAPE - 1/16"THICK X 3/8"WIDE X 100 FT - BRT WHT
	069640-17-000	FT	SEALER - TAPE - 1/32"THICK X 1"WIDE X 150 FT - GRAY
	069640-18-000	FT	SEALER - TAPE - 1/8"THICK X 1/2"WIDE X 60 FT - BRT WHT
	069640-19-000	FT	SEALER - TAPE - 1/8"THICK X 3/4"WIDE X 60 FT - BRT WHT
	069640-20-000	FT	SEALER - TAPE - 1/8"THICK X 1/2"WIDE X 60 FT - BLACK
	069640-21-000	FT	SEALER - TAPE - 1/16"THICK X 1/2"WIDE X 100 FT - BRT WHT
	069640-22-000	FT	SEALER - TAPE - 1/32"THICK X 1/4"WIDE X 200 FT - BRT WHT
	069640-23-000	FT	SEALER - TAPE - 1/16"THICK X 3/4"WIDE X 100 FT - BRT WHT
	069640-27-000	FT	SEALER - TAPE - 1/16"THICK X 2 1/4"WIDE X 50 FT - BRT WHT
	069640-28-000	FT	SEALER - TAPE - 1/32"THICK X 1 7/8"WIDE X 90 FT - GRAY
	069640-30-000	FT	SEALER - TAPE - 1/32"THICK X 5/8"WIDE X 50 FT - GRAY
	069640-31-000	FT	SEALER - TAPE - 1/4"THICK X 3/4"WIDE X 15 FT - BLACK
	069640-32-000	FT	SEALER - TAPE - 1/16"THICK X 3/8"WIDE X 100 FT - BLACK
	069640-33-000	FT	SEALER - RIBBON - 3/8"DIAMETER X 20 FT - BLACK
	069640-34-000	FT	SEALER - RIBBON - 1/4"DIAMETER X 30 FT - BRIGHT WHITE
	072889-28-000	EA	SEALANT/URETHANE-10 OZ TUBE W/NOZZLE-SELF LEVELING-BRT WHT
	076322-01-000	FT	TAPE-DOUBLE COATED/ADHESIVE BK-.03"THK X .8"W X 216' - WHT
	076322-02-000	FT	TAPE-DOUBLE COATED/ADHESIVE BK-.05"THK X 1"W X 108' - WHT
	076322-03-000	FT	TAPE-DOUBLE COATED/ADHESIVE BK-.05"THK X .5"W X 108' - WHT
	076322-05-000	FT	TAPE-DOUBLE COATED/ADHESIVE BK-.05"THK X .8"W X 108' - WHT
	076322-07-000	FT	TAPE-DOUBLE COATED/ADHESIVE BK-.05"THK X .5"W X 200' - BLK
	076322-13-000	FT	TAPE - FOAM/DOUBLE COATED - .020"THK X .75"W - CLEAR
	076322-21-000	FT	TAPE - FOAM/DOUBLE COATED - .045"THK X .50"W
	076322-22-000	FT	TAPE - FOAM/DOUBLE COATED - .045"THK X .75"W
	076322-23-000	FT	TAPE - FOAM/DOUBLE COATED - .045"THK X 1"W
	076322-25-000	FT	TAPE - FOAM/DOUBLE COATED - .025"THK X .5"W
	086276-01-000	EA	TAPE - DOUBLE SIDED - 1/2" WIDE X 108' LONG (SOLD BY ROLL)
	088479-01-000	EA	TAPE - ALUMINUM - 3"
	090340-01-000	FT	SEAL - FOAM - CLOSED CELL - 1/4" X 1/2" X 50'
	091255-02-000	FT	SEAL - ADHESIVE BACKED/FOAM - 3/64"THICK X 3/16"W X 1000'
	091255-03-000	FT	SEAL - ADHESIVE BACKED/FOAM - 1/4" THICK X 1/4"W X 1000'
	094401-01-000	EA	SEALER - BODY SEAM - FLEXICLEAR
	094401-04-000	EA	SEALER - BODY SEAM - CLEAR
	094401-05-000	EA	SEALER - BODY SEAM - 20OZ BLACK
	094401-06-000	EA	SEALER - BODY SEAM - 12OZ BLACK
	094401-07-000	EA	SEALER - BODY SEAM - CLEAR
	098408-01-000	FT	SEAL - SPONGE RUBBER - CLOSED CELL
	099069-01-000	FT	SEAL - RUBBER - CLOSED SPONGE - .5" WIDE X .12" THICK-BLK
	099418-01-000	FT	SEAL - D-SECTION/ADHESIVE BACK - .44" X .44" - BLK RUBBER
	107828-01-000	EA	SEALANT - SB - 190 EVERSEAL
	112864-01-000	FT	SEAL - FOAM/BUTYL COVERED - 3/8" X 35'
	112864-02-000	FT	FOAM - BUTYL COVERED - 5/16" X 44'
	112864-04-000	FT	FOAM - BUTYL COVERED - 3/8" X 1/8"
	112901-02-000	EA	ADHESIVE - PLEXUS - MA330 - 50ML - GRAY
	112901-03-000	EA	ADHESIVE - PLEXUS - MA300 - 50ML - WHITE
	112902-01-000	EA	NOZZLE - ELEMENT - 3/8" X 24
	112902-03-000	EA	MIXER NOZZLE - F/GUN #00400102000 - SCOTCH-WELD & PLEXUS
	112902-04-000	EA	NOZZLE - ELEMENT - 1/4" X 3.5"
	112902-05-000	EA	NOZZLE - BAYONET - 3/8" X 18

SEALANTS & FASTENERS GROUP (CONTINUED)

SEALANTS & ADHESIVES (CONTINUED)

KEY	PART NUMBER	U/M	DESCRIPTION
	112902-06-000	EA	NOZZLE - ELEMENT - 1/2" X 32
	113366-01-000	EA	ADHESIVE - INSTANT - 1 OZ
	120074-02-03A	EA	SILICONE - TUBE - W/O NOZZLE - LOW ODOR - SMOKEY WHITE
	120534-01-01A	EA	TAPE - SCOTCH - 3M - 1/2" FINE LINE
	123244-01-000	FT	TAPE - DOUBLE SIDED/FOAM - 5/64"THICK X 3/4"WIDE X 108'
	123816-01-000	FT	TAPE - DOUBLE SIDED - 1" X .020" X 200' - CLEAR
	123816-02-000	FT	TAPE - DOUBLE SIDED - 1/2" X .035" X 200' - CLEAR
	123816-03-000	FT	TAPE - DOUBLE SIDED - 1/2" X .020" X 200' - CLEAR
	123816-04-000	FT	TAPE - DOUBLE SIDED - 6" X .0035" X 750' - CLEAR
	123816-06-000	FT	TAPE - DOUBLE SIDED - 3/4" X 3/4" X 200' - CLEAR
	123816-07-000	FT	TAPE - DOUBLE SIDED - 1 3/4" X 200' - CLEAR
	126427-01-000	EA	ADHESIVE - ALL PURPOSE - ABS/PVC
	126427-02-000	EA	PRIMER - CLEANER - FLEX PIPING
	131264-01-11A	EA	SILICONE - TUBE - W/NOZZLE - BEIGE
	131264-01-12A	EA	SILICONE - TUBE - W/NOZZLE - BONE
	131264-01-13A	EA	SILICONE - TUBE - W/NOZZLE - TRANSLUCENT
	131264-02-01A	EA	SILICONE - TUBE - W/NOZZLE - VW GRAY - BATH ONLY
	131264-03-01A	EA	SILICONE - TUBE - W/O NOZZLE - SELF LEVELING -BRIGHT WHITE
	131264-04-01A	EA	SILICONE/SEALANT/ADHESIVE - FAST CURE F/GLASS/VINYL - B/W
	131264-04-02A	EA	SILICONE/SEALANT/ADHESIVE-FAST CURE F/GLASS/VINYL-SOFT WHT
	131264-05-01A	EA	SILICONE/SEALANT - ODORLESS - TUBE - W/NOZZLE - BLACK
	131264-05-02A	EA	SILICONE/SEALANT - ODORLESS - TUBE - W/NOZZLE - CLEAR
	131384-01-000	EA	ADHESIVE - JET WELD - 10 OZ CARTRIDGE
	132892-07-01A	FT	SEAL - BULB/SINGLE - W/U CHANNEL - .5" X 1" - BLACK
	152038-01-01A	EA	TAPE - PRESERVATION SEAL - 2" X 36YD ROLL - BLACK
	154585-01-01A	FT	SEAL - FOAM TAPE - ADHESIVE BACK - 3/8" X 3/8" - BLACK
	154585-02-01A	FT	SEAL - FOAM TAPE - ADHESIVE BACK - 3/4" X 1/2" - BLACK
	154585-03-01A	FT	SEAL - FOAM TAPE - ADHESIVE 2 SIDED - 1/8" X 3/4" - BLACK
	154585-04-01A	FT	SEAL - FOAM TAPE - ADHESIVE BACK - 5/8" X 1/8" - WHITE

BOLTS, NUTS AND WASHERS

KEY	PART NUMBER	U/M	DESCRIPTION
	0MD54F-06-000	EA	NUT - HEX W/SERATED FLANGE
	000C12-04-08B	EA	BOLT - HEX - 1/4-20 X 1/2 - GRADE #5 - ZINC
	000C12-04-40B	EA	BOLT - HEX - 1/4-20 X 2 1/2 - GRADE #5 ZINC
	000C12-04-20F	EA	BOLT - HEX - 1/4-20 X 1 1/4 - GRADE #5 - STAINLESS STEEL
	000C12-04-12A	EA	BOLT - HEX - 1/4-20 X 3/4 - PLAIN 5
	000C12-05-16B	EA	BOLT - HEX - 5/16 - 18X1 - GRADE #5 - ZINC
	000C12-05-40B	EA	BOLT - HEX - 5/16"-18 X 2.5" - GRADE #5 - ZINC
	000C12-06-28B	EA	BOLT-HEX-3/8-16X13/4 ZN 5 - 5185-01
	000C12-08-44B	EA	BOLT - HEX - 1/2-13 X 2 3/4 - GRADE #5 - ZINC
	000C12-08-24B	EA	BOLT - HEX - 1/2-13 X 1 1/2 - GRADE #5 - ZINC
	000C12-08-28B	EA	BOLT - HEX - 1/2-13 X 1 3/4 - GRADE #5 - ZINC
	000C13-07-40B	EA	BOLT - HEX - 7/16-20 X 2 1/2 - GRADE #5 - ZINC
	000C13-07-48B	EA	BOLT - HEX - 7/16-20 X 3 - GRADE #5 - ZINC
	000C13-07-72B	EA	BOLT - HEX - 7/16-20 X 4.5" - GRADE #5 - ZINC
	000C16-07-16B	EA	BOLT - CARRIAGE - ASSIST HANDLE - 7/16-14 X 1
	000C18-05-40A	EA	BOLT - ELEVATOR - 5/16-18 X 2 1/2 - PL
	000C26-04-18B	EA	BOLT - HEX - SERRATED FLANGE - 1/4-20 X 1 1/8 - ZINC
	000C26-04-14B	EA	BOLT - HEX - SERRATED FLANGE - 1/4-20 X 7/8 - ZINC
	000C26-04-12F	EA	BOLT - HEX - SERRATED FLANGE -1/4-20 X 3/4-STAINLESS STEEL
	000C26-04-10B	EA	BOLT - HEX - SERRATED FLANGE - 1/4-20 X 5/8 - ZINC
	000C26-04-40F	EA	BOLT - HEX - SERRATED FLANGE -1/4-20 X 2.5-STAINLESS STEEL
	000C26-05-12B	EA	BOLT - HEX - SERRATED FLANGE - 5/16-18 X 3/4 - ZINC
	000C26-06-12B	EA	BOLT - HEX - SERRATED FLANGE - 3/8-16 X 3/4 - ZINC
	000C26-06-20B	EA	BOLT - HEX - SERRATED FLANGE - 3/8-16 X 1 1/4 - ZINC
	000C26-06-28B	EA	BOLT - HEX - SERRATED FLANGE - 3/8-16 X 1 3/4 - ZINC
	000C26-06-40B	EA	BOLT - HEX - SERRATED FLANGE - 3/8-16 X 2 1/2 - ZINC
	000C26-08-28B	EA	BOLT - HEX - SERRATED FLANGE - 1/2-13 X 1 3/4 - ZINC
	000C26-08-24B	EA	BOLT - HEX - SERRATED FLANGE - 1/2-13 X 1 1/2 - ZINC
	000C26-08-40B	EA	BOLT - HEX - SERRATED FLANGE - 1/2-13 X 2 1/2-GRADE #5 ZINC
	000C27-08-48B	EA	BOLT-CARR 1/2-13X3.00 GR5 - 97 M-SERIES
	000C27-08-64B	EA	BOLT - CARRIAGE - 1/2-13 X 4 - GRADE 5
	000D16-07-00B	EA	NUT - HEX - 7/16-14 - ZINC

SEALANTS & FASTENERS GROUP (CONTINUED)
BOLTS, NUTS AND WASHERS (CONTINUED)

KEY	PART NUMBER	U/M	DESCRIPTION
	000D24-10-00B	EA	NUT - HEX - SELF LOCKING - 10-32 - ZINC
	000D27-05-00B	EA	NUT - HEX LOCK - 5-40 - ZINC
	000D28-10-00B	EA	NUT - HEX - W/NYLON LOCK - 10-32 - ZINC
	000D29-04-00F	EA	NUT - HEX - SELF LOCKING - 1/4 X 20 - STAINLESS STEEL
	000D29-04-00B	EA	NUT - HEX - SELF LOCKING - 1/4 X 20 - ZINC
	000D29-06-00B	EA	NUT - HEX - W/NYLON LOCK - 3/8-16 - ZINC
	000D29-09-00B	EA	NUT - HEX - SELF LOCKING - 9/16-12 - ZINC
	000D34-04-00B	EA	NUT - HEX - LOCKING - 1/4-20 - ZINC
	000D34-06-00B	EA	NUT - HEX - LOCKING - 3/8-16 GRADE C - ZINC
	000D39-04-00B	EA	NUT - HEX - LOCKING W/SERRATED FLANGE - 1/4-20 - ZINC
	000D39-05-00B	EA	NUT - HEX - LOCKING W/SERRATED FLANGE - 5/16-18 - ZINC
	000D39-06-00B	EA	NUT - HEX - LOCKING W/SERRATED FLANGE - 3/8-18 - ZINC
	000D39-06-00D	EA	NUT - HEX - LOCKING W/SERRATED FLANGE - 3/8"-16 BLACK
	000D39-07-00B	EA	NUT - HEX - LOCKING W/SERRATED FLANGE - 7/16-14 - ZINC
	000D39-08-00B	EA	NUT - HEX - LOCKING W/SERRATED FLANGE - 1/2-13 - ZINC
	000D39-09-00B	EA	NUT - HEX - LOCKING W/SERRATED FLANGE - 9/16-12 - ZINC
	000D44-04-00B	EA	NUT - HEX - LOCKING W/SERRATED FLANGE - 1/4-28 - ZINC
	000D44-07-00B	EA	NUT - HEX - LOCKING W/SERRATED FLANGE - 7/16-20 - ZINC
	000D44-08-00B	EA	NUT - HEX - LOCKING W/SERRATED FLANGE - 1/2-20 - ZINC
	000D46-04-00A	EA	NUT - HEX - WELD - 1/4-20 - PLAIN
	000D65-08-00B	EA	NUT - HEX - LOCKING W/SERRATED FLANGE - 8-32 - ZINC
	000D73-08-00C	EA	NUT - HEX FLANGE - 1/2-13
	000D75-09-00B	EA	NUT - HEX LOCKING - 9/16-12 - ZINC
	000D76-06-00B	EA	NUT - HEX FLANGE - 3/8-16
	000E11-04-00F	EA	WASHER - LOCKING - 1/4 MED SPLIT - STAINLESS STEEL
	000E11-07-00B	EA	WASHER - LOCKING - 7/16 MED SPLIT - ZINC
	000E11-08-00B	EA	WASHER - LOCKING - 1/2 MED SPLIT - ZINC
	000E13-17-00B	EA	WASHER - FLAT - 3/8 AR - ZINC
	000E13-18-00B	EA	WASHER - FLAT - 3/8 WIDE - ZINC
	000E13-20-00B	EA	WASHER - FLAT - 7/16 WIDE - ZINC
	000E13-22-00B	EA	WASHER - FLAT - 1/2 WIDE - ZINC
	000E13-26-00B	EA	WASHER - FLAT - 5/8 WIDE - ZINC
	000E14-10-00B	EA	WASHER - LOCKING - #10 EXTERNAL TOOTH - ZINC
	000E16-10-00B	EA	WASHER - HARDENED - 5/8 - FLAT - ZINC
	000G45-05-16B	EA	BOLT - LAG - 5/16-9 X 1 - ZINC
	005081-01-000	EA	NUT - SPEED - C-TYPE - #8 SCREW
	039715-01-000	EA	NUT-SERT - 1/4" DIAMETER - 20 THREADS
	040921-01-000	EA	NUT - SPEED - U TYPE - #10-24 - BLACK
	040921-03-000	EA	NUT - SPEED - U TYPE - #10
	040921-04-000	EA	NUT - SPEED - U TYPE - #8-.59" LENGTH X .44" WIDTH
	040921-05-000	EA	NUT - SPEED - U-TYPE - 8-.67" X .44" WIDE
	040921-11-000	EA	NUT - SPEED - U-TYPE - 8-.59" LENGTH X .44" WIDTH - BLACK
	041322-01-000	EA	WASHER - FLANGE - 15/32"ID X 2 3/8"OD - F/SEAT BELT MTG
	044364-02-000	EA	NUT - SPEED - FLAT - ROUND
	044533-01-000	EA	WASHER - 1 3/8"OD - FOR BUTTONS - PLASTIC
	051387-06-000	EA	BOLT - CARRIAGE W/O HOLE - 5/16-18 X 9 1/2 - ZINC
	058716-02-000	EA	WASHER - FLAT NYLON
	064081-03-000	EA	NUT - WING 3/8-16 - W/WELD NUT
	077071-01-000	EA	WASHER - FENDER - 3/16"ID X 1"OD
	087234-01-000	EA	NUT - JACK - 1/4 X 20 THD - MOLLY
	088787-12-000	EA	STUD - WELD - 1/4 - 20 X 1.0 LG - MN
	102540-02-000	EA	SEAL - SCREW
	106956-03-000	EA	BOLT - HEX TAP - 1/2-13NC X 3 - GRADE 5 - FULL THREAD/ZINC
	106956-10-000	EA	BOLT - HEX TAP - 9/16-12NC X 3 5/8 -GRD 5-FULL THREAD/ZINC
	106956-11-000	EA	BOLT - HEX TAP - 1/2-13NC X 2 1/2 - GRD 5-FULL THREAD/ZINC
	106956-13-000	EA	BOLT - HEX TAP - 1/2-20 X 2 1/2 - GRD 5-FULL THREAD/ZINC
	107397-01-000	EA	WASHER - FENDER - 3/4"ID X 1"OD
	108067-03-000	EA	STUD - WELD - 1/4 - 20 X 1/2 CD
	109917-03-000	EA	WASHER - 1" X .50"
	109917-04-000	EA	WASHER - 1" X .75"
	128444-01-000	EA	WASHER - SPRING - CONICAL
	135092-02-01A	EA	BOLT - HEX - SERRATED FLANGE - 1/2-20 X 2 1/2-GRADE 5 ZINC
	135092-05-01A	EA	BOLT - HEX - SERRATED FLANGE - 1/2-20 X 1 - GRADE 5 ZINC
	143399-01-01A	EA	NUT/RETAINING - 3/8"- 24 NFT

SEALANTS & FASTENERS GROUP (CONTINUED)
BOLTS, NUTS AND WASHERS (CONTINUED)

KEY	PART NUMBER	U/M	DESCRIPTION
	144904-01-01A	EA	BOLT - ADJUSTMENT - HEADLAMP
	147284-02-000	EA	NUT/SELF RETAINING - 5/16"-18
	148817-01-000	EA	WASHER/SPUR - LOCKING

SCREWS

KEY	PART NUMBER	U/M	DESCRIPTION
	0G1208-12-170	EA	SCREW - 8-18 X 3/4 POH - BRIGHT WHITE
	0G3908-08-170	EA	SCREW - SF/DR - 8-18 X 1/2 PPH - BRIGHT WHITE
	0G3908-08-410	EA	SCREW - SF/DR - 8-18 X 1/2 PPH - PARCHMENT
	0G3908-16-170	EA	SCREW - SF/DR - 8-18 X 1 PPH - BRIGHT WHITE
	0G3908-24-170	EA	SCREW - SF/DR - 8-18 X 1 1/2 PPH - BRIGHT WHITE
	0G3910-10-330	EA	SCREW - SF/DR - 20-16 X 5/8 PPH - PUTTY
	0G3910-12-170	EA	SCREW - SF/DR - 10-16 X 3/4 PPH - BRIGHT WHITE
	0G3910-12-240	EA	SCREW - SF/DR - 10-16 X .75 PPH - VW LIGHT GRAY
	0G3910-12-380	EA	SCREW - SF/DR - 10-16 X .75 PPH - CASHMERE
	0G3910-12-370	EA	SCREW - SF/DR - 10-16 X .75 PPH - RIVERSTONE
	0G3910-24-170	EA	SCREW - SF/DR - 10-16 X 1 1/2 PPH - BRIGHT WHITE
	0G3910-32-330	EA	SCREW - SF/DR - 10-16 X 2.00 PPH - PUTTY
	0G5508-08-380	EA	SCREW - SF/DR - 8-18 X .5 PWH - CASHMERE
	0G5508-08-370	EA	SCREW - SF/DR - 8-18 X .5 PWH - RIVERSTONE
	0G5508-12-170	EA	SCREW - SF/DR - 8-18 X 3/4 PWH - BRIGHT WHITE
	0G5508-12-320	EA	SCREW - SF/DR - 8-18 X 3/4 PWH - GLACIER
	0G5508-12-330	EA	SCREW - SF/DR - 8-18 X 3/4 PWH - PUTTY
	0G6008-16-170	EA	SCREW - SF/DR - 8-18 X 1 POH - BRIGHT WHITE
	0G5508-16-250	EA	SCREW - SF/DR - 8-18 X 1 PWH - VW DARK GRAY
	0G5508-16-330	EA	SCREW - SF/DR - 8-18 X 1 PWH - PUTTY
	0G5508-16-370	EA	SCREW - SF/DR - 8-18 X 1 PWH - RIVERSTONE
	0G5508-16-380	EA	SCREW - SF/DR - 8-18 X 1 PWH - CASHMERE
	0G5508-16-410	EA	SCREW - SF/DR - 8-18 X 1 PWH - MEDIUM PARCHMENT
	0G6012-32-170	EA	SCREW - SF/DR - 12-14 X 2 POH - BRIGHT WHITE
	0G6710-08-170	EA	SCREW - 10-12 X 1/2 PPH - BRIGHT WHITE
	0G6710-12-170	EA	SCREW - 10-12 X 3/4 PPH - BRIGHT WHITE
	0G6806-16-170	EA	SCREW - 6-18 X 1 POH - BRIGHT WHITE
	0G6810-24-280	EA	SCREW - 10-12 X 1 1/2 POH - SOFT WHITE
	000C20-06-24T	EA	SCREW - 3/8-16 X 1 1/2 - FLAT SOCKET
	000C28-05-24D	EA	CAPSCREW/BUTTON HEAD - 5/16-18 X 1 1/2 - #8-BLK PHOSPHATE
	000G11-06-08B	EA	SCREW - 6-20 X 1/2 PPH - ZINC
	000G11-06-10B	EA	SCREW - 6-20 X 5/8 PPH - ZINC
	000G11-06-10J	EA	SCREW - 6-20 X 5/8 PPH - BRASS
	000G11-07-08B	EA	SCREW - 7-19 X 1/2 PPH - ZINC
	000G11-08-06B	EA	SCREW - 8-18 X 3/8 PPH - ZINC
	000G11-08-08T	EA	SCREW - 8-18 X 1/2 PPH - FLUOROCARBON COATING
	000G11-08-12B	EA	SCREW - 8-18 X 3/4 PPH - ZINC
	000G11-08-12P	EA	SCREW - 8-18 X 3/4 PPH - DARK BROWN
	000G11-08-12S	EA	SCREW - 8-18 X 3/4 PPH - OFF WHITE
	000G11-08-12T	EA	SCREW - 8-18 X 3/4 PPH - BLACK MAGNESIUM
	000G11-08-20B	EA	SCREW - 8-18 X 1 1/4 PPH - ZINC
	000G11-08-20G	EA	SCREW - 8-18 X 1 1/4 - ANTIQUE BRASS
	000G11-10-12D	EA	SCREW - 10-16 X 3/4 PPH - BLACK
	000G12-06-08T	EA	SCREW - 6-20 X 1/2 POH - BLACK
	000G12-06-12J	EA	SCREW - 6-20 X .75 POH - BRASS
	000G12-10-16F	EA	SCREW - 10-16 X 1 POH - STAINLESS STEEL
	000G13-05-10B	EA	SCREW - 5-12 X 5/8 PFH - ZINC
	000G13-06-08B	EA	SCREW - 6-20 X 1/2 PFH - ZINC
	000G13-06-08G	EA	SCREW - 6-20 X 1/2 PFH - ANTIQUE BRASS
	000G13-06-10G	EA	SCREW - 6-20 X 5/8 PFH - ANTIQUE BRASS
	000G13-06-16J	EA	SCREW - 6-20 X 1 PFH - BRASS
	000G13-06-169	EA	SCREW - SF/DR - 6-20 X 1 PFH - SILVER
	000G13-06-24J	EA	SCREW - 6-20 X 1 1/2 PFH - BRASS
	000G13-07-10H	EA	SCREW - 7-19 X 5/8 PFH - BLACK
	000G13-07-12B	EA	SCREW - 7-19 X 3/4 PFH - ZINC
	000G13-08-109	EA	SCREW - 8-18 X 5/8 PFH
	000G13-08-10B	EA	SCREW - 8-18 X 5/8 PFH - ZINC
	000G13-08-16B	EA	SCREW - 8-18 X 1 PFH - ZINC

SEALANTS & FASTENERS GROUP (CONTINUED)
SCREWS (CONTINUED)

KEY	PART NUMBER	U/M	DESCRIPTION
	000G13-08-24B	EA	SCREW - 8-18 X 1 1/2 PFH - ZINC
	000G16-04-24B	EA	SCREW - MACHINE - 1/4-20 X 1 1/2 PPH
	000G18-08-12B	EA	SCREW - MACHINE - 8-32 X 3/4 PPH - ZINC
	000G18-08-16B	EA	SCREW - MACHINE - 8-32 X 1 PPH - ZINC
	000G18-08-24B	EA	SCREW - MACHINE - 8-32 X 1 1/2 PPH - ZINC
	000G18-08-22B	EA	SCREW - MACHINE - 8-32 X 1 3/8 PPH - ZINC
	000G19-10-08B	EA	SCREW - MACHINE - 10-32 X 1/2 PPH - ZINC
	000G19-10-10B	EA	SCREW - MACHINE - 10-32 X 5/8 - PPH - ZINC
	000G19-10-12F	EA	SCREW - MACHINE - 10-32 X 3/4 PPH - STAINLESS STEEL
	000G19-10-20B	EA	SCREW - MACHINE - 10-32 X 1 1/2 PPH - ZINC
	000G32-10-06B	EA	SCREW - 10-32 X 3/8 PPH - ZINC
	000G34-05-12B	EA	SCREW - HEX HEAD TAPPING - 5/16 X 3/4 LONG
	000G36-10-12T	EA	SCREW - 10-24X 3/4 PFH TYPE 23 - BLACK
	000G39-06-10T	EA	SCREW - SF/DR - 6-20 X 5/8 PPH - BLACK
	000G39-06-16T	EA	SCREW - SF/DR - 6-20 X 1 PPH - BLACK
	000G39-08-06B	EA	SCREW - SF/DR - 8-18 X 3/8 PPH - ZINC
	000G39-08-08B	EA	SCREW - SF/DR - 8-18 X 1/2 PPH - ZINC
	000G39-08-08S	EA	SCREW - SF/DR - 8-18 X 1/2 PPH - OFF WHITE
	000G39-08-08T	EA	SCREW - SF/DR - 8-18 X 1/2 PPH - BLACK
	000G39-08-12T	EA	SCREW - SF/DR - 8-18 X 3/4 PPH - BLACK
	000G39-08-16B	EA	SCREW - SF/DR - 8-18 X 1 PPH - ZINC
	000G39-08-16T	EA	SCREW - SF/DR - 6-20 X 1 PPH - BLACK
	000G39-08-24B	EA	SCREW - SF/DR - 8-18 X 1 1/2 PPH - ZINC
	000G39-08-24S	EA	SCREW - SF/DR - 8-18 X 1 1/2 - OFF WHITE
	000G39-08-24T	EA	SCREW - SF/DR - 8-18 X 1 1/2 PPH - BLACK
	000G39-08-32B	EA	SCREW - SF/DR - 8-18 X 2 PPH - ZINC
	000G39-10-08B	EA	SCREW - SF/DR - 10-16 X 1/2 PPH - ZINC
	000G39-10-10B	EA	SCREW - SF/DR - 10-16 X 5/8 PPH - ZINC
	000G39-10-12B	EA	SCREW - SF/DR - 10-16 X 3/4 PPH - ZINC
	000G39-10-129	EA	SCREW - SF/DR - 10-16 X 3/4 PPH - FLUOROCARBON SILVER
	000G39-10-169	EA	SCREW - SF/DR - 10-16 X 1 PPH - FLUOROCARBON SILVER
	000G39-10-20B	EA	SCREW - SF/DR - 10-16 X 1 1/4 PPH - ZINC
	000G39-10-20T	EA	SCREW - SF/DR - 10-16 X 1 1/4 PPH - BLACK
	000G39-10-24T	EA	SCREW - SF/DR - 10-16 X 1 1/2" PPH - BLACK
	000G39-10-28T	EA	SCREW - SF/DR - 10-16 X 1 3/4" PPH - BLACK
	000G39-10-32B	EA	SCREW - SF/DR - 10-16 X 2 - PPH - ZINC
	000G39-10-48B	EA	SCREW - SF/DR - 10-16 X 3 - PPH - ZINC
	000G39-10-48T	EA	SCREW - SF/DR - 10-16 X 3 PPH - BLACK
	000G42-04-16B	EA	SCREW - SF/DR - 1/4-14 X 1 HWH - ZINC
	000G42-04-24B	EA	SCREW - SF/DR - 1/4-14 X 1 1/2 - ZINC
	000G46-08-24T	EA	SCREW - MACHINE - 8-32 X 1 1/2 PFH - ZINC
	000G52-06-05B	EA	SCREW - MACHINE - 6-32 X 5/16 PTH - ZINC
	000G52-06-06B	EA	SCREW - MACHINE - 6-32 X 3/8 PTH - ZINC
	000G54-04-14B	EA	SCREW - 1/4-20 X 7/8 PTH - TYPE 23 - ZINC PLATED
	000G55-08-12T	EA	SCREW - SF/DR - 8-18 X 3/4 PWH - BLACK
	000G55-08-124	EA	SCREW - SF/DR - 8-18 X 3/4 PWH - ASH GRAY
	000G55-08-16T	EA	SCREW - SF/DR - 8-18 X 1 PWH - BLACK
	000G56-12-48B	EA	SCREW - WOOD - 12-11 X 3 POH - SPECIAL HARDENED
	000G57-14-64B	EA	SCREW - 14-10 X 4 PFH ZINC
	000G60-08-16E	EA	SCREW - SF/DR - 8-1 X 1 POH - CHROME
	000G60-08-20F	EA	SCREW - SF/DR - 8-19X1.25 POH
	000G60-08-22B	EA	SCREW - SF/DR - 8-18 X 1.38 POH - ZINC
	000G60-10-16J	EA	SCREW - SF/DR - 10-16 X 1 POH - BRIGHT BRASS
	000G60-10-20B	EA	SCREW - SF/DR - 10-16 X 1 1/4 POH - ZINC
	000G60-10-209	EA	SCREW - SF/DR - 10-16 X 1 1/4 POH - SILVER STALGAARD
	000G60-10-28T	EA	SCREW - SF/DR - 10-16 X 1 3/4 - BLACK
	000G62-06-24I	EA	SCREW - SF/DR - 8-18 X 1.5 PPH - BLACK
	000G62-06-249	EA	SCREW - SF/DR - 8-18 X 1.5 PPH - SILVER
	000G62-08-24B	EA	SCREW - SF/DR - 8-18 X 1 1/2 PFH
	000G67-08-32B	EA	SCREW - 8-15 X 2 PPH - ZINC
	000G67-10-08B	EA	SCREW - 10-12 X 1/2 PPH - ZINC
	000G67-10-08S	EA	SCREW - 10-12 X 1/2 PPH - OFF WHITE
	000G67-10-10B	EA	SCREW - 10-12 X 5/8 PPH - ZINC - TYPE A
	000G67-10-10S	EA	SCREW - 10-12 X 5/8 PPH - OFF WHITE

SEALANTS & FASTENERS GROUP (CONTINUED)
SCREWS (CONTINUED)

KEY	PART NUMBER	U/M	DESCRIPTION
	000G67-10-10T	EA	SCREW - 10-12 X 5/8 PPH - BLACK
	000G67-10-10P	EA	SCREW - 10-12 X 5/8 PPH - DARK BROWN
	000G67-10-12P	EA	SCREW - 10-12 X 3/4 PPH - DARK BROWN
	000G67-10-24B	EA	SCREW - 10-12 X 1 1/2 PPH - ZINC
	000G67-10-24S	EA	SCREW - 10-12 X 1 1/2 PPH - OFF WHITE
	000G67-10-32J	EA	SCREW-10-12X2 PPH - BRIGHT BRASS
	000G68-06-10J	EA	SCREW - 6-18 X 5/8 POH - BRASS
	000G68-06-12B	EA	SCREW - 6-18 X 3/4 POH - ZINC & CLEAR
	000G68-06-12J	EA	SCREW - 6-18 X 3/4 POH - BRASS
	000G68-06-12S	EA	SCREW - 6-18 X 3/4 POH
	029130-01-000	EA	SCREW - SNAP STUD - #8-16 X 5/8" LONG
	029130-03-000	EA	SCREW - SNAP STUD - #8-16 X 1" LONG
	049465-01-000	EA	SCREW - 10-16 PTH W/WASHER - DARK BROWN
	049465-03-000	EA	SCREW - 10-16 X 1 POH W/WASHER - OFF WHITE
	049465-13-000	EA	SCREW - 10-16 X 1 PTH W/WASHER - ASH GRAY
	049465-17-000	EA	SCREW - 10-16 X 1 POH W/WASHER - BRIGHT WHITE
	049465-18-000	EA	SCREW - 10-16 X 1 POH W/WASHER - VW GRAY
	054434-02-000	EA	SCREW - SF/DR - 10-16 X 2 - ZINC
	054434-03-000	EA	SCREW - SF/DR - 10-16 X 2 - PWH - ZINC
	075908-01-000	EA	SCREW - MACHINE - 10-32 X .56 PTH - EXTERNAL TOOTH - ZINC
	076790-01-000	EA	SCREW - 6-20 X 1 1/4 PPH - BLACK
	076790-05-000	EA	SCREW - 6-20 X 1/2 PPH - BLACK - THREAD CUTTING/WOOD
	083554-01-000	EA	SCREW - DRYWALL - 8 X 1 1/4
	083554-04-000	EA	SCREW - DRYWALL - 8 X 2 1/2
	087721-01-000	EA	SCREW - FLAT HEAD - TAPPING - 1/4" X 1 1/4" LONG - ZINC
	095772-01-000	EA	SOCKET-SNAP FASTNER1" SF/DR - SELF DRIVER
	097974-01-000	EA	SCREW - PARTICLE BOARD - 7-9 X 3/4 PPH
	097974-02-000	EA	SCREW-PART BD 8-9X.75 PFH - BEIGE
	101618-01-000	EA	SCREW - 1/4-20 X 3/4 HEX - TAPPING - STALGARD TYPE F
	113563-01-01A	EA	SCREW - 8 X 5/8 LONG SHOULDER/WASHER HEAD
	113563-01-02A	EA	SCREW - 8 X 5/8 LONG SHOULDER/WASHER HEAD - BRIGHT WHITE
	118383-01-09A	EA	RETAINER/RECESSED - F/.22" SCREW - GLACIER
	118383-01-12A	EA	RETAINER/RECESSED - F/.22" SCREW - RIVERSTONE
	118383-01-10A	EA	RETAINER/RECESSED - F/.22" SCREW - STORM GRAY
	118383-01-11A	EA	RETAINER/RECESSED - F/.22" SCREW - CASHMERE
	118383-02-10A	EA	RETAINER/RECESSED - F/.27" SCREW - RIVERSTONE
	118383-02-11A	EA	RETAINER/RECESSED - F/.27" SCREW - CASHMERE
	118383-02-13A	EA	RETAINER/RECESSED - F/.27" SCREW - OFF WHITE
	118383-03-09A	EA	RETAINER/RECESSED - F/.32" SCREW - GLACIER
	118383-04-04A	EA	CAP - F/RECESSED RETAINER - BRIGHT WHITE
	118383-04-09A	EA	CAP - F/RECESSED RETAINER - GLACIER
	118383-04-10A	EA	CAP - F/RECESSED RETAINER - RIVERSTONE
	118383-04-11A	EA	CAP - F/RECESSED RETAINER - CASHMERE
	118383-04-12A	EA	CAP - F/RECESSED RETAINER - STORM GRAY
	118383-04-13A	EA	CAP - F/RECESSED RETAINER - OFF WHITE
	134126-01-01A	EA	SCREW/NAIL - HEX HEAD - 3/4"
	140040-01-000	EA	SCREW - 1/4-20 X 1 - BUTTON HEAD/SOCKET - W/LOCTITE
	149753-01-01A	EA	RETAINER/RECESSED - F/.22" SCREW - BLACK
	149753-01-02A	EA	RETAINER/RECESSED - F/.22" SCREW - BRIGHT WHITE
	149753-02-01A	EA	CAP - F/RECESSED RETAINER - BLACK
	149753-02-02A	EA	CAP - F/RECESSED RETAINER - BRIGHT WHITE
	154938-01-01A	EA	SCREW - SF/DR - 10-16 X 3/4 PPH - W/SELF SEAL - BRIGHT WHITE
	154938-01-02A	EA	SCREW - SF/DR - 10-16 X 3/4 PPH - W/SELF SEAL - BLACK
	154938-02-01A	EA	SCREW - SF/DR - 8-18 X 1 PFH - W/SELF SEAL - BRIGHT WHITE
	154938-02-02A	EA	SCREW - SF/DR - 8-18 X 1 PFH - W/SELF SEAL - BLACK
	154938-02-03A	EA	SCREW - SF/DR - 8-18 X 1 PFH - W/SELF SEAL - SILVER
	154938-03-01A	EA	SCREW - SF/DR - 8-18 X 5/8 PFH - W/SELF SEAL - BRT WHT
	154935-03-02A	EA	SCREW - SF/DR - 8-18 X 5/8 PFH - W/SELF SEAL - BLACK
	154938-04-01A	EA	SCREW - SF/DR - 10-16 X 1" TPH - W/SELF SEAL - BRT WHT
	154938-04-02A	EA	SCREW - SF/DR - 10-16 X 1" TPH - W/SELF SEAL - BLACK
	154938-05-03A	EA	SCREW - SF/DR - 8-18 X 1.25" PFH - W/SELF SEAL - SILVER

SEALANTS & FASTENERS GROUP (CONTINUED)

CLAMPS, CLIPS, GROMMETS, RIVETS & PLUGS

KEY	PART NUMBER	U/M	DESCRIPTION
	000H16-04-06R	EA	RIVET - POP ALUMINUM - 1/8 X .313 - .375
	000H16-06-10R	EA	RIVET - POP ALUMINUM - 3/16 X .501 - .625
	007161-01-000	EA	CLAMP - HOSE - SPRING TYPE - 1/2"
	008386-01-000	EA	GROMMET - SNAP - 3/8" DIAMETER - NYLON
	010495-01-000	EA	CLAMP - CABLE - 9/16"ID - BLACK
	010495-02-000	EA	CLAMP - CABLE - 3/8"ID - BLACK
	010495-04-000	EA	CLAMP - CABLE - 11/16"ID - WHITE
	010497-01-000	EA	CLAMP - CLOSED - 5/8"ID
	010497-02-000	EA	CLAMP - CLOSED - 1.5"ID
	010497-03-000	EA	CLAMP - CLOSED - 1"ID - CUSHIONED
	010497-04-000	EA	CLAMP - CLOSED - 1 5/8"ID
	010497-05-000	EA	CLAMP - CLOSED - 1/2"ID
	010497-07-000	EA	CLAMP - CLOSED - 3/8"ID
	010497-09-000	EA	CLAMP - CLOSED - 5/16"ID
	010497-10-000	EA	CLAMP - CLOSED - 7/8"ID
	010499-01-000	EA	CLAMP - CLOSED - 3/8"ID
	016188-03-000	EA	GROMMET - LP LINE - 3/8"HOLE X 2 1/2"LONG - RUBBER
	016188-04-000	EA	GROMMET - LP LINE - 1/2"HOLE X 2 1/2"LONG - RUBBER
	016188-05-000	EA	GROMMET - LP LINE - 3/8"HOLE X 1 1/4"LONG - RUBBER
	016188-06-000	EA	GROMMET - LP LINE - 3/8"HOLE X 3 1/4"LONG - RUBBER
	016188-07-000	EA	GROMMET - L/P LINE - 1/2"HOLE X 3 1/4"LONG
	016188-08-000	EA	GROMMET - LP LINE - 1/2"HOLE X 1 1/4"LONG - RUBBER
	016188-09-000	EA	GROMMET - LP LINE - .68"HOLE X 1 1/4"LONG - RUBBER
	016188-10-000	EA	GROMMET - LP GAS - .68" X 2.5"
	023942-01-000	EA	GROMMET - RUBBER - 2"OD
	041930-11-000	EA	RIVET - POP ALUMINUM - 1/8 X .188 - .250 - BRIGHT WHITE
	061420-04-000	EA	PLUG/PLASTIC - 1 1/4" DIAMETER
	061420-05-000	EA	PLUG/PLASTIC - 1 1/2" DIAMETER
	061420-09-000	EA	PLUG/PLASTIC - 1.00" DIAMETER
	061420-10-000	EA	PLUG/PLASTIC - 1 1/2" DIAMETER - BLACK
	061420-12-000	EA	PLUG/PLASTIC - 1.50" DIAMETER - RED
	061420-13-000	EA	PLUG/PLASTIC - 3/8" - FLUSH
	061420-14-000	EA	PLUG/PLASTIC - 7/8" DIAMETER - BLACK
	061420-15-000	EA	PLUG/PLASTIC - 2" DIAMETER - BLACK
	061420-16-000	EA	PLUG/PLASTIC - 2 1/8" DIAMETER - BLACK
	062401-01-000	EA	CLAMP - HOSE - WORMGEAR - .25" - 1"
	062401-02-000	EA	CLAMP - HOSE - WORMGEAR - 1.56" - 2.5" ID
	062401-03-000	EA	CLAMP - HOSE - WORMGEAR - .22" - 1" ID
	062401-04-000	EA	CLAMP - HOSE - WORMGEAR - .69" - 1.25" ID
	062401-05-000	EA	CLAMP - HOSE - WORMGEAR - 2" - 3" ID
	062401-06-000	EA	CLAMP - HOSE - WORMGEAR - .22" - .62" ID
	062401-09-000	EA	CLAMP - HOSE - WORMGEAR - 2.8" - 3.75" ID
	062401-11-000	EA	CLAMP - HOSE - WORMGEAR - 3.50" - 4.50" ID
	062401-13-000	EA	CLAMP - HOSE - WORMGEAR
	063729-12-000	EA	RIVNUT - 5/16 - 18 UNCUT - FLATHEAD - STAINLESS
	071015-01-000	EA	GROMMET - RUBBER - .5"ID X 1"OD-W/.38" GROOVE - BLACK
	071015-11-000	EA	GROMMET - RUBBER - 1"ID FITS .12 MATERIAL - BLACK
	071015-13-000	EA	GROMMET - RUBBER - .62"ID X 1"OD W/.09" GROOVE - BLACK
	071015-22-000	EA	GROMMET - RUBBER - .62"ID X 1.12"OD W/.19" GROOVE - BLACK
	071015-26-000	EA	GROMMET - RUBBER - 1.5"ID X 2.1"OD W/.06" GROOVE - BLACK
	071015-29-000	EA	GROMMET - RUBBER - .3"ID X 1.3"OD W/.12" GROOVE - BLACK
	071015-30-000	EA	GROMMET - RUBBER - .3"ID X .81"OD W/.12" GROOVE - BLACK
	071015-39-000	EA	GROMMET - .75 ID FITS .06 MTL
	071015-41-000	EA	GROMMET - .125 ID FITS .188 MTL
	071015-42-000	EA	GROMMET - .25 ID FITS .06 MTL
	075148-02-000	EA	CLAMP - GROUNDING - BRONZE SCREWS
	077955-01-000	EA	CLIP/J - 3/8" - VINYL COATED
	080734-02-000	EA	CLIP - WIRE NYLON
	081211-01-000	EA	PLUG - PLASTIC - .31"DIA - BLACK
	081211-03-000	EA	PLUG - PLASTIC - .50"DIAMETER - TRUSS HEAD - BLACK
	081211-04-000	EA	PLUG - PLASTIC - .46"DIAMETER - TRUSS HEAD - BLACK
	083609-01-000	EA	CLAMP - WIRE - DUAL - EQUAL DIAMETERS - 5/8"
	083610-01-000	EA	CLAMP - WIRE - DUAL - UNEQUAL DIAMETERS - 3/4" & 1 1/4"
	083610-02-000	EA	CLAMP - WIRE - DUAL - UNEQUAL DIAMETERS - 3/4" & 2"

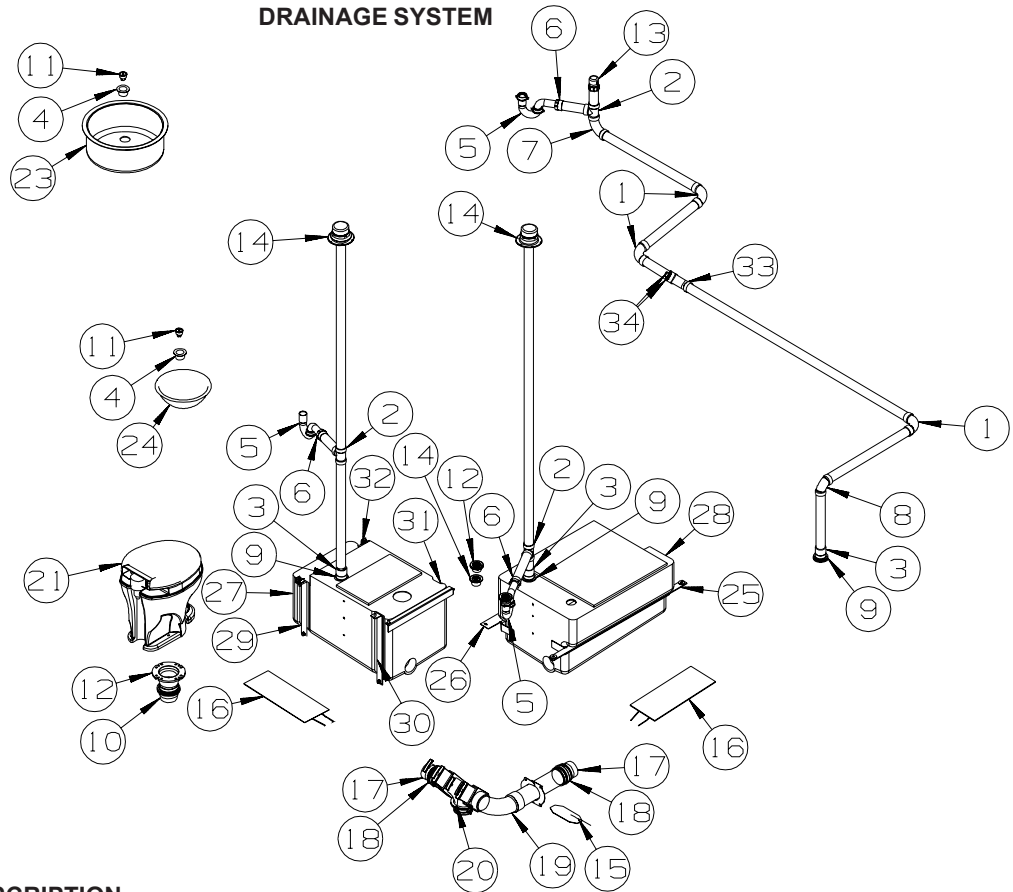
SEALANTS & FASTENERS GROUP (CONTINUED)
CLAMPS, CLIPS, GROMMETS, RIVETS & PLUGS (CONTINUED)

KEY	PART NUMBER	U/M	DESCRIPTION
	083610-03-000	EA	CLAMP - WIRE - DUAL - EQUAL DIAMETERS - 2"
	088756-01-000	EA	GROMMET - WEB - 1 1/8"ID
	089329-02-000	EA	CLIP - SPRING
	091952-01-000	EA	CLIP - GRIPPER - 1" - BLACK VINYL COATED
	091952-02-000	EA	CLIP - GRIPPER - 3/4" - BLACK VINYL COATED
	091952-03-000	EA	CLIP - GRIPPER - 1/2" - BLACK VINYL COATED
	094362-02-000	EA	CLIP - XMAS TREE - BINDER HEAD - .9" LONG/ANY COLOR
	094362-05-000	EA	CLIP - XMAS TREE - ROUND HEAD - 1.4" LONG/ANY COLOR
	113133-02-01A	EA	RIVET - POP - ALUMINUM - 3/16 X .252 - .504 - BLACK
	114208-05-000	EA	GROMMET - EDGE LINER - FITS 2"
	118626-01-02A	EA	RIVET/POP - ALUMINUM - 3/16 X .08 - .375
	118626-01-01A	EA	RIVET/POP - ALUMINUM - 3/16 X 1.2"(GRIP RANGE .1"-.4")
	118626-02-01A	EA	RIVET/POP - ALUMINUM - 3/16 X .500 - .750
	118626-03-01A	EA	RIVET/POP - STAINLESS STEEL - 3/16 X .500 - .750
	137014-01-02A	EA	GROMMET - CABLE - BROWN
	137014-01-01A	EA	GROMMET - CABLE - ALMOND
	137014-01-03A	EA	GROMMET - CABLE - BLACK
	139118-02-01A	EA	GROMMET - SCREW - PLASTIC
	155498-01-01A	EA	CLAMP - CLOSED - 7/8"ID - VINYL DIP/GALVONIZED - BLACK

MISCELLANEOUS FASTENERS

KEY	PART NUMBER	U/M	DESCRIPTION
	008343-01-000	EA	TIE - WIRE - 6"
	008343-02-000	EA	TIE - WIRE - 14"
	008343-03-000	EA	TIE - WIRE - 7 1/2" - BLACK
	029094-04-000	YD	VELCRO TAPE/LOOP - 1"WIDE - W/ADHESIVE BACK - BLACK
	029096-04-000	YD	VELCRO TAPE/HOOK - 1"WIDE - BLACK - W/ADHESIVE BACK (PSA)
	048394-02-000	YD	VELCRO TAPE - HOOK - ADHESIVE BACK - 3/4" WIDE - BEIGE
	085774-01-000	FT	FASTENER - DUAL LOCK - 1" WIDE - ADHESIVE BACK - BLACK
	085774-02-000	FT	FASTENER - DUAL HOOK - 1" WIDE - ADHESIVE BACK - BLACK
	088792-02-000	YD	VELCRO TAPE - LOOP - 3/4" - ADHESIVE BACK - BEIGE
	088792-04-000	YD	VELCRO TAPE - HOOK - 5/8" - NON-ADHESIVE BACK - WHITE
	088792-05-000	YD	VELCRO TAPE - LOOP - 5/8" - NON-ADHESIVE BACK - WHITE
	108046-02-000	EA	CABLE TIE - SCREW MOUNT 15"

WATER & SEWAGE GROUP DRAINAGE SYSTEM

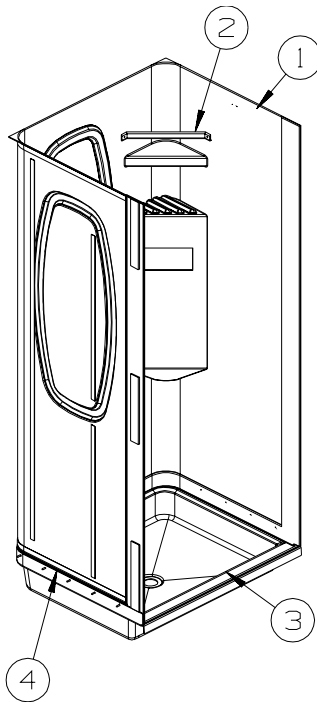


KEY	PART NUMBER	U/M	DESCRIPTION
1	010008-01-000	EA	ELBOW - 90 DEGREE - 1 1/2" HUB X HUB - PLASTIC
2	010071-01-000	EA	TEE - SANITARY - 1 1/2" HUB X HUB X HUB - PLASTIC
3	010115-01-000	EA	COUPLING - 1 1/2" HUB X HUB - PLASTIC
4	011069-06-000	EA	TAILPIECE - 1 1/2" X 1 1/4" X 2 1/2"
5	107538-02-000	EA	P-TRAP - PLASTIC - 1 1/2" W/EXTENSION ARM
5	011071-01-000	EA	P-TRAP - 1 1/2" - CSA - PLASTIC - CANADIAN
6	152146-01-000	EA	CONNECTOR - 1 1/2"P X 1 1/2"MPT
7	033761-01-000	EA	ELBOW - 90 DEGREE - TURN - 1 1/2" HUB X 1 1/2" SPIGOT
8	034250-01-000	EA	ELBOW - 90 DEGREE - LONG TURN - 1 1/2" HUB X HUB - ABS
9	061607-01-000	EA	GROMMET - HOLDING TANK - 1 1/2" NPS
10	061607-02-000	EA	GROMMET - HOLDING TANK - 3" NPS
11	066437-02-000	EA	STRAINER/BASKET - GALLEY SINK - 2.6" OD
	127440-02-01A	EA	WASHER - RUBBER - 1.8" X .1"
12	066437-02-000	EA	STRAINER/BASKET - GALLEY SINK - 2.6" OD
			FROM: 00-00-00 THRU: 02-11-07
12	163569-01-000	EA	STRAINER - W/BASKET/NUT/SEAL WASHER - 2"
			FROM: 02-12-07 THRU: 99-99-99
	127440-02-01A	EA	WASHER - RUBBER - 1.8" X .1"
			FROM: 00-00-00 THRU: 02-11-07
	130403-01-000	EA	NUT - SLIP - W/WINGS 1 1/2"
13	079968-01-000	EA	VENT - MECHANICAL/TRAP ARM - ANTI-SIPHON-2" X 7.3" PLASTIC
14	083558-03-000	EA	VENT - W/COVER - F/PLUMBING STACK - OFF WHITE
15	133972-03-000	EA	PAD/ELBOW HEATING - 1.5" DIAMETER - HEATED DRAINAGE SYSTEM
16	133972-04-000	EA	PAD/HEATER - HOLDING TANK - F/34 GALLON - HEATED DRAINAGE SYSTEM
17	010129-03-000	EA	NIPPLE - 3" X 3" TOE - PLASTIC
18	078406-01-000	EA	COUPLER - 3" X 3" W/CLAMPS - RUBBER
19	041956-01-000	EA	ELBOW - 3" STREET - 90 DEGREE - PLASTIC
20	136143-01-000	EA	VALVE - DUAL - 3" X 3"
	139513-01-000	EA	HOSE - SEWER - 3" X 10' - W/ADAPTER
	062416-01-000	EA	ADAPTER - SEWER HOSE TO 3" PIPE
21*	147421-01-01A	EA	TOILET/AQUA MAGIC 5 (HIGH) FOOTFLUSH - W/SPRAY - WHITE
22	116644-01-000	EA	FLANGE/CLOSET - 3" FEMALE - 4 BOLT
			FROM: 00-00-00 THRU: 05-28-06
22	024676-01-000	EA	FLANGE/CLOSET - 4" X 3" - BLACK PLASTIC
			FROM: 05-29-06 THRU: 99-99-99

WATER & SEWAGE GROUP (CONTINUED)
DRAINAGE SYSTEM (CONTINUED)

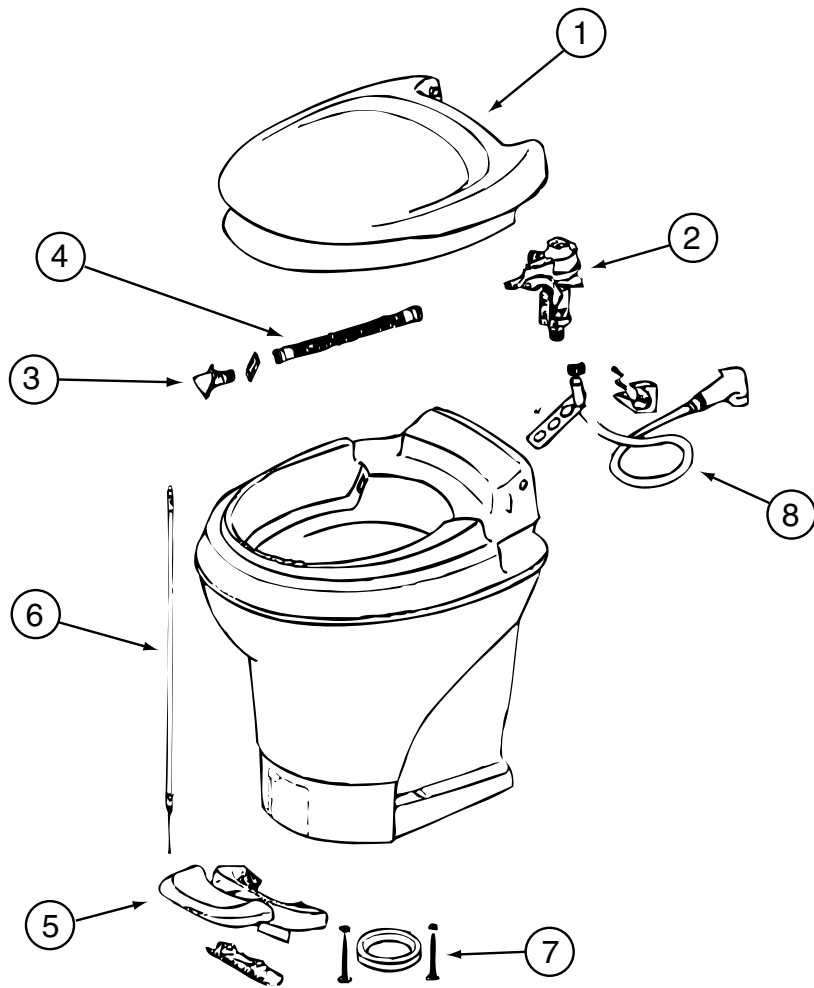
KEY	PART NUMBER	U/M	DESCRIPTION
23	151677-02-01A	EA	SINK - GALLEY - ROUND - STAINLESS STEEL - CSA
24	151679-01-01A	EA	SINK - LAVATORY - STAINLESS STEEL
25	151890-02-02B	EA	BRACKET - HOLDING TANK - E-COATED
26	151890-03-02B	EA	BRACKET - HOLDING TANK - E-COATED
27	152934-01-700	EA	TANK - HOLDING - W/3" NIPPLE - W/O FITTINGS
	010129-03-000	EA	NIPPLE - 3" X 3" TOE - PLASTIC
	049032-01-000	EA	PATCH - SPINWELD - 3/8" - PLASTIC
28	152935-01-700	EA	TANK - HOLDING - W/3" NIPPLE - W/O FITTINGS
	010129-03-000	EA	NIPPLE - 3" X 3" TOE - PLASTIC
	049032-01-000	EA	PATCH - SPINWELD - 3/8" - PLASTIC
29	153147-01-02B	EA	STRAP/MOUNTING - HOLDING TANK - E-COATED
30	153147-02-02B	EA	STRAP/MOUNTING - HOLDING TANK - E-COATED
31	153148-01-02B	EA	STRAP/MOUNTING - HOLDING TANK - E-COATED
32	153148-02-02B	EA	STRAP/MOUNTING - HOLDING TANK - E-COATED
33	010073-01-000	EA	WYE - 45 DEGREE - 1 1/2" HUB X HUB X HUB - PLASTIC
34	010122-01-000	EA	BUSHING/PLASTIC - REDUCER - 1 1/2"SMTH X 1 1/4"THD - BLACK
34	010166-01-000	EA	PLUG/THREADED - 1 1/4"MPT - PLASTIC - BLACK - UL

***COMPONENT PARTS LISTED LATER IN THIS GROUP**



KEY	PART NUMBER	U/M	DESCRIPTION
1	147070-01-18A	EA	SURROUND - SHOWER - SOFT WHITE
2	113714-02-02A	EA	RETAINER - SHELF/SHOWER - 10.6" - SOFT WHITE
3	M02673-14-R28	EA	SHOWER PAN - W/STRAINER
4	154585-03-01A	FT	SEAL - FOAM TAPE - ADHESIVE 2 SIDED - 1/8" X 3/4" - BLACK

WATER & SEWAGE GROUP (CONTINUED)
COMPONENT PARTS FOR DRAINAGE SYSTEM

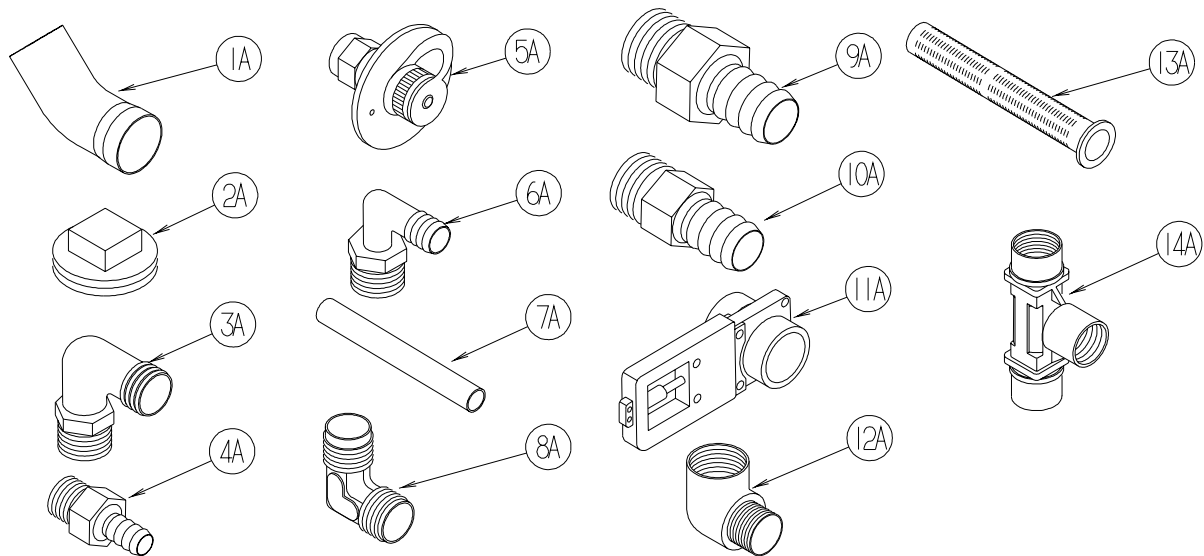


147421-01-01A, 147421-02-01A

KEY	PART NUMBER	U/M	DESCRIPTION	VENDOR NO.
1	147421-01-700	EA	SEAT & COVER ASSEMBLY(WHT)	31703
2	147421-01-701	EA	WATER MODULE ASSEMBLY	31705
3	147421-01-702	EA	NOZZLE ASSEMBLY	31706
4	147421-01-703	EA	LINK - WATER MODULE	31621
5	147421-01-704	EA	PEDAL - WHITE	31709
6	147421-01-705	EA	FOOT CABLE	31711
7	063740-01-706	EA	BOLT PACKAGE-FLOOR FLANGE	12524 THETFORD
8	147421-01-708	EA	HAND SPRAY KIT - WHITE HEAD	33226
	147421-01-706	EA	SEAL - BLADE	31708
	147421-01-707	EA	CAP (UNIVERSAL BOLT) - WHITE	31713

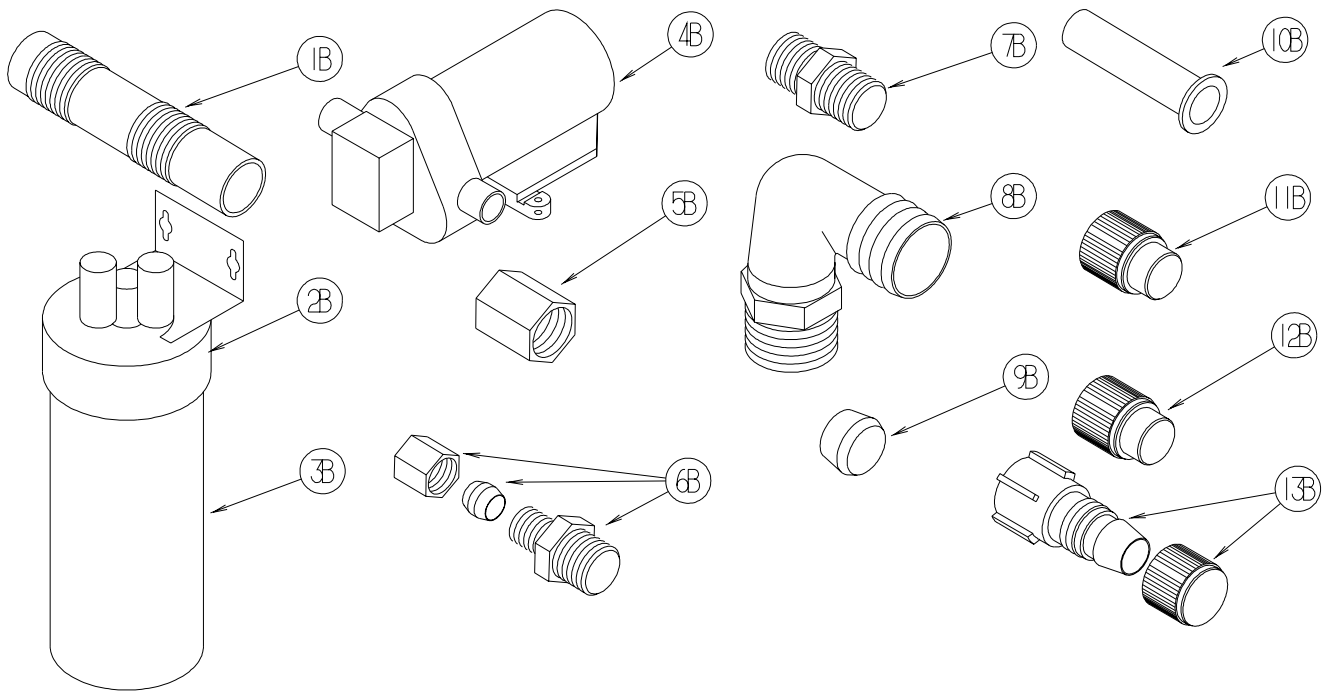
WATER & SEWAGE GROUP (CONTINUED)

WATER SYSTEM



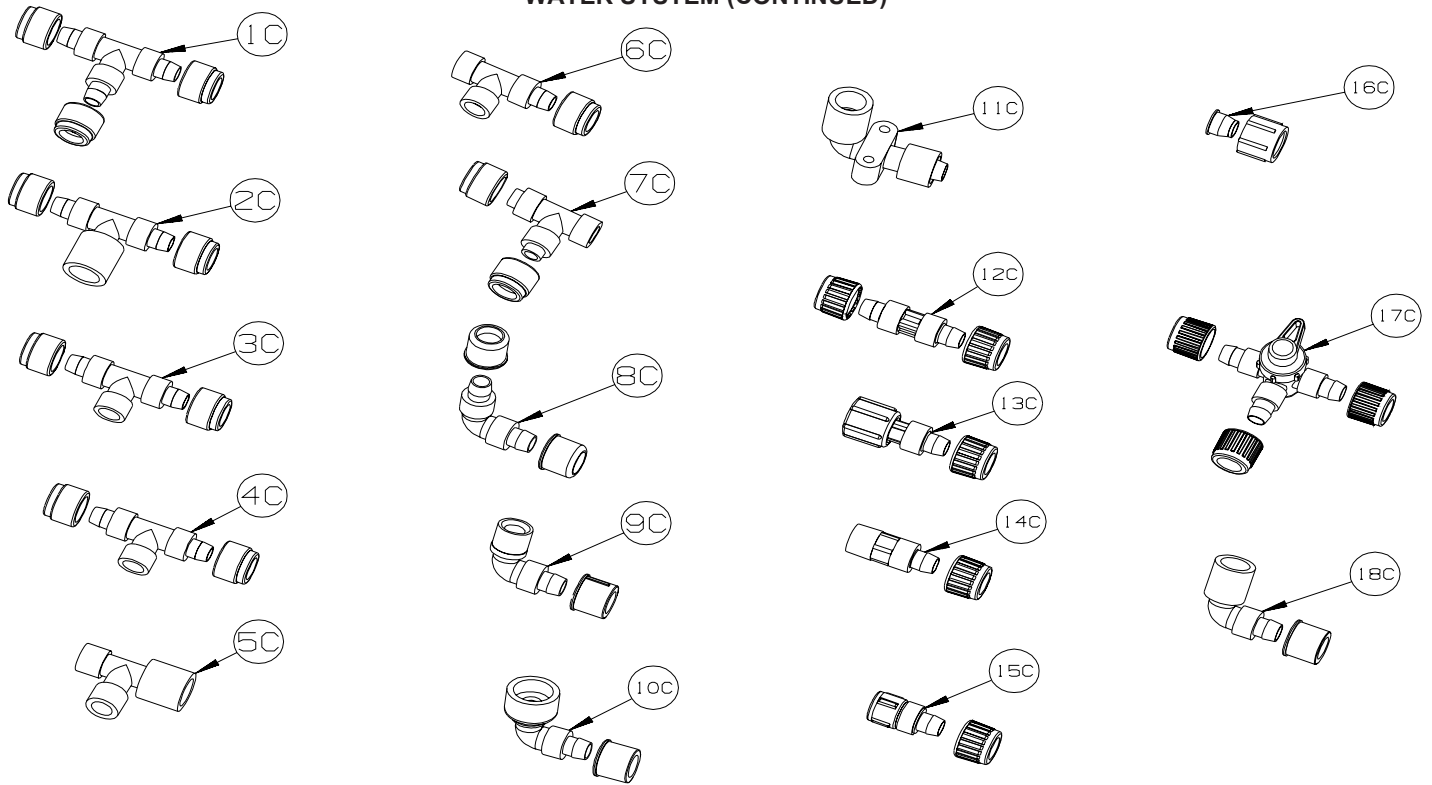
KEY	PART NUMBER	U/M	DESCRIPTION
1A	010009-01-000	EA	ELBOW - 90 DEGREE - 1/4 BEND - 1 1/2" PLASTIC
2A	010166-01-000	EA	PLUG/THREADED - 1 1/4"MPT - PLASTIC - BLACK - UL
3A	010219-01-000	EA	ELBOW - 1 1/4 MPT X 1 1/4 BARB - WATER FILL - PLASTIC
4A	010224-01-000	EA	ADAPTER - HOSE TO PIPE - 3/8 MPT X 3/8 BARB - PLASTIC
5A	010230-06-000	EA	FILL - CITY WATER - W/CHECK VALVE - MPT - BRUSHED ALUM
6A	035539-01-000	EA	ELBOW - 3/8 MPT X 3/8 BARB - PLASTIC
7A	039800-04-000	FT	TUBING - POLYBUTYL - 1/4"OD
7A	074462-02-000	FT	TUBING - VINYL - 3/8 ID X 20' - CLEAR
7A	112176-01-000	FT	TUBING - VINYL - REINFORCED - 1/2" ID
7A	124188-01-000	FT	TUBING - PEX - 1/2" ID X 20' - BLUE(COLD)
7A	124188-02-000	FT	TUBING - PEX - 1/2" ID X 20' - RED(HOT)
8A	039808-03-000	EA	ELBOW - 1/2" MPT X 1/2" MPT - PLASTIC
9A	044927-01-000	EA	ADAPTER - HOSE TO PIPE-1 1/4 MPTX1 1/4 BARB-BLACK PLASTIC
10A	044927-02-000	EA	ADAPTER - REDUCING - 1" MPT X 1.3" BARB - PLASTIC
11A	062421-03-000	EA	VALVE/DUMP W/O HANDLE - 1 1/2" X 1 1/2" HUB
	062421-05-000	EA	CABLE/ROD - F/DUMP VALVE - W/HANDLE - 48"
	062421-07-000	EA	CABLE/ROD - F/DUMP VALVE - W/HANDLE - 144"
	062421-08-000	EA	CABLE/ROD - F/DUMP VALVE - W/HANDLE - 108"
12A	065318-02-000	EA	ELBOW - 90 DEGREE - 3/8" MPT TO 3/8" FPT
13A	077954-02-000	EA	FILTER - WATER TANK - W/SCREEN IN TANK
14A	039798-01-000	EA	TEE - 1/2"MPT X 1/2"MPT X 1/2"MPT - PLASTIC

WATER & SEWAGE GROUP (CONTINUED)
WATER SYSTEM (CONTINUED)



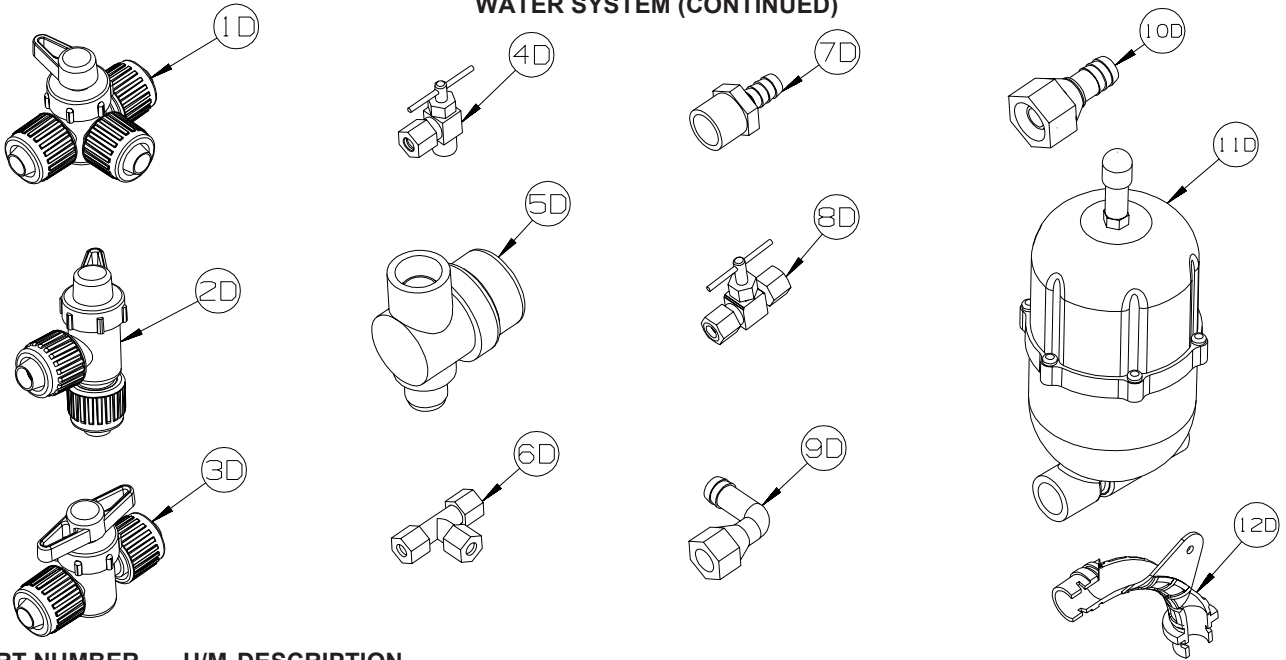
KEY	PART NUMBER	U/M	DESCRIPTION
1B	079381-01-000	FT	TUBING - RIBBED FLEXIBLE - WATER FILL - 1.4" ID
2B	087200-01-000	EA	FILTER-WATER PURIFCATION, EVERPURE QC2-AC
3B	087200-02-000	EA	CARTRIDGE-WATER FILTER,AC - EVERPURE 9601-11
4B*	098607-01-000	EA	PUMP - WATER - W/.5" MPT FITTING - FLOW 2.8 GPM
			FROM: 00-00-00 THRU: 06-21-06
4B	160702-01-000	EA	PUMP - WATER - 3.0 GPM - W/1/2" MPT
			FROM: 06-22-06 THRU: 99-99-99
5B	101814-01-000	EA	COUPLING - FEMALE - 1/2" X 1/2" FPT - GRAY
6B	103798-01-000	EA	CONNECTOR - 1/4 OD X 3/8 MPT
7B	110438-02-000	EA	VALVE - CHECK - BRASS - 1/2 MPT X 1/2 MPT
8B	111223-02-000	EA	ELBOW - 1/2" MPT X 3/8" BARB - PLASTIC
8B	111223-03-000	EA	ELBOW - 3/4" MPT X 1/2" BARB - PLASTIC
8B	111223-04-000	EA	ELBOW - 1/2" MPT X 1/2" BARB - PLASTIC
9B	111888-01-000	EA	FERRULE - PLASTIC - .250 ID X .375 OD
10B	111888-02-000	EA	INSERT - BRASS - 1/4 COMP
11B	113697-01-000	EA	CAP - 3/8"P
12B	114427-01-000	EA	CAP - 1/2"P
13B	114427-02-000	EA	PLUG - W/COMP NUT - 1/2" PLASTIC PIPE/1/2" FLAIR-IT

WATER & SEWAGE GROUP (CONTINUED)
WATER SYSTEM (CONTINUED)



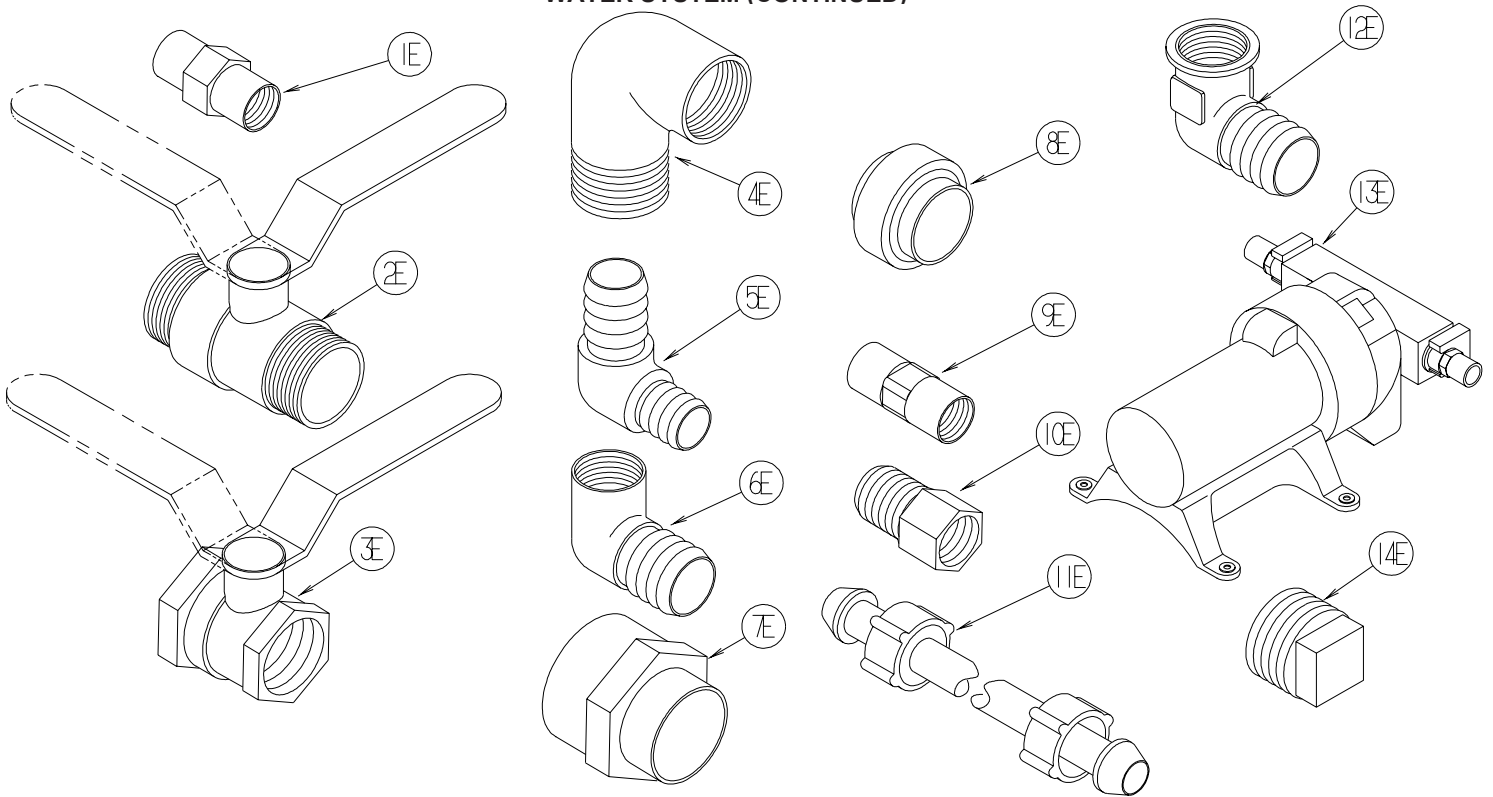
KEY	PART NUMBER	U/M	DESCRIPTION
1C	114428-01-000	EA	TEE - 1/2"P X 1/2"P X 1/2"P
2C	114428-02-000	EA	TEE - SWIVEL - 1/2"P X 1/2"P X 1/2"FPT
3C	114428-03-000	EA	TEE - 1/2"P X 1/2"P X 1/2"MPT
4C	114428-04-000	EA	TEE - 1/2"P X 1/2"P X 1/8"FPT
5C	114428-05-000	EA	TEE - 1/2" SWIVEL X 1/2" MPT X 1/2" MPT
6C	114428-06-000	EA	TEE - 1/2" P X 1/2" MPT X 1/2" MPT
7C	114428-07-000	EA	TEE - 1/2" P X 1/2" MPT X 1/2" P
8C	114429-01-000	EA	ELBOW - 1/2"P X 1/2"P
9C	114429-02-000	EA	ELBOW - 1/2"P X 1/2"MPT
9C	114429-04-000	EA	ELBOW - 1/2"P X 3/8"MPT
9C	114429-05-000	EA	ELBOW - 1/2"P X 3/4"MPT
9C	114429-10-000	EA	ELBOW - SWIVEL - 1/2"MPT X 1/2"FPT
10C	114429-06-000	EA	ELBOW - SWIVEL - 1/2"P X 3/4"FPT
10C	114429-08-000	EA	ELBOW - SWIVEL - 1/2"P X 1/2"FPT
11C	114429-09-000	EA	ELBOW - 1/2"P X 1/2"FPT DROP EAR
12C	114430-01-000	EA	ADAPTER - 1/2"P X 1/2"P
13C	114430-02-000	EA	ADAPTER - SWIVEL - 1/2"P X 1/2"FPT
13C	114430-04-000	EA	ADAPTER - SWIVEL - 1/2"P X 3/8"MPT
14C	114430-03-000	EA	ADAPTER - 1/2"P X 1/2"MPT
15C	114430-06-000	EA	ADAPTER - 1/2"P X 3/8"FPT
15C	114430-09-000	EA	ADAPTER - 1/2"P X 1/2"FPT
16C	114430-10-000	EA	ADAPTER - NUT - PIPE CONNECTION - 1/2"
17C	114431-01-000	EA	VALVE - 180 DEGREE/CENTER DRAIN - 1/2"P - THREE WAY
18C	114429-11-000	EA	ELBOW - 1/2"P X 1/2"FPT

WATER & SEWAGE GROUP (CONTINUED)
WATER SYSTEM (CONTINUED)



KEY	PART NUMBER	U/M	DESCRIPTION
1D	114431-02-000	EA	VALVE - WATER BYPASS - 1/2"P - THREE WAY (WATER HEATER)
2D	114431-03-000	EA	VALVE - 90 DEGREE DRAIN - 1/2"P
3D	114431-04-000	EA	VALVE - "INLINE SHUT-OFF" - 1/2"P
4D	114431-05-000	EA	VALVE - NEEDLE - 1/8" MPT X 1/4" COMPRESSION (ICE MAKER)
5D	152925-01-01A	EA	FILTER - IN LINE - TWIST ON - 1/2" - BLACK
6D	118423-01-000	EA	FITTING - BRASS-TEE - 1/4C X 1/4C X 1/4C
7D	118809-01-000	EA	ADAPTER - 1/2" MPT X 3/8" BARB - PLASTIC
7D	118809-02-000	EA	ADAPTER - 1/2" MPT X 1/2" BARB - PLASTIC
8D	120868-01-000	EA	VALVE - NEEDLE - 1/4" COMPRESSION X 1/4" COMPRESSION
9D	123150-01-000	EA	ELBOW - 1/2 FPT X 1/2 BARB - SWIVEL
10D	123152-01-000	EA	ADAPTER - 1/2 FPT X 1/2 BARB - SWIVEL
11D	123243-01-000	EA	TANK - ACCUMULATOR - 24 OZ
	123317-01-000	EA	TANK - ACCUMULATOR - 2 GALLON
12D	124184-01-000	EA	SUPPORT - WATER LINE - BEND

WATER & SEWAGE GROUP (CONTINUED)
WATER SYSTEM (CONTINUED)



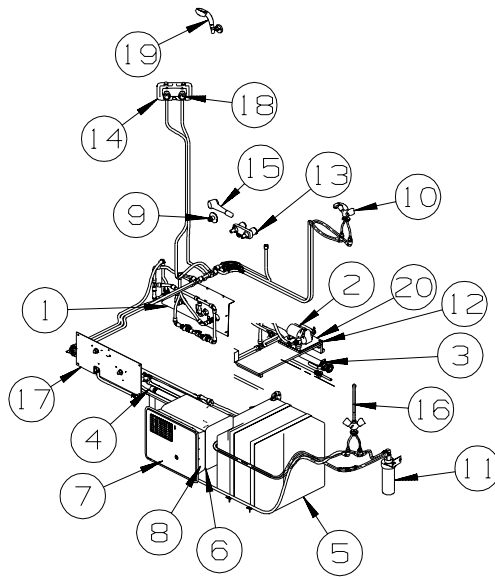
KEY	PART NUMBER	U/M	DESCRIPTION
1E	132148-01-000	EA	CONNECTOR - 1/2" X 1/2"MPT - BRASS
2E	132483-01-000	EA	VALVE/BALL - 1" - THREADED ENDS
3E	132483-02-000	EA	VALVE/BALL - 1/2" - BRASS - FPT
4E	132484-01-000	EA	ELBOW - 90 DEGREE - 1MPT X 1FPT - PLASTIC
5E	132781-01-000	EA	ELBOW - 1.3" BARB X 1.3" BARB - 90 DEGREE - PLASTIC
6E	132782-01-000	EA	ELBOW - 1"FPT X 1.3" BARB - 90 DEGREE - PLASTIC
7E	133835-01-000	EA	ADAPTER - REDUCING - 1 1/2" X 1 1/4"
8E	133889-01-000	EA	UNION - 1 1/2 DOUBLE SLIP - PVC
9E	135386-01-000	EA	NIPPLE - 1/2"
10E	136333-01-000	EA	ADAPTER - BRASS - 1/2"MPT X 1/2"FPT
11E	140821-01-000	EA	TUBE - WATER SUPPLY - 3/8" X 24"
11E	140821-02-000	EA	TUBE - WATER SUPPLY - 3/8" X 30"
11E	140821-03-000	EA	TUBE - WATER SUPPLY - 3/8" X 36"
11E	140821-04-000	EA	TUBE - WATER SUPPLY - 3/8" X 48"
11E	140821-05-000	EA	TUBE - WATER SUPPLY - 3/8" X 54"
11E	140821-06-000	EA	TUBE - WATER SUPPLY - 3/8" X 60"
11E	140821-07-000	EA	TUBE - WATER SUPPLY - 3/8" X 72"
11E	140821-08-000	EA	TUBE - WATER SUPPLY - 1/2" X 24"
11E	140821-09-000	EA	TUBE - WATER SUPPLY - 1/2" X 36"
11E	140821-10-000	EA	TUBE - WATER SUPPLY - 1/2" X 48"
12E	142812-01-000	EA	ELBOW - BRASS - 1/2"MPT X 1/2"FPT
13E*	144215-01-000	EA	PUMP - WATER - 5.7 GPM - W/1/2" MPT

FROM: 00-00-00 THRU: 02-05-06

14E 145609-01-000 EA PLUG - BRASS - 1/2" MPT/HEX HEAD

***COMPONENT PARTS LISTED LATER IN THIS GROUP**

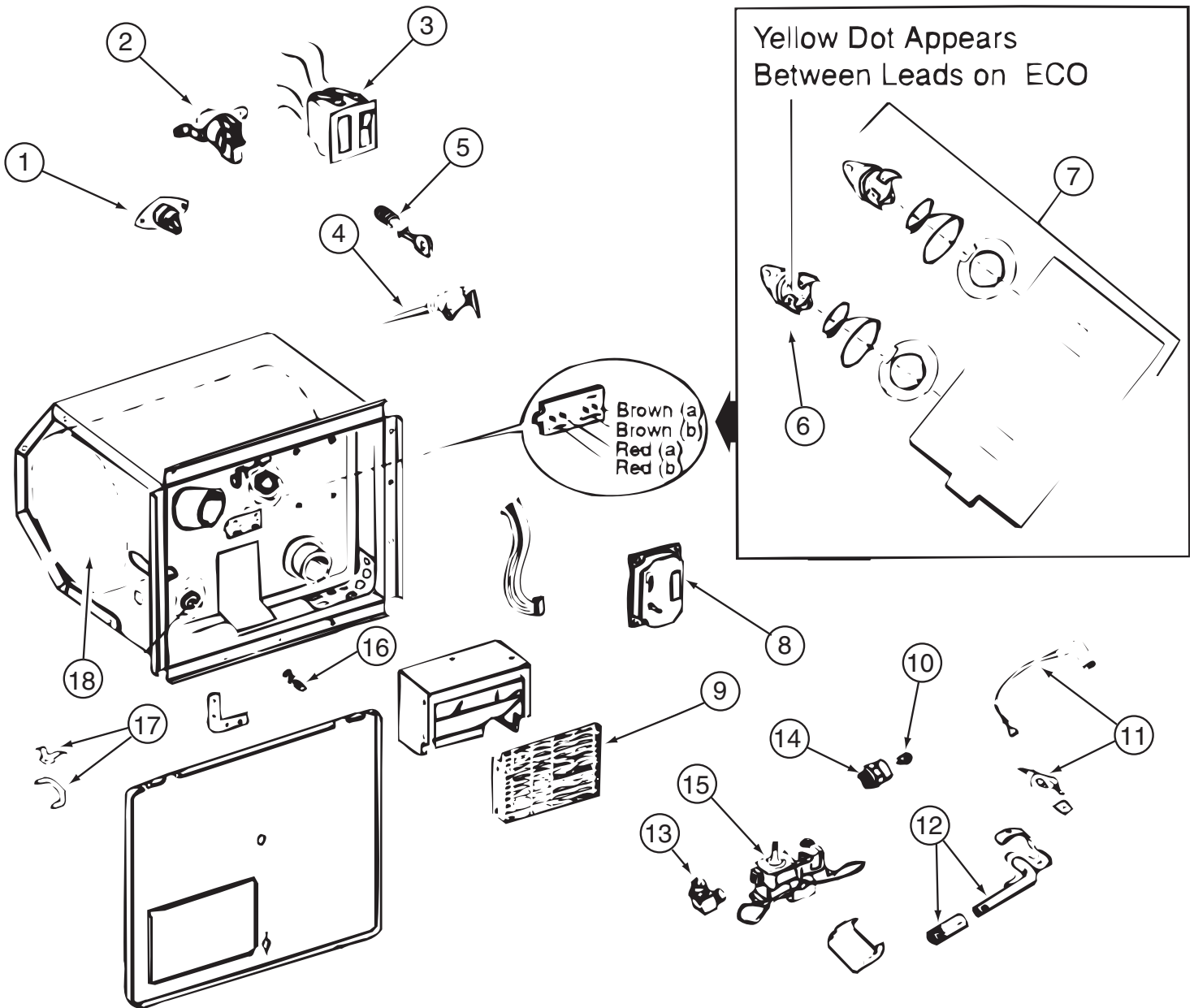
WATER & SEWAGE GROUP (CONTINUED)
WATER SYSTEM (CONTINUED)



KEY	PART NUMBER	U/M	DESCRIPTION
1	151706-02-12B	EA	PANEL - SERVICE CENTER - BRIGHT WHITE
2*	098607-01-000	EA	PUMP - WATER - W/.5" MPT FITTING - FLOW 2.8 GPM - NOT ILLUSTRATED FROM: 00-00-00 THRU: 06-21-06
2	160702-01-000	EA	PUMP - WATER - 3.0 GPM - W/1/2" MPT FROM: 06-22-06 THRU: 99-99-99
3	132483-01-000	EA	VALVE/BALL - 1" - THREADED ENDS
4	132781-01-000	EA	ELBOW - 1.3" BARB X 1.3" BARB - 90 DEGREE - PLASTIC
5	151550-05-000	EA	TANK - WATER - 28 GALLON - W/FITTINGS
	042989-04-000	EA	FITTING - SPINWELD - 3/8"FPT - PLASTIC
	042989-05-000	EA	FITTING - SPINWELD - 1/2"FPT - PLASTIC
	042989-08-000	EA	FITTING - SPINWELD - 1"FPT - PLASTIC
	049032-01-000	EA	PATCH - SPINWELD - 3/8" - PLASTIC
6*	051391-03-000	EA	WATER HEATER G6A-8E ELECTRONIC IGNITION
6*	145541-02-000	EA	WATER HEATER-6 GAL-GAS/ELEC/120'-REM IGN-W/HEAT EXC - WTR HTR-6GAL ELECTRIC/LP GAS
7	052009-06-000	EA	DOOR - WATER HEATER - BRIGHT WHITE - 18" X 14.6"
	076767-03-000	EA	CABLE - STAINLESS STEEL - 18.5"
8	152239-01-01A	EA	FLANGE/MOUNTING/RECESSED - 19.3" X 15.8" - BRIGHT WHITE
9	010230-06-000	EA	FILL - CITY WATER - W/CHECK VALVE - MPT - BRUSHED ALUM
10*	151680-01-01A	EA	FAUCET - LAVATORY/DUAL CONTROL - CHROME/BRASS
11	087200-01-000	EA	FILTER - WATER PURIFICATION
11	087200-02-000	EA	CARTRIDGE - WATER FILTER
12	140364-01-01A	EA	FOAM - PAD - .5" X 8" X 8"
13	163269-01-02A	EA	FAUCET/SHOWER -.5"MPT W/1.9" INLET PIPES- EXTERIOR/CHROME
14	075606-03-000	EA	PANEL - FAUCET SHOWER - SOFT WHITE
15	131383-01-02A	EA	SHOWER HEAD - W/60" HOSE & BRACKET - WHITE
16*	151678-01-01A	EA	FAUCET - GALLEY/DUAL CONTROL - CHROME
17	153917-01-12B	EA	PANEL - WINTERIZATION VALVE - BRIGHT WHITE
18	163269-01-01A	EA	FAUCET/SHOWER -.5"MPT W/1.9" INLET PIPES- EXTERIOR/BRT WHT
19	129390-04-01A	EA	SHOWER HEAD - W/HOSE & BRACKET - WHITE
20	149477-02-02B	EA	PANEL - WATER PUMP - E-COATED

***COMPONENT PARTS LISTED LATER IN THIS GROUP**

WATER & SEWAGE GROUP (CONTINUED)
COMPONENT PARTS FOR WATER SYSTEM



051391-03-000

KEY	PART NUMBER	U/M	DESCRIPTION	VENDOR NO.
3	051393-01-701	EA	SWITCH - REMOTE - W/LIGHT	91959
4	051391-01-704	EA	VALVE-RELIEF, 1/2" FITTING	91604
4	051391-03-701	EA	VALVE-RELIEF - 3/4" FITTING	90028
5	051391-01-705	EA	FASTENER-CAMLOCK	92609
6	051391-04-701	EA	THERMOSTAT 12V DC-120 PRESET	91470
7	051393-01-721	EA	THERMOSTAT W/ECO, 140 FRT MT	91447
9	051391-04-707	EA	KIT-EXHAUST, (FLUE & GASKET)	90960
10	051391-01-710	EA	ORIFICE-MAIN BURNER	92742
12	051391-04-703	EA	BURNER-MAIN/ELECTRONIC IG	91638
13	051391-01-714	EA	FITTING-ELBOW 45,3/8F X 3/8	MPT 1044
14	051391-03-700	EA	HOLDER-ORIFICE	91563
16	051391-01-715	EA	PLUG-DRAIN, 1 EA = 2 PER PKG	91857
17	051391-01-700	EA	HINGE KIT, (PIN & CLIP)	92568&92559
18	051391-04-706	EA	TANK-G6A-4E/6E/7E/8E-FRT.MT	91641 - INNER
	051391-01-717	EA	GRILLE-WATER HEATER DOOR	92640
	051393-01-723	EA	SWITCH - THERMAL CUTOUT 2/PK	93866 WAS 93853
	051393-01-724	EA	BOARD-CIRCUIT,SPADE TERMINAL	93865
	051393-01-725	EA	ELECTRODE-SGL SPADE CONNECT.	93868
	051393-01-726	EA	VALVE/SOLENOID - W/O BRACKET	93870
	111129-01-711	EA	BRACKET-CORNER, SET OF FOUR	91928

CONTACT WINNEBAGO PARTS SALES FOR UNLISTED COMPONENT(S)

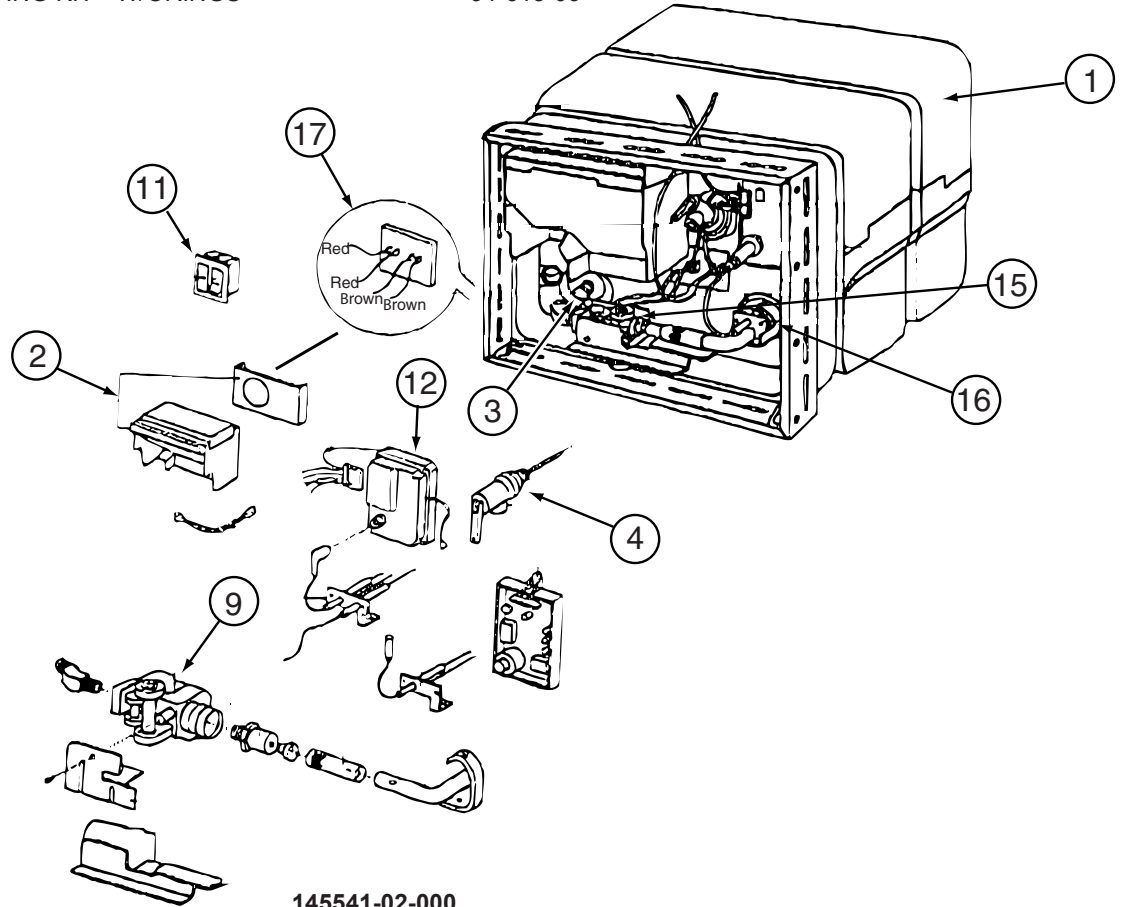
WATER & SEWAGE GROUP (CONTINUED)
COMPONENT PARTS FOR WATER SYSTEM (CONTINUED)

098607-01-000

KEY	PART NUMBER	U/M	DESCRIPTION	VENDOR NO.
	098607-01-702	EA	DIAPHRAGM/DRIVE ASSEMBLY KIT	94-238-04
	098607-01-703	EA	VALVE KIT	94-232-00
	098607-01-705	EA	VALVE-CHECK, KIT	94-237-00
	098607-01-706	EA	HOUSING, W/SWITCH ONLY	94-231-20
	098607-01-707	EA	MOTOR W/BASEPLATE	11-148-04

144215-01-000

KEY	PART NUMBER	U/M	DESCRIPTION	VENDOR NO.
	144215-01-700	EA	VALVE ASSEMBLY	94-030-01
	144215-01-701	EA	DRIVE ASSEMBLY	94-030-02
	144215-01-702	EA	FITTING KIT - W/ORINGS	94-615-06



145541-02-000

KEY	PART NUMBER	U/M	DESCRIPTION	VENDOR NO.
1	145541-02-700	EA	TANK/SERVICE KIT PCS- 6 GAL	91053
2	051391-04-707	EA	KIT-EXHAUST, (FLUE & GASKET)	90960
3	051391-01-715	EA	PLUG-DRAIN, 1 EA = 2 PER PKG	91857
4	051391-01-704	EA	VALVE-RELIEF, 1/2" FITTING	91604
9	051393-01-726	EA	VALVE-SOLENOID - W/O BRACKET	93870
11	051393-01-701	EA	SWITCH - REMOTE - W/LIGHT	91959
11	145541-01-701	EA	SWITCH - ON/OFF - WHITE	91859
12	145541-01-702	EA	CIRCUIT BOARD	91226
15	145541-01-703	EA	SWITCH - THERMAL CUT OFF	93866
16	051393-01-725	EA	ELECTRODE-SGL SPADE CONNECT.	93868
17	051393-01-721	EA	THERMOSTAT W/ECO, 140 FRT MT	91447
	051391-05-706	EA	ELEMENT-HEATING 1500 WATT	92249 W/GASKET
	145541-01-704	EA	RELAY	90061
	145541-02-701	EA	JUNCTION BOX(PLASTIC) 6 GAL	91222

CONTACT WINNEBAGO PARTS SALES FOR UNLISTED COMPONENT(S)

WATER & SEWAGE GROUP (CONTINUED)
COMPONENT PARTS FOR WATER SYSTEM (CONTINUED)

151678-01-01A

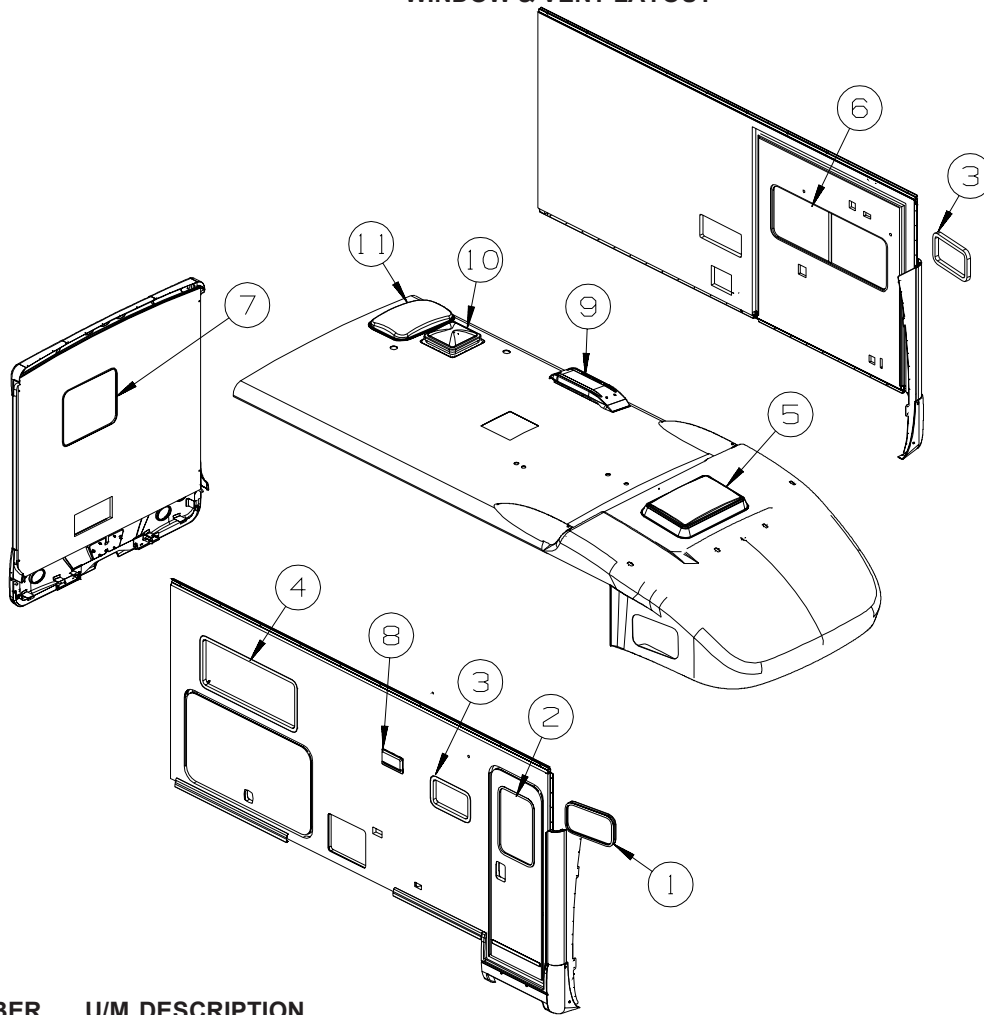
KEY	PART NUMBER	U/M	DESCRIPTION	VENDOR NO.
	151678-01-700	EA	ADAPTOR	10015
	151678-01-701	EA	CARTRIDGE	10417
	151678-01-702	EA	WASHER	10269

151680-01-01A

KEY	PART NUMBER	U/M	DESCRIPTION	VENDOR NO.
	151678-01-700	EA	ADAPTOR W/WASHER (2 PER PKG)	10015
	151678-01-701	EA	CARTRIDGE	10417

WINDOW & VENTS GROUP

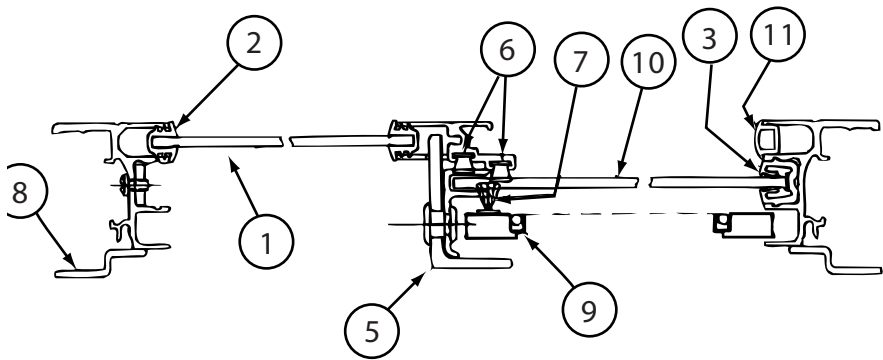
WINDOW & VENT LAYOUT



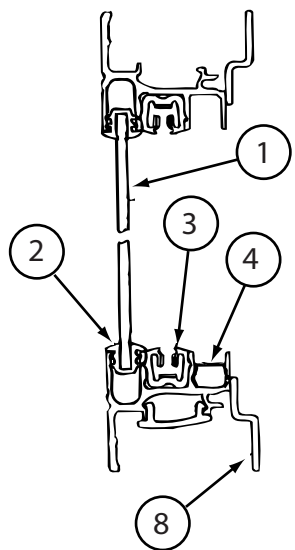
KEY	PART NUMBER	U/M	DESCRIPTION
1*	098647-77-02A	EA	WINDOW - PASS HORIZ SLIDER W/TRIM - 12.5" X 19.9" - GRAY
2*	151075-03-02A	EA	WINDOW - ESCAPE/PICTURE - 26.3" X 17" - 31% TINT
3*	104691-18-02A	EA	WINDOW - TIPOUT/TINTED - W/TRIM - 12.5" X 19.9" - GRAY
4*	104691-19-02A	EA	WINDOW - SINGLE TIPOUT/TINTED - W/TRIM - 21" X 47.9"-GRAY
5	152882-01-01A	EA	PANEL - SKYLIGHT - 19.7" X 27.5" CUTOUT SIZE - OFF WHITE
6*	098647-75-02A	EA	WINDOW - DRIVER HORIZ SLIDER W/TRIM - 20.8" X 57.7" - GRAY
7*	151075-04-02A	EA	WINDOW - ESCAPE/PICTURE - 22.4" X 26.2" - GRAY - 31% TINT
8	147821-01-01A	EA	VENT - EXHAUST/RANGE HOOD - BRIGHT WHITE
8	147821-02-01A	EA	SHROUD - EXHAUST VENT/RANGE HOOD - BRIGHT WHITE
9	149508-02-02A	EA	BASE - ROOF/REFRIGERATOR VENT - BRIGHT WHITE
9	149508-01-02A	EA	CAP - ROOF/REFRIGERATOR VENT - WHITE
10*	122882-02-01A	EA	VENT - ROOF - W/FAN - W/O INSIDE GARNISH - UL
10*	122882-03-01A	EA	VENT - ROOF - W/FAN - W/O INSIDE GARNISH - CSA - CANADIAN
	009440-01-000	EA	GEAR/ARM - LIFT - ROOF VENT COVER
	048648-01-000	EA	MOTOR/ROOF VENT - W/RESISTER - 1/8"SHAFT - 12VOLT
	048649-01-000	EA	FAN BLADE - ROOF VENT - 6 BLADED - 6"RADIUS
10	122882-07-01A	EA	GARNISH - ROOF VENT - 2.5" TO 4.1"
10*	123780-03-01A	EA	FANTASTIC VENT-3"4"ROOF-W/FAN-W/O THERM/PWR LIFT/WHT CVR - POWER VENTILATOR
	009440-01-000	EA	GEAR/ARM - LIFT - ROOF VENT COVER
11	122193-01-02A	EA	PANEL - SKYLITE - INNER - W/LIGHT INDENTATION
11	138372-01-02B	EA	TRIM - CORNER - SKYLIGHT - E-COATED
11	138379-02-01A	EA	PANEL/SKYLIGHT OTR - RECT/4"H CTR DOME - 18.4"X 29.5"- WHT

***COMPONENT PARTS LISTED LATER IN THIS GROUP**

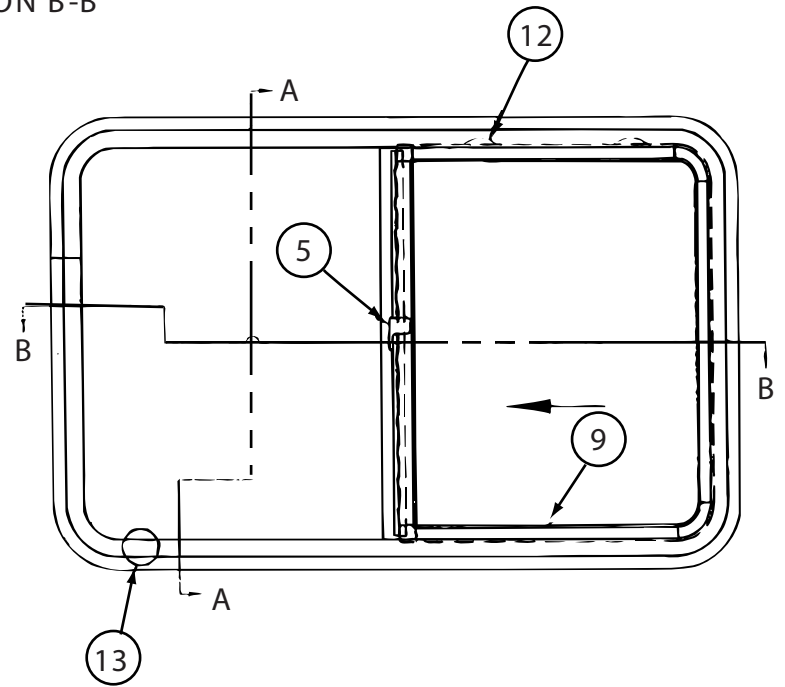
WINDOW & VENTS GROUP (CONTINUED)
COMPONENT PARTS FOR WINDOW & VENT LAYOUT



CROSS SECTION B-B



CROSS SECTION A-A



098647-75-02A

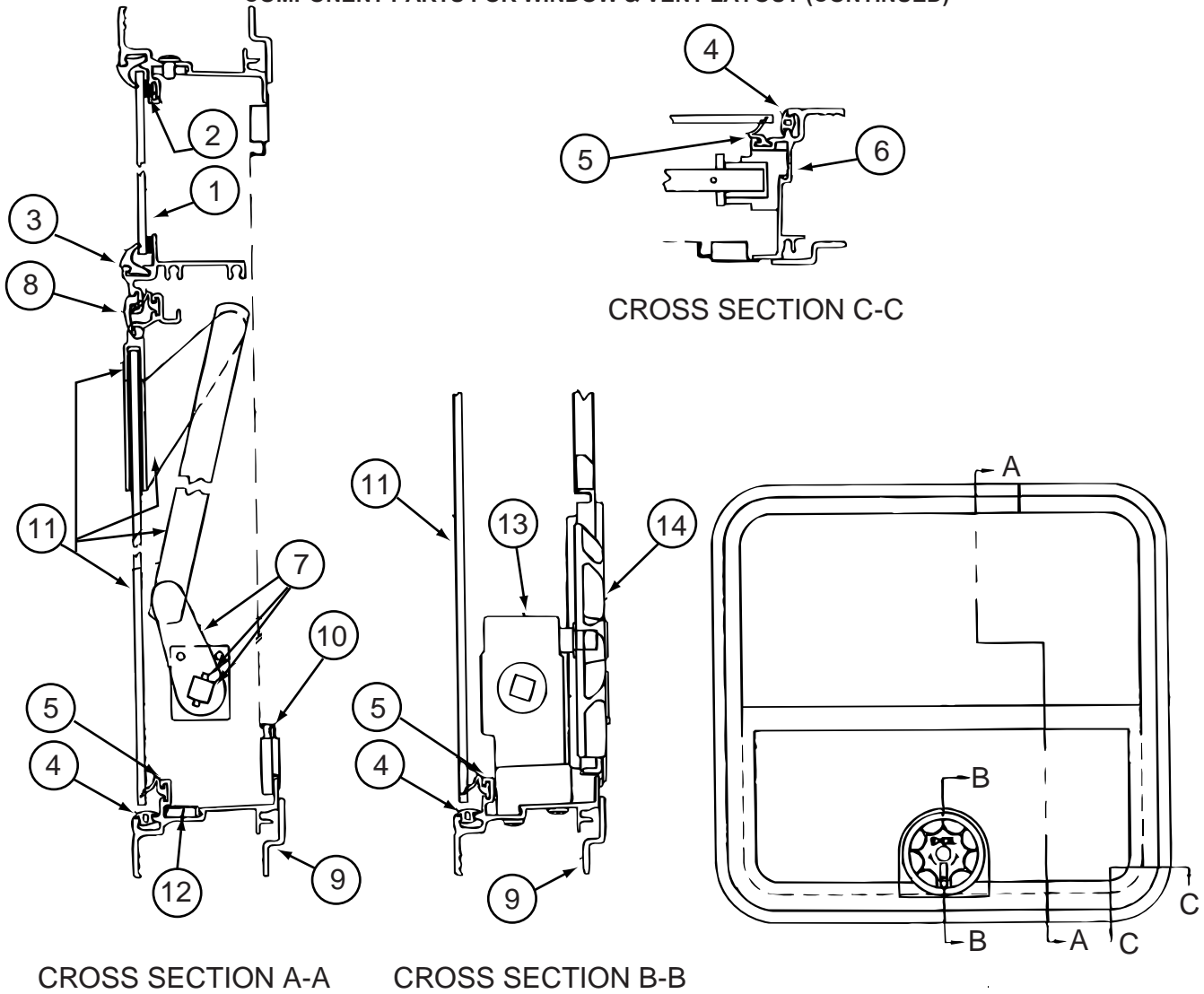
KEY	PART NUMBER	U/M	DESCRIPTION	VENDOR NO.
1	098647-75-700	EA	GLASS - STATIONARY	106-036069
2	098644-01-705	FT	GLAZING - STRIP	132-010231
3	098644-01-708	FT	CHANNEL - RUN PIERCED	122-016543
4	098644-01-710	FT	TRACK - SCREEN SPACER 12'	132-017135
5	098644-01-700	EA	LATCH - REPAIR KIT (BLACK)	B801-CK
6	098644-01-706	EA	WEATHERSTRIP - GLASS	171-010668
7	098644-01-711	FT	WEATHERSTRIP - SCREEN BLACK	171-016965
8	098647-75-701	EA	RETAINER - TRIM	S978-66
9	098647-75-702	EA	SCREEN ASM	410-036071
10	098647-75-703	EA	GLASS-SLIDING W/SASH & LATCH	H978G8
11	098644-01-716	FT	PLUG - FILLER	132-014470
12	125582-01-701	EA	CLIP - SCREEN - PLASTIC	130-005153
13	098644-01-719	EA	STOP - SLIDER GLASS	132-014203

WINDOW & VENTS GROUP (CONTINUED)
COMPONENT PARTS FOR WINDOW & VENT LAYOUT (CONTINUED)

098647-77-02A

KEY	PART NUMBER	U/M	DESCRIPTION	VENDOR NO.
1	098647-77-700	EA	GLASS - STATIONARY	106-036291
2	098644-01-705	FT	GLAZING - STRIP	132-010231
3	098644-01-708	FT	CHANNEL - RUN PIERCED	122-016543
4	098644-01-710	FT	TRACK - SCREEN SPACER 12'	132-017135
5	098644-01-700	EA	LATCH - REPAIR KIT (BLACK)	B801-CK
6	098644-01-706	EA	WEATHERSTRIP - GLASS	171-010668
7	098644-01-711	FT	WEATHERSTRIP - SCREEN BLACK	171-016965
8	098647-77-701	EA	RETAINER - TRIM	S996-66
9	098647-77-702	EA	SCREEN ASM	410-036034
10	098647-77-703	EA	GLASS-SLIDING W/SASH & LATCH	H996G8
11	098644-01-716	FT	PLUG - FILLER	132-014470
12	125582-01-701	EA	CLIP - SCREEN - PLASTIC	130-005153
13	098644-01-719	EA	STOP - SLIDER GLASS	132-014203

WINDOW & VENTS GROUP (CONTINUED)
COMPONENT PARTS FOR WINDOW & VENT LAYOUT (CONTINUED)



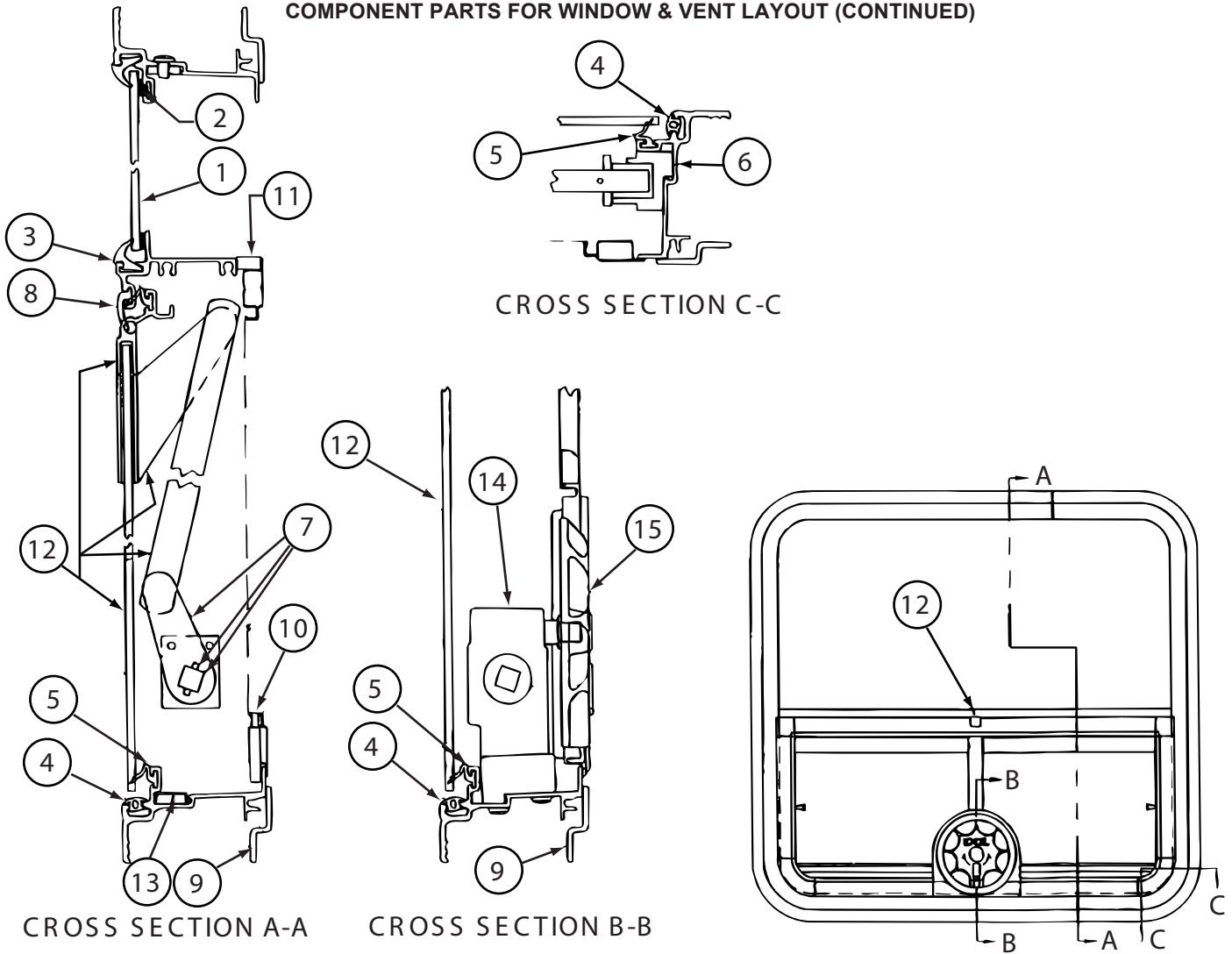
CROSS SECTION A-A

CROSS SECTION B-B

104691-18-02A

KEY	PART NUMBER	U/M	DESCRIPTION	VENDOR NO.
1	104691-18-700	EA	GLASS - STATIONARY	106-036333
2	100322-01-704	FT	TAPE-BUTYL	154-025932
3	100322-01-703	FT	VINYL-GLAZING, BUTYL	132-010723
4	116976-01-702	FT	FILLER PLUG	132-016065
5	100322-01-701	FT	SEAL-VENT	122-016071
6	112463-02-707	EA	SUPPORT - TORQUE BAR RH	132-015979
6	112463-02-708	EA	SUPPORT - TORQUE BAR LH	132-015978
7	104691-18-701	EA	OPERATOR & BAR ASSEMBLY	CH118-15
8	100322-01-702	EA	WEATHERSTRIP-HORIZ RAIL-148"	132-019631
9	104691-18-702	EA	RETAINER - TRIM	CS118-59
10	104691-18-703	EA	SCREEN ASM - W/SEALS & CLIPS	410-036335
11	104691-18-704	EA	GLASS-TIPOUT - W/HINGE/RAIL	CH118G6
12	108919-01-706	EA	COVER - DRAIN SLOT	132-016064
13	112519-01-702	EA	OPERATOR/TRQ CTR SPRT-4 HOLE	410-016123
14	100322-01-718	EA	HANDLE-DIAL	410-016081

WINDOW & VENTS GROUP (CONTINUED)
COMPONENT PARTS FOR WINDOW & VENT LAYOUT (CONTINUED)



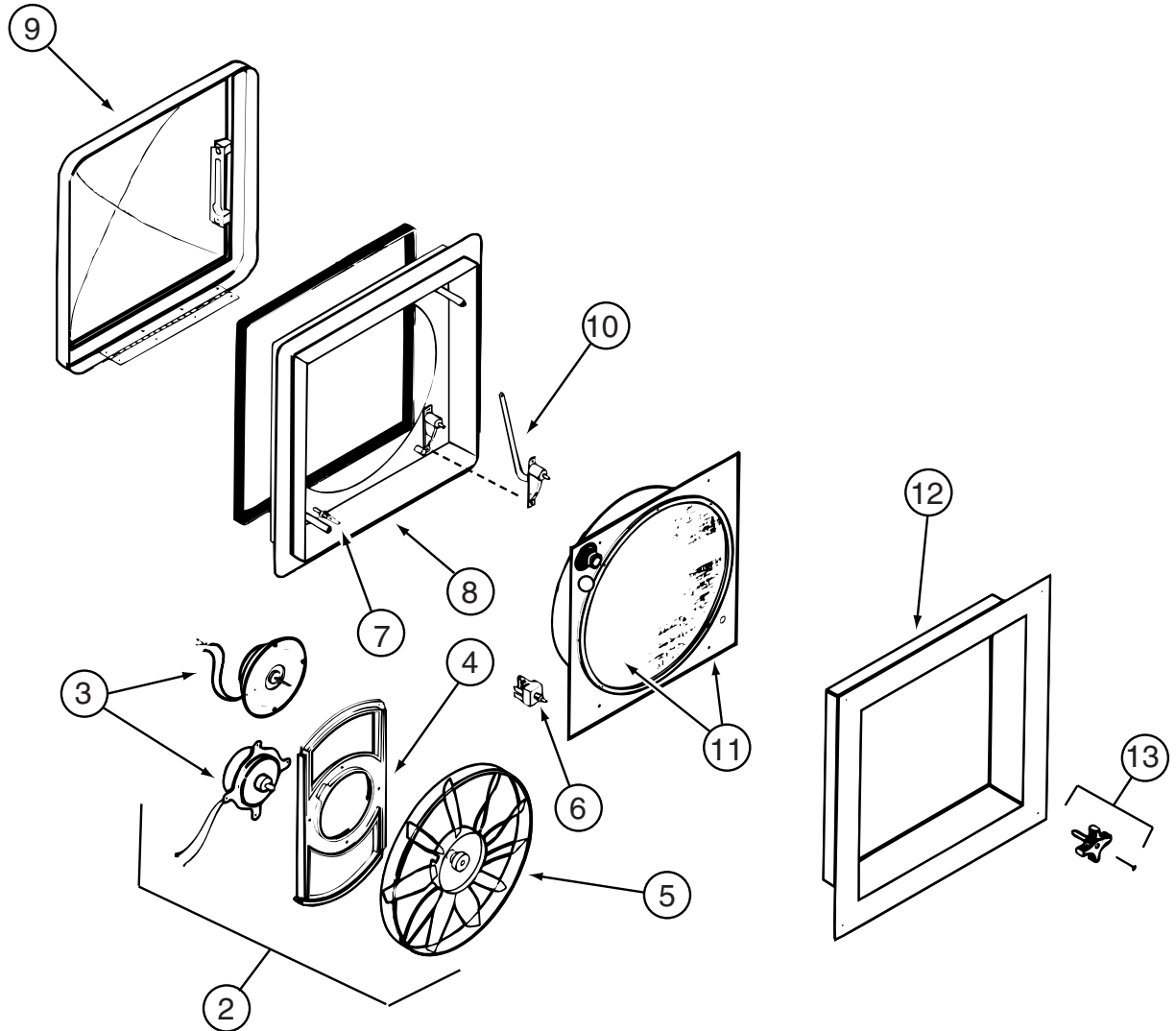
104691-19-02A

KEY	PART NUMBER	U/M	DESCRIPTION	VENDOR NO.
1	104691-19-700	EA	GLASS - STATIONARY	106-036305
2	100322-01-704	FT	TAPE-BUTYL	154-025932
3	100322-01-703	FT	VINYL-GLAZING, BUTYL	132-010723
4	116976-01-702	FT	FILLER PLUG	132-016065
5	100322-01-701	FT	SEAL-VENT	122-016071
6	112463-02-707	EA	SUPPORT - TORQUE BAR RH	132-015979
6	112463-02-708	EA	SUPPORT - TORQUE BAR LH	132-015978
7	104691-19-701	EA	OPERATOR & BAR ASSEMBLY	CH119-15
8	100322-01-702	EA	WEATHERSTRIP-HORIZ RAIL-148"	132-019631
9	104691-19-702	EA	RETAINER - TRIM	CS119-59
10	104691-19-703	EA	SCREEN ASM - W/SEALS & CLIPS	410-017762
11	112463-02-709	EA	FOAM TAPE - F/SCREEN	138-017617
12	104691-19-704	EA	GLASS-TIPOUT - W/HINGE/RAIL	CH119G6
13	108929-01-706	EA	COVER - DRAIN SLOT	132-016064
14	112519-01-702	EA	OPERATOR/TRQ CTR SPRT-4 HOLE	410-016123
15	100322-01-718	EA	HANDLE-DIAL	410-016081

WINDOW & VENTS GROUP (CONTINUED)
COMPONENT PARTS FOR WINDOW & VENT LAYOUT (CONTINUED)

122882-02-01A, 122882-03-01A

KEY	PART NUMBER	U/M	DESCRIPTION	VENDOR NO.
	064470-01-700	EA	COVER - VENT	J7291
	064470-01-701	EA	SLIDE BAR - VENT LID	JRP1291B
	110051-03-700	EA	SWITCH-BLACK/PUSH BUTTON	27-0164
	122882-01-700	EA	HANDLE - CRANK - BLACK	90128
	122882-01-701	EA	SCREEN	JRP-1124-B
	122882-01-702	EA	HANDLE - CRANK - WHITE	JRP1031B

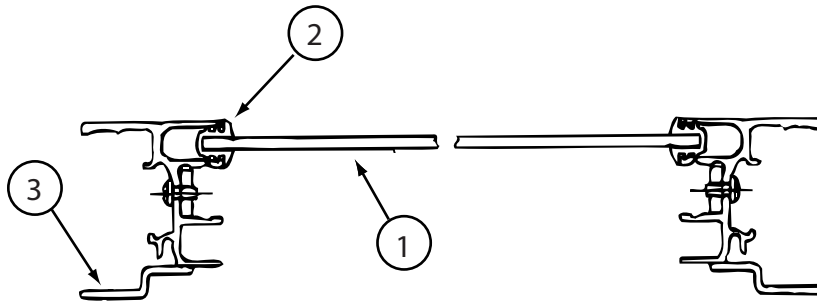


123780-03-01A

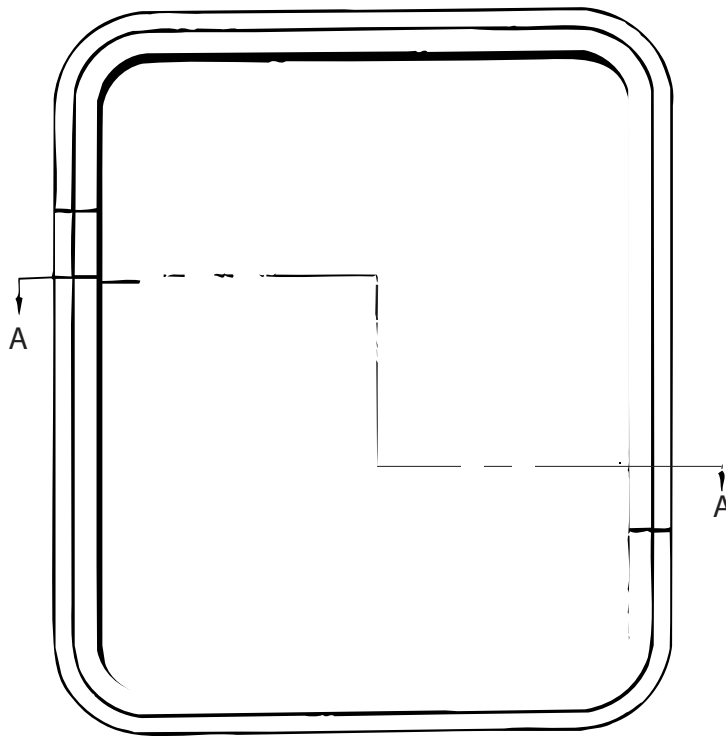
KEY	PART NUMBER	U/M	DESCRIPTION	VENDOR NO.
2	084079-11-700	EA	MOTOR & FAN BLADE W/BRACKET	K4017-09
3	084079-01-705	EA	MOTOR/EXT BRKT/FAN BLADE KIT	1080-00
4	084079-01-711	EA	MOTOR MOUNT (BOWTIE)	1015-00
5	084079-01-704	EA	BLADE-FAN	1138-00
6	084079-01-709	EA	SWITCH - MAIN - 3 SPEED	1031-05
7	084079-01-707	EA	SWITCH - SAFETY	1122-05
8	123780-05-700	EA	BASE/MAIN-BRT WHT W/GASKET	1010-81
9	123780-01-700	EA	COVER - VENT W/HINGE & SLIDE	1020K-81
10	009440-01-000	EA	GEAR-ARM-ROOF VENT	705221K38
11	123780-03-701	EA	SCREEN ASM 78-100MM W/SWITCH	1030BT-81
12	123780-03-700	EA	GARNISH - INT. 3"-4" BRT/WHT	2040-81
13	084079-01-703	EA	KNOB-LIFT	1140K-00
	084079-01-706	EA	PLUG, 12 VOLT	1090
	123780-01-702	EA	SCREEN INSERT (SCREEN RING)	K1035-81

CONTACT WINNEBAGO PART SALES FOR UNLISTED COMPONENT(S)

WINDOW & VENTS GROUP (CONTINUED)
COMPONENT PARTS FOR WINDOW & VENT LAYOUT (CONTINUED)



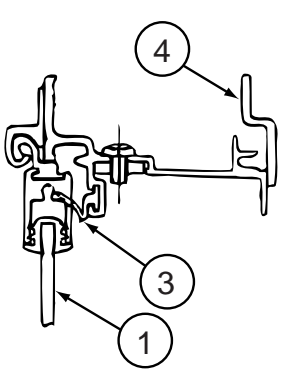
CROSS SECTION A-A



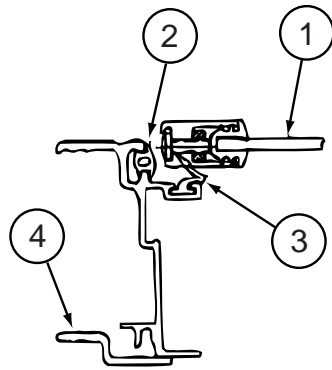
151075-03-02A

KEY	PART NUMBER	U/M	DESCRIPTION	VENDOR NO
1	151075-03-700	EA	GLASS - STATIONARY	106-019887
2	098644-01-705	FT	GLAZING - STRIP	132-010231
3	151075-03-701	EA	RETAINER - TRIM	S416-66

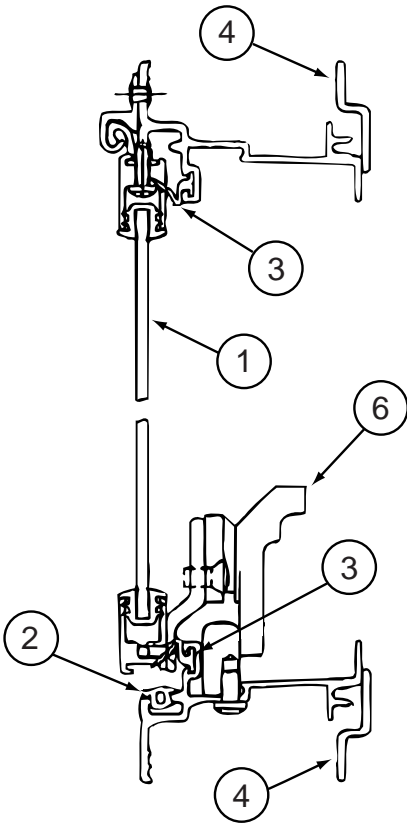
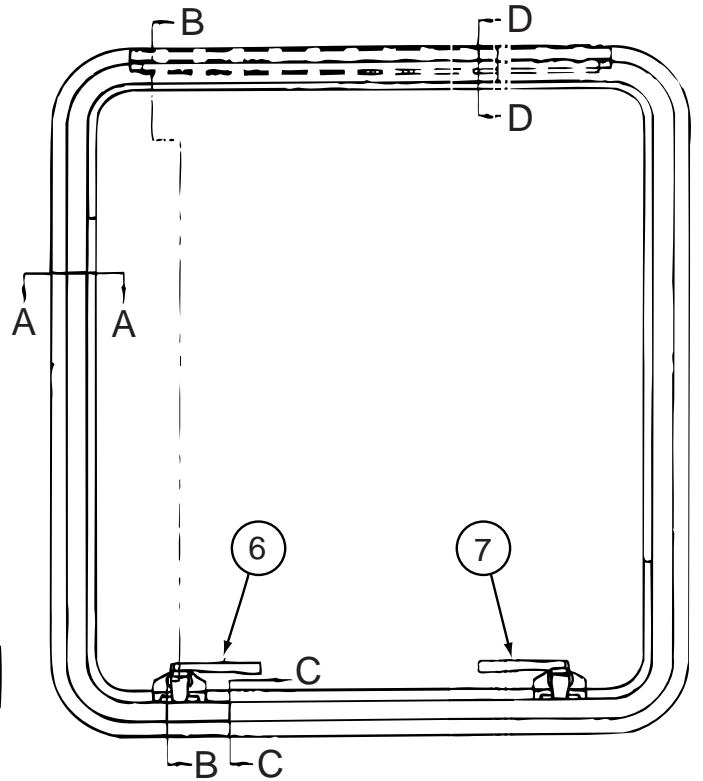
WINDOW & VENTS GROUP (CONTINUED)
COMPONENT PARTS FOR WINDOW & VENT LAYOUT (CONTINUED)



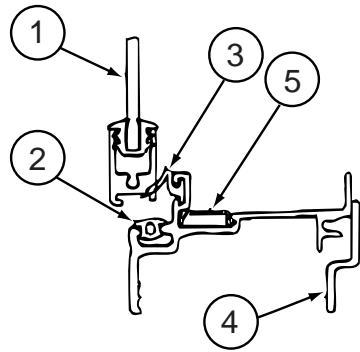
CROSS SECTION D-D



CROSS SECTION A-A



CROSS SECTION B-B



CROSS SECTION C-C

KEY	PART NUMBER	U/M	DESCRIPTION	VENDOR NO
1	151075-04-700	EA	GLASS-STATIONARY-SUB ASM	S956G9
2	116976-01-702	FT	FILLER PLUG	132-016065
3	100322-01-701	FT	SEAL-VENT	122-016071
4	151075-04-701	EA	RETAINER - TRIM	S956-53
5	108929-01-706	EA	COVER - DRAIN SLOT	132-016064
6	137867-05-707	EA	LOCK/CAM - LEFT	182-011294
7	137867-05-706	EA	LOCK/CAM - RIGHT	182-011293

151075-04-02A

WINDOW & VENTS GROUP (CONTINUED)
COMPONENT PARTS FOR WINDOW & VENT LAYOUT (CONTINUED)

152882-01-01A

KEY	PART NUMBER	U/M	DESCRIPTION	VENDOR NO.
	152882-01-700	EA	GLAZING PANEL W/O ASM. PARTS	BG1512
	152882-01-701	EA	FLY NET W/END ROD	BG1394
	152882-01-702	EA	DARKENING SYSTEM W/END ROD	BG1393
	152882-01-703	EA	CORD	BG1715
	152882-01-704	EA	VENTILATION GRIDS	560E35
	152882-01-705	EA	SEAL	BG1521
	152882-01-706	EA	BUTTON W/SPRING	BG1522
	152882-01-707	EA	HINGE W/FIXINGS	BG1513
	152882-01-708	EA	SPRING F/OPERATING BAR	BG1515
	152882-01-709	EA	OPERATING BAR	BG1516