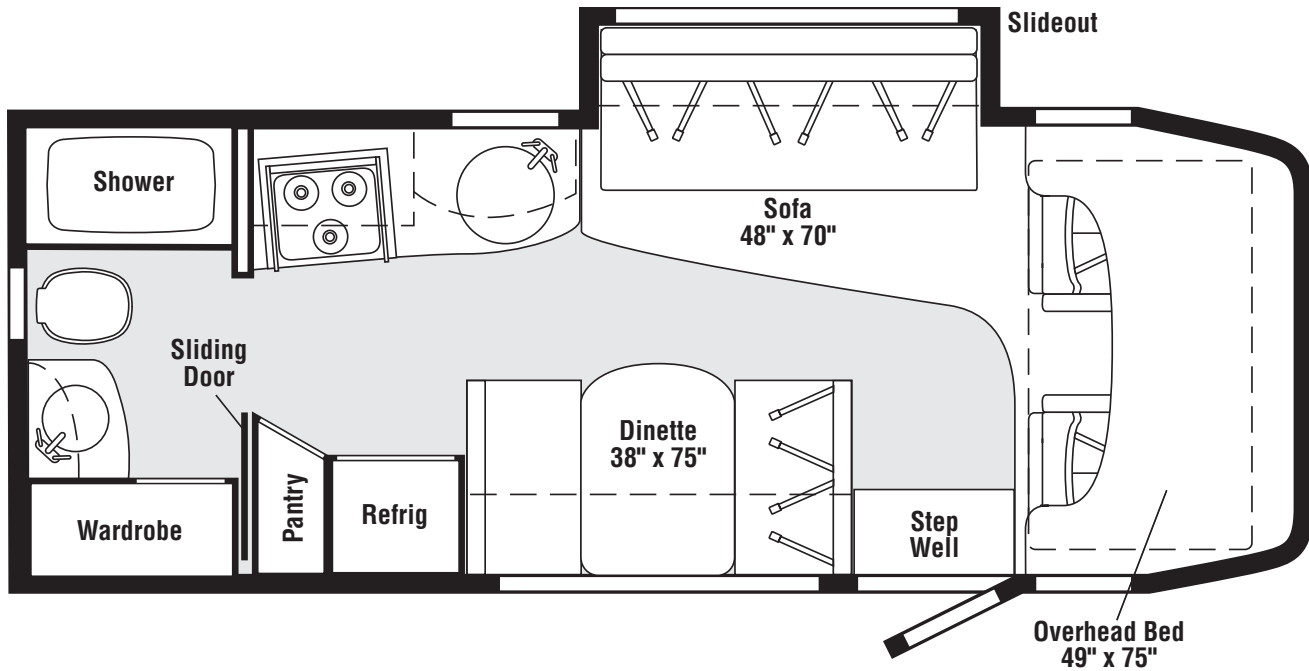


**2007
VIEW
WD523H
500-SERIES
WASHED MAPLE
U13 OLIVE TREE
U15 STONE FENCE
U27 DURANGO DENIM
HONEY CHERRY
U14 OLIVE TREE
U16 STONE FENCE
U28 DURANGO DENIM**



FLOORPLAN

CONTENTS

| | |
|-----------------------------------------------------------|-----------|
| FLOORPLAN | 1 |
| ACCESSORIES GROUP | 5 |
| OPERATORS MANUAL | 5 |
| AUDIO VIDEO GROUP | 6 |
| RADIO SYSTEM | 6 |
| COMPONENT PARTS FOR RADIO SYSTEM | 6 |
| 153792-02-000 | 6 |
| REAR MONITOR | 6 |
| CABINET & APPLIANCE GROUP | 7 |
| CABINET & APPLIANCE LAYOUT | 7 |
| COMPONENT PARTS FOR CABINET & APPLIANCE LAYOUT | 13 |
| 114030-04-01A | 13 |
| 121568-06-01A, 121568-07-01A, 121568-08-01A | 15 |
| 136354-05-01A, 136354-05-02A | 20 |
| 136354-06-01A, 136354-06-02A | 21 |
| 150606-04-01A, 150606-04-02A | 21 |
| CHASSIS GROUP | 22 |
| FRAME | 22 |
| EXHAUST | 23 |
| HITCH | 23 |
| SPARE TIRE | 24 |
| SUSPENSION | 25 |
| COMPONENT PARTS FOR SUSPENSION | 25 |
| 154813-01-000 | 25 |
| WHEEL, TIRE, COVERS &/OR LINERS | 26 |
| COMPONENT PARTS FOR WHEEL, TIRE, COVERS &/OR LINERS | 26 |
| 154970-01-000 | 26 |
| CURTAIN & CUSHION GROUP | 27 |
| NOTICE | 27 |
| CUSHION LAYOUT | 28 |
| BUCKET SEATS | 29 |
| SOFA | 30 |
| WINDOW TREATMENT | 31 |
| HARDWARE | 32 |
| ACCESSORIES | 33 |
| FABRICS | 34 |
| DRIVERS COMPARTMENT GROUP | 35 |
| FRONT INTERIOR | 35 |

CONTENTS (CONTINUED)

| | |
|---------------------------------------------------------------------------------|-----------|
| ELECTRICAL GROUP | 41 |
| 110V BODY WIRING | 41 |
| 12 VOLT WIRING | 42 |
| EXTERIOR LAMPS | 45 |
| SIDE TV/VCR | 46 |
| FRONT TV/VCR | 46 |
| COMPONENT PARTS FOR WIRING | 49 |
| 076319-23-000 | 49 |
| 076319-25-000 | 49 |
| 087694-01-000 | 50 |
| 097917-01-06A | 50 |
| 113589-01-000 | 50 |
| 113589-02-000 | 50 |
| 121935-01-01A | 50 |
| 123775-01-02A | 50 |
| 134940-06-01A | 51 |
| 134940-07-01A | 51 |
| 137417-01-01A, 137417-03-01A | 52 |
| 137417-06-01A | 52 |
| 151907-02-000 | 52 |
| 152438-01-01A | 52 |
| 158703-01-000 | 52 |
| 158778-01-000 | 52 |
| 160123-01-000 | 52 |
| 160603-01-000 | 52 |
| CIRCUIT BREAKERS, FUSES & RELAYS | 53 |
| CONVERTER, INVERTER, LOAD CENTERS | 53 |
| COMPONENT PARTS FOR CONVERTER, INVERTER, LOAD CENTER..... | 53 |
| 083208-07-000 | 53 |
| BOXES & CORDS | 54 |
| WIRE ASSEMBLIES | 54 |
| CONNECTORS & CONDUIT | 55 |
| CHASSIS | 57 |
| EXTERIOR BODY GROUP | 59 |
| GRAPHICS & PAINT | 59 |
| PANELS & TRIMS | 60 |
| FRONT END | 62 |
| STRUCTURAL COMPONENTS | 63 |
| AWNINGS | 63 |
| EXTERIOR DOORS & COMPARTMENTS GROUP | 64 |
| DOOR & COMPARTMENT LAYOUT | 64 |
| COMPONENT PARTS FOR DOOR & COMPARTMENT LAYOUT | 69 |
| 084103-08-000 | 69 |
| 094707-04-01A | 69 |
| COMPARTMENT DOOR PIECE PARTS | 70 |
| COMPONENT PART FOR COMPARTMENT DOOR PIECE PARTS | 73 |
| 110506-A1-000, 110506-A2-000, 110506-26-000, 110506-27-000, 110506-36-000 | 73 |
| 138637-03-000, 138637-04-000 | 73 |
| ENTRY | 74 |
| SCREEN | 75 |
| LATCH - ENTRY | 76 |
| EXTERIOR SLIDEOUT GROUP | 77 |
| FRONT LEFT | 77 |
| COMPONENT PARTS FOR FRONT LEFT | 79 |
| 148685-01-000 | 79 |
| GENERATOR GROUP | 80 |
| GAS | 80 |

CONTENTS (CONTINUED)

| | |
|------------------------------------------------|------------|
| HEATING & A/C GROUP | 81 |
| FURNACE | 81 |
| COMPONENT PARTS FOR FURNACE | 82 |
| 139980-01-000 | 82 |
| ROOF | 84 |
| COMPONENT PARTS FOR ROOF | 84 |
| 131184-01-01A | 84 |
| 131184-05-01A | 85 |
| 148644-01-01A | 86 |
| 148644-02-01A | 87 |
| INTERIOR FINISH GROUP | 88 |
| MOLDINGS & TRIMS | 88 |
| PANELING & LAMINATES | 96 |
| COMPONENT PARTS FOR INTERIOR TRIM LAYOUT | 99 |
| 094499-02-000 | 99 |
| FLOOR COVERINGS | 99 |
| HARDWARE | 100 |
| LABELS GROUP | 106 |
| LP GROUP | 111 |
| LP SYSTEM | 111 |
| COMPONENT PARTS FOR LP SYSTEM | 111 |
| 144116-09-000 | 111 |
| SEALANTS & FASTENERS GROUP | 112 |
| SEALANTS & ADHESIVES | 112 |
| BOLTS, NUTS AND WASHERS | 113 |
| SCREWS | 115 |
| CLAMPS, CLIPS, GROMMETS, RIVETS & PLUGS | 118 |
| MISCELLANEOUS FASTENERS | 119 |
| WATER & SEWAGE GROUP | 120 |
| DRAINAGE SYSTEM | 120 |
| COMPONENT PARTS FOR DRAINAGE SYSTEM | 122 |
| 062415-01-000 | 122 |
| 147421-01-01A, 147421-02-01A | 122 |
| WATER SYSTEM | 123 |
| COMPONENT PARTS FOR WATER SYSTEM | 129 |
| 051391-03-000 | 129 |
| 098607-01-000 | 130 |
| 144215-01-000 | 130 |
| 145541-02-000 | 131 |
| 151678-01-01A | 131 |
| 151680-01-01A | 131 |
| WINDOW & VENTS GROUP | 132 |
| WINDOW & VENT LAYOUT | 132 |
| COMPONENT PARTS FOR WINDOW & VENT LAYOUT | 133 |
| 098647-75-02A | 133 |
| 098647-76-02A | 134 |
| 098647-77-02A | 134 |
| 104691-18-02A | 135 |
| 122882-02-01A, 122882-03-01A | 135 |
| 123780-03-01A | 136 |
| 151075-03-02A | 137 |
| 152882-01-01A | 137 |

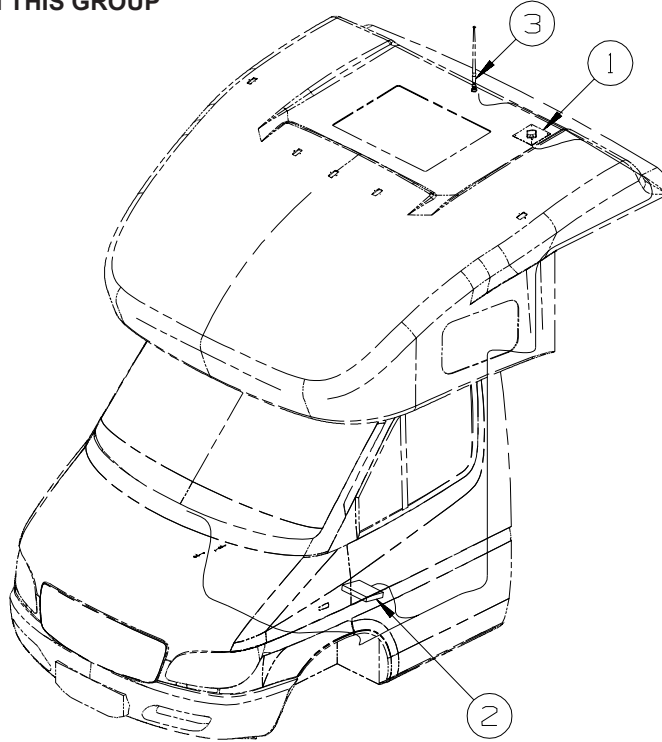
ACCESSORIES GROUP
OPERATORS MANUAL

| KEY | PART NUMBER | U/M | DESCRIPTION |
|------------|--------------------|------------|---------------------------------------------------------------------------------------------|
| | 158462-01-000 | DW | TOP LEVEL-500,2007 |
| | 129079-01-01A | EA | CASE - VINYL/BLACK-EXPANDABLE ACCORDION SIDES-7"WX9"HX14"L FROM: 00-00-00 THRU: 07-09-06 |
| | 129079-04-01A | EA | CASE - VINYL/BLK-EXPANDABLE ACCORDION SIDES-11"WX9"HX14"L FROM: 07-10-06 THRU: 07-30-06 |
| | 159842-01-01A | EA | CASE - VINYL - F/MANUALS - W/SLEEVES - BLACK FROM: 07-31-06 THRU: 99-99-99 |
| | 132000-30-007 | EA | MANUAL/OWNER - VIEW - 2007 |
| | 158603-07-003 | EA | MANUAL/OWNER - SUPPLEMENT - 500 SERIES - 2007 |

**AUDIO VIDEO GROUP
RADIO SYSTEM**

| KEY | PART NUMBER | U/M | DESCRIPTION |
|-----|---------------|-----|---------------------------------------------------------------------------------------------|
| * | 153792-02-000 | EA | RADIO - AM/FM/CD PLAYER-SATELLITE READY-CLARION DXZ555MPM FROM: 00-00-00 THRU: 07-09-06 |
| | 160885-01-000 | EA | RADIO - AM/FM/CD PLAYER-SATELLITE READY-SONY CDX-A251CMR05 FROM: 07-10-06 THRU: 99-99-99 |

***COMPONENT PARTS LISTED LATER IN THIS GROUP**



| KEY | PART NUMBER | U/M | DESCRIPTION |
|-----|---------------|-----|---------------------------------------------------------------------------------------|
| 1 | 158494-01-000 | EA | ANTENNA/SATELLITE - RADIO/SIRIUS |
| 2 | 158494-02-000 | EA | CABLE/ANTENNA - SATELLITE RADIO SIRRUS |
| 2 | 153816-01-000 | EA | RECEIVER - SATELLITE RADIO - SIRIUS - CLARION SIRCL1 FROM: 00-00-00 THRU: 07-09-06 |
| 2 | 160886-01-000 | EA | RECEIVER - SATELLITE RADIO - SIRIUS - SONY SIR-SNY1W FROM: 07-10-06 THRU: 99-99-99 |
| 3 | 090944-01-000 | EA | ANTENNA - RADIO - 16" RUBBER - W/72" LEAD WIRE |

COMPONENT PARTS FOR RADIO SYSTEM

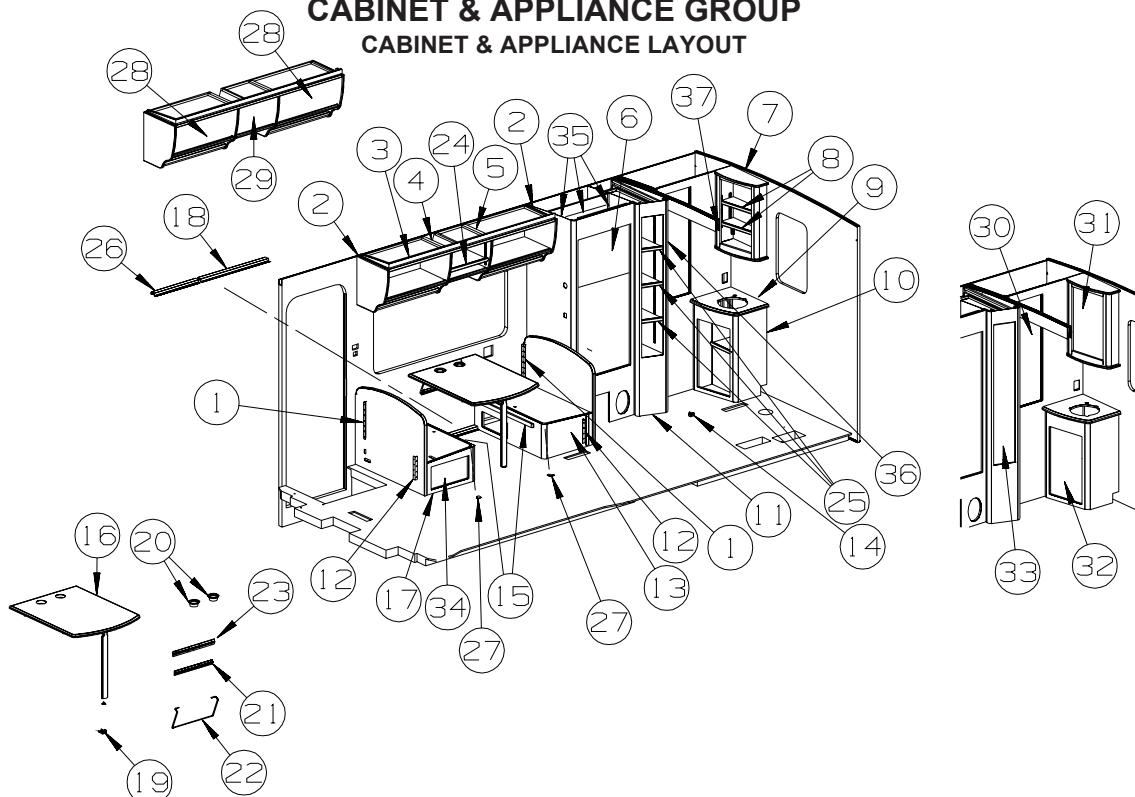
153792-02-000

| KEY | PART NUMBER | U/M | DESCRIPTION | VENDOR NO. |
|-----|---------------|-----|-------------|------------|
| | 153792-02-700 | EA | REMOTE | RCB172 |

REAR MONITOR

| KEY | PART NUMBER | U/M | DESCRIPTION |
|-----|---------------|-----|--------------------------------------------------------------------------------------------|
| | 136514-02-000 | EA | CABLE - MONITOR/CAMERA |
| | 136514-06-000 | EA | MONITOR/COLOR - 7" FLAT PANEL/REAR VIEW - W/PWR & INT CBL FROM: 00-00-00 THRU: 12-03-06 |
| | 136514-07-000 | EA | TELEVISION SYST-REAR VIEW 7" FROM: 12-04-06 THRU: 99-99-99 |
| | 144677-04-000 | EA | CAMERA - REAR VIEW W/BACKET - BLACK & WHITE - VBCS150 |
| | 153383-01-02B | EA | BRACKET - MONITOR - E-COATED |

CABINET & APPLIANCE GROUP CABINET & APPLIANCE LAYOUT



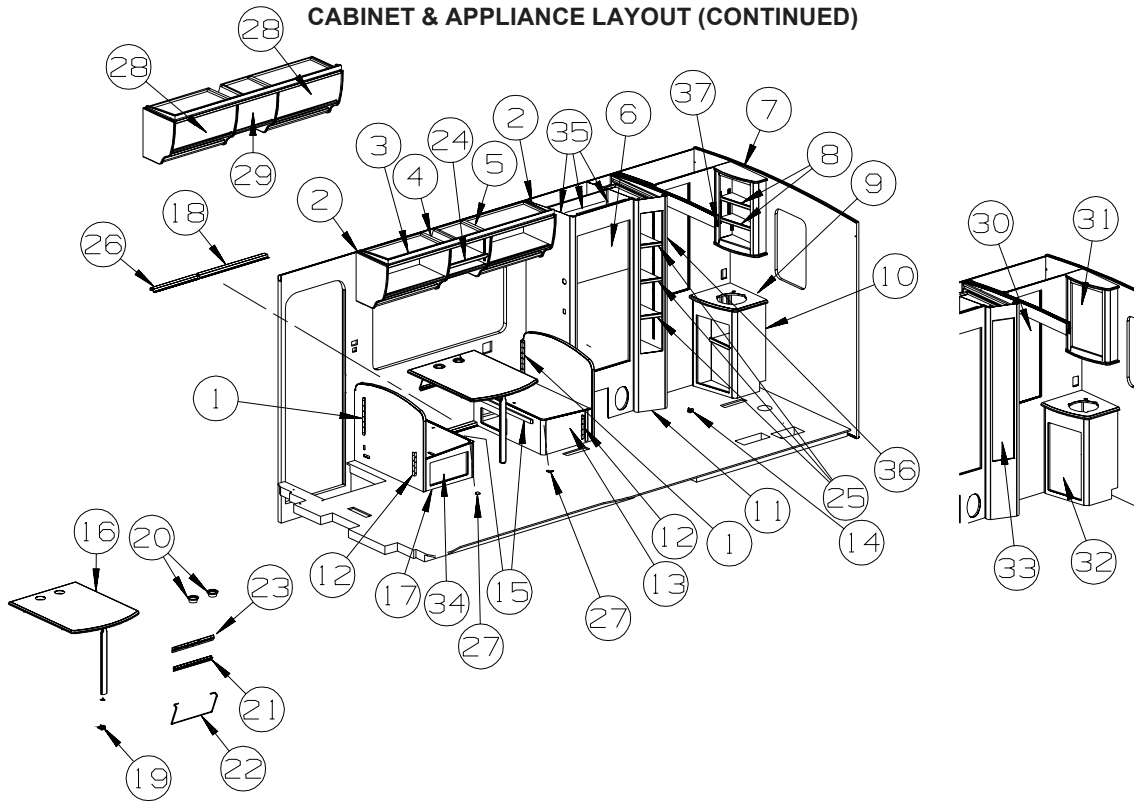
| KEY | PART NUMBER | U/M | DESCRIPTION |
|-----|---------------|-----|---------------------------------------------------------------------------|
| 1 | 122021-02-02A | EA | ANGLE - W/HOLES - 13.7" LONG - OFF WHITE |
| 2 | 151919-04-T01 | EA | END CAP - OVERHEAD CABINET - WASHED MAPLE |
| 2 | 151919-04-T02 | EA | END CAP - OVERHEAD CABINET - HONEY CHERRY |
| 3 | 152065-01-T01 | EA | CABINET - OVHD/DINETTE - W/O DOORS/HDW - WASHED MAPLE |
| | | | FROM: 00-00-00 THRU: 04-30-06 |
| 3 | 160168-01-U17 | EA | CABINET - OVERHEAD/DINETTE - W/O DOORS/HDW - WASHED MAPLE |
| | | | FROM: 05-01-06 THRU: 99-99-99 |
| 3 | 152065-01-T02 | EA | CABINET - OVHD/DINETTE - W/O DOORS/HDW - HONEY CHERRY |
| | | | FROM: 00-00-00 THRU: 04-30-06 |
| 3 | 160168-01-U18 | EA | CABINET - OVERHEAD/DINETTE - W/O DOORS/HDW - HONEY CHERRY |
| | | | FROM: 05-01-06 THRU: 99-99-99 |
| 4 | 151919-05-T01 | EA | END CAP - OVERHEAD CABINET - WASHED MAPLE |
| 4 | 151919-05-T02 | EA | END CAP - OVERHEAD CABINET - HONEY CHERRY |
| 5 | 151919-03-T01 | EA | END CAP - OVERHEAD CABINET - WASHED MAPLE |
| 5 | 151919-03-T02 | EA | END CAP - OVERHEAD CABINET - HONEY CHERRY |
| 6* | 121568-06-01A | EA | REFRIGERATOR - SMALL DBL DOOR-RH/2 WAY- 52.8"HX23.5"WX24"D |
| | 090329-01-000 | FT | SEAL - "T" - REFRIGERATOR CABINET |
| | 116751-05-01A | EA | TRAY - REFRIGERATOR - BLACK |
| | 054450-01-000 | EA | LEVEL - REFRIGERATOR |
| 7 | 152053-01-T01 | EA | CABINET - MEDICINE - W/O DOORS/HDW - WASHED MAPLE |
| 7 | 152053-01-T02 | EA | CABINET - MEDICINE - W/O DOORS/HDW - HONEY CHERRY |
| 8 | 152053-23-T01 | EA | SHELF - W/WOOD MOLDING - WASHED MAPLE |
| 8 | 152053-23-T02 | EA | SHELF - W/WOOD MOLDING - HONEY CHERRY |
| 9 | 151682-05-U17 | EA | COUNTERTOP - LAVATORY - LAMINATED - WASHED MAPLE |
| 9 | 151682-05-U18 | EA | COUNTERTOP - LAVATORY - LAMINATED - HONEY CHERRY |
| 10 | 159195-01-T01 | EA | CABINET - LAVATORY - W/O COUNTERTOP/DOORS/DRAWERS/HDW - WASHED MAPLE |
| | | | FROM: 00-00-00 THRU: 03-26-06 |
| 10 | P59891-01-U17 | EA | CABINET - LAVATORY - W/O COUNTERTOP/DOORS/DRAWERS/HDW - WASHED MAPLE |
| | | | FROM: 03-27-06 THRU: 99-99-99 |
| 10 | 159195-01-T02 | EA | CABINET - LAVATORY - W/O COUNTERTOP/DOORS/DRAWERS/HDW - HONEY CHERRY |
| | | | FROM: 00-00-00 THRU: 03-26-06 |
| 10 | P59891-01-U18 | EA | CABINET - LAVATORY - W/O COUNTERTOP/DOORS/DRAWERS/HDW - HONEY CHERRY |
| | | | FROM: 03-27-06 THRU: 99-99-99 |
| 11 | 159172-31-T01 | EA | FACE/PANTRY - W/O MOLDINGS/HDW - WASHED MAPLE |
| 11 | 159172-31-T02 | EA | FACE/PANTRY - W/O MOLDINGS/HDW - HONEY CHERRY |
| 12 | 122021-01-02A | EA | ANGLE - W/HOLES - 8.6" LONG - OFF WHITE |
| 13 | P52019-02-T01 | EA | CABINET/DINETTE-RH-W/END CAP/BACK/FACE-W/O DOOR/SEAT BOARD - WASHED MAPLE |
| 13 | P52019-02-T02 | EA | CABINET/DINETTE-RH-W/END CAP/BACK/FACE-W/O DOOR/SEAT BOARD - HONEY CHERRY |
| | 096764-02-000 | EA | SLIPNOT - ANTISLIP - 1'WIDE (180' ROLLS) - WHITE |

CABINET & APPLIANCE GROUP (CONTINUED)
CABINET & APPLIANCE LAYOUT (CONTINUED)

| KEY | PART NUMBER | U/M | DESCRIPTION |
|-----|---------------|-----|---------------------------------------------------------------------------|
| 14 | 064467-01-000 | EA | GUIDE - POCKET - SLIDING DOOR - WALL MOUNTED |
| 15 | 081295-01-T01 | EA | SUPPORT - BED/DINETTE - 28" LONG - WASHED MAPLE |
| 15 | 081295-01-RE0 | EA | SUPPORT - BED/DINETTE - 28" LONG - HONEY CHERRY |
| 16 | 151683-01-U17 | EA | TABLE - DINETTE - 30.2" X 38.7" |
| 16 | 151683-01-U18 | EA | TABLE - DINETTE - 30.2" X 38.7" |
| 17 | P52019-01-T01 | EA | CABINET/DINETTE-LH-W/END CAP/BACK/FACE-W/O DOOR/SEAT BOARD - WASHED MAPLE |
| 17 | P52019-01-T02 | EA | CABINET/DINETTE-LH-W/END CAP/BACK/FACE-W/O DOOR/SEAT BOARD - HONEY CHERRY |
| | 096764-02-000 | EA | SLIPNOT - ANTISLIP - 1'WIDE (180' ROLLS) - WHITE |
| 18 | 152078-31-02A | EA | COVER/PIPE - 30.5" - DULL METALLIC |
| 19 | 143798-01-01A | EA | CATCH - FLOOR TO TABLE LEG - BRIGHT WHITE |
| 20 | 064781-06-000 | EA | HOLDER/CUP - TWO STEP - OFF WHITE |
| 21 | 024281-15-000 | EA | BRACKET/TABLE - LIFT ROD/LOWER WALL MOUNTED - 17.1" |
| 22 | 024275-13-000 | EA | ROD - TABLE LIFT - OFF/WHITE |
| 23 | 140921-02-01A | EA | BRACKET/TABLE SUPPORT - 18.5" - OFF WHITE |
| 24 | 152065-23-T01 | EA | SHELF ASM - WASHED MAPLE |
| | | | FROM: 00-00-00 THRU: 04-30-06 |
| 24 | 160168-23-U17 | EA | SHELF - W/WOOD MOLDING - WASHED MAPLE |
| | | | FROM: 05-01-06 THRU: 99-99-99 |
| 24 | 152065-23-T02 | EA | SHELF ASM - HONEY CHERRY |
| | | | FROM: 00-00-00 THRU: 04-30-06 |
| 24 | 160168-23-U18 | EA | SHELF - W/WOOD MOLDING - HONEY CHERRY |
| | | | FROM: 05-01-06 THRU: 99-99-99 |
| 25 | 159172-26-T01 | EA | SHELF - W/WOOD MOLDING - WASHED MAPLE |
| 25 | 159172-26-T02 | EA | SHELF - W/WOOD MOLDING - HONEY CHERRY |
| 26 | 152078-16-02A | EA | COVER - PIPE - 61" - DULL METALLIC |
| 27 | 080176-08-000 | EA | CAP - CORNER - RADIUS MOLDING - PLASTIC - WASHED MAPLE |
| | | | FROM: 00-00-00 THRU: 07-12-06 |
| 27 | 160989-01-06A | EA | CAP - CORNER - RADIUS MOLDING - PLASTIC - WASHED MAPLE |
| | | | FROM: 07-16-06 THRU: 99-99-99 |
| 27 | 080176-09-000 | EA | CAP - CORNER - RADIUS MOLDING - PLASTIC - HONEY CHERRY |
| | | | FROM: 00-00-00 THRU: 07-12-06 |
| 27 | 160989-01-07A | EA | CAP - CORNER - RADIUS MOLDING - PLASTIC - HONEY CHERRY |
| | | | FROM: 07-13-06 THRU: 99-99-99 |
| 28 | 159187-01-T01 | EA | DOOR - CURVED - 11.8" X 27.9" - W/O HDW - WASHED MAPLE |
| | | | FROM: 00-00-00 THRU: 03-26-06 |
| 28 | 159898-02-U17 | EA | DOOR - CURVED - 27.9" X 11.8" - W/O HDW - WASHED MAPLE |
| | | | FROM: 03-27-06 THRU: 04-30-06 |
| 28 | 159898-16-U17 | EA | DOOR - CURVED - 26.9" X 11.8" - W/O HDW - WASHED MAPLE |
| | | | FROM: 05-01-06 THRU: 99-99-99 |
| 28 | 159187-01-T02 | EA | DOOR - CURVED - 11.8" X 27.9" - W/O HDW - HONEY CHERRY |
| | | | FROM: 00-00-00 THRU: 03-26-06 |
| 28 | 159898-02-U18 | EA | DOOR - CURVED - 27.9" X 11.8" - W/O HDW - HONEY CHERRY |
| | | | FROM: 03-27-06 THRU: 04-30-06 |
| 28 | 159898-16-U18 | EA | DOOR - CURVED - 26.9" X 11.8" - W/O HDW - HONEY CHERRY |
| | | | FROM: 05-01-06 THRU: 99-99-99 |
| 29 | 159187-02-T01 | EA | DOOR - CURVED - 11.8" X 18.1" - W/O HDW - WASHED MAPLE |
| | | | FROM: 00-00-00 THRU: 03-26-06 |
| 29 | 159898-04-U17 | EA | DOOR - CURVED - 18.1" X 11.8" - W/O HDW - WASHED MAPLE |
| | | | FROM: 03-27-06 THRU: 04-30-06 |
| 29 | 159898-17-U17 | EA | DOOR - CURVED - 20.1" X 11.8" - W/O HDW - WASHED MAPLE |
| | | | FROM: 05-01-06 THRU: 99-99-99 |
| 29 | 159187-02-T02 | EA | DOOR - CURVED - 11.8" X 18.1" - W/O HDW - HONEY CHERRY |
| | | | FROM: 00-00-00 THRU: 03-26-06 |
| 29 | 159898-04-U18 | EA | DOOR - CURVED - 18.1" X 11.8" - W/O HDW - HONEY CHERRY |
| | | | FROM: 03-27-06 THRU: 04-30-06 |
| 29 | 159898-17-U18 | EA | DOOR - CURVED - 20.1" X 11.8" - W/O HDW - HONEY CHERRY |
| | | | FROM: 05-01-06 THRU: 99-99-99 |
| 30 | 159216-04-T01 | EA | DOOR - FLAT/SQUARE EDGE - 14.4" X 42.7" - W/O HDW - WASHED MAPLE |
| 30 | 159216-04-T02 | EA | DOOR - FLAT/SQUARE EDGE - 14.4" X 42.7" - W/O HDW - HONEY CHERRY |
| 31 | 159204-01-U17 | EA | DOOR - MIRRORED - 15.7" X 25.2" - W/O HDW - WASHED MAPLE |
| 31 | 159204-01-U18 | EA | DOOR - MIRRORED - 15.7" X 25.2" - W/O HDW - HONEY CHERRY |
| | 140374-72-000 | EA | MIRROR - SAFETY GLASS - 11.8" X 21.2" |
| | 076767-04-000 | EA | CABLE - STAINLESS STEEL - 5.9" |

CABINET & APPLIANCE GROUP (CONTINUED)

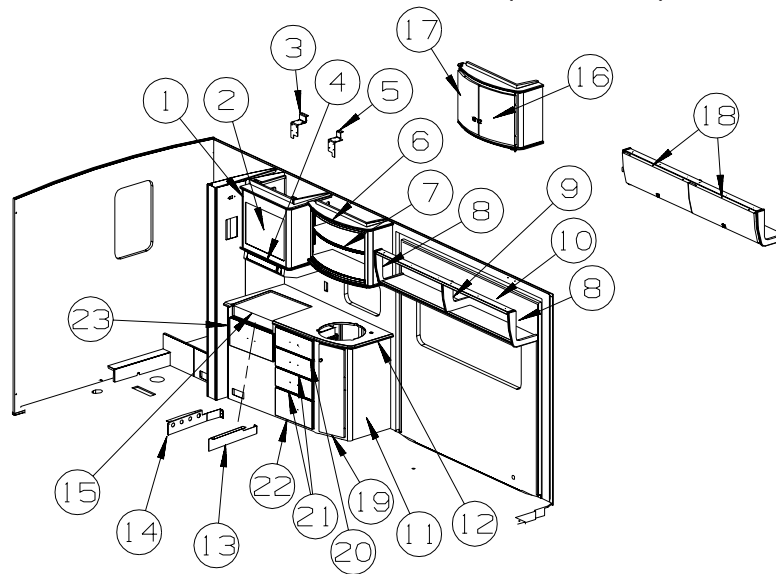
CABINET & APPLIANCE LAYOUT (CONTINUED)



| KEY | PART NUMBER | U/M | DESCRIPTION |
|-----|---------------|-----|----------------------------------------------------------------------------------------------------|
| 32 | 159216-01-T01 | EA | DOOR - FLAT/SQUARE EDGE - 16.4" X 31.3" - W/O HDW - WASHED MAPLE FROM: 00-00-00 THRU: 03-26-06 |
| 32 | 159898-01-U17 | EA | DOOR - CURVED - 31.3" X 16.3" - W/O HDW - WASHED MAPLE FROM: 03-27-06 THRU: 04-30-06 |
| 32 | 159216-01-T02 | EA | DOOR - FLAT/SQUARE EDGE - 16.4" X 31.3" - W/O HDW HONEY CHERRY FROM: 00-00-00 THRU: 03-26-06 |
| 32 | 159898-01-U18 | EA | DOOR - CURVED - 31.3" X 16.3" - W/O HDW HONEY CHERRY FROM: 03-27-06 THRU: 04-30-06 |
| 33 | 159216-03-T01 | EA | DOOR - FLAT/SQUARE EDGE - 8.8" X 54.1" - W/O HDW - WASHED MAPLE |
| 33 | 159216-03-T02 | EA | DOOR - FLAT/SQUARE EDGE - 8.8" X 54.1" - W/O HDW - HONEY CHERRY |
| 34 | 159261-01-T01 | EA | DOOR - FLAT/SQUARE EDGE - 18.9" X 9.6" - W/O HDW - WASHED MAPLE |
| 34 | 159261-01-T02 | EA | DOOR - FLAT/SQUARE EDGE - 18.9" X 9.6" - W/O HDW - HONEY CHERRY |
| 35 | | | REFRIGERATOR CABINET SEALS |
| | 090329-01-000 | FT | SEAL - "T" - REFRIGERATOR CABINET |
| 36 | 146047-01-T01 | EA | DOOR - SLIDING - W/O HARDWARE - WASHED MAPLE |
| 36 | 146047-01-T02 | EA | DOOR - SLIDING - W/O HARDWARE - HONEY CHERRY |
| 37 | 145608-11-01A | EA | TRACK - DOOR - 55.4" - OFF WHITE |

*COMPONENT PARTS LISTED LATER IN THIS GROUP

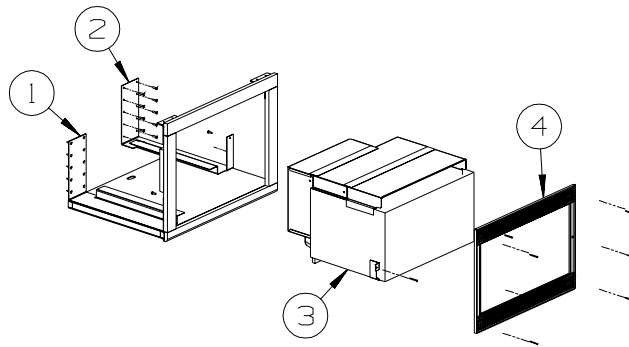
CABINET & APPLIANCE GROUP (CONTINUED)
CABINET & APPLIANCE LAYOUT (CONTINUED)



| KEY | PART NUMBER | U/M | DESCRIPTION |
|-----|---------------|-----|--------------------------------------------------------------------|
| 1 | 152141-02-T01 | EA | CABINET - OVERHEAD/MICROWAVE - W/O DOORS/HDW - WASHED MAPLE |
| 1 | 152141-02-T02 | EA | CABINET - OVERHEAD/MICROWAVE - W/O DOORS/HDW - HONEY CHERRY |
| 2 | | | SEE MICROWAVE INSTALLATION |
| 3 | 140185-09-02B | EA | BRACE - MICROWAVE CABINET - E-COATED |
| 3 | 140185-09-02B | EA | BRACE - MICROWAVE CABINET - E-COATED |
| 4* | 136354-05-02A | EA | HOOD - RANGE - W/LITE/FAN - SILVER TEXTURED |
| 4* | 136354-05-02A | EA | HOOD - RANGE - W/LITE/FAN - SILVER TEXTURED - CANADIAN |
| 5 | 140185-10-02B | EA | BRACE - MICROWAVE CABINET - E-COATED |
| 5 | 140185-10-02B | EA | BRACE - MICROWAVE CABINET - E-COATED - CANADIAN |
| 6 | 152023-01-T01 | EA | CABINET - OVHD/GALLEY - W/O DOORS/HDW - WASHED MAPLE |
| 6 | 152023-01-T02 | EA | CABINET - OVHD/GALLEY - W/O DOORS/HDW - HONEY CHERRY |
| 7 | 152023-18-T01 | EA | SHELF - W/T-MOLDING - WASHED MAPLE |
| 7 | 152023-18-T02 | EA | SHELF - W/T-MOLDING - HONEY CHERRY |
| 8 | 151919-01-T01 | EA | END CAP - OVERHEAD CABINET - WASHED MAPLE |
| 8 | 151919-01-T02 | EA | END CAP - OVERHEAD CABINET - HONEY CHERRY |
| 9 | 151919-02-T01 | EA | END CAP - OVERHEAD CABINET - WASHED MAPLE |
| 9 | 151919-02-T02 | EA | END CAP - OVERHEAD CABINET - HONEY CHERRY |
| 10 | 151872-01-T01 | EA | CABINET - OVHD/COUCH - W/O DOORS/HDW - WASHED MAPLE |
| 10 | 151872-01-T02 | EA | CABINET - OVHD/COUCH - W/O DOORS/HDW - HONEY CHERRY |
| 11 | P59906-01-U17 | EA | CABINET - GALLEY - W/O COUNTERTOP/DOORS/DRAWERS/HDW - WASHED MAPLE |
| 11 | P59906-01-U18 | EA | CABINET - GALLEY - W/O COUNTERTOP/DOORS/DRAWERS/HDW - HONEY CHERRY |
| 12 | 151681-04-U17 | EA | COUNTERTOP - GALLEY - LAMINATED - WASHED MAPLE |
| 12 | 151681-04-U18 | EA | COUNTERTOP - GALLEY - LAMINATED - HONEY CHERRY |
| 13 | 151755-03-02B | EA | BRACKET - TIEDOWN/RANGE TOP - E-COATED |
| 14 | 151755-04-02B | EA | BRACKET - TIEDOWN/RANGE TOP - E-COATED |
| 15* | 114030-04-01A | EA | RANGE - 3 BRNR TOP/NEW STYLE KNOBS/GRATES-W/O OVEN-BLK |
| 16 | 159898-05-U17 | EA | DOOR - CURVED - 18.7" X 15.5" - W/O HDW - WASHED MAPLE |
| 16 | 159898-05-U18 | EA | DOOR - CURVED - 18.7" X 15.5" - W/O HDW - HONEY CHERRY |
| 17 | 159898-06-U17 | EA | DOOR - CURVED - 18.7" X 15.5" - W/O HDW - WASHED MAPLE |
| 17 | 159898-06-U18 | EA | DOOR - CURVED - 18.7" X 15.5" - W/O HDW - HONEY CHERRY |
| 18 | 159898-03-U17 | EA | DOOR - CURVED - 36.2" X 11.8" - W/O HDW - WASHED MAPLE |
| 18 | 159898-03-U18 | EA | DOOR - CURVED - 36.2" X 11.8" - W/O HDW - HONEY CHERRY |
| 19 | 159898-13-U17 | EA | DOOR - CURVED - 33" X 13.2" - W/O HDW - WASHED MAPLE |
| 19 | 159898-13-U18 | EA | DOOR - CURVED - 33" X 13.2" - W/O HDW - HONEY CHERRY |
| 20 | 153121-NG-T01 | EA | DRAWER - 9.6"W X 17.7"D - W/O SLIDES/HDW - WASHED MAPLE |
| 20 | 153121-NG-T02 | EA | DRAWER - 9.6"W X 17.7"D - W/O SLIDES/HDW - HONEY CHERRY |
| 21 | 153121-NH-T01 | EA | DRAWER - 16.3"W X 17.7"D - W/O SLIDES/HDW - WASHED MAPLE |
| 21 | 153121-NH-T02 | EA | DRAWER - 16.3"W X 17.7"D - W/O SLIDES/HDW - HONEY CHERRY |
| 22 | 153121-NJ-T01 | EA | DRAWER - 16.3"W X 17.7"D - W/O SLIDES/HDW - WASHED MAPLE |
| 22 | 153121-NJ-T02 | EA | DRAWER - 16.3"W X 17.7"D - W/O SLIDES/HDW - HONEY CHERRY |
| 23 | 153121-NK-T01 | EA | DRAWER - 19.4"W X 17.7"D - W/O SLIDES/HDW - WASHED MAPLE |
| 23 | 153121-NK-T02 | EA | DRAWER - 19.4"W X 17.7"D - W/O SLIDES/HDW - HONEY CHERRY |

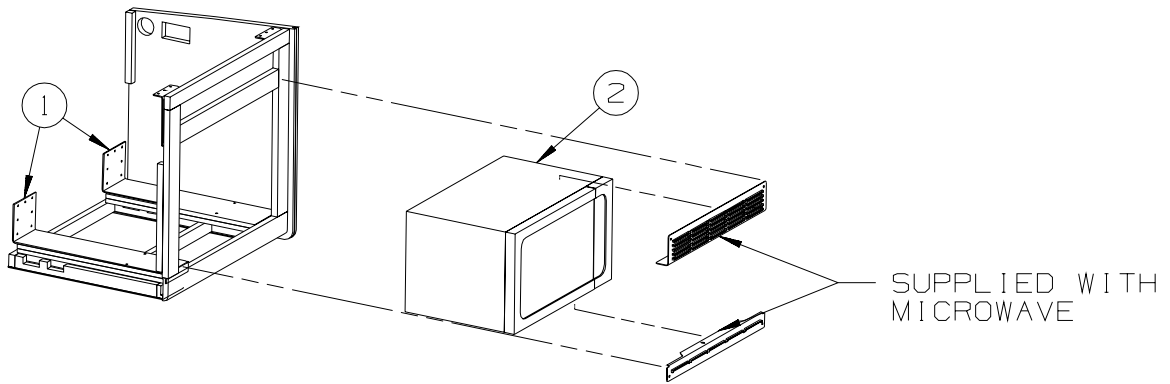
*COMPONENT PARTS LISTED LATER IN THIS GROUP

CABINET & APPLIANCE GROUP (CONTINUED)
CABINET & APPLIANCE LAYOUT (CONTINUED)



| KEY | PART NUMBER | U/M | DESCRIPTION |
|-----|---------------|-----|-----------------------------------------------------------------------|
| 1 | 149418-13-02B | EA | BRACKET - MICROWAVE - E-COATED |
| 2 | 149418-14-02B | EA | BRACKET - MICROWAVE - E-COATED |
| 3* | 150606-04-02A | EA | OVEN - MICROWAVE/CONVECTION/SILVER - .9 CU FT - #R-820JS |
| 3 | 150606-06-01A | EA | OVEN - MICROWAVE/CONVECTION/BLACK - .9 CU FT - #R820BK-CSA - CANADIAN |
| 4 | 150606-05-02A | EA | TRIM KIT - MICROWAVE .9 CU FT - SILVER - MAGNADYNE #R820 |
| 4 | 150606-05-01A | EA | TRIM KIT - MICROWAVE .9 CU FT - BLACK - MAGNADYNE #R820 - CANADIAN |

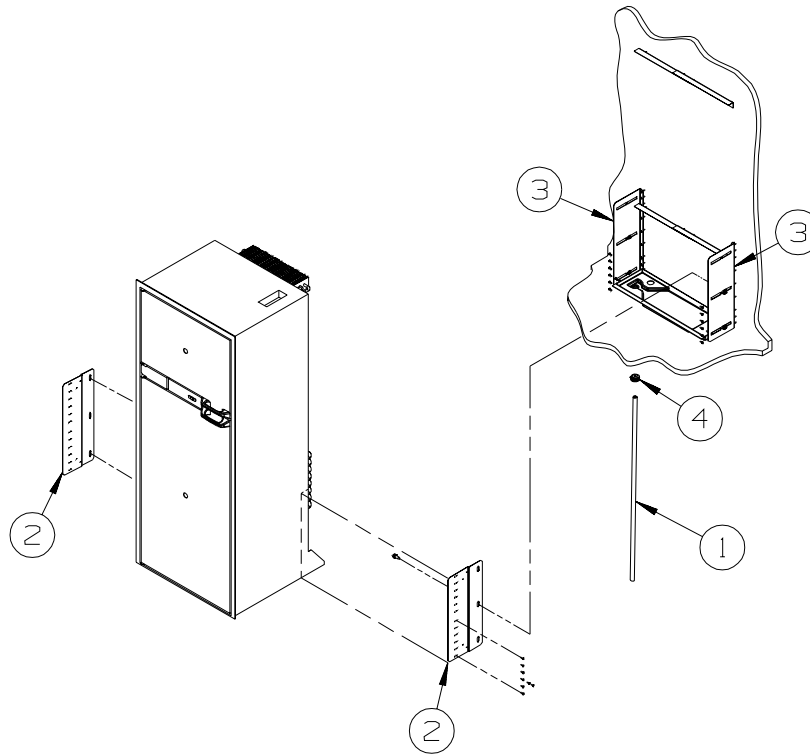
***COMPONENT PARTS LISTED LATER IN THIS GROUP**



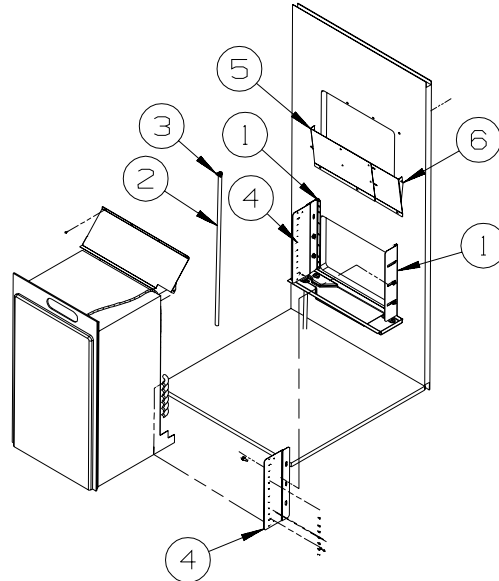
| KEY | PART NUMBER | U/M | DESCRIPTION |
|-----|---------------|-----|----------------------------------------------|
| 1 | 143759-11-02B | EA | BRACKET - MICROWAVE - E-COATED |
| 2* | 158686-01-01A | EA | OVEN/MICROWAVE - .9 CU FT - NON-CONV - BLACK |

***COMPONENT PARTS LISTED LATER IN THIS GROUP**

CABINET & APPLIANCE GROUP (CONTINUED)
CABINET & APPLIANCE LAYOUT (CONTINUED)

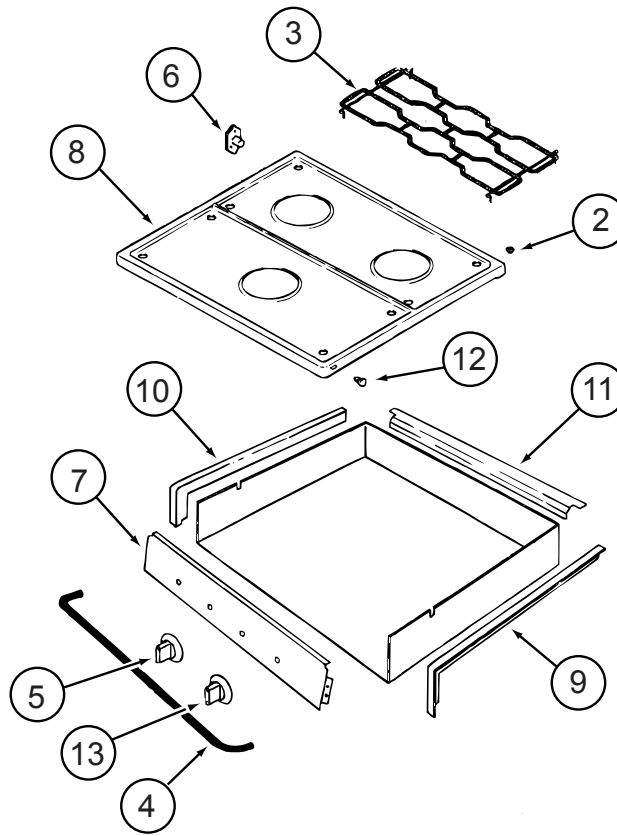


| KEY | PART NUMBER | U/M | DESCRIPTION |
|-----|---------------|-----|--------------------------------------------------------|
| 1 | 112176-01-000 | FT | TUBING - VINYL - REINFORCED - 1/2" ID |
| 2 | 150740-01-02B | EA | BRACKET - REFRIGERATOR - E-COATED |
| 3 | 150740-02-02B | EA | BRACKET - REFRIGERATOR - E-COATED |
| 4 | 152417-01-01A | EA | CLAMP/RATCHET - F/REFRIDGERATOR DRIP TRAY HOSE - BLACK |



| KEY | PART NUMBER | U/M | DESCRIPTION |
|-----|---------------|-----|--------------------------------------------------------|
| 1 | 150740-02-02B | EA | BRACKET - REFRIGERATOR - E-COATED |
| 1 | 160133-02-02B | EA | BRACKET/TIEDOWN - REFRIGERATOR - E-COATED |
| | | | FROM: 00-00-00 THRU: 05-21-06 |
| 2 | 112176-01-000 | FT | TUBING - VINYL - REINFORCED - 1/2" ID |
| 3 | 152417-01-01A | EA | CLAMP/RATCHET - F/REFRIDGERATOR DRIP TRAY HOSE - BLACK |
| 4 | 160133-01-02B | EA | BRACKET-REFRIGERATOR |
| 5 | 143195-01-02B | EA | BAFFLE - REFRIGERATOR - E-COATED |
| 6 | 143195-02-02B | EA | BAFFLE - REFRIGERATOR - E-COATED |

CABINET & APPLIANCE GROUP (CONTINUED)
COMPONENT PARTS FOR CABINET & APPLIANCE LAYOUT

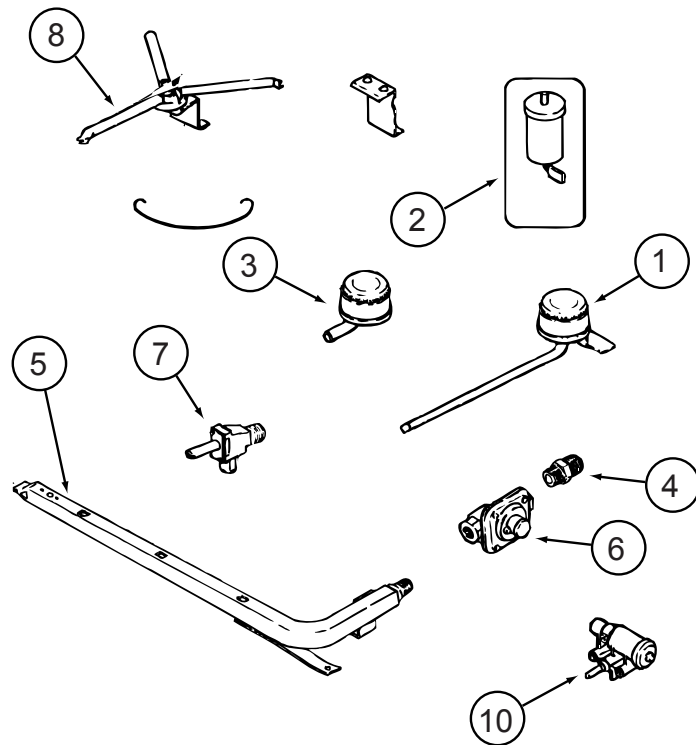


114030-04-01A

| KEY | PART NUMBER | U/M | DESCRIPTION | VENDOR NO. |
|-----|---------------|-----|-----------------------------|------------------|
| 2 | 102020-01-709 | EA | BUMPER-GRATE | 8007P020-60 |
| 3 | 112881-04-702 | EA | GRATE - BLACK | 74007277 |
| 4 | 114030-02-700 | EA | GUARD/FABRIC - TOWEL BAR | 3609F006-70 |
| 5 | 128728-01-701 | EA | KNOB - BURNER - REAR | 74003941 (1 PER) |
| 5 | 128728-01-702 | EA | KNOB - BURNER - FRONT | 74003942 |
| 6 | 128728-01-703 | EA | PIN/T-NUT F/HINGE | 7103P109-60 |
| 7 | 114030-04-700 | EA | PANEL - MANIFOLD - BLACK | 74007325 |
| 8 | 126023-01-728 | EA | TOP - MAIN (BLACK) | 74003323 |
| 9 | 114030-01-704 | EA | TRIM - RIGHT/BLACK TEXTURED | 74002839 |
| 10 | 114030-01-705 | EA | TRIM - LEFT/BLACK TEXTURED | 74002840 |
| 11 | 114030-01-706 | EA | TRIM - REAR/BLACK TEXTURED | 74002841 |
| 12 | 102020-01-724 | EA | BUMPER - MAIN TOP | 8003P008-60 |
| 13 | 128728-01-707 | EA | KNOB - IGNITER | 74003944 |

CONTACT WINNEBAGO PART SALES FOR UNLISTED COMPONENT(S)

CABINET & APPLIANCE GROUP (CONTINUED)
COMPONENT PARTS FOR CABINET & APPLIANCE LAYOUT (CONTINUED)

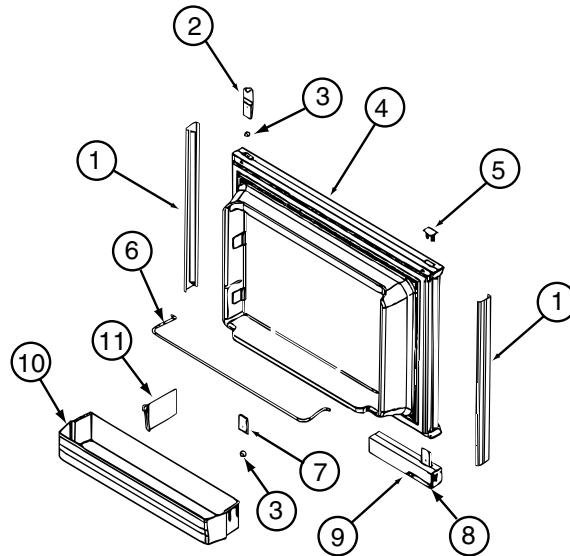


114030-04-01A (CONTINUED)

| KEY | PART NUMBER | U/M | DESCRIPTION | VENDOR NO. |
|-----|---------------|-----|---------------------------------|-------------|
| 1 | 112881-04-700 | EA | BURNER - TOP /LEFT REAR | 74004584 |
| 1 | 126023-01-700 | EA | BURNER - TOP (RT-REAR) 5100 BTU | 74004583 |
| 2 | 112881-04-705 | EA | PUSH RING (ELECTRODE MTG) | 7104P002-60 |
| 2 | 126023-01-711 | EA | ELECTRODE - IGNITER (ONLY) | 7432P077-60 |
| 3 | 112881-04-701 | EA | BURNER - TOP/FRONT | 74004582 |
| 4 | 135065-03-700 | EA | FITTING - HALF UNION | 74004234 |
| 5 | 135065-01-702 | EA | PIPE/MANIFOLD | 74004642 |
| 6 | 126023-02-702 | EA | PIPE - MANIFOLD | 74004360 |
| 7 | 126023-02-705 | EA | VALVE - BURNER - REAR | 74004362 |
| 7 | 126023-02-706 | EA | VALVE - BURNER - FRONT | 74004363 |
| 8 | 126023-01-736 | EA | FLASH TUBE EXTENSION (REAR) | 74003326 |
| 8 | 126023-01-737 | EA | FLASH TUBE EXTENSION (FRONT) | 74003327 |
| 10 | 126023-01-719 | EA | IGNITER HEAD - TOP BURNER | 74002413 |
| | 126023-02-703 | EA | REGULATOR - PRESSURE | 74004235 |

CONTACT WINNEBAGO PART SALES FOR UNLISTED COMPONENT(S)

CABINET & APPLIANCE GROUP (CONTINUED)
COMPONENT PARTS FOR CABINET & APPLIANCE LAYOUT (CONTINUED)

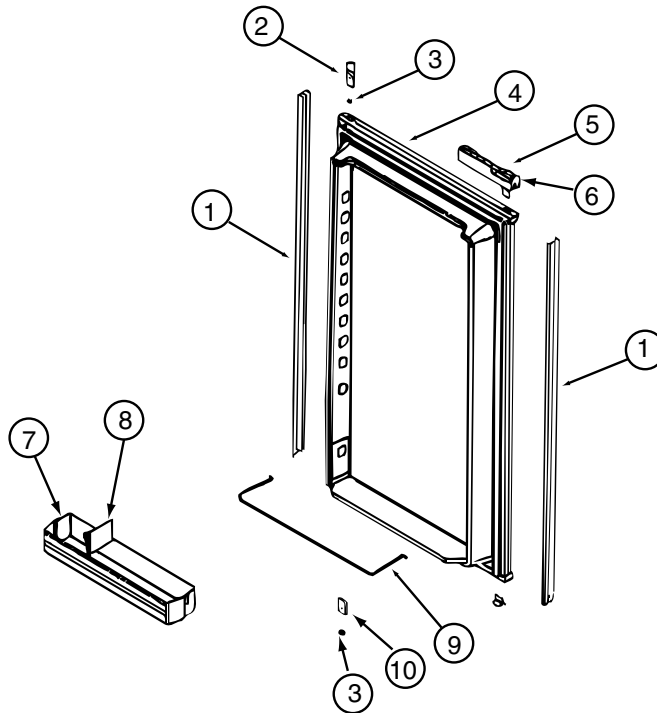


121568-06-01A, 121568-07-01A, 121568-08-01A

| KEY | PART NUMBER | U/M | DESCRIPTION | VENDOR NO. |
|------------|--------------------|------------|------------------------------|--------------------|
| 1 | 121568-03-700 | EA | RETAINER-DOOR PNL/WAFFLE/BLK | 619558-WDL-UPPER |
| 2 | 120075-01-701 | EA | HINGE-TOP RH/BOTTOM LH(DOOR) | 618511 |
| 3 | 121568-03-701 | EA | BUSHING - HINGE PIN/GRAY | 619671 |
| 4 | 121568-03-702 | EA | DOOR LINER-UPR/WAFFLED/BLACK | 619627 - SMALL WDL |
| 5 | 120075-01-702 | EA | CAP, (HINGE PLUG) | 618160 |
| 6 | 121568-01-700 | EA | RAIL - DOOR UPPER | 618618 |
| 7 | 120075-01-705 | EA | HINGE-TOP LH/BOTTOM RH(DOOR) | 618510 |
| 8 | 121568-03-705 | EA | STORAGE LATCH - GRAY | 619648 |
| 9 | 121568-03-721 | EA | HANDLE/DOOR UPPER RH SWING | 621465 |
| 9 | 121568-03-722 | EA | HANDLE/DOOR LOWER RH SWING | 621469 |
| 10 | 121568-01-701 | EA | BIN - DOOR WHITE-WAFFLED LNR | 618619 WDL |

CONTACT WINNEBAGO PART SALES FOR UNLISTED COMPONENT(S)

CABINET & APPLIANCE GROUP (CONTINUED)
COMPONENT PARTS FOR CABINET & APPLIANCE LAYOUT (CONTINUED)

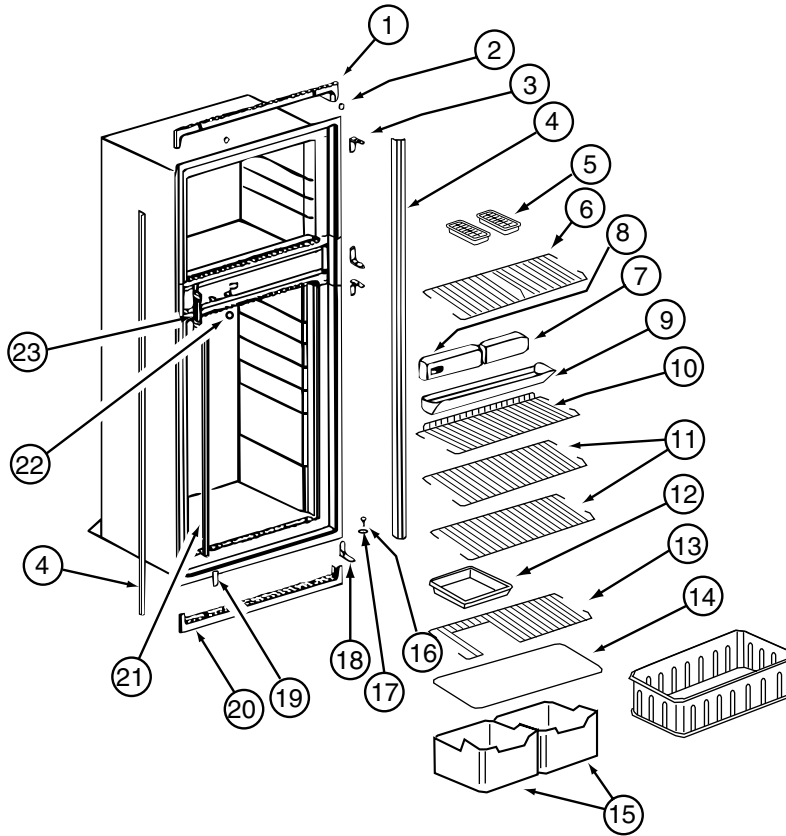


121568-06-01A, 121568-07-01A, 121568-08-01A (CONTINUED)

| KEY | PART NUMBER | U/M | DESCRIPTION | VENDOR NO. |
|-----|---------------|-----|------------------------------|------------------|
| 1 | 121568-03-706 | EA | RETAINER-DOOR PNL/WAFFLE/BLK | 619559-WDL-LOWER |
| 2 | 120075-01-701 | EA | HINGE-TOP RH/BOTTOM LH(DOOR) | 618511 |
| 3 | 121568-03-701 | EA | BUSHING - HINGE PIN/GRAY | 619671 |
| 4 | 121568-03-707 | EA | DOOR LINER-LWR/WAFFLED/B/TRM | 619629 |
| 5 | 121568-03-721 | EA | HANDLE/DOOR UPPER RH SWING | 621465 |
| 5 | 121568-03-722 | EA | HANDLE/DOOR LOWER RH SWING | 621469 |
| 6 | 121568-03-705 | EA | STORAGE LATCH - GRAY | 619648 |
| 7 | 121568-01-701 | EA | BIN - DOOR WHITE-WAFFLED LNR | 618619 WDL |
| 9 | 121568-01-704 | EA | RAIL - DOOR LOWER | 618578 |
| 10 | 120075-01-705 | EA | HINGE-TOP LH/BOTTOM RH(DOOR) | 618510 |

CONTACT WINNEBAGO PART SALES FOR UNLISTED COMPONENT(S)

CABINET & APPLIANCE GROUP (CONTINUED)
COMPONENT PARTS FOR CABINET & APPLIANCE LAYOUT (CONTINUED)

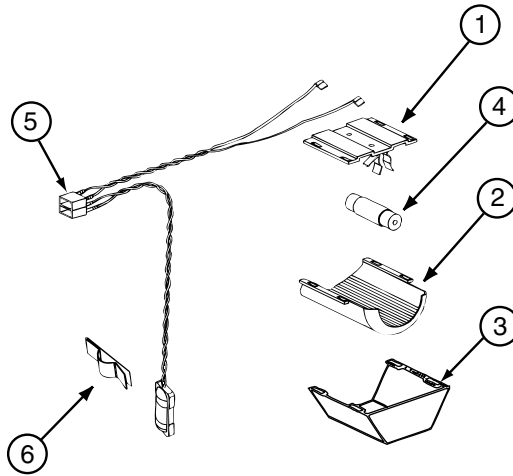


121568-06-01A, 121568-07-01A, 121568-08-01A (CONTINUED)

| KEY | PART NUMBER | U/M | DESCRIPTION | VENDOR NO. |
|-----|---------------|-----|-----------------------------|----------------|
| 1 | 120075-01-713 | EA | TRIM-TOP PIECE | 619687 |
| 2 | 120075-01-714 | EA | PLUG-HOLE (BLACK) | 618170 |
| 3 | 121568-03-710 | EA | HINGE/CABINET-TOP/RH-LWR/LH | 619335 WAFFLED |
| 4 | 121568-03-711 | EA | TRIM - SIDE/BLACK | 622295 |
| 6 | 121568-01-705 | EA | SHELF - WIRE FREEZER | 620250 |
| 7 | 121568-06-700 | EA | FRONT BOX-N611 | 622002 |
| 8 | 121568-06-701 | EA | CONTROL ASSY-OPTICAL/N611 | 621988 |
| 9 | 120075-01-720 | EA | TRAY-DRIP | 623250 |
| 9 | 120075-01-721 | EA | LOUVER-DRIP TRAY | 618176 |
| 11 | 121568-01-708 | EA | SHELF - WIRE | 620273 |
| 13 | 121568-01-707 | EA | SHELF - WIRE - SHORT | 620272 |
| 14 | 120075-01-725 | EA | COVER-CRISPER - 18.5" WIDE | 618158 |
| 15 | 121568-01-709 | EA | CRISPER | 618571 |
| 16 | 120075-01-727 | EA | PIN-HINGE | 618145 |
| 17 | 121568-03-701 | EA | BUSHING - HINGE PIN/GRAY | 619671 |
| 18 | 121568-03-715 | EA | HINGE/CABINET-TOP/LH-LWR/RH | 619336 WAFFLED |
| 19 | 121568-03-716 | EA | COVER - HINGE HOLES | 619301 |
| 20 | 120075-01-729 | EA | TRIM-BOTTOM PIECE | 620958 |
| 21 | 121568-06-702 | EA | CLIP - SHELF | 61536522 |
| 22 | 121568-06-703 | EA | HOLE PLUG - WHITE | 620282 |
| 23 | 120075-01-732 | EA | PLATE-STRIKE | 618167 |

CONTACT WINNEBAGO PART SALES FOR UNLISTED COMPONENT(S)

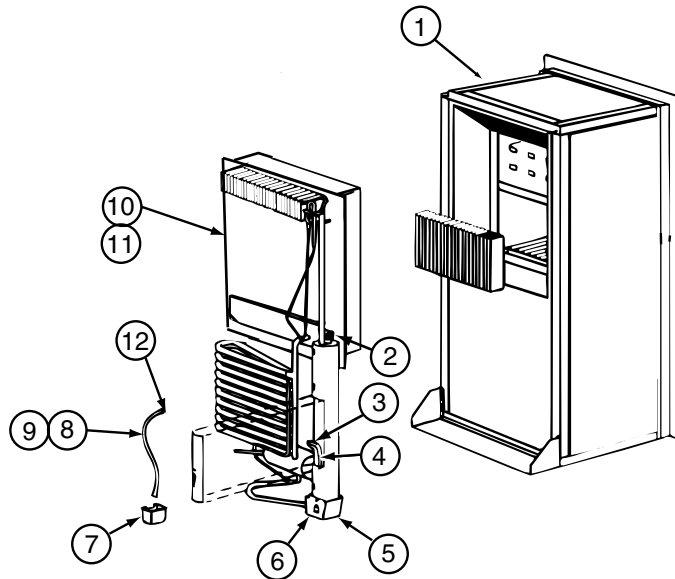
CABINET & APPLIANCE GROUP (CONTINUED)
COMPONENT PARTS FOR CABINET & APPLIANCE LAYOUT (CONTINUED)



121568-03-01A, 121568-04-01A, 121568-05-01A, 121568-06-01A, 121568-07-01A, 121568-08-01A (CONTINUED)

| KEY | PART NUMBER | U/M | DESCRIPTION | VENDOR NO. |
|-----|---------------|-----|------------------------------|------------|
| 1 | 084880-01-760 | EA | CLIP (THERMISTER) | 61689122 |
| 2 | 120075-01-735 | EA | THERMISTER W/LAMP & WIRE/ASM | 618548 |
| 3 | 084880-03-705 | EA | BRACKET-LIGHT-INTERIOR | 61629722 |
| 4 | 084880-03-706 | EA | BULB-LAMP | 61628922 |
| 6 | 084880-03-707 | EA | COVER-LAMP, LENS | 61627922 |

CONTACT WINNEBAGO PART SALES FOR UNLISTED COMPONENT(S)

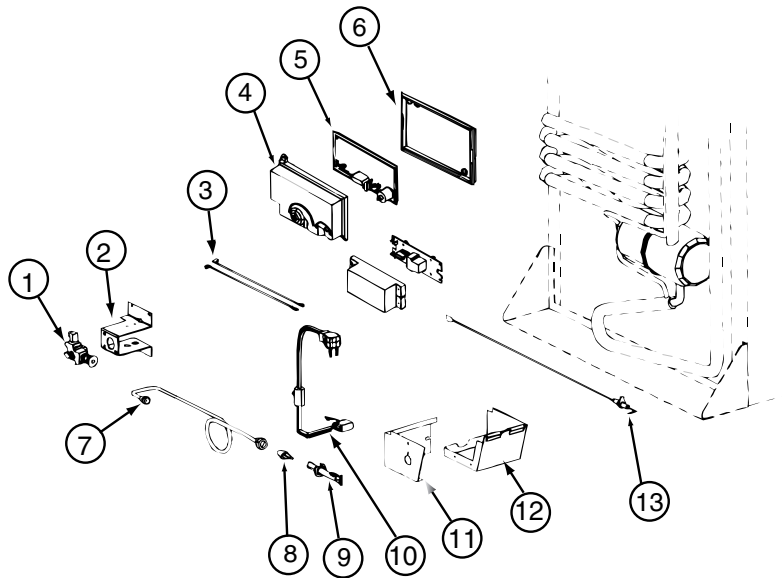


121568-06-01A, 121568-07-01A, 121568-08-01A (CONTINUED)

| KEY | PART NUMBER | U/M | DESCRIPTION | VENDOR NO. |
|-----|---------------|-----|----------------------------|------------|
| 4 | 121568-06-704 | EA | HEATER-AC/300W/120VAC | 621702 |
| 10 | 120076-01-704 | EA | COOLING UNIT, SERVICE PACK | 618543 |

CONTACT WINNEBAGO PART SALES FOR UNLISTED COMPONENT(S)

CABINET & APPLIANCE GROUP (CONTINUED)
COMPONENT PARTS FOR CABINET & APPLIANCE LAYOUT (CONTINUED)



121568-06-01A, 121568-07-01A, 121568-08-01A (CONTINUED)

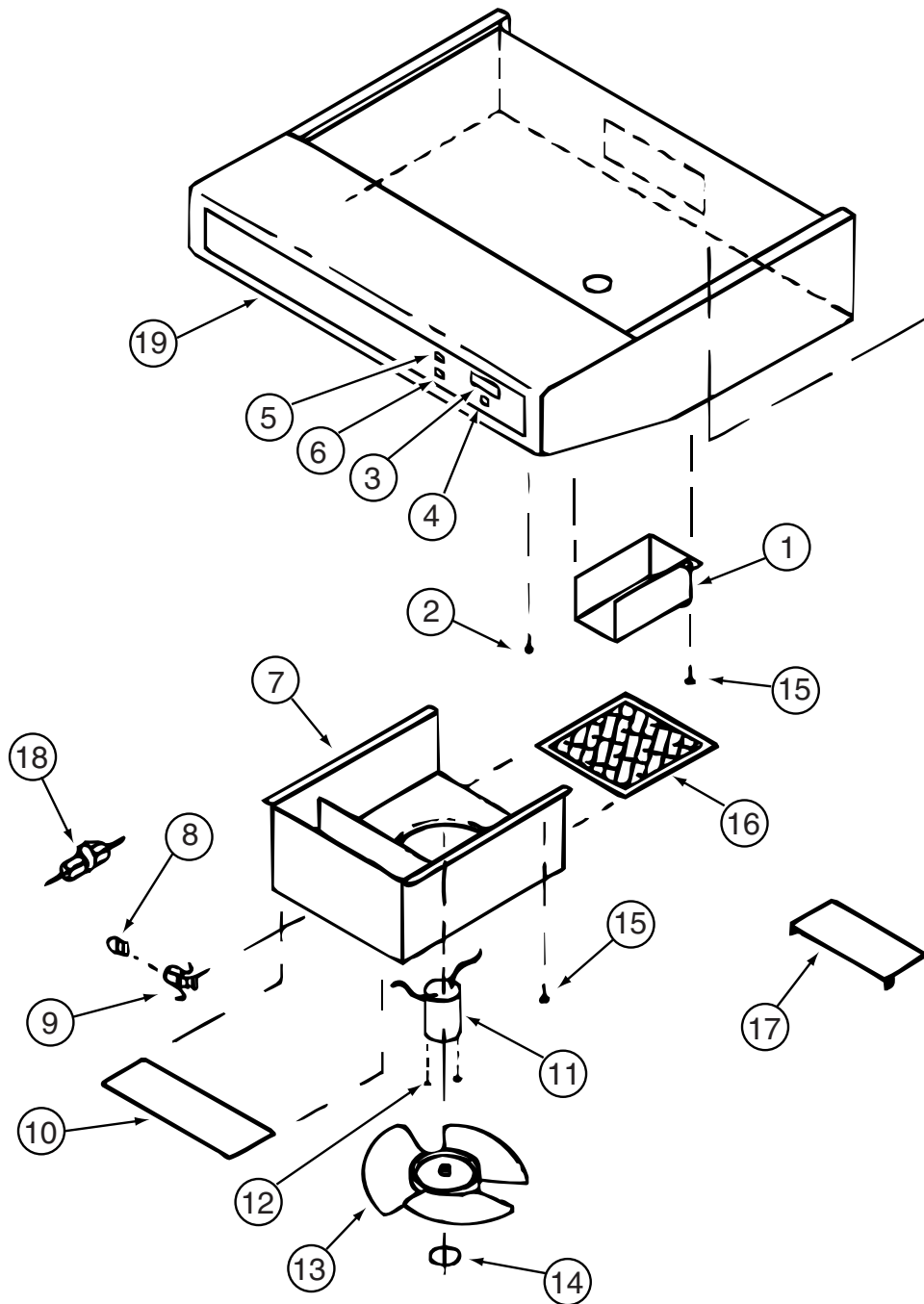
| KEY | PART NUMBER | U/M | DESCRIPTION | VENDOR NO. |
|-----|---------------|-----|-----------------------------|--------------------|
| 1 | 121568-06-705 | EA | GAS VALVE/BRKT ASSY-COMBO | 621439 |
| 1 | 121568-06-706 | EA | GAS VALVE-COMBO/WRENCH FLAT | 621329 |
| 4 | 120075-01-738 | EA | COVER-POWER BOARD | 618185 |
| 5 | 121568-06-707 | EA | BOARD/POWER-N611 | 621991 = 621991001 |
| 6 | 120075-01-740 | EA | BASE - POWER BOARD | 618186 |
| 8 | 121568-06-708 | EA | BURNER/ORFICE-ADAPTER KIT | 621957 |
| 13 | 104137-06-715 | EA | ELECTRODE-SPARK/SENSOR, SGL | 61692222 |
| | 121569-08-704 | EA | TUBE/BURNER - N8/N6 | 624682 |

CONTACT WINNEBAGO PART SALES FOR UNLISTED COMPONENT(S)

121568-05-01A, 121568-07-01A, 121568-08-01A (CONTINUED)

| KEY | PART NUMBER | U/M | DESCRIPTION | VENDOR NO. |
|-----|---------------|-----|---------------------------|------------|
| | 121568-05-700 | EA | FAN 12V KIT DBLE SIDEWALL | 619020 |

CABINET & APPLIANCE GROUP (CONTINUED)
COMPONENT PARTS FOR CABINET & APPLIANCE LAYOUT (CONTINUED)



136354-05-01A, 136354-05-02A

| KEY | PART NUMBER | U/M | DESCRIPTION | VENDOR NO. |
|-----|---------------|-----|------------------------------|---------------------|
| 3 | 100258-10-700 | EA | GAUGE-HOUR METER, SCREW ON | L0150-00 WAS 150 |
| 4 | 096983-01-702 | EA | SWITCH - MOM/OFF/MOM/3 TERM | L0112-00 |
| 6 | 096983-01-700 | EA | SWITCH/1 SPEED -ON/OFF- BLK | L0108-00 |
| 8 | 117806-01-000 | EA | BULB-12V NO.912 1.0 AMPS | GENERAL MOTOR HOMES |
| 9 | 092696-01-710 | EA | HOLDER-LAMP | CB0267-02 |
| 10 | 096983-01-708 | EA | LENS-LAMP | CC0179 |
| 11 | 136354-05-700 | EA | MOTOR-12 VOLT | VC0536-02 |
| 13 | 136354-05-701 | EA | BLADE-FAN 7" DIA | VD0216-00 |
| 16 | 096983-01-707 | EA | FILTER-MESH | CC0246-00 |
| 17 | 100258-01-701 | EA | DAMPER ASSEMBLY (METAL FLAP) | CA0565-00 |
| 19 | 100258-01-700 | EA | LABEL-HOOD NOSE | CC0428-00 |

CONTACT WINNEBAGO PART SALES FOR UNLISTED COMPONENT(S)

CABINET & APPLIANCE GROUP (CONTINUED)
COMPONENT PARTS FOR CABINET & APPLIANCE LAYOUT (CONTINUED)

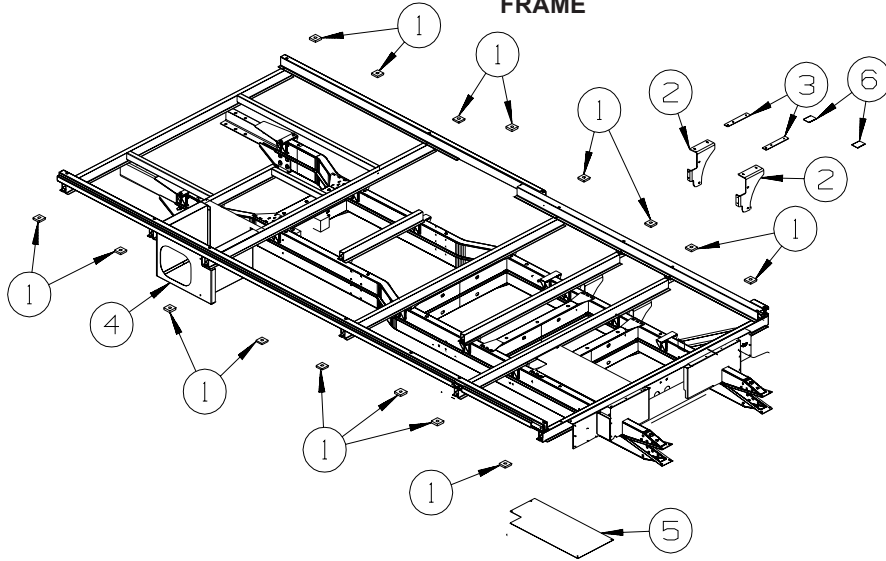
136354-06-01A, 136354-06-02A

| KEY | PART NUMBER | U/M | DESCRIPTION | VENDOR NO. |
|--------------------------------------------------------|--------------------|------------|------------------------------|---------------------|
| 3 | 100258-10-700 | EA | GAUGE-HOUR METER, SCREW ON | L0150-00 WAS 150 |
| 4 | 096983-01-702 | EA | SWITCH - MOM/OFF/MOM/3 TERM | L0112-00 |
| 5 | 096983-01-700 | EA | SWITCH/1 SPEED -ON/OFF- BLK | L0108-00 |
| 8 | 117806-01-000 | EA | BULB-12V NO.912 1.0 AMPS | GENERAL MOTOR HOMES |
| 9 | 092696-01-710 | EA | HOLDER-LAMP | CB0267-02 |
| 10 | 096983-01-708 | EA | LENS-LAMP | CC0179 |
| 11 | 136354-06-700 | EA | MOTOR - FAN (CSA) | VC0535-02 |
| 13 | 136354-05-701 | EA | BLADE-FAN 7" DIA | VD0216-00 |
| 16 | 096983-01-707 | EA | FILTER-MESH | CC0246-00 |
| 17 | 100258-01-701 | EA | DAMPER ASSEMBLY (METAL FLAP) | CA0565-00 |
| 19 | 100258-01-700 | EA | LABEL-HOOD NOSE | CC0428-00 |
| CONTACT WINNEBAGO PART SALES FOR UNLISTED COMPONENT(S) | | | | |

150606-04-01A, 150606-04-02A

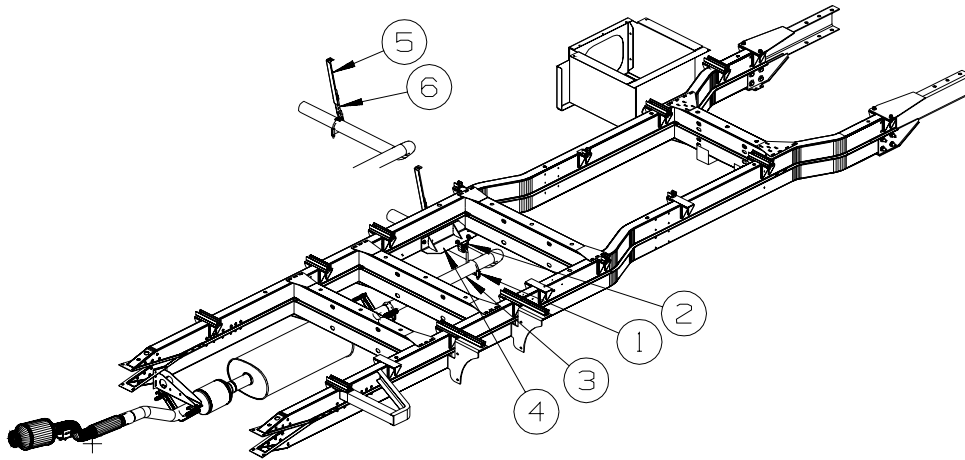
| KEY | PART NUMBER | U/M | DESCRIPTION | VENDOR NO. |
|------------|--------------------|------------|----------------------|-------------------|
| | 122753-02-700 | EA | PLATE/CAROUSEL-GLASS | NTNT-A097WREO |
| | 150606-04-700 | EA | RACK - BAKING | FAMI-A104WRM0 |

CHASSIS GROUP FRAME



| KEY | PART NUMBER | U/M | DESCRIPTION |
|-----|---------------|-----|-------------------------------------|
| 1 | 135712-05-02B | EA | PLATE - BODY MOUNT - E-COATED |
| 2 | 151504-01-02B | EA | BRACKET - SUPPORT/LP |
| 3 | 152208-01-02B | EA | STRAP - LP TANK MOUNTING - E-COATED |
| 4 | 151616-01-02B | EA | COMPARTMENT - LUGGAGE - E-COATED |
| 5 | 152218-01-02B | EA | SHIELD - HEAT - E-COATED |
| 6 | 035648-51-001 | EA | STRAP - EXTRUSION - 2.25" X 80.6" |

CHASSIS GROUP (CONTINUED)
EXHAUST



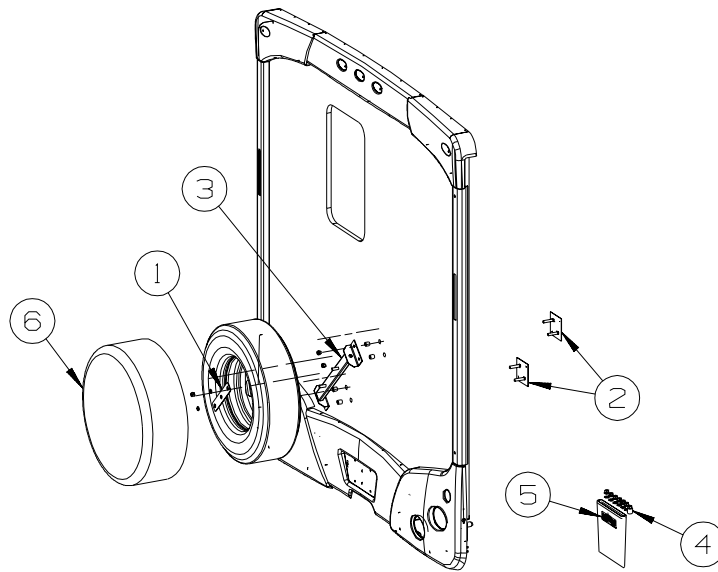
| KEY | PART NUMBER | U/M DESCRIPTION |
|-----|---------------|---------------------------------------------|
| 1 | 122392-14-02B | EA HANGER - TAILPIPE - FRONT - E-COATED |
| 2 | 123935-01-000 | EA HANGER - EXHAUST- RUBBER, RR |
| 3 | 152169-01-000 | EA PIPE - EXHAUST/TAIL |
| 4 | 152195-01-02B | EA HANGER - EXHAUST - E-COATED |
| 5 | 152196-01-02B | EA ANGLE/FORMED - EXHAUST HANGER - E-COATED |
| 6 | 007131-01-000 | EA HANGER - TAILPIPE - 6 SLOTS |

HITCH

| KEY | PART NUMBER | U/M DESCRIPTION |
|-----|---------------|----------------------------------------------|
| | 140441-04-02B | EA PLATE - SKID - E-COATED |
| | 154054-04-01A | EA HITCH RECEIVER - BOLT ON CLASS II - BLACK |

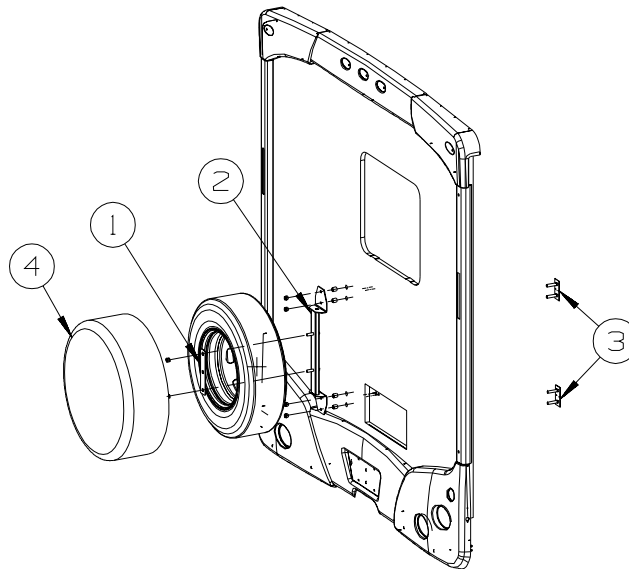
CHASSIS GROUP (CONTINUED) SPARE TIRE

**523B
523H**



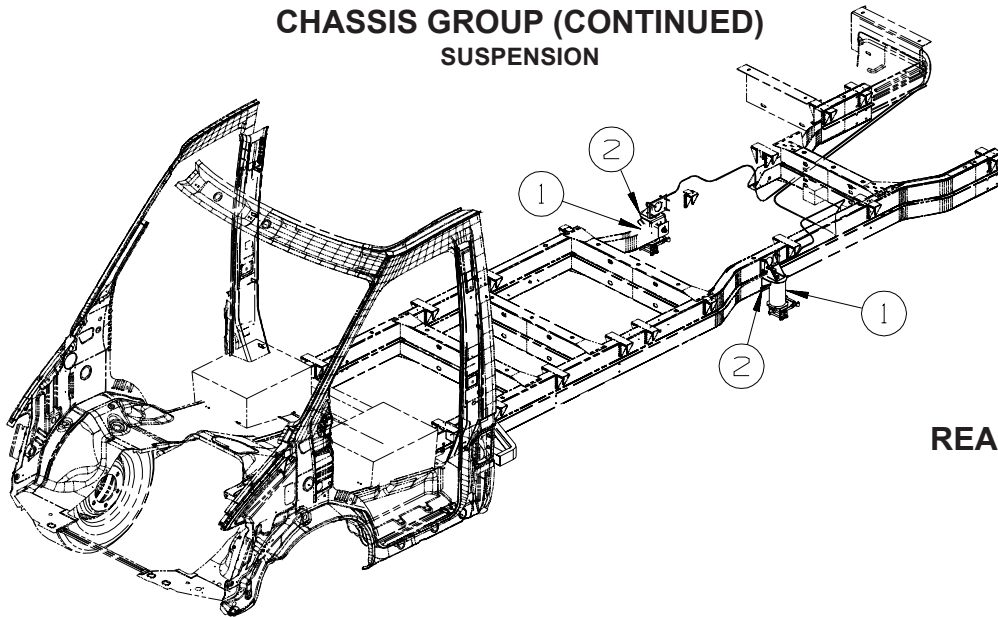
| KEY | PART NUMBER | U/M | DESCRIPTION |
|-----|---------------|-----|------------------------------------------------------------|
| 1 | 143547-03-02B | EA | RETAINER - SPARE TIRE - E-COATED |
| 2 | 152910-02-02B | EA | BRACKET - SUPPORT - SPARE TIRE - E-COATED |
| 3 | 152913-01-02B | EA | BRACKET/SUPPORT - SPARE TIRE - E-COATED |
| 4 | 153967-07-000 | EA | ADAPTER - F/ALUMINUM LUG NUT COVERS - 7/8"HEX - 19MM DRIVE |
| 5 | 155491-01-01A | EA | LABEL - WARNING - LUG NUTS - WHITE/CLEAR |
| 6 | 073322-09-T01 | EA | COVER - TIRE - 30" |
| 6 | 073322-50-000 | EA | COVER - UNIVERSAL LINER |

523J



| KEY | PART NUMBER | U/M | DESCRIPTION |
|-----|---------------|-----|-----------------------------------------|
| 1 | 143547-03-02B | EA | RETAINER - SPARE TIRE - E-COATED |
| 2 | 152913-01-02B | EA | BRACKET/SUPPORT - SPARE TIRE - E-COATED |
| 3 | 154445-02-02B | EA | BRACKET/SUPPORT - SPARE TIRE - E-COATED |
| 4 | 073322-09-T01 | EA | COVER - TIRE - 30" |
| 4 | 073322-50-000 | EA | COVER - UNIVERSAL LINER |

CHASSIS GROUP (CONTINUED)
SUSPENSION



REAR AIR SPRINGS

| KEY | PART NUMBER | U/M | DESCRIPTION |
|------------|--------------------|------------|--------------------------------------------------|
| 1* | 154813-01-000 | EA | AIRSPRING - AIR BAG KIT - 125"RH/160"LH AIR LINE |
| 2 | 156388-02-02B | EA | BRACKET - AIR SPRING - E-COATED |

***COMPONENT PARTS LISTED LATER IN THIS GROUP**

COMPONENT PARTS FOR SUSPENSION

154813-01-000

| KEY | PART NUMBER | U/M | DESCRIPTION | VENDOR NO. |
|------------|--------------------|------------|----------------------------|-------------------|
| | 154813-01-700 | EA | AIR SLEEVE KIT - PASSENGER | T-9RKFSP |
| | 154813-01-701 | EA | AIR SLEEVE KIT - DRVR/PASS | T-9RKFSD |
| | 154813-01-702 | EA | VALVE KIT - AIR FILL | T-9AFVK |

CHASSIS GROUP (CONTINUED)
WHEEL, TIRE, COVERS &/OR LINERS

| KEY | PART NUMBER | U/M | DESCRIPTION |
|------------|--------------------|------------|-------------------------------------------------------|
| * | 154970-01-000 | EA | COVER/WHEEL - 16" - SET OF 4 - DODGE SPRINTER - DICOR |

***COMPONENT PARTS LISTED LATER IN THIS GROUP**

COMPONENT PARTS FOR WHEEL, TIRE, COVERS &/OR LINERS

154970-01-000

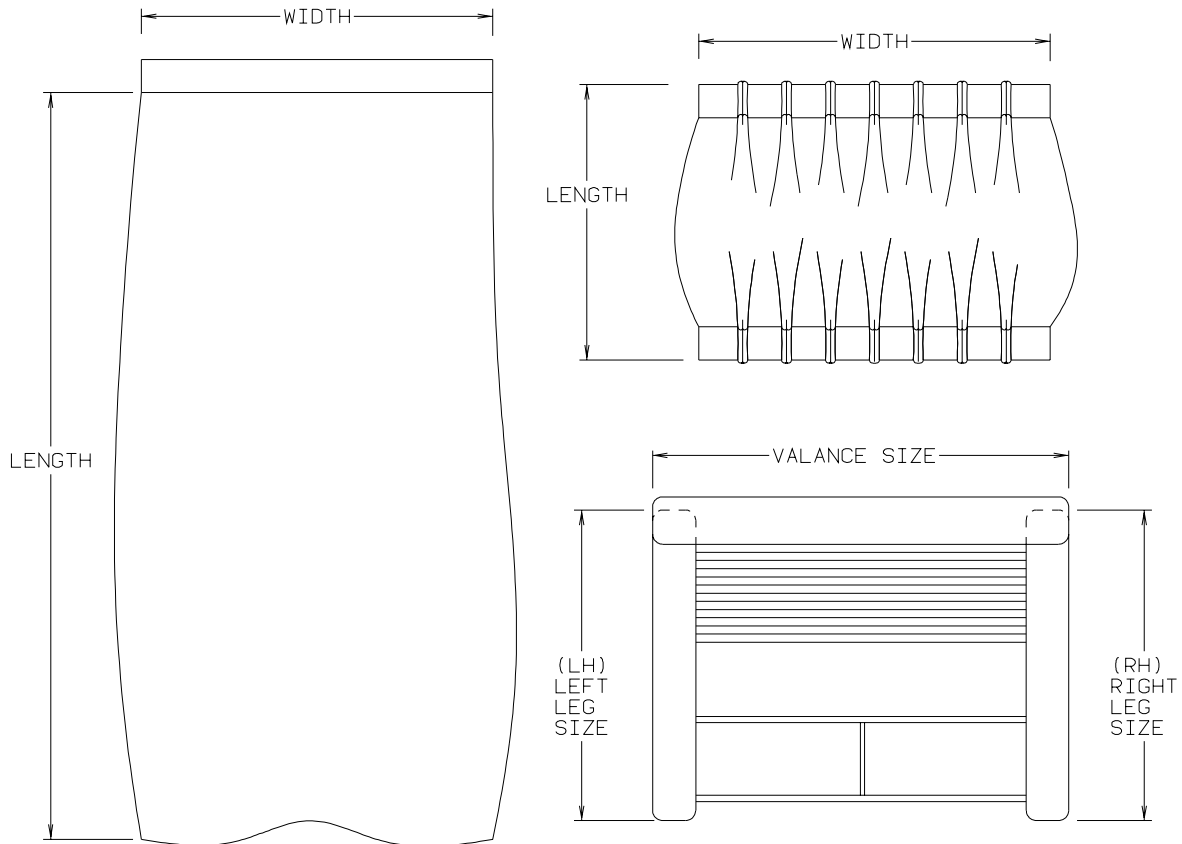
| KEY | PART NUMBER | U/M | DESCRIPTION | VENDOR NO. |
|------------|--------------------|------------|----------------------|-------------------|
| | 154970-01-700 | EA | COVER/WHEEL (1 EACH) | SHSF16/COV |

CURTAIN & CUSHION GROUP

NOTICE

IN ORDER TO ASSIST OUR PARTS SALES DEPT. IN PROVIDING INTERIOR SOFTWARE ITEMS, PLEASE INCLUDE THE SERIAL NUMBER AND THE COLOR CODE NUMBER FROM THE VEHICLE CERTIFICATION LABEL WHEN ORDERING. THIS LABEL IS LOCATED ON THE LEFT SIDEWALL AT THE END OF THE DASH (A-BODY), OR ON THE DRIVER'S DOOR LATCH PLATE (C-BODY).

AN EXAMPLE OF A COLOR CODE NUMBER IS B07, WHICH DESIGNATES AN OVERALL COLOR SCHEME OF A PARTICULAR UNIT. THE COLOR LISTED AFTER THE ITEM DESCRIPTION ON THE MICROFICHE, INDICATES THE OVERALL UNIT COLOR. ORDER THE ITEM YOU DESIRE ACCORDING TO UNIT COLOR CODE. IF ALL COLORS USE THE SAME ITEM NO COLOR CODE WILL BE NOTED.

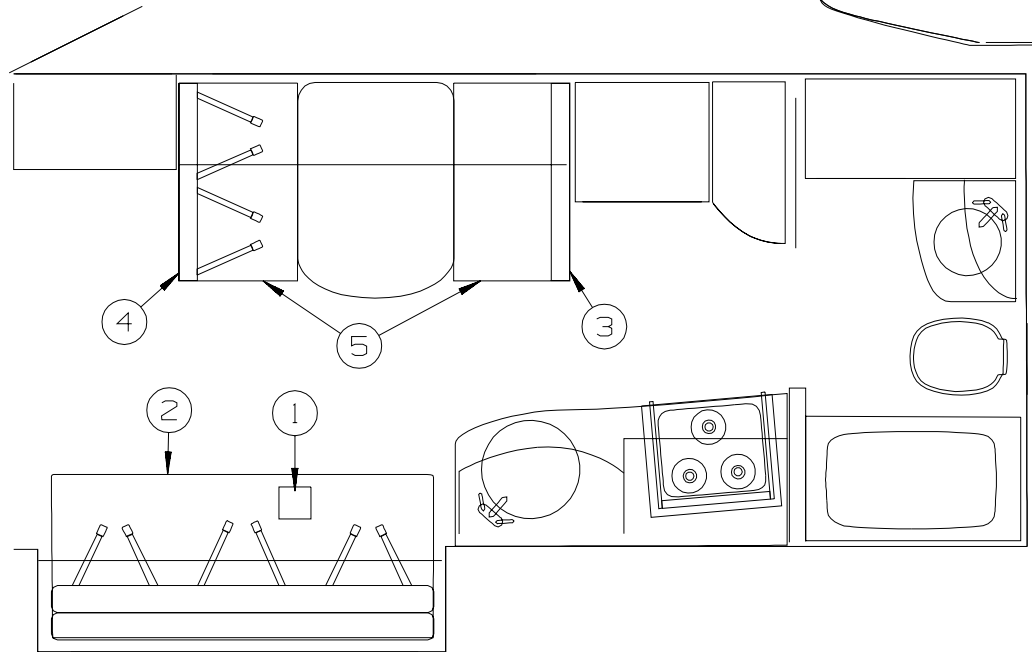
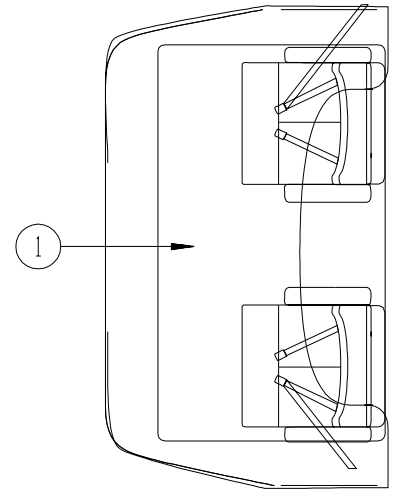


NOTE: USE THIS ILLUSTRATION WHEN DETERMINING LENGTH AND WIDTH MEASUREMENTS FOR CURTAINS. YOU WILL NOTE THE WIDTH MEASUREMENT IS TAKEN ON THE TOP OF THE CURTAIN WITH THE CURTAIN FULLY EXTENDED. THE LENGTH MEASUREMENT IS TAKEN FROM TOP TO BOTTOM. LEFT AND RIGHT WINDOW LEGS ARE DETERMINED WHEN FACING THE WINDOW.

CURTAIN & CUSHION GROUP (CONTINUED)

CUSHION LAYOUT

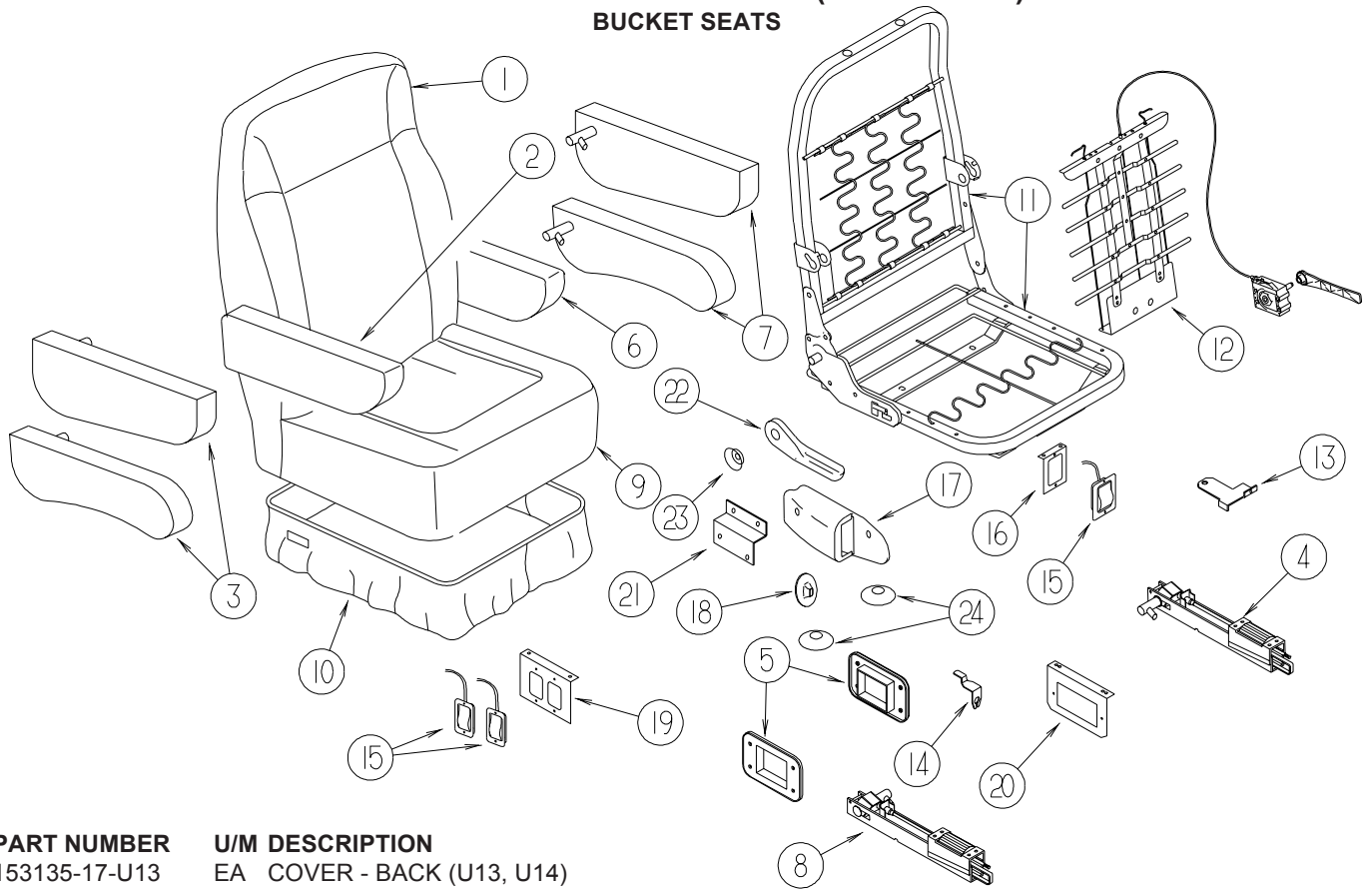
| KEY | PART NUMBER | U/M | DESCRIPTION |
|-----|---------------|-----|-----------------------------------------------------------|
| 1 | 153101-02-U13 | EA | CUSHION - OVERHEAD BUNK - 49" X 76" X 5" (U13, U14) |
| 1 | 153101-04-U15 | EA | CUSHION - OVERHEAD BUNK - 49" X 76" X 5" (U15, U16) |
| 1 | 153101-04-U27 | EA | CUSHION - OVERHEAD BUNK - 49" X 76" X 5" (U27, U28) |
| | P53101-02-U13 | EA | COVER - CUSHION/OVERHEAD BUNK - 49" X 76" X 5" (U13, U14) |
| | P53101-04-U15 | EA | COVER - CUSHION/OVERHEAD BUNK - 49" X 76" X 5" (U15, U16) |
| | P53101-04-U27 | EA | COVER - CUSHION/OVERHEAD BUNK - 49" X 76" X 5" (U27, U28) |
| | 155842-02-000 | EA | STRAP/BUNK - W/2 CATCH HOOKS |



| KEY | PART NUMBER | U/M | DESCRIPTION | |
|-----|---------------|-----|---------------------------------------------------------|-------------------------------|
| 1 | 157810-08-U13 | EA | PILLOW - 17" X 17" (U13, U14) | FROM: 00-00-00 THRU: 05-29-06 |
| 1 | 157810-11-U13 | EA | PILLOW - 17" X 17" (U13, U14) | FROM: 05-30-06 THRU: 99-99-99 |
| 1 | 157810-09-U15 | EA | PILLOW - 17" X 17" (U15, U16) | |
| 1 | 157810-08-U27 | EA | PILLOW - 17" X 17" (U27, U28) | FROM: 00-00-00 THRU: 05-29-06 |
| 1 | 157810-07-U27 | EA | PILLOW - 17" X 17" (U27, U28) | FROM: 05-30-06 THRU: 99-99-99 |
| 2 | | | SEE SOFA AREA | |
| 3 | 153071-15-U13 | EA | CUSHION/DINETTE - BACK/RH - 15.5" X 38" X 5" (U13, U14) | |
| 3 | 153071-17-U15 | EA | CUSHION/DINETTE - BACK/RH - 15.5" X 38" X 5" (U15, U16) | |
| 3 | 153071-25-U27 | EA | CUSHION/DINETTE - BACK/RH - 15.5" X 38" X 5" (U27, U28) | |
| | P53071-15-U13 | EA | COVER/BACK/RIGHT - 15.5" X 38" X 5" (U13, U14) | |
| | P53071-17-U15 | EA | COVER/BACK/RIGHT - 15.5" X 38" X 5" (U15, U16) | |
| | P53071-25-U27 | EA | COVER/BACK/RIGHT - 15.5" X 38" X 5" (U27, U28) | |
| 4 | 153071-16-U13 | EA | CUSHION/DINETTE - BACK/LH - 15.5" X 38" X 5" (U13, U14) | |
| 4 | 153071-18-U15 | EA | CUSHION/DINETTE - BACK/LH - 15.5" X 38" X 5" (U15, U16) | |
| 4 | 153071-26-U27 | EA | CUSHION/DINETTE - BACK/LH - 15.5" X 38" X 5" (U27, U28) | |
| | P53071-16-U13 | EA | COVER/BACK/LEFT - 15.5" X 38" X 5" (U13, U14) | |
| | P53071-18-U15 | EA | COVER/BACK/LEFT - 15.5" X 38" X 5" (U15, U16) | |
| | P53071-26-U27 | EA | COVER/BACK/LEFT - 15.5" X 38" X 5" (U27, U28) | |
| 5 | 153073-05-U13 | EA | CUSHION - SEAT - 23" X 38" X 5" (U13, U14) | |
| 5 | 153073-06-U15 | EA | CUSHION - SEAT - 23" X 38" X 5" (U15, U16) | |
| 5 | 153073-07-U27 | EA | CUSHION - SEAT - 23" X 38" X 5" (U27, U28) | |
| | P53073-05-U13 | EA | COVER/SEAT - 23" X 38" X 5" (U13, U14) | |
| | P53073-06-U15 | EA | COVER/SEAT - 23" X 38" X 5" (U15, U16) | |
| | P53073-07-U27 | EA | COVER/SEAT - 23" X 38" X 5" (U27, U28) | |

CURTAIN & CUSHION GROUP (CONTINUED)

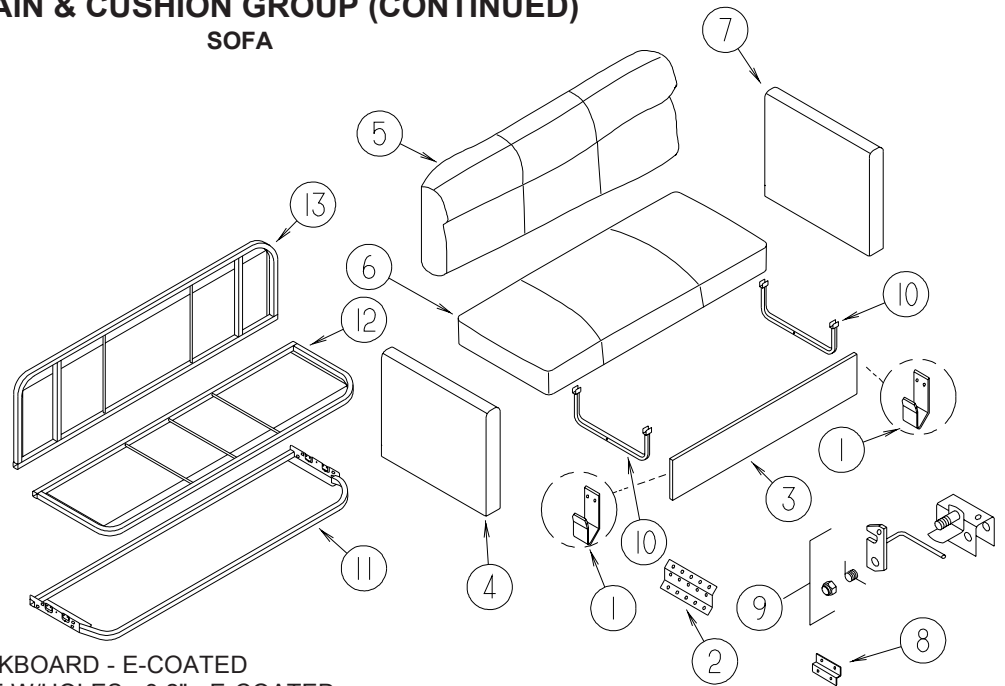
BUCKET SEATS



| KEY | PART NUMBER | U/M | DESCRIPTION |
|-----|---------------|-----|-----------------------------------------------------------|
| 1 | 153135-17-U13 | EA | COVER - BACK (U13, U14) |
| 1 | 153135-17-U15 | EA | COVER - BACK (U15, U16) |
| 1 | 153135-17-U27 | EA | COVER - BACK (U27, U28) |
| 1 | 153135-12-T01 | EA | COVER - BACK - LEATHER - ULTRALEATHER |
| | 153135-19-U13 | EA | COVER - HEADREST (U13, U14) |
| | 153135-19-U15 | EA | COVER - HEADREST (U15, U16) |
| | 153135-19-U27 | EA | COVER - HEADREST (U27, U28) |
| | 153135-14-T01 | EA | COVER - HEADREST - LEATHER - ULTRALEATHER |
| 2 | NOT USED | | |
| 3 | NOT USED | | |
| 4 | NOT USED | | |
| 5 | NOT USED | | |
| 6 | NOT USED | | |
| 7 | NOT USED | | |
| 8 | NOT USED | | |
| 9 | 153135-18-U13 | EA | COVER - SEAT (U13, U14) |
| 9 | 153135-18-U15 | EA | COVER - SEAT (U15, U16) |
| 9 | 153135-18-U27 | EA | COVER - SEAT (U27, U28) |
| 9 | 153135-13-T01 | EA | COVER - SEAT - LEATHER - ULTRALEATHER |
| 10 | 153135-20-U13 | EA | COVER - SKIRT - BACK FLAP (U13, U14) |
| 10 | 153135-20-U15 | EA | COVER - SKIRT - BACK FLAP (U15, U16) |
| 10 | 153135-20-U27 | EA | COVER - SKIRT - BACK FLAP (U27, U28) |
| 10 | 153135-15-T01 | EA | COVER - SKIRT - BACK FLAP - LEATHER - ULTRALEATHER |
| 11 | NOT USED | | |
| 12 | NOT USED | | |
| 13 | NOT USED | | |
| 14 | NOT USED | | |
| 15 | NOT USED | | |
| 16 | NOT USED | | |
| 17 | NOT USED | | |
| 18 | NOT USED | | |
| 19 | NOT USED | | |
| 20 | NOT USED | | |
| 21 | NOT USED | | |
| 22 | NOT USED | | |
| 23 | NOT USED | | |
| 24 | NOT USED | | |

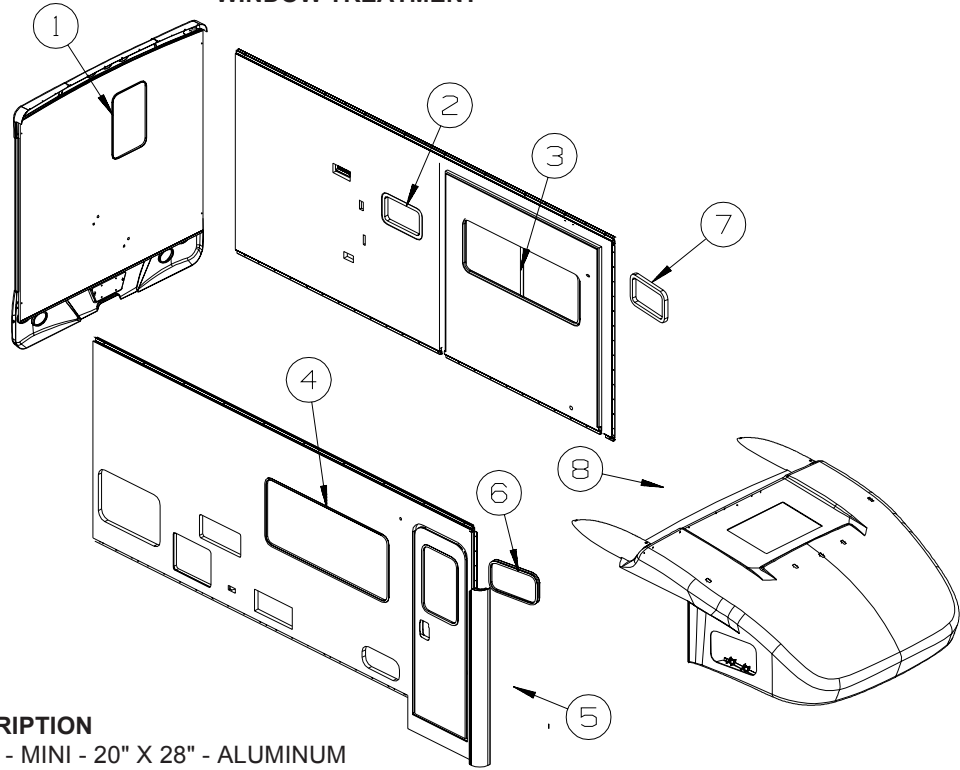
CURTAIN & CUSHION GROUP (CONTINUED)

SOFA



| KEY | PART NUMBER | U/M | DESCRIPTION |
|-----|---------------|-----|----------------------------------------------------------------------------------------------------|
| 1 | 121906-01-02B | EA | BRACKET - KICKBOARD - E-COATED |
| 2 | 116104-04-02B | EA | BRACKET - ZEE W/HOLES - 3.2" - E-COATED |
| 3 | 155276-01-U13 | EA | PANEL - FRONT KICK - SOFA/BED - FABRIC COVERED - 67.5" (U13, U14) FROM: 00-00-00 THRU: 05-29-06 |
| 3 | 155276-04-U13 | EA | PANEL - FRONT KICK - SOFA/BED - FABRIC COVERED - 67.5" (U13, U14) FROM: 05-30-06 THRU: 99-99-99 |
| 3 | 155276-01-U15 | EA | PANEL - FRONT KICK - SOFA/BED - FABRIC COVERED (U15, U16) |
| 3 | 155276-01-T01 | EA | PANEL - FRONT KICK - SOFA/BED - FABRIC COVERED (U27, U28) |
| 4 | 134282-02-U13 | EA | PANEL - LEFT END/SHORT - SOFA/BED - FABRIC COVERED (U13, U14) FROM: 00-00-00 THRU: 05-29-06 |
| 4 | 134282-36-U13 | EA | PANEL/LEFT END/FILLER - SOFA/BED - FABRIC COVERED (U13, U14) FROM: 05-30-06 THRU: 99-99-99 |
| 4 | 134282-02-U15 | EA | PANEL - LEFT END/SHORT - SOFA/BED - FABRIC COVERED (U15, U16) |
| 4 | 134282-02-T01 | EA | PANEL - LEFT END/SHORT - SOFA/BED - FABRIC COVERED (U27, U28) |
| 5 | 153137-04-U13 | EA | BACK - SOFA/BED - 70" (U13, U14) FROM: 00-00-00 THRU: 05-29-06 |
| 5 | 153137-13-U13 | EA | BACK - SOFA/BED - 70" (U13, U14) FROM: 05-30-06 THRU: 99-99-99 |
| 5 | 153137-05-U15 | EA | BACK - SOFA/BED - 70" (U15, U16) |
| 5 | 153137-04-U27 | EA | BACK - SOFA/BED - 70" (U27, U28) |
| | 153137-A4-U13 | EA | COVER/BACK - SOFA/BED - 70" (U13, U14) |
| | 153137-A4-U13 | EA | COVER/BACK - SOFA/BED - 70" (U13, U14) |
| | 153137-A5-U15 | EA | COVER/BACK - SOFA/BED - 70" (U15, U16) |
| | 153137-A4-U27 | EA | COVER/BACK - SOFA/BED - 70" (U27, U28) |
| 6 | 136278-16-U13 | EA | SEAT - SOFA/BED - 70" (U13, U14) FROM: 00-00-00 THRU: 05-29-06 |
| 6 | 136278-26-U13 | EA | SEAT - SOFA/BED - 70" (U13, U14) FROM: 05-30-06 THRU: 99-99-99 |
| 6 | 136278-21-U15 | EA | SEAT - SOFA/BED - 70" (U15, U16) |
| 6 | 136278-16-U27 | EA | SEAT - SOFA/BED - 70" (U27, U28) |
| | P36278-16-U13 | EA | COVER/SEAT - SOFA/BED - 70" (U13, U14) |
| | P36278-21-U15 | EA | COVER/SEAT - SOFA/BED - 70" (U15, U16) |
| | P36278-16-U27 | EA | COVER/SEAT - SOFA/BED - 70" (U27, U28) |
| 7 | 134282-01-U13 | EA | PANEL - RIGHT END/SHORT - SOFA/BED - FABRIC COVERED (U13, U14) FROM: 00-00-00 THRU: 05-29-06 |
| 7 | 134282-35-U13 | EA | PANEL/RIGHT END/SHORT - SOFA/BED - FABRIC COVERED (U13, U14) FROM: 05-30-06 THRU: 99-99-99 |
| 7 | 134282-01-U15 | EA | PANEL - RIGHT END/SHORT - SOFA/BED - FABRIC COVERED (U15, U16) |
| 7 | 134282-01-T01 | EA | PANEL - RIGHT END/SHORT - SOFA/BED - FABRIC COVERED (U27, U28) |
| 8 | 101926-01-02A | EA | BRACKET - ZEE - 2" - BLACK |
| 9 | NOT USED | | |
| 10 | 127335-07-000 | EA | LEG - SOFA/BED - 8" |
| 11 | 151290-21-000 | EA | FRAME - BASE - 27.25" X 70" |
| 12 | 151290-06-000 | EA | FRAME - SEAT - 70" |
| 13 | 132870-01-000 | EA | FRAME/BACK - 70" - CUSTOM LOUNGE |

CURTAIN & CUSHION GROUP (CONTINUED)
WINDOW TREATMENT



| KEY | PART NUMBER | U/M | DESCRIPTION |
|-----|---------------|-----|-------------------------------------------------------|
| 1 | 111861-23-01A | EA | BLIND - MINI - 20" X 28" - ALUMINUM |
| 2 | 111861-26-01A | EA | BLIND - MINI - 23" X 16" - ALUMINUM |
| 3 | 140789-81-U15 | EA | BLIND - DAY/NIGHTER - 61" X 26.5" |
| 4 | 140789-82-U15 | EA | BLIND - DAY/NIGHTER - 63" X 28.5" |
| 5 | 076892-35-U13 | EA | CURTAIN - CAB PRIVACY - 47.5" X 74" (U13, U14) |
| 5 | 076892-38-U15 | EA | CURTAIN - CAB PRIVACY - 47.5" X 74" (U15, U16) |
| 5 | 076892-38-U27 | EA | CURTAIN - CAB PRIVACY - 47.5" X 74" (U27, U28) |
| 6 | 101034-68-U13 | EA | CURTAIN - PRIVACY/RIGHT HAND - 15" X 21" (U13, U14) |
| 6 | 101034-75-U15 | EA | CURTAIN - PRIVACY/RIGHT HAND - 15" X 21" (U15, U16) |
| 6 | 101034-68-U27 | EA | CURTAIN - PRIVACY/RIGHT HAND - 15" X 21" (U27, U28) |
| 7 | 101034-69-U13 | EA | CURTAIN - PRIVACY/LEFT HAND - 15" X 21" (U13, U14) |
| 7 | 101034-76-U15 | EA | CURTAIN - PRIVACY/LEFT HAND - 15" X 21" (U15, U16) |
| 7 | 101034-69-U27 | EA | CURTAIN - PRIVACY/LEFT HAND - 15" X 21" (U27, U28) |
| 8 | 154002-01-U13 | EA | CURTAIN - PRIVACY/BUNK/LINED - 30" X 87.5" (U13, U14) |
| 8 | 154002-05-U15 | EA | CURTAIN - PRIVACY/BUNK/LINED - 30" X 87.5" (U15, U16) |
| 8 | 154002-01-U27 | EA | CURTAIN - PRIVACY/BUNK/LINED - 30" X 87.5" (U27, U28) |

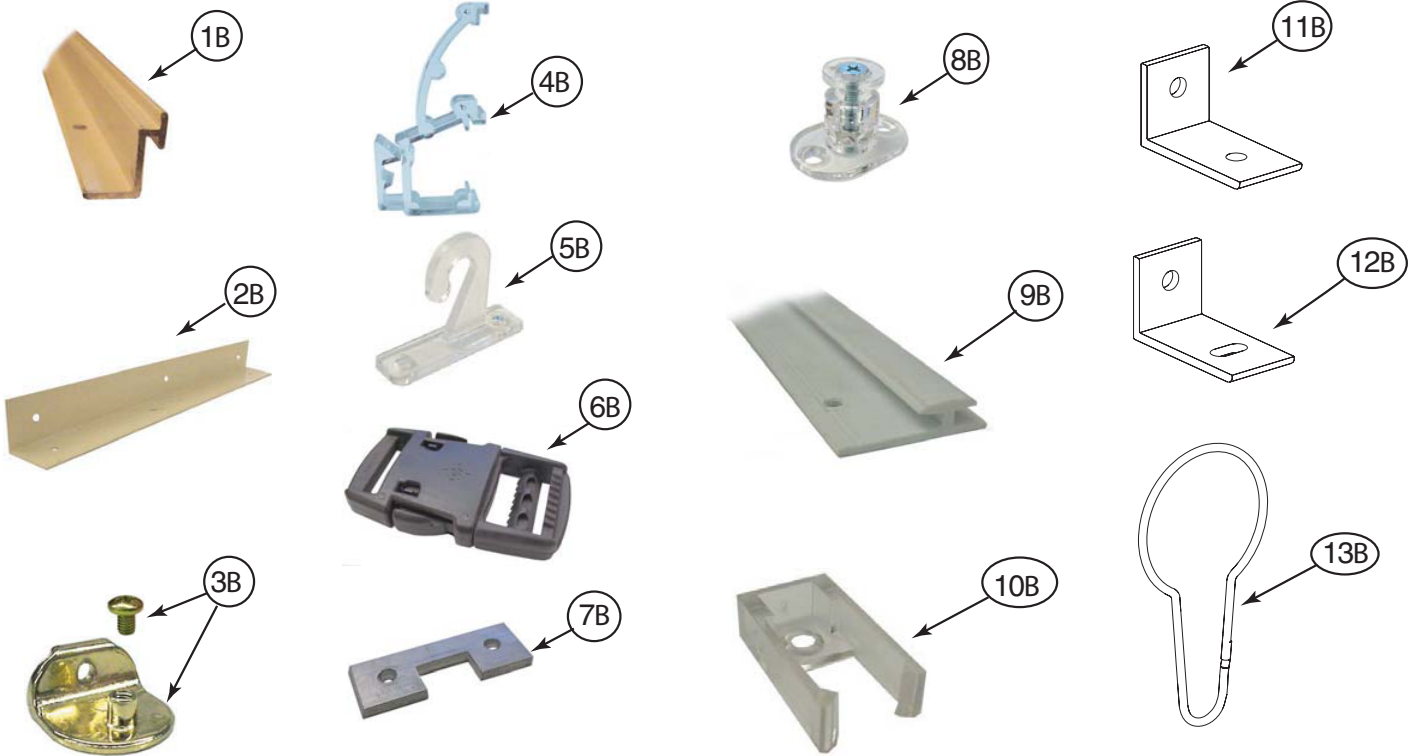
CURTAIN & CUSHION GROUP (CONTINUED)

HARDWARE



| KEY | PART NUMBER | U/M | DESCRIPTION |
|-----|---------------|-----|--------------------------------------------------------|
| 1A | 029155-01-000 | EA | CAP - SNAP - 5/32" OUTSIDE DIAMETER OF PIN |
| 2A | 029156-01-000 | EA | SOCKET - SNAP - 9/16" O.D. |
| 3A | 046867-02-000 | EA | WASHER - HANDY BUTTON #3 |
| 4A | 046867-03-000 | EA | GROMMET - HANDY BUTTON #3 |
| 5A | 075943-10-000 | EA | BRACE - VALANCE - 20" - OFF WHITE |
| 6A | 083170-01-000 | EA | BRACKET/BLIND - LEFT SIDE WHEN FACING WINDOW - CLEAR |
| 7A | 083170-02-000 | EA | BRACKET/BLIND - RIGHT SIDE WHEN FACING WINDOW - CLEAR |
| 8A | 084434-01-000 | EA | BRACKET - MOUNTING - ROLLER SHADE - 1 3/8" |
| 9A | 094896-02-000 | EA | GROMMET - CORD/PLEATED BLIND - NYLON - GRAY |
| 10A | 094907-02-000 | EA | END CAP - PLEATED BLIND/TOP - RH/LH - GRAY PLASTIC |
| 11A | 094907-04-000 | EA | END CAP - PLEATED BLIND/BOTTOM - RH/LH |
| 12A | 094907-09-000 | EA | END CAP/BLIND - CENTER RAIL - RH/LH |
| 13A | 097564-03-000 | EA | HANDLE - KNOB - E-Z LIFT SHADE - TAN |
| | 097593-02-000 | FT | CORD - BLIND - PLEATED - GRAY |
| | 097593-10-000 | FT | CORD - BLIND - PLEATED - VANILLA |
| 14A | 097565-01-000 | EA | BRACKET - MOUNTING - PLEATED BLIND |
| 15A | 097591-01-000 | EA | SPRING - EXTENSION - PLEATED BLIND |
| 15A | 155748-01-000 | EA | SPRING - EXTENSION - DAY/NIGHTER BLIND |
| 16A | 101031-01-000 | YD | TAPE/GLIDE - 4.25" SPACING |
| 17A | 102555-03-000 | EA | BRACKET - (CLEAT TYPE) - F/BLIND HOLDOWN - MILKY WHITE |

CURTAIN & CUSHION GROUP (CONTINUED)
HARDWARE (CONTINUED)



| KEY | PART NUMBER | U/M | DESCRIPTION |
|-----|---------------|-----|---------------------------------------------------------------------------------------------|
| 1B | 105450-14-01A | EA | TRACK-90"-OW - FRT BUNK PRIVACY OUTLOOK/SPIRIT 300-SERIES, ACCESS/IMPULSE 200-SERIES |
| 2B | 105648-01-02A | EA | BRACE - VALANCE - 14" - OFF WHITE |
| 2B | 105648-02-02A | EA | BRACE - VALANCE - 8.5" - OFF WHITE |
| 3B | 106544-01-000 | EA | PULL - SHADE/BRASS |
| 3B | 106544-01-001 | EA | SCREW - SHADE/BRASS |
| 3B | 106544-02-000 | EA | PULL-SHADE - NICKEL |
| 4B | 109353-04-000 | EA | CLIP - VALANCE SLAT MOUNTING - CLEAR PLASTIC |
| 5B | 109441-01-000 | EA | BRACKET/HOOK - BLIND HOLD DOWN |
| | 109441-02-000 | EA | SPACER/BRACKET - BLIND HOLD DOWN |
| 6B | 129491-01-000 | EA | CATCH - SNAP HOOK - 1" |
| 7B | 130549-01-01A | EA | STOP - CURTAIN TRACK |
| 8B | 141634-01-000 | EA | BRACKET-(BOBBIN TYPE) 7/8"H HOLDUPBASE(OVAL)-2 HOLE-CLEAR |
| 9B | 156172-01-01A | EA | TRACK/WALL - 75" - BONE |
| 9B | 156172-02-01A | EA | TRACK/WALL - 32" - BONE |
| 9B | 156172-03-01A | EA | TRACK/WALL - 21" - BONE |
| 10B | 156172-04-01A | EA | END CAP - WALL TRACK - CLEAR |
| 11B | 154316-01-01A | EA | BRACE/ANGLE - W/HOLE - CASHMERE |
| 12B | 154316-02-01A | EA | BRACE/ANGLE - W/SLOT - CASHMERE |
| 13B | 159702-01-01A | EA | HOOK/RING - CURTAIN/SHOWER - NICKEL |

ACCESSORIES

| KEY | PART NUMBER | U/M | DESCRIPTION |
|-----|---------------|-----|-------------------------------------------------------|
| | 070578-20-T03 | EA | BUTTON - #30 - SCREW/STUD - FABRIC COVERED (U13, U14) |
| | 070578-20-U15 | EA | BUTTON - #30 - SCREW/STUD - FABRIC COVERED (U15, U16) |
| | 070578-20-U27 | EA | BUTTON - #30 - SCREW/STUD - FABRIC COVERED (U27, U28) |
| | 156132-01-T01 | EA | COVER/SLEEVE - SUNVISOR - VINYL |
| | 118337-19-U13 | EA | BUTTON - #36 W/TACK (U13, U14) |
| | 118337-19-U15 | EA | BUTTON - #36 W/TACK (U15, U16) |
| | 118337-19-U27 | EA | BUTTON - #36 W/TACK (U27, U28) |

CURTAIN & CUSHION GROUP (CONTINUED)

FABRICS

U13, U14

113979-09-01A CARPET HEADLINER (102") - CEILING FABRIC
113979-10-01A CARPET HEADLINER (21.5) - CEILING FABRIC
113979-11-01A CARPET HEADLINER - SLIDEOUT (30") - CEILING FABRIC
113979-16-01A CARPET HEADLINER - SLIDEOUT (52") - CEILING FABRIC
087272-03-000 FABRIC-DRAPERY, MAIN
142523-16-000 FABRIC-UPHOSTERY,ACCEN PLAIN, "B"
142523-16-000 FABRIC-UPHL,SEAT INSERT
148797-48-000 FABRIC-HEADLINER/PADS/BUNKS, TRANS PANELS
148797-48-000 FABRIC-O/H CABT,DIN/LOUNGE
148797-48-000 FABRIC-INSERT S/O TRIM FRONT, SLIDEOUT TRIM
148797-U4-000 FABRIC-UPHOSTERY MAIN ONE
148797-U4-000 FABRIC-UPHOSTERY,BEDSPREA, PATTERN ACCENT
148797-U5-000 FABRIC-UPHLSTRY,PLAIN ACCENT
148797-U6-000 FABRIC-UPHOSTERY,BEDSPREAD, MAIN
148797-U6-000 FABRIC-UPHLSTRY,2ND PATTERN, ACCENT
148797-U0-000 FABRIC-SLEEPER DECK
148797-U0-000 FABRIC-UPHOLSTERY ACCENT, PATTERN

U15, U16

113979-09-01A CARPET HEADLINER (102") - CEILING FABRIC
113979-10-01A CARPET HEADLINER (21.5) - CEILING FABRIC
113979-11-01A CARPET HEADLINER - SLIDEOUT (30") - CEILING FABRIC
113979-16-01A CARPET HEADLINER - SLIDEOUT (52") - CEILING FABRIC
087272-03-000 FABRIC-DRAPERY, MAIN
142523-16-000 FABRIC-UPHOSTERY,ACCEN PLAIN, "B"
142523-16-000 FABRIC-UPHL,SEAT INSERT
148797-U7-000 FABRIC-UPHOSTERY MAIN ONE, MAIN
148797-U7-000 FABRIC-UPHOSTERY,BEDSPREAD, PATTERN ACCENT
148797-U8-000 FABRIC-UPHLSTRY,PLAIN ACCENT
148797-U8-000 FABRIC-UPHLSTRY,2ND PATTERN, ACCENT
148797-U9-000 FABRIC-UPHOLSTERY ACCENT, PATTERN
148797-U9-000 FABRIC-O/H CABT,DIN/LOUNGE
148797-U9-000 FABRIC-HEADLINER/PADS/BUNKS, TRANS PANELS
156773-10-000 FABRIC-UPHOSTERY,BEDSPREAD, MAIN
148797-U9-000 FABRIC-INSERT S/O TRIM FRONT, SLIDEOUT TRIM
156773-10-000 FABRIC-SLEEPER DECK

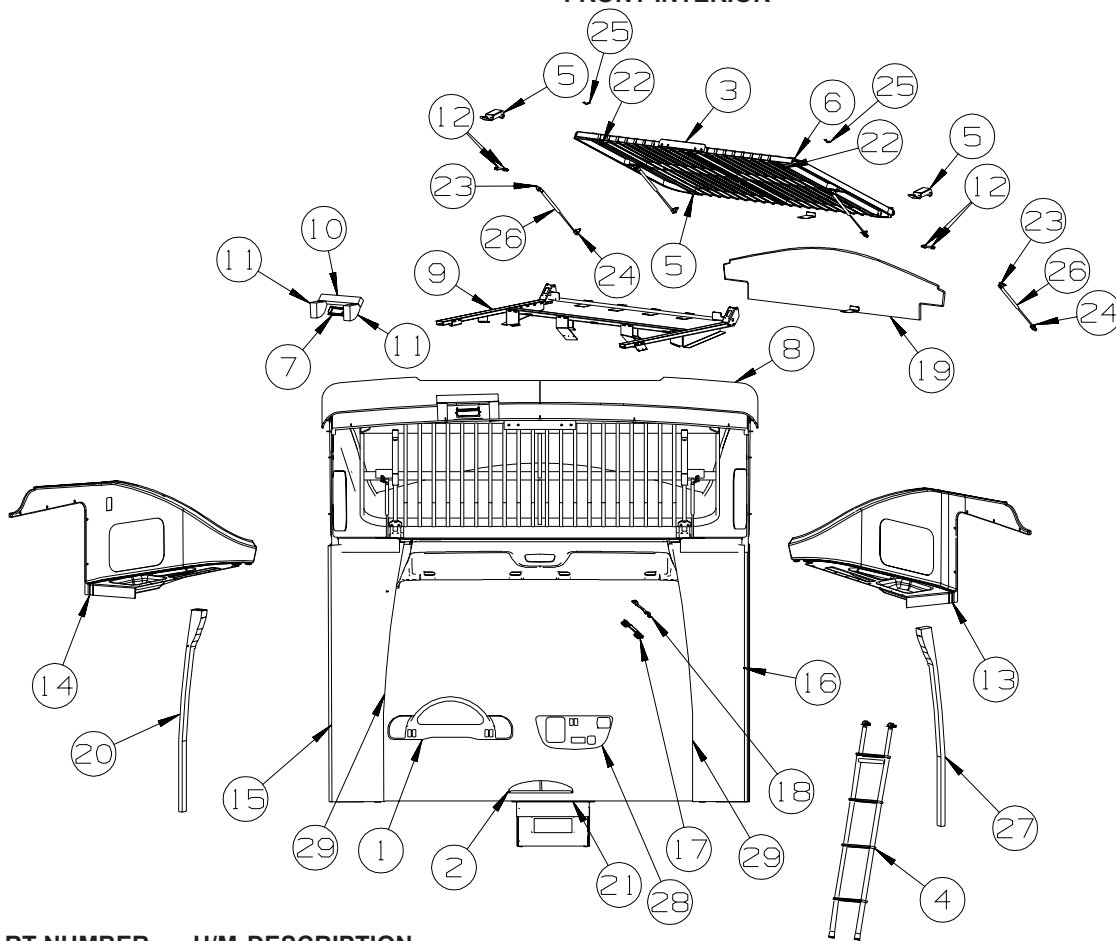
U27, U28

113979-09-01A CARPET HEADLINER (102") - CEILING FABRIC
113979-10-01A CARPET HEADLINER (21.5) - CEILING FABRIC
113979-11-01A CARPET HEADLINER - SLIDEOUT (30") - CEILING FABRIC
113979-16-01A CARPET HEADLINER - SLIDEOUT (52") - CEILING FABRIC
087272-03-000 FABRIC-DRAPERY, MAIN
137813-F8-000 FABRIC-UPHOSTERY,BEDSPREAD, MAIN
137813-58-000 FABRIC-HEADLINER/PADS/BUNKS, TRANS PANELS
142523-16-000 FABRIC-UPHOSTERY,ACCEN PLAIN, "B"
142523-16-000 FABRIC-UPHL,SEAT INSERT
148797-57-000 FABRIC-UPHOSTERY MAIN ONE, MAIN
148797-57-000 FABRIC-SLEEPER DECK
148797-58-000 FABRIC-UPHOLSTERY ACCENT, PATTERN
148797-58-000 FABRIC-UPHOSTERY,BEDSPREAD, PATTERN ACCENT
148797-M2-000 FABRIC-UPHLSTRY,PLAIN ACCENT
148797-M2-000 FABRIC-UPHLSTRY,2ND PATTERN, ACCENT
148797-M2-000 FABRIC-O/H CABT,DIN/LOUNGE
148797-M2-000 FABRIC-INSERT S/O TRIM FRONT, SLIDEOUT TRIM

DRIVERS COMPARTMENT GROUP

FRONT INTERIOR

523B
523J



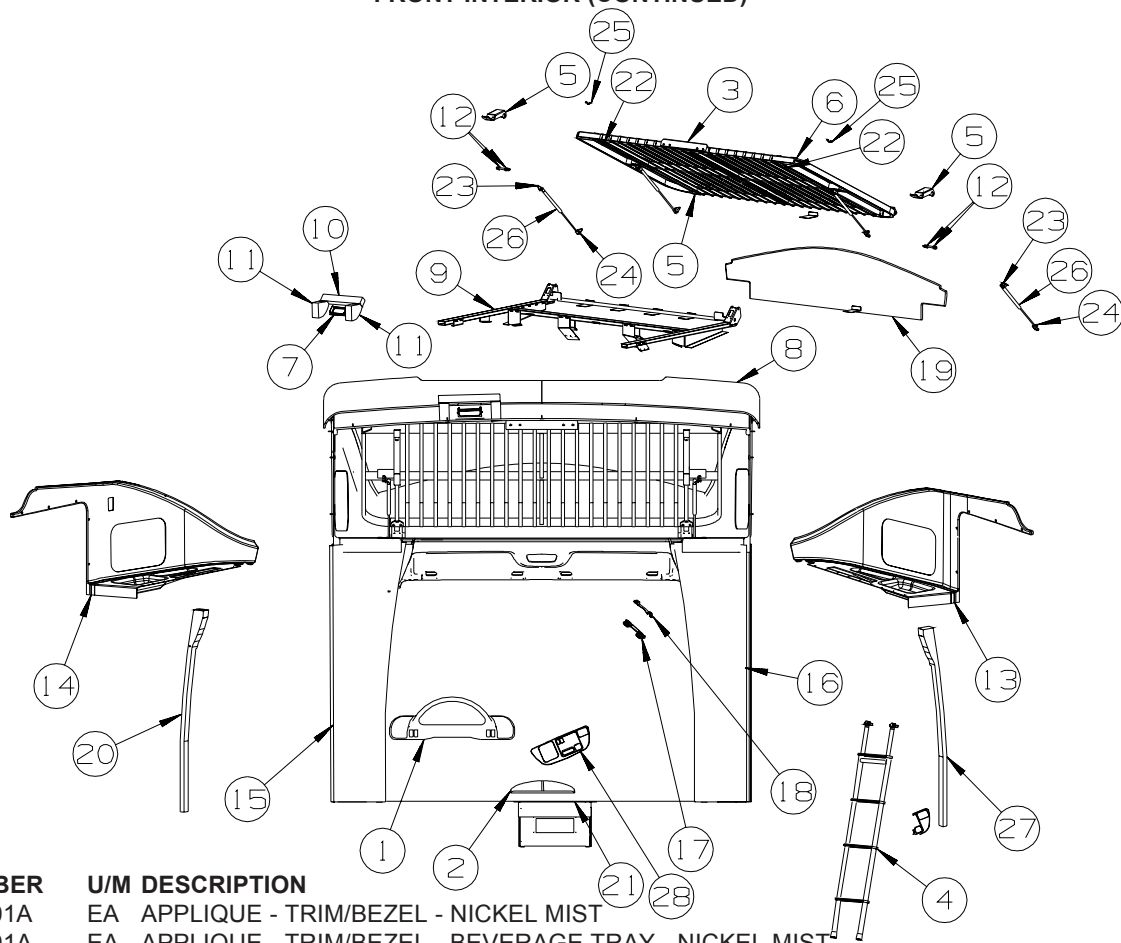
| KEY | PART NUMBER | U/M | DESCRIPTION |
|-----|---------------|-----|-----------------------------------------------------|
| 1 | 153727-01-01A | EA | APPLIQUE - TRIM/BEZEL - NICKEL MIST |
| 2 | 153727-02-01A | EA | APPLIQUE - TRIM/BEZEL - BEVERAGE TRAY - NICKEL MIST |
| 3 | 094658-04-T25 | EA | HANDLE - BUNK - 1.1" X 2" X 14.9" - WASHED MAPLE |
| 3 | 094658-04-T02 | EA | HANDLE - BUNK - 1.1" X 2" X 14.2" - HONEY CHERRY |
| 4 | 106025-04-01A | EA | LADDER - BUNK - 58.1" - BLACK |
| 4 | 106025-06-01A | EA | LADDER - BUNK - 58.6" - BLACK |
| 5 | 151554-01-02B | EA | FRAME - SLEEPER HINGE - E-COATED |
| 6 | 151565-01-T01 | EA | FRAME - SLEEPER/BUNK |
| 7 | 135803-03-01A | EA | LOUVER - A/C - OPEN FRAME |
| 8 | 151553-01-12A | EA | PANEL/TRIM - CEILING CONTOUR - OFF WHITE |
| 9 | 151564-01-02B | EA | SUPPORT - SLEEPER - E-COATED |
| 10 | 151838-02-02A | EA | FOAM - LPE, DUCT |
| 11 | 151838-03-02A | EA | FOAM - LPE, DUCT |
| 12 | 151839-01-01A | EA | BEARING/FLANGED - 3/8" TO 7/8" X 1/2" DEEP - BRONZE |
| 13 | 152206-01-T01 | EA | PANEL/TRIM - BUNK/RIGHT HAND |
| | 152205-01-12A | EA | PANEL/TRIM - BUNK/RIGHT HAND - OFF WHITE |
| 14 | 152206-02-T01 | EA | PANEL/TRIM - BUNK/LEFT HAND |
| | 152205-02-12A | EA | PANEL/TRIM - BUNK/LEFT HAND - OFF WHITE |
| 15 | 153323-01-T03 | EA | PANEL/TRANSITION - INNER - LEFT HAND (U13, U14) |
| | | | FROM: 00-00-00 THRU: 05-14-06 |
| 15 | 153323-01-U13 | EA | PANEL/TRANSITION - INNER - LEFT HAND (U13, U14) |
| | | | FROM: 05-15-06 THRU: 99-99-99 |
| 15 | 153323-01-U15 | EA | PANEL/TRANSITION - INNER - LEFT HAND (U15, U16) |
| 15 | 153323-01-U27 | EA | PANEL/TRANSITION - INNER - LEFT HAND (U27, U28) |
| 16 | 153323-02-T03 | EA | PANEL/TRANSITION - INNER - RIGHT HAND (U13, U14) |
| | | | FROM: 00-00-00 THRU: 05-14-06 |
| 16 | 153323-02-U13 | EA | PANEL/TRANSITION - INNER - RIGHT HAND (U13, U14) |
| | | | FROM: 05-15-06 |
| 16 | 153323-02-U15 | EA | PANEL/TRANSITION - INNER - RIGHT HAND (U15, U16) |
| 16 | 153323-02-U27 | EA | PANEL/TRANSITION - INNER - RIGHT HAND (U27, U28) |
| 17 | 153628-01-01A | EA | HANDLE - ASSIST/PASSENGER - W/O BRACKET - GRAY |
| 18 | 153628-02-01A | EA | BRACKET - ASSIST HANDLE - GRAY |

DRIVERS COMPARTMENT GROUP (CONTINUED)
FRONT INTERIOR (CONTINUED)

| KEY | PART NUMBER | U/M | DESCRIPTION |
|------------|--------------------|------------|-------------------------------------------------------------------------------------|
| 19 | 153631-01-T01 | EA | PANEL/OVERHEAD - FRONT |
| | 128131-01-01A | EA | SPACER/SWITCH - DOME - BLACK |
| 20 | 156188-01-T03 | EA | PANEL/TRANSITION - FABRIC WRAPPED (U13, U14) FROM: 00-00-00 THRU: 05-14-06 |
| 20 | 156188-01-U13 | EA | PANEL/TRANSITION - FABRIC WRAPPED (U13, U14) FROM: 05-15-06 THRU: 99-99-99 |
| 20 | 156188-01-U15 | EA | PANEL/TRANSITION - FABRIC WRAPPED (U15, U16) |
| 20 | 156188-01-U27 | EA | PANEL/TRANSITION - FABRIC WRAPPED (U27, U28) |
| 21 | 115870-01-000 | FT | SEAL/EDGE - TRIM |
| 22 | 120863-06-000 | EA | BUMPER - RUBBER/RADIUS TOP - 3/4" X 3/8" - LT GRAY FROM: 00-00-00 THRU: 03-07-06 |
| 22 | 120863-09-000 | EA | BUMPER - RUBBER/RADIUS TOP - 3/4" X 3/8" - LT GRAY FROM: 03-08-06 THRU: 04-16-06 |
| 22 | 120863-05-000 | EA | BUMPER - RUBBER/RADIUS TOP - 3/4" X 3/8" FROM: 04-17-06 THRU: 99-99-99 |
| 23 | 126263-02-02B | EA | BRACKET - GAS SPRING W/BALL STUD - E-COATED |
| 24 | 126263-15-02B | EA | BRACKET - GAS SPRING W/BALL STUD - E-COATED |
| 25 | 127960-01-01A | EA | RETAINER - EYE - 3/8" - STAINLESS STEEL |
| 26 | 142569-14-000 | EA | SPRING/GAS - 100 LB - 20" EXTENDED/12" COMPRESSED |
| 27 | 156188-02-T03 | EA | PANEL/TRANSITION - FABRIC WRAPPED (U13, U14) FROM: 00-00-00 THRU: 05-14-06 |
| 27 | 156188-02-U13 | EA | PANEL/TRANSITION - FABRIC WRAPPED (U13, U14) FROM: 05-15-06 THRU: 99-99-99 |
| 27 | 156188-02-U15 | EA | PANEL/TRANSITION - FABRIC WRAPPED (U15, U16) |
| 27 | 156188-02-U27 | EA | PANEL/TRANSITION - FABRIC WRAPPED (U27, U28) |
| 28 | 153727-03-01A | EA | APPLIQUE - SHIFTER BEZEL - BRUSHED ALUMINUM |
| 29 | 105290-01-000 | SF | INSULATION - AIR POCKET W/FOIL - 4' WIDE |

DRIVERS COMPARTMENT GROUP (CONTINUED)
FRONT INTERIOR (CONTINUED)

523H

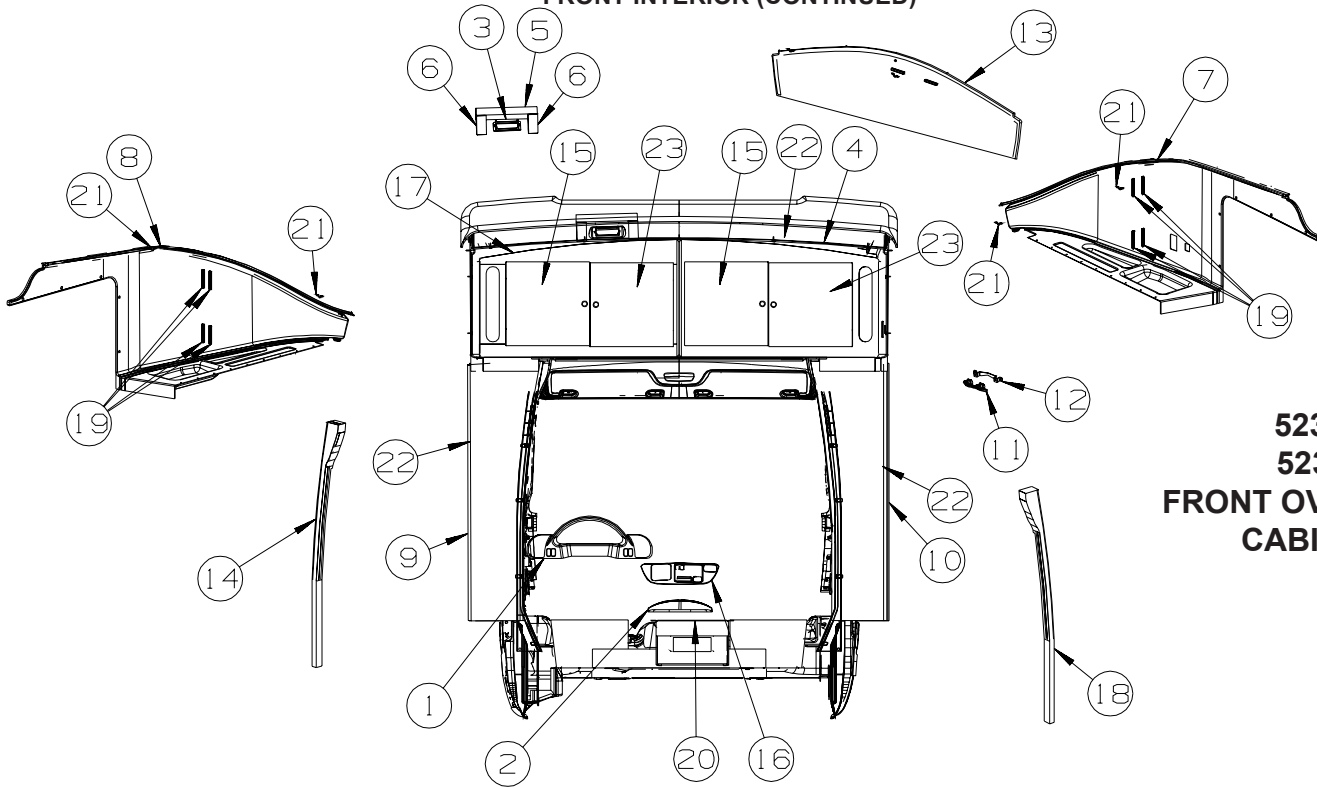


| KEY | PART NUMBER | U/M | DESCRIPTION |
|-----|---------------|-----|-----------------------------------------------------|
| 1 | 153727-01-01A | EA | APPLIQUE - TRIM/BEZEL - NICKEL MIST |
| 2 | 153727-02-01A | EA | APPLIQUE - TRIM/BEZEL - BEVERAGE TRAY - NICKEL MIST |
| 3 | 094658-04-T25 | EA | HANDLE - BUNK - 1.1" X 2" X 14.9" - WASHED MAPLE |
| 3 | 094658-04-T02 | EA | HANDLE - BUNK - 1.1" X 2" X 14.2" - HONEY CHERRY |
| 4 | 106025-04-01A | EA | LADDER - BUNK - 58.1" - BLACK |
| 4 | 106025-06-01A | EA | LADDER - BUNK - 58.6" - BLACK |
| | | | FROM: 00-00-00 THRU: 09-10-06 |
| | | | FROM: 09-11-06 THRU: 99-99-99 |
| 5 | 151554-01-02B | EA | FRAME - SLEEPER HINGE - E-COATED |
| 6 | 151565-01-T01 | EA | FRAME - SLEEPER/BUNK |
| 7 | 135803-03-01A | EA | LOUVER - A/C - OPEN FRAME |
| 8 | 151553-01-12A | EA | PANEL/TRIM - CEILING CONTOUR - OFF WHITE |
| 9 | 151564-01-02B | EA | SUPPORT - SLEEPER - E-COATED |
| 10 | 151838-02-02A | EA | FOAM - LPE, DUCT |
| 11 | 151838-03-02A | EA | FOAM - LPE, DUCT |
| 12 | 151839-01-01A | EA | BEARING/FLANGED - 3/8" TO 7/8" X 1/2" DEEP - BRONZE |
| 13 | 152206-01-T01 | EA | PANEL/TRIM - BUNK/RIGHT HAND |
| | 152205-01-12A | EA | PANEL/TRIM - BUNK/RIGHT HAND - OFF WHITE |
| 14 | 152206-02-T01 | EA | PANEL/TRIM - BUNK/LEFT HAND |
| | 152205-02-12A | EA | PANEL/TRIM - BUNK/LEFT HAND - OFF WHITE |
| 15 | 153323-01-T03 | EA | PANEL/TRANSITION - INNER - LEFT HAND (U13, U14) |
| | | | FROM: 00-00-00 THRU: 05-14-06 |
| 15 | 153323-01-U13 | EA | PANEL/TRANSITION - INNER - LEFT HAND (U13, U14) |
| | | | FROM: 05-15-06 THRU: 99-99-99 |
| 15 | 153323-01-U15 | EA | PANEL/TRANSITION - INNER - LEFT HAND (U15, U16) |
| 15 | 153323-01-U27 | EA | PANEL/TRANSITION - INNER - LEFT HAND (U27, U28) |
| 16 | 153323-02-T03 | EA | PANEL/TRANSITION - INNER - RIGHT HAND (U13, U14) |
| | | | FROM: 00-00-00 THRU: 05-14-06 |
| 16 | 153323-02-U13 | EA | PANEL/TRANSITION - INNER - RIGHT HAND (U13, U14) |
| | | | FROM: 05-15-06 |
| 16 | 153323-02-U15 | EA | PANEL/TRANSITION - INNER - RIGHT HAND (U15, U16) |
| 16 | 153323-02-U27 | EA | PANEL/TRANSITION - INNER - RIGHT HAND (U27, U28) |
| 17 | 153628-01-01A | EA | HANDLE - ASSIST/PASSENGER - W/O BRACKET - GRAY |
| 18 | 153628-02-01A | EA | BRACKET - ASSIST HANDLE - GRAY |

DRIVERS COMPARTMENT GROUP (CONTINUED)
FRONT INTERIOR (CONTINUED)

| KEY | PART NUMBER | U/M | DESCRIPTION |
|-----|---------------|-----|-------------------------------------------------------------------------------------|
| 19 | 153631-01-T01 | EA | PANEL/OVERHEAD - FRONT |
| 20 | 156188-01-T03 | EA | PANEL/TRANSITION - FABRIC WRAPPED (U13, U14) FROM: 00-00-00 THRU: 05-14-06 |
| 20 | 156188-01-U13 | EA | PANEL/TRANSITION - FABRIC WRAPPED (U13, U14) FROM: 05-15-06 THRU: 99-99-99 |
| 20 | 156188-01-U15 | EA | PANEL/TRANSITION - FABRIC WRAPPED (U15, U16) |
| 21 | 156188-01-U27 | EA | PANEL/TRANSITION - FABRIC WRAPPED (U27, U28) |
| 21 | 115870-01-000 | FT | SEAL/EDGE - TRIM |
| 22 | 120863-09-000 | EA | BUMPER - RUBBER/RADIUS TOP - 3/4" X 3/8" - LT GRAY FROM: 00-00-00 THRU: 04-16-06 |
| 22 | 120863-05-000 | EA | BUMPER - RUBBER/RADIUS TOP - 3/4" X 3/8" FROM: 04-17-06 THRU: 99-99-99 |
| 23 | 126263-02-02B | EA | BRACKET - GAS SPRING W/BALL STUD - E-COATED |
| 24 | 126263-15-02B | EA | BRACKET - GAS SPRING W/BALL STUD - E-COATED |
| 25 | 127960-01-01A | EA | RETAINER - EYE - 3/8" - STAINLESS STEEL |
| 26 | 142569-14-000 | EA | SPRING/GAS - 100 LB - 20" EXTENDED/12" COMPRESSED |
| 27 | 156188-02-T03 | EA | PANEL/TRANSITION - FABRIC WRAPPED (U13, U14) FROM: 00-00-00 THRU: 05-14-06 |
| 27 | 156188-02-U13 | EA | PANEL/TRANSITION - FABRIC WRAPPED (U13, U14) FROM: 05-15-06 THRU: 99-99-99 |
| 27 | 156188-02-U15 | EA | PANEL/TRANSITION - FABRIC WRAPPED (U15, U16) |
| 27 | 156188-02-U27 | EA | PANEL/TRANSITION - FABRIC WRAPPED (U27, U28) |
| 28 | 105290-01-000 | SF | INSULATION - AIR POCKET W/FOIL - 4' WIDE |

DRIVERS COMPARTMENT GROUP (CONTINUED)
FRONT INTERIOR (CONTINUED)



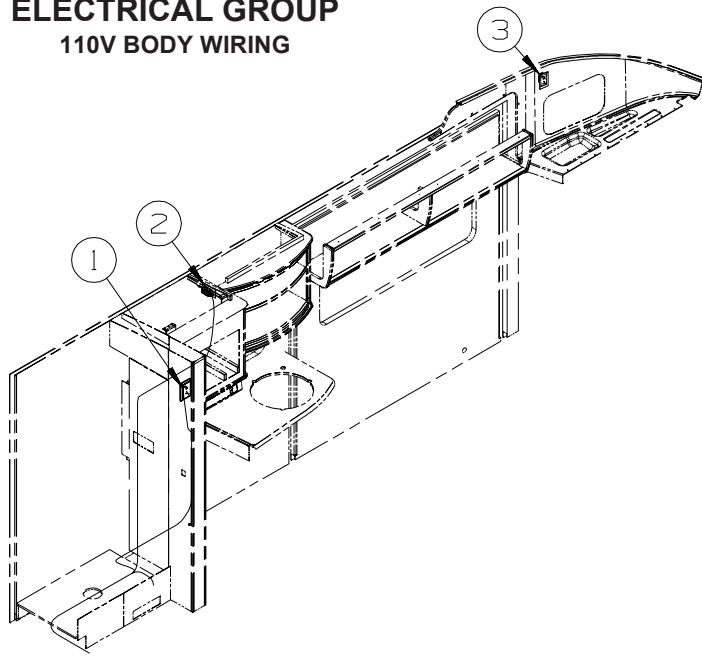
523B
523J
FRONT OVERHEAD
CABINET

| KEY | PART NUMBER | U/M | DESCRIPTION |
|-----|---------------|-----|-----------------------------------------------------------------------------------|
| 1 | 153727-01-01A | EA | APPLIQUE - TRIM/BEZEL - NICKEL MIST |
| 2 | 153727-02-01A | EA | APPLIQUE - TRIM/BEZEL - BEVERAGE TRAY - NICKEL MIST |
| 3 | 135803-03-01A | EA | LOUVER - A/C - OPEN FRAME |
| 4 | 151553-01-12A | EA | PANEL/TRIM - CEILING CONTOUR - OFF WHITE |
| 5 | 151838-02-02A | EA | FOAM - LPE, DUCT |
| 6 | 151838-03-02A | EA | FOAM - LPE, DUCT |
| 7 | 152206-05-T01 | EA | PANEL/TRIM - BUNK/RIGHT HAND |
| | 152205-03-12A | EA | PANEL/TRIM - BUNK/RIGHT HAND - OFF WHITE |
| 8 | 152206-06-T01 | EA | PANEL/TRIM - BUNK/LEFT HAND |
| | 152205-04-12A | EA | PANEL/TRIM - BUNK/LEFT HAND - OFF WHITE |
| 9 | 153323-01-T03 | EA | PANEL/TRANSITION - INNER - LEFT HAND (U13, U14) FROM: 00-00-00 THRU: 05-14-06 |
| 9 | 153323-01-U13 | EA | PANEL/TRANSITION - INNER - LEFT HAND (U13, U14) FROM: 05-15-06 THRU: 99-99-99 |
| 9 | 153323-01-U15 | EA | PANEL/TRANSITION - INNER - LEFT HAND (U15, U16) |
| 9 | 153323-01-U27 | EA | PANEL/TRANSITION - INNER - LEFT HAND (U27, U28) |
| 10 | 153323-02-T03 | EA | PANEL/TRANSITION - INNER - RIGHT HAND (U13, U14) FROM: 00-00-00 THRU: 05-14-06 |
| 10 | 153323-02-U13 | EA | PANEL/TRANSITION - INNER - RIGHT HAND (U13, U14) FROM: 05-15-06 |
| 10 | 153323-02-U15 | EA | PANEL/TRANSITION - INNER - RIGHT HAND (U15, U16) |
| 10 | 153323-02-U27 | EA | PANEL/TRANSITION - INNER - RIGHT HAND (U27, U28) |
| 11 | 153628-01-01A | EA | HANDLE - ASSIST/PASSENGER - W/O BRACKET - GRAY |
| 12 | 153628-02-01A | EA | BRACKET - ASSIST HANDLE - GRAY |
| 13 | 153631-02-T01 | EA | PANEL/OVERHEAD - FRONT |
| 14 | 156188-02-T03 | EA | PANEL/TRANSITION - FABRIC WRAPPED (U13, U14) FROM: 00-00-00 THRU: 05-14-06 |
| 14 | 156188-02-U13 | EA | PANEL/TRANSITION - FABRIC WRAPPED (U13, U14) FROM: 05-15-06 THRU: 99-99-99 |
| 14 | 156188-02-U15 | EA | PANEL/TRANSITION - FABRIC WRAPPED (U15, U16) |
| 14 | 156188-02-U27 | EA | PANEL/TRANSITION - FABRIC WRAPPED (U27, U28) |

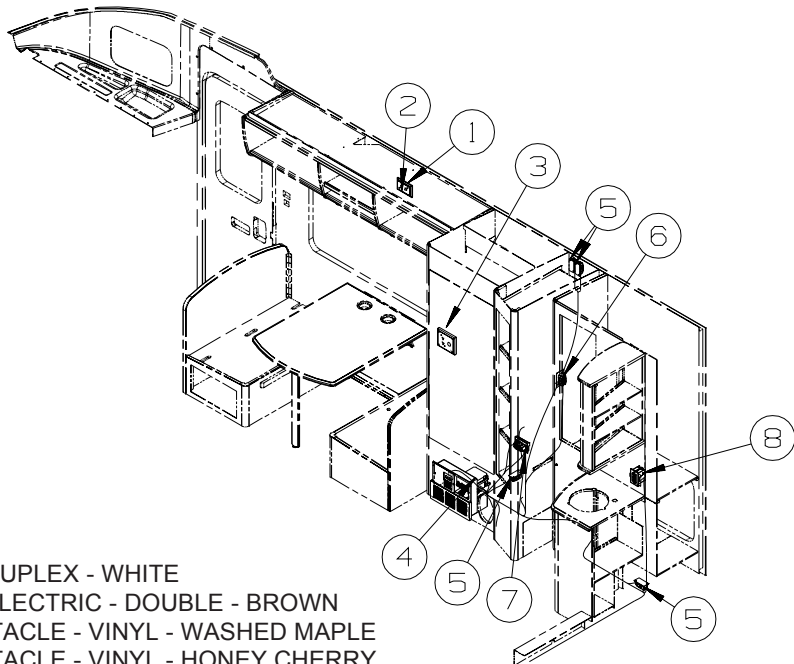
DRIVERS COMPARTMENT GROUP (CONTINUED)
FRONT INTERIOR (CONTINUED)

| KEY | PART NUMBER | U/M | DESCRIPTION |
|-----|---------------|-----|---------------------------------------------------------------------------------------------------|
| 15 | 155015-02-T01 | EA | DOOR - CURVED - LH HAND - 17.7" X 17.7" - W/O HDW FROM: 00-00-00 THRU: 02-05-06 |
| 15 | 159216-07-T01 | EA | DOOR - FLAT/SQUARE EDGE - 17.7" X 17.7" - W/O HDW - WASHED MAPLE FROM: 02-06-06 THRU: 99-99-99 |
| 15 | 155015-02-T01 | EA | DOOR - CURVED - LH HAND - 17.7" X 17.7" - W/O HDW FROM: 00-00-00 THRU: 02-05-06 |
| 15 | 159216-07-T02 | EA | DOOR - FLAT/SQUARE EDGE - 17.7" X 17.7" - W/O HDW - HONEY CHERRY FROM: 02-06-06 THRU: 99-99-99 |
| 16 | 153727-03-01A | EA | APPLIQUE - SHIFTER BEZEL - BRUSHED ALUMINUM |
| 17 | 155050-01-U17 | EA | CABINET/FACE - OVERHEAD/FRONT - W/INSERTS - WASHED MAPLE FROM: 00-00-00 THRU: 02-05-06 |
| 17 | 159344-01-T01 | EA | CABINET/FACE - OVERHEAD/FRONT - W/INSERTS/WELT - WASHED MAPLE FROM: 02-06-06 THRU: 99-99-99 |
| 17 | 155050-01-U18 | EA | CABINET/FACE - OVERHEAD/FRONT - W/INSERTS/WELT - HONEY CHERRY FROM: 00-00-00 THRU: 02-05-06 |
| 17 | 159344-01-T02 | EA | CABINET/FACE - OVERHEAD/FRONT - W/INSERTS/WELT - HONEY CHERRY FROM: 02-06-06 THRU: 99-99-99 |
| 18 | 156188-02-T03 | EA | PANEL/TRANSITION - FABRIC WRAPPED (U13, U14) FROM: 00-00-00 THRU: 05-14-06 |
| 18 | 156188-02-U13 | EA | PANEL/TRANSITION - FABRIC WRAPPED (U13, U14) FROM: 05-15-06 THRU: 99-99-99 |
| 18 | 156188-02-U15 | EA | PANEL/TRANSITION - FABRIC WRAPPED (U15, U16) |
| 18 | 156188-02-U27 | EA | PANEL/TRANSITION - FABRIC WRAPPED (U27, U28) |
| 19 | 146514-04-000 | EA | CHANNEL/MOUNT - F/ROPE LIGHT |
| 20 | 115870-01-000 | FT | SEAL/EDGE - TRIM |
| 21 | 127960-01-01A | EA | RETAINER - EYE - 3/8" - STAINLESS STEEL |
| 22 | 105290-01-000 | SF | INSULATION - AIR POCKET W/FOIL - 4' WIDE |
| 23 | 155015-01-T01 | EA | DOOR - CURVED - RH HAND - 17.7" X 17.7" - W/O HDW - WASHED MAPLE FROM: 00-00-00 THRU: 02-05-06 |
| 23 | 159216-07-T01 | EA | DOOR - FLAT/SQUARE EDGE - 17.7" X 17.7" - W/O HDW - WASHED MAPLE FROM: 02-06-06 THRU: 99-99-99 |
| 23 | 155015-01-T02 | EA | DOOR - CURVED - RH HAND - 17.7" X 17.7" - W/O HDW - HONEY CHERRY FROM: 00-00-00 THRU: 02-05-06 |
| 23 | 159216-07-T02 | EA | DOOR - FLAT/SQUARE EDGE - 17.7" X 17.7" - W/O HDW - HONEY CHERRY FROM: 02-06-06 THRU: 99-99-99 |

ELECTRICAL GROUP 110V BODY WIRING



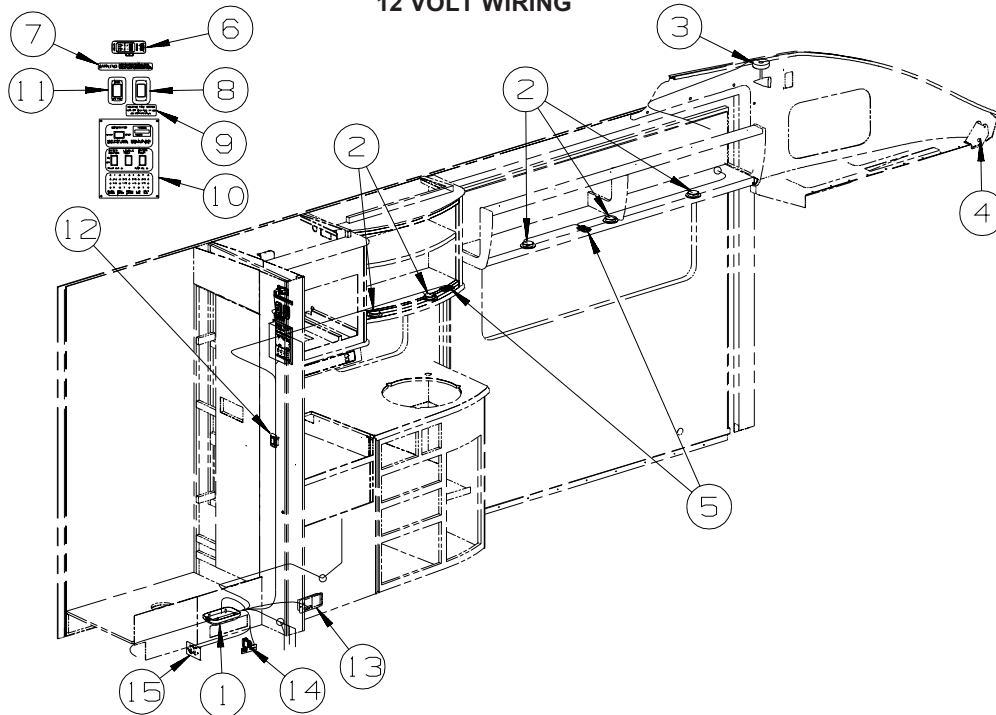
| KEY | PART NUMBER | U/M | DESCRIPTION |
|-----|---------------|-----|--------------------------------------------------------------------|
| 1 | 058708-06-000 | EA | RECEPTACLE - DUPLEX - WHITE |
| 1 | 058708-01-000 | EA | RECEPTACLE - ELECTRIC - DOUBLE - BROWN |
| 1 | 133713-01-21A | EA | SPACER/RECEPTACLE - VINYL - WASHED MAPLE |
| 1 | 133713-01-23A | EA | SPACER/RECEPTACLE - VINYL - HONEY CHERRY |
| 2 | 160984-01-01A | EA | RECEPTACLE - ELECTRICAL - SINGLE/FLUSH - 20 AMP - BROWN - CANADIAN |
| 2 | 058708-05-000 | EA | RECEPTACLE - ELECTRICAL - SINGLE - BROWN |
| 3 | 058708-06-000 | EA | RECEPTACLE - DUPLEX - WHITE |
| 3 | 058708-01-000 | EA | RECEPTACLE - ELECTRIC - DOUBLE - BROWN |



| KEY | PART NUMBER | U/M | DESCRIPTION |
|-----|---------------|-----|-----------------------------------------------------------|
| 1 | 058708-06-000 | EA | RECEPTACLE - DUPLEX - WHITE |
| 1 | 058708-01-000 | EA | RECEPTACLE - ELECTRIC - DOUBLE - BROWN |
| 1 | 133713-01-21A | EA | SPACER/RECEPTACLE - VINYL - WASHED MAPLE |
| 1 | 133713-01-23A | EA | SPACER/RECEPTACLE - VINYL - HONEY CHERRY |
| 2 | 158542-02-01A | EA | LABEL - RECEPTACLE - ELECTRONICS - WHITE/BLACK - CANADIAN |
| 3 | 058708-06-000 | EA | RECEPTACLE - DUPLEX - WHITE |
| 3 | 058708-01-000 | EA | RECEPTACLE - ELECTRIC - DOUBLE - BROWN |
| 3 | 133713-04-21A | EA | SPACER/RECEPTACLE - VINYL - WASHED MAPLE |
| 3 | 133713-04-23A | EA | SPACER/RECEPTACLE - VINYL - HONEY CHERRY |
| 4 | 136481-01-000 | EA | MODULE - AUTO ENERGY SELECTOR |
| 5 | 058707-02-000 | EA | RECEPTACLE - BLANK - JUNCTION BOX |
| 6 | 058707-01-000 | EA | RECEPTACLE - ELECTRIC - SINGLE - BROWN |
| 7 | 131826-01-01A | EA | RECEPTACLE - EXTERIOR - W/COVER/GASKET - WHITE |
| 8 | 147446-01-02A | EA | RECEPTACLE - GFCI - 15A 125V - BROWN |

ELECTRICAL GROUP (CONTINUED)

12 VOLT WIRING

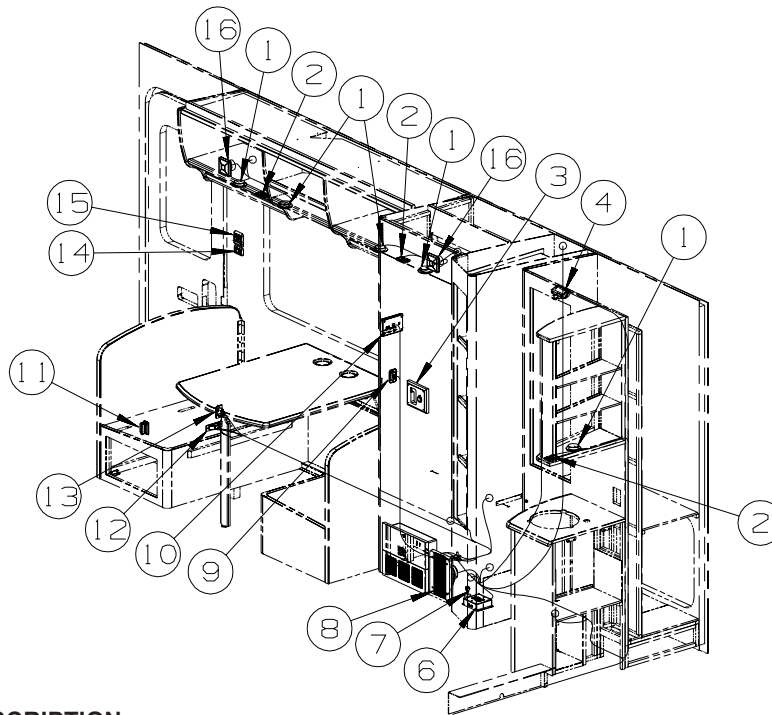


| KEY | PART NUMBER | U/M | DESCRIPTION |
|-----|---------------|-----|-------------------------------------------------------------------------------|
| 1* | 137417-01-01A | EA | LIGHT - DOME - SINGLE - W/SWITCH/FROSTED LENS - WHITE |
| 2* | 123775-01-02A | EA | LIGHT - HALOGEN - ROUND - SATIN NICKEL |
| 3* | 152438-01-01A | EA | LIGHT - READING/SWIVEL - W/SWITCH - SATIN NICKEL |
| 4 | 159814-01-000 | EA | SWITCH - PLUNGER - SPST - OFF/ON |
| | | | FROM: 00-00-00 THRU: 09-05-06 |
| 5 | 135740-01-01A | EA | SWITCH - ROCKER - SPST - ON/OFF - BROWN |
| 5 | 135741-01-01A | EA | SWITCH - BASE - SINGLE - BROWN |
| 5 | 135742-01-01A | EA | BEZEL - SWITCH - SINGLE - BROWN |
| 6 | 144363-09-02B | EA | PLATE - SWITCH - E-COATED |
| 6 | 108357-06-000 | EA | SWITCH - ROCKER - DPDT - MOM/OFF/MOM - 6 TERM - W/O COVER |
| 6 | 108356-02-01A | EA | COVER/ACTUATOR SWITCH - 2 ROWS DIMPLES - BLACK |
| 6 | 116220-01-000 | EA | APPLIQUE - SWITCH/SLIDEOUT |
| 7 | 116549-01-000 | EA | LABEL - WARNING - SLIDEOUT |
| 8 | 135740-06-01A | EA | SWITCH - ROCKER - ON/OFF - LIGHTED - RED - DRAINAGE SYSTEM-HEATED |
| 8 | 135741-01-01A | EA | SWITCH - BASE - SINGLE - BROWN - DRAINAGE SYSTEM-HEATED |
| 8 | 135742-01-01A | EA | BEZEL - SWITCH - SINGLE - BROWN - DRAINAGE SYSTEM-HEATED |
| 9 | 134563-01-01A | EA | LABEL - SWITCH - HEATER - WHITE/BLACK - DRAINAGE SYSTEM-HEATED |
| | | | FROM: 00-00-00 THRU: 06-25-06 |
| 9 | 134563-01-02A | EA | LABEL - SWITCH - HEATER - BLACK/WHITE - DRAINAGE SYSTEM-HEATED |
| | | | FROM: 06-26-06 THRU: 99-99-99 |
| 10* | 134940-06-01A | EA | PANEL - MONITOR - 2 TANK - W/GENERATOR SWITCH - GEN-3.6KW ONAN LP MICROQUIET |
| 10* | 134940-07-01A | EA | PANEL - MONITOR - 2 TANK |
| 11 | 135740-06-01A | EA | SWITCH - ROCKER - ON/OFF - LIGHTED - RED - WTR HTR-6GAL ELECTRIC/LP GAS |
| 11 | 135741-01-01A | EA | SWITCH - BASE - SINGLE - BROWN - WTR HTR-6GAL ELECTRIC/LP GAS |
| 11 | 135742-35-02A | EA | BEZEL - SWITCH - WATER HEATER/110 VOLT - BROWN - WTR HTR-6GAL ELECTRIC/LP GAS |
| 12 | 135740-01-01A | EA | SWITCH - ROCKER - SPST - ON/OFF - BROWN |
| 12 | 135741-01-01A | EA | SWITCH - BASE - SINGLE - BROWN |
| 12 | 135742-07-02A | EA | BEZEL - SWITCH - CEILING - BROWN |
| 13 | 150138-01-02A | EA | DETECTOR - LP GAS - BROWN |
| 13 | 150138-01-01A | EA | DETECTOR - LP GAS - WHITE |
| 14 | 108357-15-000 | EA | SWITCH - ROCKER - DPDT - ON/NONE/ON - W/LIGHT W/O COVER |
| 14 | 108356-04-01A | EA | COVER/ACTUATOR SWITCH - 2 ROWS DIMPLES W/LENS - BLACK |
| 14 | 108355-01-000 | EA | HOUSING - SWITCH |
| 15 | 149557-03-01A | EA | PLATE/WALL - DUAL COAXIAL/HORIZONTAL - WHITE |

*COMPONENT PARTS LISTED LATER IN THIS GROUP

ELECTRICAL GROUP (CONTINUED)

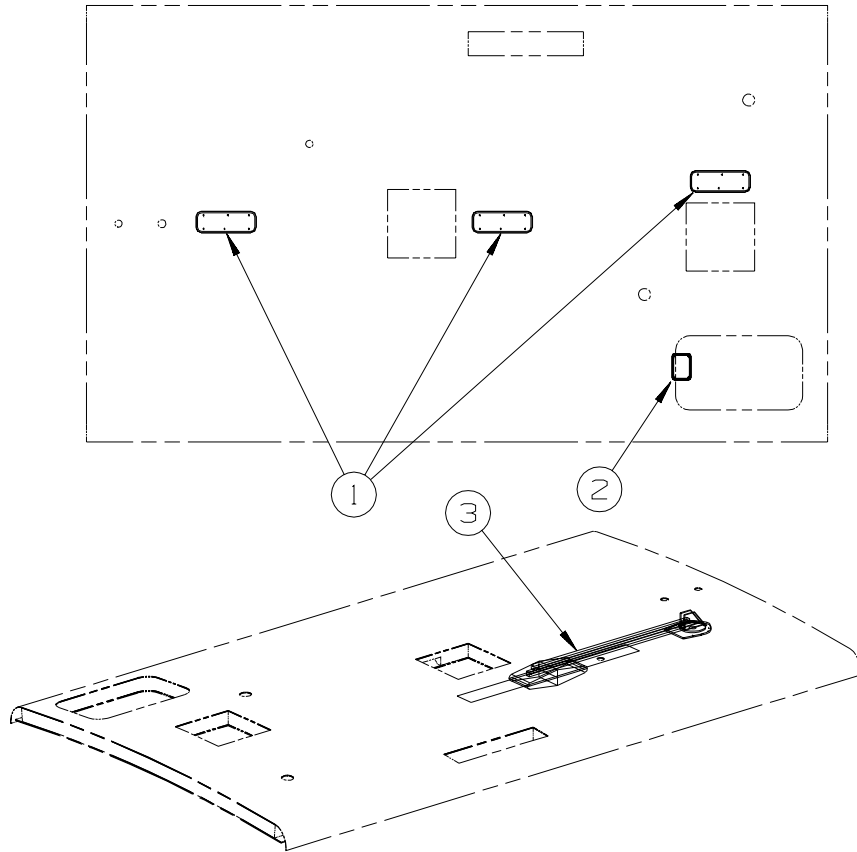
12 VOLT WIRING (CONTINUED)



| KEY | PART NUMBER | U/M | DESCRIPTION |
|-----|---------------|-----|-----------------------------------------------------------------------|
| 1* | 123775-01-02A | EA | LIGHT - HALOGEN - ROUND - SATIN NICKEL |
| 2 | 135740-01-01A | EA | SWITCH - ROCKER - SPST - ON/OFF - BROWN |
| 2 | 135741-01-01A | EA | SWITCH - BASE - SINGLE - BROWN |
| 2 | 135742-01-01A | EA | BEZEL - SWITCH - SINGLE - BROWN |
| 3 | 132958-01-000 | EA | RECEPTACLE - 12 VOLT - MOUNTING FLANGE - BLACK |
| 4* | 087694-01-000 | EA | LIGHT - WARDROBE/CLOSET - W/SWITCH |
| 5 | 086233-01-000 | EA | STUD - ISOLATED - 3/8" X 7/8" LONG |
| 6 | 150140-01-000 | EA | CROSSOVER BOX - STANDARD STEREO TO DELUXE SOUND |
| 6 | 150140-02-000 | EA | CROSSOVER COIL - F/SUBWOOFER SPEAKER/LOW FREQUENCY |
| 7 | 115539-01-000 | EA | RELAY - RADIO/TV SPEAKER SWITCH W/WIRE - #SCLD-W-B-4PDT-C |
| 8 | 124884-01-000 | EA | SPEAKER - 6" X 9" - SUB-WOOFER - W/O GRILLE |
| 8 | 151844-01-01A | EA | GRILLE - SPEAKER - 6" X 9" - SUB WOOFER - BLACK |
| 9 | 135740-01-01A | EA | SWITCH - ROCKER - SPST - ON/OFF - BROWN |
| 9 | 135741-01-01A | EA | SWITCH - BASE - SINGLE - BROWN |
| 9 | 135742-07-02A | EA | BEZEL - SWITCH - CEILING - BROWN |
| 10 | 135618-01-01A | EA | THERMOSTAT - HEAT PUMP/FURNACE - WHITE - AC HEAT PUMP-HI EFF, LOW PFL |
| 10 | 135618-03-01A | EA | THERMOSTAT - ROOF A/C & FURNACE - WHITE - A/C ROOF-HI EFF LOW PROFILE |
| 11 | 116995-02-000 | EA | SWITCH/MAGNET - ELECTRIC STEP - BLACK/WHITE- NORMALLY OPEN |
| 12 | 061424-01-000 | EA | LIGHT - AISLE - 12 VOLT - RECTANGULAR |
| 13 | 108357-06-000 | EA | SWITCH - ROCKER - DPDT - MOM/OFF/MOM - 6 TERM - W/O COVER |
| 13 | 108356-11-01A | EA | COVER/ACTUATOR SWITCH - 3 GROOVES - AUX BATT - BLACK |
| 13 | 108355-01-000 | EA | HOUSING - SWITCH |
| 13 | 098351-07-02A | EA | PLATE/SWITCH - 1 GANG - CHROME - GENERATOR SWITCH |
| 14 | 135740-01-01A | EA | SWITCH - ROCKER - SPST - ON/OFF - BROWN - ENTRANCE STEP-ELEC. |
| 14 | 135741-01-01A | EA | SWITCH - BASE - SINGLE - BROWN - ENTRANCE STEP-ELEC. |
| 14 | 135742-11-02A | EA | BEZEL - SWITCH - STEP - BROWN - ENTRANCE STEP-ELEC. |
| 15 | 135740-01-01A | EA | SWITCH - ROCKER - SPST - ON/OFF - BROWN |
| 15 | 135741-02-01A | EA | SWITCH - BASE - DOUBLE - BROWN |
| 15 | 135742-19-02A | EA | BEZEL - SWITCH - CEILING/PORCH - BROWN |
| 16 | 148026-03-01A | EA | SPEAKER - CUBE - W/O CASE |
| 16 | 148026-02-01A | EA | SPEAKER GRILLE - CUBE - SILVER |

*COMPONENT PARTS LISTED LATER IN THIS GROUP

ELECTRICAL GROUP (CONTINUED)
12 VOLT WIRING (CONTINUED)

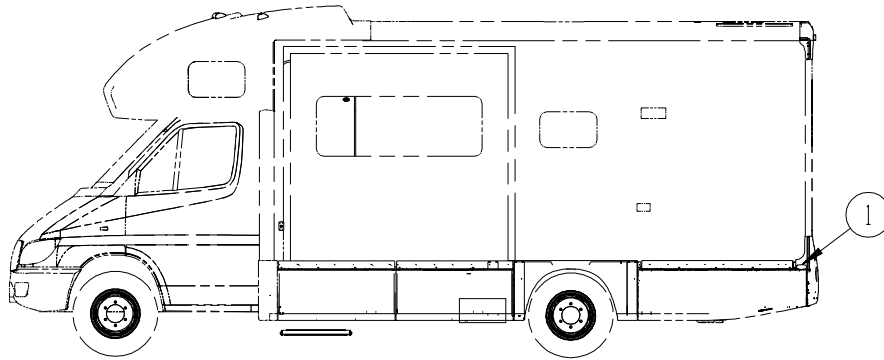
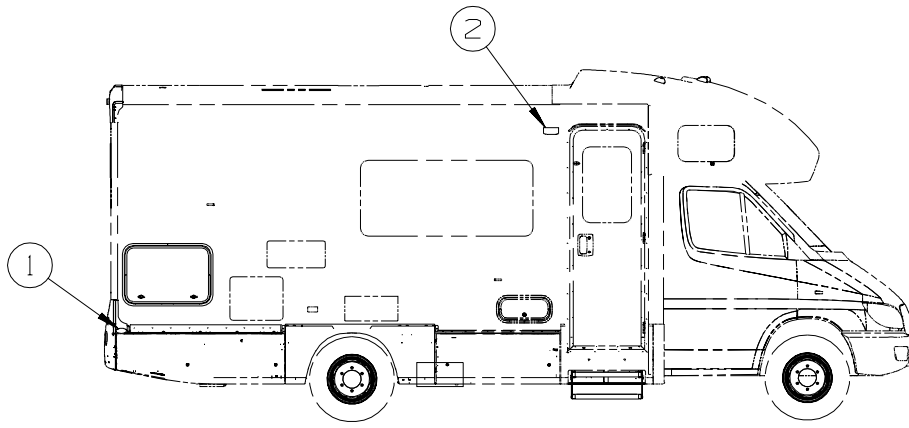


| KEY | PART NUMBER | U/M | DESCRIPTION |
|------------|--------------------|------------|-----------------------------------------------------------|
| 1* | 137417-06-01A | EA | LIGHT - DOME - DOUBLE - W/O SWITCH - W/FROSTED LENS-WHITE |
| 2* | 121935-01-01A | EA | LIGHT - DOME - SHOWER - W/HOLE IN LENS |
| 3* | 076319-23-000 | EA | ANTENNA - TV ROOF MOUNT - 44.5" MAST |
| 3* | 076319-25-000 | EA | KIT - HARDWARE INTERIOR |
| 3 | 069726-02-000 | EA | BUMPER - .88" OD X .40" THICK - BLACK |

***COMPONENT PARTS LISTED LATER IN THIS GROUP**

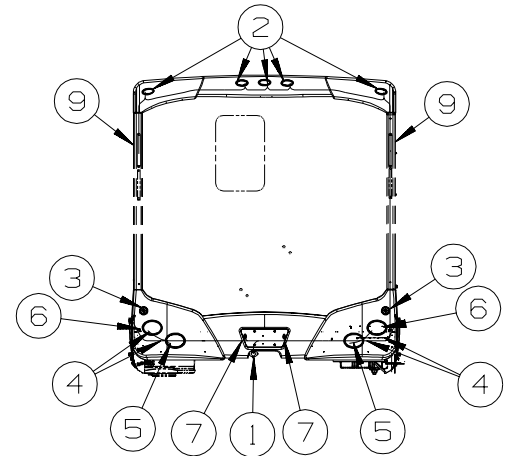
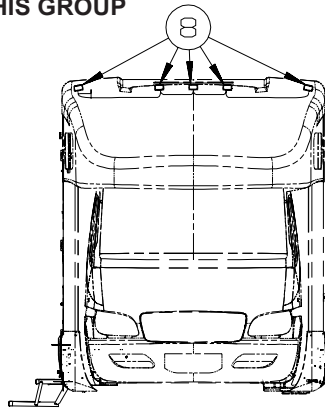
ELECTRICAL GROUP (CONTINUED)

EXTERIOR LAMPS



| KEY | PART NUMBER | U/M DESCRIPTION |
|-----|---------------|----------------------------------------------|
| 1 | 147680-01-01A | EA BASE - MARKER LAMP - WHITE |
| 1 | 147680-03-01A | EA LAMP - MARKER - LENS - RED |
| 2* | 097917-01-06A | EA LIGHT - PORCH - ENTRY DOOR - BRIGHT WHITE |
| | 008215-01-000 | EA BULB - 12 VOLT - #1003 - .94 AMP |

*COMPONENT PARTS LISTED LATER IN THIS GROUP



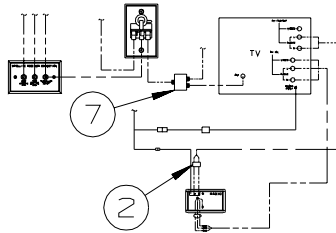
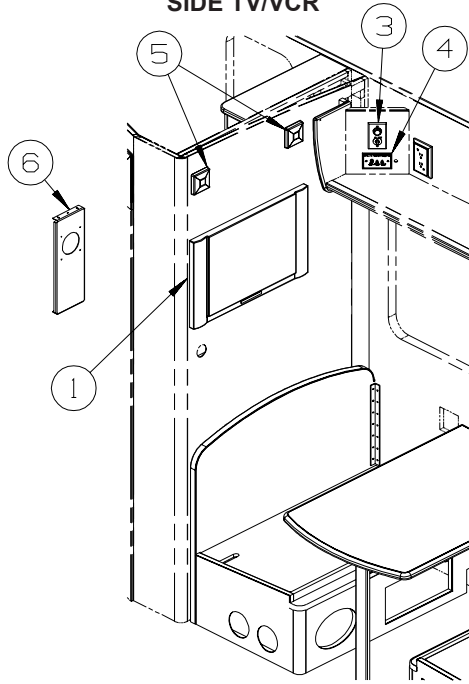
| KEY | PART NUMBER | U/M DESCRIPTION |
|-----|---------------|--------------------------------------------------------------|
| 1* | 113589-01-000 | EA CONNECTOR - PLUG - TRAILER |
| 1* | 113589-02-000 | EA CONNECTOR - SOCKET - TRAILER |
| 2 | 147680-01-01A | EA BASE - MARKER LAMP - WHITE |
| 2 | 147680-03-01A | EA LAMP - MARKER - LENS - RED |
| 3 | 141514-01-000 | EA REFLECTOR - ROUND/RED |
| 4 | 151934-01-02B | EA CLAMP - TAIL LIGHT - E-COATED |
| 5 | 152070-01-000 | EA LIGHT - STOP/TAIL/BACK UP |
| 6 | 152070-02-000 | EA LIGHT - TURN - AMBER |
| 7 | 087201-01-000 | EA LIGHT - HALF ROUND - 1" X 1.7" - PLASTIC - BLACK OR WHITE |
| 8 | 132978-01-000 | EA LIGHT - CLEARANCE - AMBER |
| 8 | 036196-01-000 | EA BULB - 12V - #194 - .27 AMP - BAYONETTE |
| 8 | 067789-02-000 | EA SOCKET - LAMP |
| 9 | 151076-01-000 | EA LIGHT - BRAKE - CENTER MOUNT |

*COMPONENT PARTS LISTED LATER IN THIS GROUP

ELECTRICAL GROUP (CONTINUED)

SIDE TV/VCR

523B

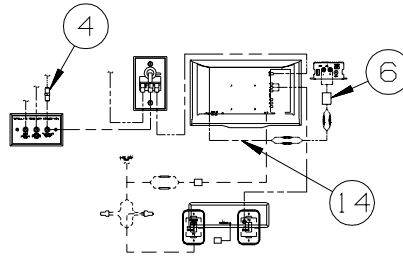
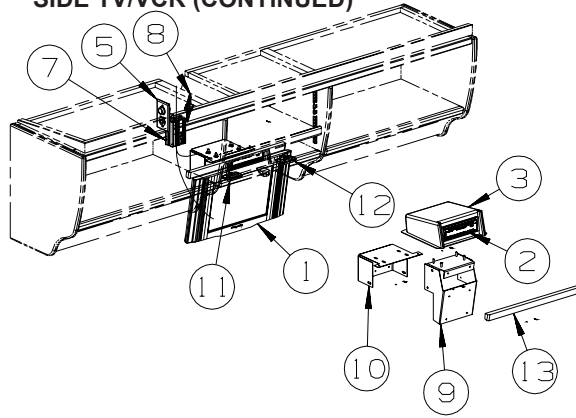


| KEY | PART NUMBER | U/M | DESCRIPTION |
|-----|---------------|-----|------------------------------------------------------------|
| 1* | 158703-01-000 | EA | TV - 20" - LCD 4:3 - SIDE SPEAKER - JENSEN JE2043 |
| 2 | 123324-01-000 | EA | FILTER - GROUND LOOP |
| 3 | 086777-02-000 | EA | WALLPLATE/TV CABLE W/ANTENNA SWITCH/BOOSTER - 2 TV - BLACK |
| 4 | 149557-04-01A | EA | PLATE/WALL - TRIPLE COAXIAL/HORIZONTAL - WHITE |
| 5 | 148026-03-01A | EA | SPEAKER - CUBE - W/O CASE |
| 5 | 148026-02-01A | EA | SPEAKER GRILLE - CUBE - SILVER |
| 6 | 159552-01-02B | EA | BRACKET - TV - E-COATED |
| 7 | 086756-01-000 | EA | SPLITTER - TV/2 WAY |

*COMPONENT PARTS LISTED LATER IN THIS GROUP

ELECTRICAL GROUP (CONTINUED)
SIDE TV/VCR (CONTINUED)

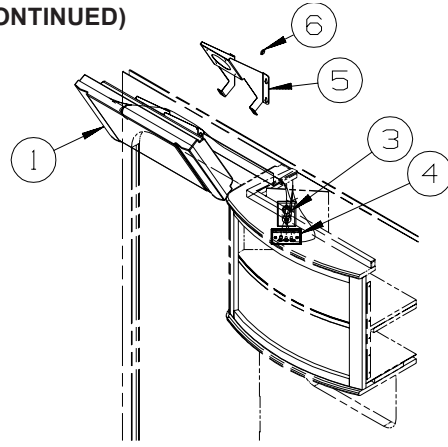
523H



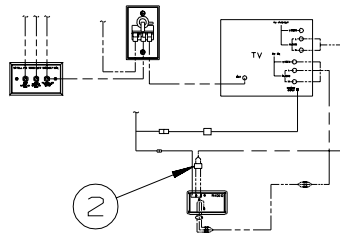
| KEY | PART NUMBER | U/M | DESCRIPTION |
|-----|---------------|-----|--------------------------------------------------------------------------------------------------------------------------|
| 1* | 151907-02-000 | EA | TV - 15" FLAT SCREEN/LCD/STEREO - SHARP LC-15S4U-S - NOT ILLUSTRATED FROM: 00-00-00 THRU: 04-30-06 |
| 1* | 160123-01-000 | EA | TV - 14" LCD/STEREO - 12V - PROVIEW HV-145 FROM: 05-01-06 THRU: 99-99-99 |
| 2* | 158778-01-000 | EA | DVD PLAYER - SLOT-IN - 12V - JENSEN - DV352WIN - NOT ILLUSTRATED FROM: 00-00-00 THRU: 05-01-06 |
| 2* | 160603-01-000 | EA | DVD PLAYER, 12V VERTICAL MT FROM: 05-02-06 THRU: 99-99-99 |
| 3 | 158807-01-02B | EA | BRACKET - DVD - E-COATED - NOT ILLUSTRATED FROM: 00-00-00 THRU: 05-01-06 |
| 3 | 160604-01-000 | EA | SHROUD-RADIO/DVD, BLACK FROM: 05-02-06 THRU: 99-99-99 |
| 4 | 082134-01-000 | EA | ADAPTER - TV - CABLE TO CABLE |
| 5 | 086777-02-000 | EA | WALLPLATE/TV CABLE W/ANTENNA SWITCH/BOOSTER - 2 TV - BLACK |
| 6 | 123324-01-000 | EA | FILTER - GROUND LOOP FROM: 05-24-06 THRU: 99-99-99 |
| 7 | 147139-01-000 | EA | AMPLIFIER - STEREO 2 CHANNEL |
| 8 | 149557-04-01A | EA | PLATE/WALL - TRIPLE COAXIAL/HORIZONTAL - WHITE |
| 9 | 152310-01-02B | EA | BRACKET/SUPPORT - TV - E-COATED - NOT ILLUSTRATED FROM: 00-00-00 THRU: 04-30-06 |
| 9 | 152310-02-02B | EA | BRACKET/SUPPORT - TV - E-COATED FROM: 05-01-06 THRU: 99-99-99 |
| 10 | 152603-01-02B | EA | ANGLE/TIEDOWN - TV - E-COATED |
| 11 | 135740-01-01A | EA | SWITCH - ROCKER - SPST - ON/OFF - BROWN |
| 11 | 135741-01-01A | EA | SWITCH - BASE - SINGLE - BROWN |
| 11 | 135742-40-02A | EA | BEZEL - SWITCH - RADIO/TV - BROWN |
| 12 | 135740-01-01A | EA | SWITCH - ROCKER - SPST - ON/OFF - BROWN |
| 12 | 135741-01-01A | EA | SWITCH - BASE - SINGLE - BROWN |
| 12 | 135742-45-02A | EA | BEZEL - SWITCH - TV - BROWN |
| 13 | 152604-01-T01 | EA | CABINET - OVERHEAD/TV FACE - W/O DOORS/HARDWARE - WASHED MAPLE - NOT ILLUSTRATED FROM: 00-00-00 THRU: 04-30-06 |
| 13 | M09534-89-U17 | EA | LUMBER-STAIN,MOLDING - .75" X 1" X 18.5" - WASHED MAPLE FROM: 05-01-06 THRU: 99-99-99 |
| 13 | 152604-01-T02 | EA | CABINET - OVERHEAD/TV FACE - W/O DOORS/HARDWARE - HONEY CHERRY - NOT ILLUSTRATED FROM: 00-00-00 THRU: 04-30-06 |
| 13 | M09534-89-U18 | EA | LUMBER-STAIN,MOLDING - .75" X 1" X 18.5" - HONEY CHERRY FROM: 05-01-06 THRU: 99-99-99 |
| 14 | 160574-01-000 | EA | CABLE/AUDIO - 1/8" MALE TO 2 RCA FEMALE FROM: 05-01-06 THRU: 99-99-99 |
| | 117420-02-000 | EA | CABLE - W/MALE RCA ENDS - SHIELDED - 4' FROM: 00-00-00 THRU: 04-30-06 |

*COMPONENT PARTS LISTED LATER IN THIS GROUP

ELECTRICAL GROUP (CONTINUED)
SIDE TV/VCR (CONTINUED)



523J

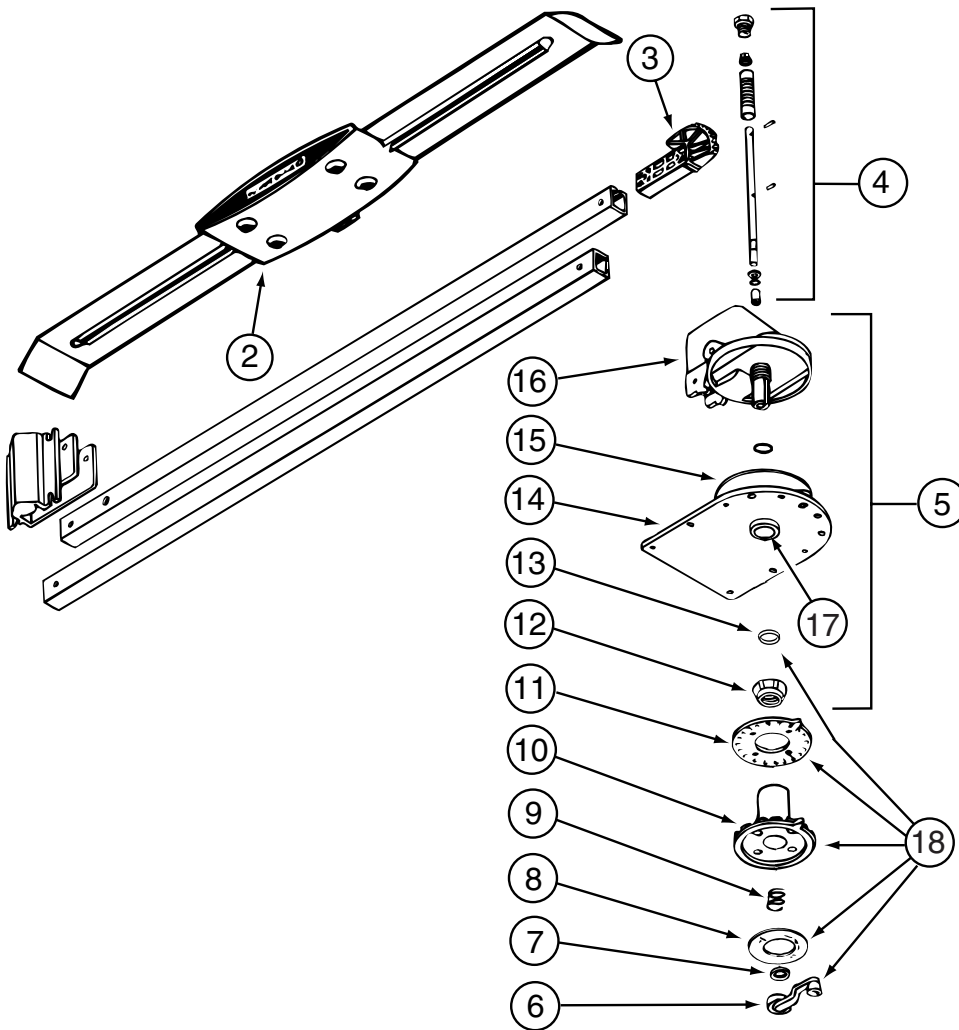


| KEY | PART NUMBER | U/M | DESCRIPTION |
|-----|---------------|-----|------------------------------------------------------------|
| 1* | 158703-01-000 | EA | TV - 20" - LCD 4:3 - SIDE SPEAKER - JENSEN JE2043 |
| 2 | 123324-01-000 | EA | FILTER - GROUND LOOP |
| 3 | 086777-02-000 | EA | WALLPLATE/TV CABLE W/ANTENNA SWITCH/BOOSTER - 2 TV - BLACK |
| 4 | 149557-04-01A | EA | PLATE/WALL - TRIPLE COAXIAL/HORIZONTAL - WHITE |
| 5 | 158394-01-02B | EA | BRACKET - TV - E-COATED |
| 6 | 115870-01-000 | FT | SEAL/EDGE - TRIM |

FROM: 03-01-06 THRU: 99-99-99

*COMPONENT PARTS LISTED LATER IN THIS GROUP

ELECTRICAL GROUP (CONTINUED)
COMPONENT PARTS FOR WIRING



076319-23-000

| KEY | PART NUMBER | U/M | DESCRIPTION | VENDOR NO. |
|-----|---------------|-----|-------------------------|------------|
| 2 | 076319-01-700 | EA | HEAD-ANTENNA, AMPLIFIED | RVSA U/V |
| 3 | 076319-01-701 | EA | GEAR-ELEVATING, PLASTIC | 2200046 |
| 4 | 076319-01-702 | EA | SHAFT ASM-ELEVATING | RP-4000 |
| 5 | 076319-01-711 | EA | BASE & LIFT ASM | 2762802 |
| 7 | 076319-01-705 | EA | GROMMET-NYLON, 7/8"ID | 3200658 |
| 8 | 076319-01-708 | EA | DECAL-CRANK | 5413002 |
| 9 | 076319-01-707 | EA | SPRING-HANDLE | 2160822 |
| 11 | 076319-01-712 | EA | PLATE - CEILING | 3200608 |
| 12 | 076319-01-715 | EA | NUT (GEAR HOUSING) | 2200047 |
| 14 | 076319-01-713 | EA | PLATE-BASE, STEEL | 3100523 |
| 15 | 076319-01-703 | EA | BEARING-NYLON, 5"OD | 3200656 |
| 16 | 076319-01-714 | EA | HOUSING, ROTATING GEAR | 2200049 |
| 17 | 076319-01-704 | EA | BEARING-NYLON, 1.25"OD | 3200657 |
| 18 | 076319-01-709 | EA | HANDLE-HEAD DIRECTIONAL | 200644 |
| | 076319-01-716 | EA | TUBING, ELEVATING | RP-2900 |

CONTACT WINNEBAGO PART SALES FOR UNLISTED COMPONENT(S)

076319-25-000

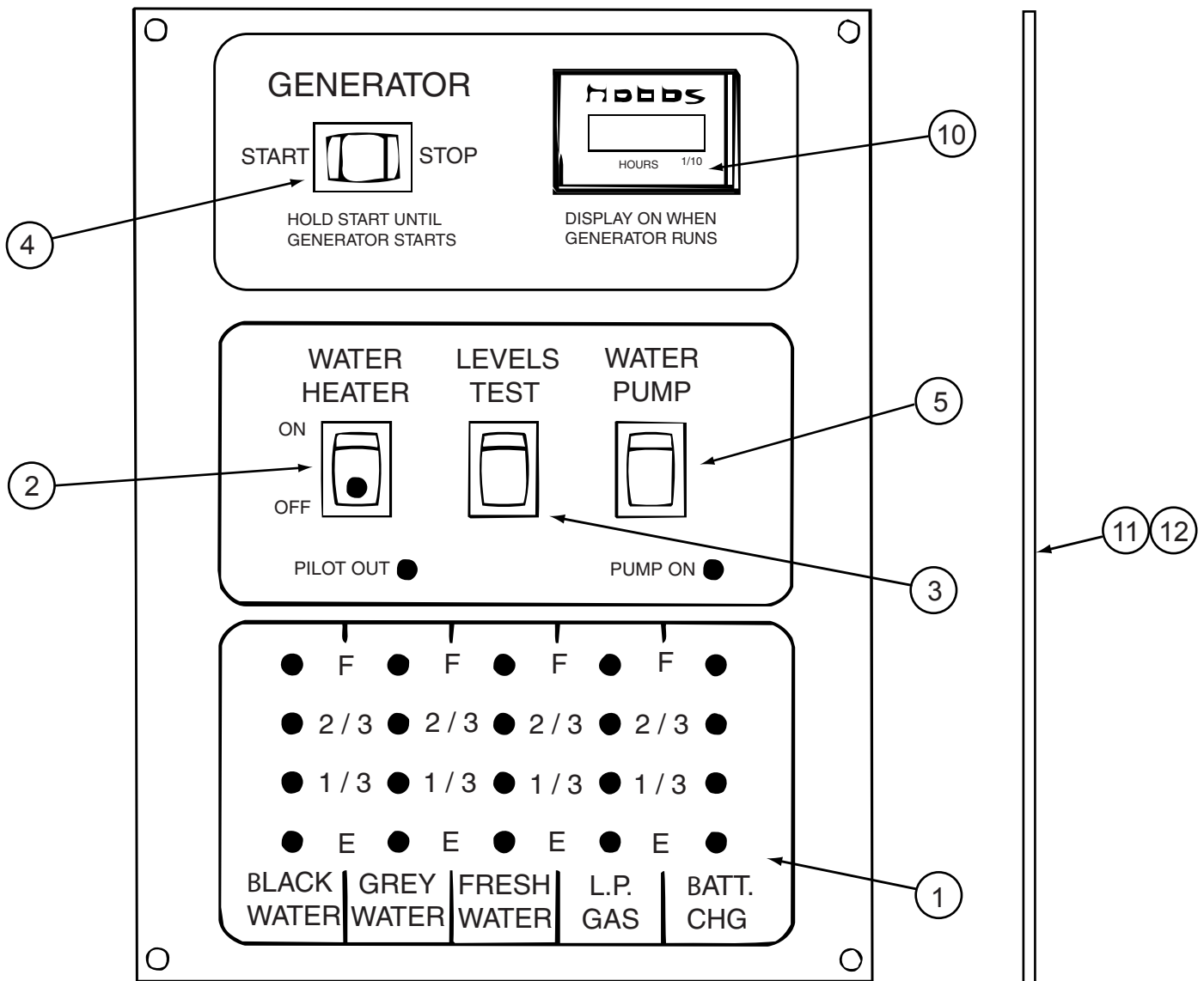
| KEY | PART NUMBER | U/M | DESCRIPTION | VENDOR NO. |
|-----|---------------|-----|------------------------------|------------|
| 6 | 076319-01-706 | EA | CRANK-W/SET SCREW UNIV/BEIGE | 2750897 |
| 6 | 120233-01-710 | EA | HANDLE-CRANK W/SCREW - WHITE | RP-6795 |
| 8 | 076319-01-708 | EA | DECAL-CRANK | 5413002 |
| 10 | 076319-25-700 | EA | DIRECTIONAL HANDLE(WHITE) | 3200612 |
| 11 | 076319-25-701 | EA | PLATE - CEILING(WHITE) | 3200609 |
| 13 | 120233-01-709 | EA | WASHER-NYLON | RP-2658 |

CONTACT WINNEBAGO PART SALES FOR UNLISTED COMPONENT(S)

ELECTRICAL GROUP (CONTINUED)
COMPONENT PARTS FOR WIRING (CONTINUED)

| | | | | |
|------------|--------------------|------------|----------------------------|-------------------|
| | | | 087694-01-000 | |
| KEY | PART NUMBER | U/M | DESCRIPTION | VENDOR NO. |
| | 087694-01-700 | EA | BULB | GE561 |
| | | | | |
| | | | 097917-01-06A | |
| KEY | PART NUMBER | U/M | DESCRIPTION | VENDOR NO. |
| | 097917-01-700 | EA | LENS-LIGHT, CLEAR | 30-78-021 |
| | | | | |
| | | | 113589-01-000 | |
| KEY | PART NUMBER | U/M | DESCRIPTION | VENDOR NO. |
| | 113589-01-700 | EA | ADAPTER, 4-WAY/6-WAY | 5291 |
| | | | | |
| | | | 113589-02-000 | |
| KEY | PART NUMBER | U/M | DESCRIPTION | VENDOR NO. |
| | 113589-03-700 | EA | ADAPTER 7 RND SPADE/4 FLAT | 5290 |
| | | | | |
| | | | 121935-01-01A | |
| KEY | PART NUMBER | U/M | DESCRIPTION | VENDOR NO. |
| | 121935-01-700 | EA | LENS ONLY | 809511 |
| | | | | |
| | | | 123775-01-02A | |
| KEY | PART NUMBER | U/M | DESCRIPTION | VENDOR NO |
| | 123775-01-702 | EA | BEZEL/LENS - SATIN NICKEL | 99 953470 |

ELECTRICAL GROUP (CONTINUED)
COMPONENT PARTS FOR WIRING (CONTINUED)



134940-06-01A

| KEY | PART NUMBER | U/M | DESCRIPTION | VENDOR NO. |
|-----|---------------|-----|------------------------------|------------|
| 1 | 134940-01-702 | EA | CHASSIS - SILKSCREENED | CC0558-00 |
| 2 | 134940-01-701 | EA | SWITCH-SPST/ON-OFF/BLK W/LGT | L0109 |
| 3 | 096983-01-701 | EA | SWITCH - SPST/MOM 2 TERMINAL | L0111-00 |
| 4 | 096983-01-702 | EA | SWITCH - MOM/OFF/MOM/3 TERM | L0112-00 |
| 5 | 096983-01-703 | EA | SWITCH - ON/ON | L0115-00 |
| 10 | 100258-10-701 | EA | GAUGE-HR METER ONLY (LCD) | L0775-00 |
| 11 | 134940-06-700 | EA | PC BOARD - SENSOR SYSTEM/RED | L5131-02 |

CONTACT WINNEBAGO PART SALES FOR UNLISTED COMPONENT(S)

134940-07-01A

| KEY | PART NUMBER | U/M | DESCRIPTION | VENDOR NO. |
|-----|---------------|-----|------------------------------|------------|
| 1 | 134940-01-702 | EA | CHASSIS - SILKSCREENED | CC0558-00 |
| 2 | 134940-01-701 | EA | SWITCH-SPST/ON-OFF/BLK W/LGT | L0109 |
| 3 | 096983-01-701 | EA | SWITCH - SPST/MOM 2 TERMINAL | L0111-00 |
| 4 | 096983-01-703 | EA | SWITCH - ON/ON | L0115-00 |
| 5 | 134940-02-700 | EA | SWITCH - DUMMY | L0118 |
| 11 | 134940-06-700 | EA | PC BOARD - SENSOR SYSTEM/RED | L5131-02 |

CONTACT WINNEBAGO PART SALES FOR UNLISTED COMPONENT(S)

ELECTRICAL GROUP (CONTINUED)
COMPONENT PARTS FOR WIRING (CONTINUED)

137417-01-01A, 137417-03-01A

| KEY | PART NUMBER | U/M | DESCRIPTION | VENDOR NO. |
|-----|---------------|-----|-------------------------|------------|
| | 137417-01-700 | EA | LENS - SINGLE (FROSTED) | 810868 |

137417-06-01A

| KEY | PART NUMBER | U/M | DESCRIPTION | VENDOR NO. |
|-----|---------------|-----|---------------------|------------|
| | 137417-06-700 | EA | LENS - DOUBLE WHITE | 810867 |

151907-02-000

| KEY | PART NUMBER | U/M | DESCRIPTION | VENDOR NO. |
|-----|---------------|-----|-------------|---------------|
| | 150934-02-700 | EA | REMOTE - TV | RRMCGA293WJSA |

152438-01-01A

| KEY | PART NUMBER | U/M | DESCRIPTION | VENDOR NO. |
|-----|---------------|-----|-------------|------------|
| | 152438-01-700 | EA | BULB | 70MR16 |

158703-01-000

| KEY | PART NUMBER | U/M | DESCRIPTION | VENDOR NO. |
|-----|---------------|-----|-------------|------------|
| | 158703-01-700 | EA | REMOTE | PSVCJE2043 |

158778-01-000

| KEY | PART NUMBER | U/M | DESCRIPTION | VENDOR NO. |
|-----|---------------|-----|--------------|------------|
| | 158778-01-700 | EA | REMOTE - DVD | PSVCDV352 |

160123-01-000

| KEY | PART NUMBER | U/M | DESCRIPTION | VENDOR NO. |
|-----|---------------|-----|-------------|------------|
| | 160123-01-700 | EA | REMOTE - TV | HV145-REM |

160603-01-000

| KEY | PART NUMBER | U/M | DESCRIPTION | VENDOR NO. |
|-----|---------------|-----|---------------|--------------|
| | 160603-01-700 | EA | REMOTE | DVD-1002-REM |
| | 160603-01-701 | EA | REMOTE SENSOR | DVD-1002-EYE |

ELECTRICAL GROUP (CONTINUED)
CIRCUIT BREAKERS, FUSES & RELAYS

| KEY | PART NUMBER | U/M | DESCRIPTION |
|-----|---------------|-----|----------------------------------------------------------|
| | 008235-01-000 | EA | FUSE - 15 AMP/12VOLT - AUTOMOTIVE |
| | 062901-02-000 | EA | FUSE - 5 AMP - AUTOMOTIVE |
| | 062901-04-000 | EA | FUSE - 10 AMP - AUTOMOTIVE |
| | 062901-05-000 | EA | FUSE - 15 AMP - AUTOMOTIVE |
| | 062901-06-000 | EA | FUSE - 20 AMP - AUTOMOTIVE |
| | 062901-07-000 | EA | FUSE - 25 AMP - AUTOMOTIVE |
| | 062901-08-000 | EA | FUSE - 30 AMP - AUTOMOTIVE |
| | 063910-01-000 | EA | HOUSING - RELAY |
| | 063912-02-000 | EA | RELAY - CANISTER - SPDT |
| | 083209-01-000 | EA | CIRCUIT BREAKER - 15 AMP - 120 VOLT - CANADIAN |
| | 083209-02-000 | EA | CIRCUIT BREAKER - 15/15 AMP - 120 VOLT |
| | 083209-03-000 | EA | CIRCUIT BREAKER - 15/20 AMP - 120 VOLT |
| | 083209-04-000 | EA | CIRCUIT BREAKER - 30 AMP - 120 VOLT |
| | 083209-05-000 | EA | CIRCUIT BREAKER - 20 AMP - 120 VOLT |
| | 083209-06-000 | EA | CIRCUIT BREAKER - 30/15 AMP - 120 VOLT |
| | 083209-07-000 | EA | CIRCUIT BREAKER - 20/20 AMP - 120 VOLT |
| | 083209-10-000 | EA | CIRCUIT BREAKER - 20/30 AMP - 120 VOLT |
| | 083209-11-000 | EA | CIRCUIT BREAKER - 20/15 AMP - 120 VOLT |
| | 092786-03-000 | EA | BUSS BAR - 6.9" LONG |
| | 092786-06-000 | EA | BUSS BAR |
| | 093654-01-000 | EA | CIRCUIT BREAKER - 6 AMP - 12 VOLT - PUSH BUTTON - WHITE |
| | 093654-02-000 | EA | CIRCUIT BREAKER - 15 AMP - 12 VOLT - PUSH BUTTON - WHITE |
| | 093654-03-000 | EA | CIRCUIT BREAKER - 20 AMP - 12 VOLT - PUSH BUTTON - WHITE |
| | 093655-01-000 | EA | CIRCUIT BREAKER - 25 AMP - 12 VOLT - PUSH BUTTON - WHITE |
| | 093655-02-000 | EA | CIRCUIT BREAKER - 30 AMP - 12 VOLT - PUSH BUTTON - WHITE |
| | 093655-03-000 | EA | CIRCUIT BREAKER - 40 AMP - 12 VOLT - PUSH BUTTON - WHITE |
| | 097611-01-000 | EA | CIRCUIT BREAKER - 10 AMP |
| | 100341-01-000 | EA | FUSE HOLDER - IN LINE TYPE |
| | 113482-01-000 | EA | CIRCUIT BREAKER - 55 AMP - MANUAL |
| | 115187-01-000 | EA | FUSE - 300 AMP - NON-DELAY |
| | 115187-02-000 | EA | HOLDER - FUSE |
| | 115187-03-000 | EA | FUSE - 60 AMP - NON-DELAY |
| | 122811-01-000 | EA | CIRCUIT BREAKER - 20/50/50/20 AMP - 250V |
| | 125986-02-000 | EA | FUSE - 5 AMP - AUTO - MINI BLADE |
| | 125986-05-000 | EA | FUSE - 15 AMP - AUTO - MINI BLADE |
| | 141789-01-000 | EA | SPACER - CIRCUIT BREAKER |

CONVERTER, INVERTER, LOAD CENTERS

| KEY | PART NUMBER | U/M | DESCRIPTION |
|-----|---------------|-----|---------------------------------------------------|
| | 024924-02-000 | EA | RECEPTACLE - POWER CORD - W/PARTIAL PLATE |
| * | 083208-07-000 | EA | CONTROL CENTER - 45 AMP - 120V/12V - W/O BREAKERS |

*COMPONENT PARTS LISTED LATER IN THIS GROUP

COMPONENT PARTS FOR CONVERTER, INVERTER, LOAD CENTER

083208-07-000

| KEY | PART NUMBER | U/M | DESCRIPTION | VENDOR NO. |
|-----|---------------|-----|-----------------------------|------------|
| | 083208-06-701 | EA | CONVERTER ONLY (LOWER UNIT) | 7345R |

ELECTRICAL GROUP (CONTINUED)
BOXES & CORDS

| KEY | PART NUMBER | U/M | DESCRIPTION |
|-----|---------------|-----|----------------------------------------------------------|
| | 008054-01-000 | EA | CORD - POWER - 10/3 WIRE - 30 AMP - 25' |
| | 008289-01-000 | EA | BOX - ELECTRIC/STEEL - 4" X 4" - 1/2" & 3/4" KNOCKOUTS |
| | 008294-01-000 | EA | COVER - ELECTRIC BOX - BLANK/STEEL - 4" X 4" - GRAY |
| | 069238-01-000 | EA | COVER - ELECTRICAL BOX - W/HOLE - 4" X 4" - GRAY |
| | 133070-01-000 | EA | BOX - ELECTRIC/PLASTIC - 3" X 2" X 2.8" - UL |
| | 133070-02-000 | EA | BOX - ELECTRIC/PLASTIC - 3" X 2" X 2.8" - CSA - CANADIAN |
| | 115832-01-000 | FT | CORD - HEAVY DUTY - 14-2 W/GROUND |

WIRE ASSEMBLIES

| KEY | PART NUMBER | U/M | DESCRIPTION |
|-----|---------------|-----|-----------------------------------------------------------------------------------------|
| | 077069-02-000 | EA | CABLE/EXTENSION - RADIO ANTENNA - 96" |
| | 077069-03-000 | EA | CABLE/EXTENSION - RADIO ANTENNA - 260" |
| | 117420-03-000 | EA | CABLE - W/MALE RCA ENDS - SHIELDED - 20' |
| | 117420-04-000 | EA | CABLE - RCA - (MALE/MALE) - 50 FT |
| | 136860-01-000 | EA | CABLE - RCA - SHIELDED - 3 MALE TO MALE CONNECTORS - 12' |
| | 136860-02-000 | EA | CABLE - RCA - SHIELDED - 3 MALE TO MALE CONNECTORS - 50' |
| | 134551-03-000 | EA | WIRE ASSEMBLY - HEATER/TANKS - 3 PAD |
| | 134551-11-000 | EA | WIRE ASSEMBLY - HEATER/TANKS - 2 PAD -133.7"(LONGEST WIRE) |
| | 136514-02-000 | EA | CABLE - MONITOR/CAMERA |
| | 137135-03-000 | EA | WIRE LOOM - DIGITAL ELEVATION SENSOR |
| | 137135-04-000 | EA | WIRE HARNESS - POWER - DIGITAL ELEVATION SENSOR |
| | 145210-01-000 | FT | CABLE - COAXIAL |
| | 147139-02-000 | EA | WIRE - STEREO KIT - ASA 100ZXIHAR |
| | 151316-03-000 | EA | WIRE ASM - W/NON CONTACT SENSORS - GREY WATER - 43.2" |
| | 151316-05-000 | EA | WIRE ASM - W/NON CONTACT SENSORS - GREY WATER - 70.8" |
| | 151317-01-000 | EA | WIRE ASM-W/NON CONTACT SENSORS-FRESH WATER/BLK TANK-3.9" |
| | 151317-02-000 | EA | WIRE ASM-W/NON CONTACT SENSORS-FRESH WATER/BLK TANK-23.6" |
| | 151317-03-000 | EA | WIRE ASM-W/NON CONTACT SENSORS-FRESH WATER/BLK TANK-43.2" |
| | 151317-04-000 | EA | WIRE ASM-W/NON CONTACT SENSORS-FRESH WATER/BLK TANK-62.9" |
| | 151317-05-000 | EA | WIRE ASM-W/NON CONTACT SENSORS-FRESH WATER/BLK TANK-70.8" |
| | 153891-01-000 | EA | WIRE ASM-HEATER,RELAY |
| | 153924-01-000 | EA | WIRE ASSEMBLY - POWER CABLE - 12V - F/15" SHARP LCD TV FROM: 00-00-00 THRU: 04-30-06 |
| | 160123-02-000 | EA | WIRE/CABLE - POWER - PROVIEW WB101-06 FROM: 05-01-06 THRU: 99-99-99 |

ELECTRICAL GROUP (CONTINUED)
CONNECTORS & CONDUIT

| KEY | PART NUMBER | U/M | DESCRIPTION |
|-----|---------------|-----|----------------------------------------------------------|
| | 007940-01-000 | EA | RECEPTACLE/SLIDE 16 TO 12 AWG - FEMALE END |
| | 007940-02-000 | EA | RECEPTACLE/SLIDE 10 AWG |
| | 007954-01-000 | EA | RECEPTACLE - HOUSING - 6 POSITION |
| | 007956-05-000 | EA | INSULATOR - SHRINK - 1/4"ID X 1 1/2" |
| | 008058-01-000 | EA | ADAPTER - POWER CORD - 30 AMP TO 15 AMP |
| | 008311-01-000 | EA | CONNECTOR - WIRE NUT - INSULATED - RED |
| | 008312-01-000 | EA | CONNECTOR - WIRE NUT - INSULATED - BLUE |
| | 008313-01-000 | EA | CONNECTOR - WIRE NUT - INSULATED - YELLOW |
| | 008314-01-000 | EA | CONNECTOR - WIRE NUT - INSULATED - GRAY |
| | 008328-01-000 | EA | TERMINAL - RING - 12/10 WIRE - #10 STUD FIT |
| | 008331-01-000 | EA | TERMINAL - RING - TONGUE - #4 WIRE - 3/8" STUD - COPPER |
| | 008348-01-000 | EA | TERMINAL - RING - 3/8" STUD 2 GA. WIRE |
| | 008355-01-000 | EA | CONNECTOR - CABLE CLAMPING - 3/4" |
| | 008356-01-000 | EA | CONNECTOR - PLASTIC - 3/8" |
| | 008356-02-000 | EA | CONNECTOR - PLASTIC - 21/32" |
| | 008398-01-000 | EA | CONNECTOR - 1/2" X 90 DEGREE - FLEX CONDUIT - UL & CSA |
| | 035416-04-000 | EA | TERMINAL - RING - #10 STUD FIT - INSULATED BARREL #16/14 |
| | 041953-01-000 | FT | CONDUIT - CONVOLUTE SLIT - .5" ID - POLYETHYLENE |
| | 041953-02-000 | FT | CONDUIT - CONVOLUTE SLIT - .6" ID - POLYETHYLENE |
| | 041953-03-000 | FT | CONDUIT - CONVOLUTE SLIT - 1" ID (CLOTHES ROD COVER) |
| | 041953-06-000 | FT | CONDUIT - CONVOLUTE SLIT - .4" ID - POLYETHYLENE |
| | 041953-07-000 | FT | CONDUIT - CONVOLUTE SLIT - .25" ID - POLYETHYLENE |
| | 041953-08-000 | FT | CONDUIT - CONVOLUTE SLIT - 1.5" ID - POLYETHYLENE |
| | 041953-09-000 | FT | CONDUIT - CONVOLUTE SLIT - .5" ID - NYLON |
| | 041953-10-000 | FT | CONDUIT - CONVOLUTE SLIT - .75" ID - NYLON |
| | 041953-11-000 | FT | CONDUIT - CONVOLUTE SLIT - 1.06" ID - NYLON |
| | 041953-12-000 | FT | CONDUIT - CONVOLUTE SOLID - 1.1" ID - NYLON |
| | 041953-13-000 | FT | CONDUIT - CONVOLUTE SLIT - 1.25" ID |
| | 041953-14-000 | FT | CONDUIT - CONVOLUTE SLIT - 1.5" ID |
| | 041953-15-000 | FT | CONDUIT - CONVOLUTE SLIT - 2" |
| | 041953-16-000 | FT | CONDUIT - CONVOLUTE SLIT - 2" |
| | 047441-01-000 | EA | TERMINAL-BATTERY, HORIZONTAL LUG |
| | 047443-01-000 | EA | TERMINAL - .250 RECEPTACLE FIT - INSULATED - 16/14 AWG |
| | 047443-02-000 | EA | TERMINAL - .250 RECEPTACLE FIT - INSULATED - 12/10 AWG |
| | 047443-05-000 | EA | TERMINAL - .250 RECEPTACLE FIT - 18GA AWG |
| | 058028-01-000 | EA | CONNECTOR - ELECTRICAL PIGTAIL - NYLON - CLEAR |
| | 062036-01-000 | EA | TERMINAL - PACK - CON - 12/10 AWG |
| | 076319-12-000 | EA | CONNECTOR - COAXIAL - ONE PIECE |
| | 077479-01-000 | EA | BOOT - BATTERY TERMINAL - DOUBLE CABLE |
| | 077479-02-000 | EA | BOOT - BATTERY TERMINAL - SINGLE CABLE |
| | 080015-02-000 | EA | RECEPTACLE - FLAG - .185 - 16/14 GAUGE |
| | 080015-03-000 | EA | RECEPTACLE - FLAG - .250 - 14/16 GAUGE |
| | 080015-04-000 | EA | RECEPTACLE - FLAG - .187 - 16/14 GAUGE |
| | 082109-01-000 | EA | HOUSING - CONNECTOR - PACKARD |
| | 082741-01-000 | EA | CONNECTOR BODY - 2 CONNECTOR MALE |
| | 087225-01-000 | FT | SLEEVING - 1/2" - TYPE H |
| | 088473-01-000 | EA | HOUSING - PIN - 12 CAVITY (3 ROWS OF 4) |
| | 088473-02-000 | EA | HOUSING - PIN - 15 CAVITY (3 ROWS OF 5) |
| | 088473-03-000 | EA | HOUSING - PIN - 9 CAVITY (3 ROWS OF 3) |
| | 088473-04-000 | EA | HOUSING - PIN - 8 CAVITY IN-LINE |
| | 088473-06-000 | EA | HOUSING - PIN - 6 CAVITY (2 ROWS OF 3) |
| | 088473-07-000 | EA | HOUSING - PIN - 5 CAVITY - IN-LINE |
| | 088473-08-000 | EA | HOUSING - PIN - 4 CAVITY - IN-LINE |
| | 088473-09-000 | EA | HOUSING - PIN - 3 CAVITY - IN-LINE |
| | 088473-10-000 | EA | HOUSING - PIN - 2 CAVITY - IN-LINE |
| | 088473-12-000 | EA | HOUSING - PIN - 3 CAVITY - BLUE |
| | 088473-13-000 | EA | HOUSING - PIN - 3 CAVITY - GREEN |
| | 088473-14-000 | EA | HOUSING - PIN - 3 CAVITY - RED |
| | 088474-01-000 | EA | HOUSING - SOCKET - 12 CAVITY |
| | 088474-02-000 | EA | HOUSING - SOCKET - 15 CAVITY |
| | 088474-03-000 | EA | HOUSING - SOCKET - 9 CAVITY |
| | 088474-06-000 | EA | HOUSING - SOCKET - 6 CAVITY |
| | 088474-07-000 | EA | HOUSING - SOCKET - 5 CAVITY |
| | 088474-08-000 | EA | HOUSING - SOCKET - 4 CAVITY |

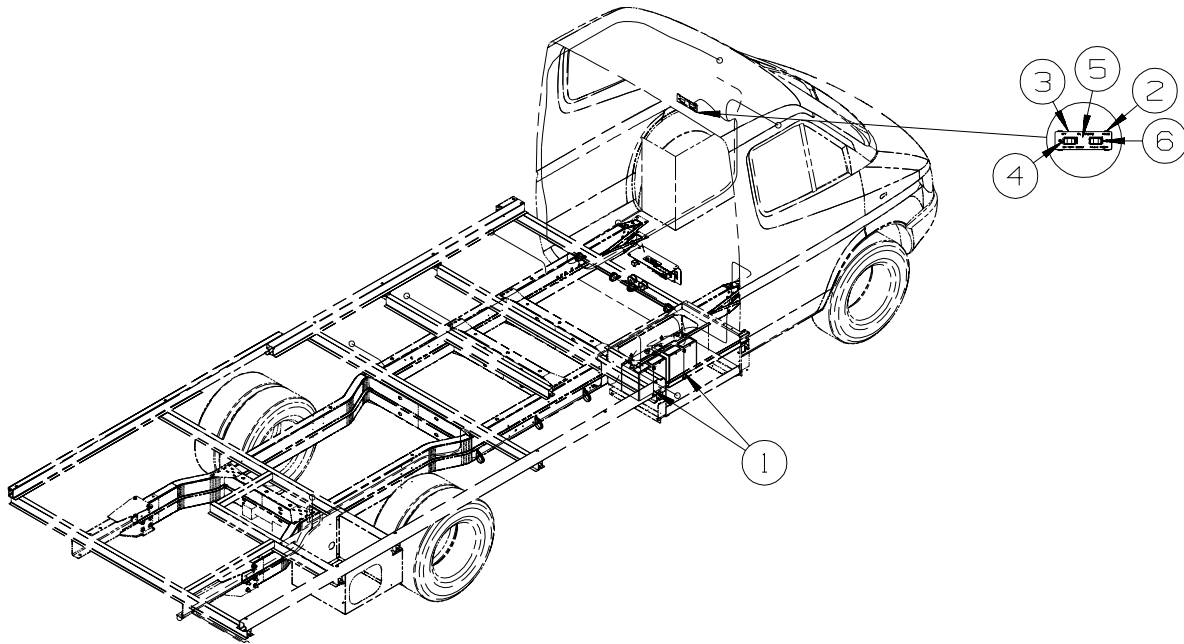
ELECTRICAL GROUP (CONTINUED)
CONNECTORS & CONDUIT (CONTINUED)

| KEY | PART NUMBER | U/M | DESCRIPTION |
|-----|---------------|-----|-----------------------------------------------------------|
| | 088474-09-000 | EA | HOUSING - SOCKET - 3 CAVITY |
| | 088474-10-000 | EA | HOUSING - SOCKET - 2 CAVITY |
| | 088475-01-000 | EA | PIN - CONNECTOR - 14-20 AWG |
| | 088475-02-000 | EA | PIN - CONNECTOR - 10-12 AWG |
| | 088476-01-000 | EA | TERMINAL - ELECTRICAL |
| | 088476-02-000 | EA | SOCKET - CONNECTOR - 12-10 GA - PRE-TIN |
| | 098261-01-000 | EA | SOCKET - CONNECTOR - WEATHERPACK - 12 AWG |
| | 098261-02-000 | EA | SOCKET - CONNECTOR - WEATHERPACK - 14-18 AWG |
| | 098262-01-000 | EA | SEAL - CONNECTOR - WEATHERPACK |
| | 098264-01-000 | EA | HOUSING - 2 PIN - WEATHER PACK - MALE W/FEMALE PINS |
| | 098264-02-000 | EA | HOUSING - 2 PIN - WEATHER PACK - FEMALE W/MALE PINS |
| | 098265-02-000 | EA | PIN - CONNECTOR - WEATHER PACK |
| | 102777-02-000 | EA | TERMINAL - RING - #6 STUD - 10 AWG |
| | 103608-01-000 | EA | SOCKET - WEDGE BASE W/LEADS |
| | 104100-01-000 | EA | HOUSING - 1 POSITION - 75 AMPS |
| | 104100-03-000 | EA | TERMINAL - 75 AMP |
| | 106007-02-000 | EA | TERMINAL - FEMALE - 10-12 AWG |
| | 110178-01-000 | EA | HOUSING - WIPER MOTOR |
| | 112823-01-000 | EA | SPLICE - REDUCER - 16-14 TO 18-22 |
| | 113072-02-000 | EA | HOUSING - ELECTRICAL - BACK-UP/TAIL LAMP |
| | 113072-03-000 | EA | HOUSING - ELECTRICAL - STOP/MARKER TAILLAMP |
| | 113073-01-000 | EA | WEDGELOCK - HOUSING - TAIL LAMP |
| | 113074-01-000 | EA | TERMINAL - TAILLAMP |
| | 113135-01-000 | EA | TERMINAL - FEMALE - M/P - 14-16 - F/SEALED TERMINAL |
| | 113308-01-000 | EA | TERMINAL - FEMALE - M/P - 14-16 - 280 |
| | 113308-02-000 | EA | TERMINAL - FEMALE - M/P - 14-18 - 280 |
| | 113468-01-000 | EA | HOUSING - 2 POSITION-FEMALE-USED ON WIPER/WASHER WIRE ASM |
| | 113468-02-000 | EA | HOUSING - 2 POSITION - FEMALE |
| | 115931-02-000 | EA | COVER - CONNECTOR - 50 AMP W/LOCKING RING |
| | 115932-02-000 | EA | CONNECTOR - FEMALE - 50 AMP/240 VOLT |
| | 116811-01-000 | EA | TERMINAL - .110 RECEPTACLE - 16-14 AWG |
| | 118571-01-000 | EA | CONNECTOR - 3-WAY - MALE/SEALED |
| | 118571-02-000 | EA | CONNECTOR - 3-WAY - FEMALE/SEALED |
| | 118571-05-000 | EA | LOCK - SECONDARY - FEMALE |
| | 118571-06-000 | EA | LOCK - SECONDARY - MALE |
| | 118599-02-000 | EA | TERMINAL - MALE - M/P - 280/14-12 |
| | 118820-01-000 | EA | INSULATOR - TERMINAL |
| | 129233-01-000 | EA | HOUSING - 2-POSITION/FEMALE - 280-SERIES |
| | 129233-02-000 | EA | HOUSING - 2-POSITION/FEMALE - 280-SERIES |
| | 129233-03-000 | EA | HOUSING - 2-POSITION/FEMALE - 280-SERIES |
| | 131681-01-000 | EA | CONNECTOR - 3/4" SO CORD - UL/CS |
| | 137207-01-000 | EA | HOUSING - PIN - 2 CAVITY/HIGH AMP |
| | 137208-01-000 | EA | HOUSING - SOCKET - 2 CAVITY/HIGH AMP |
| | 137209-01-000 | EA | PIN - CONNECTOR - 10AWG/HIGH AMP |
| | 137210-01-000 | EA | SOCKET - CONNECTOR - 10 AWG/HIGH AMP |
| | 138996-04-000 | EA | CONNECTOR - LAMP |
| | 142520-01-000 | EA | TERMINAL - FEMALE - MINI-FIT 16 |
| | 142522-01-000 | EA | HOUSING - 4 PIN/MALE - MINI FIT |
| | 142522-02-000 | EA | HOUSING - 6 PIN/MALE - MINI FIT |
| | 142522-03-000 | EA | HOUSING - 8 PIN/MALE - MINI FIT |
| | 142522-04-000 | EA | HOUSING - 10 PIN/MALE - MINI FIT |
| | 142522-05-000 | EA | HOUSING - 12 PIN/MALE - MINI FIT |
| | 142522-06-000 | EA | HOUSING - 14 PIN/MALE - MINI FIT |
| | 142524-01-000 | EA | HOUSING - 4 PIN/FEMALE - WEATHER PACK |
| | 142524-02-000 | EA | HOUSING - 4 PIN/FEMALE - WEATHER PACK |
| | 144283-01-000 | EA | CONNECTOR - 110V - F/USE WITH SOW WIRE - BLUE |
| | 144283-02-000 | EA | CONNECTOR - 110V - F/USE WITH NM ROMEX WIRE - CLEAR |
| | 145171-01-000 | EA | CONNECTOR - COAXIAL |
| | 148335-01-000 | EA | HOUSING - 8-POSITION/MALE - 280-GT SERIES |
| | 148335-02-000 | EA | HOUSING - 4-POSITION/MALE - 280-GT SERIES |
| | 148335-03-000 | EA | HOUSING - 6-POSITION/MALE - 280-GT SERIES |
| | 149683-01-000 | EA | HOUSING - F/5 CAVITY RECEPTACLE - W/SQUARE GUIDE PIN |
| | 149683-02-000 | EA | HOUSING - F/5 CAVITY RECEPTACLE - W/ROUND GUIDE PIN |
| | 149686-01-000 | EA | TERMINAL - .250 RECEPTACLE |

ELECTRICAL GROUP (CONTINUED)

CONNECTORS & CONDUIT (CONTINUED)

| KEY | PART NUMBER | U/M | DESCRIPTION |
|-----|---------------|-----|-------------------------------------------------------|
| | 149687-01-000 | EA | HOUSING - 2 POSITION/MALE - PACKARD |
| | 149687-02-000 | EA | LOCK - F/2 POSITION HOUSING - PACKARD |
| | 149688-01-000 | EA | TERMINAL - MALE - 16 GAUGE WIRE |
| | 156035-01-000 | EA | HOUSING - 12-POSITION/FEMALE - 280-GT SERIES |
| | 156041-01-000 | EA | TERMINAL - FEMALE - 16-12 - 280-GT SERIES |
| | 156043-01-000 | EA | HOUSING - 2-POSITION/FEMALE - 480-MP SERIES |
| | 156043-02-000 | EA | LOCK - F/2 POSITION HOUSING - 480 SERIES |
| | 156044-01-000 | EA | TERMINAL - FEMALE - 16-12 - 280-GT - F/SEALED HOUSING |
| | 156045-01-000 | EA | HOUSING - 10-POSITION/FEMALE - 280-GT SERIES |
| | 156045-02-000 | EA | HOUSING - 4-POSITION/FEMALE - 280-GT SERIES |
| | 156045-03-000 | EA | HOUSING - 8-POSITION/FEMALE - 280-GT SERIES |
| | 156045-04-000 | EA | HOUSING - 6-POSITION/FEMALE - 280-GT SERIES |
| | 156207-01-000 | EA | HOUSING - 6-POSITION/MALE - 150-GT SERIES |
| | 156208-01-000 | EA | TERMINAL - MALE - 18-16 - 150-GT SERIES |
| | 157590-01-000 | EA | TERMINAL - FEMALE - M/P - 10-12 - 630 |
| | 157592-01-000 | EA | HOUSING - 7-POSITION/FEMAL - M/P |
| | 157592-02-000 | EA | LOCK - SECONDARY - F/7 POSITION HOUSING |
| | 157656-01-01A | EA | CONNECTOR - DASH LIGHT - BLACK |
| | 158357-01-000 | EA | HOUSING - 3 PIN/MALE - MINI FIT |
| | 158373-01-000 | EA | HOUSING - SOCKET - 16 CAVITY - MINI MATE-N-LOCK |
| | 158374-01-000 | EA | SOCKET - 16-20 CAVITY - MINI MATE-N-LOCK |

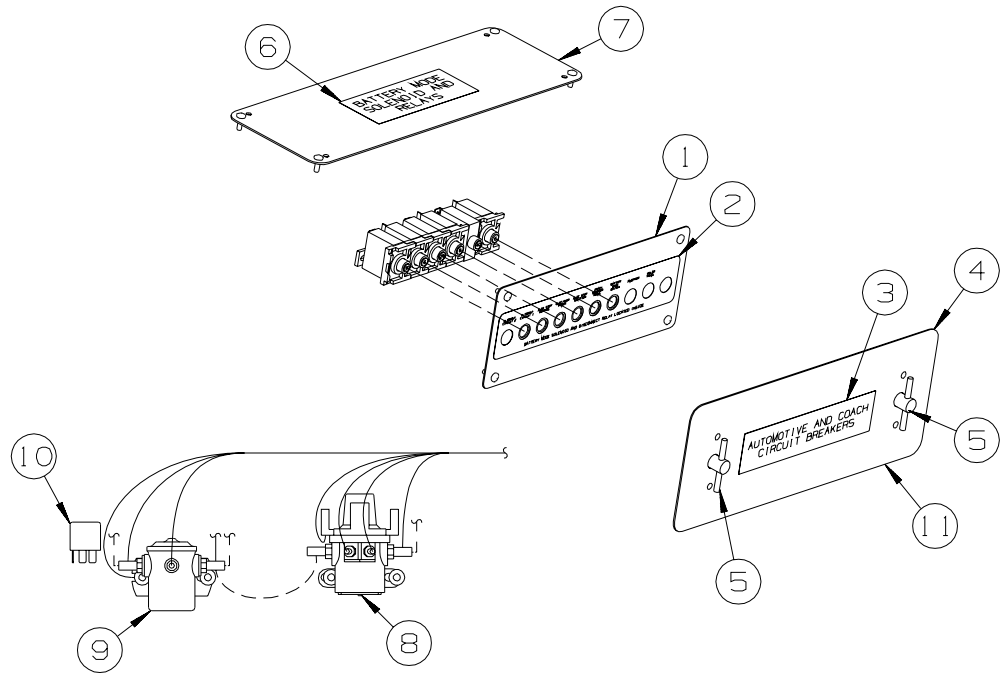


CHASSIS

| KEY | PART NUMBER | U/M | DESCRIPTION |
|-----|---------------|-----|------------------------------------------------|
| 1 | 065450-05-000 | EA | TIEDOWN - BATTERY - 8.4" TUBE |
| | | | FROM: 00-00-00 THRU: 03-26-06 |
| 1 | 160014-01-02B | EA | TIEDOWN - BATTERY - E-COATED |
| | | | FROM: 03-27-06 THRU: 99-99-99 |
| 2 | 152419-01-02B | EA | PLATE - SWITCH/1 HOLE - 2.6" X 6.9" - E-COATED |
| 3 | 144363-13-04B | EA | PLATE - SWITCH - BLACK |
| 4 | 145638-04-01A | EA | SWITCH/ROCKER - SPDT (ON/ON) - BLACK |
| 5 | 132954-09-01A | EA | APPLIQUE - SWITCH - RADIO BOOST - BLACK |
| 6 | 145638-07-01A | EA | SWITCH/ROCKER - DPDT (ON/ON) - BLACK |

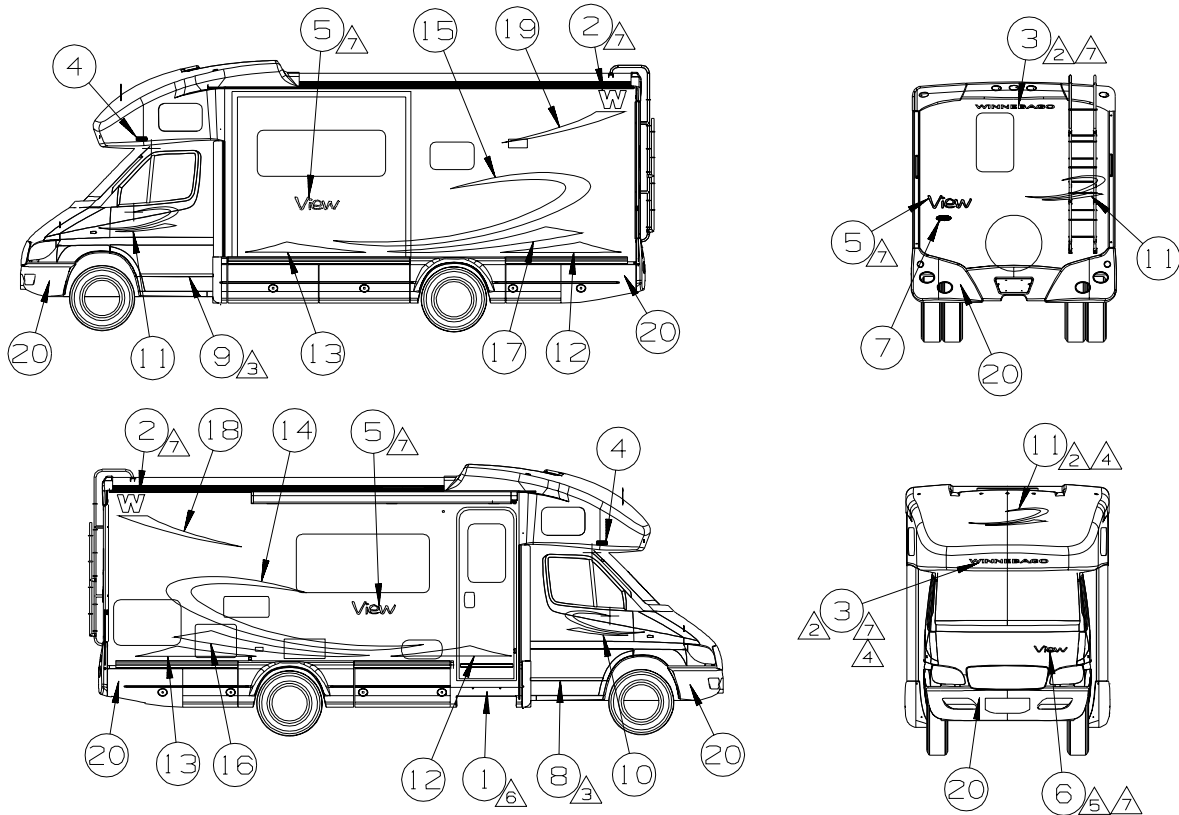
ELECTRICAL GROUP (CONTINUED)

CHASSIS (CONTINUED)



| KEY | PART NUMBER | U/M | DESCRIPTION |
|-----|---------------|-----|------------------------------------------|
| 1 | 139067-08-02B | EA | PLATE - CIRCUIT BREAKER/HOUSE - E-COATED |
| 2 | 093236-38-000 | EA | LABEL - CIRCUIT BREAKER |
| 3 | 098379-01-000 | EA | LABEL - CIRCUIT BREAKER - FRONT BOX |
| 4 | 141273-02-02B | EA | COVER - ELECTRICAL BOX - E-COATED |
| 5 | 098196-01-000 | EA | LATCH - 1/4 TURN - T-BAR |
| 6 | 098379-04-000 | EA | LABEL - ELECTRICAL BOX - SIDE |
| 7 | 152712-01-02B | EA | COVER - SOLENOID BOX - E-COATED |
| 8 | 086273-01-000 | EA | RELAY - BATTERY DISCONNECT |
| 9 | 008188-01-000 | EA | SOLENOID - 3 POST - BATTERY CHANGE OVER |
| 10 | 063912-02-000 | EA | RELAY - CANISTER - SPDT |
| 11 | 092492-16-000 | EA | SEAL - ELECTRICAL BOX |

EXTERIOR BODY GROUP GRAPHICS & PAINT



| (270) KEY | PART NUMBER | U/M | DESCRIPTION |
|-----------|--------------------|-----|----------------------------------------------------|
| 1 | 109506-01-000 | EA | FILM-URETHANE PROTECTANT |
| 2 | 120700-10-CHT(19A) | EA | DECAL-LOGO W - BURGUNDY |
| 3 | 120702-03-CHT(64A) | EA | DECAL-LOGO WINNEBAGO - BURGUNDY |
| 4 | 132664-02-CHT(01A) | EA | DECAL-LOGO DOMED WINNEBAGO - CHROME/RED/BLACK |
| 5 | 151611-01-CHT(03A) | EA | DECAL-LOGO VIEW LG - BURGUNDY |
| 6 | 151611-02-CHT(03A) | EA | DECAL-LOGO VIEW SML - BURGUNDY |
| 7 | 151687-01-CHT(01A) | EA | DECAL/BEZEL-DOMED NAMEPLATE WINNEBAGO - CHROME/RED |
| 8 | 152795-01-CHT(01A) | EA | DECAL-CAB LOWER RH - STORM GRAY |
| 9 | 152795-02-CHT(01A) | EA | DECAL-CAB LOWER LH - STORM GRAY |
| 10 | 158333-01-CHT(01A) | EA | DECAL-STRIPES SML RH - CHAMOIS YELLOW/BURGUNDY |
| 11 | 158333-02-CHT(01A) | EA | DECAL-STRIPES SML LH - CHAMOIS YELLOW/BURGUNDY |
| 12 | 158334-01-CHT(01A) | EA | DECAL-PEAK RH - STORM GRAY |
| 13 | 158334-02-CHT(01A) | EA | DECAL-PEAK LH - STORM GRAY |
| 14 | 158335-01-CHT(01A) | EA | DECAL-STRIPE #1 RH - CHAMOIS YELLOW |
| 15 | 158335-02-CHT(01A) | EA | DECAL-STRIPE #1 LH - CHAMOIS YELLOW |
| 16 | 158336-01-CHT(01A) | EA | DECAL-STRIPE #2 RH - BURGUNDY |
| 17 | 158336-02-CHT(01A) | EA | DECAL-STRIPE #2 LH - BURGUNDY |
| 18 | 158337-01-CHT(01A) | EA | DECAL-STRIPE #3 RH - DARK BROWN |
| 19 | 158337-02-CHT(01A) | EA | DECAL-STRIPE #3 LH - DARK BROWN |
| 20 | ----- | GL | COLORLED PLASTIC AND STEEL - STORM GRAY |

| (92K) KEY | PART NUMBER | U/M | DESCRIPTION |
|-----------|--------------------|-----|----------------------------------------------------|
| 1 | 109506-01-000 | EA | FILM-URETHANE PROTECTANT |
| 2 | 120700-10-CHT(20A) | EA | DECAL-LOGO W - MED PARCHMENT |
| 3 | 120702-03-CHT(65A) | EA | DECAL-LOGO WINNEBAGO - MED PARCHMENT |
| 4 | 132664-02-CHT(01A) | EA | DECAL-LOGO DOMED WINNEBAGO - CHROME/RED/BLACK |
| 5 | 151611-01-CHT(04A) | EA | DECAL-LOGO VIEW LG - MED PARCHMENT |
| 6 | 151611-02-CHT(04A) | EA | DECAL-LOGO VIEW SML - MED PARCHMENT |
| 7 | 151687-01-CHT(01A) | EA | DECAL/BEZEL-DOMED NAMEPLATE WINNEBAGO - CHROME/RED |
| 8 | 152795-01-CHT(01A) | EA | DECAL-CAB LOWER RH - STORM GRAY |
| 9 | 152795-02-CHT(01A) | EA | DECAL-CAB LOWER LH - STORM GRAY |
| 10 | 158333-01-CHT(02A) | EA | DECAL-STRIPES SML RH - MED PARCHMENT/SANDSTONE |
| 11 | 158333-02-CHT(02A) | EA | DECAL-STRIPES SML LH - MED PARCHMENT/SANDSTONE |
| 12 | 158334-01-CHT(01A) | EA | DECAL-PEAK RH - STORM GRAY |
| 13 | 158334-02-CHT(01A) | EA | DECAL-PEAK LH - STORM GRAY |
| 14 | 158335-01-CHT(02A) | EA | DECAL-STRIPE #1 RH - MED PARCHMENT |
| 15 | 158335-02-CHT(02A) | EA | DECAL-STRIPE #1 LH - MED PARCHMENT |
| 16 | 158336-01-CHT(02A) | EA | DECAL-STRIPE #2 RH - SANDSTONE |
| 17 | 158336-02-CHT(02A) | EA | DECAL-STRIPE #2 LH - SANDSTONE |
| 18 | 158337-01-CHT(02A) | EA | DECAL-STRIPE #3 RH - STORM GRAY |
| 19 | 158337-02-CHT(02A) | EA | DECAL-STRIPE #3 LH - STORM GRAY |
| 20 | ----- | GL | COLORLED PLASTIC AND STEEL - STORM GRAY |

△ LOGO IS TO BE ±1 MM ON A HORIZONTAL PLANE (END TO END).

△ FILM TO PROTECT BOTTOM OF DOOR FROM SCUFF MARKS.

△ LOCATE DECAL 120 MM LEFT OF HOOD EDGE AND 60 MM UP FROM FRONT EDGE OF HOOD.

△ CENTER DECAL VERTICALLY ON PART FEATURE.

△ DECAL TO BE PLACED IN LOWER FEATURE RECESS.

△ CENTER ON UNIT.

1. APPLY PROTECTOR 116424-01-000 TO WATER HEATER LATCH.

(92K) EXTERIOR GRAPHICS PACKAGE #2

(270) EXTERIOR GRAPHICS PACKAGE #1

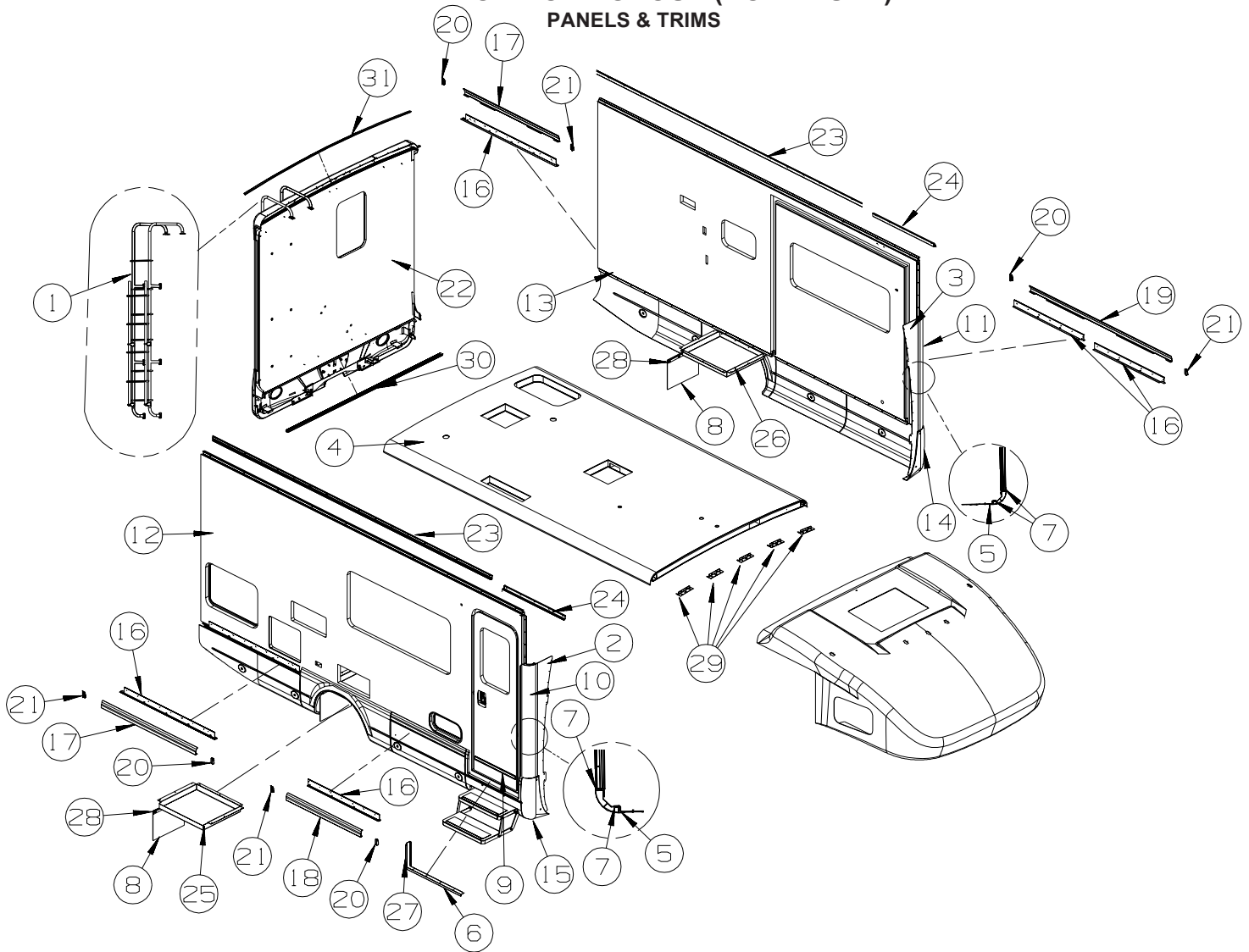
NOTES:

| KEY | PART NUMBER | U/M | DESCRIPTION |
|-----|---------------|-----|--------------------------------------|
| | 041561-03-000 | EA | PAINT/SPRAY - 12 OZ. NET - OFF WHITE |
| | 116424-01-000 | EA | PROTECTOR - LATCH - WATER HEATER |

**DUPONT COLOR CODES ARE NOW FOUND IN THE PAINT CODE MANUAL.
YOU CAN FIND THIS MANUAL ON YOUR DEALER INDEX WEBPAGE UNDER SERVICE.**

EXTERIOR BODY GROUP (CONTINUED)

PANELS & TRIMS

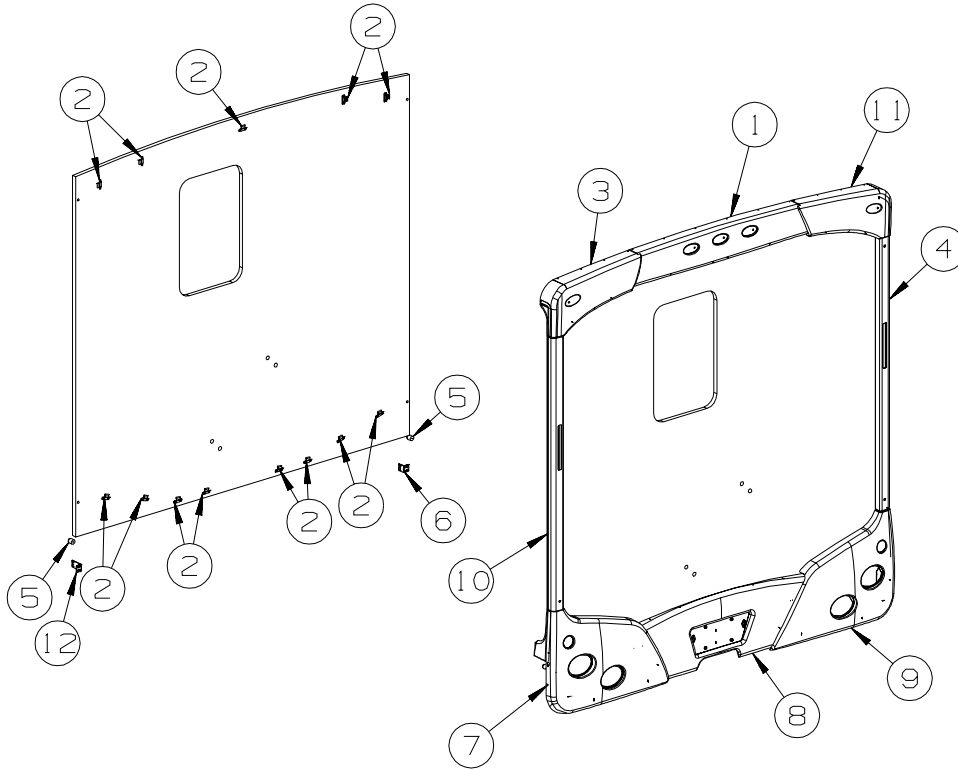


| KEY | PART NUMBER | U/M | DESCRIPTION |
|-----|---------------|-----|---------------------------------------------------------------------------------------------|
| 1 | 152869-02-01A | EA | LADDER/FOLDING - 78.6"/126.2" - 10 STEP - BRUSHED ALUMINUM FROM: 00-00-00 THRU: 06-25-06 |
| 1 | 152869-01-01A | EA | LADDER/FOLDING - 78.6"/126.2" - 10 STEP - BRUSHED ALUMINUM FROM: 06-26-06 THRU: 99-99-99 |
| 2 | 152534-01-T01 | EA | PANEL - TRANSITION - RIGHT HAND |
| 3 | 152534-02-T01 | EA | PANEL - TRANSITION - LEFT HAND |
| 4 | 158592-01-U17 | EA | ROOF - W/O LIGHTS/VENTS - W/WIRING |
| 5 | 112160-01-000 | EA | SEAL - D SECTION - .2 X .3" - FOAM RUBBER |
| 6 | 137599-08-02A | EA | TRIM - SIDEWALL/LOWER - 31.3" - BRIGHT WHIT |
| 7 | 056795-01-000 | EA | TAPE-SEAL, 1/8~ X 3/8~ WIDE - PRESS ON |
| 8 | 017516-01-000 | EA | MUD FLAP - 14"H X 18"W - W/O MOUNTING HOLES - RUBBER - BLK |
| 9 | 093673-01-06A | FT | TRIM/MOLDING - 1.4" WIDE X 8' LONG - BRIGHT WHITE |
| 10 | 151222-01-01A | EA | TRANSITION - CORNER - 55.6" - BRIGHT WHITE |
| 11 | 151222-02-01A | EA | TRANSITION - CORNER - LEFT - BRIGHT WHITE |
| 12 | 158579-01-U17 | EA | SIDEWALL - PASSENGER - W/O WINDOWS/TRIMS |
| 13 | 158578-01-U17 | EA | SIDEWALL - DRIVER - W/O WINDOWS/TRIMS |
| 14 | 152426-01-T01 | EA | PANEL/VALANCE - TRANSITION/DRIVER |
| 15 | 152427-01-T01 | EA | PANEL/VALANCE - ENTRANCE - W/RH TRANSITION |
| 16 | 152537-03-01A | EA | TRIM - FEATURE/INNER - 42.5" - MILL |
| 17 | 152549-01-02A | EA | TRIM - FEATURE/OUTER - NOTCHED - 3" X 51.5" - STORM GRAY |
| 18 | 152549-02-02A | EA | TRIM - FEATURE/OUTER - NOTCHED - 3" X 42.9" - STORM GRAY |
| 19 | 152549-03-02A | EA | TRIM - FEATURE/OUTER - NOTCHED - 3" X 81.8" - STORM GRAY |
| 20 | 153165-01-01A | EA | END CAP/TRIM - RIGHT HAND - STORMY GRAY |
| 21 | 153165-02-01A | EA | END CAP/TRIM - LEFT HAND - STORMY GRAY |
| 22 | 158581-01-U17 | EA | BACKWALL - W/O WINDOW/TRIMS |
| 23 | 157284-01-01A | EA | RAIL - AWNING - 192" - BRIGHT WHITE |
| 24 | 152036-01-01A | EA | RAIL - AWNING - 35.4" - BRIGHT WHITE |

EXTERIOR BODY GROUP (CONTINUED)

PANELS & TRIMS (CONTINUED)

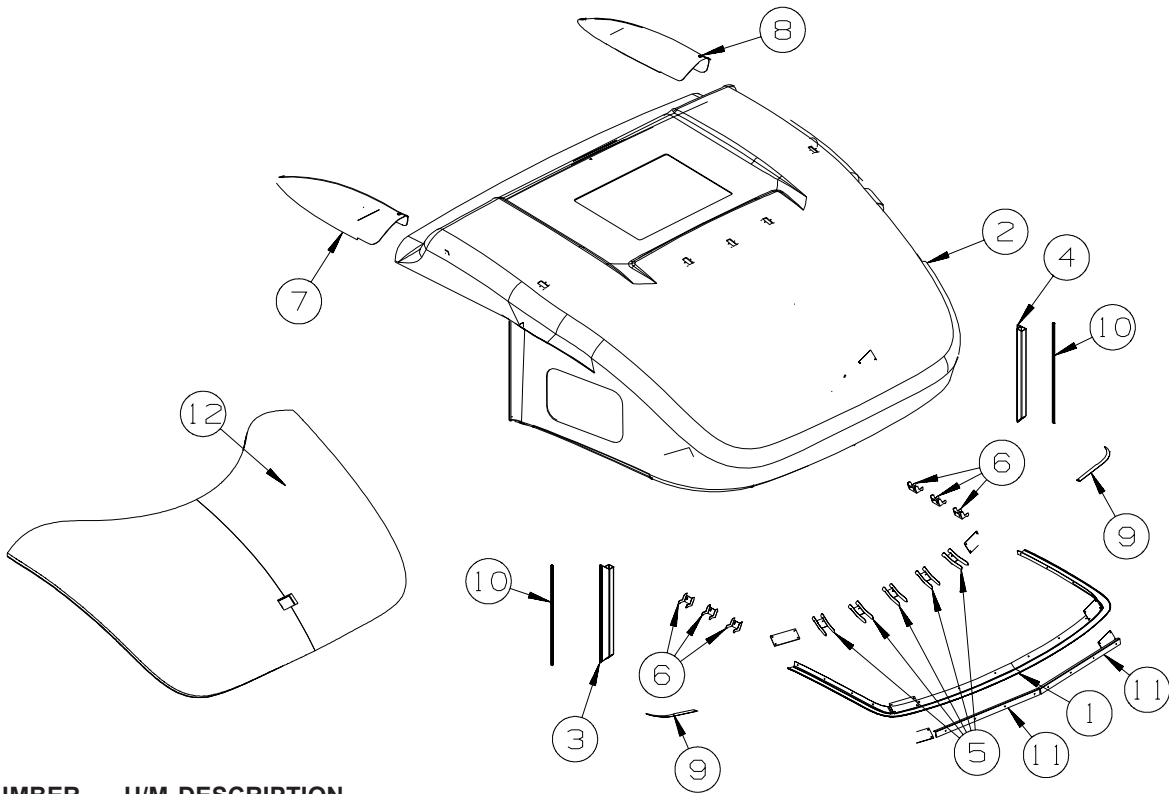
| KEY | PART NUMBER | U/M DESCRIPTION |
|-----|---------------|------------------------------------------------------|
| 25 | P51877-01-02B | EA WHEELWELL - STEEL - E-COATED |
| 26 | P51877-02-02B | EA WHEELWELL - STEEL - E-COATED |
| 27 | 133100-08-02A | EA TRIM - SIDEWALL - 12.5" - BRIGHT WHITE |
| 28 | 140922-01-02B | EA RETAINER - MUD FLAP - 1" X 17.7" - E-COATED/BLACK |
| 29 | 134774-03-02B | EA BRACKET - CAP ATTACHMENT - E-COATED |
| 30 | 103335-11-02A | EA TRIM - BACKWALL - LOWER - 89.6" - BRIGHT WHITE |
| 31 | 114248-02-04A | EA ANGLE - PLASTIC - .7" X .4" X 96.7" - BEIGE |



| KEY | PART NUMBER | U/M DESCRIPTION |
|-----|---------------|-----------------------------------------------------------------|
| 1 | P52238-01-T01 | EA TRIM/BACKWALL - UPPER/CENTER - W/LIGHTS - REARVIEW MONITOR |
| 1 | 152238-01-T01 | EA TRIM/BACKWALL - UPPER/CENTER - W/O LIGHTS - REARVIEW MONITOR |
| 1 | P52238-02-T01 | EA TRIM/BACKWALL - UPPER/CENTER - W/LIGHTS |
| 1 | 152238-02-T01 | EA TRIM/BACKWALL - UPPER/CENTER - W/O LIGHTS |
| 2 | 073050-04-000 | EA CLIP/MOUNTING - VALANCE PANEL |
| 3 | P52232-02-T01 | EA TRIM/BACKWALL - UPPER/DRIVER - W/LIGHTS |
| 3 | 152232-02-T01 | EA TRIM/BACKWALL - UPPER/DRIVER |
| 4 | 151933-01-01A | EA TRIM - BACKWALL - PASSENGER - STORM GRAY |
| 5 | 120863-02-000 | EA BUMPER - RUBBER/RADIUS TOP - 1" X 1 1/2" |
| 6 | 140309-03-02B | EA ANGLE - FURNACE DOOR - E-COATED |
| 7 | P52230-01-T01 | EA TRIM/BACKWALL - LOWER/DRIVER - W/LIGHTS |
| 7 | 152230-01-T01 | EA TRIM/BACKWALL - LOWER/DRIVER |
| 8 | 152231-01-T01 | EA TRIM/BACKWALL - LOWER/MIDDLE |
| 8 | 151428-01-21A | EA TRIM - BACKWALL - LOWER/MIDDLE - STORM GRAY |
| 9 | P52230-02-T01 | EA TRIM/BACKWALL - LOWER/PASSENGER - W/LIGHTS |
| 9 | 152230-02-T01 | EA TRIM/BACKWALL - LOWER/PASSENGER |
| 10 | 151933-02-01A | EA TRIM - BACKWALL - DRIVER - STORM GRAY |
| 11 | P52232-01-T01 | EA TRIM/BACKWALL - UPPER/PASSENGER - W/LIGHTS |
| 11 | 152232-01-T01 | EA TRIM/BACKWALL - UPPER/PASSENGER |
| 12 | 140309-05-02B | EA ANGLE - FURNACE DOOR - E-COATED |

EXTERIOR BODY GROUP (CONTINUED)

FRONT END



| KEY | PART NUMBER | U/M | DESCRIPTION |
|-----|---------------|-----|---------------------------------------------------------------------------|
| 1 | 151287-01-02A | EA | SILL - ROOF CAP/CAB - BRIGHT WHITE |
| 2 | 151843-01-T01 | EA | PANEL - ROOF CAP - W/O LIGHTS/WIRING |
| 2 | 151843-02-T01 | EA | PANEL - ROOF CAP - W/O LIGHTS/WIRING - CABINET, FRONT CAB OVERHEAD |
| | 105290-01-000 | SF | INSULATION - AIR POCKET W/FOIL - 4' WIDE |
| 3 | 151686-01-01A | EA | TRIM - PANEL - FIBERGLASS/RH HAND |
| 4 | 151686-02-01A | EA | TRIM - PANEL - FIBERGLASS/LH HAND |
| 5 | 151741-01-02B | EA | CLAMP/ROOF CAP - FRONT - E-COATED |
| 6 | 151741-02-02B | EA | CLAMP/ROOF CAP - SIDE - E-COATED |
| 7 | 152037-03-T01 | EA | TRIM/ROOF - RIGHT - PLASTIC - 8.2"W X 37.2"L X 5.8"H |
| 8 | 152037-04-T01 | EA | TRIM/ROOF - LEFT - PLASTIC - 8.2"W X 37.2"L X 5.8"H |
| 9 | 152885-01-01A | EA | TRIM - CLOSEOUT/TRANSITION - BRIGHT WHITE |
| 10 | 153151-01-01A | FT | TRIM - ROOF CAP/SIDEWALL |
| 11 | 132273-03-02B | EA | BRACKET - REAR TRIM - E-COATED |
| 12 | 152052-01-T01 | EA | HEADLINER/MATERIAL - W/LAMINATED FOAM |

EXTERIOR BODY GROUP (CONTINUED)
STRUCTURAL COMPONENTS

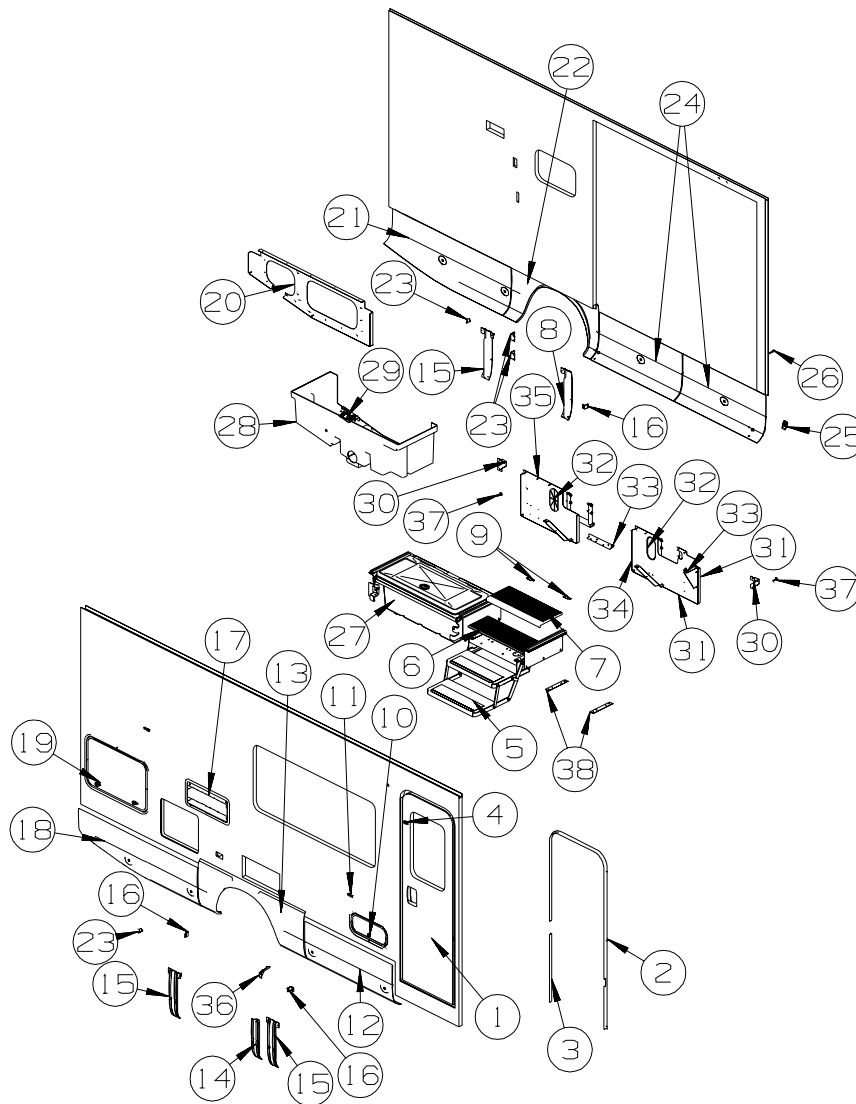
| KEY | PART NUMBER | U/M | DESCRIPTION |
|------------|--------------------|------------|---------------------------------------------------------------------------------------------|
| | 002726-01-001 | EA | GARNISH - U-CHANNEL - 1.38" X 19' - SERRATED |
| | 089297-01-000 | SF | PLYWOOD - LUAN - OVERLAY GRADE - 4' X 8' |
| | 100619-B3-000 | BF | FOAM - EXPANDED POLYSTYRENE - .42" X 48" X 96" |
| | 100619-01-000 | BF | FOAM - EXPANDED POLYSTYRENE - 1.34" X 48" X 96" |
| | 100619-02-000 | BF | FOAM - EXPANDED POLYSTYRENE - 1.5" X 48" X 96" FROM: 00-00-00 THRU: 05-16-06 |
| | 100619-04-000 | BF | FOAM - EXPANDED POLYSTYRENE - .5" X 48" X 96" |
| | 100619-05-000 | BF | FOAM - EXPANDED POLYSTYRENE - .75" X 48" X 96"-1.5"DENSITY |
| | 100619-05-042 | EA | FOAM - EXPANDED POLYSTYRENE - .75" X 48" X 96"-1.5"DENSITY FROM: 11-27-06 THRU: 99-99-99 |
| | 100619-16-000 | BF | FOAM - EXPANDED POLYSTYRENE - .75" X 48" X 96"-2" DENSITY |
| | 120107-01-000 | EA | FOAM - ROOF COVE - 2.8" X 48" LONG |
| | 120107-02-000 | EA | FOAM - PLUG - ROOF TUBE - 2.2" X 2.9" X 1.8" LONG |
| | 120107-03-000 | EA | FOAM - PLUG - SIDEWALL TUBE - 1.2" X 2.1" X 1.8" LONG |
| | 116942-03-01A | LB | ALUMINUM - .7" X 40" X 158" |
| | 108535-10-01A | SF | FIBERGLASS SHEET - 99" X 500' ROLL - BRIGHT WHITE |
| | 128782-17-01A | EA | FIBERGLASS SHEET - 30.9" X 74.7" - HIGH GLOSS - BRT WHITE |
| | 128782-20-01A | EA | FIBERGLASS SHEET - 78.9" X 185.9" - HIGH GLOSS - BRT WHITE |
| | 159631-15-01A | EA | FIBERGLASS SHEET - 4" X 93.8" - BRIGHT WHITE FROM: 03-06-06 THRU: 01-14-07 |
| | 162931-15-01A | EA | FIBERGLASS SHEET - 4" X 93.8" - BRIGHT WHITE FROM: 01-15-07 THRU: 99-99-99 |

AWNINGS

ORDER AWNINGS & REPAIR PARTS FROM DOMETIC. CALL #800-366-3842.
THE DOMETIC AWNING INFORMATION YOU WILL NEED IS LOCATED ON THE MOTOR HOME NEAR
THE TOP OF THE AWNING RAIL.

| KEY | PART NUMBER | U/M | DESCRIPTION |
|------------|--------------------|------------|------------------------------------------------------------------|
| | 113874-11-01A | EA | SCREW/LAG - AWNING - 1/4" X 1" STAINLESS STEEL |
| | 113874-12-01A | EA | SCREW/LAG - AWNING - 1/4" X 2 3/4" STAINLESS STEEL |
| | 120863-01-000 | EA | BUMPER - RUBBER - 1 1/4" X 1 1/4" |
| | 127647-03-01A | EA | ROD/AWNING GUARD - ENTRY DOOR - 19.4" LONG |
| | 137054-01-02A | EA | BRACKET - AWNING - BRIGHT WHITE FROM: 00-00-00 THRU: 12-10-06 |
| | 161739-01-02A | EA | BRACKET - AWNING - BRIGHT WHITE FROM: 12-11-06 THRU: 99-99-99 |
| | 145993-01-000 | FT | SEAL - "D SECTION" W/ADHESIVE BACK |
| | 150702-01-12B | EA | BRACKET - AWNING - BRIGHT WHITE |

EXTERIOR DOORS & COMPARTMENTS GROUP
DOOR & COMPARTMENT LAYOUT



| KEY | PART NUMBER | U/M | DESCRIPTION |
|-----|---------------|-----|-----------------------------------------------------------|
| 1 | P32206-21-U17 | EA | DOOR - ENTRY W/SCREEN DOOR - W/O WINDOW/LATCH |
| | 064075-07-000 | EA | SEAL - BULB - W/WIRED U CHANNEL - .3" X .5" CHANNEL-BLACK |

ENTRY DOOR LOCK CYLINDERS

| | | |
|---------------|----|--------------------------------------------------------|
| 138287-11-000 | EA | CYLINDER/LOCK - ENTRY DOOR - MASTER W/3M ICON - (3041) |
| 138287-12-000 | EA | CYLINDER/LOCK - ENTRY DOOR - MASTER W/3M ICON - (3042) |
| 138287-13-000 | EA | CYLINDER/LOCK - ENTRY DOOR - MASTER W/3M ICON - (3043) |
| 138287-14-000 | EA | CYLINDER/LOCK - ENTRY DOOR - MASTER W/3M ICON - (3044) |
| 138287-15-000 | EA | CYLINDER/LOCK - ENTRY DOOR - MASTER W/3M ICON - (3045) |
| 138287-16-000 | EA | CYLINDER/LOCK - ENTRY DOOR - MASTER W/3M ICON - (3046) |
| 138287-17-000 | EA | CYLINDER/LOCK - ENTRY DOOR - MASTER W/3M ICON - (3047) |
| 138287-18-000 | EA | CYLINDER/LOCK - ENTRY DOOR - MASTER W/3M ICON - (3048) |
| 138287-19-000 | EA | CYLINDER/LOCK - ENTRY DOOR - MASTER W/3M ICON - (3049) |
| 138287-20-000 | EA | CYLINDER/LOCK - ENTRY DOOR - MASTER W/3M ICON - (3050) |
| 138292-01-000 | EA | SEAL - LOCK CYLINDER |

EXTERIOR DOORS & COMPARTMENTS GROUP (CONTINUED)
DOOR & COMPARTMENT LAYOUT (CONTINUED)

KEY PART NUMBER U/M DESCRIPTION

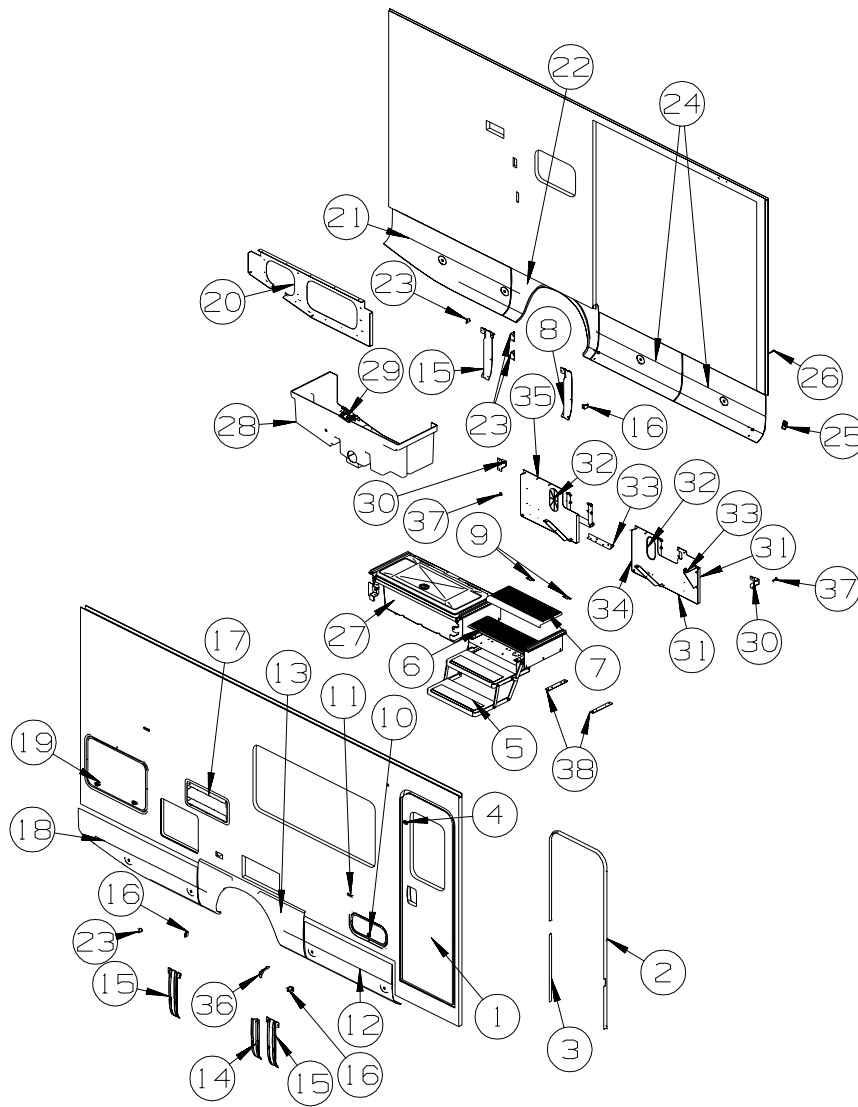
ENTERTAINMENT CENTER DOOR LOCK CYLINDERS

| | | |
|---------------|----|-----------------------------------------------------------|
| 138289-11-000 | EA | CYLINDER/LOCK - ACCESS DOORS - REDUCED SENSITIVITY (3041) |
| 138289-12-000 | EA | CYLINDER/LOCK - ACCESS DOORS - REDUCED SENSITIVITY (3042) |
| 138289-13-000 | EA | CYLINDER/LOCK - ACCESS DOORS - REDUCED SENSITIVITY (3043) |
| 138289-14-000 | EA | CYLINDER/LOCK - ACCESS DOORS - REDUCED SENSITIVITY (3044) |
| 138289-15-000 | EA | CYLINDER/LOCK - ACCESS DOORS - REDUCED SENSITIVITY (3045) |
| 138289-16-000 | EA | CYLINDER/LOCK - ACCESS DOORS - REDUCED SENSITIVITY (3046) |
| 138289-17-000 | EA | CYLINDER/LOCK - ACCESS DOORS - REDUCED SENSITIVITY (3047) |
| 138289-18-000 | EA | CYLINDER/LOCK - ACCESS DOORS - REDUCED SENSITIVITY (3048) |
| 138289-19-000 | EA | CYLINDER/LOCK - ACCESS DOORS - REDUCED SENSITIVITY (3049) |
| 138289-20-000 | EA | CYLINDER/LOCK - ACCESS DOORS - REDUCED SENSITIVITY (3050) |
| 138288-11-000 | EA | KEY - REVERSIBLE - #3041 - T/M 16169-02-3041 |
| 138288-12-000 | EA | KEY - REVERSIBLE - #3042 - T/M 16169-02-3042 |
| 138288-13-000 | EA | KEY - REVERSIBLE - #3043 - T/M 16169-02-3043 |
| 138288-14-000 | EA | KEY - REVERSIBLE - #3044 - T/M 16169-02-3044 |
| 138288-15-000 | EA | KEY - REVERSIBLE - #3045 - T/M 16169-02-3045 |
| 138288-16-000 | EA | KEY - REVERSIBLE - #3046 - T/M 16169-02-3046 |
| 138288-17-000 | EA | KEY - REVERSIBLE - #3047 - T/M 16169-02-3047 |
| 138288-18-000 | EA | KEY - REVERSIBLE - #3048 - T/M 16169-02-3048 |
| 138288-19-000 | EA | KEY - REVERSIBLE - #3049 - T/M 16169-02-3049 |
| 138288-20-000 | EA | KEY - REVERSIBLE - #3050 - T/M 16169-02-3050 |

VALANCE DOOR LOCK CYLINDERS

| | | |
|---------------|---------------|----------------------------------------------------------|
| 154066-50-001 | EA | CASE/CYLINDER - LOCKING |
| 154066-50-002 | EA | CASE/CYLINDER - LOCKING |
| 154066-50-003 | EA | CASE/CYLINDER - LOCKING |
| 154066-50-004 | EA | CASE/CYLINDER - LOCKING |
| 154066-50-005 | EA | CASE/CYLINDER - LOCKING |
| 154066-50-006 | EA | CASE/CYLINDER - LOCKING |
| 154066-50-007 | EA | CASE/CYLINDER - LOCKING |
| 154066-50-008 | EA | CASE/CYLINDER - LOCKING |
| 154066-50-009 | EA | CASE/CYLINDER - LOCKING |
| 154066-50-010 | EA | CASE/CYLINDER - LOCKING |
| 154066-51-001 | EA | KEYS - SET OF TWO |
| 154066-51-002 | EA | KEYS - SET OF TWO |
| 154066-51-003 | EA | KEYS - SET OF TWO |
| 154066-51-004 | EA | KEYS - SET OF TWO |
| 154066-51-005 | EA | KEYS - SET OF TWO |
| 154066-51-006 | EA | KEYS - SET OF TWO |
| 154066-51-007 | EA | KEYS - SET OF TWO |
| 154066-51-008 | EA | KEYS - SET OF TWO |
| 154066-51-009 | EA | KEYS - SET OF TWO |
| 154066-51-010 | EA | KEYS - SET OF TWO |
| 2 | 139100-09-01A | EA GARNISH/RADIUS - ENTRY DOOR - BRIGHT WHITE |
| 3 | 139101-07-01A | EA GARNISH/STRAIGHT - ENTRY DOOR - BRIGHT WHITE |
| 4 | 009101-02-000 | EA HOLDER/DOOR - PLUNGER STYLE - FEMALE SIDE ONLY |
| 5* | 094707-04-01A | EA STEP - ELECTRIC DOUBLE - KWIKEE |
| 6 | 133114-03-01A | EA TREAD - STEP/RUBBER - 27.1" X 10.1" - TAUPE |
| 7 | 147781-01-01A | EA TREAD/STEP - RUBBER - TAUPE |
| 7 | 123330-05-02B | EA SUPPORT - ENTRY STEP - E-COATED |
| 8 | 155193-02-21A | EA CHANNEL - HAT - PLASTIC/1 MOUNT TAB - STORM GRAY |
| 9 | 146747-01-02B | EA BRACKET/CATCH - E-COATED |
| | 116975-01-01A | EA LATCH - W/O STRIKE - BLACK - NEW STYLE |
| 10 | 126945-15-S34 | EA DOOR/STORAGE - W/O HARDWARE - 18" X 8.3" |
| 11 | 102768-01-000 | EA HOLDER - COMPARTMENT/ENTRY DOOR - METAL - MILL FINISH |
| 12 | 152079-01-T01 | EA DOOR/STORAGE - W/O HARDWARE - 43" X 16.1" |
| 13 | 152220-02-T01 | EA PANEL - WHEEL LIP - PASSENGER |
| 14 | 152294-01-10A | EA CHANNEL - HAT - PLASTIC - 2.9" X 15.7" - BLACK |
| 15 | 155193-01-21A | EA CHANNEL - HAT - PLASTIC/2 MOUNT TABS - STORM GRAY |
| 16 | 140309-03-02B | EA ANGLE - FURNACE DOOR - E-COATED |
| 17* | 084103-08-000 | EA DOOR - VENT - REFRIGERATOR - W/O JAMB - BRIGHT WHITE |
| 17 | 084104-08-000 | EA JAMB - VENT DOOR/REFRIGERATOR - BRIGHT WHITE |

EXTERIOR DOORS & COMPARTMENTS GROUP (CONTINUED)
DOOR & COMPARTMENT LAYOUT (CONTINUED)



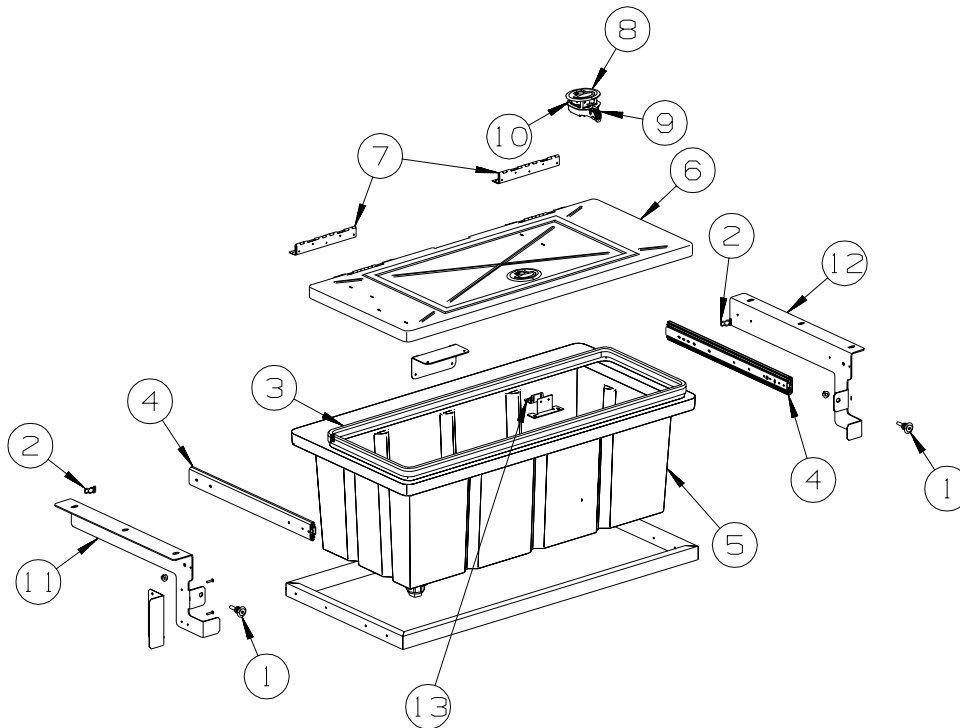
| KEY | PART NUMBER | U/M | DESCRIPTION |
|-----|---------------|-----|--------------------------------------------------------------------------------|
| 18 | 152079-03-T01 | EA | DOOR/STORAGE - PASS - W/O HARDWARE - 17.4" X 58.5" X 12.6" |
| | 154969-01-02B | EA | ZEE/KEEPER - LATCH - E-COATED |
| | 142569-17-000 | EA | SPRING/GAS - 90 LB - 12" EXTENDED/8.5" COMPRESSED |
| | 126263-02-02B | EA | BRACKET - GAS SPRING W/BALL STUD - E-COATED |
| | 132892-08-01A | FT | SEAL - BULB/SINGLE - W/U CHANNEL - BLACK |
| 19 | 154890-01-T01 | EA | DOOR - STORAGE - W/O HARDWARE - 30" X 20.3" |
| 20 | 152031-01-02B | EA | PLATE/SEAL - E-COATED |
| | 107721-08-000 | FT | SEAL - ACCESS DOOR - .9"WIDE X .9"HIGH |
| | 132892-08-01A | FT | SEAL - BULB/SINGLE - W/U CHANNEL - BLACK |
| 21 | 152079-02-T01 | EA | DOOR/STORAGE - DRVR - W/O HDW- 17.4" X 58.5" X 12.6" |
| | 154969-01-02B | EA | ZEE/KEEPER - LATCH - E-COATED |
| | 142569-17-000 | EA | SPRING/GAS - 90 LB - 12" EXTENDED/8.5" COMPRESSED |
| | 126263-02-02B | EA | BRACKET - GAS SPRING W/BALL STUD - E-COATED |
| 22 | 152220-01-T01 | EA | PANEL - WHEEL LIP - DRIVER |
| 23 | 073050-04-000 | EA | CLIP/MOUNTING - VALANCE PANEL |
| 24 | 152079-04-T01 | EA | DOOR/STORAGE - W/O HARDWARE - 40.8" X 17.4" |
| | 154969-01-02B | EA | ZEE/KEEPER - LATCH - E-COATED |
| 25 | 104099-02-05A | EA | CATCH/RETAINER - DOOR HOLDER - BLACK |
| 26 | 104099-03-04A | EA | CATCH - DOOR HOLDER - STRIKE - 6" - BRIGHT WHITE |
| 27 | | EA | COMPARTMENT - STORAGE - SEE COMPARTMENT ILLUSTRATION ON FOLLOWING PAGES |
| 28 | 151549-01-000 | EA | COMPARTMENT - DRAINAGE |
| | M08628-01-H17 | EA | HATCH - W/FOAM INSERT - 3/4" X 11 1/2" DIA.- BLACK PLASTIC |
| | | | FROM: 00-00-00 THRU: 09-04-06 |
| | 121175-02-01A | EA | LATCH - SWELL |
| | | | FROM: 00-00-00 THRU: 09-04-06 |

EXTERIOR DOORS & COMPARTMENTS GROUP (CONTINUED)
DOOR & COMPARTMENT LAYOUT (CONTINUED)

| KEY | PART NUMBER | U/M | DESCRIPTION |
|------------|--------------------|------------|----------------------------------------------------------|
| 29* | 142226-02-01A | EA | HATCH - POWER |
| 30 | 154814-01-02B | EA | BRACKET/FORMED - ADJUSTING BOLT - E-COATED |
| 31 | 153346-01-02A | EA | PANEL - CLOSEOUT - LP/FRONT - BLACK |
| 32 | 148331-01-01A | EA | PLUG - OVAL/LARGE - BLACK |
| 33 | 107721-07-000 | FT | SEAL - ACCESS DOOR - .9"WIDE X 1.1"HIGH |
| 34 | 132892-08-01A | FT | SEAL - BULB/SINGLE - W/U CHANNEL - BLACK |
| 35 | 153347-01-02A | EA | PANEL - CLOSEOUT - LP/REAR - BLACK |
| 36 | 159052-01-02B | EA | CATCH - DRAWER - W/ANGLE CATCH - E-COATED |
| | 100414-01-000 | EA | SPRING-CATCH, 3/8" OD X 1.5" - EXTERIOR COMPARTMENTS |
| 37 | 058786-01-000 | EA | BOLT - HOOD ADJUSTMENT - 5/16"-18 X 1.5"-2"- W/BLACK PAD |
| 38 | 143130-02-02B | EA | PLATE - BACKING - RIGHT/LEFT - E-COATED |

***COMPONENT PARTS LISTED LATER IN THIS GROUP**

EXTERIOR DOORS & COMPARTMENTS GROUP (CONTINUED)
DOOR & COMPARTMENT LAYOUT (CONTINUED)



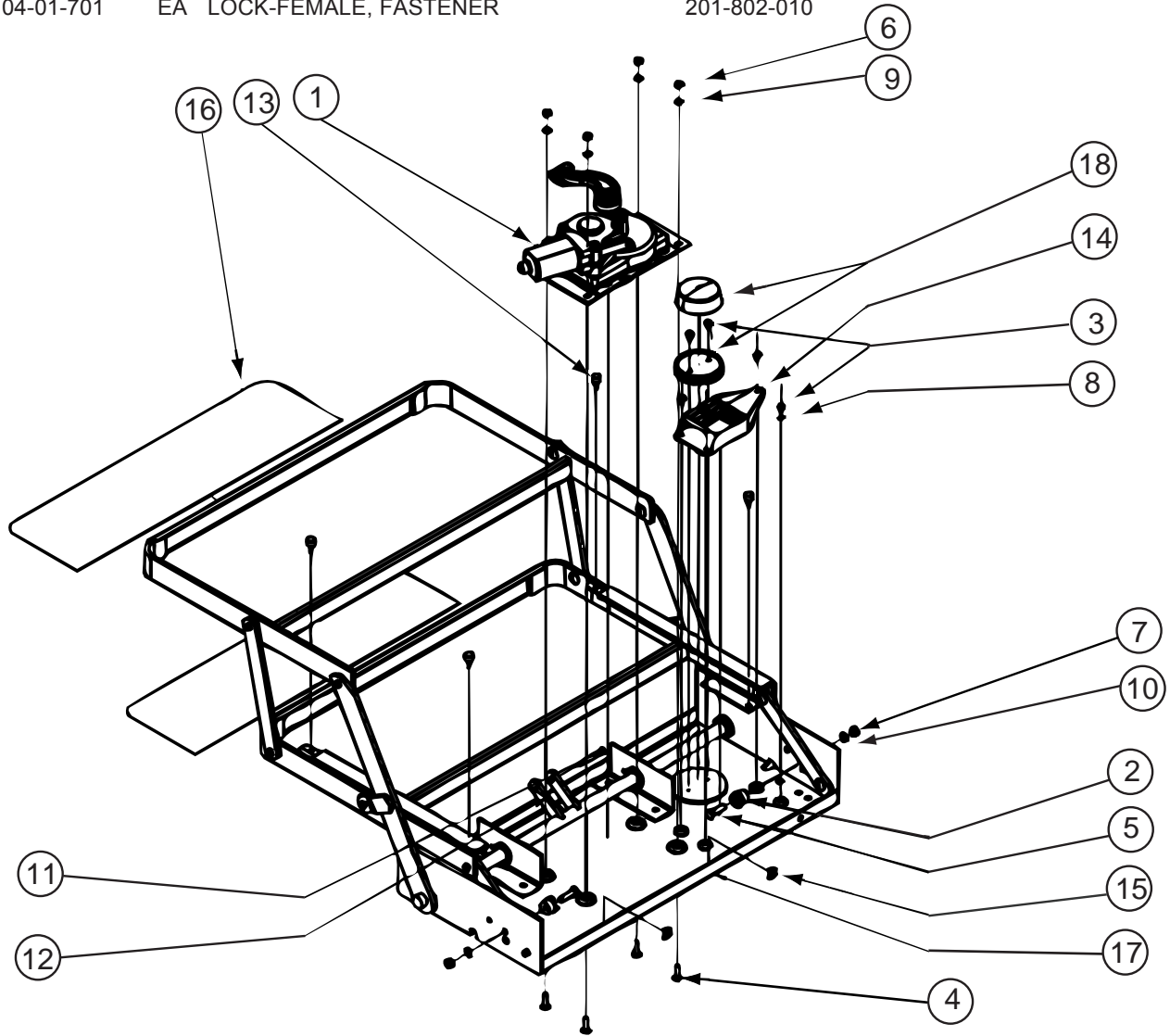
| KEY | PART NUMBER | U/M | DESCRIPTION |
|-----|---------------|-----|-----------------------------------------------------------|
| 1 | 058786-01-000 | EA | BOLT - HOOD ADJUSTMENT - 5/16"-18 X 1.5"-2"- W/BLACK PAD |
| 2 | 132892-04-01A | FT | SEAL - DOUBLE BULB - W/WIRED U CHANNEL - 1.3" X .8"-BLACK |
| 3 | 132892-07-01A | FT | SEAL - BULB/SINGLE - W/U CHANNEL - .5" X 1" - BLACK |
| 4 | 151463-02-000 | EA | SLIDES - STORAGE COMPARTMENT (PAIR) |
| 5 | 160748-02-000 | EA | COMPARTMENT - STORAGE - PLASTIC - 523B |
| | 160748-01-000 | EA | COMPARTMENT - STORAGE - PLASTIC |
| | 010166-01-000 | EA | PLUG/THREADED - 1 1/4"MPT - PLASTIC - BLACK - UL |
| | 042989-03-000 | EA | FITTING - SPINWELD - 1 1/4"NPT - PLASTIC |
| 5 | 151548-02-000 | EA | COMPARTMENT - STORAGE - PLASTIC - 523H, 524J |
| | 151548-01-000 | EA | COMPARTMENT - STORAGE - PLASTIC |
| | 010166-01-000 | EA | PLUG/THREADED - 1 1/4"MPT - PLASTIC - BLACK - UL |
| | 042989-03-000 | EA | FITTING - SPINWELD - 1 1/4"NPT - PLASTIC |
| 6 | 151728-01-T01 | EA | LID - COMPARTMENT/STORAGE |
| 6 | 151728-02-U17 | EA | LID - COMPARTMENT/STORAGE |
| | 151547-01-01A | EA | LID - COMPARTMENT/STORAGE - BLACK |
| 7 | 101349-01-01A | EA | HINGE-PIANO - SPRING LOADED - STOCKER |
| 8 | 152171-02-01A | EA | LATCH/PADDLE - NON-LOCKING - BLACK |
| 9 | 152171-03-01A | EA | LATCH/INNER - BLACK |
| 10 | 152171-06-01A | EA | GASKET - LATCH - FOAM |
| 11 | 151737-01-02B | EA | BRACKET/SUPPORT - SLIDE - E-COATED |
| | | | FROM: 00-00-00 THRU: 04-02-06 |
| 11 | 151737-03-02B | EA | BRACKET/SUPPORT - SLIDE - E-COATED |
| | | | FROM: 04-03-06 THRU: 99-99-99 |
| 12 | 151737-02-02B | EA | BRACKET/SUPPORT - SLIDE - E-COATED |
| | | | FROM: 00-00-00 THRU: 04-02-06 |
| 12 | 151737-04-02B | EA | BRACKET/SUPPORT - SLIDE - E-COATED |
| | | | FROM: 04-03-06 THRU: 99-99-99 |
| 13 | 152171-05-01A | EA | KEEPER - LATCH - METAL |

EXTERIOR DOORS & COMPARTMENTS GROUP (CONTINUED)

COMPONENT PARTS FOR DOOR & COMPARTMENT LAYOUT

084103-08-000

| KEY | PART NUMBER | U/M | DESCRIPTION | VENDOR NO. |
|-----|---------------|-----|-----------------------|-------------|
| | 084104-01-700 | EA | LOCK-MALE, FASTENER | 201-721-010 |
| | 084104-01-701 | EA | LOCK-FEMALE, FASTENER | 201-802-010 |

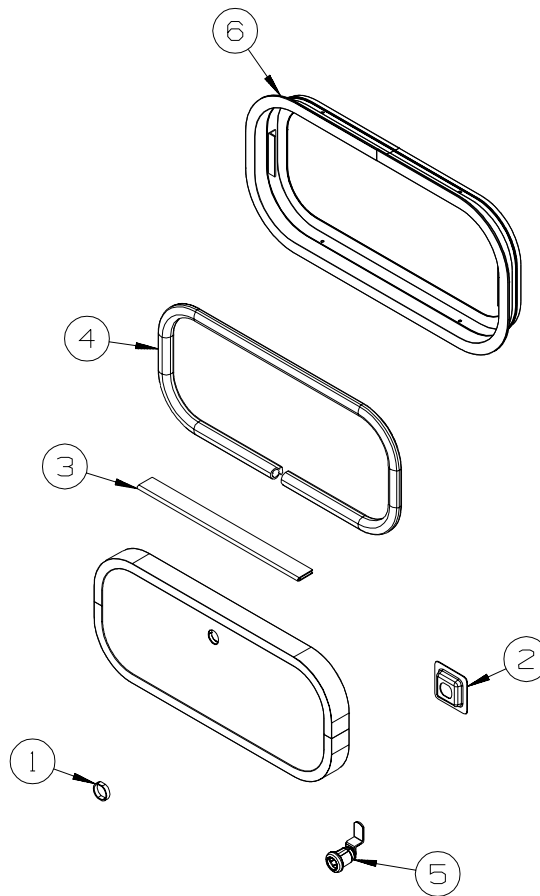


094707-04-01A

| KEY | PART NUMBER | U/M | DESCRIPTION | VENDOR NO. |
|-----|---------------|-----|------------------------------|------------|
| 1 | 094707-04-701 | EA | MOTOR "AM 214" F/IMGL STEPS | 1101428 |
| 1 | 094707-04-703 | EA | GEAR BOX W/LINKAGE-CURVED | 1101425 |
| 2 | 143709-01-700 | EA | CAM STOP | 1102200 |
| 12 | 094707-04-702 | EA | COTTOR PIN - W/CLEVIS PIN | 905205000 |
| 13 | 143709-01-701 | EA | BUMPER - BLACK (RUBBER STOP) | 1602000 |
| 14 | 094707-04-700 | EA | CONTROL UNIT W/OVERRIDE | 909510000 |
| 16 | 143709-01-702 | EA | TREAD/NON-SKID 6" X 21" BLK | 1915260 |
| 17 | 094707-04-704 | EA | FRAME W/DBL STEP-32REINF SRS | 3202082 |
| 18 | 088746-01-705 | EA | LIGHT-UNDER STEP | 9004 |
| | 094707-03-701 | EA | PLUG - 4-WAY - PACKARD | 909306 |
| | 094707-04-711 | EA | KWIKTEST - W/4-WAY PIGTAIL | 909518000 |

CONTACT WINNEBAGO PART SALES FOR UNLISTED COMPONENT(S)

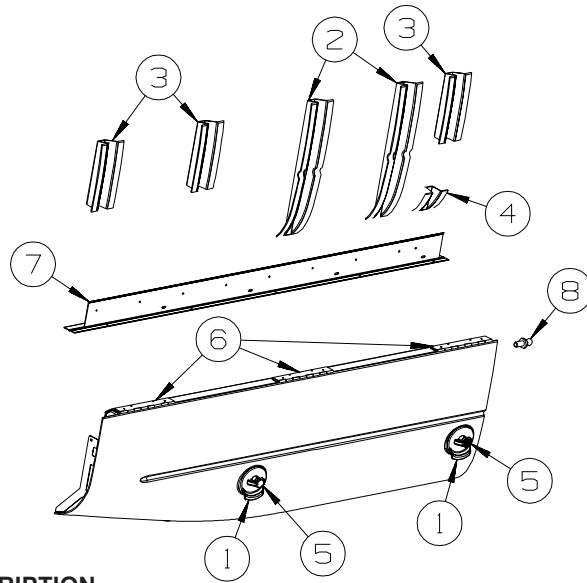
EXTERIOR DOORS & COMPARTMENTS GROUP (CONTINUED)
COMPARTMENT DOOR PIECE PARTS



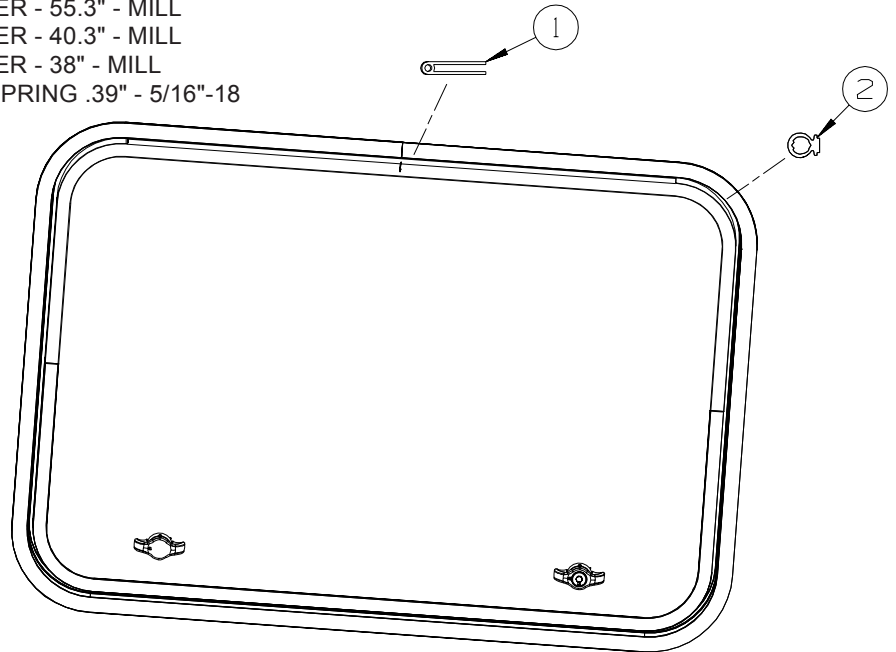
| KEY | PART NUMBER | U/M | DESCRIPTION |
|-----|---------------|-----|--------------------------------------------------------------------|
| 1 | 139325-01-000 | EA | SPACER - LOCK - 6MM - ENTERTAINMENT CENTER |
| | 139337-01-000 | EA | GASKET - LOCK - ENTERTAINMENT CENTER |
| 1 | 144734-01-000 | EA | SPACER - COMPARTMENT DOOR LOCK - 9/16" DEEP |
| 2 | 097111-02-04A | EA | POCKET - LOCK - REAR DOOR - BLACK - ENTERTAINMENT CENTER |
| 3 | 081801-V3-000 | EA | HINGE - DOOR - PIANO - 2" X 96" - BRIGHT WHITE |
| 3 | 081801-FN-000 | EA | HINGE - DOOR - PIANO - 2" X 96" - BLACK |
| 4 | 156386-01-01A | FT | SEAL - BULB - W/ADHESIVE BACK |
| 5* | 110506-27-000 | EA | LOCK - TWIST - 1.6" - TWIST LOCK |
| | 110506-55-000 | EA | CASE/CYLINDER -TWIST -W/O CAM -1.25" -597312AA1 - TWIST LOCK |
| | 110506-66-000 | EA | CAM - LATCHING - DOG LEG - 1.5" LONG - TWIST LOCK |
| 5 | 138290-02-000 | EA | CASE - W/CAM - W/O CYLINDER/KEY - ENTERTAINMENT CENTER |
| 5* | 138637-04-000 | EA | LOCK ASM. - KEYED - 1.5" CASE (CYLINDER/CAM/HDWR PKG) - KEYED LOCK |
| | 144474-01-000 | EA | ADAPTER - LOCK - 180 DEGREE - KEYED LOCK |
| | 138637-63-000 | EA | CAM - LATCHING - DOG LEG - 1.5" LONG - KEYED LOCK |
| | 138637-53-000 | EA | CASE/CYLINDER - LOCKING - W/O CAM/KEY - 1.5" |
| | 138637-53-001 | EA | CASE/CYLINDER - LOCKING - W/O CAM/KEY - 1.5" |
| | 138637-53-002 | EA | CASE/CYLINDER - LOCKING - W/O CAM/KEY - 1.5" |
| | 138637-53-003 | EA | CASE/CYLINDER - LOCKING - W/O CAM/KEY - 1.5" |
| | 138637-53-004 | EA | CASE/CYLINDER - LOCKING - W/O CAM/KEY - 1.5" |
| | 138637-53-005 | EA | CASE/CYLINDER - LOCKING - W/O CAM/KEY - 1.5" |
| | 138637-53-006 | EA | CASE/CYLINDER - LOCKING - W/O CAM/KEY - 1.5" |
| | 138637-53-007 | EA | CASE/CYLINDER - LOCKING - W/O CAM/KEY - 1.5" |
| | 138637-53-008 | EA | CASE/CYLINDER - LOCKING - W/O CAM/KEY - 1.5" |
| | 138637-53-009 | EA | CASE/CYLINDER - LOCKING - W/O CAM/KEY - 1.5" |
| 6 | 056795-01-000 | FT | TAPE-SEAL, 1/8~ X 3/8~ WIDE - PRESS ON |

*COMPONENT PARTS LISTED LATER IN THIS GROUP

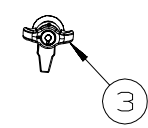
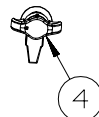
EXTERIOR DOORS & COMPARTMENTS GROUP (CONTINUED)
COMPARTMENT DOOR PIECE PARTS (CONTINUED)



| KEY | PART NUMBER | U/M | DESCRIPTION |
|-----|---------------|-----|----------------------------------------------------------------------------|
| 1 | 154825-01-01A | EA | LATCH/PULL - COMPARTMENT DOOR - BLACK |
| 2 | 152294-01-10A | EA | CHANNEL - HAT - PLASTIC - 2.9" X 15.7" - BLACK |
| 3 | 152294-02-10A | EA | CHANNEL - HAT - PLASTIC - 2.9" X 7.1" - BLACK |
| 4 | 152294-03-10A | EA | CHANNEL - HAT - PLASTIC - 2.9" X 3.9" - BLACK |
| 5 | 154066-01-01A | EA | LATCH - VISE ACTION/LOCKING-W/O CYLINDER/KEYS/HDW KIT-BLK - LOCKING |
| 5 | 154066-02-01A | EA | LATCH - VISE ACTION/NON-LOCKING - BLACK - NONLOCKING |
| 5 | 154066-11-000 | EA | HARDWARE KIT - W/PAWL/CAM - STRAIGHT - PERPENDICULAR |
| 5 | 154066-12-000 | EA | HARDWARE KIT - W/PAWL/CAM - OFFSET - PARALLEL |
| 6 | 158982-01-04B | EA | HINGE - CONTINUOUS - 2" X 8" - BLACK |
| 7 | 152537-01-01A | EA | TRIM - FEATURE/INNER - 55.3" - MILL |
| 7 | 152537-02-01A | EA | TRIM - FEATURE/INNER - 40.3" - MILL |
| 7 | 152537-05-01A | EA | TRIM - FEATURE/INNER - 38" - MILL |
| 8 | 057460-02-000 | EA | BALL STUD - F/GAS SPRING .39" - 5/16"-18 |

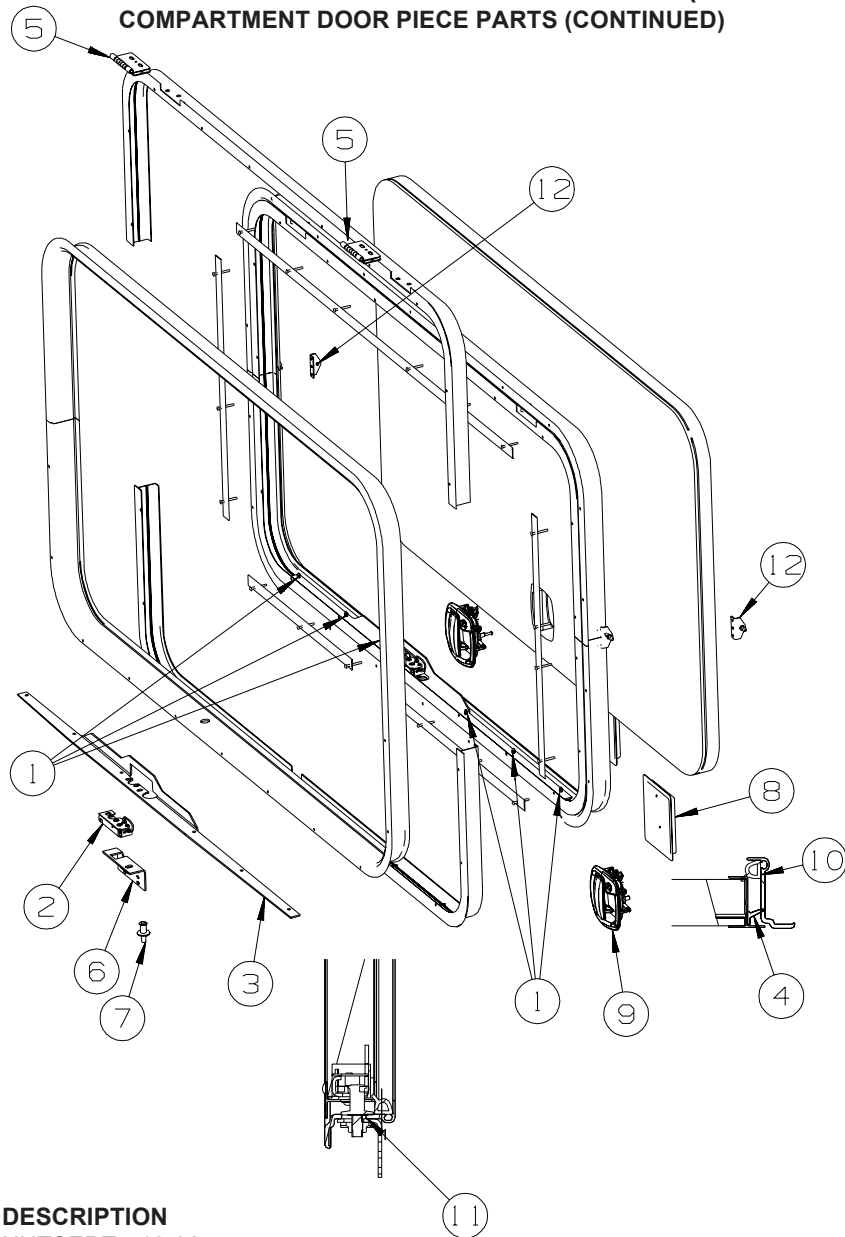


| KEY | PART NUMBER | U/M | DESCRIPTION |
|-----|---------------|-----|------------------------------------------------|
| 1 | 081801-V3-000 | EA | HINGE - DOOR - PIANO - 2" X 96" - BRIGHT WHITE |
| 2 | 156386-01-01A | FT | SEAL - BULB - W/ADHESIVE BACK |
| 3 | 154066-01-01A | EA | LATCH - VISE ACTION/LOCKING - BLACK |
| | 154066-13-000 | EA | HARDWARE KIT - W/PAWL/CAM - STRAIGHT |
| 4 | 154066-02-01A | EA | LATCH - VISE ACTION/NON-LOCKING - BLACK |
| | 154066-13-000 | EA | HARDWARE KIT - W/PAWL/CAM - STRAIGHT |



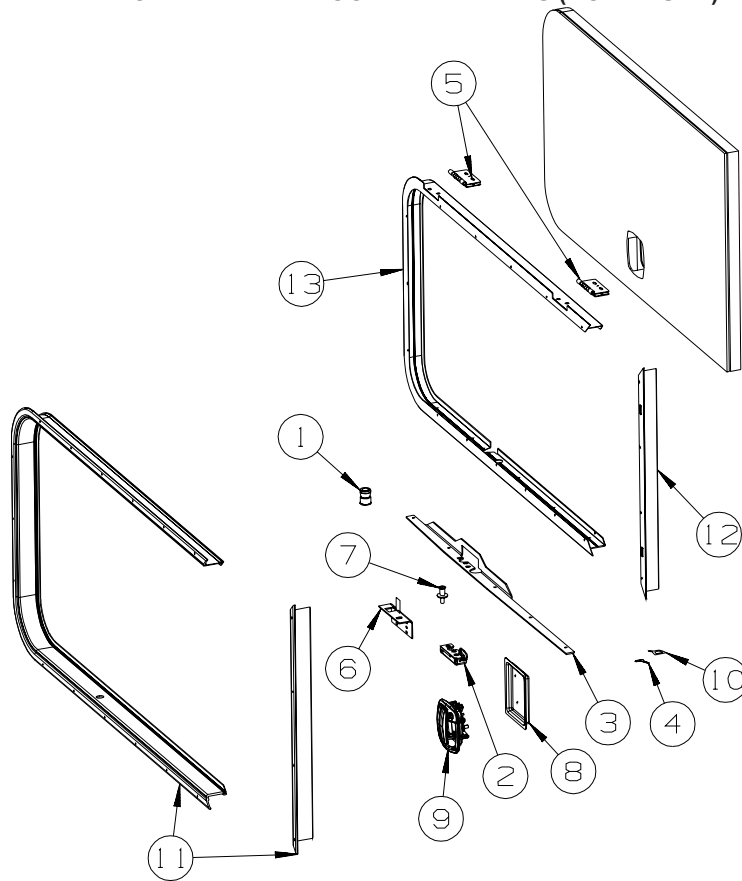
EXTERIOR DOORS & COMPARTMENTS GROUP (CONTINUED)

COMPARTMENT DOOR PIECE PARTS (CONTINUED)



| KEY | PART NUMBER | U/M | DESCRIPTION |
|-----|---------------|-----|------------------------------------------------------------|
| 1 | 072893-04-000 | EA | NUTSERT - 10-32 |
| 2 | 112782-22-01A | EA | LATCH - SINGLE ROTOR |
| 3 | 154530-02-03B | EA | STIFFENER/DOOR - FORMED - OFF WHITE |
| 4 | 075671-04-000 | FT | SEAL - SPONGE - LAZY T - W/ADHESIVE STRIP - .5" WIDE |
| 5 | 106719-02-05A | EA | HINGE - STORAGE DOOR - 3.6" X 3.8" - BRIGHT WHITE |
| 6 | 137401-01-03B | EA | BRACKET - DOOR ANGLE - OFF WHITE |
| 7 | 092927-14-000 | EA | STRIKER - ROUND - JAMB MOUNTED |
| 8 | 112782-25-01A | EA | COVER - LATCH PLATE - BLACK |
| 9 | 112782-24-01A | EA | LATCH/PADDLE - COMPT DOOR - W/O CYLINDER - BLACK |
| 10 | 146556-01-000 | FT | SEAL - D SECTION W/LEG |
| 11 | 104692-01-000 | EA | SEAL - ADHESIVE BACKED FOAM - 3/4" THICK X 3/4" WIDE X 25' |
| 12 | 126263-02-02B | EA | BRACKET - GAS SPRING W/BALL STUD - E-COATED |

EXTERIOR DOORS & COMPARTMENTS GROUP (CONTINUED)
COMPARTMENT DOOR PIECE PARTS (CONTINUED)



| KEY | PART NUMBER | U/M | DESCRIPTION |
|------------|--------------------|------------|------------------------------------------------------|
| 1 | 072893-04-000 | EA | NUTSERT - 10-32 |
| 2 | 112782-22-01A | EA | LATCH - SINGLE ROTOR |
| 3 | 154530-03-02B | EA | STIFFENER/DOOR - FORMED - E-COATED |
| 4 | 075671-04-000 | FT | SEAL - SPONGE - LAZY T - W/ADHESIVE STRIP - .5" WIDE |
| 5 | 106719-02-05A | EA | HINGE - STORAGE DOOR - 3.6" X 3.8" - BRIGHT WHITE |
| 6 | 137401-01-03B | EA | BRACKET - DOOR ANGLE - OFF WHITE |
| 7 | 092927-14-000 | EA | STRIKER - ROUND - JAMB MOUNTED |
| 8 | 112782-25-02A | EA | COVER - LATCH PLATE - BRIGHT WHITE |
| 9 | 112782-24-01A | EA | LATCH/PADDLE - COMPT DOOR - W/O CYLINDER - BLACK |
| 10 | 146556-01-000 | FT | SEAL - D SECTION W/LEG |
| 11 | 121898-22-01A | EA | JAMB - DOOR/ENTRANCE - BRIGHT WHITE |
| 12 | 121893-01-01A | EA | FRAME - ENTRY DOOR/BOTTOM - BRIGHT WHITE |
| 13 | 121894-32-01A | EA | FRAME - ENTRY DOOR - BRIGHT WHITE |

COMPONENT PART FOR COMPARTMENT DOOR PIECE PARTS

110506-A1-000, 110506-A2-000, 110506-26-000, 110506-27-000, 110506-36-000

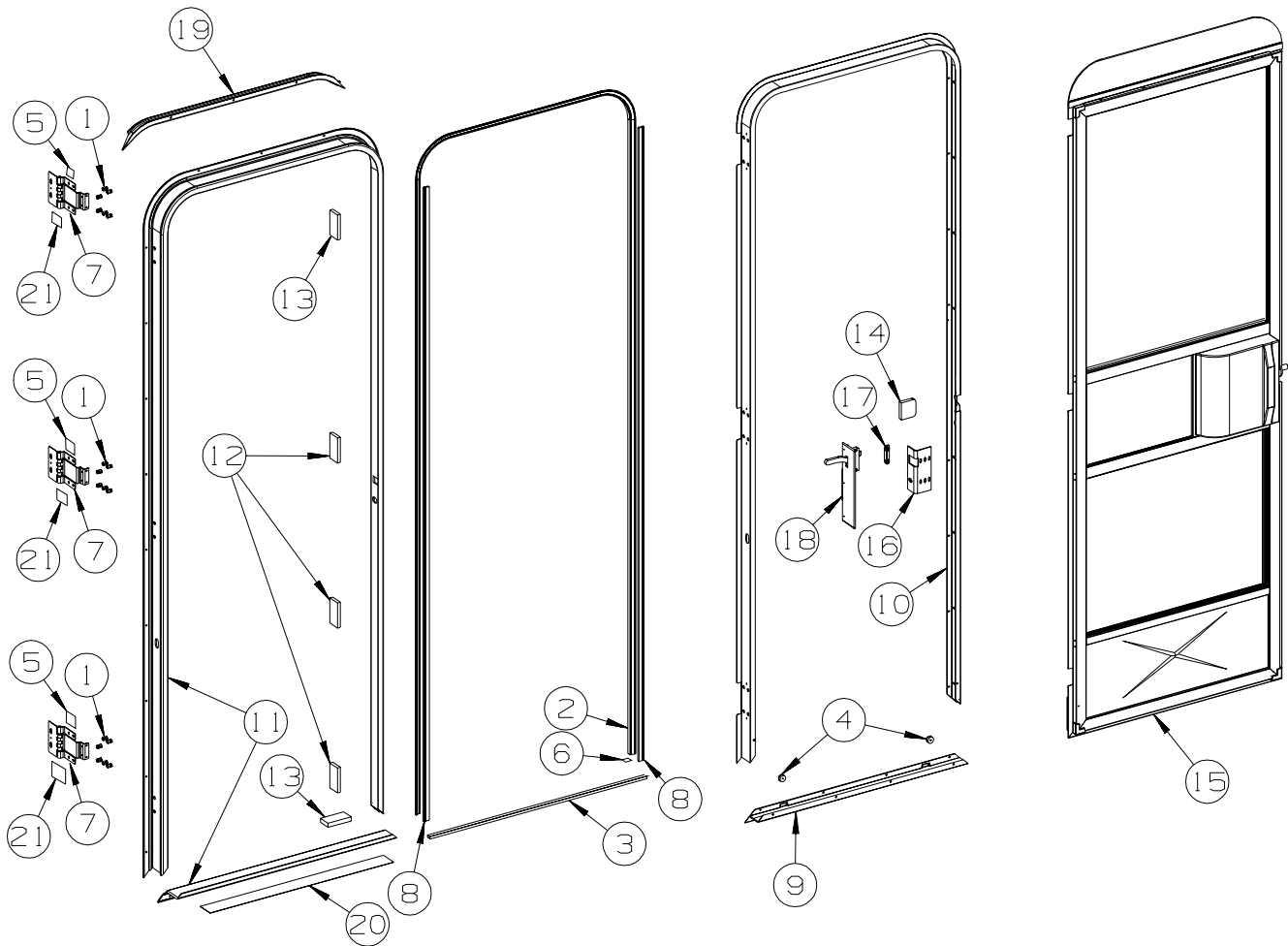
| KEY | PART NUMBER | U/M | DESCRIPTION | VENDOR NO. |
|------------|--------------------|------------|--------------------|-------------------|
| | 110506-40-700 | EA | HDWE KIT | 596950AAL |

138637-03-000, 138637-04-000

| KEY | PART NUMBER | U/M | DESCRIPTION | VENDOR NO. |
|------------|--------------------|------------|--------------------|-------------------|
| | 110506-40-700 | EA | HDWE KIT | 596950AAL |

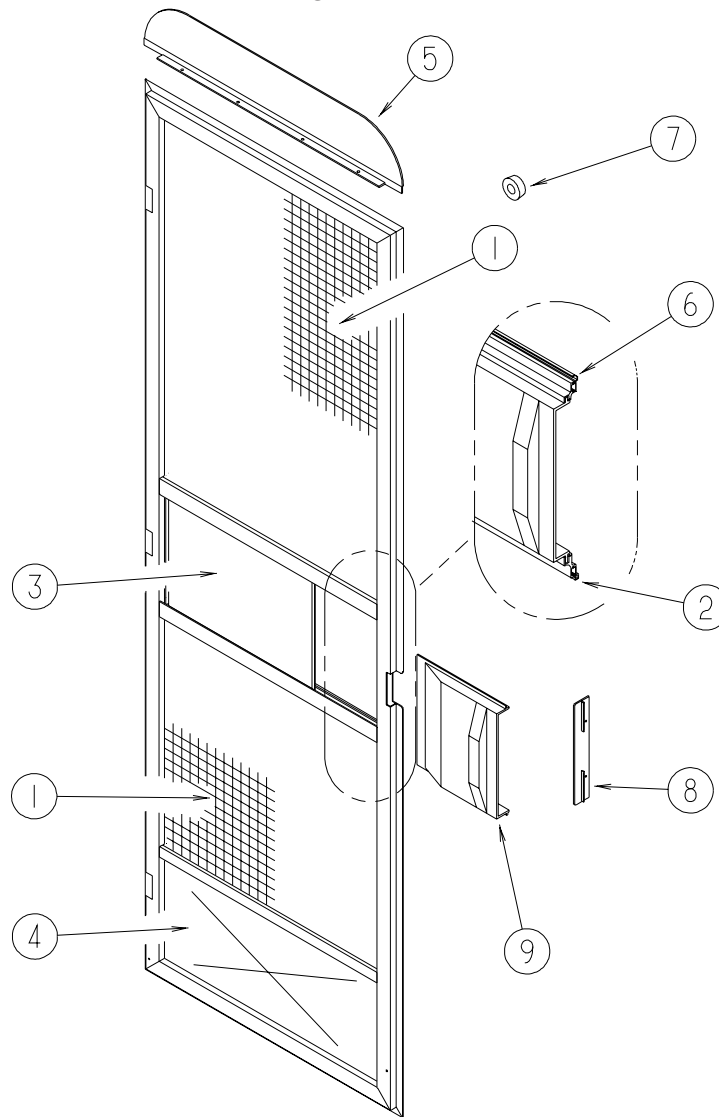
EXTERIOR DOORS & COMPARTMENTS GROUP (CONTINUED)

ENTRY



| KEY | PART NUMBER | U/M | DESCRIPTION |
|-----|---------------|-----|------------------------------------------------------------|
| 1 | 039715-01-000 | EA | NUT-SERT - 1/4" DIAMETER - 20 THREADS |
| 2 | 075671-05-000 | FT | SEAL - SPONGE - LAZY T - W/ADHESIVE STRIP - .5" WIDE |
| 3 | 075673-05-000 | FT | SEAL/PILE - .5" HIGH W/ADHESIVE BACK - BLACK |
| 4 | 081914-02-000 | EA | BUMPER - RUBBER - ROUND - 5/16" DIA. X 13/64" THICK |
| 5 | 100128-02-000 | FT | SEAL - FOAM/ADHESIVE BACK - .37" WIDE X .37" THICK |
| 6 | 104692-01-000 | FT | SEAL - ADHESIVE BACKED FOAM - 3/4" THICK X 3/4" WIDE X 25' |
| 7 | 106719-01-05A | EA | HINGE - ENTRY DOOR - BRIGHT WHITE |
| 8 | 118929-01-01A | FT | SEAL - PILE - PUSH ON |
| 9 | 121893-01-01A | EA | FRAME - ENTRY DOOR/LOWER - BRIGHT WHITE |
| 10 | 121894-31-01A | EA | FRAME - ENTRY DOOR - BRIGHT WHITE |
| 11 | 121898-21-01A | EA | JAMB - DOOR/ENTRANCE - BRIGHT WHITE |
| 12 | 125724-01-000 | EA | SHIM - DOOR, ENTRANCE |
| 13 | 125724-02-000 | EA | SHIM - DOOR, ENTRANCE |
| 14 | 130096-05-000 | EA | FOAM - SCREEN DOOR, RETAINER |
| 15 | P32208-06-S34 | EA | DOOR - SCREEN - W/O HARDWARE |
| 16 | 137401-01-03B | EA | BRACKET - DOOR ANGLE - OFF WHITE |
| 17 | 148364-01-12B | EA | STRIKE - SCREEN DOOR - BRIGHT WHITE |
| 18 | 132915-01-01A | EA | LATCH - SCREEN DOOR - BLACK |
| 19 | 139054-01-01A | EA | CAP - DRIP - JAMB MOUNTED - BRIGHT WHITE |
| 20 | 038327-01-000 | EA | TAPE - ANTI-SLIP - 2" X 60' |
| 21 | 154585-01-01A | FT | SEAL - FOAM TAPE - ADHESIVE BACK - 3/8" X 3/8" - BLACK |

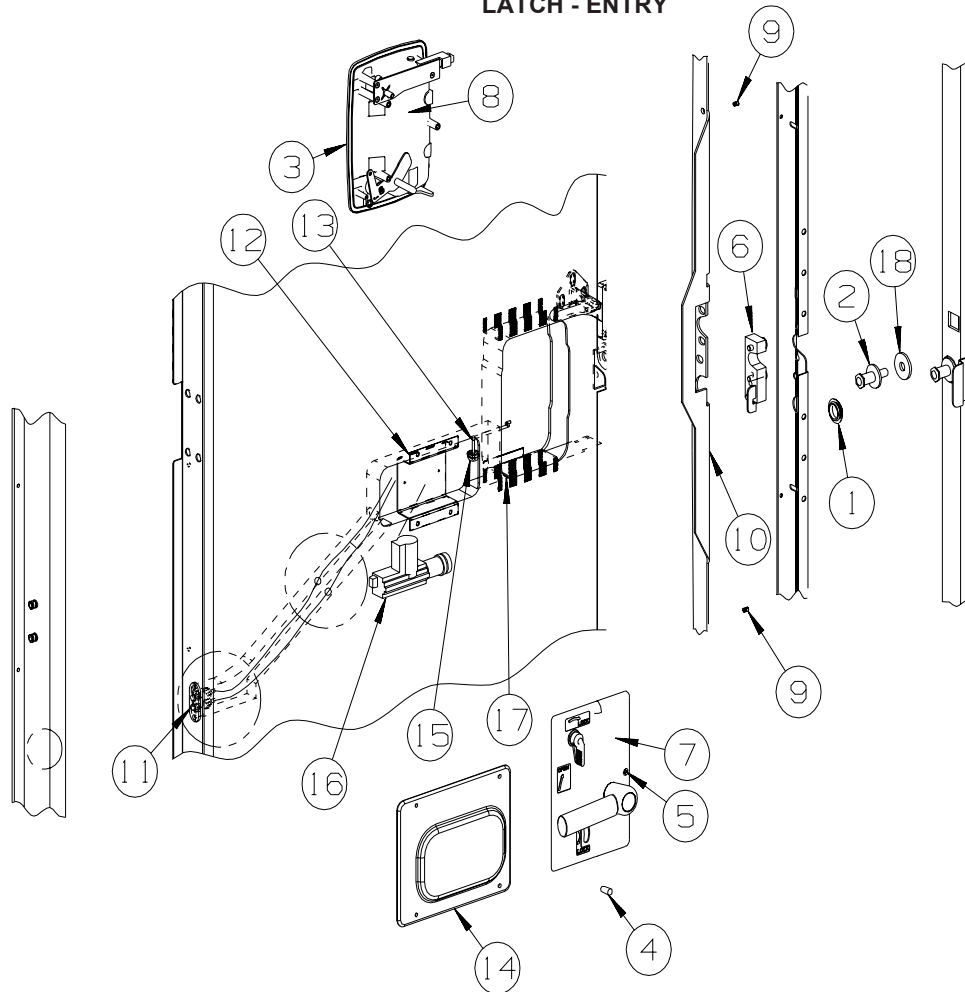
EXTERIOR DOORS & COMPARTMENTS GROUP (CONTINUED)
SCREEN



| KEY | PART NUMBER | U/M | DESCRIPTION |
|-----|---------------|-----|------------------------------------------------------|
| 1 | 002293-02-000 | SF | SCREEN - 26" - CHARCOAL |
| 2 | 002294-01-000 | FT | SPLINE - SCREENING - .13" X .14" |
| 3 | 016454-21-000 | EA | INSERT/CENTER - SCREEN DOOR |
| 4 | 078552-03-000 | EA | KICK PANEL - SCREEN DOOR - LOWER INSERT - UNPAINTED |
| 5 | 078595-01-000 | EA | TOP PLATE - SCREEN DOOR - CURVED TOP - 4.7" X 25.35" |
| 6 | 078777-08-000 | FT | CHANNEL - SLIDER - 4 FOOT INCREMENTS |
| 7 | 120863-09-000 | EA | BUMPER - RUBBER/RADIUS TOP - 3/4" X 3/8" - LT GRAY |
| 8 | 132081-01-01A | EA | STRIKE - SLIDER - SCREEN DOOR - BRIGHT WHITE |
| 9 | 132082-01-01A | EA | SLIDER - SCREEN DOOR - BRIGHT WHITE |

EXTERIOR DOORS & COMPARTMENTS GROUP (CONTINUED)

LATCH - ENTRY

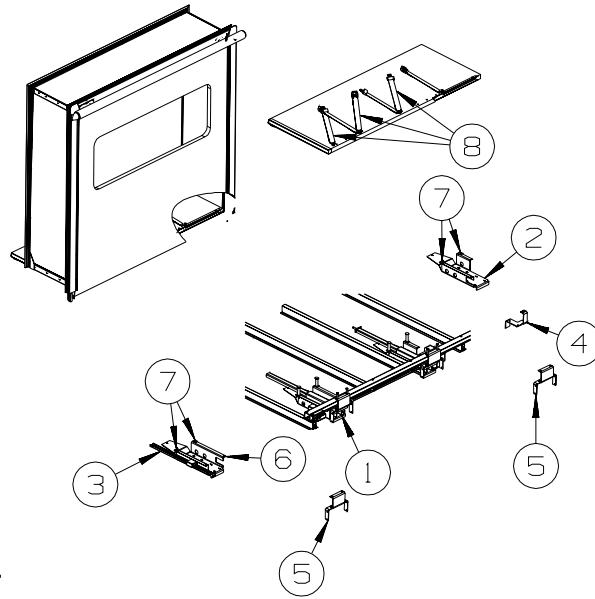


| KEY | PART NUMBER | U/M | DESCRIPTION |
|-----|---------------|-----|--------------------------------------------------------------------------------|
| 1 | 061420-14-000 | EA | PLUG/PLASTIC - 7/8" DIAMETER - BLACK |
| 2 | 092927-20-000 | EA | STRIKER - BOLT |
| 3 | 112782-04-01A | EA | GASKET |
| 4 | 112782-05-01A | EA | CAP - VINYL - RED |
| 5 | 112782-08-01A | EA | SCREW - MOUNTING/PLATE - ZINC |
| 6 | 112782-22-01A | EA | LATCH - SINGLE ROTOR |
| 7 | 112782-21-01A | EA | LATCH - INTERIOR PLATE |
| 7 | 112782-27-01A | EA | LATCH - INTERIOR PLATE |
| 8 | 112782-20-01A | EA | LATCH - EXTERIOR - W/O LOCK CYLINDER W/ICON-REVERSIBLE KEY |
| 9 | 072893-04-000 | EA | NUTSERT - 10-32 |
| 10 | 132207-01-02B | EA | STIFFENER/DOOR - FORMED - E-COATED - OUTLOOK, SPIRIT, SIGHTSEER, SUNOVA |
| 10 | 132207-03-02B | EA | STIFFENER/DOOR - FORMED - E-COATED - VIEW, ASPECT, NAVION, CAMBRIA |
| 11 | 138897-01-000 | EA | SWITCH - 2 PIN/SRING LOADED CONTACTS (EA=1 SWITCH) |
| 12 | 113650-02-02B | EA | BRACKET - ACTUATOR - ELECTRIC - E-COATED |
| 13 | 113651-01-01A | EA | ROD - CONTROL - MOTOR/LOCK |
| 14 | 113960-01-01A | EA | COVER - ACTUATOR - POWER LOCK |
| 15 | 114209-01-01A | EA | PUSHNUT - CAP - 1/8" - WHITE |
| 16 | 138898-01-000 | EA | ACTUATOR/LOCK - ELECTRIC |
| 17 | 137230-01-01A | EA | SPACER- NOTCHED, MILL |
| 18 | 147900-01-01A | EA | SPACER-STRIKE BOLT, MILL |

FROM: 00-00-00 THRU: 04-30-06

FROM: 05-01-06 THRU: 99-99-99

EXTERIOR SLIDEOUT GROUP FRONT LEFT

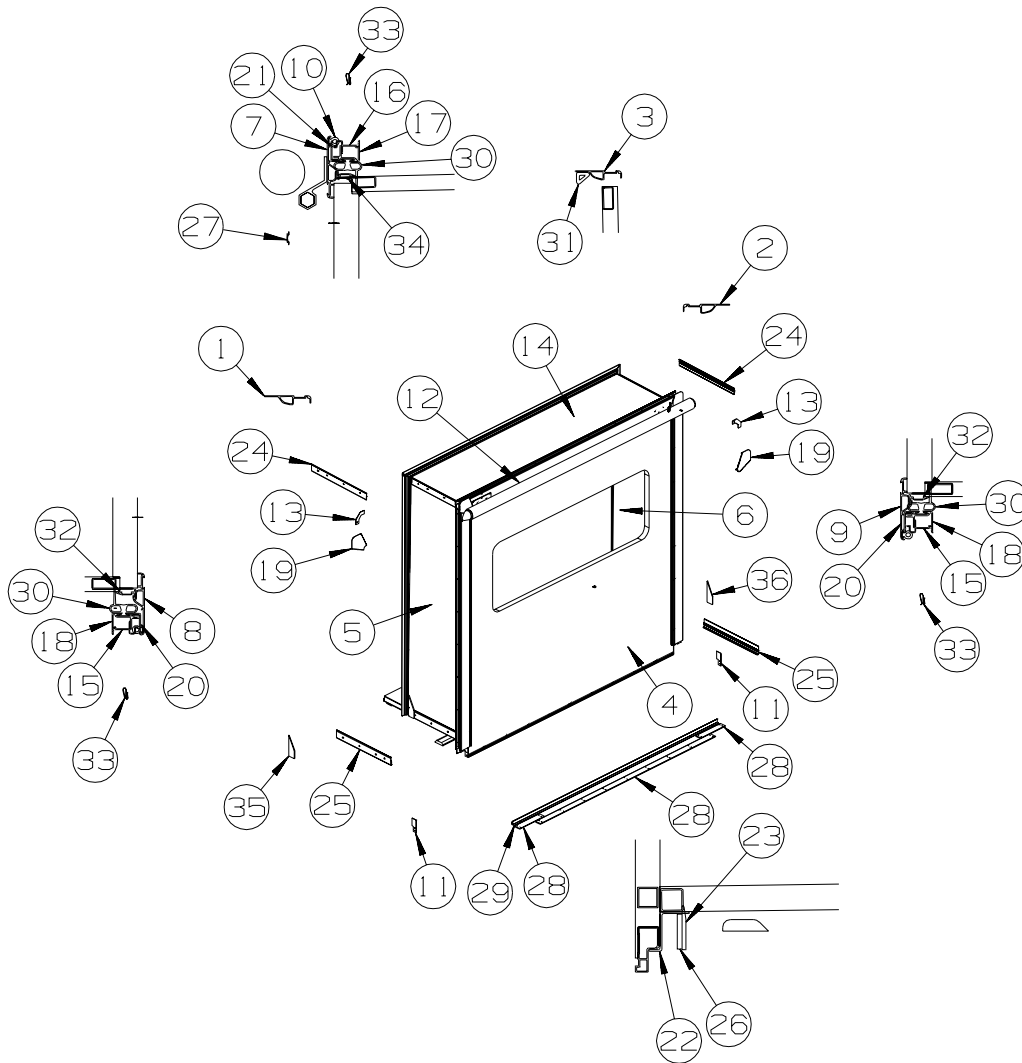


| KEY | PART NUMBER | U/M | DESCRIPT |
|-----|---------------|-----|--------------------------------------------|
| 1* | 148685-01-000 | EA | SLIDEOUT - ELECTRIC |
| 2 | 151442-02-02B | EA | TRAY/MOUNTING - SLIDE MECHANISM - E-COATED |
| 3 | 141019-03-02B | EA | SUPPORT - WIRE - E-COATED |
| 4 | 151461-01-02B | EA | BRACKET/MOUNT - SLIDEOUT - E-COATED |
| 5 | 151841-01-02B | EA | BRACKET/MOUNT - SLIDEOUT - E-COATED |
| 6 | 154812-01-02B | EA | TRAY/MOUNTING - SLIDE MECHANISM - E-COATED |
| | 151442-01-01B | EA | TRAY/MOUNTING - SLIDE MECHANISM - SILVER |
| | 153608-01-02B | EA | BRACKET - WIRE SUPPORT - E-COATED |
| 7 | 135712-05-02B | EA | PLATE - BODY MOUNT - E-COATED |
| 8 | 160167-01-01A | EA | SEAT BELT - 2" X 102" - BLACK |

FROM: 02-05-07 THRU: 99-99-99

***COMPONENT PARTS LISTED LATER IN THIS GROUP**

EXTERIOR SLIDEOUT GROUP (CONTINUED)
FRONT LEFT (CONTINUED)



| KEY | PART NUMBER | U/M | DESCRIPTION |
|-----|---------------|-----|-------------------------------------------------------|
| 1 | 139624-25-02A | EA | TRIM/SEAL - INNER/RIGHT HAND W/NOTCH - 73.3" - ALMOND |
| 2 | 139624-26-02A | EA | TRIM/SEAL - INNER/LEFT HAND W/NOTCH - 73.3" - ALMOND |
| 3 | 139624-04-02A | EA | TRIM/SEAL - INNER/TOP - 80.2" - ALMOND |
| 4 | 151898-11-U17 | EA | SLUG - F/SLIDEOUT |
| 5 | 154462-01-U17 | EA | PANEL END - F/SLIDEOUT |
| 6 | 154461-01-U17 | EA | PANEL END - F/SLIDEOUT |
| 7 | 156417-01-01A | EA | TRIM/SEAL - W/MITERED ENDS - 76.5" - BRIGHT WHITE |
| 8 | 156417-35-01A | EA | TRIM/SEAL - W/MITERED ENDS - 73" - BRIGHT WHITE |
| 9 | 156417-36-01A | EA | TRIM/SEAL - W/MITERED ENDS - 73" - BRIGHT WHITE |
| 10 | 158297-01-000 | FT | SEAL - D-SECTION/BULB/TEE - ADHESIVE BACK - BLACK |
| 11 | 126546-03-03A | EA | COVER - END/SIDEWALL - BLACK |
| 12 | | | SLIDEOUT AWNING |

ORDER AWNINGS & REPAIR PARTS FROM DOMETIC. CALL #800-366-3842.

THE DOMETIC AWNING INFORMATION YOU WILL NEED IS LOCATED ON THE MOTOR HOME NEAR THE TOP OF THE AWNING RAIL.

| | | | |
|----|---------------|----|------------------------------------------------------------------------------------------------------|
| 13 | 156416-01-12B | EA | BRACKET - CORNER TRIM/SLIDEOUT - 3.1"X 3.1" - BRIGHT WHITE FROM: 00-00-00 THRU: 01-06-07 |
| 13 | 156416-01-02B | EA | BRACKET - CORNER TRIM/SLIDEOUT - 3.1"X 3.1" - E-COATED FROM: 00-00-00 THRU: 01-06-07 |
| 13 | 160421-01-01A | EA | CORNER TRIM/SLIDEOUT - 3.1" X 3.1" - BLACK - NOT ILLUSTRATED FROM: 01-07-07 THRU: 99-99-99 |
| 14 | 151822-01-U17 | EA | ROOF - F/SLIDEOUT |
| 15 | 142718-01-01A | EA | RETAINER - SIDEWALL/SLIDEOUT - 72.8" |
| 16 | 142718-23-01A | EA | RETAINER - SIDEWALL/SLIDEOUT - 79.9" |

EXTERIOR SLIDEOUT GROUP (CONTINUED)
FRONT LEFT (CONTINUED)

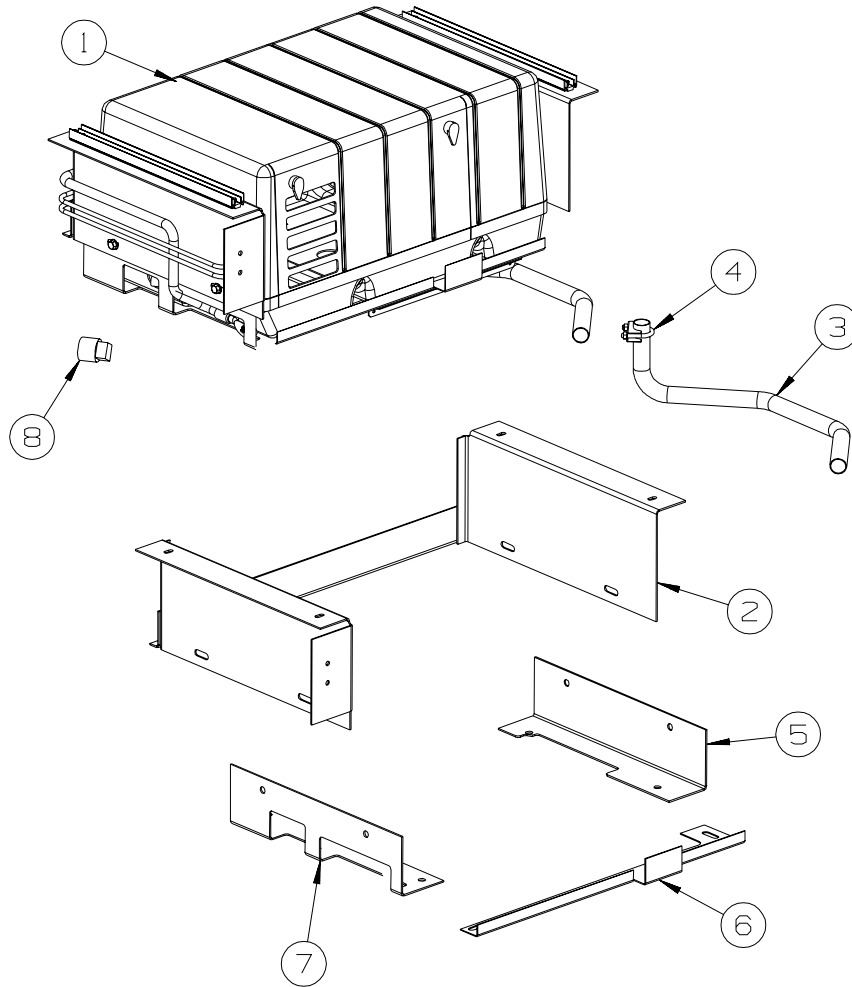
| KEY | PART NUMBER | U/M | DESCRIPTION | |
|-----|---------------|-----|----------------------------------------------------------|-------------------------------|
| 17 | 151761-02-02A | EA | TRIM - SIDEWALL/SLIDEOUT/TOP - 81.2" - ALMOND | |
| 18 | 151760-16-02A | EA | TRIM - SIDEWALL/SLIDEOUT - 73.6" - ALMOND | |
| 19 | 156151-01-02A | EA | PROTECTOR - CORNER - SLIDEOUT - BRIGHT WHITE | |
| 20 | 136824-31-01A | EA | TRIM - SIDEWALL/SLIDEOUT - 73.6" - BRIGHT WHITE | |
| 21 | 136824-02-01A | EA | TRIM - SIDEWALL/SLIDEOUT - 81.2" - BRIGHT WHITE | |
| 22 | 128621-43-01A | EA | BRACKET/ZEE - SLIDEOUT - 75.2" - MILL | |
| 23 | 115075-03-000 | FT | SEAL - WIPE - .25" X 2.9" | |
| 24 | 158375-06-01A | EA | TRIM - FEATURE STRIP - 20.2" - BRIGHT WHITE | |
| 25 | 158030-01-01A | EA | TRIM - FEATURE STRIP/LOWER - 2.3" X 20" - BRIGHT WHITE | |
| 26 | 089275-02-000 | EA | STRIP - 3/4" X 84" BLACK POLYETHYLENE | |
| 27 | 105312-01-07A | EA | INSERT - FEATURE STRIP - VINYL - BRIGHT WHITE | |
| 28 | 152641-01-000 | EA | SKID/GLIDE - SLIDEOUT ROOM - 1/4"X2"X95.5"- POLYETHYLENE | |
| 29 | 151282-09-01A | EA | TRIM - CARPET EDGE/F-ANGLE - 75.4" - BLACK | |
| 30 | 136978-01-01A | FT | SEAL - SLIDEOUT - SINGLE WIPE LIP - BLACK | |
| 31 | 146056-01-000 | FT | SEAL - TRIANGLE - W/PSA | |
| 32 | 133954-48-01A | EA | TRIM/SEAL - 71.7" - BRIGHT WHITE | |
| | | | | FROM: 00-00-00 THRU: 05-07-06 |
| 32 | 146606-48-01A | EA | TRIM/RETAINER - 69.3" - BRIGHT WHITE | |
| | | | | FROM: 05-08-06 THRU: 99-99-99 |
| 33 | 142549-01-000 | EA | CLIP - "S" TYPE | |
| 34 | 133954-12-01A | EA | TRIM/SEAL - 75.7" - BRIGHT WHITE | |
| | | | | FROM: 00-00-00 THRU: 05-07-06 |
| 34 | 146606-66-01A | EA | TRIM/RETAINER - 75.8" - BRIGHT WHITE | |
| | | | | FROM: 05-08-06 THRU: 99-99-99 |
| 35 | 157809-02-01A | EA | SEAL - FOAM BLOCK/LEFT SIDE - ADHESIVE BACK | |
| 36 | 157809-01-01A | EA | SEAL - FOAM BLOCK/RIGHT SIDE - ADHESIVE BACK | |

COMPONENT PARTS FOR FRONT LEFT

148685-01-000

| KEY | PART NUMBER | U/M | DESCRIPTION | VENDOR NO. |
|-----|---------------|-----|---------------------------|------------|
| | 148685-01-700 | EA | MOTOR - 12 VOLT | 28408 |
| | 148685-01-701 | EA | BUSHING - 3/16" ID | 80501 |
| | 148685-01-702 | EA | HOLDING BRAKE | 28662 |
| | 148685-01-703 | EA | BEARING - F/TRANSFER GEAR | 14691 |
| | 148685-01-704 | EA | GEAR & SHAFT ASM. | 26191 |
| | 148685-01-705 | EA | TRANSFER GEAR | 28564 |
| | 148685-01-706 | EA | IDLER SHAFT ASM. | 26209 |
| | 148685-01-707 | EA | THRUST WASHER | 14459 |
| | 148685-01-708 | EA | GASKET - CASE | 28995 |
| | 148685-01-709 | EA | BEARING - FLANGE TYPE | 645-0035 |
| | 148685-01-710 | EA | BEARING - FLANGE TYPE | 10055 |
| | 148685-01-711 | EA | ADAPTER - MOTOR TO GEAR | 28669 |
| | 148685-01-712 | EA | BEARING - FLANGE TYPE | 14458 |
| | 148685-01-713 | EA | GASKET - MOTOR TO COVER | 25596 |
| | 148685-01-714 | EA | POWERHEAD ASM. W/MOTOR | 29002 |

GENERATOR GROUP GAS



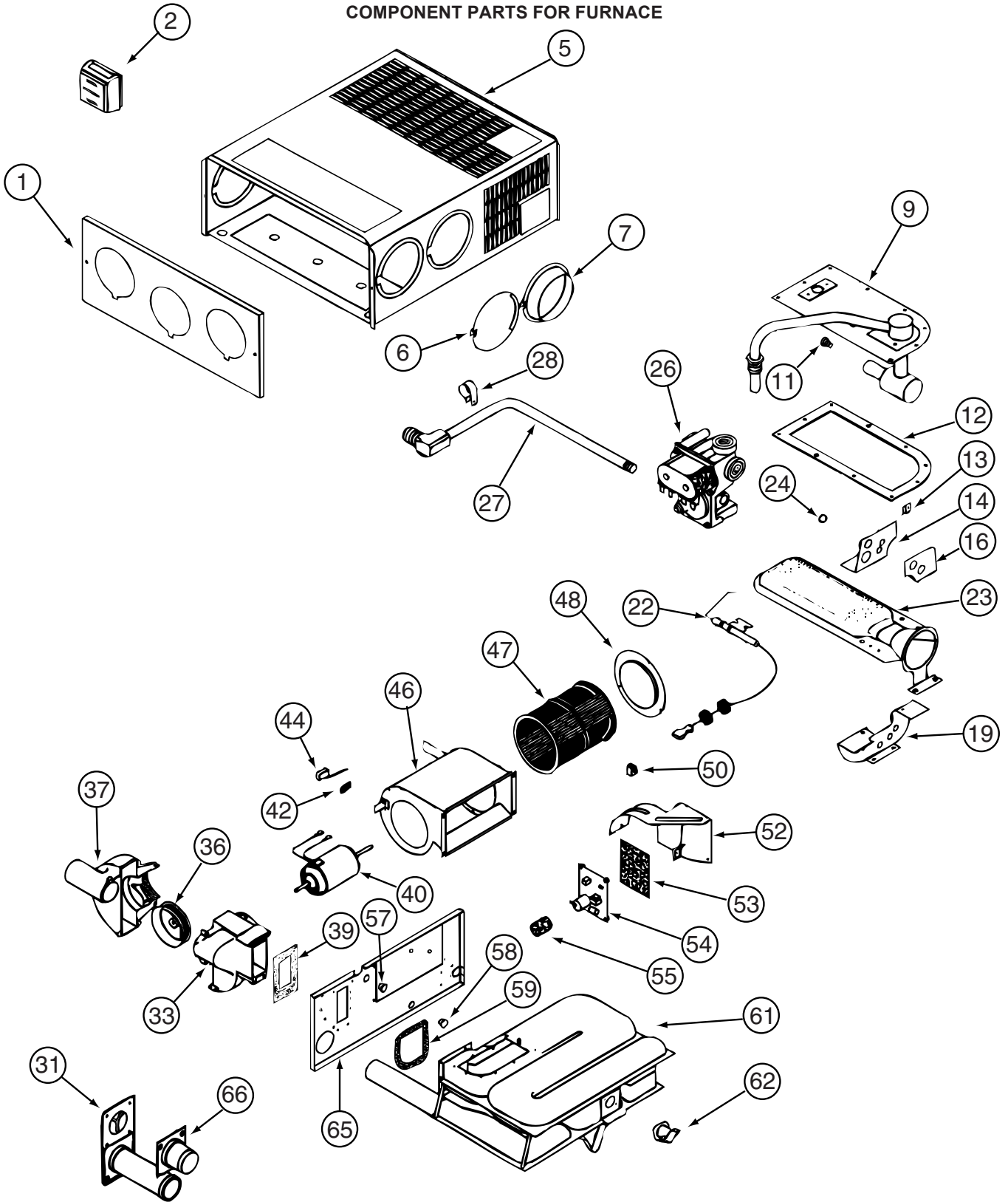
| KEY | PART NUMBER | U/M | DESCRIPTION |
|-----|---------------|-----|-----------------------------------------|
| 1 | 109982-04-000 | EA | GENERATOR - 3.6 MICROLITE - ONAN |
| 2 | 151797-01-02B | EA | COMPARTMENT - GENERATOR - E-COATED |
| 3 | 151809-01-000 | EA | PIPE - EXHAUST/GENERATOR |
| 4 | 007125-04-000 | EA | CLAMP - MUFFLER - 1.12"DIAMETER |
| 5 | 114071-02-02B | EA | SUPPORT - GENERATOR - RIGHT |
| 6 | 153395-01-02B | EA | BRACE - DOOR LATCH/GENERATOR - E-COATED |
| 7 | 114070-02-02B | EA | SUPPORT - GENERATOR - LEFT |
| 8 | 145609-01-000 | EA | PLUG - BRASS - 1/2" MPT/HEX HEAD |

HEATING & A/C GROUP FURNACE

| KEY | PART NUMBER | U/M | DESCRIPTION |
|-----|---------------|-----|------------------------------------------------------------|
| | 098668-15-000 | EA | PLATE - FACE - SUBURBAN FURNACE |
| | 098668-23-000 | EA | DOOR - ACCESS - FURNACE - BRIGHT WHITE |
| * | 139980-01-000 | EA | FURNACE - 25000 BTU - SF QUIET - SUBURBAN SF-25 2320J |
| | 143563-05-000 | EA | GASKET - FIBERGLASS - SUBURBAN #071018 |
| | 093614-01-02A | EA | GRILLE - AIR RETURN - 15.9" X 7.9" - BEIGE |
| | 056464-10-000 | EA | REGISTER W/O DAMPER - 4" DIAMETER - PLASTIC - BEIGE |
| | 137965-01-02A | EA | REGISTER - 11.2" X 3.6"(9.7 X 2.1"R/O) W/O DAMPER-ANT PWTR |
| | 137965-02-02A | EA | REGISTER - 11.2" X 3.6"(9.7 X 2.1"R/O) W/DAMPER - ANT PWTR |
| | 098668-26-000 | EA | BOTTOM DUCT KIT - 40,000 BTU |
| | 009198-02-000 | FT | DUCT - HEAT - FLEXIBLE - 2" ID X 25' |
| | 009198-01-000 | FT | DUCT - HEAT - FLEXIBLE - 4" ID X 25' |
| | 069636-02-000 | EA | CONNECTOR - DUCT - 4" ID |
| | 157225-01-02A | EA | OUTLET - DEFROSTER - W/SWIVEL - 2" SLEEVE/4"OD - WHITE |
| | 157225-01-05A | EA | OUTLET - DEFROSTER - W/SWIVEL - 2" SLEEVE/4"OD -RIVERSTONE |
| | 118761-01-000 | EA | REDUCER - 4"-2" - GALVANIZED |

***COMPONENT PARTS LISTED LATER IN THIS GROUP**

HEATING & A/C GROUP (CONTINUED)
COMPONENT PARTS FOR FURNACE



139980-01-000

HEATING & A/C GROUP (CONTINUED)
COMPONENT PARTS FOR FURNACE (CONTINUED)

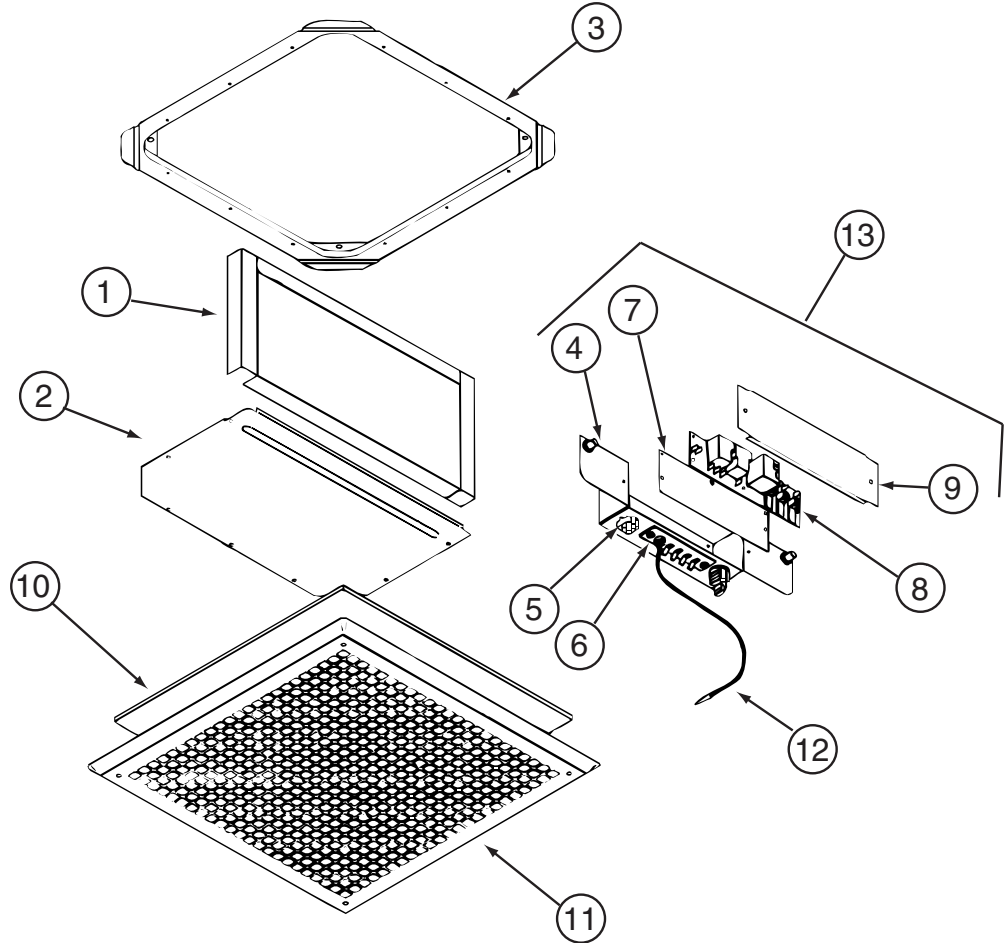
139980-01-000 (CONTINUED)

| KEY | PART NUMBER | U/M | DESCRIPTION | VENDOR NO. |
|------------|--------------------|------------|--------------------------------------------------------|-------------------|
| 9 | 139980-01-700 | EA | MANIFOLD ASSEMBLY | 171571 |
| 11 | 090039-01-703 | EA | ORIFICE-MAIN BURNER | 180193 |
| 12 | 098668-22-703 | EA | GASKET - BURNER ACCESS COVER | 070811 |
| 22 | 139980-01-701 | EA | ELECTRODE | 232286 |
| 23 | 098668-01-703 | EA | BURNER ASSEMBLY | 010762 |
| 26 | 098668-01-718 | EA | VALVE-GAS SF S.N.974903079 | 161122 |
| 27 | 139980-01-702 | EA | PIPE ASSEMBLY/GAS INLET | 171574 |
| 31 | 098668-01-707 | EA | TUBE ASSEMBLY, EXHAUST W/CAP | 260231 |
| 33 | 139980-01-703 | EA | HOUSING/COMB. - FRONT/HALF | 390852 |
| 36 | 098668-01-706 | EA | WHEEL-COMBUSTION AIR | 350184 |
| 37 | 139980-01-704 | EA | HOUSING/COMB. - REAR/HALF | 390848 |
| 39 | 139980-01-705 | EA | GASKET/FIREWALL-COMB AIR | 071084 |
| 40 | 139980-01-706 | EA | MOTOR ASSEMBLY W/GASKET | 232682 |
| 42 | 101990-01-714 | EA | GASKET-MICROSWITCH | 230877 |
| 44 | 098668-21-700 | EA | SWITCH-MICRO-W/O FLAG 3 1/4" | 232261 |
| 46 | 139980-01-708 | EA | BLOWER ASSEMBLY - ROOM AIR | 390739BK |
| 47 | 098668-01-711 | EA | WHEEL-BLOWER, ROOM AIR | 350129 |
| 48 | 139980-01-709 | EA | ORFICE RING | 390696 |
| 50 | 139980-01-710 | EA | SWITCH - ON/OFF | 232351 |
| 52 | 139980-01-711 | EA | PANEL ASSEMBLY-MODULE BD | 101663 |
| 53 | 139980-01-712 | EA | INSULATOR - MODULE BD | 070807 |
| 54 | 098668-22-705 | EA | MODULE BD W/RELAY TIME DELAY | 520820 |
| 55 | 139980-01-713 | EA | CAP/INSULATOR-MODULE BD | 070973 |
| 57 | 139980-01-714 | EA | BUSHING - UNIVERSAL | 070362 |
| 58 | 139980-01-715 | EA | BUSHING - STRAIN RELIEF | 231809 |
| 59 | 098668-01-716 | EA | GASKET-FIREWALL,CHAMBER SIDE | 070808 |
| 61 | 139980-01-716 | EA | CHAMBER ASSEMBLY - FINAL | 021149BK |
| 62 | 098668-21-701 | EA | SWITCH - LIMIT | 232504 |
| 66 | 098668-01-713 | EA | TUBE ASSEMBLY, INTAKE | 051248 |
| | 098668-19-700 | EA | DOOR/CABINET ACCESS | 101888 |
| | 139980-02-700 | EA | BLOWER ASM-1/2 HOUSING/OUTER | 390851 |
| | 139980-02-701 | EA | BLOWER ASM-1/2 HOUSING/INNER | 390872 |
| | | | CONTACT WINNEBAGO PART SALES FOR UNLISTED COMPONENT(S) | |

HEATING & A/C GROUP (CONTINUED) ROOF

| KEY | PART NUMBER | U/M | DESCRIPTION |
|-----|---------------|-----|--------------------------------------------------------------------------------------------|
| | 131184-02-01A | EA | BOARD - DIVIDER - SILVER |
| * | 131184-01-01A | EA | CEILING ASSEMBLY - A/C DUCTED - WHITE |
| * | 131184-05-01A | EA | CEILING ASSEMBLY - HEAT PUMP - WHITE - A/C HEAT PUMP - HI EFF, LOW PFL |
| * | 148644-01-01A | EA | A/C-ROOF - LOW PROFILE - ART WHITE - RVP 9203C876 |
| * | 148644-02-01A | EA | A/C-ROOF-LOW PROFILE/HEAT PMP-ART WHT-RVP9003C876 - A/C HEAT PUMP - HI EFF, LOW PFL |

***COMPONENT PARTS LISTED LATER IN THIS GROUP**



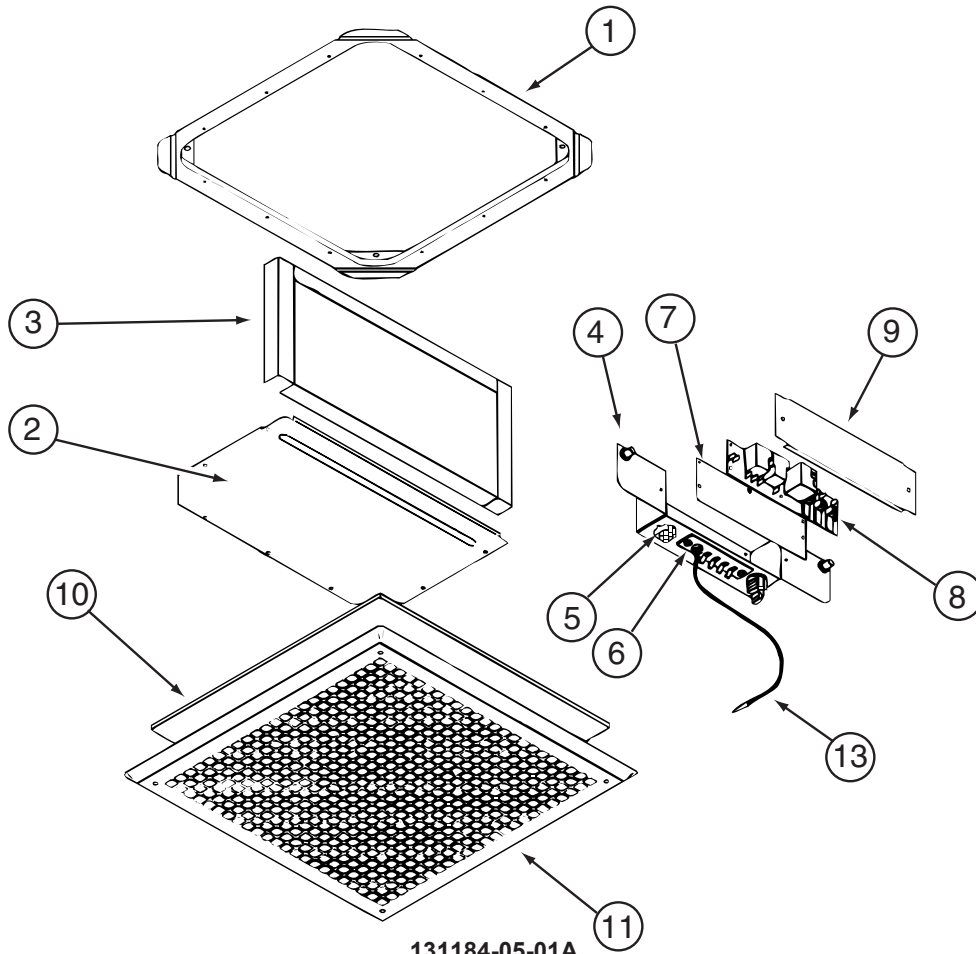
COMPONENT PARTS FOR ROOF

131184-01-01A

| KEY | PART NUMBER | U/M | DESCRIPTION | VENDOR NO. |
|-----|---------------|-----|-----------------------------|------------|
| 1 | 131184-01-707 | EA | DUCT DIVIDER | 8330-3501 |
| 5 | 131184-01-700 | EA | PLUG ASSEMBLY | 7330A389 |
| 6 | 131184-01-701 | EA | TERMINAL BOARD | 7330B3201 |
| 7 | 131184-01-702 | EA | ISOLATOR - BLANK | 7330C365 |
| 8 | 108892-01-702 | EA | BOARD-P.C. | 7330A3211 |
| 10 | 108892-01-703 | EA | FILTER | 6798A3761 |
| 11 | 108892-01-704 | EA | GRILLE 16 3/8X16 3/8 RETURN | 6798-3041 |
| 12 | 131184-01-704 | EA | COIL SENSOR | 7330-6111 |
| 13 | 131184-01-705 | EA | JUNCTION BOX ASSEMBLY | 7330B5551 |
| | 131184-01-703 | EA | SMALL PARTS PKG | 8330-5961 |

CONTACT WINNEBAGO PART SALES FOR UNLISTED COMPONENT(S)

HEATING & A/C GROUP (CONTINUED)
COMPONENT PARTS FOR ROOF (CONTINUED)

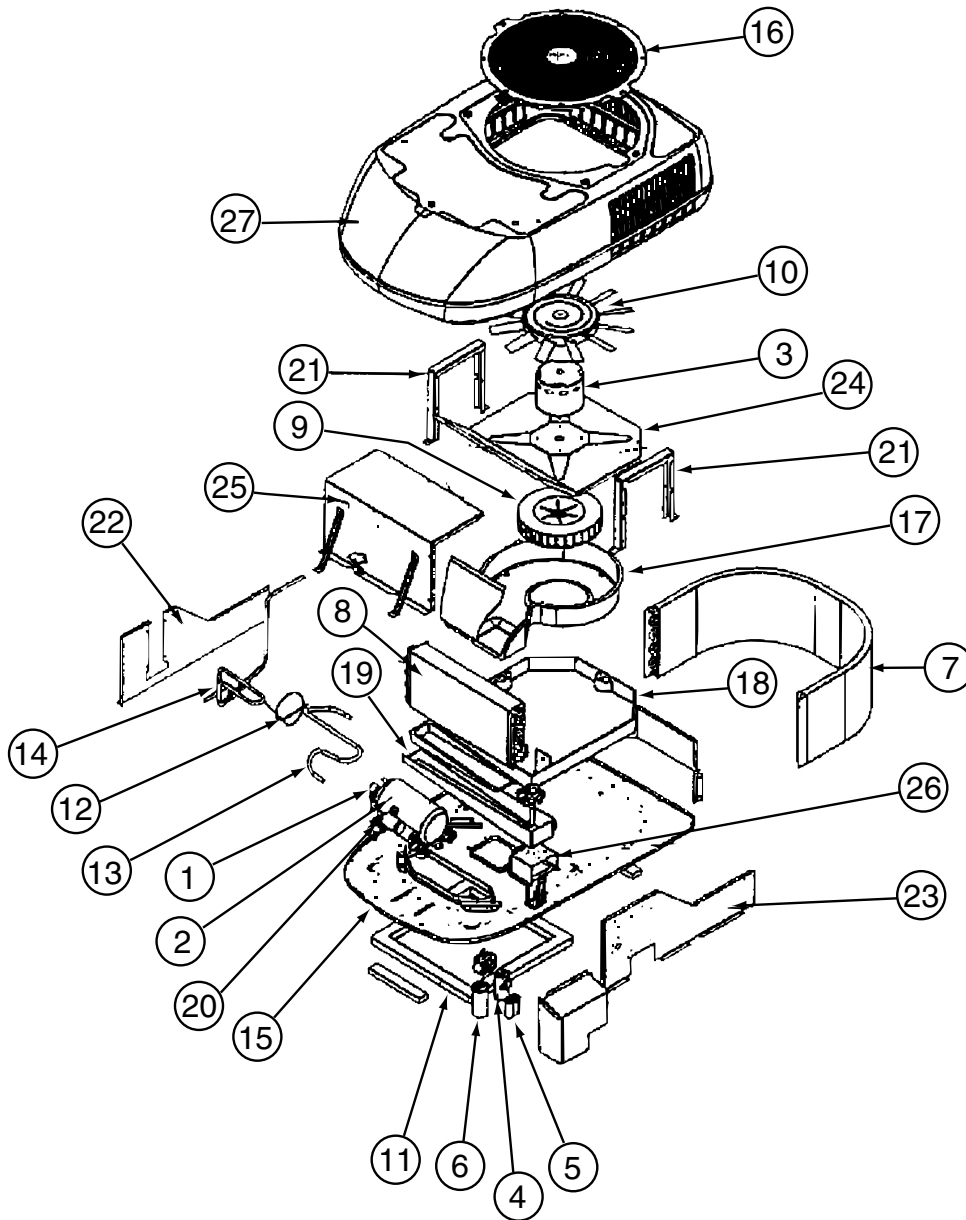


131184-05-01A

| KEY | PART NUMBER | U/M | DESCRIPTION | VENDOR NO. |
|-----|---------------|-----|-----------------------------|------------|
| 4 | 131184-05-700 | EA | BOX - JUNCTION | 8530-5091 |
| 5 | 131184-04-700 | EA | PLUG ASSEMBLY | 7530A340 |
| 6 | 131184-04-702 | EA | BOARD - TERMINAL | 7530B3201 |
| 7 | 131184-01-702 | EA | ISOLATOR - BLANK | 7330C365 |
| 8 | 131184-04-705 | EA | BOARD - P.C. | 7330B3311 |
| 10 | 108892-01-703 | EA | FILTER | 6798A3761 |
| 11 | 108892-01-704 | EA | GRILLE 16 3/8X16 3/8 RETURN | 6798-3041 |
| 13 | 105620-12-719 | EA | COIL SENSOR | 7330A3231 |
| | 131184-01-703 | EA | SMALL PARTS PKG | 8330-5961 |

CONTACT WINNEBAGO PART SALES FOR UNLISTED COMPONENT(S)

HEATING & A/C GROUP (CONTINUED)
COMPONENT PARTS FOR ROOF (CONTINUED)

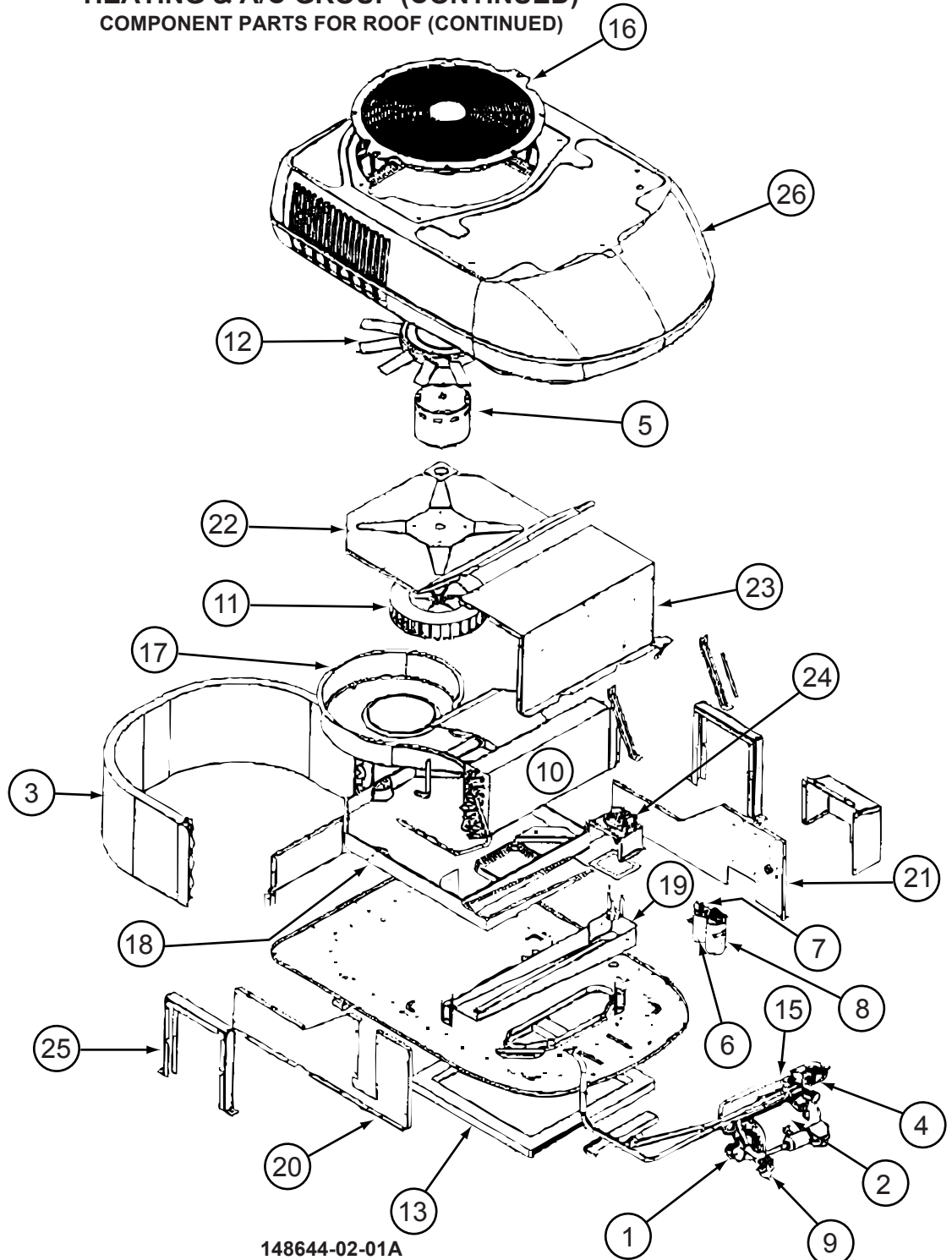


148644-01-01A

| KEY | PART NUMBER | U/M | DESCRIPTION | VENDOR NO. |
|-----|---------------|-----|------------------------------|------------|
| 1 | 148644-01-701 | EA | OVERLOAD | 1450-0131 |
| 2 | 148644-01-702 | EA | COMPRESSOR | 1450A2189 |
| 3 | 148644-01-703 | EA | MOTOR - BLOWER | 1468A3239 |
| 4 | 105620-10-705 | EA | PTCR (START DEVICE) - W/CAP. | 8333A9021 |
| 5 | 093763-01-704 | EA | CAPACITOR-FAN (INDOOR MOTOR) | 1499-5461 |
| 6 | 131188-01-701 | EA | RUN CAP. (COMP-40MFD/370V) | 1499-5721 |
| 7 | 148644-01-704 | EA | COIL-CONDENSER | 1452-1201 |
| 8 | 148644-01-705 | EA | COIL - EVAPORATOR | 1452-1211 |
| 9 | 147102-01-705 | EA | BLOWER WHEEL | 1472-1111 |
| 10 | 147102-01-706 | EA | FAN BLADE | 1472-5021 |
| 11 | 037648-01-714 | EA | GASKET PACKAGE | 8332-3301 |
| 27 | 148644-01-700 | EA | SHROUD - (ARCTIC WHITE) | 9233A5461 |

CONTACT WINNEBAGO PART SALES FOR UNLISTED COMPONENT(S)

HEATING & A/C GROUP (CONTINUED)
COMPONENT PARTS FOR ROOF (CONTINUED)

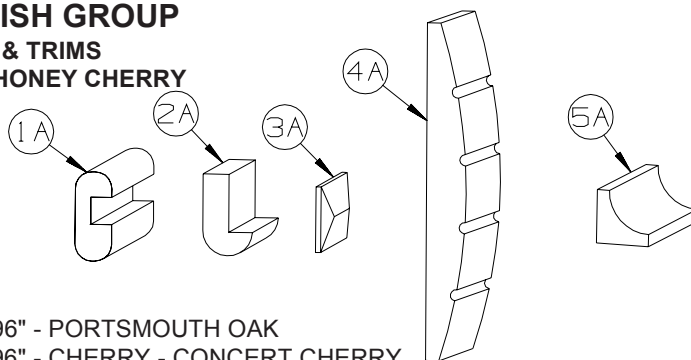


148644-02-01A

| KEY | PART NUMBER | U/M | DESCRIPTION | VENDOR NO. |
|-----|---------------|-----|------------------------------|------------|
| 1 | 148644-01-701 | EA | OVERLOAD | 1450-0131 |
| 2 | 148644-01-702 | EA | COMPRESSOR | 1450A2189 |
| 3 | 148644-02-700 | EA | COIL - CONDENSER | 1452-1241 |
| 4 | 105620-12-708 | EA | COIL - SOLENOID | 1460-1081 |
| 5 | 148644-01-703 | EA | MOTOR - BLOWER | 1468A3239 |
| 6 | 105620-10-705 | EA | PTCR (START DEVICE) - W/CAP. | 8333A9021 |
| 7 | 093763-01-704 | EA | CAPACITOR-FAN (INDOOR MOTOR) | 1499-5461 |
| 8 | 131188-01-701 | EA | RUN CAP. (COMP-40MFD/370V) | 1499-5721 |
| 10 | 148644-02-701 | EA | COIL - EVAPORATOR | 1452-1261 |
| 11 | 147102-01-705 | EA | BLOWER WHEEL | 1472-1111 |
| 12 | 147102-01-706 | EA | FAN BLADE | 1472-5021 |
| 13 | 037648-01-714 | EA | GASKET PACKAGE | 8332-3301 |
| 26 | 148644-01-700 | EA | SHROUD - (ARCTIC WHITE) | 9233A5461 |

CONTACT WINNEBAGO PART SALES FOR UNLISTED COMPONENT(S)

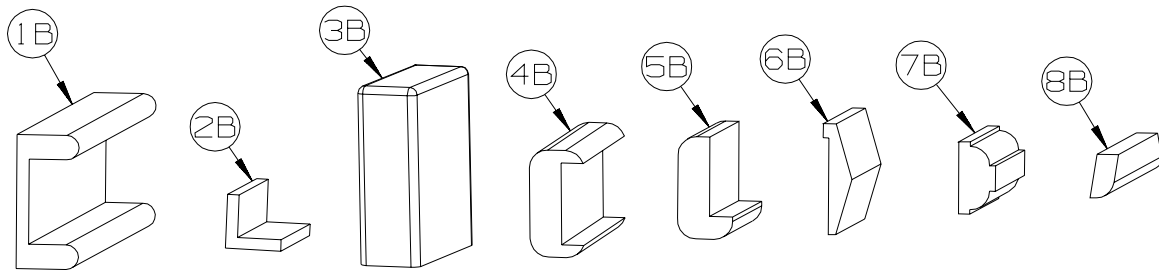
INTERIOR FINISH GROUP
MOLDINGS & TRIMS
WASHED MAPLE, HONEY CHERRY



| KEY | PART NUMBER | U/M | DESCRIPTION |
|-----|---------------|-----|---------------------------------------------------------------------|
| 1A | M09412-62-N42 | EA | MOLDING/SHELF EDGE - .6" X 1.3" X 96" - PORTSMOUTH OAK |
| 1A | M09412-62-M52 | EA | MOLDING/SHELF EDGE - .6" X 1.3" X 96" - CHERRY - CONCERT CHERRY |
| 1A | M09412-62-M62 | EA | MOLDING/SHELF EDGE - .6" X 1.3" X 96" - WASHED MAPLE - WASHED MAPLE |
| 1A | M09412-62-RC3 | EA | MOLDING/SHELF EDGE - .6" X 1.3" X 96" - HONEY CHERRY - HONEY CHERRY |
| 1A | M09412-62-SA3 | EA | MOLDING/SHELF EDGE - .6" X 1.3" X 96" - MAPLE - SIERRA MAPLE |
| 2A | M09450-77-PC0 | EA | MOLDING - TRIM/HDWD W/LIP -.4"X3.2"X79.6" - PORTSMOUTH OAK |
| 2A | M09450-77-PC1 | EA | MOLDING - TRIM/HDWD W/LIP -.4"X3.2"X79.6" - CONCERT CHERRY |
| 2A | M09450-77-PC2 | EA | MOLDING - TRIM/HDWD W/LIP -.4"X3.2"X79.6" - WASHED MAPLE |
| 2A | M09450-77-RC3 | EA | MOLDING - TRIM/HDWD W/LIP -.4"X3.2"X79.6" - HONEY CHERRY |
| 2A | M09501-32-TG1 | EA | MOLDING/TRIM - W/NOTCH - .8" X 2.5" X 86.2"-CONCERT CHERRY |
| 2A | M09501-32-TG2 | EA | MOLDING/TRIM - W/NOTCH - .8" X 2.5" X 86.2" - WASHED MAPLE, |
| 2A | M09501-32-TD3 | EA | MOLDING/TRIM - W/NOTCH - .8" X 2.5" X 86.2" - SIERRA MAPLE |
| 2A | M09503-52-T77 | EA | MOLDING/TRIM - .75" X 1.2" X 86.5" - PORTSMOUTH OAK |
| 2A | M09503-52-T78 | EA | MOLDING/TRIM - .75" X 1.2" X 86.5" - CONCERT CHERRY |
| 2A | M09503-52-T79 | EA | MOLDING/TRIM - .75" X 1.2" X 86.5" - WASHED MAPLE |
| 2A | M09503-52-T80 | EA | MOLDING/TRIM - .75" X 1.2" X 86.5" - SIERRA MAPLE |
| 2A | M09511-43-T78 | EA | MOLDING - TRIM - W/NOTCH - .8" X 1.4" X 86.3" - CONCERT CHERRY |
| 2A | M09525-80-UM1 | EA | MOLDING - TRIM - W/NOTCH - .8"X 1.4"X 86.5" - CONCERT CHERRY |
| 2A | M09511-43-T79 | EA | MOLDING - TRIM - W/NOTCH - .8" X 1.4" X 86.3" - WASHED MAPLE |
| 2A | M09525-80-U91 | EA | MOLDING - TRIM - W/NOTCH - .8" X 1.4" X 86.5" - WASHED MAPLE |
| 2A | M09511-43-T80 | EA | MOLDING - TRIM - W/NOTCH - .8" X 1.4" X 86.3" - SIERRA MAPLE |
| 2A | M09525-80-U92 | EA | MOLDING - TRIM - W/NOTCH - .8" X 1.4" X 86.5" - SIERRA MAPLE |
| 2A | M09438-25-RA3 | EA | MOLDING - HARDWOOD-W/NOTCH - 1.4"X 80.2" - HONEY CHERRY |
| 2A | M09515-72-TD1 | EA | MOLDING/TRIM - .8" X 2.2" X 86.1" - CONCERT CHERRY |
| 2A | M09515-72-TD2 | EA | MOLDING/TRIM - .8" X 2.2" X 86.1" - WASHED MAPLE |
| 2A | M09515-72-TD3 | EA | MOLDING/TRIM - .8" X 2.2" X 86.1" - SIERRA MAPLE |
| 3A | M09471-91-R69 | EA | MOLDING - TRIM/VEE - .2" X 1" X 34.4" - CONCERT CHERRY |
| 3A | M09471-91-R76 | EA | MOLDING - TRIM/VEE - .2" X 1" X 34.4" - WASHED MAPLE |
| 3A | M09471-91-SA3 | EA | MOLDING - TRIM/VEE - .2" X 1" X 34.4" - SIERRA MAPLE |
| 3A | M09477-88-S34 | EA | MOLDING - TRIM/VEE - .2" X 1" X 19.9" - WASHED MAPLE |
| 3A | M09477-88-S35 | EA | MOLDING - TRIM/VEE - .2" X 1" X 19.9" - SIERRA MAPLE |
| 3A | M09501-30-SD2 | EA | MOLDING - TRIM/VEE - .2" X 1" X 35.1" - WASHED MAPLE |
| 3A | M09501-30-SD3 | EA | MOLDING - TRIM/VEE - .2" X 1" X 35.1" - HONEY CHERRY |
| 3A | M09501-37-TG1 | EA | MOLDING - TRIM/VEE - .2" X 1" X 19.2" - CONCERT CHERRY |
| 3A | M09501-37-TG2 | EA | MOLDING - TRIM/VEE - .2" X 1" X 19.2" - WASHED MAPLE |
| 3A | M09501-37-TD3 | EA | MOLDING - TRIM/VEE - .2" X 1" X 19.2" - SIERRA MAPLE |
| 3A | M09501-37-TG3 | EA | MOLDING - TRIM/VEE - .2" X 1" X 19.2" - HONEY CHERRY |
| 3A | M09501-63-T78 | EA | MOLDING - TRIM/VEE - .2" X 1" X 15" - CONCERT CHERRY |
| 3A | M09501-63-T79 | EA | MOLDING - TRIM/VEE - .2" X 1" X 15" - WASHED MAPLE |
| 3A | M09501-63-T80 | EA | MOLDING - TRIM/VEE - .2" X 1" X 15" - SIERRA MAPLE |
| 3A | M09503-62-TG1 | EA | MOLDING - TRIM/VEE - .2" X 1" X 26.3" - CONCERT CHERRY |
| 3A | M09503-62-TG2 | EA | MOLDING - TRIM/VEE - .2" X 1" X 26.3" - WASHED MAPLE |
| 3A | M09503-62-TG3 | EA | MOLDING - TRIM/VEE - .2" X 1" X 26.3" - HONEY CHERRY |
| 3A | M09511-90-TG1 | EA | MOLDING - TRIM/VEE - .2" X 1" X 42.1" - CONCERT CHERRY |
| 3A | M09511-90-TG3 | EA | MOLDING - TRIM/VEE - .2" X 1" X 42.1" - HONEY CHERRY |
| 3A | M09511-90-TG2 | EA | MOLDING - TRIM/VEE - .2" X 1" X 42.1" - WASHED MAPLE |
| 3A | M09520-15-TD1 | EA | MOLDING - TRIM/VEE - .2" X 1" X 15.3" - CONCERT CHERRY |
| 3A | M09520-15-TD2 | EA | MOLDING - TRIM/VEE - .2" X 1" X 15.3" - WASHED MAPLE |
| 3A | M09520-15-TD3 | EA | MOLDING - TRIM/VEE - .2" X 1" X 15.3" - SIERRA MAPLE |
| 3A | M09520-96-T59 | EA | MOLDING - TRIM/VEE - .2" X 1" X 32.7" - PORTSMOUTH OAK |
| 3A | M09520-96-T60 | EA | MOLDING - TRIM/VEE - .2" X 1" X 32.7" - CONCERT CHERRY |
| 3A | M09520-96-T61 | EA | MOLDING - TRIM/VEE - .2" X 1" X 32.7" - WASHED MAPLE |
| 3A | M09520-96-TP0 | EA | MOLDING - TRIM/VEE - .2" X 1" X 32.7" - SIERRA MAPLE |

INTERIOR FINISH GROUP (CONTINUED)
MOLDINGS & TRIMS (CONTINUED)

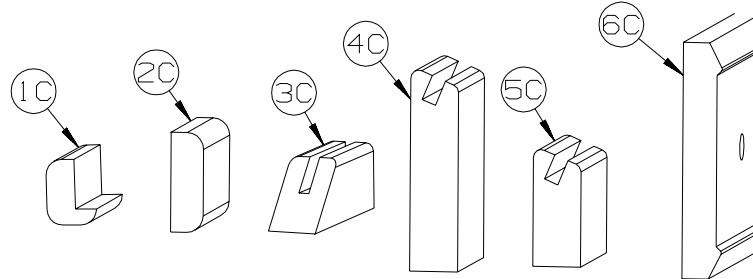
| KEY | PART NUMBER | U/M | DESCRIPTION |
|-----|---------------|-----|--------------------------------------------------------------------------|
| 3A | M09525-96-TA0 | EA | MOLDING - TRIM/VEE - .2" X 1" X 36.2" - PORTSMOUTH OAK |
| 3A | M09525-96-TA1 | EA | MOLDING - TRIM/VEE - .2" X 1" X 36.2" - CONCERT CHERRY |
| 3A | M09525-96-TA2 | EA | MOLDING - TRIM/VEE - .2" X 1" X 36.2" - WASHED MAPLE |
| 3A | M09525-96-TA3 | EA | MOLDING - TRIM/VEE - .2" X 1" X 36.2" - SIERRA MAPLE |
| 3A | M09534-08-T01 | EA | MOLDING - TRIM/VEE - .2" X 1" X 24.5" - SIERRA MAPLE |
| 3A | M09534-08-T02 | EA | MOLDING - TRIM/VEE - .2" X 1" X 24.5" - HONEY CHERRY |
| 3A | M09511-32-T78 | EA | MOLDING - TRIM/VEE - .4" X 1" X 26.8" - CONCERT CHERRY |
| 3A | M09511-32-T79 | EA | MOLDING - TRIM/VEE - .4" X 1" X 26.8" - WASHED MAPLE |
| 3A | M09511-32-T80 | EA | MOLDING - TRIM/VEE - .4" X 1" X 26.8" - SIERRA MAPLE |
| 3A | M09511-86-T78 | EA | MOLDING - TRIM/VEE - .4" X 1" X 28.3" - CONCERT CHERRY |
| 3A | M09511-86-T79 | EA | MOLDING - TRIM/VEE - .4" X 1" X 28.3" - WASHED MAPLE |
| 3A | M09511-86-T80 | EA | MOLDING - TRIM/VEE - .4" X 1" X 28.3" - SIERRA MAPLE |
| 3A | M09477-63-S46 | EA | MOLDING - TRIM/VEE - .4" X 1" X 64.1" - PORTSMOUTH OAK - BATH DOOR TRIM |
| 3A | M09477-63-SR0 | EA | MOLDING - TRIM/VEE - .4" X 1" X 64.1" - SIERRA MAPLE - BATH DOOR TRIM |
| 3A | M09477-64-S46 | EA | MOLDING - TRIM/VEE - .4" X 1" X 14.9" - PORTSMOUTH OAK - BATH DOOR TRIM |
| 3A | M09477-64-SR0 | EA | MOLDING - TRIM/VEE - .4" X 1" X 14.9" - SIERRA MAPLE - BATH DOOR TRIM |
| 4A | M09462-54-R90 | EA | MOLDING - FLUTED, CURVED - .6" X 6" X 82.7" - CONCERT CHERRY |
| 4A | M09462-54-R91 | EA | MOLDING - FLUTED, CURVED - .6" X 6" X 82.7" - WASHED MAPLE |
| 4A | M09462-54-RE3 | EA | MOLDING - FLUTED, CURVED - .6" X 6" X 82.7" - HONEY CHERRY |
| 5A | M09471-79-R38 | EA | MOLDING - TRIM/COVE - .8" X .8" X 95.8" - OAK/PORTS OAK - PORTSMOUTH OAK |
| 5A | M09471-79-R39 | EA | MOLDING - TRIM/COVE - .8" X .8" X 95.8" - CHERRY/CHERRY - CONCERT CHERRY |
| 5A | M09471-79-R46 | EA | MOLDING - TRIM/COVE - .8" X .8" X 95.8" - MAPLE/MAPLE - WASHED MAPLE |
| 5A | M09471-79-RE0 | EA | MOLDING - TRIM/COVE - .8" X .8" X 95.8" - HONEY/CHERRY- HONEY CHERRY |
| 5A | M09471-79-SA3 | EA | MOLDING - TRIM/COVE - .8" X .8" X 95.8" - HONEY/MAPLE - SIERRA MAPLE |



| KEY | PART NUMBER | U/M | DESCRIPTION |
|-----|---------------|-----|-------------------------------------------------------------------------------------------------------------------|
| 1B | M09501-84-TG0 | EA | MOLDING/TRIM - CAP/WALL - 2.2" X 85.9" - PORTSMOUTH OAK |
| 1B | M09501-84-TG1 | EA | MOLDING/TRIM - CAP/WALL - 2.2" X 85.9" - CONCERT CHERRY |
| 1B | M09501-84-TG2 | EA | MOLDING/TRIM - CAP/WALL - 2.2" X 85.9" - WASHED MAPLE |
| 1B | M09520-07-TD3 | EA | MOLDING/TRIM - CAP/WALL - 2.2" X 80.5" - SIERRA MAPLE |
| 1B | M09501-84-TG3 | EA | MOLDING/TRIM - CAP/WALL - 2.2" X 85.9" - HONEY CHERRY |
| 2B | M09511-81-TA1 | EA | MOLDING/TRIM - L SHAPE - .8"X .8"X 80.2" - CONCERT CHERRY |
| 2B | M09511-81-TA2 | EA | MOLDING/TRIM - L SHAPE - .8"X .8"X 80.2" - WASHED MAPLE |
| 2B | M09511-81-TA3 | EA | MOLDING/TRIM - L SHAPE - .8"X .8"X 80.2" - SIERRA MAPLE |
| 3B | M09515-81-T01 | EA | MOLDING/HARDWOOD STRAIGHT - 74.3" - WASHED MAPLE |
| 3B | M09515-81-T02 | EA | MOLDING/HARDWOOD STRAIGHT - 74.3" - HONEY CHERRY |
| 4B | M09511-42-T77 | EA | MOLDING - TRIM - W/NOTCH - 1.5" X 86.4" - PORTSMOUTH OAK |
| 4B | M09511-42-T78 | EA | MOLDING - TRIM - W/NOTCH - 1.5" X 86.4" - CONCERT CHERRY |
| 4B | M09511-42-T79 | EA | MOLDING - TRIM - W/NOTCH - 1.5" X 86.4" - WASHED MAPLE |
| 4B | M09511-42-T80 | EA | MOLDING - TRIM - W/NOTCH - 1.5" X 86.4" - SIERRA MAPLE |
| 5B | M09515-18-T78 | EA | MOLDING - HARDWOOD-W/NOTCH - 1.4"X 86.2" - CONCERT CHERRY |
| 5B | M09515-18-T79 | EA | MOLDING - HARDWOOD-W/NOTCH - 1.4"X 86.2" - WASHED MAPLE |
| 5B | M09515-18-T80 | EA | MOLDING - HARDWOOD-W/NOTCH - 1.4"X 86.2" - SIERRA MAPLE |
| 6B | M09515-52-TG1 | EA | MOLDING - TRIM/VEE - 1.5" X 73.9" - CONCERT CHERRY |
| 6B | M09515-52-TG2 | EA | MOLDING - TRIM/VEE - 1.5" X 73.9" - WASHED MAPLE |
| 6B | M09515-52-TG3 | EA | MOLDING - TRIM/VEE - 1.5" X 73.9" - HONEY CHERRY |
| 7B | Y00076-32-438 | EA | MOLDING/TRIM - .5" X 1" X 96" - CHERRY (UNSTAINED) |
| 7B | Y00076-22-438 | EA | MOLDING/TRIM - .5" X 1" X 96" - MAPLE (UNSTAINED) |
| 8B | Y00086-72-438 | EA | MOLDING - VINYL WRAP - .7" X 1.6" X 96" - PORTSMOUTH OAK - PORTSMOUTH OAK |
| 8B | Y00086-62-438 | EA | MOLDING - VINYL WRAP - .7" X 1.6" X 96" - CONCERT CHERRY (U90/94/98/A1/A5/B1/C1/C5/D1/D5/E1/E5/F1/F5/G1/G5/H1/H5) |
| 8B | Y00086-D2-438 | EA | MOLDING - VINYL WRAP - .7" X 1.6" X 96" - CONCERT CHERRY (UM1 THRU UM9, UN1 THRU UN9) |
| 8B | Y00086-A2-438 | EA | MOLDING - VINYL WRAP - .7" X 1.6" X 96" - WASHED MAPLE |
| 8B | Y00086-92-438 | EA | MOLDING - VINYL WRAP - .7" X 1.6" X 96" - SIERRA MAPLE - SIERRA MAPLE |

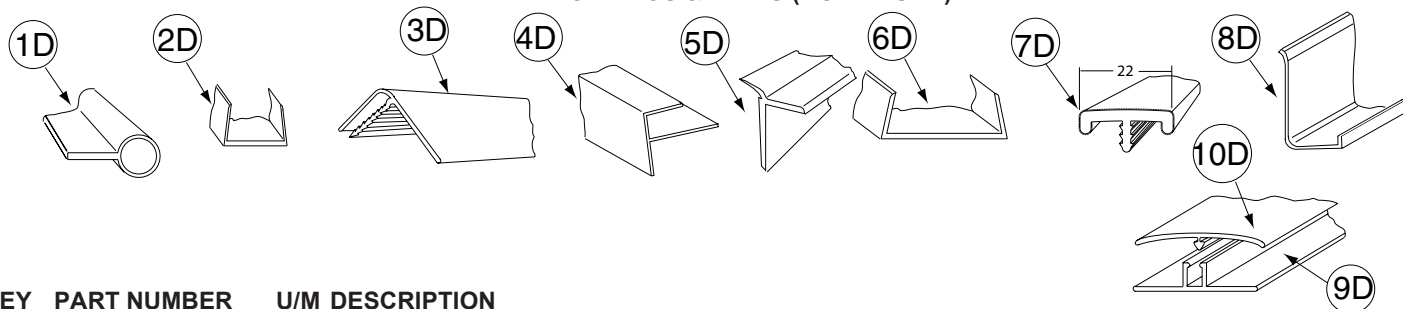
INTERIOR FINISH GROUP (CONTINUED)
MOLDINGS & TRIMS (CONTINUED)

| KEY | PART NUMBER | U/M | DESCRIPTION |
|-----|---------------|-----|-----------------------------------------------------------------------------------------|
| 8B | Y00087-62-438 | EA | MOLDING - 96" - CONCERT CHERRY (U90/94/98/A1/A5/B1/C1/C5/D1/D5/E1/E5/F1/F5/G1/G5/H1/H5) |
| 8B | Y00087-D2-438 | EA | MOLDING - VINYL WRAP - .7" X 2.9" X 96" - CONCERT CHERRY (UM1 THRU UM9, UN1 THRU UN9) |
| 8B | Y00087-A2-438 | EA | MOLDING - VINYL WRAP - .7" X 2.9" X 96" - WASHED MAPLE |
| 8B | Y00087-92-438 | EA | MOLDING - VINYL WRAP - .7" X 2.9" X 96" - SIERRA MAPLE |
| 8B | Y00300-62-438 | EA | MOLDING - 96" - CONCERT CHERRY (U90/94/98/A1/A5/B1/C1/C5/D1/D5/E1/E5/F1/F5/G1/G5/H1/H5) |
| 8B | Y00300-D2-438 | EA | MOLDING - VINYL WRAP - .3" X .6" X 96" - CONCERT CHERRY (UM1 THRU UM9, UN1 THRU UN9) |
| 8B | Y00300-A2-438 | EA | MOLDING - VINYL WRAP - .3" X .6" X 96" - WASHED MAPLE |
| 8B | Y00300-92-438 | EA | MOLDING - VINYL WRAP - .3" X .6" X 96" - SIERRA MAPLE |



| KEY | PART NUMBER | U/M | DESCRIPTION |
|-----|---------------|-----|-------------------------------------------------------------------------------------------|
| 1C | M09520-19-TD1 | EA | MOLDING - TRIM - W/NOTCH - 1" X 86.3" - CONCERT CHERRY |
| 1C | M09520-19-TD2 | EA | MOLDING - TRIM - W/NOTCH - 1" X 86.3" - WASHED MAPLE |
| 1C | M09520-19-TD3 | EA | MOLDING - TRIM - W/NOTCH - 1" X 86.3" - HONEY CHERRY |
| 1C | M09525-27-UF1 | EA | MOLDING - HARDWOOD - .75" X 1.4" X 32.4" - CONCERT CHERRY |
| 1C | M09525-27-UF2 | EA | MOLDING - HARDWOOD - .75" X 1.4" X 32.4" - WASHED MAPLE |
| 1C | M09525-27-UF3 | EA | MOLDING - HARDWOOD - .75" X 1.4" X 32.4" - SIERRA MAPLE |
| 2C | M09511-46-T77 | EA | MOLDING/TRIM - .5" X 1.5" X 86.5" - PORTSMOUTH OAK |
| 2C | M09511-46-T78 | EA | MOLDING/TRIM - .5" X 1.5" X 86.5" - CONCERT CHERRY |
| 2C | M09511-46-T79 | EA | MOLDING/TRIM - .5" X 1.5" X 86.5" - WASHED MAPLE |
| 2C | M09511-46-T80 | EA | MOLDING/TRIM - .5" X 1.5" X 86.5" - SIERRA MAPLE |
| 3C | Y00223-42-438 | EA | MOLDING - HARDWOOD/OAK - .7" X 1" X 96" |
| 3C | Y00223-32-438 | EA | MOLDING - HARDWOOD/CHERRY - .7" X 1" X 96" |
| 3C | Y00223-22-438 | EA | MOLDING - HARDWOOD/MAPLE - .7" X 1" X 96" |
| 4C | Y00054-62-438 | EA | MOLDING- 96" - CONCERT CHERRY (U90/94/98/A1/A5/B1/C1/C5/D1/D5/E1/E5/F1/F5/G1/G5/H1/H5) |
| 4C | Y00054-D2-438 | EA | MOLDING/VYL WRP-BVLD-.73" X 3.1" X 96" - CONCERT CHERRY (UM1 THRU UM9, UN1 THRU UN9) |
| 4C | Y00054-A2-438 | EA | MOLDING/VINYL WRAP-BEVELED ENDS-.73"X3.1"X96" - WASHED MAPLE |
| 4C | Y00054-92-438 | EA | MOLDING/VINYL WRAP-BEVELED-.73" X 3.1" X 96" - SIERRA MAPLE |
| 4C | Y00258-62-438 | EA | MOLDING/VYL 96" - CONCERT CHERRY (U90/94/98/A1/A5/B1/C1/C5/D1/D5/E1/E5/F1/F5/G1/G5/H1/H5) |
| 4C | Y00258-D2-438 | EA | MOLDING/VINYL WRP-BVLD-.73" X 3.1" X 96" - CONCERT CHERRY (UM1 THRU UM9, UN1 THRU UN9) |
| 4C | Y00258-A2-438 | EA | MOLDING/VINYL WRAP-BEVELED ENDS-.73"X3.1"X96" - WASHED MAPLE |
| 4C | Y00258-92-438 | EA | MOLDING/VINYL WRAP-BEVELED-.73" X 3.1" X 96" - SIERRA MAPLE |
| 5C | Y00259-62-438 | EA | MOLDING/VYL 96" - CONCERT CHERRY (U90/94/98/A1/A5/B1/C1/C5/D1/D5/E1/E5/F1/F5/G1/G5/H1/H5) |
| 5C | Y00259-D2-438 | EA | MOLDING/VINYL WRP-BVLD-.73" X 1.8" X 96" - CONCERT CHERRY (UM1 THRU UM9, UN1 THRU UN9) |
| 5C | Y00259-A2-438 | EA | MOLDING/VINYL WRAP-BEVELED-.73"X1.8"X96" - WASHED MAPLE |
| 5C | Y00259-92-438 | EA | MOLDING/VINYL WRAP-BEVELED-.73"X1.8"X96" - SIERRA MAPLE |
| 6C | Y00152-A2-438 | EA | MOLDING/TRIM - VINYL - .6" X 3.5" X 96" - WASHED MAPLE |
| 6C | Y00152-92-438 | EA | MOLDING/TRIM - VINYL - .6" X 3.5" X 96" - SIERRA MAPLE |

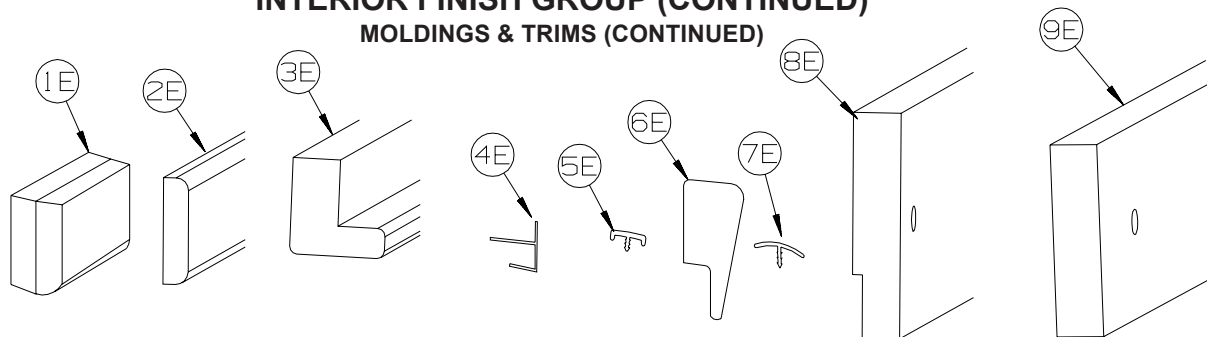
INTERIOR FINISH GROUP (CONTINUED)
MOLDINGS & TRIMS (CONTINUED)



| KEY | PART NUMBER | U/M | DESCRIPTION |
|-----|---------------|-----|-----------------------------------------------------------|
| 1D | 009767-12-000 | FT | WELTING - ANTIQUE WHITE |
| 1D | 009767-17-000 | FT | WELTING - PORTSMOUTH OAK |
| 2D | 009778-25-000 | FT | U-CHANNEL - 1" - BEIGE ILLUSION |
| 2D | 009778-26-000 | FT | U-CHANNEL - 1 1/4" - BEIGE ILLUSION |
| 2D | 009778-38-000 | FT | U-CHANNEL - 1" - BONE |
| 2D | 009778-32-000 | FT | U-CHANNEL - 1" - PORTSMOUTH OAK |
| 2D | 009778-34-000 | FT | U-CHANNEL - 1" - CONCERT CHERRY |
| 2D | 009778-27-000 | FT | U-CHANNEL - 1" - WASHED MAPLE |
| 2D | 009778-35-000 | FT | U-CHANNEL - 1" - HONEY CHERRY |
| 2D | 009778-36-000 | FT | U-CHANNEL - 1" - SIERRA MAPLE |
| 3D | 009809-30-000 | EA | MOLDING - CORNER - OUTSIDE - 1" X 84" - BEIGE ILLUSION |
| 3D | 009809-37-000 | EA | MOLDING - CORNER - OUTSIDE - 1" X 84" - BONE |
| 3D | 009809-32-000 | EA | MOLDING - CORNER - OUTSIDE - 1" X 84" - PORTSMOUTH OAK |
| 3D | 009809-33-000 | EA | MOLDING - CORNER - OUTSIDE - 1" X 84" - CONCERT CHERRY |
| 3D | 009809-31-000 | EA | MOLDING - CORNER - OUTSIDE - 1" X 84" - WASHED MAPLE |
| 3D | 009809-34-000 | EA | MOLDING - CORNER - OUTSIDE - 1" X 84" - HONEY CHERRY |
| 3D | 009809-35-000 | EA | MOLDING - CORNER - OUTSIDE - 1" X 84" - SIERRA MAPLE |
| 4D | 009812-31-000 | EA | MOLDING - CORNER - 1/2" W/1/4"CHAN X 84" - BEIGE ILLUSION |
| 4D | 009812-40-000 | EA | MOLDING - CORNER - 1/2" W/1/4"CHAN X 84" - BONE |
| 4D | 009812-35-000 | EA | MOLDING - CORNER - 1/2" W/1/4"CHAN X 84" - PORTSMOUTH OAK |
| 4D | 009812-36-000 | EA | MOLDING - CORNER - 1/2" W/1/4"CHAN X 84" - CONCERT CHERRY |
| 4D | 009812-33-000 | EA | MOLDING - CORNER - 1/2" W/1/4"CHAN X 84" - WASHED MAPLE |
| 4D | 009812-37-000 | EA | MOLDING - CORNER - 1/2" W/1/4"CHAN X 84" - HONEY CHERRY |
| 4D | 009812-38-000 | EA | MOLDING - CORNER - 1/2" W/1/4"CHAN X 84" - SIERRA MAPLE |
| 5D | 022992-11-000 | FT | MOLDING - REVERSE COVE - T-SHAPED - IVORY |
| 5D | 022992-18-000 | FT | MOLDING - REVERSE COVE - T-SHAPED - BONE |
| 5D | 022992-14-000 | FT | MOLDING - REVERSE COVE - T-SHAPED - BRIGHT WHITE |
| 6D | 070504-42-000 | FT | U-CHANNEL - PLASTIC - .13" X 84" - BEIGE ILLUSION |
| 6D | 070504-69-000 | FT | U-CHANNEL - PLASTIC - .13" X 84" - BONE |
| 6D | 070504-43-000 | FT | U-CHANNEL - PLASTIC - .9" X 96" - BEIGE ILLUSION |
| 6D | 070504-70-000 | FT | U-CHANNEL - PLASTIC - .8" X 84" - BONE |
| 6D | 070504-57-000 | FT | U-CHANNEL - PLASTIC - .13" X 84" - PORTSMOUTH OAK |
| 6D | 070504-58-000 | FT | U-CHANNEL - PLASTIC - .9" X 84" - PORTSMOUTH OAK |
| 6D | 070504-60-000 | FT | U-CHANNEL - PLASTIC - .13" X 84" - CONCERT CHERRY |
| 6D | 070504-61-000 | FT | U-CHANNEL - PLASTIC - .9" X 84" - CONCERT CHERRY |
| 6D | 070504-50-000 | FT | U-CHANNEL - PLASTIC - .13" X 96" - WASHED MAPLE |
| 6D | 070504-51-000 | FT | U-CHANNEL - PLASTIC - .9" X 96" - WASHED MAPLE |
| 6D | 070504-62-000 | FT | U-CHANNEL - PLASTIC - 1.65" X 84" - HONEY CHERRY |
| 6D | 070504-63-000 | FT | U-CHANNEL - PLASTIC - .9" X 84" - HONEY CHERRY |
| 6D | 070504-65-000 | FT | U-CHANNEL - PLASTIC - 1.65" X 84" - SIERRA MAPLE |
| 6D | 070504-66-000 | FT | U-CHANNEL - PLASTIC - .9" X 84" - SIERRA MAPLE |
| 7D | 083620-15-000 | FT | MOLDING-T - W/EDGE LIP - 7/8" FACE - BEIGE ILLUSION |
| 7D | 083620-25-000 | FT | MOLDING-T - W/EDGE LIP - 7/8" FACE - BONE |
| 7D | 083620-20-000 | FT | MOLDING-T - W/EDGE LIP - 7/8" FACE - PORTSMOUTH OAK |
| 7D | 083620-21-000 | FT | MOLDING-T - W/EDGE LIP - 7/8" FACE - CONCERT CHERRY |
| 7D | 083620-19-000 | FT | MOLDING-T - W/EDGE LIP - 7/8" FACE - WASHED MAPLE |
| 7D | 083620-24-000 | FT | MOLDING-T - W/EDGE LIP - 7/8" FACE - HONEY CHERRY |
| 7D | 083620-22-000 | FT | MOLDING-T - W/EDGE LIP - 7/8" FACE - SIERRA MAPLE |
| 8D | 085746-04-000 | FT | TRIM-J - CARPET 1.2" X .5" ANGLE - 12' LONG - OFF WHITE |
| 9D | 086229-01-000 | EA | RETAINER - BATTEN - .75" X 92.1" - ANY COLOR |
| 10D | 086229-20-000 | EA | BATTEN - 1" X 96" - BEIGE |

INTERIOR FINISH GROUP (CONTINUED)

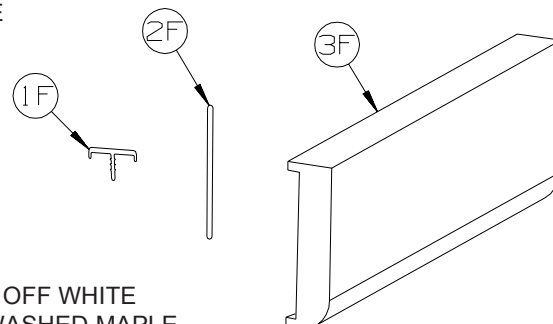
MOLDINGS & TRIMS (CONTINUED)



| KEY | PART NUMBER | U/M | DESCRIPTION |
|-----|---------------|-----|---------------------------------------------------------------------------------------------|
| 1E | 100659-30-N75 | EA | MOLDING - TRIM - 8' - PORTSMOUTH OAK |
| 1E | 100659-30-N74 | EA | MOLDING - TRIM - 8' - CONCERT CHERRY |
| 1E | 100659-30-M84 | EA | MOLDING - TRIM - 8' - WASHED MAPLE |
| 1E | 100659-27-RA3 | EA | MOLDING - TRIM - HONEY CHERRY |
| 1E | 100659-31-SA3 | EA | MOLDING - TRIM - SIERRA MAPLE |
| 2E | 100818-01-12A | EA | MOLDING - VINYL WRAPPED - 1.6" X .4" X 84" - PORTSMOUTH OAK |
| 2E | 100818-01-13A | EA | MOLDING - VYL 84" - CONCERT CHERRY (U90/94/98/A1/A5/B1/C1/C5/D1/D5/E1/E5/F1/F5/G1/G5/H1/H5) |
| 2E | 100818-01-23A | EA | MOLDING - VINYL WRPPD - 1.6" X .4" X 84" - CONCERT CHERRY (UM1 THRU UM9, UN1 THRU UN9) |
| 2E | 100818-01-21A | EA | MOLDING - VINYL WRAPPED - 1.6" X .4" X 84" - WASHED MAPLE |
| 2E | 100818-01-14A | EA | MOLDING - VINYL WRAPPED - 1.6" X .4" X 84" - HONEY CHERRY |
| 2E | 100818-01-22A | EA | MOLDING - VINYL WRAPPED - 1.6" X .4" X 84" - SIERRA MAPLE |
| 3E | 100819-01-12A | EA | MOLDING - VINYL WRAPPED-L-SHAPED-1.5"X1.5"X84" - PORTSMOUTH OAK |
| 3E | 100819-01-13A | EA | MOLDING - VYL 84" - CONCERT CHERRY (U90/94/98/A1/A5/B1/C1/C5/D1/D5/E1/E5/F1/F5/G1/G5/H1/H5) |
| 3E | 100819-01-23A | EA | MOLDING - VYL WRPPD-L-SHPD-1.5"X1.5"X84" - CONCERT CHERRY (UM1 THRU UM9, UN1 THRU UN9) |
| 3E | 100819-01-21A | EA | MOLDING - VINYL WRAPPED-L-SHAPED-1.5"X1.5"X84" - WASHED MAPLE |
| 3E | 100819-01-14A | EA | MOLDING - VINYL WRAPPED-L-SHAPED-1.5"X1.5"X84" - HONEY CHERRY |
| 3E | 100819-01-22A | EA | MOLDING - VINYL WRAPPED-L-SHAPED-1.5"X1.5"X84" - SIERRA MAPLE |
| 4E | 103186-01-07A | FT | MOLDING/PLASTIC - 3/8" U-CHANNEL-3/4" FACE -BEIGE ILLUSION |
| 4E | 103186-01-09A | FT | MOLDING/PLASTIC - 3/8" U-CHAN'L-3/4" FACE - PORTSMOUTH OAK |
| 4E | 103186-01-10A | FT | MOLDING/PLASTIC - 3/8" U-CHAN'L-3/4" FACE - CONCERT CHERRY |
| 4E | 103186-01-08A | FT | MOLDING/PLASTIC - 3/8" U-CHANNEL-3/4"FACE-WASHED MAPLE 8' - WASHED MAPLE |
| 4E | 103186-01-11A | FT | MOLDING/PLASTIC - 3/8" U-CHAN'L-3/4" FACE - HONEY CHERRY |
| 4E | 103186-01-12A | FT | MOLDING/PLASTIC - 3/8" U-CHAN'L-3/4" FACE - SIERRA MAPLE |
| 4E | 103186-02-07A | FT | MOLDING/PLASTIC-1" U-CHAN'L-1 3/8" FACE - BEIGE ILLUSION |
| 4E | 103186-02-09A | FT | MOLDING/PLASTIC - 1" U-CHAN'L-1 3/8" FACE - PORTSMOUTH OAK |
| 4E | 103186-02-10A | FT | MOLDING/PLASTIC - 1" U-CHAN'L-1 3/8" FACE - CONCERT CHERRY |
| 4E | 103186-02-08A | FT | MOLDING/PLASTIC - 1" U-CHANNEL-1 3/8"FACE - WASHED MAPLE |
| 4E | 103186-02-11A | FT | MOLDING/PLASTIC - 1" U-CHAN'L-1 3/8" FACE - HONEY CHERRY |
| 4E | 103186-02-12A | FT | MOLDING/PLASTIC - 1" U-CHAN'L-1 3/8" FACE - SIERRA MAPLE |
| 5E | 104676-02-08A | FT | MOLDING-T - W/EDGE LIP - 11/16" FACE - PORTSMOUTH OAK |
| 5E | 104676-02-09A | FT | MOLDING-T - W/EDGE LIP - 11/16" FACE - CONCERT CHERRY |
| 5E | 104676-02-06A | FT | MOLDING-T - W/EDGE LIP - 11/16" FACE - WASHED MAPLE |
| 5E | 104676-02-10A | FT | MOLDING-T - W/EDGE LIP - 11/16" FACE - HONEY CHERRY |
| 5E | 104676-02-12A | FT | MOLDING-T - W/EDGE LIP - 11/16" FACE - SIERRA MAPLE |
| 6E | 105004-01-12A | EA | MOLDING - VINYL WRAPPED - 1" X 96" - PORTSMOUTH OAK |
| 6E | 105004-01-13A | EA | MOLDING - V W 8' - CONCERT CHERRY (U90/94/98/A1/A5/B1/C1/C5/D1/D5/E1/E5/F1/F5/G1/G5/H1/H5) |
| 6E | 105004-01-23A | EA | MOLDING - VINYL WRAPPD 1" X 8' - CONCERT CHERRY (UM1 THRU UM9, UN1 THRU UN9) |
| 6E | 105004-01-21A | EA | MOLDING - VINYL WRAPPED - 1" X 8' - WASHED MAPLE |
| 6E | 105004-01-24A | EA | MOLDING - VINYL WRAPPED - 1" X 8' - HONEY CHERRY |
| 6E | 105004-01-22A | EA | MOLDING - VINYL WRAPPED - 1" X 8' - SIERRA MAPLE |
| 7E | 105709-02-000 | FT | MOLDING-T - W/EDGE LIP 3/4" FACE - BEIGE ILLUSION |
| 8E | 116951-45-R68 | EA | MOLDING - TRIM - 3" X 30.3" - PORTSMOUTH OAK |
| 8E | 116951-45-R69 | EA | MOLDING - TRIM - 3" X 30.3" - CONCERT CHERRY |
| 8E | 116951-45-R76 | EA | MOLDING - TRIM - 3" X 30.3" - WASHED MAPLE |
| 8E | 116951-45-SA3 | EA | MOLDING - TRIM - 3" X 30.3" - SIERRA MAPLE |
| 9E | 116951-37-R68 | EA | MOLDING - TRIM - 3.5" X 38.6" - PORTSMOUTH OAK |
| 9E | 116951-37-R69 | EA | MOLDING - TRIM - 3.5" X 38.6" - CONCERT CHERRY |
| 9E | 116951-37-R76 | EA | MOLDING - TRIM - 3.5" X 38.6" - WASHED MAPLE |
| 9E | 116951-37-SA3 | EA | MOLDING - TRIM - 3.5" X 38.6" - SIERRA MAPLE |
| 9E | 116951-51-SA0 | EA | MOLDING - TRIM - 3.5" X 47.3" - PORTSMOUTH OAK |
| 9E | 116951-51-SA1 | EA | MOLDING - TRIM - 3.5" X 47.3" - CONCERT CHERRY |
| 9E | 116951-51-SA2 | EA | MOLDING - TRIM - 3.5" X 47.3" - WASHED MAPLE |
| 9E | 116951-51-SA3 | EA | MOLDING - TRIM - 3.5" X 47.3" - SIERRA MAPLE |

INTERIOR FINISH GROUP (CONTINUED)
MOLDINGS & TRIMS (CONTINUED)

| KEY | PART NUMBER | U/M | DESCRIPTION |
|-----|---------------|-----|------------------------------------------------|
| 9E | 116951-55-TD0 | EA | MOLDING - TRIM - 4.5" X 52.3" - PORTSMOUTH OAK |
| 9E | 116951-55-TD1 | EA | MOLDING - TRIM - 4.5" X 52.3" - CONCERT CHERRY |
| 9E | 116951-55-TD2 | EA | MOLDING - TRIM - 4.5" X 52.3" - WASHED MAPLE |
| 9E | 116951-55-TD3 | EA | MOLDING - TRIM - 4.5" X 52.3" - SIERRA MAPLE |
| 9E | 116951-56-TD0 | EA | MOLDING - TRIM - 4.5" X 52.3" - PORTSMOUTH OAK |
| 9E | 116951-56-TD1 | EA | MOLDING - TRIM - 4.5" X 52.3" - CONCERT CHERRY |
| 9E | 116951-56-TD2 | EA | MOLDING - TRIM - 4.5" X 52.3" - WASHED MAPLE |
| 9E | 116951-56-TD3 | EA | MOLDING - TRIM - 4.5" X 52.3" - SIERRA MAPLE |

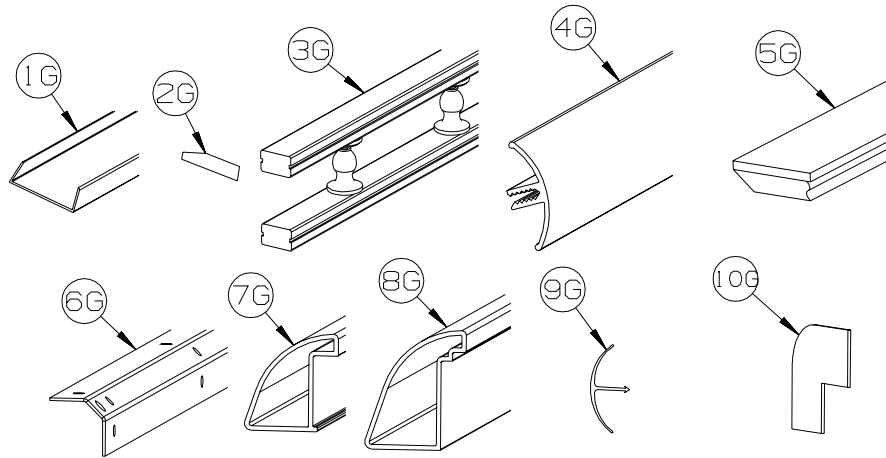


| KEY | PART NUMBER | U/M | DESCRIPTION |
|-----|---------------|-----|------------------------------------------------------------------------------------------------|
| 1F | 119520-01-01A | FT | MOLDING-T - OFFSET W/EDGE LIP - 1.3" FACE - OFF WHITE |
| 1F | 119520-03-03A | FT | MOLDING-T - OFFSET W/EDGE LIP - 1" FACE - WASHED MAPLE |
| 1F | 119520-03-06A | FT | MOLDING-T - OFFSET W/EDGE LIP - 1" FACE - HONEY CHERRY |
| 2F | 127842-01-01A | FT | SEAL - SIGHT SHIELD - 2" BLACK |
| | 137885-A2-438 | EA | LUMBER - VYL .75" - CONCERT CHERRY (U90/94/98/A1/A5/B1/C1/C5/D1/D5/E1/E5/F1/F5/G1/G5/H1/H5) |
| | 160300-A2-438 | EA | LUMBER - VINYL WRAPPED - .7" X .75" X 96" - CONCERT CHERRY (UM1 THRU UM9, UN1 THRU UN9) |
| | 137885-D2-438 | EA | LUMBER - VYL1.5" - CONCERT CHERRY (U90/94/98/A1/A5/B1/C1/C5/D1/D5/E1/E5/F1/F5/G1/G5/H1/H5) |
| | 160300-D2-438 | EA | LUMBER - VINYL WRAPPED - .7" X 1.5" X 96" - CONCERT CHERRY (UM1 THRU UM9, UN1 THRU UN9) |
| | 137885-E2-438 | EA | LUMBER - VYL2" - CONCERT CHERRY (U90/94/98/A1/A5/B1/C1/C5/D1/D5/E1/E5/F1/F5/G1/G5/H1/H5) |
| | 160300-E2-438 | EA | LUMBER - VINYL WRAPPED - .7" X 2" X 96" - CONCERT CHERRY (UM1 THRU UM9, UN1 THRU UN9) |
| | 137885-F2-438 | EA | LUMBER - VYL2.5" - CONCERT CHERRY (U90/94/98/A1/A5/B1/C1/C5/D1/D5/E1/E5/F1/F5/G1/G5/H1/H5) |
| | 160300-F2-438 | EA | LUMBER - VINYL WRAPPED - .7" X 2.5" X 96" - CONCERT CHERRY (UM1 THRU UM9, UN1 THRU UN9) |
| | 137885-G2-438 | EA | LUMBER - VYL3" - CONCERT CHERRY (U90/94/98/A1/A5/B1/C1/C5/D1/D5/E1/E5/F1/F5/G1/G5/H1/H5) |
| | 160300-G2-438 | EA | LUMBER - VINYL WRAPPED - .7" X 3" X 96" - CONCERT CHERRY (UM1 THRU UM9, UN1 THRU UN9) |
| | 137885-H2-438 | EA | LUMBER - VYL3.5" - CONCERT CHERRY (U90/94/98/A1/A5/B1/C1/C5/D1/D5/E1/E5/F1/F5/G1/G5/H1/H5) |
| | 160300-H2-438 | EA | LUMBER - VINYL WRAPPED - .7" X 3.5" X 96" - CONCERT CHERRY (UM1 THRU UM9, UN1 THRU UN9) |
| | 137885-J2-438 | EA | LUMBER - VYL5.5" - CONCERT CHERRY (U90/94/98/A1/A5/B1/C1/C5/D1/D5/E1/E5/F1/F5/G1/G5/H1/H5) |
| | 160300-J2-438 | EA | LUMBER - VINYL WRAPPED - .7" X 5.5" X 96" - CONCERT CHERRY (UM1 THRU UM9, UN1 THRU UN9) |
| | 137885-J2-743 | EA | LUMBER - VYL5.5" - CONCERT CHERRY (U90/94/98/A1/A5/B1/C1/C5/D1/D5/E1/E5/F1/F5/G1/G5/H1/H5) |
| | 160300-J2-743 | EA | LUMBER - VINYL WRAPPED - .7" X 5.5" X 108" - CONCERT CHERRY (UM1 THRU UM9, UN1 THRU UN9) |
| | 137885-K2-438 | EA | LUMBER - VYL3.9" - CONCERT CHERRY (U90/94/98/A1/A5/B1/C1/C5/D1/D5/E1/E5/F1/F5/G1/G5/H1/H5) |
| | 160300-K2-438 | EA | LUMBER - VINYL WRAPPED - .7" X 3.9" X 96" - CONCERT CHERRY (UM1 THRU UM9, UN1 THRU UN9) |
| | 137885-R2-438 | EA | LUMBER - VYL 3" - CONCERT CHERRY (U90/94/98/A1/A5/B1/C1/C5/D1/D5/E1/E5/F1/F5/G1/G5/H1/H5) |
| | 160300-R2-438 | EA | LUMBER - VINYL WRAPPED - .7" X 3" X 96" - CONCERT CHERRY (UM1 THRU UM9, UN1 THRU UN9) |
| 3F | 137887-D2-134 | EA | MOLDING - 1.6" X 84" - CONCERT CHERRY (U90/94/98/A1/A5/B1/C1/C5/D1/D5/E1/E5/F1/F5/G1/G5/H1/H5) |
| 3F | 160301-D2-134 | EA | MOLDING - VINYL WRAPPED - .7" X 1.6" X 84" - CONCERT CHERRY (UM1 THRU UM9, UN1 THRU UN9) |
| 3F | 137887-D2-743 | EA | MLDG - 1.6" X 108" - CONCERT CHERRY (U90/94/98/A1/A5/B1/C1/C5/D1/D5/E1/E5/F1/F5/G1/G5/H1/H5) |
| 3F | 160301-D2-743 | EA | MOLDING - VINYL WRAPPED - .7" X 1.6" X 108" - CONCERT CHERRY (UM1 THRU UM9, UN1 THRU UN9) |
| 3F | 137887-F2-134 | EA | MLDNG - 2.5" X 84" - CONCERT CHERRY (U90/94/98/A1/A5/B1/C1/C5/D1/D5/E1/E5/F1/F5/G1/G5/H1/H5) |
| 3F | 160301-F2-134 | EA | MOLDING - VINYL WRAPPED - .7" X 2.5" X 84" - CONCERT CHERRY (UM1 THRU UM9, UN1 THRU UN9) |
| 3F | 137887-F2-743 | EA | MLDG - 2.5" X 108" - CONCERT CHERRY (U90/94/98/A1/A5/B1/C1/C5/D1/D5/E1/E5/F1/F5/G1/G5/H1/H5) |
| 3F | 160301-F2-743 | EA | MOLDING - VINYL WRPPD - .7" X 2.5" X 108" - CONCERT CHERRY (UM1 THRU UM9, UN1 THRU UN9) |
| 3F | 137887-F2-438 | EA | MLDG - 2.5" X 96" - CONCERT CHERRY (U90/94/98/A1/A5/B1/C1/C5/D1/D5/E1/E5/F1/F5/G1/G5/H1/H5) |
| 3F | 160301-F2-438 | EA | MOLDING - VINYL WRPPD - .7" X 2.5" X 96" - CONCERT CHERRY (UM1 THRU UM9, UN1 THRU UN9) |
| | 137894-A2-438 | EA | LUMBER - VINYL WRAPPED - .7" X .75" X 96" - PORTSMOUTH OAK |
| | 137894-D2-438 | EA | LUMBER - VINYL WRAPPED - .7" X 1.5" X 96" - PORTSMOUTH OAK |
| | 137894-E2-438 | EA | LUMBER - VINYL WRAPPED - .7" X 2" X 96" - PORTSMOUTH OAK |
| | 137894-F2-438 | EA | LUMBER - VINYL WRAPPED - .7" X 2.5" X 96" - PORTSMOUTH OAK |
| | 137894-G2-438 | EA | LUMBER - VINYL WRAPPED - .7" X 3" X 96" - PORTSMOUTH OAK |
| | 137894-H2-438 | EA | LUMBER - VINYL WRAPPED - .7" X 3.5" X 96" - PORTSMOUTH OAK |
| | 137894-J2-438 | EA | LUMBER - VINYL WRAPPED - .7" X 5.5" X 80.2" - PORTSMOUTH OAK |
| | 137894-J2-743 | EA | LUMBER - VINYL WRAPPED - .7" X 5.5" X 96" - PORTSMOUTH OAK |
| | 137894-K2-438 | EA | LUMBER - VINYL WRAPPED - .7" X 3.9" X 96" - PORTSMOUTH OAK |
| | 137894-R2-438 | EA | LUMBER - VINYL WRAPPED - .7" X 3" X 96" - PORTSMOUTH OAK |

INTERIOR FINISH GROUP (CONTINUED)
MOLDINGS & TRIMS (CONTINUED)

| KEY | PART NUMBER | U/M | DESCRIPTION |
|-----|---------------|-----|--------------------------------------------------------------|
| 3F | 137895-D2-134 | EA | MOLDING - VINYL WRAPPED - .7" X 1.6" X 84"-PORTSMOUTH OAK |
| 3F | 137895-D2-743 | EA | MOLDING - VINYL WRAPPED - .7" X 1.6" X 108"-PORTSMOUTH OAK |
| 3F | 137895-F2-438 | EA | MOLDING - VINYL WRAPPED - .7" X 2.5" X 96" - PORTSMOUTH OAK |
| 3F | 137895-F2-743 | EA | MOLDING - VINYL WRAPPED - .7" X 2.5" X 108" - PORTSMOUTH OAK |
| | 146419-A2-438 | EA | LUMBER - VINYL WRAPPED - .7" X .75" X 96" - HONEY CHERRY |
| | 146419-D2-438 | EA | LUMBER - VINYL WRAPPED - .7" X 1.5" X 96" - HONEY CHERRY |
| | 146419-E2-438 | EA | LUMBER - VINYL WRAPPED - .7" X 2" X 96" - HONEY CHERRY |
| | 146419-F2-438 | EA | LUMBER - VINYL WRAPPED - .7" X 2.5" X 96" - HONEY CHERRY |
| | 146419-G2-438 | EA | LUMBER - VINYL WRAPPED - .7" X 3" X 96" - HONEY CHERRY |
| | 146419-H2-438 | EA | LUMBER - VINYL WRAPPED - .7" X 3.5" X 96" - HONEY CHERRY |
| | 146419-J2-438 | EA | LUMBER - VINYL WRAPPED - .7" X 5.5" X 96" - HONEY CHERRY |
| | 146419-J2-743 | EA | LUMBER - VINYL WRAPPED - .7" X 5.5" X 108" - HONEY CHERRY |
| | 146419-K2-438 | EA | LUMBER - VINYL WRAPPED - .7" X 3.9" X 96" - HONEY CHERRY |
| | 146419-R2-438 | EA | LUMBER - VINYL WRAPPED - .7" X 3" X 96" - HONEY CHERRY |
| | 146419-S2-438 | EA | LUMBER - VINYL WRAPPED/FULL - .7"X 3.5"X 96"- HONEY CHERRY |
| | 146419-T2-438 | EA | LUMBER - VINYL WRAPPED/FULL - .7"X 5.5"X 96"- HONEY CHERRY |
| 3F | 146425-D2-134 | EA | MOLDING - VINYL WRAPPED - .7" X 1.6" X 83.9" - HONEY CHERRY |
| 3F | 146425-F2-438 | EA | MOLDING - VINYL WRAPPED - .7" X 2.6" X 96" - HONEY CHERRY |
| | 149325-A2-438 | EA | LUMBER - VINYL WRAPPED - .7" X .75" X 96" - WASHED MAPLE |
| | 149325-D2-438 | EA | LUMBER - VINYL WRAPPED - .7" X 1.5" X 96" - WASHED MAPLE |
| | 149325-E2-438 | EA | LUMBER - VINYL WRAPPED - .7" X 2" X 96" - WASHED MAPLE |
| | 149325-F2-438 | EA | LUMBER - VINYL WRAPPED - .7" X 2.5" X 96" - WASHED MAPLE |
| | 149325-G2-438 | EA | LUMBER - VINYL WRAPPED - .7" X 3" X 96" - WASHED MAPLE |
| | 149325-H2-438 | EA | LUMBER - VINYL WRAPPED - .7" X 3.5" X 96" - WASHED MAPLE |
| | 149325-J2-438 | EA | LUMBER - VINYL WRAPPED - .7" X 5.5" X 96" - WASHED MAPLE |
| | 149325-J2-743 | EA | LUMBER - VINYL WRAPPED - .7" X 5.5" X 108" - WASHED MAPLE |
| | 149325-K2-438 | EA | LUMBER - VINYL WRAPPED - .7" X 3.9" X 96" - WASHED MAPLE |
| | 149325-R2-438 | EA | LUMBER - VINYL WRAPPED - .7" X 3" X 96" - WASHED MAPLE |
| 3F | 149326-D2-134 | EA | MOLDING - VINYL WRAPPED - .7" X 1.5" X 83.9" - WASHED MAPLE |
| 3F | 149326-D2-743 | EA | MOLDING - VINYL WRAPPED - .7" X 1.5" X 108" - WASHED MAPLE |
| 3F | 149326-F2-134 | EA | MOLDING - VINYL WRAPPED - .7" X 2.5" X 83.9" - WASHED MAPLE |
| 3F | 149326-F2-438 | EA | MOLDING - VINYL WRAPPED - .7" X 2.5" X 96" - WASHED MAPLE |
| 3F | 149326-F2-743 | EA | MOLDING - VINYL WRAPPED - .7" X 2.5" X 108" - WASHED MAPLE |
| | 149330-A2-438 | EA | LUMBER - VINYL WRAPPED - .7" X .75" X 96" - SIERRA MAPLE |
| | 149330-D2-438 | EA | LUMBER - VINYL WRAPPED - .7" X 1.5" X 96" - SIERRA MAPLE |
| | 149330-E2-438 | EA | LUMBER - VINYL WRAPPED - .7" X 2" X 96" - SIERRA MAPLE |
| | 149330-F2-438 | EA | LUMBER - VINYL WRAPPED - .7" X 2.5" X 96" - SIERRA MAPLE |
| | 149330-G2-438 | EA | LUMBER - VINYL WRAPPED - .7" X 3" X 96" - SIERRA MAPLE |
| | 149330-H2-438 | EA | LUMBER - VINYL WRAPPED - .7" X 3.5" X 96" - SIERRA MAPLE |
| | 149330-J2-438 | EA | LUMBER - VINYL WRAPPED - .7" X 5.5" X 96" - SIERRA MAPLE |
| | 149330-J2-743 | EA | LUMBER - VINYL WRAPPED - .7" X 5.5" X 108" - SIERRA MAPLE |
| | 149330-K2-438 | EA | LUMBER - VINYL WRAPPED - .7" X 3.9" X 96" - SIERRA MAPLE |
| | 149330-R2-438 | EA | LUMBER - VINYL WRAPPED - .7" X 3" X 96" - SIERRA MAPLE |
| 3F | 149331-D2-134 | EA | MOLDING - VINYL WRAPPED - .7" X 1.5" X 83.9" - SIERRA MAPLE |
| 3F | 149331-D2-743 | EA | MOLDING - VINYL WRAP - .7" X 1.5" X 108" - SIERRA MAPLE |
| 3F | 149331-F2-134 | EA | MOLDING - VINYL WRAPPED - .7" X 2.5" X 83.9" - SIERRA MAPLE |
| 3F | 149331-F2-438 | EA | MOLDING - VINYL WRAPPED - .7" X 2.5" X 96" - SIERRA MAPLE |
| 3F | 149331-F2-743 | EA | MOLDING - VINYL WRAPPED - .7" X 2.5" X 108" - SIERRA MAPLE |

INTERIOR FINISH GROUP (CONTINUED)
MOLDINGS & TRIMS (CONTINUED)

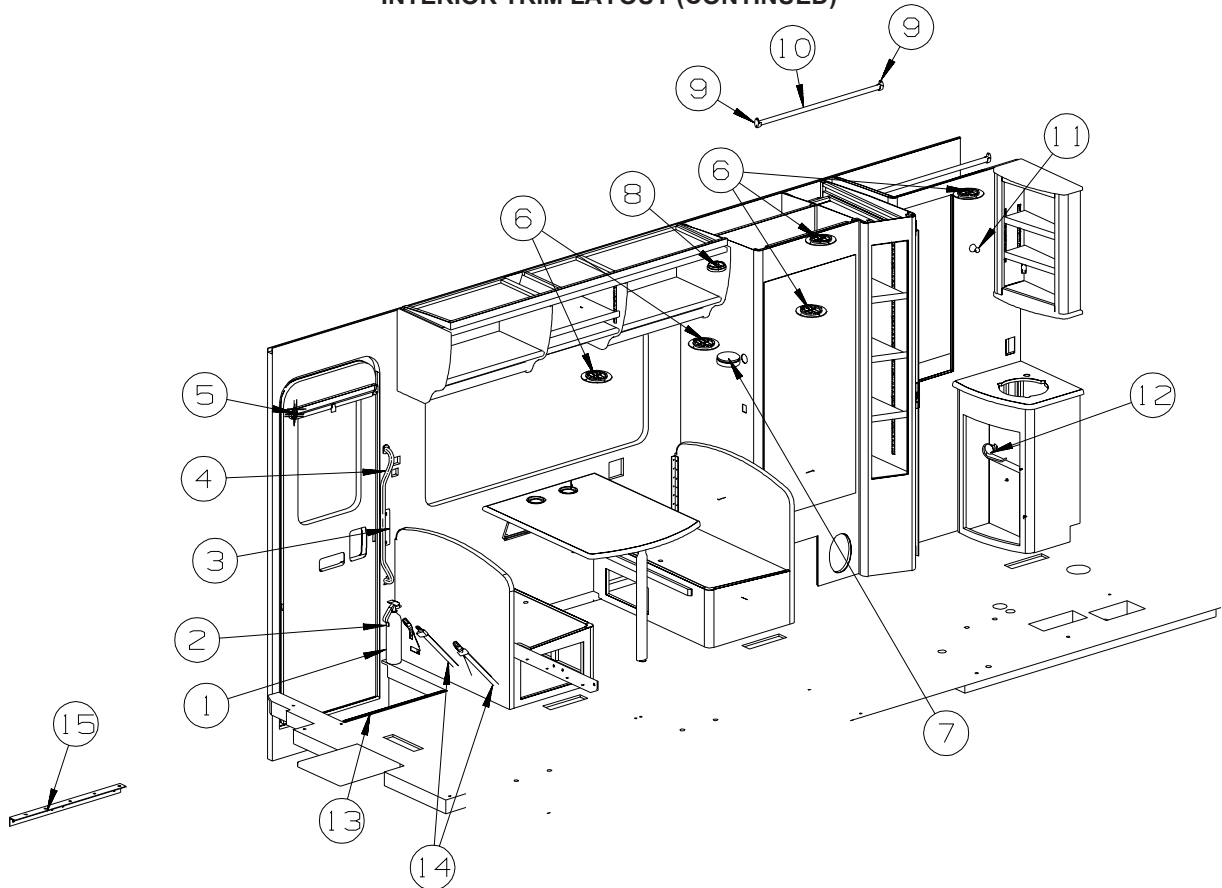


| KEY | PART NUMBER | U/M | DESCRIPTION |
|-----|---------------|-----|---------------------------------------------------------------------------------|
| 1G | 141260-01-01A | FT | U-CHANNEL - 1" - VILLAGE OAK |
| 1G | 141260-01-02A | FT | U-CHANNEL - 1" - GRADY BROWN |
| 1G | 141260-02-01A | FT | U-CHANNEL - 1 1/8" - VILLAGE OAK |
| 1G | 141260-02-02A | FT | U-CHANNEL - 1 1/8" - GRADY BROWN |
| 2G | 146306-01-01A | FT | TRANSITION - CARPET/TILE |
| 3G | 150167-01-07A | EA | RAIL - DECORATIVE - 96" W/O REVERSE SIDE GROOVE - PORTSMOUTH OAK |
| 3G | 150167-01-02A | EA | RAIL - DECORATIVE - 96" W/O REVERSE SIDE GROOVE - SALEM CHERRY - CONCERT CHERRY |
| 3G | 150167-01-03A | EA | RAIL - DECORATIVE - 96" W/O REVERSE SIDE GROOVE - WASHED MAPLE |
| 3G | 150167-01-09A | EA | RAIL - DECORATIVE - 96" W/O REVERSE SIDE GROOVE - SIERRA MAPLE |
| 4G | 151653-10-02A | EA | TRIM/RADIUS - CABINET CORNER - 79.6" - DULL METALLIC |
| 4G | 151653-13-02A | EA | TRIM/RADIUS - CABINET CORNER - 79.8" - DULL METALLIC |
| 5G | 151676-26-S46 | EA | MOLDING/TRIM - .75" X 1.6" X 80.2" - PORTSMOUTH OAK |
| 5G | 151676-26-S47 | EA | MOLDING/TRIM - .75" X 1.6" X 80.2" - CONCERT CHERRY |
| 5G | 151676-26-S48 | EA | MOLDING/TRIM - .75" X 1.6" X 80.2" - WASHED MAPLE |
| 5G | 151676-26-SR0 | EA | MOLDING/TRIM - .75" X 1.6" X 80.2" - SIERRA MAPLE |
| 6G | 151861-05-02B | EA | ANGLE - SUPPORT/CORNER - 1.4" X 78.6" - E-COATED |
| 7G | 151893-01-02A | EA | TRIM/RADIUS - CABINET BOTTOM - 72.6" - DULL METALLIC |
| 8G | 152077-01-02A | EA | TRIM/RADIUS - CABINET BOTTOM - 27.7" - DULL METALLIC |
| 9G | 156464-01-01A | FT | MOLDING - CORNER - RADIUS/PLASTIC - 8' - HONEY CHERRY |
| 9G | 156464-01-02A | FT | MOLDING - CORNER - RADIUS/PLASTIC - 8' - WASHED MAPLE |
| 9G | 156464-01-03A | FT | MOLDING - CORNER - RADIUS/PLASTIC - 8' - BONE |
| 10G | 160989-01-06A | FT | CAP - CORNER - RADIUS MOLDING - PLASTIC - WASHED MAPLE |
| 10G | 160989-01-07A | FT | CAP - CORNER - RADIUS MOLDING - PLASTIC - HONEY CHERRY |

INTERIOR FINISH GROUP (CONTINUED)
PANELING & LAMINATES

| KEY | PART NUMBER | U/M | DESCRIPTION |
|------------|--------------------|------------|------------------------------------------------------------------------|
| | 057882-05-000 | SF | TAMBOUR - 48" X 96" SHEET - UNFINISHED - WASHED MAPLE |
| | 057882-06-000 | SF | TAMBOUR - 48" X 96" SHEET - UNFINISHED - HONEY CHERRY |
| | 000885-B4-000 | SF | PARTICLE BOARD - 3/8" X 4' X 8'- WASHED MAPLE - 2 SIDED - WASHED MAPLE |
| | 000885-B5-000 | SF | PARTICLE BOARD - 3/8" X 4' X 8'- WASHED MAPLE - 1 SIDED - WASHED MAPLE |
| | 000885-B6-000 | SF | PARTICLE BOARD - 3/4" X 4' X 8'- WASHED MAPLE - 2 SIDED - WASHED MAPLE |
| | 000885-A7-000 | SF | PARTICLE BOARD - 3/4" X 4' X 8'- HONEY CHERRY - 2 SIDED - HONEY CHERRY |
| | 000885-A8-000 | SF | PARTICLE BOARD - 3/8" X 4' X 8'- HONEY CHERRY - 1 SIDED - HONEY CHERRY |
| | 000885-A9-000 | SF | PARTICLE BOARD - 3/8" X 4' X 8'- HONEY CHERRY - 2 SIDED - HONEY CHERRY |
| | 000885-C3-000 | SF | PARTICLE BOARD - 3/8" X 4' X 8' - WHITE THATCH EMB-1 SIDED |
| | 074498-A2-000 | SF | LAMINATE - PLASTIC - PHANTOM GRAY - 5' X 8' |
| | 074498-B9-000 | SF | LAMINATE - PLASTIC - SUNSTONE - 5' X 8' |
| | 074498-C0-000 | SF | LAMINATE - PLASTIC - PUNCHED STAINLESS - 5' X 8' |
| | 079653-39-000 | EA | BATT STRIP - KERFED - WASHED MAPLE - 8' - WASHED MAPLE |
| | 088263-J2-000 | EA | BATT STRIP - DECORATIVE - NEAT - WASHED MAPLE |
| | 079653-50-000 | EA | BATT STRIP - KERFED - HONEY CHERRY - 8' - HONEY CHERRY |
| | 088263-K7-000 | EA | BATT STRIP - DECORATIVE - RATTAN - 8' |
| | 085284-J5-000 | FT | BATT TAPE - ADHESIVE BACKED - DECORATIVE-NEAT - WASHED MAPLE |
| | 085284-J6-000 | FT | BATT TAPE - ADHESIVE BACKED - DECORATIVE - HONEY CHERRY |
| | 085284-L1-000 | FT | BATT TAPE - ADHESIVE BACKED - DECORATIVE - RATTAN |
| | 074497-49-000 | SF | PANELING - WASHED MAPLE - 1/8" X 4' X 8' - WASHED MAPLE |
| | 076773-20-000 | SF | PANELING - 2 SIDED/WASHED MAPLE - 1/8" X 4' X 8' - WASHED MAPLE |
| | 076773-25-000 | SF | PANELING - 1 SIDE/NEAT WASHED MAPLE - 1/8" X 4' X 7' - WASHED MAPLE |
| | 074497-47-000 | SF | PANELING - HONEY CHERRY - 1/8" X 4' X 8' - HONEY CHERRY |
| | 076773-18-000 | SF | PANELING - 2 SIDED/HONEY CHERRY - 1/8" X 4' X 8' - HONEY CHERRY |
| | 076773-23-000 | SF | PANELING - 1 SIDE/HONEY CHERRY - 1/8" X 4' X 7' - HONEY CHERRY |
| | 088272-M9-000 | SF | PANELING - WHITE THATCHED - 4' X 8' |
| | 088272-N1-000 | SF | PANELING - OASIS/RATTAN - 4' X 7.4' |
| | 088272-L3-000 | SF | PANELING - TEAHOUSE - 4' X 7' |
| | | | FROM: 00-00-00 THRU: 01-16-06 |
| | 076325-71-000 | FT | MOLDING - EDGE BAND - 1 5/16" X .038" - GRAY |

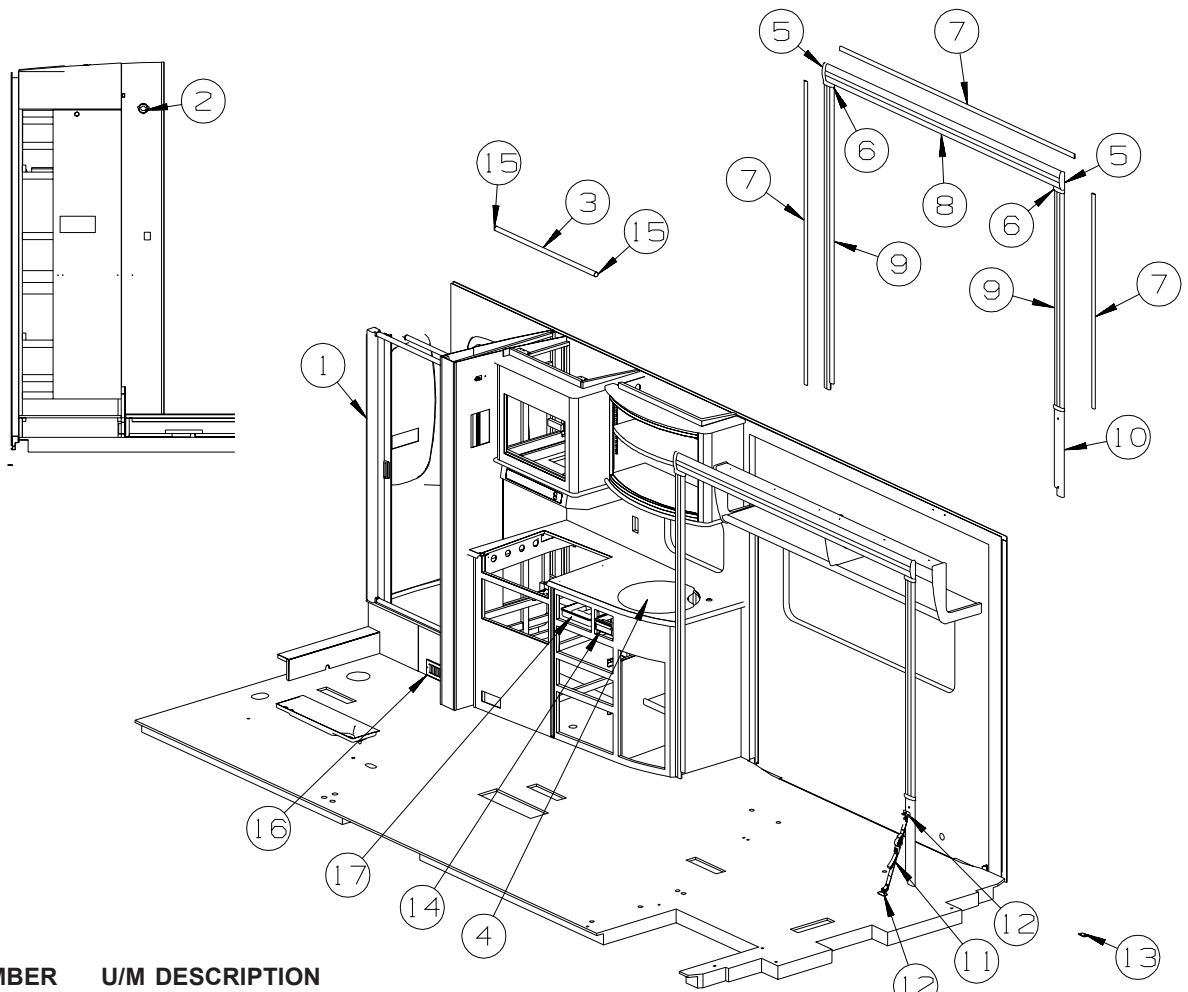
INTERIOR FINISH GROUP (CONTINUED)
INTERIOR TRIM LAYOUT (CONTINUED)



| KEY | PART NUMBER | U/M | DESCRIPTION |
|-----|---------------|-----|----------------------------------------------------------|
| 1* | 094499-02-000 | EA | EXTINGUISHER/FIRE - DRY - 10BC - W/GAUGE - CANADIAN |
| 1 | 094499-03-000 | EA | EXTINGUISHER/FIRE - DRY - 10BC - W/GAUGE/BRACKET |
| 2 | 094499-04-000 | EA | STRAP - FIRE EXTINGUISHER MOUNTING - METAL |
| 3 | 148362-01-01A | EA | COVER - BRACKET/STRIKE - BRIGHT WHITE |
| | | | FROM: 00-00-00 THRU: 07-31-06 |
| 3 | 148362-01-02A | EA | COVER - BRACKET/STRIKE - MEDIUM OAK |
| | | | FROM: 08-01-06 THRU: 99-99-99 |
| | 140151-02-02A | EA | COVER - SCREW - BRIGHT WHITE |
| | | | FROM: 00-00-00 THRU: 07-31-06 |
| | 140151-02-03A | EA | COVER - SCREW - MEDIUM OAK |
| | | | FROM: 08-01-06 THRU: 99-99-99 |
| 4 | 137605-02-01A | EA | HAND RAIL - INTERIOR ENTRY DOOR - BLACK |
| 5 | 144628-03-01A | EA | SHADE - SCREEN DOOR - 20.1" X 33.4" - BRIGHT WHITE/TAUPE |
| 6 | 120134-01-02A | EA | REGISTER - W/DAMPER - 4" PIPE/6.4" O.D. FACE - WHITE |
| 7 | 125136-02-000 | EA | DETECTOR/CO - GAS MODEL - 9 VOLT |
| 8 | 072852-01-000 | EA | DETECTOR - SMOKE - W/9 VOLT BATTERY - US |
| 8 | 072852-02-000 | EA | DETECTOR - SMOKE - W/9 VOLT BATTERY - CANADIAN |
| | 077956-01-000 | EA | LABEL - WARNING/SMOKE DETECTOR |
| 9 | 152301-01-01A | EA | FLANGE - PLASTIC - 1" CLOTHES ROD HOLDER - WHITE |
| 10 | Y00136-21-218 | EA | DOWEL - WOOD - CLOTHES ROD - 1"DIAMETER X 4' |
| | 041953-03-000 | EA | CONDUIT - CONVOLUTE SLIT - 1" ID (CLOTHES ROD COVER) |
| 11 | 132046-03-02A | EA | RING - TOWEL - CHROME |
| 12 | 140973-01-02A | EA | HOLDER - TOILET TISSUE - CHROME |
| 13 | 139955-22-02A | EA | TRIM - STEP/ENTRY - 27.7" - TITANIUM |
| 14 | 160167-02-01A | EA | SEAT BELT - 2" X 90" - BLACK |
| 15 | 151078-02-02B | EA | BRACKET - MOUNTING - SEAT BELT - E-COATED |

*COMPONENT PARTS LISTED LATER IN THIS GROUP

INTERIOR FINISH GROUP (CONTINUED)
INTERIOR TRIM LAYOUT (CONTINUED)



| KEY | PART NUMBER | U/M | DESCRIPTION |
|-----|---------------|-----|--------------------------------------------------------------------------|
| 1 | 151578-01-02A | EA | DOOR - SHOWER - 36.3" X 61.9" - WHT OPAQUE SCREEN/WHITE |
| 2 | 145849-03-02A | EA | HOOK - ROBE - CHROME |
| 3 | 102075-06-02A | EA | ROD - SHOWER CURTAIN - 1" OD X 33.5" - SOFT WHITE |
| 4 | 152198-01-T01 | EA | COVER - SINK (U13, U15, U27) |
| 4 | 152198-01-T02 | EA | COVER - SINK (U14, U16, U28) |
| 5 | 156636-02-U17 | EA | MOLDING/BLOCK - .8" X 4" - WASHED MAPLE FROM: 00-00-00 THRU: 02-12-06 |
| 5 | 156636-05-U17 | EA | MOLDING/BLOCK - .8" X 4" - WASHED MAPLE FROM: 02-13-06 THRU: 99-99-99 |
| 5 | 156636-02-U21 | EA | MOLDING/BLOCK - .8" X 4" - HONEY CHERRY FROM: 00-00-00 THRU: 02-12-06 |
| 5 | 156636-05-U21 | EA | MOLDING/BLOCK - .8" X 4" - HONEY CHERRY FROM: 02-13-06 THRU: 99-99-99 |
| 6 | 156636-04-U17 | EA | MOLDING/BLOCK - .8" X 3.1" - WASHED MAPLE |
| 6 | 156636-04-U21 | EA | MOLDING/BLOCK - .8" X 3.1" - HONEY CHERRY |
| 7 | M09520-83-U22 | EA | MOLDING/TRIM - .3" X 1" X 78.9" - WASHED MAPLE |
| 7 | M09520-83-U21 | EA | MOLDING/TRIM - .3" X 1" X 78.9" - HONEY CHERRY |
| 8 | Y00361-A2-438 | EA | MOLDING - VINYL/CURVED - 3.9" X 96" - WASHED MAPLE |
| 8 | Y00361-82-438 | EA | MOLDING - VINYL/CURVED - 3.9" X 96" - HONEY CHERRY |
| 9 | Y00360-A2-438 | EA | MOLDING - VINYL/CURVED - 3" X 96" - WASHED MAPLE |
| 9 | Y00360-82-438 | EA | MOLDING - VINYL/CURVED - 3" X 96" - HONEY CHERRY |
| 10 | 153973-03-U17 | EA | MOLDING - CROWN/BLOCK - 3.1" X 20.4" - WASHED MAPLE |
| 10 | 153973-03-U18 | EA | MOLDING - CROWN/BLOCK - 3.1" X 20.4" - HONEY CHERRY |
| 11 | 135619-01-01A | EA | STRAP - TIEDOWN - SLIDEOUT ROOM |
| 12 | 135619-02-01A | EA | PLATE - TIEDOWN - SLIDEOUT ROOM |
| 13 | 135622-01-01A | EA | PLATE - TIEDOWN - SLIDEOUT ROOM |
| 14 | 108128-01-01A | EA | TRAY - HIDDEN |
| | 108127-01-01A | EA | CAP - TRAY |
| 15 | 081114-02-000 | EA | CAP - INSERT/ROUND - 1" DIAMETER - WHITE PLASTIC |
| 16 | 137965-01-02A | EA | REGISTER - 11.2" X 3.6"(9.7 X 2.1"R/O) W/O DAMPER-ANT PWTR |
| 17 | 100081-01-01A | EA | TRAY - SILVERWARE - 9" X 13.3" RUBBERMAID ALMOND PLASTIC |

INTERIOR FINISH GROUP (CONTINUED)
COMPONENT PARTS FOR INTERIOR TRIM LAYOUT

094499-02-000

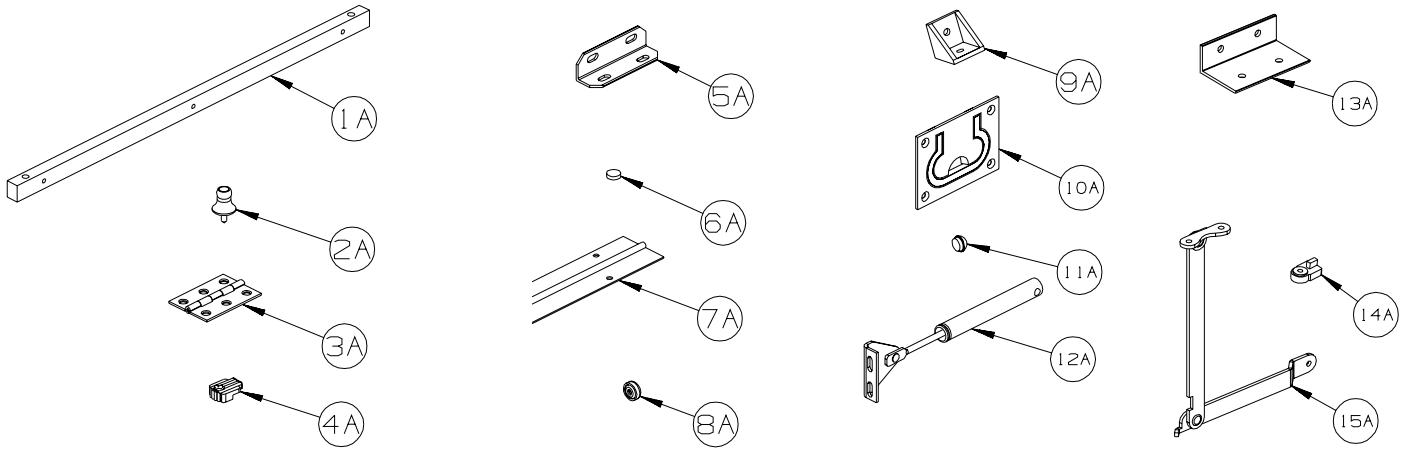
| KEY | PART NUMBER | U/M DESCRIPTION | VENDOR NO |
|-----|---------------|-------------------------------|-----------|
| | 094499-01-700 | EA BRACKET MTG. W/PLAS. STRAP | 294039 |

FLOOR COVERINGS

| KEY | PART NUMBER | U/M DESCRIPTION |
|-----|---------------|----------------------------------------------------------------------------------------------------------|
| | 042720-36-000 | SY VINYL - FLOOR COVERING - 7.5' WIDE - CAMEL |
| | 075233-01-000 | SY PAD - CARPET - 3/8" X 6'W ROLL - SOLD BY THE SQUARE YARD |
| | 093486-01-000 | SY CARPET - COMPARTMENT - 72" WIDE - DARK GRAY |
| | 152251-01-02A | SY CARPET - 4 SQUARE YARD INCREMENTS - TAUPE (U13, U14) FROM: 00-00-00 THRU: 04-02-06 |
| | 152251-07-03A | SY CARPET - 4 SQUARE YARD INCREMENTS - COLUMBIAN SUPREME (U13, U14) FROM: 04-03-06 THRU: 99-99-99 |
| | 152251-01-01A | SY CARPET - 4 SQUARE YARD INCREMENTS - BEIGE (U15, U16, U27, U28) FROM: 00-00-00 THRU: 02-22-06 |
| | 152251-07-02A | SY CARPET - 4 SQUARE YARD INCREMENTS - WARM PASTRY (U15, U16, U27, U28) FROM: 02-23-06 THRU: 99-99-99 |
| | 152251-05-02A | SY CARPET - 4 SQUARE YARD INCREMENTS - BURLWOOD |

INTERIOR FINISH GROUP (CONTINUED)

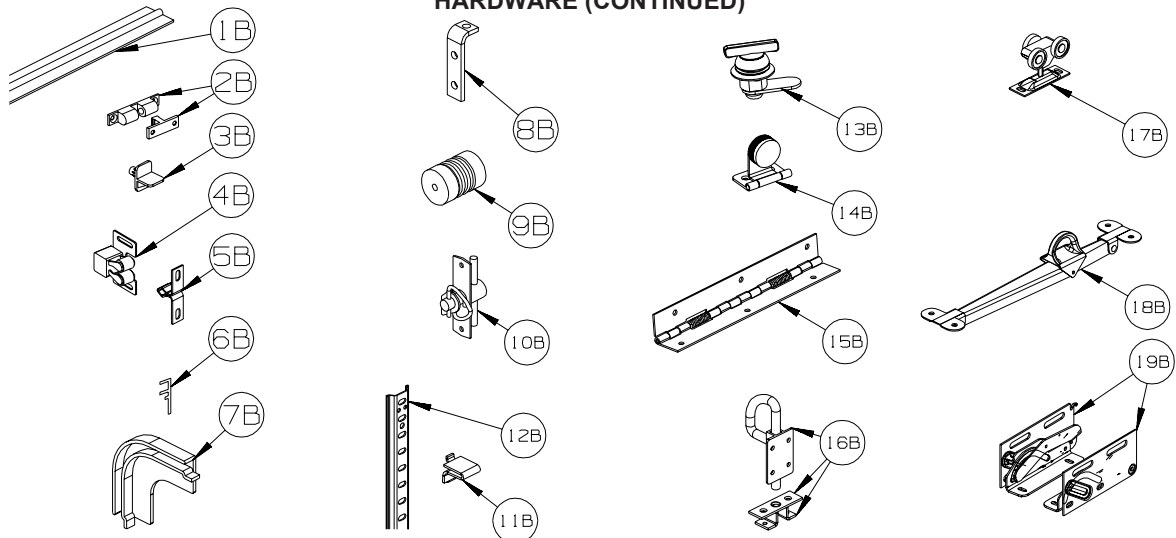
HARDWARE



| KEY | PART NUMBER | U/M | DESCRIPTION |
|-----|---------------|-----|----------------------------------------------------|
| 1A | P34509-01-N01 | EA | RAIL END - RH/LH - TOWEL RACK - PORTSMOUTH |
| 1A | P34509-01-P14 | EA | RAIL END - RH/LH - TOWEL RACK - CONCERT CHERRY |
| 1A | P34509-01-J70 | EA | RAIL END - RH/LH - TOWEL RACK - WASHED MAPLE |
| 1A | P34509-01-RE0 | EA | RAIL END - RH/LH - TOWEL RACK - HONEY CHERRY |
| 1A | P34509-01-SA3 | EA | RAIL END - RH/LH - TOWEL RACK - SIERRA MAPLE |
| 2A | 009013-01-000 | EA | CATCH - BULLDOG - MALE/FEMALE |
| 3A | 009059-01-000 | EA | HINGE - DOOR - 2" X 1.4" - BRASS |
| 3A | 009059-02-000 | EA | HINGE - DOOR - 2" X 2.7" - BRASS |
| 3A | 009059-03-000 | EA | HINGE - BRASS - 1.75" |
| 3A | 009059-04-000 | EA | HINGE - 2" - ZINC |
| 4A | 009089-01-000 | EA | CLIP - MIRROR |
| 5A | 016604-01-000 | EA | BRACE - ANGLE - 2 1/2" - UNPAINTED METAL |
| 5A | 016604-05-000 | EA | BRACE - ANGLE - 2 1/2" - OFF WHITE METAL |
| 5A | 016604-10-000 | EA | BRACE - SEAT ANGLE - 2.5" - BLACK |
| 6A | 023320-01-000 | EA | PAD - FELT 3/8" DIAMETER |
| 7A | 041389-19-000 | EA | HINGE - PIANO - 1 1/2" X 71.9" - UNPAINTED |
| 7A | 041389-25-000 | EA | HINGE - PIANO - 1 1/2" X 55" - UNPAINTED |
| 7A | 041389-32-000 | EA | HINGE - PIANO - 68" - OFF WHITE |
| 8A | 057671-01-000 | EA | COVER - SCREW - #8 - OFF WHITE |
| 8A | 057671-15-000 | EA | COVER - SCREW - #8 - BRIGHT WHITE |
| 8A | 057671-16-000 | EA | COVER - SCREW - #8 - SOFT WHITE |
| 8A | 057671-18-000 | EA | COVER - SCREW - #8 - OFF WHITE |
| 9A | 065740-01-000 | EA | BRACE - CABINET/CORNER - PLASTIC |
| 10A | 072871-01-000 | EA | PULL - FLUSH - CHROME |
| 11A | 074045-13-000 | EA | PLUG - OAK - 3/8" DOWEL-1/2" HEAD - PORTSMOUTH OAK |
| 11A | 074045-08-000 | EA | PLUG - OAK - 3/8" DOWEL-1/2" HEAD - CONCERT CHERRY |
| 11A | 074045-12-000 | EA | PLUG - OAK - 3/8" DOWEL-1/2" HEAD - WASHED MAPLE |
| 11A | 074045-14-000 | EA | PLUG - OAK - 3/8" DOWEL-1/2" HEAD - HONEY CHERRY |
| 11A | 074045-15-000 | EA | PLUG - OAK - 3/8" DOWEL-1/2" HEAD - SIERRA MAPLE |
| 12A | 074493-02-000 | EA | SUPPORT - PISTON SPRING - CABINET DOOR - 26 LBS |
| 12A | 074493-03-000 | EA | SUPPORT - PISTON SPRING - CABINET DOOR - 12 LBS |
| 12A | 074493-04-000 | EA | SUPPORT - PISTON SPRING - CABINET DOOR - 32LBS |
| 13A | 156732-01-01A | EA | BRACE - ANGLE/COUCH - 2.5" - MILL |
| 13A | 156732-01-02A | EA | BRACE - ANGLE/COUCH - 2.5" - OFF WHITE |
| 13A | 156732-03-01A | EA | BRACE - ANGLE/COUCH - BLACK |
| 14A | 083204-03-000 | EA | BUTTON - RETAINING MIRROR 5/16" TIP |
| 15A | 084412-01-000 | EA | SUPPORT/HINGE KIT (LEFT & RIGHT HINGES) |

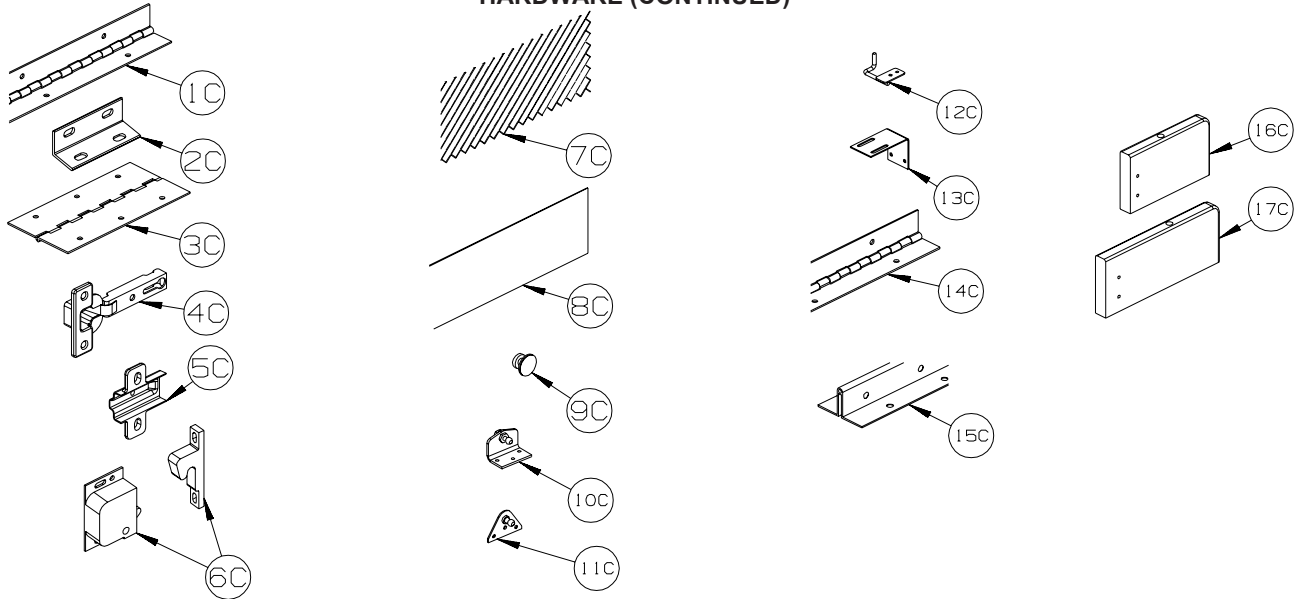
INTERIOR FINISH GROUP (CONTINUED)

HARDWARE (CONTINUED)



| KEY | PART NUMBER | U/M | DESCRIPTION |
|-----|---------------|-----|-----------------------------------------------------------|
| 1B | 084413-01-000 | EA | HINGE - 1" X 72" - ALUMINUM - W/HOLES |
| 2B | 084451-01-000 | EA | CATCH & LATCH - 1.7" - BRASS |
| 3B | 092907-01-000 | EA | SUPPORT - SHELF - PIN - 1/4" - CLEAR PLASTIC |
| 4B | 093586-03-000 | EA | CATCH - SPRING ROLLER - .377" |
| 4B | 093586-06-000 | EA | CATCH - SPRING ROLLER - .236" |
| 5B | 093586-04-000 | EA | STRIKE - SPRING STEEL - 1.14" |
| 6B | 093622-01-000 | EA | TRACK - DOOR - TAMBOUR - PLASTIC - 8' LENGTHS |
| 7B | 093623-01-000 | EA | CORNER - TRACK - TAMBOUR DOOR |
| 8B | 096826-01-01A | EA | BRACE-CABINET E-COATED |
| 9B | 097872-04-000 | EA | DOWEL - WOOD - 1" DIAMETER X 1.38" LONG - UNFINISHED |
| 10B | 098196-01-000 | EA | LATCH - 1/4 TURN - T-BAR |
| 11B | 098979-01-000 | EA | CLIP - ADJUSTABLE SHELF |
| 12B | 098980-01-000 | EA | PILASTER - ADJUSTABLE SHELF - 18" |
| 12B | 098980-02-000 | EA | PILASTER - ADJUSTABLE SHELF - 12" |
| 12B | 098980-03-000 | EA | PILASTER - ADJUSTABLE SHELF - 9" |
| 12B | 098980-04-000 | EA | PILASTER - ADJUSTABLE SHELF - 48" |
| 12B | 098980-05-000 | EA | PILASTER - ADJUSTABLE SHELF - 15" |
| 12B | 098980-06-000 | EA | PILASTER - ADJUSTABLE SHELF - 24" |
| 13B | 100710-01-02A | EA | LOCK - GLASS DOOR/TWIST TYPE - NICKEL |
| 14B | 100711-01-02A | EA | HINGE - GLASS DOOR - NICKEL |
| 15B | 102920-01-01A | EA | HINGE - SPRING LOADED - BRASS |
| 15B | 102920-01-02A | EA | HINGE - SPRING LOADED - NICKEL |
| 15B | 129753-01-01A | EA | HINGE - SPRING LOADED - 19" X 19" - BLACK |
| 16B | 103256-01-000 | EA | LATCH COMPLETE (SLIDE) |
| 17B | 103874-01-000 | EA | HANGER - SLIDING DOOR |
| 18B | 104181-01-01A | EA | SUPPORT - LEAF 5.3" EXTENDS TO 7.5" - SAFETY RING - METAL |
| 19B | 108126-01-000 | EA | TRAY HINGE SET (QTY. 2 PER SET) |

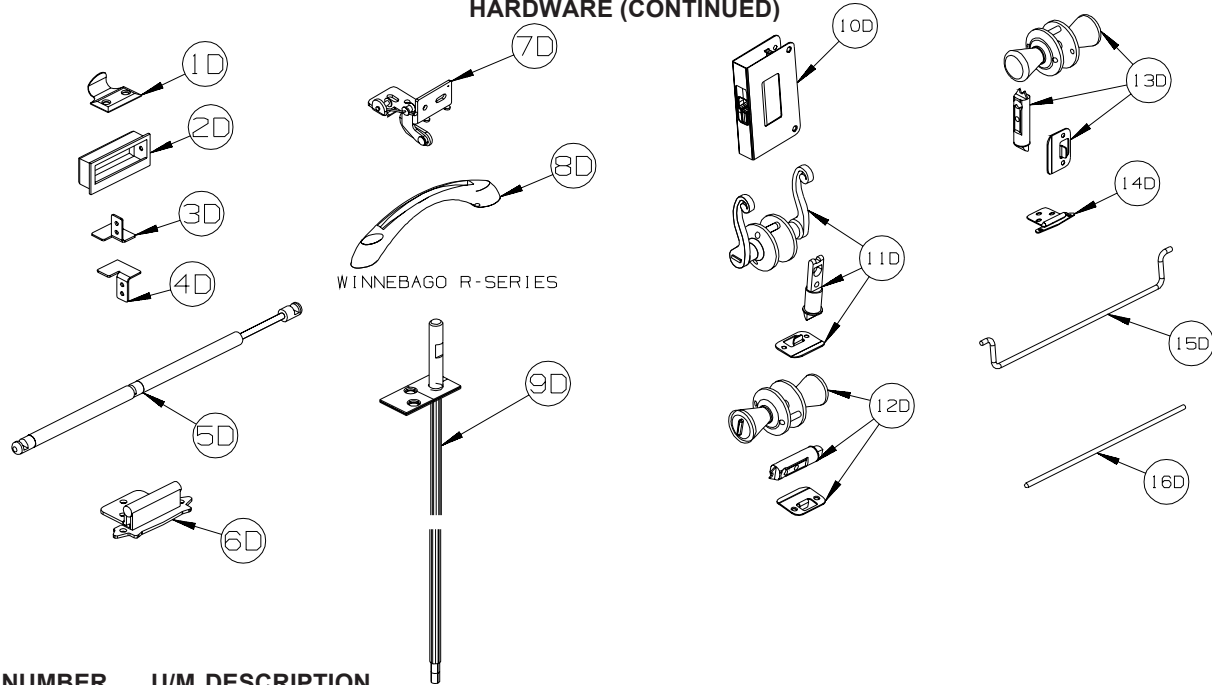
INTERIOR FINISH GROUP (CONTINUED)
HARDWARE (CONTINUED)



| KEY | PART NUMBER | U/M | DESCRIPTION |
|-----|---------------|-----|------------------------------------------------------------|
| 1C | 110496-01-01A | EA | HINGE - BRASS - 2" X 32" |
| 1C | 110496-01-02A | EA | HINGE - NICKEL - 2" X 32" |
| 1C | 110496-05-02A | EA | HINGE - NICKEL - 2" X 11.5" |
| 1C | 110496-06-02A | EA | HINGE - NICKEL - 2" X 9.5" |
| 2C | 111866-01-02A | EA | BRACE - SEAT - ANGLE - OFF WHITE |
| 3C | 114278-02-000 | EA | HINGE - CONTINUOUS - 3" WIDE |
| 4C | 114443-02-01A | EA | HINGE - CABINET DOOR - W/O CLIP - SILVER |
| 5C | 114443-03-01A | EA | CLIP - HINGE/CABINET DOOR - SILVER |
| 6C | 117095-01-01A | EA | LATCH - DOOR - GRABBER W/KEEPER - PLASTIC - BLK-5 LB PULL |
| 6C | 117095-02-01A | EA | LATCH - DOOR - GRABBER W/KEEPER - PLASTIC - BLK-10 LB PULL |
| 6C | 117095-03-01A | EA | LATCH - DOOR - GRABBER W/KEEPER - PLASTIC - BLK-15 LB PULL |
| 7C | 118200-01-01A | SF | MESH - PLASTIC 1/2" - 48" X LENGTH = SF - BLACK |
| 8C | 122717-06-01A | FT | PAD - NON-SKID - PSA - 5"W |
| 9C | 125221-01-01A | EA | PULL - MIRROR - W/ROUND HANDLE |
| 10C | 126263-06-02B | EA | BRACKET - GAS SPRING W/INSIDE BALL STUD - E-COATED |
| 11C | 126263-05-02B | EA | BRACKET - GAS SPRING W/BALL STUD - E-COATED |
| 11C | 126263-08-02B | EA | BRACKET - GAS SPRING W/CENTERED BALL STUD - E-COATED |
| 11C | 126263-19-02B | EA | BRACKET - GAS SPRING W/BALL STUD - E-COATED |
| 12C | 130798-01-02B | EA | GUIDE - POCKET DOOR - E-COATED |
| 13C | 132871-02-02B | EA | BRACKET/L-ANGLE W/HOLES - 1.9" X 2.8" - E-COATED |
| 14C | 134099-01-02A | EA | HINGE - PIANO - WRAP AROUND - 15.7" - NICKEL PLATED |
| 15C | 135538-03-02A | EA | HINGE - PIANO - FULL WRAP - 15.7" - CHROME |
| 16C | 137445-02-P46 | EA | STOP - F/SLIDING DOOR - CONCERT CHERRY |
| 16C | 137445-02-P56 | EA | STOP - F/SLIDING DOOR - WASHED MAPLE |
| 16C | 137445-02-S67 | EA | STOP - F/SLIDING DOOR - SIERRA MAPLE |
| 17C | 137445-03-T78 | EA | STOP - F/SLIDING DOOR - CONCERT CHERRY |
| 17C | 137445-03-T79 | EA | STOP - F/SLIDING DOOR - WASHED MAPLE |
| 17C | 137445-03-T80 | EA | STOP - F/SLIDING DOOR - SIERRA MAPLE |

INTERIOR FINISH GROUP (CONTINUED)

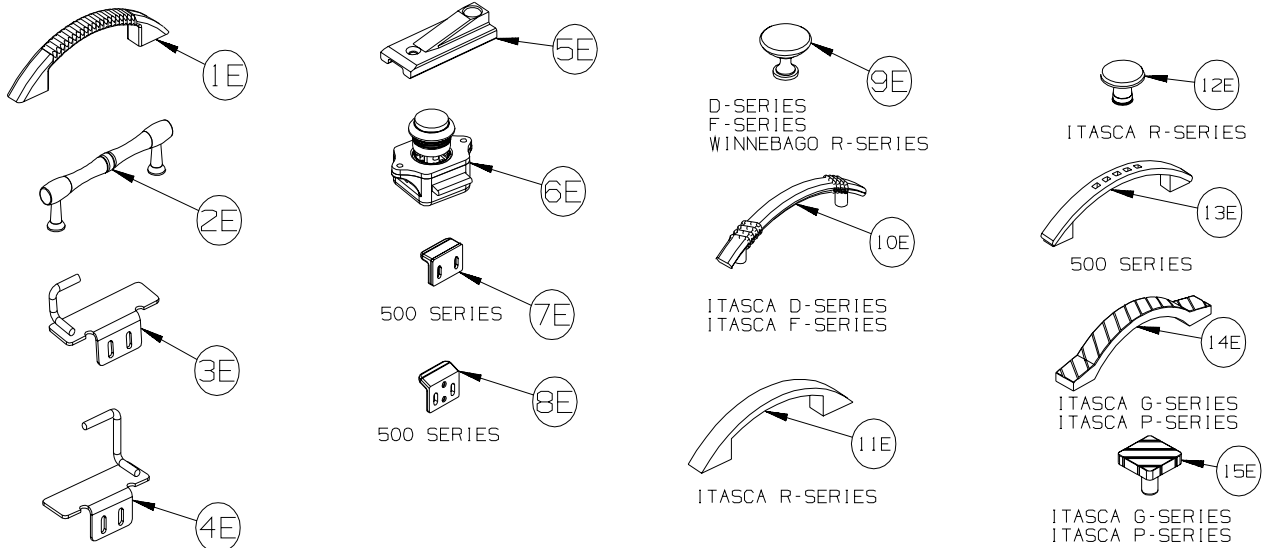
HARDWARE (CONTINUED)



| KEY | PART NUMBER | U/M | DESCRIPTION |
|-----|---------------|-----|------------------------------------------------------------|
| 1D | 137463-01-02A | EA | LIFT - HOOK - PEWTER |
| 2D | 139136-01-02A | EA | HANDLE - .75" RECESSED - PEWTER |
| 2D | 139136-02-02A | EA | HANDLE - .35" RECESSED - PEWTER |
| 3D | 139264-01-02B | EA | STOP - DOOR - TAMBOUR/RH HAND - E-COATED |
| 4D | 139264-02-02B | EA | STOP - DOOR - TAMBOUR/LH HAND - E-COATED |
| 5D | 142569-07-000 | EA | SPRING/GAS - 20 LB - 20" EXTENDED/12" COMPRESSED |
| 5D | 142569-15-000 | EA | SPRING/GAS - 120 LB - 20" EXTENDED/12" COMPRESSED |
| 5D | 142569-16-000 | EA | SPRING/GAS - 90 LB - 20" EXTENDED/12" COMPRESSED |
| 5D | 142569-29-000 | EA | SPRING/GAS - 20 LB - 9.9" EXTENDED/5.9" COMPRESSED |
| 6D | 143468-02-03A | EA | HINGE - SELF CLOSING - SATIN NICKEL |
| 7D | 144488-01-02A | EA | HINGE - CABINET - NICKEL |
| 8D | 144917-01-01A | EA | PULL - DRAWER - SATIN NICKEL - TOUR R-SERIES |
| 9D | 145939-03-01A | EA | ROD/LATCH - AISLE DOOR - BRASS |
| | | | FROM: 00-00-00 THRU: 04-16-06 |
| 9D | 145939-05-01A | EA | ROD/LATCH - AISLE DOOR - BRASS - NOT ILLUSTRATED |
| | | | FROM: 04-17-06 THRU: 07-30-06 |
| 9D | 145939-05-02A | EA | ROD/LATCH - AISLE DOOR - NICKEL - NOT ILLUSTRATED |
| | | | FROM: 07-31-06 THRU: 99-99-99 |
| 10D | 145939-04-02A | EA | LATCH/SLIDE - AISLE DOOR(1" THICK DOOR)-NICKEL/BLACK SLIDE |
| 11D | 146064-01-02A | EA | LOCK/PRIVACY (LOCKING) LEVER STYLE - SATIN PEWTER |
| 12D | 146064-05-01A | EA | LOCK/PRIVACY (LOCKING) KNOB STYLE - SATIN NICKEL |
| 13D | 146064-06-01A | EA | LOCK/PASSAGE (NON LOCKING) KNOB STYLE - SATIN NICKEL |
| 14D | 146553-01-01A | EA | HINGE - CABINET DOOR - BURNISHED BRASS |
| 14D | 146553-01-03A | EA | HINGE - CABINET DOOR - SATIN NICKEL |
| 15D | 146801-01-01A | EA | ROD/TOWEL BAR (OFFSET) - BRASS |
| 15D | 146801-01-02A | EA | ROD/TOWEL BAR (OFFSET) - PEWTER |
| 16D | 146840-03-01A | EA | ROD - .25" X 11.7" - BRASS |
| 16D | 146840-03-02A | EA | ROD - .25" X 11.7" - PEWTER |
| 16D | 146840-04-01A | EA | ROD - .25" X 13.1" - BRASS |
| 16D | 146840-04-02A | EA | ROD - .25" X 13.1" - PEWTER |
| 16D | 146840-05-01A | EA | ROD - .25" X 14.8" - BRASS |
| 16D | 146840-05-02A | EA | ROD - .25" X 14.8" - PEWTER |
| 16D | 146840-07-01A | EA | ROD - .25" X 4.2" - BRASS |
| 16D | 146840-07-02A | EA | ROD - .25" X 4.2" - PEWTER |

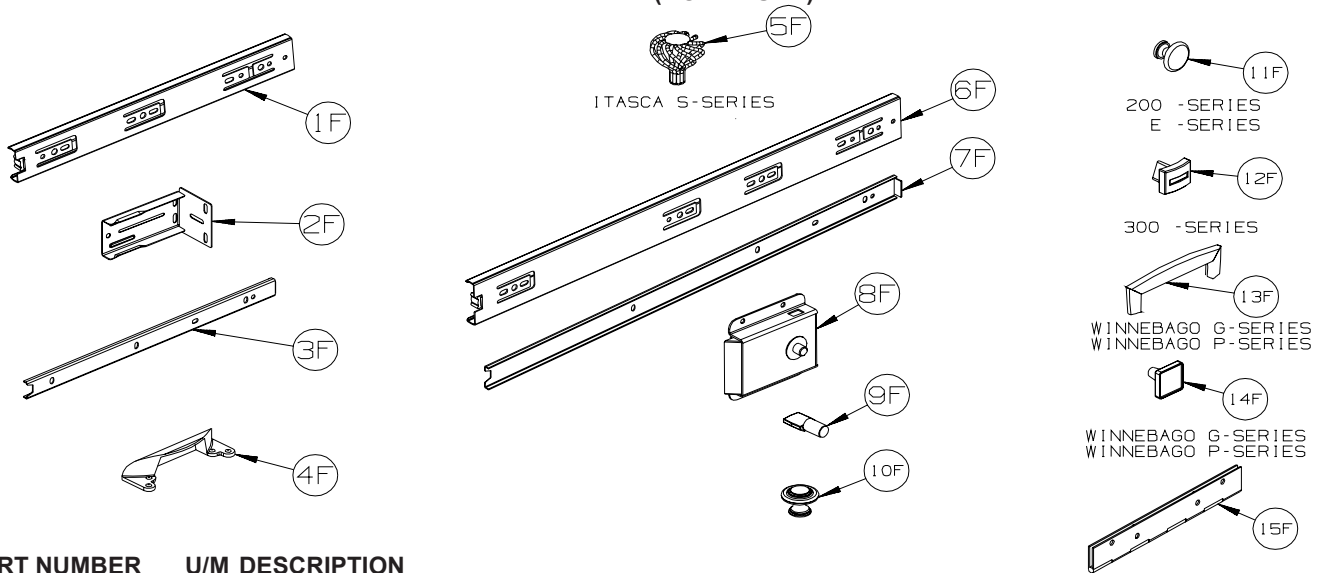
INTERIOR FINISH GROUP (CONTINUED)

HARDWARE (CONTINUED)



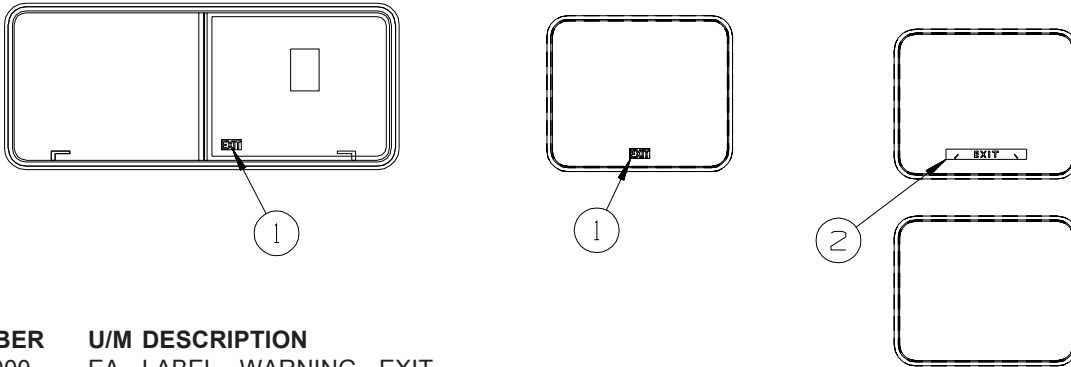
| KEY | PART NUMBER | U/M | DESCRIPTION |
|-----|---------------|-----|----------------------------------------------------------------------------------------------------|
| 1E | 148816-01-02A | EA | PULL - CABINET DOOR - NICKEL - ASPECT, CAMBRIA 700-SERIES |
| 2E | 149090-01-02A | EA | PULL - CABINET DOOR - NICKEL - SIGHTSEER D-SERIES, VOYAGE F-SERIES |
| 3E | 149607-01-02B | EA | GUIDE - F/POCKET DOOR - 1.6" BENT ROD - E-COATED |
| 3E | 149607-03-02B | EA | GUIDE - F/POCKET DOOR - 2.9" BENT ROD - E-COATED |
| 4E | 149607-04-02B | EA | GUIDE - F/POCKET DOOR - E-COATED |
| 5E | 150983-01-01A | EA | STRIKE/BLOCK - WEDGE STYLE - F/SLIDE DOOR - 3" X 1.2" - BLACK |
| 6E | 151380-01-01A | EA | LATCH - CABINET DOOR - PUSH BUTTON - VIEW & NAVION 500-SERIES |
| 7E | 151380-02-01A | EA | STRIKE - CABINET DOOR - VIEW & NAVION 500-SERIES |
| 8E | 151380-03-01A | EA | STRIKE - CABINET DOOR - VIEW & NAVION 500-SERIES |
| 9E | 152080-01-01A | EA | PULL-NICKEL - SIGHTSEER & SUNOVA D-SERIES, VOYAGE & SUNRISE F-SERIES, TOUR R-SERIES |
| 10E | 152302-01-01A | EA | PULL - CABINET DOOR - SATIN NICKEL - SUNOVA D-SERIES, SUNRISE F-SERIES |
| 11E | 152304-01-01A | EA | PULL - CABINET DOOR - BRONZE- ELLIPSE R-SERIES |
| 12E | 152305-01-01A | EA | EA KNOB - DOOR/DRAWER - BRONZE - ELLIPSE R-SERIES |
| 13E | 152950-01-01A | EA | PULL - DOOR/DRAWER - BRUSHED NICKEL - VIEW & NAVION 500-SERIES |
| 14E | 152951-01-01A | EA | PULL - DOOR/DRAWER - PEWTER - SUNCRUISER G-SERIES, MERIDIAN P-SERIES |
| 15E | 152952-01-01A | EA | PULL - KNOB/DRAWER - PEWTER - SUNCRUISER G-SERIES, MERIDIAN P-SERIES |

INTERIOR FINISH GROUP (CONTINUED) HARDWARE (CONTINUED)

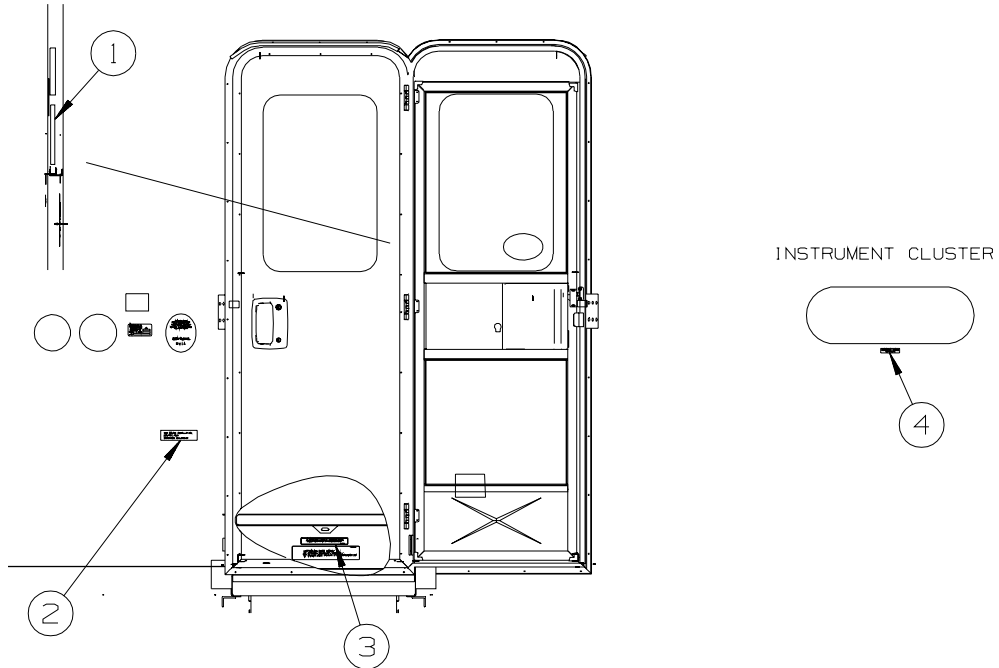


| KEY | PART NUMBER | U/M | DESCRIPTION |
|-----|---------------|-----|------------------------------------------------------------------------------------------|
| 1F | 153000-01-01A | EA | SLIDE - CABINET MOUNT - 11.8" |
| 1F | 153000-03-01A | EA | SLIDE - CABINET MOUNT - 13.8" |
| 1F | 153000-05-01A | EA | SLIDE - CABINET MOUNT - 15.7" |
| 1F | 153000-07-01A | EA | SLIDE - CABINET MOUNT - 17.7" |
| 1F | 153000-09-01A | EA | SLIDE - CABINET MOUNT - 19.7" |
| 1F | 153000-11-01A | EA | SLIDE - CABINET MOUNT - 21.6" |
| 1F | 153000-14-01A | EA | SLIDE - CABINET MOUNT - 23.6" |
| 1F | 153000-18-01A | EA | SLIDE - CABINET MOUNT - 9.8" |
| 1F | 153000-20-01A | EA | SLIDE - CABINET MOUNT - 25.6" |
| 2F | 153000-13-01A | EA | BACKSOCKET - DRAWER SLIDE |
| 3F | 153000-02-01A | EA | SLIDE - DRAWER MOUNT - 11.8" |
| 3F | 153000-04-01A | EA | SLIDE - DRAWER MOUNT - 13.8" |
| 3F | 153000-06-01A | EA | SLIDE - DRAWER MOUNT - 15.7" |
| 3F | 153000-08-01A | EA | SLIDE - DRAWER MOUNT - 17.7" |
| 3F | 153000-10-01A | EA | SLIDE - DRAWER MOUNT - 19.7" |
| 3F | 153000-12-01A | EA | SLIDE - DRAWER MOUNT - 21.6" |
| 3F | 153000-15-01A | EA | SLIDE - DRAWER MOUNT - 23.4" |
| 3F | 153000-19-01A | EA | SLIDE - DRAWER MOUNT - 9.8" |
| 3F | 153000-21-01A | EA | SLIDE - DRAWER MOUNT - 25.4" |
| 4F | 153308-01-01A | EA | PULL - VANITY STOOL - SATIN NICKEL |
| 5F | 153335-01-02A | EA | PULL - KNOB - DOOR/DRAWER - FLAT BLACK - HORIZON S-SERIES |
| 6F | 153352-01-01A | EA | SLIDE - PANTRY - 19.7" - CABINET MOUNT |
| 6F | 153352-03-01A | EA | SLIDE - EXT ENTERTAINMENT CNTR - 13.8" - CABINET MOUNT |
| 7F | 153352-02-01A | EA | SLIDE - PANTRY - 19.5" - DRAWER MOUNT |
| 7F | 153352-04-01A | EA | SLIDE - EXT ENTERTAINMENT CNTR - 13.6" - DRAWER MOUNT |
| 8F | 153353-01-01A | EA | LATCH - SLIDING/FLUSH - BLACK |
| 9F | 154385-01-02A | EA | PIN - SUPPORT/GLASS DOOR - 1/4" - NICKEL |
| 10F | 155803-01-01A | EA | KNOB CABINET DOOR - WROUGHT IRON |
| 11F | 155925-01-01A | EA | KNOB - DOOR/DRAWER - SATIN NICKEL - ACCESS & IMPULSE 200-SERIES |
| 12F | 156579-01-01A | EA | KNOB - DOOR/DRAWER - PEWTER - OUTLOOK & SPIRIT 300-SERIES |
| 13F | 157246-01-01A | EA | PULL - CABINET DOOR/DRAWER - SATIN NICKEL - ADVENTURER G-SERIES, JOURNEY P-SERIES |
| 14F | 157246-02-01A | EA | KNOB - CABINET DOOR/DRAWER - SATIN NICKEL - ADVENTURER G-SERIES, JOURNEY P-SERIES |
| 15F | 158982-01-04B | EA | HINGE - CONTINUOUS - 2" X 8" - BLACK |
| | 158982-01-01A | EA | HINGE - CONTINUOUS - 2" X 8" - ZINC |

LABELS GROUP

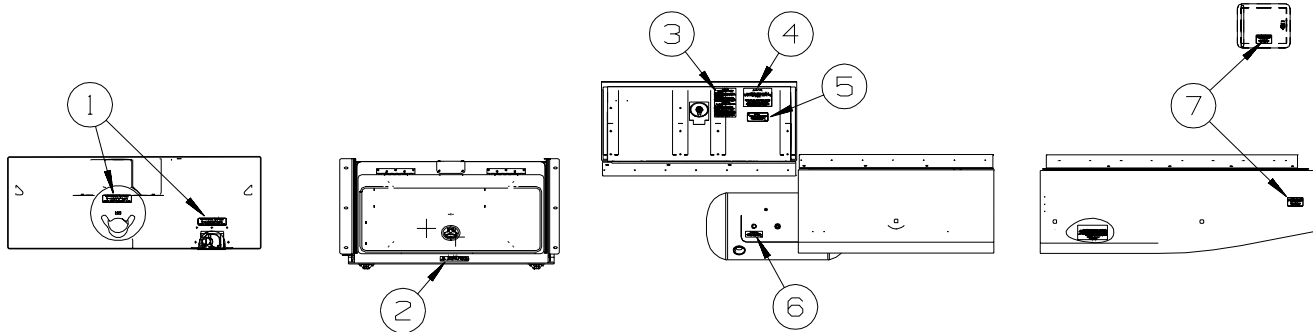


| KEY | PART NUMBER | U/M DESCRIPTION |
|-----|---------------|----------------------------------------------|
| 1 | 039290-01-000 | EA LABEL - WARNING - EXIT |
| 2 | 107571-02-000 | EA LABEL - EXIT/ESCAPE WINDOW - RED ON CLEAR |



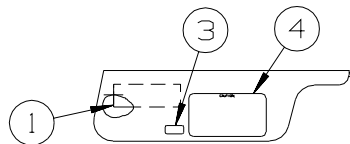
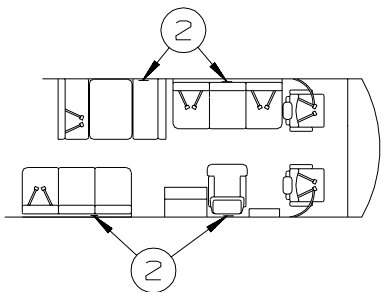
| KEY | PART NUMBER | U/M DESCRIPTION |
|-----|---------------|--------------------------------------------------|
| 1 | 135869-01-01A | EA LABEL - MERCURY CONTENT - BLACK ON CLEAR |
| 2 | 099509-01-000 | EA LABEL - AWNING INSTALLATION |
| 3 | 065748-01-000 | EA LABEL - WARNING - BATTERY CHARGING - UL |
| 4 | 155692-01-01A | EA LABEL - ODOMETER - READ IN MILE - BLACK/WHITE |
| 4 | 155692-01-02A | EA LABEL - ODOMETER - READ IN MILE - WHITE/CLEAR |

LABELS GROUP (CONTINUED)



| KEY | PART NUMBER | U/M | DESCRIPTION |
|-----|---------------|-----|------------------------------------------------------------|
| 1 | 123562-01-000 | EA | LABEL - SERVICE/UTILITY ACCESS |
| 2 | 154801-01-01A | EA | LABEL - NO STEP/MAX CARGO - WHITE/CLEAR |
| 3 | 023769-01-000 | EA | LABEL - WARNING - LPG - CANADIAN |
| 4 | 124520-01-02A | EA | LABEL - LP GAS ONLY - WHITE ON CLEAR |
| 5 | 124519-01-02A | EA | LABEL - WARNING/REFUELING - WHITE ON CLEAR |
| 6 | 079965-01-000 | EA | LABEL - LPG - 80% CAPACITY |
| 7 | 125306-01-01A | EA | LABEL - ELECTRICAL ENTRANCE - 110V 30 AMP - BLACK ON CLEAR |
| 7 | 125306-01-02A | EA | LABEL - ELECTRICAL ENTRANCE - 110V 30 AMP - WHITE ON CLEAR |

TYPICAL SEAT AND BELT CONFIGURATIONS

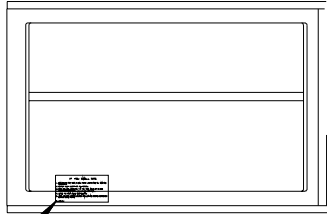
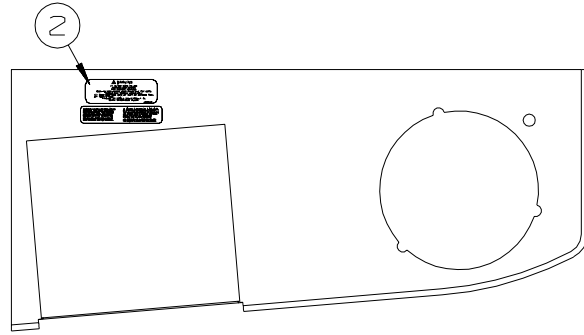
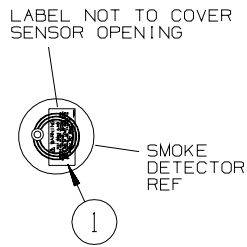


LABELS SHALL BE LOCATED ON OPPOSITE SIDE OF VISOR THAT THE AIR BAG LABEL IS INSTALLED ON.

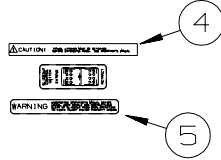
ATTACH LABEL ON OR NEXT TO:
 +ANY SINGLE CHAIR WITHOUT BELTS.
 +ANY DINETTE SEAT WITHOUT BELTS.
 +ANY COUCH WITHOUT BELTS OR ANY SEATING POSITION ON THAT COUCH.
 DO NOT ATTACH LABEL IF:
 +DINETTE SEAT HAS AT LEAST ONE SET OF BELTS INSTALLED.

| KEY | PART NUMBER | U/M | DESCRIPTION |
|-----|---------------|-----|---------------------------------------------------------------------------|
| 1 | 126611-01-000 | EA | LABEL - AIR BAG - VISOR |
| 2 | 134538-01-01A | EA | LABEL - OCCUPANCY - NO SEAT BELT - BLACK ON CLEAR - US |
| 2 | 134538-02-01A | EA | LABEL - OCCUPANCY - NO SEAT BELT - BLACK ON CLEAR - CSA - CANADIAN |
| 3 | 099689-01-000 | EA | LABEL - WARNING - CANCER/TOXICITY |
| 4 | 056259-01-000 | EA | LABEL - SAFETY CHECK LIST |

LABELS GROUP (CONTINUED)

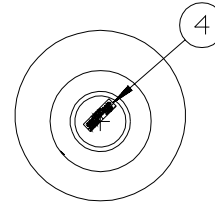
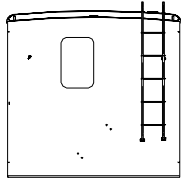
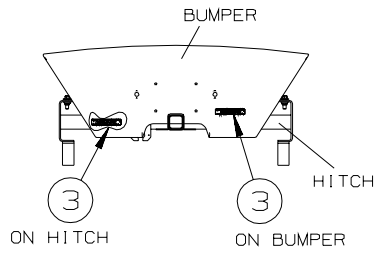
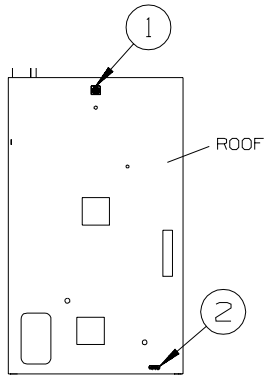


UPPER GALLEY CABINET

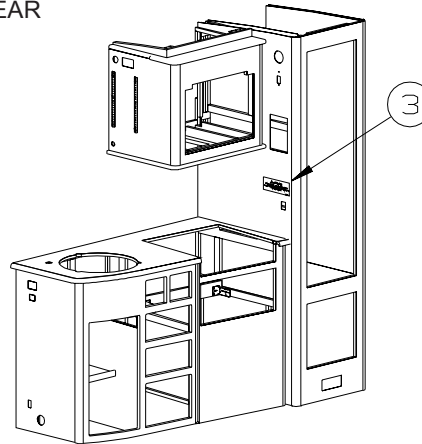
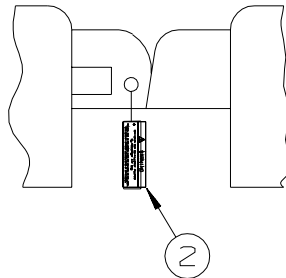
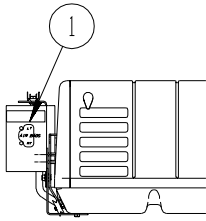


| KEY | PART NUMBER | U/M | DESCRIPTION |
|-----|---------------|-----|--------------------------------------------------------------------------|
| 1 | 077956-01-000 | EA | LABEL - WARNING/SMOKE DETECTOR |
| 2 | 134539-01-01A | EA | LABEL - WARNING - STOVE/HEATING - US - BLACK ON CLEAR |
| 2 | 134540-01-01A | EA | LABEL - WARNING - STOVE/HEATING - CSA - BLACK ON CLEAR - CANADIAN |
| 3 | 073998-01-000 | EA | LABEL - LPG/ODOR WARNING |
| 4 | 116775-01-000 | EA | LABEL/CAUTION - TRAVEL LATCH |
| 5 | 116549-01-000 | EA | LABEL - WARNING - SLIDEOUT |

LABELS GROUP (CONTINUED)

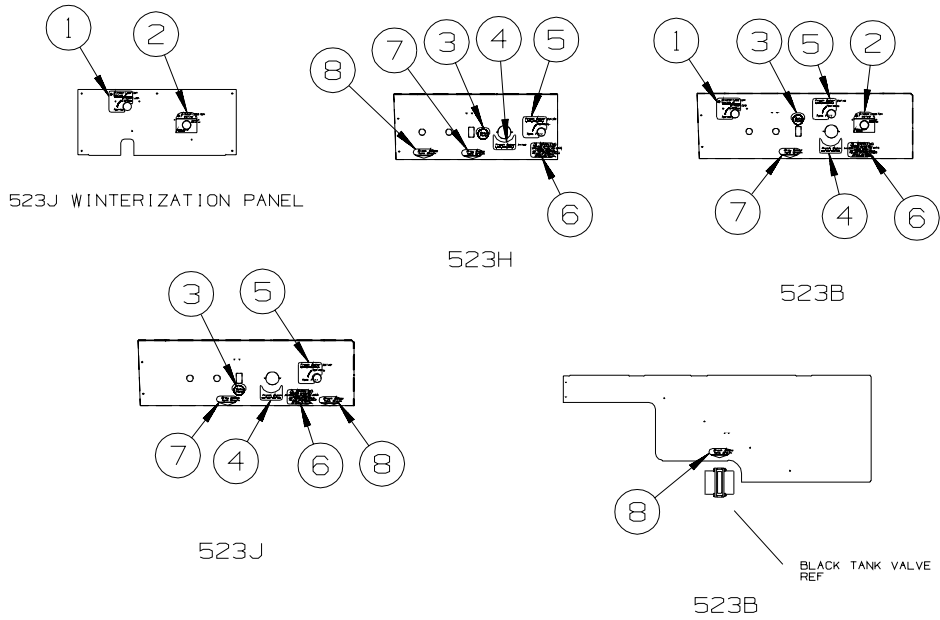


| KEY | PART NUMBER | U/M | DESCRIPTION |
|-----|---------------|-----|----------------------------------------------------|
| 1 | 120431-01-000 | EA | LABEL - LOCATION - COAXIAL CABLE/SATELLITE ANTENNA |
| 2 | 128218-01-01A | EA | LABEL - WARNING - SLIPPERY ROOF |
| 3 | 129669-01-01A | EA | LABEL - HITCH/VEHICLE RATE - 350 - WHITE ON CLEAR |
| 4 | 155491-01-01A | EA | LABEL - WARNING - LUG NUTS - WHITE/CLEAR |



| KEY | PART NUMBER | U/M | DESCRIPTION |
|-----|---------------|-----|---------------------------------------------------------------|
| 1 | 136360-03-01A | EA | LABEL - AIR BAGS - BLACK/CLEAR |
| 2 | 126612-01-000 | EA | LABEL - HANG TAG - AIR BAG - DASH |
| 3 | 143911-01-01A | EA | LABEL - CURTAIN SECUREMENT - BLACK ON CLEAR |
| 3 | 155196-01-01A | EA | LABEL - CURTAIN SECUREMENT - BLACK ON CLEAR - CANADIAN |

LABELS GROUP (CONTINUED)



| KEY | PART NUMBER | U/M | DESCRIPTION |
|-----|---------------|-----|---------------------------------------------|
| 1 | 152545-01-01A | EA | LABEL - WINTERIZATION |
| 2 | 152539-01-01A | EA | LABEL - BYPASS |
| 3 | 152544-03-01A | EA | LABEL - SWITCHES |
| 4 | 152538-01-01A | EA | LABEL - FRESH WATER - PANTONE/CLEAR |
| 5 | 152548-01-01A | EA | LABEL - VALVE/FRESH |
| 6 | 128725-02-01A | EA | LABEL - POTABLE WATER ONLY - BLACK ON CLEAR |
| 7 | 152541-03-01A | EA | LABEL - GRAY WASTE |
| 8 | 152543-03-01A | EA | LABEL - BLACK WASTE |
| 8 | 152543-03-02A | EA | LABEL - BLACK WASTE - WHITE/BLACK |

**LP GROUP
LP SYSTEM**

| KEY | PART NUMBER | U/M | DESCRIPTION |
|------------|--------------------|------------|------------------------------------------------------------|
| | 144485-01-000 | EA | COVER - LP REGULATOR |
| | 045703-03-000 | EA | HOSE - LP - 3/8"ID X 18" - 3/8"MPT X 1/2"F SWIVEL - US |
| | 045703-07-000 | EA | HOSE - LP - 3/8"ID X 10" - 3/8"MPT X 1/2"F SWIVEL - US |
| | 045703-12-000 | EA | HOSE - LP - 3/8"ID X 18" - 3/8"MPT X 1/2"F SWIVEL - CSA |
| | 045703-21-000 | EA | HOSE - LP - 3/8"ID X 60" - 1/2"F SWIVEL X3/8"F SWVL US/CSA |
| | 045703-29-000 | EA | HOSE - LP - 3/8"ID X 79.7"-1/2"F SWIVEL X1/2"F SWVL US/CSA |
| | 010326-01-000 | EA | ADAPTER - FLARE - W/CONE GASKET - 3/8"F X 1/2"F |
| | 010323-01-000 | EA | ADAPTER - 3/8"F X 1/2"MPT - BRASS |
| | 010329-01-000 | EA | ADAPTER - 1/2"F X 1/2"MPT - BRASS |
| | 024250-01-000 | EA | ADAPTER - BRASS - 3/8"F X 1/2"FPT |
| | 106150-05-000 | EA | REGULATOR - TWO STAGE |
| | 106150-06-000 | EA | REGULATOR - TWO STAGE |
| | | | FROM: 05-19-06 THRU: 99-99-99 |
| | 145639-01-02B | EA | BRACKET - REGULATOR - E-COATED |
| | 151726-01-02B | EA | BRACKET/LP MOUNTING - E-COATED |
| | 151726-02-02B | EA | BRACKET/LP MOUNTING - E-COATED |
| | 151726-03-02B | EA | BRACKET/LP MOUNTING - E-COATED |
| | 152249-01-02B | EA | BRACKET - LP MOUNT - E-COATED |
| | 010380-02-000 | EA | NUT - 1/2" FLARE - FORGED - BRASS |
| | 010377-02-000 | EA | NUT - 3/8" FLARE - FORGED - BRASS |
| | 040440-02-000 | EA | TRANSMITTER - DIAL/BOLT-ON - 0-90 OHM 2 TERM(POWER/GROUND) |
| * | 144116-09-000 | EA | TANK - LP - 60 LB - 14"D X 29.75"L |
| | 151725-01-02B | EA | GUARD/ROCK - W/PANEL/STEEL - E-COATED |
| | 151725-02-02B | EA | GUARD/ROCK - W/PANEL/STEEL - E-COATED |
| | 151725-03-02B | EA | GUARD/ROCK - W/PANEL/STEEL - E-COATED |
| | 153874-01-T01 | EA | GUARD - DIRT |
| | 010589-01-000 | EA | NIPPLE - PIPE - 1/2" X 1 1/2" - BLACK |
| | 010589-03-000 | EA | NIPPLE - PIPE - 1/2" X 2 1/2" - BLACK |
| | 153893-01-02B | EA | ANGLE - FORMED - LP COVER - E-COATED |

*COMPONENT PARTS LISTED LATER IN THIS GROUP

COMPONENT PARTS FOR LP SYSTEM

144116-09-000

| KEY | PART NUMBER | U/M | DESCRIPTION | VENDOR NO. |
|------------|--------------------|------------|------------------------------|-------------------|
| | 040421-01-712 | EA | VALVE-SERV. W/O VAPOR RELIEF | V20373 |
| | 040421-01-713 | EA | VALVE-RELIEF 1" W/SPRING 7" | V20479 |
| | 144116-01-700 | EA | VALVE-OUTAGE(NO STEM REMOVE) | V20058 |
| | 144116-04-700 | EA | FLOAT/SENDING UNIT W/O DIAL | G11530 |
| | 144116-04-701 | EA | DIAL - TRANSMITER | G12845 |
| | 144116-09-700 | EA | VALVE/FILL 80% | V20150 |

SEALANTS & FASTENERS GROUP
SEALANTS & ADHESIVES

| KEY | PART NUMBER | U/M | DESCRIPTION |
|------------|--------------------|------------|------------------------------------------------------------|
| | 004001-02-000 | EA | GUN - PLEXUS ADHESIVE - W/O NOZZLE |
| | 004001-05-000 | EA | ADHESIVE - SCOTCH-WELD - 3M DP100 - CLEAR - 50ML |
| | 004011-01-000 | EA | ADHESIVE-3M-4475 TUBE |
| | 010405-02-000 | EA | TAPE - THREAD SEALING - 3/8" |
| | 064075-07-000 | FT | SEAL - BULB - W/WIRED U CHANNEL - .3" X .5" CHANNEL-BLACK |
| | 067788-01-000 | EA | ADHESIVE - SPRAY - 3M - 19.5 OZ AEROSOL CAN |
| | 069640-01-000 | FT | SEALER - RIBBON - 1/4"DIAMETER X 30 FT - BLACK OR GRAY |
| | 069640-02-000 | FT | SEALER - TAPE - 1/8"THICK X 1/2"WIDE X 60 FT - GRAY |
| | 069640-03-000 | FT | SEALER - TAPE - 1/8"THICK X 3/4"WIDE X 60 FT - BLACK |
| | 069640-07-000 | FT | SEALER - TAPE - 3/32"THICK X 2"WIDE X 45 FT - GRAY |
| | 069640-09-000 | FT | SEALER - TAPE - 1/32"THICK X 2 1/2"WIDE X 80 FT - BRT WHT |
| | 069640-10-000 | FT | SEALER - TAPE - 1/32"THICK X 1 1/2"WIDE X 90 FT - BRT WHT |
| | 069640-11-000 | FT | SEALER - TAPE - 3/16"THICK X 3/8"WIDE X 40 FT - BLACK |
| | 069640-13-000 | FT | SEALER - TAPE - 3/32"THICK X 2"WIDE X 45 FT - BLACK |
| | 069640-14-000 | FT | SEALER - TAPE - 1/16"THICK X 1"WIDE X 100 FT - BLACK |
| | 069640-15-000 | FT | SEALER - TAPE - 1/16"THICK X 3/8"WIDE X 100 FT - BRT WHT |
| | 069640-17-000 | FT | SEALER - TAPE - 1/32"THICK X 1"WIDE X 150 FT - GRAY |
| | 069640-18-000 | FT | SEALER - TAPE - 1/8"THICK X 1/2"WIDE X 60 FT - BRT WHT |
| | 069640-19-000 | FT | SEALER - TAPE - 1/8"THICK X 3/4"WIDE X 60 FT - BRT WHT |
| | 069640-20-000 | FT | SEALER - TAPE - 1/8"THICK X 1/2"WIDE X 60 FT - BLACK |
| | 069640-21-000 | FT | SEALER - TAPE - 1/16"THICK X 1/2"WIDE X 100 FT - BRT WHT |
| | 069640-22-000 | FT | SEALER - TAPE - 1/32"THICK X 1/4"WIDE X 200 FT - BRT WHT |
| | 069640-23-000 | FT | SEALER - TAPE - 1/16"THICK X 3/4"WIDE X 100 FT - BRT WHT |
| | 069640-27-000 | FT | SEALER - TAPE - 1/16"THICK X 2 1/4"WIDE X 50 FT - BRT WHT |
| | 069640-28-000 | FT | SEALER - TAPE - 1/32"THICK X 1 7/8"WIDE X 90 FT - GRAY |
| | 069640-30-000 | FT | SEALER - TAPE - 1/32"THICK X 5/8"WIDE X 50 FT - GRAY |
| | 069640-31-000 | FT | SEALER - TAPE - 1/4"THICK X 3/4"WIDE X 15 FT - BLACK |
| | 069640-32-000 | FT | SEALER - TAPE - 1/16"THICK X 3/8"WIDE X 100 FT - BLACK |
| | 069640-33-000 | FT | SEALER - RIBBON - 3/8"DIAMETER X 20 FT - BLACK |
| | 069640-34-000 | FT | SEALER - RIBBON - 1/4"DIAMETER X 30 FT - BRIGHT WHITE |
| | 072889-28-000 | EA | SEALANT/URETHANE-10 OZ TUBE W/NOZZLE-SELF LEVELING-BRT WHT |
| | 076322-01-000 | FT | TAPE-DOUBLE COATED/ADHESIVE BK-.03"THK X .8"W X 216' - WHT |
| | 076322-02-000 | FT | TAPE-DOUBLE COATED/ADHESIVE BK-.05"THK X 1"W X 108' - WHT |
| | 076322-03-000 | FT | TAPE-DOUBLE COATED/ADHESIVE BK-.05"THK X .5"W X 108' - WHT |
| | 076322-05-000 | FT | TAPE-DOUBLE COATED/ADHESIVE BK-.05"THK X .8"W X 108' - WHT |
| | 076322-07-000 | FT | TAPE-DOUBLE COATED/ADHESIVE BK-.05"THK X .5"W X 200' - BLK |
| | 076322-13-000 | FT | TAPE - FOAM/DOUBLE COATED - .020"THK X .75"W - CLEAR |
| | 076322-21-000 | FT | TAPE - FOAM/DOUBLE COATED - .045"THK X .50"W |
| | 076322-22-000 | FT | TAPE - FOAM/DOUBLE COATED - .045"THK X .75"W |
| | 076322-23-000 | FT | TAPE - FOAM/DOUBLE COATED - .045"THK X 1"W |
| | 076322-25-000 | FT | TAPE - FOAM/DOUBLE COATED - .025"THK X .5"W |
| | 086276-01-000 | EA | TAPE - DOUBLE SIDED - 1/2" WIDE X 108' LONG (SOLD BY ROLL) |
| | 088479-01-000 | EA | TAPE - ALUMINUM - 3" |
| | 090340-01-000 | FT | SEAL - FOAM - CLOSED CELL - 1/4" X 1/2" X 50' |
| | 091255-02-000 | FT | SEAL - ADHESIVE BACKED/FOAM - 3/64"THICK X 3/16"W X 1000' |
| | 091255-03-000 | FT | SEAL - ADHESIVE BACKED/FOAM - 1/4" THICK X 1/4"W X 1000' |
| | 094401-01-000 | EA | SEALER - BODY SEAM - FLEXICLEAR |
| | 094401-04-000 | EA | SEALER - BODY SEAM - CLEAR |
| | 094401-05-000 | EA | SEALER - BODY SEAM - 20OZ BLACK |
| | 094401-06-000 | EA | SEALER - BODY SEAM - 12OZ BLACK |
| | 094401-07-000 | EA | SEALER - BODY SEAM - CLEAR |
| | 098408-01-000 | FT | SEAL - SPONGE RUBBER - CLOSED CELL |
| | 099069-01-000 | FT | SEAL - RUBBER - CLOSED SPONGE - .5" WIDE X .12" THICK-BLK |
| | 099418-01-000 | FT | SEAL - D-SECTION/ADHESIVE BACK - ..44" X .44" - BLK RUBBER |
| | 107828-01-000 | EA | SEALANT - SB - 190 EVERSEAL |
| | 112864-01-000 | FT | SEAL - FOAM/BUTYL COVERED - 3/8" X 35' |
| | 112864-02-000 | FT | FOAM - BUTYL COVERED - 5/16" X 44' |
| | 112864-04-000 | FT | FOAM - BUTYL COVERED - 3/8" X 1/8" |
| | 112901-02-000 | EA | ADHESIVE - PLEXUS - MA330 - 50ML - GRAY |
| | 112901-03-000 | EA | ADHESIVE - PLEXUS - MA300 - 50ML - WHITE |
| | 112902-01-000 | EA | NOZZLE - ELEMENT - 3/8" X 24 |
| | 112902-03-000 | EA | MIXER NOZZLE - F/GUN #00400102000 - SCOTCH-WELD & PLEXUS |
| | 112902-04-000 | EA | NOZZLE - ELEMENT - 1/4" X 3.5" |
| | 112902-05-000 | EA | NOZZLE - BAYONET - 3/8" X 18 |

SEALANTS & FASTENERS GROUP (CONTINUED)

SEALANTS & ADHESIVES (CONTINUED)

| KEY | PART NUMBER | U/M | DESCRIPTION |
|-----|---------------|-----|------------------------------------------------------------|
| | 112902-06-000 | EA | NOZZLE - ELEMENT - 1/2" X 32 |
| | 113366-01-000 | EA | ADHESIVE - INSTANT - 1 OZ |
| | 120074-02-03A | EA | SILICONE - TUBE - W/O NOZZLE - LOW ODOR - SMOKEY WHITE |
| | 120534-01-01A | EA | TAPE - SCOTCH - 3M - 1/2" FINE LINE |
| | 123244-01-000 | FT | TAPE - DOUBLE SIDED/FOAM - 5/64"THICK X 3/4"WIDE X 108' |
| | 123816-01-000 | FT | TAPE - DOUBLE SIDED - 1" X .020" X 200' - CLEAR |
| | 123816-02-000 | FT | TAPE - DOUBLE SIDED - 1/2" X .035" X 200' - CLEAR |
| | 123816-03-000 | FT | TAPE - DOUBLE SIDED - 1/2" X .020" X 200' - CLEAR |
| | 123816-04-000 | FT | TAPE - DOUBLE SIDED - 6" X .0035" X 750' - CLEAR |
| | 123816-06-000 | FT | TAPE - DOUBLE SIDED - 3/4" X 3/4" X 200' - CLEAR |
| | 123816-07-000 | FT | TAPE - DOUBLE SIDED - 1 3/4" X 200' - CLEAR |
| | 126427-01-000 | EA | ADHESIVE - ALL PURPOSE - ABS/PVC |
| | 126427-02-000 | EA | PRIMER - CLEANER - FLEX PIPING |
| | 131264-01-11A | EA | SILICONE - TUBE - W/NOZZLE - BEIGE |
| | 131264-01-12A | EA | SILICONE - TUBE - W/NOZZLE - BONE |
| | 131264-01-13A | EA | SILICONE - TUBE - W/NOZZLE - TRANSLUCENT |
| | 131264-02-01A | EA | SILICONE - TUBE - W/NOZZLE - VW GRAY - BATH ONLY |
| | 131264-03-01A | EA | SILICONE - TUBE - W/O NOZZLE - SELF LEVELING -BRIGHT WHITE |
| | 131264-04-01A | EA | SILICONE/SEALANT/ADHESIVE - FAST CURE F/GLASS/VINYL - B/W |
| | 131264-04-02A | EA | SILICONE/SEALANT/ADHESIVE-FAST CURE F/GLASS/VINYL-SOFT WHT |
| | 131264-05-01A | EA | SILICONE/SEALANT - ODORLESS - TUBE - W/NOZZLE - BLACK |
| | 131264-05-02A | EA | SILICONE/SEALANT - ODORLESS - TUBE - W/NOZZLE - CLEAR |
| | 131384-01-000 | EA | ADHESIVE - JET WELD - 10 OZ CARTRIDGE |
| | 132892-07-01A | FT | SEAL - BULB/SINGLE - W/U CHANNEL - .5" X 1" - BLACK |
| | 152038-01-01A | EA | TAPE - PRESERVATION SEAL - 2" X 36YD ROLL - BLACK |
| | 154585-01-01A | FT | SEAL - FOAM TAPE - ADHESIVE BACK - 3/8" X 3/8" - BLACK |
| | 154585-02-01A | FT | SEAL - FOAM TAPE - ADHESIVE BACK - 3/4" X 1/2" - BLACK |
| | 154585-03-01A | FT | SEAL - FOAM TAPE - ADHESIVE 2 SIDED - 1/8" X 3/4" - BLACK |
| | 154585-04-01A | FT | SEAL - FOAM TAPE - ADHESIVE BACK - 5/8" X 1/8" - WHITE |

BOLTS, NUTS AND WASHERS

| KEY | PART NUMBER | U/M | DESCRIPTION |
|-----|---------------|-----|-------------------------------------------------------------|
| | 0MD54F-06-000 | EA | NUT - HEX W/SERATED FLANGE |
| | 000C12-04-08B | EA | BOLT - HEX - 1/4-20 X 1/2 - GRADE #5 - ZINC |
| | 000C12-04-40B | EA | BOLT - HEX - 1/4-20 X 2 1/2 - GRADE #5 ZINC |
| | 000C12-04-20F | EA | BOLT - HEX - 1/4-20 X 1 1/4 - GRADE #5 - STAINLESS STEEL |
| | 000C12-04-12A | EA | BOLT - HEX - 1/4-20 X 3/4 - PLAIN 5 |
| | 000C12-05-16B | EA | BOLT - HEX - 5/16 - 18X1 - GRADE #5 - ZINC |
| | 000C12-05-40B | EA | BOLT - HEX - 5/16"-18 X 2.5" - GRADE #5 - ZINC |
| | 000C12-06-28B | EA | BOLT-HEX-3/8-16X13/4 ZN 5 - 5185-01 |
| | 000C12-08-44B | EA | BOLT - HEX - 1/2-13 X 2 3/4 - GRADE #5 - ZINC |
| | 000C12-08-24B | EA | BOLT - HEX - 1/2-13 X 1 1/2 - GRADE #5 - ZINC |
| | 000C12-08-28B | EA | BOLT - HEX - 1/2-13 X 1 3/4 - GRADE #5 - ZINC |
| | 000C13-07-40B | EA | BOLT - HEX - 7/16-20 X 2 1/2 - GRADE #5 - ZINC |
| | 000C13-07-48B | EA | BOLT - HEX - 7/16-20 X 3 - GRADE #5 - ZINC |
| | 000C13-07-72B | EA | BOLT - HEX - 7/16-20 X 4.5" - GRADE #5 - ZINC |
| | 000C16-07-16B | EA | BOLT - CARRIAGE - ASSIST HANDLE - 7/16-14 X 1 |
| | 000C18-05-40A | EA | BOLT - ELEVATOR - 5/16-18 X 2 1/2 - PL |
| | 000C26-04-18B | EA | BOLT - HEX - SERRATED FLANGE - 1/4-20 X 1 1/8 - ZINC |
| | 000C26-04-14B | EA | BOLT - HEX - SERRATED FLANGE - 1/4-20 X 7/8 - ZINC |
| | 000C26-04-12F | EA | BOLT - HEX - SERRATED FLANGE -1/4-20 X 3/4-STAINLESS STEEL |
| | 000C26-04-10B | EA | BOLT - HEX - SERRATED FLANGE - 1/4-20 X 5/8 - ZINC |
| | 000C26-04-40F | EA | BOLT - HEX - SERRATED FLANGE -1/4-20 X 2.5-STAINLESS STEEL |
| | 000C26-05-12B | EA | BOLT - HEX - SERRATED FLANGE - 5/16-18 X 3/4 - ZINC |
| | 000C26-06-12B | EA | BOLT - HEX - SERRATED FLANGE - 3/8-16 X 3/4 - ZINC |
| | 000C26-06-20B | EA | BOLT - HEX - SERRATED FLANGE - 3/8-16 X 1 1/4 - ZINC |
| | 000C26-06-28B | EA | BOLT - HEX - SERRATED FLANGE - 3/8-16 X 1 3/4 - ZINC |
| | 000C26-06-40B | EA | BOLT - HEX - SERRATED FLANGE - 3/8-16 X 2 1/2 - ZINC |
| | 000C26-08-28B | EA | BOLT - HEX - SERRATED FLANGE - 1/2-13 X 1 3/4 - ZINC |
| | 000C26-08-24B | EA | BOLT - HEX - SERRATED FLANGE - 1/2-13 X 1 1/2 - ZINC |
| | 000C26-08-40B | EA | BOLT - HEX - SERRATED FLANGE - 1/2-13 X 2 1/2-GRADE #5 ZINC |
| | 000C27-08-48B | EA | BOLT-CARR 1/2-13X3.00 GR5 - 97 M-SERIES |
| | 000C27-08-64B | EA | BOLT - CARRIAGE - 1/2-13 X 4 - GRADE 5 |
| | 000D16-07-00B | EA | NUT - HEX - 7/16-14 - ZINC |

SEALANTS & FASTENERS GROUP (CONTINUED)
BOLTS, NUTS AND WASHERS (CONTINUED)

| KEY | PART NUMBER | U/M | DESCRIPTION |
|-----|---------------|-----|------------------------------------------------------------|
| | 000D24-10-00B | EA | NUT - HEX - SELF LOCKING - 10-32 - ZINC |
| | 000D27-05-00B | EA | NUT - HEX LOCK - 5-40 - ZINC |
| | 000D28-10-00B | EA | NUT - HEX - W/NYLON LOCK - 10-32 - ZINC |
| | 000D29-04-00F | EA | NUT - HEX - SELF LOCKING - 1/4 X 20 - STAINLESS STEEL |
| | 000D29-04-00B | EA | NUT - HEX - SELF LOCKING - 1/4 X 20 - ZINC |
| | 000D29-06-00B | EA | NUT - HEX - W/NYLON LOCK - 3/8-16 - ZINC |
| | 000D29-09-00B | EA | NUT - HEX - SELF LOCKING - 9/16-12 - ZINC |
| | 000D34-04-00B | EA | NUT - HEX - LOCKING - 1/4-20 - ZINC |
| | 000D34-06-00B | EA | NUT - HEX - LOCKING - 3/8-16 GRADE C - ZINC |
| | 000D39-04-00B | EA | NUT - HEX - LOCKING W/SERRATED FLANGE - 1/4-20 - ZINC |
| | 000D39-05-00B | EA | NUT - HEX - LOCKING W/SERRATED FLANGE - 5/16-18 - ZINC |
| | 000D39-06-00B | EA | NUT - HEX - LOCKING W/SERRATED FLANGE - 3/8-18 - ZINC |
| | 000D39-06-00D | EA | NUT - HEX - LOCKING W/SERRATED FLANGE - 3/8"-16 BLACK |
| | 000D39-07-00B | EA | NUT - HEX - LOCKING W/SERRATED FLANGE - 7/16-14 - ZINC |
| | 000D39-08-00B | EA | NUT - HEX - LOCKING W/SERRATED FLANGE - 1/2-13 - ZINC |
| | 000D39-09-00B | EA | NUT - HEX - LOCKING W/SERRATED FLANGE - 9/16-12 - ZINC |
| | 000D44-04-00B | EA | NUT - HEX - LOCKING W/SERRATED FLANGE - 1/4-28 - ZINC |
| | 000D44-07-00B | EA | NUT - HEX - LOCKING W/SERRATED FLANGE - 7/16-20 - ZINC |
| | 000D44-08-00B | EA | NUT - HEX - LOCKING W/SERRATED FLANGE - 1/2-20 - ZINC |
| | 000D46-04-00A | EA | NUT - HEX - WELD - 1/4-20 - PLAIN |
| | 000D65-08-00B | EA | NUT - HEX - LOCKING W/SERRATED FLANGE - 8-32 - ZINC |
| | 000D73-08-00C | EA | NUT - HEX FLANGE - 1/2-13 |
| | 000D75-09-00B | EA | NUT - HEX LOCKING - 9/16-12 - ZINC |
| | 000D76-06-00B | EA | NUT - HEX FLANGE - 3/8-16 |
| | 000E11-04-00F | EA | WASHER - LOCKING - 1/4 MED SPLIT - STAINLESS STEEL |
| | 000E11-07-00B | EA | WASHER - LOCKING - 7/16 MED SPLIT - ZINC |
| | 000E11-08-00B | EA | WASHER - LOCKING - 1/2 MED SPLIT - ZINC |
| | 000E13-17-00B | EA | WASHER - FLAT - 3/8 AR - ZINC |
| | 000E13-18-00B | EA | WASHER - FLAT - 3/8 WIDE - ZINC |
| | 000E13-20-00B | EA | WASHER - FLAT - 7/16 WIDE - ZINC |
| | 000E13-22-00B | EA | WASHER - FLAT - 1/2 WIDE - ZINC |
| | 000E13-26-00B | EA | WASHER - FLAT - 5/8 WIDE - ZINC |
| | 000E14-10-00B | EA | WASHER - LOCKING - #10 EXTERNAL TOOTH - ZINC |
| | 000E16-10-00B | EA | WASHER - HARDENED - 5/8 - FLAT - ZINC |
| | 000G45-05-16B | EA | BOLT - LAG - 5/16-9 X 1 - ZINC |
| | 005081-01-000 | EA | NUT - SPEED - C-TYPE - #8 SCREW |
| | 039715-01-000 | EA | NUT-SERT - 1/4" DIAMETER - 20 THREADS |
| | 040921-01-000 | EA | NUT - SPEED - U TYPE - #10-24 - BLACK |
| | 040921-03-000 | EA | NUT - SPEED - U TYPE - #10 |
| | 040921-04-000 | EA | NUT - SPEED - U TYPE - #8-.59" LENGTH X .44" WIDTH |
| | 040921-05-000 | EA | NUT - SPEED - U-TYPE - 8-.67" X .44" WIDE |
| | 040921-11-000 | EA | NUT - SPEED - U-TYPE - 8-.59" LENGTH X .44" WIDTH - BLACK |
| | 041322-01-000 | EA | WASHER - FLANGE - 15/32"ID X 2 3/8"OD - F/SEAT BELT MTG |
| | 044364-02-000 | EA | NUT - SPEED - FLAT - ROUND |
| | 044533-01-000 | EA | WASHER - 1 3/8"OD - FOR BUTTONS - PLASTIC |
| | 051387-06-000 | EA | BOLT - CARRIAGE W/O HOLE - 5/16-18 X 9 1/2 - ZINC |
| | 058716-02-000 | EA | WASHER - FLAT NYLON |
| | 064081-03-000 | EA | NUT - WING 3/8-16 - W/WELD NUT |
| | 077071-01-000 | EA | WASHER - FENDER - 3/16"ID X 1"OD |
| | 087234-01-000 | EA | NUT - JACK - 1/4 X 20 THD - MOLLY |
| | 088787-12-000 | EA | STUD - WELD - 1/4 - 20 X 1.0 LG - MN |
| | 102540-02-000 | EA | SEAL - SCREW |
| | 106956-03-000 | EA | BOLT - HEX TAP - 1/2-13NC X 3 - GRADE 5 - FULL THREAD/ZINC |
| | 106956-10-000 | EA | BOLT - HEX TAP - 9/16-12NC X 3 5/8 -GRD 5-FULL THREAD/ZINC |
| | 106956-11-000 | EA | BOLT - HEX TAP - 1/2-13NC X 2 1/2 - GRD 5-FULL THREAD/ZINC |
| | 106956-13-000 | EA | BOLT - HEX TAP - 1/2-20 X 2 1/2 - GRD 5-FULL THREAD/ZINC |
| | 107397-01-000 | EA | WASHER - FENDER - 3/4"ID X 1"OD |
| | 108067-03-000 | EA | STUD - WELD - 1/4 - 20 X 1/2 CD |
| | 109917-03-000 | EA | WASHER - 1" X .50" |
| | 109917-04-000 | EA | WASHER - 1" X .75" |
| | 128444-01-000 | EA | WASHER - SPRING - CONICAL |
| | 135092-02-01A | EA | BOLT - HEX - SERRATED FLANGE - 1/2-20 X 2 1/2-GRADE 5 ZINC |
| | 135092-05-01A | EA | BOLT - HEX - SERRATED FLANGE - 1/2-20 X 1 - GRADE 5 ZINC |
| | 143399-01-01A | EA | NUT/RETAINING - 3/8"- 24 NFT |

SEALANTS & FASTENERS GROUP (CONTINUED)
BOLTS, NUTS AND WASHERS (CONTINUED)

| KEY | PART NUMBER | U/M | DESCRIPTION |
|-----|---------------|-----|-------------------------------|
| | 144904-01-01A | EA | BOLT - ADJUSTMENT - HEADLAMP |
| | 147284-02-000 | EA | NUT/SELF RETAINING - 5/16"-18 |
| | 148817-01-000 | EA | WASHER/SPUR - LOCKING |

SCREWS

| KEY | PART NUMBER | U/M | DESCRIPTION |
|-----|---------------|-----|-----------------------------------------------------------|
| | 0G1208-12-170 | EA | SCREW - 8-18 X 3/4 POH - BRIGHT WHITE |
| | 0G3908-08-170 | EA | SCREW - SF/DR - 8-18 X 1/2 PPH - BRIGHT WHITE |
| | 0G3908-08-410 | EA | SCREW - SF/DR - 8-18 X 1/2 PPH - PARCHMENT |
| | 0G3908-16-170 | EA | SCREW - SF/DR - 8-18 X 1 PPH - BRIGHT WHITE |
| | 0G3908-24-170 | EA | SCREW - SF/DR - 8-18 X 1 1/2 PPH - BRIGHT WHITE |
| | 0G3910-10-330 | EA | SCREW - SF/DR - 20-16 X 5/8 PPH - PUTTY |
| | 0G3910-12-170 | EA | SCREW - SF/DR - 10-16 X 3/4 PPH - BRIGHT WHITE |
| | 0G3910-12-240 | EA | SCREW - SF/DR - 10-16 X .75 PPH - VW LIGHT GRAY |
| | 0G3910-12-380 | EA | SCREW - SF/DR - 10-16 X .75 PPH - CASHMERE |
| | 0G3910-12-370 | EA | SCREW - SF/DR - 10-16 X .75 PPH - RIVERSTONE |
| | 0G3910-24-170 | EA | SCREW - SF/DR - 10-16 X 1 1/2 PPH - BRIGHT WHITE |
| | 0G3910-32-330 | EA | SCREW - SF/DR - 10-16 X 2.00 PPH - PUTTY |
| | 0G5508-08-380 | EA | SCREW - SF/DR - 8-18 X .5 PWH - CASHMERE |
| | 0G5508-08-370 | EA | SCREW - SF/DR - 8-18 X .5 PWH - RIVERSTONE |
| | 0G5508-12-170 | EA | SCREW - SF/DR - 8-18 X 3/4 PWH - BRIGHT WHITE |
| | 0G5508-12-320 | EA | SCREW - SF/DR - 8-18 X 3/4 PWH - GLACIER |
| | 0G5508-12-330 | EA | SCREW - SF/DR - 8-18 X 3/4 PWH - PUTTY |
| | 0G6008-16-170 | EA | SCREW - SF/DR - 8-18 X 1 POH - BRIGHT WHITE |
| | 0G5508-16-250 | EA | SCREW - SF/DR - 8-18 X 1 PWH - VW DARK GRAY |
| | 0G5508-16-330 | EA | SCREW - SF/DR - 8-18 X 1 PWH - PUTTY |
| | 0G5508-16-370 | EA | SCREW - SF/DR - 8-18 X 1 PWH - RIVERSTONE |
| | 0G5508-16-380 | EA | SCREW - SF/DR - 8-18 X 1 PWH - CASHMERE |
| | 0G5508-16-410 | EA | SCREW - SF/DR - 8-18 X 1 PWH - MEDIUM PARCHMENT |
| | 0G6012-32-170 | EA | SCREW - SF/DR - 12-14 X 2 POH - BRIGHT WHITE |
| | 0G6710-08-170 | EA | SCREW - 10-12 X 1/2 PPH - BRIGHT WHITE |
| | 0G6710-12-170 | EA | SCREW - 10-12 X 3/4 PPH - BRIGHT WHITE |
| | 0G6806-16-170 | EA | SCREW - 6-18 X 1 POH - BRIGHT WHITE |
| | 0G6810-24-280 | EA | SCREW - 10-12 X 1 1/2 POH - SOFT WHITE |
| | 000C20-06-24T | EA | SCREW - 3/8-16 X 1 1/2 - FLAT SOCKET |
| | 000C28-05-24D | EA | CAPSCREW/BUTTON HEAD - 5/16-18 X 1 1/2 - #8-BLK PHOSPHATE |
| | 000G11-06-08B | EA | SCREW - 6-20 X 1/2 PPH - ZINC |
| | 000G11-06-10B | EA | SCREW - 6-20 X 5/8 PPH - ZINC |
| | 000G11-06-10J | EA | SCREW - 6-20 X 5/8 PPH - BRASS |
| | 000G11-07-08B | EA | SCREW - 7-19 X 1/2 PPH - ZINC |
| | 000G11-08-06B | EA | SCREW - 8-18 X 3/8 PPH - ZINC |
| | 000G11-08-08T | EA | SCREW - 8-18 X 1/2 PPH - FLUOROCARBON COATING |
| | 000G11-08-12B | EA | SCREW - 8-18 X 3/4 PPH - ZINC |
| | 000G11-08-12P | EA | SCREW - 8-18 X 3/4 PPH - DARK BROWN |
| | 000G11-08-12S | EA | SCREW - 8-18 X 3/4 PPH - OFF WHITE |
| | 000G11-08-12T | EA | SCREW - 8-18 X 3/4 PPH - BLACK MAGNESIUM |
| | 000G11-08-20B | EA | SCREW - 8-18 X 1 1/4 PPH - ZINC |
| | 000G11-08-20G | EA | SCREW - 8-18 X 1 1/4 - ANTIQUE BRASS |
| | 000G11-10-12D | EA | SCREW - 10-16 X 3/4 PPH - BLACK |
| | 000G12-06-08T | EA | SCREW - 6-20 X 1/2 POH - BLACK |
| | 000G12-06-12J | EA | SCREW - 6-20 X .75 POH - BRASS |
| | 000G12-10-16F | EA | SCREW - 10-16 X 1 POH - STAINLESS STEEL |
| | 000G13-05-10B | EA | SCREW - 5-12 X 5/8 PFH - ZINC |
| | 000G13-06-08B | EA | SCREW - 6-20 X 1/2 PFH - ZINC |
| | 000G13-06-08G | EA | SCREW - 6-20 X 1/2 PFH - ANTIQUE BRASS |
| | 000G13-06-10G | EA | SCREW - 6-20 X 5/8 PFH - ANTIQUE BRASS |
| | 000G13-06-16J | EA | SCREW - 6-20 X 1 PFH - BRASS |
| | 000G13-06-169 | EA | SCREW - SF/DR - 6-20 X 1 PFH - SILVER |
| | 000G13-06-24J | EA | SCREW - 6-20 X 1 1/2 PFH - BRASS |
| | 000G13-07-10H | EA | SCREW - 7-19 X 5/8 PFH - BLACK |
| | 000G13-07-12B | EA | SCREW - 7-19 X 3/4 PFH - ZINC |
| | 000G13-08-109 | EA | SCREW - 8-18 X 5/8 PFH |
| | 000G13-08-10B | EA | SCREW - 8-18 X 5/8 PFH - ZINC |
| | 000G13-08-16B | EA | SCREW - 8-18 X 1 PFH - ZINC |

SEALANTS & FASTENERS GROUP (CONTINUED)
SCREWS (CONTINUED)

| KEY | PART NUMBER | U/M | DESCRIPTION |
|-----|---------------|-----|-------------------------------------------------------|
| | 000G13-08-24B | EA | SCREW - 8-18 X 1 1/2 PFH - ZINC |
| | 000G16-04-24B | EA | SCREW - MACHINE - 1/4-20 X 1 1/2 PPH |
| | 000G18-08-12B | EA | SCREW - MACHINE - 8-32 X 3/4 PPH - ZINC |
| | 000G18-08-16B | EA | SCREW - MACHINE - 8-32 X 1 PPH - ZINC |
| | 000G18-08-24B | EA | SCREW - MACHINE - 8-32 X 1 1/2 PPH - ZINC |
| | 000G18-08-22B | EA | SCREW - MACHINE - 8-32 X 1 3/8 PPH - ZINC |
| | 000G19-10-08B | EA | SCREW - MACHINE - 10-32 X 1/2 PPH - ZINC |
| | 000G19-10-10B | EA | SCREW - MACHINE - 10-32 X 5/8 - PPH - ZINC |
| | 000G19-10-12F | EA | SCREW - MACHINE - 10-32 X 3/4 PPH - STAINLESS STEEL |
| | 000G19-10-20B | EA | SCREW - MACHINE - 10-32 X 1 1/2 PPH - ZINC |
| | 000G32-10-06B | EA | SCREW - 10-32 X 3/8 PPH - ZINC |
| | 000G34-05-12B | EA | SCREW - HEX HEAD TAPPING - 5/16 X 3/4 LONG |
| | 000G36-10-12T | EA | SCREW - 10-24X 3/4 PFH TYPE 23 - BLACK |
| | 000G39-06-10T | EA | SCREW - SF/DR - 6-20 X 5/8 PPH - BLACK |
| | 000G39-06-16T | EA | SCREW - SF/DR - 6-20 X 1 PPH - BLACK |
| | 000G39-08-06B | EA | SCREW - SF/DR - 8-18 X 3/8 PPH - ZINC |
| | 000G39-08-08B | EA | SCREW - SF/DR - 8-18 X 1/2 PPH - ZINC |
| | 000G39-08-08S | EA | SCREW - SF/DR - 8-18 X 1/2 PPH - OFF WHITE |
| | 000G39-08-08T | EA | SCREW - SF/DR - 8-18 X 1/2 PPH - BLACK |
| | 000G39-08-12T | EA | SCREW - SF/DR - 8-18 X 3/4 PPH - BLACK |
| | 000G39-08-16B | EA | SCREW - SF/DR - 8-18 X 1 PPH - ZINC |
| | 000G39-08-16T | EA | SCREW - SF/DR - 6-20 X 1 PPH - BLACK |
| | 000G39-08-24B | EA | SCREW - SF/DR - 8-18 X 1 1/2 PPH - ZINC |
| | 000G39-08-24S | EA | SCREW - SF/DR - 8-18 X 1 1/2 - OFF WHITE |
| | 000G39-08-24T | EA | SCREW - SF/DR - 8-18 X 1 1/2 PPH - BLACK |
| | 000G39-08-32B | EA | SCREW - SF/DR - 8-18 X 2 PPH - ZINC |
| | 000G39-10-08B | EA | SCREW - SF/DR - 10-16 X 1/2 PPH - ZINC |
| | 000G39-10-10B | EA | SCREW - SF/DR - 10-16 X 5/8 PPH - ZINC |
| | 000G39-10-12B | EA | SCREW - SF/DR - 10-16 X 3/4 PPH - ZINC |
| | 000G39-10-129 | EA | SCREW - SF/DR - 10-16 X 3/4 PPH - FLUOROCARBON SILVER |
| | 000G39-10-169 | EA | SCREW - SF/DR - 10-16 X 1 PPH - FLUOROCARBON SILVER |
| | 000G39-10-20B | EA | SCREW - SF/DR - 10-16 X 1 1/4 PPH - ZINC |
| | 000G39-10-20T | EA | SCREW - SF/DR - 10-16 X 1 1/4 PPH - BLACK |
| | 000G39-10-24T | EA | SCREW - SF/DR - 10-16 X 1 1/2" PPH - BLACK |
| | 000G39-10-28T | EA | SCREW - SF/DR - 10-16 X 1 3/4" PPH - BLACK |
| | 000G39-10-32B | EA | SCREW - SF/DR - 10-16 X 2 - PPH - ZINC |
| | 000G39-10-48B | EA | SCREW - SF/DR - 10-16 X 3 - PPH - ZINC |
| | 000G39-10-48T | EA | SCREW - SF/DR - 10-16 X 3 PPH - BLACK |
| | 000G42-04-16B | EA | SCREW - SF/DR - 1/4-14 X 1 HWH - ZINC |
| | 000G42-04-24B | EA | SCREW - SF/DR - 1/4-14 X 1 1/2 - ZINC |
| | 000G46-08-24T | EA | SCREW - MACHINE - 8-32 X 1 1/2 PFH - ZINC |
| | 000G52-06-05B | EA | SCREW - MACHINE - 6-32 X 5/16 PTH - ZINC |
| | 000G52-06-06B | EA | SCREW - MACHINE - 6-32 X 3/8 PTH - ZINC |
| | 000G54-04-14B | EA | SCREW - 1/4-20 X 7/8 PTH - TYPE 23 - ZINC PLATED |
| | 000G55-08-12T | EA | SCREW - SF/DR - 8-18 X 3/4 PWH - BLACK |
| | 000G55-08-124 | EA | SCREW - SF/DR - 8-18 X 3/4 PWH - ASH GRAY |
| | 000G55-08-16T | EA | SCREW - SF/DR - 8-18 X 1 PWH - BLACK |
| | 000G56-12-48B | EA | SCREW - WOOD - 12-11 X 3 POH - SPECIAL HARDENED |
| | 000G57-14-64B | EA | SCREW - 14-10 X 4 PFH ZINC |
| | 000G60-08-16E | EA | SCREW - SF/DR - 8-1 X 1 POH - CHROME |
| | 000G60-08-20F | EA | SCREW - SF/DR - 8-19X1.25 POH |
| | 000G60-08-22B | EA | SCREW - SF/DR - 8-18 X 1.38 POH - ZINC |
| | 000G60-10-16J | EA | SCREW - SF/DR - 10-16 X 1 POH - BRIGHT BRASS |
| | 000G60-10-20B | EA | SCREW - SF/DR - 10-16 X 1 1/4 POH - ZINC |
| | 000G60-10-209 | EA | SCREW - SF/DR - 10-16 X 1 1/4 POH - SILVER STALGAARD |
| | 000G60-10-28T | EA | SCREW - SF/DR - 10-16 X 1 3/4 - BLACK |
| | 000G62-06-24I | EA | SCREW - SF/DR - 8-18 X 1.5 PPH - BLACK |
| | 000G62-06-249 | EA | SCREW - SF/DR - 8-18 X 1.5 PPH - SILVER |
| | 000G62-08-24B | EA | SCREW - SF/DR - 8-18 X 1 1/2 PFH |
| | 000G67-08-32B | EA | SCREW - 8-15 X 2 PPH - ZINC |
| | 000G67-10-08B | EA | SCREW - 10-12 X 1/2 PPH - ZINC |
| | 000G67-10-08S | EA | SCREW - 10-12 X 1/2 PPH - OFF WHITE |
| | 000G67-10-10B | EA | SCREW - 10-12 X 5/8 PPH - ZINC - TYPE A |
| | 000G67-10-10S | EA | SCREW - 10-12 X 5/8 PPH - OFF WHITE |

SEALANTS & FASTENERS GROUP (CONTINUED)
SCREWS (CONTINUED)

| KEY | PART NUMBER | U/M | DESCRIPTION |
|-----|---------------|-----|--------------------------------------------------------------|
| | 000G67-10-10T | EA | SCREW - 10-12 X 5/8 PPH - BLACK |
| | 000G67-10-10P | EA | SCREW - 10-12 X 5/8 PPH - DARK BROWN |
| | 000G67-10-12P | EA | SCREW - 10-12 X 3/4 PPH - DARK BROWN |
| | 000G67-10-24B | EA | SCREW - 10-12 X 1 1/2 PPH - ZINC |
| | 000G67-10-24S | EA | SCREW - 10-12 X 1 1/2 PPH - OFF WHITE |
| | 000G67-10-32J | EA | SCREW-10-12X2 PPH - BRIGHT BRASS |
| | 000G68-06-10J | EA | SCREW - 6-18 X 5/8 POH - BRASS |
| | 000G68-06-12B | EA | SCREW - 6-18 X 3/4 POH - ZINC & CLEAR |
| | 000G68-06-12J | EA | SCREW - 6-18 X 3/4 POH - BRASS |
| | 000G68-06-12S | EA | SCREW - 6-18 X 3/4 POH |
| | 029130-01-000 | EA | SCREW - SNAP STUD - #8-16 X 5/8" LONG |
| | 029130-03-000 | EA | SCREW - SNAP STUD - #8-16 X 1" LONG |
| | 049465-01-000 | EA | SCREW - 10-16 PTH W/WASHER - DARK BROWN |
| | 049465-03-000 | EA | SCREW - 10-16 X 1 POH W/WASHER - OFF WHITE |
| | 049465-13-000 | EA | SCREW - 10-16 X 1 PTH W/WASHER - ASH GRAY |
| | 049465-17-000 | EA | SCREW - 10-16 X 1 POH W/WASHER - BRIGHT WHITE |
| | 049465-18-000 | EA | SCREW - 10-16 X 1 POH W/WASHER - VW GRAY |
| | 054434-02-000 | EA | SCREW - SF/DR - 10-16 X 2 - ZINC |
| | 054434-03-000 | EA | SCREW - SF/DR - 10-16 X 2 - PWH - ZINC |
| | 075908-01-000 | EA | SCREW - MACHINE - 10-32 X .56 PTH - EXTERNAL TOOTH - ZINC |
| | 076790-01-000 | EA | SCREW - 6-20 X 1 1/4 PPH - BLACK |
| | 076790-05-000 | EA | SCREW - 6-20 X 1/2 PPH - BLACK - THREAD CUTTING/WOOD |
| | 083554-01-000 | EA | SCREW - DRYWALL - 8 X 1 1/4 |
| | 083554-04-000 | EA | SCREW - DRYWALL - 8 X 2 1/2 |
| | 087721-01-000 | EA | SCREW - FLAT HEAD - TAPPING - 1/4" X 1 1/4" LONG - ZINC |
| | 095772-01-000 | EA | SOCKET-SNAP FASTNER1" SF/DR - SELF DRIVER |
| | 097974-01-000 | EA | SCREW - PARTICLE BOARD - 7-9 X 3/4 PPH |
| | 097974-02-000 | EA | SCREW-PART BD 8-9X.75 PFH - BEIGE |
| | 101618-01-000 | EA | SCREW - 1/4-20 X 3/4 HEX - TAPPING - STALGARD TYPE F |
| | 113563-01-01A | EA | SCREW - 8 X 5/8 LONG SHOULDER/WASHER HEAD |
| | 113563-01-02A | EA | SCREW - 8 X 5/8 LONG SHOULDER/WASHER HEAD - BRIGHT WHITE |
| | 118383-01-09A | EA | RETAINER/RECESSED - F/.22" SCREW - GLACIER |
| | 118383-01-12A | EA | RETAINER/RECESSED - F/.22" SCREW - RIVERSTONE |
| | 118383-01-10A | EA | RETAINER/RECESSED - F/.22" SCREW - STORM GRAY |
| | 118383-01-11A | EA | RETAINER/RECESSED - F/.22" SCREW - CASHMERE |
| | 118383-02-10A | EA | RETAINER/RECESSED - F/.27" SCREW - RIVERSTONE |
| | 118383-02-11A | EA | RETAINER/RECESSED - F/.27" SCREW - CASHMERE |
| | 118383-02-13A | EA | RETAINER/RECESSED - F/.27" SCREW - OFF WHITE |
| | 118383-03-09A | EA | RETAINER/RECESSED - F/.32" SCREW - GLACIER |
| | 118383-04-04A | EA | CAP - F/RECESSED RETAINER - BRIGHT WHITE |
| | 118383-04-09A | EA | CAP - F/RECESSED RETAINER - GLACIER |
| | 118383-04-10A | EA | CAP - F/RECESSED RETAINER - RIVERSTONE |
| | 118383-04-11A | EA | CAP - F/RECESSED RETAINER - CASHMERE |
| | 118383-04-12A | EA | CAP - F/RECESSED RETAINER - STORM GRAY |
| | 118383-04-13A | EA | CAP - F/RECESSED RETAINER - OFF WHITE |
| | 134126-01-01A | EA | SCREW/NAIL - HEX HEAD - 3/4" |
| | 140040-01-000 | EA | SCREW - 1/4-20 X 1 - BUTTON HEAD/SOCKET - W/LOCTITE |
| | 149753-01-01A | EA | RETAINER/RECESSED - F/.22" SCREW - BLACK |
| | 149753-01-02A | EA | RETAINER/RECESSED - F/.22" SCREW - BRIGHT WHITE |
| | 149753-02-01A | EA | CAP - F/RECESSED RETAINER - BLACK |
| | 149753-02-02A | EA | CAP - F/RECESSED RETAINER - BRIGHT WHITE |
| | 154938-01-01A | EA | SCREW - SF/DR - 10-16 X 3/4 PPH - W/SELF SEAL - BRIGHT WHITE |
| | 154938-01-02A | EA | SCREW - SF/DR - 10-16 X 3/4 PPH - W/SELF SEAL - BLACK |
| | 154938-02-01A | EA | SCREW - SF/DR - 8-18 X 1 PFH - W/SELF SEAL - BRIGHT WHITE |
| | 154938-02-02A | EA | SCREW - SF/DR - 8-18 X 1 PFH - W/SELF SEAL - BLACK |
| | 154938-02-03A | EA | SCREW - SF/DR - 8-18 X 1 PFH - W/SELF SEAL - SILVER |
| | 154938-03-01A | EA | SCREW - SF/DR - 8-18 X 5/8 PFH - W/SELF SEAL - BRT WHT |
| | 154935-03-02A | EA | SCREW - SF/DR - 8-18 X 5/8 PFH - W/SELF SEAL - BLACK |
| | 154938-04-01A | EA | SCREW - SF/DR - 10-16 X 1" TPH - W/SELF SEAL - BRT WHT |
| | 154938-04-02A | EA | SCREW - SF/DR - 10-16 X 1" TPH - W/SELF SEAL - BLACK |
| | 154938-05-03A | EA | SCREW - SF/DR - 8-18 X 1.25" PFH - W/SELF SEAL - SILVER |

SEALANTS & FASTENERS GROUP (CONTINUED)

CLAMPS, CLIPS, GROMMETS, RIVETS & PLUGS

| KEY | PART NUMBER | U/M | DESCRIPTION |
|-----|---------------|-----|-----------------------------------------------------------|
| | 000H16-04-06R | EA | RIVET - POP ALUMINUM - 1/8 X .313 - .375 |
| | 000H16-06-10R | EA | RIVET - POP ALUMINUM - 3/16 X .501 - .625 |
| | 007161-01-000 | EA | CLAMP - HOSE - SPRING TYPE - 1/2" |
| | 008386-01-000 | EA | GROMMET - SNAP - 3/8" DIAMETER - NYLON |
| | 010495-01-000 | EA | CLAMP - CABLE - 9/16"ID - BLACK |
| | 010495-02-000 | EA | CLAMP - CABLE - 3/8"ID - BLACK |
| | 010495-04-000 | EA | CLAMP - CABLE - 11/16"ID - WHITE |
| | 010497-01-000 | EA | CLAMP - CLOSED - 5/8"ID |
| | 010497-02-000 | EA | CLAMP - CLOSED - 1.5"ID |
| | 010497-03-000 | EA | CLAMP - CLOSED - 1"ID - CUSHIONED |
| | 010497-04-000 | EA | CLAMP - CLOSED - 1 5/8"ID |
| | 010497-05-000 | EA | CLAMP - CLOSED - 1/2"ID |
| | 010497-07-000 | EA | CLAMP - CLOSED - 3/8"ID |
| | 010497-09-000 | EA | CLAMP - CLOSED - 5/16"ID |
| | 010497-10-000 | EA | CLAMP - CLOSED - 7/8"ID |
| | 010499-01-000 | EA | CLAMP - CLOSED - 3/8"ID |
| | 016188-03-000 | EA | GROMMET - LP LINE - 3/8"HOLE X 2 1/2"LONG - RUBBER |
| | 016188-04-000 | EA | GROMMET - LP LINE - 1/2"HOLE X 2 1/2"LONG - RUBBER |
| | 016188-05-000 | EA | GROMMET - LP LINE - 3/8"HOLE X 1 1/4"LONG - RUBBER |
| | 016188-06-000 | EA | GROMMET - LP LINE - 3/8"HOLE X 3 1/4"LONG - RUBBER |
| | 016188-07-000 | EA | GROMMET - L/P LINE - 1/2"HOLE X 3 1/4"LONG |
| | 016188-08-000 | EA | GROMMET - LP LINE - 1/2"HOLE X 1 1/4"LONG - RUBBER |
| | 016188-09-000 | EA | GROMMET - LP LINE - .68"HOLE X 1 1/4"LONG - RUBBER |
| | 016188-10-000 | EA | GROMMET - LP GAS - .68" X 2.5" |
| | 023942-01-000 | EA | GROMMET - RUBBER - 2"OD |
| | 041930-11-000 | EA | RIVET - POP ALUMINUM - 1/8 X .188 - .250 - BRIGHT WHITE |
| | 061420-04-000 | EA | PLUG/PLASTIC - 1 1/4" DIAMETER |
| | 061420-05-000 | EA | PLUG/PLASTIC - 1 1/2" DIAMETER |
| | 061420-09-000 | EA | PLUG/PLASTIC - 1.00" DIAMETER |
| | 061420-10-000 | EA | PLUG/PLASTIC - 1 1/2" DIAMETER - BLACK |
| | 061420-12-000 | EA | PLUG/PLASTIC - 1.50" DIAMETER - RED |
| | 061420-13-000 | EA | PLUG/PLASTIC - 3/8" - FLUSH |
| | 061420-14-000 | EA | PLUG/PLASTIC - 7/8" DIAMETER - BLACK |
| | 061420-15-000 | EA | PLUG/PLASTIC - 2" DIAMETER - BLACK |
| | 061420-16-000 | EA | PLUG/PLASTIC - 2 1/8" DIAMETER - BLACK |
| | 062401-01-000 | EA | CLAMP - HOSE - WORMGEAR - .25" - 1" |
| | 062401-02-000 | EA | CLAMP - HOSE - WORMGEAR - 1.56" - 2.5" ID |
| | 062401-03-000 | EA | CLAMP - HOSE - WORMGEAR - .22" - 1" ID |
| | 062401-04-000 | EA | CLAMP - HOSE - WORMGEAR - .69" - 1.25" ID |
| | 062401-05-000 | EA | CLAMP - HOSE - WORMGEAR - 2" - 3" ID |
| | 062401-06-000 | EA | CLAMP - HOSE - WORMGEAR - .22" - .62" ID |
| | 062401-09-000 | EA | CLAMP - HOSE - WORMGEAR - 2.8" - 3.75" ID |
| | 062401-11-000 | EA | CLAMP - HOSE - WORMGEAR - 3.50" - 4.50" ID |
| | 062401-13-000 | EA | CLAMP - HOSE - WORMGEAR |
| | 063729-12-000 | EA | RIVNUT - 5/16 - 18 UNCUT - FLATHEAD - STAINLESS |
| | 071015-01-000 | EA | GROMMET - RUBBER - .5"ID X 1"OD-W/.38" GROOVE - BLACK |
| | 071015-11-000 | EA | GROMMET - RUBBER - 1"ID FITS .12 MATERIAL - BLACK |
| | 071015-13-000 | EA | GROMMET - RUBBER - .62"ID X 1"OD W/.09" GROOVE - BLACK |
| | 071015-22-000 | EA | GROMMET - RUBBER - .62"ID X 1.12"OD W/.19" GROOVE - BLACK |
| | 071015-26-000 | EA | GROMMET - RUBBER - 1.5"ID X 2.1"OD W/.06" GROOVE - BLACK |
| | 071015-29-000 | EA | GROMMET - RUBBER - .3"ID X 1.3"OD W/.12" GROOVE - BLACK |
| | 071015-30-000 | EA | GROMMET - RUBBER - .3"ID X .81"OD W/.12" GROOVE - BLACK |
| | 071015-39-000 | EA | GROMMET - .75 ID FITS .06 MTL |
| | 071015-41-000 | EA | GROMMET - .125 ID FITS .188 MTL |
| | 071015-42-000 | EA | GROMMET - .25 ID FITS .06 MTL |
| | 075148-02-000 | EA | CLAMP - GROUNDING - BRONZE SCREWS |
| | 077955-01-000 | EA | CLIP/J - 3/8" - VINYL COATED |
| | 080734-02-000 | EA | CLIP - WIRE NYLON |
| | 081211-01-000 | EA | PLUG - PLASTIC - .31"DIA - BLACK |
| | 081211-03-000 | EA | PLUG - PLASTIC - .50"DIAMETER - TRUSS HEAD - BLACK |
| | 081211-04-000 | EA | PLUG - PLASTIC - .46"DIAMETER - TRUSS HEAD - BLACK |
| | 083609-01-000 | EA | CLAMP - WIRE - DUAL - EQUAL DIAMETERS - 5/8" |
| | 083610-01-000 | EA | CLAMP - WIRE - DUAL - UNEQUAL DIAMETERS - 3/4" & 1 1/4" |
| | 083610-02-000 | EA | CLAMP - WIRE - DUAL - UNEQUAL DIAMETERS - 3/4" & 2" |

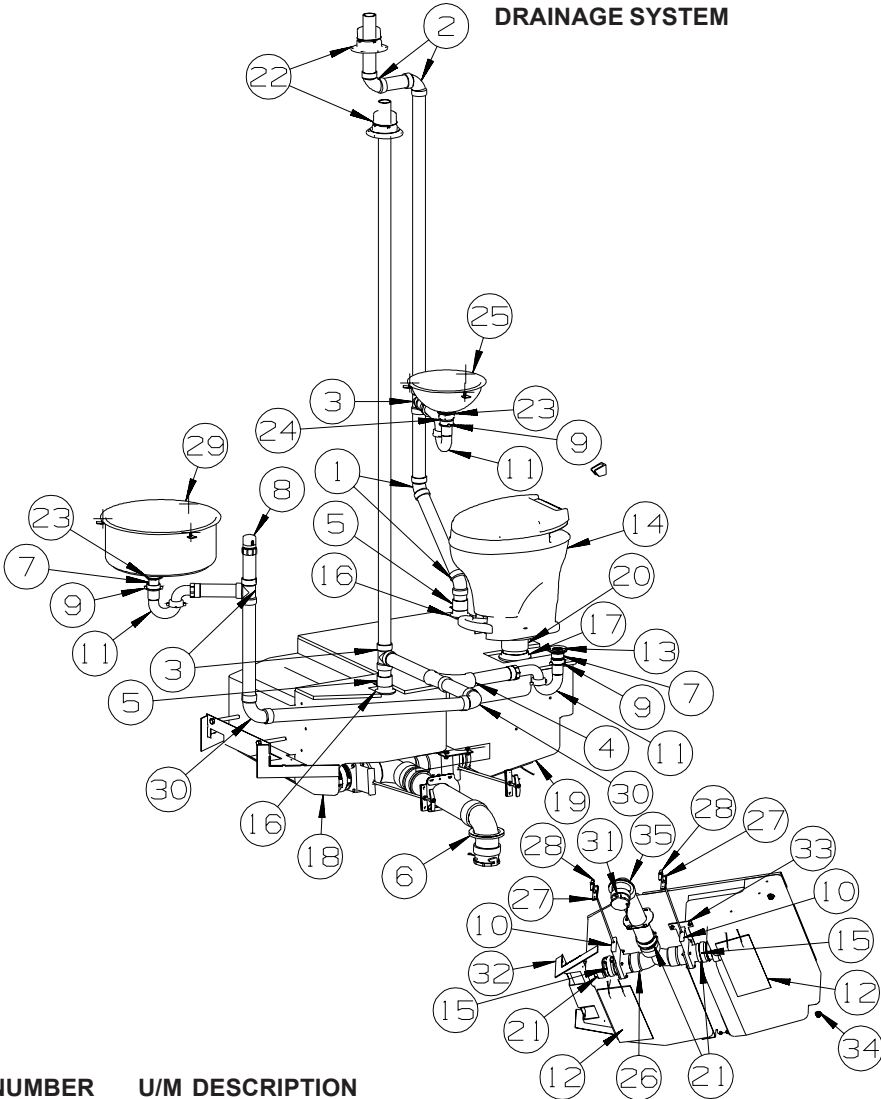
SEALANTS & FASTENERS GROUP (CONTINUED)
CLAMPS, CLIPS, GROMMETS, RIVETS & PLUGS (CONTINUED)

| KEY | PART NUMBER | U/M | DESCRIPTION |
|------------|--------------------|------------|--------------------------------------------------------|
| | 083610-03-000 | EA | CLAMP - WIRE - DUAL - EQUAL DIAMETERS - 2" |
| | 088756-01-000 | EA | GROMMET - WEB - 1 1/8"ID |
| | 089329-02-000 | EA | CLIP - SPRING |
| | 091952-01-000 | EA | CLIP - GRIPPER - 1" - BLACK VINYL COATED |
| | 091952-02-000 | EA | CLIP - GRIPPER - 3/4" - BLACK VINYL COATED |
| | 091952-03-000 | EA | CLIP - GRIPPER - 1/2" - BLACK VINYL COATED |
| | 094362-02-000 | EA | CLIP - XMAS TREE - BINDER HEAD - .9" LONG/ANY COLOR |
| | 094362-05-000 | EA | CLIP - XMAS TREE - ROUND HEAD - 1.4" LONG/ANY COLOR |
| | 113133-02-01A | EA | RIVET - POP - ALUMINUM - 3/16 X .252 - .504 - BLACK |
| | 114208-05-000 | EA | GROMMET - EDGE LINER - FITS 2" |
| | 118626-01-02A | EA | RIVET/POP - ALUMINUM - 3/16 X .08 - .375 |
| | 118626-01-01A | EA | RIVET/POP - ALUMINUM - 3/16 X 1.2"(GRIP RANGE .1"-.4") |
| | 118626-02-01A | EA | RIVET/POP - ALUMINUM - 3/16 X .500 - .750 |
| | 118626-03-01A | EA | RIVET/POP - STAINLESS STEEL - 3/16 X .500 - .750 |
| | 137014-01-02A | EA | GROMMET - CABLE - BROWN |
| | 137014-01-01A | EA | GROMMET - CABLE - ALMOND |
| | 137014-01-03A | EA | GROMMET - CABLE - BLACK |
| | 139118-02-01A | EA | GROMMET - SCREW - PLASTIC |
| | 155498-01-01A | EA | CLAMP - CLOSED - 7/8"ID - VINYL DIP/GALVONIZED - BLACK |

MISCELLANEOUS FASTENERS

| KEY | PART NUMBER | U/M | DESCRIPTION |
|------------|--------------------|------------|-----------------------------------------------------------|
| | 008343-01-000 | EA | TIE - WIRE - 6" |
| | 008343-02-000 | EA | TIE - WIRE - 14" |
| | 008343-03-000 | EA | TIE - WIRE - 7 1/2" - BLACK |
| | 029094-04-000 | YD | VELCRO TAPE/LOOP - 1"WIDE - W/ADHESIVE BACK - BLACK |
| | 029096-04-000 | YD | VELCRO TAPE/HOOK - 1"WIDE - BLACK - W/ADHESIVE BACK (PSA) |
| | 048394-02-000 | YD | VELCRO TAPE - HOOK - ADHESIVE BACK - 3/4" WIDE - BEIGE |
| | 085774-01-000 | FT | FASTENER - DUAL LOCK - 1" WIDE - ADHESIVE BACK - BLACK |
| | 085774-02-000 | FT | FASTENER - DUAL HOOK - 1" WIDE - ADHESIVE BACK - BLACK |
| | 088792-02-000 | YD | VELCRO TAPE - LOOP - 3/4" - ADHESIVE BACK - BEIGE |
| | 088792-04-000 | YD | VELCRO TAPE - HOOK - 5/8" - NON-ADHESIVE BACK - WHITE |
| | 088792-05-000 | YD | VELCRO TAPE - LOOP - 5/8" - NON-ADHESIVE BACK - WHITE |
| | 108046-02-000 | EA | CABLE TIE - SCREW MOUNT 15" |

WATER & SEWAGE GROUP DRAINAGE SYSTEM



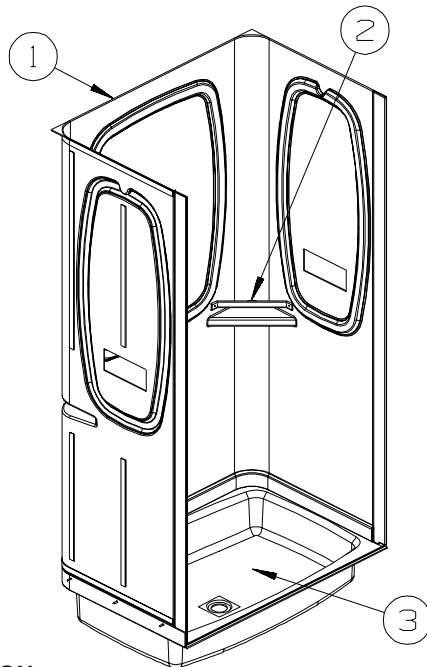
| KEY | PART NUMBER | U/M | DESCRIPTION |
|-----|---------------|-----|-------------------------------------------------------------------------|
| 1 | 010006-01-000 | EA | ELBOW - 45 DEGREE - 1 1/2" HUB X HUB - PLASTIC |
| 2 | 034250-01-000 | EA | ELBOW - 90 DEGREE - LONG TURN - 1 1/2" HUB X HUB - ABS |
| 3 | 010071-01-000 | EA | TEE - SANITARY - 1 1/2" HUB X HUB X HUB - PLASTIC |
| 4 | 031365-02-000 | EA | TEE - 1 1/2" EXTRA LONG TURN - PLASTIC |
| 5 | 010115-01-000 | EA | COUPLING - 1 1/2" HUB X HUB - PLASTIC |
| 6 | 132892-07-01A | FT | SEAL - BULB/SINGLE - W/U CHANNEL - .5" X 1" - BLACK |
| 7 | 011069-06-000 | EA | TAILPIECE - 1 1/2" X 1 1/4" X 2 1/2" - BRASS |
| | 130403-01-000 | EA | NUT - SLIP - W/WINGS 1 1/2" |
| | 127440-02-01A | EA | WASHER - RUBBER - 1.8" X .1" |
| | | | FROM: 00-00-00 THRU: 02-11-07 |
| 8 | 079968-01-000 | EA | VENT - MECHANICAL/TRAP ARM - ANTI-SIPHON-2" X 7.3" PLASTIC |
| 9 | 152146-01-000 | EA | CONNECTOR - 1 1/2"P X 1 1/2"MPT |
| 10 | 062418-02-000 | EA | VALVE-3",HUBXSPIGOT,W/O HNDL, VALTERRA T40 WINN |
| 11 | 107538-02-000 | EA | P-TRAP - PLASTIC - 1 1/2" W/EXTENSION ARM |
| 11 | 011071-01-000 | EA | P-TRAP - 1 1/2" - CSA - PLASTIC - CANADIAN |
| 12 | 133972-04-000 | EA | PAD/HEATER - HOLDING TANK - F/34 GALLON - DRAINAGE SYST - HEATED |
| 13 | 066437-02-000 | EA | STRAINER/BASKET - GALLEY SINK - 2.6" OD |
| | | | FROM: 00-00-00 THRU: 02-11-07 |
| 13 | 163569-01-000 | EA | STRAINER - W/BASKET/NUT/SEAL WASHER - 2" |
| | | | FROM: 02-12-07 THRU: 99-99-99 |
| 14* | 147421-01-01A | EA | TOILET/AQUA MAGIC 5 (HIGH) FOOTFLUSH - W/SPRAY - WHITE |
| 15 | 010129-03-000 | EA | NIPPLE - 3" X 3" TOE - PLASTIC |
| 16 | 061607-01-000 | EA | GROMMET - HOLDING TANK - 1 1/2" NPS |
| 17 | 061607-02-000 | EA | GROMMET - HOLDING TANK - 3" NPS |
| 18 | 151543-01-700 | EA | TANK - HOLDING - 32 GALLON - W/3" NIPPLE - W/O FITTINGS |
| | 049032-01-000 | EA | PATCH - SPINWELD - 3/8" - PLASTIC |
| 19 | 151545-01-700 | EA | TANK - HOLDING - 32 GALLON - W/3" NIPPLE - W/O FITTINGS |
| | 049032-01-000 | EA | PATCH - SPINWELD - 3/8" - PLASTIC |

WATER & SEWAGE GROUP (CONTINUED)
DRAINAGE SYSTEM (CONTINUED)

| KEY | PART NUMBER | U/M | DESCRIPTION |
|-----|---------------|-----|-------------------------------------------------------------------|
| 20 | 024676-01-000 | EA | FLANGE/CLOSET - 4" X 3" - BLACK PLASTIC |
| 21 | 078406-01-000 | EA | COUPLER - 3" X 3" W/CLAMPS - RUBBER |
| 22 | 083558-03-000 | EA | VENT - W/COVER - F/PLUMBING STACK - OFF WHITE |
| 23 | 066437-02-000 | EA | STRAINER/BASKET - GALLEY SINK - 2.6" OD |
| 24 | 011069-03-000 | EA | TAILPIECE - TUB/SHOWER - 1 1/2" X 1 3/4" - PLASTIC |
| | 130403-01-000 | EA | NUT - SLIP - W/WINGS 1 1/2" |
| 25 | 151679-01-01A | EA | SINK - LAVATORY - STAINLESS STEEL |
| 26 | 010065-01-000 | EA | TEE - 3" FEMALE - PLASTIC |
| 27 | 062419-05-000 | EA | BRACKET - VALVE - LOCKING |
| 28 | 062419-06-000 | EA | HANDLE - T |
| | 062419-11-000 | EA | HANDLE - EXTENSION - W/TAPPED END |
| 29 | 151677-02-01A | EA | SINK - GALLEY - ROUND - STAINLESS STEEL - CSA |
| 30 | 010008-01-000 | EA | ELBOW - 90 DEGREE - 1 1/2" HUB X HUB - PLASTIC |
| 31 | 062417-01-000 | EA | ADAPTER - TERMINATION - 3" |
| 31* | 062415-01-000 | EA | CAP - SEWER - 3" DIAMETER |
| | 139513-01-000 | EA | HOSE - SEWER - 3" X 10' - W/BAYONET TYPE ADAPTER |
| | 062416-01-000 | EA | ADAPTER - SEWER HOSE TO 3" PIPE |
| 32 | 151887-01-02B | EA | BRACKET - HOLDING TANK - E-COATED |
| 33 | 151888-01-02B | EA | BRACKET - HOLDING TANK - E-COATED |
| 34 | 151890-01-02B | EA | BRACKET - HOLDING TANK - E-COATED |
| 35 | 010062-01-000 | EA | ELBOW - 3 90 SPIGOT X HUB - PLASTIC |
| | 133972-03-000 | EA | PAD/ELBOW HEATING - 1.5" DIAMETER - DRAINAGE SYST - HEATED |

FROM: 00-00-00 THRU: 10-22-06

***COMPONENT PARTS LISTED LATER IN THIS GROUP**

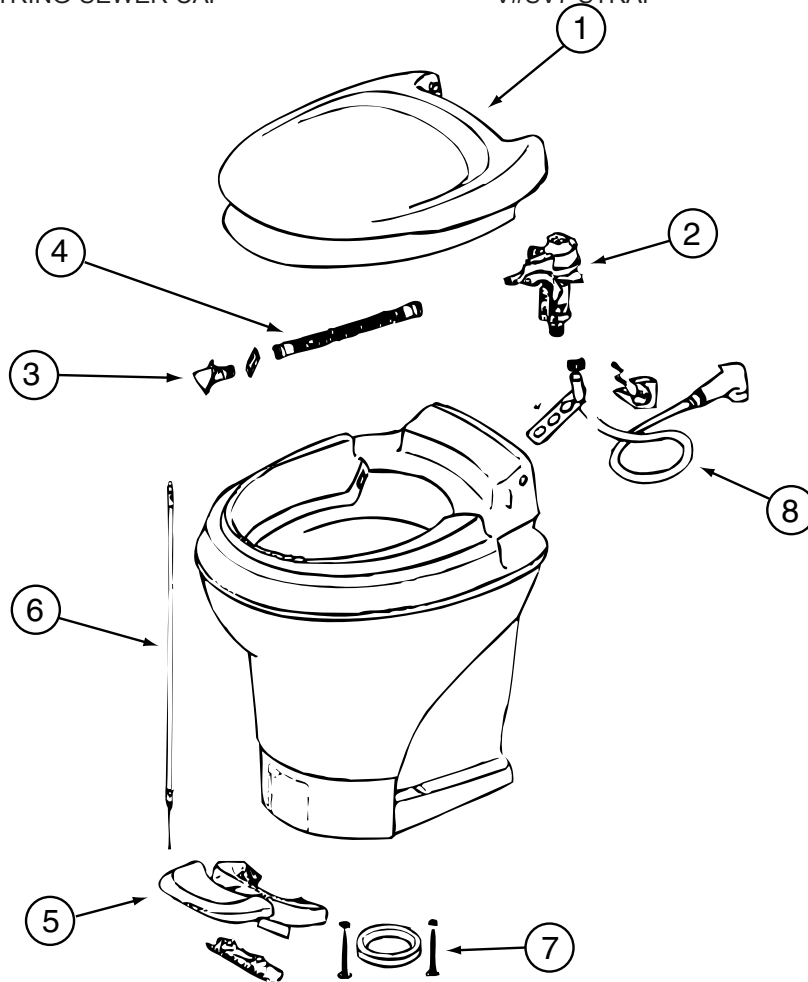


| KEY | PART NUMBER | U/M | DESCRIPTION |
|-----|---------------|-----|--------------------------------------|
| 1 | 147677-01-18A | EA | SURROUND - SHOWER/TUB |
| 2 | 113714-04-02A | EA | RETAINER - SHELF/SHOWER - SOFT WHITE |
| 3 | M02630-87-S34 | EA | SHOWER PAN - W/STRAINER |

WATER & SEWAGE GROUP (CONTINUED)
COMPONENT PARTS FOR DRAINAGE SYSTEM

062415-01-000

| KEY | PART NUMBER | U/M | DESCRIPTION | VENDOR NO. |
|-----|---------------|-----|------------------|-------------|
| | 062415-01-700 | EA | STRING-SEWER CAP | V#SV7 STRAP |

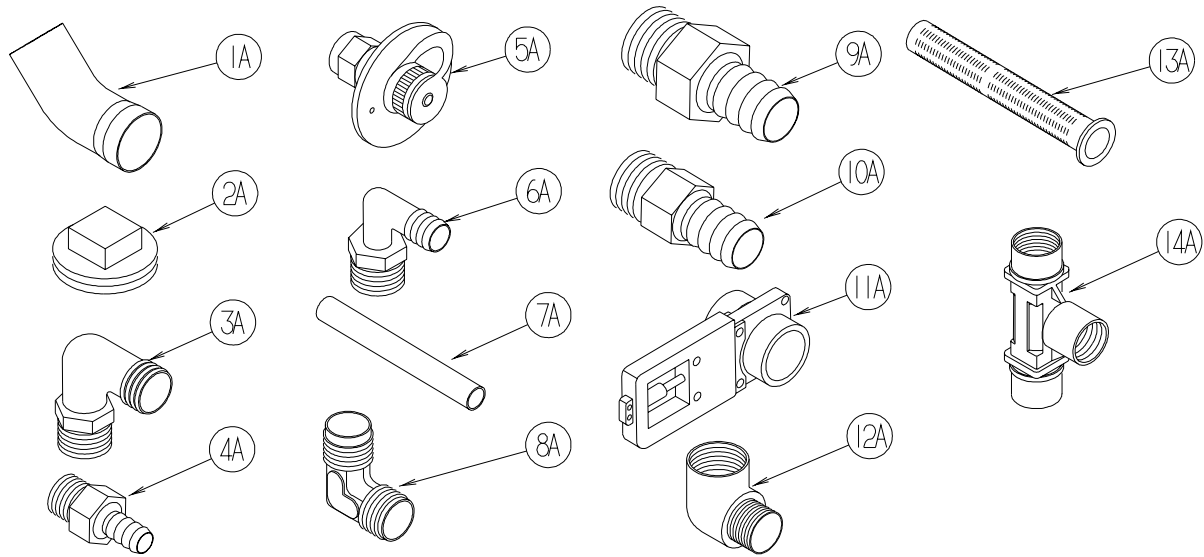


147421-01-01A, 147421-02-01A

| KEY | PART NUMBER | U/M | DESCRIPTION | VENDOR NO. |
|-----|---------------|-----|------------------------------|----------------|
| 1 | 147421-01-700 | EA | SEAT & COVER ASSEMBLY(WHT) | 31703 |
| 2 | 147421-01-701 | EA | WATER MODULE ASSEMBLY | 31705 |
| 3 | 147421-01-702 | EA | NOZZLE ASSEMBLY | 31706 |
| 4 | 147421-01-703 | EA | LINK - WATER MODULE | 31621 |
| 5 | 147421-01-704 | EA | PEDAL - WHITE | 31709 |
| 6 | 147421-01-705 | EA | FOOT CABLE | 31711 |
| 7 | 063740-01-706 | EA | BOLT PACKAGE-FLOOR FLANGE | 12524 THETFORD |
| 8 | 147421-01-708 | EA | HAND SPRAY KIT - WHITE HEAD | 33226 |
| | 147421-01-706 | EA | SEAL - BLADE | 31708 |
| | 147421-01-707 | EA | CAP (UNIVERSAL BOLT) - WHITE | 31713 |

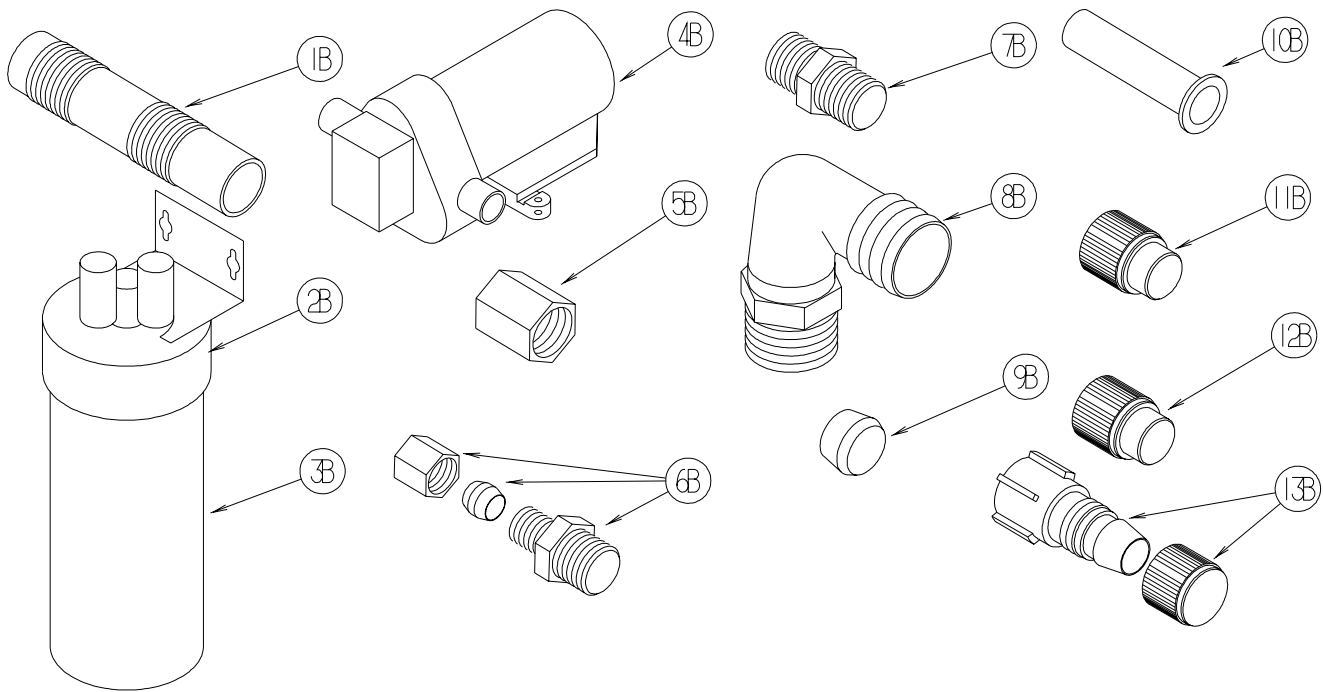
WATER & SEWAGE GROUP (CONTINUED)

WATER SYSTEM



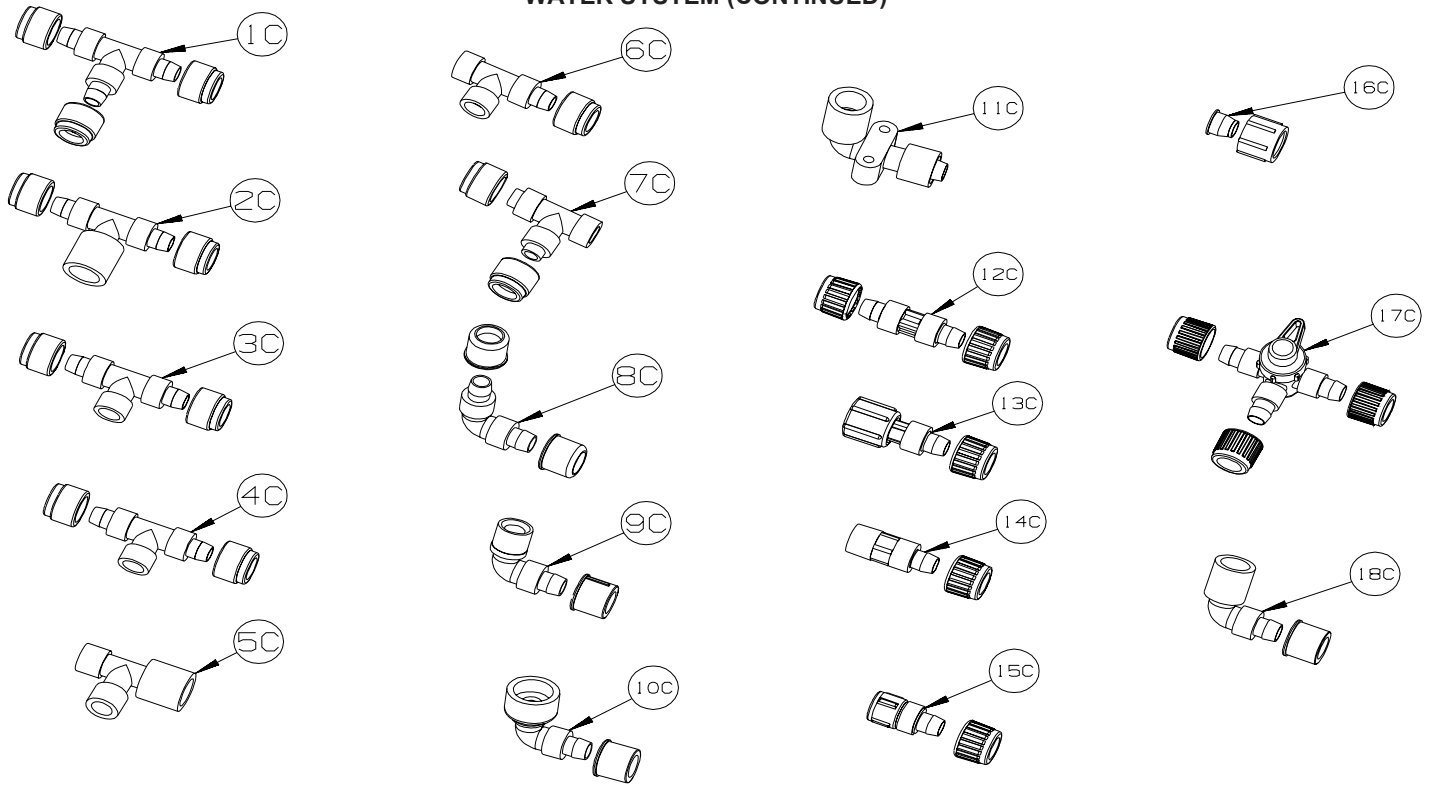
| KEY | PART NUMBER | U/M | DESCRIPTION |
|-----|---------------|-----|-----------------------------------------------------------|
| 1A | 010009-01-000 | EA | ELBOW - 90 DEGREE - 1/4 BEND - 1 1/2" PLASTIC |
| 2A | 010166-01-000 | EA | PLUG/THREADED - 1 1/4"MPT - PLASTIC - BLACK - UL |
| 3A | 010219-01-000 | EA | ELBOW - 1 1/4 MPT X 1 1/4 BARB - WATER FILL - PLASTIC |
| 4A | 010224-01-000 | EA | ADAPTER - HOSE TO PIPE - 3/8 MPT X 3/8 BARB - PLASTIC |
| 5A | 010230-06-000 | EA | FILL - CITY WATER - W/CHECK VALVE - MPT - BRUSHED ALUM |
| 6A | 035539-01-000 | EA | ELBOW - 3/8 MPT X 3/8 BARB - PLASTIC |
| 7A | 039800-04-000 | FT | TUBING - POLYBUTYL - 1/4"OD |
| 7A | 074462-02-000 | FT | TUBING - VINYL - 3/8 ID X 20' - CLEAR |
| 7A | 112176-01-000 | FT | TUBING - VINYL - REINFORCED - 1/2" ID |
| 7A | 124188-01-000 | FT | TUBING - PEX - 1/2" ID X 20' - BLUE(COLD) |
| 7A | 124188-02-000 | FT | TUBING - PEX - 1/2" ID X 20' - RED(HOT) |
| 8A | 039808-03-000 | EA | ELBOW - 1/2" MPT X 1/2" MPT - PLASTIC |
| 9A | 044927-01-000 | EA | ADAPTER - HOSE TO PIPE-1 1/4 MPTX1 1/4 BARB-BLACK PLASTIC |
| 10A | 044927-02-000 | EA | ADAPTER - REDUCING - 1" MPT X 1.3" BARB - PLASTIC |
| 11A | 062421-03-000 | EA | VALVE/DUMP W/O HANDLE - 1 1/2" X 1 1/2" HUB |
| | 062421-05-000 | EA | CABLE/ROD - F/DUMP VALVE - W/HANDLE - 48" |
| | 062421-07-000 | EA | CABLE/ROD - F/DUMP VALVE - W/HANDLE - 144" |
| | 062421-08-000 | EA | CABLE/ROD - F/DUMP VALVE - W/HANDLE - 108" |
| 12A | 065318-02-000 | EA | ELBOW - 90 DEGREE - 3/8" MPT TO 3/8" FPT |
| 13A | 077954-02-000 | EA | FILTER - WATER TANK - W/SCREEN IN TANK |
| 14A | 039798-01-000 | EA | TEE - 1/2"MPT X 1/2"MPT X 1/2"MPT - PLASTIC |

WATER & SEWAGE GROUP (CONTINUED)
WATER SYSTEM (CONTINUED)



| KEY | PART NUMBER | U/M | DESCRIPTION |
|-----|---------------|-----|-----------------------------------------------------|
| 1B | 079381-01-000 | FT | TUBING - RIBBED FLEXIBLE - WATER FILL - 1.4" ID |
| 2B | 087200-01-000 | EA | FILTER-WATER PURIFCATION, EVERPURE QC2-AC |
| 3B | 087200-02-000 | EA | CARTRIDGE-WATER FILTER,AC - EVERPURE 9601-11 |
| 4B* | 098607-01-000 | EA | PUMP - WATER - W/.5" MPT FITTING - FLOW 2.8 GPM |
| | | | FROM: 00-00-00 THRU: 06-21-06 |
| 4B | 160702-01-000 | EA | PUMP - WATER - 3.0 GPM - W/1/2" MPT |
| | | | FROM: 06-22-06 THRU: 99-99-99 |
| 5B | 101814-01-000 | EA | COUPLING - FEMALE - 1/2" X 1/2" FPT - GRAY |
| 6B | 103798-01-000 | EA | CONNECTOR - 1/4 OD X 3/8 MPT |
| 7B | 110438-02-000 | EA | VALVE - CHECK - BRASS - 1/2 MPT X 1/2 MPT |
| 8B | 111223-02-000 | EA | ELBOW - 1/2" MPT X 3/8" BARB - PLASTIC |
| 8B | 111223-03-000 | EA | ELBOW - 3/4" MPT X 1/2" BARB - PLASTIC |
| 8B | 111223-04-000 | EA | ELBOW - 1/2" MPT X 1/2" BARB - PLASTIC |
| 9B | 111888-01-000 | EA | FERRULE - PLASTIC - .250 ID X .375 OD |
| 10B | 111888-02-000 | EA | INSERT - BRASS - 1/4 COMP |
| 11B | 113697-01-000 | EA | CAP - 3/8"P |
| 12B | 114427-01-000 | EA | CAP - 1/2"P |
| 13B | 114427-02-000 | EA | PLUG - W/COMP NUT - 1/2" PLASTIC PIPE/1/2" FLAIR-IT |

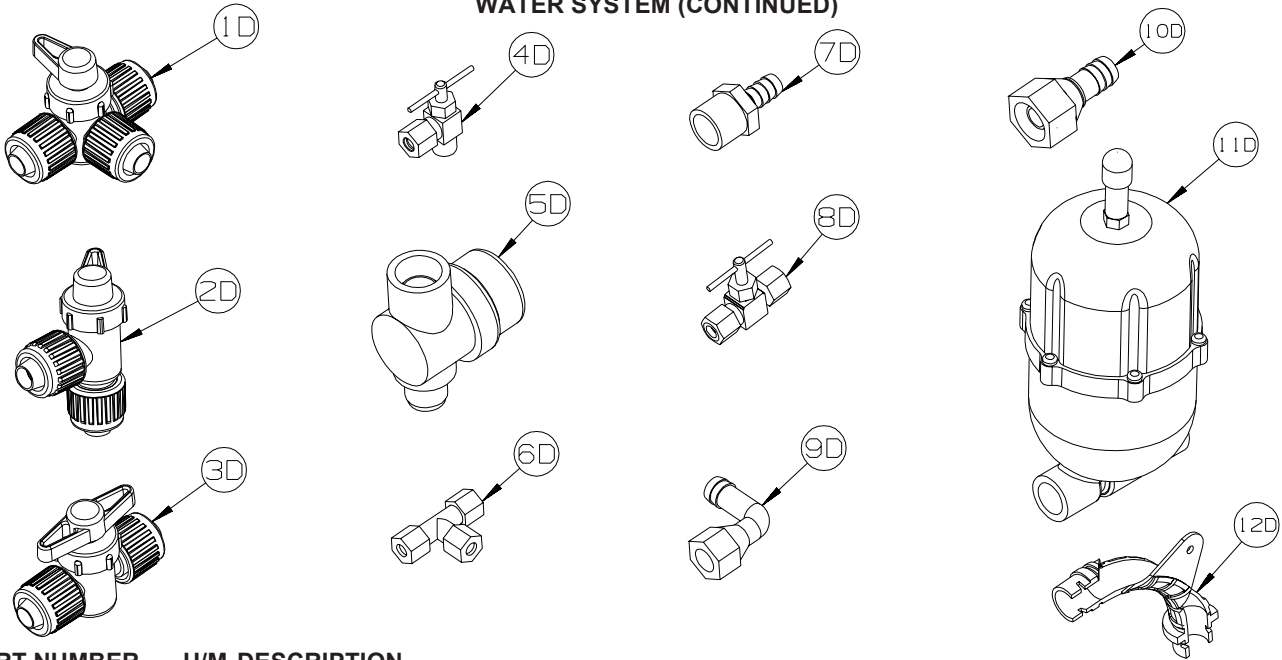
WATER & SEWAGE GROUP (CONTINUED)
WATER SYSTEM (CONTINUED)



| KEY | PART NUMBER | U/M | DESCRIPTION |
|-----|---------------|-----|-----------------------------------------------------|
| 1C | 114428-01-000 | EA | TEE - 1/2"P X 1/2"P X 1/2"P |
| 2C | 114428-02-000 | EA | TEE - SWIVEL - 1/2"P X 1/2"P X 1/2"FPT |
| 3C | 114428-03-000 | EA | TEE - 1/2"P X 1/2"P X 1/2"MPT |
| 4C | 114428-04-000 | EA | TEE - 1/2"P X 1/2"P X 1/8"FPT |
| 5C | 114428-05-000 | EA | TEE - 1/2" SWIVEL X 1/2" MPT X 1/2" MPT |
| 6C | 114428-06-000 | EA | TEE - 1/2" P X 1/2" MPT X 1/2" MPT |
| 7C | 114428-07-000 | EA | TEE - 1/2" P X 1/2" MPT X 1/2" P |
| 8C | 114429-01-000 | EA | ELBOW - 1/2"P X 1/2"P |
| 9C | 114429-02-000 | EA | ELBOW - 1/2"P X 1/2"MPT |
| 9C | 114429-04-000 | EA | ELBOW - 1/2"P X 3/8"MPT |
| 9C | 114429-05-000 | EA | ELBOW - 1/2"P X 3/4"MPT |
| 9C | 114429-10-000 | EA | ELBOW - SWIVEL - 1/2"MPT X 1/2"FPT |
| 10C | 114429-06-000 | EA | ELBOW - SWIVEL - 1/2"P X 3/4"FPT |
| 10C | 114429-08-000 | EA | ELBOW - SWIVEL - 1/2"P X 1/2"FPT |
| 11C | 114429-09-000 | EA | ELBOW - 1/2"P X 1/2"FPT DROP EAR |
| 12C | 114430-01-000 | EA | ADAPTER - 1/2"P X 1/2"P |
| 13C | 114430-02-000 | EA | ADAPTER - SWIVEL - 1/2"P X 1/2"FPT |
| 13C | 114430-04-000 | EA | ADAPTER - SWIVEL - 1/2"P X 3/8"MPT |
| 14C | 114430-03-000 | EA | ADAPTER - 1/2"P X 1/2"MPT |
| 15C | 114430-06-000 | EA | ADAPTER - 1/2"P X 3/8"FPT |
| 15C | 114430-09-000 | EA | ADAPTER - 1/2"P X 1/2"FPT |
| 16C | 114430-10-000 | EA | ADAPTER - NUT - PIPE CONNECTION - 1/2" |
| 17C | 114431-01-000 | EA | VALVE - 180 DEGREE/CENTER DRAIN - 1/2"P - THREE WAY |
| 18C | 114429-11-000 | EA | ELBOW - 1/2"P X 1/2"FPT |

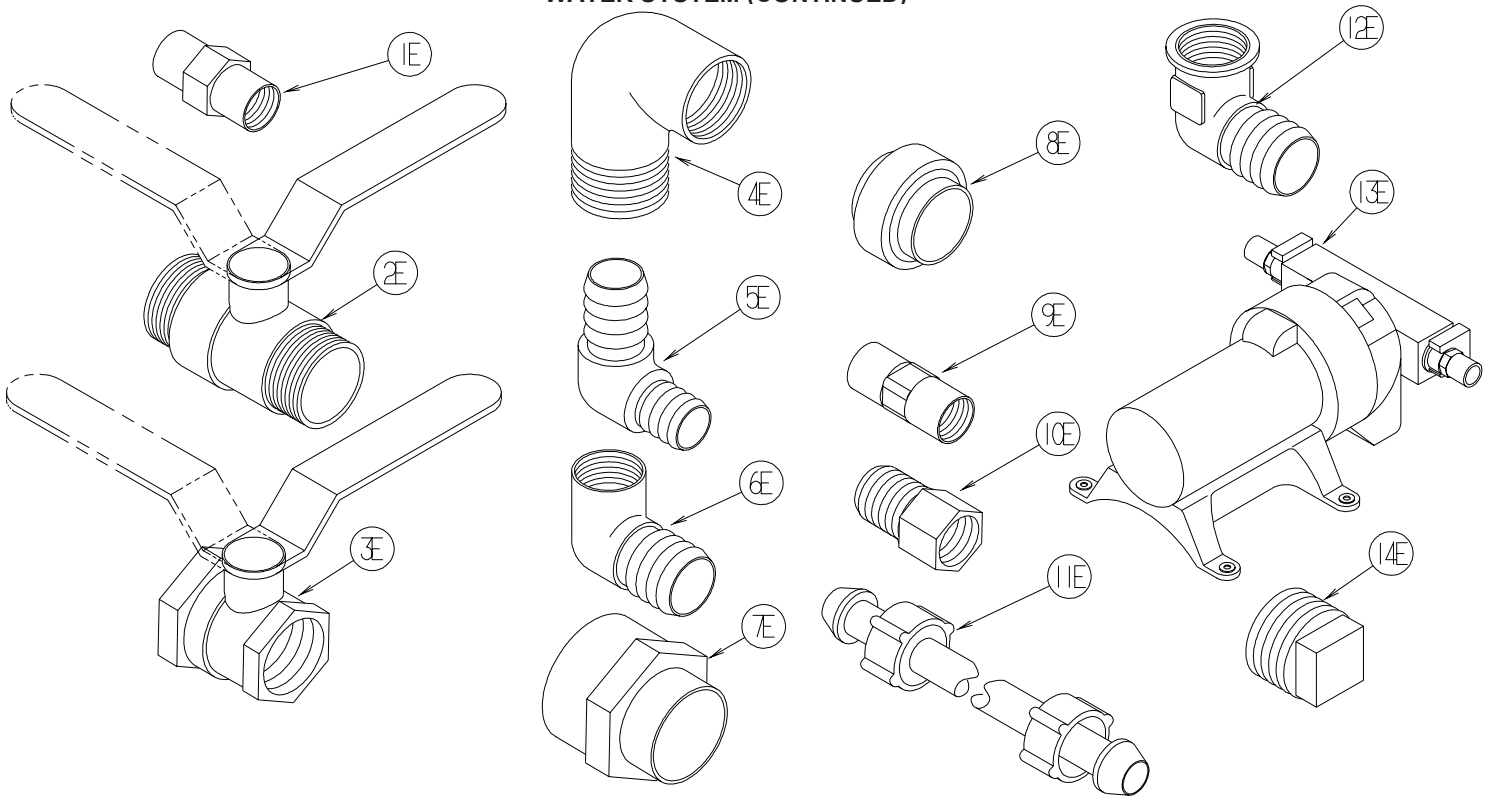
WATER & SEWAGE GROUP (CONTINUED)

WATER SYSTEM (CONTINUED)



| KEY | PART NUMBER | U/M | DESCRIPTION |
|-----|---------------|-----|----------------------------------------------------------|
| 1D | 114431-02-000 | EA | VALVE - WATER BYPASS - 1/2"P - THREE WAY (WATER HEATER) |
| 2D | 114431-03-000 | EA | VALVE - 90 DEGREE DRAIN - 1/2"P |
| 3D | 114431-04-000 | EA | VALVE - "INLINE SHUT-OFF" - 1/2"P |
| 4D | 114431-05-000 | EA | VALVE - NEEDLE - 1/8" MPT X 1/4" COMPRESSION (ICE MAKER) |
| 5D | 152925-01-01A | EA | FILTER - IN LINE - TWIST ON - 1/2" - BLACK |
| 6D | 118423-01-000 | EA | FITTING - BRASS-TEE - 1/4C X 1/4C X 1/4C |
| 7D | 118809-01-000 | EA | ADAPTER - 1/2" MPT X 3/8" BARB - PLASTIC |
| 7D | 118809-02-000 | EA | ADAPTER - 1/2" MPT X 1/2" BARB - PLASTIC |
| 8D | 120868-01-000 | EA | VALVE - NEEDLE - 1/4" COMPRESSION X 1/4" COMPRESSION |
| 9D | 123150-01-000 | EA | ELBOW - 1/2 FPT X 1/2 BARB - SWIVEL |
| 10D | 123152-01-000 | EA | ADAPTER - 1/2 FPT X 1/2 BARB - SWIVEL |
| 11D | 123243-01-000 | EA | TANK - ACCUMULATOR - 24 OZ |
| | 123317-01-000 | EA | TANK - ACCUMULATOR - 2 GALLON |
| 12D | 124184-01-000 | EA | SUPPORT - WATER LINE - BEND |

WATER & SEWAGE GROUP (CONTINUED)
WATER SYSTEM (CONTINUED)



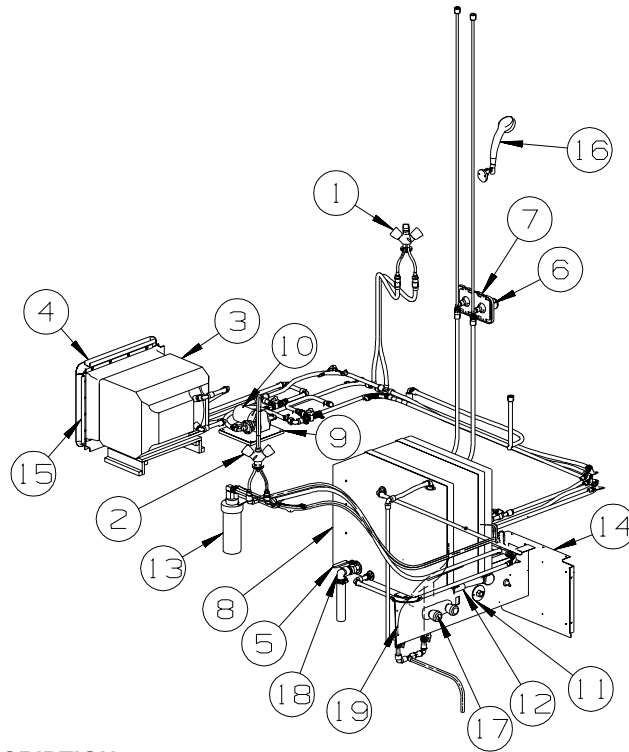
| KEY | PART NUMBER | U/M | DESCRIPTION |
|------|---------------|-----|-----------------------------------------------------|
| 1E | 132148-01-000 | EA | CONNECTOR - 1/2" X 1/2"MPT - BRASS |
| 2E | 132483-01-000 | EA | VALVE/BALL - 1" - THREADED ENDS |
| 3E | 132483-02-000 | EA | VALVE/BALL - 1/2" - BRASS - FPT |
| 4E | 132484-01-000 | EA | ELBOW - 90 DEGREE - 1MPT X 1FPT - PLASTIC |
| 5E | 132781-01-000 | EA | ELBOW - 1.3" BARB X 1.3" BARB - 90 DEGREE - PLASTIC |
| 6E | 132782-01-000 | EA | ELBOW - 1"FPT X 1.3" BARB - 90 DEGREE - PLASTIC |
| 7E | 133835-01-000 | EA | ADAPTER - REDUCING - 1 1/2" X 1 1/4" |
| 8E | 133889-01-000 | EA | UNION - 1 1/2 DOUBLE SLIP - PVC |
| 9E | 135386-01-000 | EA | NIPPLE - 1/2" |
| 10E | 136333-01-000 | EA | ADAPTER - BRASS - 1/2"MPT X 1/2"FPT |
| 11E | 140821-01-000 | EA | TUBE - WATER SUPPLY - 3/8" X 24" |
| 11E | 140821-02-000 | EA | TUBE - WATER SUPPLY - 3/8" X 30" |
| 11E | 140821-03-000 | EA | TUBE - WATER SUPPLY - 3/8" X 36" |
| 11E | 140821-04-000 | EA | TUBE - WATER SUPPLY - 3/8" X 48" |
| 11E | 140821-05-000 | EA | TUBE - WATER SUPPLY - 3/8" X 54" |
| 11E | 140821-06-000 | EA | TUBE - WATER SUPPLY - 3/8" X 60" |
| 11E | 140821-07-000 | EA | TUBE - WATER SUPPLY - 3/8" X 72" |
| 11E | 140821-08-000 | EA | TUBE - WATER SUPPLY - 1/2" X 24" |
| 11E | 140821-09-000 | EA | TUBE - WATER SUPPLY - 1/2" X 36" |
| 11E | 140821-10-000 | EA | TUBE - WATER SUPPLY - 1/2" X 48" |
| 12E | 142812-01-000 | EA | ELBOW - BRASS - 1/2"MPT X 1/2"FPT |
| 13E* | 144215-01-000 | EA | PUMP - WATER - 5.7 GPM - W/1/2" MPT |

FROM: 00-00-00 THRU: 02-05-06

14E 145609-01-000 EA PLUG - BRASS - 1/2" MPT/HEX HEAD

***COMPONENT PARTS LISTED LATER IN THIS GROUP**

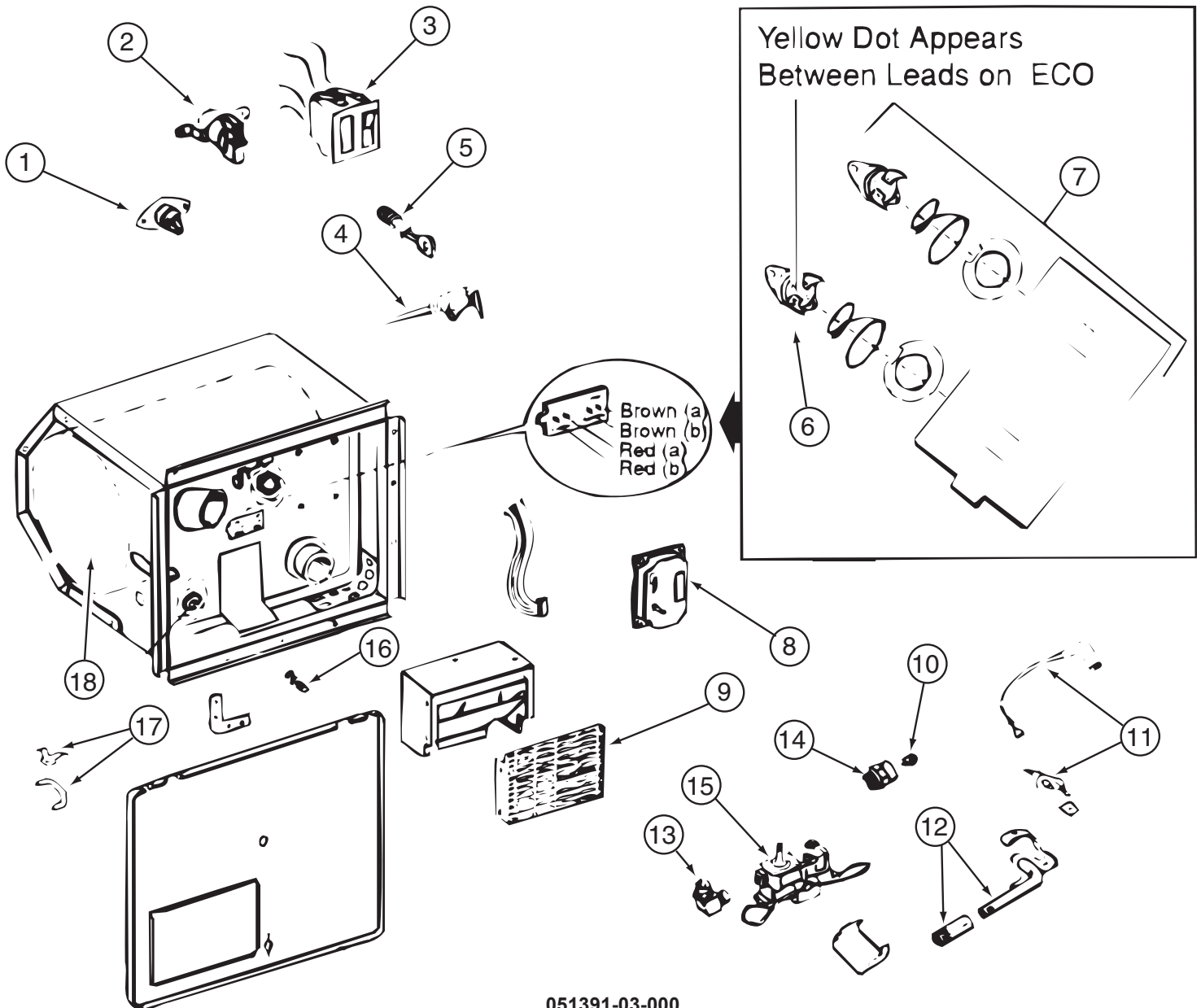
WATER & SEWAGE GROUP (CONTINUED)
WATER SYSTEM (CONTINUED)



| KEY | PART NUMBER | U/M | DESCRIPTION |
|-----|---------------|-----|-----------------------------------------------------------------------------------------------------------|
| 1* | 151680-01-01A | EA | FAUCET - LAVATORY/DUAL CONTROL - CHROME/BRASS |
| 2* | 151678-01-01A | EA | FAUCET - GALLEY/DUAL CONTROL - CHROME |
| 3* | 051391-03-000 | EA | WATER HEATER G6A-8E ELECTRONIC IGNITION |
| 3* | 145541-02-000 | EA | WATER HEATER-6 GAL-GAS/ELEC/120'-REM IGN-W/HEAT EXC - WTR HTR-6GAL ELECTRIC/LP GAS |
| 3 | 076767-03-000 | EA | CABLE - STAINLESS STEEL - 18.5" |
| 4 | 052009-06-000 | EA | DOOR - WATER HEATER - BRIGHT WHITE - 18" X 14.6" |
| 5 | 132483-01-000 | EA | VALVE/BALL - 1" - THREADED ENDS |
| 6 | 163269-01-02A | EA | FAUCET/SHOWER -.5"MPT W/1.9" INLET PIPES- EXTERIOR/CHROME |
| 7 | 075606-03-000 | EA | PANEL - FAUCET SHOWER - SOFT WHITE |
| 8 | 151550-04-000 | EA | TANK - WATER - 28 GALLON - W/FITTINGS |
| | 042989-04-000 | EA | FITTING - SPINWELD - 3/8"FPT - PLASTIC |
| | 042989-05-000 | EA | FITTING - SPINWELD - 1/2"FPT - PLASTIC |
| | 042989-08-000 | EA | FITTING - SPINWELD - 1"FPT - PLASTIC |
| | 049032-01-000 | EA | PATCH - SPINWELD - 3/8" - PLASTIC |
| 9 | 149477-02-02B | EA | PANEL - WATER PUMP - E-COATED |
| | 140364-01-01A | EA | FOAM - PAD - .5" X 8" X 8" |
| 10* | 098607-01-000 | EA | PUMP - WATER - W/.5" MPT FITTING - FLOW 2.8 GPM - NOT ILLUSTRATED FROM: 00-00-00 THRU: 06-21-06 |
| 10 | 160702-01-000 | EA | PUMP - WATER - 3.0 GPM - W/1/2" MPT FROM: 06-22-06 THRU: 99-99-99 |
| 11 | 010230-06-000 | EA | FILL - CITY WATER - W/CHECK VALVE - MPT - BRUSHED ALUM |
| 12 | 131383-01-02A | EA | SHOWER HEAD - W/60" HOSE & BRACKET - WHITE |
| 13 | 087200-01-000 | EA | FILTER - WATER PURIFICATION |
| 13 | 087200-02-000 | EA | CARTRIDGE - WATER FILTER |
| 14 | 151707-01-12B | EA | PANEL - ELECTRICAL - BRIGHT WHITE |
| 15 | 152239-01-01A | EA | FLANGE/MOUNTING/RECESSED - 19.3" X 15.8" - BRIGHT WHITE |
| 16 | 129390-04-01A | EA | SHOWER HEAD - W/HOSE & BRACKET - WHITE |
| 17 | 163269-01-01A | EA | FAUCET/SHOWER -.5"MPT W/1.9" INLET PIPES- EXTERIOR/BRT WHT |
| 18 | 132484-01-000 | EA | ELBOW - 90 DEGREE - 1MPT X 1FPT - PLASTIC |
| 19 | 151706-01-12B | EA | PANEL - SERVICE CENTER - BRIGHT WHITE |

***COMPONENT PARTS LISTED LATER IN THIS GROUP**

WATER & SEWAGE GROUP (CONTINUED)
COMPONENT PARTS FOR WATER SYSTEM



051391-03-000

| KEY | PART NUMBER | U/M | DESCRIPTION | VENDOR NO. |
|-----|---------------|-----|-------------------------------|-----------------|
| 3 | 051393-01-701 | EA | SWITCH - REMOTE - W/LIGHT | 91959 |
| 4 | 051391-01-704 | EA | VALVE-RELIEF, 1/2" FITTING | 91604 |
| 4 | 051391-03-701 | EA | VALVE-RELIEF - 3/4" FITTING | 90028 |
| 5 | 051391-01-705 | EA | FASTENER-CAMLOCK | 92609 |
| 6 | 051391-04-701 | EA | THERMOSTAT 12V DC-120 PRESET | 91470 |
| 7 | 051393-01-721 | EA | THERMOSTAT W/ECO, 140 FRT MT | 91447 |
| 9 | 051391-04-707 | EA | KIT-EXHAUST, (FLUE & GASKET) | 90960 |
| 10 | 051391-01-710 | EA | ORIFICE-MAIN BURNER | 92742 |
| 12 | 051391-04-703 | EA | BURNER-MAIN/ELECTRONIC IG | 91638 |
| 13 | 051391-01-714 | EA | FITTING-ELBOW 45,3/8F X 3/8 | MPT 1044 |
| 14 | 051391-03-700 | EA | HOLDER-ORIFICE | 91563 |
| 16 | 051391-01-715 | EA | PLUG-DRAIN, 1 EA = 2 PER PKG | 91857 |
| 17 | 051391-01-700 | EA | HINGE KIT, (PIN & CLIP) | 92568&92559 |
| 18 | 051391-04-706 | EA | TANK-G6A-4E/6E/7E/8E-FRT.MT | 91641 - INNER |
| | 051391-01-717 | EA | GRILLE-WATER HEATER DOOR | 92640 |
| | 051393-01-723 | EA | SWITCH - THERMAL CUTOUT 2/PK | 93866 WAS 93853 |
| | 051393-01-724 | EA | BOARD-CIRCUIT, SPADE TERMINAL | 93865 |
| | 051393-01-725 | EA | ELECTRODE-SGL SPADE CONNECT. | 93868 |
| | 051393-01-726 | EA | VALVE/SOLENOID - W/O BRACKET | 93870 |
| | 111129-01-711 | EA | BRACKET-CORNER, SET OF FOUR | 91928 |

CONTACT WINNEBAGO PARTS SALES FOR UNLISTED COMPONENT(S)

WATER & SEWAGE GROUP (CONTINUED)
COMPONENT PARTS FOR WATER SYSTEM (CONTINUED)

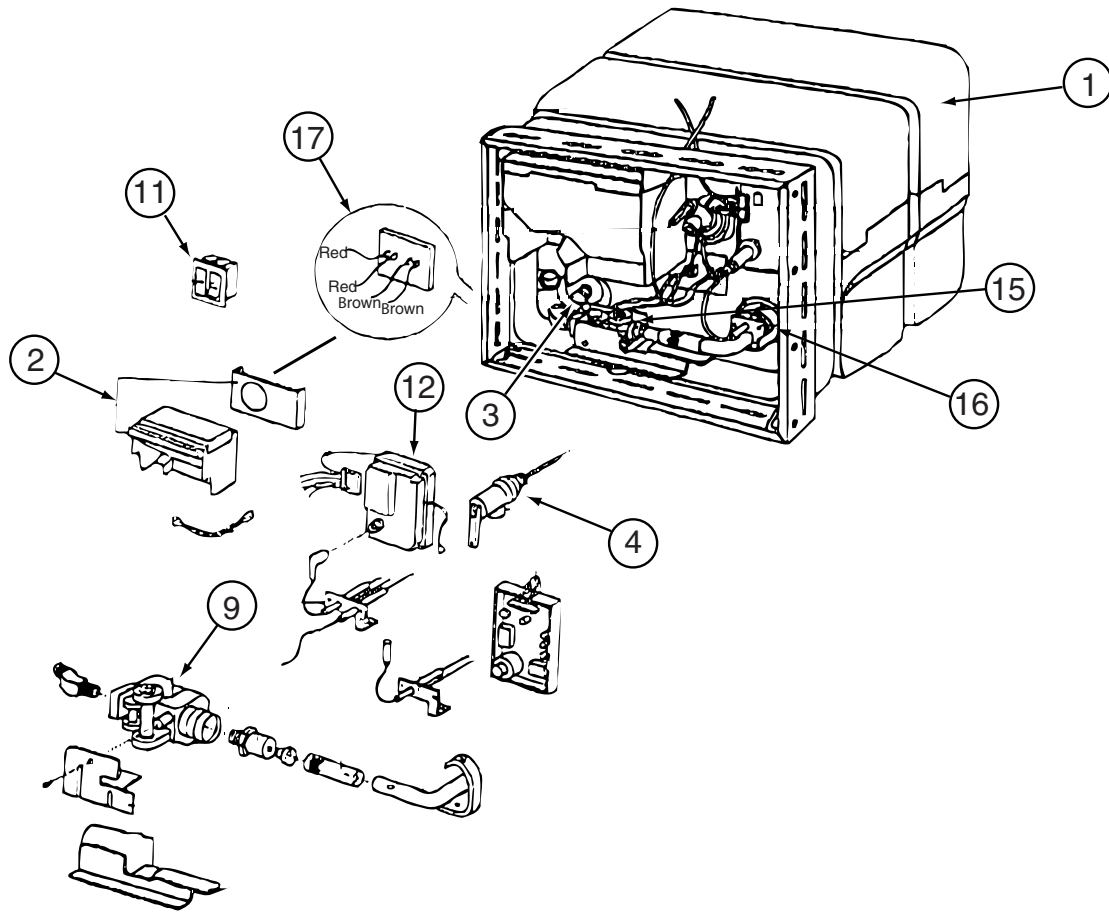
098607-01-000

| KEY | PART NUMBER | U/M | DESCRIPTION | VENDOR NO. |
|------------|--------------------|------------|------------------------------|-------------------|
| | 098607-01-702 | EA | DIAPHRAGM/DRIVE ASSEMBLY KIT | 94-238-04 |
| | 098607-01-703 | EA | VALVE KIT | 94-232-00 |
| | 098607-01-705 | EA | VALVE-CHECK, KIT | 94-237-00 |
| | 098607-01-706 | EA | HOUSING, W/SWITCH ONLY | 94-231-20 |
| | 098607-01-707 | EA | MOTOR W/BASEPLATE | 11-148-04 |

144215-01-000

| KEY | PART NUMBER | U/M | DESCRIPTION | VENDOR NO. |
|------------|--------------------|------------|------------------------|-------------------|
| | 144215-01-700 | EA | VALVE ASSEMBLY | 94-030-01 |
| | 144215-01-701 | EA | DRIVE ASSEMBLY | 94-030-02 |
| | 144215-01-702 | EA | FITTING KIT - W/ORINGS | 94-615-06 |

WATER & SEWAGE GROUP (CONTINUED)
COMPONENT PARTS FOR WATER SYSTEM (CONTINUED)



145541-02-000

| KEY | PART NUMBER | U/M | DESCRIPTION | VENDOR NO. |
|-----|---------------|-----|------------------------------|----------------|
| 1 | 145541-02-700 | EA | TANK/SERVICE KIT PCS- 6 GAL | 91053 |
| 2 | 051391-04-707 | EA | KIT-EXHAUST, (FLUE & GASKET) | 90960 |
| 3 | 051391-01-715 | EA | PLUG-DRAIN, 1 EA = 2 PER PKG | 91857 |
| 4 | 051391-01-704 | EA | VALVE-RELIEF, 1/2" FITTING | 91604 |
| 9 | 051393-01-726 | EA | VALVE-SOLENOID - W/O BRACKET | 93870 |
| 11 | 051393-01-701 | EA | SWITCH - REMOTE - W/LIGHT | 91959 |
| 11 | 145541-01-701 | EA | SWITCH - ON/OFF - WHITE | 91859 |
| 12 | 145541-01-702 | EA | CIRCUIT BOARD | 91226 |
| 15 | 145541-01-703 | EA | SWITCH - THERMAL CUT OFF | 93866 |
| 16 | 051393-01-725 | EA | ELECTRODE-SGL SPADE CONNECT. | 93868 |
| 17 | 051393-01-721 | EA | THERMOSTAT W/ECO, 140 FRT MT | 91447 |
| | 051391-05-706 | EA | ELEMENT-HEATING 1500 WATT | 92249 W/GASKET |
| | 145541-01-704 | EA | RELAY | 90061 |
| | 145541-02-701 | EA | JUNCTION BOX(PLASTIC) 6 GAL | 91222 |

CONTACT WINNEBAGO PARTS SALES FOR UNLISTED COMPONENT(S)

151678-01-01A

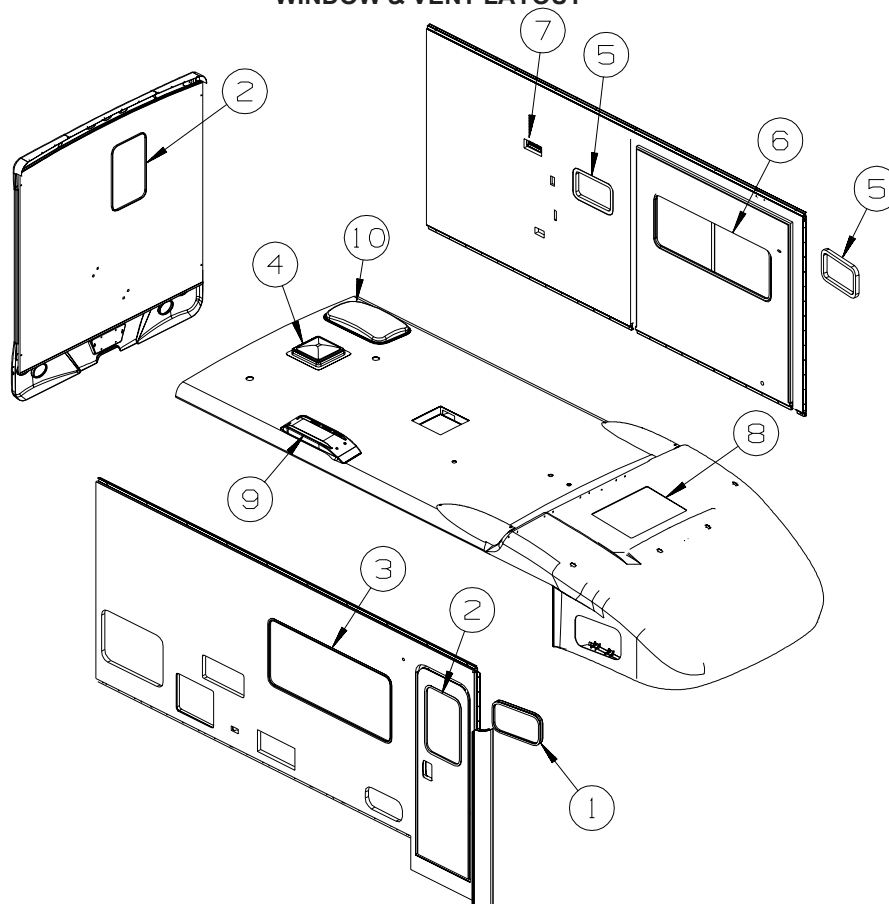
| KEY | PART NUMBER | U/M | DESCRIPTION | VENDOR NO. |
|-----|---------------|-----|-------------|------------|
| | 151678-01-700 | EA | ADAPTOR | 10015 |
| | 151678-01-701 | EA | CARTRIDGE | 10417 |
| | 151678-01-702 | EA | WASHER | 10269 |

151680-01-01A

| KEY | PART NUMBER | U/M | DESCRIPTION | VENDOR NO. |
|-----|---------------|-----|------------------------------|------------|
| | 151678-01-700 | EA | ADAPTOR W/WASHER (2 PER PKG) | 10015 |
| | 151678-01-701 | EA | CARTRIDGE | 10417 |

WINDOW & VENTS GROUP

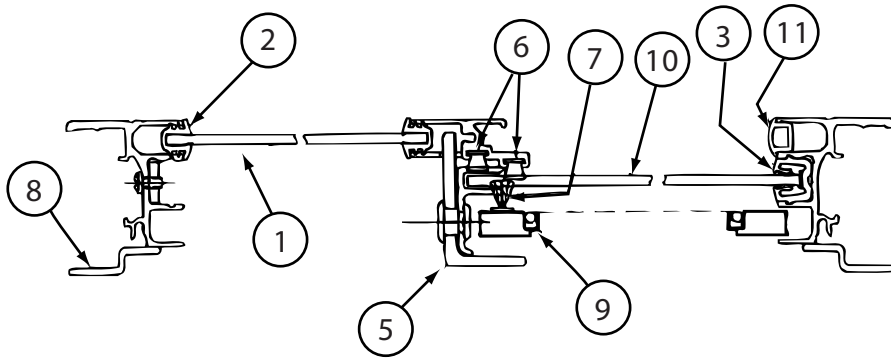
WINDOW & VENT LAYOUT



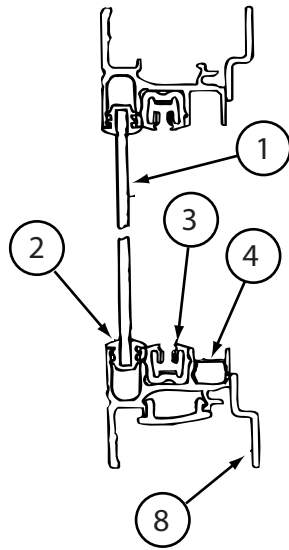
| KEY | PART NUMBER | U/M | DESCRIPTION |
|-----|---------------|-----|------------------------------------------------------------------------------|
| 1* | 098647-77-02A | EA | WINDOW - PASS HORIZ SLIDER W/TRIM - 12.5" X 19.9" - GRAY |
| 2* | 151075-03-02A | EA | WINDOW - ESCAPE/PICTURE - 26.3" X 17" - 31% TINT |
| 3* | 098647-76-02A | EA | WINDOW - PASS HORIZ SLIDER W/TRIM - 26.3" X 59.9" - GRAY |
| 4* | 122882-02-01A | EA | VENT - ROOF - W/FAN - W/O INSIDE GARNISH - UL |
| 4* | 122882-03-01A | EA | VENT - ROOF - W/FAN - W/O INSIDE GARNISH - CSA - CANADIAN |
| | 009440-01-000 | EA | GEAR/ARM - LIFT - ROOF VENT COVER |
| | 048648-01-000 | EA | MOTOR/ROOF VENT - W/RESISTER - 1/8"SHAFT - 12VOLT |
| | 048649-01-000 | EA | FAN BLADE - ROOF VENT - 6 BLADED - 6"RADIUS |
| 4 | 122882-07-01A | EA | GARNISH - ROOF VENT - 2.5" TO 4.1" |
| 4* | 123780-03-01A | EA | FANTASTIC VENT-3"4"ROOF-W/FAN-W/O THERM/PWR LIFT/WHT CVR - POWER VENT |
| | 009440-01-000 | EA | GEAR/ARM - LIFT - ROOF VENT COVER |
| 5* | 104691-18-02A | EA | WINDOW - TIPOUT/TINTED - W/TRIM - 12.5" X 19.9" - GRAY |
| 6* | 098647-75-02A | EA | WINDOW - DRIVER HORIZ SLIDER W/TRIM - 20.8" X 57.7" - GRAY |
| 7 | 147821-01-01A | EA | VENT - EXHAUST/RANGE HOOD - BRIGHT WHITE |
| 7 | 147821-02-01A | EA | SHROUD - EXHAUST VENT/RANGE HOOD - BRIGHT WHITE |
| 8 | 152882-01-01A | EA | PANEL - SKYLIGHT - 19.7" X 27.5" CUTOUT SIZE - OFF WHITE |
| 9 | 149508-01-02A | EA | CAP - ROOF/REFRIGERATOR VENT - WHITE |
| 9 | 149508-02-02A | EA | BASE - ROOF/REFRIGERATOR VENT - BRIGHT WHITE |
| 10 | 122193-01-02A | EA | PANEL - SKYLITE - INNER - W/LIGHT INDENTATION |
| 10 | 138372-01-02B | EA | TRIM - CORNER - SKYLIGHT - E-COATED |
| 10 | 138379-02-01A | EA | PANEL/SKYLIGHT OTR - RECT/4"H CTR DOME-18.4" X 29.5 - WHT |

*COMPONENT PARTS LISTED LATER IN THIS GROUP

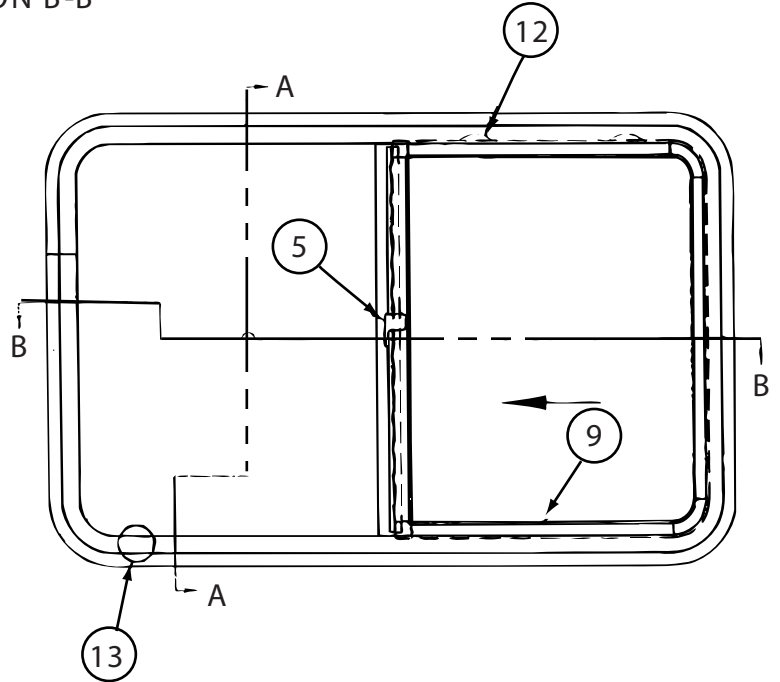
WINDOW & VENTS GROUP (CONTINUED)
COMPONENT PARTS FOR WINDOW & VENT LAYOUT



CROSS SECTION B-B



CROSS SECTION A-A



098647-75-02A

| KEY | PART NUMBER | U/M | DESCRIPTION | VENDOR NO. |
|-----|---------------|-----|------------------------------|------------|
| 1 | 098647-75-700 | EA | GLASS - STATIONARY | 106-036069 |
| 2 | 098644-01-705 | FT | GLAZING - STRIP | 132-010231 |
| 3 | 098644-01-708 | FT | CHANNEL - RUN PIERCED | 122-016543 |
| 4 | 098644-01-710 | FT | TRACK - SCREEN SPACER 12' | 132-017135 |
| 5 | 098644-01-700 | EA | LATCH - REPAIR KIT (BLACK) | B801-CK |
| 6 | 098644-01-706 | EA | WEATHERSTRIP - GLASS | 171-010668 |
| 7 | 098644-01-711 | FT | WEATHERSTRIP - SCREEN BLACK | 171-016965 |
| 8 | 098647-75-701 | EA | RETAINER - TRIM | S978-66 |
| 9 | 098647-75-702 | EA | SCREEN ASM | 410-036071 |
| 10 | 098647-75-703 | EA | GLASS-SLIDING W/SASH & LATCH | H978G8 |
| 11 | 098644-01-716 | FT | PLUG - FILLER | 132-014470 |
| 12 | 125582-01-701 | EA | CLIP - SCREEN - PLASTIC | 130-005153 |
| 13 | 098644-01-719 | EA | STOP - SLIDER GLASS | 132-014203 |

WINDOW & VENTS GROUP (CONTINUED)
COMPONENT PARTS FOR WINDOW & VENT LAYOUT (CONTINUED)

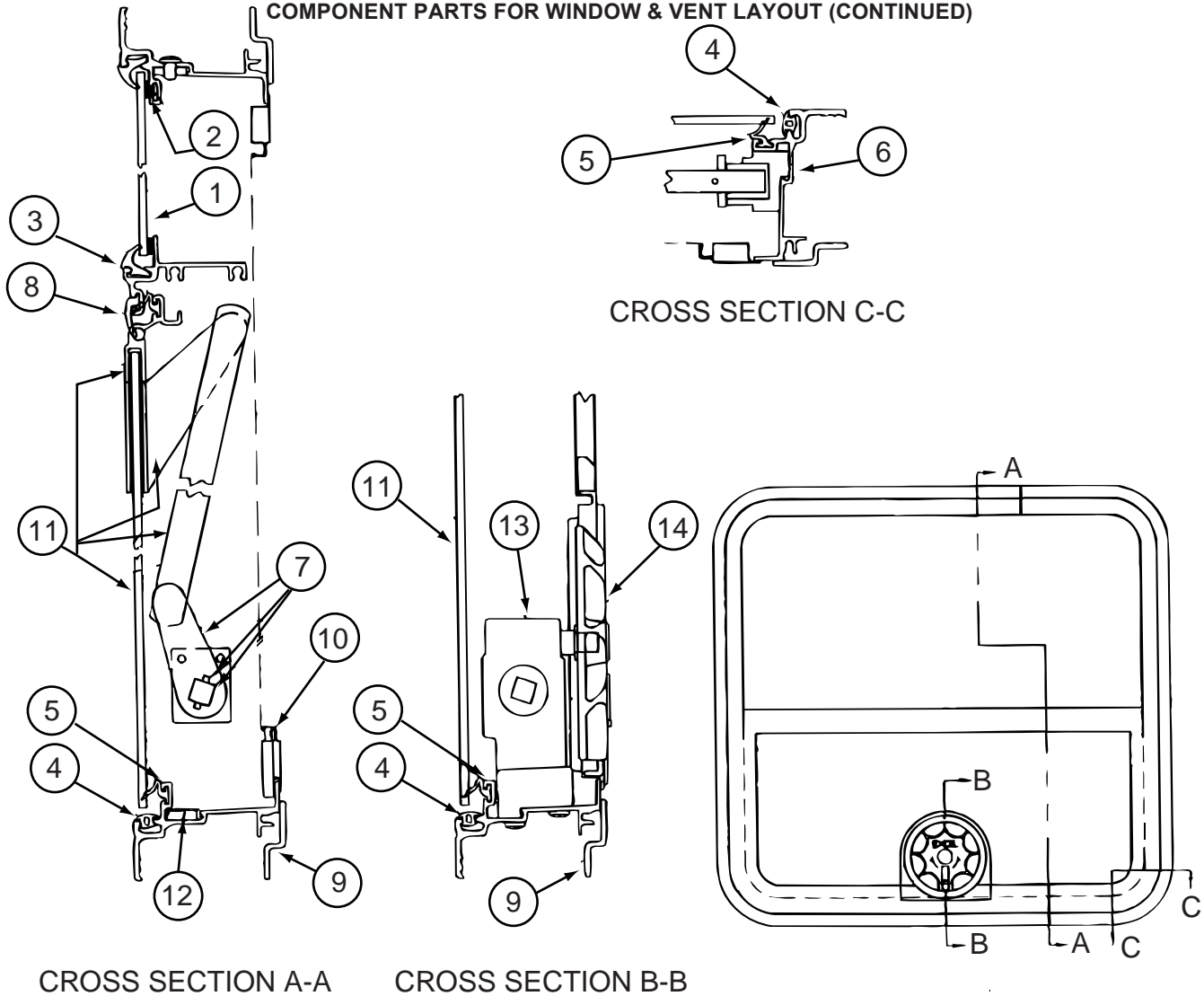
098647-76-02A

| KEY | PART NUMBER | U/M | DESCRIPTION | VENDOR NO. |
|------------|--------------------|------------|------------------------------|-------------------|
| 1 | 098647-76-700 | EA | GLASS - STATIONARY | 106-036072 |
| 2 | 098644-01-705 | FT | GLAZING - STRIP | 132-010231 |
| 3 | 098644-01-708 | FT | CHANNEL - RUN PIERCED | 122-016543 |
| 4 | 098644-01-710 | FT | TRACK - SCREEN SPACER 12' | 132-017135 |
| 5 | 098644-01-700 | EA | LATCH - REPAIR KIT (BLACK) | B801-CK |
| 6 | 098644-01-706 | EA | WEATHERSTRIP - GLASS | 171-010668 |
| 7 | 098644-01-711 | FT | WEATHERSTRIP - SCREEN BLACK | 171-016965 |
| 8 | 098647-76-701 | EA | RETAINER - TRIM | S287-66 |
| 9 | 098647-23-704 | EA | SCREEN ASM - W/SEALS & CLIPS | 410-019066 |
| 10 | 098647-76-702 | EA | GLASS-SLIDING W/SASH & LATCH | H287G8 |
| 11 | 098644-01-716 | FT | PLUG - FILLER | 132-014470 |
| 12 | 125582-01-701 | EA | CLIP - SCREEN - PLASTIC | 130-005153 |
| 13 | 098644-01-719 | EA | STOP - SLIDER GLASS | 132-014203 |

098647-77-02A

| KEY | PART NUMBER | U/M | DESCRIPTION | VENDOR NO. |
|------------|--------------------|------------|------------------------------|-------------------|
| 1 | 098647-77-700 | EA | GLASS - STATIONARY | 106-036291 |
| 2 | 098644-01-705 | FT | GLAZING - STRIP | 132-010231 |
| 3 | 098644-01-708 | FT | CHANNEL - RUN PIERCED | 122-016543 |
| 4 | 098644-01-710 | FT | TRACK - SCREEN SPACER 12' | 132-017135 |
| 5 | 098644-01-700 | EA | LATCH - REPAIR KIT (BLACK) | B801-CK |
| 6 | 098644-01-706 | EA | WEATHERSTRIP - GLASS | 171-010668 |
| 7 | 098644-01-711 | FT | WEATHERSTRIP - SCREEN BLACK | 171-016965 |
| 8 | 098647-77-701 | EA | RETAINER - TRIM | S996-66 |
| 9 | 098647-77-702 | EA | SCREEN ASM | 410-036034 |
| 10 | 098647-77-703 | EA | GLASS-SLIDING W/SASH & LATCH | H996G8 |
| 11 | 098644-01-716 | FT | PLUG - FILLER | 132-014470 |
| 12 | 125582-01-701 | EA | CLIP - SCREEN - PLASTIC | 130-005153 |
| 13 | 098644-01-719 | EA | STOP - SLIDER GLASS | 132-014203 |

WINDOW & VENTS GROUP (CONTINUED)
COMPONENT PARTS FOR WINDOW & VENT LAYOUT (CONTINUED)



CROSS SECTION A-A

CROSS SECTION B-B

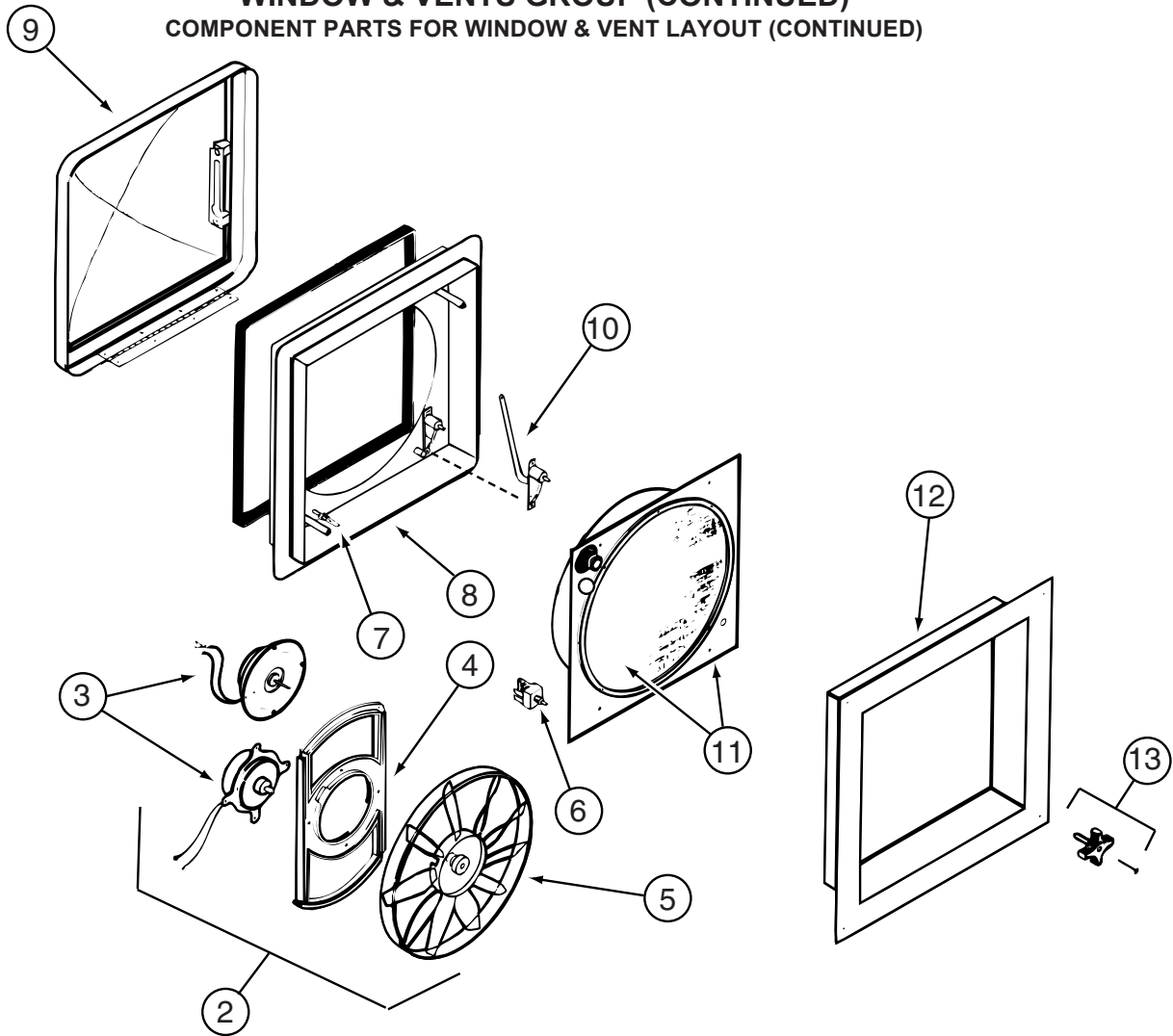
104691-18-02A

| KEY | PART NUMBER | U/M | DESCRIPTION | VENDOR NO. |
|-----|---------------|-----|------------------------------|------------|
| 1 | 104691-18-700 | EA | GLASS - STATIONARY | 106-036333 |
| 2 | 100322-01-704 | FT | TAPE-BUTYL | 154-025932 |
| 3 | 100322-01-703 | FT | VINYL-GLAZING, BUTYL | 132-010723 |
| 4 | 116976-01-702 | FT | FILLER PLUG | 132-016065 |
| 5 | 100322-01-701 | FT | SEAL-VENT | 122-016071 |
| 6 | 112463-02-707 | EA | SUPPORT - TORQUE BAR RH | 132-015979 |
| 6 | 112463-02-708 | EA | SUPPORT - TORQUE BAR LH | 132-015978 |
| 7 | 104691-18-701 | EA | OPERATOR & BAR ASSEMBLY | CH118-15 |
| 8 | 100322-01-702 | EA | WEATHERSTRIP-HORIZ RAIL-148" | 132-019631 |
| 9 | 104691-18-702 | EA | RETAINER - TRIM | CS118-59 |
| 10 | 104691-18-703 | EA | SCREEN ASM - W/SEALS & CLIPS | 410-036335 |
| 11 | 104691-18-704 | EA | GLASS-TIPOUT - W/HINGE/RAIL | CH118G6 |
| 12 | 108919-01-706 | EA | COVER - DRAIN SLOT | 132-016064 |
| 13 | 112519-01-702 | EA | OPERATOR/TRQ CTR SPRT-4 HOLE | 410-016123 |
| 14 | 100322-01-718 | EA | HANDLE-DIAL | 410-016081 |

122882-02-01A, 122882-03-01A

| KEY | PART NUMBER | U/M | DESCRIPTION | VENDOR NO. |
|-----|---------------|-----|--------------------------|------------|
| | 064470-01-700 | EA | COVER - VENT | J7291 |
| | 064470-01-701 | EA | SLIDE BAR - VENT LID | JRP1291B |
| | 110051-03-700 | EA | SWITCH-BLACK/PUSH BUTTON | 27-0164 |
| | 122882-01-700 | EA | HANDLE - CRANK - BLACK | 90128 |
| | 122882-01-701 | EA | SCREEN | JRP-1124-B |
| | 122882-01-702 | EA | HANDLE - CRANK - WHITE | JRP1031B |

WINDOW & VENTS GROUP (CONTINUED)
COMPONENT PARTS FOR WINDOW & VENT LAYOUT (CONTINUED)

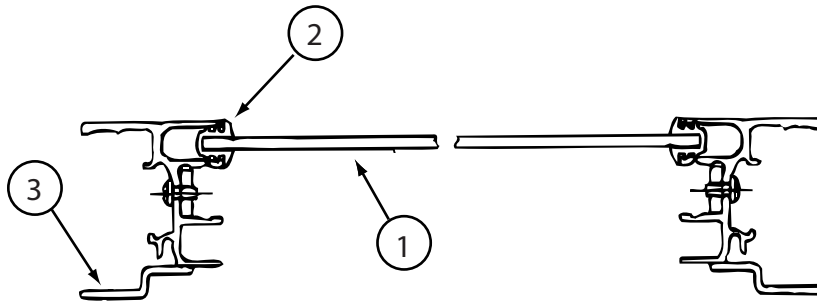


123780-03-01A

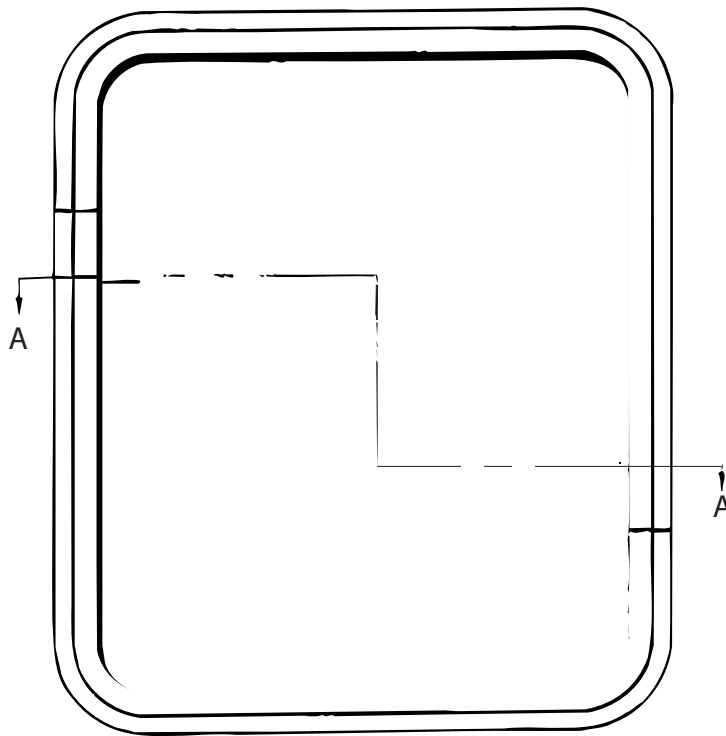
| KEY | PART NUMBER | U/M | DESCRIPTION | VENDOR NO. |
|-----|---------------|-----|------------------------------|------------|
| 2 | 084079-11-700 | EA | MOTOR & FAN BLADE W/BRACKET | K4017-09 |
| 3 | 084079-01-705 | EA | MOTOR/EXT BRKT/FAN BLADE KIT | 1080-00 |
| 4 | 084079-01-711 | EA | MOTOR MOUNT (BOWTIE) | 1015-00 |
| 5 | 084079-01-704 | EA | BLADE-FAN | 1138-00 |
| 6 | 084079-01-709 | EA | SWITCH - MAIN - 3 SPEED | 1031-05 |
| 7 | 084079-01-707 | EA | SWITCH - SAFETY | 1122-05 |
| 8 | 123780-05-700 | EA | BASE/MAIN-BRT WHT W/GASKET | 1010-81 |
| 9 | 123780-01-700 | EA | COVER - VENT W/HINGE & SLIDE | 1020K-81 |
| 10 | 009440-01-000 | EA | GEAR-ARM-ROOF VENT | 705221K38 |
| 11 | 123780-03-701 | EA | SCREEN ASM 78-100MM W/SWITCH | 1030BT-81 |
| 12 | 123780-03-700 | EA | GARNISH - INT. 3"-4" BRT/WHT | 2040-81 |
| 13 | 084079-01-703 | EA | KNOB-LIFT | 1140K-00 |
| | 084079-01-706 | EA | PLUG, 12 VOLT | 1090 |
| | 123780-01-702 | EA | SCREEN INSERT (SCREEN RING) | K1035-81 |

CONTACT WINNEBAGO PART SALES FOR UNLISTED COMPONENT(S)

WINDOW & VENTS GROUP (CONTINUED)
COMPONENT PARTS FOR WINDOW & VENT LAYOUT (CONTINUED)



CROSS SECTION A-A



151075-03-02A

| KEY | PART NUMBER | U/M | DESCRIPTION | VENDOR NO |
|-----|---------------|-----|--------------------|------------|
| 1 | 151075-03-700 | EA | GLASS - STATIONARY | 106-019887 |
| 2 | 098644-01-705 | FT | GLAZING - STRIP | 132-010231 |
| 3 | 151075-03-701 | EA | RETAINER - TRIM | S416-66 |

152882-01-01A

| KEY | PART NUMBER | U/M | DESCRIPTION | VENDOR NO. |
|-----|---------------|-----|------------------------------|------------|
| | 152882-01-700 | EA | GLAZING PANEL W/O ASM. PARTS | BG1512 |
| | 152882-01-701 | EA | FLY NET W/END ROD | BG1394 |
| | 152882-01-702 | EA | DARKENING SYSTEM W/END ROD | BG1393 |
| | 152882-01-703 | EA | CORD | BG1715 |
| | 152882-01-704 | EA | VENTILATION GRIDS | 560E35 |
| | 152882-01-705 | EA | SEAL | BG1521 |
| | 152882-01-706 | EA | BUTTON W/SPRING | BG1522 |
| | 152882-01-707 | EA | HINGE W/FIXINGS | BG1513 |
| | 152882-01-708 | EA | SPRING F/OPERATING BAR | BG1515 |
| | 152882-01-709 | EA | OPERATING BAR | BG1516 |