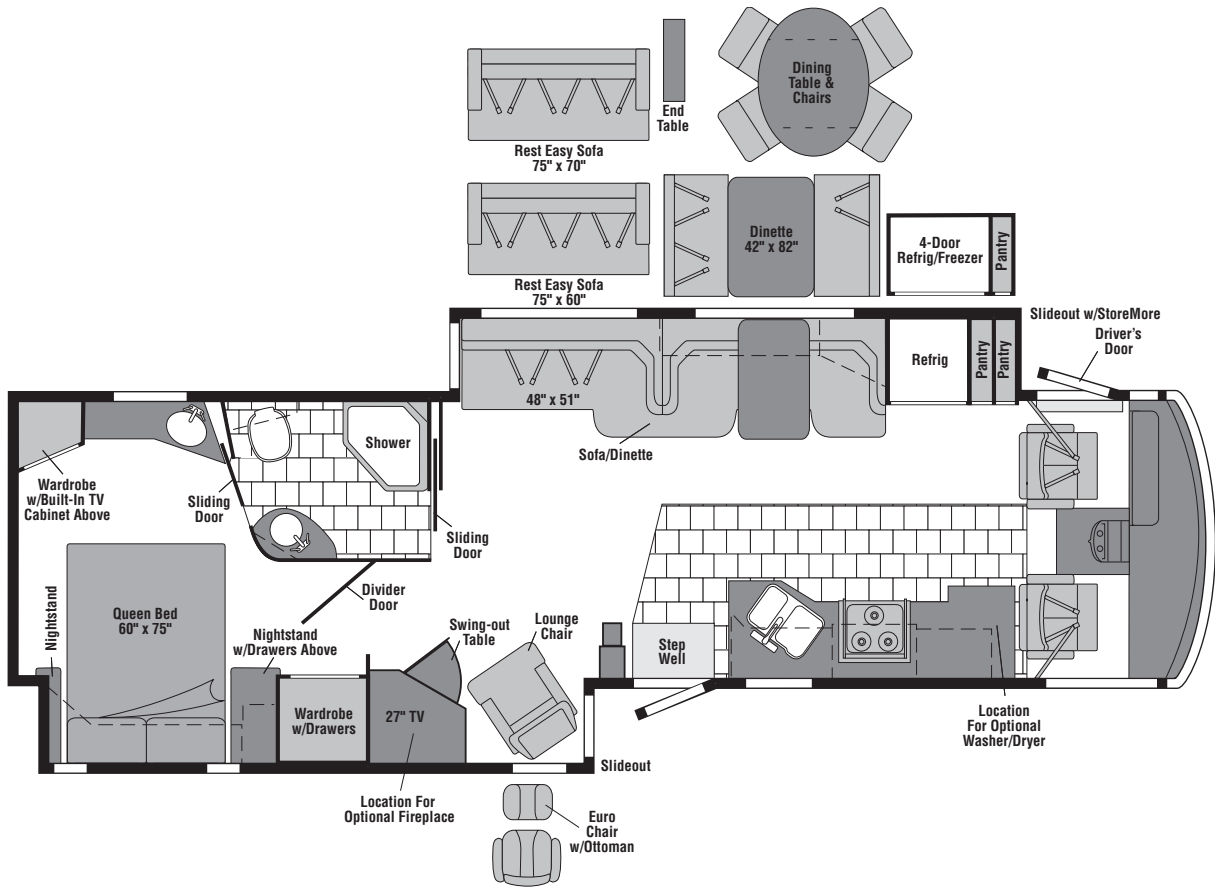


2007
SUNCRUISER
IPG38T
G-SERIES
CONCERT CHERRY
 UA1 IRISH CREAM
 UM4 IRISH CREAM
 UA5 CAVALIER
 UM5 CAVALIER
 UB1 BUTTER BRICKLE
 UM6 BUTTER BRICKLE
WASHED MAPLE
 UA2 IRISH CREAM
 UA6 CAVALIER
 UB2 BUTTER BRICKLE
SIERRA MAPLE
 UA3 IRISH CREAM
 UA7 CAVALIER
 UB3 BUTTER BRICKLE



FLOORPLANS

CONTENTS

FLOORPLANS	1
ACCESSORIES GROUP	6
OPERATORS MANUAL	6
AUDIO VIDEO GROUP	7
RADIO SYSTEM.....	7
REAR MONITOR	7
COMPONENT PARTS FOR REAR MONITOR	8
144677-10-01A	8
144677-11-01A	8
144677-10-02A & 144677-11-02A	8
CABINET & APPLIANCE GROUP	9
CABINET & APPLIANCE LAYOUT	9
COMPONENT PARTS FOR CABINET & APPLIANCE LAYOUT	25
119267-12-02A	25
119267-17-01A	25
120075-12-01A, 120075-13-01A, 120075-14-01A, 120075-15-01A	25
120075-23-01A	31
121569-05-01A, 121569-06-01A, 121569-07-01A	37
125242-03-02A	42
125242-05-02A	51
126022-01-01A, 126022-02-01A, 126022-03-01A	57
135065-03-01A, 135065-03-03A, 135065-04-01A	58
151277-03-01A, 151279-01-01A, 151279-02-01A/02A, 151279-03-01A	60
CHASSIS GROUP	63
FRAME	63
FRONT END	65
DRIVETRAIN	67
EXHAUST	68
FUEL	71
HYDRAULIC LEVELING	72
COMPONENT PARTS FOR HYDRAULIC LEVELING	73
100536-57-000	73
100536-60-000	73
153452-18-000	73
153452-19-000	73
153452-20-000	74
153452-21-000	74
WHEEL, TIRE, COVERS &/OR LINERS	75
COMPONENT PARTS FOR WHEEL, TIRE, COVERS &/OR LINERS	75
145580-02-000	75
150723-01-000	75
BRAKE	75
BRAKELINE	75
CURTAIN & CUSHION GROUP	76
NOTICE	76
CUSHION LAYOUT	77
BUCKET SEATS	79
COMPONENT PARTS FOR BUCKET SEATS	80
122611-02-000	80
LOUNGE CHAIR	81
SOFA	82
WINDOW TREATMENT	86
COMPONENT PARTS FOR WINDOW TREATMENT	87
147460-05-T77	87
HARDWARE	88
FABRICS	90

CONTENTS (CONTINUED)

DRIVERS COMPARTMENT GROUP	91
DASH	91
MOTOR COVER	93
BEVERAGE TRAY	94
FRONT INTERIOR	95
COMPONENT PARTS FOR FRONT INTERIOR	99
091990-08-01A	99
147767-01-000, 147767-02-000	99
CABINETS	100
ELECTRICAL GROUP	104
110V BODY WIRING	104
12V BODY WIRING	106
EXTERIOR LAMPS	112
FRONT END	114
FRONT TV/VCR	116
SIDE TV/VCR	117
COMPONENT PARTS FOR WIRING	120
076319-23-000	120
076319-25-000	120
086280-01-000	121
087694-01-000	121
093575-23-03A	121
097917-01-06A	121
108354-01-01A	121
119258-44-01A	121
119258-45-01A	121
121935-01-01A	121
123775-01-02A	121
133004-05-01A	122
135420-20-000	122
137135-02-000	123
137417-01-01A, 137417-03-01A	124
137417-05-01A	124
137417-06-01A	124
141454-03-01A	124
146048-01-01A	125
146298-02-000	125
149040-02-000	125
149040-03-000	125
149049-01-000, 149049-02-000	125
153464-03/06-01A	125
154506-01-01A, 154506-03-01A	126
154548-01-000	127
155619-01-000	127
156413-01-01A	127
158836-01-000	127
CIRCUIT BREAKERS, FUSES & RELAYS	128
CONVERTER, INVERTER, LOAD CENTERS	128
BOXES & CORDS	129
WIRE ASSEMBLIES	129
CONNECTORS & CONDUIT	130
CHASSIS	132
EXTERIOR BODY GROUP	133
GRAPHICS & PAINT	133
PANELS & TRIMS	135
COMPONENT PARTS FOR PANELS & TRIMS	138
142721-01-01A, 142721-02-01A	138
142721-01-02A, 142721-02-02A	138
FRONT END	139
LADDER	140
STRUCTURAL COMPONENTS	141
AWNINGS	141

CONTENTS (CONTINUED)

EXTERIOR DOORS & COMPARTMENTS GROUP	142
DOOR & COMPARTMENT LAYOUT	142
COMPONENT PARTS FOR DOOR & COMPARTMENT LAYOUT	148
084103-08-000	148
110506-A1-000, 110506-A2-000, 110506-26-000, 110506-27-000, 110506-36-000	148
142226-02-01A	148
143709-02-01A	148
COMPARTMENT DOOR PIECE PARTS	149
DRIVERS	151
COMPONENT PARTS FOR DRIVERS	152
108354-01-01A	152
125581-09-01A	152
ENTRY	154
SCREEN	155
LATCH - ENTRY	156
EXTERIOR SLIDEOUT GROUP	157
FRONT LEFT	157
COMPONENT PARTS FOR FRONT LEFT	161
151323-01-000 , 151323-02-000, 151323-03-000	161
152553-01-000, 152553-02-000	161
152553-03-000	161
153651-02-01A	161
153651-04-01A	161
RIGHT REAR	162
COMPONENT PARTS FOR RIGHT REAR	166
100536-42-000	166
152553-01-000, 152553-02-000	166
152553-03-000	166
153651-02-01A	166
153651-04-01A	166
GENERATOR GROUP	167
GAS	167
HEATING & A/C GROUP	168
AUTOMOTIVE	168
COMPONENT PARTS FOR AUTOMOTIVE	170
103930-44-000	170
103930-45-000	170
103930-46-000	170
103930-47-000	170
103930-49-000	170
103930-55-000	172
FURNACE	173
COMPONENT PARTS FOR FURNACE	174
143563-01-000	174
143563-02-000	176
REAR HEATER	178
COMPONENT PARTS FOR REAR HEATER	178
147610-01-000	178
CENTRAL	179
COMPONENT PARTS FOR CENTRAL	181
105620-12-000	181
INTERIOR FINISH GROUP	183
MOLDINGS & TRIMS	183
PANELING & LAMINATES	191
INTERIOR TRIM LAYOUT	192
COMPONENT PARTS FOR INTERIOR TRIM LAYOUT	195
094499-02-000	195
158076-03-01A	196
FLOOR COVERINGS	197
HARDWARE	198
LABELS GROUP	204

CONTENTS (CONTINUED)

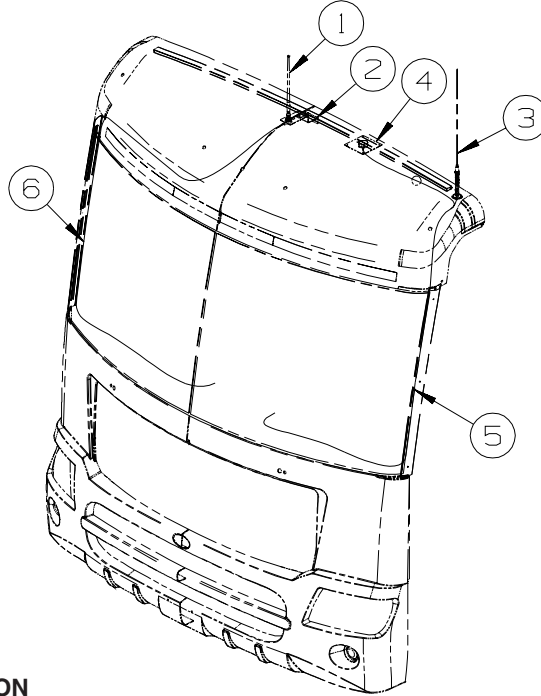
LP GROUP	208
LP SYSTEM	208
COMPONENT PARTS FOR LP SYSTEM	208
144116-01-000	208
SEALANTS & FASTENERS GROUP	209
SEALANTS & ADHESIVES	209
BOLTS, NUTS AND WASHERS	210
SCREWS	212
CLAMPS, CLIPS, GROMMETS, RIVETS & PLUGS	215
MISCELLANEOUS FASTENERS	216
WATER & SEWAGE GROUP	217
DRAINAGE SYSTEM	217
COMPONENT PARTS FOR DRAINAGE SYSTEM	219
062415-01-000	219
144728-01-000	219
152829-01-01A	219
WATER SYSTEM	220
COMPONENT PARTS FOR WATER SYSTEM	226
098607-01-000	226
103635-01-000	226
123744-03-01A	226
125420-01-02A, 125420-01-03A, 125420-03-03A, 125420-04-03A	227
129390-03-02A	227
144215-01-000	227
144596-01-01A	227
145541-01-000	227
WINDOW & VENTS GROUP	228
WINDOW & VENT LAYOUT	228
COMPONENT PARTS FOR WINDOW & VENT LAYOUT	229
123780-10-01A	229
150648-07-01A, 150648-22-01A	230
150648-13-01A, 150648-18-01A	231
150648-14-01A, 150648-27-01A, 150648-34-01A	231
150649-09-01A	232
150649-18-01A	232
150649-26-01A	233
150651-07-01A	233
150656-10-01A	234
150656-11-01A	235
151072-01-01A	236
151073-01-01A	237
151074-01-01A	237
161452-05-01A	238
161452-06-01A	238
WINDSHIELD & WIPER GROUP	239
WINDSHIELD	239
WIPER	240
COMPONENT PARTS FOR WIPER	240
149401-03-000	240
149402-03-000 & 149402-04-000	240

ACCESSORIES GROUP
OPERATORS MANUAL

KEY	PART NUMBER	U/M	DESCRIPTION
	156250-01-000	DW	TOP LEVEL-G,2007
	129079-01-01A	EA	CASE - VINYL/BLACK-EXPANDABLE ACCORDION SIDES-7"WX9"HX14"L FROM: 00-00-00 THRU: 07-09-06
	129079-04-01A	EA	CASE - VINYL/BLK-EXPANDABLE ACCORDION SIDES-11"WX9"HX14"L FROM: 07-10-06 THRU: 07-30-06
	159842-01-01A	EA	CASE - VINYL - F/MANUALS - W/SLEEVES - BLACK FROM: 07-31-06 THRU: 99-99-99
	132000-15-007	EA	MANUAL/OWNER - SUNCRUISER - 2007
	132001-13-007	EA	GUIDE/BASIC OPERATOR - AUDIO/VIDEO - G-SERIES - 2007
	158603-07-007	EA	MANUAL/OWNER - SUPPLEMENT - G-SERIES - 2007

AUDIO VIDEO GROUP RADIO SYSTEM

KEY	PART NUMBER	U/M	DESCRIPTION
	135420-07-000	EA	MOUNTING KIT - RADIO - A-BODY
	135420-19-000	EA	REMOTE CONTROL/RADIO (CREDIT CARD SIZE)
	135420-18-000	EA	REMOTE CONTROL/RADIO (STEERING WHEEL MOUNT)
	135420-15-000	EA	RADIO-AM/FM/CD/SIRIUS SATELLITE READY/IR REMOTE
	135420-14-000	EA	RECEIVER (EYE) - INFRARED
	148134-01-000	EA	CHANGER - COMPACT DISC - SANYO EAX-510 - CD CHANGER



KEY	PART NUMBER	U/M	DESCRIPTION
1	090944-02-000	EA	ANTENNA - RADIO - 16" RUBBER - W/O LEAD WIRE
2	115916-01-01B	EA	BRACKET - ANTENNA MOUNT
3	NA	EA	ANTENNA - CB - W/O CABLE
4	158494-01-000	EA	ANTENNA/SATELLITE - RADIO/SIRIUS
5	NA	EA	CABLE - CB - COAX
6	090944-03-000	EA	CABLE - ANTENNA

REAR MONITOR

KEY	PART NUMBER	U/M	DESCRIPTION
	136514-02-000	EA	CABLE - MONITOR/CAMERA
	144677-06-000	EA	MONITOR/BLACK & WHITE - 7" - 3 PIN/MECH CONTROLS - RESIZED
	144677-08-000	EA	MONITOR/BLACK & WHITE - 7" - W/O SIDE CAMERAS/WIRE ASM/CABLE - VIDEO CAMERA SYSTEM
	144677-04-000	EA	CAMERA - REAR VIEW W/BRACKET - BLACK & WHITE - VBCS150
*	144677-10-01A	EA	CAMERA - REAR VIEW - WALL MOUNT/RIGHT - BRIGHT WHITE - VIDEO CAMERA SYSTEM
*	144677-10-02A	EA	CAMERA - REAR VIEW - WALL MOUNT/RIGHT - PRIMED - VIDEO CAMERA SYSTEM/FULL BODY PAINT
*	144677-11-01A	EA	CAMERA - REAR VIEW - WALL MOUNT/LEFT - BRIGHT WHITE - VIDEO CAMERA SYSTEM
*	144677-11-02A	EA	CAMERA - REAR VIEW - WALL MOUNT/LEFT - PRIMED - VIDEO CAMERA SYSTEM/FULL BODY PAINT
	144677-12-000	EA	CABLE - MONITOR/CAMERA - 12' - VIDEO CAMERA SYSTEM
	098819-01-000	EA	SPEAKER - 4" - 2 WATT - 8 OHM
	093214-01-04A	EA	GRILLE - SPEAKER - 4" - RVERSTONE
	093214-01-05A	EA	GRILLE - SPEAKER - 4" - CASHMERE
	114870-01-000	EA	PLUG - AUDIO W/LEADS - 48.5"

***COMPONENT PARTS LISTED LATER IN THIS GROUP**

AUDIO VIDEO GROUP (CONTINUED)
COMPONENT PARTS FOR REAR MONITOR

144677-10-01A

KEY	PART NUMBER	U/M	DESCRIPTION	VENDOR NO.
	144677-10-700	EA	HOUSING/CAMERA-RT/LT-WHITE	SIDHSGWHT
	144677-10-702	EA	SERVICE PACK-SCREW COVER	PSVCSIDHSGWHT
	144677-10-703	EA	ERVICE PACK-SCREW COVER	PSVCSIDHSGGPR

144677-11-01A

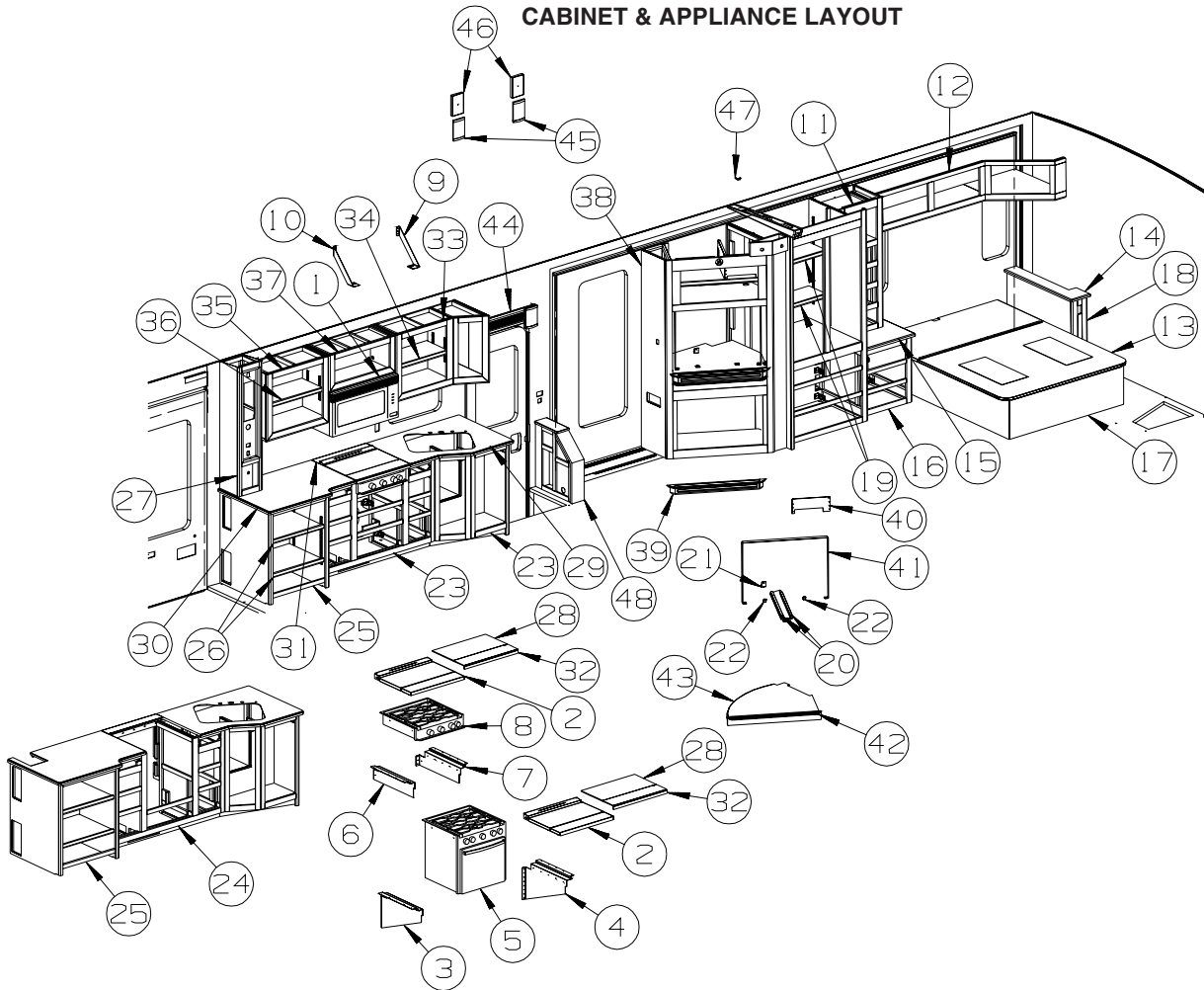
KEY	PART NUMBER	U/M	DESCRIPTION	VENDOR NO.
	144677-10-700	EA	HOUSING/CAMERA-RT/LT-WHITE	SIDHSGWHT

144677-10-02A & 144677-11-02A

KEY	PART NUMBER	U/M	DESCRIPTION	VENDOR NO.
	144677-10-701	EA	HOUSING/CAMERA-RT/LT-PRIMED	SIDHSGGTR

CABINET & APPLIANCE GROUP

CABINET & APPLIANCE LAYOUT



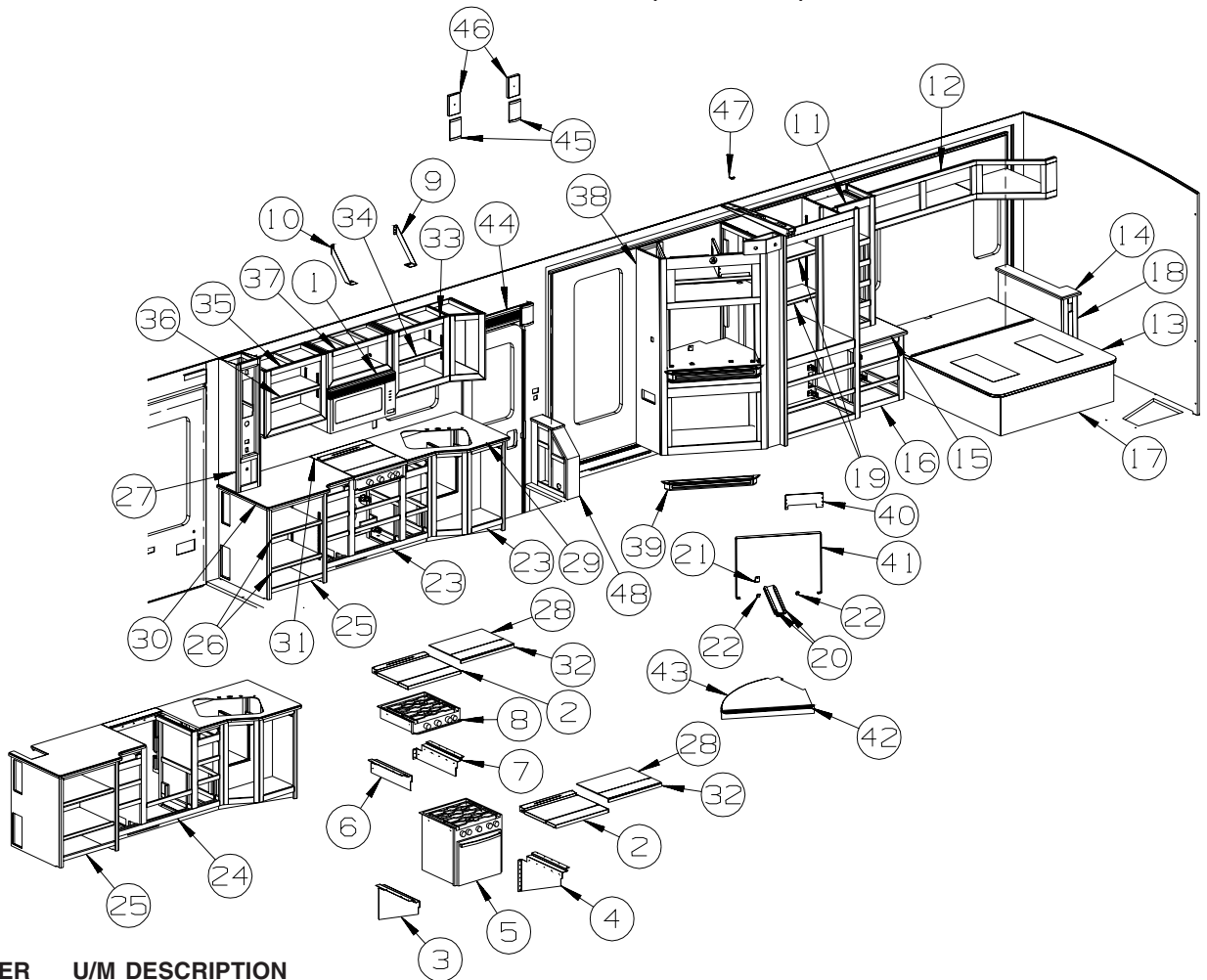
KEY	PART NUMBER	U/M	DESCRIPTION
1*	119267-12-02A	EA	OVEN - MICROWAVE/CONVECTION W/HOOD US - #R-1874T FROM: 00-00-00 THRU: 07-30-06
1*	119267-17-01A	EA	OVEN - MICROWAVE/CONVECTION W/HOOD US - #R-1880LST FROM: 07-31-06 THRU: 99-99-99
2*	126022-01-01A	EA	COVER/RANGE - BI-FOLD - 22" - BLACK TEXTURED
	109506-12-000	EA	FILM/ABRASION-RESISTANT - TRANSPARENT - 1" DIA.
3	136382-05-04B	EA	BRACKET - TIEDOWN - OVEN/FRONT - BLACK - RANGE W/OVEN
4	136382-23-04B	EA	BRACKET - TIEDOWN - OVEN - BLACK - RANGE W/OVEN
5*	151279-02-01A	EA	RANGE-22"-3 BURNER/SEALED-MERCURY FREE-BLK DOOR/GLASS - RANGE W/OVEN
6	106936-35-04B	EA	BRACKET - TIEDOWN - RANGE- BLACK
7	106936-49-04B	EA	BRACKET - TIEDOWN - RANGE- BLACK
8*	135065-03-01A	EA	RANGE-3 BURNER (SEALED)-W/O OVEN-NEW STYLE KNOBS-BLK GLASS
9	152316-01-02B	EA	BRACKET/SUPPORT - MICROWAVE - E-COATED
10	152316-02-02B	EA	BRACKET/SUPPORT - MICROWAVE - E-COATED
11	P58824-01-U90	EA	CABINET - OVERHEAD/STORAGE - W/O DOORS/HDW - CONCERT CHERRY (UA1, UA5, UB1)
11	P58824-01-UM1	EA	CABINET - OVERHEAD/STORAGE - W/O DOORS/HDW - CONCERT CHERRY (UM4, UM5, UM6)
11	P58824-01-U91	EA	CABINET - OVERHEAD/STORAGE - W/O DOORS/HDW - WASHED MAPLE
11	P58824-01-U92	EA	CABINET - OVERHEAD/STORAGE - W/O DOORS/HDW - SIERRA MAPLE
11	P58824-02-U90	EA	CABINET - OVHD/STORAGE - CONCERT CHERRY (UA1, UA5, UB1) - STEREO W/CD/DVD REAR
11	P58824-02-UM1	EA	CABINET - OVHD/STORAGE - CONCERT CHERRY (UM1, UM2, UM3) - STEREO W/CD/DVD REAR
11	P58824-02-U91	EA	CABINET - OVERHEAD/STORAGE - W/O DOORS/HDW - WASHED MAPLE - STEREO W/CD/DVD REAR
11	P58824-02-U92	EA	CABINET - OVERHEAD/STORAGE - W/O DOORS/HDW - SIERRA MAPLE - STEREO W/CD/DVD REAR
12	158212-01-U90	EA	CABINET - OVERHEAD/REAR/RIGHT HAND - W/O DOORS/HDW - CONCERT CHERRY (UA1, UA5, UB1)
12	158212-01-UM1	EA	CABINET - OVERHEAD/REAR/RIGHT HAND - W/O DOORS/HDW - CONCERT CHERRY (UM4, UM5, UM6)
12	158212-01-U91	EA	CABINET - OVERHEAD/REAR/RIGHT HAND - W/O DOORS/HDW- WASHED MAPLE
12	158212-01-U92	EA	CABINET - OVERHEAD/REAR/RIGHT HAND - W/O DOORS/HDW - SIERRA MAPLE
12	158212-02-U90	EA	CABINET - OVHD/REAR - CONCERT CHERRY (UA1, UA5, UB1) - STEREO W/CD/DVD REAR
12	158212-02-UM1	EA	CABINET - OVERHEAD/REAR - CONCERT CHERRY (UM4, UM5, UM6) - STEREO W/CD/DVD REAR
12	158212-02-U91	EA	CABINET - OVHD/REAR/RIGHT HAND - W/O DRS/HDW- WASHED MAPLE - STEREO W/CD/DVD REAR
12	158212-02-U92	EA	CABINET - OVHD/REAR/RIGHT HAND - W/O DRS/HDW - SIERRA MAPLE - STEREO W/CD/DVD REAR

CABINET & APPLIANCE GROUP (CONTINUED)

CABINET & APPLIANCE LAYOUT (CONTINUED)

KEY	PART NUMBER	U/M	DESCRIPTION
13	137406-01-N42	EA	BEDBOARD - W/HINGE/T-MOLDING/SLIPNOT - FLIP-UP
	096764-02-000	FT	SLIPNOT - ANTISLIP - 1'WIDE (180' ROLLS) - WHITE
14	145182-29-T78	EA	COUNTERTOP - LAMINATED - CONCERT CHERRY
14	145182-29-T79	EA	COUNTERTOP - LAMINATED - WASHED MAPLE
14	145182-29-T80	EA	COUNTERTOP - LAMINATED - SIERRA MAPLE
15	145182-30-T78	EA	COUNTERTOP - LAMINATED - CONCERT CHERRY
15	145182-30-T79	EA	COUNTERTOP - LAMINATED - WASHED MAPLE
15	145182-30-T80	EA	COUNTERTOP - LAMINATED - SIERRA MAPLE
16	153701-01-T78	EA	CABINET - NIGHTSTAND/LH - W/O CNTRTP/DRS/DRWRS/HDW - CONCERT CHERRY (UA1, UA5, UB1)
16	153701-01-UM1	EA	CABINET - NIGHTSTAND/LH - W/O CNTRTP/DRS/DRWRS/HDW - CONCERT CHERRY (UM4, UM5, UM6)
16	153701-01-T79	EA	CABINET - NIGHTSTAND/LH - W/O COUNTERTOP/DOORS/DRAWERS/HDW - WASHED MAPLE
16	153701-01-T80	EA	CABINET - NIGHTSTAND/LH - W/O COUNTERTOP/DOORS/DRAWERS/HDW - SIERRA MAPLE
17	154717-01-T78	EA	CABINET - BED BASE - QUEEN - W/O DOORS/DRAWERS/HDW - CONCERT CHERRY
17	154717-01-T79	EA	CABINET - BED BASE - QUEEN - W/O DOORS/DRAWERS/HDW - WASHED MAPLE
17	154717-01-T80	EA	CABINET - BED BASE - QUEEN - W/O DOORS/DRAWERS/HDW - SIERRA MAPLE
	156732-03-01A	EA	BRACE - ANGLE/COUCH - BLACK - USED ON BED CABINET
18	154787-01-T78	EA	NIGHTSTAND/RH - W/O COUNTERTOP/DRS/DRAWERS/HDW - CONCERT CHERRY (UA1, UA5, UB1)
18	154787-01-UM1	EA	NIGHTSTAND/RH - W/O COUNTERTOP/DRS/DRAWERS/HDW - CONCERT CHERRY (UM4, UM5, UM6)
18	154787-01-T91	EA	NIGHTSTAND/RH - W/O COUNTERTOP/DOORS/DRAWERS/HDW - WASHED MAPLE
18	154787-01-T80	EA	NIGHTSTAND/RH - W/O COUNTERTOP/DOORS/DRAWERS/HDW - SIERRA MAPLE
19	153696-15-T78	EA	SHELF ASM - CONCERT CHERRY (UA1, UA5, UB1)
19	153696-15-UM1	EA	SHELF ASM - CONCERT CHERRY (UM4, UM5, UM6)
19	153696-15-T79	EA	SHELF ASM - WASHED MAPLE
19	153696-15-T80	EA	SHELF ASM - SIERRA MAPLE
20	113797-07-01A	EA	STRIP - RECTANGULAR - .2" X 23.4"
21	147994-02-02B	EA	BRACKET - TV - F/SONY 27" - E-COATED
22	152024-01-02B	EA	ANGLE/FORMED - W/HOLES - E-COATED
23	P59201-01-U90	EA	CABINET - GALLEY - W/O COUNTERTOP/DRS/DRAWERS/HDW - CONCERT CHERRY (UA1, UA5, UB1)
23	P59201-01-UM1	EA	CABINET - GALLEY - W/O COUNTERTOP/DRS/DRAWERS/HDW - CONCERT CHERRY (UM4, UM5, UM6)
23	P59201-01-U91	EA	CABINET - GALLEY - W/O COUNTERTOP/DOORS/DRAWERS/HDW - WASHED MAPLE
23	P59201-01-U92	EA	CABINET - GALLEY - W/O COUNTERTOP/DOORS/DRAWERS/HDW - SIERRA MAPLE
24	P59201-02-U90	EA	CABINET - GALLEY - CONCERT CHERRY (U90, U94, U98) - RANGE 3-BURNR W/OVEN
24	P59201-02-UM1	EA	CABINET - GALLEY - CONCERT CHERRY (UM4, UM5, UM6) - RANGE 3-BURNR W/OVEN
24	P59201-02-U91	EA	CABINET - GALLEY - WASHED MAPLE - RANGE 3-BURNR W/OVEN
24	P59201-02-U92	EA	CABINET - GALLEY - SIERRA MAPLE - RANGE 3-BURNR W/OVEN
	109506-12-000	EA	FILM/ABRASION-RESISTANT - TRANSPARENT - 1" DIA.
25	P53682-01-T78	EA	CABINET - STORAGE - W/O COUNTERTOP/DOORS/HDW - CONCERT CHERRY (UA1, UA5, UB1)
25	P53682-01-UM1	EA	CABINET - STORAGE - W/O COUNTERTOP/DOORS/HDW - CONCERT CHERRY (UM4, UM5, UM6)
25	P53682-01-T79	EA	CABINET - STORAGE - W/O COUNTERTOP/DOORS/HDW - WASHED MAPLE
25	P53682-01-T80	EA	CABINET - STORAGE - W/O COUNTERTOP/DOORS/HDW - SIERRA MAPLE
25	P53682-02-T78	EA	CABINET - STRG - W/O CNTRTP/DRS/HDW - CONCERT CHERRY (UA1, UA5, UB1) - WASHER DRYER
25	P53682-02-UM1	EA	CABINET - STRG - W/O CNTRTP/DRS/HDW - CONCERT CHERRY (UM1, UM2, UM3) - WASHER DRYER
25	P53682-02-T79	EA	CABINET - STORAGE - W/O COUNTERTOP/DOORS/HDW - WASHED MAPLE - WASHER DRYER
25	P53682-02-T80	EA	CABINET - STORAGE - W/O COUNTERTOP/DOORS/HDW - SIERRA MAPLE - WASHER DRYER
26	153682-19-T78	EA	SHELF - W/EDGE MOLDING - CONCERT CHERRY (UA1, UA5, UB1)
26	153682-19-UM1	EA	SHELF - W/EDGE MOLDING - CONCERT CHERRY (UM4, UM5, UM6)
26	153682-19-T79	EA	SHELF - W/EDGE MOLDING - WASHED MAPLE
26	153682-19-T80	EA	SHELF - W/EDGE MOLDING - SIERRA MAPLE
27	154927-01-T78	EA	CABINET - MONITOR PANEL - CONCERT CHERRY (UA1, UA5, UB1)
27	154927-01-UM1	EA	CABINET - MONITOR PANEL - CONCERT CHERRY (UM4, UM5, UM6)
27	154927-01-T79	EA	CABINET - MONITOR PANEL - WASHED MAPLE
27	154927-01-T80	EA	CABINET - MONITOR PANEL - SIERRA MAPLE
27	154927-02-T78	EA	CABINET - MONITOR PANEL - CONCERT CHERRY (UA1, UA5, UB1) - DC/AC INVERTER
27	154927-02-UM1	EA	CABINET - MONITOR PANEL - CONCERT CHERRY (UM4, UM5, UM6) - DC/AC INVERTER
27	154927-02-T79	EA	CABINET - MONITOR PANEL - WASHED MAPLE - DC/AC INVERTER
27	154927-02-T80	EA	CABINET - MONITOR PANEL - SIERRA MAPLE - DC/AC INVERTER
28	130816-06-10A	EA	COUNTERTOP/STOVE LID - 1/4" VENDURA - PEBBLE BEACH
			FROM: 00-00-00 THRU: 09-17-06
28	161211-03-UM4	EA	COVER - STOVE TOP - LAMINATED
			FROM: 09-18-06 THRU: 99-99-99
29	149086-46-10A	EA	COUNTERTOP - 1/4" VENDURA - PEBBLE BEACH
			FROM: 00-00-00 THRU: 09-17-06
29	161317-02-UM4	EA	COUNTERTOP - GALLEY
			FROM: 09-18-06 THRU: 99-99-99

CABINET & APPLIANCE GROUP (CONTINUED)
CABINET & APPLIANCE LAYOUT (CONTINUED)



KEY	PART NUMBER	U/M	DESCRIPTION
30	149086-48-10A	EA	COUNTERTOP - 1/4" VENDURA - PEBBLE BEACH FROM: 00-00-00 THRU: 09-17-06
30	161318-02-UM4	EA	COUNTERTOP - GALLEY FROM: 09-18-06 THRU: 99-99-99
31	149086-49-10A	EA	COUNTERTOP - 1/4" VENDURA - PEBBLE BEACH FROM: 00-00-00 THRU: 09-17-06
31	161319-01-UM4	EA	COUNTERTOP - GALLEY FROM: 09-18-06 THRU: 99-99-99
32	149094-02-10A	EA	COVER/STOVE TOP - 1/4" VENDURA - PEBBLE BEACH FROM: 00-00-00 THRU: 09-17-06
32	161211-02-UM4	EA	COVER - STOVE TOP - LAMINATED FROM: 09-18-06 THRU: 99-99-99
33	159103-01-UA1	EA	CABINET - OVERHEAD/GALLEY/REAR - W/O DOORS/HDW - CONCERT CHERRY (UA1, UA5, UB1)
33	159103-01-UM4	EA	CABINET - OVERHEAD/GALLEY/REAR - W/O DOORS/HDW - CONCERT CHERRY (UM4, UM5, UM6)
33	159103-01-UA2	EA	CABINET - OVERHEAD/GALLEY/REAR - W/O DOORS/HDW - WASHED MAPLE
33	159103-01-UA3	EA	CABINET - OVERHEAD/GALLEY/REAR - W/O DOORS/HDW - SIERRA MAPLE
34	159103-28-UA1	EA	SHELF - W/VINYL WRAP MOLDING - CONCERT CHERRY (UA1, UA5, UB1)
34	159103-28-UM4	EA	SHELF - W/VINYL WRAP MOLDING - CONCERT CHERRY (UM4, UM5, UM6)
34	159103-28-UA2	EA	SHELF - W/VINYL WRAP MOLDING - WASHED MAPLE
34	159103-28-UA3	EA	SHELF - W/VINYL WRAP MOLDING - SIERRA MAPLE
35	159110-01-U90	EA	CABINET - OVERHEAD/GALLEY/FRONT - W/O DOORS/HDW - CONCERT CHERRY (UA1, UA5, UB1)
35	159110-01-UM1	EA	CABINET - OVERHEAD/GALLEY/FRONT - W/O DOORS/HDW - CONCERT CHERRY (UM4, UM5, UM6)
35	159110-01-U91	EA	CABINET - OVERHEAD/GALLEY/FRONT - W/O DOORS/HDW - WASHED MAPLE
35	159110-01-U92	EA	CABINET - OVERHEAD/GALLEY/FRONT - W/O DOORS/HDW - SIERRA MAPLE
36	159110-22-U90	EA	SHELF ASM - CONCERT CHERRY (UA1, UA5, UB1)
36	159110-22-UM1	EA	SHELF ASM - CONCERT CHERRY (UM4, UM5, UM6)
36	159110-22-U91	EA	SHELF ASM - CONCERT CHERRY
36	159110-22-U92	EA	SHELF ASM - CONCERT CHERRY
37	153685-01-T78	EA	CABINET - OVERHEAD/MICROWAVE - W/O DOORS/HDW - CONCERT CHERRY (UA1, UA5, UB1)
37	153685-01-UM1	EA	CABINET - OVERHEAD/MICROWAVE - W/O DOORS/HDW - CONCERT CHERRY (UM4, UM5, UM6)

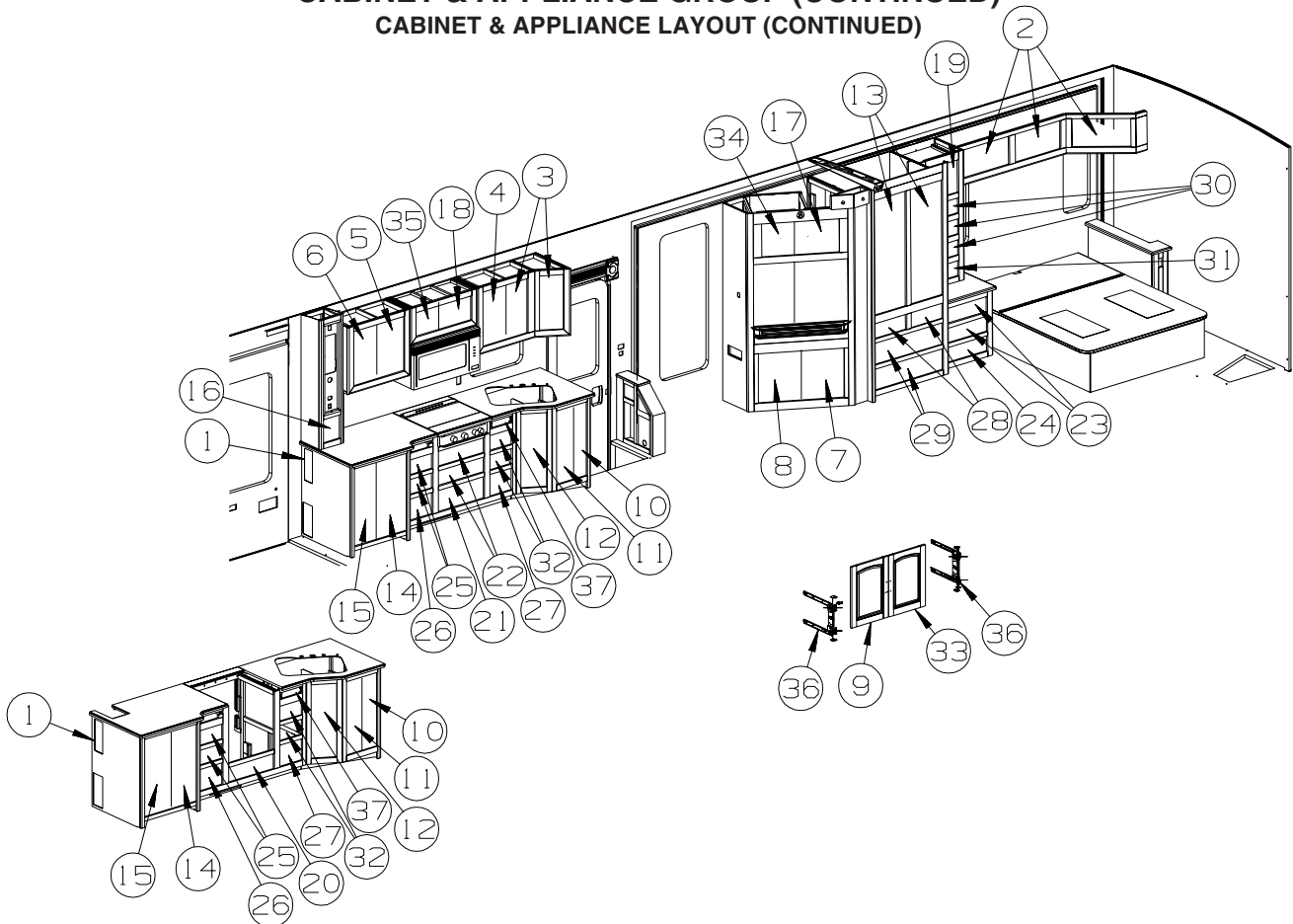
CABINET & APPLIANCE GROUP (CONTINUED)

CABINET & APPLIANCE LAYOUT (CONTINUED)

KEY	PART NUMBER	U/M	DESCRIPTION
37	153685-01-T79	EA	CABINET - OVERHEAD/MICROWAVE - W/O DOORS/HDW - WASHED MAPLE
37	153685-01-T80	EA	CABINET - OVERHEAD/MICROWAVE - W/O DOORS/HDW - SIERRA MAPLE
38	P53694-03-T90	EA	CABINET - TV/RIGHT HAND - W/O DOORS/HDW - CONCERT CHERRY (UA1, UA5, UB1)
38	P53694-03-UM4	EA	CABINET - TV/RIGHT HAND - W/O DOORS/HDW - CONCERT CHERRY (UM4, UM5, UM6)
38	P53694-03-T91	EA	CABINET - TV/RIGHT HAND - W/O DOORS/HDW - WASHED MAPLE
38	P53694-03-T92	EA	CABINET - TV/RIGHT HAND - W/O DOORS/HDW - SIERRA MAPLE
38	P53694-04-T90	EA	CABINET - TV/RH HAND - W/O DRS - CONCERT CHERRY (UA1, UA5, UB1) - ELECTRIC FIREPLACE
38	P53694-04-UM4	EA	CABINET - TV/RH HAND - W/O DRS - CONCERT CHERRY (UM4, UM5, UM6) - ELECTRIC FIREPLACE
38	P53694-04-T91	EA	CABINET - TV/RIGHT HAND - W/O DOORS/HDW - WASHED MAPLE - ELECTRIC FIREPLACE
38	P53694-04-T92	EA	CABINET - TV/RIGHT HAND - W/O DOORS/HDW - SIERRA MAPLE - ELECTRIC FIREPLACE
39	153694-40-T78	EA	TRIM/MOLDING - DECORATIVE - 37.5" - CONCERT CHERRY
39	153694-40-T79	EA	TRIM/MOLDING - DECORATIVE - 37.5" - WASHED MAPLE
39	153694-40-T80	EA	TRIM/MOLDING - DECORATIVE - 37.5" - SIERRA MAPLE
	113797-08-01A	EA	STRIP - BLACK PLASTIC W/SELF ADHESIVE - .25" - ELECTRIC FIREPLACE
40	146807-03-04B	EA	PANEL - ENTERTAINMENT - BLACK
41	151656-04-02B	EA	TIEDOWN STRAP - TV - E-COATED
42	154733-02-UA1	EA	TABLE - PULLOUT - W/MOLDINGS - W/O HDW - CONCERT CHERRY
42	154733-02-UA2	EA	TABLE - PULLOUT - W/MOLDINGS - W/O HDW - WASHED MAPLE
42	154733-02-UA3	EA	TABLE - PULLOUT - W/MOLDINGS - W/O HDW - SIERRA MAPLE
43	154737-02-10A	EA	COUNTERTOP/TABLE - 1/4" VENDURA - PEBBLE BEACH
44	157260-02-T90	EA	CABINET - OVERHEAD/ENTRY DOOR - W/O DOORS/HDW - CONCERT CHERRY (UA1, UA5, UB1)
44	157260-02-UM4	EA	CABINET - OVERHEAD/ENTRY DOOR - W/O DOORS/HDW - CONCERT CHERRY (UM4, UM5, UM6)
44	157260-02-T91	EA	CABINET - OVERHEAD/ENTRY DOOR - W/O DOORS/HDW - WASHED MAPLE
44	157260-02-T92	EA	CABINET - OVERHEAD/ENTRY DOOR - W/O DOORS/HDW - SIERRA MAPLE
45	153044-06-T90	EA	MOLDING/TRIM - SLIDEOUT - 5.1" X 7.8" - CONCERT CHERRY
45	153044-06-T91	EA	MOLDING/TRIM - SLIDEOUT - 5.1" X 7.8" - WASHED MAPLE
45	153044-06-T92	EA	MOLDING/TRIM - SLIDEOUT - 5.1" X 7.8" - SIERRA MAPLE
46	153421-09-T78	EA	MOLDING/BLOCK - 5.1" X 7.95" - W/O INSERT - CONCERT CHERRY
46	153421-09-T79	EA	MOLDING/BLOCK - 5.1" X 7.95" - W/O INSERT - WASHED MAPLE
46	153421-09-T80	EA	MOLDING/BLOCK - 5.1" X 7.95" - W/O INSERT - SIERRA MAPLE
47	100412-01-000	EA	CATCH - SCREEN DOOR
48	153724-01-UA1	EA	CABINET - WALL/SPEAKER - W/O DOOR/HDW (UA1)
48	153724-01-UA2	EA	CABINET - WALL/SPEAKER - W/O DOOR/HDW (UA2)
48	153724-01-UA3	EA	CABINET - WALL/SPEAKER - W/O DOOR/HDW (UA3)
48	153724-01-T98	EA	CABINET - WALL/SPEAKER - W/O DOOR/HDW (UA5)
48	153724-01-T99	EA	CABINET - WALL/SPEAKER - W/O DOOR/HDW (UA6)
48	153724-01-T00	EA	CABINET - WALL/SPEAKER - W/O DOOR/HDW (UA7)
48	153724-01-UB1	EA	CABINET - WALL/SPEAKER - W/O DOOR/HDW (UB1)
48	153724-01-UB2	EA	CABINET - WALL/SPEAKER - W/O DOOR/HDW (UB2)
48	153724-01-UB3	EA	CABINET - WALL/SPEAKER - W/O DOOR/HDW (UB3)
48	153724-01-UM4	EA	CABINET - WALL/SPEAKER - W/O DOOR/HDW (UM4)
48	153724-01-UM5	EA	CABINET - WALL/SPEAKER - W/O DOOR/HDW (UM5)
48	153724-01-UM6	EA	CABINET - WALL/SPEAKER - W/O DOOR/HDW (UM6)

*COMPONENT PARTS LISTED LATER IN THIS GROUP

CABINET & APPLIANCE GROUP (CONTINUED)
CABINET & APPLIANCE LAYOUT (CONTINUED)



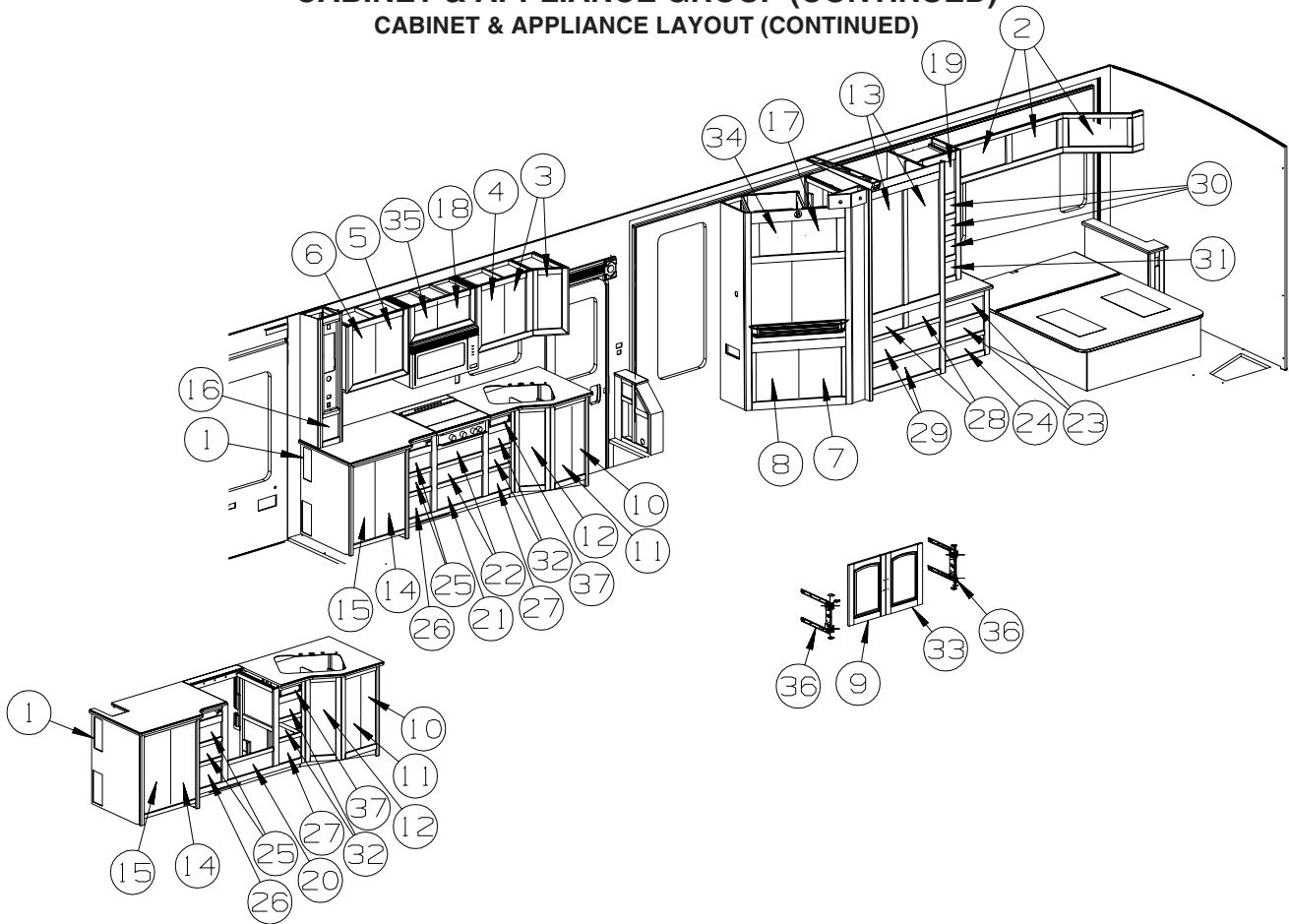
KEY	PART NUMBER	U/M	DESCRIPTION
1	144803-EN-S77	EA	FACE/DRAWER - SOLID PANEL/PENCIL EDGE - 6.1" X 13"-W/O HDW - CONCERT CHERRY
1	144803-EN-S78	EA	FACE/DRAWER - SOLID PANEL/PENCIL EDGE - 6.1" X 13"-W/O HDW - WASHED MAPLE
1	144803-EN-S79	EA	FACE/DRAWER - SOLID PANEL/PENCIL EDGE - 6.1" X 13"-W/O HDW - SIERRA MAPLE
2	141522-85-UA1	EA	DOOR - ARCHED/PENCIL EDGE/HORIZ - 12.8" X 21.8" - W/O HDW - CONCERT CHERRY
2	141522-85-UA2	EA	DOOR - ARCHED/PENCIL EDGE/HORIZ - 12.8" X 21.8" - W/O HDW - WASHED MAPLE
2	141522-85-UA3	EA	DOOR - ARCHED/PENCIL EDGE/HORIZ - 12.8" X 21.8" - W/O HDW - SIERRA MAPLE
3	141520-42-T90	EA	DOOR - ARCHED/PENCIL EDGE/RIGHT HAND -10.8"X21.8"- W/O HDW - CONCERT CHERRY
3	141520-42-T91	EA	DOOR - ARCHED/PENCIL EDGE/RIGHT HAND -10.8"X21.8"- W/O HDW - WASHED MAPLE
3	141520-42-T92	EA	DOOR - ARCHED/PENCIL EDGE/RIGHT HAND -10.8"X21.8"- W/O HDW - SIERRA MAPLE
4	141518-41-T90	EA	DOOR - ARCHED/PENCIL EDGE/LEFT HAND-10.8" X 21.8"-W/O HDW - CONCERT CHERRY
4	141518-41-T91	EA	DOOR - ARCHED/PENCIL EDGE/LEFT HAND-10.8" X 21.8"-W/O HDW - WASHED MAPLE
4	141518-41-T92	EA	DOOR - ARCHED/PENCIL EDGE/LEFT HAND-10.8" X 21.8"-W/O HDW - SIERRA MAPLE
5	141520-69-T90	EA	DOOR - ARCHED/PENCIL EDGE/RIGHT HAND -12"X21.8"- W/O HDW - CONCERT CHERRY
5	141520-69-T91	EA	DOOR - ARCHED/PENCIL EDGE/RIGHT HAND -12"X21.8"- W/O HDW - WASHED MAPLE
5	141520-69-T92	EA	DOOR - ARCHED/PENCIL EDGE/RIGHT HAND -12"X21.8"- W/O HDW - SIERRA MAPLE
6	141518-68-T90	EA	DOOR - ARCHED/PENCIL EDGE/LEFT HAND-12" X 21.8"-W/O HDW - CONCERT CHERRY
6	141518-68-T91	EA	DOOR - ARCHED/PENCIL EDGE/LEFT HAND-12" X 21.8"-W/O HDW - WASHED MAPLE
6	141518-68-T92	EA	DOOR - ARCHED/PENCIL EDGE/LEFT HAND-12" X 21.8"-W/O HDW - SIERRA MAPLE
7	136955-D1-T90	EA	DOOR - RAISED PANEL/PENCIL EDGE - 15.7" X 20.5" - W/O HDW - CONCERT CHERRY
7	136955-D1-T91	EA	DOOR - RAISED PANEL/PENCIL EDGE - 15.7" X 20.5" - W/O HDW - WASHED MAPLE
7	136955-D1-T92	EA	DOOR - RAISED PANEL/PENCIL EDGE - 15.7" X 20.5" - W/O HDW - SIERRA MAPLE
8	136955-D2-T90	EA	DOOR - RAISED PANEL/PENCIL EDGE - 15.7" X 20.5" - W/O HDW - CONCERT CHERRY
8	136955-D2-T91	EA	DOOR - RAISED PANEL/PENCIL EDGE - 15.7" X 20.5" - W/O HDW - WASHED MAPLE
8	136955-D2-T92	EA	DOOR - RAISED PANEL/PENCIL EDGE - 15.7" X 20.5" - W/O HDW - SIERRA MAPLE
9	155225-02-T90	EA	DOOR - ARCHED PANEL/SQUARE EDGE - 16.7" X 23.2" - W/O HDW - CONCERT CHERRY
9	155225-02-T91	EA	DOOR - ARCHED PANEL/SQUARE EDGE - 16.7" X 23.2" - W/O HDW - WASHED MAPLE
9	155225-02-T92	EA	DOOR - ARCHED PANEL/SQUARE EDGE - 16.7" X 23.2" - W/O HDW - SIERRA MAPLE
10	136955-B3-T90	EA	DOOR - RAISED PANEL/PENCIL EDGE - 14.4" X 33.5" - W/O HDW - CONCERT CHERRY
10	136955-B3-T91	EA	DOOR - RAISED PANEL/PENCIL EDGE - 14.4" X 33.5" - W/O HDW - WASHED MAPLE
10	136955-B3-T92	EA	DOOR - RAISED PANEL/PENCIL EDGE - 14.4" X 33.5" - W/O HDW - SIERRA MAPLE
11	136955-C6-T90	EA	DOOR - RAISED PANEL/PENCIL EDGE - 15.6" X 29.5" - W/O HDW - CONCERT CHERRY
11	136955-C6-T91	EA	DOOR - RAISED PANEL/PENCIL EDGE - 15.6" X 29.5" - W/O HDW - WASHED MAPLE
11	136955-C6-T92	EA	DOOR - RAISED PANEL/PENCIL EDGE - 15.6" X 29.5" - W/O HDW - SIERRA MAPLE

CABINET & APPLIANCE GROUP (CONTINUED)
CABINET & APPLIANCE LAYOUT (CONTINUED)

KEY	PART NUMBER	U/M	DESCRIPTION
12	136955-30-T90	EA	DOOR - RAISED PANEL/PENCIL EDGE - 10" X 29.5" - W/O HDW - CONCERT CHERRY
12	136955-30-T91	EA	DOOR - RAISED PANEL/PENCIL EDGE - 10" X 29.5" - W/O HDW - WASHED MAPLE
12	136955-30-T92	EA	DOOR - RAISED PANEL/PENCIL EDGE - 10" X 29.5" - W/O HDW - SIERRA MAPLE
13	141507-02-UA1	EA	DOOR - MIRRORED/PENCIL EDGE - 15.5" X 45.4" - W/O HDW - CONCERT CHERRY
13	141507-02-UA2	EA	DOOR - MIRRORED/PENCIL EDGE - 15.5" X 45.4" - W/O HDW - WASHED MAPLE
13	141507-02-UA3	EA	DOOR - MIRRORED/PENCIL EDGE - 15.5" X 45.4" - W/O HDW - SIERRA MAPLE
14	145268-69-T90	EA	DOOR - RAISED PANEL/PENCIL EDGE - 12.4" X 32.2" - W/O HDW - CONCERT CHERRY
14	145268-69-T91	EA	DOOR - RAISED PANEL/PENCIL EDGE - 12.4" X 32.2" - W/O HDW - WASHED MAPLE
14	145268-69-T92	EA	DOOR - RAISED PANEL/PENCIL EDGE - 12.4" X 32.2" - W/O HDW - SIERRA MAPLE
15	145268-70-T90	EA	DOOR - RAISED PANEL/PENCIL EDGE - 12.4" X 32.2" - W/O HDW - CONCERT CHERRY
15	145268-70-T91	EA	DOOR - RAISED PANEL/PENCIL EDGE - 12.4" X 32.2" - W/O HDW - WASHED MAPLE
15	145268-70-T92	EA	DOOR - RAISED PANEL/PENCIL EDGE - 12.4" X 32.2" - W/O HDW - SIERRA MAPLE
16	145298-52-T78	EA	DOOR - SOLID PANEL/FLUTED EDGE - 9.2" X 9.8" - W/O HDW - CONCERT CHERRY
16	145298-52-T79	EA	DOOR - SOLID PANEL/FLUTED EDGE - 9.2" X 9.8" - W/O HDW - WASHED MAPLE
16	145298-52-T80	EA	DOOR - SOLID PANEL/FLUTED EDGE - 9.2" X 9.8" - W/O HDW - SIERRA MAPLE
17	146028-14-T90	EA	DOOR - GLASS INSERT/PENCIL EDGE - 14.4" X 14.4" - W/O HDW - CONCERT CHERRY
17	146028-14-T91	EA	DOOR - GLASS INSERT/PENCIL EDGE - 14.4" X 14.4" - W/O HDW - WASHED MAPLE
17	146028-14-T92	EA	DOOR - GLASS INSERT/PENCIL EDGE - 14.4" X 14.4" - W/O HDW - SIERRA MAPLE
18	146028-72-T90	EA	DOOR - GLASS INSERT/PENCIL EDGE - 13.2" X 10.8" - W/O HDW - CONCERT CHERRY
18	146028-72-T91	EA	DOOR - GLASS INSERT/PENCIL EDGE - 13.2" X 10.8" - W/O HDW - WASHED MAPLE
18	146028-72-T92	EA	DOOR - GLASS INSERT/PENCIL EDGE - 13.2" X 10.8" - W/O HDW - SIERRA MAPLE
19	146028-75-T90	EA	DOOR - GLASS INSERT/PENCIL EDGE - 15.7" X 14.5" - W/O HDW - CONCERT CHERRY
19	146028-75-T91	EA	DOOR - GLASS INSERT/PENCIL EDGE - 15.7" X 14.5" - W/O HDW - WASHED MAPLE
19	146028-75-T92	EA	DOOR - GLASS INSERT/PENCIL EDGE - 15.7" X 14.5" - W/O HDW - SIERRA MAPLE
20	153121-GU-T69	EA	DRWR - PENCIL EDGE - 19.8"W X 13.8"D - CONCERT CHERRY - RANGE 3-BURNR W/OVEN
20	153121-GU-T70	EA	DRAWER - PENCIL EDGE - 19.8"W X 13.8"D - WASHED MAPLE - RANGE 3-BURNR W/OVEN
20	153121-GU-TP3	EA	DRAWER - PENCIL EDGE - 19.8"W X 13.8"D - SIERRA MAPLE - RANGE 3-BURNR W/OVEN
21	153121-LH-T90	EA	DRAWER - PENCIL EDGE - 19.8"W X 13.8"D - W/O SLIDES/HDW - CONCERT CHERRY
21	153121-LH-T91	EA	DRAWER - PENCIL EDGE - 19.8"W X 13.8"D - W/O SLIDES/HDW - WASHED MAPLE
21	153121-LH-T92	EA	DRAWER - PENCIL EDGE - 19.8"W X 13.8"D - W/O SLIDES/HDW - SIERRA MAPLE
22	153121-56-TB5	EA	DRAWER - PENCIL EDGE - 19.8"W X 19.7"D - W/O SLIDES/HDW - CONCERT CHERRY
22	153121-56-TB6	EA	DRAWER - PENCIL EDGE - 19.8"W X 19.7"D - W/O SLIDES/HDW - WASHED MAPLE
22	153121-56-TB7	EA	DRAWER - PENCIL EDGE - 19.8"W X 19.7"D - W/O SLIDES/HDW - SIERRA MAPLE
23	153121-CE-T90	EA	DRAWER - PENCIL EDGE - 17.5"W X 23.6"D - W/O SLIDES/HDW - CONCERT CHERRY
23	153121-CE-T91	EA	DRAWER - PENCIL EDGE - 17.5"W X 23.6"D - W/O SLIDES/HDW - WASHED MAPLE
23	153121-CE-T92	EA	DRAWER - PENCIL EDGE - 17.5"W X 23.6"D - W/O SLIDES/HDW - SIERRA MAPLE
24	153121-E9-TB5	EA	DRAWER - PENCIL EDGE - 17.5"W X 21.6"D - W/O SLIDES/HDW - CONCERT CHERRY
24	153121-E9-TB6	EA	DRAWER - PENCIL EDGE - 17.5"W X 21.6"D - W/O SLIDES/HDW - WASHED MAPLE
24	153121-E9-TB7	EA	DRAWER - PENCIL EDGE - 17.5"W X 21.6"D - W/O SLIDES/HDW - SIERRA MAPLE
25	153121-BU-T90	EA	DRAWER - PENCIL EDGE - 11.6"W X 19.7"D - W/O SLIDES/HDW - CONCERT CHERRY
25	153121-BU-T91	EA	DRAWER - PENCIL EDGE - 11.6"W X 19.7"D - W/O SLIDES/HDW - WASHED MAPLE
25	153121-BU-T92	EA	DRAWER - PENCIL EDGE - 11.6"W X 19.7"D - W/O SLIDES/HDW - SIERRA MAPLE
26	153121-BW-T90	EA	DRAWER - PENCIL EDGE - 11.6"W X 17.7"D - W/O SLIDES/HDW - CONCERT CHERRY
26	153121-BW-T91	EA	DRAWER - PENCIL EDGE - 11.6"W X 17.7"D - W/O SLIDES/HDW - WASHED MAPLE
26	153121-BW-T92	EA	DRAWER - PENCIL EDGE - 11.6"W X 17.7"D - W/O SLIDES/HDW - SIERRA MAPLE
27	153121-BY-T90	EA	DRAWER - PENCIL EDGE - 9.2"W X 17.7"D - W/O SLIDES/HDW - CONCERT CHERRY
27	153121-BY-T91	EA	DRAWER - PENCIL EDGE - 9.2"W X 17.7"D - W/O SLIDES/HDW - WASHED MAPLE
27	153121-BY-T92	EA	DRAWER - PENCIL EDGE - 9.2"W X 17.7"D - W/O SLIDES/HDW - SIERRA MAPLE
28	153121-CA-T90	EA	DRAWER - PENCIL EDGE - 13.5"W X 23.6"D - W/O SLIDES/HDW - CONCERT CHERRY
28	153121-CA-T91	EA	DRAWER - PENCIL EDGE - 13.5"W X 23.6"D - W/O SLIDES/HDW - WASHED MAPLE
28	153121-CA-T92	EA	DRAWER - PENCIL EDGE - 13.5"W X 23.6"D - W/O SLIDES/HDW - SIERRA MAPLE
29	153121-CC-T90	EA	DRAWER - PENCIL EDGE - 30"W X 23.6"D - W/O SLIDES/HDW - CONCERT CHERRY
29	153121-CC-T91	EA	DRAWER - PENCIL EDGE - 30"W X 23.6"D - W/O SLIDES/HDW - WASHED MAPLE
29	153121-CC-T92	EA	DRAWER - PENCIL EDGE - 30"W X 23.6"D - W/O SLIDES/HDW - SIERRA MAPLE
30	153121-CG-T90	EA	DRAWER - PENCIL EDGE - 13.9"W X 13.8"D - W/O SLIDES/HDW - CONCERT CHERRY
30	153121-CG-T91	EA	DRAWER - PENCIL EDGE - 13.9"W X 13.8"D - W/O SLIDES/HDW - WASHED MAPLE
30	153121-CG-T92	EA	DRAWER - PENCIL EDGE - 13.9"W X 13.8"D - W/O SLIDES/HDW - SIERRA MAPLE
31	153121-CG-T90	EA	DRAWER - PENCIL EDGE - 13.9"W X 13.8"D - W/O SLIDES/HDW - CONCERT CHERRY
31	153121-CG-T91	EA	DRAWER - PENCIL EDGE - 13.9"W X 13.8"D - W/O SLIDES/HDW - WASHED MAPLE
31	153121-CG-T92	EA	DRAWER - PENCIL EDGE - 13.9"W X 13.8"D - W/O SLIDES/HDW - SIERRA MAPLE
31	153121-CJ-T90	EA	DRAWER - PENCIL EDGE - 10.8"W X 13.8"D - CONCERT CHERRY - STEREO W/CD/DVD REAR
31	153121-CJ-T91	EA	DRAWER - PENCIL EDGE - 10.8"W X 13.8"D - WASHED MAPLE - STEREO W/CD/DVD REAR
31	153121-CJ-T92	EA	DRAWER - PENCIL EDGE - 10.8"W X 13.8"D - SIERRA MAPLE - STEREO W/CD/DVD REAR

CABINET & APPLIANCE GROUP (CONTINUED)

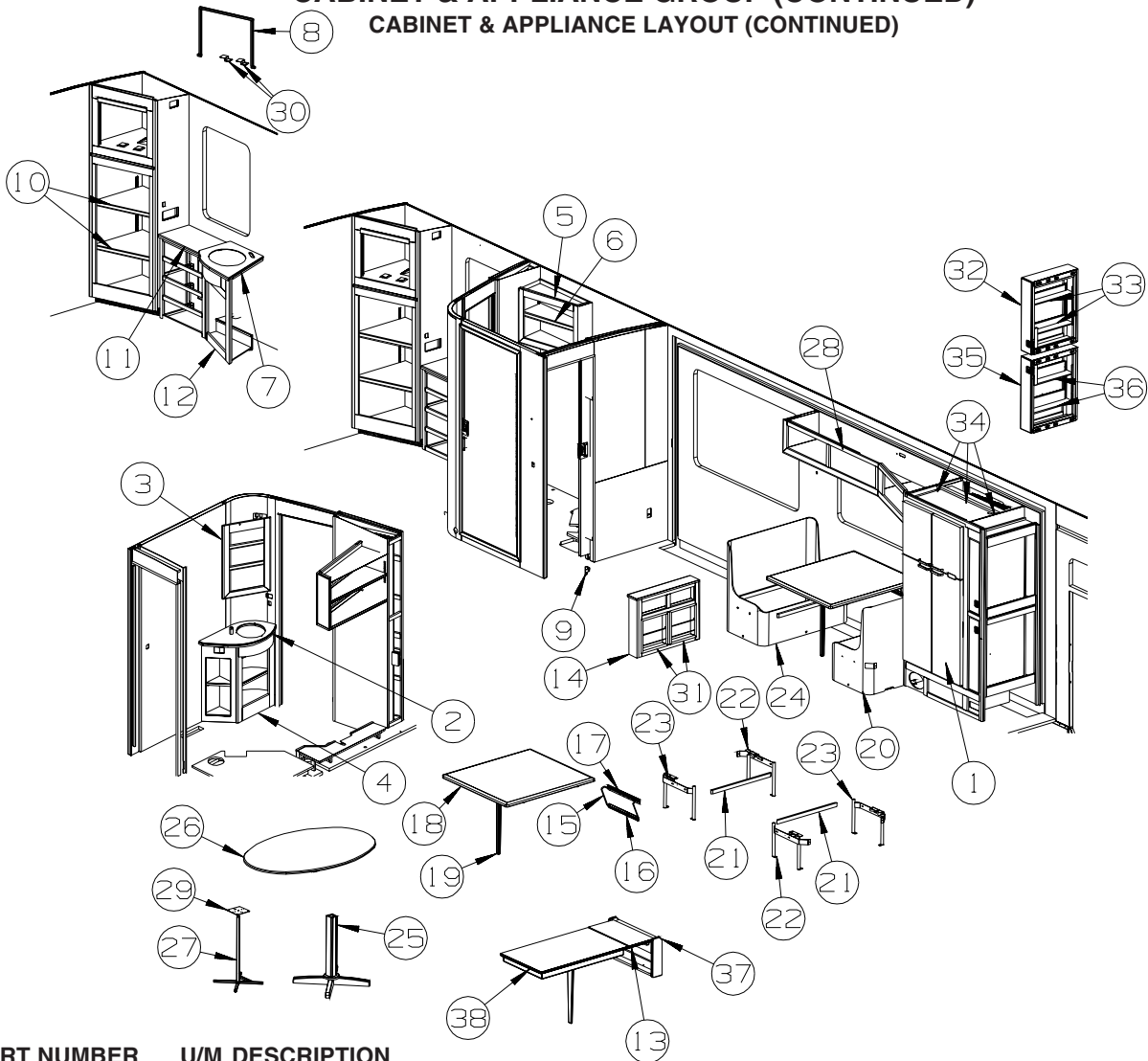
CABINET & APPLIANCE LAYOUT (CONTINUED)



KEY	PART NUMBER	U/M	DESCRIPTION
32	153121-52-TB5	EA	DRAWER - PENCIL EDGE - 9.2"W X 19.7"D - W/O SLIDES/HDW - CONCERT CHERRY
32	153121-52-TB6	EA	DRAWER - PENCIL EDGE - 9.2"W X 19.7"D - W/O SLIDES/HDW - WASHED MAPLE
32	153121-52-TB7	EA	DRAWER - PENCIL EDGE - 9.2"W X 19.7"D - W/O SLIDES/HDW - SIERRA MAPLE
33	155225-03-T90	EA	DOOR - ARCHED PANEL/SQUARE EDGE - 16.7" X 23.2" - W/O HDW - CONCERT CHERRY
33	155225-03-T91	EA	DOOR - ARCHED PANEL/SQUARE EDGE - 16.7" X 23.2" - W/O HDW - WASHED MAPLE
33	155225-03-T92	EA	DOOR - ARCHED PANEL/SQUARE EDGE - 16.7" X 23.2" - W/O HDW - SIERRA MAPLE
34	146028-15-T90	EA	DOOR - GLASS INSERT/PENCIL EDGE - 14.4" X 14.4" - W/O HDW - CONCERT CHERRY
34	146028-15-T91	EA	DOOR - GLASS INSERT/PENCIL EDGE - 14.4" X 14.4" - W/O HDW - WASHED MAPLE
34	146028-15-T92	EA	DOOR - GLASS INSERT/PENCIL EDGE - 14.4" X 14.4" - W/O HDW - SIERRA MAPLE
35	146028-73-T90	EA	DOOR - GLASS INSERT/PENCIL EDGE - 13.2" X 10.8" - W/O HDW - CONCERT CHERRY
35	146028-73-T91	EA	DOOR - GLASS INSERT/PENCIL EDGE - 13.2" X 10.8" - W/O HDW - WASHED MAPLE
35	146028-73-T92	EA	DOOR - GLASS INSERT/PENCIL EDGE - 13.2" X 10.8" - W/O HDW - SIERRA MAPLE
36	154843-02-01A	EA	SLIDE - W/HINGES - 16" - F/POCKET DOOR - BLACK
37	144803-38-T90	EA	FACE/DRAWER - SOLID PANEL/PENCIL EDGE - 4.3" X 11.4"-W/O HDW - CONCERT CHERRY
37	144803-38-T91	EA	FACE/DRAWER - SOLID PANEL/PENCIL EDGE - 4.3" X 11.4"-W/O HDW - WASHED MAPLE
37	144803-38-T92	EA	FACE/DRAWER - SOLID PANEL/PENCIL EDGE - 4.3" X 11.4"-W/O HDW - SIERRA MAPLE

CABINET & APPLIANCE GROUP (CONTINUED)

CABINET & APPLIANCE LAYOUT (CONTINUED)



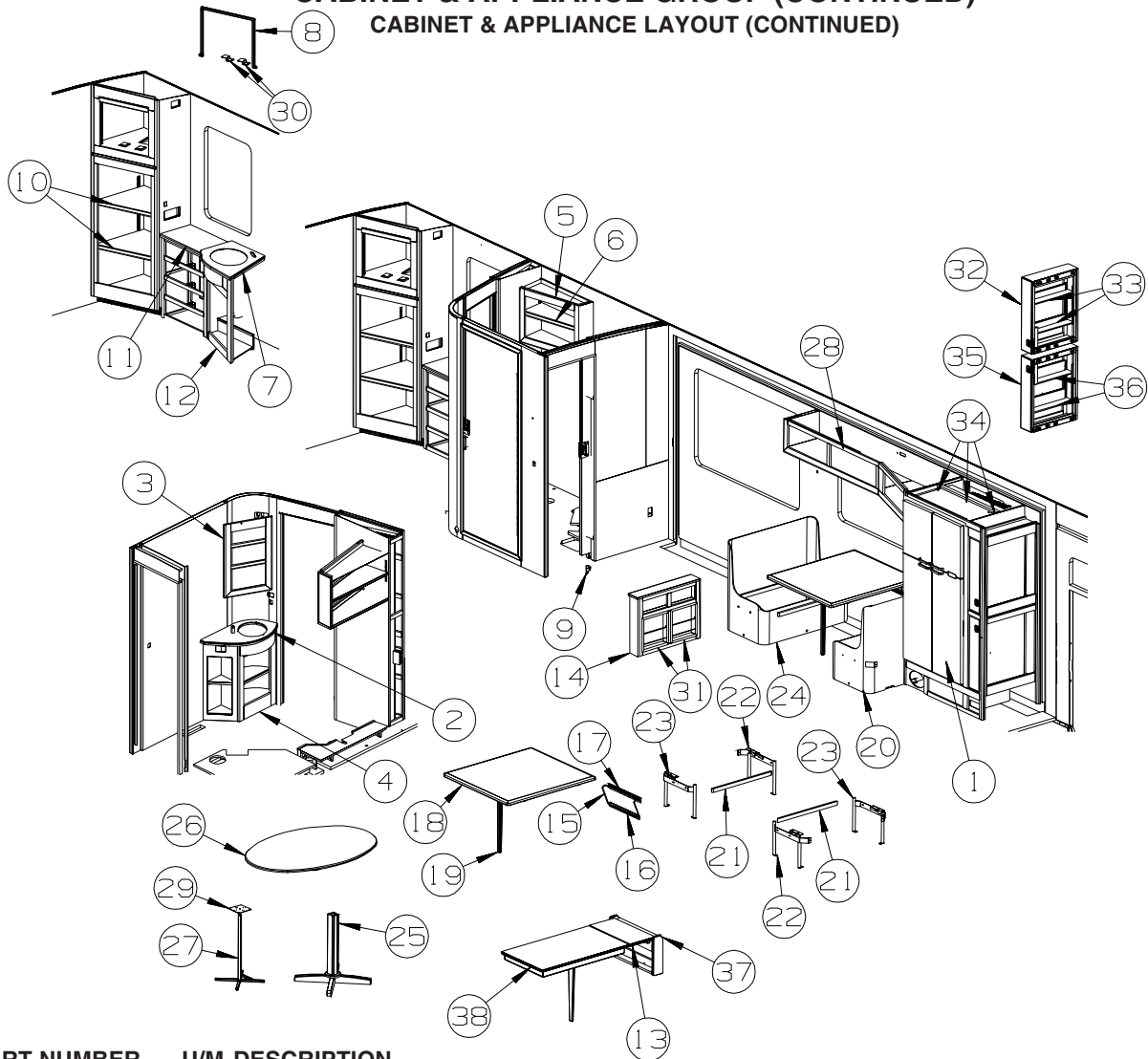
KEY	PART NUMBER	U/M	DESCRIPTION
1*	121569-05-01A	EA	REFRIGERATOR-LARGE DBL DOOR/2 WAY/NON-FLUSH HANDLE-BLK RH
1*	120075-13-01A	EA	REFRIGERATOR-LGE DBL DR-2-WAY/RH/ICE MAKER/FLUSH HDL-BLACK - REFRIG W/ICE MAKER
1*	125242-03-02A	EA	REFRIGERATOR - 4 DOOR - W/ICE MAKER - TITANIUM SST
			FROM: 00-00-00 THRU: 07-09-06
1*	125242-05-02A	EA	REFRIGERATOR - 4 DOOR - W/ICE MAKER - TITANIUM SST - REFRIGERATOR-4 DOOR
			FROM: 07-10-06 THRU: 99-99-99
	158456-01-01A	EA	INSERT/REFRIGERATOR DOOR - 21.5"W X 14.5"H - TITANIUM SST
	158456-03-01A	EA	INSERT/REFRIGERATOR DOOR - 21.5"W X 38.5"H - TITANIUM SST
	116751-05-01A	EA	TRAY - REFRIGERATOR - BLACK
	118871-02-01A	EA	TRAY - REFRIGERATOR - SIDE/SIDE - BLACK - 34.4" LONG - REFRIGERATOR-4 DOOR
	054450-01-000	EA	LEVEL - REFRIGERATOR
2	149105-31-10A	EA	COUNTERTOP - 1/4" VENDURA - PEBBLE BEACH
			FROM: 00-00-00 THRU: 09-17-06
2	161320-02-UM4	EA	COUNTERTOP - LAVATORY
			FROM: 09-18-06 THRU: 01-21-07
2	163221-02-UA0	EA	COUNTERTOP - LAVATORY
			FROM: 01-22-07 THRU: 99-99-99
3	153708-01-T78	EA	CABINET - MEDICINE - W/O DOORS/HARDWARE - CONCERT CHERRY (UA1, UA5, UB1)
			FROM: 00-00-00 THRU: 01-21-07
3	153708-01-UM1	EA	CABINET - MEDICINE - W/O DOORS/HARDWARE - CONCERT CHERRY (UM4, UM5, UM6)
			FROM: 00-00-00 THRU: 01-21-07
3	163187-01-UM1	EA	CABINET - MEDICINE - W/O DOORS/HARDWARE - CONCERT CHERRY (UM4, UM5, UM6)
			FROM: 01-22-07 THRU: 99-99-99
3	153708-01-T79	EA	CABINET - MEDICINE - W/O DOORS/HARDWARE - WASHED MAPLE
			FROM: 00-00-00 THRU: 01-21-07
3	163187-01-U91	EA	CABINET - MEDICINE - W/O DOORS/HARDWARE - WASHED MAPLE
			FROM: 01-22-07 THRU: 99-99-99

CABINET & APPLIANCE GROUP (CONTINUED)
CABINET & APPLIANCE LAYOUT (CONTINUED)

KEY	PART NUMBER	U/M	DESCRIPTION
3	153708-01-T80	EA	CABINET - MEDICINE - W/O DOORS/HARDWARE - SIERRA MAPLE FROM: 00-00-00 THRU: 01-21-07
3	163187-01-U92	EA	CABINET - MEDICINE - W/O DOORS/HARDWARE - SIERRA MAPLE FROM: 01-22-07 THRU: 99-99-99
4	P53707-01-U90	EA	CABINET - LAVATORY - W/O COUNTERTOP/DRS/HARDWARE - CONCERT CHERRY (UA1, UA5, UB1) FROM: 00-00-00 THRU: 01-21-07
4	P53707-01-UM1	EA	CABINET - LAVATORY - W/O COUNTERTOP/DRS/HARDWARE - CONCERT CHERRY (UM4, UM5, UM6) FROM: 00-00-00 THRU: 01-21-07
4	163188-01-UM1	EA	CABINET - LAVATORY - W/O COUNTERTOP/DRS/HARDWARE - CONCERT CHERRY FROM: 01-22-07 THRU: 99-99-99
4	P53707-01-U91	EA	CABINET - LAVATORY - W/O COUNTERTOP/DOORS/HARDWARE - WASHED MAPLE FROM: 00-00-00 THRU: 01-21-07
4	163188-01-U91	EA	CABINET - LAVATORY - W/O COUNTERTOP/DOORS/HARDWARE - WASHED MAPLE FROM: 01-22-07 THRU: 99-99-99
4	P53707-01-U92	EA	CABINET - LAVATORY - W/O COUNTERTOP/DOORS/HARDWARE - SIERRA MAPLE FROM: 00-00-00 THRU: 01-21-07
4	163188-01-U92	EA	CABINET - LAVATORY - W/O COUNTERTOP/DOORS/HARDWARE - SIERRA MAPLE FROM: 01-22-07 THRU: 99-99-99
5	153709-01-T78	EA	CABINET - OVERHEAD/LINEN - W/O DOORS/HDW - CONCERT CHERRY (UA1, UA5, UB1)
5	153709-01-UM1	EA	CABINET - OVERHEAD/LINEN - W/O DOORS/HDW - CONCERT CHERRY (UM4, UM5, UM6)
5	153709-01-T79	EA	CABINET - OVERHEAD/LINEN - W/O DOORS/HDW - WASHED MAPLE
5	153709-01-T80	EA	CABINET - OVERHEAD/LINEN - W/O DOORS/HDW - SIERRA MAPLE
6	153709-23-T78	EA	SHELF - F/LINEN CABINET - CONCERT CHERRY (UA1, UA5, UB1)
6	153709-23-UM1	EA	SHELF - F/LINEN CABINET - CONCERT CHERRY (UM4, UM5, UM6)
6	153709-23-T79	EA	SHELF - F/LINEN CABINET - WASHED MAPLE
6	153709-23-T80	EA	SHELF - F/LINEN CABINET - SIERRA MAPLE
7	140889-50-U90	EA	COUNTERTOP - LAMINATED - CONCERT CHERRY
7	140889-50-U91	EA	COUNTERTOP - LAMINATED - WASHED MAPLE
7	140889-50-U92	EA	COUNTERTOP - LAMINATED - SIERRA MAPLE
	151954-04-02B	EA	BRACKET/HOLD DOWN - TV - E-COATED FROM: 00-00-00 THRU: 04-02-06
	152025-03-02B	EA	ANGLE/FORMED - W/O STUD - E-COATED FROM: 00-00-00 THRU: 05-14-06
	152665-01-01A	EA	CAP - TUBE - 3/4" X 3/4" X 1" - RUBBER/BLACK FROM: 00-00-00 THRU: 05-14-06
	148247-05-02B	EA	STRAP/TIEDOWN - TV - E-COATED FROM: 00-00-00 THRU: 05-14-06
8	151954-06-02B	EA	BRACKET/HOLD DOWN - TV - E-COATED FROM: 05-15-06 THRU: 99-99-99
9	149607-05-02B	EA	GUIDE - F/POCKET DOOR - 1.6" BENT ROD - E-COATED
10	153704-24-T78	EA	SHELF - W/MOLDING - CONCERT CHERRY FROM: 00-00-00 THRU: 04-02-06
10	160065-24-U90	EA	SHELF - W/MOLDING - CONCERT CHERRY (UA1, UA5, UB1) FROM: 04-03-06 THRU: 05-14-06
10	160066-24-U90	EA	SHELF - W/MOLDING - CONCERT CHERRY (UA1, UA5, UB1) FROM: 05-15-06 THRU: 99-99-99
10	160065-24-UM1	EA	SHELF - W/MOLDING - CONCERT CHERRY (UM4, UM5, UM6) FROM: 04-03-06 THRU: 05-14-06
10	160066-24-UM1	EA	SHELF - W/MOLDING - CONCERT CHERRY (UM4, UM5, UM6) FROM: 05-15-06 THRU: 99-99-99
10	153704-24-T79	EA	SHELF - W/MOLDING - WASHED MAPLE FROM: 00-00-00 THRU: 04-02-06
10	160065-24-U91	EA	SHELF - W/MOLDING - WASHED MAPLE FROM: 04-03-06 THRU: 05-14-06
10	160066-24-U91	EA	SHELF - W/MOLDING - WASHED MAPLE FROM: 05-15-06 THRU: 99-99-99
10	153704-24-T80	EA	SHELF - W/MOLDING - SIERRA MAPLE FROM: 00-00-00 THRU: 04-02-06
10	160065-24-U92	EA	SHELF - W/MOLDING - SIERRA MAPLE FROM: 04-03-06 THRU: 05-14-06
10	160066-24-U92	EA	SHELF - W/MOLDING - SIERRA MAPLE FROM: 05-15-06 THRU: 99-99-99

CABINET & APPLIANCE GROUP (CONTINUED)

CABINET & APPLIANCE LAYOUT (CONTINUED)



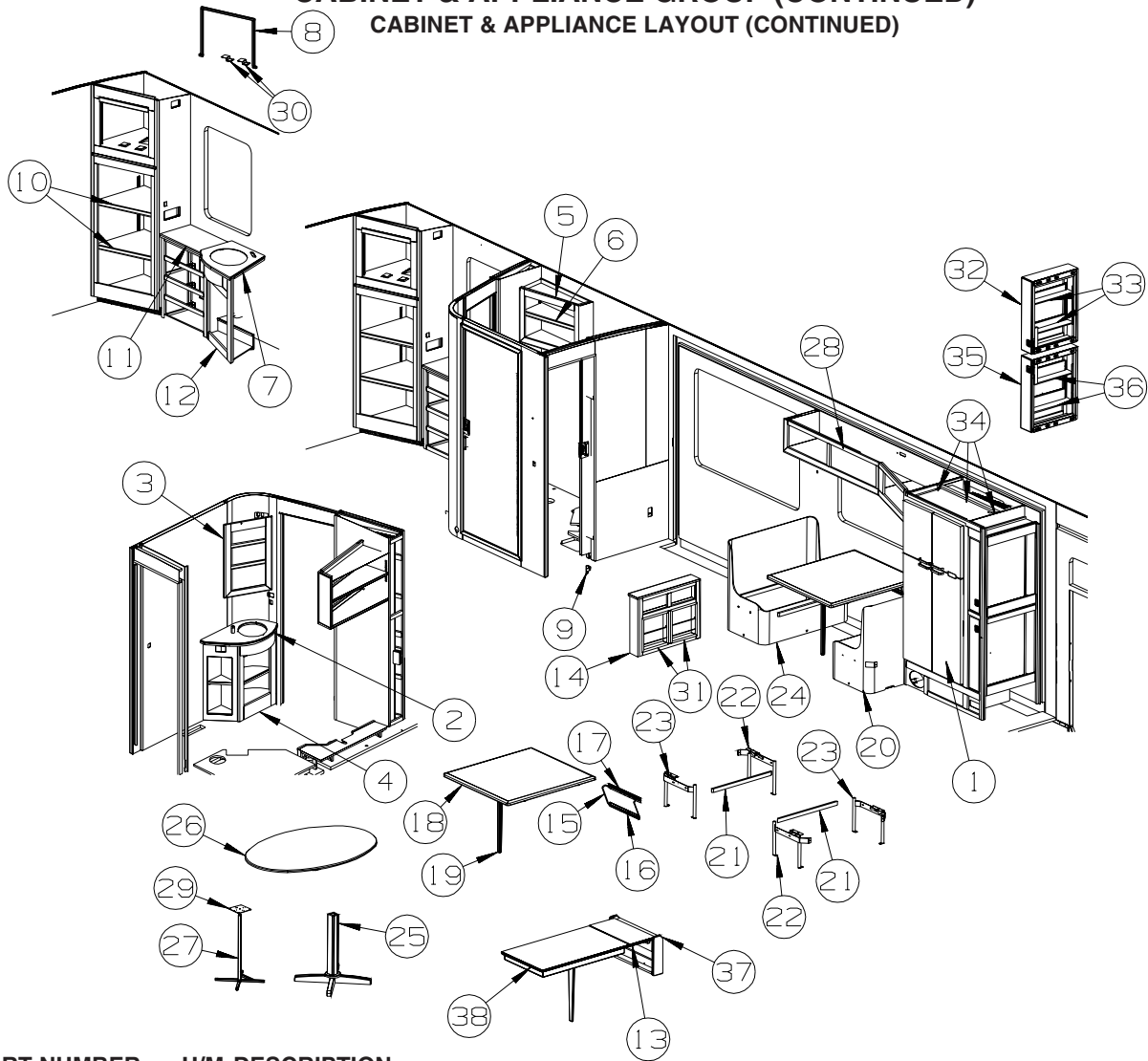
KEY	PART NUMBER	U/M	DESCRIPTION
11	149105-37-10A	EA	COUNTERTOP - 1/4" VENDURA - PEBBLE BEACH FROM: 00-00-00 THRU: 09-17-06
11	161787-01-UM4	EA	COUNTERTOP - VANITY FROM: 09-18-06 THRU: 99-99-99
12	P59565-01-U90	EA	CABINET - LAVATORY - W/O COUNTERTOP/DRS/DRWRS/HDW - CONCERT CHERRY (UA1, UA5, UB1)
12	P59565-01-UM1	EA	CABINET - LAVATORY - W/O COUNTERTOP/DRS/DRWRS/HDW - CONCERT CHERRY (UM4, UM5, UM6)
12	P59565-01-U91	EA	CABINET - LAVATORY - W/O COUNTERTOP/DOORS/DRAWERS/HDW - WASHED MAPLE
12	P59565-01-U92	EA	CABINET - LAVATORY - W/O COUNTERTOP/DOORS/DRAWERS/HDW - SIERRA MAPLE
13	133856-12-L52	EA	TABLE TOP - SMALL HINGED SECTION-LAMINATED - CONCERT CHERRY
13	133856-12-RW4	EA	TABLE TOP - SMALL HINGED SECTION-LAMINATED - WASHED MAPLE
13	133856-12-SA3	EA	TABLE TOP - SMALL HINGED SECTION-LAMINATED - SIERRA MAPLE
14	153725-01-UA1	EA	CABINET - WALL - W/O MAGAZINE POCKETS/HDW (UA1)
14	153725-01-UA2	EA	CABINET - WALL - W/O MAGAZINE POCKETS/HDW (UA2)
14	153725-01-UA3	EA	CABINET - WALL - W/O MAGAZINE POCKETS/HDW (UA3)
14	153725-01-UA5	EA	CABINET - WALL - W/O MAGAZINE POCKETS/HDW (UA5)
14	153725-01-UA6	EA	CABINET - WALL - W/O MAGAZINE POCKETS/HDW (UA6)
14	153725-01-UA7	EA	CABINET - WALL - W/O MAGAZINE POCKETS/HDW (UA7)
14	153725-01-UB1	EA	CABINET - WALL - W/O MAGAZINE POCKETS/HDW (UB1)
14	153725-01-UB2	EA	CABINET - WALL - W/O MAGAZINE POCKETS/HDW (UB2)
14	153725-01-UB3	EA	CABINET - WALL - W/O MAGAZINE POCKETS/HDW (UB3)
14	153725-01-UM4	EA	CABINET - WALL - W/O MAGAZINE POCKETS/HDW (UM4)
14	153725-01-UM5	EA	CABINET - WALL - W/O MAGAZINE POCKETS/HDW (UM5)
14	153725-01-UM6	EA	CABINET - WALL - W/O MAGAZINE POCKETS/HDW (UM6)
15	024275-16-000	EA	ROD - TABLE LIFT - W/ARMS 8" & BASE ROD 18.5" - ALMOND
16	024281-12-000	EA	BRACKET/WALL - TABLE LIFT - 17.1" - ALMOND
17	140921-02-02A	EA	BRACKET/TABLE SUPPORT - 18.5" - ALMOND
18	143257-20-U90	EA	TABLE - 37.3" X 41.6" - CLASSIC ROCK/CONCERT CHERRY (UA1, UA5, UM4, UM5)
18	143257-20-U91	EA	TABLE - 37.3" X 41.6" - CLASSIC ROCK/WASHED MAPLE (UA2, UA6)

CABINET & APPLIANCE GROUP (CONTINUED)
CABINET & APPLIANCE LAYOUT (CONTINUED)

KEY	PART NUMBER	U/M	DESCRIPTION
18	143257-20-U92	EA	TABLE - 37.3" X 41.6" - CLASSIC ROCK/SIERRA MAPLE (UA3, UA7)
18	143257-20-U98	EA	TABLE - 37.3" X 41.6" - HOUSE ROCK/CONCERT CHERRY (UB1, UM6)
18	143257-20-U99	EA	TABLE - 37.3" X 41.6" - HOUSE ROCK/WASHED MAPLE (UB2)
18	143257-20-U00	EA	TABLE - 37.3" X 41.6" - HOUSE ROCK/SIERRA MAPLE (UB3)
19	143798-01-02A	EA	CATCH - FLOOR TO TABLE LEG - ALMOND
20	141859-58-UA1	EA	CABINET/DINETTE W/BACK(WRAPPED)-RIGHT HAND - W/O DOORS/HDW (UA1, UM4)
20	141859-58-UA2	EA	CABINET/DINETTE W/BACK(WRAPPED)-RIGHT HAND - W/O DOORS/HDW (UA2)
20	141859-58-UA3	EA	CABINET/DINETTE W/BACK(WRAPPED)-RIGHT HAND - W/O DOORS/HDW (UA3)
20	141859-58-UA5	EA	CABINET/DINETTE W/BACK(WRAPPED)-RIGHT HAND - W/O DOORS/HDW (UA5, UM5)
20	141859-58-UA6	EA	CABINET/DINETTE W/BACK(WRAPPED)-RIGHT HAND - W/O DOORS/HDW (UA6)
20	141859-58-UA7	EA	CABINET/DINETTE W/BACK(WRAPPED)-RIGHT HAND - W/O DOORS/HDW (UA7)
20	141859-58-UB1	EA	CABINET/DINETTE W/BACK(WRAPPED)-RIGHT HAND - W/O DOORS/HDW (UB1, UM6)
20	141859-58-UB2	EA	CABINET/DINETTE W/BACK(WRAPPED)-RIGHT HAND - W/O DOORS/HDW (U99)
20	141859-58-UB3	EA	CABINET/DINETTE W/BACK(WRAPPED)-RIGHT HAND - W/O DOORS/HDW (U00)
21	081295-01-M52	EA	SUPPORT - BED/DINETTE - 28" LONG - CONCERT CHERRY
21	081295-01-T01	EA	SUPPORT - BED/DINETTE - 28" LONG - WASHED MAPLE
21	081295-01-RE0	EA	SUPPORT - BED/DINETTE - 28" LONG - SIERRA MAPLE
22	142033-01-000	EA	BRACKET - DINETTE - RIGHT HAND
23	142033-02-000	EA	BRACKET - DINETTE - LEFT HAND
24	141859-61-UA1	EA	CABINET/DINETTE W/BACK(WRAPPED)-LEFT HAND - W/O DOORS/HDW (UA1, UM4)
24	141859-61-UA2	EA	CABINET/DINETTE W/BACK(WRAPPED)-LEFT HAND - W/O DOORS/HDW (UA2)
24	141859-61-UA3	EA	CABINET/DINETTE W/BACK(WRAPPED)-LEFT HAND - W/O DOORS/HDW (UA3)
24	141859-61-UA5	EA	CABINET/DINETTE W/BACK(WRAPPED)-LEFT HAND - W/O DOORS/HDW (UA5, UM5)
24	141859-61-UA6	EA	CABINET/DINETTE W/BACK(WRAPPED)-LEFT HAND - W/O DOORS/HDW (UA6)
24	141859-61-UA7	EA	CABINET/DINETTE W/BACK(WRAPPED)-LEFT HAND - W/O DOORS/HDW (UA7)
24	141859-61-UB1	EA	CABINET/DINETTE W/BACK(WRAPPED)-LEFT HAND - W/O DOORS/HDW (UB1, UM6)
24	141859-61-UB2	EA	CABINET/DINETTE W/BACK(WRAPPED)-LEFT HAND - W/O DOORS/HDW (UB2)
24	141859-61-UB3	EA	CABINET/DINETTE W/BACK(WRAPPED)-LEFT HAND - W/O DOORS/HDW (UB3)
25	149677-13-S65	EA	PEDESTAL - TABLE LEG - CONCERT CHERRY
25	149677-13-S66	EA	PEDESTAL - TABLE LEG - WASHED MAPLE
25	149677-13-S67	EA	PEDESTAL - TABLE LEG - SIERRA MAPLE
26	149677-23-SD1	EA	TABLE TOP ONLY - OVAL DROP LEAF - W/O PEDESTAL - CONCERT CHERRY
26	149677-23-SD2	EA	TABLE TOP ONLY - OVAL DROP LEAF - W/O PEDESTAL - WASHED MAPLE
26	149677-23-T80	EA	TABLE TOP ONLY - OVAL DROP LEAF - W/O PEDESTAL - SIERRA MAPLE
27	149810-01-02B	EA	BASE/FRAME - F/TABLE PEDESTAL - E-COATED
28	159072-01-U90	EA	CABINET - OVERHEAD/DINETTE - W/O DOORS/HDW - CONCERT CHERRY (UA1, UA5, UB1)
28	159072-01-UM1	EA	CABINET - OVERHEAD/DINETTE - W/O DOORS/HDW - CONCERT CHERRY (UM4, UM5, UM6)
28	159072-01-U91	EA	CABINET - OVERHEAD/DINETTE - W/O DOORS/HDW - WASHED MAPLE
28	159072-01-U92	EA	CABINET - OVERHEAD/DINETTE - W/O DOORS/HDW - SIERRA MAPLE
29	148038-01-04B	EA	PLATE - TABLE TOP - BLACK
30	159879-01-02B	EA	ANGLE/ZEE - W/HOLES - 2.6" X 4.1" X .8" BEND - E-COATED FROM: 00-00-00 THRU: 05-14-06
30	159879-02-02B	EA	ANGLE/ZEE - W/HOLES - 2.6" X 4.1" X .9" BEND - E-COATED FROM: 05-15-06 THRU: 99-99-99
31	137602-07-R90	EA	POCKET - MAGAZINE - PEWTER/CHERRY - CONCERT CHERRY
31	137602-07-RW5	EA	POCKET - MAGAZINE - PEWTER/WASHED MAPLE
31	137602-07-S79	EA	POCKET - MAGAZINE - PEWTER/SIERRA MAPLE
32	153343-01-SD1	EA	CABINET - PANTRY/SLIDE - W/O DOORS/DRAWERS/HDW - CONCERT CHERRY
32	153343-01-SD2	EA	CABINET - PANTRY/SLIDE - W/O DOORS/DRAWERS/HDW - WASHED MAPLE
32	153343-01-S67	EA	CABINET - PANTRY/SLIDE - W/O DOORS/DRAWERS/HDW - SIERRA MAPLE
33	153343-21-SD1	EA	SHELF - W/WOOD MOLDING - CONCERT CHERRY
33	153343-21-SD2	EA	SHELF - W/WOOD MOLDING - WASHED MAPLE
33	153343-21-S67	EA	SHELF - W/WOOD MOLDING - SIERRA MAPLE
34			REFRIGERATOR CABINET SEALS
	090329-01-000	FT	SEAL - "T" - REFRIGERATOR CABINET
	100128-02-000	FT	SEAL - FOAM/ADHESIVE BACK - .37" WIDE X .37" THICK X 60'
	134651-01-000	FT	SEAL - 1/2" X 3/4" X 9' - PSA 1 SIDE FROM: 00-00-00 THRU: 05-21-06
	154585-02-01A	FT	SEAL - FOAM TAPE - ADHESIVE BACK - 3/4" X 1/2" - BLACK FROM: 05-22-06 THRU: 99-99-99
35	153343-03-SD1	EA	CABINET - PANTRY/SLIDE - W/O DOORS/DRAWERS/HDW - CONCERT CHERRY - 4 DOOR REFRIG
35	153343-03-SD2	EA	CABINET - PANTRY/SLIDE - W/O DOORS/DRAWERS/HDW - WASHED MAPLE - 4 DOOR REFRIG
35	153343-03-S67	EA	CABINET - PANTRY/SLIDE - W/O DOORS/DRAWERS/HDW - SIERRA MAPLE - 4 DOOR REFRIG

CABINET & APPLIANCE GROUP (CONTINUED)

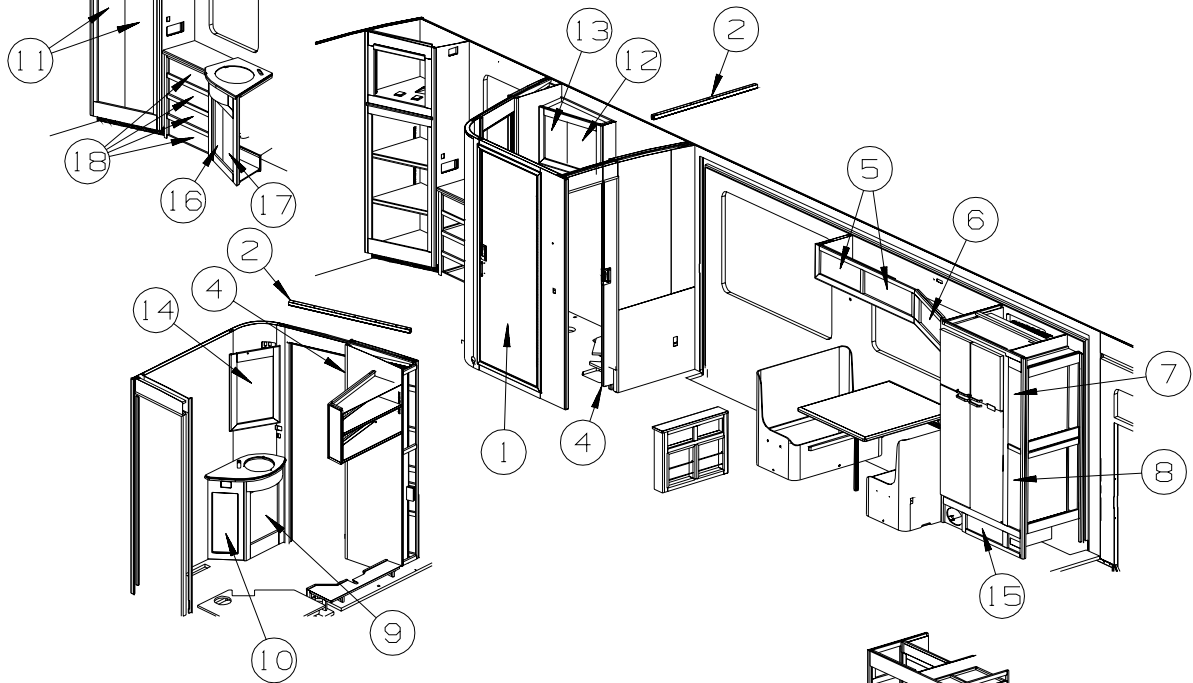
CABINET & APPLIANCE LAYOUT (CONTINUED)



KEY	PART NUMBER	U/M	DESCRIPTION
36	153343-27-SD1	EA	SHELF - W/WOOD MOLDING - CONCERT CHERRY - 4 DOOR REFRIG
36	153343-27-SD2	EA	SHELF - W/WOOD MOLDING - WASHED MAPLE - 4 DOOR REFRIG
36	153343-27-S67	EA	SHELF - W/WOOD MOLDING - SIERRA MAPLE - 4 DOOR REFRIG
37	133856-01-L52	EA	CABINET/WALL - W/FOLD DOWN TABLE/LEG - CONCERT CHERRY
37	133856-01-RW4	EA	CABINET/WALL - W/FOLD DOWN TABLE/LEG - WASHED MAPLE
37	133856-01-SA3	EA	CABINET/WALL - W/FOLD DOWN TABLE/LEG - SIERRA MAPLE
38	133856-11-L52	EA	TABLE TOP - LARGE SECTION - LAMINATED - CONCERT CHERRY
38	133856-11-RW4	EA	TABLE TOP - LARGE SECTION - LAMINATED - WASHED MAPLE
38	133856-11-SA3	EA	TABLE TOP - LARGE SECTION - LAMINATED - SIERRA MAPLE

*COMPONENT PARTS LISTED LATER IN THIS GROUP

CABINET & APPLIANCE GROUP (CONTINUED)
CABINET & APPLIANCE LAYOUT (CONTINUED)

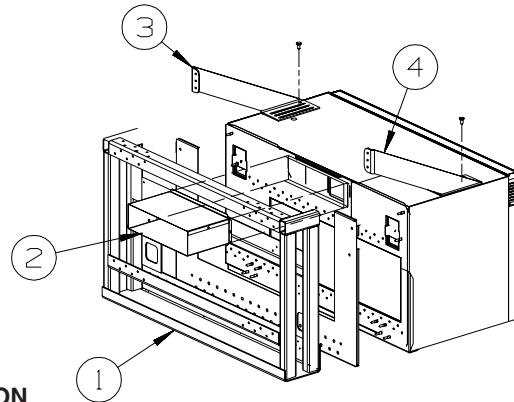


KEY	PART NUMBER	U/M	DESCRIPTION
1	156755-01-T90	EA	DOOR - ROOM DIVIDER - 31.2" X 79" - CONCERT CHERRY
1	156755-01-T91	EA	DOOR - ROOM DIVIDER - 31.2" X 79" - WASHED MAPLE
1	156755-01-T92	EA	DOOR - ROOM DIVIDER - 31.2" X 79" - SIERRA MAPLE
2	145608-23-01A	EA	TRACK - DOOR - 46.4" - OFF WHITE
3	153121-MR-T90	EA	DRAWER - PENCIL EDGE - 14.7"W X 23.6"D - W/O SLIDES/HDW - CONCERT CHERRY
3	153121-MR-T91	EA	DRAWER - PENCIL EDGE - 14.7"W X 23.6"D - W/O SLIDES/HDW - WASHED MAPLE
3	153121-MR-T92	EA	DRAWER - PENCIL EDGE - 14.7"W X 23.6"D - W/O SLIDES/HDW - SIERRA MAPLE
4	153092-05-TD1	EA	DOOR - SLIDING - W/O HARDWARE - CONCERT CHERRY
4	153092-05-TD2	EA	DOOR - SLIDING - W/O HARDWARE - WASHED MAPLE
4	153092-05-TD3	EA	DOOR - SLIDING - W/O HARDWARE - SIERRA MAPLE
5	141522-43-T90	EA	DOOR - ARCHED/PENCIL EDGE/HORIZ - 10.8" X 23.8" - W/O HDW - CONCERT CHERRY
5	141522-43-T91	EA	DOOR - ARCHED/PENCIL EDGE/HORIZ - 10.8" X 23.8" - W/O HDW - WASHED MAPLE
5	141522-43-T92	EA	DOOR - ARCHED/PENCIL EDGE/HORIZ - 10.8" X 23.8" - W/O HDW - SIERRA MAPLE
6	141522-46-TB5	EA	DOOR - ARCHED/PENCIL EDGE/HORIZ - 10.8" X 27.9" - W/O HDW - CONCERT CHERRY
6	141522-46-TB6	EA	DOOR - ARCHED/PENCIL EDGE/HORIZ - 10.8" X 27.9" - W/O HDW - WASHED MAPLE
6	141522-46-TB7	EA	DOOR - ARCHED/PENCIL EDGE/HORIZ - 10.8" X 27.9" - W/O HDW - SIERRA MAPLE
7	154289-03-TB5	EA	DOOR - ARCHED PANEL/PENCIL EDGE - 7.9" X 30.3" - W/O HDW - CONCERT CHERRY
7	154289-03-TB6	EA	DOOR - ARCHED PANEL/PENCIL EDGE - 7.9" X 30.3" - W/O HDW - WASHED MAPLE
7	154289-03-TB7	EA	DOOR - ARCHED PANEL/PENCIL EDGE - 7.9" X 30.3" - W/O HDW - SIERRA MAPLE
8	154289-01-TB5	EA	DOOR - RAISED PANEL/PENCIL EDGE - 7.9" X 30.3" - W/O HDW - CONCERT CHERRY
8	154289-01-TB6	EA	DOOR - RAISED PANEL/PENCIL EDGE - 7.9" X 30.3" - W/O HDW - WASHED MAPLE
8	154289-01-TB7	EA	DOOR - RAISED PANEL/PENCIL EDGE - 7.9" X 30.3" - W/O HDW - SIERRA MAPLE
9	136955-C0-T90	EA	DOOR - RAISED PANEL/PENCIL EDGE - 15" X 21.9" - W/O HDW - CONCERT CHERRY
9	136955-C0-T91	EA	DOOR - RAISED PANEL/PENCIL EDGE - 15" X 21.9" - W/O HDW - WASHED MAPLE
9	136955-C0-T92	EA	DOOR - RAISED PANEL/PENCIL EDGE - 15" X 21.9" - W/O HDW - SIERRA MAPLE
10	136955-26-T90	EA	DOOR - RAISED PANEL/PENCIL EDGE - 10" X 25.2" - W/O HDW - CONCERT CHERRY
10	136955-26-T91	EA	DOOR - RAISED PANEL/PENCIL EDGE - 10" X 25.2" - W/O HDW - WASHED MAPLE
10	136955-26-T92	EA	DOOR - RAISED PANEL/PENCIL EDGE - 10" X 25.2" - W/O HDW - SIERRA MAPLE
11	136955-76-T90	EA	DOOR - RAISED PANEL/PENCIL EDGE - 12" X 48" - W/O HDW - CONCERT CHERRY
11	136955-76-T91	EA	DOOR - RAISED PANEL/PENCIL EDGE - 12" X 48" - W/O HDW - WASHED MAPLE
11	136955-76-T92	EA	DOOR - RAISED PANEL/PENCIL EDGE - 12" X 48" - W/O HDW - SIERRA MAPLE
12	141518-83-T90	EA	DOOR - ARCHED/PENCIL EDGE/LEFT HAND-12.8" X 17.7" -W/O HDW - CONCERT CHERRY
12	141518-83-T91	EA	DOOR - ARCHED/PENCIL EDGE/LEFT HAND-12.8" X 17.7" -W/O HDW - WASHED MAPLE
12	141518-83-T92	EA	DOOR - ARCHED/PENCIL EDGE/LEFT HAND-12.8" X 17.7" -W/O HDW - SIERRA MAPLE

CABINET & APPLIANCE GROUP (CONTINUED)

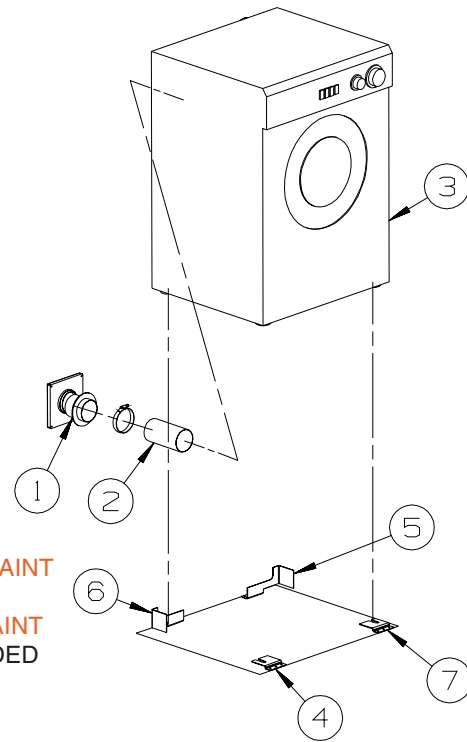
CABINET & APPLIANCE LAYOUT (CONTINUED)

KEY	PART NUMBER	U/M	DESCRIPTION
13	141520-84-T90	EA	DOOR - ARCHED/PENCIL EDGE/RIGHT HAND -12.8"X17.7"-W/O HDW - CONCERT CHERRY
13	141520-84-T91	EA	DOOR - ARCHED/PENCIL EDGE/RIGHT HAND -12.8"X17.7"-W/O HDW - WASHED MAPLE
13	141520-84-T92	EA	DOOR - ARCHED/PENCIL EDGE/RIGHT HAND -12.8"X17.7"-W/O HDW - SIERRA MAPLE
14	145576-02-R90	EA	DOOR - W/MIRROR - 14.5" X 25.9" - W/O HDW - CONCERT CHERRY
14	145576-02-R91	EA	DOOR - W/MIRROR - 14.5" X 25.9" - W/O HDW - WASHED MAPLE
14	145576-02-TD3	EA	DOOR - W/MIRROR - 14.5" X 25.9" - W/O HDW - SIERRA MAPLE
	093606-30-000	EA	MIRROR - BEVELED EDGE - 14.5" X 25.9"
15	153121-CL-T90	EA	DRAWER - PENCIL EDGE - 19.4"W X 17.7"D - W/O SLIDES/HDW - CONCERT CHERRY
15	153121-CL-T91	EA	DRAWER - PENCIL EDGE - 19.4"W X 17.7"D - W/O SLIDES/HDW - WASHED MAPLE
15	153121-CL-T92	EA	DRAWER - PENCIL EDGE - 19.4"W X 17.7"D - W/O SLIDES/HDW - SIERRA MAPLE
16	136955-41-TB5	EA	DOOR - RAISED PANEL/PENCIL EDGE - 10.8" X 21.8" - W/O HDW - CONCERT CHERRY
16	136955-41-TB6	EA	DOOR - RAISED PANEL/PENCIL EDGE - 10.8" X 21.8" - W/O HDW - WASHED MAPLE
16	136955-41-TB7	EA	DOOR - RAISED PANEL/PENCIL EDGE - 10.8" X 21.8" - W/O HDW - SIERRA MAPLE
17	136955-42-TB5	EA	DOOR - RAISED PANEL/PENCIL EDGE - 10.8" X 21.8" - W/O HDW - CONCERT CHERRY
17	136955-42-TB6	EA	DOOR - RAISED PANEL/PENCIL EDGE - 10.8" X 21.8" - W/O HDW - WASHED MAPLE
17	136955-42-TB7	EA	DOOR - RAISED PANEL/PENCIL EDGE - 10.8" X 21.8" - W/O HDW - SIERRA MAPLE
18	153121-KS-T90	EA	DRAWER - PENCIL EDGE - 21.8"W X 11.8"D - W/O SLIDES/HDW - CONCERT CHERRY
18	153121-KS-T91	EA	DRAWER - PENCIL EDGE - 21.8"W X 11.8"D - W/O SLIDES/HDW - WASHED MAPLE
18	153121-KS-T92	EA	DRAWER - PENCIL EDGE - 21.8"W X 11.8"D - W/O SLIDES/HDW - SIERRA MAPLE



**MICROWAVE
INSTL
G35A, G35L,
G38J**

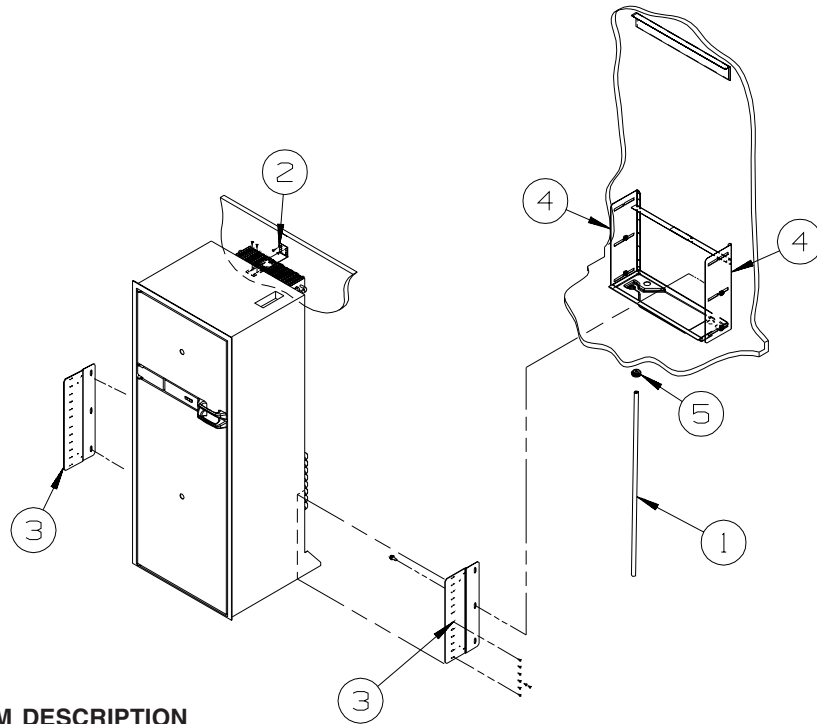
KEY	PART NUMBER	U/M	DESCRIPTION
1	137824-06-02B	EA	BRACKET - MICROWAVE - E-COATED
2	140093-06-02B	EA	DUCT - E-COATED
3	153314-01-02B	EA	BRACKET/SUPPORT - MICROWAVE - E-COATEI
4	153314-02-02B	EA	BRACKET/SUPPORT - MICROWAVE - E-COATEI



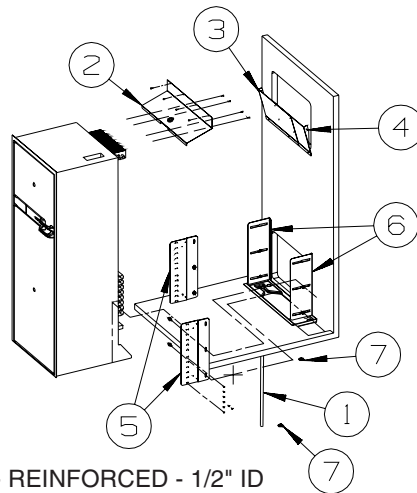
**WASHER
DRYER**

KEY	PART NUMBER	U/M	DESCRIPTION
1	146292-01-01A	EA	COVER - DRYER VENT - BRIGHT WHITE
1	146292-01-02A	EA	COVER - DRYER VENT - BLACK - FULL BODY PAINT
1	146292-02-01A	EA	DRYER VENT - INNER - BRIGHT WHITE
1	146292-02-02A	EA	DRYER VENT - INNER - BLACK - FULL BODY PAINT
2	116653-02-000	FT	DUCT - FLEXIBLE - 3' COMPRESSED/8' EXTENDED
3	153204-01-01A	EA	WASHER/DRYER - VENTED - UL/CSA - WHITE
4	111913-02-04B	EA	BRACKET/WASHER - TIE DOWN - BLACK
5	113795-01-02B	EA	BRACKET - WASHER - E-COATED
6	113795-02-02B	EA	BRACKET - WASHER - E-COATED
7	111913-03-04B	EA	BRACKET/WASHER - TIE DOWN - BLACK
	141523-01-01A	EA	LABEL - WASHER/DRYER BRACKETS - BLACK/WHITE
	157665-01-000	GL	RV ANTIFREEZE-50 POTABLE WTR

CABINET & APPLIANCE GROUP (CONTINUED)
CABINET & APPLIANCE LAYOUT (CONTINUED)



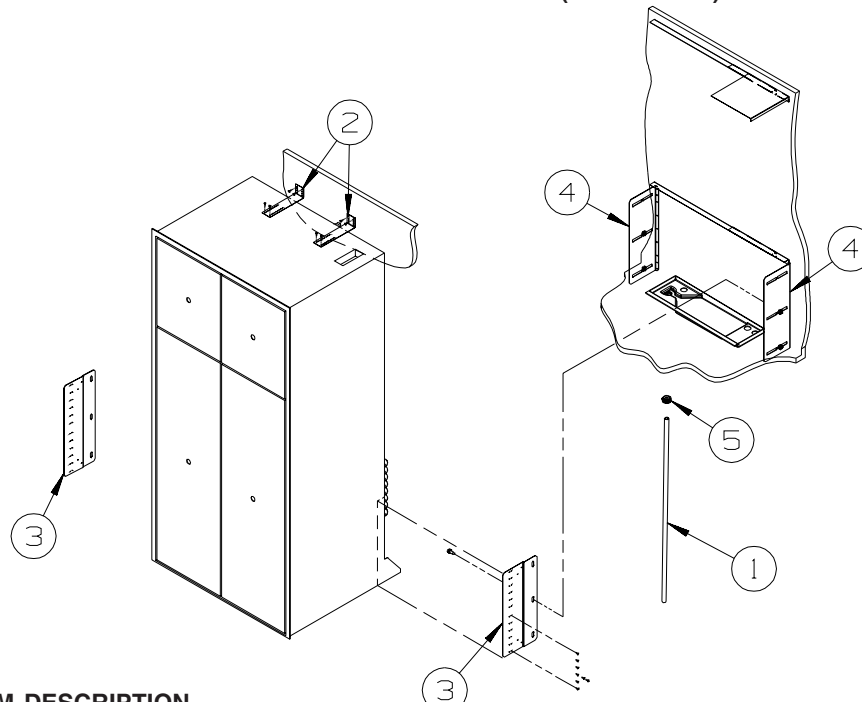
KEY	PART NUMBER	U/M	DESCRIPTION
1	112176-01-000	FT	TUBING - VINYL - REINFORCED - 1/2" ID
2	145445-02-02B	EA	STRAP - REFRIGERATOR - E-COATED
3	150740-01-02B	EA	BRACKET - REFRIGERATOR - E-COATED
4	150740-02-02B	EA	BRACKET - REFRIGERATOR - E-COATED
5	152417-01-01A	EA	CLAMP/RATCHET - F/REFRIGERATOR DRIP TRAY HOSE - BLACK



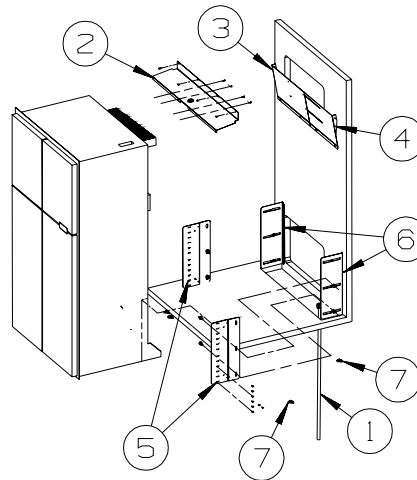
KEY	PART NUMBER	U/M	DESCRIPTION
1	112176-01-000	FT	TUBING - VINYL - REINFORCED - 1/2" ID
2	136966-04-02B	EA	BAFFLE - REFRIGERATOR - E-COATED
3	143195-03-02B	EA	BAFFLE - REFRIGERATOR - E-COATED
4	143195-04-02B	EA	BAFFLE - REFRIGERATOR - E-COATED
5	150740-01-02B	EA	BRACKET - REFRIGERATOR - E-COATED
6	150740-02-02B	EA	BRACKET - REFRIGERATOR - E-COATED
7	152417-01-01A	EA	CLAMP/RATCHET - F/REFRIDGERATOR DRIP TRAY HOSE - BLACK

G38T

CABINET & APPLIANCE GROUP (CONTINUED)
CABINET & APPLIANCE LAYOUT (CONTINUED)



KEY	PART NUMBER	U/M	DESCRIPTION
1	112176-01-000	FT	TUBING - VINYL - REINFORCED - 1/2" ID
2	145445-02-02B	EA	STRAP - REFRIGERATOR - E-COATED
3	150740-01-02B	EA	BRACKET - REFRIGERATOR - E-COATED
4	150740-02-02B	EA	BRACKET - REFRIGERATOR - E-COATED
5	152417-01-01A	EA	CLAMP/RATCHET - F/REFRIDGERATOR DRIP TRAY HOSE - BLACK



KEY	PART NUMBER	U/M	DESCRIPTION
1	112176-01-000	FT	TUBING - VINYL - REINFORCED - 1/2" ID
2	136966-04-02B	EA	BAFFLE - REFRIGERATOR - E-COATED
			FROM: 00-00-00 THRU: 05-14-06
2	136966-05-02B	EA	BAFFLE - REFRIGERATOR - E-COATED
			FROM: 05-15-06 THRU: 99-99-99
3	143195-01-02B	EA	BAFFLE - REFRIGERATOR - E-COATED
4	143195-02-02B	EA	BAFFLE - REFRIGERATOR - E-COATED
5	150740-01-02B	EA	BRACKET - REFRIGERATOR - E-COATED
6	150740-02-02B	EA	BRACKET - REFRIGERATOR - E-COATED
7	152417-01-01A	EA	CLAMP/RATCHET - F/REFRIDGERATOR DRIP TRAY HOSE - BLACK

G38T

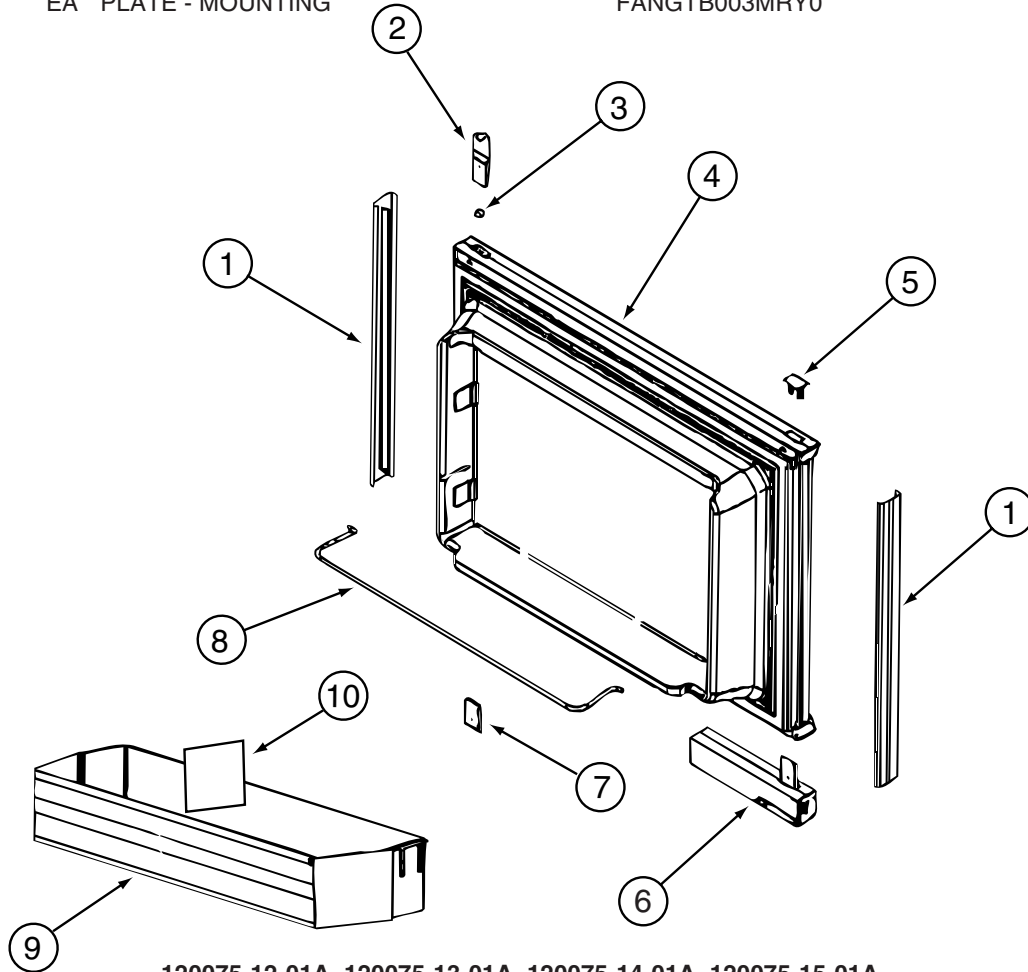
CABINET & APPLIANCE GROUP (CONTINUED)
COMPONENT PARTS FOR CABINET & APPLIANCE LAYOUT

119267-12-02A

KEY	PART NUMBER	U/M	DESCRIPTION	VENDOR NO.
	119267-04-700	EA	FILTER-GREASE	BOO2
	119267-04-703	EA	PLATE - MOUNTING	FANGTB003MRY0
	119267-04-704	EA	LIGHT COVER-F/MOD R1480/1850	FANGKB009MRYO
	119267-04-705	EA	SCREW	LX-BZB011MREO
	119267-12-701	EA	SUPPORT - F/GLASS TRAY	FROLPB020MRKO
	119267-12-702	EA	RACK - HIGH	FAMI-B006MR0
	119267-12-703	EA	RACK - LOW	FAMI-B005MR0
	119267-12-704	EA	LOUVER - EXHAUST	PDIF-BO13MRKO

119267-17-01A

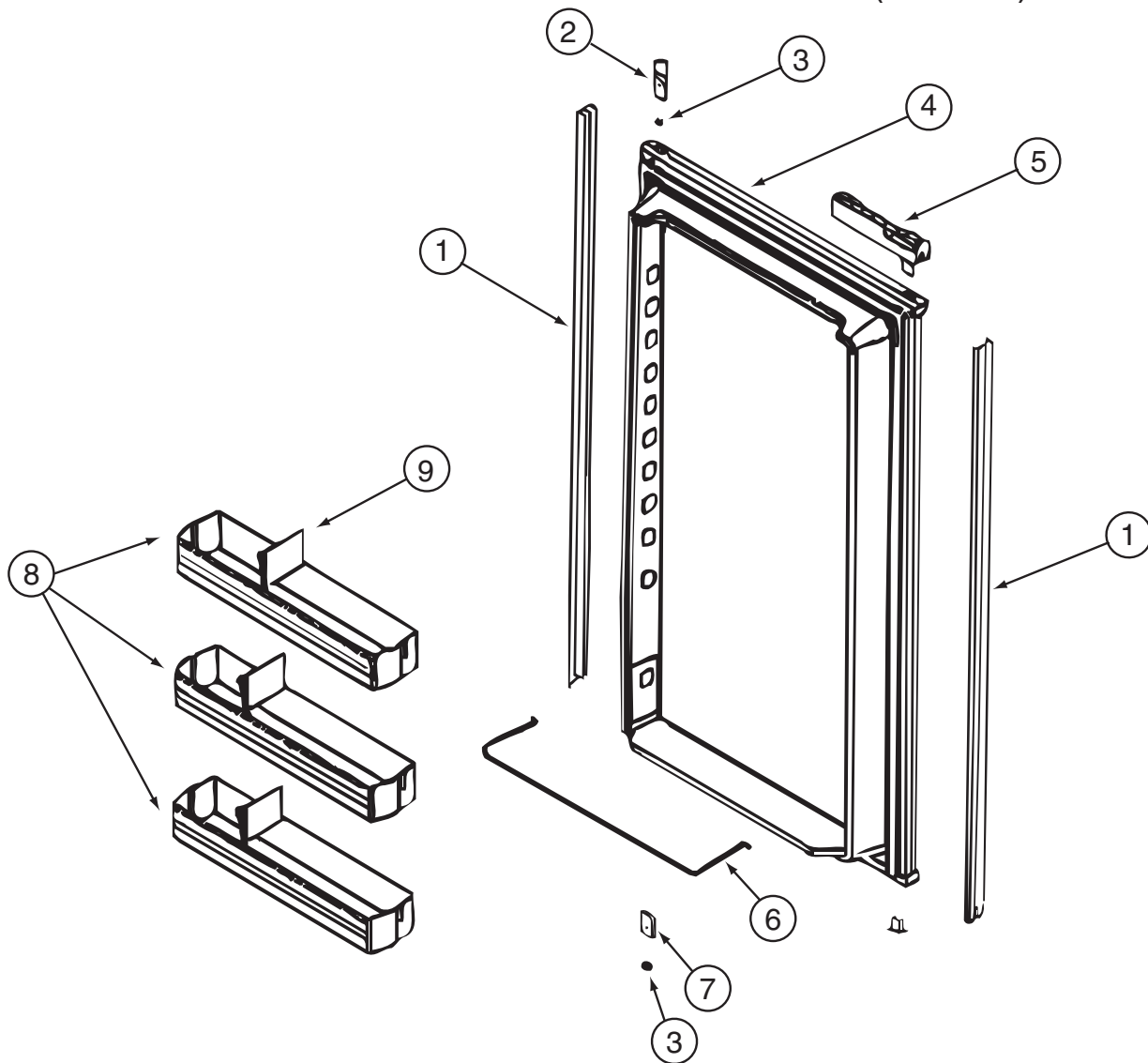
KEY	PART NUMBER	U/M	DESCRIPTION	VENDOR NO.
	119267-04-703	EA	PLATE - MOUNTING	FANGTB003MRY0



120075-12-01A, 120075-13-01A, 120075-14-01A, 120075-15-01A

KEY	PART NUMBER	U/M	DESCRIPTION	VENDOR NO.
1	121568-03-700	EA	RETAINER - DOOR PNL/WAFFLE/BLK	619558-WDL-UPPER
2	120075-01-701	EA	HINGE-TOP RH/BOTTOM LH(DOOR)	618511
3	121568-03-701	EA	BUSHING - HINGE PIN/GRAY	619671
4	121568-03-702	EA	DOOR LINER-UPR/WAFFLED/BLACK	619627 - SMALL WDL
5	120075-01-702	EA	CAP, (HINGE PLUG)	618160
6	120075-12-700	EA	HANDLE(CONTOUR)TOP LH/BTM RH	621105
6	120075-12-701	EA	HANDLE(CONTOUR)TOP RH/BTM LH	621104
6	121568-03-703	EA	HANDLE/FLUSH-TOP/RH-LWR/LH	619865
6	121568-03-708	EA	HANDLE/FLUSH-TOP/LH-LWR/RH	619866
7	120075-01-705	EA	HINGE-TOP LH/BOTTOM RH(DOOR)	618510
8	121568-01-700	EA	RAIL - DOOR UPPER	618618
9	120075-07-700	EA	DOOR BIN - SMALL/CLEAR F/WDL	619006 WDL
10	120075-07-701	EA	DIVIDER/DOOR BIN CLEAR	619008 WDL & SDL
	121568-03-704	EA	TRAVEL LATCH - GRAY	619647
	121568-03-705	EA	STORAGE LATCH - GRAY	619648

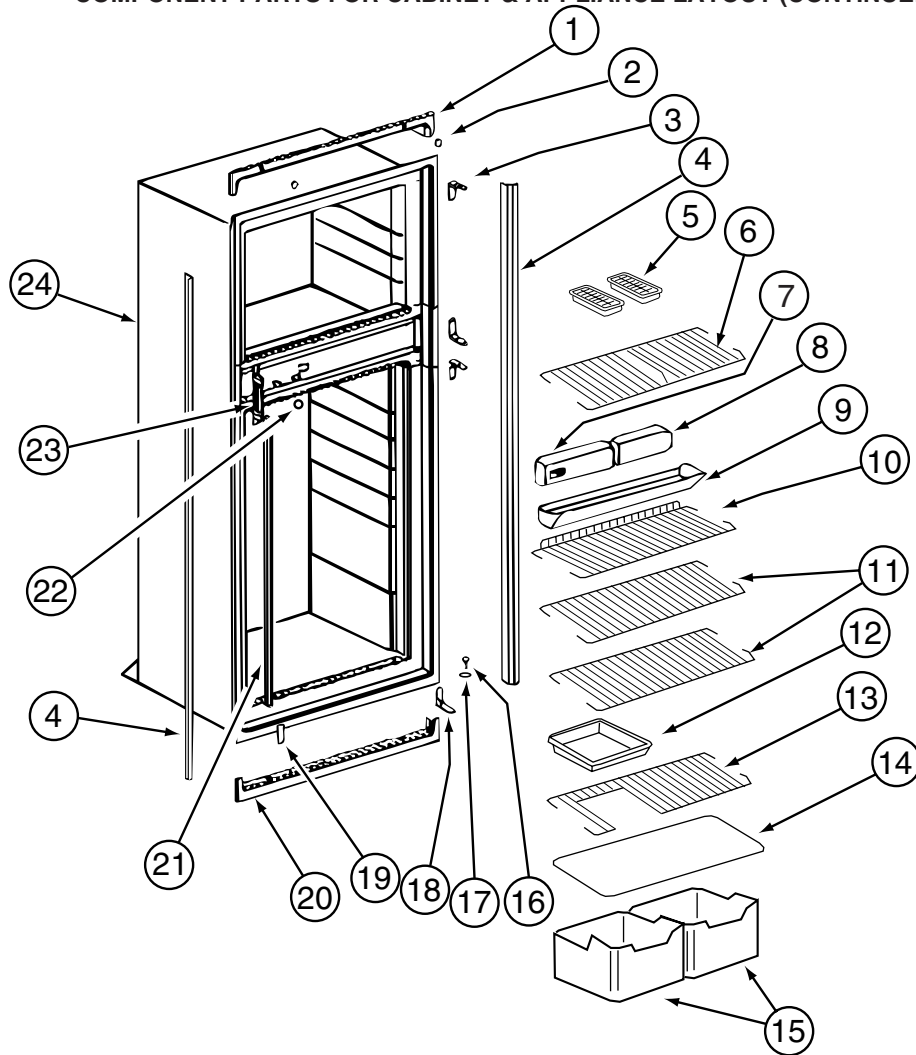
CABINET & APPLIANCE GROUP (CONTINUED)
COMPONENT PARTS FOR CABINET & APPLIANCE LAYOUT (CONTINUED)



120075-12-01A, 120075-13-01A, 120075-14-01A, 120075-15-01A (CONTINUED)

KEY	PART NUMBER	U/M	DESCRIPTION	VENDOR NO.
1	120075-07-702	EA	RETAINER-DOOR PNL/WAFFLE/BLK	619560-WDL-LOWER
2	120075-01-701	EA	HINGE-TOP RH/BOTTOM LH(DOOR)	618511
3	121568-03-701	EA	BUSHING - HINGE PIN/GRAY	619671
4	120075-07-703	EA	DOOR LINER-LWR/WAFFLED/BLACK	619631 - LARGE WDL
5	120075-12-700	EA	HANDLE(CONTOUR)TOP LH/BTM RH	621105
5	120075-12-701	EA	HANDLE(CONTOUR)TOP RH/BTM LH	621104
5	121568-03-703	EA	HANDLE/FLUSH-TOP/RH-LWR/LH	619865
5	121568-03-708	EA	HANDLE/FLUSH-TOP/LH-LWR/RH	619866
6	121568-01-704	EA	RAIL - DOOR LOWER	618578
7	120075-01-705	EA	HINGE-TOP LH/BOTTOM RH(DOOR)	618510
8	120075-07-700	EA	DOOR BIN - SMALL/CLEAR F/WDL	619006 WDL
8	120075-07-704	EA	DOOR BIN - LARGE/CLEAR F/WDL	619005 WDL
9	120075-07-701	EA	DIVIDER/DOOR BIN CLEAR	619008 WDL & SDL
	121568-03-704	EA	TRAVEL LATCH - GRAY	619647
	121568-03-705	EA	STORAGE LATCH - GRAY	619648

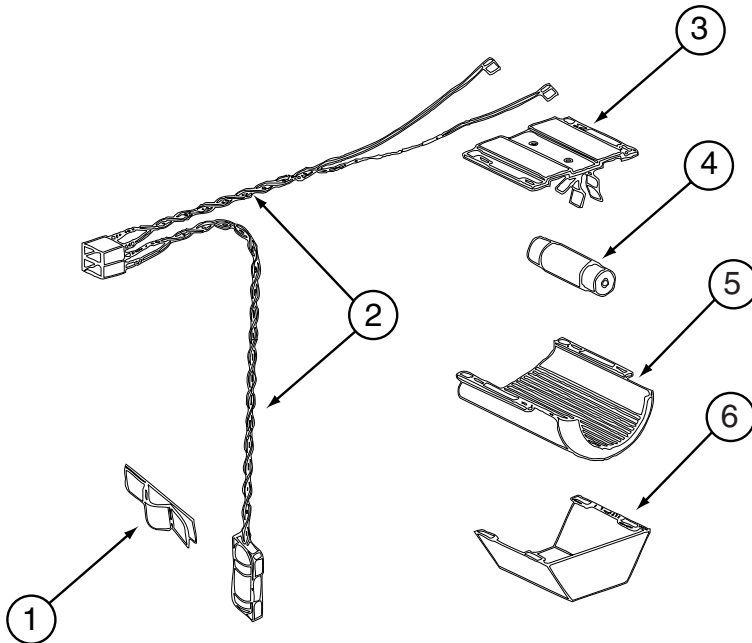
CABINET & APPLIANCE GROUP (CONTINUED)
COMPONENT PARTS FOR CABINET & APPLIANCE LAYOUT (CONTINUED)



120075-09-01A, 120075-10-01A, 120075-12-01A, 120075-13-01A, 120075-14-01A, 120075-15-01A (CONTINUED)

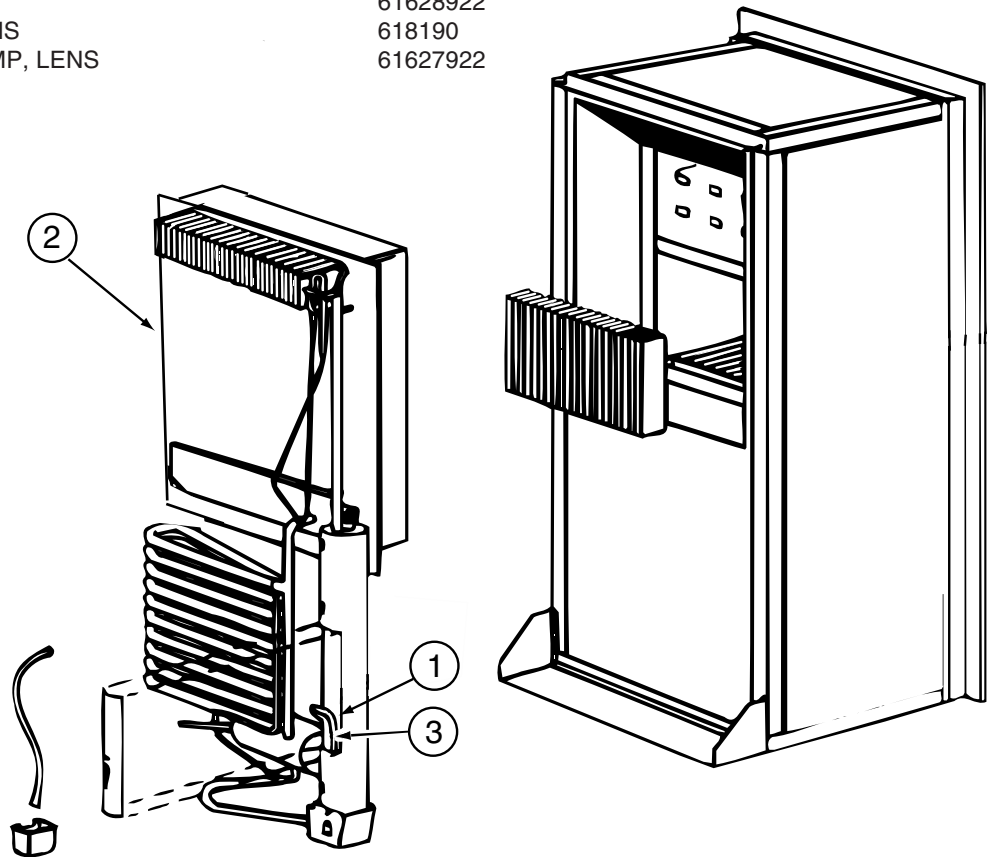
KEY	PART NUMBER	U/M	DESCRIPTION	VENDOR NO.
1	121568-03-709	EA	TRIM - TOP/BLACK	619687
2	120075-01-714	EA	PLUG-HOLE (BLACK)	618170
3	121568-03-710	EA	HINGE/CABINET-TOP/RH-LWR/LH	619335 WAFFLED
4	120075-07-705	EA	TRIM - SIDE - BLACK	622296
5	104137-06-724	EA	ICE TRAY	61630422
6	120075-07-706	EA	SHELF - WIRE F/ICEMAKER MODELS	620249
7	120075-07-707	EA	CONTROL BOX - BLACK	619665
8	121568-03-713	EA	FRONT BOX/DECORATIVE-BLACK	619282
9	120075-01-720	EA	TRAY-DRIP	623250
10	120075-01-722	EA	SHELF-WIRE, SHORT	620269
11	120075-01-723	EA	SHELF-WIRE	620270
12	104137-06-718	EA	SHELF-TRAY, WHITE, W/CUTOUT	617756
13	120075-01-724	EA	SHELF-WIRE, W/CUTOUT	620268
14	120075-01-725	EA	COVER-CRISPER	618158
15	120075-07-708	EA	CRISPER/ICE BIN	619007
16	120075-01-727	EA	PIN-HINGE	618145
17	121568-03-701	EA	BUSHING - HINGE PIN/GRAY	619671
18	121568-03-715	EA	HINGE/CABINET-TOP/LH-LWR/RH	619336 WAFFLED
19	121568-03-716	EA	COVER - HINGE HOLES	619301
20	120075-01-729	EA	TRIM-BOTTOM PIECE	620958
21	120075-01-730	EA	RETAINER-SHELF(SER#926684 DN)	618181
22	121568-03-717	EA	HOLE PLUG - WHITE	619561
23	120075-01-732	EA	PLATE-STRIKE	618167
24	120075-09-700	EA	CABINET - FOAMED	619660
	120075-01-721	EA	LOUVER-DRIP TRAY	618176

CABINET & APPLIANCE GROUP (CONTINUED)
COMPONENT PARTS FOR CABINET & APPLIANCE LAYOUT (CONTINUED)



120075-09-01A, 120075-10-01A, 120075-12-01A, 120075-13-01A, 120075-14-01A, 120075-15-01A (CONTINUED)

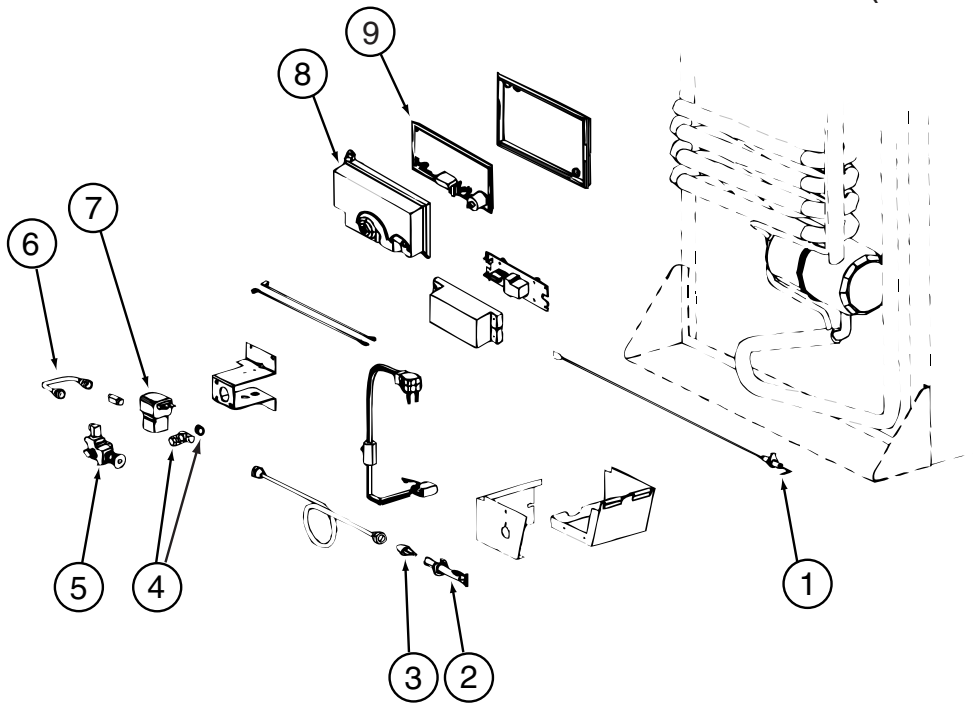
KEY	PART NUMBER	U/M	DESCRIPTION	VENDOR NO.
1	084880-01-760	EA	CLIP (THERMISTER)	61689122
2	120075-01-735	EA	THERMISTER W/LAMP & WIRE/ASM	618548
3	084880-03-705	EA	BRACKET-LIGHT-INTERIOR	61629722
4	084880-03-706	EA	BULB-LAMP	61628922
5	120075-01-734	EA	COVER-LENS	618190
6	084880-03-707	EA	COVER-LAMP, LENS	61627922



120075-09-01A, 120075-10-01A, 120075-12-01A, 120075-13-01A, 120075-14-01A, 120075-15-01A (CONTINUED)

KEY	PART NUMBER	U/M	DESCRIPTION	VENDOR NO.
1	088248-01-710	EA	HEATER DC (HORIZONTAL)	61562822
2	120075-01-736	EA	COOLING UNIT, SERVICE PACK	618542
3	088248-01-709	EA	HEATER-AC (HORIZONTAL)	61562722

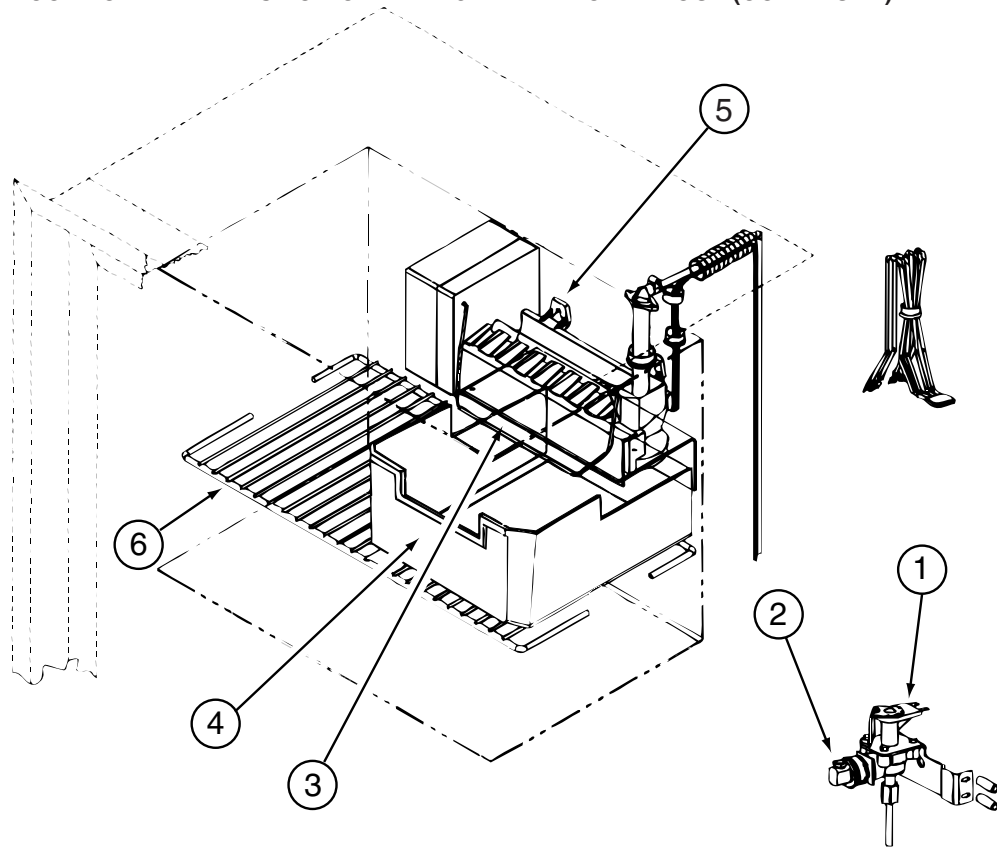
CABINET & APPLIANCE GROUP (CONTINUED)
COMPONENT PARTS FOR CABINET & APPLIANCE LAYOUT (CONTINUED)



120075-09-01A, 120075-10-01A, 120075-12-01A, 120075-13-01A, 120075-14-01A, 120075-15-01A (CONTINUED)

KEY	PART NUMBER	U/M	DESCRIPTION	VENDOR NO.
1	104137-06-715	EA	ELECTRODE-SPARK/SENSOR, SGL	61692222
2	104137-06-714	EA	BURNER ASSEMBLY, 5-SLOT	61705222
3	120075-01-737	EA	ORIFICE - JEWEL - .0155	618284
4	113737-01-702	EA	PLUG 1/8" F/PRESSURE TAP	61445322
4	113737-01-716	EA	TAP-PRESSURE	61594422
5	104137-06-709	EA	VALVE-SHUT OFF/MAN-OLD STYLE	61694922
5	104137-06-734	EA	VALVE-SHUT OFF/MAN-NEW STYLE	618696
6	113737-01-750	EA	TUBE-UNION	61694622
7	084880-01-718	EA	VALVE-GAS, (ASCO)	621447
8	120075-01-738	EA	COVER-POWER BOARD	618185
9	120075-07-710	EA	POWER - BOARD - 2-WAY	619360 = 621269
	120075-01-744	EA	KIT - GAS VALVE/BURNER TUBE	620609

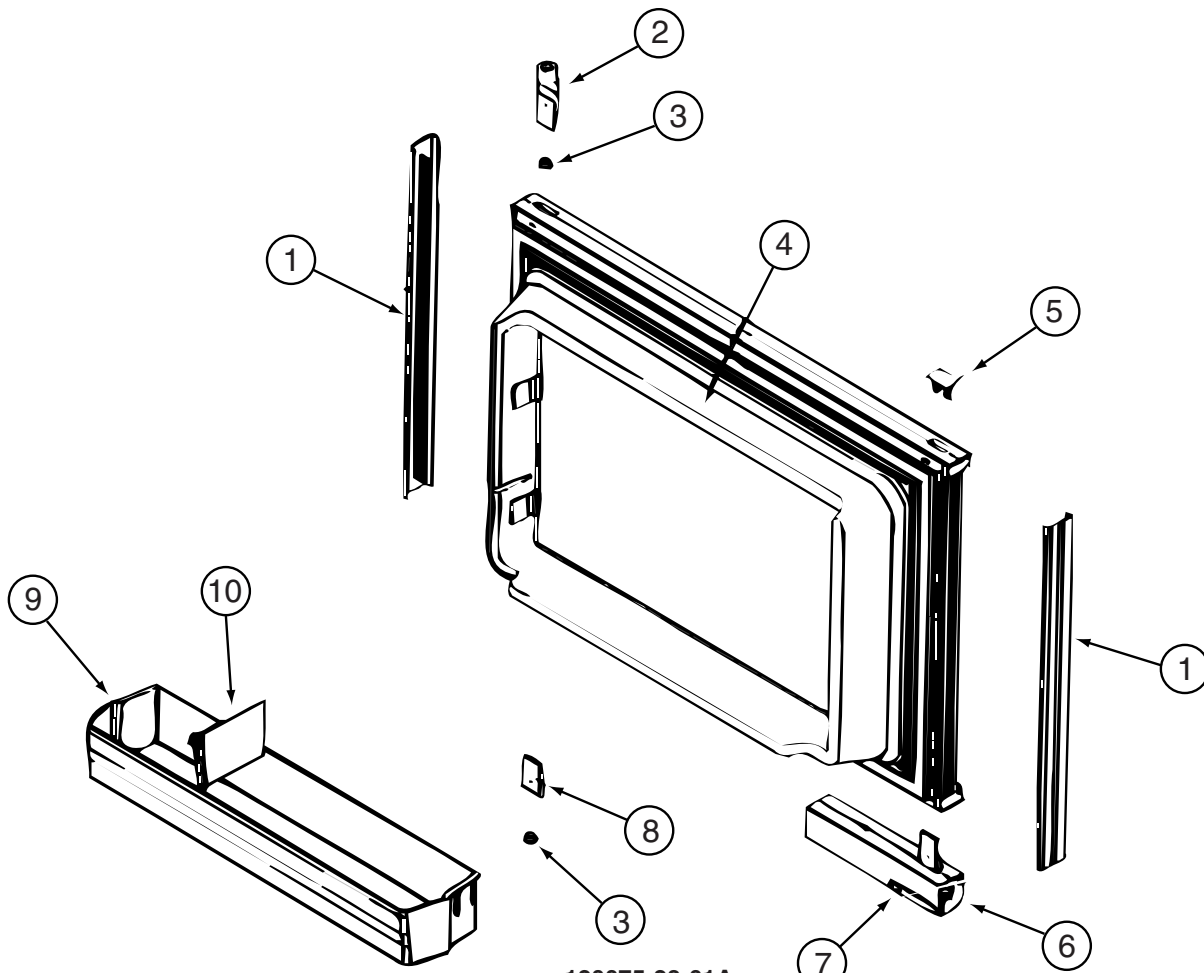
CABINET & APPLIANCE GROUP (CONTINUED)
COMPONENT PARTS FOR CABINET & APPLIANCE LAYOUT (CONTINUED)



120075-09-01A, 120075-10-01A, 120075-13-01A, 120075-14-01A (CONTINUED)

KEY	PART NUMBER	U/M	DESCRIPTION	VENDOR NO.
1	120075-09-701	EA	WATER VALVE W/BRACKET	618253
2	120075-03-702	EA	NUT/COMPRESSION - FITTING	61678722
3	120075-03-703	EA	ARM-SHUT OFF	61656922
4	120075-03-704	EA	BIN-ICE CUBE	618154
5	094039-07-706	EA	ICE MAKER W/O PLATES	61656522
6	120075-01-717	EA	SHELF-FREEZER, WIRE	618172

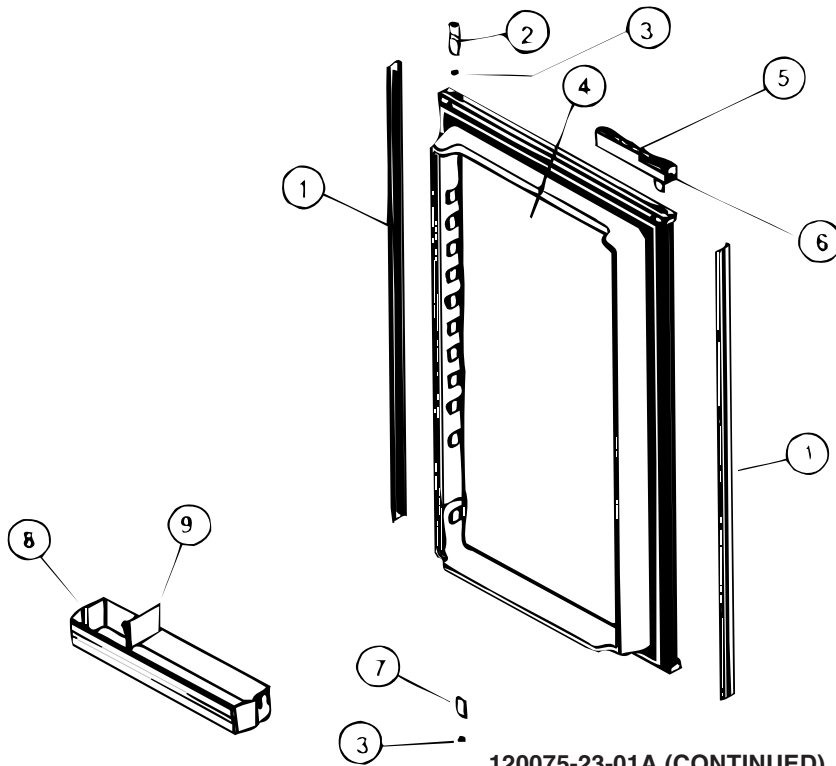
CABINET & APPLIANCE GROUP (CONTINUED)
COMPONENT PARTS FOR CABINET & APPLIANCE LAYOUT (CONTINUED)



120075-23-01A

KEY	PART NUMBER	U/M	DESCRIPTION	VENDOR NO.
1	121568-03-700	EA	RETAINER - DOOR PANEL/BLACK	619558
2	120075-01-701	EA	HINGE-TOP RH/BOTTOM LH(DOOR)	618511
3	121568-03-701	EA	BUSHING - HINGE PIN/GRAY	619671
4	121568-03-702	EA	DOOR LINER - W/TRIM/BLACK	619627 - SMALL DOOR
5	120075-01-702	EA	CAP, (HINGE PLUG)	618160
6	120075-12-700	EA	HANDLE(CONTOUR)TOP LH/BTM RH	621105
6	120075-12-701	EA	HANDLE(CONTOUR)TOP RH/BTM LH	621104
7	121568-03-705	EA	STORAGE LATCH - GRAY	619648
8	120075-01-705	EA	HINGE-TOP LH/BOTTOM RH(DOOR)	618510
9	120075-07-700	EA	DOOR BIN - SMALL/CLEAR	619006
10	120075-07-701	EA	DIVIDER/DOOR BIN CLEAR	619008

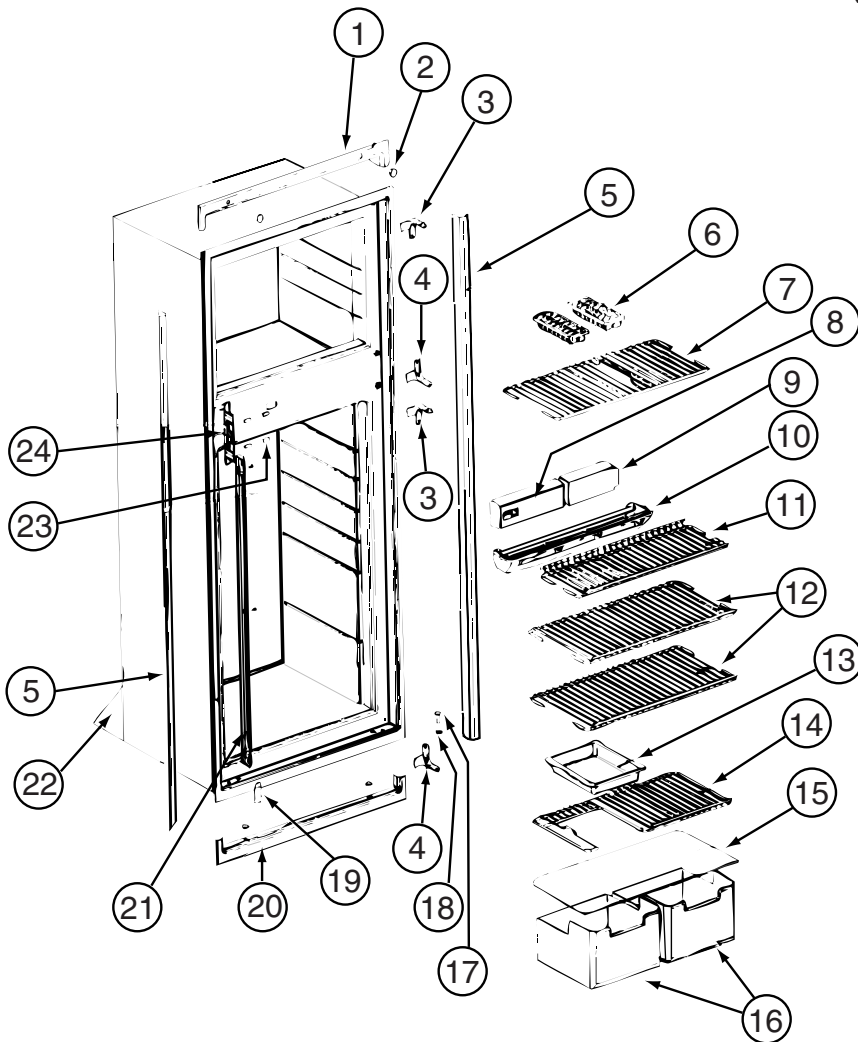
CABINET & APPLIANCE GROUP (CONTINUED)
COMPONENT PARTS FOR CABINET & APPLIANCE LAYOUT (CONTINUED)



120075-23-01A (CONTINUED)

KEY	PART NUMBER	U/M	DESCRIPTION	VENDOR NO.
1	120075-07-702	EA	RETAINER - DOOR PANEL/BLACK	619560
2	120075-01-701	EA	HINGE-TOP RH/BOTTOM LH(DOOR)	618511
3	121568-03-701	EA	BUSHING - HINGE PIN/GRAY	619671
4	120075-07-703	EA	DOOR LINER - BLACK	619631 - LARGE DOOR
5	120075-12-700	EA	HANDLE(CONTOUR)TOP LH/BTM RH	621105
5	120075-12-701	EA	HANDLE(CONTOUR)TOP RH/BTM LH	621104
6	121568-03-705	EA	STORAGE LATCH - GRAY	619648
7	120075-01-705	EA	HINGE-TOP LH/BOTTOM RH(DOOR)	618510
8	120075-07-700	EA	DOOR BIN - SMALL/CLEAR	619006
8	120075-07-704	EA	DOOR BIN - LARGE/CLEAR	619005
9	120075-07-701	EA	DIVIDER/DOOR BIN CLEAR	619008

CABINET & APPLIANCE GROUP (CONTINUED)
COMPONENT PARTS FOR CABINET & APPLIANCE LAYOUT (CONTINUED)

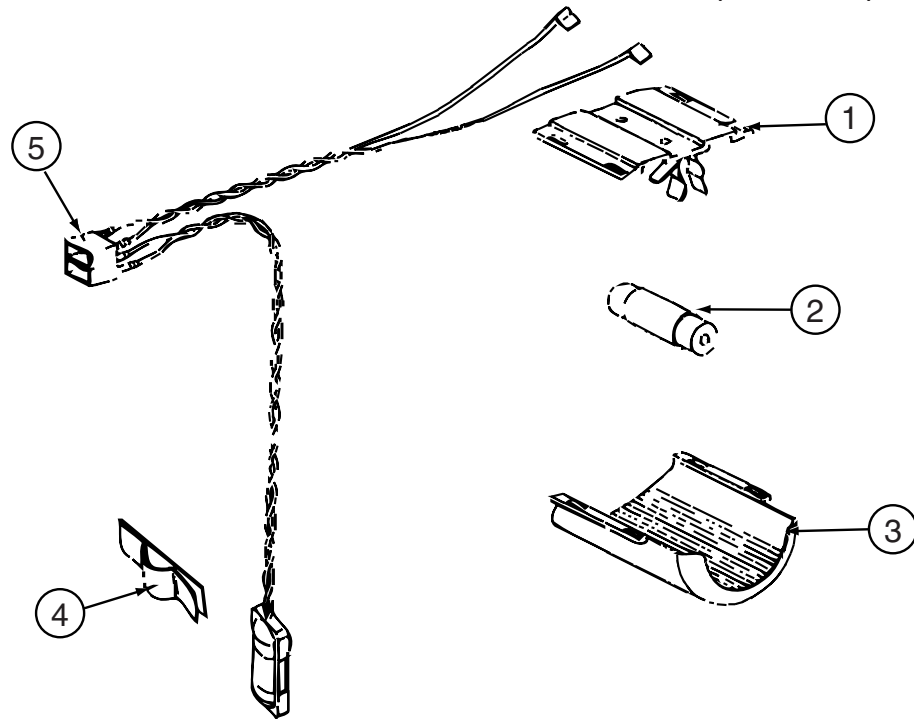


120075-16, 120075-17, 120075-18, 120075-19, 120075-20, 120075-21, 120075-22, 120075-23-01A (CONTINUED)

KEY	PART NUMBER	U/M	DESCRIPTION	VENDOR NO.
1	120075-20-700	EA	TRIM/TOP ASM W/INSERTS-BLACK	622319
2	120075-01-714	EA	PLUG-HOLE (BLACK)	618170
3	121568-03-710	EA	HINGE/CABINET-TOP/RH-LWR/LH	619335
4	121568-03-715	EA	HINGE/CABINET-TOP/LH-LWR/RH	619336
5	120075-07-705	EA	TRIM - SIDE - BLACK	622296
6	104137-06-724	EA	ICE TRAY	61630422
7	121568-03-712	EA	SHELF-WIRE FREEZER	620250
7	120075-07-706	EA	SHELF-WIRE F/ICEMAKER MODELS	620250
8	120075-07-707	EA	CONTROL BOX - BLACK	619665
9	121568-03-713	EA	FRONT BOX/DECORATIVE-BLACK	619282
10	120075-20-701	EA	TRAY/DRIP(INSIDE 1 PC)LOUVER	623250
11	120075-01-722	EA	SHELF-WIRE, SHORT	620269
12	120075-01-723	EA	SHELF-WIRE	620270
13	104137-06-718	EA	SHELF-TRAY, WHITE, W/CUTOUT	617756
14	120075-20-703	EA	SHELF - WIRE W/CUTOUT	620268
15	120075-01-725	EA	COVER-CRISPER	618158
16	120075-07-708	EA	CRISPER/ICE BIN	619007
17	120075-01-727	EA	PIN-HINGE	618145
18	121568-03-701	EA	BUSHING - HINGE PIN/GRAY	619671
19	121568-03-716	EA	COVER - HINGE HOLES	619301
20	120075-20-702	EA	TRIM PC(FOAM/TAPE)BTM BLACK	622323
21	120075-01-730	EA	RETAINER-SHELF(SER#926684 DN	618181
21	125242-02-720	EA	RETAINER/SHELF(SER#926685 UP	622033
23	121568-06-703	EA	HOLE PLUG - WHITE	620282
24	120075-01-732	EA	PLATE-STRIKE	618167

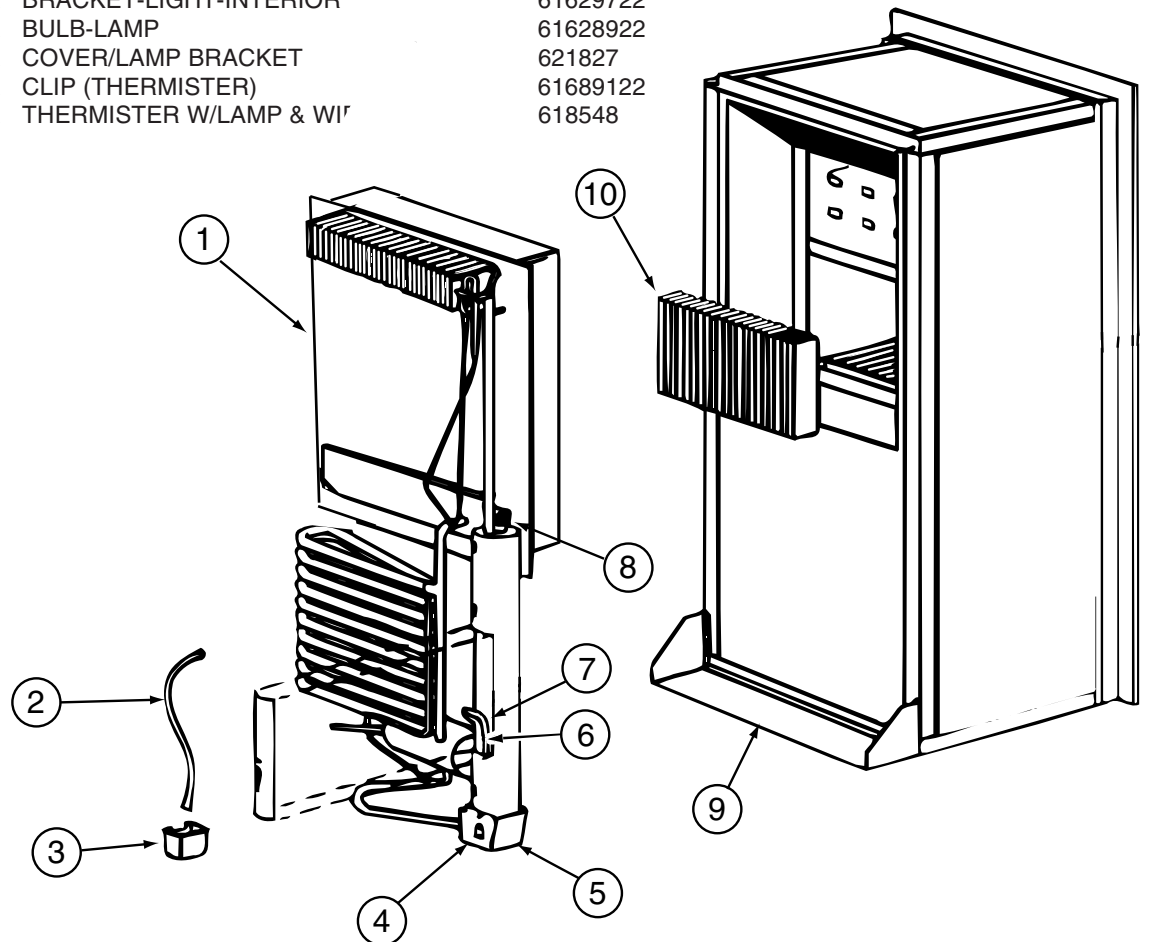
CONTACT WINNEBAGO PART SALES FOR UNLISTED COMPONENT(S)

CABINET & APPLIANCE GROUP (CONTINUED)
COMPONENT PARTS FOR CABINET & APPLIANCE LAYOUT (CONTINUED)



120075-16, 120075-17, 120075-18, 120075-19, 120075-20, 120075-21, 120075-22, 120075-23, 121569-08-01A (CONTINUED)

KEY	PART NUMBER	U/M	DESCRIPTION	VENDOR NO.
1	084880-03-705	EA	BRACKET-LIGHT-INTERIOR	61629722
2	084880-03-706	EA	BULB-LAMP	61628922
3	125242-02-708	EA	COVER/LAMP BRACKET	621827
4	084880-01-760	EA	CLIP (THERMISTER)	61689122
5	120075-01-735	EA	THERMISTER W/LAMP & WI	618548

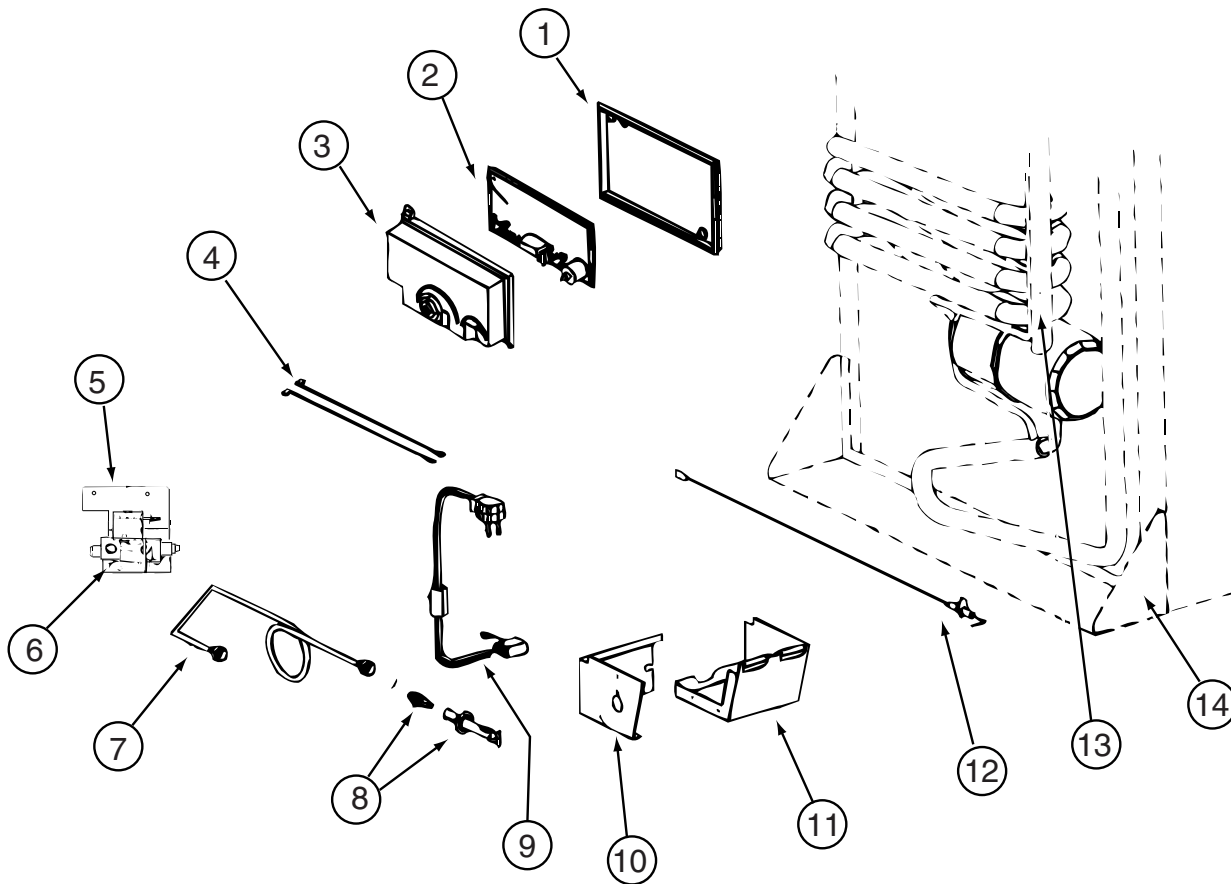


120075-16, 120075-17, 120075-18, 120075-19, 120075-20, 120075-21, 120075-22, 120075-23-01A (CONTINUED)

KEY	PART NUMBER	U/M	DESCRIPTION	VENDOR NO.
1	120075-01-736	EA	COOLING UNIT, SERVICE PACK	618542
6	121568-06-704	EA	HEATER-AC/300W/120VAC	621702

CONTACT WINNEBAGO PART SALES FOR UNLISTED COMPONENT(S)

CABINET & APPLIANCE GROUP (CONTINUED)
COMPONENT PARTS FOR CABINET & APPLIANCE LAYOUT (CONTINUED)

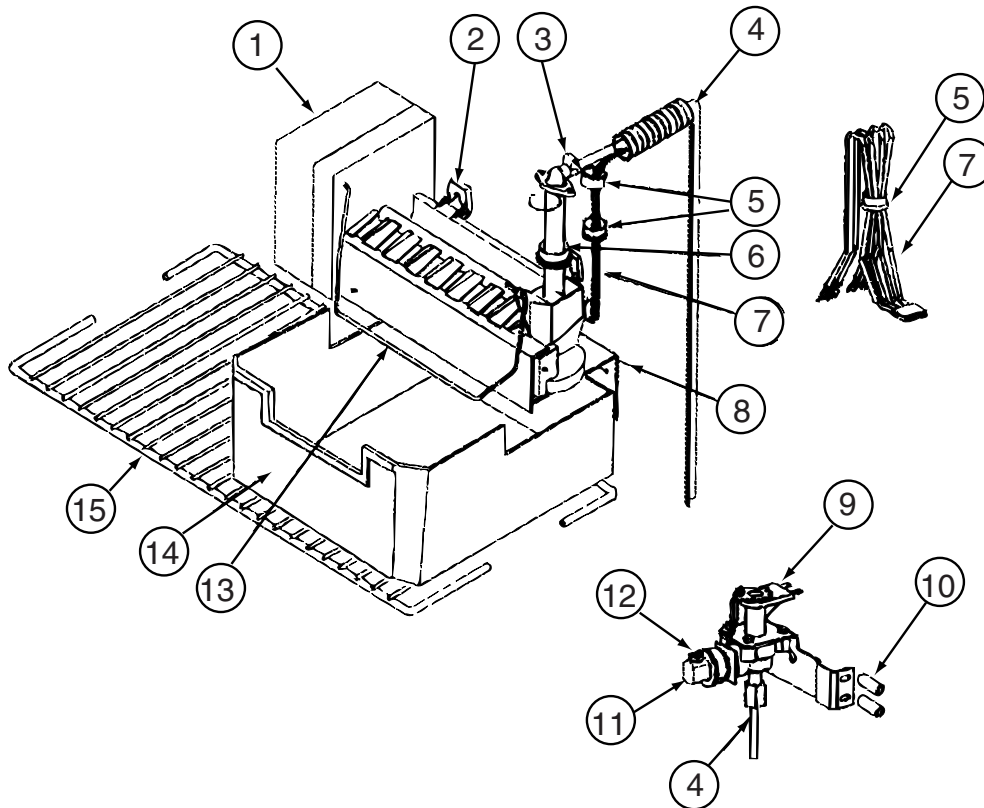


120075-16, 120075-17, 120075-18, 120075-19, 120075-20, 120075-21, 120075-22, 120075-23-01A (CONTINUED)

KEY	PART NUMBER	U/M	DESCRIPTION	VENDOR NO.
1	120075-01-740	EA	COVER-BASE, POWER BOARD	618186
2	120075-20-704	EA	KIT-POWER BOARD/EG2-2 WAY	621269001
3	120075-01-738	EA	COVER-POWER BOARD	618185
4	125242-02-709	EA	WIRE/WHITE/9"/GAS VALVE	621448
5	125242-02-710	EA	GAS VALVE/BRKT/WIRES COMB.	621334
6	121568-06-706	EA	GAS VALVE-COMBO/WRENCH FLAT	621329
7	120075-20-705	EA	TUBE/BURNER - N8/N6	620033
8	121568-06-708	EA	BURNER/ORFICE-ADAPTER KIT	621957
12	104137-06-715	EA	ELECTRODE-SPARK/SENSOR, SGL	61692222

CONTACT WINNEBAGO PART SALES FOR UNLISTED COMPONENT(S)

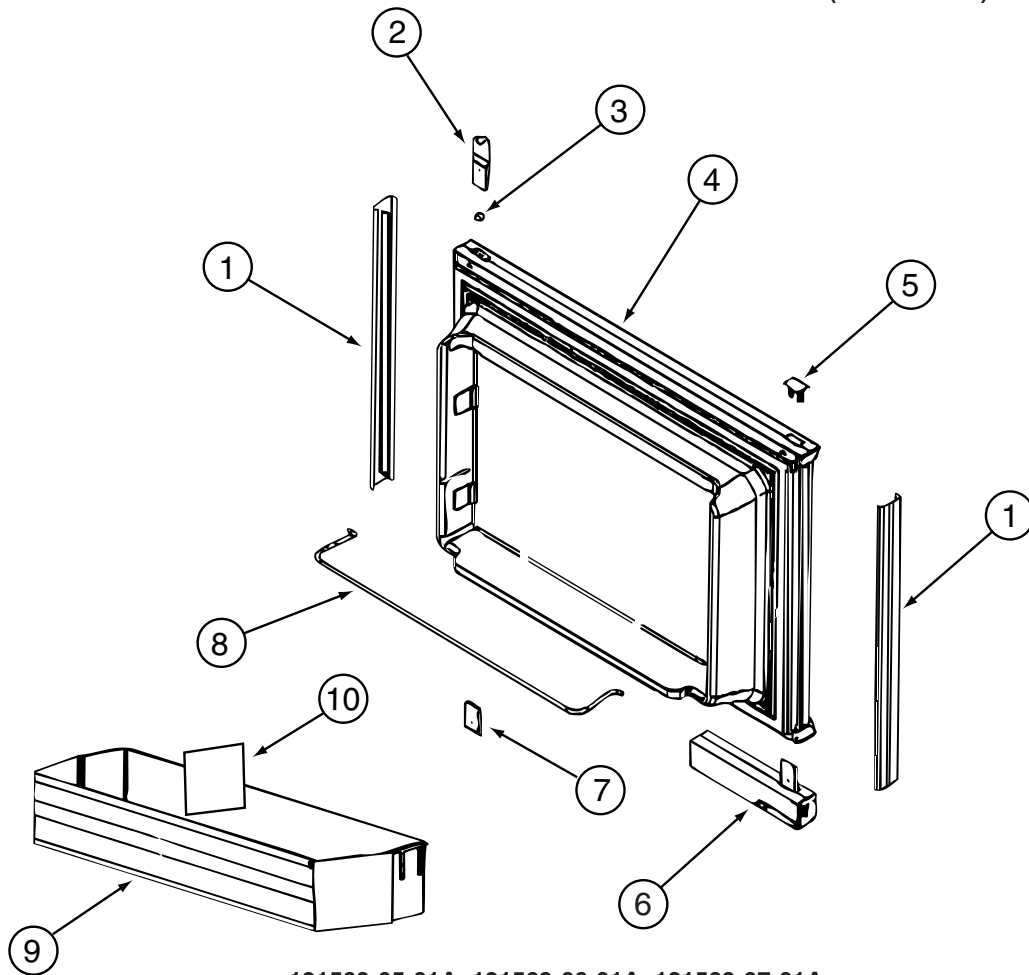
CABINET & APPLIANCE GROUP (CONTINUED)
COMPONENT PARTS FOR CABINET & APPLIANCE LAYOUT (CONTINUED)



120075-16-01A, 120075-17-01A, 120075-18-01A, 120075-19-01A, 120075-20-01A, 120075-23-01A (CONTINUED)

KEY	PART NUMBER	U/M	DESCRIPTION	VENDOR NO.
2	094039-07-706	EA	ICE MAKER W/O PLATES	61656522
9	120075-03-701	EA	VALVE ASM., WATER, W/BACKET	618253
13	120075-03-703	EA	ARM-SHUT OFF	61656922
14	120075-07-708	EA	CRISPER/ICE BIN	619007
15	120075-07-706	EA	SHELF-WIRE F/ICEMAKER MODELS	620249
			CONTACT WINNEBAGO PART SALES FOR UNLISTED COMPONENT(S)	

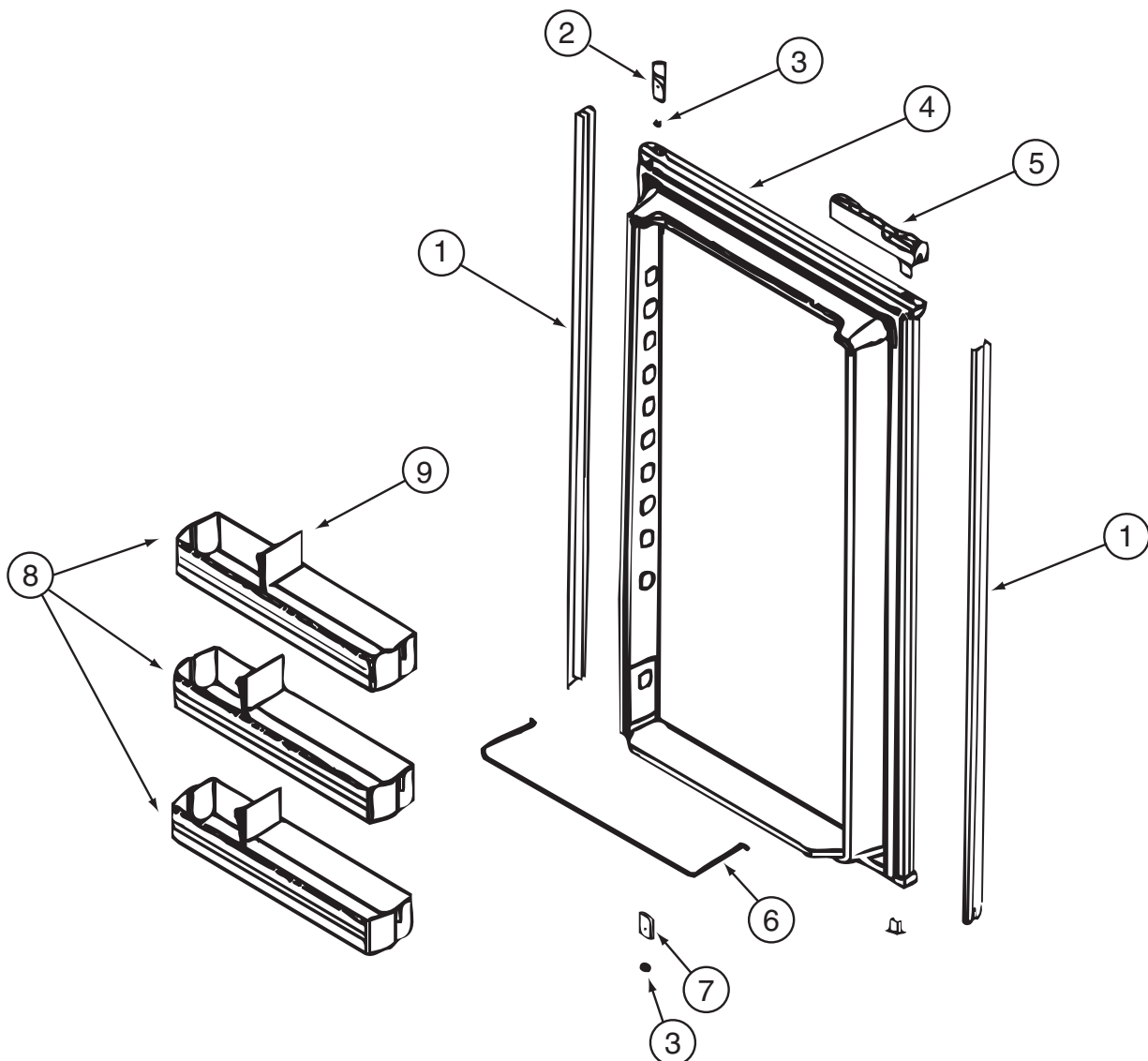
CABINET & APPLIANCE GROUP (CONTINUED)
COMPONENT PARTS FOR CABINET & APPLIANCE LAYOUT (CONTINUED)



121569-05-01A, 121569-06-01A, 121569-07-01A

KEY	PART NUMBER	U/M	DESCRIPTION	VENDOR NO.
1	121568-03-700	EA	RETAINER - DOOR PNL/WAFFLE/BLK	619558-WDL-UPPER
2	120075-01-701	EA	HINGE-TOP RH/BOTTOM LH(DOOR)	618511
3	121568-03-701	EA	BUSHING - HINGE PIN/GRAY	619671
4	121568-03-702	EA	DOOR LINER-UPR/WAFFLED/BLACK	619627 - SMALL WDL
5	120075-01-702	EA	CAP, (HINGE PLUG)	618160
6	120075-12-700	EA	HANDLE(CONTOUR)TOP LH/BTM RH	621105
7	120075-01-705	EA	HINGE-TOP LH/BOTTOM RH(DOOR)	618510
8	121568-01-700	EA	RAIL - DOOR UPPER	618618
9	120075-07-700	EA	DOOR BIN - SMALL/CLEAR F/WDL	619006 WDL
10	120075-07-701	EA	DIVIDER/DOOR BIN CLEAR	619008 WDL & SDL
	121568-03-705	EA	STORAGE LATCH - GRAY	619648

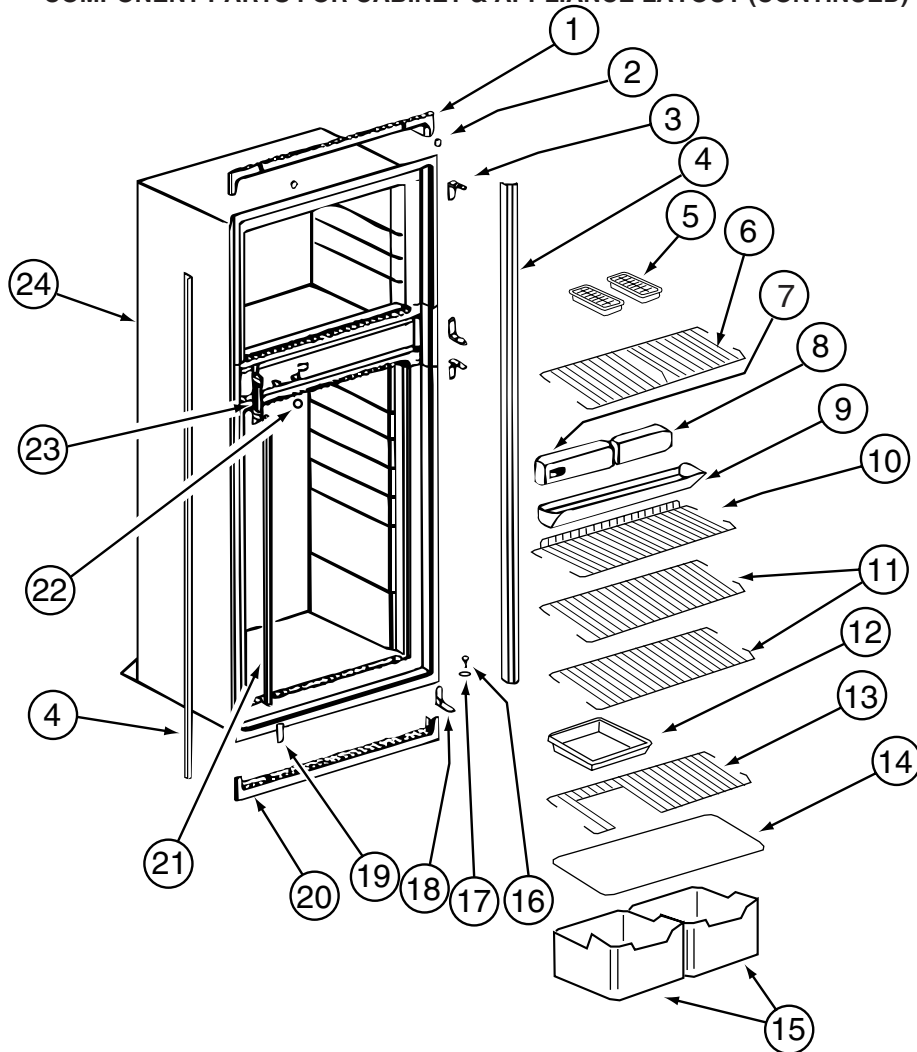
CABINET & APPLIANCE GROUP (CONTINUED)
COMPONENT PARTS FOR CABINET & APPLIANCE LAYOUT (CONTINUED)



121569-05-01A, 121569-06-01A, 121569-07-01A (CONTINUED)

KEY	PART NUMBER	U/M	DESCRIPTION	VENDOR NO.
1	120075-07-702	EA	RETAINER - DOOR PNL/WAFFLE/BLK	619560 -WDL-LOWER
2	120075-01-701	EA	HINGE-TOP RH/BOTTOM LH(DOOR)	618511
3	121568-03-701	EA	BUSHING - HINGE PIN/GRAY	619671
4	120075-07-703	EA	DOOR LINER-LWR/WAFFLED/BLACK	619631 LARGE WDL
5	120075-12-701	EA	HANDLE(CONTOUR)TOP RH/BTM LH	621104
6	121568-01-704	EA	RAIL - DOOR LOWER	618578
7	120075-01-705	EA	HINGE-TOP LH/BOTTOM RH(DOOR)	618510
8	121568-01-701	EA	BIN - DOOR WHITE-WAFFLED LNR	618619 WDL
9	120075-07-701	EA	DIVIDER/DOOR BIN CLEAR	619008 WDL & SDL
	121568-03-705	EA	STORAGE LATCH - GRAY	619648

CABINET & APPLIANCE GROUP (CONTINUED)
COMPONENT PARTS FOR CABINET & APPLIANCE LAYOUT (CONTINUED)

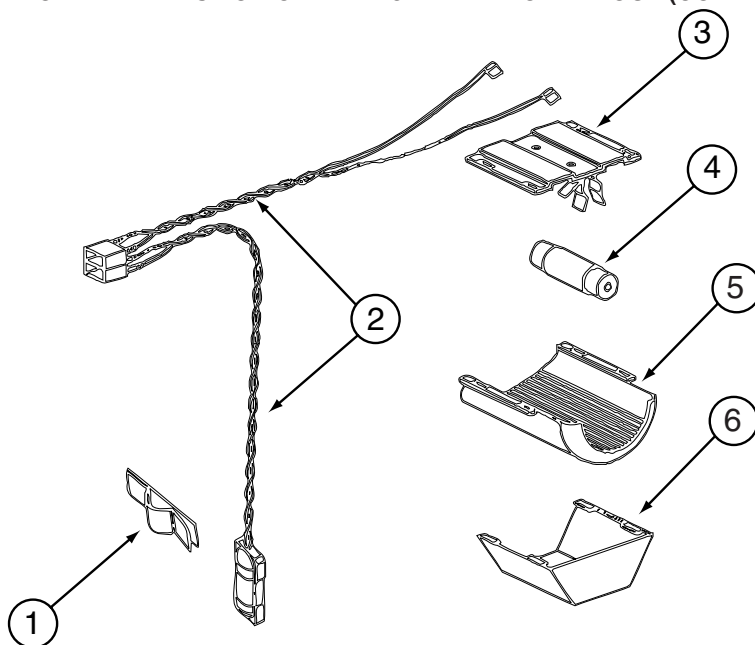


121569-03-01A, 121569-04-01A, 121569-05-01A, 121569-06-01A, 121569-07-01A (CONTINUED)

KEY	PART NUMBER	U/M	DESCRIPTION	VENDOR NO.
1	121568-03-709	EA	TRIM - TOP/BLACK	619687
2	120075-01-714	EA	PLUG-HOLE (BLACK)	618170
3	121568-03-710	EA	HINGE/CABINET-TOP/RH-LWR/LH	619335 WAFFLED
4	120075-07-705	EA	TRIM - SIDE - BLACK	622296
6	121568-03-712	EA	SHELF - WIRE/FREEZER	620250
7	121568-03-714	EA	CONTROL ASM - 2 WAY BLACK	619350
8	121568-03-713	EA	FRONT BOX/DECORATIVE-BLACK	619282
9	120075-01-720	EA	TRAY-DRIP	623250
10	121568-01-707	EA	SHELF - WIRE - SHORT	620272
11	121568-01-708	EA	SHELF - WIRE	620273
14	120075-01-725	EA	COVER-CRISPER	618158
15	121568-01-709	EA	CRISPER	618571
16	120075-01-727	EA	PIN-HINGE	618145
18	121568-03-715	EA	HINGE/CABINET-TOP/LH-LWR/RH	619336 WAFFLED
19	121568-03-716	EA	COVER - HINGE HOLES	619301
20	120075-01-729	EA	TRIM-BOTTOM PIECE	620958
21	120075-01-730	EA	RETAINER-SHELF(SER#926684 DN)	618181
22	121568-03-717	EA	HOLE PLUG - WHITE	619561
23	120075-01-732	EA	PLATE-STRIKE	618167
24	120075-07-709	EA	CABINET - FOAMED	619347
	120075-01-721	EA	LOUVER-DRIP TRAY	618176

CONTACT WINNEBAGO PART SALES FOR UNLISTED COMPONENT(S)

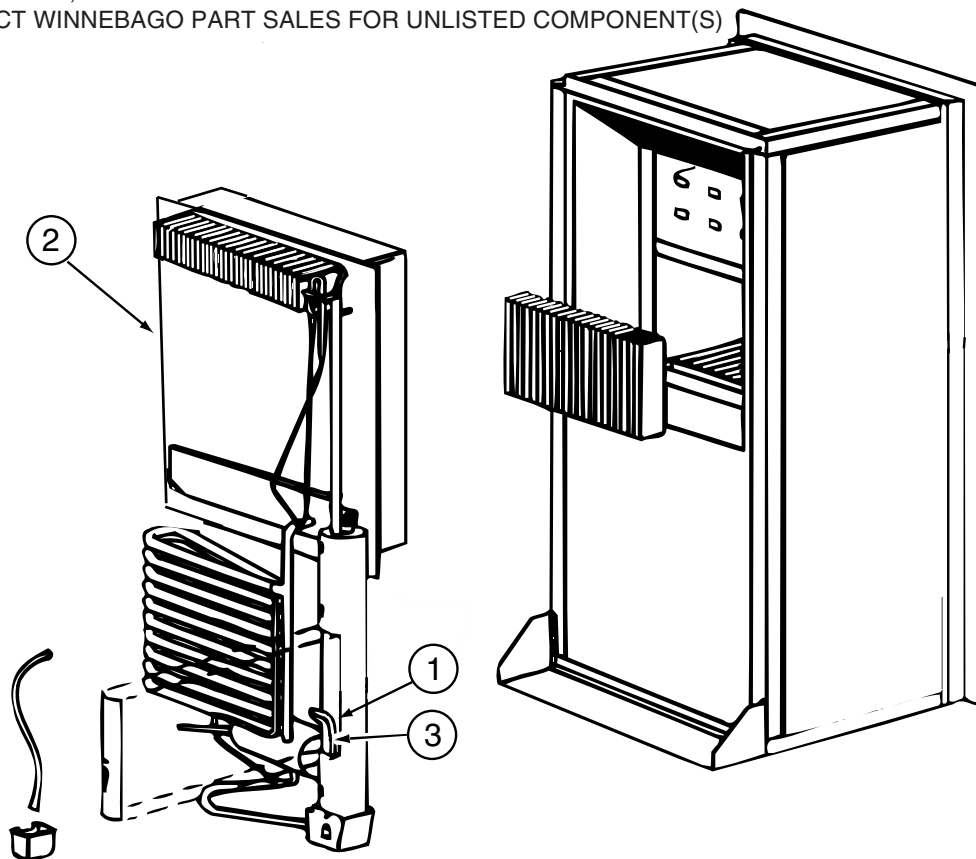
CABINET & APPLIANCE GROUP (CONTINUED)
COMPONENT PARTS FOR CABINET & APPLIANCE LAYOUT (CONTINUED)



121569-03-01A, 121569-04-01A, 121569-05-01A, 121569-06-01A, 121569-07-01A (CONTINUED)

KEY	PART NUMBER	U/M	DESCRIPTION	VENDOR NO.
1	084880-01-760	EA	CLIP (THERMISTER)	61689122
2	120075-01-735	EA	THERMISTER W/LAMP & WIRE/ASM	618548
3	084880-03-705	EA	BRACKET-LIGHT-INTERIOR	61629722
4	084880-03-706	EA	BULB-LAMP	61628922
6	084880-03-707	EA	COVER-LAMP, LENS	61627922

CONTACT WINNEBAGO PART SALES FOR UNLISTED COMPONENT(S)

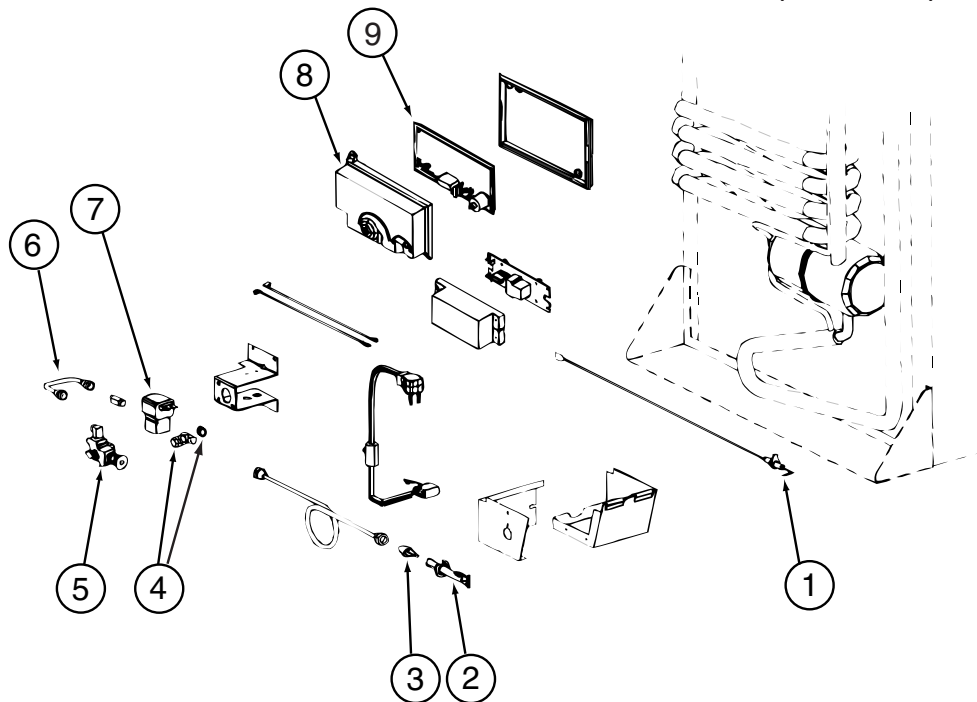


121569-03-01A, 121569-04-01A, 121569-05-01A, 121569-06-01A, 121569-07-01A (CONTINUED)

KEY	PART NUMBER	U/M	DESCRIPTION	VENDOR NO.
2	120075-01-736	EA	COOLING UNIT, SERVICE PACK	618542
3	088248-01-709	EA	HEATER-AC (HORIZONTAL)	61562722
	120075-01-744	EA	KIT - GAS VALVE/BURNER TUBE	620609

CONTACT WINNEBAGO PART SALES FOR UNLISTED COMPONENT(S)

CABINET & APPLIANCE GROUP (CONTINUED)
COMPONENT PARTS FOR CABINET & APPLIANCE LAYOUT (CONTINUED)

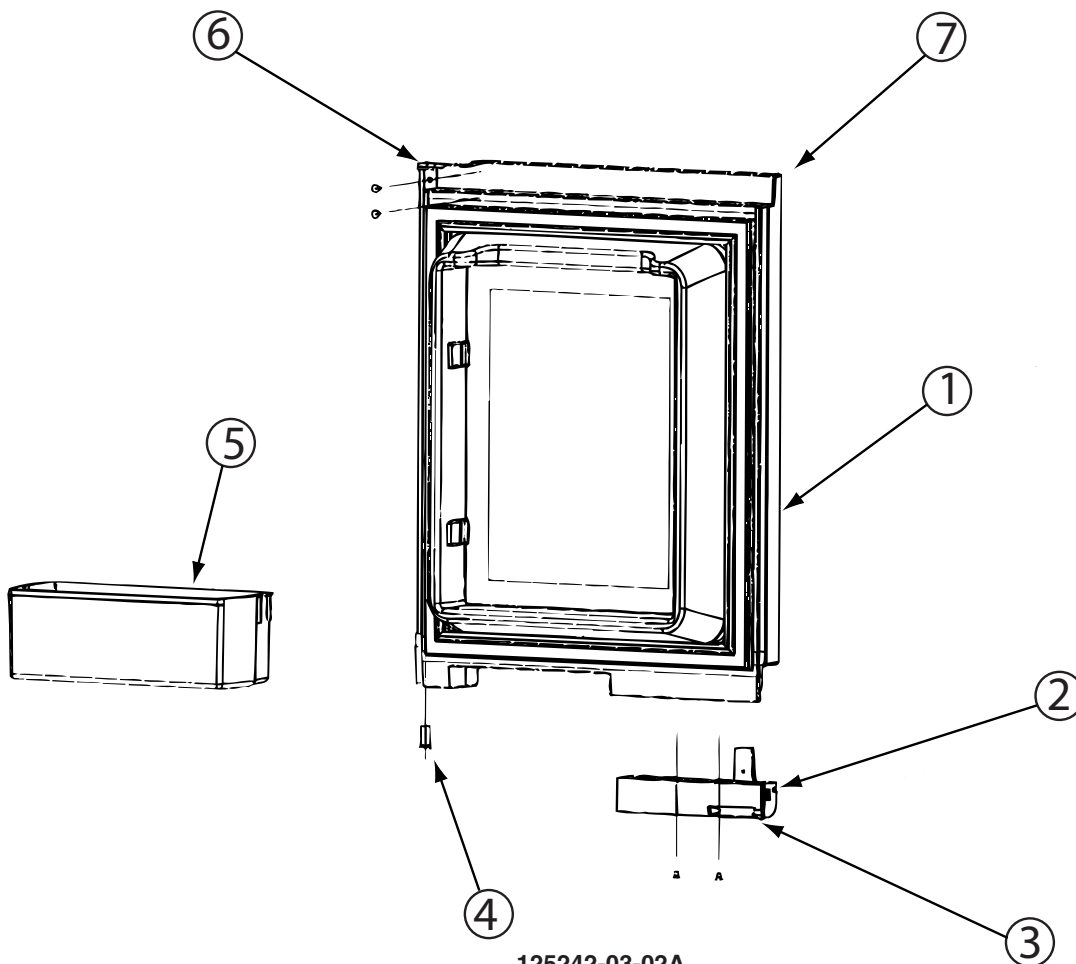


121569-03-01A, 121569-04-01A, 121569-05-01A, 121569-06-01A, 121569-07-01A (CONTINUED)

KEY	PART NUMBER	U/M	DESCRIPTION	VENDOR NO.
1	104137-06-715	EA	ELECTRODE-SPARK/SENSOR, SGL	61692222
2	104137-06-714	EA	BURNER ASSEMBLY, 5-SLOT	61705222
3	120075-01-737	EA	ORIFICE - JEWEL - .0155	618284
4	113737-01-702	EA	PLUG 1/8" F/PRESSURE TAP	61445322
4	113737-01-716	EA	TAP-PRESSURE	61594422
6	113737-01-750	EA	TUBE-UNION	61694622
7	084880-01-718	EA	KIT-GAS VALVE/SOLENOID/TUBE	621447
8	120075-01-738	EA	COVER-POWER BOARD	618185
9	121568-03-719	EA	POWER - BOARD - 2-WAY	621267
	121568-03-720	EA	VALVE/SOLENOID-MAN SHUT OFF	618696
	121569-07-700	EA	CORD - AC POWER	61554422

CONTACT WINNEBAGO PART SALES FOR UNLISTED COMPONENT(S)

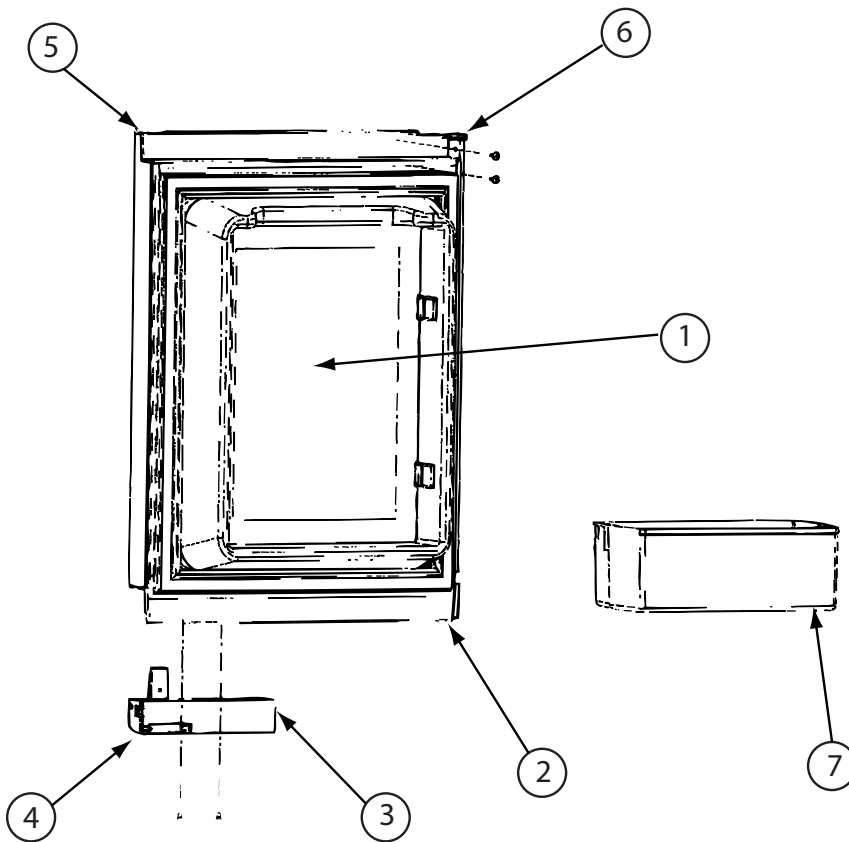
CABINET & APPLIANCE GROUP (CONTINUED)
COMPONENT PARTS FOR CABINET & APPLIANCE LAYOUT (CONTINUED)



125242-03-02A

KEY	PART NUMBER	U/M	DESCRIPTION	VENDOR NO.
1	125242-03-721	EA	LINER-DOOR/UPPER RH/WRP WPM	62906101
2	125242-02-701	EA	HANDLE(CONTOUR)TOP RH LWR LH	621106
3	125242-02-722	EA	LATCH-STORAGE DR/BLK POINTED	619374
4	125242-01-704	EA	BUSHING-HINGE MIDDLE	618746
5	125242-03-704	EA	BIN - DOOR SHELF	622831
6	125242-03-722	EA	CAP/DOOR HINGE-UPR RH/LWR LH	623819
7	125242-03-723	EA	CAP/DR CENTER-UPR RH/LWR LH	623820

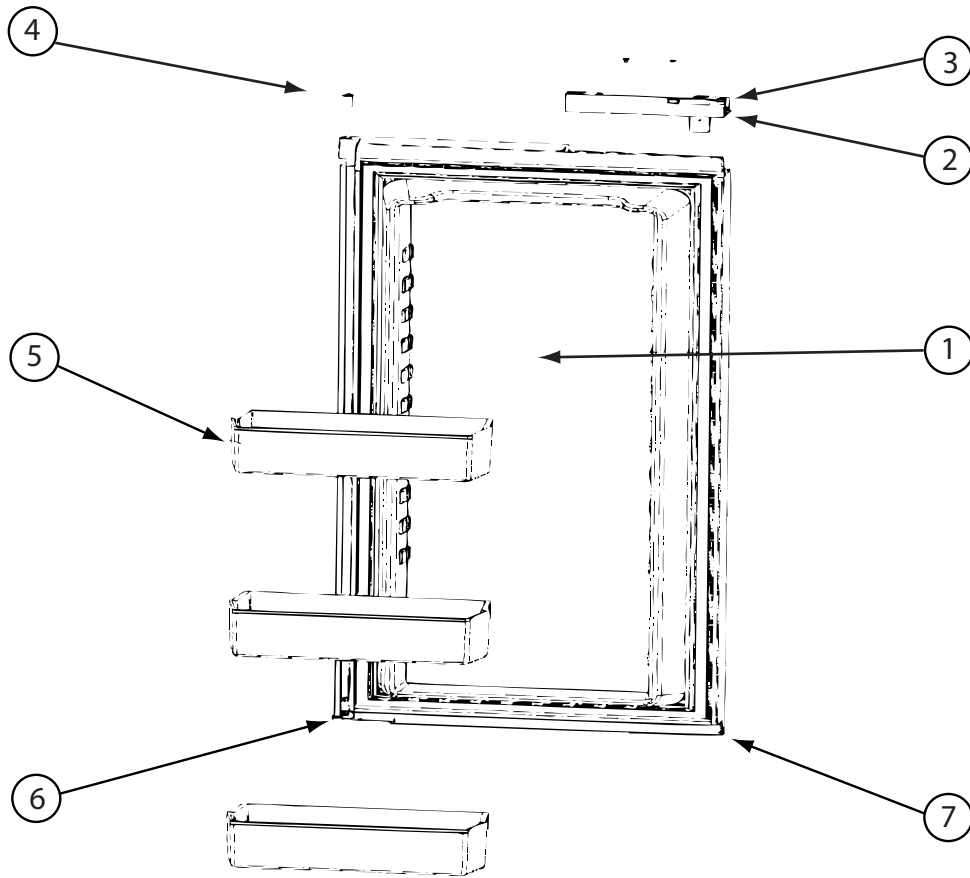
CABINET & APPLIANCE GROUP (CONTINUED)
COMPONENT PARTS FOR CABINET & APPLIANCE LAYOUT (CONTINUED)



125242-03-02A (CONTINUED)

KEY	PART NUMBER	U/M	DESCRIPTION	VENDOR NO.
1	125242-03-724	EA	LINER-DOOR/UPPER LH/WRP WPM	62906001
2	125242-01-704	EA	BUSHING-HINGE MIDDLE	618746
3	125242-02-700	EA	HANDLE(CONTOUR)TOP LH BTM RH	621107
4	125242-02-722	EA	LATCH-STORAGE DR/BLK POINTED	619374
5	125242-03-726	EA	CAP/DR CENTER-UPR LH/LWR RH	623492
6	125242-03-725	EA	CAP/DOOR HINGE-UPR LH/LWR RH	623491
7	125242-03-704	EA	BIN - DOOR SHELF	622831

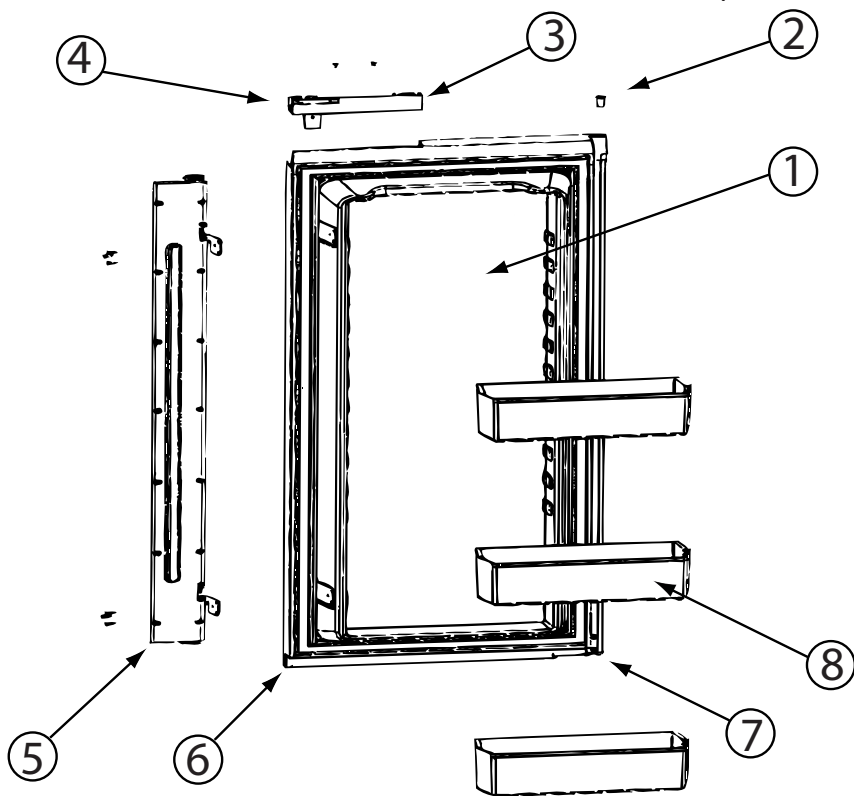
CABINET & APPLIANCE GROUP (CONTINUED)
COMPONENT PARTS FOR CABINET & APPLIANCE LAYOUT (CONTINUED)



125242-03-02A (CONTINUED)

KEY	PART NUMBER	U/M	DESCRIPTION	VENDOR NO.
1	125242-03-727	EA	LINER-DOOR/LOWER RH/WRP WPM	62906301
2	125242-02-700	EA	HANDLE(CONTOUR)TOP LH BTM RH	621107
3	125242-02-722	EA	LATCH-STORAGE DR/BLK POINTED	619374
4	125242-01-704	EA	BUSHING-HINGE MIDDLE	618746
5	125242-03-704	EA	BIN - DOOR SHELF	622831
6	125242-03-725	EA	CAP/DOOR HINGE-UPR LH/LWR RH	623491
7	125242-03-726	EA	CAP/DR CENTER-UPR LH/LWR RH	623492
	125242-01-769	EA	SHIM DOOR HINGE SERVICE KIT	625129

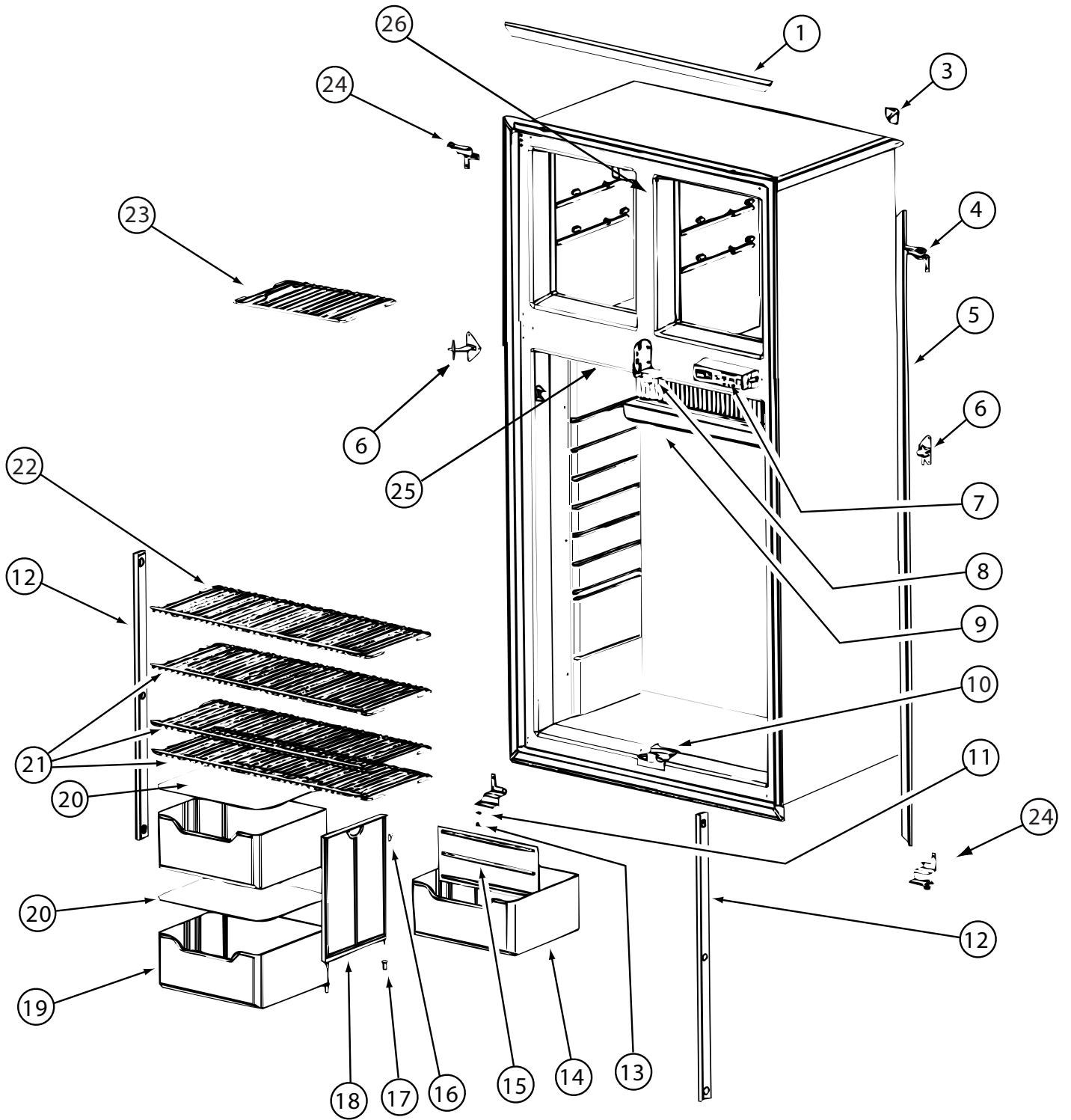
CABINET & APPLIANCE GROUP (CONTINUED)
COMPONENT PARTS FOR CABINET & APPLIANCE LAYOUT (CONTINUED)



125242-03-02A (CONTINUED)

KEY	PART NUMBER	U/M	DESCRIPTION	VENDOR NO.
1	125242-03-728	EA	LINER-DOOR/LOWER LH/WRP WPM	62906201-NO FLAPPE
2	125242-01-704	EA	BUSHING-HINGE MIDDLE	618746
3	125242-02-701	EA	HANDLE(CONTOUR)TOP RH LWR LH	621106
4	125242-02-722	EA	LATCH-STORAGE DR/BLK POINTED	619374
5	125242-02-727	EA	FLAPPER/DOUBLE POLE - FOR S.N.#540295 TO 1291390	
5	125242-02-740	EA	FLAPPER/DBL POLE-SER#1291391AND UP	
6	125242-03-722	EA	CAP/DOOR HINGE-UPR RH/LWR LH	623819
7	125242-03-723	EA	CAP/DR CENTER-UPR RH/LWR LH	623820
8	125242-03-704	EA	BIN - DOOR SHELF	622831
	125242-01-769	EA	SHIM DOOR HINGE SERVICE KIT	625129

CABINET & APPLIANCE GROUP (CONTINUED)
COMPONENT PARTS FOR CABINET & APPLIANCE LAYOUT (CONTINUED)



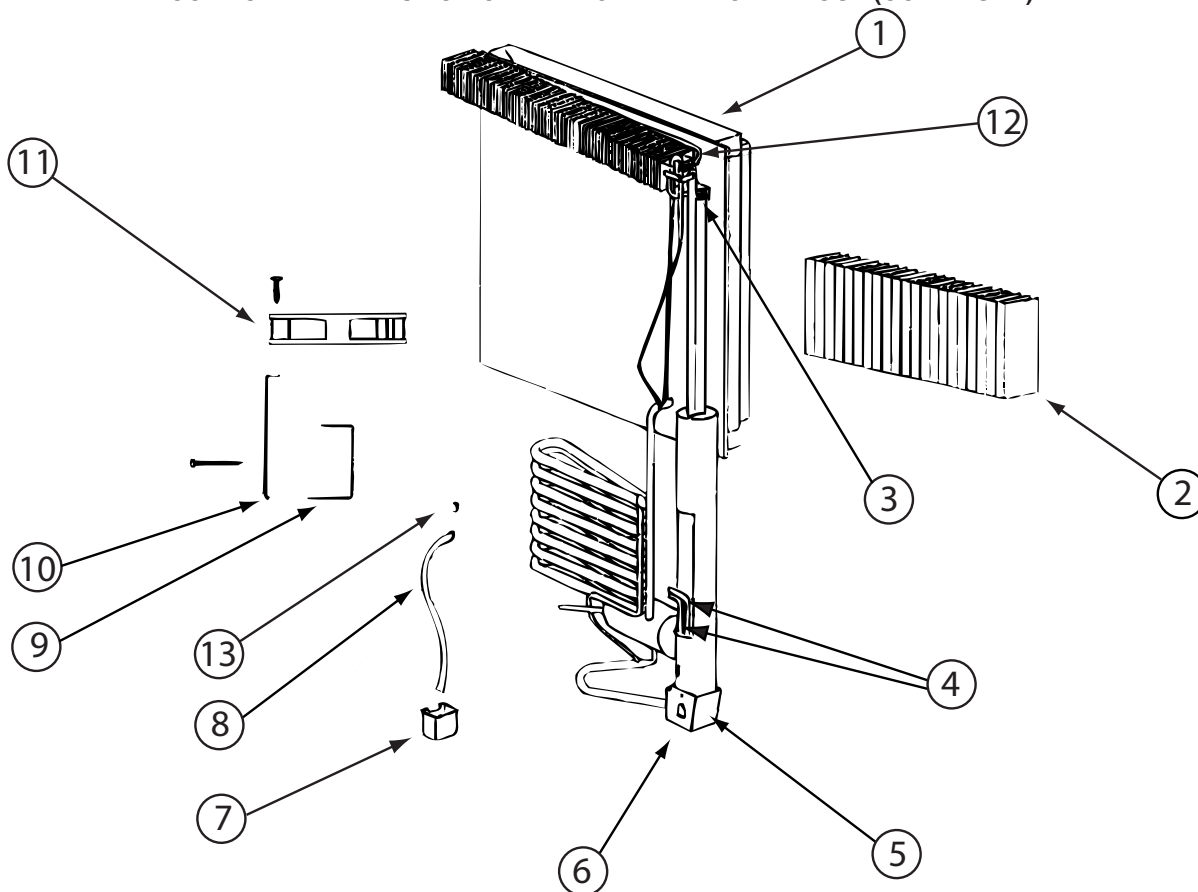
125242-03-02A (CONTINUED)

CABINET & APPLIANCE GROUP (CONTINUED)
COMPONENT PARTS FOR CABINET & APPLIANCE LAYOUT (CONTINUED)

125242-03-02A (CONTINUED)

KEY	PART NUMBER	U/M	DESCRIPTION	VENDOR NO.
1	125242-02-713	EA	TRIM/UPR/LWR - SIDE SNAP ON	621975
1	125242-02-730	EA	TRIM - TOP/BOTTOM - SCREW ON	623255
3	125242-01-722	EA	TRIM - CORNER	618844
4	125242-03-711	EA	HINGE-UPR RH/LWR LH WRAP/DRS	623824
5	125242-01-766	EA	TRIM-LT/RT HAND-SCREW ON	623254
5	125242-02-714	EA	TRIM/SIDES - SIDE SNAP ON	621976
6	125242-03-729	EA	HINGE - MIDDLE	627685
6	125242-03-730	EA	HINGE PIN - MIDDLE HINGE	627684
7	125242-03-731	EA	CONTROL-OPT/ SN8981139 & UP	628970
7	125242-03-712	EA	CONTROL-OPT/GRAY- SN832172 UP	624868
8	125242-01-721	EA	STRIKE PLATE	618835
9	125242-01-712	EA	DRIP TRAY	618774
10	125242-02-717	EA	GUIDE ASM LWR(SER#540295 UP)	620043
10	125242-02-719	EA	GUIDE ASM UPR(SER#540295 UP)	620041
10	125242-03-713	EA	GUIDE BLOCK/FLAPPER/BTM BLK	624140
10	125242-03-714	EA	GUIDE-FLAPPERTOP/BLACK	624141
12	120075-01-730	EA	RETAINER-SHELF(SER#926684 DN)	618181
12	125242-02-720	EA	RETAINER/SHEF(SER#926685 UP)	622033
13	125242-03-715	EA	HINGE PIN/UPR-WRAPPED DOORS	623899
15	125242-01-733	EA	DIVIDER-BOTTLE CRISPER	618877
16	125242-01-750	EA	CLIP	61409622
18	125242-01-749	EA	SUPPORT - WALL	618840
20	125242-01-706	EA	COVER-CRISPER	618757
21	125242-01-726	EA	SHELF-WIRE (LONG)	618848
22	125242-01-727	EA	SHELF-WIRE (SHORT)	618849
23	125242-01-725	EA	SHELF-FREEZER (WIRE)	618847
24	125242-03-716	EA	HINGE-TOP LH/WRAPPED DOORS	623823
25	125242-01-735	EA	SWITCH - DOOR LIGHT	618884
25	125242-01-768	EA	SWITCH - DOOR LIGHT	623918
	120075-01-714	EA	PLUG-HOLE (BLACK)	618170
	125242-01-728	EA	CAP-SCREW WHITE	618853
	125242-03-706	EA	PROBE - CONTACT/LARGE	620689
			CONTACT WINNEBAGO PART SALES FOR UNLISTED COMPONENT(S)	

CABINET & APPLIANCE GROUP (CONTINUED)
COMPONENT PARTS FOR CABINET & APPLIANCE LAYOUT (CONTINUED)

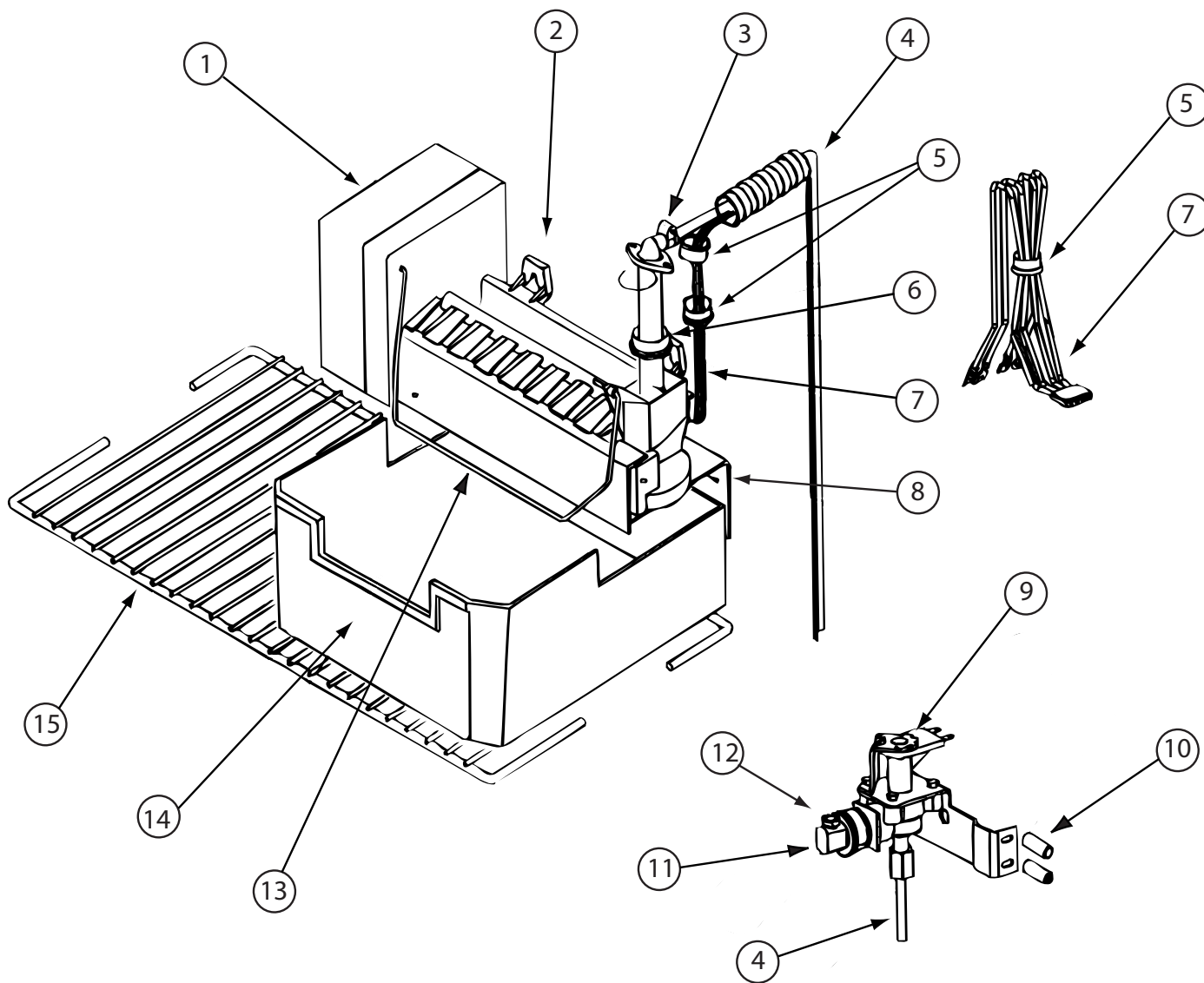


125242-03-02A (CONTINUED)

KEY	PART NUMBER	U/M	DESCRIPTION	VENDOR NO.
1	125242-01-746	EA	COOLING UNIT - 1200	618964
1	125242-05-719	EA	COOLING UNIT - SN 8835498 UP	629507
2	125242-05-713	EA	FINS	618785
4	125242-01-732	EA	HEATER AC - 225W/110VAC	618872
5	125242-01-739	EA	BASE-BURNER BOX	618902
6	125242-01-740	EA	COVER-BURNER BOX	618910
9	125242-01-730	EA	BRACKET-DC FAN	618857
9	125242-05-721	EA	BRACKET-DC FAN-SN 914576 UP	628747
10	125242-01-741	EA	SUPPORT-DC FAN	618912
11	125242-01-729	EA	FAN-EXTERNAL DC	618856
11	125242-05-722	EA	FAN-EXTRNL DC-SN 914576 UP	628685
12	113737-01-754	EA	THERMOSTAT (FAN 12V DC)	618093
	125242-01-742	EA	WIRE ASM.-BAFFLE 55.15"	618915

CONTACT WINNEBAGO PART SALES FOR UNLISTED COMPONENT(S)

CABINET & APPLIANCE GROUP (CONTINUED)
COMPONENT PARTS FOR CABINET & APPLIANCE LAYOUT (CONTINUED)

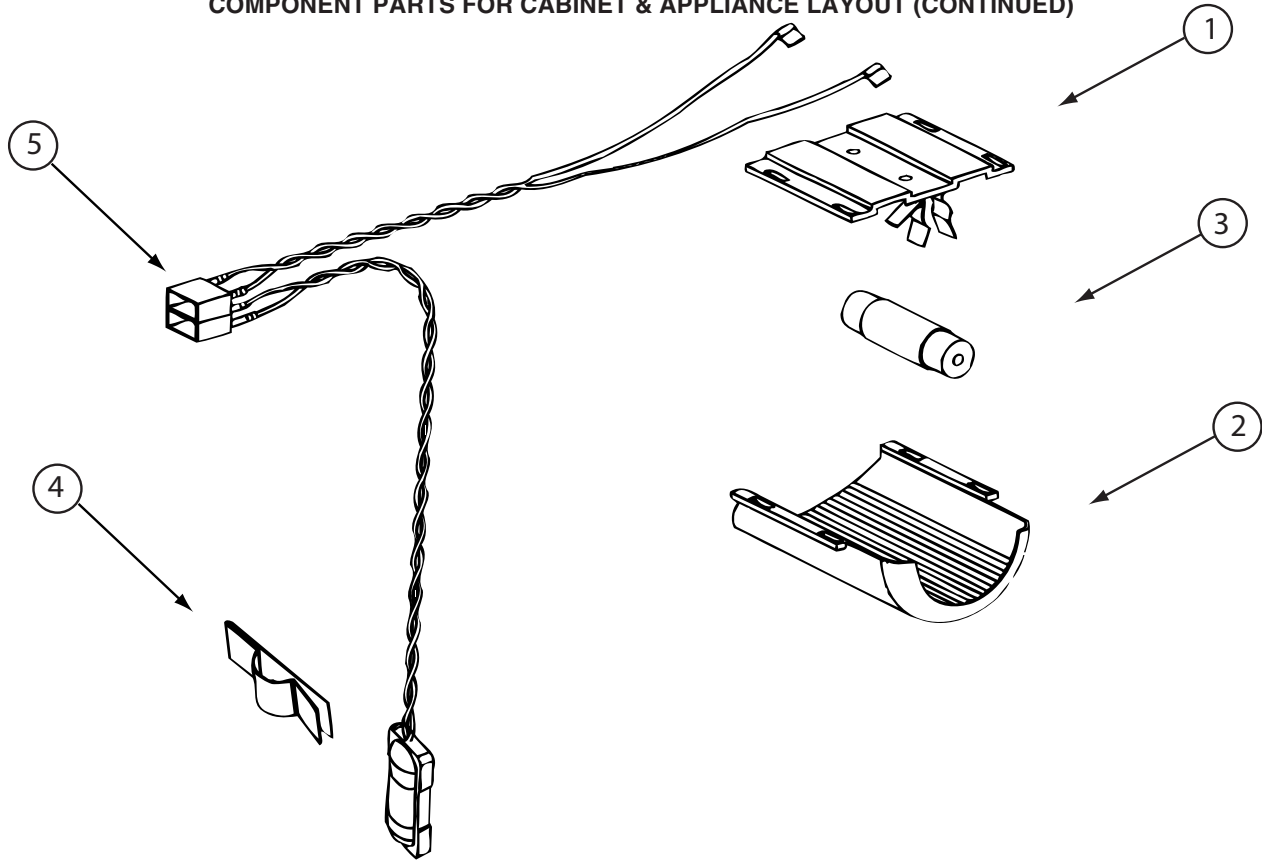


125242-03-02A & 125242-05-02A (CONTINUED)

KEY	PART NUMBER	U/M	DESCRIPTION	VENDOR NO.
2	094039-07-706	EA	ICE MAKER W/O PLATES	61656522
4	125242-05-724	EA	WATER TUBE/HEATER ASM	621429
6	120075-03-706	EA	FITTING WATER LINE	620039
8	125242-01-737	EA	BRACKET-MOUNTING (ICE MAKER)	618894/620890
9	120075-03-701	EA	WATER VALVE - W/BRACKET	618253
11	094039-07-707	EA	GARDEN HOSE ADAP W/BRASS NUT	61679622
12	094039-07-708	EA	NUT - COMPRESSION	622991
13	120075-03-703	EA	ARM-SHUT OFF	61656922
14	125242-01-716	EA	ICE BIN	618803
15	125242-01-725	EA	SHELF-FREEZER (WIRE)	618847
	120075-09-703	EA	THERMOSTAT	620240

CONTACT WINNEBAGO PART SALES FOR UNLISTED COMPONENT(S)

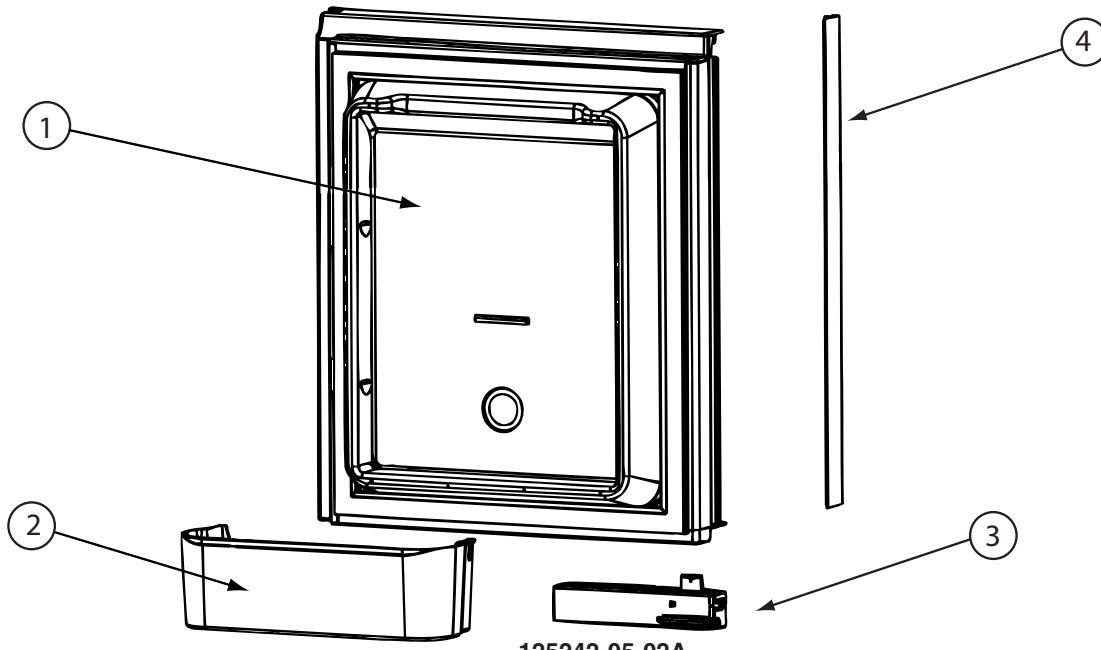
CABINET & APPLIANCE GROUP (CONTINUED)
COMPONENT PARTS FOR CABINET & APPLIANCE LAYOUT (CONTINUED)



125242-03-02A & 125242-05-02A (CONTINUED)

KEY	PART NUMBER	U/M	DESCRIPTION	VENDOR NO.
1	084880-03-705	EA	BRACKET-LIGHT-INTERIOR	61629722
2	125242-02-708	EA	COVER/LAMP BRACKET	621827
3	084880-03-706	EA	BULB-LAMP	61628922
4	084880-01-760	EA	CLIP (THERMISTER)	61689122
5	125242-02-706	EA	LAMP/WIRE ASM/SER#849677 UP	620871

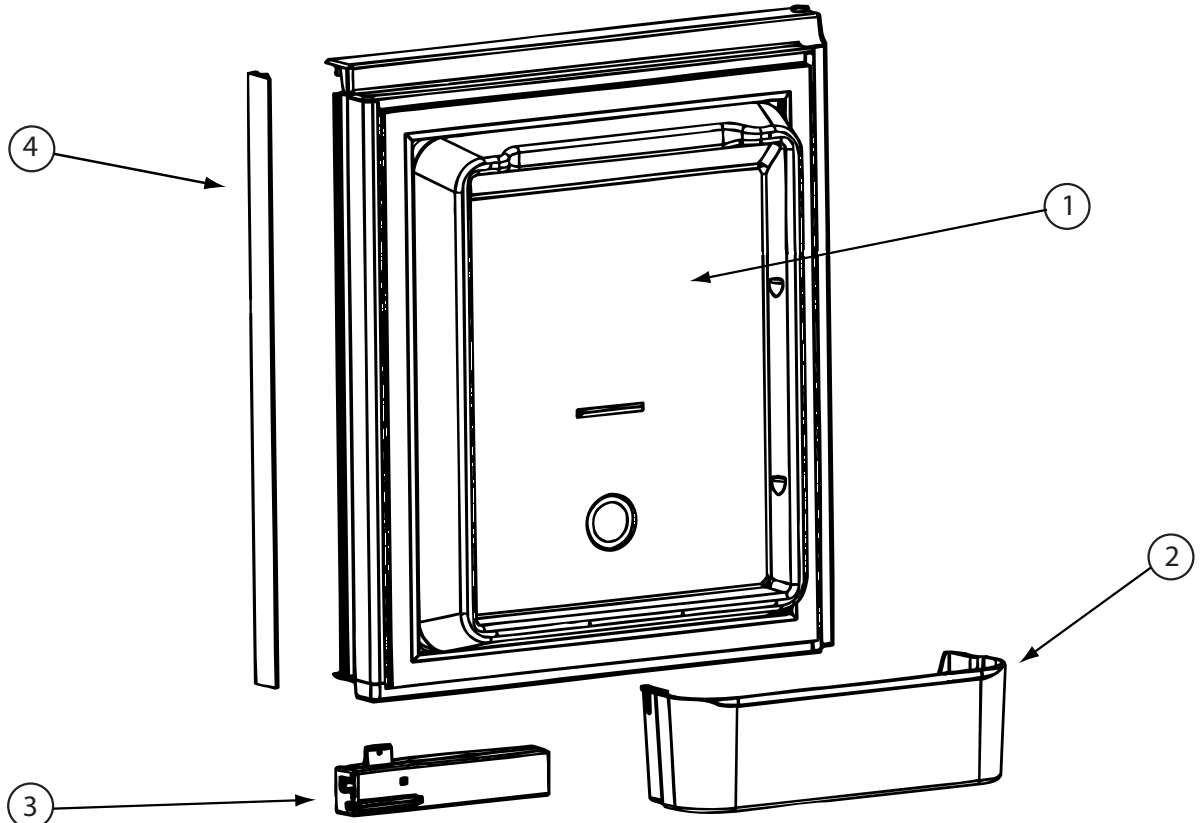
CABINET & APPLIANCE GROUP (CONTINUED)
COMPONENT PARTS FOR CABINET & APPLIANCE LAYOUT (CONTINUED)



125242-05-02A

KEY	PART NUMBER	U/M	DESCRIPTION	VENDOR NO.
1	125242-05-700	EA	LINER-DOOR/UPPER RH/WRP WPM	62913401
2	125242-05-701	EA	BIN - DOOR SHELF	628686
3	125242-02-701	EA	HANDLE(CONTOUR)TOP RH LWR LH	621106
	125242-02-722	EA	LATCH-STORAGE DR/BLK POINTED	619374

CONTACT WINNEBAGO PART SALES FOR UNLISTED COMPONENT(S)

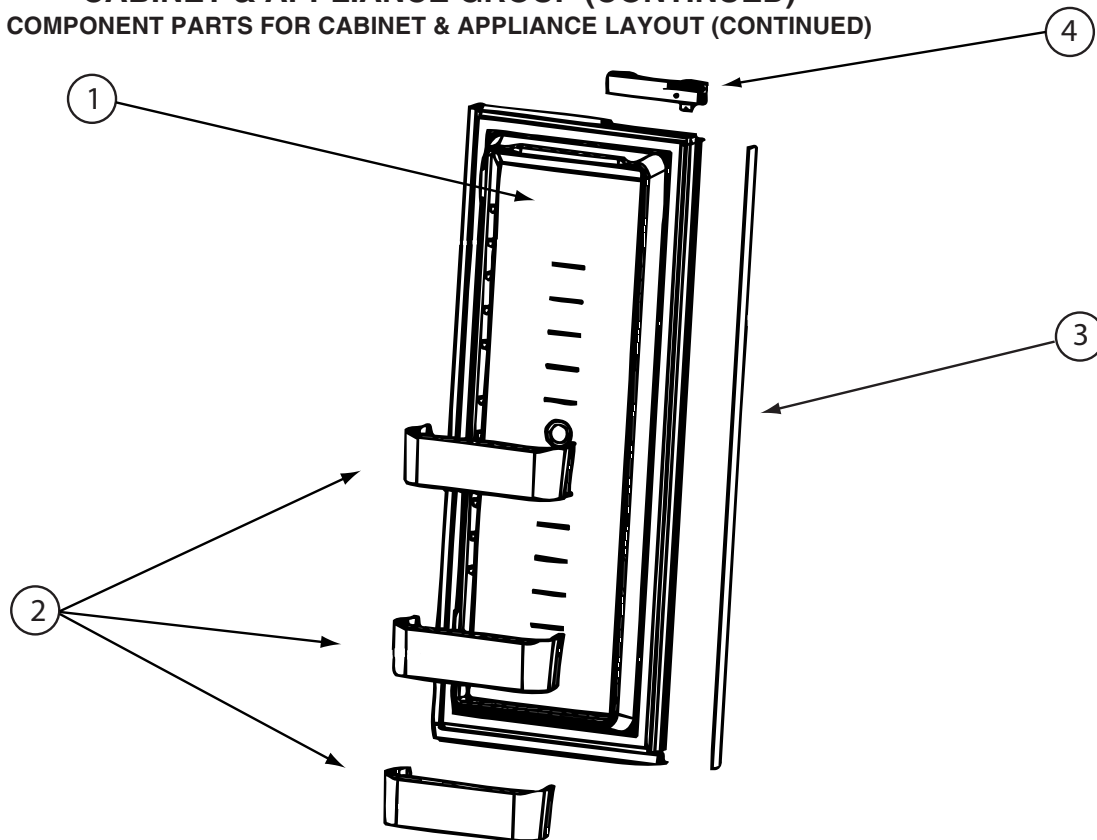


125242-05-02A (CONTINUED)

KEY	PART NUMBER	U/M	DESCRIPTION	VENDOR NO.
1	125242-05-702	EA	LINER-DOOR/UPPER LH/WRP WPM	62913301
2	125242-05-701	EA	BIN - DOOR SHELF	628686
3	125242-02-700	EA	HANDLE(CONTOUR)TOP LH BTM RH	621107
	125242-02-722	EA	LATCH-STORAGE DR/BLK POINTED	619374

CONTACT WINNEBAGO PART SALES FOR UNLISTED COMPONENT(S)

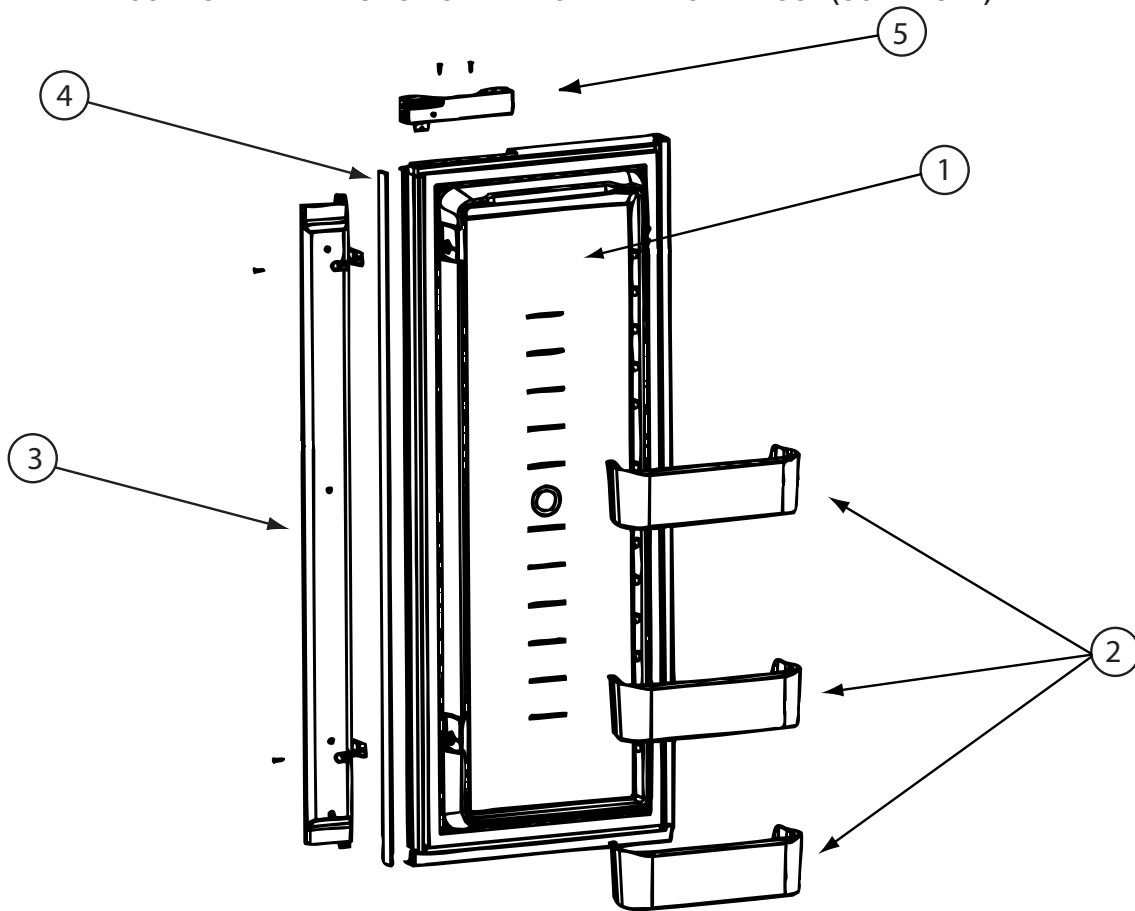
CABINET & APPLIANCE GROUP (CONTINUED)
COMPONENT PARTS FOR CABINET & APPLIANCE LAYOUT (CONTINUED)



125242-05-02A (CONTINUED)

KEY	PART NUMBER	U/M	DESCRIPTION	VENDOR NO.
1	125242-05-703	EA	LINER-DOOR/LOWER RH/WRP WPM	62913601
2	125242-05-701	EA	BIN - DOOR SHELF	628686
4	125242-02-700	EA	HANDLE(CONTOUR)TOP LH BTM RH	621107
	125242-02-722	EA	LATCH-STORAGE DR/BLK POINTED	619374
CONTACT WINNEBAGO PART SALES FOR UNLISTED COMPONENT(S)				

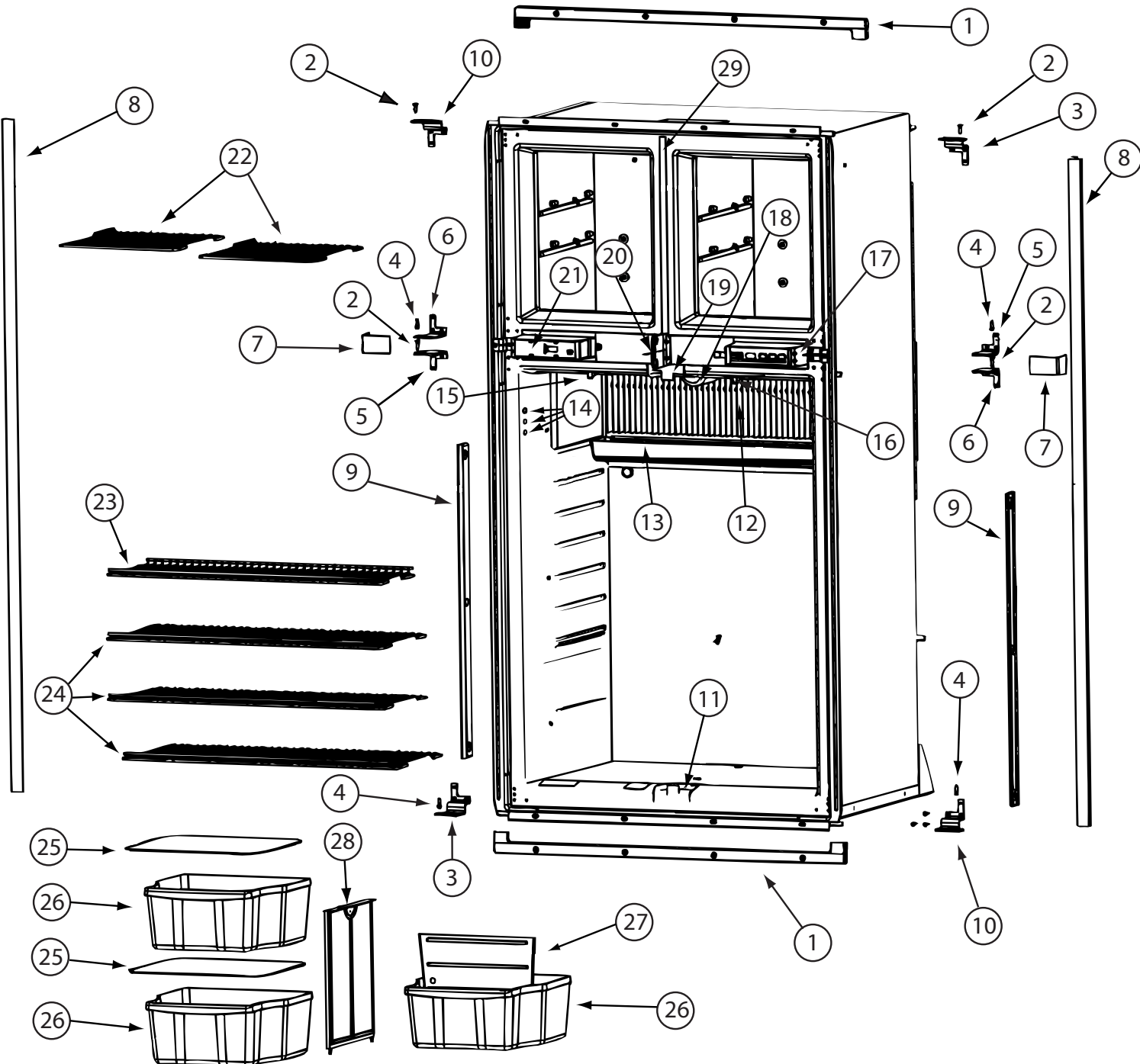
CABINET & APPLIANCE GROUP (CONTINUED)
COMPONENT PARTS FOR CABINET & APPLIANCE LAYOUT (CONTINUED)



125242-05-02A (CONTINUED)

KEY	PART NUMBER	U/M	DESCRIPTION	VENDOR NO.
1	125242-05-704	EA	LINER-DOOR/LOWER LH/WRP WPM	62913501
2	125242-05-701	EA	BIN - DOOR SHELF	628686
3	125242-05-705	EA	FLAPPER ASM	629049
5	125242-02-701	EA	HANDLE(CONTOUR)TOP RH LWR LH	621106
	125242-02-722	EA	LATCH-STORAGE DR/BLK POINTED	619374
CONTACT WINNEBAGO PART SALES FOR UNLISTED COMPONENT(S)				

CABINET & APPLIANCE GROUP (CONTINUED)
COMPONENT PARTS FOR CABINET & APPLIANCE LAYOUT (CONTINUED)



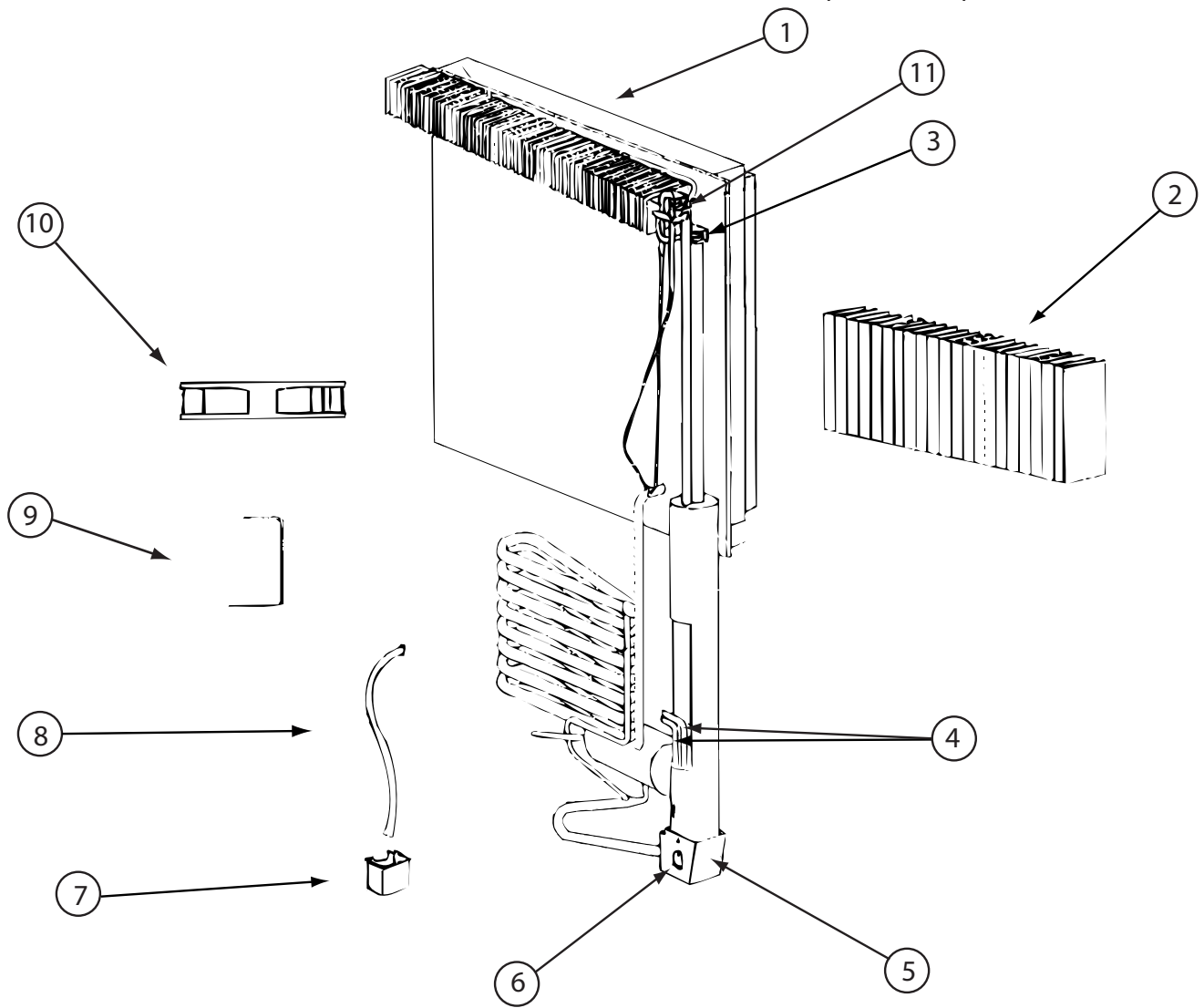
125242-05-02A (CONTINUED)

CABINET & APPLIANCE GROUP (CONTINUED)
COMPONENT PARTS FOR CABINET & APPLIANCE LAYOUT (CONTINUED)

125242-05-02A (CONTINUED)

KEY	PART NUMBER	U/M	DESCRIPTION	VENDOR NO.
1	125242-01-767	EA	KIT - UNIVERSAL TRIM (MAKE YOUR OWN)CORNERS/ETC - SCREW-ON	
2	125242-03-715	EA	HINGE PIN/UPR-WRAPPED DOORS	623899
3	125242-05-707	EA	HINGE-OUTER/UPPER RH/LWR LH	628946
4	113737-01-710	EA	PIN-HINGE, BOTTOM	61550722
5	125242-05-708	EA	HINGE-INNER/UPPER RH/LWR LH	624363
6	125242-05-709	EA	HINGE-INNER/UPPER LH/LWR RH	624364
7	125242-05-710	EA	COVER - HINGE	627955
8	125242-01-766	EA	TRIM - LEFT HAND/RIGHT HAND - VERTICAL - SCREW-ON	
9	125242-02-720	EA	RETAINER/SHELF(SER#926685 UP)	622033
10	125242-05-711	EA	HINGE-OUTER/UPPER LH/LWR RH	628945
11	125242-05-712	EA	GUIDE BLOCK-FLAPPER/BTM/BLK	629112
12	125242-05-713	EA	FINS	618785
13	125242-01-712	EA	DRIP TRAY	618774
14	125242-03-706	EA	PROBE - CONTACT/LARGE	620689
15	125242-01-768	EA	SWITCH - DOOR LIGHT	623918
16	125242-02-706	EA	LAMP/WIRE ASM/SER#849677 UP	620871
17	125242-05-706	EA	CONTROL ASM - OPTICAL	629113
18	125242-02-708	EA	COVER/LAMP BRACKET	621827
19	125242-05-714	EA	GUIDE BLOCK-FLAPPER/TOP/BLK	629111
20	125242-05-715	EA	PLATE/STRIKE - BLACK	628473
21	125242-05-716	EA	BOX/FRONT - DUMMY	624366
22	125242-01-725	EA	SHELF-FREEZER (WIRE)	618847
23	125242-01-727	EA	SHELF-WIRE (SHORT)	618849
24	125242-01-726	EA	SHELF-WIRE (LONG)	618848
25	125242-01-706	EA	COVER-CRISPER	618757
26	125242-05-717	EA	BIN - BOTTLE/CRISPER	628688
27	125242-05-718	EA	DIVIDER - BOTTLE/CRISPER	628694
28	125242-01-749	EA	SUPPORT - WALL	618840
29	125242-02-741	EA	STRIP-FREEZER-BLACK	625210 #1291391 &UP
	084880-03-705	EA	BRACKET-LIGHT-INTERIOR	61629722
	084880-03-706	EA	BULB-LAMP	61628922
	120075-01-714	EA	PLUG-HOLE (BLACK)	618170

CABINET & APPLIANCE GROUP (CONTINUED)
COMPONENT PARTS FOR CABINET & APPLIANCE LAYOUT (CONTINUED)

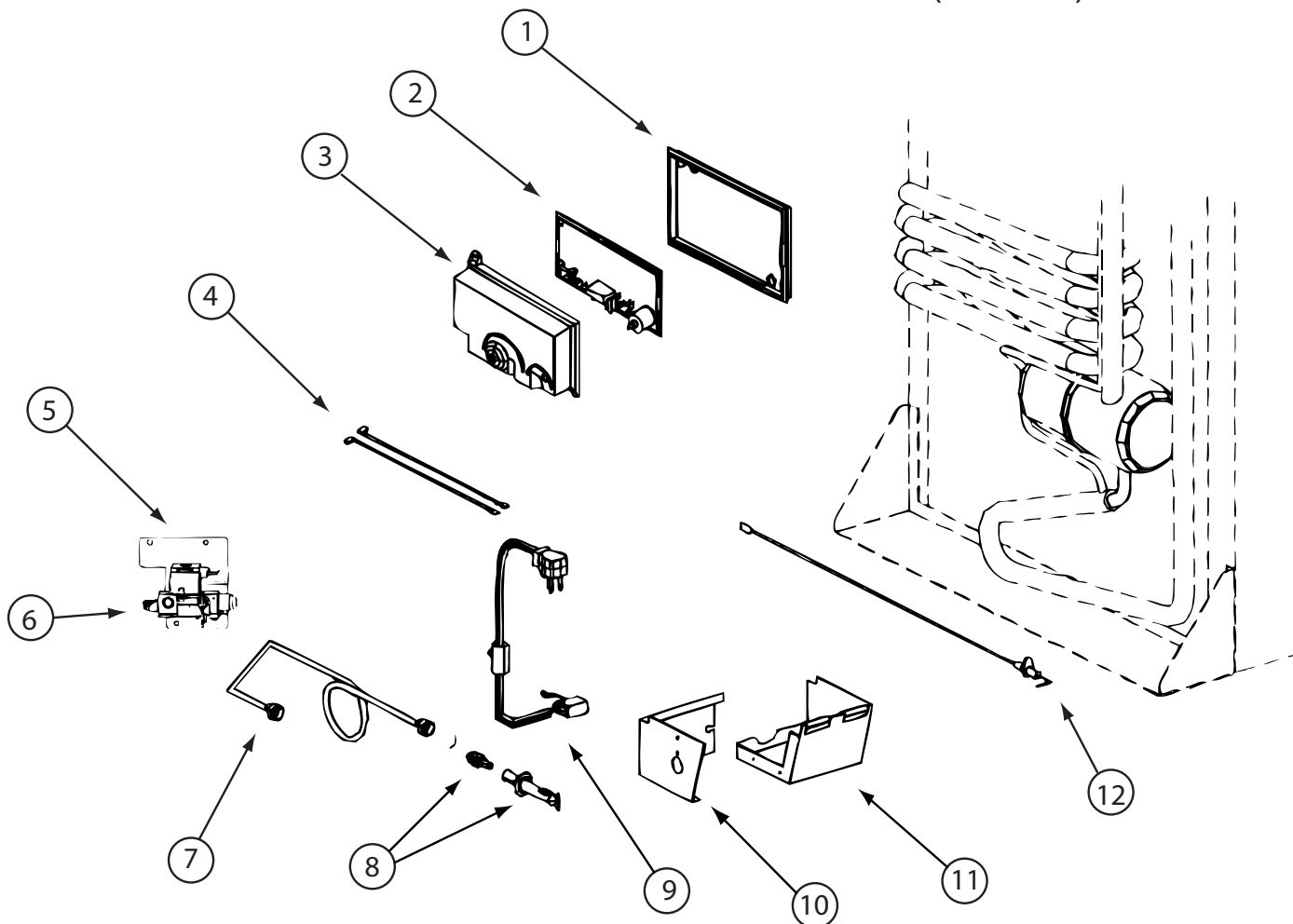


125242-05-02A (CONTINUED)

KEY	PART NUMBER	U/M	DESCRIPTION	VENDOR NO.
1	125242-05-719	EA	COOLING UNIT - SN 8835498 UP	629507
2	125242-05-713	EA	FINS	618785
4	125242-01-732	EA	HEATER AC - 225W/110VAC	618872
5	125242-01-739	EA	BASE-BURNER BOX	618902
6	125242-01-740	EA	COVER-BURNER BOX	618910
9	125242-05-721	EA	BRACKET-DC FAN-SN 9144576 UP	628747
10	125242-05-722	EA	FAN-EXTRNL DC-SN 9144576 UP	628685
11	113737-01-754	EA	THERMOSTAT (FAN 12V DC)	618093
	125242-01-742	EA	WIRE ASM.-BAFFLE 55.15"	618915
	125242-05-720	EA	SWITCH-THERMAL	628118

CONTACT WINNEBAGO PART SALES FOR UNLISTED COMPONENT(S)

CABINET & APPLIANCE GROUP (CONTINUED)
COMPONENT PARTS FOR CABINET & APPLIANCE LAYOUT (CONTINUED)



125242-03-02A & 125242-05-02A (CONTINUED)

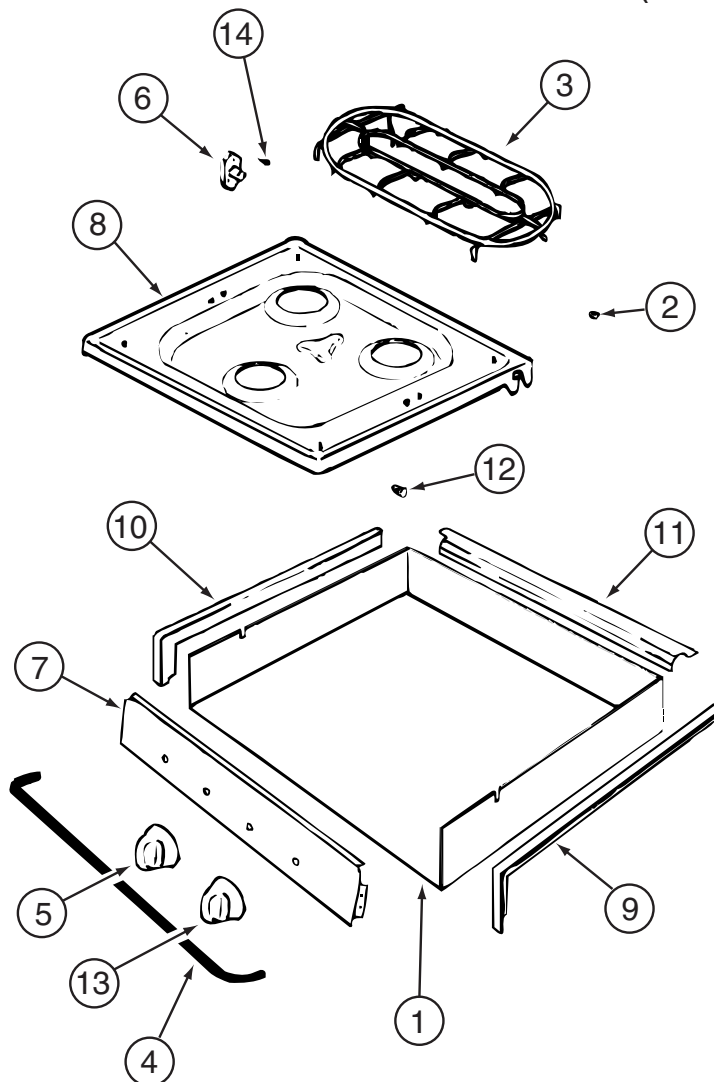
KEY	PART NUMBER	U/M	DESCRIPTION	VENDOR NO.
1	121569-08-701	EA	BASE - POWER BOARD	628674
2	121568-06-709	EA	BOARD/POWER-N611/N822F	628661
3	121569-08-702	EA	COVER-POWER BOARD	628677
4	125242-02-709	EA	WIRE/WHITE/9"/GAS VALVE	621448
6	121569-08-703	EA	VALVE - SOLENOID	628741
7	125242-05-723	EA	BURNER TUBE	624683
8	125242-02-743	EA	BURNER ORFICE ADAPTER ASSY - NORCOLD# 629013	
9	121569-07-700	EA	CORD - AC POWER	61554422
10	125242-01-740	EA	COVER-BURNER BOX	618910
11	125242-01-739	EA	BASE-BURNER BOX	618902
12	104137-06-715	EA	ELECTRODE-SPARK/SENSOR, SGL	61692222

CONTACT WINNEBAGO PART SALES FOR UNLISTED COMPONENT(S)

126022-01-01A, 126022-02-01A, 126022-03-01A

KEY	PART NUMBER	U/M	DESCRIPTION	VENDOR NO.
	114030-01-707	EA	PLUG BUTTON BLACK	74002628
	126022-01-700	EA	BUMPER - RANGE BIFOLD COVER	MAGIC 8003P007-60
	126022-01-701	EA	HINGE-RANGE BIFOLD COVER-22"	MAGIC 3418F067-34

CABINET & APPLIANCE GROUP (CONTINUED)
COMPONENT PARTS FOR CABINET & APPLIANCE LAYOUT (CONTINUED)

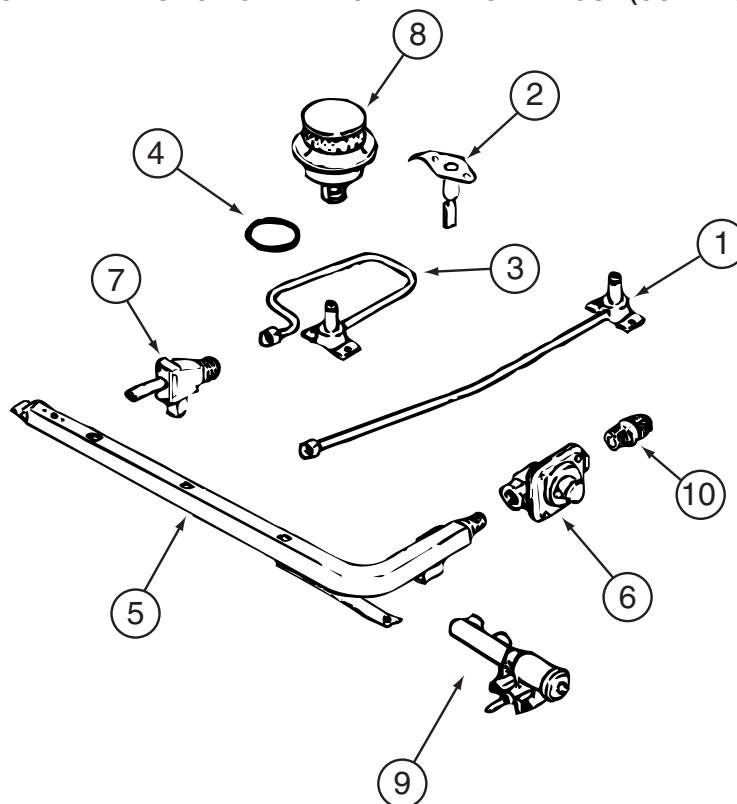


135065-03-01A, 135065-03-03A, 135065-04-01A

KEY	PART NUMBER	U/M	DESCRIPTION	VENDOR NO.
2	102020-01-709	EA	BUMPER-GRATE	8007-P020-60
3	135065-03-703	EA	GRATE - BLACK(SEALED BURNER)	74007304
4	114030-02-700	EA	GUARD/FABRIC - TOWEL BAR	3609F006-70
5	128728-01-701	EA	KNOB - BURNER - REAR	74003941
5	128728-01-702	EA	KNOB - BURNER - FRONT	74003942
6	128728-01-703	EA	PIN/T-NUT F/HINGE	7103P109-60
7	135065-03-704	EA	PANEL - MANIFOLD (BLACK)	74007330
8	128728-01-705	EA	TOP - MAIN - BLACK	74003928
8	135065-03-715	EA	TOP - MAIN - STAINLESS STEEL	74007299
9	114030-01-704	EA	TRIM - RIGHT/BLACK TEXTURED	74002839
10	114030-01-705	EA	TRIM - LEFT/BLACK TEXTURED	74002840
11	114030-01-706	EA	TRIM - REAR/BLACK TEXTURED	74002841
12	102020-01-724	EA	BUMPER-MAIN TOP	8003P008-60
13	128728-01-707	EA	KNOB - IGNITOR	74003944

CONTACT WINNEBAGO PART SALES FOR UNLISTED COMPONENT(S)

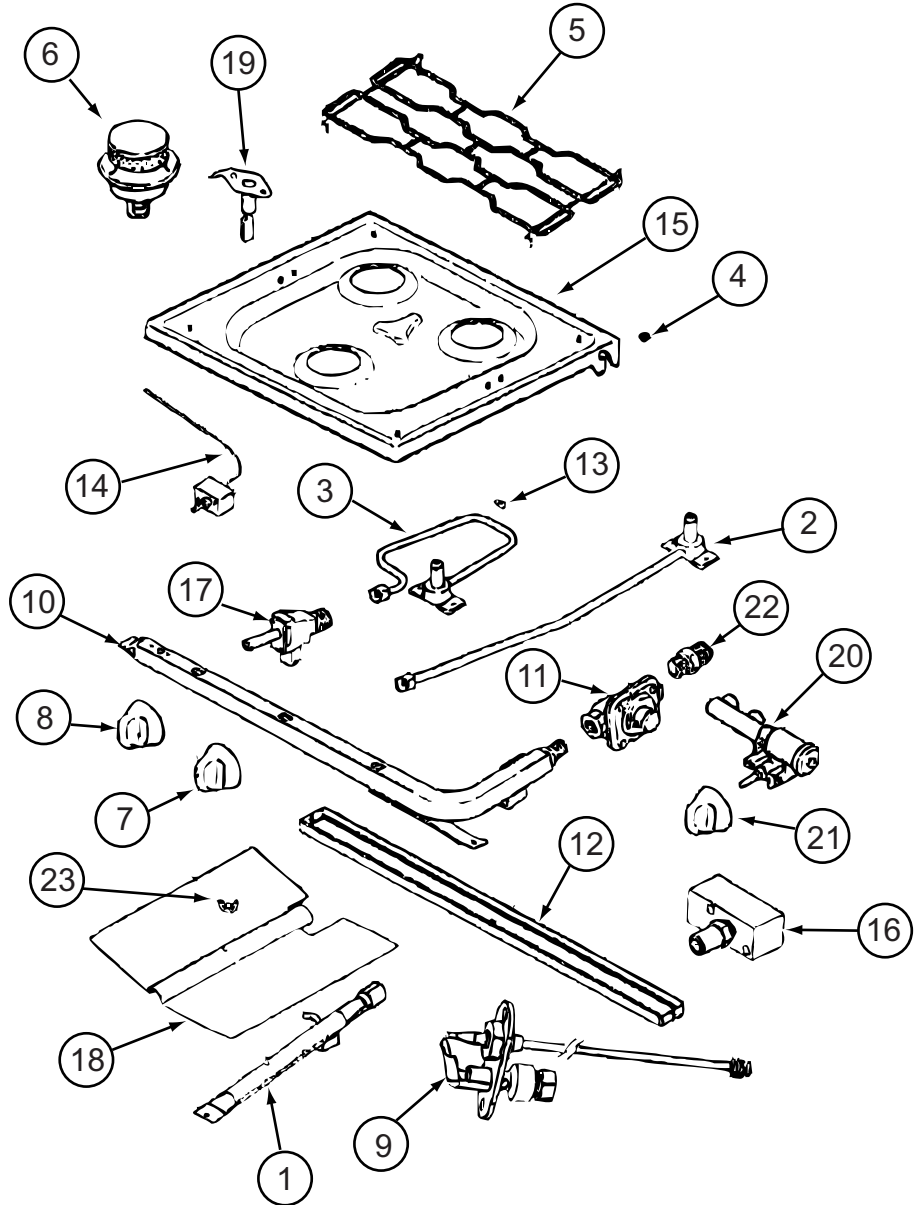
CABINET & APPLIANCE GROUP (CONTINUED)
COMPONENT PARTS FOR CABINET & APPLIANCE LAYOUT (CONTINUED)



135065-03-01A, 135065-03-03A, 135065-04-01A (CONTINUED)

KEY	PART NUMBER	U/M	DESCRIPTION	VENDOR NO.
1	128728-01-708	EA	FITTING W/ORFICE/TUBE - REAR	74003931
2	135065-01-701	EA	IGNITOR/PORCELAIN-TOP BURNER	74004053
3	128728-01-710	EA	FITTING W/ORFICE/TUBE - FRT	74003930
4	135065-03-700	EA	FITTING - HALF UNION	74004234
5	135065-01-702	EA	PIPE/MANIFOLD	74004642
6	126023-02-703	EA	REGULATOR - PRESSURE	74004235
7	135065-01-703	EA	VALVE/BURNER - REAR	74004643
7	135065-01-704	EA	VALVE/BURNER-FRT-HI	74004644
7	135065-03-701	EA	SCREW - VALVE	71003231
8	135065-03-702	EA	SEALED BURNER ASM.(BLACK) RV	74003967
9	128728-01-716	EA	BURNER - IGNITOR	74003946
9	128728-01-717	EA	WIRES - IGNITOR	74003947

CABINET & APPLIANCE GROUP (CONTINUED)
COMPONENT PARTS FOR CABINET & APPLIANCE LAYOUT (CONTINUED)



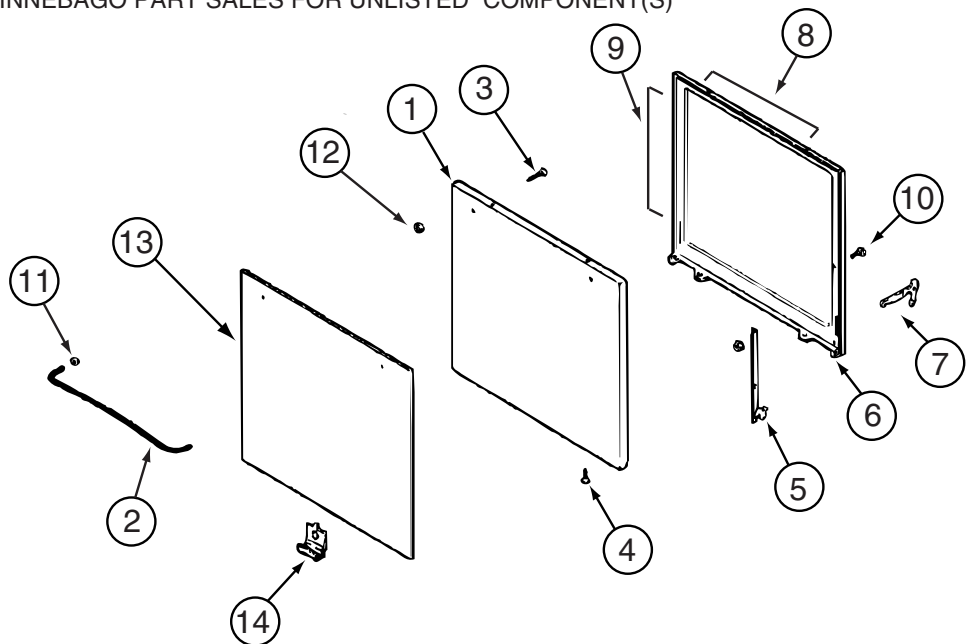
151277-03-01A, 151279-01-01A, 151279-02-01A/02A, 151279-03-01A

CABINET & APPLIANCE GROUP (CONTINUED)
COMPONENT PARTS FOR CABINET & APPLIANCE LAYOUT (CONTINUED)

151277-03-01A, 151279-01-01A, 151279-02-01A/02A, 151279-03-01A (CONTINUED)

KEY	PART NUMBER	U/M	DESCRIPTION	VENDOR NO.
1	151279-02-700	EA	BURNER - OVEN - W/SHUTTER	74009853
2	128728-01-708	EA	FITTING W/ORFICE/TUBE - REAR	74003931
3	128728-01-710	EA	FITTING W/ORFICE/TUBE - FRT	74003930
4	102020-01-709	EA	BUMPER-GRATE	8007P020-60
5	135065-03-703	EA	GRATE - BLACK(SEALED BURNER)	74007304
6	135065-03-702	EA	SEALED BURNER ASM.(BLACK) RV	74003967
7	128728-01-701	EA	KNOB - BURNER - REAR	74003941 (1 PER)
7	128728-01-702	EA	KNOB - BURNER - FRONT	74003942 (2 PER)
8	151279-02-701	EA	KNOB - THERMOSTAT - BLACK	74009858
9	112881-04-706	EA	PILOT-OVEN (151279-01-01A ONLY)	74006334
9	151279-01-700	EA	PILOT-BURNER- 16" (151279-01-01A ONLY)	74009852
9	151279-02-705	EA	PILOT - OVEN - 22" SERIES	74010544
10	151279-02-702	EA	PIPE - MANIFOLD	74009856
11	126023-02-703	EA	REGULATOR - PRESSURE	74004235
11	112881-03-701	EA	REGULATOR KIT W/FITTINGS	12001285
13	102020-01-724	EA	BUMPER-MAIN TOP	8003P008-60
14	151279-02-703	EA	THERMOSTAT	74009855
15	128728-01-705	EA	TOP - MAIN - BLACK	74003928
15	135065-03-715	EA	TOP - MAIN - STAINLESS STEEL	74007299
16	151279-02-704	EA	ELBOW BLOCK ASM (VALVE-OVEN)	74009864
17	135065-01-703	EA	VALVE/BURNER - REAR	74004643
17	135065-01-704	EA	VALVE/BURNER-FRT-HI	74004644
18	135656-01-701	EA	MIXER/AIR	3411F003-34
19	135065-01-701	EA	IGNITOR/PORCELAIN-TOP BURNER	74004053
20	128728-01-716	EA	IGNITOR - F/BURNERS	74003946
20	128728-01-717	EA	WIRES - IGNITOR	74003947
21	128728-01-707	EA	KNOB - IGNITOR	74003944
22	135065-03-700	EA	FITTING - HALF UNION	74004234

CONTACT WINNEBAGO PART SALES FOR UNLISTED COMPONENT(S)

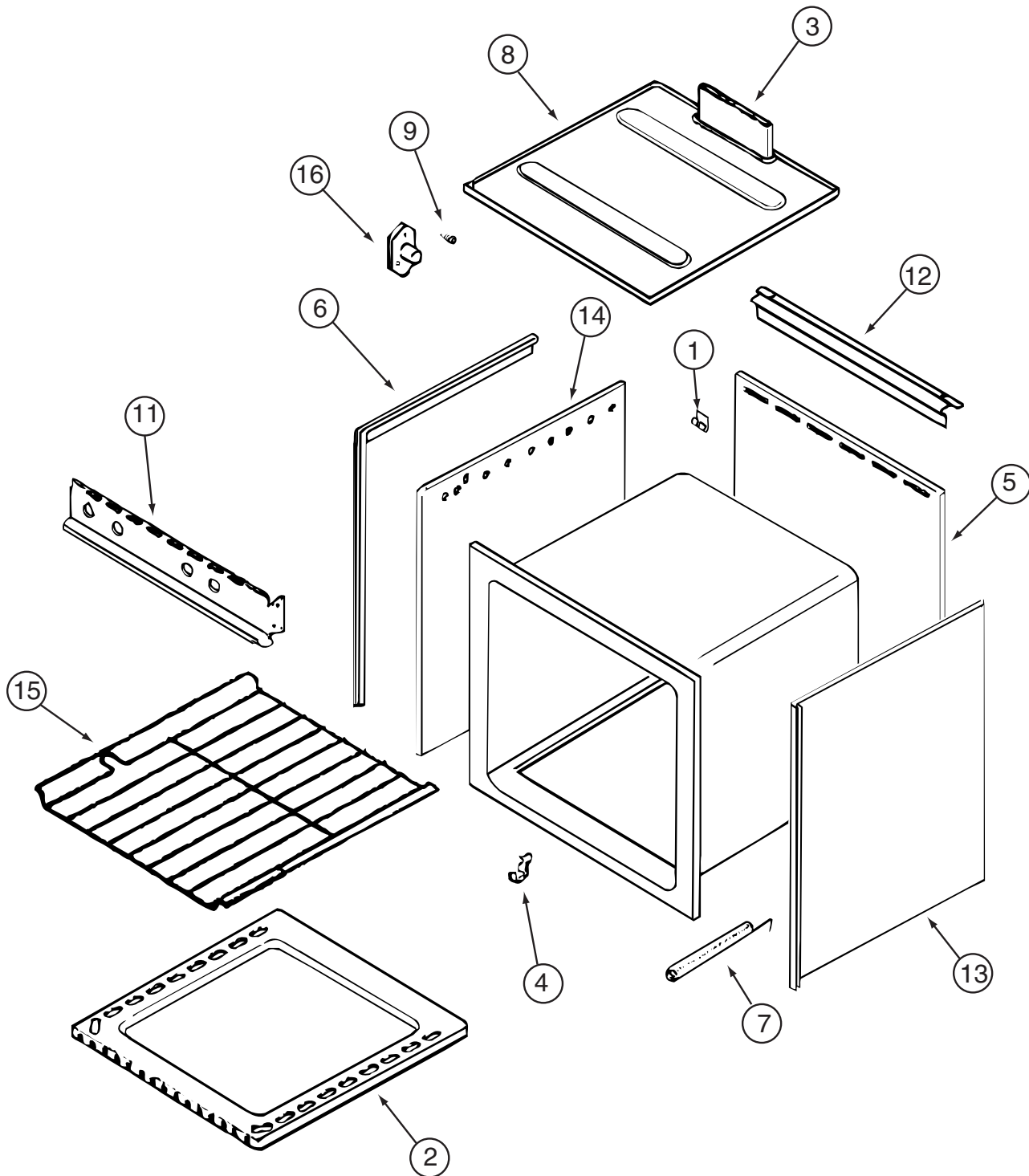


150778-01-01A, 151277-03-01A, 151279-02-01A, 151279-03-01A (CONTINUED)

KEY	PART NUMBER	U/M	DESCRIPTION	VENDOR NO.
1	126023-01-712	EA	PANEL - DOOR (BLACK)	74001190
2	128727-01-701	EA	HANDLE - OVEN DOOR	74003929
5	151277-01-704	EA	HINGE KIT-OVEN DR/LT	12400028
5	151277-01-705	EA	HINGE KIT-OVEN DR/RT	12400029
8	126023-01-732	EA	SEAL/OVEN DR TOP	7212P014-60
9	135066-03-714	EA	SEAL - OVEN DOOR SIDES	7212P039-60
13	102020-01-725	EA	GLASS OUTER	7902P266-60
14	126023-01-738	EA	CLIP - GLASS OVEN/BLACK	7112P093-60

CONTACT WINNEBAGO PART SALES FOR UNLISTED COMPONENT(S)

CABINET & APPLIANCE GROUP (CONTINUED)
COMPONENT PARTS FOR CABINET & APPLIANCE LAYOUT (CONTINUED)



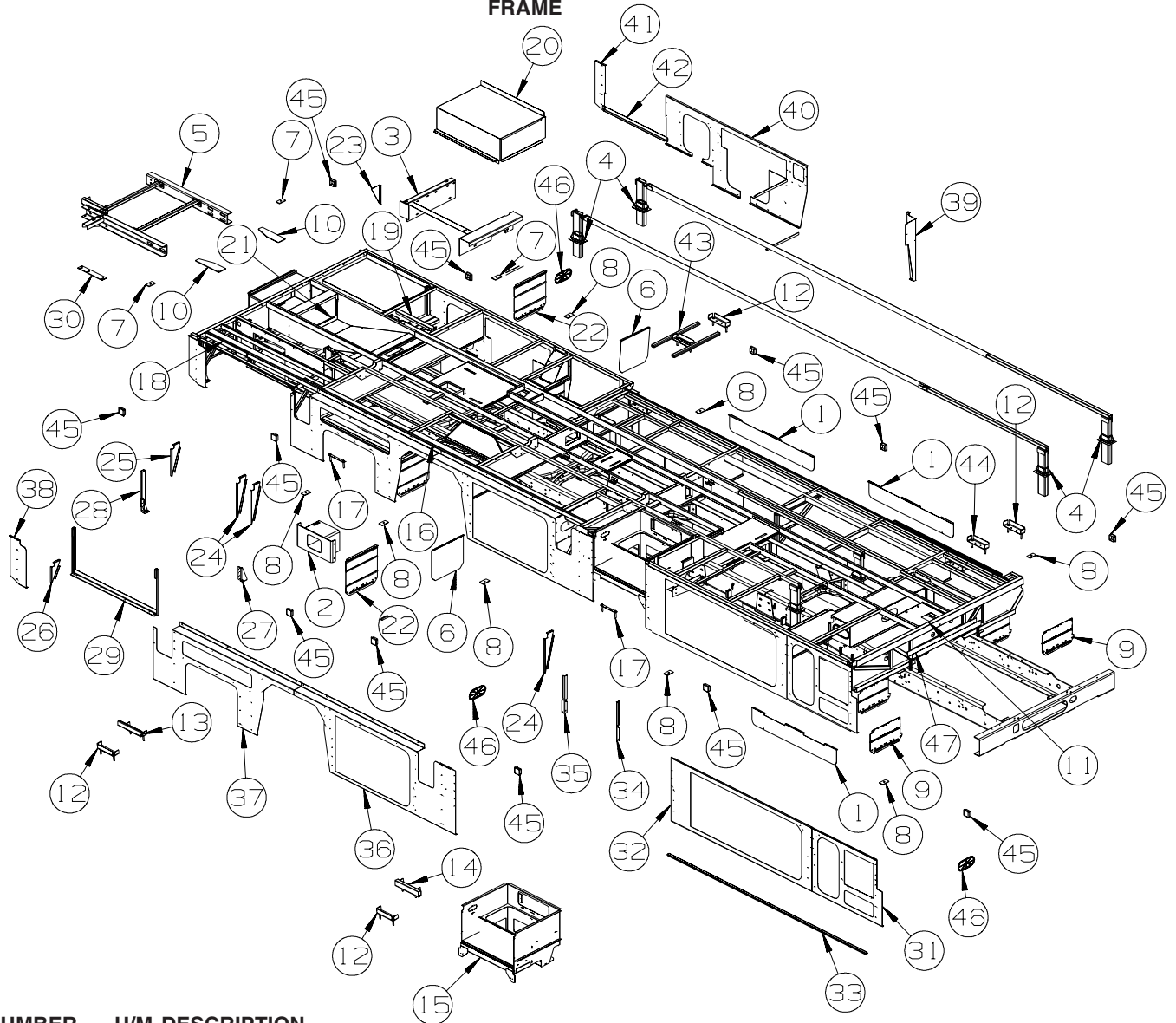
135066-03-01A/04A, 150778-01-01A, 151277-03-01A, 151279-02-01A/02A, 151279-03-01A (CONTINUED)

KEY	PART NUMBER	U/M	DESCRIPTION	VENDOR NO.
1	112881-03-702	EA	CLIP - MAIN TOP	74003998
2	126023-01-731	EA	BOTTOM - OVEN	2205F016-19
3	126023-01-718	EA	FLUE BOX ASSEMBLY	4006W075-80
6	126023-01-713	EA	TRIM - SIDE (RIGHT)	74002827
6	126023-01-714	EA	TRIM - SIDE (LEFT)	74002828
7	135066-03-708	EA	SPRING - OVEN DOOR	7803P053-60
9	128728-01-703	EA	PIN/T-NUT F/HINGE	7103P109-60
11	135066-03-701	EA	PANEL - MANIFOLD - BLACK	74007306
12	112881-01-721	EA	DEFLECTOR/FLUE-BLK-SEALED BR	74002829
15	126023-01-716	EA	RACK - OVEN	74003106

CONTACT WINNEBAGO PART SALES FOR UNLISTED COMPONENT(S)

CHASSIS GROUP

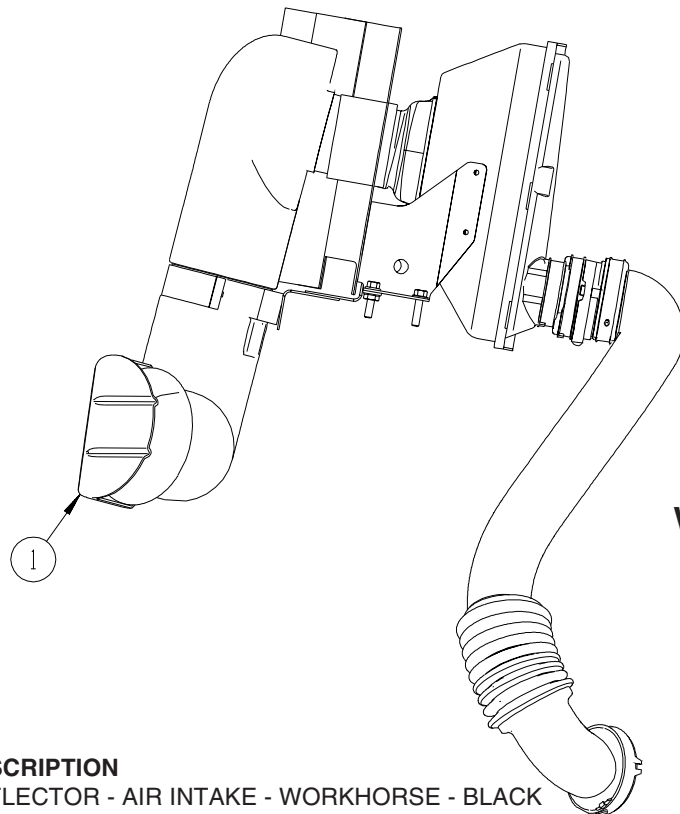
FRAME



KEY	PART NUMBER	U/M	DESCRIPTION
1	149346-01-02B	EA	SHIELD - HEAT EXHAUST - E-COATED
2	139255-01-02B	EA	SUPPORT - LP - BODY
3	138113-12-02B	EA	OUTRIGGER/GENERATOR - E-COATED
4	139724-01-01A	EA	BOOT - TOWER - BLACK
5	154052-11-01A	EA	CLIP/REAR EXTENSION RAIL - W/HITCH - W/O TIRE CARRIER
6	134191-01-02B	EA	GUARD/ROCK - STEEL - W/BEND - 18"W X 14.9"H - E-COATED
7	135712-02-02B	EA	PLATE - BODY MOUNT - E-COATED
FROM: 04-24-06 THRU: 99-99-99			
8	135712-01-02B	EA	PLATE - BODY MOUNT - E-COATED
9	136388-07-02B	EA	GUARD/ROCK - STEEL - 18" X 11" - E-COATED
10	133095-01-02B	EA	PLATE - CLIP - E-COATED
11	155706-01-02B	EA	PANEL/MOUNT - AUXILIARY HEATER - E-COATED
12	152558-06-02B	EA	BRACKET/MOUNT - F/SLIDEOUT - E-COATED
13	152558-04-02B	EA	BRACKET/MOUNT - F/SLIDEOUT - E-COATED
14	152558-05-02B	EA	BRACKET/MOUNT - F/SLIDEOUT - E-COATED
15	152362-02-02B	EA	BOX/ENTRANCE STEP - E-COATED
FROM: 00-00-00 THRU: 11-10-06			
15	161763-02-02B	EA	BOX/ENTRANCE STEP - E-COATED
FROM: 11-10-06 THRU: 99-99-99			
16	152274-05-02B	EA	SUPPORT/COMPARTMENT - POWER CORD - E-COATED
17	136995-09-02B	EA	PLATE W/BOLTS - 7.2" X 1" W/1/2" X 3" BOLTS
18	152274-06-02B	EA	SUPPORT/COMPARTMENT - POWER CORD - E-COATED
19	152274-03-02B	EA	SUPPORT/COMPARTMENT - POWER CORD - E-COATED
20	140930-02-02B	EA	COMPARTMENT - GENERATOR - E-COATED
21	144746-10-02B	EA	COMPARTMENT - FURNACE - E-COATED

CHASSIS GROUP (CONTINUED)
FRAME (CONTINUED)

KEY	PART NUMBER	U/M	DESCRIPTION
22	136391-04-02B	EA	GUARD/ROCK - STEEL - W/ANGLE - 18"W X 16.7"H - E-COATED
23	123440-07-02B	EA	SUPPORT - PANEL - 8.7" X 4.7" - E-COATED
24	123440-17-02B	EA	SUPPORT - PANEL - 17.8"/14.5" X 4.7" - E-COATED
25	123440-16-02B	EA	SUPPORT - PANEL - 13.8"/10.6" X 4.7" - E-COATED
26	123440-06-02B	EA	SUPPORT - PANEL - 8.7"/5.5" X 4.7" - E-COATED
27	133833-03-02B	EA	HANGER - A/C - FRONT - E-COATED
28	133833-04-02B	EA	HANGER - A/C - REAR - E-COATED
29	129328-02-02B	EA	HANGER - A/C - COACH - E-COATED
30	136538-01-02B	EA	SHIM - HITCH - E-COATED
31	152068-32-02B	EA	PLATE/SEAL - E-COATED
32	152068-29-02B	EA	PLATE/SEAL - E-COATED
33	126516-01-01A	FT	TRIM - VINYL/EXTRUDED - 8'
34	136814-01-02B	EA	ANGLE/FILLER - STEP/RH HAND - E-COATED
35	136814-02-02B	EA	ANGLE/FILLER - STEP/LH HAND - E-COATED
36	151454-01-02B	EA	PLATE/SEAL PLANE - E-COATED
			FROM: 00-00-00 THRU: 01-31-06
36	151454-05-02B	EA	PLATE/SEAL PLANE - E-COATED
			FROM: 02-01-06 THRU: 99-99-99
37	151454-02-02B	EA	PLATE/SEAL PLANE - E-COATED
38	152068-34-02B	EA	PLATE/SEAL - E-COATED
39	152068-35-02B	EA	PLATE/SEAL - E-COATED
40	152068-33-02B	EA	PLATE/SEAL - E-COATED
41	152068-07-02B	EA	PLATE/SEAL - E-COATED
42	133612-05-02B	EA	ZEE/SEAL PLANE - BOTTOM - E-COATED
43	152558-03-02B	EA	BRACKET/MOUNT - F/SLIDEOUT - E-COATED
44	152558-01-02B	EA	BRACKET/MOUNT - F/SLIDEOUT - E-COATED
45	119845-01-01A	EA	PLUG/PLASTIC - 1 1/2" SQUARE - BLACK
46	148331-01-01A	EA	PLUG - OVAL/LARGE - BLACK
47	113452-01-000	FT	SEAL/TRIM - FRONT - VINYL W/WIRE CARRIER - .020"
	113452-02-000	FT	SEAL/TRIM - FRONT - VINYL W/WIRE CARRIER - .027" - WHERE HOSES & WIRES CROSS METAL

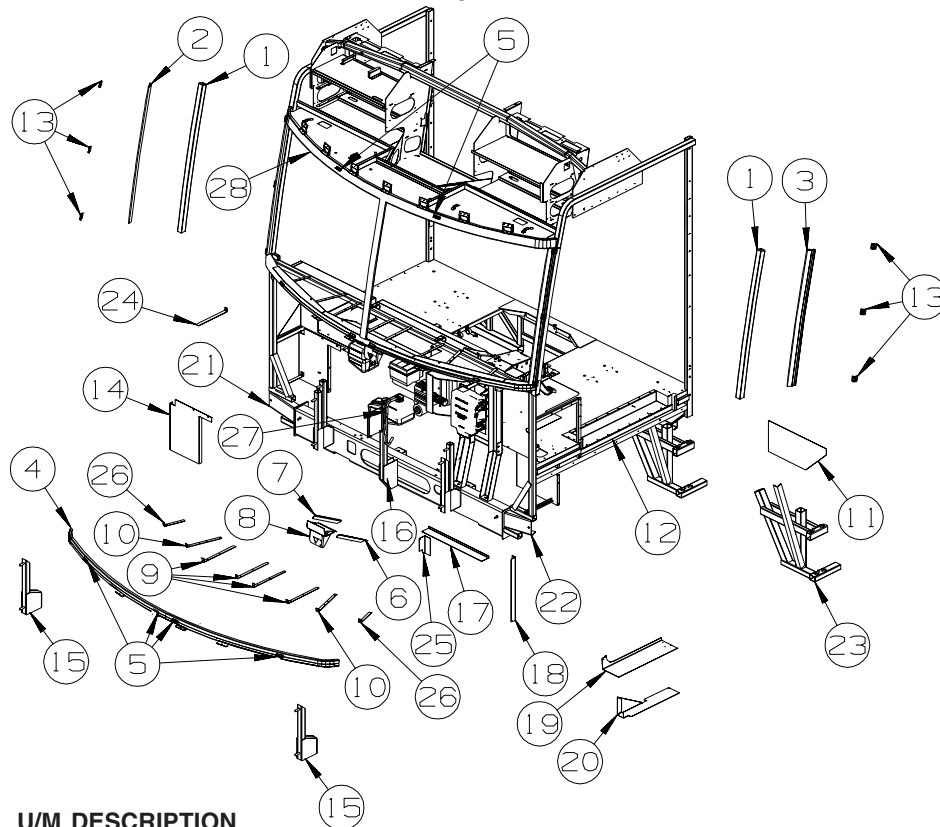


WORKHORSE AIR INTAKE

KEY	PART NUMBER	U/M	DESCRIPTION
1	154181-01-10A	EA	DEFLECTOR - AIR INTAKE - WORKHORSE - BLACK

CHASSIS GROUP (CONTINUED)

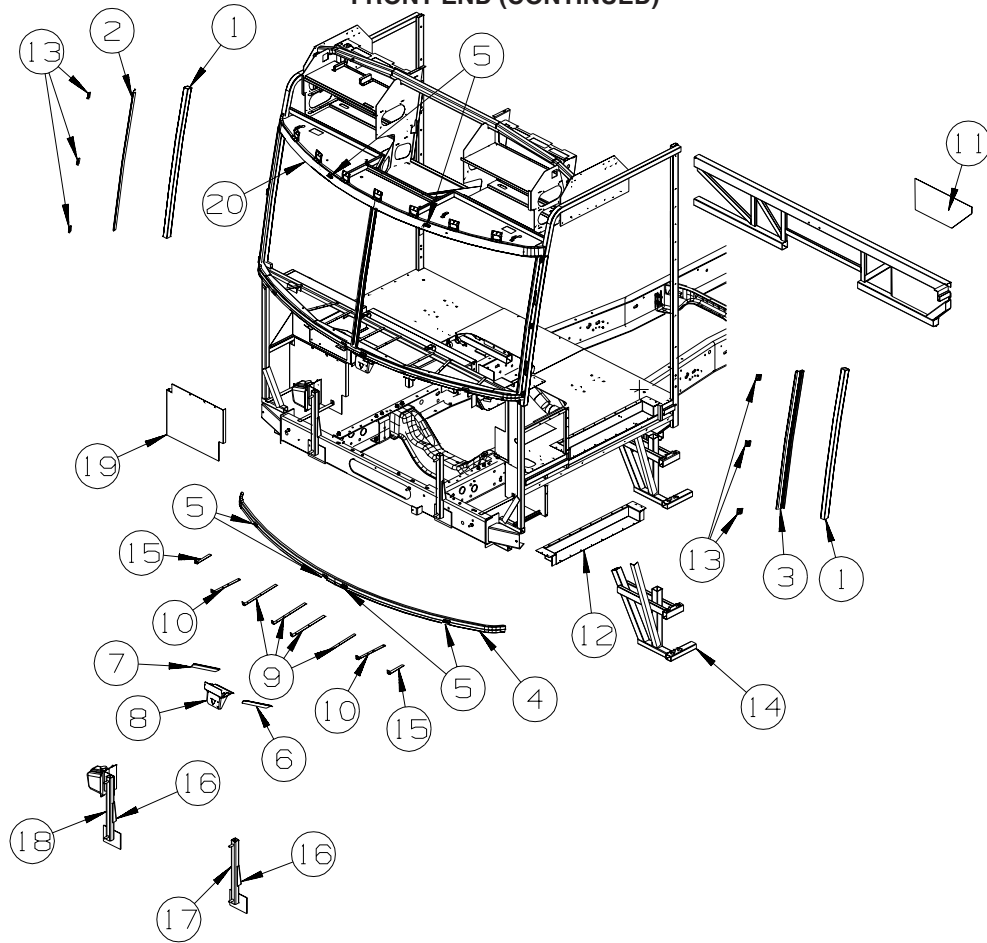
FRONT END



WORKHORSE

KEY	PART NUMBER	U/M	DESCRIPTION
1	117273-01-01A	EA	TUBE - SUPPORT - A-PILLAR
2	121269-05-01B	EA	FRAME - WINDSHIELD - A-PILLAR - MILL
3	121269-06-01B	EA	FRAME - WINDSHIELD - A-PILLAR - MILL
4	124974-01-01B	EA	SUPPORT-WINDSHIELD,LOWER,MLL
5	126289-65-01B	EA	ANGLE - FORMED
6	134371-01-01B	EA	ANGLE/MOUNT - WIPER MOTOR
7	134371-02-01B	EA	ANGLE/MOUNT - WIPER MOTOR
8	134506-02-01B	EA	BRACKET - WIPER MOTOR
9	137047-04-01B	EA	STRAP - DEFROSTER PLENUM
10	137047-05-01B	EA	STRAP - DEFROSTER PLENUM
11	137496-01-01B	EA	PANEL - SPLASH GUARD
12	146492-02-01B	EA	PANEL - STEPWELL
13	148935-01-01B	EA	BRACKET-WINDSHIELD ,MILL
14	121962-02-02B	EA	SHIELD/SPLASH - HEADLIGHT - E-COATED
15	134807-13-02B	EA	SUPPORT - FRONT - E-COATED
16	134807-14-02B	EA	SUPPORT - FRONT/RESERVOIR - E-COATED
17	137037-01-02B	EA	ANGLE/FILLER - E-COATED
18	137037-02-02B	EA	ANGLE/FILLER - E-COATED
19	137041-01-02B	EA	ANGLE/FILLER - MOTOR COVER - E-COATED
20	137045-01-02B	EA	PANEL-FILLER,BULKHEAD ,E-CT
21	137048-02-02B	EA	CHANNEL/SUPPORT - FRONT END - E-COATED
22	137048-01-02B	EA	CHANNEL/SUPPORT - FRONT END - E-COATED
23	138340-03-02B	EA	SUPPORT/STEP - DRIVER - E-COATED
24	139119-01-02B	EA	STRAP-BENT, W/HOLE - E-COATED
25	139131-01-02B	EA	ANGLE-W/NOTCH,E-CT
26	137047-06-01B	EA	STRAP - DEFROSTER PLENUM
27	044317-01-000	FT	HOSE - FUEL - 3/8" ID
28	124975-01-01B	EA	SUPPORT - WINDSHIELD, UPPER, MILL

CHASSIS GROUP (CONTINUED) FRONT END (CONTINUED)



FORD

KEY	PART NUMBER	U/M	DESCRIPTION
1	117273-01-01A	EA	TUBE - SUPPORT - A-PILLAR
2	121269-05-01B	EA	FRAME - WINDSHIELD - A-PILLAR - MILL
3	121269-06-01B	EA	FRAME - WINDSHIELD - A-PILLAR - MILL
4	124974-01-01B	EA	SUPPORT-WINDSHIELD,LOWER,MLL
5	126289-65-01B	EA	ANGLE - FORMED
6	134371-01-01B	EA	ANGLE/MOUNT - WIPER MOTOR
7	134371-02-01B	EA	ANGLE/MOUNT - WIPER MOTOR
8	134506-02-01B	EA	BRACKET - WIPER MOTOR
9	137047-04-01B	EA	STRAP - DEFROSTER PLENUM
10	137047-05-01B	EA	STRAP - DEFROSTER PLENUM
11	137496-01-01B	EA	PANEL - SPLASH GUARD
12	146492-02-01B	EA	PANEL - STEPWELL
13	148935-01-01B	EA	BRACKET-WINDSHIELD ,MILL
14	138340-03-02B	EA	SUPPORT/STEP - DRIVER - E-COATED
15	137047-06-01B	EA	STRAP - DEFROSTER PLENUM
16	117622-01-02B	EA	BRACE - TUBE/BUMPER - VERTICAL - E-COATED
17	152916-04-02B	EA	SUPPORT - FRONT - E-COATED
18	152916-03-02B	EA	SUPPORT - FRONT - E-COATED
19	144679-02-02B	EA	SHIELD/SPLASH - HEADLIGHT - E-COATED
20	124975-01-01B	EA	SUPPORT - WINDSHIELD, UPPER, MILL

CHASSIS GROUP (CONTINUED)

DRIVETRAIN

22,000 GVWR WORKHORSE (G37B)

KEY	PART NUMBER	U/M	DESCRIPTION
	128528-03-000	EA	BOLT - U-JOINT - 3/8-24 X 3/4
	128528-04-000	EA	STRAP - BEARING - 1480 JOINT
	138616-09-02B	EA	BRACKET/BEARING MOUNT - FRONT/248" WHEEL BASE - E-COATED
	138616-10-02B	EA	BRACKET/BEARING MOUNT - MID-RR/248" WHEEL BASE - E-COATED
	140691-04-000	EA	DRIVESHAFT - BALANCED - 4 SECTION - WH W22 - 248" WB

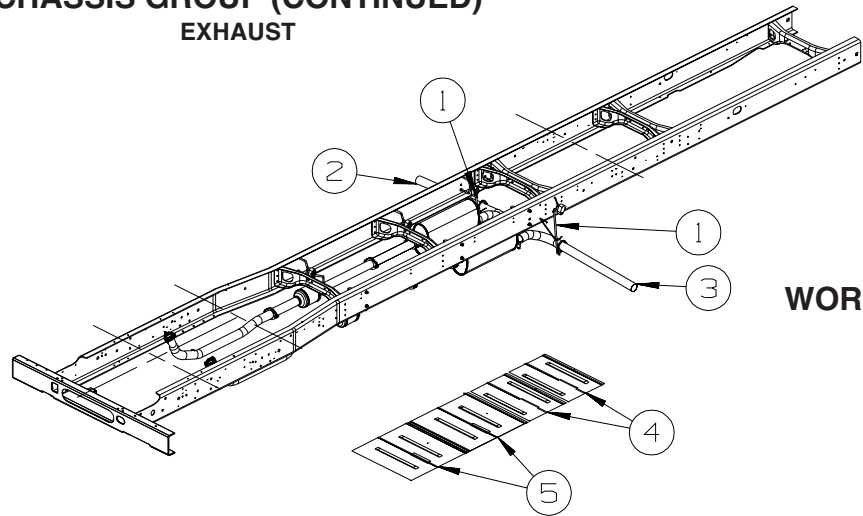
24,000 GVWR WORKHORSE 248 WHEELBASE (G37B, G38J)

KEY	PART NUMBER	U/M	DESCRIPTION
	128528-03-000	EA	BOLT - U-JOINT - 3/8-24 X 3/4
	128528-04-000	EA	STRAP - BEARING - 1480 JOINT
	138126-05-000	EA	DRIVESHAFT - BALANCED - 4 SECTION - WH W24 - 248" WB
	138616-01-02B	EA	BRACKET/BEARING MOUNT - FRONT/248" WHEEL BASE - E-COATED
	138616-02-02B	EA	BRACKET/BEARING MOUNT - MID-RR/248" WHEEL BASE -E-COATED

24,000 GVWR WORKHORSE 266 WHEELBASE (G38T)

KEY	PART NUMBER	U/M	DESCRIPTION
	128528-03-000	EA	BOLT - U-JOINT - 3/8-24 X 3/4
	128528-04-000	EA	STRAP - BEARING - 1480 JOINT
	138126-06-000	EA	DRIVESHAFT- BALANCED - 4 SECTION - WH24 - 266" WB

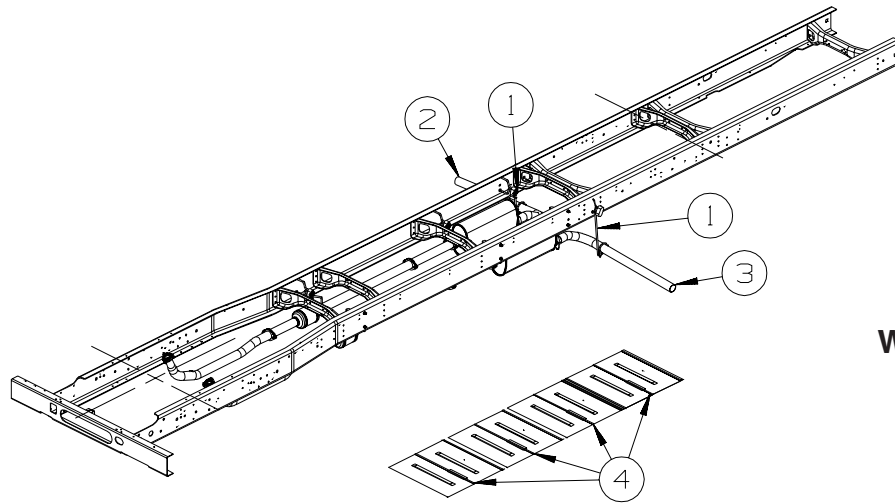
CHASSIS GROUP (CONTINUED)
EXHAUST



WORKHORSE

KEY	PART NUMBER	U/M	DESCRIPTION
1	122392-09-02B	EA	HANGER - TAILPIPE - E-COATED
	094918-06-000	EA	CLAMP - EXHAUST - 3" -HEAVY DUTY
2	122529-04-000	EA	PIPE - EXHAUST - RH
3	122529-05-000	EA	PIPE - EXHAUST, LH
4	143712-01-02B	EA	SHIELD/HEAT - EXHAUST - E-COATED
5	143712-02-02B	EA	SHIELD - HEAT/EXHAUST - E-COATED

G33V
 208 INCH WHEELBASE

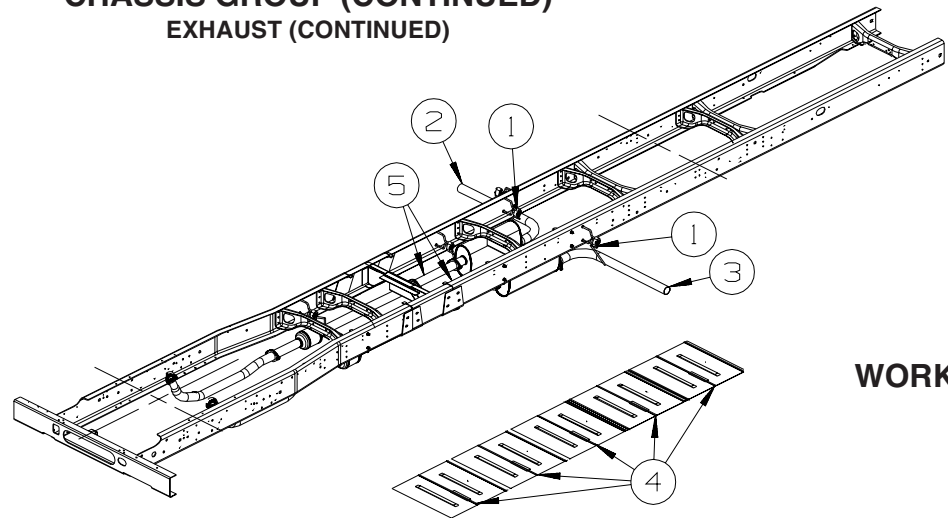


WORKHORSE

KEY	PART NUMBER	U/M	DESCRIPTION
1	122392-09-02B	EA	HANGER - TAILPIPE - E-COATED
	094918-06-000	EA	CLAMP - EXHAUST - 3" -HEAVY DUTY
2	122529-04-000	EA	PIPE - EXHAUST - RH
3	122529-05-000	EA	PIPE - EXHAUST, LH
4	143712-02-02B	EA	SHIELD - HEAT/EXHAUST - E-COATED

G35A, G35L
 228 INCH WHEELBASE

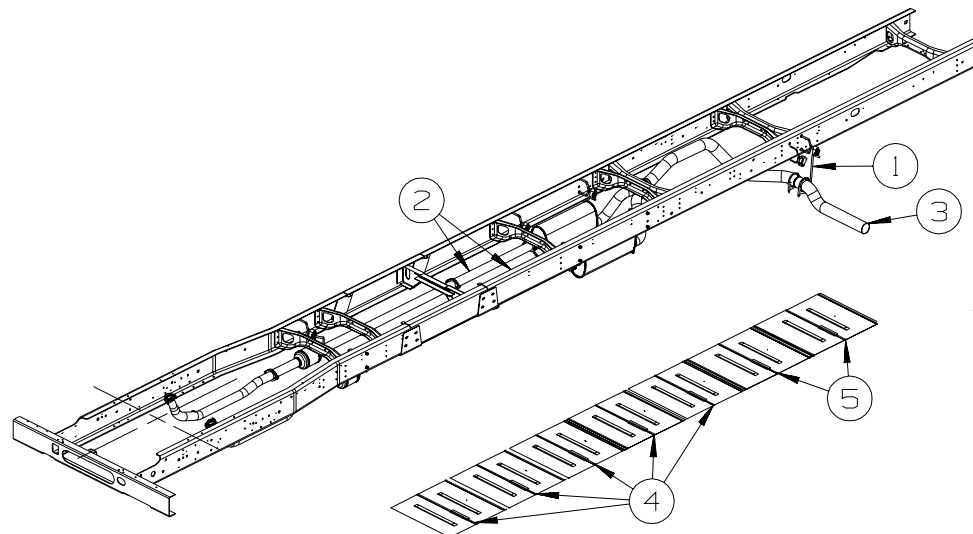
CHASSIS GROUP (CONTINUED)
EXHAUST (CONTINUED)



WORKHORSE

G37B, G38J

KEY	PART NUMBER	U/M	DESCRIPTION	
1	122392-09-02B	EA	HANGER - TAILPIPE - E-COATED	228 TO 248 STRETCH
	094918-06-000	EA	CLAMP - EXHAUST - 3" - HEAVY DUTY	
2	122529-04-000	EA	PIPE - EXHAUST - RH	
3	122529-05-000	EA	PIPE - EXHAUST, LH	
4	143712-02-02B	EA	SHIELD - HEAT/EXHAUST - E-COATED	
5	137652-06-000	EA	PIPE - EXHAUST - W/FLANGES	



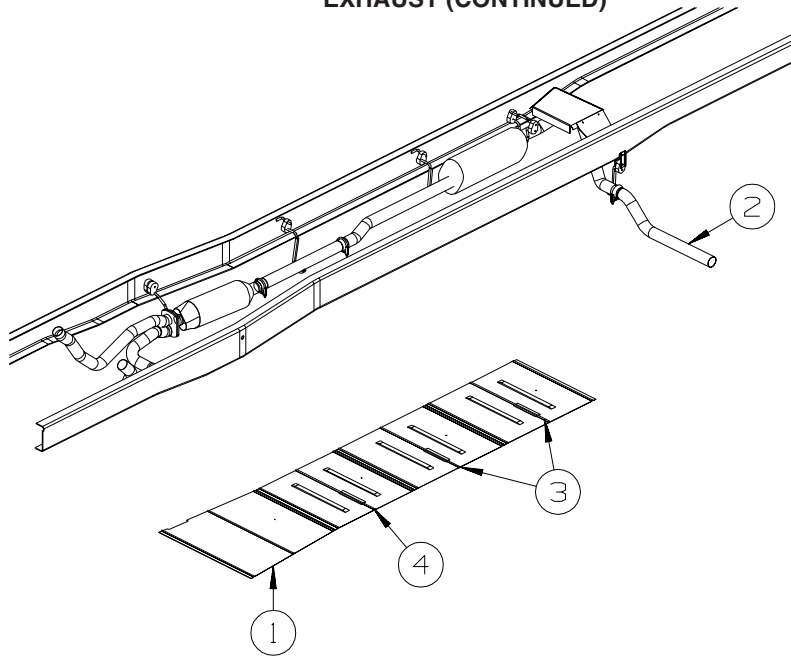
WORKHORSE

G38T

228 TO 266 STRETCH

KEY	PART NUMBER	U/M	DESCRIPTION
1	122392-15-02B	EA	HANGER - TAILPIPE - E-COATED
	094918-05-000	EA	CLAMP - EXHAUST - 4 7/16" - GUILLOTINE STYLE
2	137652-07-000	EA	PIPE - EXHAUST W/FLANGES
3	154358-01-000	EA	PIPE - EXHAUST - 4" DIAMETER - WORKHORSE
4	143712-02-02B	EA	SHIELD - HEAT/EXHAUST - E-COATED
5	143712-05-02B	EA	SHIELD - HEAT/EXHAUST - E-COATED

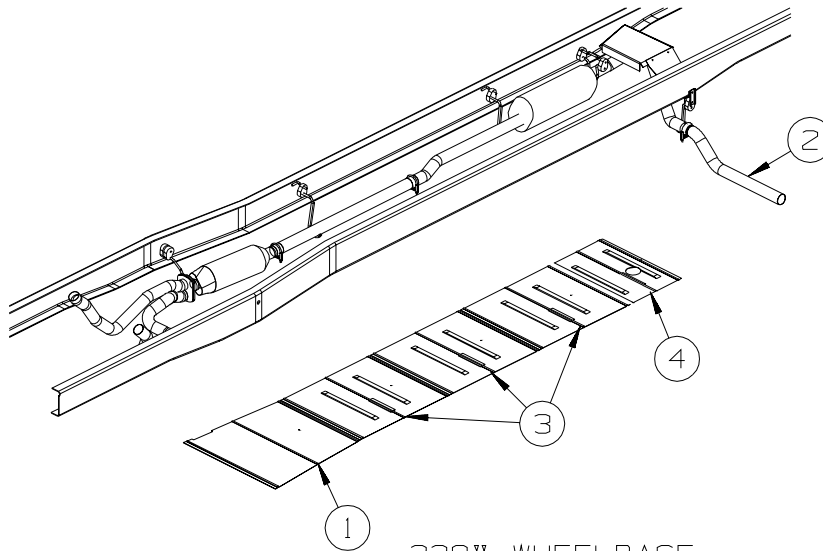
CHASSIS GROUP (CONTINUED)
EXHAUST (CONTINUED)



**FORD
G33V**

208" WHEELBASE

KEY	PART NUMBER	U/M	DESCRIPTION
1	128756-01-02B	EA	SHIELD - HEAT/EXHAUST - 33.9" X 16.9" - E-COATED
2	129726-04-000	EA	PIPE - EXHAUST
3	143712-05-02B	EA	SHIELD/HEAT - EXHAUST - E-COATED
4	143712-07-02B	EA	SHIELD/HEAT - EXHAUST - E-COATED

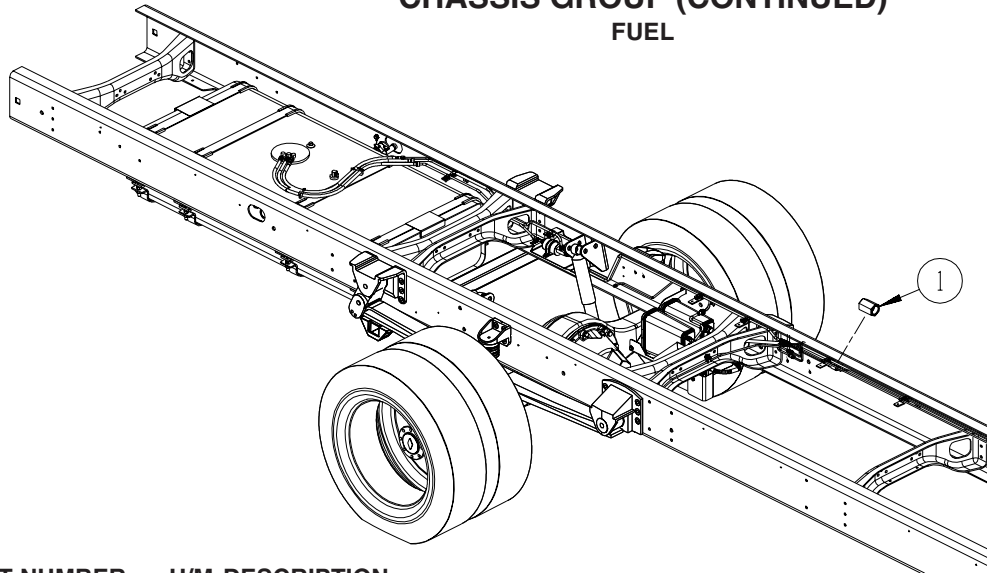


**FORD
G35A, G35L**

228" WHEELBASE

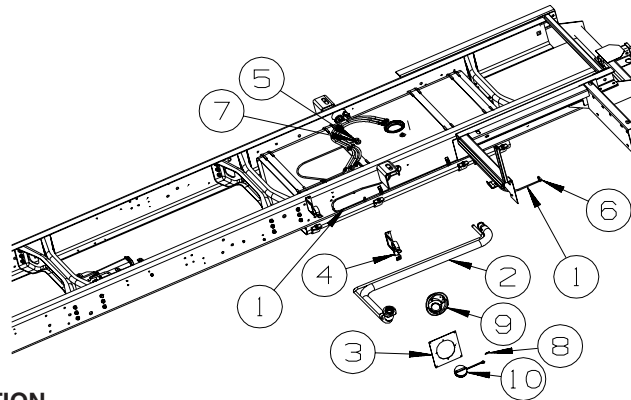
KEY	PART NUMBER	U/M	DESCRIPTION
1	128756-01-02B	EA	SHIELD - HEAT/EXHAUST - 33.9" X 16.9" - E-COATED
2	129726-04-000	EA	PIPE - EXHAUST
3	143712-05-02B	EA	SHIELD/HEAT - EXHAUST - E-COATED
4	143712-07-02B	EA	SHIELD/HEAT - EXHAUST - E-COATED

CHASSIS GROUP (CONTINUED) FUEL



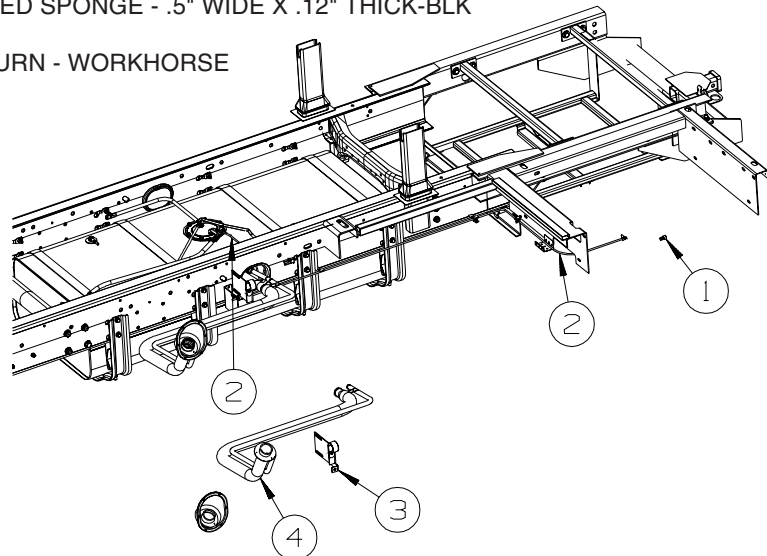
WORKHORSE

KEY	PART NUMBER	U/M DESCRIPTION
1	098779-02-000	EA COUPLER - FUEL LINE - 1.2" LONG X 16MM THREAD - STRETCHED CHASSIS ONLY



WORKHORSE

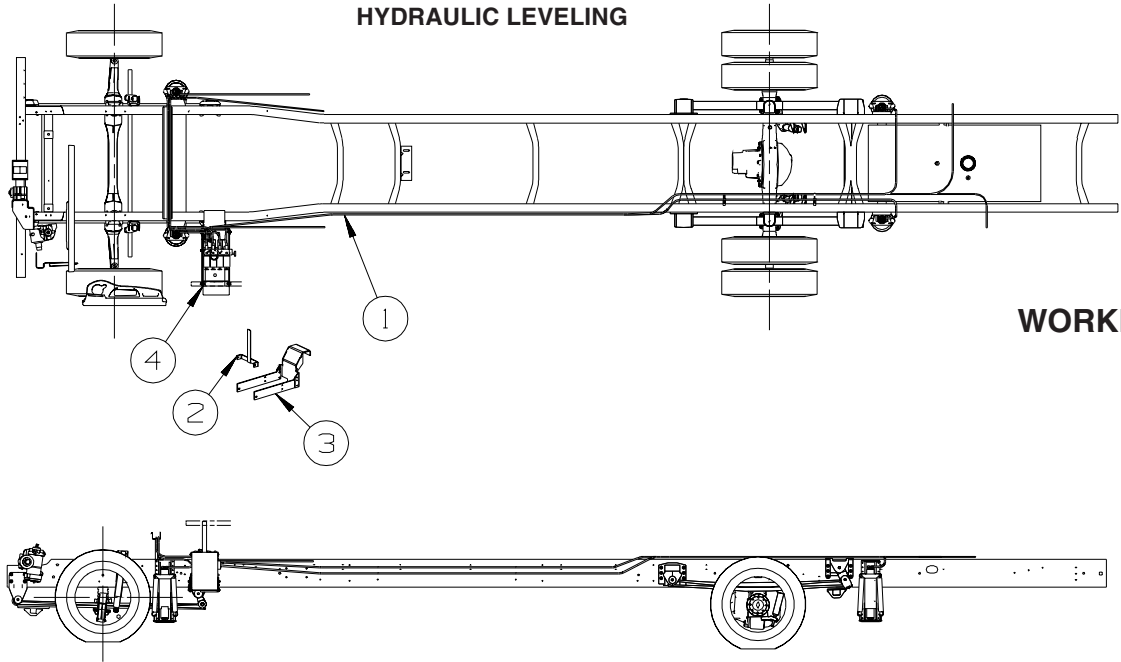
KEY	PART NUMBER	U/M DESCRIPTION
1	128139-03-000	FT HOSE - FUEL - LOW PERMEABILITY - 1/4" DIAMETER
2	136300-02-000	EA NECK - FUEL FILL
3	139138-01-02B	EA PLATE - FUEL FILL - E-COATED
4	140728-03-02B	EA BRACKET - FUEL FILL - E-COATED
5	068382-06-000	EA BUSHING - BRASS - 3/8" MPT X 1/8" FPT
6	084884-01-000	EA PLUG - BRASS - 3/8"
7	114254-01-000	EA ADAPTER - 1/4 BARB X 1/8 MPT
8	099069-01-000	EA SEAL - RUBBER - CLOSED SPONGE - .5" WIDE X .12" THICK-BLK
9	128299-02-01A	EA SHROUD - FUEL FILL
10	163743-01-000	EA CAP - FUEL FILL - 1/4 TURN - WORKHORSE



FORD

KEY	PART NUMBER	U/M DESCRIPTION
1	084884-01-000	EA PLUG - BRASS - 3/8"
2	128139-03-000	FT HOSE - FUEL - LOW PERMEABILITY - 1/4" DIAMETER
3	140728-02-02B	EA BRACKET - FUEL FILL - E-COATED
4	153027-01-000	EA NECK - FUEL FILL

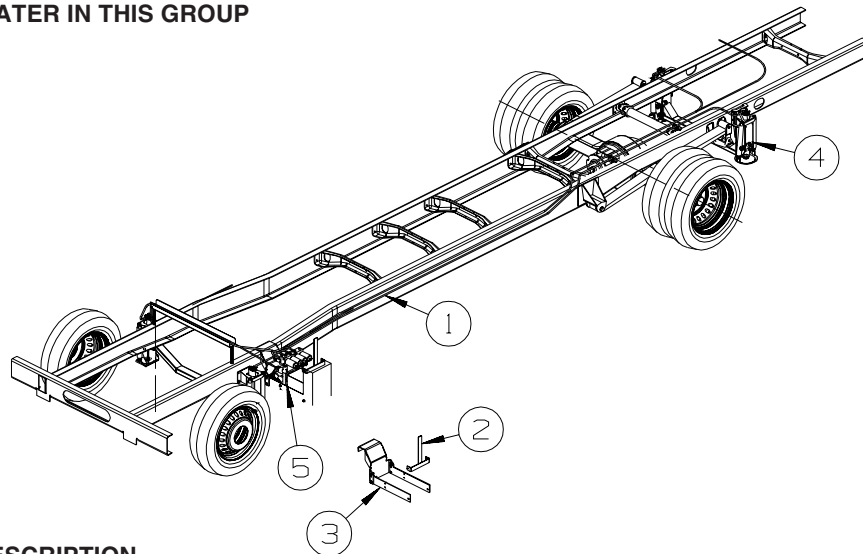
CHASSIS GROUP (CONTINUED) HYDRAULIC LEVELING



WORKHORSE

KEY	PART NUMBER	U/M	DESCRIPTION
1*	100536-57-000	EA	HOSE KIT - F/LEVELING JACKS - G37B, G38J
1*	100536-60-000	EA	HOSE KIT - F/LEVELING JACKS - G33V, G35A, G35L
1	100536-62-000	EA	HOSE KIT - F/LEVELING JACKS - G38T
			FROM: 00-00-00 THRU: 09-19-06
1*	100536-57-000	EA	HOSE KIT - F/LEVELING JACKS - G38T
			FROM: 09-20-06 THRU: 99-99-99
2	149900-01-02B	EA	BRACKET - PUMP/LEVELING SYSTEM - E-COATED
3	150001-01-02B	EA	BRACKET - PUMP/LEVELING SYSTEM - E-COATED
4*	153452-18-000	EA	LEVELING SYSTEM - 625 SYSTEM W/2 SLIDEOUTS - WORKHORSE - DOUBLE SLIDEOUT ROOMS
4*	153452-19-000	EA	LEVELING SYSTEM - 625 SYSTEM W/3 SLIDEOUTS - WORKHORSE - TRIPLE SLIDEOUT ROOMS

***COMPONENT PARTS LISTED LATER IN THIS GROUP**



FORD

KEY	PART NUMBER	U/M	DESCRIPTION
1*	100536-60-000	EA	HOSE KIT - F/LEVELING JACKS
2	149900-01-02B	EA	BRACKET - PUMP/LEVELING SYSTEM - E-COATED
3	150001-01-02B	EA	BRACKET - PUMP/LEVELING SYSTEM - E-COATED
4	128571-08-000	EA	JACK/CROSSMEMBER ASSEMBLY - REAR - 625 - FORD
5*	153452-20-000	EA	LEVELING SYSTEM - 625 SYSTEM W/2 SLIDEOUTS - FORD - DOUBLE SLIDEOUT ROOMS
5*	153452-21-000	EA	LEVELING SYSTEM - 625 SYSTEM W/3 SLIDEOUTS - FORD - TRIPLE SLIDEOUT ROOMS

***COMPONENT PARTS LISTED LATER IN THIS GROUP**

CHASSIS GROUP (CONTINUED)
COMPONENT PARTS FOR HYDRAULIC LEVELING

100536-57-000

KEY	PART NUMBER	U/M	DESCRIPTION	VENDOR NO.
	100536-09-700	EA	HOSE-HYDRAULIC-324"	RAP91489/AP2464
	100536-26-700	EA	HOSE - HYDRAULIC-1/4" X 100"	RAP90077/AP7832
	115767-01-705	EA	HOSE-HYDRAULIC - 1/4" X 60"	RAP4073/AP4073
	135250-02-700	EA	HOSE-HYDRAULIC - 1/4" X 300"	RAP90806/AP4064

100536-60-000

KEY	PART NUMBER	U/M	DESCRIPTION	VENDOR NO.
	100536-09-701	EA	HOSE-HYDRAULIC-1/4" X 60"	RAP4073/AP4073
	100536-25-700	EA	HOSE-HYDRAULIC-1/4" X 306"	RAP91487/AP4904
	100536-26-700	EA	HOSE - HYDRAULIC-1/4" X 100"	RAP90077/AP7832
	100536-29-700	EA	HOSE-HYDRAULIC-1/4" X 280"	RAP91485/AP4729

153452-18-000

KEY	PART NUMBER	U/M	DESCRIPTION	VENDOR NO.
	100532-03-716	EA	SOLENOID-CONTINUOUS DUTY	RAP7505
	100532-03-717	EA	VALVE-PRESS., RETURN SHUTTLE	RAP7964
	100532-03-726	EA	SWITCH - PRESSURE	RAP8003
	100532-09-705	EA	SWITCH-PRESS - 3000 LB.	RAP0993
	100532-09-710	EA	SOLENOID-INTERMITENT DUTY	RAP0533
	100532-12-707	EA	PRING KIT (PAIR)	R3847
	100532-32-704	EA	CHIME - JACK WARNING	RAP90681/AP19765
	100532-53-700	EA	CYLINDER W/O FOOT - 9K	RAP90491/AP15891
	131306-02-701	EA	FOOT/JACK - 9K & 12K	RAP8464/AP17525
	131306-11-704	EA	PRESSURE SWITCH - 50 PSI	RAP2082
	131306-12-702	EA	VALVE-PRESS SOLENOID (SMALL)	RAP90729/AP24604
	144226-01-700	EA	SWITCH - WARNING/MAGNETIC	RAP90968/AP26641
	144226-08-702	EA	SENSOR/BI-AXIS - PROGRAMABLE	RAP91172/AP28010
	153452-18-700	EA	CYLINDER W/O FOOT - 6K	RAP91661
	153452-18-701	EA	FOOT - 6K JACK	RAP8126
	153452-18-702	EA	BRACKET - 9K JACK MOUNT	RAP90844
	153452-18-703	EA	ENCLOSURE BOX W/SENSING UNIT	RAP91763/AP36467
	153452-18-704	EA	PUMP/MOTOR/TANK ASM.	RAP91281/AP38255
	153452-18-705	EA	MOTOR ONLY - 3.7" MONARCH	RAP91249
	157770-01-703	EA	TOUCH PAD - 625 FORD C BODY	RAP91864/AP36468

153452-19-000

KEY	PART NUMBER	U/M	DESCRIPTION	VENDOR NO.
	100532-03-716	EA	SOLENOID-CONTINUOUS DUTY	RAP7505
	100532-03-717	EA	VALVE-PRESS., RETURN SHUTTLE	RAP7964
	100532-03-726	EA	SWITCH - PRESSURE	RAP8003
	100532-09-705	EA	SWITCH-PRESS - 3000 LB.	RAP0993
	100532-09-710	EA	SOLENOID-INTERMITENT DUTY	RAP0533
	100532-12-707	EA	PRING KIT (PAIR)	R3847
	100532-32-704	EA	CHIME - JACK WARNING	RAP90681/AP19765
	100532-53-700	EA	CYLINDER W/O FOOT - 9K	RAP90491/AP15891
	131306-02-701	EA	FOOT/JACK - 9K & 12K	RAP8464/AP17525
	131306-09-701	EA	VELOCITY VALVE - SINGLE	RAP90279/AP11578
	131306-11-704	EA	PRESSURE SWITCH - 50 PSI	RAP2082
	131306-12-702	EA	VALVE-PRESS SOLENOID (SMALL)	RAP90729/AP24604
	144226-01-700	EA	SWITCH - WARNING/MAGNETIC	RAP90968/AP26641
	144226-08-702	EA	SENSOR/BI-AXIS - PROGRAMABLE	RAP91172/AP28010
	153452-18-700	EA	CYLINDER W/O FOOT - 6K	RAP91661
	153452-18-701	EA	FOOT - 6K JACK	RAP8126
	153452-18-702	EA	BRACKET - 9K JACK MOUNT	RAP90844
	153452-18-704	EA	PUMP/MOTOR/TANK ASM.	RAP91281/AP38255
	153452-18-705	EA	MOTOR ONLY - 3.7" MONARCH	RAP91249
	153452-19-700	EA	ENCLOSURE BOX W/SENSING UNIT	RAP91765/AP36765
	157770-01-703	EA	TOUCH PAD - 625 FORD C BODY	RAP91864/AP36468

CHASSIS GROUP (CONTINUED)
COMPONENT PARTS FOR HYDRAULIC LEVELING (CONTINUED)

153452-20-000

KEY	PART NUMBER	U/M	DESCRIPTION	VENDOR NO.
	100532-03-716	EA	SOLENOID-CONTINUOUS DUTY	RAP7505
	100532-03-717	EA	VALVE-PRESS., RETURN SHUTTLE	RAP7964
	100532-03-726	EA	SWITCH - PRESSURE	RAP8003
	100532-09-705	EA	SWITCH-PRESS - 3000 LB.	RAP0993
	100532-09-710	EA	SOLENOID-INTERMITENT DUTY	RAP0533
	100532-12-707	EA	PRING KIT (PAIR)	R3847
	100532-32-704	EA	CHIME - JACK WARNING	RAP90681/AP19765
	131306-02-700	EA	FOOT - 6K JACK	RAP2004/AP13882
	131306-11-704	EA	PRESSURE SWITCH - 50 PSI	RAP2082
	131306-12-702	EA	VALVE-PRESS SOLENOID (SMALL)	RAP90729/AP24604
	144226-01-700	EA	SWITCH - WARNING/MAGNETIC	RAP90968/AP26641
	144226-08-702	EA	SENSOR/BI-AXIS - PROGRAMABLE	RAP91172/AP28010
	144226-29-700	EA	CYLINDER - 6K (325)	RAP91184/AP31656
	144226-29-701	EA	CYLINDER - 9K (325)	RAP91185/AP31982
	153452-18-703	EA	ENCLOSURE BOX W/SENSING UNIT	RAP91763/AP36467
	153452-18-704	EA	PUMP/MOTOR/TANK ASM.	RAP91281/AP38255
	153452-18-705	EA	MOTOR ONLY - 3.7" MONARCH	RAP91249
	153452-20-700	EA	BRACKET - 6K JACK MOUNT	RAP91709
	157770-01-703	EA	TOUCH PAD - 625 FORD C BODY	RAP91864/AP36468

153452-21-000

KEY	PART NUMBER	U/M	DESCRIPTION	VENDOR NO.
	100532-03-716	EA	SOLENOID-CONTINUOUS DUTY	RAP7505
	100532-03-717	EA	VALVE-PRESS., RETURN SHUTTLE	RAP7964
	100532-03-726	EA	SWITCH - PRESSURE	RAP8003
	100532-09-705	EA	SWITCH-PRESS - 3000 LB.	RAP0993
	100532-09-710	EA	SOLENOID-INTERMITENT DUTY	RAP0533
	100532-12-707	EA	PRING KIT (PAIR)	R3847
	100532-32-704	EA	CHIME - JACK WARNING	RAP90681/AP19765
	131306-02-700	EA	FOOT - 6K JACK	RAP2004/AP13882
	131306-09-701	EA	VELOCITY VALVE - SINGLE	RAP90279/AP11578
	131306-11-704	EA	PRESSURE SWITCH - 50 PSI	RAP2082
	131306-12-702	EA	VALVE-PRESS SOLENOID (SMALL)	RAP90729/AP24604
	144226-01-700	EA	SWITCH - WARNING/MAGNETIC	RAP90968/AP26641
	144226-08-702	EA	SENSOR/BI-AXIS - PROGRAMABLE	RAP91172/AP28010
	144226-29-700	EA	CYLINDER - 6K (325)	RAP91184/AP31656
	144226-29-701	EA	CYLINDER - 9K (325)	RAP91185/AP31982
	153452-18-704	EA	PUMP/MOTOR/TANK ASM.	RAP91281/AP38255
	153452-19-700	EA	ENCLOSURE BOX W/SENSING UNIT	RAP91765/AP36765
	153452-20-700	EA	BRACKET - 6K JACK MOUNT	RAP91709
	157770-01-703	EA	TOUCH PAD - 625 FORD C BODY	RAP91864/AP36468

CHASSIS GROUP (CONTINUED)

WHEEL, TIRE, COVERS &/OR LINERS

KEY	PART NUMBER	U/M	DESCRIPTION
*	150723-01-000	EA	COVER/HUB-SET-FT & RR HUBS/NUT CVRS/TOOL - FORD
*	145580-02-000	EA	LINER - WHEEL(SET OF 4) - 22.5"/10 BOLT - WORKHORSE
	051377-06-000	EA	VALVE STEM ASM-VS-12223R
	077030-01-000	EA	EXTENSION - VALVE STEM - 1.25"
	077030-10-000	EA	EXTENSION - VALVE STEM - .50"
	095012-07-000	EA	STABILIZER - VALVE EXTENSION - LIVE - 4"
	095012-10-000	EA	EXTENSION - VALVE STEM - LIVE - 8.5"

***COMPONENT PARTS LISTED LATER IN THIS GROUP**

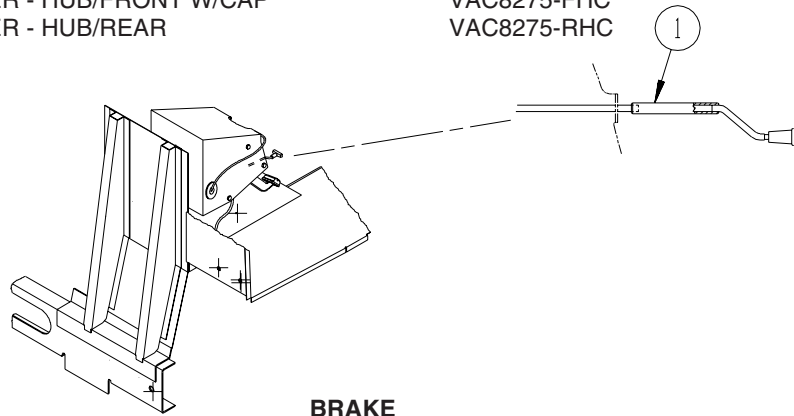
COMPONENT PARTS FOR WHEEL, TIRE, COVERS &/OR LINERS

145580-02-000

KEY	PART NUMBER	U/M	DESCRIPTION	VENDOR NO.
	110435-04-705	EA	DECAL-CTR HUB 2 3/4" DIAMO	2 3/4 DECAL DIAMOND
	110435-05-700	EA	CAP-CENTER, POP-OUT 4 1/2"	V22510-POC
	145580-01-702	EA	COVER-LUG NUT/JAM NUT 22M	V22501-EJN
	145580-01-703	EA	TOOL-INSTALLATION	V22501-TOL
	145580-02-700	EA	LINER - WHEEL/FRONT - 1EA=1	V22569-FWC
	145580-02-701	EA	LINER - WHEEL/REAR - 1EA=1	V22569-RWC

150723-01-000

KEY	PART NUMBER	U/M	DESCRIPTION	VENDOR NO.
	110435-04-705	EA	DECAL-CTR HUB 2 3/4"	2 3/4 DECAL DIAMOND
	110435-05-700	EA	CAP-CENTER 4.50"D W/O DECAL	V22510-POC
	145580-01-702	EA	COVER-LUG NUT/JAM NUT 22M	V19582-EJN
	145580-01-703	EA	TOOL-INSTALLATION	V22501-TOL
	150723-01-700	EA	COVER - HUB/FRONT W/CAP	VAC8275-FHC
	150723-01-701	EA	COVER - HUB/REAR	VAC8275-RHC



KEY	PART NUMBER	U/M	DESCRIPTION
1	113007-01-000	EA	PIN - SPRING - .375 X 3"

BRAKELINE

WORKHORSE ONLY

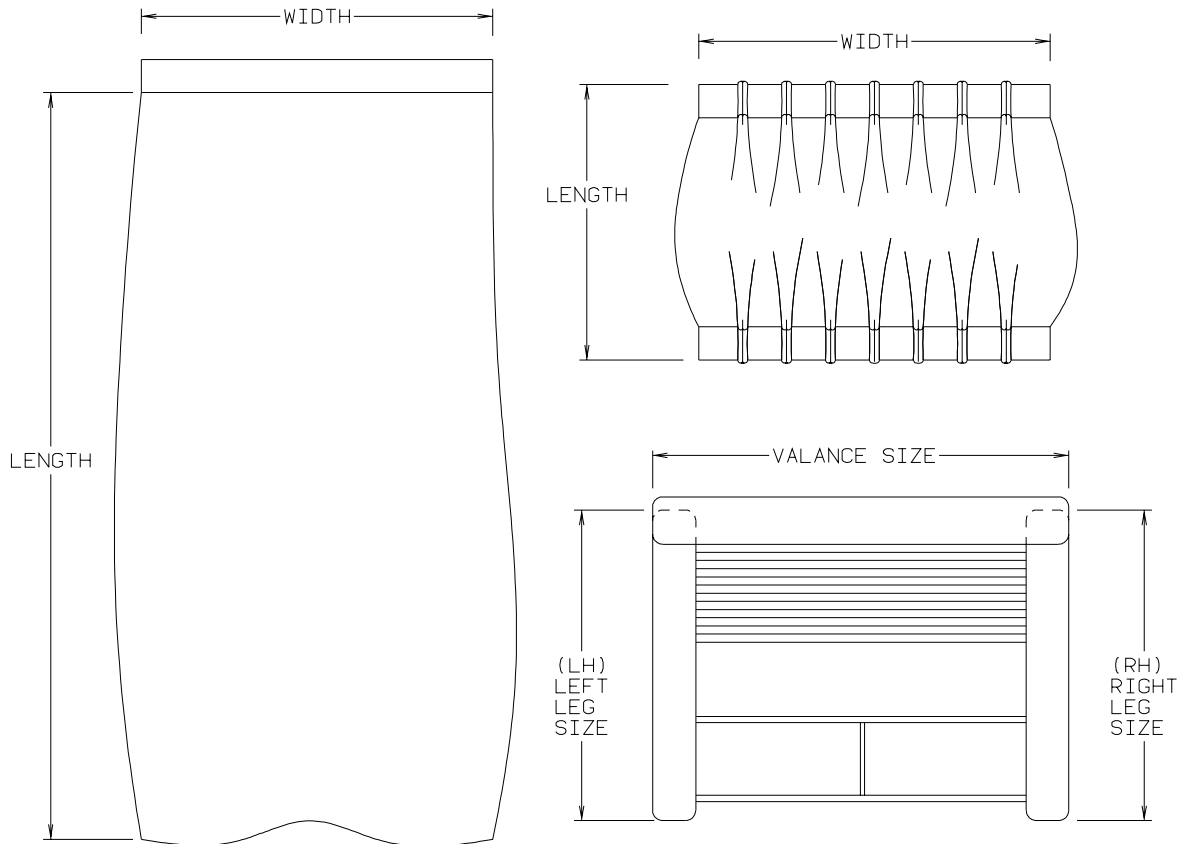
KEY	PART NUMBER	U/M	DESCRIPTION
	075466-01-000	EA	UNION - INVERTED FLAIR - 1/4"

CURTAIN & CUSHION GROUP

NOTICE

IN ORDER TO ASSIST OUR PARTS SALES DEPT. IN PROVIDING INTERIOR SOFTWARE ITEMS, PLEASE INCLUDE THE SERIAL NUMBER AND THE COLOR CODE NUMBER FROM THE VEHICLE CERTIFICATION LABEL WHEN ORDERING. THIS LABEL IS LOCATED ON THE LEFT SIDEWALL AT THE END OF THE DASH (A-BODY), OR ON THE DRIVER'S DOOR LATCH PLATE (C-BODY).

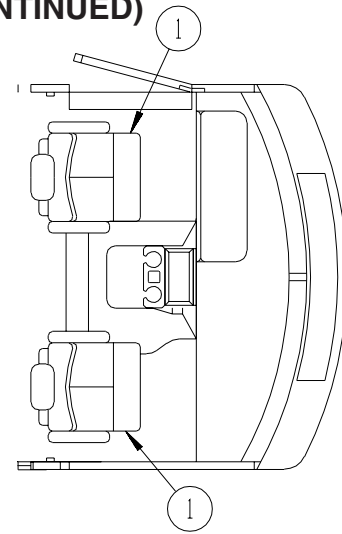
AN EXAMPLE OF A COLOR CODE NUMBER IS B07, WHICH DESIGNATES AN OVERALL COLOR SCHEME OF A PARTICULAR UNIT. THE COLOR LISTED AFTER THE ITEM DESCRIPTION ON THE MICROFICHE, INDICATES THE OVERALL UNIT COLOR. ORDER THE ITEM YOU DESIRE ACCORDING TO UNIT COLOR CODE. IF ALL COLORS USE THE SAME ITEM NO COLOR CODE WILL BE NOTED.



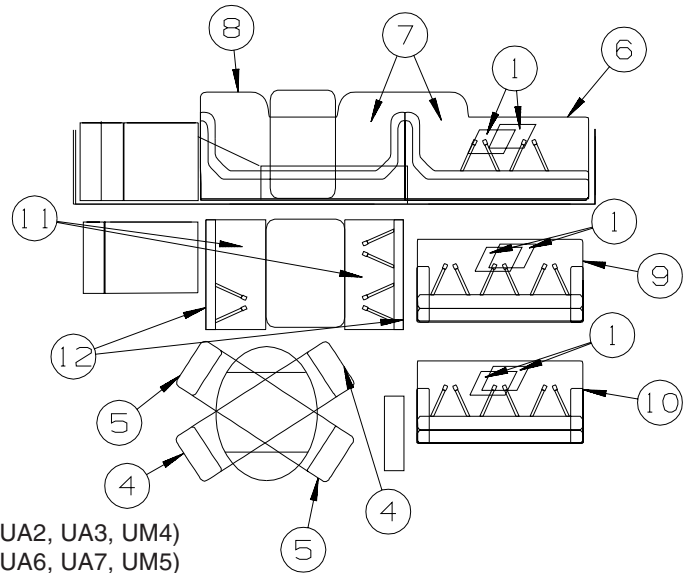
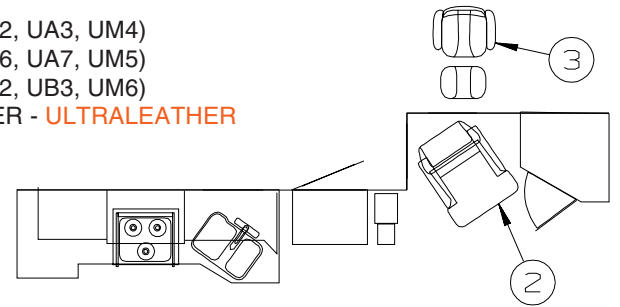
NOTE: USE THIS ILLUSTRATION WHEN DETERMINING LENGTH AND WIDTH MEASUREMENTS FOR CURTAINS. YOU WILL NOTE THE WIDTH MEASUREMENT IS TAKEN ON THE TOP OF THE CURTAIN WITH THE CURTAIN FULLY EXTENDED. THE LENGTH MEASUREMENT IS TAKEN FROM TOP TO BOTTOM. LEFT AND RIGHT WINDOW LEGS ARE DETERMINED WHEN FACING THE WINDOW.

CURTAIN & CUSHION GROUP (CONTINUED)

CUSHION LAYOUT



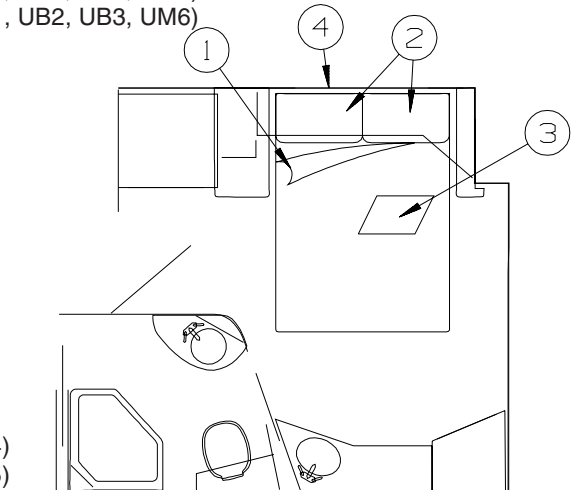
KEY	PART NUMBER	U/M	DESCRIPTION
1	146990-05-UA0	EA	BUCKET SEAT - DRIVER - W/LUMBAR (UA1, UA2, UA3, UM4)
1	146990-05-UA4	EA	BUCKET SEAT - DRIVER - W/LUMBAR (UA5, UA6, UA7, UM5)
1	146990-05-UB0	EA	BUCKET SEAT - DRIVER - W/LUMBAR (UB1, UB2, UB3, UM6)
1	146990-06-UA0	EA	BUCKET SEAT - DRIVER - W/LUMBAR - LEATHER - ULTRALEATHER



KEY	PART NUMBER	U/M	DESCRIPTION
1	154087-05-UA0	EA	PILLOW - 15" X 23" (UA1, UA2, UA3, UM4)
1	154087-01-UA4	EA	PILLOW - 15" X 23" (UA5, UA6, UA7, UM5)
1	154087-01-UB0	EA	PILLOW - 15" X 23" (UB1, UB2, UB3, UM6)
2	158317-01-UA0	EA	CHAIR - RECLINER - W/FOOTREST (UA1, UA2, UA3, UM4)
2	158317-02-UA4	EA	CHAIR - RECLINER - W/FOOTREST (UA5, UA6, UA7, UM5)
2	158317-01-UB0	EA	CHAIR - RECLINER - W/FOOTREST (UB1, UB2, UB3, UM6)
2	158317-03-UA0	EA	CHAIR - RECLINER - W/FOOTREST - LEATHER (UA1, UA2, UA3, UM4) - ULTRALEATHER
2	158317-03-UA4	EA	CHAIR - RECLINER - W/FOOTREST - LEATHER (UA5, UA6, UA7, UM5) - ULTRALEATHER
2	158317-03-UB0	EA	CHAIR - RECLINER - W/FOOTREST - LEATHER (UB1, UB2, UB3, UM6) - ULTRALEATHER
3	155369-02-T97	EA	CHAIR/EURO - APOLLO - W/OTTOMAN - ULTRA LEATHER - EURO LEATHER
4	158327-01-UA1	EA	CHAIR - DINING
4	158327-01-UA2	EA	CHAIR - DINING
4	158327-01-UA3	EA	CHAIR - DINING
4	158327-01-UA5	EA	CHAIR - DINING
4	158327-01-UA6	EA	CHAIR - DINING
4	158327-01-UA7	EA	CHAIR - DINING
4	158327-01-UB0	EA	CHAIR - DINING
4	158327-01-UB1	EA	CHAIR - DINING
4	158327-01-UB2	EA	CHAIR - DINING
4	158327-01-UB3	EA	CHAIR - DINING
5	157868-01-UA1	EA	CHAIR - FOLDING
5	157868-01-UA2	EA	CHAIR - FOLDING
5	157868-01-UA3	EA	CHAIR - FOLDING

CURTAIN & CUSHION GROUP (CONTINUED)
CUSHION LAYOUT (CONTINUED)

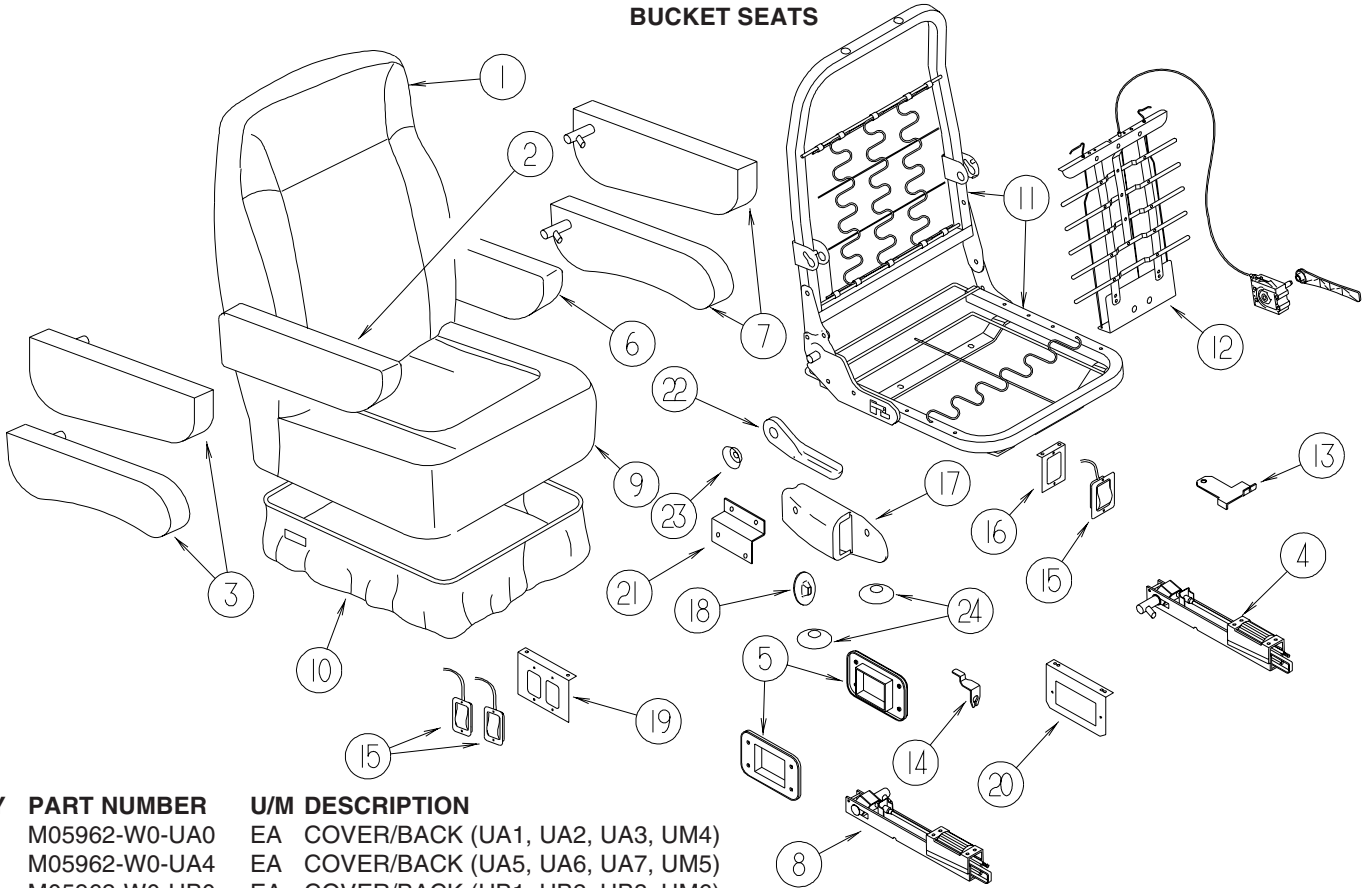
KEY	PART NUMBER	U/M	DESCRIPTION
5	157868-01-UA5	EA	CHAIR - FOLDING
5	157868-01-UA6	EA	CHAIR - FOLDING
5	157868-01-UA7	EA	CHAIR - FOLDING
5	157868-01-UB1	EA	CHAIR - FOLDING
5	157868-01-UB2	EA	CHAIR - FOLDING
5	157868-01-UB3	EA	CHAIR - FOLDING
	099856-13-000	EA	STRAP - TIEDOWN - 143.5"
6	155168-01-UA1	EA	SOFA/SECTIONAL - EASY BED COMBO - W/FOOTREST (UA1, UA2, UA3, UM4)
6	155168-01-T97	EA	SOFA/SECTIONAL - EASY BED COMBO - W/FOOTREST (UA5, UA6, UA7, UM5)
6	155168-01-UB1	EA	SOFA/SECTIONAL - EASY BED COMBO - W/FOOTREST (UB1, UB2, UB3, UM6)
6	155168-07-T97	EA	SOFA/SECTIONAL - EASY BED COMBO - W/FOOTREST - ULTRALEATHER
7	155168-03-UA1	EA	SOFA/SECTIONAL - EASY BED COMBO - CENTER SECTION W/DRAWER (UA1, UA2, UA3, UM4)
7	155168-03-T97	EA	SOFA/SECTIONAL - EASY BED COMBO - CENTER SECTION W/DRAWER (UA5, UA6, UA7, UM5)
7	155168-03-UB1	EA	SOFA/SECTIONAL - EASY BED COMBO - CENTER SECTION W/DRAWER (UB1, UB2, UB3, UM6)
7	155168-08-T97	EA	SOFA/SECTIONAL - EASY BED COMBO - CENTER SECTION W/DRAWER - ULTRALEATHER
8	155168-05-UA1	EA	SOFA/SECTIONAL - EASY BED COMBO - END BOOTH W/DRAWER (UA1, UA2, UA3, UM4)
8	155168-05-T97	EA	SOFA/SECTIONAL - EASY BED COMBO - END BOOTH W/DRAWER (UA5, UA6, UA7, UM5)
8	155168-05-UB1	EA	SOFA/SECTIONAL - EASY BED COMBO - END BOOTH W/DRAWER (UB1, UB2, UB3, UM6)
8	155168-09-T97	EA	SOFA/SECTIONAL - EASY BED COMBO - END BOOTH W/DRAWER - ULTRALEATHER
9	158298-09-UA1	EA	SOFA/SLEEPER - MULTI POSITION - #844/#844 ARMS - 30"FF (UA1, UA2, UA3, UM4) - REST EASY
9	158298-09-UA5	EA	SOFA/SLEEPER - MULTI POSITION - #844/#844 ARMS - 30"FF (UA5, UA6, UA7, UM5) - REST EASY
9	158298-09-UB1	EA	SOFA/SLEEPER - MULTI POSITION - #844/#844 ARMS - 30"FF (UB1, UB2, UB3, UM6) - REST EASY
9	158298-03-UA0	EA	SOFA/SLEEPER - REST EASY/DUAL - #844/844 ARMS-30"FF (UA1, UA2, UA3, UM4) - DUAL REST EASY
9	158298-03-UA4	EA	SOFA/SLEEPER - REST EASY/DUAL - #844/844 ARMS-30"FF (UA5, UA6, UA7, UM5) - DUAL REST EASY
9	158298-03-UB0	EA	SOFA/SLEEPER - REST EASY/DUAL - #844/844 ARMS-30"FF (UB1, UB2, UB3, UM6) - DUAL REST EASY
10	158298-10-UA1	EA	SOFA/SLPR - MULTI PSTN - 30"FF (UA1, UA2, UA3, UM4) - REST EASY/ULTRALEATHER
10	158298-10-UA5	EA	SOFA/SLPR - MULTI PSTN - 30"FF (UA5, UA6, UA7, UM5) - REST EASY/ULTRALEATHER
10	158298-10-UB1	EA	SOFA/SLPR - MULTI PSTN - 30"FF (UB1, UB2, UB3, UM6) - REST EASY/ULTRALEATHER
10	158298-04-UA0	EA	SOFA/SLPR - RST E/DL-30"FF (UA1, UA2, UA3, UM4) - DUAL REST EASY/ULTRALEATHER
10	158298-04-UA4	EA	SOFA/SLPR - RST E/DL-30"FF (UA5, UA6, UA7, UM5) - DUAL REST EASY/ULTRALEATHER
10	158298-04-UB0	EA	SOFA/SLPR - RST E/DL-30"FF (UB1, UB2, UB3, UM6) - DUAL REST EASY/ULTRALEATHER
11	142292-05-UD5	EA	SEAT - DINETTE CUSHION (SPRUNG) - 23" X 38.5" (UA1, UA2, UA3, UM4)
11	142292-05-T97	EA	SEAT - DINETTE CUSHION (SPRUNG) - 23" X 38.5" (UA5, UA6, UA7, UM5)
11	142292-05-UB0	EA	SEAT - DINETTE CUSHION (SPRUNG) - 23" X 38.5" (UB1, UB2, UB3, UM6)
	P42292-05-UD5	EA	COVER/SEAT - DINETTE CUSHION (SPRUNG) - 23.5" X 38.5" (UA1, UA2, UA3, UM4)
	P42292-05-T97	EA	COVER/SEAT - DINETTE CUSHION (SPRUNG) - 23.5" X 38.5" (UA5, UA6, UA7, UM5)
	P42292-05-UB0	EA	COVER/SEAT - DINETTE CUSHION (SPRUNG) - 23.5" X 38.5" (UB1, UB2, UB3, UM6)
	142366-01-000	EA	FRAME - SPRUNG - DINETTE SEAT
12	154221-10-UA1	EA	BACK - DINETTE CUSHION - 12" X 40" (UA1, UA2, UA3, UM4)
12	154221-10-T97	EA	BACK - DINETTE CUSHION - 12" X 40" (UA5, UA6, UA7, UM5)
12	154221-10-UB1	EA	BACK - DINETTE CUSHION - 12" X 40" (UB1, UB2, UB3, UM6)
	P54221-10-UA1	EA	COVER/BACK - DINETTE CUSHION - 17.5" X 40" (UA1, UA2, UA3, UM4)
	P54221-10-T97	EA	COVER/BACK - DINETTE CUSHION - 17.5" X 40" (UA5, UA6, UA7, UM5)
	P54221-10-UB1	EA	COVER/BACK - DINETTE CUSHION - 17.5" X 40" (UB1, UB2, UB3, UM6)



KEY	PART NUMBER	U/M	DESCRIPTION
1	132336-05-UA0	EA	BEDSPREAD/CAP - 60" X 75" (UA1, UA2, UA3, UM4)
1	132336-05-T97	EA	BEDSPREAD/CAP - 60" X 75" (UA5, UA6, UA7, UM5)
1	132336-05-UB0	EA	BEDSPREAD/CAP - 60" X 75" (UB1, UB2, UB3, UM6)
2	155275-03-UA0	EA	PILLOW SHAM (UA1, UA2, UA3, UM4)
2	155275-03-UA4	EA	PILLOW SHAM (UA5, UA6, UA7, UM5)
2	155275-03-UB0	EA	PILLOW SHAM (UB1, UB2, UB3, UM6)
3	158358-01-UA0	EA	PILLOW - 18" X 18" - W/FRINGE (UA1, UA2, UA3, UM4)
3	158358-01-UA4	EA	PILLOW - 18" X 18" - W/FRINGE (UA5, UA6, UA7, UM5)
3	158358-01-UB0	EA	PILLOW - 18" X 18" - W/FRINGE (UB1, UB2, UB3, UM6)
4	150164-04-UA1	EA	HEADBOARD - REMINGTON - FABRIC COVERED (UA1, UA2, UA3, UM4)
4	150164-05-UA5	EA	HEADBOARD - REMINGTON - FABRIC COVERED (UA5, UA6, UA7, UM5)
4	150164-04-UB1	EA	HEADBOARD - REMINGTON - FABRIC COVERED (UB1, UB2, UB3, UM6)

CURTAIN & CUSHION GROUP (CONTINUED)

BUCKET SEATS



KEY	PART NUMBER	U/M	DESCRIPTION
1	M05962-W0-UA0	EA	COVER/BACK (UA1, UA2, UA3, UM4)
1	M05962-W0-UA4	EA	COVER/BACK (UA5, UA6, UA7, UM5)
1	M05962-W0-UB0	EA	COVER/BACK (UB1, UB2, UB3, UM6)
1	M05962-W2-UA0	EA	COVER/BACK - ULTRALEATHER
2	148705-01-UA0	EA	ARMREST - RIGHT (UA1, UA2, UA3, UM4)
2	148705-01-T97	EA	ARMREST - RIGHT (UA5, UA6, UA7, UM5)
2	148705-01-UB0	EA	ARMREST - RIGHT (UB1, UB2, UB3, UM6)
2	148705-03-S80	EA	ARMREST - RIGHT - ULTRALEATHER
	P48705-01-UA0	EA	COVER/ARMREST - RIGHT (UA1, UA2, UA3, UM4)
	P48705-01-T97	EA	COVER/ARMREST - RIGHT (UA5, UA6, UA7, UM5)
	P48705-01-UB0	EA	COVER/ARMREST - RIGHT (UB1, UB2, UB3, UM6)
	P48705-03-S80	EA	COVER/ARMREST - RIGHT - ULTRALEATHER
3	NOT USED		
4	148751-02-000	EA	BRACKET - LEFT (ADJUSTABLE) W/ROLLER
5	148751-03-000	EA	BRACKET - ROLLER TRIM PLATE
6	148705-02-UA0	EA	ARMREST - LEFT (UA1, UA2, UA3, UM4)
6	148705-02-T97	EA	ARMREST - LEFT (UA5, UA6, UA7, UM5)
6	148705-02-UB0	EA	ARMREST - LEFT (UB1, UB2, UB3, UM6)
6	148705-04-S80	EA	ARMREST - LEFT - ULTRALEATHER
	P48705-02-UA0	EA	COVER/ARMREST - LEFT (UA1, UA2, UA3, UM4)
	P48705-02-T97	EA	COVER/ARMREST - LEFT (UA5, UA6, UA7, UM5)
	P48705-02-UB0	EA	COVER/ARMREST - LEFT (UB1, UB2, UB3, UM6)
	P48705-04-S80	EA	COVER/ARMREST - LEFT - ULTRALEATHER
7	NOT USED		
8	148751-01-000	EA	BRACKET - RIGHT (ADJUSTABLE) W/ROLLER
9	M05962-W1-UA0	EA	COVER/SEAT (UA1, UA2, UA3, UM4)
9	M05962-W1-UA4	EA	COVER/SEAT (UA5, UA6, UA7, UM5)
9	M05962-W1-UB0	EA	COVER/SEAT (UB1, UB2, UB3, UM6)
9	M05962-K1-UA0	EA	COVER/SEAT - ULTRALEATHER
10	148630-01-UA0	EA	SKIRT - W/SEAT BELT SLOT (UA1, UA2, UA3, UM4)
10	148630-01-T97	EA	SKIRT - W/SEAT BELT SLOT (UA5, UA6, UA7, UM5)
10	148630-01-UB0	EA	SKIRT - W/SEAT BELT SLOT (UB1, UB2, UB3, UM6)
10	148630-15-TB4	EA	SKIRT - W/SEAT BELT SLOT - ULTRALEATHER
10	148630-03-UA0	EA	SKIRT - F/6-WAY POWER (UA1, UA2, UA3, UM4) - 6-WAY POWER
10	148630-03-T97	EA	SKIRT - F/6-WAY POWER (UA5, UA6, UA7, UM5) - 6-WAY POWER
10	148630-03-UB0	EA	SKIRT - F/6-WAY POWER (UB1, UB2, UB3, UM6) - 6-WAY POWER
10	148630-16-TB4	EA	SKIRT - F/6-WAY POWER - ULTRALEATHER / 6-WAY POWER
11	134532-01-000	EA	FRAME - SEAT/HIGH BACK

CURTAIN & CUSHION GROUP (CONTINUED)
BUCKET SEATS (CONTINUED)

KEY	PART NUMBER	U/M	DESCRIPTION
12*	122611-02-000	EA	LUMBAR - W/LEVER
13	117125-01-02B	EA	BRACKET - CABLE MOUNT - ADJUSTER W/LOCK (UB1, UB2, UB3, UM6)
14	108049-02-000	EA	CLIP - CABLE/PEDESTAL (UB1, UB2, UB3, UM6)
15	108049-04-000	EA	CABLE - W/MINI LEVER ACTION SWITCH - 28" SHEATH/30" CABLE
16	127159-01-02B	EA	BRACKET - SEAT RELEASE - SINGLE REMOTE - E-COATED - 6-WAY POWER
17	NOT USED		
18	NOT USED		
19	127159-02-02B	EA	BRACKET - SEAT RELEASE - DUAL REMOTE - E-COATED
20	128699-01-02B	EA	BRACKET - SEAT SWITCH - E-COATED - 6-WAY POWER
21	147457-01-02B	EA	BRACKET - ZEE W/HOLES - 2.8" - E-COATED
22	130802-02-000	EA	LEVER - RIGHT HAND (UB1, UB2, UB3, UM6)
	130802-03-000	EA	SCREW F/LEVER (UB1, UB2, UB3, UM6)
23	148668-01-01A	EA	CUP/TRIM COVER - F/LEVER - BLACK
24	NOT USED		
	152337-01-000	EA	PROTECTOR - SEAT - CLEAR VINYL

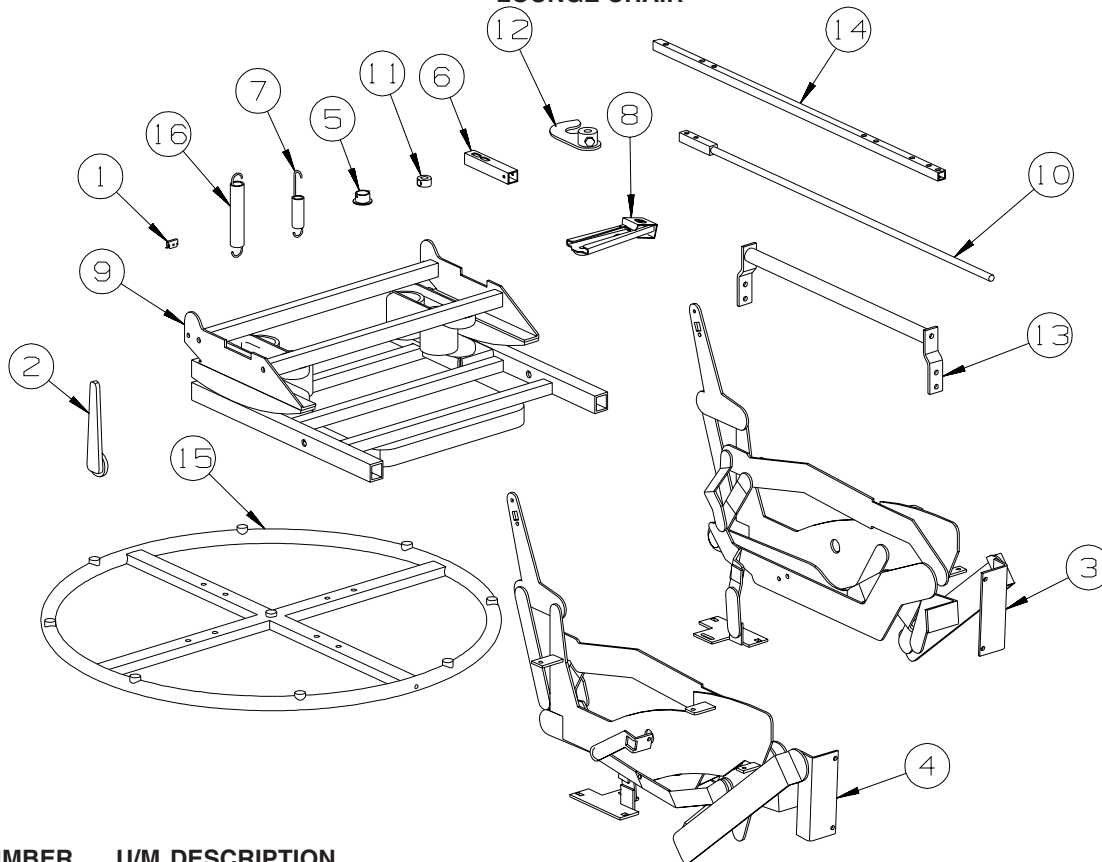
***COMPONENT PARTS LISTED LATER IN THIS GROUP**

COMPONENT PARTS FOR BUCKET SEATS

KEY	PART NUMBER	U/M	DESCRIPTION	122611-02-000	VENDOR NO.
	122611-02-701	EA	LUMBAR - LEVER		412
	122611-02-702	EA	LUMBAR MECHANISM		24395-FLEXSTEEL

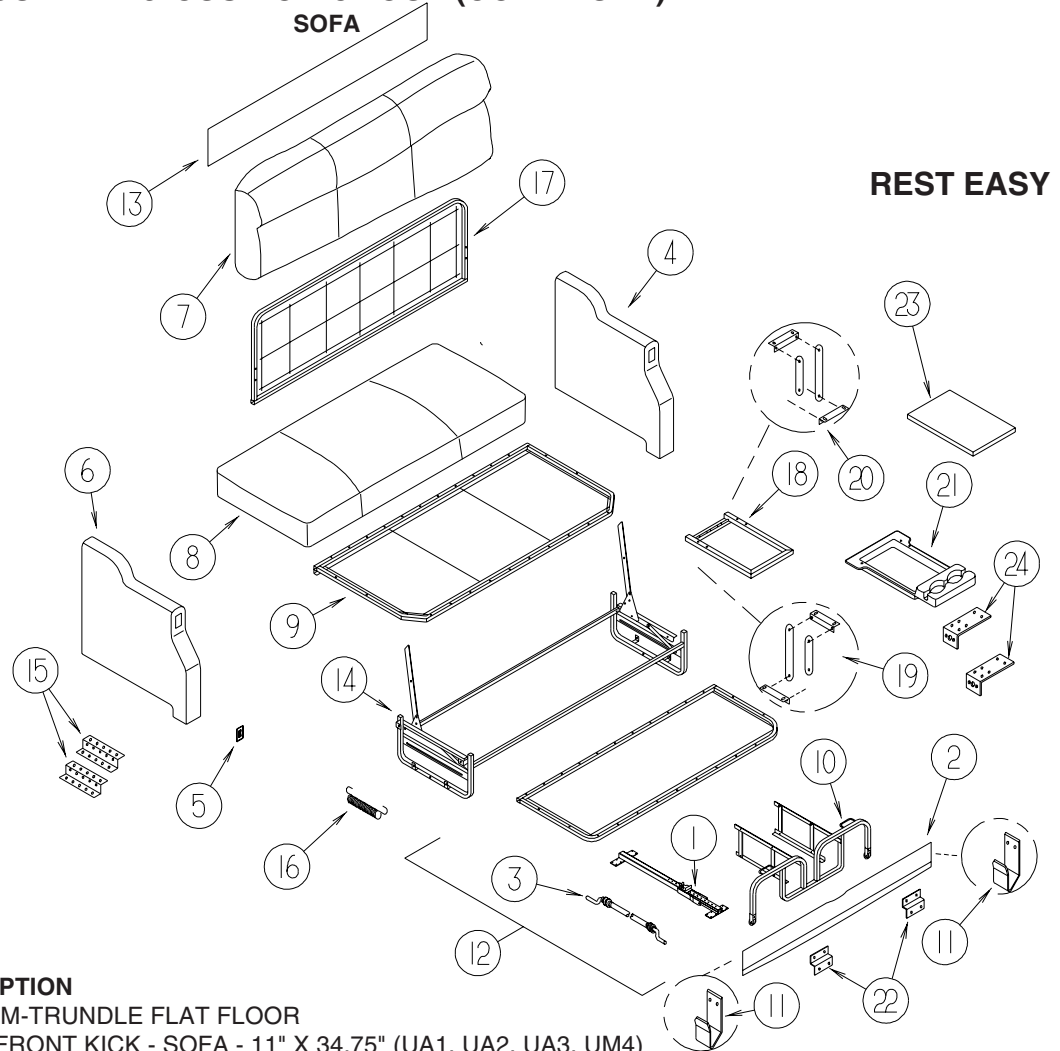
CURTAIN & CUSHION GROUP (CONTINUED)

LOUNGE CHAIR



KEY	PART NUMBER	U/M	DESCRIPTION
	158317-A1-UA0	EA	COVER/CHAIR - RECLINER - W/FOOTREST (UA1, UA2, UA3, UM4)
	158317-A2-UA4	EA	COVER/CHAIR - RECLINER - W/FOOTREST (UA5, UA6, UA7, UM5)
	158317-A1-UB0	EA	COVER/CHAIR - RECLINER - W/FOOTREST (UB1, UB2, UB3, UM6)
	158317-A3-UA0	EA	COVER/CHAIR - RECLINER - W/FOOTREST (UA1, UA2, UA3, UM4) - ULTRALEATHER
	158317-A3-UA4	EA	COVER/CHAIR - RECLINER - W/FOOTREST (UA5, UA6, UA7, UM5) - ULTRALEATHER
	158317-A3-UB0	EA	COVER/CHAIR - RECLINER - W/FOOTREST (UB1, UB2, UB3, UM6) - ULTRALEATHER
1	029134-01-000	EA	CLIP - FINISH - UPHOLSTERY
2	133126-11-000	EA	HANDLE/RECLINE - PLASTIC
3	154077-01-000	EA	RECLINER MECHANISM - RIGHT HAND (WHEN SITTING IN CHAIR)
4	154077-02-000	EA	RECLINER MECHANISM - LEFT HAND (WHEN SITTING IN CHAIR)
5	154077-03-000	EA	BUSHING - PLASTIC/WHITE
6	154077-04-000	EA	TUBE/HANDLE MOUNTING - 3.6" LONG - BLACK
7	154077-05-000	EA	SPRING - EXTENSION - 3.7"
8	154077-06-000	EA	SLEEVE/CLIP - 1.6" X 5.1"
9	154077-07-000	EA	BASE - SWIVEL/ROCKER - BLACK
10	154077-08-000	EA	LATCH ROD - 25.5" - BLACK
11	154077-09-000	EA	LOCK COLLAR - W/SET SCREW LOCK-OUT
12	154077-10-000	EA	LATCH BRACKET - RIGHT FRONT LOCK OUT - BLACK
13	154077-11-000	EA	LATCH TUBE - W/LOCK OUT ENDS - 15.1" - BLACK
14	154077-12-000	EA	LOCK TUBE - .5" X .5" X 23.5"
15	154077-13-000	EA	GRID RING - 24" - BLACK
16	154077-14-000	EA	SPRING/EXTENSION - 4.7"

CURTAIN & CUSHION GROUP (CONTINUED)

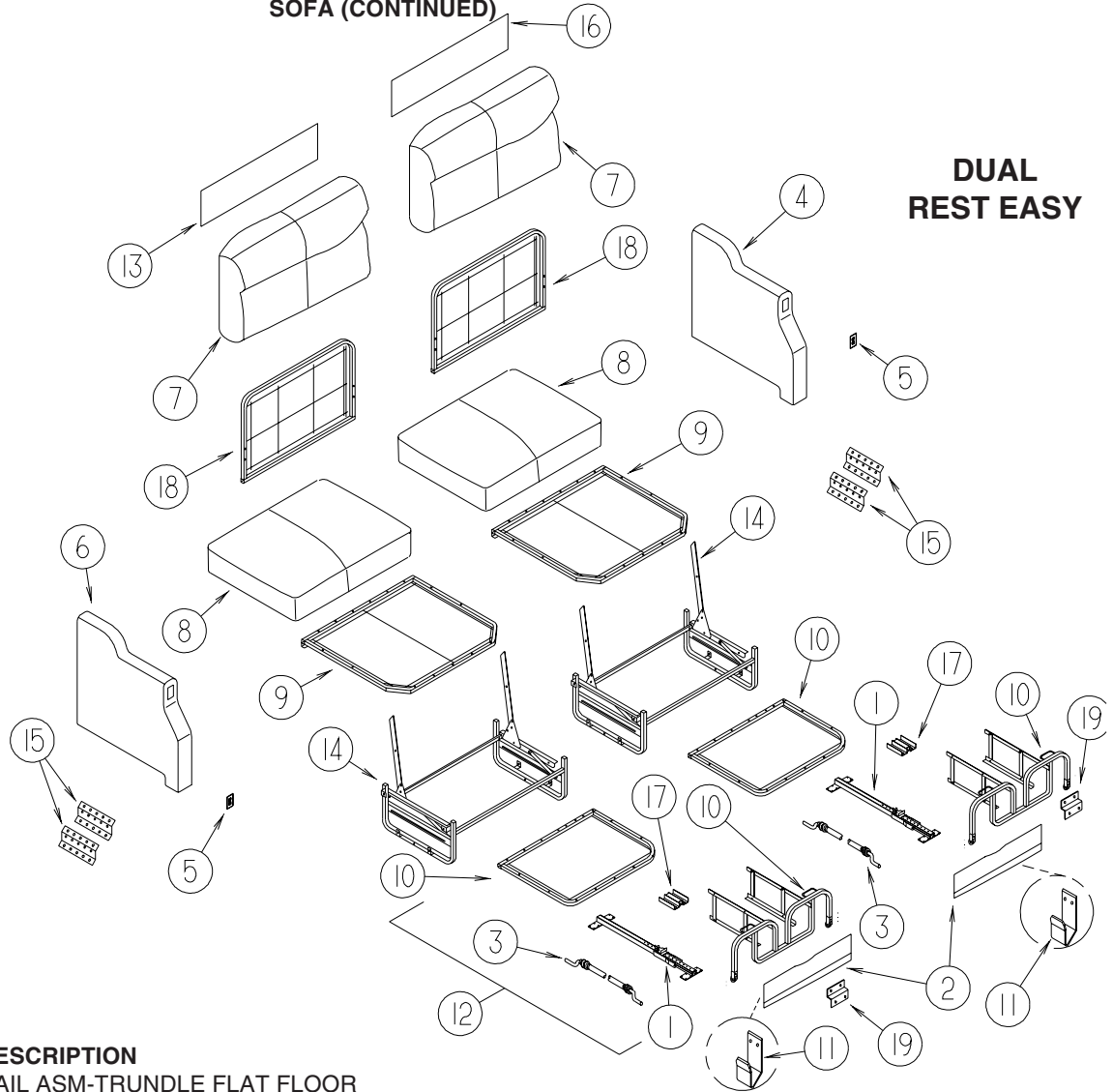


KEY	PART NUMBER	U/M	DESCRIPTION
1	159707-01-000	EA	RAIL ASM-TRUNDLE FLAT FLOOR
2	157928-13-UA1	EA	PANEL/FRONT KICK - SOFA - 11" X 34.75" (UA1, UA2, UA3, UM4)
2	157928-13-UA5	EA	PANEL/FRONT KICK - SOFA - 11" X 34.75" (UA5, UA6, UA7, UM5)
2	157928-13-UB1	EA	PANEL/FRONT KICK - SOFA - 11" X 34.75" (UB1, UB2, UB3, UM6)
2	157928-14-UA1	EA	PANEL/FRONT KICK - SOFA - 11" X 34.75" - LEATHER (UA1, UA2, UA3, UM4) - ULTRALEATHER
2	157928-14-UA5	EA	PANEL/FRONT KICK - SOFA - 11" X 34.75" - LEATHER (UA5, UA6, UA7, UM5) - ULTRALEATHER
2	157928-14-UB1	EA	PANEL/FRONT KICK - SOFA - 11" X 34.75" - LEATHER (UB1, UB2, UB3, UM6) - ULTRALEATHER
3	148225-01-000	EA	CABLE ONLY - REMOTE - 31.9" W/Z-ENDS
4	158332-10-UA0	EA	ARMREST - SOFA - LEFT HAND (UA1, UA2, UA3, UM4)
4	158332-10-UA4	EA	ARMREST - SOFA - LEFT HAND (UA5, UA6, UA7, UM5)
4	158332-10-UB0	EA	ARMREST - SOFA - LEFT HAND (UB1, UB2, UB3, UM6)
4	158332-12-UA0	EA	ARMREST - SOFA - LEFT HAND - LEATHER (UA1, UA2, UA3, UM4) - ULTRALEATHER
4	158332-12-UA4	EA	ARMREST - SOFA - LEFT HAND - LEATHER (UA5, UA6, UA7, UM5) - ULTRALEATHER
4	158332-12-UB0	EA	ARMREST - SOFA - LEFT HAND - LEATHER (UB1, UB2, UB3, UM6) - ULTRALEATHER
	158332-A6-UA0	EA	COVER/ARMREST - SOFA/LEFT HAND (UA1, UA2, UA3, UM4)
	158332-A6-UA4	EA	COVER/ARMREST - SOFA/LEFT HAND (UA5, UA6, UA7, UM5)
	158332-A6-UB0	EA	COVER/ARMREST - SOFA/LEFT HAND (UB1, UB2, UB3, UM6)
	158332-A8-UA0	EA	COVER/ARMREST - SOFA/LEFT HAND - LEATHER (UA1, UA2, UA3, UM4) - ULTRALEATHER
	158332-A8-UA4	EA	COVER/ARMREST - SOFA/LEFT HAND - LEATHER (UA5, UA6, UA7, UM5) - ULTRALEATHER
	158332-A8-UB0	EA	COVER/ARMREST - SOFA/LEFT HAND - LEATHER (UB1, UB2, UB3, UM6) - ULTRALEATHER
5	136118-01-000	EA	SWITCH - SOFA/RECLINER
6	158332-09-UA0	EA	ARMREST - SOFA - RIGHT HAND - W/SWITCH (UA1, UA2, UA3, UM4)
6	158332-09-UA4	EA	ARMREST - SOFA - RIGHT HAND - W/SWITCH (UA5, UA6, UA7, UM5)
6	158332-09-UB0	EA	ARMREST - SOFA - RIGHT HAND - W/SWITCH (UB1, UB2, UB3, UM6)
6	158332-11-UA0	EA	ARMREST - SOFA - RIGHT HAND - W/SWITCH - LEATHER (UA1, UA2, UA3, UM4) - ULTRALEATHER
6	158332-11-UA4	EA	ARMREST - SOFA - RIGHT HAND - W/SWITCH - LEATHER (UA5, UA6, UA7, UM5) - ULTRALEATHER
6	158332-11-UB0	EA	ARMREST - SOFA - RIGHT HAND - W/SWITCH - LEATHER (UB1, UB2, UB3, UM6) - ULTRALEATHER

CURTAIN & CUSHION GROUP (CONTINUED)
SOFA (CONTINUED)

KEY	PART NUMBER	U/M	DESCRIPTION
	158332-A5-UA0	EA	COVER/ARMREST - SOFA/RIGHT HAND (UA1, UA2, UA3, UM4)
	158332-A5-UA4	EA	COVER/ARMREST - SOFA/RIGHT HAND (UA5, UA6, UA7, UM5)
	158332-A5-UB0	EA	COVER/ARMREST - SOFA/RIGHT HAND (UB1, UB2, UB3, UM6)
	158332-A7-UA0	EA	COVER/ARMREST - SOFA/RIGHT HAND - LEATHER (UA1, UA2, UA3, UM4) - ULTRALEATHER
	158332-A7-UA4	EA	COVER/ARMREST - SOFA/RIGHT HAND - LEATHER (UA5, UA6, UA7, UM5) - ULTRALEATHER
	158332-A7-UB0	EA	COVER/ARMREST - SOFA/RIGHT HAND - LEATHER (UB1, UB2, UB3, UM6) - ULTRALEATHER
7	158299-05-UA1	EA	BACK - SOFA - 70" (UA1, UA2, UA3, UM4)
7	158299-05-UA5	EA	BACK - SOFA - 70" (UA5, UA6, UA7, UM5)
7	158299-05-UB1	EA	BACK - SOFA - 70" (UB1, UB2, UB3, UM6)
7	158299-06-UA1	EA	BACK - SOFA - 70" - LEATHER - ULTRALEATHER
	158299-A5-UA1	EA	COVER/BACK - SOFA - 70" (UA1, UA2, UA3, UM4)
	158299-A5-UA5	EA	COVER/BACK - SOFA - 70" (UA5, UA6, UA7, UM5)
	158299-A5-UB1	EA	COVER/BACK - SOFA - 70" (UB1, UB2, UB3, UM6)
	158299-A6-UA1	EA	COVER/BACK - SOFA - 70" - LEATHER - ULTRALEATHER
8	158300-05-UA1	EA	SEAT - SOFA/SLEEPER (UA1, UA2, UA3, UM4)
8	158300-05-UA5	EA	SEAT - SOFA/SLEEPER (UA5, UA6, UA7, UM5)
8	158300-05-UB1	EA	SEAT - SOFA/SLEEPER (UB1, UB2, UB3, UM6)
8	158300-06-UA1	EA	SEAT - SOFA/SLEEPER - LEATHER - ULTRALEATHER
9	151290-04-000	EA	FRAME - SEAT - 70"
	158300-A5-UA1	EA	COVER/SEAT - SOFA/SLEEPER (UA1, UA2, UA3, UM4)
	158300-A5-UA5	EA	COVER/SEAT - SOFA/SLEEPER (UA5, UA6, UA7, UM5)
	158300-A5-UB1	EA	COVER/SEAT - SOFA/SLEEPER (UB1, UB2, UB3, UM6)
	158300-A6-UA1	EA	COVER/SEAT - SOFA/SLEEPER - LEATHER - ULTRALEATHER
9	151290-04-000	EA	FRAME - SEAT - 70"
10	136534-27-000	EA	TRUNDLE FRAME - 26" - W/LINKAGE, LATCH & HANDLE
11	121906-01-02B	EA	BRACKET - KICKBOARD - E-COATED
12	155647-04-UA1	EA	TRUNDLE - SOFA/SLEEPER - 70" (UA1, UA2, UA3, UM4)
12	155647-04-UA5	EA	TRUNDLE - SOFA/SLEEPER - 70" (UA5, UA6, UA7, UM5)
12	155647-04-UB1	EA	TRUNDLE - SOFA/SLEEPER - 70" (UB1, UB2, UB3, UM6)
12	155647-02-UA0	EA	TRUNDLE - SOFA/SLEEPER - 60" - LEATHER - ULTRALEATHER
	155647-A4-UA1	EA	COVER/TRUNDLE - SOFA/SLEEPER - 70" (UA1, UA2, UA3, UM4)
	155647-A4-UA5	EA	COVER/TRUNDLE - SOFA/SLEEPER - 70" (UA5, UA6, UA7, UM5)
	155647-A4-UB1	EA	COVER/TRUNDLE - SOFA/SLEEPER - 70" (UB1, UB2, UB3, UM6)
	155647-A2-UA0	EA	COVER/TRUNDLE - SOFA/SLEEPER - 60" - LEATHER - ULTRALEATHER
13	NOT USED		
14	151290-01-000	EA	FRAME - BASE - 70"
15	NOT USED		
16	136534-33-000	EA	SPRING/ASSIST - 1/2" X 7" W/HOOK ENDS - REST EASY SOFAS
17	132870-01-000	EA	FRAME/BACK - 70"
18	NOT USED		
19	NOT USED		
20	NOT USED		
21	NOT USED		
22	101926-01-02A	EA	BRACKET - ZEE - 2" - BLACK
23	NOT USED		
24	NOT USED		

CURTAIN & CUSHION GROUP (CONTINUED)
SOFA (CONTINUED)



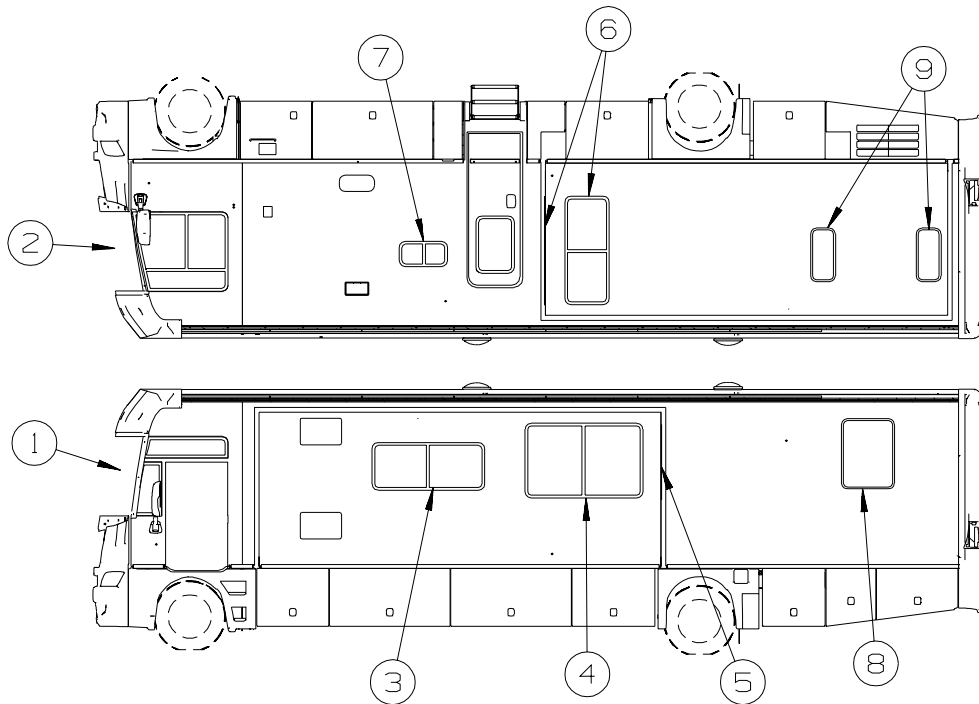
KEY	PART NUMBER	U/M	DESCRIPTION
1	159707-01-000	EA	RAIL ASM-TRUNDLE FLAT FLOOR
2	157928-09-UA0	EA	PANEL/FRONT KICK - SOFA/DUAL - 11" X 30" (UA1, UA2, UA3, UM4)
2	157928-09-UA4	EA	PANEL/FRONT KICK - SOFA/DUAL - 11" X 30" (UA5, UA6, UA7, UM5)
2	157928-09-UB0	EA	PANEL/FRONT KICK - SOFA/DUAL - 11" X 30" (UB1, UB2, UB3, UM6)
2	157928-10-UA0	EA	PANEL/FRONT KICK - SOFA/DUAL - 11" X 30" - LEATHER (UA1, UA2, UA3, UM4) - ULTRALEATHER
2	157928-10-UA4	EA	PANEL/FRONT KICK - SOFA/DUAL - 11" X 30" - LEATHER (UA5, UA6, UA7, UM5) - ULTRALEATHER
2	157928-10-UB0	EA	PANEL/FRONT KICK - SOFA/DUAL - 11" X 30" - LEATHER (UB1, UB2, UB3, UM6) - ULTRALEATHER
3	NOT USED		
4	158332-06-UA0	EA	ARMREST - SOFA/DUAL - LEFT HAND - W/SWITCH (UA1, UA2, UA3, UM4)
4	158332-06-UA4	EA	ARMREST - SOFA/DUAL - LEFT HAND - W/SWITCH (UA5, UA6, UA7, UM5)
4	158332-06-UB0	EA	ARMREST - SOFA/DUAL - LEFT HAND - W/SWITCH (UB1, UB2, UB3, UM6)
4	158332-08-UA0	EA	ARMREST - SOFA/DUAL - LEFT HAND - W/SWITCH - LEATHER (UA1, UA2, UA3, UM4) - ULTRALEATHER
4	158332-08-UA4	EA	ARMREST - SOFA/DUAL - LEFT HAND - W/SWITCH - LEATHER (UA5, UA6, UA7, UM5) - ULTRALEATHER
4	158332-08-UB0	EA	ARMREST - SOFA/DUAL - LEFT HAND - W/SWITCH - LEATHER (UB1, UB2, UB3, UM6) - ULTRALEATHER
	158332-A2-UA0	EA	COVER/ARMREST - SOFA/LEFT HAND (UA1, UA2, UA3, UM4)
	158332-A2-UA4	EA	COVER/ARMREST - SOFA/LEFT HAND (UA5, UA6, UA7, UM5)
	158332-A2-UB0	EA	COVER/ARMREST - SOFA/LEFT HAND (UB1, UB2, UB3, UM6)
	158332-A4-UA0	EA	COVER/ARMREST - SOFA/LEFT HAND - LEATHER (UA1, UA2, UA3, UM4) - ULTRALEATHER
	158332-A4-UA4	EA	COVER/ARMREST - SOFA/LEFT HAND - LEATHER (UA5, UA6, UA7, UM5) - ULTRALEATHER
	158332-A4-UB0	EA	COVER/ARMREST - SOFA/LEFT HAND - LEATHER (UB1, UB2, UB3, UM6) - ULTRALEATHER
5	136118-01-000	EA	SWITCH - SOFA/RECLINER
6	158332-05-UA0	EA	ARMREST - SOFA/DUAL - RIGHT HAND - W/SWITCH (UA1, UA2, UA3, UM4)
6	158332-05-UA4	EA	ARMREST - SOFA/DUAL - RIGHT HAND - W/SWITCH (UA5, UA6, UA7, UM5)
6	158332-05-UB0	EA	ARMREST - SOFA/DUAL - RIGHT HAND - W/SWITCH (UB1, UB2, UB3, UM6)
6	158332-07-UA0	EA	ARMREST - SOFA/DUAL - RH - W/SWITCH - LEATHER (UA1, UA2, UA3, UM4) - ULTRALEATHER

CURTAIN & CUSHION GROUP (CONTINUED)
SOFA (CONTINUED)

KEY	PART NUMBER	U/M	DESCRIPTION
6	158332-07-UA4	EA	ARMREST - SOFA/DUAL - RH - W/SWITCH - LEATHER (UA5, UA6, UA7, UM5) - ULTRALEATHER
6	158332-07-UB0	EA	ARMREST - SOFA/DUAL - RH - W/SWITCH - LEATHER (UB1, UB2, UB3, UM6) - ULTRALEATHER
	158332-A1-UA0	EA	COVER/ARMREST - SOFA/RIGHT HAND (UA1, UA2, UA3, UM4)
	158332-A1-UA4	EA	COVER/ARMREST - SOFA/RIGHT HAND (UA5, UA6, UA7, UM5)
	158332-A1-UB0	EA	COVER/ARMREST - SOFA/RIGHT HAND (UB1, UB2, UB3, UM6)
	158332-A3-UA0	EA	COVER/ARMREST - SOFA/RIGHT HAND - LEATHER (UA1, UA2, UA3, UM4) - ULTRALEATHER
	158332-A3-UA4	EA	COVER/ARMREST - SOFA/RIGHT HAND - LEATHER (UA5, UA6, UA7, UM5) - ULTRALEATHER
	158332-A3-UB0	EA	COVER/ARMREST - SOFA/RIGHT HAND - LEATHER (UB1, UB2, UB3, UM6) - ULTRALEATHER
7	158299-03-UA0	EA	BACK - SOFA/DUAL (UA1, UA2, UA3, UM4)
7	158299-03-UA4	EA	BACK - SOFA/DUAL (UA5, UA6, UA7, UM5)
7	158299-03-UB0	EA	BACK - SOFA/DUAL (UB1, UB2, UB3, UM6)
7	158299-04-UA0	EA	BACK - SOFA/DUAL - LEATHER - ULTRALEATHER
	158299-A3-UA0	EA	COVER/BACK - DUAL SOFA (UA1, UA2, UA3, UM4)
	158299-A3-UA4	EA	COVER/BACK - DUAL SOFA (UA5, UA6, UA7, UM5)
	158299-A3-UB0	EA	COVER/BACK - DUAL SOFA (UB1, UB2, UB3, UM6)
	158299-A4-UA0	EA	COVER/BACK - DUAL SOFA - LEATHER - ULTRALEATHER
8	158300-03-UA0	EA	SEAT - SOFA/SLEEPER - DUAL CONTROLS (UA1, UA2, UA3, UM4)
8	158300-03-UA4	EA	SEAT - SOFA/SLEEPER - DUAL CONTROLS (UA5, UA6, UA7, UM5)
8	158300-03-UB0	EA	SEAT - SOFA/SLEEPER - DUAL CONTROLS (UB1, UB2, UB3, UM6)
8	158300-04-UA0	EA	SEAT - SOFA/SLEEPER - DUAL CONTROLS - LEATHER - ULTRALEATHER
	158300-A3-UA0	EA	COVER/SEAT - SOFA/DUAL (UA1, UA2, UA3, UM4)
	158300-A3-UA4	EA	COVER/SEAT - SOFA/DUAL (UA5, UA6, UA7, UM5)
	158300-A3-UB0	EA	COVER/SEAT - SOFA/DUAL (UB1, UB2, UB3, UM6)
	158300-A4-UA0	EA	COVER/SEAT - SOFA/DUAL - LEATHER - ULTRALEATHER
9	151290-02-000	EA	FRAME - SEAT - 30"
10	136534-27-000	EA	TRUNDLE FRAME - 26" WIDE/DUAL - W/LINKAGE, LATCH & HANDLE
11	121906-01-02B	EA	BRACKET - KICKBOARD - E-COATED
12	155647-07-UA0	EA	TRUNDLE - SOFA/SLEEPER - DUAL CONTROLLED (UA1, UA2, UA3, UM4)
12	155647-07-UA4	EA	TRUNDLE - SOFA/SLEEPER - DUAL CONTROLLED (UA5, UA6, UA7, UM5)
12	155647-07-UB0	EA	TRUNDLE - SOFA/SLEEPER - DUAL CONTROLLED (UB1, UB2, UB3, UM6)
12	155647-08-UA0	EA	TRUNDLE - SOFA/SLEEPER - DUAL CONTROLLED - LEATHER - ULTRALEATHER
	155647-A7-UA0	EA	COVER/TRUNDLE - SOFA/SLEEPER - DUAL (UA1, UA2, UA3, UM4)
	155647-A7-UA4	EA	COVER/TRUNDLE - SOFA/SLEEPER - DUAL (UA5, UA6, UA7, UM5)
	155647-A7-UB0	EA	COVER/TRUNDLE - SOFA/SLEEPER - DUAL (UB1, UB2, UB3, UM6)
	155647-A8-UA0	EA	COVER/TRUNDLE - SOFA/SLEEPER - DUAL - LEATHER - ULTRALEATHER
13	139716-16-UD5	EA	SIGHT SHIELD - DUAL BACK/RIGHT HAND (UA1, UA2, UA3, UM4)
13	139716-16-T97	EA	SIGHT SHIELD - DUAL BACK/RIGHT HAND (UA5, UA6, UA7, UM5)
13	139716-16-UB1	EA	SIGHT SHIELD - DUAL BACK/RIGHT HAND (UB1, UB2, UB3, UM6)
13	139716-18-T97	EA	SIGHT SHIELD - DUAL BACK/RIGHT HAND - ULTRALEATHER
14	151290-14-000	EA	FRAME - BASE - 27.25" X 30" X 10.5" - LEFT
14	151290-15-000	EA	FRAME - BASE - 27.25" X 30" X 10.5" - RIGHT
15	NOT USED		
16	139716-15-UD5	EA	SIGHT SHIELD - DUAL BACK/LEFT HAND (UA1, UA2, UA3, UM4)
16	139716-15-T97	EA	SIGHT SHIELD - DUAL BACK/LEFT HAND (UA5, UA6, UA7, UM5)
16	139716-15-UB1	EA	SIGHT SHIELD - DUAL BACK/LEFT HAND (UB1, UB2, UB3, UM6)
16	139716-17-T97	EA	SIGHT SHIELD - DUAL BACK/LEFT HAND - ULTRALEATHER
17	136534-32-000	EA	BRACKET - DUAL BASE
18	136534-25-000	EA	FRAME/BACK - FOR DUAL REST EASY SOFA - ONE SIDE ONLY
19	101926-01-02A	EA	BRACKET - ZEE - 2" - BLACK

CURTAIN & CUSHION GROUP (CONTINUED)

WINDOW TREATMENT



KEY	PART NUMBER	U/M	DESCRIPTION
1	147460-04-T77	EA	CURTAIN - DRVR/WRAP/PRIVACY/PLEATED - 42.5" X 146.8"
2*	147460-05-T77	EA	CURTAIN - PASS/WRAP/PRIVACY/PLEATED - 42.5" X 146.8"
3	149911-29-UA0	EA	VALANCE - REMINGTON - 62.5" (UA1, UA2, UA3, UM4)
3	149911-33-UA4	EA	VALANCE - REMINGTON - 62.5" (UA5, UA6, UA7, UM5)
3	149911-29-UB0	EA	VALANCE - REMINGTON - 62.5" (UB1, UB2, UB3, UM6)
3	152445-05-UA1	EA	LEG - RIGHT - 25" (UA1, UA2, UA3, UM4)
3	152445-13-UA5	EA	LEG - RIGHT - 25" (UA5, UA6, UA7, UM5)
3	152445-15-UB1	EA	LEG - RIGHT - 25" (UB1, UB2, UB3, UM6)
3	152445-06-UA1	EA	LEG - LEFT - 25" (UA1, UA2, UA3, UM4)
3	152445-14-T97	EA	LEG - LEFT - 25" (UA5, UA6, UA7, UM5)
3	152445-06-UB1	EA	LEG - LEFT - 25" (UB1, UB2, UB3, UM6)
3	140789-69-T77	EA	BLIND - DAY/NIGHTER - 59" X 30"
4	149911-57-UA1	EA	VALANCE - REMINGTON - 64.5" (UA1, UA2, UA3, UM4)
4	149911-59-UA5	EA	VALANCE - REMINGTON - 64.5" (UA5, UA6, UA7, UM5)
4	149911-57-UB1	EA	VALANCE - REMINGTON - 64.5" (UB1, UB2, UB3, UM6)
4	152445-63-UA1	EA	LEG - RIGHT - 40" (UA1, UA2, UA3, UM4)
4	152445-61-UA5	EA	LEG - RIGHT - 40" (UA5, UA6, UA7, UM5)
4	152445-63-UB1	EA	LEG - RIGHT - 40" (UB1, UB2, UB3, UM6)
4	152445-64-UA1	EA	LEG - LEFT - 40" (UA1, UA2, UA3, UM4)
4	152445-62-UA5	EA	LEG - LEFT - 40" (UA5, UA6, UA7, UM5)
4	152445-64-UB1	EA	LEG - LEFT - 40" (UB1, UB2, UB3, UM6)
4	140789-67-T77	EA	BLIND - DAY/NIGHTER - 64" X 46"
5	149911-58-UA1	EA	VALANCE - REMINGTON - 26" (UA1, UA2, UA3, UM4)
5	149911-60-UA5	EA	VALANCE - REMINGTON - 26" (UA5, UA6, UA7, UM5)
5	149911-58-UB1	EA	VALANCE - REMINGTON - 26" (UB1, UB2, UB3, UM6)
5	159953-25-UA1	EA	LEG - RIGHT - 45" (UA1, UA2, UA3, UM4)
5	159953-23-UA5	EA	LEG - RIGHT - 45" (UA5, UA6, UA7, UM5)
5	159953-25-UB1	EA	LEG - RIGHT - 45" (UB1, UB2, UB3, UM6)
5	159953-26-UA1	EA	LEG - LEFT - 45" (UA1, UA2, UA3, UM4)
5	159953-24-UA5	EA	LEG - LEFT - 45" (UA5, UA6, UA7, UM5)
5	159953-26-UB1	EA	LEG - LEFT - 45" (UB1, UB2, UB3, UM6)
5	140789-83-T77	EA	BLIND - DAY/NIGHTER - 23" X 46"

CURTAIN & CUSHION GROUP (CONTINUED)
WINDOW TREATMENT (CONTINUED)

KEY	PART NUMBER	U/M	DESCRIPTION
6	149911-49-UA0	EA	VALANCE - REMINGTON - 27" (UA1, UA2, UA3, UM4)
6	149911-51-UA4	EA	VALANCE - REMINGTON - 27" (UA5, UA6, UA7, UM5)
6	149911-49-UB0	EA	VALANCE - REMINGTON - 27" (UB1, UB2, UB3, UM6)
6	159953-29-UA1	EA	LEG - RIGHT - 62" (UA1, UA2, UA3, UM4)
6	159953-27-UA5	EA	LEG - RIGHT - 62" (UA5, UA6, UA7, UM5)
6	159953-29-UB1	EA	LEG - RIGHT - 62" (UB1, UB2, UB3, UM6)
6	159953-30-UA1	EA	LEG - LEFT - 62" (UA1, UA2, UA3, UM4)
6	159953-28-UA5	EA	LEG - LEFT - 62" (UA5, UA6, UA7, UM5)
6	159953-30-UB1	EA	LEG - LEFT - 62" (UB1, UB2, UB3, UM6)
6	140789-46-S64	EA	BLIND - DAY/NIGHTER - 23.5" X 61"
7	109041-72-02A	EA	BLIND - MINI - 26" X 13.5"
8	149911-54-UA0	EA	VALANCE - REMINGTON - 33.5" (UA1, UA2, UA3, UM4)
8	149911-55-UA4	EA	VALANCE - REMINGTON - 33.5" (UA5, UA6, UA7, UM5)
8	149911-54-UB0	EA	VALANCE - REMINGTON - 33.5" (UB1, UB2, UB3, UM6)
8	152664-M4-UA1	EA	LEG - RIGHT - 38" (UA1, UA2, UA3, UM4)
8	152664-F4-T97	EA	LEG - RIGHT - 38" (UA5, UA6, UA7, UM5)
8	152664-M4-UB1	EA	LEG - RIGHT - 38" (UB1, UB2, UB3, UM6)
8	152664-M5-UA1	EA	LEG - LEFT - 38" (UA1, UA2, UA3, UM4)
8	152664-F5-T97	EA	LEG - LEFT - 38" (UA5, UA6, UA7, UM5)
8	152664-M5-UB1	EA	LEG - LEFT - 38" (UB1, UB2, UB3, UM6)
8	140789-48-S64	EA	BLIND - DAY/NIGHTER - 29" X 41"
9	149911-61-UA1	EA	VALANCE - REMINGTON - 15.5" (UA1, UA2, UA3, UM4)
9	149911-62-UA5	EA	VALANCE - REMINGTON - 15.5" (UA5, UA6, UA7, UM5)
9	149911-61-UB1	EA	VALANCE - REMINGTON - 15.5" (UB1, UB2, UB3, UM6)
9	140789-58-S64	EA	BLIND - DAY/NIGHTER - 14.5" X 28.5"

***COMPONENT PARTS LISTED LATER IN THIS GROUP**

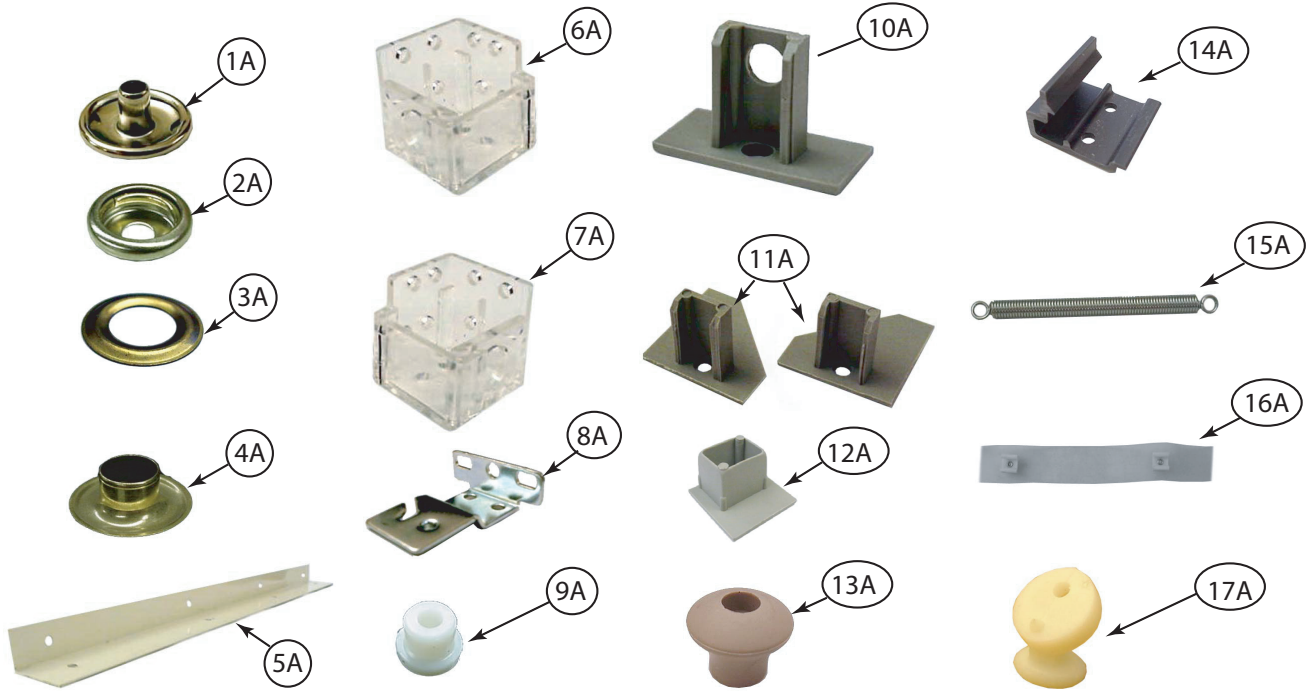
COMPONENT PARTS FOR WINDOW TREATMENT

147460-05-T77

KEY	PART NUMBER	U/M	DESCRIPTION	VENDOR NO.
	093487-93-700	EA	WAND 20" WHITE	

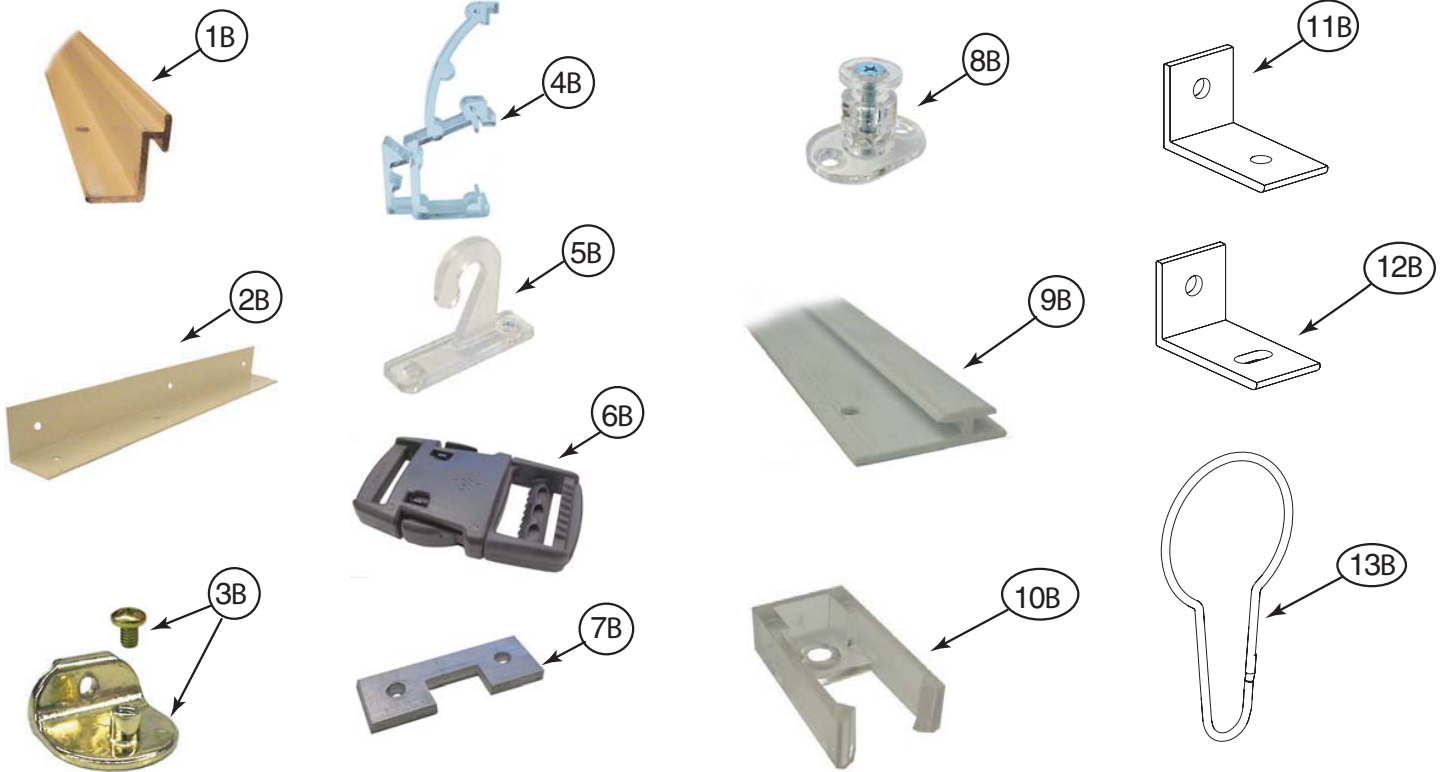
CURTAIN & CUSHION GROUP (CONTINUED)

HARDWARE



KEY	PART NUMBER	U/M	DESCRIPTION
1A	029155-01-000	EA	CAP - SNAP - 5/32" OUTSIDE DIAMETER OF PIN
2A	029156-01-000	EA	SOCKET - SNAP - 9/16" O.D.
3A	046867-02-000	EA	WASHER - HANDY BUTTON #3
4A	046867-03-000	EA	GROMMET - HANDY BUTTON #3
5A	075943-10-000	EA	BRACE - VALANCE - 20" - OFF WHITE
6A	083170-01-000	EA	BRACKET/BLIND - LEFT SIDE WHEN FACING WINDOW - CLEAR
7A	083170-02-000	EA	BRACKET/BLIND - RIGHT SIDE WHEN FACING WINDOW - CLEAR
8A	084434-01-000	EA	BRACKET - MOUNTING - ROLLER SHADE - 1 3/8"
9A	094896-02-000	EA	GROMMET - CORD/PLEATED BLIND - NYLON - GRAY
10A	094907-02-000	EA	END CAP - PLEATED BLIND/TOP - RH/LH - GRAY PLASTIC
11A	094907-04-000	EA	END CAP - PLEATED BLIND/BOTTOM - RH/LH
12A	094907-09-000	EA	END CAP/BLIND - CENTER RAIL - RH/LH
13A	097564-03-000	EA	HANDLE - KNOB - E-Z LIFT SHADE - TAN
	097593-02-000	FT	CORD - BLIND - PLEATED - GRAY
	097593-10-000	FT	CORD - BLIND - PLEATED - VANILLA
14A	097565-01-000	EA	BRACKET - MOUNTING - PLEATED BLIND
15A	097591-01-000	EA	SPRING - EXTENSION - PLEATED BLIND
15A	155748-01-000	EA	SPRING - EXTENSION - DAY/NIGHTER BLIND
16A	101031-01-000	YD	TAPE/GLIDE - 4.25" SPACING
17A	102555-03-000	EA	BRACKET - (CLEAT TYPE) - F/BLIND HOLDOWN - MILKY WHITE

CURTAIN & CUSHION GROUP (CONTINUED)
HARDWARE (CONTINUED)



KEY	PART NUMBER	U/M	DESCRIPTION
1B	105450-14-01A	EA	TRACK-90"-OW - FRT BUNK PRIVACY OUTLOOK/SPIRIT 300-SERIES, ACCESS/IMPULSE 200-SERIES
2B	105648-01-02A	EA	BRACE - VALANCE - 14" - OFF WHITE
2B	105648-02-02A	EA	BRACE - VALANCE - 8.5" - OFF WHITE
3B	106544-01-000	EA	PULL - SHADE/BRASS
3B	106544-01-001	EA	SCREW - SHADE/BRASS
3B	106544-02-000	EA	PULL-SHADE - NICKEL
4B	109353-04-000	EA	CLIP - VALANCE SLAT MOUNTING - CLEAR PLASTIC
5B	109441-01-000	EA	BRACKET/HOOK - BLIND HOLD DOWN
5B	109441-02-000	EA	SPACER/BRACKET - BLIND HOLD DOWN
6B	129491-01-000	EA	CATCH - SNAP HOOK - 1"
7B	130549-01-01A	EA	STOP - CURTAIN TRACK
8B	141634-01-000	EA	BRACKET-(BOBBIN TYPE) 7/8"H HOLDUPBASE(OVAL)-2 HOLE-CLEAR
9B	156172-01-01A	EA	TRACK/WALL - 75" - BONE
9B	156172-02-01A	EA	TRACK/WALL - 32" - BONE
9B	156172-03-01A	EA	TRACK/WALL - 21" - BONE
10B	156172-04-01A	EA	END CAP - WALL TRACK - CLEAR
11B	154316-01-01A	EA	BRACE/ANGLE - W/HOLE - CASHMERE
12B	154316-02-01A	EA	BRACE/ANGLE - W/SLOT - CASHMERE
13B	159702-01-01A	EA	HOOK/RING - CURTAIN/SHOWER - NICKEL

CURTAIN & CUSHION GROUP (CONTINUED)

FABRICS

UA1, UA2, UA3, UM4

106569-15-01A CARPET-NAT.PALETTE,514 CORK - CEILING
137813-W6-000 FABRIC-UPHOSTERY,BEDSPREAD MAIN
137813-W7-000 FABRIC-O/H CABT,BEDROOM
137813-W7-000 FABRIC-BEDSPREAD ACCENT PATTERN ACCENT "A"
137813-Y6-000 FABRIC-BEDSPREAD ACCENT PATTERN ACCENT "B"
139041-67-000 FRINGE-VALANCE,BRUSHED
139041-67-000 FRINGE-VALANCE,BRAIDED
139041-66-000 FRINGE-VALANCE,BRAIDED
142523-17-000 FABRIC-UPHOSTERY,ACCENT PLAIN
079680-47-000 FABRIC-UPHL,SEAT INSERT
148797-P3-000 FABRIC-UPHOSTERY MAIN ONE
148797-P5-000 FABRIC-UPHOLSTERY ACCENT PATTERN
148797-P5-000 FABRIC-SPEAKER COVER
148797-P5-000 FABRIC-O/H CABT,DIN/LOUNGE
148797-P4-000 FABRIC-UPHLSTRY,PLAIN ACCENT
148797-P4-000 FABRIC-DINETTE WRAP DINETTES

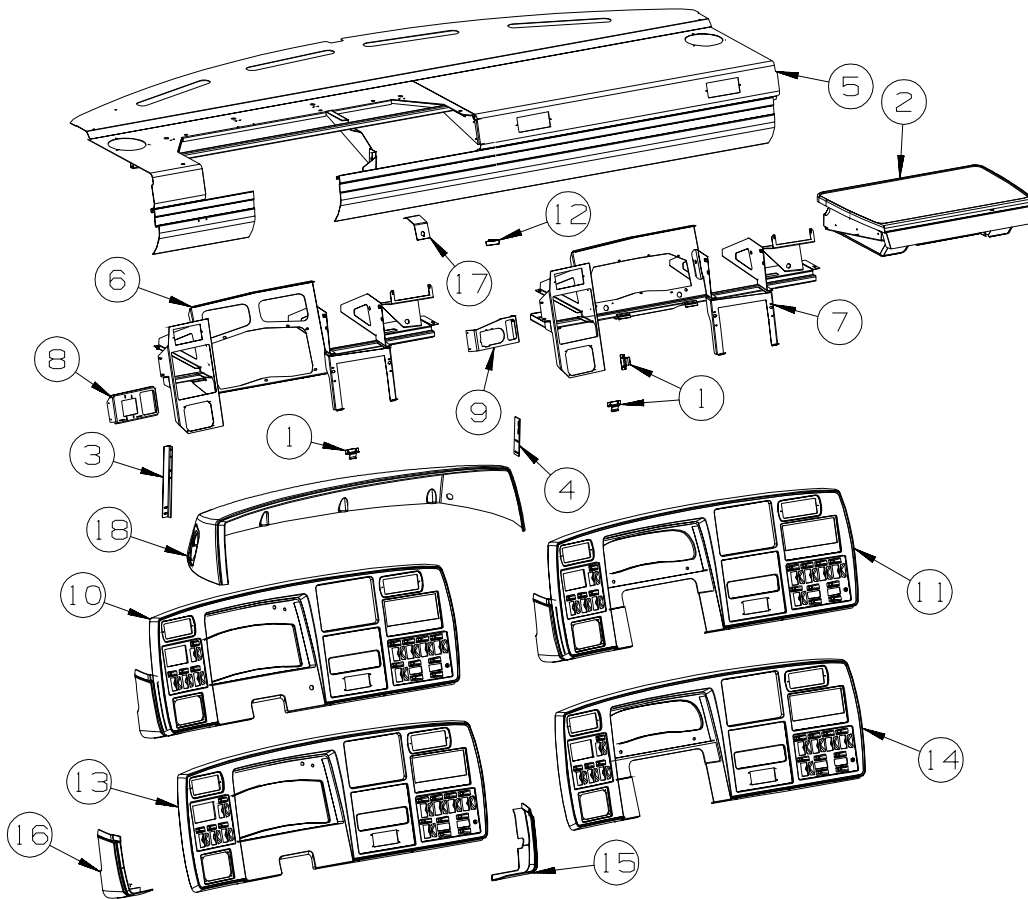
UA5, UA6, UA7, UM5

106569-15-01A CARPET-NAT.PALETTE,514 CORK - CEILING
137813-L8-000 FABRIC-UPHOSTERY,BEDSPREAD MAIN
137813-L9-000 FABRIC-UPHOSTERY,BEDSPREAD PATTERN ACCENT
137813-L9-000 FABRIC-O/H CABT,BEDROOM
137813-M0-000 FABRIC-BEDSPREAD ACCENT PATTERN ACCENT
139041-71-000 FRINGE-VALANCE,BRUSHED
139041-71-000 FRINGE-VALANCE,BRAIDED
139041-70-000 FRINGE-VALANCE,BRAIDED
142523-07-000 FABRIC-UPHOSTERY,ACCENT PLAIN
079680-47-000 FABRIC-UPHL,SEAT INSERT
148797-C5-000 FABRIC-UPHOSTERY MAIN ONE
148797-C7-000 FABRIC-UPHLSTRY,PLAIN ACCENT
148797-D0-000 FABRIC-DINETTE WRAP DINETTES
148797-D0-000 FABRIC-UPHOLSTERY ACCENT PATTERN
148797-D0-000 FABRIC-SPEAKER COVER
148797-D0-000 FABRIC-O/H CABT,DIN/LOUNGE

UB1, UB2, UB3, UM6

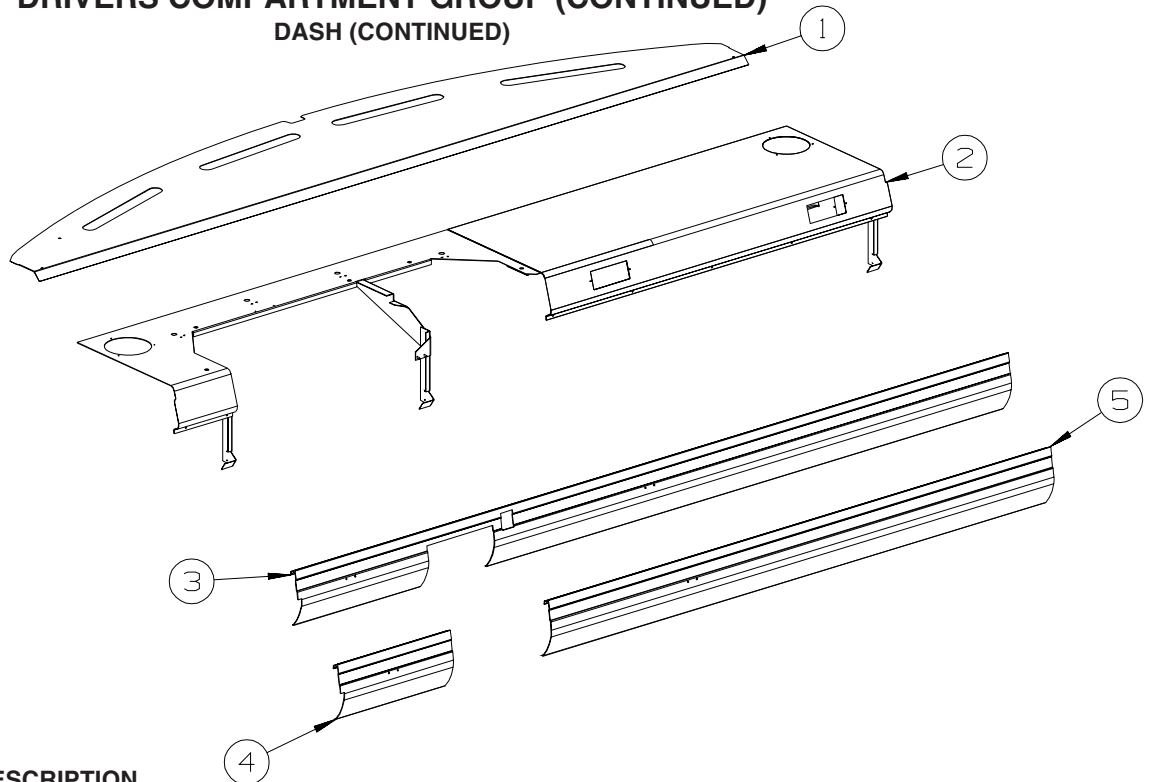
106569-15-01A CARPET-NAT.PALETTE,514 CORK - CEILING
137813-W8-000 FABRIC-UPHOSTERY,BEDSPREAD MAIN
137813-E8-000 FABRIC-UPHOSTERY,BEDSPREAD PATTERN ACCENT
137813-E8-000 FABRIC-O/H CABT,BEDROOM
137813-W9-000 FABRIC-BEDSPREAD ACCENT PATTERN ACCENT
139041-95-000 FRINGE-VALANCE,BRUSHED
139041-95-000 FRINGE-VALANCE,BRAIDED
139041-96-000 FRINGE-VALANCE,BRAIDED
142523-11-000 FABRIC-UPHOSTERY,ACCENT PLAIN
079680-47-000 FABRIC-UPHL,SEAT INSERT
148797-P6-000 FABRIC-UPHOSTERY MAIN ONE
148797-P7-000 FABRIC-UPHLSTRY,PLAIN ACCENT
148797-P7-000 FABRIC-DINETTE WRAP DINETTES
148797-P8-000 FABRIC-UPHOLSTERY ACCENT PATTERN
148797-P8-000 FABRIC-SPEAKER COVER
148797-P8-000 FABRIC-O/H CABT,DIN/LOUNGE
148797-P8-000 FABRIC-LOUNGE TRIM UPHOLSTERY

DRIVERS COMPARTMENT GROUP DASH



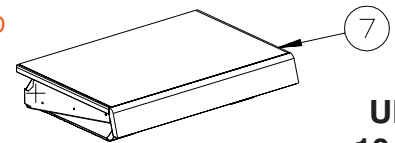
KEY	PART NUMBER	U/M	DESCRIPTION
1	073050-04-000	EA	CLIP/MOUNTING - VALANCE PANEL
2	135298-03-U93	EA	TABLE COMPLETE - WORKSTATION - CASHMERE
2	159688-01-U94	EA	TABLE COMPLETE - WORKSTATION - CASHMERE FROM: 00-00-00 THRU: 10-01-06 FROM: 10-02-06 THRU: 99-99-99
3	128692-01-02B	EA	ANGLE - FORMED, DASH SUPPORT, EC
4	139603-01-02B	EA	STRAP - DASH SUPPORT, CTR , E-CT
5	147887-02-T81	EA	DASH - COMPLETE - WORKHORSE
5	147887-04-T81	EA	DASH - COMPLETE - FORD
	106569-11-09A	EA	VINYL - LAMINATE - 1/4" X 25" X 100" - DRIFTWOOD
6	147889-01-02B	EA	REINFORCEMENT ASM - I/P, E-CT - WORKHORSE
7	153469-01-02B	EA	REINFORCEMENT ASM - IP, E-CT - FORD
8	148890-01-04B	EA	MOUNT - HEADLAMP SWITCH/FACE PLATE - METAL/BLACK - WORKHORSE
9	153454-01-02B	EA	MOUNT - HEADLAMP SWITCH/FACE PLATE - METAL/BLACK - FORD
10	159089-01-U93	EA	POD - INSTRUMENT PANEL - WORKHORSE
11	159089-02-U93	EA	POD - INSTRUMENT PANEL - FORD
12	139427-02-02B	EA	STRAP - MOUNT, BEZEL, E-CT
13	159047-01-02A	EA	BEZEL - INSTRUMENT PANEL - WORK HORSE - CASHMERE - WORKHORSE
14	159047-02-02A	EA	BEZEL - INSTRUMENT PANEL - FORD - CASHMERE - FORD
15	148252-02-20A	EA	POD - INSTRUMENT PANEL - LOWER/RIGHT HAND - CASHMERE
16	148253-02-20A	EA	POD - INSTRUMENT PANEL - LOWER/LEFT HAND - CASHMERE
17	149143-01-02B	EA	SUPPORT - PARK BRAKE SW
18	147890-03-20A	EA	POD - INSTRUMENT PANEL - CASHMERE

DRIVERS COMPARTMENT GROUP (CONTINUED) DASH (CONTINUED)

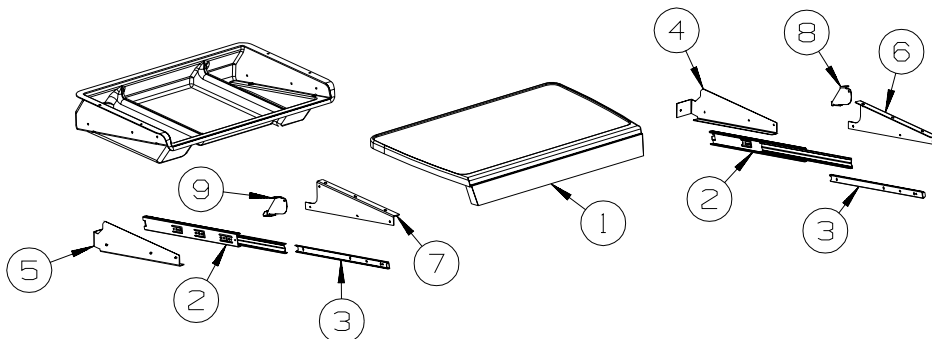
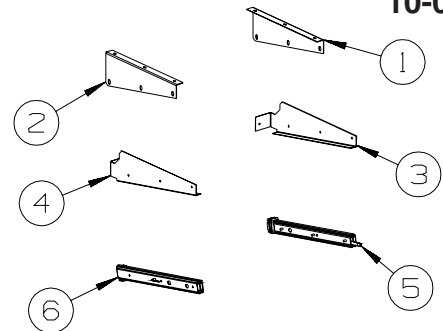


KEY	PART NUMBER	U/M	DESCRIPTION
1	132126-02-02B	EA	PANEL - DASH TOP - E-COATED
2	147888-02-02B	EA	DASH ASM
3	148214-01-02A	EA	TRIM - DASH/LOWER - WORKHORSE - CASHMERE - WORKHORSE
4	148214-02-02A	EA	TRIM - DASH/LOWER LEFT - FORD - CASHMERE - FORD
5	148214-03-02A	EA	TRIM - DASH/LOWER RIGHT - FORD - CASHMERE - FORD

KEY	PART NUMBER	U/M	DESCRIPTION
1	135132-03-02B	EA	ANGLE-SLIDE,RH
2	135132-04-02B	EA	ANGLE-SLIDE,LH
3	135228-01-02B	EA	ANGLE - SLIDE - TRAY/RIGHT HAND - E-COATED
4	135228-02-02B	EA	ANGLE - SLIDE - TRAY/LEFT HAND - E-COATED
5	135314-01-01A	EA	SLIDE - DASH WORK STATION - RIGHT HAND
6	135314-02-01A	EA	SLIDE - DASH WORK STATION - LEFT HAND
7	135122-03-U89	EA	TABLE TOP - PULLOUT/WORKSTATION



**UP TO
10-01-06**

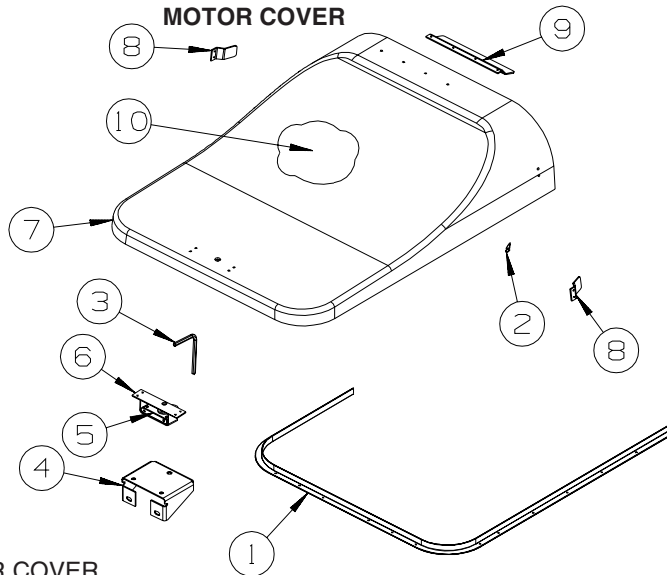


**AFTER
10-02-06**

KEY	PART NUMBER	U/M	DESCRIPTION
1	135122-03-U89	EA	TABLE TOP - PULLOUT/WORKSTATION
2	153000-05-01A	EA	SLIDE - CABINET MOUNT - 15.7"
3	153000-06-01A	EA	SLIDE - DRAWER MOUNT - 15.7"
4	159689-01-02B	EA	ANGLE - SLIDE - TRAY/RIGHT HAND - E-COATED
5	159689-02-02B	EA	ANGLE - SLIDE - TRAY/LEFT HAND - E-COATED
6	159690-01-02B	EA	ANGLE-SLIDE,RH
7	159690-02-02B	EA	ANGLE-SLIDE,LH
8	159722-01-02B	EA	CATCH - TABLE/DASH - E-COATED - RH
9	159722-02-02B	EA	CATCH - TABLE/DASH - E-COATED - LH

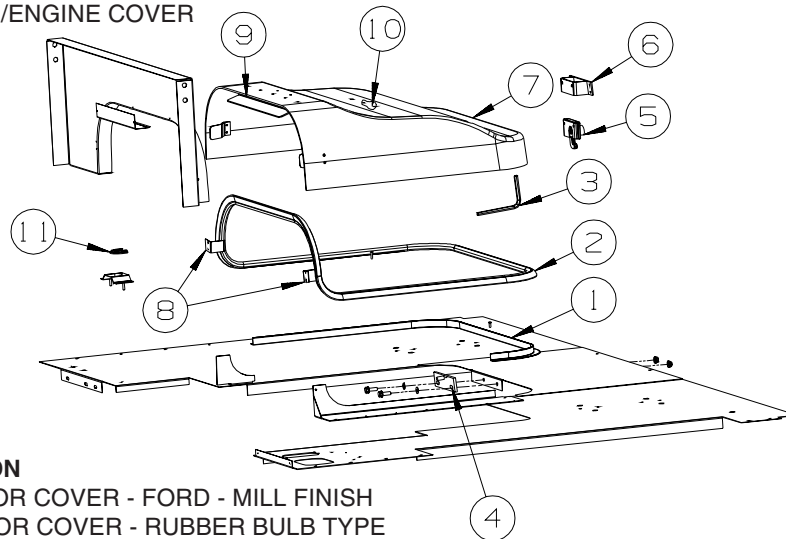
DRIVERS COMPARTMENT GROUP (CONTINUED)

WORKHORSE



KEY	PART NUMBER	U/M	DESCRIPTION
1	137332-01-01A	EA	TRIM - MOTOR COVER
2	039623-01-000	FT	SEAL - MOTOR COVER - RUBBER BULB TYPE
3	116833-01-02B	EA	WRENCH - HEX MOTOR COVER - E-COATED
4	137305-02-02B	EA	BRACKET - STRIKE SUPPORT - E-COATED
5	116581-01-000	EA	LATCH - W/O STRIKE - MOTOR COVER
6	115850-01-02B	EA	RETAINER - LATCH - MOTOR COVER - RIGHT HAND - E-COATED
7	137097-02-T93	EA	COVER - MOTOR - W/CARPET (UA1, UA2, UA3, UM4)
7	137097-02-U93	EA	COVER - MOTOR - W/CARPET (UA5, UA6, UA7, UM5)
7	137097-02-U97	EA	COVER - MOTOR - W/CARPET (UB1, UB2, UB3, UM6)
	137096-01-01A	EA	COVER - MOTOR - W/O CARPET
8	115855-04-02B	EA	RETAINER - MOTOR COVER/SIDE - E-COATED
9	115855-03-02B	EA	RETAINER - MOTOR COVER/TOP - E-COATED
10	134497-01-000	SF	FOIL/ALUMINUM - REINFORCED
	140168-01-000	EA	INSULATION/ENGINE COVER

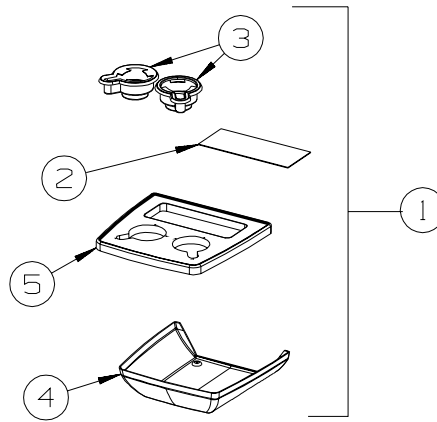
FORD



KEY	PART NUMBER	U/M	DESCRIPTION
1	115860-06-01A	EA	TRIM - MOTOR COVER - FORD - MILL FINISH
2	039623-01-000	FT	SEAL - MOTOR COVER - RUBBER BULB TYPE
3	116833-01-02B	EA	WRENCH - HEX MOTOR COVER - E-COATED
4	115852-01-02B	EA	STRIKE - LATCH - MOTOR COVER - E-COATED
5	116581-01-000	EA	LATCH - W/O STRIKE - MOTOR COVER
6	115850-01-02B	EA	RETAINER - LATCH - MOTOR COVER - RIGHT HAND - E-COATED
7	153971-01-U90	EA	COVER - MOTOR - W/CARPET (UA1, UA2, UA3, UM4)
7	153971-01-U93	EA	COVER - MOTOR - W/CARPET (UA5, UA6, UA7, UM5)
7	153971-01-U97	EA	COVER - MOTOR - W/CARPET (UB1, UB2, UB3, UM6)
	153970-01-01A	EA	COVER - MOTOR - W/O CARPET - FORD
8	115855-04-02B	EA	RETAINER - MOTOR COVER/SIDE - E-COATED
9	115855-01-02B	EA	RETAINER - MOTOR COVER/TOP - E-COATED
10	134497-01-000	SF	FOIL/ALUMINUM - REINFORCED
11	143798-01-02A	EA	CATCH - FLOOR TO TABLE LEG - ALMOND

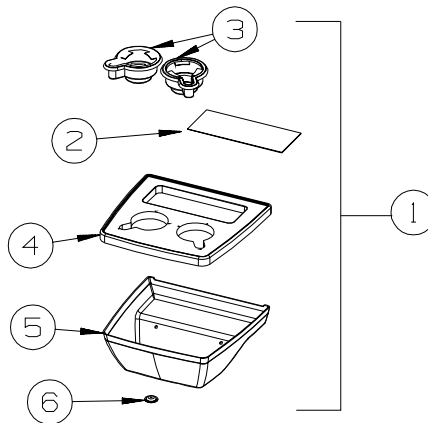
DRIVERS COMPARTMENT GROUP (CONTINUED)

BEVERAGE TRAY



WORKHORSE

KEY	PART NUMBER	U/M	DESCRIPTION
1	148922-02-UA0	EA	TRAY - BEVERAGE - W/CONVENIENCE TRAY - CASHMERE/FUSION JAZZ
2	122717-11-01A	EA	PAD - NON-SKID - PSA - 4.5" X 11"
3	133831-01-01A	EA	HOLDER - CUP W/THREE CENTERLINE RUBBER FINGERS
4	148818-01-20A	EA	COVER - BEVERAGE TRAY - BOTTOM - CASHMERE
5	148918-01-03A	EA	TRAY - BEVERAGE CENTER - FUSION JAZZ
5	150352-02-01A	EA	APPLIQUE - BEVERAGE TRAY - ROMAN BRONZE

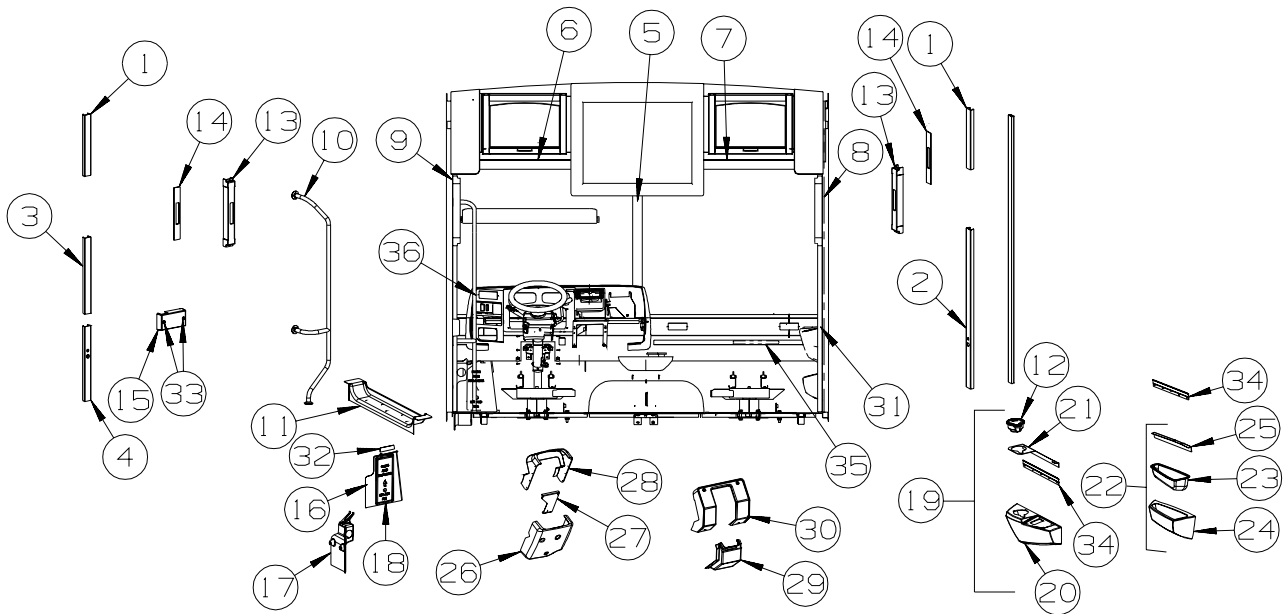


FORD

KEY	PART NUMBER	U/M	DESCRIPTION
1	149301-04-UA0	EA	TRAY - BEVERAGE - W/CONVENIENCE TRAY - CASHMERE
2	122717-11-01A	EA	PAD - NON-SKID - PSA - 4.5" X 11"
3	133831-01-01A	EA	HOLDER - CUP W/THREE CENTERLINE RUBBER FINGERS
4	148918-01-03A	EA	TRAY - BEVERAGE CENTER - FUSION JAZZ
4	150352-02-01A	EA	APPLIQUE - BEVERAGE TRAY - ROMAN BRONZE
5	149256-02-20A	EA	COVER - BEVERAGE TRAY BOTTOM - CASHMERE
6	143798-02-02A	EA	CATCH - TABLE LEG TO FLOOR - ALMOND

DRIVERS COMPARTMENT GROUP (CONTINUED)

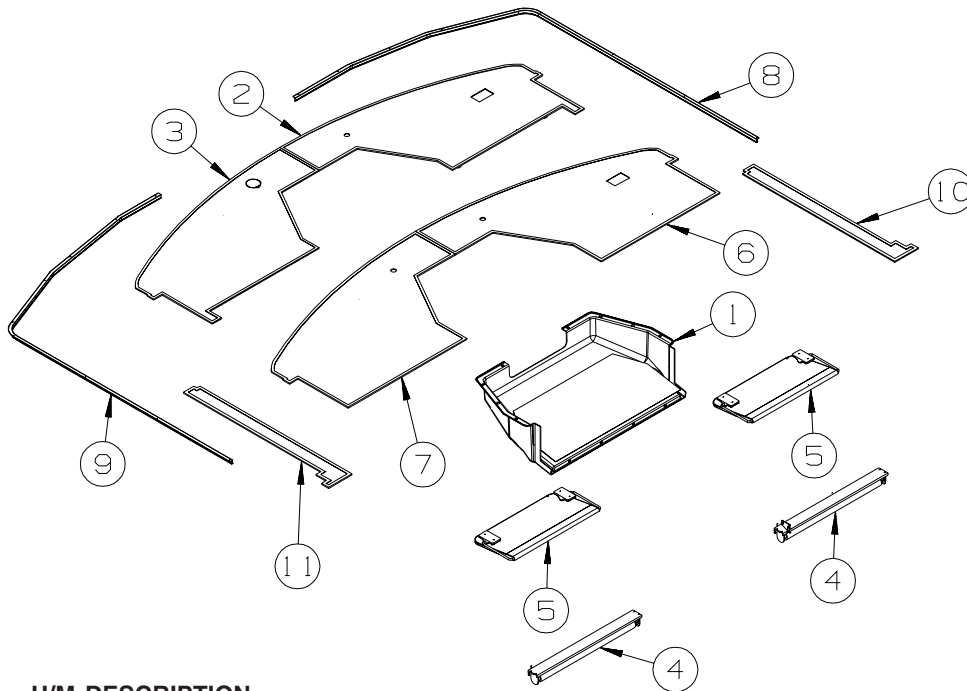
FRONT INTERIOR



KEY	PART NUMBER	U/M	DESCRIPTION
1	024700-58-000	EA	COVER - ROLL BAR - SIDEWALL - 16.5" - OFF WHITE FROM: 00-00-00 THRU: 07-31-06
1	024700-71-000	EA	COVER - ROLL BAR - SIDEWALL - 16.5" - MEDIUM OAK FROM: 08-01-06 THRU: 99-99-99
2	024700-59-000	EA	COVER - ROLL BAR - SIDEWALL - 44.1" - OFF WHITE FROM: 00-00-00 THRU: 07-31-06
2	024700-72-000	EA	COVER - ROLL BAR - SIDEWALL - 44.1" - MEDIUM OAK FROM: 08-01-06 THRU: 99-99-99
3	024700-66-000	EA	COVER - ROLL BAR - SIDEWALL - 20.6" - OFF WHITE FROM: 00-00-00 THRU: 07-31-06
3	024700-73-000	EA	COVER - ROLL BAR - SIDEWALL - 20.6" - MEDIUM OAK FROM: 08-01-06 THRU: 99-99-99
4	024700-67-000	EA	COVER - ROLL BAR - SIDEWALL - 20.1" - OFF WHITE FROM: 00-00-00 THRU: 07-31-06
4	024700-74-000	EA	COVER - ROLL BAR - SIDEWALL - 20.1" - MEDIUM OAK FROM: 08-01-06 THRU: 99-99-99
5	118452-04-20A	EA	TRIM - WINDSHIELD/CENTER - CASHMERE
6	118453-04-05A	EA	TRIM - WINDSHIELD - INNER/TOP/DRIVER - CASHMERE
7	118453-03-05A	EA	TRIM - WINDSHIELD - INNER/TOP/PASSENGER - CASHMERE
8	125508-01-05A	EA	TRIM - A-PILLAR - PASSENGER/INTERIOR - CASHMERE
9	125508-02-05A	EA	TRIM - A-PILLAR - DRIVER/INTERIOR - CASHMERE
10	131058-04-02A	EA	HAND RAIL - INTERIOR CAB DOOR - BLACK
11	131849-01-20A	EA	TRIM/STEP - DRIVER DOOR - CASHMERE
	102569-02-000	EA	MAT - ANTI SLIP - LOWER
12	133831-01-01A	EA	HOLDER - CUP W/THREE CENTERLINE RUBBER FINGERS
13	140151-01-01A	EA	COVER - SEAT BELT - OFF WHITE FROM: 00-00-00 THRU: 07-31-06
13	140151-01-02A	EA	COVER - SEAT BELT - MEDIUM OAK FROM: 08-01-06 THRU: 99-99-99
14	140151-03-01A	EA	COVER - SEAT BELT SLIDE - BLACK FROM: 00-00-00 THRU: 07-31-06
14	140151-03-02A	EA	COVER - SEAT BELT SLIDE - MEDIUM OAK FROM: 08-01-06 THRU: 99-99-99
15	141072-01-01A	EA	COVER - BRACKET/LATCH - OFF WHITE FROM: 00-00-00 THRU: 07-31-06
15	141072-01-02A	EA	COVER - BRACKET/LATCH - MEDIUM OAK FROM: 08-01-06 THRU: 99-99-99

DRIVERS COMPARTMENT GROUP (CONTINUED)
FRONT INTERIOR (CONTINUED)

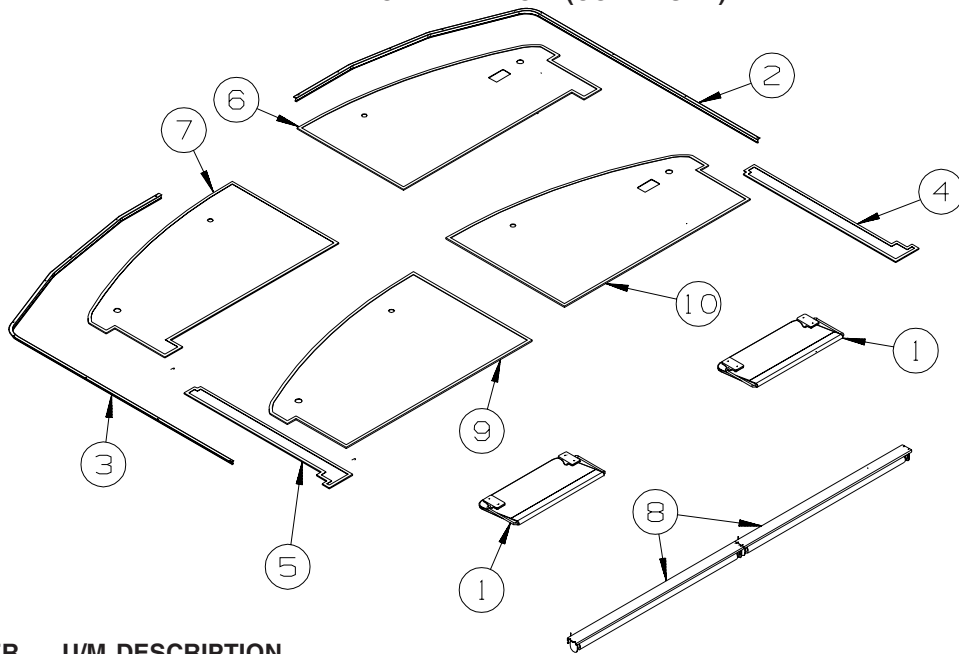
KEY	PART NUMBER	U/M	DESCRIPTION
16	148824-01-20A	EA	PANEL/TRIM - FUSE PANEL/LEFT HAND - CASHMERE - WORKHORSE
16	148824-02-20A	EA	PANEL/TRIM - FUSE PANEL/LEFT HAND - CASHMERE - FORD
17	148825-01-20A	EA	PANEL/TRIM - UNDER DASH/LEFT HAND - CASHMERE
18	148826-01-20A	EA	PANEL/DOOR - FUSE PANEL/LEFT HAND - CASHMERE
19	148829-01-S64	EA	PANEL - PASSENGER SIDE/UPPER - CASHMERE
20	148830-01-20A	EA	PANEL - PASSENGER SIDE - UPPER - CASHMERE
21	149218-01-02B	EA	BRACKET - MOUNTING - CUPHOLDER - E-COATED
22	148831-01-S64	EA	PANEL - PASSENGER SIDE/LOWER - CASHMERE
23	148828-01-20A	EA	POCKET/STORAGE - PASSENGER SIDE - CASHMERE
24	148832-01-20A	EA	PANEL - PASSENGER SIDE - LOWER - CASHMERE
25	149229-01-02B	EA	BRACKET - PANEL MOUNTING - E-COATED
26	148763-01-20A	EA	COVER - STEERING COLUMN - LOWER - CASHMERE - WORKHORSE
27	148806-01-02B	EA	MOUNT ASM-STEERING COVE, E-CT - WORKHORSE
28	150784-01-20A	EA	COVER - STEERING COLUMN - UPPER - CASHMERE - WORKHORSE
29	125795-01-20A	EA	COVER - STEERING COLUMN/LOWER - CASHMERE - FORD
30	148815-01-20A	EA	COVER - STEERING COLUMN - LOWER - CASHMERE - FORD
31	150532-03-01A	EA	APPLIQUE/STRIP - PASS/LOWER DASH- 1.1"X 44.4"-ROMAN BRONZE
32	150532-04-01A	EA	APPLIQUE/STRIP - DRVR/LOWER DASH - 1.1"X 3" - ROMAN BRONZE
33	140151-02-01A	EA	COVER - SCREW - OFF WHITE
33	140151-02-03A	EA	COVER - SCREW - MEDIUM OAK
34	130034-08-02B	EA	CLIP - TRIM - E-COATED
35	126340-10-01A	EA	DECAL - LOGO - "SUNCRUISER" - SMALL/PASS SIDE-CHAMPAGNE BEIGE
36	150352-01-01A	EA	APPLIQUE - INSTRUMENT PANEL - ROMAN BRONZE



**OVERHEAD
PANELS
W/FRONT TV**

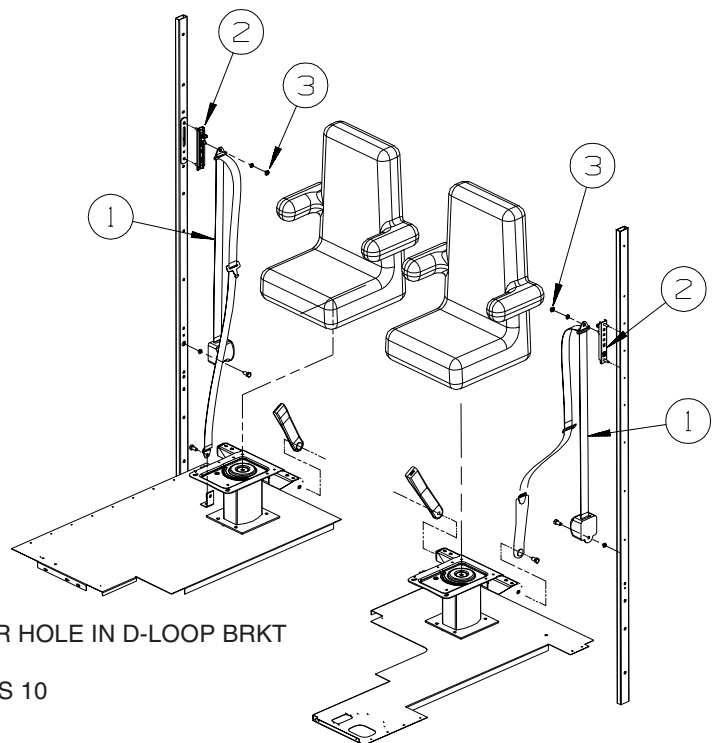
KEY	PART NUMBER	U/M	DESCRIPTION
1	152485-01-20A	EA	COVER - FRONT TV - CASHMERE
2	126440-31-T81	EA	PANEL - OVERHEAD/FRONT/BOTTOM/RH - VINYL COVERED - CASHMERE - POWERED SUNVISORS
3	126440-32-T81	EA	PANEL - OVERHEAD/FRONT/BOTTOM/LH - VINYL COVERED - CASHMERE - POWERED SUNVISORS
4	142380-01-01A	EA	SHADE - POWER - 25.7" - POWERED SUNVISORS
5	123298-04-09A	EA	SUNVISOR - 10.5" X 21" - DRIVER/PASSENGER - DRIFTWOOD - CASHMERE
6	126440-33-T81	EA	PANEL - OVERHEAD/FRONT/BOTTOM/RH - VINYL COVERED - CASHMERE
7	126440-34-T81	EA	PANEL - OVERHEAD/FRONT/BOTTOM/LH - VINYL COVERED - CASHMERE
8	126456-03-06A	EA	TRACK/WRAPAROUND - PASSENGER - CASHMERE
9	126456-04-06A	EA	TRACK/WRAPAROUND - DRIVER - CASHMERE
10	144648-01-T81	EA	PANEL - OVERHEAD/FRONT/BOTTOM/LEFT HAND - VINYL COVERED - CASHMERE
11	144648-02-T81	EA	PANEL - OVERHEAD/FRONT/LEFT HAND - CASHMERE

DRIVERS COMPARTMENT GROUP (CONTINUED)
FRONT INTERIOR (CONTINUED)



**OVERHEAD
 PANELS
 WO FRONT TV**

KEY	PART NUMBER	U/M	DESCRIPTION
1	123298-04-09A	EA	SUNVISOR - 10.5" X 21" - DRIVER/PASSENGER - DRIFTWOOD - CASHMERE
2	126456-03-05A	EA	TRACK/WRAPAROUND - PASSENGER - RIVERSTONE
2	126456-03-06A	EA	TRACK/WRAPAROUND - PASSENGER - CASHMERE
3	126456-04-05A	EA	TRACK/WRAPAROUND - DRIVER - RIVERSTONE
3	126456-04-06A	EA	TRACK/WRAPAROUND - DRIVER - CASHMERE
4	144648-01-T81	EA	PANEL - OVERHEAD/FRONT/BOTTOM/LEFT HAND - VINYL COVERED - CASHMERE
5	144648-02-T81	EA	PANEL - OVERHEAD/FRONT/LEFT HAND - CASHMERE
6	126440-23-T81	EA	PANEL - OVERHEAD/FRONT/BOTTOM/RIGHT HAND - CASHMERE - POWERED SUNVISORS
7	126440-24-T81	EA	PANEL - OVERHEAD/FRONT/BOTTOM/LEFT HAND - CASHMERE - POWERED SUNVISORS
8	142380-02-01A	EA	SHADE - POWER - 41.2" - POWERED SUNVISORS
9	126440-26-T81	EA	PANEL - OVHD/FRONT/BOTTOM/LH- CASHMERE
10	126440-25-T81	EA	PANEL - OVHD/FRONT/BOTTOM/RH- CASHMERE

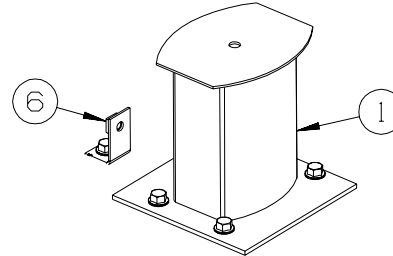
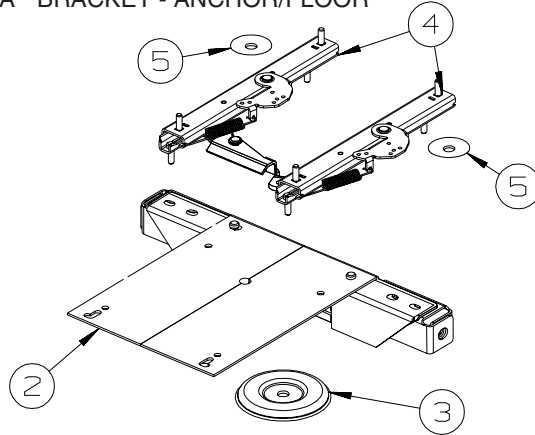
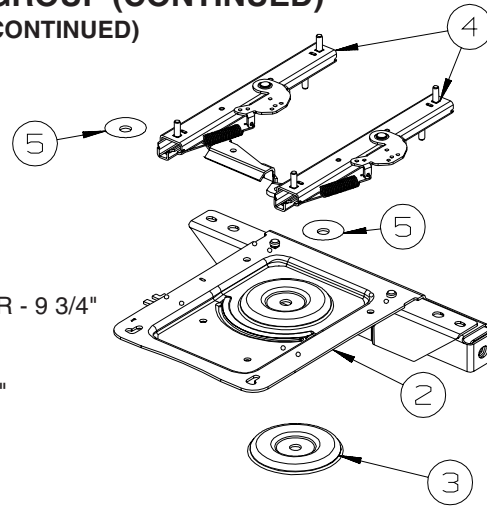


KEY	PART NUMBER	U/M	DESCRIPTION
1*	091990-08-01A	EA	SEAT BELT - 3 POINT - .766" DIAMETER HOLE IN D-LOOP BRKT
2	127598-01-01A	EA	ADJUSTER - SEATBELT - D-LOOP
3	127598-02-000	EA	NUT - HEX FLANGE - M10 X 1.5 - CLASS 10

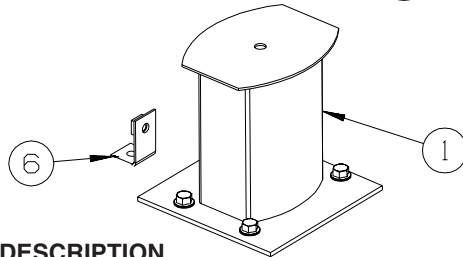
***COMPONENT PARTS LISTED LATER IN THIS GROUP**

DRIVERS COMPARTMENT GROUP (CONTINUED)
FRONT INTERIOR (CONTINUED)

KEY	PART NUMBER	U/M	DESCRIPTION
1	133408-01-000	EA	PEDESTAL - SEAT - DRIVER/PASSENGER - 9 3/4"
2	133408-20-000	EA	TOP PLATE - PASSENGER - W/ANCHOR
3	107921-06-000	EA	BEARING KIT - PEDESTAL
4	131566-04-000	EA	SLIDE/SEAT - HEAVY DUTY LOCKING - 5"
	119952-07-000	EA	WIRE - LATCH RELEASE/ROTARY
5	131566-05-000	EA	WASHER - SLIDE SPACER
6	133408-04-000	EA	BRACKET - ANCHOR/FLOOR

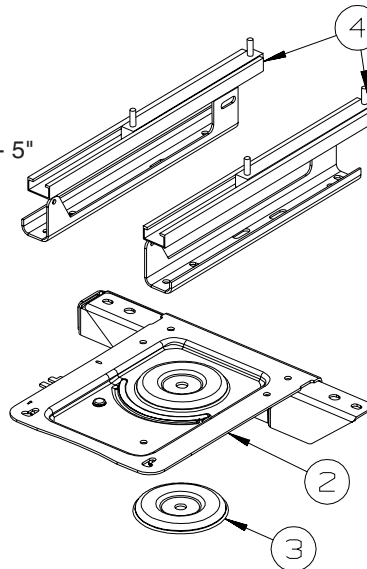


PASSENGER



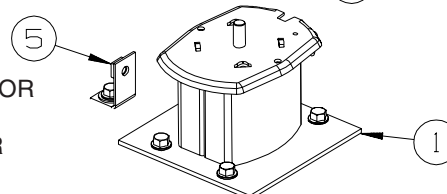
DRIVER

KEY	PART NUMBER	U/M	DESCRIPTION
1	133408-01-000	EA	PEDESTAL - SEAT/DRIVER - 9 3/4"
2	133408-19-000	EA	TOP PLATE - DRIVERS - W/ANCHOR
3	107921-06-000	EA	BEARING KIT - PEDESTAL
4	131566-04-000	EA	SLIDE/SEAT - HEAVY DUTY LOCKING - 5"
	119952-07-000	EA	WIRE - LATCH RELEASE/ROTARY
5	131566-05-000	EA	WASHER - SLIDE SPACER
6	133408-04-000	EA	BRACKET - ANCHOR/FLOOR



**DRIVER
6-WAY POWER**

KEY	PART NUMBER	U/M	DESCRIPTION
1	133408-05-000	EA	PEDESTAL - SEAT - 5.75"
2	133408-19-000	EA	TOP PLATE - DRIVERS - W/ANCHOR
3	107921-06-000	EA	BEARING KIT - PEDESTAL
4*	147767-01-000	EA	SEAT - POWER - 6-WAY - DRIVER
5	133408-04-000	EA	BRACKET - ANCHOR/FLOOR



*COMPONENT PARTS LISTED LATER IN THIS GROUP

DRIVERS COMPARTMENT GROUP (CONTINUED)
COMPONENT PARTS FOR FRONT INTERIOR

091990-08-01A

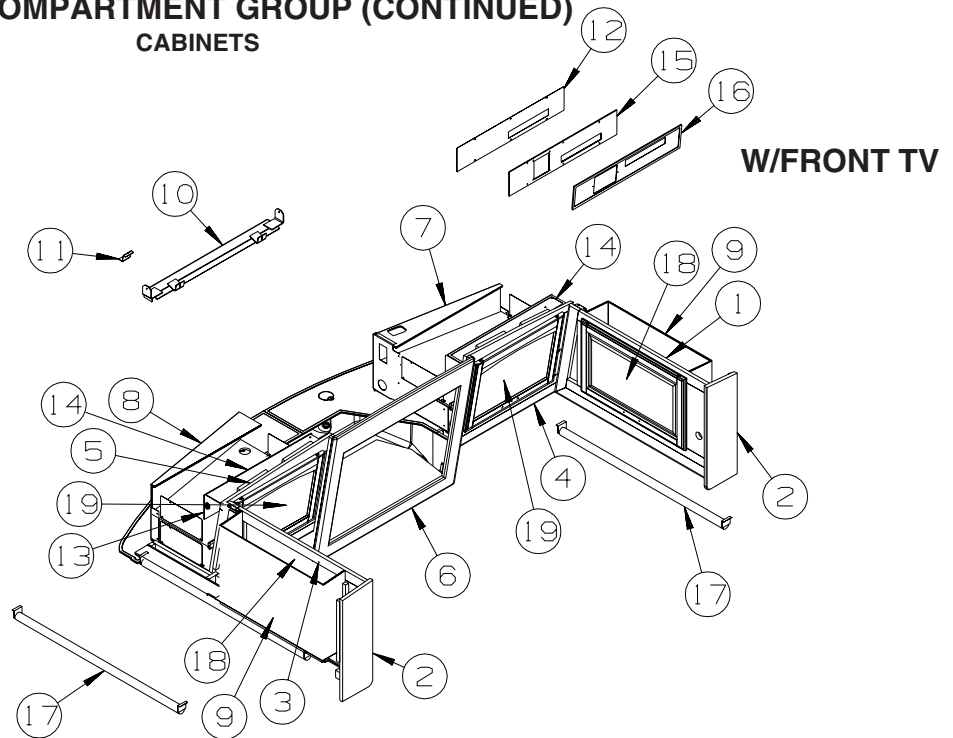
KEY	PART NUMBER	U/M	DESCRIPTION	VENDOR NO.
	091990-01-701	EA	EXTENDER 9" FOR A8408 3 PT	I-1331-02
	091990-01-703	EA	RECEIVER/FEMALE END-SEATBELT	I-1159-02
	091990-05-700	EA	SLEEVE/BUCKLE COVER-PLASTIC	209S-2
	091990-05-701	EA	CAP/COVER - BOLT HOLE COVER	209SC-02
	091990-05-702	EA	SLEEVE/RETRACTABLE COVER	309C-02

147767-01-000, 147767-02-000

KEY	PART NUMBER	U/M	DESCRIPTION	VENDOR NO
	147767-01-700	EA	SWITCH PLATE	SHROCK-9PT-SWT-PLTE
	147767-01-701	EA	MOTOR - VERTICAL	SHROCK 9PT-M0-VER-0
	147767-01-702	EA	MOTOR - HORIZONTAL	SHROCK 9PT-M0-HOZ-0

DRIVERS COMPARTMENT GROUP (CONTINUED)

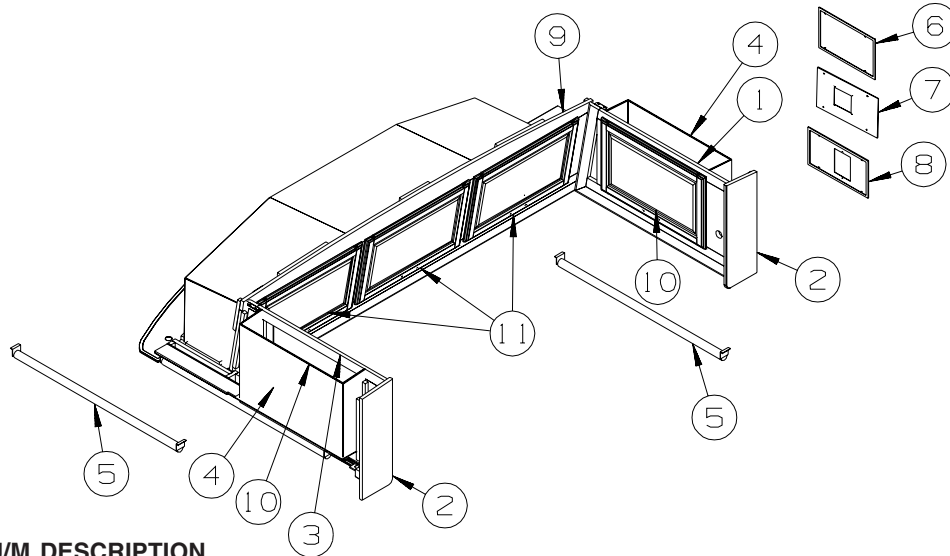
CABINETS



KEY	PART NUMBER	U/M	DESCRIPTION
1	159108-01-UA1	EA	CABINET - OVERHEAD/FRONT/RH HAND - W/O DOORS/HDW
1	159108-01-UA2	EA	CABINET - OVERHEAD/FRONT/RH HAND - W/O DOORS/HDW
1	159108-01-UA3	EA	CABINET - OVERHEAD/FRONT/RH HAND - W/O DOORS/HDW
1	159108-01-UA5	EA	CABINET - OVERHEAD/FRONT/RH HAND - W/O DOORS/HDW
1	159108-01-UA6	EA	CABINET - OVERHEAD/FRONT/RH HAND - W/O DOORS/HDW
1	159108-01-UA7	EA	CABINET - OVERHEAD/FRONT/RH HAND - W/O DOORS/HDW
1	159108-01-UB1	EA	CABINET - OVERHEAD/FRONT/RH HAND - W/O DOORS/HDW
1	159108-01-UB2	EA	CABINET - OVERHEAD/FRONT/RH HAND - W/O DOORS/HDW
1	159108-01-UB3	EA	CABINET - OVERHEAD/FRONT/RH HAND - W/O DOORS/HDW
1	159108-01-UM4	EA	CABINET - OVERHEAD/FRONT/RH HAND - W/O DOORS/HDW
1	159108-01-UM5	EA	CABINET - OVERHEAD/FRONT/RH HAND - W/O DOORS/HDW
1	159108-01-UM6	EA	CABINET - OVERHEAD/FRONT/RH HAND - W/O DOORS/HDW
2	145517-34-T78	EA	END CAP - OVERHEAD CABINET - CONCERT CHERRY
2	145517-34-T79	EA	END CAP - OVERHEAD CABINET - WASHED MAPLE
2	145517-34-T80	EA	END CAP - OVERHEAD CABINET - SIERRA MAPLE
3	159108-02-UA1	EA	CABINET - OVERHEAD/FRONT/LH HAND - W/O DOORS/HDW
3	159108-02-UA2	EA	CABINET - OVERHEAD/FRONT/LH HAND - W/O DOORS/HDW
3	159108-02-UA3	EA	CABINET - OVERHEAD/FRONT/LH HAND - W/O DOORS/HDW
3	159108-02-UA5	EA	CABINET - OVERHEAD/FRONT/LH HAND - W/O DOORS/HDW
3	159108-02-UA6	EA	CABINET - OVERHEAD/FRONT/LH HAND - W/O DOORS/HDW
3	159108-02-UA7	EA	CABINET - OVERHEAD/FRONT/LH HAND - W/O DOORS/HDW
3	159108-02-UB1	EA	CABINET - OVERHEAD/FRONT/LH HAND - W/O DOORS/HDW
3	159108-02-UB2	EA	CABINET - OVERHEAD/FRONT/LH HAND - W/O DOORS/HDW
3	159108-02-UB3	EA	CABINET - OVERHEAD/FRONT/LH HAND - W/O DOORS/HDW
3	159108-02-UM4	EA	CABINET - OVERHEAD/FRONT/LH HAND - W/O DOORS/HDW
3	159108-02-UM5	EA	CABINET - OVERHEAD/FRONT/LH HAND - W/O DOORS/HDW
3	159108-02-UM6	EA	CABINET - OVERHEAD/FRONT/LH HAND - W/O DOORS/HDW
4	152403-01-T78	EA	CABINET - OVERHEAD/FRONT/RH HAND - W/O DOORS/HDW - CONCERT CHERRY (UA1, UA5, UB1)
4	152403-01-UM1	EA	CABINET - OVERHEAD/FRONT/RH HAND - W/O DOORS/HDW - CONCERT CHERRY (UM4, UM5, UM6)
4	152403-01-T79	EA	CABINET - OVERHEAD/FRONT/RH HAND - W/O DOORS/HDW - WASHED MAPLE
4	152403-01-T80	EA	CABINET - OVERHEAD/FRONT/RH HAND - W/O DOORS/HDW - SIERRA MAPLE
5	152403-02-T78	EA	CABINET - OVERHEAD/FRONT - W/O DOORS/HDW - CONCERT CHERRY (UA1, UA5, UB1)
5	152403-02-UM1	EA	CABINET - OVERHEAD/FRONT - W/O DOORS/HDW - CONCERT CHERRY (UM4, UM5, UM6)
5	152403-02-T79	EA	CABINET - OVERHEAD/FRONT - W/O DOORS/HDW - WASHED MAPLE
5	152403-02-T80	EA	CABINET - OVERHEAD/FRONT - W/O DOORS/HDW - SIERRA MAPLE
6	152404-01-T78	EA	CABINET - FRONT/TV FACE - W/O DOORS/HDW - CONCERT CHERRY
6	152404-01-T79	EA	CABINET - FRONT/TV FACE - W/O DOORS/HDW - WASHED MAPLE
6	152404-01-T80	EA	CABINET - FRONT/TV FACE - W/O DOORS/HDW - SIERRA MAPLE
7	132909-16-U90	EA	PANEL - VINYL COVERED
8	132909-17-U90	EA	PANEL - VINYL COVERED
9	132909-22-U90	EA	PANEL - VINYL COVERED

DRIVERS COMPARTMENT GROUP (CONTINUED)
CABINETS (CONTINUED)

KEY	PART NUMBER	U/M	DESCRIPTION
10	155314-02-02B	EA	BRACKET - TV - 32.6" - W/ANGLES - W/O FOAM TAPE - E-COATED
11	152944-02-02B	EA	BRACKET - TIEDOWN/TV - E-COATED
12	150628-01-T81	EA	PANEL - VINYL COVERED - CASHMERE
13	150628-02-T81	EA	PANEL - VINYL COVERED - CASHMERE
14	150628-08-T81	EA	PANEL - VINYL COVERED - CASHMERE
15	150628-09-T81	EA	PANEL - VINYL COVERED - CASHMERE - AUTOMATIC SATELLITE DISH FROM: 00-00-00 THRU: 01-28-07
15	150628-15-U67	EA	PANEL - VINYL COVERED - CASHMERE - AUTOMATIC SATELLITE DISH - NOT ILLUSTRATED FROM: 01-29-07 THRU: 99-99-99
16	150628-10-T81	EA	PANEL - VINYL COVERED - CASHMERE - IN-MOTION SATELLITE SYSTEM
17	126841-09-000	EA	SHADE - PULL - CHARCOAL MESH - 40.25" X 60"
18	141522-A3-UA1	EA	DOOR - ARCHED/PENCIL EDGE/HORIZ - 14.3" X 17.9" - W/O HDW - CONCERT CHERRY
18	141522-A3-UA2	EA	DOOR - ARCHED/PENCIL EDGE/HORIZ - 14.3" X 17.9" - W/O HDW - WASHED MAPLE
18	141522-A3-UA3	EA	DOOR - ARCHED/PENCIL EDGE/HORIZ - 14.3" X 17.9" - W/O HDW - SIERRA MAPLE
19	146028-64-T90	EA	DOOR - GLASS INSERT/PENCIL EDGE - 15.7" X 21.8" - W/O HDW - CONCERT CHERRY
19	146028-64-T91	EA	DOOR - GLASS INSERT/PENCIL EDGE - 15.7" X 21.8" - W/O HDW - WASHED MAPLE
19	146028-64-T92	EA	DOOR - GLASS INSERT/PENCIL EDGE - 15.7" X 21.8" - W/O HDW - SIERRA MAPLE



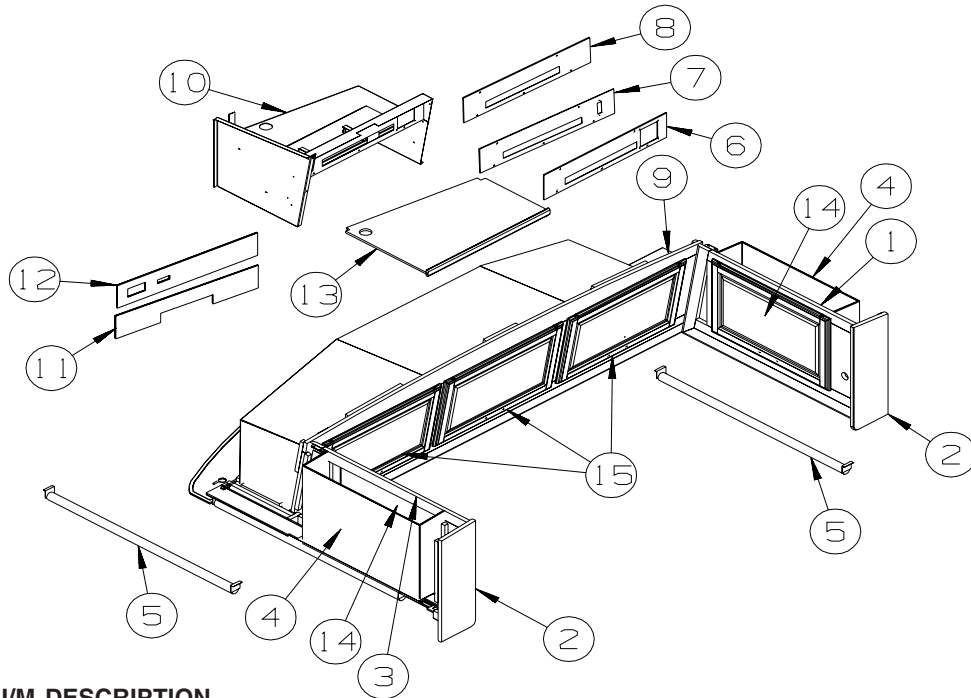
**W/O FRONT TV
G38T**

KEY	PART NUMBER	U/M	DESCRIPTION
1	159108-01-UA1	EA	CABINET - OVERHEAD/FRONT/RH HAND - W/O DOORS/HDW
1	159108-01-UA2	EA	CABINET - OVERHEAD/FRONT/RH HAND - W/O DOORS/HDW
1	159108-01-UA3	EA	CABINET - OVERHEAD/FRONT/RH HAND - W/O DOORS/HDW
1	159108-01-UA5	EA	CABINET - OVERHEAD/FRONT/RH HAND - W/O DOORS/HDW
1	159108-01-UA6	EA	CABINET - OVERHEAD/FRONT/RH HAND - W/O DOORS/HDW
1	159108-01-UA7	EA	CABINET - OVERHEAD/FRONT/RH HAND - W/O DOORS/HDW
1	159108-01-UB1	EA	CABINET - OVERHEAD/FRONT/RH HAND - W/O DOORS/HDW
1	159108-01-UB2	EA	CABINET - OVERHEAD/FRONT/RH HAND - W/O DOORS/HDW
1	159108-01-UB3	EA	CABINET - OVERHEAD/FRONT/RH HAND - W/O DOORS/HDW
1	159108-01-UM4	EA	CABINET - OVERHEAD/FRONT/RH HAND - W/O DOORS/HDW
1	159108-01-UM5	EA	CABINET - OVERHEAD/FRONT/RH HAND - W/O DOORS/HDW
1	159108-01-UM6	EA	CABINET - OVERHEAD/FRONT/RH HAND - W/O DOORS/HDW
2	145517-34-T78	EA	END CAP - OVERHEAD CABINET - CONCERT CHERRY
2	145517-34-T79	EA	END CAP - OVERHEAD CABINET - WASHED MAPLE
2	145517-34-T80	EA	END CAP - OVERHEAD CABINET - SIERRA MAPLE
3	159108-02-UA1	EA	CABINET - OVERHEAD/FRONT/LH HAND - W/O DOORS/HDW
3	159108-02-UA2	EA	CABINET - OVERHEAD/FRONT/LH HAND - W/O DOORS/HDW
3	159108-02-UA3	EA	CABINET - OVERHEAD/FRONT/LH HAND - W/O DOORS/HDW
3	159108-02-UA5	EA	CABINET - OVERHEAD/FRONT/LH HAND - W/O DOORS/HDW
3	159108-02-UA6	EA	CABINET - OVERHEAD/FRONT/LH HAND - W/O DOORS/HDW
3	159108-02-UA7	EA	CABINET - OVERHEAD/FRONT/LH HAND - W/O DOORS/HDW
3	159108-02-UB1	EA	CABINET - OVERHEAD/FRONT/LH HAND - W/O DOORS/HDW
3	159108-02-UB2	EA	CABINET - OVERHEAD/FRONT/LH HAND - W/O DOORS/HDW
3	159108-02-UB3	EA	CABINET - OVERHEAD/FRONT/LH HAND - W/O DOORS/HDW
3	159108-02-UM4	EA	CABINET - OVERHEAD/FRONT/LH HAND - W/O DOORS/HDW
3	159108-02-UM5	EA	CABINET - OVERHEAD/FRONT/LH HAND - W/O DOORS/HDW
3	159108-02-UM6	EA	CABINET - OVERHEAD/FRONT/LH HAND - W/O DOORS/HDW
4	132909-22-U90	EA	PANEL - VINYL COVERED

DRIVERS COMPARTMENT GROUP (CONTINUED)

CABINETS (CONTINUED)

KEY	PART NUMBER	U/M	DESCRIPTION
5	126841-09-000	EA	SHADE - PULL - CHARCOAL MESH - 40.25" X 60"
6	155127-01-TG0	EA	PANEL - VINYL COVERED - CASHMERE
7	155127-02-TG0	EA	PANEL - VINYL COVERED - CASHMERE - AUTOMATIC SATELLITE SYSTEM FROM: 00-00-00 THRU: 01-28-07
7	155127-10-U68	EA	PANEL - VINYL COVERED - CASHMERE - AUTOMATIC SATELLITE DISH - NOT ILLUSTRATED FROM: 01-29-07 THRU: 99-99-99
8	155127-03-TG0	EA	PANEL - VINYL COVERED - CASHMERE - IN-MOTION SATELLITE SYSTEM,
9	153644-01-T78	EA	CABINET - OVERHEAD/FRONT - W/O DOORS/HDW - CONCERT CHERRY (UA1, UA5, UB1)
9	153644-01-UM1	EA	CABINET - OVERHEAD/FRONT - W/O DOORS/HDW - CONCERT CHERRY (UM4, UM5, UM6)
9	153644-01-T79	EA	CABINET - OVERHEAD/FRONT - W/O DOORS/HDW - WASHED MAPLE
9	153644-01-T80	EA	CABINET - OVERHEAD/FRONT - W/O DOORS/HDW - SIERRA MAPLE
10	141522-A3-UA1	EA	DOOR - ARCHED/PENCIL EDGE/HORIZ - 14.3" X 17.9" - W/O HDW - CONCERT CHERRY
10	141522-A3-UA2	EA	DOOR - ARCHED/PENCIL EDGE/HORIZ - 14.3" X 17.9" - W/O HDW - WASHED MAPLE
10	141522-A3-UA3	EA	DOOR - ARCHED/PENCIL EDGE/HORIZ - 14.3" X 17.9" - W/O HDW - SIERRA MAPLE
11	141522-C1-T90	EA	DOOR - ARCHED/PENCIL EDGE/HORIZ - 15.3" X 25.6" - W/O HDW - CONCERT CHERRY
11	141522-C1-T91	EA	DOOR - ARCHED/PENCIL EDGE/HORIZ - 15.3" X 25.6" - W/O HDW - WASHED MAPLE
11	141522-C1-T92	EA	DOOR - ARCHED/PENCIL EDGE/HORIZ - 15.3" X 25.6" - W/O HDW - SIERRA MAPLE



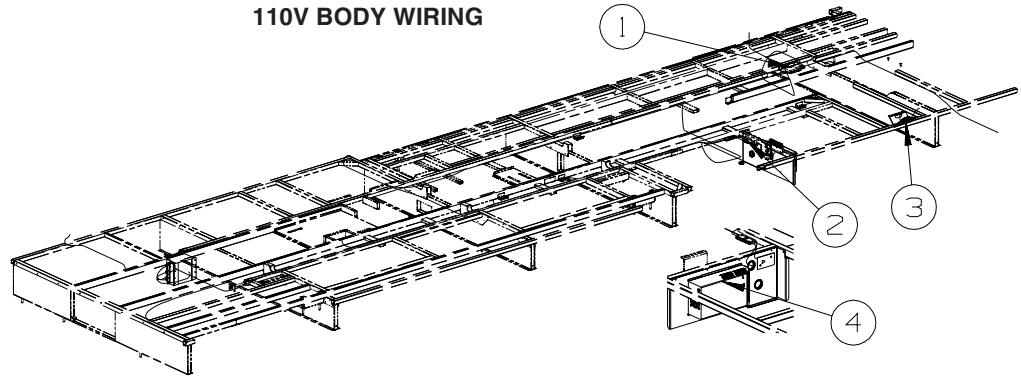
**W/O FRONT TV
G37B**

KEY	PART NUMBER	U/M	DESCRIPTION
1	159108-01-UA1	EA	CABINET - OVERHEAD/FRONT/RH HAND - W/O DOORS/HDW
1	159108-01-UA2	EA	CABINET - OVERHEAD/FRONT/RH HAND - W/O DOORS/HDW
1	159108-01-UA3	EA	CABINET - OVERHEAD/FRONT/RH HAND - W/O DOORS/HDW
1	159108-01-UA5	EA	CABINET - OVERHEAD/FRONT/RH HAND - W/O DOORS/HDW
1	159108-01-UA6	EA	CABINET - OVERHEAD/FRONT/RH HAND - W/O DOORS/HDW
1	159108-01-UA7	EA	CABINET - OVERHEAD/FRONT/RH HAND - W/O DOORS/HDW
1	159108-01-UB1	EA	CABINET - OVERHEAD/FRONT/RH HAND - W/O DOORS/HDW
1	159108-01-UB2	EA	CABINET - OVERHEAD/FRONT/RH HAND - W/O DOORS/HDW
1	159108-01-UB3	EA	CABINET - OVERHEAD/FRONT/RH HAND - W/O DOORS/HDW
1	159108-01-UM4	EA	CABINET - OVERHEAD/FRONT/RH HAND - W/O DOORS/HDW
1	159108-01-UM5	EA	CABINET - OVERHEAD/FRONT/RH HAND - W/O DOORS/HDW
1	159108-01-UM6	EA	CABINET - OVERHEAD/FRONT/RH HAND - W/O DOORS/HDW
2	145517-34-T78	EA	END CAP - OVERHEAD CABINET - CONCERT CHERRY
2	145517-34-T79	EA	END CAP - OVERHEAD CABINET - WASHED MAPLE
2	145517-34-T80	EA	END CAP - OVERHEAD CABINET - SIERRA MAPLE
3	159108-02-UA1	EA	CABINET - OVERHEAD/FRONT/LH HAND - W/O DOORS/HDW
3	159108-02-UA2	EA	CABINET - OVERHEAD/FRONT/LH HAND - W/O DOORS/HDW
3	159108-02-UA3	EA	CABINET - OVERHEAD/FRONT/LH HAND - W/O DOORS/HDW
3	159108-02-UA5	EA	CABINET - OVERHEAD/FRONT/LH HAND - W/O DOORS/HDW
3	159108-02-UA6	EA	CABINET - OVERHEAD/FRONT/LH HAND - W/O DOORS/HDW
3	159108-02-UA7	EA	CABINET - OVERHEAD/FRONT/LH HAND - W/O DOORS/HDW
3	159108-02-UB1	EA	CABINET - OVERHEAD/FRONT/LH HAND - W/O DOORS/HDW
3	159108-02-UB2	EA	CABINET - OVERHEAD/FRONT/LH HAND - W/O DOORS/HDW

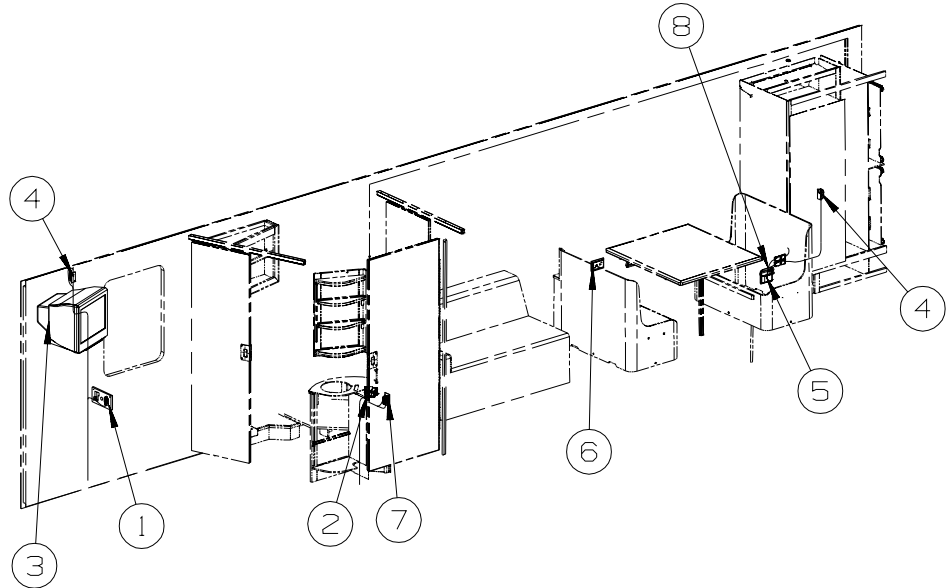
DRIVERS COMPARTMENT GROUP (CONTINUED)
CABINETS (CONTINUED)

KEY	PART NUMBER	U/M	DESCRIPTION
3	159108-02-UB3	EA	CABINET - OVERHEAD/FRONT/LH HAND - W/O DOORS/HDW
3	159108-02-UM4	EA	CABINET - OVERHEAD/FRONT/LH HAND - W/O DOORS/HDW
3	159108-02-UM5	EA	CABINET - OVERHEAD/FRONT/LH HAND - W/O DOORS/HDW
3	159108-02-UM6	EA	CABINET - OVERHEAD/FRONT/LH HAND - W/O DOORS/HDW
4	132909-22-U90	EA	PANEL - VINYL COVERED
5	126841-09-000	EA	SHADE - PULL - CHARCOAL MESH - 40.25" X 60"
6	153820-01-T81	EA	PANEL - VINYL COVERED - CASHMERE - AUTOMATIC SATELLITE SYSTEM FROM: 00-00-00 THRU: 01-28-07
6	153820-07-U94	EA	PANEL - VINYL COVERED - CASHMERE - AUTOMATIC SATELLITE DISH - NOT ILLUSTRATED FROM: 01-29-07 THRU: 99-99-99
7	153820-02-T81	EA	PANEL - VINYL COVERED - CASHMERE - IN-MOTION SATELLITE SYSTEM
8	153820-03-T81	EA	PANEL - VINYL COVERED - CASHMERE
9	153644-01-T78	EA	CABINET - OVERHEAD/FRONT - W/O DOORS/HDW - CONCERT CHERRY (UA1, UA5, UB1)
9	153644-01-UM1	EA	CABINET - OVERHEAD/FRONT - W/O DOORS/HDW - CONCERT CHERRY (UM4, UM5, UM6)
9	153644-01-T79	EA	CABINET - OVERHEAD/FRONT - W/O DOORS/HDW - WASHED MAPLE
9	153644-01-T80	EA	CABINET - OVERHEAD/FRONT - W/O DOORS/HDW - SIERRA MAPLE
10	126275-09-02B	EA	SHELF - OVERHEAD/FRONT - E-COATED
11	132909-24-U90	EA	PANEL - VINYL COVERED - RH HAND
12	132909-19-U90	EA	PANEL - VINYL COVERED - RH HAND
13	155483-01-T78	EA	SHELF - VCR/RIGHT HAND - W/WOOD MOLDING - CONCERT CHERRY (UA1, UA5, UB1)
13	155483-01-UM1	EA	SHELF - VCR/RIGHT HAND - W/WOOD MOLDING - CONCERT CHERRY (UM4, UM5, UM6)
13	155483-01-T79	EA	SHELF - VCR/RIGHT HAND - W/WOOD MOLDING - WASHED MAPLE
13	155483-01-T80	EA	SHELF - VCR/RIGHT HAND - W/WOOD MOLDING - SIERRA MAPLE
14	141522-A3-UA1	EA	DOOR - ARCHED/PENCIL EDGE/HORIZ - 14.3" X 17.9" - W/O HDW - CONCERT CHERRY
14	141522-A3-UA2	EA	DOOR - ARCHED/PENCIL EDGE/HORIZ - 14.3" X 17.9" - W/O HDW - WASHED MAPLE
14	141522-A3-UA3	EA	DOOR - ARCHED/PENCIL EDGE/HORIZ - 14.3" X 17.9" - W/O HDW - SIERRA MAPLE
15	141522-C1-T90	EA	DOOR - ARCHED/PENCIL EDGE/HORIZ - 15.3" X 25.6" - W/O HDW - CONCERT CHERRY
15	141522-C1-T91	EA	DOOR - ARCHED/PENCIL EDGE/HORIZ - 15.3" X 25.6" - W/O HDW - WASHED MAPLE
15	141522-C1-T92	EA	DOOR - ARCHED/PENCIL EDGE/HORIZ - 15.3" X 25.6" - W/O HDW - SIERRA MAPLE

ELECTRICAL GROUP 110V BODY WIRING



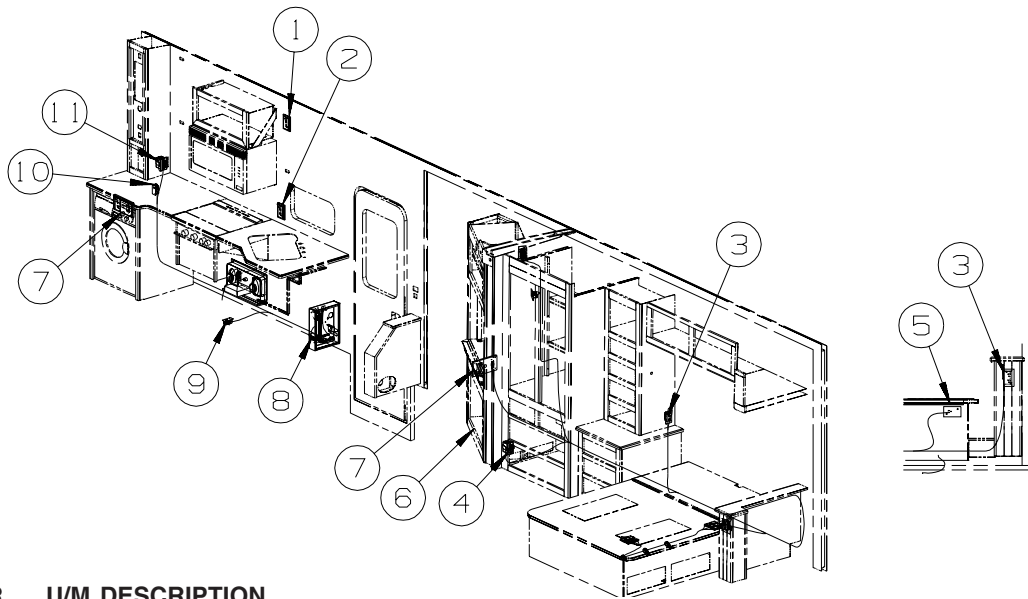
KEY	PART NUMBER	U/M	DESCRIPTION
1	155223-01-02B	EA	BRACKET - 110V CONNECTOR - E-COATE
2	058707-01-000	EA	RECEPTACLE - ELECTRIC - SINGLE - BROWN - INVERTER-DC/AC,600 WATT
2	058707-02-000	EA	RECEPTACLE - BLANK - JUNCTION BOX
3	058708-01-000	EA	RECEPTACLE - ELECTRIC - DOUBLE - BROWN
4	154511-01-000	EA	INVERTER - 600 WATT - W/O REMOTE PANEL - INVERTER-DC/AC,600 WATT



KEY	PART NUMBER	U/M	DESCRIPTION
1	058708-01-000	EA	RECEPTACLE - ELECTRIC - DOUBLE - BROWN
1	133713-06-24A	EA	SPACER/RECEPTACLE - PHONE - VINYL - CONCERT CHERRY (UA1, UA5, UB1)
1	133713-06-25A	EA	SPACER/RECEPTACLE - PHONE - VINYL - CONCERT CHERRY (UM4, UM5, UM6)
1	133713-06-21A	EA	SPACER/RECEPTACLE - PHONE - VINYL - WASHED MAPLE
1	133713-06-22A	EA	SPACER/RECEPTACLE - PHONE - VINYL - SIERRA MAPLE
2	147446-01-02A	EA	RECEPTACLE - GFCI - 15A 125V - BROWN FROM: 00-00-00 THRU: 12-20-06
2	163319-01-02A	EA	RECEPTACLE - GFCI - 15A 125V - BROWN FROM: 12-21-06 THRU: 99-99-99
3*	149049-02-000	EA	TV - 20" COLOR/STEREO - FLAT - SONY KV-20FS120 FROM: 00-00-00 THRU: 04-02-06
3*	149040-02-000	EA	TV - 20" FLAT SCREEN/STEREO - RCA 20F410T FROM: 04-03-06 THRU: 05-14-06
3*	149040-03-000	EA	TV - 20" FLAT SCREEN/STEREO - RCA 20F420T FROM: 05-15-06 THRU: 99-99-99
4	058707-01-000	EA	RECEPTACLE - ELECTRIC - SINGLE - BROWN
5	153862-02-01A	EA	COVER - WIRE - 5.9" X 3.8" X 2.2" - BLACK
6	133713-01-24A	EA	SPACER/RECEPTACLE - VINYL - CONCERT CHERRY (UA1, UA5, UB1)
6	133713-01-25A	EA	SPACER/RECEPTACLE - VINYL - CONCERT CHERRY (UM4, UM5, UM6)
6	133713-01-21A	EA	SPACER/RECEPTACLE - VINYL - WASHED MAPLE
6	133713-01-22A	EA	SPACER/RECEPTACLE - VINYL - SIERRA MAPLE
6	058708-01-000	EA	RECEPTACLE - ELECTRIC - DOUBLE - BROWN
7	058708-01-000	EA	RECEPTACLE - ELECTRIC - DOUBLE - BROWN
8	155469-01-01A	EA	COVER - WIRE - .9" X 6.3" X 5.6" - BLACK

*COMPONENT PARTS LISTED LATER IN THIS GROUP

ELECTRICAL GROUP (CONTINUED)
110V BODY WIRING (CONTINUED)

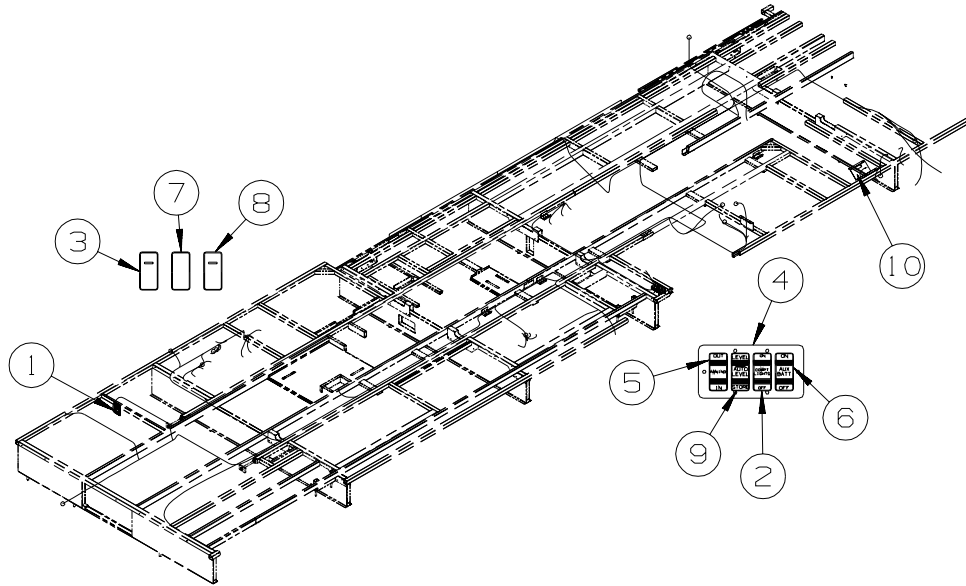


KEY	PART NUMBER	U/M	DESCRIPTION
1	133713-01-24A	EA	SPACER/RECEPTACLE - VINYL - CONCERT CHERRY (UA1, UA5, UB1)
1	133713-01-25A	EA	SPACER/RECEPTACLE - VINYL - CONCERT CHERRY (UM4, UM5, UM6)
1	133713-01-21A	EA	SPACER/RECEPTACLE - VINYL - WASHED MAPLE
1	133713-01-22A	EA	SPACER/RECEPTACLE - VINYL - SIERRA MAPLE
1	058708-05-000	EA	RECEPTACLE - ELECTRICAL - SINGLE - BROWN
2	133713-01-24A	EA	SPACER/RECEPTACLE - VINYL - CONCERT CHERRY (UA1, UA5, UB1)
2	133713-01-25A	EA	SPACER/RECEPTACLE - VINYL - CONCERT CHERRY (UM4, UM5, UM6)
2	133713-01-25A	EA	SPACER/RECEPTACLE - VINYL - CONCERT CHERRY
2	133713-01-21A	EA	SPACER/RECEPTACLE - VINYL - WASHED MAPLE
2	133713-01-22A	EA	SPACER/RECEPTACLE - VINYL - SIERRA MAPLE
2	058708-01-000	EA	RECEPTACLE - ELECTRIC - DOUBLE - BROWN
3	058708-01-000	EA	RECEPTACLE - ELECTRIC - DOUBLE - BROWN
4	156676-01-000	EA	CONTROLLER/OUTLET - POWER/TV - AUTO SHUTOFF W/IGNITION - FIREPLACE-ELECTRIC
4	133070-01-000	EA	BOX - ELECTRIC/PLASTIC - 3" X 2" X 2.8" - UL - FIREPLACE-ELECTRIC
4	133070-02-000	EA	BOX - ELECTRIC/PLASTIC - 3" X 2" X 2.8" - CSA - CANADIAN - FIREPLACE-ELECTRIC
5	058708-05-000	EA	RECEPTACLE - ELECTRICAL - SINGLE - BROWN - SLEEP NUMBER BED-QUEEN SIZE
6*	154506-01-01A	EA	FIREPLACE - ELECTRIC - 23" - W/O TRIM - BLACK - FIREPLACE-ELECTRIC
6	154506-02-01A	EA	TRIM/FRONT - F/23" FIREPLACE - BLACK - FIREPLACE-ELECTRIC
7	133713-06-24A	EA	SPACER/RECEPTACLE - PHONE - VINYL - CONCERT CHERRY (UA1, UA5, UB1)
7	133713-06-25A	EA	SPACER/RECEPTACLE - PHONE - VINYL - CONCERT CHERRY (UM4, UM5, UM6)
7	133713-06-21A	EA	SPACER/RECEPTACLE - PHONE - VINYL - WASHED MAPLE
7	133713-06-22A	EA	SPACER/RECEPTACLE - PHONE - VINYL - SIERRA MAPLE
7	058708-01-000	EA	RECEPTACLE - ELECTRIC - DOUBLE - BROWN
8	058707-02-000	EA	RECEPTACLE - BLANK - JUNCTION BOX
9	058707-01-000	EA	RECEPTACLE - ELECTRIC - SINGLE - BROWN
10	058708-05-000	EA	RECEPTACLE - ELECTRICAL - SINGLE - BROWN
10	158542-01-01A	EA	LABEL - RECEPTACLE - WASHER/DRYER - WHITE/BLACK - CANADIAN
11	147446-01-02A	EA	RECEPTACLE - GFCI - 15A 125V - BROWN

*COMPONENT PARTS LISTED LATER IN THIS GROUP

ELECTRICAL GROUP (CONTINUED)

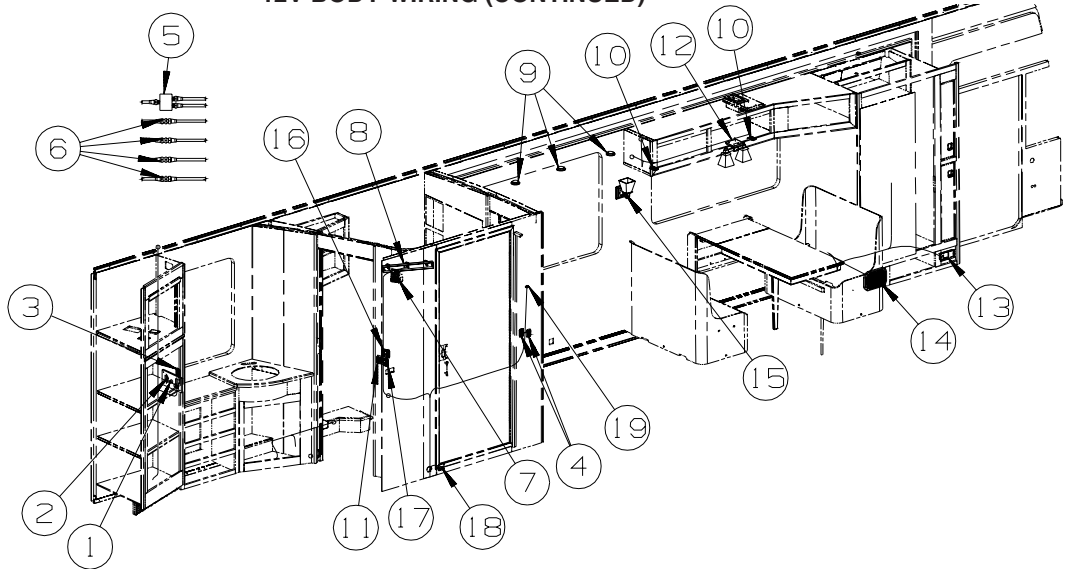
12V BODY WIRING



KEY	PART NUMBER	U/M	DESCRIPTION
1	149557-01-01A	EA	PLATE/WALL - PHONE/DUAL COAXIAL/VERTICAL - WHITE
2	108357-01-000	EA	SWITCH - ROCKER - SPST - ON/OFF - 2 TERMINAL - W/O COVER
2	108356-14-01A	EA	COVER/ACTUATOR SWITCH - 3 GROOVES - COMPT LIGHTS
2	108355-01-000	EA	HOUSING - SWITCH
3	108357-15-000	EA	SWITCH - ROCKER - DPDT - ON/NONE/ON - W/LIGHT W/O COVER
3	108356-03-01A	EA	COVER/ACTUATOR SWITCH - 3 GROOVES W/LENS - BLACK
3	108355-01-000	EA	HOUSING - SWITCH
4	158431-01-04B	EA	PLATE - SWITCH - BLACK
4	135167-01-02B	EA	BRACKET - SWITCH COVER - E-COATED
5	096241-03-000	EA	SWITCH - BLANK - BLACK
5	108357-07-000	EA	SWITCH - ROCKER - SPDT - MOM/OFF/MOM - 3 TERM - W/O COVER - AWNING - PATIO, ELECTRIC
5	108356-12-01A	EA	COVER/ACTUATOR SWITCH - 3 GROOVES - AWNING/IN/OUT - AWNING - PATIO, ELECTRIC
5	108355-01-000	EA	HOUSING - SWITCH - AWNING - PATIO, ELECTRIC
6	108357-06-000	EA	SWITCH - ROCKER - DPDT - MOM/OFF/MOM - 6 TERM - W/O COVER
6	108356-11-01A	EA	COVER/ACTUATOR SWITCH - 3 GROOVES - AUX BATT - BLACK
6	108355-01-000	EA	HOUSING - SWITCH
7	108357-01-000	EA	SWITCH - ROCKER - SPST - ON/OFF - 2 TERMINAL - W/O COVER
7	108356-02-01A	EA	COVER/ACTUATOR SWITCH - 2 ROWS DIMPLES - BLACK
7	108355-01-000	EA	HOUSING - SWITCH
8	108357-03-000	EA	SWITCH - ROCKER - SPDT - ON/OFF/ON - 3 TERM - W/O COVER
8	108356-03-01A	EA	COVER/ACTUATOR SWITCH - 3 GROOVES W/LENS - BLACK
8	108355-01-000	EA	HOUSING - SWITCH
9	108357-18-000	EA	SWITCH - ROCKER - DPDT - MOM/OFF/MOM - W/O COVER
9	108356-15-01A	EA	COVER/ACTUATOR SWITCH - 3 GROOVES - LEVELING JACKS/REMOTE
9	108355-01-000	EA	HOUSING - SWITCH
10	157486-01-02A	EA	LABEL - TV/EXTERIOR
10	082134-01-000	EA	ADAPTER - TV - CABLE TO CABLE
10	082136-01-000	EA	NUT - HEX JAM - 3/8-32

ELECTRICAL GROUP (CONTINUED)

12V BODY WIRING (CONTINUED)

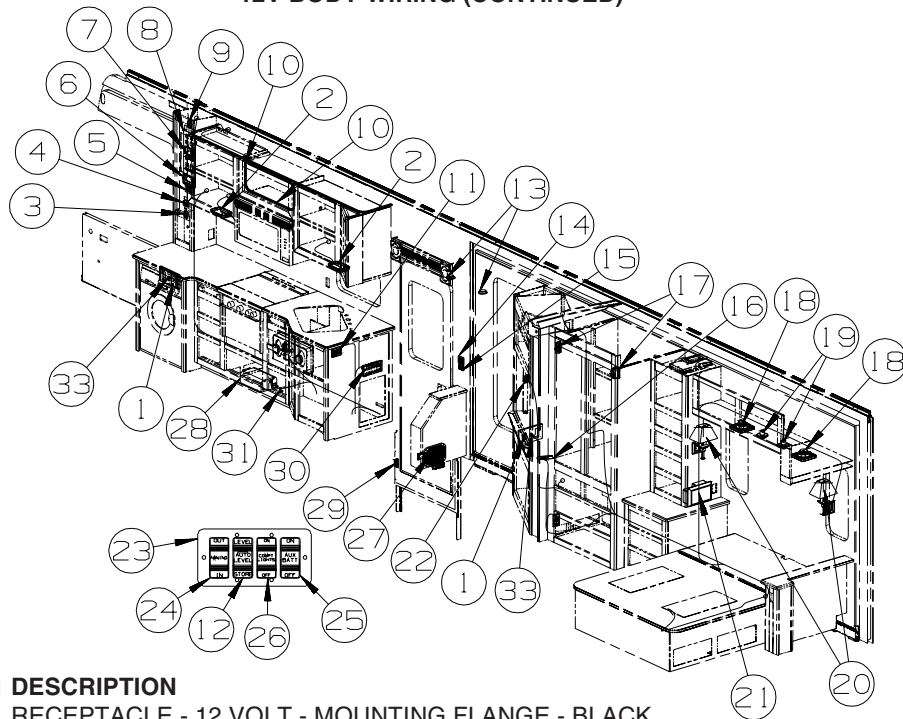


KEY	PART NUMBER	U/M	DESCRIPTION
1	132958-01-000	EA	RECEPTACLE - 12 VOLT - MOUNTING FLANGE - BLACK
2	093253-01-02A	EA	PLATE - WALL - TELEPHONE - BROWN
3	135740-01-01A	EA	SWITCH - ROCKER - SPST - ON/OFF - BROWN
3	135741-01-01A	EA	SWITCH - BASE - SINGLE - BROWN
3	135742-07-02A	EA	BEZEL - SWITCH - CEILING - BROWN
4	135740-02-01A	EA	SWITCH - ROCKER - SPDT - ON/ON - BROWN
4	135741-01-01A	EA	SWITCH - BASE - SINGLE - BROWN
4	135742-07-02A	EA	BEZEL - SWITCH - CEILING - BROWN
5	086756-01-000	EA	SPLITTER - TV/2 WAY
6	082134-01-000	EA	ADAPTER - TV - CABLE TO CABLE
7	144363-09-02B	EA	PLATE - SWITCH - E-COATED
7	108357-06-000	EA	SWITCH - ROCKER - DPDT - MOM/OFF/MOM - 6 TERM - W/O COVER
7	108356-01-01A	EA	COVER/ACTUATOR SWITCH - 3 GROOVES - BLACK
7	108355-01-000	EA	HOUSING - SWITCH
7	116220-01-000	EA	APPLIQUE - SWITCH/SLIDEOUT
7	116220-02-000	EA	APPLIQUE - SWITCH/SLIDEOUT
7	116549-02-000	EA	LABEL - WARNING - SLIDEOUT
8	138116-01-02A	EA	LIGHT/MAKE UP - 3 BULB - CURVED - W/O BULB - SATIN NICKEL
8	123918-01-000	EA	BULB - 12V - MAKEUP - WHITE
9*	123775-01-02A	EA	LIGHT - HALOGEN - ROUND - SATIN NICKEL
9	123775-02-02A	EA	LIGHT - HALOGEN - COLLAR - SATIN NICKEL
10	135740-01-01A	EA	SWITCH - ROCKER - SPST - ON/OFF - BROWN
10	135741-01-01A	EA	SWITCH - BASE - SINGLE - BROWN
10	135742-01-01A	EA	BEZEL - SWITCH - SINGLE - BROWN
11	135740-01-01A	EA	SWITCH - ROCKER - SPST - ON/OFF - BROWN - CEILING/AISLE
11	135740-02-01A	EA	SWITCH - ROCKER - SPDT - ON/ON - BROWN - HALL
11	135741-03-01A	EA	SWITCH - BASE - TRIPLE - BROWN
11	135742-25-02A	EA	BEZEL - SWITCH - CEILING/AISLE/HALL - BROWN
12	093575-35-01A	EA	LIGHT - CEILING/DOUBLE - SATIN NICKEL
12	117805-02-000	EA	BULB - 12V - #921 - 1.4 AMPS
13	150138-01-02A	EA	DETECTOR - LP GAS - BROWN
14	124884-01-000	EA	SPEAKER - 6" X 9" - SUB-WOOFER - W/O GRILLE
14	151844-01-01A	EA	GRILLE - SPEAKER - 6" X 9" - SUB WOOFER - BLACK
15*	119258-44-01A	EA	LAMP - WALL - UL/CSA - SATIN NICKEL
15	117805-02-000	EA	BULB - 12V - #921 - 1.4 AMPS
16	135740-01-01A	EA	SWITCH - ROCKER - SPST - ON/OFF - BROWN - MAKEUP
16	135740-02-01A	EA	SWITCH - ROCKER - SPDT - ON/ON - BROWN - CEILING
16	135741-02-01A	EA	SWITCH - BASE - DOUBLE - BROWN
16	135742-14-02A	EA	BEZEL - SWITCH - MAKEUP/CEILING - BROWN
17	135740-01-01A	EA	SWITCH - ROCKER - SPST - ON/OFF - BROWN
17	135741-01-01A	EA	SWITCH - BASE - SINGLE - BROWN
17	135742-12-02A	EA	BEZEL - SWITCH - FAN - BROWN
18*	108354-01-01A	EA	LIGHT - COURTESY
19	105620-23-000	EA	SENSOR-TEMPERATURE,REMOTE

*COMPONENT PARTS LISTED LATER IN THIS GROUP

ELECTRICAL GROUP (CONTINUED)

12V BODY WIRING (CONTINUED)



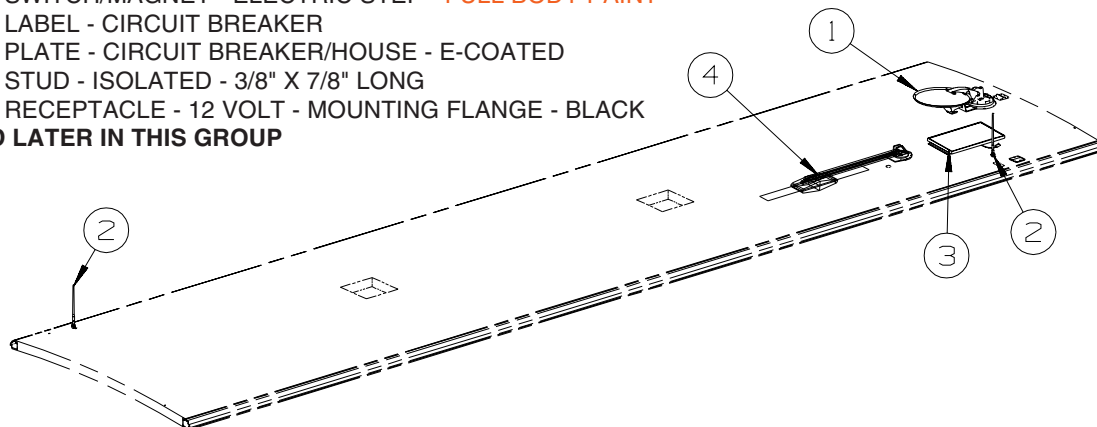
KEY	PART NUMBER	U/M	DESCRIPTION
1	132958-01-000	EA	RECEPTACLE - 12 VOLT - MOUNTING FLANGE - BLACK
1	093253-01-02A	EA	PLATE - WALL - TELEPHONE - BROWN
2*	137417-02-01A	EA	LIGHT - DOME - SINGLE - W/SWITCH/OPTIC LENS - WHITE
3	135740-01-01A	EA	SWITCH - ROCKER - SPST - ON/OFF - BROWN
3	135741-01-01A	EA	SWITCH - BASE - SINGLE - BROWN
3	135742-30-02A	EA	BEZEL - SWITCH - MONITOR - BROWN
4	135740-02-01A	EA	SWITCH - ROCKER - SPDT - ON/ON - BROWN
4	135741-01-01A	EA	SWITCH - BASE - SINGLE - BROWN
4	135742-52-02A	EA	BEZEL - SWITCH - GALLEY WASTE - BROWN
5	154511-02-000	EA	REMOTE/PANEL - INVERTER/600 WATT - INVERTER-DC/AC,600 WATT
5	148254-03-000	EA	CABLE/INVERTOR - W/8 PIN MODULAR PHONE JACK - 50'-DIMEN - INVERTER-DC/AC,600 WATT
6	105620-18-000	EA	THERMOSTAT - FURNACE/HEAT PUMP-A/C - W/CHOKE MODULE FROM: 00-00-00 THRU: 08-27-06
6	105620-22-000	EA	THERMOSTAT-HT PUMP/1 STG RMT FROM: 08-28-06 THRU: 99-99-99
7	127002-10-000	EA	PANEL/MONITOR - ENERGY MANAGEMENT SYSTEMS CTRL - W/3 PLUG
8*	133004-05-01A	EA	PANEL/MONITOR-2 TANK-DIGITAL VOLT MT/SOLAR-W/WATER HTR SWT
9	135740-06-01A	EA	SWITCH - ROCKER - ON/OFF - LIGHTED - RED
9	135741-01-01A	EA	SWITCH - BASE - SINGLE - BROWN
9	135742-35-02A	EA	BEZEL - SWITCH - WATER HEATER/110 VOLT - BROWN
10	146514-03-000	EA	LIGHT - FLEX - ROPE/ROUND - W/O MOUNT CHANNE
10	146514-02-000	EA	CONNECTOR - LIGHT
10	146514-04-000	EA	CHANNEL/MOUNT - F/ROPE LIGHT
11	135740-01-01A	EA	SWITCH - ROCKER - SPST - ON/OFF - BROWN - CEILING/AISLE
11	135741-03-01A	EA	SWITCH - BASE - TRIPLE - BROWN
11	135742-41-02A	EA	BEZEL - SWITCH - GALLEY/VALANCE/FAN - BROWN
12	108357-18-000	EA	SWITCH - ROCKER - DPDT - MOM/OFF/MOM - W/O COVER
12	108356-15-01A	EA	COVER/ACTUATOR SWITCH - 3 GROOVES - LEVELING JACKS/REMOTE
12	108355-01-000	EA	HOUSING - SWITCH
13*	123775-01-02A	EA	LIGHT - HALOGEN - ROUND - SATIN NICKEL
13	123775-02-02A	EA	LIGHT - HALOGEN - COLLAR - SATIN NICKEL
14	135740-01-01A	EA	SWITCH - ROCKER - SPST - ON/OFF - BROWN
14	135741-02-01A	EA	SWITCH - BASE - DOUBLE - BROWN
14	135742-19-02A	EA	BEZEL - SWITCH - CEILING/PORCH - BROWN
15	135740-01-01A	EA	SWITCH - ROCKER - SPST - ON/OFF - BROWN
15	135741-01-01A	EA	SWITCH - BASE - SINGLE - BROWN
15	135742-11-02A	EA	BEZEL - SWITCH - STEP - BROWN
16	041250-01-000	EA	SWITCH - PUSH BUTTON/DOOR JAMB - METAL/CHROME - FIREPLACE-ELECTRIC
17*	087694-01-000	EA	LIGHT - WARDROBE/CLOSET - W/SWITCH
18	094097-01-000	EA	SPEAKER - RADIO/TV - W/O GRILLE - 5.25" DIAMETER - STEREO SYSTEM/W/CD/DVD REAR
18	089340-02-000	EA	GRILLE - SPEAKER - 6.5" SQUARE - STEREO SYSTEM/W/CD/DVD REAR

ELECTRICAL GROUP (CONTINUED)

12V BODY WIRING (CONTINUED)

KEY	PART NUMBER	U/M	DESCRIPTION
19	132427-01-02A	EA	LIGHT - READING/SWIVEL - ROUND - NICKEL
20	119258-45-01A	EA	LAMP - WALL - UL/CSA - SATIN NICKEL
20	119257-16-01A	EA	SHADE - LAMP - WHISPER CHABLIS
20	067479-01-000	EA	BULB - 12V - #1076 - 1.80 AMP
21*	156413-01-01A	EA	RADIO - WALL MOUNT - DVD/CD - W/ALARM - JENSEN AWM950 - STEREO SYSTEM/W/CD/DVD REAR FROM: 00-00-00 THRU: 01-01-07
21	163031-01-01A	EA	RADIO - WALL MOUNT - DVD/CD - W/ALARM - JENSEN AWM960 - STEREO SYSTEM/W/CD/DVD REAR FROM: 01-02-07 THRU: 99-99-99
22	135740-01-01A	EA	SWITCH - ROCKER - SPST - ON/OFF - BROWN
22	135741-01-01A	EA	SWITCH - BASE - SINGLE - BROWN
22	135742-07-02A	EA	BEZEL - SWITCH - CEILING - BROWN
23	158431-01-02B	EA	PLATE - SWITCH - E-COATED
23	135167-01-02B	EA	BRACKET - SWITCH COVER - E-COATED
24	096241-03-000	EA	SWITCH - BLANK - BLACK
24	108357-07-000	EA	SWITCH - ROCKER - SPDT - MOM/OFF/MOM - 3 TERM - W/O COVER - AWNING - PATIO, ELECTRIC
24	108356-12-01A	EA	COVER/ACTUATOR SWITCH - 3 GROOVES - AWNING/IN/OUT - AWNING - PATIO, ELECTRIC
24	108355-01-000	EA	HOUSING - SWITCH - AWNING - PATIO, ELECTRIC
25	108357-06-000	EA	SWITCH - ROCKER - DPDT - MOM/OFF/MOM - 6 TERM - W/O COVER
25	108356-11-01A	EA	COVER/ACTUATOR SWITCH - 3 GROOVES - AUX BATT - BLACK
25	108355-01-000	EA	HOUSING - SWITCH
26	108357-01-000	EA	SWITCH - ROCKER - SPST - ON/OFF - 2 TERMINAL - W/O COVER
26	108356-14-01A	EA	COVER/ACTUATOR SWITCH - 3 GROOVES - COMPT LIGHTS
26	108355-01-000	EA	HOUSING - SWITCH
27	124884-01-000	EA	SPEAKER - 6" X 9" - SUB-WOOFER - W/O GRILLE
27	151844-01-01A	EA	GRILLE - SPEAKER - 6" X 9" - SUB WOOFER - BLACK
28	123058-01-000	EA	CONVERTER - 55 AMP - ELECTRONIC - 4 1/8"H X 7"W X 12 3/8"L
29	116995-02-000	EA	SWITCH/MAGNET - ELECTRIC STEP - BLACK/WHITE- NORMALLY OPEN
29	116995-03-000	EA	SWITCH/MAGNET - ELECTRIC STEP - FULL BODY PAINT
30	092547-10-000	EA	LABEL - CIRCUIT BREAKER
30	139067-02-02B	EA	PLATE - CIRCUIT BREAKER/HOUSE - E-COATED
31	086233-01-000	EA	STUD - ISOLATED - 3/8" X 7/8" LONG
32	132958-01-000	EA	RECEPTACLE - 12 VOLT - MOUNTING FLANGE - BLACK

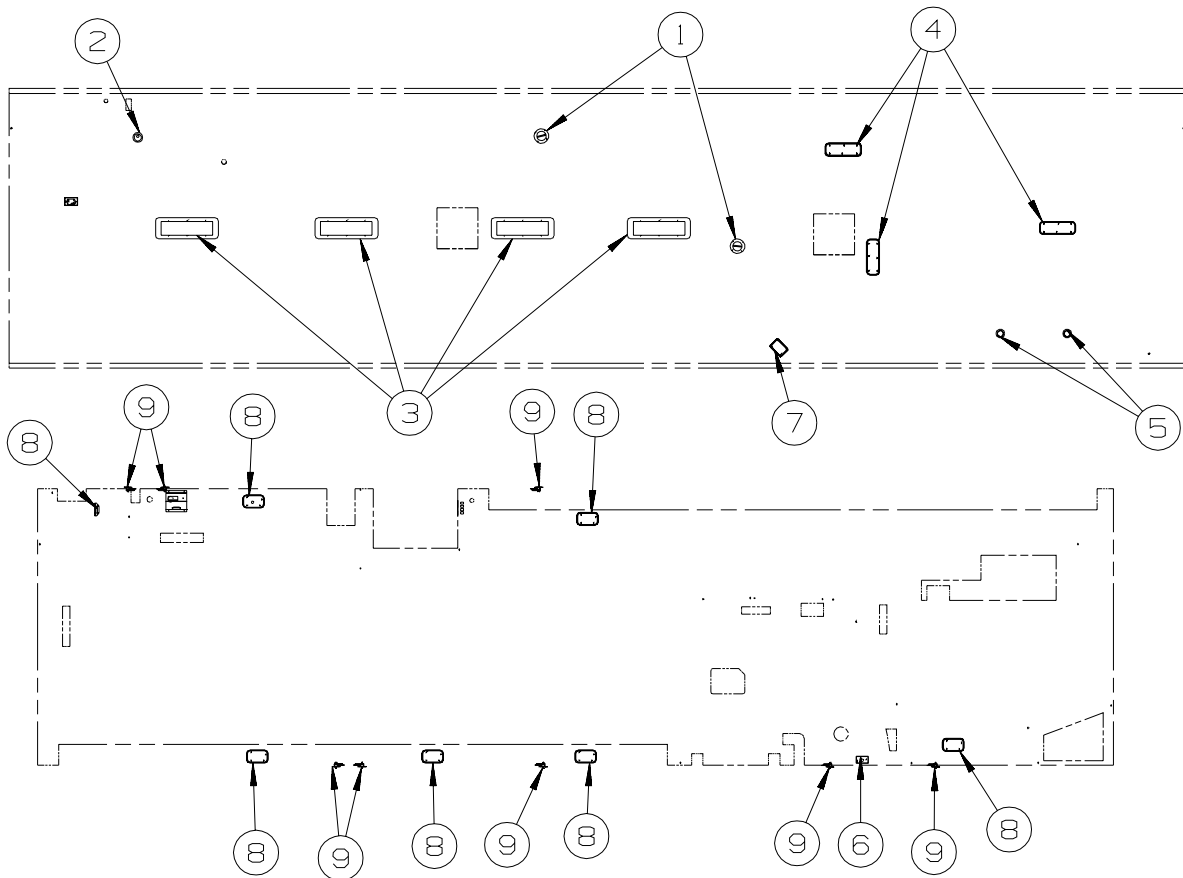
*COMPONENT PARTS LISTED LATER IN THIS GROUP



KEY	PART NUMBER	U/M	DESCRIPTION
1	154474-04-01A	EA	ANTENNA/SATELLITE - DISH IN DOME/SEARCH IN MOTION - WHITE - IN MOTION SATELLITE
1	154474-04-02A	EA	ANTENNA/SATELLITE - DISH IN DOME/SEARCH IN MOTION - BLACK- IN MOTION SATELLITE
1	154474-02-000	EA	CONTROL/SATELLITE KIT - IDB BOX/IDD BOX-POWER SUPPLY-CABLE - IN MOTION SATELLITE
1	154474-03-000	EA	CABLE - SATELLITE - RG6 COAX - 7' W/CONNECTORS - IN MOTION SATELLITE
1	146488-01-000	EA	PLATE - ROOF - CABLE ENTRY - IN MOTION SATELLITE
1*	141454-03-01A	EA	ANTENNA/SATELLITE - "AUTO SEARCH WHILE PARKED/GPS SYSTEM" - SATELLITE DISH-AUTOMATIC FROM: 00-00-00 THRU: 01-28-07
1	163598-01-01A	EA	ANTENNA/SATELLITE - DISH IN DOME/AUTOMATIC - WHITE - SATELLITE DISH-AUTOMATIC FROM: 01-29-07 THRU: 99-99-99
1	163598-01-02A	EA	ANTENNA/STLLT - DISH IN DOME/ATM - BLACK - SATELLITE DISH-AUTOMATIC/FULL BODY PAINT FROM: 01-29-07 THRU: 99-99-99
1*	137135-02-000	EA	ANTENNA - SATELLITE DSS - W/SENSOR - SATELLITE DISH & ELEV. SENSOR
2	090944-01-000	EA	ANTENNA - RADIO - 16" RUBBER - W/72" LEAD WIRE
2	109889-04-000	EA	EXTENDER - ANTENNA SHAFT - 3.7"
2	147741-01-09B	EA	BRACKET - ANTENNA GROUND - GALVANIZED
3	151647-01-000	EA	PANEL - SOLAR 10 WATT
4*	076319-23-000	EA	ANTENNA - TV ROOF MOUNT - 44.5" MAST
4*	076319-25-000	EA	KIT - HARDWARE INTERIOR
4	069726-02-000	EA	BUMPER - .88" OD X .40" THICK - BLACK

*COMPONENT PARTS LISTED LATER IN THIS GROUP

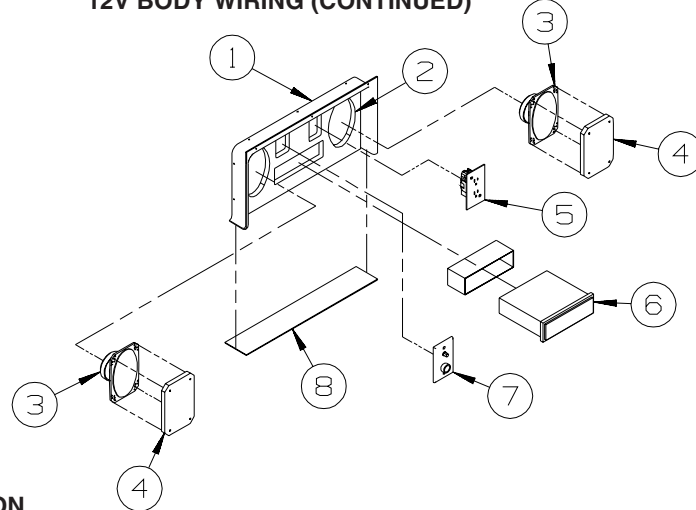
ELECTRICAL GROUP (CONTINUED)
12V BODY WIRING (CONTINUED)



KEY	PART NUMBER	U/M	DESCRIPTION
1	151314-01-01A	EA	SPEAKER - CUBE/CEILING - WHITE - MAGNADYNE - LS3CM-WN FROM: 00-00-00 THRU: 07-23-06
1	160867-01-01A	EA	SPEAKER - ROUND/CEILING - CREAM - MAGNADYNE - LS3EYC-WN FROM: 07-24-06 THRU: 99-99-99
2*	146048-01-01A	EA	LIGHT - HALOGEN/ADJUSTABLE - WHITE
3*	153464-06-01A	EA	LIGHT-FLUORESCENT 21.8"- RECESSED/WARM WHT BULB-W/O SWITCH
4*	137417-06-01A	EA	LIGHT - DOME - DOUBLE - W/O SWITCH - W/FROSTED LENS-WHITE
5*	123775-01-02A	EA	LIGHT - HALOGEN - ROUND - SATIN NICKEL
6*	086280-01-000	EA	LIGHT - SURFACE MOUNT - 12 VOLT
7*	121935-01-01A	EA	LIGHT - DOME - SHOWER
8*	137417-03-01A	EA	LIGHT - DOME - SINGLE - W/O SWITCH - W/FROSTED LENS-WHITE
9	041250-01-000	EA	SWITCH - PUSH BUTTON/DOOR JAMB - METAL/CHROME
9	138494-01-02B	EA	BRACKET - SWITCH/LIGHT - E-COATED
	093249-01-000	EA	CAP/SCREW - MOLDED/VINYL - BLACK

***COMPONENT PARTS LISTED LATER IN THIS GROUP**

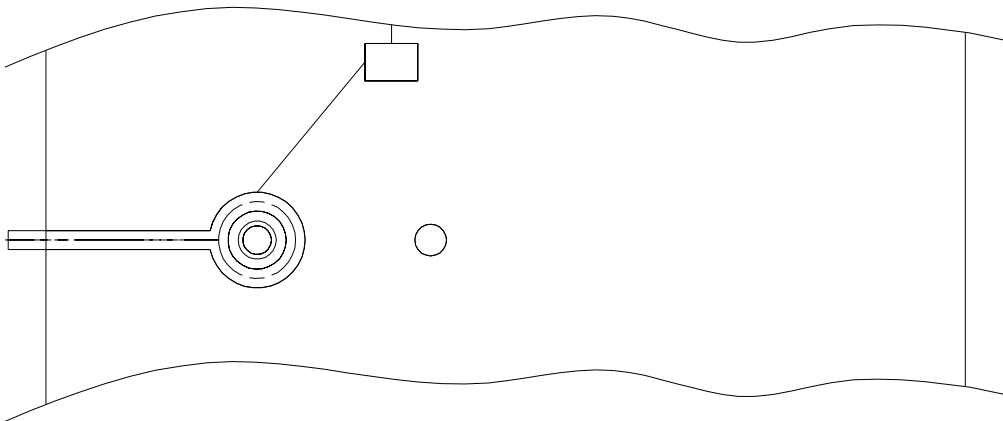
ELECTRICAL GROUP (CONTINUED)
12V BODY WIRING (CONTINUED)



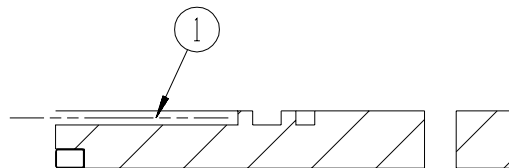
**EXTERIOR
ENTERTAINMENT**

KEY	PART NUMBER	U/M	DESCRIPTION
1	124696-02-01A	EA	BOX-ENTERTAINMENT CTR/EXT-19.4"W X 10"H X 2.5"D - BRT WHT
	124696-01-01A	EA	BOX-ENTERTAINMENT CTR/EXT-19.4"W X 10"H X 10.2"D W/CUTOUTS
2	127409-03-U89	EA	PLATE - RADIO MOUNTING
3	110469-01-000	EA	SPEAKER - 4" X 6" OVAL - COAXIAL
4	110470-01-01A	EA	GRILLE - 4" X 6" - OVAL SPEAKER - BLACK
5	058708-01-000	EA	RECEPTACLE - ELECTRIC - DOUBLE - BROWN
6*	155619-01-000	EA	RADIO - AM/FM CD - W/REMOTE - MAGNADYNE M3200CD
			FROM: 00-00-00 THRU: 08-01-06
6	155619-02-000	EA	RADIO - AM/FM CD-W/O REMOTE/WIRE HARNESS-MAGNADYNE M3200CD
			FROM: 08-02-06 THRU: 99-99-99
	155619-03-000	EA	REMOTE - RADIO
			FROM: 08-02-06 THRU: 99-99-99
7	132958-01-000	EA	RECEPTACLE - 12 VOLT - MOUNTING FLANGE - BLACK
8	104898-01-02A	EA	PLATE - PLASTIC BOTTOM - BRIGHT WHITE

***COMPONENT PARTS LISTED LATER IN THIS GROUP**

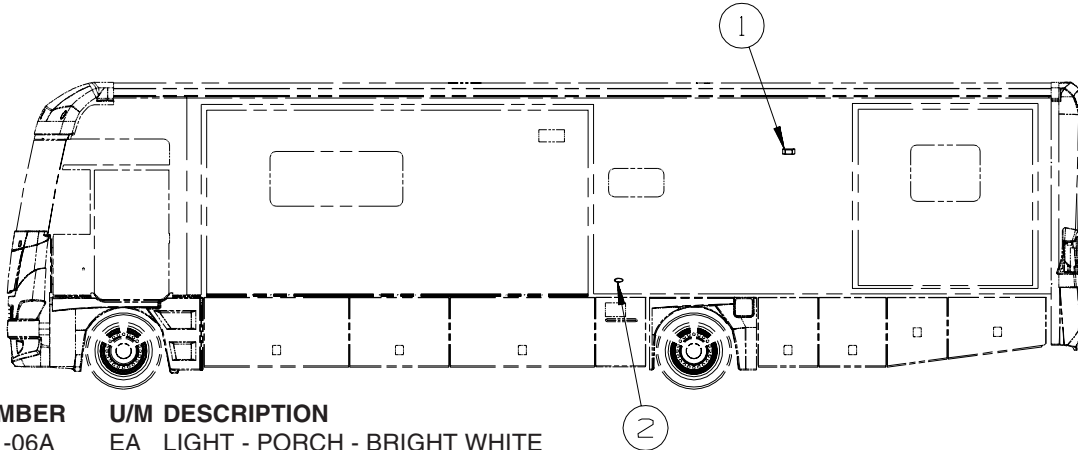
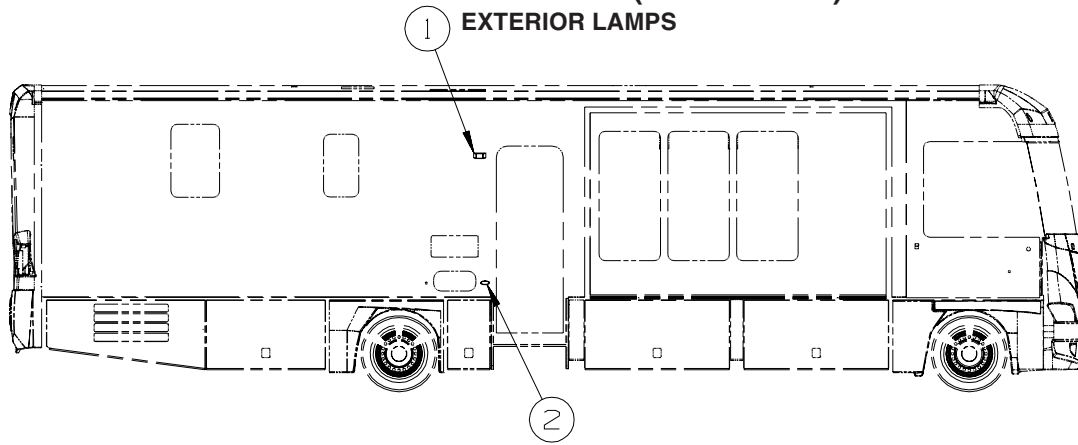


**SATELLITE WIRING DETAIL
ON ROOF**



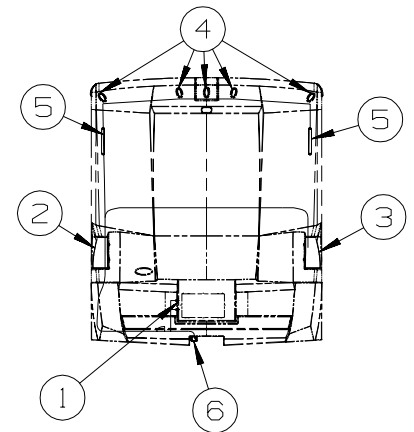
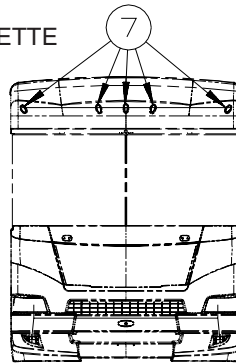
KEY	PART NUMBER	U/M	DESCRIPTION
1	154474-03-000	EA	CABLE - SATELLITE - COAX - 8' W/CONNECTORS - AUTOMATIC SATELLITE DISH
1	141454-04-000	EA	WIRE - SATELLITE - AUTOMATIC - AUTOMATIC SATELLITE DISH
			FROM: 00-00-00 THRU: 01-28-07
1	163598-03-000	EA	CABLE - SATELLITE CONTROL - AUTOMATIC SATELLITE DISH
			FROM: 01-29-07 THRU: 99-99-99

ELECTRICAL GROUP (CONTINUED)



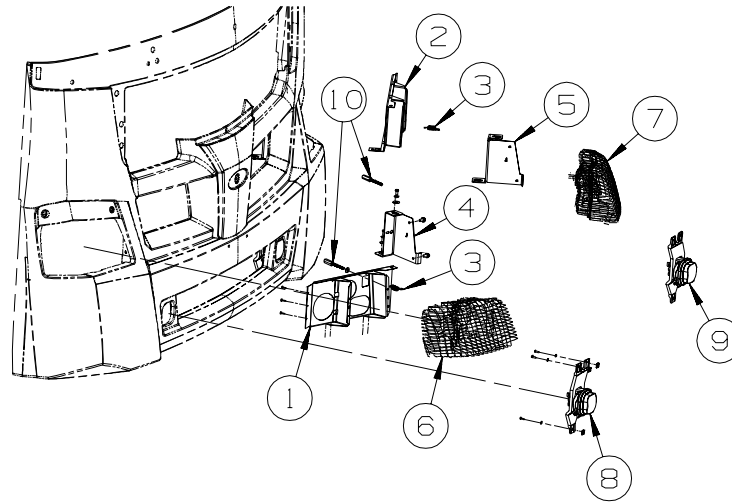
KEY	PART NUMBER	U/M	DESCRIPTION
1*	097917-01-06A	EA	LIGHT - PORCH - BRIGHT WHITE
1	097917-01-08A	EA	LIGHT - PORCH - CHROME - FULL BODY PAINT
	008215-01-000	EA	BULB - 12 VOLT - #1003 - .94 AMP
2	147680-01-01A	EA	BASE - MARKER LAMP - WHITE
	036196-01-000	EA	BULB - 12V - #194 - .27 AMP - BAYONETTE
2	147680-02-01A	EA	LAMP - MARKER - LENS - AMBER

***COMPONENT PARTS LISTED LATER IN THIS GROUP**



KEY	PART NUMBER	U/M	DESCRIPTION
1	087201-01-000	EA	LIGHT - HALF ROUND - 1" X 1.7" - PLASTIC - BLACK OR WHITE
2	154206-04-000	EA	LAMP - STOP/TURN/TAIL/BACK UP - LEFT HAND
2	112708-01-000	EA	BULB - 12 VOLT - #3157 - .59/2.10 AMP
2	112709-02-000	EA	SOCKET - BACK-UP LIGHT
2	112709-03-000	EA	SOCKET - BRAKE LIGHT/MARKER LIGHT
3	154206-03-000	EA	LAMP - STOP/TURN/TAIL/BACK UP - RIGHT HAND
3	112708-01-000	EA	BULB - 12 VOLT - #3157 - .59/2.10 AMP
3	112709-02-000	EA	SOCKET - BACK-UP LIGHT
3	112709-03-000	EA	SOCKET - BRAKE LIGHT/MARKER LIGHT
3	112707-01-000	EA	BULB - 12 VOLT - #3156 - 2.10 AMP
4	147680-01-01A	EA	BASE - MARKER LAMP - WHITE
	036196-01-000	EA	BULB - 12V - #194 - .27 AMP - BAYONETTE
4	147680-03-01A	EA	LAMP - MARKER - LENS - RED
5	151076-01-000	EA	LIGHT - BRAKE - CENTER MOUNT
6	146246-01-000	EA	CONNECTOR/PLUG - TRAILER - 7 PIN
6	157593-01-000	EA	CONNECTOR - PLUG - TRAILER - 7 SOCKET
7	147680-01-01A	EA	BASE - MARKER LAMP - WHITE
	036196-01-000	EA	BULB - 12V - #194 - .27 AMP - BAYONETTE
7	147680-02-01A	EA	LAMP - MARKER - LENS - AMBER

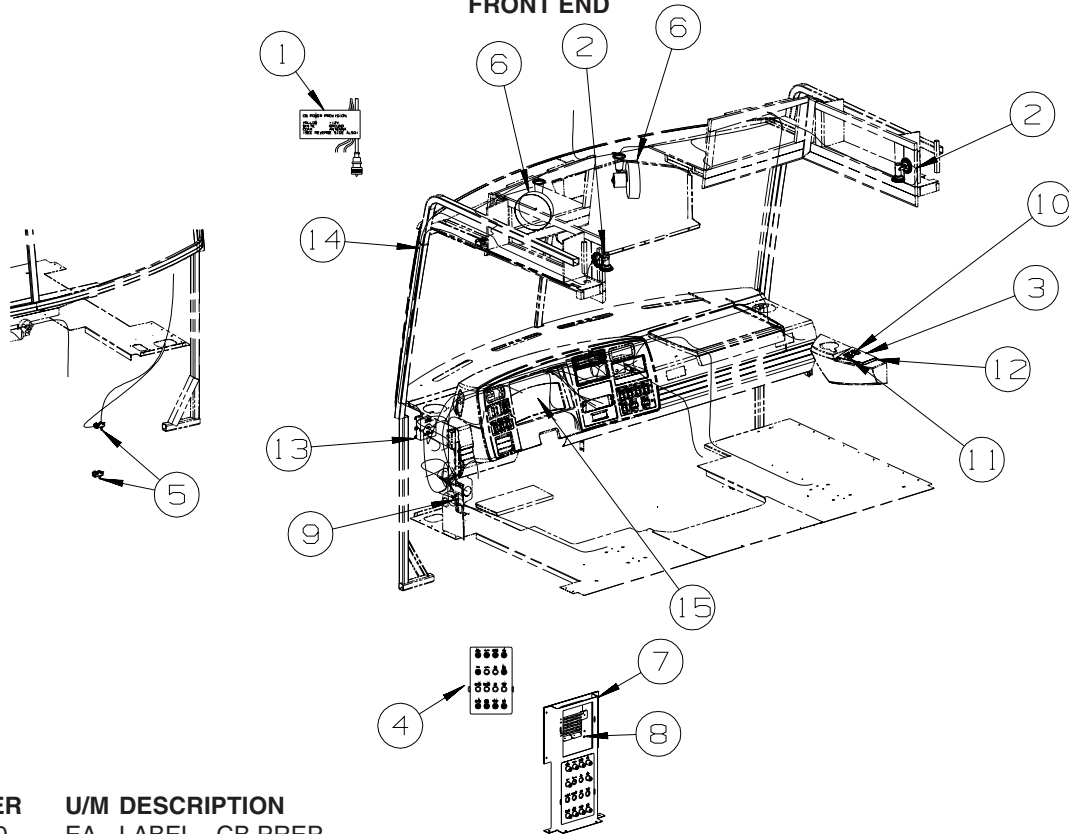
ELECTRICAL GROUP (CONTINUED)
EXTERIOR LAMPS (CONTINUED)



KEY	PART NUMBER	U/M	DESCRIPTION
1	154324-01-02B	EA	SUPPORT - HEADLAMP/RIGHT HAND - E-COATED
2	154324-02-02B	EA	SUPPORT - HEADLAMP/LEFT HAND - E-COATED
3	049359-01-000	EA	SPRING - RETAINER - HEADLAMP - GM #496096
4	154328-01-02B	EA	BRACKET - ADJUSTMENT/RIGHT HAND - E-COATED
5	154328-02-02B	EA	BRACKET - ADJUSTMENT/LEFT HAND - E-COATED
6	154881-01-000	EA	HEADLAMP - W/PARK&TURN - RIGHT HAND
6	154799-01-000	EA	HOUSING - 4-POSITION/FEMALE - 150-SERIES - HEADLAMP - FORD
6	154799-02-000	EA	LOCK - SECONDARY - 4 POSITION - HEADLAMP - FORD
6	067789-02-000	EA	SOCKET - LAMP - PARK LAMP - FORD
6	124187-01-000	EA	SOCKET/HOUSING - WORKHORSE
6	146560-02-000	EA	SOCKET - LAMP - 3 WIRE - TURN/PARK LAMP
7	154881-02-000	EA	HEADLAMP - W/PARK&TURN - LEFT HAND
7	154799-01-000	EA	HOUSING - 4-POSITION/FEMALE - 150-SERIES - HEADLAMP - FORD
7	154799-02-000	EA	LOCK - SECONDARY - 4 POSITION - HEADLAMP - FORD
7	067789-02-000	EA	SOCKET - LAMP - PARK LAMP - FORD
7	124187-01-000	EA	SOCKET/HOUSING - WORKHORSE
7	146560-02-000	EA	SOCKET - LAMP - 3 WIRE - TURN/PARK LAMP
8	153318-01-000	EA	LAMP - FOG - CLEAR/SQUARE - PASSENGER
9	153318-02-000	EA	LAMP - FOG - CLEAR/SQUARE - DRIVER
10	144904-01-01A	EA	BOLT - ADJUSTMENT - HEADLAMP

ELECTRICAL GROUP (CONTINUED)

FRONT END



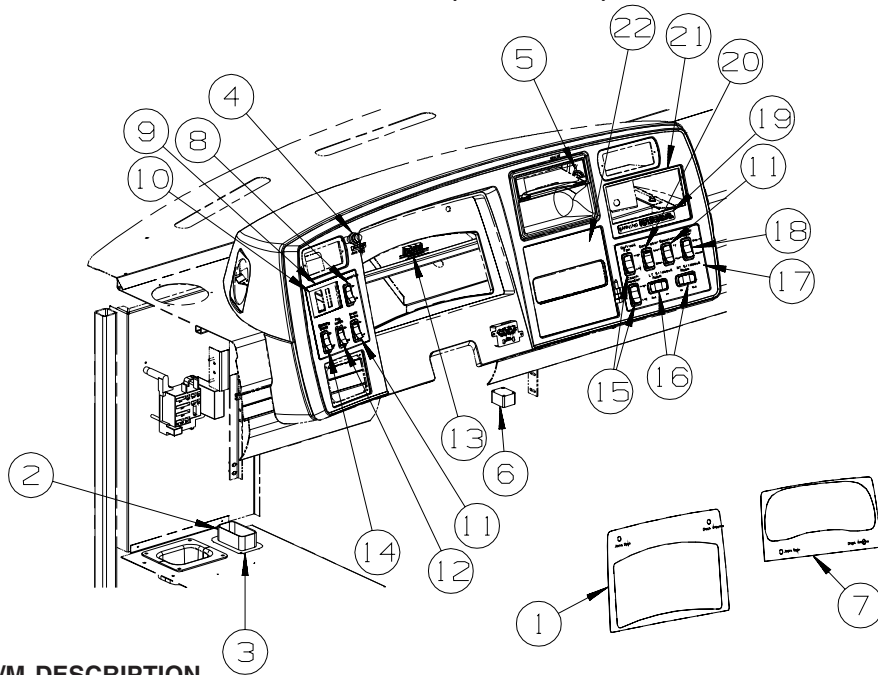
KEY	PART NUMBER	U/M	DESCRIPTION
1	104678-01-000	EA	LABEL - CB PREP
2	128786-02-02A	EA	LIGHT - READING/SWIVEL - W/O SWITCH - SATIN NICKEL
2	123917-01-000	EA	BULB - 12V - HALOGEN SPOT
3	148653-05-01A	EA	APPLIQUE - PASSENGER - DARK RIVERSTONE
4	093236-47-000	EA	LABEL - CIRCUIT BREAKER
5	147428-01-02B	EA	BRACKET/ZEE - F/TEMPERATURE SENSOR - E-COATED
6	122856-01-01A	EA	FAN-DEFROSTER-2 SPEED W/SWIVEL BASE/NON-OSCILLATING-CHROME
7	149689-01-02B	EA	BRACKET - CIRCUIT BREAKER, E-COAT
8	149690-01-02B	EA	BRACKET - FUSE PANEL, WH, E-COAT
8	149690-02-02B	EA	BRACKET - FUSE PANEL, FORD, E-COAT - FORD
9	041250-01-000	EA	SWITCH - PUSH BUTTON/DOOR JAMB - METAL/CHROME
10	145638-01-01A	EA	SWITCH/ROCKER - SPST (ON/OFF) - BLACK
11	145638-12-01A	EA	SWITCH/ROCKER - DPDT (ON/ON/ON) - BLACK
11	145754-01-01A	EA	SWITCH - BLANK - BLACK
11	108355-02-000	EA	HOUSING - SWITCH - 12 POSITION
12	145926-08-02B	EA	INSERT ASM - SWITCH, RH - E-COAT
13*	135420-20-000	EA	RECEIVER-SAT RADIO - SIRIUS
14	158494-02-000	EA	CABLE/ANTENNA - SATELLITE RADIO SIRRUS
15	113452-01-000	FT	SEAL/TRIM - FRONT - VINYL W/WIRE CARRIER - .020"

*COMPONENT PARTS LISTED LATER IN THIS GROUP

CANADIAN DAY RUN LAMPS ON 2007 OR NEWER FORD CHASSIS

KEY	PART NUMBER	U/M	DESCRIPTION
	163912-01-000	EA	RESISITOR - DAYTIME RUNNING LIGHTS - FORD/CSA
	163913-01-000	EA	RELAY - DAYTIME RUNNING LIGHTS - FORD/CSA

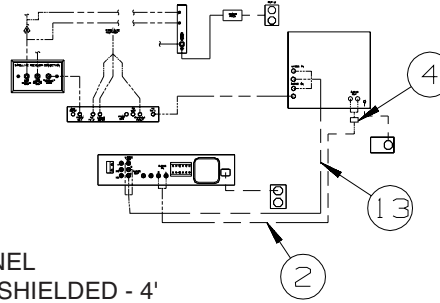
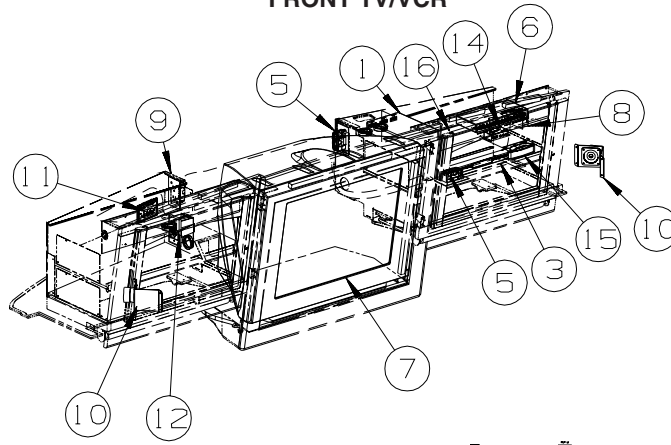
ELECTRICAL GROUP (CONTINUED) FRONT END (CONTINUED)



KEY	PART NUMBER	U/M	DESCRIPTION
1	148653-15-01A	EA	APPLIQUE - BEZEL - INSTRUMENT CLUSTER - DARK RIVERSTONE - WORKHORSE
2	118571-03-000	EA	BRACKET - MOUNTING
3	118571-04-000	EA	GASKET
4	150237-01-000	EA	LIGHT - INDICATOR - RED
5	111414-01-000	EA	RECEPTACLE/SOCKET - 12 VOLT
6	128074-02-000	EA	FILTER - NOISE - 12 VOLT DC W/PLUGS
7	148653-16-01A	EA	APPLIQUE - BEZEL - INSTRUMENT CLUSTER - FORD-DK RIVERSTONE - FORD
8	145638-14-01A	EA	SWITCH/ROCKER - DPDT (ON/OFF/ON) - BLACK
8	108355-02-000	EA	HOUSING - SWITCH - 12 POSITION
8	103603-01-000	EA	BULB - 12V - #74 - .12A WEDGE - GE 22-25 USED IN DASH
9	148653-14-01A	EA	APPLIQUE - BEZEL - LEFT HAND - DARK RIVERSTONE - WORKHORSE
9	148653-04-01A	EA	APPLIQUE - BEZEL - LEFT HAND - DARK RIVERSTONE - FORD
10	134088-02-01A	EA	APPLIQUE - SWITCH - HEADLAMP - BLACK - WORKHORSE
11	145638-01-01A	EA	SWITCH/ROCKER - SPST (ON/OFF) - BLACK
11	108355-02-000	EA	HOUSING - SWITCH - 12 POSITION
11	103603-01-000	EA	BULB - 12V - #74 - .12A WEDGE - GE 22-25 USED IN DASH
12	145638-02-01A	EA	SWITCH/ROCKER - SPST (ON/OFF) - LIGHTED - BLACK
12	108355-02-000	EA	HOUSING - SWITCH - 12 POSITION
12	103603-01-000	EA	BULB - 12V - #74 - .12A WEDGE - GE 22-25 USED IN DASH
13	063912-02-000	EA	RELAY CANISTER, SPDT
14	145638-04-01A	EA	SWITCH/ROCKER - SPDT (ON/ON) - BLACK
14	108355-02-000	EA	HOUSING - SWITCH - 12 POSITION
14	103603-01-000	EA	BULB - 12V - #74 - .12A WEDGE - GE 22-25 USED IN DASH
15	145638-03-01A	EA	SWITCH/ROCKER - SPDT (ON/OFF/ON) - BLACK
15	108355-02-000	EA	HOUSING - SWITCH - 12 POSITION
15	103603-01-000	EA	BULB - 12V - #74 - .12A WEDGE - GE 22-25 USED IN DASH
16	145638-09-01A	EA	SWITCH/ROCKER - DPDT (ON/OFF/ON) - BLACK
16	108355-02-000	EA	HOUSING - SWITCH - 12 POSITION
16	103603-01-000	EA	BULB - 12V - #74 - .12A WEDGE - GE 22-25 USED IN DASH
17	148653-13-01A	EA	APPLIQUE - BEZEL - RIGHT HAND - DARK RIVERSTONE
18	145638-07-01A	EA	SWITCH/ROCKER - DPDT (ON/ON) - BLACK
18	108355-02-000	EA	HOUSING - SWITCH - 12 POSITION
18	103603-01-000	EA	BULB - 12V - #74 - .12A WEDGE - GE 22-25 USED IN DASH
19	116549-01-000	EA	LABEL - WARNING - SLIDEOUT - .75" x 6.5"
20	145638-06-01A	EA	SWITCH/ROCKER - SPDT (ON/OFF/ON) - LIGHTED - BLACK
20	108355-02-000	EA	HOUSING - SWITCH - 12 POSITION
20	103603-01-000	EA	BULB - 12V - #74 - .12A WEDGE - GE 22-25 USED IN DASH
21	148653-12-01A	EA	APPLIQUE - BEZEL - RADIO - DARK RIVERSTONE
22	148653-17-01A	EA	APPLIQUE - BEZEL - RIGHT HAND - DARK RIVERSTONE

ELECTRICAL GROUP (CONTINUED)

FRONT TV/VCR

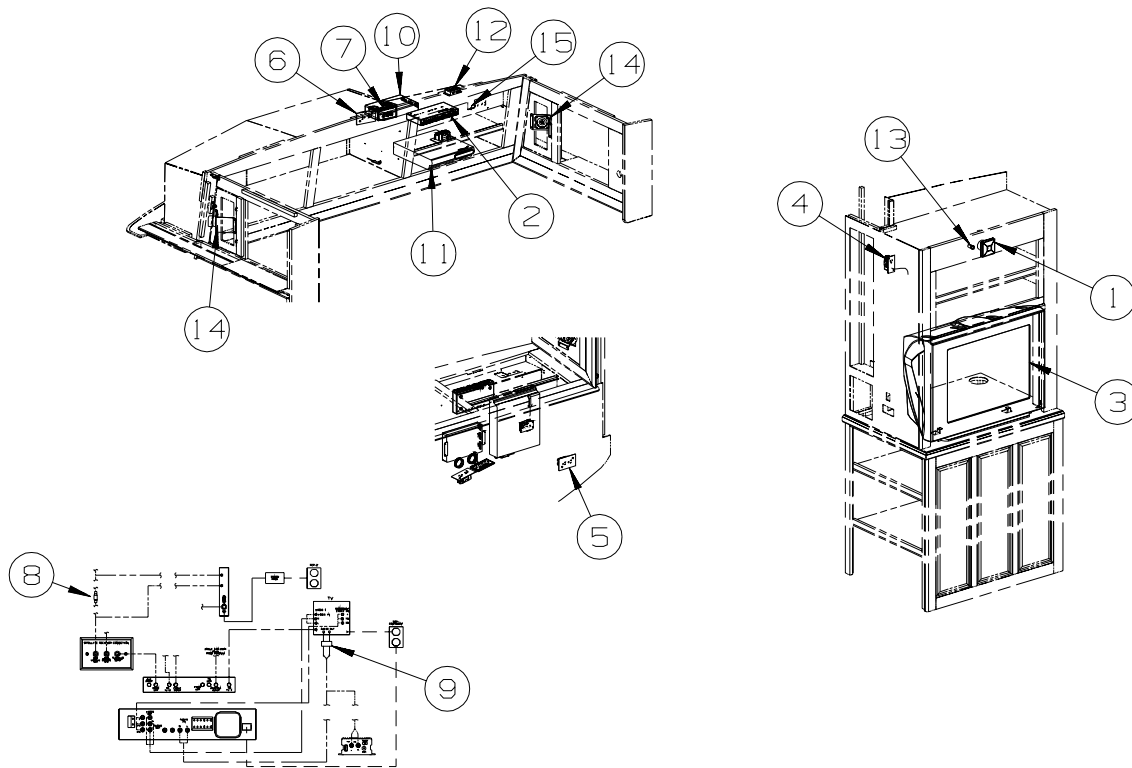


KEY	PART NUMBER	U/M	DESCRIPTION
1	140062-01-000	EA	SWITCH - SPEAKER - 6 CHANNEL
2	117420-02-000	EA	CABLE - W/MALE RCA ENDS - SHIELDED - 4'
3*	154548-01-000	EA	DVD/VCR - HOME THEATER COMBO - SONY HTV700DP FROM: 00-00-00 THRU: 02-12-06
3	158931-01-000	EA	DVD/VCR - HOME THEATER COMBO-W/O SPEAKERS-TOSHIBA SD-V57HT FROM: 02-13-06 THRU: 03-12-06
3*	158836-01-000	EA	DVD - HOME THEATER - W/O SPEAKERS - MEMOREX STS71E-R FROM: 03-13-06 THRU: 99-99-99
4	123324-01-000	EA	FILTER - GROUND LOOP
5	058708-01-000	EA	RECEPTACLE - ELECTRIC - DOUBLE - BROWN
6	142258-01-000	EA	SWITCH - VIDEO/ANTENNA POWER SUPPLY
7*	146298-02-000	EA	TV - 27" STEREO W/5 JACKS - SONY 27FS120
8	058707-02-000	EA	RECEPTACLE - BLANK - JUNCTION BOX
9	058708-01-000	EA	RECEPTACLE - ELECTRIC - DOUBLE - BROWN
9	158542-02-01A	EA	LABEL - RECEPTACLE - ELECTRONICS - WHITE/BLACK - CANADIAN
10	148026-03-01A	EA	SPEAKER - CUBE - W/O CASE
10	149422-03-02B	EA	BRACKET/MOUNTING - SPEAKER - E-COATED
11	149557-04-01A	EA	PLATE/WALL - TRIPLE COAXIAL/HORIZONTAL - WHITE
12	156676-01-000	EA	CONTROLLER/OUTLET - POWER/TV - AUTO SHUTOFF W/IGNITION
13	136860-01-000	EA	CABLE - RCA - SHIELDED - 3 MALE TO MALE CONNECTORS - 12'
14	149750-05-000	EA	MODULE/INTERFACE - INFRA RED (RECEIVER TO TRANSMITTER)
15	156689-01-000	EA	SWITCH - AUDIO/VIDEO
16	163598-02-000	EA	SWITCH/CONTROL - SATELLITE - NOT ILLUSTRATED BUT IN THIS LOCATION FROM: 01-29-07 THRU: 99-99-99

*COMPONENT PARTS LISTED LATER IN THIS GROUP

ELECTRICAL GROUP (CONTINUED)

SIDE TV/VCR



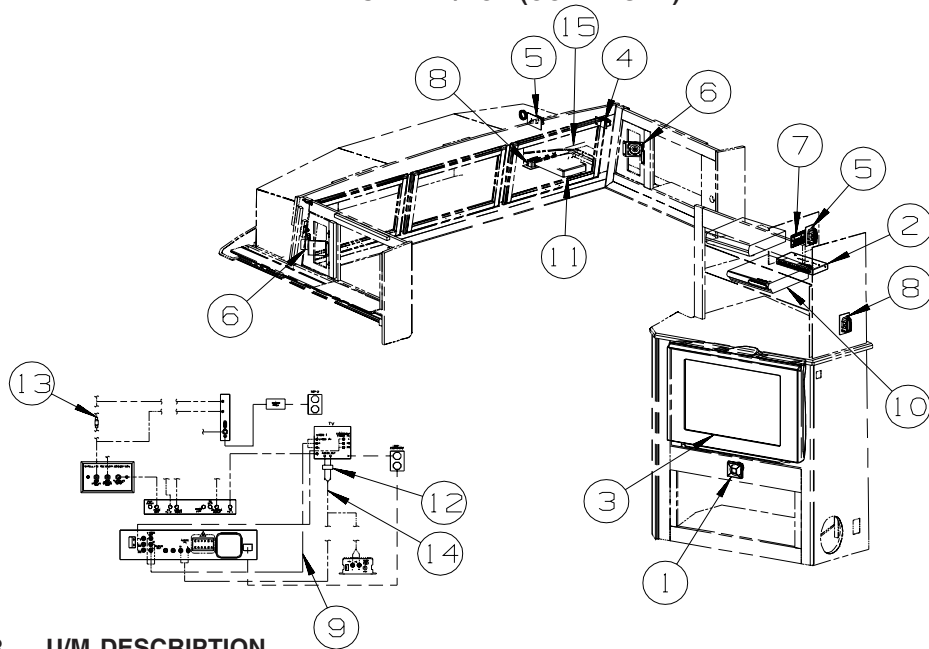
G37B

KEY	PART NUMBER	U/M	DESCRIPTION
1	148026-02-01A	EA	SPEAKER GRILLE - CUBE - SILVER
1	148026-03-01A	EA	SPEAKER - CUBE - W/O CASE
2	142258-01-000	EA	SWITCH - VIDEO/ANTENNA POWER SUPPLY
3*	146298-02-000	EA	TV - 27" STEREO W/5 JACKS - SONY 27FS120
4	058707-01-000	EA	RECEPTACLE - ELECTRIC - SINGLE - BROWN
5	058708-01-000	EA	RECEPTACLE - ELECTRIC - DOUBLE - BROWN
6	058708-05-000	EA	RECEPTACLE - ELECTRIC - SINGLE - BROWN
7	149557-04-01A	EA	PLATE/WALL - TRIPLE COAXIAL/HORIZONTAL - WHITE
8	082134-01-000	EA	ADAPTER - TV - CABLE TO CABLE
9	123324-01-000	EA	FILTER - GROUND LOOP
10	140062-01-000	EA	SWITCH - SPEAKER - 6 CHANNEL
11*	158836-01-000	EA	DVD - HOME THEATER - W/O SPEAKERS - MEMOREX STS71E-R
11	149750-03-000	EA	TRANSMITTER - F/INFRA RED RECEIVER
12	149750-05-000	EA	MODULE/INTERFACE - INFRA RED (RECEIVER TO TRANSMITTER)
13	149750-01-000	EA	RECEIVER - (INFRA RED SIGNAL) - W/6"LEAD/PLUG
14	148026-03-01A	EA	SPEAKER - CUBE - W/O CASE
14	149422-03-02B	EA	BRACKET/MOUNTING - SPEAKER - E-COATED
15	163598-02-000	EA	SWITCH/CONTROL - SATELLITE

FROM: 01-29-07 THRU: 99-99-99

*COMPONENT PARTS LISTED LATER IN THIS GROUP

ELECTRICAL GROUP (CONTINUED)
SIDE TV/VCR (CONTINUED)

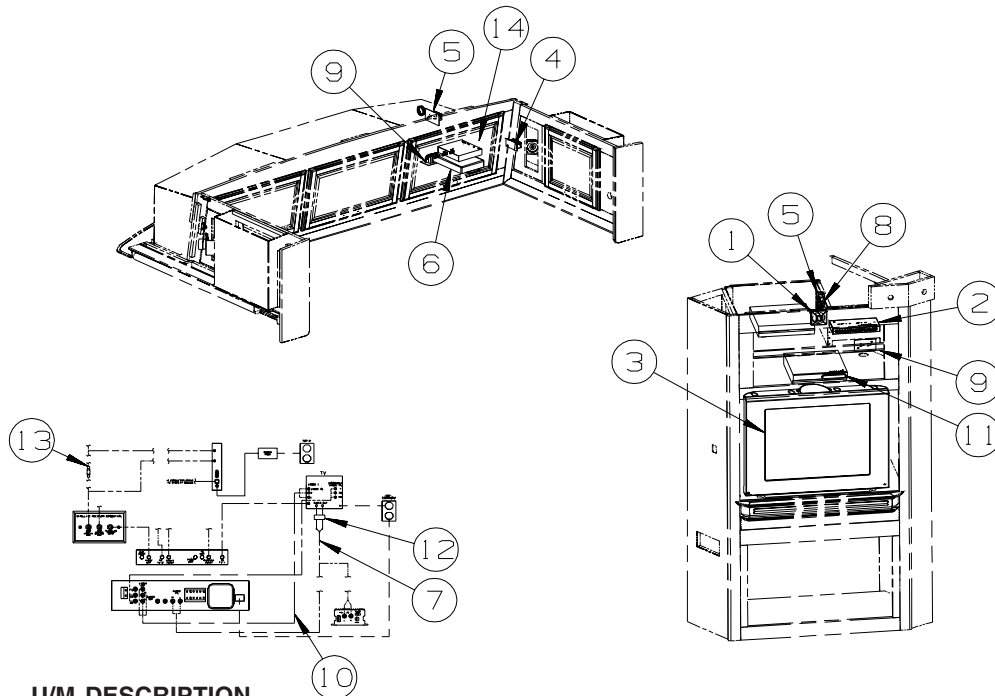


G38J

KEY	PART NUMBER	U/M	DESCRIPTION
1	148026-02-01A	EA	SPEAKER GRILLE - CUBE - SILVER
1	148026-03-01A	EA	SPEAKER - CUBE - W/O CASE
2	142258-01-000	EA	SWITCH - VIDEO/ANTENNA POWER SUPPLY
3*	146298-02-000	EA	TV - 27" STEREO W/5 JACKS - SONY 27FS120
4	058707-02-000	EA	RECEPTACLE - BLANK - JUNCTION BOX
5	058708-01-000	EA	RECEPTACLE - ELECTRIC - DOUBLE - BROWN
5	158542-02-01A	EA	LABEL - RECEPTACLE - ELECTRONICS - WHITE/BLACK - CANADIAN
6	148026-03-01A	EA	SPEAKER - CUBE - W/O CASE
6	149422-03-02B	EA	BRACKET/MOUNTING - SPEAKER - E-COATED
7	149557-04-01A	EA	PLATE/WALL - TRIPLE COAXIAL/HORIZONTAL - WHITE
8	058708-01-000	EA	RECEPTACLE - ELECTRIC - DOUBLE - BROWN
9	136860-01-000	EA	CABLE - RCA - #3 MALE TO #12F MALE CONNECTOR
10*	154548-01-000	EA	DVD/VCR - HOME THEATER COMBO - SONY HTV700DP
			FROM: 00-00-00 THRU: 02-12-06
10	158931-01-000	EA	DVD/VCR - HOME THEATER COMBO-W/O SPEAKERS-TOSHIBA SD-V57HT
			FROM: 02-13-06 THRU: 03-12-06
10*	158836-01-000	EA	DVD - HOME THEATER - W/O SPEAKERS - MEMOREX STS71E-R
			FROM: 03-13-06 THRU: 99-99-99
11	140062-01-000	EA	SWITCH - SPEAKER - 6 CHANNEL
12	123324-01-000	EA	FILTER - GROUND LOOP
13	082134-01-000	EA	ADAPTER - TV - CABLE TO CABLE
14	117420-03-000	EA	CABLE - W/MALE RCA ENDS - SHIELDED - 20'
15	163598-02-000	EA	SWITCH/CONTROL - SATELLITE
			FROM: 01-29-07 THRU: 99-99-99

*COMPONENT PARTS LISTED LATER IN THIS GROUP

ELECTRICAL GROUP (CONTINUED)
SIDE TV/VCR (CONTINUED)

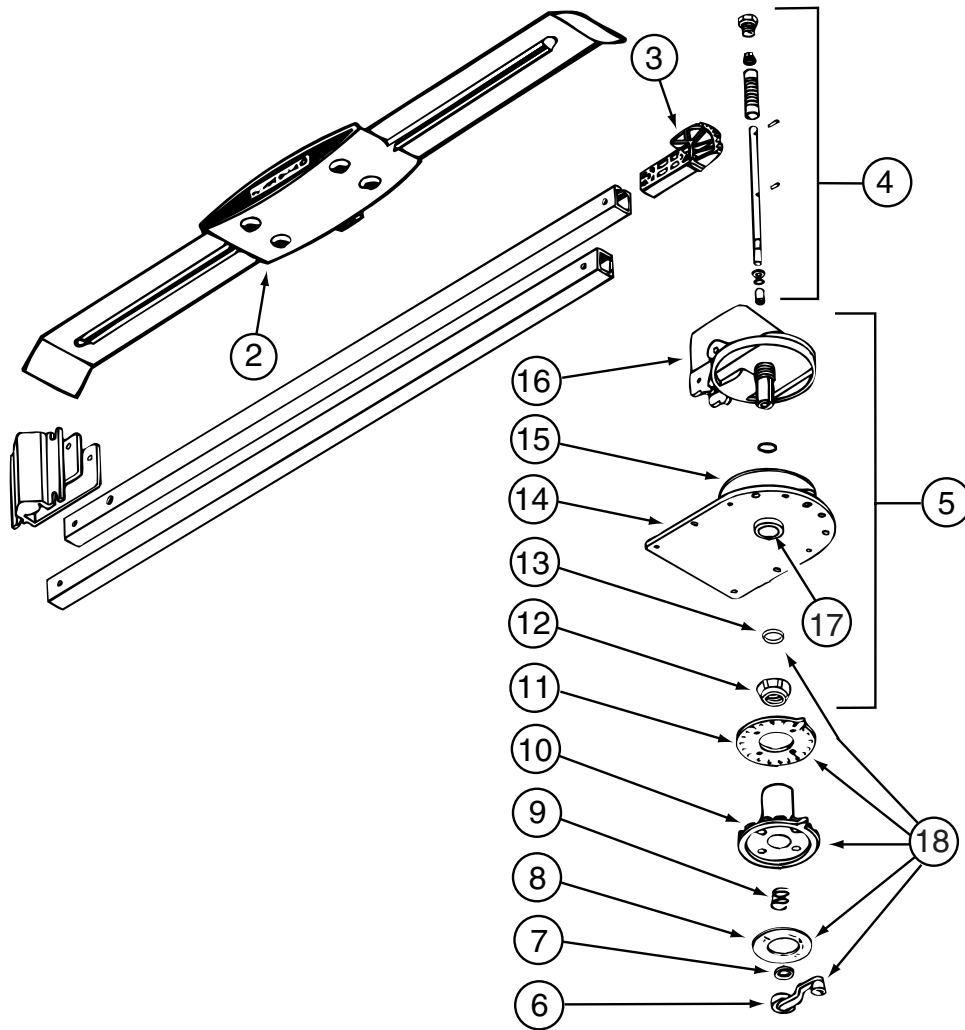


G38T

KEY	PART NUMBER	U/M	DESCRIPTION
1	148026-02-01A	EA	SPEAKER GRILLE - CUBE - SILVER
1	148026-03-01A	EA	SPEAKER - CUBE - W/O CASE
2	142258-01-000	EA	SWITCH - VIDEO/ANTENNA POWER SUPPLY
3*	146298-02-000	EA	TV - 27" STEREO W/5 JACKS - SONY 27FS120
4	058707-02-000	EA	RECEPTACLE - BLANK - JUNCTION BOX
5	058708-01-000	EA	RECEPTACLE - ELECTRIC - DOUBLE - BROWN
5	158542-02-01A	EA	LABEL - RECEPTACLE - ELECTRONICS - WHITE/BLACK - CANADIAN
6	140062-01-000	EA	SWITCH - SPEAKER - 6 CHANNEL
7	117420-03-000	EA	CABLE - W/MALE RCA ENDS - SHIELDED - 20'
8	149557-04-01A	EA	PLATE/WALL - TRIPLE COAXIAL/HORIZONTAL - WHITE
9	058708-01-000	EA	RECEPTACLE - ELECTRIC - DOUBLE - BROWN
10	136860-01-000	EA	CABLE - RCA - #3 MALE TO #12F MALE CONNECTOR
11	158931-01-000	EA	DVD/VCR - HOME THEATER COMBO-W/O SPEAKERS-TOSHIBA SD-V57HT
			FROM: 00-00-00 THRU: 03-12-06
11*	158836-01-000	EA	DVD - HOME THEATER - W/O SPEAKERS - MEMOREX STS71E-R
			FROM: 03-13-06 THRU: 99-99-99
12	123324-01-000	EA	FILTER - GROUND LOOP
13	082134-01-000	EA	ADAPTER - TV - CABLE TO CABLE
14	163598-02-000	EA	SWITCH/CONTROL - SATELLITE
			FROM: 01-29-07 THRU: 99-99-99

***COMPONENT PARTS LISTED LATER IN THIS GROUP**

ELECTRICAL GROUP (CONTINUED)
COMPONENT PARTS FOR WIRING



076319-23-000

KEY	PART NUMBER	U/M	DESCRIPTION	VENDOR NO.
2	076319-01-700	EA	HEAD-ANTENNA, AMPLIFIED	RVSA U/V
3	076319-01-701	EA	GEAR-ELEVATING, PLASTIC	2200046
4	076319-01-702	EA	SHAFT ASM-ELEVATING	RP-4000
5	076319-01-711	EA	BASE & LIFT ASM	2762802
7	076319-01-705	EA	GROMMET-NYLON, 7/8"ID	3200658
8	076319-01-708	EA	DECAL-CRANK	5413002
9	076319-01-707	EA	SPRING-HANDLE	2160822
11	076319-01-712	EA	PLATE - CEILING	3200608
12	076319-01-715	EA	NUT (GEAR HOUSING)	2200047
14	076319-01-713	EA	PLATE-BASE, STEEL	3100523
15	076319-01-703	EA	BEARING-NYLON, 5"OD	3200656
16	076319-01-714	EA	HOUSING, ROTATING GEAR	2200049
17	076319-01-704	EA	BEARING-NYLON, 1.25"OD	3200657
18	076319-01-709	EA	HANDLE-HEAD DIRECTIONAL	200644
	076319-01-716	EA	TUBING, ELEVATING	RP-2900

CONTACT WINNEBAGO PART SALES FOR UNLISTED COMPONENT(S)

076319-25-000

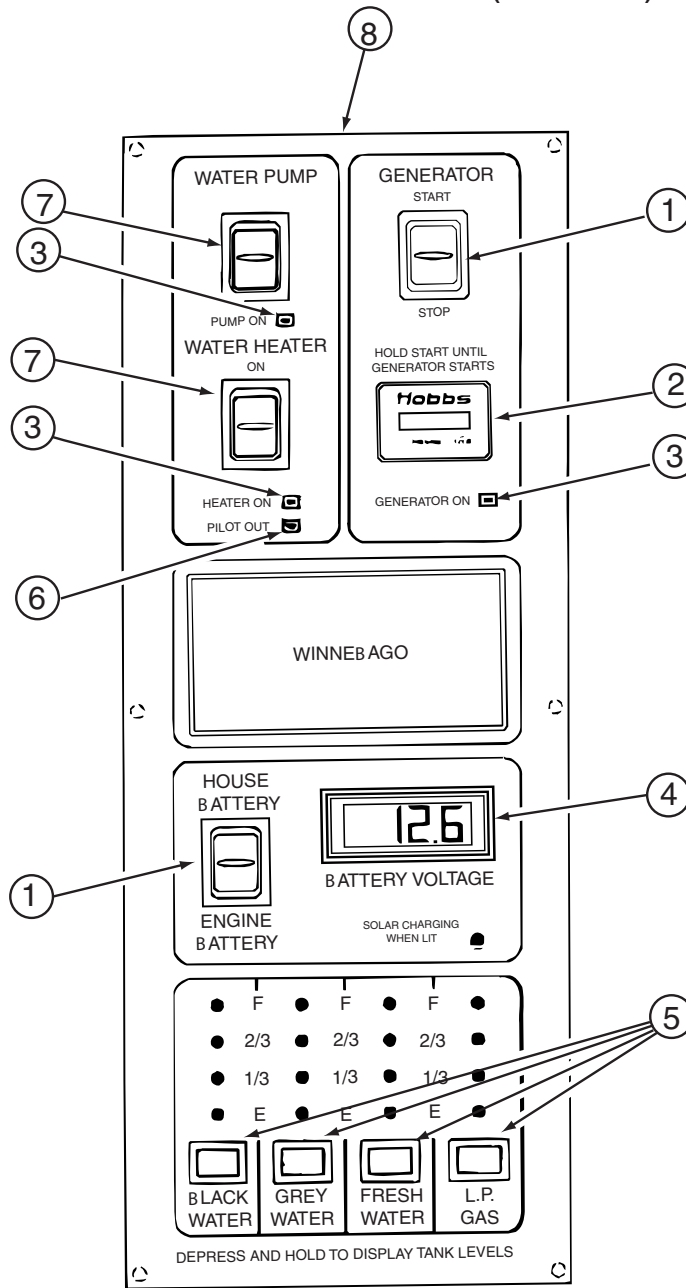
KEY	PART NUMBER	U/M	DESCRIPTION	VENDOR NO.
6	076319-01-706	EA	CRANK-W/SET SCREW UNIV/BEIGE	2750897
6	120233-01-710	EA	HANDLE-CRANK W/SCREW - WHITE	RP-6795
8	076319-01-708	EA	DECAL-CRANK	5413002
10	076319-25-700	EA	DIRECTIONAL HANDLE(WHITE)	3200612
11	076319-25-701	EA	PLATE - CEILING(WHITE)	3200609
13	120233-01-709	EA	WASHER-NYLON	RP-2658

CONTACT WINNEBAGO PART SALES FOR UNLISTED COMPONENT(S)

ELECTRICAL GROUP (CONTINUED)
COMPONENT PARTS FOR WIRING (CONTINUED)

			086280-01-000	
KEY	PART NUMBER	U/M DESCRIPTION		VENDOR NO.
	086280-01-700	EA BULB,12V		ARP1089
			087694-01-000	
KEY	PART NUMBER	U/M DESCRIPTION		VENDOR NO.
	087694-01-700	EA BULB		GE561
			093575-23-03A	
KEY	PART NUMBER	U/M DESCRIPTION		VENDOR NO.
	093575-23-700	EA GLOBE - SQUARE		
			097917-01-06A	
KEY	PART NUMBER	U/M DESCRIPTION		VENDOR NO.
	097917-01-700	EA LENS-LIGHT, CLEAR		30-78-021
			108354-01-01A	
KEY	PART NUMBER	U/M DESCRIPTION		VENDOR NO.
	108354-01-700	EA BULB-COURTESY LIGHT		395-B
			119258-44-01A	
KEY	PART NUMBER	U/M DESCRIPTION		VENDOR NO.
	093575-29-700	EA GLOBE, GLASS		9099
			119258-45-01A	
KEY	PART NUMBER	U/M DESCRIPTION		VENDOR NO.
	119258-01-704	EA FINIAL (BALL) SATIN NICKEL		2268TY
			121935-01-01A	
KEY	PART NUMBER	U/M DESCRIPTION		VENDOR NO.
	121935-01-700	EA LENS ONLY		809511
			123775-01-02A	
KEY	PART NUMBER	U/M DESCRIPTION		VENDOR NO
	123775-01-702	EA BEZEL/LENS - SATIN NICKEL		99 953470

ELECTRICAL GROUP (CONTINUED)
COMPONENT PARTS FOR WIRING (CONTINUED)



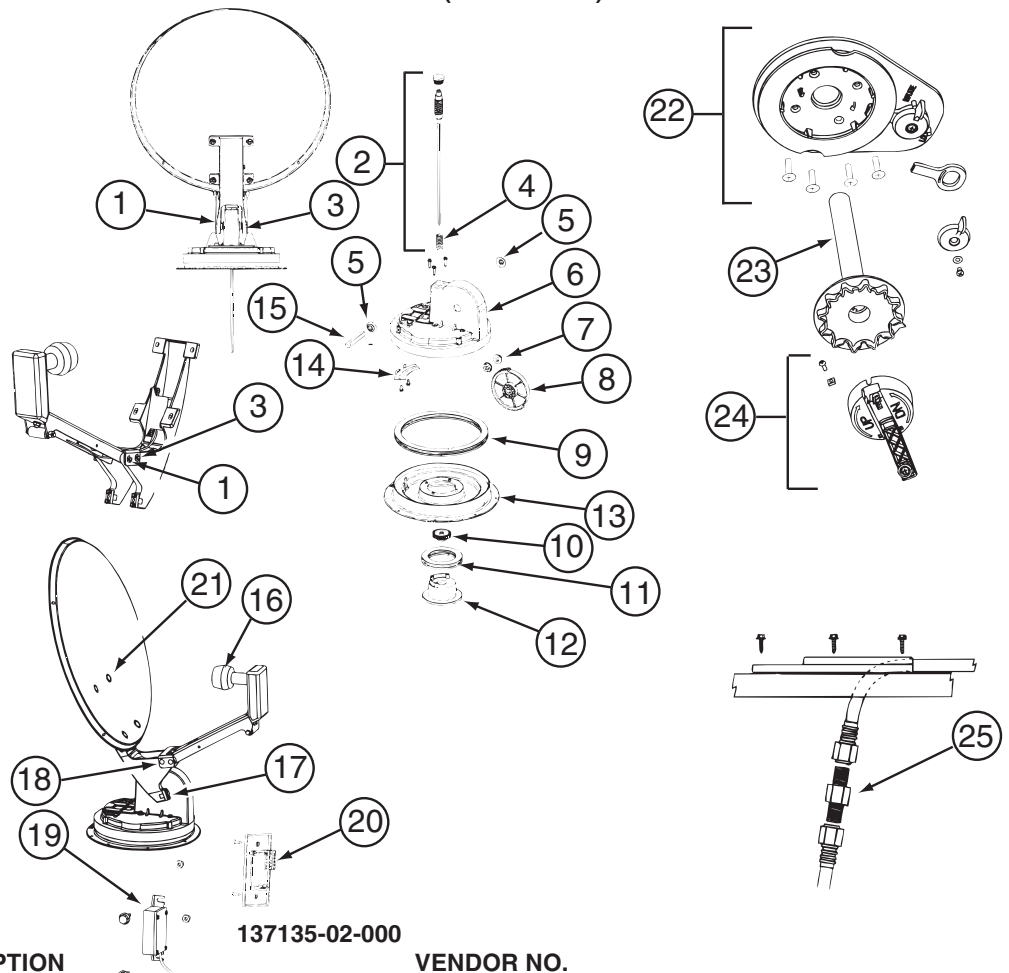
133004-05-01A

KEY	PART NUMBER	U/M	DESCRIPTION	VENDOR NO.
1	133004-01-702	EA	SWITCH/DPDT MOM=ON-OFF-ON	L1011-00
2	100258-10-701	EA	GAUGE-HR METER ONLY (LCD)	L0775-00
3	133004-01-706	EA	L.E.D. GREEN-PANEL MOUNT	L0785
4	133004-01-704	EA	METER/VOLT-DIGITAL - LCD	L1008-00
5	133004-01-705	EA	SWITCH/MOM ON - PUSH BUTTON	L0950-00
6	130004-01-703	EA	L.E.D. RED-PANEL MOUNT	L1009-00
7	133004-01-701	EA	SWITCH/DPDT ON-ON/MAINTAINED	L1025-00
8	133004-05-700	EA	SCREENED CHASSIS	CC0563-00
	133004-05-701	EA	BOARD - PC	L5130-02

135420-20-000

KEY	PART NUMBER	U/M	DESCRIPTION	VENDOR NO.
	135420-20-700	EA	CABLE-RECIEVER TO RADIO	M9CABLE

ELECTRICAL GROUP (CONTINUED)
COMPONENT PARTS FOR WIRING (CONTINUED)



137135-02-000

KEY	PART NUMBER	U/M	DESCRIPTION	VENDOR NO.
1	120233-01-714	EA	CLIP-E	5160818
2	137135-01-703	EA	KIT ELEV - SHAFT/GEAR/SPRING	RP-4400
3	137135-01-704	EA	PIN - 1/4" X 3.25"	2160813
4	137135-01-705	EA	SPRING	2160818
5	137135-01-707	EA	SEAL - PIVOT SHAFT	2200852
6	137135-01-708	EA	TURRET	3100728
7	137135-01-709	EA	PIVOT BEARING	2200470
8	137135-01-711	EA	GEAR - ELEVATING	2200464
9	137135-01-712	EA	BEARING - OUTER	2590347
10	137135-01-714	EA	GEAR - ELEVATING SHAFT	2200465
11	137135-01-715	EA	BEARING - INNER	2590348
12	137135-01-716	EA	HUB	3100731
13	137135-01-713	EA	TURRET BASE	3100730
14	137135-01-710	EA	PLATE - ROTATE LIMIT	3720052
16	137135-02-703	EA	LOW NOISE BLOCK FILTER	LB-6000 - DUAL
17	137135-01-722	EA	CLAMP	2590343
18	137135-01-719	EA	BRACKET - PIVOT	2744945
19	137135-01-720	EA	DE-SENSOR UNIT W/43" CABLE	DM4000
20	137135-02-701	EA	BOX - SURFACE MOUNT	SM-100
21	137135-01-717	EA	BOLT - FLAT HEAD	2160362
22	120233-01-737	EA	PLATE/INT-W/DIRECTIONAL HDLE	RK-CEIL
23	120233-01-704	EA	DIAL/DIRECTIONAL 4"W/SPRING	3200364
24	120233-01-738	EA	HDW PKG-HANDLE/SPRING/WASHER	RK-HAND
25	137135-01-701	EA	CONNECTOR - F - MALE TO MALE	FS-8100
	120233-04-700	EA	KIT-WALL PLATE/CABLE - GRAY	DM4000
	137135-01-700	EA	ROOF WEDGE W/GASKET	RW-5000
	137135-01-706	EA	KIT-TURRET/SEAL/BEARING/GEAR	RP-RM30
	137135-01-718	EA	REFLECTOR/WHITE-46CM W/HDW	RP-35RM
	137135-02-700	EA	DE-SENSOR	2780096
	137135-02-704	EA	KIT-UPDATE DIRECTIONAL HDL	RP-RMDH
	137135-02-705	EA	KIT-TURRET & SHAFT COMPLETE	RP-RM46

CONTACT WINNEBAGO PART SALES FOR UNLISTED COMPONENT(S)

ELECTRICAL GROUP (CONTINUED)

COMPONENT PARTS FOR WIRING (CONTINUED)

137417-01-01A, 137417-03-01A

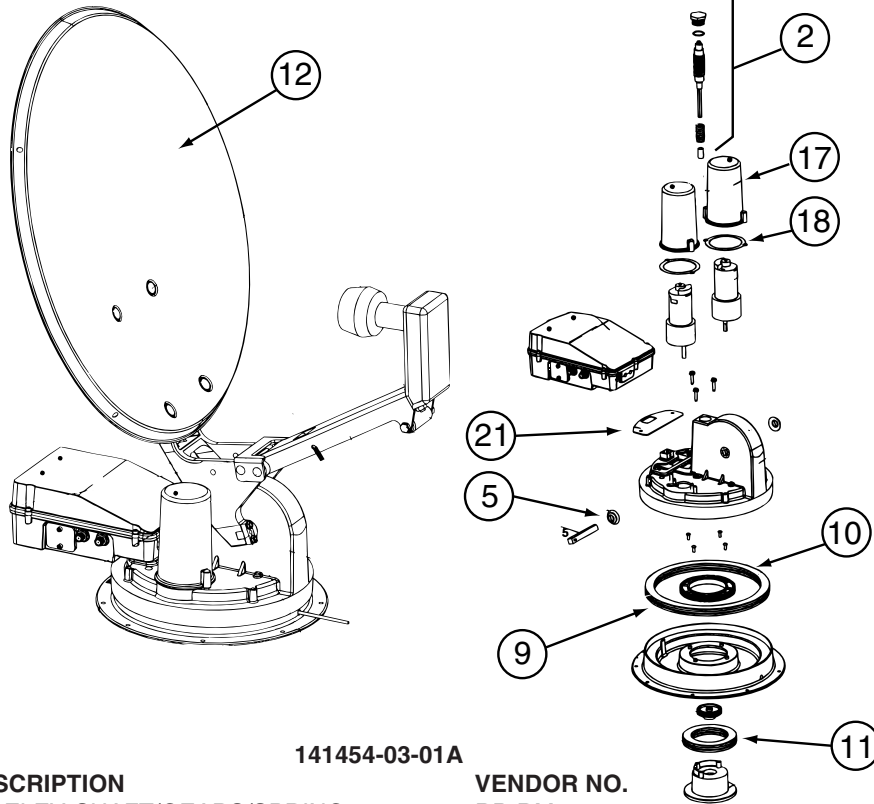
KEY	PART NUMBER	U/M DESCRIPTION	VENDOR NO.
	137417-01-700	EA LENS - SINGLE (FROSTED)	810868

137417-05-01A

KEY	PART NUMBER	U/M DESCRIPTION	VENDOR NO.
	137417-05-700	EA LENS - DOUBLE OPTIC	810845

137417-06-01A

KEY	PART NUMBER	U/M DESCRIPTION	VENDOR NO.
	137417-06-700	EA LENS - DOUBLE WHITE	810867



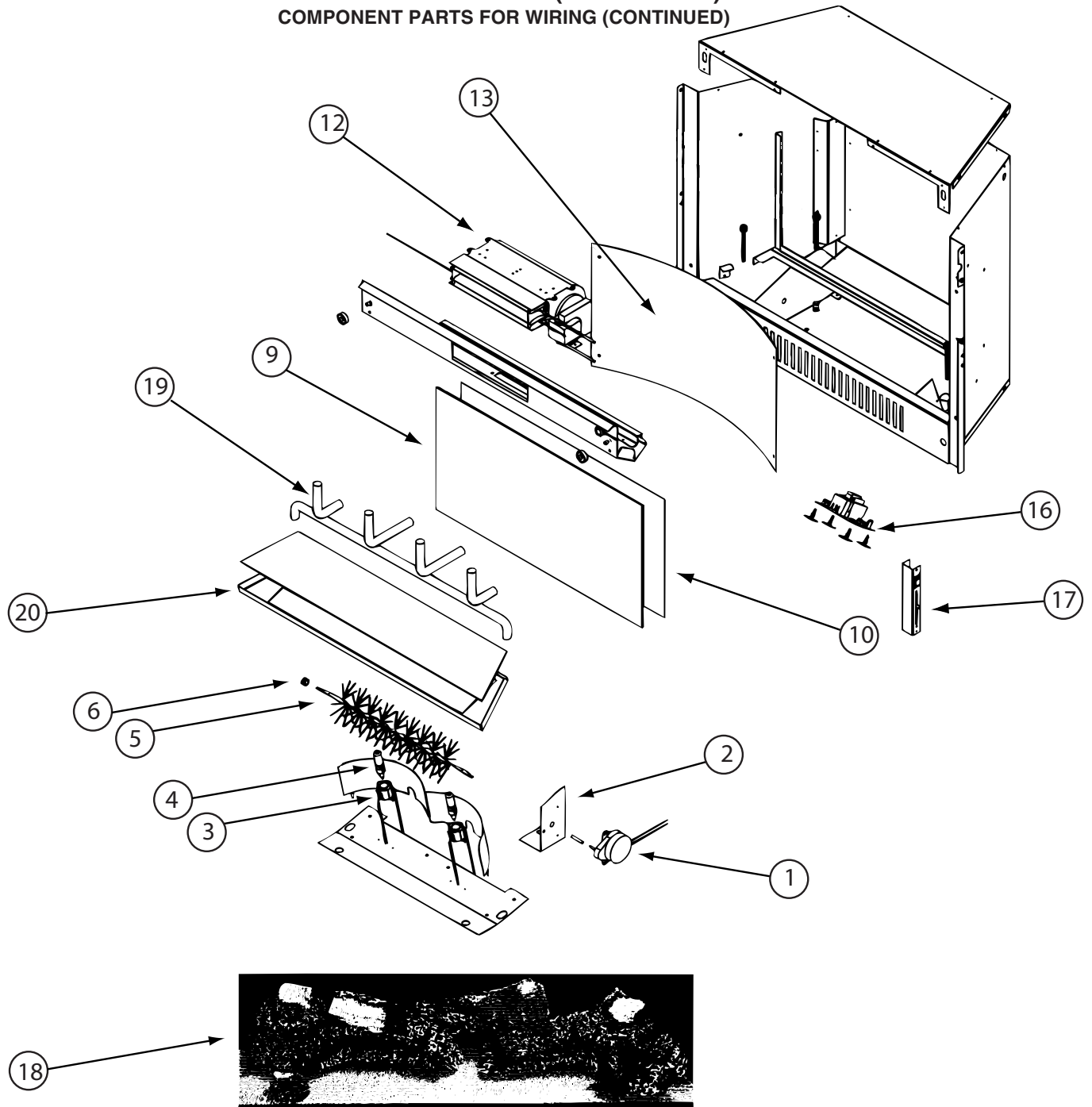
141454-03-01A

KEY	PART NUMBER	U/M DESCRIPTION	VENDOR NO.
2	141454-01-700	EA KIT ELEV-SHAFT/GEARS/SPRING	RP-RM20
4	137135-01-705	EA SPRING	2160818
5	137135-01-707	EA SEAL - PIVOT SHAFT	2200852
9	137135-01-712	EA BEARING - OUTER	2590347
10	137135-01-714	EA GEAR - ELEVATING SHAFT	2200465
10	141454-01-712	EA GEAR - ROTATE	2200469
11	137135-01-715	EA BEARING - INNER	2590348
12	137135-01-718	EA REFLECTOR/WHITE-46CM W/HDWE	RP-35RM
13	137135-01-713	EA TURRET BASE	3100730
17	141454-01-705	EA HOUSING - MOTOR	3200260
18	141454-01-706	EA GASKET - MOTOR HOUSING	2240054
21	141454-01-709	EA GASKET	2240056
	120233-01-714	EA CLIP-E	5160818
	137135-01-704	EA PIN - 1/4" X 3.25"	2160813
	137135-01-719	EA BRACKET - PIVOT	2744945
	137135-01-722	EA CLAMP	2590343
	137135-01-723	EA SUPPORT/FRAME-BACKUP-W/HDWE	RP-RM00
	137135-02-703	EA LOW NOISE BLOCK FILTER	LB-6000 - DUAL
	141454-01-701	EA KIT - GEAR/MOTOR-GEAR/ROTATE	RP-RM25
	141454-01-702	EA HOUSING/ELECTRONICS - UPPER	RP-RM10
	141454-01-703	EA HOUSING/ELECTRONICS - LOWER	RP-RM15
	141454-01-704	EA KIT LIFT ASSEMBLY COMPLETE	RP-RM05
	141454-03-700	EA MOTOR (AZIMUTH)	2665042
	141454-03-701	EA MOTOR (ELEVATION)	2665041
	141454-03-702	EA CIRCUIT BOARD(CONTROL BOARD)	RP-RM80
	141454-03-703	EA CONTRL PANEL W/BOX (AS2003)	RP-AS85
		CONTACT WINNEBAGO PART SALES FOR UNLISTED COMPONENT(S)	

ELECTRICAL GROUP (CONTINUED)
COMPONENT PARTS FOR WIRING (CONTINUED)

			146048-01-01A	
KEY	PART NUMBER	U/M	DESCRIPTION	VENDOR NO.
	123775-01-700	EA	BULB - 10 WATT - HALOGEN	
			146298-02-000	
KEY	PART NUMBER	U/M	DESCRIPTION	VENDOR NO.
	146298-02-700	EA	REMOTE - TV	1-478-707-11
			149040-02-000	
KEY	PART NUMBER	U/M	DESCRIPTION	VENDOR NO.
	149040-02-700	EA	REMOTE - TV	RCR311TBM1-RCA
			149040-03-000	
KEY	PART NUMBER	U/M	DESCRIPTION	VENDOR NO.
	149040-03-700	EA	REMOTE - TV	265714
			149049-01-000,149049-02-000	
KEY	PART NUMBER	U/M	DESCRIPTION	VENDOR NO.
	149049-01-700	EA	REMOTE (TV)	RM-Y1735
			153464-03/06-01A	
KEY	PART NUMBER	U/M	DESCRIPTION	VENDOR NO.
	091937-08-700	EA	LENS - LIGHT - FLUORESCENT	D-766

ELECTRICAL GROUP (CONTINUED)
COMPONENT PARTS FOR WIRING (CONTINUED)



154506-01-01A, 154506-03-01A

KEY	PART NUMBER	U/M	DESCRIPTION	VENDOR NO.
1	154506-03-701	EA	MOTOR	4035-860
2	154506-03-702	EA	BRACKET - F/MOTOR	4038-009
4	154506-03-706	EA	BULB - HALOGEN	33961
5	154506-03-707	EA	FLAME ELEMENT	4030-200
6	154506-03-714	EA	GROMMET - F/FLAME ELEMENT	25006
9	154506-03-710	EA	ACRYLIC PANEL - OUTER	4038-805
10	154506-03-711	EA	LENTICULAR LENS PANEL-INNER	4038-810
12	154506-03-703	EA	HEATER/BLOWER ASM	4038-107
13	154506-03-709	EA	FLAME DECAL-REFLECTIVE	4021-190
16	154506-03-700	EA	CONTROL BOARD ASM	4038-108
17	154506-03-712	EA	SWITCH ASM	4038-110
18	154506-03-705	EA	LOG SET	4038-004
19	154506-03-704	EA	GRATE	4038-880
20	154506-03-708	EA	EMBER BED	4038-217
	154506-01-700	EA	REMOTE CONTROL - FIREPLACE	RC-ELEC-HTL
	154506-03-713	EA	THERMOSTAT	4038-849

ELECTRICAL GROUP (CONTINUED)
COMPONENT PARTS FOR WIRING (CONTINUED)

KEY	PART NUMBER	U/M DESCRIPTION		VENDOR NO.
	154548-01-700	EA REMOTE - DVD/VCR	154548-01-000	1-478-247-11
KEY	PART NUMBER	U/M DESCRIPTION	155619-01-000	VENDOR NO.
	155619-01-700	EA REMOTE		RC3200
KEY	PART NUMBER	U/M DESCRIPTION	156413-01-01A	VENDOR NO.
	156413-01-700	EA REMOTE		REMAWM950
KEY	PART NUMBER	U/M DESCRIPTION	158836-01-000	VENDOR NO.
	158836-01-700	EA REMOTE		STS71WREM

ELECTRICAL GROUP (CONTINUED)

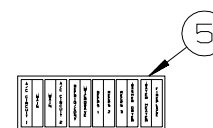
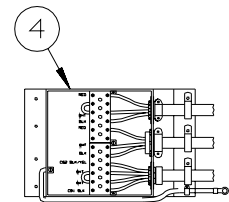
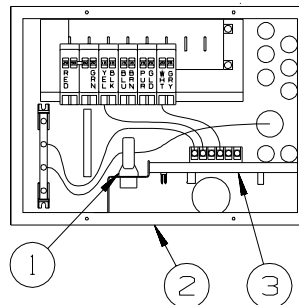
CIRCUIT BREAKERS, FUSES & RELAYS

KEY	PART NUMBER	U/M	DESCRIPTION
	008235-01-000	EA	FUSE - 15 AMP/12VOLT - AUTOMOTIVE
	062901-02-000	EA	FUSE - 5 AMP - AUTOMOTIVE
	062901-04-000	EA	FUSE - 10 AMP - AUTOMOTIVE
	062901-05-000	EA	FUSE - 15 AMP - AUTOMOTIVE
	062901-06-000	EA	FUSE - 20 AMP - AUTOMOTIVE
	062901-07-000	EA	FUSE - 25 AMP - AUTOMOTIVE
	062901-08-000	EA	FUSE - 30 AMP - AUTOMOTIVE
	063910-01-000	EA	HOUSING - RELAY
	063912-02-000	EA	RELAY - CANISTER - SPDT
	083209-01-000	EA	CIRCUIT BREAKER - 15 AMP - 120 VOLT - CANADIAN
	083209-02-000	EA	CIRCUIT BREAKER - 15/15 AMP - 120 VOLT
	083209-03-000	EA	CIRCUIT BREAKER - 15/20 AMP - 120 VOLT
	083209-04-000	EA	CIRCUIT BREAKER - 30 AMP - 120 VOLT
	083209-05-000	EA	CIRCUIT BREAKER - 20 AMP - 120 VOLT
	083209-06-000	EA	CIRCUIT BREAKER - 30/15 AMP - 120 VOLT
	083209-07-000	EA	CIRCUIT BREAKER - 20/20 AMP - 120 VOLT
	083209-10-000	EA	CIRCUIT BREAKER - 20/30 AMP - 120 VOLT
	083209-11-000	EA	CIRCUIT BREAKER - 20/15 AMP - 120 VOLT
	092786-03-000	EA	BUSS BAR - 6.9" LONG
	092786-06-000	EA	BUSS BAR
	093654-01-000	EA	CIRCUIT BREAKER - 6 AMP - 12 VOLT - PUSH BUTTON - WHITE
	093654-02-000	EA	CIRCUIT BREAKER - 15 AMP - 12 VOLT - PUSH BUTTON - WHITE
	093654-03-000	EA	CIRCUIT BREAKER - 20 AMP - 12 VOLT - PUSH BUTTON - WHITE
	093655-01-000	EA	CIRCUIT BREAKER - 25 AMP - 12 VOLT - PUSH BUTTON - WHITE
	093655-02-000	EA	CIRCUIT BREAKER - 30 AMP - 12 VOLT - PUSH BUTTON - WHITE
	093655-03-000	EA	CIRCUIT BREAKER - 40 AMP - 12 VOLT - PUSH BUTTON - WHITE
	097611-01-000	EA	CIRCUIT BREAKER - 10 AMP
	100341-01-000	EA	FUSE HOLDER - IN LINE TYPE
	113482-01-000	EA	CIRCUIT BREAKER - 55 AMP - MANUAL
	115187-01-000	EA	FUSE - 300 AMP - NON-DELAY
	115187-02-000	EA	HOLDER - FUSE
	115187-03-000	EA	FUSE - 60 AMP - NON-DELAY
	122811-01-000	EA	CIRCUIT BREAKER - 20/50/50/20 AMP - 250V
	125986-02-000	EA	FUSE - 5 AMP - AUTO - MINI BLADE
	125986-05-000	EA	FUSE - 15 AMP - AUTO - MINI BLADE
	141789-01-000	EA	SPACER - CIRCUIT BREAKER

CONVERTER, INVERTER, LOAD CENTERS

KEY	PART NUMBER	U/M	DESCRIPTION
	123058-01-000	EA	CONVERTER - 55 AMP - ELECTRONIC - 4 1/8"H X 7"W X 12 3/8"L
	148254-03-000	EA	CABLE/INVERTOR - W/8 PIN MODULAR PHONE JACK - 50'-DIMEN
	154511-01-000	EA	INVERTER - 600 WATT - W/O REMOTE PANEL
	154511-02-000	EA	REMOTE/PANEL - INVERTER/600 WATT
	154367-03-02B	EA	BRACKET/MOUNT - INVERTER - E-COATED

KEY	PART NUMBER	U/M	DESCRIPTION
1	127002-07-000	EA	SENSOR - CURRENT
2	141258-01-000	EA	LOAD CENTER - 120/240 - 30/50 AMP
2	141258-02-000	EA	LOAD CENTER - COVER
3	127002-11-000	EA	MODULE - EMS CENTER - W/REMOTE SENSOR
4	106071-06-000	EA	SWITCH - AUTOMATIC TRANSFER - PARALLAX 5070 - 30/50 AMP
5	095721-47-000	EA	LABEL - CONTROL CENTER - 50 AMP - 50 AMP ELECTRICAL SYSTEM



ELECTRICAL GROUP (CONTINUED)

BOXES & CORDS

KEY	PART NUMBER	U/M	DESCRIPTION
	008054-01-000	EA	CORD - POWER - 10/3 WIRE - 30 AMP - 25'
	108934-02-000	EA	CORD - POWER - 50 AMP - 4-WIRE - 36'
	115832-01-000	FT	CORD - HEAVY DUTY - 14-2 W/GROUND
	131679-01-000	EA	BOX/ELECTRIC-WATERPROOF-4" X 4" - W/4 3/4"OUTLETS-UL/CSA
	131680-01-000	EA	COVER - F/ELECTRIC BOX W/GASKET 4" X 4" - UL/CSA
	133070-01-000	EA	BOX - ELECTRIC/PLASTIC - 3" X 2" X 2.8" - UL
	133070-02-000	EA	BOX - ELECTRIC/PLASTIC - 3" X 2" X 2.8" - CSA

WIRE ASSEMBLIES

KEY	PART NUMBER	U/M	DESCRIPTION
	077069-02-000	EA	CABLE/EXTENSION - RADIO ANTENNA - 96"
	077069-03-000	EA	CABLE/EXTENSION - RADIO ANTENNA - 260"
	117420-04-000	EA	CABLE - RCA- (MALE/MALE) - 50 FT
	136860-02-000	EA	CABLE - RCA - SHIELDED - 3 MALE TO MALE CONNECTORS - 50'
	125853-04-000	EA	WIRE LOOM - ENTERTAINMENT CENTER
	126030-01-000	EA	WIRE ASM-WIPER/WASHER
	135131-01-000	EA	WIRE LOOM - THERMOSTAT
	135420-16-000	EA	WIRE LOOM - RADIO
	136028-01-000	EA	WIRE ASM-SOFA,REST EASY
	136860-02-000	EA	CABLE - RCA - SHIELDED - 3 MALE TO MALE CONNECTORS - 50'
	137135-03-000	EA	WIRE LOOM - DIGITAL ELEVATION SENSOR
	137135-04-000	EA	WIRE HARNESS - POWER - DIGITAL ELEVATION SENSOR
	139583-01-000	EA	WIRE LOOM - SOFA/DOUBLE REST EASY
	139583-02-000	EA	WIRE LOOM - SOFA/REAR SWITCH
	142258-02-000	EA	WIRE LOOM - VIDEO SWITCH/POWER SUPPLY
	144677-07-000	EA	WIRE - MONITOR - POWER - 3 PIN TO 6 PIN (3 WIRE)
	144677-09-000	EA	WIRE - MONITOR - POWER - 3 PIN/2 PIN
	147313-01-000	EA	WIRE - OUTSIDE TEMP SENSOR - W/O SENSOR
	145210-01-000	FT	CABLE - COAXIAL
	149750-02-000	EA	CABLE - (RECEIVER TO MODULE) - 45'
	151316-02-000	EA	WIRE ASM - W/NON CONTACT SENSORS - GREY WATER - 23.6"
	151317-01-000	EA	WIRE ASM-W/NON CONTACT SENSORS-FRESH WATER/BLK TANK-3.9"
	151317-02-000	EA	WIRE ASM-W/NON CONTACT SENSORS-FRESH WATER/BLK TANK-23.6"
	151422-01-000	EA	PIGTAIL - F/FOG LIGHT
	153324-01-000	EA	WIRE ASSEMBLY - FOG LIGHT
	155505-01-000	EA	WIRE ASSEMBLY - ADAPTER/HEADLIGHT
	155619-05-000	EA	WIRE ASSEMBLY - RADIO - 12 PIN
	156999-01-000	EA	WIRE ASSEMBLY - INSTRUMENT PANEL - MAIN - WORKHORSE
	157000-01-000	EA	WIRE ASSEMBLY - INSTRUMENT PANEL - MAIN - FORD

ELECTRICAL GROUP (CONTINUED)
CONNECTORS & CONDUIT

KEY	PART NUMBER	U/M	DESCRIPTION
	007940-01-000	EA	RECEPTACLE/SLIDE 16 TO 12 AWG - FEMALE END
	007940-02-000	EA	RECEPTACLE/SLIDE 10 AWG
	007954-01-000	EA	RECEPTACLE - HOUSING - 6 POSITION
	007956-05-000	EA	INSULATOR - SHRINK - 1/4"ID X 1 1/2"
	008058-01-000	EA	ADAPTER - POWER CORD - 30 AMP TO 15 AMP
	008311-01-000	EA	CONNECTOR - WIRE NUT - INSULATED - RED
	008312-01-000	EA	CONNECTOR - WIRE NUT - INSULATED - BLUE
	008313-01-000	EA	CONNECTOR - WIRE NUT - INSULATED - YELLOW
	008314-01-000	EA	CONNECTOR - WIRE NUT - INSULATED - GRAY
	008328-01-000	EA	TERMINAL - RING - 12/10 WIRE - #10 STUD FIT
	008331-01-000	EA	TERMINAL - RING - TONGUE - #4 WIRE - 3/8" STUD - COPPER
	008348-01-000	EA	TERMINAL - RING - 3/8" STUD 2 GA. WIRE
	008355-01-000	EA	CONNECTOR - CABLE CLAMPING - 3/4"
	008356-01-000	EA	CONNECTOR - PLASTIC - 3/8"
	008356-02-000	EA	CONNECTOR - PLASTIC - 21/32"
	008398-01-000	EA	CONNECTOR - 1/2" X 90 DEGREE - FLEX CONDUIT - UL & CSA
	035416-04-000	EA	TERMINAL - RING - #10 STUD FIT - INSULATED BARREL #16/14
	041953-01-000	FT	CONDUIT - CONVOLUTE SLIT - .5" ID - POLYETHYLENE
	041953-02-000	FT	CONDUIT - CONVOLUTE SLIT - .6" ID - POLYETHYLENE
	041953-03-000	FT	CONDUIT - CONVOLUTE SLIT - 1" ID (CLOTHES ROD COVER)
	041953-06-000	FT	CONDUIT - CONVOLUTE SLIT - .4" ID - POLYETHYLENE
	041953-07-000	FT	CONDUIT - CONVOLUTE SLIT - .25" ID - POLYETHYLENE
	041953-08-000	FT	CONDUIT - CONVOLUTE SLIT - 1.5" ID - POLYETHYLENE
	041953-09-000	FT	CONDUIT - CONVOLUTE SLIT - .5" ID - NYLON
	041953-10-000	FT	CONDUIT - CONVOLUTE SLIT - .75" ID - NYLON
	041953-11-000	FT	CONDUIT - CONVOLUTE SLIT - 1.06" ID - NYLON
	041953-12-000	FT	CONDUIT - CONVOLUTE SOLID - 1.1" ID - NYLON
	041953-13-000	FT	CONDUIT - CONVOLUTE SLIT - 1.25" ID
	041953-14-000	FT	CONDUIT - CONVOLUTE SLIT - 1.5" ID
	041953-15-000	FT	CONDUIT - CONVOLUTE SLIT - 2"
	041953-16-000	FT	CONDUIT - CONVOLUTE SLIT - 2"
	047441-01-000	EA	TERMINAL-BATTERY, HORIZONTAL LUG
	047443-01-000	EA	TERMINAL - .250 RECEPTACLE FIT - INSULATED - 16/14 AWG
	047443-02-000	EA	TERMINAL - .250 RECEPTACLE FIT - INSULATED - 12/10 AWG
	047443-05-000	EA	TERMINAL - .250 RECEPTACLE FIT - 18GA AWG
	058028-01-000	EA	CONNECTOR - ELECTRICAL PIGTAIL - NYLON - CLEAR
	062036-01-000	EA	TERMINAL - PACK - CON - 12/10 AWG
	076319-12-000	EA	CONNECTOR - COAXIAL - ONE PIECE
	077479-01-000	EA	BOOT - BATTERY TERMINAL - DOUBLE CABLE
	077479-02-000	EA	BOOT - BATTERY TERMINAL - SINGLE CABLE
	080015-02-000	EA	RECEPTACLE - FLAG - .185 - 16/14 GAUGE
	080015-03-000	EA	RECEPTACLE - FLAG - .250 - 14/16 GAUGE
	080015-04-000	EA	RECEPTACLE - FLAG - .187 - 16/14 GAUGE
	082109-01-000	EA	HOUSING - CONNECTOR - PACKARD
	082741-01-000	EA	CONNECTOR BODY - 2 CONNECTOR MALE
	087225-01-000	FT	SLEEVING - 1/2" - TYPE H
	088473-01-000	EA	HOUSING - PIN - 12 CAVITY (3 ROWS OF 4)
	088473-02-000	EA	HOUSING - PIN - 15 CAVITY (3 ROWS OF 5)
	088473-03-000	EA	HOUSING - PIN - 9 CAVITY (3 ROWS OF 3)
	088473-04-000	EA	HOUSING - PIN - 8 CAVITY IN-LINE
	088473-06-000	EA	HOUSING - PIN - 6 CAVITY (2 ROWS OF 3)
	088473-07-000	EA	HOUSING - PIN - 5 CAVITY - IN-LINE
	088473-08-000	EA	HOUSING - PIN - 4 CAVITY - IN-LINE
	088473-09-000	EA	HOUSING - PIN - 3 CAVITY - IN-LINE
	088473-10-000	EA	HOUSING - PIN - 2 CAVITY - IN-LINE
	088473-12-000	EA	HOUSING - PIN - 3 CAVITY - BLUE
	088473-13-000	EA	HOUSING - PIN - 3 CAVITY - GREEN
	088473-14-000	EA	HOUSING - PIN - 3 CAVITY - RED
	088474-01-000	EA	HOUSING - SOCKET - 12 CAVITY
	088474-02-000	EA	HOUSING - SOCKET - 15 CAVITY
	088474-03-000	EA	HOUSING - SOCKET - 9 CAVITY
	088474-06-000	EA	HOUSING - SOCKET - 6 CAVITY
	088474-07-000	EA	HOUSING - SOCKET - 5 CAVITY
	088474-08-000	EA	HOUSING - SOCKET - 4 CAVITY

ELECTRICAL GROUP (CONTINUED)
CONNECTORS & CONDUIT (CONTINUED)

KEY	PART NUMBER	U/M	DESCRIPTION
	088474-09-000	EA	HOUSING - SOCKET - 3 CAVITY
	088474-10-000	EA	HOUSING - SOCKET - 2 CAVITY
	088475-01-000	EA	PIN - CONNECTOR - 14-20 AWG
	088475-02-000	EA	PIN - CONNECTOR - 10-12 AWG
	088476-01-000	EA	TERMINAL - ELECTRICAL
	088476-02-000	EA	SOCKET - CONNECTOR - 12-10 GA - PRE-TIN
	098261-01-000	EA	SOCKET - CONNECTOR - WEATHERPACK - 12 AWG
	098261-02-000	EA	SOCKET - CONNECTOR - WEATHERPACK - 14-18 AWG
	098262-01-000	EA	SEAL - CONNECTOR - WEATHERPACK
	098264-01-000	EA	HOUSING - 2 PIN - WEATHER PACK - MALE W/FEMALE PINS
	098264-02-000	EA	HOUSING - 2 PIN - WEATHER PACK - FEMALE W/MALE PINS
	098265-02-000	EA	PIN - CONNECTOR - WEATHER PACK
	102777-02-000	EA	TERMINAL - RING - #6 STUD - 10 AWG
	103608-01-000	EA	SOCKET - WEDGE BASE W/LEADS
	104100-01-000	EA	HOUSING - 1 POSITION - 75 AMPS
	104100-03-000	EA	TERMINAL - 75 AMP
	106007-02-000	EA	TERMINAL - FEMALE - 10-12 AWG
	110178-01-000	EA	HOUSING - WIPER MOTOR
	112823-01-000	EA	SPLICE - REDUCER - 16-14 TO 18-22
	113072-02-000	EA	HOUSING - ELECTRICAL - BACK-UP/TAIL LAMP
	113072-03-000	EA	HOUSING - ELECTRICAL - STOP/MARKER TAILLAMP
	113073-01-000	EA	WEDGELOCK - HOUSING - TAIL LAMP
	113074-01-000	EA	TERMINAL - TAILLAMP
	113135-01-000	EA	TERMINAL - FEMALE - M/P - 14-16 - F/SEALED TERMINAL
	113308-01-000	EA	TERMINAL - FEMALE - M/P - 14-16 - 280
	113308-02-000	EA	TERMINAL - FEMALE - M/P - 14-18 - 280
	113468-01-000	EA	HOUSING - 2 POSITION-FEMALE-USED ON WIPER/WASHER WIRE ASM
	113468-02-000	EA	HOUSING - 2 POSITION - FEMALE
	115931-02-000	EA	COVER - CONNECTOR - 50 AMP W/LOCKING RING
	115932-02-000	EA	CONNECTOR - FEMALE - 50 AMP/240 VOLT
	116811-01-000	EA	TERMINAL - .110 RECEPTACLE - 16-14 AWG
	118571-01-000	EA	CONNECTOR - 3-WAY - MALE/SEALED
	118571-02-000	EA	CONNECTOR - 3-WAY - FEMALE/SEALED
	118571-05-000	EA	LOCK - SECONDARY - FEMALE
	118571-06-000	EA	LOCK - SECONDARY - MALE
	118599-02-000	EA	TERMINAL - MALE - M/P - 280/14-12
	118820-01-000	EA	INSULATOR - TERMINAL
	129233-01-000	EA	HOUSING - 2-POSITION/FEMALE - 280-SERIES
	129233-02-000	EA	HOUSING - 2-POSITION/FEMALE - 280-SERIES
	129233-03-000	EA	HOUSING - 2-POSITION/FEMALE - 280-SERIES
	131681-01-000	EA	CONNECTOR - 3/4" SO CORD - UL/CS
	137207-01-000	EA	HOUSING - PIN - 2 CAVITY/HIGH AMP
	137208-01-000	EA	HOUSING - SOCKET - 2 CAVITY/HIGH AMP
	137209-01-000	EA	PIN - CONNECTOR - 10AWG/HIGH AMP
	137210-01-000	EA	SOCKET - CONNECTOR - 10 AWG/HIGH AMP
	138996-04-000	EA	CONNECTOR - LAMP
	142520-01-000	EA	TERMINAL - FEMALE - MINI-FIT 16
	142522-01-000	EA	HOUSING - 4 PIN/MALE - MINI FIT
	142522-02-000	EA	HOUSING - 6 PIN/MALE - MINI FIT
	142522-03-000	EA	HOUSING - 8 PIN/MALE - MINI FIT
	142522-04-000	EA	HOUSING - 10 PIN/MALE - MINI FIT
	142522-05-000	EA	HOUSING - 12 PIN/MALE - MINI FIT
	142522-06-000	EA	HOUSING - 14 PIN/MALE - MINI FIT
	142524-01-000	EA	HOUSING - 4 PIN/FEMALE - WEATHER PACK
	142524-02-000	EA	HOUSING - 4 PIN/FEMALE - WEATHER PACK
	144283-01-000	EA	CONNECTOR - 110V - F/USE WITH SOW WIRE - BLUE
	144283-02-000	EA	CONNECTOR - 110V - F/USE WITH NM ROMEX WIRE - CLEAR
	145171-01-000	EA	CONNECTOR - COAXIAL
	148335-01-000	EA	HOUSING - 8-POSITION/MALE - 280-GT SERIES
	148335-02-000	EA	HOUSING - 4-POSITION/MALE - 280-GT SERIES
	148335-03-000	EA	HOUSING - 6-POSITION/MALE - 280-GT SERIES
	149683-01-000	EA	HOUSING - F/5 CAVITY RECEPTACLE - W/SQUARE GUIDE PIN
	149683-02-000	EA	HOUSING - F/5 CAVITY RECEPTACLE - W/ROUND GUIDE PIN
	149686-01-000	EA	TERMINAL - .250 RECEPTACLE

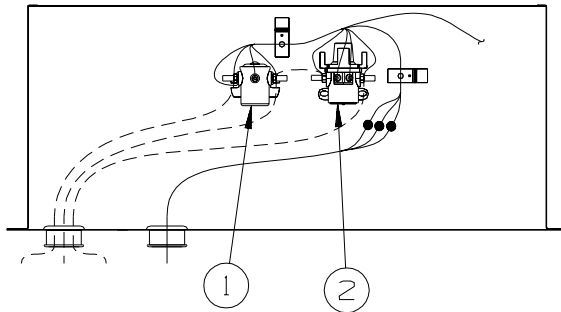
ELECTRICAL GROUP (CONTINUED)

CONNECTORS & CONDUIT (CONTINUED)

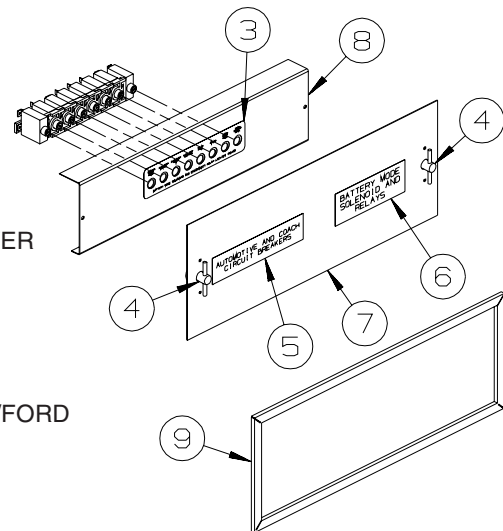
KEY	PART NUMBER	U/M	DESCRIPTION
	149687-01-000	EA	HOUSING - 2 POSITION/MALE - PACKARD
	149687-02-000	EA	LOCK - F/2 POSITION HOUSING - PACKARD
	149688-01-000	EA	TERMINAL - MALE - 16 GAUGE WIRE
	156035-01-000	EA	HOUSING - 12-POSITION/FEMALE - 280-GT SERIES
	156041-01-000	EA	TERMINAL - FEMALE - 16-12 - 280-GT SERIES
	156043-01-000	EA	HOUSING - 2-POSITION/FEMALE - 480-MP SERIES
	156043-02-000	EA	LOCK - F/2 POSITION HOUSING - 480 SERIES
	156044-01-000	EA	TERMINAL - FEMALE - 16-12 - 280-GT - F/SEALED HOUSING
	156045-01-000	EA	HOUSING - 10-POSITION/FEMALE - 280-GT SERIES
	156045-02-000	EA	HOUSING - 4-POSITION/FEMALE - 280-GT SERIES
	156045-03-000	EA	HOUSING - 8-POSITION/FEMALE - 280-GT SERIES
	156045-04-000	EA	HOUSING - 6-POSITION/FEMALE - 280-GT SERIES
	156207-01-000	EA	HOUSING - 6-POSITION/MALE - 150-GT SERIES
	156208-01-000	EA	TERMINAL - MALE - 18-16 - 150-GT SERIES
	157590-01-000	EA	TERMINAL - FEMALE - M/P - 10-12 - 630
	157592-01-000	EA	HOUSING - 7-POSITION/FEMAL - M/P
	157592-02-000	EA	LOCK - SECONDARY - F/7 POSITION HOUSING
	157656-01-01A	EA	CONNECTOR - DASH LIGHT - BLACK
	158357-01-000	EA	HOUSING - 3 PIN/MALE - MINI FIT
	158373-01-000	EA	HOUSING - SOCKET - 16 CAVITY - MINI MATE-N-LOCK
	158374-01-000	EA	SOCKET - 16-20 CAVITY - MINI MATE-N-LOCK

CHASSIS

KEY	PART NUMBER	U/M	DESCRIPTION
	160014-01-02B	EA	TIEDOWN - BATTERY - E-COATED
	113452-02-000	FT	SEAL/TRIM - FRONT - VINYL W/WIRE CARRIER - .027"



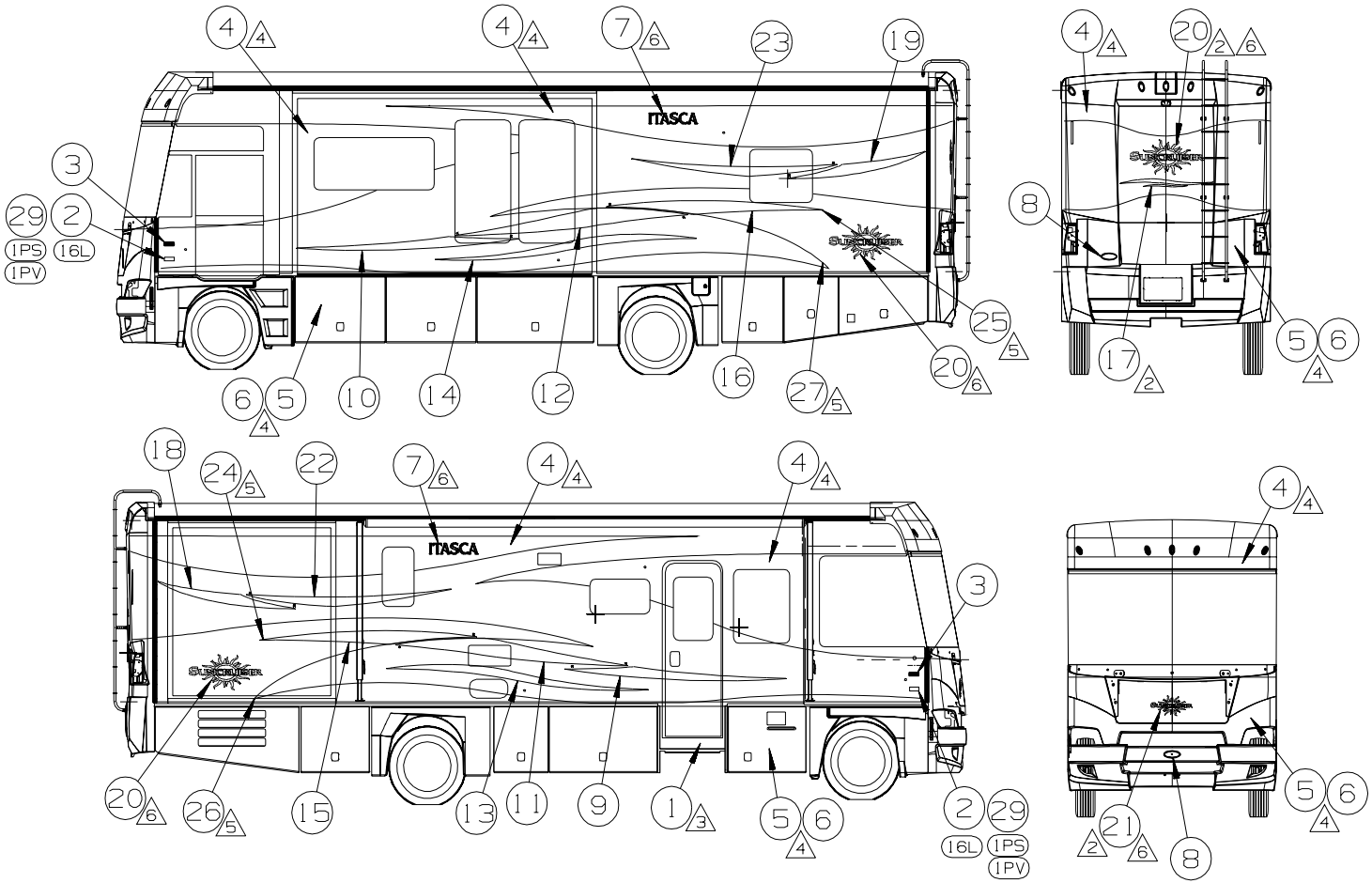
KEY	PART NUMBER	U/M	DESCRIPTION
1	008188-01-000	EA	SOLENOID - 3 POST - BATTERY CHANGE OVER
2	086273-01-000	EA	RELAY - BATTERY DISCONNECT
3	093236-35-000	EA	LABEL - CIRCUIT BREAKER
4	098196-01-000	EA	LATCH - 1/4 TURN - T-BAR
5	098379-01-000	EA	LABEL - CIRCUIT BREAKER - FRONT BOX
6	098379-04-000	EA	LABEL - ELECTRICAL BOX - SIDE
7	109925-04-000	EA	DOOR - ELECTRICAL BOX - 6.9" X 18.5" - GM/FORD
8	118531-02-02B	EA	PLATE - CIRCUIT BREAKER - E COATED
9	092492-11-000	EA	SEAL - ELECTRIC BOX - 7" X 18.4"



EXTERIOR BODY GROUP

GRAPHICS & PAINT

GRAPHICS



KEYS	PART NUMBER	U/M	DESCRIPTION
1	109506-01-000	EA	FILM-URETHANE PROTECTANT
2	29922-02-CHT(01A)	EA	EMBLEM-TRITON V10 (3 VALVE) - BLACK/CHROME
3	132664-02-CHT(01A)	EA	DECAL-LOGO,DOMED,WINNEBAGO - CHROME/RED/BLACK
4	141599-31-000	GL	PAINT - METALLIC GOLD - DUPONT #373-P7436
5	141599-31-000	GL	PAINT - METALLIC GOLD - DUPONT #373-P7436
6	141599-42-000	GL	PAINT - DK TITANIUM MET - DUPONT #373-P765286
7	44587-02-CHT(25A)	EA	DECAL-LOGO,ITASCA - 5.25 X 23.5 - BLACK/OFF WHITE
8	151687-02-CHT(03A)	EA	DECAL/BELZEL - DOMED NAMEPLATE - ITASCA - CHROME/WHITE/BLACK/TEAL
9	53060-01-CHT(03A)	EA	DECAL-POINT FRT RH - KHAKI/DK CHARCOAL
10	53060-02-CHT(03A)	EA	DECAL-POINT FRT LH - KHAKI//DK CHARCOAL
11	53062-01-CHT(03A)	EA	DECAL-SWEEP MID RH - KHAKI
12	53062-02-CHT(03A)	EA	DECAL-SWEEP MID LH - KHAKI
13	53063-01-CHT(03A)	EA	DECAL-SWEEP LWR RH - DK CHARCOAL
14	53063-02-CHT(03A)	EA	DECAL-SWEEP LWR LH - DK CHARCOAL
15	53065-01-CHT(03A)	EA	DECAL-POINT RR RH - BLACK/KHAKI
16	53065-02-CHT(03A)	EA	DECAL-POINT RR LH - BLACK/KHAKI
17	53072-01-CHT(03A)	EA	DECAL-SWEEPS - KHAKI/BLACK/DK CHARCOAL
18	53076-01-CHT(03A)	EA	DECAL-SWEEP UPPER RR RH - BLACK/KHAKI
19	53076-02-CHT(03A)	EA	DECAL-SWEEP UPPER RR LH - BLACK/KHAKI
20	53078-01-CHT(03A)	EA	DECAL-LOGO, SUNCRUISER LG - DK CHARCOAL/BLACK
21	53078-02-CHT(03A)	EA	DECAL-LOGO, SUNCRUISER SML - DK CHARCOAL/BLACK
22	53087-01-CHT(03A)	EA	DECAL-SWEEP UPPER FRT RH - KHAKI
23	53087-02-CHT(03A)	EA	DECAL-SWEEP UPPER FRT LH - KHAKI
24	155128-01-CHT(01A)	EA	DECAL-PAINT MASK POINT UPPER RR RH
25	155128-02-CHT(01A)	EA	DECAL-PAINT MASK POINT UPPER RR LH
26	155138-01-CHT(01A)	EA	DECAL-PAINT MASK POINT LOWER RR RH
27	155138-02-CHT(01A)	EA	DECAL-PAINT MASK POINT LOWER RR LH
28	141599-27-000	GL	PAINT - IMRON CLEAR 55 GAL - DUPONT 3440S
29	-----	EA	DECAL-EMBLEM - CHASSIS SUPPLIED

7. END PANELS OF SLIDEOUT ROOMS WILL BE PAINTED WITH BASE COAT AND CLEAR COAT ONLY. THERE WILL BE NO COLORED DESIGN GRAPHICS ELEMENTS PAINTED ON THE END PANELS.

△ LOGO IS TO BE HELD TO ±1 MM ON A HORIZONTAL PLANE (END TO END).

△ PAINT MASK TO BE REMOVED AFTER PAINT.

△ CLEAR COAT TO BE APPLIED TO PAINTED AREAS TO PROTECT PAINT.

△ FILM TO PROTECT BOTTOM OF DOOR FROM SCUFF MARKS.

△ CENTER ON UNIT.

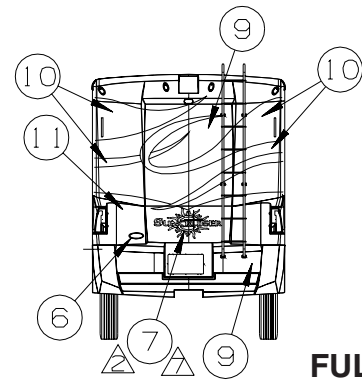
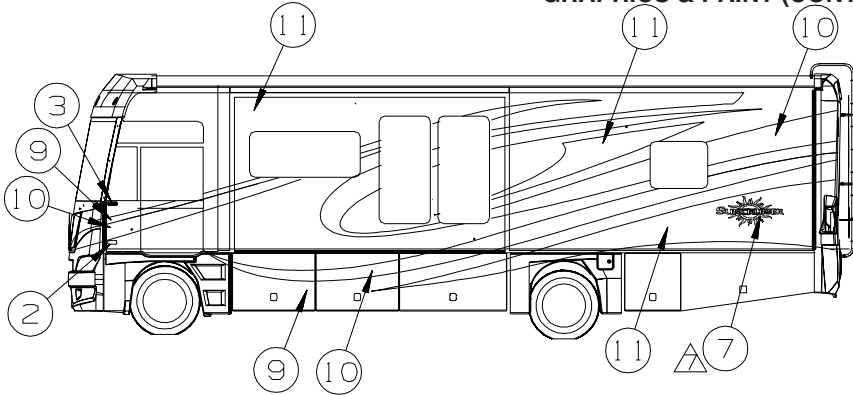
1. APPLY PROTECTOR 116424-01-000 TO WATER HEATER DOOR LATCH.

NOTES:

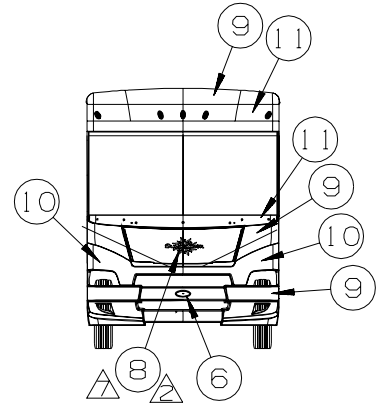
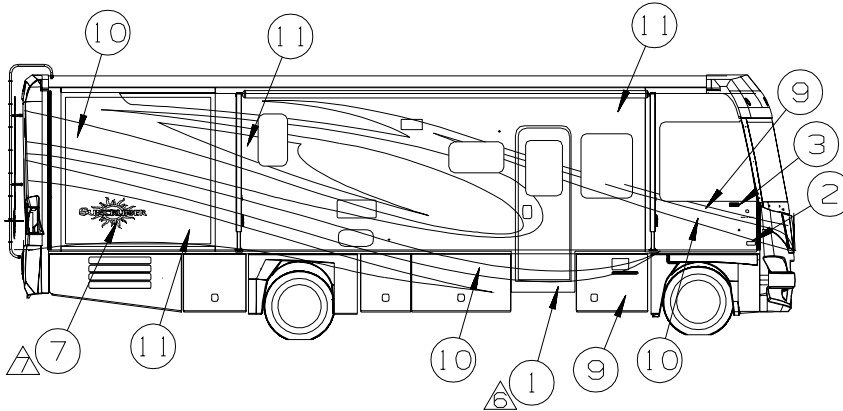
- (IPV) WORKHORSE 24,000#-22.5 TIRE
- (1PS) WORKHORSE 22,000#-22.5 TIRE
- (16L) FORD 22,000#-22.5 AL WHL
- (92K) EXTERIOR GRAPHICS PACKAGE #2
- (276) EXTERIOR GRAPHICS PACKAGE #1

EXTERIOR BODY GROUP (CONTINUED)

GRAPHICS & PAINT (CONTINUED)



FULL BODY PAINT



(27A) KEYS	PART NUMBER	U/M	DESCRIPTION ALPINE FROST
1	109506-01-000	EA	FILM-URETHANE PROTECTANT
2	129922-02-CHT(01A)	EA	EMBLEM-TRITON V10 (3 VALVE) - BLACK/CHROME
3	132664-02-CHT(01A)	EA	DECAL-LOGO DOMED WINNEBAGO - CHROME/RED/BLACK
4	GL	PAINT-CLEAR COAT - SHERWIN WILLIAMS
5	157825-02-000	EA	KIT-PAINT PROTECTION
6	151687-02-CHT(01A)	EA	DECAL/BEZEL- DOMED NAMEPLATE ITASCA - CHROME/WHITE/BLACK/TEAL
7	153826-01-CHT(03A)	EA	DECAL-LOGO, DOMED, SUNCRUISER, LG - GREEN/CRYSTAL GREEN
8	153826-02-CHT(03A)	EA	DECAL-LOGO, DOMED, SUNCRUISER, SML - GREEN/CRYSTAL GREEN
9	GL	PAINT-BRT PLATINUM MET - SHERWIN WILLIAMS #48823
10	GL	PAINT-SILVER MET - SHERWIN WILLIAMS #43638
11	GL	PAINT-NEW WIND VEIL MET - SHERWIN WILLIAMS #62974
12	EA	DECAL-EMBLEM - CHASSIS SUPPLIED
13	GL	PAINT-BLACK - SHERWIN WILLIAMS #1738

(92A) KEYS	PART NUMBER	U/M	DESCRIPTION SPICE
1	109506-01-000	EA	FILM-URETHANE PROTECTANT
2	129922-02-CHT(01A)	EA	EMBLEM-TRITON V10 (3 VALVE) - BLACK/CHROME
3	132664-02-CHT(01A)	EA	DECAL-LOGO DOMED WINNEBAGO - CHROME/RED/BLACK
4	GL	PAINT-CLEAR COAT - SHERWIN WILLIAMS
5	157825-02-000	EA	KIT-PAINT PROTECTION
6	151687-02-CHT(01A)	EA	DECAL/BEZEL- DOMED NAMEPLATE ITASCA - CHROME/WHITE/BLACK/TEAL
7	153826-01-CHT(04A)	EA	DECAL-LOGO, DOMED, SUNCRUISER, LG - PEWTER/DK COPPER
8	153826-02-CHT(04A)	EA	DECAL-LOGO, DOMED, SUNCRUISER, SML - PEWTER/DK COPPER
9	GL	PAINT-SAND MICA MET - SHERWIN WILLIAMS #50381 ATL #3
10	GL	PAINT-POLISHED PEWTER MET - SHERWIN WILLIAMS #63499
11	EA	PAINT-MOJAVE MIST MET - SHERWIN WILLIAMS #64139
12	EA	DECAL-EMBLEM - CHASSIS SUPPLIED
13	GL	PAINT-BLACK - SHERWIN WILLIAMS #1738

8. END PANELS OF SLIDEOUT ROOMS WILL BE PAINTED WITH BASE COAT AND CLEAR COAT ONLY. THERE WILL BE NO COLORED DESIGN GRAPHICS ELEMENTS PAINTED ON THE END PANELS.

- △ LOGO IS TO BE HELD TO ±1 MM ON A HORIZONTAL PLANE (END TO END).
- △ FILM TO PROTECT BOTTOM OF DOOR FROM SCUFF MARKS.
- △ DIE CUT ACRYLIC FILM, USED TO PROTECT FULL BODY PAINTED UNITS.
- 4. ON FULL BODY PAINTED UNITS USE 145487-02-000 (100 FT) TO COVER UNSEALED ROOF SEAMS.
- △ CLEAR COAT TO BE APPLIED ON ENTIRE UNIT TO PROTECT PAINT.
- △ CENTER ON UNIT.
- 1. APPLY PROTECTOR 116424-01-000 TO WATER HEATER DOOR LATCH.

- (1PV) WORKHORSE 24,000*-22.5 TIRE
- (1PS) WORKHORSE 22,000*-22.5 TIRE
- (16L) FORD 22,000*-22.5 AL WHL
- (24P) MASK FRONT EXT PROTECTIVE
- (92A) EXT FULL BODY PAINT PKG # 2
- (27A) EXT FULL BODY PAINT PKG # 1

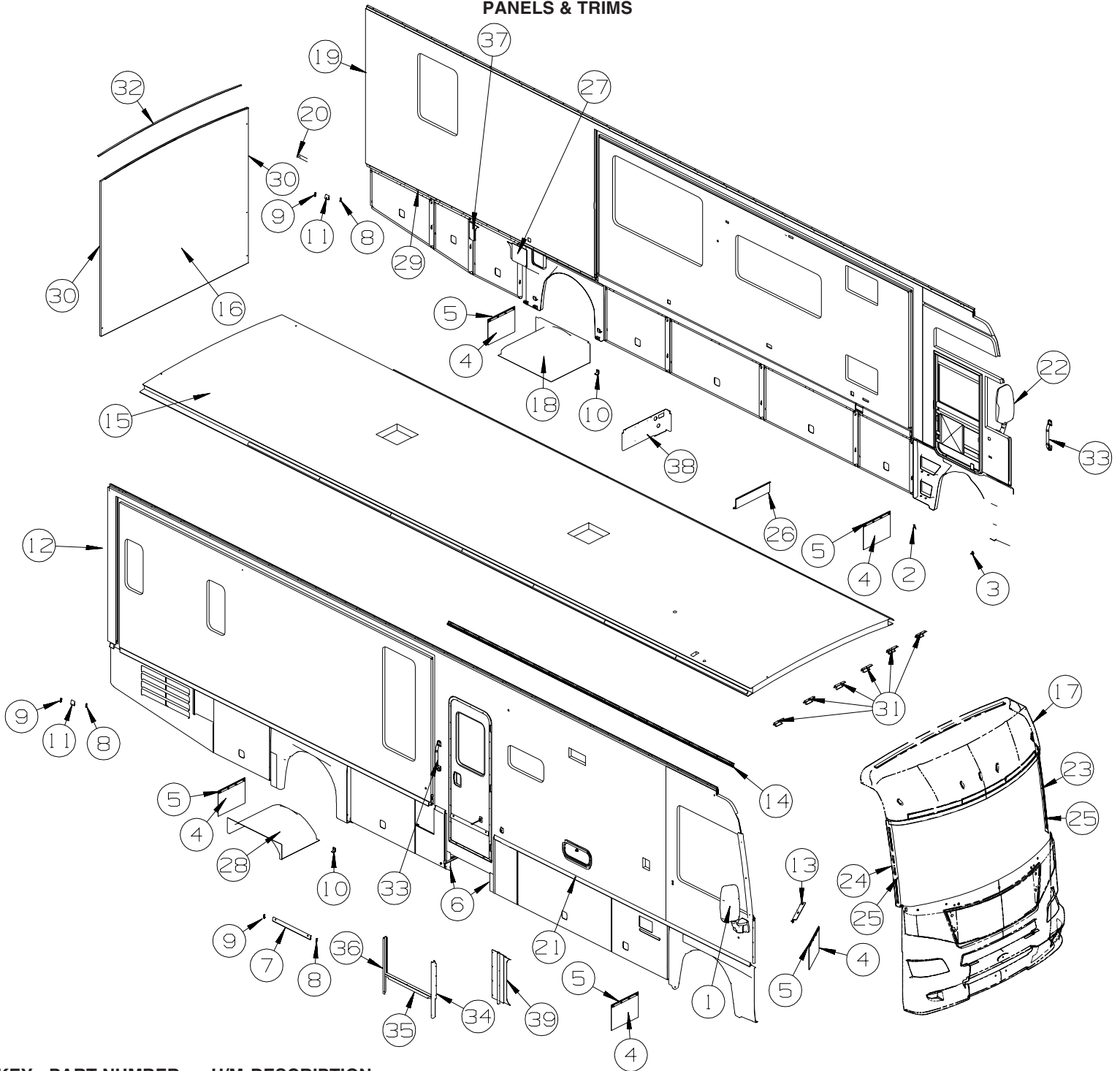
NOTES:

**DUPONT COLOR CODES ARE NOW FOUND IN THE PAINT CODE MANUAL.
YOU CAN FIND THIS MANUAL ON YOUR DEALER INDEX WEBPAGE UNDER SERVICE.**

KEY	PART NUMBER	U/M	DESCRIPTION
	093681-39-01A	FT	FILM - 3.1" - FLAT BLACK - SLIDEOUT ROOMS
	093681-40-01A	FT	FILM - 2" - FLAT BLACK - DRIVERS DOOR
	072882-01-000	EA	PAINT - 16 OUNCE SPRAY - OFF WHITE

EXTERIOR BODY GROUP (CONTINUED)

PANELS & TRIMS



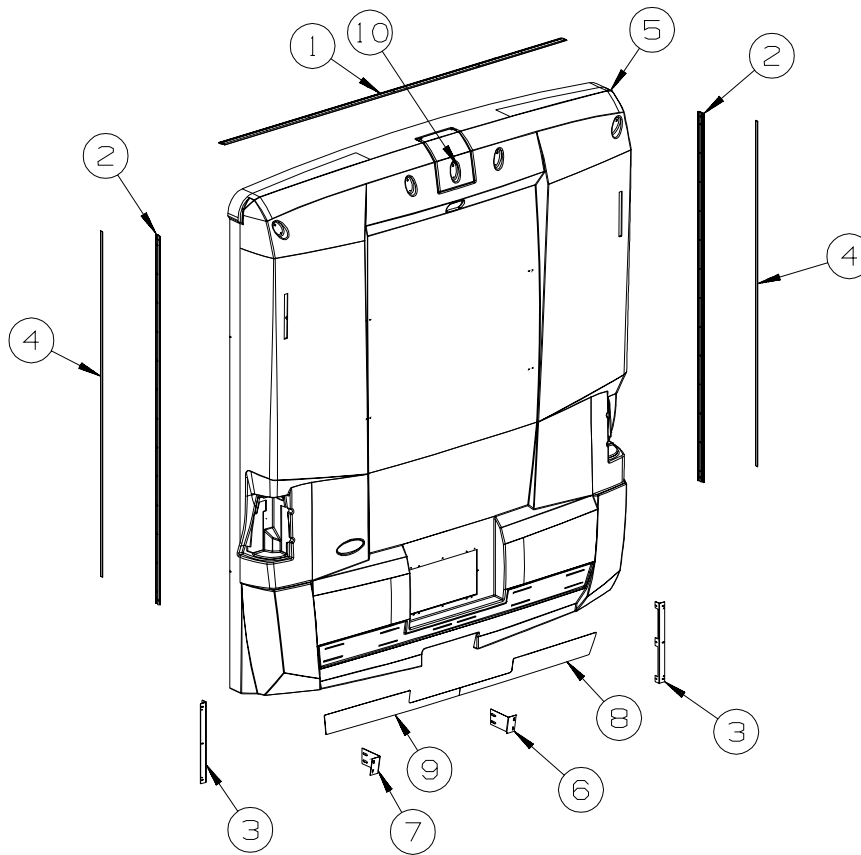
KEY	PART NUMBER	U/M	DESCRIPTION
1*	142721-01-01A	EA	MIRROR - EXTERIOR REMOTE/HEAT/PASS - (BREAKAWAY) - BLACK
1*	142721-01-02A	EA	MIRROR - EXTERIOR REMOTE/HEAT/PASS - (BREAKAWAY) - CHROME - FULL BODY PAINT
2	150742-01-02A	EA	CAP/TRIM - DRIVER DOOR - BLACK
3	150742-02-02A	EA	CAP/TRIM - DRIVER DOOR - BLACK
4	017516-01-000	EA	MUD FLAP - 14"H X 18"W - W/O MOUNTING HOLES - RUBBER - BLK
5	140922-01-02B	EA	RETAINER - MUD FLAP - 1" X 17.7" - E-COATED/BLACK
6	121117-09-02B	EA	ANGLE - W/O SLOTS - 9.8" X 3" - E-COATED
7	149822-01-02A	EA	TRIM - SIDEWALL/ENTRY DOOR - 25.3" - BLACK
8	146576-01-02A	EA	END CAP/TRIM - RIGHT HAND - BLACK
9	146576-02-02A	EA	END CAP/TRIM - LEFT HAND - BLACK
10	119568-01-01A	EA	STANDOFF - VALANCE PANEL - BLACK
11	146550-01-02A	EA	TRIM COVER - SIDEWALL - 182" - BLACK
12	157912-01-U90	EA	SIDEWALL - PASSENGER - W/O WINDOWS/TRIMS (UA1, UA2, UA3, UM4)
12	157912-01-U94	EA	SIDEWALL - PASSENGER - W/O WINDOWS/TRIMS (UA5, UA6, UA7, UM5)
12	157912-01-U98	EA	SIDEWALL - PASSENGER - W/O WINDOWS/TRIMS (UB1, UB2, UB3, UM6)

EXTERIOR BODY GROUP (CONTINUED)
PANELS & TRIMS (CONTINUED)

KEY	PART NUMBER	U/M	DESCRIPTION
13	132695-01-02B	EA	ANGLE - MUDFLAP - E-COATED
14	157284-01-01A	EA	RAIL - AWNING - 192" - BRIGHT WHITE
15	157914-01-U90	EA	ROOF - W/O LIGHTS/VENTS - W/WIRING
16	156593-08-UA1	EA	BACKWALL/INNER - W/O REAR CAP (UA1, UM4)
16	156593-08-UA2	EA	BACKWALL/INNER - W/O REAR CAP (UA2)
16	156593-08-UA3	EA	BACKWALL/INNER - W/O REAR CAP (UA3)
16	156593-08-UA5	EA	BACKWALL/INNER - W/O REAR CAP (UA5, UM5)
16	156593-08-UA6	EA	BACKWALL/INNER - W/O REAR CAP (UA6)
16	156593-08-UA7	EA	BACKWALL/INNER - W/O REAR CAP (UA7)
16	156593-08-UB1	EA	BACKWALL/INNER - W/O REAR CAP (UB1, UM6)
16	156593-08-UB2	EA	BACKWALL/INNER - W/O REAR CAP (UB2)
16	156593-08-UB3	EA	BACKWALL/INNER - W/O REAR CAP (UB3)
17	153030-04-U90	EA	CAP - ROOF - W/O LIGHTS/WIRING
18	131365-01-000	EA	WHEELWELL - PLASTIC
19	157913-01-U90	EA	SIDEWALL - DRIVER - W/O WINDOWS/TRIMS (UA1, UA2, UA3, UM4)
19	157913-01-U94	EA	SIDEWALL - DRIVER - W/O WINDOWS/TRIMS (UA5, UA6, UA7, UM5)
19	157913-01-U98	EA	SIDEWALL - DRIVER - W/O WINDOWS/TRIMS (UB1, UB2, UB3, UM6)
20	146548-01-01A	EA	TRIM - RETAINER - 143.8" - MILL
21	153498-01-02A	EA	BUMPER - RUBBER - BLACK
22*	142721-02-01A	EA	MIRROR - EXTERIOR REMOTE/HEAT/DRVR - (BREAKAWAY) - BLACK
22*	142721-02-02A	EA	MIRROR - EXTERIOR REMOTE/HEAT/DRVR - (BREAKAWAY) - CHROME - FULL BODY PAINT
23	125384-16-02A	EA	TRIM - WINDSHIELD - A-PILLAR - DRIVER - BLACK
24	125384-15-02A	EA	TRIM - WINDSHIELD - A-PILLAR - PASSENGER - BLACK
25	099418-01-000	FT	SEAL - D-SECTION/ADHESIVE BACK - .44" X .44" - BLK RUBBER
26	133569-04-02B	EA	PANEL - COVER - LP - E-COATED
27	132605-29-02B	EA	PLATE/SEAL - FILLER PANEL - E-COATED
28	154397-01-000	EA	WHEELWELL - PLASTIC
29	104692-01-000	FT	SEAL - ADHESIVE BACKED FOAM - 3/4" THICK X 3/4" WIDE X 25'
30	156622-01-01A	FT	SEALER - TAPE - 1/4"THICK X 3"WIDE X 100 FT
31	134774-01-02B	EA	BRACKET - CAB ATTACHMENT - E-COATED
32	114248-02-04A	EA	ANGLE - PLASTIC - .7" X .4" X 96.7" - BEIGE
33	157749-02-01A	EA	ASSIST HANDLE - LIGHTED - 18" - CHROME
			FROM: 00-00-00 THRU: 03-19-06
33	157749-03-01A	EA	ASSIST HANDLE - NON-LIGHTED - 18" - "ITASCA" ETCHED-CHROME
			FROM: 03-20-06 THRU: 99-99-99
34	133100-09-01A	EA	TRIM - SIDEWALL - 30.7" - BLACK
35	152800-01-01A	EA	TRIM - SIDEWALL/ENTRY STEP - 33.2" - BLACK
36	133100-10-01A	EA	TRIM - SIDEWALL - 30.7" - BLACK
37	132605-30-02B	EA	PLATE/SEAL - FILLER PANEL - E-COATED
38	154367-05-02B	EA	BRACKET/MOUNT - INVERTER - E-COATED
39	132605-28-02B	EA	PLATE/SEAL - FILLER PANEL - E-COATED

*COMPONENT PARTS LISTED LATER IN THIS GROUP

EXTERIOR BODY GROUP (CONTINUED)
PANELS & TRIMS (CONTINUED)



KEY	PART NUMBER	U/M	DESCRIPTION
1	083805-23-000	EA	TRIM - ROOF CAP - 92.1" - BRIGHT WHITE
2	092041-01-03A	EA	TRIM - FRONT/REAR CAP (SIDEWALL) - 83.1" - BRIGHT WHITE
3	138789-01-02B	EA	ANGLE/MOUNT - WHEEL LIP/BACKWALL - E-COATED
4	091985-01-07A	FT	INSERT - TRIM - REAR CAP TO SIDEWALL - .66" - BRIGHT WHITE
5	159262-03-U90	EA	PANEL - REAR CAP - W/CAMERA MOUNT
5	159262-07-UA1	EA	PANEL - REAR CAP - W/CAMERA MOUNT - FULL BODY PAINT
6	153465-01-02B	EA	BRACE - REAR CAP - RH
7	153465-02-02B	EA	BRACE - REAR CAP - LH
8	153429-01-01A	EA	TRIM/ACCENT - REAR CAP/RH HAND - STAINLESS STEEL
9	153429-02-01A	EA	TRIM/ACCENT - REAR CAP/LH HAND - STAINLESS STEEL
10	153299-02-T77	EA	PANEL - ACCESS/CAMERA
10	153299-02-UM1	EA	PANEL - ACCESS/CAMERA - FULL BODY PAINT

EXTERIOR BODY GROUP (CONTINUED)
COMPONENT PARTS FOR PANELS & TRIMS

142721-01-01A, 142721-02-01A

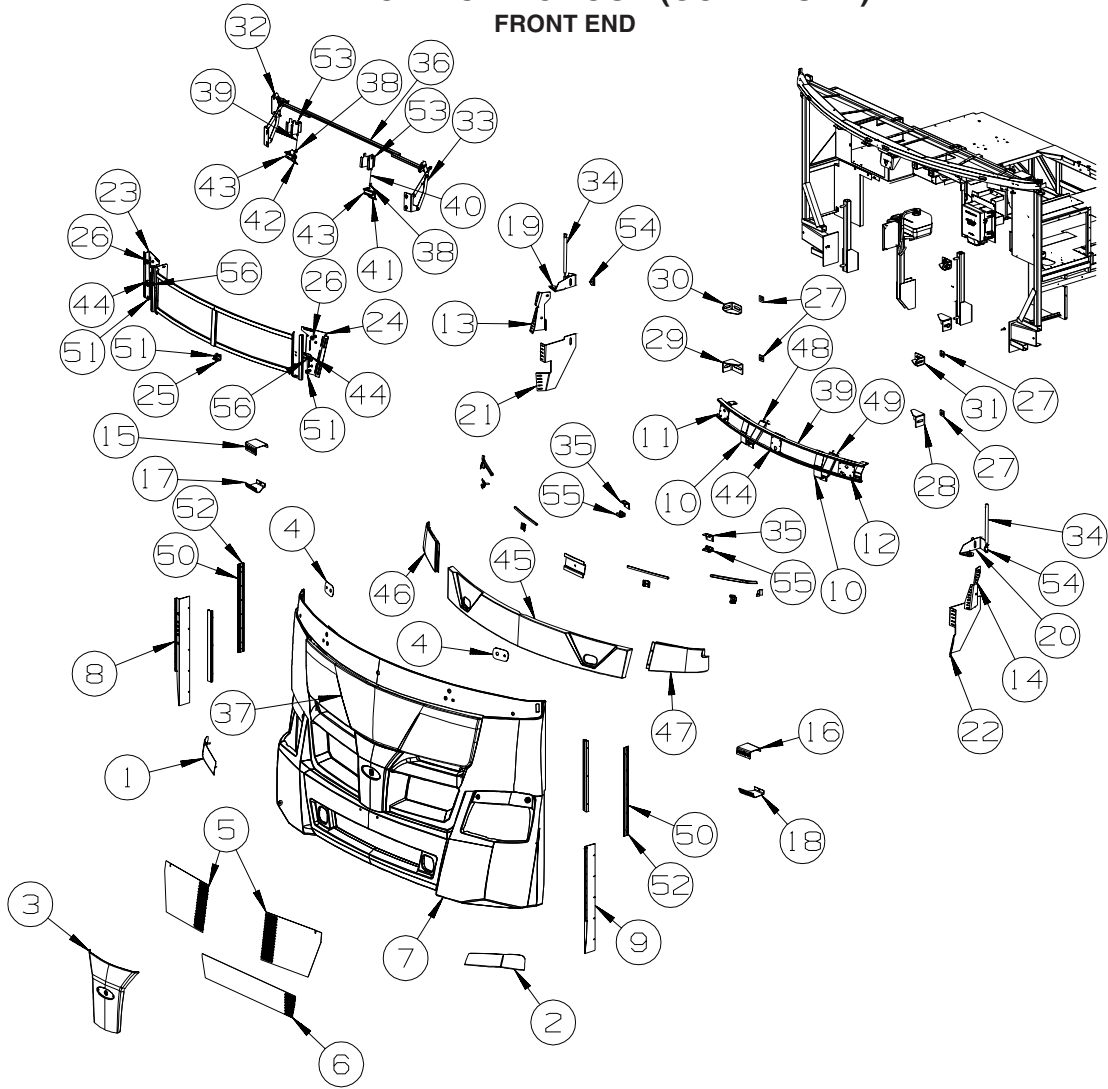
KEY	PART NUMBER	U/M	DESCRIPTION	VENDOR NO.
	106015-16-700	EA	GLASS/FLAT-W/HEAT ELEMENT	709450
	106015-18-700	EA	GLASS/CONVEX	709650
	106015-18-702	EA	MOTOR - FLAT GLASS	7471180
	106015-18-703	EA	GLASS/CONVEX-ACT/HOUSING	709651
	131431-03-700	EA	LIGHT/TURN SIGNAL - AMBER	7475510
	142721-01-700	EA	COVER/CAP - BOTTOM	Q709678
	142721-01-701	EA	CAP - RECTANGULAR (VELVAC)	709557
	142721-01-702	EA	BRACKET/MOUNT - MIRROR	7096800
	142721-01-703	EA	GASKET/MOUNT - MIRROR	7094700
	142721-01-704	EA	SET SCREW - 5/16"-18 X 1.25"	4082140

142721-01-02A, 142721-02-02A

KEY	PART NUMBER	U/M	DESCRIPTION	VENDOR NO.
	106015-16-700	EA	GLASS/FLAT-W/HEAT ELEMENT	709450
	106015-18-700	EA	GLASS/CONVEX	709650
	106015-18-701	EA	ACTUATOR - CONVEX GLASS	7475410
	106015-18-702	EA	MOTOR - FLAT GLASS	7471180
	106015-18-703	EA	GLASS/CONVEX-ACT/HOUSING	709651 KIT
	131431-03-700	EA	LIGHT/TURN SIGNAL - AMBER	7475510
	142721-01-700	EA	COVER/CAP - BOTTOM	Q709678
	142721-01-701	EA	CAP - RECTANGULAR (VELVAC)	709557
	142721-01-702	EA	BRACKET/MOUNT - MIRROR	7096800
	142721-01-703	EA	GASKET/MOUNT - MIRROR	7097400
	142721-01-704	EA	SET SCREW - 5/16"-18 X 1.25"	4082140

EXTERIOR BODY GROUP (CONTINUED)

FRONT END



KEY	PART NUMBER	U/M	DESCRIPTION
1	154142-01-01A	EA	TRIM - PANEL/FRONT END - PASSENGER - CHROME PLATED
2	154142-02-01A	EA	TRIM - PANEL/FRONT END - DRIVER - CHROME PLATED
3	154182-01-01A	EA	TRIM - FRONT END/CENTER - CHROME PLATED
4	145222-01-01A	EA	BOOT/COWL
5	148172-03-02A	EA	GRILLE - FRONT/UPPER - BRIGHT DIPPED
6	148172-04-02A	EA	GRILLE - FRONT/LOWER - BRIGHT DIPPED
7	153880-02-T89	EA	PANEL - FRONT/LOWER - W/O HOOD/GRILLE/LIGHTS
7	153880-02-UM4	EA	PANEL - FRONT/LOWER - W/O HOOD/GRILLE/LIGHTS - FULL BODY PAINT
8	143561-03-02B	EA	BRACKET - FRONT END - RIGHT HAND - E-COATED
9	143561-04-02B	EA	BRACKET - FRONT END - LEFT HAND - E-COATED
10	144208-02-02B	EA	BRACKET/STRIKER - HOOD - E-COATED
11	149788-10-02B	EA	SUPPORT - PIVOT SHAFT - E-COATED
12	149788-12-02B	EA	SUPPORT - PIVOT SHAFT - E-COATED
13	154327-02-02B	EA	SUPPORT - HEADLAMP - INNER/RIGHT HAND - E-COATED
14	154327-04-02B	EA	SUPPORT - HEADLAMP - INNER/LEFT HAND - E-COATED
15	154413-01-02B	EA	SUPPORT - FOG LAMP - UPPER/RIGHT HAND - E-COATED
16	154413-02-02B	EA	SUPPORT - FOG LAMP - UPPER/LEFT HAND - E-COATED
17	154414-01-02B	EA	SUPPORT - FOG LAMP - LOWER/RIGHT HAND - E-COATED
18	154414-02-02B	EA	SUPPORT - FOG LAMP - LOWER/LEFT HAND - E-COATED
19	154459-01-02B	EA	SUPPORT - FRONT END - UPPER/RIGHT HAND - E-COATED
20	154459-02-02B	EA	SUPPORT - FRONT END - UPPER/LEFT HAND - E-COATED
21	154460-01-02B	EA	SUPPORT - FRONT END - LOWER/RIGHT HAND - E-COATED
22	154460-02-02B	EA	SUPPORT - FRONT END - LOWER/LEFT HAND - E-COATED
23	154526-02-02B	EA	SUPPORT - HINGE/HOOD - RIGHT HAND - E-COATED
			FROM: 00-00-00 THRU: 03-05-06
23	154526-06-02B	EA	SUPPORT - HINGE/HOOD - RIGHT HAND - E-COATED
			FROM: 03-06-06 THRU: 99-99-99

EXTERIOR BODY GROUP (CONTINUED)
FRONT END (CONTINUED)

KEY	PART NUMBER	U/M	DESCRIPTION
24	154526-04-02B	EA	SUPPORT - HINGE/HOOD - LEFT HAND - E-COATED FROM: 00-00-00 THRU: 03-05-06
24	154526-08-02B	EA	SUPPORT - HINGE/HOOD - LEFT HAND - E-COATED FROM: 03-06-06 THRU: 99-99-99
25	156245-02-02B	EA	BRACKET - HOOD/BUMPER - CENTER - E-COATED
26	058786-04-000	EA	BOLT - HOOD ADJUSTMENT - 5/16"-18 X 2"-2.5" - W/BLACK PAD
27	116617-02-02B	EA	SPACER - BUMPER
28	128455-01-02B	EA	BRACKET - BUMPER - E-COATED
29	128455-02-02B	EA	BRACKET - BUMPER - E-COATED
30	128455-09-02B	EA	BRACKET - BUMPER - E-COATED
31	128455-10-02B	EA	BRACKET - BUMPER - E-COATED
32	137072-11-01A	EA	HINGE - HOOD - PASSENGER - BLACK
33	137072-12-01A	EA	HINGE - HOOD - DRIVER - BLACK
34	142569-28-000	EA	SPRING/GAS - 74 LB - 18.5" EXTENDED/11" COMPRESSED
35	144209-02-02B	EA	ANGLE/STRIKER - HOOD - E-COATED
36	154207-02-02B	EA	TUBE/TIMING - HOOD - E-COATED
37	154347-01-T89	EA	HOOD - FRONT - W/O HARDWARE
37	154347-01-UM4	EA	HOOD - FRONT - W/O HARDWARE - FULL BODY PAINT
38	102265-01-000	EA	CLIP/ROD END - 5/32" - BLACK PLASTIC
39	145521-07-01A	EA	ROD - HOOD LATCH
40	145521-08-01A	EA	ROD - HOOD LATCH
41	147388-01-02B	EA	LATCH/PADDLE - E-COAT
42	147388-02-02B	EA	LATCH/PADDLE - E-COAT
43	139160-01-01A	EA	BRACKET - LATCH - PADDLE - MILL
44	156200-01-02B	EA	ADJUSTER - HOOD - E-COATED
45	154507-02-T89	EA	COWL - WINDSHIELD - CENTER/INNER
	099418-01-000	FT	SEAL - D-SECTION/ADHESIVE BACK - .44" X .44" - BLK RUBBER
46	154524-03-T89	EA	COWL - WINDSHIELD - PASSENGER
	076813-02-000	FT	SEAL-D BULB - .5" X .7" - MEDIUM SPONGE RUBBER - BLACK
47	154524-04-T89	EA	COWL - WINDSHIELD - DRIVER
	076813-02-000	FT	SEAL-D BULB - .5" X .7" - MEDIUM SPONGE RUBBER - BLACK
48	156216-01-02B	EA	BRACKET/SUPPORT - STRIKER/RH - E-COATED
49	156216-02-02B	EA	BRACKET/SUPPORT - STRIKER/LH - E-COATED
50	092041-16-01A	EA	TRIM - FRONT/REAR CAP (SIDEWALL) - 24.8" - BRIGHT WHITE FROM: 00-00-00 THRU: 10-17-06
50	162401-01-01A	EA	TRIM - LOWER FRONT/SIDEWALL - BRIGHT WHITE FROM: 10-18-06 THRU: 99-99-99
51	058786-01-000	EA	BOLT - HOOD ADJUSTMENT - 5/16"-18 X 1.5"-2" - W/BLACK PA
52	091985-01-07A	EA	INSERT - TRIM - REAR CAP TO SIDEWALL - .66" - BRIGHT WHITE
53	113908-02-000	EA	LATCH/PLUNGER - F/HOOD/REAR TRUNK/ENGINE/GENERATOR DOOR
54	126263-02-02B	EA	BRACKET - GAS SPRING W/BALL STUD - E-COATED
55	130053-01-01A	EA	STRIKER - LUGGAGE DOOR - FLUSH - BLACK
56	117046-01-000	EA	BUMPER - RUBBER/ROUND END - .9"

LADDER

KEY	PART NUMBER	U/M	DESCRIPTION
	129375-02-000	EA	SEAL - LADDER BRACKET
	150785-05-01A	EA	LADDER - LOWER - 35.6"/3 STEP - HINGED STANDOFF
	141624-02-01A	EA	LADDER - REAR CAP - BRUSHED ALUMINUM

EXTERIOR BODY GROUP (CONTINUED)
STRUCTURAL COMPONENTS

KEY	PART NUMBER	U/M	DESCRIPTION
	002766-01-001	EA	ANGLE - EXTRUDED - 1" X 1 1/2" X 17'
	089297-01-000	SF	PLYWOOD - LUAN - OVERLAY GRADE - 4' X 8'
	089297-03-000	SF	PLYWOOD - LUAN - OVERLAY GRADE - 4' X 8.3'
	100619-01-000	BF	FOAM - EXPANDED POLYSTYRENE - 1.34" X 48" X 96"
	100619-02-000	BF	FOAM - EXPANDED POLYSTYRENE - 1.5" X 48" X 96"
	100619-04-000	BF	FOAM - EXPANDED POLYSTYRENE - .5" X 48" X 96"
	100619-05-000	BF	FOAM - EXPANDED POLYSTYRENE - .75" X 48" X 96"-1.5"DENSITY
	100619-13-000	BF	FOAM - EXPANDED POLYSTYRENE-.34" X 34.7" X 96"-2" DENSITY
	100619-16-000	BF	FOAM - EXPANDED POLYSTYRENE - .75" X 48" X 96"-2" DENSITY
	100619-22-000	BF	FOAM - EXPANDED POLYSTYRENE - 1.34" X 48" X 120"
	108535-05-03A	SF	FIBERGLASS SHEET - 108" X 500' ROLL - BRIGHT WHITE
	116942-03-01A	LB	ALUMINUM - .7" X 40" X 158"
	120107-07-000	EA	FOAM - ROOF COVE
	128782-07-01A	EA	FIBERGLASS SHEET - 5/32" X 78.9" X 456" - HIGH GLOSS - BRT WHITE
	128782-17-01A	EA	FIBERGLASS SHEET - 30.9" X 74.7" - HIGH GLOSS - BRT WHITE
	128782-18-01A	EA	FIBERGLASS SHEET - 85.2" X 448.1" - HIGH GLOSS - BRT WHITE
	128782-21-01A	EA	FIBERGLASS SHEET - 31.1" X 75" - HIGH GLOSS - BRT WHITE
	128782-22-01A	EA	FIBERGLASS SHEET - 22" X 75" - HIGH GLOSS - BRT WHITE
	159630-01-01A	EA	LAMINATE SHEET - 4" X 94" - CHOCOLATE/GREEN
	151523-01-02A	EA	CEILING PANEL - 48" X 97.1" - VINYL/FOAM/LUAN - SPINDRIFT
	152490-01-000	EA	FOAM - PLUG - ROOF TUBE

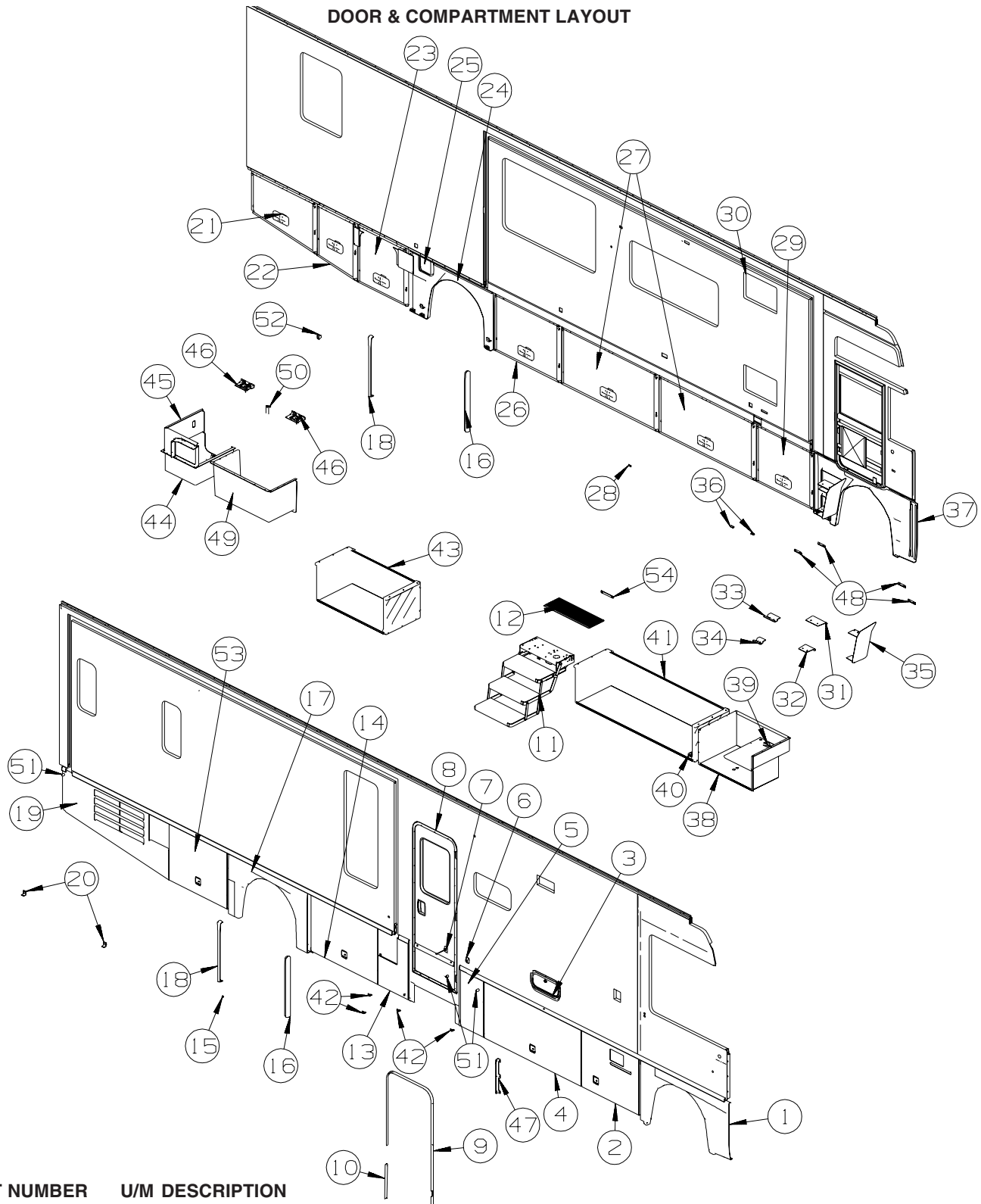
AWNINGS

ORDER AWNINGS & REPAIR PARTS FROM DOMETIC. CALL #800-366-3842.
THE DOMETIC AWNING INFORMATION YOU WILL NEED IS LOCATED ON THE MOTOR HOME NEAR
THE TOP OF THE AWNING RAIL.

KEY	PART NUMBER	U/M	DESCRIPTION
	127647-03-01A	EA	ROD/AWNING GUARD - ENTRY DOOR - 19.4" LONG - MANUAL
	113874-11-01A	EA	SCREW/LAG - AWNING - 1/4" X 1" STAINLESS STEEL
	113874-12-01A	EA	SCREW/LAG - AWNING - 1/4" X 2 3/4" STAINLESS STEEL
	137054-01-01A	EA	BRACKET - AWNING - BLACK - MANUAL FROM: 00-00-00 THRU: 12-10-06
	161748-01-04A	EA	BRACKET - AWNING - BLACK - MANUAL FROM: 12-11-06 THRU: 99-99-99
	137054-01-02A	EA	BRACKET - AWNING - BRIGHT WHITE - MANUAL/FULL BODY PAINT FROM: 00-00-00 THRU: 12-10-06
	161748-01-01A	EA	BRACKET - AWNING - BRIGHT WHITE - MANUAL/FULL BODY PAINT FROM: 12-11-06 THRU: 99-99-99
	146457-02-03A	EA	BRACKET - AWNING - BRIGHT WHITE - ELECTRIC, G35A, G38J, G38G
	146457-02-02A	EA	BRACKET - AWNING - BLACK - ELECTRIC, G35A, G38J, G38G/FULL BODY PAINT

EXTERIOR DOORS & COMPARTMENTS GROUP

DOOR & COMPARTMENT LAYOUT

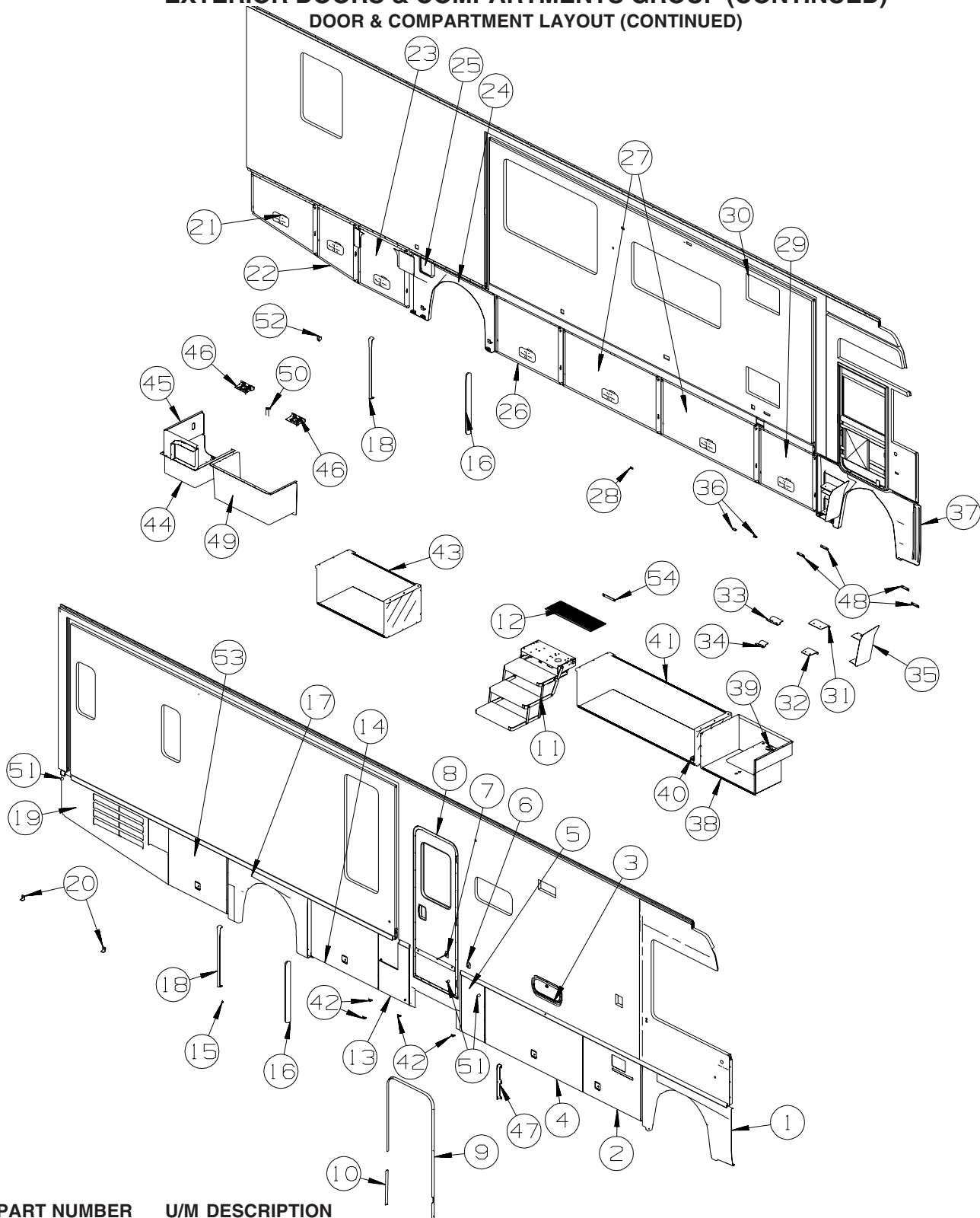


KEY	PART NUMBER	U/M	DESCRIPTION
1	154039-01-T77	EA	PANEL - WHEEL LIP - PASSENGER/FRONT
	139793-03-01A	EA	HINGE - CENTER/VALANCE DOOR - W/O BALL STUD
2	152148-13-T77	EA	VALANCE/DOOR - W/O LATCH/HDW - W/CUT OUT - 37.2" X 30.3"
	132873-D5-000	EA	ROD - LATCH - 21.7" W/3/4" DOG LEG
	135624-A7-01B	EA	ROD - LATCH
	142569-14-000	EA	SPRING/GAS - 100 LB - 20" EXTENDED/12" COMPRESSED
	126263-02-02B	EA	BRACKET - GAS SPRING W/BALL STUD - E-COATED
	130053-01-01A	EA	STRIKER - LUGGAGE DOOR - FLUSH - BLACK
	143793-01-01A	EA	SHIM - STRIKER - LUGGAGE - 3/64" - BLACK
	132892-08-01A	FT	SEAL - BULB/SINGLE - W/U CHANNEL - BLACK
3	126945-09-P07	EA	DOOR/STORAGE - W/O HARDWARE - 18.3" X 9.9"
3	126945-09-R38	EA	DOOR/STORAGE - W/O HARDWARE - 18.3" X 9.9" - FULL BODY PAINT

EXTERIOR DOORS & COMPARTMENTS GROUP (CONTINUED)
DOOR & COMPARTMENT LAYOUT (CONTINUED)

KEY	PART NUMBER	U/M	DESCRIPTION
4	152148-12-T77	EA	VALANCE/DOOR - W/O LATCH/HDW - 62.8" X 30.3"
	132873-D3-000	EA	ROD - LATCH - 25.3" W/3/4" DOG LEG
	135624-A6-01B	EA	ROD - LATCH
	142569-15-000	EA	SPRING/GAS - 120 LB - 20" EXTENDED/12" COMPRESSED
	126263-02-02B	EA	BRACKET - GAS SPRING W/BALL STUD - E-COATED
	130053-01-01A	EA	STRIKER - LUGGAGE DOOR - FLUSH - BLACK
	143793-01-01A	EA	SHIM - STRIKER - LUGGAGE - 3/64" - BLACK
	132892-08-01A	FT	SEAL - BULB/SINGLE - W/U CHANNEL - BLACK
	099418-01-000	FT	SEAL - D-SECTION/ADHESIVE BACK - .44" X .44" - BLK RUBBER
5	140983-15-T77	EA	VALANCE/PANEL - 14.9" X 30.3" - W/O HARDWARE
	139793-03-01A	EA	HINGE - CENTER/VALANCE DOOR - W/O BALL STUD
6	104099-02-04A	EA	CATCH/RETAINER - DOOR HOLDER - BRIGHT WHITE
6	104099-02-05A	EA	CATCH/RETAINER - DOOR HOLDER - BLACK - FULL BODY PAINT
7	104099-03-04A	EA	CATCH - DOOR HOLDER - STRIKE - 6" - BRIGHT WHITE
7	104099-03-05A	EA	CATCH - DOOR HOLDER - STRIKE - 6" - BLACK - FULL BODY PAINT
8	P32206-17-AA5	EA	DOOR - ENTRY W/SCREEN DOOR - W/O WINDOW/LATCH (UA1, UA2, UA3, UM4)
8	P32206-17-AA6	EA	DOOR - ENTRY W/SCREEN DOOR - W/O WINDOW/LATCH (UA5, UA6, UA7, UM5)
8	P32206-17-AA2	EA	DOOR - ENTRY W/SCREEN DOOR - W/O WINDOW/LATCH (UB1, UB2, UB3, UM6)
8	P32206-17-U89	EA	DOOR - ENTRY W/SCREEN DOOR - W/O WINDOW/LATCH (UA1, UA2, UA3, UM4) - FULL BODY PAINT
8	P32206-17-U93	EA	DOOR - ENTRY W/SCREEN DOOR - W/O WINDOW/LATCH (UA5, UA6, UA7, UM5) - FULL BODY PAINT
8	P32206-17-T85	EA	DOOR - ENTRY W/SCREEN DOOR - W/O WINDOW/LATCH (UB1, UB2, UB3, UM6) - FULL BODY PAINT
ENTRY DOOR LOCK CYLINDERS			
	138287-11-000	EA	CYLINDER/LOCK - ENTRY DOOR - MASTER W/3M ICON - (3041)
	138287-12-000	EA	CYLINDER/LOCK - ENTRY DOOR - MASTER W/3M ICON - (3042)
	138287-13-000	EA	CYLINDER/LOCK - ENTRY DOOR - MASTER W/3M ICON - (3043)
	138287-14-000	EA	CYLINDER/LOCK - ENTRY DOOR - MASTER W/3M ICON - (3044)
	138287-15-000	EA	CYLINDER/LOCK - ENTRY DOOR - MASTER W/3M ICON - (3045)
	138287-16-000	EA	CYLINDER/LOCK - ENTRY DOOR - MASTER W/3M ICON - (3046)
	138287-17-000	EA	CYLINDER/LOCK - ENTRY DOOR - MASTER W/3M ICON - (3047)
	138287-18-000	EA	CYLINDER/LOCK - ENTRY DOOR - MASTER W/3M ICON - (3048)
	138287-19-000	EA	CYLINDER/LOCK - ENTRY DOOR - MASTER W/3M ICON - (3049)
	138287-20-000	EA	CYLINDER/LOCK - ENTRY DOOR - MASTER W/3M ICON - (3050)
	138292-01-000	EA	SEAL - LOCK CYLINDER
VALANCE DOOR, DRIVER DOOR, & WATER FILL DOOR LOCK CYLINDERS			
	138289-11-000	EA	CYLINDER/LOCK - ACCESS DOORS - REDUCED SENSITIVITY (3041)
	138289-12-000	EA	CYLINDER/LOCK - ACCESS DOORS - REDUCED SENSITIVITY (3042)
	138289-13-000	EA	CYLINDER/LOCK - ACCESS DOORS - REDUCED SENSITIVITY (3043)
	138289-14-000	EA	CYLINDER/LOCK - ACCESS DOORS - REDUCED SENSITIVITY (3044)
	138289-15-000	EA	CYLINDER/LOCK - ACCESS DOORS - REDUCED SENSITIVITY (3045)
	138289-16-000	EA	CYLINDER/LOCK - ACCESS DOORS - REDUCED SENSITIVITY (3046)
	138289-17-000	EA	CYLINDER/LOCK - ACCESS DOORS - REDUCED SENSITIVITY (3047)
	138289-18-000	EA	CYLINDER/LOCK - ACCESS DOORS - REDUCED SENSITIVITY (3048)
	138289-19-000	EA	CYLINDER/LOCK - ACCESS DOORS - REDUCED SENSITIVITY (3049)
	138289-20-000	EA	CYLINDER/LOCK - ACCESS DOORS - REDUCED SENSITIVITY (3050)
	138288-11-000	EA	KEY - REVERSIBLE - #3041 - T/M 16169-02-3041
	138288-12-000	EA	KEY - REVERSIBLE - #3042 - T/M 16169-02-3042
	138288-13-000	EA	KEY - REVERSIBLE - #3043 - T/M 16169-02-3043
	138288-14-000	EA	KEY - REVERSIBLE - #3044 - T/M 16169-02-3044
	138288-15-000	EA	KEY - REVERSIBLE - #3045 - T/M 16169-02-3045
	138288-16-000	EA	KEY - REVERSIBLE - #3046 - T/M 16169-02-3046
	138288-17-000	EA	KEY - REVERSIBLE - #3047 - T/M 16169-02-3047
	138288-18-000	EA	KEY - REVERSIBLE - #3048 - T/M 16169-02-3048
	138288-19-000	EA	KEY - REVERSIBLE - #3049 - T/M 16169-02-3049
	138288-20-000	EA	KEY - REVERSIBLE - #3050 - T/M 16169-02-3050
9	139100-01-01A	EA	GARNISH/RADIUS - ENTRY DOOR - BRIGHT WHITE
9	139100-01-02A	EA	GARNISH/RADIUS - ENTRY DOOR - BLACK - FULL BODY PAINT
10	139101-01-01A	EA	GARNISH/STRAIGHT - W/NOTCH - 36.31" - BRIGHT WHITE
10	139101-01-02A	EA	GARNISH/STRAIGHT - ENTRY DOOR - BLACK - FULL BODY PAINT
11*	143709-02-01A	EA	STEP - ELECTRIC - TRIPLE - BLACK
	116975-01-01A	EA	LATCH - W/O STRIKE - BLACK - NEW STYLE
12	133114-01-01A	EA	TREAD - STEP/RUBBER - 29.3" X 10.1" - TAUPE
13	140983-14-T77	EA	VALANCE/PANEL - 19.5" X 30.5" - W/O HARDWARE
	139793-03-01A	EA	HINGE - CENTER/VALANCE DOOR - W/O BALL STUD

EXTERIOR DOORS & COMPARTMENTS GROUP (CONTINUED)
DOOR & COMPARTMENT LAYOUT (CONTINUED)



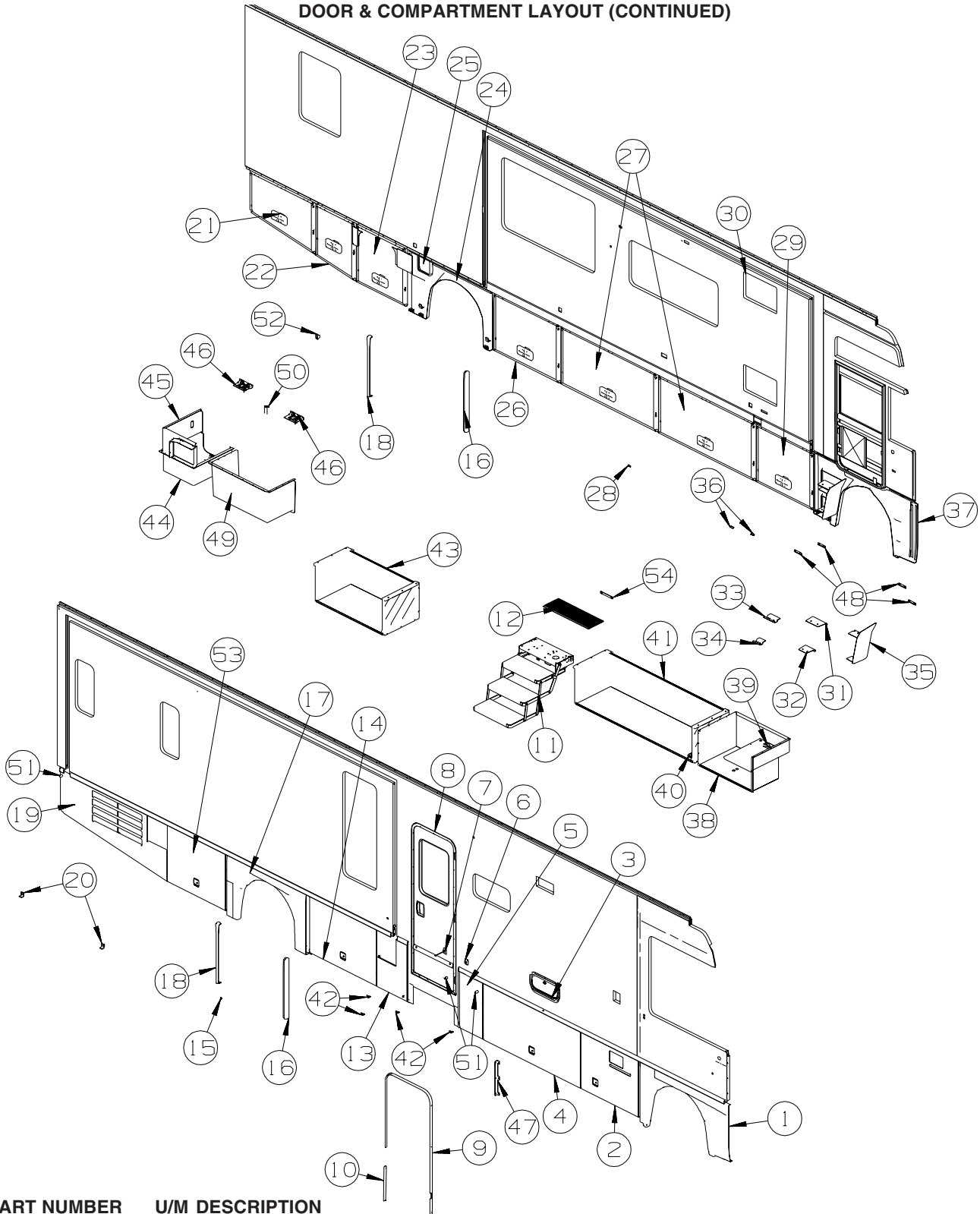
KEY	PART NUMBER	U/M	DESCRIPTION
14	152148-07-T77	EA	VALANCE/DOOR - W/O LATCH/HDW - 43.1" X 30.3"
	132873-29-000	EA	ROD - LATCH - 15.4" W/3/4" DOG LEG
	135624-77-01B	EA	ROD - LATCH
	142569-17-000	EA	SPRING/GAS - 90 LB - 12" EXTENDED/8.5" COMPRESSED
	126263-02-02B	EA	BRACKET - GAS SPRING W/BALL STUD - E-COATED
	130053-01-01A	EA	STRIKER - LUGGAGE DOOR - FLUSH - BLACK
	143793-01-01A	EA	SHIM - STRIKER - LUGGAGE - 3/64" - BLACK
	132892-08-01A	FT	SEAL - BULB/SINGLE - W/U CHANNEL - BLACK
	076767-14-000	EA	CABLE - STAINLESS STEEL - 14.9"
	099418-01-000	FT	SEAL - D-SECTION/ADHESIVE BACK - .44" X .44" - BLK RUBBER
15	143143-01-01A	EA	ANGLE - SUPPORT/TRIM

EXTERIOR DOORS & COMPARTMENTS GROUP (CONTINUED)
DOOR & COMPARTMENT LAYOUT (CONTINUED)

KEY	PART NUMBER	U/M	DESCRIPTION
16	154044-01-10A	EA	END CAP - WHEEL LIP - RIGHT HAND - BLACK
17	154040-08-T77	EA	PANEL - WHEEL LIP - PASSENGER/REAR
18	154044-02-10A	EA	END CAP - WHEEL LIP - LEFT HAND - BLACK
19	152148-27-T77	EA	VALANCE/DOOR - W/O HDW-W/CUT OUT/LOUVERED-68.8"X30" W/TAPER
20	140309-03-02B	EA	ANGLE - FURNACE DOOR - E-COATED
21	152148-30-T77	EA	VALANCE/DOOR - W/O LATCH/HDW - 42.5" X 26.9" - W/TAPER
	132873-F9-000	EA	ROD - LATCH - 29.8" W/3/4" DOG LEG
	135624-77-01B	EA	ROD - LATCH
	142569-17-000	EA	SPRING/GAS - 90 LB - 12" EXTENDED/8.5" COMPRESSED
	126263-02-02B	EA	BRACKET - GAS SPRING W/BALL STUD - E-COATED
	130053-01-01A	EA	STRIKER - LUGGAGE DOOR - FLUSH - BLACK
	143793-01-01A	EA	SHIM - STRIKER - LUGGAGE - 3/64" - BLACK
	132892-08-01A	FT	SEAL - BULB/SINGLE - W/U CHANNEL - BLACK
22	152148-29-T77	EA	VALANCE/DOOR - W/O LATCH/HDW - 26" X 30.3" - W/TAPER
	132873-21-000	EA	ROD - LATCH - 6.8" W/3/4" DOG LEG
	135624-75-01B	EA	ROD - LATCH
	142569-17-000	EA	SPRING/GAS - 90 LB - 12" EXTENDED/8.5" COMPRESSED
	126263-02-02B	EA	BRACKET - GAS SPRING W/BALL STUD - E-COATED
	130053-01-01A	EA	STRIKER - LUGGAGE DOOR - FLUSH - BLACK
	143793-01-01A	EA	SHIM - STRIKER - LUGGAGE - 3/64" - BLACK
	107721-07-000	FT	SEAL - ACCESS DOOR - .9"WIDE X 1.1"HIGH
	099418-01-000	FT	SEAL - D-SECTION/ADHESIVE BACK - .44" X .44" - BLK RUBBER
23	152148-04-T77	EA	VALANCE/DOOR - W/O LATCH/HDW - 32.7" X 30.3"
	132873-25-000	EA	ROD - LATCH - 10.2" W/3/4" DOG LEG
	135624-08-01B	EA	ROD - LATCH
	142569-14-000	EA	SPRING/GAS - 100 LB - 20" EXTENDED/12" COMPRESSED
	126263-02-02B	EA	BRACKET - GAS SPRING W/BALL STUD - E-COATED
	130053-01-01A	EA	STRIKER - LUGGAGE DOOR - FLUSH - BLACK
	143793-01-01A	EA	SHIM - STRIKER - LUGGAGE - 3/64" - BLACK
	107721-07-000	FT	SEAL - ACCESS DOOR - .9"WIDE X 1.1"HIGH
	099418-01-000	FT	SEAL - D-SECTION/ADHESIVE BACK - .44" X .44" - BLK RUBBER
24	154042-08-T77	EA	PANEL - WHEEL LIP - DRIVERS/REAR
	139793-03-01A	EA	HINGE - CENTER/VALANCE DOOR - W/O BALL STUD
25	154043-02-T77	EA	PANEL/DOOR - FUEL FILL - W/O LOCK - BLACK
*	110506-A2-000	EA	LOCK - TWIST - 26.45MM
	110506-51-000	EA	CASE/CYLINDER - TWIST LATCH - W/O CAM - 1" - 596669
	110506-78-000	EA	CAM - LATCHING - 2.3"
	153306-01-01A	EA	HINGE - PIANO - 1 1/2" X 5" - UNPAINTED
26	152148-07-T77	EA	VALANCE/DOOR - W/O LATCH/HDW - 43.1" X 30.3"
	132873-29-000	EA	ROD - LATCH - 15.4" W/3/4" DOG LEG
	135624-77-01B	EA	ROD - LATCH
	142569-14-000	EA	SPRING/GAS - 100 LB - 20" EXTENDED/12" COMPRESSED
	126263-02-02B	EA	BRACKET - GAS SPRING W/BALL STUD - E-COATED
	130053-01-01A	EA	STRIKER - LUGGAGE DOOR - FLUSH - BLACK
	143793-01-01A	EA	SHIM - STRIKER - LUGGAGE - 3/64" - BLACK
	132892-08-01A	FT	SEAL - BULB/SINGLE - W/U CHANNEL - BLACK
	099418-01-000	FT	SEAL - D-SECTION/ADHESIVE BACK - .44" X .44" - BLK RUBBER
27	152148-12-T77	EA	VALANCE/DOOR - W/O LATCH/HDW - 62.8" X 30.3"
	132873-D3-000	EA	ROD - LATCH - 25.3" W/3/4" DOG LEG
	135624-A6-01B	EA	ROD - LATCH
	142569-15-000	EA	SPRING/GAS - 120 LB - 20" EXTENDED/12" COMPRESSED
	126263-02-02B	EA	BRACKET - GAS SPRING W/BALL STUD - E-COATED
	130053-01-01A	EA	STRIKER - LUGGAGE DOOR - FLUSH - BLACK
	130053-02-01A	EA	STRIKER - LUGGAGE DOOR - OFF SET - BLACK
	143793-01-01A	EA	SHIM/STRIKER - LUGGAGE - 1.5" - BLACK
	120494-04-02B	EA	SHIM - STRIKER - LUGGAGE DOOR - 3/16" - E-COATED
	132892-08-01A	FT	SEAL - BULB/SINGLE - W/U CHANNEL - BLACK
	099418-01-000	FT	SEAL - D-SECTION/ADHESIVE BACK - .44" X .44" - BLK RUBBER
28	143143-02-01A	EA	ANGLE - SUPPORT/TRIM

EXTERIOR DOORS & COMPARTMENTS GROUP (CONTINUED)

DOOR & COMPARTMENT LAYOUT (CONTINUED)

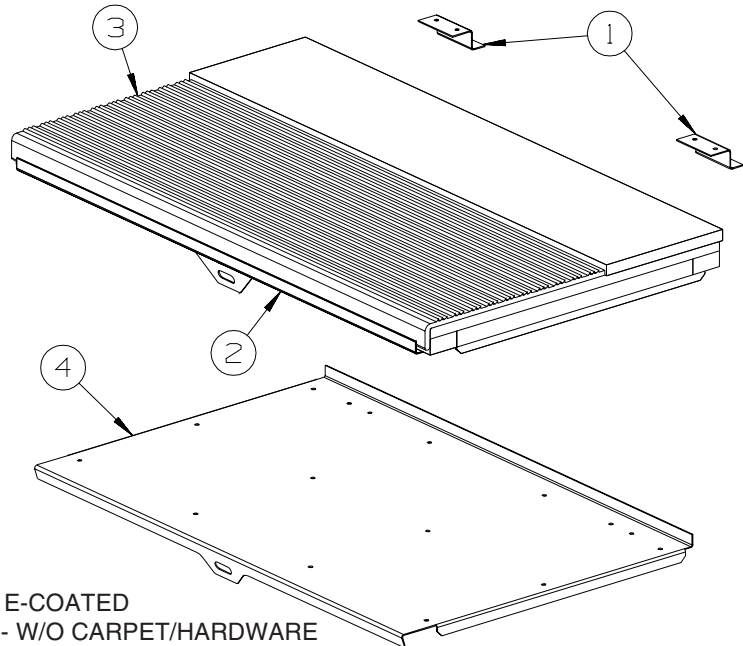


KEY	PART NUMBER	U/M	DESCRIPTION
29	152148-06-T77	EA	VALANCE/DOOR - W/O LATCH/HDW - 37.4" X 30.3"
	132873-27-000	EA	ROD - LATCH - 12.5" W/3/4" DOG LEG
	135624-76-01B	EA	ROD - LATCH
	142569-14-000	EA	SPRING/GAS - 100 LB - 20" EXTENDED/12" COMPRESSED
	126263-02-02B	EA	BRACKET - GAS SPRING W/BALL STUD - E-COATED
	130053-01-01A	EA	STRIKER - LUGGAGE DOOR - FLUSH - BLACK
	130053-02-01A	EA	STRIKER - LUGGAGE DOOR - OFF SET - BLACK
	143793-01-01A	EA	SHIM/STRIKER - LUGGAGE - 1.5" - BLACK
	120494-04-02B	EA	SHIM - STRIKER - LUGGAGE DOOR - 3/16" - E-COATED
	132892-08-01A	FT	SEAL - BULB/SINGLE - W/U CHANNEL - BLACK
	099418-01-000	FT	SEAL - D-SECTION/ADHESIVE BACK - .44" X .44" - BLK RUBBER

EXTERIOR DOORS & COMPARTMENTS GROUP (CONTINUED)
DOOR & COMPARTMENT LAYOUT (CONTINUED)

KEY	PART NUMBER	U/M	DESCRIPTION
30	137395-01-01A	EA	DOOR - REFRIGERATOR VENT - 21.6" X 13.9" - BRIGHT WHITE
31	154383-01-04B	EA	TREAD/STEP - DRIVER - BLACK
32	154383-02-04B	EA	TREAD/STEP - DRIVER - BLACK
33	138143-06-02B	EA	SUPPORT/STEP - DRIVER - E-COATED
34	138143-08-02B	EA	SUPPORT/STEP - DRIVER - E-COATED
35	144919-03-02B	EA	DIRT GUARD - E-COATED
36	132597-01-02B	EA	ANGLE/SUPPORT/TRIM - 2" - E-COATED
37	154041-01-T77	EA	PANEL - WHEEL LIP - DRIVERS/FRONT
	132654-07-01A	EA	SUPPORT - WHEEL LIP - BLACK - 4.5"
38	152067-01-T80	EA	COMPARTMENT - WATER HEATER
39	148331-01-01A	EA	PLUG - OVAL/LARGE - BLACK
40	009426-01-000	EA	HATCH - POWER CORD - WHITE
41	152066-08-T77	EA	COMPARTMENT - LUGGAGE
42	138789-01-02B	EA	ANGLE/MOUNT - WHEEL LIP/BACKWALL - E-COATED
43	152066-14-U89	EA	COMPARTMENT - LUGGAGE
44	132315-06-000	EA	COMPARTMENT - POWER CORD
45	151736-01-02B	EA	PANEL ASM-POWER CORD ,E-CT
46*	142226-02-01A	EA	HATCH - POWER
47	132315-06-000	EA	COMPARTMENT - POWER CORD
48	132654-07-01A	EA	SUPPPORT - WHEEL LIP - BLACK - 4.5"
49	150880-01-000	EA	COMPARTMENT - DRAINAGE - PLASTIC
50	130377-02-000	EA	TUBE/DRAIN - KAZOO - 1 1/2" X 4"
51	120863-02-000	EA	BUMPER - RUBBER/RADIUS TOP - 1" X 1 1/2"
52	131383-03-02A	EA	BRACKET - SHOWER HEAD - WHITE
53	152148-28-T77	EA	VALANCE/DOOR - W/O LATCH/HDW - 37.4" X 30.3"
	132873-27-000	EA	ROD - LATCH - 12.5" W/3/4" DOG LEG
	135624-76-01B	EA	ROD - LATCH
	076767-14-000	EA	CABLE - STAINLESS STEEL - 14.9"
	142569-17-000	EA	SPRING/GAS - 90 LB - 12" EXTENDED/8.5" COMPRESSED
	126263-02-02B	EA	BRACKET - GAS SPRING W/BALL STUD - E-COATED
	130053-01-01A	EA	STRIKER - LUGGAGE DOOR - FLUSH - BLACK
	143793-01-01A	EA	SHIM - STRIKER - LUGGAGE - 3/64" - BLACK
	132892-08-01A	FT	SEAL - BULB/SINGLE - W/U CHANNEL - BLACK
54	099856-11-000	EA	STRAP - TIEDOWN - 7.9"

*COMPONENT PARTS LISTED LATER IN THIS GROUP



KEY	PART NUMBER	U/M	DESCRIPTION
1	101222-01-04A	EA	BRACKET - CATCH - LID - E-COATED
2	P20256-07-000	EA	LID/DOOR - ENTRY STEP - W/O CARPET/HARDWARE
3	133114-02-01A	EA	TREAD - STEP/RUBBER - W/LIP - 28.5" X 9.8" - TAUPE
4	123330-03-02B	EA	SUPPORT - ENTRY STEP - E-COATED

EXTERIOR DOORS & COMPARTMENTS GROUP (CONTINUED)

COMPONENT PARTS FOR DOOR & COMPARTMENT LAYOUT

084103-08-000

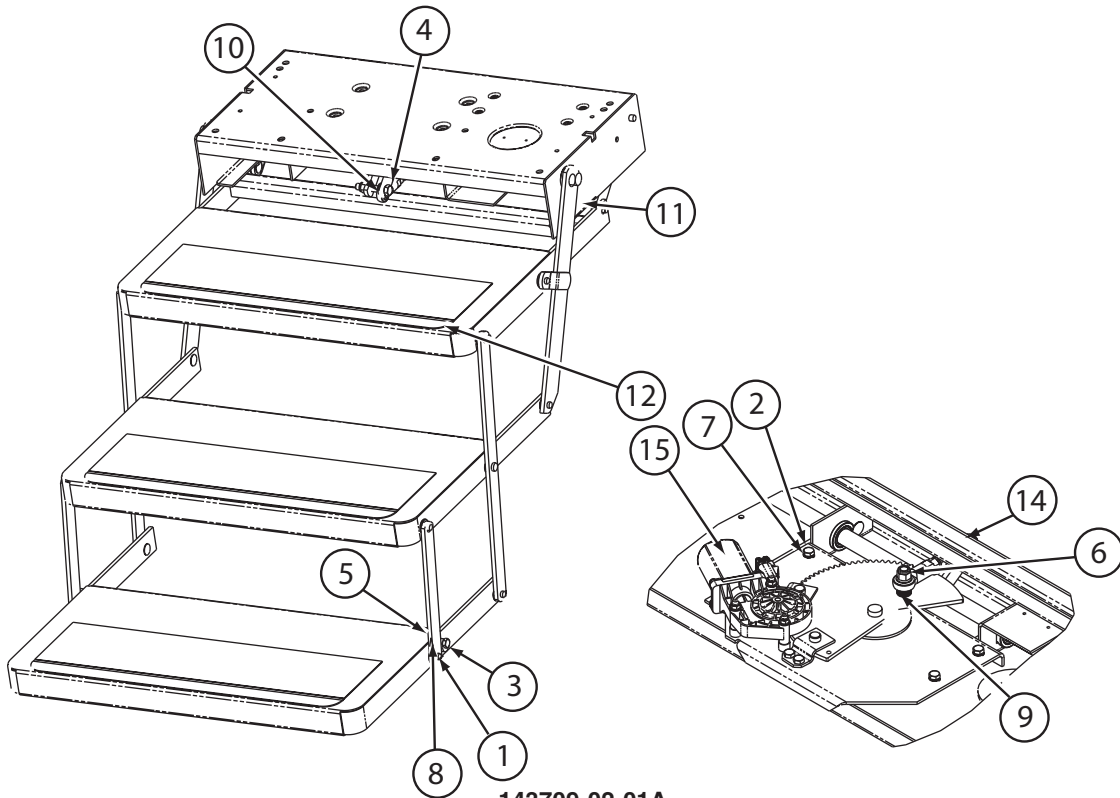
KEY	PART NUMBER	U/M DESCRIPTION	VENDOR NO.
	084104-01-700	EA LOCK-MALE, FASTENER	201-721-010
	084104-01-701	EA LOCK-FEMALE, FASTENER	201-802-010

110506-A1-000, 110506-A2-000, 110506-26-000, 110506-27-000, 110506-36-000

KEY	PART NUMBER	U/M DESCRIPTION	VENDOR NO.
	110506-40-700	EA HDWE KIT	596950AAL

142226-02-01A

KEY	PART NUMBER	U/M DESCRIPTION	VENDOR NO.
	142226-02-700	EA TAB/LOCKING - ESCAPE (RED)	9667709

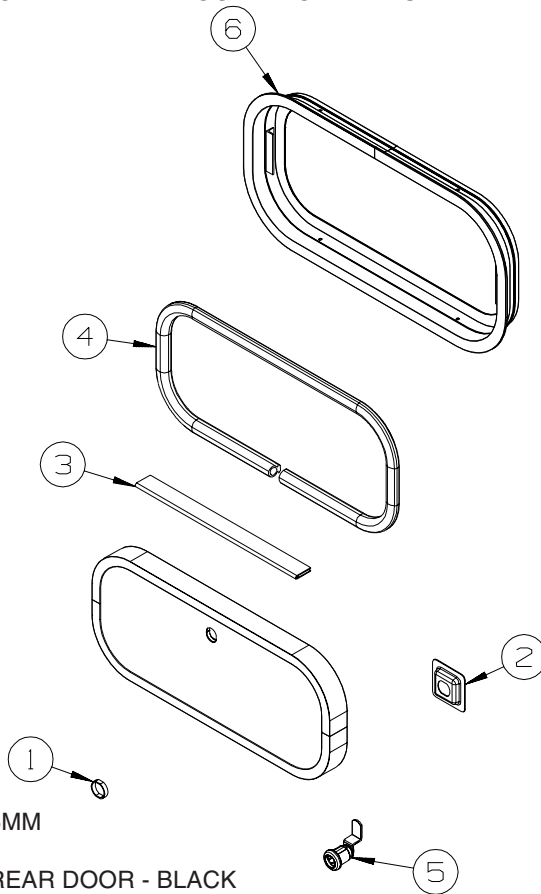


143709-02-01A

KEY	PART NUMBER	U/M DESCRIPTION	VENDOR NO.
1	143709-01-700	EA CAM STOP	1102200
13	143709-01-701	EA BUMPER - BLACK (RUBBER STOP)	1602000
15	143709-01-702	EA TREAD/NON-SKID _6" X 21" BLK	1915260
16	143709-01-703	EA FRAME ONLY PAINTED BLACK 25	908025000
17	143709-02-700	EA LINK/ASSEMBLY 24/25 SERIES	3380050
18	143709-02-701	EA MOTOR ASM W/TABLE 24/25 STEP	3392152
18	094707-04-701	EA MOTOR "AM 214" F/IMGL STEPS	1101428
	088746-01-705	EA LIGHT-UNDER STEP	9004
	094707-033-701	EA PLUG - 4-WAY - PACKARD	909306
	094707-04-700	EA CONTROL UNIT W/OVERRIDE	909510000
	094707-04-711	EA KWIKTEST - W/4-WAY PIGTAIL	909518000

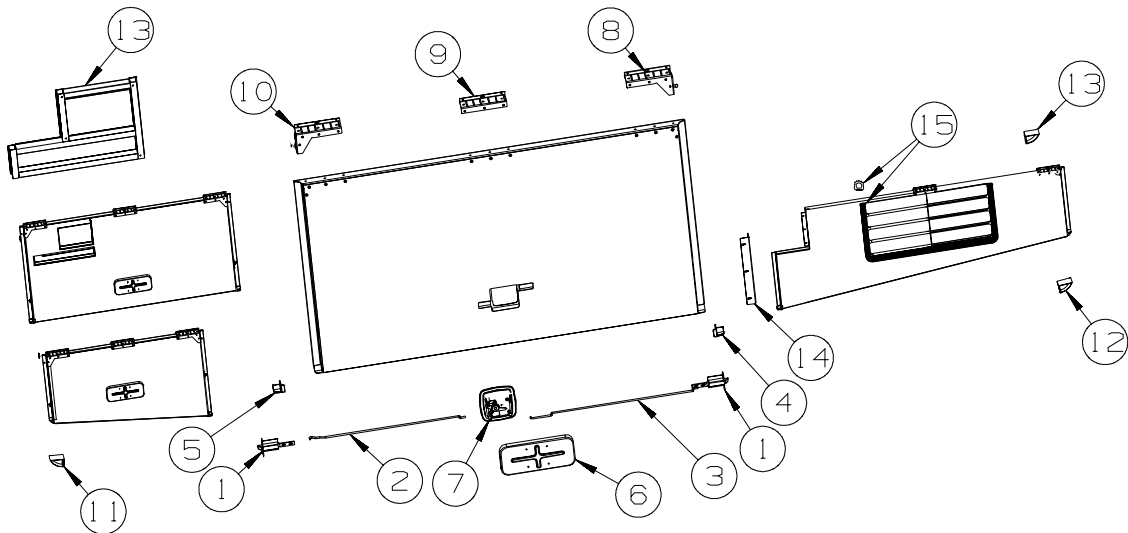
CONTACT WINNEBAGO PART SALES FOR UNLISTED COMPONENT(S)

EXTERIOR DOORS & COMPARTMENTS GROUP (CONTINUED)
COMPARTMENT DOOR PIECE PARTS



KEY	PART NUMBER	U/M	DESCRIPTION
1	139325-01-000	EA	SPACER - LOCK - 6MM
	139337-01-000	EA	GASKET - LOCK
2	097111-02-04A	EA	POCKET - LOCK - REAR DOOR - BLACK
2	097111-02-05A	EA	POCKET - LOCK - REAR DOOR - BRIGHT WHITE
3	081801-FN-000	EA	HINGE - DOOR - PIANO - 2" X 96" - BLACK
3	081801-V3-000	EA	HINGE - DOOR - PIANO - 2" X 96" - BRIGHT WHITE
4	156386-01-01A	FT	SEAL - BULB - W/ADHESIVE BACK
5	138290-02-000	EA	CASE - W/CAM - W/O CYLINDER/KEY
6	056795-01-000	FT	TAPE - SEAL - 1/8" X 3/8" WIDE - PRESS ON

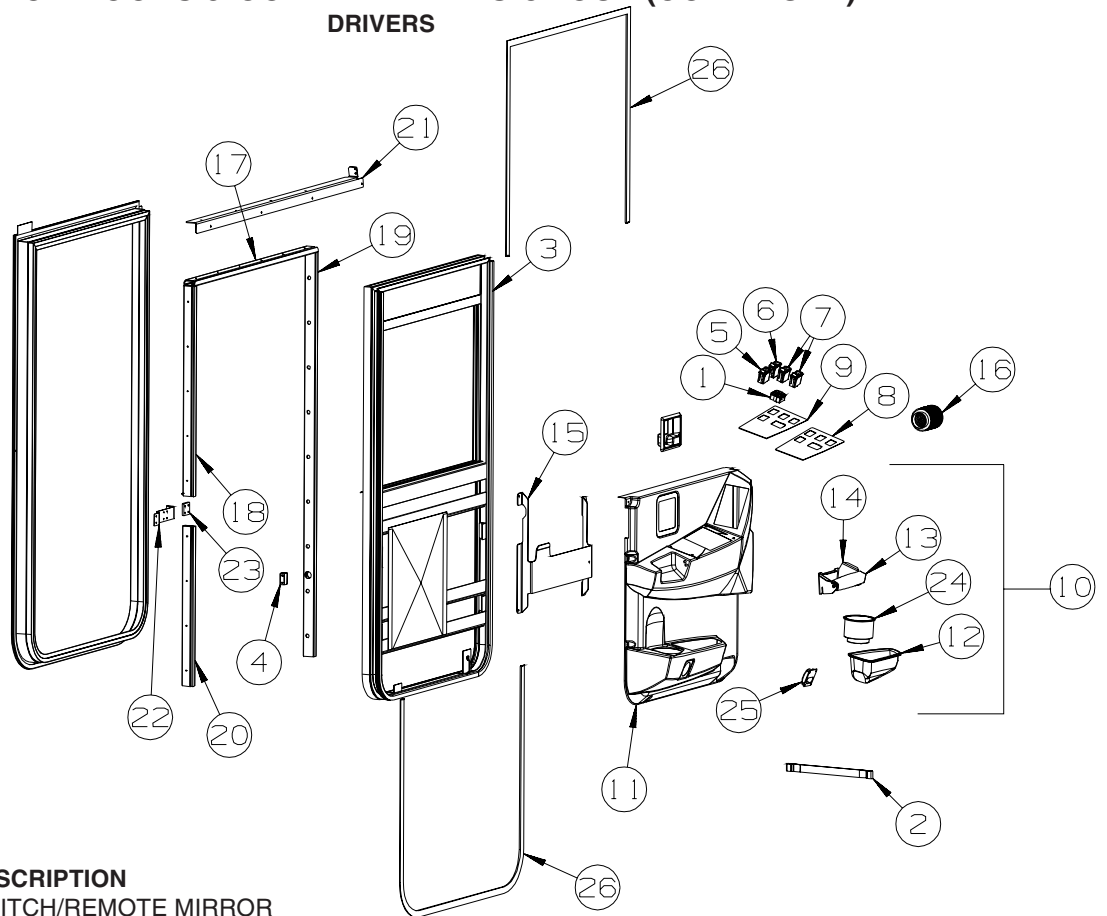
EXTERIOR DOORS & COMPARTMENTS GROUP (CONTINUED)
COMPARTMENT DOOR PIECE PARTS (CONTINUED)



KEY	PART NUMBER	U/M	DESCRIPTION
1	121947-01-01A	EA	BOLT - SLIDE W/PLASTIC PLUNGER
2	132873-01-000	EA	ROD - LATCH (BLANK) - 37.3"
3	135624-71-01B	EA	ROD - LATCH (BLANK) - 37.3"
4	135276-01-01A	EA	REINFORCEMENT - CORNER - LEFT HAND (FACING DOOR) - BLACK
5	135276-02-01A	EA	REINFORCEMENT - CORNER - RIGHT HAND (FACING DOOR) - BLACK
6	137359-01-01A	EA	COVER - LATCH - WHITE
7	154900-01-01A	EA	LATCH/PADDLE - LOCKING - COMPT DOOR - KEY ONE - BLACK
7	154900-02-01A	EA	LATCH/PADDLE - NON LOCKING - COMPT DOOR - BLACK
8	139793-01-01A	EA	HINGE - RIGHT HAND/VALANCE DOOR - W/BALL STUD
8	139793-04-01A	EA	HINGE - RIGHT HAND/VALANCE DOOR - W/O BALL STUD
9	139793-03-01A	EA	HINGE - CENTER/VALANCE DOOR - W/O BALL STUD
10	139793-02-01A	EA	HINGE - LEFT HAND/VALANCE DOOR - W/BALL STUD
10	139793-05-01A	EA	HINGE - LEFT HAND/VALANCE DOOR - W/O BALL STUD
11	141601-02-01A	EA	END CAP/VALANCE DOOR - DRVR SIDE/REAR OF DOOR/1MM NOTCH
11	141601-04-01A	EA	END CAP/VALANCE DOOR - DRVRSIDE/REAR OF DOOR-W/1.5MM NOTCH
12	141601-01-01A	EA	END CAP/VALANCE DOOR - PASS SIDE/REAR OF DOOR-W/1MM NOTCH
12	141601-03-01A	EA	END CAP/VALANCE DOOR-PASS SIDE/REAR OF DOOR-W/1.5MM NOTCH
13	133049-08-T77	EA	TRIM - COVER/WATER HEATER - 12.25" X 17.46"
13	133049-09-R32	EA	TRIM - COVER/WATER HEATER - 12.2" X 16.83" - NOT ILLUSTRATED
14	113041-18-02B	EA	ANGLE/MOUNT - BUMPER - E-COATED - 10.6"
14	113041-19-02B	EA	ANGLE/MOUNT - BUMPER - E-COATED - 7.9"
15	107721-07-000	FT	SEAL - ACCESS DOOR - .9"WIDE X 1.1"HIGH

EXTERIOR DOORS & COMPARTMENTS GROUP (CONTINUED)

DRIVERS



KEY	PART NUMBER	U/M	DESCRIPTION
1	088246-01-000	EA	SWITCH/REMOTE MIRROR
2	109378-01-000	EA	STRAP - CHECK - DRIVER DOOR - 12.8"
3*	125581-09-01A	EA	DOOR - DRIVER - POWER WINDOW/LOCK
4	128131-01-01A	EA	SPACER/SWITCH - DOME - BLACK
5	145638-02-01A	EA	SWITCH/ROCKER - SPST (ON/OFF) - LIGHTED - BLACK - HEATED MIRROR
5	108355-02-000	EA	HOUSING - SWITCH - 12 POSITION
6	145638-09-01A	EA	SWITCH/ROCKER - DPDT (ON/OFF/ON) - BLACK - POWER WINDOW
6	108355-02-000	EA	HOUSING - SWITCH - 12 POSITION
7	145638-09-01A	EA	SWITCH/ROCKER - DPDT (ON/OFF/ON) - BLACK - POWER SUNVISOR
7	108355-02-000	EA	HOUSING - SWITCH - 12 POSITION
7	145754-01-01A	EA	SWITCH - BLANK - BLACK
8	145926-10-02B	EA	INSERT - SWITCH PLATE - 4 HOLE/RELAY SLOT - E-COATED
9	148653-08-01A	EA	APPLIQUE - DRIVERS DOOR - DARK RIVERSTONE
10	148822-02-S64	EA	PANEL - DRIVER DOOR/INNER - CASHMERE
11	148823-02-20A	EA	PANEL - INNER/DRIVER DOOR - CASHMERE
12	148827-01-20A	EA	POCKET/STORAGE - DRIVER DOOR - CASHMERE
13	148833-01-02A	EA	HANDLE - DRIVER DOOR - CASHMERE
14	149512-01-02B	EA	BRACKET - DOOR HANDLE - E-COATED
15	149513-01-02B	EA	BRACKET - SUPPORT/DOOR HANDLE - E-COATED
16	117802-01-000	EA	GROMMET - CONVOLUTED - 2"
17	125725-01-01A	EA	FRAME - DRIVER DOOR - 33.5" - BLACK
18	125725-03-01A	EA	FRAME - DRIVER DOOR - 27.8" - BLACK
19	125725-07-01A	EA	FRAME - DRIVER DOOR - 53.3" - BLACK
20	125725-08-01A	EA	FRAME - DRIVER DOOR - 21.4" - BLACK
21	125804-02-02B	EA	ANGLE - DOOR SUPPORT - E-COATED
22	126506-01-02B	EA	BRACKET - STRIKE - DRIVER DOOR - E-COATED
23	126534-01-02B	EA	SPACER - STRIKE - DRIVER DOOR - E-COATED
24	134566-01-01A	EA	HOLDER - CUP - TWO STEP - BLACK
25*	108354-01-01A	EA	LIGHT - COURTESY
26	109235-01-01A	FT	COVER - SCREW - MAT BLACK
26	109235-01-05A	FT	COVER - SCREW - BRIGHT WHITE

*COMPONENT PARTS LISTED LATER IN THIS GROUP

EXTERIOR DOORS & COMPARTMENTS GROUP (CONTINUED)

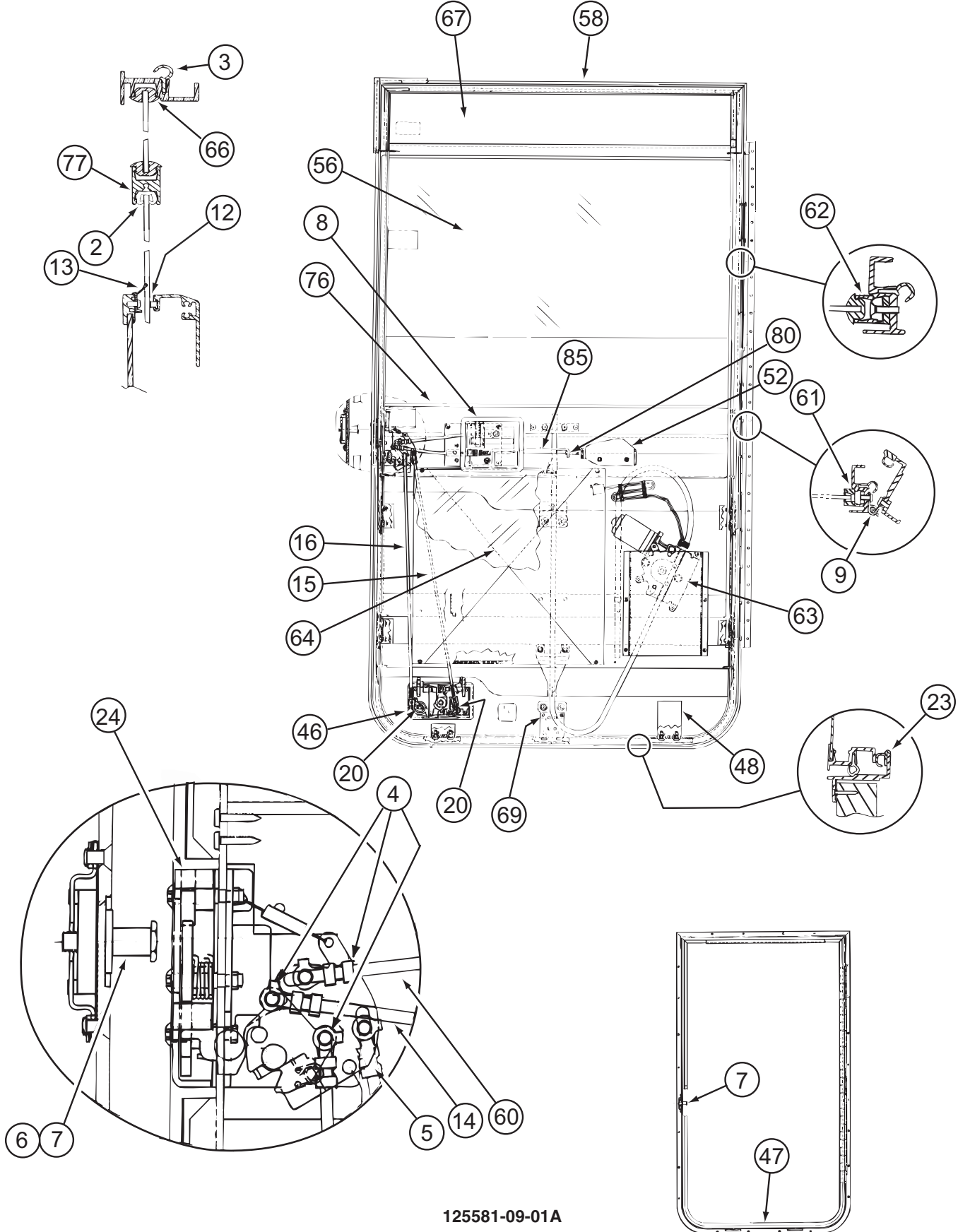
COMPONENT PARTS FOR DRIVERS

108354-01-01A

KEY PART NUMBER
108354-01-700

U/M DESCRIPTION
EA BULB-COURTESY LIGHT

VENDOR NO.
395-B



125581-09-01A

EXTERIOR DOORS & COMPARTMENTS GROUP (CONTINUED)

COMPONENT PARTS FOR DRIVERS (CONTINUED)

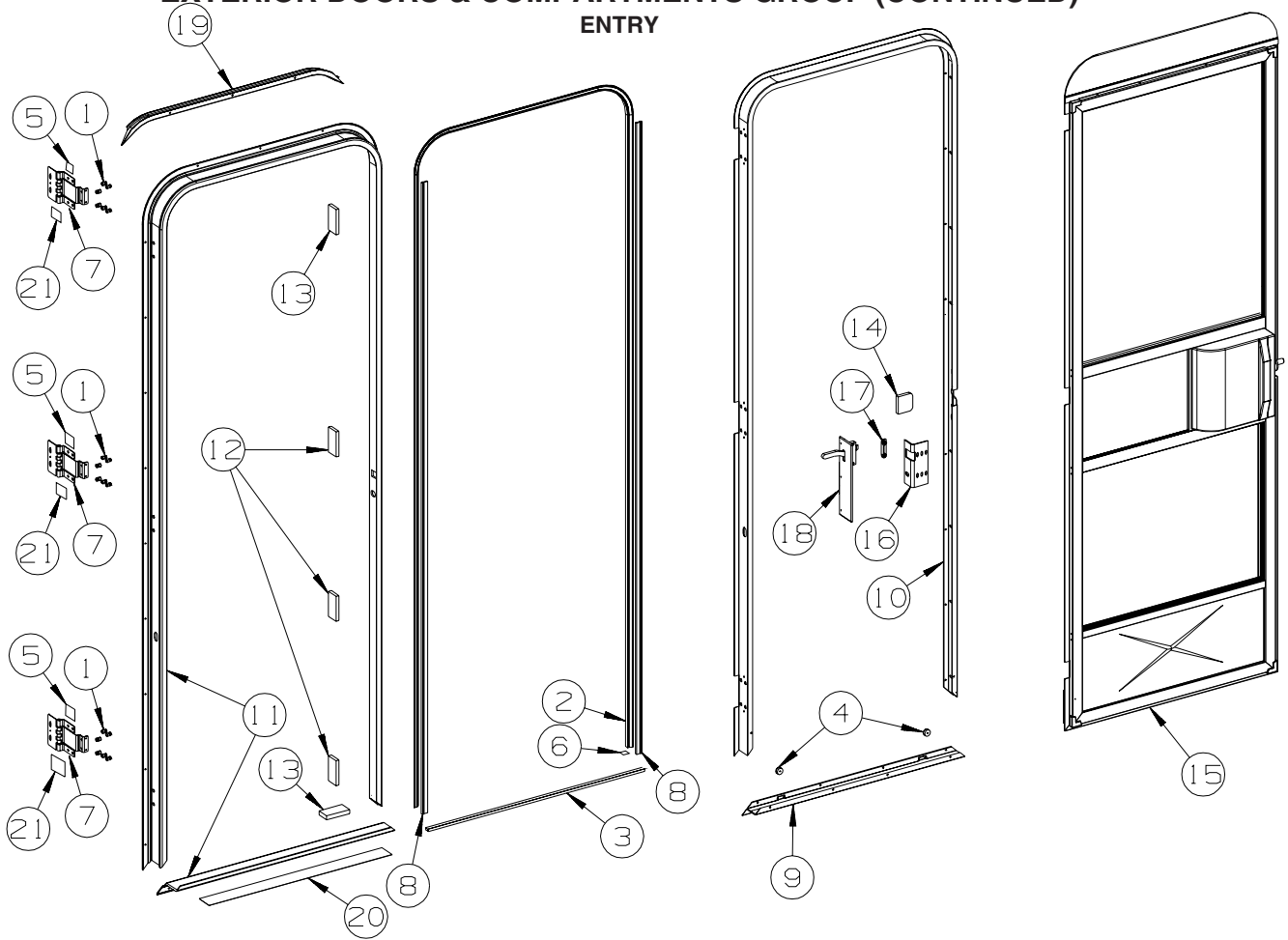
125581-09-01A (CONTINUED)

KEY	PART NUMBER	U/M	DESCRIPTION	VENDOR NO.
2	106469-01-705	FT	CHANNEL-RUN, SLIDING	122-010850
3	106469-01-702	EA	SEAL-DOOR FRAME (DOOR)EA=1	122-040984
4	106469-04-714	EA	ROD-CLIP, RH	80801
5	106469-04-713	EA	ROD-CLIP, LH	80802
6	106469-04-704	EA	NUT ASSEMBLY-CAGED W/STRIKER	11920-16
7	106469-04-703	EA	BOLT-STRIKER, W/WASHER	10335-16
8	106469-04-712	EA	HANDLE/DOOR-INNER W/HARDWARE	11297-01
9	106469-05-702	EA	HINGE - 42"	211-041194
12	106469-01-709	FT	WEATHERSTRIP FUZZY	171-040630
13	125581-03-703	EA	WEATHERSTRIP - BELTING	132-041069
13	125581-09-712	EA	WEATHERSTRIP/BELT - F/GLASS	490664
14	106469-04-711	EA	ROD-LOCK, HORIZONTAL	15508-01
15	125581-04-700	EA	ROD - LATCH/VERTICAL ADJUST.	203-041767
16	125581-04-701	EA	ROD - LOCK/VERTICAL ADJUST.	203-041768
20	128913-01-707	EA	NUT - HEX/NYLOCK - 1/4 - 20	233-062447
23	106469-01-723	EA	SEAL-BULB ASM. (DOOR JAMB)	171-040985
24	106469-05-706	EA	LATCH-ROTARY, W/LINKAGE	16512-01
46	125581-09-700	EA	PADDLE-W/O LOCK RH (REV KEY)	17191-02
46	125581-09-701	EA	LATCH/LOCK-DRVR DR (REV KEY)	PARTS DEPT
46	125581-09-702	EA	LATCH/LOCK-DRVR DR (REV KEY)	PARTS DEPT
46	125581-09-703	EA	LATCH/LOCK-DRVR DR (REV KEY)	PARTS DEPT
46	125581-09-704	EA	LATCH/LOCK-DRVR DR (REV KEY)	PARTS DEPT
46	125581-09-705	EA	LATCH/LOCK-DRVR DR (REV KEY)	PARTS DEPT
46	125581-09-706	EA	LATCH/LOCK-DRVR DR (REV KEY)	PARTS DEPT
46	125581-09-707	EA	LATCH/LOCK-DRVR DR (REV KEY)	PARTS DEPT
46	125581-09-708	EA	LATCH/LOCK-DRVR DR (REV KEY)	PARTS DEPT
46	125581-09-709	EA	LATCH/LOCK-DRVR DR (REV KEY)	PARTS DEPT
46	125581-09-710	EA	LATCH/LOCK-DRVR DR (REV KEY)	PARTS DEPT
46	125581-09-721	EA	LATCH/LOCK-DRVR DR (3041)	PARTS DEPT (3041)
46	125581-09-722	EA	LATCH/LOCK-DRVR DR (3042)	PARTS DEPT (3042)
46	125581-09-723	EA	LATCH/LOCK-DRVR DR (3043)	PARTS DEPT (3043)
46	125581-09-724	EA	LATCH/LOCK-DRVR DR (3044)	PARTS DEPT (3044)
46	125581-09-725	EA	LATCH/LOCK-DRVR DR (3045)	PARTS DEPT (3045)
46	125581-09-726	EA	LATCH/LOCK-DRVR DR (3046)	PARTS DEPT (3046)
46	125581-09-727	EA	LATCH/LOCK-DRVR DR (3047)	PARTS DEPT (3047)
46	125581-09-728	EA	LATCH/LOCK-DRVR DR (3048)	PARTS DEPT (3048)
46	125581-09-729	EA	LATCH/LOCK-DRVR DR (3049)	PARTS DEPT (3049)
46	125581-09-730	EA	LATCH/LOCK-DRVR DR (3050)	PARTS DEPT (3050)
47	125581-04-703	EA	FRAME - MOUNTING - BLACK	V180-35L
48	125581-07-703	EA	BRACKET-ALUMINUM "L"(INSIDE)	N135-55
56	125581-08-703	EA	GLASS-ROLL-UP 29.46"X29.37"	106-042081
56	125581-09-711	EA	GLASS-ROLL UP 24"H X 29.37"W	490207
58	125581-08-702	EA	FRAME/DOOR - SUB ASSY-BLACK	V220-98L
60	106469-04-705	EA	ROD-LATCH, HORIZONTAL	203-041139
61	125581-08-701	EA	CHANNEL/VERT ROLL UP-BLACK	V220-60
62	125581-08-700	EA	CHANNEL/VERT STA GLASS-BLACK	V220-61
63	125581-03-702	EA	REGULATOR-ELECTRIC-SPEC RH	410-040966
64	125581-06-700	EA	PANEL/INTERIOR	V164-97
66	125581-04-710	FT	VINYL - GLAZING	132-041484
67	125581-07-701	EA	GLASS-STATIONERY/4.95"X29.5"	106-042082
69	125581-04-711	EA	CHANNEL-GLASS - LIFT BRKT	N135-66
76	125581-03-701	EA	SILL - INNER - BLACK	V123-68L
77	125581-03-700	EA	MULLION RAIL- BLACK	V123-84
	106469-04-716	EA	LEVER-LOCKING-BLACK	80978-00
	125581-07-705	EA	BRACKET (L) F/SEAL PROTECT	490201
	125581-07-704	EA	BRACKET - STRAP/JAMB & DOOR	248-080394
	125581-10-701	EA	CLIP - CABLE	130-042047
	125581-09-731	EA	SPLINE-DRIVER DOOR WDO SEAL	491279

CONTACT WINNEBAGO PART SALES FOR UNLISTED COMPONENT(S)

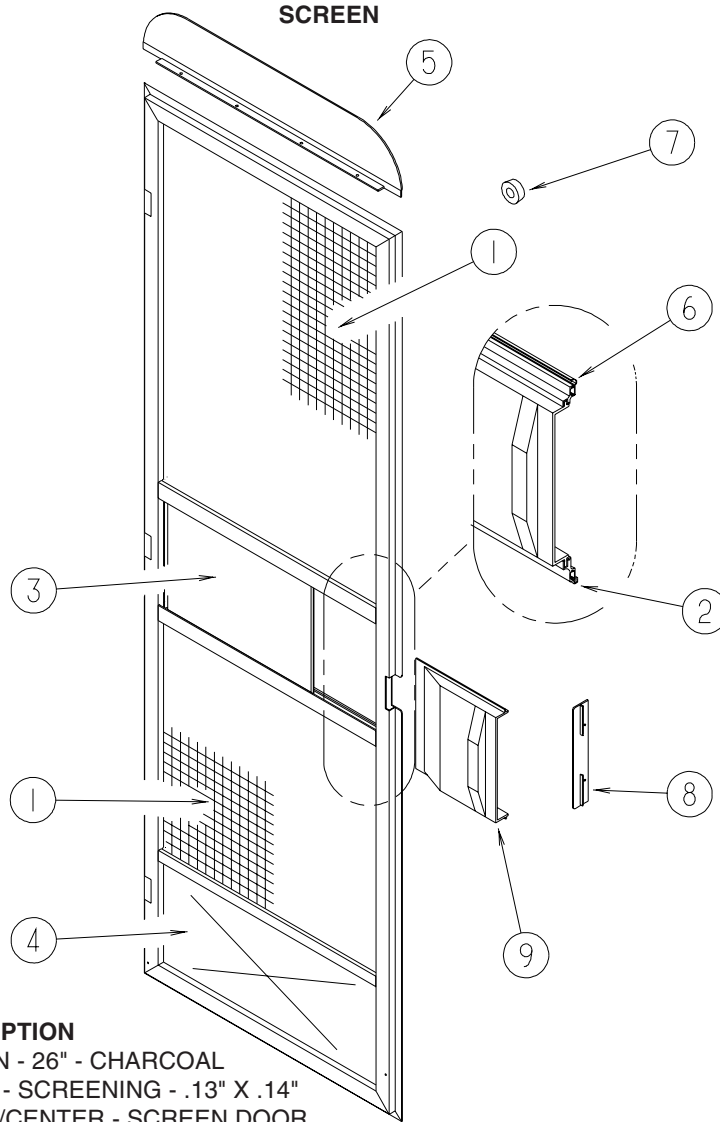
EXTERIOR DOORS & COMPARTMENTS GROUP (CONTINUED)

ENTRY



KEY	PART NUMBER	U/M	DESCRIPTION
1	039715-01-000	EA	NUT-SERT - 1/4" DIAMETER - 20 THREADS
2	075671-04-000	FT	SEAL - SPONGE - LAZY T - W/ADHESIVE STRIP - .5" WIDE
3	075673-05-000	FT	SEAL/PILE - .5" HIGH W/ADHESIVE BACK - BLACK
4	081914-02-000	EA	BUMPER - RUBBER - ROUND - 5/16" DIA. X 13/64" THICK
5	100128-02-000	FT	SEAL - FOAM/ADHESIVE BACK - .37" WIDE X .37" THICK
6	104692-01-000	FT	SEAL - ADHESIVE BACKED FOAM - 3/4" THICK X 3/4" WIDE X 25'
7	106719-01-05A	EA	HINGE - ENTRY DOOR - BRIGHT WHITE
7	106719-01-08A	EA	HINGE - ENTRY DOOR - BLACK - FULL BODY PAINT
8	118929-01-01A	FT	SEAL - PILE - PUSH ON
9	121893-03-02A	EA	FRAME - ENTRY DOOR/LOWER - BRIGHT WHITE
9	121893-03-03A	EA	FRAME - ENTRY DOOR/LOWER - BLACK - FULL BODY PAINT
10	121894-27-01A	EA	FRAME - ENTRY DOOR - BRIGHT WHITE
10	121894-27-02A	EA	FRAME - ENTRY DOOR - BLACK - FULL BODY PAINT
11	121898-14-01A	EA	JAMB - DOOR/ENTRANCE - BRIGHT WHITE
11	121898-14-02A	EA	JAMB - DOOR/ENTRANCE - BLACK - FULL BODY PAINT
12	125724-01-000	EA	SHIM - DOOR, ENTRANCE
13	125724-02-000	EA	SHIM - DOOR, ENTRANCE
14	130096-05-000	EA	FOAM - SCREEN DOOR, RETAINER
15	P32208-02-L32	EA	DOOR - SCREEN - W/O HARDWARE
15	P32208-02-S64	EA	DOOR - SCREEN - W/O HARDWARE - FULL BODY PAINT
16	137401-01-03B	EA	BRACKET - DOOR ANGLE - OFF WHITE
16	137401-01-02B	EA	BRACKET - DOOR ANGLE - E-COATED - FULL BODY PAINT
17	148364-01-12B	EA	STRIKE - SCREEN DOOR - BRIGHT WHITE
17	148364-01-04B	EA	STRIKE - SCREEN DOOR - BLACK - FULL BODY PAINT
18	132915-01-01A	EA	LATCH - SCREEN DOOR - BLACK
19	139054-19-01A	EA	CAP - DRIP - JAMB MOUNTED - BRIGHT WHITE
19	139054-19-02A	EA	CAP - DRIP - JAMB MOUNTED - BLACK - FULL BODY PAINT
20	038327-01-000	EA	TAPE - ANTI-SLIP - 2" X 60'
21	154585-01-01A	FT	SEAL - FOAM TAPE - ADHESIVE BACK - 3/8" X 3/8" - BLACK

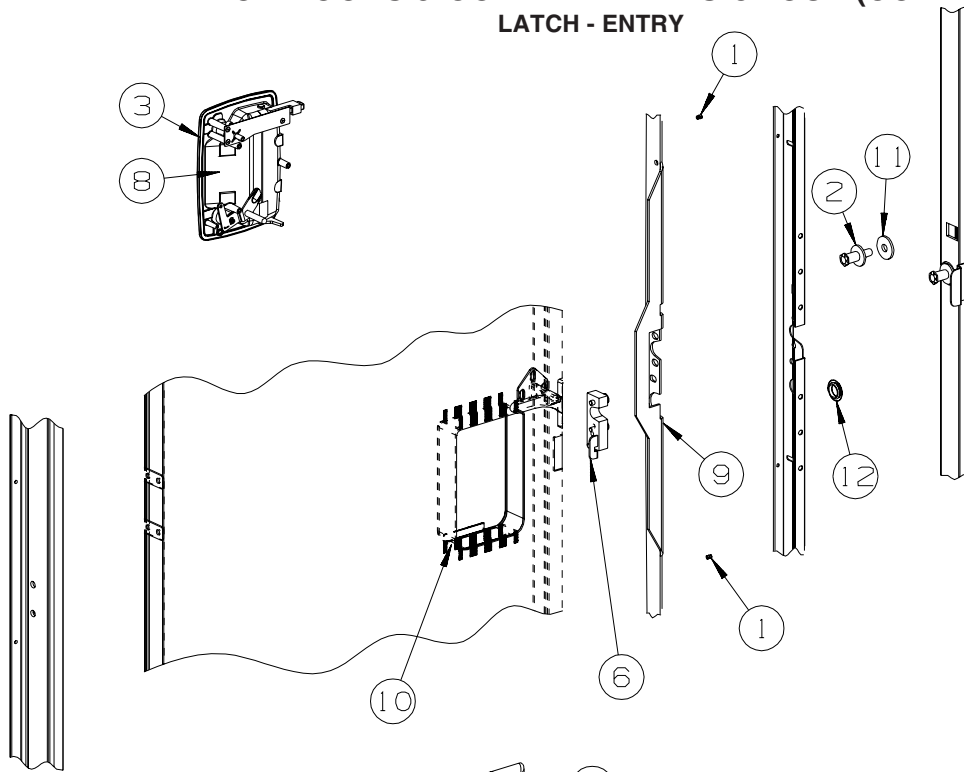
EXTERIOR DOORS & COMPARTMENTS GROUP (CONTINUED)



KEY	PART NUMBER	U/M	DESCRIPTION
1	002293-02-000	SF	SCREEN - 26" - CHARCOAL
2	002294-01-000	FT	SPLINE - SCREENING - .13" X .14"
3	016454-18-000	EA	INSERT/CENTER - SCREEN DOOR
4	078552-09-000	EA	INSERT - SCREEN DOOR - LOWER
5	078595-03-000	EA	PLATE - SCREEN DOOR
6	078777-08-000	FT	CHANNEL - SLIDER - 4 FOOT INCREMENTS
7	120863-09-000	EA	BUMPER - RUBBER/RADIUS TOP - 3/4" X 3/8" - LT GRAY
8	132081-01-01A	EA	STRIKE - SLIDER - SCREEN DOOR - BRIGHT WHITE
8	132081-01-03A	EA	STRIKE - SLIDER - SCREEN DOOR - BLACK - FULL BODY PAINT
9	132082-01-01A	EA	SLIDER - SCREEN DOOR - BRIGHT WHITE
9	132082-01-03A	EA	SLIDER - SCREEN DOOR - BLACK - FULL BODY PAINT

EXTERIOR DOORS & COMPARTMENTS GROUP (CONTINUED)

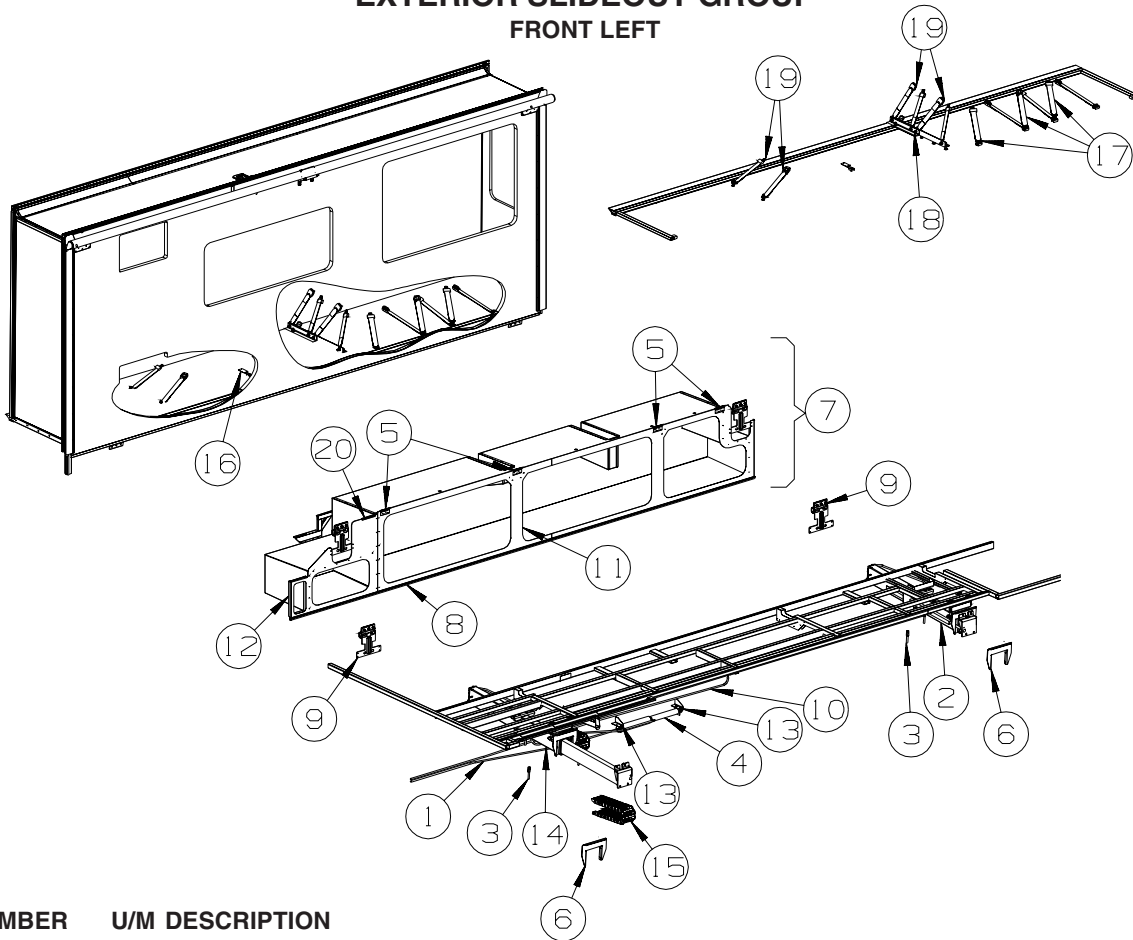
LATCH - ENTRY



KEY	PART NUMBER	U/M	DESCRIPTION
1	072893-04-000	EA	NUTSERT - 10-32
2	092927-20-000	EA	STRIKER - BOLT
3	112782-04-01A	EA	GASKET
4	112782-05-01A	EA	CAP - VINYL - RED
5	112782-08-01A	EA	SCREW - MOUNTING/PLATE - ZINC
6	112782-22-01A	EA	LATCH - SINGLE ROTOR
7	112782-21-01A	EA	LATCH - INTERIOR PLATE
			FROM: 00-00-00 THRU: 05-28-06
7	112782-27-01A	EA	LATCH - INTERIOR PLATE - WHITE
			FROM: 05-29-06 THRU: 99-99-99
8	112782-20-01A	EA	LATCH - EXTERIOR - W/O LOCK CYLINDER W/ICON-REVERSIBLE KEY
9	132207-01-02B	EA	STIFFENER/DOOR - FORMED - E-COATED
10	137230-01-01A	EA	SPACER - NOTCHED, MILL
11	147900-01-01A	EA	SPACER - STRIKE BOLT, MILL
12	061420-14-000	EA	PLUG/PLASTIC - 7/8" DIAMETER - BLACK

EXTERIOR SLIDEOUT GROUP

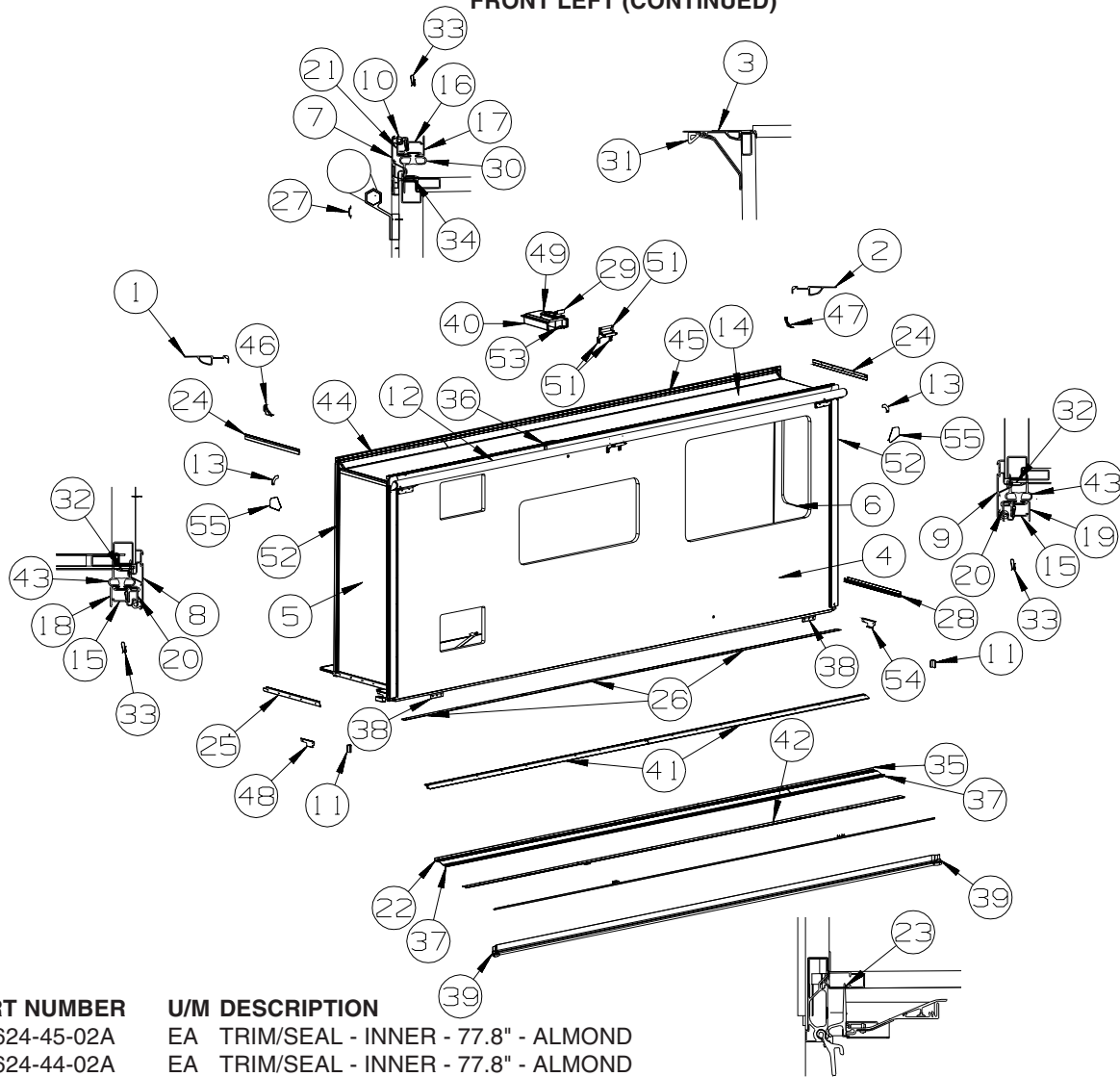
FRONT LEFT



KEY	PART NUMBER	U/M	DESCRIPTION
1	155476-03-000	EA	HOSE KIT - SLIDEOUT
2*	152553-01-000	EA	SLIDEOUT - ARM/HYDRAULIC - FLAT 29" - LEFT - NOT ILLUSTRATED FROM: 00-00-00 THRU: 01-07-07
2	163494-02-000	EA	SLIDEOUT - ARM/HYDRAULIC - 29" - LEFT FROM: 01-08-07 THRU: 99-99-99
	143738-01-000	EA	WRENCH - SLIDE ROOM RETRACT - RATCHET - 13/16" X 7/8"
3*	151323-02-000	EA	BOLT - HANGER/STOREMORE - LONG/4.5"X1/2" THREAD - AP31952
4*	152553-03-000	EA	HOSE KIT - SLIDEOUT/SYNCHRONIZING CYLINDER - NOT ILLUSTRATED FROM: 00-00-00 THRU: 12-10-06
4	163102-03-000	EA	SLIDEOUT - HYDRAULIC - 29" FROM: 12-11-06 THRU: 99-99-99
	163324-02-000	EA	BRACKETS/HARDWARE - 24"/29" RAM/SYNCH CYLINDER
5	153821-01-01A	EA	BRACKET - MOUNT/SEAL PLANE - BLACK
6	154254-01-02B	EA	BRACKET - ARM/SLIDEOUT - E-COATED
7	159399-01-U89	EA	COMPARTMENT - SLIDEOUT
8	126516-01-01A	FT	TRIM - VINYL/EXTRUDED - 8'
9	152741-03-02B	EA	BRACKET - MOUNT - SLIDEOUT - E-COATED
10	100536-15-800	EA	HOSE KIT - JACKS/SLIDEOUT ROOM - HWH #AP0043
11	156596-05-02B	EA	SEAL PLANE - SLIDEOUT - E-COATED
12	154710-01-02B	EA	SEAL PLANE - SLIDEOUT - E-COATED
13	147732-01-02B	EA	BRACKET/CYLINDER SUPPORT - E-COATED
14*	152553-02-000	EA	SLIDEOUT - ARM/HYDRAULIC - FLAT 29" - RIGHT - NOT ILLUSTRATED FROM: 00-00-00 THRU: 01-07-07
14	163494-01-000	EA	SLIDEOUT - ARM/HYDRAULIC - 29" - RIGHT FROM: 01-08-07 THRU: 99-99-99
	143738-01-000	EA	WRENCH - SLIDE ROOM RETRACT - RATCHET - 13/16" X 7/8"
15	143541-02-01A	EA	CARRIER/WIRING - F/SLIDE-OUT ROOM
16	154093-02-01B	EA	BRACKET/HOLD DOWN - CHAIR - W/NUT-SERT - GALVONIZED
17	160167-01-01A	EA	SEAT BELT - 2" X 102" - BLACK
18	151078-01-02B	EA	BRACKET - MOUNTING - SEAT BELT - E-COATED
19	160167-02-01A	EA	SEAT BELT - 2" X 90" - BLACK - DINETTE
20	113452-01-000	FT	SEAL/TRIM - FRONT - VINYL W/WIRE CARRIER - .020"

*COMPONENT PARTS LISTED LATER IN THIS GROUP

EXTERIOR SLIDEOUT GROUP (CONTINUED)
FRONT LEFT (CONTINUED)



KEY	PART NUMBER	U/M	DESCRIPTION
1	139624-45-02A	EA	TRIM/SEAL - INNER - 77.8" - ALMOND
2	139624-44-02A	EA	TRIM/SEAL - INNER - 77.8" - ALMOND
3	154780-03-02A	EA	TRIM/SEAL - SLIDEOUT - 34.3" - ALMOND
3	154780-04-02A	EA	TRIM/SEAL - SLIDEOUT - 179.4" - ALMOND
4	157913-11-U90	EA	SLUG - F/SLIDEOUT (UA1, UA2, UA3, UM4)
4	157913-11-U94	EA	SLUG - F/SLIDEOUT (UA5, UA6, UA7, UM5)
4	157913-11-U98	EA	SLUG - F/SLIDEOUT (UB1, UB2, UB3, UM6)
5	153461-03-U90	EA	PANEL END - F/SLIDEOUT (UA1, UA2, UA3, UM4)
5	153461-03-U94	EA	PANEL END - F/SLIDEOUT (UA5, UA6, UA7, UM5)
5	153461-03-T85	EA	PANEL END - F/SLIDEOUT (UB1, UB2, UB3, UM6)
6	153667-04-U90	EA	PANEL END - F/SLIDEOUT (UA1, UA2, UA3, UM4)
6	153667-04-U94	EA	PANEL END - F/SLIDEOUT (UA5, UA6, UA7, UM5)
6	153667-04-T85	EA	PANEL END - F/SLIDEOUT (UB1, UB2, UB3, UM6)
7	156417-36-01A	EA	TRIM/SEAL - W/MITERED ENDS - 73" - BRIGHT WHITE - NOT ILLUSTRATED FROM: 00-00-00 THRU: 10-22-06
7	162052-36-01A	EA	TRIM/SEAL - W/MITERED ENDS - 73" - BRIGHT WHITE FROM: 10-23-06 THRU: 99-99-99
7	156417-36-02A	EA	TRIM/SEAL - W/MITERED ENDS - 73" - BLACK - FULL BODY PAINT - NOT ILLUSTRATED FROM: 00-00-00 THRU: 10-22-06
7	162052-36-02A	EA	TRIM/SEAL - W/MITERED ENDS - 73" - BLACK - FULL BODY PAINT FROM: 10-23-06 THRU: 99-99-99
7	156417-41-01A	EA	TRIM/SEAL - W/MITERED ENDS - 138.9" - BRIGHT WHITE - NOT ILLUSTRATED FROM: 00-00-00 THRU: 10-22-06
7	162052-41-01A	EA	TRIM/SEAL - W/MITERED ENDS - 138.9" - BRIGHT WHITE FROM: 10-23-06 THRU: 99-99-99
7	156417-41-02A	EA	TRIM/SEAL - W/MITERED ENDS - 138.9" - BLACK - FULL BODY PAINT - NOT ILLUSTRATED FROM: 00-00-00 THRU: 10-22-06
7	162052-41-02A	EA	TRIM/SEAL - W/MITERED ENDS - 138.9" - BLACK - FULL BODY PAINT FROM: 10-23-06 THRU: 99-99-99

EXTERIOR SLIDEOUT GROUP (CONTINUED)
FRONT LEFT (CONTINUED)

KEY	PART NUMBER	U/M	DESCRIPTION
8	156417-28-01A	EA	TRIM/SEAL - W/MITERED ENDS - 80.4" - BRIGHT WHITE - NOT ILLUSTRATED FROM: 00-00-00 THRU: 10-22-06
8	162052-28-01A	EA	TRIM/SEAL - W/MITERED ENDS - 80.4" - BRIGHT WHITE FROM: 10-23-06 THRU: 99-99-99
8	156417-28-02A	EA	TRIM/SEAL - W/MITERED ENDS - 80.4" - BLACK - FULL BODY PAINT - NOT ILLUSTRATED FROM: 00-00-00 THRU: 10-22-06
8	162052-28-02A	EA	TRIM/SEAL - W/MITERED ENDS - 80.4" - BLACK - FULL BODY PAINT FROM: 10-23-06 THRU: 99-99-99
9	156417-29-01A	EA	TRIM/SEAL - W/MITERED ENDS - 80.4" - BRIGHT WHITE - NOT ILLUSTRATED FROM: 00-00-00 THRU: 10-22-06
9	162052-29-01A	EA	TRIM/SEAL - W/MITERED ENDS - 80.4" - BRIGHT WHITE FROM: 10-23-06 THRU: 99-99-99
9	156417-29-02A	EA	TRIM/SEAL - W/MITERED ENDS - 80.4" - BLACK - FULL BODY PAINT - NOT ILLUSTRATED FROM: 00-00-00 THRU: 10-22-06
9	162052-29-02A	EA	TRIM/SEAL - W/MITERED ENDS - 80.4" - BLACK - FULL BODY PAINT FROM: 10-23-06 THRU: 99-99-99
10	158297-01-000	FT	SEAL - D-SECTION/BULB/TEE - ADHESIVE BACK - BLACK
11	156480-01-01A	EA	SEAL/BLOCK - SLIDEOUT - 2.6"W X 1.6"H X 1.6"D - BLACK
12			SLIDEOUT AWNING

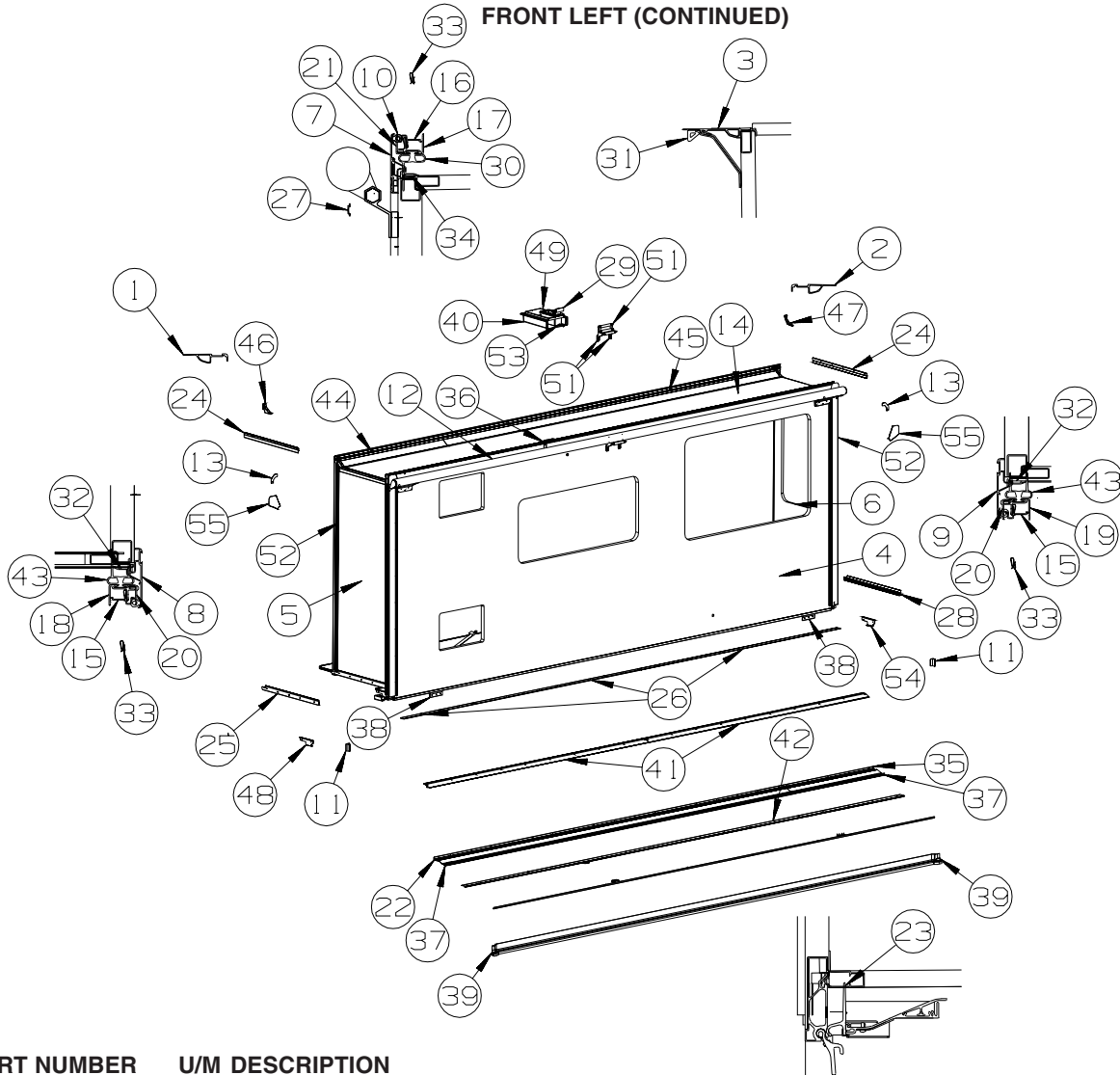
ORDER AWNINGS & REPAIR PARTS FROM DOMETIC. CALL #800-366-3842.

**THE DOMETIC AWNING INFORMATION YOU WILL NEED IS LOCATED ON THE MOTOR HOME NEAR
THE TOP OF THE AWNING RAIL.**

13	156416-01-12B	EA	BRACKET - CORNER TRIM/SLIDEOUT - 3.1" X 3.1" - BRIGHT WHITE FROM: 00-00-00 THRU: 01-06-07
13	156416-01-02B	EA	BRACKET - CORNER TRIM/SLIDEOUT - 3.1" X 3.1" - E-COATED - FULL BODY PAINT FROM: 00-00-00 THRU: 01-06-07
13	160421-01-01A	EA	CORNER TRIM/SLIDEOUT - 3.1" X 3.1" - BLACK - NOT ILLUSTRATED FROM: 01-07-07 THRU: 99-99-99
14	153966-01-U90	EA	ROOF - F/SLIDEOUT
15	142718-38-01A	EA	RETAINER - SIDEWALL/SLIDEOUT - 79"
16	142718-41-01A	EA	RETAINER - SIDEWALL/SLIDEOUT - 213.1"
17	154756-01-02A	EA	TRIM/SIDEWALL - TOP/SLIDEOUT - 101.6" - ALMOND
17	154756-02-02A	EA	TRIM/SIDEWALL - TOP/SLIDEOUT - 113.4" - ALMOND
18	151760-10-02A	EA	TRIM - SIDEWALL/SLIDEOUT - 81.1" - ALMOND
19	151760-11-02A	EA	TRIM - SIDEWALL/SLIDEOUT - 81.1" - ALMOND
20	136824-49-01A	EA	TRIM - SIDEWALL/SLIDEOUT - 80.9" - BRIGHT WHITE
20	136824-49-02A	EA	TRIM - SIDEWALL/SLIDEOUT - 80.9" - BLACK - FULL BODY PAINT
21	154757-01-01A	EA	TRIM/SIDEWALL - TOP/SLIDEOUT - 101.7" - BRIGHT WHITE
21	154757-01-02A	EA	TRIM/SIDEWALL - TOP/SLIDEOUT - 101.7" - BLACK - FULL BODY PAINT
21	154757-02-01A	EA	TRIM/SIDEWALL - TOP/SLIDEOUT - 113.4" - BRIGHT WHITE
21	154757-02-02A	EA	TRIM/SIDEWALL - TOP/SLIDEOUT - 113.4" - BLACK - FULL BODY PAINT
22	152602-04-01A	EA	RAMP - SLIDEOUT - FLOOR/COACH - 211.3" - MILL FROM: 00-00-00 THRU: 04-23-06
22	152602-05-01A	EA	RAMP - SLIDEOUT - FLOOR/COACH - 167.4" - MILL FROM: 04-24-06 THRU: 99-99-99
23	152446-01-000	FT	SEAL - SLIDEOUT/FLOOR
24	158375-01-01A	EA	TRIM - FEATURE - UPPER - 181.7" - BRIGHT WHITE
24	158375-01-02A	EA	TRIM - FEATURE - UPPER - 181.7" - BLACK - FULL BODY PAINT
25	158349-03-01A	EA	TRIM - FEATURE - LOWER - 31.8" - BRIGHT WHITE FROM: 00-00-00 THRU: 10-22-06
25	158349-07-01A	EA	TRIM - FEATURE - LOWER - 30.9" - BRIGHT WHITE FROM: 10-23-06 THRU: 99-99-99
25	158349-03-02A	EA	TRIM - FEATURE - LOWER - 31.8" - BLACK - FULL BODY PAINT FROM: 00-00-00 THRU: 10-22-06
25	158349-07-02A	EA	TRIM - FEATURE - LOWER - 30.9" - BLACK - FULL BODY PAINT FROM: 10-23-06 THRU: 99-99-99
26	152641-01-000	EA	SKID/GLIDE - SLIDEOUT ROOM - 1/4"X2"X95.5" - POLYETHYLENE
27	105312-01-07A	FT	INSERT - FEATURE STRIP - VINYL - BRIGHT WHITE
27	105312-01-13A	FT	INSERT - FEATURE STRIP - VINYL - BLACK - FULL BODY PAINT
28	158349-04-01A	EA	TRIM - FEATURE - LOWER - 31.8" - BRIGHT WHITE FROM: 00-00-00 THRU: 10-22-06
28	158349-08-01A	EA	TRIM - FEATURE - LOWER - 30.9" - BRIGHT WHITE FROM: 10-23-06 THRU: 99-99-99

EXTERIOR SLIDEOUT GROUP (CONTINUED)

FRONT LEFT (CONTINUED)



KEY	PART NUMBER	U/M	DESCRIPTION
28	158349-04-02A	EA	TRIM - FEATURE - LOWER - 31.8" - BLACK - FULL BODY PAINT FROM: 00-00-00 THRU: 10-22-06
28	158349-08-02A	EA	TRIM - FEATURE - LOWER - 30.9" - BLACK - FULL BODY PAINT FROM: 10-23-06 THRU: 99-99-99
29	156015-01-01A	EA	TAPE/PROTECTION - .06" X 1.25" X 3.5" - W/PSA - NATURAL WHT
30	136978-02-01A	FT	SEAL - SLIDEOUT/TOP - SINGLE WIPE LIP - BLACK
31	146056-01-000	FT	SEAL - TRIANGLE - W/PSA
32	133954-66-01A	EA	TRIM/SEAL - 75.8" - BRIGHT WHITE - NOT ILLUSTRATED FROM: 00-00-00 THRU: 04-16-06
32	146606-66-01A	EA	TRIM/RETAINER - 75.8" - BRIGHT WHITE FROM: 04-17-06 THRU: 99-99-99
32	133954-66-02A	EA	TRIM/SEAL - 75.8" - BLACK - FULL BODY PAINT - NOT ILLUSTRATED FROM: 00-00-00 THRU: 04-16-06
32	146606-66-02A	EA	TRIM/RETAINER - 75.8" - BLACK - FULL BODY PAINT FROM: 04-17-06 THRU: 99-99-99
33	142549-01-000	EA	CLIP - "S" TYPE
34	133954-45-01A	EA	TRIM/SEAL - 176.1" - BRIGHT WHITE - NOT ILLUSTRATED FROM: 00-00-00 THRU: 04-16-06
34	146606-45-01A	EA	TRIM/RETAINER - 175.4" - BRIGHT WHITE FROM: 04-17-06 THRU: 99-99-99
34	133954-45-02A	EA	TRIM/SEAL - 176.1" - BLACK - FULL BODY PAINT - NOT ILLUSTRATED FROM: 00-00-00 THRU: 04-16-06
34	146606-45-02A	EA	TRIM/RETAINER - 175.4" - BLACK - FULL BODY PAINT FROM: 04-17-06 THRU: 99-99-99
34	133954-65-01A	EA	TRIM/SEAL - 34.5" - BRIGHT WHITE - NOT ILLUSTRATED FROM: 00-00-00 THRU: 04-16-06
34	146606-65-01A	EA	TRIM/RETAINER - 34.5" - BRIGHT WHITE FROM: 04-17-06 THRU: 99-99-99

EXTERIOR SLIDEOUT GROUP (CONTINUED)
FRONT LEFT (CONTINUED)

KEY	PART NUMBER	U/M	DESCRIPTION
34	133954-65-02A	EA	TRIM/SEAL - 34.5" - BLACK - FULL BODY PAINT - NOT ILLUSTRATED FROM: 00-00-00 THRU: 04-16-06
34	146606-65-02A	EA	TRIM/RETAINER - 34.5" - BLACK - FULL BODY PAINT FROM: 04-17-06 THRU: 99-99-99
35	152602-14-02A	EA	RAMP - SLIDEOUT - FLOOR/COACH - 43.4" - BRIGHT WHITE FROM: 04-24-06 THRU: 99-99-99
36	154930-01-01A	EA	SPLICE - TRIM/SLIDEOUT - BRIGHT WHITE
36	154930-01-02A	EA	SPLICE - TRIM/SLIDEOUT - BLACK - FULL BODY PAINT
37	156475-01-000	EA	FILTER/FOAM - DRAIN HOLE COVER/SEAL - 60PP1 - 1/4"X1"X3"
38	153104-01-01A	EA	BRACKET/MOUNT - 1.7" X 3.2" X 5.9"
39	089275-02-000	EA	STRIP - 3/4" X 84" BLACK POLYETHYLENE
40	155194-01-01A	EA	COVER - LATCH/TRAVEL - PLASTIC - BLACK
41	153106-16-02A	EA	COVER - RAMP/FLOOR - VINYL CARPET - 3.2" X 210.9"
41	153106-04-01A	EA	COVER - RAMP/FLOOR - VINYL/CARPET - 3.2" X 105.6"-BRT WHT
42	153108-04-01A	EA	SPACER - RAMP - SLIDEOUT FLOOR - 210.5 - MILL
43	153161-01-01A	FT	SEAL - SLIDEOUT - DOUBLE WIPE LIP - BLACK
44	153114-08-02A	EA	TRIM/RETAINER - 209.7" - BLACK
45	153114-06-02A	EA	TRIM/RETAINER - 160" - BLACK
46	153115-01-02A	EA	COVER - TRIM - SLIDEOUT - INNER/TOP/RH - BRIGHT WHITE
46	153115-01-01A	EA	COVER - TRIM - SLIDEOUT - INNER/TOP/RH - BLACK - FULL BODY PAINT
47	153115-02-02A	FT	COVER - TRIM - SLIDEOUT - INNER/TOP/LH - BRIGHT WHITE
47	153115-02-01A	FT	COVER - TRIM - SLIDEOUT - INNER/TOP/LH - BLACK - FULL BODY PAINT
48	153800-02-02B	EA	BRACKET - CLOSEOUT/LH - SLIDEOUT - E-COATED
49*	153651-02-01A	EA	LOCK/LATCH - TRAVEL/SLIDEOUT - W/MOTOR - LEFT HAND - BLACK - NOT ILLUSTRATED FROM: 00-00-00 THRU: 09-25-06
49*	153651-04-01A	EA	LOCK/LATCH - TRAVEL/SLIDEOUT - W/MOTOR - LEFT HAND - BLACK FROM: 09-26-06 THRU: 99-99-99
50	150962-02-02A	EA	SPACER - AWNING - SLIDE COVER - 3/4" X 2" - BLACK
51			CRADLE KIT - SLIDEOUT AWNING

ORDER AWNINGS & REPAIR PARTS FROM DOMETIC. CALL #800-366-3842.

**THE DOMETIC AWNING INFORMATION YOU WILL NEED IS LOCATED ON THE MOTOR HOME NEAR
THE TOP OF THE AWNING RAIL.**

52	093681-39-01A	EA	FILM - 3.1" - MATTE BLACK - FULL BODY PAINT
53	155262-01-02A	EA	TUBE/DRAIN - LATCH/TRAVEL/ROOF - WHITE
53	155262-01-01A	EA	TUBE/DRAIN - LATCH/TRAVEL/ROOF - BLACK - FULL BODY PAINT
54	153800-01-02B	EA	BRACKET - CLOSEOUT/RH - SLIDEOUT - E-COATED
55	156151-01-02A	EA	PROTECTOR - CORNER - SLIDEOUT - BRIGHT WHITE
55	156151-01-01A	EA	PROTECTOR - CORNER - SLIDEOUT - BLACK - FULL BODY PAINT

***COMPONENT PARTS LISTED LATER IN THIS GROUP**

COMPONENT PARTS FOR FRONT LEFT

151323-01-000 , 151323-02-000, 151323-03-000

KEY	PART NUMBER	U/M	DESCRIPTION	VENDOR NO.
	151323-01-700	EA	BOLT KIT - STORE-MORE	RAP91641

152553-01-000, 152553-02-000

KEY	PART NUMBER	U/M	DESCRIPTION	VENDOR NO.
	152553-01-700	EA	RAM/CYLINDER - SLIDEOUT ROOM	RAP91755
	145494-02-705	EA	KIT - ROOM RETRACTING	RAP91357

152553-03-000

KEY	PART NUMBER	U/M	DESCRIPTION	VENDOR NO.
	132540-01-701	EA	CYLINDER - SYNCHRONIZING	RAP90690/AP17966

153651-02-01A

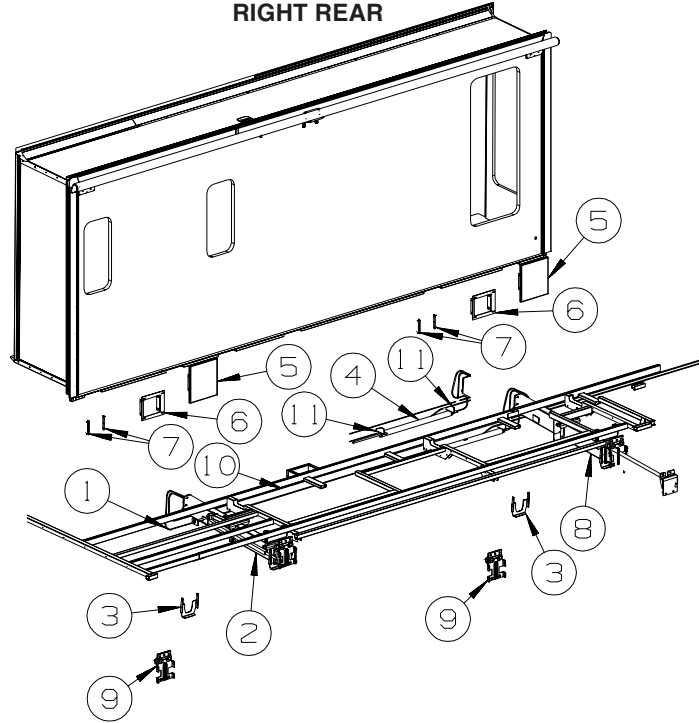
KEY	PART NUMBER	U/M	DESCRIPTION	VENDOR NO.
	153651-01-701	EA	LIMIT - SWITCH	1812996
	153651-01-702	EA	COVER/BOOT - SEAL	1612011
	153651-02-700	EA	MOTOR/LH - F/TRAVEL LOCK	1820131
	153651-02-701	EA	BRACKET/MOUNTING - MOTOR	1102223

153651-04-01A

KEY	PART NUMBER	U/M	DESCRIPTION	VENDOR NO.
	153651-02-700	EA	MOTOR/LH - F/TRAVEL LOCK	1820131

EXTERIOR SLIDEOUT GROUP (CONTINUED)

RIGHT REAR

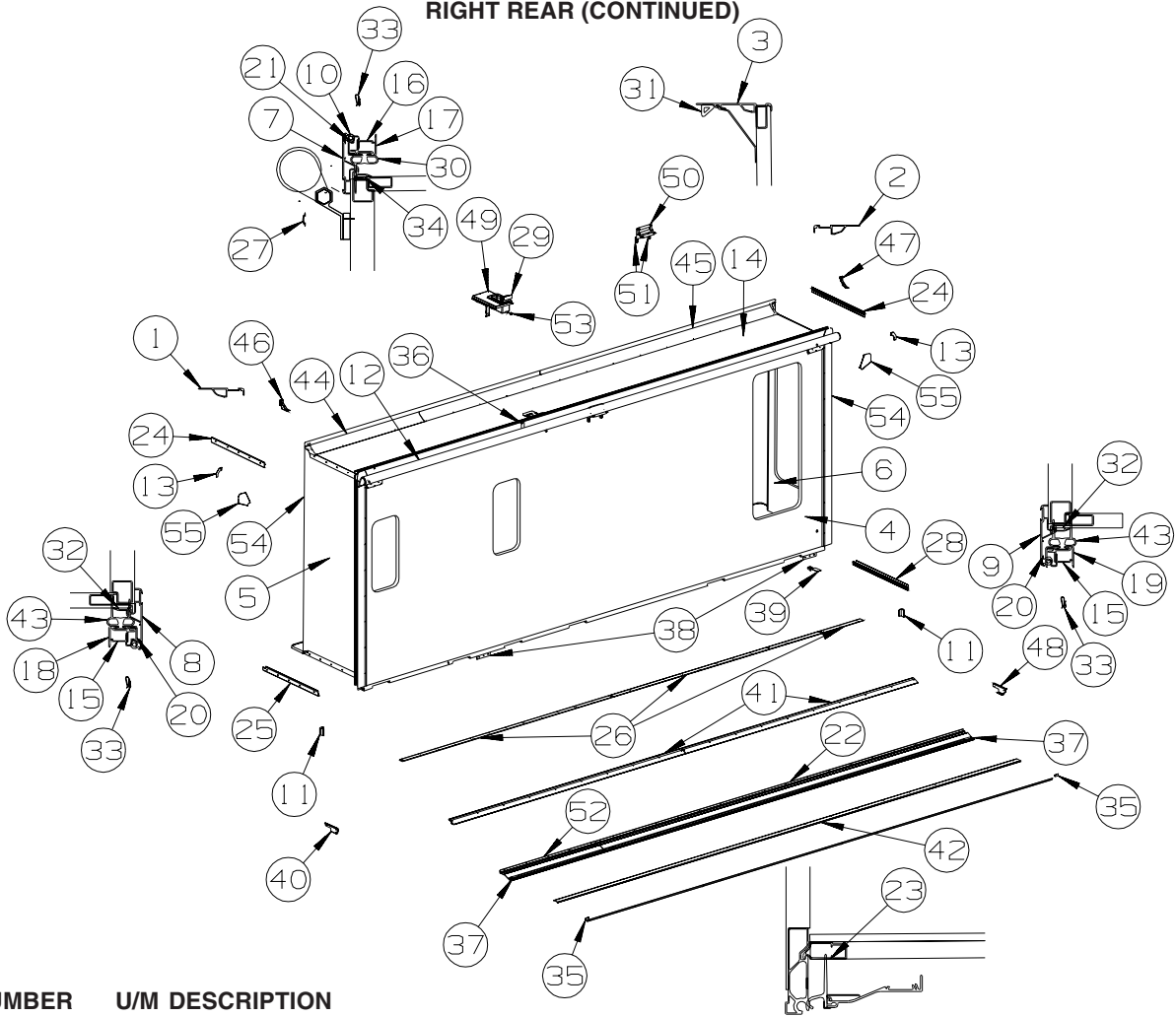


KEY	PART NUMBER	U/M	DESCRIPTION
1	155476-03-000	EA	HOSE KIT - SLIDEOUT
2*	152553-01-000	EA	SLIDEOUT - ARM/HYDRAULIC - FLAT 29" - LEFT FROM: 00-00-00 THRU: 01-07-07
2	163494-02-000	EA	SLIDEOUT - ARM/HYDRAULIC - 29" - LEFT- NOT ILLUSTRATED FROM: 01-08-07 THRU: 99-99-99
	143738-01-000	EA	WRENCH - SLIDE ROOM RETRACT - RATCHET - 13/16" X 7/8"
3	155944-01-02B	EA	BRACKET/SLIDEOUT - ARM/REAR - E-COATED
4*	152553-03-000	EA	HOSE KIT - SLIDEOUT/SYNCHRONIZING CYLINDER FROM: 00-00-00 THRU: 12-10-06
4	163102-03-000	EA	SLIDEOUT - HYDRAULIC - 29" - NOT ILLUSTRATED FROM: 12-11-06 THRU: 99-99-99
	163324-02-000	EA	BRACKETS/HARDWARE - 24"/29" RAM/SYNCH CYLINDER
5	138077-13-T77	EA	COVER/RAM - 12.2" X 13.9" - W/INNER PLATE
6	145262-07-02B	EA	BRACKET - RAM COVER - E-COATED
7	136995-08-02B	EA	PLATE W/BOLTS - 5.3" X 3/4" W/1/4" X 1" BOLTS
8*	152553-02-000	EA	SLIDEOUT - ARM/HYDRAULIC - FLAT 29" - RIGHT FROM: 00-00-00 THRU: 01-07-07
8	163494-01-000	EA	SLIDEOUT - ARM/HYDRAULIC - 29" - RIGHT- NOT ILLUSTRATED FROM: 01-08-07 THRU: 99-99-99
	143738-01-000	EA	WRENCH - SLIDE ROOM RETRACT - RATCHET - 13/16" X 7/8"
9	152741-04-02B	EA	BRACKET - MOUNT - SLIDEOUT - E-COATED
10*	100536-42-000	EA	HOSE KIT - PUMP TO SLIDE-OUT VALVE
11	147732-01-02B	EA	BRACKET/CYLINDER SUPPORT - E-COATED

*COMPONENT PARTS LISTED LATER IN THIS GROUP

EXTERIOR SLIDEOUT GROUP (CONTINUED)

RIGHT REAR (CONTINUED)



KEY	PART NUMBER	U/M	DESCRIPTION
1	139624-45-02A	EA	TRIM/SEAL - INNER - 77.8" - ALMOND
2	139624-44-02A	EA	TRIM/SEAL - INNER - 77.8" - ALMOND
3	154780-01-02A	EA	TRIM/SEAL - SLIDEOUT - 106.8" - ALMOND
3	154780-02-02A	EA	TRIM/SEAL - SLIDEOUT - 106.8" - ALMOND
4	157912-11-U90	EA	SLUG - F/SLIDEOUT (UA1, UA2, UA3, UM4)
4	157912-11-U94	EA	SLUG - F/SLIDEOUT (UA5, UA6, UA7, UM5)
4	157912-11-U98	EA	SLUG - F/SLIDEOUT (UB1, UB2, UB3, UM6)
5	153461-09-U90	EA	PANEL END - F/SLIDEOUT (UA1, UA2, UA3, UM4)
5	153461-09-U94	EA	PANEL END - F/SLIDEOUT (UA5, UA6, UA7, UM5)
5	153461-09-U98	EA	PANEL END - F/SLIDEOUT (UB1, UB2, UB3, UM6)
6	153667-02-UF5	EA	PANEL END - F/SLIDEOUT (UA1, UA2, UA3, UM4)
6	153667-02-U94	EA	PANEL END - F/SLIDEOUT (UA5, UA6, UA7, UM5)
6	153667-02-TD4	EA	PANEL END - F/SLIDEOUT (UB1, UB2, UB3, UM6)
7	156417-36-01A	EA	TRIM/SEAL - W/MITERED ENDS - 73" - BRIGHT WHITE - NOT ILLUSTRATED FROM: 00-00-00 THRU: 10-22-06
7	162052-36-01A	EA	TRIM/SEAL - W/MITERED ENDS - 73" - BRIGHT WHITE FROM: 10-23-06 THRU: 99-99-99
7	156417-36-02A	EA	TRIM/SEAL - W/MITERED ENDS - 73" - BLACK - FULL BODY PAINT - NOT ILLUSTRATED FROM: 00-00-00 THRU: 10-22-06
7	162052-36-02A	EA	TRIM/SEAL - W/MITERED ENDS - 73" - BLACK - FULL BODY PAINT FROM: 10-23-06 THRU: 99-99-99
7	156417-41-01A	EA	TRIM/SEAL - W/MITERED ENDS - 138.9" - BRIGHT WHITE - NOT ILLUSTRATED FROM: 00-00-00 THRU: 10-22-06
7	162052-41-01A	EA	TRIM/SEAL - W/MITERED ENDS - 138.9" - BRIGHT WHITE FROM: 10-23-06 THRU: 99-99-99
7	156417-41-02A	EA	TRIM/SEAL - W/MITERED ENDS - 138.9" - BLACK - FULL BODY PAINT - NOT ILLUSTRATED FROM: 00-00-00 THRU: 10-22-06
7	162052-41-02A	EA	TRIM/SEAL - W/MITERED ENDS - 138.9" - BLACK - FULL BODY PAINT FROM: 10-23-06 THRU: 99-99-99

EXTERIOR SLIDEOUT GROUP (CONTINUED)
RIGHT REAR (CONTINUED)

KEY	PART NUMBER	U/M	DESCRIPTION
8	156417-28-01A	EA	TRIM/SEAL - W/MITERED ENDS - 80.4" - BRIGHT WHITE - NOT ILLUSTRATED FROM: 00-00-00 THRU: 10-22-06
8	162052-28-01A	EA	TRIM/SEAL - W/MITERED ENDS - 80.4" - BRIGHT WHITE FROM: 10-23-06 THRU: 99-99-99
8	156417-28-02A	EA	TRIM/SEAL - W/MITERED ENDS - 80.4" - BLACK - FULL BODY PAINT - NOT ILLUSTRATED FROM: 00-00-00 THRU: 10-22-06
8	162052-28-02A	EA	TRIM/SEAL - W/MITERED ENDS - 80.4" - BLACK - FULL BODY PAINT FROM: 10-23-06 THRU: 99-99-99
9	156417-29-01A	EA	TRIM/SEAL - W/MITERED ENDS - 80.4" - BRIGHT WHITE - NOT ILLUSTRATED FROM: 00-00-00 THRU: 10-22-06
9	162052-29-01A	EA	TRIM/SEAL - W/MITERED ENDS - 80.4" - BRIGHT WHITE FROM: 10-23-06 THRU: 99-99-99
9	156417-29-02A	EA	TRIM/SEAL - W/MITERED ENDS - 80.4" - BLACK - FULL BODY PAINT - NOT ILLUSTRATED FROM: 00-00-00 THRU: 10-22-06
9	162052-29-02A	EA	TRIM/SEAL - W/MITERED ENDS - 80.4" - BLACK - FULL BODY PAINT FROM: 10-23-06 THRU: 99-99-99
10	158297-01-000	FT	SEAL - D-SECTION/BULB/TEE - ADHESIVE BACK - BLACK
11	156480-01-01A	EA	SEAL/BLOCK - SLIDEOUT - 2.6"W X 1.6"H X 1.6"D - BLACK
12			SLIDEOUT AWNING

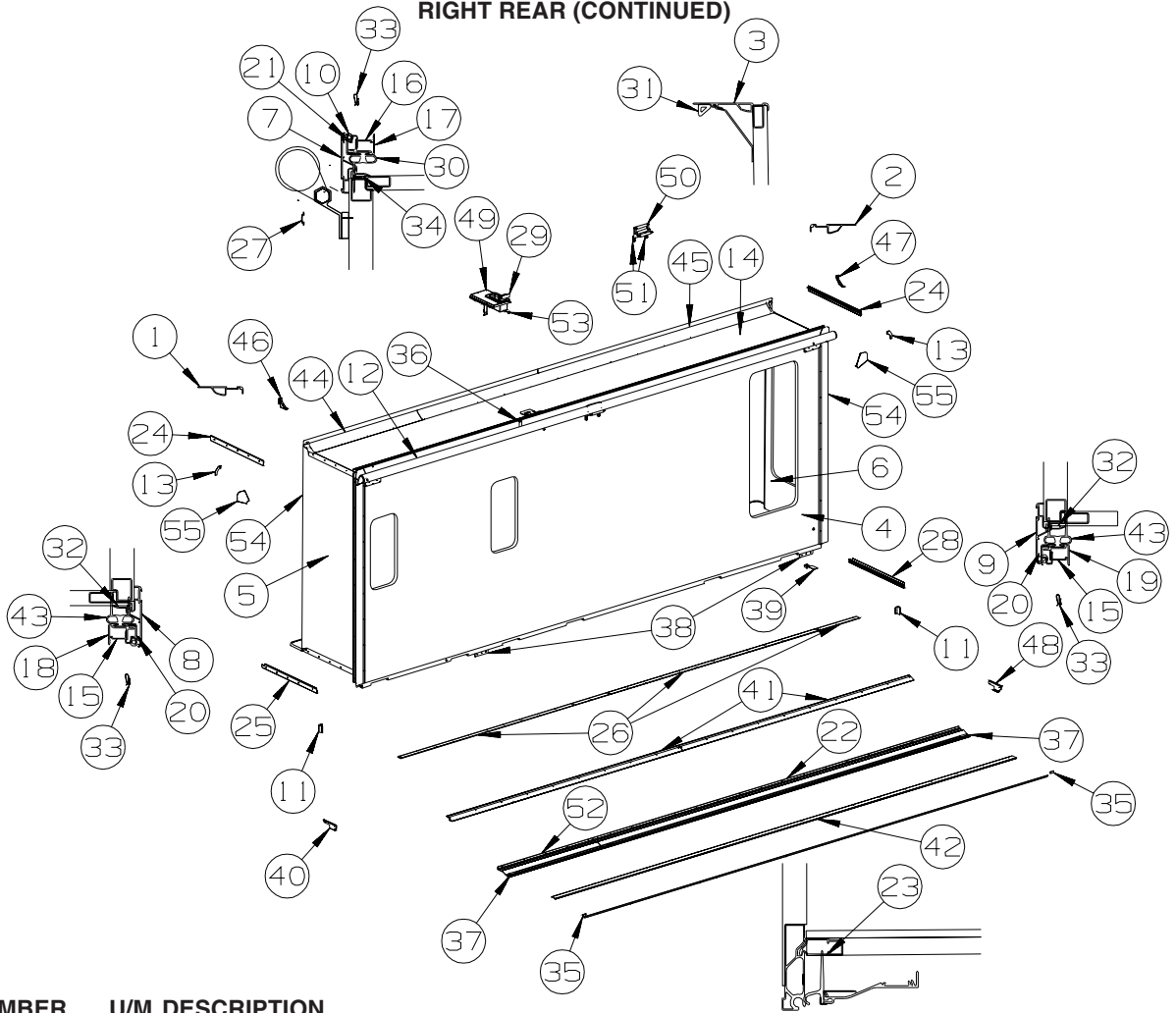
ORDER AWNINGS & REPAIR PARTS FROM DOMETIC. CALL #800-366-3842.

**THE DOMETIC AWNING INFORMATION YOU WILL NEED IS LOCATED ON THE MOTOR HOME NEAR
THE TOP OF THE AWNING RAIL.**

13	156416-01-12B	EA	BRACKET - CORNER TRIM/SLIDEOUT - 3.1"X 3.1" - BRIGHT WHITE FROM: 00-00-00 THRU: 01-06-07
13	156416-01-02B	EA	BRACKET - CORNER TRIM/SLIDEOUT - 3.1"X 3.1" - E-COATED - FULL BODY PAINT FROM: 00-00-00 THRU: 01-06-07
13	160421-01-01A	EA	CORNER TRIM/SLIDEOUT - 3.1" X 3.1" - BLACK - NOT ILLUSTRATED FROM: 01-07-07 THRU: 99-99-99
14	154543-01-U90	EA	ROOF - F/SLIDEOUT
15	142718-38-01A	EA	RETAINER - SIDEWALL/SLIDEOUT - 79"
16	142718-41-01A	EA	RETAINER - SIDEWALL/SLIDEOUT - 213.1"
17	154756-01-02A	EA	TRIM/SIDEWALL - TOP/SLIDEOUT - 101.6" - ALMOND
17	154756-02-02A	EA	TRIM/SIDEWALL - TOP/SLIDEOUT - 113.4" - ALMOND
18	151760-10-02A	EA	TRIM - SIDEWALL/SLIDEOUT - 81.1" - ALMOND
19	151760-11-02A	EA	TRIM - SIDEWALL/SLIDEOUT - 81.1" - ALMOND
20	136824-49-01A	EA	TRIM - SIDEWALL/SLIDEOUT - 80.9" - BRIGHT WHITE
20	136824-49-02A	EA	TRIM - SIDEWALL/SLIDEOUT - 80.9" - BLACK - FULL BODY PAINT
21	154757-01-01A	EA	TRIM/SIDEWALL - TOP/SLIDEOUT - 101.7" - BRIGHT WHITE
21	154757-01-02A	EA	TRIM/SIDEWALL - TOP/SLIDEOUT - 101.7" - BLACK - FULL BODY PAINT
21	154757-02-01A	EA	TRIM/SIDEWALL - TOP/SLIDEOUT - 113.4" - BRIGHT WHITE
21	154757-02-02A	EA	TRIM/SIDEWALL - TOP/SLIDEOUT - 113.4" - BLACK - FULL BODY PAINT
22	152602-04-01A	EA	RAMP - SLIDEOUT - FLOOR/COACH - 211.3" - MILL FROM: 00-00-00 THRU: 04-23-06
22	152602-05-01A	EA	RAMP - SLIDEOUT - FLOOR/COACH - 167.4" - MILL FROM: 04-24-06 THRU: 99-99-99
23	152446-01-000	FT	SEAL - SLIDEOUT/FLOOR
24	158375-01-01A	EA	TRIM - FEATURE - UPPER - 181.7" - BRIGHT WHITE
24	158375-01-02A	EA	TRIM - FEATURE - UPPER - 181.7" - BLACK - FULL BODY PAINT
25	158349-03-01A	EA	TRIM - FEATURE - LOWER - 31.8" - BRIGHT WHITE FROM: 00-00-00 THRU: 10-22-06
25	158349-07-01A	EA	TRIM - FEATURE - LOWER - 30.9" - BRIGHT WHITE FROM: 10-23-06 THRU: 99-99-99
25	158349-03-02A	EA	TRIM - FEATURE - LOWER - 31.8" - BLACK - FULL BODY PAINT FROM: 00-00-00 THRU: 10-22-06
25	158349-07-02A	EA	TRIM - FEATURE - LOWER - 30.9" - BLACK - FULL BODY PAINT FROM: 10-23-06 THRU: 99-99-99
26	152641-01-000	EA	SKID/GLIDE - SLIDEOUT ROOM - 1/4"X2"X95.5" - POLYETHYLENE
27	105312-01-07A	FT	INSERT - FEATURE STRIP - VINYL - BRIGHT WHITE
27	105312-01-13A	FT	INSERT - FEATURE STRIP - VINYL - BLACK - FULL BODY PAINT
28	158349-04-01A	EA	TRIM - FEATURE - LOWER - 31.8" - BRIGHT WHITE FROM: 00-00-00 THRU: 10-22-06
28	158349-08-01A	EA	TRIM - FEATURE - LOWER - 30.9" - BRIGHT WHITE FROM: 10-23-06 THRU: 99-99-99

EXTERIOR SLIDEOUT GROUP (CONTINUED)

RIGHT REAR (CONTINUED)



KEY	PART NUMBER	U/M	DESCRIPTION
28	158349-04-02A	EA	TRIM - FEATURE - LOWER - 31.8" - BLACK - FULL BODY PAINT FROM: 00-00-00 THRU: 10-22-06
28	158349-08-02A	EA	TRIM - FEATURE - LOWER - 30.9" - BLACK - FULL BODY PAINT FROM: 10-23-06 THRU: 99-99-99
29	156015-01-01A	EA	TAPE/PROTECTION - .06" X 1.25" X 3.5" - W/PSA - NATURAL WHT
30	136978-02-01A	FT	SEAL - SLIDEOUT/TOP - SINGLE WIPE LIP - BLACK
31	146056-01-000	FT	SEAL - TRIANGLE - W/PSA
32	133954-66-01A	EA	TRIM/SEAL - 75.8" - BRIGHT WHITE - NOT ILLUSTRATED FROM: 00-00-00 THRU: 04-16-06
32	146606-66-01A	EA	TRIM/RETAINER - 75.8" - BRIGHT WHITE FROM: 04-17-06 THRU: 99-99-99
32	133954-66-02A	EA	TRIM/SEAL - 75.8" - BLACK - FULL BODY PAINT - NOT ILLUSTRATED FROM: 00-00-00 THRU: 04-16-06
32	146606-66-02A	EA	TRIM/RETAINER - 75.8" - BLACK - FULL BODY PAINT FROM: 04-17-06 THRU: 99-99-99
33	142549-01-000	EA	CLIP - "S" TYPE
34	133954-45-01A	EA	TRIM/SEAL - 176.1" - BRIGHT WHITE - NOT ILLUSTRATED FROM: 00-00-00 THRU: 04-16-06
34	146606-45-01A	EA	TRIM/RETAINER - 175.4" - BRIGHT WHITE FROM: 04-17-06 THRU: 99-99-99
34	133954-45-02A	EA	TRIM/SEAL - 176.1" - BLACK - FULL BODY PAINT - NOT ILLUSTRATED FROM: 00-00-00 THRU: 04-16-06
34	146606-45-02A	EA	TRIM/RETAINER - 175.4" - BLACK - FULL BODY PAINT FROM: 04-17-06 THRU: 99-99-99
34	133954-65-01A	EA	TRIM/SEAL - 34.5" - BRIGHT WHITE - NOT ILLUSTRATED FROM: 00-00-00 THRU: 04-16-06
34	146606-65-01A	EA	TRIM/RETAINER - 34.5" - BRIGHT WHITE FROM: 04-17-06 THRU: 99-99-99
34	133954-65-02A	EA	TRIM/SEAL - 34.5" - BLACK - FULL BODY PAINT - NOT ILLUSTRATED FROM: 00-00-00 THRU: 04-16-06

EXTERIOR SLIDEOUT GROUP (CONTINUED)
RIGHT REAR (CONTINUED)

KEY	PART NUMBER	U/M	DESCRIPTION
34	146606-65-02A	EA	TRIM/RETAINER - 34.5" - BLACK - FULL BODY PAINT FROM: 04-17-06 THRU: 99-99-99
35	089275-02-000	FT	STRIP - 3/4" X 84" BLACK POLYETHYLENE
36	154930-01-01A	EA	SPLICE - TRIM/SLIDEOUT - BRIGHT WHITE
36	154930-01-02A	EA	SPLICE - TRIM/SLIDEOUT - BLACK - FULL BODY PAINT
37	156475-01-000	EA	FILTER/FOAM - DRAIN HOLE COVER/SEAL - 60PP1 - 1/4"X1"X3"
38	153104-01-01A	EA	BRACKET/MOUNT - 1.7" X 3.2" X 5.9"
39	154093-02-01B	EA	BRACKET/HOLD DOWN - CHAIR - W/NUT-SERT
40	153800-01-02B	EA	BRACKET - CLOSEOUT/RH - SLIDEOUT - E-COATED
41	153106-16-02A	EA	COVER - RAMP/FLOOR - VINYL CARPET - 3.2" X 210.9"
41	153106-04-01A	EA	COVER - RAMP/FLOOR - VINYL/CARPET - 3.2" X 105.6"-BRT WHT
42	153108-04-01A	EA	SPACER - RAMP - SLIDEOUT FLOOR - 210.5 - MILL
43	153161-01-01A	FT	SEAL - SLIDEOUT - DOUBLE WIPE LIP - BLACK
44	153114-08-02A	EA	TRIM/RETAINER - 209.7" - BLACK
45	153114-06-02A	EA	TRIM/RETAINER - 160" - BLACK
46	153115-01-02A	EA	COVER - TRIM - SLIDEOUT - INNER/TOP/RH - BRIGHT WHITE
46	153115-01-01A	EA	COVER - TRIM - SLIDEOUT - INNER/TOP/RH - BLACK - FULL BODY PAINT
47	153115-02-02A	FT	COVER - TRIM - SLIDEOUT - INNER/TOP/LH - BRIGHT WHITE
47	153115-02-01A	FT	COVER - TRIM - SLIDEOUT - INNER/TOP/LH - BLACK - FULL BODY PAINT
48	153800-02-02B	EA	BRACKET - CLOSEOUT/LH - SLIDEOUT - E-COATED
49*	153651-02-01A	EA	LATCH - TRAVEL/SLIDEOUT - LEFT HAND - BLACK FROM: 00-00-00 THRU: 09-25-06
49*	153651-04-01A	EA	LOCK/LATCH - TRAVEL/SLIDEOUT - W/MOTOR - LEFT HAND - BLACK FROM: 09-26-06 THRU: 99-99-99
50	150962-02-02A	EA	SPACER - AWNING - SLIDE COVER - 3/4" X 2" - BLACK
51			CRADLE KIT - SLIDEOUT AWNING

ORDER AWNINGS & REPAIR PARTS FROM DOMETIC. CALL #800-366-3842.

**THE DOMETIC AWNING INFORMATION YOU WILL NEED IS LOCATED ON THE MOTOR HOME NEAR
THE TOP OF THE AWNING RAIL.**

52	152602-14-02A	EA	RAMP - SLIDEOUT - FLOOR/COACH - 43.4" - BRIGHT WHITE FROM: 04-24-06 THRU: 99-99-99
53	155262-01-02A	EA	TUBE/DRAIN - LATCH/TRAVEL/ROOF - WHITE
53	155262-01-01A	EA	TUBE/DRAIN - LATCH/TRAVEL/ROOF - BLACK - FULL BODY PAINT
54	093681-39-01A	FT	FILM - 3.1" - MATTE BLACK
55	156151-01-02A	EA	PROTECTOR - CORNER - SLIDEOUT - BRIGHT WHITE
55	156151-01-01A	EA	PROTECTOR - CORNER - SLIDEOUT - BLACK - FULL BODY PAINT

***COMPONENT PARTS LISTED LATER IN THIS GROUP**

COMPONENT PARTS FOR RIGHT REAR

100536-42-000

KEY	PART NUMBER	U/M	DESCRIPTION	VENDOR NO.
	100536-42-700	EA	HOSE/HYDRAULIC - 1/4" X 180"	RAP90120/AP5965
	100536-42-701	EA	HOSE/HYDRAULIC - 1/4" X 175"	RAP90350/AP7358

152553-01-000, 152553-02-000

KEY	PART NUMBER	U/M	DESCRIPTION	VENDOR NO.
	152553-01-700	EA	RAM/CYLINDER - SLIDEOUT ROOM	RAP91755
	145494-02-705	EA	KIT - ROOM RETRACTING	RAP91357

152553-03-000

KEY	PART NUMBER	U/M	DESCRIPTION	VENDOR NO.
	132540-01-701	EA	CYLINDER - SYNCHRONIZING	RAP90690/AP17966

153651-02-01A

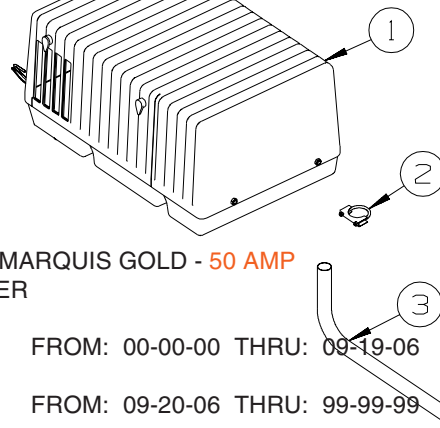
KEY	PART NUMBER	U/M	DESCRIPTION	VENDOR NO.
	153651-01-701	EA	LIMIT - SWITCH	1812996
	153651-01-702	EA	COVER/BOOT - SEAL	1612011
	153651-02-700	EA	MOTOR/LH - F/TRAVEL LOCK	1820131
	153651-02-701	EA	BRACKET/MOUNTING - MOTOR	1102223

153651-04-01A

KEY	PART NUMBER	U/M	DESCRIPTION	VENDOR NO.
	153651-02-700	EA	MOTOR/LH - F/TRAVEL LOCK	1820131

GENERATOR GROUP

GAS

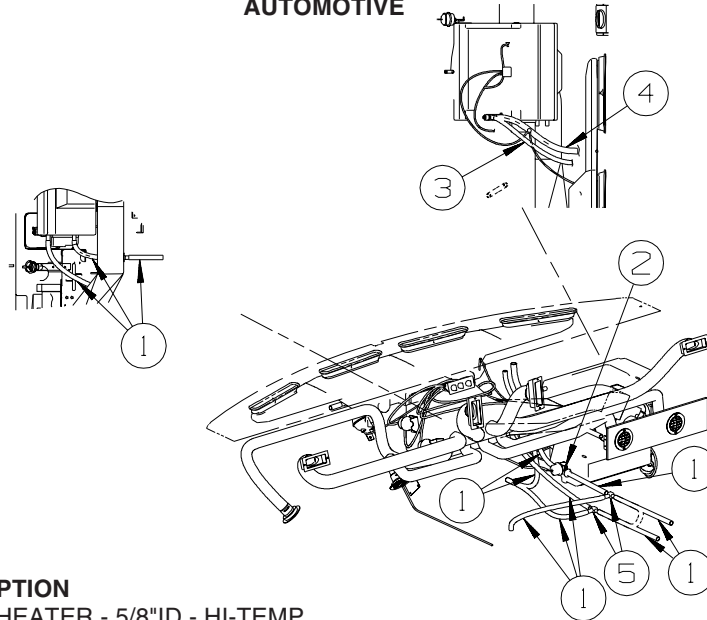


KEY	PART NUMBER	U/M	DESCRIPTION
1	135707-06-000	EA	GENERATOR - 5.5 - 30/30 - GAS - MARQUIS GOLD - 50 AMP
2	007125-03-000	EA	CLAMP - MUFFLER - 1.5" DIAMETER
3	105958-33-000	EA	PIPE - EXHAUST/GENERATOR
3	105958-27-000	EA	PIPE - EXHAUST/GENERATOR

FROM: 00-00-00 THRU: 09-19-06

FROM: 09-20-06 THRU: 99-99-99

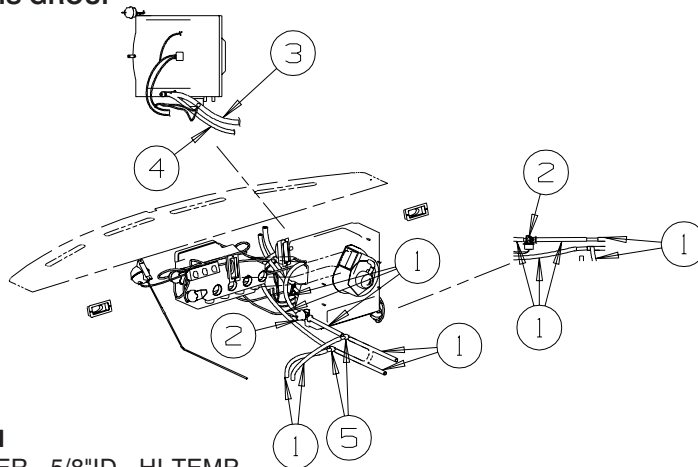
HEATING & A/C GROUP AUTOMOTIVE



WORKHORSE

KEY	PART NUMBER	U/M DESCRIPTION
1	007108-01-000	FT HOSE - HEATER - 5/8"ID - HI-TEMP
2	103930-23-000	EA VALVE/WATER - 2 PORT/VACUUM CONTROLLED - "NEW DESIGN"
3*	103930-46-000	EA HOSE - EXPANSION BLOCK (EVAPORATOR) TO COMPRESSOR
4*	103930-47-000	EA HOSE - EXPANSION VALVE (EVAPORATOR) TO DRIER
5	076776-01-000	EA TEE - BEADED - 5/8" X 5/8" X 5/8"

***COMPONENT PARTS LISTED LATER IN THIS GROUP**

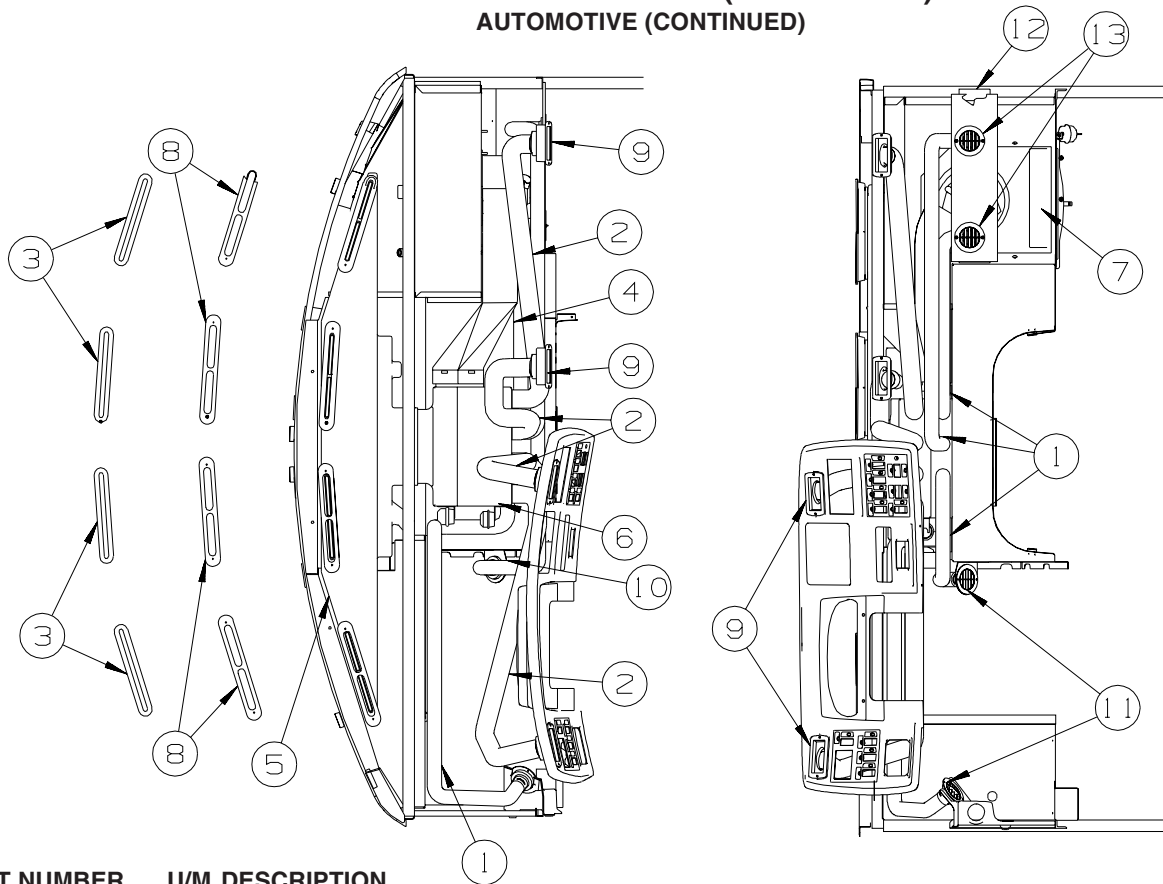


FORD

KEY	PART NUMBER	U/M DESCRIPTION
1	007108-01-000	FT HOSE - HEATER - 5/8"ID - HI-TEMP
2	103930-23-000	EA VALVE/WATER - 2 PORT/VACUUM CONTROLLED - "NEW DESIGN"
3*	103930-44-000	EA HOSE - EVAPORATOR/DRYER - #6
4*	103930-45-000	EA HOSE - EVAPORATOR/COMPRESSOR - PRIOR TO 2007 FORD CHASSIS
4	103930-64-000	EA HOSE - EVAPORATOR/COMPRESSOR - 2007 FORD CHASSIS
5	076776-01-000	EA TEE - BEADED - 5/8" X 5/8" X 5/8"

***COMPONENT PARTS LISTED LATER IN THIS GROUP**

HEATING & A/C GROUP (CONTINUED) AUTOMOTIVE (CONTINUED)



KEY	PART NUMBER	U/M	DESCRIPTION
1	007076-01-000	EA	HOSE - FLEXIBLE PVC - 2" ID - INCREMENTS OF 50'
2	007281-01-000	EA	HOSE - FLEXIBLE PVC - 2 1/2" ID X 50'
3	077075-01-000	EA	GASKET - INSTRUMENT PANEL/DEFROSTER PLENUM - .6" X 10.2"
4	103016-03-000	EA	PLENUM - TRANSITION
5	103017-03-000	EA	PLENUM - DEFROSTER
6*	103930-49-000	EA	CONTROL/PLENUM - LARGE ROTARY
7*	103930-55-000	EA	EVAPORATOR/HEATER - NONCHARGED - SINGLE OUTPUT
8	135265-01-06A	EA	VENT - DEFROSTER - PLASTIC - CASHMERE
9	135803-04-01A	EA	LOUVER/A/C-CURVED/ADJ W/MOUNT HOLE- 2.5"X 5.8" F/2.5" HOSE
10	136157-03-02B	EA	BRACKET - HEATER - E-COATED
11	157225-01-01A	EA	OUTLET - DEFROSTER - W/SWIVEL - 2" SLEEVE/4"OD - BLACK
11	157225-01-02A	EA	OUTLET - DEFROSTER - W/SWIVEL - 2" SLEEVE/4"OD - WHITE
12	156732-02-01A	EA	BRACE
13	157225-01-05A	EA	OUTLET - DEFROSTER - W/SWIVEL - 2" SLEEVE/4"OD - RIVERSTONE
13	157225-01-06A	EA	OUTLET - DEFROSTER - W/SWIVEL - 2" SLEEVE/4"OD - CASHMERE
	113452-02-000	FT	SEAL/TRIM - FRONT - VINYL W/WIRE CARRIER - .027" - WHERE WIRES & HOSES CROSS METAL

***COMPONENT PARTS LISTED LATER IN THIS GROUP**

HEATING & A/C GROUP (CONTINUED)

COMPONENT PARTS FOR AUTOMOTIVE

103930-44-000

KEY	PART NUMBER	U/M	DESCRIPTION	VENDOR NO
	103930-29-701	EA	O'RING F/LOW PRESSURE SWITCH	045-0483
	103930-44-700	EA	HOSE ASSEMBLY #6	085-0462
	113245-01-711	EA	O'RING #6	045-0129

103930-45-000

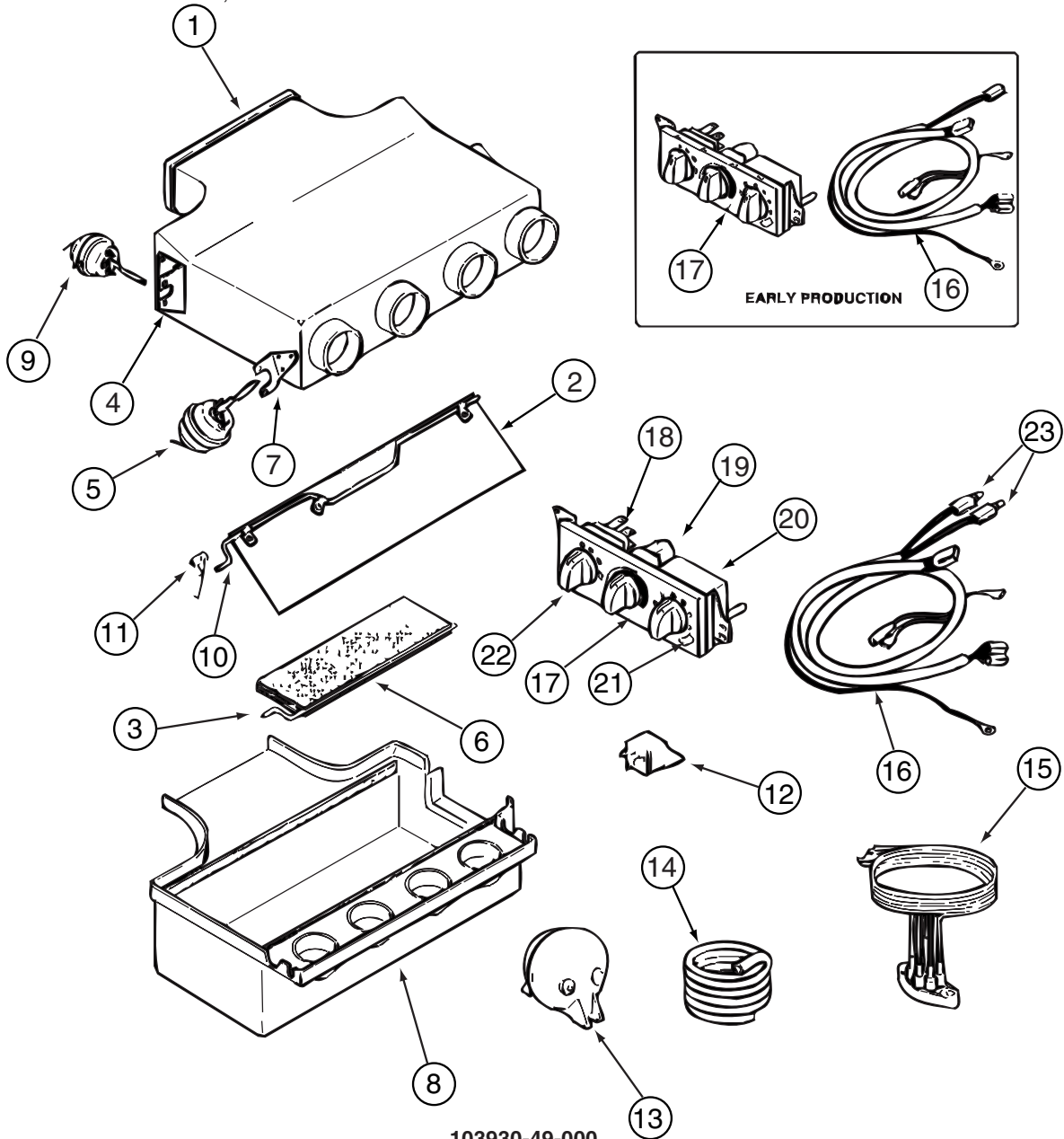
KEY	PART NUMBER	U/M	DESCRIPTION	VENDOR NO.
	103930-17-702	EA	O'RING #10	045-0127
	103930-45-700	EA	HOSE - #10 EVAP/COMP - 3'	085-0463

103930-46-000

KEY	PART NUMBER	U/M	DESCRIPTION	VENDOR NO
	103930-17-702	EA	O'RING #10	045-0127
	103930-29-701	EA	O'RING F/LOW PRESSURE SWITCH	045-0483
	103930-46-700	EA	HOSE - #10 EVAP/COMP - 4.3'	085-0486

103930-47-000

KEY	PART NUMBER	U/M	DESCRIPTION	VENDOR NO
	103930-47-700	EA	HOSE - #6-EVAP/DRIER - 2.2'	085-0485
	113245-01-710	EA	O'RING, #12	045-0128



103930-49-000

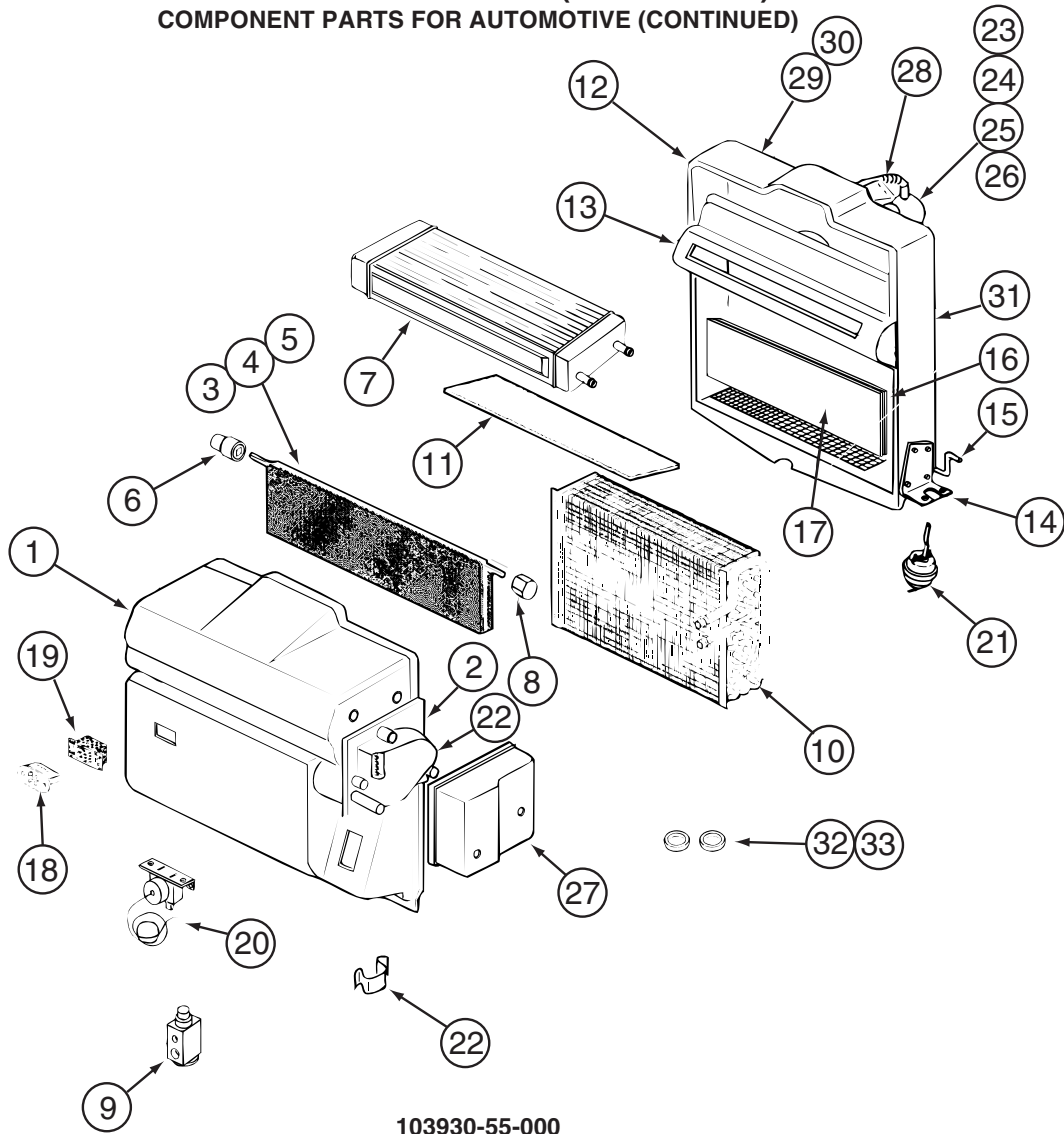
HEATING & A/C GROUP (CONTINUED)
COMPONENT PARTS FOR AUTOMOTIVE (CONTINUED)

103930-49-000 (CONTINUED)

KEY	PART NUMBER	U/M	DESCRIPTION	VENDOR NO.
1	103930-39-705	EA	PLENUM - TOP	060-0482
2	103930-04-700	EA	DOOR - DEFROSTER-A/C	071-0149
3	103930-39-700	EA	ROD - DOOR - AC/HEAT	073-067
5	103930-02-708	EA	MOTOR-VACUUM SERVO, A/C	030-0025
6	103930-39-706	EA	PLATE - DOOR - A/C	071-0623
8	103930-39-707	EA	PLENUM - BOTTOM	060-0483
9	103930-33-701	EA	MOTOR - VACUUM, 3 STAGE	030-0105
10	103930-39-701	EA	ROD - DOOR - AC/DEFROST	073-0069
11	103930-39-704	EA	SPRING	022-0119
12	103930-02-707	EA	RELAY-BOSCH W/RESISTER	031-0001
13	103930-02-710	EA	CANISTER-VACUUM	054-0002
15	103930-33-703	EA	VACUUM HARNESS	036-0466
16	103930-49-700	EA	HARNESS - WIRE	036-556
16	103930-49-701	EA	HARNESS - WIRE W/BULBS	036-0557
17	103930-49-702	EA	CONTROL PANEL-RECESSED FACE	032-0054
17	103930-49-703	EA	CONTROL PANEL - NON RECESSED	083-0223
18	103930-49-704	EA	SWITCH - BLOWER	032-0332
19	103930-49-705	EA	POTENTIOMETER	032-0182
20	103930-49-706	EA	SWITCH - VACUUM	032-0185
21	103930-49-707	EA	DECAL CONTROL PANEL-N/RECESS	058-0144
22	103930-49-708	EA	KNOB - BLOWER - NONRECESSED	062-0620
23	103930-33-705	EA	LIGHT BULBS	035-0030

CONTACT WINNEBAGO PART SALES FOR UNLISTED COMPONENT(S)

HEATING & A/C GROUP (CONTINUED)
COMPONENT PARTS FOR AUTOMOTIVE (CONTINUED)



103930-55-000

KEY	PART NUMBER	U/M	DESCRIPTION	VENDOR NO.
1	103930-55-701	EA	CASE - FRONT	062-0658
2	103930-30-701	EA	PLATE - MOTOR MOUNT	062-0544
3	103930-55-705	EA	DOOR - BLEND AIR	071-0892
6	103930-30-702	EA	BUSHING/DRIVE (BLEND DOOR)	062-0168
7	103930-55-706	EA	CORE - HEATER - W/GASKET	084-0271
8	103930-30-709	EA	COUPLING - BLEND DOOR SHAFT	062-0634
9	103930-20-700	EA	VALVE-EXPANSION-BLOCK, 2 TON	034-0032
10	103930-55-700	EA	CORE-EVAPORATOR	041-00168
12	103930-55-702	EA	CASE-REAR	062-0657
14	103930-01-708	EA	BRACKET-VACUUM MOTOR	070-0113
15	103930-20-704	EA	ROD-DOOR-RECIRCULATING	073-0018
16	103930-55-707	EA	DOOR - RECIRCULATION	071-0891
18	103930-01-710	EA	RESISTOR-FUSED, A/C 4 TERM	035-0006
20	103930-01-711	EA	THERMOSTAT	033-0003
21	103930-02-708	EA	MOTOR-VACUUM SERVO, A/C	030-0025
22	103930-30-703	EA	MOTOR - SERVO	030-0104
23	103930-20-707	EA	HOUSING-BLOWER	062-0145
24	103930-55-703	EA	MOTOR-BLOWER W/O PIGTAIL	030-0137
25	103930-01-717	EA	WHEEL-BLOWER, CLOCKWISE	062-0010
26	103930-20-708	EA	CLIP-MOTOR SHAFT	022-0001
27	103930-30-704	EA	COVER - SERVO	062-0545
32	113245-01-707	EA	O'RING #8	045-0126
33	103930-17-702	EA	O'RING #10	045-0127
	103930-55-704	EA	CORE-HEATER	042-0059
	110279-01-703	EA	HOSE-VENT F/BLOWER MOTOR	051-0034

CONTACT WINNEBAGO PART SALES FOR UNLISTED COMPONENT(S)

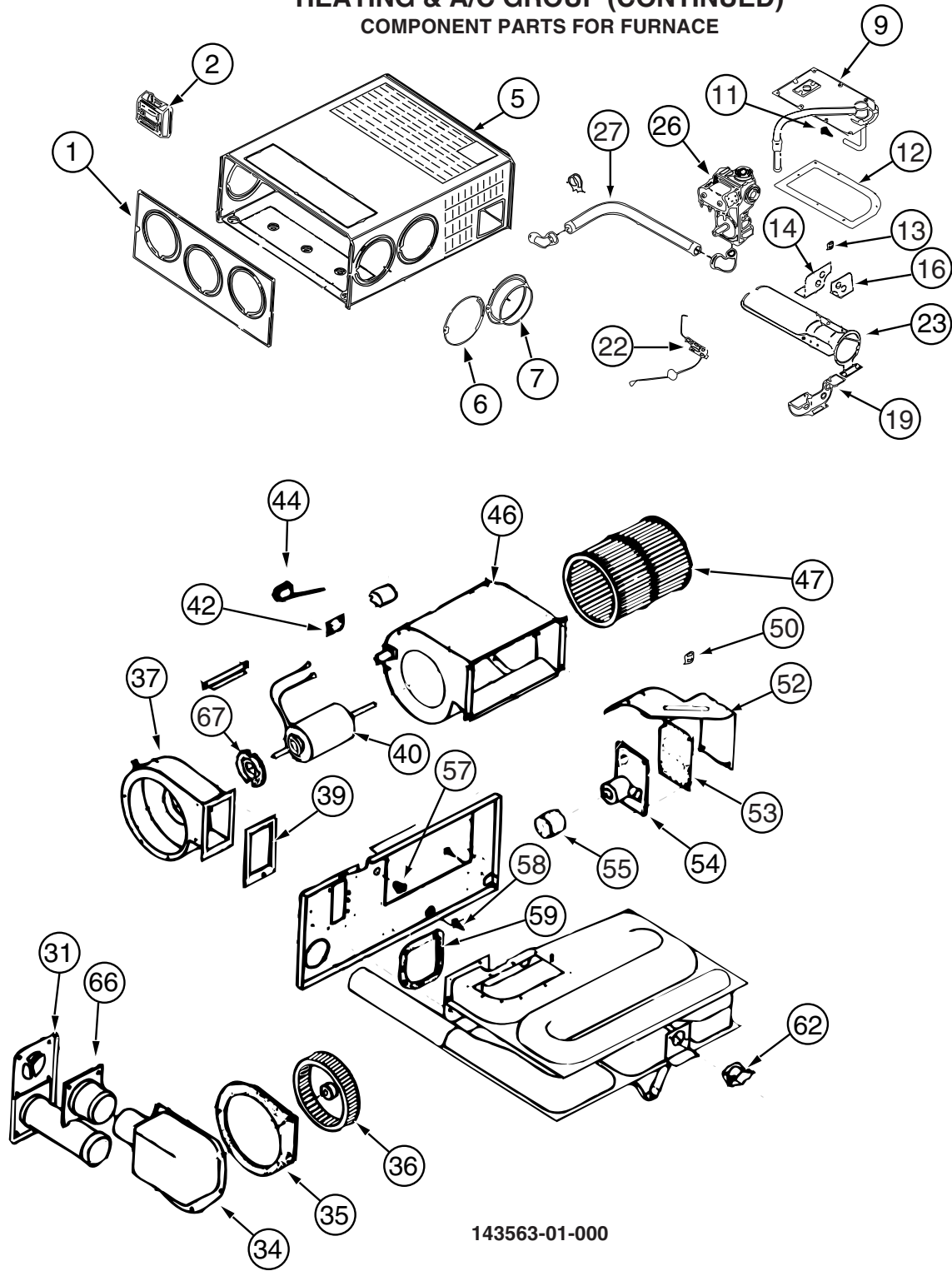
HEATING & A/C GROUP (CONTINUED)

FURNACE

KEY	PART NUMBER	U/M	DESCRIPTION
*	143563-01-000	EA	FURNACE - 35000 BTU/HIGH QUIET - SUBURBAN SH-35 2322
*	143563-02-000	EA	FURNACE - 40000 BTU HIGH QUIET - SUBURBAN SH-42 2346A
	P20134-01-02A	EA	REGISTER - 4-5" DIAMETER - W/DAMPER
	009198-01-000	FT	DUCT - HEAT - FLEXIBLE - 4" ID X 25'
	009198-02-000	FT	DUCT - HEAT - FLEXIBLE - 2" ID X 25'
	056464-10-000	EA	REGISTER W/O DAMPER - 4" DIAMETER - PLASTIC
	092776-01-000	EA	ADAPTER - DUCT - 2"
	092777-01-000	EA	ADAPTER - DUCT - 4"
	093614-13-02A	EA	GRILLE - AIR RETURN - 15.9" X 11.9" - BEIGE
	093614-15-02A	EA	GRILL - RETURN AIR - DURA BEIGE
	126693-05-02B	EA	PANEL - EXHAUST/FURNACE - E-COATED
	134651-01-000	FT	SEAL - 1/2" X 3/4" X 9' - PSA 1 SIDE
	137965-01-02A	EA	REGISTER - 11.2" X 3.6"(9.7 X 2.1"R/O) W/O DAMPER-ANT PWTR
	137965-02-02A	EA	REGISTER - 11.2" X 3.6"(9.7 X 2.1"R/O) W/DAMPER - ANT PWTR
	137965-03-02A	EA	REGISTER - 11.2" X 3.6"(9.7 X 2.1"R/O) W/O DAMPER-ANT PWTR
	137965-04-02A	EA	REGISTER - 11.2" X 3.6"(9.7 X 2.1"R/O) W/DAMPER - ANT PWTR
	137965-06-02A	EA	REGISTER - 15.3" X 3.6"(13.9"X2.1"R/O) W/O DAMPER-ANT PWTR
	137965-10-02A	EA	REGISTER - 15.3" X 3.6"(13.8"X2.1"R/O) W/O DAMPER-ANT PWTR
	139980-05-000	EA	VENT - INTAKE
	139980-06-000	EA	VENT CAP
	141194-03-02B	EA	PANEL/FURNACE CLOSEOUT - E-COATED
	141337-01-01A	EA	GASKET - FURNACE
	143563-03-02A	EA	DOOR/ACCESS - FURNACE - W/FRAME - BLACK
	143563-04-000	EA	PLATE END - COLLAR
	143563-05-000	EA	GASKET - FIBERGLASS - SUBURBAN #071018
	158710-01-000	EA	ELBOW/DUCT - 2 1/4" X 14"

***COMPONENT PARTS LISTED LATER IN THIS GROUP**

HEATING & A/C GROUP (CONTINUED)
COMPONENT PARTS FOR FURNACE



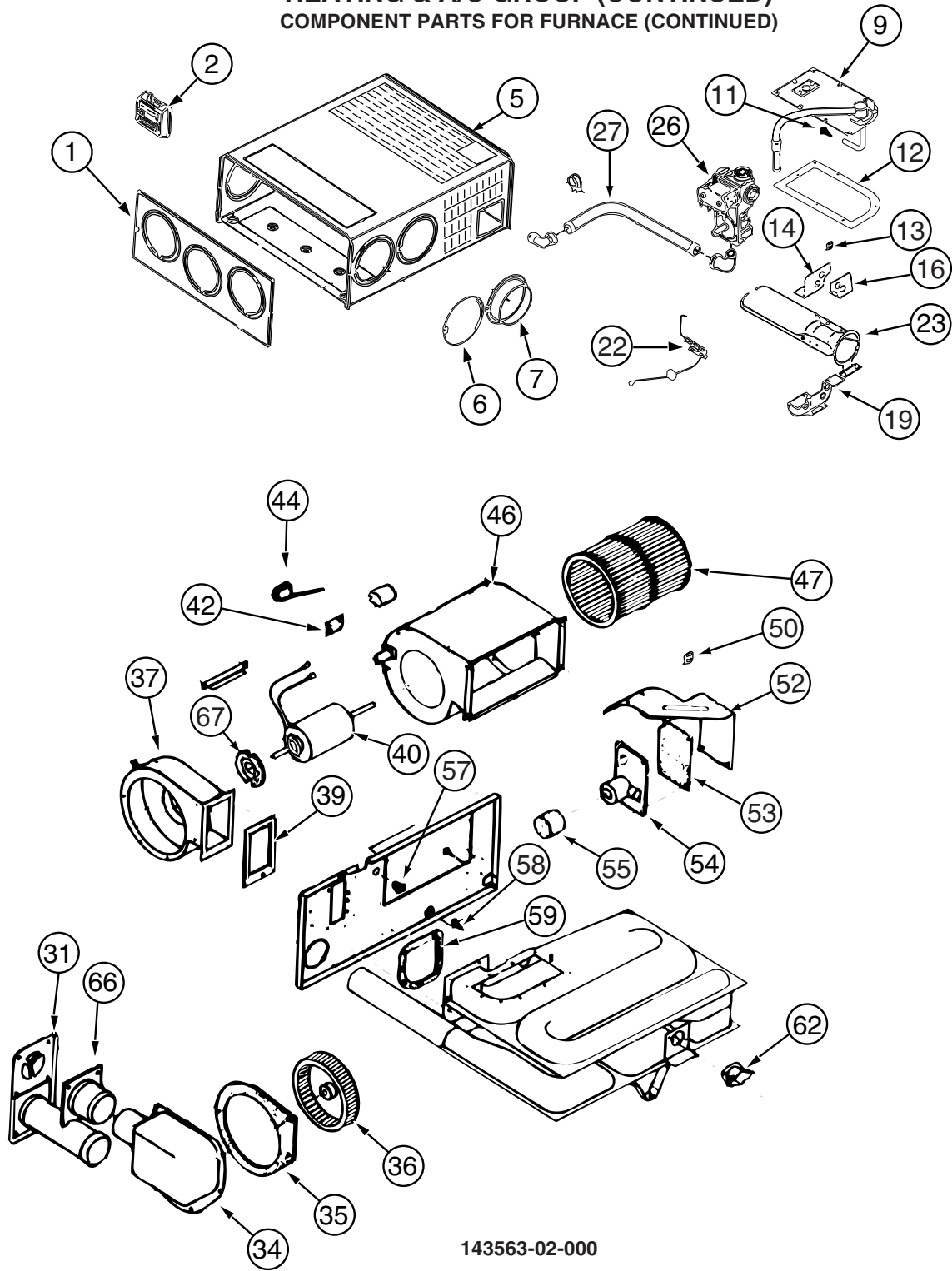
143563-01-000

HEATING & A/C GROUP (CONTINUED)
COMPONENT PARTS FOR FURNACE (CONTINUED)

143563-01-000 (CONTINUED)

KEY	PART NUMBER	U/M	DESCRIPTION	VENDOR NO.
1	143563-01-700	EA	CABINET - FRONT	101907
2			12 VOLT WIRING AREAS FOR CORRECT THERMOSTAT	
5	143563-01-701	EA	CABINET	101921
7	075696-02-703	EA	COLLAR - DUCT	050715
9	143563-01-702	EA	MANIFOLD ASSEMBLY	171599
11	143563-01-703	EA	ORFICE - MAIN BURNER	180308
12	098668-22-703	EA	GASKET - BURNER ACCESS COVER	070811
14	143563-01-704	EA	PLATE - SECONDARY AIR/TOP BACK	063199
16	143563-01-705	EA	PLATE - SECONDARY AIR/TOP FRT	062936
19	143563-01-706	EA	PLATE - SECONDARY AIR/BOTTOM	062938
22	139980-01-701	EA	ELECTRODE	232286
23	098668-02-700	EA	BURNER ASSEMBLY,SF-30 & SF35	010745
26	098668-01-718	EA	VALVE-GAS SF S.N.974903079	161122
27	143563-01-707	EA	PIPE ASSEMBLY (GAS INLET)	171603
31	098668-01-707	EA	TUBE ASSEMBLY, EXHAUST W/CAP	260231
34	143563-01-708	EA	BOX ASM (COMB. AIR INTAKE)	051430BK
35	143563-01-709	EA	GASKET (COMB. AIR HOUSING)	071108
36	143563-01-710	EA	WHEEL (COMBUSTION AIR)	350199
37	143563-01-711	EA	HOUSING (COMBUSTION AIR)	390862BK
39	143563-01-715	EA	GASKET-FIREWALL/COMB. AIR	071107
40	143563-01-712	EA	MOTOR ASSEMBLY	232727
42	101990-01-714	EA	GASKET-MICROSWITCH	230877
44	098668-21-700	EA	SWITCH-MICRO-W/O FLAG 3 1/4"	232261
46	143563-01-713	EA	BLOWER ASSEMBLY(ROOM AIR)	390867BK
47	143563-01-714	EA	WHEEL - ROOM AIR	350198
50	139980-01-710	EA	SWITCH - ON/OFF	232351
52	139980-01-711	EA	PANEL ASSEMBLY-MODULE BD	101663
53	139980-01-712	EA	INSULATOR - MODULE BD	070807
54	098668-22-705	EA	MODULE BD W/RELAY TIME DELAY	520820
55	139980-01-713	EA	CAP/INSULATOR-MODULE BD	070973
57	139980-01-714	EA	BUSHING - UNIVERSAL	070362
58	139980-01-715	EA	BUSHING - STRAIN RELIEF	231809
59	098668-01-716	EA	GASKET-FIREWALL,CHAMBER SIDE	070808
62	098668-21-701	EA	SWITCH - LIMIT	232504
66	098668-01-713	EA	TUBE ASSEMBLY, INTAKE	051248
67	075697-07-703	EA	GASKET - MOTOR	070448
	143563-01-716	EA	CHAMBER ASM. - FINAL	
			CONTACT WINNEBAGO PART SALES FOR UNLISTED COMPONENT(S)	

HEATING & A/C GROUP (CONTINUED)
COMPONENT PARTS FOR FURNACE (CONTINUED)



143563-02-000

HEATING & A/C GROUP (CONTINUED)
COMPONENT PARTS FOR FURNACE (CONTINUED)

143563-02-000 (CONTINUED)

KEY	PART NUMBER	U/M	DESCRIPTION	VENDOR NO.
1	143563-01-700	EA	CABINET - FRONT	101907
2			SEE 12 VOLT WIRING AREAS FOR CORRECT THERMOSTAT	
5	143563-02-700	EA	CABINET	101915
7	075696-02-703	EA	COLLAR - DUCT	050715
9	143563-01-702	EA	MANIFOLD ASSEMBLY	171599
11	143563-02-701	EA	ORFICE - MAIN BURNER	180309
12	098668-22-703	EA	GASKET - BURNER ACCESS COVER	070811
14	143563-02-702	EA	PLATE - SECONDARY AIR/TOP BACK	063198
16	143563-02-703	EA	PLATE - SECONDARY AIR/TOP FRT	062933
19	143563-02-704	EA	PLATE - SECONDARY AIR/BOTTOM	062935
22	139980-01-701	EA	ELECTRODE	232286
23	098668-11-701	EA	BURNER ASSEMBLY, SF-42F	010799
26	098668-01-718	EA	VALVE-GAS SF S.N.974903079	161122
27	143563-01-707	EA	PIPE ASSEMBLY (GAS INLET)	171603
31	098668-01-707	EA	TUBE ASSEMBLY, EXHAUST W/CAP	260231
34	143563-01-708	EA	BOX ASM (COMB. AIR INTAKE)	051430BK
35	143563-01-709	EA	GASKET (COMB. AIR HOUSING)	071108
36	143563-01-710	EA	WHEEL (COMBUSTION AIR)	350199
37	143563-01-711	EA	HOUSING (COMBUSTION AIR)	390862BK
39	143563-01-715	EA	GASKET-FIREWALL/COMB. AIR	071107
40	143563-02-705	EA	MOTOR ASSEMBLY	232726
42	101990-01-714	EA	GASKET-MICROSWITCH	230877
44	098668-21-700	EA	SWITCH-MICRO-W/O FLAG 3 1/4"	232261
46	143563-01-713	EA	BLOWER ASSEMBLY(ROOM AIR)	390867BK
47	143563-01-714	EA	WHEEL - ROOM AIR	350198
50	139980-01-710	EA	SWITCH - ON/OFF	232351
52	139980-01-711	EA	PANEL ASSEMBLY-MODULE BD	101663
53	139980-01-712	EA	INSULATOR - MODULE BD	070807
54	098668-22-705	EA	MODULE BD W/RELAY TIME DELAY	520820
55	139980-01-713	EA	CAP/INSULATOR-MODULE BD	070973
57	139980-01-714	EA	BUSHING - UNIVERSAL	070362
58	139980-01-715	EA	BUSHING - STRAIN RELIEF	231809
59	098668-01-716	EA	GASKET-FIREWALL,CHAMBER SIDE	070808
62	143563-02-706	EA	SWITCH - LIMIT	232735
66	098668-01-713	EA	TUBE ASSEMBLY, INTAKE	051248
67	075697-07-703	EA	GASKET - MOTOR	070448
	143563-02-707	EA	CHAMBER ASM. - FINAL	021172BK
			CONTACT WINNEBAGO PART SALES FOR UNLISTED COMPONENT(S)	

HEATING & A/C GROUP (CONTINUED)

REAR HEATER

KEY	PART NUMBER	U/M	DESCRIPTION
*	147610-01-000	EA	HEATER - AUTO/AUX - G33V, G35A, G35L, G37B, G38T
	147610-02-000	EA	HEATER - AUTO/AUX - G38J
	104692-01-000	FT	SEAL - ADHESIVE BACKED FOAM - 3/4" THICK X 3/4" WIDE X 25'
	007108-01-000	FT	HOSE - HEATER - 5/8" ID - HI-TEMP
	076776-01-000	EA	TEE - BEADED - 5/8" X 5/8" X 5/8"
	079059-01-000	EA	HOSE - 90 DEGREE - 5/8"ID X 4" X 36"
	079059-13-000	EA	HOSE - 90 DEGREE - .61"ID X 4" X 48"
	137965-01-02A	EA	REGISTER - 11.2" X 3.6"(9.7 X 2.1"R/O) W/O DAMPER-ANT PWTR

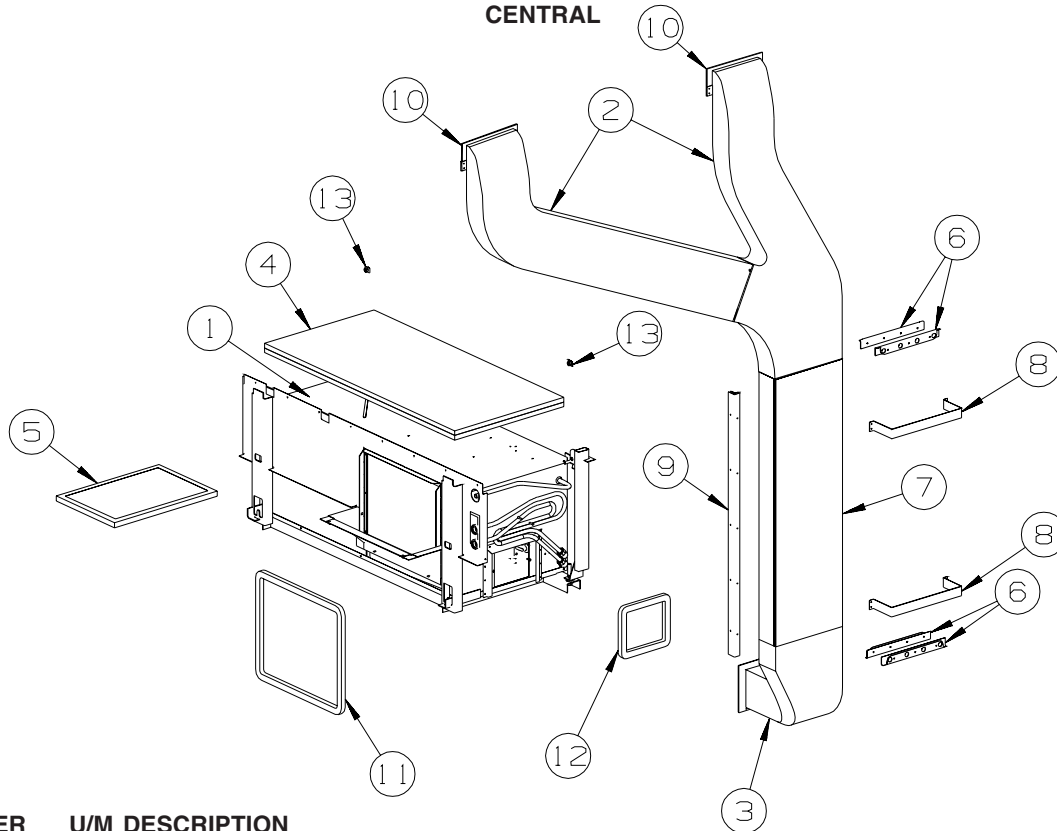
*COMPONENT PARTS LISTED LATER IN THIS GROUP

COMPONENT PARTS FOR REAR HEATER

KEY	PART NUMBER	U/M	DESCRIPTION	147610-01-000	VENDOR NO.
	129205-01-702	EA	BLOWER ASSEMBLY-W/12V MOTOR		HV218419
	147610-01-700	EA	RESISTOR-BLOWER MOTOR		HV218125

HEATING & A/C GROUP (CONTINUED)

CENTRAL



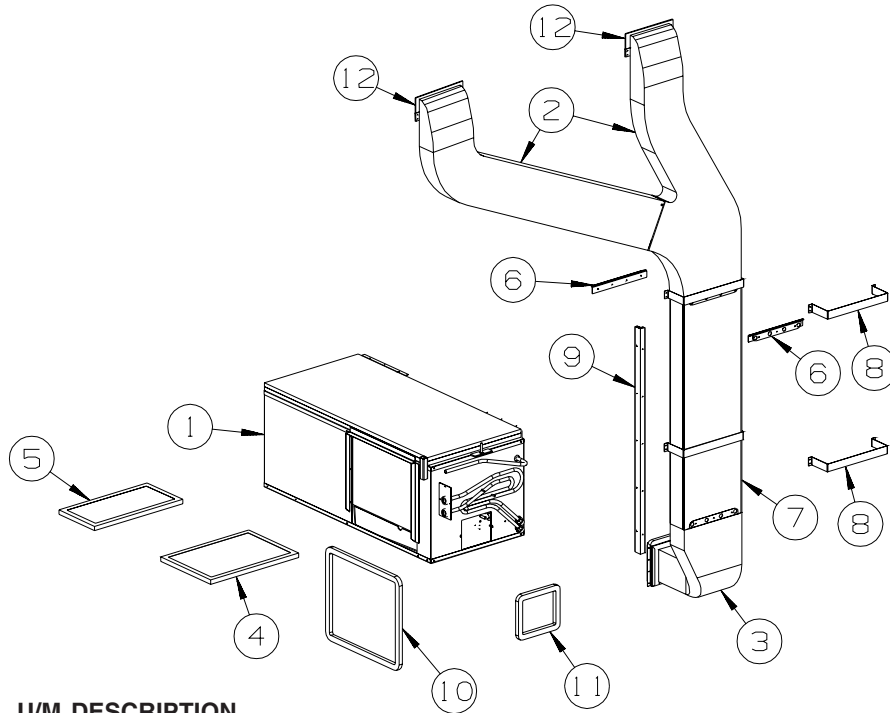
**G33V, G35A,
G35L, G37B,
G38J**

KEY	PART NUMBER	U/M	DESCRIPTION
1*	105620-12-000	EA	A/C-CENTRAL - RH HAND/HEAT PUMP/12,000 BTU - TECUMSEH COMP
2	M09204-01-000	EA	DUCT/AC - UPPER RIGHT HAND/LEFT HAND
3	P38842-01-000	EA	DUCT - CENTRAL AIR/FORCED - W/INSULATION - LOWER
	105290-01-000	SF	INSULATION - AIR POCKET W/FOIL - 4' WIDE
4	100619-16-000	BF	FOAM - EXPANDED POLYSTYRENE - .75" X 48" X 96"-2" DENSITY
5	109050-02-000	EA	FILTER/FURNACE-AC - FIBERGLASS - 1" X 14" X 20"
	100128-02-000	FT	SEAL - FOAM/ADHESIVE BACK - .37" WIDE X .37" THICK X 60' FROM: 00-00-00 THRU: 07-30-06
6	115886-11-02A	EA	RETAINER - SIDEWALL - BRIGHT WHITE - 11.8" - NOT ILLUSTRATED FROM: 00-00-00 THRU: 07-30-06
6	160755-01-02B	EA	U-CHANNEL W/HOLES FROM: 07-31-06 THRU: 99-99-99
	130262-06-000	EA	PROTECTOR - CORNER SAVER - .7" X .7" FROM: 00-00-00 THRU: 07-30-06
7	117870-11-01A	EA	PLENUM - A/C - 43" FROM: 00-00-00 THRU: 07-30-06
7	159404-02-000	EA	PLENUM - A/C FROM: 07-31-06 THRU: 99-99-99
8	129047-01-02B	EA	STRAP/MOUNTING - AIR DUCT - E-COATED
9	159408-02-01A	EA	CORNER - W/HOLES FROM: 07-31-06 THRU: 99-99-99
10	104692-01-000	FT	SEAL - ADHESIVE BACKED FOAM - 3/4" THICK X 3/4" WIDE X 25'
11	134588-01-000	EA	GASKET - DUCT - 15.5" X 18.2" IS - 17.4" X 20.2" OS
12	134588-02-000	EA	GASKET - DUCT - 6.4" X 7.4" IS - 8.3" X 9.4" OS
13	142913-01-000	EA	J-CLIP - F/TV HOLD DOWN

***COMPONENT PARTS LISTED LATER IN THIS GROUP**

HEATING & A/C GROUP (CONTINUED) CENTRAL (CONTINUED)

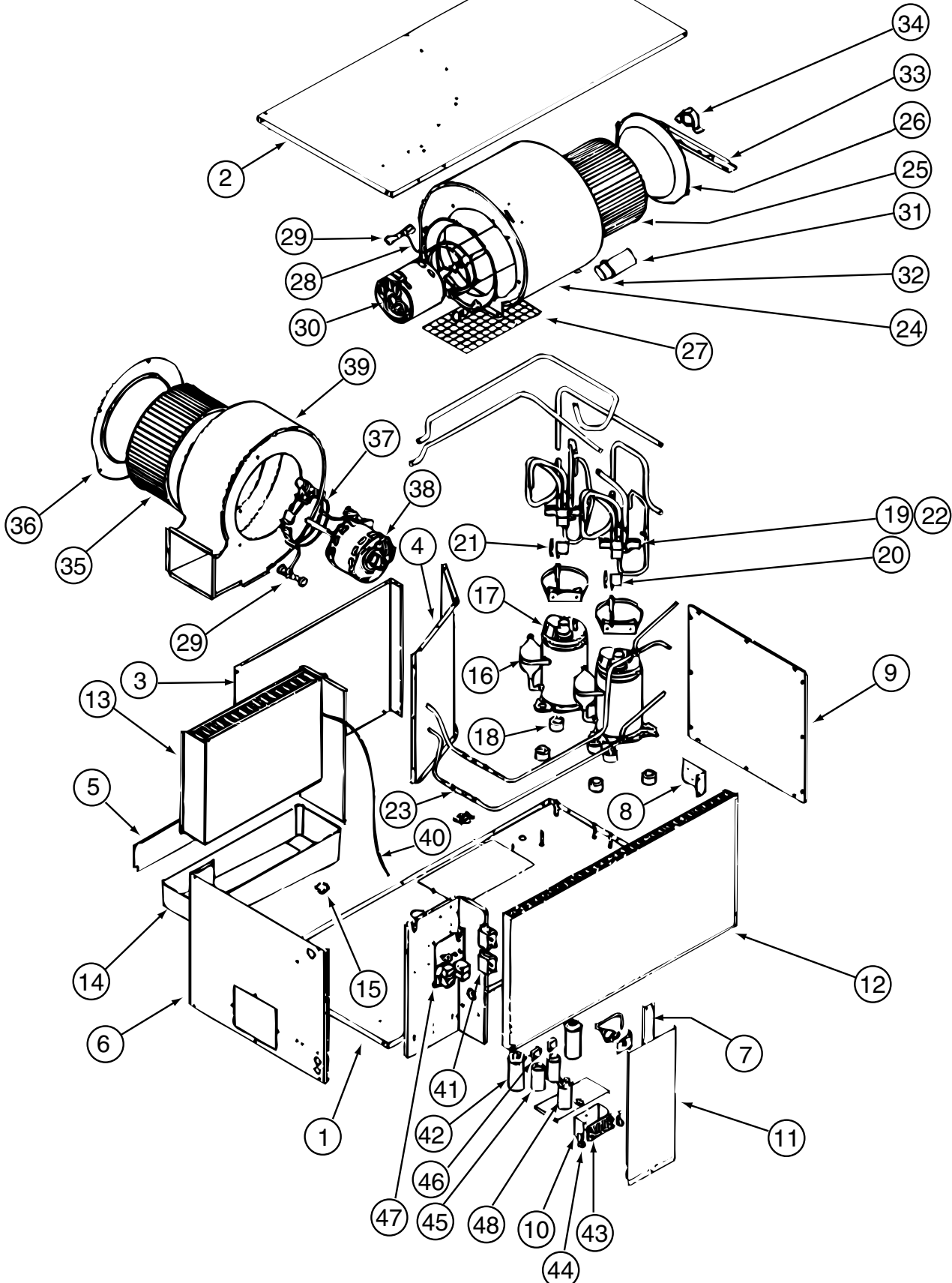
G38T



KEY	PART NUMBER	U/M	DESCRIPTION
1*	105620-12-000	EA	A/C - CENTRAL - RIGHT HAND/HEAT PUMP - 12,000 BTU COMP
2	M09204-01-000	EA	DUCT/AC - UPPER RIGHT HAND & LEFT HAND
3	P38842-01-000	EA	DUCT - CENTRAL AIR/FORCED - W/INSULATION - LOWER
	105290-01-000	SF	INSULATION - AIR POCKET W/FOIL
4	109050-02-000	EA	FILTER/FURNACE-AC - FIBERGLASS - 1" X 14" X 20"
5	NOT USED		
6	115886-11-02A	EA	RETAINER - SIDEWALL - MILL - 11.8"
	100128-02-000	FT	SEAL - FOAM/ADHESIVE BACK - .37" WIDE X .37" THICK X 60' FROM: 00-00-00 THRU: 07-30-06
6	115886-11-02A	EA	RETAINER - SIDEWALL - BRIGHT WHITE - 11.8" - NOT ILLUSTRATED FROM: 00-00-00 THRU: 07-30-06
6	160755-01-02B	EA	U-CHANNEL W/HOLES FROM: 07-31-06 THRU: 99-99-99
	130262-06-000	EA	PROTECTOR - CORNER SAVER - .7" X .7" FROM: 00-00-00 THRU: 07-30-06
7	117870-11-01A	EA	PLENUM - A/C - 43" FROM: 00-00-00 THRU: 07-30-06
7	159404-02-000	EA	PLENUM - A/C FROM: 07-31-06 THRU: 99-99-99
8	129047-01-02B	EA	STRAP/MOUNTING - AIR DUCT - E-COATED
9	159408-02-01A	EA	CORNER - W/HOLES FROM: 07-31-06 THRU: 99-99-99
10	134588-01-000	EA	GASKET - DUCT - 15.5" X 18.2" IS - 17.4" X 20.2" OS
11	134588-02-000	EA	GASKET - DUCT - 6.4" X 7.4" IS - 8.3" X 9.4" OS
12	104692-01-000	EA	SEAL - ADHESIVE BACKED FOAM - 3/4" THICK X 3/4" WIDE X 25'

*COMPONENT PARTS LISTED LATER IN THIS GROUP

HEATING & A/C GROUP (CONTINUED)
COMPONENT PARTS FOR CENTRAL



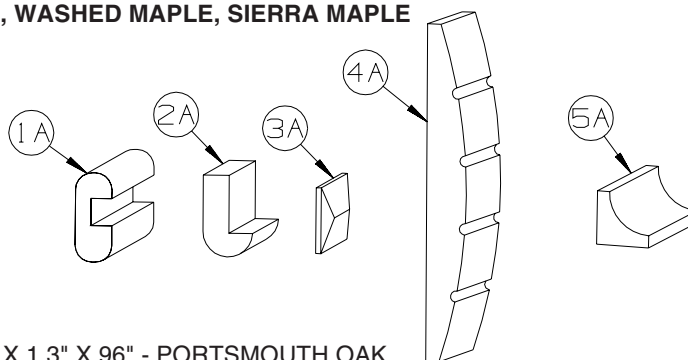
105620-12-000

HEATING & A/C GROUP (CONTINUED)
COMPONENT PARTS FOR CENTRAL (CONTINUED)

105620-12-000 (CONTINUED)

KEY	PART NUMBER	U/M	DESCRIPTION	VENDOR NO.
10	105620-01-733	EA	ISOLATOR-HIGH VOLTAGE	6795-117
11	105620-10-716	EA	DOOR - ELECTRIC BOX	6535B346
12	105620-12-701	EA	COIL - CONDENSER	1452A1621
13	105620-12-702	EA	COIL - EVAPORATOR	1452A1611
15	105620-12-703	EA	VALVE - DRAIN	6795-200
16	105620-12-723	EA	COMPRESSOR (PANASONIC)	1450-2229
17	105620-12-705	EA	OVERLOAD	1450-0081
18	105620-01-706	EA	MOUNTING PKG.,COMP., 3 PER	6759-3081
19	105620-12-724	EA	REVERSING VALVE ASSEMBLY	6535-535
20	105620-12-708	EA	COIL - SOLENOID	1460-1081
21	105620-12-709	EA	WIRE HARNESS-REVERSING VALVE	6536-111
22	105620-12-710	EA	VALVE - REVERSE ONLY	1454A350
23	105620-12-711	EA	RESTRICTOR - BY FLOW	1454-2521
24	105620-10-718	EA	BLOWER HOUSING/OUTSIDE AIR	6536-515
25	105620-01-713	EA	WHEEL-BLOWER/OUTSIDE AIR	1472-1011
26	105620-01-714	EA	VENTURI-BLOWER/OUTSIDE AIR	6795A150
28	105620-01-715	EA	MOUNT-BLOWER/OUTSIDE AIR	6795A3011
29	105620-01-716	EA	SLEEVE & GROMMET, 4 PER PKKG.	6795A3031
30	105620-10-721	EA	MOTOR/BLOWER-8 3/4" SHAFT	1468A3029
31	105620-01-718	EA	CAPACITOR-FAN (OUTDOOR MOTOR))	1499-5631
32	105620-10-715	EA	RUBBER CAPACITOR BOOT	1499-951
33	105620-10-700	EA	BEARING BRACKET/OUTSIDE AIR	6536-514
34	105620-10-701	EA	BEARING/PILLOW BLOCK-O/S AIR	6536-3011
35	105620-11-701	EA	BLOWER WHEEL/INSIDE AIR	1472-1151
36	105620-12-715	EA	BLOWER VENTURI/INSIDE AIR	6535A287
37	105620-01-723	EA	MOUNT-BLOWER MOTOR - I/S AIR	6795-302
38	105620-12-716	EA	BLOWER MTR/IN AIR/REVERSIBLE	1468-3219
39	105620-11-706	EA	MOTOR/BLOWER KIT	6535B5901
40	105620-12-719	EA	COIL SENSOR	7330A3231
41	105620-01-729	EA	RELAY-COMPRESSOR -4 TERMINAL	1460-1131
42	105620-12-725	EA	COMPRESSOR RUN CAPACITOR	1499-5731
43	105620-01-738	EA	BOARD-TERMINAL, HIGH VOLTAGE	6795-315
46	105620-10-705	EA	PTCR (START DEVICE) - W/CAP.	8333A9021
47	105620-12-721	EA	CIRCUIT BD (6535 A SERIES)	6535A3201
48	093763-01-704	EA	CAPACITOR-FAN (INDOOR MOTOR)	1499-5461
	105620-10-720	EA	FUSE/BUSS(8AMP/250V) 2 PKG	6535-3081
			CONTACT WINNEBAGO PART SALES FOR UNLISTED COMPONENT(S)	

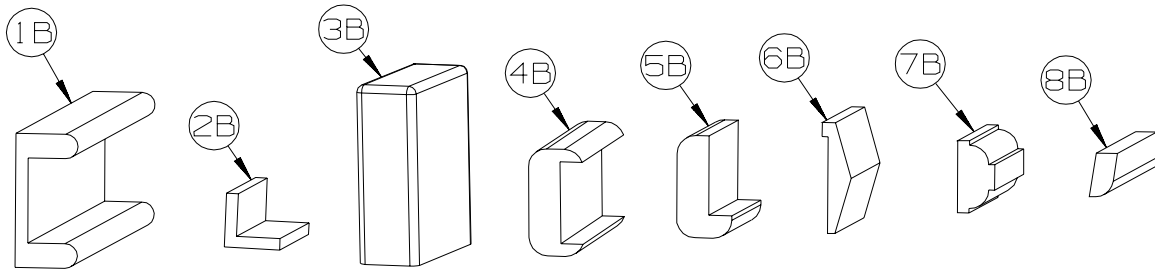
INTERIOR FINISH GROUP
MOLDINGS & TRIMS
CONCERT CHERRY, WASHED MAPLE, SIERRA MAPLE



KEY	PART NUMBER	U/M	DESCRIPTION
1A	M09412-62-N42	EA	MOLDING/SHELF EDGE - .6" X 1.3" X 96" - PORTSMOUTH OAK
1A	M09412-62-M52	EA	MOLDING/SHELF EDGE - .6" X 1.3" X 96" - CHERRY - CONCERT CHERRY
1A	M09412-62-M62	EA	MOLDING/SHELF EDGE - .6" X 1.3" X 96" - WASHED MAPLE - WASHED MAPLE
1A	M09412-62-RC3	EA	MOLDING/SHELF EDGE - .6" X 1.3" X 96" - HONEY CHERRY - HONEY CHERRY
1A	M09412-62-SA3	EA	MOLDING/SHELF EDGE - .6" X 1.3" X 96" - SIERRA MAPLE
2A	M09450-77-PC0	EA	MOLDING - TRIM/HDWD W/LIP -.4"X3.2"X79.6" - PORTSMOUTH OAK
2A	M09450-77-PC1	EA	MOLDING - TRIM/HDWD W/LIP -.4"X3.2"X79.6" - CONCERT CHERRY
2A	M09450-77-PC2	EA	MOLDING - TRIM/HDWD W/LIP -.4"X3.2"X79.6" - WASHED MAPLE
2A	M09450-77-RC3	EA	MOLDING - TRIM/HDWD W/LIP -.4"X3.2"X79.6" - HONEY CHERRY
2A	M09501-32-TG1	EA	MOLDING/TRIM - W/NOTCH - .8" X 2.5" X 86.2"-CONCERT CHERRY
2A	M09501-32-TG2	EA	MOLDING/TRIM - W/NOTCH - .8" X 2.5" X 86.2" - WASHED MAPLE,
2A	M09501-32-TD3	EA	MOLDING/TRIM - W/NOTCH - .8" X 2.5" X 86.2" - SIERRA MAPLE
2A	M09503-52-T77	EA	MOLDING/TRIM - .75" X 1.2" X 86.5" - PORTSMOUTH OAK
2A	M09503-52-T78	EA	MOLDING/TRIM - .75" X 1.2" X 86.5" - CONCERT CHERRY
2A	M09503-52-T79	EA	MOLDING/TRIM - .75" X 1.2" X 86.5" - WASHED MAPLE
2A	M09503-52-T80	EA	MOLDING/TRIM - .75" X 1.2" X 86.5" - SIERRA MAPLE
2A	M09511-43-T78	EA	MOLDING - TRIM - W/NOTCH - .8" X 1.4" X 86.3" - CONCERT CHERRY
2A	M09525-80-UM1	EA	MOLDING - TRIM - W/NOTCH - .8"X 1.4"X 86.5" - CONCERT CHERRY
2A	M09511-43-T79	EA	MOLDING - TRIM - W/NOTCH - .8" X 1.4" X 86.3" - WASHED MAPLE
2A	M09525-80-U91	EA	MOLDING - TRIM - W/NOTCH - .8" X 1.4" X 86.5" - WASHED MAPLE
2A	M09511-43-T80	EA	MOLDING - TRIM - W/NOTCH - .8" X 1.4" X 86.3" - SIERRA MAPLE
2A	M09525-80-U92	EA	MOLDING - TRIM - W/NOTCH - .8" X 1.4" X 86.5" - SIERRA MAPLE
2A	M09438-25-RA3	EA	MOLDING - HARDWOOD-W/NOTCH - 1.4"X 80.2" - HONEY CHERRY
2A	M09515-72-TD1	EA	MOLDING/TRIM - .8" X 2.2" X 86.1" - CONCERT CHERRY
2A	M09515-72-TD2	EA	MOLDING/TRIM - .8" X 2.2" X 86.1" - WASHED MAPLE
2A	M09515-72-TD3	EA	MOLDING/TRIM - .8" X 2.2" X 86.1" - SIERRA MAPLE
3A	M09471-91-R69	EA	MOLDING - TRIM/VEE - .2" X 1" X 34.4" - CONCERT CHERRY
3A	M09471-91-R76	EA	MOLDING - TRIM/VEE - .2" X 1" X 34.4" - WASHED MAPLE
3A	M09471-91-SA3	EA	MOLDING - TRIM/VEE - .2" X 1" X 34.4" - SIERRA MAPLE
3A	M09477-88-S34	EA	MOLDING - TRIM/VEE - .2" X 1" X 19.9" - WASHED MAPLE
3A	M09477-88-S35	EA	MOLDING - TRIM/VEE - .2" X 1" X 19.9" - SIERRA MAPLE
3A	M09501-30-SD2	EA	MOLDING - TRIM/VEE - .2" X 1" X 35.1" - WASHED MAPLE
3A	M09501-30-SD3	EA	MOLDING - TRIM/VEE - .2" X 1" X 35.1" - HONEY CHERRY
3A	M09501-37-TG1	EA	MOLDING - TRIM/VEE - .2" X 1" X 19.2" - CONCERT CHERRY
3A	M09501-37-TG2	EA	MOLDING - TRIM/VEE - .2" X 1" X 19.2" - WASHED MAPLE
3A	M09501-37-TD3	EA	MOLDING - TRIM/VEE - .2" X 1" X 19.2" - SIERRA MAPLE
3A	M09501-37-TG3	EA	MOLDING - TRIM/VEE - .2" X 1" X 19.2" - HONEY CHERRY
3A	M09501-63-T78	EA	MOLDING - TRIM/VEE - .2" X 1" X 15" - CONCERT CHERRY
3A	M09501-63-T79	EA	MOLDING - TRIM/VEE - .2" X 1" X 15" - WASHED MAPLE
3A	M09501-63-T80	EA	MOLDING - TRIM/VEE - .2" X 1" X 15" - SIERRA MAPLE
3A	M09503-62-TG1	EA	MOLDING - TRIM/VEE - .2" X 1" X 26.3" - CONCERT CHERRY
3A	M09503-62-TG2	EA	MOLDING - TRIM/VEE - .2" X 1" X 26.3" - WASHED MAPLE
3A	M09503-62-TG3	EA	MOLDING - TRIM/VEE - .2" X 1" X 26.3" - HONEY CHERRY
3A	M09511-90-TG1	EA	MOLDING - TRIM/VEE - .2" X 1" X 42.1" - CONCERT CHERRY
3A	M09511-90-TG3	EA	MOLDING - TRIM/VEE - .2" X 1" X 42.1" - HONEY CHERRY
3A	M09511-90-TG2	EA	MOLDING - TRIM/VEE - .2" X 1" X 42.1" - WASHED MAPLE
3A	M09520-15-TD1	EA	MOLDING - TRIM/VEE - .2" X 1" X 15.3" - CONCERT CHERRY
3A	M09520-15-TD2	EA	MOLDING - TRIM/VEE - .2" X 1" X 15.3" - WASHED MAPLE
3A	M09520-15-TD3	EA	MOLDING - TRIM/VEE - .2" X 1" X 15.3" - SIERRA MAPLE
3A	M09520-96-T59	EA	MOLDING - TRIM/VEE - .2" X 1" X 32.7" - PORTSMOUTH OAK
3A	M09520-96-T60	EA	MOLDING - TRIM/VEE - .2" X 1" X 32.7" - CONCERT CHERRY
3A	M09520-96-T61	EA	MOLDING - TRIM/VEE - .2" X 1" X 32.7" - WASHED MAPLE
3A	M09520-96-TP0	EA	MOLDING - TRIM/VEE - .2" X 1" X 32.7" - SIERRA MAPLE

INTERIOR FINISH GROUP (CONTINUED)
MOLDINGS & TRIMS (CONTINUED)

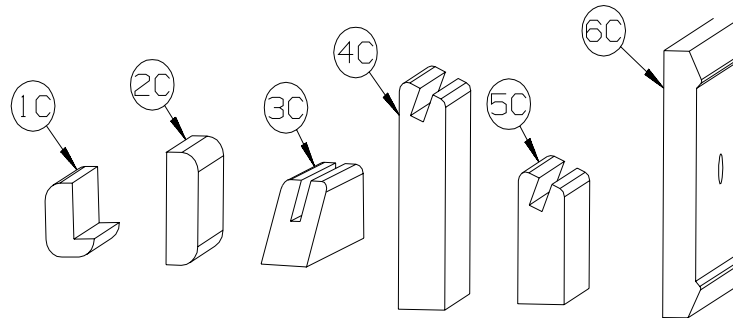
KEY	PART NUMBER	U/M	DESCRIPTION
3A	M09525-96-TA0	EA	MOLDING - TRIM/VEE - .2" X 1" X 36.2" - PORTSMOUTH OAK
3A	M09525-96-TA1	EA	MOLDING - TRIM/VEE - .2" X 1" X 36.2" - CONCERT CHERRY
3A	M09525-96-TA2	EA	MOLDING - TRIM/VEE - .2" X 1" X 36.2" - WASHED MAPLE
3A	M09525-96-TA3	EA	MOLDING - TRIM/VEE - .2" X 1" X 36.2" - SIERRA MAPLE
3A	M09534-08-T01	EA	MOLDING - TRIM/VEE - .2" X 1" X 24.5" - SIERRA MAPLE
3A	M09534-08-T02	EA	MOLDING - TRIM/VEE - .2" X 1" X 24.5" - HONEY CHERRY
3A	M09511-32-T78	EA	MOLDING - TRIM/VEE - .4" X 1" X 26.8" - CONCERT CHERRY
3A	M09511-32-T79	EA	MOLDING - TRIM/VEE - .4" X 1" X 26.8" - WASHED MAPLE
3A	M09511-32-T80	EA	MOLDING - TRIM/VEE - .4" X 1" X 26.8" - SIERRA MAPLE
3A	M09511-86-T78	EA	MOLDING - TRIM/VEE - .4" X 1" X 28.3" - CONCERT CHERRY
3A	M09511-86-T79	EA	MOLDING - TRIM/VEE - .4" X 1" X 28.3" - WASHED MAPLE
3A	M09511-86-T80	EA	MOLDING - TRIM/VEE - .4" X 1" X 28.3" - SIERRA MAPLE
3A	M09477-63-S46	EA	MOLDING - TRIM/VEE - .4" X 1" X 64.1" - PORTSMOUTH OAK - BATH DOOR TRIM
3A	M09477-63-SR0	EA	MOLDING - TRIM/VEE - .4" X 1" X 64.1" - SIERRA MAPLE - BATH DOOR TRIM
3A	M09477-64-S46	EA	MOLDING - TRIM/VEE - .4" X 1" X 14.9" - PORTSMOUTH OAK - BATH DOOR TRIM
3A	M09477-64-SR0	EA	MOLDING - TRIM/VEE - .4" X 1" X 14.9" - SIERRA MAPLE - BATH DOOR TRIM
4A	M09462-54-R90	EA	MOLDING - FLUTED, CURVED - .6" X 6" X 82.7" - CONCERT CHERRY
4A	M09462-54-R91	EA	MOLDING - FLUTED, CURVED - .6" X 6" X 82.7" - WASHED MAPLE
4A	M09462-54-RE3	EA	MOLDING - FLUTED, CURVED - .6" X 6" X 82.7" - HONEY CHERRY
5A	M09471-79-R38	EA	MOLDING - TRIM/COVE - .8" X .8" X 95.8" - OAK/PORTS OAK - PORTSMOUTH OAK
5A	M09471-79-R39	EA	MOLDING - TRIM/COVE - .8" X .8" X 95.8" - CHERRY/CHERRY - CONCERT CHERRY
5A	M09471-79-R46	EA	MOLDING - TRIM/COVE - .8" X .8" X 95.8" - MAPLE/MAPLE - WASHED MAPLE
5A	M09471-79-RE0	EA	MOLDING - TRIM/COVE - .8" X .8" X 95.8" - HONEY/CHERRY- HONEY CHERRY
5A	M09471-79-SA3	EA	MOLDING - TRIM/COVE - .8" X .8" X 95.8" - HONEY/MAPLE - SIERRA MAPLE



KEY	PART NUMBER	U/M	DESCRIPTION
1B	M09501-84-TG0	EA	MOLDING/TRIM - CAP/WALL - 2.2" X 85.9" - PORTSMOUTH OAK
1B	M09501-84-TG1	EA	MOLDING/TRIM - CAP/WALL - 2.2" X 85.9" - CONCERT CHERRY
1B	M09501-84-TG2	EA	MOLDING/TRIM - CAP/WALL - 2.2" X 85.9" - WASHED MAPLE
1B	M09520-07-TD3	EA	MOLDING/TRIM - CAP/WALL - 2.2" X 80.5" - SIERRA MAPLE
1B	M09501-84-TG3	EA	MOLDING/TRIM - CAP/WALL - 2.2" X 85.9" - HONEY CHERRY
2B	M09511-81-TA1	EA	MOLDING/TRIM - L SHAPE - .8"X .8"X 80.2" - CONCERT CHERRY
2B	M09511-81-TA2	EA	MOLDING/TRIM - L SHAPE - .8"X .8"X 80.2" - WASHED MAPLE
2B	M09511-81-TA3	EA	MOLDING/TRIM - L SHAPE - .8"X .8"X 80.2" - SIERRA MAPLE
3B	M09515-81-T01	EA	MOLDING/HARDWOOD STRAIGHT - 74.3" - WASHED MAPLE
3B	M09515-81-T02	EA	MOLDING/HARDWOOD STRAIGHT - 74.3" - HONEY CHERRY
4B	M09511-42-T77	EA	MOLDING - TRIM - W/NOTCH - 1.5" X 86.4" - PORTSMOUTH OAK
4B	M09511-42-T78	EA	MOLDING - TRIM - W/NOTCH - 1.5" X 86.4" - CONCERT CHERRY
4B	M09511-42-T79	EA	MOLDING - TRIM - W/NOTCH - 1.5" X 86.4" - WASHED MAPLE
4B	M09511-42-T80	EA	MOLDING - TRIM - W/NOTCH - 1.5" X 86.4" - SIERRA MAPLE
5B	M09515-18-T78	EA	MOLDING - HARDWOOD-W/NOTCH - 1.4"X 86.2" - CONCERT CHERRY
5B	M09515-18-T79	EA	MOLDING - HARDWOOD-W/NOTCH - 1.4"X 86.2" - WASHED MAPLE
5B	M09515-18-T80	EA	MOLDING - HARDWOOD-W/NOTCH - 1.4"X 86.2" - SIERRA MAPLE
6B	M09515-52-TG1	EA	MOLDING - TRIM/VEE - 1.5" X 73.9" - CONCERT CHERRY
6B	M09515-52-TG2	EA	MOLDING - TRIM/VEE - 1.5" X 73.9" - WASHED MAPLE
6B	M09515-52-TG3	EA	MOLDING - TRIM/VEE - 1.5" X 73.9" - HONEY CHERRY
7B	Y00076-32-438	EA	MOLDING/TRIM - .5" X 1" X 96" - CHERRY (UNSTAINED)
7B	Y00076-22-438	EA	MOLDING/TRIM - .5" X 1" X 96" - MAPLE (UNSTAINED)
8B	Y00086-72-438	EA	MOLDING - VINYL WRAP - .7" X 1.6" X 96" - PORTSMOUTH OAK - PORTSMOUTH OAK
8B	Y00086-62-438	EA	MOLDING - 96" - CONCERT CHERRY (U90/94/98/A1/A5/B1/C1/C5/D1/D5/E1/E5/F1/F5/G1/G5/H1/H5)
8B	Y00086-D2-438	EA	MOLDING - VINYL WRAP - .7" X 1.6" X 96" - CONCERT CHERRY (UM1 THRU UM9, UN1 THRU UN9)
8B	Y00086-A2-438	EA	MOLDING - VINYL WRAP - .7" X 1.6" X 96" - WASHED MAPLE
8B	Y00086-92-438	EA	MOLDING - VINYL WRAP - .7" X 1.6" X 96" - SIERRA MAPLE - SIERRA MAPLE

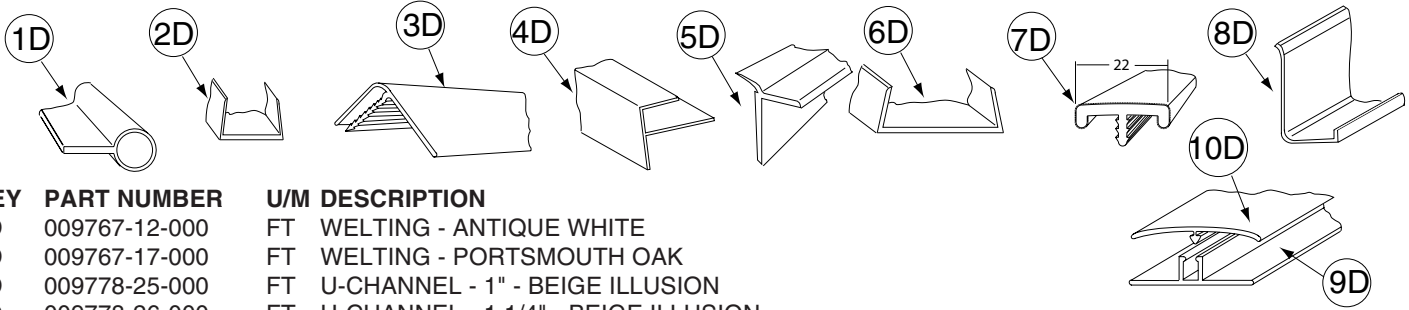
INTERIOR FINISH GROUP (CONTINUED)
MOLDINGS & TRIMS (CONTINUED)

KEY	PART NUMBER	U/M	DESCRIPTION
8B	Y00087-62-438	EA	MOLDING - 96" - CONCERT CHERRY (U90/94/98/A1/A5/B1/C1/C5/D1/D5/E1/E5/F1/F5/G1/G5/H1/H5)
8B	Y00087-D2-438	EA	MOLDING - VINYL WRAP - .7" X 2.9" X 96" - CONCERT CHERRY (UM1 THRU UM9, UN1 THRU UN9)
8B	Y00087-A2-438	EA	MOLDING - VINYL WRAP - .7" X 2.9" X 96" - WASHED MAPLE
8B	Y00087-92-438	EA	MOLDING - VINYL WRAP - .7" X 2.9" X 96" - SIERRA MAPLE
8B	Y00300-62-438	EA	MOLDING - 96" - CONCERT CHERRY (U90/94/98/A1/A5/B1/C1/C5/D1/D5/E1/E5/F1/F5/G1/G5/H1/H5)
8B	Y00300-D2-438	EA	MOLDING - VINYL WRAP - .3" X .6" X 96" - CONCERT CHERRY (UM1 THRU UM9, UN1 THRU UN9)
8B	Y00300-A2-438	EA	MOLDING - VINYL WRAP - .3" X .6" X 96" - WASHED MAPLE
8B	Y00300-92-438	EA	MOLDING - VINYL WRAP - .3" X .6" X 96" - SIERRA MAPLE



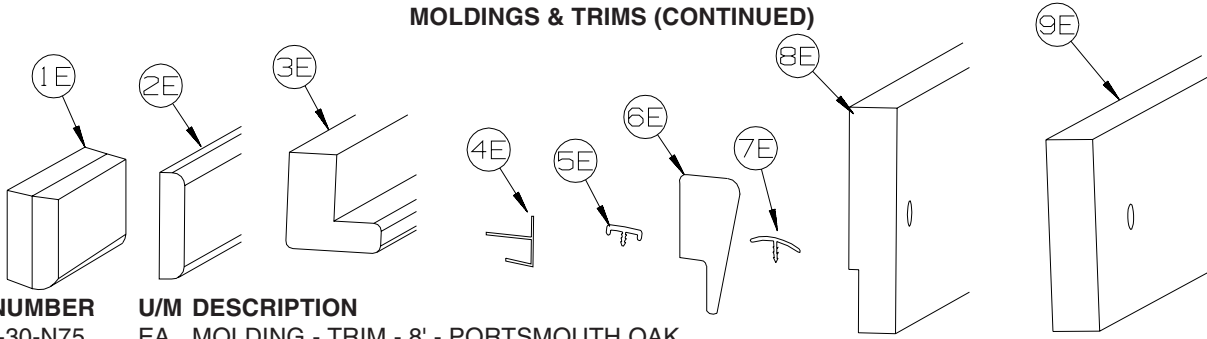
KEY	PART NUMBER	U/M	DESCRIPTION
1C	M09520-19-TD1	EA	MOLDING - TRIM - W/NOTCH - 1" X 86.3" - CONCERT CHERRY
1C	M09520-19-TD2	EA	MOLDING - TRIM - W/NOTCH - 1" X 86.3" - WASHED MAPLE
1C	M09520-19-TD3	EA	MOLDING - TRIM - W/NOTCH - 1" X 86.3" - HONEY CHERRY
1C	M09525-27-UF1	EA	MOLDING - HARDWOOD - .75" X 1.4" X 32.4" - CONCERT CHERRY
1C	M09525-27-UF2	EA	MOLDING - HARDWOOD - .75" X 1.4" X 32.4" - WASHED MAPLE
1C	M09525-27-UF3	EA	MOLDING - HARDWOOD - .75" X 1.4" X 32.4" - SIERRA MAPLE
2C	M09511-46-T77	EA	MOLDING/TRIM - .5" X 1.5" X 86.5" - PORTSMOUTH OAK
2C	M09511-46-T78	EA	MOLDING/TRIM - .5" X 1.5" X 86.5" - CONCERT CHERRY
2C	M09511-46-T79	EA	MOLDING/TRIM - .5" X 1.5" X 86.5" - WASHED MAPLE
2C	M09511-46-T80	EA	MOLDING/TRIM - .5" X 1.5" X 86.5" - SIERRA MAPLE
3C	Y00223-42-438	EA	MOLDING - HARDWOOD/OAK - .7" X 1" X 96"
3C	Y00223-32-438	EA	MOLDING - HARDWOOD/CHERRY - .7" X 1" X 96"
3C	Y00223-22-438	EA	MOLDING - HARDWOOD/MAPLE - .7" X 1" X 96"
4C	Y00054-62-438	EA	MOLDING- 96" - CONCERT CHERRY (U90/94/98/A1/A5/B1/C1/C5/D1/D5/E1/E5/F1/F5/G1/G5/H1/H5)
4C	Y00054-D2-438	EA	MOLDING/VYL WRP-BVLD-.73" X 3.1" X 96" - CONCERT CHERRY (UM1 THRU UM9, UN1 THRU UN9)
4C	Y00054-A2-438	EA	MOLDING/VINYL WRAP-BEVELED ENDS-.73"X3.1"X96" - WASHED MAPLE
4C	Y00054-92-438	EA	MOLDING/VINYL WRAP-BEVELED-.73" X 3.1" X 96" - SIERRA MAPLE
4C	Y00258-62-438	EA	MOLDING/VYL 96" - CONCERT CHERRY (U90/94/98/A1/A5/B1/C1/C5/D1/D5/E1/E5/F1/F5/G1/G5/H1/H5)
4C	Y00258-D2-438	EA	MOLDING/VINYL WRP-BVLD-.73" X 3.1" X 96" - CONCERT CHERRY (UM1 THRU UM9, UN1 THRU UN9)
4C	Y00258-A2-438	EA	MOLDING/VINYL WRAP-BEVELED ENDS-.73"X3.1"X96" - WASHED MAPLE
4C	Y00258-92-438	EA	MOLDING/VINYL WRAP-BEVELED-.73" X 3.1" X 96" - SIERRA MAPLE
5C	Y00259-62-438	EA	MOLDING/VYL 96" - CONCERT CHERRY (U90/94/98/A1/A5/B1/C1/C5/D1/D5/E1/E5/F1/F5/G1/G5/H1/H5)
5C	Y00259-D2-438	EA	MOLDING/VINYL WRP-BVLD-.73" X 1.8" X 96" - CONCERT CHERRY (UM1 THRU UM9, UN1 THRU UN9)
5C	Y00259-A2-438	EA	MOLDING/VINYL WRAP-BEVELED-.73"X1.8"X96" - WASHED MAPLE
5C	Y00259-92-438	EA	MOLDING/VINYL WRAP-BEVELED-.73"X1.8"X96" - SIERRA MAPLE
6C	Y00152-A2-438	EA	MOLDING/TRIM - VINYL - .6" X 3.5" X 96" - WASHED MAPLE
6C	Y00152-92-438	EA	MOLDING/TRIM - VINYL - .6" X 3.5" X 96" - SIERRA MAPLE

INTERIOR FINISH GROUP (CONTINUED)
MOLDINGS & TRIMS (CONTINUED)



KEY	PART NUMBER	U/M	DESCRIPTION
1D	009767-12-000	FT	WELTING - ANTIQUE WHITE
1D	009767-17-000	FT	WELTING - PORTSMOUTH OAK
2D	009778-25-000	FT	U-CHANNEL - 1" - BEIGE ILLUSION
2D	009778-26-000	FT	U-CHANNEL - 1 1/4" - BEIGE ILLUSION
2D	009778-38-000	FT	U-CHANNEL - 1" - BONE
2D	009778-32-000	FT	U-CHANNEL - 1" - PORTSMOUTH OAK
2D	009778-34-000	FT	U-CHANNEL - 1" - CONCERT CHERRY
2D	009778-27-000	FT	U-CHANNEL - 1" - WASHED MAPLE
2D	009778-35-000	FT	U-CHANNEL - 1" - HONEY CHERRY
2D	009778-36-000	FT	U-CHANNEL - 1" - SIERRA MAPLE
3D	009809-30-000	EA	MOLDING - CORNER - OUTSIDE - 1" X 84" - BEIGE ILLUSION
3D	009809-37-000	EA	MOLDING - CORNER - OUTSIDE - 1" X 84" - BONE
3D	009809-32-000	EA	MOLDING - CORNER - OUTSIDE - 1" X 84" - PORTSMOUTH OAK
3D	009809-33-000	EA	MOLDING - CORNER - OUTSIDE - 1" X 84" - CONCERT CHERRY
3D	009809-31-000	EA	MOLDING - CORNER - OUTSIDE - 1" X 84" - WASHED MAPLE
3D	009809-34-000	EA	MOLDING - CORNER - OUTSIDE - 1" X 84" - HONEY CHERRY
3D	009809-35-000	EA	MOLDING - CORNER - OUTSIDE - 1" X 84" - SIERRA MAPLE
4D	009812-31-000	EA	MOLDING - CORNER - 1/2" W/1/4"CHAN X 84" - BEIGE ILLUSION
4D	009812-40-000	EA	MOLDING - CORNER - 1/2" W/1/4"CHAN X 84" - BONE
4D	009812-35-000	EA	MOLDING - CORNER - 1/2" W/1/4"CHAN X 84" - PORTSMOUTH OAK
4D	009812-36-000	EA	MOLDING - CORNER - 1/2" W/1/4"CHAN X 84" - CONCERT CHERRY
4D	009812-33-000	EA	MOLDING - CORNER - 1/2" W/1/4"CHAN X 84" - WASHED MAPLE
4D	009812-37-000	EA	MOLDING - CORNER - 1/2" W/1/4"CHAN X 84" - HONEY CHERRY
4D	009812-38-000	EA	MOLDING - CORNER - 1/2" W/1/4"CHAN X 84" - SIERRA MAPLE
5D	022992-11-000	FT	MOLDING - REVERSE COVE - T-SHAPED - IVORY
5D	022992-18-000	FT	MOLDING - REVERSE COVE - T-SHAPED - BONE
5D	022992-14-000	FT	MOLDING - REVERSE COVE - T-SHAPED - BRIGHT WHITE
6D	070504-42-000	FT	U-CHANNEL - PLASTIC - .13" X 84" - BEIGE ILLUSION
6D	070504-69-000	FT	U-CHANNEL - PLASTIC - .13" X 84" - BONE
6D	070504-43-000	FT	U-CHANNEL - PLASTIC - .9" X 96" - BEIGE ILLUSION
6D	070504-70-000	FT	U-CHANNEL - PLASTIC - .8" X 84" - BONE
6D	070504-57-000	FT	U-CHANNEL - PLASTIC - .13" X 84" - PORTSMOUTH OAK
6D	070504-58-000	FT	U-CHANNEL - PLASTIC - .9" X 84" - PORTSMOUTH OAK
6D	070504-60-000	FT	U-CHANNEL - PLASTIC - .13" X 84" - CONCERT CHERRY
6D	070504-61-000	FT	U-CHANNEL - PLASTIC - .9" X 84" - CONCERT CHERRY
6D	070504-50-000	FT	U-CHANNEL - PLASTIC - .13" X 96" - WASHED MAPLE
6D	070504-51-000	FT	U-CHANNEL - PLASTIC - .9" X 96" - WASHED MAPLE
6D	070504-62-000	FT	U-CHANNEL - PLASTIC - 1.65" X 84" - HONEY CHERRY
6D	070504-63-000	FT	U-CHANNEL - PLASTIC - .9" X 84" - HONEY CHERRY
6D	070504-65-000	FT	U-CHANNEL - PLASTIC - 1.65" X 84" - SIERRA MAPLE
6D	070504-66-000	FT	U-CHANNEL - PLASTIC - .9" X 84" - SIERRA MAPLE
7D	083620-15-000	FT	MOLDING-T - W/EDGE LIP - 7/8" FACE - BEIGE ILLUSION
7D	083620-25-000	FT	MOLDING-T - W/EDGE LIP - 7/8" FACE - BONE
7D	083620-20-000	FT	MOLDING-T - W/EDGE LIP - 7/8" FACE - PORTSMOUTH OAK
7D	083620-21-000	FT	MOLDING-T - W/EDGE LIP - 7/8" FACE - CONCERT CHERRY
7D	083620-19-000	FT	MOLDING-T - W/EDGE LIP - 7/8" FACE - WASHED MAPLE
7D	083620-24-000	FT	MOLDING-T - W/EDGE LIP - 7/8" FACE - HONEY CHERRY
7D	083620-22-000	FT	MOLDING-T - W/EDGE LIP - 7/8" FACE - SIERRA MAPLE
8D	085746-04-000	FT	TRIM-J - CARPET 1.2" X .5" ANGLE - 12' LONG - OFF WHITE
9D	086229-01-000	EA	RETAINER - BATTEN - .75" X 92.1" - ANY COLOR
10D	086229-20-000	EA	BATTEN - 1" X 96" - BEIGE

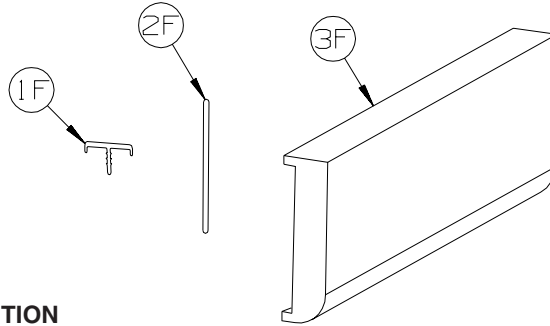
INTERIOR FINISH GROUP (CONTINUED)
MOLDINGS & TRIMS (CONTINUED)



KEY	PART NUMBER	U/M	DESCRIPTION
1E	100659-30-N75	EA	MOLDING - TRIM - 8' - PORTSMOUTH OAK
1E	100659-30-N74	EA	MOLDING - TRIM - 8' - CONCERT CHERRY
1E	100659-30-M84	EA	MOLDING - TRIM - 8' - WASHED MAPLE
1E	100659-27-RA3	EA	MOLDING - TRIM - HONEY CHERRY
1E	100659-31-SA3	EA	MOLDING - TRIM - SIERRA MAPLE
2E	100818-01-12A	EA	MOLDING - VINYL WRAPPED - 1.6" X .4" X 84" - PORTSMOUTH OAK
2E	100818-01-13A	EA	MOLDING - VYL 84" - CONCERT CHERRY (U90/94/98/A1/A5/B1/C1/C5/D1/D5/E1/E5/F1/F5/G1/G5/H1/H5)
2E	100818-01-23A	EA	MOLDING - VINYL WRPPD - 1.6" X .4" X 84" - CONCERT CHERRY (UM1 THRU UM9, UN1 THRU UN9)
2E	100818-01-21A	EA	MOLDING - VINYL WRAPPED - 1.6" X .4" X 84" - WASHED MAPLE
2E	100818-01-14A	EA	MOLDING - VINYL WRAPPED - 1.6" X .4" X 84" - HONEY CHERRY
2E	100818-01-22A	EA	MOLDING - VINYL WRAPPED - 1.6" X .4" X 84" - SIERRA MAPLE
3E	100819-01-12A	EA	MOLDING - VINYL WRAPPED-L-SHAPED-1.5"X1.5"X84" - PORTSMOUTH OAK
3E	100819-01-13A	EA	MOLDING - VYL 84" - CONCERT CHERRY (U90/94/98/A1/A5/B1/C1/C5/D1/D5/E1/E5/F1/F5/G1/G5/H1/H5)
3E	100819-01-23A	EA	MOLDING - VYL WRPPD-L-SHPD-1.5"X1.5"X84" - CONCERT CHERRY (UM1 THRU UM9, UN1 THRU UN9)
3E	100819-01-21A	EA	MOLDING - VINYL WRAPPED-L-SHAPED-1.5"X1.5"X84" - WASHED MAPLE
3E	100819-01-14A	EA	MOLDING - VINYL WRAPPED-L-SHAPED-1.5"X1.5"X84" - HONEY CHERRY
3E	100819-01-22A	EA	MOLDING - VINYL WRAPPED-L-SHAPED-1.5"X1.5"X84" - SIERRA MAPLE
4E	103186-01-07A	FT	MOLDING/PLASTIC - 3/8" U-CHANNEL-3/4" FACE -BEIGE ILLUSION
4E	103186-01-09A	FT	MOLDING/PLASTIC - 3/8" U-CHAN'L-3/4" FACE - PORTSMOUTH OAK
4E	103186-01-10A	FT	MOLDING/PLASTIC - 3/8" U-CHAN'L-3/4" FACE - CONCERT CHERRY
4E	103186-01-08A	FT	MOLDING/PLASTIC - 3/8" U-CHANNEL-3/4"FACE-WASHED MAPLE 8' - WASHED MAPLE
4E	103186-01-11A	FT	MOLDING/PLASTIC - 3/8" U-CHAN'L-3/4" FACE - HONEY CHERRY
4E	103186-01-12A	FT	MOLDING/PLASTIC - 3/8" U-CHAN'L-3/4" FACE - SIERRA MAPLE
4E	103186-02-07A	FT	MOLDING/PLASTIC-1" U-CHAN'L-1 3/8" FACE - BEIGE ILLUSION
4E	103186-02-09A	FT	MOLDING/PLASTIC - 1" U-CHAN'L-1 3/8" FACE - PORTSMOUTH OAK
4E	103186-02-10A	FT	MOLDING/PLASTIC - 1" U-CHAN'L-1 3/8" FACE - CONCERT CHERRY
4E	103186-02-08A	FT	MOLDING/PLASTIC - 1" U-CHANNEL-1 3/8"FACE - WASHED MAPLE
4E	103186-02-11A	FT	MOLDING/PLASTIC - 1" U-CHAN'L-1 3/8" FACE - HONEY CHERRY
4E	103186-02-12A	FT	MOLDING/PLASTIC - 1" U-CHAN'L-1 3/8" FACE - SIERRA MAPLE
5E	104676-02-08A	FT	MOLDING-T - W/EDGE LIP - 11/16" FACE - PORTSMOUTH OAK
5E	104676-02-09A	FT	MOLDING-T - W/EDGE LIP - 11/16" FACE - CONCERT CHERRY
5E	104676-02-06A	FT	MOLDING-T - W/EDGE LIP - 11/16" FACE - WASHED MAPLE
5E	104676-02-10A	FT	MOLDING-T - W/EDGE LIP - 11/16" FACE - HONEY CHERRY
5E	104676-02-12A	FT	MOLDING-T - W/EDGE LIP - 11/16" FACE - SIERRA MAPLE
6E	105004-01-12A	EA	MOLDING - VINYL WRAPPED - 1" X 96" - PORTSMOUTH OAK
6E	105004-01-13A	EA	MOLDING - V W 8' - CONCERT CHERRY (U90/94/98/A1/A5/B1/C1/C5/D1/D5/E1/E5/F1/F5/G1/G5/H1/H5)
6E	105004-01-23A	EA	MOLDING - VINYL WRAPPD 1" X 8' - CONCERT CHERRY (UM1 THRU UM9, UN1 THRU UN9)
6E	105004-01-21A	EA	MOLDING - VINYL WRAPPED - 1" X 8' - WASHED MAPLE
6E	105004-01-24A	EA	MOLDING - VINYL WRAPPED - 1" X 8' - HONEY CHERRY
6E	105004-01-22A	EA	MOLDING - VINYL WRAPPED - 1" X 8' - SIERRA MAPLE
7E	105709-02-000	FT	MOLDING-T - W/EDGE LIP 3/4" FACE - BEIGE ILLUSION
8E	116951-45-R68	EA	MOLDING - TRIM - 3" X 30.3" - PORTSMOUTH OAK
8E	116951-45-R69	EA	MOLDING - TRIM - 3" X 30.3" - CONCERT CHERRY
8E	116951-45-R76	EA	MOLDING - TRIM - 3" X 30.3" - WASHED MAPLE
8E	116951-45-SA3	EA	MOLDING - TRIM - 3" X 30.3" - SIERRA MAPLE
9E	116951-37-R68	EA	MOLDING - TRIM - 3.5" X 38.6" - PORTSMOUTH OAK
9E	116951-37-R69	EA	MOLDING - TRIM - 3.5" X 38.6" - CONCERT CHERRY
9E	116951-37-R76	EA	MOLDING - TRIM - 3.5" X 38.6" - WASHED MAPLE
9E	116951-37-SA3	EA	MOLDING - TRIM - 3.5" X 38.6" - SIERRA MAPLE
9E	116951-51-SA0	EA	MOLDING - TRIM - 3.5" X 47.3" - PORTSMOUTH OAK
9E	116951-51-SA1	EA	MOLDING - TRIM - 3.5" X 47.3" - CONCERT CHERRY
9E	116951-51-SA2	EA	MOLDING - TRIM - 3.5" X 47.3" - WASHED MAPLE
9E	116951-51-SA3	EA	MOLDING - TRIM - 3.5" X 47.3" - SIERRA MAPLE

INTERIOR FINISH GROUP (CONTINUED)
MOLDINGS & TRIMS (CONTINUED)

KEY	PART NUMBER	U/M	DESCRIPTION
9E	116951-55-TD0	EA	MOLDING - TRIM - 4.5" X 52.3" - PORTSMOUTH OAK
9E	116951-55-TD1	EA	MOLDING - TRIM - 4.5" X 52.3" - CONCERT CHERRY
9E	116951-55-TD2	EA	MOLDING - TRIM - 4.5" X 52.3" - WASHED MAPLE
9E	116951-55-TD3	EA	MOLDING - TRIM - 4.5" X 52.3" - SIERRA MAPLE
9E	116951-56-TD0	EA	MOLDING - TRIM - 4.5" X 52.3" - PORTSMOUTH OAK
9E	116951-56-TD1	EA	MOLDING - TRIM - 4.5" X 52.3" - CONCERT CHERRY
9E	116951-56-TD2	EA	MOLDING - TRIM - 4.5" X 52.3" - WASHED MAPLE
9E	116951-56-TD3	EA	MOLDING - TRIM - 4.5" X 52.3" - SIERRA MAPLE

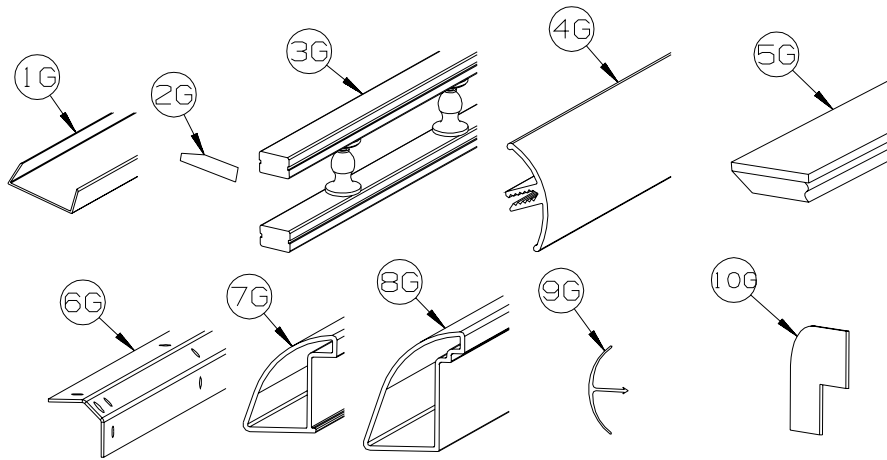


KEY	PART NUMBER	U/M	DESCRIPTION
1F	119520-01-01A	FT	MOLDING-T - OFFSET W/EDGE LIP - 1.3" FACE - OFF WHITE
1F	119520-03-03A	FT	MOLDING-T - OFFSET W/EDGE LIP - 1" FACE - WASHED MAPLE
1F	119520-03-06A	FT	MOLDING-T - OFFSET W/EDGE LIP - 1" FACE - HONEY CHERRY
2F	127842-01-01A	FT	SEAL - SIGHT SHIELD - 2" BLACK
	137885-A2-438	EA	LUMBER - VYL .75" - CONCERT CHERRY (U90/94/98/A1/A5/B1/C1/C5/D1/D5/E1/E5/F1/F5/G1/G5/H1/H5)
	160300-A2-438	EA	LUMBER - VINYL WRAPPED - .7" X .75" X 96" - CONCERT CHERRY (UM1 THRU UM9, UN1 THRU UN9)
	137885-D2-438	EA	LUMBER - VYL1.5" - CONCERT CHERRY (U90/94/98/A1/A5/B1/C1/C5/D1/D5/E1/E5/F1/F5/G1/G5/H1/H5)
	160300-D2-438	EA	LUMBER - VINYL WRAPPED - .7" X 1.5" X 96" - CONCERT CHERRY (UM1 THRU UM9, UN1 THRU UN9)
	137885-E2-438	EA	LUMBER - VYL2" - CONCERT CHERRY (U90/94/98/A1/A5/B1/C1/C5/D1/D5/E1/E5/F1/F5/G1/G5/H1/H5)
	160300-E2-438	EA	LUMBER - VINYL WRAPPED - .7" X 2" X 96" - CONCERT CHERRY (UM1 THRU UM9, UN1 THRU UN9)
	137885-F2-438	EA	LUMBER - VYL2.5" - CONCERT CHERRY (U90/94/98/A1/A5/B1/C1/C5/D1/D5/E1/E5/F1/F5/G1/G5/H1/H5)
	160300-F2-438	EA	LUMBER - VINYL WRAPPED - .7" X 2.5" X 96" - CONCERT CHERRY (UM1 THRU UM9, UN1 THRU UN9)
	137885-G2-438	EA	LUMBER - VYL3" - CONCERT CHERRY (U90/94/98/A1/A5/B1/C1/C5/D1/D5/E1/E5/F1/F5/G1/G5/H1/H5)
	160300-G2-438	EA	LUMBER - VINYL WRAPPED - .7" X 3" X 96" - CONCERT CHERRY (UM1 THRU UM9, UN1 THRU UN9)
	137885-H2-438	EA	LUMBER - VYL3.5" - CONCERT CHERRY (U90/94/98/A1/A5/B1/C1/C5/D1/D5/E1/E5/F1/F5/G1/G5/H1/H5)
	160300-H2-438	EA	LUMBER - VINYL WRAPPED - .7" X 3.5" X 96" - CONCERT CHERRY (UM1 THRU UM9, UN1 THRU UN9)
	137885-J2-438	EA	LUMBER - VYL5.5" - CONCERT CHERRY (U90/94/98/A1/A5/B1/C1/C5/D1/D5/E1/E5/F1/F5/G1/G5/H1/H5)
	160300-J2-438	EA	LUMBER - VINYL WRAPPED - .7" X 5.5" X 96" - CONCERT CHERRY (UM1 THRU UM9, UN1 THRU UN9)
	137885-J2-743	EA	LUMBER - VYL5.5" - CONCERT CHERRY (U90/94/98/A1/A5/B1/C1/C5/D1/D5/E1/E5/F1/F5/G1/G5/H1/H5)
	160300-J2-743	EA	LUMBER - VINYL WRAPPED - .7" X 5.5" X 108" - CONCERT CHERRY (UM1 THRU UM9, UN1 THRU UN9)
	137885-K2-438	EA	LUMBER - VYL3.9" - CONCERT CHERRY (U90/94/98/A1/A5/B1/C1/C5/D1/D5/E1/E5/F1/F5/G1/G5/H1/H5)
	160300-K2-438	EA	LUMBER - VINYL WRAPPED - .7" X 3.9" X 96" - CONCERT CHERRY (UM1 THRU UM9, UN1 THRU UN9)
	137885-R2-438	EA	LUMBER - VYL 3" - CONCERT CHERRY (U90/94/98/A1/A5/B1/C1/C5/D1/D5/E1/E5/F1/F5/G1/G5/H1/H5)
	160300-R2-438	EA	LUMBER - VINYL WRAPPED - .7" X 3" X 96" - CONCERT CHERRY (UM1 THRU UM9, UN1 THRU UN9)
3F	137887-D2-134	EA	MOLDING - 1.6" X 84" - CONCERT CHERRY (U90/94/98/A1/A5/B1/C1/C5/D1/D5/E1/E5/F1/F5/G1/G5/H1/H5)
3F	160301-D2-134	EA	MOLDING - VINYL WRAPPED - .7" X 1.6" X 84" - CONCERT CHERRY (UM1 THRU UM9, UN1 THRU UN9)
3F	137887-D2-743	EA	MLDG - 1.6" X 108" - CONCERT CHERRY (U90/94/98/A1/A5/B1/C1/C5/D1/D5/E1/E5/F1/F5/G1/G5/H1/H5)
3F	160301-D2-743	EA	MOLDING - VINYL WRAPPED - .7" X 1.6" X 108" - CONCERT CHERRY (UM1 THRU UM9, UN1 THRU UN9)
3F	137887-F2-134	EA	MLDNG - 2.5" X 84" - CONCERT CHERRY (U90/94/98/A1/A5/B1/C1/C5/D1/D5/E1/E5/F1/F5/G1/G5/H1/H5)
3F	160301-F2-134	EA	MOLDING - VINYL WRAPPED - .7" X 2.5" X 84" - CONCERT CHERRY (UM1 THRU UM9, UN1 THRU UN9)
3F	137887-F2-743	EA	MLDG - 2.5" X 108" - CONCERT CHERRY (U90/94/98/A1/A5/B1/C1/C5/D1/D5/E1/E5/F1/F5/G1/G5/H1/H5)
3F	160301-F2-743	EA	MOLDING - VINYL WRAPPED - .7" X 2.5" X 108" - CONCERT CHERRY (UM1 THRU UM9, UN1 THRU UN9)
3F	137887-F2-438	EA	MLDG - 2.5" X 96" - CONCERT CHERRY (U90/94/98/A1/A5/B1/C1/C5/D1/D5/E1/E5/F1/F5/G1/G5/H1/H5)
3F	160301-F2-438	EA	MOLDING - VINYL WRAPPED - .7" X 2.5" X 96" - CONCERT CHERRY (UM1 THRU UM9, UN1 THRU UN9)
	137894-A2-438	EA	LUMBER - VINYL WRAPPED - .7" X .75" X 96" - PORTSMOUTH OAK
	137894-D2-438	EA	LUMBER - VINYL WRAPPED - .7" X 1.5" X 96" - PORTSMOUTH OAK
	137894-E2-438	EA	LUMBER - VINYL WRAPPED - .7" X 2" X 96" - PORTSMOUTH OAK
	137894-F2-438	EA	LUMBER - VINYL WRAPPED - .7" X 2.5" X 96" - PORTSMOUTH OAK
	137894-G2-438	EA	LUMBER - VINYL WRAPPED - .7" X 3" X 96" - PORTSMOUTH OAK
	137894-H2-438	EA	LUMBER - VINYL WRAPPED - .7" X 3.5" X 96" - PORTSMOUTH OAK
	137894-J2-438	EA	LUMBER - VINYL WRAPPED - .7" X 5.5" X 80.2" - PORTSMOUTH OAK
	137894-J2-743	EA	LUMBER - VINYL WRAPPED - .7" X 5.5" X 96" - PORTSMOUTH OAK
	137894-K2-438	EA	LUMBER - VINYL WRAPPED - .7" X 3.9" X 96" - PORTSMOUTH OAK
	137894-R2-438	EA	LUMBER - VINYL WRAPPED - .7" X 3" X 96" - PORTSMOUTH OAK

INTERIOR FINISH GROUP (CONTINUED)
MOLDINGS & TRIMS (CONTINUED)

KEY	PART NUMBER	U/M	DESCRIPTION
3F	137895-D2-134	EA	MOLDING - VINYL WRAPPED - .7" X 1.6" X 84"-PORTSMOUTH OAK
3F	137895-D2-743	EA	MOLDING - VINYL WRAPPED - .7" X 1.6" X 108"-PORTSMOUTH OAK
3F	137895-F2-438	EA	MOLDING - VINYL WRAPPED - .7" X 2.5" X 96" - PORTSMOUTH OAK
3F	137895-F2-743	EA	MOLDING - VINYL WRAPPED - .7" X 2.5" X 108" - PORTSMOUTH OAK
	146419-A2-438	EA	LUMBER - VINYL WRAPPED - .7" X .75" X 96" - HONEY CHERRY
	146419-D2-438	EA	LUMBER - VINYL WRAPPED - .7" X 1.5" X 96" - HONEY CHERRY
	146419-E2-438	EA	LUMBER - VINYL WRAPPED - .7" X 2" X 96" - HONEY CHERRY
	146419-F2-438	EA	LUMBER - VINYL WRAPPED - .7" X 2.5" X 96" - HONEY CHERRY
	146419-G2-438	EA	LUMBER - VINYL WRAPPED - .7" X 3" X 96" - HONEY CHERRY
	146419-H2-438	EA	LUMBER - VINYL WRAPPED - .7" X 3.5" X 96" - HONEY CHERRY
	146419-J2-438	EA	LUMBER - VINYL WRAPPED - .7" X 5.5" X 96" - HONEY CHERRY
	146419-J2-743	EA	LUMBER - VINYL WRAPPED - .7" X 5.5" X 108" - HONEY CHERRY
	146419-K2-438	EA	LUMBER - VINYL WRAPPED - .7" X 3.9" X 96" - HONEY CHERRY
	146419-R2-438	EA	LUMBER - VINYL WRAPPED - .7" X 3" X 96" - HONEY CHERRY
	146419-S2-438	EA	LUMBER - VINYL WRAPPED/FULL - .7"X 3.5"X 96"- HONEY CHERRY
	146419-T2-438	EA	LUMBER - VINYL WRAPPED/FULL - .7"X 5.5"X 96"- HONEY CHERRY
3F	146425-D2-134	EA	MOLDING - VINYL WRAPPED - .7" X 1.6" X 83.9" - HONEY CHERRY
3F	146425-F2-438	EA	MOLDING - VINYL WRAPPED - .7" X 2.6" X 96" - HONEY CHERRY
	149325-A2-438	EA	LUMBER - VINYL WRAPPED - .7" X .75" X 96" - WASHED MAPLE
	149325-D2-438	EA	LUMBER - VINYL WRAPPED - .7" X 1.5" X 96" - WASHED MAPLE
	149325-E2-438	EA	LUMBER - VINYL WRAPPED - .7" X 2" X 96" - WASHED MAPLE
	149325-F2-438	EA	LUMBER - VINYL WRAPPED - .7" X 2.5" X 96" - WASHED MAPLE
	149325-G2-438	EA	LUMBER - VINYL WRAPPED - .7" X 3" X 96" - WASHED MAPLE
	149325-H2-438	EA	LUMBER - VINYL WRAPPED - .7" X 3.5" X 96" - WASHED MAPLE
	149325-J2-438	EA	LUMBER - VINYL WRAPPED - .7" X 5.5" X 96" - WASHED MAPLE
	149325-J2-743	EA	LUMBER - VINYL WRAPPED - .7" X 5.5" X 108" - WASHED MAPLE
	149325-K2-438	EA	LUMBER - VINYL WRAPPED - .7" X 3.9" X 96" - WASHED MAPLE
	149325-R2-438	EA	LUMBER - VINYL WRAPPED - .7" X 3" X 96" - WASHED MAPLE
3F	149326-D2-134	EA	MOLDING - VINYL WRAPPED - .7" X 1.5" X 83.9" - WASHED MAPLE
3F	149326-D2-743	EA	MOLDING - VINYL WRAPPED - .7" X 1.5" X 108" - WASHED MAPLE
3F	149326-F2-134	EA	MOLDING - VINYL WRAPPED - .7" X 2.5" X 83.9" - WASHED MAPLE
3F	149326-F2-438	EA	MOLDING - VINYL WRAPPED - .7" X 2.5" X 96" - WASHED MAPLE
3F	149326-F2-743	EA	MOLDING - VINYL WRAPPED - .7" X 2.5" X 108" - WASHED MAPLE
	149330-A2-438	EA	LUMBER - VINYL WRAPPED - .7" X .75" X 96" - SIERRA MAPLE
	149330-D2-438	EA	LUMBER - VINYL WRAPPED - .7" X 1.5" X 96" - SIERRA MAPLE
	149330-E2-438	EA	LUMBER - VINYL WRAPPED - .7" X 2" X 96" - SIERRA MAPLE
	149330-F2-438	EA	LUMBER - VINYL WRAPPED - .7" X 2.5" X 96" - SIERRA MAPLE
	149330-G2-438	EA	LUMBER - VINYL WRAPPED - .7" X 3" X 96" - SIERRA MAPLE
	149330-H2-438	EA	LUMBER - VINYL WRAPPED - .7" X 3.5" X 96" - SIERRA MAPLE
	149330-J2-438	EA	LUMBER - VINYL WRAPPED - .7" X 5.5" X 96" - SIERRA MAPLE
	149330-J2-743	EA	LUMBER - VINYL WRAPPED - .7" X 5.5" X 108" - SIERRA MAPLE
	149330-K2-438	EA	LUMBER - VINYL WRAPPED - .7" X 3.9" X 96" - SIERRA MAPLE
	149330-R2-438	EA	LUMBER - VINYL WRAPPED - .7" X 3" X 96" - SIERRA MAPLE
3F	149331-D2-134	EA	MOLDING - VINYL WRAPPED - .7" X 1.5" X 83.9" - SIERRA MAPLE
3F	149331-D2-743	EA	MOLDING - VINYL WRAP - .7" X 1.5" X 108" - SIERRA MAPLE
3F	149331-F2-134	EA	MOLDING - VINYL WRAPPED - .7" X 2.5" X 83.9" - SIERRA MAPLE
3F	149331-F2-438	EA	MOLDING - VINYL WRAPPED - .7" X 2.5" X 96" - SIERRA MAPLE
3F	149331-F2-743	EA	MOLDING - VINYL WRAPPED - .7" X 2.5" X 108" - SIERRA MAPLE

INTERIOR FINISH GROUP (CONTINUED)
MOLDINGS & TRIMS (CONTINUED)



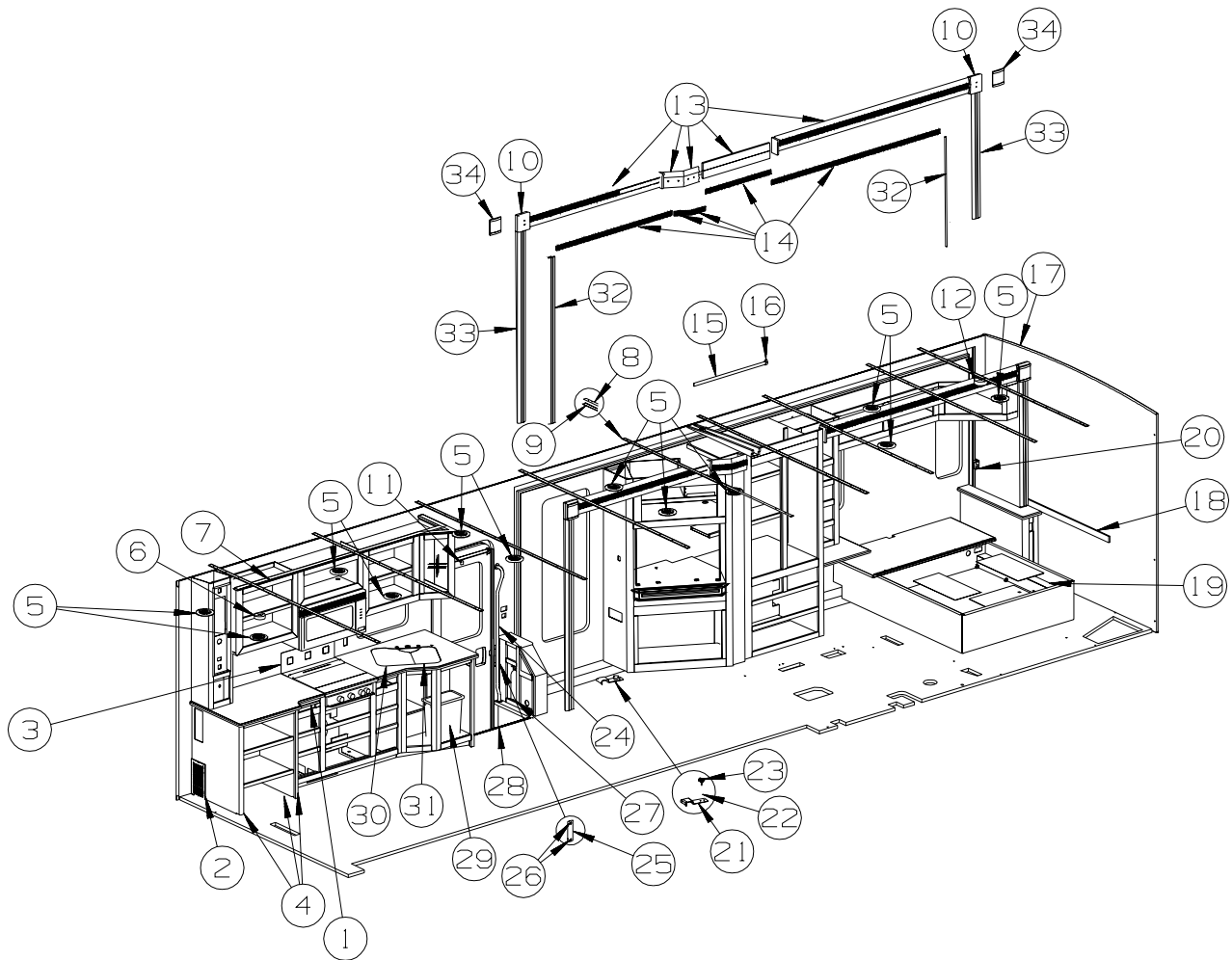
KEY	PART NUMBER	U/M	DESCRIPTION
1G	141260-01-01A	FT	U-CHANNEL - 1" - VILLAGE OAK
1G	141260-01-02A	FT	U-CHANNEL - 1" - GRADY BROWN
1G	141260-02-01A	FT	U-CHANNEL - 1 1/8" - VILLAGE OAK
1G	141260-02-02A	FT	U-CHANNEL - 1 1/8" - GRADY BROWN
2G	146306-01-01A	FT	TRANSITION - CARPET/TILE
3G	150167-01-07A	EA	RAIL - DECORATIVE - 96" W/O REVERSE SIDE GROOVE - PORTSMOUTH OAK
3G	150167-01-02A	EA	RAIL - DECORATIVE - 96" W/O REVERSE SIDE GROOVE - SALEM CHERRY - CONCERT CHERRY
3G	150167-01-03A	EA	RAIL - DECORATIVE - 96" W/O REVERSE SIDE GROOVE - WASHED MAPLE
3G	150167-01-09A	EA	RAIL - DECORATIVE - 96" W/O REVERSE SIDE GROOVE - SIERRA MAPLE
4G	151653-10-02A	EA	TRIM/RADIUS - CABINET CORNER - 79.6" - DULL METALLIC
4G	151653-13-02A	EA	TRIM/RADIUS - CABINET CORNER - 79.8" - DULL METALLIC
5G	151676-26-S46	EA	MOLDING/TRIM - .75" X 1.6" X 80.2" - PORTSMOUTH OAK
5G	151676-26-S47	EA	MOLDING/TRIM - .75" X 1.6" X 80.2" - CONCERT CHERRY
5G	151676-26-S48	EA	MOLDING/TRIM - .75" X 1.6" X 80.2" - WASHED MAPLE
5G	151676-26-SR0	EA	MOLDING/TRIM - .75" X 1.6" X 80.2" - SIERRA MAPLE
6G	151861-05-02B	EA	ANGLE - SUPPORT/CORNER - 1.4" X 78.6" - E-COATED
7G	151893-01-02A	EA	TRIM/RADIUS - CABINET BOTTOM - 72.6" - DULL METALLIC
8G	152077-01-02A	EA	TRIM/RADIUS - CABINET BOTTOM - 27.7" - DULL METALLIC
9G	156464-01-01A	FT	MOLDING - CORNER - RADIUS/PLASTIC - 8' - HONEY CHERRY
9G	156464-01-02A	FT	MOLDING - CORNER - RADIUS/PLASTIC - 8' - WASHED MAPLE
9G	156464-01-03A	FT	MOLDING - CORNER - RADIUS/PLASTIC - 8' - BONE
10G	160989-01-06A	FT	CAP - CORNER - RADIUS MOLDING - PLASTIC - WASHED MAPLE
10G	160989-01-07A	FT	CAP - CORNER - RADIUS MOLDING - PLASTIC - HONEY CHERRY

INTERIOR FINISH GROUP (CONTINUED)
PANELING & LAMINATES

KEY	PART NUMBER	U/M	DESCRIPTION
	000885-C3-000	SF	PARTICLE BOARD - 3/8" X 4' X 8' - WHITE THATCH EMB-1 SIDED
	000885-B9-000	SF	PARTICLE BOARD - 3/8" X 4' X 8' - NEW CONC CHERRY - 1-SIDED - CONCERT CHERRY
	000885-B5-000	SF	PARTICLE BOARD - 3/8" X 4' X 8' - WASHED MAPLE - 1-SIDED - WASHED MAPLE
	000885-B1-000	SF	PARTICLE BOARD - 3/8" X 4' X 8' - SIERRA MAPLE - 1-SIDED - SIERRA MAPLE
	000885-B8-000	SF	PARTICLE BOARD - 3/8" X 4' X 8' - NEW CONC CHERRY - 2 SIDED - CONCERT CHERRY
	000885-B4-000	SF	PARTICLE BOARD - 3/8" X 4' X 8' - WASHED MAPLE - 2-SIDED - WASHED MAPLE
	000885-B0-000	SF	PARTICLE BOARD - 3/8" X 4' X 8' - SIERRA MAPLE - 2-SIDED - SIERRA MAPLE
	000885-C1-000	SF	PARTICLE BOARD - 1/2" X 4' X 8' - NEW CONC CHERRY - 2 SIDED - CONCERT CHERRY
	000885-B7-000	SF	PARTICLE BOARD - 1/2" X 4' X 8' - WASHED MAPLE - 2-SIDED - WASHED MAPLE
	000885-B3-000	SF	PARTICLE BOARD - 1/2" X 4' X 8' - SIERRA MAPLE - 2-SIDED - SIERRA MAPLE
	000885-C0-000	SF	PARTICLE BOARD - 3/4" X 4' X 8' - NEW CONC CHERRY - 2 SIDED - CONCERT CHERRY
	000885-B6-000	SF	PARTICLE BOARD - 3/4" X 4' X 8' - WASHED MAPLE - 2-SIDED - WASHED MAPLE
	000885-B2-000	SF	PARTICLE BOARD - 3/4" X 4' X 8' - SIERRA MAPLE - 2-SIDED - SIERRA MAPLE
	057882-06-000	SF	TAMBOUR - 48" X 96" SHEET - UNFINISHED - CONCERT CHERRY
	057882-05-000	SF	TAMBOUR - 48" X 96" SHEET - UNFINISHED - WASHED MAPLE/SIERRA MAPLE
	069733-88-000	EA	BATT STRIP - WOODGRAINED/SALEM CHERRY - 8' - CONCERT CHERRY
	069733-91-000	EA	BATT STRIP - WOODGRAINED/WASHED MAPLE - 8' - WASHED MAPLE
	069733-90-000	EA	BATT STRIP - WOODGRAINED/SIERRA MAPLE - 8' - SIERRA MAPLE
	074497-50-000	SF	PANELING - NEW CONCERT CHERRY - 1/8" X 4' X 8' - CONCERT CHERRY
	074497-49-000	SF	PANELING - WASHED MAPLE - 1/8" X 4' X 8' - WASHED MAPLE
	074497-48-000	SF	PANELING - SIERRA MAPLE - 1/8" X 4' X 8' - SIERRA MAPLE
	074498-96-000	SF	LAMINATE - PLASTIC - CHERRY - 4' X 8' - CONCERT CHERRY
	074498-96-000	SF	LAMINATE - PLASTIC - CHERRY - 4' X 8' - CONCERT CHERRY
			FROM: 00-00-00 THRU: 10-02-06
	074498-C2-000	SF	LAMINATE - PLASTIC - CHERRY - 4' X 8' - CONCERT CHERRY
			FROM: 10-01-06 THRU: 99-99-99
	074498-A8-000	SF	LAMINATE - PLASTIC - SUEDE/HONEY MAPLE - 5' X 8' - SIERRA MAPLE
	074498-B8-000	SF	LAMINATE - PLASTIC - CLASSIC ROCK - 5' X 8' (UA1, UA2, UA3, UM4, UA5, UA6, UA7, UM5)
	074498-B7-000	SF	LAMINATE - PLASTIC - HOUSE ROCK - 5' X 8' (UB1, UB2, UB3, UM6)
	076325-79-000	FT	MOLDING - EDGE BAND - .93" X .024" - CONCERT CHERRY
	076325-82-000	FT	MOLDING - EDGE BAND - .93" X .024" - WASHED MAPLE
	076325-83-000	FT	MOLDING - EDGE BAND - .93" X .024" - SIERRA MAPLE
	076773-21-000	SF	PANELING - 2 SIDED/NEW CONC CHERRY - 1/8" X 4' X 8' - CONCERT CHERRY
	076773-26-000	SF	PANELING - 1 SIDE/N-CONCERT CHERRY - 1/8" X 4' X 7' - CONCERT CHERRY
	076773-20-000	SF	PANELING - 2 SIDED/WASHED MAPLE - 1/8" X 4' X 8' - WASHED MAPLE
	076773-25-000	SF	PANELING - 1 SIDE/NEAT WASHED MAPLE - 1/8" X 4' X 7' - WASHED MAPLE
	076773-19-000	SF	PANELING - 2 SIDED/SIERRA MAPLE - 1/8" X 4' X 8' - SIERRA MAPLE
	076773-24-000	SF	PANELING - 1 SIDE/SIERRA MAPLE - 1/8" X 4' X 7' - SIERRA MAPLE
	079666-03-000	SF	PANELING - CLOSET - CEDAR - 4' X 7'
	080215-17-000	SF	PANELING-PAPER WRAP - 2 SIDED/N CON CHERRY-3/16" X 4' X 8' - CONCERT CHERRY
	080215-16-000	SF	PANELING-PAPER/WRAP - 2 SIDED/WASHED MAPLE-3/16" X 4' X 8' - WASHED MAPLE
	080215-19-000	SF	PANELING/PAPER WRAP - 2 SIDED/SIERRA MAPLE-3/16" X 4' X 8' - SIERRA MAPLE
	085284-F7-000	FT	TAPE/STRIP - TRUE GRIP - 1 1/2" WIDE - ADHESIVE BACKED
	085284-J7-000	FT	BATT TAPE - ADHESIVE BACKED - DECORATIVE - CONCERT CHERRY
	085284-H3-000	FT	BATT TAPE - ADHESIVE BACKED - DECORATIVE - WASHED MAPLE
	085284-J4-000	FT	BATT TAPE - ADHESIVE BACKED - DECORATIVE - SIERRA MAPLE
	085284-L1-000	FT	BATT TAPE - ADHESIVE BACKED - DECORATIVE - RATTAN (UA1, UA2, UA3, UM4)
			FROM: 00-00-00 THRU: 03-27-07
	085284-K7-000	FT	BATT TAPE - ADHESIVE BACKED - DECORATIVE - KURTA/CANVAS (UA1, UA2, UA3, UM4)
			FROM: 03-28-07 THRU: 99-99-99
	085284-K7-000	FT	BATT TAPE - ADHESIVE BACKED - DECORATIVE - KURTA/CANVAS (UA5, UA6, UA7, UM5)
	085284-K1-000	FT	BATT TAPE - ADHESIVE BACKED - DECORATIVE - MORITZ/TUSCANY (UB1, UB2, UB3, UM6)
	088272-M9-000	SF	PANELING - WHITE THATCHED - 4' X 8'
	088272-N1-000	SF	PANELING - OASIS/RATTAN - 4' X 7.4' (UA1, UA2, UA3, UM4)
			FROM: 00-00-00 THRU: 03-27-07
	088272-M7-000	SF	PANELING - KURTA/CANVAS - 4' X 7.4' (UA1, UA2, UA3, UM4)
			FROM: 03-28-07 THRU: 99-99-99
	088272-M7-000	SF	PANELING - KURTA/CANVAS - 4' X 7.4' (UA5, UA6, UA7, UM5)
	088272-M1-000	SF	PANELING - MORITZ/TUSCANY - 4' X 7.4' (UB1, UB2, UB3, UM6)

INTERIOR FINISH GROUP (CONTINUED)

INTERIOR TRIM LAYOUT



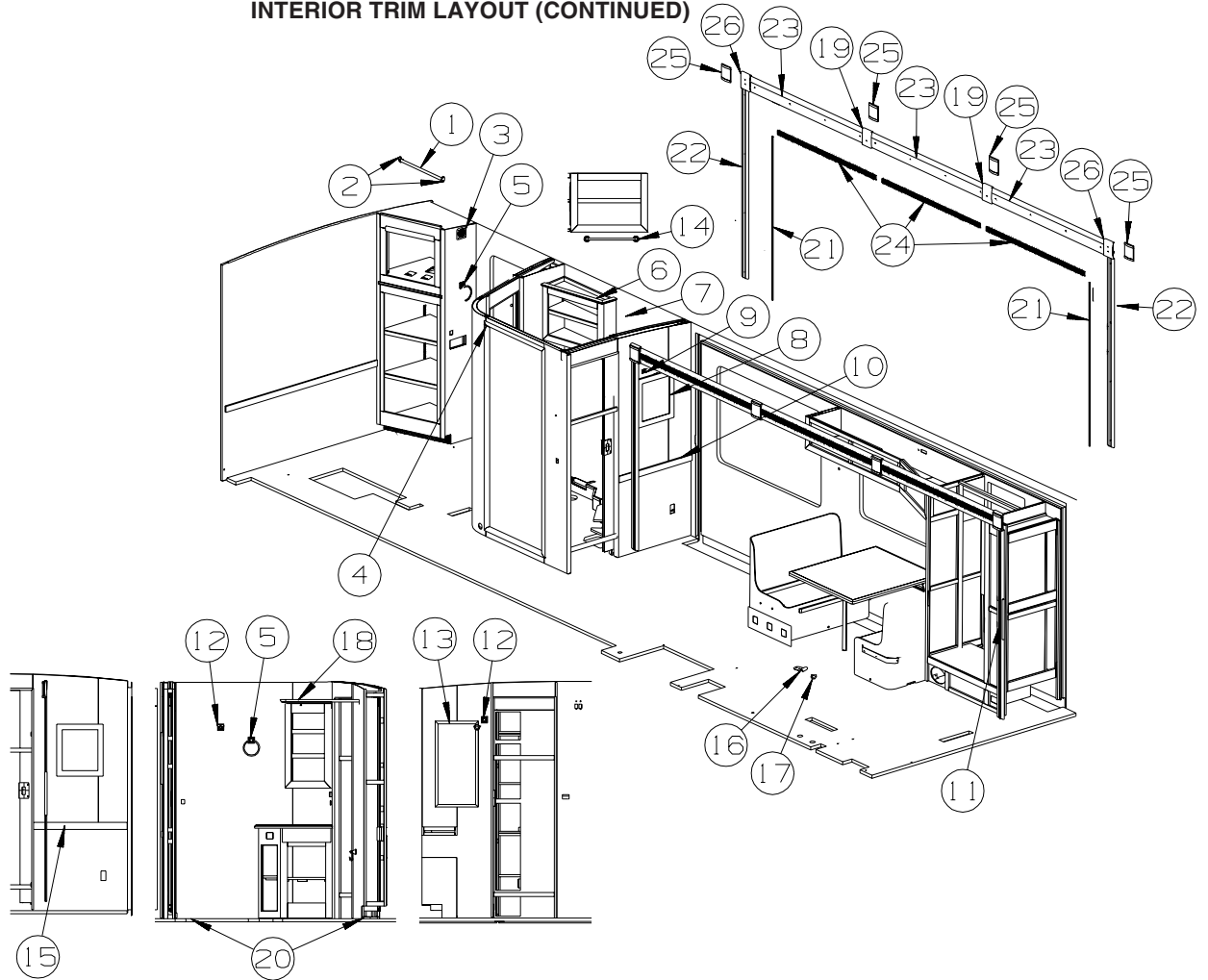
KEY	PART NUMBER	U/M	DESCRIPTION
1	102778-14-000	EA	BOARD - CUTTING - .7" X 11.4" X 15.7" - WOOD
2	093614-14-02A	EA	GRILLE - AIR RETURN - 7.9" X 13.9" - BEIGE
3	151184-03-UA1	EA	BACKSPLASH - W/ACCENTS - COUNTERTOP - VENDURA
4	M09471-79-R39	EA	MOLDING - TRIM/COVE - .8" X .8" X 96" - CONCERT CHERRY
4	M09471-79-R46	EA	MOLDING - TRIM/COVE - .8" X .8" X 96" - WASHED MAPLE
4	M09471-79-SA3	EA	MOLDING - TRIM/COVE - .8" X .8" X 96" - SIERRA MAPLE
5	120134-01-02A	EA	REGISTER - W/DAMPER - 4" PIPE/6.4" O.D. FACE - WHITE
5	120134-02-01A	EA	REGISTER - TRIM RING - WHITE
6	072852-01-000	EA	DETECTOR - SMOKE - W/9 VOLT BATTERY - US
6	072852-02-000	EA	DETECTOR - SMOKE - W/9 VOLT BATTERY - CANADIAN
	077956-01-000	EA	LABEL - WARNING/SMOKE DETECTOR
7	152991-15-01A	EA	MOLDING/TRIM - OVERHEAD - GALLEY - CONCERT CHERRY
7	152991-15-02A	EA	MOLDING/TRIM - OVERHEAD - GALLEY - WASHED MAPLE
7	152991-15-04A	EA	MOLDING/TRIM - OVERHEAD - GALLEY - SIERRA MAPLE
8	138403-01-01A	EA	TRIM - ROOF - MILL
9	138359-01-01A	FT	COVER - ROOF BREAK - PEARL CREAM/PLASTIC - 96"
10	P53421-10-T78	EA	MOLDING/BLOCK - 5.1" X 6.4" - W/O INSERT - CONCERT CHERRY
10	P53421-10-T79	EA	MOLDING/BLOCK - 5.1" X 6.4" - W/O INSERT - WASHED MAPLE
10	P53421-10-T80	EA	MOLDING/BLOCK - 5.1" X 6.4" - W/O INSERT - SIERRA MAPLE
11	144628-02-02A	EA	SHADE - SCREEN DOOR - 23" X 33.4" - BLACK
11	144628-02-01A	EA	SHADE - SCREEN DOOR - 23" X 33.4" - BRIGHT WHITE
12	125136-02-000	EA	DETECTOR/CO - GAS MODEL - 9 VOLT
13	Y00337-62-438	EA	MOLDING/TRIM - VINYL/CURVED - 5.9" X 96" - CONCERT CHERRY (UA1, UA5, UB1)
13	Y00337-D2-438	EA	MOLDING/TRIM - VINYL/CURVED - 5.9" X 96" - CONCERT CHERRY (UM4, UM5, UM6)
13	Y00337-A2-438	EA	MOLDING/TRIM - VINYL/CURVED - 5.9" X 96" - WASHED MAPLE
13	Y00337-92-438	EA	MOLDING/TRIM - VINYL/CURVED - 5.9" X 96" - SIERRA MAPLE
14	M09511-71-TD1	EA	MOLDING/TRIM - FLUTED - 2" X 92.5" - CONCERT CHERRY
14	M09511-71-TD2	EA	MOLDING/TRIM - FLUTED - 2" X 92.5" - WASHED MAPLE
14	M09511-71-TD3	EA	MOLDING/TRIM - FLUTED - 2" X 92.5" - SIERRA MAPLE
15	Y00136-21-218	EA	DOWEL - WOOD - CLOTHES ROD - 1"DIAMETER X 4'

INTERIOR FINISH GROUP (CONTINUED)
INTERIOR TRIM LAYOUT (CONTINUED)

KEY	PART NUMBER	U/M	DESCRIPTION
16	152301-01-01A	EA	FLANGE - PLASTIC - 1" CLOTHES ROD HOLDER - WHITE
17	149147-04-04A	EA	MIRROR - FRAMED - BEVELED - 41.5" X 25.5"-CHAMPAGNE SILVER
	130120-01-01A	EA	BRACKET/MOUNTING - MIRROR
18	M09462-66-R75	EA	MOLDING - TRIM/RAIL - .6" X 2.4" X 96" - CONCERT CHERRY
18	M09462-66-R76	EA	MOLDING - TRIM/RAIL - .6" X 2.4" X 96" - WASHED MAPLE
18	M09462-66-SA3	EA	MOLDING - TRIM/RAIL - .6" X 2.4" X 96" - SIERRA MAPLE
19	154430-01-000	EA	MATTRESS - INNERSPRING - 60" X 74.5"
19	142411-01-000	EA	MATTRESS/AIR - 60" X 75" - SELECT COMFORT - SLEEP NUMBER BED-QUEEN SIZE
19	142411-03-000	EA	AIR PUMP W/CONTROLS - F/SELECT COMFORT MATTRESS - SLEEP NUMBER BED-QUEEN SIZE
	099717-05-000	EA	STRAP - W/16.5" FEMALE STRAP AND 17.7" MALE STRAP
20	142411-05-000	EA	HOLDER - F/CONTROL (SELECT COMFORT) - SLEEP NUMBER BED-QUEEN SIZE
21	143956-03-04B	EA	BRACKET/TIEDOWN - EURO CHAIR - BLACK
22	134057-01-11B	EA	BRACKET - RECLINER - FLAT BLACK
23	134194-02-01A	EA	KNOB - HOLD DOWN/RECLINER - BLACK
24	131058-03-02A	EA	HAND RAIL - INTERIOR ENTRY DOOR - BLACK
25	148362-01-01A	EA	COVER - BRACKET/STRIKE - BRIGHT WHITE
			FROM: 00-00-00 THRU: 07-31-06
25	148362-01-02A	EA	COVER - BRACKET/STRIKE - MEDIUM OAK
			FROM: 08-01-06 THRU: 99-99-99
26	140151-02-02A	EA	COVER - SCREW - BRIGHT WHITE
			FROM: 00-00-00 THRU: 07-31-06
26	140151-02-03A	EA	COVER - SCREW - MEDIUM OAK
			FROM: 08-01-06 THRU: 99-99-99
27	094499-03-000	EA	EXTINGUISHER/FIRE - DRY - 10BC - W/GAUGE/BRACKET
27*	094499-02-000	EA	EXTINGUISHER/FIRE - DRY - 10BC - W/GAUGE - CANADIAN
27	094499-04-000	EA	STRAP - FIRE EXTINGUISHER MOUNTING - METAL
28	139955-06-02A	EA	TRIM - STEP/ENTRY - 29.3" - TITANIUM
29	159032-01-01A	EA	CONTAINER - WASTEBASKET - 14.3 QT - WHITE
30	137489-01-10A	EA	COVER - SINK/LARGE - 13.8"X17"X1/4" VENDURA - PEBBLE BEACH
			FROM: 00-00-00 THRU: 10-01-06
30	161218-01-UM4	EA	COVER - SINK/LARGE - 13.8" X 16.9" X VENDURA - PEBBLE BEACH
			FROM: 10-02-06 THRU: 99-99-99
31	137489-02-09A	EA	COVER - SINK/SMALL - 9.6"X15.7"X1/4" VENDURA - PEBBLE BEACH
			FROM: 00-00-00 THRU: 10-01-06
31	161218-02-UM4	EA	COVER - SINK/SMALL - 9.6" X 15.7" X VENDURA - PEBBLE BEACH
			FROM: 10-02-06 THRU: 99-99-99
32	Y00326-62-438	EA	MOLDING - VINYL/CONCAVED - .7" X 96" - CONCERT CHERRY (UA1, UA5, UB1)
32	Y00326-D2-438	EA	MOLDING - VINYL/CONCAVED - .7" X 96" - CONCERT CHERRY (UM4, UM5, UM6)
32	Y00326-A2-438	EA	MOLDING - VINYL/CONCAVED - .7" X 96" - WASHED MAPLE
32	Y00326-92-438	EA	MOLDING - VINYL/CONCAVED - .7" X 96" - SIERRA MAPLE
33	Y00328-62-438	EA	MOLDING - VINYL/CURVED - 3.5" X 96" - CONCERT CHERRY (UA1, UA5, UB1)
33	Y00328-D2-438	EA	MOLDING - VINYL/CURVED - 3.5" X 96" - CONCERT CHERRY (UM4, UM5, UM6)
33	Y00328-A2-438	EA	MOLDING - VINYL/CURVED - 3.5" X 96" - WASHED MAPLE
33	Y00328-92-438	EA	MOLDING - VINYL/CURVED - 3.5" X 96" - SIERRA MAPLE
34	153044-05-TE5	EA	MOLDING/TRIM - SLIDEOUT - 5.1" X 5.9" - CONCERT CHERRY
34	153044-05-TE6	EA	MOLDING/TRIM - SLIDEOUT - 5.1" X 5.9" - WASHED MAPLE
34	153044-05-TE7	EA	MOLDING/TRIM - SLIDEOUT - 5.1" X 5.9" - SIERRA MAPLE

*COMPONENT PARTS LISTED LATER IN THIS GROUP

INTERIOR FINISH GROUP (CONTINUED)
INTERIOR TRIM LAYOUT (CONTINUED)



KEY	PART NUMBER	U/M	DESCRIPTION
1	Y00136-21-218	EA	DOWEL - WOOD - CLOTHES ROD - 1"DIAMETER X 4'
2	152301-01-01A	EA	FLANGE - PLASTIC - 1" CLOTHES ROD HOLDER - WHITE
3	093214-01-05A	EA	GRILLE - SPEAKER - 4" - CASHMERE
4	156071-01-01A	EA	PLATE - LATCH/CATCH - BRUSHED STAINLESS STEEL
5	152956-01-01A	EA	TOWEL RING - NICKEL
6	152991-18-01A	EA	MOLDING/TRIM - OVERHEAD - BATH - CONCERT CHERRY
6	152991-18-02A	EA	MOLDING/TRIM - OVERHEAD - BATH - WASHED MAPLE
6	152991-18-04A	EA	MOLDING/TRIM - OVERHEAD - BATH - SIERRA MAPLE
7*	158076-03-01A	EA	DOOR - SHOWER - NEO ANGLE - 66.4" TALL - NICKEL/AQUA
7	158076-05-01A	EA	LATCH KIT - TRAVEL/SAFETY - RIGHT HINGED
	158076-07-01A	EA	SCREW - F/TRAVEL LATCH - 6-32 X .25" PPH
	158076-08-01A	EA	NUT-HEX - F/TRAVEL LATCH - 6X32 SST - W/NYLON INSERT
	158076-09-01A	EA	LABEL - TRAVEL LATCH - SILVER FOIL
8	131493-02-36A	EA	PICTURE - DECORATIVE - 13" X 15" - BALSAM LEAF (UA1, UA2, UA3, UM4)
8	131493-04-04A	EA	PICTURE - DECORATIVE - 16" X 19" - DAISY (UA5, UA6, UA7, UB1, UB2, UB3, UM5, UM6)
9	130120-01-01A	EA	BRACKET/MOUNTING - MIRROR
10	M09462-66-R75	EA	MOLDING - TRIM/RAIL - .6" X 2.4" X 96" - CONCERT CHERRY
10	M09462-66-R76	EA	MOLDING - TRIM/RAIL - .6" X 2.4" X 96" - WASHED MAPLE
10	M09462-66-SA3	EA	MOLDING - TRIM/RAIL - .6" X 2.4" X 96" - SIERRA MAPLE
11	130262-05-000	EA	PROTECTOR - CORNER SAVER - .4" X .7" X 48"
12	152957-01-01A	EA	HOOK - ROBE - NICKEL
13	113195-25-01A	EA	MIRROR - BEVELED SAFETY GLASS - 15.7" X 31.4"
14	152959-01-01A	EA	TOWEL BAR - 18" - NICKEL
15	152958-01-01A	EA	HOLDER - PAPER - W/LID - NICKEL
16	134057-04-11B	EA	BRACKET - RECLINER - FLAT BLACK
17	134194-02-01A	EA	KNOB - HOLD DOWN/RECLINER - BLACK

INTERIOR FINISH GROUP (CONTINUED)
INTERIOR TRIM LAYOUT (CONTINUED)

KEY	PART NUMBER	U/M	DESCRIPTION
18	152991-17-01A	EA	MOLDING/TRIM - OVERHEAD - GALLEY - CONCERT CHERRY
18	152991-17-02A	EA	MOLDING/TRIM - OVERHEAD - GALLEY - WASHED MAPLE
18	152991-17-04A	EA	MOLDING/TRIM - OVERHEAD - GALLEY - SIERRA MAPLE
19	P53421-06-TE5	EA	MOLDING/BLOCK - 5.1" X 6.4" - W/O INSERT - CONCERT CHERRY
19	P53421-06-TE6	EA	MOLDING/BLOCK - 5.1" X 6.4" - W/O INSERT - WASHED MAPLE
19	P53421-06-TE7	EA	MOLDING/BLOCK - 5.1" X 6.4" - W/O INSERT - SIERRA MAPLE
20	M09471-79-R39	EA	MOLDING - TRIM/COVE - .8" X .8" X 96" - CONCERT CHERRY
20	M09471-79-R46	EA	MOLDING - TRIM/COVE - .8" X .8" X 96" - WASHED MAPLE
20	M09471-79-SA3	EA	MOLDING - TRIM/COVE - .8" X .8" X 96" - SIERRA MAPLE
21	Y00326-62-438	EA	MOLDING - VINYL/CONCAVED - .7" X 96" - CONCERT CHERRY (UA1, UA5, UB1)
21	Y00326-D2-438	EA	MOLDING - VINYL/CONCAVED - .7" X 96" - CONCERT CHERRY (UM4, UM5, UM6)
21	Y00326-A2-438	EA	MOLDING - VINYL/CONCAVED - .7" X 96" - WASHED MAPLE
21	Y00326-92-438	EA	MOLDING - VINYL/CONCAVED - .7" X 96" - SIERRA MAPLE
22	Y00328-62-438	EA	MOLDING - VINYL/CURVED - 3.5" X 96" - CONCERT CHERRY (UA1, UA5, UB1)
22	Y00328-D2-438	EA	MOLDING - VINYL/CURVED - 3.5" X 96" - CONCERT CHERRY (UM4, UM5, UM6)
22	Y00328-A2-438	EA	MOLDING - VINYL/CURVED - 3.5" X 96" - WASHED MAPLE
22	Y00328-92-438	EA	MOLDING - VINYL/CURVED - 3.5" X 96" - SIERRA MAPLE
23	Y00337-62-438	EA	MOLDING/TRIM - VINYL/CURVED - 5.9" X 96" - CONCERT CHERRY (UA1, UA5, UB1)
23	Y00337-D2-438	EA	MOLDING/TRIM - VINYL/CURVED - 5.9" X 96" - CONCERT CHERRY (UM4, UM5, UM6)
23	Y00337-A2-438	EA	MOLDING/TRIM - VINYL/CURVED - 5.9" X 96" - WASHED MAPLE
23	Y00337-92-438	EA	MOLDING/TRIM - VINYL/CURVED - 5.9" X 96" - SIERRA MAPLE
24	M09511-71-TD1	EA	MOLDING/TRIM - FLUTED - 2" X 92.5" - CONCERT CHERRY
24	M09511-71-TD2	EA	MOLDING/TRIM - FLUTED - 2" X 92.5" - WASHED MAPLE
24	M09511-71-TD3	EA	MOLDING/TRIM - FLUTED - 2" X 92.5" - SIERRA MAPLE
25	153044-05-TE5	EA	MOLDING/TRIM - SLIDEOUT - 5.1" X 5.9" - CONCERT CHERRY
25	153044-05-TE6	EA	MOLDING/TRIM - SLIDEOUT - 5.1" X 5.9" - WASHED MAPLE
25	153044-05-TE7	EA	MOLDING/TRIM - SLIDEOUT - 5.1" X 5.9" - SIERRA MAPLE
26	153421-05-TD1	EA	MOLDING/BLOCK - 5.1" X 5.9" - W/O INSERT - CONCERT CHERRY
26	153421-05-TD2	EA	MOLDING/BLOCK - 5.1" X 5.9" - W/O INSERT - WASHED MAPLE
26	153421-05-TD3	EA	MOLDING/BLOCK - 5.1" X 5.9" - W/O INSERT - SIERRA MAPLE

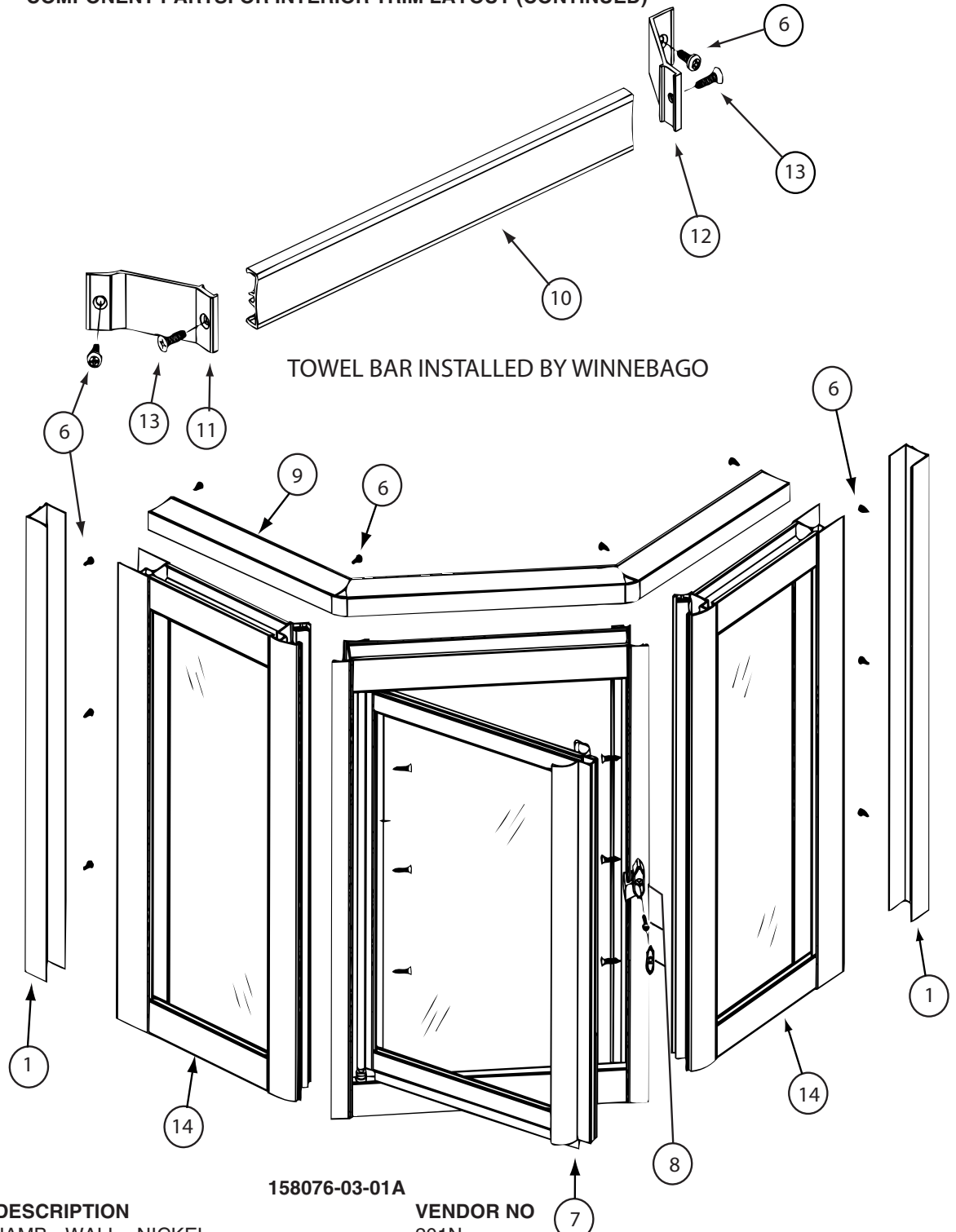
***COMPONENT PARTS LISTED LATER IN THIS GROUP**

COMPONENT PARTS FOR INTERIOR TRIM LAYOUT

094499-02-000

KEY	PART NUMBER	U/M	DESCRIPTION	VENDOR NO
	094499-01-700	EA	BRACKET MTG. W/PLAS. STRAP	294039

INTERIOR FINISH GROUP (CONTINUED)
COMPONENT PARTS FOR INTERIOR TRIM LAYOUT (CONTINUED)



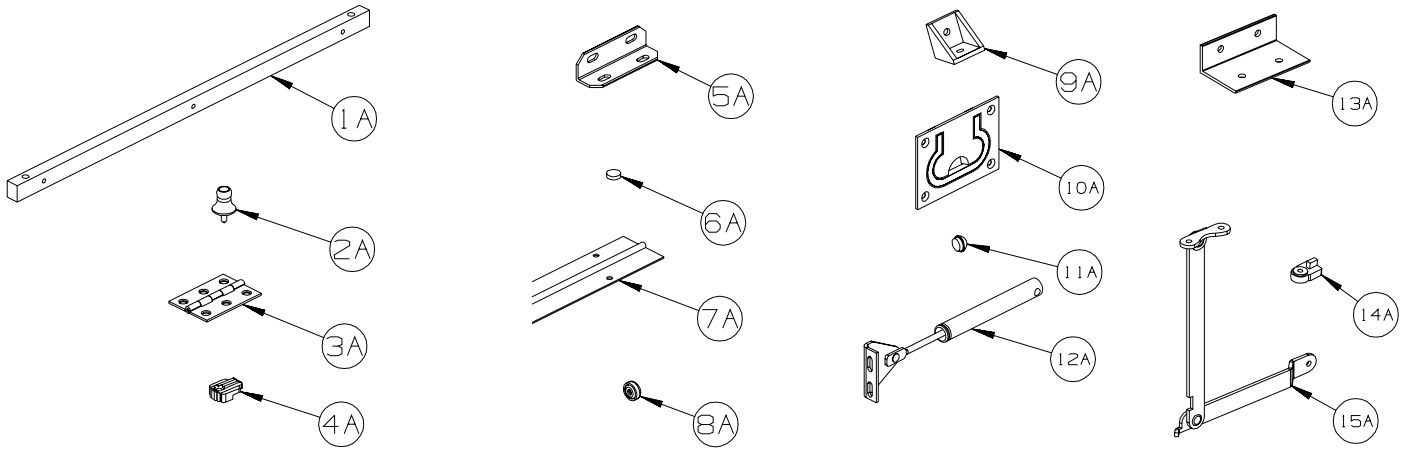
KEY	PART NUMBER	U/M	DESCRIPTION	VENDOR NO
1	158076-03-700	EA	JAMB - WALL - NICKEL	201N
6	158076-02-701	EA	SCREW - ADJUSTMENT - NICKEL	638PHPT-N
7	158076-03-704	FT	VINYL SWEEP	C176B
8	089318-01-707	EA	LATCH/CATCH-TURN-SAFETY-BLK	9730N
9	158076-03-705	EA	HEADER CAP	247N
10	115011-03-714	EA	TOWEL BAR - NICKEL	136N
11	158076-03-706	EA	BRACKET/TOWEL BAR-LH/FACING	246N
12	158076-03-707	EA	BRACKET/TOWEL BAR-RH/FACING	199N
13	115011-03-716	EA	SCREW F/TOWEL BAR - NICKEL	612F-N
14	158076-03-708	EA	WING PNL-RT/LT-FRAMED GLASS	WB383N-AWP
	158076-03-701	EA	PIVOT PIN	CP201
	158076-03-702	EA	PIVOT BUSHING	CP209
	158076-03-703	EA	PIVOT WASHER - PLASTIC	FW 10-093
	139047-01-709	EA	STRIP/MAGNETIC- 55" (NARROW)	98-42

INTERIOR FINISH GROUP (CONTINUED)
FLOOR COVERINGS

KEY	PART NUMBER	U/M	DESCRIPTION
	075233-01-000	SY	PAD - CARPET - 3/8" X 6'W ROLL - SOLD BY THE SQUARE YARD
	089275-02-000	FT	STRIP - 3/4" X 84" BLACK POLYETHYLENE
	093486-01-000	SY	CARPET - COMPARTMENT - 72" WIDE - DARK GRAY
	131711-01-12A	EA	TILE/FLOOR - VINYL - 12" X 12" - DESERT
	152251-02-01A	SY	CARPET - 4 SQUARE YARD INCREMENTS - CORK (UA1, UA2, UA3, UM4)
	152251-02-05A	SY	CARPET - 4 SQUARE YARD INCREMENTS - TORNADO VALLEY (UA5, UA6, UA7, UM5)
	152251-07-01A	SY	CARPET - 4 SQUARE YARD INCREMENTS - SAFFRON (UB1, UB2, UB3, UM6)

INTERIOR FINISH GROUP (CONTINUED)

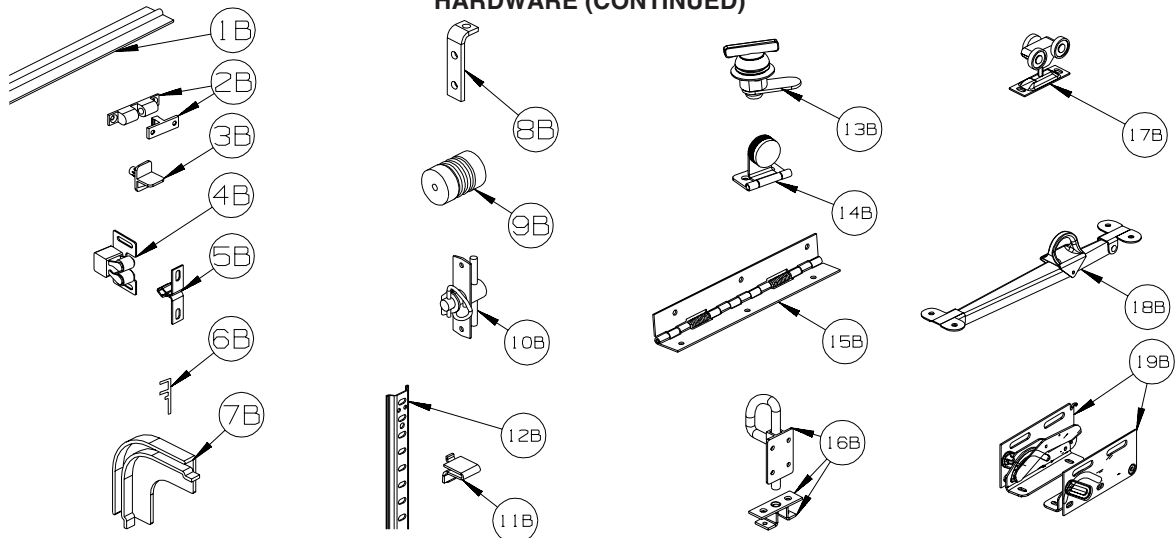
HARDWARE



KEY	PART NUMBER	U/M	DESCRIPTION
1A	P34509-01-N01	EA	RAIL END - RH/LH - TOWEL RACK - PORTSMOUTH
1A	P34509-01-P14	EA	RAIL END - RH/LH - TOWEL RACK - CONCERT CHERRY
1A	P34509-01-J70	EA	RAIL END - RH/LH - TOWEL RACK - WASHED MAPLE
1A	P34509-01-RE0	EA	RAIL END - RH/LH - TOWEL RACK - HONEY CHERRY
1A	P34509-01-SA3	EA	RAIL END - RH/LH - TOWEL RACK - SIERRA MAPLE
2A	009013-01-000	EA	CATCH - BULLDOG - MALE/FEMALE
3A	009059-01-000	EA	HINGE - DOOR - 2" X 1.4" - BRASS
3A	009059-02-000	EA	HINGE - DOOR - 2" X 2.7" - BRASS
3A	009059-03-000	EA	HINGE - BRASS - 1.75"
3A	009059-04-000	EA	HINGE - 2" - ZINC
4A	009089-01-000	EA	CLIP - MIRROR
5A	016604-01-000	EA	BRACE - ANGLE - 2 1/2" - UNPAINTED METAL
5A	016604-05-000	EA	BRACE - ANGLE - 2 1/2" - OFF WHITE METAL
5A	016604-10-000	EA	BRACE - SEAT ANGLE - 2.5" - BLACK
6A	023320-01-000	EA	PAD - FELT 3/8" DIAMETER
7A	041389-19-000	EA	HINGE - PIANO - 1 1/2" X 71.9" - UNPAINTED
7A	041389-25-000	EA	HINGE - PIANO - 1 1/2" X 55" - UNPAINTED
7A	041389-32-000	EA	HINGE - PIANO - 68" - OFF WHITE
8A	057671-01-000	EA	COVER - SCREW - #8 - OFF WHITE
8A	057671-15-000	EA	COVER - SCREW - #8 - BRIGHT WHITE
8A	057671-16-000	EA	COVER - SCREW - #8 - SOFT WHITE
8A	057671-18-000	EA	COVER - SCREW - #8 - OFF WHITE
9A	065740-01-000	EA	BRACE - CABINET/CORNER - PLASTIC
10A	072871-01-000	EA	PULL - FLUSH - CHROME
11A	074045-13-000	EA	PLUG - OAK - 3/8" DOWEL-1/2" HEAD - PORTSMOUTH OAK
11A	074045-08-000	EA	PLUG - OAK - 3/8" DOWEL-1/2" HEAD - CONCERT CHERRY
11A	074045-12-000	EA	PLUG - OAK - 3/8" DOWEL-1/2" HEAD - WASHED MAPLE
11A	074045-14-000	EA	PLUG - OAK - 3/8" DOWEL-1/2" HEAD - HONEY CHERRY
11A	074045-15-000	EA	PLUG - OAK - 3/8" DOWEL-1/2" HEAD - SIERRA MAPLE
12A	074493-02-000	EA	SUPPORT - PISTON SPRING - CABINET DOOR - 26 LBS
12A	074493-03-000	EA	SUPPORT - PISTON SPRING - CABINET DOOR - 12 LBS
12A	074493-04-000	EA	SUPPORT - PISTON SPRING - CABINET DOOR - 32LBS
13A	156732-01-01A	EA	BRACE - ANGLE/COUCH - 2.5" - MILL
13A	156732-01-02A	EA	BRACE - ANGLE/COUCH - 2.5" - OFF WHITE
13A	156732-03-01A	EA	BRACE - ANGLE/COUCH - BLACK
14A	083204-03-000	EA	BUTTON - RETAINING MIRROR 5/16" TIP
15A	084412-01-000	EA	SUPPORT/HINGE KIT (LEFT & RIGHT HINGES)

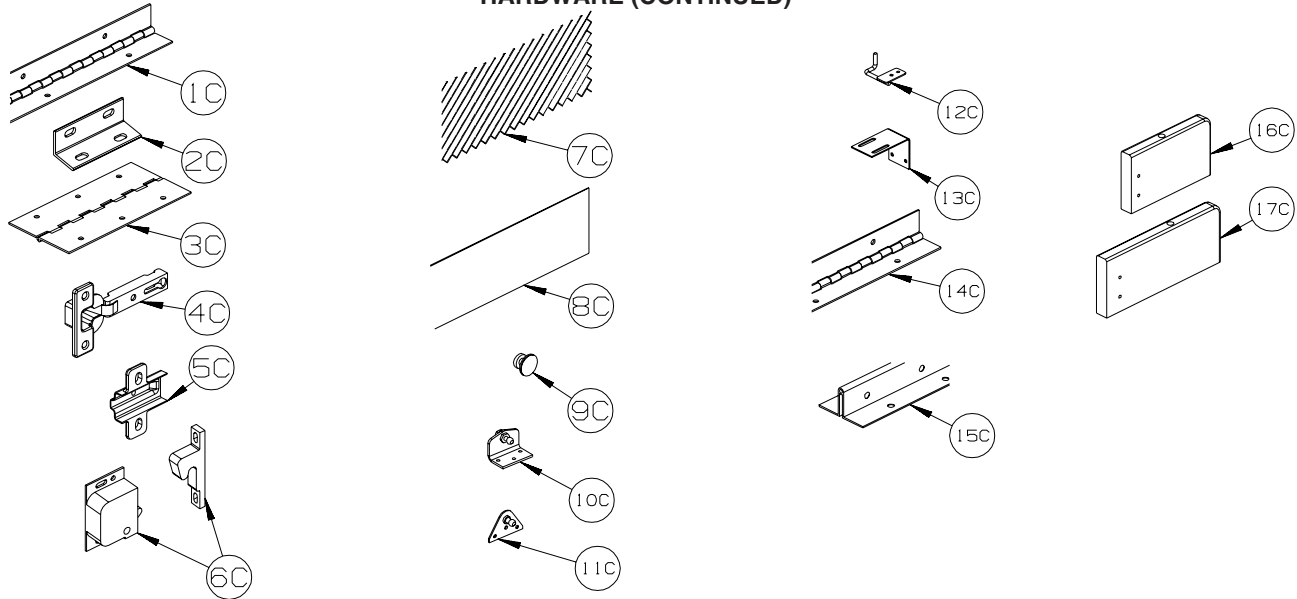
INTERIOR FINISH GROUP (CONTINUED)

HARDWARE (CONTINUED)



KEY	PART NUMBER	U/M	DESCRIPTION
1B	084413-01-000	EA	HINGE - 1" X 72" - ALUMINUM - W/HOLES
2B	084451-01-000	EA	CATCH & LATCH - 1.7" - BRASS
3B	092907-01-000	EA	SUPPORT - SHELF - PIN - 1/4" - CLEAR PLASTIC
4B	093586-03-000	EA	CATCH - SPRING ROLLER - .377"
4B	093586-06-000	EA	CATCH - SPRING ROLLER - .236"
5B	093586-04-000	EA	STRIKE - SPRING STEEL - 1.14"
6B	093622-01-000	EA	TRACK - DOOR - TAMBOUR - PLASTIC - 8' LENGTHS
7B	093623-01-000	EA	CORNER - TRACK - TAMBOUR DOOR
8B	096826-01-01A	EA	BRACE-CABINET E-COATED
9B	097872-04-000	EA	DOWEL - WOOD - 1" DIAMETER X 1.38" LONG - UNFINISHED
10B	098196-01-000	EA	LATCH - 1/4 TURN - T-BAR
11B	098979-01-000	EA	CLIP - ADJUSTABLE SHELF
12B	098980-01-000	EA	PILASTER - ADJUSTABLE SHELF - 18"
12B	098980-02-000	EA	PILASTER - ADJUSTABLE SHELF - 12"
12B	098980-03-000	EA	PILASTER - ADJUSTABLE SHELF - 9"
12B	098980-04-000	EA	PILASTER - ADJUSTABLE SHELF - 48"
12B	098980-05-000	EA	PILASTER - ADJUSTABLE SHELF - 15"
12B	098980-06-000	EA	PILASTER - ADJUSTABLE SHELF - 24"
13B	100710-01-02A	EA	LOCK - GLASS DOOR/TWIST TYPE - NICKEL
14B	100711-01-02A	EA	HINGE - GLASS DOOR - NICKEL
15B	102920-01-01A	EA	HINGE - SPRING LOADED - BRASS
15B	102920-01-02A	EA	HINGE - SPRING LOADED - NICKEL
15B	129753-01-01A	EA	HINGE - SPRING LOADED - 19" X 19" - BLACK
16B	103256-01-000	EA	LATCH COMPLETE (SLIDE)
17B	103874-01-000	EA	HANGER - SLIDING DOOR
18B	104181-01-01A	EA	SUPPORT - LEAF 5.3" EXTENDS TO 7.5" - SAFETY RING - METAL
19B	108126-01-000	EA	TRAY HINGE SET (QTY. 2 PER SET)

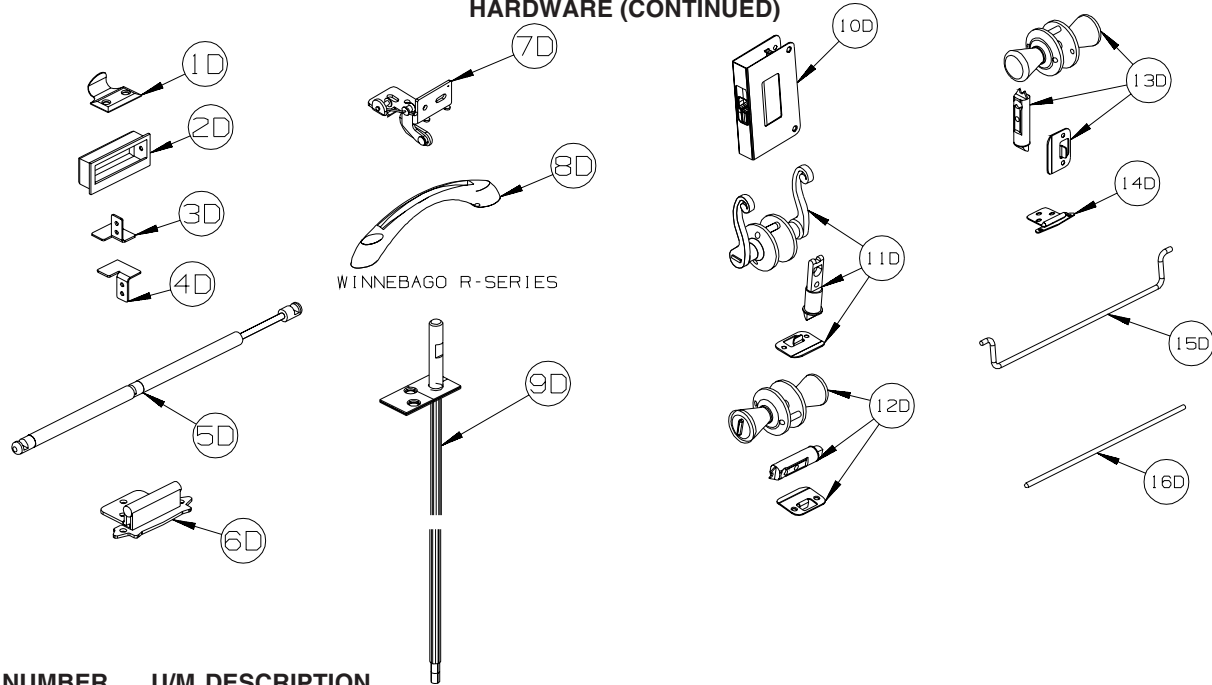
INTERIOR FINISH GROUP (CONTINUED)
HARDWARE (CONTINUED)



KEY	PART NUMBER	U/M	DESCRIPTION
1C	110496-01-01A	EA	HINGE - BRASS - 2" X 32"
1C	110496-01-02A	EA	HINGE - NICKEL - 2" X 32"
1C	110496-05-02A	EA	HINGE - NICKEL - 2" X 11.5"
1C	110496-06-02A	EA	HINGE - NICKEL - 2" X 9.5"
2C	111866-01-02A	EA	BRACE - SEAT - ANGLE - OFF WHITE
3C	114278-02-000	EA	HINGE - CONTINUOUS - 3" WIDE
4C	114443-02-01A	EA	HINGE - CABINET DOOR - W/O CLIP - SILVER
5C	114443-03-01A	EA	CLIP - HINGE/CABINET DOOR - SILVER
6C	117095-01-01A	EA	LATCH - DOOR - GRABBER W/KEEPER - PLASTIC - BLK-5 LB PULL
6C	117095-02-01A	EA	LATCH - DOOR - GRABBER W/KEEPER - PLASTIC - BLK-10 LB PULL
6C	117095-03-01A	EA	LATCH - DOOR - GRABBER W/KEEPER - PLASTIC - BLK-15 LB PULL
7C	118200-01-01A	SF	MESH - PLASTIC 1/2" - 48" X LENGTH = SF - BLACK
8C	122717-06-01A	FT	PAD - NON-SKID - PSA - 5"W
9C	125221-01-01A	EA	PULL - MIRROR - W/ROUND HANDLE
10C	126263-06-02B	EA	BRACKET - GAS SPRING W/INSIDE BALL STUD - E-COATED
11C	126263-05-02B	EA	BRACKET - GAS SPRING W/BALL STUD - E-COATED
11C	126263-08-02B	EA	BRACKET - GAS SPRING W/CENTERED BALL STUD - E-COATED
11C	126263-19-02B	EA	BRACKET - GAS SPRING W/BALL STUD - E-COATED
12C	130798-01-02B	EA	GUIDE - POCKET DOOR - E-COATED
13C	132871-02-02B	EA	BRACKET/L-ANGLE W/HOLES - 1.9" X 2.8" - E-COATED
14C	134099-01-02A	EA	HINGE - PIANO - WRAP AROUND - 15.7" - NICKEL PLATED
15C	135538-03-02A	EA	HINGE - PIANO - FULL WRAP - 15.7" - CHROME
16C	137445-02-P46	EA	STOP - F/SLIDING DOOR - CONCERT CHERRY
16C	137445-02-P56	EA	STOP - F/SLIDING DOOR - WASHED MAPLE
16C	137445-02-S67	EA	STOP - F/SLIDING DOOR - SIERRA MAPLE
17C	137445-03-T78	EA	STOP - F/SLIDING DOOR - CONCERT CHERRY
17C	137445-03-T79	EA	STOP - F/SLIDING DOOR - WASHED MAPLE
17C	137445-03-T80	EA	STOP - F/SLIDING DOOR - SIERRA MAPLE

INTERIOR FINISH GROUP (CONTINUED)

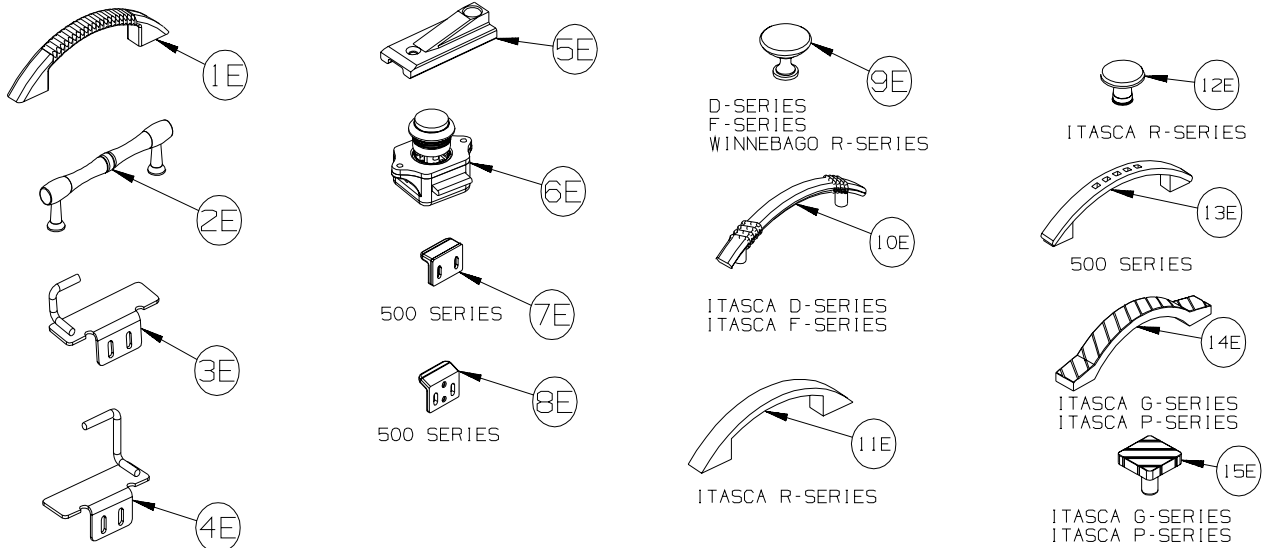
HARDWARE (CONTINUED)



KEY	PART NUMBER	U/M	DESCRIPTION
1D	137463-01-02A	EA	LIFT - HOOK - PEWTER
2D	139136-01-02A	EA	HANDLE - .75" RECESSED - PEWTER
2D	139136-02-02A	EA	HANDLE - .35" RECESSED - PEWTER
3D	139264-01-02B	EA	STOP - DOOR - TAMBOUR/RH HAND - E-COATED
4D	139264-02-02B	EA	STOP - DOOR - TAMBOUR/LH HAND - E-COATED
5D	142569-07-000	EA	SPRING/GAS - 20 LB - 20" EXTENDED/12" COMPRESSED
5D	142569-15-000	EA	SPRING/GAS - 120 LB - 20" EXTENDED/12" COMPRESSED
5D	142569-16-000	EA	SPRING/GAS - 90 LB - 20" EXTENDED/12" COMPRESSED
5D	142569-29-000	EA	SPRING/GAS - 20 LB - 9.9" EXTENDED/5.9" COMPRESSED
6D	143468-02-03A	EA	HINGE - SELF CLOSING - SATIN NICKEL
7D	144488-01-02A	EA	HINGE - CABINET - NICKEL
8D	144917-01-01A	EA	PULL - DRAWER - SATIN NICKEL - TOUR R-SERIES
9D	145939-03-01A	EA	ROD/LATCH - AISLE DOOR - BRASS
			FROM: 00-00-00 THRU: 04-16-06
9D	145939-05-01A	EA	ROD/LATCH - AISLE DOOR - BRASS - NOT ILLUSTRATED
			FROM: 04-17-06 THRU: 07-30-06
9D	145939-05-02A	EA	ROD/LATCH - AISLE DOOR - NICKEL - NOT ILLUSTRATED
			FROM: 07-31-06 THRU: 99-99-99
10D	145939-04-02A	EA	LATCH/SLIDE - AISLE DOOR(1" THICK DOOR)-NICKEL/BLACK SLIDE
11D	146064-01-02A	EA	LOCK/PRIVACY (LOCKING) LEVER STYLE - SATIN PEWTER
12D	146064-05-01A	EA	LOCK/PRIVACY (LOCKING) KNOB STYLE - SATIN NICKEL
13D	146064-06-01A	EA	LOCK/PASSAGE (NON LOCKING) KNOB STYLE - SATIN NICKEL
14D	146553-01-01A	EA	HINGE - CABINET DOOR - BURNISHED BRASS
14D	146553-01-03A	EA	HINGE - CABINET DOOR - SATIN NICKEL
15D	146801-01-01A	EA	ROD/TOWEL BAR (OFFSET) - BRASS
15D	146801-01-02A	EA	ROD/TOWEL BAR (OFFSET) - PEWTER
16D	146840-03-01A	EA	ROD - .25" X 11.7" - BRASS
16D	146840-03-02A	EA	ROD - .25" X 11.7" - PEWTER
16D	146840-04-01A	EA	ROD - .25" X 13.1" - BRASS
16D	146840-04-02A	EA	ROD - .25" X 13.1" - PEWTER
16D	146840-05-01A	EA	ROD - .25" X 14.8" - BRASS
16D	146840-05-02A	EA	ROD - .25" X 14.8" - PEWTER
16D	146840-07-01A	EA	ROD - .25" X 4.2" - BRASS
16D	146840-07-02A	EA	ROD - .25" X 4.2" - PEWTER

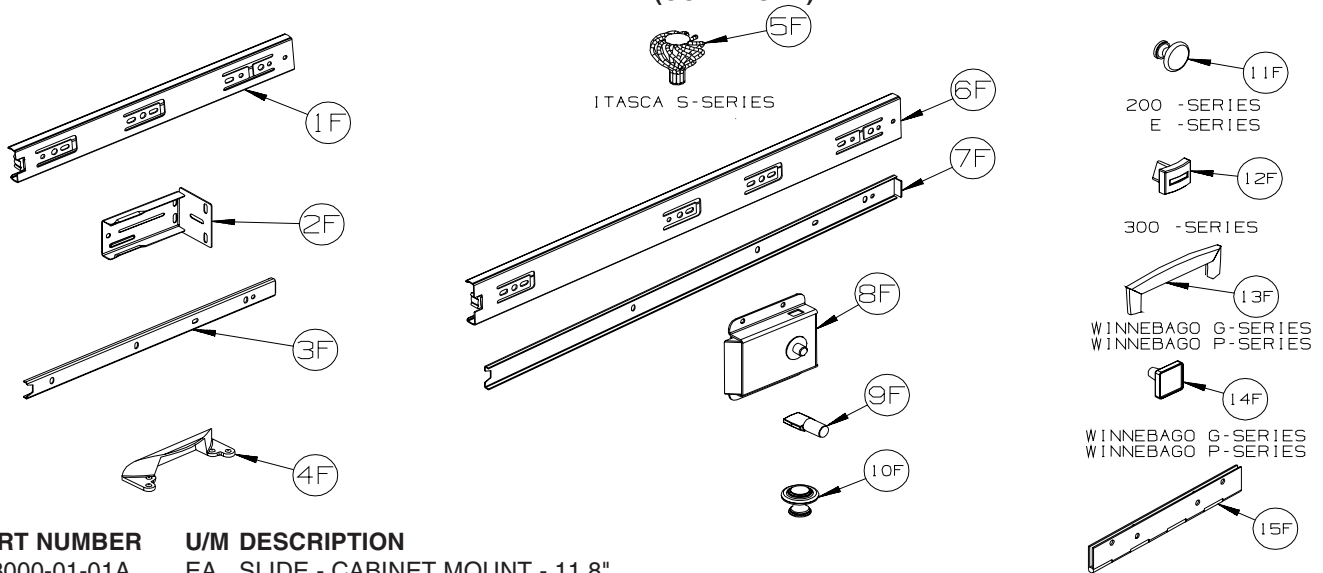
INTERIOR FINISH GROUP (CONTINUED)

HARDWARE (CONTINUED)



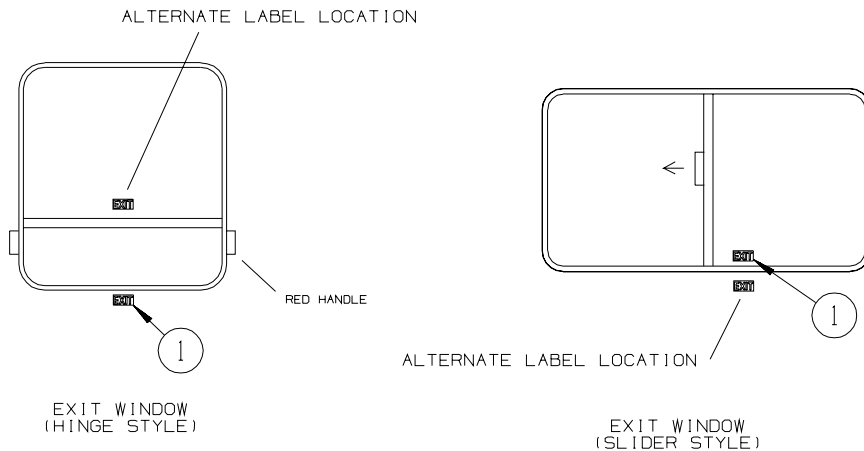
KEY	PART NUMBER	U/M	DESCRIPTION
1E	148816-01-02A	EA	PULL - CABINET DOOR - NICKEL - ASPECT, CAMBRIA 700-SERIES
2E	149090-01-02A	EA	PULL - CABINET DOOR - NICKEL - SIGHTSEER D-SERIES, VOYAGE F-SERIES
3E	149607-01-02B	EA	GUIDE - F/POCKET DOOR - 1.6" BENT ROD - E-COATED
3E	149607-03-02B	EA	GUIDE - F/POCKET DOOR - 2.9" BENT ROD - E-COATED
4E	149607-04-02B	EA	GUIDE - F/POCKET DOOR - E-COATED
5E	150983-01-01A	EA	STRIKE/BLOCK - WEDGE STYLE - F/SLIDE DOOR - 3" X 1.2" - BLACK
6E	151380-01-01A	EA	LATCH - CABINET DOOR - PUSH BUTTON - VIEW & NAVION 500-SERIES
7E	151380-02-01A	EA	STRIKE - CABINET DOOR - VIEW & NAVION 500-SERIES
8E	151380-03-01A	EA	STRIKE - CABINET DOOR - VIEW & NAVION 500-SERIES
9E	152080-01-01A	EA	PULL-NICKEL - SIGHTSEER & SUNOVA D-SERIES, VOYAGE & SUNRISE F-SERIES, TOUR R-SERIES
10E	152302-01-01A	EA	PULL - CABINET DOOR - SATIN NICKEL - SUNOVA D-SERIES, SUNRISE F-SERIES
11E	152304-01-01A	EA	PULL - CABINET DOOR - BRONZE- ELLIPSE R-SERIES
12E	152305-01-01A	EA	KNOB - DOOR/DRAWER - BRONZE - ELLIPSE R-SERIES
13E	152950-01-01A	EA	PULL - DOOR/DRAWER - BRUSHED NICKEL - VIEW & NAVION 500-SERIES
14E	152951-01-01A	EA	PULL - DOOR/DRAWER - PEWTER - SUNCRUISER G-SERIES, MERIDIAN P-SERIES
15E	152952-01-01A	EA	PULL - KNOB/DRAWER - PEWTER - SUNCRUISER G-SERIES, MERIDIAN P-SERIES

INTERIOR FINISH GROUP (CONTINUED) HARDWARE (CONTINUED)

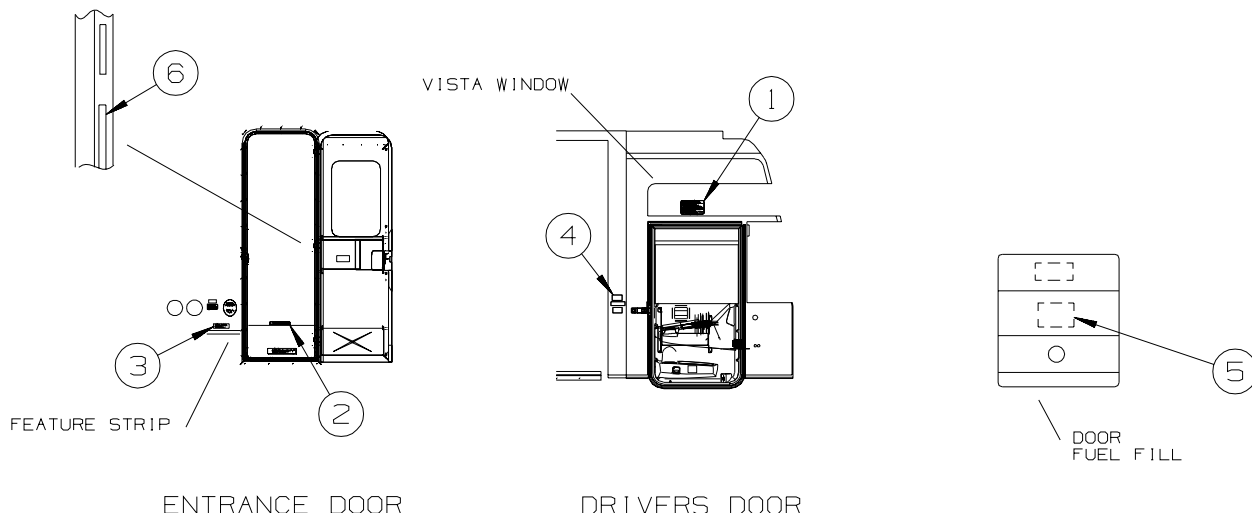


KEY	PART NUMBER	U/M	DESCRIPTION
1F	153000-01-01A	EA	SLIDE - CABINET MOUNT - 11.8"
1F	153000-03-01A	EA	SLIDE - CABINET MOUNT - 13.8"
1F	153000-05-01A	EA	SLIDE - CABINET MOUNT - 15.7"
1F	153000-07-01A	EA	SLIDE - CABINET MOUNT - 17.7"
1F	153000-09-01A	EA	SLIDE - CABINET MOUNT - 19.7"
1F	153000-11-01A	EA	SLIDE - CABINET MOUNT - 21.6"
1F	153000-14-01A	EA	SLIDE - CABINET MOUNT - 23.6"
1F	153000-18-01A	EA	SLIDE - CABINET MOUNT - 9.8"
1F	153000-20-01A	EA	SLIDE - CABINET MOUNT - 25.6"
2F	153000-13-01A	EA	BACKSOCKET - DRAWER SLIDE
3F	153000-02-01A	EA	SLIDE - DRAWER MOUNT - 11.8"
3F	153000-04-01A	EA	SLIDE - DRAWER MOUNT - 13.8"
3F	153000-06-01A	EA	SLIDE - DRAWER MOUNT - 15.7"
3F	153000-08-01A	EA	SLIDE - DRAWER MOUNT - 17.7"
3F	153000-10-01A	EA	SLIDE - DRAWER MOUNT - 19.7"
3F	153000-12-01A	EA	SLIDE - DRAWER MOUNT - 21.6"
3F	153000-15-01A	EA	SLIDE - DRAWER MOUNT - 23.4"
3F	153000-19-01A	EA	SLIDE - DRAWER MOUNT - 9.8"
3F	153000-21-01A	EA	SLIDE - DRAWER MOUNT - 25.4"
4F	153308-01-01A	EA	PULL - VANITY STOOL - SATIN NICKEL
5F	153335-01-02A	EA	PULL - KNOB - DOOR/DRAWER - FLAT BLACK - HORIZON S-SERIES
6F	153352-01-01A	EA	SLIDE - PANTRY - 19.7" - CABINET MOUNT
6F	153352-03-01A	EA	SLIDE - EXT ENTERTAINMENT CNTR - 13.8" - CABINET MOUNT
7F	153352-02-01A	EA	SLIDE - PANTRY - 19.5" - DRAWER MOUNT
7F	153352-04-01A	EA	SLIDE - EXT ENTERTAINMENT CNTR - 13.6" - DRAWER MOUNT
8F	153353-01-01A	EA	LATCH - SLIDING/FLUSH - BLACK
9F	154385-01-02A	EA	PIN - SUPPORT/GLASS DOOR - 1/4" - NICKEL
10F	155803-01-01A	EA	KNOB CABINET DOOR - WROUGHT IRON
11F	155925-01-01A	EA	KNOB - DOOR/DRAWER - SATIN NICKEL - ACCESS & IMPULSE 200-SERIES
12F	156579-01-01A	EA	KNOB - DOOR/DRAWER - PEWTER - OUTLOOK & SPIRIT 300-SERIES
13F	157246-01-01A	EA	PULL - CABINET DOOR/DRAWER - SATIN NICKEL - ADVENTURER G-SERIES, JOURNEY P-SERIES
14F	157246-02-01A	EA	KNOB - CABINET DOOR/DRAWER - SATIN NICKEL - ADVENTURER G-SERIES, JOURNEY P-SERIES
15F	158982-01-04B	EA	HINGE - CONTINUOUS - 2" X 8" - BLACK
	158982-01-01A	EA	HINGE - CONTINUOUS - 2" X 8" - ZINC

LABELS GROUP



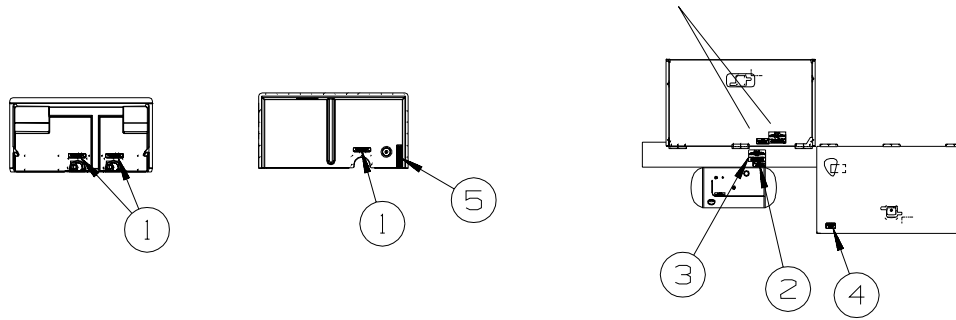
KEY	PART NUMBER	U/M DESCRIPTION
1	039290-01-000	EA LABEL - WARNING - EXIT



KEY	PART NUMBER	U/M DESCRIPTION
1	056259-01-000	EA LABEL - SAFETY CHECK LIST
2	065748-01-000	EA LABEL - WARNING - BATTERY CHARGING - UL
3	099509-01-000	EA LABEL - AWNING INSTALLATION
4	099689-01-000	EA LABEL - WARNING - CANCER/TOXICITY
5	124519-01-02A	EA LABEL - WARNING/REFUELING - WHITE ON CLEAR
5	124519-02-02A	EA LABEL - WARNING/REFUELING - WHITE ON CLEAR - CSA
5	124519-02-01A	EA LABEL - WARNING/REFUELING - BLACK ON CLEAR - CSA
6	135869-01-01A	EA LABEL - MERCURY CONTENT - BLACK ON CLEAR
6	135869-01-02A	EA LABEL - MERCURY CONTENT - WHITE ON CLEAR

LABELS GROUP (CONTINUED)

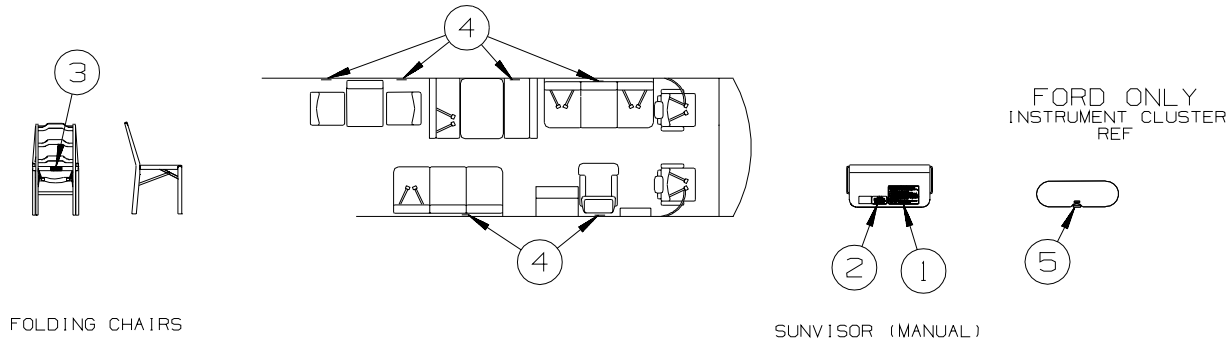
ALTERNATE LOCATION
(WHEN NOT ROOM ON SEAL PLANE)



TYPICAL UTILITY ACCESS

KEY	PART NUMBER	U/M	DESCRIPTION
1	123562-01-000	EA	LABEL - SERVICE/UTILITY ACCESS
2	124519-01-02A	EA	LABEL - WARNING/REFUELING - WHITE ON CLEAR
2	124519-02-02A	EA	LABEL - WARNING/REFUELING - WHITE ON CLEAR - CSA
2	124519-02-01A	EA	LABEL - WARNING/REFUELING - BLACK ON CLEAR - CSA
3	124520-01-01A	EA	LABEL - LP GAS ONLY - BLACK ON CLEAR
3	124520-01-02A	EA	LABEL - LP GAS ONLY - WHITE ON CLEAR
3	023769-01-000	EA	LABEL - WARNING - LPG - CANADIAN
4	125306-04-01A	EA	LABEL - ELECTRICAL ENTRANCE-120/20V 50 AMP-BLACK ON CLEAR
4	125306-04-02A	EA	LABEL - ELECTRICAL ENTRANCE-120/240V 50 AMP-WHITE ON CLEAR
5	147845-01-01A	EA	LABEL - DRIP VALVE

TYPICAL SEAT AND BELT CONFIGURATIONS



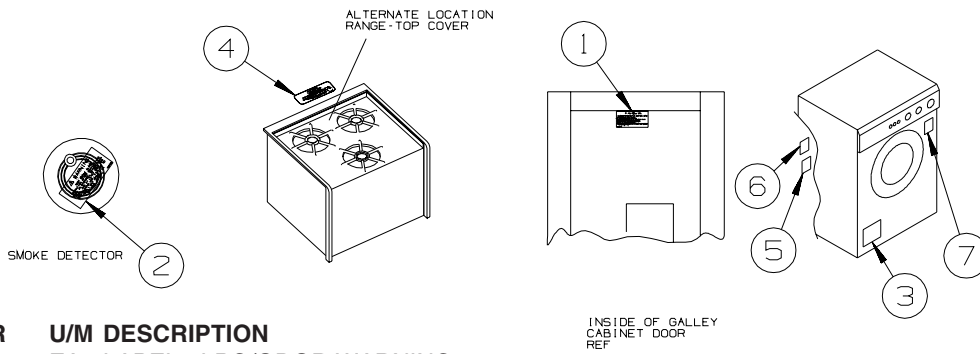
FOLDING CHAIRS

SUNVISOR (MANUAL)

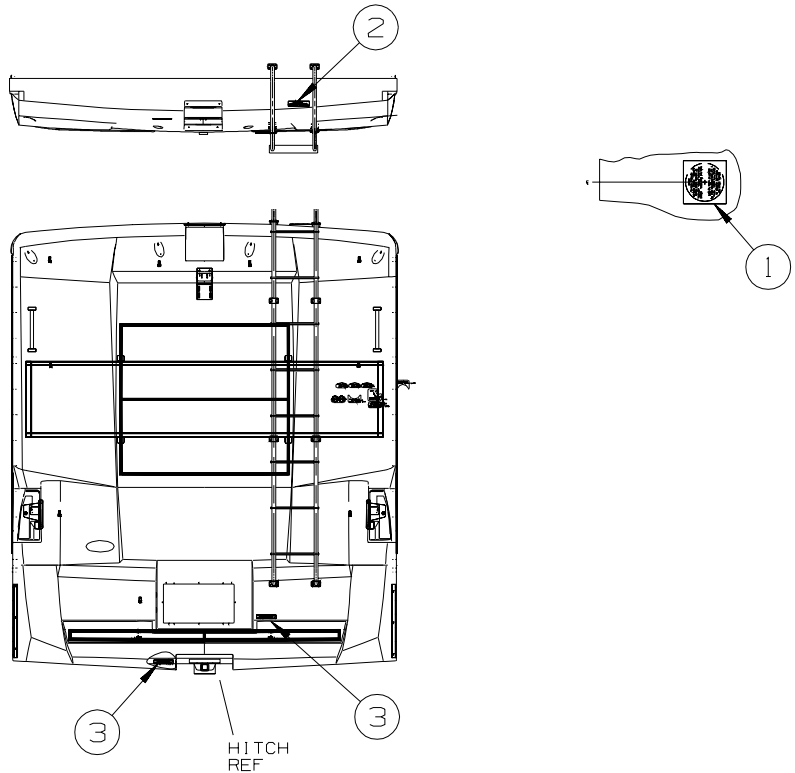
ATTACH LABEL ON OR NEXT TO:
 +ANY SINGLE CHAIR WITHOUT BELTS.
 +ANY DINETTE SEAT WITHOUT BELTS.
 +ANY COUCH WITHOUT BELTS OR ANY SEATING POSITION ON THAT COUCH.
 DO NOT ATTACH LABEL IF:
 +DINETTE SEAT HAS AT LEAST ONE SET OF BELTS INSTALLED.

KEY	PART NUMBER	U/M	DESCRIPTION
1	056259-01-000	EA	LABEL - SAFETY CHECK LIST
2	099689-01-000	EA	LABEL - WARNING - CANCER/TOXICITY
3	134537-01-01A	EA	LABEL - OCCUPANCY - CHAIR - US
3	134537-02-01A	EA	LABEL - OCCUPANCY - CHAIR - CSA - CANADIAN
4	134538-01-01A	EA	LABEL - OCCUPANCY - NO SEAT BELT - BLACK ON CLEAR - US
4	134538-02-01A	EA	LABEL - OCCUPANCY - NO SEAT BELT - BLACK ON CLEAR - CSA
5	155692-01-02A	EA	LABEL - ODOMETER - READ IN MILE - WHITE/CLEAR

LABELS GROUP (CONTINUED)

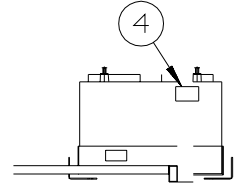
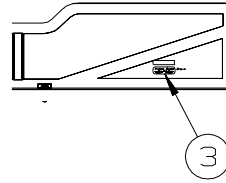
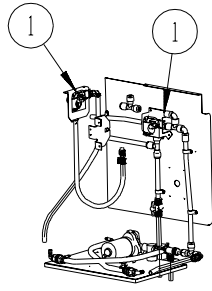
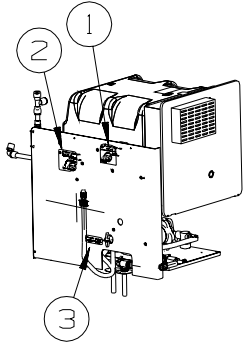


KEY	PART NUMBER	U/M	DESCRIPTION
1	073998-01-000	EA	LABEL - LPG/ODOR WARNING
2	077956-01-000	EA	LABEL - WARNING/SMOKE DETECTOR
3	130670-01-01A	EA	LABEL - CAUTION DRYER VENTING - BLACK ON CLEAR
4	134539-01-01A	EA	LABEL - WARNING - STOVE/HEATING - US - BLACK ON CLEAR
4	134540-01-01A	EA	LABEL - WARNING - STOVE/HEATING - CSA - BLACK ON CLEAR - CANADIAN
5	147524-01-000	EA	LABEL - DRYER VENTING
6	147525-01-000	EA	LABEL - DRYER VENT CUTOUT
7	153640-01-01A	EA	LABEL - WINTERIZATION - WASHER/DRYER



KEY	PART NUMBER	U/M	DESCRIPTION
1	120431-01-000	EA	LABEL - LOCATION - COAXIAL CABLE/SATELLITE ANTENNA
2	128218-01-01A	EA	LABEL - WARNING - SLIPPERY ROOF
3	129669-02-01A	EA	LABEL - HITCH/VEHICLE RATE - 500 - WHITE ON CLEAR

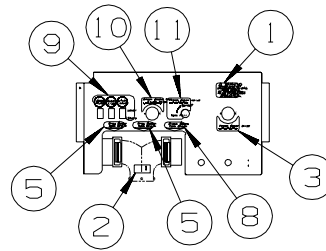
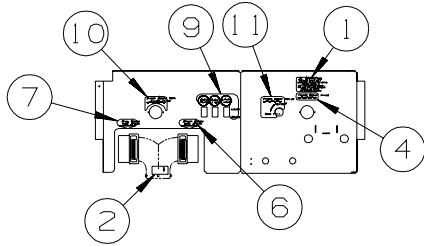
LABELS GROUP (CONTINUED)



G38J ONLY

WATER PUMP COMPARTMENT
(G38J ONLY)

KEY	PART NUMBER	U/M	DESCRIPTION
1	152539-01-01A	EA	LABEL - BYPASS
2	152545-01-01A	EA	LABEL - WINTERIZATION
3	154302-01-01A	EA	LABEL - FRESH WATER DRAIN - PANTONE/CLEAR
4	125320-01-01A	EA	FILM - PROTECTIVE



G38T ONLY

KEY	PART NUMBER	U/M	DESCRIPTION
1	128725-02-01A	EA	LABEL - POTABLE WATER ONLY - BLACK ON CLEAR
2	144649-01-01A	EA	LABEL - ADJUSTABLE VALVE - WHITE ON CLEAR
3	152538-01-01A	EA	LABEL - FRESH WATER - PANTONE/CLEAR
4	152538-02-01A	EA	LABEL - FRESH WATER - PANTONE/CLEAR
5	152541-03-01A	EA	LABEL - GRAY WASTE
6	152543-03-01A	EA	LABEL - BLACK WASTE
6	152541-03-01A	EA	LABEL - GRAY WASTE - G35A
7	152541-03-01A	EA	LABEL - GRAY WASTE
7	152543-03-01A	EA	LABEL - BLACK WASTE - G35A
8	152543-03-01A	EA	LABEL - BLACK WASTE
9	152544-06-01A	EA	LABEL - SWITCHES - WTR PUMP/LIGHT/AUTO LVL-W/LVL/STORE DWN
10	152546-01-01A	EA	LABEL - TANK FLUSH - PANTONE/CLEAR
11	152548-01-01A	EA	LABEL - VALVE/FRESH

**LP GROUP
LP SYSTEM**

KEY	PART NUMBER	U/M	DESCRIPTION
	010265-01-000	EA	ELBOW - BRASS - 90 DEGREE - 3/8"F X 1/2"FPT
	010323-01-000	EA	ADAPTER - 3/8"F X 1/2"MPT - BRASS
	010326-01-000	EA	ADAPTER - FLARE - W/CONE GASKET - 3/8"F X 1/2"F
	010329-01-000	EA	ADAPTER - 1/2"F X 1/2"MPT - BRASS
	010377-02-000	EA	NUT - 3/8" FLARE - FORGED - BRASS
	010380-02-000	EA	NUT - 1/2" FLARE - FORGED - BRASS
	010589-01-000	EA	NIPPLE - PIPE - 1/2" X 1 1/2" - BLACK
	024250-01-000	EA	ADAPTER - BRASS - 3/8"F X 1/2"FPT
	040440-03-000	EA	TRANSMITTER - DIAL/SNAP-ON - 0-90 OHM 2 TERM(POWER/GROUND)
	045703-01-000	EA	HOSE - LP - 3/8"ID X 24" - 3/8"MPT X 1/2"F SWIVEL - U.S.
	045703-02-000	EA	HOSE - LP - 3/8"ID X 24" - 3/8"MPT X 1/2"F SWIVEL - CANADA
	045703-05-000	EA	HOSE - LP - 3/8"ID X 28" - 3/8"MPT X 1/2"F SWIVEL - US
	045703-06-000	EA	HOSE - LP - 3/8"ID X 28" - 3/8"MPT X 1/2"F SWIVEL - CSA - CANADA
	045703-14-000	EA	HOSE - LP - 3/8"ID X 157.5" - 1/2"F SWIVEL X 1/2"F SWIVEL
	045703-15-000	EA	HOSE - LP - 3/8"ID X 142" - 1/2"F SWIVEL X 3/8"F SWIVEL
	045703-19-000	EA	HOSE - LP - 3/8"ID X 102" - 1/2"F SWIVEL X 3/8"F SWIVEL
	045703-31-000	EA	HOSE - LP - 3/8"ID X 214" - 1/2"F SWIVEL X 3/8"M FL US/CSA
	106150-05-000	EA	REGULATOR - TWO STAGE
	144485-01-000	EA	COMPARTMENT - LP REGULATOR
*	144116-01-000	EA	TANK - LP - 100 LB - 14"D X 47"L

*COMPONENT PARTS LISTED LATER IN THIS GROUP

COMPONENT PARTS FOR LP SYSTEM

KEY	PART NUMBER	U/M	DESCRIPTION	VENDOR NO.
			144116-01-000	
	040421-01-712	EA	VALVE-SERV. W/O VAPOR RELIEF	29000853
	040421-01-713	EA	VALVE-RELIEF 1" W/SPRING 7"	V-20479
	088253-09-700	EA	SENDING UNIT-F/SNAP ON DIAL	SG14C0001466
	144116-01-700	EA	VALVE-OUTAGE(NO STEM REMOVE)	V20058
	144116-01-701	EA	VALVE/FILL 80 % W/YELLOW CAP	V13414

SEALANTS & FASTENERS GROUP
SEALANTS & ADHESIVES

KEY	PART NUMBER	U/M	DESCRIPTION
	004001-02-000	EA	GUN - PLEXUS ADHESIVE - W/O NOZZLE
	004001-05-000	EA	ADHESIVE - SCOTCH-WELD - 3M DP100 - CLEAR - 50ML
	004011-01-000	EA	ADHESIVE-3M-4475 TUBE
	010405-02-000	EA	TAPE - THREAD SEALING - 3/8"
	064075-07-000	FT	SEAL - BULB - W/WIRED U CHANNEL - .3" X .5" CHANNEL-BLACK
	067788-01-000	EA	ADHESIVE - SPRAY - 3M - 19.5 OZ AEROSOL CAN
	069640-01-000	FT	SEALER - RIBBON - 1/4"DIAMETER X 30 FT - BLACK OR GRAY
	069640-02-000	FT	SEALER - TAPE - 1/8"THICK X 1/2"WIDE X 60 FT - GRAY
	069640-03-000	FT	SEALER - TAPE - 1/8"THICK X 3/4"WIDE X 60 FT - BLACK
	069640-07-000	FT	SEALER - TAPE - 3/32"THICK X 2"WIDE X 45 FT - GRAY
	069640-09-000	FT	SEALER - TAPE - 1/32"THICK X 2 1/2"WIDE X 80 FT - BRT WHT
	069640-10-000	FT	SEALER - TAPE - 1/32"THICK X 1 1/2"WIDE X 90 FT - BRT WHT
	069640-11-000	FT	SEALER - TAPE - 3/16"THICK X 3/8"WIDE X 40 FT - BLACK
	069640-13-000	FT	SEALER - TAPE - 3/32"THICK X 2"WIDE X 45 FT - BLACK
	069640-14-000	FT	SEALER - TAPE - 1/16"THICK X 1"WIDE X 100 FT - BLACK
	069640-15-000	FT	SEALER - TAPE - 1/16"THICK X 3/8"WIDE X 100 FT - BRT WHT
	069640-17-000	FT	SEALER - TAPE - 1/32"THICK X 1"WIDE X 150 FT - GRAY
	069640-18-000	FT	SEALER - TAPE - 1/8"THICK X 1/2"WIDE X 60 FT - BRT WHT
	069640-19-000	FT	SEALER - TAPE - 1/8"THICK X 3/4"WIDE X 60 FT - BRT WHT
	069640-20-000	FT	SEALER - TAPE - 1/8"THICK X 1/2"WIDE X 60 FT - BLACK
	069640-21-000	FT	SEALER - TAPE - 1/16"THICK X 1/2"WIDE X 100 FT - BRT WHT
	069640-22-000	FT	SEALER - TAPE - 1/32"THICK X 1/4"WIDE X 200 FT - BRT WHT
	069640-23-000	FT	SEALER - TAPE - 1/16"THICK X 3/4"WIDE X 100 FT - BRT WHT
	069640-27-000	FT	SEALER - TAPE - 1/16"THICK X 2 1/4"WIDE X 50 FT - BRT WHT
	069640-28-000	FT	SEALER - TAPE - 1/32"THICK X 1 7/8"WIDE X 90 FT - GRAY
	069640-30-000	FT	SEALER - TAPE - 1/32"THICK X 5/8"WIDE X 50 FT - GRAY
	069640-31-000	FT	SEALER - TAPE - 1/4"THICK X 3/4"WIDE X 15 FT - BLACK
	069640-32-000	FT	SEALER - TAPE - 1/16"THICK X 3/8"WIDE X 100 FT - BLACK
	069640-33-000	FT	SEALER - RIBBON - 3/8"DIAMETER X 20 FT - BLACK
	069640-34-000	FT	SEALER - RIBBON - 1/4"DIAMETER X 30 FT - BRIGHT WHITE
	072889-28-000	EA	SEALANT/URETHANE-10 OZ TUBE W/NOZZLE-SELF LEVELING-BRT WHT
	076322-01-000	FT	TAPE-DOUBLE COATED/ADHESIVE BK-.03"THK X .8"W X 216' - WHT
	076322-02-000	FT	TAPE-DOUBLE COATED/ADHESIVE BK-.05"THK X 1"W X 108' - WHT
	076322-03-000	FT	TAPE-DOUBLE COATED/ADHESIVE BK-.05"THK X .5"W X 108' - WHT
	076322-05-000	FT	TAPE-DOUBLE COATED/ADHESIVE BK-.05"THK X .8"W X 108' - WHT
	076322-07-000	FT	TAPE-DOUBLE COATED/ADHESIVE BK-.05"THK X .5"W X 200' - BLK
	076322-13-000	FT	TAPE - FOAM/DOUBLE COATED - .020"THK X .75"W - CLEAR
	076322-21-000	FT	TAPE - FOAM/DOUBLE COATED - .045"THK X .50"W
	076322-22-000	FT	TAPE - FOAM/DOUBLE COATED - .045"THK X .75"W
	076322-23-000	FT	TAPE - FOAM/DOUBLE COATED - .045"THK X 1"W
	076322-25-000	FT	TAPE - FOAM/DOUBLE COATED - .025"THK X .5"W
	086276-01-000	EA	TAPE - DOUBLE SIDED - 1/2" WIDE X 108' LONG (SOLD BY ROLL)
	088479-01-000	EA	TAPE - ALUMINUM - 3"
	090340-01-000	FT	SEAL - FOAM - CLOSED CELL - 1/4" X 1/2" X 50'
	091255-02-000	FT	SEAL - ADHESIVE BACKED/FOAM - 3/64"THICK X 3/16"W X 1000'
	091255-03-000	FT	SEAL - ADHESIVE BACKED/FOAM - 1/4" THICK X 1/4"W X 1000'
	094401-01-000	EA	SEALER - BODY SEAM - FLEXICLEAR
	094401-04-000	EA	SEALER - BODY SEAM - CLEAR
	094401-05-000	EA	SEALER - BODY SEAM - 20OZ BLACK
	094401-06-000	EA	SEALER - BODY SEAM - 12OZ BLACK
	094401-07-000	EA	SEALER - BODY SEAM - CLEAR
	098408-01-000	FT	SEAL - SPONGE RUBBER - CLOSED CELL
	099069-01-000	FT	SEAL - RUBBER - CLOSED SPONGE - .5" WIDE X .12" THICK-BLK
	099418-01-000	FT	SEAL - D-SECTION/ADHESIVE BACK - ..44" X .44" - BLK RUBBER
	107828-01-000	EA	SEALANT - SB - 190 EVERSEAL
	112864-01-000	FT	SEAL - FOAM/BUTYL COVERED - 3/8" X 35'
	112864-02-000	FT	FOAM - BUTYL COVERED - 5/16" X 44'
	112864-04-000	FT	FOAM - BUTYL COVERED - 3/8" X 1/8"
	112901-02-000	EA	ADHESIVE - PLEXUS - MA330 - 50ML - GRAY
	112901-03-000	EA	ADHESIVE - PLEXUS - MA300 - 50ML - WHITE
	112902-01-000	EA	NOZZLE - ELEMENT - 3/8" X 24
	112902-03-000	EA	MIXER NOZZLE - F/GUN #00400102000 - SCOTCH-WELD & PLEXUS
	112902-04-000	EA	NOZZLE - ELEMENT - 1/4" X 3.5"
	112902-05-000	EA	NOZZLE - BAYONET - 3/8" X 18

SEALANTS & FASTENERS GROUP (CONTINUED)

SEALANTS & ADHESIVES (CONTINUED)

KEY	PART NUMBER	U/M	DESCRIPTION
	112902-06-000	EA	NOZZLE - ELEMENT - 1/2" X 32
	113366-01-000	EA	ADHESIVE - INSTANT - 1 OZ
	120074-02-03A	EA	SILICONE - TUBE - W/O NOZZLE - LOW ODOR - SMOKEY WHITE
	120534-01-01A	EA	TAPE - SCOTCH - 3M - 1/2" FINE LINE
	123244-01-000	FT	TAPE - DOUBLE SIDED/FOAM - 5/64"THICK X 3/4"WIDE X 108'
	123816-01-000	FT	TAPE - DOUBLE SIDED - 1" X .020" X 200' - CLEAR
	123816-02-000	FT	TAPE - DOUBLE SIDED - 1/2" X .035" X 200' - CLEAR
	123816-03-000	FT	TAPE - DOUBLE SIDED - 1/2" X .020" X 200' - CLEAR
	123816-04-000	FT	TAPE - DOUBLE SIDED - 6" X .0035" X 750' - CLEAR
	123816-06-000	FT	TAPE - DOUBLE SIDED - 3/4" X 3/4" X 200' - CLEAR
	123816-07-000	FT	TAPE - DOUBLE SIDED - 1 3/4" X 200' - CLEAR
	126427-01-000	EA	ADHESIVE - ALL PURPOSE - ABS/PVC
	126427-02-000	EA	PRIMER - CLEANER - FLEX PIPING
	131264-01-11A	EA	SILICONE - TUBE - W/NOZZLE - BEIGE
	131264-01-12A	EA	SILICONE - TUBE - W/NOZZLE - BONE
	131264-01-13A	EA	SILICONE - TUBE - W/NOZZLE - TRANSLUCENT
	131264-02-01A	EA	SILICONE - TUBE - W/NOZZLE - VW GRAY - BATH ONLY
	131264-03-01A	EA	SILICONE - TUBE - W/O NOZZLE - SELF LEVELING -BRIGHT WHITE
	131264-04-01A	EA	SILICONE/SEALANT/ADHESIVE - FAST CURE F/GLASS/VINYL - B/W
	131264-04-02A	EA	SILICONE/SEALANT/ADHESIVE-FAST CURE F/GLASS/VINYL-SOFT WHT
	131264-05-01A	EA	SILICONE/SEALANT - ODORLESS - TUBE - W/NOZZLE - BLACK
	131264-05-02A	EA	SILICONE/SEALANT - ODORLESS - TUBE - W/NOZZLE - CLEAR
	131384-01-000	EA	ADHESIVE - JET WELD - 10 OZ CARTRIDGE
	132892-07-01A	FT	SEAL - BULB/SINGLE - W/U CHANNEL - .5" X 1" - BLACK
	152038-01-01A	EA	TAPE - PRESERVATION SEAL - 2" X 36YD ROLL - BLACK
	154585-01-01A	FT	SEAL - FOAM TAPE - ADHESIVE BACK - 3/8" X 3/8" - BLACK
	154585-02-01A	FT	SEAL - FOAM TAPE - ADHESIVE BACK - 3/4" X 1/2" - BLACK
	154585-03-01A	FT	SEAL - FOAM TAPE - ADHESIVE 2 SIDED - 1/8" X 3/4" - BLACK
	154585-04-01A	FT	SEAL - FOAM TAPE - ADHESIVE BACK - 5/8" X 1/8" - WHITE

BOLTS, NUTS AND WASHERS

KEY	PART NUMBER	U/M	DESCRIPTION
	0MD54F-06-000	EA	NUT - HEX W/SERATED FLANGE
	000C12-04-08B	EA	BOLT - HEX - 1/4-20 X 1/2 - GRADE #5 - ZINC
	000C12-04-40B	EA	BOLT - HEX - 1/4-20 X 2 1/2 - GRADE #5 ZINC
	000C12-04-20F	EA	BOLT - HEX - 1/4-20 X 1 1/4 - GRADE #5 - STAINLESS STEEL
	000C12-04-12A	EA	BOLT - HEX - 1/4-20 X 3/4 - PLAIN 5
	000C12-05-16B	EA	BOLT - HEX - 5/16 - 18X1 - GRADE #5 - ZINC
	000C12-05-40B	EA	BOLT - HEX - 5/16"-18 X 2.5" - GRADE #5 - ZINC
	000C12-06-28B	EA	BOLT-HEX-3/8-16X13/4 ZN 5 - 5185-01
	000C12-08-44B	EA	BOLT - HEX - 1/2-13 X 2 3/4 - GRADE #5 - ZINC
	000C12-08-24B	EA	BOLT - HEX - 1/2-13 X 1 1/2 - GRADE #5 - ZINC
	000C12-08-28B	EA	BOLT - HEX - 1/2-13 X 1 3/4 - GRADE #5 - ZINC
	000C13-07-40B	EA	BOLT - HEX - 7/16-20 X 2 1/2 - GRADE #5 - ZINC
	000C13-07-48B	EA	BOLT - HEX - 7/16-20 X 3 - GRADE #5 - ZINC
	000C13-07-72B	EA	BOLT - HEX - 7/16-20 X 4.5" - GRADE #5 - ZINC
	000C16-07-16B	EA	BOLT - CARRIAGE - ASSIST HANDLE - 7/16-14 X 1
	000C18-05-40A	EA	BOLT - ELEVATOR - 5/16-18 X 2 1/2 - PL
	000C26-04-18B	EA	BOLT - HEX - SERRATED FLANGE - 1/4-20 X 1 1/8 - ZINC
	000C26-04-14B	EA	BOLT - HEX - SERRATED FLANGE - 1/4-20 X 7/8 - ZINC
	000C26-04-12F	EA	BOLT - HEX - SERRATED FLANGE -1/4-20 X 3/4-STAINLESS STEEL
	000C26-04-10B	EA	BOLT - HEX - SERRATED FLANGE - 1/4-20 X 5/8 - ZINC
	000C26-04-40F	EA	BOLT - HEX - SERRATED FLANGE -1/4-20 X 2.5-STAINLESS STEEL
	000C26-05-12B	EA	BOLT - HEX - SERRATED FLANGE - 5/16-18 X 3/4 - ZINC
	000C26-06-12B	EA	BOLT - HEX - SERRATED FLANGE - 3/8-16 X 3/4 - ZINC
	000C26-06-20B	EA	BOLT - HEX - SERRATED FLANGE - 3/8-16 X 1 1/4 - ZINC
	000C26-06-28B	EA	BOLT - HEX - SERRATED FLANGE - 3/8-16 X 1 3/4 - ZINC
	000C26-06-40B	EA	BOLT - HEX - SERRATED FLANGE - 3/8-16 X 2 1/2 - ZINC
	000C26-08-28B	EA	BOLT - HEX - SERRATED FLANGE - 1/2-13 X 1 3/4 - ZINC
	000C26-08-24B	EA	BOLT - HEX - SERRATED FLANGE - 1/2-13 X 1 1/2 - ZINC
	000C26-08-40B	EA	BOLT - HEX - SERRATED FLANGE - 1/2-13 X 2 1/2-GRADE #5 ZINC
	000C27-08-48B	EA	BOLT-CARR 1/2-13X3.00 GR5 - 97 M-SERIES
	000C27-08-64B	EA	BOLT - CARRIAGE - 1/2-13 X 4 - GRADE 5
	000D16-07-00B	EA	NUT - HEX - 7/16-14 - ZINC

SEALANTS & FASTENERS GROUP (CONTINUED)
BOLTS, NUTS AND WASHERS (CONTINUED)

KEY	PART NUMBER	U/M	DESCRIPTION
	000D24-10-00B	EA	NUT - HEX - SELF LOCKING - 10-32 - ZINC
	000D27-05-00B	EA	NUT - HEX LOCK - 5-40 - ZINC
	000D28-10-00B	EA	NUT - HEX - W/NYLON LOCK - 10-32 - ZINC
	000D29-04-00F	EA	NUT - HEX - SELF LOCKING - 1/4 X 20 - STAINLESS STEEL
	000D29-04-00B	EA	NUT - HEX - SELF LOCKING - 1/4 X 20 - ZINC
	000D29-06-00B	EA	NUT - HEX - W/NYLON LOCK - 3/8-16 - ZINC
	000D29-09-00B	EA	NUT - HEX - SELF LOCKING - 9/16-12 - ZINC
	000D34-04-00B	EA	NUT - HEX - LOCKING - 1/4-20 - ZINC
	000D34-06-00B	EA	NUT - HEX - LOCKING - 3/8-16 GRADE C - ZINC
	000D39-04-00B	EA	NUT - HEX - LOCKING W/SERRATED FLANGE - 1/4-20 - ZINC
	000D39-05-00B	EA	NUT - HEX - LOCKING W/SERRATED FLANGE - 5/16-18 - ZINC
	000D39-06-00B	EA	NUT - HEX - LOCKING W/SERRATED FLANGE - 3/8-18 - ZINC
	000D39-06-00D	EA	NUT - HEX - LOCKING W/SERRATED FLANGE - 3/8"-16 BLACK
	000D39-07-00B	EA	NUT - HEX - LOCKING W/SERRATED FLANGE - 7/16-14 - ZINC
	000D39-08-00B	EA	NUT - HEX - LOCKING W/SERRATED FLANGE - 1/2-13 - ZINC
	000D39-09-00B	EA	NUT - HEX - LOCKING W/SERRATED FLANGE - 9/16-12 - ZINC
	000D44-04-00B	EA	NUT - HEX - LOCKING W/SERRATED FLANGE - 1/4-28 - ZINC
	000D44-07-00B	EA	NUT - HEX - LOCKING W/SERRATED FLANGE - 7/16-20 - ZINC
	000D44-08-00B	EA	NUT - HEX - LOCKING W/SERRATED FLANGE - 1/2-20 - ZINC
	000D46-04-00A	EA	NUT - HEX - WELD - 1/4-20 - PLAIN
	000D65-08-00B	EA	NUT - HEX - LOCKING W/SERRATED FLANGE - 8-32 - ZINC
	000D73-08-00C	EA	NUT - HEX FLANGE - 1/2-13
	000D75-09-00B	EA	NUT - HEX LOCKING - 9/16-12 - ZINC
	000D76-06-00B	EA	NUT - HEX FLANGE - 3/8-16
	000E11-04-00F	EA	WASHER - LOCKING - 1/4 MED SPLIT - STAINLESS STEEL
	000E11-07-00B	EA	WASHER - LOCKING - 7/16 MED SPLIT - ZINC
	000E11-08-00B	EA	WASHER - LOCKING - 1/2 MED SPLIT - ZINC
	000E13-17-00B	EA	WASHER - FLAT - 3/8 AR - ZINC
	000E13-18-00B	EA	WASHER - FLAT - 3/8 WIDE - ZINC
	000E13-20-00B	EA	WASHER - FLAT - 7/16 WIDE - ZINC
	000E13-22-00B	EA	WASHER - FLAT - 1/2 WIDE - ZINC
	000E13-26-00B	EA	WASHER - FLAT - 5/8 WIDE - ZINC
	000E14-10-00B	EA	WASHER - LOCKING - #10 EXTERNAL TOOTH - ZINC
	000E16-10-00B	EA	WASHER - HARDENED - 5/8 - FLAT - ZINC
	000G45-05-16B	EA	BOLT - LAG - 5/16-9 X 1 - ZINC
	005081-01-000	EA	NUT - SPEED - C-TYPE - #8 SCREW
	039715-01-000	EA	NUT-SERT - 1/4" DIAMETER - 20 THREADS
	040921-01-000	EA	NUT - SPEED - U TYPE - #10-24 - BLACK
	040921-03-000	EA	NUT - SPEED - U TYPE - #10
	040921-04-000	EA	NUT - SPEED - U TYPE - #8-.59" LENGTH X .44" WIDTH
	040921-05-000	EA	NUT - SPEED - U-TYPE - 8-.67" X .44" WIDE
	040921-11-000	EA	NUT - SPEED - U-TYPE - 8-.59" LENGTH X .44" WIDTH - BLACK
	041322-01-000	EA	WASHER - FLANGE - 15/32"ID X 2 3/8"OD - F/SEAT BELT MTG
	044364-02-000	EA	NUT - SPEED - FLAT - ROUND
	044533-01-000	EA	WASHER - 1 3/8"OD - FOR BUTTONS - PLASTIC
	051387-06-000	EA	BOLT - CARRIAGE W/O HOLE - 5/16-18 X 9 1/2 - ZINC
	058716-02-000	EA	WASHER - FLAT NYLON
	064081-03-000	EA	NUT - WING 3/8-16 - W/WELD NUT
	077071-01-000	EA	WASHER - FENDER - 3/16"ID X 1"OD
	087234-01-000	EA	NUT - JACK - 1/4 X 20 THD - MOLLY
	088787-12-000	EA	STUD - WELD - 1/4 - 20 X 1.0 LG - MN
	102540-02-000	EA	SEAL - SCREW
	106956-03-000	EA	BOLT - HEX TAP - 1/2-13NC X 3 - GRADE 5 - FULL THREAD/ZINC
	106956-10-000	EA	BOLT - HEX TAP - 9/16-12NC X 3 5/8 -GRD 5-FULL THREAD/ZINC
	106956-11-000	EA	BOLT - HEX TAP - 1/2-13NC X 2 1/2 - GRD 5-FULL THREAD/ZINC
	106956-13-000	EA	BOLT - HEX TAP - 1/2-20 X 2 1/2 - GRD 5-FULL THREAD/ZINC
	107397-01-000	EA	WASHER - FENDER - 3/4"ID X 1"OD
	108067-03-000	EA	STUD - WELD - 1/4 - 20 X 1/2 CD
	109917-03-000	EA	WASHER - 1" X .50"
	109917-04-000	EA	WASHER - 1" X .75"
	128444-01-000	EA	WASHER - SPRING - CONICAL
	135092-02-01A	EA	BOLT - HEX - SERRATED FLANGE - 1/2-20 X 2 1/2-GRADE 5 ZINC
	135092-05-01A	EA	BOLT - HEX - SERRATED FLANGE - 1/2-20 X 1 - GRADE 5 ZINC
	143399-01-01A	EA	NUT/RETAINING - 3/8"- 24 NFT

SEALANTS & FASTENERS GROUP (CONTINUED)
BOLTS, NUTS AND WASHERS (CONTINUED)

KEY	PART NUMBER	U/M DESCRIPTION
	144904-01-01A	EA BOLT - ADJUSTMENT - HEADLAMP
	147284-02-000	EA NUT/SELF RETAINING - 5/16"-18
	148817-01-000	EA WASHER/SPUR - LOCKING

SCREWS

KEY	PART NUMBER	U/M DESCRIPTION
	0G1208-12-170	EA SCREW - 8-18 X 3/4 POH - BRIGHT WHITE
	0G3908-08-170	EA SCREW - SF/DR - 8-18 X 1/2 PPH - BRIGHT WHITE
	0G3908-08-410	EA SCREW - SF/DR - 8-18 X 1/2 PPH - PARCHMENT
	0G3908-16-170	EA SCREW - SF/DR - 8-18 X 1 PPH - BRIGHT WHITE
	0G3908-24-170	EA SCREW - SF/DR - 8-18 X 1 1/2 PPH - BRIGHT WHITE
	0G3910-10-330	EA SCREW - SF/DR - 20-16 X 5/8 PPH - PUTTY
	0G3910-12-170	EA SCREW - SF/DR - 10-16 X 3/4 PPH - BRIGHT WHITE
	0G3910-12-240	EA SCREW - SF/DR - 10-16 X .75 PPH - VW LIGHT GRAY
	0G3910-12-380	EA SCREW - SF/DR - 10-16 X .75 PPH - CASHMERE
	0G3910-12-370	EA SCREW - SF/DR - 10-16 X .75 PPH - RIVERSTONE
	0G3910-24-170	EA SCREW - SF/DR - 10-16 X 1 1/2 PPH - BRIGHT WHITE
	0G3910-32-330	EA SCREW - SF/DR - 10-16 X 2.00 PPH - PUTTY
	0G5508-08-380	EA SCREW - SF/DR - 8-18 X .5 PWH - CASHMERE
	0G5508-08-370	EA SCREW - SF/DR - 8-18 X .5 PWH - RIVERSTONE
	0G5508-12-170	EA SCREW - SF/DR - 8-18 X 3/4 PWH - BRIGHT WHITE
	0G5508-12-320	EA SCREW - SF/DR - 8-18 X 3/4 PWH - GLACIER
	0G5508-12-330	EA SCREW - SF/DR - 8-18 X 3/4 PWH - PUTTY
	0G6008-16-170	EA SCREW - SF/DR - 8-18 X 1 POH - BRIGHT WHITE
	0G5508-16-250	EA SCREW - SF/DR - 8-18 X 1 PWH - VW DARK GRAY
	0G5508-16-330	EA SCREW - SF/DR - 8-18 X 1 PWH - PUTTY
	0G5508-16-370	EA SCREW - SF/DR - 8-18 X 1 PWH - RIVERSTONE
	0G5508-16-380	EA SCREW - SF/DR - 8-18 X 1 PWH - CASHMERE
	0G5508-16-410	EA SCREW - SF/DR - 8-18 X 1 PWH - MEDIUM PARCHMENT
	0G6012-32-170	EA SCREW - SF/DR - 12-14 X 2 POH - BRIGHT WHITE
	0G6710-08-170	EA SCREW - 10-12 X 1/2 PPH - BRIGHT WHITE
	0G6710-12-170	EA SCREW - 10-12 X 3/4 PPH - BRIGHT WHITE
	0G6806-16-170	EA SCREW - 6-18 X 1 POH - BRIGHT WHITE
	0G6810-24-280	EA SCREW - 10-12 X 1 1/2 POH - SOFT WHITE
	000C20-06-24T	EA SCREW - 3/8-16 X 1 1/2 - FLAT SOCKET
	000C28-05-24D	EA CAPSCREW/BUTTON HEAD - 5/16-18 X 1 1/2 - #8-BLK PHOSPHATE
	000G11-06-08B	EA SCREW - 6-20 X 1/2 PPH - ZINC
	000G11-06-10B	EA SCREW - 6-20 X 5/8 PPH - ZINC
	000G11-06-10J	EA SCREW - 6-20 X 5/8 PPH - BRASS
	000G11-07-08B	EA SCREW - 7-19 X 1/2 PPH - ZINC
	000G11-08-06B	EA SCREW - 8-18 X 3/8 PPH - ZINC
	000G11-08-08T	EA SCREW - 8-18 X 1/2 PPH - FLUOROCARBON COATING
	000G11-08-12B	EA SCREW - 8-18 X 3/4 PPH - ZINC
	000G11-08-12P	EA SCREW - 8-18 X 3/4 PPH - DARK BROWN
	000G11-08-12S	EA SCREW - 8-18 X 3/4 PPH - OFF WHITE
	000G11-08-12T	EA SCREW - 8-18 X 3/4 PPH - BLACK MAGNESIUM
	000G11-08-20B	EA SCREW - 8-18 X 1 1/4 PPH - ZINC
	000G11-08-20G	EA SCREW - 8-18 X 1 1/4 - ANTIQUE BRASS
	000G11-10-12D	EA SCREW - 10-16 X 3/4 PPH - BLACK
	000G12-06-08T	EA SCREW - 6-20 X 1/2 POH - BLACK
	000G12-06-12J	EA SCREW - 6-20 X .75 POH - BRASS
	000G12-10-16F	EA SCREW - 10-16 X 1 POH - STAINLESS STEEL
	000G13-05-10B	EA SCREW - 5-12 X 5/8 PFH - ZINC
	000G13-06-08B	EA SCREW - 6-20 X 1/2 PFH - ZINC
	000G13-06-08G	EA SCREW - 6-20 X 1/2 PFH - ANTIQUE BRASS
	000G13-06-10G	EA SCREW - 6-20 X 5/8 PFH - ANTIQUE BRASS
	000G13-06-16J	EA SCREW - 6-20 X 1 PFH - BRASS
	000G13-06-169	EA SCREW - SF/DR - 6-20 X 1 PFH - SILVER
	000G13-06-24J	EA SCREW - 6-20 X 1 1/2 PFH - BRASS
	000G13-07-10H	EA SCREW - 7-19 X 5/8 PFH - BLACK
	000G13-07-12B	EA SCREW - 7-19 X 3/4 PFH - ZINC
	000G13-08-109	EA SCREW - 8-18 X 5/8 PFH
	000G13-08-10B	EA SCREW - 8-18 X 5/8 PFH - ZINC
	000G13-08-16B	EA SCREW - 8-18 X 1 PFH - ZINC

SEALANTS & FASTENERS GROUP (CONTINUED)
SCREWS (CONTINUED)

KEY	PART NUMBER	U/M	DESCRIPTION
	000G13-08-24B	EA	SCREW - 8-18 X 1 1/2 PFH - ZINC
	000G16-04-24B	EA	SCREW - MACHINE - 1/4-20 X 1 1/2 PPH
	000G18-08-12B	EA	SCREW - MACHINE - 8-32 X 3/4 PPH - ZINC
	000G18-08-16B	EA	SCREW - MACHINE - 8-32 X 1 PPH - ZINC
	000G18-08-24B	EA	SCREW - MACHINE - 8-32 X 1 1/2 PPH - ZINC
	000G18-08-22B	EA	SCREW - MACHINE - 8-32 X 1 3/8 PPH - ZINC
	000G19-10-08B	EA	SCREW - MACHINE - 10-32 X 1/2 PPH - ZINC
	000G19-10-10B	EA	SCREW - MACHINE - 10-32 X 5/8 - PPH - ZINC
	000G19-10-12F	EA	SCREW - MACHINE - 10-32 X 3/4 PPH - STAINLESS STEEL
	000G19-10-20B	EA	SCREW - MACHINE - 10-32 X 1 1/2 PPH - ZINC
	000G32-10-06B	EA	SCREW - 10-32 X 3/8 PPH - ZINC
	000G34-05-12B	EA	SCREW - HEX HEAD TAPPING - 5/16 X 3/4 LONG
	000G36-10-12T	EA	SCREW - 10-24X 3/4 PFH TYPE 23 - BLACK
	000G39-06-10T	EA	SCREW - SF/DR - 6-20 X 5/8 PPH - BLACK
	000G39-06-16T	EA	SCREW - SF/DR - 6-20 X 1 PPH - BLACK
	000G39-08-06B	EA	SCREW - SF/DR - 8-18 X 3/8 PPH - ZINC
	000G39-08-08B	EA	SCREW - SF/DR - 8-18 X 1/2 PPH - ZINC
	000G39-08-08S	EA	SCREW - SF/DR - 8-18 X 1/2 PPH - OFF WHITE
	000G39-08-08T	EA	SCREW - SF/DR - 8-18 X 1/2 PPH - BLACK
	000G39-08-12T	EA	SCREW - SF/DR - 8-18 X 3/4 PPH - BLACK
	000G39-08-16B	EA	SCREW - SF/DR - 8-18 X 1 PPH - ZINC
	000G39-08-16T	EA	SCREW - SF/DR - 6-20 X 1 PPH - BLACK
	000G39-08-24B	EA	SCREW - SF/DR - 8-18 X 1 1/2 PPH - ZINC
	000G39-08-24S	EA	SCREW - SF/DR - 8-18 X 1 1/2 - OFF WHITE
	000G39-08-24T	EA	SCREW - SF/DR - 8-18 X 1 1/2 PPH - BLACK
	000G39-08-32B	EA	SCREW - SF/DR - 8-18 X 2 PPH - ZINC
	000G39-10-08B	EA	SCREW - SF/DR - 10-16 X 1/2 PPH - ZINC
	000G39-10-10B	EA	SCREW - SF/DR - 10-16 X 5/8 PPH - ZINC
	000G39-10-12B	EA	SCREW - SF/DR - 10-16 X 3/4 PPH - ZINC
	000G39-10-129	EA	SCREW - SF/DR - 10-16 X 3/4 PPH - FLUOROCARBON SILVER
	000G39-10-169	EA	SCREW - SF/DR - 10-16 X 1 PPH - FLUOROCARBON SILVER
	000G39-10-20B	EA	SCREW - SF/DR - 10-16 X 1 1/4 PPH - ZINC
	000G39-10-20T	EA	SCREW - SF/DR - 10-16 X 1 1/4 PPH - BLACK
	000G39-10-24T	EA	SCREW - SF/DR - 10-16 X 1 1/2" PPH - BLACK
	000G39-10-28T	EA	SCREW - SF/DR - 10-16 X 1 3/4" PPH - BLACK
	000G39-10-32B	EA	SCREW - SF/DR - 10-16 X 2 - PPH - ZINC
	000G39-10-48B	EA	SCREW - SF/DR - 10-16 X 3 - PPH - ZINC
	000G39-10-48T	EA	SCREW - SF/DR - 10-16 X 3 PPH - BLACK
	000G42-04-16B	EA	SCREW - SF/DR - 1/4-14 X 1 HWH - ZINC
	000G42-04-24B	EA	SCREW - SF/DR - 1/4-14 X 1 1/2 - ZINC
	000G46-08-24T	EA	SCREW - MACHINE - 8-32 X 1 1/2 PFH - ZINC
	000G52-06-05B	EA	SCREW - MACHINE - 6-32 X 5/16 PTH - ZINC
	000G52-06-06B	EA	SCREW - MACHINE - 6-32 X 3/8 PTH - ZINC
	000G54-04-14B	EA	SCREW - 1/4-20 X 7/8 PTH - TYPE 23 - ZINC PLATED
	000G55-08-12T	EA	SCREW - SF/DR - 8-18 X 3/4 PWH - BLACK
	000G55-08-124	EA	SCREW - SF/DR - 8-18 X 3/4 PWH - ASH GRAY
	000G55-08-16T	EA	SCREW - SF/DR - 8-18 X 1 PWH - BLACK
	000G56-12-48B	EA	SCREW - WOOD - 12-11 X 3 POH - SPECIAL HARDENED
	000G57-14-64B	EA	SCREW - 14-10 X 4 PFH ZINC
	000G60-08-16E	EA	SCREW - SF/DR - 8-1 X 1 POH - CHROME
	000G60-08-20F	EA	SCREW - SF/DR - 8-19X1.25 POH
	000G60-08-22B	EA	SCREW - SF/DR - 8-18 X 1.38 POH - ZINC
	000G60-10-16J	EA	SCREW - SF/DR - 10-16 X 1 POH - BRIGHT BRASS
	000G60-10-20B	EA	SCREW - SF/DR - 10-16 X 1 1/4 POH - ZINC
	000G60-10-209	EA	SCREW - SF/DR - 10-16 X 1 1/4 POH - SILVER STALGAARD
	000G60-10-28T	EA	SCREW - SF/DR - 10-16 X 1 3/4 - BLACK
	000G62-06-24I	EA	SCREW - SF/DR - 8-18 X 1.5 PPH - BLACK
	000G62-06-249	EA	SCREW - SF/DR - 8-18 X 1.5 PPH - SILVER
	000G62-08-24B	EA	SCREW - SF/DR - 8-18 X 1 1/2 PFH
	000G67-08-32B	EA	SCREW - 8-15 X 2 PPH - ZINC
	000G67-10-08B	EA	SCREW - 10-12 X 1/2 PPH - ZINC
	000G67-10-08S	EA	SCREW - 10-12 X 1/2 PPH - OFF WHITE
	000G67-10-10B	EA	SCREW - 10-12 X 5/8 PPH - ZINC - TYPE A
	000G67-10-10S	EA	SCREW - 10-12 X 5/8 PPH - OFF WHITE

SEALANTS & FASTENERS GROUP (CONTINUED)
SCREWS (CONTINUED)

KEY	PART NUMBER	U/M	DESCRIPTION
	000G67-10-10T	EA	SCREW - 10-12 X 5/8 PPH - BLACK
	000G67-10-10P	EA	SCREW - 10-12 X 5/8 PPH - DARK BROWN
	000G67-10-12P	EA	SCREW - 10-12 X 3/4 PPH - DARK BROWN
	000G67-10-24B	EA	SCREW - 10-12 X 1 1/2 PPH - ZINC
	000G67-10-24S	EA	SCREW - 10-12 X 1 1/2 PPH - OFF WHITE
	000G67-10-32J	EA	SCREW-10-12X2 PPH - BRIGHT BRASS
	000G68-06-10J	EA	SCREW - 6-18 X 5/8 POH - BRASS
	000G68-06-12B	EA	SCREW - 6-18 X 3/4 POH - ZINC & CLEAR
	000G68-06-12J	EA	SCREW - 6-18 X 3/4 POH - BRASS
	000G68-06-12S	EA	SCREW - 6-18 X 3/4 POH
	029130-01-000	EA	SCREW - SNAP STUD - #8-16 X 5/8" LONG
	029130-03-000	EA	SCREW - SNAP STUD - #8-16 X 1" LONG
	049465-01-000	EA	SCREW - 10-16 PTH W/WASHER - DARK BROWN
	049465-03-000	EA	SCREW - 10-16 X 1 POH W/WASHER - OFF WHITE
	049465-13-000	EA	SCREW - 10-16 X 1 PTH W/WASHER - ASH GRAY
	049465-17-000	EA	SCREW - 10-16 X 1 POH W/WASHER - BRIGHT WHITE
	049465-18-000	EA	SCREW - 10-16 X 1 POH W/WASHER - VW GRAY
	054434-02-000	EA	SCREW - SF/DR - 10-16 X 2 - ZINC
	054434-03-000	EA	SCREW - SF/DR - 10-16 X 2 - PWH - ZINC
	075908-01-000	EA	SCREW - MACHINE - 10-32 X .56 PTH - EXTERNAL TOOTH - ZINC
	076790-01-000	EA	SCREW - 6-20 X 1 1/4 PPH - BLACK
	076790-05-000	EA	SCREW - 6-20 X 1/2 PPH - BLACK - THREAD CUTTING/WOOD
	083554-01-000	EA	SCREW - DRYWALL - 8 X 1 1/4
	083554-04-000	EA	SCREW - DRYWALL - 8 X 2 1/2
	087721-01-000	EA	SCREW - FLAT HEAD - TAPPING - 1/4" X 1 1/4" LONG - ZINC
	095772-01-000	EA	SOCKET-SNAP FASTNER1" SF/DR - SELF DRIVER
	097974-01-000	EA	SCREW - PARTICLE BOARD - 7-9 X 3/4 PPH
	097974-02-000	EA	SCREW-PART BD 8-9X.75 PFH - BEIGE
	101618-01-000	EA	SCREW - 1/4-20 X 3/4 HEX - TAPPING - STALGARD TYPE F
	113563-01-01A	EA	SCREW - 8 X 5/8 LONG SHOULDER/WASHER HEAD
	113563-01-02A	EA	SCREW - 8 X 5/8 LONG SHOULDER/WASHER HEAD - BRIGHT WHITE
	118383-01-09A	EA	RETAINER/RECESSED - F/.22" SCREW - GLACIER
	118383-01-12A	EA	RETAINER/RECESSED - F/.22" SCREW - RIVERSTONE
	118383-01-10A	EA	RETAINER/RECESSED - F/.22" SCREW - STORM GRAY
	118383-01-11A	EA	RETAINER/RECESSED - F/.22" SCREW - CASHMERE
	118383-02-10A	EA	RETAINER/RECESSED - F/.27" SCREW - RIVERSTONE
	118383-02-11A	EA	RETAINER/RECESSED - F/.27" SCREW - CASHMERE
	118383-02-13A	EA	RETAINER/RECESSED - F/.27" SCREW - OFF WHITE
	118383-03-09A	EA	RETAINER/RECESSED - F/.32" SCREW - GLACIER
	118383-04-04A	EA	CAP - F/RECESSED RETAINER - BRIGHT WHITE
	118383-04-09A	EA	CAP - F/RECESSED RETAINER - GLACIER
	118383-04-10A	EA	CAP - F/RECESSED RETAINER - RIVERSTONE
	118383-04-11A	EA	CAP - F/RECESSED RETAINER - CASHMERE
	118383-04-12A	EA	CAP - F/RECESSED RETAINER - STORM GRAY
	118383-04-13A	EA	CAP - F/RECESSED RETAINER - OFF WHITE
	134126-01-01A	EA	SCREW/NAIL - HEX HEAD - 3/4"
	140040-01-000	EA	SCREW - 1/4-20 X 1 - BUTTON HEAD/SOCKET - W/LOCTITE
	149753-01-01A	EA	RETAINER/RECESSED - F/.22" SCREW - BLACK
	149753-01-02A	EA	RETAINER/RECESSED - F/.22" SCREW - BRIGHT WHITE
	149753-02-01A	EA	CAP - F/RECESSED RETAINER - BLACK
	149753-02-02A	EA	CAP - F/RECESSED RETAINER - BRIGHT WHITE
	154938-01-01A	EA	SCREW - SF/DR - 10-16 X 3/4 PPH - W/SELF SEAL - BRIGHT WHITE
	154938-01-02A	EA	SCREW - SF/DR - 10-16 X 3/4 PPH - W/SELF SEAL - BLACK
	154938-02-01A	EA	SCREW - SF/DR - 8-18 X 1 PFH - W/SELF SEAL - BRIGHT WHITE
	154938-02-02A	EA	SCREW - SF/DR - 8-18 X 1 PFH - W/SELF SEAL - BLACK
	154938-02-03A	EA	SCREW - SF/DR - 8-18 X 1 PFH - W/SELF SEAL - SILVER
	154938-03-01A	EA	SCREW - SF/DR - 8-18 X 5/8 PFH - W/SELF SEAL - BRT WHT
	154935-03-02A	EA	SCREW - SF/DR - 8-18 X 5/8 PFH - W/SELF SEAL - BLACK
	154938-04-01A	EA	SCREW - SF/DR - 10-16 X 1" TPH - W/SELF SEAL - BRT WHT
	154938-04-02A	EA	SCREW - SF/DR - 10-16 X 1" TPH - W/SELF SEAL - BLACK
	154938-05-03A	EA	SCREW - SF/DR - 8-18 X 1.25" PFH - W/SELF SEAL - SILVER

SEALANTS & FASTENERS GROUP (CONTINUED)

CLAMPS, CLIPS, GROMMETS, RIVETS & PLUGS

KEY	PART NUMBER	U/M	DESCRIPTION
	000H16-04-06R	EA	RIVET - POP ALUMINUM - 1/8 X .313 - .375
	000H16-06-10R	EA	RIVET - POP ALUMINUM - 3/16 X .501 - .625
	007161-01-000	EA	CLAMP - HOSE - SPRING TYPE - 1/2"
	008386-01-000	EA	GROMMET - SNAP - 3/8" DIAMETER - NYLON
	010495-01-000	EA	CLAMP - CABLE - 9/16"ID - BLACK
	010495-02-000	EA	CLAMP - CABLE - 3/8"ID - BLACK
	010495-04-000	EA	CLAMP - CABLE - 11/16"ID - WHITE
	010497-01-000	EA	CLAMP - CLOSED - 5/8"ID
	010497-02-000	EA	CLAMP - CLOSED - 1.5"ID
	010497-03-000	EA	CLAMP - CLOSED - 1"ID - CUSHIONED
	010497-04-000	EA	CLAMP - CLOSED - 1 5/8"ID
	010497-05-000	EA	CLAMP - CLOSED - 1/2"ID
	010497-07-000	EA	CLAMP - CLOSED - 3/8"ID
	010497-09-000	EA	CLAMP - CLOSED - 5/16"ID
	010497-10-000	EA	CLAMP - CLOSED - 7/8"ID
	010499-01-000	EA	CLAMP - CLOSED - 3/8"ID
	016188-03-000	EA	GROMMET - LP LINE - 3/8"HOLE X 2 1/2"LONG - RUBBER
	016188-04-000	EA	GROMMET - LP LINE - 1/2"HOLE X 2 1/2"LONG - RUBBER
	016188-05-000	EA	GROMMET - LP LINE - 3/8"HOLE X 1 1/4"LONG - RUBBER
	016188-06-000	EA	GROMMET - LP LINE - 3/8"HOLE X 3 1/4"LONG - RUBBER
	016188-07-000	EA	GROMMET - L/P LINE - 1/2"HOLE X 3 1/4"LONG
	016188-08-000	EA	GROMMET - LP LINE - 1/2"HOLE X 1 1/4"LONG - RUBBER
	016188-09-000	EA	GROMMET - LP LINE - .68"HOLE X 1 1/4"LONG - RUBBER
	016188-10-000	EA	GROMMET - LP GAS - .68" X 2.5"
	023942-01-000	EA	GROMMET - RUBBER - 2"OD
	041930-11-000	EA	RIVET - POP ALUMINUM - 1/8 X .188 - .250 - BRIGHT WHITE
	061420-04-000	EA	PLUG/PLASTIC - 1 1/4" DIAMETER
	061420-05-000	EA	PLUG/PLASTIC - 1 1/2" DIAMETER
	061420-09-000	EA	PLUG/PLASTIC - 1.00" DIAMETER
	061420-10-000	EA	PLUG/PLASTIC - 1 1/2" DIAMETER - BLACK
	061420-12-000	EA	PLUG/PLASTIC - 1.50" DIAMETER - RED
	061420-13-000	EA	PLUG/PLASTIC - 3/8" - FLUSH
	061420-14-000	EA	PLUG/PLASTIC - 7/8" DIAMETER - BLACK
	061420-15-000	EA	PLUG/PLASTIC - 2" DIAMETER - BLACK
	061420-16-000	EA	PLUG/PLASTIC - 2 1/8" DIAMETER - BLACK
	062401-01-000	EA	CLAMP - HOSE - WORMGEAR - .25" - 1"
	062401-02-000	EA	CLAMP - HOSE - WORMGEAR - 1.56" - 2.5" ID
	062401-03-000	EA	CLAMP - HOSE - WORMGEAR - .22" - 1" ID
	062401-04-000	EA	CLAMP - HOSE - WORMGEAR - .69" - 1.25" ID
	062401-05-000	EA	CLAMP - HOSE - WORMGEAR - 2" - 3" ID
	062401-06-000	EA	CLAMP - HOSE - WORMGEAR - .22" - .62" ID
	062401-09-000	EA	CLAMP - HOSE - WORMGEAR - 2.8" - 3.75" ID
	062401-11-000	EA	CLAMP - HOSE - WORMGEAR - 3.50" - 4.50" ID
	062401-13-000	EA	CLAMP - HOSE - WORMGEAR
	063729-12-000	EA	RIVNUT - 5/16 - 18 UNCUT - FLATHEAD - STAINLESS
	071015-01-000	EA	GROMMET - RUBBER - .5"ID X 1"OD-W/.38" GROOVE - BLACK
	071015-11-000	EA	GROMMET - RUBBER - 1"ID FITS .12 MATERIAL - BLACK
	071015-13-000	EA	GROMMET - RUBBER - .62"ID X 1"OD W/.09" GROOVE - BLACK
	071015-22-000	EA	GROMMET - RUBBER - .62"ID X 1.12"OD W/.19" GROOVE - BLACK
	071015-26-000	EA	GROMMET - RUBBER - 1.5"ID X 2.1"OD W/.06" GROOVE - BLACK
	071015-29-000	EA	GROMMET - RUBBER - .3"ID X 1.3"OD W/.12" GROOVE - BLACK
	071015-30-000	EA	GROMMET - RUBBER - .3"ID X .81"OD W/.12" GROOVE - BLACK
	071015-39-000	EA	GROMMET - .75 ID FITS .06 MTL
	071015-41-000	EA	GROMMET - .125 ID FITS .188 MTL
	071015-42-000	EA	GROMMET - .25 ID FITS .06 MTL
	075148-02-000	EA	CLAMP - GROUNDING - BRONZE SCREWS
	077955-01-000	EA	CLIP/J - 3/8" - VINYL COATED
	080734-02-000	EA	CLIP - WIRE NYLON
	081211-01-000	EA	PLUG - PLASTIC - .31"DIA - BLACK
	081211-03-000	EA	PLUG - PLASTIC - .50"DIAMETER - TRUSS HEAD - BLACK
	081211-04-000	EA	PLUG - PLASTIC - .46"DIAMETER - TRUSS HEAD - BLACK
	083609-01-000	EA	CLAMP - WIRE - DUAL - EQUAL DIAMETERS - 5/8"
	083610-01-000	EA	CLAMP - WIRE - DUAL - UNEQUAL DIAMETERS - 3/4" & 1 1/4"
	083610-02-000	EA	CLAMP - WIRE - DUAL - UNEQUAL DIAMETERS - 3/4" & 2"

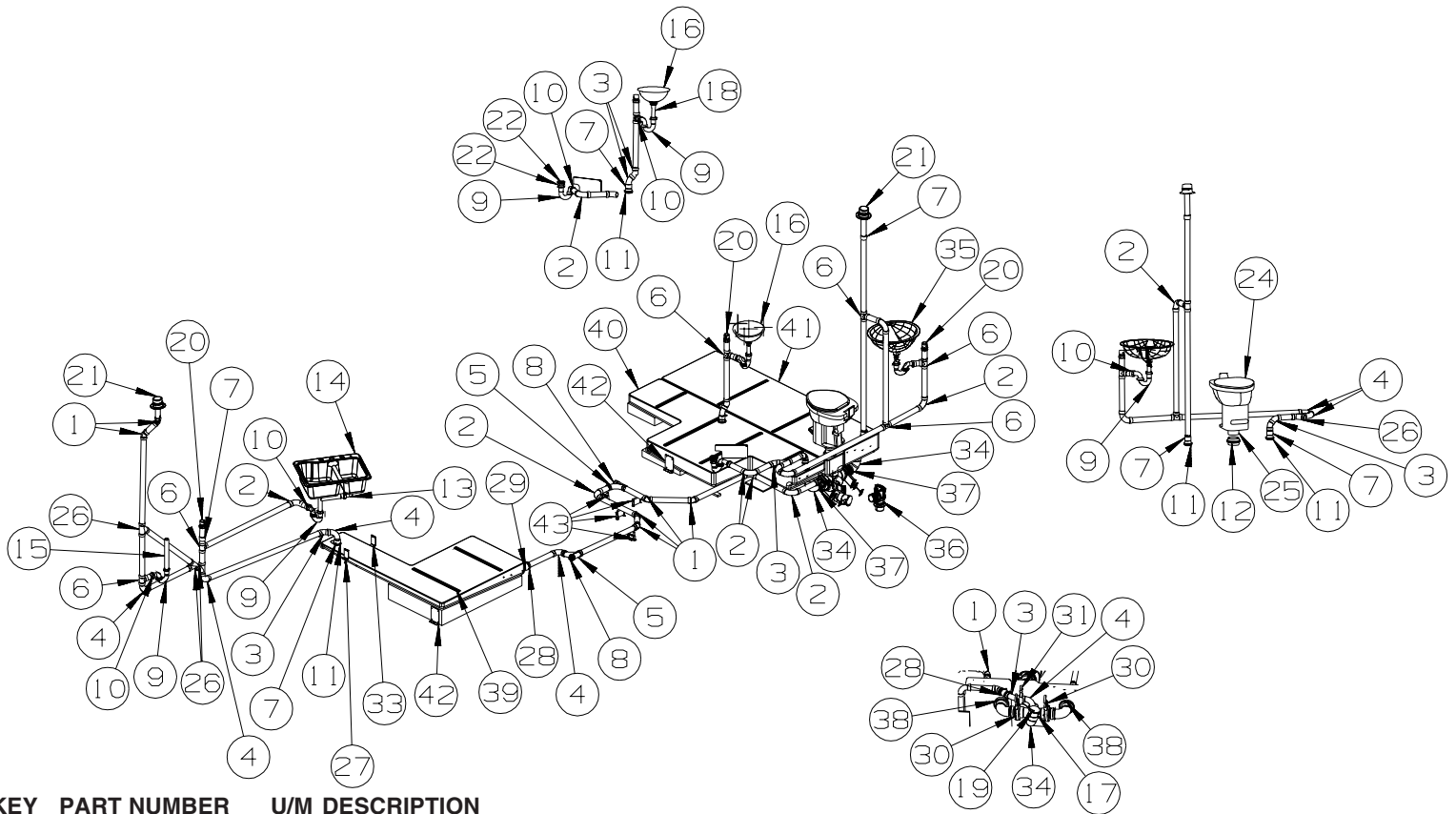
SEALANTS & FASTENERS GROUP (CONTINUED)
CLAMPS, CLIPS, GROMMETS, RIVETS & PLUGS (CONTINUED)

KEY	PART NUMBER	U/M	DESCRIPTION
	083610-03-000	EA	CLAMP - WIRE - DUAL - EQUAL DIAMETERS - 2"
	088756-01-000	EA	GROMMET - WEB - 1 1/8"ID
	089329-02-000	EA	CLIP - SPRING
	091952-01-000	EA	CLIP - GRIPPER - 1" - BLACK VINYL COATED
	091952-02-000	EA	CLIP - GRIPPER - 3/4" - BLACK VINYL COATED
	091952-03-000	EA	CLIP - GRIPPER - 1/2" - BLACK VINYL COATED
	094362-02-000	EA	CLIP - XMAS TREE - BINDER HEAD - .9" LONG/ANY COLOR
	094362-05-000	EA	CLIP - XMAS TREE - ROUND HEAD - 1.4" LONG/ANY COLOR
	113133-02-01A	EA	RIVET - POP - ALUMINUM - 3/16 X .252 - .504 - BLACK
	114208-05-000	EA	GROMMET - EDGE LINER - FITS 2"
	118626-01-02A	EA	RIVET/POP - ALUMINUM - 3/16 X .08 - .375
	118626-01-01A	EA	RIVET/POP - ALUMINUM - 3/16 X 1.2"(GRIP RANGE .1"-.4")
	118626-02-01A	EA	RIVET/POP - ALUMINUM - 3/16 X .500 - .750
	118626-03-01A	EA	RIVET/POP - STAINLESS STEEL - 3/16 X .500 - .750
	137014-01-02A	EA	GROMMET - CABLE - BROWN
	137014-01-01A	EA	GROMMET - CABLE - ALMOND
	137014-01-03A	EA	GROMMET - CABLE - BLACK
	139118-02-01A	EA	GROMMET - SCREW - PLASTIC
	155498-01-01A	EA	CLAMP - CLOSED - 7/8"ID - VINYL DIP/GALVONIZED - BLACK

MISCELLANEOUS FASTENERS

KEY	PART NUMBER	U/M	DESCRIPTION
	008343-01-000	EA	TIE - WIRE - 6"
	008343-02-000	EA	TIE - WIRE - 14"
	008343-03-000	EA	TIE - WIRE - 7 1/2" - BLACK
	029094-04-000	YD	VELCRO TAPE/LOOP - 1"WIDE - W/ADHESIVE BACK - BLACK
	029096-04-000	YD	VELCRO TAPE/HOOK - 1"WIDE - BLACK - W/ADHESIVE BACK (PSA)
	048394-02-000	YD	VELCRO TAPE - HOOK - ADHESIVE BACK - 3/4" WIDE - BEIGE
	085774-01-000	FT	FASTENER - DUAL LOCK - 1" WIDE - ADHESIVE BACK - BLACK
	085774-02-000	FT	FASTENER - DUAL HOOK - 1" WIDE - ADHESIVE BACK - BLACK
	088792-02-000	YD	VELCRO TAPE - LOOP - 3/4" - ADHESIVE BACK - BEIGE
	088792-04-000	YD	VELCRO TAPE - HOOK - 5/8" - NON-ADHESIVE BACK - WHITE
	088792-05-000	YD	VELCRO TAPE - LOOP - 5/8" - NON-ADHESIVE BACK - WHITE
	108046-02-000	EA	CABLE TIE - SCREW MOUNT 15"

WATER & SEWAGE GROUP DRAINAGE SYSTEM



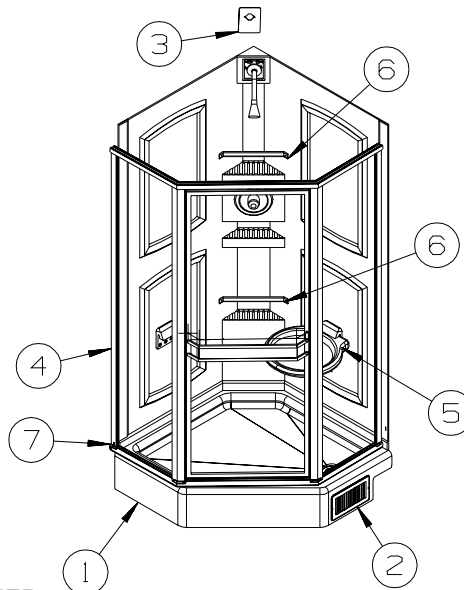
KEY	PART NUMBER	U/M	DESCRIPTION
1	010006-01-000	EA	ELBOW - 45 DEGREE - 1 1/2" HUB X HUB - PLASTIC
2	010008-01-000	EA	ELBOW - 90 DEGREE - 1 1/2" HUB X HUB - PLASTIC
3	010051-01-000	EA	ELBOW - 45 DEGREE - 1 1/2" SPIGOT X HUB - PLASTIC
4	033761-01-000	EA	ELBOW - 90 DEGREE - TURN - 1 1/2" HUB X 1 1/2" SPIGOT
5	031365-02-000	EA	TEE - 1 1/2" EXTRA LONG TURN - PLASTIC
6	010071-01-000	EA	TEE - SANITARY - 1 1/2" HUB X HUB X HUB - PLASTIC
7	010115-01-000	EA	COUPLING - 1 1/2" HUB X HUB - PLASTIC
8	010122-01-000	EA	BUSHING/PLASTIC - REDUCER - 1 1/2"SMTH X 1 1/4"THD - BLACK
8	010166-01-000	EA	PLUG/THREADED - 1 1/4"MPT - PLASTIC - BLACK
9	107538-02-000	EA	P-TRAP - PLASTIC - 1 1/2" W/EXTENSION ARM
9	011071-01-000	EA	P-TRAP - 1 1/2" - CSA - PLASTIC - CANADIAN
10	152146-01-000	EA	CONNECTOR - 1 1/2"P X 1 1/2"MPT
11	061607-01-000	EA	GROMMET - HOLDING TANK - 1 1/2" NPS
12	061607-02-000	EA	GROMMET - HOLDING TANK - 3" NPS
13	011091-02-000	EA	WASTE - CONTINUOUS - DOUBLE SINK
14	148870-01-01A	EA	SINK/DOUBLE - LRG/SML BASIN - 25" X 19" X 7"
	092303-01-000	EA	STRAINER - W/BASKET - GALLEY SINK - 4" OD
15	126588-02-000	EA	ARM - WASTE - 1 1/2" X 20" - FEMALE
16	151679-01-01A	EA	SINK - LAVATORY - STAINLESS STEEL
	066437-02-000	EA	STRAINER/BASKET - GALLEY SINK - 2.6" OD
17	109450-01-000	EA	ADAPTER - SEWER HOSE - PLASTIC
18	011069-05-000	EA	TAILPIECE - TUB/SHOWER - 1 1/2" X 1 1/4" X 6" - BRASS
	127440-02-01A	EA	WASHER - RUBBER - 1.8" X .1"
	130403-01-000	EA	NUT - SLIP - W/WINGS 1 1/2"
19	010123-01-000	EA	BUSHING - 2" X 1 1/2" HUB - BLACK PLASTIC
20	079968-01-000	EA	VENT - MECHANICAL/TRAP ARM - ANTI-SIPHON-2" X 7.3" PLASTIC
21	083558-03-000	EA	VENT - W/COVER - F/PLUMBING STACK - OFF WHITE
22	066440-01-000	EA	STRAINER - SHOWER DRAIN - W/RUBBER WASHER
23	011069-02-000	EA	TAILPIECE - TUB/SHOWER - 1 1/2" X 1 1/4" X 4" - BRASS
	127440-02-01A	EA	WASHER - RUBBER - 1.8" X .1"
	130403-01-000	EA	NUT - SLIP - W/WINGS 1 1/2"
24*	152829-01-01A	EA	TOILET/AQUA MAGIC STYLE LITE - TALL - W/SPRAY - WHITE
			FROM: 00-00-00 THRU: 02-11-07
24	160815-01-01A	EA	TOILET-STYLE II,TALL,WHITE ,*W/SPRAYER
			FROM: 02-12-07 THRU: 99-99-99

KEY PART NUMBER U/M DESCRIPTION

WATER & SEWAGE GROUP (CONTINUED)
DRAINAGE SYSTEM (CONTINUED)

25	024676-01-000	EA	FLANGE/CLOSET - 4" X 3" - BLACK PLASTIC
26	010073-01-000	EA	WYE - 45 DEGREE - 1 1/2" HUB X HUB X HUB - PLASTIC
27	156226-01-02B	EA	STRAP/SUPPORT - TANK - E-COATED
28	089355-01-000	EA	COUPLER - RUBBER - 1 1/2" X 1 1/2"
29	102024-01-000	EA	NIPPLE - PLASTIC - 1.5" X 2.62" TOE
30	062418-03-000	EA	VALVE- 3" SPIGOT X 3" SPIGOT
31	062421-01-000	EA	VALVE/DUMP W/HANDLE - 1 1/2" HUB X 1 1/2" SPIGOT
32	155751-01-000	EA	TEE - DOUBLE 3" - W/SIDE INLET
	155752-01-000	EA	HUB - CAP - 3"
33	156225-01-02B	EA	STRAP/SUPPORT - TANK - E-COATED
34	010062-01-000	EA	ELBOW - 3 90 SPIGOT X HUB - PLASTIC
35	155318-01-01A	EA	SINK - LAVATORY - OVAL - 19.5" X 16" X 6.1" - CREAM
	105218-01-01A	EA	SPACER - FAUCET/LAVATORY SINK - 2" X 5.9" - ABS PLASTIC
36*	062415-01-000	EA	CAP - SEWER - 3" DIAMETER
36*	144728-01-000	EA	VALVE - SEWER HOSE - 3"
36	139513-01-000	EA	HOSE - SEWER - 3" X 10' - W/ADAPTER
36	062416-01-000	EA	ADAPTER - SEWER HOSE TO 3" PIPE
36	147845-01-01A	EA	LABEL - DRIP VALVE
37	078406-01-000	EA	COUPLER - 3" X 3" W/CLAMPS - RUBBER
38	010129-03-000	EA	NIPPLE - 3" X 3" TOE - PLASTIC
39	153882-01-700	EA	TANK - HOLDING - W/O FITTINGS
	049032-01-000	EA	PATCH - SPINWELD - 3/8" - PLASTIC
	102024-01-000	EA	NIPPLE - PLASTIC - 1.5" X 2.62" TOE
40	153881-01-700	EA	TANK - HOLDING - W/O FITTINGS
	049032-01-000	EA	PATCH - SPINWELD - 3/8" - PLASTIC
	010232-01-000	EA	FITTING - SPINWELD - PLASTIC 3FPT
	010129-03-000	EA	NIPPLE - 3" X 3" TOE - PLASTIC
41	154156-01-700	EA	TANK - HOLDING - 52 GALLON - W/O FITTINGS
	125697-02-000	EA	NOZZLE - WELD-A-FLUSH
	010129-03-000	EA	NIPPLE - 3" X 3" TOE - PLASTIC
	049032-01-000	EA	PATCH - SPINWELD - 3/8" - PLASTIC
42	094756-02-01A	EA	BRACKET - L - 6.1" LONG X 3.9" WIDE - STEEL
43	156189-01-02B	EA	BRACKET/SUPPORT - DRAIN - E-COATED

*COMPONENT PARTS LISTED LATER IN THIS GROUP



KEY	PART NUMBER	U/M	DESCRIPTION
1	M02630-95-T77	EA	SHOWER PAN - W/STRAINER
2	089326-02-000	EA	GRILLE - FLOOR - HEATING - 9.3" X 5.3" - SOFT WHITE
3	131549-01-01A	EA	PLATE-COVER,SHOWER HEAD - *99 Q36C
4	147575-01-01A	EA	ENCLOSURE - SHOWER - SIDES/BACK - 1 PIECE
5	135607-03-01A	EA	SEAT - SHOWER/FOLDING - FOLD DOWN SHOWER SEAT
6	113714-02-02A	EA	RETAINER - SHELF/SHOWER - 10.6" - SOFT WHITE
7	154585-03-01A	FT	SEAL - FOAM TAPE - ADHESIVE BACK - 1/8" X 3/4"

WATER & SEWAGE GROUP (CONTINUED)

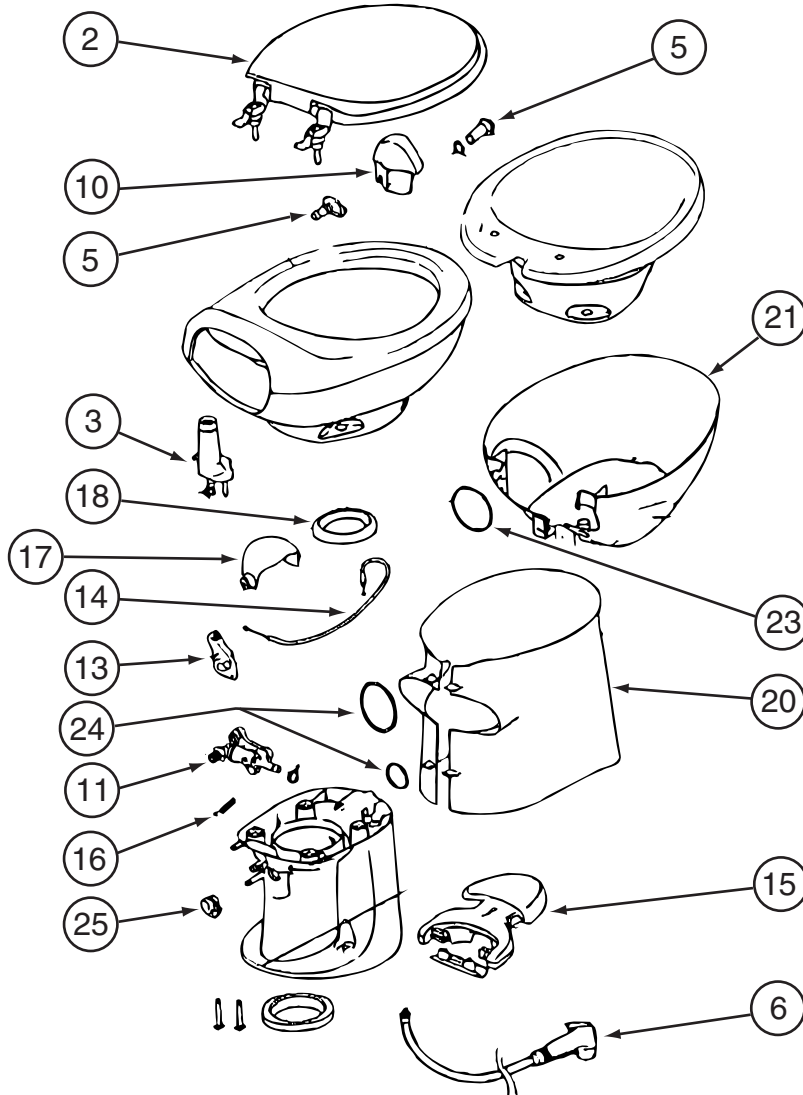
COMPONENT PARTS FOR DRAINAGE SYSTEM

062415-01-000

KEY	PART NUMBER	U/M DESCRIPTION	VENDOR NO.
	062415-01-700	EA STRING-SEWER CAP	V#SV7 STRAP

144728-01-000

KEY	PART NUMBER	U/M DESCRIPTION	VENDOR NO.
	144728-01-700	EA GASKET-RUBBER, INSIDE VALVE	9667310-11
	144728-01-701	EA GASKET-RUBBER, OUTSIDE	9667310-10



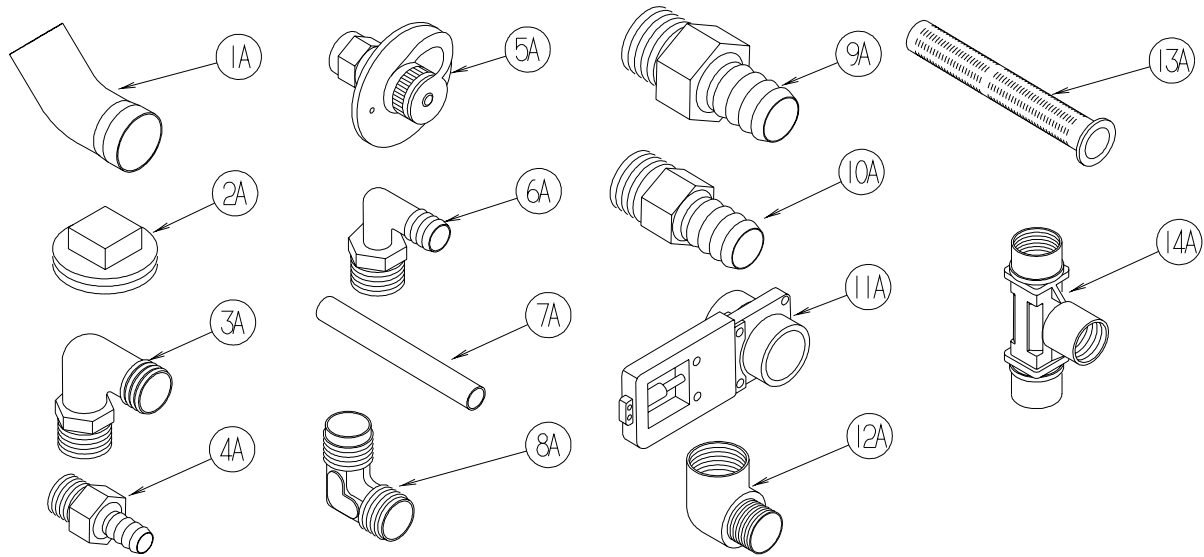
152829-01-01A

KEY	PART NUMBER	U/M DESCRIPTION	VENDOR NO.
2	152829-01-700	EA SEAT/COVER ASSEMBLY - WHITE	34144
3	152829-01-708	EA VACUUM BREAKER	34122
5	152829-01-710	EA FLUSH NOZZLE - WHITE	34124
6	147421-01-708	EA HAND SPRAY KIT - WHITE HEAD	33226
10	152829-01-711	EA POD - WHITE	34129
11	152829-01-701	EA WATER VALVE	34100
13	152829-01-703	EA WATER VALVE DRIVE ARM	34104
14	152829-01-704	EA CABLE - F/PEDAL	34106
15	152829-01-709	EA PEDAL PACKAGE - WHITE	34112
16	152829-01-705	EA SPRING/RETURN-FWATER VALVE	34110
17	152829-01-706	EA WASTE BALL - WHITE	34117
18	152829-01-707	EA SEAL - F/WASTE BALL	34120
21	152829-01-713	EA BOWL WRAP - WHITE	34133
23	152829-01-712	EA O-RING - F/BOWL WRAP	34131
25	152829-01-702	EA WASTE BALL DRIVE ARM	34102

CONTACT WINNEBAGO PARTS SALES FOR UNLISTED COMPONENT(S)

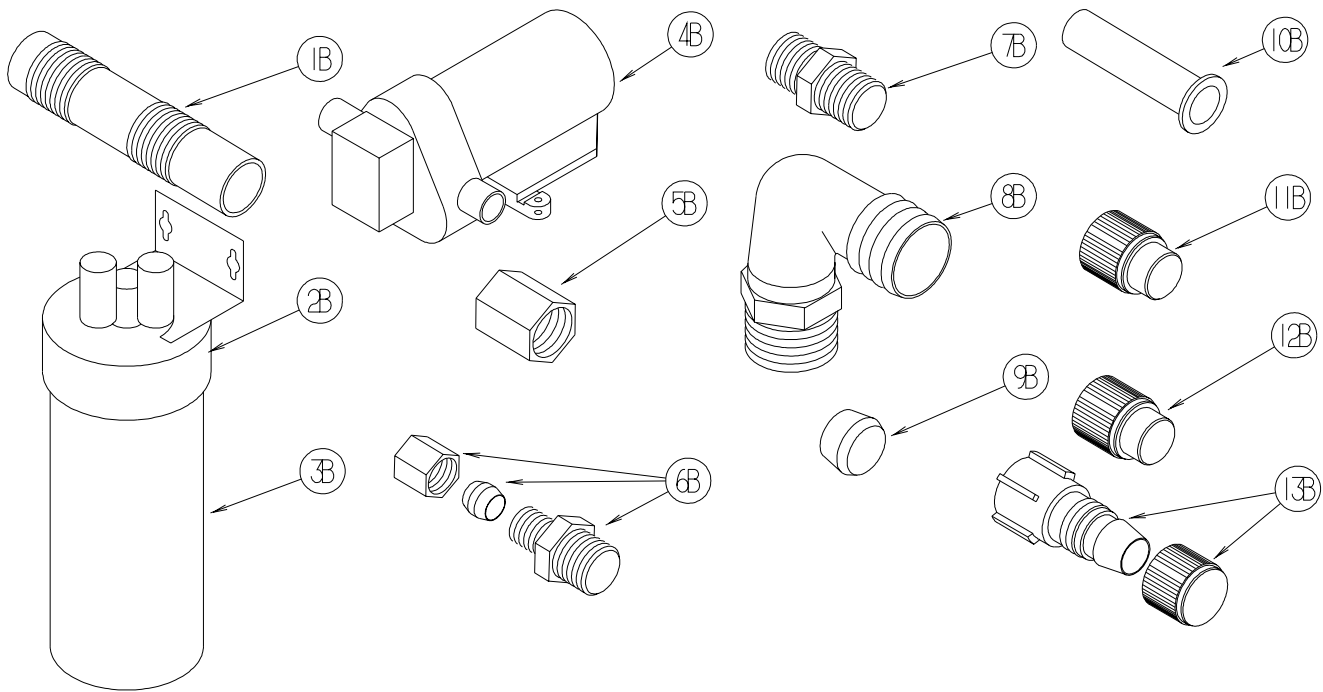
WATER & SEWAGE GROUP (CONTINUED)

WATER SYSTEM



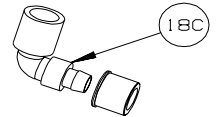
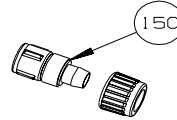
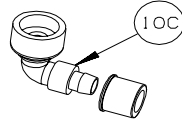
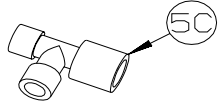
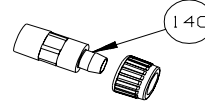
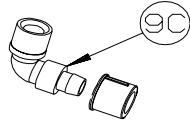
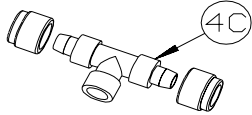
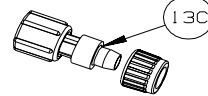
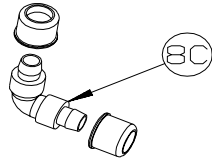
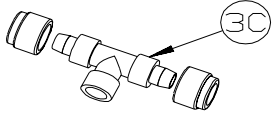
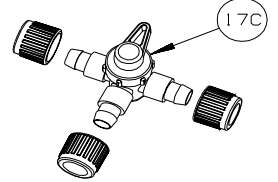
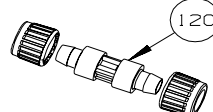
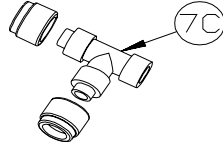
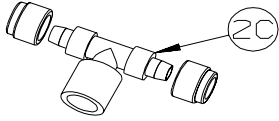
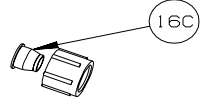
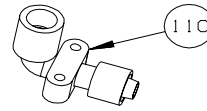
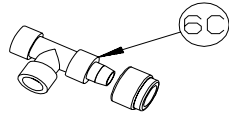
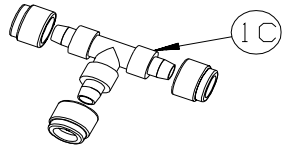
KEY	PART NUMBER	U/M	DESCRIPTION
1A	010009-01-000	EA	ELBOW - 90 DEGREE - 1/4 BEND - 1 1/2" PLASTIC
2A	010166-01-000	EA	PLUG/THREADED - 1 1/4"MPT - PLASTIC - BLACK - UL
3A	010219-01-000	EA	ELBOW - 1 1/4 MPT X 1 1/4 BARB - WATER FILL - PLASTIC
4A	010224-01-000	EA	ADAPTER - HOSE TO PIPE - 3/8 MPT X 3/8 BARB - PLASTIC
5A	010230-06-000	EA	FILL - CITY WATER - W/CHECK VALVE - MPT - BRUSHED ALUM
6A	035539-01-000	EA	ELBOW - 3/8 MPT X 3/8 BARB - PLASTIC
7A	039800-04-000	FT	TUBING - POLYBUTYL - 1/4"OD
7A	074462-02-000	FT	TUBING - VINYL - 3/8 ID X 20' - CLEAR
7A	112176-01-000	FT	TUBING - VINYL - REINFORCED - 1/2" ID
7A	124188-01-000	FT	TUBING - PEX - 1/2" ID X 20' - BLUE(COLD)
7A	124188-02-000	FT	TUBING - PEX - 1/2" ID X 20' - RED(HOT)
8A	039808-03-000	EA	ELBOW - 1/2" MPT X 1/2" MPT - PLASTIC
9A	044927-01-000	EA	ADAPTER - HOSE TO PIPE-1 1/4 MPTX1 1/4 BARB-BLACK PLASTIC
10A	044927-02-000	EA	ADAPTER - REDUCING - 1" MPT X 1.3" BARB - PLASTIC
11A	062421-03-000	EA	VALVE/DUMP W/O HANDLE - 1 1/2" X 1 1/2" HUB
	062421-05-000	EA	CABLE/ROD - F/DUMP VALVE - W/HANDLE - 48"
	062421-07-000	EA	CABLE/ROD - F/DUMP VALVE - W/HANDLE - 144"
	062421-08-000	EA	CABLE/ROD - F/DUMP VALVE - W/HANDLE - 108"
12A	065318-02-000	EA	ELBOW - 90 DEGREE - 3/8" MPT TO 3/8" FPT
13A	077954-02-000	EA	FILTER - WATER TANK - W/SCREEN IN TANK
14A	039798-01-000	EA	TEE - 1/2"MPT X 1/2"MPT X 1/2"MPT - PLASTIC

WATER & SEWAGE GROUP (CONTINUED)
WATER SYSTEM (CONTINUED)



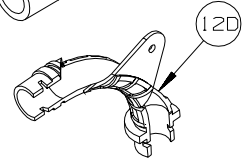
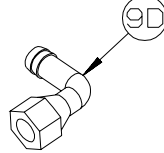
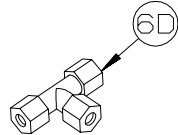
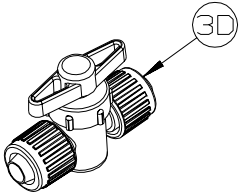
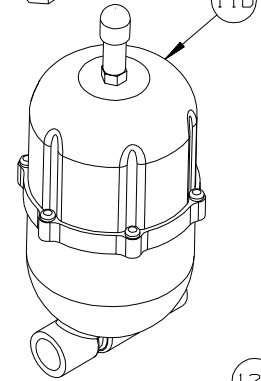
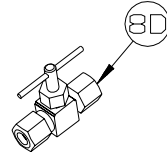
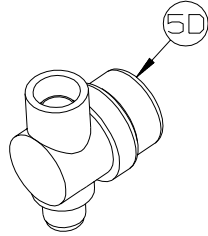
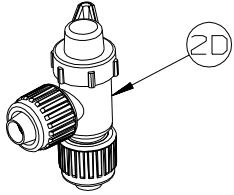
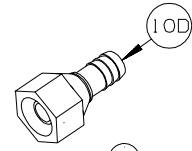
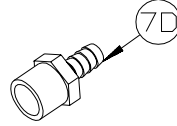
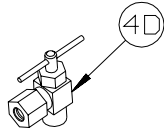
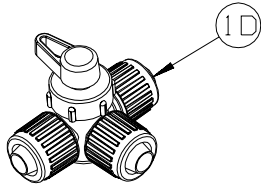
KEY	PART NUMBER	U/M	DESCRIPTION
1B	079381-01-000	FT	TUBING - RIBBED FLEXIBLE - WATER FILL - 1.4" ID
2B	087200-01-000	EA	FILTER-WATER PURIFCATION, EVERPURE QC2-AC
3B	087200-02-000	EA	CARTRIDGE-WATER FILTER,AC - EVERPURE 9601-11
4B*	098607-01-000	EA	PUMP - WATER - W/.5" MPT FITTING - FLOW 2.8 GPM
			FROM: 00-00-00 THRU: 06-21-06
4B	160702-01-000	EA	PUMP - WATER - 3.0 GPM - W/1/2" MPT
			FROM: 06-22-06 THRU: 99-99-99
5B	101814-01-000	EA	COUPLING - FEMALE - 1/2" X 1/2" FPT - GRAY
6B	103798-01-000	EA	CONNECTOR - 1/4 OD X 3/8 MPT
7B	110438-02-000	EA	VALVE - CHECK - BRASS - 1/2 MPT X 1/2 MPT
8B	111223-02-000	EA	ELBOW - 1/2" MPT X 3/8" BARB - PLASTIC
8B	111223-03-000	EA	ELBOW - 3/4" MPT X 1/2" BARB - PLASTIC
8B	111223-04-000	EA	ELBOW - 1/2" MPT X 1/2" BARB - PLASTIC
9B	111888-01-000	EA	FERRULE - PLASTIC - .250 ID X .375 OD
10B	111888-02-000	EA	INSERT - BRASS - 1/4 COMP
11B	113697-01-000	EA	CAP - 3/8"P
12B	114427-01-000	EA	CAP - 1/2"P
13B	114427-02-000	EA	PLUG - W/COMP NUT - 1/2" PLASTIC PIPE/1/2" FLAIR-IT

WATER & SEWAGE GROUP (CONTINUED)
WATER SYSTEM (CONTINUED)



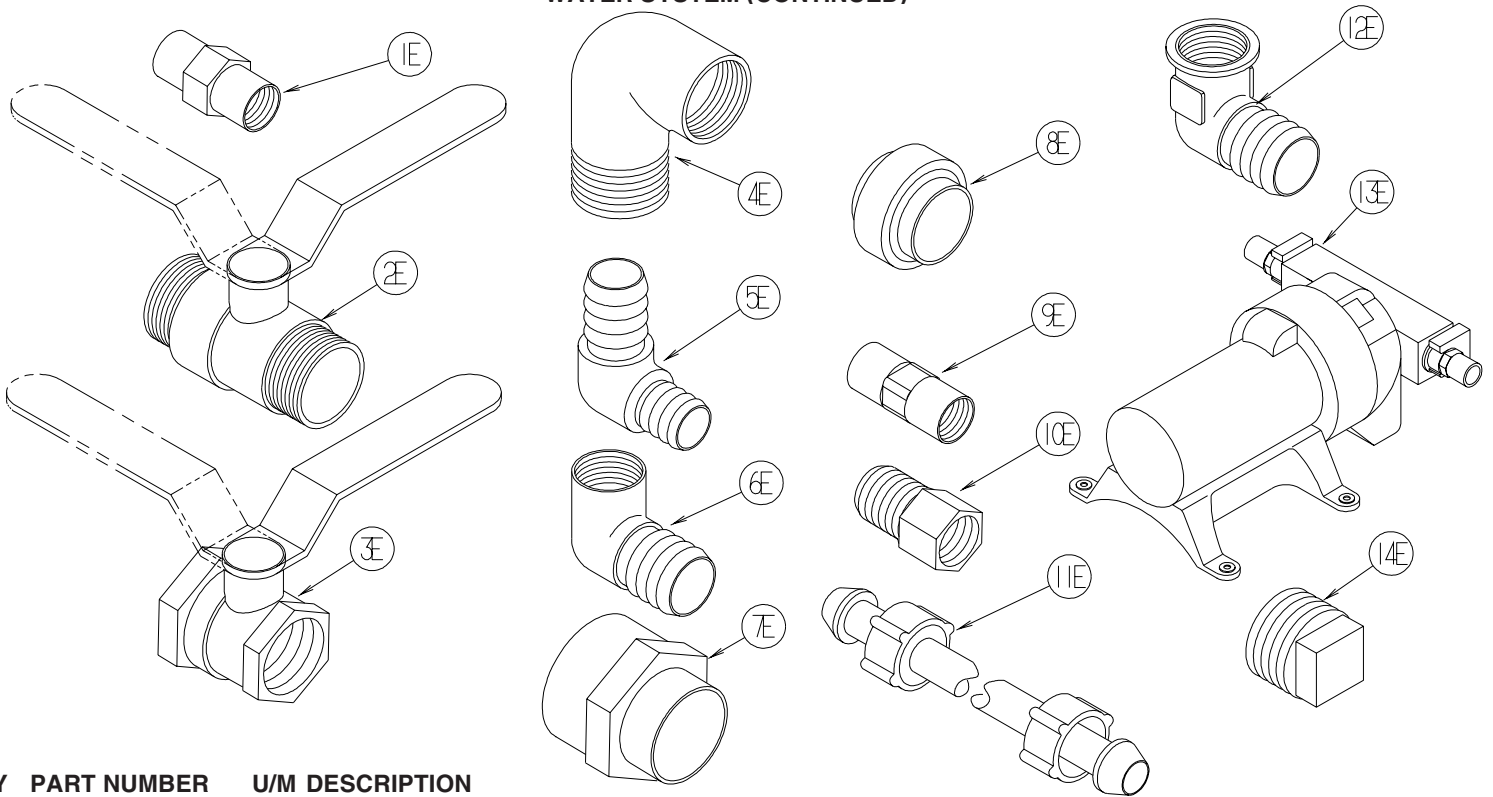
KEY	PART NUMBER	U/M	DESCRIPTION
1C	114428-01-000	EA	TEE - 1/2"P X 1/2"P X 1/2"P
2C	114428-02-000	EA	TEE - SWIVEL - 1/2"P X 1/2"P X 1/2"FPT
3C	114428-03-000	EA	TEE - 1/2"P X 1/2"P X 1/2"MPT
4C	114428-04-000	EA	TEE - 1/2"P X 1/2"P X 1/8"FPT
5C	114428-05-000	EA	TEE - 1/2" SWIVEL X 1/2" MPT X 1/2" MPT
6C	114428-06-000	EA	TEE - 1/2" P X 1/2" MPT X 1/2" MPT
7C	114428-07-000	EA	TEE - 1/2" P X 1/2" MPT X 1/2" P
8C	114429-01-000	EA	ELBOW - 1/2"P X 1/2"P
9C	114429-02-000	EA	ELBOW - 1/2"P X 1/2"MPT
9C	114429-04-000	EA	ELBOW - 1/2"P X 3/8"MPT
9C	114429-05-000	EA	ELBOW - 1/2"P X 3/4"MPT
9C	114429-10-000	EA	ELBOW - SWIVEL - 1/2"MPT X 1/2"FPT
10C	114429-06-000	EA	ELBOW - SWIVEL - 1/2"P X 3/4"FPT
10C	114429-08-000	EA	ELBOW - SWIVEL - 1/2"P X 1/2"FPT
11C	114429-09-000	EA	ELBOW - 1/2"P X 1/2"FPT DROP EAR
12C	114430-01-000	EA	ADAPTER - 1/2"P X 1/2"P
13C	114430-02-000	EA	ADAPTER - SWIVEL - 1/2"P X 1/2"FPT
13C	114430-04-000	EA	ADAPTER - SWIVEL - 1/2"P X 3/8"MPT
14C	114430-03-000	EA	ADAPTER - 1/2"P X 1/2"MPT
15C	114430-06-000	EA	ADAPTER - 1/2"P X 3/8"FPT
15C	114430-09-000	EA	ADAPTER - 1/2"P X 1/2"FPT
16C	114430-10-000	EA	ADAPTER - NUT - PIPE CONNECTION - 1/2"
17C	114431-01-000	EA	VALVE - 180 DEGREE/CENTER DRAIN - 1/2"P - THREE WAY
18C	114429-11-000	EA	ELBOW - 1/2"P X 1/2"FPT

WATER & SEWAGE GROUP (CONTINUED)
WATER SYSTEM (CONTINUED)



KEY	PART NUMBER	U/M	DESCRIPTION
1D	114431-02-000	EA	VALVE - WATER BYPASS - 1/2"P - THREE WAY (WATER HEATER)
2D	114431-03-000	EA	VALVE - 90 DEGREE DRAIN - 1/2"P
3D	114431-04-000	EA	VALVE - "INLINE SHUT-OFF" - 1/2"P
4D	114431-05-000	EA	VALVE - NEEDLE - 1/8" MPT X 1/4" COMPRESSION (ICE MAKER)
5D	152925-01-01A	EA	FILTER - IN LINE - TWIST ON - 1/2" - BLACK
6D	118423-01-000	EA	FITTING - BRASS-TEE - 1/4C X 1/4C X 1/4C
7D	118809-01-000	EA	ADAPTER - 1/2" MPT X 3/8" BARB - PLASTIC
7D	118809-02-000	EA	ADAPTER - 1/2" MPT X 1/2" BARB - PLASTIC
8D	120868-01-000	EA	VALVE - NEEDLE - 1/4" COMPRESSION X 1/4" COMPRESSION
9D	123150-01-000	EA	ELBOW - 1/2 FPT X 1/2 BARB - SWIVEL
10D	123152-01-000	EA	ADAPTER - 1/2 FPT X 1/2 BARB - SWIVEL
11D	123243-01-000	EA	TANK - ACCUMULATOR - 24 OZ
	123317-01-000	EA	TANK - ACCUMULATOR - 2 GALLON
12D	124184-01-000	EA	SUPPORT - WATER LINE - BEND

WATER & SEWAGE GROUP (CONTINUED)
WATER SYSTEM (CONTINUED)



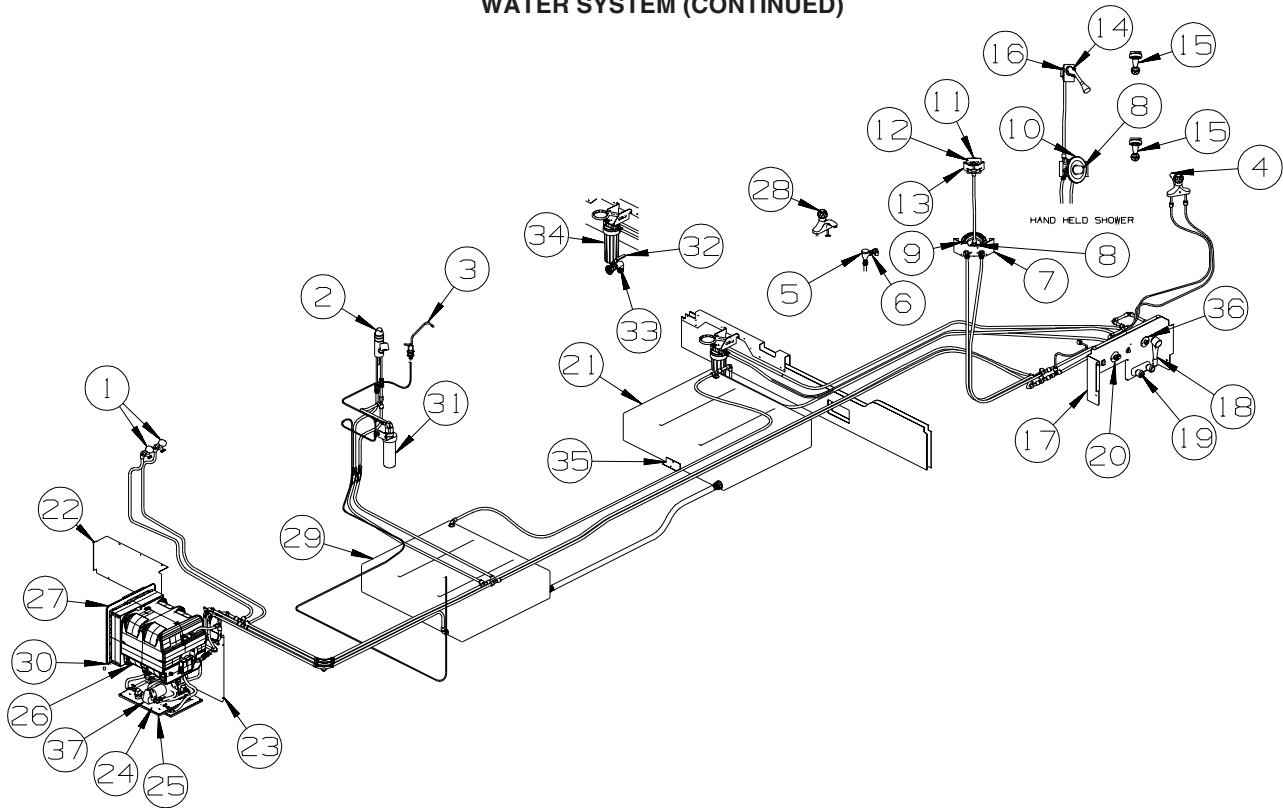
KEY	PART NUMBER	U/M	DESCRIPTION
1E	132148-01-000	EA	CONNECTOR - 1/2" X 1/2"MPT - BRASS
2E	132483-01-000	EA	VALVE/BALL - 1" - THREADED ENDS
3E	132483-02-000	EA	VALVE/BALL - 1/2" - BRASS - FPT
4E	132484-01-000	EA	ELBOW - 90 DEGREE - 1MPT X 1FPT - PLASTIC
5E	132781-01-000	EA	ELBOW - 1.3" BARB X 1.3" BARB - 90 DEGREE - PLASTIC
6E	132782-01-000	EA	ELBOW - 1"FPT X 1.3" BARB - 90 DEGREE - PLASTIC
7E	133835-01-000	EA	ADAPTER - REDUCING - 1 1/2" X 1 1/4"
8E	133889-01-000	EA	UNION - 1 1/2 DOUBLE SLIP - PVC
9E	135386-01-000	EA	NIPPLE - 1/2"
10E	136333-01-000	EA	ADAPTER - BRASS - 1/2"MPT X 1/2"FPT
11E	140821-01-000	EA	TUBE - WATER SUPPLY - 3/8" X 24"
11E	140821-02-000	EA	TUBE - WATER SUPPLY - 3/8" X 30"
11E	140821-03-000	EA	TUBE - WATER SUPPLY - 3/8" X 36"
11E	140821-04-000	EA	TUBE - WATER SUPPLY - 3/8" X 48"
11E	140821-05-000	EA	TUBE - WATER SUPPLY - 3/8" X 54"
11E	140821-06-000	EA	TUBE - WATER SUPPLY - 3/8" X 60"
11E	140821-07-000	EA	TUBE - WATER SUPPLY - 3/8" X 72"
11E	140821-08-000	EA	TUBE - WATER SUPPLY - 1/2" X 24"
11E	140821-09-000	EA	TUBE - WATER SUPPLY - 1/2" X 36"
11E	140821-10-000	EA	TUBE - WATER SUPPLY - 1/2" X 48"
12E	142812-01-000	EA	ELBOW - BRASS - 1/2"MPT X 1/2"FPT
13E*	144215-01-000	EA	PUMP - WATER - 5.7 GPM - W/1/2" MPT

FROM: 00-00-00 THRU: 02-05-06

14E 145609-01-000 EA PLUG - BRASS - 1/2" MPT/HEX HEAD

***COMPONENT PARTS LISTED LATER IN THIS GROUP**

WATER & SEWAGE GROUP (CONTINUED)
WATER SYSTEM (CONTINUED)

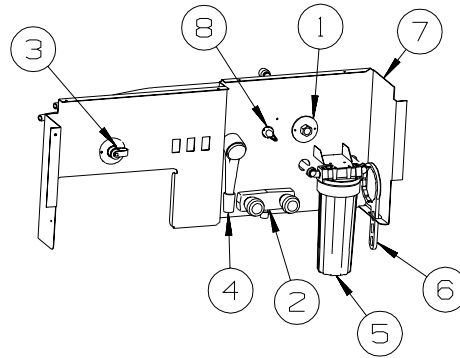


KEY	PART NUMBER	U/M	DESCRIPTION
1	098419-01-000	EA	FAUCET - 90 DEGREE
2*	123744-03-01A	EA	FAUCET - GALLEY/SINGLE CONTROL W/SPRAYER HEAD - CHROME
3*	103635-01-000	EA	FAUCET - SINGLE CONTROL/DRINKING WATER
4	152311-02-01A	EA	FAUCET - LAVATORY - SINGLE CONTROL - W/WASTE - CHROME
5	125697-04-000	EA	BREAKER/VACUUM - F/FLUSHING SYSTEM
6	125697-03-000	EA	CHECK VALVE - F/FLUSHING SYSTEM
7	131554-01-02B	EA	BRACKET/SHOWER CONTROL - E-COATED
8*	144596-01-01A	EA	VALVE ONLY - FAUCET/SHOWER - W/TEMP LIMIT STOP(MOEN 62300)
9	144596-03-02A	EA	TRIM KIT - (KNOB/HANDLE/PLATE/SHOWER HEAD & ARM) - CHROME
10	144596-02-02A	EA	TRIM KIT - (KNOB & PLATE) - CHATEAU - CHROME
11	128974-01-02A	EA	VALVE - SHOWER HEAD/WATER SAVER (ON/OFF) - CHROME
12	131549-01-01A	EA	PLATE/COVER - SHOWER HEAD - PLASTIC
13	131551-01-02B	EA	BRACKET - SHOWER HEAD
14	135028-02-02A	EA	DROP ELL - F/HAND HELD SHOWER HEAD/OVAL - W/1/2"IPS-CHROME
15*	129390-03-02A	EA	SHOWER HEAD - W/HOSE & BRACKET - CHROME
16	130041-03-18A	EA	SPACER/SHOWER HEAD - SOFT WHITE
17	136034-11-12B	EA	PANEL - SERVICE CENTER - BRIGHT WHITE
			FROM: 00-00-00 THRU: 03-27-06
17	136034-12-12B	EA	PANEL/SERVICE CENTER - BRIGHT WHITE
			FROM: 03-28-06 THRU: 99-99-99
18	131383-01-02A	EA	SHOWER HEAD - W/60" HOSE & BRACKET - WHITE
19	163269-01-01A	EA	FAUCET/SHOWER -.5"MPT W/1.9" INLET PIPES- EXTERIOR/BRT WHT
20	125697-05-000	EA	INLET/WATER - F/FLUSHING SYSTEM
21	132224-43-000	EA	TANK - WATER - 40 GALLON - W/FITTINGS - 37.8"X 33.1"X 8.3"
	042989-03-000	EA	FITTING - SPINWELD - 1 1/4"NPT - PLASTIC
	042989-04-000	EA	FITTING - SPINWELD - 3/8"FPT - PLASTIC
	042989-05-000	EA	FITTING - SPINWELD - 1/2"FPT - PLASTIC
	042989-08-000	EA	FITTING - SPINWELD - 1"FPT - PLASTIC
	049032-01-000	EA	PATCH - SPINWELD - 3/8" - PLASTIC
22	149497-07-12B	EA	PANEL - F/VALVE BYPASS - BRIGHT WHITE
23	149497-05-12B	EA	PANEL - F/VALVE BYPASS - BRIGHT WHITE
24	149476-03-02B	EA	PANEL - WATER PUMP - E-COATED
25	140364-05-01A	EA	FOAM - PAD - .5" X 12" X 15"
26*	145541-01-000	EA	WATER HEATER/MOTOR AID-GAS/ELECT IGN - GCH10A-4E - 10 GAL
27*	125420-03-03A	EA	DOOR - WATER HEATER - 18" X 17.7" - BLACK

WATER & SEWAGE GROUP (CONTINUED)
WATER SYSTEM (CONTINUED)

KEY	PART NUMBER	U/M	DESCRIPTION
28	152311-01-01A	EA	FAUCET - LAVATORY - SINGLE CONTROL - CHROME
29	132224-42-000	EA	TANK - WATER - 40 GALLON - W/FITTINGS - 37.8"X 33.1"X 8.3"
	042989-03-000	EA	FITTING - SPINWELD - 1 1/4"NPT - PLASTIC
	042989-05-000	EA	FITTING - SPINWELD - 1/2"FPT - PLASTIC
	049032-01-000	EA	PATCH - SPINWELD - 3/8" - PLASTIC
	077954-02-000	EA	FILTER - WATER TANK - W/SCREEN IN TANK
30	117047-02-000	EA	BUMPER - RUBBER/WASHER INSERT
31	087200-01-000	EA	FILTER - WATER PURIFICATION
31	087200-02-000	EA	CARTRIDGE - WATER FILTER
32	132782-01-000	EA	ELBOW - 1"FPT X 1.3" BARB - 90 DEGREE - PLASTIC
33	132483-01-000	EA	VALVE/BALL - 1" - THREADED ENDS
34	155482-01-01A	EA	PREFILTER/WATER SYSTEM - HOUSING/FILTER CARTRIDGE/WRENCH
35	142053-30-134	EA	ANGLE-STL,ROOF JOINT,0134 MM, TOP COAT OFF WHITE
36	010230-06-000	EA	FILL - CITY WATER - W/CHECK VALVE - MPT - BRUSHED ALUM
37*	098607-01-000	EA	PUMP - WATER - W/.5" MPT FITTING - FLOW 2.8 GPM
			FROM: 00-00-00 THRU: 06-21-06
37	160702-01-000	EA	PUMP - WATER - 3.0 GPM - W/1/2" MPT
			FROM: 06-22-06 THRU: 99-99-99

***COMPONENT PARTS LISTED LATER IN THIS GROUP**



WATER CENTER
G33V, G35A, G35L,
G37B, G38J

KEY	PART NUMBER	U/M	DESCRIPTION
1	010230-06-000	EA	FILL - CITY WATER - W/CHECK VALVE - MPT - BRUSHED ALUM
2	163269-01-01A	EA	FAUCET/SHOWER -.5"MPT W/1.9" INLET PIPES- EXTERIOR/BRT WHT
3	125697-05-000	EA	INLET/WATER - F/FLUSHING SYSTEM
4	131383-01-02A	EA	SHOWER HEAD - W/60" HOSE & BRACKET - WHITE
5	155482-01-01A	EA	FILTER - WATER - KIT- PREFILTER - WATER/CITY FILL
6	155482-03-01A	EA	WRENCH - FILTER/LARGE - PLASTIC - EVERPURE
			FROM: 00-00-00 THRU: 01-22-06
7	156974-01-12B	EA	PANEL - DRAINAGE CENTER - BRIGHT WHITE
8	114431-03-000	EA	VALVE - 90 DEGREE DRAIN - 1/2"P

COMPONENT PARTS FOR WATER SYSTEM

098607-01-000

KEY	PART NUMBER	U/M	DESCRIPTION	VENDOR NO.
	098607-01-702	EA	DIAPHRAGM/DRIVE ASSEMBLY KIT	94-238-04
	098607-01-703	EA	VALVE KIT	94-232-00
	098607-01-705	EA	VALVE-CHECK, KIT	94-237-00
	098607-01-706	EA	HOUSING, W/SWITCH ONLY	94-231-20
	098607-01-707	EA	MOTOR W/BASEPLATE	11-148-04

103635-01-000

KEY	PART NUMBER	U/M	DESCRIPTION	VENDOR NO.
	103635-01-703	EA	CARTRIDGE - 10"	ADC-959201

123744-03-01A

KEY	PART NUMBER	U/M	DESCRIPTION	VENDOR NO.
	135027-01-700	EA	CLIP - RETAINER	883
	135027-01-705	EA	CARTRIDGE F/SGL LEVER FAUCET	1225

WATER & SEWAGE GROUP (CONTINUED)
COMPONENT PARTS FOR WATER SYSTEM (CONTINUED)

125420-01-02A, 125420-01-03A, 125420-03-03A, 125420-04-03A

KEY	PART NUMBER	U/M DESCRIPTION	VENDOR NO.
	051391-01-705	EA FASTENER - CAMLOCK	92609

129390-03-02A

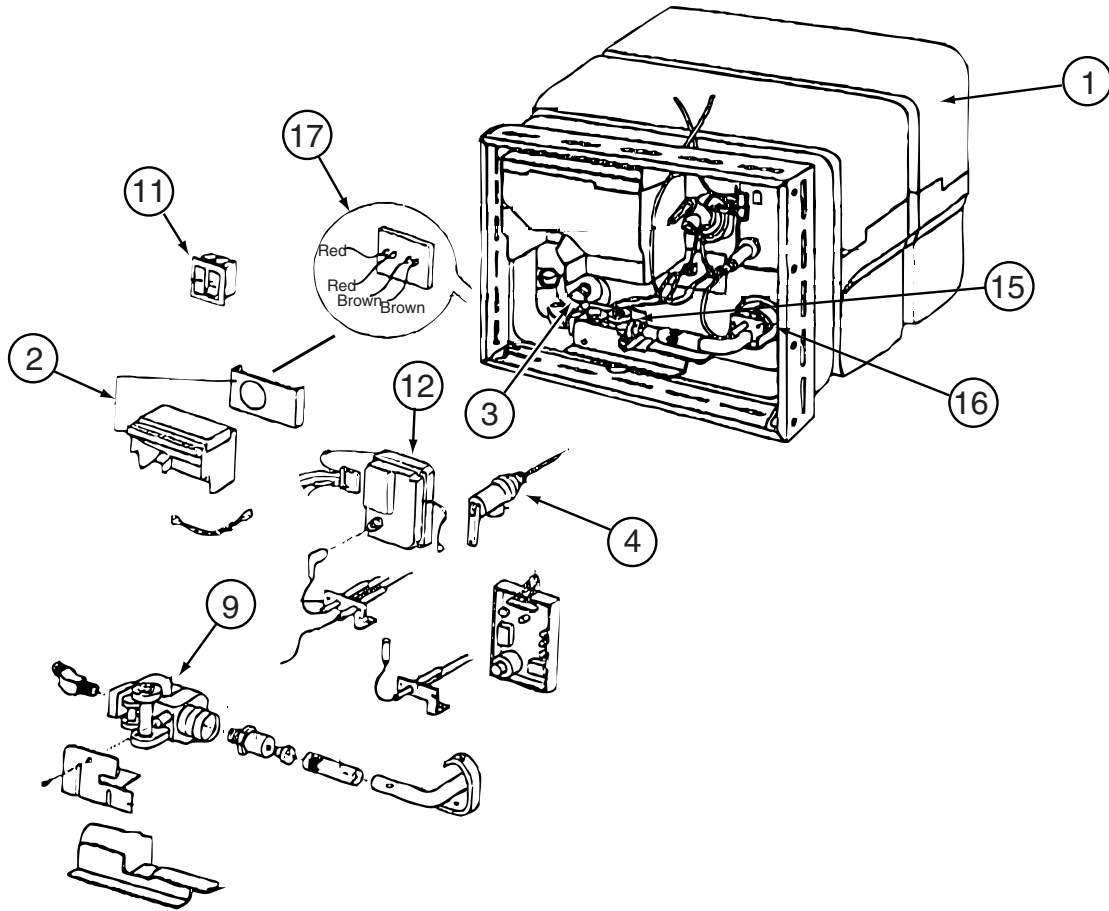
KEY	PART NUMBER	U/M DESCRIPTION	VENDOR NO.
	129390- 03- 702	EA CONNECTOR-SWIVEL - CHROME	A-4002-CPK

144215-01-000

KEY	PART NUMBER	U/M DESCRIPTION	VENDOR NO.
	144215-01-700	EA VALVE ASSEMBLY	94-030-01
	144215-01-701	EA DRIVE ASSEMBLY	94-030-02
	144215-01-702	EA FITTING KIT - W/ORINGS	94-615-06

144596-01-01A

KEY	PART NUMBER	U/M DESCRIPTION	VENDOR NO.
	144596-01-700	EA CARTRIDGE (REPLACEMENT)	1222



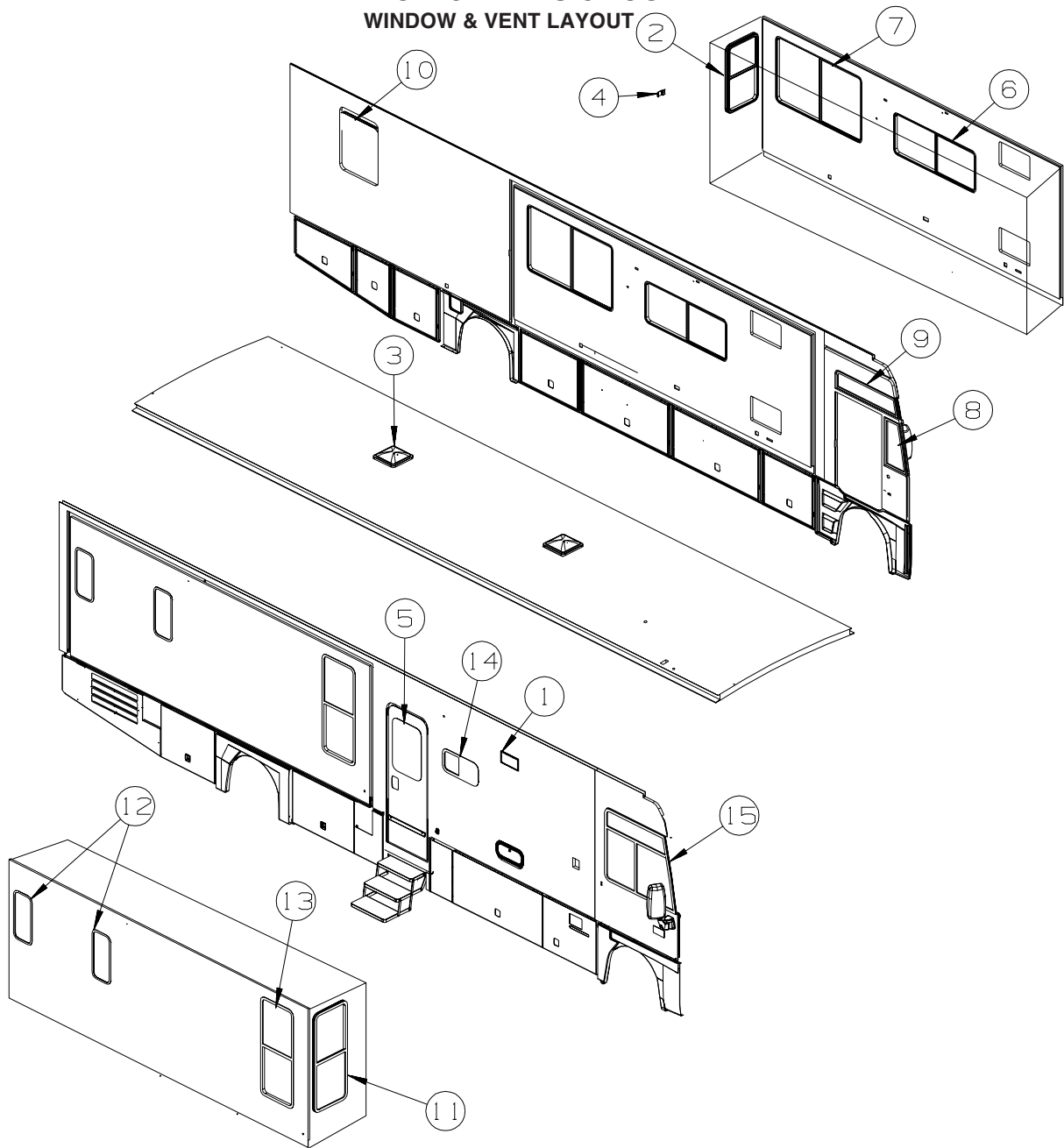
145541-01-000

KEY	PART NUMBER	U/M DESCRIPTION	VENDOR NO.
1	145541-01-700	EA TANK - W/INSULATION - 10 GAL	91028
2	051391-04-707	EA KIT-EXHAUST, (FLUE & GASKET)	90960
3	051391-01-715	EA PLUG-DRAIN, 1 EA = 2 PER PKG	91857
4	051391-01-704	EA VALVE-RELIEF, 1/2" FITTING	91604
9	051393-01-726	EA VALVE/SOLENOID - W/O BRACKET	93870
11	145541-01-701	EA SWITCH - ON/OFF - WHITE	91859
12	145541-01-702	EA CIRCUIT BOARD	91226
15	145541-01-703	EA SWITCH - THERMAL CUT OFF	93866
16	051393-01-725	EA ELECTRODE-SGL SPADE CONNECT.	93868
17	051393-01-721	EA THERMOSTAT W/ECO, 140 FRT MT	91447
	051391-05-706	EA ELEMENT-HEATING 1500 WATT	92249 W/GASKET
	051393-01-701	EA SWITCH - REMOTE - W/LIGHT	91959
	145541-01-704	EA RELAY	90061
	145541-01-705	EA JUNCTION BOX(PLASTIC) 10 GAL	91224

CONTACT WINNEBAGO PARTS SALES FOR UNLISTED COMPONENT(S)

WINDOW & VENTS GROUP

WINDOW & VENT LAYOUT



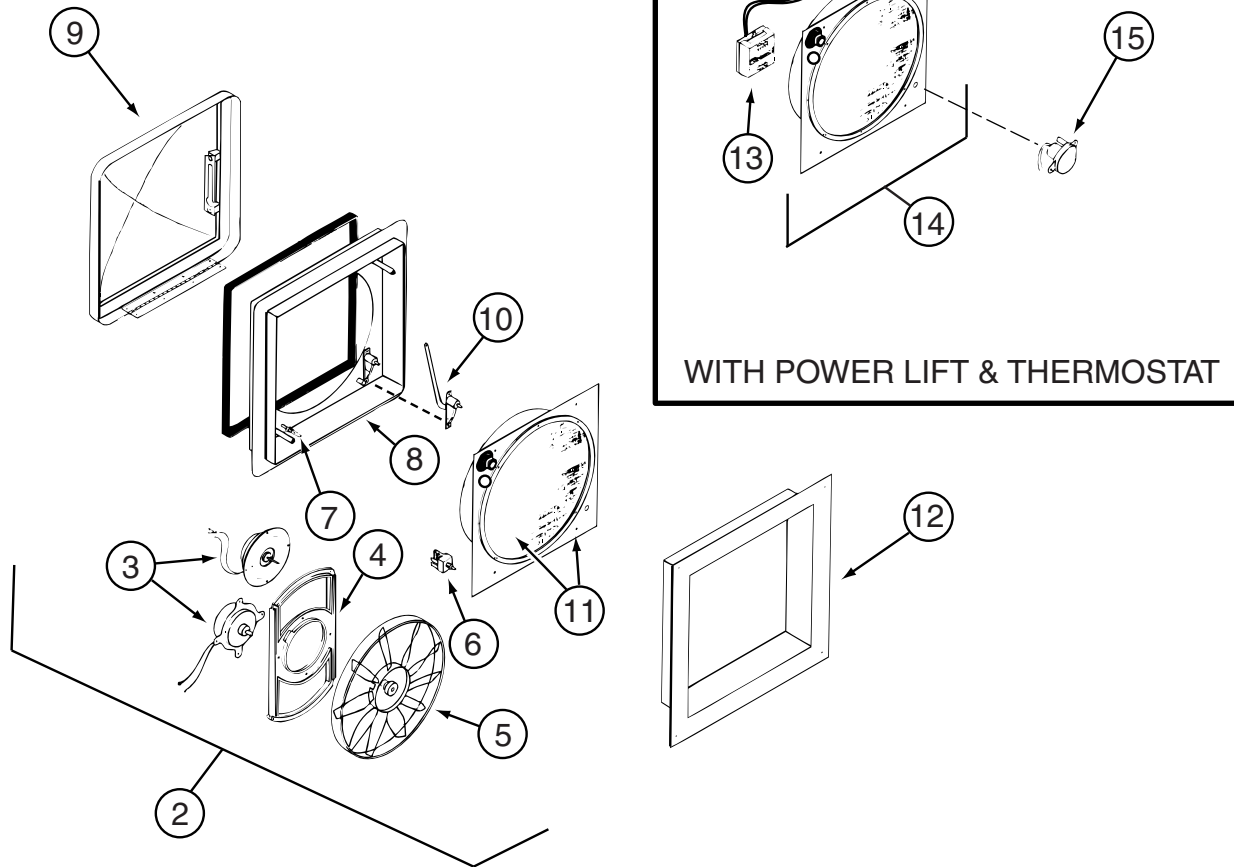
KEY	PART NUMBER	U/M DESCRIPTION
1	138983-01-02A	EA VENT - MICROWAVE/OUTER - BLACK
1	138983-03-01A	EA COVER - VENT MICROWAVE/OUTER - BRIGHT WHITE
2*	150649-26-01A	EA WINDOW - VERT SLIDER/FLUSH/THERMO - 37.9" X 20.8"
3*	123780-10-01A	EA FANTASTIC VENT-4"ROOF-W/FAN/PWR LIFT/DBL DOME-W/O THERM
	009440-01-000	EA GEAR/ARM - LIFT - ROOF VENT COVER
4	151905-01-01A	EA CLIP/BRACKET - SCREEN RETAINER - BLACK
5*	150651-07-01A	EA WINDOW - STATIONARY/FLUSH/THERMO - 26.3" X 19.1" - BLACK
6*	150648-07-01A	EA WINDOW-HORIZ SLIDER/FLUSH/THERMO/LH - 23.8" X 57.7"
7*	150648-27-01A	EA WINDOW-HORIZ SLIDER/FLUSH/THERMO/LH - 37.9" X 60.4" - BLACK
8*	151073-01-01A	EA WINDOW - CAB/FRT SLANT/FLUSH/THERMO - 28.1" X 19.7"/6.6"
9*	151074-01-01A	EA WINDOW - CAB/VISTA/FLUSH/THERMO - 11.3" X 44.7"/41.8"
10*	150656-11-01A	EA WINDOW - TIPOUT/FLUSH/ESCAPE/THERMO - 35.9" X 27"
		FROM: 00-00-00 THRU: 10-01-06
10*	161452-06-01A	EA WINDOW - TIPOUT/FLUSH/ESCAPE/THERMO - 35.9" X 27"
		FROM: 10-02-06 THRU: 99-99-99
11*	150649-18-01A	EA WINDOW - VERT SLIDER/FLUSH/THERMO - 55.4" X 22.1"
12*	150656-10-01A	EA WINDOW - TIPOUT/FLUSH/THERMO - 27.2" X 12.3"
		FROM: 00-00-00 THRU: 10-01-06
12*	161452-05-01A	EA WINDOW - TIPOUT/FLUSH/THERMO - 27.2" X 12.3"
		FROM: 10-02-06 THRU: 99-99-99

WINDOW & VENTS GROUP (CONTINUED)

WINDOW & VENT LAYOUT (CONTINUED)

KEY	PART NUMBER	U/M	DESCRIPTION
13*	150649-09-01A	EA	WINDOW - VERT SLIDER/FLUSH/THERMO - 55.4" X 22.1"
14*	150648-18-01A	EA	WINDOW-HORIZ SLIDER/FLUSH/THERMO/RH - 12.2" X 24.2"
15*	151072-01-01A	EA	WINDOW - CAB/RIGHT HAND/FLUSH/THERMO - 41.5" X 50.2"/41.8"

*COMPONENT PARTS LISTED LATER IN THIS GROUP



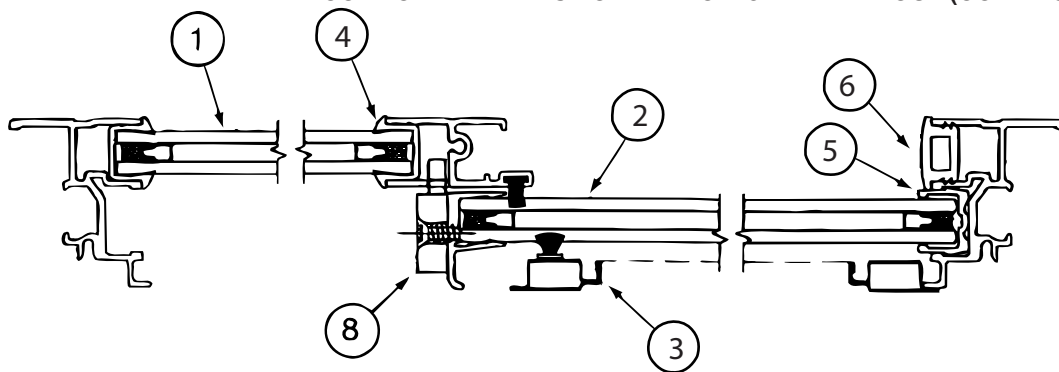
COMPONENT PARTS FOR WINDOW & VENT LAYOUT

123780-10-01A

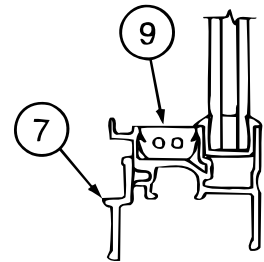
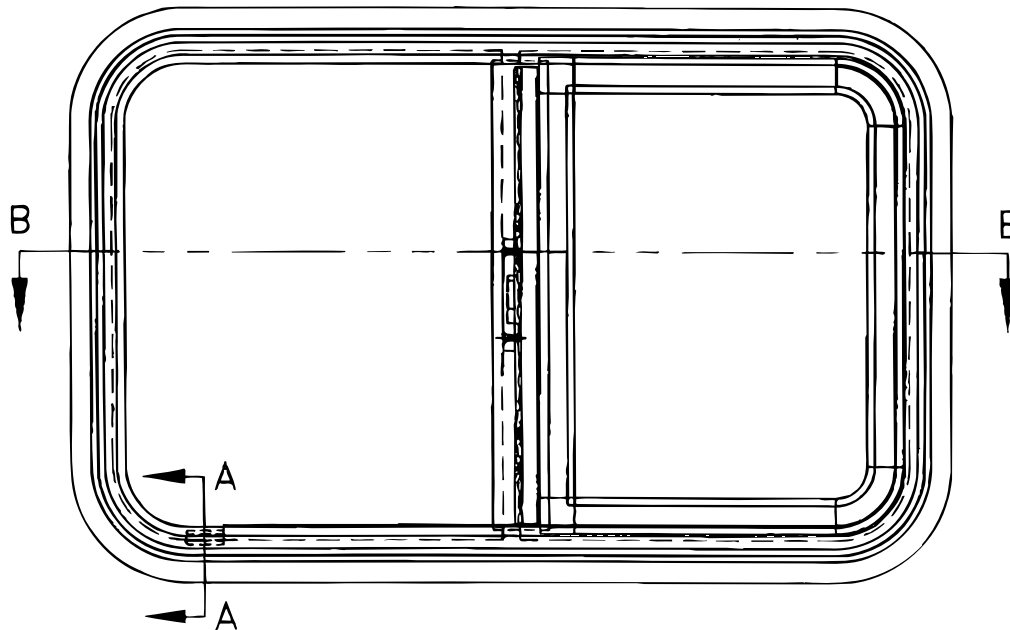
KEY	PART NUMBER	U/M	DESCRIPTION	VENDOR NO.
2	084079-11-700	EA	MOTOR & FAN BLADE W/BRACKET	K4017-09
3	084079-01-705	EA	MOTOR/EXT BRKT/FAN BLADE KIT	1080-00
4	084079-01-711	EA	MOTOR MOUNT (BOWTIE)	1015-00
5	084079-01-704	EA	BLADE-FAN	1138-00
6	084079-01-709	EA	SWITCH - MAIN - 3 SPEED	1031-05
7	084079-01-707	EA	SWITCH - SAFETY	1122-05
8	123780-05-700	EA	BASE/MAIN-BRT WHT W/GASKET	1010-81
9	123780-09-700	EA	DOME (DOUBLE)WHT TRANSPARENT	K2020-82
11	123780-01-702	EA	SCREEN INSERT (SCREEN RING)	K1035-81
12	123780-03-700	EA	GARNISH - INT. 3"-4" BRT/WHT	2040-81
13	084079-01-710	EA	THERMOSTAT(WALL MT)ANY COLOR	9988-81
14	123780-05-701	EA	SCREEN INT W/ALL SWITCHES	KIT-81
15	084079-11-703	EA	MOTOR/AUTO LIFT OFF/WHT CAP	6050-80 OS
15	084079-11-705	EA	MOTOR - LIFT (BC MOTOR)	5050-40
15	084079-11-707	EA	MOTOR-AUTO LIFT-WHT CAP NS	6050-81 NS

CONTACT WINNEBAGO PART SALES FOR UNLISTED COMPONENT(S)

WINDOW & VENTS GROUP (CONTINUED)
COMPONENT PARTS FOR WINDOW & VENT LAYOUT (CONTINUED)



CROSS SECTION B-B



CROSS SECTION
A-A

150648-07-01A, 150648-22-01A

KEY	PART NUMBER	U/M	DESCRIPTION	VENDOR NO
1	150648-07-701	EA	GLASS - STATIONARY	390-028314
2	150648-07-700	EA	GLASS-SLIDING W/SASH & LATCH	FH3000G8
3	150648-01-702	EA	SCREEN ASM	410-031156
4	112795-01-705	FT	VINYL - GLAZING	132-027331
5	151069-01-700	EA	CHANNEL-RUN, SLIDING	122-030627
6	150648-01-703	EA	PLUG - FILLER	132-030308
7	150648-01-707	EA	RETAINER - TRIM	H493-67
8	150648-01-700	EA	LATCH-HORIZONTAL SLIDE-BLK	FH3000-CK
8	150648-01-701	EA	LATCH-HORIZONTAL SLIDE-RED	FH3003-CK
9	150648-01-704	EA	SLIDE STOP	132-030866
	150648-05-702	FT	FIN SEAL-F/LOCKING RAIL-BLK	171-062348

WINDOW & VENTS GROUP (CONTINUED)
COMPONENT PARTS FOR WINDOW & VENT LAYOUT (CONTINUED)

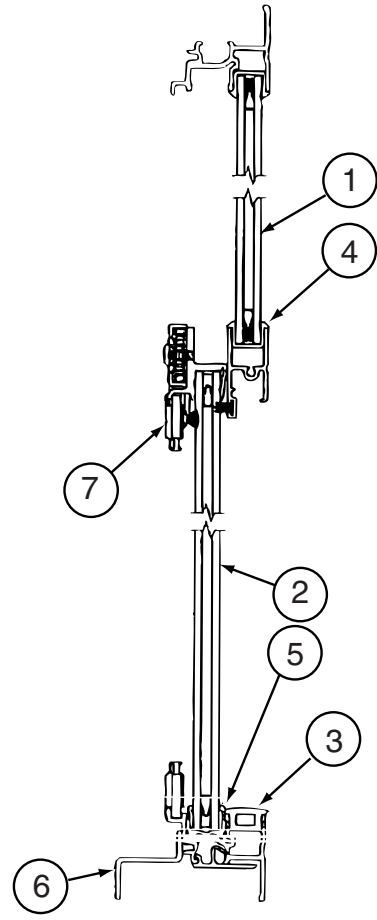
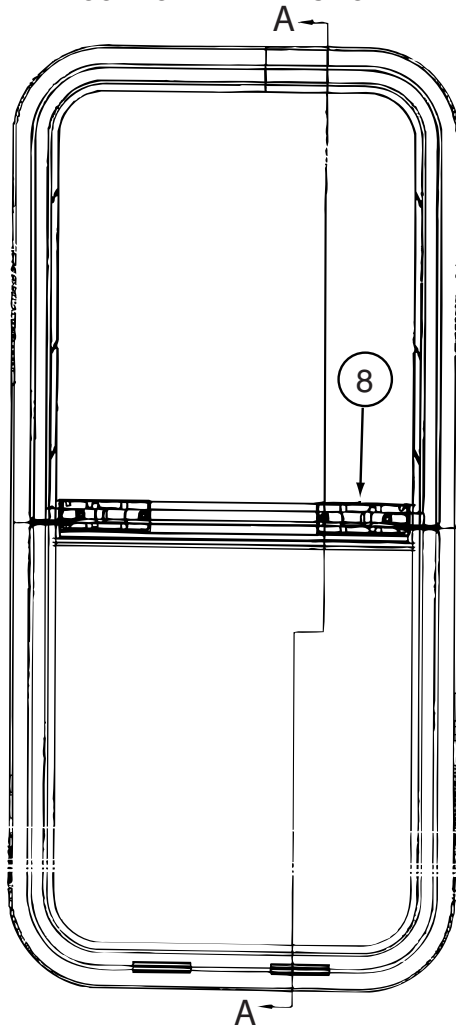
150648-13-01A, 150648-18-01A

KEY	PART NUMBER	U/M	DESCRIPTION	VENDOR NO
1	150648-13-700	EA	GLASS - STATIONARY	390-036159
2	150648-13-701	EA	GLASS-SLIDING W/SASH & LATCH	FH3005G8
3	150648-13-702	EA	SCREEN ASM	410-035328
4	112795-01-705	FT	VINYL - GLAZING	132-027331
5	151069-01-700	EA	CHANNEL-RUN, SLIDING	122-030627
6	150648-01-703	EA	PLUG - FILLER	132-030308
7	150648-13-703	EA	RETAINER - TRIM	B951-67
8	150648-01-700	EA	LATCH-HORIZONTAL SLIDE-BLK	FH3000-CK
8	150648-01-701	EA	LATCH-HORIZONTAL SLIDE-RED	FH3003-CK
9	150648-01-704	EA	SLIDE STOP	132-030866
	150648-05-702	FT	FIN SEAL-F/LOCKING RAIL-BLK	171-062348

150648-14-01A, 150648-27-01A, 150648-34-01A

KEY	PART NUMBER	U/M	DESCRIPTION	VENDOR NO
1	150648-14-701	EA	GLASS - STATIONARY	390-036160
2	150648-14-702	EA	GLASS-SLIDING W/SASH & LATCH	FH3010G8
3	150648-14-700	EA	SCREEN ASM	410-035333
4	112795-01-705	FT	VINYL - GLAZING	132-027331
5	151069-01-700	EA	CHANNEL-RUN, SLIDING	122-030627
6	150648-01-703	EA	PLUG - FILLER	132-030308
7	150648-14-703	EA	RETAINER - TRIM	H442-67
8	150648-01-700	EA	LATCH-HORIZONTAL SLIDE-BLK	FH3000-CK
8	150648-01-701	EA	LATCH-HORIZONTAL SLIDE-RED	FH3003-CK
9	150648-01-704	EA	SLIDE STOP	132-030866
	150648-05-702	FT	FIN SEAL-F/LOCKING RAIL-BLK	171-062348

WINDOW & VENTS GROUP (CONTINUED)
COMPONENT PARTS FOR WINDOW & VENT LAYOUT (CONTINUED)



CROSS SECTION A-A

150649-09-01A

KEY	PART NUMBER	U/M	DESCRIPTION	VENDOR NO
1	112898-23-700	EA	GLASS - STATIONARY	390-028351
2	150649-09-700	EA	GLASS-SLIDING W/SASH & LATCH	FH3053G8
3	150648-01-703	FT	PLUG - FILLER	132-030308
4	112795-01-705	FT	VINYL - GLAZING	132-027331
5	151069-01-700	FT	CHANNEL-RUN, SLIDING	122-030627
6	150649-09-702	EA	RETAINER - TRIM	H446-67
7	150649-09-701	EA	SCREEN ASM	410-035632
8	150649-01-700	EA	LATCH-VERTICLE SLIDE-BLK	FH3016-CK

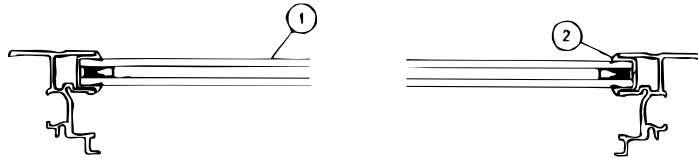
150649-18-01A

KEY	PART NUMBER	U/M	DESCRIPTION	VENDOR NO
1	112898-23-700	EA	GLASS - STATIONARY	390-028351
2	150649-09-700	EA	GLASS-SLIDING W/SASH & LATCH	FH3053G8
3	150648-01-703	EA	PLUG - FILLER	132-030308
4	112795-01-705	FT	VINYL-GLAZING	132-027331
5	151069-01-700	EA	FIN CHANNEL-RUN, SLIDING	122-030627
6	150649-18-700	EA	RETAINER - TRIM	H446-61
7	150649-09-701	EA	SCREEN ASM	410-035632
8	150649-01-700	EA	LATCH-VERTICLE SLIDE-BLK	FH3016-CK

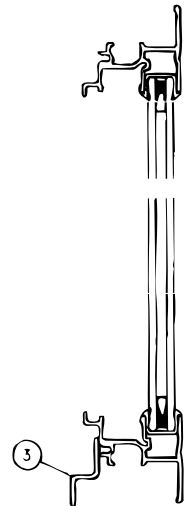
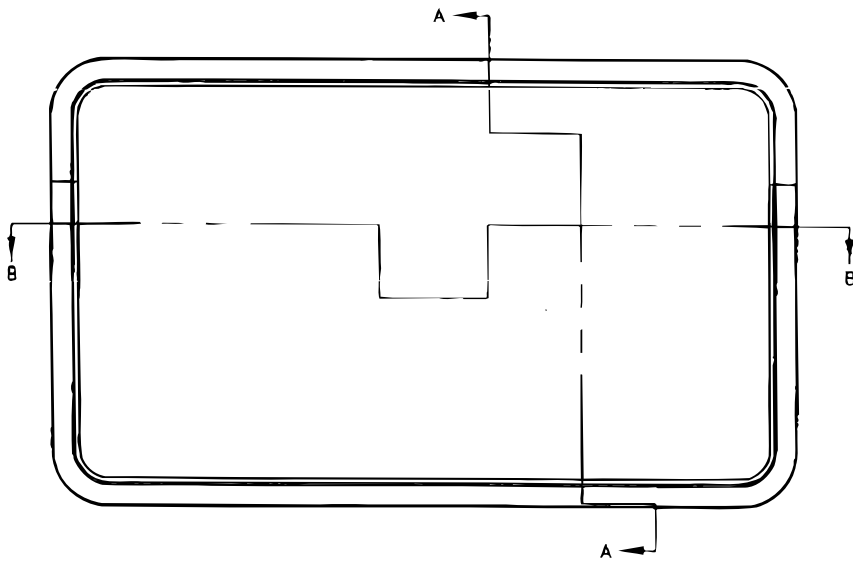
WINDOW & VENTS GROUP (CONTINUED)
COMPONENT PARTS FOR WINDOW & VENT LAYOUT (CONTINUED)

150649-26-01A

KEY	PART NUMBER	U/M	DESCRIPTION	VENDOR NO
1	150649-26-700	EA	GLASS - STATIONARY	390-036342
2	150649-26-701	EA	GLASS-SLIDING W/PULL & LATCH	FH3088G8
3	150648-01-703	EA	PLUG - FILLER	132-030308
4	112795-01-705	FT	VINYL-GLAZING	132-027331
5	151069-01-700	EA	FIN CHANNEL-RUN, SLIDING	122-030627
6	150649-26-702	EA	RETAINER - TRIM	H3088-61
7	150649-07-701	EA	SCREEN ASM	410-035475
8	150649-01-700	EA	LATCH-VERTICLE SLIDE-BLK	FH3016-CK



CROSS SECTION B-B

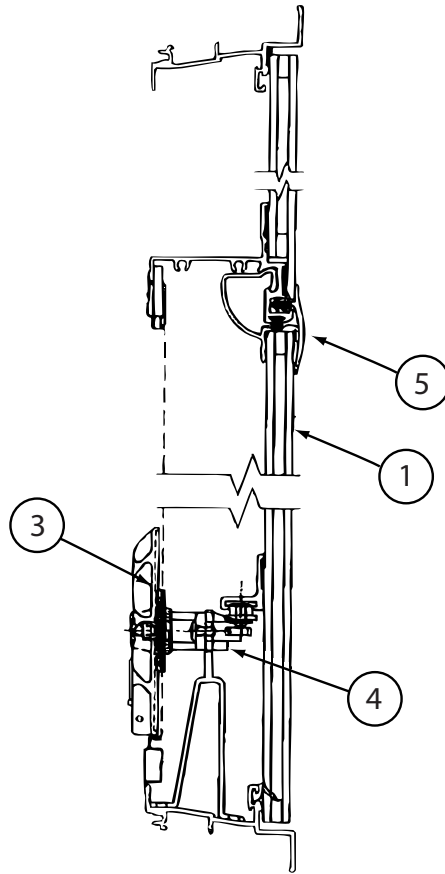
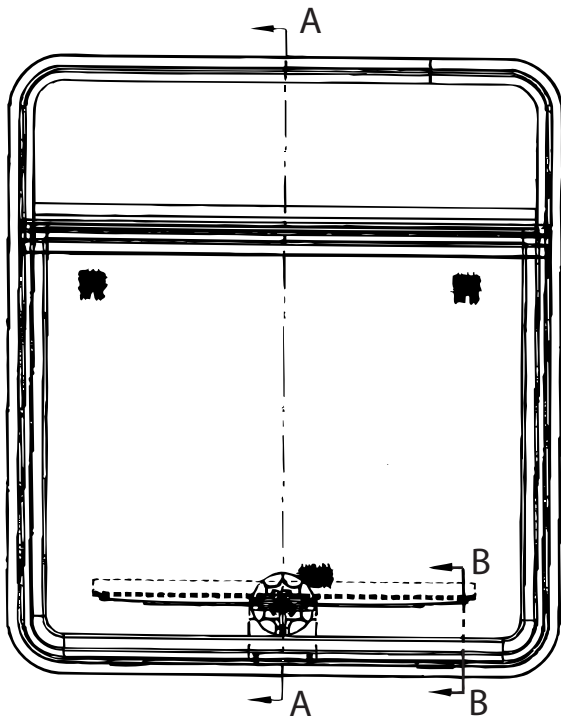


CROSS SECTION A-A

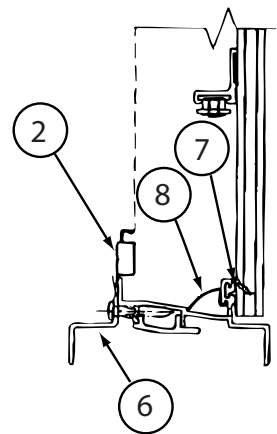
150651-07-01A

KEY	PART NUMBER	U/M	DESCRIPTION	VENDOR NO
1	150651-07-700	EA	GLASS - STATIONARY	390-036022
2	150651-07-701	EA	RETAINER - TRIM	H3074-67
3	112795-01-705	FT	VINYL - GLAZING	132-027331

WINDOW & VENTS GROUP (CONTINUED)
COMPONENT PARTS FOR WINDOW & VENT LAYOUT (CONTINUED)



CROSS SECTION A-A

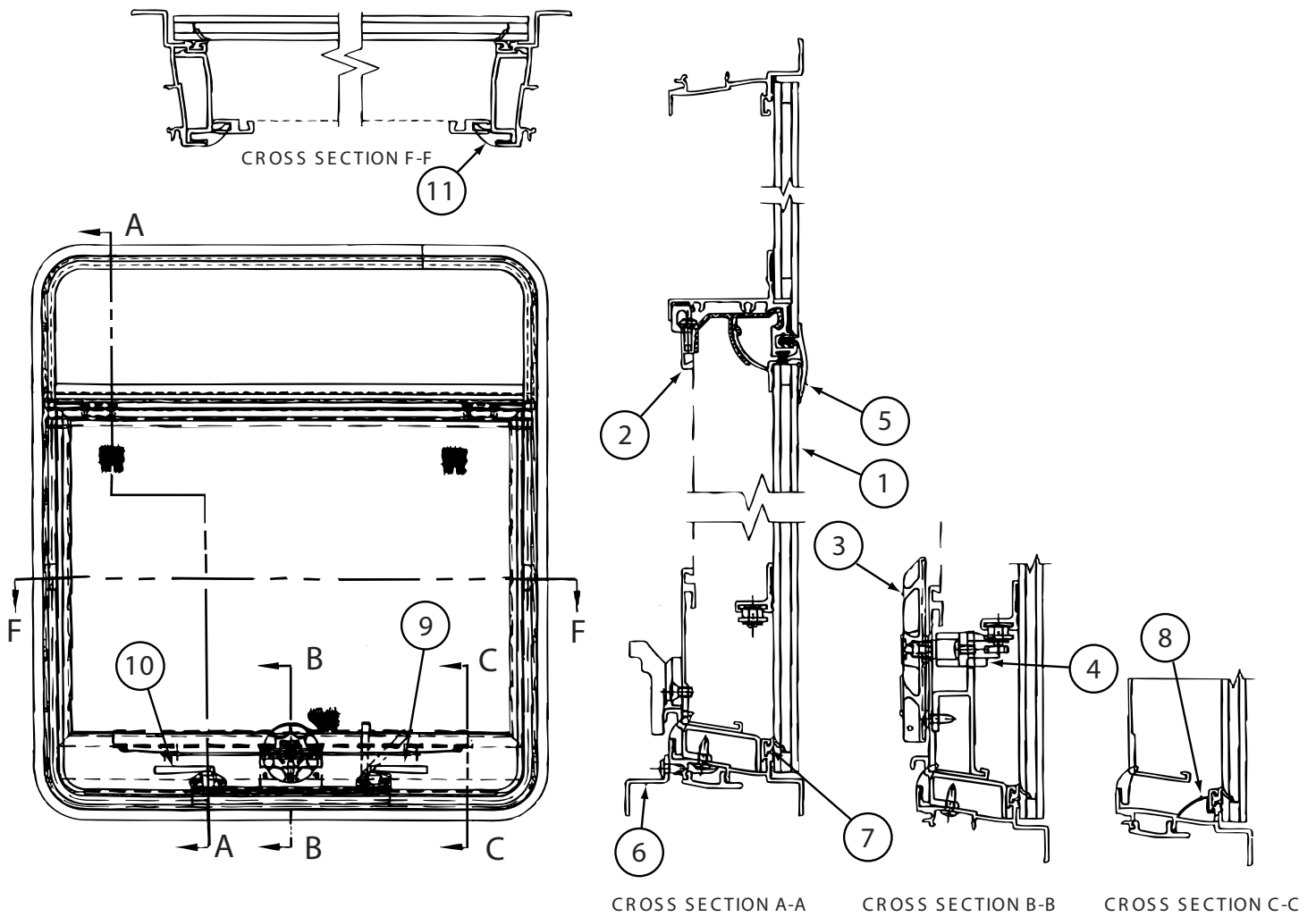


CROSS SECTION B-B

150656-10-01A

KEY	PART NUMBER	U/M	DESCRIPTION	VENDOR NO
1	150656-10-700	EA	GLASS-TIPOUT W/GUIDE RAIL	DTH3042G8
2	150656-10-702	EA	SCREEN ASM	410-035639
3	150656-02-702	EA	HANDLE-DIAL	410-016081E
4	150656-01-701	EA	OPERATOR - TIPOUT/SMALL	410-036142
5	150656-08-700	EA	SEAL/DUAL - WINDOW - 100"	132-030725
6	150656-10-703	EA	RETAINER - TRIM	DTH3042-56
7	100322-01-701	FT	SEAL-VENT	122-016071
8	150651-03-702	EA	COVER - DRAIN SLOT	132-030723

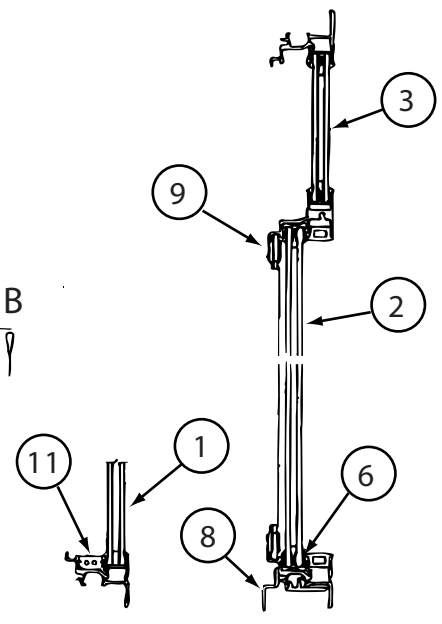
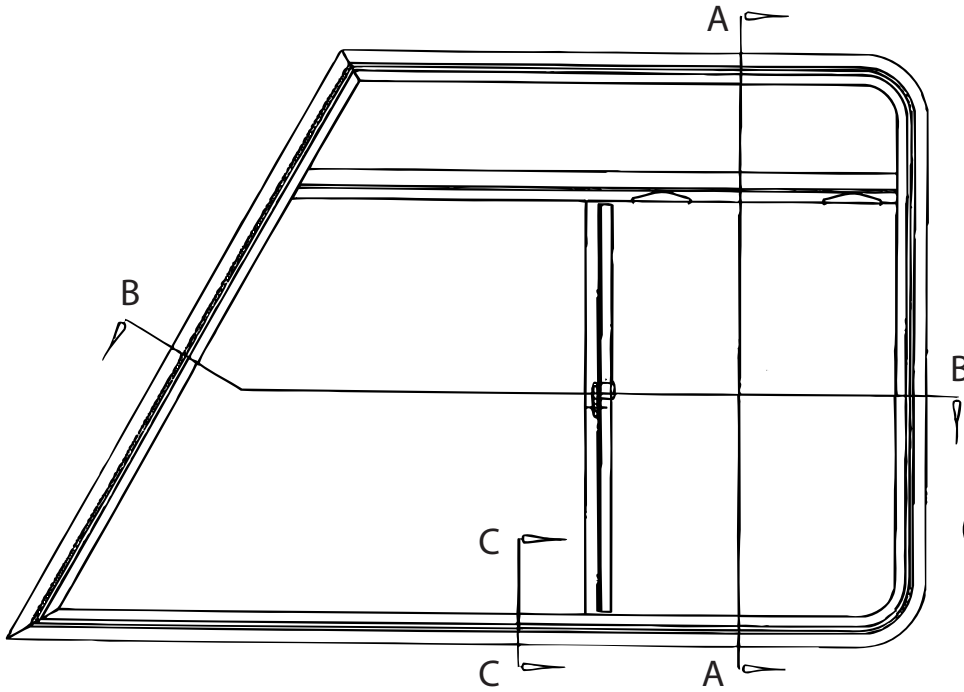
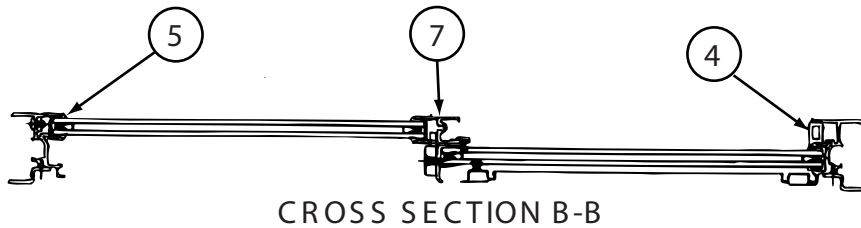
WINDOW & VENTS GROUP (CONTINUED)
COMPONENT PARTS FOR WINDOW & VENT LAYOUT (CONTINUED)



150656-11-01A

KEY	PART NUMBER	U/M	DESCRIPTION	VENDOR NO
1	150656-11-700	EA	GLASS-TIPOUT - W/HINGE/RAIL	DTH3047G8
2	150656-11-701	EA	SCREEN ASM	DTH3047-06
3	150656-02-702	EA	HANDLE-DIAL	410-016081E
4	150656-08-701	EA	OPERATOR - TIPOUT/LARGE	410-036141
5	150656-08-700	EA	SEAL/DUAL - WINDOW - 100"	132-030725
6	150656-11-702	EA	RETAINER - TRIM	DTH3047-56
7	100322-01-701	FT	SEAL-VENT	122-016071
8	150651-03-702	EA	COVER - DRAIN SLOT	132-030723
9	112898-06-707	EA	HANDLE/RH-EGRESS(SLD)ESC-RED	182-025911
10	112898-06-708	EA	HANDLE/LH-EGRESS(SLD)ESC-RED	182-025912
11	150656-09-700	FT	SEAL/SPONGE FOAM-SCREEN/FRME	140-035542

WINDOW & VENTS GROUP (CONTINUED)
COMPONENT PARTS FOR WINDOW & VENT LAYOUT (CONTINUED)

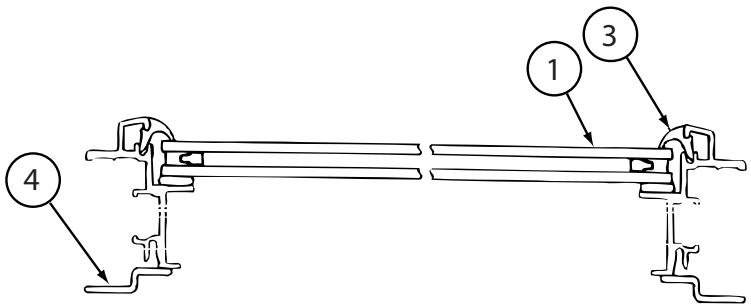


151072-01-01A

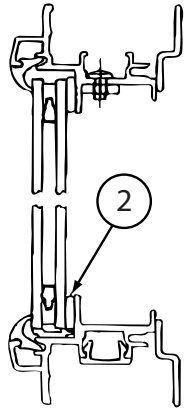
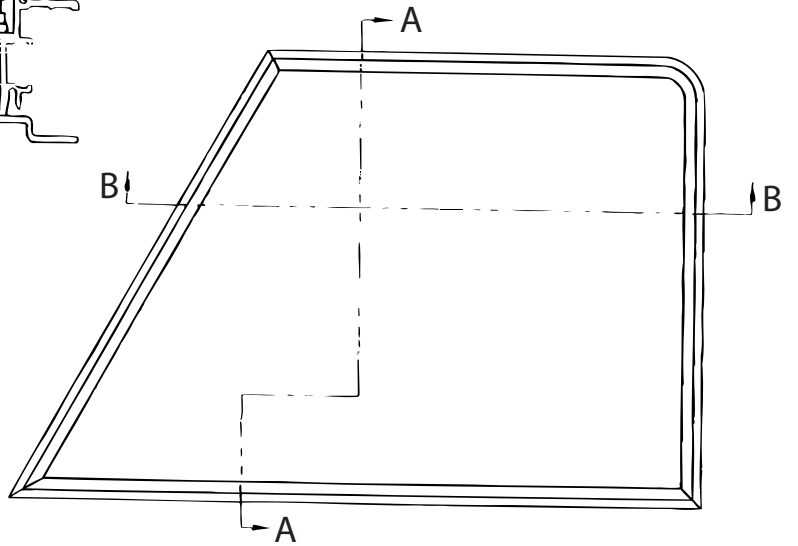
KEY	PART NUMBER	U/M	DESCRIPTION	VENDOR NO
1	125583-01-702	EA	GLASS - STATIONARY - R.H.	390-026101
2	151072-01-701	EA	GLASS-SLIDING W/SASH & LATCH	FH3040A9R
3	151072-01-702	EA	GLASS - STATIONARY - UPPER	390-036521
4	150648-01-703	FT	PLUG - FILLER	132-030308
5	151069-03-705	EA	VINYL GLAZING - F/STATIONARY	DH567-12 MITER/WELD
5	151069-03-706	EA	VINYL GLAZING - F/STATIONARY	DH373-12 MITER/WELD
6	151069-01-700	EA	CHANNEL-RUN, SLIDING	122-030627
7	098644-01-706	FT	WEATHERSTRIP - GLASS	171-010668
8	151072-01-703	EA	RETAINER-TRIM - 1 OF 2 PCE	H573K67RA
8	151072-01-704	EA	RETAINER-TRIM - 1 OF 2 PCE	H573K67RB
9	151072-01-700	EA	SCREEN ASM	410-035507
10	150648-01-700	EA	LATCH-HORIZONTAL SLIDE-BLK	FH3000-CK
11	112795-01-701	EA	SLIDE-STOP	132-019092

CONTACT WINNEBAGO PARTS SALES FOR FOR UNLISTED COMPONENTS

WINDOW & VENTS GROUP (CONTINUED)
COMPONENT PARTS FOR WINDOW & VENT LAYOUT (CONTINUED)



CROSS SECTION B-B



CROSS SECTION A-A

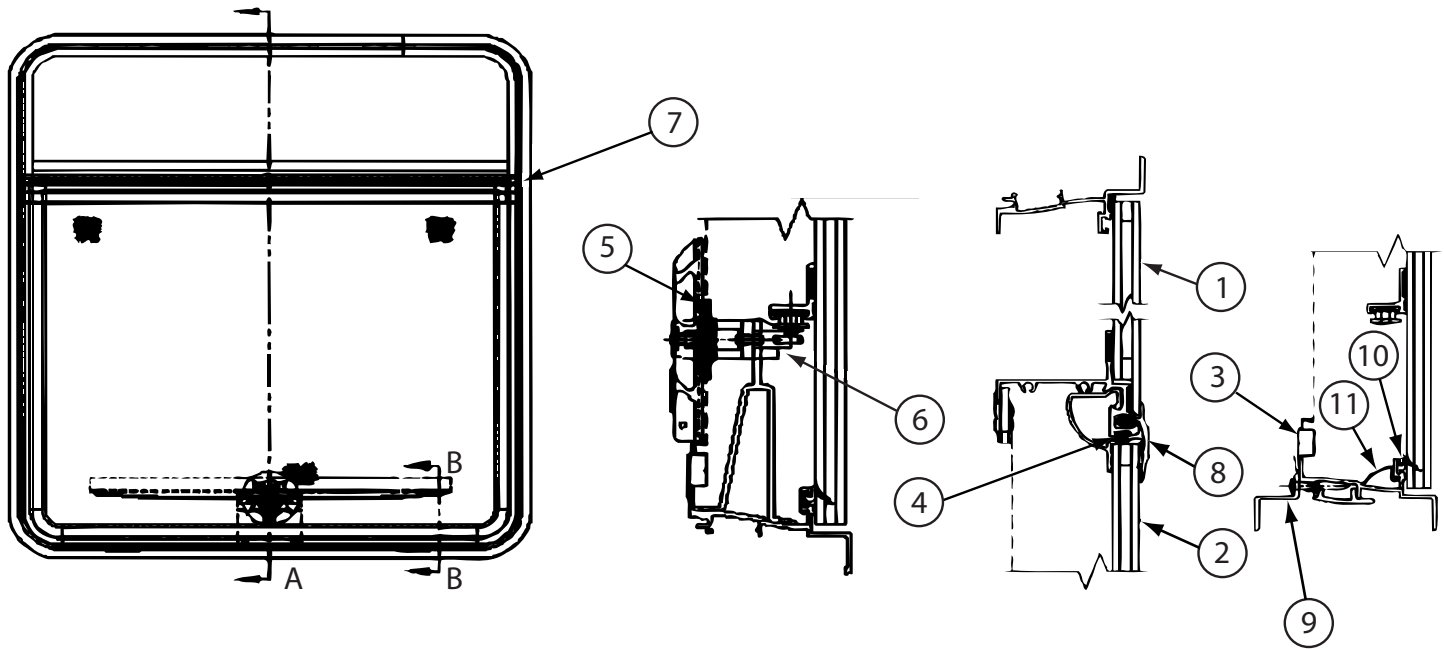
151073-01-01A

KEY	PART NUMBER	U/M	DESCRIPTION	VENDOR NO
1	125585-01-700	EA	GLASS - STATIONARY	390026092
2	115630-01-705	EA	TAPE - BUTYL	154-011956
3	151073-01-700	EA	VINYL BUTYL-MITERED/FORMED	FH56912
4	151073-01-701	EA	RETAINER - TRIM	H569K67L

151074-01-01A

KEY	PART NUMBER	U/M	DESCRIPTION	VENDOR NO
1	151074-01-700	EA	GLASS - STATIONARY	390-028331
2	115630-01-705	FT	TAPE - BUTYL	154-011956
3	151074-01-701	EA	VINYL GLAZING-MITERED/FORMED	FH570-12
4	151074-01-702	EA	RETAINER - TRIM	H570K67L

WINDOW & VENTS GROUP (CONTINUED)
COMPONENT PARTS FOR WINDOW & VENT LAYOUT (CONTINUED)



161452-05-01A

KEY	PART NUMBER	U/M	DESCRIPTION	VENDOR NO.
3	150656-01-702	EA	SCREEN ASM	410-035639
4	098644-01-706	FT	WEATHERSTRIP - GLASS	171-010668
5	100322-01-718	EA	HANDLE-DIAL	410-016081
6	150656-01-701	EA	OPERATOR - TIPOUT/SMALL	410-036142
7	161452-01-700	FT	FELT SEAL	160-014688
9	150656-01-703	EA	RETAINER - TRIM	DTH3042-56
10	100322-01-701	FT	SEAL-VENT	122-016071
11	150651-03-702	FT	COVER - DRAIN SLOT	132-030723

CONTACT WINNEBAGO PARTS SALES FOR FOR UNLISTED COMPONENTS

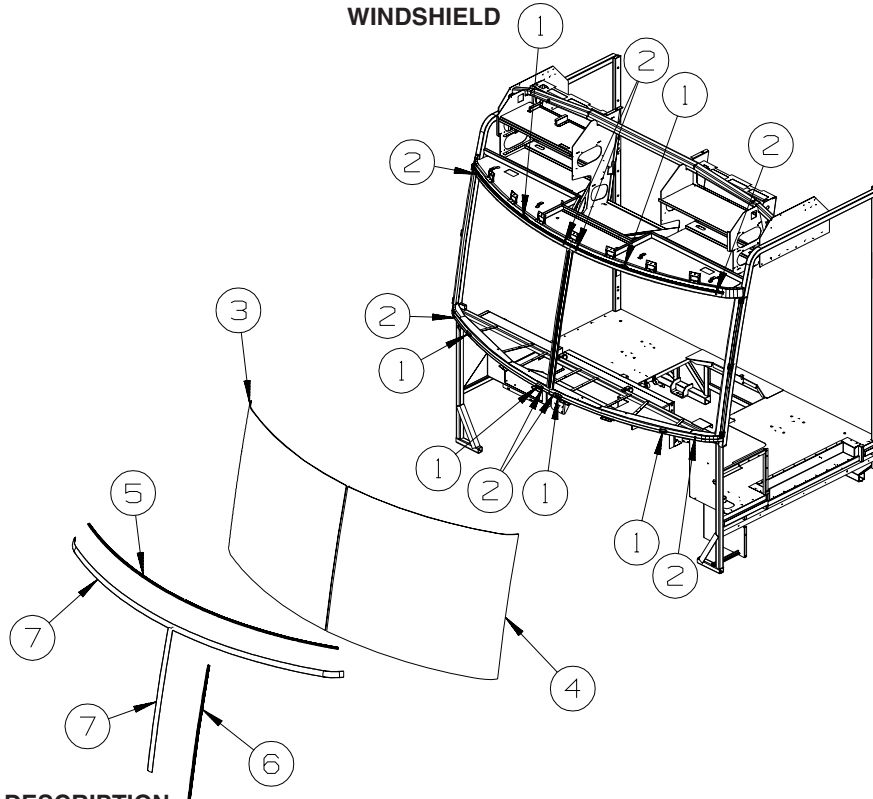
161452-06-01A

KEY	PART NUMBER	U/M	DESCRIPTION	VENDOR NO.
3	150656-11-701	EA	SCREEN ASM	DTH3047-06
4	098644-01-706	FT	WEATHERSTRIP - GLASS	171-010668
5	100322-01-718	EA	HANDLE-DIAL	410-016081
6	150656-08-701	EA	OPERATOR - TIPOUT/LARGE	410-036141
7	161452-01-700	FT	FELT SEAL	160-014688
9	150656-11-702	EA	RETAINER - TRIM	DTH3047-56
10	100322-01-701	FT	SEAL-VENT	122-016071
11	150651-03-702	FT	COVER - DRAIN SLOT	132-030723

CONTACT WINNEBAGO PARTS SALES FOR FOR UNLISTED COMPONENTS

WINDSHIELD & WIPER GROUP

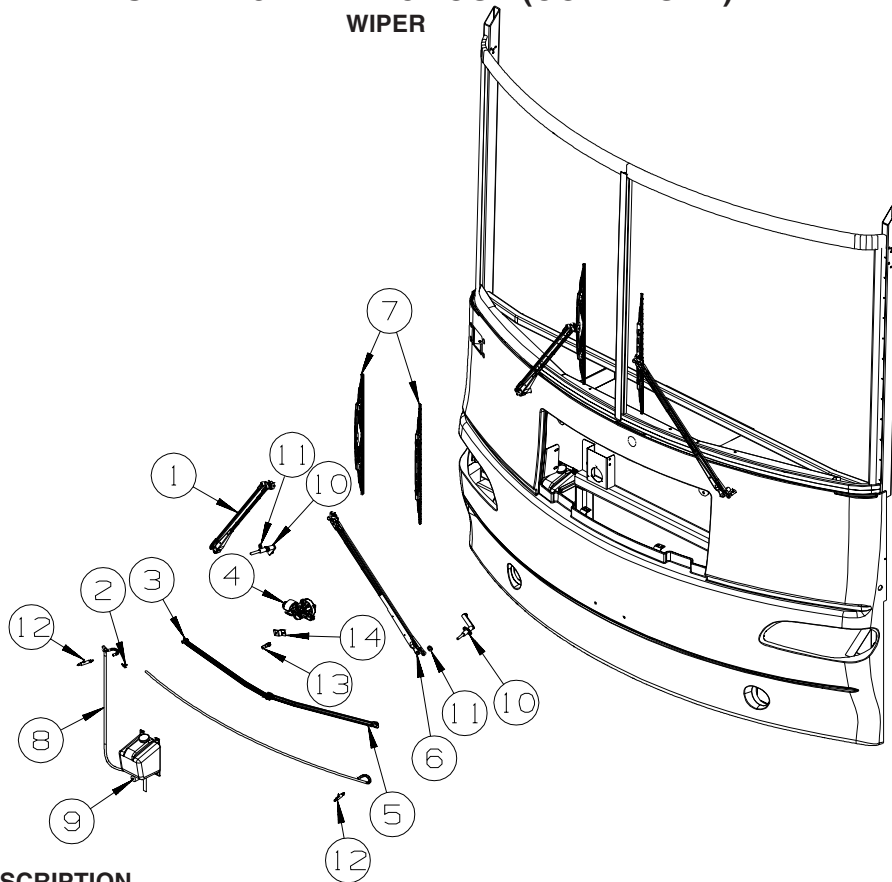
WINDSHIELD



KEY	PART NUMBER	U/M	DESCRIPTION
1	002328-03-000	EA	BLOCK - WINDSHIELD - .125" X .5" X .98"
2	081914-02-000	EA	BUMPER - RUBBER - ROUND - 5/16" DIA. X 13/64" THICK
3	124328-01-000	EA	WINDSHIELD - PASSENGER - 52" X 41" (CURVED)
4	124328-02-000	EA	WINDSHIELD - DRIVER - 52" X 41" (CURVED)
5	127862-01-000	EA	CARRIER/REVEAL - WINDSHIELD - 47.2"
6	127862-09-000	EA	CARRIER/REVEAL - WINDSHIELD - 38.6"
7	120533-01-000	FT	MOLDING - REVEAL - WINDSHIELD

WINDSHIELD & WIPER GROUP (CONTINUED)

WIPER



KEY	PART NUMBER	U/M	DESCRIPTION
1*	149402-03-000	EA	ARM - WINDSHIELD WIPER/PANTOGRAPH - RIGHT HAND - 28"
2	146486-01-000	EA	TEE - PLASTIC - 5/32" X 5/32" X 5/32" - ON LEFT SIDE OF WORKHORSE CHASSIS
3	149403-01-000	EA	LINK/CONNECTING-WINDSHIELD WIPER - CLOSED/CLOSED - 24"
4	149409-01-000	EA	MOTOR - WIPER - DYNAMIC PARK
5	149403-02-000	EA	LINK/CONNECTING-WINDSHIELD WIPER - OPEN/CLOSED GROMMET-24"
6*	149402-04-000	EA	ARM - WINDSHIELD WIPER/PANTOGRAPH - LEFT HAND - 28"
7	149399-01-000	EA	BLADE - WINDSHIELD WIPER - 24"
8	045794-01-000	FT	HOSE - WINDSHIELD WASHER - 5/32"ID - BLACK - ON LEFT SIDE OF WORKHORSE CHASSIS
9	117766-02-000	EA	RESERVOIR/PUMP - WINDSHIELD WASHER - ON LEFT SIDE OF WORKHORSE CHASSIS
10*	149401-03-000	EA	SHAFT/PIVOT - WINDSHIELD WIPER
11	110742-03-000	EA	GASKET - WIPER
12	145698-01-01A	EA	SHAFT/IDLER - PANTOGRAPH - W/WASHER DIVERTER - STAINLESS
13	149395-01-000	EA	STUD/DOUBLE BALL CRANK - WIPER MOTOR
14	149408-01-000	EA	ARM - DRIVE/WIPER MOTOR

*COMPONENT PARTS LISTED LATER IN THIS GROUP

COMPONENT PARTS FOR WIPER

149401-03-000

KEY	PART NUMBER	U/M	DESCRIPTION	VENDOR NO.
	096505-02-703	EA	NUT/ACORN - HD W/.687 BRL	51065-40-NT27WC
	149401-01-700	EA	HARDWARE PKG - F/SHAFT&PIVOT	PSHWKIT
	149401-01-701	EA	SEAL CAP/RUBBER GROMMET	300749

149402-03-000 & 149402-04-000

KEY	PART NUMBER	U/M	DESCRIPTION	VENDOR NO.
	149402-03-700	EA	WASHER NOZZLE KIT W/HDWR	19476
	149402-03-701	EA	COVER/CAP - BLACK	200342