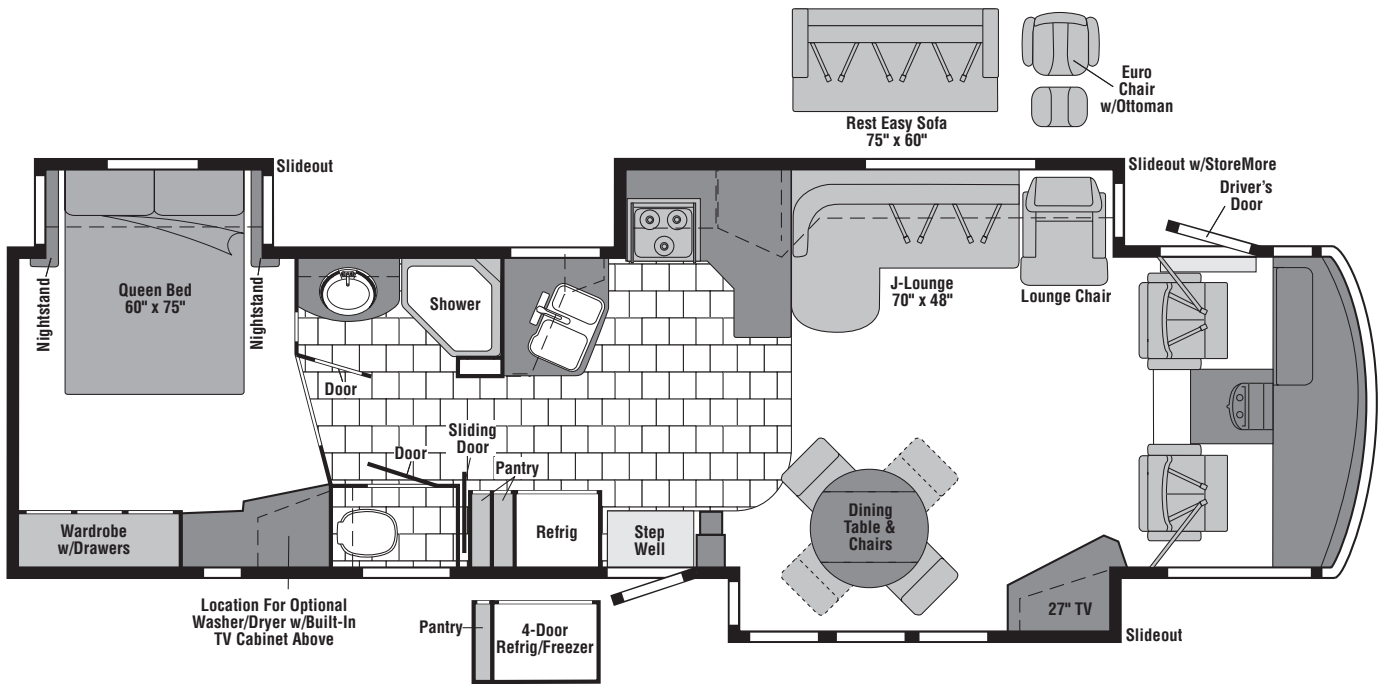


2007
SUNCRUISER
IPG38J
G-SERIES
CONCERT CHERRY
 UA1 IRISH CREAM
 UM4 IRISH CREAM
 UA5 CAVALIER
 UM5 CAVALIER
 UB1 BUTTER BRICKLE
 UM6 BUTTER BRICKLE
WASHED MAPLE
 UA2 IRISH CREAM
 UA6 CAVALIER
 UB2 BUTTER BRICKLE
SIERRA MAPLE
 UA3 IRISH CREAM
 UA7 CAVALIER
 UB3 BUTTER BRICKLE



FLOORPLAN

CONTENTS

| | |
|----------------------------------------------------------------------|-----------|
| FLOORPLAN | 1 |
| ACCESSORIES GROUP | 6 |
| OPERATORS MANUAL | 6 |
| AUDIO VIDEO GROUP | 7 |
| RADIO SYSTEM | 7 |
| REAR MONITOR | 7 |
| COMPONENT PARTS FOR REAR MONITOR | 8 |
| 144677-10-01A | 8 |
| 144677-11-01A | 8 |
| 144677-10-02A & 144677-11-02A | 8 |
| CABINET & APPLIANCE GROUP | 9 |
| CABINET & APPLIANCE LAYOUT | 9 |
| COMPONENT PARTS FOR CABINET & APPLIANCE LAYOUT | 23 |
| 119267-12-02A | 23 |
| 119267-17-01A | 23 |
| 120075-12-01A, 120075-13-01A, 120075-14-01A, 120075-15-01A | 23 |
| 120075-23-01A | 29 |
| 121569-05-01A, 121569-06-01A, 121569-07-01A | 35 |
| 125242-03-02A | 40 |
| 125242-05-02A | 49 |
| 126022-01-01A, 126022-02-01A, 126022-03-01A | 55 |
| 135065-03-01A, 135065-03-03A, 135065-04-01A | 56 |
| 151277-03-01A, 151279-01-01A, 151279-02-01A/02A, 151279-03-01A | 58 |
| CHASSIS GROUP | 61 |
| FRAME | 61 |
| FRONT END | 63 |
| DRIVETRAIN | 65 |
| EXHAUST | 66 |
| FUEL | 69 |
| HYDRAULIC LEVELING | 70 |
| COMPONENT PARTS FOR HYDRAULIC LEVELING | 71 |
| 100536-57-000 | 71 |
| 100536-60-000 | 71 |
| 153452-18-000 | 71 |
| 153452-19-000 | 71 |
| 153452-20-000 | 72 |
| 153452-21-000 | 72 |
| WHEEL, TIRE, COVERS &/OR LINERS | 73 |
| COMPONENT PARTS FOR WHEEL, TIRE, COVERS &/OR LINERS | 73 |
| 145580-02-000 | 73 |
| 150723-01-000 | 73 |
| BRAKE | 73 |
| BRAKELINE | 73 |
| CURTAIN & CUSHION GROUP | 74 |
| NOTICE | 74 |
| CUSHION LAYOUT | 75 |
| BUCKET SEATS | 77 |
| COMPONENT PARTS FOR BUCKET SEATS | 78 |
| 122611-02-000 | 78 |
| LOUNGE CHAIR | 79 |
| SOFA | 80 |
| COMPONENT PARTS FOR SOFA | 85 |
| 136534-02-000, 136534-03-000, 136534-13-000, 136534-15-000 | 85 |
| 136534-17-000 | 85 |
| WINDOW TREATMENT | 86 |
| COMPONENT PARTS FOR WINDOW TREATMENT | 87 |
| 147460-05-T77 | 87 |
| HARDWARE | 88 |
| FABRICS | 90 |

CONTENTS (CONTINUED)

| | |
|------------------------------------------|------------|
| DRIVERS COMPARTMENT GROUP | 91 |
| DASH | 91 |
| MOTOR COVER | 93 |
| BEVERAGE TRAY | 94 |
| FRONT INTERIOR | 95 |
| COMPONENT PARTS FOR FRONT INTERIOR | 99 |
| 091990-08-01A | 99 |
| 147767-01-000, 147767-02-000 | 99 |
| CABINETS | 100 |
| ELECTRICAL GROUP | 104 |
| 110V BODY WIRING | 104 |
| 12V BODY WIRING | 107 |
| EXTERIOR LAMPS | 114 |
| FRONT END | 116 |
| FRONT TV/VCR | 118 |
| SIDE TV/VCR | 119 |
| COMPONENT PARTS FOR WIRING | 122 |
| 076319-23-000 | 122 |
| 076319-25-000 | 122 |
| 086280-01-000 | 123 |
| 087694-01-000 | 123 |
| 093575-23-03A | 123 |
| 097917-01-06A | 123 |
| 108354-01-01A | 123 |
| 119258-45-01A | 123 |
| 121935-01-01A | 123 |
| 123775-01-02A | 123 |
| 133004-05-01A | 124 |
| 135420-20-000 | 124 |
| 137135-02-000 | 125 |
| 137417-01-01A, 137417-03-01A | 126 |
| 137417-05-01A | 126 |
| 137417-06-01A | 126 |
| 141454-03-01A | 126 |
| 146048-01-01A | 127 |
| 146298-02-000 | 127 |
| 149040-02-000 | 127 |
| 149040-03-000 | 127 |
| 149049-01-000,149049-02-000 | 127 |
| 153464-03/06-01A | 127 |
| 154548-01-000 | 127 |
| 155619-01-000 | 127 |
| 156413-01-01A | 127 |
| 158836-01-000 | 127 |
| CIRCUIT BREAKERS, FUSES & RELAYS | 128 |
| CONVERTER, INVERTER, LOAD CENTERS | 128 |
| BOXES & CORDS | 129 |
| WIRE ASSEMBLIES | 129 |
| CONNECTORS & CONDUIT | 130 |
| CHASSIS | 132 |
| EXTERIOR BODY GROUP | 133 |
| GRAPHICS & PAINT | 133 |
| PANELS & TRIMS | 135 |
| COMPONENT PARTS FOR PANELS & TRIMS | 138 |
| 142721-01-01A, 142721-02-01A | 138 |
| 142721-01-02A, 142721-02-02A | 138 |
| FRONT END | 139 |
| LADDER | 140 |
| STRUCTURAL COMPONENTS | 141 |
| AWNINGS | 141 |

CONTENTS (CONTINUED)

| | |
|---------------------------------------------------------------------------------|------------|
| EXTERIOR DOORS & COMPARTMENTS GROUP | 142 |
| DOOR & COMPARTMENT LAYOUT | 142 |
| COMPONENT PARTS FOR DOOR & COMPARTMENT LAYOUT | 147 |
| 084103-08-000 | 147 |
| 110506-A1-000, 110506-A2-000, 110506-26-000, 110506-27-000, 110506-36-000 | 147 |
| 142226-02-01A | 147 |
| 143709-02-01A | 147 |
| COMPARTMENT DOOR PIECE PARTS | 148 |
| DRIVERS | 150 |
| COMPONENT PARTS FOR DRIVERS | 151 |
| 108354-01-01A | 151 |
| 125581-09-01A | 151 |
| ENTRY | 153 |
| SCREEN | 154 |
| LATCH - ENTRY | 155 |
| EXTERIOR SLIDEOUT GROUP | 156 |
| FRONT LEFT | 156 |
| COMPONENT PARTS FOR FRONT LEFT | 159 |
| 100536-58-000 | 159 |
| 151323-01-000 , 151323-02-000, 151323-03-000 | 159 |
| 152553-01-000, 152553-02-000 | 159 |
| 152553-03-000 | 159 |
| 153651-02-01A | 159 |
| 153651-04-01A | 159 |
| FRONT RIGHT | 160 |
| COMPONENT PARTS FOR FRONT RIGHT | 163 |
| 100536-42-000 | 163 |
| 151323-01-000 , 151323-02-000, 151323-03-000 | 163 |
| 155325-01-000 | 163 |
| 155325-02-000 | 163 |
| 155325-03-000 | 163 |
| 153651-02-01A | 163 |
| 153651-04-01A | 163 |
| LEFT REAR | 164 |
| COMPONENT PARTS FOR LEFT REAR | 166 |
| 100536-59-000 | 166 |
| 137390-01-000 | 166 |
| GENERATOR GROUP | 167 |
| GAS | 167 |
| HEATING & A/C GROUP | 168 |
| AUTOMOTIVE | 168 |
| COMPONENT PARTS FOR AUTOMOTIVE | 170 |
| 103930-44-000 | 170 |
| 103930-45-000 | 170 |
| 103930-46-000 | 170 |
| 103930-47-000 | 170 |
| 103930-49-000 | 170 |
| 103930-55-000 | 172 |
| FURNACE | 173 |
| COMPONENT PARTS FOR FURNACE | 174 |
| 143563-01-000 | 174 |
| 143563-02-000 | 176 |
| REAR HEATER | 178 |
| COMPONENT PARTS FOR REAR HEATER | 178 |
| 147610-01-000 | 178 |
| CENTRAL | 179 |
| COMPONENT PARTS FOR CENTRAL | 181 |
| 105620-12-000 | 181 |

CONTENTS (CONTINUED)

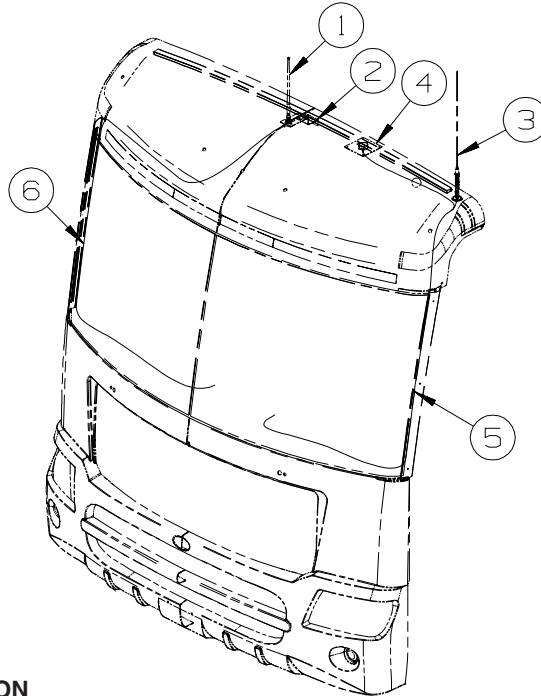
| | |
|------------------------------------------------------------------|------------|
| INTERIOR FINISH GROUP | 183 |
| MOLDINGS & TRIMS | 183 |
| PANELING & LAMINATES | 191 |
| COMPONENT PARTS FOR INTERIOR TRIM LAYOUT | 196 |
| 094499-02-000 | 196 |
| 158076-03-01A | 196 |
| FLOOR COVERINGS | 197 |
| HARDWARE | 198 |
| LABELS GROUP | 204 |
| LP GROUP | 208 |
| LP SYSTEM | 208 |
| COMPONENT PARTS FOR LP SYSTEM | 208 |
| 144116-01-000 | 208 |
| SEALANTS & FASTENERS GROUP | 209 |
| SEALANTS & ADHESIVES | 209 |
| BOLTS, NUTS AND WASHERS | 210 |
| SCREWS | 212 |
| CLAMPS, CLIPS, GROMMETS, RIVETS & PLUGS | 215 |
| MISCELLANEOUS FASTENERS | 216 |
| WATER & SEWAGE GROUP | 217 |
| DRAINAGE SYSTEM | 217 |
| COMPONENT PARTS FOR DRAINAGE SYSTEM | 219 |
| 144728-01-000 | 219 |
| 152829-01-01A | 219 |
| WATER SYSTEM | 220 |
| COMPONENT PARTS FOR WATER SYSTEM | 226 |
| 098607-01-000 | 226 |
| 103635-01-000 | 226 |
| 123744-03-01A | 226 |
| 125420-01-02A, 125420-01-03A, 125420-03-03A, 125420-04-03A | 226 |
| 129390-03-02A | 226 |
| 144215-01-000 | 227 |
| 144596-01-01A | 227 |
| 145541-01-000 | 227 |
| WINDOW & VENTS GROUP | 228 |
| WINDOW & VENT LAYOUT | 228 |
| COMPONENT PARTS FOR WINDOW & VENT LAYOUT | 230 |
| 123780-10-01A | 230 |
| 150648-07-01A, 150648-22-01A | 231 |
| 150648-13-01A, 150648-18-01A | 232 |
| 150649-02-01A | 232 |
| 150649-08-01A | 233 |
| 150649-10-01A | 233 |
| 150649-19-01A | 233 |
| 150649-22-01A | 233 |
| 150651-07-01A | 234 |
| 150656-05-01A | 235 |
| 150656-09-01A | 236 |
| 151072-01-01A | 237 |
| 151073-01-01A | 238 |
| 151074-01-01A | 238 |
| 161452-02-01A | 239 |
| 161452-04-01A | 239 |
| WINDSHIELD & WIPER GROUP | 240 |
| WINDSHIELD | 240 |
| WIPER | 241 |
| COMPONENT PARTS FOR WIPER | 241 |
| 149401-03-000 | 241 |
| 149402-03-000 & 149402-04-000 | 241 |

ACCESSORIES GROUP
OPERATORS MANUAL

| KEY | PART NUMBER | U/M | DESCRIPTION |
|------------|--------------------|------------|---------------------------------------------------------------------------------------------|
| | 156250-01-000 | DW | TOP LEVEL-G,2007 |
| | 129079-01-01A | EA | CASE - VINYL/BLACK-EXPANDABLE ACCORDION SIDES-7"WX9"HX14"L FROM: 00-00-00 THRU: 07-09-06 |
| | 129079-04-01A | EA | CASE - VINYL/BLK-EXPANDABLE ACCORDION SIDES-11"WX9"HX14"L FROM: 07-10-06 THRU: 07-30-06 |
| | 159842-01-01A | EA | CASE - VINYL - F/MANUALS - W/SLEEVES - BLACK FROM: 07-31-06 THRU: 99-99-99 |
| | 132000-15-007 | EA | MANUAL/OWNER - SUNCRUISER - 2007 |
| | 132001-13-007 | EA | GUIDE/BASIC OPERATOR - AUDIO/VIDEO - G-SERIES - 2007 |
| | 158603-07-007 | EA | MANUAL/OWNER - SUPPLEMENT - G-SERIES - 2007 |

AUDIO VIDEO GROUP RADIO SYSTEM

| KEY | PART NUMBER | U/M | DESCRIPTION |
|-----|---------------|-----|------------------------------------------------------------|
| | 135420-07-000 | EA | MOUNTING KIT - RADIO - A-BODY |
| | 135420-19-000 | EA | REMOTE CONTROL/RADIO (CREDIT CARD SIZE) |
| | 135420-18-000 | EA | REMOTE CONTROL/RADIO (STEERING WHEEL MOUNT) |
| | 135420-15-000 | EA | RADIO-AM/FM/CD/SIRIUS SATELLITE READY/IR REMOTE |
| | 135420-14-000 | EA | RECEIVER (EYE) - INFRARED |
| | 148134-01-000 | EA | CHANGER - COMPACT DISC - SANYO EAX-510 - CD CHANGER |



| KEY | PART NUMBER | U/M | DESCRIPTION |
|-----|---------------|-----|----------------------------------------------|
| 1 | 090944-02-000 | EA | ANTENNA - RADIO - 16" RUBBER - W/O LEAD WIRE |
| 2 | 115916-01-01B | EA | BRACKET - ANTENNA MOUNT |
| 3 | NA | EA | ANTENNA - CB - W/O CABLE |
| 4 | 158494-01-000 | EA | ANTENNA/SATELLITE - RADIO/SIRIUS |
| 5 | NA | EA | CABLE - CB - COAX |
| 6 | 090944-03-000 | EA | CABLE - ANTENNA |

REAR MONITOR

| KEY | PART NUMBER | U/M | DESCRIPTION |
|-----|---------------|-----|---------------------------------------------------------------------------------------------|
| | 136514-02-000 | EA | CABLE - MONITOR/CAMERA |
| | 144677-06-000 | EA | MONITOR/BLACK & WHITE - 7" - 3 PIN/MECH CONTROLS - RESIZED |
| | 144677-08-000 | EA | MONITOR/BLACK & WHITE - 7" - W/O SIDE CAMERAS/WIRE ASM/CABLE - VIDEO CAMERA SYSTEM |
| | 144677-04-000 | EA | CAMERA - REAR VIEW W/BRACKET - BLACK & WHITE - VBCS150 |
| * | 144677-10-01A | EA | CAMERA - REAR VIEW - WALL MOUNT/RIGHT - BRIGHT WHITE - VIDEO CAMERA SYSTEM |
| * | 144677-10-02A | EA | CAMERA - REAR VIEW - WALL MOUNT/RIGHT - PRIMED - VIDEO CAMERA SYSTEM/FULL BODY PAINT |
| * | 144677-11-01A | EA | CAMERA - REAR VIEW - WALL MOUNT/LEFT - BRIGHT WHITE - VIDEO CAMERA SYSTEM |
| * | 144677-11-02A | EA | CAMERA - REAR VIEW - WALL MOUNT/LEFT - PRIMED - VIDEO CAMERA SYSTEM/FULL BODY PAINT |
| | 144677-12-000 | EA | CABLE - MONITOR/CAMERA - 12' - VIDEO CAMERA SYSTEM |
| | 098819-01-000 | EA | SPEAKER - 4" - 2 WATT - 8 OHM |
| | 093214-01-04A | EA | GRILLE - SPEAKER - 4" - RVERSTONE |
| | 093214-01-05A | EA | GRILLE - SPEAKER - 4" - CASHMERE |
| | 114870-01-000 | EA | PLUG - AUDIO W/LEADS - 48.5" |

***COMPONENT PARTS LISTED LATER IN THIS GROUP**

AUDIO VIDEO GROUP (CONTINUED)
COMPONENT PARTS FOR REAR MONITOR

144677-10-01A

| KEY | PART NUMBER | U/M | DESCRIPTION | VENDOR NO. |
|------------|--------------------|------------|----------------------------|-------------------|
| | 144677-10-700 | EA | HOUSING/CAMERA-RT/LT-WHITE | SIDHSGWHT |
| | 144677-10-702 | EA | SERVICE PACK-SCREW COVER | PSVCSIDHSGWHT |
| | 144677-10-703 | EA | ERVICE PACK-SCREW COVER | PSVCSIDHSGGPR |

144677-11-01A

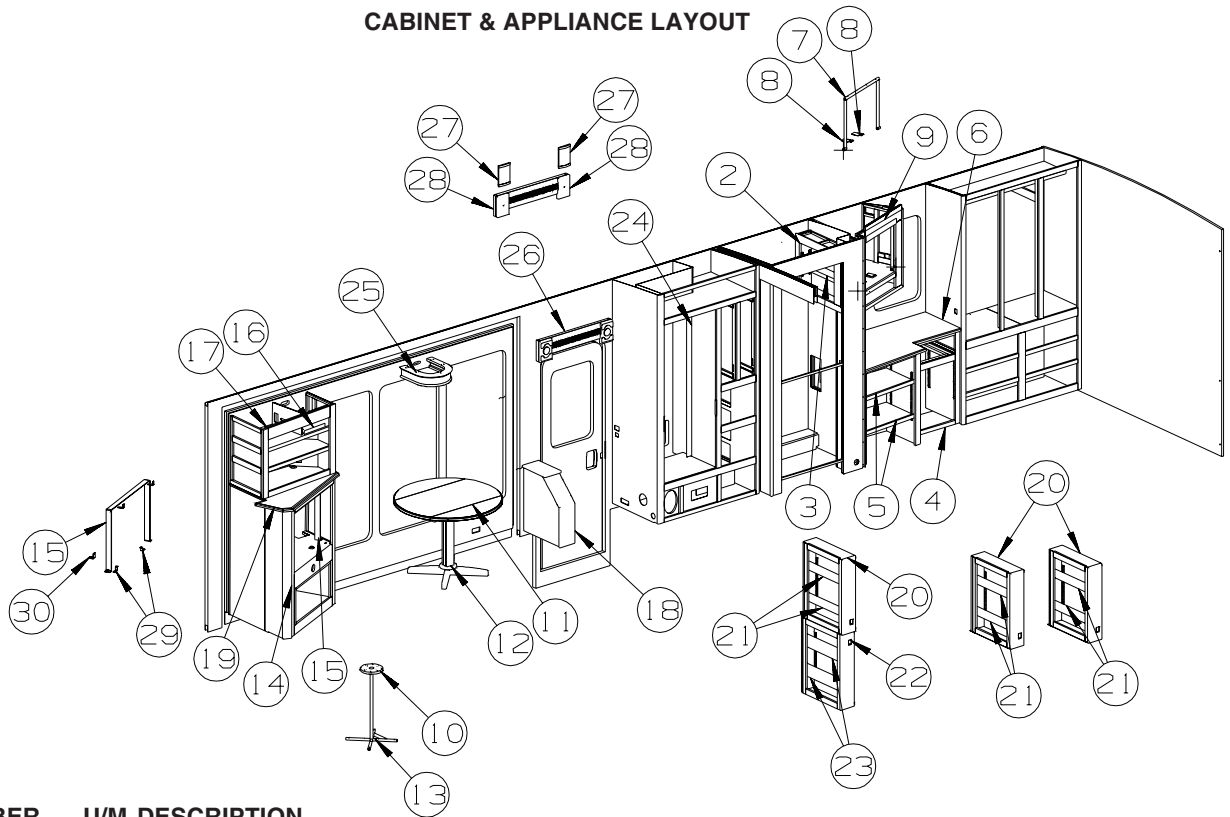
| KEY | PART NUMBER | U/M | DESCRIPTION | VENDOR NO. |
|------------|--------------------|------------|----------------------------|-------------------|
| | 144677-10-700 | EA | HOUSING/CAMERA-RT/LT-WHITE | SIDHSGWHT |

144677-10-02A & 144677-11-02A

| KEY | PART NUMBER | U/M | DESCRIPTION | VENDOR NO. |
|------------|--------------------|------------|-----------------------------|-------------------|
| | 144677-10-701 | EA | HOUSING/CAMERA-RT/LT-PRIMED | SIDHSGGTR |

CABINET & APPLIANCE GROUP

CABINET & APPLIANCE LAYOUT

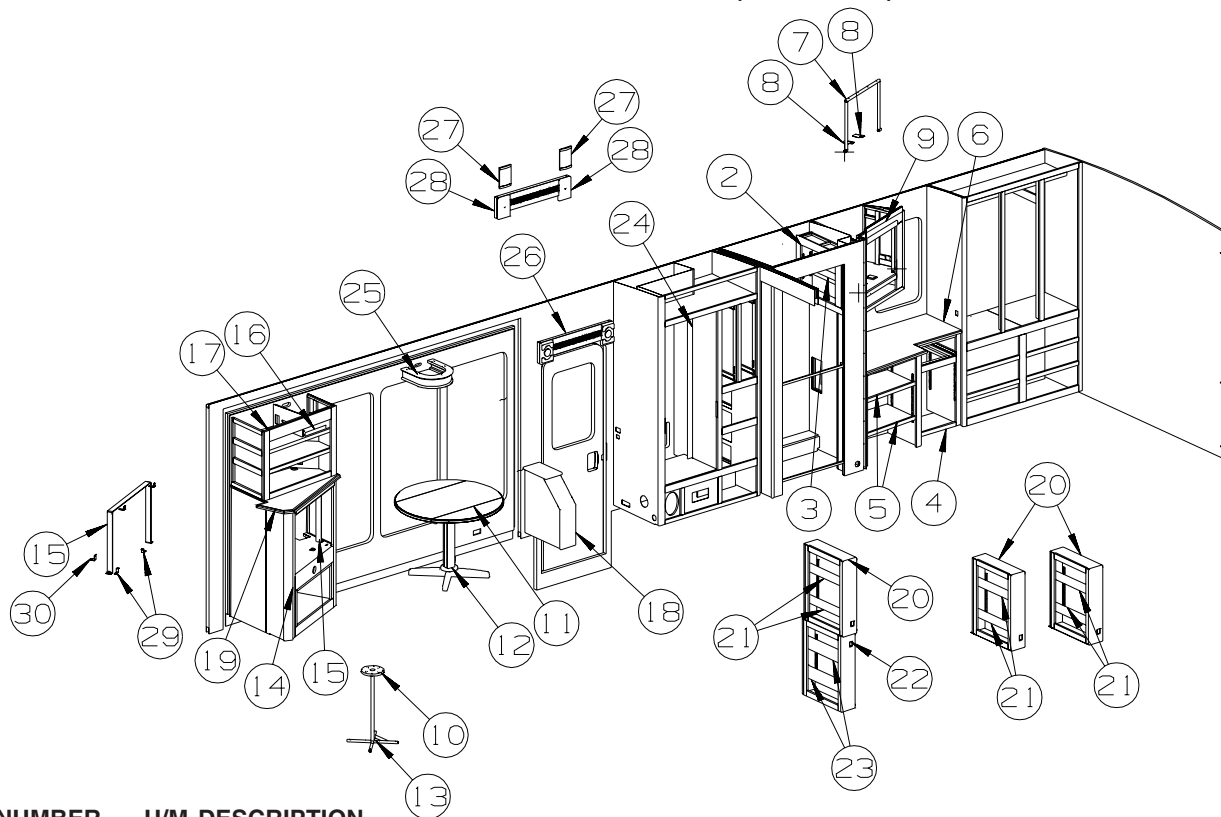


| KEY | PART NUMBER | U/M | DESCRIPTION |
|-----|---------------|-----|-----------------------------------------------------------------------------------------------------|
| 1* | 121569-05-01A | EA | REFRIGERATOR-LARGE DBL DOOR/2 WAY/NON-FLUSH HANDLE-BLK RH |
| 1* | 120075-13-01A | EA | REFRIGERATOR-LGE DBL DR-2-WAY/RH/ICE MAKER/FLUSH HDL-BLACK - REFRIG W/ICE MAKER |
| 1* | 125242-03-02A | EA | REFRIGERATOR - 4 DOOR - W/ICE MAKER - TITANIUM SST - 4 DOOR REFRIG FROM: 00-00-00 THRU: 07-09-06 |
| 1* | 125242-05-02A | EA | REFRIGERATOR - 4 DOOR - W/ICE MAKER - TITANIUM SST - 4 DOOR REFRIG FROM: 07-10-06 THRU: 99-99-99 |
| | 158456-01-01A | EA | INSERT/REFRIGERATOR DOOR - 21.5"W X 14.5"H - TITANIUM SST |
| | 158456-03-01A | EA | INSERT/REFRIGERATOR DOOR - 21.5"W X 38.5"H - TITANIUM SST |
| | 116751-05-01A | EA | TRAY - REFRIGERATOR - BLACK |
| | 118871-02-01A | EA | TRAY - REFRIGERATOR - SIDE/SIDE - BLACK - 34.4" LONG - 4 DOOR REFRIG |
| | 054450-01-000 | EA | LEVEL - REFRIGERATOR |
| 2 | 152711-01-T78 | EA | CABINET - LINEN - W/O COUNTERTOP/DR/HDW - CONCERT CHERRY (UA1, UA5, UB1) |
| 2 | 152711-01-UM1 | EA | CABINET - LINEN - W/O COUNTERTOP/DR/HDW - CONCERT CHERRY (UM4, UM5, UM6) |
| 2 | 152711-01-T79 | EA | CABINET - LINEN - W/O COUNTERTOP/DR/HDW - WASHED MAPLE |
| 2 | 152711-01-T80 | EA | CABINET - LINEN - W/O COUNTERTOP/DR/HDW - SIERRA MAPLE |
| 3 | 152711-15-T78 | EA | SHELF - W/WOOD MOLDING - CONCERT CHERRY |
| 3 | 152711-15-T79 | EA | SHELF - W/WOOD MOLDING - WASHED MAPLE |
| 3 | 152711-15-T80 | EA | SHELF - W/WOOD MOLDING - SIERRA MAPLE |
| 4 | P52660-01-T78 | EA | CABINET - HAMPER/STORAGE-W/O CNTRP/DR/DWR/HDW - CONCERT CHERRY (UA1, UA5, UB1) |
| 4 | P52660-01-UM1 | EA | CABINET - HAMPER/STORAGE-W/O CNTRP/DR/DWR/HDW - CONCERT CHERRY (UM4, UM5, UM6) |
| 4 | P52660-01-T79 | EA | CABINET - HAMPER/STORAGE-W/O COUNTERTOP/DR/DWR/HDW - WASHED MAPLE |
| 4 | P52660-01-T80 | EA | CABINET - HAMPER/STORAGE-W/O COUNTERTOP/DR/DWR/HDW - SIERRA MAPLE |
| 4 | P52660-02-T78 | EA | CABINET - HAMPER-W/O CNTRTP/DR/DWR- CONCERT CHERRY (UA1, UA5, UB1) - WASHER DRYER |
| 4 | P52660-02-UM1 | EA | CABINET - HAMPER-W/O CNTRTP/DR/DWR - CONCERT CHERRY (UM4, UM5, UM6) - WASHER DRYER |
| 4 | P52660-02-T79 | EA | CABINET - HAMPER/STRG-W/O CNTRTP/DRS/DRWRS/HDW - WASHED MAPLE - WASHER DRYER |
| 4 | P52660-02-T80 | EA | CABINET - HAMPER/STRG-W/O CNTRTP/DRS/DRWRS/HDW - SIERRA MAPLE - WASHER DRYER |
| 5 | 152660-20-T78 | EA | SHELF - W/MOLDING - CONCERT CHERRY |
| 5 | 152660-20-T79 | EA | SHELF - W/MOLDING - WASHED MAPLE |
| 5 | 152660-20-T80 | EA | SHELF - W/MOLDING - SIERRA MAPLE |
| 6 | 140889-45-U90 | EA | COUNTERTOP - LAMINATED - CONCERT CHERRY |
| 6 | 140889-45-U91 | EA | COUNTERTOP - LAMINATED - WASHED MAPLE |
| 6 | 140889-45-U92 | EA | COUNTERTOP - LAMINATED - SIERRA MAPLE |

CABINET & APPLIANCE GROUP (CONTINUED)
CABINET & APPLIANCE LAYOUT (CONTINUED)

| KEY | PART NUMBER | U/M | DESCRIPTION |
|-----|---------------|-----|--------------------------------------------------------------------------------------------------------------|
| | 152024-01-02B | EA | ANGLE/FORMED - W/HOLES - E-COATED FROM: 00-00-00 THRU: 04-02-06 |
| | 152025-03-02B | EA | ANGLE/FORMED - W/O STUD - E-COATED FROM: 00-00-00 THRU: 04-02-06 |
| | 152665-01-01A | EA | CAP - TUBE - 3/4" X 3/4" X 1" - RUBBER/BLACK FROM: 00-00-00 THRU: 04-02-06 |
| 7 | 151954-04-02B | EA | BRACKET/HOLD DOWN - TV - E-COATED - NOT ILLUSTRATED FROM: 00-00-00 THRU: 04-02-06 |
| 7 | 148247-05-02B | EA | STRAP/TIEDOWN - TV - E-COATED - NOT ILLUSTRATED FROM: 04-03-06 THRU: 05-14-06 |
| 7 | 151954-06-02B | EA | BRACKET/HOLD DOWN - TV - E-COATED FROM: 05-15-06 THRU: 99-99-99 |
| 8 | 159879-01-02B | EA | ZEE BRACKET W/HOLES FROM: 05-15-06 THRU: 99-99-99 |
| 9 | 152315-01-T78 | EA | CABINET - OVERHEAD/TV/REAR/RH - W/O DR/HDW - CONCERT CHERRY FROM: 00-00-00 THRU: 03-08-06 |
| 9 | 159421-01-U90 | EA | CABINET - OVERHEAD/TV/REAR/RH - W/O DR/HDW - CONCERT CHERRY FROM: 03-09-06 THRU: 04-02-06 |
| 9 | 159996-01-U90 | EA | CABINET - OVERHEAD/TV/REAR/RH - W/O DR/HDW - CONCERT CHERRY (UA1, UA5, UB1) FROM: 04-03-06 THRU: 05-14-06 |
| 9 | 159996-01-UM1 | EA | CABINET - OVERHEAD/TV/REAR/RH - W/O DR/HDW - CONCERT CHERRY (UM4, UM5, UM6) FROM: 04-03-06 THRU: 05-14-06 |
| 9 | 159997-01-U90 | EA | CABINET - OVERHEAD/TV/REAR/RH - W/O DR/HDW - CONCERT CHERRY (UA1, UA5, UB1) FROM: 05-15-06 THRU: 99-99-99 |
| 9 | 159997-01-UM1 | EA | CABINET - OVERHEAD/TV/REAR/RH - W/O DR/HDW - CONCERT CHERRY (UM4, UM5, UM6) FROM: 05-15-06 THRU: 99-99-99 |
| 9 | 152315-01-T79 | EA | CABINET - OVERHEAD/TV/REAR/RH - W/O DR/HARDWARE - WASHED MAPLE FROM: 00-00-00 THRU: 03-08-06 |
| 9 | 159421-01-U67 | EA | CABINET - OVERHEAD/TV/REAR/RH - W/O DR/HARDWARE - WASHED MAPLE FROM: 03-09-06 THRU: 04-02-06 |
| 9 | 159996-01-U91 | EA | CABINET - OVERHEAD/TV/REAR/RH - W/O DR/HARDWARE - WASHED MAPLE FROM: 04-03-06 THRU: 05-14-06 |
| 9 | 159997-01-U91 | EA | CABINET - OVERHEAD/TV/REAR/RH - W/O DR/HARDWARE - WASHED MAPLE FROM: 05-15-06 THRU: 99-99-99 |
| 9 | 152315-01-T80 | EA | CABINET - OVERHEAD/TV/REAR/RH - W/O DR/HARDWARE - SIERRA MAPLE FROM: 00-00-00 THRU: 03-08-06 |
| 9 | 159421-01-U68 | EA | CABINET - OVERHEAD/TV/REAR/RH - W/O DR/HARDWARE - SIERRA MAPLE FROM: 03-09-06 THRU: 04-02-06 |
| 9 | 159996-01-U92 | EA | CABINET - OVERHEAD/TV/REAR/RH - W/O DR/HARDWARE - SIERRA MAPLE FROM: 04-03-06 THRU: 05-14-06 |
| 9 | 159997-01-U92 | EA | CABINET - OVERHEAD/TV/REAR/RH - W/O DR/HARDWARE - SIERRA MAPLE FROM: 05-15-06 THRU: 99-99-99 |
| 10 | 148038-01-04B | EA | PLATE - TABLE TOP - BLACK |
| 11 | 149677-11-T78 | EA | TABLE TOP ONLY - ROUND DROP LEAF - W/O PEDESTAL - CONCERT CHERRY |
| 11 | 149677-11-T79 | EA | TABLE TOP ONLY - ROUND DROP LEAF - W/O PEDESTAL - WASHED MAPLE |
| 11 | 149677-11-T00 | EA | TABLE TOP ONLY - ROUND DROP LEAF - W/O PEDESTAL - SIERRA MAPLE |
| 12 | 149677-13-S64 | EA | PEDESTAL - TABLE LEG - PORTSMOUTH OAK |
| 12 | 149677-13-S65 | EA | PEDESTAL - TABLE LEG - CONCERT CHERRY |
| 12 | 149677-13-S66 | EA | PEDESTAL - TABLE LEG - WASHED MAPLE |
| 12 | 149677-13-S67 | EA | PEDESTAL - TABLE LEG - SIERRA MAPLE |
| 13 | 149810-01-02B | EA | BASE/FRAME - F/TABLE PEDESTAL - E-COATED |
| 14 | P57034-01-U90 | EA | CABINET - TV/RIGHT HAND - W/O DR/HDW - CONCERT CHERRY (UA1, UA5, UB1) |
| 14 | P57034-01-UM1 | EA | CABINET - TV/RIGHT HAND - W/O DR/HDW - CONCERT CHERRY (UM4, UM5, UM6) |
| 14 | P57034-01-U91 | EA | CABINET - TV/RIGHT HAND - W/O DR/HDW - WASHED MAPLE |
| 14 | P57034-01-U92 | EA | CABINET - TV/RIGHT HAND - W/O DR/HDW - SIERRA MAPLE |
| 15 | 146656-01-02B | EA | STRAP/TIEDOWN - TV - E-COATED |
| 16 | 146807-03-04B | EA | PANEL - ENTERTAINMENT - BLACK |
| 17 | 160187-01-U90 | EA | CABINET - OVHD/ENTERTAINMENT CENTER - W/O DRS/HDW - CONCERT CHERRY (UA1, UA5, UB1) |
| 17 | 160187-01-UM1 | EA | CABINET - OVHD/ENTERTAINMENT CENTER - W/O DRS/HDW - CONCERT CHERRY (UM4, UM5, UM6) |
| 17 | 160187-01-U91 | EA | CABINET - OVERHEAD/ENTERTAINMENT CENTER - W/O DR/HDW - WASHED MAPLE |
| 17 | 160187-01-U92 | EA | CABINET - OVERHEAD/ENTERTAINMENT CENTER - W/O DR/HDW - SIERRA MAPLE |

CABINET & APPLIANCE GROUP (CONTINUED)
CABINET & APPLIANCE LAYOUT (CONTINUED)



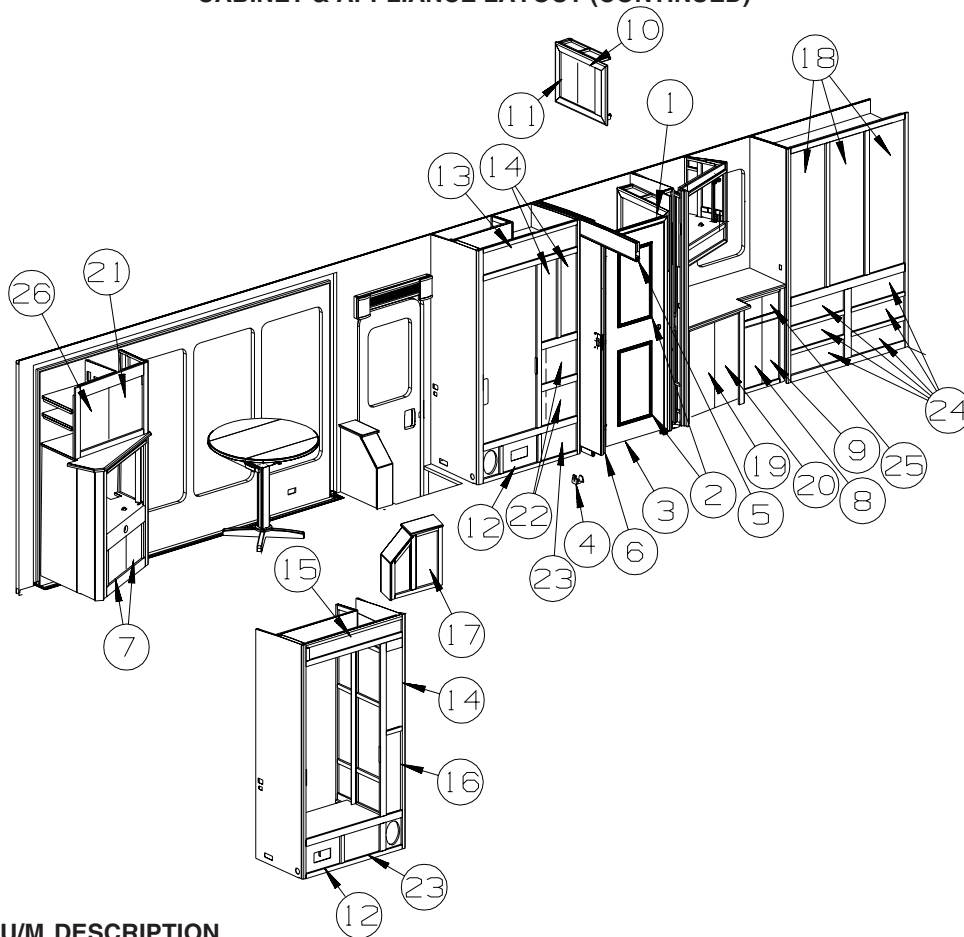
| KEY | PART NUMBER | U/M | DESCRIPTION |
|-----|---------------|-----|---------------------------------------------------------------------------|
| 18 | 152303-01-UA1 | EA | CABINET - STORAGE - W/O DR/HARDWARE (UA1) |
| 18 | 152303-01-UA2 | EA | CABINET - STORAGE - W/O DR/HARDWARE (UA2) |
| 18 | 152303-01-UA3 | EA | CABINET - STORAGE - W/O DR/HARDWARE (UA3) |
| 18 | 152303-01-T98 | EA | CABINET - STORAGE - W/O DR/HARDWARE (UA5) |
| 18 | 152303-01-T99 | EA | CABINET - STORAGE - W/O DR/HARDWARE (UA6) |
| 18 | 152303-01-T00 | EA | CABINET - STORAGE - W/O DR/HARDWARE (UA7) |
| 18 | 152303-01-UB1 | EA | CABINET - STORAGE - W/O DR/HARDWARE (UB1) |
| 18 | 152303-01-UB2 | EA | CABINET - STORAGE - W/O DR/HARDWARE (UB2) |
| 18 | 152303-01-UB3 | EA | CABINET - STORAGE - W/O DR/HARDWARE (UB3) |
| 18 | 152303-01-UM4 | EA | CABINET - STORAGE - W/O DR/HARDWARE (UM4) |
| 18 | 152303-01-UM5 | EA | CABINET - STORAGE - W/O DR/HARDWARE (UM5) |
| 18 | 152303-01-UM6 | EA | CABINET - STORAGE - W/O DR/HARDWARE (UM6) |
| 19 | 140889-20-S65 | EA | COUNTERTOP - ENTERTAINMENT CENTER - EGGSHELL/CHERRY - CONCERT CHERRY |
| 19 | 140889-20-S74 | EA | COUNTERTOP - ENTERTAINMENT CENTER -HRD ROCK MPL/WASHED MPL - WASHED MAPLE |
| 19 | 140889-20-S67 | EA | COUNTERTOP - ENTERTAINMENT CENTER - EGGSHELL/SIERRA MAPLE - SIERRA MAPLE |
| 20 | 153343-01-SD1 | EA | CABINET - PANTRY/SLIDE - W/O DR/DWR/HDW - CONCERT CHERRY |
| 20 | 153343-01-SD2 | EA | CABINET - PANTRY/SLIDE - W/O DR/DWR/HDW - WASHED MAPLE |
| 20 | 153343-01-S67 | EA | CABINET - PANTRY/SLIDE - W/O DR/DWR/HDW - SIERRA MAPLE |
| 21 | 153343-21-SD1 | EA | SHELF - W/WOOD MOLDING - CONCERT CHERRY |
| 21 | 153343-21-SD2 | EA | SHELF - W/WOOD MOLDING - WASHED MAPLE |
| 21 | 153343-21-S67 | EA | SHELF - W/WOOD MOLDING - SIERRA MAPLE |
| 22 | 153343-03-SD1 | EA | CABINET - PANTRY/SLIDE - W/O DR/DWR/HDW - CONCERT CHERRY |
| 22 | 153343-03-SD2 | EA | CABINET - PANTRY/SLIDE - W/O DR/DWR/HDW - WASHED MAPLE |
| 22 | 153343-03-S67 | EA | CABINET - PANTRY/SLIDE - W/O DR/DWR/HDW - SIERRA MAPLE |
| 23 | 153343-27-SD1 | EA | SHELF - W/WOOD MOLDING - CONCERT CHERRY |
| 23 | 153343-27-SD2 | EA | SHELF - W/WOOD MOLDING - WASHED MAPLE |
| 23 | 153343-27-S67 | EA | SHELF - W/WOOD MOLDING - SIERRA MAPLE |
| 24 | | | REFRIGERATOR CABINET SEALS |
| | 090329-01-000 | FT | SEAL - "T" - REFRIGERATOR CABINET |
| | 100128-02-000 | FT | SEAL - FOAM/ADHESIVE BACK - .37" WIDE X .37" THICK X 60' |
| | 134651-01-000 | FT | SEAL - 1/2" X 3/4" X 9' - PSA 1 SIDE |
| | | | FROM: 00-00-00 THRU: 05-21-06 |
| | 154585-02-01A | FT | SEAL - FOAM TAPE - ADHESIVE BACK - 3/4" X 1/2" - BLACK |
| | | | FROM: 05-22-06 THRU: 99-99-99 |

CABINET & APPLIANCE GROUP (CONTINUED)
CABINET & APPLIANCE LAYOUT (CONTINUED)

| KEY | PART NUMBER | U/M | DESCRIPTION |
|------------|--------------------|------------|-----------------------------------------------------------------------------|
| 25 | 156788-01-UA1 | EA | CABINET - OVERHEAD/LIGHT - W/O DR/HDW (UA1, UM4) |
| 25 | 156788-01-UA2 | EA | CABINET - OVERHEAD/LIGHT - W/O DR/HDW (UA2) |
| 25 | 156788-01-UA3 | EA | CABINET - OVERHEAD/LIGHT - W/O DR/HDW (UA3) |
| 25 | 156788-01-UA5 | EA | CABINET - OVERHEAD/LIGHT - W/O DR/HDW (UA5, UM5) |
| 25 | 156788-01-UA6 | EA | CABINET - OVERHEAD/LIGHT - W/O DR/HDW (UA6) |
| 25 | 156788-01-UA7 | EA | CABINET - OVERHEAD/LIGHT - W/O DR/HDW (UA7) |
| 25 | 156788-01-UB1 | EA | CABINET - OVERHEAD/LIGHT - W/O DR/HDW (UB1, UM6) |
| 25 | 156788-01-UB2 | EA | CABINET - OVERHEAD/LIGHT - W/O DR/HDW (UB2) |
| 25 | 156788-01-UB3 | EA | CABINET - OVERHEAD/LIGHT - W/O DR/HDW (UB3) |
| 26 | 157260-02-T90 | EA | CABINET - OVERHEAD/ENTRY DOOR - W/O DR/HDW - CONCERT CHERRY (UA1, UA5, UB1) |
| 26 | 157260-02-UM4 | EA | CABINET - OVERHEAD/ENTRY DOOR - W/O DR/HDW - CONCERT CHERRY (UM4, UM5, UM6) |
| 26 | 157260-02-T91 | EA | CABINET - OVERHEAD/ENTRY DOOR - W/O DR/HDW - WASHED MAPLE |
| 26 | 157260-02-T92 | EA | CABINET - OVERHEAD/ENTRY DOOR - W/O DR/HDW - SIERRA MAPLE |
| 27 | 153044-06-T90 | EA | MOLDING/TRIM - SLIDEOUT - 3.1" X 7.9" - CONCERT CHERRY |
| 27 | 153044-06-T91 | EA | MOLDING/TRIM - SLIDEOUT - 3.1" X 7.9" - WASHED MAPLE |
| 27 | 153044-06-T92 | EA | MOLDING/TRIM - SLIDEOUT - 3.1" X 7.9" - SIERRA MAPLE |
| 28 | 153421-09-T78 | EA | MOLDING/BLOCK - 5.1" X 7.8" - W/O INSERT - CONCERT CHERRY |
| 28 | 153421-09-T79 | EA | MOLDING/BLOCK - 5.1" X 7.8" - W/O INSERT - WASHED MAPLE |
| 28 | 153421-09-T80 | EA | MOLDING/BLOCK - 5.1" X 7.8" - W/O INSERT - SIERRA MAPLE |
| 29 | 146791-01-02B | EA | BRACKET/ZEE - TV - E-COATED |
| 30 | 147994-02-02B | EA | BRACKET - TV - F/SONY 27" - E-COATED |

***COMPONENT PARTS LISTED LATER IN THIS GROUP**

CABINET & APPLIANCE GROUP (CONTINUED)
CABINET & APPLIANCE LAYOUT (CONTINUED)

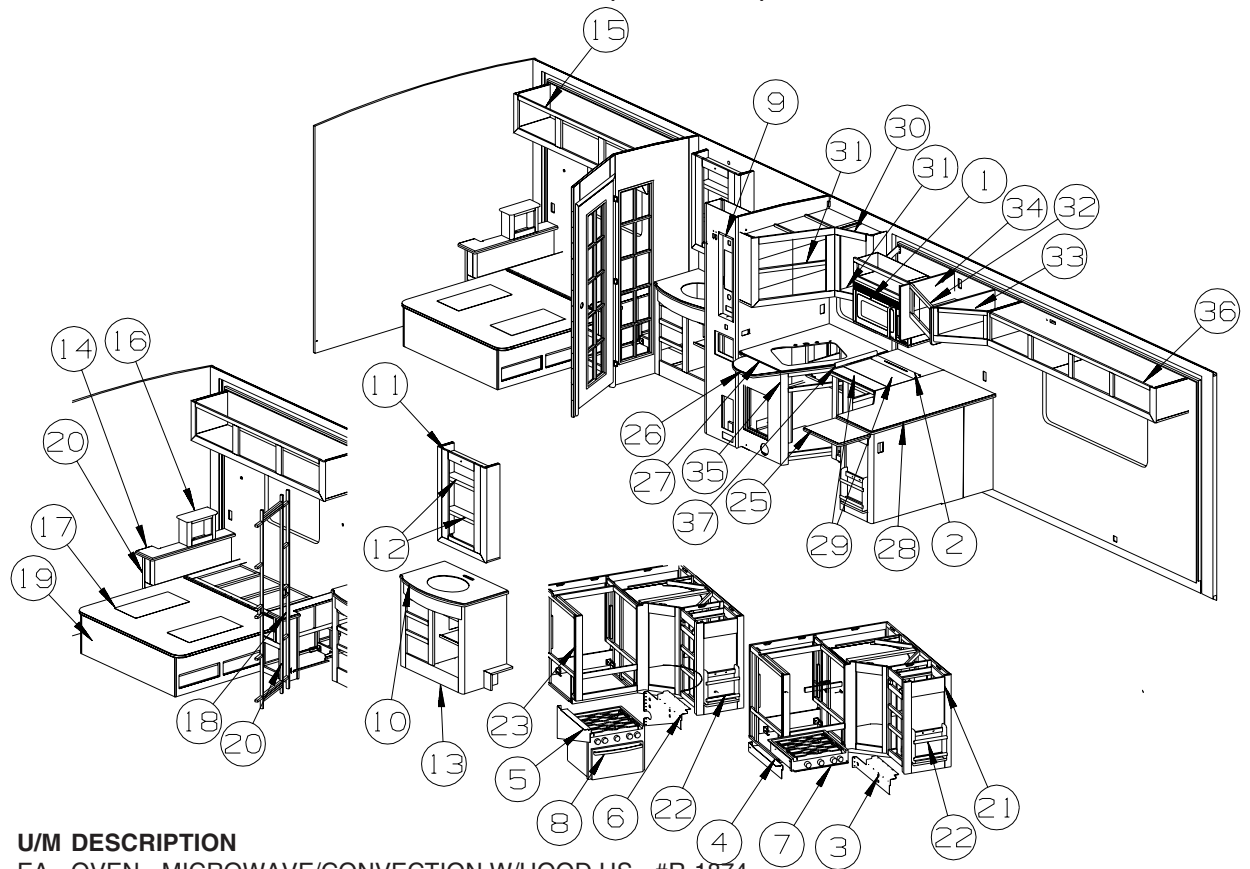


| KEY | PART NUMBER | U/M | DESCRIPTION |
|-----|---------------|-----|---------------------------------------------------------------------------------|
| 1 | 144803-EN-S77 | EA | FACE/DRAWER - SOLID PANEL/PENCIL EDGE - 6.1" X 13"-W/O HDW - CONCERT CHERRY |
| 1 | 144803-EN-S78 | EA | FACE/DRAWER - SOLID PANEL/PENCIL EDGE - 6.1" X 13"-W/O HDW - WASHED MAPLE |
| 1 | 144803-EN-S79 | EA | FACE/DRAWER - SOLID PANEL/PENCIL EDGE - 6.1" X 13"-W/O HDW - SIERRA MAPLE |
| 2 | 141993-03-P64 | EA | FRAME/PICTURE - F/BATH DOOR - 15" X 27.8" - CONCERT CHERRY |
| 2 | 141993-03-P28 | EA | FRAME/PICTURE - F/BATH DOOR - 15" X 27.8" - WASHED MAPLE |
| 2 | 141993-03-S67 | EA | FRAME/PICTURE - F/BATH DOOR - 15" X 27.8" - SIERRA MAPLE |
| 3 | 153095-01-T78 | EA | DOOR - BATH - 25.6" X 75.7" - W/O HDW - CONCERT CHERRY |
| 3 | 153095-01-T79 | EA | DOOR - BATH - 25.6" X 75.7" - W/O HDW - WASHED MAPLE |
| 3 | 153095-01-T80 | EA | DOOR - BATH - 25.6" X 75.7" - W/O HDW - SIERRA MAPLE |
| 4 | 064467-01-000 | EA | GUIDE - POCKET - SLIDING DOOR - WALL MOUNTED |
| 5 | 145608-16-01A | EA | TRACK - DOOR - 54" - OFF WHITE |
| 6 | 153092-02-T78 | EA | DOOR - SLIDING - W/O HARDWARE - CONCERT CHERRY |
| 6 | 153092-02-T79 | EA | DOOR - SLIDING - W/O HARDWARE - WASHED MAPLE |
| 6 | 153092-02-T80 | EA | DOOR - SLIDING - W/O HARDWARE - SIERRA MAPLE |
| 7 | 136955-A0-T90 | EA | DOOR - RAISED PANEL/PENCIL EDGE - 14.4" X 14.4" - W/O HDW - CONCERT CHERRY |
| 7 | 136955-A0-T91 | EA | DOOR - RAISED PANEL/PENCIL EDGE - 14.4" X 14.4" - W/O HDW - WASHED MAPLE |
| 7 | 136955-A0-T92 | EA | DOOR - RAISED PANEL/PENCIL EDGE - 14.4" X 14.4" - W/O HDW - SIERRA MAPLE |
| 8 | 136955-20-T90 | EA | DOOR - RAISED PANEL/PENCIL EDGE - 9.8" X 33.5" - W/O HDW - CONCERT CHERRY |
| 8 | 136955-20-T91 | EA | DOOR - RAISED PANEL/PENCIL EDGE - 9.8" X 33.5" - W/O HDW - WASHED MAPLE |
| 8 | 136955-20-T92 | EA | DOOR - RAISED PANEL/PENCIL EDGE - 9.8" X 33.5" - W/O HDW - SIERRA MAPLE |
| 9 | 136955-21-T90 | EA | DOOR - RAISED PANEL/PENCIL EDGE - 9.8" X 33.5" - W/O HDW - CONCERT CHERRY |
| 9 | 136955-21-T91 | EA | DOOR - RAISED PANEL/PENCIL EDGE - 9.8" X 33.5" - W/O HDW - WASHED MAPLE |
| 9 | 136955-21-T92 | EA | DOOR - RAISED PANEL/PENCIL EDGE - 9.8" X 33.5" - W/O HDW - SIERRA MAPLE |
| 10 | 141520-36-T90 | EA | DOOR - ARCHED/PENCIL EDGE/RIGHT HAND - 10.6" X 19.9" - W/O HDW - CONCERT CHERRY |
| 10 | 141520-36-T91 | EA | DOOR - ARCHED/PENCIL EDGE/RIGHT HAND - 10.6" X 19.9" - W/O HDW - WASHED MAPLE |
| 10 | 141520-36-T92 | EA | DOOR - ARCHED/PENCIL EDGE/RIGHT HAND - 10.6" X 19.9" - W/O HDW - SIERRA MAPLE |
| 11 | 141518-35-T90 | EA | DOOR - ARCHED/PENCIL EDGE/LEFT HAND - 10.6" X 19.9" - W/O HDW - CONCERT CHERRY |
| 11 | 141518-35-T91 | EA | DOOR - ARCHED/PENCIL EDGE/LEFT HAND - 10.6" X 19.9" - W/O HDW - WASHED MAPLE |
| 11 | 141518-35-T92 | EA | DOOR - ARCHED/PENCIL EDGE/LEFT HAND - 10.6" X 19.9" - W/O HDW - SIERRA MAPLE |
| 12 | 145268-25-T90 | EA | DOOR - RAISED PANEL/PENCIL EDGE - 10.8" X 16.5" - W/O HDW - CONCERT CHERRY |
| 12 | 145268-25-T91 | EA | DOOR - RAISED PANEL/PENCIL EDGE - 10.8" X 16.5" - W/O HDW - WASHED MAPLE |
| 12 | 145268-25-T92 | EA | DOOR - RAISED PANEL/PENCIL EDGE - 10.8" X 16.5" - W/O HDW - SIERRA MAPLE |

CABINET & APPLIANCE GROUP (CONTINUED)
CABINET & APPLIANCE LAYOUT (CONTINUED)

| KEY | PART NUMBER | U/M | DESCRIPTION |
|-----|---------------|-----|----------------------------------------------------------------------------|
| 13 | 145268-72-T90 | EA | DOOR - RAISED PANEL/PENCIL EDGE - 9.8" X 42.1" - W/O HDW - CONCERT CHERRY |
| 13 | 145268-72-T91 | EA | DOOR - RAISED PANEL/PENCIL EDGE - 9.8" X 42.1" - W/O HDW - WASHED MAPLE |
| 13 | 145268-72-T92 | EA | DOOR - RAISED PANEL/PENCIL EDGE - 9.8" X 42.1" - W/O HDW - SIERRA MAPLE |
| 14 | 154289-03-TB5 | EA | DOOR - ARCHED PANEL/PENCIL EDGE - 7.9" X 30.3" - W/O HDW - CONCERT CHERRY |
| 14 | 154289-03-TB6 | EA | DOOR - ARCHED PANEL/PENCIL EDGE - 7.9" X 30.3" - W/O HDW - WASHED MAPLE |
| 14 | 154289-03-TB7 | EA | DOOR - ARCHED PANEL/PENCIL EDGE - 7.9" X 30.3" - W/O HDW - SIERRA MAPLE |
| 15 | 145298-28-T90 | EA | DOOR - SOLID PANEL/PENCIL EDGE - 5.9" X 41.9" - W/O HDW - CONCERT CHERRY |
| 15 | 145298-28-T91 | EA | DOOR - SOLID PANEL/PENCIL EDGE - 5.9" X 41.9" - W/O HDW - WASHED MAPLE |
| 15 | 145298-28-T92 | EA | DOOR - SOLID PANEL/PENCIL EDGE - 5.9" X 41.9" - W/O HDW - SIERRA MAPLE |
| 16 | 154289-01-TB5 | EA | DOOR - RAISED PANEL/PENCIL EDGE - 7.9" X 30.3" - W/O HDW - CONCERT CHERRY |
| 16 | 154289-01-TB6 | EA | DOOR - RAISED PANEL/PENCIL EDGE - 7.9" X 30.3" - W/O HDW - WASHED MAPLE |
| 16 | 154289-01-TB7 | EA | DOOR - RAISED PANEL/PENCIL EDGE - 7.9" X 30.3" - W/O HDW - SIERRA MAPLE |
| 17 | 136955-09-T90 | EA | DOOR - RAISED PANEL/PENCIL EDGE - 9.3" X 21.9" - W/O HDW - CONCERT CHERRY |
| 17 | 136955-09-T91 | EA | DOOR - RAISED PANEL/PENCIL EDGE - 9.3" X 21.9" - W/O HDW - WASHED MAPLE |
| 17 | 136955-09-T92 | EA | DOOR - RAISED PANEL/PENCIL EDGE - 9.3" X 21.9" - W/O HDW - SIERRA MAPLE |
| 18 | 141507-09-T90 | EA | DOOR - MIRRORED/PENCIL EDGE - 16.7" X 54.4" - W/O HDW - CONCERT CHERRY |
| 18 | 141507-09-T91 | EA | DOOR - MIRRORED/PENCIL EDGE - 16.7" X 54.4" - W/O HDW - WASHED MAPLE |
| 18 | 141507-09-T92 | EA | DOOR - MIRRORED/PENCIL EDGE - 16.7" X 54.4" - W/O HDW - SIERRA MAPLE |
| | 140374-76-000 | EA | MIRROR - SAFETY GLASS - 13.4" X 51.2" |
| | 076767-04-000 | EA | CABLE - STAINLESS STEEL - 5.9" |
| 19 | 145268-70-T90 | EA | DOOR - RAISED PANEL/PENCIL EDGE - 12.4" X 32.2" - W/O HDW - CONCERT CHERRY |
| 19 | 145268-70-T91 | EA | DOOR - RAISED PANEL/PENCIL EDGE - 12.4" X 32.2" - W/O HDW - WASHED MAPLE |
| 19 | 145268-70-T92 | EA | DOOR - RAISED PANEL/PENCIL EDGE - 12.4" X 32.2" - W/O HDW - SIERRA MAPLE |
| | 076767-04-000 | EA | CABLE - STAINLESS STEEL - 5.9" |
| 20 | 145268-69-T90 | EA | DOOR - RAISED PANEL/PENCIL EDGE - 12.4" X 32.2" - W/O HDW - CONCERT CHERRY |
| 20 | 145268-69-T91 | EA | DOOR - RAISED PANEL/PENCIL EDGE - 12.4" X 32.2" - W/O HDW - WASHED MAPLE |
| 20 | 145268-69-T92 | EA | DOOR - RAISED PANEL/PENCIL EDGE - 12.4" X 32.2" - W/O HDW - SIERRA MAPLE |
| 21 | 146028-61-T90 | EA | DOOR - GLASS INSERT/PENCIL EDGE - 15.7" X 20.4" - W/O HDW - CONCERT CHERRY |
| 21 | 146028-61-T91 | EA | DOOR - GLASS INSERT/PENCIL EDGE - 15.7" X 20.4" - W/O HDW - WASHED MAPLE |
| 21 | 146028-61-T92 | EA | DOOR - GLASS INSERT/PENCIL EDGE - 15.7" X 20.4" - W/O HDW - SIERRA MAPLE |
| 22 | 153121-76-T90 | EA | DRAWER - PENCIL EDGE - 14.7"W X 21.6"D - W/O SLIDES/HDW - CONCERT CHERRY |
| 22 | 153121-76-T91 | EA | DRAWER - PENCIL EDGE - 14.7"W X 21.6"D - W/O SLIDES/HDW - WASHED MAPLE |
| 22 | 153121-76-T92 | EA | DRAWER - PENCIL EDGE - 14.7"W X 21.6"D - W/O SLIDES/HDW - SIERRA MAPLE |
| 23 | 153121-78-T90 | EA | DRAWER - PENCIL EDGE - 14.7"W X 11.8"D - W/O SLIDES/HDW - CONCERT CHERRY |
| 23 | 153121-78-T91 | EA | DRAWER - PENCIL EDGE - 14.7"W X 11.8"D - W/O SLIDES/HDW - WASHED MAPLE |
| 23 | 153121-78-T92 | EA | DRAWER - PENCIL EDGE - 14.7"W X 11.8"D - W/O SLIDES/HDW - SIERRA MAPLE |
| 24 | 153121-84-T90 | EA | DRAWER - PENCIL EDGE - 22.6"W X 17.7"D - W/O SLIDES/HDW - CONCERT CHERRY |
| 24 | 153121-84-T91 | EA | DRAWER - PENCIL EDGE - 22.6"W X 17.7"D - W/O SLIDES/HDW - WASHED MAPLE |
| 24 | 153121-84-T92 | EA | DRAWER - PENCIL EDGE - 22.6"W X 17.7"D - W/O SLIDES/HDW - SIERRA MAPLE |
| 25 | 153121-85-T77 | EA | DRAWER ASM |
| 26 | 146028-62-T90 | EA | DOOR - GLASS INSERT/PENCIL EDGE - 15.7" X 20.4" - W/O HDW - CONCERT CHERRY |
| 26 | 146028-62-T91 | EA | DOOR - GLASS INSERT/PENCIL EDGE - 15.7" X 20.4" - W/O HDW - WASHED MAPLE |
| 26 | 146028-62-T92 | EA | DOOR - GLASS INSERT/PENCIL EDGE - 15.7" X 20.4" - W/O HDW - SIERRA MAPLE |

CABINET & APPLIANCE GROUP (CONTINUED)
CABINET & APPLIANCE LAYOUT (CONTINUED)

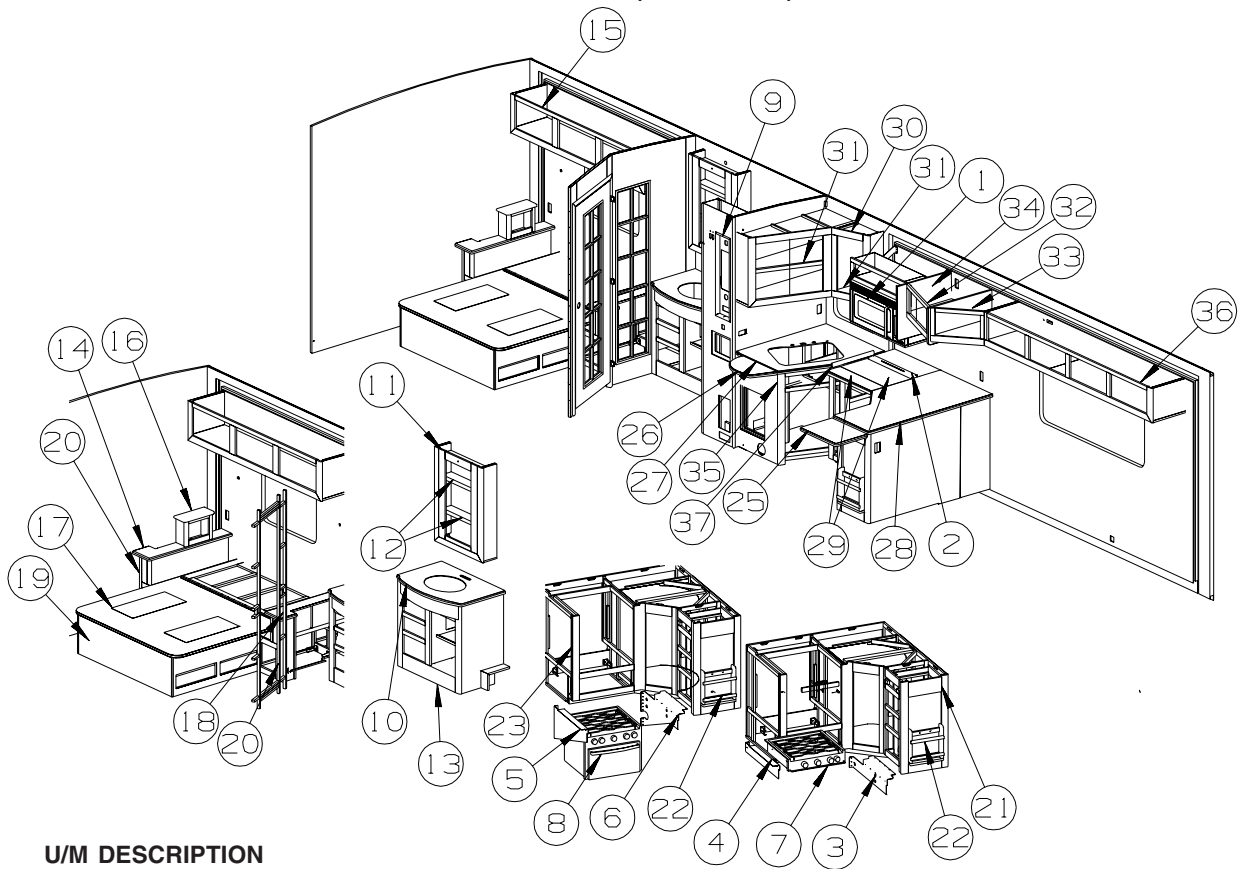


| KEY | PART NUMBER | U/M | DESCRIPTION |
|-----|---------------|-----|----------------------------------------------------------------------------------|
| 1* | 119267-12-02A | EA | OVEN - MICROWAVE/CONVECTION W/HOOD US - #R-1874 FROM: 00-00-00 THRU: 07-30-06 |
| 1* | 119267-17-01A | EA | OVEN - MICROWAVE/CONVECTION W/HOOD US - #R-1880LST |
| 2* | 126022-01-01A | EA | COVER/RANGE - BI-FOLD - 22" - BLACK TEXTURED |
| | 109506-12-000 | EA | FILM/ABRASION-RESISTANT - TRANSPARENT - 1" DIA. |
| 3 | 106936-59-04B | EA | BRACKET - TIEDOWN - RANGE - BLACK |
| 4 | 106936-58-04B | EA | BRACKET - TIEDOWN - RANGE/REAR - BLACK |
| 5 | 136382-35-04B | EA | BRACKET - TIEDOWN - OVEN - BLACK - RANGE W/OVEN |
| 6 | 136382-34-04B | EA | BRACKET - TIEDOWN - OVEN - BLACK - RANGE W/OVEN |
| 7* | 135065-03-01A | EA | RANGE-3 BURNER (SEALED)-W/O OVEN-NEW STYLE KNOBS-BLK GLASS |
| 7* | 135065-04-01A | EA | RANGE-3 BURNER (SEALED)-W/O OVEN - CSA - BLK TOP - CANADIAN |
| 8* | 151279-02-01A | EA | RANGE-22"-3 BURNER/SEALED-MERCURY FREE-BLK DR/GLASS - RANGE W/OVEN |
| 8* | 151279-03-01A | EA | RANGE-22"-3 BRNR/SLD-MRCRY FREE-BLK DR/GLS - RANGE W/OVEN/CANADIAN |
| 9 | 137602-F7-T60 | EA | POCKET - MONITOR PANEL - CONCERT CHERRY |
| 9 | 137602-F7-T61 | EA | POCKET - MONITOR PANEL - WASHED MAPLE |
| 9 | 137602-F7-TP0 | EA | POCKET - MONITOR PANEL - SIERRA MAPLE |
| 9 | 137602-F5-T60 | EA | POCKET - MONITOR PANEL - CONCERT CHERRY - DC/AC INVERTER |
| 9 | 137602-F5-T61 | EA | POCKET - MONITOR PANEL - WASHED MAPLE - DC/AC INVERTER |
| 9 | 137602-F5-TP0 | EA | POCKET - MONITOR PANEL - SIERRA MAPLE - DC/AC INVERTER |
| 10 | 149105-04-10A | EA | COUNTERTOP - 1/4" VENDURA - PEBBLE BEACH FROM: 00-00-00 THRU: 10-29-06 |
| 10 | 161294-02-UM4 | EA | COUNTERTOP - LAVATORY FROM: 10-30-06 THRU: 99-99-99 |
| 11 | 158160-01-U90 | EA | CABINET - OVERHEAD/MEDICINE - W/O DR/HDW - CONCERT CHERRY (UA1, UA5, UB1) |
| 11 | 158160-01-UM1 | EA | CABINET - OVERHEAD/MEDICINE - W/O DR/HDW - CONCERT CHERRY (UM4, UM5, UM6) |
| 11 | 158160-01-U67 | EA | CABINET - OVERHEAD/MEDICINE - W/O DR/HDW - WASHED MAPLE |
| 11 | 158160-01-U68 | EA | CABINET - OVERHEAD/MEDICINE - W/O DR/HDW - SIERRA MAPLE |
| 12 | 158160-16-U90 | EA | SHELF - W/PLASTIC EDGE MOLDING - CONCERT CHERRY (UA1, UA5, UB1) |
| 12 | 158160-16-UM1 | EA | SHELF - W/PLASTIC EDGE MOLDING - CONCERT CHERRY (UM4, UM5, UM6) |
| 12 | 158160-16-U67 | EA | SHELF - W/PLASTIC EDGE MOLDING - WASHED MAPLE |
| 12 | 158160-16-U68 | EA | SHELF - W/PLASTIC EDGE MOLDING - SIERRA MAPLE |
| 13 | P53387-01-T78 | EA | CABINET - LAVATORY - W/O COUNTERTOP/DR/DWR/HDW - CONCERT CHERRY (UA1, UA5, UB1) |
| 13 | P53387-01-UM1 | EA | CABINET - LAVATORY - W/O COUNTERTOP/DR/DWR/HDW - CONCERT CHERRY (UM4, UM5, UM6) |
| 13 | P53387-01-T79 | EA | CABINET - LAVATORY - W/O COUNTERTOP/DR/DWR/HDW - WASHED MAPLE |

CABINET & APPLIANCE GROUP (CONTINUED)
CABINET & APPLIANCE LAYOUT (CONTINUED)

| KEY | PART NUMBER | U/M | DESCRIPTION |
|-----|---------------|-----|-------------------------------------------------------------------------------------|
| 13 | P53387-01-T80 | EA | CABINET - LAVATORY - W/O COUNTERTOP/DR/DWR/HDW - SIERRA MAPLE |
| 14 | 145182-41-UA1 | EA | COUNTERTOP - LAMINATED - CONCERT CHERRY |
| 14 | 145182-41-UA2 | EA | COUNTERTOP - LAMINATED - WASHED MAPLE |
| 14 | 145182-41-UA3 | EA | COUNTERTOP - LAMINATED - SIERRA MAPLE |
| 14 | 145182-33-T90 | EA | COUNTERTOP - LAMINATED - CONCERT CHERRY - REAR STEREO |
| 14 | 145182-33-T91 | EA | COUNTERTOP - LAMINATED - WASHED MAPLE - REAR STEREO |
| 14 | 145182-33-T92 | EA | COUNTERTOP - LAMINATED - SIERRA MAPLE - REAR STEREO |
| 15 | 156643-01-U90 | EA | CABINET - OVERHEAD/REAR/RIGHT HAND - W/O DR/HDW - CONCERT CHERRY (UA1, UA5, UB1) |
| 15 | 156643-01-UM1 | EA | CABINET - OVERHEAD/REAR/RIGHT HAND - W/O DR/HDW - CONCERT CHERRY (UM4, UM5, UM6) |
| 15 | 156643-01-U91 | EA | CABINET - OVERHEAD/REAR/RIGHT HAND - W/O DR/HDW - WASHED MAPLE |
| 15 | 156643-01-U92 | EA | CABINET - OVERHEAD/REAR/RIGHT HAND - W/O DR/HDW - SIERRA MAPLE |
| 15 | 156643-02-U90 | EA | CABINET - OVHD/RR/RH-W/O DW - CONCERT CHERRY (UA1, UA5, UB1) - REAR STEREO W/CD/DVD |
| 16 | 159136-01-U90 | EA | CABINET - RADIO - W/O HDW - CONCERT CHERRY |
| 16 | 159136-01-U91 | EA | CABINET - RADIO - W/O HDW - WASHED MAPLE |
| 16 | 159136-01-U92 | EA | CABINET - RADIO - W/O HDW - SIERRA MAPLE |
| 17 | 137406-01-N42 | EA | BEDBOARD - W/HINGE/T-MOLDING/SLIPNOT - FLIP-UP |
| | 096764-02-000 | FT | SLIPNOT - ANTISLIP - 1' WIDE (180' ROLLS) |
| 18 | 145182-35-T90 | EA | COUNTERTOP - LAMINATED - CONCERT CHERRY |
| 18 | 145182-35-T91 | EA | COUNTERTOP - LAMINATED - WASHED MAPLE |
| 18 | 145182-35-T92 | EA | COUNTERTOP - LAMINATED - SIERRA MAPLE |
| 19 | 149148-01-S65 | EA | CABINET/BASE - W/O DR/HARDWARE - F/QUEEN BED - CONCERT CHERRY |
| 19 | 149148-01-S66 | EA | CABINET/BASE - W/O DR/HARDWARE - F/QUEEN BED - WASHED MAPLE |
| 19 | 149148-01-S67 | EA | CABINET/BASE - W/O DR/HARDWARE - F/QUEEN BED - SIERRA MAPLE |
| 20 | 153246-01-T78 | EA | CABINET - NIGHTSTAND/LH - W/O CNTRP/DR/DWR/HDW - CONCERT CHERRY (UA1, UA5, UB1) |
| 20 | 153246-01-UM1 | EA | CABINET - NIGHTSTAND/LH - W/O CNTRP/DR/DWR/HDW - CONCERT CHERRY (UM4, UM5, UM6) |
| 20 | 153246-01-T79 | EA | CABINET - NIGHTSTAND/LH - W/O COUNTERTOP/DR/DWR/HDW - WASHED MAPLE |
| 20 | 153246-01-T80 | EA | CABINET - NIGHTSTAND/LH - W/O COUNTERTOP/DR/DWR/HDW - SIERRA MAPLE |
| 20 | 153246-02-T78 | EA | CABINET - NIGHTSTAND - W/O COUNTERTOP/DR/DWR/HDW - CONCERT CHERRY (UA1, UA5, UB1) |
| 20 | 153246-02-UM1 | EA | CABINET - NIGHTSTAND - W/O COUNTERTOP/DR/DWR/HDW - CONCERT CHERRY (UM4, UM5, UM6) |
| 20 | 153246-02-T79 | EA | CABINET - NIGHTSTAND - W/O COUNTERTOP/DR/DWR/HDW - WASHED MAPLE |
| 20 | 153246-02-T80 | EA | CABINET - NIGHTSTAND - W/O COUNTERTOP/DR/DWR/HDW - SIERRA MAPLE |
| 21 | P57186-01-U90 | EA | CABINET - GALLEY - W/O COUNTERTOP/DR/DWRS/HDW - CONCERT CHERRY (UA1, UA5, UB1) |
| 21 | P57186-01-UM1 | EA | CABINET - GALLEY - W/O COUNTERTOP/DR/DWRS/HDW - CONCERT CHERRY (UM4, UM5, UM6) |
| 21 | P57186-01-U91 | EA | CABINET - GALLEY - W/O COUNTERTOP/DR/DWR/HDW - WASHED MAPLE |
| 21 | P57186-01-U92 | EA | CABINET - GALLEY - W/O COUNTERTOP/DR/DWR/HDW - SIERRA MAPLE |
| 22 | 140304-03-R39 | EA | CABINET - MAGAZINE RACK - CHERRY - CONCERT CHERRY |
| 22 | 140304-03-R46 | EA | CABINET - MAGAZINE RACK - WASHED MAPLE |
| 22 | 140304-03-S67 | EA | CABINET - MAGAZINE RACK - SIERRA MAPLE |
| 23 | P57186-02-U90 | EA | CABINET - GALLEY - W/O COUNTERTOP/DR/DWRS/HDW - CONCERT CHERRY (UA1, UA5, UB1) |
| 23 | P57186-02-UM1 | EA | CABINET - GALLEY - W/O COUNTERTOP/DR/DWRS/HDW - CONCERT CHERRY (UM4, UM5, UM6) |
| 23 | P57186-02-U91 | EA | CABINET - GALLEY - W/O COUNTERTOP/DR/DWR/HDW - WASHED MAPLE |
| 23 | P57186-02-U92 | EA | CABINET - GALLEY - W/O COUNTERTOP/DR/DWR/HDW - SIERRA MAPLE |
| 24 | 130816-06-10A | EA | COUNTERTOP/STOVE LID - 1/4" VENDURA - PEBBLE BEACH FROM: 00-00-00 THRU: 10-29-06 |
| 24 | 161211-03-UM4 | EA | COVER - STOVE TOP - LAMINATED FROM: 10-30-06 THRU: 99-99-99 |
| 25 | 141784-04-10A | EA | COUNTERTOP EXTENSION - 1/4"VENDURA - PEBBLE BEACH FROM: 00-00-00 THRU: 10-29-06 |
| 25 | 161214-08-UM4 | EA | EXTENSION - COUNTERTOP - W/O HDW FROM: 10-30-06 THRU: 99-99-99 |
| 26 | 141784-11-10A | EA | COUNTERTOP EXTENSION - 1/4"VENDURA - PEBBLE BEACH FROM: 00-00-00 THRU: 10-29-06 |
| 26 | 161214-06-UM4 | EA | EXTENSION - COUNTERTOP - W/O HDW FROM: 10-30-06 THRU: 99-99-99 |
| 27 | 149086-02-10A | EA | COUNTERTOP - 1/4" VENDURA - PEBBLE BEACH FROM: 00-00-00 THRU: 10-29-06 |
| 27 | 161292-02-UM4 | EA | COUNTERTOP - GALLEY FROM: 10-30-06 THRU: 99-99-99 |
| 28 | 149086-56-10A | EA | COUNTERTOP - 1/4" VENDURA - PEBBLE BEACH FROM: 00-00-00 THRU: 10-29-06 |
| 28 | 161293-02-UM4 | EA | COUNTERTOP - GALLEY FROM: 10-30-06 THRU: 99-99-99 |

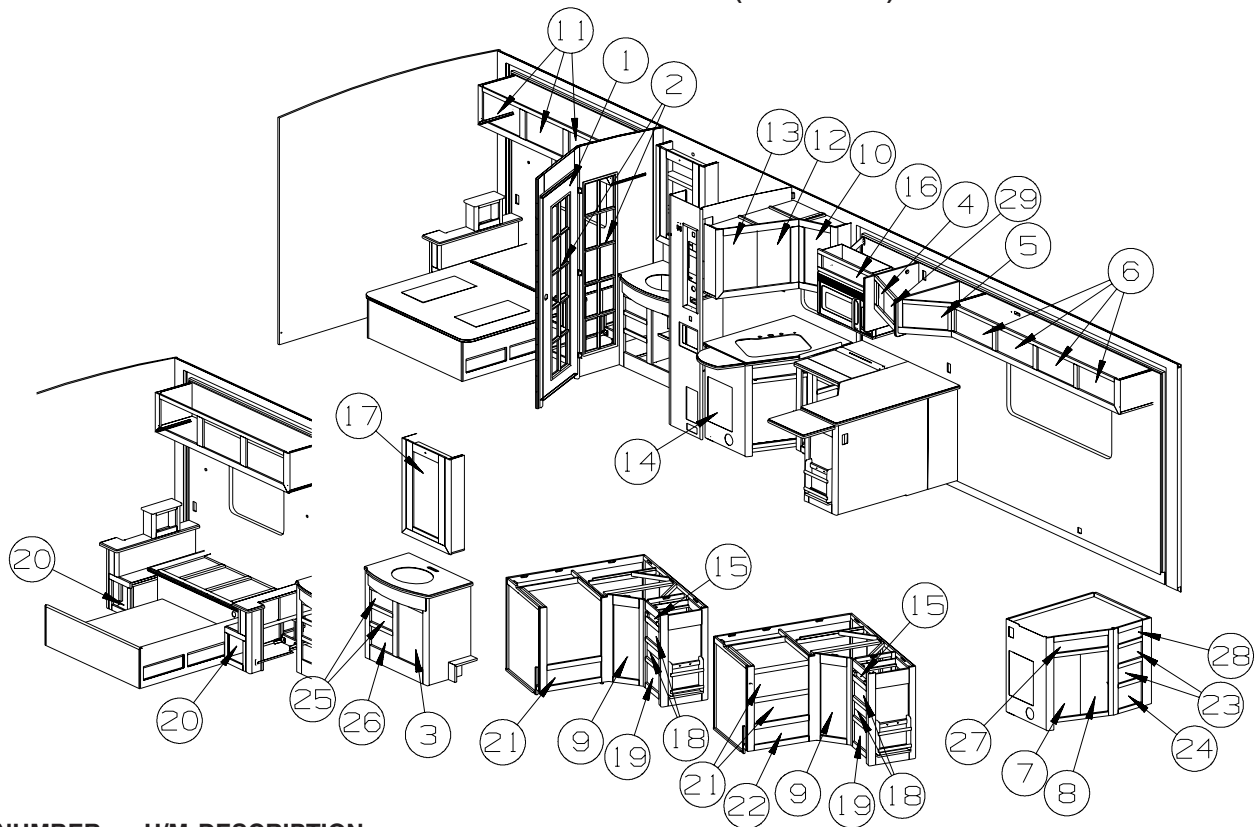
CABINET & APPLIANCE GROUP (CONTINUED)
CABINET & APPLIANCE LAYOUT (CONTINUED)



| KEY | PART NUMBER | U/M | DESCRIPTION |
|-----|---------------|-----|--------------------------------------------------------------------------------------|
| 29 | 149094-02-10A | EA | COVER/STOVE TOP - 1/4" VENDURA - PEBBLE BEACH FROM: 00-00-00 THRU: 10-29-06 |
| 29 | 161211-02-UM4 | EA | COVER - STOVE TOP - LAMINATED FROM: 10-30-06 THRU: 99-99-99 |
| 30 | 153127-02-U90 | EA | CABINET - OVERHEAD/GALLEY/REAR - W/O DR/HDW - CONCERT CHERRY (UA1, UA5, UB1) |
| 30 | 153127-02-UM1 | EA | CABINET - OVERHEAD/GALLEY/REAR - W/O DR/HDW - CONCERT CHERRY (UM4, UM5, UM6) |
| 30 | 153127-02-U91 | EA | CABINET - OVERHEAD/GALLEY/REAR - W/O DR/HDW - WASHED MAPLE |
| 30 | 153127-02-U92 | EA | CABINET - OVERHEAD/GALLEY/REAR - W/O DR/HDW - SIERRA MAPLE |
| 31 | 153127-17-T78 | EA | SHELF - CABINET - OVERHEAD/GALLEY/REAR - CONCERT CHERRY (UA1, UA5, UB1) |
| 31 | 153127-17-UM1 | EA | SHELF - CABINET - OVERHEAD/GALLEY/REAR - CONCERT CHERRY(UM4, UM5, UM6) |
| 31 | 153127-17-T79 | EA | SHELF - CABINET - OVERHEAD/GALLEY/REAR - WASHED MAPLE |
| 31 | 153127-17-T80 | EA | SHELF - CABINET - OVERHEAD/GALLEY/REAR - SIERRA MAPLE |
| 32 | 157032-02-U90 | EA | CABINET - OVERHEAD/MICROWAVE - W/O DR/HDW - CONCERT CHERRY (UA1, UA5, UB1) |
| 32 | 157032-02-UM1 | EA | CABINET - OVERHEAD/MICROWAVE - W/O DR/HDW - CONCERT CHERRY (UM4, UM5, UM6) |
| 32 | 157032-02-U91 | EA | CABINET - OVERHEAD/MICROWAVE - W/O DR/HDW - WASHED MAPLE |
| 32 | 157032-02-U92 | EA | CABINET - OVERHEAD/MICROWAVE - W/O DR/HDW - SIERRA MAPLE |
| 33 | 145517-40-T78 | EA | END CAP - OVERHEAD CABINET - CONCERT CHERRY |
| 33 | 145517-40-T79 | EA | END CAP - OVERHEAD CABINET - WASHED MAPLE |
| 33 | 145517-40-T80 | EA | END CAP - OVERHEAD CABINET - SIERRA MAPLE |
| 34 | 145517-41-T78 | EA | END CAP - OVERHEAD CABINET - CONCERT CHERRY |
| 34 | 145517-41-T79 | EA | END CAP - OVERHEAD CABINET - WASHED MAPLE |
| 34 | 145517-41-T80 | EA | END CAP - OVERHEAD CABINET - SIERRA MAPLE |
| 35 | P58672-01-U90 | EA | CABINET - GALLEY - W/O COUNTERTOP/DR/DWR/HDW - CONCERT CHERRY (UA1, UA5, UB1) |
| 35 | P58672-01-UM1 | EA | CABINET - GALLEY - W/O COUNTERTOP/DR/DWR/HDW - CONCERT CHERRY (UM4, UM5, UM6) |
| 35 | P58672-01-U91 | EA | CABINET - GALLEY - W/O COUNTERTOP/DR/DWR/HDW - WASHED MAPLE |
| 35 | P58672-01-U92 | EA | CABINET - GALLEY - W/O COUNTERTOP/DR/DWR/HDW - SIERRA MAPLE |
| 36 | 156649-01-U90 | EA | CABINET - OVERHEAD/COUCH - W/O DR/HDW - CONCERT CHERRY (UA1, UA5, UB1) |
| 36 | 156649-01-UM1 | EA | CABINET - OVERHEAD/COUCH - W/O DR/HDW - CONCERT CHERRY (UM4, UM5, UM6) |
| 36 | 156649-01-U91 | EA | CABINET - OVERHEAD/COUCH - W/O DR/HDW - WASHED MAPLE |
| 36 | 156649-01-U92 | EA | CABINET - OVERHEAD/COUCH - W/O DR/HDW - SIERRA MAPLE |
| 37 | 130813-40-10A | EA | BACKSPLASH/COUNTERTOP - 1/2" VENDURA - PEBBLE BEACH FROM: 00-00-00 THRU: 10-29-06 |
| 37 | 161216-03-UM4 | EA | BACKSPLASH - COUNTERTOP FROM: 10-30-06 THRU: 99-99-99 |

*COMPONENT PARTS LISTED LATER IN THIS GROUP

CABINET & APPLIANCE GROUP (CONTINUED)
CABINET & APPLIANCE LAYOUT (CONTINUED)

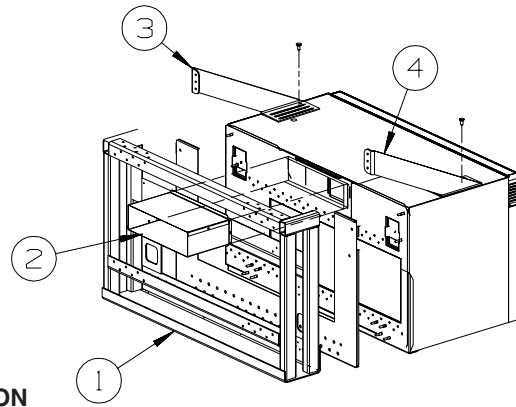


| KEY | PART NUMBER | U/M | DESCRIPTION |
|-----|---------------|-----|---------------------------------------------------------------------------------|
| 1 | P47332-03-T78 | EA | DOOR - (PASSAGE) - W/GLASS - W/O HARDWARE - CONCERT CHERRY (UA1, UA5, UB1) |
| 1 | P47332-03-UM1 | EA | DOOR - (PASSAGE) - W/GLASS - W/O HARDWARE - CONCERT CHERRY (UM4, UM5, UM6) |
| 1 | P47332-03-T79 | EA | DOOR - (PASSAGE) - W/GLASS - W/O HARDWAR - WASHED MAPLE |
| 1 | P47332-03-T80 | EA | DOOR - (PASSAGE) - W/GLASS - W/O HARDWARE - SIERRA MAPLE |
| 2 | 147399-01-R39 | EA | GLASS/INSERT - F/PASSAGE DOOR - BLACK CHERRY/CHERRY - CONCERT CHERRY |
| 2 | 147399-01-R46 | EA | GLASS/INSERT - F/PASSAGE DOOR - WASHED MAPL |
| 2 | 147399-01-S67 | EA | GLASS/INSERT - F/PASSAGE DOOR - HONEY MAPLE - SIERRA MAPLE |
| 3 | 136955-C0-T90 | EA | DOOR - RAISED PANEL/PENCIL EDGE - 15" X 21.9" - W/O HDW - CONCERT CHERRY |
| 3 | 136955-C0-T91 | EA | DOOR - RAISED PANEL/PENCIL EDGE - 15" X 21.9" - W/O HDW - WASHED MAPLE |
| 3 | 136955-C0-T92 | EA | DOOR - RAISED PANEL/PENCIL EDGE - 15" X 21.9" - W/O HDW - SIERRA MAPLE |
| 4 | 141518-10-T90 | EA | DOOR - ARCHED/PENCIL EDGE/LEFT HAND - 9.8" X 12" - W/O HDW - CONCERT CHERRY |
| 4 | 141518-10-T91 | EA | DOOR - ARCHED/PENCIL EDGE/LEFT HAND - 9.8" X 12" - W/O HDW - WASHED MAPLE |
| 4 | 141518-10-T92 | EA | DOOR - ARCHED/PENCIL EDGE/LEFT HAND - 9.8" X 12" - W/O HDW - SIERRA MAPLE |
| 5 | 141522-37-T90 | EA | DOOR - ARCHED/PENCIL EDGE/HORIZ - 10.8" X 16.5" - W/O HDW - CONCERT CHERRY |
| 5 | 141522-37-T91 | EA | DOOR - ARCHED/PENCIL EDGE/HORIZ - 10.8" X 16.5" - W/O HDW - WASHED MAPLE |
| 5 | 141522-37-T92 | EA | DOOR - ARCHED/PENCIL EDGE/HORIZ - 10.8" X 16.5" - W/O HDW - SIERRA MAPLE |
| 6 | 141522-40-T90 | EA | DOOR - ARCHED/PENCIL EDGE/HORIZ - 10.8" X 21.8" - W/O HDW - CONCERT CHERRY |
| 6 | 141522-40-T91 | EA | DOOR - ARCHED/PENCIL EDGE/HORIZ - 10.8" X 21.8" - W/O HDW - WASHED MAPLE |
| 6 | 141522-40-T92 | EA | DOOR - ARCHED/PENCIL EDGE/HORIZ - 10.8" X 21.8" - W/O HDW - SIERRA MAPLE |
| 7 | 136955-44-T90 | EA | DOOR - RAISED PANEL/PENCIL EDGE - 10.8" X 23.8" - W/O HDW - CONCERT CHERRY |
| 7 | 136955-44-T91 | EA | DOOR - RAISED PANEL/PENCIL EDGE - 10.8" X 23.8" - W/O HDW - WASHED MAPLE |
| 7 | 136955-44-T92 | EA | DOOR - RAISED PANEL/PENCIL EDGE - 10.8" X 23.8" - W/O HDW - SIERRA MAPLE |
| 8 | 136955-45-T90 | EA | DOOR - RAISED PANEL/PENCIL EDGE - 10.8" X 23.8" - W/O HDW - CONCERT CHERRY |
| 8 | 136955-45-T91 | EA | DOOR - RAISED PANEL/PENCIL EDGE - 10.8" X 23.8" - W/O HDW - WASHED MAPLE |
| 8 | 136955-45-T92 | EA | DOOR - RAISED PANEL/PENCIL EDGE - 10.8" X 23.8" - W/O HDW - SIERRA MAPLE |
| 9 | 136955-48-T90 | EA | DOOR - RAISED PANEL/PENCIL EDGE - 10.8" X 28" - W/O HDW - CONCERT CHERRY |
| 9 | 136955-48-T91 | EA | DOOR - RAISED PANEL/PENCIL EDGE - 10.8" X 28" - W/O HDW - WASHED MAPLE |
| 9 | 136955-48-T92 | EA | DOOR - RAISED PANEL/PENCIL EDGE - 10.8" X 28" - W/O HDW - SIERRA MAPLE |
| 10 | 141520-60-T90 | EA | DOOR - ARCHED/PENCIL EDGE/RIGHT HAND - 11.4" X 21.8" - W/O HDW - CONCERT CHERRY |
| 10 | 141520-60-T91 | EA | DOOR - ARCHED/PENCIL EDGE/RIGHT HAND - 11.4" X 21.8" - W/O HDW - WASHED MAPLE |
| 10 | 141520-60-T92 | EA | DOOR - ARCHED/PENCIL EDGE/RIGHT HAND - 11.4" X 21.8" - W/O HDW - SIERRA MAPLE |
| 11 | 141522-85-UA1 | EA | DOOR - ARCHED/PENCIL EDGE/HORIZ - 12.8" X 21.8" - W/O HDW - CONCERT CHERRY |
| 11 | 141522-85-UA2 | EA | DOOR - ARCHED/PENCIL EDGE/HORIZ - 12.8" X 21.8" - W/O HDW - WASHED MAPLE |
| 11 | 141522-85-UA3 | EA | DOOR - ARCHED/PENCIL EDGE/HORIZ - 12.8" X 21.8" - W/O HDW - SIERRA MAPLE |

CABINET & APPLIANCE GROUP (CONTINUED)
CABINET & APPLIANCE LAYOUT (CONTINUED)

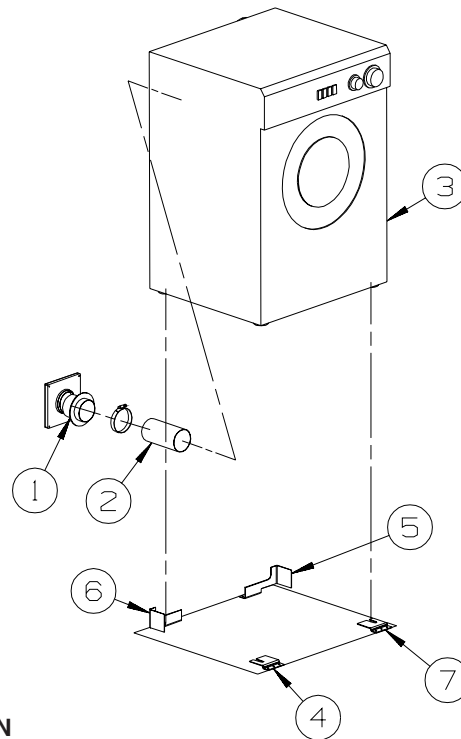
| KEY | PART NUMBER | U/M | DESCRIPTION |
|-----|---------------|-----|---------------------------------------------------------------------------------|
| 12 | 141518-86-T90 | EA | DOOR - ARCHED/PENCIL EDGE/LEFT HAND - 12.8" X 21.8" - W/O HDW - CONCERT CHERRY |
| 12 | 141518-86-T91 | EA | DOOR - ARCHED/PENCIL EDGE/LEFT HAND - 12.8" X 21.8" - W/O HDW - WASHED MAPLE |
| 12 | 141518-86-T92 | EA | DOOR - ARCHED/PENCIL EDGE/LEFT HAND - 12.8" X 21.8" - W/O HDW - SIERRA MAPLE |
| 13 | 141520-87-T90 | EA | DOOR - ARCHED/PENCIL EDGE/RIGHT HAND - 12.8" X 21.8" - W/O HDW - CONCERT CHERRY |
| 13 | 141520-87-T91 | EA | DOOR - ARCHED/PENCIL EDGE/RIGHT HAND - 12.8" X 21.8" - W/O HDW - WASHED MAPLE |
| 13 | 141520-87-T92 | EA | DOOR - ARCHED/PENCIL EDGE/RIGHT HAND - 12.8" X 21.8" - W/O HDW - SIERRA MAPLE |
| 14 | 136955-A3-T90 | EA | DOOR - RAISED PANEL/PENCIL EDGE - 14.4" X 17.9" - W/O HDW - CONCERT CHERRY |
| 14 | 136955-A3-T91 | EA | DOOR - RAISED PANEL/PENCIL EDGE - 14.4" X 17.9" - W/O HDW - WASHED MAPLE |
| 14 | 136955-A3-T92 | EA | DOOR - RAISED PANEL/PENCIL EDGE - 14.4" X 17.9" - W/O HDW - SIERRA MAPLE |
| 15 | 144803-EL-T90 | EA | FACE/DRAWER - SOLID PANEL/OGEE EDGE - 3.5" X 13"-W/O HDW - CONCERT CHERRY |
| 15 | 144803-EL-T91 | EA | FACE/DRAWER - SOLID PANEL/OGEE EDGE - 3.5" X 13"-W/O HDW - WASHED MAPLE |
| 15 | 144803-EL-T92 | EA | FACE/DRAWER - SOLID PANEL/OGEE EDGE - 3.5" X 13"-W/O HDW - SIERRA MAPLE |
| 16 | 145298-31-T90 | EA | DOOR - SOLID PANEL/PENCIL EDGE - 5.9" X 27.5" - W/O HDW - CONCERT CHERRY |
| 16 | 145298-31-T91 | EA | DOOR - SOLID PANEL/PENCIL EDGE - 5.9" X 27.5" - W/O HDW - WASHED MAPLE |
| 16 | 145298-31-T92 | EA | DOOR - SOLID PANEL/PENCIL EDGE - 5.9" X 27.5" - W/O HDW - SIERRA MAPLE |
| 17 | 145576-B3-T90 | EA | DOOR - MIRRORED - 15.6" X 29.5" - W/O HARDWARE - CONCERT CHERRY |
| 17 | 145576-B3-T91 | EA | DOOR - MIRRORED - 15.6" X 29.5" - W/O HARDWARE - WASHED MAPLE |
| 17 | 145576-B3-T92 | EA | DOOR - MIRRORED - 15.6" X 29.5" - W/O HARDWARE - SIERRA MAPLE |
| | 093606-50-000 | EA | MIRROR - BEVELED EDGE - 15.6" X 29.5" |
| 18 | 153121-64-T90 | EA | DRAWER - PENCIL EDGE - 10.8"W X 15.7"D - W/O SLIDES/HDW - CONCERT CHERRY |
| 18 | 153121-64-T91 | EA | DRAWER - PENCIL EDGE - 10.8"W X 15.7"D - W/O SLIDES/HDW - WASHED MAPLE |
| 18 | 153121-64-T92 | EA | DRAWER - PENCIL EDGE - 10.8"W X 15.7"D - W/O SLIDES/HDW - SIERRA MAPLE |
| 19 | 153121-66-T90 | EA | DRAWER - PENCIL EDGE - 10.8"W X 15.7"D - W/O SLIDES/HDW - CONCERT CHERRY |
| 19 | 153121-66-T91 | EA | DRAWER - PENCIL EDGE - 10.8"W X 15.7"D - W/O SLIDES/HDW - WASHED MAPLE |
| 19 | 153121-66-T92 | EA | DRAWER - PENCIL EDGE - 10.8"W X 15.7"D - W/O SLIDES/HDW - SIERRA MAPLE |
| 20 | 153121-48-T90 | EA | DRAWER - PENCIL EDGE - 7.6"W X 23.6"D - W/O SLIDES/HDW - CONCERT CHERRY |
| 20 | 153121-48-T91 | EA | DRAWER - PENCIL EDGE - 7.6"W X 23.6"D - W/O SLIDES/HDW - WASHED MAPLE |
| 20 | 153121-48-T92 | EA | DRAWER - PENCIL EDGE - 7.6"W X 23.6"D - W/O SLIDES/HDW - SIERRA MAPLE |
| 21 | 153121-68-T90 | EA | DRAWER - PENCIL EDGE - 19.8"W X 21.6"D - W/O SLIDES/HDW - CONCERT CHERRY |
| 21 | 153121-68-T91 | EA | DRAWER - PENCIL EDGE - 19.8"W X 21.6"D - W/O SLIDES/HDW - WASHED MAPLE |
| 21 | 153121-68-T92 | EA | DRAWER - PENCIL EDGE - 19.8"W X 21.6"D - W/O SLIDES/HDW - SIERRA MAPLE |
| 22 | 153121-NE-T90 | EA | DRAWER - PENCIL EDGE - 19.8"W X 21.6"D - W/O SLIDES/HDW - CONCERT CHERRY |
| 22 | 153121-NE-T91 | EA | DRAWER - PENCIL EDGE - 19.8"W X 21.6"D - W/O SLIDES/HDW - WASHED MAPLE |
| 22 | 153121-NE-T92 | EA | DRAWER - PENCIL EDGE - 19.8"W X 21.6"D - W/O SLIDES/HDW - SIERRA MAPLE |
| 23 | 153121-72-T90 | EA | DRAWER - PENCIL EDGE - 10"W X 21.6"D - W/O SLIDES/HDW - CONCERT CHERRY |
| 23 | 153121-72-T91 | EA | DRAWER - PENCIL EDGE - 10"W X 21.6"D - W/O SLIDES/HDW - WASHED MAPLE |
| 23 | 153121-72-T92 | EA | DRAWER - PENCIL EDGE - 10"W X 21.6"D - W/O SLIDES/HDW - SIERRA MAPLE |
| 24 | 153121-74-T90 | EA | DRAWER - PENCIL EDGE - 10"W X 21.6"D - W/O SLIDES/HDW - CONCERT CHERRY |
| 24 | 153121-74-T91 | EA | DRAWER - PENCIL EDGE - 10"W X 21.6"D - W/O SLIDES/HDW - WASHED MAPLE |
| 24 | 153121-74-T92 | EA | DRAWER - PENCIL EDGE - 10"W X 21.6"D - W/O SLIDES/HDW - SIERRA MAPLE |
| 25 | 153121-80-T90 | EA | DRAWER - PENCIL EDGE - 11.6"W X 15.7"D - W/O SLIDES/HDW - CONCERT CHERRY |
| 25 | 153121-80-T91 | EA | DRAWER - PENCIL EDGE - 11.6"W X 15.7"D - W/O SLIDES/HDW - WASHED MAPLE |
| 25 | 153121-80-T92 | EA | DRAWER - PENCIL EDGE - 11.6"W X 15.7"D - W/O SLIDES/HDW - SIERRA MAPLE |
| 26 | 153121-82-T90 | EA | DRAWER - PENCIL EDGE - 11.6"W X 15.7"D - W/O SLIDES/HDW - CONCERT CHERRY |
| 26 | 153121-82-T91 | EA | DRAWER - PENCIL EDGE - 11.6"W X 15.7"D - W/O SLIDES/HDW - WASHED MAPLE |
| 26 | 153121-82-T92 | EA | DRAWER - PENCIL EDGE - 11.6"W X 15.7"D - W/O SLIDES/HDW - SIERRA MAPLE |
| 27 | 146910-08-T90 | EA | DRAWER - TIPOUT - W/HIDDEN TRAY - CONCERT CHERRY |
| 27 | 146910-08-T91 | EA | DRAWER - TIPOUT - W/HIDDEN TRAY - WASHED MAPLE |
| 27 | 146910-08-T92 | EA | DRAWER - TIPOUT - W/HIDDEN TRAY - SIERRA MAPLE |
| | 108127-01-01A | EA | CAP - TRAY |
| | 108128-01-01A | EA | TRAY - HIDDEN |
| 28 | 146910-11-T90 | EA | DRAWER - TIPOUT - W/HIDDEN TRAY - CONCERT CHERRY |
| 28 | 146910-11-T91 | EA | DRAWER - TIPOUT - W/HIDDEN TRAY - WASHED MAPLE |
| 28 | 146910-11-T92 | EA | DRAWER - TIPOUT - W/HIDDEN TRAY - SIERRA MAPLE |
| | 108127-01-01A | EA | CAP - TRAY |
| | 108128-01-01A | EA | TRAY - HIDDEN |
| 29 | 141520-10-T90 | EA | DOOR - ARCHED/PENCIL EDGE/RIGHT HAND - 9.8" X 12" - W/O HDW - CONCERT CHERRY |
| 29 | 141520-10-T91 | EA | DOOR - ARCHED/PENCIL EDGE/RIGHT HAND - 9.8" X 12" - W/O HDW - WASHED MAPLE |
| 29 | 141520-10-T92 | EA | DOOR - ARCHED/PENCIL EDGE/RIGHT HAND - 9.8" X 12" - W/O HDW - SIERRA MAPLE |

CABINET & APPLIANCE GROUP (CONTINUED)
CABINET & APPLIANCE LAYOUT (CONTINUED)



**G35A, G35L,
G38J**

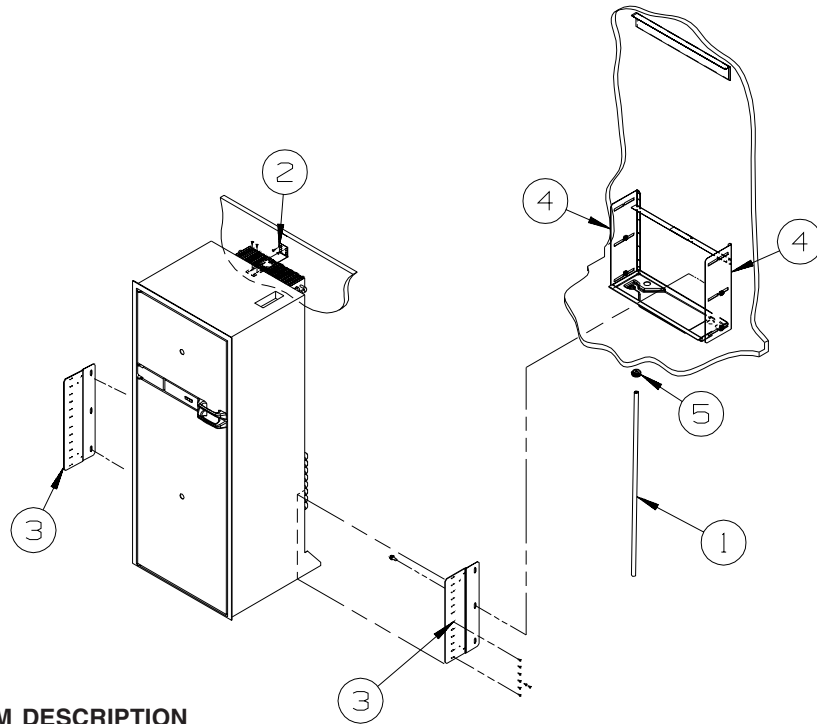
| KEY | PART NUMBER | U/M | DESCRIPTION |
|-----|---------------|-----|----------------------------------------|
| 1 | 137824-06-02B | EA | BRACKET - MICROWAVE - E-COATED |
| 2 | 140093-06-02B | EA | DUCT - E-COATED |
| 3 | 153314-01-02B | EA | BRACKET/SUPPORT - MICROWAVE - E-COATED |
| 4 | 153314-02-02B | EA | BRACKET/SUPPORT - MICROWAVE - E-COATED |



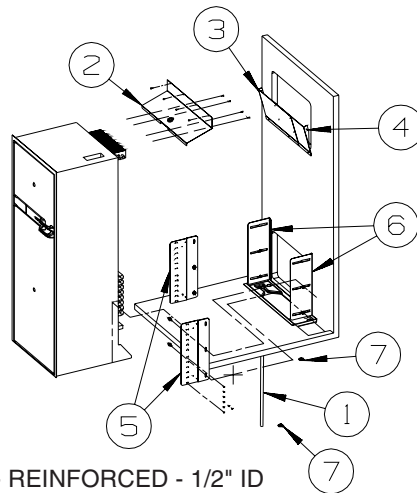
WASHER DRYER

| KEY | PART NUMBER | U/M | DESCRIPTION |
|-----|---------------|-----|-----------------------------------------------------|
| 1 | 146292-01-01A | EA | COVER - DRYER VENT - BRIGHT WHITE |
| 1 | 146292-01-02A | EA | COVER - DRYER VENT - BLACK - FULL BODY PAINT |
| 1 | 146292-02-01A | EA | DRYER VENT - INNER - BRIGHT WHITE |
| 1 | 146292-02-02A | EA | DRYER VENT - INNER - BLACK - FULL BODY PAINT |
| 2 | 116653-02-000 | FT | DUCT - FLEXIBLE - 3' COMPRESSED/8' EXTENDED |
| 3 | 153204-01-01A | EA | WASHER/DRYER - VENTED - UL/CSA - WHITE |
| 4 | 111913-02-04B | EA | BRACKET/WASHER - TIE DOWN - BLACK |
| 5 | 113795-01-02B | EA | BRACKET - WASHER - E-COATED |
| 6 | 113795-02-02B | EA | BRACKET - WASHER - E-COATED |
| 7 | 111913-03-04B | EA | BRACKET/WASHER - TIE DOWN - BLACK |
| | 141523-01-01A | EA | LABEL - WASHER/DRYER BRACKETS - BLACK/WHITE |
| | 157665-01-000 | GL | RV ANTIFREEZE-50 POTABLE WTR |

CABINET & APPLIANCE GROUP (CONTINUED)
CABINET & APPLIANCE LAYOUT (CONTINUED)



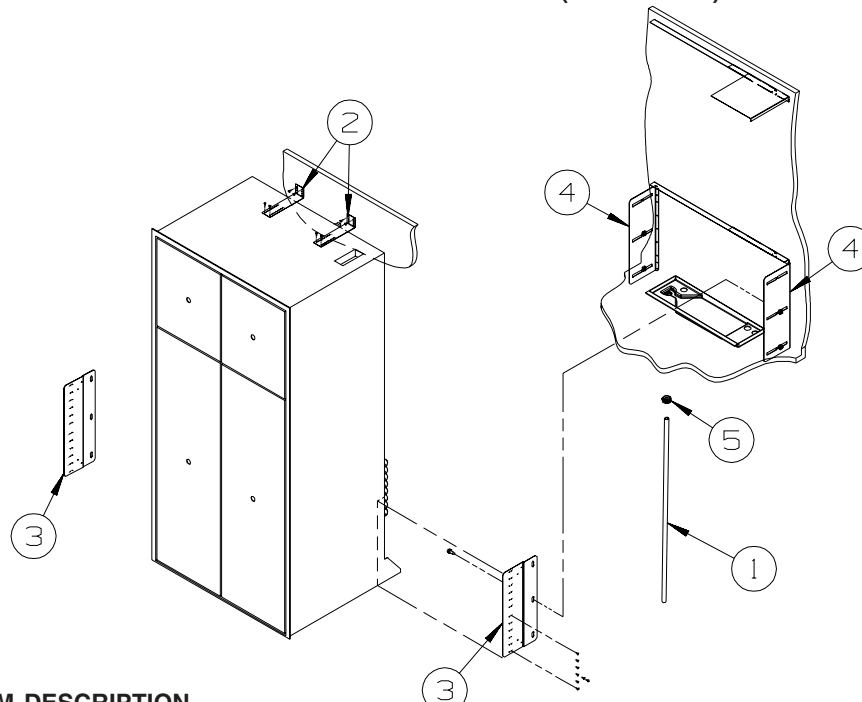
| KEY | PART NUMBER | U/M | DESCRIPTION |
|-----|---------------|-----|-------------------------------------------------------|
| 1 | 112176-01-000 | FT | TUBING - VINYL - REINFORCED - 1/2" ID |
| 2 | 145445-02-02B | EA | STRAP - REFRIGERATOR - E-COATED |
| 3 | 150740-01-02B | EA | BRACKET - REFRIGERATOR - E-COATED |
| 4 | 150740-02-02B | EA | BRACKET - REFRIGERATOR - E-COATED |
| 5 | 152417-01-01A | EA | CLAMP/RATCHET - F/REFRIGERATOR DRIP TRAY HOSE - BLACK |



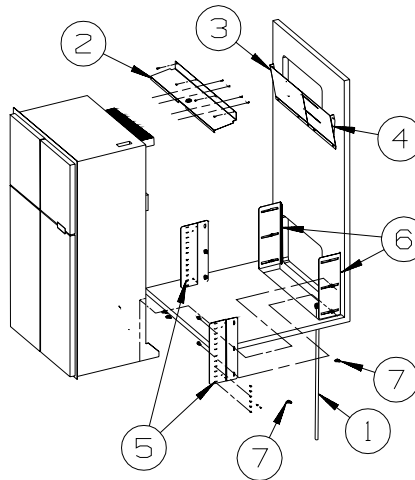
| KEY | PART NUMBER | U/M | DESCRIPTION |
|-----|---------------|-----|--------------------------------------------------------|
| 1 | 112176-01-000 | FT | TUBING - VINYL - REINFORCED - 1/2" ID |
| 2 | 136966-04-02B | EA | BAFFLE - REFRIGERATOR - E-COATED |
| 3 | 143195-03-02B | EA | BAFFLE - REFRIGERATOR - E-COATED |
| 4 | 143195-04-02B | EA | BAFFLE - REFRIGERATOR - E-COATED |
| 5 | 150740-01-02B | EA | BRACKET - REFRIGERATOR - E-COATED |
| 6 | 150740-02-02B | EA | BRACKET - REFRIGERATOR - E-COATED |
| 7 | 152417-01-01A | EA | CLAMP/RATCHET - F/REFRIDGERATOR DRIP TRAY HOSE - BLACK |

G38T

CABINET & APPLIANCE GROUP (CONTINUED)
CABINET & APPLIANCE LAYOUT (CONTINUED)



| KEY | PART NUMBER | U/M | DESCRIPTION |
|-----|---------------|-----|--------------------------------------------------------|
| 1 | 112176-01-000 | FT | TUBING - VINYL - REINFORCED - 1/2" ID |
| 2 | 145445-02-02B | EA | STRAP - REFRIGERATOR - E-COATED |
| 3 | 150740-01-02B | EA | BRACKET - REFRIGERATOR - E-COATED |
| 4 | 150740-02-02B | EA | BRACKET - REFRIGERATOR - E-COATED |
| 5 | 152417-01-01A | EA | CLAMP/RATCHET - F/REFRIDGERATOR DRIP TRAY HOSE - BLACK |



| KEY | PART NUMBER | U/M | DESCRIPTION |
|-----|---------------|-----|--------------------------------------------------------|
| 1 | 112176-01-000 | FT | TUBING - VINYL - REINFORCED - 1/2" ID |
| 2 | 136966-04-02B | EA | BAFFLE - REFRIGERATOR - E-COATED |
| | | | FROM: 00-00-00 THRU: 05-14-06 |
| 2 | 136966-05-02B | EA | BAFFLE - REFRIGERATOR - E-COATED |
| | | | FROM: 05-15-06 THRU: 99-99-99 |
| 3 | 143195-01-02B | EA | BAFFLE - REFRIGERATOR - E-COATED |
| 4 | 143195-02-02B | EA | BAFFLE - REFRIGERATOR - E-COATED |
| 5 | 150740-01-02B | EA | BRACKET - REFRIGERATOR - E-COATED |
| 6 | 150740-02-02B | EA | BRACKET - REFRIGERATOR - E-COATED |
| 7 | 152417-01-01A | EA | CLAMP/RATCHET - F/REFRIDGERATOR DRIP TRAY HOSE - BLACK |

G38T

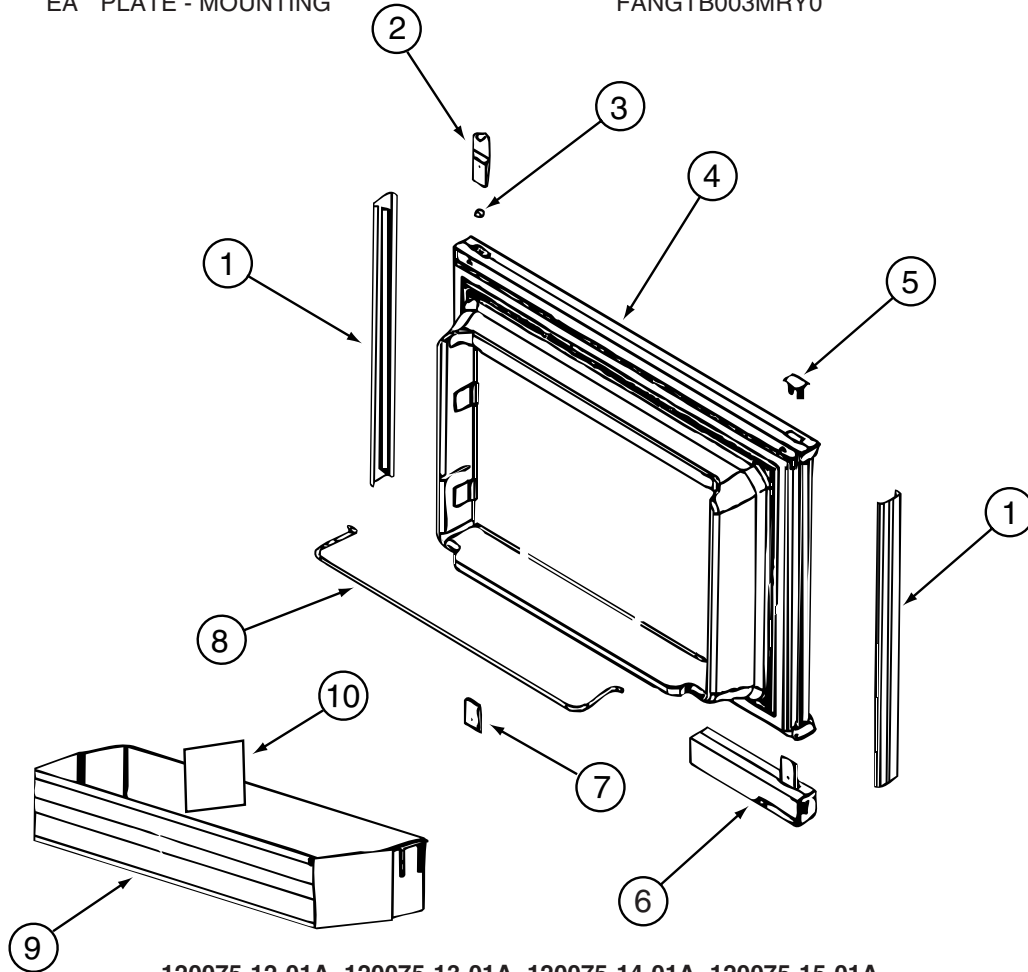
CABINET & APPLIANCE GROUP (CONTINUED)
COMPONENT PARTS FOR CABINET & APPLIANCE LAYOUT

119267-12-02A

| KEY | PART NUMBER | U/M | DESCRIPTION | VENDOR NO. |
|-----|---------------|-----|------------------------------|---------------|
| | 119267-04-700 | EA | FILTER-GREASE | BOO2 |
| | 119267-04-703 | EA | PLATE - MOUNTING | FANGTB003MRY0 |
| | 119267-04-704 | EA | LIGHT COVER-F/MOD R1480/1850 | FANGKB009MRYO |
| | 119267-04-705 | EA | SCREW | LX-BZB011MREO |
| | 119267-12-701 | EA | SUPPORT - F/GLASS TRAY | FROLPB020MRKO |
| | 119267-12-702 | EA | RACK - HIGH | FAMI-B006MR0 |
| | 119267-12-703 | EA | RACK - LOW | FAMI-B005MR0 |
| | 119267-12-704 | EA | LOUVER - EXHAUST | PDIF-BO13MRKO |

119267-17-01A

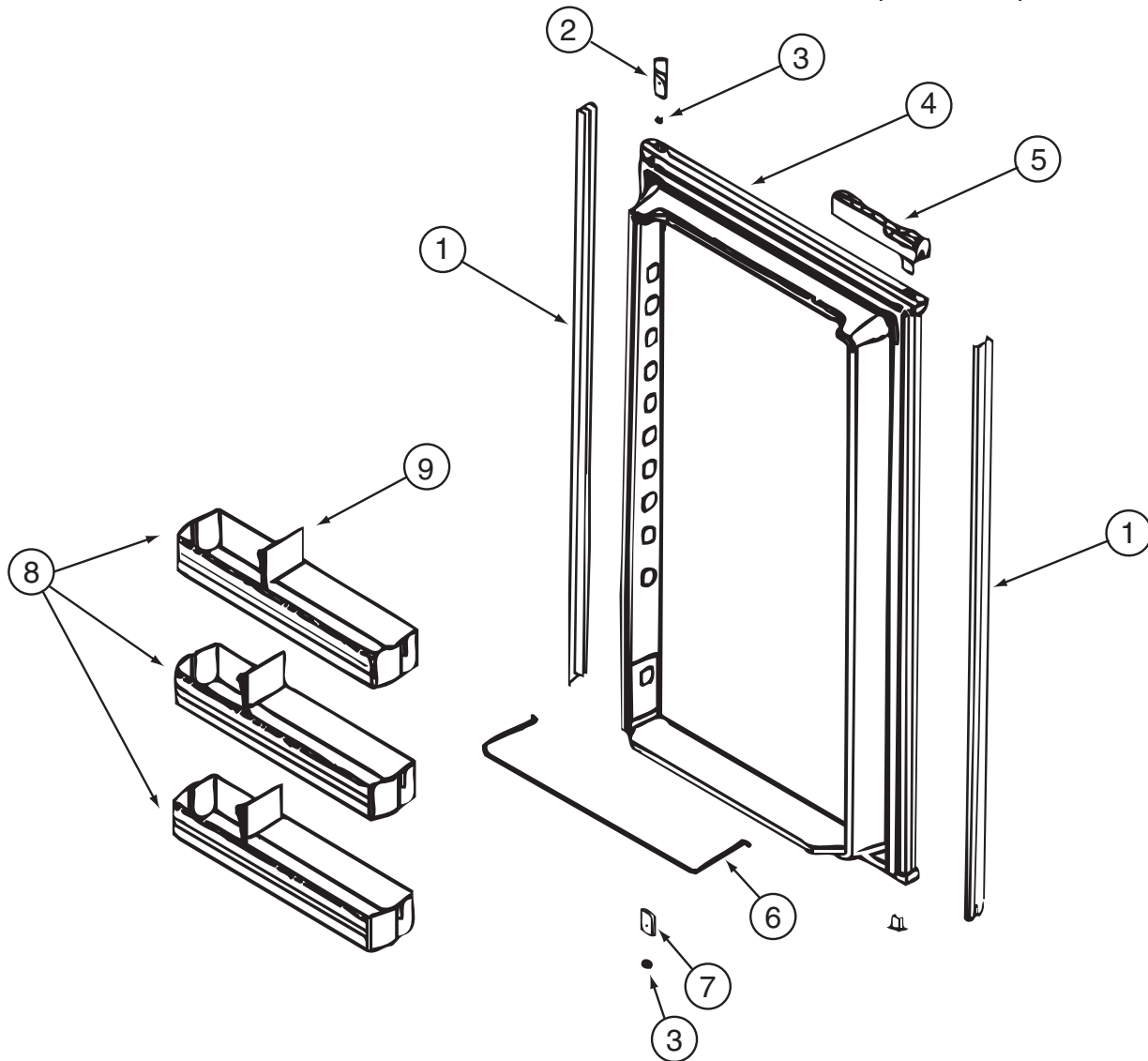
| KEY | PART NUMBER | U/M | DESCRIPTION | VENDOR NO. |
|-----|---------------|-----|------------------|---------------|
| | 119267-04-703 | EA | PLATE - MOUNTING | FANGTB003MRY0 |



120075-12-01A, 120075-13-01A, 120075-14-01A, 120075-15-01A

| KEY | PART NUMBER | U/M | DESCRIPTION | VENDOR NO. |
|-----|---------------|-----|--------------------------------|--------------------|
| 1 | 121568-03-700 | EA | RETAINER - DOOR PNL/WAFFLE/BLK | 619558-WDL-UPPER |
| 2 | 120075-01-701 | EA | HINGE-TOP RH/BOTTOM LH(DOOR) | 618511 |
| 3 | 121568-03-701 | EA | BUSHING - HINGE PIN/GRAY | 619671 |
| 4 | 121568-03-702 | EA | DOOR LINER-UPR/WAFFLED/BLACK | 619627 - SMALL WDL |
| 5 | 120075-01-702 | EA | CAP, (HINGE PLUG) | 618160 |
| 6 | 120075-12-700 | EA | HANDLE(CONTOUR)TOP LH/BTM RH | 621105 |
| 6 | 120075-12-701 | EA | HANDLE(CONTOUR)TOP RH/BTM LH | 621104 |
| 6 | 121568-03-703 | EA | HANDLE/FLUSH-TOP/RH-LWR/LH | 619865 |
| 6 | 121568-03-708 | EA | HANDLE/FLUSH-TOP/LH-LWR/RH | 619866 |
| 7 | 120075-01-705 | EA | HINGE-TOP LH/BOTTOM RH(DOOR) | 618510 |
| 8 | 121568-01-700 | EA | RAIL - DOOR UPPER | 618618 |
| 9 | 120075-07-700 | EA | DOOR BIN - SMALL/CLEAR F/WDL | 619006 WDL |
| 10 | 120075-07-701 | EA | DIVIDER/DOOR BIN CLEAR | 619008 WDL & SDL |
| | 121568-03-704 | EA | TRAVEL LATCH - GRAY | 619647 |
| | 121568-03-705 | EA | STORAGE LATCH - GRAY | 619648 |

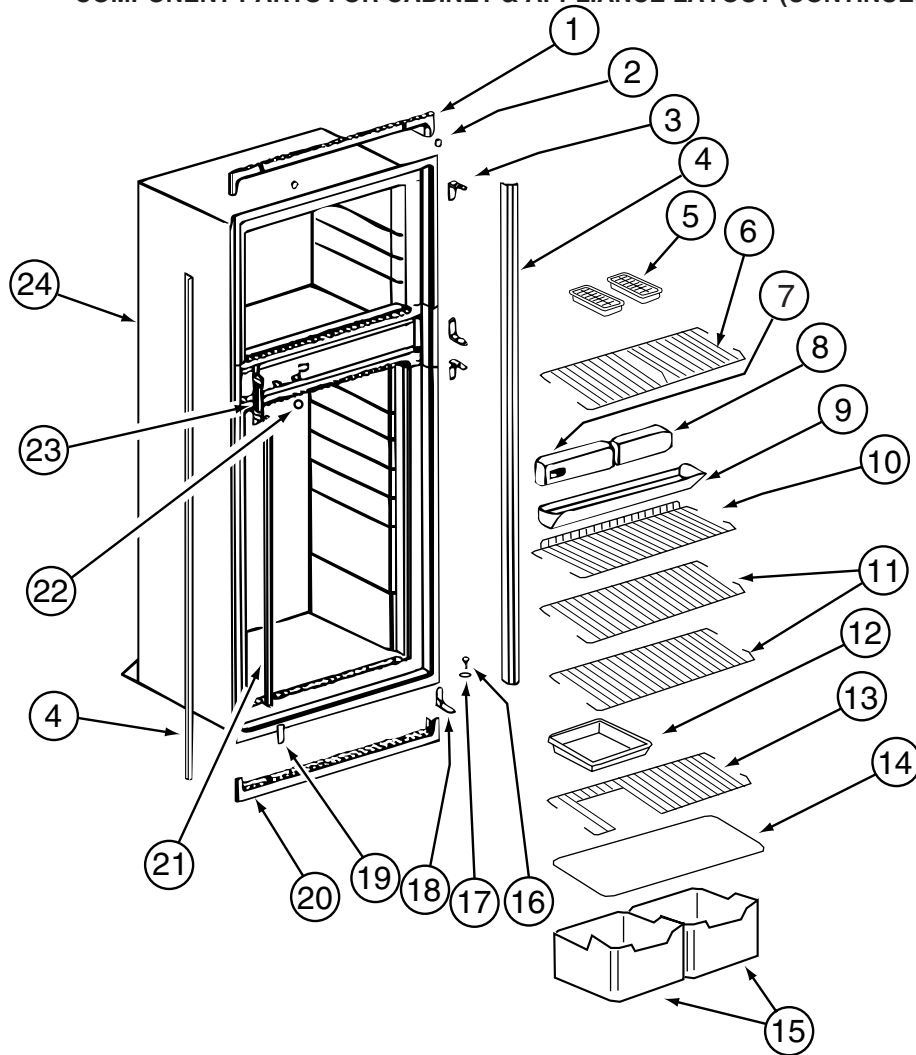
CABINET & APPLIANCE GROUP (CONTINUED)
COMPONENT PARTS FOR CABINET & APPLIANCE LAYOUT (CONTINUED)



120075-12-01A, 120075-13-01A, 120075-14-01A, 120075-15-01A (CONTINUED)

| KEY | PART NUMBER | U/M | DESCRIPTION | VENDOR NO. |
|-----|---------------|-----|------------------------------|--------------------|
| 1 | 120075-07-702 | EA | RETAINER-DOOR PNL/WAFFLE/BLK | 619560-WDL-LOWER |
| 2 | 120075-01-701 | EA | HINGE-TOP RH/BOTTOM LH(DOOR) | 618511 |
| 3 | 121568-03-701 | EA | BUSHING - HINGE PIN/GRAY | 619671 |
| 4 | 120075-07-703 | EA | DOOR LINER-LWR/WAFFLED/BLACK | 619631 - LARGE WDL |
| 5 | 120075-12-700 | EA | HANDLE(CONTOUR)TOP LH/BTM RH | 621105 |
| 5 | 120075-12-701 | EA | HANDLE(CONTOUR)TOP RH/BTM LH | 621104 |
| 5 | 121568-03-703 | EA | HANDLE/FLUSH-TOP/RH-LWR/LH | 619865 |
| 5 | 121568-03-708 | EA | HANDLE/FLUSH-TOP/LH-LWR/RH | 619866 |
| 6 | 121568-01-704 | EA | RAIL - DOOR LOWER | 618578 |
| 7 | 120075-01-705 | EA | HINGE-TOP LH/BOTTOM RH(DOOR) | 618510 |
| 8 | 120075-07-700 | EA | DOOR BIN - SMALL/CLEAR F/WDL | 619006 WDL |
| 8 | 120075-07-704 | EA | DOOR BIN - LARGE/CLEAR F/WDL | 619005 WDL |
| 9 | 120075-07-701 | EA | DIVIDER/DOOR BIN CLEAR | 619008 WDL & SDL |
| | 121568-03-704 | EA | TRAVEL LATCH - GRAY | 619647 |
| | 121568-03-705 | EA | STORAGE LATCH - GRAY | 619648 |

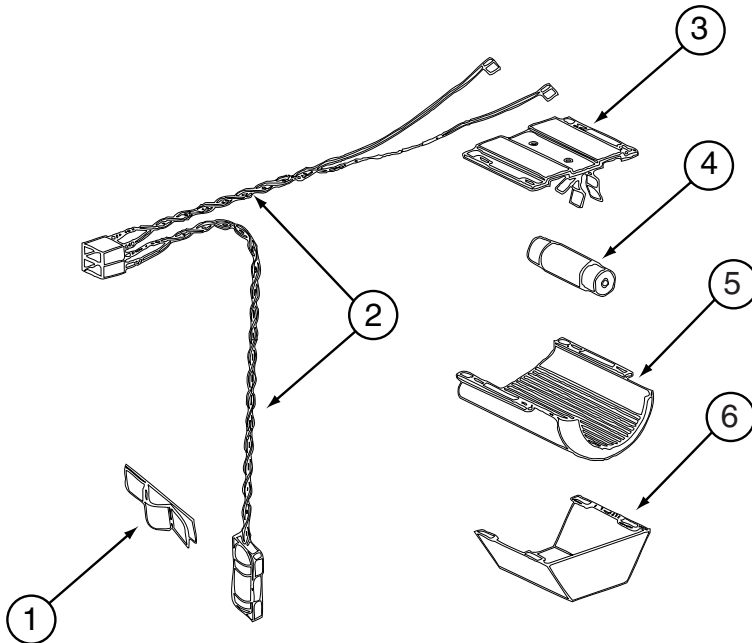
CABINET & APPLIANCE GROUP (CONTINUED)
COMPONENT PARTS FOR CABINET & APPLIANCE LAYOUT (CONTINUED)



120075-09-01A, 120075-10-01A, 120075-12-01A, 120075-13-01A, 120075-14-01A, 120075-15-01A (CONTINUED)

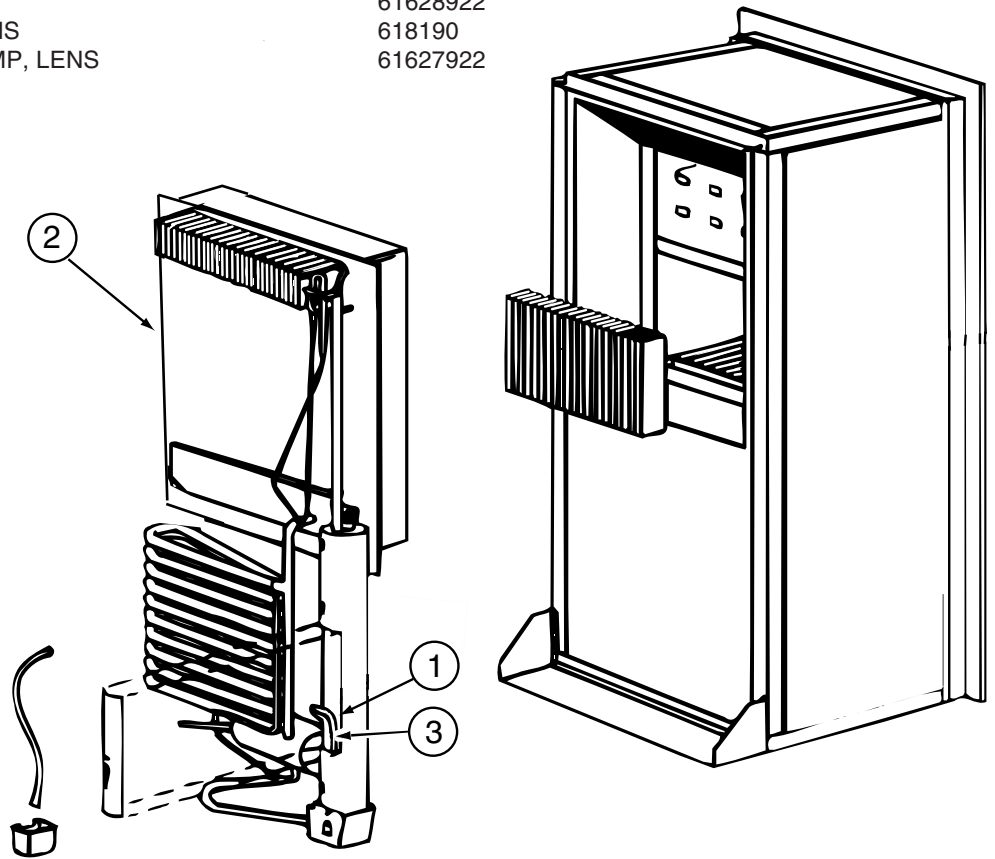
| KEY | PART NUMBER | U/M | DESCRIPTION | VENDOR NO. |
|-----|---------------|-----|--------------------------------|----------------|
| 1 | 121568-03-709 | EA | TRIM - TOP/BLACK | 619687 |
| 2 | 120075-01-714 | EA | PLUG-HOLE (BLACK) | 618170 |
| 3 | 121568-03-710 | EA | HINGE/CABINET-TOP/RH-LWR/LH | 619335 WAFFLED |
| 4 | 120075-07-705 | EA | TRIM - SIDE - BLACK | 622296 |
| 5 | 104137-06-724 | EA | ICE TRAY | 61630422 |
| 6 | 120075-07-706 | EA | SHELF - WIRE F/ICEMAKER MODELS | 620249 |
| 7 | 120075-07-707 | EA | CONTROL BOX - BLACK | 619665 |
| 8 | 121568-03-713 | EA | FRONT BOX/DECORATIVE-BLACK | 619282 |
| 9 | 120075-01-720 | EA | TRAY-DRIP | 623250 |
| 10 | 120075-01-722 | EA | SHELF-WIRE, SHORT | 620269 |
| 11 | 120075-01-723 | EA | SHELF-WIRE | 620270 |
| 12 | 104137-06-718 | EA | SHELF-TRAY, WHITE, W/CUTOUT | 617756 |
| 13 | 120075-01-724 | EA | SHELF-WIRE, W/CUTOUT | 620268 |
| 14 | 120075-01-725 | EA | COVER-CRISPER | 618158 |
| 15 | 120075-07-708 | EA | CRISPER/ICE BIN | 619007 |
| 16 | 120075-01-727 | EA | PIN-HINGE | 618145 |
| 17 | 121568-03-701 | EA | BUSHING - HINGE PIN/GRAY | 619671 |
| 18 | 121568-03-715 | EA | HINGE/CABINET-TOP/LH-LWR/RH | 619336 WAFFLED |
| 19 | 121568-03-716 | EA | COVER - HINGE HOLES | 619301 |
| 20 | 120075-01-729 | EA | TRIM-BOTTOM PIECE | 620958 |
| 21 | 120075-01-730 | EA | RETAINER-SHELF(SER#926684 DN) | 618181 |
| 22 | 121568-03-717 | EA | HOLE PLUG - WHITE | 619561 |
| 23 | 120075-01-732 | EA | PLATE-STRIKE | 618167 |
| 24 | 120075-09-700 | EA | CABINET - FOAMED | 619660 |
| | 120075-01-721 | EA | LOUVER-DRIP TRAY | 618176 |

CABINET & APPLIANCE GROUP (CONTINUED)
COMPONENT PARTS FOR CABINET & APPLIANCE LAYOUT (CONTINUED)



120075-09-01A, 120075-10-01A, 120075-12-01A, 120075-13-01A, 120075-14-01A, 120075-15-01A (CONTINUED)

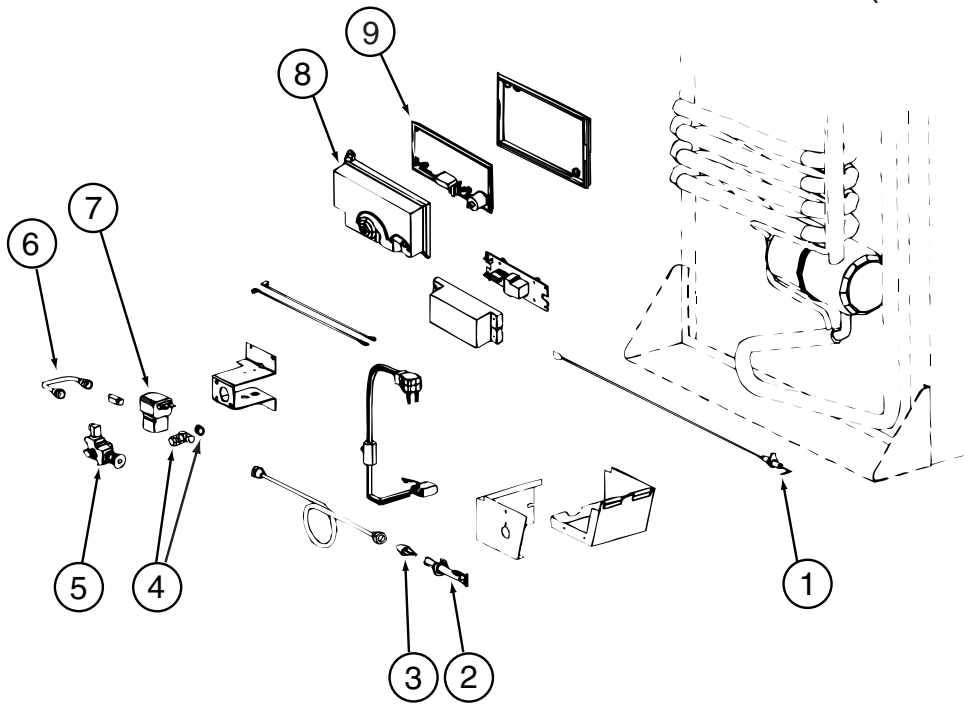
| KEY | PART NUMBER | U/M | DESCRIPTION | VENDOR NO. |
|-----|---------------|-----|------------------------------|------------|
| 1 | 084880-01-760 | EA | CLIP (THERMISTER) | 61689122 |
| 2 | 120075-01-735 | EA | THERMISTER W/LAMP & WIRE/ASM | 618548 |
| 3 | 084880-03-705 | EA | BRACKET-LIGHT-INTERIOR | 61629722 |
| 4 | 084880-03-706 | EA | BULB-LAMP | 61628922 |
| 5 | 120075-01-734 | EA | COVER-LENS | 618190 |
| 6 | 084880-03-707 | EA | COVER-LAMP, LENS | 61627922 |



120075-09-01A, 120075-10-01A, 120075-12-01A, 120075-13-01A, 120075-14-01A, 120075-15-01A (CONTINUED)

| KEY | PART NUMBER | U/M | DESCRIPTION | VENDOR NO. |
|-----|---------------|-----|----------------------------|------------|
| 1 | 088248-01-710 | EA | HEATER DC (HORIZONTAL) | 61562822 |
| 2 | 120075-01-736 | EA | COOLING UNIT, SERVICE PACK | 618542 |
| 3 | 088248-01-709 | EA | HEATER-AC (HORIZONTAL) | 61562722 |

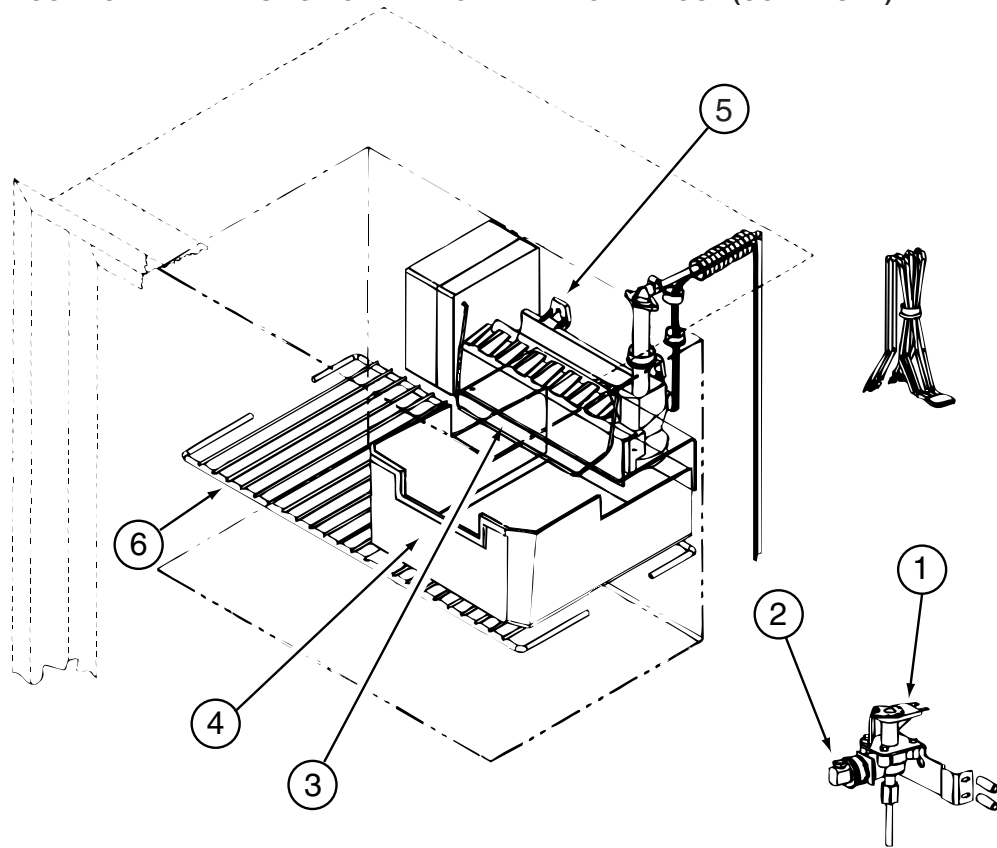
CABINET & APPLIANCE GROUP (CONTINUED)
COMPONENT PARTS FOR CABINET & APPLIANCE LAYOUT (CONTINUED)



120075-09-01A, 120075-10-01A, 120075-12-01A, 120075-13-01A, 120075-14-01A, 120075-15-01A (CONTINUED)

| KEY | PART NUMBER | U/M | DESCRIPTION | VENDOR NO. |
|-----|---------------|-----|------------------------------|-----------------|
| 1 | 104137-06-715 | EA | ELECTRODE-SPARK/SENSOR, SGL | 61692222 |
| 2 | 104137-06-714 | EA | BURNER ASSEMBLY, 5-SLOT | 61705222 |
| 3 | 120075-01-737 | EA | ORIFICE - JEWEL - .0155 | 618284 |
| 4 | 113737-01-702 | EA | PLUG 1/8" F/PRESSURE TAP | 61445322 |
| 4 | 113737-01-716 | EA | TAP-PRESSURE | 61594422 |
| 5 | 104137-06-709 | EA | VALVE-SHUT OFF/MAN-OLD STYLE | 61694922 |
| 5 | 104137-06-734 | EA | VALVE-SHUT OFF/MAN-NEW STYLE | 618696 |
| 6 | 113737-01-750 | EA | TUBE-UNION | 61694622 |
| 7 | 084880-01-718 | EA | VALVE-GAS, (ASCO) | 621447 |
| 8 | 120075-01-738 | EA | COVER-POWER BOARD | 618185 |
| 9 | 120075-07-710 | EA | POWER - BOARD - 2-WAY | 619360 = 621269 |
| | 120075-01-744 | EA | KIT - GAS VALVE/BURNER TUBE | 620609 |

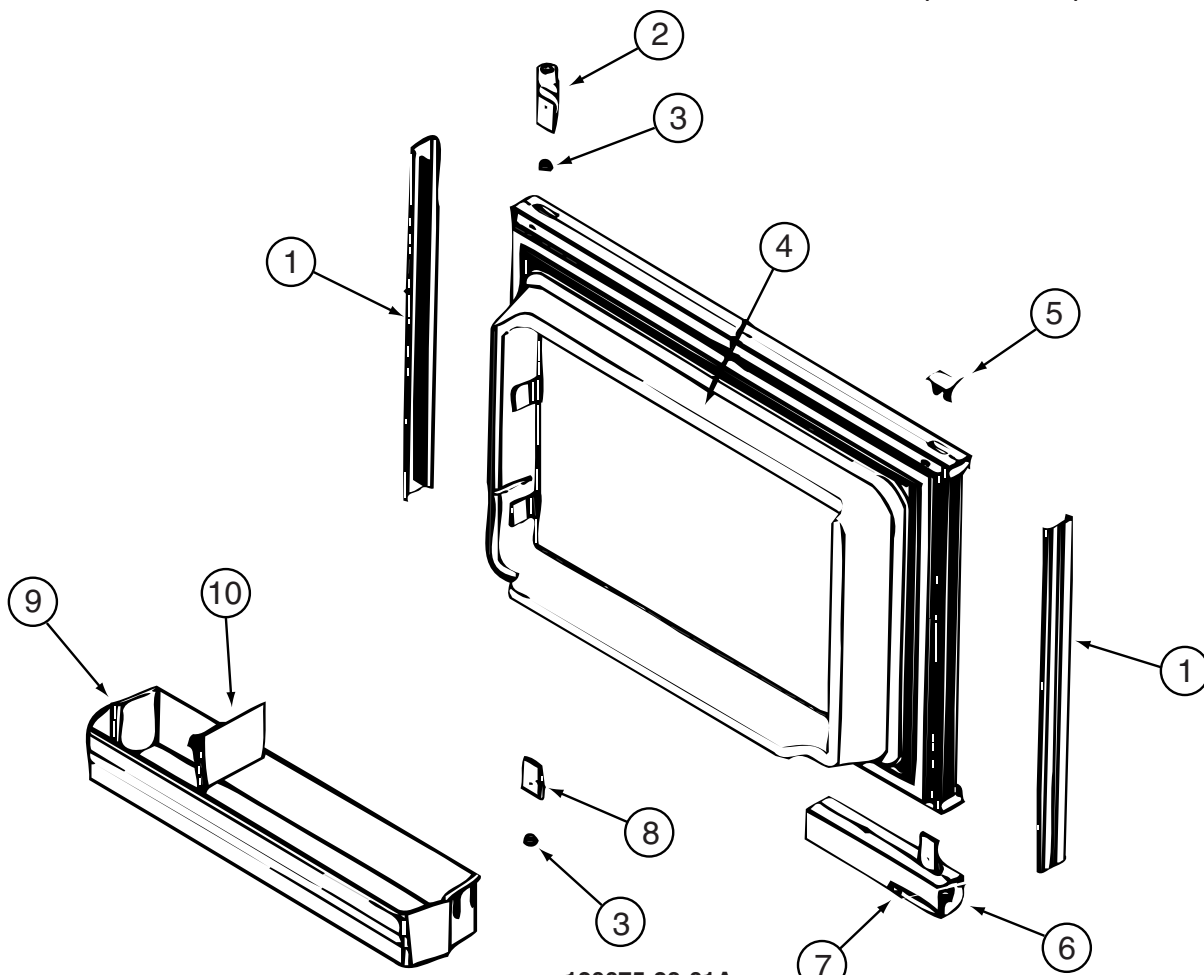
CABINET & APPLIANCE GROUP (CONTINUED)
COMPONENT PARTS FOR CABINET & APPLIANCE LAYOUT (CONTINUED)



120075-09-01A, 120075-10-01A, 120075-13-01A, 120075-14-01A (CONTINUED)

| KEY | PART NUMBER | U/M | DESCRIPTION | VENDOR NO. |
|-----|---------------|-----|---------------------------|------------|
| 1 | 120075-09-701 | EA | WATER VALVE W/BRACKET | 618253 |
| 2 | 120075-03-702 | EA | NUT/COMPRESSION - FITTING | 61678722 |
| 3 | 120075-03-703 | EA | ARM-SHUT OFF | 61656922 |
| 4 | 120075-03-704 | EA | BIN-ICE CUBE | 618154 |
| 5 | 094039-07-706 | EA | ICE MAKER W/O PLATES | 61656522 |
| 6 | 120075-01-717 | EA | SHELF-FREEZER, WIRE | 618172 |

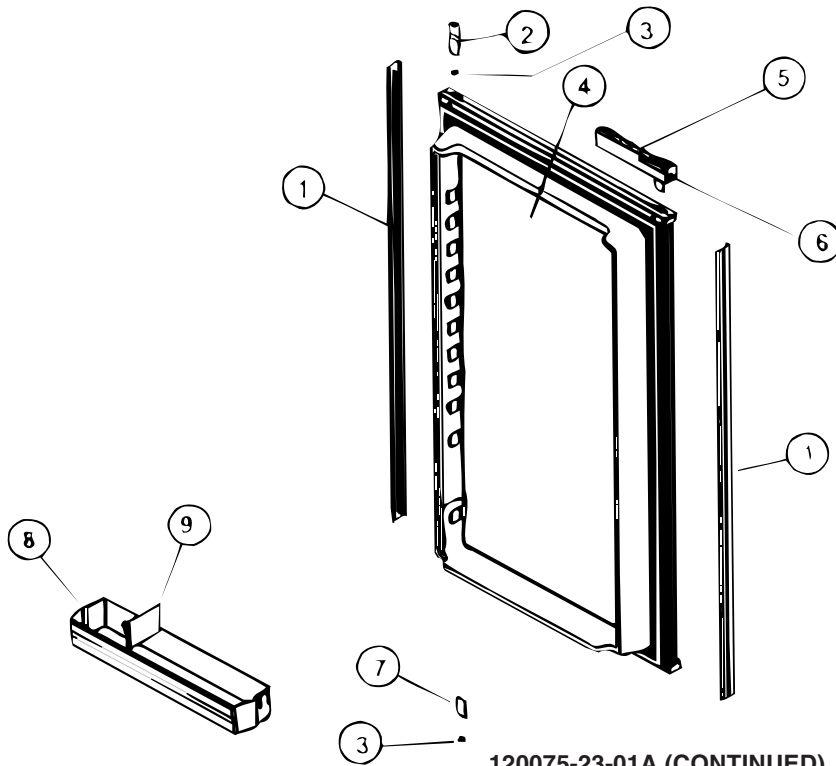
CABINET & APPLIANCE GROUP (CONTINUED)
COMPONENT PARTS FOR CABINET & APPLIANCE LAYOUT (CONTINUED)



120075-23-01A

| KEY | PART NUMBER | U/M | DESCRIPTION | VENDOR NO. |
|-----|---------------|-----|------------------------------|---------------------|
| 1 | 121568-03-700 | EA | RETAINER - DOOR PANEL/BLACK | 619558 |
| 2 | 120075-01-701 | EA | HINGE-TOP RH/BOTTOM LH(DOOR) | 618511 |
| 3 | 121568-03-701 | EA | BUSHING - HINGE PIN/GRAY | 619671 |
| 4 | 121568-03-702 | EA | DOOR LINER - W/TRIM/BLACK | 619627 - SMALL DOOR |
| 5 | 120075-01-702 | EA | CAP, (HINGE PLUG) | 618160 |
| 6 | 120075-12-700 | EA | HANDLE(CONTOUR)TOP LH/BTM RH | 621105 |
| 6 | 120075-12-701 | EA | HANDLE(CONTOUR)TOP RH/BTM LH | 621104 |
| 7 | 121568-03-705 | EA | STORAGE LATCH - GRAY | 619648 |
| 8 | 120075-01-705 | EA | HINGE-TOP LH/BOTTOM RH(DOOR) | 618510 |
| 9 | 120075-07-700 | EA | DOOR BIN - SMALL/CLEAR | 619006 |
| 10 | 120075-07-701 | EA | DIVIDER/DOOR BIN CLEAR | 619008 |

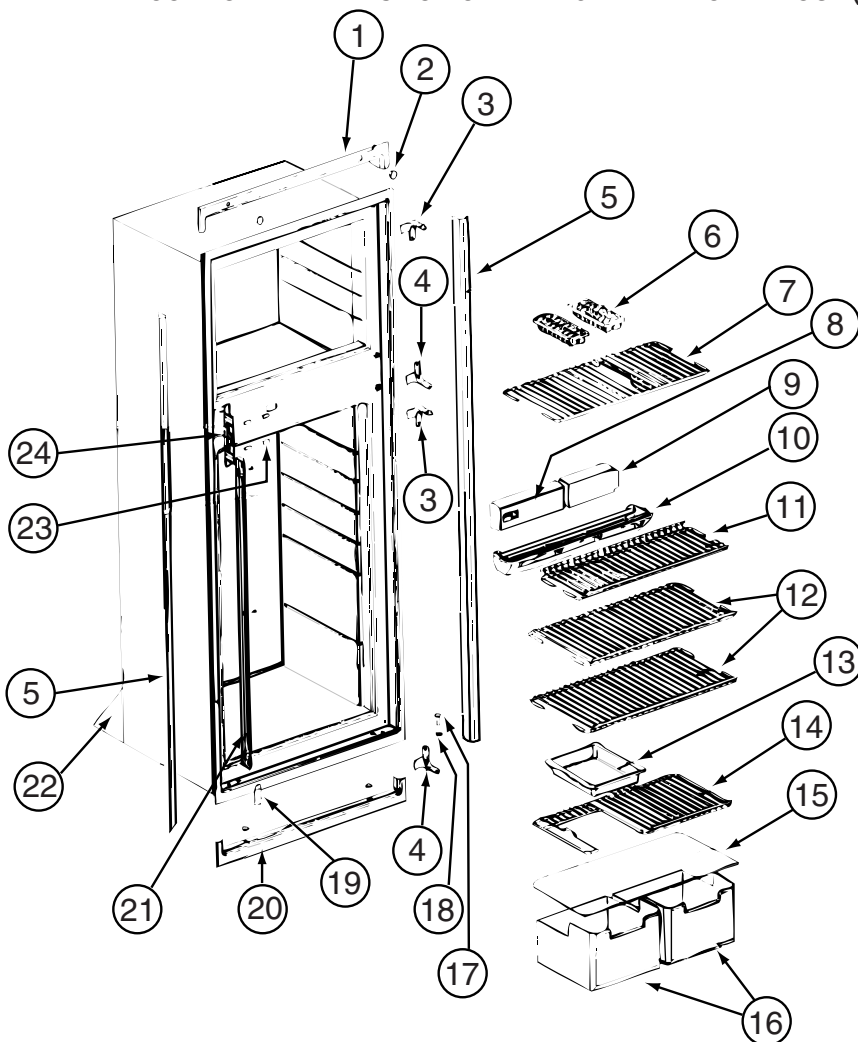
CABINET & APPLIANCE GROUP (CONTINUED)
COMPONENT PARTS FOR CABINET & APPLIANCE LAYOUT (CONTINUED)



120075-23-01A (CONTINUED)

| KEY | PART NUMBER | U/M | DESCRIPTION | VENDOR NO. |
|-----|---------------|-----|------------------------------|---------------------|
| 1 | 120075-07-702 | EA | RETAINER - DOOR PANEL/BLACK | 619560 |
| 2 | 120075-01-701 | EA | HINGE-TOP RH/BOTTOM LH(DOOR) | 618511 |
| 3 | 121568-03-701 | EA | BUSHING - HINGE PIN/GRAY | 619671 |
| 4 | 120075-07-703 | EA | DOOR LINER - BLACK | 619631 - LARGE DOOR |
| 5 | 120075-12-700 | EA | HANDLE(CONTOUR)TOP LH/BTM RH | 621105 |
| 5 | 120075-12-701 | EA | HANDLE(CONTOUR)TOP RH/BTM LH | 621104 |
| 6 | 121568-03-705 | EA | STORAGE LATCH - GRAY | 619648 |
| 7 | 120075-01-705 | EA | HINGE-TOP LH/BOTTOM RH(DOOR) | 618510 |
| 8 | 120075-07-700 | EA | DOOR BIN - SMALL/CLEAR | 619006 |
| 8 | 120075-07-704 | EA | DOOR BIN - LARGE/CLEAR | 619005 |
| 9 | 120075-07-701 | EA | DIVIDER/DOOR BIN CLEAR | 619008 |

CABINET & APPLIANCE GROUP (CONTINUED)
COMPONENT PARTS FOR CABINET & APPLIANCE LAYOUT (CONTINUED)

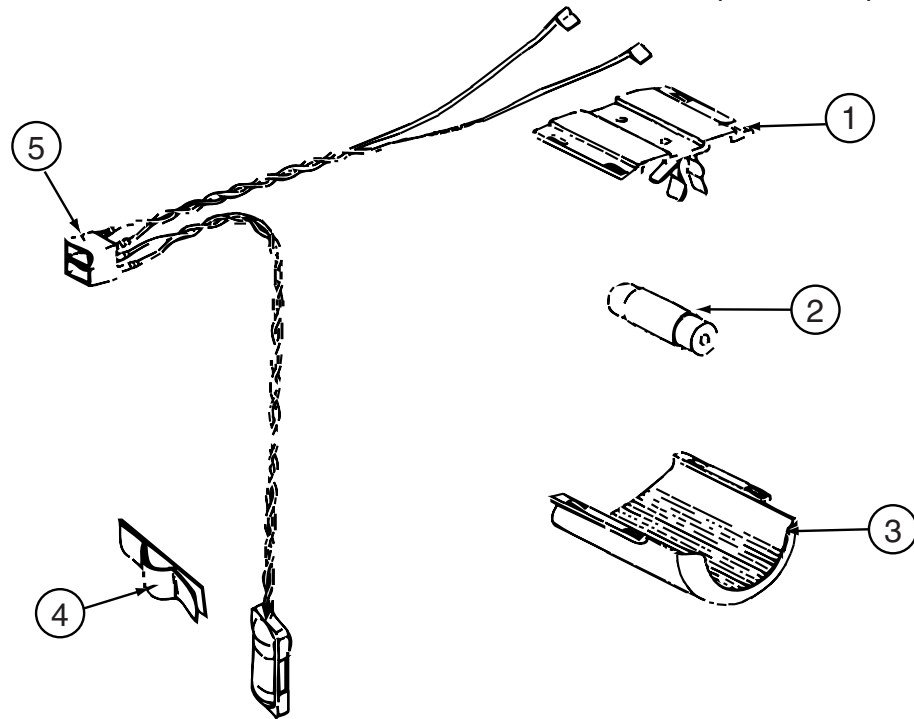


120075-16, 120075-17, 120075-18, 120075-19, 120075-20, 120075-21, 120075-22, 120075-23-01A (CONTINUED)

| KEY | PART NUMBER | U/M | DESCRIPTION | VENDOR NO. |
|-----|---------------|-----|------------------------------|------------|
| 1 | 120075-20-700 | EA | TRIM/TOP ASM W/INSERTS-BLACK | 622319 |
| 2 | 120075-01-714 | EA | PLUG-HOLE (BLACK) | 618170 |
| 3 | 121568-03-710 | EA | HINGE/CABINET-TOP/RH-LWR/LH | 619335 |
| 4 | 121568-03-715 | EA | HINGE/CABINET-TOP/LH-LWR/RH | 619336 |
| 5 | 120075-07-705 | EA | TRIM - SIDE - BLACK | 622296 |
| 6 | 104137-06-724 | EA | ICE TRAY | 61630422 |
| 7 | 121568-03-712 | EA | SHELF-WIRE FREEZER | 620250 |
| 7 | 120075-07-706 | EA | SHELF-WIRE F/ICEMAKER MODELS | 620250 |
| 8 | 120075-07-707 | EA | CONTROL BOX - BLACK | 619665 |
| 9 | 121568-03-713 | EA | FRONT BOX/DECORATIVE-BLACK | 619282 |
| 10 | 120075-20-701 | EA | TRAY/DRIP(INSIDE 1 PC)LOUVER | 623250 |
| 11 | 120075-01-722 | EA | SHELF-WIRE, SHORT | 620269 |
| 12 | 120075-01-723 | EA | SHELF-WIRE | 620270 |
| 13 | 104137-06-718 | EA | SHELF-TRAY, WHITE, W/CUTOUT | 617756 |
| 14 | 120075-20-703 | EA | SHELF - WIRE W/CUTOUT | 620268 |
| 15 | 120075-01-725 | EA | COVER-CRISPER | 618158 |
| 16 | 120075-07-708 | EA | CRISPER/ICE BIN | 619007 |
| 17 | 120075-01-727 | EA | PIN-HINGE | 618145 |
| 18 | 121568-03-701 | EA | BUSHING - HINGE PIN/GRAY | 619671 |
| 19 | 121568-03-716 | EA | COVER - HINGE HOLES | 619301 |
| 20 | 120075-20-702 | EA | TRIM PC(FOAM/TAPE)BTM BLACK | 622323 |
| 21 | 120075-01-730 | EA | RETAINER-SHELF(SER#926684 DN | 618181 |
| 21 | 125242-02-720 | EA | RETAINER/SHELF(SER#926685 UP | 622033 |
| 23 | 121568-06-703 | EA | HOLE PLUG - WHITE | 620282 |
| 24 | 120075-01-732 | EA | PLATE-STRIKE | 618167 |

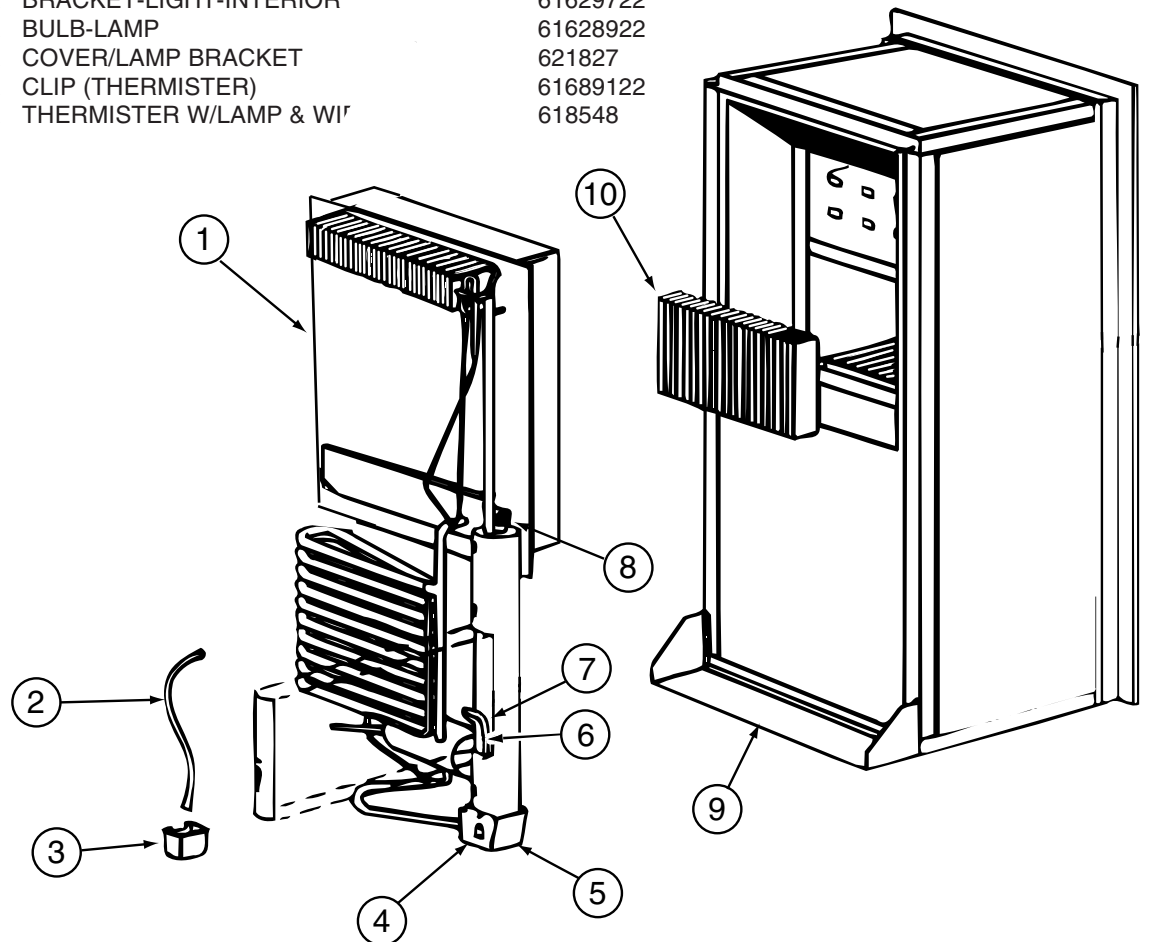
CONTACT WINNEBAGO PART SALES FOR UNLISTED COMPONENT(S)

CABINET & APPLIANCE GROUP (CONTINUED)
COMPONENT PARTS FOR CABINET & APPLIANCE LAYOUT (CONTINUED)



120075-16, 120075-17, 120075-18, 120075-19, 120075-20, 120075-21, 120075-22, 120075-23, 121569-08-01A (CONTINUED)

| KEY | PART NUMBER | U/M | DESCRIPTION | VENDOR NO. |
|-----|---------------|-----|------------------------|------------|
| 1 | 084880-03-705 | EA | BRACKET-LIGHT-INTERIOR | 61629722 |
| 2 | 084880-03-706 | EA | BULB-LAMP | 61628922 |
| 3 | 125242-02-708 | EA | COVER/LAMP BRACKET | 621827 |
| 4 | 084880-01-760 | EA | CLIP (THERMISTER) | 61689122 |
| 5 | 120075-01-735 | EA | THERMISTER W/LAMP & WI | 618548 |

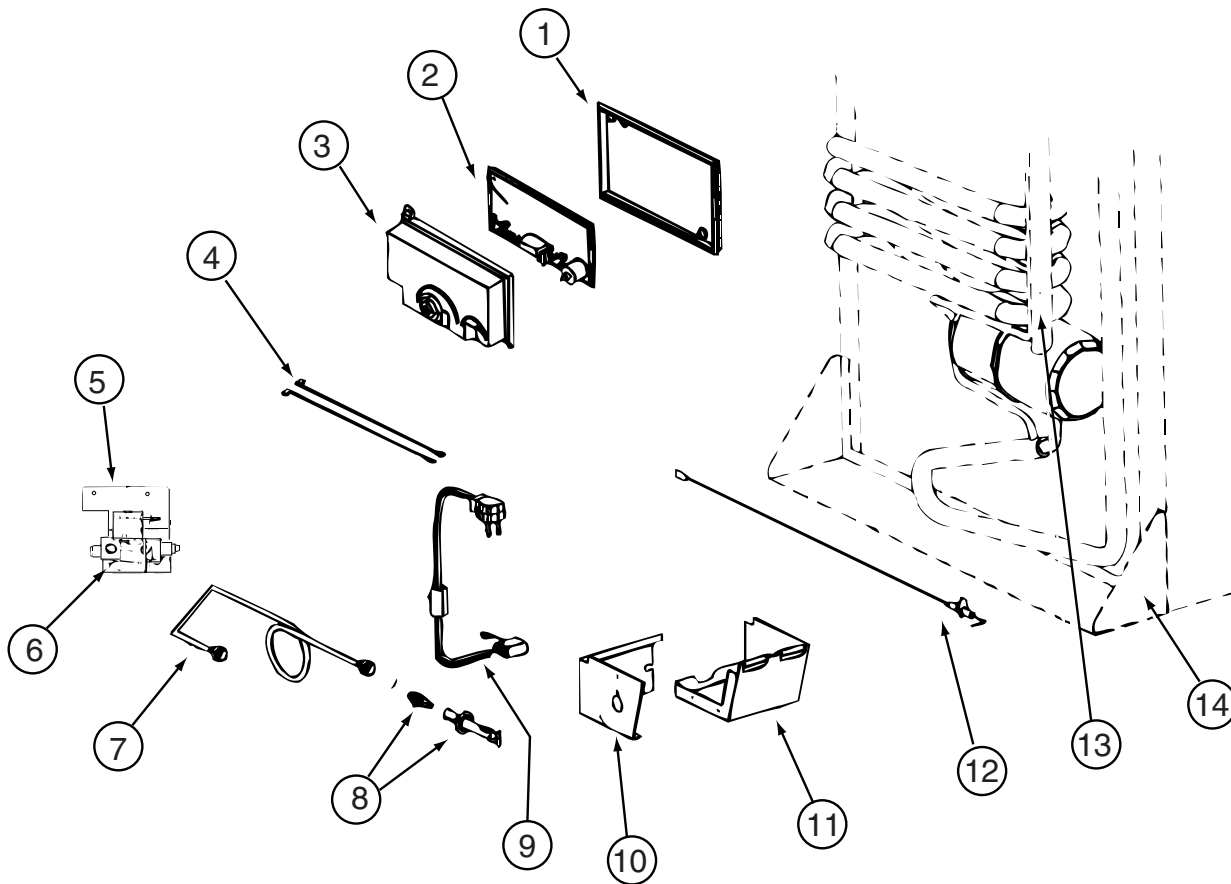


120075-16, 120075-17, 120075-18, 120075-19, 120075-20, 120075-21, 120075-22, 120075-23-01A (CONTINUED)

| KEY | PART NUMBER | U/M | DESCRIPTION | VENDOR NO. |
|-----|---------------|-----|----------------------------|------------|
| 1 | 120075-01-736 | EA | COOLING UNIT, SERVICE PACK | 618542 |
| 6 | 121568-06-704 | EA | HEATER-AC/300W/120VAC | 621702 |

CONTACT WINNEBAGO PART SALES FOR UNLISTED COMPONENT(S)

CABINET & APPLIANCE GROUP (CONTINUED)
COMPONENT PARTS FOR CABINET & APPLIANCE LAYOUT (CONTINUED)

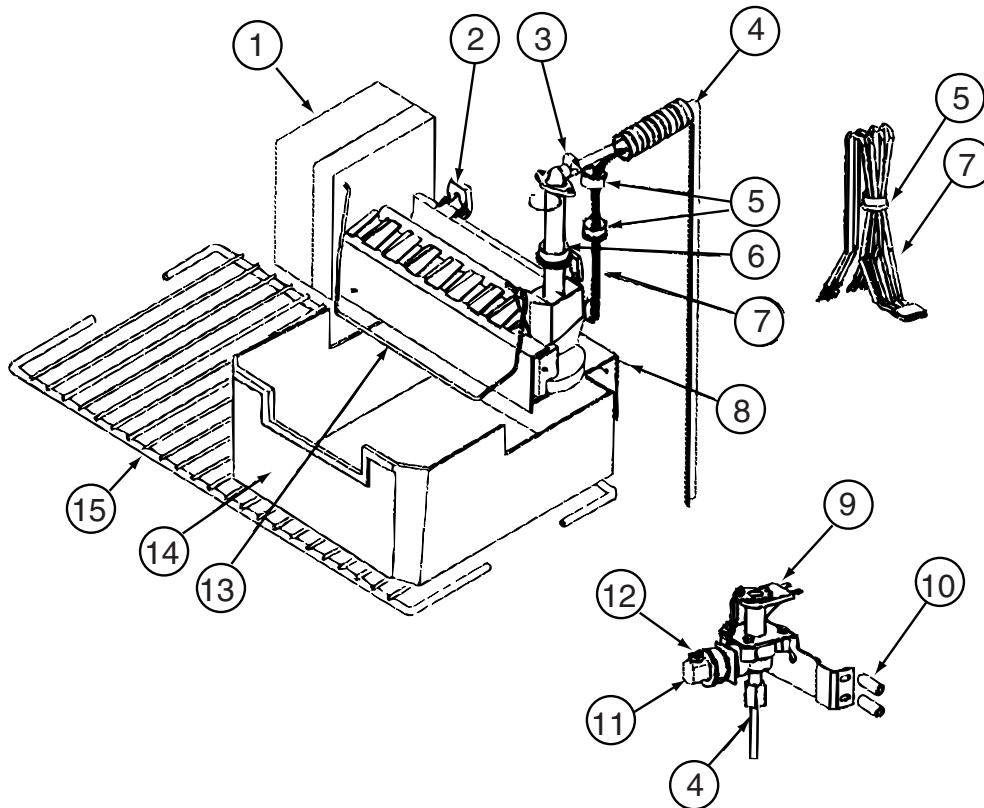


120075-16, 120075-17, 120075-18, 120075-19, 120075-20, 120075-21, 120075-22, 120075-23-01A (CONTINUED)

| KEY | PART NUMBER | U/M | DESCRIPTION | VENDOR NO. |
|-----|---------------|-----|-----------------------------|------------|
| 1 | 120075-01-740 | EA | COVER-BASE, POWER BOARD | 618186 |
| 2 | 120075-20-704 | EA | KIT-POWER BOARD/EG2-2 WAY | 621269001 |
| 3 | 120075-01-738 | EA | COVER-POWER BOARD | 618185 |
| 4 | 125242-02-709 | EA | WIRE/WHITE/9"/GAS VALVE | 621448 |
| 5 | 125242-02-710 | EA | GAS VALVE/BRKT/WIRES COMB. | 621334 |
| 6 | 121568-06-706 | EA | GAS VALVE-COMBO/WRENCH FLAT | 621329 |
| 7 | 120075-20-705 | EA | TUBE/BURNER - N8/N6 | 620033 |
| 8 | 121568-06-708 | EA | BURNER/ORFICE-ADAPTER KIT | 621957 |
| 12 | 104137-06-715 | EA | ELECTRODE-SPARK/SENSOR, SGL | 61692222 |

CONTACT WINNEBAGO PART SALES FOR UNLISTED COMPONENT(S)

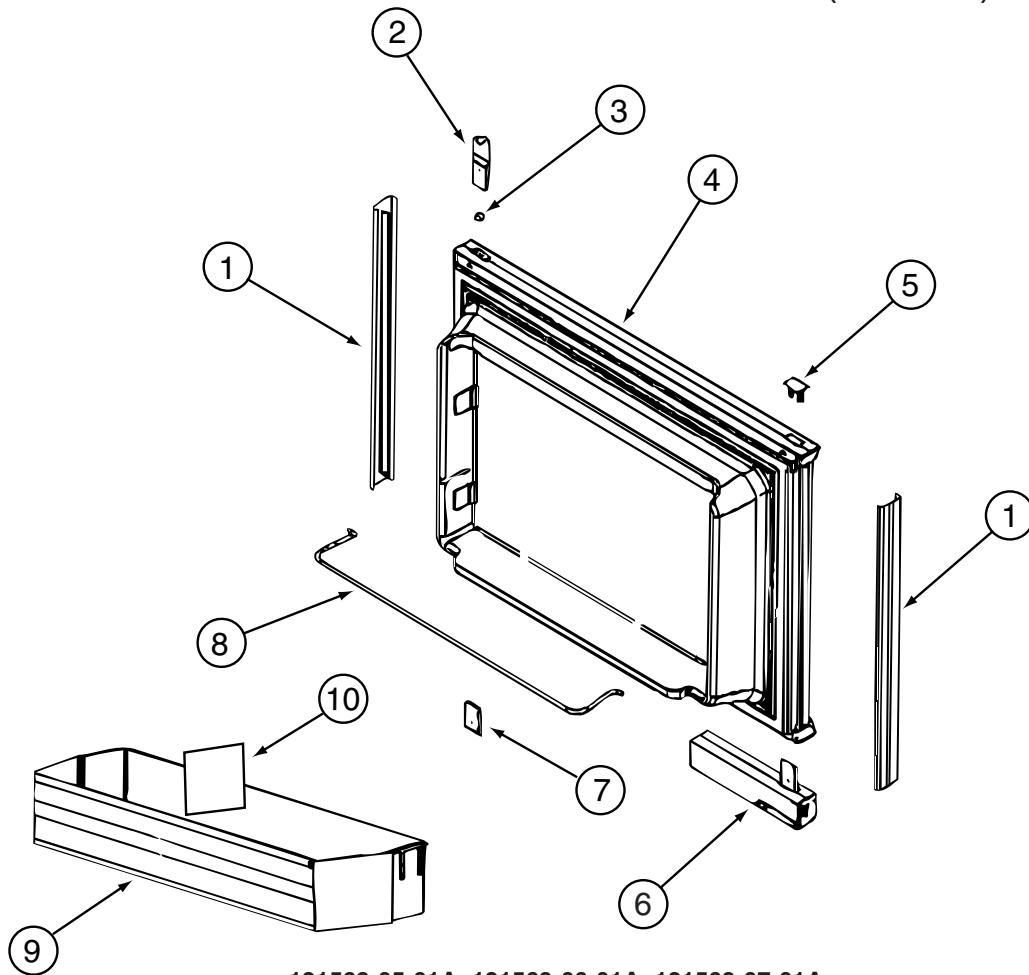
CABINET & APPLIANCE GROUP (CONTINUED)
COMPONENT PARTS FOR CABINET & APPLIANCE LAYOUT (CONTINUED)



120075-16-01A, 120075-17-01A, 120075-18-01A, 120075-19-01A, 120075-20-01A, 120075-23-01A (CONTINUED)

| KEY | PART NUMBER | U/M | DESCRIPTION | VENDOR NO. |
|-----|---------------|-----|--------------------------------------------------------|------------|
| 2 | 094039-07-706 | EA | ICE MAKER W/O PLATES | 61656522 |
| 9 | 120075-03-701 | EA | VALVE ASM., WATER, W/BRACKET | 618253 |
| 13 | 120075-03-703 | EA | ARM-SHUT OFF | 61656922 |
| 14 | 120075-07-708 | EA | CRISPER/ICE BIN | 619007 |
| 15 | 120075-07-706 | EA | SHELF-WIRE F/ICEMAKER MODELS | 620249 |
| | | | CONTACT WINNEBAGO PART SALES FOR UNLISTED COMPONENT(S) | |

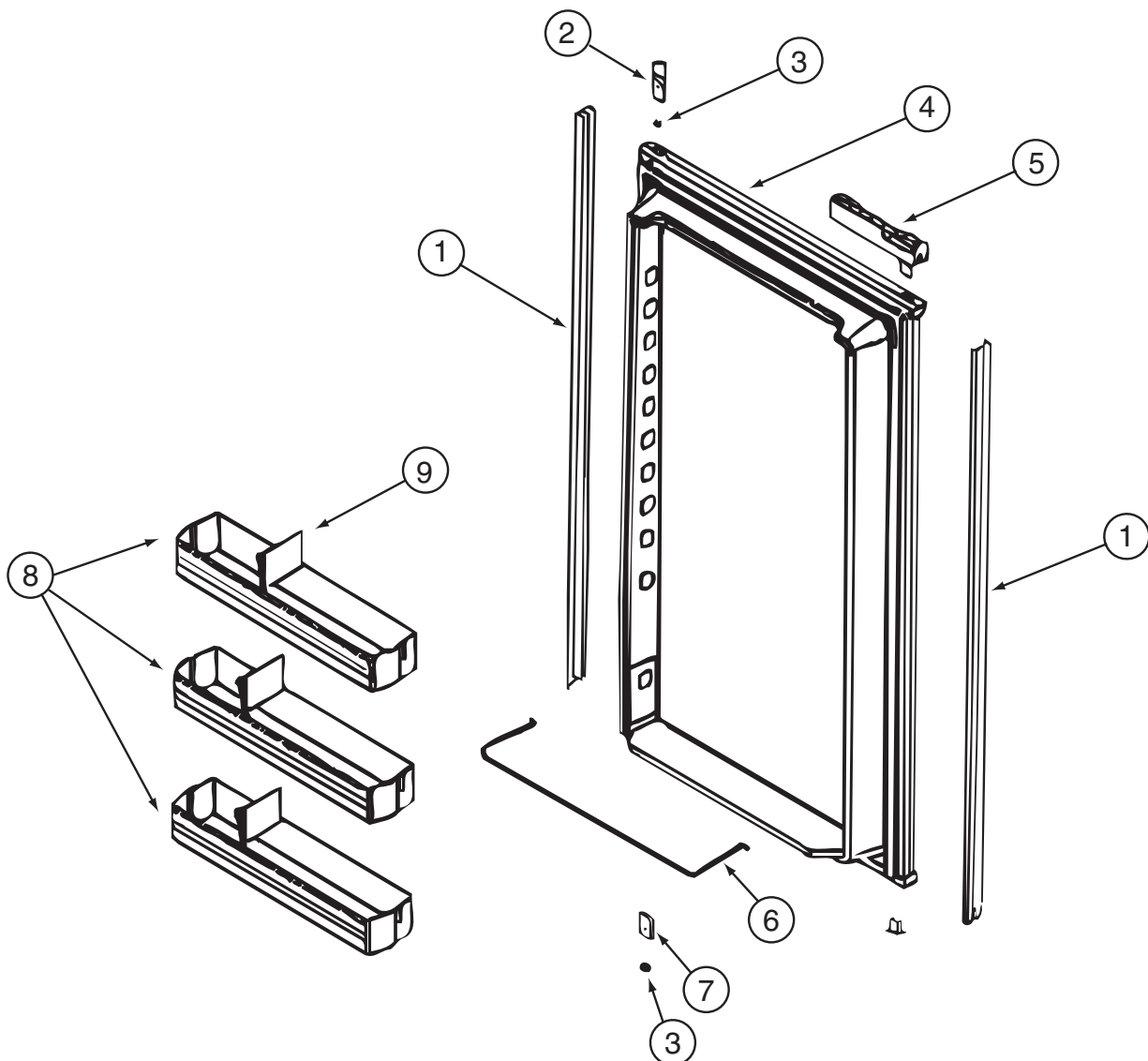
CABINET & APPLIANCE GROUP (CONTINUED)
COMPONENT PARTS FOR CABINET & APPLIANCE LAYOUT (CONTINUED)



121569-05-01A, 121569-06-01A, 121569-07-01A

| KEY | PART NUMBER | U/M | DESCRIPTION | VENDOR NO. |
|-----|---------------|-----|--------------------------------|--------------------|
| 1 | 121568-03-700 | EA | RETAINER - DOOR PNL/WAFFLE/BLK | 619558-WDL-UPPER |
| 2 | 120075-01-701 | EA | HINGE-TOP RH/BOTTOM LH(DOOR) | 618511 |
| 3 | 121568-03-701 | EA | BUSHING - HINGE PIN/GRAY | 619671 |
| 4 | 121568-03-702 | EA | DOOR LINER-UPR/WAFFLED/BLACK | 619627 - SMALL WDL |
| 5 | 120075-01-702 | EA | CAP, (HINGE PLUG) | 618160 |
| 6 | 120075-12-700 | EA | HANDLE(CONTOUR)TOP LH/BTM RH | 621105 |
| 7 | 120075-01-705 | EA | HINGE-TOP LH/BOTTOM RH(DOOR) | 618510 |
| 8 | 121568-01-700 | EA | RAIL - DOOR UPPER | 618618 |
| 9 | 120075-07-700 | EA | DOOR BIN - SMALL/CLEAR F/WDL | 619006 WDL |
| 10 | 120075-07-701 | EA | DIVIDER/DOOR BIN CLEAR | 619008 WDL & SDL |
| | 121568-03-705 | EA | STORAGE LATCH - GRAY | 619648 |

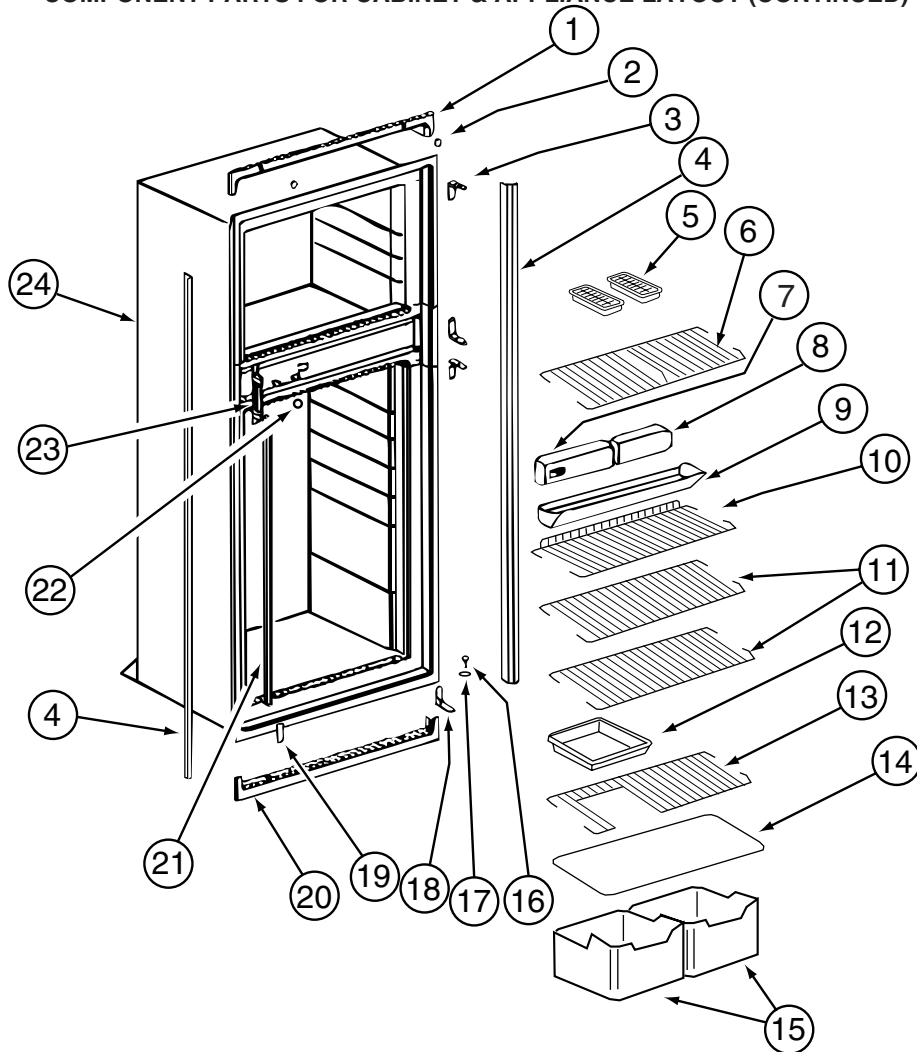
CABINET & APPLIANCE GROUP (CONTINUED)
COMPONENT PARTS FOR CABINET & APPLIANCE LAYOUT (CONTINUED)



121569-05-01A, 121569-06-01A, 121569-07-01A (CONTINUED)

| KEY | PART NUMBER | U/M | DESCRIPTION | VENDOR NO. |
|-----|---------------|-----|--------------------------------|-------------------|
| 1 | 120075-07-702 | EA | RETAINER - DOOR PNL/WAFFLE/BLK | 619560 -WDL-LOWER |
| 2 | 120075-01-701 | EA | HINGE-TOP RH/BOTTOM LH(DOOR) | 618511 |
| 3 | 121568-03-701 | EA | BUSHING - HINGE PIN/GRAY | 619671 |
| 4 | 120075-07-703 | EA | DOOR LINER-LWR/WAFFLED/BLACK | 619631 LARGE WDL |
| 5 | 120075-12-701 | EA | HANDLE(CONTOUR)TOP RH/BTM LH | 621104 |
| 6 | 121568-01-704 | EA | RAIL - DOOR LOWER | 618578 |
| 7 | 120075-01-705 | EA | HINGE-TOP LH/BOTTOM RH(DOOR) | 618510 |
| 8 | 121568-01-701 | EA | BIN - DOOR WHITE-WAFFLED LNR | 618619 WDL |
| 9 | 120075-07-701 | EA | DIVIDER/DOOR BIN CLEAR | 619008 WDL & SDL |
| | 121568-03-705 | EA | STORAGE LATCH - GRAY | 619648 |

CABINET & APPLIANCE GROUP (CONTINUED)
COMPONENT PARTS FOR CABINET & APPLIANCE LAYOUT (CONTINUED)

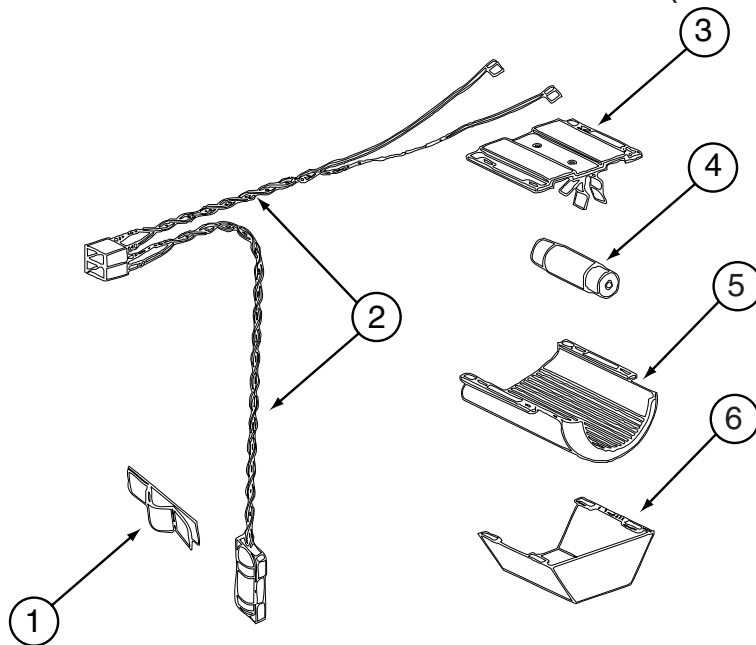


121569-03-01A, 121569-04-01A, 121569-05-01A, 121569-06-01A, 121569-07-01A (CONTINUED)

| KEY | PART NUMBER | U/M | DESCRIPTION | VENDOR NO. |
|-----|---------------|-----|-------------------------------|----------------|
| 1 | 121568-03-709 | EA | TRIM - TOP/BLACK | 619687 |
| 2 | 120075-01-714 | EA | PLUG-HOLE (BLACK) | 618170 |
| 3 | 121568-03-710 | EA | HINGE/CABINET-TOP/RH-LWR/LH | 619335 WAFFLED |
| 4 | 120075-07-705 | EA | TRIM - SIDE - BLACK | 622296 |
| 6 | 121568-03-712 | EA | SHELF - WIRE/FREEZER | 620250 |
| 7 | 121568-03-714 | EA | CONTROL ASM - 2 WAY BLACK | 619350 |
| 8 | 121568-03-713 | EA | FRONT BOX/DECORATIVE-BLACK | 619282 |
| 9 | 120075-01-720 | EA | TRAY-DRIP | 623250 |
| 10 | 121568-01-707 | EA | SHELF - WIRE - SHORT | 620272 |
| 11 | 121568-01-708 | EA | SHELF - WIRE | 620273 |
| 14 | 120075-01-725 | EA | COVER-CRISPER | 618158 |
| 15 | 121568-01-709 | EA | CRISPER | 618571 |
| 16 | 120075-01-727 | EA | PIN-HINGE | 618145 |
| 18 | 121568-03-715 | EA | HINGE/CABINET-TOP/LH-LWR/RH | 619336 WAFFLED |
| 19 | 121568-03-716 | EA | COVER - HINGE HOLES | 619301 |
| 20 | 120075-01-729 | EA | TRIM-BOTTOM PIECE | 620958 |
| 21 | 120075-01-730 | EA | RETAINER-SHELF(SER#926684 DN) | 618181 |
| 22 | 121568-03-717 | EA | HOLE PLUG - WHITE | 619561 |
| 23 | 120075-01-732 | EA | PLATE-STRIKE | 618167 |
| 24 | 120075-07-709 | EA | CABINET - FOAMED | 619347 |
| | 120075-01-721 | EA | LOUVER-DRIP TRAY | 618176 |

CONTACT WINNEBAGO PART SALES FOR UNLISTED COMPONENT(S)

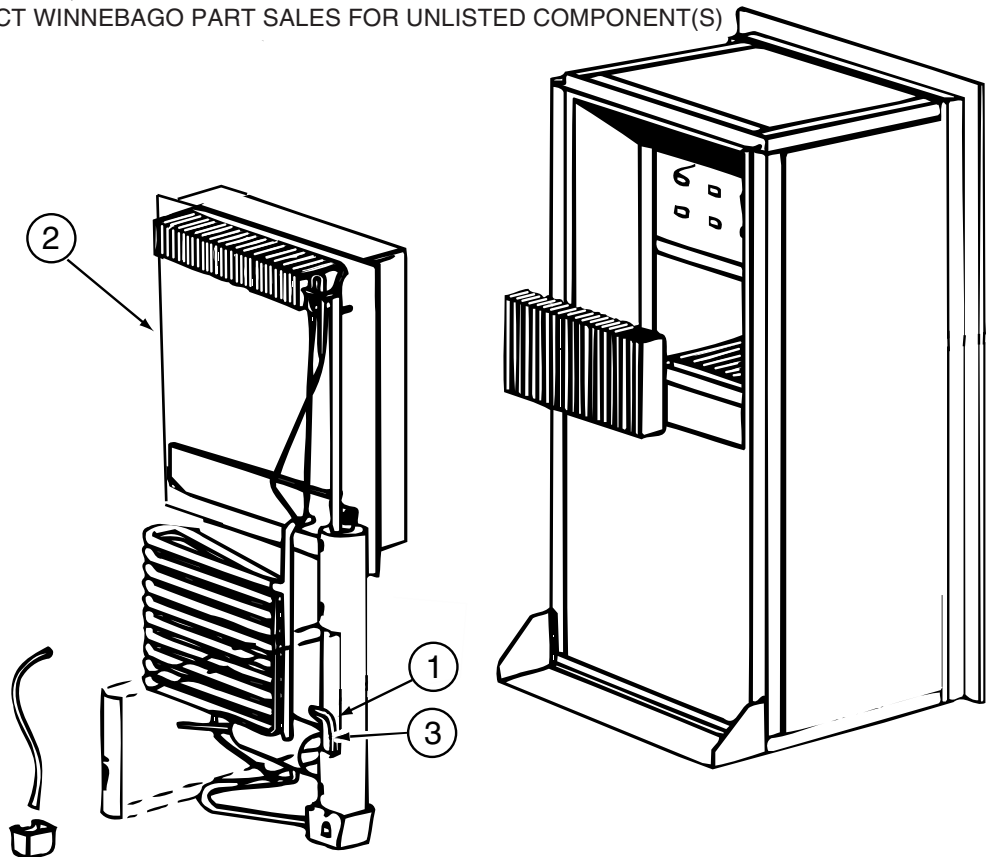
CABINET & APPLIANCE GROUP (CONTINUED)
COMPONENT PARTS FOR CABINET & APPLIANCE LAYOUT (CONTINUED)



121569-03-01A, 121569-04-01A, 121569-05-01A, 121569-06-01A, 121569-07-01A (CONTINUED)

| KEY | PART NUMBER | U/M | DESCRIPTION | VENDOR NO. |
|-----|---------------|-----|------------------------------|------------|
| 1 | 084880-01-760 | EA | CLIP (THERMISTER) | 61689122 |
| 2 | 120075-01-735 | EA | THERMISTER W/LAMP & WIRE/ASM | 618548 |
| 3 | 084880-03-705 | EA | BRACKET-LIGHT-INTERIOR | 61629722 |
| 4 | 084880-03-706 | EA | BULB-LAMP | 61628922 |
| 6 | 084880-03-707 | EA | COVER-LAMP, LENS | 61627922 |

CONTACT WINNEBAGO PART SALES FOR UNLISTED COMPONENT(S)

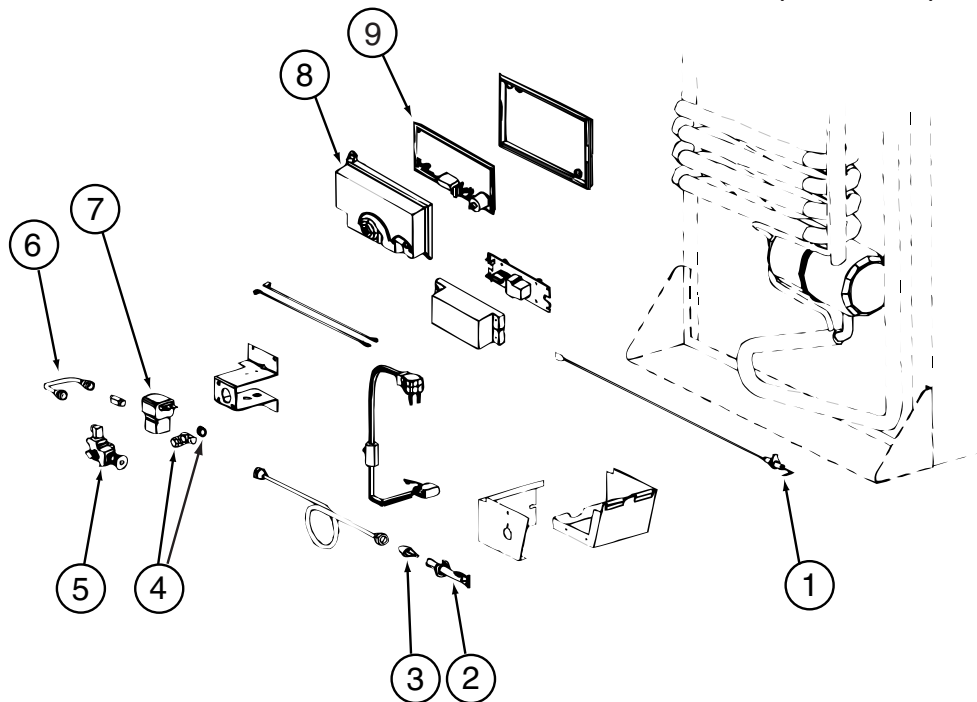


121569-03-01A, 121569-04-01A, 121569-05-01A, 121569-06-01A, 121569-07-01A (CONTINUED)

| KEY | PART NUMBER | U/M | DESCRIPTION | VENDOR NO. |
|-----|---------------|-----|-----------------------------|------------|
| 2 | 120075-01-736 | EA | COOLING UNIT, SERVICE PACK | 618542 |
| 3 | 088248-01-709 | EA | HEATER-AC (HORIZONTAL) | 61562722 |
| | 120075-01-744 | EA | KIT - GAS VALVE/BURNER TUBE | 620609 |

CONTACT WINNEBAGO PART SALES FOR UNLISTED COMPONENT(S)

CABINET & APPLIANCE GROUP (CONTINUED)
COMPONENT PARTS FOR CABINET & APPLIANCE LAYOUT (CONTINUED)

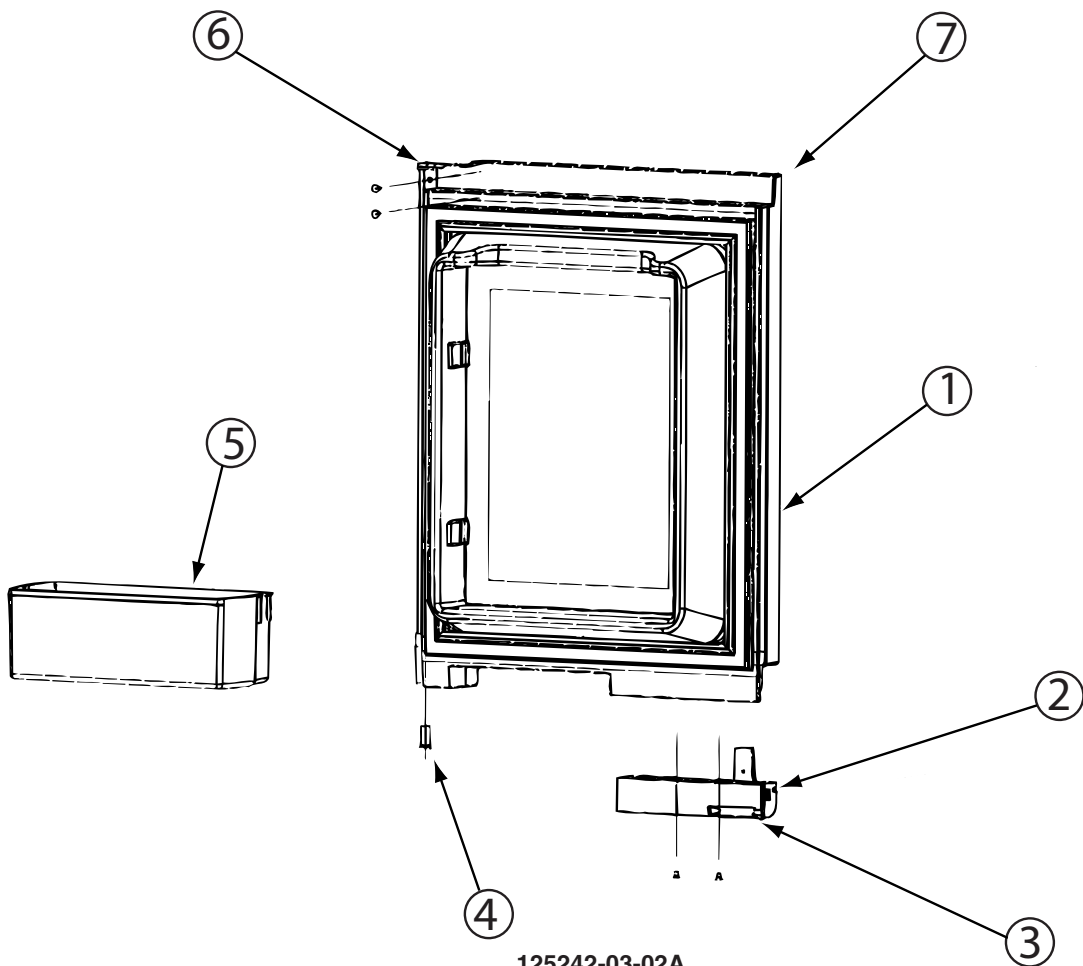


121569-03-01A, 121569-04-01A, 121569-05-01A, 121569-06-01A, 121569-07-01A (CONTINUED)

| KEY | PART NUMBER | U/M | DESCRIPTION | VENDOR NO. |
|-----|---------------|-----|-----------------------------|------------|
| 1 | 104137-06-715 | EA | ELECTRODE-SPARK/SENSOR, SGL | 61692222 |
| 2 | 104137-06-714 | EA | BURNER ASSEMBLY, 5-SLOT | 61705222 |
| 3 | 120075-01-737 | EA | ORIFICE - JEWEL - .0155 | 618284 |
| 4 | 113737-01-702 | EA | PLUG 1/8" F/PRESSURE TAP | 61445322 |
| 4 | 113737-01-716 | EA | TAP-PRESSURE | 61594422 |
| 6 | 113737-01-750 | EA | TUBE-UNION | 61694622 |
| 7 | 084880-01-718 | EA | KIT-GAS VALVE/SOLENOID/TUBE | 621447 |
| 8 | 120075-01-738 | EA | COVER-POWER BOARD | 618185 |
| 9 | 121568-03-719 | EA | POWER - BOARD - 2-WAY | 621267 |
| | 121568-03-720 | EA | VALVE/SOLENOID-MAN SHUT OFF | 618696 |
| | 121569-07-700 | EA | CORD - AC POWER | 61554422 |

CONTACT WINNEBAGO PART SALES FOR UNLISTED COMPONENT(S)

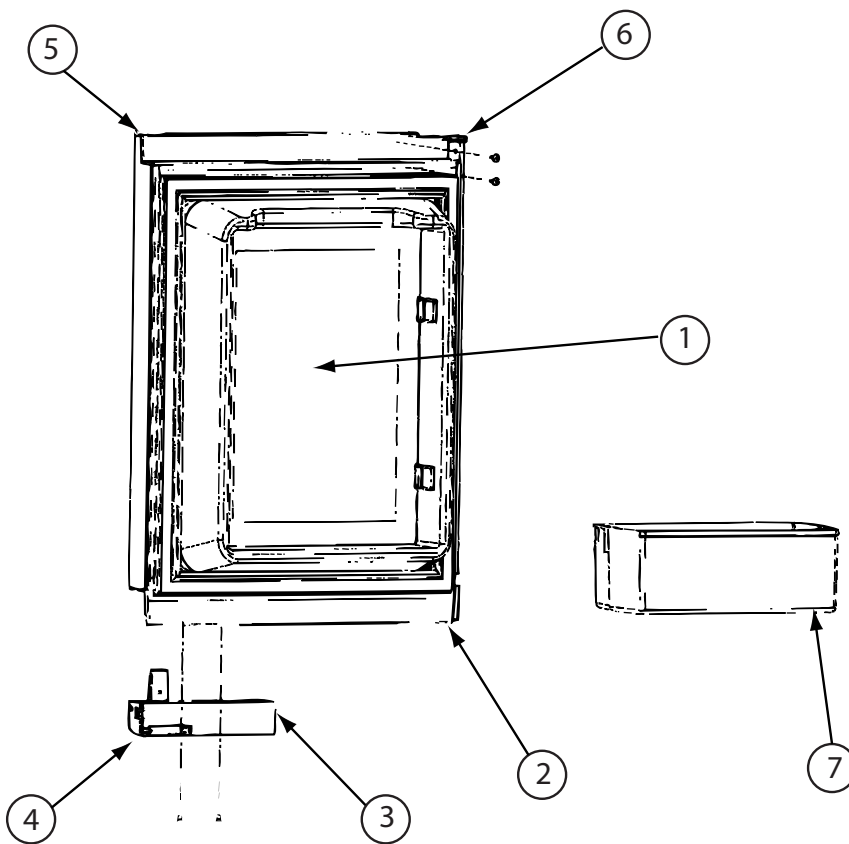
CABINET & APPLIANCE GROUP (CONTINUED)
COMPONENT PARTS FOR CABINET & APPLIANCE LAYOUT (CONTINUED)



125242-03-02A

| KEY | PART NUMBER | U/M | DESCRIPTION | VENDOR NO. |
|-----|---------------|-----|------------------------------|------------|
| 1 | 125242-03-721 | EA | LINER-DOOR/UPPER RH/WRP WPM | 62906101 |
| 2 | 125242-02-701 | EA | HANDLE(CONTOUR)TOP RH LWR LH | 621106 |
| 3 | 125242-02-722 | EA | LATCH-STORAGE DR/BLK POINTED | 619374 |
| 4 | 125242-01-704 | EA | BUSHING-HINGE MIDDLE | 618746 |
| 5 | 125242-03-704 | EA | BIN - DOOR SHELF | 622831 |
| 6 | 125242-03-722 | EA | CAP/DOOR HINGE-UPR RH/LWR LH | 623819 |
| 7 | 125242-03-723 | EA | CAP/DR CENTER-UPR RH/LWR LH | 623820 |

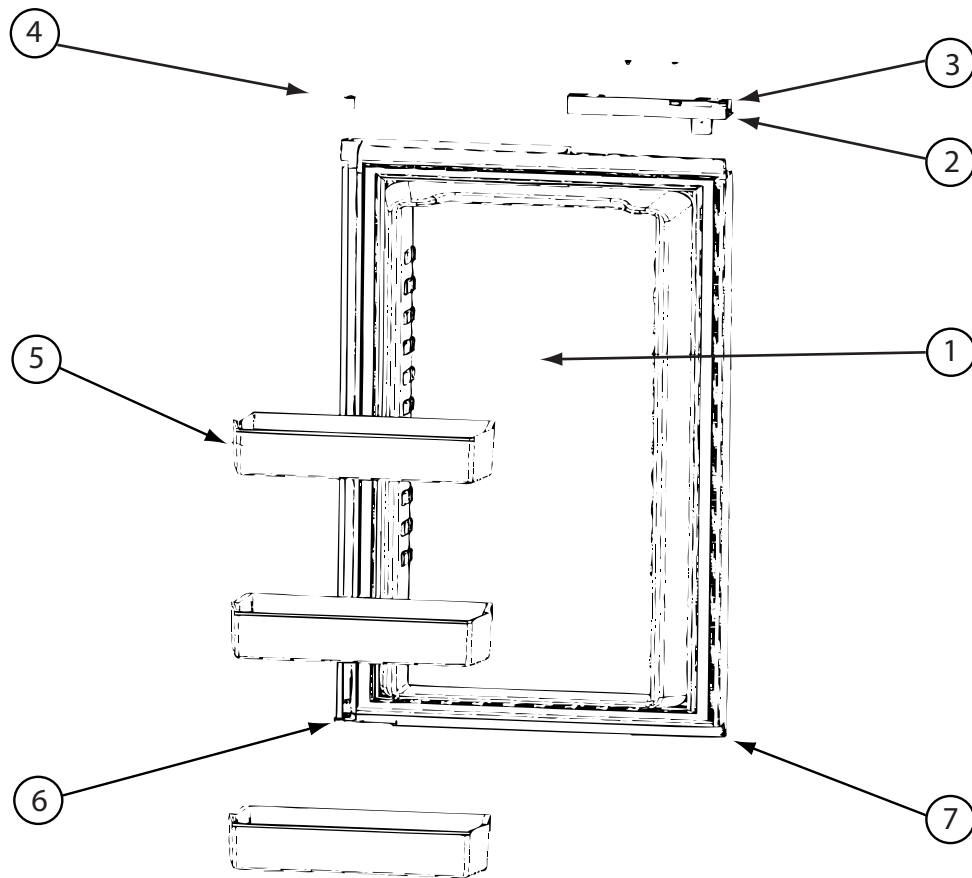
CABINET & APPLIANCE GROUP (CONTINUED)
COMPONENT PARTS FOR CABINET & APPLIANCE LAYOUT (CONTINUED)



125242-03-02A (CONTINUED)

| KEY | PART NUMBER | U/M | DESCRIPTION | VENDOR NO. |
|-----|---------------|-----|------------------------------|------------|
| 1 | 125242-03-724 | EA | LINER-DOOR/UPPER LH/WRP WPM | 62906001 |
| 2 | 125242-01-704 | EA | BUSHING-HINGE MIDDLE | 618746 |
| 3 | 125242-02-700 | EA | HANDLE(CONTOUR)TOP LH BTM RH | 621107 |
| 4 | 125242-02-722 | EA | LATCH-STORAGE DR/BLK POINTED | 619374 |
| 5 | 125242-03-726 | EA | CAP/DR CENTER-UPR LH/LWR RH | 623492 |
| 6 | 125242-03-725 | EA | CAP/DOOR HINGE-UPR LH/LWR RH | 623491 |
| 7 | 125242-03-704 | EA | BIN - DOOR SHELF | 622831 |

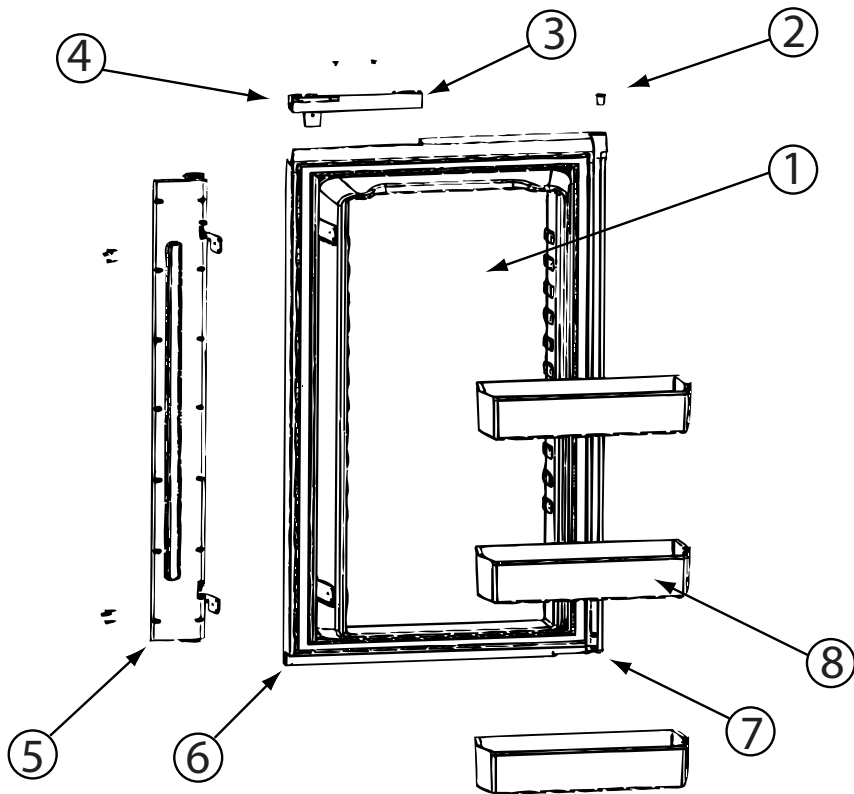
CABINET & APPLIANCE GROUP (CONTINUED)
COMPONENT PARTS FOR CABINET & APPLIANCE LAYOUT (CONTINUED)



125242-03-02A (CONTINUED)

| KEY | PART NUMBER | U/M | DESCRIPTION | VENDOR NO. |
|-----|---------------|-----|------------------------------|------------|
| 1 | 125242-03-727 | EA | LINER-DOOR/LOWER RH/WRP WPM | 62906301 |
| 2 | 125242-02-700 | EA | HANDLE(CONTOUR)TOP LH BTM RH | 621107 |
| 3 | 125242-02-722 | EA | LATCH-STORAGE DR/BLK POINTED | 619374 |
| 4 | 125242-01-704 | EA | BUSHING-HINGE MIDDLE | 618746 |
| 5 | 125242-03-704 | EA | BIN - DOOR SHELF | 622831 |
| 6 | 125242-03-725 | EA | CAP/DOOR HINGE-UPR LH/LWR RH | 623491 |
| 7 | 125242-03-726 | EA | CAP/DR CENTER-UPR LH/LWR RH | 623492 |
| | 125242-01-769 | EA | SHIM DOOR HINGE SERVICE KIT | 625129 |

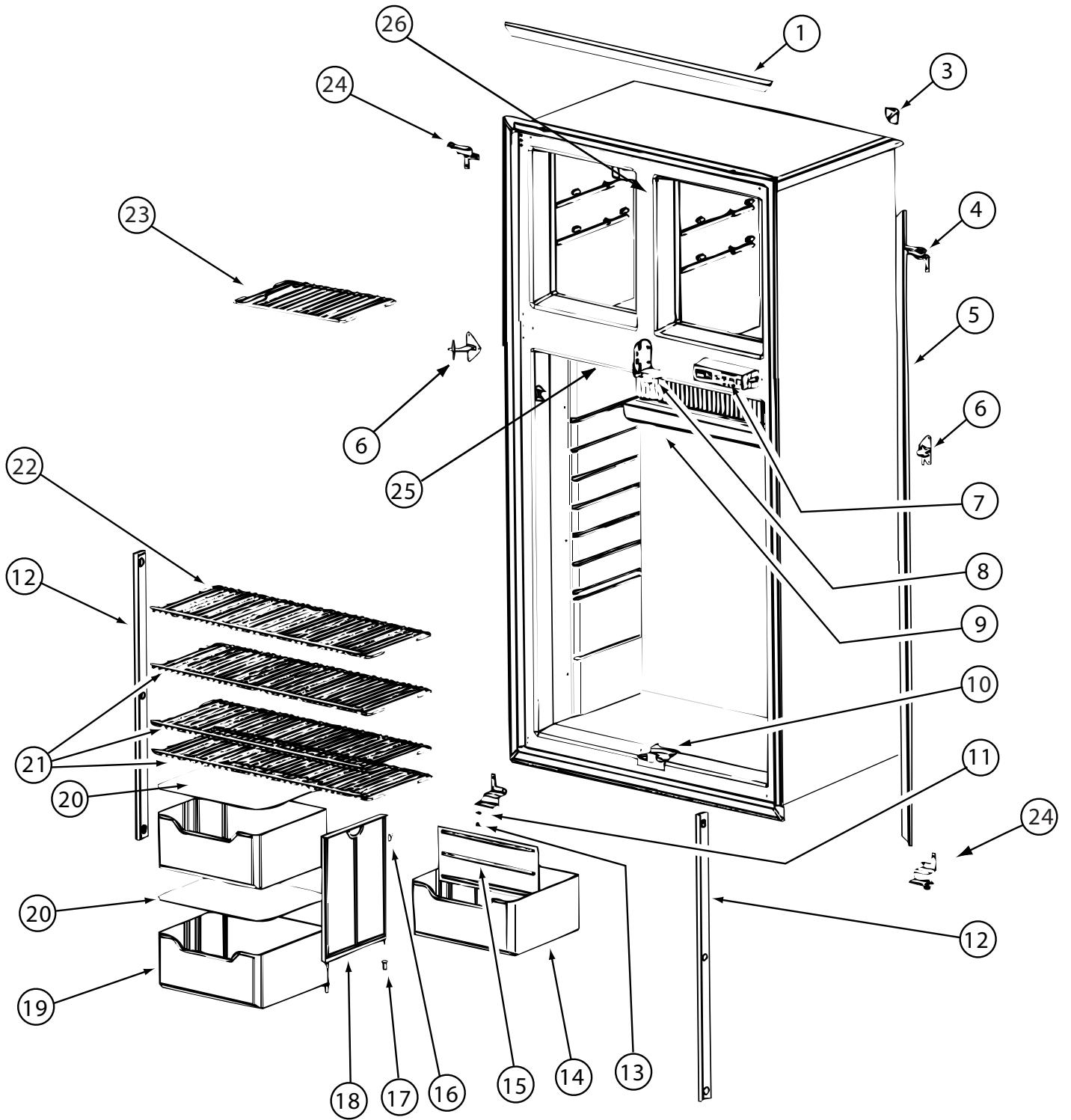
CABINET & APPLIANCE GROUP (CONTINUED)
COMPONENT PARTS FOR CABINET & APPLIANCE LAYOUT (CONTINUED)



125242-03-02A (CONTINUED)

| KEY | PART NUMBER | U/M | DESCRIPTION | VENDOR NO. |
|-----|---------------|-----|--------------------------------------------------|--------------------|
| 1 | 125242-03-728 | EA | LINER-DOOR/LOWER LH/WRP WPM | 62906201-NO FLAPPE |
| 2 | 125242-01-704 | EA | BUSHING-HINGE MIDDLE | 618746 |
| 3 | 125242-02-701 | EA | HANDLE(CONTOUR)TOP RH LWR LH | 621106 |
| 4 | 125242-02-722 | EA | LATCH-STORAGE DR/BLK POINTED | 619374 |
| 5 | 125242-02-727 | EA | FLAPPER/DOUBLE POLE - FOR S.N.#540295 TO 1291390 | |
| 5 | 125242-02-740 | EA | FLAPPER/DBL POLE-SER#1291391AND UP | |
| 6 | 125242-03-722 | EA | CAP/DOOR HINGE-UPR RH/LWR LH | 623819 |
| 7 | 125242-03-723 | EA | CAP/DR CENTER-UPR RH/LWR LH | 623820 |
| 8 | 125242-03-704 | EA | BIN - DOOR SHELF | 622831 |
| | 125242-01-769 | EA | SHIM DOOR HINGE SERVICE KIT | 625129 |

CABINET & APPLIANCE GROUP (CONTINUED)
COMPONENT PARTS FOR CABINET & APPLIANCE LAYOUT (CONTINUED)



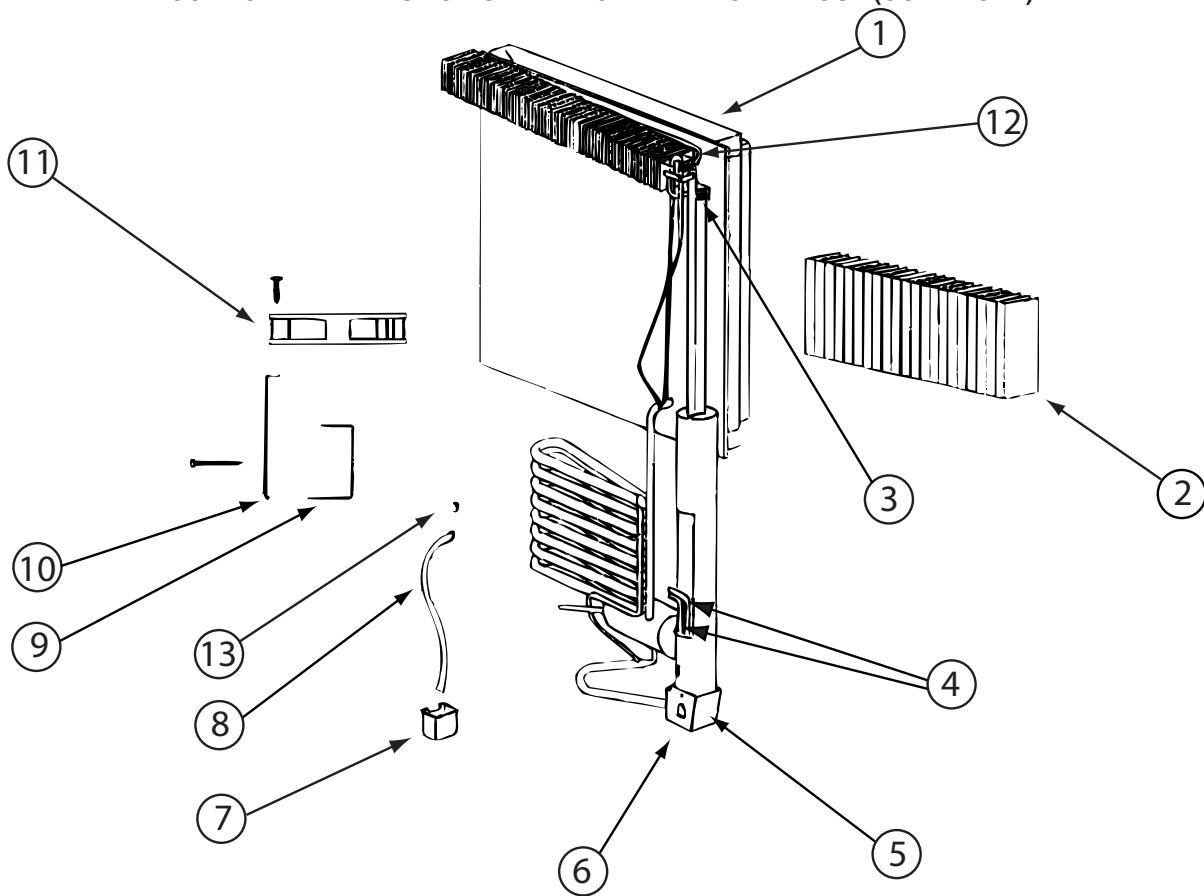
125242-03-02A (CONTINUED)

CABINET & APPLIANCE GROUP (CONTINUED)
COMPONENT PARTS FOR CABINET & APPLIANCE LAYOUT (CONTINUED)

125242-03-02A (CONTINUED)

| KEY | PART NUMBER | U/M | DESCRIPTION | VENDOR NO. |
|------------|--------------------|------------|--------------------------------------------------------|-------------------|
| 1 | 125242-02-713 | EA | TRIM/UPR/LWR - SIDE SNAP ON | 621975 |
| 1 | 125242-02-730 | EA | TRIM - TOP/BOTTOM - SCREW ON | 623255 |
| 3 | 125242-01-722 | EA | TRIM - CORNER | 618844 |
| 4 | 125242-03-711 | EA | HINGE-UPR RH/LWR LH WRAP/DRS | 623824 |
| 5 | 125242-01-766 | EA | TRIM-LT/RT HAND-SCREW ON | 623254 |
| 5 | 125242-02-714 | EA | TRIM/SIDES - SIDE SNAP ON | 621976 |
| 6 | 125242-03-729 | EA | HINGE - MIDDLE | 627685 |
| 6 | 125242-03-730 | EA | HINGE PIN - MIDDLE HINGE | 627684 |
| 7 | 125242-03-731 | EA | CONTROL-OPT/ SN8981139 & UP | 628970 |
| 7 | 125242-03-712 | EA | CONTROL-OPT/GRAY- SN832172 UP | 624868 |
| 8 | 125242-01-721 | EA | STRIKE PLATE | 618835 |
| 9 | 125242-01-712 | EA | DRIP TRAY | 618774 |
| 10 | 125242-02-717 | EA | GUIDE ASM LWR(SER#540295 UP) | 620043 |
| 10 | 125242-02-719 | EA | GUIDE ASM UPR(SER#540295 UP) | 620041 |
| 10 | 125242-03-713 | EA | GUIDE BLOCK/FLAPPER/BTM BLK | 624140 |
| 10 | 125242-03-714 | EA | GUIDE-FLAPPERTOP/BLACK | 624141 |
| 12 | 120075-01-730 | EA | RETAINER-SHELF(SER#926684 DN) | 618181 |
| 12 | 125242-02-720 | EA | RETAINER/SHEF(SER#926685 UP) | 622033 |
| 13 | 125242-03-715 | EA | HINGE PIN/UPR-WRAPPED DOORS | 623899 |
| 15 | 125242-01-733 | EA | DIVIDER-BOTTLE CRISPER | 618877 |
| 16 | 125242-01-750 | EA | CLIP | 61409622 |
| 18 | 125242-01-749 | EA | SUPPORT - WALL | 618840 |
| 20 | 125242-01-706 | EA | COVER-CRISPER | 618757 |
| 21 | 125242-01-726 | EA | SHELF-WIRE (LONG) | 618848 |
| 22 | 125242-01-727 | EA | SHELF-WIRE (SHORT) | 618849 |
| 23 | 125242-01-725 | EA | SHELF-FREEZER (WIRE) | 618847 |
| 24 | 125242-03-716 | EA | HINGE-TOP LH/WRAPPED DOORS | 623823 |
| 25 | 125242-01-735 | EA | SWITCH - DOOR LIGHT | 618884 |
| 25 | 125242-01-768 | EA | SWITCH - DOOR LIGHT | 623918 |
| | 120075-01-714 | EA | PLUG-HOLE (BLACK) | 618170 |
| | 125242-01-728 | EA | CAP-SCREW WHITE | 618853 |
| | 125242-03-706 | EA | PROBE - CONTACT/LARGE | 620689 |
| | | | CONTACT WINNEBAGO PART SALES FOR UNLISTED COMPONENT(S) | |

CABINET & APPLIANCE GROUP (CONTINUED)
COMPONENT PARTS FOR CABINET & APPLIANCE LAYOUT (CONTINUED)

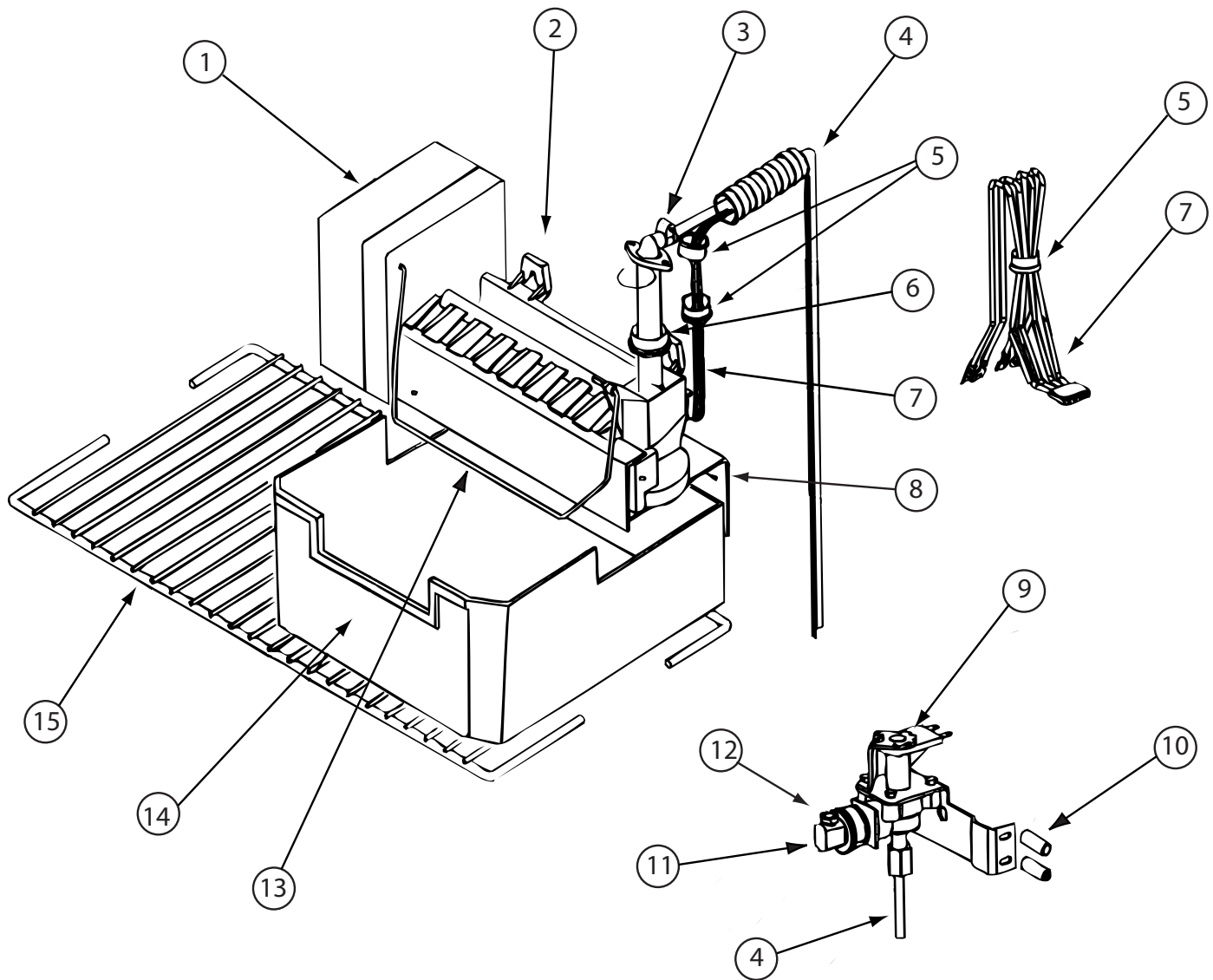


125242-03-02A (CONTINUED)

| KEY | PART NUMBER | U/M | DESCRIPTION | VENDOR NO. |
|-----|---------------|-----|------------------------------|------------|
| 1 | 125242-01-746 | EA | COOLING UNIT - 1200 | 618964 |
| 1 | 125242-05-719 | EA | COOLING UNIT - SN 8835498 UP | 629507 |
| 2 | 125242-05-713 | EA | FINS | 618785 |
| 4 | 125242-01-732 | EA | HEATER AC - 225W/110VAC | 618872 |
| 5 | 125242-01-739 | EA | BASE-BURNER BOX | 618902 |
| 6 | 125242-01-740 | EA | COVER-BURNER BOX | 618910 |
| 9 | 125242-01-730 | EA | BRACKET-DC FAN | 618857 |
| 9 | 125242-05-721 | EA | BRACKET-DC FAN-SN 914576 UP | 628747 |
| 10 | 125242-01-741 | EA | SUPPORT-DC FAN | 618912 |
| 11 | 125242-01-729 | EA | FAN-EXTERNAL DC | 618856 |
| 11 | 125242-05-722 | EA | FAN-EXTRNL DC-SN 914576 UP | 628685 |
| 12 | 113737-01-754 | EA | THERMOSTAT (FAN 12V DC) | 618093 |
| | 125242-01-742 | EA | WIRE ASM.-BAFFLE 55.15" | 618915 |

CONTACT WINNEBAGO PART SALES FOR UNLISTED COMPONENT(S)

CABINET & APPLIANCE GROUP (CONTINUED)
COMPONENT PARTS FOR CABINET & APPLIANCE LAYOUT (CONTINUED)

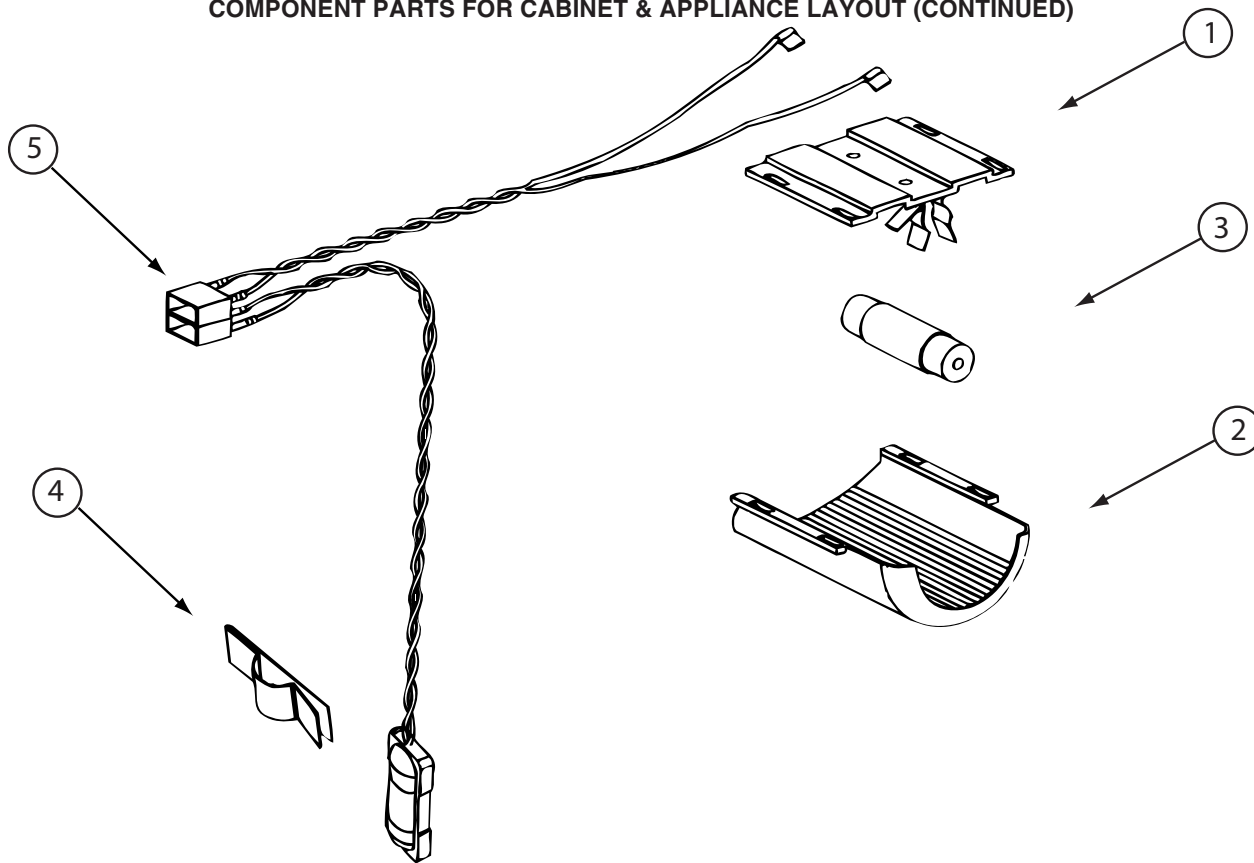


125242-03-02A & 125242-05-02A (CONTINUED)

| KEY | PART NUMBER | U/M | DESCRIPTION | VENDOR NO. |
|-----|---------------|-----|------------------------------|---------------|
| 2 | 094039-07-706 | EA | ICE MAKER W/O PLATES | 61656522 |
| 4 | 125242-05-724 | EA | WATER TUBE/HEATER ASM | 621429 |
| 6 | 120075-03-706 | EA | FITTING WATER LINE | 620039 |
| 8 | 125242-01-737 | EA | BRACKET-MOUNTING (ICE MAKER) | 618894/620890 |
| 9 | 120075-03-701 | EA | WATER VALVE - W/BRACKET | 618253 |
| 11 | 094039-07-707 | EA | GARDEN HOSE ADAP W/BRASS NUT | 61679622 |
| 12 | 094039-07-708 | EA | NUT - COMPRESSION | 622991 |
| 13 | 120075-03-703 | EA | ARM-SHUT OFF | 61656922 |
| 14 | 125242-01-716 | EA | ICE BIN | 618803 |
| 15 | 125242-01-725 | EA | SHELF-FREEZER (WIRE) | 618847 |
| | 120075-09-703 | EA | THERMOSTAT | 620240 |

CONTACT WINNEBAGO PART SALES FOR UNLISTED COMPONENT(S)

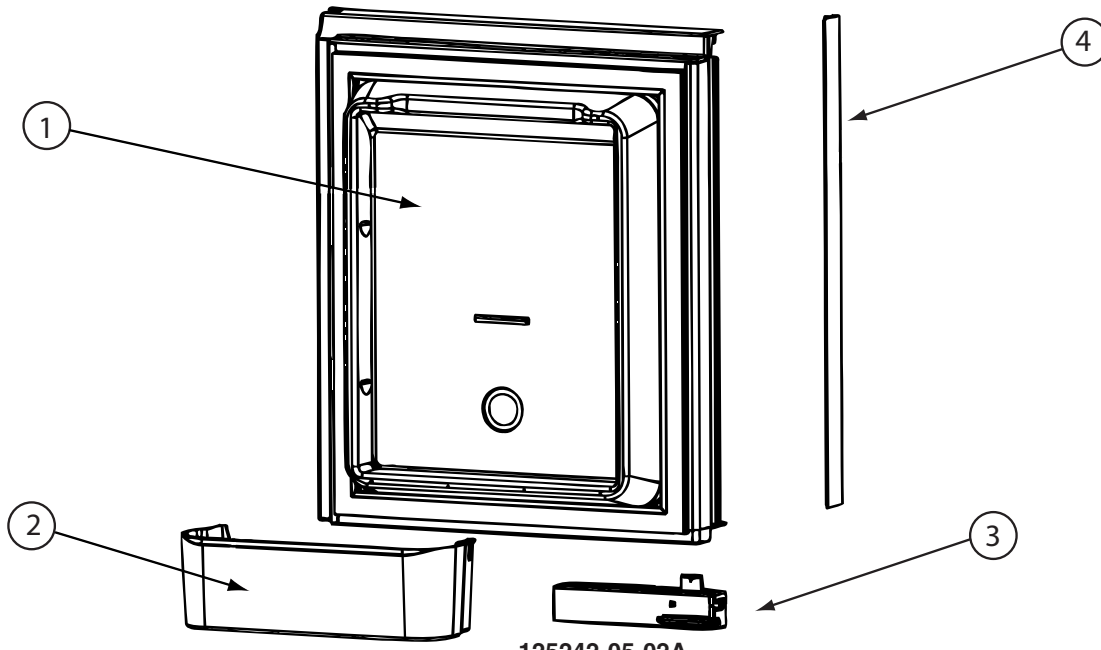
CABINET & APPLIANCE GROUP (CONTINUED)
COMPONENT PARTS FOR CABINET & APPLIANCE LAYOUT (CONTINUED)



125242-03-02A & 125242-05-02A (CONTINUED)

| KEY | PART NUMBER | U/M | DESCRIPTION | VENDOR NO. |
|-----|---------------|-----|-----------------------------|------------|
| 1 | 084880-03-705 | EA | BRACKET-LIGHT-INTERIOR | 61629722 |
| 2 | 125242-02-708 | EA | COVER/LAMP BRACKET | 621827 |
| 3 | 084880-03-706 | EA | BULB-LAMP | 61628922 |
| 4 | 084880-01-760 | EA | CLIP (THERMISTER) | 61689122 |
| 5 | 125242-02-706 | EA | LAMP/WIRE ASM/SER#849677 UP | 620871 |

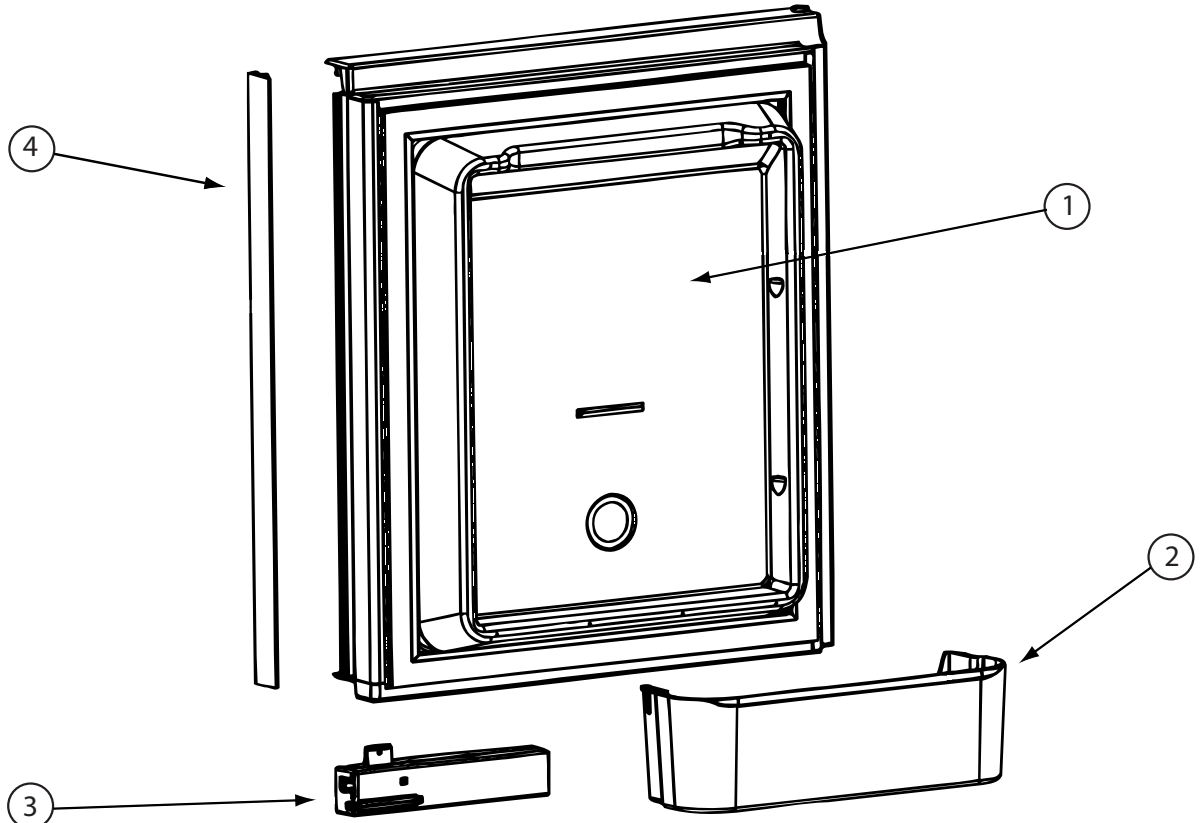
CABINET & APPLIANCE GROUP (CONTINUED)
COMPONENT PARTS FOR CABINET & APPLIANCE LAYOUT (CONTINUED)



125242-05-02A

| KEY | PART NUMBER | U/M | DESCRIPTION | VENDOR NO. |
|-----|---------------|-----|------------------------------|------------|
| 1 | 125242-05-700 | EA | LINER-DOOR/UPPER RH/WRP WPM | 62913401 |
| 2 | 125242-05-701 | EA | BIN - DOOR SHELF | 628686 |
| 3 | 125242-02-701 | EA | HANDLE(CONTOUR)TOP RH LWR LH | 621106 |
| | 125242-02-722 | EA | LATCH-STORAGE DR/BLK POINTED | 619374 |

CONTACT WINNEBAGO PART SALES FOR UNLISTED COMPONENT(S)

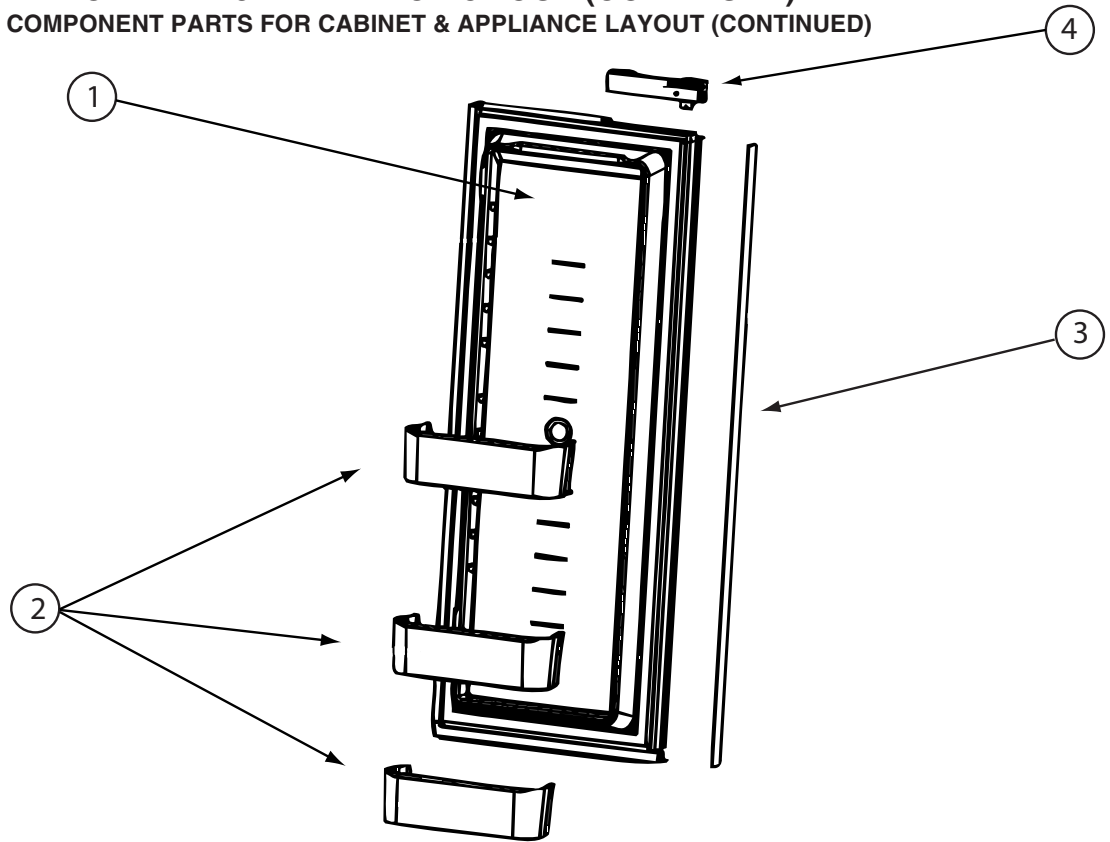


125242-05-02A (CONTINUED)

| KEY | PART NUMBER | U/M | DESCRIPTION | VENDOR NO. |
|-----|---------------|-----|------------------------------|------------|
| 1 | 125242-05-702 | EA | LINER-DOOR/UPPER LH/WRP WPM | 62913301 |
| 2 | 125242-05-701 | EA | BIN - DOOR SHELF | 628686 |
| 3 | 125242-02-700 | EA | HANDLE(CONTOUR)TOP LH BTM RH | 621107 |
| | 125242-02-722 | EA | LATCH-STORAGE DR/BLK POINTED | 619374 |

CONTACT WINNEBAGO PART SALES FOR UNLISTED COMPONENT(S)

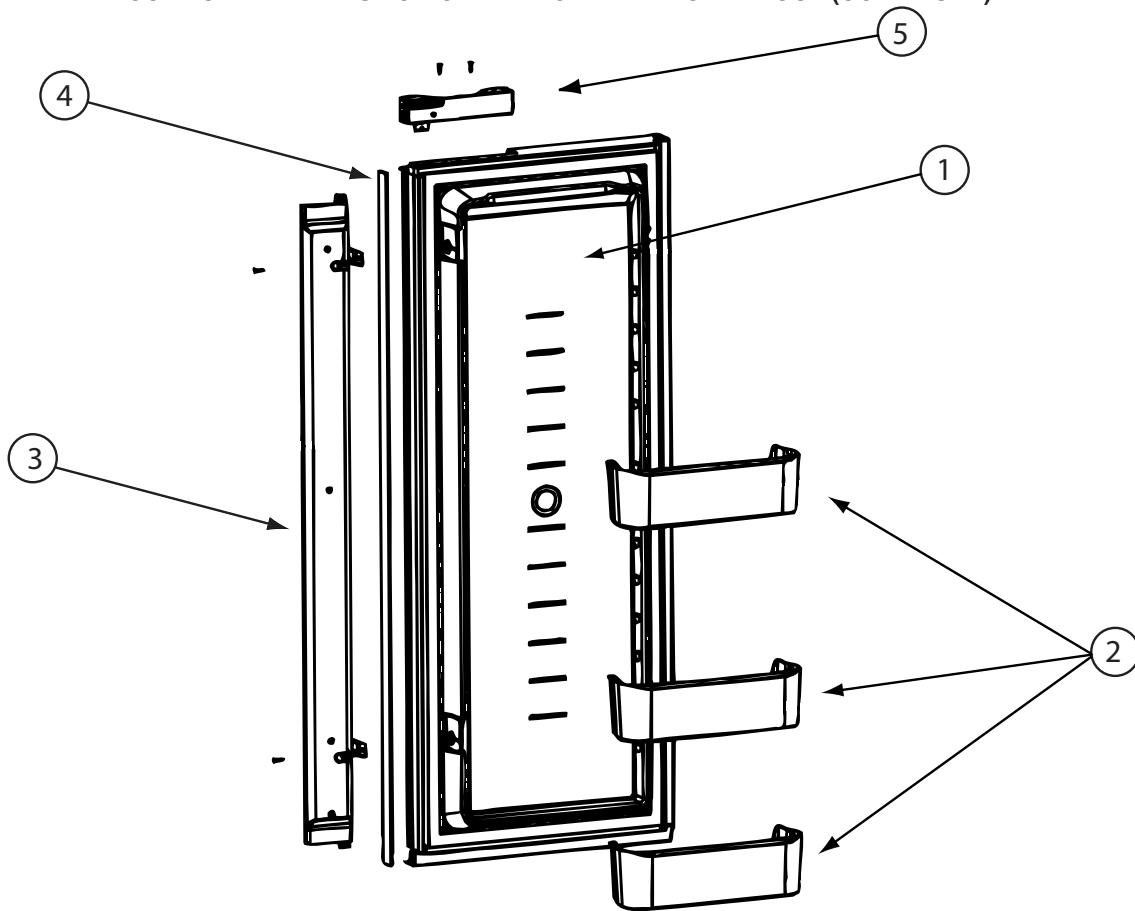
CABINET & APPLIANCE GROUP (CONTINUED)
COMPONENT PARTS FOR CABINET & APPLIANCE LAYOUT (CONTINUED)



125242-05-02A (CONTINUED)

| KEY | PART NUMBER | U/M | DESCRIPTION | VENDOR NO. |
|--------------------------------------------------------|---------------|-----|------------------------------|------------|
| 1 | 125242-05-703 | EA | LINER-DOOR/LOWER RH/WRP WPM | 62913601 |
| 2 | 125242-05-701 | EA | BIN - DOOR SHELF | 628686 |
| 4 | 125242-02-700 | EA | HANDLE(CONTOUR)TOP LH BTM RH | 621107 |
| | 125242-02-722 | EA | LATCH-STORAGE DR/BLK POINTED | 619374 |
| CONTACT WINNEBAGO PART SALES FOR UNLISTED COMPONENT(S) | | | | |

CABINET & APPLIANCE GROUP (CONTINUED)
COMPONENT PARTS FOR CABINET & APPLIANCE LAYOUT (CONTINUED)

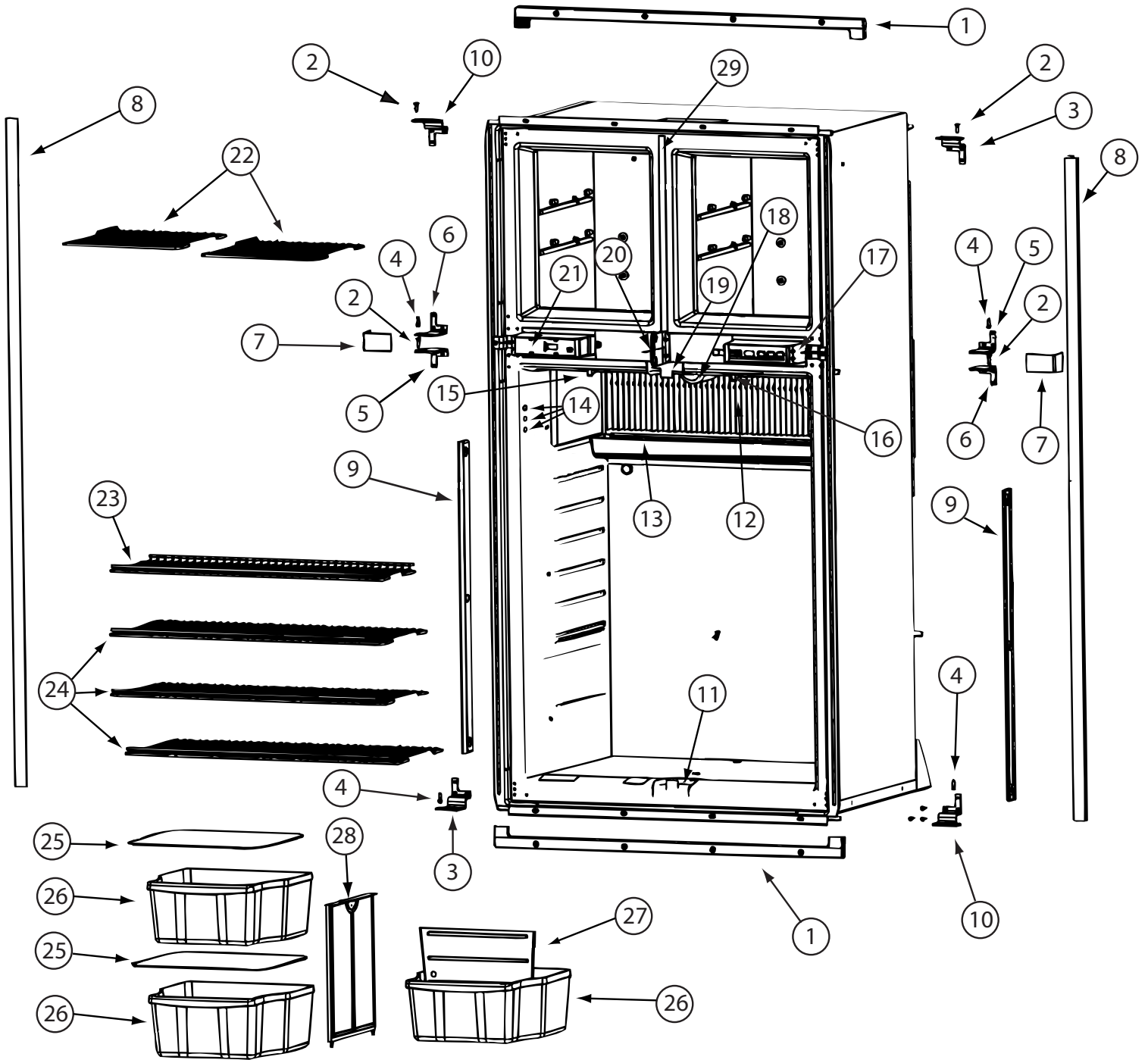


125242-05-02A (CONTINUED)

| KEY | PART NUMBER | U/M | DESCRIPTION | VENDOR NO. |
|-----|---------------|-----|------------------------------|------------|
| 1 | 125242-05-704 | EA | LINER-DOOR/LOWER LH/WRP WPM | 62913501 |
| 2 | 125242-05-701 | EA | BIN - DOOR SHELF | 628686 |
| 3 | 125242-05-705 | EA | FLAPPER ASM | 629049 |
| 5 | 125242-02-701 | EA | HANDLE(CONTOUR)TOP RH LWR LH | 621106 |
| | 125242-02-722 | EA | LATCH-STORAGE DR/BLK POINTED | 619374 |

CONTACT WINNEBAGO PART SALES FOR UNLISTED COMPONENT(S)

CABINET & APPLIANCE GROUP (CONTINUED)
COMPONENT PARTS FOR CABINET & APPLIANCE LAYOUT (CONTINUED)



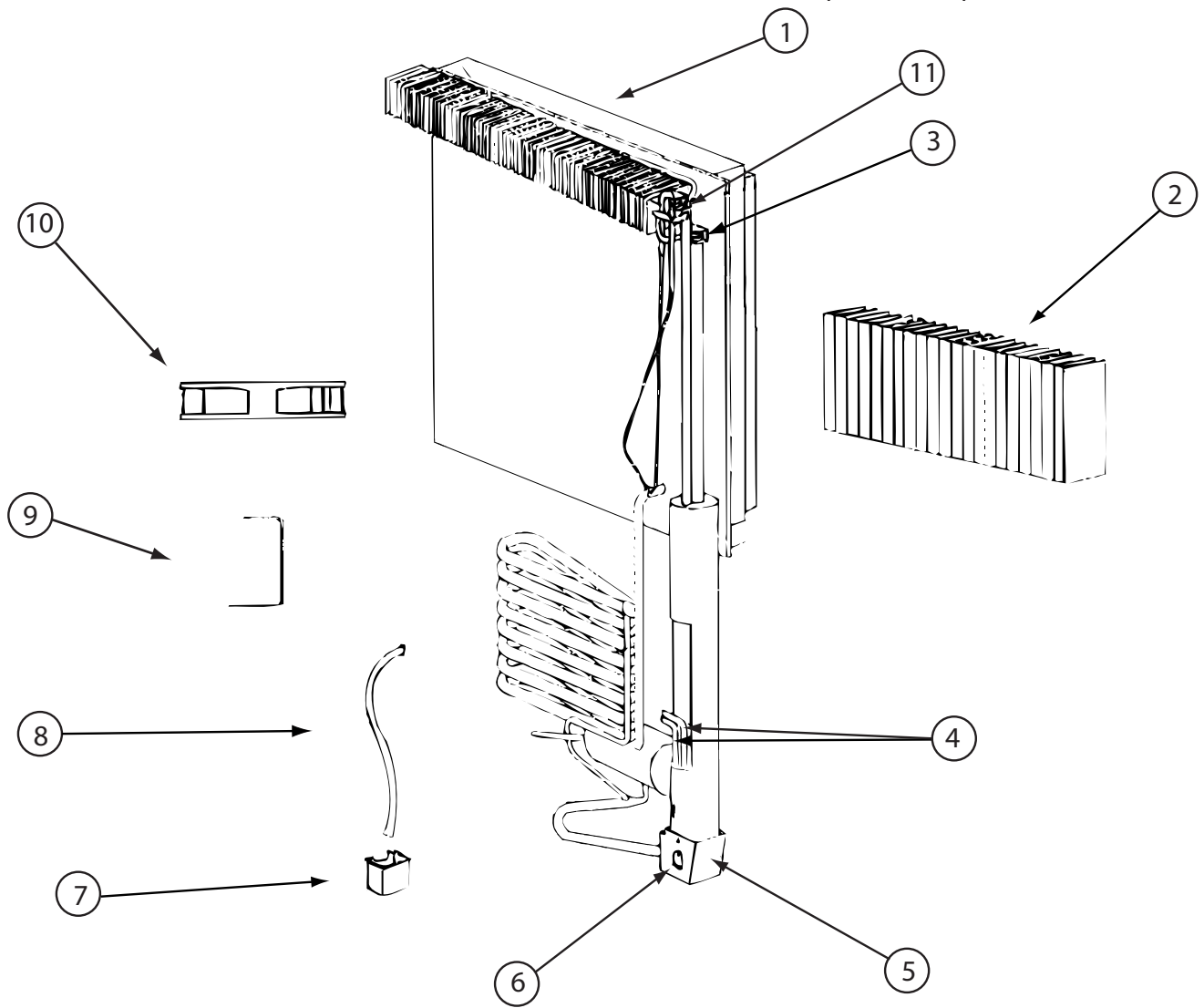
125242-05-02A (CONTINUED)

CABINET & APPLIANCE GROUP (CONTINUED)
COMPONENT PARTS FOR CABINET & APPLIANCE LAYOUT (CONTINUED)

125242-05-02A (CONTINUED)

| KEY | PART NUMBER | U/M | DESCRIPTION | VENDOR NO. |
|------------|--------------------|------------|------------------------------------------------------------|---------------------|
| 1 | 125242-01-767 | EA | KIT - UNIVERSAL TRIM (MAKE YOUR OWN)CORNERS/ETC - SCREW-ON | |
| 2 | 125242-03-715 | EA | HINGE PIN/UPR-WRAPPED DOORS | 623899 |
| 3 | 125242-05-707 | EA | HINGE-OUTER/UPPER RH/LWR LH | 628946 |
| 4 | 113737-01-710 | EA | PIN-HINGE, BOTTOM | 61550722 |
| 5 | 125242-05-708 | EA | HINGE-INNER/UPPER RH/LWR LH | 624363 |
| 6 | 125242-05-709 | EA | HINGE-INNER/UPPER LH/LWR RH | 624364 |
| 7 | 125242-05-710 | EA | COVER - HINGE | 627955 |
| 8 | 125242-01-766 | EA | TRIM - LEFT HAND/RIGHT HAND - VERTICAL - SCREW-ON | |
| 9 | 125242-02-720 | EA | RETAINER/SHELF(SER#926685 UP) | 622033 |
| 10 | 125242-05-711 | EA | HINGE-OUTER/UPPER LH/LWR RH | 628945 |
| 11 | 125242-05-712 | EA | GUIDE BLOCK-FLAPPER/BTM/BLK | 629112 |
| 12 | 125242-05-713 | EA | FINS | 618785 |
| 13 | 125242-01-712 | EA | DRIP TRAY | 618774 |
| 14 | 125242-03-706 | EA | PROBE - CONTACT/LARGE | 620689 |
| 15 | 125242-01-768 | EA | SWITCH - DOOR LIGHT | 623918 |
| 16 | 125242-02-706 | EA | LAMP/WIRE ASM/SER#849677 UP | 620871 |
| 17 | 125242-05-706 | EA | CONTROL ASM - OPTICAL | 629113 |
| 18 | 125242-02-708 | EA | COVER/LAMP BRACKET | 621827 |
| 19 | 125242-05-714 | EA | GUIDE BLOCK-FLAPPER/TOP/BLK | 629111 |
| 20 | 125242-05-715 | EA | PLATE/STRIKE - BLACK | 628473 |
| 21 | 125242-05-716 | EA | BOX/FRONT - DUMMY | 624366 |
| 22 | 125242-01-725 | EA | SHELF-FREEZER (WIRE) | 618847 |
| 23 | 125242-01-727 | EA | SHELF-WIRE (SHORT) | 618849 |
| 24 | 125242-01-726 | EA | SHELF-WIRE (LONG) | 618848 |
| 25 | 125242-01-706 | EA | COVER-CRISPER | 618757 |
| 26 | 125242-05-717 | EA | BIN - BOTTLE/CRISPER | 628688 |
| 27 | 125242-05-718 | EA | DIVIDER - BOTTLE/CRISPER | 628694 |
| 28 | 125242-01-749 | EA | SUPPORT - WALL | 618840 |
| 29 | 125242-02-741 | EA | STRIP-FREEZER-BLACK | 625210 #1291391 &UP |
| | 084880-03-705 | EA | BRACKET-LIGHT-INTERIOR | 61629722 |
| | 084880-03-706 | EA | BULB-LAMP | 61628922 |
| | 120075-01-714 | EA | PLUG-HOLE (BLACK) | 618170 |

CABINET & APPLIANCE GROUP (CONTINUED)
COMPONENT PARTS FOR CABINET & APPLIANCE LAYOUT (CONTINUED)

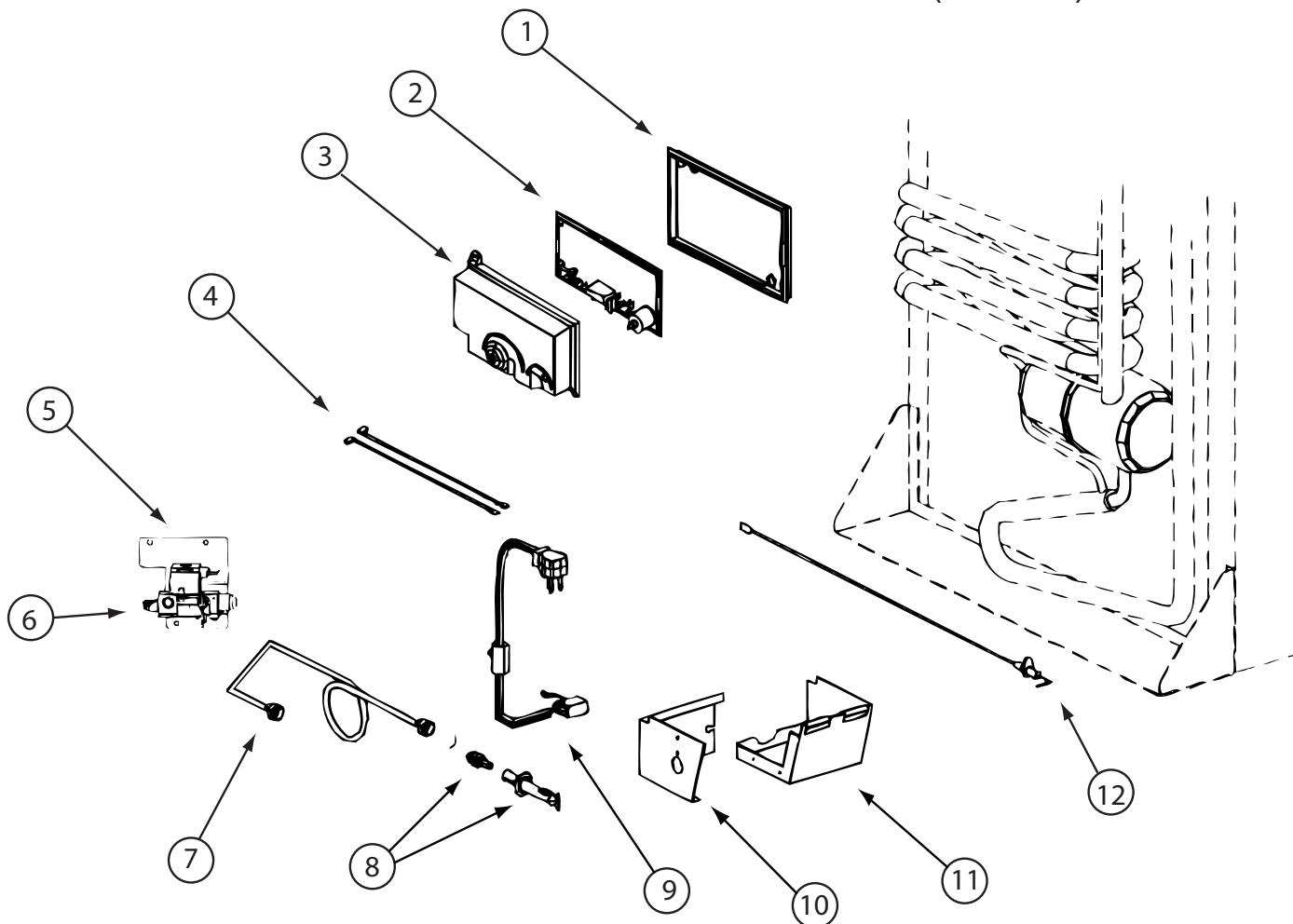


125242-05-02A (CONTINUED)

| KEY | PART NUMBER | U/M | DESCRIPTION | VENDOR NO. |
|-----|---------------|-----|------------------------------|------------|
| 1 | 125242-05-719 | EA | COOLING UNIT - SN 8835498 UP | 629507 |
| 2 | 125242-05-713 | EA | FINS | 618785 |
| 4 | 125242-01-732 | EA | HEATER AC - 225W/110VAC | 618872 |
| 5 | 125242-01-739 | EA | BASE-BURNER BOX | 618902 |
| 6 | 125242-01-740 | EA | COVER-BURNER BOX | 618910 |
| 9 | 125242-05-721 | EA | BRACKET-DC FAN-SN 9144576 UP | 628747 |
| 10 | 125242-05-722 | EA | FAN-EXTRNL DC-SN 9144576 UP | 628685 |
| 11 | 113737-01-754 | EA | THERMOSTAT (FAN 12V DC) | 618093 |
| | 125242-01-742 | EA | WIRE ASM.-BAFFLE 55.15" | 618915 |
| | 125242-05-720 | EA | SWITCH-THERMAL | 628118 |

CONTACT WINNEBAGO PART SALES FOR UNLISTED COMPONENT(S)

CABINET & APPLIANCE GROUP (CONTINUED)
COMPONENT PARTS FOR CABINET & APPLIANCE LAYOUT (CONTINUED)



125242-03-02A & 125242-05-02A (CONTINUED)

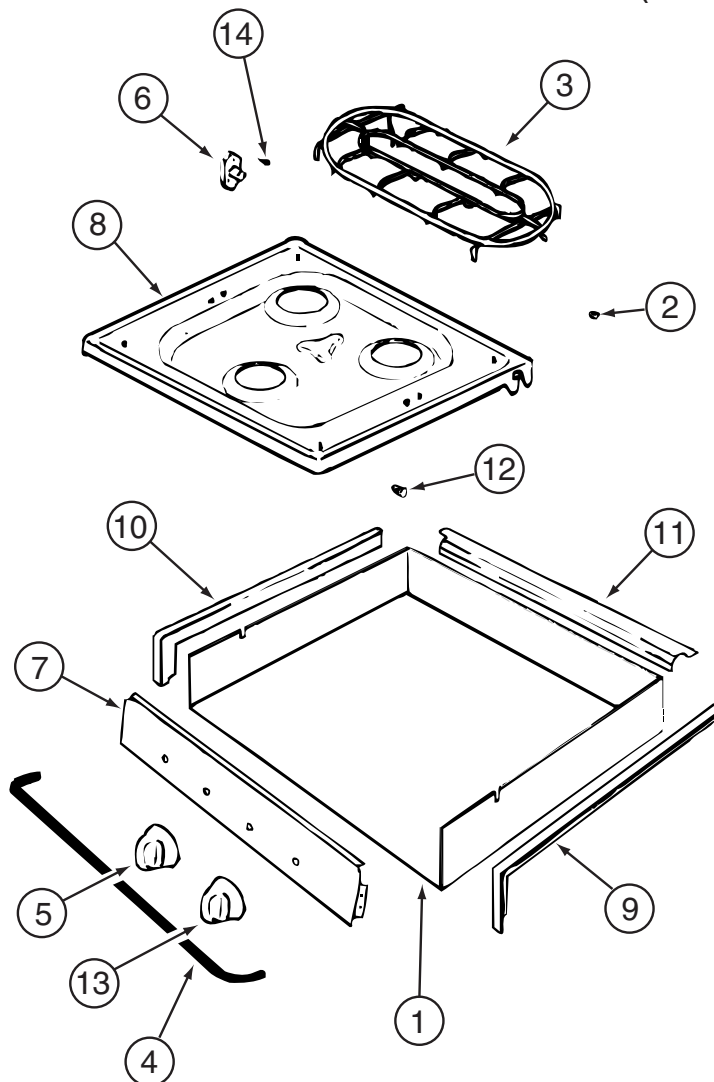
| KEY | PART NUMBER | U/M | DESCRIPTION | VENDOR NO. |
|-----|---------------|-----|----------------------------------------------|------------|
| 1 | 121569-08-701 | EA | BASE - POWER BOARD | 628674 |
| 2 | 121568-06-709 | EA | BOARD/POWER-N611/N822F | 628661 |
| 3 | 121569-08-702 | EA | COVER-POWER BOARD | 628677 |
| 4 | 125242-02-709 | EA | WIRE/WHITE/9"/GAS VALVE | 621448 |
| 6 | 121569-08-703 | EA | VALVE - SOLENOID | 628741 |
| 7 | 125242-05-723 | EA | BURNER TUBE | 624683 |
| 8 | 125242-02-743 | EA | BURNER ORFICE ADAPTER ASSY - NORCOLD# 629013 | |
| 9 | 121569-07-700 | EA | CORD - AC POWER | 61554422 |
| 10 | 125242-01-740 | EA | COVER-BURNER BOX | 618910 |
| 11 | 125242-01-739 | EA | BASE-BURNER BOX | 618902 |
| 12 | 104137-06-715 | EA | ELECTRODE-SPARK/SENSOR, SGL | 61692222 |

CONTACT WINNEBAGO PART SALES FOR UNLISTED COMPONENT(S)

126022-01-01A, 126022-02-01A, 126022-03-01A

| KEY | PART NUMBER | U/M | DESCRIPTION | VENDOR NO. |
|-----|---------------|-----|------------------------------|-------------------|
| | 114030-01-707 | EA | PLUG BUTTON BLACK | 74002628 |
| | 126022-01-700 | EA | BUMPER - RANGE BIFOLD COVER | MAGIC 8003P007-60 |
| | 126022-01-701 | EA | HINGE-RANGE BIFOLD COVER-22" | MAGIC 3418F067-34 |

CABINET & APPLIANCE GROUP (CONTINUED)
COMPONENT PARTS FOR CABINET & APPLIANCE LAYOUT (CONTINUED)

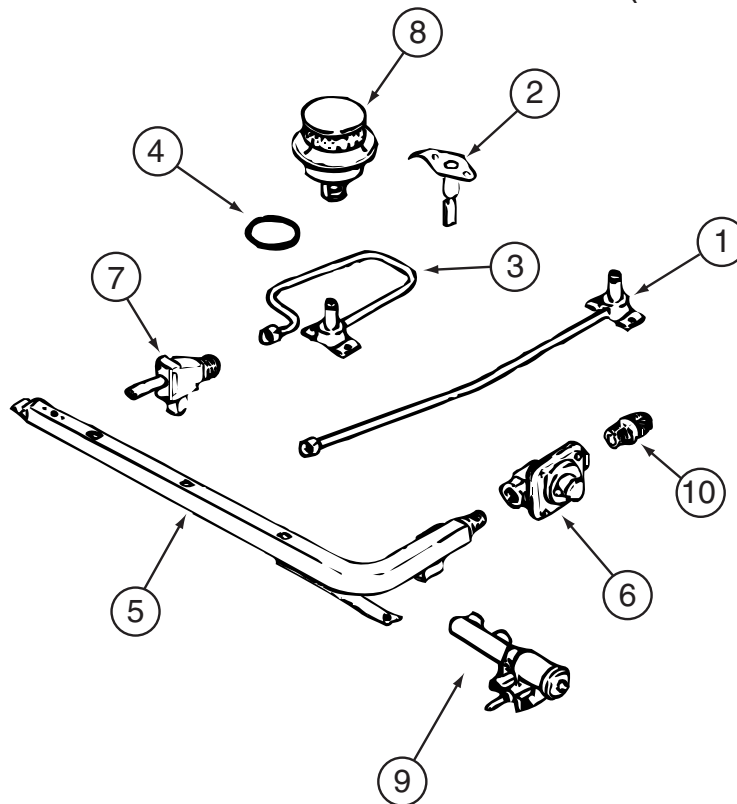


135065-03-01A, 135065-03-03A, 135065-04-01A

| KEY | PART NUMBER | U/M | DESCRIPTION | VENDOR NO. |
|-----|---------------|-----|------------------------------|--------------|
| 2 | 102020-01-709 | EA | BUMPER-GRATE | 8007-P020-60 |
| 3 | 135065-03-703 | EA | GRATE - BLACK(SEALED BURNER) | 74007304 |
| 4 | 114030-02-700 | EA | GUARD/FABRIC - TOWEL BAR | 3609F006-70 |
| 5 | 128728-01-701 | EA | KNOB - BURNER - REAR | 74003941 |
| 5 | 128728-01-702 | EA | KNOB - BURNER - FRONT | 74003942 |
| 6 | 128728-01-703 | EA | PIN/T-NUT F/HINGE | 7103P109-60 |
| 7 | 135065-03-704 | EA | PANEL - MANIFOLD (BLACK) | 74007330 |
| 8 | 128728-01-705 | EA | TOP - MAIN - BLACK | 74003928 |
| 8 | 135065-03-715 | EA | TOP - MAIN - STAINLESS STEEL | 74007299 |
| 9 | 114030-01-704 | EA | TRIM - RIGHT/BLACK TEXTURED | 74002839 |
| 10 | 114030-01-705 | EA | TRIM - LEFT/BLACK TEXTURED | 74002840 |
| 11 | 114030-01-706 | EA | TRIM - REAR/BLACK TEXTURED | 74002841 |
| 12 | 102020-01-724 | EA | BUMPER-MAIN TOP | 8003P008-60 |
| 13 | 128728-01-707 | EA | KNOB - IGNITOR | 74003944 |

CONTACT WINNEBAGO PART SALES FOR UNLISTED COMPONENT(S)

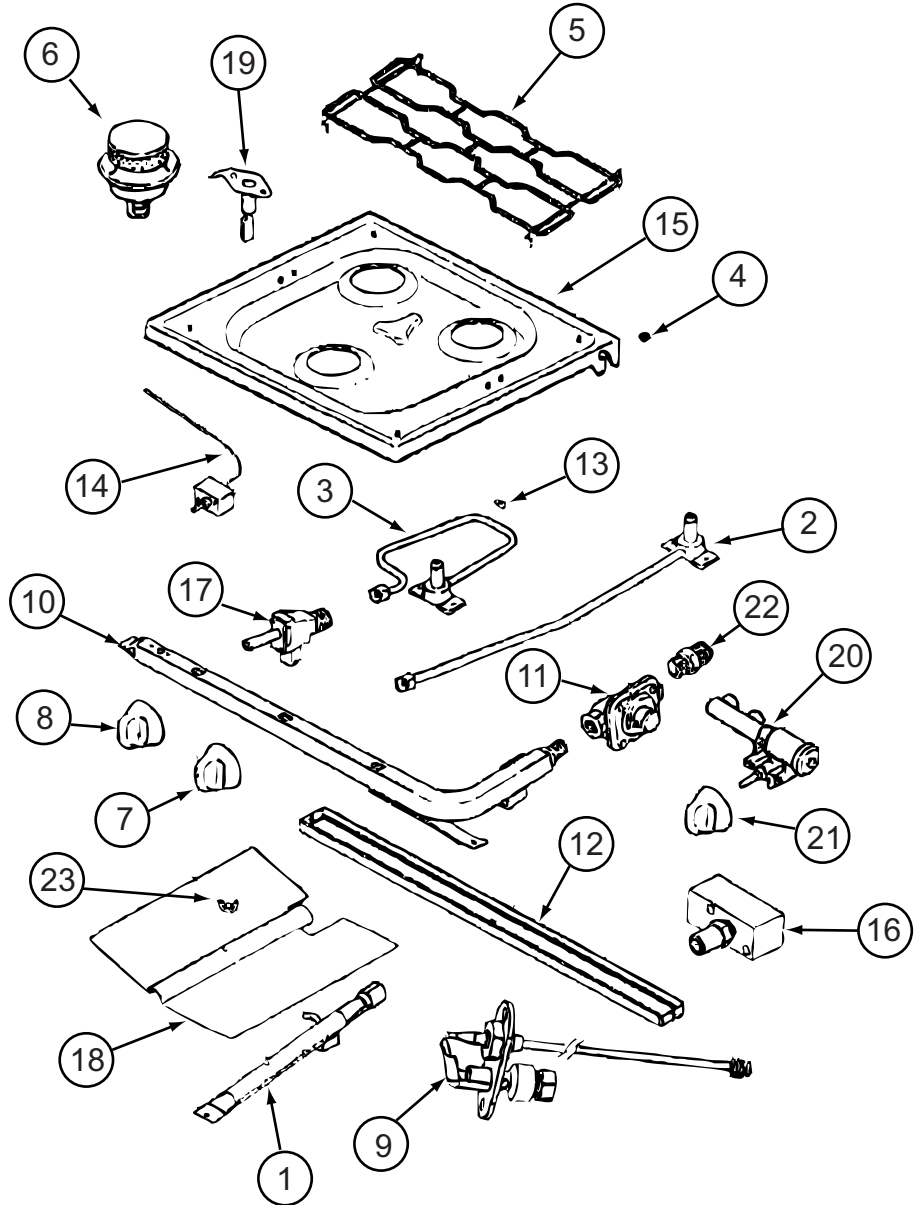
CABINET & APPLIANCE GROUP (CONTINUED)
COMPONENT PARTS FOR CABINET & APPLIANCE LAYOUT (CONTINUED)



135065-03-01A, 135065-03-03A, 135065-04-01A (CONTINUED)

| KEY | PART NUMBER | U/M | DESCRIPTION | VENDOR NO. |
|-----|---------------|-----|------------------------------|------------|
| 1 | 128728-01-708 | EA | FITTING W/ORFICE/TUBE - REAR | 74003931 |
| 2 | 135065-01-701 | EA | IGNITOR/PORCELAIN-TOP BURNER | 74004053 |
| 3 | 128728-01-710 | EA | FITTING W/ORFICE/TUBE - FRT | 74003930 |
| 4 | 135065-03-700 | EA | FITTING - HALF UNION | 74004234 |
| 5 | 135065-01-702 | EA | PIPE/MANIFOLD | 74004642 |
| 6 | 126023-02-703 | EA | REGULATOR - PRESSURE | 74004235 |
| 7 | 135065-01-703 | EA | VALVE/BURNER - REAR | 74004643 |
| 7 | 135065-01-704 | EA | VALVE/BURNER-FRT-HI | 74004644 |
| 7 | 135065-03-701 | EA | SCREW - VALVE | 71003231 |
| 8 | 135065-03-702 | EA | SEALED BURNER ASM.(BLACK) RV | 74003967 |
| 9 | 128728-01-716 | EA | BURNER - IGNITOR | 74003946 |
| 9 | 128728-01-717 | EA | WIRES - IGNITOR | 74003947 |

CABINET & APPLIANCE GROUP (CONTINUED)
COMPONENT PARTS FOR CABINET & APPLIANCE LAYOUT (CONTINUED)



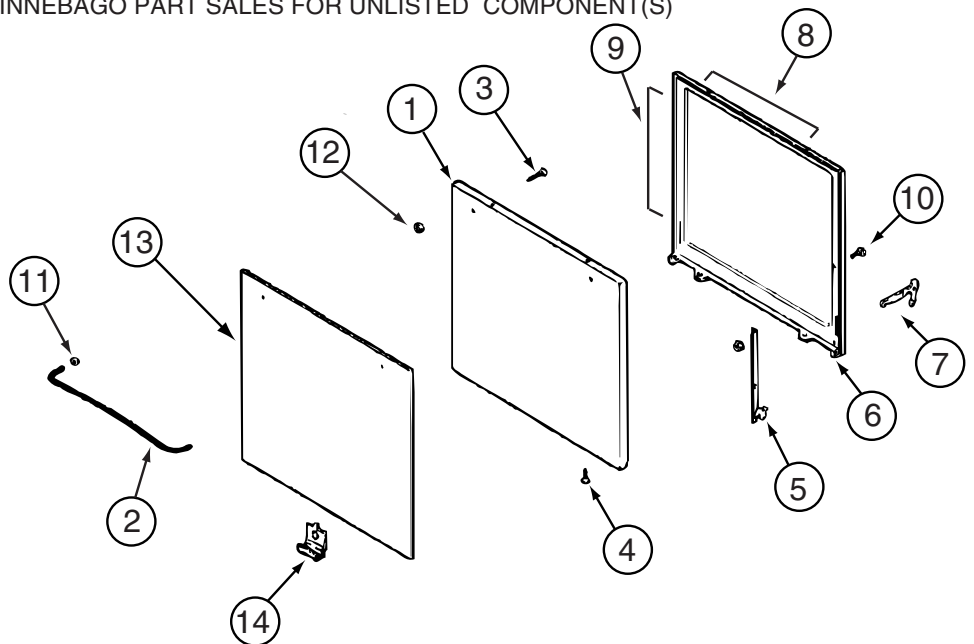
151277-03-01A, 151279-01-01A, 151279-02-01A/02A, 151279-03-01A

CABINET & APPLIANCE GROUP (CONTINUED)
COMPONENT PARTS FOR CABINET & APPLIANCE LAYOUT (CONTINUED)

151277-03-01A, 151279-01-01A, 151279-02-01A/02A, 151279-03-01A (CONTINUED)

| KEY | PART NUMBER | U/M DESCRIPTION | VENDOR NO. |
|-----|---------------|-------------------------------------------|------------------|
| 1 | 151279-02-700 | EA BURNER - OVEN - W/SHUTTER | 74009853 |
| 2 | 128728-01-708 | EA FITTING W/ORFICE/TUBE - REAR | 74003931 |
| 3 | 128728-01-710 | EA FITTING W/ORFICE/TUBE - FRT | 74003930 |
| 4 | 102020-01-709 | EA BUMPER-GRATE | 8007P020-60 |
| 5 | 135065-03-703 | EA GRATE - BLACK(SEALED BURNER) | 74007304 |
| 6 | 135065-03-702 | EA SEALED BURNER ASM.(BLACK) RV | 74003967 |
| 7 | 128728-01-701 | EA KNOB - BURNER - REAR | 74003941 (1 PER) |
| 7 | 128728-01-702 | EA KNOB - BURNER - FRONT | 74003942 (2 PER) |
| 8 | 151279-02-701 | EA KNOB - THERMOSTAT - BLACK | 74009858 |
| 9 | 112881-04-706 | EA PILOT-OVEN (151279-01-01A ONLY) | 74006334 |
| 9 | 151279-01-700 | EA PILOT-BURNER- 16" (151279-01-01A ONLY) | 74009852 |
| 9 | 151279-02-705 | EA PILOT - OVEN - 22" SERIES | 74010544 |
| 10 | 151279-02-702 | EA PIPE - MANIFOLD | 74009856 |
| 11 | 126023-02-703 | EA REGULATOR - PRESSURE | 74004235 |
| 11 | 112881-03-701 | EA REGULATOR KIT W/FITTINGS | 12001285 |
| 13 | 102020-01-724 | EA BUMPER-MAIN TOP | 8003P008-60 |
| 14 | 151279-02-703 | EA THERMOSTAT | 74009855 |
| 15 | 128728-01-705 | EA TOP - MAIN - BLACK | 74003928 |
| 15 | 135065-03-715 | EA TOP - MAIN - STAINLESS STEEL | 74007299 |
| 16 | 151279-02-704 | EA ELBOW BLOCK ASM (VALVE-OVEN) | 74009864 |
| 17 | 135065-01-703 | EA VALVE/BURNER - REAR | 74004643 |
| 17 | 135065-01-704 | EA VALVE/BURNER-FRT-HI | 74004644 |
| 18 | 135656-01-701 | EA MIXER/AIR | 3411F003-34 |
| 19 | 135065-01-701 | EA IGNITOR/PORCELAIN-TOP BURNER | 74004053 |
| 20 | 128728-01-716 | EA IGNITOR - F/BURNERS | 74003946 |
| 20 | 128728-01-717 | EA WIRES - IGNITOR | 74003947 |
| 21 | 128728-01-707 | EA KNOB - IGNITOR | 74003944 |
| 22 | 135065-03-700 | EA FITTING - HALF UNION | 74004234 |

CONTACT WINNEBAGO PART SALES FOR UNLISTED COMPONENT(S)

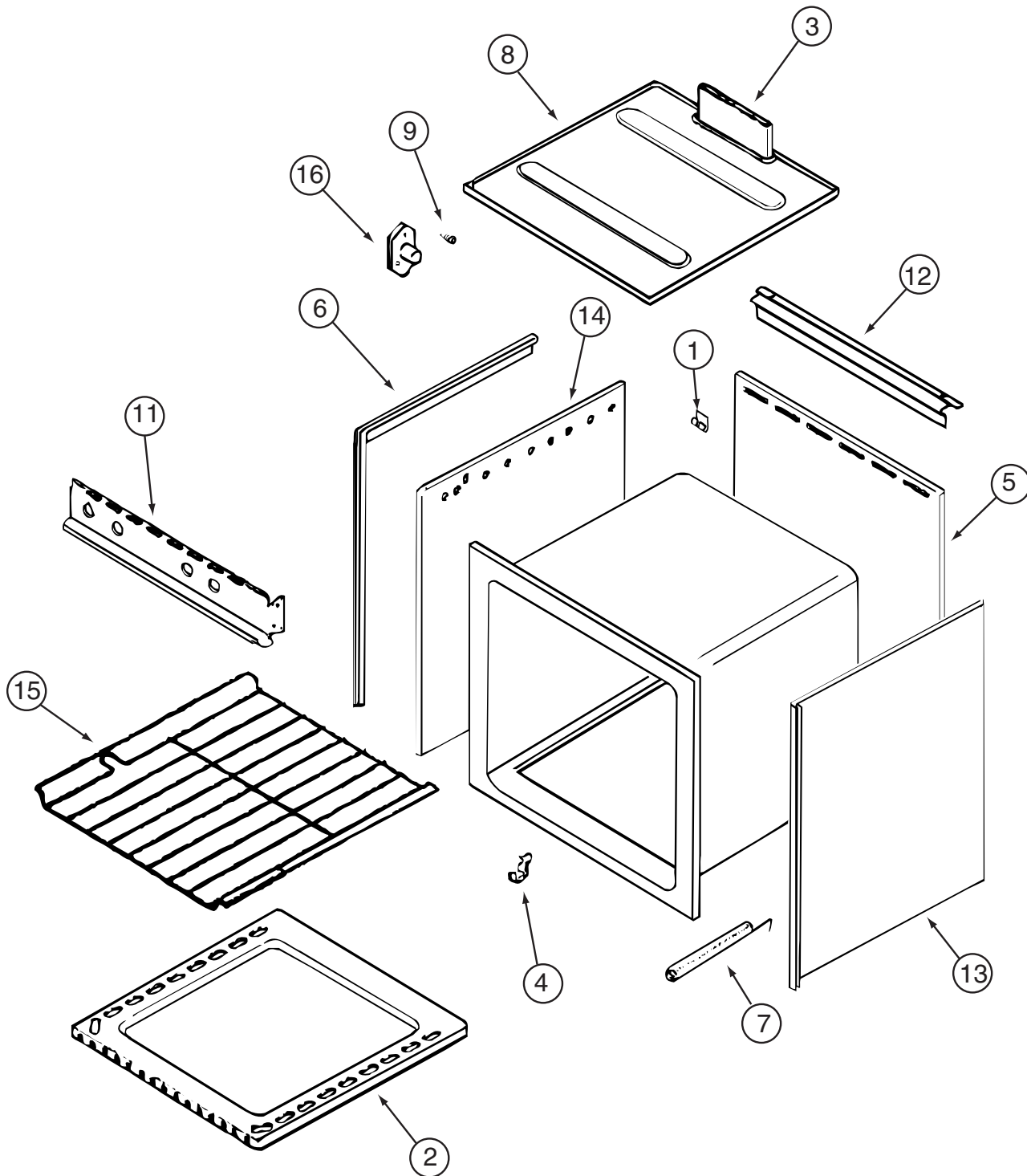


150778-01-01A, 151277-03-01A, 151279-02-01A, 151279-03-01A (CONTINUED)

| KEY | PART NUMBER | U/M DESCRIPTION | VENDOR NO. |
|-----|---------------|----------------------------|-------------|
| 1 | 126023-01-712 | EA PANEL - DOOR (BLACK) | 74001190 |
| 2 | 128727-01-701 | EA HANDLE - OVEN DOOR | 74003929 |
| 5 | 151277-01-704 | EA HINGE KIT-OVEN DR/LT | 12400028 |
| 5 | 151277-01-705 | EA HINGE KIT-OVEN DR/RT | 12400029 |
| 8 | 126023-01-732 | EA SEAL/OVEN DR TOP | 7212P014-60 |
| 9 | 135066-03-714 | EA SEAL - OVEN DOOR SIDES | 7212P039-60 |
| 13 | 102020-01-725 | EA GLASS OUTER | 7902P266-60 |
| 14 | 126023-01-738 | EA CLIP - GLASS OVEN/BLACK | 7112P093-60 |

CONTACT WINNEBAGO PART SALES FOR UNLISTED COMPONENT(S)

CABINET & APPLIANCE GROUP (CONTINUED)
COMPONENT PARTS FOR CABINET & APPLIANCE LAYOUT (CONTINUED)

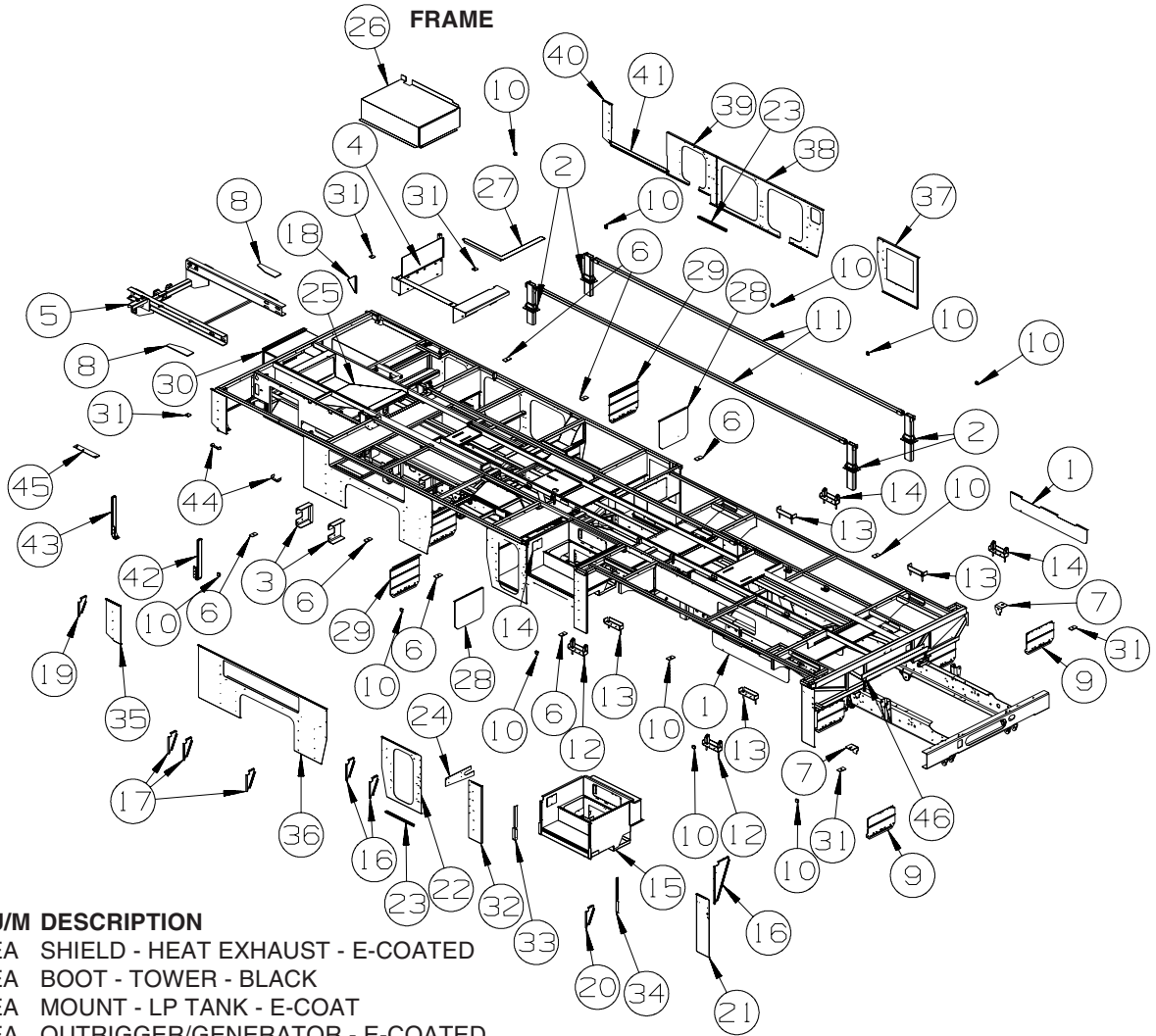


135066-03-01A/04A, 150778-01-01A, 151277-03-01A, 151279-02-01A/02A, 151279-03-01A (CONTINUED)

| KEY | PART NUMBER | U/M | DESCRIPTION | VENDOR NO. |
|-----|---------------|-----|------------------------------|-------------|
| 1 | 112881-03-702 | EA | CLIP - MAIN TOP | 74003998 |
| 2 | 126023-01-731 | EA | BOTTOM - OVEN | 2205F016-19 |
| 3 | 126023-01-718 | EA | FLUE BOX ASSEMBLY | 4006W075-80 |
| 6 | 126023-01-713 | EA | TRIM - SIDE (RIGHT) | 74002827 |
| 6 | 126023-01-714 | EA | TRIM - SIDE (LEFT) | 74002828 |
| 7 | 135066-03-708 | EA | SPRING - OVEN DOOR | 7803P053-60 |
| 9 | 128728-01-703 | EA | PIN/T-NUT F/HINGE | 7103P109-60 |
| 11 | 135066-03-701 | EA | PANEL - MANIFOLD - BLACK | 74007306 |
| 12 | 112881-01-721 | EA | DEFLECTOR/FLUE-BLK-SEALED BR | 74002829 |
| 15 | 126023-01-716 | EA | RACK - OVEN | 74003106 |

CONTACT WINNEBAGO PART SALES FOR UNLISTED COMPONENT(S)

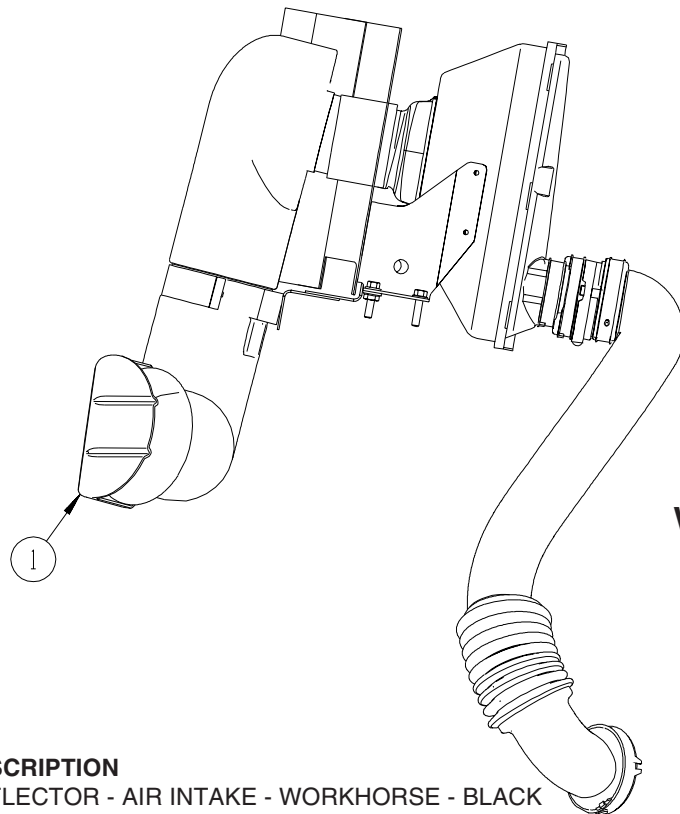
CHASSIS GROUP



| KEY | PART NUMBER | U/M | DESCRIPTION |
|-----|---------------|-----|-----------------------------------------------------------------------|
| 1 | 149346-01-02B | EA | SHIELD - HEAT EXHAUST - E-COATED |
| 2 | 139724-01-01A | EA | BOOT - TOWER - BLACK |
| 3 | 120867-01-02B | EA | MOUNT - LP TANK - E-COAT |
| 4 | 138113-10-02B | EA | OUTRIGGER/GENERATOR - E-COATED |
| 5 | 154052-08-01A | EA | CLIP/REAR EXTENSION RAIL - W/HITCH/TIRE CARRIER |
| 6 | 135712-01-02B | EA | PLATE - BODY MOUNT - E-COATED (8USED) |
| 7 | 117154-04-02B | EA | MOUNT - FRAME RAIL/FLOOR - NOT ILLUSTRATED |
| 7 | 158461-01-02B | EA | MOUNT - BODY - LOWER - RH - E-COATED FROM: 00-00-00 THRU: 04-23-06 |
| 7 | 158461-02-02B | EA | MOUNT - BODY - LOWER - LH - E-COATED FROM: 04-24-06 THRU: 99-99-99 |
| 8 | 133095-01-02B | EA | PLATE - CLIP - E-COATED |
| 9 | 136388-07-02B | EA | GUARD/ROCK - STEEL - 18" X 11" - E-COATED |
| 10 | 119845-01-01A | EA | PLUG/PLASTIC - 1 1/2" SQUARE - BLACK |
| 11 | 154049-03-02B | EA | TUBE - TENSION - SPLICE - E-COATED |
| 12 | 152558-02-02B | EA | BRACKET/MOUNT - F/SLIDEOUT - E-COATED |
| 13 | 152558-01-02B | EA | BRACKET/MOUNT - F/SLIDEOUT - E-COATED |
| 14 | 152558-06-02B | EA | BRACKET/MOUNT - F/SLIDEOUT - E-COATED |
| 15 | 152362-01-02B | EA | BOX/ENTRANCE STEP - E-COATED FROM: 00-00-00 THRU: 11-10-06 |
| 15 | 161763-01-02B | EA | BOX/ENTRANCE STEP - E-COATED FROM: 11-11-06 THRU: 99-99-99 |
| 16 | 123440-17-02B | EA | SUPPORT - PANEL - 17.8"/14.5" X 4.7" - E-COATED |
| 17 | 123440-16-02B | EA | SUPPORT - PANEL - 13.8"/10.6" X 4.7" - E-COATED |
| 18 | 123440-07-02B | EA | SUPPORT - PANEL - 8.7" X 4.7" - E-COATED |
| 19 | 123440-06-02B | EA | SUPPORT - PANEL - 8.7"/5.5" X 4.7" - E-COATED |
| 20 | 123440-13-02B | EA | SUPPORT - PANEL - 20.9"/19.5" X 8.8" - SLIDEOUT - E-COATED |
| 21 | 152068-08-02B | EA | PLATE/SEAL - E-COATED |
| 22 | 152068-10-02B | EA | PLATE/SEAL - E-COATED |
| 23 | 126516-01-01A | FT | TRIM - VINYL/EXTRUDED - 8' |
| 24 | 134611-01-02B | EA | SUPPORT - STEP BOX - E-COATED |
| 25 | 144746-09-02B | EA | COMPARTMENT - FURNACE - E-COATED |

CHASSIS GROUP (CONTINUED)
FRAME (CONTINUED)

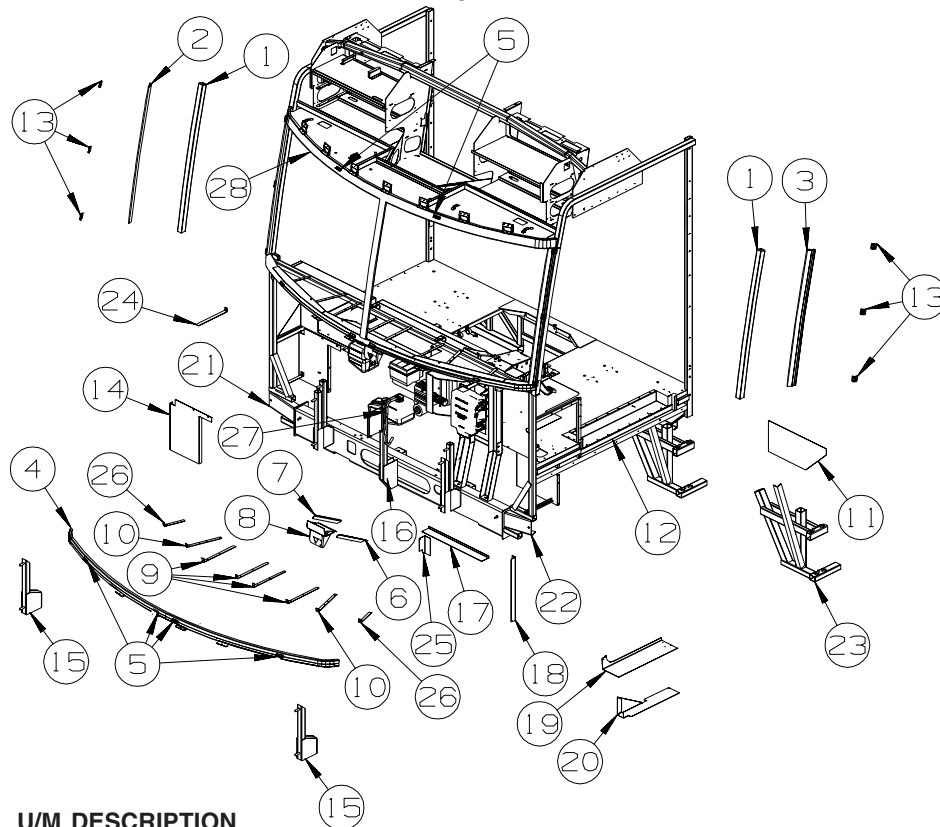
| KEY | PART NUMBER | U/M | DESCRIPTION |
|-----|---------------|-----|------------------------------------------------------------------------------------|
| 26 | 140930-04-02B | EA | COMPARTMENT - GENERATOR - E-COATED |
| 27 | 152274-02-02B | EA | SUPPORT/COMPARTMENT - POWER CORD - E-COATED |
| 28 | 134191-01-02B | EA | GUARD/ROCK - STEEL - W/BEND - 18"W X 14.9"H - E-COATED |
| 29 | 136391-04-02B | EA | GUARD/ROCK - STEEL - W/ANGLE - 18"W X 16.7"H - E-COATED |
| 30 | 144475-06-02B | EA | BOX - FURNACE - E-COATED |
| 31 | 135712-02-02B | EA | PLATE - BODY MOUNT - E-COATED (9 USED) |
| 32 | 136814-01-02B | EA | ANGLE/FILLER - STEP/RH HAND - E-COATED |
| 33 | 136814-02-02B | EA | ANGLE/FILLER - STEP/LH HAND - E-COATED |
| 34 | 152068-09-02B | EA | PLATE/SEAL - E-COATED |
| 35 | 156780-01-02B | EA | PANEL/SEAL PLANE - E-COATED |
| 36 | 156780-03-02B | EA | PANEL/SEAL PLANE - E-COATED |
| 37 | 152068-12-02B | EA | PLATE/SEAL - E-COATED |
| 38 | 156780-05-02B | EA | PANEL/SEAL PLANE - E-COATED |
| 39 | 152068-14-02B | EA | PLATE/SEAL - E-COATED |
| 40 | 152068-07-02B | EA | PLATE/SEAL - E-COATED |
| 41 | 133612-05-02B | EA | ZEE/SEAL PLANE - BOTTOM - E-COATED |
| 42 | 156548-01-02B | EA | SUPPORT - A/C - E-COATED |
| | | | FROM: 00-00-00 THRU: 06-15-06 |
| 42 | 133833-01-02B | EA | HANGER - A/C - E-COATED |
| | | | FROM: 06-16-06 THRU: 99-99-99 |
| 43 | 156548-02-02B | EA | SUPPORT A/C - E-COATED |
| | | | FROM: 00-00-00 THRU: 06-15-06 |
| 43 | 133833-02-02B | EA | HANGER - A/C - E-COATED |
| | | | FROM: 06-16-06 THRU: 99-99-99 |
| 44 | 156785-05-02B | EA | BRACKET - A/C SUPPORT - E-COATED |
| 45 | 136538-01-02B | EA | SHIM - HITCH - E-COATED |
| 46 | 113452-01-000 | FT | SEAL/TRIM - FRONT - VINYL W/WIRE CARRIER - .020" |
| | 113452-02-000 | FT | SEAL/TRIM - FRONT - VINYL W/WIRE CARRIER - .027" - WHERE HOSES & WIRES CROSS METAL |



| KEY | PART NUMBER | U/M | DESCRIPTION |
|-----|---------------|-----|--------------------------------------------|
| 1 | 154181-01-10A | EA | DEFLECTOR - AIR INTAKE - WORKHORSE - BLACK |

CHASSIS GROUP (CONTINUED)

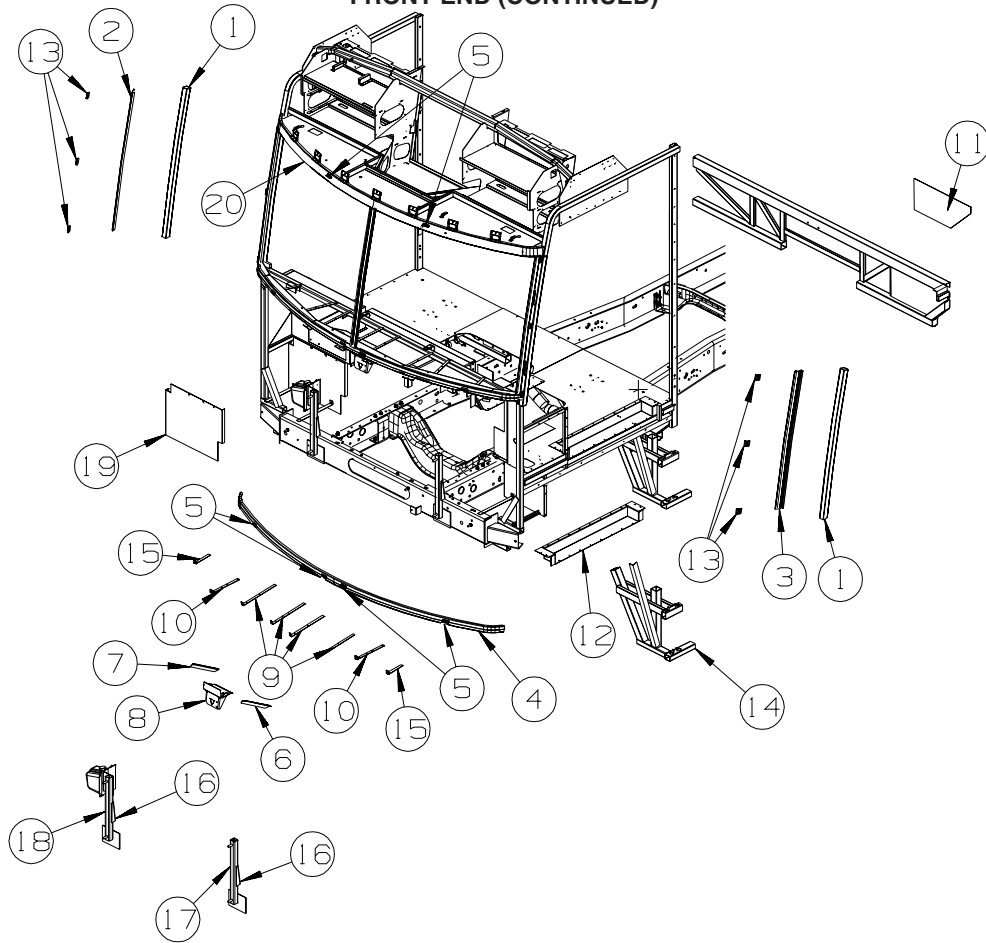
FRONT END



WORKHORSE

| KEY | PART NUMBER | U/M | DESCRIPTION |
|-----|---------------|-----|----------------------------------------|
| 1 | 117273-01-01A | EA | TUBE - SUPPORT - A-PILLAR |
| 2 | 121269-05-01B | EA | FRAME - WINDSHIELD - A-PILLAR - MILL |
| 3 | 121269-06-01B | EA | FRAME - WINDSHIELD - A-PILLAR - MILL |
| 4 | 124974-01-01B | EA | SUPPORT-WINDSHIELD,LOWER,MLL |
| 5 | 126289-65-01B | EA | ANGLE - FORMED |
| 6 | 134371-01-01B | EA | ANGLE/MOUNT - WIPER MOTOR |
| 7 | 134371-02-01B | EA | ANGLE/MOUNT - WIPER MOTOR |
| 8 | 134506-02-01B | EA | BRACKET - WIPER MOTOR |
| 9 | 137047-04-01B | EA | STRAP - DEFROSTER PLENUM |
| 10 | 137047-05-01B | EA | STRAP - DEFROSTER PLENUM |
| 11 | 137496-01-01B | EA | PANEL - SPLASH GUARD |
| 12 | 146492-02-01B | EA | PANEL - STEPWELL |
| 13 | 148935-01-01B | EA | BRACKET-WINDSHIELD ,MILL |
| 14 | 121962-02-02B | EA | SHIELD/SPLASH - HEADLIGHT - E-COATED |
| 15 | 134807-13-02B | EA | SUPPORT - FRONT - E-COATED |
| 16 | 134807-14-02B | EA | SUPPORT - FRONT/RESERVOIR - E-COATED |
| 17 | 137037-01-02B | EA | ANGLE/FILLER - E-COATED |
| 18 | 137037-02-02B | EA | ANGLE/FILLER - E-COATED |
| 19 | 137041-01-02B | EA | ANGLE/FILLER - MOTOR COVER - E-COATED |
| 20 | 137045-01-02B | EA | PANEL-FILLER,BULKHEAD ,E-CT |
| 21 | 137048-02-02B | EA | CHANNEL/SUPPORT - FRONT END - E-COATED |
| 22 | 137048-01-02B | EA | CHANNEL/SUPPORT - FRONT END - E-COATED |
| 23 | 138340-03-02B | EA | SUPPORT/STEP - DRIVER - E-COATED |
| 24 | 139119-01-02B | EA | STRAP-BENT, W/HOLE - E-COATED |
| 25 | 139131-01-02B | EA | ANGLE-W/NOTCH,E-CT |
| 26 | 137047-06-01B | EA | STRAP - DEFROSTER PLENUM |
| 27 | 044317-01-000 | FT | HOSE - FUEL - 3/8" ID |
| 28 | 124975-01-01B | EA | SUPPORT - WINDSHIELD, UPPER, MILL |

CHASSIS GROUP (CONTINUED) FRONT END (CONTINUED)



FORD

| KEY | PART NUMBER | U/M | DESCRIPTION |
|-----|---------------|-----|-------------------------------------------|
| 1 | 117273-01-01A | EA | TUBE - SUPPORT - A-PILLAR |
| 2 | 121269-05-01B | EA | FRAME - WINDSHIELD - A-PILLAR - MILL |
| 3 | 121269-06-01B | EA | FRAME - WINDSHIELD - A-PILLAR - MILL |
| 4 | 124974-01-01B | EA | SUPPORT-WINDSHIELD,LOWER,MLL |
| 5 | 126289-65-01B | EA | ANGLE - FORMED |
| 6 | 134371-01-01B | EA | ANGLE/MOUNT - WIPER MOTOR |
| 7 | 134371-02-01B | EA | ANGLE/MOUNT - WIPER MOTOR |
| 8 | 134506-02-01B | EA | BRACKET - WIPER MOTOR |
| 9 | 137047-04-01B | EA | STRAP - DEFROSTER PLENUM |
| 10 | 137047-05-01B | EA | STRAP - DEFROSTER PLENUM |
| 11 | 137496-01-01B | EA | PANEL - SPLASH GUARD |
| 12 | 146492-02-01B | EA | PANEL - STEPWELL |
| 13 | 148935-01-01B | EA | BRACKET-WINDSHIELD ,MILL |
| 14 | 138340-03-02B | EA | SUPPORT/STEP - DRIVER - E-COATED |
| 15 | 137047-06-01B | EA | STRAP - DEFROSTER PLENUM |
| 16 | 117622-01-02B | EA | BRACE - TUBE/BUMPER - VERTICAL - E-COATED |
| 17 | 152916-04-02B | EA | SUPPORT - FRONT - E-COATED |
| 18 | 152916-03-02B | EA | SUPPORT - FRONT - E-COATED |
| 19 | 144679-02-02B | EA | SHIELD/SPLASH - HEADLIGHT - E-COATED |
| 20 | 124975-01-01B | EA | SUPPORT - WINDSHIELD, UPPER, MILL |

CHASSIS GROUP (CONTINUED)

DRIVETRAIN

22,000 GVWR WORKHORSE (G37B)

| KEY | PART NUMBER | U/M | DESCRIPTION |
|-----|---------------|-----|-----------------------------------------------------------|
| | 128528-03-000 | EA | BOLT - U-JOINT - 3/8-24 X 3/4 |
| | 128528-04-000 | EA | STRAP - BEARING - 1480 JOINT |
| | 138616-09-02B | EA | BRACKET/BEARING MOUNT - FRONT/248" WHEEL BASE - E-COATED |
| | 138616-10-02B | EA | BRACKET/BEARING MOUNT - MID-RR/248" WHEEL BASE - E-COATED |
| | 140691-04-000 | EA | DRIVESHAFT - BALANCED - 4 SECTION - WH W22 - 248" WB |

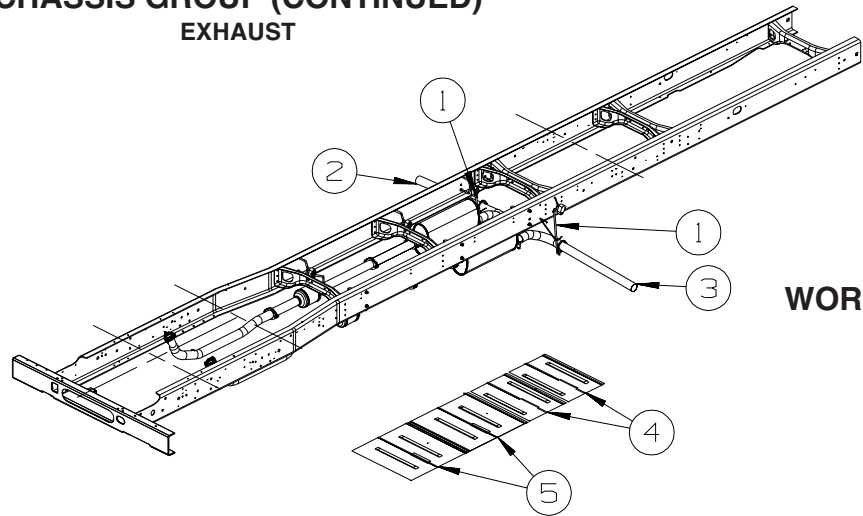
24,000 GVWR WORKHORSE 248 WHEELBASE (G37B, G38J)

| KEY | PART NUMBER | U/M | DESCRIPTION |
|-----|---------------|-----|----------------------------------------------------------|
| | 128528-03-000 | EA | BOLT - U-JOINT - 3/8-24 X 3/4 |
| | 128528-04-000 | EA | STRAP - BEARING - 1480 JOINT |
| | 138126-05-000 | EA | DRIVESHAFT - BALANCED - 4 SECTION - WH W24 - 248" WB |
| | 138616-01-02B | EA | BRACKET/BEARING MOUNT - FRONT/248" WHEEL BASE - E-COATED |
| | 138616-02-02B | EA | BRACKET/BEARING MOUNT - MID-RR/248" WHEEL BASE -E-COATED |

24,000 GVWR WORKHORSE 266 WHEELBASE (G38T)

| KEY | PART NUMBER | U/M | DESCRIPTION |
|-----|---------------|-----|---------------------------------------------------|
| | 128528-03-000 | EA | BOLT - U-JOINT - 3/8-24 X 3/4 |
| | 128528-04-000 | EA | STRAP - BEARING - 1480 JOINT |
| | 138126-06-000 | EA | DRIVESHAFT- BALANCED - 4 SECTION - WH24 - 266" WB |

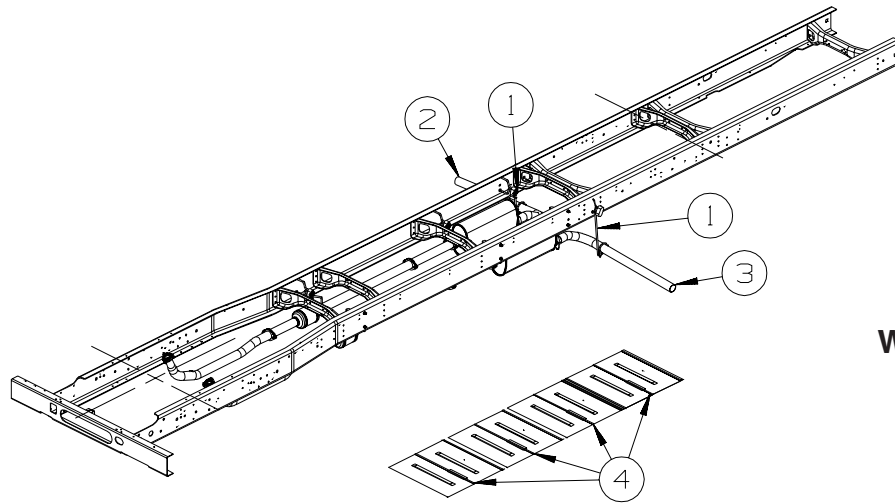
CHASSIS GROUP (CONTINUED)
EXHAUST



WORKHORSE

| KEY | PART NUMBER | U/M | DESCRIPTION |
|-----|---------------|-----|----------------------------------|
| 1 | 122392-09-02B | EA | HANGER - TAILPIPE - E-COATED |
| | 094918-06-000 | EA | CLAMP - EXHAUST - 3" -HEAVY DUTY |
| 2 | 122529-04-000 | EA | PIPE - EXHAUST - RH |
| 3 | 122529-05-000 | EA | PIPE - EXHAUST, LH |
| 4 | 143712-01-02B | EA | SHIELD/HEAT - EXHAUST - E-COATED |
| 5 | 143712-02-02B | EA | SHIELD - HEAT/EXHAUST - E-COATED |

G33V
 208 INCH WHEELBASE

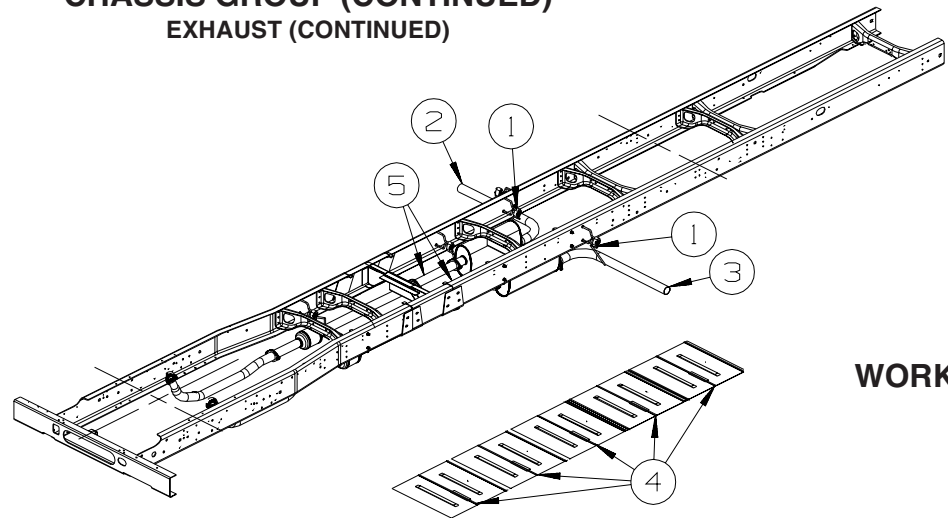


WORKHORSE

| KEY | PART NUMBER | U/M | DESCRIPTION |
|-----|---------------|-----|----------------------------------|
| 1 | 122392-09-02B | EA | HANGER - TAILPIPE - E-COATED |
| | 094918-06-000 | EA | CLAMP - EXHAUST - 3" -HEAVY DUTY |
| 2 | 122529-04-000 | EA | PIPE - EXHAUST - RH |
| 3 | 122529-05-000 | EA | PIPE - EXHAUST, LH |
| 4 | 143712-02-02B | EA | SHIELD - HEAT/EXHAUST - E-COATED |

G35A, G35L
 228 INCH WHEELBASE

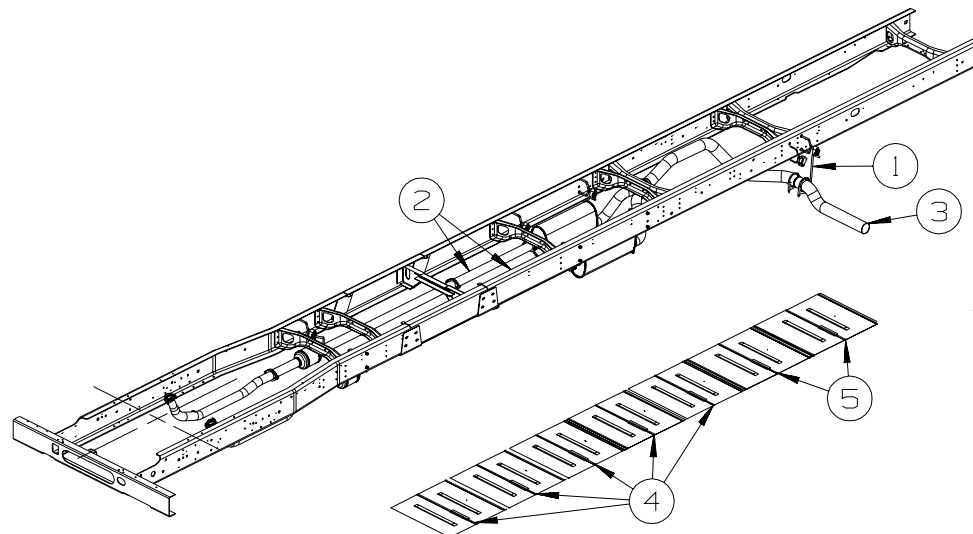
CHASSIS GROUP (CONTINUED)
EXHAUST (CONTINUED)



WORKHORSE

G37B, G38J

| KEY | PART NUMBER | U/M DESCRIPTION | 228 TO 248 STRETCH |
|-----|---------------|--------------------------------------|--------------------|
| 1 | 122392-09-02B | EA HANGER - TAILPIPE - E-COATED | |
| | 094918-06-000 | EA CLAMP - EXHAUST - 3" - HEAVY DUTY | |
| 2 | 122529-04-000 | EA PIPE - EXHAUST - RH | |
| 3 | 122529-05-000 | EA PIPE - EXHAUST, LH | |
| 4 | 143712-02-02B | EA SHIELD - HEAT/EXHAUST - E-COATED | |
| 5 | 137652-06-000 | EA PIPE - EXHAUST - W/FLANGES | |

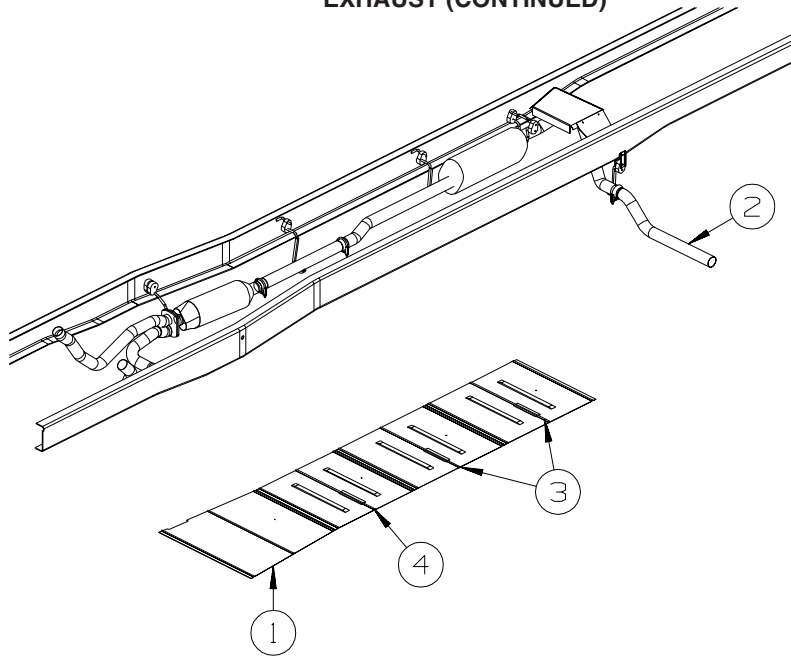


WORKHORSE

G38T
228 TO 266 STRETCH

| KEY | PART NUMBER | U/M DESCRIPTION | |
|-----|---------------|-------------------------------------------------|--|
| 1 | 122392-15-02B | EA HANGER - TAILPIPE - E-COATED | |
| | 094918-05-000 | EA CLAMP - EXHAUST - 4 7/16" - GUILLOTINE STYLE | |
| 2 | 137652-07-000 | EA PIPE - EXHAUST W/FLANGES | |
| 3 | 154358-01-000 | EA PIPE - EXHAUST - 4" DIAMETER - WORKHORSE | |
| 4 | 143712-02-02B | EA SHIELD - HEAT/EXHAUST - E-COATED | |
| 5 | 143712-05-02B | EA SHIELD - HEAT/EXHAUST - E-COATED | |

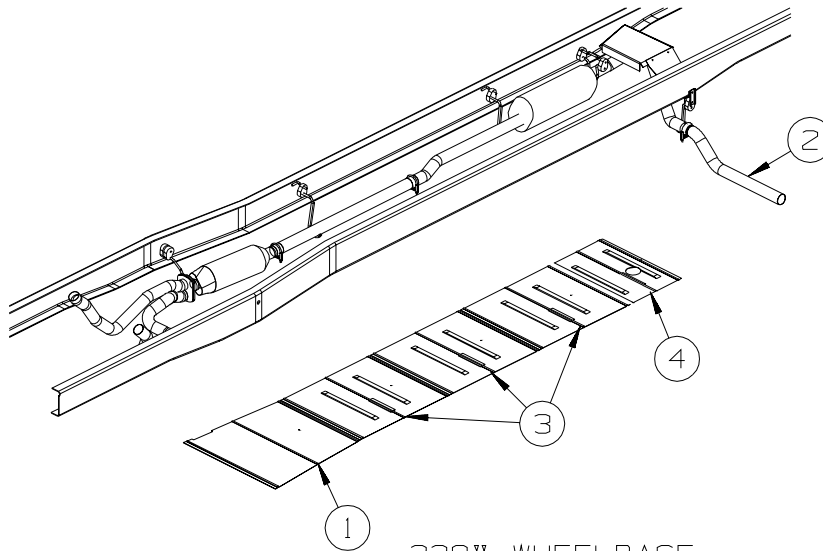
CHASSIS GROUP (CONTINUED)
EXHAUST (CONTINUED)



**FORD
G33V**

208" WHEELBASE

| KEY | PART NUMBER | U/M | DESCRIPTION |
|-----|---------------|-----|--------------------------------------------------|
| 1 | 128756-01-02B | EA | SHIELD - HEAT/EXHAUST - 33.9" X 16.9" - E-COATED |
| 2 | 129726-04-000 | EA | PIPE - EXHAUST |
| 3 | 143712-05-02B | EA | SHIELD/HEAT - EXHAUST - E-COATED |
| 4 | 143712-07-02B | EA | SHIELD/HEAT - EXHAUST - E-COATED |

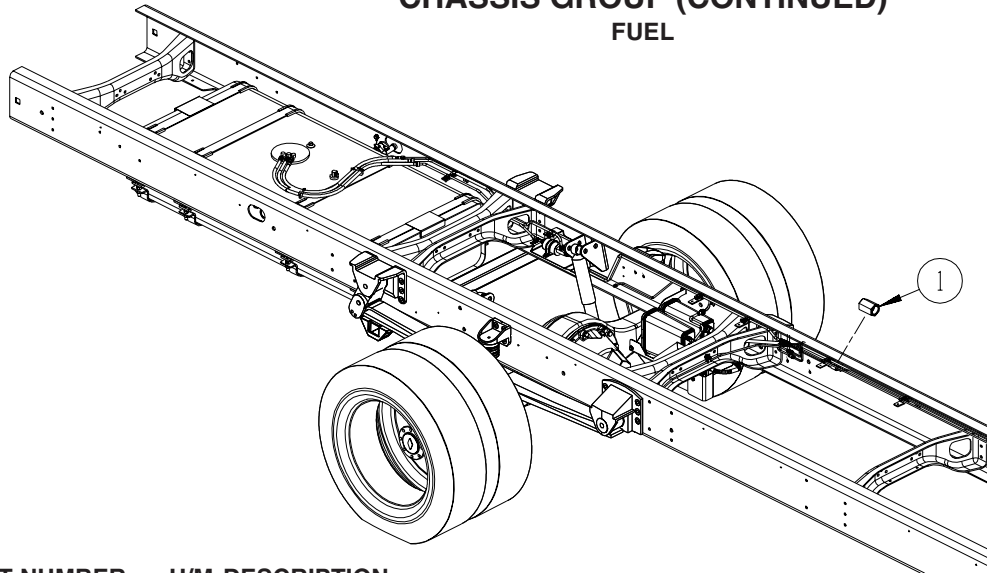


**FORD
G35A, G35L**

228" WHEELBASE

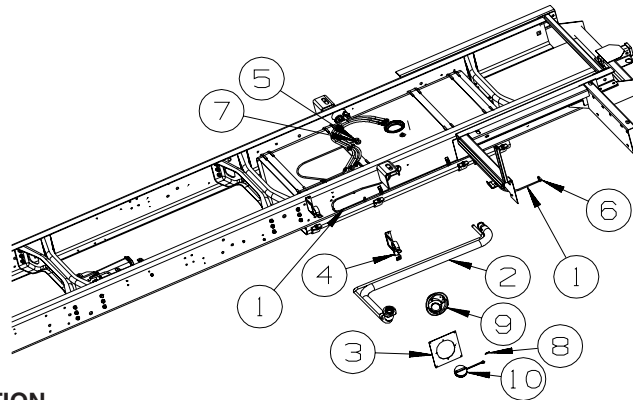
| KEY | PART NUMBER | U/M | DESCRIPTION |
|-----|---------------|-----|--------------------------------------------------|
| 1 | 128756-01-02B | EA | SHIELD - HEAT/EXHAUST - 33.9" X 16.9" - E-COATED |
| 2 | 129726-04-000 | EA | PIPE - EXHAUST |
| 3 | 143712-05-02B | EA | SHIELD/HEAT - EXHAUST - E-COATED |
| 4 | 143712-07-02B | EA | SHIELD/HEAT - EXHAUST - E-COATED |

CHASSIS GROUP (CONTINUED) FUEL



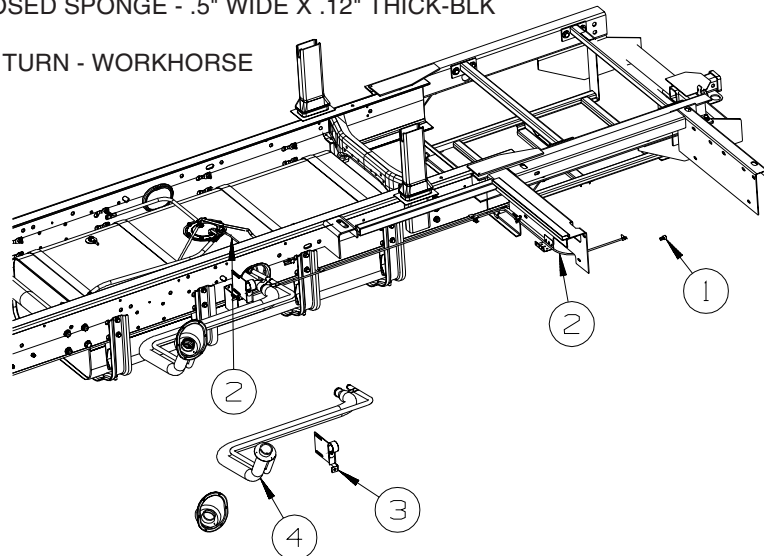
WORKHORSE

| KEY | PART NUMBER | U/M DESCRIPTION |
|-----|---------------|----------------------------------------------------------------------------------|
| 1 | 098779-02-000 | EA COUPLER - FUEL LINE - 1.2" LONG X 16MM THREAD - STRETCHED CHASSIS ONLY |



WORKHORSE

| KEY | PART NUMBER | U/M DESCRIPTION |
|-----|---------------|--------------------------------------------------------------|
| 1 | 128139-03-000 | FT HOSE - FUEL - LOW PERMEABILITY - 1/4" DIAMETER |
| 2 | 136300-02-000 | EA NECK - FUEL FILL |
| 3 | 139138-01-02B | EA PLATE - FUEL FILL - E-COATED |
| 4 | 140728-03-02B | EA BRACKET - FUEL FILL - E-COATED |
| 5 | 068382-06-000 | EA BUSHING - BRASS - 3/8" MPT X 1/8" FPT |
| 6 | 084884-01-000 | EA PLUG - BRASS - 3/8" |
| 7 | 114254-01-000 | EA ADAPTER - 1/4 BARB X 1/8 MPT |
| 8 | 099069-01-000 | EA SEAL - RUBBER - CLOSED SPONGE - .5" WIDE X .12" THICK-BLK |
| 9 | 128299-02-01A | EA SHROUD - FUEL FILL |
| 10 | 163743-01-000 | EA CAP - FUEL FILL - 1/4 TURN - WORKHORSE |

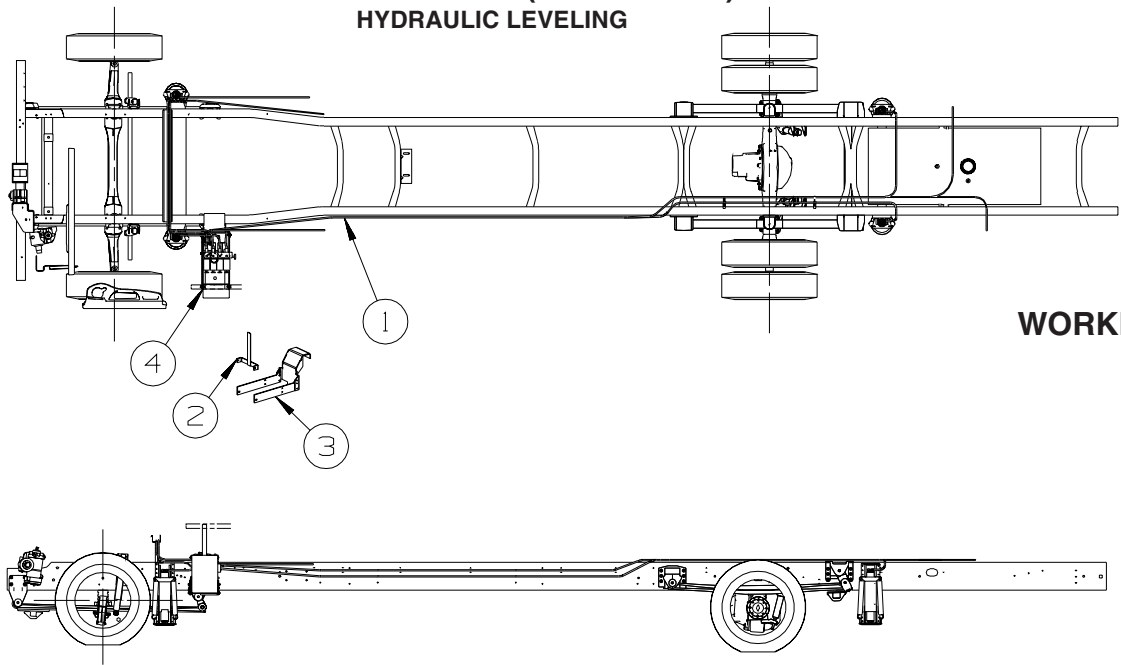


FORD

| KEY | PART NUMBER | U/M DESCRIPTION |
|-----|---------------|---------------------------------------------------|
| 1 | 084884-01-000 | EA PLUG - BRASS - 3/8" |
| 2 | 128139-03-000 | FT HOSE - FUEL - LOW PERMEABILITY - 1/4" DIAMETER |
| 3 | 140728-02-02B | EA BRACKET - FUEL FILL - E-COATED |
| 4 | 153027-01-000 | EA NECK - FUEL FILL |

CHASSIS GROUP (CONTINUED)

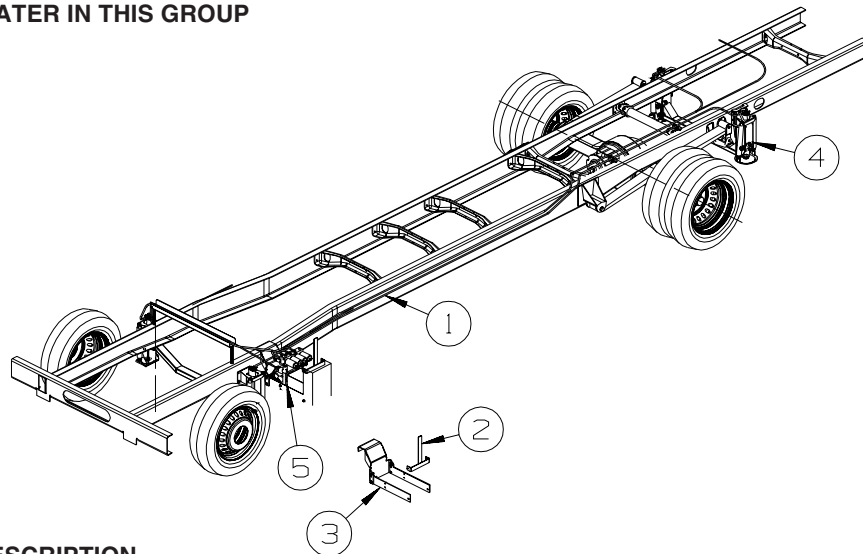
HYDRAULIC LEVELING



WORKHORSE

| KEY | PART NUMBER | U/M | DESCRIPTION |
|-----|---------------|-----|--------------------------------------------------------------------------------|
| 1* | 100536-57-000 | EA | HOSE KIT - F/LEVELING JACKS - G37B, G38J |
| 1* | 100536-60-000 | EA | HOSE KIT - F/LEVELING JACKS - G33V, G35A, G35L |
| 1 | 100536-62-000 | EA | HOSE KIT - F/LEVELING JACKS - G38T |
| | | | FROM: 00-00-00 THRU: 09-19-06 |
| 1* | 100536-57-000 | EA | HOSE KIT - F/LEVELING JACKS - G38T |
| | | | FROM: 09-20-06 THRU: 99-99-99 |
| 2 | 149900-01-02B | EA | BRACKET - PUMP/LEVELING SYSTEM - E-COATED |
| 3 | 150001-01-02B | EA | BRACKET - PUMP/LEVELING SYSTEM - E-COATED |
| 4* | 153452-18-000 | EA | LEVELING SYSTEM - 625 SYSTEM W/2 SLIDEOUTS - WORKHORSE - DOUBLE SLIDEOUT ROOMS |
| 4* | 153452-19-000 | EA | LEVELING SYSTEM - 625 SYSTEM W/3 SLIDEOUTS - WORKHORSE - TRIPLE SLIDEOUT ROOMS |

***COMPONENT PARTS LISTED LATER IN THIS GROUP**



FORD

| KEY | PART NUMBER | U/M | DESCRIPTION |
|-----|---------------|-----|---------------------------------------------------------------------------|
| 1* | 100536-60-000 | EA | HOSE KIT - F/LEVELING JACKS |
| 2 | 149900-01-02B | EA | BRACKET - PUMP/LEVELING SYSTEM - E-COATED |
| 3 | 150001-01-02B | EA | BRACKET - PUMP/LEVELING SYSTEM - E-COATED |
| 4 | 128571-08-000 | EA | JACK/CROSSMEMBER ASSEMBLY - REAR - 625 - FORD |
| 5* | 153452-20-000 | EA | LEVELING SYSTEM - 625 SYSTEM W/2 SLIDEOUTS - FORD - DOUBLE SLIDEOUT ROOMS |
| 5* | 153452-21-000 | EA | LEVELING SYSTEM - 625 SYSTEM W/3 SLIDEOUTS - FORD - TRIPLE SLIDEOUT ROOMS |

***COMPONENT PARTS LISTED LATER IN THIS GROUP**

CHASSIS GROUP (CONTINUED)
COMPONENT PARTS FOR HYDRAULIC LEVELING

100536-57-000

| KEY | PART NUMBER | U/M | DESCRIPTION | VENDOR NO. |
|-----|---------------|-----|------------------------------|-----------------|
| | 100536-09-700 | EA | HOSE-HYDRAULIC-324" | RAP91489/AP2464 |
| | 100536-26-700 | EA | HOSE - HYDRAULIC-1/4" X 100" | RAP90077/AP7832 |
| | 115767-01-705 | EA | HOSE-HYDRAULIC - 1/4" X 60" | RAP4073/AP4073 |
| | 135250-02-700 | EA | HOSE-HYDRAULIC - 1/4" X 300" | RAP90806/AP4064 |

100536-60-000

| KEY | PART NUMBER | U/M | DESCRIPTION | VENDOR NO. |
|-----|---------------|-----|------------------------------|-----------------|
| | 100536-09-701 | EA | HOSE-HYDRAULIC-1/4" X 60" | RAP4073/AP4073 |
| | 100536-25-700 | EA | HOSE-HYDRAULIC-1/4" X 306" | RAP91487/AP4904 |
| | 100536-26-700 | EA | HOSE - HYDRAULIC-1/4" X 100" | RAP90077/AP7832 |
| | 100536-29-700 | EA | HOSE-HYDRAULIC-1/4" X 280" | RAP91485/AP4729 |

153452-18-000

| KEY | PART NUMBER | U/M | DESCRIPTION | VENDOR NO. |
|-----|---------------|-----|------------------------------|------------------|
| | 100532-03-716 | EA | SOLENOID-CONTINUOUS DUTY | RAP7505 |
| | 100532-03-717 | EA | VALVE-PRESS., RETURN SHUTTLE | RAP7964 |
| | 100532-03-726 | EA | SWITCH - PRESSURE | RAP8003 |
| | 100532-09-705 | EA | SWITCH-PRESS - 3000 LB. | RAP0993 |
| | 100532-09-710 | EA | SOLENOID-INTERMITENT DUTY | RAP0533 |
| | 100532-12-707 | EA | PRING KIT (PAIR) | R3847 |
| | 100532-32-704 | EA | CHIME - JACK WARNING | RAP90681/AP19765 |
| | 100532-53-700 | EA | CYLINDER W/O FOOT - 9K | RAP90491/AP15891 |
| | 131306-02-701 | EA | FOOT/JACK - 9K & 12K | RAP8464/AP17525 |
| | 131306-11-704 | EA | PRESSURE SWITCH - 50 PSI | RAP2082 |
| | 131306-12-702 | EA | VALVE-PRESS SOLENOID (SMALL) | RAP90729/AP24604 |
| | 144226-01-700 | EA | SWITCH - WARNING/MAGNETIC | RAP90968/AP26641 |
| | 144226-08-702 | EA | SENSOR/BI-AXIS - PROGRAMABLE | RAP91172/AP28010 |
| | 153452-18-700 | EA | CYLINDER W/O FOOT - 6K | RAP91661 |
| | 153452-18-701 | EA | FOOT - 6K JACK | RAP8126 |
| | 153452-18-702 | EA | BRACKET - 9K JACK MOUNT | RAP90844 |
| | 153452-18-703 | EA | ENCLOSURE BOX W/SENSING UNIT | RAP91763/AP36467 |
| | 153452-18-704 | EA | PUMP/MOTOR/TANK ASM. | RAP91281/AP38255 |
| | 153452-18-705 | EA | MOTOR ONLY - 3.7" MONARCH | RAP91249 |
| | 157770-01-703 | EA | TOUCH PAD - 625 FORD C BODY | RAP91864/AP36468 |

153452-19-000

| KEY | PART NUMBER | U/M | DESCRIPTION | VENDOR NO. |
|-----|---------------|-----|------------------------------|------------------|
| | 100532-03-716 | EA | SOLENOID-CONTINUOUS DUTY | RAP7505 |
| | 100532-03-717 | EA | VALVE-PRESS., RETURN SHUTTLE | RAP7964 |
| | 100532-03-726 | EA | SWITCH - PRESSURE | RAP8003 |
| | 100532-09-705 | EA | SWITCH-PRESS - 3000 LB. | RAP0993 |
| | 100532-09-710 | EA | SOLENOID-INTERMITENT DUTY | RAP0533 |
| | 100532-12-707 | EA | PRING KIT (PAIR) | R3847 |
| | 100532-32-704 | EA | CHIME - JACK WARNING | RAP90681/AP19765 |
| | 100532-53-700 | EA | CYLINDER W/O FOOT - 9K | RAP90491/AP15891 |
| | 131306-02-701 | EA | FOOT/JACK - 9K & 12K | RAP8464/AP17525 |
| | 131306-09-701 | EA | VELOCITY VALVE - SINGLE | RAP90279/AP11578 |
| | 131306-11-704 | EA | PRESSURE SWITCH - 50 PSI | RAP2082 |
| | 131306-12-702 | EA | VALVE-PRESS SOLENOID (SMALL) | RAP90729/AP24604 |
| | 144226-01-700 | EA | SWITCH - WARNING/MAGNETIC | RAP90968/AP26641 |
| | 144226-08-702 | EA | SENSOR/BI-AXIS - PROGRAMABLE | RAP91172/AP28010 |
| | 153452-18-700 | EA | CYLINDER W/O FOOT - 6K | RAP91661 |
| | 153452-18-701 | EA | FOOT - 6K JACK | RAP8126 |
| | 153452-18-702 | EA | BRACKET - 9K JACK MOUNT | RAP90844 |
| | 153452-18-704 | EA | PUMP/MOTOR/TANK ASM. | RAP91281/AP38255 |
| | 153452-18-705 | EA | MOTOR ONLY - 3.7" MONARCH | RAP91249 |
| | 153452-19-700 | EA | ENCLOSURE BOX W/SENSING UNIT | RAP91765/AP36765 |
| | 157770-01-703 | EA | TOUCH PAD - 625 FORD C BODY | RAP91864/AP36468 |

CHASSIS GROUP (CONTINUED)
COMPONENT PARTS FOR HYDRAULIC LEVELING (CONTINUED)

153452-20-000

| KEY | PART NUMBER | U/M | DESCRIPTION | VENDOR NO. |
|------------|--------------------|------------|------------------------------|-------------------|
| | 100532-03-716 | EA | SOLENOID-CONTINUOUS DUTY | RAP7505 |
| | 100532-03-717 | EA | VALVE-PRESS., RETURN SHUTTLE | RAP7964 |
| | 100532-03-726 | EA | SWITCH - PRESSURE | RAP8003 |
| | 100532-09-705 | EA | SWITCH-PRESS - 3000 LB. | RAP0993 |
| | 100532-09-710 | EA | SOLENOID-INTERMITENT DUTY | RAP0533 |
| | 100532-12-707 | EA | PRING KIT (PAIR) | R3847 |
| | 100532-32-704 | EA | CHIME - JACK WARNING | RAP90681/AP19765 |
| | 131306-02-700 | EA | FOOT - 6K JACK | RAP2004/AP13882 |
| | 131306-11-704 | EA | PRESSURE SWITCH - 50 PSI | RAP2082 |
| | 131306-12-702 | EA | VALVE-PRESS SOLENOID (SMALL) | RAP90729/AP24604 |
| | 144226-01-700 | EA | SWITCH - WARNING/MAGNETIC | RAP90968/AP26641 |
| | 144226-08-702 | EA | SENSOR/BI-AXIS - PROGRAMABLE | RAP91172/AP28010 |
| | 144226-29-700 | EA | CYLINDER - 6K (325) | RAP91184/AP31656 |
| | 144226-29-701 | EA | CYLINDER - 9K (325) | RAP91185/AP31982 |
| | 153452-18-703 | EA | ENCLOSURE BOX W/SENSING UNIT | RAP91763/AP36467 |
| | 153452-18-704 | EA | PUMP/MOTOR/TANK ASM. | RAP91281/AP38255 |
| | 153452-18-705 | EA | MOTOR ONLY - 3.7" MONARCH | RAP91249 |
| | 153452-20-700 | EA | BRACKET - 6K JACK MOUNT | RAP91709 |
| | 157770-01-703 | EA | TOUCH PAD - 625 FORD C BODY | RAP91864/AP36468 |

153452-21-000

| KEY | PART NUMBER | U/M | DESCRIPTION | VENDOR NO. |
|------------|--------------------|------------|------------------------------|-------------------|
| | 100532-03-716 | EA | SOLENOID-CONTINUOUS DUTY | RAP7505 |
| | 100532-03-717 | EA | VALVE-PRESS., RETURN SHUTTLE | RAP7964 |
| | 100532-03-726 | EA | SWITCH - PRESSURE | RAP8003 |
| | 100532-09-705 | EA | SWITCH-PRESS - 3000 LB. | RAP0993 |
| | 100532-09-710 | EA | SOLENOID-INTERMITENT DUTY | RAP0533 |
| | 100532-12-707 | EA | PRING KIT (PAIR) | R3847 |
| | 100532-32-704 | EA | CHIME - JACK WARNING | RAP90681/AP19765 |
| | 131306-02-700 | EA | FOOT - 6K JACK | RAP2004/AP13882 |
| | 131306-09-701 | EA | VELOCITY VALVE - SINGLE | RAP90279/AP11578 |
| | 131306-11-704 | EA | PRESSURE SWITCH - 50 PSI | RAP2082 |
| | 131306-12-702 | EA | VALVE-PRESS SOLENOID (SMALL) | RAP90729/AP24604 |
| | 144226-01-700 | EA | SWITCH - WARNING/MAGNETIC | RAP90968/AP26641 |
| | 144226-08-702 | EA | SENSOR/BI-AXIS - PROGRAMABLE | RAP91172/AP28010 |
| | 144226-29-700 | EA | CYLINDER - 6K (325) | RAP91184/AP31656 |
| | 144226-29-701 | EA | CYLINDER - 9K (325) | RAP91185/AP31982 |
| | 153452-18-704 | EA | PUMP/MOTOR/TANK ASM. | RAP91281/AP38255 |
| | 153452-19-700 | EA | ENCLOSURE BOX W/SENSING UNIT | RAP91765/AP36765 |
| | 153452-20-700 | EA | BRACKET - 6K JACK MOUNT | RAP91709 |
| | 157770-01-703 | EA | TOUCH PAD - 625 FORD C BODY | RAP91864/AP36468 |

CHASSIS GROUP (CONTINUED)

WHEEL, TIRE, COVERS &/OR LINERS

| KEY | PART NUMBER | U/M | DESCRIPTION |
|-----|---------------|-----|------------------------------------------------------------|
| * | 150723-01-000 | EA | COVER/HUB-SET-FT & RR HUBS/NUT CVRS/TOOL - FORD |
| * | 145580-02-000 | EA | LINER - WHEEL(SET OF 4) - 22.5"/10 BOLT - WORKHORSE |
| | 051377-06-000 | EA | VALVE STEM ASM-VS-12223R |
| | 077030-01-000 | EA | EXTENSION - VALVE STEM - 1.25" |
| | 077030-10-000 | EA | EXTENSION - VALVE STEM - .50" |
| | 095012-07-000 | EA | STABILIZER - VALVE EXTENSION - LIVE - 4" |
| | 095012-10-000 | EA | EXTENSION - VALVE STEM - LIVE - 8.5" |

***COMPONENT PARTS LISTED LATER IN THIS GROUP**

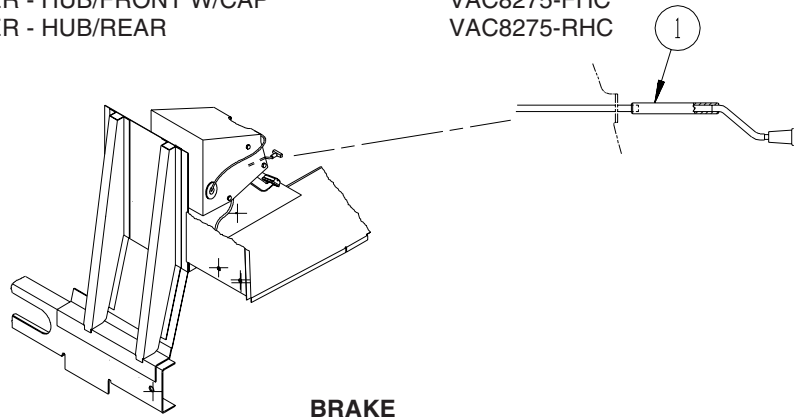
COMPONENT PARTS FOR WHEEL, TIRE, COVERS &/OR LINERS

145580-02-000

| KEY | PART NUMBER | U/M | DESCRIPTION | VENDOR NO. |
|-----|---------------|-----|-----------------------------|---------------------|
| | 110435-04-705 | EA | DECAL-CTR HUB 2 3/4" DIAMO | 2 3/4 DECAL DIAMOND |
| | 110435-05-700 | EA | CAP-CENTER, POP-OUT 4 1/2" | V22510-POC |
| | 145580-01-702 | EA | COVER-LUG NUT/JAM NUT 22M | V22501-EJN |
| | 145580-01-703 | EA | TOOL-INSTALLATION | V22501-TOL |
| | 145580-02-700 | EA | LINER - WHEEL/FRONT - 1EA=1 | V22569-FWC |
| | 145580-02-701 | EA | LINER - WHEEL/REAR - 1EA=1 | V22569-RWC |

150723-01-000

| KEY | PART NUMBER | U/M | DESCRIPTION | VENDOR NO. |
|-----|---------------|-----|-----------------------------|---------------------|
| | 110435-04-705 | EA | DECAL-CTR HUB 2 3/4" | 2 3/4 DECAL DIAMOND |
| | 110435-05-700 | EA | CAP-CENTER 4.50"D W/O DECAL | V22510-POC |
| | 145580-01-702 | EA | COVER-LUG NUT/JAM NUT 22M | V19582-EJN |
| | 145580-01-703 | EA | TOOL-INSTALLATION | V22501-TOL |
| | 150723-01-700 | EA | COVER - HUB/FRONT W/CAP | VAC8275-FHC |
| | 150723-01-701 | EA | COVER - HUB/REAR | VAC8275-RHC |



| KEY | PART NUMBER | U/M | DESCRIPTION |
|-----|---------------|-----|--------------------------|
| 1 | 113007-01-000 | EA | PIN - SPRING - .375 X 3" |

BRAKELINE

WORKHORSE ONLY

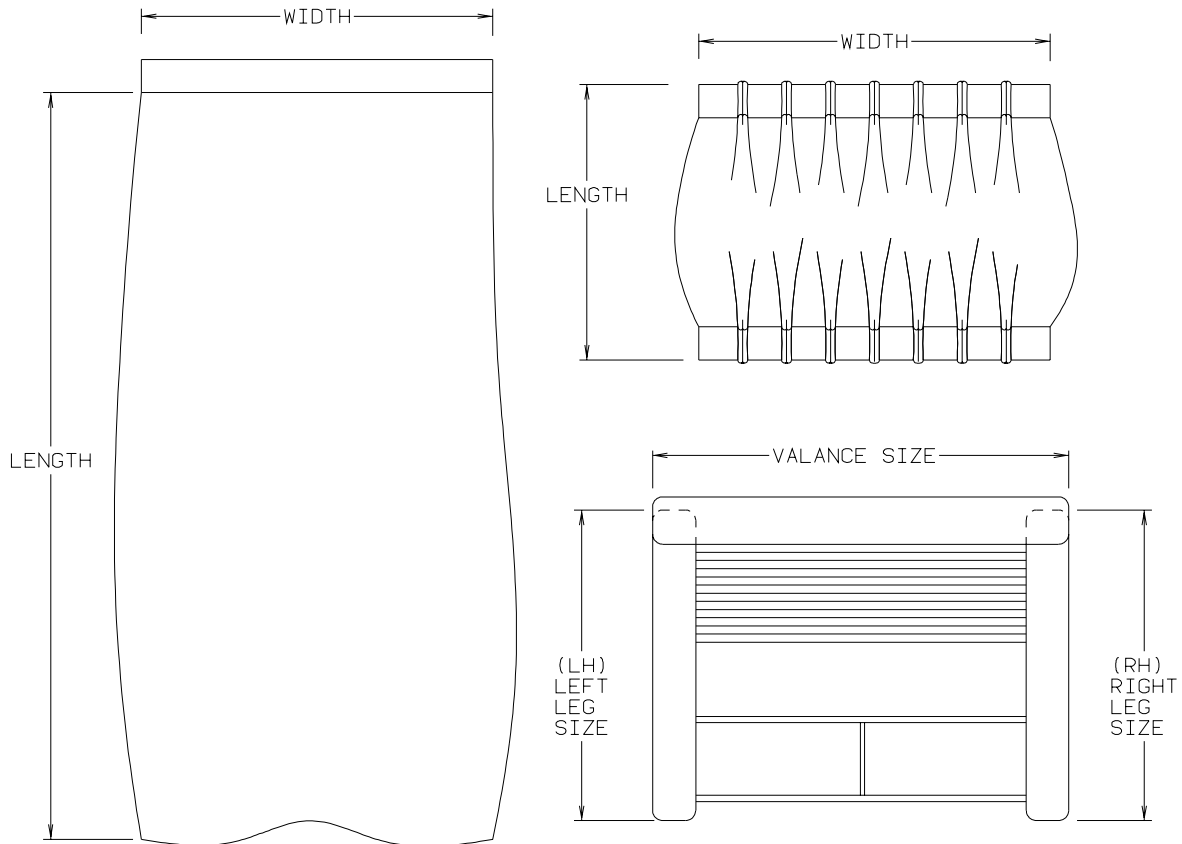
| KEY | PART NUMBER | U/M | DESCRIPTION |
|-----|---------------|-----|-------------------------------|
| | 075466-01-000 | EA | UNION - INVERTED FLAIR - 1/4" |

CURTAIN & CUSHION GROUP

NOTICE

IN ORDER TO ASSIST OUR PARTS SALES DEPT. IN PROVIDING INTERIOR SOFTWARE ITEMS, PLEASE INCLUDE THE SERIAL NUMBER AND THE COLOR CODE NUMBER FROM THE VEHICLE CERTIFICATION LABEL WHEN ORDERING. THIS LABEL IS LOCATED ON THE LEFT SIDEWALL AT THE END OF THE DASH (A-BODY), OR ON THE DRIVER'S DOOR LATCH PLATE (C-BODY).

AN EXAMPLE OF A COLOR CODE NUMBER IS B07, WHICH DESIGNATES AN OVERALL COLOR SCHEME OF A PARTICULAR UNIT. THE COLOR LISTED AFTER THE ITEM DESCRIPTION ON THE MICROFICHE, INDICATES THE OVERALL UNIT COLOR. ORDER THE ITEM YOU DESIRE ACCORDING TO UNIT COLOR CODE. IF ALL COLORS USE THE SAME ITEM NO COLOR CODE WILL BE NOTED.

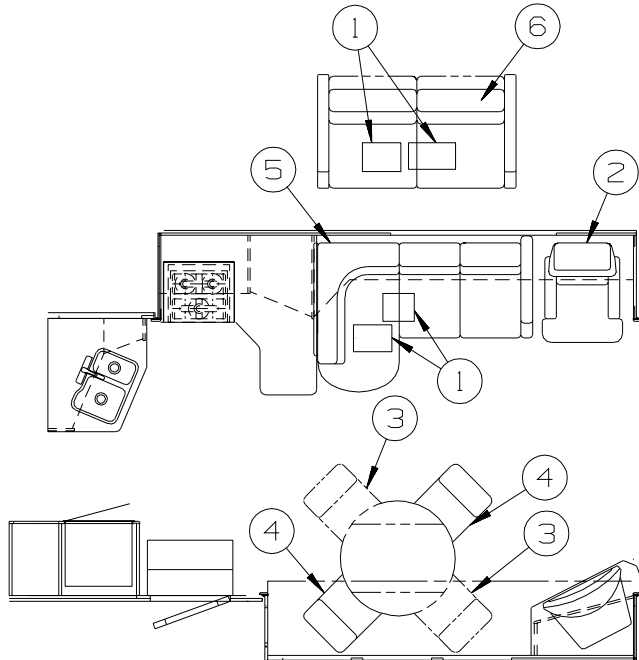
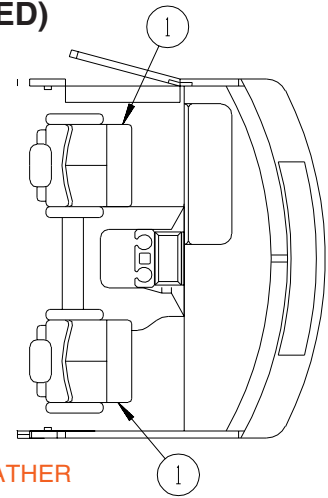


NOTE: USE THIS ILLUSTRATION WHEN DETERMINING LENGTH AND WIDTH MEASUREMENTS FOR CURTAINS. YOU WILL NOTE THE WIDTH MEASUREMENT IS TAKEN ON THE TOP OF THE CURTAIN WITH THE CURTAIN FULLY EXTENDED. THE LENGTH MEASUREMENT IS TAKEN FROM TOP TO BOTTOM. LEFT AND RIGHT WINDOW LEGS ARE DETERMINED WHEN FACING THE WINDOW.

CURTAIN & CUSHION GROUP (CONTINUED)

CUSHION LAYOUT

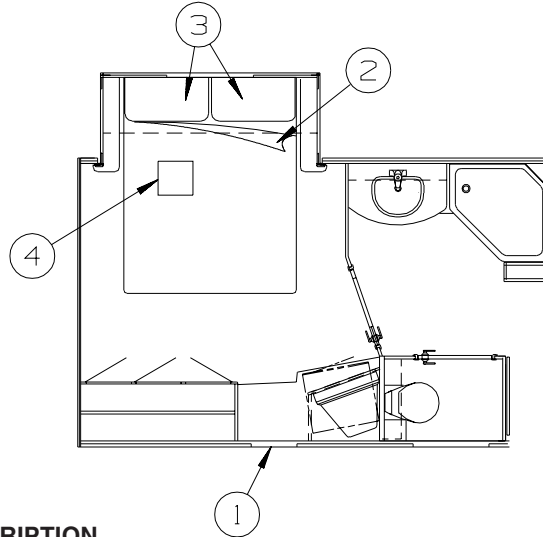
| KEY | PART NUMBER | U/M | DESCRIPTION |
|-----|---------------|-----|-----------------------------------------------------------------|
| 1 | 146990-05-UA0 | EA | BUCKET SEAT - DRIVER - W/LUMBAR (UA1, UA2, UA3, UM4) |
| 1 | 146990-05-UA4 | EA | BUCKET SEAT - DRIVER - W/LUMBAR (UA5, UA6, UA7, UM5) |
| 1 | 146990-05-UB0 | EA | BUCKET SEAT - DRIVER - W/LUMBAR (UB1, UB2, UB3, UM6) |
| 1 | 146990-06-UA0 | EA | BUCKET SEAT - DRIVER - W/LUMBAR - LEATHER - ULTRALEATHER |



| KEY | PART NUMBER | U/M | DESCRIPTION |
|-----|---------------|-----|------------------------------------------------------------------------------------|
| 1 | 154087-05-UA0 | EA | PILLOW - 15" X 23" (UA1, UA2, UA3, UM4) |
| 1 | 154087-01-UA4 | EA | PILLOW - 15" X 23" (UA5, UA6, UA7, UM5) |
| 1 | 154087-01-UB0 | EA | PILLOW - 15" X 23" (UB1, UB2, UB3, UM6) |
| 2 | 158317-01-UA0 | EA | CHAIR - RECLINER - W/FOOTREST (UA1, UA2, UA3, UM4) |
| 2 | 158317-02-UA4 | EA | CHAIR - RECLINER - W/FOOTREST (UA5, UA6, UA7, UM5) |
| 2 | 158317-01-UB0 | EA | CHAIR - RECLINER - W/FOOTREST (UB1, UB2, UB3, UM6) |
| 2 | 158317-03-UA0 | EA | CHAIR - RECLINER - W/FOOTREST - LEATHER (UA1, UA2, UA3, UM4) - ULTRALEATHER |
| 2 | 158317-03-UA4 | EA | CHAIR - RECLINER - W/FOOTREST - LEATHER (UA5, UA6, UA7, UM5) - ULTRALEATHER |
| 2 | 158317-03-UB0 | EA | CHAIR - RECLINER - W/FOOTREST - LEATHER (UB1, UB2, UB3, UM6) - ULTRALEATHER |
| 2 | 155369-02-T97 | EA | CHAIR/EURO - APOLLO - W/OTTOMAN - ULTRA LEATHER - EURO LEATHER |
| 3 | 157868-01-UA1 | EA | CHAIR - FOLDING |
| 3 | 157868-01-UA2 | EA | CHAIR - FOLDING |
| 3 | 157868-01-UA3 | EA | CHAIR - FOLDING |
| 3 | 157868-01-UA5 | EA | CHAIR - FOLDING |
| 3 | 157868-01-UA6 | EA | CHAIR - FOLDING |
| 3 | 157868-01-UA7 | EA | CHAIR - FOLDING |
| 3 | 157868-01-UB1 | EA | CHAIR - FOLDING |
| 3 | 157868-01-UB2 | EA | CHAIR - FOLDING |
| 3 | 157868-01-UB3 | EA | CHAIR - FOLDING |
| 4 | 158327-01-UA1 | EA | CHAIR - DINING |
| 4 | 158327-01-UA2 | EA | CHAIR - DINING |
| 4 | 158327-01-UA3 | EA | CHAIR - DINING |
| 4 | 158327-01-UA5 | EA | CHAIR - DINING |
| 4 | 158327-01-UA6 | EA | CHAIR - DINING |
| 4 | 158327-01-UA7 | EA | CHAIR - DINING |
| 4 | 158327-01-UB0 | EA | CHAIR - DINING |

CURTAIN & CUSHION GROUP (CONTINUED)
CUSHION LAYOUT (CONTINUED)

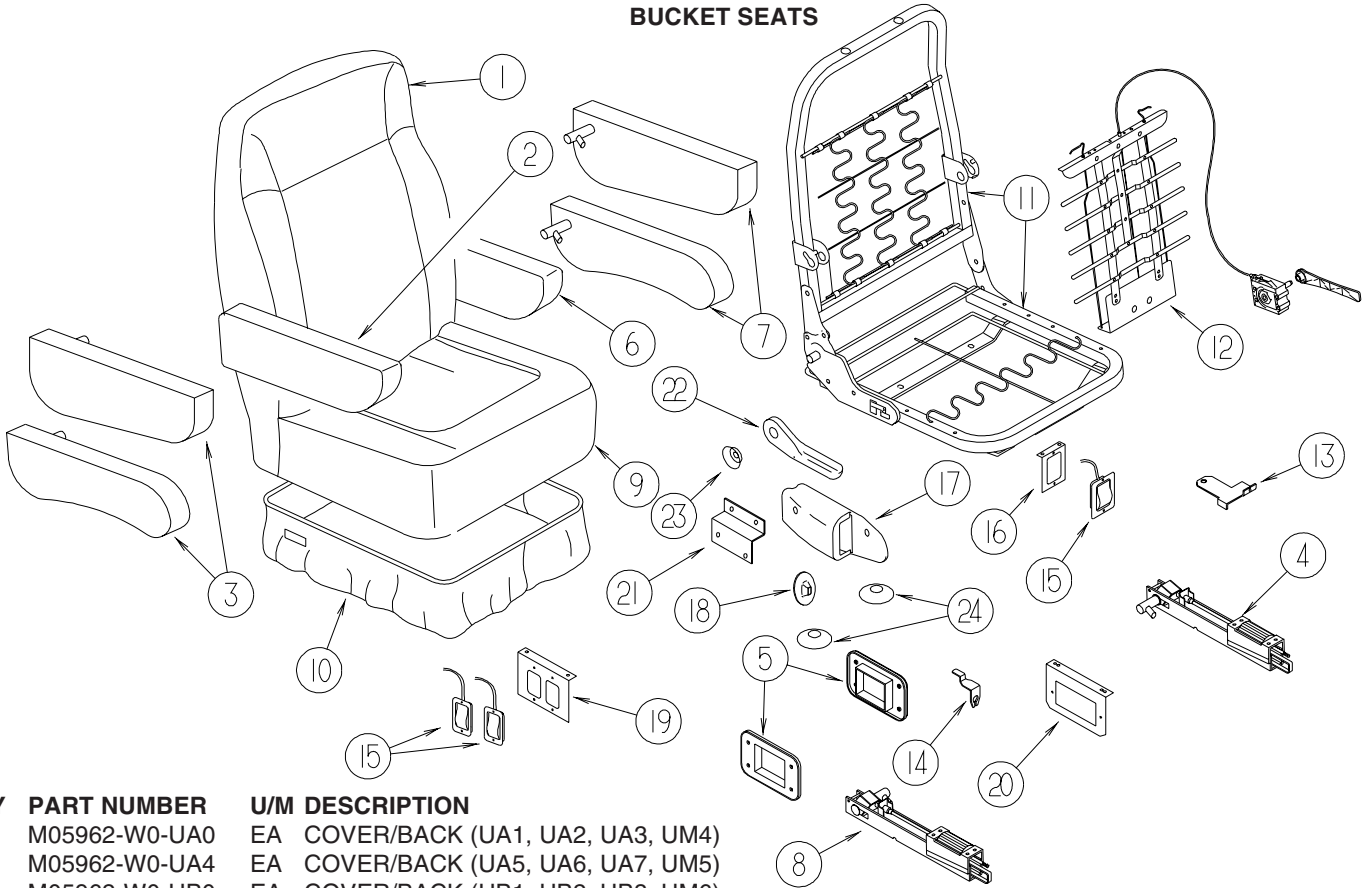
| KEY | PART NUMBER | U/M | DESCRIPTION |
|-----|---------------|-----|--------------------------------------------------------------------------------------------------|
| 4 | 158327-01-UB1 | EA | CHAIR - DINING |
| 4 | 158327-01-UB2 | EA | CHAIR - DINING |
| 4 | 158327-01-UB3 | EA | CHAIR - DINING |
| | 099856-13-000 | EA | STRAP - TIEDOWN - 143.5" |
| 5 | 158852-01-UA1 | EA | SOFA - J-LOUNGE - 144"-75" - COMPLETE - FLAT FLOOR (UA1, UA2, UA3, UM4) |
| 5 | 158852-01-UA5 | EA | SOFA - J-LOUNGE - 144"-75" - COMPLETE - FLAT FLOOR (UA5, UA6, UA7, UM5) |
| 5 | 158852-01-UB1 | EA | SOFA - J-LOUNGE - 144"-75" - COMPLETE - FLAT FLOOR (UB1, UB2, UB3, UM6) |
| 5 | 158852-08-UA1 | EA | SOFA - J-LOUNGE - 144"-75" - CMPLT - FLT - FLR (UA1, UA2, UA3, UM4) - ULTRALEATHER |
| 5 | 158852-08-UA5 | EA | SOFA - J-LOUNGE - 144"-75" - CMPLT - FLT - FLR (UA5, UA6, UA7, UM5) - ULTRALEATHER |
| 5 | 158852-08-UB1 | EA | SOFA - J-LOUNGE - 144"-75" - CMPLT - FLT - FLR (UB1, UB2, UB3, UM6) - ULTRALEATHER |
| 6 | 158298-01-UA0 | EA | SOFA/SLEEPER - MULTI POSITION - #844/#844 ARMS - 30"FF (UA1, UA2, UA3, UM4) - REST EASY |
| 6 | 158298-01-UA4 | EA | SOFA/SLEEPER - MULTI POSITION - #844/#844 ARMS - 30"FF (UA5, UA6, UA7, UM5) - REST EASY |
| 6 | 158298-01-UB0 | EA | SOFA/SLEEPER - MULTI POSITION - #844/#844 ARMS - 30"FF (UB1, UB2, UB3, UM6) - REST EASY |
| 6 | 158298-02-UA0 | EA | SOFA/SLPR - MULTI PSTN - 30"FF (UA1, UA2, UA3, UM4) - REST EASY/ULTRALEATHER |
| 6 | 158298-02-UA4 | EA | SOFA/SLPR - MULTI PSTN - 30"FF (UA5, UA6, UA7, UM5) - REST EASY/ULTRALEATHER |
| 6 | 158298-02-UB0 | EA | SOFA/SLPR - MULTI PSTN - 30"FF (UB1, UB2, UB3, UM6) - REST EASY/ULTRALEATHER |
| 6 | 158298-03-UA0 | EA | SOFA/SLEEPER - REST EASY/DUAL - #844/844 ARMS-30"FF (UA1, UA2, UA3, UM4) - DUAL REST EASY |
| 6 | 158298-03-UA4 | EA | SOFA/SLEEPER - REST EASY/DUAL - #844/844 ARMS-30"FF (UA5, UA6, UA7, UM5) - DUAL REST EASY |
| 6 | 158298-03-UB0 | EA | SOFA/SLEEPER - REST EASY/DUAL - #844/844 ARMS-30"FF (UB1, UB2, UB3, UM6) - DUAL REST EASY |
| 6 | 158298-04-UA0 | EA | SOFA/SLPR - RST E/DL-30"FF (UA1, UA2, UA3, UM4) - DUAL REST EASY/ULTRALEATHER |
| 6 | 158298-04-UA4 | EA | SOFA/SLPR - RST E/DL-30"FF (UA5, UA6, UA7, UM5) - DUAL REST EASY/ULTRALEATHER |
| 6 | 158298-04-UB0 | EA | SOFA/SLPR - RST E/DL-30"FF (UB1, UB2, UB3, UM6) - DUAL REST EASY/ULTRALEATHER |



| KEY | PART NUMBER | U/M | DESCRIPTION |
|-----|---------------|-----|----------------------------------------------------|
| 1 | 119957-02-000 | EA | COVER/BAG - HAMPER (UB1, UB2, UB3, UM6) |
| 2 | 132336-05-UA0 | EA | BEDSPREAD/CAP - 60" X 75" (UA1, UA2, UA3, UM4) |
| 2 | 132336-05-T97 | EA | BEDSPREAD/CAP - 60" X 75" (UA5, UA6, UA7, UM5) |
| 2 | 132336-05-UB0 | EA | BEDSPREAD/CAP - 60" X 75" (UB1, UB2, UB3, UM6) |
| 3 | 155275-03-UA0 | EA | PILLOW SHAM (UA1, UA2, UA3, UM4) |
| 3 | 155275-03-UA4 | EA | PILLOW SHAM (UA5, UA6, UA7, UM5) |
| 3 | 155275-03-UB0 | EA | PILLOW SHAM (UB1, UB2, UB3, UM6) |
| 4 | 158358-01-UA0 | EA | PILLOW - 18" X 18" - W/FRINGE (UA1, UA2, UA3, UM4) |
| 4 | 158358-01-UA4 | EA | PILLOW - 18" X 18" - W/FRINGE (UA5, UA6, UA7, UM5) |
| 4 | 158358-01-UB0 | EA | PILLOW - 18" X 18" - W/FRINGE (UB1, UB2, UB3, UM6) |

CURTAIN & CUSHION GROUP (CONTINUED)

BUCKET SEATS



| KEY | PART NUMBER | U/M | DESCRIPTION |
|-----|---------------|-----|-----------------------------------------------------------------|
| 1 | M05962-W0-UA0 | EA | COVER/BACK (UA1, UA2, UA3, UM4) |
| 1 | M05962-W0-UA4 | EA | COVER/BACK (UA5, UA6, UA7, UM5) |
| 1 | M05962-W0-UB0 | EA | COVER/BACK (UB1, UB2, UB3, UM6) |
| 1 | M05962-W2-UA0 | EA | COVER/BACK - ULTRALEATHER |
| 2 | 148705-01-UA0 | EA | ARMREST - RIGHT (UA1, UA2, UA3, UM4) |
| 2 | 148705-01-T97 | EA | ARMREST - RIGHT (UA5, UA6, UA7, UM5) |
| 2 | 148705-01-UB0 | EA | ARMREST - RIGHT (UB1, UB2, UB3, UM6) |
| 2 | 148705-03-S80 | EA | ARMREST - RIGHT - ULTRALEATHER |
| | P48705-01-UA0 | EA | COVER/ARMREST - RIGHT (UA1, UA2, UA3, UM4) |
| | P48705-01-T97 | EA | COVER/ARMREST - RIGHT (UA5, UA6, UA7, UM5) |
| | P48705-01-UB0 | EA | COVER/ARMREST - RIGHT (UB1, UB2, UB3, UM6) |
| | P48705-03-S80 | EA | COVER/ARMREST - RIGHT - ULTRALEATHER |
| 3 | NOT USED | | |
| 4 | 148751-02-000 | EA | BRACKET - LEFT (ADJUSTABLE) W/ROLLER |
| 5 | 148751-03-000 | EA | BRACKET - ROLLER TRIM PLATE |
| 6 | 148705-02-UA0 | EA | ARMREST - LEFT (UA1, UA2, UA3, UM4) |
| 6 | 148705-02-T97 | EA | ARMREST - LEFT (UA5, UA6, UA7, UM5) |
| 6 | 148705-02-UB0 | EA | ARMREST - LEFT (UB1, UB2, UB3, UM6) |
| 6 | 148705-04-S80 | EA | ARMREST - LEFT - ULTRALEATHER |
| | P48705-02-UA0 | EA | COVER/ARMREST - LEFT (UA1, UA2, UA3, UM4) |
| | P48705-02-T97 | EA | COVER/ARMREST - LEFT (UA5, UA6, UA7, UM5) |
| | P48705-02-UB0 | EA | COVER/ARMREST - LEFT (UB1, UB2, UB3, UM6) |
| | P48705-04-S80 | EA | COVER/ARMREST - LEFT - ULTRALEATHER |
| 7 | NOT USED | | |
| 8 | 148751-01-000 | EA | BRACKET - RIGHT (ADJUSTABLE) W/ROLLER |
| 9 | M05962-W1-UA0 | EA | COVER/SEAT (UA1, UA2, UA3, UM4) |
| 9 | M05962-W1-UA4 | EA | COVER/SEAT (UA5, UA6, UA7, UM5) |
| 9 | M05962-W1-UB0 | EA | COVER/SEAT (UB1, UB2, UB3, UM6) |
| 9 | M05962-K1-UA0 | EA | COVER/SEAT - ULTRALEATHER |
| 10 | 148630-01-UA0 | EA | SKIRT - W/SEAT BELT SLOT (UA1, UA2, UA3, UM4) |
| 10 | 148630-01-T97 | EA | SKIRT - W/SEAT BELT SLOT (UA5, UA6, UA7, UM5) |
| 10 | 148630-01-UB0 | EA | SKIRT - W/SEAT BELT SLOT (UB1, UB2, UB3, UM6) |
| 10 | 148630-15-TB4 | EA | SKIRT - W/SEAT BELT SLOT - ULTRALEATHER |
| 10 | 148630-03-UA0 | EA | SKIRT - F/6-WAY POWER (UA1, UA2, UA3, UM4) - 6-WAY POWER |
| 10 | 148630-03-T97 | EA | SKIRT - F/6-WAY POWER (UA5, UA6, UA7, UM5) - 6-WAY POWER |
| 10 | 148630-03-UB0 | EA | SKIRT - F/6-WAY POWER (UB1, UB2, UB3, UM6) - 6-WAY POWER |
| 10 | 148630-16-TB4 | EA | SKIRT - F/6-WAY POWER - ULTRALEATHER / 6-WAY POWER |
| 11 | 134532-01-000 | EA | FRAME - SEAT/HIGH BACK |

CURTAIN & CUSHION GROUP (CONTINUED)
BUCKET SEATS (CONTINUED)

| KEY | PART NUMBER | U/M | DESCRIPTION |
|------------|--------------------|------------|-----------------------------------------------------------------|
| 12* | 122611-02-000 | EA | LUMBAR - W/LEVER |
| 13 | 117125-01-02B | EA | BRACKET - CABLE MOUNT - ADJUSTER W/LOCK (UB1, UB2, UB3, UM6) |
| 14 | 108049-02-000 | EA | CLIP - CABLE/PEDESTAL (UB1, UB2, UB3, UM6) |
| 15 | 108049-04-000 | EA | CABLE - W/MINI LEVER ACTION SWITCH - 28" SHEATH/30" CABLE |
| 16 | 127159-01-02B | EA | BRACKET - SEAT RELEASE - SINGLE REMOTE - E-COATED - 6-WAY POWER |
| 17 | NOT USED | | |
| 18 | NOT USED | | |
| 19 | 127159-02-02B | EA | BRACKET - SEAT RELEASE - DUAL REMOTE - E-COATED |
| 20 | 128699-01-02B | EA | BRACKET - SEAT SWITCH - E-COATED - 6-WAY POWER |
| 21 | 147457-01-02B | EA | BRACKET - ZEE W/HOLES - 2.8" - E-COATED |
| 22 | 130802-02-000 | EA | LEVER - RIGHT HAND (UB1, UB2, UB3, UM6) |
| | 130802-03-000 | EA | SCREW F/LEVER (UB1, UB2, UB3, UM6) |
| 23 | 148668-01-01A | EA | CUP/TRIM COVER - F/LEVER - BLACK |
| 24 | NOT USED | | |
| | 152337-01-000 | EA | PROTECTOR - SEAT - CLEAR VINYL |

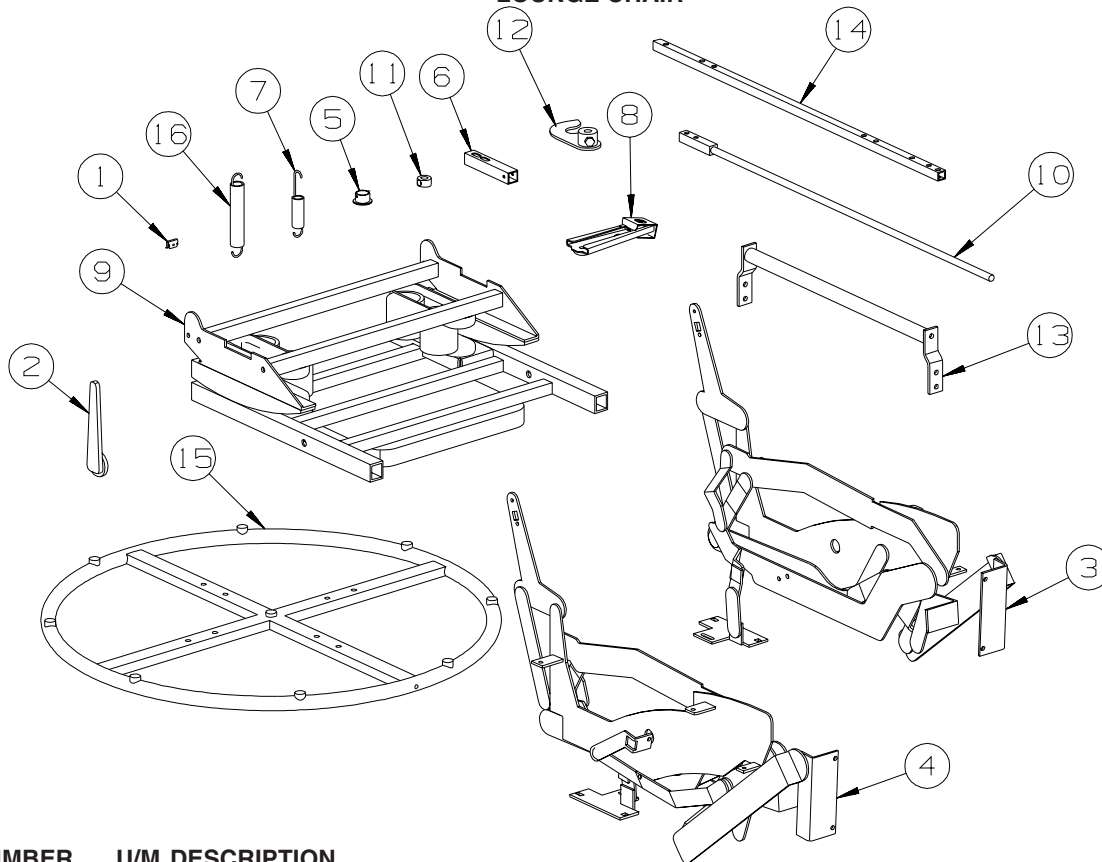
***COMPONENT PARTS LISTED LATER IN THIS GROUP**

COMPONENT PARTS FOR BUCKET SEATS

| KEY | PART NUMBER | U/M | DESCRIPTION | 122611-02-000 | VENDOR NO. |
|------------|--------------------|------------|--------------------|----------------------|-------------------|
| | 122611-02-701 | EA | LUMBAR - LEVER | | 412 |
| | 122611-02-702 | EA | LUMBAR MECHANISM | | 24395-FLEXSTEEL |

CURTAIN & CUSHION GROUP (CONTINUED)

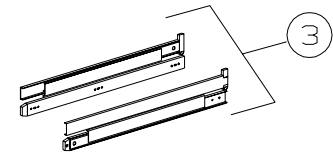
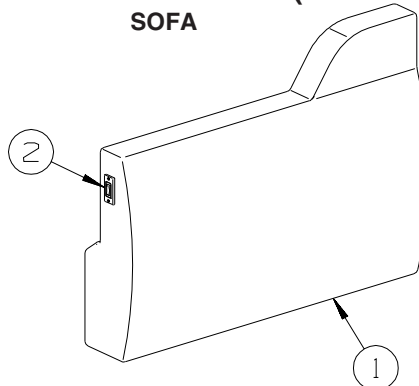
LOUNGE CHAIR



| KEY | PART NUMBER | U/M | DESCRIPTION |
|-----|---------------|-----|--------------------------------------------------------------------------------|
| | 158317-A1-UA0 | EA | COVER/CHAIR - RECLINER - W/FOOTREST (UA1, UA2, UA3, UM4) |
| | 158317-A2-UA4 | EA | COVER/CHAIR - RECLINER - W/FOOTREST (UA5, UA6, UA7, UM5) |
| | 158317-A1-UB0 | EA | COVER/CHAIR - RECLINER - W/FOOTREST (UB1, UB2, UB3, UM6) |
| | 158317-A3-UA0 | EA | COVER/CHAIR - RECLINER - W/FOOTREST (UA1, UA2, UA3, UM4) - ULTRALEATHER |
| | 158317-A3-UA4 | EA | COVER/CHAIR - RECLINER - W/FOOTREST (UA5, UA6, UA7, UM5) - ULTRALEATHER |
| | 158317-A3-UB0 | EA | COVER/CHAIR - RECLINER - W/FOOTREST (UB1, UB2, UB3, UM6) - ULTRALEATHER |
| 1 | 029134-01-000 | EA | CLIP - FINISH - UPHOLSTERY |
| 2 | 133126-11-000 | EA | HANDLE/RECLINE - PLASTIC |
| 3 | 154077-01-000 | EA | RECLINER MECHANISM - RIGHT HAND (WHEN SITTING IN CHAIR) |
| 4 | 154077-02-000 | EA | RECLINER MECHANISM - LEFT HAND (WHEN SITTING IN CHAIR) |
| 5 | 154077-03-000 | EA | BUSHING - PLASTIC/WHITE |
| 6 | 154077-04-000 | EA | TUBE/HANDLE MOUNTING - 3.6" LONG - BLACK |
| 7 | 154077-05-000 | EA | SPRING - EXTENSION - 3.7" |
| 8 | 154077-06-000 | EA | SLEEVE/CLIP - 1.6" X 5.1" |
| 9 | 154077-07-000 | EA | BASE - SWIVEL/ROCKER - BLACK |
| 10 | 154077-08-000 | EA | LATCH ROD - 25.5" - BLACK |
| 11 | 154077-09-000 | EA | LOCK COLLAR - W/SET SCREW LOCK-OUT |
| 12 | 154077-10-000 | EA | LATCH BRACKET - RIGHT FRONT LOCK OUT - BLACK |
| 13 | 154077-11-000 | EA | LATCH TUBE - W/LOCK OUT ENDS - 15.1" - BLACK |
| 14 | 154077-12-000 | EA | LOCK TUBE - .5" X .5" X 23.5" |
| 15 | 154077-13-000 | EA | GRID RING - 24" - BLACK |
| 16 | 154077-14-000 | EA | SPRING/EXTENSION - 4.7" |

CURTAIN & CUSHION GROUP (CONTINUED)

SOFA



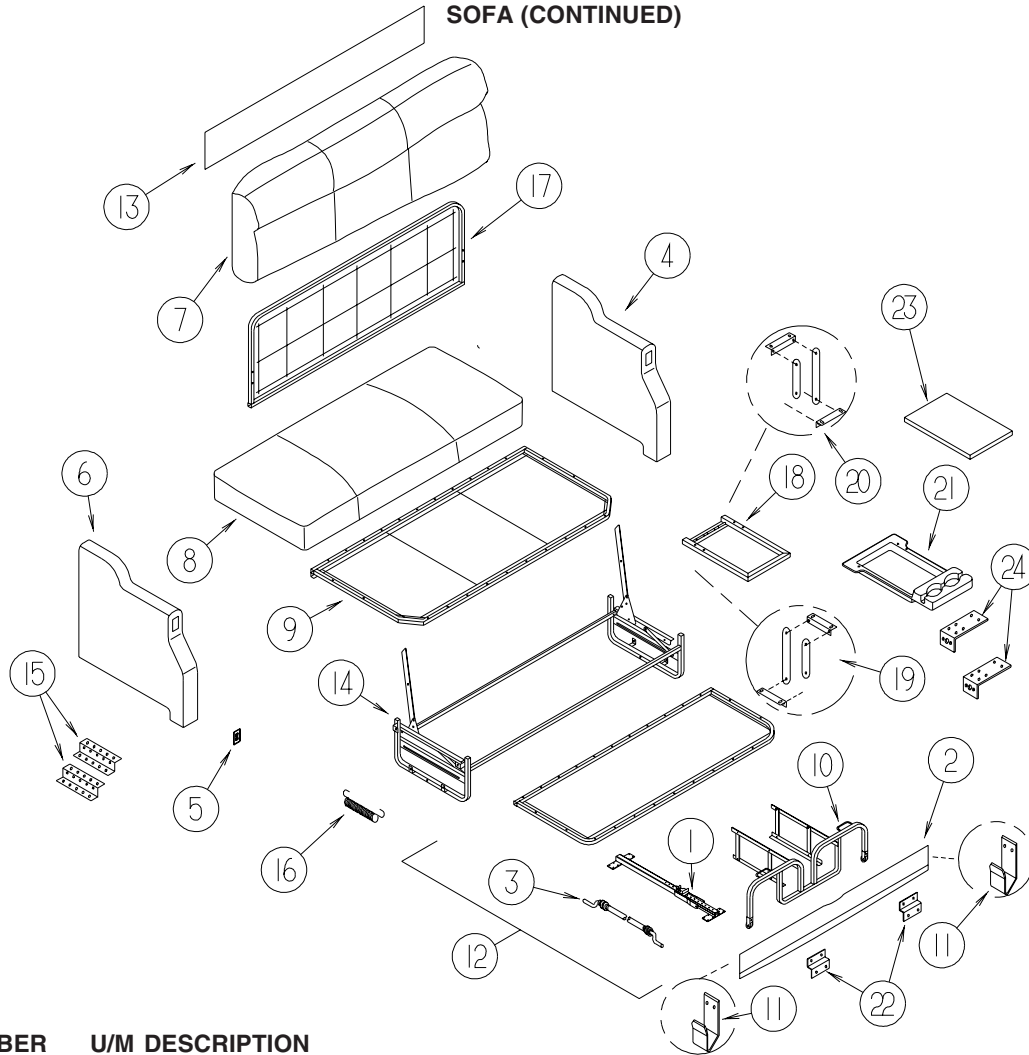
J LOUNGE

| KEY | PART NUMBER | U/M | DESCRIPTION |
|-----|---------------|-----|------------------------------------------------------------------------------------------------|
| | 149129-29-UA1 | EA | ARM BOLSTER/CHAISE - SOFA/J-LOUNGE (UA1, UA2, UA3, UM4) |
| | 149129-29-UA5 | EA | ARM BOLSTER/CHAISE - SOFA/J-LOUNGE (UA5, UA6, UA7, UM5) |
| | 149129-29-UB1 | EA | ARM BOLSTER/CHAISE - SOFA/J-LOUNGE (UB1, UB2, UB3, UM6) |
| | 149129-30-UA1 | EA | ARM BOLSTER/CHAISE - SOFA/J-LOUNGE - LEATHER - ULTRALEATHER |
| | P49129-29-UA1 | EA | COVER/ARM BOLSTER - F/SOFA J-LOUNGE (UA1, UA2, UA3, UM4) |
| | P49129-29-UA5 | EA | COVER/ARM BOLSTER - F/SOFA J-LOUNGE (UA5, UA6, UA7, UM5) |
| | P49129-29-UB1 | EA | COVER/ARM BOLSTER - F/SOFA J-LOUNGE (UB1, UB2, UB3, UM6) |
| | P49129-30-UA1 | EA | COVER/ARM BOLSTER - F/SOFA J-LOUNGE - LEATHER - ULTRALEATHER |
| 1 | 158332-17-UA0 | EA | ARMREST - J-LOUNGE - LEFT HAND - W/SWITCH - LEATHER (UA1, UA2, UA3, UM4) |
| 1 | 158332-17-UA4 | EA | ARMREST - J-LOUNGE - LEFT HAND - W/SWITCH - LEATHER (UA5, UA6, UA7, UM5) |
| 1 | 158332-17-UB0 | EA | ARMREST - J-LOUNGE - LEFT HAND - W/SWITCH - LEATHER (UB1, UB2, UB3, UM6) |
| 1 | 158332-18-UA0 | EA | ARMREST - J-LOUNGE - LEFT HAND - W/SWITCH - LEATHER (UA1, UA2, UA3, UM4) - ULTRALEATHER |
| 1 | 158332-18-UA4 | EA | ARMREST - J-LOUNGE - LEFT HAND - W/SWITCH - LEATHER (UA5, UA6, UA7, UM5) - ULTRALEATHER |
| 1 | 158332-18-UB0 | EA | ARMREST - J-LOUNGE - LEFT HAND - W/SWITCH - LEATHER (UB1, UB2, UB3, UM6) - ULTRALEATHER |
| | 158332-A2-UA0 | EA | COVER/ARMREST - SOFA/LEFT HAND (UA1, UA2, UA3, UM4) |
| | 158332-A2-UA4 | EA | COVER/ARMREST - SOFA/LEFT HAND (UA5, UA6, UA7, UM5) |
| | 158332-A2-UB0 | EA | COVER/ARMREST - SOFA/LEFT HAND (UB1, UB2, UB3, UM6) |
| | 158332-A4-UA0 | EA | COVER/ARMREST - SOFA/LEFT HAND - LEATHER (UA1, UA2, UA3, UM4) - ULTRALEATHER |
| | 158332-A4-UA4 | EA | COVER/ARMREST - SOFA/LEFT HAND - LEATHER (UA5, UA6, UA7, UM5) - ULTRALEATHER |
| | 158332-A4-UB0 | EA | COVER/ARMREST - SOFA/LEFT HAND - LEATHER (UB1, UB2, UB3, UM6) - ULTRALEATHER |
| 2 | 136118-01-000 | EA | SWITCH - SOFA/RECLINER |
| | 158852-02-UA1 | EA | BACK - RECLINE - SOFA/J-LOUNGE (UA1, UA2, UA3, UM4) |
| | 158852-02-UA5 | EA | BACK - RECLINE - SOFA/J-LOUNGE (UA5, UA6, UA7, UM5) |
| | 158852-02-UB1 | EA | BACK - RECLINE - SOFA/J-LOUNGE (UB1, UB2, UB3, UM6) |
| | 158852-09-UA1 | EA | BACK - RECLINE - SOFA/J-LOUNGE - LEATHER - ULTRALEATHER |
| | 158852-A2-UA1 | EA | COVER/BACK - RECLINE - SOFA J-LOUNGE (UA1, UA2, UA3, UM4) |
| | 158852-A2-UA5 | EA | COVER/BACK - RECLINE - SOFA J-LOUNGE (UA5, UA6, UA7, UM5) |
| | 158852-A2-UB1 | EA | COVER/BACK - RECLINE - SOFA J-LOUNGE (UB1, UB2, UB3, UM6) |
| | 158852-A9-UA1 | EA | COVER/BACK - RECLINE - SOFA J-LOUNGE - LEATHER - ULTRALEATHER |
| | 158852-03-UA1 | EA | SEAT - RECLINE - SOFA/J-LOUNGE (UA1, UA2, UA3, UM4) |
| | 158852-03-UA5 | EA | SEAT - RECLINE - SOFA/J-LOUNGE (UA5, UA6, UA7, UM5) |
| | 158852-03-UB1 | EA | SEAT - RECLINE - SOFA/J-LOUNGE (UB1, UB2, UB3, UM6) |
| | 158852-10-UA1 | EA | SEAT - RECLINE - SOFA/J-LOUNGE - LEATHER - ULTRALEATHER |
| | 158852-A3-UA1 | EA | COVER/SEAT - SOFA J-LOUNGE (UA1, UA2, UA3, UM4) |
| | 158852-A3-UA5 | EA | COVER/SEAT - SOFA J-LOUNGE (UA5, UA6, UA7, UM5) |
| | 158852-A3-UB1 | EA | COVER/SEAT - SOFA J-LOUNGE (UB1, UB2, UB3, UM6) |
| | 158852-B0-UA1 | EA | COVER/SEAT - SOFA J-LOUNGE - LEATHER - ULTRALEATHER |
| | 158852-04-UA1 | EA | CORNER BOLSTER - SOFA/J-LOUNGE (UA1, UA2, UA3, UM4) |
| | 158852-04-UA5 | EA | CORNER BOLSTER - SOFA/J-LOUNGE (UA5, UA6, UA7, UM5) |
| | 158852-04-UB1 | EA | CORNER BOLSTER - SOFA/J-LOUNGE (UB1, UB2, UB3, UM6) |
| | 158852-11-UA1 | EA | CORNER BOLSTER - SOFA/J-LOUNGE - LEATHER - ULTRALEATHER |
| | 158852-A4-UA1 | EA | COVER/CORNER BOLSTER - SOFA J-LOUNGE (UA1, UA2, UA3, UM4) |
| | 158852-A4-UA5 | EA | COVER/CORNER BOLSTER - SOFA J-LOUNGE (UA5, UA6, UA7, UM5) |
| | 158852-A4-UB1 | EA | COVER/CORNER BOLSTER - SOFA J-LOUNGE (UB1, UB2, UB3, UM6) |
| | 158852-B1-UA1 | EA | COVER/CORNER BOLSTER - SOFA J-LOUNGE - LEATHER - ULTRALEATHER |
| | 158852-05-UA1 | EA | CORNER SEAT - SOFA/J-LOUNGE (UA1, UA2, UA3, UM4) |
| | 158852-05-UA5 | EA | CORNER SEAT - SOFA/J-LOUNGE (UA5, UA6, UA7, UM5) |
| | 158852-05-UB1 | EA | CORNER SEAT - SOFA/J-LOUNGE (UB1, UB2, UB3, UM6) |
| | 158852-12-UA1 | EA | CORNER SEAT - SOFA/J-LOUNGE - LEATHER - ULTRALEATHER |
| | 158852-A5-UA1 | EA | COVER/CORNER SEAT - SOFA J-LOUNGE (UA1, UA2, UA3, UM4) |
| | 158852-A5-UA5 | EA | COVER/CORNER SEAT - SOFA J-LOUNGE (UA5, UA6, UA7, UM5) |
| | 158852-A5-UB1 | EA | COVER/CORNER SEAT - SOFA J-LOUNGE (UB1, UB2, UB3, UM6) |
| | 158852-B2-UA1 | EA | COVER/CORNER SEAT - SOFA J-LOUNGE - LEATHER - ULTRALEATHER |

CURTAIN & CUSHION GROUP (CONTINUED)
SOFA (CONTINUED)

| KEY | PART NUMBER | U/M | DESCRIPTION |
|-----|---------------|-----|----------------------------------------------------------------------------|
| | 158852-06-UA1 | EA | CORNER BASE - SOFA/J-LOUNGE (UA1, UA2, UA3, UM4) |
| | 158852-06-UA5 | EA | CORNER BASE - SOFA/J-LOUNGE (UA5, UA6, UA7, UM5) |
| | 158852-06-UB1 | EA | CORNER BASE - SOFA/J-LOUNGE (UB1, UB2, UB3, UM6) |
| | 158852-13-UA1 | EA | CORNER BASE - SOFA/J-LOUNGE - LEATHER - ULTRALEATHER |
| | 158852-A6-UA1 | EA | COVER/CORNER BASE - SOFA J-LOUNG (UA1, UA2, UA3, UM4) |
| | 158852-A6-UA5 | EA | COVER/CORNER BASE - SOFA J-LOUNG (UA5, UA6, UA7, UM5) |
| | 158852-A6-UB1 | EA | COVER/CORNER BASE - SOFA J-LOUNG (UB1, UB2, UB3, UM6) |
| | 158852-B3-UA1 | EA | COVER/CORNER BASE - SOFA J-LOUNG - LEATHER - ULTRALEATHER |
| | 158852-07-UA1 | EA | KICKBOARD - 40" - W/DRAWER - SOFA/J-LOUNGE (UA1, UA2, UA3, UM4) |
| | 158852-07-UA5 | EA | KICKBOARD - 40" - W/DRAWER - SOFA/J-LOUNGE (UA5, UA6, UA7, UM5) |
| | 158852-07-UB1 | EA | KICKBOARD - 40" - W/DRAWER - SOFA/J-LOUNGE (UB1, UB2, UB3, UM6) |
| | 158852-14-UA1 | EA | KICKBOARD - 40" - W/DRAWER - SOFA/J-LOUNGE - LEATHER - ULTRALEATHER |
| | 134511-01-000 | EA | LATCH - BANQUETTE |
| 3 | 134576-01-000 | EA | SLIDE/RAIL KIT - HEAVY DUTY (PAIR) - 22" |

CURTAIN & CUSHION GROUP (CONTINUED)
SOFA (CONTINUED)



REST EASY

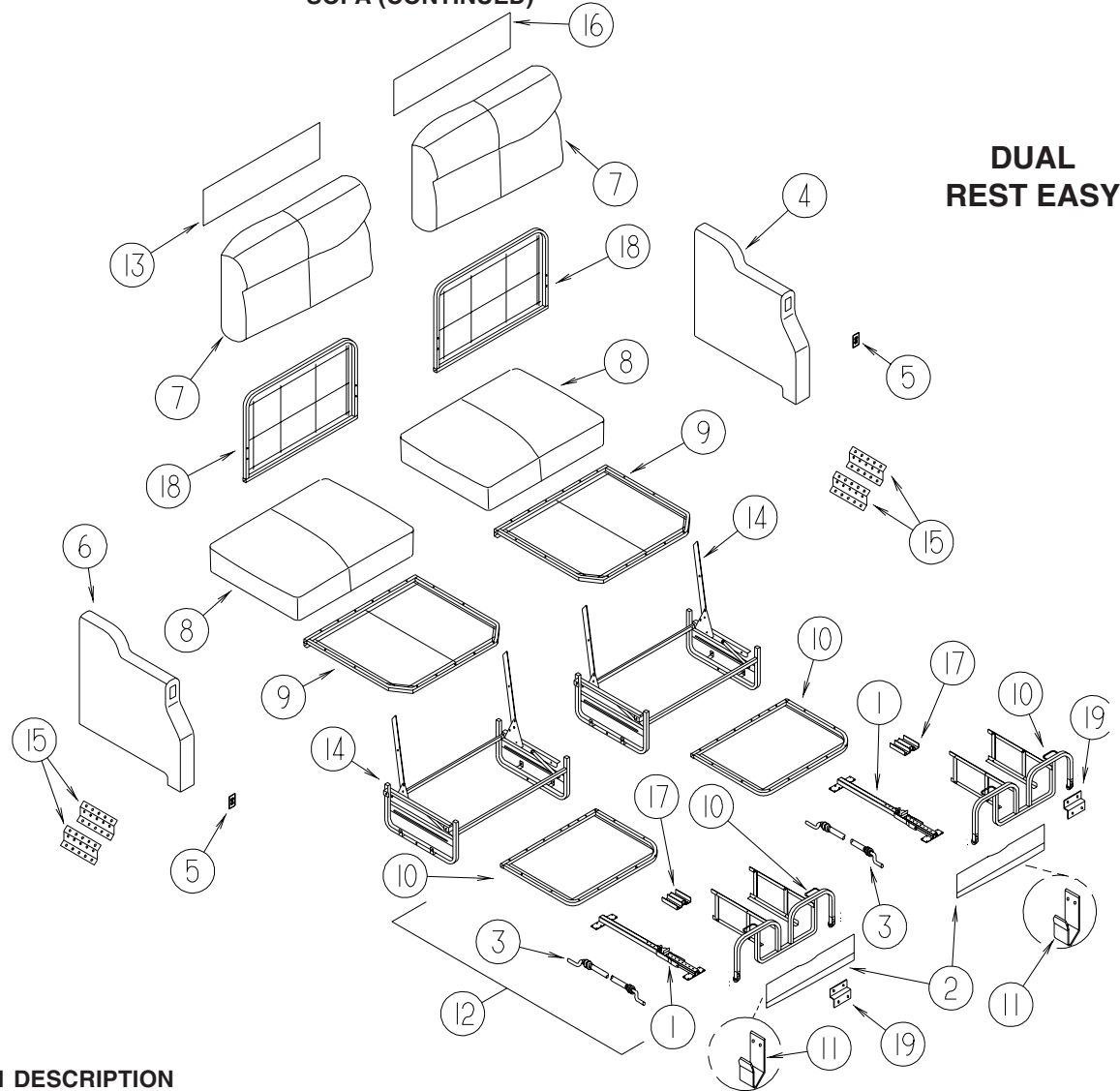
| KEY | PART NUMBER | U/M | DESCRIPTION |
|-----|---------------|-----|---------------------------------------------------------------------------------------------|
| 1 | 159707-01-000 | EA | SLIDE RAIL - W/LATCH MECH/PLATES/STOP F/TRUNDLE FLAT FLOOR |
| 2 | 157928-07-UA0 | EA | PANEL/FRONT KICK - SOFA - 59.5" (UA1, UA2, UA3, UM4) |
| 2 | 157928-07-UA4 | EA | PANEL/FRONT KICK - SOFA - 59.5" (UA5, UA6, UA7, UM5) |
| 2 | 157928-07-UB0 | EA | PANEL/FRONT KICK - SOFA - 59.5" (UB1, UB2, UB3, UM6) |
| 2 | 157928-08-UA0 | EA | PANEL/FRONT KICK - SOFA - 59.5" - LEATHER (UA1, UA2, UA3, UM4) - ULTRALEATHER |
| 2 | 157928-08-UA4 | EA | PANEL/FRONT KICK - SOFA - 59.5" - LEATHER (UA5, UA6, UA7, UM5) - ULTRALEATHER |
| 2 | 157928-08-UB0 | EA | PANEL/FRONT KICK - SOFA - 59.5" - LEATHER (UB1, UB2, UB3, UM6) - ULTRALEATHER |
| 3 | 148225-01-000 | EA | CABLE ONLY - REMOTE - 31.9" W/Z-ENDS |
| 4 | 158332-02-UA0 | EA | ARMREST - SOFA - LEFT HAND (UA1, UA2, UA3, UM4) |
| 4 | 158332-02-UA4 | EA | ARMREST - SOFA - LEFT HAND (UA5, UA6, UA7, UM5) |
| 4 | 158332-02-UB0 | EA | ARMREST - SOFA - LEFT HAND (UB1, UB2, UB3, UM6) |
| 4 | 158332-04-UA0 | EA | ARMREST - SOFA - LEFT HAND - LEATHER (UA1, UA2, UA3, UM4) - ULTRALEATHER |
| 4 | 158332-04-UA4 | EA | ARMREST - SOFA - LEFT HAND - LEATHER (UA5, UA6, UA7, UM5) - ULTRALEATHER |
| 4 | 158332-04-UB0 | EA | ARMREST - SOFA - LEFT HAND - LEATHER (UB1, UB2, UB3, UM6) - ULTRALEATHER |
| | 158332-A2-UA0 | EA | COVER/ARMREST - SOFA/LEFT HAND (UA1, UA2, UA3, UM4) |
| | 158332-A2-UA4 | EA | COVER/ARMREST - SOFA/LEFT HAND (UA5, UA6, UA7, UM5) |
| | 158332-A2-UB0 | EA | COVER/ARMREST - SOFA/LEFT HAND (UB1, UB2, UB3, UM6) |
| | 158332-A4-UA0 | EA | COVER/ARMREST - SOFA/LEFT HAND - LEATHER (UA1, UA2, UA3, UM4) - ULTRALEATHER |
| | 158332-A4-UA4 | EA | COVER/ARMREST - SOFA/LEFT HAND - LEATHER (UA5, UA6, UA7, UM5) - ULTRALEATHER |
| | 158332-A4-UB0 | EA | COVER/ARMREST - SOFA/LEFT HAND - LEATHER (UB1, UB2, UB3, UM6) - ULTRALEATHER |
| 5 | 136118-01-000 | EA | SWITCH - SOFA/RECLINER |
| 6 | 158332-01-UA0 | EA | ARMREST - SOFA - RIGHT HAND - W/SWITCH (UA1, UA2, UA3, UM4) |
| 6 | 158332-01-UA4 | EA | ARMREST - SOFA - RIGHT HAND - W/SWITCH (UA5, UA6, UA7, UM5) |
| 6 | 158332-01-UB0 | EA | ARMREST - SOFA - RIGHT HAND - W/SWITCH (UB1, UB2, UB3, UM6) |
| 6 | 158332-03-UA0 | EA | ARMREST - SOFA - RIGHT HAND - W/SWITCH - LEATHER (UA1, UA2, UA3, UM4) - ULTRALEATHER |
| 6 | 158332-03-UA4 | EA | ARMREST - SOFA - RIGHT HAND - W/SWITCH - LEATHER (UA5, UA6, UA7, UM5) - ULTRALEATHER |
| 6 | 158332-03-UB0 | EA | ARMREST - SOFA - RIGHT HAND - W/SWITCH - LEATHER (UB1, UB2, UB3, UM6) - ULTRALEATHER |

CURTAIN & CUSHION GROUP (CONTINUED)
SOFA (CONTINUED)

| KEY | PART NUMBER | U/M | DESCRIPTION |
|-----|---------------|-----|--------------------------------------------------------------------------------------|
| | 158332-A1-UA0 | EA | COVER/ARMREST - SOFA/RIGHT HAND (UA1, UA2, UA3, UM4) |
| | 158332-A1-UA4 | EA | COVER/ARMREST - SOFA/RIGHT HAND (UA5, UA6, UA7, UM5) |
| | 158332-A1-UB0 | EA | COVER/ARMREST - SOFA/RIGHT HAND (UB1, UB2, UB3, UM6) |
| | 158332-A3-UA0 | EA | COVER/ARMREST - SOFA/RIGHT HAND - LEATHER (UA1, UA2, UA3, UM4) - ULTRALEATHER |
| | 158332-A3-UA4 | EA | COVER/ARMREST - SOFA/RIGHT HAND - LEATHER (UA5, UA6, UA7, UM5) - ULTRALEATHER |
| | 158332-A3-UB0 | EA | COVER/ARMREST - SOFA/RIGHT HAND - LEATHER (UB1, UB2, UB3, UM6) - ULTRALEATHER |
| 7 | 158299-01-UA0 | EA | BACK - SOFA - 60" (UA1, UA2, UA3, UM4) |
| 7 | 158299-01-UA4 | EA | BACK - SOFA - 60" (UA5, UA6, UA7, UM5) |
| 7 | 158299-01-UB0 | EA | BACK - SOFA - 60" (UB1, UB2, UB3, UM6) |
| 7 | 158299-02-UA0 | EA | BACK - SOFA - 60" - LEATHER (UA1, UA2, UA3, UM4) - ULTRALEATHER |
| 7 | 158299-02-UA4 | EA | BACK - SOFA - 60" - LEATHER (UA5, UA6, UA7, UM5) - ULTRALEATHER |
| 7 | 158299-02-UB0 | EA | BACK - SOFA - 60" - LEATHER (UB1, UB2, UB3, UM6) - ULTRALEATHER |
| | 158299-A1-UA0 | EA | COVER/BACK - SOFA - 60" (UA1, UA2, UA3, UM4) |
| | 158299-A1-UA4 | EA | COVER/BACK - SOFA - 60" (UA5, UA6, UA7, UM5) |
| | 158299-A1-UB0 | EA | COVER/BACK - SOFA - 60" (UB1, UB2, UB3, UM6) |
| | 158299-A2-UA0 | EA | COVER/BACK - SOFA - 60" - LEATHER (UA1, UA2, UA3, UM4) - ULTRALEATHER |
| | 158299-A2-UA4 | EA | COVER/BACK - SOFA - 60" - LEATHER (UA5, UA6, UA7, UM5) - ULTRALEATHER |
| | 158299-A2-UB0 | EA | COVER/BACK - SOFA - 60" - LEATHER (UB1, UB2, UB3, UM6) - ULTRALEATHER |
| 8 | 158300-01-UA0 | EA | SEAT - SOFA/SLEEPER (UA1, UA2, UA3, UM4) |
| 8 | 158300-01-UA4 | EA | SEAT - SOFA/SLEEPER (UA5, UA6, UA7, UM5) |
| 8 | 158300-01-UB0 | EA | SEAT - SOFA/SLEEPER (UB1, UB2, UB3, UM6) |
| 8 | 158300-02-UA0 | EA | SEAT - SOFA/SLEEPER - LEATHER - ULTRALEATHER |
| 9 | 151290-04-000 | EA | FRAME - SEAT - 60" |
| | 158300-A1-UA0 | EA | COVER/SEAT - SOFA/SLEEPER (UA1, UA2, UA3, UM4) |
| | 158300-A1-UA4 | EA | COVER/SEAT - SOFA/SLEEPER (UA5, UA6, UA7, UM5) |
| | 158300-A1-UB0 | EA | COVER/SEAT - SOFA/SLEEPER (UB1, UB2, UB3, UM6) |
| | 158300-A2-UA0 | EA | COVER/SEAT - SOFA/SLEEPER - LEATHER - ULTRALEATHER |
| 9 | 151290-04-000 | EA | FRAME - SEAT - 60" |
| 10* | 136534-17-000 | EA | TRUNDLE FRAME - 17.5" X 55" - W/LINKAGE, LATCH & HANDLE |
| 11 | 121906-01-02B | EA | BRACKET - KICKBOARD - E-COATED |
| 12 | 155647-01-UA0 | EA | TRUNDLE - SOFA/SLEEPER - 60" (UA1, UA2, UA3, UM4) |
| 12 | 155647-01-UA4 | EA | TRUNDLE - SOFA/SLEEPER - 60" (UA5, UA6, UA7, UM5) |
| 12 | 155647-01-UB0 | EA | TRUNDLE - SOFA/SLEEPER - 60" (UB1, UB2, UB3, UM6) |
| 12 | 155647-02-UA0 | EA | TRUNDLE - SOFA/SLEEPER - 60" - LEATHER - ULTRALEATHER |
| | 155647-A1-UA0 | EA | COVER/TRUNDLE - SOFA/SLEEPER - 60" (UA1, UA2, UA3, UM4) |
| | 155647-A1-UA4 | EA | COVER/TRUNDLE - SOFA/SLEEPER - 60" (UA5, UA6, UA7, UM5) |
| | 155647-A1-UB0 | EA | COVER/TRUNDLE - SOFA/SLEEPER - 60" (UB1, UB2, UB3, UM6) |
| | 155647-A2-UA0 | EA | COVER/TRUNDLE - SOFA/SLEEPER - 60" - LEATHER - ULTRALEATHER |
| 13 | NOT USED | | |
| 14* | 136534-15-000 | EA | BASE - 27.5" X 60" - POWERED CL - W/10.5" OVERHANG |
| 15 | NOT USED | | |
| 16 | 136534-33-000 | EA | SPRING/ASSIST - 1/2" X 7" W/HOOK ENDS - REST EASY SOFAS |
| 17 | 136534-18-000 | EA | FRAME/BACK - 16.5" X 60" |
| 18 | NOT USED | | |
| 19 | NOT USED | | |
| 20 | NOT USED | | |
| 21 | NOT USED | | |
| 22 | 101926-01-02A | EA | BRACKET - ZEE - 2" - BLACK |
| 23 | NOT USED | | |
| 24 | NOT USED | | |

*COMPONENT PARTS LISTED LATER IN THIS GROUP

CURTAIN & CUSHION GROUP (CONTINUED)
SOFA (CONTINUED)



**DUAL
REST EASY**

| KEY | PART NUMBER | U/M | DESCRIPTION |
|-----|---------------|-----|-------------------------------------------------------------------------------------------------|
| 1 | 159707-01-000 | EA | SLIDE RAIL - W/LATCH MECH/PLATES/STOP F/TRUNDLE FLAT FLOOR |
| 2 | 157928-09-UA0 | EA | PANEL/FRONT KICK - SOFA/DUAL - 11" X 30" (UA1, UA2, UA3, UM4) |
| 2 | 157928-09-UA4 | EA | PANEL/FRONT KICK - SOFA/DUAL - 11" X 30" (UA5, UA6, UA7, UM5) |
| 2 | 157928-09-UB0 | EA | PANEL/FRONT KICK - SOFA/DUAL - 11" X 30" (UB1, UB2, UB3, UM6) |
| 2 | 157928-10-UA0 | EA | PANEL/FRONT KICK - SOFA/DUAL - 11" X 30" - LEATHER (UA1, UA2, UA3, UM4) - ULTRALEATHER |
| 2 | 157928-10-UA4 | EA | PANEL/FRONT KICK - SOFA/DUAL - 11" X 30" - LEATHER (UA5, UA6, UA7, UM5) - ULTRALEATHER |
| 2 | 157928-10-UB0 | EA | PANEL/FRONT KICK - SOFA/DUAL - 11" X 30" - LEATHER (UB1, UB2, UB3, UM6) - ULTRALEATHER |
| 3 | NOT USED | | |
| 4 | 158332-06-UA0 | EA | ARMREST - SOFA/DUAL - LEFT HAND - W/SWITCH (UA1, UA2, UA3, UM4) |
| 4 | 158332-06-UA4 | EA | ARMREST - SOFA/DUAL - LEFT HAND - W/SWITCH (UA5, UA6, UA7, UM5) |
| 4 | 158332-06-UB0 | EA | ARMREST - SOFA/DUAL - LEFT HAND - W/SWITCH (UB1, UB2, UB3, UM6) |
| 4 | 158332-08-UA0 | EA | ARMREST - SOFA/DUAL - LEFT HAND - W/SWITCH - LEATHER (UA1, UA2, UA3, UM4) - ULTRALEATHER |
| 4 | 158332-08-UA4 | EA | ARMREST - SOFA/DUAL - LEFT HAND - W/SWITCH - LEATHER (UA5, UA6, UA7, UM5) - ULTRALEATHER |
| 4 | 158332-08-UB0 | EA | ARMREST - SOFA/DUAL - LEFT HAND - W/SWITCH - LEATHER (UB1, UB2, UB3, UM6) - ULTRALEATHER |
| | 158332-A2-UA0 | EA | COVER/ARMREST - SOFA/LEFT HAND (UA1, UA2, UA3, UM4) |
| | 158332-A2-UA4 | EA | COVER/ARMREST - SOFA/LEFT HAND (UA5, UA6, UA7, UM5) |
| | 158332-A2-UB0 | EA | COVER/ARMREST - SOFA/LEFT HAND (UB1, UB2, UB3, UM6) |
| | 158332-A4-UA0 | EA | COVER/ARMREST - SOFA/LEFT HAND - LEATHER (UA1, UA2, UA3, UM4) - ULTRALEATHER |
| | 158332-A4-UA4 | EA | COVER/ARMREST - SOFA/LEFT HAND - LEATHER (UA5, UA6, UA7, UM5) - ULTRALEATHER |
| | 158332-A4-UB0 | EA | COVER/ARMREST - SOFA/LEFT HAND - LEATHER (UB1, UB2, UB3, UM6) - ULTRALEATHER |
| 5 | 136118-01-000 | EA | SWITCH - SOFA/RECLINER |
| 6 | 158332-05-UA0 | EA | ARMREST - SOFA/DUAL - RIGHT HAND - W/SWITCH (UA1, UA2, UA3, UM4) |
| 6 | 158332-05-UA4 | EA | ARMREST - SOFA/DUAL - RIGHT HAND - W/SWITCH (UA5, UA6, UA7, UM5) |
| 6 | 158332-05-UB0 | EA | ARMREST - SOFA/DUAL - RIGHT HAND - W/SWITCH (UB1, UB2, UB3, UM6) |
| 6 | 158332-07-UA0 | EA | ARMREST - SOFA/DUAL - RH - W/SWITCH - LEATHER (UA1, UA2, UA3, UM4) - ULTRALEATHER |
| 6 | 158332-07-UA4 | EA | ARMREST - SOFA/DUAL - RH - W/SWITCH - LEATHER (UA5, UA6, UA7, UM5) - ULTRALEATHER |
| 6 | 158332-07-UB0 | EA | ARMREST - SOFA/DUAL - RH - W/SWITCH - LEATHER (UB1, UB2, UB3, UM6) - ULTRALEATHER |

CURTAIN & CUSHION GROUP (CONTINUED)
SOFA (CONTINUED)

| KEY | PART NUMBER | U/M | DESCRIPTION |
|------------|--------------------|------------|--------------------------------------------------------------------------------------|
| | 158332-A1-UA0 | EA | COVER/ARMREST - SOFA/RIGHT HAND (UA1, UA2, UA3, UM4) |
| | 158332-A1-UA4 | EA | COVER/ARMREST - SOFA/RIGHT HAND (UA5, UA6, UA7, UM5) |
| | 158332-A1-UB0 | EA | COVER/ARMREST - SOFA/RIGHT HAND (UB1, UB2, UB3, UM6) |
| | 158332-A3-UA0 | EA | COVER/ARMREST - SOFA/RIGHT HAND - LEATHER (UA1, UA2, UA3, UM4) - ULTRALEATHER |
| | 158332-A3-UA4 | EA | COVER/ARMREST - SOFA/RIGHT HAND - LEATHER (UA5, UA6, UA7, UM5) - ULTRALEATHER |
| | 158332-A3-UB0 | EA | COVER/ARMREST - SOFA/RIGHT HAND - LEATHER (UB1, UB2, UB3, UM6) - ULTRALEATHER |
| 7 | 158299-03-UA0 | EA | BACK - SOFA/DUAL (UA1, UA2, UA3, UM4) |
| 7 | 158299-03-UA4 | EA | BACK - SOFA/DUAL (UA5, UA6, UA7, UM5) |
| 7 | 158299-03-UB0 | EA | BACK - SOFA/DUAL (UB1, UB2, UB3, UM6) |
| 7 | 158299-04-UA0 | EA | BACK - SOFA/DUAL - LEATHER - ULTRALEATHER |
| | 158299-A3-UA0 | EA | COVER/BACK - DUAL SOFA (UA1, UA2, UA3, UM4) |
| | 158299-A3-UA4 | EA | COVER/BACK - DUAL SOFA (UA5, UA6, UA7, UM5) |
| | 158299-A3-UB0 | EA | COVER/BACK - DUAL SOFA (UB1, UB2, UB3, UM6) |
| | 158299-A4-UA0 | EA | COVER/BACK - DUAL SOFA - LEATHER - ULTRALEATHER |
| 8 | 158300-03-UA0 | EA | SEAT - SOFA/SLEEPER - DUAL CONTROLS (UA1, UA2, UA3, UM4) |
| 8 | 158300-03-UA4 | EA | SEAT - SOFA/SLEEPER - DUAL CONTROLS (UA5, UA6, UA7, UM5) |
| 8 | 158300-03-UB0 | EA | SEAT - SOFA/SLEEPER - DUAL CONTROLS (UB1, UB2, UB3, UM6) |
| 8 | 158300-04-UA0 | EA | SEAT - SOFA/SLEEPER - DUAL CONTROLS - LEATHER - ULTRALEATHER |
| | 158300-A3-UA0 | EA | COVER/SEAT - SOFA/DUAL (UA1, UA2, UA3, UM4) |
| | 158300-A3-UA4 | EA | COVER/SEAT - SOFA/DUAL (UA5, UA6, UA7, UM5) |
| | 158300-A3-UB0 | EA | COVER/SEAT - SOFA/DUAL (UB1, UB2, UB3, UM6) |
| | 158300-A4-UA0 | EA | COVER/SEAT - SOFA/DUAL - LEATHER - ULTRALEATHER |
| 9 | 151290-02-000 | EA | FRAME - SEAT - 30" |
| 10 | 136534-27-000 | EA | TRUNDLE FRAME - 26" WIDE/DUAL - W/LINKAGE, LATCH & HANDLE |
| 11 | 121906-01-02B | EA | BRACKET - KICKBOARD - E-COATED |
| 12 | 155647-07-UA0 | EA | TRUNDLE - SOFA/SLEEPER - DUAL CONTROLLED (UA1, UA2, UA3, UM4) |
| 12 | 155647-07-UA4 | EA | TRUNDLE - SOFA/SLEEPER - DUAL CONTROLLED (UA5, UA6, UA7, UM5) |
| 12 | 155647-07-UB0 | EA | TRUNDLE - SOFA/SLEEPER - DUAL CONTROLLED (UB1, UB2, UB3, UM6) |
| 12 | 155647-08-UA0 | EA | TRUNDLE - SOFA/SLEEPER - DUAL CONTROLLED - LEATHER - ULTRALEATHER |
| | 155647-A7-UA0 | EA | COVER/TRUNDLE - SOFA/SLEEPER - DUAL (UA1, UA2, UA3, UM4) |
| | 155647-A7-UA4 | EA | COVER/TRUNDLE - SOFA/SLEEPER - DUAL (UA5, UA6, UA7, UM5) |
| | 155647-A7-UB0 | EA | COVER/TRUNDLE - SOFA/SLEEPER - DUAL (UB1, UB2, UB3, UM6) |
| | 155647-A8-UA0 | EA | COVER/TRUNDLE - SOFA/SLEEPER - DUAL - LEATHER - ULTRALEATHER |
| 13 | NOT USED | | |
| 14 | 151290-14-000 | EA | FRAME - BASE - 27.25" X 30" X 10.5" - LEFT |
| 14 | 151290-15-000 | EA | FRAME - BASE - 27.25" X 30" X 10.5" - RIGHT |
| 15 | NOT USED | | |
| 16 | NOT USED | | |
| 17 | 136534-32-000 | EA | BRACKET - DUAL BASE |
| 18 | 136534-25-000 | EA | FRAME/BACK - FOR DUAL REST EASY SOFA - ONE SIDE ONLY |
| 19 | 101926-01-02A | EA | BRACKET - ZEE - 2" - BLACK |

COMPONENT PARTS FOR SOFA

136534-02-000, 136534-03-000, 136534-13-000, 136534-15-000

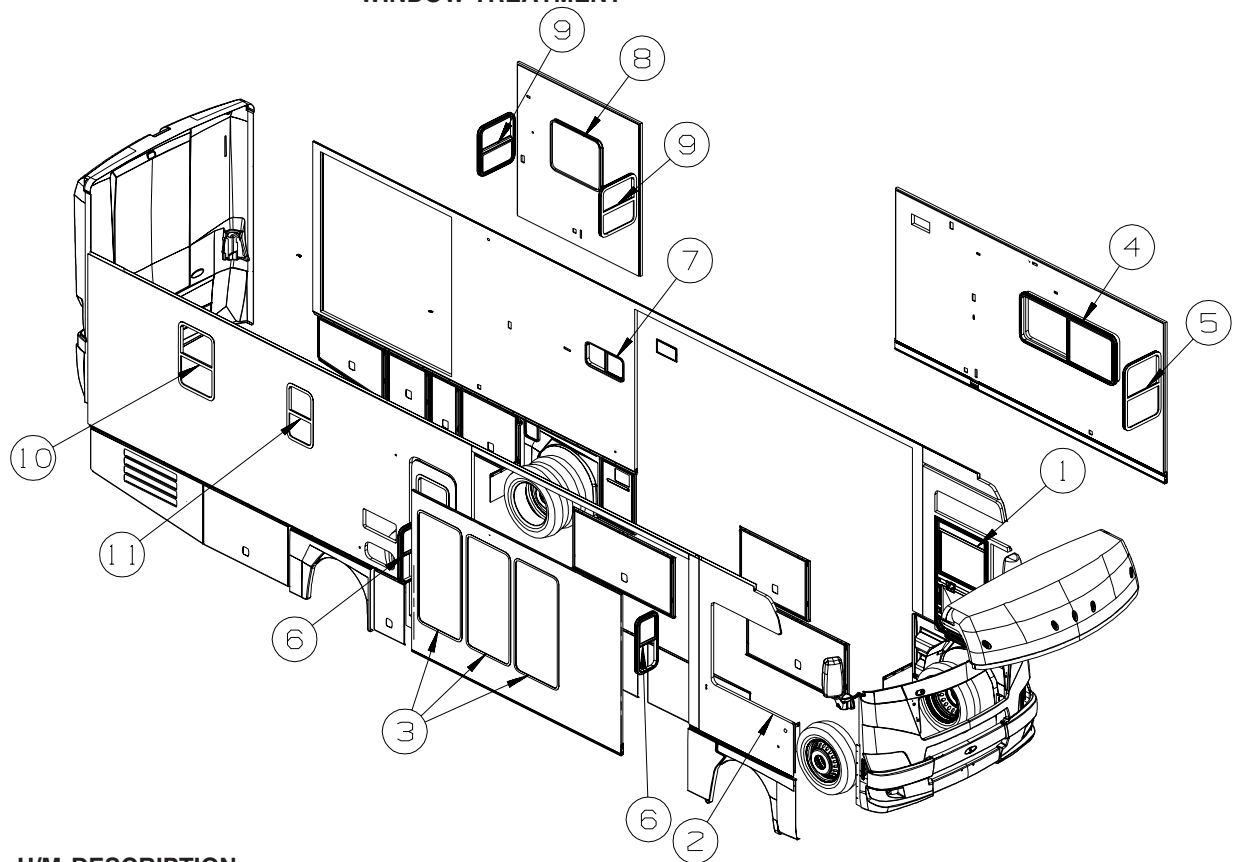
| KEY | PART NUMBER | U/M | DESCRIPTION | VENDOR NO. |
|------------|--------------------|------------|------------------------------|-------------------|
| | 136534-02-700 | EA | MOTOR | 9PL-MO-W/T-1 |
| | 136534-02-701 | EA | CABLE/DRV MTR-REST EASY SOFA | 9PL-FCA27.75 |

136534-17-000

| KEY | PART NUMBER | U/M | DESCRIPTION | VENDOR NO. |
|------------|--------------------|------------|------------------------|-------------------|
| | 136534-07-701 | EA | WHEEL - NYLON - 1 5/8" | 9WHEEL-1.62 |

CURTAIN & CUSHION GROUP (CONTINUED)

WINDOW TREATMENT



| KEY | PART NUMBER | U/M | DESCRIPTION |
|-----|---------------|-----|------------------------------------------------------|
| 1 | 147460-04-T77 | EA | CURTAIN - DRVR/WRAP/PRIVACY/PLEATED - 42.5" X 146.8" |
| 2* | 147460-05-T77 | EA | CURTAIN - PASS/WRAP/PRIVACY/PLEATED - 42.5" X 146.8" |
| 3 | 149911-28-UA0 | EA | VALANCE - REMINGTON - 91" (UA1, UA2, UA3, UM4) |
| 3 | 149911-32-UA4 | EA | VALANCE - REMINGTON - 91" (UA5, UA6, UA7, UM5) |
| 3 | 149911-28-UB0 | EA | VALANCE - REMINGTON - 91" (UB1, UB2, UB3, UM6) |
| 3 | 152445-57-UA1 | EA | LEG - RIGHT - 60" (UA1, UA2, UA3, UM4) |
| 3 | 152445-45-UA5 | EA | LEG - RIGHT - 60" (UA5, UA6, UA7, UM5) |
| 3 | 152445-57-UB1 | EA | LEG - RIGHT - 60" (UB1, UB2, UB3, UM6) |
| 3 | 152445-58-UA1 | EA | LEG - LEFT - 60" (UA1, UA2, UA3, UM4) |
| 3 | 152445-46-UA4 | EA | LEG - LEFT - 60" (UA5, UA6, UA7, UM5) |
| 3 | 152445-58-UB1 | EA | LEG - LEFT - 60" (UB1, UB2, UB3, UM6) |
| 3 | 155514-15-UA1 | EA | LEG - CENTER - 60" (UA1, UA2, UA3, UM4) |
| 3 | 155514-13-UA5 | EA | LEG - CENTER - 60" (UA5, UA6, UA7, UM5) |
| 3 | 155514-15-UB1 | EA | LEG - CENTER - 60" (UB1, UB2, UB3, UM6) |
| 3 | 140789-78-T77 | EA | BLIND - DAY/NIGHTER - 27.5" X 62" |
| 4 | 149911-29-UA0 | EA | VALANCE - REMINGTON - 62.5" (UA1, UA2, UA3, UM4) |
| 4 | 149911-33-UA4 | EA | VALANCE - REMINGTON - 62.5" (UA5, UA6, UA7, UM5) |
| 4 | 149911-29-UB0 | EA | VALANCE - REMINGTON - 62.5" (UB1, UB2, UB3, UM6) |
| 4 | 152445-47-UA0 | EA | LEG - RIGHT - 27" (UA1, UA2, UA3, UM4) |
| 4 | 152445-09-UA4 | EA | LEG - RIGHT - 27" (UA5, UA6, UA7, UM5) |
| 4 | 152445-47-UB0 | EA | LEG - RIGHT - 27" (UB1, UB2, UB3, UM6) |
| 4 | 152445-48-UA0 | EA | LEG - LEFT - 27" (UA1, UA2, UA3, UM4) |
| 4 | 152445-10-UA4 | EA | LEG - LEFT - 27" (UA5, UA6, UA7, UM5) |
| 4 | 152445-48-UB0 | EA | LEG - LEFT - 27" (UB1, UB2, UB3, UM6) |
| 4 | 140789-69-T77 | EA | BLIND - DAY/NIGHTER - 59" X 30" |
| 5 | 149911-30-UA0 | EA | VALANCE - REMINGTON - 27" (UA1, UA2, UA3, UM4) |
| 5 | 149911-34-UA4 | EA | VALANCE - REMINGTON - 27" (UA5, UA6, UA7, UM5) |
| 5 | 149911-30-UB0 | EA | VALANCE - REMINGTON - 27" (UB1, UB2, UB3, UM6) |
| 5 | 159953-07-UA1 | EA | LEG - RIGHT - 35" (UA1, UA2, UA3, UM4) |
| 5 | 159953-01-UA5 | EA | LEG - RIGHT - 35" (UA5, UA6, UA7, UM5) |
| 5 | 159953-07-UB1 | EA | LEG - RIGHT - 35" (UB1, UB2, UB3, UM6) |
| 5 | 159953-08-UA1 | EA | LEG - LEFT - 35" (UA1, UA2, UA3, UM4) |
| 5 | 159953-02-UA5 | EA | LEG - LEFT - 35" (UA5, UA6, UA7, UM5) |
| 5 | 159953-08-UB1 | EA | LEG - LEFT - 35" (UB1, UB2, UB3, UM6) |
| 5 | 140789-71-T77 | EA | BLIND - DAY/NIGHTER - 23" X 36" |

CURTAIN & CUSHION GROUP (CONTINUED)
WINDOW TREATMENT (CONTINUED)

| KEY | PART NUMBER | U/M | DESCRIPTION |
|-----|---------------|-----|----------------------------------------------------------------|
| 6 | 149911-31-UA0 | EA | VALANCE - REMINGTON - 15" (UA1, UA2, UA3, UM4) |
| 6 | 149911-35-UA4 | EA | VALANCE - REMINGTON - 15" (UA5, UA6, UA7, UM5) |
| 6 | 149911-31-UB0 | EA | VALANCE - REMINGTON - 15" (UB1, UB2, UB3, UM6) |
| 6 | 140789-51-T89 | EA | BLIND - DAY/NIGHTER - 14.5" X 32" |
| 7 | 109041-72-02A | EA | BLIND - MINI - 26" X 13.5" |
| 8 | 149911-36-UA0 | EA | VALANCE - REMINGTON - 35.5" (UA1, UA2, UA3, UM4) |
| 8 | 149911-40-UA4 | EA | VALANCE - REMINGTON - 35.5" (UA5, UA6, UA7, UM5) |
| 8 | 149911-36-UB1 | EA | VALANCE - REMINGTON - 35.5" (UB1, UB2, UB3, UM6) |
| 8 | 152664-23-UA0 | EA | LEG - RIGHT - 26" (UA1, UA2, UA3, UM4) |
| 8 | 152664-29-T97 | EA | LEG - RIGHT - 26" (UA5, UA6, UA7, UM5) |
| 8 | 152664-23-UB0 | EA | LEG - RIGHT - 26" (UB1, UB2, UB3, UM6) |
| 8 | 152664-24-UA0 | EA | LEG - LEFT - 26" (UA1, UA2, UA3, UM4) |
| 8 | 152664-30-T97 | EA | LEG - LEFT - 26" (UA5, UA6, UA7, UM5) |
| 8 | 152664-24-UB0 | EA | LEG - LEFT - 26" (UB1, UB2, UB3, UM6) |
| 8 | 140789-26-N42 | EA | BLIND - DAY/NIGHTER - 32" X 28.5" |
| 9 | 149911-37-UA0 | EA | VALANCE - REMINGTON - 26.5" (UA1, UA2, UA3, UM4) |
| 9 | 149911-41-UA4 | EA | VALANCE - REMINGTON - 26.5" (UA5, UA6, UA7, UM5) |
| 9 | 149911-37-UB1 | EA | VALANCE - REMINGTON - 26.5" (UB1, UB2, UB3, UM6) |
| 9 | 159953-21-UA1 | EA | LEG - RIGHT - 26" (UA1, UA2, UA3, UM4) |
| 9 | 159953-19-UA5 | EA | LEG - RIGHT - 26" (UA5, UA6, UA7, UM5) |
| 9 | 159953-21-UB1 | EA | LEG - RIGHT - 26" (UB1, UB2, UB3, UM6) |
| 9 | 159953-22-UA1 | EA | LEG - LEFT - 26" (UA1, UA2, UA3, UM4) |
| 9 | 159953-20-UA5 | EA | LEG - LEFT - 26" (UA5, UA6, UA7, UM5) |
| 9 | 159953-22-UB1 | EA | LEG - LEFT - 26" (UB1, UB2, UB3, UM6) |
| 9 | 140789-79-T77 | EA | BLIND - DAY/NIGHTER - 23" X 29" |
| 10 | 149911-38-UA0 | EA | VALANCE - REMINGTON - 24.5" (UA1, UA2, UA3, UM4) |
| 10 | 149911-42-UA4 | EA | VALANCE - REMINGTON - 24.5" (UA5, UA6, UA7, UM5) |
| 10 | 149911-38-UB1 | EA | VALANCE - REMINGTON - 24.5" (UB1, UB2, UB3, UM6) |
| 10 | 140789-71-T77 | EA | BLIND - DAY/NIGHTER - 23" X 36" |
| 11 | 149911-39-UA0 | EA | VALANCE - REMINGTON - 19" (UA1, UA2, UA3, UM4) |
| 11 | 149911-43-UA4 | EA | VALANCE - REMINGTON - 19" (UA5, UA6, UA7, UM5) |
| 11 | 149911-39-UB1 | EA | VALANCE - REMINGTON - 19" (UB1, UB2, UB3, UM6) |
| 11 | 109041-81-01A | EA | BLIND - MINI - 17.5" X 30" |
| | 109802-66-R38 | EA | BLIND - PLEATED - 15.5" X 67" - FRENCH DOORS TO BEDROOM |

*COMPONENT PARTS LISTED LATER IN THIS GROUP

COMPONENT PARTS FOR WINDOW TREATMENT

147460-05-T77

| KEY | PART NUMBER | U/M | DESCRIPTION | VENDOR NO. |
|-----|---------------|-----|----------------|------------|
| | 093487-93-700 | EA | WAND 20" WHITE | |

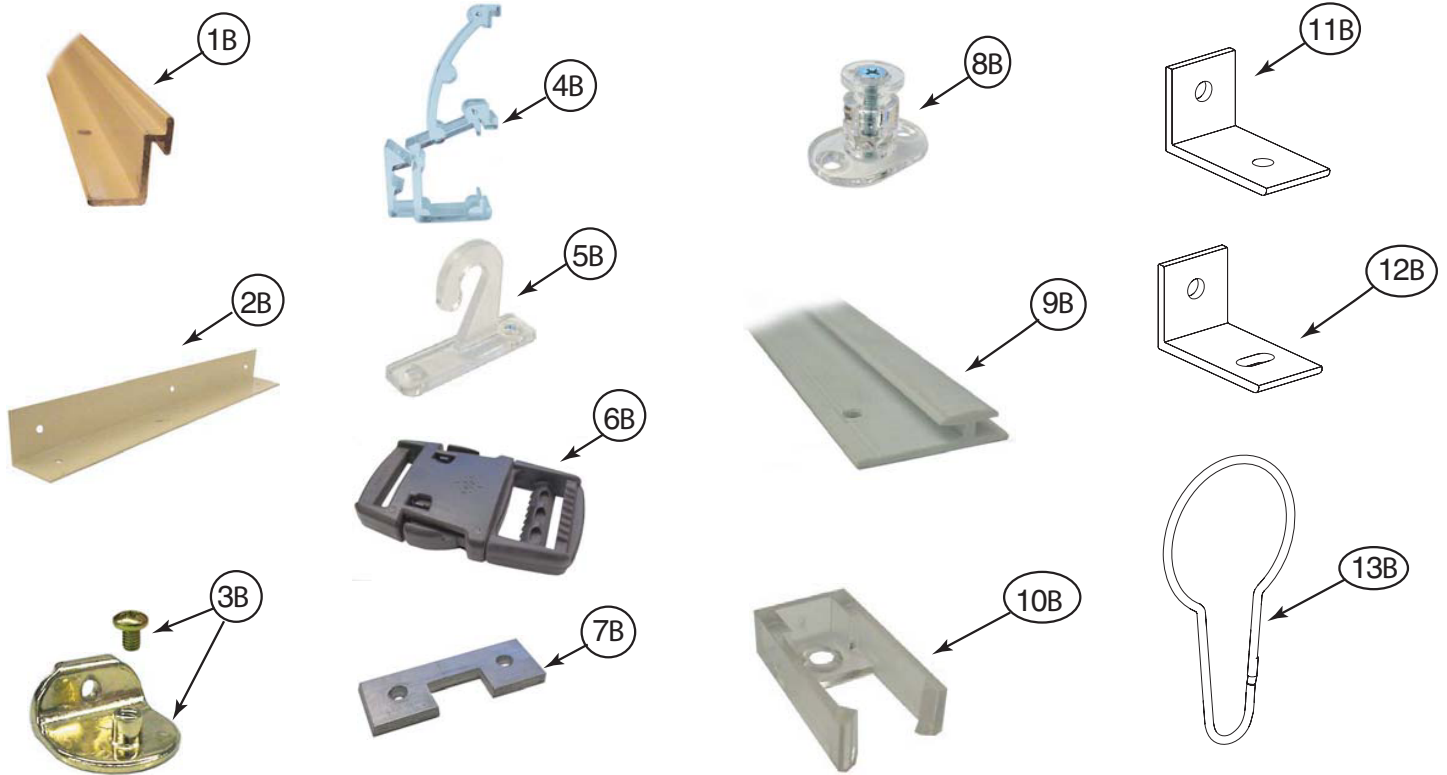
CURTAIN & CUSHION GROUP (CONTINUED)

HARDWARE



| KEY | PART NUMBER | U/M | DESCRIPTION |
|-----|---------------|-----|--------------------------------------------------------|
| 1A | 029155-01-000 | EA | CAP - SNAP - 5/32" OUTSIDE DIAMETER OF PIN |
| 2A | 029156-01-000 | EA | SOCKET - SNAP - 9/16" O.D. |
| 3A | 046867-02-000 | EA | WASHER - HANDY BUTTON #3 |
| 4A | 046867-03-000 | EA | GROMMET - HANDY BUTTON #3 |
| 5A | 075943-10-000 | EA | BRACE - VALANCE - 20" - OFF WHITE |
| 6A | 083170-01-000 | EA | BRACKET/BLIND - LEFT SIDE WHEN FACING WINDOW - CLEAR |
| 7A | 083170-02-000 | EA | BRACKET/BLIND - RIGHT SIDE WHEN FACING WINDOW - CLEAR |
| 8A | 084434-01-000 | EA | BRACKET - MOUNTING - ROLLER SHADE - 1 3/8" |
| 9A | 094896-02-000 | EA | GROMMET - CORD/PLEATED BLIND - NYLON - GRAY |
| 10A | 094907-02-000 | EA | END CAP - PLEATED BLIND/TOP - RH/LH - GRAY PLASTIC |
| 11A | 094907-04-000 | EA | END CAP - PLEATED BLIND/BOTTOM - RH/LH |
| 12A | 094907-09-000 | EA | END CAP/BLIND - CENTER RAIL - RH/LH |
| 13A | 097564-03-000 | EA | HANDLE - KNOB - E-Z LIFT SHADE - TAN |
| | 097593-02-000 | FT | CORD - BLIND - PLEATED - GRAY |
| | 097593-10-000 | FT | CORD - BLIND - PLEATED - VANILLA |
| 14A | 097565-01-000 | EA | BRACKET - MOUNTING - PLEATED BLIND |
| 15A | 097591-01-000 | EA | SPRING - EXTENSION - PLEATED BLIND |
| 15A | 155748-01-000 | EA | SPRING - EXTENSION - DAY/NIGHTER BLIND |
| 16A | 101031-01-000 | YD | TAPE/GLIDE - 4.25" SPACING |
| 17A | 102555-03-000 | EA | BRACKET - (CLEAT TYPE) - F/BLIND HOLDOWN - MILKY WHITE |

CURTAIN & CUSHION GROUP (CONTINUED)
HARDWARE (CONTINUED)



| KEY | PART NUMBER | U/M | DESCRIPTION |
|-----|---------------|-----|---------------------------------------------------------------------------------------------|
| 1B | 105450-14-01A | EA | TRACK-90"-OW - FRT BUNK PRIVACY OUTLOOK/SPIRIT 300-SERIES, ACCESS/IMPULSE 200-SERIES |
| 2B | 105648-01-02A | EA | BRACE - VALANCE - 14" - OFF WHITE |
| 2B | 105648-02-02A | EA | BRACE - VALANCE - 8.5" - OFF WHITE |
| 3B | 106544-01-000 | EA | PULL - SHADE/BRASS |
| 3B | 106544-01-001 | EA | SCREW - SHADE/BRASS |
| 3B | 106544-02-000 | EA | PULL-SHADE - NICKEL |
| 4B | 109353-04-000 | EA | CLIP - VALANCE SLAT MOUNTING - CLEAR PLASTIC |
| 5B | 109441-01-000 | EA | BRACKET/HOOK - BLIND HOLD DOWN |
| 5B | 109441-02-000 | EA | SPACER/BRACKET - BLIND HOLD DOWN |
| 6B | 129491-01-000 | EA | CATCH - SNAP HOOK - 1" |
| 7B | 130549-01-01A | EA | STOP - CURTAIN TRACK |
| 8B | 141634-01-000 | EA | BRACKET-(BOBBIN TYPE) 7/8"H HOLDUPBASE(OVAL)-2 HOLE-CLEAR |
| 9B | 156172-01-01A | EA | TRACK/WALL - 75" - BONE |
| 9B | 156172-02-01A | EA | TRACK/WALL - 32" - BONE |
| 9B | 156172-03-01A | EA | TRACK/WALL - 21" - BONE |
| 10B | 156172-04-01A | EA | END CAP - WALL TRACK - CLEAR |
| 11B | 154316-01-01A | EA | BRACE/ANGLE - W/HOLE - CASHMERE |
| 12B | 154316-02-01A | EA | BRACE/ANGLE - W/SLOT - CASHMERE |
| 13B | 159702-01-01A | EA | HOOK/RING - CURTAIN/SHOWER - NICKEL |

CURTAIN & CUSHION GROUP (CONTINUED)

FABRICS

UA1, UA2, UA3, UM4

106569-15-01A CARPET-NAT.PALETTE,514 CORK - CEILING
137813-W6-000 FABRIC-UPHOSTERY,BEDSPREAD MAIN
137813-W7-000 FABRIC-O/H CABT,BEDROOM
137813-W7-000 FABRIC-BEDSPREAD ACCENT PATTERN ACCENT "A"
137813-Y6-000 FABRIC-BEDSPREAD ACCENT PATTERN ACCENT "B"
139041-67-000 FRINGE-VALANCE,BRUSHED
139041-67-000 FRINGE-VALANCE,BRAIDED
139041-66-000 FRINGE-VALANCE,BRAIDED
142523-17-000 FABRIC-UPHOSTERY,ACCENT PLAIN
079680-47-000 FABRIC-UPHL,SEAT INSERT
148797-P3-000 FABRIC-UPHOSTERY MAIN ONE
148797-P5-000 FABRIC-UPHOLSTERY ACCENT PATTERN
148797-P5-000 FABRIC-SPEAKER COVER
148797-P5-000 FABRIC-O/H CABT,DIN/LOUNGE
148797-P4-000 FABRIC-UPHLSTRY,PLAIN ACCENT
148797-P4-000 FABRIC-DINETTE WRAP DINETTES

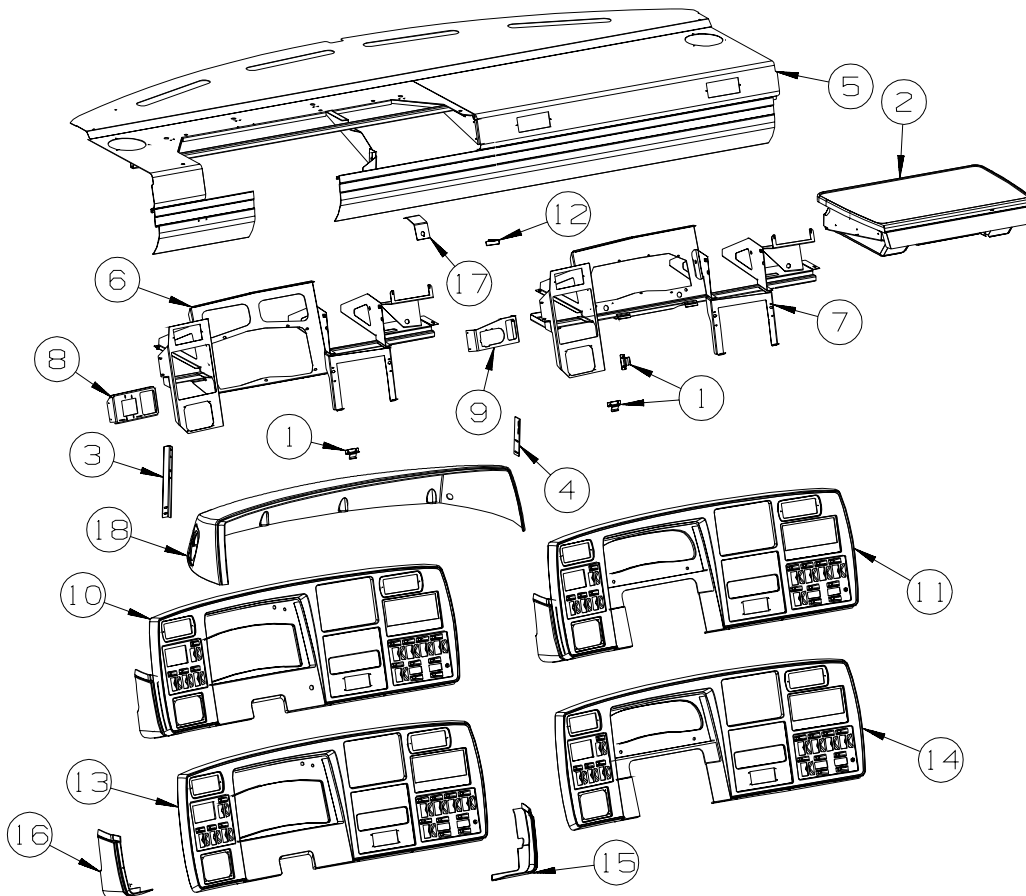
UA5, UA6, UA7, UM5

106569-15-01A CARPET-NAT.PALETTE,514 CORK - CEILING
137813-L8-000 FABRIC-UPHOSTERY,BEDSPREAD MAIN
137813-L9-000 FABRIC-UPHOSTERY,BEDSPREAD PATTERN ACCENT
137813-L9-000 FABRIC-O/H CABT,BEDROOM
137813-M0-000 FABRIC-BEDSPREAD ACCENT PATTERN ACCENT
139041-71-000 FRINGE-VALANCE,BRUSHED
139041-71-000 FRINGE-VALANCE,BRAIDED
139041-70-000 FRINGE-VALANCE,BRAIDED
142523-07-000 FABRIC-UPHOSTERY,ACCENT PLAIN
079680-47-000 FABRIC-UPHL,SEAT INSERT
148797-C5-000 FABRIC-UPHOSTERY MAIN ONE
148797-C7-000 FABRIC-UPHLSTRY,PLAIN ACCENT
148797-D0-000 FABRIC-DINETTE WRAP DINETTES
148797-D0-000 FABRIC-UPHOLSTERY ACCENT PATTERN
148797-D0-000 FABRIC-SPEAKER COVER
148797-D0-000 FABRIC-O/H CABT,DIN/LOUNGE

UB1, UB2, UB3, UM6

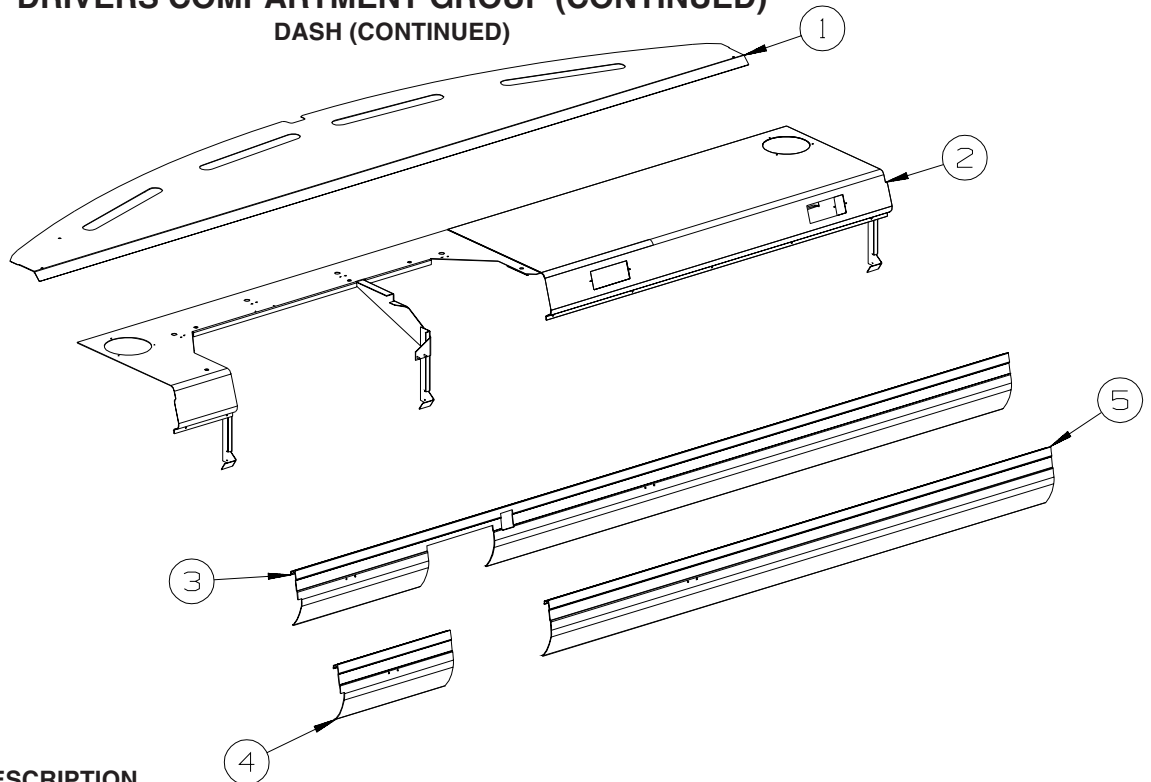
106569-15-01A CARPET-NAT.PALETTE,514 CORK - CEILING
137813-W8-000 FABRIC-UPHOSTERY,BEDSPREAD MAIN
137813-E8-000 FABRIC-UPHOSTERY,BEDSPREAD PATTERN ACCENT
137813-E8-000 FABRIC-O/H CABT,BEDROOM
137813-W9-000 FABRIC-BEDSPREAD ACCENT PATTERN ACCENT
139041-95-000 FRINGE-VALANCE,BRUSHED
139041-95-000 FRINGE-VALANCE,BRAIDED
139041-96-000 FRINGE-VALANCE,BRAIDED
142523-11-000 FABRIC-UPHOSTERY,ACCENT PLAIN
079680-47-000 FABRIC-UPHL,SEAT INSERT
148797-P6-000 FABRIC-UPHOSTERY MAIN ONE
148797-P7-000 FABRIC-UPHLSTRY,PLAIN ACCENT
148797-P7-000 FABRIC-DINETTE WRAP DINETTES
148797-P8-000 FABRIC-UPHOLSTERY ACCENT PATTERN
148797-P8-000 FABRIC-SPEAKER COVER
148797-P8-000 FABRIC-O/H CABT,DIN/LOUNGE
148797-P8-000 FABRIC-LOUNGE TRIM UPHOLSTERY

DRIVERS COMPARTMENT GROUP DASH



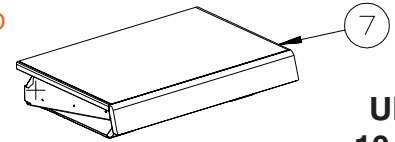
| KEY | PART NUMBER | U/M | DESCRIPTION |
|-----|---------------|-----|-----------------------------------------------------------------------------------------------------------|
| 1 | 073050-04-000 | EA | CLIP/MOUNTING - VALANCE PANEL |
| 2 | 135298-03-U93 | EA | TABLE COMPLETE - WORKSTATION - CASHMERE |
| 2 | 159688-01-U94 | EA | TABLE COMPLETE - WORKSTATION - CASHMERE FROM: 00-00-00 THRU: 10-01-06 FROM: 10-02-06 THRU: 99-99-99 |
| 3 | 128692-01-02B | EA | ANGLE - FORMED, DASH SUPPORT, EC |
| 4 | 139603-01-02B | EA | STRAP - DASH SUPPORT, CTR , E-CT |
| 5 | 147887-02-T81 | EA | DASH - COMPLETE - WORKHORSE |
| 5 | 147887-04-T81 | EA | DASH - COMPLETE - FORD |
| | 106569-11-09A | EA | VINYL - LAMINATE - 1/4" X 25" X 100" - DRIFTWOOD |
| 6 | 147889-01-02B | EA | REINFORCEMENT ASM - I/P, E-CT - WORKHORSE |
| 7 | 153469-01-02B | EA | REINFORCEMENT ASM - IP, E-CT - FORD |
| 8 | 148890-01-04B | EA | MOUNT - HEADLAMP SWITCH/FACE PLATE - METAL/BLACK - WORKHORSE |
| 9 | 153454-01-02B | EA | MOUNT - HEADLAMP SWITCH/FACE PLATE - METAL/BLACK - FORD |
| 10 | 159089-01-U93 | EA | POD - INSTRUMENT PANEL - WORKHORSE |
| 11 | 159089-02-U93 | EA | POD - INSTRUMENT PANEL - FORD |
| 12 | 139427-02-02B | EA | STRAP - MOUNT, BEZEL, E-CT |
| 13 | 159047-01-02A | EA | BEZEL - INSTRUMENT PANEL - WORK HORSE - CASHMERE - WORKHORSE |
| 14 | 159047-02-02A | EA | BEZEL - INSTRUMENT PANEL - FORD - CASHMERE - FORD |
| 15 | 148252-02-20A | EA | POD - INSTRUMENT PANEL - LOWER/RIGHT HAND - CASHMERE |
| 16 | 148253-02-20A | EA | POD - INSTRUMENT PANEL - LOWER/LEFT HAND - CASHMERE |
| 17 | 149143-01-02B | EA | SUPPORT - PARK BRAKE SW |
| 18 | 147890-03-20A | EA | POD - INSTRUMENT PANEL - CASHMERE |

DRIVERS COMPARTMENT GROUP (CONTINUED) DASH (CONTINUED)

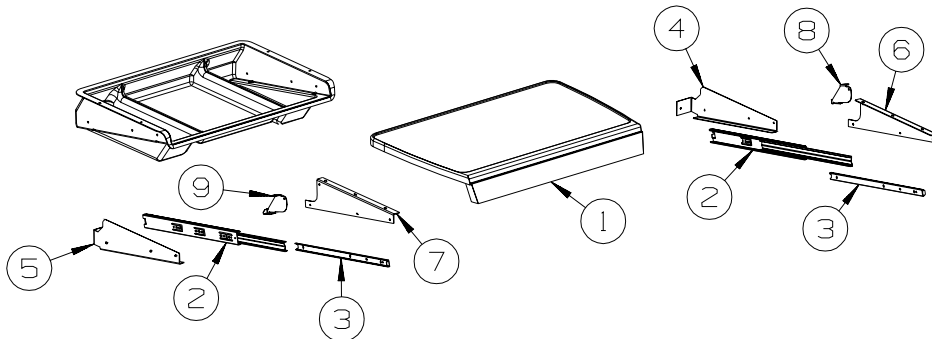
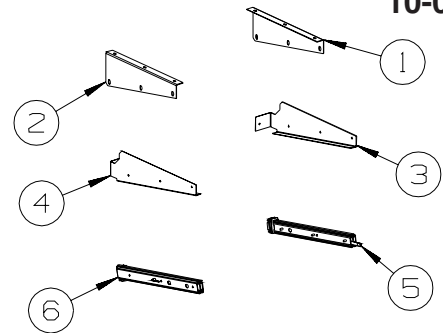


| KEY | PART NUMBER | U/M | DESCRIPTION |
|-----|---------------|-----|-------------------------------------------------------------|
| 1 | 132126-02-02B | EA | PANEL - DASH TOP - E-COATED |
| 2 | 147888-02-02B | EA | DASH ASM |
| 3 | 148214-01-02A | EA | TRIM - DASH/LOWER - WORKHORSE - CASHMERE - WORKHORSE |
| 4 | 148214-02-02A | EA | TRIM - DASH/LOWER LEFT - FORD - CASHMERE - FORD |
| 5 | 148214-03-02A | EA | TRIM - DASH/LOWER RIGHT - FORD - CASHMERE - FORD |

| KEY | PART NUMBER | U/M | DESCRIPTION |
|-----|---------------|-----|--------------------------------------------|
| 1 | 135132-03-02B | EA | ANGLE-SLIDE,RH |
| 2 | 135132-04-02B | EA | ANGLE-SLIDE,LH |
| 3 | 135228-01-02B | EA | ANGLE - SLIDE - TRAY/RIGHT HAND - E-COATED |
| 4 | 135228-02-02B | EA | ANGLE - SLIDE - TRAY/LEFT HAND - E-COATED |
| 5 | 135314-01-01A | EA | SLIDE - DASH WORK STATION - RIGHT HAND |
| 6 | 135314-02-01A | EA | SLIDE - DASH WORK STATION - LEFT HAND |
| 7 | 135122-03-U89 | EA | TABLE TOP - PULLOUT/WORKSTATION |



**UP TO
10-01-06**

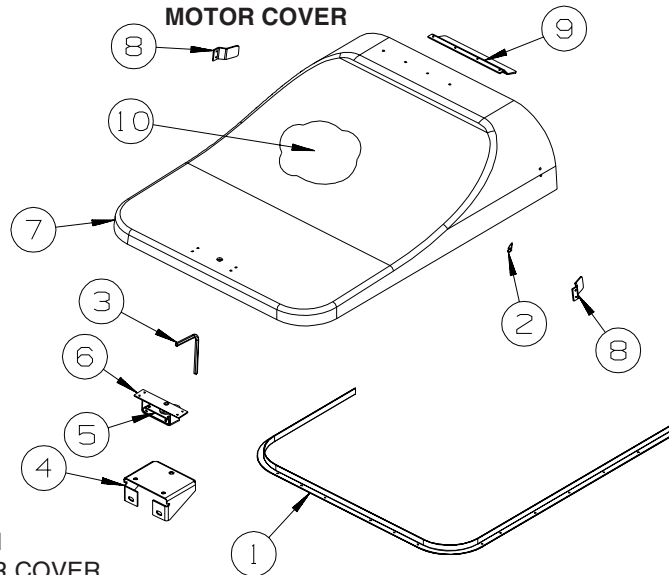


**AFTER
10-02-06**

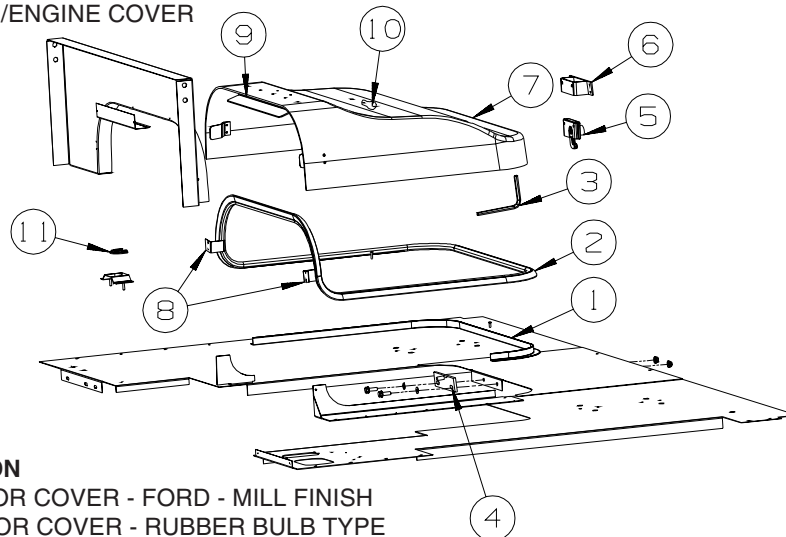
| KEY | PART NUMBER | U/M | DESCRIPTION |
|-----|---------------|-----|--------------------------------------------|
| 1 | 135122-03-U89 | EA | TABLE TOP - PULLOUT/WORKSTATION |
| 2 | 153000-05-01A | EA | SLIDE - CABINET MOUNT - 15.7" |
| 3 | 153000-06-01A | EA | SLIDE - DRAWER MOUNT - 15.7" |
| 4 | 159689-01-02B | EA | ANGLE - SLIDE - TRAY/RIGHT HAND - E-COATED |
| 5 | 159689-02-02B | EA | ANGLE - SLIDE - TRAY/LEFT HAND - E-COATED |
| 6 | 159690-01-02B | EA | ANGLE-SLIDE,RH |
| 7 | 159690-02-02B | EA | ANGLE-SLIDE,LH |
| 8 | 159722-01-02B | EA | CATCH - TABLE/DASH - E-COATED - RH |
| 9 | 159722-02-02B | EA | CATCH - TABLE/DASH - E-COATED - LH |

DRIVERS COMPARTMENT GROUP (CONTINUED)

WORKHORSE



| KEY | PART NUMBER | U/M | DESCRIPTION |
|-----|---------------|-----|--------------------------------------------------------|
| 1 | 137332-01-01A | EA | TRIM - MOTOR COVER |
| 2 | 039623-01-000 | FT | SEAL - MOTOR COVER - RUBBER BULB TYPE |
| 3 | 116833-01-02B | EA | WRENCH - HEX MOTOR COVER - E-COATED |
| 4 | 137305-02-02B | EA | BRACKET - STRIKE SUPPORT - E-COATED |
| 5 | 116581-01-000 | EA | LATCH - W/O STRIKE - MOTOR COVER |
| 6 | 115850-01-02B | EA | RETAINER - LATCH - MOTOR COVER - RIGHT HAND - E-COATED |
| 7 | 137097-02-T93 | EA | COVER - MOTOR - W/CARPET (UA1, UA2, UA3, UM4) |
| 7 | 137097-02-U93 | EA | COVER - MOTOR - W/CARPET (UA5, UA6, UA7, UM5) |
| 7 | 137097-02-U97 | EA | COVER - MOTOR - W/CARPET (UB1, UB2, UB3, UM6) |
| | 137096-01-01A | EA | COVER - MOTOR - W/O CARPET |
| 8 | 115855-04-02B | EA | RETAINER - MOTOR COVER/SIDE - E-COATED |
| 9 | 115855-03-02B | EA | RETAINER - MOTOR COVER/TOP - E-COATED |
| 10 | 134497-01-000 | SF | FOIL/ALUMINUM - REINFORCED |
| | 140168-01-000 | EA | INSULATION/ENGINE COVER |

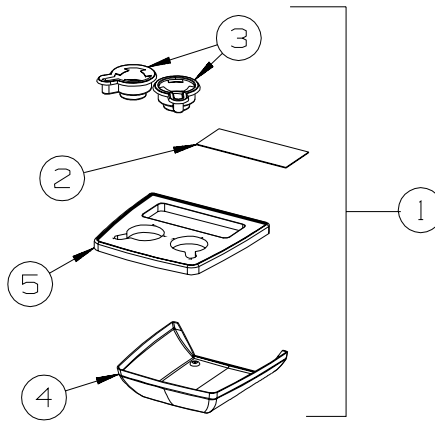


FORD

| KEY | PART NUMBER | U/M | DESCRIPTION |
|-----|---------------|-----|--------------------------------------------------------|
| 1 | 115860-06-01A | EA | TRIM - MOTOR COVER - FORD - MILL FINISH |
| 2 | 039623-01-000 | FT | SEAL - MOTOR COVER - RUBBER BULB TYPE |
| 3 | 116833-01-02B | EA | WRENCH - HEX MOTOR COVER - E-COATED |
| 4 | 115852-01-02B | EA | STRIKE - LATCH - MOTOR COVER - E-COATED |
| 5 | 116581-01-000 | EA | LATCH - W/O STRIKE - MOTOR COVER |
| 6 | 115850-01-02B | EA | RETAINER - LATCH - MOTOR COVER - RIGHT HAND - E-COATED |
| 7 | 153971-01-U90 | EA | COVER - MOTOR - W/CARPET (UA1, UA2, UA3, UM4) |
| 7 | 153971-01-U93 | EA | COVER - MOTOR - W/CARPET (UA5, UA6, UA7, UM5) |
| 7 | 153971-01-U97 | EA | COVER - MOTOR - W/CARPET (UB1, UB2, UB3, UM6) |
| | 153970-01-01A | EA | COVER - MOTOR - W/O CARPET - FORD |
| 8 | 115855-04-02B | EA | RETAINER - MOTOR COVER/SIDE - E-COATED |
| 9 | 115855-01-02B | EA | RETAINER - MOTOR COVER/TOP - E-COATED |
| 10 | 134497-01-000 | SF | FOIL/ALUMINUM - REINFORCED |
| 11 | 143798-01-02A | EA | CATCH - FLOOR TO TABLE LEG - ALMOND |

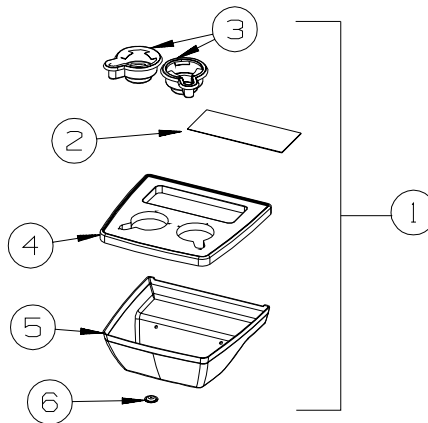
DRIVERS COMPARTMENT GROUP (CONTINUED)

BEVERAGE TRAY



WORKHORSE

| KEY | PART NUMBER | U/M | DESCRIPTION |
|-----|---------------|-----|-------------------------------------------------------------|
| 1 | 148922-02-UA0 | EA | TRAY - BEVERAGE - W/CONVENIENCE TRAY - CASHMERE/FUSION JAZZ |
| 2 | 122717-11-01A | EA | PAD - NON-SKID - PSA - 4.5" X 11" |
| 3 | 133831-01-01A | EA | HOLDER - CUP W/THREE CENTERLINE RUBBER FINGERS |
| 4 | 148818-01-20A | EA | COVER - BEVERAGE TRAY - BOTTOM - CASHMERE |
| 5 | 148918-01-03A | EA | TRAY - BEVERAGE CENTER - FUSION JAZZ |
| 5 | 150352-02-01A | EA | APPLIQUE - BEVERAGE TRAY - ROMAN BRONZE |

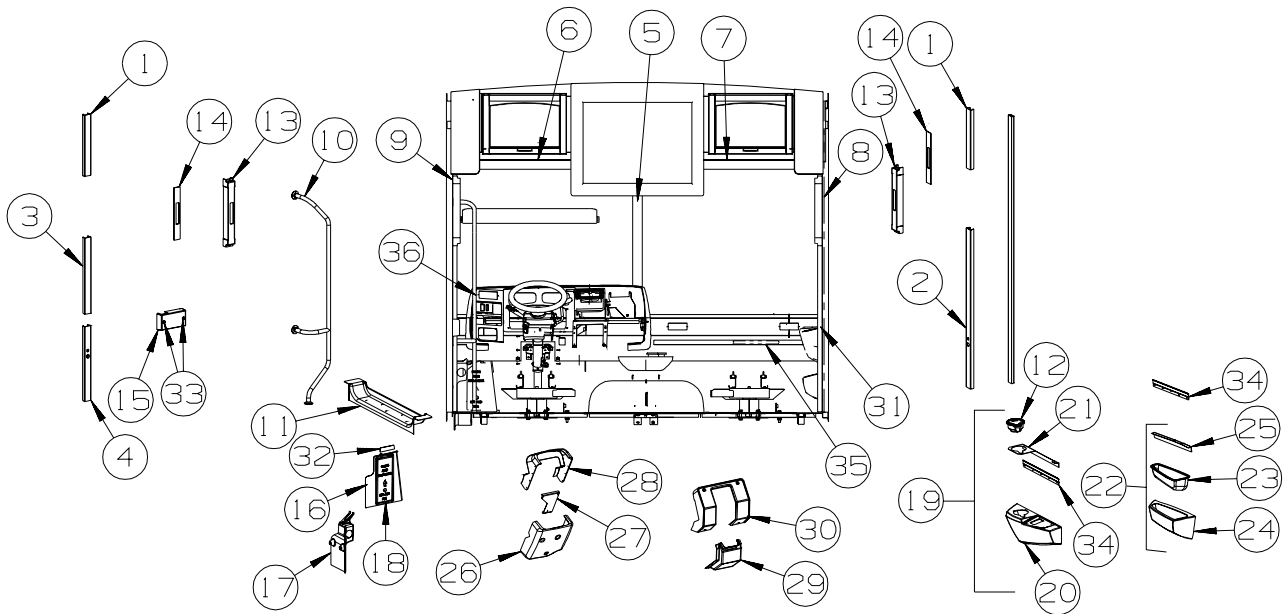


FORD

| KEY | PART NUMBER | U/M | DESCRIPTION |
|-----|---------------|-----|-------------------------------------------------|
| 1 | 149301-04-UA0 | EA | TRAY - BEVERAGE - W/CONVENIENCE TRAY - CASHMERE |
| 2 | 122717-11-01A | EA | PAD - NON-SKID - PSA - 4.5" X 11" |
| 3 | 133831-01-01A | EA | HOLDER - CUP W/THREE CENTERLINE RUBBER FINGERS |
| 4 | 148918-01-03A | EA | TRAY - BEVERAGE CENTER - FUSION JAZZ |
| 4 | 150352-02-01A | EA | APPLIQUE - BEVERAGE TRAY - ROMAN BRONZE |
| 5 | 149256-02-20A | EA | COVER - BEVERAGE TRAY BOTTOM - CASHMERE |
| 6 | 143798-02-02A | EA | CATCH - TABLE LEG TO FLOOR - ALMOND |

DRIVERS COMPARTMENT GROUP (CONTINUED)

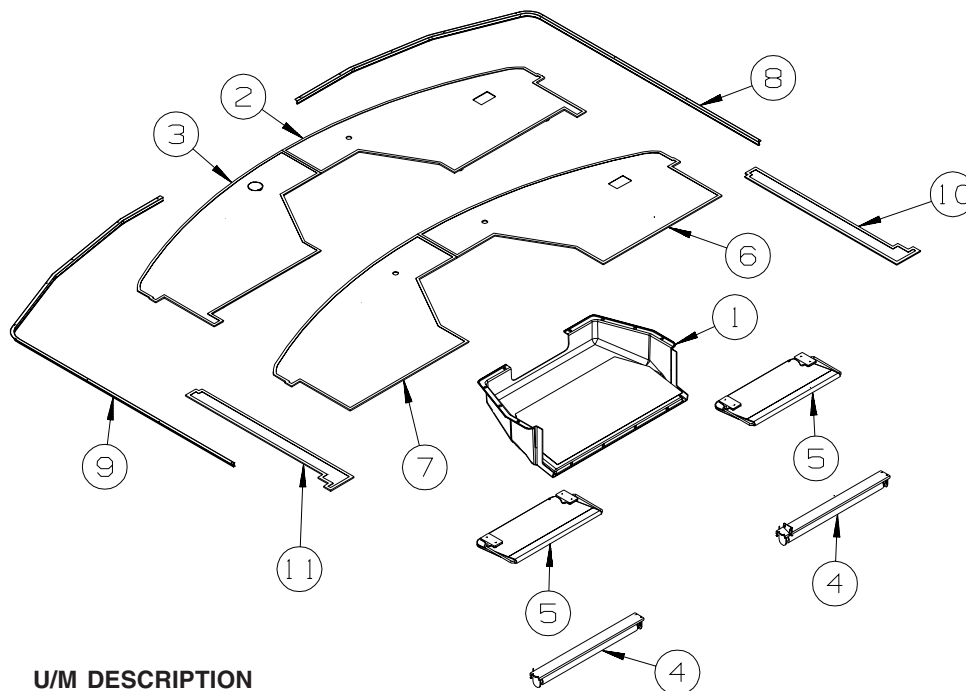
FRONT INTERIOR



| KEY | PART NUMBER | U/M | DESCRIPTION |
|-----|---------------|-----|-----------------------------------------------------------------------------------|
| 1 | 024700-58-000 | EA | COVER - ROLL BAR - SIDEWALL - 16.5" - OFF WHITE FROM: 00-00-00 THRU: 07-31-06 |
| 1 | 024700-71-000 | EA | COVER - ROLL BAR - SIDEWALL - 16.5" - MEDIUM OAK FROM: 08-01-06 THRU: 99-99-99 |
| 2 | 024700-59-000 | EA | COVER - ROLL BAR - SIDEWALL - 44.1" - OFF WHITE FROM: 00-00-00 THRU: 07-31-06 |
| 2 | 024700-72-000 | EA | COVER - ROLL BAR - SIDEWALL - 44.1" - MEDIUM OAK FROM: 08-01-06 THRU: 99-99-99 |
| 3 | 024700-66-000 | EA | COVER - ROLL BAR - SIDEWALL - 20.6" - OFF WHITE FROM: 00-00-00 THRU: 07-31-06 |
| 3 | 024700-73-000 | EA | COVER - ROLL BAR - SIDEWALL - 20.6" - MEDIUM OAK FROM: 08-01-06 THRU: 99-99-99 |
| 4 | 024700-67-000 | EA | COVER - ROLL BAR - SIDEWALL - 20.1" - OFF WHITE FROM: 00-00-00 THRU: 07-31-06 |
| 4 | 024700-74-000 | EA | COVER - ROLL BAR - SIDEWALL - 20.1" - MEDIUM OAK FROM: 08-01-06 THRU: 99-99-99 |
| 5 | 118452-04-20A | EA | TRIM - WINDSHIELD/CENTER - CASHMERE |
| 6 | 118453-04-05A | EA | TRIM - WINDSHIELD - INNER/TOP/DRIVER - CASHMERE |
| 7 | 118453-03-05A | EA | TRIM - WINDSHIELD - INNER/TOP/PASSENGER - CASHMERE |
| 8 | 125508-01-05A | EA | TRIM - A-PILLAR - PASSENGER/INTERIOR - CASHMERE |
| 9 | 125508-02-05A | EA | TRIM - A-PILLAR - DRIVER/INTERIOR - CASHMERE |
| 10 | 131058-04-02A | EA | HAND RAIL - INTERIOR CAB DOOR - BLACK |
| 11 | 131849-01-20A | EA | TRIM/STEP - DRIVER DOOR - CASHMERE |
| | 102569-02-000 | EA | MAT - ANTI SLIP - LOWER |
| 12 | 133831-01-01A | EA | HOLDER - CUP W/THREE CENTERLINE RUBBER FINGERS |
| 13 | 140151-01-01A | EA | COVER - SEAT BELT - OFF WHITE FROM: 00-00-00 THRU: 07-31-06 |
| 13 | 140151-01-02A | EA | COVER - SEAT BELT - MEDIUM OAK FROM: 08-01-06 THRU: 99-99-99 |
| 14 | 140151-03-01A | EA | COVER - SEAT BELT SLIDE - BLACK FROM: 00-00-00 THRU: 07-31-06 |
| 14 | 140151-03-02A | EA | COVER - SEAT BELT SLIDE - MEDIUM OAK FROM: 08-01-06 THRU: 99-99-99 |
| 15 | 141072-01-01A | EA | COVER - BRACKET/LATCH - OFF WHITE FROM: 00-00-00 THRU: 07-31-06 |
| 15 | 141072-01-02A | EA | COVER - BRACKET/LATCH - MEDIUM OAK FROM: 08-01-06 THRU: 99-99-99 |

DRIVERS COMPARTMENT GROUP (CONTINUED)
FRONT INTERIOR (CONTINUED)

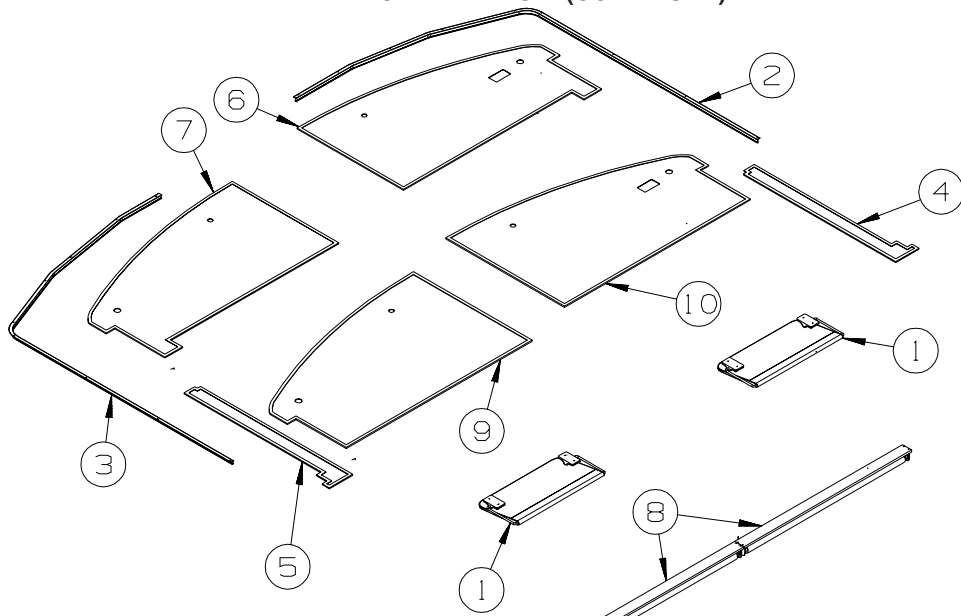
| KEY | PART NUMBER | U/M | DESCRIPTION |
|-----|---------------|-----|-----------------------------------------------------------------|
| 16 | 148824-01-20A | EA | PANEL/TRIM - FUSE PANEL/LEFT HAND - CASHMERE - WORKHORSE |
| 16 | 148824-02-20A | EA | PANEL/TRIM - FUSE PANEL/LEFT HAND - CASHMERE - FORD |
| 17 | 148825-01-20A | EA | PANEL/TRIM - UNDER DASH/LEFT HAND - CASHMERE |
| 18 | 148826-01-20A | EA | PANEL/DOOR - FUSE PANEL/LEFT HAND - CASHMERE |
| 19 | 148829-01-S64 | EA | PANEL - PASSENGER SIDE/UPPER - CASHMERE |
| 20 | 148830-01-20A | EA | PANEL - PASSENGER SIDE - UPPER - CASHMERE |
| 21 | 149218-01-02B | EA | BRACKET - MOUNTING - CUPHOLDER - E-COATED |
| 22 | 148831-01-S64 | EA | PANEL - PASSENGER SIDE/LOWER - CASHMERE |
| 23 | 148828-01-20A | EA | POCKET/STORAGE - PASSENGER SIDE - CASHMERE |
| 24 | 148832-01-20A | EA | PANEL - PASSENGER SIDE - LOWER - CASHMERE |
| 25 | 149229-01-02B | EA | BRACKET - PANEL MOUNTING - E-COATED |
| 26 | 148763-01-20A | EA | COVER - STEERING COLUMN - LOWER - CASHMERE - WORKHORSE |
| 27 | 148806-01-02B | EA | MOUNT ASM-STEERING COVE, E-CT - WORKHORSE |
| 28 | 150784-01-20A | EA | COVER - STEERING COLUMN - UPPER - CASHMERE - WORKHORSE |
| 29 | 125795-01-20A | EA | COVER - STEERING COLUMN/LOWER - CASHMERE - FORD |
| 30 | 148815-01-20A | EA | COVER - STEERING COLUMN - LOWER - CASHMERE - FORD |
| 31 | 150532-03-01A | EA | APPLIQUE/STRIP - PASS/LOWER DASH- 1.1"X 44.4"-ROMAN BRONZE |
| 32 | 150532-04-01A | EA | APPLIQUE/STRIP - DRVR/LOWER DASH - 1.1"X 3" - ROMAN BRONZE |
| 33 | 140151-02-01A | EA | COVER - SCREW - OFF WHITE |
| 33 | 140151-02-03A | EA | COVER - SCREW - MEDIUM OAK |
| 34 | 130034-08-02B | EA | CLIP - TRIM - E-COATED |
| 35 | 126340-10-01A | EA | DECAL - LOGO - "SUNCRUISER" - SMALL/PASS SIDE-CHAMPAGNE BEIGE |
| 36 | 150352-01-01A | EA | APPLIQUE - INSTRUMENT PANEL - ROMAN BRONZE |



**OVERHEAD
PANELS
W/FRONT TV**

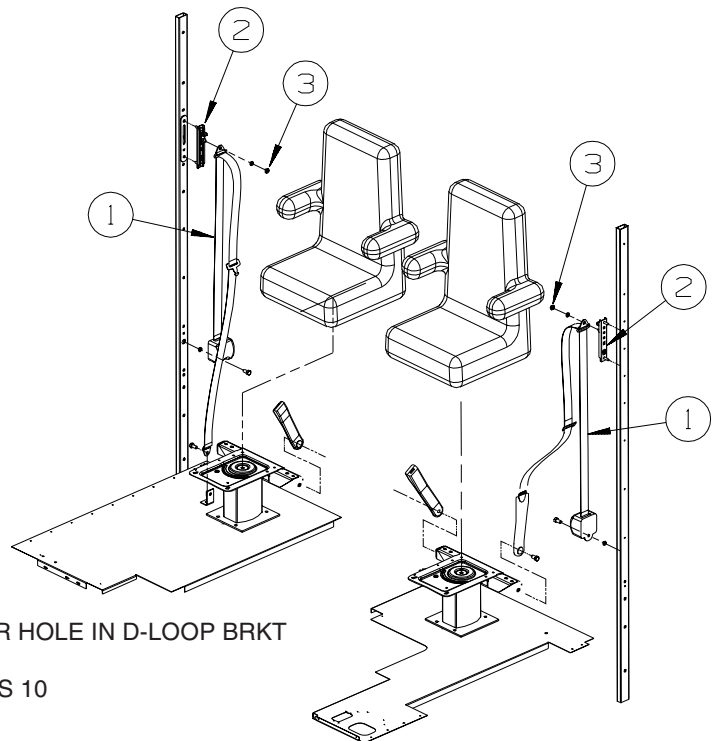
| KEY | PART NUMBER | U/M | DESCRIPTION |
|-----|---------------|-----|----------------------------------------------------------------------------------------|
| 1 | 152485-01-20A | EA | COVER - FRONT TV - CASHMERE |
| 2 | 126440-31-T81 | EA | PANEL - OVERHEAD/FRONT/BOTTOM/RH - VINYL COVERED - CASHMERE - POWERED SUNVISORS |
| 3 | 126440-32-T81 | EA | PANEL - OVERHEAD/FRONT/BOTTOM/LH - VINYL COVERED - CASHMERE - POWERED SUNVISORS |
| 4 | 142380-01-01A | EA | SHADE - POWER - 25.7" - POWERED SUNVISORS |
| 5 | 123298-04-09A | EA | SUNVISOR - 10.5" X 21" - DRIVER/PASSENGER - DRIFTWOOD - CASHMERE |
| 6 | 126440-33-T81 | EA | PANEL - OVERHEAD/FRONT/BOTTOM/RH - VINYL COVERED - CASHMERE |
| 7 | 126440-34-T81 | EA | PANEL - OVERHEAD/FRONT/BOTTOM/LH - VINYL COVERED - CASHMERE |
| 8 | 126456-03-06A | EA | TRACK/WRAPAROUND - PASSENGER - CASHMERE |
| 9 | 126456-04-06A | EA | TRACK/WRAPAROUND - DRIVER - CASHMERE |
| 10 | 144648-01-T81 | EA | PANEL - OVERHEAD/FRONT/BOTTOM/LEFT HAND - VINYL COVERED - CASHMERE |
| 11 | 144648-02-T81 | EA | PANEL - OVERHEAD/FRONT/LEFT HAND - CASHMERE |

DRIVERS COMPARTMENT GROUP (CONTINUED)
FRONT INTERIOR (CONTINUED)



**OVERHEAD
 PANELS
 WO FRONT TV**

| KEY | PART NUMBER | U/M | DESCRIPTION |
|-----|---------------|-----|--------------------------------------------------------------------------------|
| 1 | 123298-04-09A | EA | SUNVISOR - 10.5" X 21" - DRIVER/PASSENGER - DRIFTWOOD - CASHMERE |
| 2 | 126456-03-05A | EA | TRACK/WRAPAROUND - PASSENGER - RIVERSTONE |
| 2 | 126456-03-06A | EA | TRACK/WRAPAROUND - PASSENGER - CASHMERE |
| 3 | 126456-04-05A | EA | TRACK/WRAPAROUND - DRIVER - RIVERSTONE |
| 3 | 126456-04-06A | EA | TRACK/WRAPAROUND - DRIVER - CASHMERE |
| 4 | 144648-01-T81 | EA | PANEL - OVERHEAD/FRONT/BOTTOM/LEFT HAND - VINYL COVERED - CASHMERE |
| 5 | 144648-02-T81 | EA | PANEL - OVERHEAD/FRONT/LEFT HAND - CASHMERE |
| 6 | 126440-23-T81 | EA | PANEL - OVERHEAD/FRONT/BOTTOM/RIGHT HAND - CASHMERE - POWERED SUNVISORS |
| 7 | 126440-24-T81 | EA | PANEL - OVERHEAD/FRONT/BOTTOM/LEFT HAND - CASHMERE - POWERED SUNVISORS |
| 8 | 142380-02-01A | EA | SHADE - POWER - 41.2" - POWERED SUNVISORS |
| 9 | 126440-26-T81 | EA | PANEL - OVHD/FRONT/BOTTOM/LH- CASHMERE |
| 10 | 126440-25-T81 | EA | PANEL - OVHD/FRONT/BOTTOM/RH- CASHMERE |

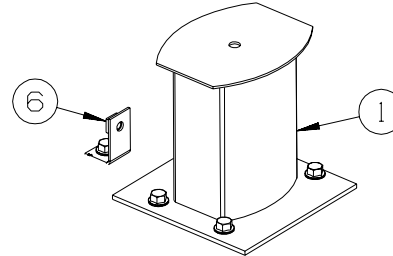
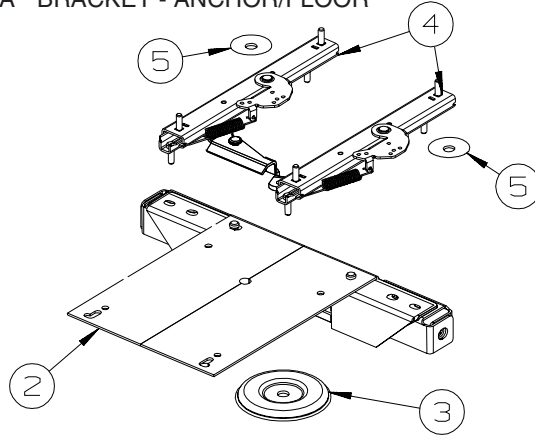
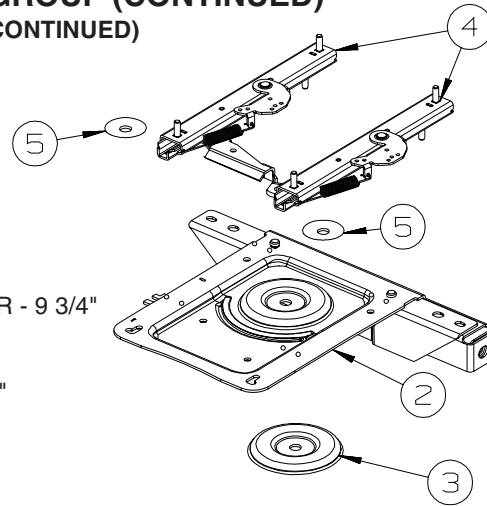


| KEY | PART NUMBER | U/M | DESCRIPTION |
|-----|---------------|-----|----------------------------------------------------------|
| 1* | 091990-08-01A | EA | SEAT BELT - 3 POINT - .766" DIAMETER HOLE IN D-LOOP BRKT |
| 2 | 127598-01-01A | EA | ADJUSTER - SEATBELT - D-LOOP |
| 3 | 127598-02-000 | EA | NUT - HEX FLANGE - M10 X 1.5 - CLASS 10 |

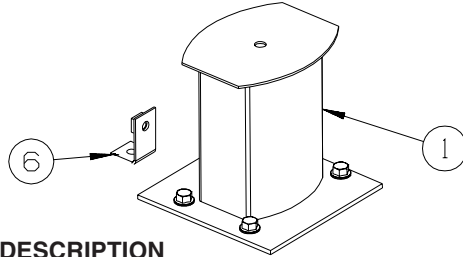
***COMPONENT PARTS LISTED LATER IN THIS GROUP**

DRIVERS COMPARTMENT GROUP (CONTINUED)
FRONT INTERIOR (CONTINUED)

| KEY | PART NUMBER | U/M | DESCRIPTION |
|-----|---------------|-----|---------------------------------------------|
| 1 | 133408-01-000 | EA | PEDESTAL - SEAT - DRIVER/PASSENGER - 9 3/4" |
| 2 | 133408-20-000 | EA | TOP PLATE - PASSENGER - W/ANCHOR |
| 3 | 107921-06-000 | EA | BEARING KIT - PEDESTAL |
| 4 | 131566-04-000 | EA | SLIDE/SEAT - HEAVY DUTY LOCKING - 5" |
| | 119952-07-000 | EA | WIRE - LATCH RELEASE/ROTARY |
| 5 | 131566-05-000 | EA | WASHER - SLIDE SPACER |
| 6 | 133408-04-000 | EA | BRACKET - ANCHOR/FLOOR |

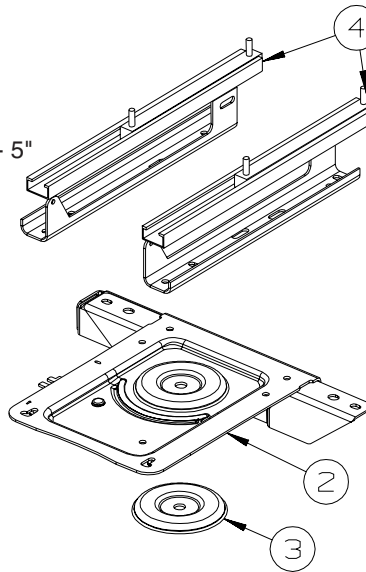


PASSENGER



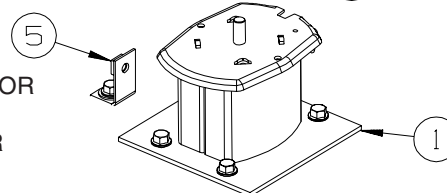
DRIVER

| KEY | PART NUMBER | U/M | DESCRIPTION |
|-----|---------------|-----|--------------------------------------|
| 1 | 133408-01-000 | EA | PEDESTAL - SEAT/DRIVER - 9 3/4" |
| 2 | 133408-19-000 | EA | TOP PLATE - DRIVERS - W/ANCHOR |
| 3 | 107921-06-000 | EA | BEARING KIT - PEDESTAL |
| 4 | 131566-04-000 | EA | SLIDE/SEAT - HEAVY DUTY LOCKING - 5" |
| | 119952-07-000 | EA | WIRE - LATCH RELEASE/ROTARY |
| 5 | 131566-05-000 | EA | WASHER - SLIDE SPACER |
| 6 | 133408-04-000 | EA | BRACKET - ANCHOR/FLOOR |



**DRIVER
6-WAY POWER**

| KEY | PART NUMBER | U/M | DESCRIPTION |
|-----|---------------|-----|--------------------------------|
| 1 | 133408-05-000 | EA | PEDESTAL - SEAT - 5.75" |
| 2 | 133408-19-000 | EA | TOP PLATE - DRIVERS - W/ANCHOR |
| 3 | 107921-06-000 | EA | BEARING KIT - PEDESTAL |
| 4* | 147767-01-000 | EA | SEAT - POWER - 6-WAY - DRIVER |
| 5 | 133408-04-000 | EA | BRACKET - ANCHOR/FLOOR |



*COMPONENT PARTS LISTED LATER IN THIS GROUP

DRIVERS COMPARTMENT GROUP (CONTINUED)
COMPONENT PARTS FOR FRONT INTERIOR

091990-08-01A

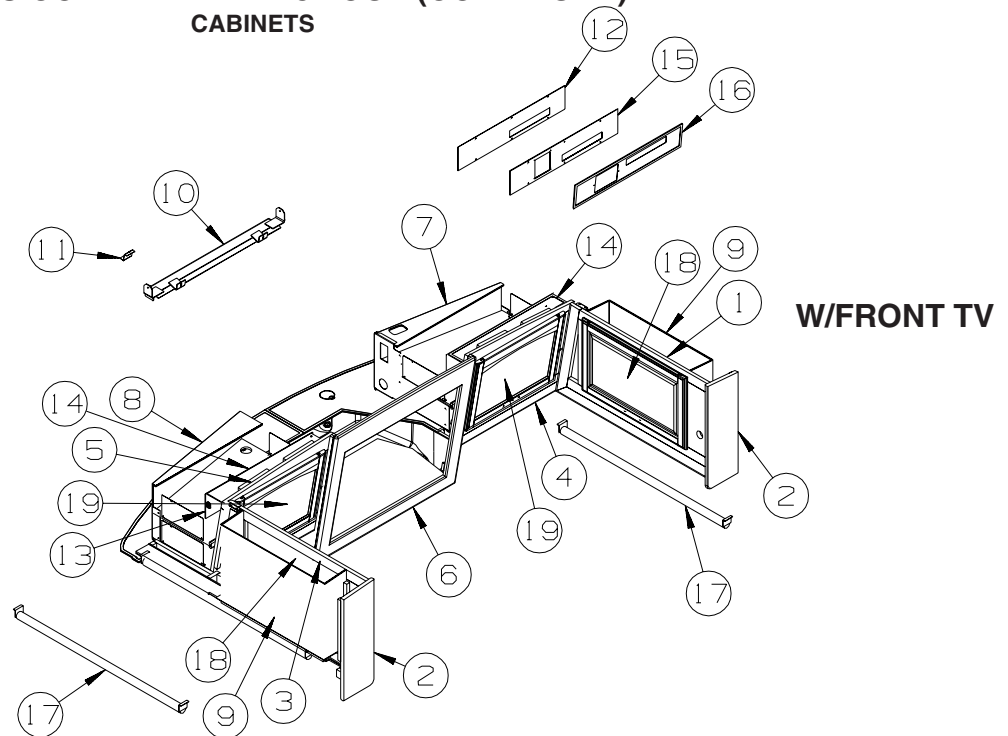
| KEY | PART NUMBER | U/M | DESCRIPTION | VENDOR NO. |
|------------|--------------------|------------|------------------------------|-------------------|
| | 091990-01-701 | EA | EXTENDER 9" FOR A8408 3 PT | I-1331-02 |
| | 091990-01-703 | EA | RECEIVER/FEMALE END-SEATBELT | I-1159-02 |
| | 091990-05-700 | EA | SLEEVE/BUCKLE COVER-PLASTIC | 209S-2 |
| | 091990-05-701 | EA | CAP/COVER - BOLT HOLE COVER | 209SC-02 |
| | 091990-05-702 | EA | SLEEVE/RETRACTABLE COVER | 309C-02 |

147767-01-000, 147767-02-000

| KEY | PART NUMBER | U/M | DESCRIPTION | VENDOR NO |
|------------|--------------------|------------|--------------------|---------------------|
| | 147767-01-700 | EA | SWITCH PLATE | SHROCK-9PT-SWT-PLTE |
| | 147767-01-701 | EA | MOTOR - VERTICAL | SHROCK 9PT-M0-VER-0 |
| | 147767-01-702 | EA | MOTOR - HORIZONTAL | SHROCK 9PT-M0-HOZ-0 |

DRIVERS COMPARTMENT GROUP (CONTINUED)

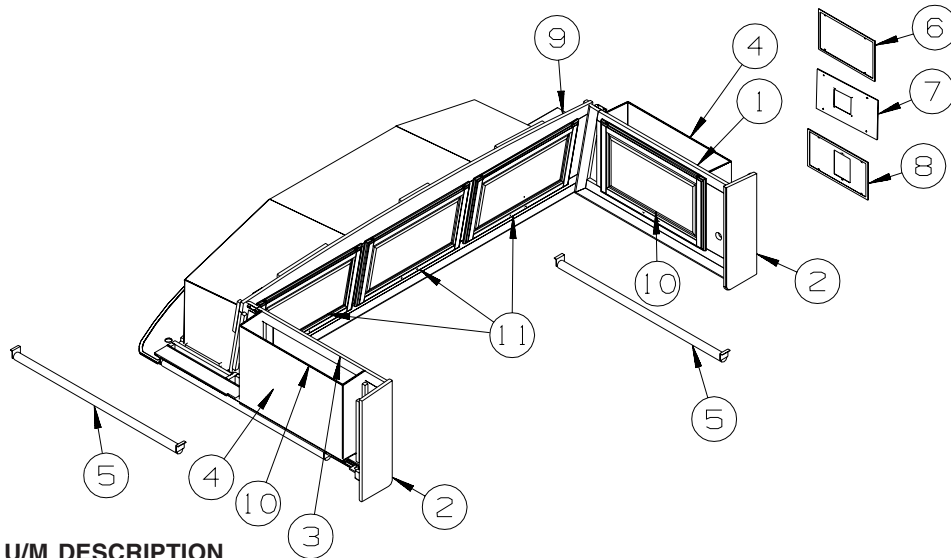
CABINETS



| KEY | PART NUMBER | U/M | DESCRIPTION |
|-----|---------------|-----|-----------------------------------------------------------------------------------|
| 1 | 159108-01-UA1 | EA | CABINET - OVERHEAD/FRONT/RH HAND - W/O DOORS/HDW |
| 1 | 159108-01-UA2 | EA | CABINET - OVERHEAD/FRONT/RH HAND - W/O DOORS/HDW |
| 1 | 159108-01-UA3 | EA | CABINET - OVERHEAD/FRONT/RH HAND - W/O DOORS/HDW |
| 1 | 159108-01-UA5 | EA | CABINET - OVERHEAD/FRONT/RH HAND - W/O DOORS/HDW |
| 1 | 159108-01-UA6 | EA | CABINET - OVERHEAD/FRONT/RH HAND - W/O DOORS/HDW |
| 1 | 159108-01-UA7 | EA | CABINET - OVERHEAD/FRONT/RH HAND - W/O DOORS/HDW |
| 1 | 159108-01-UB1 | EA | CABINET - OVERHEAD/FRONT/RH HAND - W/O DOORS/HDW |
| 1 | 159108-01-UB2 | EA | CABINET - OVERHEAD/FRONT/RH HAND - W/O DOORS/HDW |
| 1 | 159108-01-UB3 | EA | CABINET - OVERHEAD/FRONT/RH HAND - W/O DOORS/HDW |
| 1 | 159108-01-UM4 | EA | CABINET - OVERHEAD/FRONT/RH HAND - W/O DOORS/HDW |
| 1 | 159108-01-UM5 | EA | CABINET - OVERHEAD/FRONT/RH HAND - W/O DOORS/HDW |
| 1 | 159108-01-UM6 | EA | CABINET - OVERHEAD/FRONT/RH HAND - W/O DOORS/HDW |
| 2 | 145517-34-T78 | EA | END CAP - OVERHEAD CABINET - CONCERT CHERRY |
| 2 | 145517-34-T79 | EA | END CAP - OVERHEAD CABINET - WASHED MAPLE |
| 2 | 145517-34-T80 | EA | END CAP - OVERHEAD CABINET - SIERRA MAPLE |
| 3 | 159108-02-UA1 | EA | CABINET - OVERHEAD/FRONT/LH HAND - W/O DOORS/HDW |
| 3 | 159108-02-UA2 | EA | CABINET - OVERHEAD/FRONT/LH HAND - W/O DOORS/HDW |
| 3 | 159108-02-UA3 | EA | CABINET - OVERHEAD/FRONT/LH HAND - W/O DOORS/HDW |
| 3 | 159108-02-UA5 | EA | CABINET - OVERHEAD/FRONT/LH HAND - W/O DOORS/HDW |
| 3 | 159108-02-UA6 | EA | CABINET - OVERHEAD/FRONT/LH HAND - W/O DOORS/HDW |
| 3 | 159108-02-UA7 | EA | CABINET - OVERHEAD/FRONT/LH HAND - W/O DOORS/HDW |
| 3 | 159108-02-UB1 | EA | CABINET - OVERHEAD/FRONT/LH HAND - W/O DOORS/HDW |
| 3 | 159108-02-UB2 | EA | CABINET - OVERHEAD/FRONT/LH HAND - W/O DOORS/HDW |
| 3 | 159108-02-UB3 | EA | CABINET - OVERHEAD/FRONT/LH HAND - W/O DOORS/HDW |
| 3 | 159108-02-UM4 | EA | CABINET - OVERHEAD/FRONT/LH HAND - W/O DOORS/HDW |
| 3 | 159108-02-UM5 | EA | CABINET - OVERHEAD/FRONT/LH HAND - W/O DOORS/HDW |
| 3 | 159108-02-UM6 | EA | CABINET - OVERHEAD/FRONT/LH HAND - W/O DOORS/HDW |
| 4 | 152403-01-T78 | EA | CABINET - OVERHEAD/FRONT/RH HAND - W/O DOORS/HDW - CONCERT CHERRY (UA1, UA5, UB1) |
| 4 | 152403-01-UM1 | EA | CABINET - OVERHEAD/FRONT/RH HAND - W/O DOORS/HDW - CONCERT CHERRY (UM4, UM5, UM6) |
| 4 | 152403-01-T79 | EA | CABINET - OVERHEAD/FRONT/RH HAND - W/O DOORS/HDW - WASHED MAPLE |
| 4 | 152403-01-T80 | EA | CABINET - OVERHEAD/FRONT/RH HAND - W/O DOORS/HDW - SIERRA MAPLE |
| 5 | 152403-02-T78 | EA | CABINET - OVERHEAD/FRONT - W/O DOORS/HDW - CONCERT CHERRY (UA1, UA5, UB1) |
| 5 | 152403-02-UM1 | EA | CABINET - OVERHEAD/FRONT - W/O DOORS/HDW - CONCERT CHERRY (UM4, UM5, UM6) |
| 5 | 152403-02-T79 | EA | CABINET - OVERHEAD/FRONT - W/O DOORS/HDW - WASHED MAPLE |
| 5 | 152403-02-T80 | EA | CABINET - OVERHEAD/FRONT - W/O DOORS/HDW - SIERRA MAPLE |
| 6 | 152404-01-T78 | EA | CABINET - FRONT/TV FACE - W/O DOORS/HDW - CONCERT CHERRY |
| 6 | 152404-01-T79 | EA | CABINET - FRONT/TV FACE - W/O DOORS/HDW - WASHED MAPLE |
| 6 | 152404-01-T80 | EA | CABINET - FRONT/TV FACE - W/O DOORS/HDW - SIERRA MAPLE |
| 7 | 132909-16-U90 | EA | PANEL - VINYL COVERED |
| 8 | 132909-17-U90 | EA | PANEL - VINYL COVERED |
| 9 | 132909-22-U90 | EA | PANEL - VINYL COVERED |

DRIVERS COMPARTMENT GROUP (CONTINUED)
CABINETS (CONTINUED)

| KEY | PART NUMBER | U/M | DESCRIPTION |
|-----|---------------|-----|-----------------------------------------------------------------------------------------------------------------------|
| 10 | 155314-02-02B | EA | BRACKET - TV - 32.6" - W/ANGLES - W/O FOAM TAPE - E-COATED |
| 11 | 152944-02-02B | EA | BRACKET - TIEDOWN/TV - E-COATED |
| 12 | 150628-01-T81 | EA | PANEL - VINYL COVERED - CASHMERE |
| 13 | 150628-02-T81 | EA | PANEL - VINYL COVERED - CASHMERE |
| 14 | 150628-08-T81 | EA | PANEL - VINYL COVERED - CASHMERE |
| 15 | 150628-09-T81 | EA | PANEL - VINYL COVERED - CASHMERE - AUTOMATIC SATELLITE DISH FROM: 00-00-00 THRU: 01-28-07 |
| 15 | 150628-15-U67 | EA | PANEL - VINYL COVERED - CASHMERE - AUTOMATIC SATELLITE DISH - NOT ILLUSTRATED FROM: 01-29-07 THRU: 99-99-99 |
| 16 | 150628-10-T81 | EA | PANEL - VINYL COVERED - CASHMERE - IN-MOTION SATELLITE SYSTEM |
| 17 | 126841-09-000 | EA | SHADE - PULL - CHARCOAL MESH - 40.25" X 60" |
| 18 | 141522-A3-UA1 | EA | DOOR - ARCHED/PENCIL EDGE/HORIZ - 14.3" X 17.9" - W/O HDW - CONCERT CHERRY |
| 18 | 141522-A3-UA2 | EA | DOOR - ARCHED/PENCIL EDGE/HORIZ - 14.3" X 17.9" - W/O HDW - WASHED MAPLE |
| 18 | 141522-A3-UA3 | EA | DOOR - ARCHED/PENCIL EDGE/HORIZ - 14.3" X 17.9" - W/O HDW - SIERRA MAPLE |
| 19 | 146028-64-T90 | EA | DOOR - GLASS INSERT/PENCIL EDGE - 15.7" X 21.8" - W/O HDW - CONCERT CHERRY |
| 19 | 146028-64-T91 | EA | DOOR - GLASS INSERT/PENCIL EDGE - 15.7" X 21.8" - W/O HDW - WASHED MAPLE |
| 19 | 146028-64-T92 | EA | DOOR - GLASS INSERT/PENCIL EDGE - 15.7" X 21.8" - W/O HDW - SIERRA MAPLE |

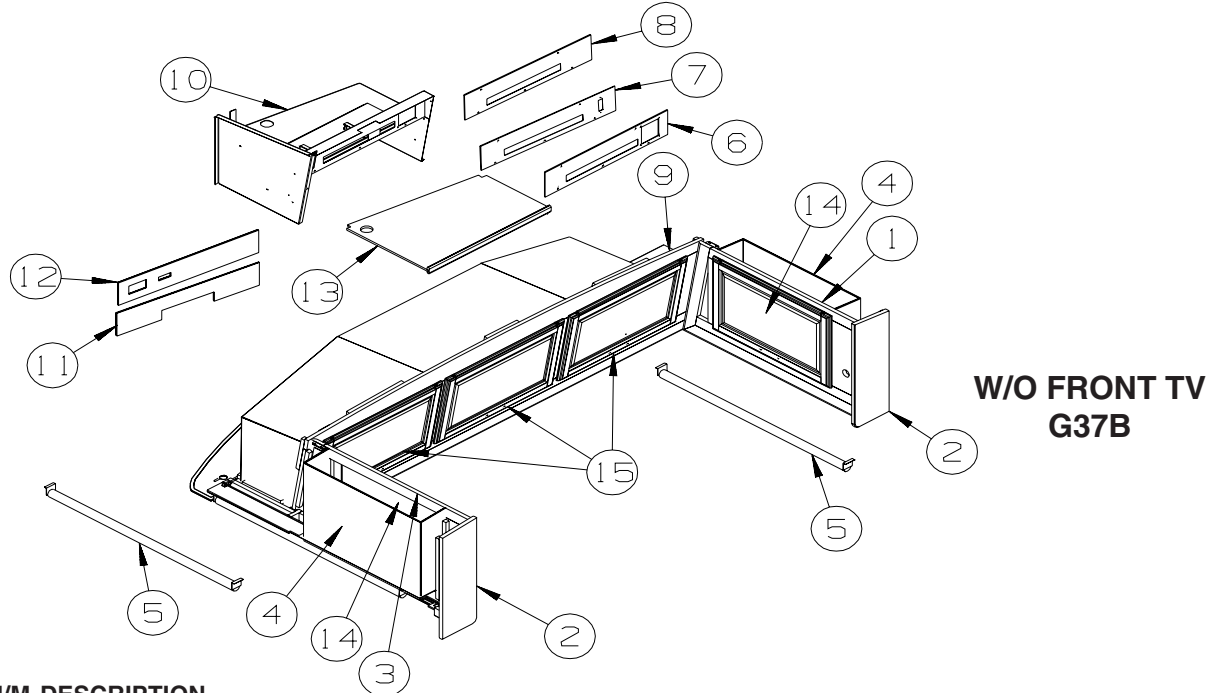


**W/O FRONT TV
G38T**

| KEY | PART NUMBER | U/M | DESCRIPTION |
|-----|---------------|-----|--------------------------------------------------|
| 1 | 159108-01-UA1 | EA | CABINET - OVERHEAD/FRONT/RH HAND - W/O DOORS/HDW |
| 1 | 159108-01-UA2 | EA | CABINET - OVERHEAD/FRONT/RH HAND - W/O DOORS/HDW |
| 1 | 159108-01-UA3 | EA | CABINET - OVERHEAD/FRONT/RH HAND - W/O DOORS/HDW |
| 1 | 159108-01-UA5 | EA | CABINET - OVERHEAD/FRONT/RH HAND - W/O DOORS/HDW |
| 1 | 159108-01-UA6 | EA | CABINET - OVERHEAD/FRONT/RH HAND - W/O DOORS/HDW |
| 1 | 159108-01-UA7 | EA | CABINET - OVERHEAD/FRONT/RH HAND - W/O DOORS/HDW |
| 1 | 159108-01-UB1 | EA | CABINET - OVERHEAD/FRONT/RH HAND - W/O DOORS/HDW |
| 1 | 159108-01-UB2 | EA | CABINET - OVERHEAD/FRONT/RH HAND - W/O DOORS/HDW |
| 1 | 159108-01-UB3 | EA | CABINET - OVERHEAD/FRONT/RH HAND - W/O DOORS/HDW |
| 1 | 159108-01-UM4 | EA | CABINET - OVERHEAD/FRONT/RH HAND - W/O DOORS/HDW |
| 1 | 159108-01-UM5 | EA | CABINET - OVERHEAD/FRONT/RH HAND - W/O DOORS/HDW |
| 1 | 159108-01-UM6 | EA | CABINET - OVERHEAD/FRONT/RH HAND - W/O DOORS/HDW |
| 2 | 145517-34-T78 | EA | END CAP - OVERHEAD CABINET - CONCERT CHERRY |
| 2 | 145517-34-T79 | EA | END CAP - OVERHEAD CABINET - WASHED MAPLE |
| 2 | 145517-34-T80 | EA | END CAP - OVERHEAD CABINET - SIERRA MAPLE |
| 3 | 159108-02-UA1 | EA | CABINET - OVERHEAD/FRONT/LH HAND - W/O DOORS/HDW |
| 3 | 159108-02-UA2 | EA | CABINET - OVERHEAD/FRONT/LH HAND - W/O DOORS/HDW |
| 3 | 159108-02-UA3 | EA | CABINET - OVERHEAD/FRONT/LH HAND - W/O DOORS/HDW |
| 3 | 159108-02-UA5 | EA | CABINET - OVERHEAD/FRONT/LH HAND - W/O DOORS/HDW |
| 3 | 159108-02-UA6 | EA | CABINET - OVERHEAD/FRONT/LH HAND - W/O DOORS/HDW |
| 3 | 159108-02-UA7 | EA | CABINET - OVERHEAD/FRONT/LH HAND - W/O DOORS/HDW |
| 3 | 159108-02-UB1 | EA | CABINET - OVERHEAD/FRONT/LH HAND - W/O DOORS/HDW |
| 3 | 159108-02-UB2 | EA | CABINET - OVERHEAD/FRONT/LH HAND - W/O DOORS/HDW |
| 3 | 159108-02-UB3 | EA | CABINET - OVERHEAD/FRONT/LH HAND - W/O DOORS/HDW |
| 3 | 159108-02-UM4 | EA | CABINET - OVERHEAD/FRONT/LH HAND - W/O DOORS/HDW |
| 3 | 159108-02-UM5 | EA | CABINET - OVERHEAD/FRONT/LH HAND - W/O DOORS/HDW |
| 3 | 159108-02-UM6 | EA | CABINET - OVERHEAD/FRONT/LH HAND - W/O DOORS/HDW |
| 4 | 132909-22-U90 | EA | PANEL - VINYL COVERED |

DRIVERS COMPARTMENT GROUP (CONTINUED)
CABINETS (CONTINUED)

| KEY | PART NUMBER | U/M | DESCRIPTION |
|-----|---------------|-----|-----------------------------------------------------------------------------------------------------------------------|
| 5 | 126841-09-000 | EA | SHADE - PULL - CHARCOAL MESH - 40.25" X 60" |
| 6 | 155127-01-TG0 | EA | PANEL - VINYL COVERED - CASHMERE |
| 7 | 155127-02-TG0 | EA | PANEL - VINYL COVERED - CASHMERE - AUTOMATIC SATELLITE SYSTEM FROM: 00-00-00 THRU: 01-28-07 |
| 7 | 155127-10-U68 | EA | PANEL - VINYL COVERED - CASHMERE - AUTOMATIC SATELLITE DISH - NOT ILLUSTRATED FROM: 01-29-07 THRU: 99-99-99 |
| 8 | 155127-03-TG0 | EA | PANEL - VINYL COVERED - CASHMERE - IN-MOTION SATELLITE SYSTEM, |
| 9 | 153644-01-T78 | EA | CABINET - OVERHEAD/FRONT - W/O DOORS/HDW - CONCERT CHERRY (UA1, UA5, UB1) |
| 9 | 153644-01-UM1 | EA | CABINET - OVERHEAD/FRONT - W/O DOORS/HDW - CONCERT CHERRY (UM4, UM5, UM6) |
| 9 | 153644-01-T79 | EA | CABINET - OVERHEAD/FRONT - W/O DOORS/HDW - WASHED MAPLE |
| 9 | 153644-01-T80 | EA | CABINET - OVERHEAD/FRONT - W/O DOORS/HDW - SIERRA MAPLE |
| 10 | 141522-A3-UA1 | EA | DOOR - ARCHED/PENCIL EDGE/HORIZ - 14.3" X 17.9" - W/O HDW - CONCERT CHERRY |
| 10 | 141522-A3-UA2 | EA | DOOR - ARCHED/PENCIL EDGE/HORIZ - 14.3" X 17.9" - W/O HDW - WASHED MAPLE |
| 10 | 141522-A3-UA3 | EA | DOOR - ARCHED/PENCIL EDGE/HORIZ - 14.3" X 17.9" - W/O HDW - SIERRA MAPLE |
| 11 | 141522-C1-T90 | EA | DOOR - ARCHED/PENCIL EDGE/HORIZ - 15.3" X 25.6" - W/O HDW - CONCERT CHERRY |
| 11 | 141522-C1-T91 | EA | DOOR - ARCHED/PENCIL EDGE/HORIZ - 15.3" X 25.6" - W/O HDW - WASHED MAPLE |
| 11 | 141522-C1-T92 | EA | DOOR - ARCHED/PENCIL EDGE/HORIZ - 15.3" X 25.6" - W/O HDW - SIERRA MAPLE |



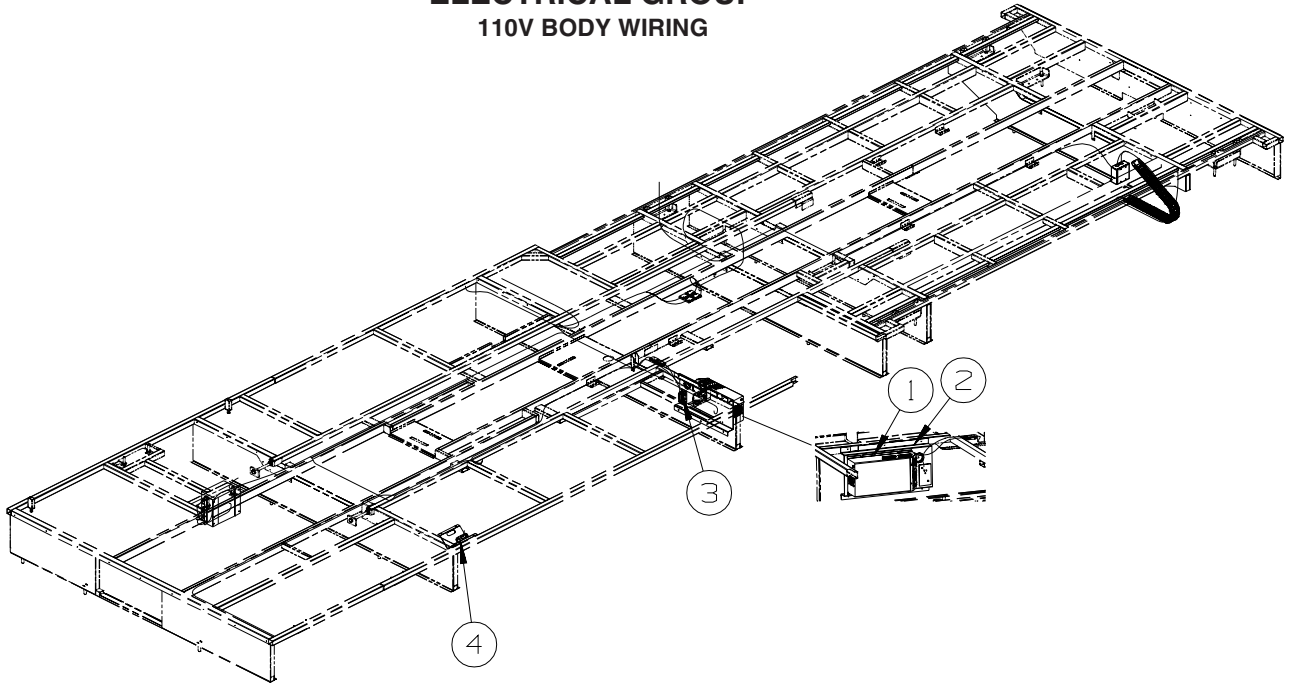
| KEY | PART NUMBER | U/M | DESCRIPTION |
|-----|---------------|-----|--------------------------------------------------|
| 1 | 159108-01-UA1 | EA | CABINET - OVERHEAD/FRONT/RH HAND - W/O DOORS/HDW |
| 1 | 159108-01-UA2 | EA | CABINET - OVERHEAD/FRONT/RH HAND - W/O DOORS/HDW |
| 1 | 159108-01-UA3 | EA | CABINET - OVERHEAD/FRONT/RH HAND - W/O DOORS/HDW |
| 1 | 159108-01-UA5 | EA | CABINET - OVERHEAD/FRONT/RH HAND - W/O DOORS/HDW |
| 1 | 159108-01-UA6 | EA | CABINET - OVERHEAD/FRONT/RH HAND - W/O DOORS/HDW |
| 1 | 159108-01-UA7 | EA | CABINET - OVERHEAD/FRONT/RH HAND - W/O DOORS/HDW |
| 1 | 159108-01-UB1 | EA | CABINET - OVERHEAD/FRONT/RH HAND - W/O DOORS/HDW |
| 1 | 159108-01-UB2 | EA | CABINET - OVERHEAD/FRONT/RH HAND - W/O DOORS/HDW |
| 1 | 159108-01-UB3 | EA | CABINET - OVERHEAD/FRONT/RH HAND - W/O DOORS/HDW |
| 1 | 159108-01-UM4 | EA | CABINET - OVERHEAD/FRONT/RH HAND - W/O DOORS/HDW |
| 1 | 159108-01-UM5 | EA | CABINET - OVERHEAD/FRONT/RH HAND - W/O DOORS/HDW |
| 1 | 159108-01-UM6 | EA | CABINET - OVERHEAD/FRONT/RH HAND - W/O DOORS/HDW |
| 2 | 145517-34-T78 | EA | END CAP - OVERHEAD CABINET - CONCERT CHERRY |
| 2 | 145517-34-T79 | EA | END CAP - OVERHEAD CABINET - WASHED MAPLE |
| 2 | 145517-34-T80 | EA | END CAP - OVERHEAD CABINET - SIERRA MAPLE |
| 3 | 159108-02-UA1 | EA | CABINET - OVERHEAD/FRONT/LH HAND - W/O DOORS/HDW |
| 3 | 159108-02-UA2 | EA | CABINET - OVERHEAD/FRONT/LH HAND - W/O DOORS/HDW |
| 3 | 159108-02-UA3 | EA | CABINET - OVERHEAD/FRONT/LH HAND - W/O DOORS/HDW |
| 3 | 159108-02-UA5 | EA | CABINET - OVERHEAD/FRONT/LH HAND - W/O DOORS/HDW |
| 3 | 159108-02-UA6 | EA | CABINET - OVERHEAD/FRONT/LH HAND - W/O DOORS/HDW |
| 3 | 159108-02-UA7 | EA | CABINET - OVERHEAD/FRONT/LH HAND - W/O DOORS/HDW |
| 3 | 159108-02-UB1 | EA | CABINET - OVERHEAD/FRONT/LH HAND - W/O DOORS/HDW |
| 3 | 159108-02-UB2 | EA | CABINET - OVERHEAD/FRONT/LH HAND - W/O DOORS/HDW |

DRIVERS COMPARTMENT GROUP (CONTINUED)
CABINETS (CONTINUED)

| KEY | PART NUMBER | U/M | DESCRIPTION |
|-----|---------------|-----|-----------------------------------------------------------------------------------------------------------------------|
| 3 | 159108-02-UB3 | EA | CABINET - OVERHEAD/FRONT/LH HAND - W/O DOORS/HDW |
| 3 | 159108-02-UM4 | EA | CABINET - OVERHEAD/FRONT/LH HAND - W/O DOORS/HDW |
| 3 | 159108-02-UM5 | EA | CABINET - OVERHEAD/FRONT/LH HAND - W/O DOORS/HDW |
| 3 | 159108-02-UM6 | EA | CABINET - OVERHEAD/FRONT/LH HAND - W/O DOORS/HDW |
| 4 | 132909-22-U90 | EA | PANEL - VINYL COVERED |
| 5 | 126841-09-000 | EA | SHADE - PULL - CHARCOAL MESH - 40.25" X 60" |
| 6 | 153820-01-T81 | EA | PANEL - VINYL COVERED - CASHMERE - AUTOMATIC SATELLITE SYSTEM FROM: 00-00-00 THRU: 01-28-07 |
| 6 | 153820-07-U94 | EA | PANEL - VINYL COVERED - CASHMERE - AUTOMATIC SATELLITE DISH - NOT ILLUSTRATED FROM: 01-29-07 THRU: 99-99-99 |
| 7 | 153820-02-T81 | EA | PANEL - VINYL COVERED - CASHMERE - IN-MOTION SATELLITE SYSTEM |
| 8 | 153820-03-T81 | EA | PANEL - VINYL COVERED - CASHMERE |
| 9 | 153644-01-T78 | EA | CABINET - OVERHEAD/FRONT - W/O DOORS/HDW - CONCERT CHERRY (UA1, UA5, UB1) |
| 9 | 153644-01-UM1 | EA | CABINET - OVERHEAD/FRONT - W/O DOORS/HDW - CONCERT CHERRY (UM4, UM5, UM6) |
| 9 | 153644-01-T79 | EA | CABINET - OVERHEAD/FRONT - W/O DOORS/HDW - WASHED MAPLE |
| 9 | 153644-01-T80 | EA | CABINET - OVERHEAD/FRONT - W/O DOORS/HDW - SIERRA MAPLE |
| 10 | 126275-09-02B | EA | SHELF - OVERHEAD/FRONT - E-COATED |
| 11 | 132909-24-U90 | EA | PANEL - VINYL COVERED - RH HAND |
| 12 | 132909-19-U90 | EA | PANEL - VINYL COVERED - RH HAND |
| 13 | 155483-01-T78 | EA | SHELF - VCR/RIGHT HAND - W/WOOD MOLDING - CONCERT CHERRY (UA1, UA5, UB1) |
| 13 | 155483-01-UM1 | EA | SHELF - VCR/RIGHT HAND - W/WOOD MOLDING - CONCERT CHERRY (UM4, UM5, UM6) |
| 13 | 155483-01-T79 | EA | SHELF - VCR/RIGHT HAND - W/WOOD MOLDING - WASHED MAPLE |
| 13 | 155483-01-T80 | EA | SHELF - VCR/RIGHT HAND - W/WOOD MOLDING - SIERRA MAPLE |
| 14 | 141522-A3-UA1 | EA | DOOR - ARCHED/PENCIL EDGE/HORIZ - 14.3" X 17.9" - W/O HDW - CONCERT CHERRY |
| 14 | 141522-A3-UA2 | EA | DOOR - ARCHED/PENCIL EDGE/HORIZ - 14.3" X 17.9" - W/O HDW - WASHED MAPLE |
| 14 | 141522-A3-UA3 | EA | DOOR - ARCHED/PENCIL EDGE/HORIZ - 14.3" X 17.9" - W/O HDW - SIERRA MAPLE |
| 15 | 141522-C1-T90 | EA | DOOR - ARCHED/PENCIL EDGE/HORIZ - 15.3" X 25.6" - W/O HDW - CONCERT CHERRY |
| 15 | 141522-C1-T91 | EA | DOOR - ARCHED/PENCIL EDGE/HORIZ - 15.3" X 25.6" - W/O HDW - WASHED MAPLE |
| 15 | 141522-C1-T92 | EA | DOOR - ARCHED/PENCIL EDGE/HORIZ - 15.3" X 25.6" - W/O HDW - SIERRA MAPLE |

ELECTRICAL GROUP

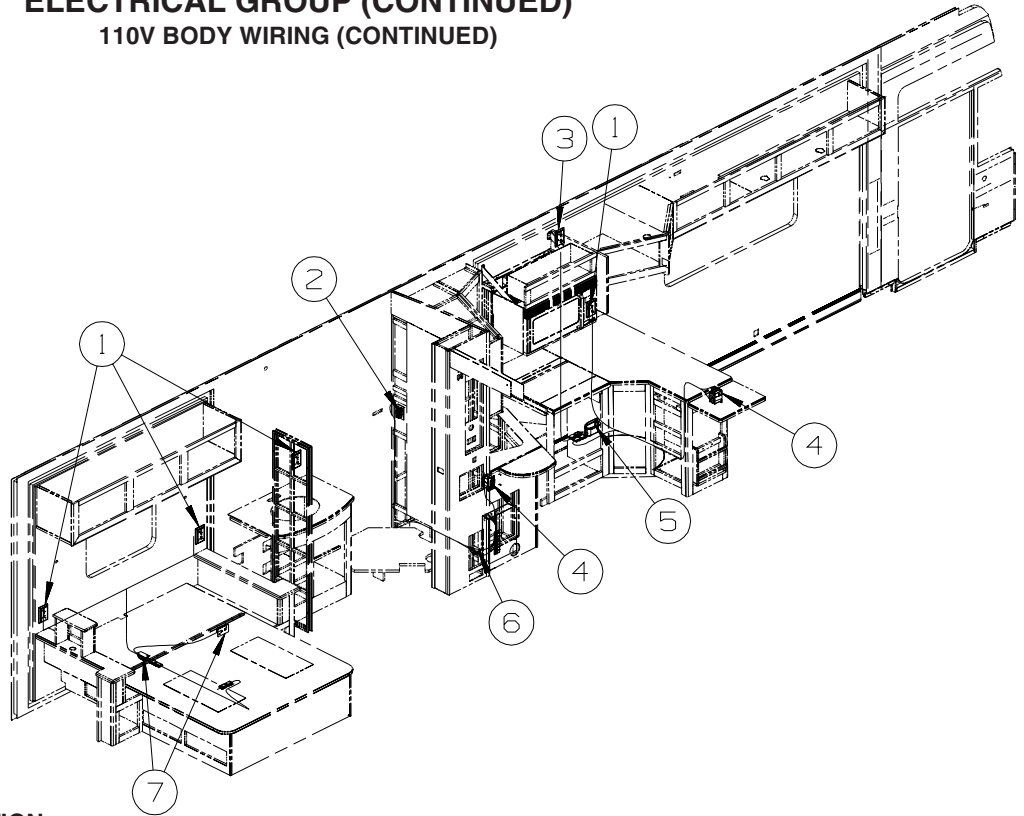
110V BODY WIRING



| KEY | PART NUMBER | U/M | DESCRIPTION |
|-----|---------------|-----|------------------------------------------------------------------|
| 1 | 154511-01-000 | EA | INVERTER - 600 WATT - W/O REMOTE PANEL - INVERTER-DC/AC,600 WATT |
| 2 | 154367-03-02B | EA | BRACKET/MOUNT - INVERTER - E-COATED - INVERTER-DC/AC,600 WATT |
| 3 | 058707-02-000 | EA | RECEPTACLE - BLANK - JUNCTION BOX |
| 3 | 058707-01-000 | EA | RECEPTACLE - ELECTRIC - SINGLE - BROWN - INVERTER-DC/AC,600 WATT |
| 4 | 058708-01-000 | EA | RECEPTACLE - ELECTRIC - DOUBLE - BROWN |

ELECTRICAL GROUP (CONTINUED)

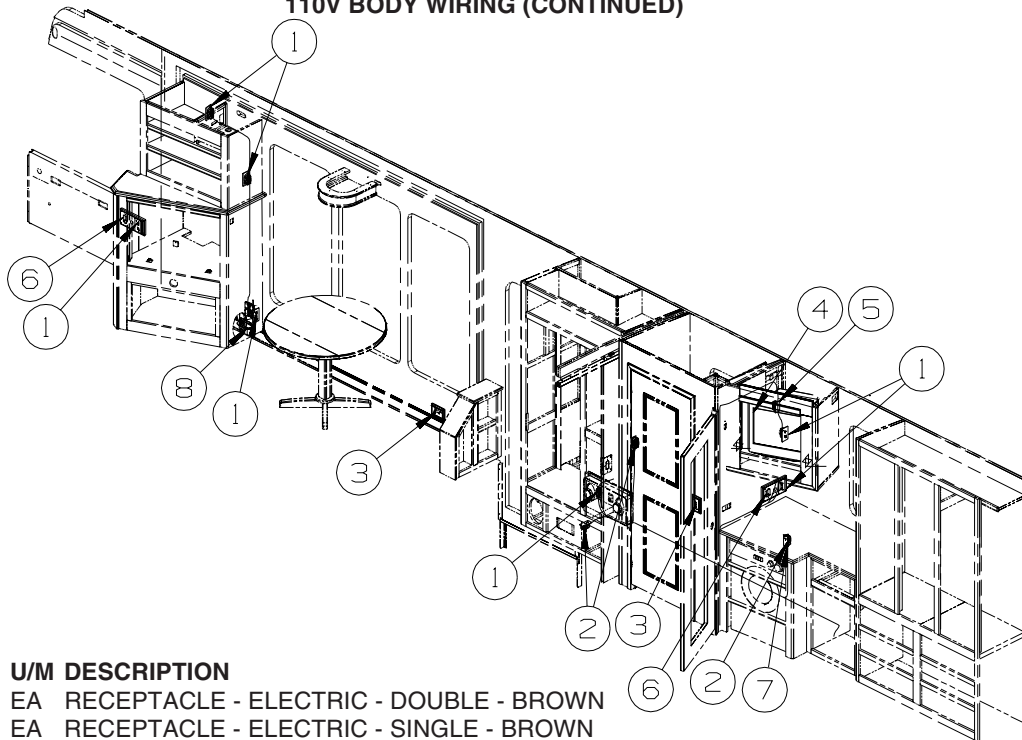
110V BODY WIRING (CONTINUED)



| KEY | PART NUMBER | U/M | DESCRIPTION |
|-----|---------------|-----|-------------------------------------------------------------------------------|
| 1 | 133713-01-24A | EA | SPACER/RECEPTACLE - VINYL - CONCERT CHERRY (U90,U94,U98) |
| 1 | 133713-01-25A | EA | SPACER/RECEPTACLE - VINYL - CONCERT CHERRY (UM1,UM2,UM3) |
| 1 | 133713-01-21A | EA | SPACER/RECEPTACLE - VINYL - WASHED MAPLE |
| 1 | 133713-01-22A | EA | SPACER/RECEPTACLE - VINYL - SIERRA MAPLE |
| 1 | 058708-01-000 | EA | RECEPTACLE - ELECTRIC - DOUBLE - BROWN |
| 2 | 058708-01-000 | EA | RECEPTACLE - ELECTRIC - DOUBLE - BROWN |
| 3 | 133713-01-24A | EA | SPACER/RECEPTACLE - VINYL - CONCERT CHERRY (U90,U94,U98) |
| 3 | 133713-01-25A | EA | SPACER/RECEPTACLE - VINYL - CONCERT CHERRY (UM1,UM2,UM3) |
| 3 | 133713-01-21A | EA | SPACER/RECEPTACLE - VINYL - WASHED MAPLE |
| 3 | 133713-01-22A | EA | SPACER/RECEPTACLE - VINYL - SIERRA MAPLE |
| 3 | 058708-05-000 | EA | RECEPTACLE - ELECTRICAL - SINGLE - BROWN |
| 4 | 147446-01-02A | EA | RECEPTACLE - GFCI - 15A 125V - BROWN |
| | | | FROM: 00-00-00 THRU: 12-20-06 |
| 4 | 163319-01-02A | EA | RECEPTACLE - GFCI - 15A 125V - BROWN |
| | | | FROM: 12-21-06 THRU: 99-99-99 |
| 4 | 147450-01-02A | EA | PLATE - ELECTRICAL OUTLET - BROWN |
| 5 | 153862-02-01A | EA | COVER - WIRE - 5.9" X 3.8" X 2.2" - BLACK |
| 5 | 155469-01-01A | EA | COVER - WIRE - .9" X 6.3" X 5.6" - BLACK |
| 6 | 058707-02-000 | EA | RECEPTACLE - BLANK - JUNCTION BOX |
| 7 | 058708-05-000 | EA | RECEPTACLE - ELECTRICAL - SINGLE - BROWN - SLEEP NUMBER BED-QUEEN SIZE |

ELECTRICAL GROUP (CONTINUED)

110V BODY WIRING (CONTINUED)

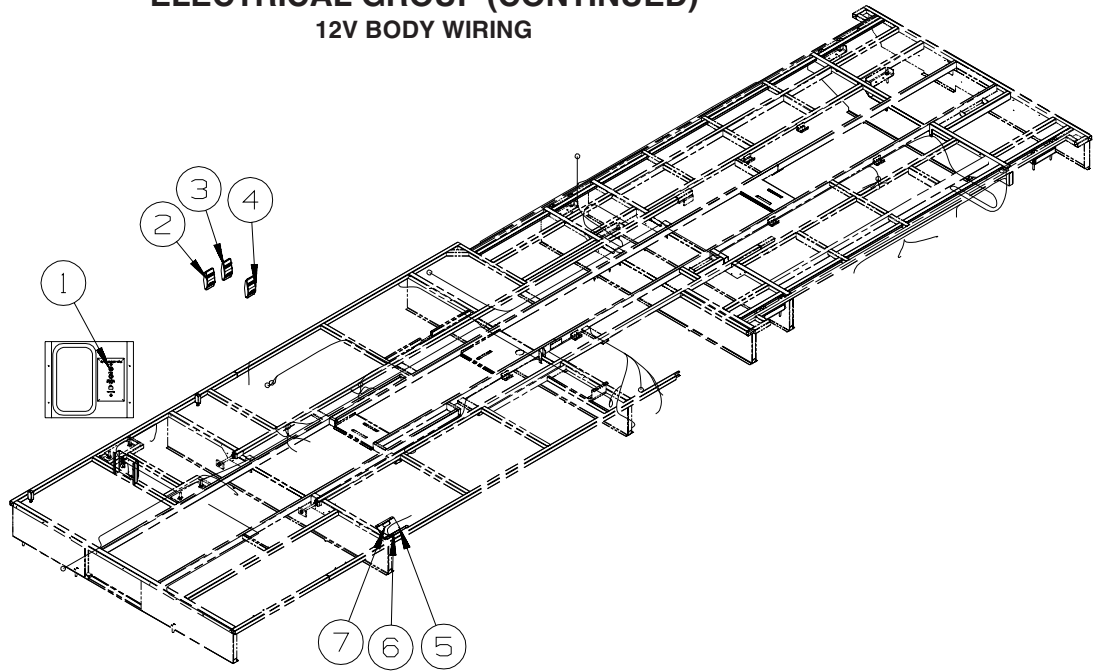


| KEY | PART NUMBER | U/M | DESCRIPTION |
|-----|---------------|-----|---------------------------------------------------------------------------------------------------------------------|
| 1 | 058708-01-000 | EA | RECEPTACLE - ELECTRIC - DOUBLE - BROWN |
| 2 | 058707-01-000 | EA | RECEPTACLE - ELECTRIC - SINGLE - BROWN |
| 3 | 133713-01-24A | EA | SPACER/RECEPTACLE - VINYL - CONCERT CHERRY (U90,U94,U98) |
| 3 | 133713-01-25A | EA | SPACER/RECEPTACLE - VINYL - CONCERT CHERRY (UM1,UM2,UM3) |
| 3 | 133713-01-21A | EA | SPACER/RECEPTACLE - VINYL - WASHED MAPLE |
| 3 | 133713-01-22A | EA | SPACER/RECEPTACLE - VINYL - SIERRA MAPLE |
| 3 | 058708-01-000 | EA | RECEPTACLE - ELECTRIC - DOUBLE - BROWN |
| 4* | 149049-02-000 | EA | TV - 20" COLOR/STEREO - FLAT - SONY KV-20FS120 - TV (REAR)-20"COLOR, STEREO FROM: 00-00-00 THRU: 04-02-06 |
| 4* | 149040-02-000 | EA | TV - 20" FLAT SCREEN/STEREO - RCA 20F410T - TV (REAR)-20"COLOR, STEREO FROM: 04-03-06 THRU: 05-14-06 |
| 4* | 149040-03-000 | EA | TV - 20" FLAT SCREEN/STEREO - RCA 20F420T - TV (REAR)-20"COLOR, STEREO FROM: 05-15-06 THRU: 99-99-99 |
| 5 | 058707-02-000 | EA | RECEPTACLE - BLANK - JUNCTION BOX |
| 6 | 133713-06-24A | EA | SPACER/RECEPTACLE - PHONE - VINYL - CONCERT CHERRY (U90,U94,U98) |
| 6 | 133713-06-25A | EA | SPACER/RECEPTACLE - PHONE - VINYL - CONCERT CHERRY (UM1,UM2,UM3) |
| 6 | 133713-06-21A | EA | SPACER/RECEPTACLE - PHONE - VINYL - WASHED MAPLE |
| 6 | 133713-06-22A | EA | SPACER/RECEPTACLE - PHONE - VINYL - SIERRA MAPLE |
| 7 | 158542-01-01A | EA | LABEL - RECEPTACLE - WASHER/DRYER - WHITE/BLACK |
| 8 | 153862-02-01A | EA | COVER - WIRE - 5.9" X 3.8" X 2.2" - BLACK |
| 8 | 155469-01-01A | EA | COVER - WIRE - .9" X 6.3" X 5.6" - BLACK |

***COMPONENT PARTS LISTED LATER IN THIS GROUP**

ELECTRICAL GROUP (CONTINUED)

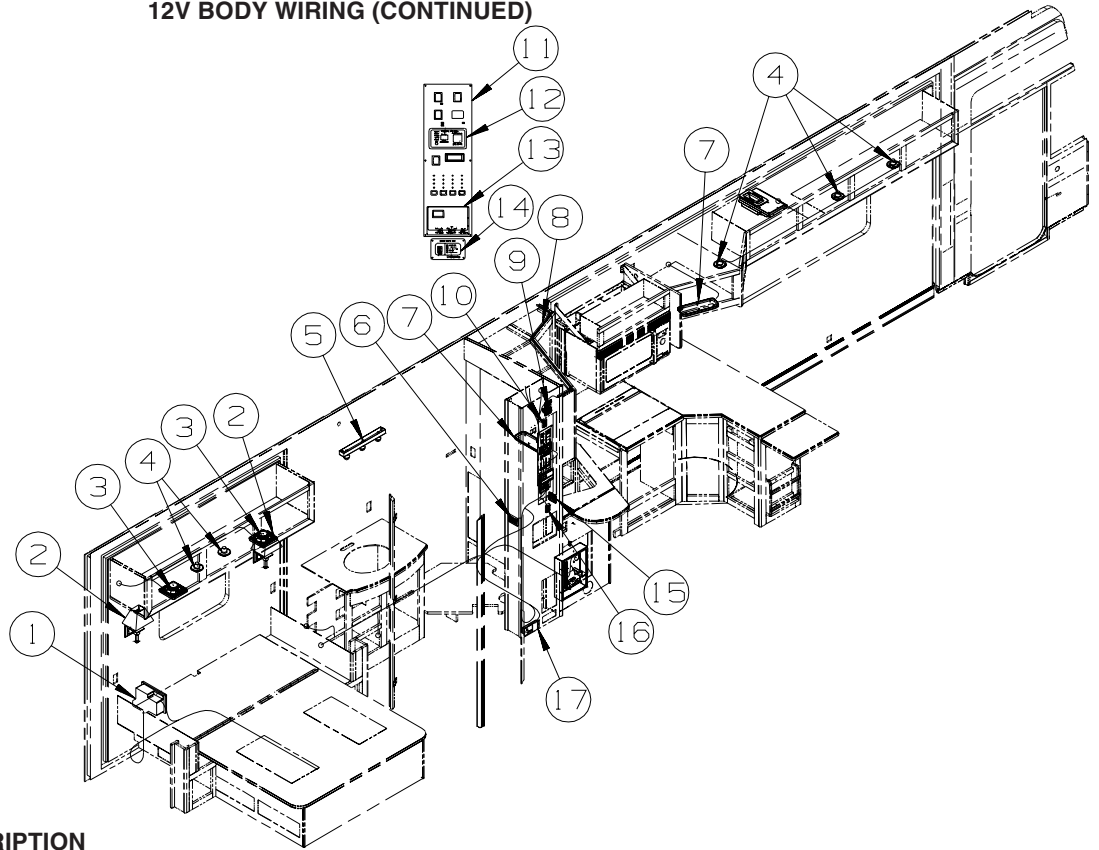
12V BODY WIRING



| KEY | PART NUMBER | U/M | DESCRIPTION |
|-----|---------------|-----|----------------------------------------------------------|
| 1 | 149557-01-01A | EA | PLATE/WALL - PHONE/DUAL COAXIAL/VERTICAL - WHITE |
| 2 | 108357-15-000 | EA | SWITCH - ROCKER - DPDT - ON/NONE/ON - W/LIGHT W/O COVER |
| 2 | 108356-03-01A | EA | COVER/ACTUATOR SWITCH - 3 GROOVES W/LENS - BLACK |
| 2 | 108355-01-000 | EA | HOUSING - SWITCH |
| 3 | 108357-01-000 | EA | SWITCH - ROCKER - SPST - ON/OFF - 2 TERMINAL - W/O COVER |
| 3 | 108356-01-01A | EA | COVER/ACTUATOR SWITCH - 3 GROOVES - BLACK |
| 3 | 108355-01-000 | EA | HOUSING - SWITCH |
| 4 | 108357-18-000 | EA | SWITCH - ROCKER - DPDT - MOM/OFF/MOM - W/O COVER |
| 4 | 108356-03-01A | EA | COVER/ACTUATOR SWITCH - 3 GROOVES W/LENS - BLACK |
| 4 | 108355-01-000 | EA | HOUSING - SWITCH |
| 5 | 082134-01-000 | EA | ADAPTER - TV - CABLE TO CABLE |
| 6 | 082136-01-000 | EA | NUT - HEX JAM - 3/8-32 |
| 7 | 157486-01-02A | EA | LABEL - TV/EXTERIOR |

ELECTRICAL GROUP (CONTINUED)

12V BODY WIRING (CONTINUED)



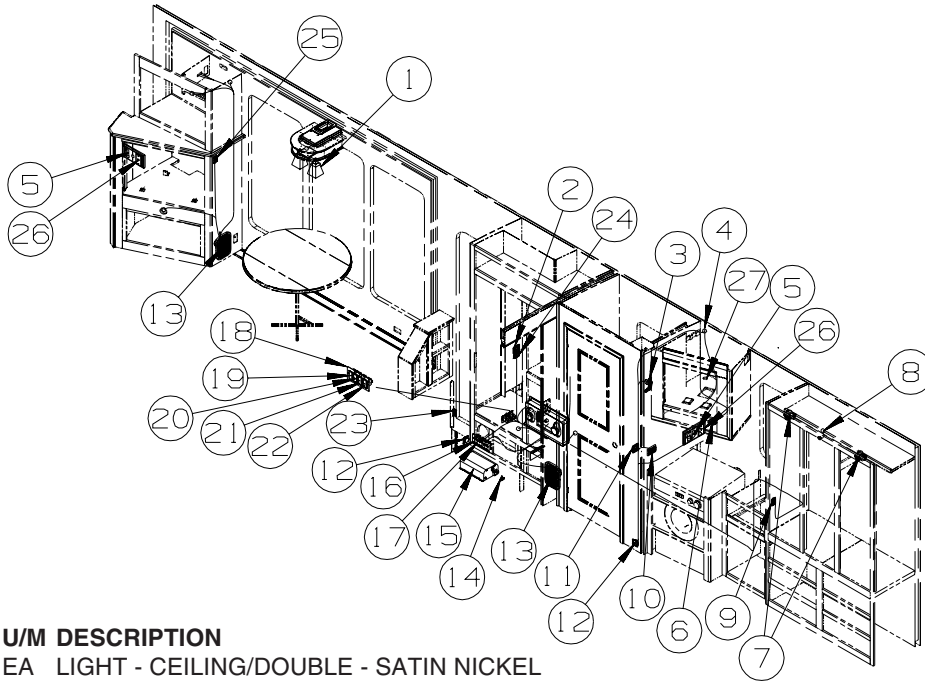
| KEY | PART NUMBER | U/M | DESCRIPTION |
|-----|---------------|-----|----------------------------------------------------------------------------------------------------------------------|
| 1* | 156413-01-01A | EA | RADIO - WALL MOUNT - DVD/CD - W/ALARM - JENSEN AWM950 - STEREO SYSTEM/W/CD/DVD REAR FROM: 00-00-00 THRU: 01-01-07 |
| 1 | 163031-01-01A | EA | RADIO - WALL MOUNT - DVD/CD - W/ALARM - JENSEN AWM960 - STEREO SYSTEM/W/CD/DVD REAR FROM: 01-02-07 THRU: 99-99-99 |
| 2* | 119258-45-01A | EA | LAMP - WALL - UL/CSA - SATIN NICKEL |
| 2 | 119257-16-01A | EA | SHADE - LAMP - WHISPER CHABLIS |
| 2 | 067479-01-000 | EA | BULB - 12V - #1076 - 1.80 AMP |
| 3 | 094097-01-000 | EA | SPEAKER - RADIO/TV - W/O GRILLE - 5.25" DIAMETER - STEREO SYSTEM/W/CD/DVD REAR |
| 3 | 089340-02-000 | EA | GRILLE - SPEAKER - 6.5" SQUARE - STEREO SYSTEM/W/CD/DVD REAR |
| 4 | 132427-01-02A | EA | LIGHT - READING/SWIVEL - ROUND - NICKEL |
| 5 | 138116-01-02A | EA | LIGHT/MAKE UP - 3 BULB - CURVED - W/O BULB - SATIN NICKEL |
| 5 | 123918-01-000 | EA | BULB - 12V - MAKEUP - WHITE |
| 6 | 135740-01-01A | EA | SWITCH - ROCKER - SPST - ON/OFF - BROWN - MAKEUP |
| 6 | 135740-02-01A | EA | SWITCH - ROCKER - SPDT - ON/ON - BROWN - CEILING |
| 6 | 135741-02-01A | EA | SWITCH - BASE - DOUBLE - BROWN |
| 6 | 135742-14-02A | EA | BEZEL - SWITCH - MAKEUP/CEILING - BROWN |
| 7* | 137417-05-01A | EA | LIGHT - DOME - DOUBLE - W/SWITCH/OPTIC LENS - WHITE |
| 8 | 146514-03-000 | FT | LIGHT - FLEX - ROPE/ROUND - W/O MOUNT CHANNEL |
| 8 | 146514-02-000 | EA | CONNECTOR - LIGHT |
| 8 | 146514-04-000 | EA | CHANNEL/MOUNT - F/ROPE LIGHT |
| 9 | 144363-09-02B | EA | PLATE - SWITCH - E-COATED |
| 9 | 108357-06-000 | EA | SWITCH - ROCKER - DPDT - MOM/OFF/MOM - 6 TERM - W/O COVER |
| 9 | 108356-01-01A | EA | COVER/ACTUATOR SWITCH - 3 GROOVES - BLACK |
| 9 | 108355-01-000 | EA | HOUSING - SWITCH |
| 9 | 116220-01-000 | EA | APPLIQUE - SWITCH/SLIDEOUT - EXTEND/RETRACT |
| 9 | 116220-02-000 | EA | APPLIQUE - SWITCH/SLIDEOUT - LOCK |
| 9 | 116549-02-000 | EA | LABEL - WARNING - SLIDEOUT |
| 10 | 135740-06-01A | EA | SWITCH - ROCKER - ON/OFF - LIGHTED - RED |
| 10 | 135741-01-01A | EA | SWITCH - BASE - SINGLE - BROWN |
| 10 | 135742-35-02A | EA | BEZEL - SWITCH - WATER HEATER/110 VOLT - BROWN |
| 11* | 133004-05-01A | EA | PANEL/MONITOR-2 TANK-DIGITAL VOLT MT/SOLAR-W/WATER HTR SWT |
| 12 | 127002-10-000 | EA | PANEL/MONITOR - ENERGY MANAGEMENT SYSTEMS CTRL - W/3 PLUG |
| 13 | 105620-18-000 | EA | THERMOSTAT - FURNACE/HEAT PUMP-A/C - W/CHOKE MODULE |
| 14 | 154511-02-000 | EA | REMOTE/PANEL - INVERTER/600 WATT |
| 14 | 148254-03-000 | EA | CABLE/INVERTOR - W/8 PIN MODULAR PHONE JACK - 50'-DIMEN |

ELECTRICAL GROUP (CONTINUED)

12V BODY WIRING (CONTINUED)

| KEY | PART NUMBER | U/M | DESCRIPTION |
|-----|---------------|-----|---------------------------------------------|
| 15 | 135740-01-01A | EA | SWITCH - ROCKER - SPST - ON/OFF - BROWN |
| 15 | 135741-03-01A | EA | SWITCH - BASE - TRIPLE - BROWN |
| 15 | 135742-41-02A | EA | BEZEL - SWITCH - GALLEY/VALANCE/FAN - BROWN |
| 16 | 135740-01-01A | EA | SWITCH - ROCKER - SPST - ON/OFF - BROWN |
| 16 | 135741-01-01A | EA | SWITCH - BASE - SINGLE - BROWN |
| 16 | 135742-30-02A | EA | BEZEL - SWITCH - MONITOR - BROWN |
| 17 | 150138-01-01A | EA | DETECTOR - LP GAS - WHITE |
| 17 | 150138-01-02A | EA | DETECTOR - LP GAS - BROWN |

***COMPONENT PARTS LISTED LATER IN THIS GROUP**



| KEY | PART NUMBER | U/M | DESCRIPTION |
|-----|---------------|-----|-----------------------------------------------------------|
| 1 | 093575-35-01A | EA | LIGHT - CEILING/DOUBLE - SATIN NICKEL |
| 1 | 117805-02-000 | EA | BULB - 12V - #921 - 1.4 AMPS |
| 2 | 135740-01-01A | EA | SWITCH - ROCKER - SPST - ON/OFF - BROWN |
| 2 | 135741-02-01A | EA | SWITCH - BASE - DOUBLE - BROWN |
| 2 | 135742-19-02A | EA | BEZEL - SWITCH - CEILING/PORCH - BROWN |
| 3 | 144363-09-02B | EA | PLATE - SWITCH - E-COATED |
| 3 | 108357-06-000 | EA | SWITCH - ROCKER - DPDT - MOM/OFF/MOM - 6 TERM - W/O COVER |
| 3 | 108356-01-01A | EA | COVER/ACTUATOR SWITCH - 3 GROOVES - BLACK |
| 3 | 108355-01-000 | EA | HOUSING - SWITCH |
| 3 | 116220-01-000 | EA | APPLIQUE - SWITCH/SLIDEOUT |
| 3 | 116549-02-000 | EA | LABEL - WARNING - SLIDEOUT |
| 4 | 086756-01-000 | EA | SPLITTER - TV/2 WAY |
| 5 | 132958-01-000 | EA | RECEPTACLE - 12 VOLT - MOUNTING FLANGE - BLACK |
| 5 | 093253-01-02A | EA | PLATE - WALL - TELEPHONE - BROWN |
| 6* | 123775-01-02A | EA | LIGHT - HALOGEN - ROUND - SATIN NICKEL |
| 7* | 087694-01-000 | EA | LIGHT - WARDROBE/CLOSET - W/SWITCH |
| 8 | 056264-01-000 | EA | SWITCH - LEAF ACTUATOR |
| 9 | 135740-01-01A | EA | SWITCH - ROCKER - SPST - ON/OFF - BROWN |
| 9 | 135741-01-01A | EA | SWITCH - BASE - SINGLE - BROWN |
| 9 | 135742-07-02A | EA | BEZEL - SWITCH - CEILING - BROWN |
| 10 | 135740-01-01A | EA | SWITCH - ROCKER - SPST - ON/OFF - BROWN |
| 10 | 135740-02-01A | EA | SWITCH - ROCKER - SPDT - ON/ON - BROWN |
| 10 | 135741-03-01A | EA | SWITCH - BASE - TRIPLE - BROWN |
| 10 | 135742-25-02A | EA | BEZEL - SWITCH - CEILING/AISLE/HALL - BROWN |
| 11 | 135740-01-01A | EA | SWITCH - ROCKER - SPST - ON/OFF - BROWN |
| 11 | 135741-02-01A | EA | SWITCH - BASE - DOUBLE - BROWN |
| 11 | 135742-33-02A | EA | BEZEL - SWITCH - CEILING/FAN - BROWN |
| 12* | 108354-01-01A | EA | LIGHT - COURTESY |

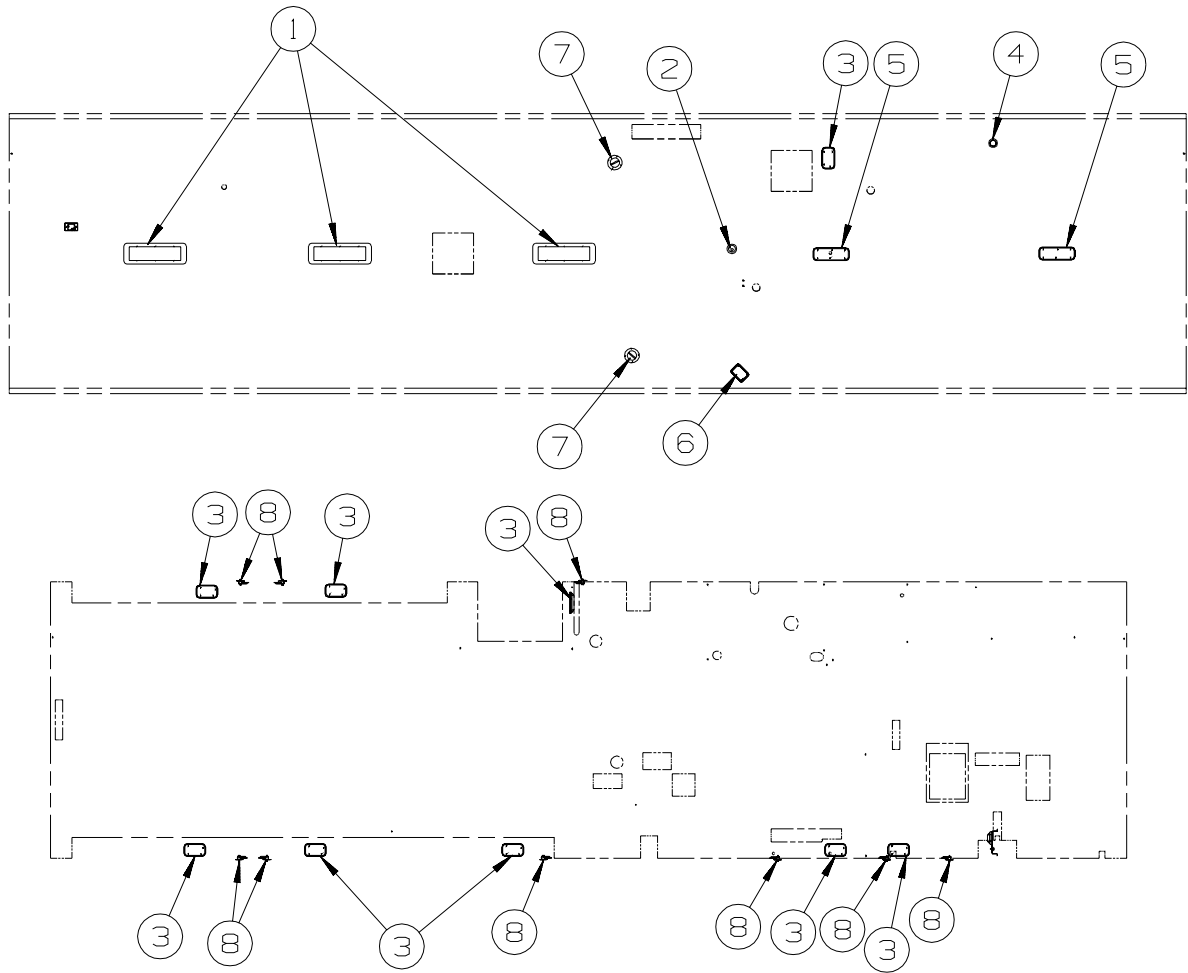
ELECTRICAL GROUP (CONTINUED)
12V BODY WIRING (CONTINUED)

| KEY | PART NUMBER | U/M | DESCRIPTION |
|-----|---------------|-----|---------------------------------------------------------------------------------------------|
| 13 | 150090-01-000 | EA | SPEAKER - 6" X 9" - SUB-WOOFER - MAGNADYNE LS69W FROM: 00-00-00 THRU: 03-05-06 |
| 13 | 124884-01-000 | EA | SPEAKER - 6" X 9" - SUB-WOOFER - W/O GRILLE FROM: 03-06-06 THRU: 99-99-99 |
| 13 | 151569-01-01A | EA | GRILLE - SPEAKER - 6" X 9" - SUB WOOFER - BLACK FROM: 00-00-00 THRU: 03-05-06 |
| 13 | 151844-01-01A | EA | GRILLE - SPEAKER - 6" X 9" - SUB WOOFER - BLACK FROM: 03-06-06 THRU: 99-99-99 |
| 14 | 086233-01-000 | EA | STUD - ISOLATED - 3/8" X 7/8" LONG |
| 15 | 123058-01-000 | EA | CONVERTER - 55 AMP - ELECTRONIC - 4 1/8"H X 7"W X 12 3/8"L |
| 16 | 139067-02-02B | EA | PLATE - CIRCUIT BREAKER/HOUSE - E-COATED |
| 17 | 092547-10-000 | EA | LABEL - CIRCUIT BREAKER |
| 18 | 158431-01-04B | EA | PLATE - SWITCH - BLACK |
| 19 | 108357-07-000 | EA | SWITCH - ROCKER - SPDT - MOM/OFF/MOM - 3 TERM - W/O COVER - AWNING - PATIO, ELECTRIC |
| 19 | 108356-12-01A | EA | COVER/ACTUATOR SWITCH - 3 GROOVES - AWNING/IN/OUT - AWNING - PATIO, ELECTRIC |
| 19 | 108355-01-000 | EA | HOUSING - SWITCH - AWNING - PATIO, ELECTRIC |
| 19 | 096241-03-000 | EA | SWITCH - BLANK - BLACK |
| 20 | 108357-18-000 | EA | SWITCH - ROCKER - DPDT - MOM/OFF/MOM - W/O COVER |
| 20 | 108356-15-01A | EA | COVER/ACTUATOR SWITCH - 3 GROOVES - LEVELING JACKS/REMOTE |
| 20 | 108355-01-000 | EA | HOUSING - SWITCH |
| 21 | 108357-01-000 | EA | SWITCH - ROCKER - SPST - ON/OFF - 2 TERMINAL - W/O COVER |
| 21 | 108356-14-01A | EA | COVER/ACTUATOR SWITCH - 3 GROOVES - COMPT LIGHTS |
| 21 | 108355-01-000 | EA | HOUSING - SWITCH |
| 22 | 108357-06-000 | EA | SWITCH - ROCKER - DPDT - MOM/OFF/MOM - 6 TERM - W/O COVER |
| 22 | 108356-11-01A | EA | COVER/ACTUATOR SWITCH - 3 GROOVES - AUX BATT - BLACK |
| 22 | 108355-01-000 | EA | HOUSING - SWITCH |
| 23 | 116995-02-000 | EA | SWITCH/MAGNET - ELECTRIC STEP - BLACK/WHITE- NORMALLY OPEN |
| 23 | 116995-03-000 | EA | SWITCH/MAGNET - ELECTRIC STEP - FULL BODY PAINT |
| 24 | 135740-01-01A | EA | SWITCH - ROCKER - SPST - ON/OFF - BROWN |
| 24 | 135741-01-01A | EA | SWITCH - BASE - SINGLE - BROWN |
| 24 | 135742-11-02A | EA | BEZEL - SWITCH - STEP - BROWN |
| 25 | 135740-01-01A | EA | SWITCH - ROCKER - SPST - ON/OFF - BROWN |
| 25 | 135741-01-01A | EA | SWITCH - BASE - SINGLE - BROWN |
| 25 | 135742-01-01A | EA | BEZEL - SWITCH - SINGLE - BROWN |
| 26 | 093253-01-02A | EA | PLATE - WALL - TELEPHONE - BROWN |
| 27 | 136860-03-000 | EA | CABLE - RCA - SHIELDED - 3 MALE TO MALE CONNECTORS - 6' |
| 27 | 159064-01-01A | EA | LABEL - CABLE/RCA - WHITE ON BLACK |

***COMPONENT PARTS LISTED LATER IN THIS GROUP**

ELECTRICAL GROUP (CONTINUED)

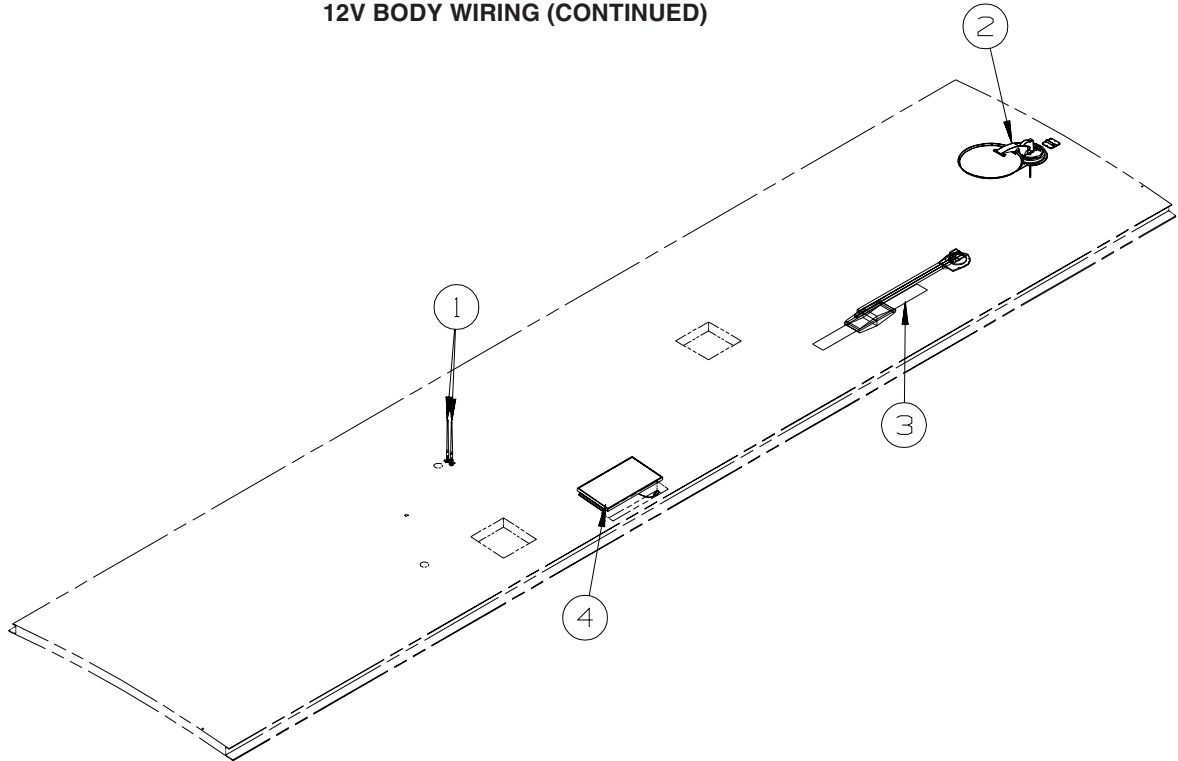
12V BODY WIRING (CONTINUED)



| KEY | PART NUMBER | U/M | DESCRIPTION |
|-----|---------------|-----|------------------------------------------------------------|
| 1* | 153464-06-01A | EA | LIGHT-FLUORESCENT 21.8"- RECESSED/WARM WHT BULB-W/O SWITCH |
| 2* | 146048-01-01A | EA | LIGHT - HALOGEN/ADJUSTABLE - WHITE |
| 3* | 137417-03-01A | EA | LIGHT - DOME - SINGLE - W/O SWITCH - W/FROSTED LENS-WHITE |
| 4* | 123775-01-02A | EA | LIGHT - HALOGEN - ROUND - SATIN NICKEL |
| 5* | 137417-06-01A | EA | LIGHT - DOME - DOUBLE - W/O SWITCH - W/FROSTED LENS-WHITE |
| 6* | 121935-01-01A | EA | LIGHT - DOME - SHOWER |
| 7 | 151314-01-01A | EA | SPEAKER - CUBE/CEILING - WHITE - MAGNADYNE - LS3CM-WN |
| 7 | 160867-01-01A | EA | SPEAKER - ROUND/CEILING - CREAM - MAGNADYNE - LS3EYC-WN |
| | | | FROM: 00-00-00 THRU: 07-23-06 |
| | | | FROM: 07-24-06 THRU: 99-99-99 |
| 8 | 041250-01-000 | EA | SWITCH - PUSH BUTTON/DOOR JAMB - METAL/CHROME |
| 8 | 138494-01-02B | EA | BRACKET - SWITCH/LIGHT - E-COATED |

***COMPONENT PARTS LISTED LATER IN THIS GROUP**

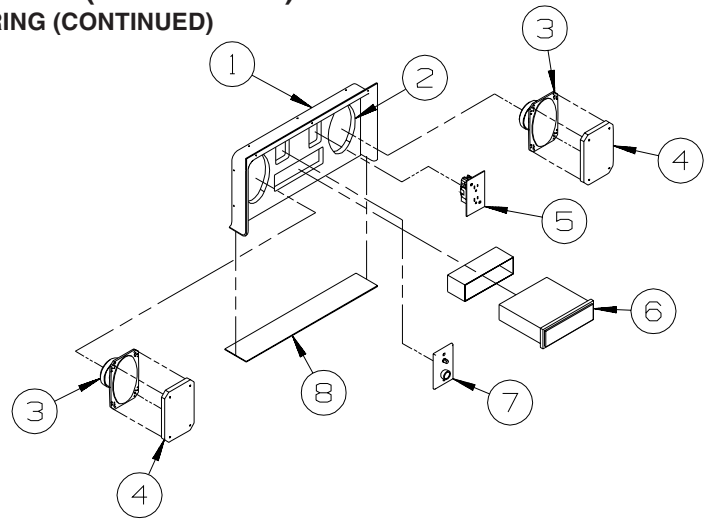
ELECTRICAL GROUP (CONTINUED)
12V BODY WIRING (CONTINUED)



| KEY | PART NUMBER | U/M | DESCRIPTION |
|-----|---------------|-----|-----------------------------------------------------------------------------------------------------------------------|
| 1 | 090944-01-000 | EA | ANTENNA - RADIO - 16" RUBBER - W/72" LEAD WIRE |
| 1 | 109889-04-000 | EA | EXTENDER - ANTENNA SHAFT - 3.7" |
| 1 | 147741-01-09B | EA | BRACKET - ANTENNA GROUND - GALVANIZED |
| 2 | 154474-04-01A | EA | ANTENNA/SATELLITE - DISH IN DOME/SEARCH IN MOTION - WHITE - SAT SYS IN-MOTION W/O RCVR |
| 2 | 154474-02-000 | EA | CONTROL/SATELLITE KIT-IDB BOX/IDD BOX-POWER SUPPLY-CABLE-SAT SYS IN-MOTION W/O RCVR |
| 2 | 154474-03-000 | EA | CABLE - SATELLITE - COAX - 8' W/CONNECTORS - SAT SYS IN-MOTION W/O RCVR |
| 2 | 146488-01-000 | EA | PLATE - ROOF - CABLE ENTRY - SAT SYS IN-MOTION W/O RCVR |
| 2* | 141454-03-01A | EA | ANTENNA/SATELLITE - "AUTO SEARCH WHILE PARKED/GPS SYSTEM" - SATELLITE DISH-AUTOMATIC FROM: 00-00-00 THRU: 01-28-07 |
| 2 | 163598-01-01A | EA | ANTENNA/SATELLITE - DISH IN DOME/AUTOMATIC - WHITE - SATELLITE DISH-AUTOMATIC FROM: 01-29-07 THRU: 99-99-99 |
| 2 | 163598-01-02A | EA | ANTENNA/STLLT - DISH IN DOME/ATM - BLACK - SATELLITE DISH-AUTOMATIC/FULL BODY PAINT FROM: 01-29-07 THRU: 99-99-99 |
| 2 | 141454-04-000 | EA | WIRE - SATELLITE - AUTOMATIC - SATELLITE DISH-AUTOMATIC |
| 2* | 137135-02-000 | EA | ANTENNA - SATELLITE DSS - W/SENSOR - SATELLITE DISH & ELEV.SENSOR |
| 3* | 076319-23-000 | EA | ANTENNA - TV ROOF MOUNT - 44.5" MAST |
| 3* | 076319-25-000 | EA | KIT - HARDWARE INTERIOR |
| 3 | 069726-02-000 | EA | BUMPER - .88" OD X .40" THICK - BLACK |
| 4 | 151647-01-000 | EA | PANEL - SOLAR 10 WATT |

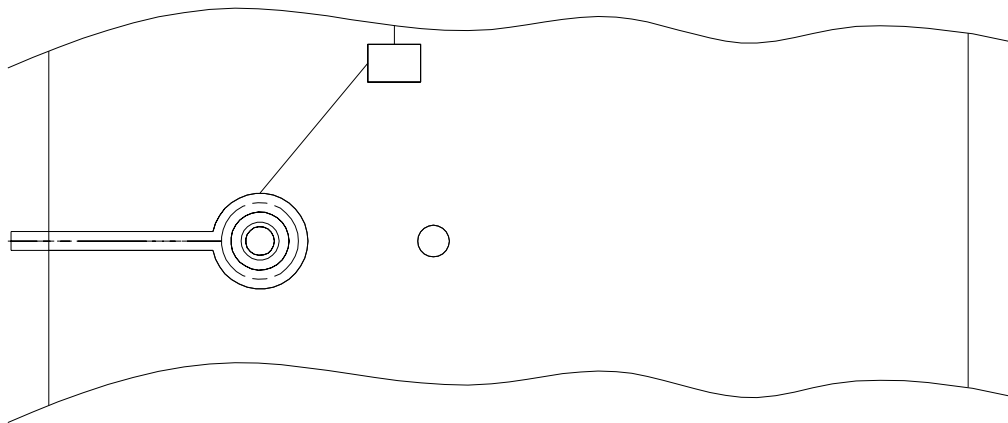
*COMPONENT PARTS LISTED LATER IN THIS GROUP

ELECTRICAL GROUP (CONTINUED)
12V BODY WIRING (CONTINUED)

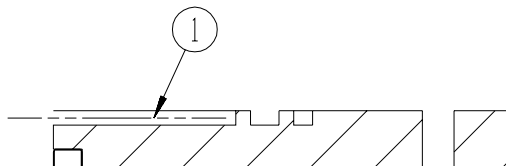


| KEY | PART NUMBER | U/M | DESCRIPTION |
|-----|---------------|-----|------------------------------------------------------------|
| 1 | 124696-02-01A | EA | BOX-ENTERTAINMENT CTR/EXT-19.4"W X 10"H X 2.5"D - BRT WHT |
| | 124696-01-01A | EA | BOX-ENTERTAINMENT CTR/EXT-19.4"W X 10"H X 10.2"D W/CUTOUTS |
| 2 | 127409-03-U89 | EA | PLATE - RADIO MOUNTING |
| 3 | 110469-01-000 | EA | SPEAKER - 4" X 6" OVAL - COAXIAL |
| 4 | 110470-01-01A | EA | GRILLE - 4" X 6" - OVAL SPEAKER - BLACK |
| 5 | 058708-01-000 | EA | RECEPTACLE - ELECTRIC - DOUBLE - BROWN |
| 6* | 155619-01-000 | EA | RADIO - AM/FM CD - W/REMOTE - MAGNADYNE M3200CD |
| | | | FROM: 00-00-00 THRU: 08-01-06 |
| 6 | 155619-02-000 | EA | RADIO - AM/FM CD-W/O REMOTE/WIRE HARNESS-MAGNADYNE M3200CD |
| | | | FROM: 08-02-06 THRU: 99-99-99 |
| | 155619-03-000 | EA | REMOTE - RADIO |
| | | | FROM: 08-02-06 THRU: 99-99-99 |
| 7 | 132958-01-000 | EA | RECEPTACLE - 12 VOLT - MOUNTING FLANGE - BLACK |
| 8 | 104898-01-02A | EA | PLATE - PLASTIC BOTTOM - BRIGHT WHITE |

***COMPONENT PARTS LISTED LATER IN THIS GROUP**

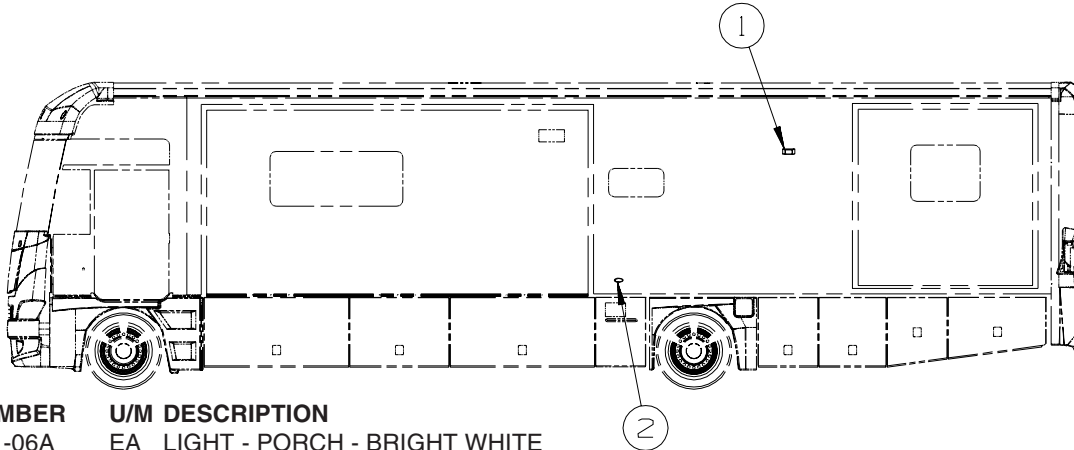
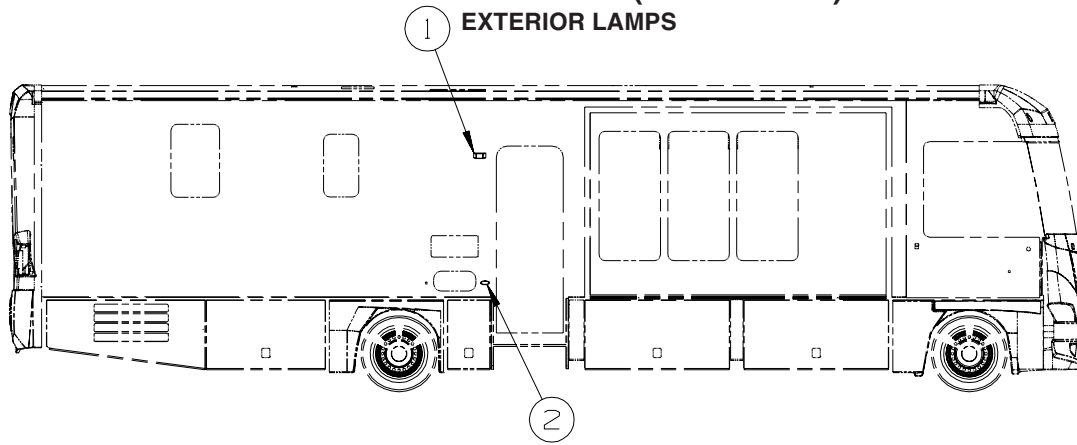


**SATELLITE WIRING DETAIL
ON ROOF**



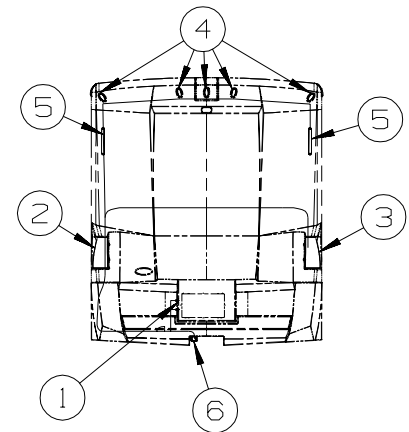
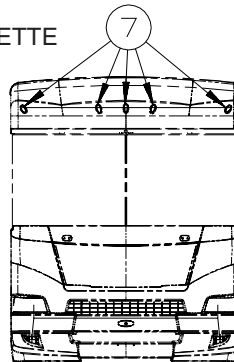
| KEY | PART NUMBER | U/M | DESCRIPTION |
|-----|---------------|-----|-----------------------------------------------------------------------|
| 1 | 154474-03-000 | EA | CABLE - SATELLITE - COAX - 8' W/CONNECTORS - AUTOMATIC SATELLITE DISH |
| 1 | 141454-04-000 | EA | WIRE - SATELLITE - AUTOMATIC - AUTOMATIC SATELLITE DISH |
| | | | FROM: 00-00-00 THRU: 01-28-07 |
| 1 | 163598-03-000 | EA | CABLE - SATELLITE CONTROL - AUTOMATIC SATELLITE DISH |
| | | | FROM: 01-29-07 THRU: 99-99-99 |

ELECTRICAL GROUP (CONTINUED)



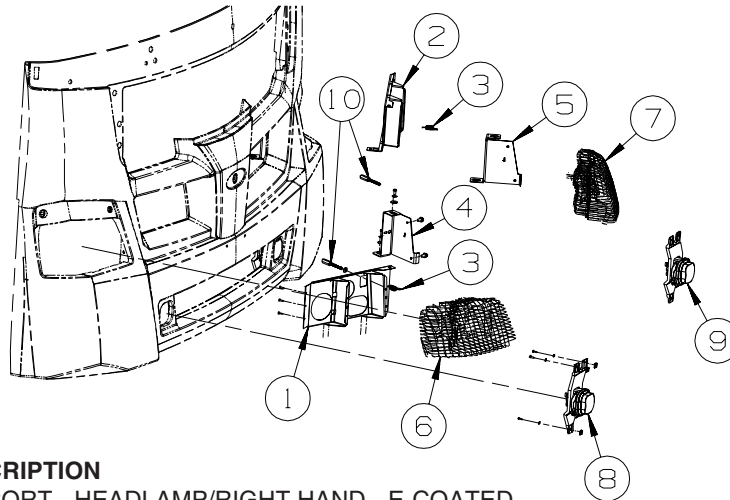
| KEY | PART NUMBER | U/M | DESCRIPTION |
|-----|---------------|-----|-------------------------------------------------|
| 1* | 097917-01-06A | EA | LIGHT - PORCH - BRIGHT WHITE |
| 1 | 097917-01-08A | EA | LIGHT - PORCH - CHROME - FULL BODY PAINT |
| | 008215-01-000 | EA | BULB - 12 VOLT - #1003 - .94 AMP |
| 2 | 147680-01-01A | EA | BASE - MARKER LAMP - WHITE |
| | 036196-01-000 | EA | BULB - 12V - #194 - .27 AMP - BAYONETTE |
| 2 | 147680-02-01A | EA | LAMP - MARKER - LENS - AMBER |

***COMPONENT PARTS LISTED LATER IN THIS GROUP**



| KEY | PART NUMBER | U/M | DESCRIPTION |
|-----|---------------|-----|-----------------------------------------------------------|
| 1 | 087201-01-000 | EA | LIGHT - HALF ROUND - 1" X 1.7" - PLASTIC - BLACK OR WHITE |
| 2 | 154206-04-000 | EA | LAMP - STOP/TURN/TAIL/BACK UP - LEFT HAND |
| 2 | 112708-01-000 | EA | BULB - 12 VOLT - #3157 - .59/2.10 AMP |
| 2 | 112709-02-000 | EA | SOCKET - BACK-UP LIGHT |
| 2 | 112709-03-000 | EA | SOCKET - BRAKE LIGHT/MARKER LIGHT |
| 3 | 154206-03-000 | EA | LAMP - STOP/TURN/TAIL/BACK UP - RIGHT HAND |
| 3 | 112708-01-000 | EA | BULB - 12 VOLT - #3157 - .59/2.10 AMP |
| 3 | 112709-02-000 | EA | SOCKET - BACK-UP LIGHT |
| 3 | 112709-03-000 | EA | SOCKET - BRAKE LIGHT/MARKER LIGHT |
| 3 | 112707-01-000 | EA | BULB - 12 VOLT - #3156 - 2.10 AMP |
| 4 | 147680-01-01A | EA | BASE - MARKER LAMP - WHITE |
| | 036196-01-000 | EA | BULB - 12V - #194 - .27 AMP - BAYONETTE |
| 4 | 147680-03-01A | EA | LAMP - MARKER - LENS - RED |
| 5 | 151076-01-000 | EA | LIGHT - BRAKE - CENTER MOUNT |
| 6 | 146246-01-000 | EA | CONNECTOR/PLUG - TRAILER - 7 PIN |
| 6 | 157593-01-000 | EA | CONNECTOR - PLUG - TRAILER - 7 SOCKET |
| 7 | 147680-01-01A | EA | BASE - MARKER LAMP - WHITE |
| | 036196-01-000 | EA | BULB - 12V - #194 - .27 AMP - BAYONETTE |
| 7 | 147680-02-01A | EA | LAMP - MARKER - LENS - AMBER |

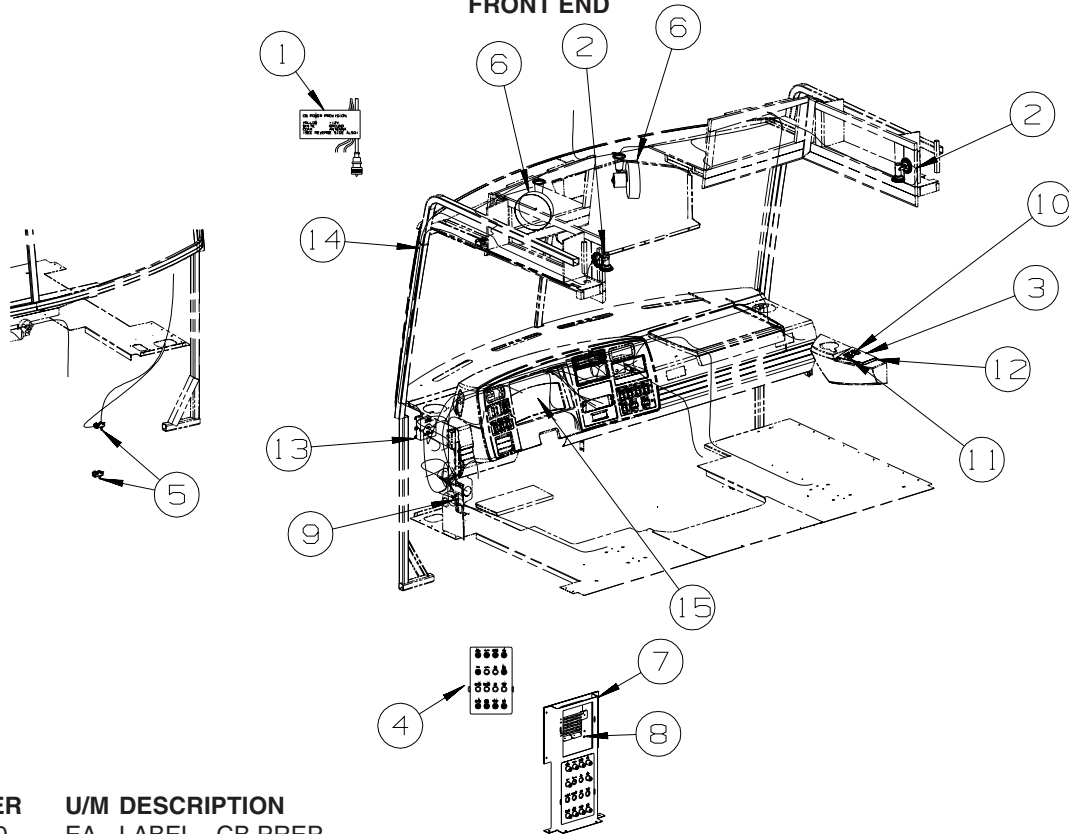
ELECTRICAL GROUP (CONTINUED)
EXTERIOR LAMPS (CONTINUED)



| KEY | PART NUMBER | U/M | DESCRIPTION |
|-----|---------------|-----|------------------------------------------------------------|
| 1 | 154324-01-02B | EA | SUPPORT - HEADLAMP/RIGHT HAND - E-COATED |
| 2 | 154324-02-02B | EA | SUPPORT - HEADLAMP/LEFT HAND - E-COATED |
| 3 | 049359-01-000 | EA | SPRING - RETAINER - HEADLAMP - GM #496096 |
| 4 | 154328-01-02B | EA | BRACKET - ADJUSTMENT/RIGHT HAND - E-COATED |
| 5 | 154328-02-02B | EA | BRACKET - ADJUSTMENT/LEFT HAND - E-COATED |
| 6 | 154881-01-000 | EA | HEADLAMP - W/PARK&TURN - RIGHT HAND |
| 6 | 154799-01-000 | EA | HOUSING - 4-POSITION/FEMALE - 150-SERIES - HEADLAMP - FORD |
| 6 | 154799-02-000 | EA | LOCK - SECONDARY - 4 POSITION - HEADLAMP - FORD |
| 6 | 067789-02-000 | EA | SOCKET - LAMP - PARK LAMP - FORD |
| 6 | 124187-01-000 | EA | SOCKET/HOUSING - WORKHORSE |
| 6 | 146560-02-000 | EA | SOCKET - LAMP - 3 WIRE - TURN/PARK LAMP |
| 7 | 154881-02-000 | EA | HEADLAMP - W/PARK&TURN - LEFT HAND |
| 7 | 154799-01-000 | EA | HOUSING - 4-POSITION/FEMALE - 150-SERIES - HEADLAMP - FORD |
| 7 | 154799-02-000 | EA | LOCK - SECONDARY - 4 POSITION - HEADLAMP - FORD |
| 7 | 067789-02-000 | EA | SOCKET - LAMP - PARK LAMP - FORD |
| 7 | 124187-01-000 | EA | SOCKET/HOUSING - WORKHORSE |
| 7 | 146560-02-000 | EA | SOCKET - LAMP - 3 WIRE - TURN/PARK LAMP |
| 8 | 153318-01-000 | EA | LAMP - FOG - CLEAR/SQUARE - PASSENGER |
| 9 | 153318-02-000 | EA | LAMP - FOG - CLEAR/SQUARE - DRIVER |
| 10 | 144904-01-01A | EA | BOLT - ADJUSTMENT - HEADLAMP |

ELECTRICAL GROUP (CONTINUED)

FRONT END



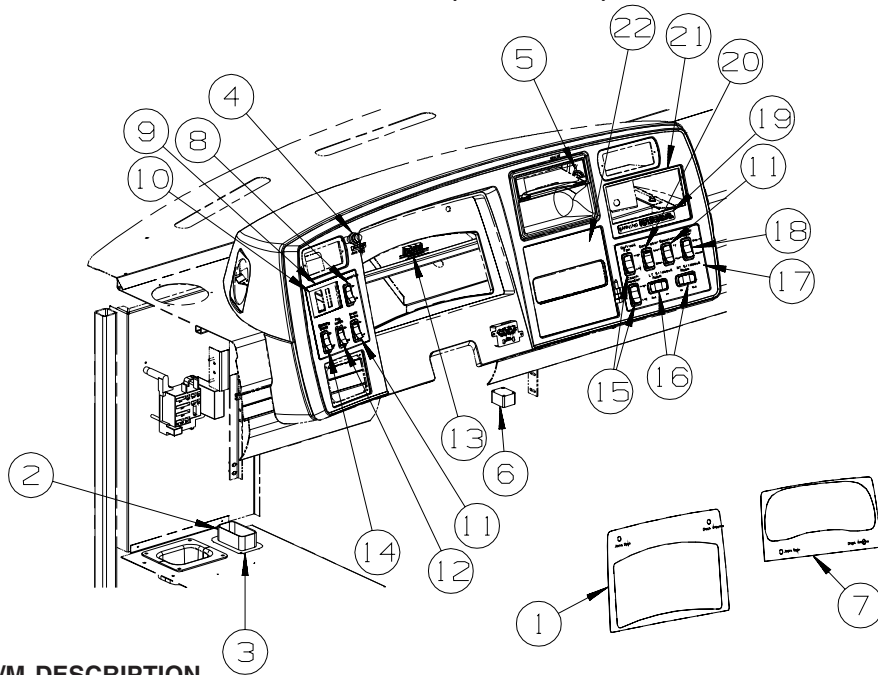
| KEY | PART NUMBER | U/M | DESCRIPTION |
|-----|---------------|-----|------------------------------------------------------------|
| 1 | 104678-01-000 | EA | LABEL - CB PREP |
| 2 | 128786-02-02A | EA | LIGHT - READING/SWIVEL - W/O SWITCH - SATIN NICKEL |
| 2 | 123917-01-000 | EA | BULB - 12V - HALOGEN SPOT |
| 3 | 148653-05-01A | EA | APPLIQUE - PASSENGER - DARK RIVERSTONE |
| 4 | 093236-47-000 | EA | LABEL - CIRCUIT BREAKER |
| 5 | 147428-01-02B | EA | BRACKET/ZEE - F/TEMPERATURE SENSOR - E-COATED |
| 6 | 122856-01-01A | EA | FAN-DEFROSTER-2 SPEED W/SWIVEL BASE/NON-OSCILLATING-CHROME |
| 7 | 149689-01-02B | EA | BRACKET - CIRCUIT BREAKER, E-COAT |
| 8 | 149690-01-02B | EA | BRACKET - FUSE PANEL, WH, E-COAT |
| 8 | 149690-02-02B | EA | BRACKET - FUSE PANEL, FORD, E-COAT - FORD |
| 9 | 041250-01-000 | EA | SWITCH - PUSH BUTTON/DOOR JAMB - METAL/CHROME |
| 10 | 145638-01-01A | EA | SWITCH/ROCKER - SPST (ON/OFF) - BLACK |
| 11 | 145638-12-01A | EA | SWITCH/ROCKER - DPDT (ON/ON/ON) - BLACK |
| 11 | 145754-01-01A | EA | SWITCH - BLANK - BLACK |
| 11 | 108355-02-000 | EA | HOUSING - SWITCH - 12 POSITION |
| 12 | 145926-08-02B | EA | INSERT ASM - SWITCH, RH - E-COAT |
| 13* | 135420-20-000 | EA | RECEIVER-SAT RADIO - SIRIUS |
| 14 | 158494-02-000 | EA | CABLE/ANTENNA - SATELLITE RADIO SIRRUS |
| 15 | 113452-01-000 | FT | SEAL/TRIM - FRONT - VINYL W/WIRE CARRIER - .020" |

*COMPONENT PARTS LISTED LATER IN THIS GROUP

CANADIAN DAY RUN LAMPS ON 2007 OR NEWER FORD CHASSIS

| KEY | PART NUMBER | U/M | DESCRIPTION |
|-----|---------------|-----|-----------------------------------------------|
| | 163912-01-000 | EA | RESISITOR - DAYTIME RUNNING LIGHTS - FORD/CSA |
| | 163913-01-000 | EA | RELAY - DAYTIME RUNNING LIGHTS - FORD/CSA |

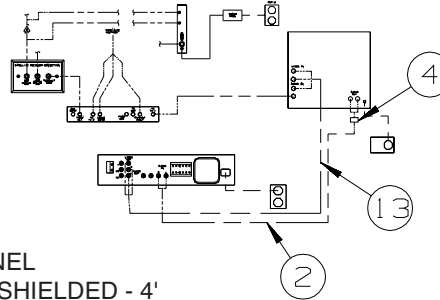
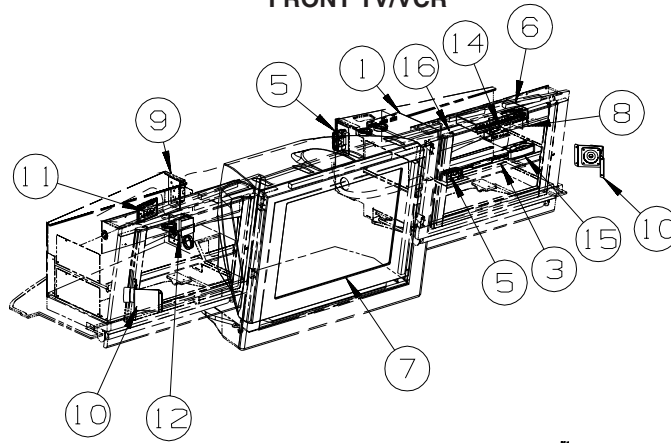
ELECTRICAL GROUP (CONTINUED) FRONT END (CONTINUED)



| KEY | PART NUMBER | U/M | DESCRIPTION |
|-----|---------------|-----|----------------------------------------------------------------------------|
| 1 | 148653-15-01A | EA | APPLIQUE - BEZEL - INSTRUMENT CLUSTER - DARK RIVERSTONE - WORKHORSE |
| 2 | 118571-03-000 | EA | BRACKET - MOUNTING |
| 3 | 118571-04-000 | EA | GASKET |
| 4 | 150237-01-000 | EA | LIGHT - INDICATOR - RED |
| 5 | 111414-01-000 | EA | RECEPTACLE/SOCKET - 12 VOLT |
| 6 | 128074-02-000 | EA | FILTER - NOISE - 12 VOLT DC W/PLUGS |
| 7 | 148653-16-01A | EA | APPLIQUE - BEZEL - INSTRUMENT CLUSTER - FORD-DK RIVERSTONE - FORD |
| 8 | 145638-14-01A | EA | SWITCH/ROCKER - DPDT (ON/OFF/ON) - BLACK |
| 8 | 108355-02-000 | EA | HOUSING - SWITCH - 12 POSITION |
| 8 | 103603-01-000 | EA | BULB - 12V - #74 - .12A WEDGE - GE 22-25 USED IN DASH |
| 9 | 148653-14-01A | EA | APPLIQUE - BEZEL - LEFT HAND - DARK RIVERSTONE - WORKHORSE |
| 9 | 148653-04-01A | EA | APPLIQUE - BEZEL - LEFT HAND - DARK RIVERSTONE - FORD |
| 10 | 134088-02-01A | EA | APPLIQUE - SWITCH - HEADLAMP - BLACK - WORKHORSE |
| 11 | 145638-01-01A | EA | SWITCH/ROCKER - SPST (ON/OFF) - BLACK |
| 11 | 108355-02-000 | EA | HOUSING - SWITCH - 12 POSITION |
| 11 | 103603-01-000 | EA | BULB - 12V - #74 - .12A WEDGE - GE 22-25 USED IN DASH |
| 12 | 145638-02-01A | EA | SWITCH/ROCKER - SPST (ON/OFF) - LIGHTED - BLACK |
| 12 | 108355-02-000 | EA | HOUSING - SWITCH - 12 POSITION |
| 12 | 103603-01-000 | EA | BULB - 12V - #74 - .12A WEDGE - GE 22-25 USED IN DASH |
| 13 | 063912-02-000 | EA | RELAY CANISTER, SPDT |
| 14 | 145638-04-01A | EA | SWITCH/ROCKER - SPDT (ON/ON) - BLACK |
| 14 | 108355-02-000 | EA | HOUSING - SWITCH - 12 POSITION |
| 14 | 103603-01-000 | EA | BULB - 12V - #74 - .12A WEDGE - GE 22-25 USED IN DASH |
| 15 | 145638-03-01A | EA | SWITCH/ROCKER - SPDT (ON/OFF/ON) - BLACK |
| 15 | 108355-02-000 | EA | HOUSING - SWITCH - 12 POSITION |
| 15 | 103603-01-000 | EA | BULB - 12V - #74 - .12A WEDGE - GE 22-25 USED IN DASH |
| 16 | 145638-09-01A | EA | SWITCH/ROCKER - DPDT (ON/OFF/ON) - BLACK |
| 16 | 108355-02-000 | EA | HOUSING - SWITCH - 12 POSITION |
| 16 | 103603-01-000 | EA | BULB - 12V - #74 - .12A WEDGE - GE 22-25 USED IN DASH |
| 17 | 148653-13-01A | EA | APPLIQUE - BEZEL - RIGHT HAND - DARK RIVERSTONE |
| 18 | 145638-07-01A | EA | SWITCH/ROCKER - DPDT (ON/ON) - BLACK |
| 18 | 108355-02-000 | EA | HOUSING - SWITCH - 12 POSITION |
| 18 | 103603-01-000 | EA | BULB - 12V - #74 - .12A WEDGE - GE 22-25 USED IN DASH |
| 19 | 116549-01-000 | EA | LABEL - WARNING - SLIDEOUT - .75" x 6.5" |
| 20 | 145638-06-01A | EA | SWITCH/ROCKER - SPDT (ON/OFF/ON) - LIGHTED - BLACK |
| 20 | 108355-02-000 | EA | HOUSING - SWITCH - 12 POSITION |
| 20 | 103603-01-000 | EA | BULB - 12V - #74 - .12A WEDGE - GE 22-25 USED IN DASH |
| 21 | 148653-12-01A | EA | APPLIQUE - BEZEL - RADIO - DARK RIVERSTONE |
| 22 | 148653-17-01A | EA | APPLIQUE - BEZEL - RIGHT HAND - DARK RIVERSTONE |

ELECTRICAL GROUP (CONTINUED)

FRONT TV/VCR

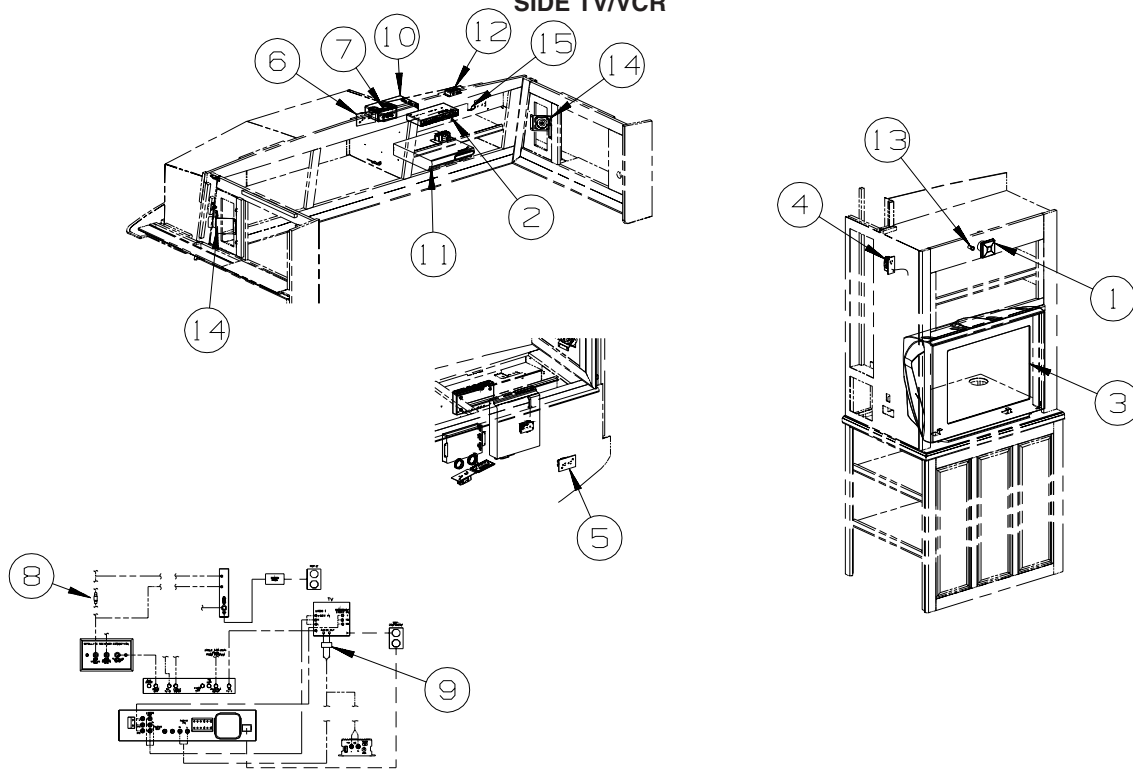


| KEY | PART NUMBER | U/M | DESCRIPTION |
|-----|---------------|-----|-----------------------------------------------------------------------------------------------------------|
| 1 | 140062-01-000 | EA | SWITCH - SPEAKER - 6 CHANNEL |
| 2 | 117420-02-000 | EA | CABLE - W/MALE RCA ENDS - SHIELDED - 4' |
| 3* | 154548-01-000 | EA | DVD/VCR - HOME THEATER COMBO - SONY HTV700DP FROM: 00-00-00 THRU: 02-12-06 |
| 3 | 158931-01-000 | EA | DVD/VCR - HOME THEATER COMBO-W/O SPEAKERS-TOSHIBA SD-V57HT FROM: 02-13-06 THRU: 03-12-06 |
| 3* | 158836-01-000 | EA | DVD - HOME THEATER - W/O SPEAKERS - MEMOREX STS71E-R FROM: 03-13-06 THRU: 99-99-99 |
| 4 | 123324-01-000 | EA | FILTER - GROUND LOOP |
| 5 | 058708-01-000 | EA | RECEPTACLE - ELECTRIC - DOUBLE - BROWN |
| 6 | 142258-01-000 | EA | SWITCH - VIDEO/ANTENNA POWER SUPPLY |
| 7* | 146298-02-000 | EA | TV - 27" STEREO W/5 JACKS - SONY 27FS120 |
| 8 | 058707-02-000 | EA | RECEPTACLE - BLANK - JUNCTION BOX |
| 9 | 058708-01-000 | EA | RECEPTACLE - ELECTRIC - DOUBLE - BROWN |
| 9 | 158542-02-01A | EA | LABEL - RECEPTACLE - ELECTRONICS - WHITE/BLACK - CANADIAN |
| 10 | 148026-03-01A | EA | SPEAKER - CUBE - W/O CASE |
| 10 | 149422-03-02B | EA | BRACKET/MOUNTING - SPEAKER - E-COATED |
| 11 | 149557-04-01A | EA | PLATE/WALL - TRIPLE COAXIAL/HORIZONTAL - WHITE |
| 12 | 156676-01-000 | EA | CONTROLLER/OUTLET - POWER/TV - AUTO SHUTOFF W/IGNITION |
| 13 | 136860-01-000 | EA | CABLE - RCA - SHIELDED - 3 MALE TO MALE CONNECTORS - 12' |
| 14 | 149750-05-000 | EA | MODULE/INTERFACE - INFRA RED (RECEIVER TO TRANSMITTER) |
| 15 | 156689-01-000 | EA | SWITCH - AUDIO/VIDEO |
| 16 | 163598-02-000 | EA | SWITCH/CONTROL - SATELLITE - NOT ILLUSTRATED BUT IN THIS LOCATION FROM: 01-29-07 THRU: 99-99-99 |

*COMPONENT PARTS LISTED LATER IN THIS GROUP

ELECTRICAL GROUP (CONTINUED)

SIDE TV/VCR



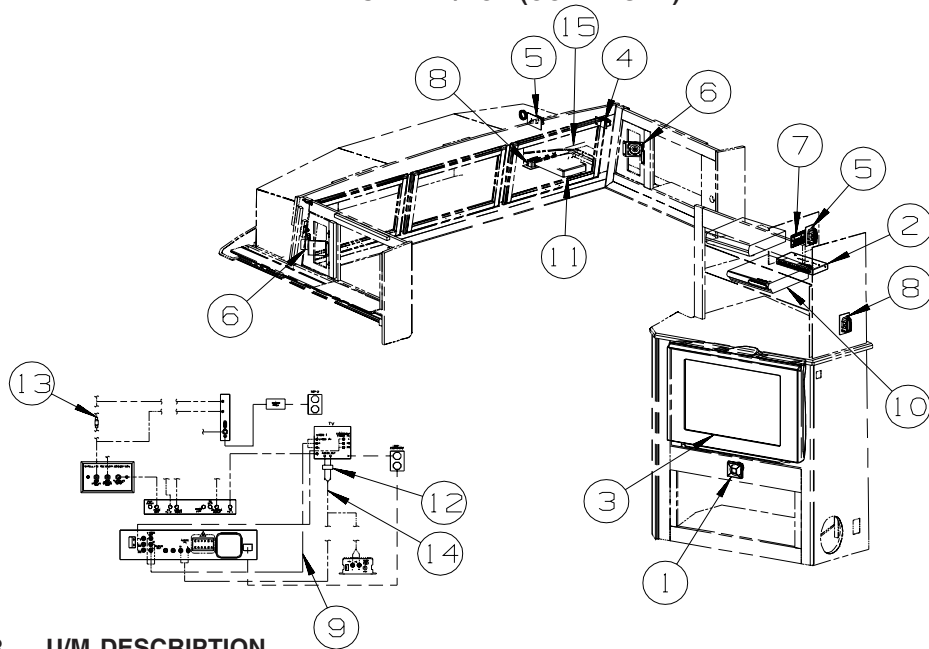
G37B

| KEY | PART NUMBER | U/M | DESCRIPTION |
|-----|---------------|-----|--------------------------------------------------------|
| 1 | 148026-02-01A | EA | SPEAKER GRILLE - CUBE - SILVER |
| 1 | 148026-03-01A | EA | SPEAKER - CUBE - W/O CASE |
| 2 | 142258-01-000 | EA | SWITCH - VIDEO/ANTENNA POWER SUPPLY |
| 3* | 146298-02-000 | EA | TV - 27" STEREO W/5 JACKS - SONY 27FS120 |
| 4 | 058707-01-000 | EA | RECEPTACLE - ELECTRIC - SINGLE - BROWN |
| 5 | 058708-01-000 | EA | RECEPTACLE - ELECTRIC - DOUBLE - BROWN |
| 6 | 058708-05-000 | EA | RECEPTACLE - ELECTRIC - SINGLE - BROWN |
| 7 | 149557-04-01A | EA | PLATE/WALL - TRIPLE COAXIAL/HORIZONTAL - WHITE |
| 8 | 082134-01-000 | EA | ADAPTER - TV - CABLE TO CABLE |
| 9 | 123324-01-000 | EA | FILTER - GROUND LOOP |
| 10 | 140062-01-000 | EA | SWITCH - SPEAKER - 6 CHANNEL |
| 11* | 158836-01-000 | EA | DVD - HOME THEATER - W/O SPEAKERS - MEMOREX STS71E-R |
| 11 | 149750-03-000 | EA | TRANSMITTER - F/INFRA RED RECEIVER |
| 12 | 149750-05-000 | EA | MODULE/INTERFACE - INFRA RED (RECEIVER TO TRANSMITTER) |
| 13 | 149750-01-000 | EA | RECEIVER - (INFRA RED SIGNAL) - W/6"LEAD/PLUG |
| 14 | 148026-03-01A | EA | SPEAKER - CUBE - W/O CASE |
| 14 | 149422-03-02B | EA | BRACKET/MOUNTING - SPEAKER - E-COATED |
| 15 | 163598-02-000 | EA | SWITCH/CONTROL - SATELLITE |

FROM: 01-29-07 THRU: 99-99-99

*COMPONENT PARTS LISTED LATER IN THIS GROUP

ELECTRICAL GROUP (CONTINUED)
SIDE TV/VCR (CONTINUED)

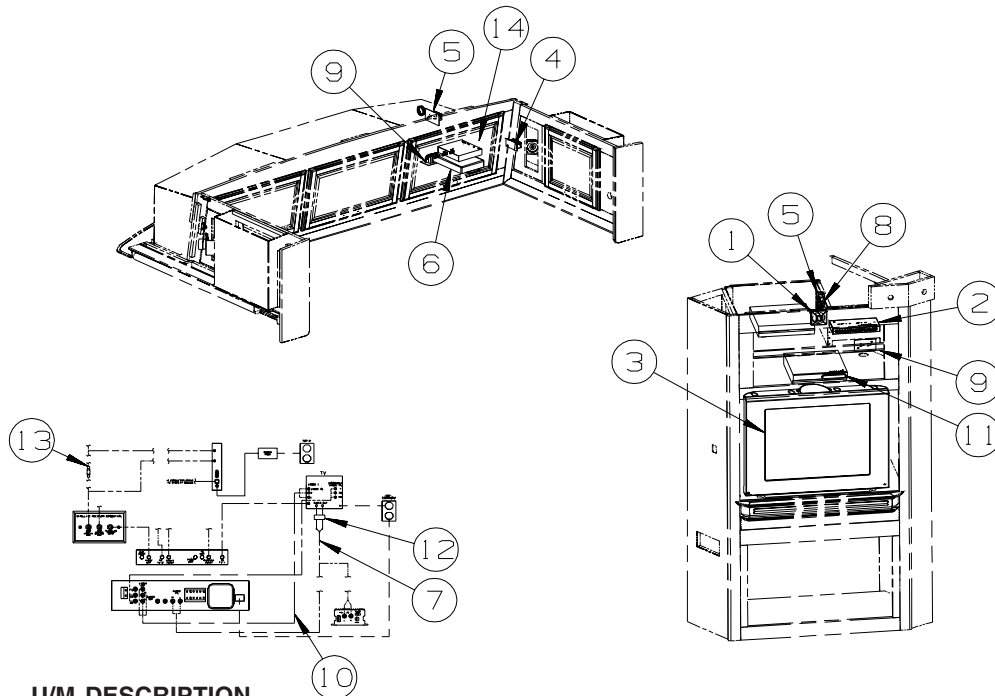


G38J

| KEY | PART NUMBER | U/M | DESCRIPTION |
|-----|---------------|-----|------------------------------------------------------------|
| 1 | 148026-02-01A | EA | SPEAKER GRILLE - CUBE - SILVER |
| 1 | 148026-03-01A | EA | SPEAKER - CUBE - W/O CASE |
| 2 | 142258-01-000 | EA | SWITCH - VIDEO/ANTENNA POWER SUPPLY |
| 3* | 146298-02-000 | EA | TV - 27" STEREO W/5 JACKS - SONY 27FS120 |
| 4 | 058707-02-000 | EA | RECEPTACLE - BLANK - JUNCTION BOX |
| 5 | 058708-01-000 | EA | RECEPTACLE - ELECTRIC - DOUBLE - BROWN |
| 5 | 158542-02-01A | EA | LABEL - RECEPTACLE - ELECTRONICS - WHITE/BLACK - CANADIAN |
| 6 | 148026-03-01A | EA | SPEAKER - CUBE - W/O CASE |
| 6 | 149422-03-02B | EA | BRACKET/MOUNTING - SPEAKER - E-COATED |
| 7 | 149557-04-01A | EA | PLATE/WALL - TRIPLE COAXIAL/HORIZONTAL - WHITE |
| 8 | 058708-01-000 | EA | RECEPTACLE - ELECTRIC - DOUBLE - BROWN |
| 9 | 136860-01-000 | EA | CABLE - RCA - #3 MALE TO #12F MALE CONNECTOR |
| 10* | 154548-01-000 | EA | DVD/VCR - HOME THEATER COMBO - SONY HTV700DP |
| | | | FROM: 00-00-00 THRU: 02-12-06 |
| 10 | 158931-01-000 | EA | DVD/VCR - HOME THEATER COMBO-W/O SPEAKERS-TOSHIBA SD-V57HT |
| | | | FROM: 02-13-06 THRU: 03-12-06 |
| 10* | 158836-01-000 | EA | DVD - HOME THEATER - W/O SPEAKERS - MEMOREX STS71E-R |
| | | | FROM: 03-13-06 THRU: 99-99-99 |
| 11 | 140062-01-000 | EA | SWITCH - SPEAKER - 6 CHANNEL |
| 12 | 123324-01-000 | EA | FILTER - GROUND LOOP |
| 13 | 082134-01-000 | EA | ADAPTER - TV - CABLE TO CABLE |
| 14 | 117420-03-000 | EA | CABLE - W/MALE RCA ENDS - SHIELDED - 20' |
| 15 | 163598-02-000 | EA | SWITCH/CONTROL - SATELLITE |
| | | | FROM: 01-29-07 THRU: 99-99-99 |

*COMPONENT PARTS LISTED LATER IN THIS GROUP

ELECTRICAL GROUP (CONTINUED)
SIDE TV/VCR (CONTINUED)

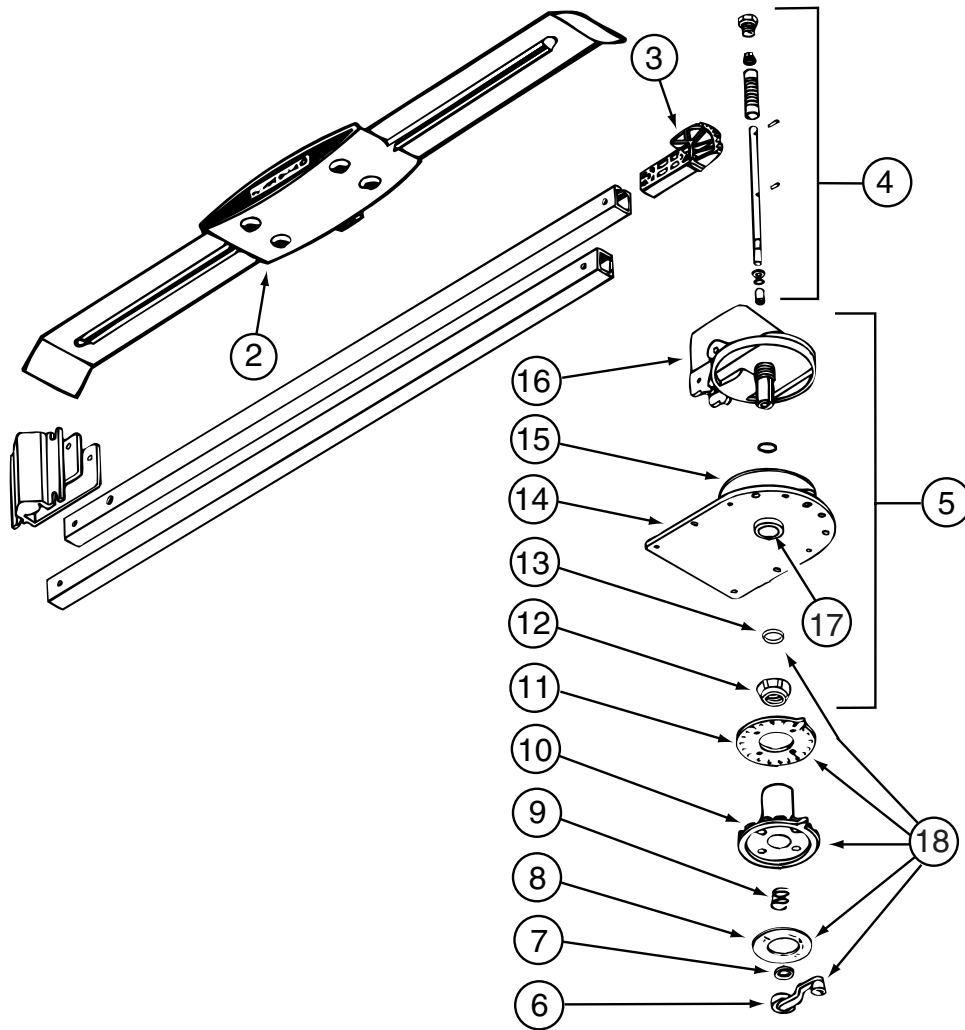


G38T

| KEY | PART NUMBER | U/M | DESCRIPTION |
|-----|---------------|-----|------------------------------------------------------------------|
| 1 | 148026-02-01A | EA | SPEAKER GRILLE - CUBE - SILVER |
| 1 | 148026-03-01A | EA | SPEAKER - CUBE - W/O CASE |
| 2 | 142258-01-000 | EA | SWITCH - VIDEO/ANTENNA POWER SUPPLY |
| 3* | 146298-02-000 | EA | TV - 27" STEREO W/5 JACKS - SONY 27FS120 |
| 4 | 058707-02-000 | EA | RECEPTACLE - BLANK - JUNCTION BOX |
| 5 | 058708-01-000 | EA | RECEPTACLE - ELECTRIC - DOUBLE - BROWN |
| 5 | 158542-02-01A | EA | LABEL - RECEPTACLE - ELECTRONICS - WHITE/BLACK - CANADIAN |
| 6 | 140062-01-000 | EA | SWITCH - SPEAKER - 6 CHANNEL |
| 7 | 117420-03-000 | EA | CABLE - W/MALE RCA ENDS - SHIELDED - 20' |
| 8 | 149557-04-01A | EA | PLATE/WALL - TRIPLE COAXIAL/HORIZONTAL - WHITE |
| 9 | 058708-01-000 | EA | RECEPTACLE - ELECTRIC - DOUBLE - BROWN |
| 10 | 136860-01-000 | EA | CABLE - RCA - #3 MALE TO #12F MALE CONNECTOR |
| 11 | 158931-01-000 | EA | DVD/VCR - HOME THEATER COMBO-W/O SPEAKERS-TOSHIBA SD-V57HT |
| | | | FROM: 00-00-00 THRU: 03-12-06 |
| 11* | 158836-01-000 | EA | DVD - HOME THEATER - W/O SPEAKERS - MEMOREX STS71E-R |
| | | | FROM: 03-13-06 THRU: 99-99-99 |
| 12 | 123324-01-000 | EA | FILTER - GROUND LOOP |
| 13 | 082134-01-000 | EA | ADAPTER - TV - CABLE TO CABLE |
| 14 | 163598-02-000 | EA | SWITCH/CONTROL - SATELLITE |
| | | | FROM: 01-29-07 THRU: 99-99-99 |

***COMPONENT PARTS LISTED LATER IN THIS GROUP**

ELECTRICAL GROUP (CONTINUED)
COMPONENT PARTS FOR WIRING



076319-23-000

| KEY | PART NUMBER | U/M | DESCRIPTION | VENDOR NO. |
|-----|---------------|-----|-------------------------|------------|
| 2 | 076319-01-700 | EA | HEAD-ANTENNA, AMPLIFIED | RVSA U/V |
| 3 | 076319-01-701 | EA | GEAR-ELEVATING, PLASTIC | 2200046 |
| 4 | 076319-01-702 | EA | SHAFT ASM-ELEVATING | RP-4000 |
| 5 | 076319-01-711 | EA | BASE & LIFT ASM | 2762802 |
| 7 | 076319-01-705 | EA | GROMMET-NYLON, 7/8"ID | 3200658 |
| 8 | 076319-01-708 | EA | DECAL-CRANK | 5413002 |
| 9 | 076319-01-707 | EA | SPRING-HANDLE | 2160822 |
| 11 | 076319-01-712 | EA | PLATE - CEILING | 3200608 |
| 12 | 076319-01-715 | EA | NUT (GEAR HOUSING) | 2200047 |
| 14 | 076319-01-713 | EA | PLATE-BASE, STEEL | 3100523 |
| 15 | 076319-01-703 | EA | BEARING-NYLON, 5"OD | 3200656 |
| 16 | 076319-01-714 | EA | HOUSING, ROTATING GEAR | 2200049 |
| 17 | 076319-01-704 | EA | BEARING-NYLON, 1.25"OD | 3200657 |
| 18 | 076319-01-709 | EA | HANDLE-HEAD DIRECTIONAL | 200644 |
| | 076319-01-716 | EA | TUBING, ELEVATING | RP-2900 |

CONTACT WINNEBAGO PART SALES FOR UNLISTED COMPONENT(S)

076319-25-000

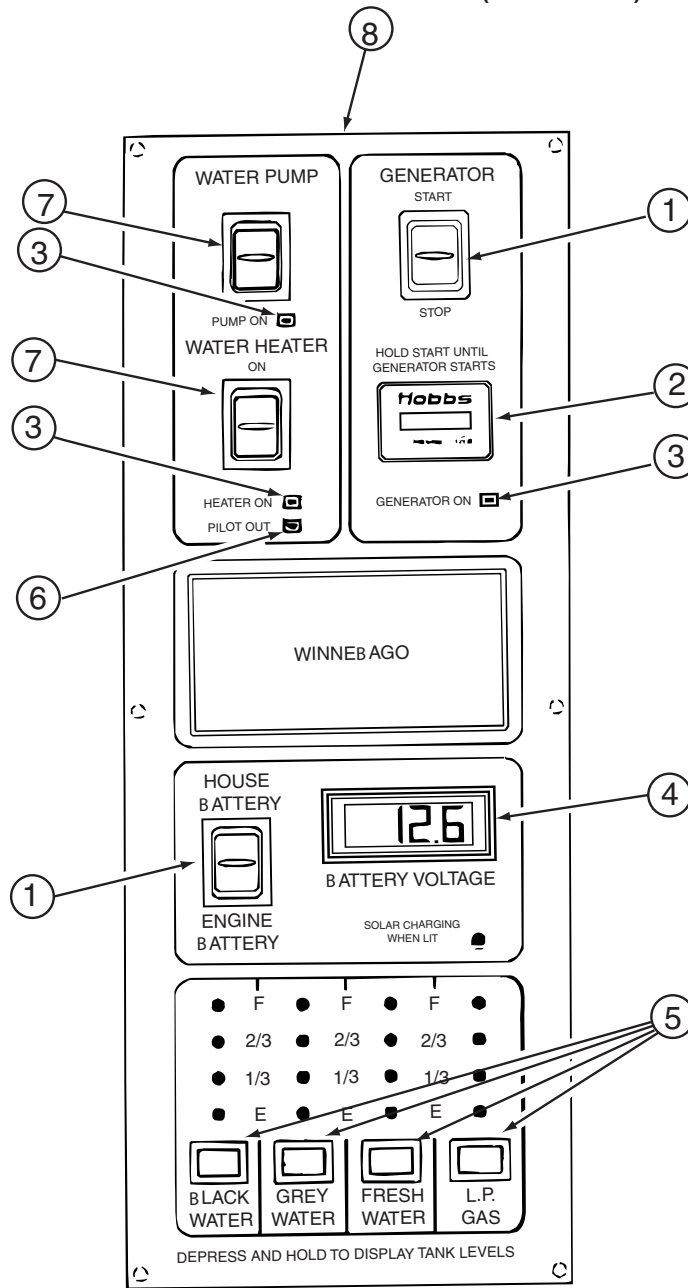
| KEY | PART NUMBER | U/M | DESCRIPTION | VENDOR NO. |
|-----|---------------|-----|------------------------------|------------|
| 6 | 076319-01-706 | EA | CRANK-W/SET SCREW UNIV/BEIGE | 2750897 |
| 6 | 120233-01-710 | EA | HANDLE-CRANK W/SCREW - WHITE | RP-6795 |
| 8 | 076319-01-708 | EA | DECAL-CRANK | 5413002 |
| 10 | 076319-25-700 | EA | DIRECTIONAL HANDLE(WHITE) | 3200612 |
| 11 | 076319-25-701 | EA | PLATE - CEILING(WHITE) | 3200609 |
| 13 | 120233-01-709 | EA | WASHER-NYLON | RP-2658 |

CONTACT WINNEBAGO PART SALES FOR UNLISTED COMPONENT(S)

ELECTRICAL GROUP (CONTINUED)
COMPONENT PARTS FOR WIRING (CONTINUED)

| | | | | |
|------------|--------------------|-------------------------------|----------------------|-------------------|
| | | | 086280-01-000 | |
| KEY | PART NUMBER | U/M DESCRIPTION | | VENDOR NO. |
| | 086280-01-700 | EA BULB,12V | | ARP1089 |
| | | | 087694-01-000 | |
| KEY | PART NUMBER | U/M DESCRIPTION | | VENDOR NO. |
| | 087694-01-700 | EA BULB | | GE561 |
| | | | 093575-23-03A | |
| KEY | PART NUMBER | U/M DESCRIPTION | | VENDOR NO. |
| | 093575-23-700 | EA GLOBE - SQUARE | | |
| | | | 097917-01-06A | |
| KEY | PART NUMBER | U/M DESCRIPTION | | VENDOR NO. |
| | 097917-01-700 | EA LENS-LIGHT, CLEAR | | 30-78-021 |
| | | | 108354-01-01A | |
| KEY | PART NUMBER | U/M DESCRIPTION | | VENDOR NO. |
| | 108354-01-700 | EA BULB-COURTESY LIGHT | | 395-B |
| | | | 119258-45-01A | |
| KEY | PART NUMBER | U/M DESCRIPTION | | VENDOR NO. |
| | 119258-01-704 | EA FINIAL (BALL) SATIN NICKEL | | 2268TY |
| | | | 121935-01-01A | |
| KEY | PART NUMBER | U/M DESCRIPTION | | VENDOR NO. |
| | 121935-01-700 | EA LENS ONLY | | 809511 |
| | | | 123775-01-02A | |
| KEY | PART NUMBER | U/M DESCRIPTION | | VENDOR NO |
| | 123775-01-702 | EA BEZEL/LENS - SATIN NICKEL | | 99 953470 |

ELECTRICAL GROUP (CONTINUED)
COMPONENT PARTS FOR WIRING (CONTINUED)



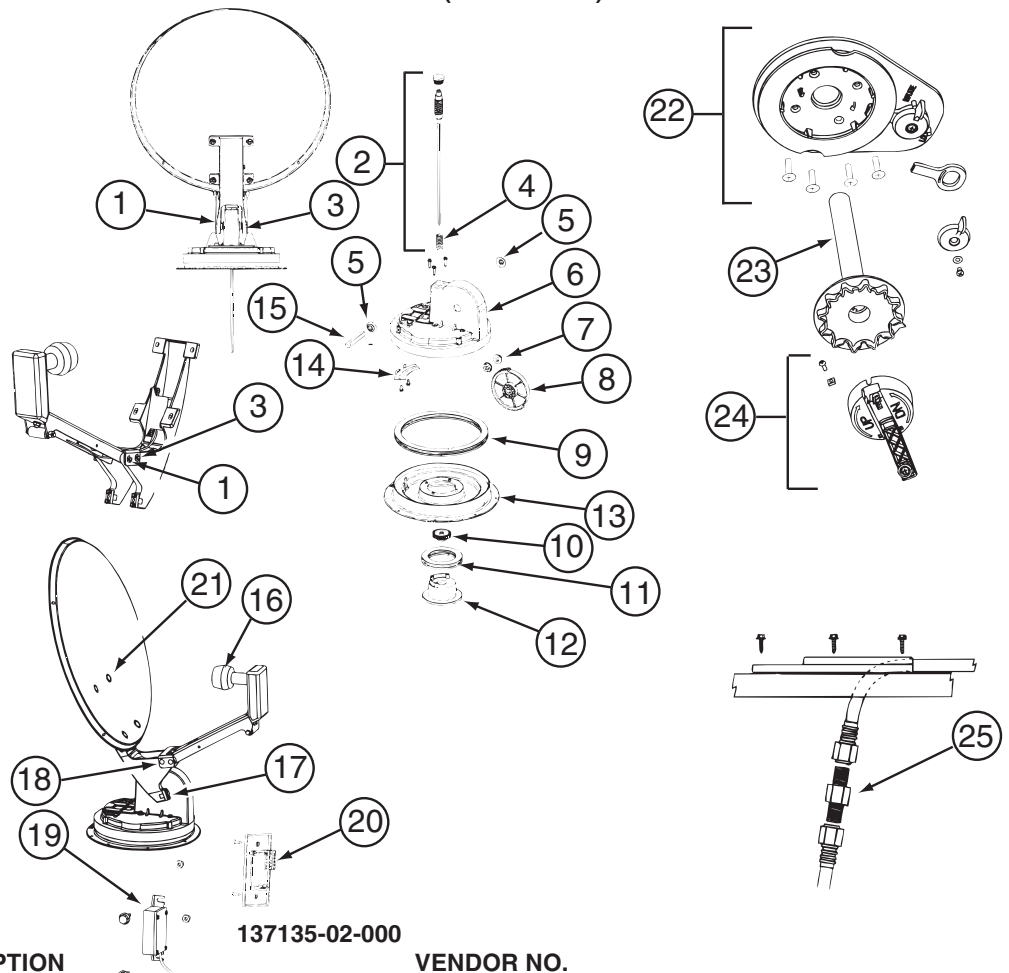
133004-05-01A

| KEY | PART NUMBER | U/M | DESCRIPTION | VENDOR NO. |
|-----|---------------|-----|------------------------------|------------|
| 1 | 133004-01-702 | EA | SWITCH/DPDT MOM=ON-OFF-ON | L1011-00 |
| 2 | 100258-10-701 | EA | GAUGE-HR METER ONLY (LCD) | L0775-00 |
| 3 | 133004-01-706 | EA | L.E.D. GREEN-PANEL MOUNT | L0785 |
| 4 | 133004-01-704 | EA | METER/VOLT-DIGITAL - LCD | L1008-00 |
| 5 | 133004-01-705 | EA | SWITCH/MOM ON - PUSH BUTTON | L0950-00 |
| 6 | 130004-01-703 | EA | L.E.D. RED-PANEL MOUNT | L1009-00 |
| 7 | 133004-01-701 | EA | SWITCH/DPDT ON-ON/MAINTAINED | L1025-00 |
| 8 | 133004-05-700 | EA | SCREENED CHASSIS | CC0563-00 |
| | 133004-05-701 | EA | BOARD - PC | L5130-02 |

135420-20-000

| KEY | PART NUMBER | U/M | DESCRIPTION | VENDOR NO. |
|-----|---------------|-----|-------------------------|------------|
| | 135420-20-700 | EA | CABLE-RECIEVER TO RADIO | M9CABLE |

ELECTRICAL GROUP (CONTINUED)
COMPONENT PARTS FOR WIRING (CONTINUED)



137135-02-000

| KEY | PART NUMBER | U/M | DESCRIPTION | VENDOR NO. |
|-----|---------------|-----|------------------------------|----------------|
| 1 | 120233-01-714 | EA | CLIP-E | 5160818 |
| 2 | 137135-01-703 | EA | KIT ELEV - SHAFT/GEAR/SPRING | RP-4400 |
| 3 | 137135-01-704 | EA | PIN - 1/4" X 3.25" | 2160813 |
| 4 | 137135-01-705 | EA | SPRING | 2160818 |
| 5 | 137135-01-707 | EA | SEAL - PIVOT SHAFT | 2200852 |
| 6 | 137135-01-708 | EA | TURRET | 3100728 |
| 7 | 137135-01-709 | EA | PIVOT BEARING | 2200470 |
| 8 | 137135-01-711 | EA | GEAR - ELEVATING | 2200464 |
| 9 | 137135-01-712 | EA | BEARING - OUTER | 2590347 |
| 10 | 137135-01-714 | EA | GEAR - ELEVATING SHAFT | 2200465 |
| 11 | 137135-01-715 | EA | BEARING - INNER | 2590348 |
| 12 | 137135-01-716 | EA | HUB | 3100731 |
| 13 | 137135-01-713 | EA | TURRET BASE | 3100730 |
| 14 | 137135-01-710 | EA | PLATE - ROTATE LIMIT | 3720052 |
| 16 | 137135-02-703 | EA | LOW NOISE BLOCK FILTER | LB-6000 - DUAL |
| 17 | 137135-01-722 | EA | CLAMP | 2590343 |
| 18 | 137135-01-719 | EA | BRACKET - PIVOT | 2744945 |
| 19 | 137135-01-720 | EA | DE-SENSOR UNIT W/43" CABLE | DM4000 |
| 20 | 137135-02-701 | EA | BOX - SURFACE MOUNT | SM-100 |
| 21 | 137135-01-717 | EA | BOLT - FLAT HEAD | 2160362 |
| 22 | 120233-01-737 | EA | PLATE/INT-W/DIRECTIONAL HDLE | RK-CEIL |
| 23 | 120233-01-704 | EA | DIAL/DIRECTIONAL 4"W/SPRING | 3200364 |
| 24 | 120233-01-738 | EA | HDW PKG-HANDLE/SPRING/WASHER | RK-HAND |
| 25 | 137135-01-701 | EA | CONNECTOR - F - MALE TO MALE | FS-8100 |
| | 120233-04-700 | EA | KIT-WALL PLATE/CABLE - GRAY | DM4000 |
| | 137135-01-700 | EA | ROOF WEDGE W/GASKET | RW-5000 |
| | 137135-01-706 | EA | KIT-TURRET/SEAL/BEARING/GEAR | RP-RM30 |
| | 137135-01-718 | EA | REFLECTOR/WHITE-46CM W/HDW | RP-35RM |
| | 137135-02-700 | EA | DE-SENSOR | 2780096 |
| | 137135-02-704 | EA | KIT-UPDATE DIRECTIONAL HDL | RP-RMDH |
| | 137135-02-705 | EA | KIT-TURRET & SHAFT COMPLETE | RP-RM46 |

CONTACT WINNEBAGO PART SALES FOR UNLISTED COMPONENT(S)

ELECTRICAL GROUP (CONTINUED)

COMPONENT PARTS FOR WIRING (CONTINUED)

137417-01-01A, 137417-03-01A

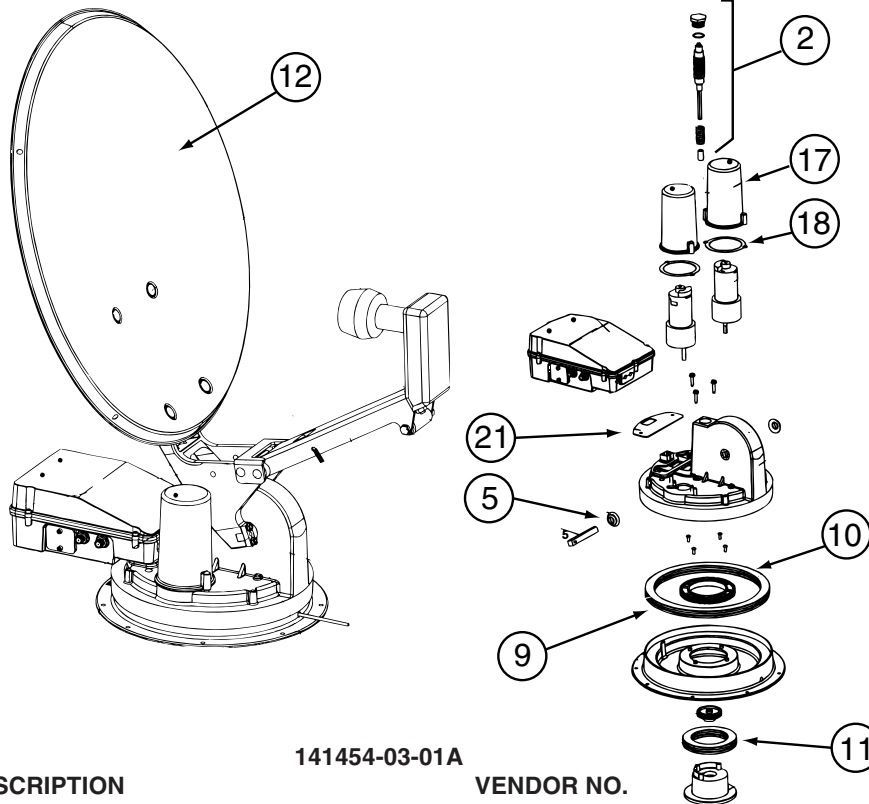
| KEY | PART NUMBER | U/M DESCRIPTION | VENDOR NO. |
|-----|---------------|----------------------------|------------|
| | 137417-01-700 | EA LENS - SINGLE (FROSTED) | 810868 |

137417-05-01A

| KEY | PART NUMBER | U/M DESCRIPTION | VENDOR NO. |
|-----|---------------|------------------------|------------|
| | 137417-05-700 | EA LENS - DOUBLE OPTIC | 810845 |

137417-06-01A

| KEY | PART NUMBER | U/M DESCRIPTION | VENDOR NO. |
|-----|---------------|------------------------|------------|
| | 137417-06-700 | EA LENS - DOUBLE WHITE | 810867 |



141454-03-01A

| KEY | PART NUMBER | U/M DESCRIPTION | VENDOR NO. |
|-----|---------------|---------------------------------|----------------|
| 2 | 141454-01-700 | EA KIT ELEV-SHAFT/GEARS/SPRING | RP-RM20 |
| 4 | 137135-01-705 | EA SPRING | 2160818 |
| 5 | 137135-01-707 | EA SEAL - PIVOT SHAFT | 2200852 |
| 9 | 137135-01-712 | EA BEARING - OUTER | 2590347 |
| 10 | 137135-01-714 | EA GEAR - ELEVATING SHAFT | 2200465 |
| 10 | 141454-01-712 | EA GEAR - ROTATE | 2200469 |
| 11 | 137135-01-715 | EA BEARING - INNER | 2590348 |
| 12 | 137135-01-718 | EA REFLECTOR/WHITE-46CM W/HDWE | RP-35RM |
| 13 | 137135-01-713 | EA TURRET BASE | 3100730 |
| 17 | 141454-01-705 | EA HOUSING - MOTOR | 3200260 |
| 18 | 141454-01-706 | EA GASKET - MOTOR HOUSING | 2240054 |
| 21 | 141454-01-709 | EA GASKET | 2240056 |
| | 120233-01-714 | EA CLIP-E | 5160818 |
| | 137135-01-704 | EA PIN - 1/4" X 3.25" | 2160813 |
| | 137135-01-719 | EA BRACKET - PIVOT | 2744945 |
| | 137135-01-722 | EA CLAMP | 2590343 |
| | 137135-01-723 | EA SUPPORT/FRAME-BACKUP-W/HDWE | RP-RM00 |
| | 137135-02-703 | EA LOW NOISE BLOCK FILTER | LB-6000 - DUAL |
| | 141454-01-701 | EA KIT - GEAR/MOTOR-GEAR/ROTATE | RP-RM25 |
| | 141454-01-702 | EA HOUSING/ELECTRONICS - UPPER | RP-RM10 |
| | 141454-01-703 | EA HOUSING/ELECTRONICS - LOWER | RP-RM15 |
| | 141454-01-704 | EA KIT LIFT ASSEMBLY COMPLETE | RP-RM05 |
| | 141454-03-700 | EA MOTOR (AZIMUTH) | 2665042 |
| | 141454-03-701 | EA MOTOR (ELEVATION) | 2665041 |
| | 141454-03-702 | EA CIRCUIT BOARD(CONTROL BOARD) | RP-RM80 |
| | 141454-03-703 | EA CONTRL PANEL W/BOX (AS2003) | RP-AS85 |

CONTACT WINNEBAGO PART SALES FOR UNLISTED COMPONENT(S)

ELECTRICAL GROUP (CONTINUED)
COMPONENT PARTS FOR WIRING (CONTINUED)

| | | | | |
|------------|--------------------|------------|------------------------------------|-------------------|
| | | | 146048-01-01A | |
| KEY | PART NUMBER | U/M | DESCRIPTION | VENDOR NO. |
| | 123775-01-700 | EA | BULB - 10 WATT - HALOGEN | |
| | | | 146298-02-000 | |
| KEY | PART NUMBER | U/M | DESCRIPTION | VENDOR NO. |
| | 146298-02-700 | EA | REMOTE - TV | 1-478-707-11 |
| | | | 149040-02-000 | |
| KEY | PART NUMBER | U/M | DESCRIPTION | VENDOR NO. |
| | 149040-02-700 | EA | REMOTE - TV | RCR311TBM1-RCA |
| | | | 149040-03-000 | |
| KEY | PART NUMBER | U/M | DESCRIPTION | VENDOR NO. |
| | 149040-03-700 | EA | REMOTE - TV | 265714 |
| | | | 149049-01-000,149049-02-000 | |
| KEY | PART NUMBER | U/M | DESCRIPTION | VENDOR NO. |
| | 149049-01-700 | EA | REMOTE (TV) | RM-Y1735 |
| | | | 153464-03/06-01A | |
| KEY | PART NUMBER | U/M | DESCRIPTION | VENDOR NO. |
| | 091937-08-700 | EA | LENS - LIGHT - FLUORESCENT | D-766 |
| | | | 154548-01-000 | |
| KEY | PART NUMBER | U/M | DESCRIPTION | VENDOR NO. |
| | 154548-01-700 | EA | REMOTE - DVD/VCR | 1-478-247-11 |
| | | | 155619-01-000 | |
| KEY | PART NUMBER | U/M | DESCRIPTION | VENDOR NO. |
| | 155619-01-700 | EA | REMOTE | RC3200 |
| | | | 156413-01-01A | |
| KEY | PART NUMBER | U/M | DESCRIPTION | VENDOR NO. |
| | 156413-01-700 | EA | REMOTE | REMAWM950 |
| | | | 158836-01-000 | |
| KEY | PART NUMBER | U/M | DESCRIPTION | VENDOR NO. |
| | 158836-01-700 | EA | REMOTE | STS71WREM |

ELECTRICAL GROUP (CONTINUED)

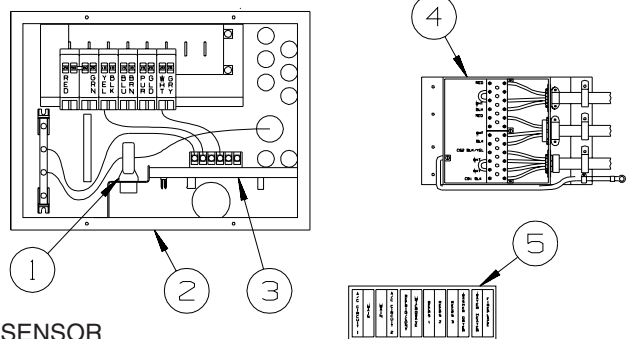
CIRCUIT BREAKERS, FUSES & RELAYS

| KEY | PART NUMBER | U/M | DESCRIPTION |
|-----|---------------|-----|----------------------------------------------------------|
| | 008235-01-000 | EA | FUSE - 15 AMP/12VOLT - AUTOMOTIVE |
| | 062901-02-000 | EA | FUSE - 5 AMP - AUTOMOTIVE |
| | 062901-04-000 | EA | FUSE - 10 AMP - AUTOMOTIVE |
| | 062901-05-000 | EA | FUSE - 15 AMP - AUTOMOTIVE |
| | 062901-06-000 | EA | FUSE - 20 AMP - AUTOMOTIVE |
| | 062901-07-000 | EA | FUSE - 25 AMP - AUTOMOTIVE |
| | 062901-08-000 | EA | FUSE - 30 AMP - AUTOMOTIVE |
| | 063910-01-000 | EA | HOUSING - RELAY |
| | 063912-02-000 | EA | RELAY - CANISTER - SPDT |
| | 083209-01-000 | EA | CIRCUIT BREAKER - 15 AMP - 120 VOLT - CANADIAN |
| | 083209-02-000 | EA | CIRCUIT BREAKER - 15/15 AMP - 120 VOLT |
| | 083209-03-000 | EA | CIRCUIT BREAKER - 15/20 AMP - 120 VOLT |
| | 083209-04-000 | EA | CIRCUIT BREAKER - 30 AMP - 120 VOLT |
| | 083209-05-000 | EA | CIRCUIT BREAKER - 20 AMP - 120 VOLT |
| | 083209-06-000 | EA | CIRCUIT BREAKER - 30/15 AMP - 120 VOLT |
| | 083209-07-000 | EA | CIRCUIT BREAKER - 20/20 AMP - 120 VOLT |
| | 083209-10-000 | EA | CIRCUIT BREAKER - 20/30 AMP - 120 VOLT |
| | 083209-11-000 | EA | CIRCUIT BREAKER - 20/15 AMP - 120 VOLT |
| | 092786-03-000 | EA | BUSS BAR - 6.9" LONG |
| | 092786-06-000 | EA | BUSS BAR |
| | 093654-01-000 | EA | CIRCUIT BREAKER - 6 AMP - 12 VOLT - PUSH BUTTON - WHITE |
| | 093654-02-000 | EA | CIRCUIT BREAKER - 15 AMP - 12 VOLT - PUSH BUTTON - WHITE |
| | 093654-03-000 | EA | CIRCUIT BREAKER - 20 AMP - 12 VOLT - PUSH BUTTON - WHITE |
| | 093655-01-000 | EA | CIRCUIT BREAKER - 25 AMP - 12 VOLT - PUSH BUTTON - WHITE |
| | 093655-02-000 | EA | CIRCUIT BREAKER - 30 AMP - 12 VOLT - PUSH BUTTON - WHITE |
| | 093655-03-000 | EA | CIRCUIT BREAKER - 40 AMP - 12 VOLT - PUSH BUTTON - WHITE |
| | 097611-01-000 | EA | CIRCUIT BREAKER - 10 AMP |
| | 100341-01-000 | EA | FUSE HOLDER - IN LINE TYPE |
| | 113482-01-000 | EA | CIRCUIT BREAKER - 55 AMP - MANUAL |
| | 115187-01-000 | EA | FUSE - 300 AMP - NON-DELAY |
| | 115187-02-000 | EA | HOLDER - FUSE |
| | 115187-03-000 | EA | FUSE - 60 AMP - NON-DELAY |
| | 122811-01-000 | EA | CIRCUIT BREAKER - 20/50/50/20 AMP - 250V |
| | 125986-02-000 | EA | FUSE - 5 AMP - AUTO - MINI BLADE |
| | 125986-05-000 | EA | FUSE - 15 AMP - AUTO - MINI BLADE |
| | 141789-01-000 | EA | SPACER - CIRCUIT BREAKER |

CONVERTER, INVERTER, LOAD CENTERS

| KEY | PART NUMBER | U/M | DESCRIPTION |
|-----|---------------|-----|------------------------------------------------------------|
| | 123058-01-000 | EA | CONVERTER - 55 AMP - ELECTRONIC - 4 1/8"H X 7"W X 12 3/8"L |
| | 148254-03-000 | EA | CABLE/INVERTOR - W/8 PIN MODULAR PHONE JACK - 50'-DIMEN |
| | 154511-01-000 | EA | INVERTER - 600 WATT - W/O REMOTE PANEL |
| | 154511-02-000 | EA | REMOTE/PANEL - INVERTER/600 WATT |
| | 154367-03-02B | EA | BRACKET/MOUNT - INVERTER - E-COATED |

| KEY | PART NUMBER | U/M | DESCRIPTION |
|-----|---------------|-----|------------------------------------------------------------|
| 1 | 127002-07-000 | EA | SENSOR - CURRENT |
| 2 | 141258-01-000 | EA | LOAD CENTER - 120/240 - 30/50 AMP |
| 2 | 141258-02-000 | EA | LOAD CENTER - COVER |
| 3 | 127002-11-000 | EA | MODULE - EMS CENTER - W/REMOTE SENSOR |
| 4 | 106071-06-000 | EA | SWITCH - AUTOMATIC TRANSFER - PARALLAX 5070 - 30/50 AMP |
| 5 | 095721-47-000 | EA | LABEL - CONTROL CENTER - 50 AMP - 50 AMP ELECTRICAL SYSTEM |



ELECTRICAL GROUP (CONTINUED)

BOXES & CORDS

| KEY | PART NUMBER | U/M | DESCRIPTION |
|-----|---------------|-----|----------------------------------------------------------|
| | 008054-01-000 | EA | CORD - POWER - 10/3 WIRE - 30 AMP - 25' |
| | 108934-02-000 | EA | CORD - POWER - 50 AMP - 4-WIRE - 36' |
| | 115832-01-000 | FT | CORD - HEAVY DUTY - 14-2 W/GROUND |
| | 131679-01-000 | EA | BOX/ELECTRIC-WATERPROOF-4" X 4" - W/4 3/4"OUTLETS-UL/CSA |
| | 131680-01-000 | EA | COVER - F/ELECTRIC BOX W/GASKET 4" X 4" - UL/CSA |
| | 133070-01-000 | EA | BOX - ELECTRIC/PLASTIC - 3" X 2" X 2.8" - UL |
| | 133070-02-000 | EA | BOX - ELECTRIC/PLASTIC - 3" X 2" X 2.8" - CSA |

WIRE ASSEMBLIES

| KEY | PART NUMBER | U/M | DESCRIPTION |
|-----|---------------|-----|-----------------------------------------------------------|
| | 077069-02-000 | EA | CABLE/EXTENSION - RADIO ANTENNA - 96" |
| | 077069-03-000 | EA | CABLE/EXTENSION - RADIO ANTENNA - 260" |
| | 117420-04-000 | EA | CABLE - RCA- (MALE/MALE) - 50 FT |
| | 136860-02-000 | EA | CABLE - RCA - SHIELDED - 3 MALE TO MALE CONNECTORS - 50' |
| | 125853-04-000 | EA | WIRE LOOM - ENTERTAINMENT CENTER |
| | 126030-01-000 | EA | WIRE ASM-WIPER/WASHER |
| | 135131-01-000 | EA | WIRE LOOM - THERMOSTAT |
| | 135420-16-000 | EA | WIRE LOOM - RADIO |
| | 136028-01-000 | EA | WIRE ASM-SOFA,REST EASY |
| | 136860-02-000 | EA | CABLE - RCA - SHIELDED - 3 MALE TO MALE CONNECTORS - 50' |
| | 137135-03-000 | EA | WIRE LOOM - DIGITAL ELEVATION SENSOR |
| | 137135-04-000 | EA | WIRE HARNESS - POWER - DIGITAL ELEVATION SENSOR |
| | 139583-01-000 | EA | WIRE LOOM - SOFA/DOUBLE REST EASY |
| | 139583-02-000 | EA | WIRE LOOM - SOFA/REAR SWITCH |
| | 142258-02-000 | EA | WIRE LOOM - VIDEO SWITCH/POWER SUPPLY |
| | 144677-07-000 | EA | WIRE - MONITOR - POWER - 3 PIN TO 6 PIN (3 WIRE) |
| | 144677-09-000 | EA | WIRE - MONITOR - POWER - 3 PIN/2 PIN |
| | 147313-01-000 | EA | WIRE - OUTSIDE TEMP SENSOR - W/O SENSOR |
| | 145210-01-000 | FT | CABLE - COAXIAL |
| | 149750-02-000 | EA | CABLE - (RECEIVER TO MODULE) - 45' |
| | 151316-02-000 | EA | WIRE ASM - W/NON CONTACT SENSORS - GREY WATER - 23.6" |
| | 151317-01-000 | EA | WIRE ASM-W/NON CONTACT SENSORS-FRESH WATER/BLK TANK-3.9" |
| | 151317-02-000 | EA | WIRE ASM-W/NON CONTACT SENSORS-FRESH WATER/BLK TANK-23.6" |
| | 151422-01-000 | EA | PIGTAIL - F/FOG LIGHT |
| | 153324-01-000 | EA | WIRE ASSEMBLY - FOG LIGHT |
| | 155505-01-000 | EA | WIRE ASSEMBLY - ADAPTER/HEADLIGHT |
| | 155619-05-000 | EA | WIRE ASSEMBLY - RADIO - 12 PIN |
| | 156999-01-000 | EA | WIRE ASSEMBLY - INSTRUMENT PANEL - MAIN - WORKHORSE |
| | 157000-01-000 | EA | WIRE ASSEMBLY - INSTRUMENT PANEL - MAIN - FORD |

ELECTRICAL GROUP (CONTINUED)
CONNECTORS & CONDUIT

| KEY | PART NUMBER | U/M | DESCRIPTION |
|-----|---------------|-----|----------------------------------------------------------|
| | 007940-01-000 | EA | RECEPTACLE/SLIDE 16 TO 12 AWG - FEMALE END |
| | 007940-02-000 | EA | RECEPTACLE/SLIDE 10 AWG |
| | 007954-01-000 | EA | RECEPTACLE - HOUSING - 6 POSITION |
| | 007956-05-000 | EA | INSULATOR - SHRINK - 1/4"ID X 1 1/2" |
| | 008058-01-000 | EA | ADAPTER - POWER CORD - 30 AMP TO 15 AMP |
| | 008311-01-000 | EA | CONNECTOR - WIRE NUT - INSULATED - RED |
| | 008312-01-000 | EA | CONNECTOR - WIRE NUT - INSULATED - BLUE |
| | 008313-01-000 | EA | CONNECTOR - WIRE NUT - INSULATED - YELLOW |
| | 008314-01-000 | EA | CONNECTOR - WIRE NUT - INSULATED - GRAY |
| | 008328-01-000 | EA | TERMINAL - RING - 12/10 WIRE - #10 STUD FIT |
| | 008331-01-000 | EA | TERMINAL - RING - TONGUE - #4 WIRE - 3/8" STUD - COPPER |
| | 008348-01-000 | EA | TERMINAL - RING - 3/8" STUD 2 GA. WIRE |
| | 008355-01-000 | EA | CONNECTOR - CABLE CLAMPING - 3/4" |
| | 008356-01-000 | EA | CONNECTOR - PLASTIC - 3/8" |
| | 008356-02-000 | EA | CONNECTOR - PLASTIC - 21/32" |
| | 008398-01-000 | EA | CONNECTOR - 1/2" X 90 DEGREE - FLEX CONDUIT - UL & CSA |
| | 035416-04-000 | EA | TERMINAL - RING - #10 STUD FIT - INSULATED BARREL #16/14 |
| | 041953-01-000 | FT | CONDUIT - CONVOLUTE SLIT - .5" ID - POLYETHYLENE |
| | 041953-02-000 | FT | CONDUIT - CONVOLUTE SLIT - .6" ID - POLYETHYLENE |
| | 041953-03-000 | FT | CONDUIT - CONVOLUTE SLIT - 1" ID (CLOTHES ROD COVER) |
| | 041953-06-000 | FT | CONDUIT - CONVOLUTE SLIT - .4" ID - POLYETHYLENE |
| | 041953-07-000 | FT | CONDUIT - CONVOLUTE SLIT - .25" ID - POLYETHYLENE |
| | 041953-08-000 | FT | CONDUIT - CONVOLUTE SLIT - 1.5" ID - POLYETHYLENE |
| | 041953-09-000 | FT | CONDUIT - CONVOLUTE SLIT - .5" ID - NYLON |
| | 041953-10-000 | FT | CONDUIT - CONVOLUTE SLIT - .75" ID - NYLON |
| | 041953-11-000 | FT | CONDUIT - CONVOLUTE SLIT - 1.06" ID - NYLON |
| | 041953-12-000 | FT | CONDUIT - CONVOLUTE SOLID - 1.1" ID - NYLON |
| | 041953-13-000 | FT | CONDUIT - CONVOLUTE SLIT - 1.25" ID |
| | 041953-14-000 | FT | CONDUIT - CONVOLUTE SLIT - 1.5" ID |
| | 041953-15-000 | FT | CONDUIT - CONVOLUTE SLIT - 2" |
| | 041953-16-000 | FT | CONDUIT - CONVOLUTE SLIT - 2" |
| | 047441-01-000 | EA | TERMINAL-BATTERY, HORIZONTAL LUG |
| | 047443-01-000 | EA | TERMINAL - .250 RECEPTACLE FIT - INSULATED - 16/14 AWG |
| | 047443-02-000 | EA | TERMINAL - .250 RECEPTACLE FIT - INSULATED - 12/10 AWG |
| | 047443-05-000 | EA | TERMINAL - .250 RECEPTACLE FIT - 18GA AWG |
| | 058028-01-000 | EA | CONNECTOR - ELECTRICAL PIGTAIL - NYLON - CLEAR |
| | 062036-01-000 | EA | TERMINAL - PACK - CON - 12/10 AWG |
| | 076319-12-000 | EA | CONNECTOR - COAXIAL - ONE PIECE |
| | 077479-01-000 | EA | BOOT - BATTERY TERMINAL - DOUBLE CABLE |
| | 077479-02-000 | EA | BOOT - BATTERY TERMINAL - SINGLE CABLE |
| | 080015-02-000 | EA | RECEPTACLE - FLAG - .185 - 16/14 GAUGE |
| | 080015-03-000 | EA | RECEPTACLE - FLAG - .250 - 14/16 GAUGE |
| | 080015-04-000 | EA | RECEPTACLE - FLAG - .187 - 16/14 GAUGE |
| | 082109-01-000 | EA | HOUSING - CONNECTOR - PACKARD |
| | 082741-01-000 | EA | CONNECTOR BODY - 2 CONNECTOR MALE |
| | 087225-01-000 | FT | SLEEVING - 1/2" - TYPE H |
| | 088473-01-000 | EA | HOUSING - PIN - 12 CAVITY (3 ROWS OF 4) |
| | 088473-02-000 | EA | HOUSING - PIN - 15 CAVITY (3 ROWS OF 5) |
| | 088473-03-000 | EA | HOUSING - PIN - 9 CAVITY (3 ROWS OF 3) |
| | 088473-04-000 | EA | HOUSING - PIN - 8 CAVITY IN-LINE |
| | 088473-06-000 | EA | HOUSING - PIN - 6 CAVITY (2 ROWS OF 3) |
| | 088473-07-000 | EA | HOUSING - PIN - 5 CAVITY - IN-LINE |
| | 088473-08-000 | EA | HOUSING - PIN - 4 CAVITY - IN-LINE |
| | 088473-09-000 | EA | HOUSING - PIN - 3 CAVITY - IN-LINE |
| | 088473-10-000 | EA | HOUSING - PIN - 2 CAVITY - IN-LINE |
| | 088473-12-000 | EA | HOUSING - PIN - 3 CAVITY - BLUE |
| | 088473-13-000 | EA | HOUSING - PIN - 3 CAVITY - GREEN |
| | 088473-14-000 | EA | HOUSING - PIN - 3 CAVITY - RED |
| | 088474-01-000 | EA | HOUSING - SOCKET - 12 CAVITY |
| | 088474-02-000 | EA | HOUSING - SOCKET - 15 CAVITY |
| | 088474-03-000 | EA | HOUSING - SOCKET - 9 CAVITY |
| | 088474-06-000 | EA | HOUSING - SOCKET - 6 CAVITY |
| | 088474-07-000 | EA | HOUSING - SOCKET - 5 CAVITY |
| | 088474-08-000 | EA | HOUSING - SOCKET - 4 CAVITY |

ELECTRICAL GROUP (CONTINUED)
CONNECTORS & CONDUIT (CONTINUED)

| KEY | PART NUMBER | U/M | DESCRIPTION |
|-----|---------------|-----|-----------------------------------------------------------|
| | 088474-09-000 | EA | HOUSING - SOCKET - 3 CAVITY |
| | 088474-10-000 | EA | HOUSING - SOCKET - 2 CAVITY |
| | 088475-01-000 | EA | PIN - CONNECTOR - 14-20 AWG |
| | 088475-02-000 | EA | PIN - CONNECTOR - 10-12 AWG |
| | 088476-01-000 | EA | TERMINAL - ELECTRICAL |
| | 088476-02-000 | EA | SOCKET - CONNECTOR - 12-10 GA - PRE-TIN |
| | 098261-01-000 | EA | SOCKET - CONNECTOR - WEATHERPACK - 12 AWG |
| | 098261-02-000 | EA | SOCKET - CONNECTOR - WEATHERPACK - 14-18 AWG |
| | 098262-01-000 | EA | SEAL - CONNECTOR - WEATHERPACK |
| | 098264-01-000 | EA | HOUSING - 2 PIN - WEATHER PACK - MALE W/FEMALE PINS |
| | 098264-02-000 | EA | HOUSING - 2 PIN - WEATHER PACK - FEMALE W/MALE PINS |
| | 098265-02-000 | EA | PIN - CONNECTOR - WEATHER PACK |
| | 102777-02-000 | EA | TERMINAL - RING - #6 STUD - 10 AWG |
| | 103608-01-000 | EA | SOCKET - WEDGE BASE W/LEADS |
| | 104100-01-000 | EA | HOUSING - 1 POSITION - 75 AMPS |
| | 104100-03-000 | EA | TERMINAL - 75 AMP |
| | 106007-02-000 | EA | TERMINAL - FEMALE - 10-12 AWG |
| | 110178-01-000 | EA | HOUSING - WIPER MOTOR |
| | 112823-01-000 | EA | SPLICE - REDUCER - 16-14 TO 18-22 |
| | 113072-02-000 | EA | HOUSING - ELECTRICAL - BACK-UP/TAIL LAMP |
| | 113072-03-000 | EA | HOUSING - ELECTRICAL - STOP/MARKER TAILLAMP |
| | 113073-01-000 | EA | WEDGELOCK - HOUSING - TAIL LAMP |
| | 113074-01-000 | EA | TERMINAL - TAILLAMP |
| | 113135-01-000 | EA | TERMINAL - FEMALE - M/P - 14-16 - F/SEALED TERMINAL |
| | 113308-01-000 | EA | TERMINAL - FEMALE - M/P - 14-16 - 280 |
| | 113308-02-000 | EA | TERMINAL - FEMALE - M/P - 14-18 - 280 |
| | 113468-01-000 | EA | HOUSING - 2 POSITION-FEMALE-USED ON WIPER/WASHER WIRE ASM |
| | 113468-02-000 | EA | HOUSING - 2 POSITION - FEMALE |
| | 115931-02-000 | EA | COVER - CONNECTOR - 50 AMP W/LOCKING RING |
| | 115932-02-000 | EA | CONNECTOR - FEMALE - 50 AMP/240 VOLT |
| | 116811-01-000 | EA | TERMINAL - .110 RECEPTACLE - 16-14 AWG |
| | 118571-01-000 | EA | CONNECTOR - 3-WAY - MALE/SEALED |
| | 118571-02-000 | EA | CONNECTOR - 3-WAY - FEMALE/SEALED |
| | 118571-05-000 | EA | LOCK - SECONDARY - FEMALE |
| | 118571-06-000 | EA | LOCK - SECONDARY - MALE |
| | 118599-02-000 | EA | TERMINAL - MALE - M/P - 280/14-12 |
| | 118820-01-000 | EA | INSULATOR - TERMINAL |
| | 129233-01-000 | EA | HOUSING - 2-POSITION/FEMALE - 280-SERIES |
| | 129233-02-000 | EA | HOUSING - 2-POSITION/FEMALE - 280-SERIES |
| | 129233-03-000 | EA | HOUSING - 2-POSITION/FEMALE - 280-SERIES |
| | 131681-01-000 | EA | CONNECTOR - 3/4" SO CORD - UL/CS |
| | 137207-01-000 | EA | HOUSING - PIN - 2 CAVITY/HIGH AMP |
| | 137208-01-000 | EA | HOUSING - SOCKET - 2 CAVITY/HIGH AMP |
| | 137209-01-000 | EA | PIN - CONNECTOR - 10AWG/HIGH AMP |
| | 137210-01-000 | EA | SOCKET - CONNECTOR - 10 AWG/HIGH AMP |
| | 138996-04-000 | EA | CONNECTOR - LAMP |
| | 142520-01-000 | EA | TERMINAL - FEMALE - MINI-FIT 16 |
| | 142522-01-000 | EA | HOUSING - 4 PIN/MALE - MINI FIT |
| | 142522-02-000 | EA | HOUSING - 6 PIN/MALE - MINI FIT |
| | 142522-03-000 | EA | HOUSING - 8 PIN/MALE - MINI FIT |
| | 142522-04-000 | EA | HOUSING - 10 PIN/MALE - MINI FIT |
| | 142522-05-000 | EA | HOUSING - 12 PIN/MALE - MINI FIT |
| | 142522-06-000 | EA | HOUSING - 14 PIN/MALE - MINI FIT |
| | 142524-01-000 | EA | HOUSING - 4 PIN/FEMALE - WEATHER PACK |
| | 142524-02-000 | EA | HOUSING - 4 PIN/FEMALE - WEATHER PACK |
| | 144283-01-000 | EA | CONNECTOR - 110V - F/USE WITH SOW WIRE - BLUE |
| | 144283-02-000 | EA | CONNECTOR - 110V - F/USE WITH NM ROMEX WIRE - CLEAR |
| | 145171-01-000 | EA | CONNECTOR - COAXIAL |
| | 148335-01-000 | EA | HOUSING - 8-POSITION/MALE - 280-GT SERIES |
| | 148335-02-000 | EA | HOUSING - 4-POSITION/MALE - 280-GT SERIES |
| | 148335-03-000 | EA | HOUSING - 6-POSITION/MALE - 280-GT SERIES |
| | 149683-01-000 | EA | HOUSING - F/5 CAVITY RECEPTACLE - W/SQUARE GUIDE PIN |
| | 149683-02-000 | EA | HOUSING - F/5 CAVITY RECEPTACLE - W/ROUND GUIDE PIN |
| | 149686-01-000 | EA | TERMINAL - .250 RECEPTACLE |

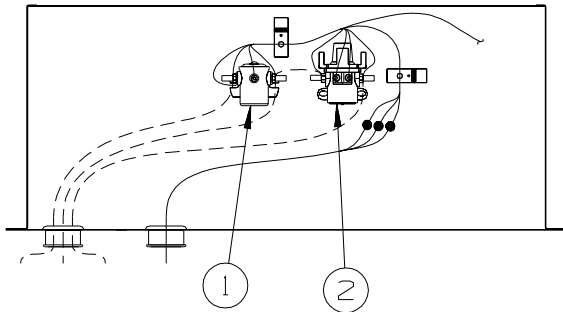
ELECTRICAL GROUP (CONTINUED)

CONNECTORS & CONDUIT (CONTINUED)

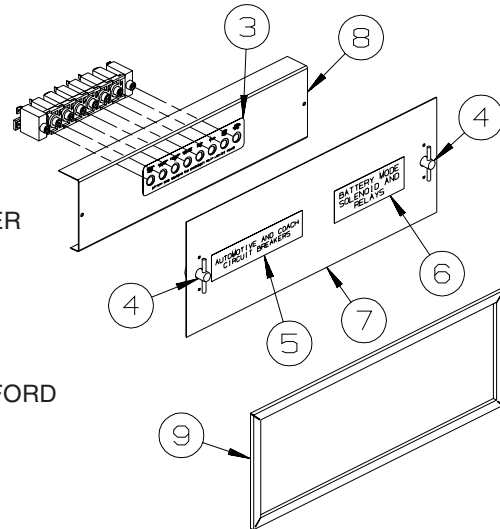
| KEY | PART NUMBER | U/M | DESCRIPTION |
|-----|---------------|-----|-------------------------------------------------------|
| | 149687-01-000 | EA | HOUSING - 2 POSITION/MALE - PACKARD |
| | 149687-02-000 | EA | LOCK - F/2 POSITION HOUSING - PACKARD |
| | 149688-01-000 | EA | TERMINAL - MALE - 16 GAUGE WIRE |
| | 156035-01-000 | EA | HOUSING - 12-POSITION/FEMALE - 280-GT SERIES |
| | 156041-01-000 | EA | TERMINAL - FEMALE - 16-12 - 280-GT SERIES |
| | 156043-01-000 | EA | HOUSING - 2-POSITION/FEMALE - 480-MP SERIES |
| | 156043-02-000 | EA | LOCK - F/2 POSITION HOUSING - 480 SERIES |
| | 156044-01-000 | EA | TERMINAL - FEMALE - 16-12 - 280-GT - F/SEALED HOUSING |
| | 156045-01-000 | EA | HOUSING - 10-POSITION/FEMALE - 280-GT SERIES |
| | 156045-02-000 | EA | HOUSING - 4-POSITION/FEMALE - 280-GT SERIES |
| | 156045-03-000 | EA | HOUSING - 8-POSITION/FEMALE - 280-GT SERIES |
| | 156045-04-000 | EA | HOUSING - 6-POSITION/FEMALE - 280-GT SERIES |
| | 156207-01-000 | EA | HOUSING - 6-POSITION/MALE - 150-GT SERIES |
| | 156208-01-000 | EA | TERMINAL - MALE - 18-16 - 150-GT SERIES |
| | 157590-01-000 | EA | TERMINAL - FEMALE - M/P - 10-12 - 630 |
| | 157592-01-000 | EA | HOUSING - 7-POSITION/FEMAL - M/P |
| | 157592-02-000 | EA | LOCK - SECONDARY - F/7 POSITION HOUSING |
| | 157656-01-01A | EA | CONNECTOR - DASH LIGHT - BLACK |
| | 158357-01-000 | EA | HOUSING - 3 PIN/MALE - MINI FIT |
| | 158373-01-000 | EA | HOUSING - SOCKET - 16 CAVITY - MINI MATE-N-LOCK |
| | 158374-01-000 | EA | SOCKET - 16-20 CAVITY - MINI MATE-N-LOCK |

CHASSIS

| KEY | PART NUMBER | U/M | DESCRIPTION |
|-----|---------------|-----|--------------------------------------------------|
| | 160014-01-02B | EA | TIEDOWN - BATTERY - E-COATED |
| | 113452-02-000 | FT | SEAL/TRIM - FRONT - VINYL W/WIRE CARRIER - .027" |

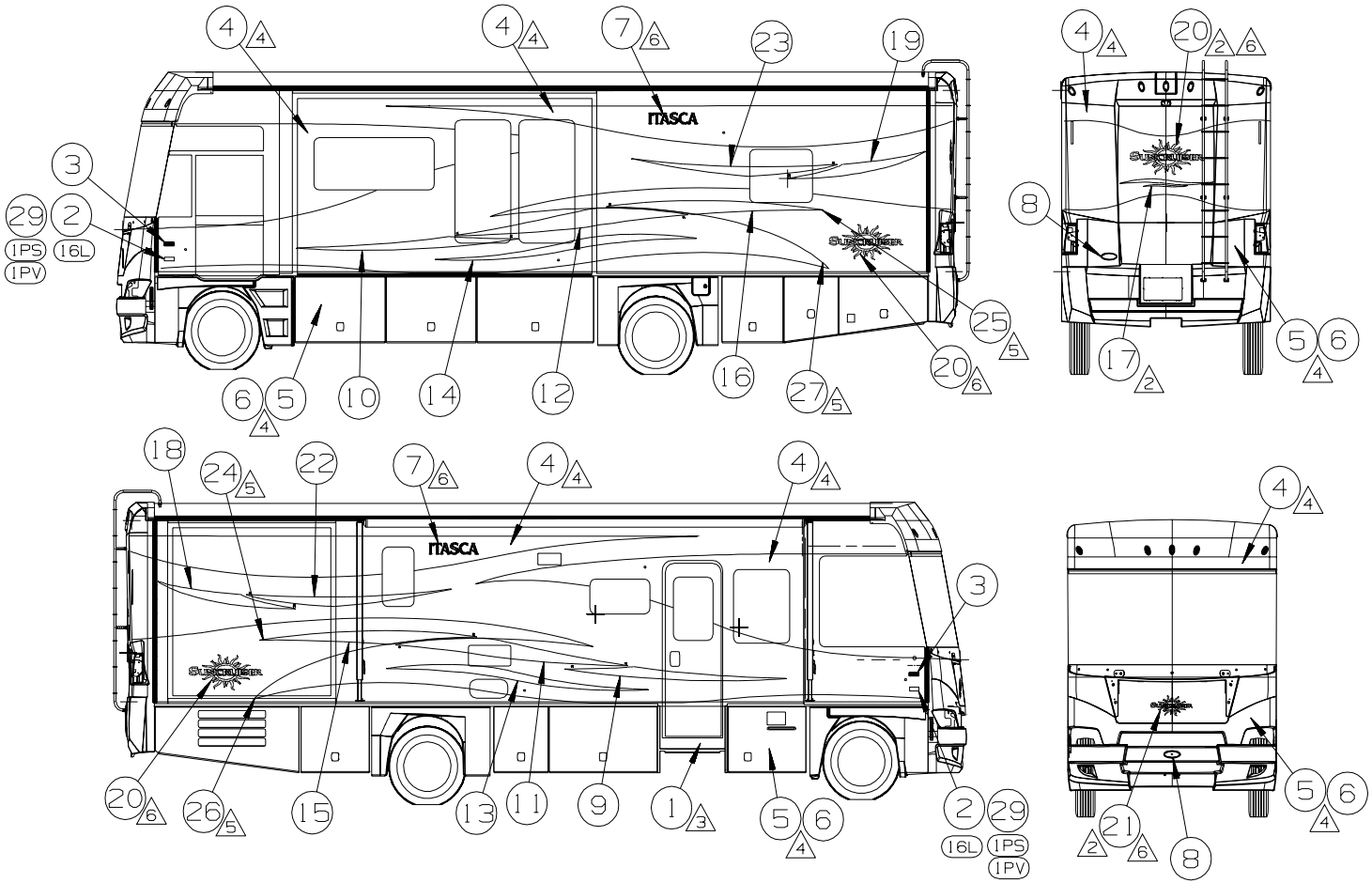


| KEY | PART NUMBER | U/M | DESCRIPTION |
|-----|---------------|-----|------------------------------------------------|
| 1 | 008188-01-000 | EA | SOLENOID - 3 POST - BATTERY CHANGE OVER |
| 2 | 086273-01-000 | EA | RELAY - BATTERY DISCONNECT |
| 3 | 093236-35-000 | EA | LABEL - CIRCUIT BREAKER |
| 4 | 098196-01-000 | EA | LATCH - 1/4 TURN - T-BAR |
| 5 | 098379-01-000 | EA | LABEL - CIRCUIT BREAKER - FRONT BOX |
| 6 | 098379-04-000 | EA | LABEL - ELECTRICAL BOX - SIDE |
| 7 | 109925-04-000 | EA | DOOR - ELECTRICAL BOX - 6.9" X 18.5" - GM/FORD |
| 8 | 118531-02-02B | EA | PLATE - CIRCUIT BREAKER - E COATED |
| 9 | 092492-11-000 | EA | SEAL - ELECTRIC BOX - 7" X 18.4" |



EXTERIOR BODY GROUP GRAPHICS & PAINT

GRAPHICS



| KEYS | PART NUMBER | U/M | DESCRIPTION |
|------|--------------------|-----|-------------------------------------------------------------------|
| 1 | 109506-01-000 | EA | FILM-URETHANE PROTECTANT |
| 2 | 29922-02-CHT(01A) | EA | EMBLEM-TRITON V10 (3 VALVE) - BLACK/CHROME |
| 3 | 132664-02-CHT(01A) | EA | DECAL-LOGO,DOMED,WINNEBAGO - CHROME/RED/BLACK |
| 4 | 141599-31-000 | GL | PAINT - METALLIC GOLD - DUPONT #373-P7436 |
| 5 | 141599-31-000 | GL | PAINT - METALLIC GOLD - DUPONT #373-P7436 |
| 6 | 141599-42-000 | GL | PAINT - DK TITANIUM MET - DUPONT #373-P765286 |
| 7 | 44587-02-CHT(25A) | EA | DECAL-LOGO,ITASCA - 5.25 X 23.5 - BLACK/OFF WHITE |
| 8 | 151687-02-CHT(03A) | EA | DECAL/BELZEL - DOMED NAMEPLATE - ITASCA - CHROME/WHITE/BLACK/TEAL |
| 9 | 53060-01-CHT(03A) | EA | DECAL-POINT FRT RH - KHAKI/DK CHARCOAL |
| 10 | 53060-02-CHT(03A) | EA | DECAL-POINT FRT LH - KHAKI//DK CHARCOAL |
| 11 | 53062-01-CHT(03A) | EA | DECAL-SWEEP MID RH - KHAKI |
| 12 | 53062-02-CHT(03A) | EA | DECAL-SWEEP MID LH - KHAKI |
| 13 | 53063-01-CHT(03A) | EA | DECAL-SWEEP LWR RH - DK CHARCOAL |
| 14 | 53063-02-CHT(03A) | EA | DECAL-SWEEP LWR LH - DK CHARCOAL |
| 15 | 53065-01-CHT(03A) | EA | DECAL-POINT RR RH - BLACK/KHAKI |
| 16 | 53065-02-CHT(03A) | EA | DECAL-POINT RR LH - BLACK/KHAKI |
| 17 | 53072-01-CHT(03A) | EA | DECAL-SWEEPS - KHAKI/BLACK/DK CHARCOAL |
| 18 | 53076-01-CHT(03A) | EA | DECAL-SWEEP UPPER RR RH - BLACK/KHAKI |
| 19 | 53076-02-CHT(03A) | EA | DECAL-SWEEP UPPER RR LH - BLACK/KHAKI |
| 20 | 53078-01-CHT(03A) | EA | DECAL-LOGO, SUNCRUISER LG - DK CHARCOAL/BLACK |
| 21 | 53078-02-CHT(03A) | EA | DECAL-LOGO, SUNCRUISER SML - DK CHARCOAL/BLACK |
| 22 | 53087-01-CHT(03A) | EA | DECAL-SWEEP UPPER FRT RH - KHAKI |
| 23 | 53087-02-CHT(03A) | EA | DECAL-SWEEP UPPER FRT LH - KHAKI |
| 24 | 155128-01-CHT(01A) | EA | DECAL-PAINT MASK POINT UPPER RR RH |
| 25 | 155128-02-CHT(01A) | EA | DECAL-PAINT MASK POINT UPPER RR LH |
| 26 | 155138-01-CHT(01A) | EA | DECAL-PAINT MASK POINT LOWER RR RH |
| 27 | 155138-02-CHT(01A) | EA | DECAL-PAINT MASK POINT LOWER RR LH |
| 28 | 141599-27-000 | GL | PAINT - IMRON CLEAR 55 GAL - DUPONT 3440S |
| 29 | ----- | EA | DECAL-EMBLEM - CHASSIS SUPPLIED |

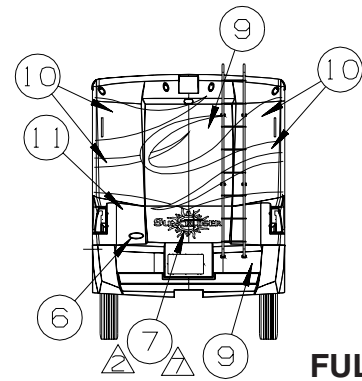
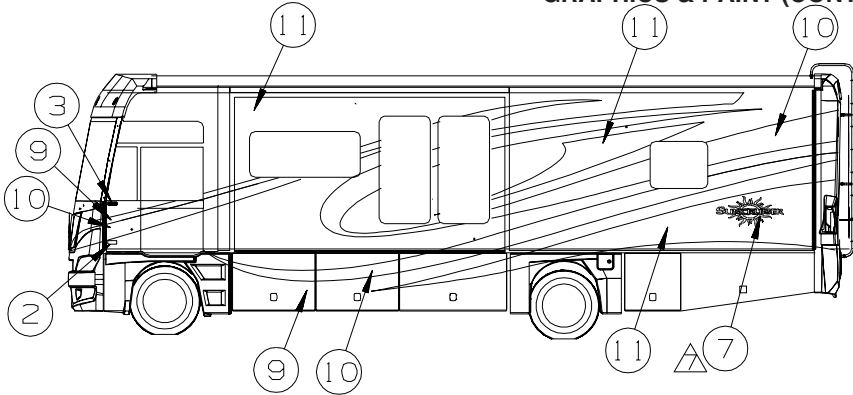
7. END PANELS OF SLIDEOUT ROOMS WILL BE PAINTED WITH BASE COAT AND CLEAR COAT ONLY. THERE WILL BE NO COLORED DESIGN GRAPHICS ELEMENTS PAINTED ON THE END PANELS.
- △ LOGO IS TO BE HELD TO ±1 MM ON A HORIZONTAL PLANE (END TO END).
- △ PAINT MASK TO BE REMOVED AFTER PAINT.
- △ CLEAR COAT TO BE APPLIED TO PAINTED AREAS TO PROTECT PAINT.
- △ FILM TO PROTECT BOTTOM OF DOOR FROM SCUFF MARKS.
- △ CENTER ON UNIT.
1. APPLY PROTECTOR 116424-01-000 TO WATER HEATER DOOR LATCH.

- 1PV WORKHORSE 24,000#-22.5 TIRE
 1PS WORKHORSE 22,000#-22.5 TIRE
 16L FORD 22,000#-22.5 AL WHL
 92K EXTERIOR GRAPHICS PACKAGE #2
 276 EXTERIOR GRAPHICS PACKAGE #1

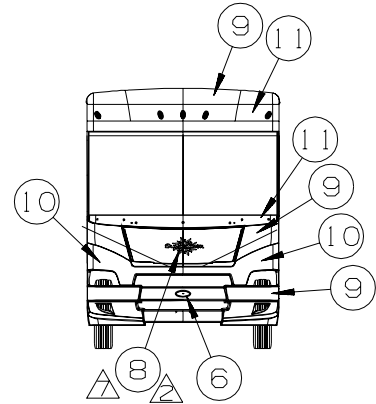
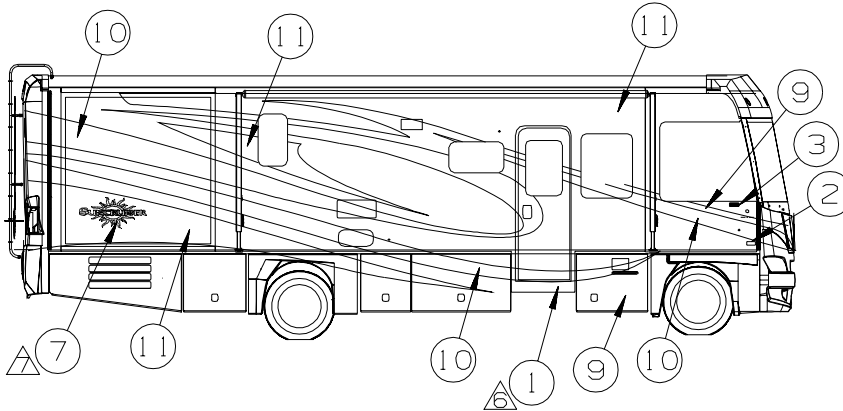
NOTES:

EXTERIOR BODY GROUP (CONTINUED)

GRAPHICS & PAINT (CONTINUED)



FULL BODY PAINT



| (27A) KEYS | PART NUMBER | U/M | DESCRIPTION ALPINE FROST |
|------------|--------------------|-----|---------------------------------------------------------------|
| 1 | 109506-01-000 | EA | FILM-URETHANE PROTECTANT |
| 2 | 129922-02-CHT(01A) | EA | EMBLEM-TRITON V10 (3 VALVE) - BLACK/CHROME |
| 3 | 132664-02-CHT(01A) | EA | DECAL-LOGO DOMED WINNEBAGO - CHROME/RED/BLACK |
| 4 | | GL | PAINT-CLEAR COAT - SHERWIN WILLIAMS |
| 5 | 157825-02-000 | EA | KIT-PAINT PROTECTION |
| 6 | 151687-02-CHT(01A) | EA | DECAL/BEZEL- DOMED NAMEPLATE ITASCA - CHROME/WHITE/BLACK/TEAL |
| 7 | 153826-01-CHT(03A) | EA | DECAL-LOGO, DOMED, SUNCRUISER, LG - GREEN/CRYSTAL GREEN |
| 8 | 153826-02-CHT(03A) | EA | DECAL-LOGO, DOMED, SUNCRUISER, SML - GREEN/CRYSTAL GREEN |
| 9 | | GL | PAINT-BRT PLATINUM MET - SHERWIN WILLIAMS #48823 |
| 10 | | GL | PAINT-SILVER MET - SHERWIN WILLIAMS #43638 |
| 11 | | GL | PAINT-NEW WIND VEIL MET - SHERWIN WILLIAMS #62974 |
| 12 | | EA | DECAL-EMBLEM - CHASSIS SUPPLIED |
| 13 | | GL | PAINT-BLACK - SHERWIN WILLIAMS #1738 |

| (92A) KEYS | PART NUMBER | U/M | DESCRIPTION SPICE |
|------------|--------------------|-----|---------------------------------------------------------------|
| 1 | 109506-01-000 | EA | FILM-URETHANE PROTECTANT |
| 2 | 129922-02-CHT(01A) | EA | EMBLEM-TRITON V10 (3 VALVE) - BLACK/CHROME |
| 3 | 132664-02-CHT(01A) | EA | DECAL-LOGO DOMED WINNEBAGO - CHROME/RED/BLACK |
| 4 | | GL | PAINT-CLEAR COAT - SHERWIN WILLIAMS |
| 5 | 157825-02-000 | EA | KIT-PAINT PROTECTION |
| 6 | 151687-02-CHT(01A) | EA | DECAL/BEZEL- DOMED NAMEPLATE ITASCA - CHROME/WHITE/BLACK/TEAL |
| 7 | 153826-01-CHT(04A) | EA | DECAL-LOGO, DOMED, SUNCRUISER, LG - PEWTER/DK COPPER |
| 8 | 153826-02-CHT(04A) | EA | DECAL-LOGO, DOMED, SUNCRUISER, SML - PEWTER/DK COPPER |
| 9 | | GL | PAINT-SAND MICA MET - SHERWIN WILLIAMS #50381 ATL #3 |
| 10 | | GL | PAINT-POLISHED PEWTER MET - SHERWIN WILLIAMS #63499 |
| 11 | | EA | PAINT-MOJAVE MIST MET - SHERWIN WILLIAMS #64139 |
| 12 | | EA | DECAL-EMBLEM - CHASSIS SUPPLIED |
| 13 | | GL | PAINT-BLACK - SHERWIN WILLIAMS #1738 |

8. END PANELS OF SLIDEOUT ROOMS WILL BE PAINTED WITH BASE COAT AND CLEAR COAT ONLY. THERE WILL BE NO COLORED DESIGN GRAPHICS ELEMENTS PAINTED ON THE END PANELS.

△ LOGO IS TO BE HELD TO ±1 MM ON A HORIZONTAL PLANE (END TO END).

△ FILM TO PROTECT BOTTOM OF DOOR FROM SCUFF MARKS.

△ DIE CUT ACRYLIC FILM, USED TO PROTECT FULL BODY PAINTED UNITS.

4. ON FULL BODY PAINTED UNITS USE 145487-02-000 (100 FT) TO COVER UNSEALED ROOF SEAMS.

△ CLEAR COAT TO BE APPLIED ON ENTIRE UNIT TO PROTECT PAINT.

△ CENTER ON UNIT.

1. APPLY PROTECTOR 116424-01-000 TO WATER HEATER DOOR LATCH.

NOTES:

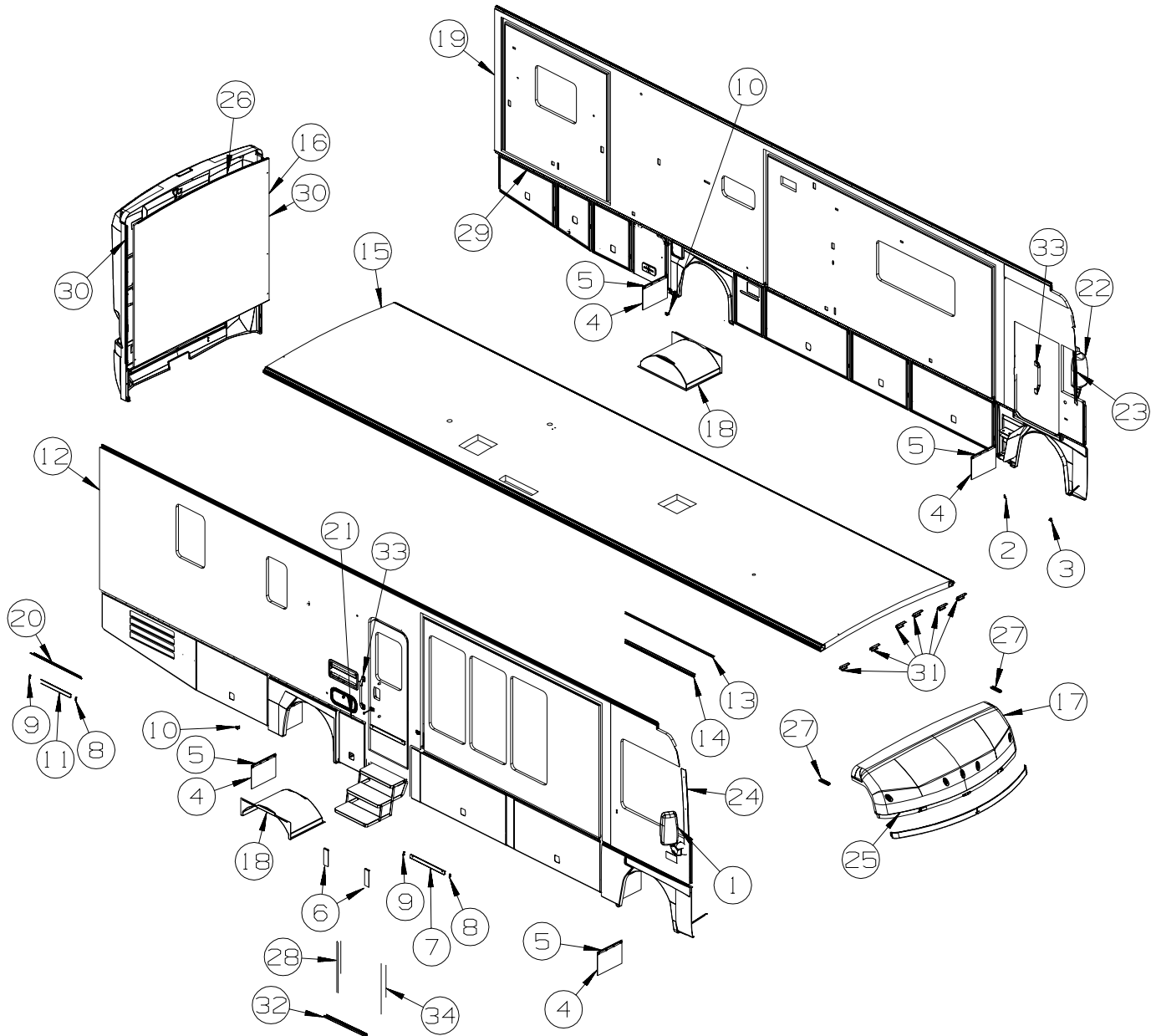
- (1PV) WORKHORSE 24,000*-22.5 TIRE
- (1PS) WORKHORSE 22,000*-22.5 TIRE
- (16L) FORD 22,000*-22.5 AL WHL
- (24P) MASK FRONT EXT PROTECTIVE
- (92A) EXT FULL BODY PAINT PKG # 2
- (27A) EXT FULL BODY PAINT PKG # 1

**DUPONT COLOR CODES ARE NOW FOUND IN THE PAINT CODE MANUAL.
YOU CAN FIND THIS MANUAL ON YOUR DEALER INDEX WEBPAGE UNDER SERVICE.**

| KEY | PART NUMBER | U/M | DESCRIPTION |
|-----|---------------|-----|--------------------------------------------------|
| | 093681-39-01A | FT | FILM - 3.1" - FLAT BLACK - SLIDEOUT ROOMS |
| | 093681-40-01A | FT | FILM - 2" - FLAT BLACK - DRIVERS DOOR |
| | 072882-01-000 | EA | PAINT - 16 OUNCE SPRAY - OFF WHITE |

EXTERIOR BODY GROUP (CONTINUED)

PANELS & TRIMS



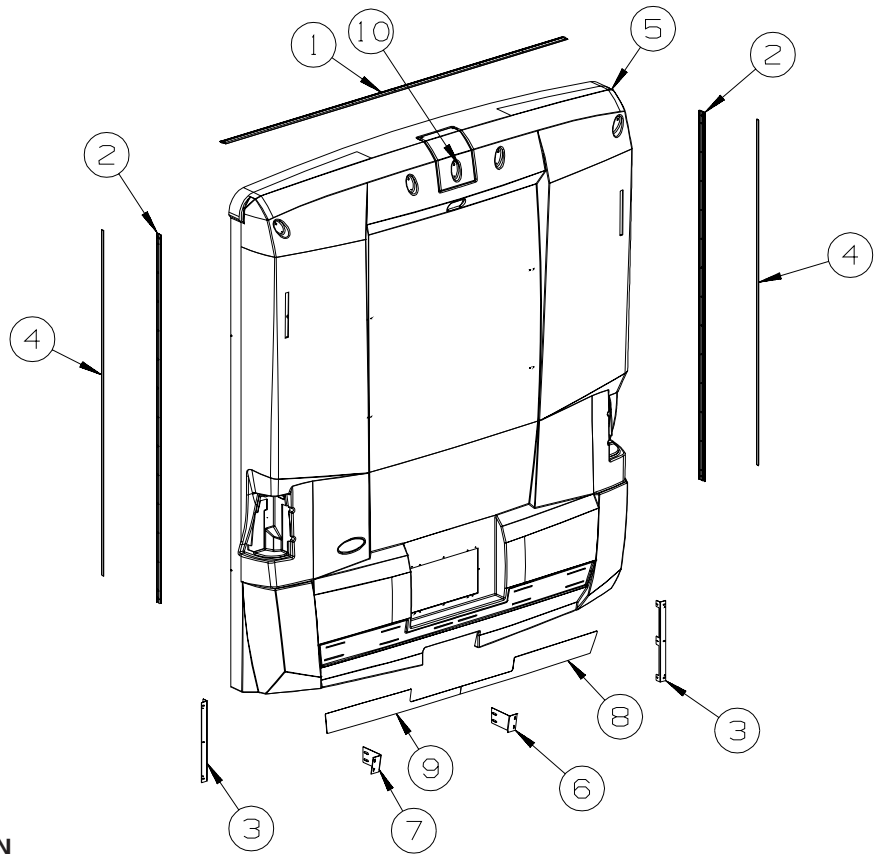
| KEY | PART NUMBER | U/M DESCRIPTION |
|-----|---------------|--------------------------------------------------------------------------------|
| 1* | 142721-01-01A | EA MIRROR - EXTERIOR REMOTE/HEAT/PASS - (BREAKAWAY) - BLACK |
| 1* | 142721-01-02A | EA MIRROR - EXTERIOR REMOTE/HEAT/PASS - (BREAKAWAY) - CHROME - FULL BODY PAINT |
| 2 | 150742-01-02A | EA CAP/TRIM - DRIVER DOOR - BLACK |
| 3 | 150742-02-02A | EA CAP/TRIM - DRIVER DOOR - BLACK |
| 4 | 017516-01-000 | EA MUD FLAP - 14"H X 18"W - W/O MOUNTING HOLES - RUBBER - BLK |
| 5 | 140922-01-02B | EA RETAINER - MUD FLAP - 1" X 17.7" - E-COATED/BLACK |
| 6 | 121117-09-02B | EA ANGLE - W/O SLOTS - 9.8" X 3" - E-COATED |
| 7 | 149822-01-02A | EA TRIM - SIDEWALL/ENTRY DOOR - 25.3" - BLACK |
| 8 | 146576-01-02A | EA END CAP/TRIM - RIGHT HAND - BLACK |
| 9 | 146576-02-02A | EA END CAP/TRIM - LEFT HAND - BLACK |
| 10 | 119568-01-01A | EA STANDOFF - VALANCE PANEL - BLACK |
| 11 | 146550-01-02A | EA TRIM COVER - SIDEWALL - 182" - BLACK |
| 12 | 156359-01-U89 | EA SIDEWALL - PASSENGER - W/O WINDOWS/TRIMS (UA2, UA2, UA3, UM4) |
| 12 | 156359-01-U93 | EA SIDEWALL - PASSENGER - W/O WINDOWS/TRIMS (UA5, UA6, UA7, UM5) |
| 12 | 156359-01-U97 | EA SIDEWALL - PASSENGER - W/O WINDOWS/TRIMS (UB1, UB2, UB3, UM6) |
| 13 | 142123-03-01A | EA RAIL/AWNING - 220" - BRIGHT WHITE |
| 13 | 142123-03-02A | EA RAIL/AWNING - 220" - BLACK - FULL BODY PAINT |
| 14 | 157284-01-01A | EA RAIL - AWNING - 192" - BRIGHT WHITE |
| 15 | 156362-01-U89 | EA ROOF - W/O LIGHTS/VENTS - W/WIRING |
| 16 | 156593-02-UA1 | EA BACKWALL/INNER - W/O REAR CAP (UA1, UM4) |
| 16 | 156593-02-UA2 | EA BACKWALL/INNER - W/O REAR CAP (UA2) |
| 16 | 156593-02-UA3 | EA BACKWALL/INNER - W/O REAR CAP (UA3) |

EXTERIOR BODY GROUP (CONTINUED)
PANELS & TRIMS (CONTINUED)

| KEY | PART NUMBER | U/M | DESCRIPTION |
|------------|--------------------|------------|-----------------------------------------------------------------------------|
| 16 | 156593-02-UA5 | EA | BACKWALL/INNER - W/O REAR CAP (UA5, UM5) |
| 16 | 156593-02-UA6 | EA | BACKWALL/INNER - W/O REAR CAP (UA6) |
| 16 | 156593-02-UA7 | EA | BACKWALL/INNER - W/O REAR CAP (UA7) |
| 16 | 156593-02-UB1 | EA | BACKWALL/INNER - W/O REAR CAP (UB1, UM6) |
| 16 | 156593-02-UB2 | EA | BACKWALL/INNER - W/O REAR CAP (UB2) |
| 16 | 156593-02-UB3 | EA | BACKWALL/INNER - W/O REAR CAP (UB3) |
| 17 | 153030-04-U90 | EA | CAP - ROOF - W/O LIGHTS/WIRING |
| 18 | 131365-01-000 | EA | WHEELWELL - PLASTIC |
| 19 | 156360-01-U89 | EA | SIDEWALL - DRIVER - W/O WINDOWS/TRIMS (UA1, UA2, UA3, UM4) |
| 19 | 156360-01-U93 | EA | SIDEWALL - DRIVER - W/O WINDOWS/TRIMS (UA5, UA6, UA7, UM5) |
| 19 | 156360-01-U97 | EA | SIDEWALL - DRIVER - W/O WINDOWS/TRIMS (UB1, UB2, UB3, UM6) |
| 20 | 146548-01-01A | EA | TRIM - RETAINER |
| 21 | 153498-01-02A | EA | BUMPER - RUBBER - BLACK |
| 22* | 142721-02-01A | EA | MIRROR - EXTERIOR REMOTE/HEAT/DRVR - (BREAKAWAY) - BLACK |
| 22* | 142721-02-02A | EA | MIRROR - EXTERIOR REMOTE/HEAT/DRVR - (BREAKAWAY) - CHROME - FULL BODY PAINT |
| 23 | 125384-16-02A | EA | TRIM - WINDSHIELD - A-PILLAR - DRIVER - BLACK |
| 24 | 125384-15-02A | EA | TRIM - WINDSHIELD - A-PILLAR - PASSENGER - BLACK |
| 25 | 099418-01-000 | FT | SEAL - D-SECTION/ADHESIVE BACK - .44" X .44" - BLK RUBBER |
| 26 | 114248-02-04A | EA | ANGLE - PLASTIC - .7" X .4" X 96.7" - BEIGE |
| 27 | 128072-04-02B | EA | BRACKET/SIDE - ROOF CAP - E-COATED |
| 28 | 133100-10-01A | EA | TRIM - SIDEWALL - 30.7" - BLACK |
| 29 | 104692-01-000 | FT | SEAL - ADHESIVE BACKED FOAM - 3/4" THICK X 3/4" WIDE X 25' |
| 30 | 156622-01-01A | FT | SEALER - TAPE - 1/4" THICK X 3" WIDE X 100 FT |
| 31 | 134774-01-02B | EA | BRACKET - CAB ATTACHMENT - E-COATED |
| 32 | 152800-01-01A | EA | TRIM - SIDEWALL/ENTRY STEP - 33.2" - BLACK |
| 33 | 157749-03-01A | EA | ASSIST HANDLE - NON-LIGHTED - 18" - "ITASCA" ETCHED-CHROME |
| 34 | 133100-09-01A | EA | TRIM - SIDEWALL - 30.7" - BLACK |

***COMPONENT PARTS LISTED LATER IN THIS GROUP**

EXTERIOR BODY GROUP (CONTINUED)
PANELS & TRIMS (CONTINUED)



| KEY | PART NUMBER | U/M | DESCRIPTION |
|-----|---------------|-----|------------------------------------------------------------|
| 1 | 083805-23-000 | EA | TRIM - ROOF CAP - 92.1" - BRIGHT WHITE |
| 2 | 092041-01-03A | EA | TRIM - FRONT/REAR CAP (SIDEWALL) - 83.1" - BRIGHT WHITE |
| 3 | 138789-01-02B | EA | ANGLE/MOUNT - WHEEL LIP/BACKWALL - E-COATED |
| 4 | 091985-01-07A | FT | INSERT - TRIM - REAR CAP TO SIDEWALL - .66" - BRIGHT WHITE |
| 5 | 159262-03-U90 | EA | PANEL - REAR CAP - W/CAMERA MOUNT |
| 5 | 159262-07-UA1 | EA | PANEL - REAR CAP - W/CAMERA MOUNT - FULL BODY PAINT |
| 6 | 153465-01-02B | EA | BRACE - REAR CAP - RH |
| 7 | 153465-02-02B | EA | BRACE - REAR CAP - LH |
| 8 | 153429-01-01A | EA | TRIM/ACCENT - REAR CAP/RH HAND - STAINLESS STEEL |
| 9 | 153429-02-01A | EA | TRIM/ACCENT - REAR CAP/LH HAND - STAINLESS STEEL |
| 10 | 153299-02-T77 | EA | PANEL - ACCESS/CAMERA |
| 10 | 153299-02-UM1 | EA | PANEL - ACCESS/CAMERA - FULL BODY PAINT |

EXTERIOR BODY GROUP (CONTINUED)
COMPONENT PARTS FOR PANELS & TRIMS

142721-01-01A, 142721-02-01A

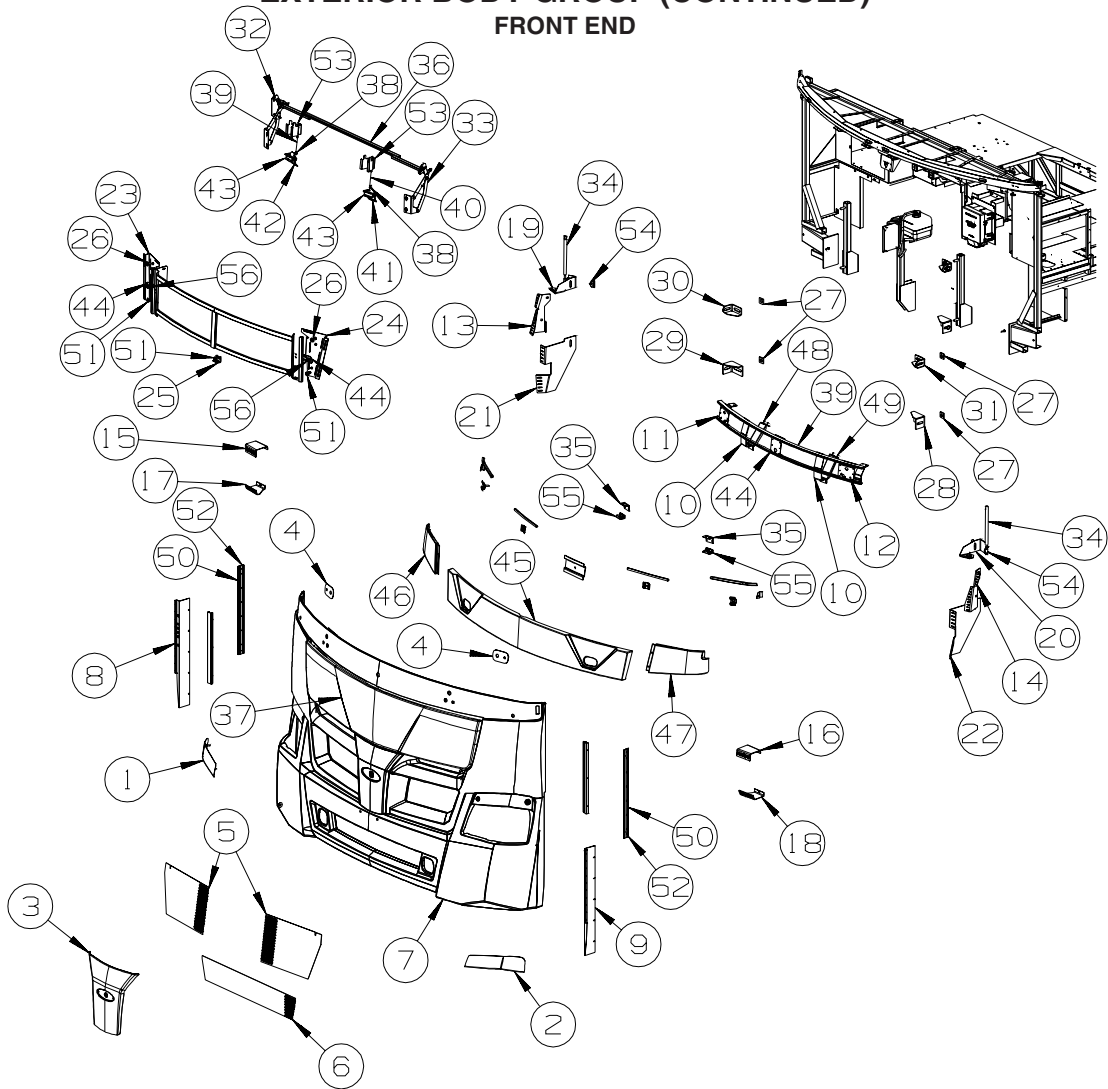
| KEY | PART NUMBER | U/M | DESCRIPTION | VENDOR NO. |
|------------|--------------------|------------|------------------------------|-------------------|
| | 106015-16-700 | EA | GLASS/FLAT-W/HEAT ELEMENT | 709450 |
| | 106015-18-700 | EA | GLASS/CONVEX | 709650 |
| | 106015-18-702 | EA | MOTOR - FLAT GLASS | 7471180 |
| | 106015-18-703 | EA | GLASS/CONVEX-ACT/HOUSING | 709651 |
| | 131431-03-700 | EA | LIGHT/TURN SIGNAL - AMBER | 7475510 |
| | 142721-01-700 | EA | COVER/CAP - BOTTOM | Q709678 |
| | 142721-01-701 | EA | CAP - RECTANGULAR (VELVAC) | 709557 |
| | 142721-01-702 | EA | BRACKET/MOUNT - MIRROR | 7096800 |
| | 142721-01-703 | EA | GASKET/MOUNT - MIRROR | 7094700 |
| | 142721-01-704 | EA | SET SCREW - 5/16"-18 X 1.25" | 4082140 |

142721-01-02A, 142721-02-02A

| KEY | PART NUMBER | U/M | DESCRIPTION | VENDOR NO. |
|------------|--------------------|------------|------------------------------|-------------------|
| | 106015-16-700 | EA | GLASS/FLAT-W/HEAT ELEMENT | 709450 |
| | 106015-18-700 | EA | GLASS/CONVEX | 709650 |
| | 106015-18-701 | EA | ACTUATOR - CONVEX GLASS | 7475410 |
| | 106015-18-702 | EA | MOTOR - FLAT GLASS | 7471180 |
| | 106015-18-703 | EA | GLASS/CONVEX-ACT/HOUSING | 709651 KIT |
| | 131431-03-700 | EA | LIGHT/TURN SIGNAL - AMBER | 7475510 |
| | 142721-01-700 | EA | COVER/CAP - BOTTOM | Q709678 |
| | 142721-01-701 | EA | CAP - RECTANGULAR (VELVAC) | 709557 |
| | 142721-01-702 | EA | BRACKET/MOUNT - MIRROR | 7096800 |
| | 142721-01-703 | EA | GASKET/MOUNT - MIRROR | 7097400 |
| | 142721-01-704 | EA | SET SCREW - 5/16"-18 X 1.25" | 4082140 |

EXTERIOR BODY GROUP (CONTINUED)

FRONT END



| KEY | PART NUMBER | U/M | DESCRIPTION |
|-----|---------------|-----|----------------------------------------------------------------|
| 1 | 154142-01-01A | EA | TRIM - PANEL/FRONT END - PASSENGER - CHROME PLATED |
| 2 | 154142-02-01A | EA | TRIM - PANEL/FRONT END - DRIVER - CHROME PLATED |
| 3 | 154182-01-01A | EA | TRIM - FRONT END/CENTER - CHROME PLATED |
| 4 | 145222-01-01A | EA | BOOT/COWL |
| 5 | 148172-03-02A | EA | GRILLE - FRONT/UPPER - BRIGHT DIPPED |
| 6 | 148172-04-02A | EA | GRILLE - FRONT/LOWER - BRIGHT DIPPED |
| 7 | 153880-02-T89 | EA | PANEL - FRONT/LOWER - W/O HOOD/GRILLE/LIGHTS |
| 7 | 153880-02-UM4 | EA | PANEL - FRONT/LOWER - W/O HOOD/GRILLE/LIGHTS - FULL BODY PAINT |
| 8 | 143561-03-02B | EA | BRACKET - FRONT END - RIGHT HAND - E-COATED |
| 9 | 143561-04-02B | EA | BRACKET - FRONT END - LEFT HAND - E-COATED |
| 10 | 144208-02-02B | EA | BRACKET/STRIKER - HOOD - E-COATED |
| 11 | 149788-10-02B | EA | SUPPORT - PIVOT SHAFT - E-COATED |
| 12 | 149788-12-02B | EA | SUPPORT - PIVOT SHAFT - E-COATED |
| 13 | 154327-02-02B | EA | SUPPORT - HEADLAMP - INNER/RIGHT HAND - E-COATED |
| 14 | 154327-04-02B | EA | SUPPORT - HEADLAMP - INNER/LEFT HAND - E-COATED |
| 15 | 154413-01-02B | EA | SUPPORT - FOG LAMP - UPPER/RIGHT HAND - E-COATED |
| 16 | 154413-02-02B | EA | SUPPORT - FOG LAMP - UPPER/LEFT HAND - E-COATED |
| 17 | 154414-01-02B | EA | SUPPORT - FOG LAMP - LOWER/RIGHT HAND - E-COATED |
| 18 | 154414-02-02B | EA | SUPPORT - FOG LAMP - LOWER/LEFT HAND - E-COATED |
| 19 | 154459-01-02B | EA | SUPPORT - FRONT END - UPPER/RIGHT HAND - E-COATED |
| 20 | 154459-02-02B | EA | SUPPORT - FRONT END - UPPER/LEFT HAND - E-COATED |
| 21 | 154460-01-02B | EA | SUPPORT - FRONT END - LOWER/RIGHT HAND - E-COATED |
| 22 | 154460-02-02B | EA | SUPPORT - FRONT END - LOWER/LEFT HAND - E-COATED |
| 23 | 154526-02-02B | EA | SUPPORT - HINGE/HOOD - RIGHT HAND - E-COATED |
| | | | FROM: 00-00-00 THRU: 03-05-06 |
| 23 | 154526-06-02B | EA | SUPPORT - HINGE/HOOD - RIGHT HAND - E-COATED |
| | | | FROM: 03-06-06 THRU: 99-99-99 |

EXTERIOR BODY GROUP (CONTINUED)
FRONT END (CONTINUED)

| KEY | PART NUMBER | U/M | DESCRIPTION |
|-----|---------------|-----|------------------------------------------------------------------------------------------|
| 24 | 154526-04-02B | EA | SUPPORT - HINGE/HOOD - LEFT HAND - E-COATED FROM: 00-00-00 THRU: 03-05-06 |
| 24 | 154526-08-02B | EA | SUPPORT - HINGE/HOOD - LEFT HAND - E-COATED FROM: 03-06-06 THRU: 99-99-99 |
| 25 | 156245-02-02B | EA | BRACKET - HOOD/BUMPER - CENTER - E-COATED |
| 26 | 058786-04-000 | EA | BOLT - HOOD ADJUSTMENT - 5/16"-18 X 2"-2.5" - W/BLACK PAD |
| 27 | 116617-02-02B | EA | SPACER - BUMPER |
| 28 | 128455-01-02B | EA | BRACKET - BUMPER - E-COATED |
| 29 | 128455-02-02B | EA | BRACKET - BUMPER - E-COATED |
| 30 | 128455-09-02B | EA | BRACKET - BUMPER - E-COATED |
| 31 | 128455-10-02B | EA | BRACKET - BUMPER - E-COATED |
| 32 | 137072-11-01A | EA | HINGE - HOOD - PASSENGER - BLACK |
| 33 | 137072-12-01A | EA | HINGE - HOOD - DRIVER - BLACK |
| 34 | 142569-28-000 | EA | SPRING/GAS - 74 LB - 18.5" EXTENDED/11" COMPRESSED |
| 35 | 144209-02-02B | EA | ANGLE/STRIKER - HOOD - E-COATED |
| 36 | 154207-02-02B | EA | TUBE/TIMING - HOOD - E-COATED |
| 37 | 154347-01-T89 | EA | HOOD - FRONT - W/O HARDWARE |
| 37 | 154347-01-UM4 | EA | HOOD - FRONT - W/O HARDWARE - FULL BODY PAINT |
| 38 | 102265-01-000 | EA | CLIP/ROD END - 5/32" - BLACK PLASTIC |
| 39 | 145521-07-01A | EA | ROD - HOOD LATCH |
| 40 | 145521-08-01A | EA | ROD - HOOD LATCH |
| 41 | 147388-01-02B | EA | LATCH/PADDLE - E-COAT |
| 42 | 147388-02-02B | EA | LATCH/PADDLE - E-COAT |
| 43 | 139160-01-01A | EA | BRACKET - LATCH - PADDLE - MILL |
| 44 | 156200-01-02B | EA | ADJUSTER - HOOD - E-COATED |
| 45 | 154507-02-T89 | EA | COWL - WINDSHIELD - CENTER/INNER |
| | 099418-01-000 | FT | SEAL - D-SECTION/ADHESIVE BACK - .44" X .44" - BLK RUBBER |
| 46 | 154524-03-T89 | EA | COWL - WINDSHIELD - PASSENGER |
| | 076813-02-000 | FT | SEAL-D BULB - .5" X .7" - MEDIUM SPONGE RUBBER - BLACK |
| 47 | 154524-04-T89 | EA | COWL - WINDSHIELD - DRIVER |
| | 076813-02-000 | FT | SEAL-D BULB - .5" X .7" - MEDIUM SPONGE RUBBER - BLACK |
| 48 | 156216-01-02B | EA | BRACKET/SUPPORT - STRIKER/RH - E-COATED |
| 49 | 156216-02-02B | EA | BRACKET/SUPPORT - STRIKER/LH - E-COATED |
| 50 | 092041-16-01A | EA | TRIM - FRONT/REAR CAP (SIDEWALL) - 24.8" - BRIGHT WHITE FROM: 00-00-00 THRU: 10-17-06 |
| 50 | 162401-01-01A | EA | TRIM - LOWER FRONT/SIDEWALL - BRIGHT WHITE FROM: 10-18-06 THRU: 99-99-99 |
| 51 | 058786-01-000 | EA | BOLT - HOOD ADJUSTMENT - 5/16"-18 X 1.5"-2" - W/BLACK PA |
| 52 | 091985-01-07A | EA | INSERT - TRIM - REAR CAP TO SIDEWALL - .66" - BRIGHT WHITE |
| 53 | 113908-02-000 | EA | LATCH/PLUNGER - F/HOOD/REAR TRUNK/ENGINE/GENERATOR DOOR |
| 54 | 126263-02-02B | EA | BRACKET - GAS SPRING W/BALL STUD - E-COATED |
| 55 | 130053-01-01A | EA | STRIKER - LUGGAGE DOOR - FLUSH - BLACK |
| 56 | 117046-01-000 | EA | BUMPER - RUBBER/ROUND END - .9" |

LADDER

| KEY | PART NUMBER | U/M | DESCRIPTION |
|-----|---------------|-----|-------------------------------------------------|
| | 129375-02-000 | EA | SEAL - LADDER BRACKET |
| | 150785-05-01A | EA | LADDER - LOWER - 35.6"/3 STEP - HINGED STANDOFF |
| | 141624-02-01A | EA | LADDER - REAR CAP - BRUSHED ALUMINUM |

EXTERIOR BODY GROUP (CONTINUED)
STRUCTURAL COMPONENTS

| KEY | PART NUMBER | U/M | DESCRIPTION |
|------------|--------------------|------------|------------------------------------------------------------------|
| | 002766-01-001 | EA | ANGLE - EXTRUDED - 1" X 1 1/2" X 17' |
| | 089297-01-000 | SF | PLYWOOD - LUAN - OVERLAY GRADE - 4' X 8' |
| | 089297-03-000 | SF | PLYWOOD - LUAN - OVERLAY GRADE - 4' X 8.3' |
| | 100619-01-000 | BF | FOAM - EXPANDED POLYSTYRENE - 1.34" X 48" X 96" |
| | 100619-02-000 | BF | FOAM - EXPANDED POLYSTYRENE - 1.5" X 48" X 96" |
| | 100619-04-000 | BF | FOAM - EXPANDED POLYSTYRENE - .5" X 48" X 96" |
| | 100619-05-000 | BF | FOAM - EXPANDED POLYSTYRENE - .75" X 48" X 96"-1.5"DENSITY |
| | 100619-13-000 | BF | FOAM - EXPANDED POLYSTYRENE-.34" X 34.7" X 96"-2" DENSITY |
| | 100619-16-000 | BF | FOAM - EXPANDED POLYSTYRENE - .75" X 48" X 96"-2" DENSITY |
| | 100619-22-000 | BF | FOAM - EXPANDED POLYSTYRENE - 1.34" X 48" X 120" |
| | 108535-05-03A | SF | FIBERGLASS SHEET - 108" X 500' ROLL - BRIGHT WHITE |
| | 116942-03-01A | LB | ALUMINUM - .7" X 40" X 158" |
| | 120107-07-000 | EA | FOAM - ROOF COVE |
| | 128782-07-01A | EA | FIBERGLASS SHEET - 5/32" X 78.9" X 456" - HIGH GLOSS - BRT WHITE |
| | 128782-17-01A | EA | FIBERGLASS SHEET - 30.9" X 74.7" - HIGH GLOSS - BRT WHITE |
| | 128782-18-01A | EA | FIBERGLASS SHEET - 85.2" X 448.1" - HIGH GLOSS - BRT WHITE |
| | 128782-21-01A | EA | FIBERGLASS SHEET - 31.1" X 75" - HIGH GLOSS - BRT WHITE |
| | 128782-22-01A | EA | FIBERGLASS SHEET - 22" X 75" - HIGH GLOSS - BRT WHITE |
| | 159630-01-01A | EA | LAMINATE SHEET - 4" X 94" - CHOCOLATE/GREEN |
| | 151523-01-02A | EA | CEILING PANEL - 48" X 97.1" - VINYL/FOAM/LUAN - SPINDRIFT |
| | 152490-01-000 | EA | FOAM - PLUG - ROOF TUBE |

AWNINGS

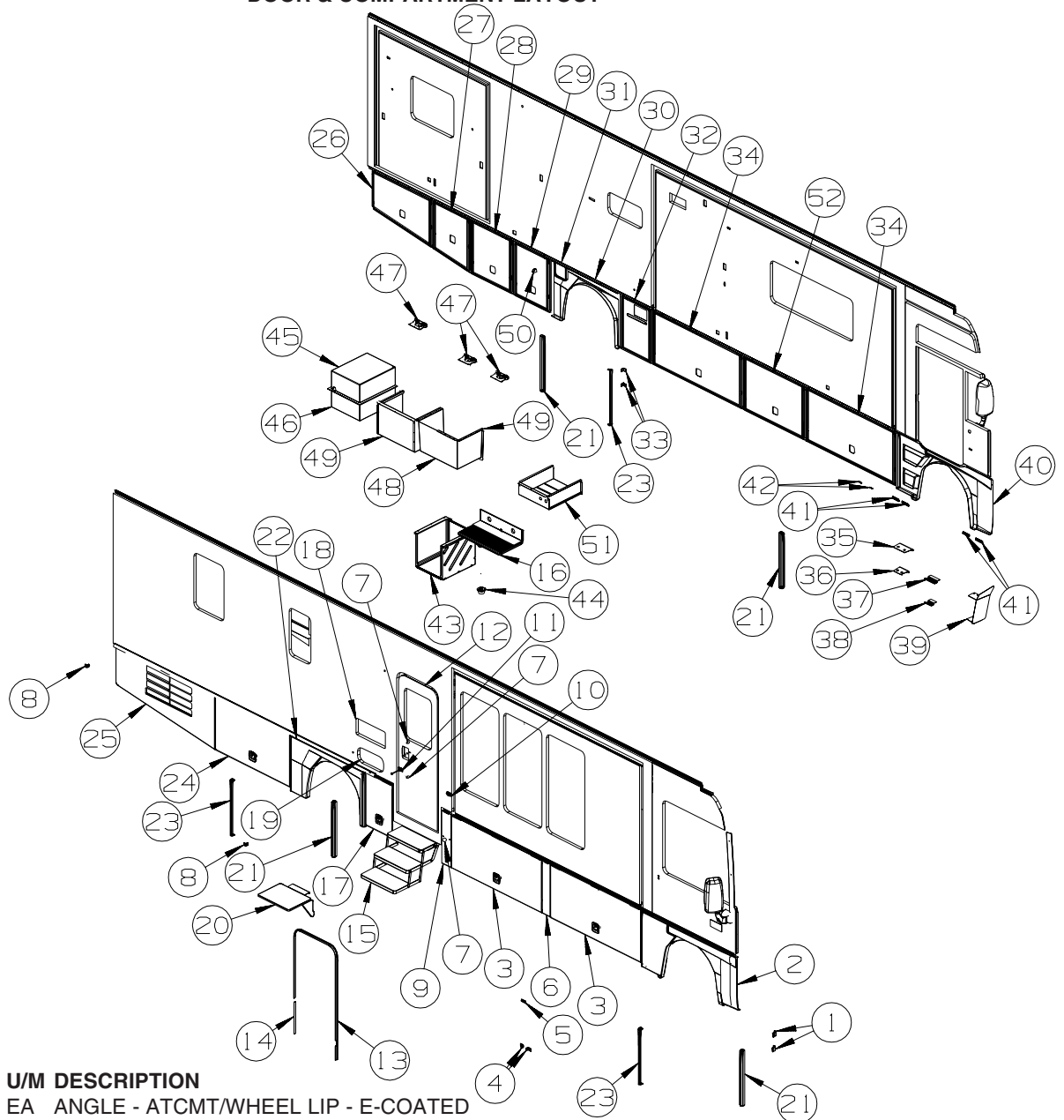
ORDER AWNINGS & REPAIR PARTS FROM DOMETIC. CALL #800-366-3842.

**THE DOMETIC AWNING INFORMATION YOU WILL NEED IS LOCATED ON THE MOTOR HOME NEAR
THE TOP OF THE AWNING RAIL.**

| KEY | PART NUMBER | U/M | DESCRIPTION |
|------------|--------------------|------------|------------------------------------------------------------------------------|
| | 127647-03-01A | EA | ROD/AWNING GUARD - ENTRY DOOR - 19.4" LONG - MANUAL |
| | 113874-11-01A | EA | SCREW/LAG - AWNING - 1/4" X 1" STAINLESS STEEL |
| | 113874-12-01A | EA | SCREW/LAG - AWNING - 1/4" X 2 3/4" STAINLESS STEEL |
| | 137054-01-01A | EA | BRACKET - AWNING - BLACK - MANUAL |
| | | | FROM: 00-00-00 THRU: 12-10-06 |
| | 161748-01-04A | EA | BRACKET - AWNING - BLACK - MANUAL |
| | | | FROM: 12-11-06 THRU: 99-99-99 |
| | 137054-01-02A | EA | BRACKET - AWNING - BRIGHT WHITE - MANUAL/FULL BODY PAINT |
| | | | FROM: 00-00-00 THRU: 12-10-06 |
| | 161748-01-01A | EA | BRACKET - AWNING - BRIGHT WHITE - MANUAL/FULL BODY PAINT |
| | | | FROM: 12-11-06 THRU: 99-99-99 |
| | 146457-02-03A | EA | BRACKET - AWNING - BRIGHT WHITE - ELECTRIC, G35A, G38J, G38G |
| | 146457-02-02A | EA | BRACKET - AWNING - BLACK - ELECTRIC, G35A, G38J, G38G/FULL BODY PAINT |

EXTERIOR DOORS & COMPARTMENTS GROUP

DOOR & COMPARTMENT LAYOUT



| KEY | PART NUMBER | U/M | DESCRIPTION |
|-----|---------------|-----|--------------------------------------------------------------------|
| 1 | 113904-19-02B | EA | ANGLE - ATCMT/WHEEL LIP - E-COATED |
| 2 | 154039-03-T77 | EA | PANEL - WHEEL LIP - PASSENGER/FRONT |
| | 139793-03-01A | EA | HINGE - CENTER/VALANCE DOOR - W/O BALL STUD |
| 3 | 152148-12-T77 | EA | VALANCE/DOOR - W/O LATCH/HDW - 62.8" X 30.3" |
| | 132873-D3-000 | EA | ROD - LATCH - 25.3" W/3/4" DOG LEG |
| | 135624-A6-01B | EA | ROD - LATCH |
| | 142569-15-000 | EA | SPRING/GAS - 120 LB - 20" EXTENDED/12" COMPRESSED |
| | 130053-01-01A | EA | STRIKER - LUGGAGE DOOR - FLUSH - BLACK |
| | 143793-01-01A | EA | SHIM - STRIKER - LUGGAGE - 3/64" - BLACK |
| | 132892-08-01A | FT | SEAL - BULB/SINGLE - W/U CHANNEL - BLACK |
| | 099418-01-000 | FT | SEAL - D-SECTION/ADHESIVE BACK - .44" X .44" - BLK RUBBER |
| 4 | 119568-01-01A | EA | STANDOFF - VALANCE PANEL - BLACK |
| 5 | 132654-11-01A | EA | SUPPORT - WHEEL LIP - BLACK - 3.1" |
| 6 | 140983-11-T77 | EA | VALANCE/PANEL - 5.4" X 30.5" - W/O HARDWARE |
| | 119568-01-01A | EA | STANDOFF - VALANCE PANEL - BLACK |
| 7 | 120863-02-000 | EA | BUMPER - RUBBER/RADIUS TOP - 1" X 1 1/2" |
| 8 | 140309-03-02B | EA | ANGLE - FURNACE DOOR - E-COATED |
| 9 | 140983-12-T77 | EA | VALANCE/PANEL - 6.4" X 30.5" - W/O HARDWARE |
| | 139793-09-01A | EA | HINGE - VALANCE DOOR - CENTER |
| 10 | 104099-02-04A | EA | CATCH/RETAINER - DOOR HOLDER - BRIGHT WHITE |
| 10 | 104099-02-05A | EA | CATCH/RETAINER - DOOR HOLDER - BLACK - FULL BODY PAINT |
| 11 | 104099-03-04A | EA | CATCH - DOOR HOLDER - STRIKE - 6" - BRIGHT WHITE |
| 11 | 104099-03-05A | EA | CATCH - DOOR HOLDER - STRIKE - 6" - BLACK - FULL BODY PAINT |

EXTERIOR DOORS & COMPARTMENTS GROUP (CONTINUED)
DOOR & COMPARTMENT LAYOUT (CONTINUED)

| KEY | PART NUMBER | U/M | DESCRIPTION |
|-----|---------------|-----|--------------------------------------------------------------------------------------|
| 12 | P32206-17-AA5 | EA | DOOR - ENTRY W/SCREEN DOOR - W/O WINDOW/LATCH (UA1, UA2, UA3, UM4) |
| 12 | P32206-17-U89 | EA | DOOR - ENTRY W/SCREEN DOOR - W/O WINDOW/LATCH (UA1, UA2, UA3, UM4) - FULL BODY PAINT |
| 12 | P32206-17-AA6 | EA | DOOR - ENTRY W/SCREEN DOOR - W/O WINDOW/LATCH (UA5, UA6, UA7, UM5) |
| 12 | P32206-17-U93 | EA | DOOR - ENTRY W/SCREEN DOOR - W/O WINDOW/LATCH (UA5, UA6, UA7, UM5) - FULL BODY PAINT |
| 12 | P32206-17-AA2 | EA | DOOR - ENTRY W/SCREEN DOOR - W/O WINDOW/LATCH (UB1, UB2 UB3, UM6) |
| 12 | P32206-17-T85 | EA | DOOR - ENTRY W/SCREEN DOOR - W/O WINDOW/LATCH (UB1, UB2 UB3, UM6) - FULL BODY PAINT |

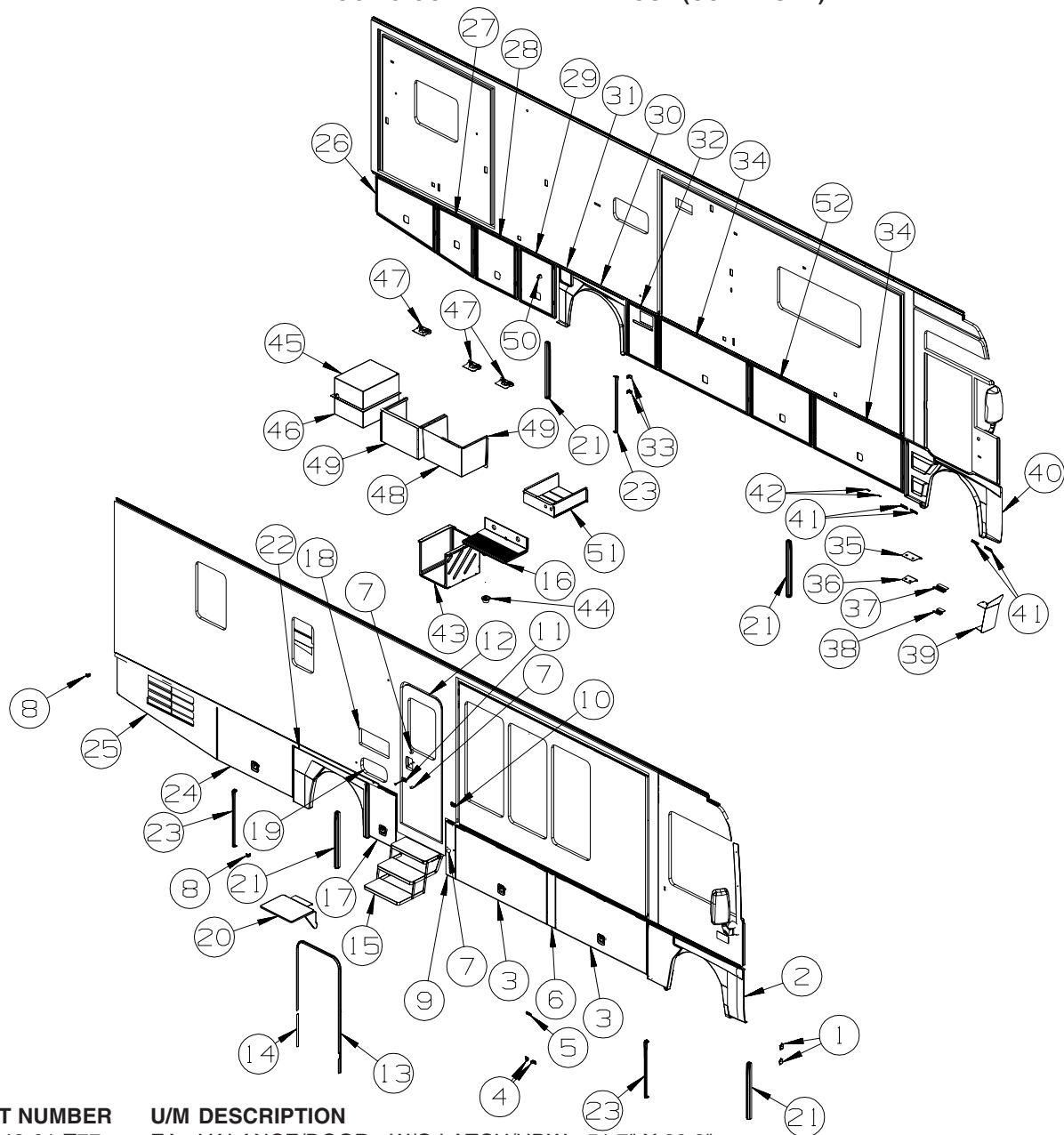
ENTRY DOOR LOCK CYLINDERS

| | | |
|---------------|----|--------------------------------------------------------|
| 138287-11-000 | EA | CYLINDER/LOCK - ENTRY DOOR - MASTER W/3M ICON - (3041) |
| 138287-12-000 | EA | CYLINDER/LOCK - ENTRY DOOR - MASTER W/3M ICON - (3042) |
| 138287-13-000 | EA | CYLINDER/LOCK - ENTRY DOOR - MASTER W/3M ICON - (3043) |
| 138287-14-000 | EA | CYLINDER/LOCK - ENTRY DOOR - MASTER W/3M ICON - (3044) |
| 138287-15-000 | EA | CYLINDER/LOCK - ENTRY DOOR - MASTER W/3M ICON - (3045) |
| 138287-16-000 | EA | CYLINDER/LOCK - ENTRY DOOR - MASTER W/3M ICON - (3046) |
| 138287-17-000 | EA | CYLINDER/LOCK - ENTRY DOOR - MASTER W/3M ICON - (3047) |
| 138287-18-000 | EA | CYLINDER/LOCK - ENTRY DOOR - MASTER W/3M ICON - (3048) |
| 138287-19-000 | EA | CYLINDER/LOCK - ENTRY DOOR - MASTER W/3M ICON - (3049) |
| 138287-20-000 | EA | CYLINDER/LOCK - ENTRY DOOR - MASTER W/3M ICON - (3050) |
| 138292-01-000 | EA | SEAL - LOCK CYLINDER |

VALANCE DOOR, WATER FILL & FUEL FILL DOOR LOCK CYLINDERS

| | | | |
|---------------|---------------|-----------------------------------------------------------|--------------------------------------------------------------|
| 138289-11-000 | EA | CYLINDER/LOCK - ACCESS DOORS - REDUCED SENSITIVITY (3041) | |
| 138289-12-000 | EA | CYLINDER/LOCK - ACCESS DOORS - REDUCED SENSITIVITY (3042) | |
| 138289-13-000 | EA | CYLINDER/LOCK - ACCESS DOORS - REDUCED SENSITIVITY (3043) | |
| 138289-14-000 | EA | CYLINDER/LOCK - ACCESS DOORS - REDUCED SENSITIVITY (3044) | |
| 138289-15-000 | EA | CYLINDER/LOCK - ACCESS DOORS - REDUCED SENSITIVITY (3045) | |
| 138289-16-000 | EA | CYLINDER/LOCK - ACCESS DOORS - REDUCED SENSITIVITY (3046) | |
| 138289-17-000 | EA | CYLINDER/LOCK - ACCESS DOORS - REDUCED SENSITIVITY (3047) | |
| 138289-18-000 | EA | CYLINDER/LOCK - ACCESS DOORS - REDUCED SENSITIVITY (3048) | |
| 138289-19-000 | EA | CYLINDER/LOCK - ACCESS DOORS - REDUCED SENSITIVITY (3049) | |
| 138289-20-000 | EA | CYLINDER/LOCK - ACCESS DOORS - REDUCED SENSITIVITY (3050) | |
| 138288-11-000 | EA | KEY - REVERSIBLE - #3041 - T/M 16169-02-3041 | |
| 138288-12-000 | EA | KEY - REVERSIBLE - #3042 - T/M 16169-02-3042 | |
| 138288-13-000 | EA | KEY - REVERSIBLE - #3043 - T/M 16169-02-3043 | |
| 138288-14-000 | EA | KEY - REVERSIBLE - #3044 - T/M 16169-02-3044 | |
| 138288-15-000 | EA | KEY - REVERSIBLE - #3045 - T/M 16169-02-3045 | |
| 138288-16-000 | EA | KEY - REVERSIBLE - #3046 - T/M 16169-02-3046 | |
| 138288-17-000 | EA | KEY - REVERSIBLE - #3047 - T/M 16169-02-3047 | |
| 138288-18-000 | EA | KEY - REVERSIBLE - #3048 - T/M 16169-02-3048 | |
| 138288-19-000 | EA | KEY - REVERSIBLE - #3049 - T/M 16169-02-3049 | |
| 138288-20-000 | EA | KEY - REVERSIBLE - #3050 - T/M 16169-02-3050 | |
| 13 | 139100-01-01A | EA | GARNISH/RADIUS - ENTRY DOOR - BRIGHT WHITE |
| 13 | 139100-01-02A | EA | GARNISH/RADIUS - ENTRY DOOR - BLACK - FULL BODY PAINT |
| 14 | 139101-01-01A | EA | GARNISH/STRAIGHT - W/NOTCH - 36.31" - BRIGHT WHITE |
| 14 | 139101-01-02A | EA | GARNISH/STRAIGHT - ENTRY DOOR - BLACK - FULL BODY PAINT |
| 15* | 143709-02-01A | EA | STEP - ELECTRIC - TRIPLE - BLACK |
| | 116975-01-01A | EA | LATCH - W/O STRIKE - BLACK - NEW STYLE |
| 16 | 133114-01-01A | EA | TREAD - STEP/RUBBER - 29.3" X 10.1" - TAUPE |
| 17 | 152148-23-T77 | EA | VALANCE/DOOR - W/O LATCH/HDW - 18.4" X 30.3" |
| | 132873-83-000 | EA | ROD - LATCH - 8.1" W/3/4" DOG LEG |
| | 135624-92-01B | EA | ROD - LATCH |
| | 142569-13-000 | EA | SPRING/GAS - 60 LB - 15" EXTENDED/9.5" COMPRESSED |
| | 130053-01-01A | EA | STRIKER - LUGGAGE DOOR - FLUSH - BLACK |
| | 143793-01-01A | EA | SHIM - STRIKER - LUGGAGE - 3/64" - BLACK |
| | 132892-08-01A | FT | SEAL - BULB/SINGLE - W/U CHANNEL - BLACK |
| | 099418-01-000 | FT | SEAL - D-SECTION/ADHESIVE BACK - .44" X .44" - BLK RUBBER |
| 18* | 084103-08-000 | EA | DOOR - VENT - REFRIGERATOR - W/O JAMB - BRIGHT WHITE |
| | 084104-08-000 | EA | JAMB - VENT DOOR/REFRIGERATOR - BRIGHT WHITE |
| 19 | 126945-09-P07 | EA | DOOR/STORAGE - W/O HARDWARE - 18.3" X 9.9" |
| 19 | 126945-09-R38 | EA | DOOR/STORAGE - W/O HARDWARE - 18.3" X 9.9" - FULL BODY PAINT |
| 20 | 142034-02-01A | EA | SHELF - F/EXTERIOR TV - BRIGHT WHITE |
| 21 | 154044-01-10A | EA | END CAP - WHEEL LIP - RIGHT HAND - BLACK |
| 22 | 154042-06-T77 | EA | PANEL - WHEEL LIP - DRIVERS/REAR |
| | 139793-03-01A | EA | HINGE - CENTER/VALANCE DOOR - W/O BALL STUD |
| 23 | 154044-02-10A | EA | END CAP - WHEEL LIP - LEFT HAND - BLACK |

EXTERIOR DOORS & COMPARTMENTS GROUP (CONTINUED)
DOOR & COMPARTMENT LAYOUT (CONTINUED)



| KEY | PART NUMBER | U/M | DESCRIPTION |
|-----|---------------|-----|-----------------------------------------------------------|
| 24 | 152148-01-T77 | EA | VALANCE/DOOR - W/O LATCH/HDW - 51.7" X 30.3" |
| | 132873-D1-000 | EA | ROD - LATCH - 19.7" W/3/4" DOG LEG |
| | 135624-A5-01B | EA | ROD - LATCH |
| | 142569-14-000 | EA | SPRING/GAS - 100 LB - 20" EXTENDED/12" COMPRESSED |
| | 130053-01-01A | EA | STRIKER - LUGGAGE DOOR - FLUSH - BLACK |
| | 143793-01-01A | EA | SHIM - STRIKER - LUGGAGE - 3/64" - BLACK |
| | 132892-08-01A | FT | SEAL - BULB/SINGLE - W/U CHANNEL - BLACK |
| 25 | 152148-21-T77 | EA | VALANCE/DOOR - W/O HDW - LOUVERED - 69.4" X 30.3" W/TAPER |
| 26 | 152148-30-T77 | EA | VALANCE/DOOR - W/O LATCH/HDW - 42.5" X 26.9" - W/TAPER |
| | 132873-F9-000 | EA | ROD - LATCH - 29.8" W/3/4" DOG LEG |
| | 135624-77-01B | EA | ROD - LATCH |
| | 142569-17-000 | EA | SPRING/GAS - 90 LB - 12" EXTENDED/8.5" COMPRESSED |
| | 130053-01-01A | EA | STRIKER - LUGGAGE DOOR - FLUSH - BLACK |
| | 143793-01-01A | EA | SHIM - STRIKER - LUGGAGE - 3/64" - BLACK |
| 27 | 152148-29-T77 | EA | VALANCE/DOOR - W/O LATCH/HDW - 26" X 30.3" - W/TAPER |
| | 132873-21-000 | EA | ROD - LATCH - 6.8" W/3/4" DOG LEG |
| | 135624-75-01B | EA | ROD - LATCH |
| | 142569-17-000 | EA | SPRING/GAS - 90 LB - 12" EXTENDED/8.5" COMPRESSED |
| | 130053-01-01A | EA | STRIKER - LUGGAGE DOOR - FLUSH - BLACK |
| | 143793-01-01A | EA | SHIM - STRIKER - LUGGAGE - 3/64" - BLACK |
| | 107721-07-000 | FT | SEAL - ACCESS DOOR - .9"WIDE X 1.1"HIGH |
| | 099418-01-000 | FT | SEAL - D-SECTION/ADHESIVE BACK - .44" X .44" - BLK RUBBER |

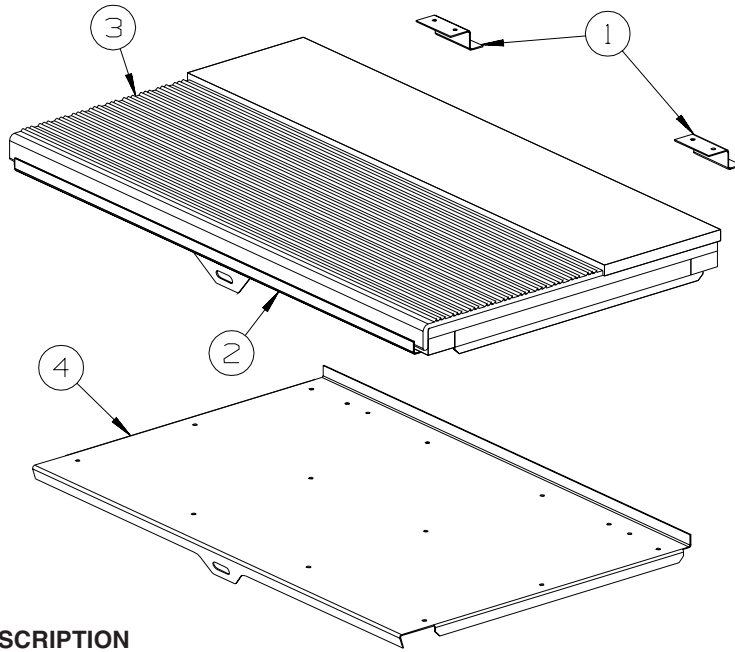
EXTERIOR DOORS & COMPARTMENTS GROUP (CONTINUED)

DOOR & COMPARTMENT LAYOUT (CONTINUED)

| KEY | PART NUMBER | U/M | DESCRIPTION |
|-----|---------------|-----|-----------------------------------------------------------|
| 28 | 152148-23-T77 | EA | VALANCE/DOOR - W/O LATCH/HDW - 18.4" X 30.3" |
| | 132873-83-000 | EA | ROD - LATCH - 8.1" W/3/4" DOG LEG |
| | 135624-92-01B | EA | ROD - LATCH |
| | 142569-13-000 | EA | SPRING/GAS - 60 LB - 15" EXTENDED/9.5" COMPRESSED |
| | 130053-01-01A | EA | STRIKER - LUGGAGE DOOR - FLUSH - BLACK |
| | 143793-01-01A | EA | SHIM - STRIKER - LUGGAGE - 3/64" - BLACK |
| | 107721-07-000 | FT | SEAL - ACCESS DOOR - .9"WIDE X 1.1"HIGH |
| | 099418-01-000 | FT | SEAL - D-SECTION/ADHESIVE BACK - .44" X .44" - BLK RUBBER |
| 29 | 152148-26-U89 | EA | VALANCE/DOOR - W/O LATCH/HDW - 36.4" X 30.3" |
| | 132873-G3-000 | EA | ROD - LATCH - 12.1" W/3/4" DOG LEG |
| | 132873-G4-000 | EA | ROD - LATCH - 13.9" W/3/4" DOG LEG |
| | 142569-14-000 | EA | SPRING/GAS - 100 LB - 20" EXTENDED/12" COMPRESSED |
| | 130053-01-01A | EA | STRIKER - LUGGAGE DOOR - FLUSH - BLACK |
| | 143793-01-01A | EA | SHIM - STRIKER - LUGGAGE - 3/64" - BLACK |
| | 107721-07-000 | FT | SEAL - ACCESS DOOR - .9"WIDE X 1.1"HIGH |
| | 099418-01-000 | FT | SEAL - D-SECTION/ADHESIVE BACK - .44" X .44" - BLK RUBBER |
| 30 | 154040-06-T77 | EA | PANEL - WHEEL LIP - PASSENGER/REAR |
| | 139793-03-01A | EA | HINGE - CENTER/VALANCE DOOR - W/O BALL STUD |
| 31 | 154043-02-T77 | EA | PANEL/DOOR - FUEL FILL - W/O LOCK - BLACK |
| * | 110506-A2-000 | EA | LOCK - TWIST - 26.45MM |
| | 110506-51-000 | EA | CASE/CYLINDER - TWIST LATCH - W/O CAM - 1" - 596669 |
| | 110506-78-000 | EA | CAM - LATCHING - 2.3" |
| | 153306-01-01A | EA | HINGE - PIANO - 1 1/2" X 5" - UNPAINTED |
| 32 | 152148-24-T77 | EA | VALANCE/DOOR - W/O HDW - W/CUT OUT - 21.7" X 30.3" |
| 33 | 119568-01-01A | EA | STANDOFF - VALANCE PANEL - BLACK |
| 34 | 152148-12-T77 | EA | VALANCE/DOOR - W/O LATCH/HDW - 62.8" X 30.3" |
| | 132873-D3-000 | EA | ROD - LATCH - 25.3" W/3/4" DOG LEG |
| | 135624-A6-01B | EA | ROD - LATCH |
| | 142569-15-000 | EA | SPRING/GAS - 120 LB - 20" EXTENDED/12" COMPRESSED |
| | 130053-01-01A | EA | STRIKER - LUGGAGE DOOR - FLUSH - BLACK |
| | 130053-02-01A | EA | STRIKER - LUGGAGE DOOR - OFF SET - BLACK |
| | 143793-01-01A | EA | SHIM/STRIKER - LUGGAGE - 1.5" - BLACK |
| | 120494-04-02B | EA | SHIM - STRIKER - LUGGAGE DOOR - 3/16" - E-COATED |
| | 132892-08-01A | FT | SEAL - BULB/SINGLE - W/U CHANNEL - BLACK |
| | 099418-01-000 | FT | SEAL - D-SECTION/ADHESIVE BACK - .44" X .44" - BLK RUBBER |
| 35 | 154383-01-04B | EA | TREAD/STEP - DRIVER - BLACK |
| 36 | 154383-02-04B | EA | TREAD/STEP - DRIVER - BLACK |
| 37 | 138143-06-02B | EA | SUPPORT/STEP - DRIVER - E-COATED |
| 38 | 138143-08-02B | EA | SUPPORT/STEP - DRIVER - E-COATED |
| 39 | 144919-03-02B | EA | DIRT GUARD - E-COATED |
| 40 | 154041-01-T77 | EA | PANEL - WHEEL LIP - DRIVERS/FRONT |
| 41 | 132654-07-01A | EA | SUPPORT - WHEEL LIP - BLACK - 4.5" |
| 42 | 132597-01-02B | EA | ANGLE/SUPPORT/TRIM - 2" - E-COATED |
| 43 | 152066-02-T77 | EA | COMPARTMENT - LUGGAGE |
| 44 | 009426-01-000 | EA | HATCH - POWER CORD - WHITE |
| 45 | 132315-07-000 | EA | COMPARTMENT - POWER CORD |
| 46 | 132315-06-000 | EA | COMPARTMENT - POWER CORD |
| 47* | 142226-02-01A | EA | HATCH - POWER |
| 48 | 156967-01-01A | EA | COMPARTMENT - DRAINAGE |
| | 130377-02-000 | EA | TUBE/DRAIN - KAZOO - 1 1/2" X 4" |
| 49 | 152275-05-U89 | EA | COMPARTMENT - LUGGAGE |
| 50 | 131383-03-02A | EA | BRACKET - SHOWER HEAD - WHITE |
| 51 | 140829-02-02B | EA | COMPARTMENT - WATER HEATER - E-COATED |
| 52 | 152148-07-T77 | EA | VALANCE/DOOR - W/O LATCH/HDW - 43.1" X 30.3" |
| | 132873-29-000 | EA | ROD - LATCH - 15.4" W/3/4" DOG LEG |
| | 135624-77-01B | EA | ROD - LATCH |
| | 142569-14-000 | EA | SPRING/GAS - 100 LB - 20" EXTENDED/12" COMPRESSED |
| | 130053-01-01A | EA | STRIKER - LUGGAGE DOOR - FLUSH - BLACK |
| | 143793-01-01A | EA | SHIM - STRIKER - LUGGAGE - 3/64" - BLACK |
| | 132892-08-01A | FT | SEAL - BULB/SINGLE - W/U CHANNEL - BLACK |
| | 099418-01-000 | FT | SEAL - D-SECTION/ADHESIVE BACK - .44" X .44" - BLK RUBBER |

COMPONENT PARTS LISTED LATER IN THIS GROUP

EXTERIOR DOORS & COMPARTMENTS GROUP (CONTINUED)
DOOR & COMPARTMENT LAYOUT (CONTINUED)



| KEY | PART NUMBER | U/M | DESCRIPTION |
|-----|---------------|-----|----------------------------------------------------|
| 1 | 101222-01-04A | EA | BRACKET - CATCH - LID - E-COATED |
| 2 | P20256-07-000 | EA | LID/DOOR - ENTRY STEP - W/O CARPET/HARDWARE |
| 3 | 133114-02-01A | EA | TREAD - STEP/RUBBER - W/LIP - 28.5" X 9.8" - TAUPE |
| 4 | 123330-03-02B | EA | SUPPORT - ENTRY STEP - E-COATED |

EXTERIOR DOORS & COMPARTMENTS GROUP (CONTINUED)

COMPONENT PARTS FOR DOOR & COMPARTMENT LAYOUT

084103-08-000

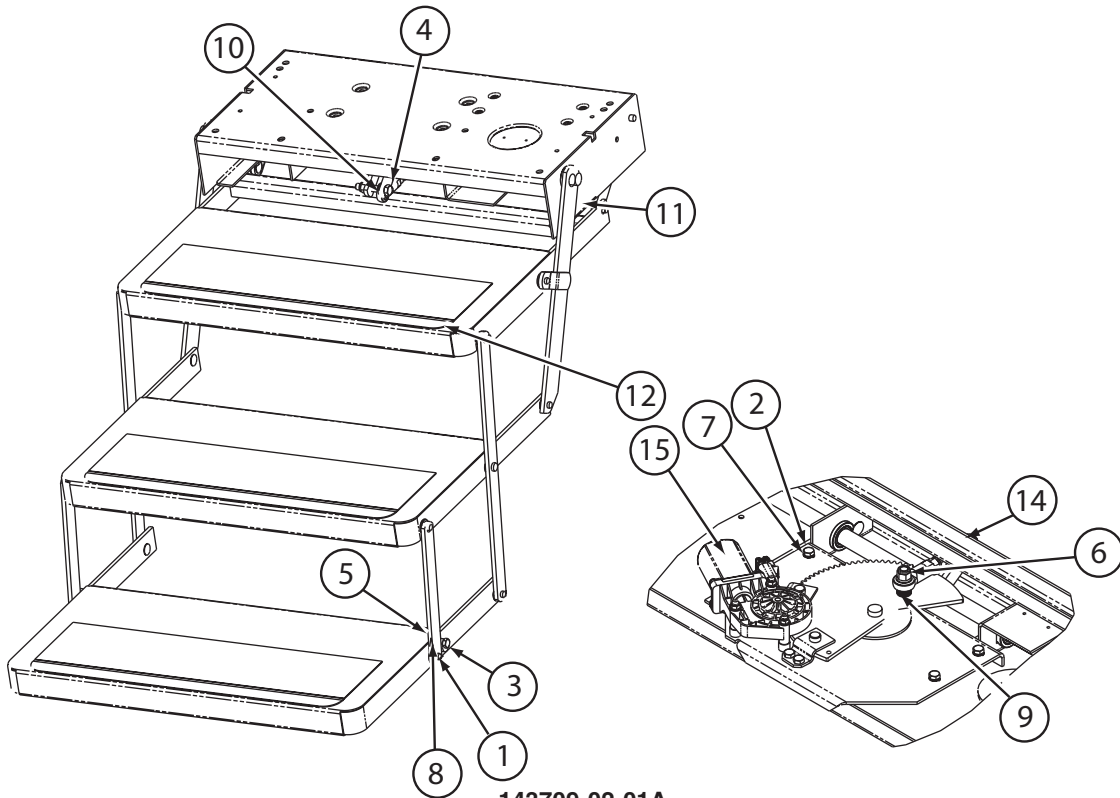
| KEY | PART NUMBER | U/M DESCRIPTION | VENDOR NO. |
|-----|---------------|--------------------------|-------------|
| | 084104-01-700 | EA LOCK-MALE, FASTENER | 201-721-010 |
| | 084104-01-701 | EA LOCK-FEMALE, FASTENER | 201-802-010 |

110506-A1-000, 110506-A2-000, 110506-26-000, 110506-27-000, 110506-36-000

| KEY | PART NUMBER | U/M DESCRIPTION | VENDOR NO. |
|-----|---------------|-----------------|------------|
| | 110506-40-700 | EA HDWE KIT | 596950AAL |

142226-02-01A

| KEY | PART NUMBER | U/M DESCRIPTION | VENDOR NO. |
|-----|---------------|-------------------------------|------------|
| | 142226-02-700 | EA TAB/LOCKING - ESCAPE (RED) | 9667709 |

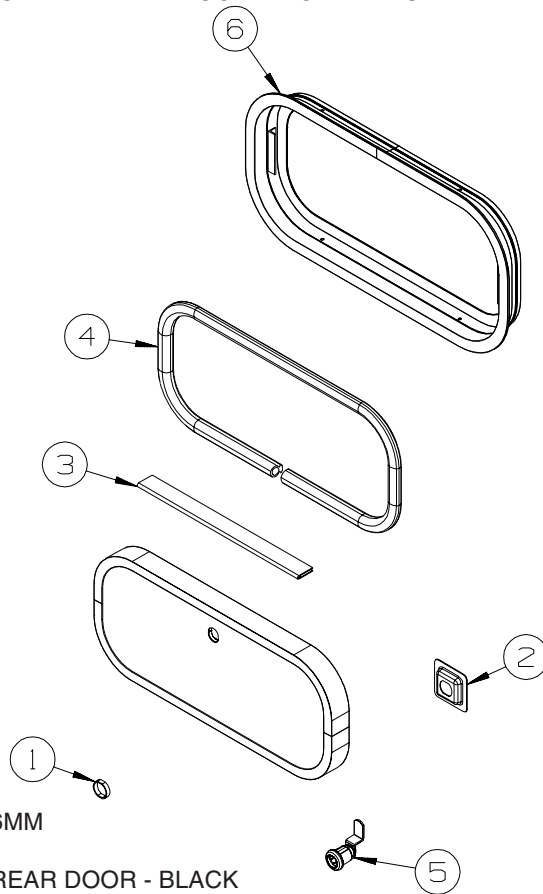


143709-02-01A

| KEY | PART NUMBER | U/M DESCRIPTION | VENDOR NO. |
|-----|----------------|---------------------------------|------------|
| 1 | 143709-01-700 | EA CAM STOP | 1102200 |
| 13 | 143709-01-701 | EA BUMPER - BLACK (RUBBER STOP) | 1602000 |
| 15 | 143709-01-702 | EA TREAD/NON-SKID _6" X 21" BLK | 1915260 |
| 16 | 143709-01-703 | EA FRAME ONLY PAINTED BLACK 25 | 908025000 |
| 17 | 143709-02-700 | EA LINK/ASSEMBLY 24/25 SERIES | 3380050 |
| 18 | 143709-02-701 | EA MOTOR ASM W/TABLE 24/25 STEP | 3392152 |
| 18 | 094707-04-701 | EA MOTOR "AM 214" F/IMGL STEPS | 1101428 |
| | 088746-01-705 | EA LIGHT-UNDER STEP | 9004 |
| | 094707-033-701 | EA PLUG - 4-WAY - PACKARD | 909306 |
| | 094707-04-700 | EA CONTROL UNIT W/OVERRIDE | 909510000 |
| | 094707-04-711 | EA KWIKTEST - W/4-WAY PIGTAIL | 909518000 |

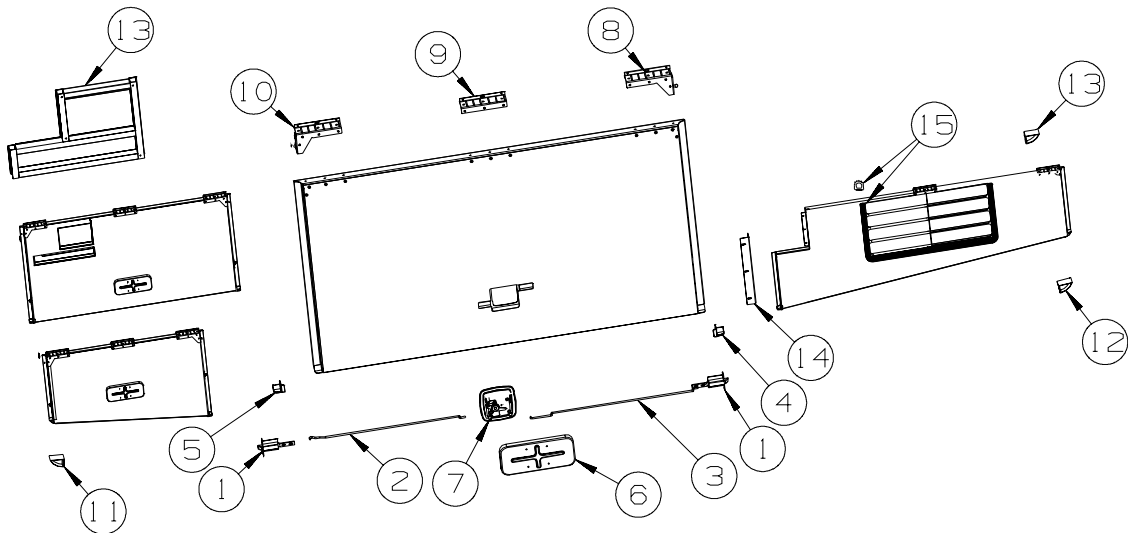
CONTACT WINNEBAGO PART SALES FOR UNLISTED COMPONENT(S)

EXTERIOR DOORS & COMPARTMENTS GROUP (CONTINUED)
COMPARTMENT DOOR PIECE PARTS



| KEY | PART NUMBER | U/M | DESCRIPTION |
|-----|---------------|-----|------------------------------------------------|
| 1 | 139325-01-000 | EA | SPACER - LOCK - 6MM |
| | 139337-01-000 | EA | GASKET - LOCK |
| 2 | 097111-02-04A | EA | POCKET - LOCK - REAR DOOR - BLACK |
| 2 | 097111-02-05A | EA | POCKET - LOCK - REAR DOOR - BRIGHT WHITE |
| 3 | 081801-FN-000 | EA | HINGE - DOOR - PIANO - 2" X 96" - BLACK |
| 3 | 081801-V3-000 | EA | HINGE - DOOR - PIANO - 2" X 96" - BRIGHT WHITE |
| 4 | 156386-01-01A | FT | SEAL - BULB - W/ADHESIVE BACK |
| 5 | 138290-02-000 | EA | CASE - W/CAM - W/O CYLINDER/KEY |
| 6 | 056795-01-000 | FT | TAPE - SEAL - 1/8" X 3/8" WIDE - PRESS ON |

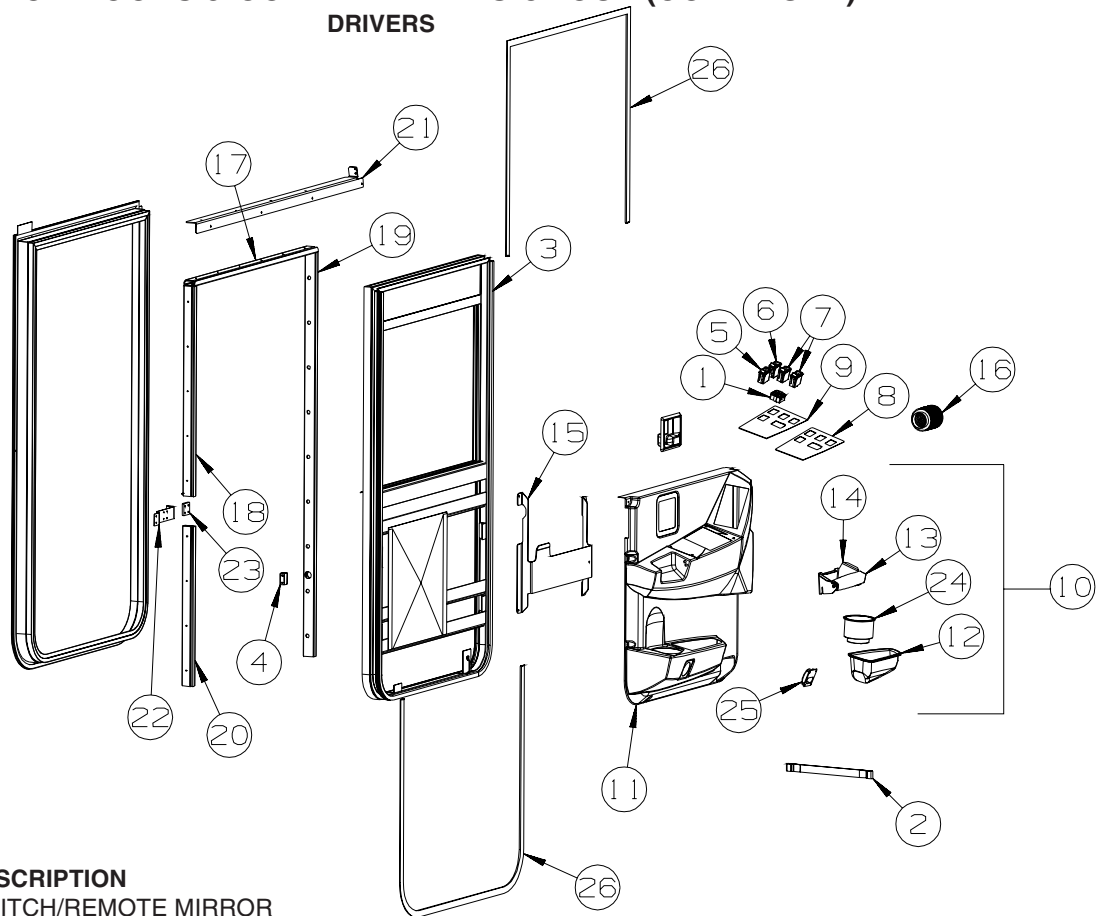
EXTERIOR DOORS & COMPARTMENTS GROUP (CONTINUED)
COMPARTMENT DOOR PIECE PARTS (CONTINUED)



| KEY | PART NUMBER | U/M | DESCRIPTION |
|-----|---------------|-----|---------------------------------------------------------------------|
| 1 | 121947-01-01A | EA | BOLT - SLIDE W/PLASTIC PLUNGER |
| 2 | 132873-01-000 | EA | ROD - LATCH (BLANK) - 37.3" |
| 3 | 135624-71-01B | EA | ROD - LATCH (BLANK) - 37.3" |
| 4 | 135276-01-01A | EA | REINFORCEMENT - CORNER - LEFT HAND (FACING DOOR) - BLACK |
| 5 | 135276-02-01A | EA | REINFORCEMENT - CORNER - RIGHT HAND (FACING DOOR) - BLACK |
| 6 | 137359-01-01A | EA | COVER - LATCH - WHITE |
| 7 | 154900-01-01A | EA | LATCH/PADDLE - LOCKING - COMPT DOOR - KEY ONE - BLACK |
| 7 | 154900-02-01A | EA | LATCH/PADDLE - NON LOCKING - COMPT DOOR - BLACK |
| 8 | 139793-01-01A | EA | HINGE - RIGHT HAND/VALANCE DOOR - W/BALL STUD |
| 8 | 139793-04-01A | EA | HINGE - RIGHT HAND/VALANCE DOOR - W/O BALL STUD |
| 9 | 139793-03-01A | EA | HINGE - CENTER/VALANCE DOOR - W/O BALL STUD |
| 10 | 139793-02-01A | EA | HINGE - LEFT HAND/VALANCE DOOR - W/BALL STUD |
| 10 | 139793-05-01A | EA | HINGE - LEFT HAND/VALANCE DOOR - W/O BALL STUD |
| 11 | 141601-02-01A | EA | END CAP/VALANCE DOOR - DRVR SIDE/REAR OF DOOR/1MM NOTCH |
| 11 | 141601-04-01A | EA | END CAP/VALANCE DOOR - DRVRSIDE/REAR OF DOOR-W/1.5MM NOTCH |
| 12 | 141601-01-01A | EA | END CAP/VALANCE DOOR - PASS SIDE/REAR OF DOOR-W/1MM NOTCH |
| 12 | 141601-03-01A | EA | END CAP/VALANCE DOOR-PASS SIDE/REAR OF DOOR-W/1.5MM NOTCH |
| 13 | 133049-08-T77 | EA | TRIM - COVER/WATER HEATER - 12.25" X 17.46" |
| 13 | 133049-09-R32 | EA | TRIM - COVER/WATER HEATER - 12.2" X 16.83" - NOT ILLUSTRATED |
| 14 | 113041-18-02B | EA | ANGLE/MOUNT - BUMPER - E-COATED - 10.6" |
| 14 | 113041-19-02B | EA | ANGLE/MOUNT - BUMPER - E-COATED - 7.9" |
| 15 | 107721-07-000 | FT | SEAL - ACCESS DOOR - .9"WIDE X 1.1"HIGH |

EXTERIOR DOORS & COMPARTMENTS GROUP (CONTINUED)

DRIVERS



| KEY | PART NUMBER | U/M | DESCRIPTION |
|-----|---------------|-----|-----------------------------------------------------------------|
| 1 | 088246-01-000 | EA | SWITCH/REMOTE MIRROR |
| 2 | 109378-01-000 | EA | STRAP - CHECK - DRIVER DOOR - 12.8" |
| 3* | 125581-09-01A | EA | DOOR - DRIVER - POWER WINDOW/LOCK |
| 4 | 128131-01-01A | EA | SPACER/SWITCH - DOME - BLACK |
| 5 | 145638-02-01A | EA | SWITCH/ROCKER - SPST (ON/OFF) - LIGHTED - BLACK - HEATED MIRROR |
| 5 | 108355-02-000 | EA | HOUSING - SWITCH - 12 POSITION |
| 6 | 145638-09-01A | EA | SWITCH/ROCKER - DPDT (ON/OFF/ON) - BLACK - POWER WINDOW |
| 6 | 108355-02-000 | EA | HOUSING - SWITCH - 12 POSITION |
| 7 | 145638-09-01A | EA | SWITCH/ROCKER - DPDT (ON/OFF/ON) - BLACK - POWER SUNVISOR |
| 7 | 108355-02-000 | EA | HOUSING - SWITCH - 12 POSITION |
| 7 | 145754-01-01A | EA | SWITCH - BLANK - BLACK |
| 8 | 145926-10-02B | EA | INSERT - SWITCH PLATE - 4 HOLE/RELAY SLOT - E-COATED |
| 9 | 148653-08-01A | EA | APPLIQUE - DRIVERS DOOR - DARK RIVERSTONE |
| 10 | 148822-02-S64 | EA | PANEL - DRIVER DOOR/INNER - CASHMERE |
| 11 | 148823-02-20A | EA | PANEL - INNER/DRIVER DOOR - CASHMERE |
| 12 | 148827-01-20A | EA | POCKET/STORAGE - DRIVER DOOR - CASHMERE |
| 13 | 148833-01-02A | EA | HANDLE - DRIVER DOOR - CASHMERE |
| 14 | 149512-01-02B | EA | BRACKET - DOOR HANDLE - E-COATED |
| 15 | 149513-01-02B | EA | BRACKET - SUPPORT/DOOR HANDLE - E-COATED |
| 16 | 117802-01-000 | EA | GROMMET - CONVOLUTED - 2" |
| 17 | 125725-01-01A | EA | FRAME - DRIVER DOOR - 33.5" - BLACK |
| 18 | 125725-03-01A | EA | FRAME - DRIVER DOOR - 27.8" - BLACK |
| 19 | 125725-07-01A | EA | FRAME - DRIVER DOOR - 53.3" - BLACK |
| 20 | 125725-08-01A | EA | FRAME - DRIVER DOOR - 21.4" - BLACK |
| 21 | 125804-02-02B | EA | ANGLE - DOOR SUPPORT - E-COATED |
| 22 | 126506-01-02B | EA | BRACKET - STRIKE - DRIVER DOOR - E-COATED |
| 23 | 126534-01-02B | EA | SPACER - STRIKE - DRIVER DOOR - E-COATED |
| 24 | 134566-01-01A | EA | HOLDER - CUP - TWO STEP - BLACK |
| 25* | 108354-01-01A | EA | LIGHT - COURTESY |
| 26 | 109235-01-01A | FT | COVER - SCREW - MAT BLACK |
| 26 | 109235-01-05A | FT | COVER - SCREW - BRIGHT WHITE |

*COMPONENT PARTS LISTED LATER IN THIS GROUP

EXTERIOR DOORS & COMPARTMENTS GROUP (CONTINUED)

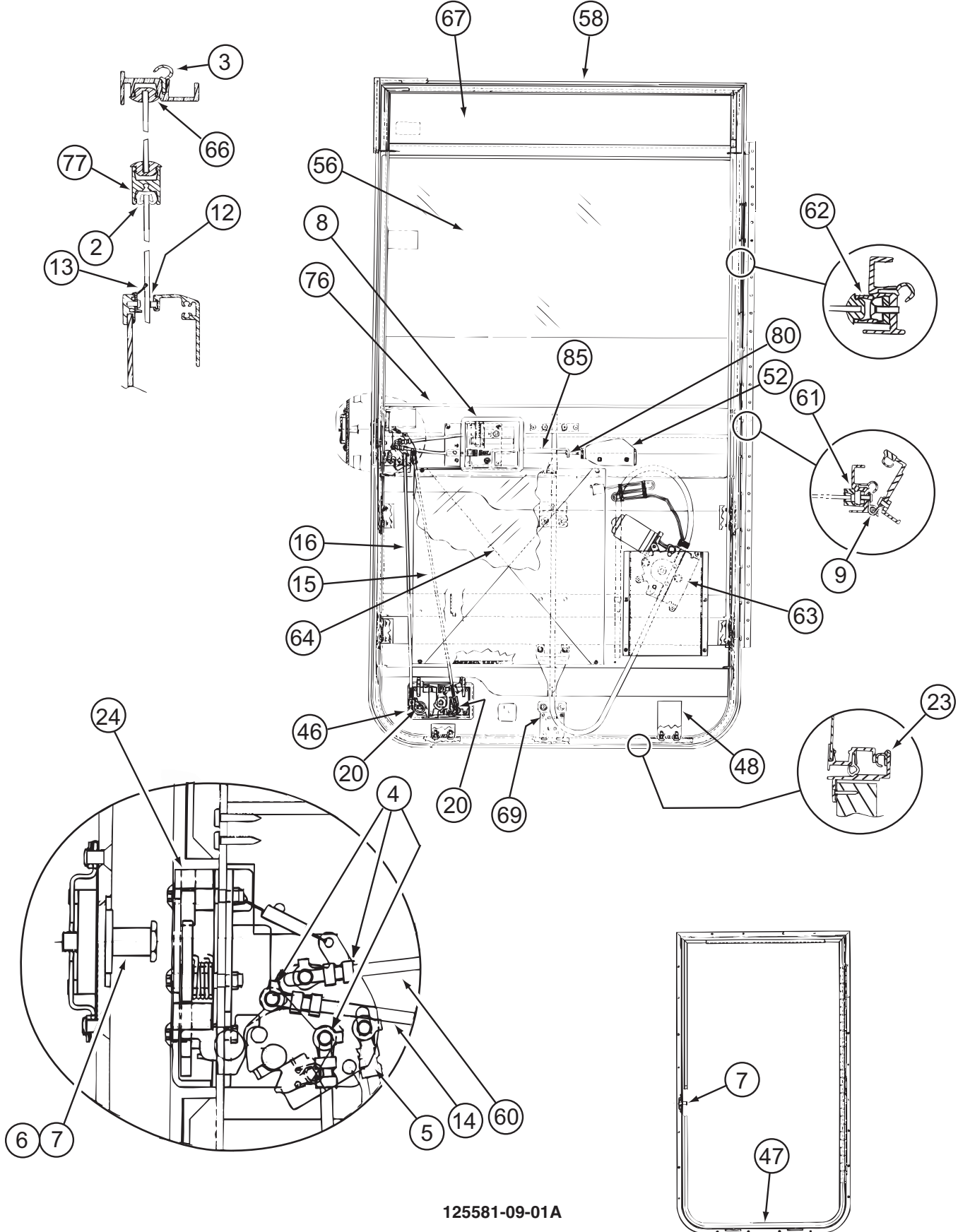
COMPONENT PARTS FOR DRIVERS

108354-01-01A

KEY PART NUMBER
108354-01-700

U/M DESCRIPTION
EA BULB-COURTESY LIGHT

VENDOR NO.
395-B



125581-09-01A

EXTERIOR DOORS & COMPARTMENTS GROUP (CONTINUED)

COMPONENT PARTS FOR DRIVERS (CONTINUED)

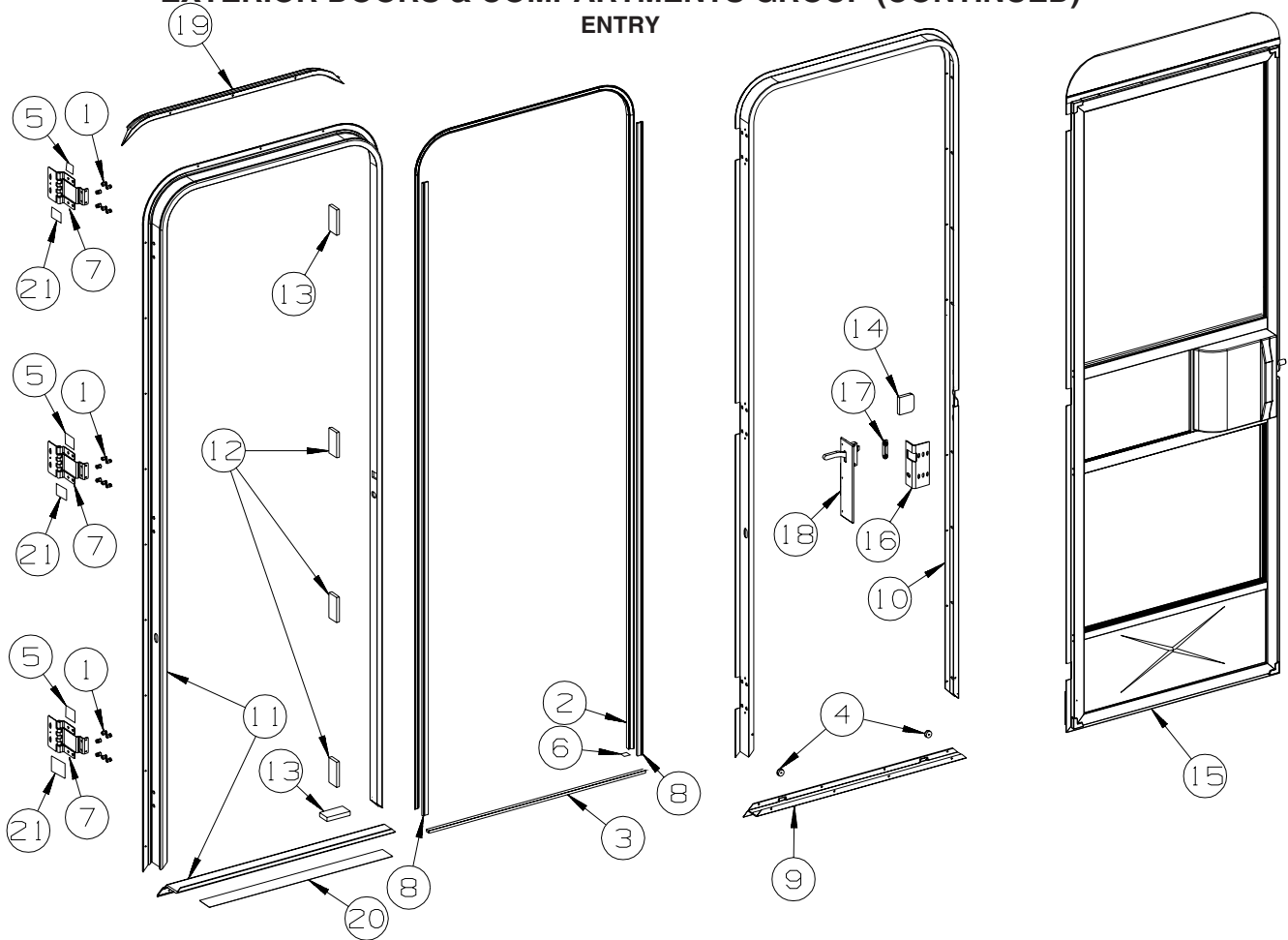
125581-09-01A (CONTINUED)

| KEY | PART NUMBER | U/M | DESCRIPTION | VENDOR NO. |
|-----|---------------|-----|------------------------------|-------------------|
| 2 | 106469-01-705 | FT | CHANNEL-RUN, SLIDING | 122-010850 |
| 3 | 106469-01-702 | EA | SEAL-DOOR FRAME (DOOR)EA=1 | 122-040984 |
| 4 | 106469-04-714 | EA | ROD-CLIP, RH | 80801 |
| 5 | 106469-04-713 | EA | ROD-CLIP, LH | 80802 |
| 6 | 106469-04-704 | EA | NUT ASSEMBLY-CAGED W/STRIKER | 11920-16 |
| 7 | 106469-04-703 | EA | BOLT-STRIKER, W/WASHER | 10335-16 |
| 8 | 106469-04-712 | EA | HANDLE/DOOR-INNER W/HARDWARE | 11297-01 |
| 9 | 106469-05-702 | EA | HINGE - 42" | 211-041194 |
| 12 | 106469-01-709 | FT | WEATHERSTRIP FUZZY | 171-040630 |
| 13 | 125581-03-703 | EA | WEATHERSTRIP - BELTING | 132-041069 |
| 13 | 125581-09-712 | EA | WEATHERSTRIP/BELT - F/GLASS | 490664 |
| 14 | 106469-04-711 | EA | ROD-LOCK, HORIZONTAL | 15508-01 |
| 15 | 125581-04-700 | EA | ROD - LATCH/VERTICAL ADJUST. | 203-041767 |
| 16 | 125581-04-701 | EA | ROD - LOCK/VERTICAL ADJUST. | 203-041768 |
| 20 | 128913-01-707 | EA | NUT - HEX/NYLOCK - 1/4 - 20 | 233-062447 |
| 23 | 106469-01-723 | EA | SEAL-BULB ASM. (DOOR JAMB) | 171-040985 |
| 24 | 106469-05-706 | EA | LATCH-ROTARY, W/LINKAGE | 16512-01 |
| 46 | 125581-09-700 | EA | PADDLE-W/O LOCK RH (REV KEY) | 17191-02 |
| 46 | 125581-09-701 | EA | LATCH/LOCK-DRVR DR (REV KEY) | PARTS DEPT |
| 46 | 125581-09-702 | EA | LATCH/LOCK-DRVR DR (REV KEY) | PARTS DEPT |
| 46 | 125581-09-703 | EA | LATCH/LOCK-DRVR DR (REV KEY) | PARTS DEPT |
| 46 | 125581-09-704 | EA | LATCH/LOCK-DRVR DR (REV KEY) | PARTS DEPT |
| 46 | 125581-09-705 | EA | LATCH/LOCK-DRVR DR (REV KEY) | PARTS DEPT |
| 46 | 125581-09-706 | EA | LATCH/LOCK-DRVR DR (REV KEY) | PARTS DEPT |
| 46 | 125581-09-707 | EA | LATCH/LOCK-DRVR DR (REV KEY) | PARTS DEPT |
| 46 | 125581-09-708 | EA | LATCH/LOCK-DRVR DR (REV KEY) | PARTS DEPT |
| 46 | 125581-09-709 | EA | LATCH/LOCK-DRVR DR (REV KEY) | PARTS DEPT |
| 46 | 125581-09-710 | EA | LATCH/LOCK-DRVR DR (REV KEY) | PARTS DEPT |
| 46 | 125581-09-721 | EA | LATCH/LOCK-DRVR DR (3041) | PARTS DEPT (3041) |
| 46 | 125581-09-722 | EA | LATCH/LOCK-DRVR DR (3042) | PARTS DEPT (3042) |
| 46 | 125581-09-723 | EA | LATCH/LOCK-DRVR DR (3043) | PARTS DEPT (3043) |
| 46 | 125581-09-724 | EA | LATCH/LOCK-DRVR DR (3044) | PARTS DEPT (3044) |
| 46 | 125581-09-725 | EA | LATCH/LOCK-DRVR DR (3045) | PARTS DEPT (3045) |
| 46 | 125581-09-726 | EA | LATCH/LOCK-DRVR DR (3046) | PARTS DEPT (3046) |
| 46 | 125581-09-727 | EA | LATCH/LOCK-DRVR DR (3047) | PARTS DEPT (3047) |
| 46 | 125581-09-728 | EA | LATCH/LOCK-DRVR DR (3048) | PARTS DEPT (3048) |
| 46 | 125581-09-729 | EA | LATCH/LOCK-DRVR DR (3049) | PARTS DEPT (3049) |
| 46 | 125581-09-730 | EA | LATCH/LOCK-DRVR DR (3050) | PARTS DEPT (3050) |
| 47 | 125581-04-703 | EA | FRAME - MOUNTING - BLACK | V180-35L |
| 48 | 125581-07-703 | EA | BRACKET-ALUMINUM "L"(INSIDE) | N135-55 |
| 56 | 125581-08-703 | EA | GLASS-ROLL-UP 29.46"X29.37" | 106-042081 |
| 56 | 125581-09-711 | EA | GLASS-ROLL UP 24"H X 29.37"W | 490207 |
| 58 | 125581-08-702 | EA | FRAME/DOOR - SUB ASSY-BLACK | V220-98L |
| 60 | 106469-04-705 | EA | ROD-LATCH, HORIZONTAL | 203-041139 |
| 61 | 125581-08-701 | EA | CHANNEL/VERT ROLL UP-BLACK | V220-60 |
| 62 | 125581-08-700 | EA | CHANNEL/VERT STA GLASS-BLACK | V220-61 |
| 63 | 125581-03-702 | EA | REGULATOR-ELECTRIC-SPEC RH | 410-040966 |
| 64 | 125581-06-700 | EA | PANEL/INTERIOR | V164-97 |
| 66 | 125581-04-710 | FT | VINYL - GLAZING | 132-041484 |
| 67 | 125581-07-701 | EA | GLASS-STATIONERY/4.95"X29.5" | 106-042082 |
| 69 | 125581-04-711 | EA | CHANNEL-GLASS - LIFT BRKT | N135-66 |
| 76 | 125581-03-701 | EA | SILL - INNER - BLACK | V123-68L |
| 77 | 125581-03-700 | EA | MULLION RAIL- BLACK | V123-84 |
| | 106469-04-716 | EA | LEVER-LOCKING-BLACK | 80978-00 |
| | 125581-07-705 | EA | BRACKET (L) F/SEAL PROTECT | 490201 |
| | 125581-07-704 | EA | BRACKET - STRAP/JAMB & DOOR | 248-080394 |
| | 125581-10-701 | EA | CLIP - CABLE | 130-042047 |
| | 125581-09-731 | EA | SPLINE-DRIVER DOOR WDO SEAL | 491279 |

CONTACT WINNEBAGO PART SALES FOR UNLISTED COMPONENT(S)

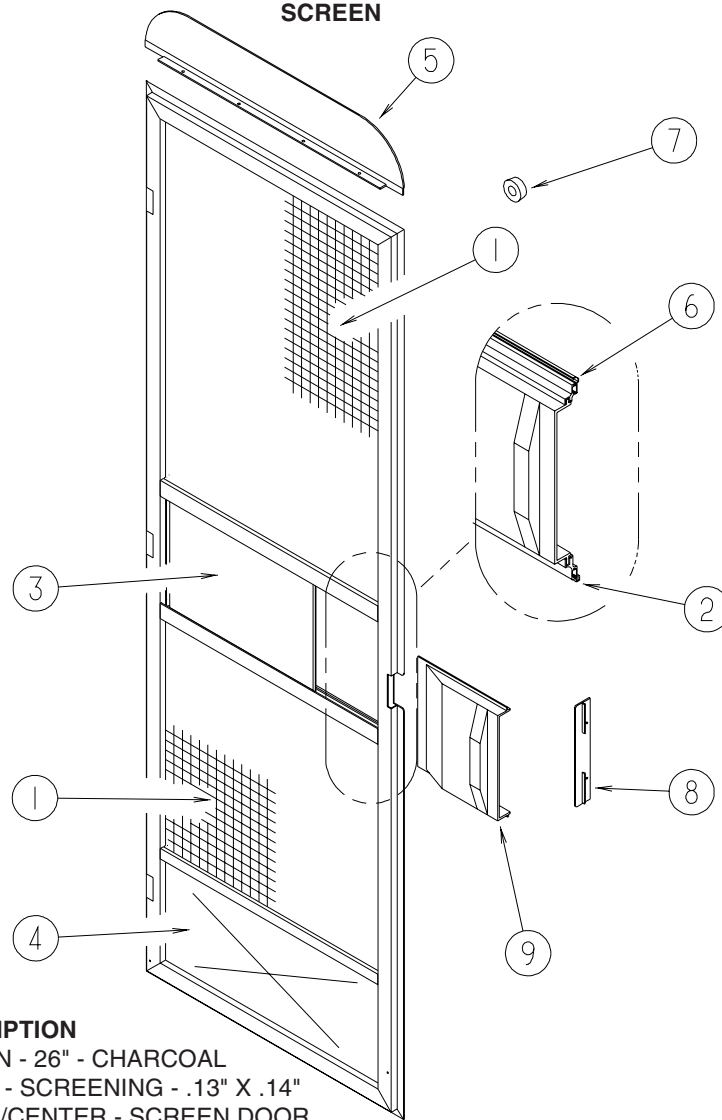
EXTERIOR DOORS & COMPARTMENTS GROUP (CONTINUED)

ENTRY



| KEY | PART NUMBER | U/M | DESCRIPTION |
|-----|---------------|-----|------------------------------------------------------------|
| 1 | 039715-01-000 | EA | NUT-SERT - 1/4" DIAMETER - 20 THREADS |
| 2 | 075671-04-000 | FT | SEAL - SPONGE - LAZY T - W/ADHESIVE STRIP - .5" WIDE |
| 3 | 075673-05-000 | FT | SEAL/PILE - .5" HIGH W/ADHESIVE BACK - BLACK |
| 4 | 081914-02-000 | EA | BUMPER - RUBBER - ROUND - 5/16" DIA. X 13/64" THICK |
| 5 | 100128-02-000 | FT | SEAL - FOAM/ADHESIVE BACK - .37" WIDE X .37" THICK |
| 6 | 104692-01-000 | FT | SEAL - ADHESIVE BACKED FOAM - 3/4" THICK X 3/4" WIDE X 25' |
| 7 | 106719-01-05A | EA | HINGE - ENTRY DOOR - BRIGHT WHITE |
| 7 | 106719-01-08A | EA | HINGE - ENTRY DOOR - BLACK - FULL BODY PAINT |
| 8 | 118929-01-01A | FT | SEAL - PILE - PUSH ON |
| 9 | 121893-03-02A | EA | FRAME - ENTRY DOOR/LOWER - BRIGHT WHITE |
| 9 | 121893-03-03A | EA | FRAME - ENTRY DOOR/LOWER - BLACK - FULL BODY PAINT |
| 10 | 121894-27-01A | EA | FRAME - ENTRY DOOR - BRIGHT WHITE |
| 10 | 121894-27-02A | EA | FRAME - ENTRY DOOR - BLACK - FULL BODY PAINT |
| 11 | 121898-14-01A | EA | JAMB - DOOR/ENTRANCE - BRIGHT WHITE |
| 11 | 121898-14-02A | EA | JAMB - DOOR/ENTRANCE - BLACK - FULL BODY PAINT |
| 12 | 125724-01-000 | EA | SHIM - DOOR, ENTRANCE |
| 13 | 125724-02-000 | EA | SHIM - DOOR, ENTRANCE |
| 14 | 130096-05-000 | EA | FOAM - SCREEN DOOR, RETAINER |
| 15 | P32208-02-L32 | EA | DOOR - SCREEN - W/O HARDWARE |
| 15 | P32208-02-S64 | EA | DOOR - SCREEN - W/O HARDWARE - FULL BODY PAINT |
| 16 | 137401-01-03B | EA | BRACKET - DOOR ANGLE - OFF WHITE |
| 16 | 137401-01-02B | EA | BRACKET - DOOR ANGLE - E-COATED - FULL BODY PAINT |
| 17 | 148364-01-12B | EA | STRIKE - SCREEN DOOR - BRIGHT WHITE |
| 17 | 148364-01-04B | EA | STRIKE - SCREEN DOOR - BLACK - FULL BODY PAINT |
| 18 | 132915-01-01A | EA | LATCH - SCREEN DOOR - BLACK |
| 19 | 139054-19-01A | EA | CAP - DRIP - JAMB MOUNTED - BRIGHT WHITE |
| 19 | 139054-19-02A | EA | CAP - DRIP - JAMB MOUNTED - BLACK - FULL BODY PAINT |
| 20 | 038327-01-000 | EA | TAPE - ANTI-SLIP - 2" X 60' |
| 21 | 154585-01-01A | FT | SEAL - FOAM TAPE - ADHESIVE BACK - 3/8" X 3/8" - BLACK |

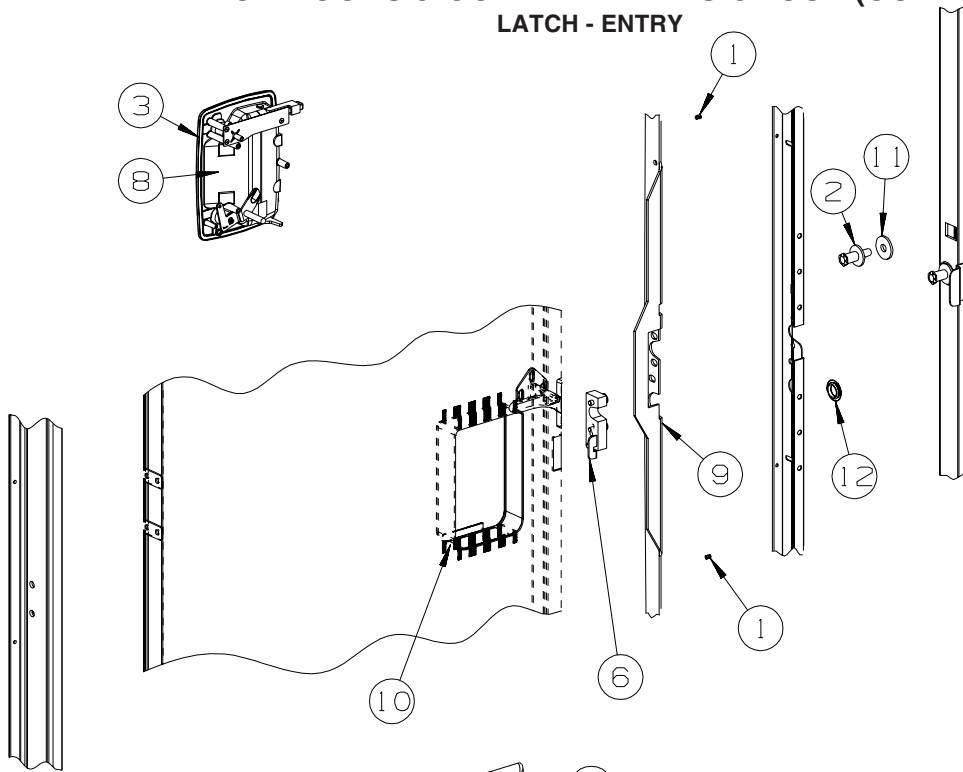
EXTERIOR DOORS & COMPARTMENTS GROUP (CONTINUED)



| KEY | PART NUMBER | U/M | DESCRIPTION |
|-----|---------------|-----|---------------------------------------------------------|
| 1 | 002293-02-000 | SF | SCREEN - 26" - CHARCOAL |
| 2 | 002294-01-000 | FT | SPLINE - SCREENING - .13" X .14" |
| 3 | 016454-18-000 | EA | INSERT/CENTER - SCREEN DOOR |
| 4 | 078552-09-000 | EA | INSERT - SCREEN DOOR - LOWER |
| 5 | 078595-03-000 | EA | PLATE - SCREEN DOOR |
| 6 | 078777-08-000 | FT | CHANNEL - SLIDER - 4 FOOT INCREMENTS |
| 7 | 120863-09-000 | EA | BUMPER - RUBBER/RADIUS TOP - 3/4" X 3/8" - LT GRAY |
| 8 | 132081-01-01A | EA | STRIKE - SLIDER - SCREEN DOOR - BRIGHT WHITE |
| 8 | 132081-01-03A | EA | STRIKE - SLIDER - SCREEN DOOR - BLACK - FULL BODY PAINT |
| 9 | 132082-01-01A | EA | SLIDER - SCREEN DOOR - BRIGHT WHITE |
| 9 | 132082-01-03A | EA | SLIDER - SCREEN DOOR - BLACK - FULL BODY PAINT |

EXTERIOR DOORS & COMPARTMENTS GROUP (CONTINUED)

LATCH - ENTRY



KEY PART NUMBER

| | |
|----|---------------|
| 1 | 072893-04-000 |
| 2 | 092927-20-000 |
| 3 | 112782-04-01A |
| 4 | 112782-05-01A |
| 5 | 112782-08-01A |
| 6 | 112782-22-01A |
| 7 | 112782-21-01A |
| 7 | 112782-27-01A |
| 8 | 112782-20-01A |
| 9 | 132207-01-02B |
| 10 | 137230-01-01A |
| 11 | 147900-01-01A |
| 12 | 061420-14-000 |

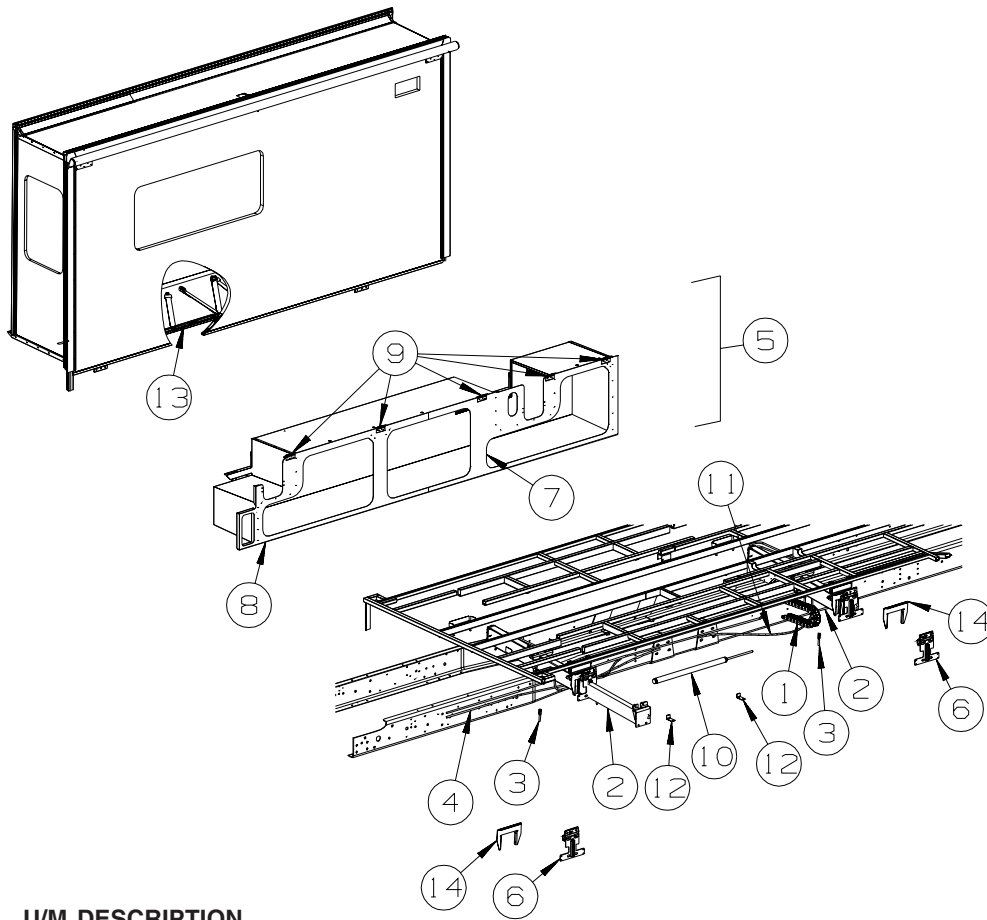
U/M DESCRIPTION

| | |
|----|------------------------------------------------------------|
| EA | NUTSERT - 10-32 |
| EA | STRIKER - BOLT |
| EA | GASKET |
| EA | CAP - VINYL - RED |
| EA | SCREW - MOUNTING/PLATE - ZINC |
| EA | LATCH - SINGLE ROTOR |
| EA | LATCH - INTERIOR PLATE |
| EA | LATCH - INTERIOR PLATE - WHITE |
| EA | LATCH - EXTERIOR - W/O LOCK CYLINDER W/ICON-REVERSIBLE KEY |
| EA | STIFFENER/DOOR - FORMED - E-COATED |
| EA | SPACER - NOTCHED, MILL |
| EA | SPACER - STRIKE BOLT, MILL |
| EA | PLUG/PLASTIC - 7/8" DIAMETER - BLACK |

FROM: 00-00-00 THRU: 05-28-06

FROM: 05-29-06 THRU: 99-99-99

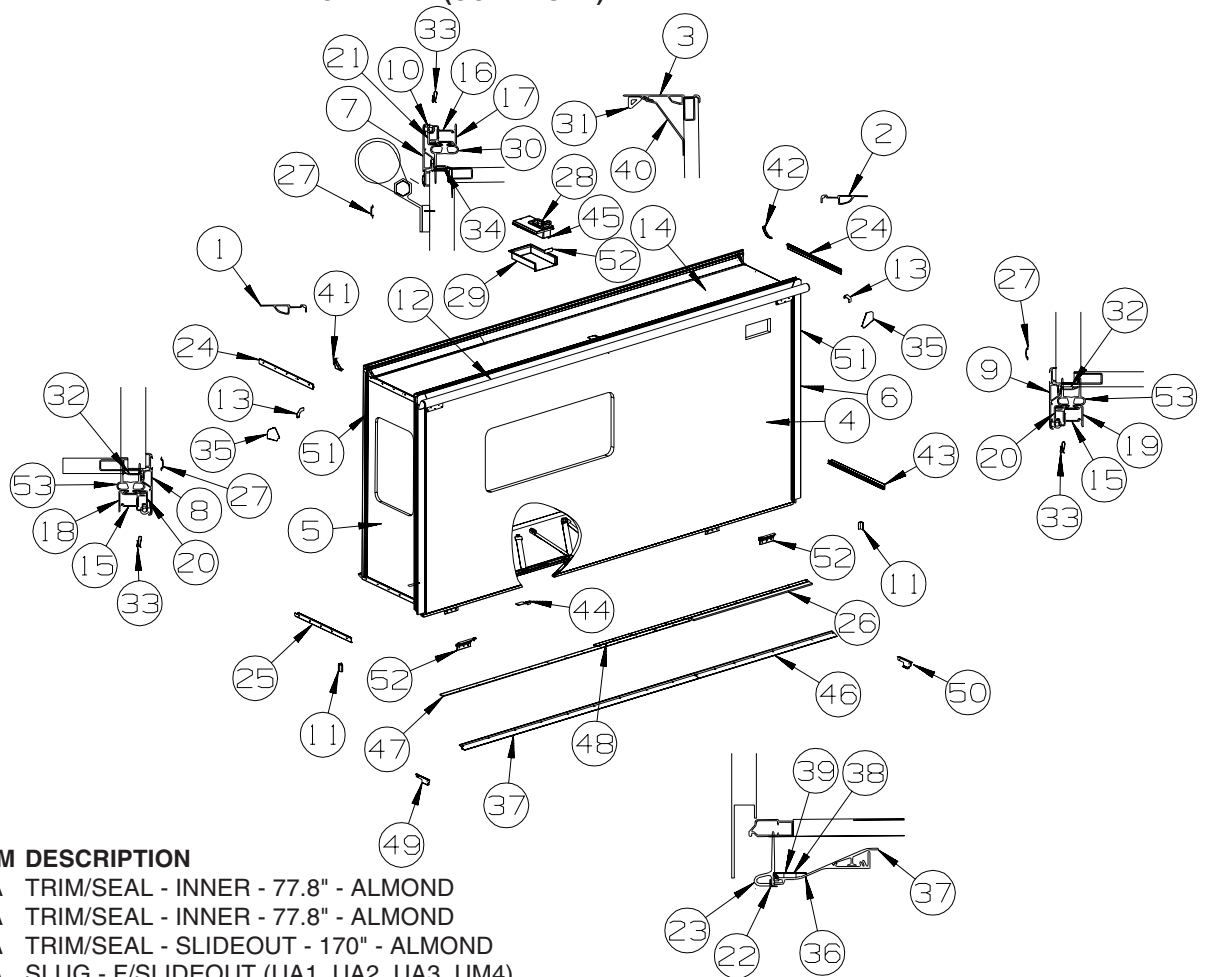
EXTERIOR SLIDEOUT GROUP FRONT LEFT



| KEY | PART NUMBER | U/M | DESCRIPTION |
|-----|---------------|-----|------------------------------------------------------------------------------|
| 1 | 143541-04-01A | EA | CARRIER/WIRING - F/SLIDE-OUT ROOM |
| 2* | 152553-02-000 | EA | SLIDEOUT - ARM/HYDRAULIC - FLAT 29" - RIGHT FROM: 00-00-00 THRU: 12-31-06 |
| 2 | 163494-01-000 | EA | SLIDEOUT - ARM/HYDRAULIC - 29" - RIGHT FROM: 01-01-07 THRU: 99-99-99 |
| | 143738-01-000 | EA | WRENCH - SLIDE ROOM RETRACT - RATCHET - 13/16" X 7/8" |
| 3* | 151323-02-000 | EA | BOLT - HANGER/STOREMORE - LONG/4.5"X1/2" THREAD - AP31952 |
| 4 | 155476-02-000 | EA | HOSE KIT - F/SLIDEOUT |
| 5 | 156592-01-U89 | EA | COMPARTMENT - SLIDEOUT |
| 6 | 152741-03-02B | EA | BRACKET - MOUNT - SLIDEOUT - E-COATED |
| 7 | 156596-01-02B | EA | SEAL PLANE - SLIDEOUT - E-COATED |
| 8 | 126516-01-01A | FT | TRIM - VINYL/EXTRUDED - 8' |
| 9 | 153821-01-01A | EA | BRACKET - MOUNT/SEAL PLANE - BLACK |
| 10* | 152553-03-000 | EA | HOSE KIT - SLIDEOUT/SYNCHRONIZING CYLINDER FROM: 00-00-00 THRU: 12-10-06 |
| 10 | 163102-03-000 | EA | SLIDEOUT - HYDRAULIC - 29" FROM: 12-11-06 THRU: 99-99-99 |
| | 163324-02-000 | EA | BRACKETS/HARDWARE - 24"/29" RAM/SYNCH CYLINDER |
| 11* | 100536-58-000 | EA | HOSE KIT - F/SLIDEOUT |
| 12 | 122922-02-02B | EA | BRACKET/CYLINDER SUPPORT - E-COATED |
| 13 | 160167-01-01A | EA | SEAT BELT - 2" X 102" - BLACK |
| 14 | 154254-02-02B | EA | BRACKET - ARM/SLIDEOUT - E-COATED |

***COMPONENT PARTS LISTED LATER IN THIS GROUP**

EXTERIOR SLIDEOUT GROUP (CONTINUED)
FRONT LEFT (CONTINUED)



| KEY | PART NUMBER | U/M | DESCRIPTION |
|-----|---------------|-----|----------------------------------------------------------------------|
| 1 | 139624-45-02A | EA | TRIM/SEAL - INNER - 77.8" - ALMOND |
| 2 | 139624-44-02A | EA | TRIM/SEAL - INNER - 77.8" - ALMOND |
| 3 | 153113-03-02A | EA | TRIM/SEAL - SLIDEOUT - 170" - ALMOND |
| 4 | 156360-11-U89 | EA | SLUG - F/SLIDEOUT (UA1, UA2, UA3, UM4) |
| 4 | 156360-11-U93 | EA | SLUG - F/SLIDEOUT (UA5, UA6, UA7, UM5) |
| 4 | 156360-11-U97 | EA | SLUG - F/SLIDEOUT (UB1, UB2, UB3, UM6) |
| 5 | 153461-01-U89 | EA | PANEL END - F/SLIDEOUT (UA1, UA2, UA3, UM4) |
| 5 | 153461-01-U93 | EA | PANEL END - F/SLIDEOUT (UA5, UA6, UA7, UM5) |
| 5 | 153461-01-TD4 | EA | PANEL END - F/SLIDEOUT (UB1, UB2, UB3, UM6) |
| 6 | 153667-03-U89 | EA | PANEL END - F/SLIDEOUT (UA1, UA2, UA3, UM4) |
| 6 | 153667-03-U93 | EA | PANEL END - F/SLIDEOUT (UA5, UA6, UA7, UM5) |
| 6 | 153667-03-TD4 | EA | PANEL END - F/SLIDEOUT (UB1, UB2, UB3, UM6) |
| 7 | 156417-18-01A | EA | TRIM/SEAL - W/MITERED ENDS - 168.3" - BRIGHT WHITE |
| 7 | 156417-18-02A | EA | TRIM/SEAL - W/MITERED ENDS - 168.3" - BLACK - FULL BODY PAINT |
| 8 | 156417-28-01A | EA | TRIM/SEAL - W/MITERED ENDS - 80.4" - BRIGHT WHITE |
| 8 | 156417-28-02A | EA | TRIM/SEAL - W/MITERED ENDS - 80.4" - BLACK - FULL BODY PAINT |
| 9 | 156417-29-01A | EA | TRIM/SEAL - W/MITERED ENDS - 80.4" - BRIGHT WHITE |
| 9 | 156417-29-02A | EA | TRIM/SEAL - W/MITERED ENDS - 80.4" - BLACK - FULL BODY PAINT |
| 10 | 158297-01-000 | FT | SEAL - D-SECTION/BULB/TEE - ADHESIVE BACK - BLACK |
| 11 | 156480-01-01A | EA | SEAL/BLOCK - SLIDEOUT - 2.6"W X 1.6"H X 1.6"D - BLACK |
| 12 | | | SLIDEOUT AWNING |

ORDER AWNINGS & REPAIR PARTS FROM DOMETIC. CALL #800-366-3842.

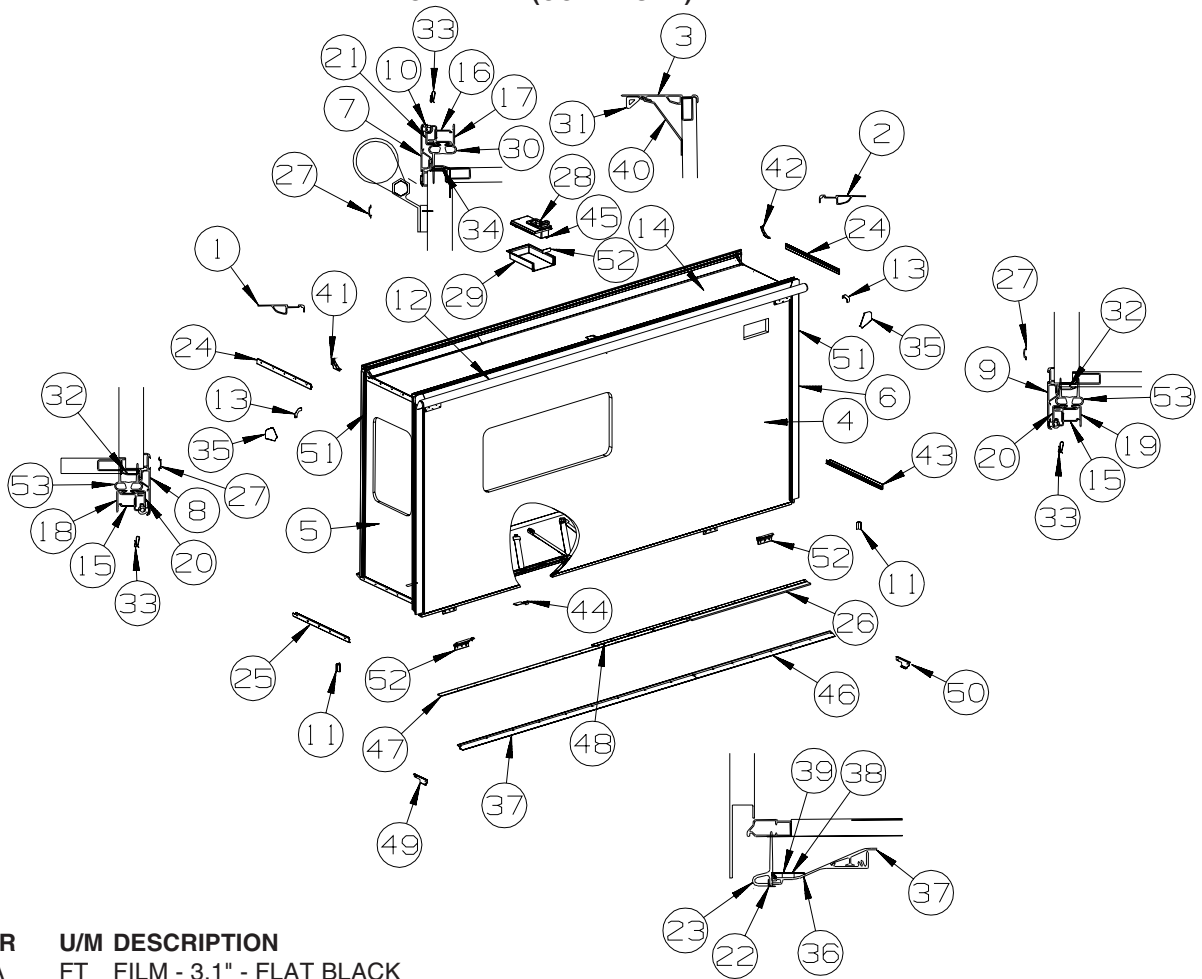
THE DOMETIC AWNING INFORMATION YOU WILL NEED IS LOCATED ON THE MOTOR HOME NEAR THE TOP OF THE AWNING RAIL.

| | | | |
|----|---------------|----|------------------------------------------------------------------------------|
| 13 | 156416-01-12B | EA | TRIM/KEY CORNER - SLIDEOUT - 3.1" X 3.1" - BRIGHT WHITE |
| 13 | 156416-01-02B | EA | TRIM/KEY CORNER - SLIDEOUT - 3.1" X 3.1" - E-COATED - FULL BODY PAINT |
| 14 | 157278-01-U89 | EA | ROOF - F/SLIDEOUT |
| 15 | 142718-38-01A | EA | RETAINER - SIDEWALL/SLIDEOUT - 79" |
| 16 | 142718-15-01A | EA | RETAINER - SIDEWALL/SLIDEOUT - 169.5" |
| 17 | 151761-05-02A | EA | TRIM - SIDEWALL/SLIDEOUT/TOP - 171.2" - ALMOND |
| 18 | 151760-22-02A | EA | TRIM - SIDEWALL/SLIDEOUT - 81.1" - ALMOND |
| | | | FROM: 00-00-00 THRU: 05-22-06 |
| 18 | 151760-10-02A | EA | TRIM - SIDEWALL/SLIDEOUT - 80.6" - ALMOND |
| | | | FROM: 05-23-06 THRU: 99-99-99 |

EXTERIOR SLIDEOUT GROUP (CONTINUED)
FRONT LEFT (CONTINUED)

| KEY | PART NUMBER | U/M | DESCRIPTION |
|-----|---------------|-----|---------------------------------------------------------------------------------------------------------------|
| 19 | 151760-23-02A | EA | TRIM - SIDEWALL/SLIDEOUT - 81.1" - ALMOND FROM: 00-00-00 THRU: 05-22-06 |
| 19 | 151760-11-02A | EA | TRIM - SIDEWALL/SLIDEOUT - 80.6" - ALMOND FROM: 05-23-06 THRU: 99-99-99 |
| 20 | 136824-49-01A | EA | TRIM - SIDEWALL/SLIDEOUT - 80.9" - BRIGHT WHITE |
| 20 | 136824-49-02A | EA | TRIM - SIDEWALL/SLIDEOUT - 80.9" - BLACK - FULL BODY PAINT |
| 21 | 136824-22-01A | EA | TRIM - SIDEWALL/SLIDEOUT - 171.2" - BRIGHT WHITE |
| 21 | 136824-22-02A | EA | TRIM - SIDEWALL/SLIDEOUT - 171.2" - BLACK - FULL BODY PAINT |
| 22 | 153109-05-01A | EA | ANGLE/RETAINER - SEAL - .5" X .5" X 167.1" - MILL |
| 23 | 152446-01-000 | FT | SEAL - SLIDEOUT/FLOOR |
| 24 | 158375-01-01A | EA | TRIM - FEATURE STRIP - 29.6" - BRIGHT WHITE |
| 24 | 158375-01-02A | EA | TRIM - FEATURE STRIP - 29.6" - BLACK - FULL BODY PAINT |
| 25 | 158349-03-01A | EA | TRIM - FEATURE - LOWER - 31.8" - BRIGHT WHITE |
| 25 | 158349-03-02A | EA | TRIM - FEATURE - LOWER - 31.8" - BLACK - FULL BODY PAINT |
| 26 | 157268-05-U89 | EA | RAMP - FABRIC COVERED - F/SLIDEOUT - 53.1" |
| 27 | 105312-01-07A | FT | INSERT - FEATURE STRIP - VINYL - BRIGHT WHITE |
| 27 | 105312-01-13A | FT | INSERT - FEATURE STRIP - VINYL - BLACK - FULL BODY PAINT |
| 28* | 153651-02-01A | EA | LOCK/LATCH - TRAVEL/SLIDEOUT - W/MOTOR - LEFT HAND - BLACK - NOT ILLUSTRATED FROM: 00-00-00 THRU: 09-25-06 |
| 28* | 153651-04-01A | EA | LOCK/LATCH - TRAVEL/SLIDEOUT - W/MOTOR - LEFT HAND - BLACK FROM: 09-26-06 THRU: 99-99-99 |
| 29 | 155194-01-01A | FT | COVER - LATCH/TRAVEL- PLASTIC - BLACK |
| 30 | 136978-01-01A | FT | SEAL - SLIDEOUT - SINGLE WIPE LIP - BLACK |
| 31 | 146056-01-000 | FT | SEAL - TRIANGLE - W/PSA |
| 32 | 133954-66-01A | EA | TRIM/SEAL - 75.8" - BRIGHT WHITE - NOT ILLUSTRATED FROM: 00-00-00 THRU: 04-16-06 |
| 32 | 146606-66-01A | EA | TRIM/RETAINER - 75.8" - BRIGHT WHITE FROM: 04-17-06 THRU: 99-99-99 |
| 32 | 133954-66-02A | EA | TRIM/SEAL - 75.8" - BLACK - FULL BODY PAINT - NOT ILLUSTRATED FROM: 00-00-00 THRU: 04-16-06 |
| 32 | 146606-66-02A | EA | TRIM/RETAINER - 75.8" - BLACK - FULL BODY PAINT FROM: 04-17-06 THRU: 99-99-99 |
| 33 | 142549-01-000 | EA | CLIP - "S" TYPE |
| 34 | 133954-15-01A | EA | TRIM/SEAL - 166.5" - BRIGHT WHITE |
| 34 | 133954-15-02A | EA | TRIM/SEAL - 166.5" - BLACK - FULL BODY PAINT |
| 34 | 133954-15-01A | EA | TRIM/SEAL - 166.5" - BRIGHT WHITE - NOT ILLUSTRATED FROM: 00-00-00 THRU: 04-16-06 |
| 34 | 146606-15-01A | EA | TRIM/RETAINER - 166.1" - BRIGHT WHITE FROM: 04-17-06 THRU: 99-99-99 |
| 34 | 133954-15-02A | EA | TRIM/SEAL - 166.5" - BLACK - FULL BODY PAINT - NOT ILLUSTRATED FROM: 00-00-00 THRU: 04-16-06 |
| 34 | 146606-15-02A | EA | TRIM/RETAINER - 166.1" - BLACK - FULL BODY PAINT FROM: 04-17-06 THRU: 99-99-99 |
| 35 | 156151-01-02A | EA | PROTECTOR - CORNER - SLIDEOUT - BRIGHT WHITE |
| 35 | 156151-01-01A | EA | PROTECTOR - CORNER - SLIDEOUT - BLACK - FULL BODY PAINT |
| 36 | 152602-05-01A | EA | RAMP - SLIDEOUT - FLOOR/COACH - 167.4" - MILL |
| 37 | 153106-10-01A | EA | COVER - RAMP/FLOOR - VINYL/CARPET - 3.2" X 105.2"-BRT WHT |
| 38 | 153108-13-01A | EA | SPACER - RAMP - SLIDEOUT FLOOR - 112" - MILL |
| 39 | 156475-01-000 | EA | FILTER/FOAM - DRAIN HOLE COVER/SEAL - 60PPI - 1/4"X1"X3" |
| 40 | 153114-03-01A | EA | TRIM/RETAINER - 165.8" - BRIGHT WHITE |
| 40 | 153114-03-02A | EA | TRIM/RETAINER - 165.8" - BLACK - FULL BODY PAINT |
| 41 | 153115-01-02A | EA | COVER - TRIM - SLIDEOUT - INNER/TOP/RH - BRIGHT WHITE |
| 41 | 153115-01-01A | EA | COVER - TRIM - SLIDEOUT - INNER/TOP/RH - BLACK - FULL BODY PAINT |
| 42 | 153115-02-02A | EA | COVER - TRIM - SLIDEOUT - INNER/TOP/LH - BRIGHT WHITE |
| 42 | 153115-02-01A | EA | COVER - TRIM - SLIDEOUT - INNER/TOP/LH - BLACK - FULL BODY PAINT |
| 43 | 158349-04-01A | EA | TRIM - FEATURE - LOWER - 31.8" - BRIGHT WHITE |
| 43 | 158349-04-02A | EA | TRIM - FEATURE - LOWER - 31.8" - BLACK - FULL BODY PAINT |
| 44 | 154093-02-01B | EA | BRACKET/HOLD DOWN - CHAIR - W/NUT-SERT - GALVANIZED |
| 45 | 155262-01-02A | EA | TUBE/DRAIN - LATCH/TRAVEL/ROOF - WHITE |
| 45 | 155262-01-01A | EA | TUBE/DRAIN - LATCH/TRAVEL/ROOF - BLACK - FULL BODY PAINT |
| 46 | 153106-05-01A | EA | COVER - RAMP/FLOOR - VINYL/CARPET - 3.2" X 62.2"-BRT WHT |
| 47 | 152641-01-000 | EA | SKID/GLIDE - SLIDEOUT ROOM - 1/4"X2"X95.5" - POLYETHYLENE |
| 48 | 152641-02-000 | EA | SKID/GLIDE - SLIDEOUT ROOM - 1/4"X1"X95.5" - POLYETHYLENE |
| 49 | 153800-01-02B | EA | BRACKET - CLOSEOUT/RH - SLIDEOUT - E-COATED |
| 50 | 153800-02-02B | EA | BRACKET - CLOSEOUT/LH - SLIDEOUT - E-COATED |

EXTERIOR SLIDEOUT GROUP (CONTINUED)
FRONT LEFT (CONTINUED)



| KEY | PART NUMBER | U/M DESCRIPTION |
|------------|--------------------|----------------------------------------------------------------|
| | 51 093681-39-01A | FT FILM - 3.1" - FLAT BLACK |
| | 52 156015-01-01A | EA TAPE/PROTECTION - .06" X 1.25" X 3.5" - W/PSA - NATURAL WHT |
| | 53 153161-01-01A | FT SEAL - SLIDEOUT - DOUBLE WIPE LIP - BLACK |

***COMPONENT PARTS LISTED LATER IN THIS GROUP**

COMPONENT PARTS FOR FRONT LEFT

100536-58-000

| KEY | PART NUMBER | U/M DESCRIPTION | VENDOR NO. |
|------------|--------------------|--------------------------------|-------------------|
| | 100536-58-700 | EA HOSE - HYD. 1/4" X 86" | RAP91470/AP4665 |
| | 100536-58-701 | EA HOSE - HYDRAULIC 1/4" X 74" | RAP91467/AP5616 |

151323-01-000 , 151323-02-000, 151323-03-000

| KEY | PART NUMBER | U/M DESCRIPTION | VENDOR NO. |
|------------|--------------------|--------------------------|-------------------|
| | 151323-01-700 | EA BOLT KIT - STORE-MORE | RAP91641 |

152553-01-000, 152553-02-000

| KEY | PART NUMBER | U/M DESCRIPTION | VENDOR NO. |
|------------|--------------------|---------------------------------|-------------------|
| | 152553-01-700 | EA RAM/CYLINDER - SLIDEOUT ROOM | RAP91755 |
| | 145494-02-705 | EA KIT - ROOM RETRACTING | RAP91357 |

152553-03-000

| KEY | PART NUMBER | U/M DESCRIPTION | VENDOR NO. |
|------------|--------------------|-----------------------------|-------------------|
| | 132540-01-701 | EA CYLINDER - SYNCHRONIZING | RAP90690/AP17966 |

153651-02-01A

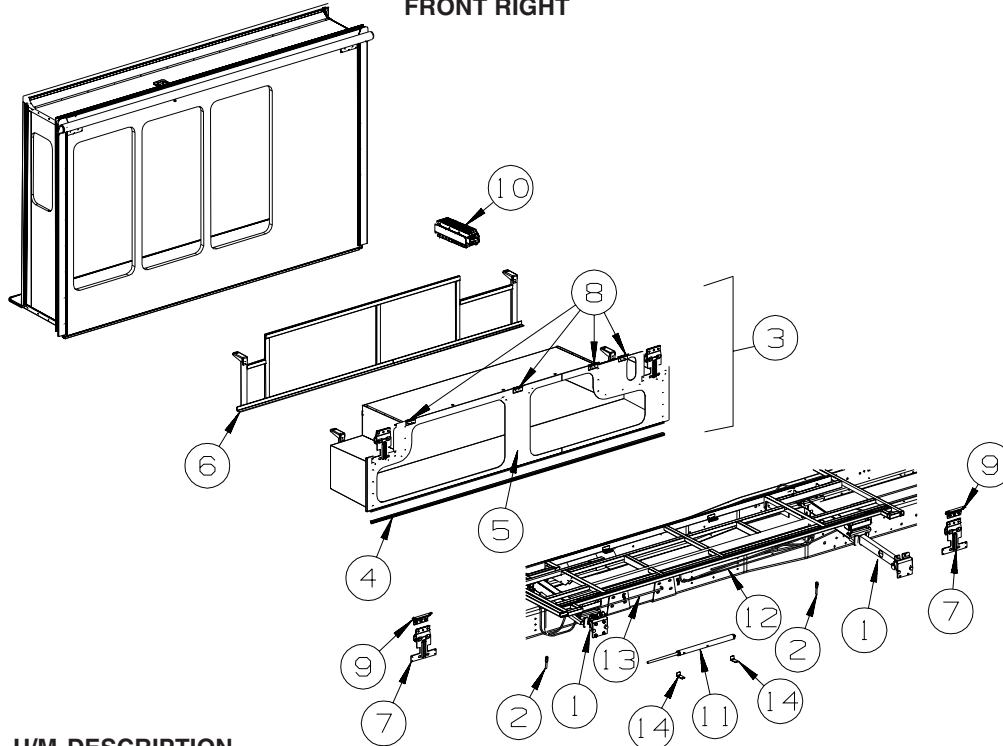
| KEY | PART NUMBER | U/M DESCRIPTION | VENDOR NO. |
|------------|--------------------|-----------------------------|-------------------|
| | 153651-01-701 | EA LIMIT - SWITCH | 1812996 |
| | 153651-01-702 | EA COVER/BOOT - SEAL | 1612011 |
| | 153651-02-700 | EA MOTOR/LH - F/TRAVEL LOCK | 1820131 |
| | 153651-02-701 | EA BRACKET/MOUNTING - MOTOR | 1102223 |

153651-04-01A

| KEY | PART NUMBER | U/M DESCRIPTION | VENDOR NO. |
|------------|--------------------|-----------------------------|-------------------|
| | 153651-02-700 | EA MOTOR/LH - F/TRAVEL LOCK | 1820131 |

EXTERIOR SLIDEOUT GROUP (CONTINUED)

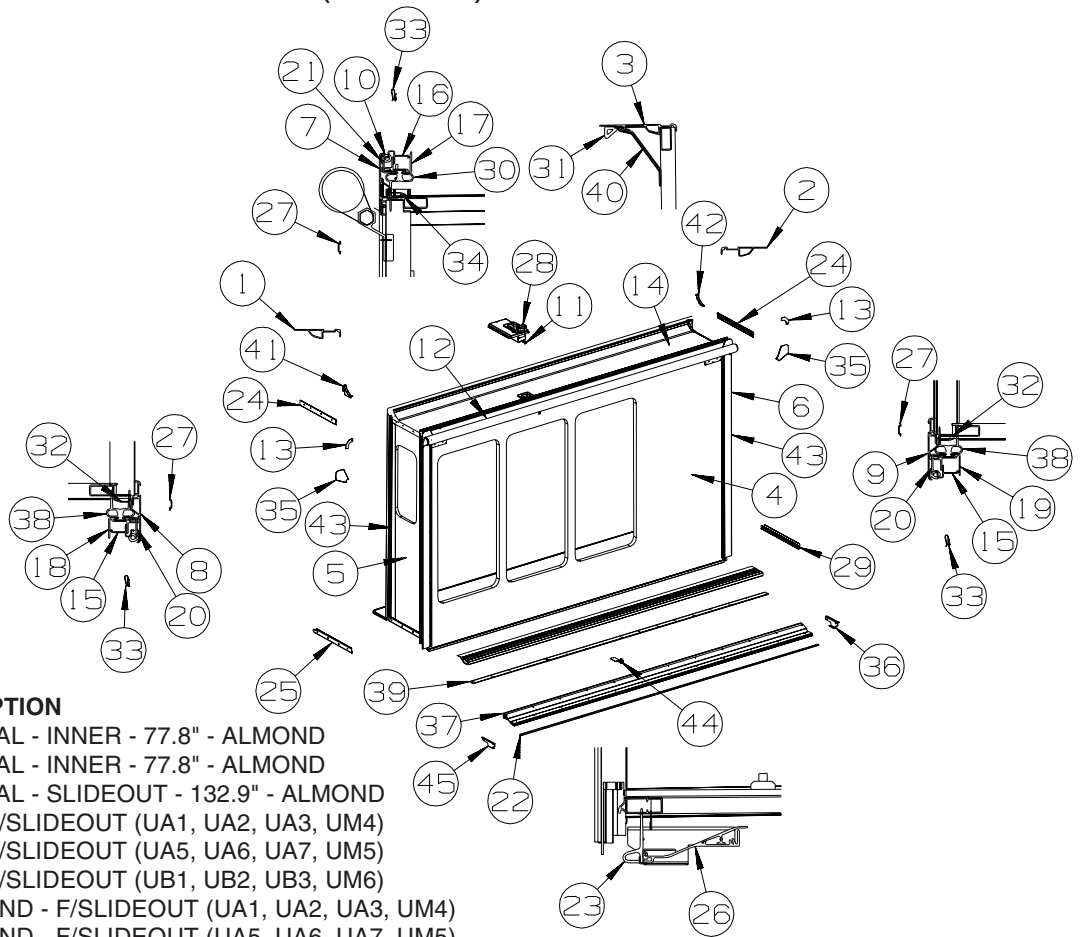
FRONT RIGHT



| KEY | PART NUMBER | U/M | DESCRIPTION |
|-----|---------------|-----|-------------------------------------------------------------------------------------------|
| 1* | 155325-01-000 | EA | SLIDEOUT - HYDRAULIC - 20" - REAR END OF ROOM |
| 1* | 155325-02-000 | EA | SLIDEOUT - HYDRAULIC - 20" - FRONT END OF ROOM |
| | 143738-01-000 | EA | WRENCH - SLIDE ROOM RETRACT - RATCHET - 13/16" X 7/8" |
| 2* | 151323-02-000 | EA | BOLT - HANGER/STOREMORE - LONG/4.5"X1/2" THREAD - AP31952 |
| 3 | 156592-03-U89 | EA | COMPARTMENT - SLIDEOUT |
| 4 | 126516-01-01A | FT | TRIM - VINYL/EXTRUDED - 8' |
| 5 | 156596-03-02B | EA | SEAL PLANE - SLIDEOUT - E-COATED |
| 6 | 152649-08-02B | EA | SUPPORT - SLIDEOUT COMPARTMENT - E-COATED |
| 7 | 152741-01-02B | EA | BRACKET - MOUNT - SLIDEOUT - E-COATED |
| 8 | 153821-01-01A | EA | BRACKET - MOUNT/SEAL PLANE - BLACK |
| 9 | 153104-01-01A | EA | BRACKET/MOUNT - 1.7" X 3.2" X 5.9" |
| 10 | 143541-02-01A | EA | CARRIER/WIRING - F/SLIDE-OUT ROOM |
| 11* | 155325-03-000 | EA | SLIDEOUT KIT - MOUNTING HARDWARE/SYNCH CYLINDER/NO HOSES FROM: 00-00-00 THRU: 12-10-06 |
| 11 | 163102-01-000 | EA | SLIDEOUT - HYDRAULIC - 20" FROM: 12-11-06 THRU: 99-99-99 |
| | 163324-01-000 | EA | BRACKETS/HARDWARE - 20" RAM/SYNCH CYLINDER |
| 12 | 155476-02-000 | EA | HOSE KIT - F/SLIDEOUT |
| 13* | 100536-42-000 | EA | HOSE KIT - PUMP TO SLIDE-OUT VALVE |
| 14 | 122922-02-02B | EA | BRACKET/CYLINDER SUPPORT - E-COATED |

*COMPONENT PARTS LISTED LATER IN THIS GROUP

EXTERIOR SLIDEOUT GROUP (CONTINUED)
FRONT RIGHT (CONTINUED)



| KEY | PART NUMBER | U/M | DESCRIPTION |
|-----|---------------|-----|----------------------------------------------------------------------|
| 1 | 139624-45-02A | EA | TRIM/SEAL - INNER - 77.8" - ALMOND |
| 2 | 139624-44-02A | EA | TRIM/SEAL - INNER - 77.8" - ALMOND |
| 3 | 153113-05-02A | EA | TRIM/SEAL - SLIDEOUT - 132.9" - ALMOND |
| 4 | 156359-11-U89 | EA | SLUG - F/SLIDEOUT (UA1, UA2, UA3, UM4) |
| 4 | 156359-11-U93 | EA | SLUG - F/SLIDEOUT (UA5, UA6, UA7, UM5) |
| 4 | 156359-11-U97 | EA | SLUG - F/SLIDEOUT (UB1, UB2, UB3, UM6) |
| 5 | 154765-02-U89 | EA | PANEL END - F/SLIDEOUT (UA1, UA2, UA3, UM4) |
| 5 | 154765-02-U93 | EA | PANEL END - F/SLIDEOUT (UA5, UA6, UA7, UM5) |
| 5 | 154765-02-U97 | EA | PANEL END - F/SLIDEOUT (UB1, UB2, UB3, UM6) |
| 6 | 155964-02-U89 | EA | PANEL END - F/SLIDEOUT (UA1, UA2, UA3, UM4) |
| 6 | 155964-02-U93 | EA | PANEL END - F/SLIDEOUT (UA5, UA6, UA7, UM5) |
| 6 | 155964-02-U97 | EA | PANEL END - F/SLIDEOUT (UB1, UB2, UB3, UM6) |
| 7 | 156417-10-01A | EA | TRIM/SEAL - W/MITERED ENDS - 131.2" - BRIGHT WHITE |
| 7 | 156417-10-02A | EA | TRIM/SEAL - W/MITERED ENDS - 131.2" - BLACK - FULL BODY PAINT |
| 8 | 156417-28-01A | EA | TRIM/SEAL - W/MITERED ENDS - 80.4" - BRIGHT WHITE |
| 8 | 156417-28-02A | EA | TRIM/SEAL - W/MITERED ENDS - 80.4" - BLACK - FULL BODY PAINT |
| 9 | 156417-29-01A | EA | TRIM/SEAL - W/MITERED ENDS - 80.4" - BRIGHT WHITE |
| 9 | 156417-29-02A | EA | TRIM/SEAL - W/MITERED ENDS - 80.4" - BLACK - FULL BODY PAINT |
| 10 | 158297-01-000 | FT | SEAL - D-SECTION/BULB/TEE - ADHESIVE BACK - BLACK |
| 11 | 155262-01-02A | EA | TUBE/DRAIN - LATCH/TRAVEL/ROOF - WHITE |
| 11 | 155262-01-01A | EA | TUBE/DRAIN - LATCH/TRAVEL/ROOF - BLACK - FULL BODY PAINT |
| 12 | | | SLIDEOUT AWNING |

ORDER AWNINGS & REPAIR PARTS FROM DOMETIC. CALL #800-366-3842.

THE DOMETIC AWNING INFORMATION YOU WILL NEED IS LOCATED ON THE MOTOR HOME NEAR THE TOP OF THE AWNING RAIL.

| | | | |
|----|---------------|----|---------------------------------------------------------------------------------------------------------------|
| 13 | 156416-01-12B | EA | TRIM/KEY CORNER - SLIDEOUT - 3.1" X 3.1" - BRIGHT WHITE FROM: 00-00-00 THRU: 12-13-06 |
| 13 | 156416-01-02B | EA | TRIM/KEY CORNER - SLIDEOUT - 3.1" X 3.1" - E-COATED - FULL BODY PAINT FROM: 00-00-00 THRU: 12-13-06 |
| 13 | 160421-01-01A | EA | CORNER TRIM/SLIDEOUT - 3.1" X 3.1" - BLACK - NOT ILLUSTRATED FROM: 01-01-07 THRU: 99-99-99 |
| 14 | 157239-01-U89 | EA | ROOF - F/SLIDEOUT |
| 15 | 142718-38-01A | EA | RETAINER - SIDEWALL/SLIDEOUT - 79" |
| 16 | 142718-04-01A | EA | RETAINER - SIDEWALL/SLIDEOUT - 129.9" - MILL |
| 17 | 151761-12-02A | EA | TRIM - SIDEWALL/SLIDEOUT/TOP - 134.2" - ALMOND |
| 18 | 151760-10-02A | EA | TRIM - SIDEWALL/SLIDEOUT - 80.6" - ALMOND |
| 19 | 151760-11-02A | EA | TRIM - SIDEWALL/SLIDEOUT - 80.6" - ALMOND |
| 20 | 136824-49-01A | EA | TRIM - SIDEWALL/SLIDEOUT - 80.9" - BRIGHT WHITE |
| 20 | 136824-49-02A | EA | TRIM - SIDEWALL/SLIDEOUT - 80.9" - BLACK - FULL BODY PAINT |

EXTERIOR SLIDEOUT GROUP (CONTINUED)
FRONT RIGHT (CONTINUED)

| KEY | PART NUMBER | U/M | DESCRIPTION |
|-----|---------------|-----|----------------------------------------------------------------------------------------------------------------------|
| 21 | 136824-10-01A | EA | TRIM - SIDEWALL/SLIDEOUT - 134.3" - BRIGHT WHITE |
| 21 | 136824-10-02A | EA | TRIM - SIDEWALL/SLIDEOUT - 134.3" - BLACK - FULL BODY PAINT |
| 22 | 153109-09-01A | EA | ANGLE/RETAINER - SEAL - .5" X .5" X 129.9" - MILL |
| 23 | 152446-01-000 | FT | SEAL - SLIDEOUT/FLOOR |
| 24 | 158375-03-01A | EA | TRIM - FEATURE STRIP - 20.6" - BRIGHT WHITE |
| 24 | 158375-03-02A | EA | TRIM - FEATURE STRIP - 20.6" - BLACK - FULL BODY PAINT |
| 25 | 158349-01-01A | EA | TRIM - FEATURE - LOWER - 22.8" - BRIGHT WHITE |
| 25 | 158349-01-02A | EA | TRIM - FEATURE - LOWER - 22.8" - BLACK - FULL BODY PAINT |
| 26 | 152602-09-01A | EA | RAMP - SLIDEOUT - FLOOR/COACH - 129.9" - MILL |
| 27 | 105312-01-07A | FT | INSERT - FEATURE STRIP - VINYL - BRIGHT WHITE |
| 27 | 105312-01-13A | FT | INSERT - FEATURE STRIP - VINYL - BLACK - FULL BODY PAINT |
| 28* | 153651-02-01A | EA | LOCK/LATCH - TRAVEL/SLIDEOUT - W/MOTOR - LEFT HAND - BLACK - NOT ILLUSTRATED FROM: 00-00-00 THRU: 09-25-06 |
| 28* | 153651-04-01A | EA | LOCK/LATCH - TRAVEL/SLIDEOUT - W/MOTOR - LEFT HAND - BLACK FROM: 09-26-06 THRU: 99-99-99 |
| 29 | 158349-02-01A | EA | TRIM - FEATURE - LOWER - 22.8" - BRIGHT WHITE |
| 29 | 158349-02-02A | EA | TRIM - FEATURE - LOWER - 22.8" - BLACK - FULL BODY PAINT |
| 30 | 136978-01-01A | FT | SEAL - SLIDEOUT - SINGLE WIPE LIP - BLACK |
| 31 | 146056-01-000 | FT | SEAL - TRIANGLE - W/PSA |
| 32 | 133954-66-01A | EA | TRIM/SEAL - 75.8" - BRIGHT WHITE - NOT ILLUSTRATED FROM: 00-00-00 THRU: 04-16-06 |
| 32 | 146606-66-01A | EA | TRIM/RETAINER - 75.8" - BRIGHT WHITE FROM: 04-17-06 THRU: 99-99-99 |
| 32 | 133954-66-02A | EA | TRIM/SEAL - 75.8" - BLACK - FULL BODY PAINT - NOT ILLUSTRATED FROM: 00-00-00 THRU: 04-16-06 |
| 32 | 146606-66-02A | EA | TRIM/RETAINER - 75.8" - BLACK - FULL BODY PAINT FROM: 04-17-06 THRU: 99-99-99 |
| 33 | 142549-01-000 | EA | CLIP - "S" TYPE |
| 34 | 133954-14-01A | EA | TRIM/SEAL - 129.3" - BRIGHT WHITE - NOT ILLUSTRATED FROM: 00-00-00 THRU: 04-16-06 |
| 34 | 146606-14-01A | EA | TRIM/RETAINER - 128.9" - BRIGHT WHITE FROM: 04-17-06 THRU: 99-99-99 |
| 34 | 133954-14-02A | EA | TRIM/SEAL - 129.3" - BLACK - FULL BODY PAINT - NOT ILLUSTRATED FROM: 00-00-00 THRU: 04-16-06 |
| 34 | 146606-14-02A | EA | TRIM/RETAINER - 128.9" - BLACK - FULL BODY PAINT FROM: 04-17-06 THRU: 99-99-99 |
| 35 | 156151-01-02A | EA | PROTECTOR - CORNER - SLIDEOUT - BRIGHT WHITE |
| 35 | 156151-01-01A | EA | PROTECTOR - CORNER - SLIDEOUT - BLACK - FULL BODY PAINT |
| 36 | 153800-02-02B | EA | BRACKET - CLOSEOUT/LH - SLIDEOUT - E-COATED |
| 37 | 153106-19-01A | EA | COVER - RAMP/FLOOR - VINYL/CARPET - 3.2" X 129.9" - BRT WHT |
| 38 | 153161-01-01A | FT | SEAL - SLIDEOUT - DOUBLE WIPE LIP - BLACK |
| 39 | 152641-01-000 | EA | SKID/GLIDE - SLIDEOUT ROOM - 1/4"X2"X95.5" - POLYETHYLENE |
| 40 | 153114-05-01A | EA | TRIM/RETAINER - 128.8" - BRIGHT WHITE |
| 40 | 153114-05-02A | EA | TRIM/RETAINER - 128.8" - BLACK - FULL BODY PAINT |
| 41 | 153115-01-02A | EA | COVER - TRIM - SLIDEOUT - INNER/TOP/RH - BRIGHT WHITE |
| 41 | 153115-01-01A | EA | COVER - TRIM - SLIDEOUT - INNER/TOP/RH - BLACK - FULL BODY PAINT |
| 42 | 153115-02-02A | EA | COVER - TRIM - SLIDEOUT - INNER/TOP/LH - BRIGHT WHITE |
| 42 | 153115-02-01A | EA | COVER - TRIM - SLIDEOUT - INNER/TOP/LH - BLACK - FULL BODY PAINT |
| 43 | 093681-39-01A | FT | FILM - 3.1" - FLAT BLACK |
| 44 | 154093-02-01B | EA | BRACKET/HOLD DOWN - CHAIR - W/NUT-SERT - GALVANIZED |
| 45 | 153800-01-02B | EA | BRACKET - CLOSEOUT/RH - SLIDEOUT - E-COATED |

***COMPONENT PARTS LISTED LATER IN THIS GROUP**

EXTERIOR SLIDEOUT GROUP (CONTINUED)
COMPONENT PARTS FOR FRONT RIGHT

100536-42-000

| KEY | PART NUMBER | U/M | DESCRIPTION | VENDOR NO. |
|------------|--------------------|------------|------------------------------|-------------------|
| | 100536-42-700 | EA | HOSE/HYDRAULIC - 1/4" X 180" | RAP90120/AP5965 |
| | 100536-42-701 | EA | HOSE/HYDRAULIC - 1/4" X 175" | RAP90350/AP7358 |

151323-01-000 , 151323-02-000, 151323-03-000

| KEY | PART NUMBER | U/M | DESCRIPTION | VENDOR NO. |
|------------|--------------------|------------|-----------------------|-------------------|
| | 151323-01-700 | EA | BOLT KIT - STORE-MORE | RAP91641 |

155325-01-000

| KEY | PART NUMBER | U/M | DESCRIPTION | VENDOR NO. |
|------------|--------------------|------------|---------------------------|-------------------|
| | 125687-01-700 | EA | CYLINDER/RAM - 21" STROKE | RAP90512/AP15190 |

155325-02-000

| KEY | PART NUMBER | U/M | DESCRIPTION | VENDOR NO. |
|------------|--------------------|------------|---------------------------|-------------------|
| | 125687-01-700 | EA | CYLINDER/RAM - 21" STROKE | RAP90512/AP15190 |

155325-03-000

| KEY | PART NUMBER | U/M | DESCRIPTION | VENDOR NO. |
|------------|--------------------|------------|--------------------------|-------------------|
| | 125687-01-702 | EA | CYLINDER - SYNCHRONIZING | RAP90471/AP13607 |

153651-02-01A

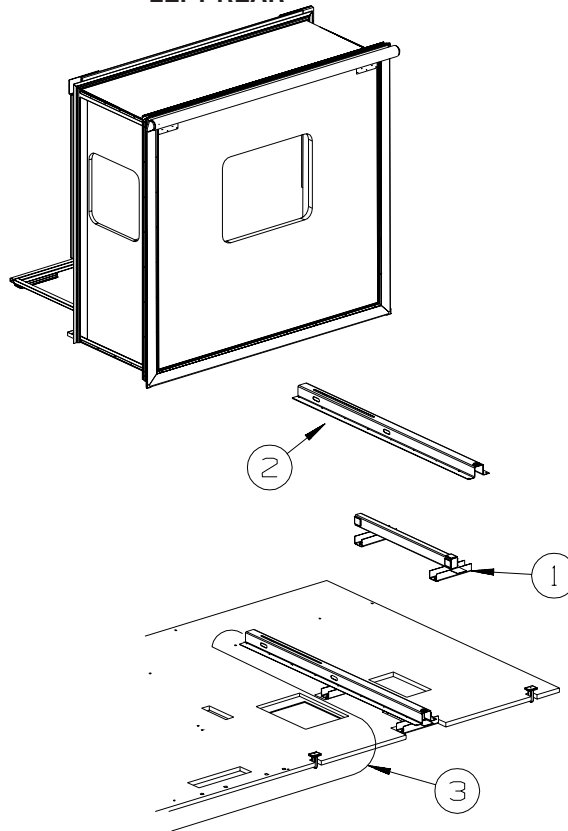
| KEY | PART NUMBER | U/M | DESCRIPTION | VENDOR NO. |
|------------|--------------------|------------|--------------------------|-------------------|
| | 153651-01-701 | EA | LIMIT - SWITCH | 1812996 |
| | 153651-01-702 | EA | COVER/BOOT - SEAL | 1612011 |
| | 153651-02-700 | EA | MOTOR/LH - F/TRAVEL LOCK | 1820131 |
| | 153651-02-701 | EA | BRACKET/MOUNTING - MOTOR | 1102223 |

153651-04-01A

| KEY | PART NUMBER | U/M | DESCRIPTION | VENDOR NO. |
|------------|--------------------|------------|--------------------------|-------------------|
| | 153651-02-700 | EA | MOTOR/LH - F/TRAVEL LOCK | 1820131 |

EXTERIOR SLIDEOUT GROUP (CONTINUED)

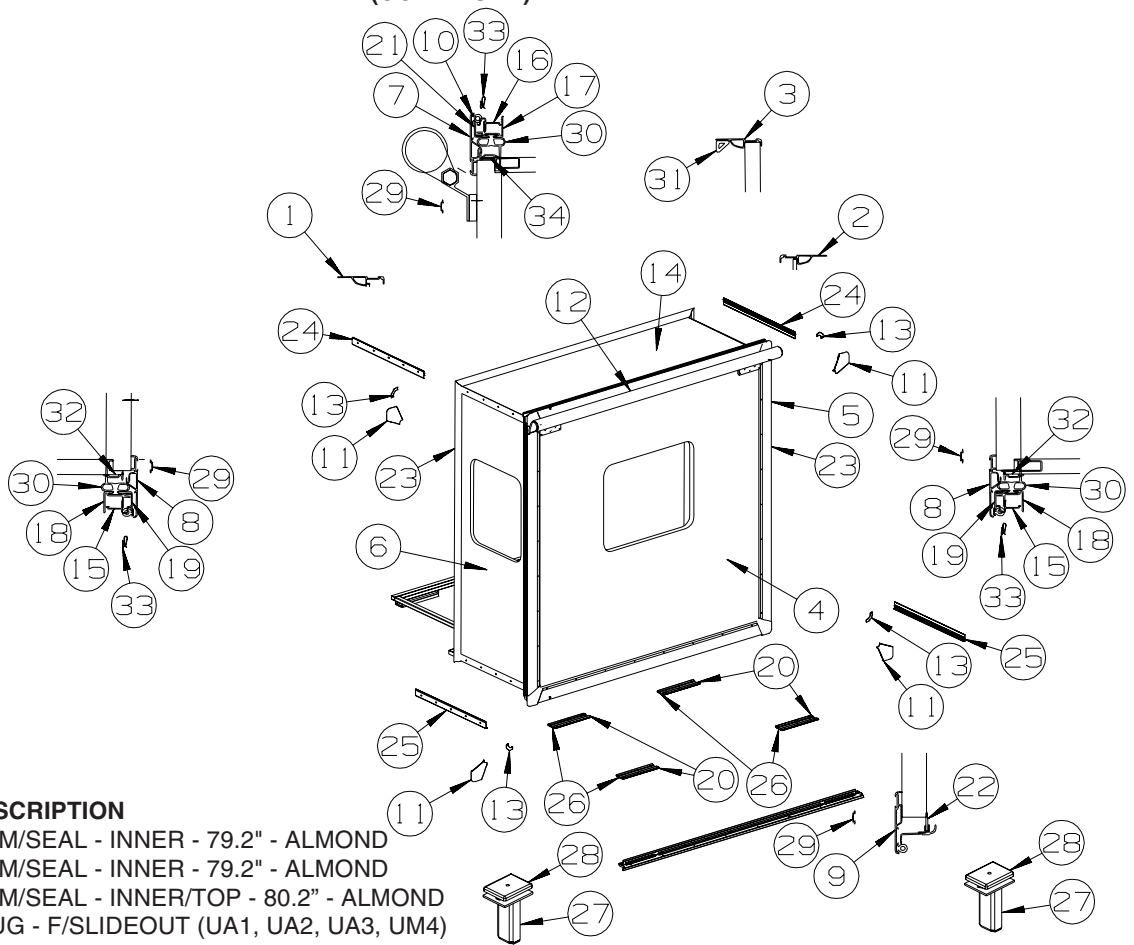
LEFT REAR



| KEY | PART NUMBER | U/M | DESCRIPTION |
|-----|---------------|-----|----------------------------------|
| 1* | 137390-01-000 | EA | HYDRAULIC/BED - F/SLIDEOUT |
| 2 | 137390-02-000 | EA | CHANNEL - HYDRAULIC - F/SLIDEOUT |
| 3* | 100536-59-000 | EA | HOSE KIT - F/SLIDEOUT |

***COMPONENT PARTS LISTED LATER IN THIS GROUP**

EXTERIOR SLIDEOUT GROUP (CONTINUED)
LEFT REAR (CONTINUED)



| KEY | PART NUMBER | U/M | DESCRIPTION |
|-----|---------------|-----|---------------------------------------------------------------------|
| 1 | 139624-41-02A | EA | TRIM/SEAL - INNER - 79.2" - ALMOND |
| 2 | 139624-42-02A | EA | TRIM/SEAL - INNER - 79.2" - ALMOND |
| 3 | 139624-04-02A | EA | TRIM/SEAL - INNER/TOP - 80.2" - ALMOND |
| 4 | 156360-12-U89 | EA | SLUG - F/SLIDEOUT (UA1, UA2, UA3, UM4) |
| 4 | 156360-12-U93 | EA | SLUG - F/SLIDEOUT (UA5, UA6, UA7, UM5) |
| 4 | 156360-12-U97 | EA | SLUG - F/SLIDEOUT (UB1, UB2, UB3, UM6) |
| 5 | 152693-01-U89 | EA | PANEL END - F/SLIDEOUT (UA1, UA2, UA3, UM4) |
| 5 | 152693-01-U93 | EA | PANEL END - F/SLIDEOUT (UA5, UA6, UA7, UM5) |
| 5 | 152693-01-T85 | EA | PANEL END - F/SLIDEOUT (UB1, UB2, UB3, UM6) |
| 6 | 152694-01-U89 | EA | PANEL END - F/SLIDEOUT (UA1, UA2, UA3, UM4) |
| 6 | 152694-01-U93 | EA | PANEL END - F/SLIDEOUT (UA5, UA6, UA7, UM5) |
| 6 | 152694-01-T85 | EA | PANEL END - F/SLIDEOUT (UB1, UB2, UB3, UM6) |
| 7 | 156417-01-01A | EA | TRIM/SEAL - W/MITERED ENDS - 76.5" - BRIGHT WHITE |
| 7 | 156417-01-02A | EA | TRIM/SEAL - W/MITERED ENDS - 76.5" - BLACK - FULL BODY PAINT |
| 8 | 156417-30-01A | EA | TRIM/SEAL - W/MITERED ENDS - 78.6" - BRIGHT WHITE |
| 8 | 156417-30-02A | EA | TRIM/SEAL - W/MITERED ENDS - 78.6" - BLACK - FULL BODY PAINT |
| 9 | 142233-20-01A | EA | TRIM/SEAL - W/MITERED ENDS - 78.4" - BRIGHT WHITE |
| 9 | 142233-20-02A | EA | TRIM/SEAL - W/MITERED ENDS - 78.4" - BLACK - FULL BODY PAINT |
| 10 | 158297-01-000 | FT | SEAL - D-SECTION/BULB/TEE - ADHESIVE BACK - BLACK |
| 11 | 156151-01-02A | EA | PROTECTOR - CORNER - SLIDEOUT - BRIGHT WHITE |
| 11 | 156151-01-01A | EA | PROTECTOR - CORNER - SLIDEOUT - BLACK - FULL BODY PAINT |
| 12 | | | SLIDEOUT AWNING |

ORDER AWNINGS & REPAIR PARTS FROM DOMETIC. CALL #800-366-3842.

THE DOMETIC AWNING INFORMATION YOU WILL NEED IS LOCATED ON THE MOTOR HOME NEAR THE TOP OF THE AWNING RAIL.

| | | | |
|----|---------------|----|----------------------------------------------------------------------------------|
| 13 | 156416-01-12B | EA | BRACKET - CORNER TRIM/SLIDEOUT - 3.1" X 3.1" - BRIGHT WHITE |
| 13 | 156416-01-02B | EA | BRACKET - CORNER TRIM/SLIDEOUT - 3.1" X 3.1" - E-COATED - FULL BODY PAINT |
| 14 | 137400-02-U89 | EA | ROOF - F/SLIDEOUT |
| 15 | 142718-38-01A | EA | RETAINER - SIDEWALL/SLIDEOUT - 79" |
| 16 | 142718-23-01A | EA | RETAINER - SIDEWALL/SLIDEOUT - 79.9" |
| 17 | 151761-02-02A | EA | TRIM - SIDEWALL/SLIDEOUT/TOP - 81.2" - ALMOND |
| 18 | 151760-24-02A | EA | TRIM - SIDEWALL/SLIDEOUT - 78.6" - ALMOND |
| 19 | 136824-50-01A | EA | TRIM - SIDEWALL/SLIDEOUT - 79.2" - BRIGHT WHITE |
| 19 | 136824-50-02A | EA | TRIM - SIDEWALL/SLIDEOUT - 79.2" - BLACK - FULL BODY PAINT |
| 20 | 115325-08-01A | EA | RAIL - FLOOR/SLIDEOUT ROOM - 12" LONG - BLACK |

EXTERIOR SLIDEOUT GROUP (CONTINUED)
LEFT REAR (CONTINUED)

| KEY | PART NUMBER | U/M | DESCRIPTION |
|-----|---------------|-----|------------------------------------------------------------------------------------------------|
| 21 | 136824-02-01A | EA | TRIM - SIDEWALL/SLIDEOUT - 81.2" - BRIGHT WHITE |
| 21 | 136824-02-02A | EA | TRIM - SIDEWALL/SLIDEOUT - 81.2" - BLACK - FULL BODY PAINT |
| 22 | 157584-02-AA2 | EA | TRIM/ZEE - W/SEAL/END CAPS - SLIDEOUT/LOWER-80.7"- BRT WHT |
| 22 | 157584-02-AA1 | EA | TRIM/ZEE - W/SEAL/END CAPS - SLIDEOUT/LOWER-80.7"- BLACK - FULL BODY PAINT |
| 23 | 093681-39-01A | FT | FILM - 3.1" - FLAT BLACK |
| 24 | 158375-01-01A | EA | TRIM - FEATURE STRIP - 29.6" - BRIGHT WHITE |
| 24 | 158375-01-02A | EA | TRIM - FEATURE STRIP - 29.6" - BLACK - FULL BODY PAINT |
| 25 | 157385-01-01A | EA | TRIM - FEATURE STRIP/LOWER - 26.9" - BRIGHT WHITE |
| 25 | 157385-01-02A | EA | TRIM - FEATURE STRIP/LOWER - 26.9" - BLACK - FULL BODY PAINT |
| 26 | 115661-01-000 | FT | SHOE/GLIDE - SLIDEOUT ROOM - 1/16" X 3" - POLYETHYLENE |
| 27 | 126313-12-02B | EA | SUPPORT - SLIDE - F/SLIDE-OUT ROOM - E-COATED |
| 28 | 128599-03-000 | EA | PAD - F/SLIDEOUT - 2" X 2.6" |
| 29 | 105312-01-07A | FT | INSERT - FEATURE STRIP - VINYL - BRIGHT WHITE |
| 29 | 105312-01-13A | FT | INSERT - FEATURE STRIP - VINYL - BLACK - FULL BODY PAINT |
| 30 | 136978-01-01A | FT | SEAL - SLIDEOUT - SINGLE WIPE LIP - BLACK |
| 31 | 146056-01-000 | FT | SEAL - TRIANGLE - W/PSA |
| 32 | 133954-62-01A | EA | TRIM/SEAL - 75.1" - BRIGHT WHITE - NOT ILLUSTRATED FROM: 00-00-00 THRU: 04-16-06 |
| 32 | 146606-62-01A | EA | TRIM/RETAINER - 75.1" - BRIGHT WHITE FROM: 04-17-06 THRU: 99-99-99 |
| 32 | 133954-62-02A | EA | TRIM/SEAL - 75.1" - BLACK - FULL BODY PAINT - NOT ILLUSTRATED FROM: 00-00-00 THRU: 04-16-06 |
| 32 | 146606-62-02A | EA | TRIM/RETAINER - 75.1" - BLACK - FULL BODY PAINT FROM: 04-17-06 THRU: 99-99-99 |
| 33 | 142549-01-000 | EA | CLIP - "S" TYPE |
| 34 | 133954-12-01A | EA | TRIM/SEAL - 75.7" - BRIGHT WHITE - NOT ILLUSTRATED FROM: 00-00-00 THRU: 04-16-06 |
| 34 | 146606-12-01A | EA | TRIM/RETAINER - 75.7" - BRIGHT WHITE FROM: 04-17-06 THRU: 07-27-06 |
| 34 | 146606-66-01A | EA | TRIM/RETAINER - 75.8" - BRIGHT WHITE FROM: 07-28-06 THRU: 99-99-99 |
| 34 | 133954-12-02A | EA | TRIM/SEAL - 75.7" - BLACK - FULL BODY PAINT - NOT ILLUSTRATED FROM: 00-00-00 THRU: 04-16-06 |
| 34 | 146606-12-02A | EA | TRIM/RETAINER - 75.7" - BLACK - FULL BODY PAINT FROM: 04-17-06 THRU: 07-27-06 |
| 34 | 146606-66-02A | EA | TRIM/RETAINER - 75.8" - BLACK - FULL BODY PAINT FROM: 07-28-06 THRU: 99-99-99 |

COMPONENT PARTS FOR LEFT REAR

100536-59-000

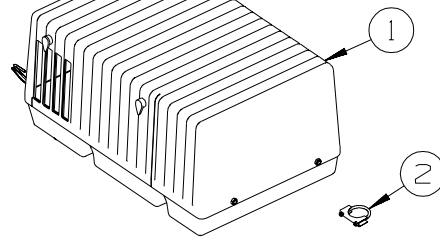
| KEY | PART NUMBER | U/M | DESCRIPTION | VENDOR NO. |
|-----|---------------|-----|------------------------------|-----------------|
| | 100536-27-700 | EA | HOSE/HYDRAULIC - 1/4" X 332" | RAP91491/AP8985 |
| | 100536-37-701 | EA | HOSE/HYDRAULIC - 1/4" X 336" | RAP5561 |

137390-01-000

| KEY | PART NUMBER | U/M | DESCRIPTION | VENDOR NO. |
|-----|---------------|-----|------------------------------|------------------|
| | 128599-06-700 | EA | HOSE/HYDRAULIC -1/8" X 72" | RAP91424/AP24635 |
| | 128599-06-701 | EA | HOSE/HYDRAULIC - 1/8" X 84" | RAP91240/AP24636 |
| | 128599-06-703 | EA | BEARING KIT - SLIDE-OUT TUBE | RAP90698 |
| | 128599-06-704 | EA | BEARING PAD - .8" X 2" | P14811 |
| | 137390-01-700 | EA | RAM/CYLINDER - SLIDEOUT ROOM | RAP90876/AP23425 |
| | 137390-01-701 | EA | CYLINDER NUT KIT - SLIDEOUT | RAP90947 |
| | 137390-01-702 | EA | SLOT COVER ASM. - RUBBER | AP26959 |
| | 137390-01-703 | EA | RAM/CYLINDER - SLIDEOUT RM | RAP91209/AP28686 |

GENERATOR GROUP

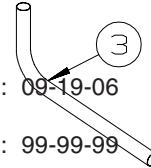
GAS



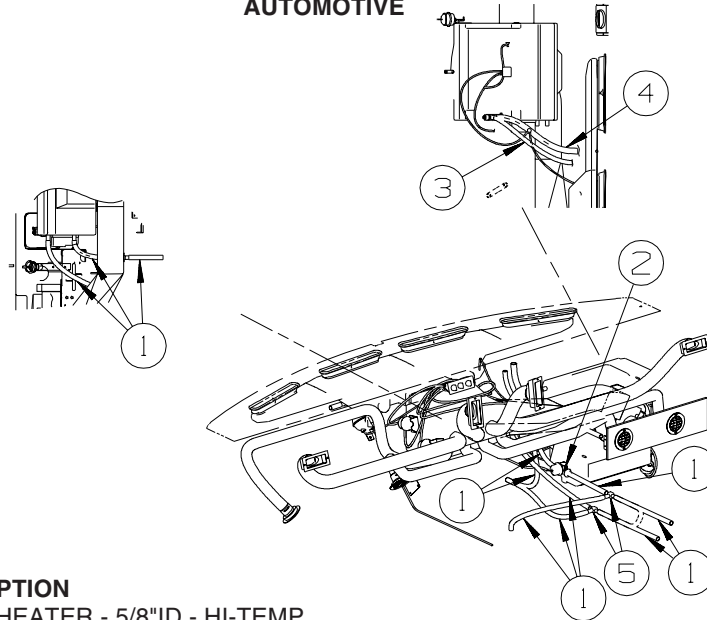
| KEY | PART NUMBER | U/M | DESCRIPTION |
|-----|---------------|-----|-------------------------------------------------------|
| 1 | 135707-06-000 | EA | GENERATOR - 5.5 - 30/30 - GAS - MARQUIS GOLD - 50 AMP |
| 2 | 007125-03-000 | EA | CLAMP - MUFFLER - 1.5" DIAMETER |
| 3 | 105958-33-000 | EA | PIPE - EXHAUST/GENERATOR |
| 3 | 105958-27-000 | EA | PIPE - EXHAUST/GENERATOR |

FROM: 00-00-00 THRU: 09-19-06

FROM: 09-20-06 THRU: 99-99-99



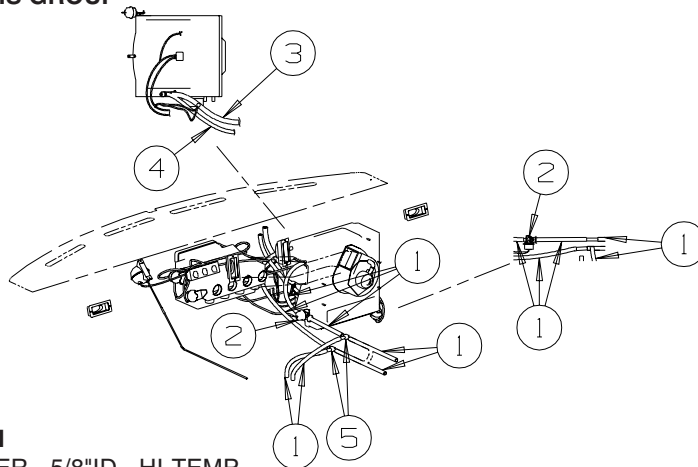
HEATING & A/C GROUP AUTOMOTIVE



WORKHORSE

| KEY | PART NUMBER | U/M DESCRIPTION |
|-----|---------------|----------------------------------------------------------|
| 1 | 007108-01-000 | FT HOSE - HEATER - 5/8"ID - HI-TEMP |
| 2 | 103930-23-000 | EA VALVE/WATER - 2 PORT/VACUUM CONTROLLED - "NEW DESIGN" |
| 3* | 103930-46-000 | EA HOSE - EXPANSION BLOCK (EVAPORATOR) TO COMPRESSOR |
| 4* | 103930-47-000 | EA HOSE - EXPANSION VALVE (EVAPORATOR) TO DRIER |
| 5 | 076776-01-000 | EA TEE - BEADED - 5/8" X 5/8" X 5/8" |

***COMPONENT PARTS LISTED LATER IN THIS GROUP**

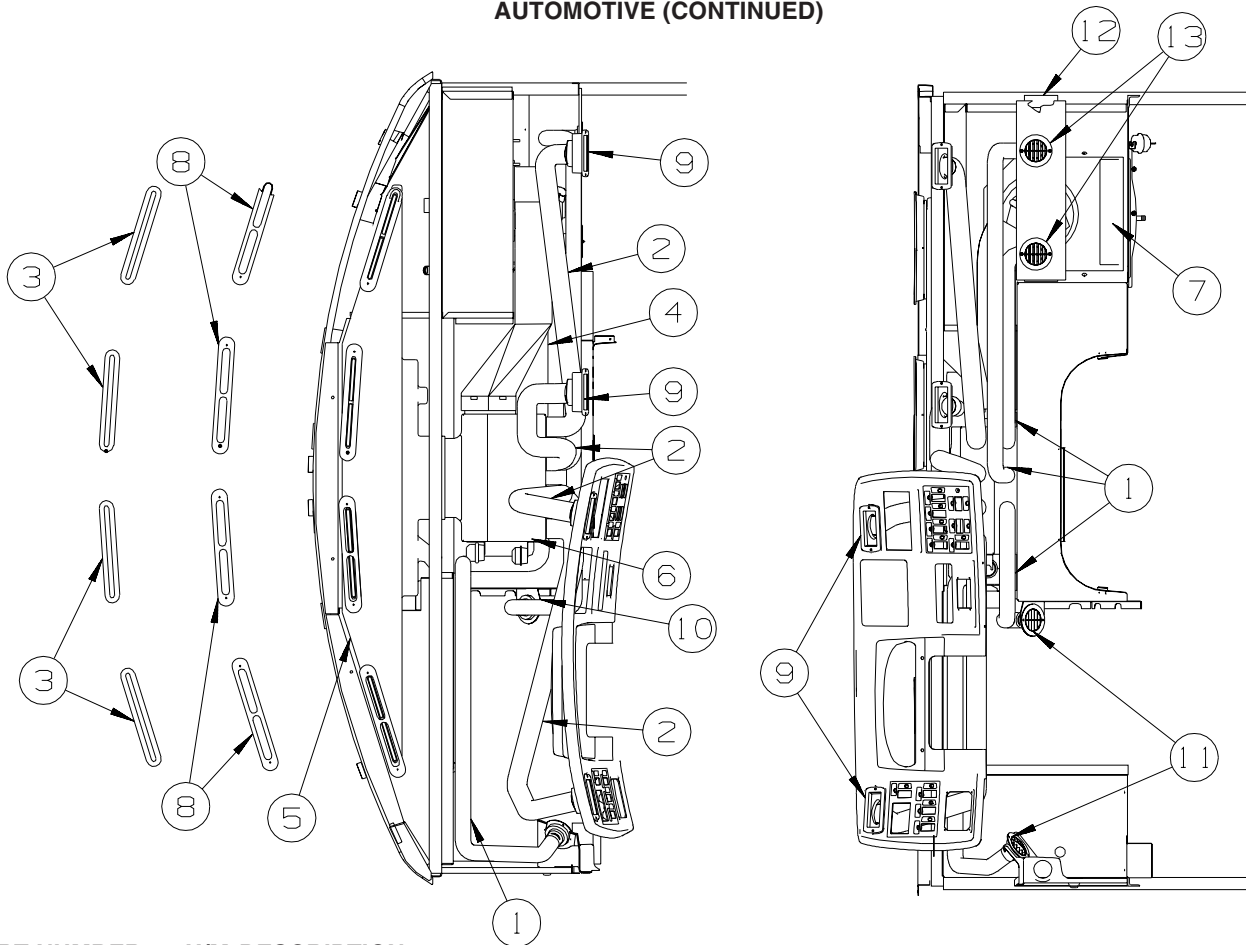


FORD

| KEY | PART NUMBER | U/M DESCRIPTION |
|-----|---------------|---------------------------------------------------------------------|
| 1 | 007108-01-000 | FT HOSE - HEATER - 5/8"ID - HI-TEMP |
| 2 | 103930-23-000 | EA VALVE/WATER - 2 PORT/VACUUM CONTROLLED - "NEW DESIGN" |
| 3* | 103930-44-000 | EA HOSE - EVAPORATOR/DRYER - #6 |
| 4* | 103930-45-000 | EA HOSE - EVAPORATOR/COMPRESSOR - PRIOR TO 2007 FORD CHASSIS |
| 4 | 103930-64-000 | EA HOSE - EVAPORATOR/COMPRESSOR - 2007 FORD CHASSIS |
| 5 | 076776-01-000 | EA TEE - BEADED - 5/8" X 5/8" X 5/8" |

***COMPONENT PARTS LISTED LATER IN THIS GROUP**

HEATING & A/C GROUP (CONTINUED) AUTOMOTIVE (CONTINUED)



| KEY | PART NUMBER | U/M | DESCRIPTION |
|-----|---------------|-----|------------------------------------------------------------------------------------|
| 1 | 007076-01-000 | EA | HOSE - FLEXIBLE PVC - 2" ID - INCREMENTS OF 50' |
| 2 | 007281-01-000 | EA | HOSE - FLEXIBLE PVC - 2 1/2" ID X 50' |
| 3 | 077075-01-000 | EA | GASKET - INSTRUMENT PANEL/DEFROSTER PLENUM - .6" X 10.2" |
| 4 | 103016-03-000 | EA | PLENUM - TRANSITION |
| 5 | 103017-03-000 | EA | PLENUM - DEFROSTER |
| 6* | 103930-49-000 | EA | CONTROL/PLENUM - LARGE ROTARY |
| 7* | 103930-55-000 | EA | EVAPORATOR/HEATER - NONCHARGED - SINGLE OUTPUT |
| 8 | 135265-01-06A | EA | VENT - DEFROSTER - PLASTIC - CASHMERE |
| 9 | 135803-04-01A | EA | LOUVER/A/C-CURVED/ADJ W/MOUNT HOLE- 2.5"X 5.8" F/2.5" HOSE |
| 10 | 136157-03-02B | EA | BRACKET - HEATER - E-COATED |
| 11 | 157225-01-01A | EA | OUTLET - DEFROSTER - W/SWIVEL - 2" SLEEVE/4"OD - BLACK |
| 11 | 157225-01-02A | EA | OUTLET - DEFROSTER - W/SWIVEL - 2" SLEEVE/4"OD - WHITE |
| 12 | 156732-02-01A | EA | BRACE |
| 13 | 157225-01-05A | EA | OUTLET - DEFROSTER - W/SWIVEL - 2" SLEEVE/4"OD - RIVERSTONE |
| 13 | 157225-01-06A | EA | OUTLET - DEFROSTER - W/SWIVEL - 2" SLEEVE/4"OD - CASHMERE |
| | 113452-02-000 | FT | SEAL/TRIM - FRONT - VINYL W/WIRE CARRIER - .027" - WHERE WIRES & HOSES CROSS METAL |

*COMPONENT PARTS LISTED LATER IN THIS GROUP

HEATING & A/C GROUP (CONTINUED)

COMPONENT PARTS FOR AUTOMOTIVE

103930-44-000

| KEY | PART NUMBER | U/M | DESCRIPTION | VENDOR NO |
|-----|---------------|-----|------------------------------|-----------|
| | 103930-29-701 | EA | O'RING F/LOW PRESSURE SWITCH | 045-0483 |
| | 103930-44-700 | EA | HOSE ASSEMBLY #6 | 085-0462 |
| | 113245-01-711 | EA | O'RING #6 | 045-0129 |

103930-45-000

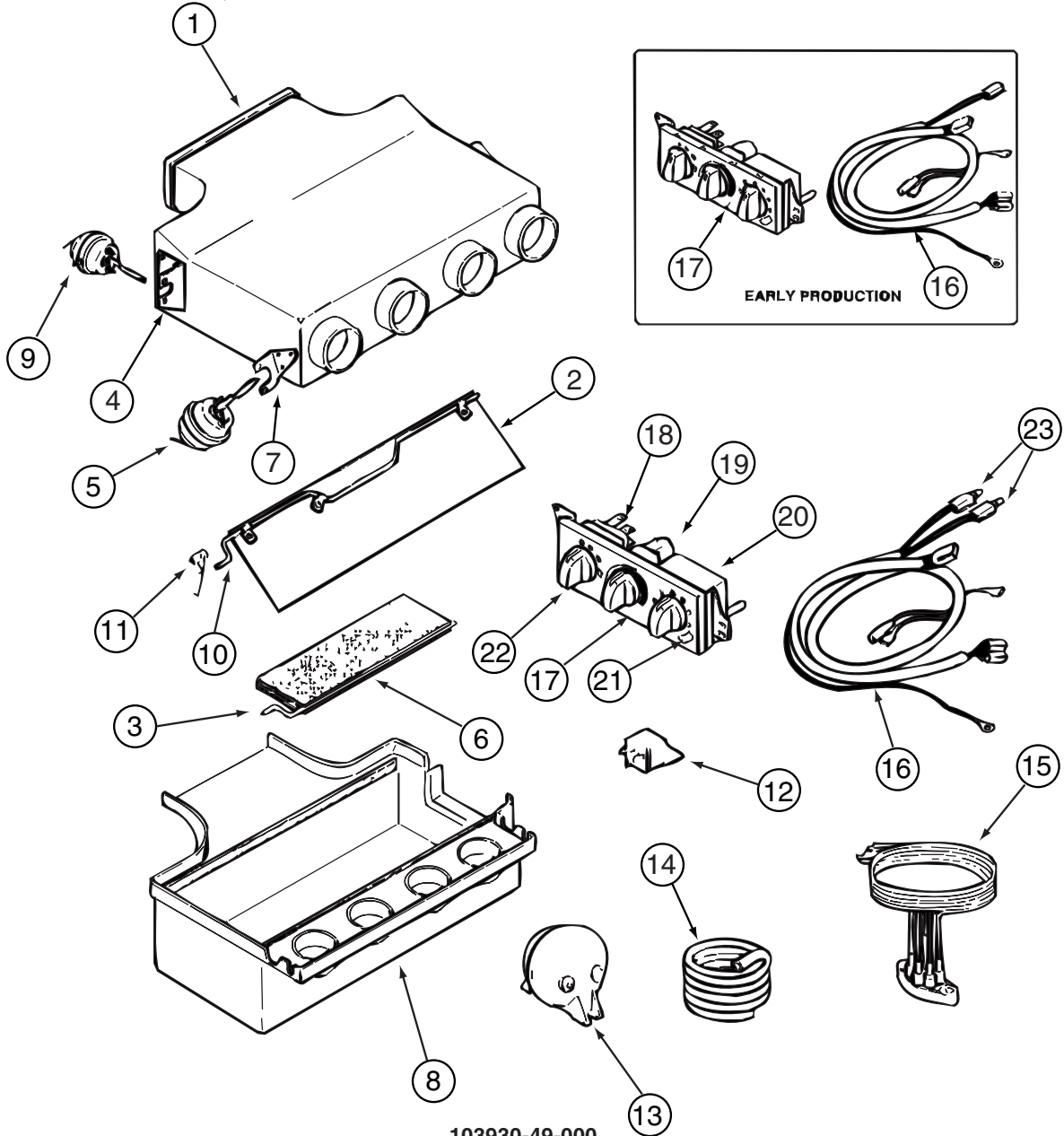
| KEY | PART NUMBER | U/M | DESCRIPTION | VENDOR NO. |
|-----|---------------|-----|---------------------------|------------|
| | 103930-17-702 | EA | O'RING #10 | 045-0127 |
| | 103930-45-700 | EA | HOSE - #10 EVAP/COMP - 3' | 085-0463 |

103930-46-000

| KEY | PART NUMBER | U/M | DESCRIPTION | VENDOR NO |
|-----|---------------|-----|------------------------------|-----------|
| | 103930-17-702 | EA | O'RING #10 | 045-0127 |
| | 103930-29-701 | EA | O'RING F/LOW PRESSURE SWITCH | 045-0483 |
| | 103930-46-700 | EA | HOSE - #10 EVAP/COMP - 4.3' | 085-0486 |

103930-47-000

| KEY | PART NUMBER | U/M | DESCRIPTION | VENDOR NO |
|-----|---------------|-----|-----------------------------|-----------|
| | 103930-47-700 | EA | HOSE - #6-EVAP/DRIER - 2.2' | 085-0485 |
| | 113245-01-710 | EA | O'RING, #12 | 045-0128 |



103930-49-000

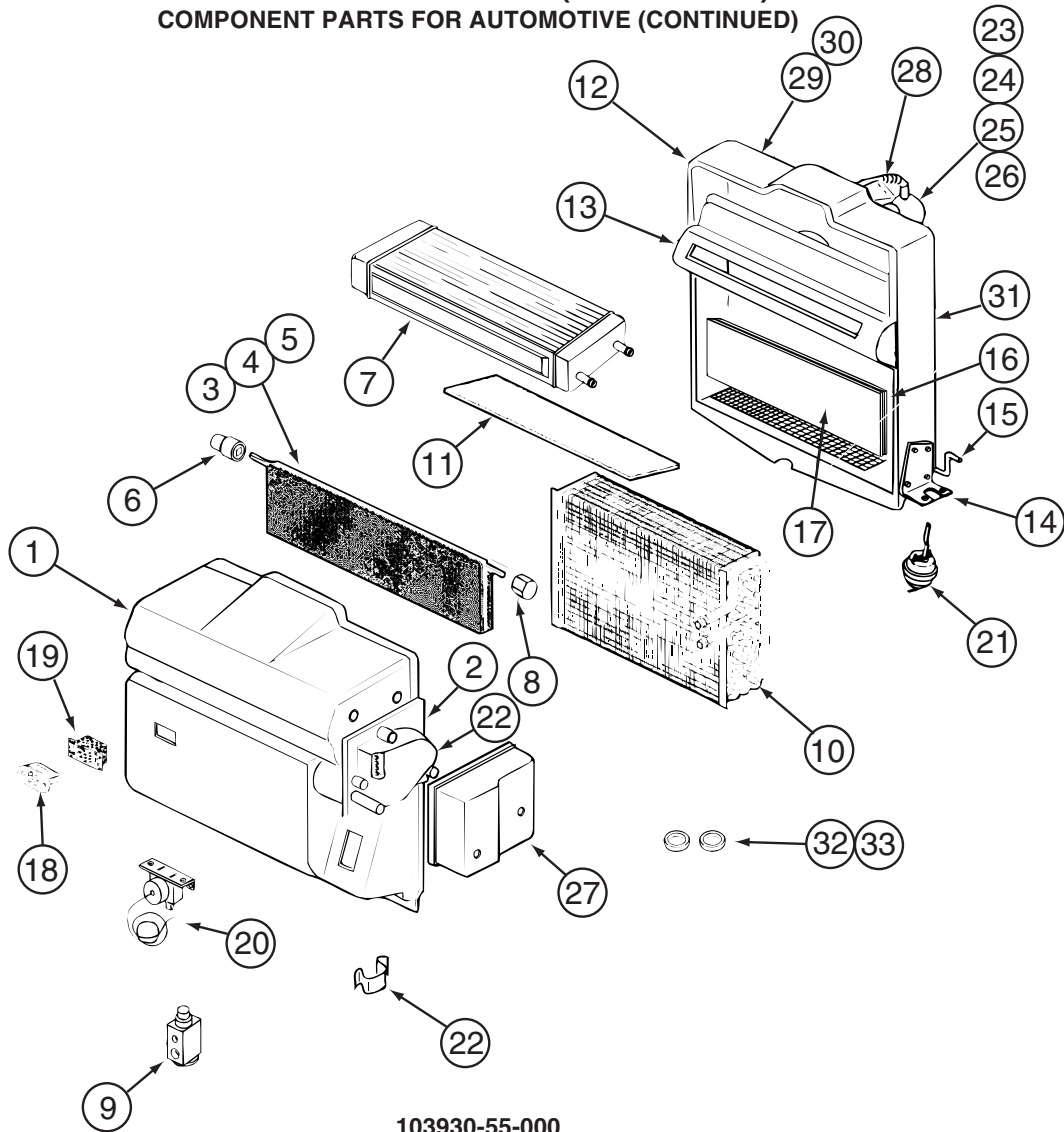
HEATING & A/C GROUP (CONTINUED)
COMPONENT PARTS FOR AUTOMOTIVE (CONTINUED)

103930-49-000 (CONTINUED)

| KEY | PART NUMBER | U/M | DESCRIPTION | VENDOR NO. |
|------------|--------------------|------------|------------------------------|-------------------|
| 1 | 103930-39-705 | EA | PLENUM - TOP | 060-0482 |
| 2 | 103930-04-700 | EA | DOOR - DEFROSTER-A/C | 071-0149 |
| 3 | 103930-39-700 | EA | ROD - DOOR - AC/HEAT | 073-067 |
| 5 | 103930-02-708 | EA | MOTOR-VACUUM SERVO, A/C | 030-0025 |
| 6 | 103930-39-706 | EA | PLATE - DOOR - A/C | 071-0623 |
| 8 | 103930-39-707 | EA | PLENUM - BOTTOM | 060-0483 |
| 9 | 103930-33-701 | EA | MOTOR - VACUUM, 3 STAGE | 030-0105 |
| 10 | 103930-39-701 | EA | ROD - DOOR - AC/DEFROST | 073-0069 |
| 11 | 103930-39-704 | EA | SPRING | 022-0119 |
| 12 | 103930-02-707 | EA | RELAY-BOSCH W/RESISTER | 031-0001 |
| 13 | 103930-02-710 | EA | CANISTER-VACUUM | 054-0002 |
| 15 | 103930-33-703 | EA | VACUUM HARNESS | 036-0466 |
| 16 | 103930-49-700 | EA | HARNESS - WIRE | 036-556 |
| 16 | 103930-49-701 | EA | HARNESS - WIRE W/BULBS | 036-0557 |
| 17 | 103930-49-702 | EA | CONTROL PANEL-RECESSED FACE | 032-0054 |
| 17 | 103930-49-703 | EA | CONTROL PANEL - NON RECESSED | 083-0223 |
| 18 | 103930-49-704 | EA | SWITCH - BLOWER | 032-0332 |
| 19 | 103930-49-705 | EA | POTENTIOMETER | 032-0182 |
| 20 | 103930-49-706 | EA | SWITCH - VACUUM | 032-0185 |
| 21 | 103930-49-707 | EA | DECAL CONTROL PANEL-N/RECESS | 058-0144 |
| 22 | 103930-49-708 | EA | KNOB - BLOWER - NONRECESSED | 062-0620 |
| 23 | 103930-33-705 | EA | LIGHT BULBS | 035-0030 |

CONTACT WINNEBAGO PART SALES FOR UNLISTED COMPONENT(S)

HEATING & A/C GROUP (CONTINUED)
COMPONENT PARTS FOR AUTOMOTIVE (CONTINUED)



103930-55-000

| KEY | PART NUMBER | U/M | DESCRIPTION | VENDOR NO. |
|-----|---------------|-----|------------------------------|------------|
| 1 | 103930-55-701 | EA | CASE - FRONT | 062-0658 |
| 2 | 103930-30-701 | EA | PLATE - MOTOR MOUNT | 062-0544 |
| 3 | 103930-55-705 | EA | DOOR - BLEND AIR | 071-0892 |
| 6 | 103930-30-702 | EA | BUSHING/DRIVE (BLEND DOOR) | 062-0168 |
| 7 | 103930-55-706 | EA | CORE - HEATER - W/GASKET | 084-0271 |
| 8 | 103930-30-709 | EA | COUPLING - BLEND DOOR SHAFT | 062-0634 |
| 9 | 103930-20-700 | EA | VALVE-EXPANSION-BLOCK, 2 TON | 034-0032 |
| 10 | 103930-55-700 | EA | CORE-EVAPORATOR | 041-00168 |
| 12 | 103930-55-702 | EA | CASE-REAR | 062-0657 |
| 14 | 103930-01-708 | EA | BRACKET-VACUUM MOTOR | 070-0113 |
| 15 | 103930-20-704 | EA | ROD-DOOR-RECIRCULATING | 073-0018 |
| 16 | 103930-55-707 | EA | DOOR - RECIRCULATION | 071-0891 |
| 18 | 103930-01-710 | EA | RESISTOR-FUSED, A/C 4 TERM | 035-0006 |
| 20 | 103930-01-711 | EA | THERMOSTAT | 033-0003 |
| 21 | 103930-02-708 | EA | MOTOR-VACUUM SERVO, A/C | 030-0025 |
| 22 | 103930-30-703 | EA | MOTOR - SERVO | 030-0104 |
| 23 | 103930-20-707 | EA | HOUSING-BLOWER | 062-0145 |
| 24 | 103930-55-703 | EA | MOTOR-BLOWER W/O PIGTAIL | 030-0137 |
| 25 | 103930-01-717 | EA | WHEEL-BLOWER, CLOCKWISE | 062-0010 |
| 26 | 103930-20-708 | EA | CLIP-MOTOR SHAFT | 022-0001 |
| 27 | 103930-30-704 | EA | COVER - SERVO | 062-0545 |
| 32 | 113245-01-707 | EA | O'RING #8 | 045-0126 |
| 33 | 103930-17-702 | EA | O'RING #10 | 045-0127 |
| | 103930-55-704 | EA | CORE-HEATER | 042-0059 |
| | 110279-01-703 | EA | HOSE-VENT F/BLOWER MOTOR | 051-0034 |

CONTACT WINNEBAGO PART SALES FOR UNLISTED COMPONENT(S)

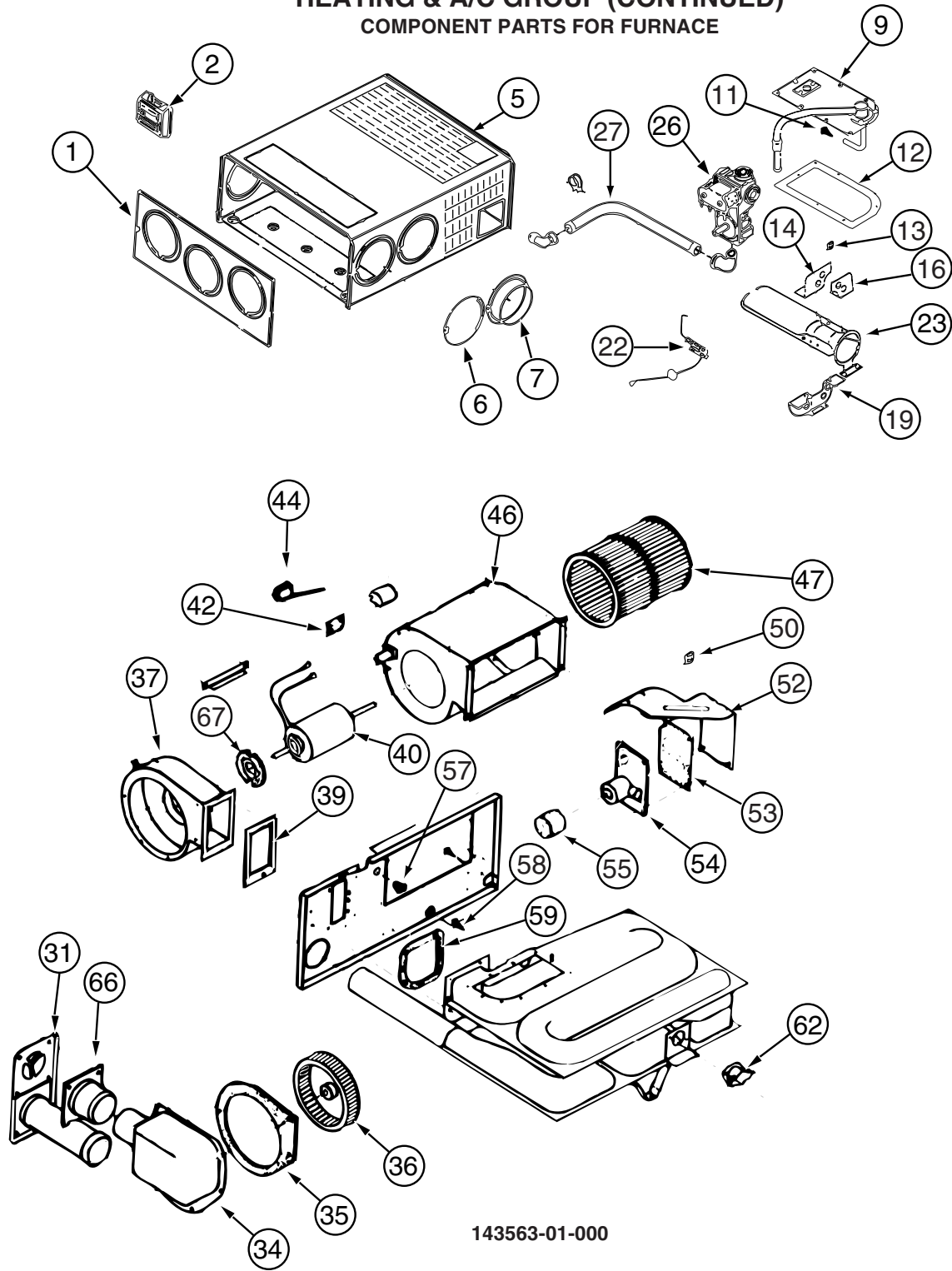
HEATING & A/C GROUP (CONTINUED)

FURNACE

| KEY | PART NUMBER | U/M | DESCRIPTION |
|-----|---------------|-----|------------------------------------------------------------|
| * | 143563-01-000 | EA | FURNACE - 35000 BTU/HIGH QUIET - SUBURBAN SH-35 2322 |
| * | 143563-02-000 | EA | FURNACE - 40000 BTU HIGH QUIET - SUBURBAN SH-42 2346A |
| | P20134-01-02A | EA | REGISTER - 4-5" DIAMETER - W/DAMPER |
| | 009198-01-000 | FT | DUCT - HEAT - FLEXIBLE - 4" ID X 25' |
| | 009198-02-000 | FT | DUCT - HEAT - FLEXIBLE - 2" ID X 25' |
| | 056464-10-000 | EA | REGISTER W/O DAMPER - 4" DIAMETER - PLASTIC |
| | 092776-01-000 | EA | ADAPTER - DUCT - 2" |
| | 092777-01-000 | EA | ADAPTER - DUCT - 4" |
| | 093614-13-02A | EA | GRILLE - AIR RETURN - 15.9" X 11.9" - BEIGE |
| | 093614-15-02A | EA | GRILL - RETURN AIR - DURA BEIGE |
| | 126693-05-02B | EA | PANEL - EXHAUST/FURNACE - E-COATED |
| | 134651-01-000 | FT | SEAL - 1/2" X 3/4" X 9' - PSA 1 SIDE |
| | 137965-01-02A | EA | REGISTER - 11.2" X 3.6"(9.7 X 2.1"R/O) W/O DAMPER-ANT PWTR |
| | 137965-02-02A | EA | REGISTER - 11.2" X 3.6"(9.7 X 2.1"R/O) W/DAMPER - ANT PWTR |
| | 137965-03-02A | EA | REGISTER - 11.2" X 3.6"(9.7 X 2.1"R/O) W/O DAMPER-ANT PWTR |
| | 137965-04-02A | EA | REGISTER - 11.2" X 3.6"(9.7 X 2.1"R/O) W/DAMPER - ANT PWTR |
| | 137965-06-02A | EA | REGISTER - 15.3" X 3.6"(13.9"X2.1"R/O) W/O DAMPER-ANT PWTR |
| | 137965-10-02A | EA | REGISTER - 15.3" X 3.6"(13.8"X2.1"R/O) W/O DAMPER-ANT PWTR |
| | 139980-05-000 | EA | VENT - INTAKE |
| | 139980-06-000 | EA | VENT CAP |
| | 141194-03-02B | EA | PANEL/FURNACE CLOSEOUT - E-COATED |
| | 141337-01-01A | EA | GASKET - FURNACE |
| | 143563-03-02A | EA | DOOR/ACCESS - FURNACE - W/FRAME - BLACK |
| | 143563-04-000 | EA | PLATE END - COLLAR |
| | 143563-05-000 | EA | GASKET - FIBERGLASS - SUBURBAN #071018 |
| | 158710-01-000 | EA | ELBOW/DUCT - 2 1/4" X 14" |

***COMPONENT PARTS LISTED LATER IN THIS GROUP**

HEATING & A/C GROUP (CONTINUED)
COMPONENT PARTS FOR FURNACE



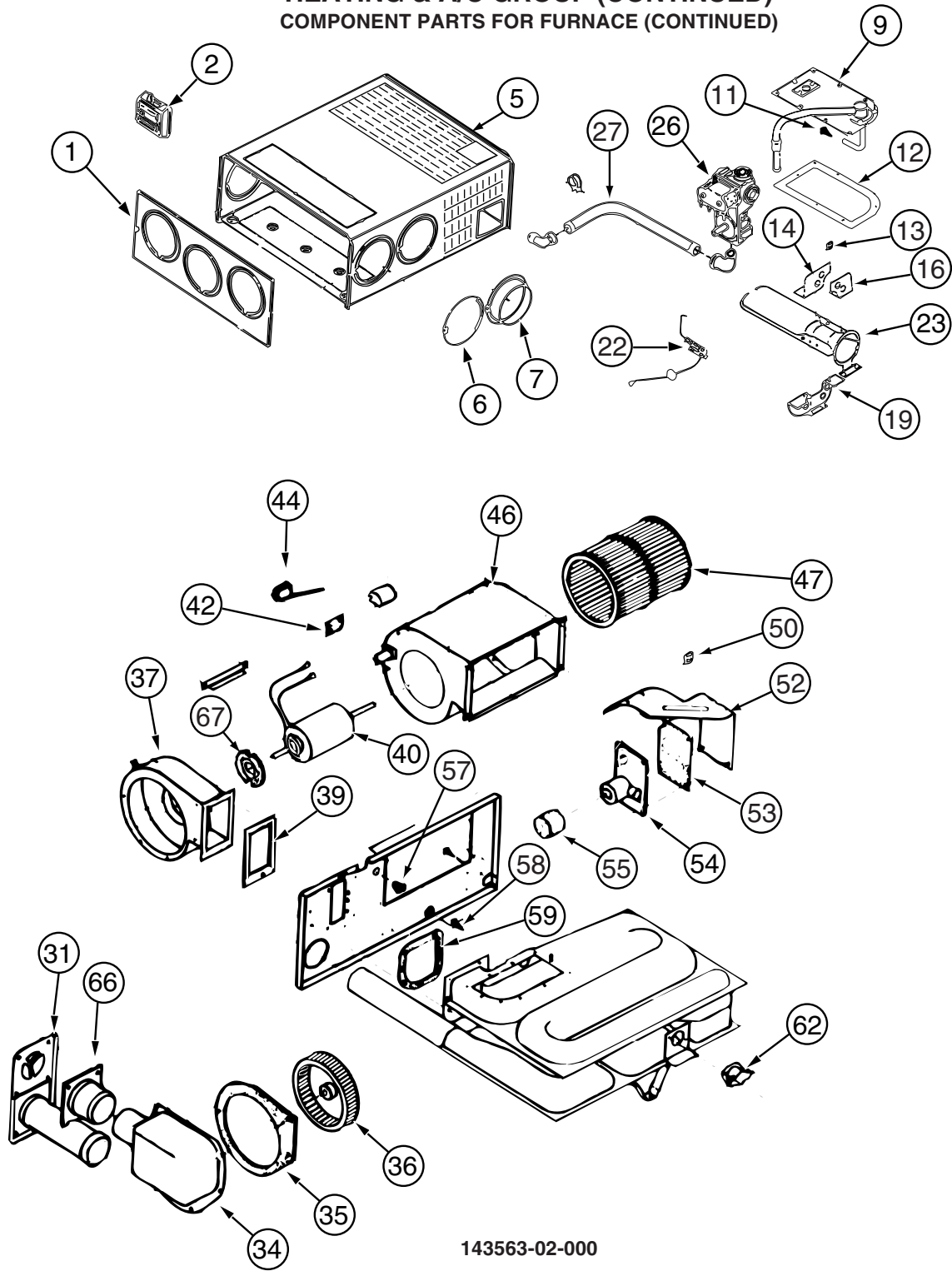
143563-01-000

HEATING & A/C GROUP (CONTINUED)
COMPONENT PARTS FOR FURNACE (CONTINUED)

143563-01-000 (CONTINUED)

| KEY | PART NUMBER | U/M | DESCRIPTION | VENDOR NO. |
|------------|--------------------|------------|--------------------------------------------------------|-------------------|
| 1 | 143563-01-700 | EA | CABINET - FRONT | 101907 |
| 2 | | | 12 VOLT WIRING AREAS FOR CORRECT THERMOSTAT | |
| 5 | 143563-01-701 | EA | CABINET | 101921 |
| 7 | 075696-02-703 | EA | COLLAR - DUCT | 050715 |
| 9 | 143563-01-702 | EA | MANIFOLD ASSEMBLY | 171599 |
| 11 | 143563-01-703 | EA | ORFICE - MAIN BURNER | 180308 |
| 12 | 098668-22-703 | EA | GASKET - BURNER ACCESS COVER | 070811 |
| 14 | 143563-01-704 | EA | PLATE - SECONDARY AIR/TOP BACK | 063199 |
| 16 | 143563-01-705 | EA | PLATE - SECONDARY AIR/TOP FRT | 062936 |
| 19 | 143563-01-706 | EA | PLATE - SECONDARY AIR/BOTTOM | 062938 |
| 22 | 139980-01-701 | EA | ELECTRODE | 232286 |
| 23 | 098668-02-700 | EA | BURNER ASSEMBLY,SF-30 & SF35 | 010745 |
| 26 | 098668-01-718 | EA | VALVE-GAS SF S.N.974903079 | 161122 |
| 27 | 143563-01-707 | EA | PIPE ASSEMBLY (GAS INLET) | 171603 |
| 31 | 098668-01-707 | EA | TUBE ASSEMBLY, EXHAUST W/CAP | 260231 |
| 34 | 143563-01-708 | EA | BOX ASM (COMB. AIR INTAKE) | 051430BK |
| 35 | 143563-01-709 | EA | GASKET (COMB. AIR HOUSING) | 071108 |
| 36 | 143563-01-710 | EA | WHEEL (COMBUSTION AIR) | 350199 |
| 37 | 143563-01-711 | EA | HOUSING (COMBUSTION AIR) | 390862BK |
| 39 | 143563-01-715 | EA | GASKET-FIREWALL/COMB. AIR | 071107 |
| 40 | 143563-01-712 | EA | MOTOR ASSEMBLY | 232727 |
| 42 | 101990-01-714 | EA | GASKET-MICROSWITCH | 230877 |
| 44 | 098668-21-700 | EA | SWITCH-MICRO-W/O FLAG 3 1/4" | 232261 |
| 46 | 143563-01-713 | EA | BLOWER ASSEMBLY(ROOM AIR) | 390867BK |
| 47 | 143563-01-714 | EA | WHEEL - ROOM AIR | 350198 |
| 50 | 139980-01-710 | EA | SWITCH - ON/OFF | 232351 |
| 52 | 139980-01-711 | EA | PANEL ASSEMBLY-MODULE BD | 101663 |
| 53 | 139980-01-712 | EA | INSULATOR - MODULE BD | 070807 |
| 54 | 098668-22-705 | EA | MODULE BD W/RELAY TIME DELAY | 520820 |
| 55 | 139980-01-713 | EA | CAP/INSULATOR-MODULE BD | 070973 |
| 57 | 139980-01-714 | EA | BUSHING - UNIVERSAL | 070362 |
| 58 | 139980-01-715 | EA | BUSHING - STRAIN RELIEF | 231809 |
| 59 | 098668-01-716 | EA | GASKET-FIREWALL,CHAMBER SIDE | 070808 |
| 62 | 098668-21-701 | EA | SWITCH - LIMIT | 232504 |
| 66 | 098668-01-713 | EA | TUBE ASSEMBLY, INTAKE | 051248 |
| 67 | 075697-07-703 | EA | GASKET - MOTOR | 070448 |
| | 143563-01-716 | EA | CHAMBER ASM. - FINAL | |
| | | | CONTACT WINNEBAGO PART SALES FOR UNLISTED COMPONENT(S) | |

HEATING & A/C GROUP (CONTINUED)
COMPONENT PARTS FOR FURNACE (CONTINUED)



143563-02-000

HEATING & A/C GROUP (CONTINUED)
COMPONENT PARTS FOR FURNACE (CONTINUED)

143563-02-000 (CONTINUED)

| KEY | PART NUMBER | U/M | DESCRIPTION | VENDOR NO. |
|------------|--------------------|------------|--------------------------------------------------------|-------------------|
| 1 | 143563-01-700 | EA | CABINET - FRONT | 101907 |
| 2 | | | SEE 12 VOLT WIRING AREAS FOR CORRECT THERMOSTAT | |
| 5 | 143563-02-700 | EA | CABINET | 101915 |
| 7 | 075696-02-703 | EA | COLLAR - DUCT | 050715 |
| 9 | 143563-01-702 | EA | MANIFOLD ASSEMBLY | 171599 |
| 11 | 143563-02-701 | EA | ORFICE - MAIN BURNER | 180309 |
| 12 | 098668-22-703 | EA | GASKET - BURNER ACCESS COVER | 070811 |
| 14 | 143563-02-702 | EA | PLATE - SECONDARY AIR/TOP BACK | 063198 |
| 16 | 143563-02-703 | EA | PLATE - SECONDARY AIR/TOP FRT | 062933 |
| 19 | 143563-02-704 | EA | PLATE - SECONDARY AIR/BOTTOM | 062935 |
| 22 | 139980-01-701 | EA | ELECTRODE | 232286 |
| 23 | 098668-11-701 | EA | BURNER ASSEMBLY, SF-42F | 010799 |
| 26 | 098668-01-718 | EA | VALVE-GAS SF S.N.974903079 | 161122 |
| 27 | 143563-01-707 | EA | PIPE ASSEMBLY (GAS INLET) | 171603 |
| 31 | 098668-01-707 | EA | TUBE ASSEMBLY, EXHAUST W/CAP | 260231 |
| 34 | 143563-01-708 | EA | BOX ASM (COMB. AIR INTAKE) | 051430BK |
| 35 | 143563-01-709 | EA | GASKET (COMB. AIR HOUSING) | 071108 |
| 36 | 143563-01-710 | EA | WHEEL (COMBUSTION AIR) | 350199 |
| 37 | 143563-01-711 | EA | HOUSING (COMBUSTION AIR) | 390862BK |
| 39 | 143563-01-715 | EA | GASKET-FIREWALL/COMB. AIR | 071107 |
| 40 | 143563-02-705 | EA | MOTOR ASSEMBLY | 232726 |
| 42 | 101990-01-714 | EA | GASKET-MICROSWITCH | 230877 |
| 44 | 098668-21-700 | EA | SWITCH-MICRO-W/O FLAG 3 1/4" | 232261 |
| 46 | 143563-01-713 | EA | BLOWER ASSEMBLY(ROOM AIR) | 390867BK |
| 47 | 143563-01-714 | EA | WHEEL - ROOM AIR | 350198 |
| 50 | 139980-01-710 | EA | SWITCH - ON/OFF | 232351 |
| 52 | 139980-01-711 | EA | PANEL ASSEMBLY-MODULE BD | 101663 |
| 53 | 139980-01-712 | EA | INSULATOR - MODULE BD | 070807 |
| 54 | 098668-22-705 | EA | MODULE BD W/RELAY TIME DELAY | 520820 |
| 55 | 139980-01-713 | EA | CAP/INSULATOR-MODULE BD | 070973 |
| 57 | 139980-01-714 | EA | BUSHING - UNIVERSAL | 070362 |
| 58 | 139980-01-715 | EA | BUSHING - STRAIN RELIEF | 231809 |
| 59 | 098668-01-716 | EA | GASKET-FIREWALL,CHAMBER SIDE | 070808 |
| 62 | 143563-02-706 | EA | SWITCH - LIMIT | 232735 |
| 66 | 098668-01-713 | EA | TUBE ASSEMBLY, INTAKE | 051248 |
| 67 | 075697-07-703 | EA | GASKET - MOTOR | 070448 |
| | 143563-02-707 | EA | CHAMBER ASM. - FINAL | 021172BK |
| | | | CONTACT WINNEBAGO PART SALES FOR UNLISTED COMPONENT(S) | |

HEATING & A/C GROUP (CONTINUED)
REAR HEATER

| KEY | PART NUMBER | U/M | DESCRIPTION |
|-----|---------------|-----|------------------------------------------------------------|
| * | 147610-01-000 | EA | HEATER - AUTO/AUX - G33V, G35A, G35L, G37B, G38T |
| | 147610-02-000 | EA | HEATER - AUTO/AUX - G38J |
| | 104692-01-000 | FT | SEAL - ADHESIVE BACKED FOAM - 3/4" THICK X 3/4" WIDE X 25' |
| | 007108-01-000 | FT | HOSE - HEATER - 5/8" ID - HI-TEMP |
| | 076776-01-000 | EA | TEE - BEADED - 5/8" X 5/8" X 5/8" |
| | 079059-01-000 | EA | HOSE - 90 DEGREE - 5/8"ID X 4" X 36" |
| | 079059-13-000 | EA | HOSE - 90 DEGREE - .61"ID X 4" X 48" |
| | 137965-01-02A | EA | REGISTER - 11.2" X 3.6"(9.7 X 2.1"R/O) W/O DAMPER-ANT PWTR |

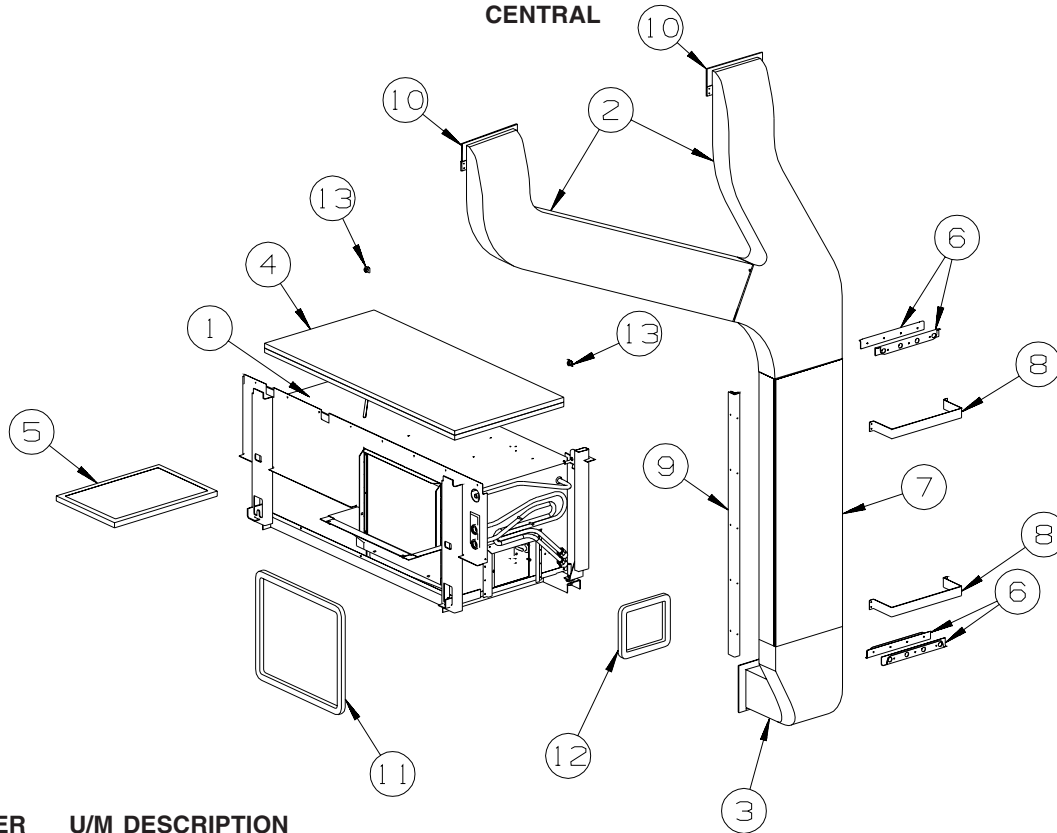
***COMPONENT PARTS LISTED LATER IN THIS GROUP**

COMPONENT PARTS FOR REAR HEATER

| KEY | PART NUMBER | U/M | DESCRIPTION | VENDOR NO. |
|-----|---------------|-----|-----------------------------|------------|
| | | | 147610-01-000 | |
| | 129205-01-702 | EA | BLOWER ASSEMBLY-W/12V MOTOR | HV218419 |
| | 147610-01-700 | EA | RESISTOR-BLOWER MOTOR | HV218125 |

HEATING & A/C GROUP (CONTINUED)

CENTRAL



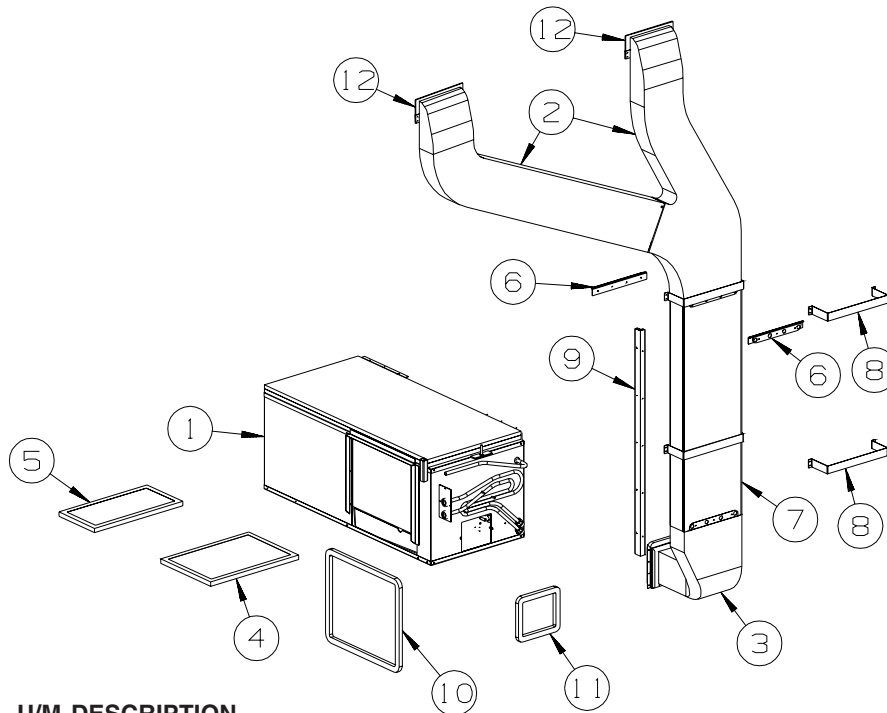
**G33V, G35A,
G35L, G37B,
G38J**

| KEY | PART NUMBER | U/M | DESCRIPTION |
|-----|---------------|-----|------------------------------------------------------------------------------------------------------|
| 1* | 105620-12-000 | EA | A/C-CENTRAL - RH HAND/HEAT PUMP/12,000 BTU - TECUMSEH COMP |
| 2 | M09204-01-000 | EA | DUCT/AC - UPPER RIGHT HAND/LEFT HAND |
| 3 | P38842-01-000 | EA | DUCT - CENTRAL AIR/FORCED - W/INSULATION - LOWER |
| | 105290-01-000 | SF | INSULATION - AIR POCKET W/FOIL - 4' WIDE |
| 4 | 100619-16-000 | BF | FOAM - EXPANDED POLYSTYRENE - .75" X 48" X 96"-2" DENSITY |
| 5 | 109050-02-000 | EA | FILTER/FURNACE-AC - FIBERGLASS - 1" X 14" X 20" |
| | 100128-02-000 | FT | SEAL - FOAM/ADHESIVE BACK - .37" WIDE X .37" THICK X 60' FROM: 00-00-00 THRU: 07-30-06 |
| 6 | 115886-11-02A | EA | RETAINER - SIDEWALL - BRIGHT WHITE - 11.8" - NOT ILLUSTRATED FROM: 00-00-00 THRU: 07-30-06 |
| 6 | 160755-01-02B | EA | U-CHANNEL W/HOLES FROM: 07-31-06 THRU: 99-99-99 |
| | 130262-06-000 | EA | PROTECTOR - CORNER SAVER - .7" X .7" FROM: 00-00-00 THRU: 07-30-06 |
| 7 | 117870-11-01A | EA | PLENUM - A/C - 43" FROM: 00-00-00 THRU: 07-30-06 |
| 7 | 159404-02-000 | EA | PLENUM - A/C FROM: 07-31-06 THRU: 99-99-99 |
| 8 | 129047-01-02B | EA | STRAP/MOUNTING - AIR DUCT - E-COATED |
| 9 | 159408-02-01A | EA | CORNER - W/HOLES FROM: 07-31-06 THRU: 99-99-99 |
| 10 | 104692-01-000 | FT | SEAL - ADHESIVE BACKED FOAM - 3/4" THICK X 3/4" WIDE X 25' |
| 11 | 134588-01-000 | EA | GASKET - DUCT - 15.5" X 18.2" IS - 17.4" X 20.2" OS |
| 12 | 134588-02-000 | EA | GASKET - DUCT - 6.4" X 7.4" IS - 8.3" X 9.4" OS |
| 13 | 142913-01-000 | EA | J-CLIP - F/TV HOLD DOWN |

***COMPONENT PARTS LISTED LATER IN THIS GROUP**

HEATING & A/C GROUP (CONTINUED) CENTRAL (CONTINUED)

G38T

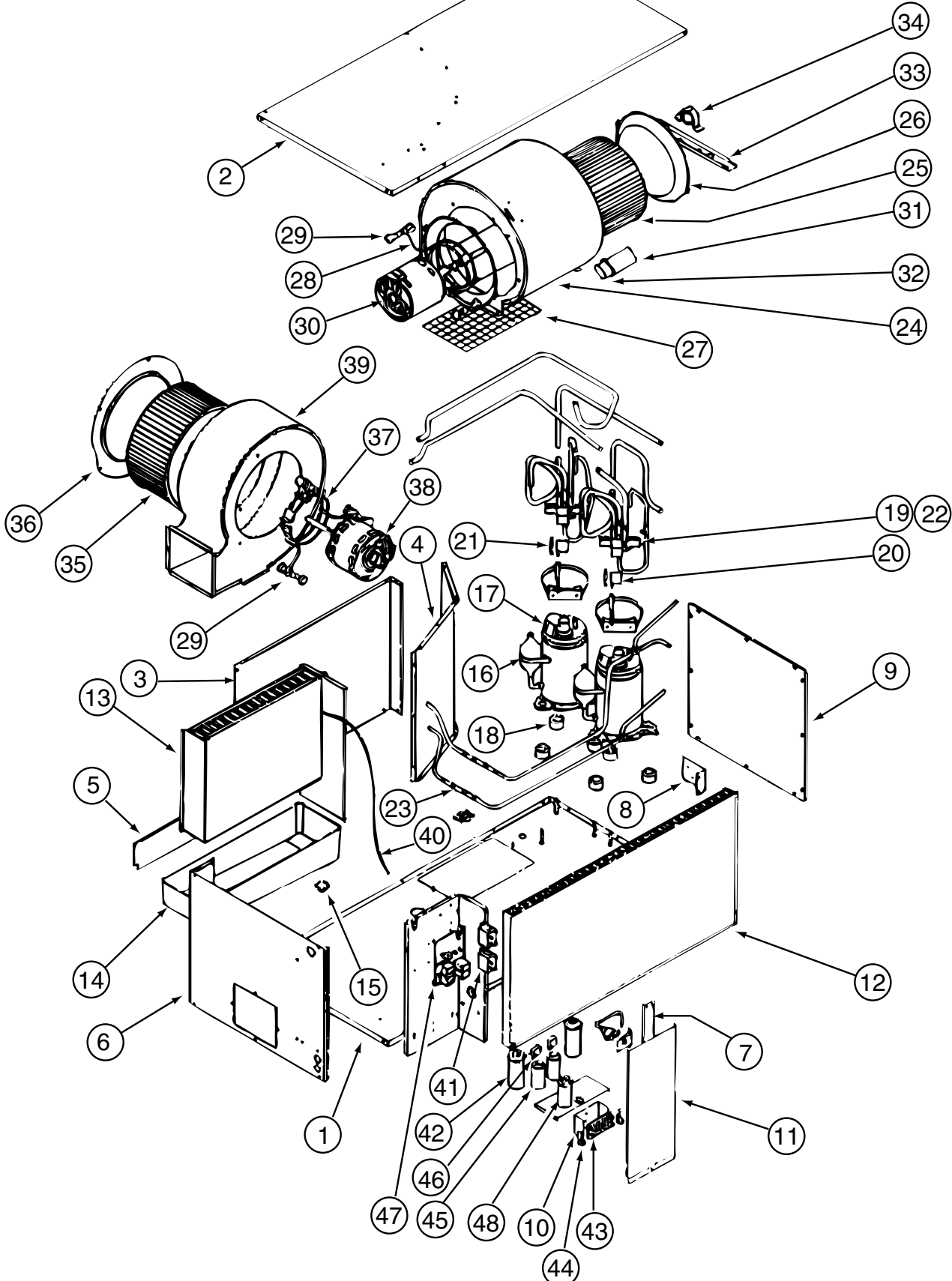


| KEY | PART NUMBER | U/M | DESCRIPTION |
|-----|---------------|-----|------------------------------------------------------------------------------------------------------|
| 1* | 105620-12-000 | EA | A/C - CENTRAL - RIGHT HAND/HEAT PUMP - 12,000 BTU COMP |
| 2 | M09204-01-000 | EA | DUCT/AC - UPPER RIGHT HAND & LEFT HAND |
| 3 | P38842-01-000 | EA | DUCT - CENTRAL AIR/FORCED - W/INSULATION - LOWER |
| | 105290-01-000 | SF | INSULATION - AIR POCKET W/FOIL |
| 4 | 109050-02-000 | EA | FILTER/FURNACE-AC - FIBERGLASS - 1" X 14" X 20" |
| 5 | NOT USED | | |
| 6 | 115886-11-02A | EA | RETAINER - SIDEWALL - MILL - 11.8" |
| | 100128-02-000 | FT | SEAL - FOAM/ADHESIVE BACK - .37" WIDE X .37" THICK X 60' FROM: 00-00-00 THRU: 07-30-06 |
| 6 | 115886-11-02A | EA | RETAINER - SIDEWALL - BRIGHT WHITE - 11.8" - NOT ILLUSTRATED FROM: 00-00-00 THRU: 07-30-06 |
| 6 | 160755-01-02B | EA | U-CHANNEL W/HOLES FROM: 07-31-06 THRU: 99-99-99 |
| | 130262-06-000 | EA | PROTECTOR - CORNER SAVER - .7" X .7" FROM: 00-00-00 THRU: 07-30-06 |
| 7 | 117870-11-01A | EA | PLENUM - A/C - 43" FROM: 00-00-00 THRU: 07-30-06 |
| 7 | 159404-02-000 | EA | PLENUM - A/C FROM: 07-31-06 THRU: 99-99-99 |
| 8 | 129047-01-02B | EA | STRAP/MOUNTING - AIR DUCT - E-COATED |
| 9 | 159408-02-01A | EA | CORNER - W/HOLES FROM: 07-31-06 THRU: 99-99-99 |
| 10 | 134588-01-000 | EA | GASKET - DUCT - 15.5" X 18.2" IS - 17.4" X 20.2" OS |
| 11 | 134588-02-000 | EA | GASKET - DUCT - 6.4" X 7.4" IS - 8.3" X 9.4" OS |
| 12 | 104692-01-000 | EA | SEAL - ADHESIVE BACKED FOAM - 3/4" THICK X 3/4" WIDE X 25' |

*COMPONENT PARTS LISTED LATER IN THIS GROUP

HEATING & A/C GROUP (CONTINUED)

COMPONENT PARTS FOR CENTRAL



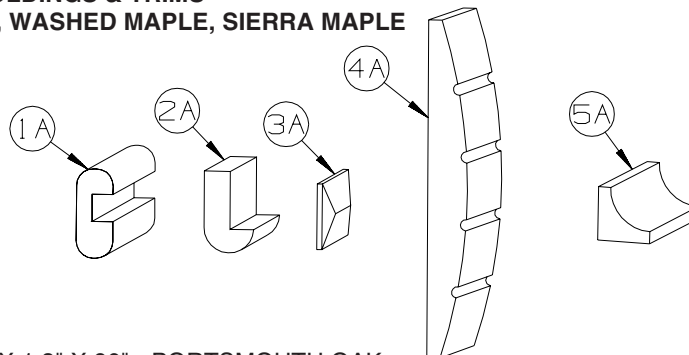
105620-12-000

HEATING & A/C GROUP (CONTINUED)
COMPONENT PARTS FOR CENTRAL (CONTINUED)

105620-12-000 (CONTINUED)

| KEY | PART NUMBER | U/M | DESCRIPTION | VENDOR NO. |
|------------|--------------------|------------|--------------------------------------------------------|-------------------|
| 10 | 105620-01-733 | EA | ISOLATOR-HIGH VOLTAGE | 6795-117 |
| 11 | 105620-10-716 | EA | DOOR - ELECTRIC BOX | 6535B346 |
| 12 | 105620-12-701 | EA | COIL - CONDENSER | 1452A1621 |
| 13 | 105620-12-702 | EA | COIL - EVAPORATOR | 1452A1611 |
| 15 | 105620-12-703 | EA | VALVE - DRAIN | 6795-200 |
| 16 | 105620-12-723 | EA | COMPRESSOR (PANASONIC) | 1450-2229 |
| 17 | 105620-12-705 | EA | OVERLOAD | 1450-0081 |
| 18 | 105620-01-706 | EA | MOUNTING PKG.,COMP., 3 PER | 6759-3081 |
| 19 | 105620-12-724 | EA | REVERSING VALVE ASSEMBLY | 6535-535 |
| 20 | 105620-12-708 | EA | COIL - SOLENOID | 1460-1081 |
| 21 | 105620-12-709 | EA | WIRE HARNESS-REVERSING VALVE | 6536-111 |
| 22 | 105620-12-710 | EA | VALVE - REVERSE ONLY | 1454A350 |
| 23 | 105620-12-711 | EA | RESTRICTOR - BY FLOW | 1454-2521 |
| 24 | 105620-10-718 | EA | BLOWER HOUSING/OUTSIDE AIR | 6536-515 |
| 25 | 105620-01-713 | EA | WHEEL-BLOWER/OUTSIDE AIR | 1472-1011 |
| 26 | 105620-01-714 | EA | VENTURI-BLOWER/OUTSIDE AIR | 6795A150 |
| 28 | 105620-01-715 | EA | MOUNT-BLOWER/OUTSIDE AIR | 6795A3011 |
| 29 | 105620-01-716 | EA | SLEEVE & GROMMET, 4 PER PKKG. | 6795A3031 |
| 30 | 105620-10-721 | EA | MOTOR/BLOWER-8 3/4" SHAFT | 1468A3029 |
| 31 | 105620-01-718 | EA | CAPACITOR-FAN (OUTDOOR MOTOR)) | 1499-5631 |
| 32 | 105620-10-715 | EA | RUBBER CAPACITOR BOOT | 1499-951 |
| 33 | 105620-10-700 | EA | BEARING BRACKET/OUTSIDE AIR | 6536-514 |
| 34 | 105620-10-701 | EA | BEARING/PILLOW BLOCK-O/S AIR | 6536-3011 |
| 35 | 105620-11-701 | EA | BLOWER WHEEL/INSIDE AIR | 1472-1151 |
| 36 | 105620-12-715 | EA | BLOWER VENTURI/INSIDE AIR | 6535A287 |
| 37 | 105620-01-723 | EA | MOUNT-BLOWER MOTOR - I/S AIR | 6795-302 |
| 38 | 105620-12-716 | EA | BLOWER MTR/IN AIR/REVERSIBLE | 1468-3219 |
| 39 | 105620-11-706 | EA | MOTOR/BLOWER KIT | 6535B5901 |
| 40 | 105620-12-719 | EA | COIL SENSOR | 7330A3231 |
| 41 | 105620-01-729 | EA | RELAY-COMPRESSOR -4 TERMINAL | 1460-1131 |
| 42 | 105620-12-725 | EA | COMPRESSOR RUN CAPACITOR | 1499-5731 |
| 43 | 105620-01-738 | EA | BOARD-TERMINAL, HIGH VOLTAGE | 6795-315 |
| 46 | 105620-10-705 | EA | PTCR (START DEVICE) - W/CAP. | 8333A9021 |
| 47 | 105620-12-721 | EA | CIRCUIT BD (6535 A SERIES) | 6535A3201 |
| 48 | 093763-01-704 | EA | CAPACITOR-FAN (INDOOR MOTOR) | 1499-5461 |
| | 105620-10-720 | EA | FUSE/BUSS(8AMP/250V) 2 PKG | 6535-3081 |
| | | | CONTACT WINNEBAGO PART SALES FOR UNLISTED COMPONENT(S) | |

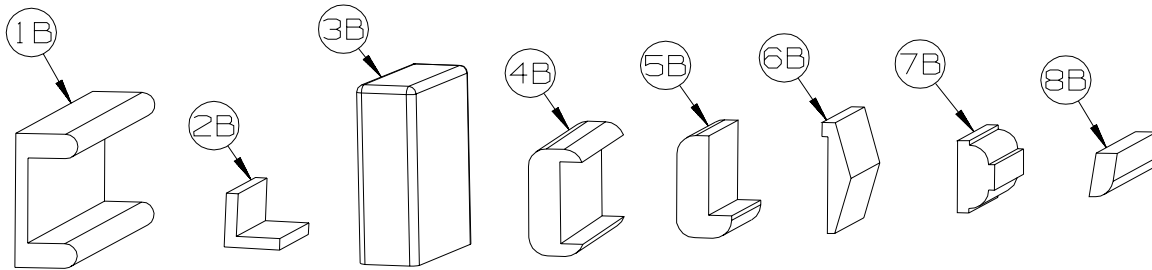
INTERIOR FINISH GROUP
MOLDINGS & TRIMS
CONCERT CHERRY, WASHED MAPLE, SIERRA MAPLE



| KEY | PART NUMBER | U/M | DESCRIPTION |
|-----|---------------|-----|---------------------------------------------------------------------|
| 1A | M09412-62-N42 | EA | MOLDING/SHELF EDGE - .6" X 1.3" X 96" - PORTSMOUTH OAK |
| 1A | M09412-62-M52 | EA | MOLDING/SHELF EDGE - .6" X 1.3" X 96" - CHERRY - CONCERT CHERRY |
| 1A | M09412-62-M62 | EA | MOLDING/SHELF EDGE - .6" X 1.3" X 96" - WASHED MAPLE - WASHED MAPLE |
| 1A | M09412-62-RC3 | EA | MOLDING/SHELF EDGE - .6" X 1.3" X 96" - HONEY CHERRY - HONEY CHERRY |
| 1A | M09412-62-SA3 | EA | MOLDING/SHELF EDGE - .6" X 1.3" X 96" - MAPLE - SIERRA MAPLE |
| 2A | M09450-77-PC0 | EA | MOLDING - TRIM/HDWD W/LIP -.4"X3.2"X79.6" - PORTSMOUTH OAK |
| 2A | M09450-77-PC1 | EA | MOLDING - TRIM/HDWD W/LIP -.4"X3.2"X79.6" - CONCERT CHERRY |
| 2A | M09450-77-PC2 | EA | MOLDING - TRIM/HDWD W/LIP -.4"X3.2"X79.6" - WASHED MAPLE |
| 2A | M09450-77-RC3 | EA | MOLDING - TRIM/HDWD W/LIP -.4"X3.2"X79.6" - HONEY CHERRY |
| 2A | M09501-32-TG1 | EA | MOLDING/TRIM - W/NOTCH - .8" X 2.5" X 86.2"-CONCERT CHERRY |
| 2A | M09501-32-TG2 | EA | MOLDING/TRIM - W/NOTCH - .8" X 2.5" X 86.2" - WASHED MAPLE, |
| 2A | M09501-32-TD3 | EA | MOLDING/TRIM - W/NOTCH - .8" X 2.5" X 86.2" - SIERRA MAPLE |
| 2A | M09503-52-T77 | EA | MOLDING/TRIM - .75" X 1.2" X 86.5" - PORTSMOUTH OAK |
| 2A | M09503-52-T78 | EA | MOLDING/TRIM - .75" X 1.2" X 86.5" - CONCERT CHERRY |
| 2A | M09503-52-T79 | EA | MOLDING/TRIM - .75" X 1.2" X 86.5" - WASHED MAPLE |
| 2A | M09503-52-T80 | EA | MOLDING/TRIM - .75" X 1.2" X 86.5" - SIERRA MAPLE |
| 2A | M09511-43-T78 | EA | MOLDING - TRIM - W/NOTCH - .8" X 1.4" X 86.3" - CONCERT CHERRY |
| 2A | M09525-80-UM1 | EA | MOLDING - TRIM - W/NOTCH - .8"X 1.4"X 86.5" - CONCERT CHERRY |
| 2A | M09511-43-T79 | EA | MOLDING - TRIM - W/NOTCH - .8" X 1.4" X 86.3" - WASHED MAPLE |
| 2A | M09525-80-U91 | EA | MOLDING - TRIM - W/NOTCH - .8" X 1.4" X 86.5" - WASHED MAPLE |
| 2A | M09511-43-T80 | EA | MOLDING - TRIM - W/NOTCH - .8" X 1.4" X 86.3" - SIERRA MAPLE |
| 2A | M09525-80-U92 | EA | MOLDING - TRIM - W/NOTCH - .8" X 1.4" X 86.5" - SIERRA MAPLE |
| 2A | M09438-25-RA3 | EA | MOLDING - HARDWOOD-W/NOTCH - 1.4"X 80.2" - HONEY CHERRY |
| 2A | M09515-72-TD1 | EA | MOLDING/TRIM - .8" X 2.2" X 86.1" - CONCERT CHERRY |
| 2A | M09515-72-TD2 | EA | MOLDING/TRIM - .8" X 2.2" X 86.1" - WASHED MAPLE |
| 2A | M09515-72-TD3 | EA | MOLDING/TRIM - .8" X 2.2" X 86.1" - SIERRA MAPLE |
| 3A | M09471-91-R69 | EA | MOLDING - TRIM/VEE - .2" X 1" X 34.4" - CONCERT CHERRY |
| 3A | M09471-91-R76 | EA | MOLDING - TRIM/VEE - .2" X 1" X 34.4" - WASHED MAPLE |
| 3A | M09471-91-SA3 | EA | MOLDING - TRIM/VEE - .2" X 1" X 34.4" - SIERRA MAPLE |
| 3A | M09477-88-S34 | EA | MOLDING - TRIM/VEE - .2" X 1" X 19.9" - WASHED MAPLE |
| 3A | M09477-88-S35 | EA | MOLDING - TRIM/VEE - .2" X 1" X 19.9" - SIERRA MAPLE |
| 3A | M09501-30-SD2 | EA | MOLDING - TRIM/VEE - .2" X 1" X 35.1" - WASHED MAPLE |
| 3A | M09501-30-SD3 | EA | MOLDING - TRIM/VEE - .2" X 1" X 35.1" - HONEY CHERRY |
| 3A | M09501-37-TG1 | EA | MOLDING - TRIM/VEE - .2" X 1" X 19.2" - CONCERT CHERRY |
| 3A | M09501-37-TG2 | EA | MOLDING - TRIM/VEE - .2" X 1" X 19.2" - WASHED MAPLE |
| 3A | M09501-37-TD3 | EA | MOLDING - TRIM/VEE - .2" X 1" X 19.2" - SIERRA MAPLE |
| 3A | M09501-37-TG3 | EA | MOLDING - TRIM/VEE - .2" X 1" X 19.2" - HONEY CHERRY |
| 3A | M09501-63-T78 | EA | MOLDING - TRIM/VEE - .2" X 1" X 15" - CONCERT CHERRY |
| 3A | M09501-63-T79 | EA | MOLDING - TRIM/VEE - .2" X 1" X 15" - WASHED MAPLE |
| 3A | M09501-63-T80 | EA | MOLDING - TRIM/VEE - .2" X 1" X 15" - SIERRA MAPLE |
| 3A | M09503-62-TG1 | EA | MOLDING - TRIM/VEE - .2" X 1" X 26.3" - CONCERT CHERRY |
| 3A | M09503-62-TG2 | EA | MOLDING - TRIM/VEE - .2" X 1" X 26.3" - WASHED MAPLE |
| 3A | M09503-62-TG3 | EA | MOLDING - TRIM/VEE - .2" X 1" X 26.3" - HONEY CHERRY |
| 3A | M09511-90-TG1 | EA | MOLDING - TRIM/VEE - .2" X 1" X 42.1" - CONCERT CHERRY |
| 3A | M09511-90-TG3 | EA | MOLDING - TRIM/VEE - .2" X 1" X 42.1" - HONEY CHERRY |
| 3A | M09511-90-TG2 | EA | MOLDING - TRIM/VEE - .2" X 1" X 42.1" - WASHED MAPLE |
| 3A | M09520-15-TD1 | EA | MOLDING - TRIM/VEE - .2" X 1" X 15.3" - CONCERT CHERRY |
| 3A | M09520-15-TD2 | EA | MOLDING - TRIM/VEE - .2" X 1" X 15.3" - WASHED MAPLE |
| 3A | M09520-15-TD3 | EA | MOLDING - TRIM/VEE - .2" X 1" X 15.3" - SIERRA MAPLE |
| 3A | M09520-96-T59 | EA | MOLDING - TRIM/VEE - .2" X 1" X 32.7" - PORTSMOUTH OAK |
| 3A | M09520-96-T60 | EA | MOLDING - TRIM/VEE - .2" X 1" X 32.7" - CONCERT CHERRY |
| 3A | M09520-96-T61 | EA | MOLDING - TRIM/VEE - .2" X 1" X 32.7" - WASHED MAPLE |
| 3A | M09520-96-TP0 | EA | MOLDING - TRIM/VEE - .2" X 1" X 32.7" - SIERRA MAPLE |

INTERIOR FINISH GROUP (CONTINUED)
MOLDINGS & TRIMS (CONTINUED)

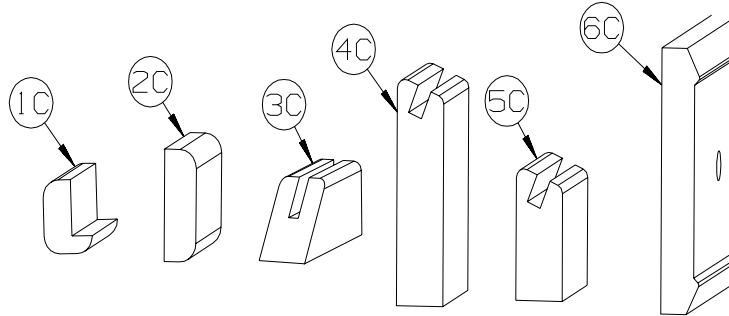
| KEY | PART NUMBER | U/M | DESCRIPTION |
|-----|---------------|-----|--------------------------------------------------------------------------|
| 3A | M09525-96-TA0 | EA | MOLDING - TRIM/VEE - .2" X 1" X 36.2" - PORTSMOUTH OAK |
| 3A | M09525-96-TA1 | EA | MOLDING - TRIM/VEE - .2" X 1" X 36.2" - CONCERT CHERRY |
| 3A | M09525-96-TA2 | EA | MOLDING - TRIM/VEE - .2" X 1" X 36.2" - WASHED MAPLE |
| 3A | M09525-96-TA3 | EA | MOLDING - TRIM/VEE - .2" X 1" X 36.2" - SIERRA MAPLE |
| 3A | M09534-08-T01 | EA | MOLDING - TRIM/VEE - .2" X 1" X 24.5" - SIERRA MAPLE |
| 3A | M09534-08-T02 | EA | MOLDING - TRIM/VEE - .2" X 1" X 24.5" - HONEY CHERRY |
| 3A | M09511-32-T78 | EA | MOLDING - TRIM/VEE - .4" X 1" X 26.8" - CONCERT CHERRY |
| 3A | M09511-32-T79 | EA | MOLDING - TRIM/VEE - .4" X 1" X 26.8" - WASHED MAPLE |
| 3A | M09511-32-T80 | EA | MOLDING - TRIM/VEE - .4" X 1" X 26.8" - SIERRA MAPLE |
| 3A | M09511-86-T78 | EA | MOLDING - TRIM/VEE - .4" X 1" X 28.3" - CONCERT CHERRY |
| 3A | M09511-86-T79 | EA | MOLDING - TRIM/VEE - .4" X 1" X 28.3" - WASHED MAPLE |
| 3A | M09511-86-T80 | EA | MOLDING - TRIM/VEE - .4" X 1" X 28.3" - SIERRA MAPLE |
| 3A | M09477-63-S46 | EA | MOLDING - TRIM/VEE - .4" X 1" X 64.1" - PORTSMOUTH OAK - BATH DOOR TRIM |
| 3A | M09477-63-SR0 | EA | MOLDING - TRIM/VEE - .4" X 1" X 64.1" - SIERRA MAPLE - BATH DOOR TRIM |
| 3A | M09477-64-S46 | EA | MOLDING - TRIM/VEE - .4" X 1" X 14.9" - PORTSMOUTH OAK - BATH DOOR TRIM |
| 3A | M09477-64-SR0 | EA | MOLDING - TRIM/VEE - .4" X 1" X 14.9" - SIERRA MAPLE - BATH DOOR TRIM |
| 4A | M09462-54-R90 | EA | MOLDING - FLUTED, CURVED - .6" X 6" X 82.7" - CONCERT CHERRY |
| 4A | M09462-54-R91 | EA | MOLDING - FLUTED, CURVED - .6" X 6" X 82.7" - WASHED MAPLE |
| 4A | M09462-54-RE3 | EA | MOLDING - FLUTED, CURVED - .6" X 6" X 82.7" - HONEY CHERRY |
| 5A | M09471-79-R38 | EA | MOLDING - TRIM/COVE - .8" X .8" X 95.8" - OAK/PORTS OAK - PORTSMOUTH OAK |
| 5A | M09471-79-R39 | EA | MOLDING - TRIM/COVE - .8" X .8" X 95.8" - CHERRY/CHERRY - CONCERT CHERRY |
| 5A | M09471-79-R46 | EA | MOLDING - TRIM/COVE - .8" X .8" X 95.8" - MAPLE/MAPLE - WASHED MAPLE |
| 5A | M09471-79-RE0 | EA | MOLDING - TRIM/COVE - .8" X .8" X 95.8" - HONEY/CHERRY- HONEY CHERRY |
| 5A | M09471-79-SA3 | EA | MOLDING - TRIM/COVE - .8" X .8" X 95.8" - HONEY/MAPLE - SIERRA MAPLE |



| KEY | PART NUMBER | U/M | DESCRIPTION |
|-----|---------------|-----|-------------------------------------------------------------------------------------------------------------------|
| 1B | M09501-84-TG0 | EA | MOLDING/TRIM - CAP/WALL - 2.2" X 85.9" - PORTSMOUTH OAK |
| 1B | M09501-84-TG1 | EA | MOLDING/TRIM - CAP/WALL - 2.2" X 85.9" - CONCERT CHERRY |
| 1B | M09501-84-TG2 | EA | MOLDING/TRIM - CAP/WALL - 2.2" X 85.9" - WASHED MAPLE |
| 1B | M09520-07-TD3 | EA | MOLDING/TRIM - CAP/WALL - 2.2" X 80.5" - SIERRA MAPLE |
| 1B | M09501-84-TG3 | EA | MOLDING/TRIM - CAP/WALL - 2.2" X 85.9" - HONEY CHERRY |
| 2B | M09511-81-TA1 | EA | MOLDING/TRIM - L SHAPE - .8"X .8"X 80.2" - CONCERT CHERRY |
| 2B | M09511-81-TA2 | EA | MOLDING/TRIM - L SHAPE - .8"X .8"X 80.2" - WASHED MAPLE |
| 2B | M09511-81-TA3 | EA | MOLDING/TRIM - L SHAPE - .8"X .8"X 80.2" - SIERRA MAPLE |
| 3B | M09515-81-T01 | EA | MOLDING/HARDWOOD STRAIGHT - 74.3" - WASHED MAPLE |
| 3B | M09515-81-T02 | EA | MOLDING/HARDWOOD STRAIGHT - 74.3" - HONEY CHERRY |
| 4B | M09511-42-T77 | EA | MOLDING - TRIM - W/NOTCH - 1.5" X 86.4" - PORTSMOUTH OAK |
| 4B | M09511-42-T78 | EA | MOLDING - TRIM - W/NOTCH - 1.5" X 86.4" - CONCERT CHERRY |
| 4B | M09511-42-T79 | EA | MOLDING - TRIM - W/NOTCH - 1.5" X 86.4" - WASHED MAPLE |
| 4B | M09511-42-T80 | EA | MOLDING - TRIM - W/NOTCH - 1.5" X 86.4" - SIERRA MAPLE |
| 5B | M09515-18-T78 | EA | MOLDING - HARDWOOD-W/NOTCH - 1.4"X 86.2" - CONCERT CHERRY |
| 5B | M09515-18-T79 | EA | MOLDING - HARDWOOD-W/NOTCH - 1.4"X 86.2" - WASHED MAPLE |
| 5B | M09515-18-T80 | EA | MOLDING - HARDWOOD-W/NOTCH - 1.4"X 86.2" - SIERRA MAPLE |
| 6B | M09515-52-TG1 | EA | MOLDING - TRIM/VEE - 1.5" X 73.9" - CONCERT CHERRY |
| 6B | M09515-52-TG2 | EA | MOLDING - TRIM/VEE - 1.5" X 73.9" - WASHED MAPLE |
| 6B | M09515-52-TG3 | EA | MOLDING - TRIM/VEE - 1.5" X 73.9" - HONEY CHERRY |
| 7B | Y00076-32-438 | EA | MOLDING/TRIM - .5" X 1" X 96" - CHERRY (UNSTAINED) |
| 7B | Y00076-22-438 | EA | MOLDING/TRIM - .5" X 1" X 96" - MAPLE (UNSTAINED) |
| 8B | Y00086-72-438 | EA | MOLDING - VINYL WRAP - .7" X 1.6" X 96" - PORTSMOUTH OAK - PORTSMOUTH OAK |
| 8B | Y00086-62-438 | EA | MOLDING - VINYL WRAP - .7" X 1.6" X 96" - CONCERT CHERRY (U90/94/98/A1/A5/B1/C1/C5/D1/D5/E1/E5/F1/F5/G1/G5/H1/H5) |
| 8B | Y00086-D2-438 | EA | MOLDING - VINYL WRAP - .7" X 1.6" X 96" - CONCERT CHERRY (UM1 THRU UM9, UN1 THRU UN9) |
| 8B | Y00086-A2-438 | EA | MOLDING - VINYL WRAP - .7" X 1.6" X 96" - WASHED MAPLE |
| 8B | Y00086-92-438 | EA | MOLDING - VINYL WRAP - .7" X 1.6" X 96" - SIERRA MAPLE - SIERRA MAPLE |

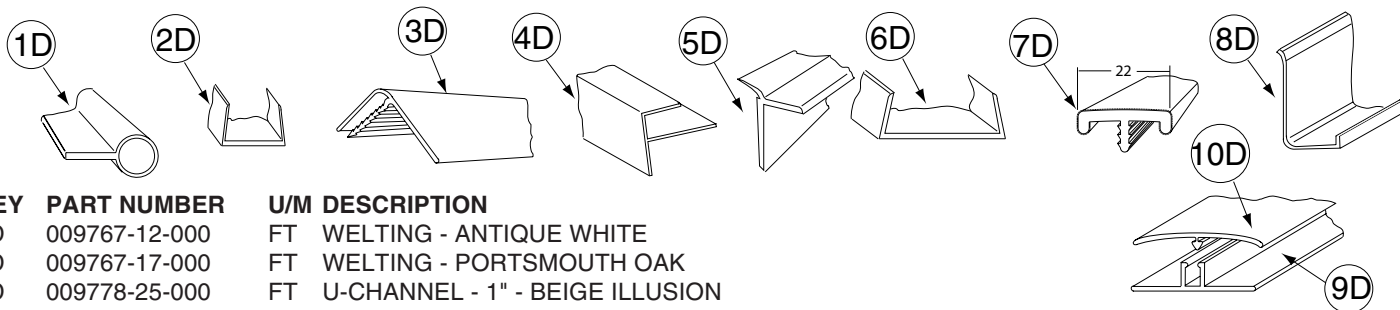
INTERIOR FINISH GROUP (CONTINUED)
MOLDINGS & TRIMS (CONTINUED)

| KEY | PART NUMBER | U/M | DESCRIPTION |
|-----|---------------|-----|-----------------------------------------------------------------------------------------|
| 8B | Y00087-62-438 | EA | MOLDING - 96" - CONCERT CHERRY (U90/94/98/A1/A5/B1/C1/C5/D1/D5/E1/E5/F1/F5/G1/G5/H1/H5) |
| 8B | Y00087-D2-438 | EA | MOLDING - VINYL WRAP - .7" X 2.9" X 96" - CONCERT CHERRY (UM1 THRU UM9, UN1 THRU UN9) |
| 8B | Y00087-A2-438 | EA | MOLDING - VINYL WRAP - .7" X 2.9" X 96" - WASHED MAPLE |
| 8B | Y00087-92-438 | EA | MOLDING - VINYL WRAP - .7" X 2.9" X 96" - SIERRA MAPLE |
| 8B | Y00300-62-438 | EA | MOLDING - 96" - CONCERT CHERRY (U90/94/98/A1/A5/B1/C1/C5/D1/D5/E1/E5/F1/F5/G1/G5/H1/H5) |
| 8B | Y00300-D2-438 | EA | MOLDING - VINYL WRAP - .3" X .6" X 96" - CONCERT CHERRY (UM1 THRU UM9, UN1 THRU UN9) |
| 8B | Y00300-A2-438 | EA | MOLDING - VINYL WRAP - .3" X .6" X 96" - WASHED MAPLE |
| 8B | Y00300-92-438 | EA | MOLDING - VINYL WRAP - .3" X .6" X 96" - SIERRA MAPLE |



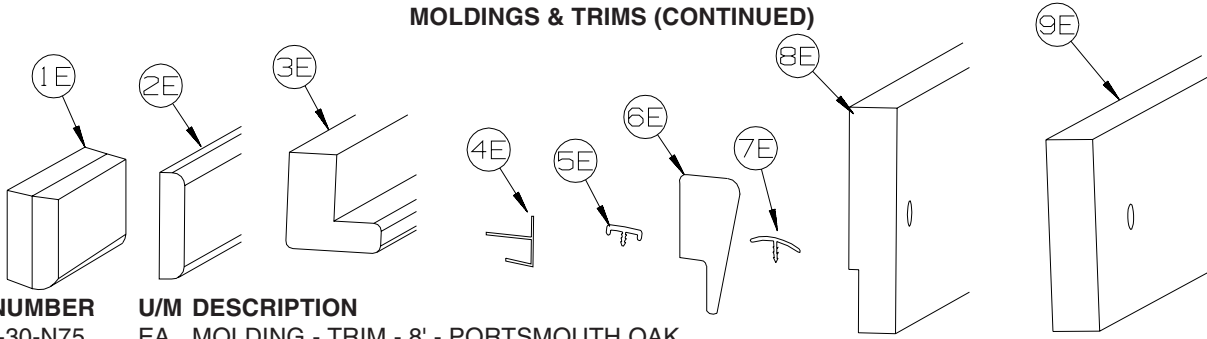
| KEY | PART NUMBER | U/M | DESCRIPTION |
|-----|---------------|-----|-------------------------------------------------------------------------------------------|
| 1C | M09520-19-TD1 | EA | MOLDING - TRIM - W/NOTCH - 1" X 86.3" - CONCERT CHERRY |
| 1C | M09520-19-TD2 | EA | MOLDING - TRIM - W/NOTCH - 1" X 86.3" - WASHED MAPLE |
| 1C | M09520-19-TD3 | EA | MOLDING - TRIM - W/NOTCH - 1" X 86.3" - HONEY CHERRY |
| 1C | M09525-27-UF1 | EA | MOLDING - HARDWOOD - .75" X 1.4" X 32.4" - CONCERT CHERRY |
| 1C | M09525-27-UF2 | EA | MOLDING - HARDWOOD - .75" X 1.4" X 32.4" - WASHED MAPLE |
| 1C | M09525-27-UF3 | EA | MOLDING - HARDWOOD - .75" X 1.4" X 32.4" - SIERRA MAPLE |
| 2C | M09511-46-T77 | EA | MOLDING/TRIM - .5" X 1.5" X 86.5" - PORTSMOUTH OAK |
| 2C | M09511-46-T78 | EA | MOLDING/TRIM - .5" X 1.5" X 86.5" - CONCERT CHERRY |
| 2C | M09511-46-T79 | EA | MOLDING/TRIM - .5" X 1.5" X 86.5" - WASHED MAPLE |
| 2C | M09511-46-T80 | EA | MOLDING/TRIM - .5" X 1.5" X 86.5" - SIERRA MAPLE |
| 3C | Y00223-42-438 | EA | MOLDING - HARDWOOD/OAK - .7" X 1" X 96" |
| 3C | Y00223-32-438 | EA | MOLDING - HARDWOOD/CHERRY - .7" X 1" X 96" |
| 3C | Y00223-22-438 | EA | MOLDING - HARDWOOD/MAPLE - .7" X 1" X 96" |
| 4C | Y00054-62-438 | EA | MOLDING- 96" - CONCERT CHERRY (U90/94/98/A1/A5/B1/C1/C5/D1/D5/E1/E5/F1/F5/G1/G5/H1/H5) |
| 4C | Y00054-D2-438 | EA | MOLDING/VYL WRP-BVLD-.73" X 3.1" X 96" - CONCERT CHERRY (UM1 THRU UM9, UN1 THRU UN9) |
| 4C | Y00054-A2-438 | EA | MOLDING/VINYL WRAP-BEVELED ENDS-.73"X3.1"X96" - WASHED MAPLE |
| 4C | Y00054-92-438 | EA | MOLDING/VINYL WRAP-BEVELED-.73" X 3.1" X 96" - SIERRA MAPLE |
| 4C | Y00258-62-438 | EA | MOLDING/VYL 96" - CONCERT CHERRY (U90/94/98/A1/A5/B1/C1/C5/D1/D5/E1/E5/F1/F5/G1/G5/H1/H5) |
| 4C | Y00258-D2-438 | EA | MOLDING/VINYL WRP-BVLD-.73" X 3.1" X 96" - CONCERT CHERRY (UM1 THRU UM9, UN1 THRU UN9) |
| 4C | Y00258-A2-438 | EA | MOLDING/VINYL WRAP-BEVELED ENDS-.73"X3.1"X96" - WASHED MAPLE |
| 4C | Y00258-92-438 | EA | MOLDING/VINYL WRAP-BEVELED-.73" X 3.1" X 96" - SIERRA MAPLE |
| 5C | Y00259-62-438 | EA | MOLDING/VYL 96" - CONCERT CHERRY (U90/94/98/A1/A5/B1/C1/C5/D1/D5/E1/E5/F1/F5/G1/G5/H1/H5) |
| 5C | Y00259-D2-438 | EA | MOLDING/VINYL WRP-BVLD-.73" X 1.8" X 96" - CONCERT CHERRY (UM1 THRU UM9, UN1 THRU UN9) |
| 5C | Y00259-A2-438 | EA | MOLDING/VINYL WRAP-BEVELED-.73"X1.8"X96" - WASHED MAPLE |
| 5C | Y00259-92-438 | EA | MOLDING/VINYL WRAP-BEVELED-.73"X1.8"X96" - SIERRA MAPLE |
| 6C | Y00152-A2-438 | EA | MOLDING/TRIM - VINYL - .6" X 3.5" X 96" - WASHED MAPLE |
| 6C | Y00152-92-438 | EA | MOLDING/TRIM - VINYL - .6" X 3.5" X 96" - SIERRA MAPLE |

INTERIOR FINISH GROUP (CONTINUED)
MOLDINGS & TRIMS (CONTINUED)



| KEY | PART NUMBER | U/M | DESCRIPTION |
|-----|---------------|-----|-----------------------------------------------------------|
| 1D | 009767-12-000 | FT | WELTING - ANTIQUE WHITE |
| 1D | 009767-17-000 | FT | WELTING - PORTSMOUTH OAK |
| 2D | 009778-25-000 | FT | U-CHANNEL - 1" - BEIGE ILLUSION |
| 2D | 009778-26-000 | FT | U-CHANNEL - 1 1/4" - BEIGE ILLUSION |
| 2D | 009778-38-000 | FT | U-CHANNEL - 1" - BONE |
| 2D | 009778-32-000 | FT | U-CHANNEL - 1" - PORTSMOUTH OAK |
| 2D | 009778-34-000 | FT | U-CHANNEL - 1" - CONCERT CHERRY |
| 2D | 009778-27-000 | FT | U-CHANNEL - 1" - WASHED MAPLE |
| 2D | 009778-35-000 | FT | U-CHANNEL - 1" - HONEY CHERRY |
| 2D | 009778-36-000 | FT | U-CHANNEL - 1" - SIERRA MAPLE |
| 3D | 009809-30-000 | EA | MOLDING - CORNER - OUTSIDE - 1" X 84" - BEIGE ILLUSION |
| 3D | 009809-37-000 | EA | MOLDING - CORNER - OUTSIDE - 1" X 84" - BONE |
| 3D | 009809-32-000 | EA | MOLDING - CORNER - OUTSIDE - 1" X 84" - PORTSMOUTH OAK |
| 3D | 009809-33-000 | EA | MOLDING - CORNER - OUTSIDE - 1" X 84" - CONCERT CHERRY |
| 3D | 009809-31-000 | EA | MOLDING - CORNER - OUTSIDE - 1" X 84" - WASHED MAPLE |
| 3D | 009809-34-000 | EA | MOLDING - CORNER - OUTSIDE - 1" X 84" - HONEY CHERRY |
| 3D | 009809-35-000 | EA | MOLDING - CORNER - OUTSIDE - 1" X 84" - SIERRA MAPLE |
| 4D | 009812-31-000 | EA | MOLDING - CORNER - 1/2" W/1/4"CHAN X 84" - BEIGE ILLUSION |
| 4D | 009812-40-000 | EA | MOLDING - CORNER - 1/2" W/1/4"CHAN X 84" - BONE |
| 4D | 009812-35-000 | EA | MOLDING - CORNER - 1/2" W/1/4"CHAN X 84" - PORTSMOUTH OAK |
| 4D | 009812-36-000 | EA | MOLDING - CORNER - 1/2" W/1/4"CHAN X 84" - CONCERT CHERRY |
| 4D | 009812-33-000 | EA | MOLDING - CORNER - 1/2" W/1/4"CHAN X 84" - WASHED MAPLE |
| 4D | 009812-37-000 | EA | MOLDING - CORNER - 1/2" W/1/4"CHAN X 84" - HONEY CHERRY |
| 4D | 009812-38-000 | EA | MOLDING - CORNER - 1/2" W/1/4"CHAN X 84" - SIERRA MAPLE |
| 5D | 022992-11-000 | FT | MOLDING - REVERSE COVE - T-SHAPED - IVORY |
| 5D | 022992-18-000 | FT | MOLDING - REVERSE COVE - T-SHAPED - BONE |
| 5D | 022992-14-000 | FT | MOLDING - REVERSE COVE - T-SHAPED - BRIGHT WHITE |
| 6D | 070504-42-000 | FT | U-CHANNEL - PLASTIC - .13" X 84" - BEIGE ILLUSION |
| 6D | 070504-69-000 | FT | U-CHANNEL - PLASTIC - .13" X 84" - BONE |
| 6D | 070504-43-000 | FT | U-CHANNEL - PLASTIC - .9" X 96" - BEIGE ILLUSION |
| 6D | 070504-70-000 | FT | U-CHANNEL - PLASTIC - .8" X 84" - BONE |
| 6D | 070504-57-000 | FT | U-CHANNEL - PLASTIC - .13" X 84" - PORTSMOUTH OAK |
| 6D | 070504-58-000 | FT | U-CHANNEL - PLASTIC - .9" X 84" - PORTSMOUTH OAK |
| 6D | 070504-60-000 | FT | U-CHANNEL - PLASTIC - .13" X 84" - CONCERT CHERRY |
| 6D | 070504-61-000 | FT | U-CHANNEL - PLASTIC - .9" X 84" - CONCERT CHERRY |
| 6D | 070504-50-000 | FT | U-CHANNEL - PLASTIC - .13" X 96" - WASHED MAPLE |
| 6D | 070504-51-000 | FT | U-CHANNEL - PLASTIC - .9" X 96" - WASHED MAPLE |
| 6D | 070504-62-000 | FT | U-CHANNEL - PLASTIC - 1.65" X 84" - HONEY CHERRY |
| 6D | 070504-63-000 | FT | U-CHANNEL - PLASTIC - .9" X 84" - HONEY CHERRY |
| 6D | 070504-65-000 | FT | U-CHANNEL - PLASTIC - 1.65" X 84" - SIERRA MAPLE |
| 6D | 070504-66-000 | FT | U-CHANNEL - PLASTIC - .9" X 84" - SIERRA MAPLE |
| 7D | 083620-15-000 | FT | MOLDING-T - W/EDGE LIP - 7/8" FACE - BEIGE ILLUSION |
| 7D | 083620-25-000 | FT | MOLDING-T - W/EDGE LIP - 7/8" FACE - BONE |
| 7D | 083620-20-000 | FT | MOLDING-T - W/EDGE LIP - 7/8" FACE - PORTSMOUTH OAK |
| 7D | 083620-21-000 | FT | MOLDING-T - W/EDGE LIP - 7/8" FACE - CONCERT CHERRY |
| 7D | 083620-19-000 | FT | MOLDING-T - W/EDGE LIP - 7/8" FACE - WASHED MAPLE |
| 7D | 083620-24-000 | FT | MOLDING-T - W/EDGE LIP - 7/8" FACE - HONEY CHERRY |
| 7D | 083620-22-000 | FT | MOLDING-T - W/EDGE LIP - 7/8" FACE - SIERRA MAPLE |
| 8D | 085746-04-000 | FT | TRIM-J - CARPET 1.2" X .5" ANGLE - 12' LONG - OFF WHITE |
| 9D | 086229-01-000 | EA | RETAINER - BATTEN - .75" X 92.1" - ANY COLOR |
| 10D | 086229-20-000 | EA | BATTEN - 1" X 96" - BEIGE |

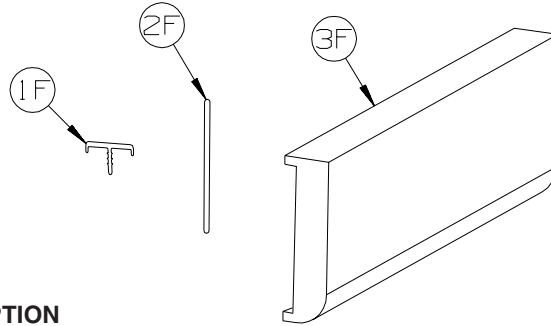
INTERIOR FINISH GROUP (CONTINUED)
MOLDINGS & TRIMS (CONTINUED)



| KEY | PART NUMBER | U/M | DESCRIPTION |
|-----|---------------|-----|---------------------------------------------------------------------------------------------|
| 1E | 100659-30-N75 | EA | MOLDING - TRIM - 8' - PORTSMOUTH OAK |
| 1E | 100659-30-N74 | EA | MOLDING - TRIM - 8' - CONCERT CHERRY |
| 1E | 100659-30-M84 | EA | MOLDING - TRIM - 8' - WASHED MAPLE |
| 1E | 100659-27-RA3 | EA | MOLDING - TRIM - HONEY CHERRY |
| 1E | 100659-31-SA3 | EA | MOLDING - TRIM - SIERRA MAPLE |
| 2E | 100818-01-12A | EA | MOLDING - VINYL WRAPPED - 1.6" X .4" X 84" - PORTSMOUTH OAK |
| 2E | 100818-01-13A | EA | MOLDING - VYL 84" - CONCERT CHERRY (U90/94/98/A1/A5/B1/C1/C5/D1/D5/E1/E5/F1/F5/G1/G5/H1/H5) |
| 2E | 100818-01-23A | EA | MOLDING - VINYL WRPPD - 1.6" X .4" X 84" - CONCERT CHERRY (UM1 THRU UM9, UN1 THRU UN9) |
| 2E | 100818-01-21A | EA | MOLDING - VINYL WRAPPED - 1.6" X .4" X 84" - WASHED MAPLE |
| 2E | 100818-01-14A | EA | MOLDING - VINYL WRAPPED - 1.6" X .4" X 84" - HONEY CHERRY |
| 2E | 100818-01-22A | EA | MOLDING - VINYL WRAPPED - 1.6" X .4" X 84" - SIERRA MAPLE |
| 3E | 100819-01-12A | EA | MOLDING - VINYL WRAPPED-L-SHAPED-1.5"X1.5"X84" - PORTSMOUTH OAK |
| 3E | 100819-01-13A | EA | MOLDING - VYL 84" - CONCERT CHERRY (U90/94/98/A1/A5/B1/C1/C5/D1/D5/E1/E5/F1/F5/G1/G5/H1/H5) |
| 3E | 100819-01-23A | EA | MOLDING - VYL WRPPD-L-SHPD-1.5"X1.5"X84" - CONCERT CHERRY (UM1 THRU UM9, UN1 THRU UN9) |
| 3E | 100819-01-21A | EA | MOLDING - VINYL WRAPPED-L-SHAPED-1.5"X1.5"X84" - WASHED MAPLE |
| 3E | 100819-01-14A | EA | MOLDING - VINYL WRAPPED-L-SHAPED-1.5"X1.5"X84" - HONEY CHERRY |
| 3E | 100819-01-22A | EA | MOLDING - VINYL WRAPPED-L-SHAPED-1.5"X1.5"X84" - SIERRA MAPLE |
| 4E | 103186-01-07A | FT | MOLDING/PLASTIC - 3/8" U-CHANNEL-3/4" FACE -BEIGE ILLUSION |
| 4E | 103186-01-09A | FT | MOLDING/PLASTIC - 3/8" U-CHAN'L-3/4" FACE - PORTSMOUTH OAK |
| 4E | 103186-01-10A | FT | MOLDING/PLASTIC - 3/8" U-CHAN'L-3/4" FACE - CONCERT CHERRY |
| 4E | 103186-01-08A | FT | MOLDING/PLASTIC - 3/8" U-CHANNEL-3/4"FACE-WASHED MAPLE 8' - WASHED MAPLE |
| 4E | 103186-01-11A | FT | MOLDING/PLASTIC - 3/8" U-CHAN'L-3/4" FACE - HONEY CHERRY |
| 4E | 103186-01-12A | FT | MOLDING/PLASTIC - 3/8" U-CHAN'L-3/4" FACE - SIERRA MAPLE |
| 4E | 103186-02-07A | FT | MOLDING/PLASTIC-1" U-CHAN'L-1 3/8" FACE - BEIGE ILLUSION |
| 4E | 103186-02-09A | FT | MOLDING/PLASTIC - 1" U-CHAN'L-1 3/8" FACE - PORTSMOUTH OAK |
| 4E | 103186-02-10A | FT | MOLDING/PLASTIC - 1" U-CHAN'L-1 3/8" FACE - CONCERT CHERRY |
| 4E | 103186-02-08A | FT | MOLDING/PLASTIC - 1" U-CHANNEL-1 3/8"FACE - WASHED MAPLE |
| 4E | 103186-02-11A | FT | MOLDING/PLASTIC - 1" U-CHAN'L-1 3/8" FACE - HONEY CHERRY |
| 4E | 103186-02-12A | FT | MOLDING/PLASTIC - 1" U-CHAN'L-1 3/8" FACE - SIERRA MAPLE |
| 5E | 104676-02-08A | FT | MOLDING-T - W/EDGE LIP - 11/16" FACE - PORTSMOUTH OAK |
| 5E | 104676-02-09A | FT | MOLDING-T - W/EDGE LIP - 11/16" FACE - CONCERT CHERRY |
| 5E | 104676-02-06A | FT | MOLDING-T - W/EDGE LIP - 11/16" FACE - WASHED MAPLE |
| 5E | 104676-02-10A | FT | MOLDING-T - W/EDGE LIP - 11/16" FACE - HONEY CHERRY |
| 5E | 104676-02-12A | FT | MOLDING-T - W/EDGE LIP - 11/16" FACE - SIERRA MAPLE |
| 6E | 105004-01-12A | EA | MOLDING - VINYL WRAPPED - 1" X 96" - PORTSMOUTH OAK |
| 6E | 105004-01-13A | EA | MOLDING - V W 8' - CONCERT CHERRY (U90/94/98/A1/A5/B1/C1/C5/D1/D5/E1/E5/F1/F5/G1/G5/H1/H5) |
| 6E | 105004-01-23A | EA | MOLDING - VINYL WRAPPD 1" X 8' - CONCERT CHERRY (UM1 THRU UM9, UN1 THRU UN9) |
| 6E | 105004-01-21A | EA | MOLDING - VINYL WRAPPED - 1" X 8' - WASHED MAPLE |
| 6E | 105004-01-24A | EA | MOLDING - VINYL WRAPPED - 1" X 8' - HONEY CHERRY |
| 6E | 105004-01-22A | EA | MOLDING - VINYL WRAPPED - 1" X 8' - SIERRA MAPLE |
| 7E | 105709-02-000 | FT | MOLDING-T - W/EDGE LIP 3/4" FACE - BEIGE ILLUSION |
| 8E | 116951-45-R68 | EA | MOLDING - TRIM - 3" X 30.3" - PORTSMOUTH OAK |
| 8E | 116951-45-R69 | EA | MOLDING - TRIM - 3" X 30.3" - CONCERT CHERRY |
| 8E | 116951-45-R76 | EA | MOLDING - TRIM - 3" X 30.3" - WASHED MAPLE |
| 8E | 116951-45-SA3 | EA | MOLDING - TRIM - 3" X 30.3" - SIERRA MAPLE |
| 9E | 116951-37-R68 | EA | MOLDING - TRIM - 3.5" X 38.6" - PORTSMOUTH OAK |
| 9E | 116951-37-R69 | EA | MOLDING - TRIM - 3.5" X 38.6" - CONCERT CHERRY |
| 9E | 116951-37-R76 | EA | MOLDING - TRIM - 3.5" X 38.6" - WASHED MAPLE |
| 9E | 116951-37-SA3 | EA | MOLDING - TRIM - 3.5" X 38.6" - SIERRA MAPLE |
| 9E | 116951-51-SA0 | EA | MOLDING - TRIM - 3.5" X 47.3" - PORTSMOUTH OAK |
| 9E | 116951-51-SA1 | EA | MOLDING - TRIM - 3.5" X 47.3" - CONCERT CHERRY |
| 9E | 116951-51-SA2 | EA | MOLDING - TRIM - 3.5" X 47.3" - WASHED MAPLE |
| 9E | 116951-51-SA3 | EA | MOLDING - TRIM - 3.5" X 47.3" - SIERRA MAPLE |

INTERIOR FINISH GROUP (CONTINUED)
MOLDINGS & TRIMS (CONTINUED)

| KEY | PART NUMBER | U/M | DESCRIPTION |
|-----|---------------|-----|------------------------------------------------|
| 9E | 116951-55-TD0 | EA | MOLDING - TRIM - 4.5" X 52.3" - PORTSMOUTH OAK |
| 9E | 116951-55-TD1 | EA | MOLDING - TRIM - 4.5" X 52.3" - CONCERT CHERRY |
| 9E | 116951-55-TD2 | EA | MOLDING - TRIM - 4.5" X 52.3" - WASHED MAPLE |
| 9E | 116951-55-TD3 | EA | MOLDING - TRIM - 4.5" X 52.3" - SIERRA MAPLE |
| 9E | 116951-56-TD0 | EA | MOLDING - TRIM - 4.5" X 52.3" - PORTSMOUTH OAK |
| 9E | 116951-56-TD1 | EA | MOLDING - TRIM - 4.5" X 52.3" - CONCERT CHERRY |
| 9E | 116951-56-TD2 | EA | MOLDING - TRIM - 4.5" X 52.3" - WASHED MAPLE |
| 9E | 116951-56-TD3 | EA | MOLDING - TRIM - 4.5" X 52.3" - SIERRA MAPLE |

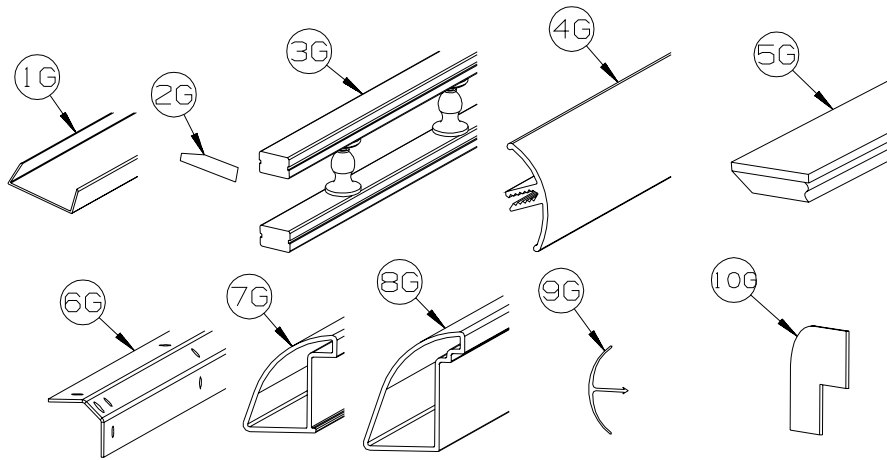


| KEY | PART NUMBER | U/M | DESCRIPTION |
|-----|---------------|-----|-----------------------------------------------------------------------------------------------|
| 1F | 119520-01-01A | FT | MOLDING-T - OFFSET W/EDGE LIP - 1.3" FACE - OFF WHITE |
| 1F | 119520-03-03A | FT | MOLDING-T - OFFSET W/EDGE LIP - 1" FACE - WASHED MAPLE |
| 1F | 119520-03-06A | FT | MOLDING-T - OFFSET W/EDGE LIP - 1" FACE - HONEY CHERRY |
| 2F | 127842-01-01A | FT | SEAL - SIGHT SHIELD - 2" BLACK |
| | 137885-A2-438 | EA | LUMBER - VYL .75" - CONCERT CHERRY (U90/94/98/A1/A5/B1/C1/C5/D1/D5/E1/E5/F1/F5/G1/G5/H1/H5) |
| | 160300-A2-438 | EA | LUMBER - VINYL WRAPPED - .7" X .75" X 96" - CONCERT CHERRY (UM1 THRU UM9, UN1 THRU UN9) |
| | 137885-D2-438 | EA | LUMBER - VYL1.5" - CONCERT CHERRY (U90/94/98/A1/A5/B1/C1/C5/D1/D5/E1/E5/F1/F5/G1/G5/H1/H5) |
| | 160300-D2-438 | EA | LUMBER - VINYL WRAPPED - .7" X 1.5" X 96" - CONCERT CHERRY (UM1 THRU UM9, UN1 THRU UN9) |
| | 137885-E2-438 | EA | LUMBER - VYL2" -CONCERT CHERRY (U90/94/98/A1/A5/B1/C1/C5/D1/D5/E1/E5/F1/F5/G1/G5/H1/H5) |
| | 160300-E2-438 | EA | LUMBER - VINYL WRAPPED - .7" X 2" X 96" - CONCERT CHERRY (UM1 THRU UM9, UN1 THRU UN9) |
| | 137885-F2-438 | EA | LUMBER - VYL2.5" - CONCERT CHERRY (U90/94/98/A1/A5/B1/C1/C5/D1/D5/E1/E5/F1/F5/G1/G5/H1/H5) |
| | 160300-F2-438 | EA | LUMBER - VINYL WRAPPED - .7" X 2.5" X 96" - CONCERT CHERRY (UM1 THRU UM9, UN1 THRU UN9) |
| | 137885-G2-438 | EA | LUMBER - VYL3" - CONCERT CHERRY (U90/94/98/A1/A5/B1/C1/C5/D1/D5/E1/E5/F1/F5/G1/G5/H1/H5) |
| | 160300-G2-438 | EA | LUMBER - VINYL WRAPPED - .7" X 3" X 96" - CONCERT CHERRY (UM1 THRU UM9, UN1 THRU UN9) |
| | 137885-H2-438 | EA | LUMBER - VYL3.5" - CONCERT CHERRY (U90/94/98/A1/A5/B1/C1/C5/D1/D5/E1/E5/F1/F5/G1/G5/H1/H5) |
| | 160300-H2-438 | EA | LUMBER - VINYL WRAPPED - .7" X 3.5" X 96" - CONCERT CHERRY (UM1 THRU UM9, UN1 THRU UN9) |
| | 137885-J2-438 | EA | LUMBER - VYL5.5" - CONCERT CHERRY (U90/94/98/A1/A5/B1/C1/C5/D1/D5/E1/E5/F1/F5/G1/G5/H1/H5) |
| | 160300-J2-438 | EA | LUMBER - VINYL WRAPPED - .7" X 5.5" X 96" - CONCERT CHERRY (UM1 THRU UM9, UN1 THRU UN9) |
| | 137885-J2-743 | EA | LUMBER - VYL5.5" - CONCERT CHERRY (U90/94/98/A1/A5/B1/C1/C5/D1/D5/E1/E5/F1/F5/G1/G5/H1/H5) |
| | 160300-J2-743 | EA | LUMBER - VINYL WRAPPED - .7" X 5.5" X 108" - CONCERT CHERRY (UM1 THRU UM9, UN1 THRU UN9) |
| | 137885-K2-438 | EA | LUMBER - VYL3.9" - CONCERT CHERRY (U90/94/98/A1/A5/B1/C1/C5/D1/D5/E1/E5/F1/F5/G1/G5/H1/H5) |
| | 160300-K2-438 | EA | LUMBER - VINYL WRAPPED - .7" X 3.9" X 96" - CONCERT CHERRY (UM1 THRU UM9, UN1 THRU UN9) |
| | 137885-R2-438 | EA | LUMBER - VYL 3" - CONCERT CHERRY (U90/94/98/A1/A5/B1/C1/C5/D1/D5/E1/E5/F1/F5/G1/G5/H1/H5) |
| | 160300-R2-438 | EA | LUMBER - VINYL WRAPPED - .7" X 3" X 96" - CONCERT CHERRY (UM1 THRU UM9, UN1 THRU UN9) |
| 3F | 137887-D2-134 | EA | MOLDING - 1.6" X 84"- CONCERT CHERRY (U90/94/98/A1/A5/B1/C1/C5/D1/D5/E1/E5/F1/F5/G1/G5/H1/H5) |
| 3F | 160301-D2-134 | EA | MOLDING -VINYL WRAPPED - .7" X 1.6" X 84" - CONCERT CHERRY (UM1 THRU UM9, UN1 THRU UN9) |
| 3F | 137887-D2-743 | EA | MLDG - 1.6" X 108" - CONCERT CHERRY (U90/94/98/A1/A5/B1/C1/C5/D1/D5/E1/E5/F1/F5/G1/G5/H1/H5) |
| 3F | 160301-D2-743 | EA | MOLDING - VINYL WRAPPED- .7" X 1.6" X 108" - CONCERT CHERRY (UM1 THRU UM9, UN1 THRU UN9) |
| 3F | 137887-F2-134 | EA | MLDNG - 2.5" X 84" - CONCERT CHERRY (U90/94/98/A1/A5/B1/C1/C5/D1/D5/E1/E5/F1/F5/G1/G5/H1/H5) |
| 3F | 160301-F2-134 | EA | MOLDING - VINYL WRAPPED - .7" X 2.5" X 84" - CONCERT CHERRY (UM1 THRU UM9, UN1 THRU UN9) |
| 3F | 137887-F2-743 | EA | MLDG - 2.5" X 108" - CONCERT CHERRY (U90/94/98/A1/A5/B1/C1/C5/D1/D5/E1/E5/F1/F5/G1/G5/H1/H5) |
| 3F | 160301-F2-743 | EA | MOLDING - VINYL WRPPD - .7" X 2.5" X 108" - CONCERT CHERRY (UM1 THRU UM9, UN1 THRU UN9) |
| 3F | 137887-F2-438 | EA | MLDG - 2.5" X 96" - CONCERT CHERRY (U90/94/98/A1/A5/B1/C1/C5/D1/D5/E1/E5/F1/F5/G1/G5/H1/H5) |
| 3F | 160301-F2-438 | EA | MOLDING - VINYL WRPPD - .7" X 2.5" X 96" - CONCERT CHERRY (UM1 THRU UM9, UN1 THRU UN9) |
| | 137894-A2-438 | EA | LUMBER - VINYL WRAPPED - .7" X .75" X 96" - PORTSMOUTH OAK |
| | 137894-D2-438 | EA | LUMBER - VINYL WRAPPED - .7" X 1.5" X 96" - PORTSMOUTH OAK |
| | 137894-E2-438 | EA | LUMBER - VINYL WRAPPED - .7" X 2" X 96" - PORTSMOUTH OAK |
| | 137894-F2-438 | EA | LUMBER - VINYL WRAPPED - .7" X 2.5" X 96" - PORTSMOUTH OAK |
| | 137894-G2-438 | EA | LUMBER - VINYL WRAPPED - .7" X 3" X 96" - PORTSMOUTH OAK |
| | 137894-H2-438 | EA | LUMBER - VINYL WRAPPED - .7" X 3.5" X 96" - PORTSMOUTH OAK |
| | 137894-J2-438 | EA | LUMBER - VINYL WRAPPED - .7" X 5.5" X 80.2" - PORTSMOUTH OAK |
| | 137894-J2-743 | EA | LUMBER - VINYL WRAPPED - .7" X 5.5" X 96" - PORTSMOUTH OAK |
| | 137894-K2-438 | EA | LUMBER - VINYL WRAPPED - .7" X 3.9" X 96" - PORTSMOUTH OAK |
| | 137894-R2-438 | EA | LUMBER - VINYL WRAPPED - .7" X 3" X 96" - PORTSMOUTH OAK |

INTERIOR FINISH GROUP (CONTINUED)
MOLDINGS & TRIMS (CONTINUED)

| KEY | PART NUMBER | U/M | DESCRIPTION |
|-----|---------------|-----|--------------------------------------------------------------|
| 3F | 137895-D2-134 | EA | MOLDING - VINYL WRAPPED - .7" X 1.6" X 84"-PORTSMOUTH OAK |
| 3F | 137895-D2-743 | EA | MOLDING - VINYL WRAPPED - .7" X 1.6" X 108"-PORTSMOUTH OAK |
| 3F | 137895-F2-438 | EA | MOLDING - VINYL WRAPPED - .7" X 2.5" X 96" - PORTSMOUTH OAK |
| 3F | 137895-F2-743 | EA | MOLDING - VINYL WRAPPED - .7" X 2.5" X 108" - PORTSMOUTH OAK |
| | 146419-A2-438 | EA | LUMBER - VINYL WRAPPED - .7" X .75" X 96" - HONEY CHERRY |
| | 146419-D2-438 | EA | LUMBER - VINYL WRAPPED - .7" X 1.5" X 96" - HONEY CHERRY |
| | 146419-E2-438 | EA | LUMBER - VINYL WRAPPED - .7" X 2" X 96" - HONEY CHERRY |
| | 146419-F2-438 | EA | LUMBER - VINYL WRAPPED - .7" X 2.5" X 96" - HONEY CHERRY |
| | 146419-G2-438 | EA | LUMBER - VINYL WRAPPED - .7" X 3" X 96" - HONEY CHERRY |
| | 146419-H2-438 | EA | LUMBER - VINYL WRAPPED - .7" X 3.5" X 96" - HONEY CHERRY |
| | 146419-J2-438 | EA | LUMBER - VINYL WRAPPED - .7" X 5.5" X 96" - HONEY CHERRY |
| | 146419-J2-743 | EA | LUMBER - VINYL WRAPPED - .7" X 5.5" X 108" - HONEY CHERRY |
| | 146419-K2-438 | EA | LUMBER - VINYL WRAPPED - .7" X 3.9" X 96" - HONEY CHERRY |
| | 146419-R2-438 | EA | LUMBER - VINYL WRAPPED - .7" X 3" X 96" - HONEY CHERRY |
| | 146419-S2-438 | EA | LUMBER - VINYL WRAPPED/FULL - .7"X 3.5"X 96"- HONEY CHERRY |
| | 146419-T2-438 | EA | LUMBER - VINYL WRAPPED/FULL - .7"X 5.5"X 96"- HONEY CHERRY |
| 3F | 146425-D2-134 | EA | MOLDING - VINYL WRAPPED - .7" X 1.6" X 83.9" - HONEY CHERRY |
| 3F | 146425-F2-438 | EA | MOLDING - VINYL WRAPPED - .7" X 2.6" X 96" - HONEY CHERRY |
| | 149325-A2-438 | EA | LUMBER - VINYL WRAPPED - .7" X .75" X 96" - WASHED MAPLE |
| | 149325-D2-438 | EA | LUMBER - VINYL WRAPPED - .7" X 1.5" X 96" - WASHED MAPLE |
| | 149325-E2-438 | EA | LUMBER - VINYL WRAPPED - .7" X 2" X 96" - WASHED MAPLE |
| | 149325-F2-438 | EA | LUMBER - VINYL WRAPPED - .7" X 2.5" X 96" - WASHED MAPLE |
| | 149325-G2-438 | EA | LUMBER - VINYL WRAPPED - .7" X 3" X 96" - WASHED MAPLE |
| | 149325-H2-438 | EA | LUMBER - VINYL WRAPPED - .7" X 3.5" X 96" - WASHED MAPLE |
| | 149325-J2-438 | EA | LUMBER - VINYL WRAPPED - .7" X 5.5" X 96" - WASHED MAPLE |
| | 149325-J2-743 | EA | LUMBER - VINYL WRAPPED - .7" X 5.5" X 108" - WASHED MAPLE |
| | 149325-K2-438 | EA | LUMBER - VINYL WRAPPED - .7" X 3.9" X 96" - WASHED MAPLE |
| | 149325-R2-438 | EA | LUMBER - VINYL WRAPPED - .7" X 3" X 96" - WASHED MAPLE |
| 3F | 149326-D2-134 | EA | MOLDING - VINYL WRAPPED - .7" X 1.5" X 83.9" - WASHED MAPLE |
| 3F | 149326-D2-743 | EA | MOLDING - VINYL WRAPPED - .7" X 1.5" X 108" - WASHED MAPLE |
| 3F | 149326-F2-134 | EA | MOLDING - VINYL WRAPPED - .7" X 2.5" X 83.9" - WASHED MAPLE |
| 3F | 149326-F2-438 | EA | MOLDING - VINYL WRAPPED - .7" X 2.5" X 96" - WASHED MAPLE |
| 3F | 149326-F2-743 | EA | MOLDING - VINYL WRAPPED - .7" X 2.5" X 108" - WASHED MAPLE |
| | 149330-A2-438 | EA | LUMBER - VINYL WRAPPED - .7" X .75" X 96" - SIERRA MAPLE |
| | 149330-D2-438 | EA | LUMBER - VINYL WRAPPED - .7" X 1.5" X 96" - SIERRA MAPLE |
| | 149330-E2-438 | EA | LUMBER - VINYL WRAPPED - .7" X 2" X 96" - SIERRA MAPLE |
| | 149330-F2-438 | EA | LUMBER - VINYL WRAPPED - .7" X 2.5" X 96" - SIERRA MAPLE |
| | 149330-G2-438 | EA | LUMBER - VINYL WRAPPED - .7" X 3" X 96" - SIERRA MAPLE |
| | 149330-H2-438 | EA | LUMBER - VINYL WRAPPED - .7" X 3.5" X 96" - SIERRA MAPLE |
| | 149330-J2-438 | EA | LUMBER - VINYL WRAPPED - .7" X 5.5" X 96" - SIERRA MAPLE |
| | 149330-J2-743 | EA | LUMBER - VINYL WRAPPED - .7" X 5.5" X 108" - SIERRA MAPLE |
| | 149330-K2-438 | EA | LUMBER - VINYL WRAPPED - .7" X 3.9" X 96" - SIERRA MAPLE |
| | 149330-R2-438 | EA | LUMBER - VINYL WRAPPED - .7" X 3" X 96" - SIERRA MAPLE |
| 3F | 149331-D2-134 | EA | MOLDING - VINYL WRAPPED - .7" X 1.5" X 83.9" - SIERRA MAPLE |
| 3F | 149331-D2-743 | EA | MOLDING - VINYL WRAP - .7" X 1.5" X 108" - SIERRA MAPLE |
| 3F | 149331-F2-134 | EA | MOLDING - VINYL WRAPPED - .7" X 2.5" X 83.9" - SIERRA MAPLE |
| 3F | 149331-F2-438 | EA | MOLDING - VINYL WRAPPED - .7" X 2.5" X 96" - SIERRA MAPLE |
| 3F | 149331-F2-743 | EA | MOLDING - VINYL WRAPPED - .7" X 2.5" X 108" - SIERRA MAPLE |

INTERIOR FINISH GROUP (CONTINUED)
MOLDINGS & TRIMS (CONTINUED)



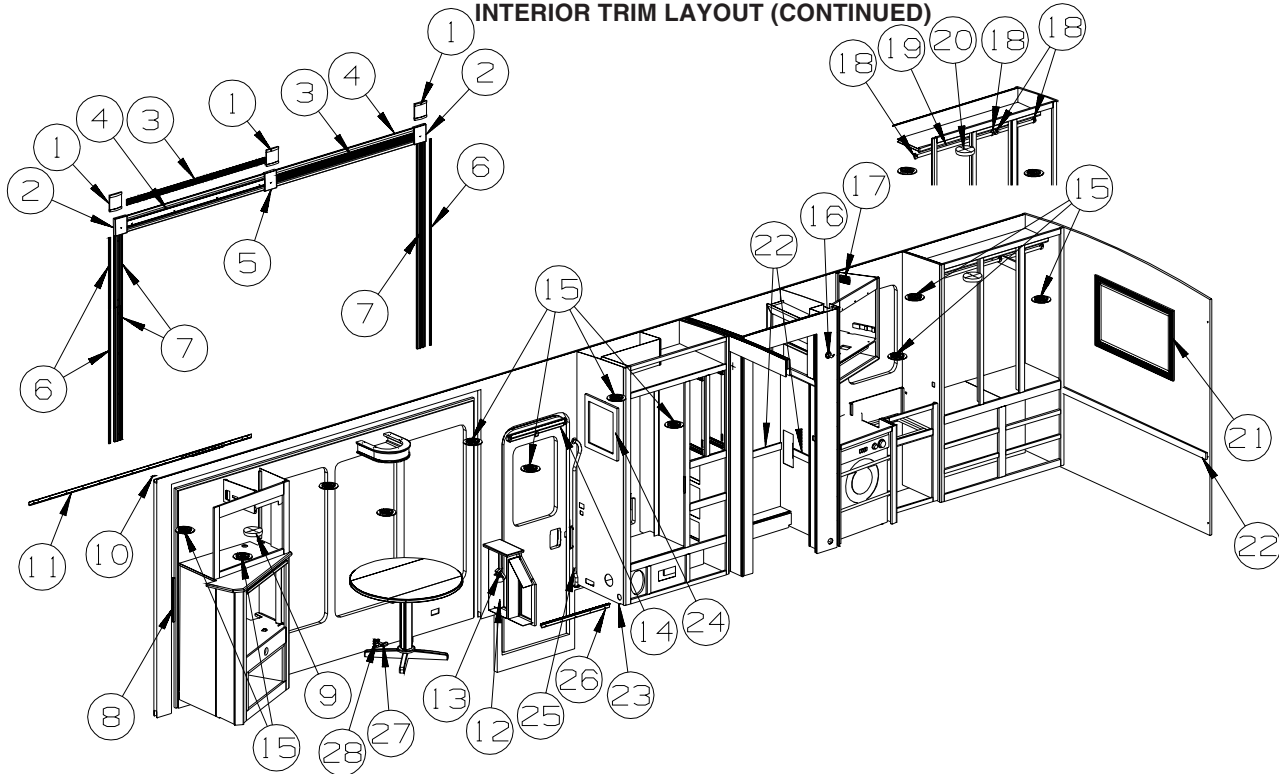
| KEY | PART NUMBER | U/M | DESCRIPTION |
|-----|---------------|-----|---------------------------------------------------------------------------------|
| 1G | 141260-01-01A | FT | U-CHANNEL - 1" - VILLAGE OAK |
| 1G | 141260-01-02A | FT | U-CHANNEL - 1" - GRADY BROWN |
| 1G | 141260-02-01A | FT | U-CHANNEL - 1 1/8" - VILLAGE OAK |
| 1G | 141260-02-02A | FT | U-CHANNEL - 1 1/8" - GRADY BROWN |
| 2G | 146306-01-01A | FT | TRANSITION - CARPET/TILE |
| 3G | 150167-01-07A | EA | RAIL - DECORATIVE - 96" W/O REVERSE SIDE GROOVE - PORTSMOUTH OAK |
| 3G | 150167-01-02A | EA | RAIL - DECORATIVE - 96" W/O REVERSE SIDE GROOVE - SALEM CHERRY - CONCERT CHERRY |
| 3G | 150167-01-03A | EA | RAIL - DECORATIVE - 96" W/O REVERSE SIDE GROOVE - WASHED MAPLE |
| 3G | 150167-01-09A | EA | RAIL - DECORATIVE - 96" W/O REVERSE SIDE GROOVE - SIERRA MAPLE |
| 4G | 151653-10-02A | EA | TRIM/RADIUS - CABINET CORNER - 79.6" - DULL METALLIC |
| 4G | 151653-13-02A | EA | TRIM/RADIUS - CABINET CORNER - 79.8" - DULL METALLIC |
| 5G | 151676-26-S46 | EA | MOLDING/TRIM - .75" X 1.6" X 80.2" - PORTSMOUTH OAK |
| 5G | 151676-26-S47 | EA | MOLDING/TRIM - .75" X 1.6" X 80.2" - CONCERT CHERRY |
| 5G | 151676-26-S48 | EA | MOLDING/TRIM - .75" X 1.6" X 80.2" - WASHED MAPLE |
| 5G | 151676-26-SR0 | EA | MOLDING/TRIM - .75" X 1.6" X 80.2" - SIERRA MAPLE |
| 6G | 151861-05-02B | EA | ANGLE - SUPPORT/CORNER - 1.4" X 78.6" - E-COATED |
| 7G | 151893-01-02A | EA | TRIM/RADIUS - CABINET BOTTOM - 72.6" - DULL METALLIC |
| 8G | 152077-01-02A | EA | TRIM/RADIUS - CABINET BOTTOM - 27.7" - DULL METALLIC |
| 9G | 156464-01-01A | FT | MOLDING - CORNER - RADIUS/PLASTIC - 8' - HONEY CHERRY |
| 9G | 156464-01-02A | FT | MOLDING - CORNER - RADIUS/PLASTIC - 8' - WASHED MAPLE |
| 9G | 156464-01-03A | FT | MOLDING - CORNER - RADIUS/PLASTIC - 8' - BONE |
| 10G | 160989-01-06A | FT | CAP - CORNER - RADIUS MOLDING - PLASTIC - WASHED MAPLE |
| 10G | 160989-01-07A | FT | CAP - CORNER - RADIUS MOLDING - PLASTIC - HONEY CHERRY |

INTERIOR FINISH GROUP (CONTINUED)
PANELING & LAMINATES

| KEY | PART NUMBER | U/M | DESCRIPTION |
|------------|--------------------|------------|--------------------------------------------------------------------------------------|
| | 000885-C3-000 | SF | PARTICLE BOARD - 3/8" X 4' X 8' - WHITE THATCH EMB-1 SIDED |
| | 000885-B9-000 | SF | PARTICLE BOARD - 3/8" X 4' X 8' - NEW CONC CHERRY - 1-SIDED - CONCERT CHERRY |
| | 000885-B5-000 | SF | PARTICLE BOARD - 3/8" X 4' X 8' - WASHED MAPLE - 1-SIDED - WASHED MAPLE |
| | 000885-B1-000 | SF | PARTICLE BOARD - 3/8" X 4' X 8' - SIERRA MAPLE - 1-SIDED - SIERRA MAPLE |
| | 000885-B8-000 | SF | PARTICLE BOARD - 3/8" X 4' X 8' - NEW CONC CHERRY - 2 SIDED - CONCERT CHERRY |
| | 000885-B4-000 | SF | PARTICLE BOARD - 3/8" X 4' X 8' - WASHED MAPLE - 2-SIDED - WASHED MAPLE |
| | 000885-B0-000 | SF | PARTICLE BOARD - 3/8" X 4' X 8' - SIERRA MAPLE - 2-SIDED - SIERRA MAPLE |
| | 000885-C1-000 | SF | PARTICLE BOARD - 1/2" X 4' X 8' - NEW CONC CHERRY - 2 SIDED - CONCERT CHERRY |
| | 000885-B7-000 | SF | PARTICLE BOARD - 1/2" X 4' X 8' - WASHED MAPLE - 2-SIDED - WASHED MAPLE |
| | 000885-B3-000 | SF | PARTICLE BOARD - 1/2" X 4' X 8' - SIERRA MAPLE - 2-SIDED - SIERRA MAPLE |
| | 000885-C0-000 | SF | PARTICLE BOARD - 3/4" X 4' X 8' - NEW CONC CHERRY - 2 SIDED - CONCERT CHERRY |
| | 000885-B6-000 | SF | PARTICLE BOARD - 3/4" X 4' X 8' - WASHED MAPLE - 2-SIDED - WASHED MAPLE |
| | 000885-B2-000 | SF | PARTICLE BOARD - 3/4" X 4' X 8' - SIERRA MAPLE - 2-SIDED - SIERRA MAPLE |
| | 057882-06-000 | SF | TAMBOUR - 48" X 96" SHEET - UNFINISHED - CONCERT CHERRY |
| | 057882-05-000 | SF | TAMBOUR - 48" X 96" SHEET - UNFINISHED - WASHED MAPLE/SIERRA MAPLE |
| | 069733-88-000 | EA | BATT STRIP - WOODGRAINED/SALEM CHERRY - 8' - CONCERT CHERRY |
| | 069733-91-000 | EA | BATT STRIP - WOODGRAINED/WASHED MAPLE - 8' - WASHED MAPLE |
| | 069733-90-000 | EA | BATT STRIP - WOODGRAINED/SIERRA MAPLE - 8' - SIERRA MAPLE |
| | 074497-50-000 | SF | PANELING - NEW CONCERT CHERRY - 1/8" X 4' X 8' - CONCERT CHERRY |
| | 074497-49-000 | SF | PANELING - WASHED MAPLE - 1/8" X 4' X 8' - WASHED MAPLE |
| | 074497-48-000 | SF | PANELING - SIERRA MAPLE - 1/8" X 4' X 8' - SIERRA MAPLE |
| | 074498-96-000 | SF | LAMINATE - PLASTIC - CHERRY - 4' X 8' - CONCERT CHERRY |
| | 074498-96-000 | SF | LAMINATE - PLASTIC - CHERRY - 4' X 8' - CONCERT CHERRY |
| | | | FROM: 00-00-00 THRU: 10-02-06 |
| | 074498-C2-000 | SF | LAMINATE - PLASTIC - CHERRY - 4' X 8' - CONCERT CHERRY |
| | | | FROM: 10-01-06 THRU: 99-99-99 |
| | 074498-A8-000 | SF | LAMINATE - PLASTIC - SUEDE/HONEY MAPLE - 5' X 8' - SIERRA MAPLE |
| | 074498-B8-000 | SF | LAMINATE - PLASTIC - CLASSIC ROCK - 5' X 8' (UA1, UA2, UA3, UM4, UA5, UA6, UA7, UM5) |
| | 074498-B7-000 | SF | LAMINATE - PLASTIC - HOUSE ROCK - 5' X 8' (UB1, UB2, UB3, UM6) |
| | 076325-79-000 | FT | MOLDING - EDGE BAND - .93" X .024" - CONCERT CHERRY |
| | 076325-82-000 | FT | MOLDING - EDGE BAND - .93" X .024" - WASHED MAPLE |
| | 076325-83-000 | FT | MOLDING - EDGE BAND - .93" X .024" - SIERRA MAPLE |
| | 076773-21-000 | SF | PANELING - 2 SIDED/NEW CONC CHERRY - 1/8" X 4' X 8' - CONCERT CHERRY |
| | 076773-26-000 | SF | PANELING - 1 SIDE/N-CONCERT CHERRY - 1/8" X 4' X 7' - CONCERT CHERRY |
| | 076773-20-000 | SF | PANELING - 2 SIDED/WASHED MAPLE - 1/8" X 4' X 8' - WASHED MAPLE |
| | 076773-25-000 | SF | PANELING - 1 SIDE/NEAT WASHED MAPLE - 1/8" X 4' X 7' - WASHED MAPLE |
| | 076773-19-000 | SF | PANELING - 2 SIDED/SIERRA MAPLE - 1/8" X 4' X 8' - SIERRA MAPLE |
| | 076773-24-000 | SF | PANELING - 1 SIDE/SIERRA MAPLE - 1/8" X 4' X 7' - SIERRA MAPLE |
| | 079666-03-000 | SF | PANELING - CLOSET - CEDAR - 4' X 7' |
| | 080215-17-000 | SF | PANELING-PAPER WRAP - 2 SIDED/N CON CHERRY-3/16" X 4' X 8' - CONCERT CHERRY |
| | 080215-16-000 | SF | PANELING-PAPER/WRAP - 2 SIDED/WASHED MAPLE-3/16" X 4' X 8' - WASHED MAPLE |
| | 080215-19-000 | SF | PANELING/PAPER WRAP - 2 SIDED/SIERRA MAPLE-3/16" X 4' X 8' - SIERRA MAPLE |
| | 085284-F7-000 | FT | TAPE/STRIP - TRUE GRIP - 1 1/2" WIDE - ADHESIVE BACKED |
| | 085284-J7-000 | FT | BATT TAPE - ADHESIVE BACKED - DECORATIVE - CONCERT CHERRY |
| | 085284-H3-000 | FT | BATT TAPE - ADHESIVE BACKED - DECORATIVE - WASHED MAPLE |
| | 085284-J4-000 | FT | BATT TAPE - ADHESIVE BACKED - DECORATIVE - SIERRA MAPLE |
| | 085284-L1-000 | FT | BATT TAPE - ADHESIVE BACKED - DECORATIVE - RATTAN (UA1, UA2, UA3, UM4) |
| | | | FROM: 00-00-00 THRU: 03-27-07 |
| | 085284-K7-000 | FT | BATT TAPE - ADHESIVE BACKED - DECORATIVE - KURTA/CANVAS (UA1, UA2, UA3, UM4) |
| | | | FROM: 03-28-07 THRU: 99-99-99 |
| | 085284-K7-000 | FT | BATT TAPE - ADHESIVE BACKED - DECORATIVE - KURTA/CANVAS (UA5, UA6, UA7, UM5) |
| | 085284-K1-000 | FT | BATT TAPE - ADHESIVE BACKED - DECORATIVE - MORITZ/TUSCANY (UB1, UB2, UB3, UM6) |
| | 088272-M9-000 | SF | PANELING - WHITE THATCHED - 4' X 8' |
| | 088272-N1-000 | SF | PANELING - OASIS/RATTAN - 4' X 7.4' (UA1, UA2, UA3, UM4) |
| | | | FROM: 00-00-00 THRU: 03-27-07 |
| | 088272-M7-000 | SF | PANELING - KURTA/CANVAS - 4' X 7.4' (UA1, UA2, UA3, UM4) |
| | | | FROM: 03-28-07 THRU: 99-99-99 |
| | 088272-M7-000 | SF | PANELING - KURTA/CANVAS - 4' X 7.4' (UA5, UA6, UA7, UM5) |
| | 088272-M1-000 | SF | PANELING - MORITZ/TUSCANY - 4' X 7.4' (UB1, UB2, UB3, UM6) |

INTERIOR FINISH GROUP (CONTINUED)

INTERIOR TRIM LAYOUT (CONTINUED)



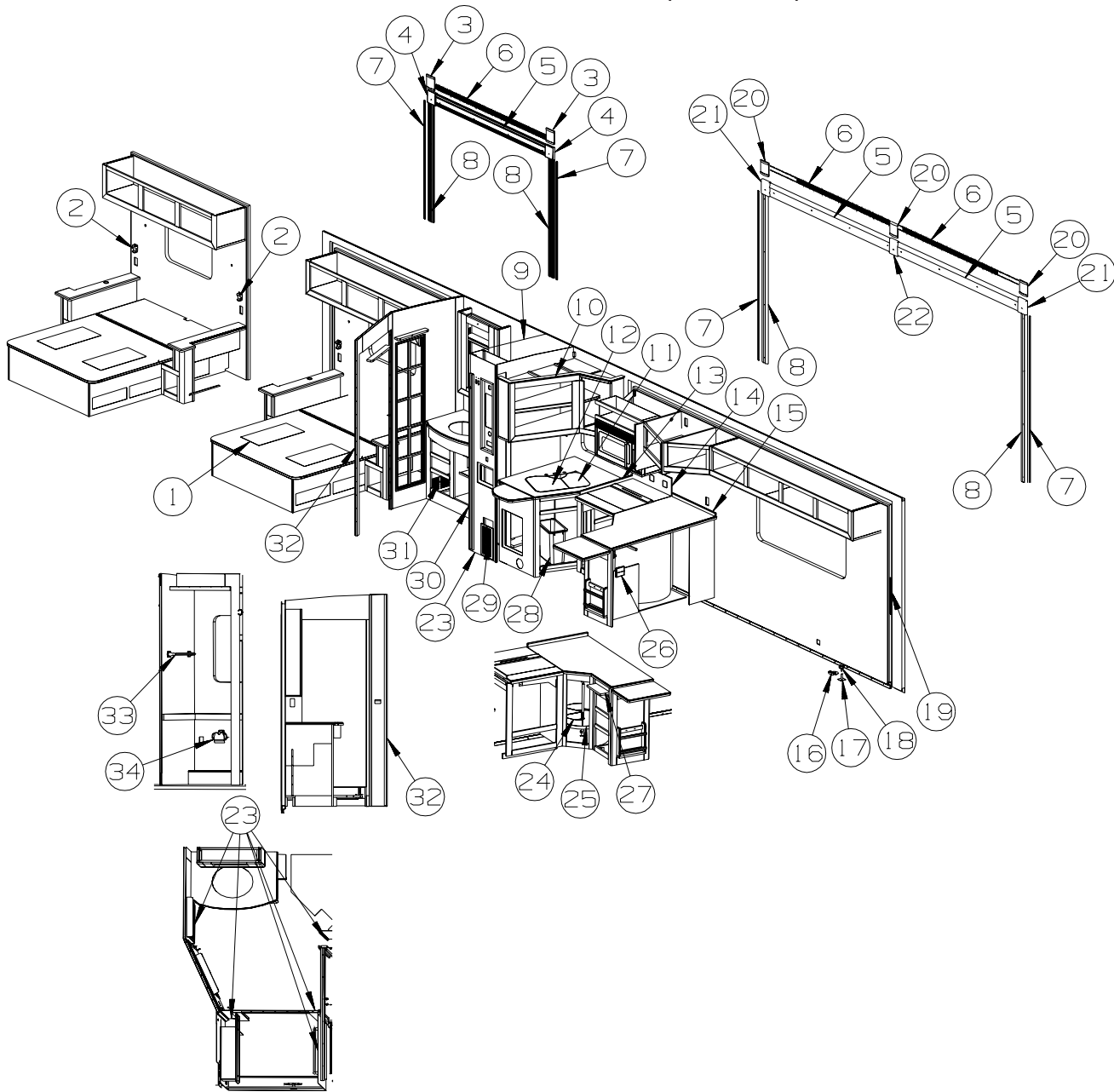
| KEY | PART NUMBER | U/M | DESCRIPTION |
|-----|---------------|-----|---------------------------------------------------------------------------|
| 1 | 153044-05-TE5 | EA | MOLDING/TRIM - SLIDEOUT - 5.1" X 5.9" - CONCERT CHERRY |
| 1 | 153044-05-TE6 | EA | MOLDING/TRIM - SLIDEOUT - 5.1" X 5.9" - WASHED MAPLE |
| 1 | 153044-05-TE7 | EA | MOLDING/TRIM - SLIDEOUT - 5.1" X 5.9" - SIERRA MAPLE |
| 2 | 153421-05-TD1 | EA | MOLDING/BLOCK - 5.1" X 5.9" - W/O INSERT - CONCERT CHERRY |
| 2 | 153421-05-TD2 | EA | MOLDING/BLOCK - 5.1" X 5.9" - W/O INSERT - WASHED MAPLE |
| 2 | 153421-05-TD3 | EA | MOLDING/BLOCK - 5.1" X 5.9" - W/O INSERT - SIERRA MAPLE |
| 3 | M09511-71-TD1 | EA | MOLDING/TRIM - FLUTED - 2" X 92.5" - CONCERT CHERRY |
| 3 | M09511-71-TD2 | EA | MOLDING/TRIM - FLUTED - 2" X 92.5" - WASHED MAPLE |
| 3 | M09511-71-TD3 | EA | MOLDING/TRIM - FLUTED - 2" X 92.5" - SIERRA MAPLE |
| 4 | Y00337-62-438 | EA | MOLDING/TRIM - VINYL/CURVED - 5.9" X 96" - CONCERT CHERRY (U90, U94, U98) |
| 4 | Y00337-D2-438 | EA | MOLDING/TRIM - VINYL/CURVED - 5.9" X 96" - CONCERT CHERRY (UM1, UM2, UM3) |
| 4 | Y00337-A2-438 | EA | MOLDING/TRIM - VINYL/CURVED - 5.9" X 96" - WASHED MAPLE |
| 4 | Y00337-92-438 | EA | MOLDING/TRIM - VINYL/CURVED - 5.9" X 96" - SIERRA MAPLE |
| 5 | P53421-06-TE5 | EA | MOLDING/BLOCK - 5.1" X 6.4" - W/O INSERT - CONCERT CHERRY |
| 5 | P53421-06-TE6 | EA | MOLDING/BLOCK - 5.1" X 6.4" - W/O INSERT - WASHED MAPLE |
| 5 | P53421-06-TE7 | EA | MOLDING/BLOCK - 5.1" X 6.4" - W/O INSERT - SIERRA MAPLE |
| 6 | Y00326-62-438 | EA | MOLDING - VINYL/CONCAVED - .7" X 96" - CONCERT CHERRY (U90, U94, U98) |
| 6 | Y00326-D2-438 | EA | MOLDING - VINYL/CONCAVED - .7" X 96" - CONCERT CHERRY (UM1, UM2, UM3) |
| 6 | Y00326-A2-438 | EA | MOLDING - VINYL/CONCAVED - .7" X 96" - WASHED MAPLE |
| 6 | Y00326-92-438 | EA | MOLDING - VINYL/CONCAVED - .7" X 96" - SIERRA MAPLE |
| 7 | Y00328-62-438 | EA | MOLDING - VINYL/CURVED - 3.5" X 96" - CONCERT CHERRY (U90, U94, U98) |
| 7 | Y00328-D2-438 | EA | MOLDING - VINYL/CURVED - 3.5" X 96" - CONCERT CHERRY (UM1, UM2, UM3) |
| 7 | Y00328-A2-438 | EA | MOLDING - VINYL/CURVED - 3.5" X 96" - WASHED MAPLE |
| 7 | Y00328-92-438 | EA | MOLDING - VINYL/CURVED - 3.5" X 96" - SIERRA MAPLE |
| 8 | 130262-05-000 | EA | PROTECTOR - CORNER - .4" X .7" |
| 9 | 072852-01-000 | EA | DETECTOR - SMOKE - W/9 VOLT BATTERY - US |
| 9 | 072852-02-000 | EA | DETECTOR - SMOKE - W/9 VOLT BATTERY - CANADIAN |
| | 077956-01-000 | EA | LABEL - WARNING/SMOKE DETECTOR |
| 10 | 138359-01-01A | FT | COVER - ROOF BREAK - PEARL CREAM/PLASTIC - 96" |
| 11 | 138403-01-01A | EA | TRIM - ROOF - MILL |
| 12 | 094499-03-000 | EA | EXTINGUISHER/FIRE - DRY - 10BC - W/GAUGE/BRACKET |
| 12* | 094499-02-000 | EA | EXTINGUISHER/FIRE - DRY - 10BC - W/GAUGE - CANADIAN |
| 12 | 094499-04-000 | EA | STRAP - FIRE EXTINGUISHER MOUNTING - METAL |
| 13 | 148362-01-01A | EA | COVER - BRACKET/STRIKE - BRIGHT WHITE |
| 14 | 144628-02-02A | EA | SHADE - SCREEN DOOR - 23" X 33.4" - BLACK |
| 14 | 144628-02-01A | EA | SHADE - SCREEN DOOR - 23" X 33.4" - BRIGHT WHITE - FULL BODY PAINT |
| 15 | 120134-01-02A | EA | REGISTER - W/DAMPER - 4" PIPE/6.4" O.D. FACE - WHITE |
| 15 | 120134-02-01A | EA | REGISTER - TRIM RING - WHITE |

INTERIOR FINISH GROUP (CONTINUED)
INTERIOR TRIM LAYOUT (CONTINUED)

| KEY | PART NUMBER | U/M | DESCRIPTION |
|------------|--------------------|------------|------------------------------------------------------------|
| 16 | 152957-01-01A | EA | HOOK - ROBE - NICKEL |
| 17 | 093214-01-03A | EA | GRILLE - SPEAKER - 4" - GLACIER |
| 18 | 152301-01-01A | EA | FLANGE - PLASTIC - 1" CLOTHES ROD HOLDER - WHITE |
| 19 | Y00136-21-218 | EA | DOWEL - WOOD - CLOTHES ROD - 1"DIAMETER X 4' |
| 20 | 125136-02-000 | EA | DETECTOR/CO - GAS MODEL - 9 VOLT |
| 21 | 149147-04-04A | EA | MIRROR - FRAMED - BEVELED - 41.5" X 25.5"-CHAMPAGNE SILVER |
| | 130120-01-01A | EA | BRACKET/MOUNTING - MIRROR |
| 22 | M09462-66-R75 | EA | MOLDING - TRIM/RAIL - .6" X 2.4" X 96" - CONCERT CHERRY |
| 22 | M09462-66-R76 | EA | MOLDING - TRIM/RAIL - .6" X 2.4" X 96" - WASHED MAPLE |
| 22 | M09462-66-SA3 | EA | MOLDING - TRIM/RAIL - .6" X 2.4" X 96" - SIERRA MAPLE |
| 23 | M09471-79-R39 | EA | MOLDING - TRIM/COVE - .8" X .8" X 96" - CONCERT CHERRY |
| 23 | M09471-79-R46 | EA | MOLDING - TRIM/COVE - .8" X .8" X 96" - WASHED MAPLE |
| 23 | M09471-79-SA3 | EA | MOLDING - TRIM/COVE - .8" X .8" X 96" - SIERRA MAPLE |
| 24 | 131493-02-36A | EA | PICTURE - DECORATIVE - 13" X 15" - BALSAM LEAF |
| 25 | 131058-03-02A | EA | HAND RAIL - INTERIOR ENTRY DOOR - BLACK |
| 26 | 139955-06-02A | EA | TRIM - STEP/ENTRY - 29.3" - TITANIUM |
| 27 | 134057-04-11B | EA | BRACKET - RECLINER - FLAT BLACK |
| 28 | 134194-02-01A | EA | KNOB - HOLD DOWN/RECLINER - BLACK |

***COMPONENT PARTS LISTED LATER IN THIS GROUP**

INTERIOR FINISH GROUP (CONTINUED)
INTERIOR TRIM LAYOUT (CONTINUED)



| KEY | PART NUMBER | U/M | DESCRIPTION |
|-----|---------------|-----|--------------------------------------------------------------------------------------|
| 1 | 154430-01-000 | EA | MATTRESS - INNERSPRING - 60" X 74.5" |
| 1 | 142411-01-000 | EA | MATTRESS/AIR - 60" X 75" - SELECT COMFORT - SLEEP NUMBER BED-QUEEN SIZE |
| 1 | 142411-03-000 | EA | AIR PUMP W/CONTROLS - F/SELECT COMFORT MATTRESS - SLEEP NUMBER BED-QUEEN SIZE |
| | 099717-05-000 | EA | STRAP - W/16.5" FEMALE STRAP AND 17.7" MALE STRAP |
| 2 | 142411-05-000 | EA | HOLDER - F/CONTROL (SELECT COMFORT) - SLEEP NUMBER BED-QUEEN SIZE |
| 3 | 153044-04-TE5 | EA | MOLDING/TRIM - SLIDEOUT - 5.1" X 4.7" - CONCERT CHERRY |
| 3 | 153044-04-TE6 | EA | MOLDING/TRIM - SLIDEOUT - 5.1" X 4.7" - WASHED MAPLE |
| 3 | 153044-04-TE7 | EA | MOLDING/TRIM - SLIDEOUT - 5.1" X 4.7" - SIERRA MAPLE |
| 4 | 153421-02-TD1 | EA | MOLDING/BLOCK - 5.1" X 5.1" - W/O INSERT - CONCERT CHERRY |
| 4 | 153421-02-TD2 | EA | MOLDING/BLOCK - 5.1" X 5.1" - W/O INSERT - WASHED MAPLE |
| 4 | 153421-02-TD3 | EA | MOLDING/BLOCK - 5.1" X 5.1" - W/O INSERT - SIERRA MAPLE |
| 5 | Y00327-62-438 | EA | MOLDING - VINYL/CURVED - 5.1" X 96" - CONCERT CHERRY |
| 5 | Y00327-A2-438 | EA | MOLDING - VINYL/CURVED - 5.1" X 96" - WASHED MAPLE |
| 5 | Y00327-92-438 | EA | MOLDING - VINYL/CURVED - 5.1" X 96" - SIERRA MAPLE |
| 6 | M09511-71-TD1 | EA | MOLDING/TRIM - FLUTED - 2" X 92.5" - CONCERT CHERRY |
| 6 | M09511-71-TD2 | EA | MOLDING/TRIM - FLUTED - 2" X 92.5" - WASHED MAPLE |
| 6 | M09511-71-TD3 | EA | MOLDING/TRIM - FLUTED - 2" X 92.5" - SIERRA MAPLE |
| 7 | Y00326-62-438 | EA | MOLDING - VINYL/CONCAVED - .7" X 96" - CONCERT CHERRY (U90, U94, U98) |
| 7 | Y00326-D2-438 | EA | MOLDING - VINYL/CONCAVED - .7" X 96" - CONCERT CHERRY (UM1, UM2, UM3) |

INTERIOR FINISH GROUP (CONTINUED)
INTERIOR TRIM LAYOUT (CONTINUED)

| KEY | PART NUMBER | U/M | DESCRIPTION |
|-----|---------------|-----|-------------------------------------------------------------------------------------------|
| 7 | Y00326-A2-438 | EA | MOLDING - VINYL/CONCAVED - .7" X 96" - WASHED MAPLE |
| 7 | Y00326-92-438 | EA | MOLDING - VINYL/CONCAVED - .7" X 96" - SIERRA MAPLE |
| 8 | Y00328-62-438 | EA | MOLDING - VINYL/CURVED - 3.5" X 96" - CONCERT CHERRY (U90, U94, U98) |
| 8 | Y00328-D2-438 | EA | MOLDING - VINYL/CURVED - 3.5" X 96" - CONCERT CHERRY (UM1, UM2, UM3) |
| 8 | Y00328-A2-438 | EA | MOLDING - VINYL/CURVED - 3.5" X 96" - WASHED MAPLE |
| 8 | Y00328-92-438 | EA | MOLDING - VINYL/CURVED - 3.5" X 96" - SIERRA MAPLE |
| 9* | 158076-03-01A | EA | DOOR - SHOWER - NEO ANGLE - 66.4" TALL - NICKEL/AQUA |
| | 158076-05-01A | EA | LATCH KIT - TRAVEL/SAFETY - RIGHT HINGED |
| | 158076-07-01A | EA | SCREW - F/TRAVEL LATCH - 6-32 X .25" PPH |
| | 158076-08-01A | EA | NUT-HEX - F/TRAVEL LATCH - 6X32 SST - W/NYLON INSERT |
| | 158076-09-01A | EA | LABEL - TRAVEL LATCH - SILVER FOIL |
| 10 | 152991-08-01A | EA | MOLDING/TRIM - OVERHEAD - GALLEY - CONCERT CHERRY |
| 10 | 152991-08-02A | EA | MOLDING/TRIM - OVERHEAD - GALLEY - WASHED MAPLE |
| 10 | 152991-08-04A | EA | MOLDING/TRIM - OVERHEAD - GALLEY - SIERRA MAPLE |
| 11 | 137489-01-10A | EA | COVER - SINK/LARGE - 13.8"X17"X1/4" VENDURA-PEBBLE BEACH FROM: 00-00-00 THRU: 10-01-06 |
| 11 | 161218-01-UM4 | EA | COVER - SINK/LARGE - 13.8" X 16.9" X VENDURA FROM: 10-02-06 THRU: 99-99-99 |
| 12 | 137489-02-10A | EA | COVER - SINK/SMALL - 9.6"X15.7"X1/4"VENDURA-PEBBLE BEACH FROM: 00-00-00 THRU: 10-01-06 |
| 12 | 161218-02-UM4 | EA | COVER - SINK/SMALL - 9.6" X 15.7" X VENDURA FROM: 10-02-06 THRU: 99-99-99 |
| 13 | 130813-C8-10A | EA | BACKSPLASH/COUNTERTOP - 1/2" VENDURA - PEBBLE BEACH FROM: 00-00-00 THRU: 05-07-06 |
| 13 | 130813-29-10A | EA | BACKSPLASH/COUNTERTOP - 1/2" VENDURA - PEBBLE BEACH FROM: 05-08-06 THRU: 99-99-99 |
| 14 | 151184-02-UA0 | EA | BACKSPLASH - W/ACCENTS - VENDURA - PEBBLE BEACH W/BTR BRKL |
| | 151184-12-09A | EA | BACKSPLASH/ACCENT - COUNTERTOP - VENDURA - BUTTER BRICKLE |
| | 151184-13-10A | EA | BACKSPLASH - W/O ACCENTS - VENDURA - PEBBLE BEACH |
| 15 | 130813-C7-10A | EA | BACKSPLASH/COUNTERTOP - 1/2" VENDURA- PEBBLE BEACH FROM: 00-00-00 THRU: 10-01-06 |
| 15 | 161216-05-UM4 | EA | BACKSPLASH - COUNTERTOP FROM: 10-02-06 THRU: 99-99-99 |
| 16 | 134057-04-11B | EA | BRACKET - RECLINER - FLAT BLACK |
| 17 | 143956-03-04B | EA | BRACKET/TIEDOWN - EURO CHAIR - BLACK |
| 18 | 134194-02-01A | EA | KNOB - HOLD DOWN/RECLINER - BLACK |
| 19 | 130262-05-000 | EA | PROTECTOR - CORNER - .4" X .7" |
| 20 | 153044-05-TE5 | EA | MOLDING/TRIM - SLIDEOUT - 5.1" X 5.9" - CONCERT CHERRY |
| 20 | 153044-05-TE6 | EA | MOLDING/TRIM - SLIDEOUT - 5.1" X 5.9" - WASHED MAPLE |
| 20 | 153044-05-TE7 | EA | MOLDING/TRIM - SLIDEOUT - 5.1" X 5.9" - SIERRA MAPLE |
| 21 | 153421-05-TD1 | EA | MOLDING/BLOCK - 5.1" X 5.9" - W/O INSERT - CONCERT CHERRY |
| 21 | 153421-05-TD2 | EA | MOLDING/BLOCK - 5.1" X 5.9" - W/O INSERT - WASHED MAPLE |
| 21 | 153421-05-TD3 | EA | MOLDING/BLOCK - 5.1" X 5.9" - W/O INSERT - SIERRA MAPLE |
| 22 | P53421-06-TE5 | EA | MOLDING/BLOCK - 5.1" X 6.4" - W/O INSERT - CONCERT CHERRY |
| 22 | P53421-06-TE7 | EA | MOLDING/BLOCK - 5.1" X 6.4" - W/O INSERT - SIERRA MAPLE |
| 22 | P53421-06-TE6 | EA | MOLDING/BLOCK - 5.1" X 6.4" - W/O INSERT - WASHED MAPLE |
| 23 | M09471-79-R39 | EA | MOLDING - TRIM/COVE - .8" X .8" X 96" - CONCERT CHERRY |
| 23 | M09471-79-R46 | EA | MOLDING - TRIM/COVE - .8" X .8" X 96" - WASHED MAPLE |
| 23 | M09471-79-SA3 | EA | MOLDING - TRIM/COVE - .8" X .8" X 96" - SIERRA MAPLE |
| 24 | 148620-01-01A | EA | LAZY SUSAN KIT - 20" DIAMETER - ALMOND |
| 25 | 148616-01-01A | EA | CONTAINER - STORAGE - WHITE |
| 26 | 118718-01-01A | EA | HOLDER/DRINK - COLLAPSIBLE MUG - BLACK PLASTIC |
| 27 | 102778-14-000 | EA | BOARD - CUTTING - .7" X 11.4" X 15.7" - WOOD |
| 28 | 159032-01-01A | EA | CONTAINER - WASTEBASKET - 14.3 QT - WHITE |
| 29 | 093614-14-02A | EA | GRILLE - AIR RETURN - 7.9" X 13.9" - BEIGE |
| 30 | M09501-84-TG1 | EA | MOLDING/TRIM - CAP/WALL - 2.2" X 85.9" - CONCERT CHERRY |
| 30 | M09501-84-TG2 | EA | MOLDING/TRIM - CAP/WALL - 2.2" X 85.9" - WASHED MAPLE |
| 30 | M09520-04-TD3 | EA | MOLDING/TRIM - CAP/WALL - 2.2" X 85.9" - SIERRA MAPLE |
| 31 | 093614-01-02A | EA | GRILLE - AIR RETURN - 15.9" X 7.9" - BEIGE |
| 32 | 120760-01-000 | EA | RUBBER BUMPER - CLEAR - .1" THICK X .8" DIAMETER |
| 33 | 152959-01-01A | EA | TOWEL BAR - 18" - NICKEL |
| 34 | 152958-01-01A | EA | HOLDER - PAPER - W/LID - NICKEL |

*COMPONENT PARTS LISTED LATER IN THIS GROUP

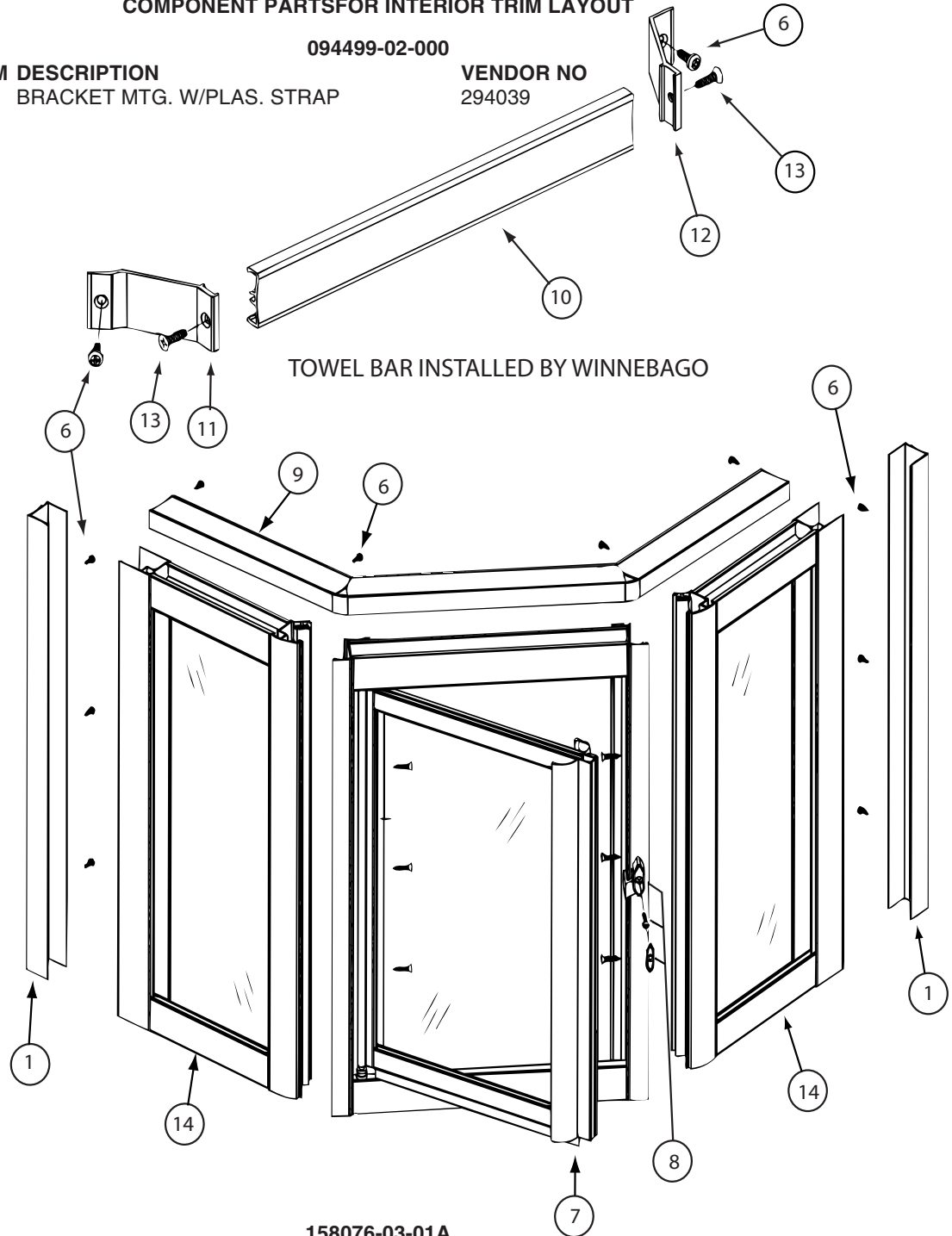
INTERIOR FINISH GROUP (CONTINUED)
COMPONENT PARTS FOR INTERIOR TRIM LAYOUT

094499-02-000

KEY PART NUMBER
094499-01-700

U/M DESCRIPTION
EA BRACKET MTG. W/PLAS. STRAP

VENDOR NO
294039



158076-03-01A

KEY PART NUMBER
 1 158076-03-700
 6 158076-02-701
 7 158076-03-704
 8 089318-01-707
 9 158076-03-705
 10 115011-03-714
 11 158076-03-706
 12 158076-03-707
 13 115011-03-716
 14 158076-03-708
 158076-03-701
 158076-03-702
 158076-03-703
 139047-01-709

U/M DESCRIPTION
 EA JAMB - WALL - NICKEL
 EA SCREW - ADJUSTMENT - NICKEL
 FT VINYL SWEEP
 EA LATCH/CATCH-TURN-SAFETY-BLK
 EA HEADER CAP
 EA TOWEL BAR - NICKEL
 EA BRACKET/TOWEL BAR-LH/FACING
 EA BRACKET/TOWEL BAR-RH/FACING
 EA SCREW F/TOWEL BAR - NICKEL
 EA WING PNL-RT/LT-FRAMED GLASS
 EA PIVOT PIN
 EA PIVOT BUSHING
 EA PIVOT WASHER - PLASTIC
 EA STRIP/MAGNETIC- 55" (NARROW)

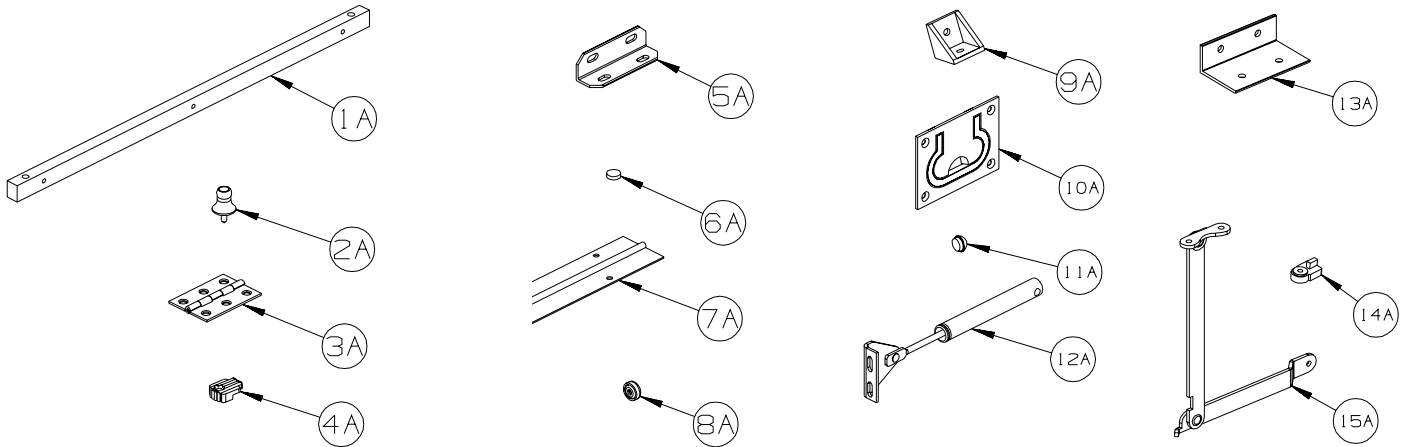
VENDOR NO
 201N
 638PHPT-N
 C176B
 9730N
 247N
 136N
 246N
 199N
 612F-N
 WB383N-AWP
 CP201
 CP209
 FW 10-093
 98-42

INTERIOR FINISH GROUP (CONTINUED)
FLOOR COVERINGS

| KEY | PART NUMBER | U/M | DESCRIPTION |
|------------|--------------------|------------|-------------------------------------------------------------------------|
| | 075233-01-000 | SY | PAD - CARPET - 3/8" X 6'W ROLL - SOLD BY THE SQUARE YARD |
| | 089275-02-000 | FT | STRIP - 3/4" X 84" BLACK POLYETHYLENE |
| | 093486-01-000 | SY | CARPET - COMPARTMENT - 72" WIDE - DARK GRAY |
| | 131711-01-12A | EA | TILE/FLOOR - VINYL - 12" X 12" - DESERT |
| | 152251-02-01A | SY | CARPET - 4 SQUARE YARD INCREMENTS - CORK (UA1, UA2, UA3, UM4) |
| | 152251-02-05A | SY | CARPET - 4 SQUARE YARD INCREMENTS - TORNADO VALLEY (UA5, UA6, UA7, UM5) |
| | 152251-07-01A | SY | CARPET - 4 SQUARE YARD INCREMENTS - SAFFRON (UB1, UB2, UB3, UM6) |

INTERIOR FINISH GROUP (CONTINUED)

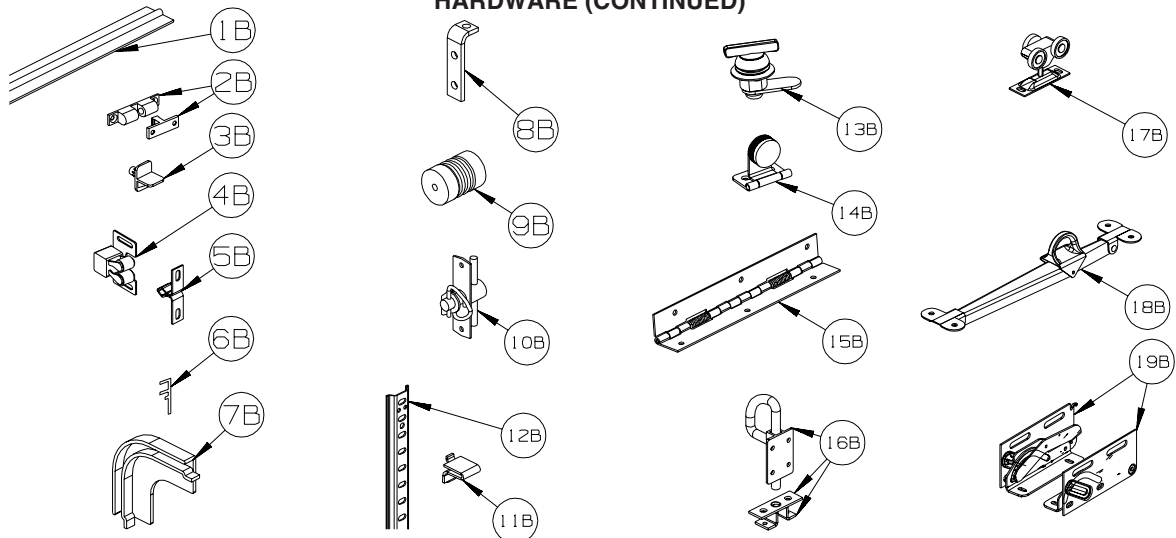
HARDWARE



| KEY | PART NUMBER | U/M | DESCRIPTION |
|-----|---------------|-----|----------------------------------------------------|
| 1A | P34509-01-N01 | EA | RAIL END - RH/LH - TOWEL RACK - PORTSMOUTH |
| 1A | P34509-01-P14 | EA | RAIL END - RH/LH - TOWEL RACK - CONCERT CHERRY |
| 1A | P34509-01-J70 | EA | RAIL END - RH/LH - TOWEL RACK - WASHED MAPLE |
| 1A | P34509-01-RE0 | EA | RAIL END - RH/LH - TOWEL RACK - HONEY CHERRY |
| 1A | P34509-01-SA3 | EA | RAIL END - RH/LH - TOWEL RACK - SIERRA MAPLE |
| 2A | 009013-01-000 | EA | CATCH - BULLDOG - MALE/FEMALE |
| 3A | 009059-01-000 | EA | HINGE - DOOR - 2" X 1.4" - BRASS |
| 3A | 009059-02-000 | EA | HINGE - DOOR - 2" X 2.7" - BRASS |
| 3A | 009059-03-000 | EA | HINGE - BRASS - 1.75" |
| 3A | 009059-04-000 | EA | HINGE - 2" - ZINC |
| 4A | 009089-01-000 | EA | CLIP - MIRROR |
| 5A | 016604-01-000 | EA | BRACE - ANGLE - 2 1/2" - UNPAINTED METAL |
| 5A | 016604-05-000 | EA | BRACE - ANGLE - 2 1/2" - OFF WHITE METAL |
| 5A | 016604-10-000 | EA | BRACE - SEAT ANGLE - 2.5" - BLACK |
| 6A | 023320-01-000 | EA | PAD - FELT 3/8" DIAMETER |
| 7A | 041389-19-000 | EA | HINGE - PIANO - 1 1/2" X 71.9" - UNPAINTED |
| 7A | 041389-25-000 | EA | HINGE - PIANO - 1 1/2" X 55" - UNPAINTED |
| 7A | 041389-32-000 | EA | HINGE - PIANO - 68" - OFF WHITE |
| 8A | 057671-01-000 | EA | COVER - SCREW - #8 - OFF WHITE |
| 8A | 057671-15-000 | EA | COVER - SCREW - #8 - BRIGHT WHITE |
| 8A | 057671-16-000 | EA | COVER - SCREW - #8 - SOFT WHITE |
| 8A | 057671-18-000 | EA | COVER - SCREW - #8 - OFF WHITE |
| 9A | 065740-01-000 | EA | BRACE - CABINET/CORNER - PLASTIC |
| 10A | 072871-01-000 | EA | PULL - FLUSH - CHROME |
| 11A | 074045-13-000 | EA | PLUG - OAK - 3/8" DOWEL-1/2" HEAD - PORTSMOUTH OAK |
| 11A | 074045-08-000 | EA | PLUG - OAK - 3/8" DOWEL-1/2" HEAD - CONCERT CHERRY |
| 11A | 074045-12-000 | EA | PLUG - OAK - 3/8" DOWEL-1/2" HEAD - WASHED MAPLE |
| 11A | 074045-14-000 | EA | PLUG - OAK - 3/8" DOWEL-1/2" HEAD - HONEY CHERRY |
| 11A | 074045-15-000 | EA | PLUG - OAK - 3/8" DOWEL-1/2" HEAD - SIERRA MAPLE |
| 12A | 074493-02-000 | EA | SUPPORT - PISTON SPRING - CABINET DOOR - 26 LBS |
| 12A | 074493-03-000 | EA | SUPPORT - PISTON SPRING - CABINET DOOR - 12 LBS |
| 12A | 074493-04-000 | EA | SUPPORT - PISTON SPRING - CABINET DOOR - 32LBS |
| 13A | 156732-01-01A | EA | BRACE - ANGLE/COUCH - 2.5" - MILL |
| 13A | 156732-01-02A | EA | BRACE - ANGLE/COUCH - 2.5" - OFF WHITE |
| 13A | 156732-03-01A | EA | BRACE - ANGLE/COUCH - BLACK |
| 14A | 083204-03-000 | EA | BUTTON - RETAINING MIRROR 5/16" TIP |
| 15A | 084412-01-000 | EA | SUPPORT/HINGE KIT (LEFT & RIGHT HINGES) |

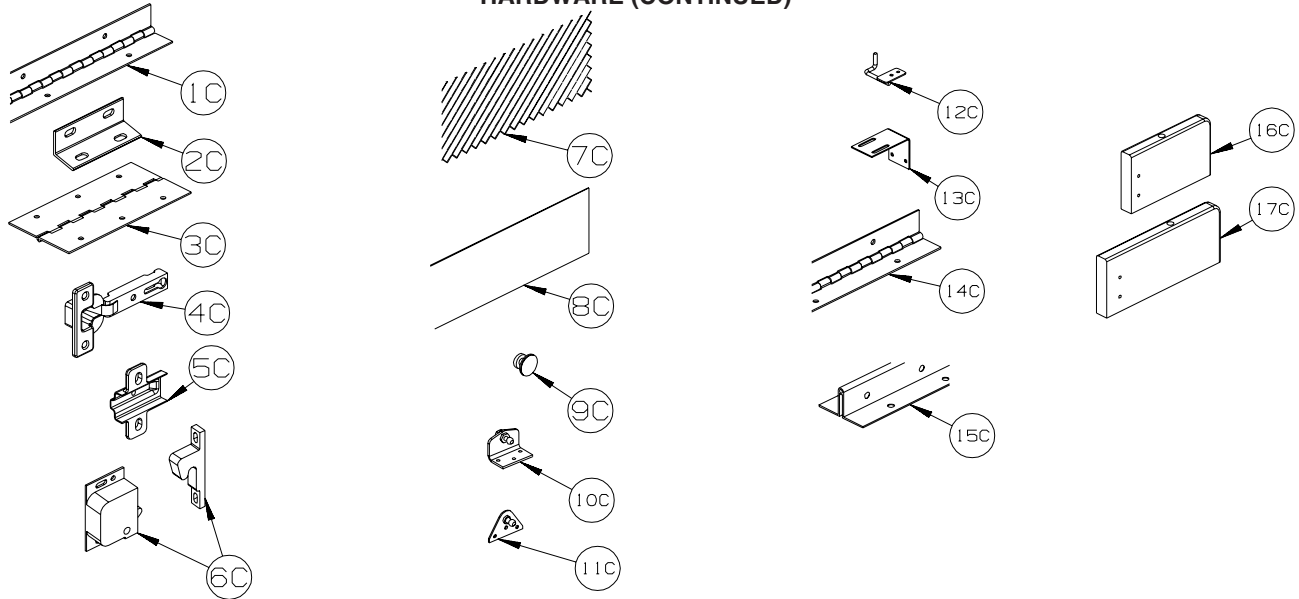
INTERIOR FINISH GROUP (CONTINUED)

HARDWARE (CONTINUED)



| KEY | PART NUMBER | U/M | DESCRIPTION |
|-----|---------------|-----|-----------------------------------------------------------|
| 1B | 084413-01-000 | EA | HINGE - 1" X 72" - ALUMINUM - W/HOLES |
| 2B | 084451-01-000 | EA | CATCH & LATCH - 1.7" - BRASS |
| 3B | 092907-01-000 | EA | SUPPORT - SHELF - PIN - 1/4" - CLEAR PLASTIC |
| 4B | 093586-03-000 | EA | CATCH - SPRING ROLLER - .377" |
| 4B | 093586-06-000 | EA | CATCH - SPRING ROLLER - .236" |
| 5B | 093586-04-000 | EA | STRIKE - SPRING STEEL - 1.14" |
| 6B | 093622-01-000 | EA | TRACK - DOOR - TAMBOUR - PLASTIC - 8' LENGTHS |
| 7B | 093623-01-000 | EA | CORNER - TRACK - TAMBOUR DOOR |
| 8B | 096826-01-01A | EA | BRACE-CABINET E-COATED |
| 9B | 097872-04-000 | EA | DOWEL - WOOD - 1" DIAMETER X 1.38" LONG - UNFINISHED |
| 10B | 098196-01-000 | EA | LATCH - 1/4 TURN - T-BAR |
| 11B | 098979-01-000 | EA | CLIP - ADJUSTABLE SHELF |
| 12B | 098980-01-000 | EA | PILASTER - ADJUSTABLE SHELF - 18" |
| 12B | 098980-02-000 | EA | PILASTER - ADJUSTABLE SHELF - 12" |
| 12B | 098980-03-000 | EA | PILASTER - ADJUSTABLE SHELF - 9" |
| 12B | 098980-04-000 | EA | PILASTER - ADJUSTABLE SHELF - 48" |
| 12B | 098980-05-000 | EA | PILASTER - ADJUSTABLE SHELF - 15" |
| 12B | 098980-06-000 | EA | PILASTER - ADJUSTABLE SHELF - 24" |
| 13B | 100710-01-02A | EA | LOCK - GLASS DOOR/TWIST TYPE - NICKEL |
| 14B | 100711-01-02A | EA | HINGE - GLASS DOOR - NICKEL |
| 15B | 102920-01-01A | EA | HINGE - SPRING LOADED - BRASS |
| 15B | 102920-01-02A | EA | HINGE - SPRING LOADED - NICKEL |
| 15B | 129753-01-01A | EA | HINGE - SPRING LOADED - 19" X 19" - BLACK |
| 16B | 103256-01-000 | EA | LATCH COMPLETE (SLIDE) |
| 17B | 103874-01-000 | EA | HANGER - SLIDING DOOR |
| 18B | 104181-01-01A | EA | SUPPORT - LEAF 5.3" EXTENDS TO 7.5" - SAFETY RING - METAL |
| 19B | 108126-01-000 | EA | TRAY HINGE SET (QTY. 2 PER SET) |

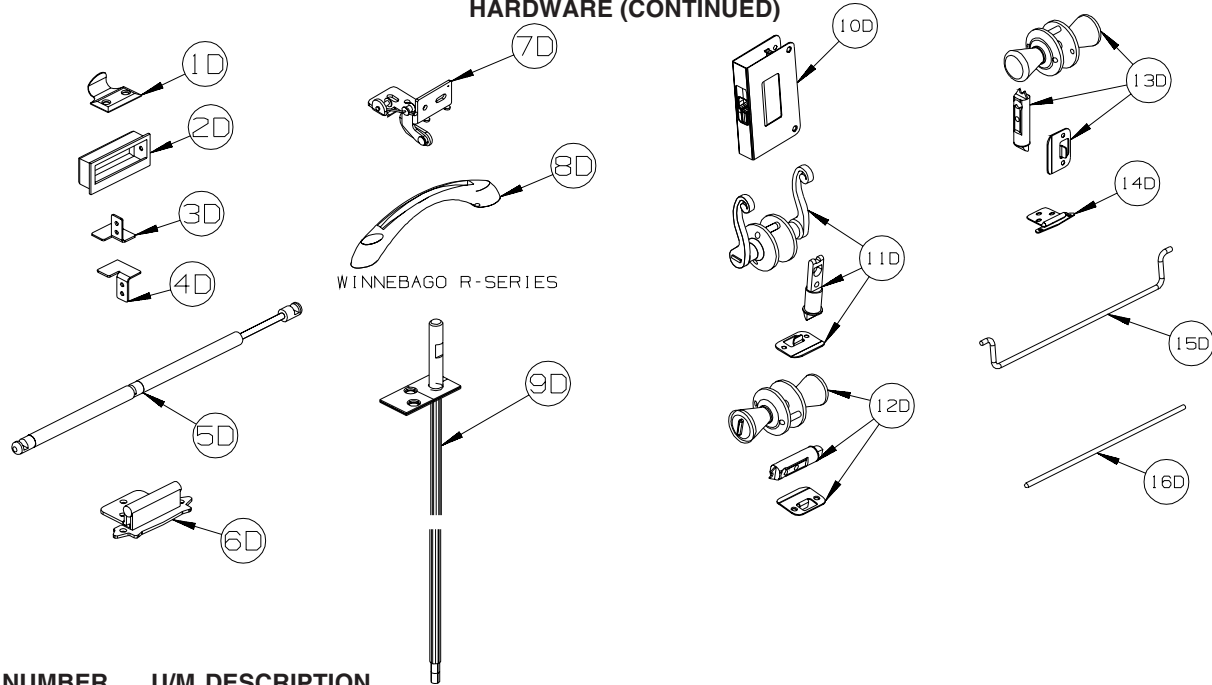
INTERIOR FINISH GROUP (CONTINUED)
HARDWARE (CONTINUED)



| KEY | PART NUMBER | U/M | DESCRIPTION |
|-----|---------------|-----|------------------------------------------------------------|
| 1C | 110496-01-01A | EA | HINGE - BRASS - 2" X 32" |
| 1C | 110496-01-02A | EA | HINGE - NICKEL - 2" X 32" |
| 1C | 110496-05-02A | EA | HINGE - NICKEL - 2" X 11.5" |
| 1C | 110496-06-02A | EA | HINGE - NICKEL - 2" X 9.5" |
| 2C | 111866-01-02A | EA | BRACE - SEAT - ANGLE - OFF WHITE |
| 3C | 114278-02-000 | EA | HINGE - CONTINUOUS - 3" WIDE |
| 4C | 114443-02-01A | EA | HINGE - CABINET DOOR - W/O CLIP - SILVER |
| 5C | 114443-03-01A | EA | CLIP - HINGE/CABINET DOOR - SILVER |
| 6C | 117095-01-01A | EA | LATCH - DOOR - GRABBER W/KEEPER - PLASTIC - BLK-5 LB PULL |
| 6C | 117095-02-01A | EA | LATCH - DOOR - GRABBER W/KEEPER - PLASTIC - BLK-10 LB PULL |
| 6C | 117095-03-01A | EA | LATCH - DOOR - GRABBER W/KEEPER - PLASTIC - BLK-15 LB PULL |
| 7C | 118200-01-01A | SF | MESH - PLASTIC 1/2" - 48" X LENGTH = SF - BLACK |
| 8C | 122717-06-01A | FT | PAD - NON-SKID - PSA - 5"W |
| 9C | 125221-01-01A | EA | PULL - MIRROR - W/ROUND HANDLE |
| 10C | 126263-06-02B | EA | BRACKET - GAS SPRING W/INSIDE BALL STUD - E-COATED |
| 11C | 126263-05-02B | EA | BRACKET - GAS SPRING W/BALL STUD - E-COATED |
| 11C | 126263-08-02B | EA | BRACKET - GAS SPRING W/CENTERED BALL STUD - E-COATED |
| 11C | 126263-19-02B | EA | BRACKET - GAS SPRING W/BALL STUD - E-COATED |
| 12C | 130798-01-02B | EA | GUIDE - POCKET DOOR - E-COATED |
| 13C | 132871-02-02B | EA | BRACKET/L-ANGLE W/HOLES - 1.9" X 2.8" - E-COATED |
| 14C | 134099-01-02A | EA | HINGE - PIANO - WRAP AROUND - 15.7" - NICKEL PLATED |
| 15C | 135538-03-02A | EA | HINGE - PIANO - FULL WRAP - 15.7" - CHROME |
| 16C | 137445-02-P46 | EA | STOP - F/SLIDING DOOR - CONCERT CHERRY |
| 16C | 137445-02-P56 | EA | STOP - F/SLIDING DOOR - WASHED MAPLE |
| 16C | 137445-02-S67 | EA | STOP - F/SLIDING DOOR - SIERRA MAPLE |
| 17C | 137445-03-T78 | EA | STOP - F/SLIDING DOOR - CONCERT CHERRY |
| 17C | 137445-03-T79 | EA | STOP - F/SLIDING DOOR - WASHED MAPLE |
| 17C | 137445-03-T80 | EA | STOP - F/SLIDING DOOR - SIERRA MAPLE |

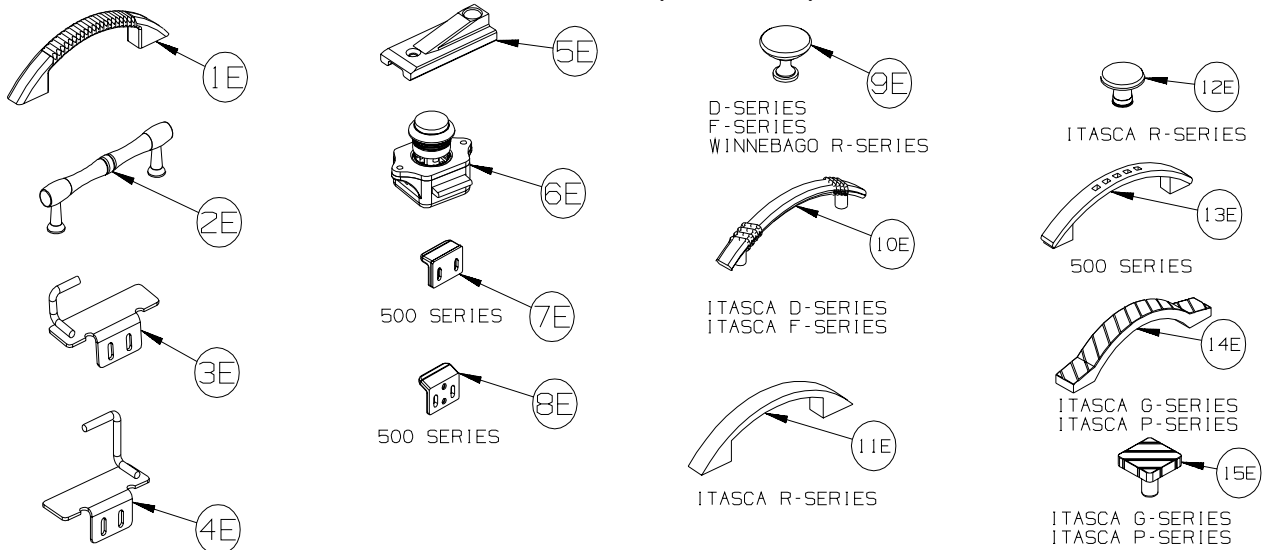
INTERIOR FINISH GROUP (CONTINUED)

HARDWARE (CONTINUED)



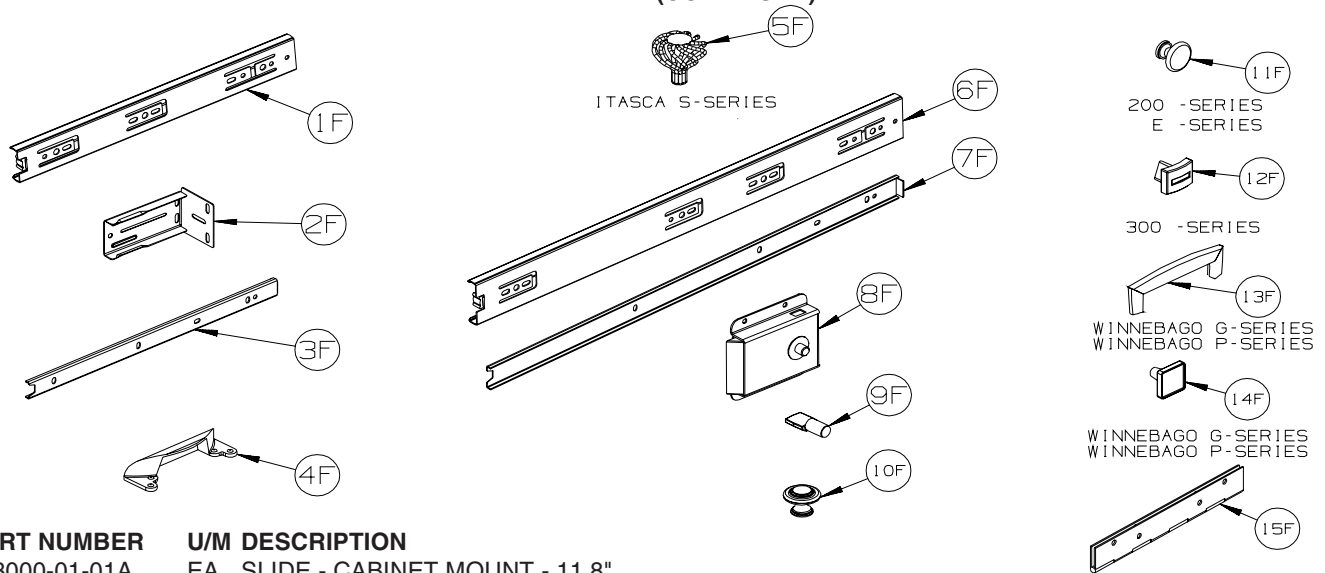
| KEY | PART NUMBER | U/M | DESCRIPTION |
|-----|---------------|-----|------------------------------------------------------------|
| 1D | 137463-01-02A | EA | LIFT - HOOK - PEWTER |
| 2D | 139136-01-02A | EA | HANDLE - .75" RECESSED - PEWTER |
| 2D | 139136-02-02A | EA | HANDLE - .35" RECESSED - PEWTER |
| 3D | 139264-01-02B | EA | STOP - DOOR - TAMBOUR/RH HAND - E-COATED |
| 4D | 139264-02-02B | EA | STOP - DOOR - TAMBOUR/LH HAND - E-COATED |
| 5D | 142569-07-000 | EA | SPRING/GAS - 20 LB - 20" EXTENDED/12" COMPRESSED |
| 5D | 142569-15-000 | EA | SPRING/GAS - 120 LB - 20" EXTENDED/12" COMPRESSED |
| 5D | 142569-16-000 | EA | SPRING/GAS - 90 LB - 20" EXTENDED/12" COMPRESSED |
| 5D | 142569-29-000 | EA | SPRING/GAS - 20 LB - 9.9" EXTENDED/5.9" COMPRESSED |
| 6D | 143468-02-03A | EA | HINGE - SELF CLOSING - SATIN NICKEL |
| 7D | 144488-01-02A | EA | HINGE - CABINET - NICKEL |
| 8D | 144917-01-01A | EA | PULL - DRAWER - SATIN NICKEL - TOUR R-SERIES |
| 9D | 145939-03-01A | EA | ROD/LATCH - AISLE DOOR - BRASS |
| | | | FROM: 00-00-00 THRU: 04-16-06 |
| 9D | 145939-05-01A | EA | ROD/LATCH - AISLE DOOR - BRASS - NOT ILLUSTRATED |
| | | | FROM: 04-17-06 THRU: 07-30-06 |
| 9D | 145939-05-02A | EA | ROD/LATCH - AISLE DOOR - NICKEL - NOT ILLUSTRATED |
| | | | FROM: 07-31-06 THRU: 99-99-99 |
| 10D | 145939-04-02A | EA | LATCH/SLIDE - AISLE DOOR(1" THICK DOOR)-NICKEL/BLACK SLIDE |
| 11D | 146064-01-02A | EA | LOCK/PRIVACY (LOCKING) LEVER STYLE - SATIN PEWTER |
| 12D | 146064-05-01A | EA | LOCK/PRIVACY (LOCKING) KNOB STYLE - SATIN NICKEL |
| 13D | 146064-06-01A | EA | LOCK/PASSAGE (NON LOCKING) KNOB STYLE - SATIN NICKEL |
| 14D | 146553-01-01A | EA | HINGE - CABINET DOOR - BURNISHED BRASS |
| 14D | 146553-01-03A | EA | HINGE - CABINET DOOR - SATIN NICKEL |
| 15D | 146801-01-01A | EA | ROD/TOWEL BAR (OFFSET) - BRASS |
| 15D | 146801-01-02A | EA | ROD/TOWEL BAR (OFFSET) - PEWTER |
| 16D | 146840-03-01A | EA | ROD - .25" X 11.7" - BRASS |
| 16D | 146840-03-02A | EA | ROD - .25" X 11.7" - PEWTER |
| 16D | 146840-04-01A | EA | ROD - .25" X 13.1" - BRASS |
| 16D | 146840-04-02A | EA | ROD - .25" X 13.1" - PEWTER |
| 16D | 146840-05-01A | EA | ROD - .25" X 14.8" - BRASS |
| 16D | 146840-05-02A | EA | ROD - .25" X 14.8" - PEWTER |
| 16D | 146840-07-01A | EA | ROD - .25" X 4.2" - BRASS |
| 16D | 146840-07-02A | EA | ROD - .25" X 4.2" - PEWTER |

INTERIOR FINISH GROUP (CONTINUED) HARDWARE (CONTINUED)



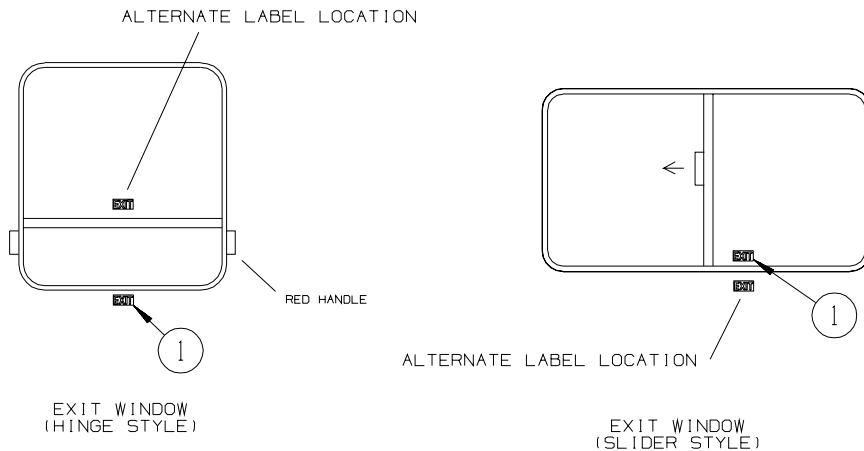
| KEY | PART NUMBER | U/M | DESCRIPTION |
|-----|---------------|-----|-------------------------------------------------------------------------------------|
| 1E | 148816-01-02A | EA | PULL - CABINET DOOR - NICKEL - ASPECT, CAMBRIA 700-SERIES |
| 2E | 149090-01-02A | EA | PULL - CABINET DOOR - NICKEL - SIGHTSEER D-SERIES, VOYAGE F-SERIES |
| 3E | 149607-01-02B | EA | GUIDE - F/POCKET DOOR - 1.6" BENT ROD - E-COATED |
| 3E | 149607-03-02B | EA | GUIDE - F/POCKET DOOR - 2.9" BENT ROD - E-COATED |
| 4E | 149607-04-02B | EA | GUIDE - F/POCKET DOOR - E-COATED |
| 5E | 150983-01-01A | EA | STRIKE/BLOCK - WEDGE STYLE - F/SLIDE DOOR - 3" X 1.2" - BLACK |
| 6E | 151380-01-01A | EA | LATCH - CABINET DOOR - PUSH BUTTON - VIEW & NAVION 500-SERIES |
| 7E | 151380-02-01A | EA | STRIKE - CABINET DOOR - VIEW & NAVION 500-SERIES |
| 8E | 151380-03-01A | EA | STRIKE - CABINET DOOR - VIEW & NAVION 500-SERIES |
| 9E | 152080-01-01A | EA | PULL-NICKEL - SIGHTSEER & SUNOVA D-SERIES, VOYAGE & SUNRISE F-SERIES, TOUR R-SERIES |
| 10E | 152302-01-01A | EA | PULL - CABINET DOOR - SATIN NICKEL - SUNOVA D-SERIES, SUNRISE F-SERIES |
| 11E | 152304-01-01A | EA | PULL - CABINET DOOR - BRONZE- ELLIPSE R-SERIES |
| 12E | 152305-01-01A | EA | KNOB - DOOR/DRAWER - BRONZE - ELLIPSE R-SERIES |
| 13E | 152950-01-01A | EA | PULL - DOOR/DRAWER - BRUSHED NICKEL - VIEW & NAVION 500-SERIES |
| 14E | 152951-01-01A | EA | PULL - DOOR/DRAWER - PEWTER - SUNCRUISER G-SERIES, MERIDIAN P-SERIES |
| 15E | 152952-01-01A | EA | PULL - KNOB/DRAWER - PEWTER - SUNCRUISER G-SERIES, MERIDIAN P-SERIES |

INTERIOR FINISH GROUP (CONTINUED) HARDWARE (CONTINUED)

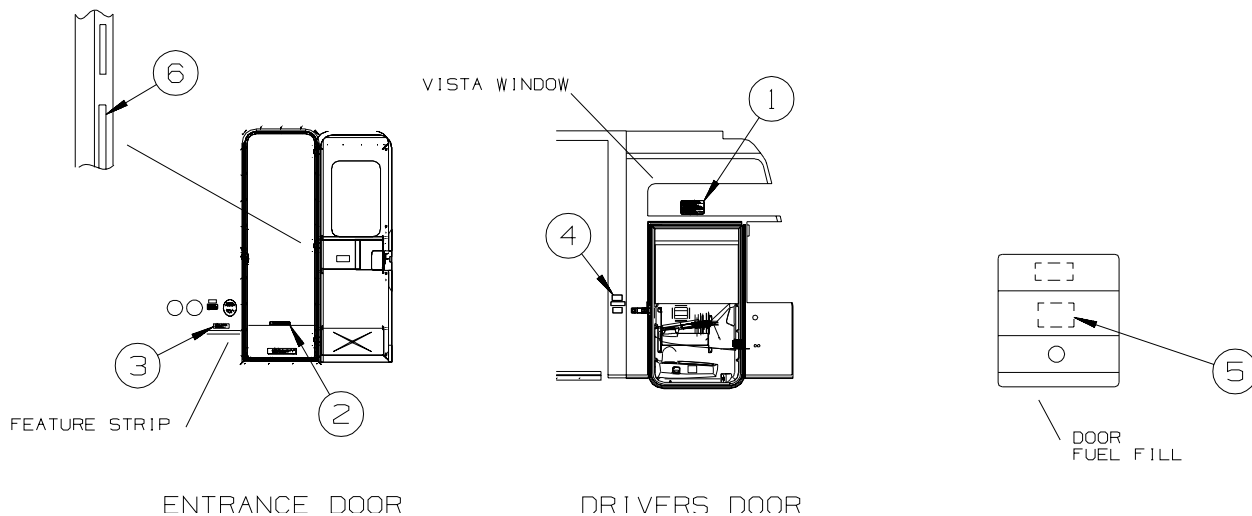


| KEY | PART NUMBER | U/M | DESCRIPTION |
|-----|---------------|-----|------------------------------------------------------------------------------------------|
| 1F | 153000-01-01A | EA | SLIDE - CABINET MOUNT - 11.8" |
| 1F | 153000-03-01A | EA | SLIDE - CABINET MOUNT - 13.8" |
| 1F | 153000-05-01A | EA | SLIDE - CABINET MOUNT - 15.7" |
| 1F | 153000-07-01A | EA | SLIDE - CABINET MOUNT - 17.7" |
| 1F | 153000-09-01A | EA | SLIDE - CABINET MOUNT - 19.7" |
| 1F | 153000-11-01A | EA | SLIDE - CABINET MOUNT - 21.6" |
| 1F | 153000-14-01A | EA | SLIDE - CABINET MOUNT - 23.6" |
| 1F | 153000-18-01A | EA | SLIDE - CABINET MOUNT - 9.8" |
| 1F | 153000-20-01A | EA | SLIDE - CABINET MOUNT - 25.6" |
| 2F | 153000-13-01A | EA | BACKSOCKET - DRAWER SLIDE |
| 3F | 153000-02-01A | EA | SLIDE - DRAWER MOUNT - 11.8" |
| 3F | 153000-04-01A | EA | SLIDE - DRAWER MOUNT - 13.8" |
| 3F | 153000-06-01A | EA | SLIDE - DRAWER MOUNT - 15.7" |
| 3F | 153000-08-01A | EA | SLIDE - DRAWER MOUNT - 17.7" |
| 3F | 153000-10-01A | EA | SLIDE - DRAWER MOUNT - 19.7" |
| 3F | 153000-12-01A | EA | SLIDE - DRAWER MOUNT - 21.6" |
| 3F | 153000-15-01A | EA | SLIDE - DRAWER MOUNT - 23.4" |
| 3F | 153000-19-01A | EA | SLIDE - DRAWER MOUNT - 9.8" |
| 3F | 153000-21-01A | EA | SLIDE - DRAWER MOUNT - 25.4" |
| 4F | 153308-01-01A | EA | PULL - VANITY STOOL - SATIN NICKEL |
| 5F | 153335-01-02A | EA | PULL - KNOB - DOOR/DRAWER - FLAT BLACK - HORIZON S-SERIES |
| 6F | 153352-01-01A | EA | SLIDE - PANTRY - 19.7" - CABINET MOUNT |
| 6F | 153352-03-01A | EA | SLIDE - EXT ENTERTAINMENT CNTR - 13.8" - CABINET MOUNT |
| 7F | 153352-02-01A | EA | SLIDE - PANTRY - 19.5" - DRAWER MOUNT |
| 7F | 153352-04-01A | EA | SLIDE - EXT ENTERTAINMENT CNTR - 13.6" - DRAWER MOUNT |
| 8F | 153353-01-01A | EA | LATCH - SLIDING/FLUSH - BLACK |
| 9F | 154385-01-02A | EA | PIN - SUPPORT/GLASS DOOR - 1/4" - NICKEL |
| 10F | 155803-01-01A | EA | KNOB CABINET DOOR - WROUGHT IRON |
| 11F | 155925-01-01A | EA | KNOB - DOOR/DRAWER - SATIN NICKEL - ACCESS & IMPULSE 200-SERIES |
| 12F | 156579-01-01A | EA | KNOB - DOOR/DRAWER - PEWTER - OUTLOOK & SPIRIT 300-SERIES |
| 13F | 157246-01-01A | EA | PULL - CABINET DOOR/DRAWER - SATIN NICKEL - ADVENTURER G-SERIES, JOURNEY P-SERIES |
| 14F | 157246-02-01A | EA | KNOB - CABINET DOOR/DRAWER - SATIN NICKEL - ADVENTURER G-SERIES, JOURNEY P-SERIES |
| 15F | 158982-01-04B | EA | HINGE - CONTINUOUS - 2" X 8" - BLACK |
| | 158982-01-01A | EA | HINGE - CONTINUOUS - 2" X 8" - ZINC |

LABELS GROUP



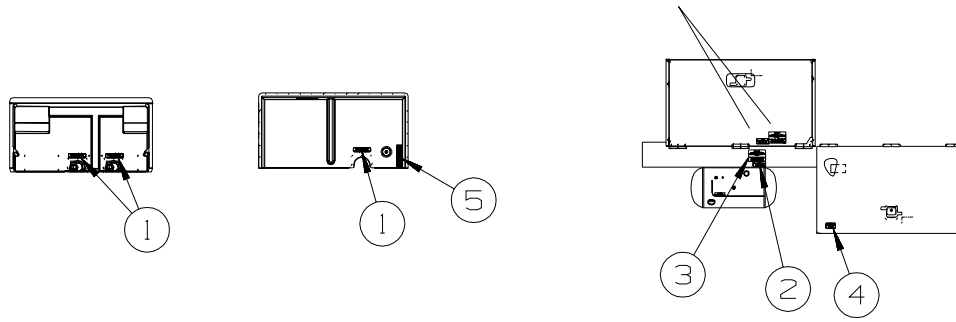
| KEY | PART NUMBER | U/M DESCRIPTION |
|-----|---------------|---------------------------|
| 1 | 039290-01-000 | EA LABEL - WARNING - EXIT |



| KEY | PART NUMBER | U/M DESCRIPTION |
|-----|---------------|-----------------------------------------------------|
| 1 | 056259-01-000 | EA LABEL - SAFETY CHECK LIST |
| 2 | 065748-01-000 | EA LABEL - WARNING - BATTERY CHARGING - UL |
| 3 | 099509-01-000 | EA LABEL - AWNING INSTALLATION |
| 4 | 099689-01-000 | EA LABEL - WARNING - CANCER/TOXICITY |
| 5 | 124519-01-02A | EA LABEL - WARNING/REFUELING - WHITE ON CLEAR |
| 5 | 124519-02-02A | EA LABEL - WARNING/REFUELING - WHITE ON CLEAR - CSA |
| 5 | 124519-02-01A | EA LABEL - WARNING/REFUELING - BLACK ON CLEAR - CSA |
| 6 | 135869-01-01A | EA LABEL - MERCURY CONTENT - BLACK ON CLEAR |
| 6 | 135869-01-02A | EA LABEL - MERCURY CONTENT - WHITE ON CLEAR |

LABELS GROUP (CONTINUED)

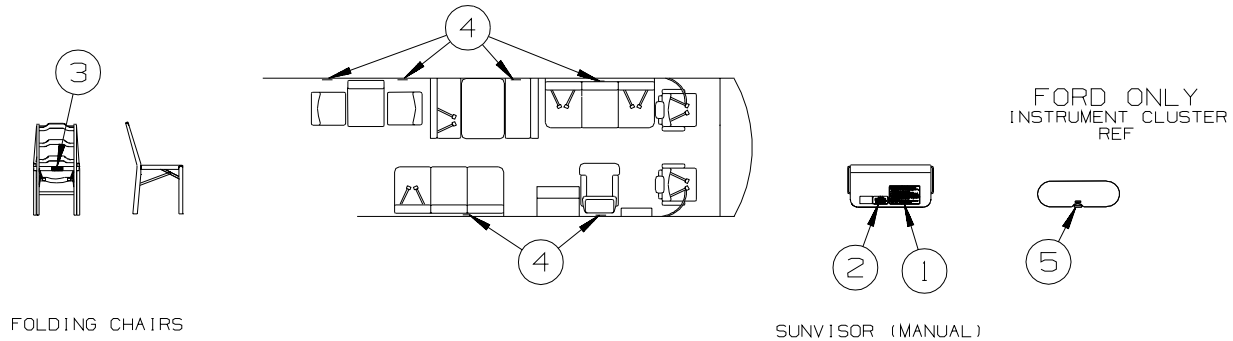
ALTERNATE LOCATION
(WHEN NOT ROOM ON SEAL PLANE)



TYPICAL UTILITY ACCESS

| KEY | PART NUMBER | U/M | DESCRIPTION |
|-----|---------------|-----|------------------------------------------------------------|
| 1 | 123562-01-000 | EA | LABEL - SERVICE/UTILITY ACCESS |
| 2 | 124519-01-02A | EA | LABEL - WARNING/REFUELING - WHITE ON CLEAR |
| 2 | 124519-02-02A | EA | LABEL - WARNING/REFUELING - WHITE ON CLEAR - CSA |
| 2 | 124519-02-01A | EA | LABEL - WARNING/REFUELING - BLACK ON CLEAR - CSA |
| 3 | 124520-01-01A | EA | LABEL - LP GAS ONLY - BLACK ON CLEAR |
| 3 | 124520-01-02A | EA | LABEL - LP GAS ONLY - WHITE ON CLEAR |
| 3 | 023769-01-000 | EA | LABEL - WARNING - LPG - CANADIAN |
| 4 | 125306-04-01A | EA | LABEL - ELECTRICAL ENTRANCE-120/20V 50 AMP-BLACK ON CLEAR |
| 4 | 125306-04-02A | EA | LABEL - ELECTRICAL ENTRANCE-120/240V 50 AMP-WHITE ON CLEAR |
| 5 | 147845-01-01A | EA | LABEL - DRIP VALVE |

TYPICAL SEAT AND BELT CONFIGURATIONS



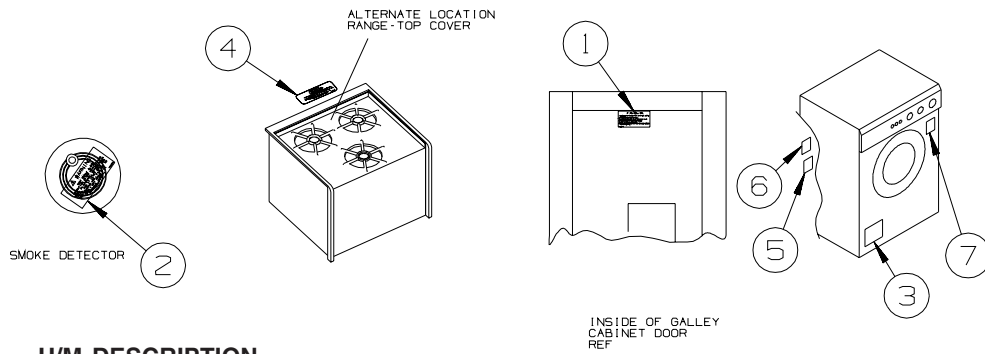
FOLDING CHAIRS

SUNVISOR (MANUAL)

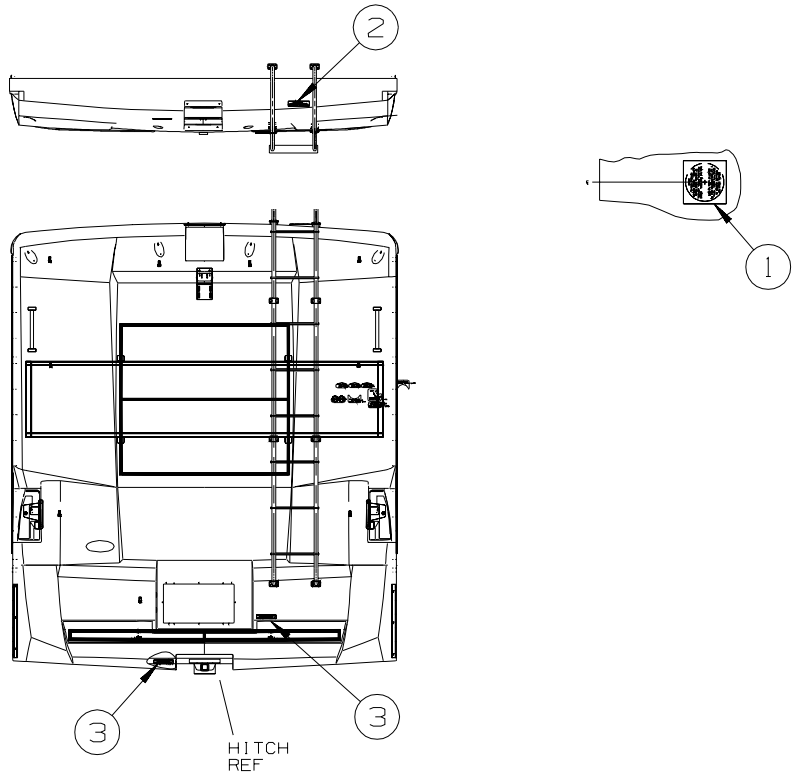
ATTACH LABEL ON OR NEXT TO:
 +ANY SINGLE CHAIR WITHOUT BELTS.
 +ANY DINETTE SEAT WITHOUT BELTS.
 +ANY COUCH WITHOUT BELTS OR ANY SEATING POSITION ON THAT COUCH.
 DO NOT ATTACH LABEL IF:
 +DINETTE SEAT HAS AT LEAST ONE SET OF BELTS INSTALLED.

| KEY | PART NUMBER | U/M | DESCRIPTION |
|-----|---------------|-----|---------------------------------------------------------|
| 1 | 056259-01-000 | EA | LABEL - SAFETY CHECK LIST |
| 2 | 099689-01-000 | EA | LABEL - WARNING - CANCER/TOXICITY |
| 3 | 134537-01-01A | EA | LABEL - OCCUPANCY - CHAIR - US |
| 3 | 134537-02-01A | EA | LABEL - OCCUPANCY - CHAIR - CSA - CANADIAN |
| 4 | 134538-01-01A | EA | LABEL - OCCUPANCY - NO SEAT BELT - BLACK ON CLEAR - US |
| 4 | 134538-02-01A | EA | LABEL - OCCUPANCY - NO SEAT BELT - BLACK ON CLEAR - CSA |
| 5 | 155692-01-02A | EA | LABEL - ODOMETER - READ IN MILE - WHITE/CLEAR |

LABELS GROUP (CONTINUED)

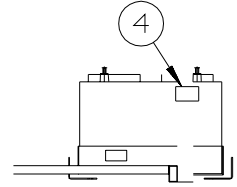
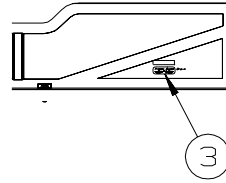
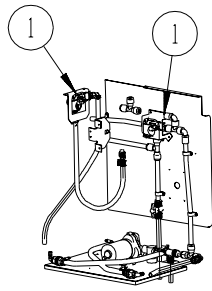
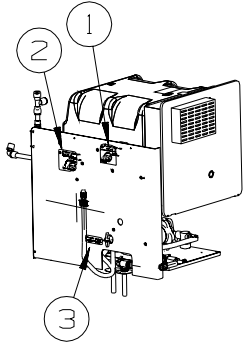


| KEY | PART NUMBER | U/M | DESCRIPTION |
|-----|---------------|-----|--------------------------------------------------------------------------|
| 1 | 073998-01-000 | EA | LABEL - LPG/ODOR WARNING |
| 2 | 077956-01-000 | EA | LABEL - WARNING/SMOKE DETECTOR |
| 3 | 130670-01-01A | EA | LABEL - CAUTION DRYER VENTING - BLACK ON CLEAR |
| 4 | 134539-01-01A | EA | LABEL - WARNING - STOVE/HEATING - US - BLACK ON CLEAR |
| 4 | 134540-01-01A | EA | LABEL - WARNING - STOVE/HEATING - CSA - BLACK ON CLEAR - CANADIAN |
| 5 | 147524-01-000 | EA | LABEL - DRYER VENTING |
| 6 | 147525-01-000 | EA | LABEL - DRYER VENT CUTOUT |
| 7 | 153640-01-01A | EA | LABEL - WINTERIZATION - WASHER/DRYER |



| KEY | PART NUMBER | U/M | DESCRIPTION |
|-----|---------------|-----|----------------------------------------------------|
| 1 | 120431-01-000 | EA | LABEL - LOCATION - COAXIAL CABLE/SATELLITE ANTENNA |
| 2 | 128218-01-01A | EA | LABEL - WARNING - SLIPPERY ROOF |
| 3 | 129669-02-01A | EA | LABEL - HITCH/VEHICLE RATE - 500 - WHITE ON CLEAR |

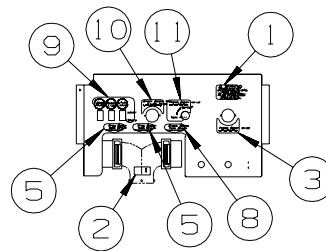
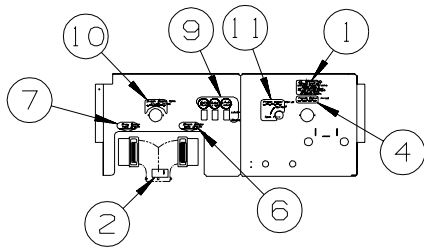
LABELS GROUP (CONTINUED)



G38J ONLY

WATER PUMP COMPARTMENT
(G38J ONLY)

| KEY | PART NUMBER | U/M | DESCRIPTION |
|-----|---------------|-----|-------------------------------------------|
| 1 | 152539-01-01A | EA | LABEL - BYPASS |
| 2 | 152545-01-01A | EA | LABEL - WINTERIZATION |
| 3 | 154302-01-01A | EA | LABEL - FRESH WATER DRAIN - PANTONE/CLEAR |
| 4 | 125320-01-01A | EA | FILM - PROTECTIVE |



G38T ONLY

| KEY | PART NUMBER | U/M | DESCRIPTION |
|-----|---------------|-----|------------------------------------------------------------|
| 1 | 128725-02-01A | EA | LABEL - POTABLE WATER ONLY - BLACK ON CLEAR |
| 2 | 144649-01-01A | EA | LABEL - ADJUSTABLE VALVE - WHITE ON CLEAR |
| 3 | 152538-01-01A | EA | LABEL - FRESH WATER - PANTONE/CLEAR |
| 4 | 152538-02-01A | EA | LABEL - FRESH WATER - PANTONE/CLEAR |
| 5 | 152541-03-01A | EA | LABEL - GRAY WASTE |
| 6 | 152543-03-01A | EA | LABEL - BLACK WASTE |
| 6 | 152541-03-01A | EA | LABEL - GRAY WASTE - G35A |
| 7 | 152541-03-01A | EA | LABEL - GRAY WASTE |
| 7 | 152543-03-01A | EA | LABEL - BLACK WASTE - G35A |
| 8 | 152543-03-01A | EA | LABEL - BLACK WASTE |
| 9 | 152544-06-01A | EA | LABEL - SWITCHES - WTR PUMP/LIGHT/AUTO LVL-W/LVL/STORE DWN |
| 10 | 152546-01-01A | EA | LABEL - TANK FLUSH - PANTONE/CLEAR |
| 11 | 152548-01-01A | EA | LABEL - VALVE/FRESH |

LP GROUP
LP SYSTEM

| KEY | PART NUMBER | U/M | DESCRIPTION |
|-----|---------------|-----|------------------------------------------------------------------|
| | 010265-01-000 | EA | ELBOW - BRASS - 90 DEGREE - 3/8"F X 1/2"FPT |
| | 010323-01-000 | EA | ADAPTER - 3/8"F X 1/2"MPT - BRASS |
| | 010326-01-000 | EA | ADAPTER - FLARE - W/CONE GASKET - 3/8"F X 1/2"F |
| | 010329-01-000 | EA | ADAPTER - 1/2"F X 1/2"MPT - BRASS |
| | 010377-02-000 | EA | NUT - 3/8" FLARE - FORGED - BRASS |
| | 010380-02-000 | EA | NUT - 1/2" FLARE - FORGED - BRASS |
| | 010589-01-000 | EA | NIPPLE - PIPE - 1/2" X 1 1/2" - BLACK |
| | 024250-01-000 | EA | ADAPTER - BRASS - 3/8"F X 1/2"FPT |
| | 040440-03-000 | EA | TRANSMITTER - DIAL/SNAP-ON - 0-90 OHM 2 TERM(POWER/GROUND) |
| | 045703-01-000 | EA | HOSE - LP - 3/8"ID X 24" - 3/8"MPT X 1/2"F SWIVEL - U.S. |
| | 045703-02-000 | EA | HOSE - LP - 3/8"ID X 24" - 3/8"MPT X 1/2"F SWIVEL - CANADA |
| | 045703-05-000 | EA | HOSE - LP - 3/8"ID X 28" - 3/8"MPT X 1/2"F SWIVEL - US |
| | 045703-06-000 | EA | HOSE - LP - 3/8"ID X 28" - 3/8"MPT X 1/2"F SWIVEL - CSA - CANADA |
| | 045703-14-000 | EA | HOSE - LP - 3/8"ID X 157.5" - 1/2"F SWIVEL X 1/2"F SWIVEL |
| | 045703-15-000 | EA | HOSE - LP - 3/8"ID X 142" - 1/2"F SWIVEL X 3/8"F SWIVEL |
| | 045703-19-000 | EA | HOSE - LP - 3/8"ID X 102" - 1/2"F SWIVEL X 3/8"F SWIVEL |
| | 045703-31-000 | EA | HOSE - LP - 3/8"ID X 214" - 1/2"F SWIVEL X 3/8"M FL US/CSA |
| | 106150-05-000 | EA | REGULATOR - TWO STAGE |
| | 144485-01-000 | EA | COMPARTMENT - LP REGULATOR |
| * | 144116-01-000 | EA | TANK - LP - 100 LB - 14"D X 47"L |

*COMPONENT PARTS LISTED LATER IN THIS GROUP

COMPONENT PARTS FOR LP SYSTEM

144116-01-000

| KEY | PART NUMBER | U/M | DESCRIPTION | VENDOR NO. |
|-----|---------------|-----|------------------------------|--------------|
| | 040421-01-712 | EA | VALVE-SERV. W/O VAPOR RELIEF | 29000853 |
| | 040421-01-713 | EA | VALVE-RELIEF 1" W/SPRING 7" | V-20479 |
| | 088253-09-700 | EA | SENDING UNIT-F/SNAP ON DIAL | SG14C0001466 |
| | 144116-01-700 | EA | VALVE-OUTAGE(NO STEM REMOVE) | V20058 |
| | 144116-01-701 | EA | VALVE/FILL 80 % W/YELLOW CAP | V13414 |

SEALANTS & FASTENERS GROUP
SEALANTS & ADHESIVES

| KEY | PART NUMBER | U/M | DESCRIPTION |
|------------|--------------------|------------|------------------------------------------------------------|
| | 004001-02-000 | EA | GUN - PLEXUS ADHESIVE - W/O NOZZLE |
| | 004001-05-000 | EA | ADHESIVE - SCOTCH-WELD - 3M DP100 - CLEAR - 50ML |
| | 004011-01-000 | EA | ADHESIVE-3M-4475 TUBE |
| | 010405-02-000 | EA | TAPE - THREAD SEALING - 3/8" |
| | 064075-07-000 | FT | SEAL - BULB - W/WIRED U CHANNEL - .3" X .5" CHANNEL-BLACK |
| | 067788-01-000 | EA | ADHESIVE - SPRAY - 3M - 19.5 OZ AEROSOL CAN |
| | 069640-01-000 | FT | SEALER - RIBBON - 1/4"DIAMETER X 30 FT - BLACK OR GRAY |
| | 069640-02-000 | FT | SEALER - TAPE - 1/8"THICK X 1/2"WIDE X 60 FT - GRAY |
| | 069640-03-000 | FT | SEALER - TAPE - 1/8"THICK X 3/4"WIDE X 60 FT - BLACK |
| | 069640-07-000 | FT | SEALER - TAPE - 3/32"THICK X 2"WIDE X 45 FT - GRAY |
| | 069640-09-000 | FT | SEALER - TAPE - 1/32"THICK X 2 1/2"WIDE X 80 FT - BRT WHT |
| | 069640-10-000 | FT | SEALER - TAPE - 1/32"THICK X 1 1/2"WIDE X 90 FT - BRT WHT |
| | 069640-11-000 | FT | SEALER - TAPE - 3/16"THICK X 3/8"WIDE X 40 FT - BLACK |
| | 069640-13-000 | FT | SEALER - TAPE - 3/32"THICK X 2"WIDE X 45 FT - BLACK |
| | 069640-14-000 | FT | SEALER - TAPE - 1/16"THICK X 1"WIDE X 100 FT - BLACK |
| | 069640-15-000 | FT | SEALER - TAPE - 1/16"THICK X 3/8"WIDE X 100 FT - BRT WHT |
| | 069640-17-000 | FT | SEALER - TAPE - 1/32"THICK X 1"WIDE X 150 FT - GRAY |
| | 069640-18-000 | FT | SEALER - TAPE - 1/8"THICK X 1/2"WIDE X 60 FT - BRT WHT |
| | 069640-19-000 | FT | SEALER - TAPE - 1/8"THICK X 3/4"WIDE X 60 FT - BRT WHT |
| | 069640-20-000 | FT | SEALER - TAPE - 1/8"THICK X 1/2"WIDE X 60 FT - BLACK |
| | 069640-21-000 | FT | SEALER - TAPE - 1/16"THICK X 1/2"WIDE X 100 FT - BRT WHT |
| | 069640-22-000 | FT | SEALER - TAPE - 1/32"THICK X 1/4"WIDE X 200 FT - BRT WHT |
| | 069640-23-000 | FT | SEALER - TAPE - 1/16"THICK X 3/4"WIDE X 100 FT - BRT WHT |
| | 069640-27-000 | FT | SEALER - TAPE - 1/16"THICK X 2 1/4"WIDE X 50 FT - BRT WHT |
| | 069640-28-000 | FT | SEALER - TAPE - 1/32"THICK X 1 7/8"WIDE X 90 FT - GRAY |
| | 069640-30-000 | FT | SEALER - TAPE - 1/32"THICK X 5/8"WIDE X 50 FT - GRAY |
| | 069640-31-000 | FT | SEALER - TAPE - 1/4"THICK X 3/4"WIDE X 15 FT - BLACK |
| | 069640-32-000 | FT | SEALER - TAPE - 1/16"THICK X 3/8"WIDE X 100 FT - BLACK |
| | 069640-33-000 | FT | SEALER - RIBBON - 3/8"DIAMETER X 20 FT - BLACK |
| | 069640-34-000 | FT | SEALER - RIBBON - 1/4"DIAMETER X 30 FT - BRIGHT WHITE |
| | 072889-28-000 | EA | SEALANT/URETHANE-10 OZ TUBE W/NOZZLE-SELF LEVELING-BRT WHT |
| | 076322-01-000 | FT | TAPE-DOUBLE COATED/ADHESIVE BK-.03"THK X .8"W X 216' - WHT |
| | 076322-02-000 | FT | TAPE-DOUBLE COATED/ADHESIVE BK-.05"THK X 1"W X 108' - WHT |
| | 076322-03-000 | FT | TAPE-DOUBLE COATED/ADHESIVE BK-.05"THK X .5"W X 108' - WHT |
| | 076322-05-000 | FT | TAPE-DOUBLE COATED/ADHESIVE BK-.05"THK X .8"W X 108' - WHT |
| | 076322-07-000 | FT | TAPE-DOUBLE COATED/ADHESIVE BK-.05"THK X .5"W X 200' - BLK |
| | 076322-13-000 | FT | TAPE - FOAM/DOUBLE COATED - .020"THK X .75"W - CLEAR |
| | 076322-21-000 | FT | TAPE - FOAM/DOUBLE COATED - .045"THK X .50"W |
| | 076322-22-000 | FT | TAPE - FOAM/DOUBLE COATED - .045"THK X .75"W |
| | 076322-23-000 | FT | TAPE - FOAM/DOUBLE COATED - .045"THK X 1"W |
| | 076322-25-000 | FT | TAPE - FOAM/DOUBLE COATED - .025"THK X .5"W |
| | 086276-01-000 | EA | TAPE - DOUBLE SIDED - 1/2" WIDE X 108' LONG (SOLD BY ROLL) |
| | 088479-01-000 | EA | TAPE - ALUMINUM - 3" |
| | 090340-01-000 | FT | SEAL - FOAM - CLOSED CELL - 1/4" X 1/2" X 50' |
| | 091255-02-000 | FT | SEAL - ADHESIVE BACKED/FOAM - 3/64"THICK X 3/16"W X 1000' |
| | 091255-03-000 | FT | SEAL - ADHESIVE BACKED/FOAM - 1/4" THICK X 1/4"W X 1000' |
| | 094401-01-000 | EA | SEALER - BODY SEAM - FLEXICLEAR |
| | 094401-04-000 | EA | SEALER - BODY SEAM - CLEAR |
| | 094401-05-000 | EA | SEALER - BODY SEAM - 20OZ BLACK |
| | 094401-06-000 | EA | SEALER - BODY SEAM - 12OZ BLACK |
| | 094401-07-000 | EA | SEALER - BODY SEAM - CLEAR |
| | 098408-01-000 | FT | SEAL - SPONGE RUBBER - CLOSED CELL |
| | 099069-01-000 | FT | SEAL - RUBBER - CLOSED SPONGE - .5" WIDE X .12" THICK-BLK |
| | 099418-01-000 | FT | SEAL - D-SECTION/ADHESIVE BACK - ..44" X .44" - BLK RUBBER |
| | 107828-01-000 | EA | SEALANT - SB - 190 EVERSEAL |
| | 112864-01-000 | FT | SEAL - FOAM/BUTYL COVERED - 3/8" X 35' |
| | 112864-02-000 | FT | FOAM - BUTYL COVERED - 5/16" X 44' |
| | 112864-04-000 | FT | FOAM - BUTYL COVERED - 3/8" X 1/8" |
| | 112901-02-000 | EA | ADHESIVE - PLEXUS - MA330 - 50ML - GRAY |
| | 112901-03-000 | EA | ADHESIVE - PLEXUS - MA300 - 50ML - WHITE |
| | 112902-01-000 | EA | NOZZLE - ELEMENT - 3/8" X 24 |
| | 112902-03-000 | EA | MIXER NOZZLE - F/GUN #00400102000 - SCOTCH-WELD & PLEXUS |
| | 112902-04-000 | EA | NOZZLE - ELEMENT - 1/4" X 3.5" |
| | 112902-05-000 | EA | NOZZLE - BAYONET - 3/8" X 18 |

SEALANTS & FASTENERS GROUP (CONTINUED)

SEALANTS & ADHESIVES (CONTINUED)

| KEY | PART NUMBER | U/M | DESCRIPTION |
|-----|---------------|-----|------------------------------------------------------------|
| | 112902-06-000 | EA | NOZZLE - ELEMENT - 1/2" X 32 |
| | 113366-01-000 | EA | ADHESIVE - INSTANT - 1 OZ |
| | 120074-02-03A | EA | SILICONE - TUBE - W/O NOZZLE - LOW ODOR - SMOKEY WHITE |
| | 120534-01-01A | EA | TAPE - SCOTCH - 3M - 1/2" FINE LINE |
| | 123244-01-000 | FT | TAPE - DOUBLE SIDED/FOAM - 5/64"THICK X 3/4"WIDE X 108' |
| | 123816-01-000 | FT | TAPE - DOUBLE SIDED - 1" X .020" X 200' - CLEAR |
| | 123816-02-000 | FT | TAPE - DOUBLE SIDED - 1/2" X .035" X 200' - CLEAR |
| | 123816-03-000 | FT | TAPE - DOUBLE SIDED - 1/2" X .020" X 200' - CLEAR |
| | 123816-04-000 | FT | TAPE - DOUBLE SIDED - 6" X .0035" X 750' - CLEAR |
| | 123816-06-000 | FT | TAPE - DOUBLE SIDED - 3/4" X 3/4" X 200' - CLEAR |
| | 123816-07-000 | FT | TAPE - DOUBLE SIDED - 1 3/4" X 200' - CLEAR |
| | 126427-01-000 | EA | ADHESIVE - ALL PURPOSE - ABS/PVC |
| | 126427-02-000 | EA | PRIMER - CLEANER - FLEX PIPING |
| | 131264-01-11A | EA | SILICONE - TUBE - W/NOZZLE - BEIGE |
| | 131264-01-12A | EA | SILICONE - TUBE - W/NOZZLE - BONE |
| | 131264-01-13A | EA | SILICONE - TUBE - W/NOZZLE - TRANSLUCENT |
| | 131264-02-01A | EA | SILICONE - TUBE - W/NOZZLE - VW GRAY - BATH ONLY |
| | 131264-03-01A | EA | SILICONE - TUBE - W/O NOZZLE - SELF LEVELING -BRIGHT WHITE |
| | 131264-04-01A | EA | SILICONE/SEALANT/ADHESIVE - FAST CURE F/GLASS/VINYL - B/W |
| | 131264-04-02A | EA | SILICONE/SEALANT/ADHESIVE-FAST CURE F/GLASS/VINYL-SOFT WHT |
| | 131264-05-01A | EA | SILICONE/SEALANT - ODORLESS - TUBE - W/NOZZLE - BLACK |
| | 131264-05-02A | EA | SILICONE/SEALANT - ODORLESS - TUBE - W/NOZZLE - CLEAR |
| | 131384-01-000 | EA | ADHESIVE - JET WELD - 10 OZ CARTRIDGE |
| | 132892-07-01A | FT | SEAL - BULB/SINGLE - W/U CHANNEL - .5" X 1" - BLACK |
| | 152038-01-01A | EA | TAPE - PRESERVATION SEAL - 2" X 36YD ROLL - BLACK |
| | 154585-01-01A | FT | SEAL - FOAM TAPE - ADHESIVE BACK - 3/8" X 3/8" - BLACK |
| | 154585-02-01A | FT | SEAL - FOAM TAPE - ADHESIVE BACK - 3/4" X 1/2" - BLACK |
| | 154585-03-01A | FT | SEAL - FOAM TAPE - ADHESIVE 2 SIDED - 1/8" X 3/4" - BLACK |
| | 154585-04-01A | FT | SEAL - FOAM TAPE - ADHESIVE BACK - 5/8" X 1/8" - WHITE |

BOLTS, NUTS AND WASHERS

| KEY | PART NUMBER | U/M | DESCRIPTION |
|-----|---------------|-----|-------------------------------------------------------------|
| | 0MD54F-06-000 | EA | NUT - HEX W/SERATED FLANGE |
| | 000C12-04-08B | EA | BOLT - HEX - 1/4-20 X 1/2 - GRADE #5 - ZINC |
| | 000C12-04-40B | EA | BOLT - HEX - 1/4-20 X 2 1/2 - GRADE #5 ZINC |
| | 000C12-04-20F | EA | BOLT - HEX - 1/4-20 X 1 1/4 - GRADE #5 - STAINLESS STEEL |
| | 000C12-04-12A | EA | BOLT - HEX - 1/4-20 X 3/4 - PLAIN 5 |
| | 000C12-05-16B | EA | BOLT - HEX - 5/16 - 18X1 - GRADE #5 - ZINC |
| | 000C12-05-40B | EA | BOLT - HEX - 5/16"-18 X 2.5" - GRADE #5 - ZINC |
| | 000C12-06-28B | EA | BOLT-HEX-3/8-16X13/4 ZN 5 - 5185-01 |
| | 000C12-08-44B | EA | BOLT - HEX - 1/2-13 X 2 3/4 - GRADE #5 - ZINC |
| | 000C12-08-24B | EA | BOLT - HEX - 1/2-13 X 1 1/2 - GRADE #5 - ZINC |
| | 000C12-08-28B | EA | BOLT - HEX - 1/2-13 X 1 3/4 - GRADE #5 - ZINC |
| | 000C13-07-40B | EA | BOLT - HEX - 7/16-20 X 2 1/2 - GRADE #5 - ZINC |
| | 000C13-07-48B | EA | BOLT - HEX - 7/16-20 X 3 - GRADE #5 - ZINC |
| | 000C13-07-72B | EA | BOLT - HEX - 7/16-20 X 4.5" - GRADE #5 - ZINC |
| | 000C16-07-16B | EA | BOLT - CARRIAGE - ASSIST HANDLE - 7/16-14 X 1 |
| | 000C18-05-40A | EA | BOLT - ELEVATOR - 5/16-18 X 2 1/2 - PL |
| | 000C26-04-18B | EA | BOLT - HEX - SERRATED FLANGE - 1/4-20 X 1 1/8 - ZINC |
| | 000C26-04-14B | EA | BOLT - HEX - SERRATED FLANGE - 1/4-20 X 7/8 - ZINC |
| | 000C26-04-12F | EA | BOLT - HEX - SERRATED FLANGE -1/4-20 X 3/4-STAINLESS STEEL |
| | 000C26-04-10B | EA | BOLT - HEX - SERRATED FLANGE - 1/4-20 X 5/8 - ZINC |
| | 000C26-04-40F | EA | BOLT - HEX - SERRATED FLANGE -1/4-20 X 2.5-STAINLESS STEEL |
| | 000C26-05-12B | EA | BOLT - HEX - SERRATED FLANGE - 5/16-18 X 3/4 - ZINC |
| | 000C26-06-12B | EA | BOLT - HEX - SERRATED FLANGE - 3/8-16 X 3/4 - ZINC |
| | 000C26-06-20B | EA | BOLT - HEX - SERRATED FLANGE - 3/8-16 X 1 1/4 - ZINC |
| | 000C26-06-28B | EA | BOLT - HEX - SERRATED FLANGE - 3/8-16 X 1 3/4 - ZINC |
| | 000C26-06-40B | EA | BOLT - HEX - SERRATED FLANGE - 3/8-16 X 2 1/2 - ZINC |
| | 000C26-08-28B | EA | BOLT - HEX - SERRATED FLANGE - 1/2-13 X 1 3/4 - ZINC |
| | 000C26-08-24B | EA | BOLT - HEX - SERRATED FLANGE - 1/2-13 X 1 1/2 - ZINC |
| | 000C26-08-40B | EA | BOLT - HEX - SERRATED FLANGE - 1/2-13 X 2 1/2-GRADE #5 ZINC |
| | 000C27-08-48B | EA | BOLT-CARR 1/2-13X3.00 GR5 - 97 M-SERIES |
| | 000C27-08-64B | EA | BOLT - CARRIAGE - 1/2-13 X 4 - GRADE 5 |
| | 000D16-07-00B | EA | NUT - HEX - 7/16-14 - ZINC |

SEALANTS & FASTENERS GROUP (CONTINUED)
BOLTS, NUTS AND WASHERS (CONTINUED)

| KEY | PART NUMBER | U/M | DESCRIPTION |
|-----|---------------|-----|------------------------------------------------------------|
| | 000D24-10-00B | EA | NUT - HEX - SELF LOCKING - 10-32 - ZINC |
| | 000D27-05-00B | EA | NUT - HEX LOCK - 5-40 - ZINC |
| | 000D28-10-00B | EA | NUT - HEX - W/NYLON LOCK - 10-32 - ZINC |
| | 000D29-04-00F | EA | NUT - HEX - SELF LOCKING - 1/4 X 20 - STAINLESS STEEL |
| | 000D29-04-00B | EA | NUT - HEX - SELF LOCKING - 1/4 X 20 - ZINC |
| | 000D29-06-00B | EA | NUT - HEX - W/NYLON LOCK - 3/8-16 - ZINC |
| | 000D29-09-00B | EA | NUT - HEX - SELF LOCKING - 9/16-12 - ZINC |
| | 000D34-04-00B | EA | NUT - HEX - LOCKING - 1/4-20 - ZINC |
| | 000D34-06-00B | EA | NUT - HEX - LOCKING - 3/8-16 GRADE C - ZINC |
| | 000D39-04-00B | EA | NUT - HEX - LOCKING W/SERRATED FLANGE - 1/4-20 - ZINC |
| | 000D39-05-00B | EA | NUT - HEX - LOCKING W/SERRATED FLANGE - 5/16-18 - ZINC |
| | 000D39-06-00B | EA | NUT - HEX - LOCKING W/SERRATED FLANGE - 3/8-18 - ZINC |
| | 000D39-06-00D | EA | NUT - HEX - LOCKING W/SERRATED FLANGE - 3/8"-16 BLACK |
| | 000D39-07-00B | EA | NUT - HEX - LOCKING W/SERRATED FLANGE - 7/16-14 - ZINC |
| | 000D39-08-00B | EA | NUT - HEX - LOCKING W/SERRATED FLANGE - 1/2-13 - ZINC |
| | 000D39-09-00B | EA | NUT - HEX - LOCKING W/SERRATED FLANGE - 9/16-12 - ZINC |
| | 000D44-04-00B | EA | NUT - HEX - LOCKING W/SERRATED FLANGE - 1/4-28 - ZINC |
| | 000D44-07-00B | EA | NUT - HEX - LOCKING W/SERRATED FLANGE - 7/16-20 - ZINC |
| | 000D44-08-00B | EA | NUT - HEX - LOCKING W/SERRATED FLANGE - 1/2-20 - ZINC |
| | 000D46-04-00A | EA | NUT - HEX - WELD - 1/4-20 - PLAIN |
| | 000D65-08-00B | EA | NUT - HEX - LOCKING W/SERRATED FLANGE - 8-32 - ZINC |
| | 000D73-08-00C | EA | NUT - HEX FLANGE - 1/2-13 |
| | 000D75-09-00B | EA | NUT - HEX LOCKING - 9/16-12 - ZINC |
| | 000D76-06-00B | EA | NUT - HEX FLANGE - 3/8-16 |
| | 000E11-04-00F | EA | WASHER - LOCKING - 1/4 MED SPLIT - STAINLESS STEEL |
| | 000E11-07-00B | EA | WASHER - LOCKING - 7/16 MED SPLIT - ZINC |
| | 000E11-08-00B | EA | WASHER - LOCKING - 1/2 MED SPLIT - ZINC |
| | 000E13-17-00B | EA | WASHER - FLAT - 3/8 AR - ZINC |
| | 000E13-18-00B | EA | WASHER - FLAT - 3/8 WIDE - ZINC |
| | 000E13-20-00B | EA | WASHER - FLAT - 7/16 WIDE - ZINC |
| | 000E13-22-00B | EA | WASHER - FLAT - 1/2 WIDE - ZINC |
| | 000E13-26-00B | EA | WASHER - FLAT - 5/8 WIDE - ZINC |
| | 000E14-10-00B | EA | WASHER - LOCKING - #10 EXTERNAL TOOTH - ZINC |
| | 000E16-10-00B | EA | WASHER - HARDENED - 5/8 - FLAT - ZINC |
| | 000G45-05-16B | EA | BOLT - LAG - 5/16-9 X 1 - ZINC |
| | 005081-01-000 | EA | NUT - SPEED - C-TYPE - #8 SCREW |
| | 039715-01-000 | EA | NUT-SERT - 1/4" DIAMETER - 20 THREADS |
| | 040921-01-000 | EA | NUT - SPEED - U TYPE - #10-24 - BLACK |
| | 040921-03-000 | EA | NUT - SPEED - U TYPE - #10 |
| | 040921-04-000 | EA | NUT - SPEED - U TYPE - #8-.59" LENGTH X .44" WIDTH |
| | 040921-05-000 | EA | NUT - SPEED - U-TYPE - 8-.67" X .44" WIDE |
| | 040921-11-000 | EA | NUT - SPEED - U-TYPE - 8-.59" LENGTH X .44" WIDTH - BLACK |
| | 041322-01-000 | EA | WASHER - FLANGE - 15/32"ID X 2 3/8"OD - F/SEAT BELT MTG |
| | 044364-02-000 | EA | NUT - SPEED - FLAT - ROUND |
| | 044533-01-000 | EA | WASHER - 1 3/8"OD - FOR BUTTONS - PLASTIC |
| | 051387-06-000 | EA | BOLT - CARRIAGE W/O HOLE - 5/16-18 X 9 1/2 - ZINC |
| | 058716-02-000 | EA | WASHER - FLAT NYLON |
| | 064081-03-000 | EA | NUT - WING 3/8-16 - W/WELD NUT |
| | 077071-01-000 | EA | WASHER - FENDER - 3/16"ID X 1"OD |
| | 087234-01-000 | EA | NUT - JACK - 1/4 X 20 THD - MOLLY |
| | 088787-12-000 | EA | STUD - WELD - 1/4 - 20 X 1.0 LG - MN |
| | 102540-02-000 | EA | SEAL - SCREW |
| | 106956-03-000 | EA | BOLT - HEX TAP - 1/2-13NC X 3 - GRADE 5 - FULL THREAD/ZINC |
| | 106956-10-000 | EA | BOLT - HEX TAP - 9/16-12NC X 3 5/8 -GRD 5-FULL THREAD/ZINC |
| | 106956-11-000 | EA | BOLT - HEX TAP - 1/2-13NC X 2 1/2 - GRD 5-FULL THREAD/ZINC |
| | 106956-13-000 | EA | BOLT - HEX TAP - 1/2-20 X 2 1/2 - GRD 5-FULL THREAD/ZINC |
| | 107397-01-000 | EA | WASHER - FENDER - 3/4"ID X 1"OD |
| | 108067-03-000 | EA | STUD - WELD - 1/4 - 20 X 1/2 CD |
| | 109917-03-000 | EA | WASHER - 1" X .50" |
| | 109917-04-000 | EA | WASHER - 1" X .75" |
| | 128444-01-000 | EA | WASHER - SPRING - CONICAL |
| | 135092-02-01A | EA | BOLT - HEX - SERRATED FLANGE - 1/2-20 X 2 1/2-GRADE 5 ZINC |
| | 135092-05-01A | EA | BOLT - HEX - SERRATED FLANGE - 1/2-20 X 1 - GRADE 5 ZINC |
| | 143399-01-01A | EA | NUT/RETAINING - 3/8"- 24 NFT |

SEALANTS & FASTENERS GROUP (CONTINUED)
BOLTS, NUTS AND WASHERS (CONTINUED)

| KEY | PART NUMBER | U/M | DESCRIPTION |
|-----|---------------|-----|-------------------------------|
| | 144904-01-01A | EA | BOLT - ADJUSTMENT - HEADLAMP |
| | 147284-02-000 | EA | NUT/SELF RETAINING - 5/16"-18 |
| | 148817-01-000 | EA | WASHER/SPUR - LOCKING |

SCREWS

| KEY | PART NUMBER | U/M | DESCRIPTION |
|-----|---------------|-----|-----------------------------------------------------------|
| | 0G1208-12-170 | EA | SCREW - 8-18 X 3/4 POH - BRIGHT WHITE |
| | 0G3908-08-170 | EA | SCREW - SF/DR - 8-18 X 1/2 PPH - BRIGHT WHITE |
| | 0G3908-08-410 | EA | SCREW - SF/DR - 8-18 X 1/2 PPH - PARCHMENT |
| | 0G3908-16-170 | EA | SCREW - SF/DR - 8-18 X 1 PPH - BRIGHT WHITE |
| | 0G3908-24-170 | EA | SCREW - SF/DR - 8-18 X 1 1/2 PPH - BRIGHT WHITE |
| | 0G3910-10-330 | EA | SCREW - SF/DR - 20-16 X 5/8 PPH - PUTTY |
| | 0G3910-12-170 | EA | SCREW - SF/DR - 10-16 X 3/4 PPH - BRIGHT WHITE |
| | 0G3910-12-240 | EA | SCREW - SF/DR - 10-16 X .75 PPH - VW LIGHT GRAY |
| | 0G3910-12-380 | EA | SCREW - SF/DR - 10-16 X .75 PPH - CASHMERE |
| | 0G3910-12-370 | EA | SCREW - SF/DR - 10-16 X .75 PPH - RIVERSTONE |
| | 0G3910-24-170 | EA | SCREW - SF/DR - 10-16 X 1 1/2 PPH - BRIGHT WHITE |
| | 0G3910-32-330 | EA | SCREW - SF/DR - 10-16 X 2.00 PPH - PUTTY |
| | 0G5508-08-380 | EA | SCREW - SF/DR - 8-18 X .5 PWH - CASHMERE |
| | 0G5508-08-370 | EA | SCREW - SF/DR - 8-18 X .5 PWH - RIVERSTONE |
| | 0G5508-12-170 | EA | SCREW - SF/DR - 8-18 X 3/4 PWH - BRIGHT WHITE |
| | 0G5508-12-320 | EA | SCREW - SF/DR - 8-18 X 3/4 PWH - GLACIER |
| | 0G5508-12-330 | EA | SCREW - SF/DR - 8-18 X 3/4 PWH - PUTTY |
| | 0G6008-16-170 | EA | SCREW - SF/DR - 8-18 X 1 POH - BRIGHT WHITE |
| | 0G5508-16-250 | EA | SCREW - SF/DR - 8-18 X 1 PWH - VW DARK GRAY |
| | 0G5508-16-330 | EA | SCREW - SF/DR - 8-18 X 1 PWH - PUTTY |
| | 0G5508-16-370 | EA | SCREW - SF/DR - 8-18 X 1 PWH - RIVERSTONE |
| | 0G5508-16-380 | EA | SCREW - SF/DR - 8-18 X 1 PWH - CASHMERE |
| | 0G5508-16-410 | EA | SCREW - SF/DR - 8-18 X 1 PWH - MEDIUM PARCHMENT |
| | 0G6012-32-170 | EA | SCREW - SF/DR - 12-14 X 2 POH - BRIGHT WHITE |
| | 0G6710-08-170 | EA | SCREW - 10-12 X 1/2 PPH - BRIGHT WHITE |
| | 0G6710-12-170 | EA | SCREW - 10-12 X 3/4 PPH - BRIGHT WHITE |
| | 0G6806-16-170 | EA | SCREW - 6-18 X 1 POH - BRIGHT WHITE |
| | 0G6810-24-280 | EA | SCREW - 10-12 X 1 1/2 POH - SOFT WHITE |
| | 000C20-06-24T | EA | SCREW - 3/8-16 X 1 1/2 - FLAT SOCKET |
| | 000C28-05-24D | EA | CAPSCREW/BUTTON HEAD - 5/16-18 X 1 1/2 - #8-BLK PHOSPHATE |
| | 000G11-06-08B | EA | SCREW - 6-20 X 1/2 PPH - ZINC |
| | 000G11-06-10B | EA | SCREW - 6-20 X 5/8 PPH - ZINC |
| | 000G11-06-10J | EA | SCREW - 6-20 X 5/8 PPH - BRASS |
| | 000G11-07-08B | EA | SCREW - 7-19 X 1/2 PPH - ZINC |
| | 000G11-08-06B | EA | SCREW - 8-18 X 3/8 PPH - ZINC |
| | 000G11-08-08T | EA | SCREW - 8-18 X 1/2 PPH - FLUOROCARBON COATING |
| | 000G11-08-12B | EA | SCREW - 8-18 X 3/4 PPH - ZINC |
| | 000G11-08-12P | EA | SCREW - 8-18 X 3/4 PPH - DARK BROWN |
| | 000G11-08-12S | EA | SCREW - 8-18 X 3/4 PPH - OFF WHITE |
| | 000G11-08-12T | EA | SCREW - 8-18 X 3/4 PPH - BLACK MAGNESIUM |
| | 000G11-08-20B | EA | SCREW - 8-18 X 1 1/4 PPH - ZINC |
| | 000G11-08-20G | EA | SCREW - 8-18 X 1 1/4 - ANTIQUE BRASS |
| | 000G11-10-12D | EA | SCREW - 10-16 X 3/4 PPH - BLACK |
| | 000G12-06-08T | EA | SCREW - 6-20 X 1/2 POH - BLACK |
| | 000G12-06-12J | EA | SCREW - 6-20 X .75 POH - BRASS |
| | 000G12-10-16F | EA | SCREW - 10-16 X 1 POH - STAINLESS STEEL |
| | 000G13-05-10B | EA | SCREW - 5-12 X 5/8 PFH - ZINC |
| | 000G13-06-08B | EA | SCREW - 6-20 X 1/2 PFH - ZINC |
| | 000G13-06-08G | EA | SCREW - 6-20 X 1/2 PFH - ANTIQUE BRASS |
| | 000G13-06-10G | EA | SCREW - 6-20 X 5/8 PFH - ANTIQUE BRASS |
| | 000G13-06-16J | EA | SCREW - 6-20 X 1 PFH - BRASS |
| | 000G13-06-169 | EA | SCREW - SF/DR - 6-20 X 1 PFH - SILVER |
| | 000G13-06-24J | EA | SCREW - 6-20 X 1 1/2 PFH - BRASS |
| | 000G13-07-10H | EA | SCREW - 7-19 X 5/8 PFH - BLACK |
| | 000G13-07-12B | EA | SCREW - 7-19 X 3/4 PFH - ZINC |
| | 000G13-08-109 | EA | SCREW - 8-18 X 5/8 PFH |
| | 000G13-08-10B | EA | SCREW - 8-18 X 5/8 PFH - ZINC |
| | 000G13-08-16B | EA | SCREW - 8-18 X 1 PFH - ZINC |

SEALANTS & FASTENERS GROUP (CONTINUED)
SCREWS (CONTINUED)

| KEY | PART NUMBER | U/M | DESCRIPTION |
|-----|---------------|-----|-------------------------------------------------------|
| | 000G13-08-24B | EA | SCREW - 8-18 X 1 1/2 PFH - ZINC |
| | 000G16-04-24B | EA | SCREW - MACHINE - 1/4-20 X 1 1/2 PPH |
| | 000G18-08-12B | EA | SCREW - MACHINE - 8-32 X 3/4 PPH - ZINC |
| | 000G18-08-16B | EA | SCREW - MACHINE - 8-32 X 1 PPH - ZINC |
| | 000G18-08-24B | EA | SCREW - MACHINE - 8-32 X 1 1/2 PPH - ZINC |
| | 000G18-08-22B | EA | SCREW - MACHINE - 8-32 X 1 3/8 PPH - ZINC |
| | 000G19-10-08B | EA | SCREW - MACHINE - 10-32 X 1/2 PPH - ZINC |
| | 000G19-10-10B | EA | SCREW - MACHINE - 10-32 X 5/8 - PPH - ZINC |
| | 000G19-10-12F | EA | SCREW - MACHINE - 10-32 X 3/4 PPH - STAINLESS STEEL |
| | 000G19-10-20B | EA | SCREW - MACHINE - 10-32 X 1 1/2 PPH - ZINC |
| | 000G32-10-06B | EA | SCREW - 10-32 X 3/8 PPH - ZINC |
| | 000G34-05-12B | EA | SCREW - HEX HEAD TAPPING - 5/16 X 3/4 LONG |
| | 000G36-10-12T | EA | SCREW - 10-24X 3/4 PFH TYPE 23 - BLACK |
| | 000G39-06-10T | EA | SCREW - SF/DR - 6-20 X 5/8 PPH - BLACK |
| | 000G39-06-16T | EA | SCREW - SF/DR - 6-20 X 1 PPH - BLACK |
| | 000G39-08-06B | EA | SCREW - SF/DR - 8-18 X 3/8 PPH - ZINC |
| | 000G39-08-08B | EA | SCREW - SF/DR - 8-18 X 1/2 PPH - ZINC |
| | 000G39-08-08S | EA | SCREW - SF/DR - 8-18 X 1/2 PPH - OFF WHITE |
| | 000G39-08-08T | EA | SCREW - SF/DR - 8-18 X 1/2 PPH - BLACK |
| | 000G39-08-12T | EA | SCREW - SF/DR - 8-18 X 3/4 PPH - BLACK |
| | 000G39-08-16B | EA | SCREW - SF/DR - 8-18 X 1 PPH - ZINC |
| | 000G39-08-16T | EA | SCREW - SF/DR - 6-20 X 1 PPH - BLACK |
| | 000G39-08-24B | EA | SCREW - SF/DR - 8-18 X 1 1/2 PPH - ZINC |
| | 000G39-08-24S | EA | SCREW - SF/DR - 8-18 X 1 1/2 - OFF WHITE |
| | 000G39-08-24T | EA | SCREW - SF/DR - 8-18 X 1 1/2 PPH - BLACK |
| | 000G39-08-32B | EA | SCREW - SF/DR - 8-18 X 2 PPH - ZINC |
| | 000G39-10-08B | EA | SCREW - SF/DR - 10-16 X 1/2 PPH - ZINC |
| | 000G39-10-10B | EA | SCREW - SF/DR - 10-16 X 5/8 PPH - ZINC |
| | 000G39-10-12B | EA | SCREW - SF/DR - 10-16 X 3/4 PPH - ZINC |
| | 000G39-10-129 | EA | SCREW - SF/DR - 10-16 X 3/4 PPH - FLUOROCARBON SILVER |
| | 000G39-10-169 | EA | SCREW - SF/DR - 10-16 X 1 PPH - FLUOROCARBON SILVER |
| | 000G39-10-20B | EA | SCREW - SF/DR - 10-16 X 1 1/4 PPH - ZINC |
| | 000G39-10-20T | EA | SCREW - SF/DR - 10-16 X 1 1/4 PPH - BLACK |
| | 000G39-10-24T | EA | SCREW - SF/DR - 10-16 X 1 1/2" PPH - BLACK |
| | 000G39-10-28T | EA | SCREW - SF/DR - 10-16 X 1 3/4" PPH - BLACK |
| | 000G39-10-32B | EA | SCREW - SF/DR - 10-16 X 2 - PPH - ZINC |
| | 000G39-10-48B | EA | SCREW - SF/DR - 10-16 X 3 - PPH - ZINC |
| | 000G39-10-48T | EA | SCREW - SF/DR - 10-16 X 3 PPH - BLACK |
| | 000G42-04-16B | EA | SCREW - SF/DR - 1/4-14 X 1 HWH - ZINC |
| | 000G42-04-24B | EA | SCREW - SF/DR - 1/4-14 X 1 1/2 - ZINC |
| | 000G46-08-24T | EA | SCREW - MACHINE - 8-32 X 1 1/2 PFH - ZINC |
| | 000G52-06-05B | EA | SCREW - MACHINE - 6-32 X 5/16 PTH - ZINC |
| | 000G52-06-06B | EA | SCREW - MACHINE - 6-32 X 3/8 PTH - ZINC |
| | 000G54-04-14B | EA | SCREW - 1/4-20 X 7/8 PTH - TYPE 23 - ZINC PLATED |
| | 000G55-08-12T | EA | SCREW - SF/DR - 8-18 X 3/4 PWH - BLACK |
| | 000G55-08-124 | EA | SCREW - SF/DR - 8-18 X 3/4 PWH - ASH GRAY |
| | 000G55-08-16T | EA | SCREW - SF/DR - 8-18 X 1 PWH - BLACK |
| | 000G56-12-48B | EA | SCREW - WOOD - 12-11 X 3 POH - SPECIAL HARDENED |
| | 000G57-14-64B | EA | SCREW - 14-10 X 4 PFH ZINC |
| | 000G60-08-16E | EA | SCREW - SF/DR - 8-1 X 1 POH - CHROME |
| | 000G60-08-20F | EA | SCREW - SF/DR - 8-19X1.25 POH |
| | 000G60-08-22B | EA | SCREW - SF/DR - 8-18 X 1.38 POH - ZINC |
| | 000G60-10-16J | EA | SCREW - SF/DR - 10-16 X 1 POH - BRIGHT BRASS |
| | 000G60-10-20B | EA | SCREW - SF/DR - 10-16 X 1 1/4 POH - ZINC |
| | 000G60-10-209 | EA | SCREW - SF/DR - 10-16 X 1 1/4 POH - SILVER STALGAARD |
| | 000G60-10-28T | EA | SCREW - SF/DR - 10-16 X 1 3/4 - BLACK |
| | 000G62-06-24I | EA | SCREW - SF/DR - 8-18 X 1.5 PPH - BLACK |
| | 000G62-06-249 | EA | SCREW - SF/DR - 8-18 X 1.5 PPH - SILVER |
| | 000G62-08-24B | EA | SCREW - SF/DR - 8-18 X 1 1/2 PFH |
| | 000G67-08-32B | EA | SCREW - 8-15 X 2 PPH - ZINC |
| | 000G67-10-08B | EA | SCREW - 10-12 X 1/2 PPH - ZINC |
| | 000G67-10-08S | EA | SCREW - 10-12 X 1/2 PPH - OFF WHITE |
| | 000G67-10-10B | EA | SCREW - 10-12 X 5/8 PPH - ZINC - TYPE A |
| | 000G67-10-10S | EA | SCREW - 10-12 X 5/8 PPH - OFF WHITE |

SEALANTS & FASTENERS GROUP (CONTINUED)
SCREWS (CONTINUED)

| KEY | PART NUMBER | U/M | DESCRIPTION |
|------------|--------------------|------------|--------------------------------------------------------------|
| | 000G67-10-10T | EA | SCREW - 10-12 X 5/8 PPH - BLACK |
| | 000G67-10-10P | EA | SCREW - 10-12 X 5/8 PPH - DARK BROWN |
| | 000G67-10-12P | EA | SCREW - 10-12 X 3/4 PPH - DARK BROWN |
| | 000G67-10-24B | EA | SCREW - 10-12 X 1 1/2 PPH - ZINC |
| | 000G67-10-24S | EA | SCREW - 10-12 X 1 1/2 PPH - OFF WHITE |
| | 000G67-10-32J | EA | SCREW-10-12X2 PPH - BRIGHT BRASS |
| | 000G68-06-10J | EA | SCREW - 6-18 X 5/8 POH - BRASS |
| | 000G68-06-12B | EA | SCREW - 6-18 X 3/4 POH - ZINC & CLEAR |
| | 000G68-06-12J | EA | SCREW - 6-18 X 3/4 POH - BRASS |
| | 000G68-06-12S | EA | SCREW - 6-18 X 3/4 POH |
| | 029130-01-000 | EA | SCREW - SNAP STUD - #8-16 X 5/8" LONG |
| | 029130-03-000 | EA | SCREW - SNAP STUD - #8-16 X 1" LONG |
| | 049465-01-000 | EA | SCREW - 10-16 PTH W/WASHER - DARK BROWN |
| | 049465-03-000 | EA | SCREW - 10-16 X 1 POH W/WASHER - OFF WHITE |
| | 049465-13-000 | EA | SCREW - 10-16 X 1 PTH W/WASHER - ASH GRAY |
| | 049465-17-000 | EA | SCREW - 10-16 X 1 POH W/WASHER - BRIGHT WHITE |
| | 049465-18-000 | EA | SCREW - 10-16 X 1 POH W/WASHER - VW GRAY |
| | 054434-02-000 | EA | SCREW - SF/DR - 10-16 X 2 - ZINC |
| | 054434-03-000 | EA | SCREW - SF/DR - 10-16 X 2 - PWH - ZINC |
| | 075908-01-000 | EA | SCREW - MACHINE - 10-32 X .56 PTH - EXTERNAL TOOTH - ZINC |
| | 076790-01-000 | EA | SCREW - 6-20 X 1 1/4 PPH - BLACK |
| | 076790-05-000 | EA | SCREW - 6-20 X 1/2 PPH - BLACK - THREAD CUTTING/WOOD |
| | 083554-01-000 | EA | SCREW - DRYWALL - 8 X 1 1/4 |
| | 083554-04-000 | EA | SCREW - DRYWALL - 8 X 2 1/2 |
| | 087721-01-000 | EA | SCREW - FLAT HEAD - TAPPING - 1/4" X 1 1/4" LONG - ZINC |
| | 095772-01-000 | EA | SOCKET-SNAP FASTNER1" SF/DR - SELF DRIVER |
| | 097974-01-000 | EA | SCREW - PARTICLE BOARD - 7-9 X 3/4 PPH |
| | 097974-02-000 | EA | SCREW-PART BD 8-9X.75 PFH - BEIGE |
| | 101618-01-000 | EA | SCREW - 1/4-20 X 3/4 HEX - TAPPING - STALGARD TYPE F |
| | 113563-01-01A | EA | SCREW - 8 X 5/8 LONG SHOULDER/WASHER HEAD |
| | 113563-01-02A | EA | SCREW - 8 X 5/8 LONG SHOULDER/WASHER HEAD - BRIGHT WHITE |
| | 118383-01-09A | EA | RETAINER/RECESSED - F/.22" SCREW - GLACIER |
| | 118383-01-12A | EA | RETAINER/RECESSED - F/.22" SCREW - RIVERSTONE |
| | 118383-01-10A | EA | RETAINER/RECESSED - F/.22" SCREW - STORM GRAY |
| | 118383-01-11A | EA | RETAINER/RECESSED - F/.22" SCREW - CASHMERE |
| | 118383-02-10A | EA | RETAINER/RECESSED - F/.27" SCREW - RIVERSTONE |
| | 118383-02-11A | EA | RETAINER/RECESSED - F/.27" SCREW - CASHMERE |
| | 118383-02-13A | EA | RETAINER/RECESSED - F/.27" SCREW - OFF WHITE |
| | 118383-03-09A | EA | RETAINER/RECESSED - F/.32" SCREW - GLACIER |
| | 118383-04-04A | EA | CAP - F/RECESSED RETAINER - BRIGHT WHITE |
| | 118383-04-09A | EA | CAP - F/RECESSED RETAINER - GLACIER |
| | 118383-04-10A | EA | CAP - F/RECESSED RETAINER - RIVERSTONE |
| | 118383-04-11A | EA | CAP - F/RECESSED RETAINER - CASHMERE |
| | 118383-04-12A | EA | CAP - F/RECESSED RETAINER - STORM GRAY |
| | 118383-04-13A | EA | CAP - F/RECESSED RETAINER - OFF WHITE |
| | 134126-01-01A | EA | SCREW/NAIL - HEX HEAD - 3/4" |
| | 140040-01-000 | EA | SCREW - 1/4-20 X 1 - BUTTON HEAD/SOCKET - W/LOCTITE |
| | 149753-01-01A | EA | RETAINER/RECESSED - F/.22" SCREW - BLACK |
| | 149753-01-02A | EA | RETAINER/RECESSED - F/.22" SCREW - BRIGHT WHITE |
| | 149753-02-01A | EA | CAP - F/RECESSED RETAINER - BLACK |
| | 149753-02-02A | EA | CAP - F/RECESSED RETAINER - BRIGHT WHITE |
| | 154938-01-01A | EA | SCREW - SF/DR - 10-16 X 3/4 PPH - W/SELF SEAL - BRIGHT WHITE |
| | 154938-01-02A | EA | SCREW - SF/DR - 10-16 X 3/4 PPH - W/SELF SEAL - BLACK |
| | 154938-02-01A | EA | SCREW - SF/DR - 8-18 X 1 PFH - W/SELF SEAL - BRIGHT WHITE |
| | 154938-02-02A | EA | SCREW - SF/DR - 8-18 X 1 PFH - W/SELF SEAL - BLACK |
| | 154938-02-03A | EA | SCREW - SF/DR - 8-18 X 1 PFH - W/SELF SEAL - SILVER |
| | 154938-03-01A | EA | SCREW - SF/DR - 8-18 X 5/8 PFH - W/SELF SEAL - BRT WHT |
| | 154935-03-02A | EA | SCREW - SF/DR - 8-18 X 5/8 PFH - W/SELF SEAL - BLACK |
| | 154938-04-01A | EA | SCREW - SF/DR - 10-16 X 1" TPH - W/SELF SEAL - BRT WHT |
| | 154938-04-02A | EA | SCREW - SF/DR - 10-16 X 1" TPH - W/SELF SEAL - BLACK |
| | 154938-05-03A | EA | SCREW - SF/DR - 8-18 X 1.25" PFH - W/SELF SEAL - SILVER |

SEALANTS & FASTENERS GROUP (CONTINUED)

CLAMPS, CLIPS, GROMMETS, RIVETS & PLUGS

| KEY | PART NUMBER | U/M | DESCRIPTION |
|-----|---------------|-----|-----------------------------------------------------------|
| | 000H16-04-06R | EA | RIVET - POP ALUMINUM - 1/8 X .313 - .375 |
| | 000H16-06-10R | EA | RIVET - POP ALUMINUM - 3/16 X .501 - .625 |
| | 007161-01-000 | EA | CLAMP - HOSE - SPRING TYPE - 1/2" |
| | 008386-01-000 | EA | GROMMET - SNAP - 3/8" DIAMETER - NYLON |
| | 010495-01-000 | EA | CLAMP - CABLE - 9/16"ID - BLACK |
| | 010495-02-000 | EA | CLAMP - CABLE - 3/8"ID - BLACK |
| | 010495-04-000 | EA | CLAMP - CABLE - 11/16"ID - WHITE |
| | 010497-01-000 | EA | CLAMP - CLOSED - 5/8"ID |
| | 010497-02-000 | EA | CLAMP - CLOSED - 1.5"ID |
| | 010497-03-000 | EA | CLAMP - CLOSED - 1"ID - CUSHIONED |
| | 010497-04-000 | EA | CLAMP - CLOSED - 1 5/8"ID |
| | 010497-05-000 | EA | CLAMP - CLOSED - 1/2"ID |
| | 010497-07-000 | EA | CLAMP - CLOSED - 3/8"ID |
| | 010497-09-000 | EA | CLAMP - CLOSED - 5/16"ID |
| | 010497-10-000 | EA | CLAMP - CLOSED - 7/8"ID |
| | 010499-01-000 | EA | CLAMP - CLOSED - 3/8"ID |
| | 016188-03-000 | EA | GROMMET - LP LINE - 3/8"HOLE X 2 1/2"LONG - RUBBER |
| | 016188-04-000 | EA | GROMMET - LP LINE - 1/2"HOLE X 2 1/2"LONG - RUBBER |
| | 016188-05-000 | EA | GROMMET - LP LINE - 3/8"HOLE X 1 1/4"LONG - RUBBER |
| | 016188-06-000 | EA | GROMMET - LP LINE - 3/8"HOLE X 3 1/4"LONG - RUBBER |
| | 016188-07-000 | EA | GROMMET - L/P LINE - 1/2"HOLE X 3 1/4"LONG |
| | 016188-08-000 | EA | GROMMET - LP LINE - 1/2"HOLE X 1 1/4"LONG - RUBBER |
| | 016188-09-000 | EA | GROMMET - LP LINE - .68"HOLE X 1 1/4"LONG - RUBBER |
| | 016188-10-000 | EA | GROMMET - LP GAS - .68" X 2.5" |
| | 023942-01-000 | EA | GROMMET - RUBBER - 2"OD |
| | 041930-11-000 | EA | RIVET - POP ALUMINUM - 1/8 X .188 - .250 - BRIGHT WHITE |
| | 061420-04-000 | EA | PLUG/PLASTIC - 1 1/4" DIAMETER |
| | 061420-05-000 | EA | PLUG/PLASTIC - 1 1/2" DIAMETER |
| | 061420-09-000 | EA | PLUG/PLASTIC - 1.00" DIAMETER |
| | 061420-10-000 | EA | PLUG/PLASTIC - 1 1/2" DIAMETER - BLACK |
| | 061420-12-000 | EA | PLUG/PLASTIC - 1.50" DIAMETER - RED |
| | 061420-13-000 | EA | PLUG/PLASTIC - 3/8" - FLUSH |
| | 061420-14-000 | EA | PLUG/PLASTIC - 7/8" DIAMETER - BLACK |
| | 061420-15-000 | EA | PLUG/PLASTIC - 2" DIAMETER - BLACK |
| | 061420-16-000 | EA | PLUG/PLASTIC - 2 1/8" DIAMETER - BLACK |
| | 062401-01-000 | EA | CLAMP - HOSE - WORMGEAR - .25" - 1" |
| | 062401-02-000 | EA | CLAMP - HOSE - WORMGEAR - 1.56" - 2.5" ID |
| | 062401-03-000 | EA | CLAMP - HOSE - WORMGEAR - .22" - 1" ID |
| | 062401-04-000 | EA | CLAMP - HOSE - WORMGEAR - .69" - 1.25" ID |
| | 062401-05-000 | EA | CLAMP - HOSE - WORMGEAR - 2" - 3" ID |
| | 062401-06-000 | EA | CLAMP - HOSE - WORMGEAR - .22" - .62" ID |
| | 062401-09-000 | EA | CLAMP - HOSE - WORMGEAR - 2.8" - 3.75" ID |
| | 062401-11-000 | EA | CLAMP - HOSE - WORMGEAR - 3.50" - 4.50" ID |
| | 062401-13-000 | EA | CLAMP - HOSE - WORMGEAR |
| | 063729-12-000 | EA | RIVNUT - 5/16 - 18 UNCUT - FLATHEAD - STAINLESS |
| | 071015-01-000 | EA | GROMMET - RUBBER - .5"ID X 1"OD-W/.38" GROOVE - BLACK |
| | 071015-11-000 | EA | GROMMET - RUBBER - 1"ID FITS .12 MATERIAL - BLACK |
| | 071015-13-000 | EA | GROMMET - RUBBER - .62"ID X 1"OD W/.09" GROOVE - BLACK |
| | 071015-22-000 | EA | GROMMET - RUBBER - .62"ID X 1.12"OD W/.19" GROOVE - BLACK |
| | 071015-26-000 | EA | GROMMET - RUBBER - 1.5"ID X 2.1"OD W/.06" GROOVE - BLACK |
| | 071015-29-000 | EA | GROMMET - RUBBER - .3"ID X 1.3"OD W/.12" GROOVE - BLACK |
| | 071015-30-000 | EA | GROMMET - RUBBER - .3"ID X .81"OD W/.12" GROOVE - BLACK |
| | 071015-39-000 | EA | GROMMET - .75 ID FITS .06 MTL |
| | 071015-41-000 | EA | GROMMET - .125 ID FITS .188 MTL |
| | 071015-42-000 | EA | GROMMET - .25 ID FITS .06 MTL |
| | 075148-02-000 | EA | CLAMP - GROUNDING - BRONZE SCREWS |
| | 077955-01-000 | EA | CLIP/J - 3/8" - VINYL COATED |
| | 080734-02-000 | EA | CLIP - WIRE NYLON |
| | 081211-01-000 | EA | PLUG - PLASTIC - .31"DIA - BLACK |
| | 081211-03-000 | EA | PLUG - PLASTIC - .50"DIAMETER - TRUSS HEAD - BLACK |
| | 081211-04-000 | EA | PLUG - PLASTIC - .46"DIAMETER - TRUSS HEAD - BLACK |
| | 083609-01-000 | EA | CLAMP - WIRE - DUAL - EQUAL DIAMETERS - 5/8" |
| | 083610-01-000 | EA | CLAMP - WIRE - DUAL - UNEQUAL DIAMETERS - 3/4" & 1 1/4" |
| | 083610-02-000 | EA | CLAMP - WIRE - DUAL - UNEQUAL DIAMETERS - 3/4" & 2" |

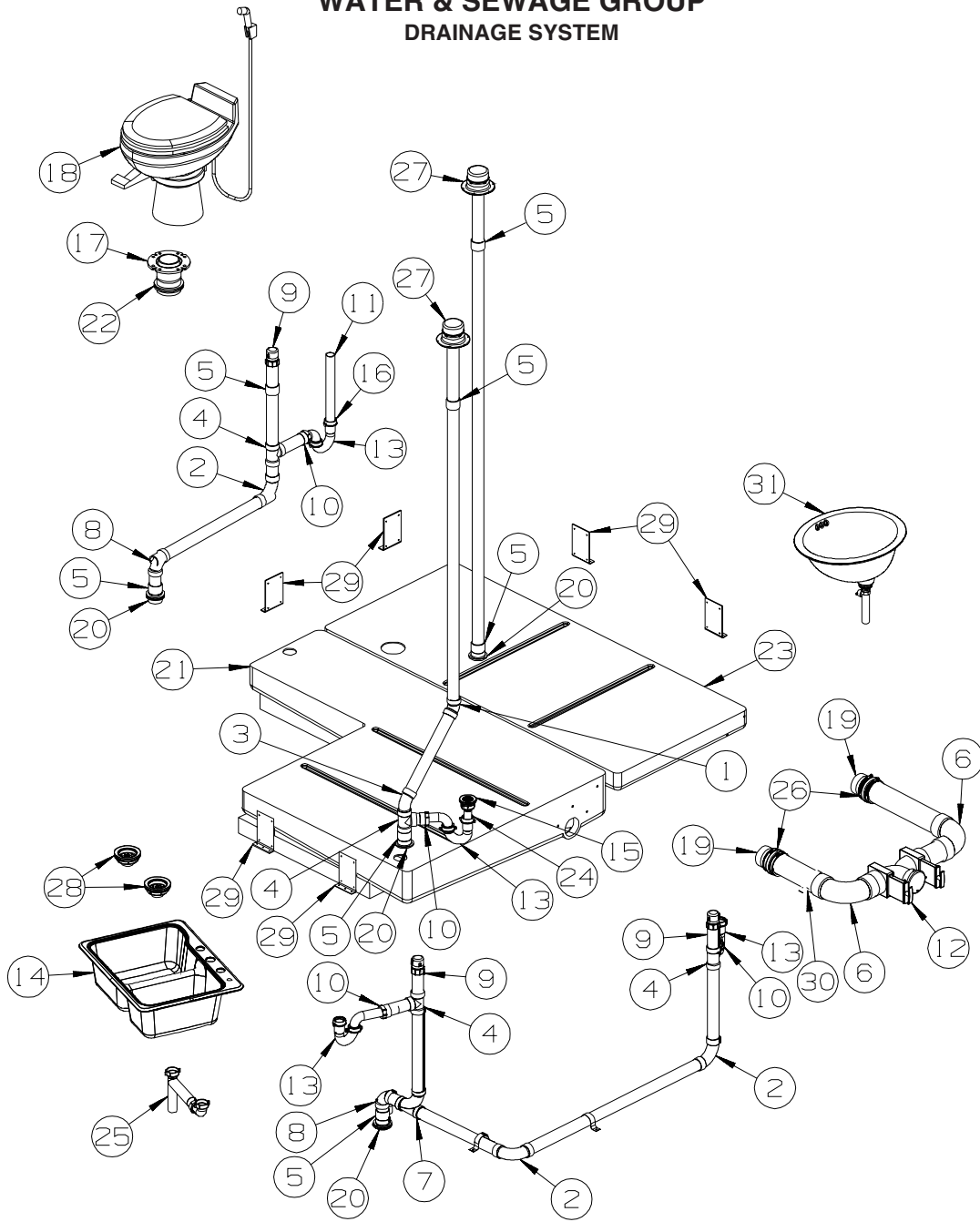
SEALANTS & FASTENERS GROUP (CONTINUED)
CLAMPS, CLIPS, GROMMETS, RIVETS & PLUGS (CONTINUED)

| KEY | PART NUMBER | U/M | DESCRIPTION |
|-----|---------------|-----|--------------------------------------------------------|
| | 083610-03-000 | EA | CLAMP - WIRE - DUAL - EQUAL DIAMETERS - 2" |
| | 088756-01-000 | EA | GROMMET - WEB - 1 1/8"ID |
| | 089329-02-000 | EA | CLIP - SPRING |
| | 091952-01-000 | EA | CLIP - GRIPPER - 1" - BLACK VINYL COATED |
| | 091952-02-000 | EA | CLIP - GRIPPER - 3/4" - BLACK VINYL COATED |
| | 091952-03-000 | EA | CLIP - GRIPPER - 1/2" - BLACK VINYL COATED |
| | 094362-02-000 | EA | CLIP - XMAS TREE - BINDER HEAD - .9" LONG/ANY COLOR |
| | 094362-05-000 | EA | CLIP - XMAS TREE - ROUND HEAD - 1.4" LONG/ANY COLOR |
| | 113133-02-01A | EA | RIVET - POP - ALUMINUM - 3/16 X .252 - .504 - BLACK |
| | 114208-05-000 | EA | GROMMET - EDGE LINER - FITS 2" |
| | 118626-01-02A | EA | RIVET/POP - ALUMINUM - 3/16 X .08 - .375 |
| | 118626-01-01A | EA | RIVET/POP - ALUMINUM - 3/16 X 1.2"(GRIP RANGE .1"-.4") |
| | 118626-02-01A | EA | RIVET/POP - ALUMINUM - 3/16 X .500 - .750 |
| | 118626-03-01A | EA | RIVET/POP - STAINLESS STEEL - 3/16 X .500 - .750 |
| | 137014-01-02A | EA | GROMMET - CABLE - BROWN |
| | 137014-01-01A | EA | GROMMET - CABLE - ALMOND |
| | 137014-01-03A | EA | GROMMET - CABLE - BLACK |
| | 139118-02-01A | EA | GROMMET - SCREW - PLASTIC |
| | 155498-01-01A | EA | CLAMP - CLOSED - 7/8"ID - VINYL DIP/GALVONIZED - BLACK |

MISCELLANEOUS FASTENERS

| KEY | PART NUMBER | U/M | DESCRIPTION |
|-----|---------------|-----|-----------------------------------------------------------|
| | 008343-01-000 | EA | TIE - WIRE - 6" |
| | 008343-02-000 | EA | TIE - WIRE - 14" |
| | 008343-03-000 | EA | TIE - WIRE - 7 1/2" - BLACK |
| | 029094-04-000 | YD | VELCRO TAPE/LOOP - 1"WIDE - W/ADHESIVE BACK - BLACK |
| | 029096-04-000 | YD | VELCRO TAPE/HOOK - 1"WIDE - BLACK - W/ADHESIVE BACK (PSA) |
| | 048394-02-000 | YD | VELCRO TAPE - HOOK - ADHESIVE BACK - 3/4" WIDE - BEIGE |
| | 085774-01-000 | FT | FASTENER - DUAL LOCK - 1" WIDE - ADHESIVE BACK - BLACK |
| | 085774-02-000 | FT | FASTENER - DUAL HOOK - 1" WIDE - ADHESIVE BACK - BLACK |
| | 088792-02-000 | YD | VELCRO TAPE - LOOP - 3/4" - ADHESIVE BACK - BEIGE |
| | 088792-04-000 | YD | VELCRO TAPE - HOOK - 5/8" - NON-ADHESIVE BACK - WHITE |
| | 088792-05-000 | YD | VELCRO TAPE - LOOP - 5/8" - NON-ADHESIVE BACK - WHITE |
| | 108046-02-000 | EA | CABLE TIE - SCREW MOUNT 15" |

WATER & SEWAGE GROUP DRAINAGE SYSTEM

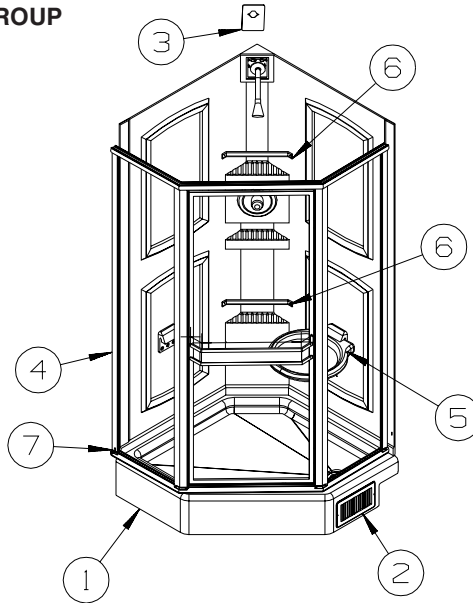


| KEY | PART NUMBER | U/M DESCRIPTION |
|-----|---------------|---------------------------------------------------------------|
| 1 | 010006-01-000 | EA ELBOW - 45 DEGREE - 1 1/2" HUB X HUB - PLASTIC |
| 2 | 010008-01-000 | EA ELBOW - 90 DEGREE - 1 1/2" HUB X HUB - PLASTIC |
| 3 | 010051-01-000 | EA ELBOW - 45 DEGREE - 1 1/2" SPIGOT X HUB - PLASTIC |
| 4 | 010071-01-000 | EA TEE - SANITARY - 1 1/2" HUB X HUB X HUB - PLASTIC |
| 5 | 010115-01-000 | EA COUPLING - 1 1/2" HUB X HUB - PLASTIC |
| 6 | 031126-01-000 | EA ELBOW - 1/4 BEND - 3" X 90" XLT - BLACK PLASTIC |
| 7 | 031365-02-000 | EA TEE - 1 1/2" EXTRA LONG TURN - PLASTIC |
| 8 | 034250-01-000 | EA ELBOW - 90 DEGREE - LONG TURN - 1 1/2" HUB X HUB - ABS |
| 9 | 079968-01-000 | EA VENT - MECHANICAL/TRAP ARM - ANTI-SIPHON-2" X 7.3" PLASTIC |
| 10 | 152146-01-000 | EA CONNECTOR - 1 1/2"P X 1 1/2"MPT |
| 11 | 126588-02-000 | EA ARM - WASTE - 1 1/2" X 20" - FEMALE |
| 12 | 136143-01-000 | EA VALVE - DUAL - 3" X 3" |
| | 139513-01-000 | EA HOSE - SEWER - 3" X 10' - W/ADAPTER |
| | 062416-01-000 | EA ADAPTER - SEWER HOSE TO 3" PIPE |
| * | 144728-01-000 | EA VALVE - SEWER HOSE - 3" |
| | 147845-01-01A | EA LABEL - DRIP VALVE |
| 13 | 107538-02-000 | EA P-TRAP - PLASTIC - 1 1/2" W/EXTENSION ARM |
| 13 | 011071-01-000 | EA P-TRAP - 1 1/2" - CSA - PLASTIC - CANADIAN |

WATER & SEWAGE GROUP (CONTINUED)
DRAINAGE SYSTEM (CONTINUED)

| KEY | PART NUMBER | U/M | DESCRIPTION |
|-----|---------------|-----|--------------------------------------------------------|
| 14 | 148870-01-01A | EA | SINK/DOUBLE - LRG/SML BASIN - 25" X 19" X 7" |
| 15 | 066440-01-000 | EA | STRAINER - SHOWER DRAIN - W/RUBBER WASHER |
| | 127440-02-01A | EA | WASHER - RUBBER - 1.8" X .1" |
| 16 | 061420-10-000 | EA | PLUG/PLASTIC - 1 1/2" DIAMETER - BLACK |
| 17 | 024676-01-000 | EA | FLANGE/CLOSET - 4" X 3" - BLACK PLASTIC |
| 18* | 152829-01-01A | EA | TOILET/AQUA MAGIC STYLE LITE - TALL - W/SPRAY - WHITE |
| | | | FROM: 00-00-00 THRU: 02-11-07 |
| 18 | 160815-01-01A | EA | TOILET-STYLE II,TALL,WHITE ,*W/SPRAYER |
| | | | FROM: 02-12-07 THRU: 99-99-99 |
| 19 | 010129-03-000 | EA | NIPPLE - 3" X 3" TOE - PLASTIC |
| 20 | 061607-01-000 | EA | GROMMET - HOLDING TANK - 1 1/2" NPS |
| 21 | 148496-01-700 | EA | TANK - HOLDING - 46 GALLON - W/O FITTINGS - GRAY WATER |
| | 049032-01-000 | EA | PATCH - SPINWELD - 3/8" - PLASTIC |
| 22 | 061607-02-000 | EA | GROMMET - HOLDING TANK - 3" NPS |
| 23 | 128776-01-700 | EA | TANK - HOLDING - 53 GALLON - W/3" NIPPLE |
| | 125697-02-000 | EA | NOZZLE - WELD-A-FLUSH |
| 24 | 011069-06-000 | EA | TAILPIECE - 1 1/2" X 1 1/4" X 2 1/2" |
| | 130403-01-000 | EA | NUT - SLIP - W/WINGS 1 1/2" |
| 25 | 011091-02-000 | EA | WASTE - CONTINUOUS - DOUBLE SINK |
| 26 | 078406-01-000 | EA | COUPLER - 3" X 3" W/CLAMPS - RUBBER |
| 27 | 083558-03-000 | EA | VENT W/COVER F/PLUMBING STACK - OFF WHITE |
| 28 | 092303-01-000 | EA | STRAINER - W/BASKET - GALLEY SINK - 4" OD |
| 29 | 094756-02-01A | EA | BRACKET - L - 6.1" LONG X 3.9" WIDE - STEEL |
| 30 | 141443-01-02B | EA | HOLDER - RING - 3.6" DIAMETER - METAL |
| 31 | 155318-01-01A | EA | SINK - LAVATORY - OVAL - 19.5" X 16.5" - CREAM |

*COMPONENT PARTS LISTED LATER IN THIS GROUP



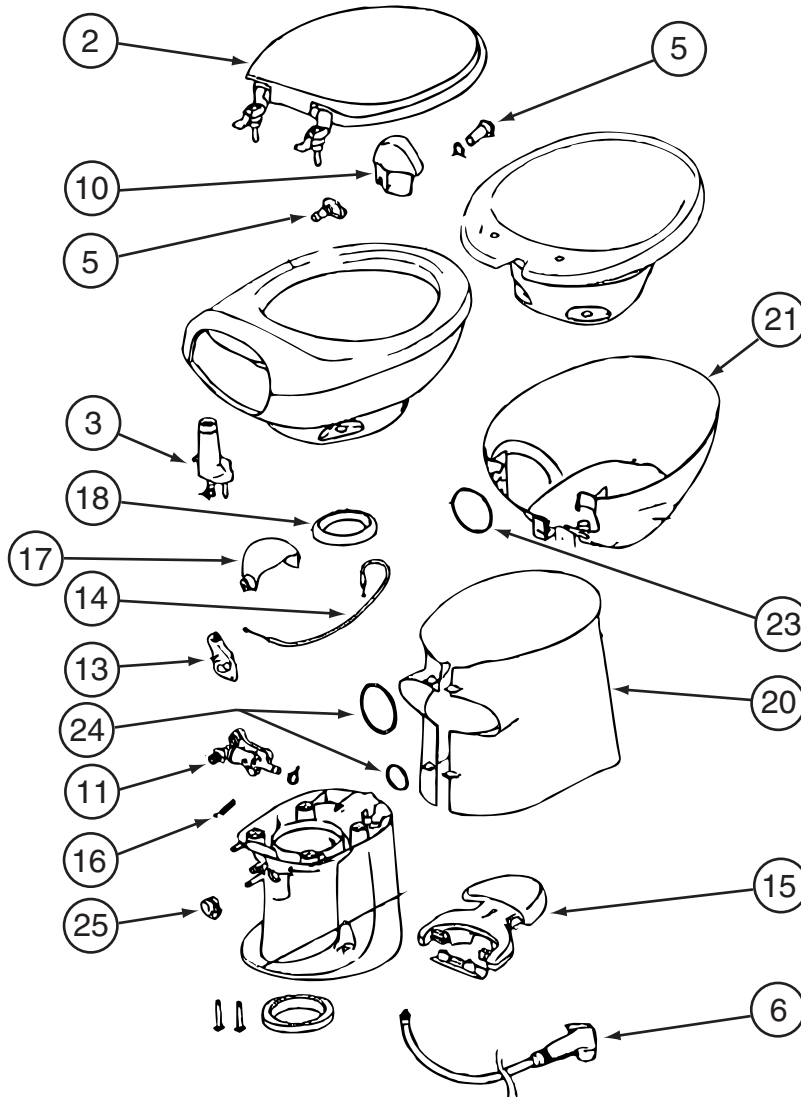
| KEY | PART NUMBER | U/M | DESCRIPTION |
|-----|---------------|-----|----------------------------------------------------------|
| 1 | M02630-81-S64 | EA | SHOWER PAN - W/STRAINER |
| 2 | 089326-02-000 | EA | GRILLE - FLOOR - HEATING - 9.3" X 5.3" - SOFT WHITE |
| 3 | 131549-01-01A | EA | PLATE/COVER - SHOWER HEAD - PLASTIC |
| 4 | 147575-01-01A | EA | ENCLOSURE - SHOWER - SIDES/BACK - 1 PIECE |
| 5 | 135607-03-01A | EA | SEAT - SHOWER/FOLDING-WHT - FOLD DOWN SHOWER SEAT |
| 6 | 113714-02-02A | EA | RETAINER - SHELF/SHOWER - 10.6" - SOFT WHITE |
| 7 | 154585-03-01A | FT | SEAL - FOAM TAPE - ADHESIVE 2 SIDED - 1/8" X 3/4" |

WATER & SEWAGE GROUP (CONTINUED)

COMPONENT PARTS FOR DRAINAGE SYSTEM

144728-01-000

| KEY | PART NUMBER | U/M | DESCRIPTION | VENDOR NO. |
|-----|---------------|-----|-----------------------------|------------|
| | 144728-01-700 | EA | GASKET-RUBBER, INSIDE VALVE | 9667310-11 |
| | 144728-01-701 | EA | GASKET-RUBBER, OUTSIDE | 9667310-10 |



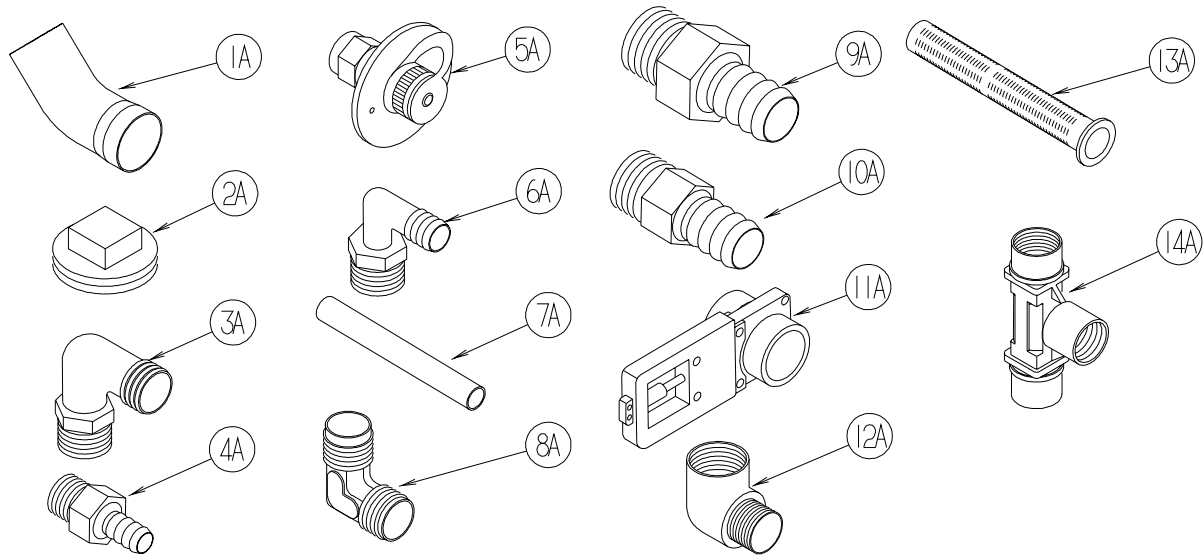
152829-01-01A

| KEY | PART NUMBER | U/M | DESCRIPTION | VENDOR NO. |
|-----|---------------|-----|-----------------------------|------------|
| 2 | 152829-01-700 | EA | SEAT/COVER ASSEMBLY - WHITE | 34144 |
| 3 | 152829-01-708 | EA | VACUUM BREAKER | 34122 |
| 5 | 152829-01-710 | EA | FLUSH NOZZLE - WHITE | 34124 |
| 6 | 147421-01-708 | EA | HAND SPRAY KIT - WHITE HEAD | 33226 |
| 10 | 152829-01-711 | EA | POD - WHITE | 34129 |
| 11 | 152829-01-701 | EA | WATER VALVE | 34100 |
| 13 | 152829-01-703 | EA | WATER VALVE DRIVE ARM | 34104 |
| 14 | 152829-01-704 | EA | CABLE - F/PEDAL | 34106 |
| 15 | 152829-01-709 | EA | PEDAL PACKAGE - WHITE | 34112 |
| 16 | 152829-01-705 | EA | SPRING/RETURN-FWATER VALVE | 34110 |
| 17 | 152829-01-706 | EA | WASTE BALL - WHITE | 34117 |
| 18 | 152829-01-707 | EA | SEAL - F/WASTE BALL | 34120 |
| 21 | 152829-01-713 | EA | BOWL WRAP - WHITE | 34133 |
| 23 | 152829-01-712 | EA | O-RING - F/BOWL WRAP | 34131 |
| 25 | 152829-01-702 | EA | WASTE BALL DRIVE ARM | 34102 |

CONTACT WINNEBAGO PARTS SALES FOR UNLISTED COMPONENT(S)

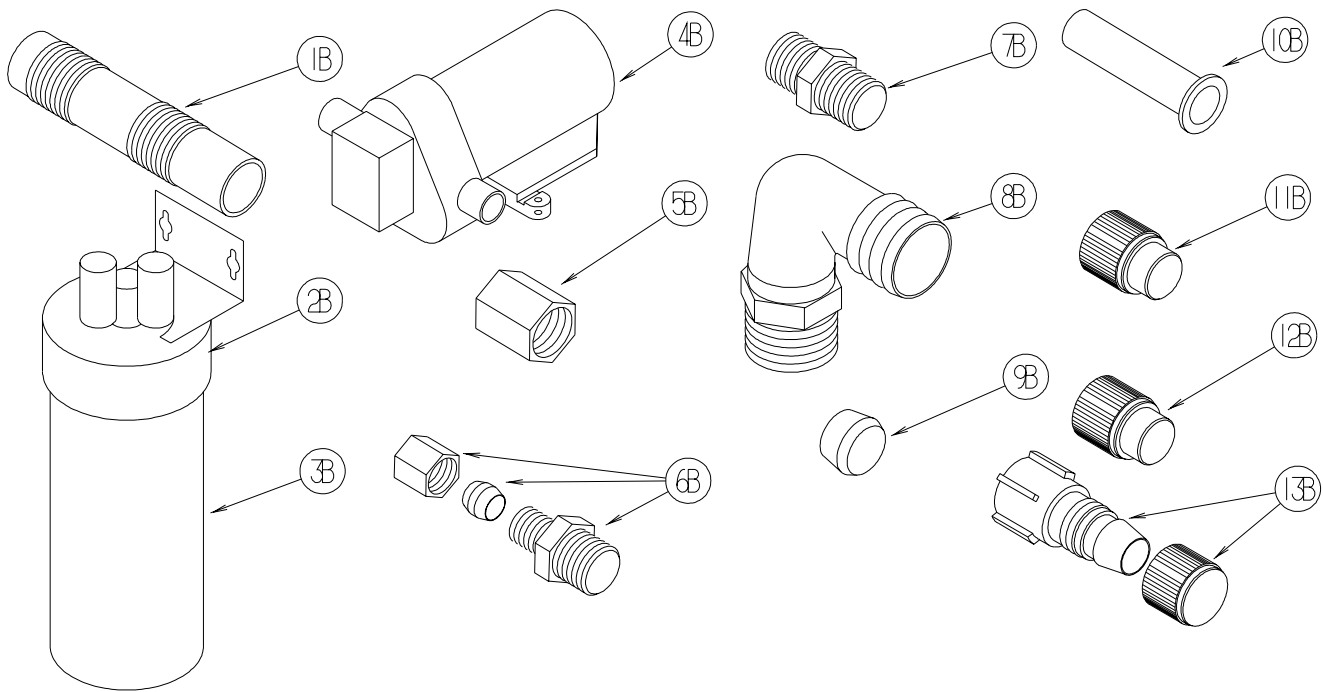
WATER & SEWAGE GROUP (CONTINUED)

WATER SYSTEM



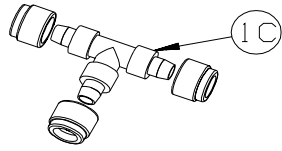
| KEY | PART NUMBER | U/M | DESCRIPTION |
|-----|---------------|-----|-----------------------------------------------------------|
| 1A | 010009-01-000 | EA | ELBOW - 90 DEGREE - 1/4 BEND - 1 1/2" PLASTIC |
| 2A | 010166-01-000 | EA | PLUG/THREADED - 1 1/4"MPT - PLASTIC - BLACK - UL |
| 3A | 010219-01-000 | EA | ELBOW - 1 1/4 MPT X 1 1/4 BARB - WATER FILL - PLASTIC |
| 4A | 010224-01-000 | EA | ADAPTER - HOSE TO PIPE - 3/8 MPT X 3/8 BARB - PLASTIC |
| 5A | 010230-06-000 | EA | FILL - CITY WATER - W/CHECK VALVE - MPT - BRUSHED ALUM |
| 6A | 035539-01-000 | EA | ELBOW - 3/8 MPT X 3/8 BARB - PLASTIC |
| 7A | 039800-04-000 | FT | TUBING - POLYBUTYL - 1/4"OD |
| 7A | 074462-02-000 | FT | TUBING - VINYL - 3/8 ID X 20' - CLEAR |
| 7A | 112176-01-000 | FT | TUBING - VINYL - REINFORCED - 1/2" ID |
| 7A | 124188-01-000 | FT | TUBING - PEX - 1/2" ID X 20' - BLUE(COLD) |
| 7A | 124188-02-000 | FT | TUBING - PEX - 1/2" ID X 20' - RED(HOT) |
| 8A | 039808-03-000 | EA | ELBOW - 1/2" MPT X 1/2" MPT - PLASTIC |
| 9A | 044927-01-000 | EA | ADAPTER - HOSE TO PIPE-1 1/4 MPTX1 1/4 BARB-BLACK PLASTIC |
| 10A | 044927-02-000 | EA | ADAPTER - REDUCING - 1" MPT X 1.3" BARB - PLASTIC |
| 11A | 062421-03-000 | EA | VALVE/DUMP W/O HANDLE - 1 1/2" X 1 1/2" HUB |
| | 062421-05-000 | EA | CABLE/ROD - F/DUMP VALVE - W/HANDLE - 48" |
| | 062421-07-000 | EA | CABLE/ROD - F/DUMP VALVE - W/HANDLE - 144" |
| | 062421-08-000 | EA | CABLE/ROD - F/DUMP VALVE - W/HANDLE - 108" |
| 12A | 065318-02-000 | EA | ELBOW - 90 DEGREE - 3/8" MPT TO 3/8" FPT |
| 13A | 077954-02-000 | EA | FILTER - WATER TANK - W/SCREEN IN TANK |
| 14A | 039798-01-000 | EA | TEE - 1/2"MPT X 1/2"MPT X 1/2"MPT - PLASTIC |

WATER & SEWAGE GROUP (CONTINUED)
WATER SYSTEM (CONTINUED)

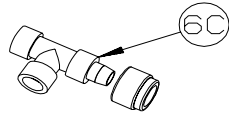


| KEY | PART NUMBER | U/M | DESCRIPTION |
|-----|---------------|-----|-----------------------------------------------------|
| 1B | 079381-01-000 | FT | TUBING - RIBBED FLEXIBLE - WATER FILL - 1.4" ID |
| 2B | 087200-01-000 | EA | FILTER-WATER PURIFCATION, EVERPURE QC2-AC |
| 3B | 087200-02-000 | EA | CARTRIDGE-WATER FILTER,AC - EVERPURE 9601-11 |
| 4B* | 098607-01-000 | EA | PUMP - WATER - W/.5" MPT FITTING - FLOW 2.8 GPM |
| | | | FROM: 00-00-00 THRU: 06-21-06 |
| 4B | 160702-01-000 | EA | PUMP - WATER - 3.0 GPM - W/1/2" MPT |
| | | | FROM: 06-22-06 THRU: 99-99-99 |
| 5B | 101814-01-000 | EA | COUPLING - FEMALE - 1/2" X 1/2" FPT - GRAY |
| 6B | 103798-01-000 | EA | CONNECTOR - 1/4 OD X 3/8 MPT |
| 7B | 110438-02-000 | EA | VALVE - CHECK - BRASS - 1/2 MPT X 1/2 MPT |
| 8B | 111223-02-000 | EA | ELBOW - 1/2" MPT X 3/8" BARB - PLASTIC |
| 8B | 111223-03-000 | EA | ELBOW - 3/4" MPT X 1/2" BARB - PLASTIC |
| 8B | 111223-04-000 | EA | ELBOW - 1/2" MPT X 1/2" BARB - PLASTIC |
| 9B | 111888-01-000 | EA | FERRULE - PLASTIC - .250 ID X .375 OD |
| 10B | 111888-02-000 | EA | INSERT - BRASS - 1/4 COMP |
| 11B | 113697-01-000 | EA | CAP - 3/8"P |
| 12B | 114427-01-000 | EA | CAP - 1/2"P |
| 13B | 114427-02-000 | EA | PLUG - W/COMP NUT - 1/2" PLASTIC PIPE/1/2" FLAIR-IT |

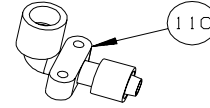
WATER & SEWAGE GROUP (CONTINUED)
WATER SYSTEM (CONTINUED)



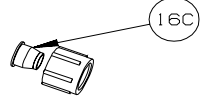
1C



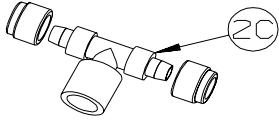
6C



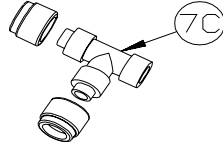
11C



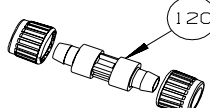
16C



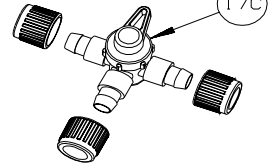
2C



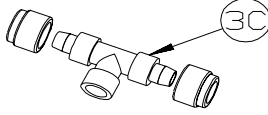
7C



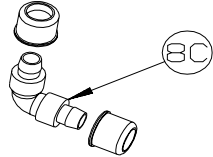
12C



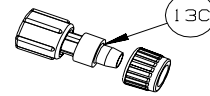
17C



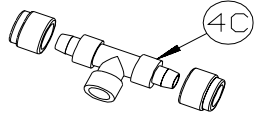
3C



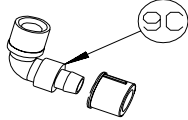
8C



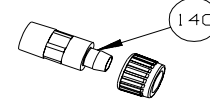
13C



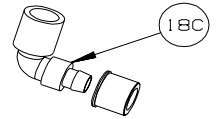
4C



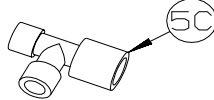
9C



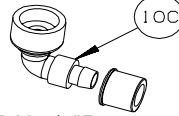
14C



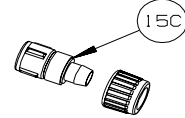
18C



5C



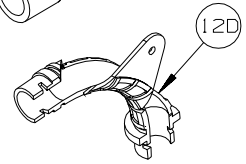
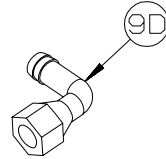
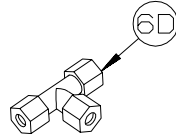
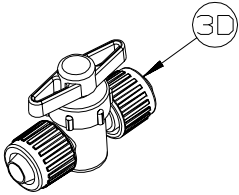
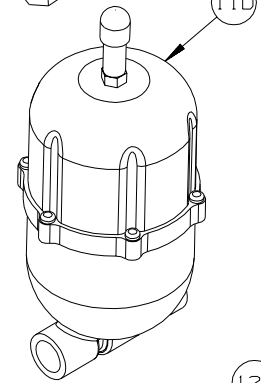
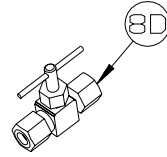
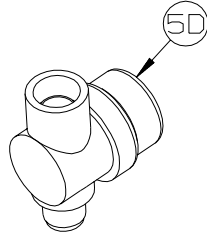
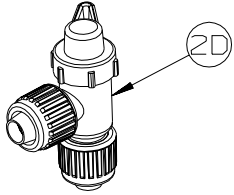
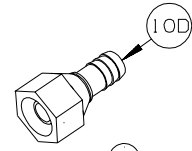
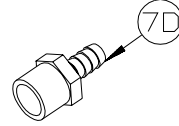
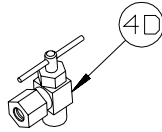
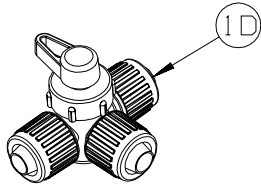
10C



15C

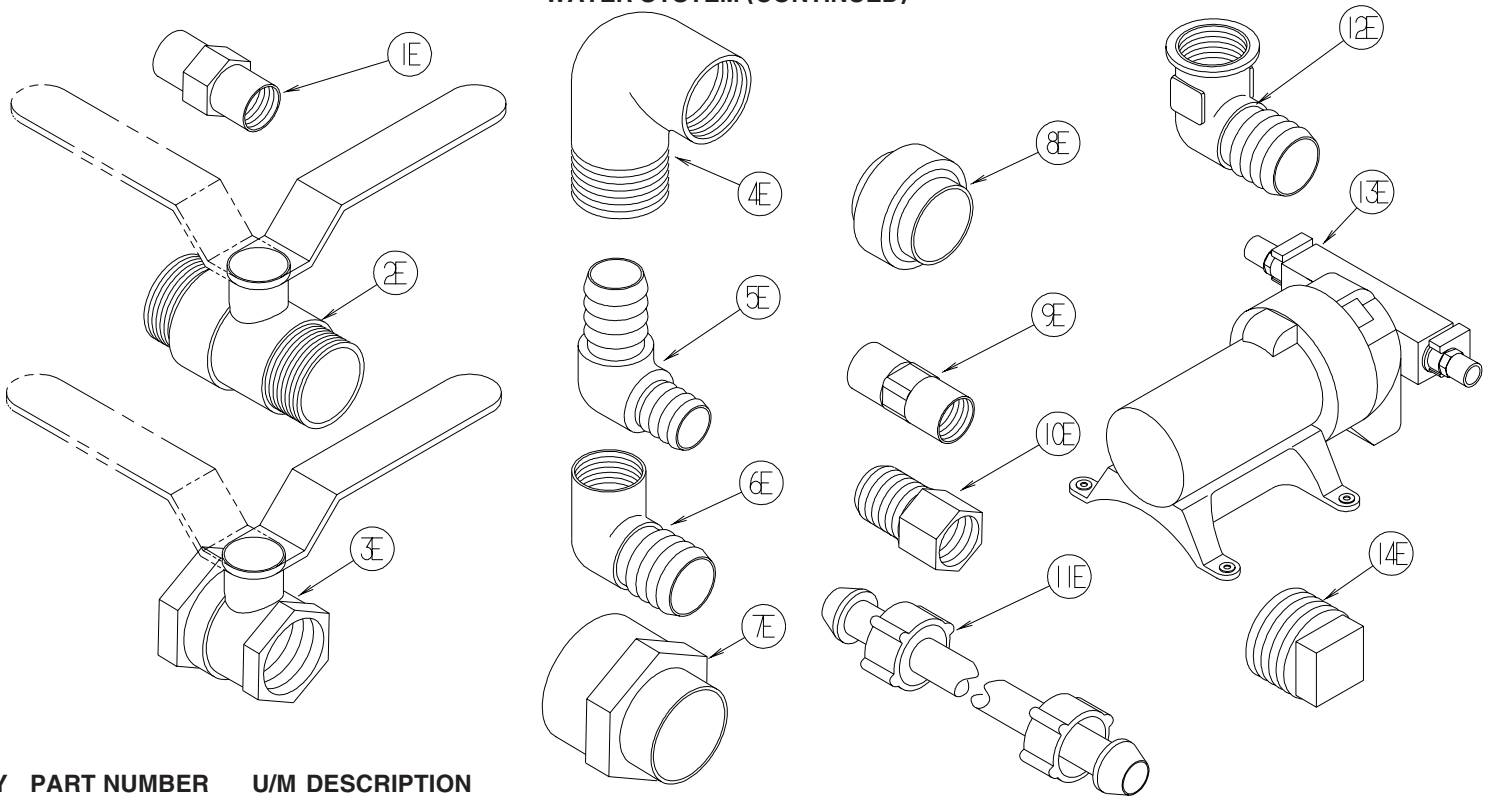
| KEY | PART NUMBER | U/M | DESCRIPTION |
|-----|---------------|-----|-----------------------------------------------------|
| 1C | 114428-01-000 | EA | TEE - 1/2"P X 1/2"P X 1/2"P |
| 2C | 114428-02-000 | EA | TEE - SWIVEL - 1/2"P X 1/2"P X 1/2"FPT |
| 3C | 114428-03-000 | EA | TEE - 1/2"P X 1/2"P X 1/2"MPT |
| 4C | 114428-04-000 | EA | TEE - 1/2"P X 1/2"P X 1/8"FPT |
| 5C | 114428-05-000 | EA | TEE - 1/2" SWIVEL X 1/2" MPT X 1/2" MPT |
| 6C | 114428-06-000 | EA | TEE - 1/2" P X 1/2" MPT X 1/2" MPT |
| 7C | 114428-07-000 | EA | TEE - 1/2" P X 1/2" MPT X 1/2" P |
| 8C | 114429-01-000 | EA | ELBOW - 1/2"P X 1/2"P |
| 9C | 114429-02-000 | EA | ELBOW - 1/2"P X 1/2"MPT |
| 9C | 114429-04-000 | EA | ELBOW - 1/2"P X 3/8"MPT |
| 9C | 114429-05-000 | EA | ELBOW - 1/2"P X 3/4"MPT |
| 9C | 114429-10-000 | EA | ELBOW - SWIVEL - 1/2"MPT X 1/2"FPT |
| 10C | 114429-06-000 | EA | ELBOW - SWIVEL - 1/2"P X 3/4"FPT |
| 10C | 114429-08-000 | EA | ELBOW - SWIVEL - 1/2"P X 1/2"FPT |
| 11C | 114429-09-000 | EA | ELBOW - 1/2"P X 1/2"FPT DROP EAR |
| 12C | 114430-01-000 | EA | ADAPTER - 1/2"P X 1/2"P |
| 13C | 114430-02-000 | EA | ADAPTER - SWIVEL - 1/2"P X 1/2"FPT |
| 13C | 114430-04-000 | EA | ADAPTER - SWIVEL - 1/2"P X 3/8"MPT |
| 14C | 114430-03-000 | EA | ADAPTER - 1/2"P X 1/2"MPT |
| 15C | 114430-06-000 | EA | ADAPTER - 1/2"P X 3/8"FPT |
| 15C | 114430-09-000 | EA | ADAPTER - 1/2"P X 1/2"FPT |
| 16C | 114430-10-000 | EA | ADAPTER - NUT - PIPE CONNECTION - 1/2" |
| 17C | 114431-01-000 | EA | VALVE - 180 DEGREE/CENTER DRAIN - 1/2"P - THREE WAY |
| 18C | 114429-11-000 | EA | ELBOW - 1/2"P X 1/2"FPT |

WATER & SEWAGE GROUP (CONTINUED)
WATER SYSTEM (CONTINUED)



| KEY | PART NUMBER | U/M | DESCRIPTION |
|-----|---------------|-----|----------------------------------------------------------|
| 1D | 114431-02-000 | EA | VALVE - WATER BYPASS - 1/2" P - THREE WAY (WATER HEATER) |
| 2D | 114431-03-000 | EA | VALVE - 90 DEGREE DRAIN - 1/2" P |
| 3D | 114431-04-000 | EA | VALVE - "INLINE SHUT-OFF" - 1/2" P |
| 4D | 114431-05-000 | EA | VALVE - NEEDLE - 1/8" MPT X 1/4" COMPRESSION (ICE MAKER) |
| 5D | 152925-01-01A | EA | FILTER - IN LINE - TWIST ON - 1/2" - BLACK |
| 6D | 118423-01-000 | EA | FITTING - BRASS-TEE - 1/4C X 1/4C X 1/4C |
| 7D | 118809-01-000 | EA | ADAPTER - 1/2" MPT X 3/8" BARB - PLASTIC |
| 7D | 118809-02-000 | EA | ADAPTER - 1/2" MPT X 1/2" BARB - PLASTIC |
| 8D | 120868-01-000 | EA | VALVE - NEEDLE - 1/4" COMPRESSION X 1/4" COMPRESSION |
| 9D | 123150-01-000 | EA | ELBOW - 1/2 FPT X 1/2 BARB - SWIVEL |
| 10D | 123152-01-000 | EA | ADAPTER - 1/2 FPT X 1/2 BARB - SWIVEL |
| 11D | 123243-01-000 | EA | TANK - ACCUMULATOR - 24 OZ |
| 11D | 123317-01-000 | EA | TANK - ACCUMULATOR - 2 GALLON |
| 12D | 124184-01-000 | EA | SUPPORT - WATER LINE - BEND |

WATER & SEWAGE GROUP (CONTINUED)
WATER SYSTEM (CONTINUED)



| KEY | PART NUMBER | U/M | DESCRIPTION |
|------|---------------|-----|-----------------------------------------------------|
| 1E | 132148-01-000 | EA | CONNECTOR - 1/2" X 1/2"MPT - BRASS |
| 2E | 132483-01-000 | EA | VALVE/BALL - 1" - THREADED ENDS |
| 3E | 132483-02-000 | EA | VALVE/BALL - 1/2" - BRASS - FPT |
| 4E | 132484-01-000 | EA | ELBOW - 90 DEGREE - 1MPT X 1FPT - PLASTIC |
| 5E | 132781-01-000 | EA | ELBOW - 1.3" BARB X 1.3" BARB - 90 DEGREE - PLASTIC |
| 6E | 132782-01-000 | EA | ELBOW - 1"FPT X 1.3" BARB - 90 DEGREE - PLASTIC |
| 7E | 133835-01-000 | EA | ADAPTER - REDUCING - 1 1/2" X 1 1/4" |
| 8E | 133889-01-000 | EA | UNION - 1 1/2 DOUBLE SLIP - PVC |
| 9E | 135386-01-000 | EA | NIPPLE - 1/2" |
| 10E | 136333-01-000 | EA | ADAPTER - BRASS - 1/2"MPT X 1/2"FPT |
| 11E | 140821-01-000 | EA | TUBE - WATER SUPPLY - 3/8" X 24" |
| 11E | 140821-02-000 | EA | TUBE - WATER SUPPLY - 3/8" X 30" |
| 11E | 140821-03-000 | EA | TUBE - WATER SUPPLY - 3/8" X 36" |
| 11E | 140821-04-000 | EA | TUBE - WATER SUPPLY - 3/8" X 48" |
| 11E | 140821-05-000 | EA | TUBE - WATER SUPPLY - 3/8" X 54" |
| 11E | 140821-06-000 | EA | TUBE - WATER SUPPLY - 3/8" X 60" |
| 11E | 140821-07-000 | EA | TUBE - WATER SUPPLY - 3/8" X 72" |
| 11E | 140821-08-000 | EA | TUBE - WATER SUPPLY - 1/2" X 24" |
| 11E | 140821-09-000 | EA | TUBE - WATER SUPPLY - 1/2" X 36" |
| 11E | 140821-10-000 | EA | TUBE - WATER SUPPLY - 1/2" X 48" |
| 12E | 142812-01-000 | EA | ELBOW - BRASS - 1/2"MPT X 1/2"FPT |
| 13E* | 144215-01-000 | EA | PUMP - WATER - 5.7 GPM - W/1/2" MPT |

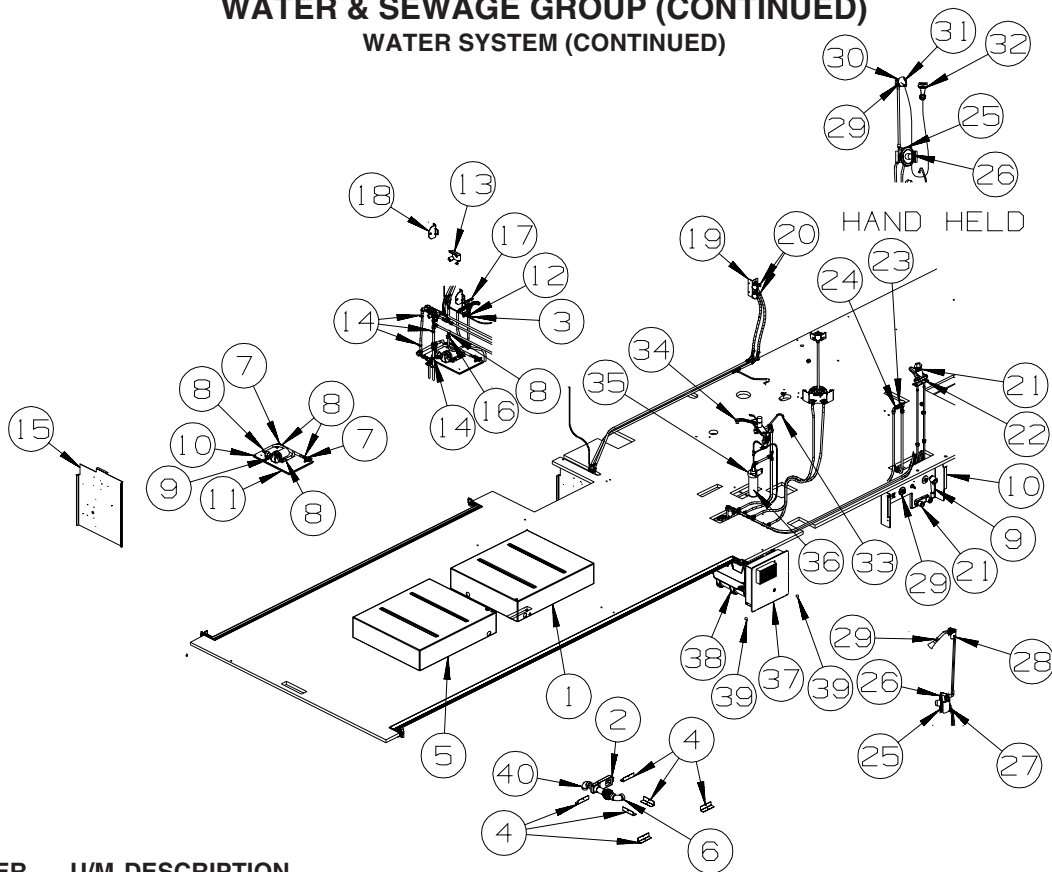
FROM: 00-00-00 THRU: 02-05-06

14E 145609-01-000 EA PLUG - BRASS - 1/2" MPT/HEX HEAD

***COMPONENT PARTS LISTED LATER IN THIS GROUP**

WATER & SEWAGE GROUP (CONTINUED)

WATER SYSTEM (CONTINUED)

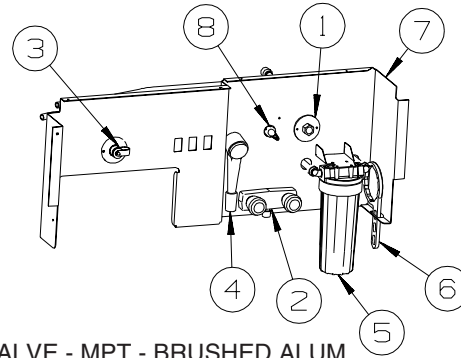


| KEY | PART NUMBER | U/M | DESCRIPTION |
|-----|---------------|-----|--------------------------------------------------------------------------|
| 1 | 132224-33-000 | EA | TANK - WATER - 40 GALLON - W/FITTINGS - 37.8"X 33.1"X 8.3" |
| | 042989-03-000 | EA | FITTING - SPINWELD - 1 1/4"NPT - PLASTIC |
| | 042989-04-000 | EA | FITTING - SPINWELD - 3/8"FPT - PLASTIC |
| | 042989-05-000 | EA | FITTING - SPINWELD - 1/2"FPT - PLASTIC |
| | 049032-01-000 | EA | PATCH - SPINWELD - 3/8" - PLASTIC |
| 2 | 062421-03-000 | EA | VALVE/DUMP W/O HANDLE - 1 1/2" X 1 1/2" HUB |
| 3 | 062421-07-000 | EA | CABLE/ROD - F/DUMP VALVE - W/HANDLE - 144" |
| 4 | 142053-30-134 | EA | ANGLE-STL,ROOF JOINT,0134 MM TOP COAT OFF WHITE |
| 5 | 132224-23-000 | EA | TANK - WATER - 40 GALLON - W/FITTINGS - 37.8"X 33.1"X 8.3" |
| | 042989-03-000 | EA | FITTING - SPINWELD - 1 1/4"NPT - PLASTIC |
| | 042989-05-000 | EA | FITTING - SPINWELD - 1/2"FPT - PLASTIC |
| | 049032-01-000 | EA | PATCH - SPINWELD - 3/8" - PLASTIC |
| 6 | 034250-01-000 | EA | ELBOW - 90 DEGREE - LONG TURN - 1 1/2" HUB X HUB - ABS |
| 7 | 010497-03-000 | EA | CLAMP - CLOSED - 1"ID - CUSHIONED |
| 8 | 062401-03-000 | EA | CLAMP - HOSE - WORMGEAR - .22" - 1" ID |
| 9* | 098607-01-000 | EA | PUMP - WATER - W/.5" MPT FITTING - FLOW 2.8 GPM - NOT ILLUSTRATED |
| | | | FROM: 00-00-00 THRU: 06-21-06 |
| 9 | 160702-01-000 | EA | PUMP - WATER - 3.0 GPM - W/1/2" MPT |
| | | | FROM: 06-22-06 THRU: 99-99-99 |
| 10 | 149477-01-02B | EA | PANEL - WATER PUMP - E-COATED |
| 11 | 140364-04-01A | EA | FOAM - PAD - .5" X 12" X 18" |
| 12 | 007161-01-000 | EA | CLAMP - HOSE - SPRING TYPE - 1/2" |
| 13 | 138618-01-12B | EA | COVER - VALVE - BYPASS - BRIGHT WHITE |
| 14 | 010495-04-000 | EA | CLAMP - CABLE - 11/16"ID - WHITE |
| 15 | 149497-01-12B | EA | PANEL - F/VALVE BYPASS - BRIGHT WHITE |
| 16 | 091952-03-000 | EA | CLIP - GRIPPER - 1/2" - BLACK VINYL COATED |
| 17 | 137410-02-02B | EA | BRACKET - VALVE - WINTERIZATION - E-COATED |
| 18 | 149597-01-02B | EA | BRACKET - CABLE - E-COATED |
| 19 | 134472-02-02B | EA | BRACKET - FAUCET - WASHER - E-COATED |
| 20 | 098419-01-000 | EA | FAUCET - 90 DEGREE |
| 21 | 152311-02-01A | EA | FAUCET - LAVATORY - SINGLE CONTROL - W/WASTE - CHROME |
| 22 | 105218-01-01A | EA | SPACER - FAUCET/LAVATORY SINK - 2" X 5.9" - ABS PLASTIC |
| 23 | 125697-04-000 | EA | BREAKER/VACUUM - F/FLUSHING SYSTEM |
| 24 | 125697-03-000 | EA | CHECK VALVE - F/FLUSHING SYSTEM |
| 25* | 144596-01-01A | EA | VALVE ONLY - FAUCET/SHOWER - W/TEMP LIMIT STOP(MOEN 62300) |
| 26 | 144596-03-02A | EA | TRIM KIT - (KNOB/HANDLE/PLATE/SHOWER HEAD & ARM) - CHROME |

WATER & SEWAGE GROUP (CONTINUED)
WATER SYSTEM (CONTINUED)

| KEY | PART NUMBER | U/M | DESCRIPTION |
|-----|---------------|-----|-------------------------------------------------------------------------------------------|
| 26 | 144596-02-02A | EA | TRIM KIT - (KNOB & PLATE) - CHATEAU - CHROME - SHOWER HEAD-HAND HELD |
| 27 | 131554-01-02B | EA | BRACKET/SHOWER CONTROL - E-COATED |
| 28 | 131551-01-02B | EA | BRACKET - SHOWER HEAD |
| 29 | 128974-01-02A | EA | VALVE - SHOWER HEAD/WATER SAVER (ON/OFF) - CHROME |
| 30 | 130041-03-18A | EA | SPACER/SHOWER HEAD - SOFT WHITE - SHOWER HEAD-HAND HELD |
| 31 | 135028-02-02A | EA | DROP ELL - F/HAND HELD SHOWER HEAD/OVAL - W/1/2"IPS-CHROME - SHOWER HEAD-HAND HELD |
| 32* | 129390-03-02A | EA | SHOWER HEAD - W/HOSE & BRACKET - CHROME - SHOWER HEAD-HAND HELD |
| 33* | 103635-01-000 | EA | FAUCET - SINGLE CONTROL/DRINKING WATER |
| 34* | 123744-03-01A | EA | FAUCET - GALLEY/SINGLE CONTROL W/SPRAYER HEAD - CHROME |
| 35 | 087200-01-000 | EA | FILTER - WATER PURIFICATION |
| 36 | 087200-02-000 | EA | CARTRIDGE - WATER FILTER |
| 37* | 125420-03-03A | EA | DOOR - WATER HEATER - 18" X 17.7" - BLACK |
| 38* | 145541-01-000 | EA | WATER HEATER/MOTOR AID-GAS/ELECT IGN - GCH10A-4E - 10 GAL |
| 39 | 117047-02-000 | EA | BUMPER - RUBBER/WASHER INSERT |
| 40 | 010009-01-000 | EA | ELBOW - 90 DEGREE - 1/4 BEND - 1 1/2" - PLASTIC |

***COMPONENT PARTS LISTED LATER IN THIS GROUP**



WATER CENTER
G33V, G35A, G35L,
G37B, G38J

| KEY | PART NUMBER | U/M | DESCRIPTION |
|-----|---------------|-----|------------------------------------------------------------|
| 1 | 010230-06-000 | EA | FILL - CITY WATER - W/CHECK VALVE - MPT - BRUSHED ALUM |
| 2 | 163269-01-01A | EA | FAUCET/SHOWER -.5"MPT W/1.9" INLET PIPES- EXTERIOR/BRT WHT |
| 3 | 125697-05-000 | EA | INLET/WATER - F/FLUSHING SYSTEM |
| 4 | 131383-01-02A | EA | SHOWER HEAD - W/60" HOSE & BRACKET - WHITE |
| 5 | 155482-01-01A | EA | FILTER - WATER - KIT- PREFILTER - WATER/CITY FILL |
| 6 | 155482-03-01A | EA | WRENCH - FILTER/LARGE - PLASTIC - EVERPURE |
| | | | FROM: 00-00-00 THRU: 01-22-06 |
| 7 | 156974-01-12B | EA | PANEL - DRAINAGE CENTER - BRIGHT WHITE |
| 8 | 114431-03-000 | EA | VALVE - 90 DEGREE DRAIN - 1/2"P |

COMPONENT PARTS FOR WATER SYSTEM

098607-01-000

| KEY | PART NUMBER | U/M | DESCRIPTION | VENDOR NO. |
|-----|---------------|-----|------------------------------|------------|
| | 098607-01-702 | EA | DIAPHRAGM/DRIVE ASSEMBLY KIT | 94-238-04 |
| | 098607-01-703 | EA | VALVE KIT | 94-232-00 |
| | 098607-01-705 | EA | VALVE-CHECK, KIT | 94-237-00 |
| | 098607-01-706 | EA | HOUSING, W/SWITCH ONLY | 94-231-20 |
| | 098607-01-707 | EA | MOTOR W/BASEPLATE | 11-148-04 |

103635-01-000

| KEY | PART NUMBER | U/M | DESCRIPTION | VENDOR NO. |
|-----|---------------|-----|-----------------|------------|
| | 103635-01-703 | EA | CARTRIDGE - 10" | ADC-959201 |

123744-03-01A

| KEY | PART NUMBER | U/M | DESCRIPTION | VENDOR NO. |
|-----|---------------|-----|------------------------------|------------|
| | 135027-01-700 | EA | CLIP - RETAINER | 883 |
| | 135027-01-705 | EA | CARTRIDGE F/SGL LEVER FAUCET | 1225 |

125420-01-02A, 125420-01-03A, 125420-03-03A, 125420-04-03A

| KEY | PART NUMBER | U/M | DESCRIPTION | VENDOR NO. |
|-----|---------------|-----|--------------------|------------|
| | 051391-01-705 | EA | FASTENER - CAMLOCK | 92609 |

129390-03-02A

| KEY | PART NUMBER | U/M | DESCRIPTION | VENDOR NO. |
|-----|-----------------|-----|---------------------------|------------|
| | 129390- 03- 702 | EA | CONNECTOR-SWIVEL - CHROME | A-4002-CPK |

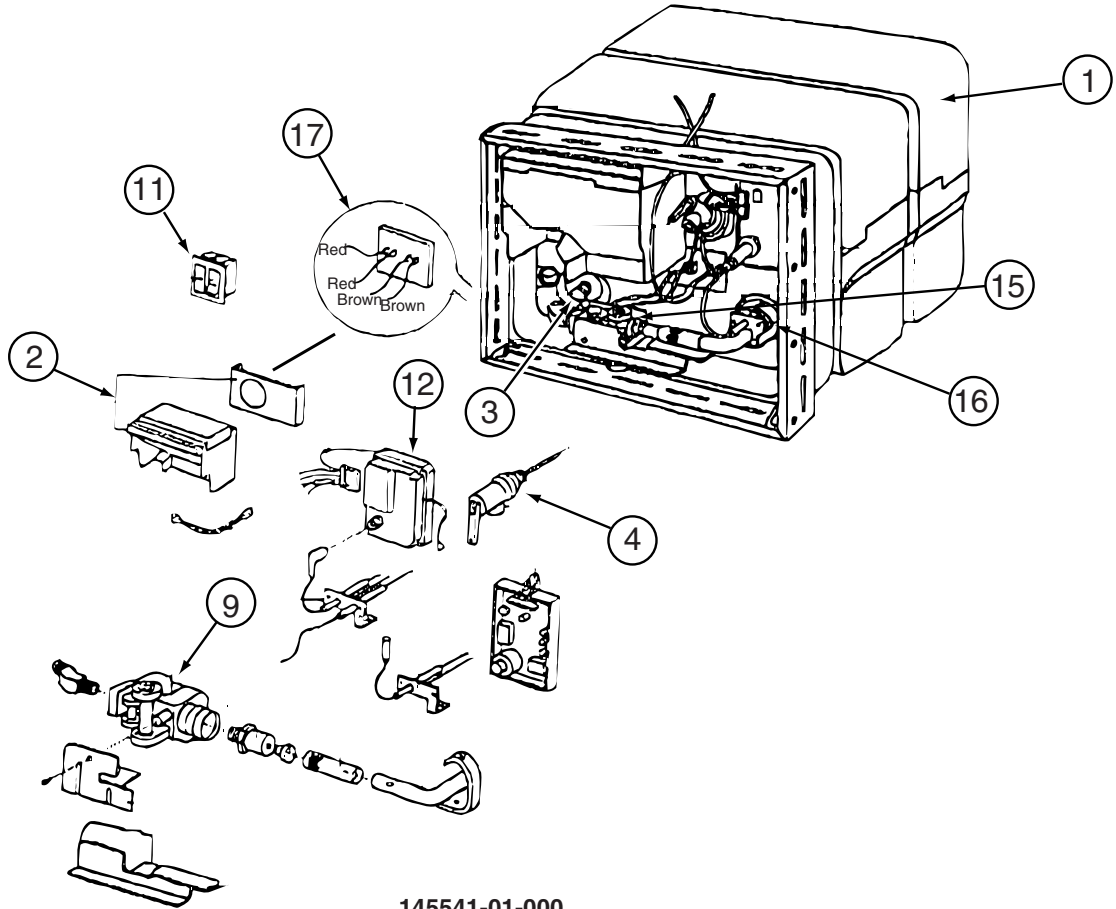
WATER & SEWAGE GROUP (CONTINUED)
COMPONENT PARTS FOR WATER SYSTEM (CONTINUED)

144215-01-000

| KEY | PART NUMBER | U/M | DESCRIPTION | VENDOR NO. |
|-----|---------------|-----|------------------------|------------|
| | 144215-01-700 | EA | VALVE ASSEMBLY | 94-030-01 |
| | 144215-01-701 | EA | DRIVE ASSEMBLY | 94-030-02 |
| | 144215-01-702 | EA | FITTING KIT - W/ORINGS | 94-615-06 |

144596-01-01A

| KEY | PART NUMBER | U/M | DESCRIPTION | VENDOR NO. |
|-----|---------------|-----|-------------------------|------------|
| | 144596-01-700 | EA | CARTRIDGE (REPLACEMENT) | 1222 |



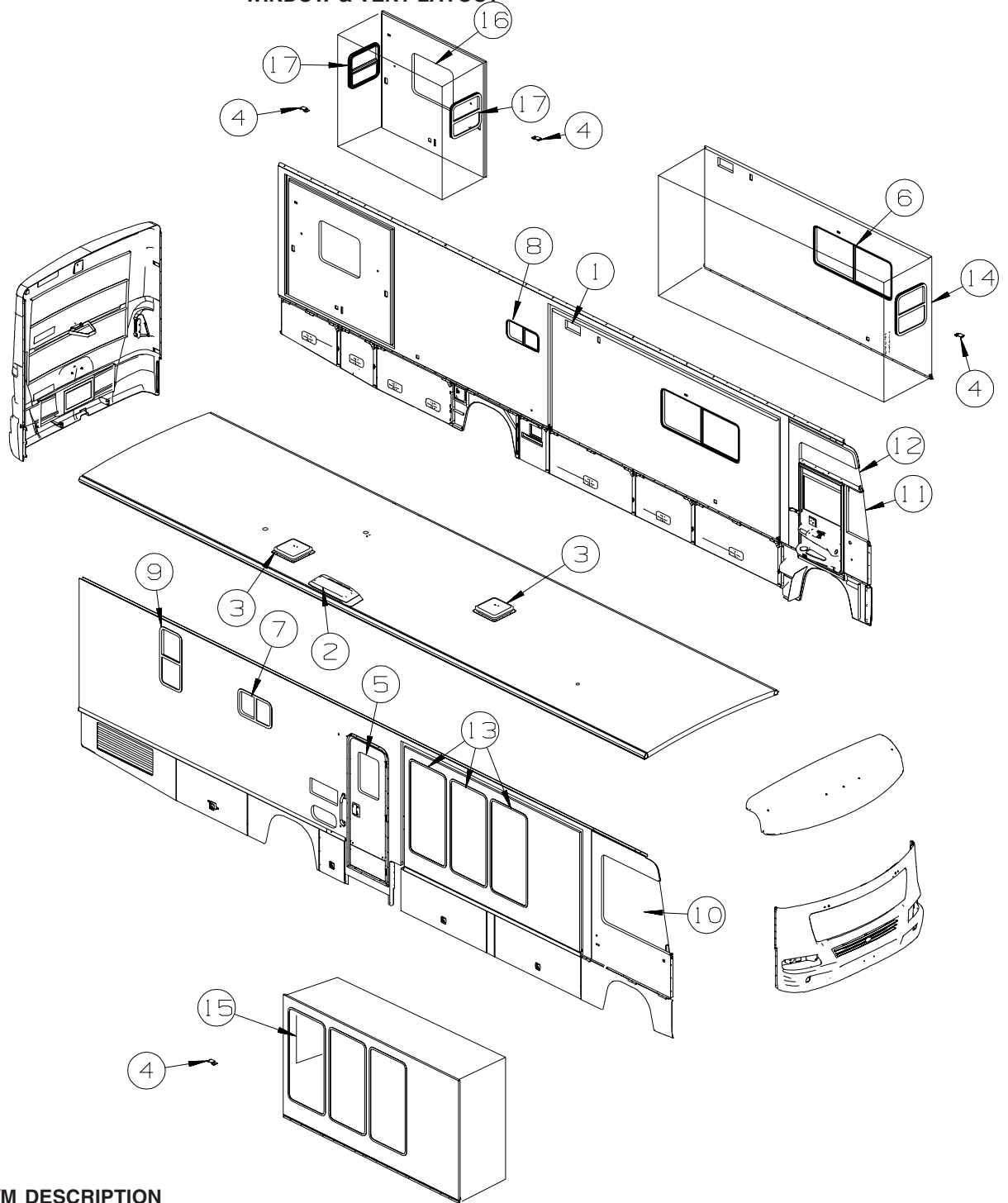
145541-01-000

| KEY | PART NUMBER | U/M | DESCRIPTION | VENDOR NO. |
|-----|---------------|-----|------------------------------|----------------|
| 1 | 145541-01-700 | EA | TANK - W/INSULATION - 10 GAL | 91028 |
| 2 | 051391-04-707 | EA | KIT-EXHAUST, (FLUE & GASKET) | 90960 |
| 3 | 051391-01-715 | EA | PLUG-DRAIN, 1 EA = 2 PER PKG | 91857 |
| 4 | 051391-01-704 | EA | VALVE-RELIEF, 1/2" FITTING | 91604 |
| 9 | 051393-01-726 | EA | VALVE/SOLENOID - W/O BRACKET | 93870 |
| 11 | 145541-01-701 | EA | SWITCH - ON/OFF - WHITE | 91859 |
| 12 | 145541-01-702 | EA | CIRCUIT BOARD | 91226 |
| 15 | 145541-01-703 | EA | SWITCH - THERMAL CUT OFF | 93866 |
| 16 | 051393-01-725 | EA | ELECTRODE-SGL SPADE CONNECT. | 93868 |
| 17 | 051393-01-721 | EA | THERMOSTAT W/ECO, 140 FRT MT | 91447 |
| | 051391-05-706 | EA | ELEMENT-HEATING 1500 WATT | 92249 W/GASKET |
| | 051393-01-701 | EA | SWITCH - REMOTE - W/LIGHT | 91959 |
| | 145541-01-704 | EA | RELAY | 90061 |
| | 145541-01-705 | EA | JUNCTION BOX(PLASTIC) 10 GAL | 91224 |

CONTACT WINNEBAGO PARTS SALES FOR UNLISTED COMPONENT(S)

WINDOW & VENTS GROUP

WINDOW & VENT LAYOUT



| KEY | PART NUMBER | U/M | DESCRIPTION |
|-----|---------------|-----|----------------------------------------------------------------|
| 1 | 138983-01-01A | EA | VENT - MICROWAVE/OUTER - BRIGHT WHITE |
| 1 | 138983-01-02A | EA | VENT - MICROWAVE/OUTER - BLACK - FULL BODY PAINT |
| 1 | 138983-03-01A | EA | COVER - VENT MICROWAVE/OUTER - BRIGHT WHITE |
| 2 | 149508-01-02A | EA | CAP - ROOF/REFRIGERATOR VENT - WHITE |
| 2 | 149508-01-01A | EA | CAP - ROOF/REFRIGERATOR VENT - GRAY - FULL BODY PAINT |
| 2 | 149508-01-02A | EA | CAP - ROOF/REFRIGERATOR VENT - WHITE |
| 2 | 149508-02-01A | EA | BASE - ROOF/REFRIGERATOR VENT - BLACK - FULL BODY PAINT |
| 3* | 123780-10-01A | EA | FANTASTIC VENT-4"ROOF-W/FAN/PWR LIFT/DBL DOME-W/O THERM |
| | 009440-01-000 | EA | GEAR/ARM - LIFT - ROOF VENT COVER |
| 4 | 151905-01-01A | EA | CLIP/BRACKET - SCREEN RETAINER - BLACK |
| 5* | 150651-07-01A | EA | WINDOW - STATIONARY/FLUSH/THERMO - 26.3" X 19.1" - BLACK |
| 6* | 150648-07-01A | EA | WINDOW-HORIZ SLIDER/FLUSH/THERMO/LH - 23.8" X 57.7" |
| 7* | 150649-02-01A | EA | WINDOW - VERT SLIDER/FLUSH/THERMO - 27.2" X 15.2" |
| 8* | 150648-13-01A | EA | WINDOW-HORIZ SLIDER/FLUSH/THERMO/LH - 12.2" X 24.2" |
| 9* | 150649-10-01A | EA | WINDOW - VERT SLIDER/FLUSH/THERMO - 31.7" X 21.1" |

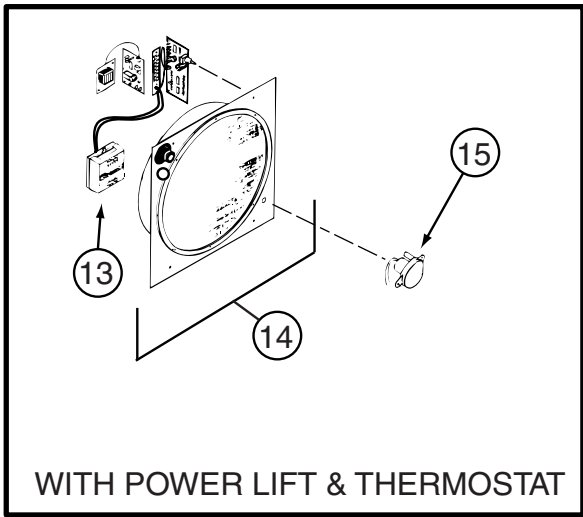
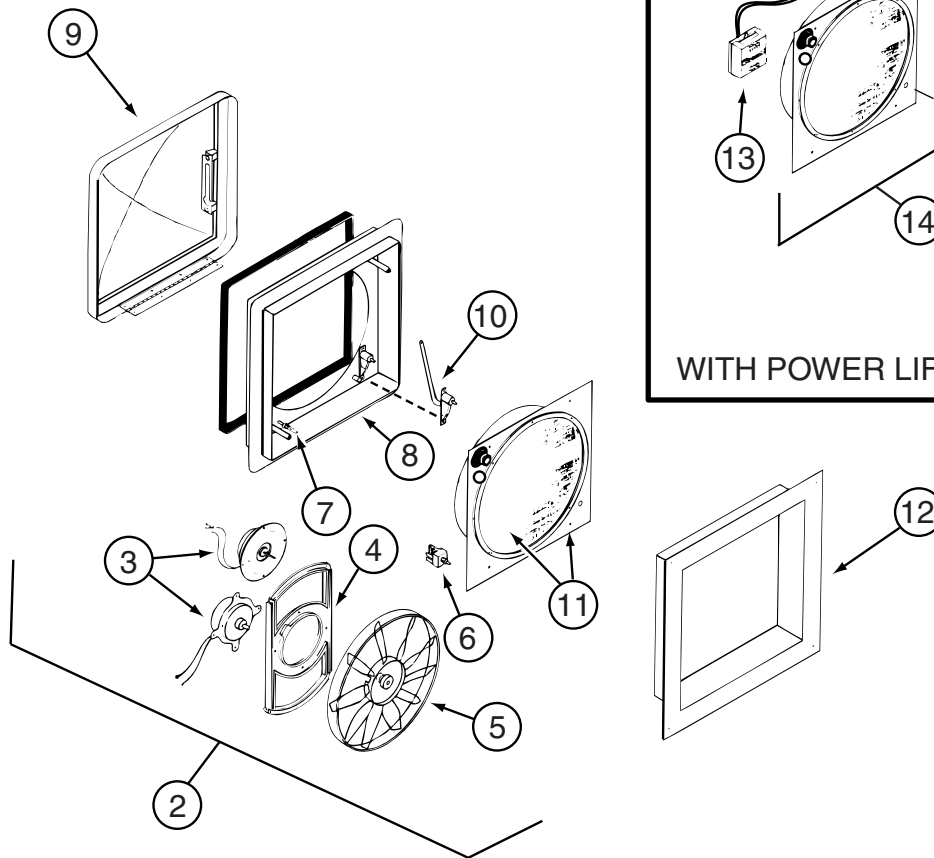
WINDOW & VENTS GROUP (CONTINUED)

WINDOW & VENT LAYOUT (CONTINUED)

| KEY | PART NUMBER | U/M | DESCRIPTION |
|-----|---------------|-----|--------------------------------------------------------------------------------------|
| 10* | 151072-01-01A | EA | WINDOW - CAB/RIGHT HAND/FLUSH/THERMO - 41.5" X 50.2"/41.8" |
| 11* | 151073-01-01A | EA | WINDOW - CAB/FRT SLANT/FLUSH/THERMO - 28.1" X 19.7"/6.6" |
| 12* | 151074-01-01A | EA | WINDOW - CAB/VISTA/FLUSH/THERMO - 11.3" X 44.7"/41.8" |
| 13* | 150656-05-01A | EA | WINDOW - TIPOUT/FLUSH/THERMO - 56.1" X 26.7" FROM: 00-00-00 THRU: 10-01-06 |
| 13* | 161452-02-01A | EA | WINDOW - TIPOUT/FLUSH/THERMO - 56.1" X 26.7" FROM: 10-02-06 THRU: 99-99-99 |
| 14* | 150649-19-01A | EA | WINDOW - VERT SLIDER/FLUSH/THERMO - 31.7" X 21.1" |
| 15* | 150649-22-01A | EA | WINDOW - VERT SLIDER/FLUSH/THERMO - 27.2" X 12.2" |
| 16* | 150656-09-01A | EA | WINDOW - TIPOUT/FLUSH/ESCAPE/THERMO - 24.2" X 30.2" FROM: 00-00-00 THRU: 10-01-06 |
| 16* | 161452-04-01A | EA | WINDOW - TIPOUT/FLUSH/ESCAPE/THERMO - 24.2" X 30.2" FROM: 10-02-06 THRU: 99-99-99 |
| 17* | 150649-08-01A | EA | WINDOW - VERT SLIDER/FLUSH/THERMO - 23.8" X 20.8" |

***COMPONENT PARTS LISTED LATER IN THIS GROUP**

WINDOW & VENTS GROUP (CONTINUED)
COMPONENT PARTS FOR WINDOW & VENT LAYOUT

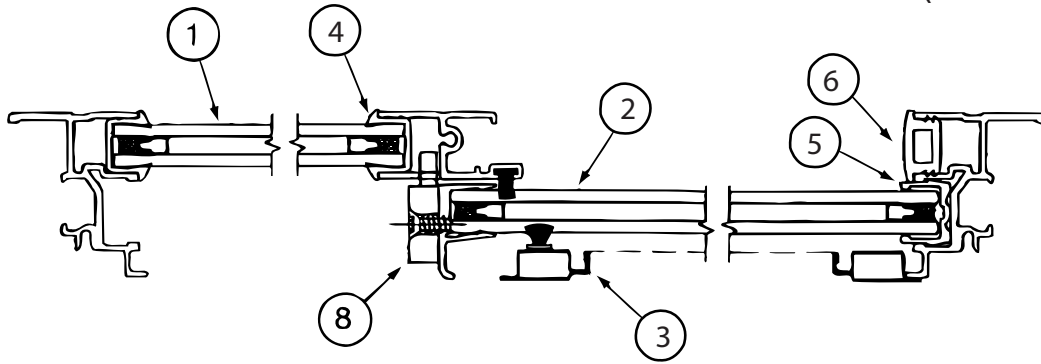


123780-10-01A

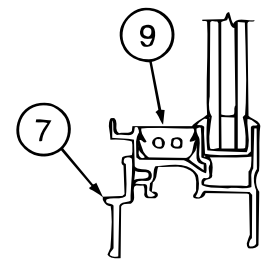
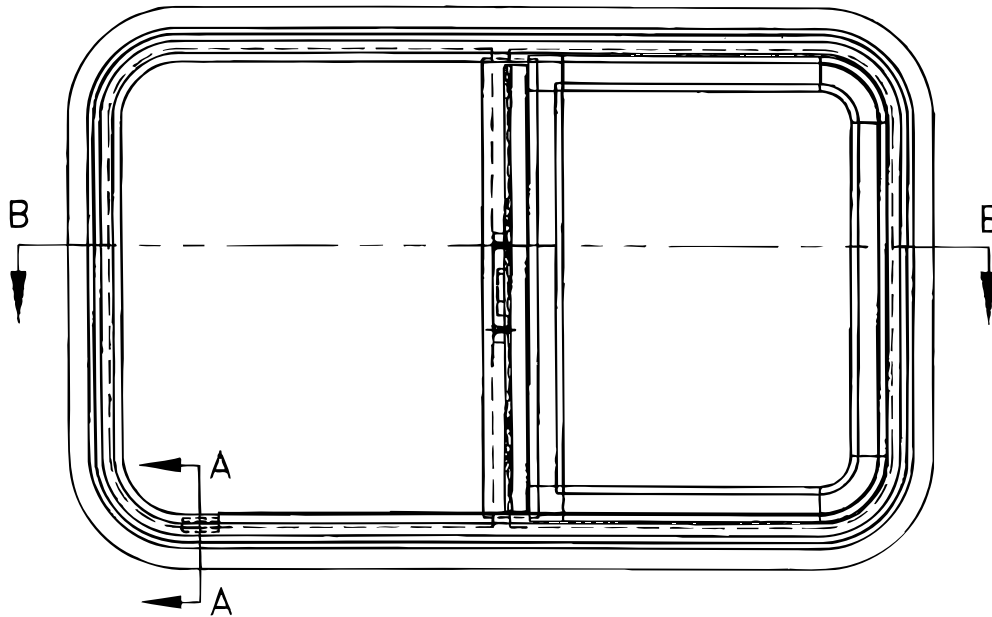
| KEY | PART NUMBER | U/M | DESCRIPTION | VENDOR NO. |
|-----|---------------|-----|------------------------------|------------|
| 2 | 084079-11-700 | EA | MOTOR & FAN BLADE W/BRACKET | K4017-09 |
| 3 | 084079-01-705 | EA | MOTOR/EXT BRKT/FAN BLADE KIT | 1080-00 |
| 4 | 084079-01-711 | EA | MOTOR MOUNT (BOWTIE) | 1015-00 |
| 5 | 084079-01-704 | EA | BLADE-FAN | 1138-00 |
| 6 | 084079-01-709 | EA | SWITCH - MAIN - 3 SPEED | 1031-05 |
| 7 | 084079-01-707 | EA | SWITCH - SAFETY | 1122-05 |
| 8 | 123780-05-700 | EA | BASE/MAIN-BRT WHT W/GASKET | 1010-81 |
| 9 | 123780-09-700 | EA | DOME (DOUBLE)WHT TRANSPARENT | K2020-82 |
| 11 | 123780-01-702 | EA | SCREEN INSERT (SCREEN RING) | K1035-81 |
| 12 | 123780-03-700 | EA | GARNISH - INT. 3"-4" BRT/WHT | 2040-81 |
| 13 | 084079-01-710 | EA | THERMOSTAT(WALL MT)ANY COLOR | 9988-81 |
| 14 | 123780-05-701 | EA | SCREEN INT W/ALL SWITCHES | KIT-81 |
| 15 | 084079-11-703 | EA | MOTOR/AUTO LIFT OFF/WHT CAP | 6050-80 OS |
| 15 | 084079-11-705 | EA | MOTOR - LIFT (BC MOTOR) | 5050-40 |
| 15 | 084079-11-707 | EA | MOTOR-AUTO LIFT-WHT CAP NS | 6050-81 NS |

CONTACT WINNEBAGO PART SALES FOR UNLISTED COMPONENT(S)

WINDOW & VENTS GROUP (CONTINUED)
COMPONENT PARTS FOR WINDOW & VENT LAYOUT (CONTINUED)



CROSS SECTION B-B



CROSS SECTION A-A

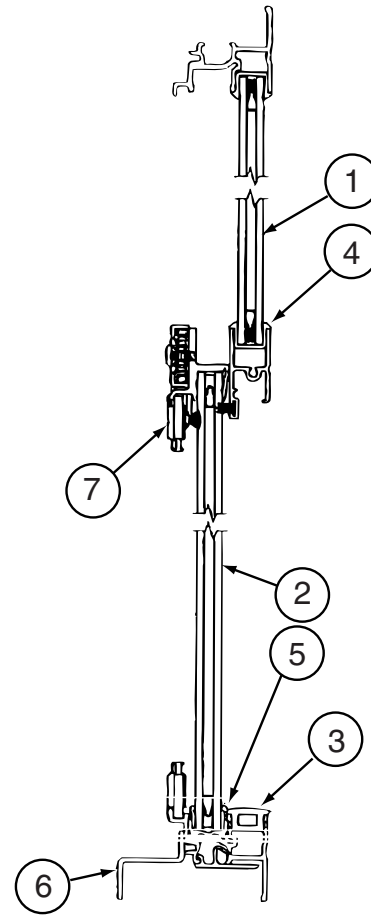
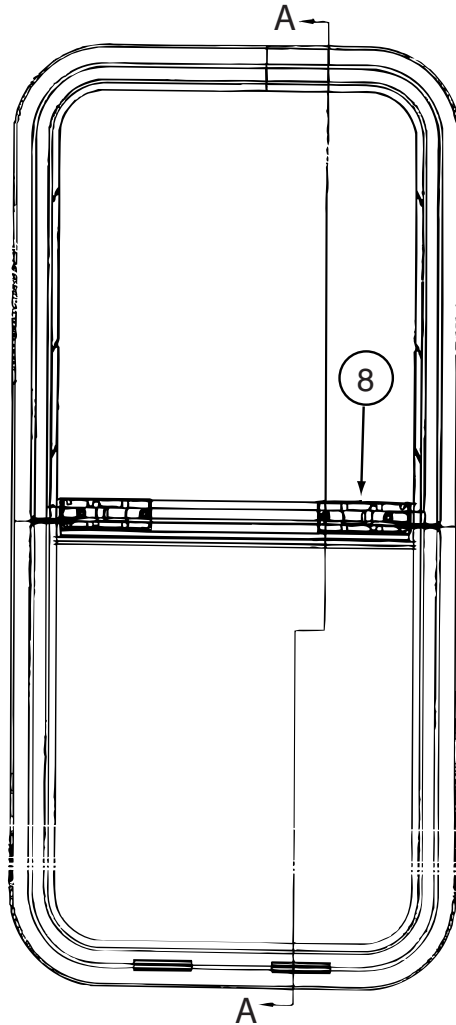
150648-07-01A, 150648-22-01A

| KEY | PART NUMBER | U/M | DESCRIPTION | VENDOR NO |
|------------|--------------------|------------|------------------------------|------------------|
| 1 | 150648-07-701 | EA | GLASS - STATIONARY | 390-028314 |
| 2 | 150648-07-700 | EA | GLASS-SLIDING W/SASH & LATCH | FH3000G8 |
| 3 | 150648-01-702 | EA | SCREEN ASM | 410-031156 |
| 4 | 112795-01-705 | FT | VINYL - GLAZING | 132-027331 |
| 5 | 151069-01-700 | EA | CHANNEL-RUN, SLIDING | 122-030627 |
| 6 | 150648-01-703 | EA | PLUG - FILLER | 132-030308 |
| 7 | 150648-01-707 | EA | RETAINER - TRIM | H493-67 |
| 8 | 150648-01-700 | EA | LATCH-HORIZONTAL SLIDE-BLK | FH3000-CK |
| 8 | 150648-01-701 | EA | LATCH-HORIZONTAL SLIDE-RED | FH3003-CK |
| 9 | 150648-01-704 | EA | SLIDE STOP | 132-030866 |
| | 150648-05-702 | FT | FIN SEAL-F/LOCKING RAIL-BLK | 171-062348 |

WINDOW & VENTS GROUP (CONTINUED)
COMPONENT PARTS FOR WINDOW & VENT LAYOUT (CONTINUED)

150648-13-01A, 150648-18-01A

| KEY | PART NUMBER | U/M | DESCRIPTION | VENDOR NO |
|-----|---------------|-----|------------------------------|------------|
| 1 | 150648-13-700 | EA | GLASS - STATIONARY | 390-036159 |
| 2 | 150648-13-701 | EA | GLASS-SLIDING W/SASH & LATCH | FH3005G8 |
| 3 | 150648-13-702 | EA | SCREEN ASM | 410-035328 |
| 4 | 112795-01-705 | FT | VINYL - GLAZING | 132-027331 |
| 5 | 151069-01-700 | EA | CHANNEL-RUN, SLIDING | 122-030627 |
| 6 | 150648-01-703 | EA | PLUG - FILLER | 132-030308 |
| 7 | 150648-13-703 | EA | RETAINER - TRIM | B951-67 |
| 8 | 150648-01-700 | EA | LATCH-HORIZONTAL SLIDE-BLK | FH3000-CK |
| 8 | 150648-01-701 | EA | LATCH-HORIZONTAL SLIDE-RED | FH3003-CK |
| 9 | 150648-01-704 | EA | SLIDE STOP | 132-030866 |
| | 150648-05-702 | FT | FIN SEAL-F/LOCKING RAIL-BLK | 171-062348 |



CROSS SECTION A-A

150649-02-01A

| KEY | PART NUMBER | U/M | DESCRIPTION | VENDOR NO |
|-----|---------------|-----|------------------------------|------------|
| 1 | 150649-02-700 | EA | GLASS - STATIONARY | 390-035620 |
| 2 | 150649-02-701 | EA | GLASS-SLIDING W/PULL & LATCH | FH3023G8 |
| 3 | 150648-01-703 | EA | PLUG - FILLER | 132-030308 |
| 4 | 112795-01-705 | EA | VINYL - GLAZING | 132-027331 |
| 5 | 151069-01-700 | EA | CHANNEL-RUN, SLIDING | 122-030627 |
| 6 | 150649-02-702 | EA | RETAINER - TRIM | H250-67 |
| 7 | 150649-02-703 | EA | SCREEN ASM | 410-035469 |
| 8 | 150649-01-700 | EA | LATCH-VERTICLE SLIDE-BLK | FH3016-CK |

WINDOW & VENTS GROUP (CONTINUED)
COMPONENT PARTS FOR WINDOW & VENT LAYOUT (CONTINUED)

150649-08-01A

| KEY | PART NUMBER | U/M | DESCRIPTION | VENDOR NO |
|------------|--------------------|------------|--------------------------------------|------------------|
| 1 | 150649-08-700 | EA | GLASS - STATIONARY | 390-035202 |
| 2 | 150649-08-701 | EA | GLASS-SLIDING W/PULL & LATCH | FH3029G8 |
| 3 | 150648-01-703 | EA | PLUG - FILLER | 132-030308 |
| 4 | 112795-01-705 | FT | VINYL-GLAZING | 132-027331 |
| 5 | 151069-01-700 | EA | FIN CHANNEL-RUN, SLIDING | 122-030627 |
| 6 | 150649-08-702 | EA | RETAINER - TRIM | H754-67 |
| 7 | 150649-07-701 | EA | SCREEN ASM | 410-035475 |
| 8 | 150649-01-700 | EA | LATCH KIT - F/VERTICAL SLIDE - BLACK | FH3016-CK |

150649-10-01A

| KEY | PART NUMBER | U/M | DESCRIPTION | VENDOR NO |
|------------|--------------------|------------|------------------------------|------------------|
| 1 | 112898-26-700 | EA | GLASS - STATIONARY | 390-028343 |
| 2 | 150649-10-700 | EA | GLASS-SLIDING W/PULL & LATCH | FH3019G8 |
| 3 | 150648-01-703 | EA | PLUG - FILLER | 132-030308 |
| 4 | 112795-01-705 | FT | VINYL-GLAZING | 132-027331 |
| 5 | 151069-01-700 | EA | FIN CHANNEL-RUN, SLIDING | 122-030627 |
| 6 | 112898-20-702 | EA | RETAINER - TRIM | H332-67 |
| 7 | 150649-10-701 | EA | SCREEN ASM | 410-035465 |
| 8 | 150649-01-700 | EA | LATCH-VERTICLE SLIDE-BLK | FH3016-CK |

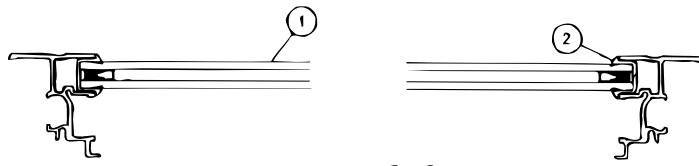
150649-19-01A

| KEY | PART NUMBER | U/M | DESCRIPTION | VENDOR NO |
|------------|--------------------|------------|------------------------------|------------------|
| 1 | 112898-26-700 | EA | GLASS - STATIONARY | 390-028343 |
| 2 | 150649-10-700 | EA | GLASS-SLIDING W/PULL & LATCH | FH3019G8 |
| 3 | 150648-01-703 | EA | PLUG - FILLER | 132-030308 |
| 4 | 112795-01-705 | FT | VINYL-GLAZING | 132-027331 |
| 5 | 151069-01-700 | EA | FIN CHANNEL-RUN, SLIDING | 122-030627 |
| 6 | 150649-19-700 | EA | RETAINER - TRIM | H332-61 |
| 7 | 150649-10-701 | EA | SCREEN ASM | 410-035465 |
| 8 | 150649-01-700 | EA | LATCH-VERTICLE SLIDE-BLK | FH3016-CK |

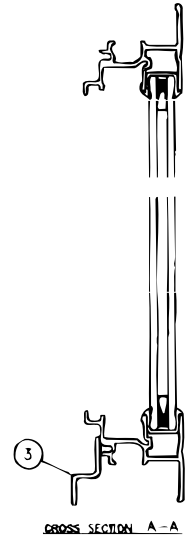
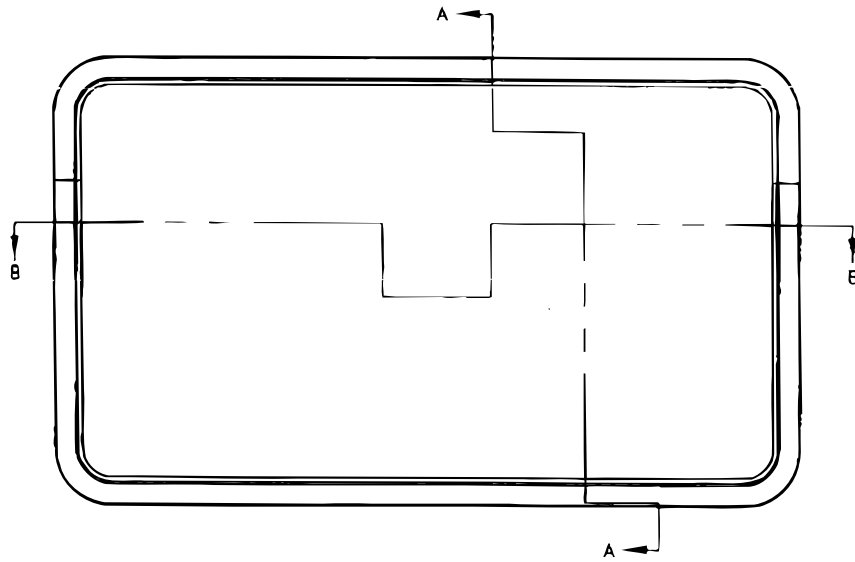
150649-22-01A

| KEY | PART NUMBER | U/M | DESCRIPTION | VENDOR NO |
|------------|--------------------|------------|------------------------------|------------------|
| 1 | 150649-11-700 | EA | GLASS - STATIONARY | 390-035486 |
| 2 | 150649-77-701 | EA | GLASS-SLIDING W/PULL & LATCH | FH3055G8 |
| 3 | 150648-01-703 | EA | PLUG - FILLER | 132-030308 |
| 4 | 112795-01-705 | FT | VINYL-GLAZING | 132-027331 |
| 5 | 151069-01-700 | EA | FIN CHANNEL-RUN, SLIDING | 122-030627 |
| 6 | 150649-20-700 | EA | RETAINER - TRIM | H298-61 |
| 7 | 150649-11-702 | EA | SCREEN ASM | 410-035634 |
| 8 | 150649-01-700 | EA | LATCH-VERTICLE SLIDE-BLK | FH3016-CK |

WINDOW & VENTS GROUP (CONTINUED)
COMPONENT PARTS FOR WINDOW & VENT LAYOUT (CONTINUED)



CROSS SECTION B-B

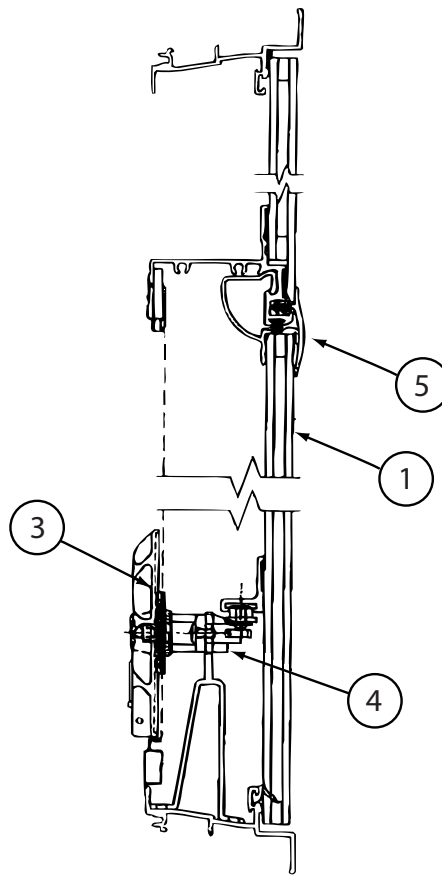
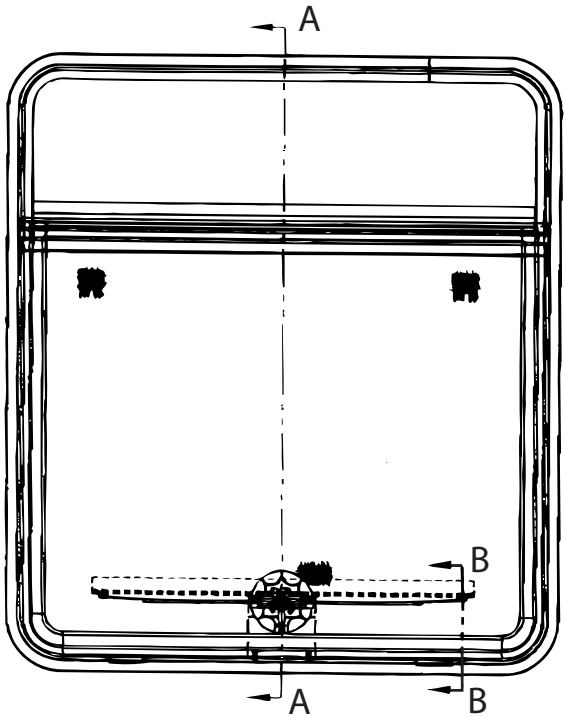


CROSS SECTION A-A

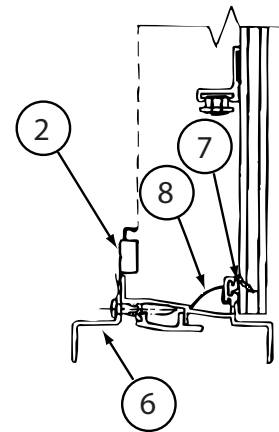
150651-07-01A

| KEY | PART NUMBER | U/M | DESCRIPTION | VENDOR NO |
|-----|---------------|-----|--------------------|------------|
| 1 | 150651-07-700 | EA | GLASS - STATIONARY | 390-036022 |
| 2 | 150651-07-701 | EA | RETAINER - TRIM | H3074-67 |
| 3 | 112795-01-705 | FT | VINYL - GLAZING | 132-027331 |

WINDOW & VENTS GROUP (CONTINUED)
COMPONENT PARTS FOR WINDOW & VENT LAYOUT (CONTINUED)



CROSS SECTION A-A

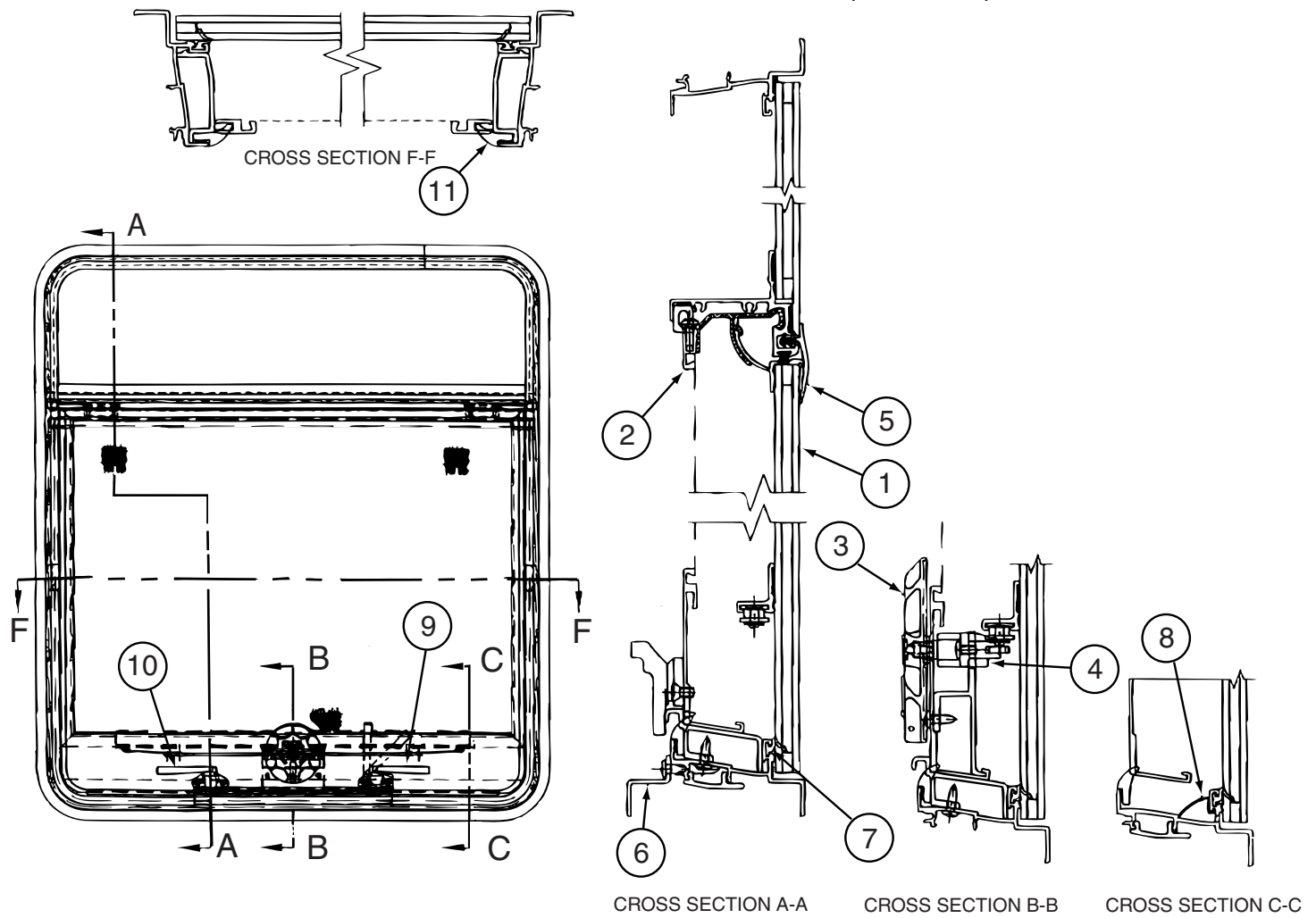


CROSS SECTION B-B

150656-05-01A

| KEY | PART NUMBER | U/M | DESCRIPTION | VENDOR NO |
|-----|---------------|-----|---------------------------|-------------|
| 1 | 150656-05-700 | EA | GLASS-TIPOUT ASM | DTH3043G8 |
| 2 | 150656-05-701 | EA | SCREEN ASM | 410-035640 |
| 3 | 150656-02-702 | EA | HANDLE-DIAL | 410-016081E |
| 4 | 150656-08-701 | EA | OPERATOR - TIPOUT/LARGE | 410-036141 |
| 5 | 150656-08-700 | EA | SEAL/DUAL - WINDOW - 100" | 132-030725 |
| 6 | 150656-05-702 | EA | RETAINER - TRIM | DTH035-56 |
| 7 | 100322-01-701 | EA | SEAL-VENT | 122-016071 |
| 8 | 150651-03-702 | EA | COVER - DRAIN SLOT | 132-030723 |

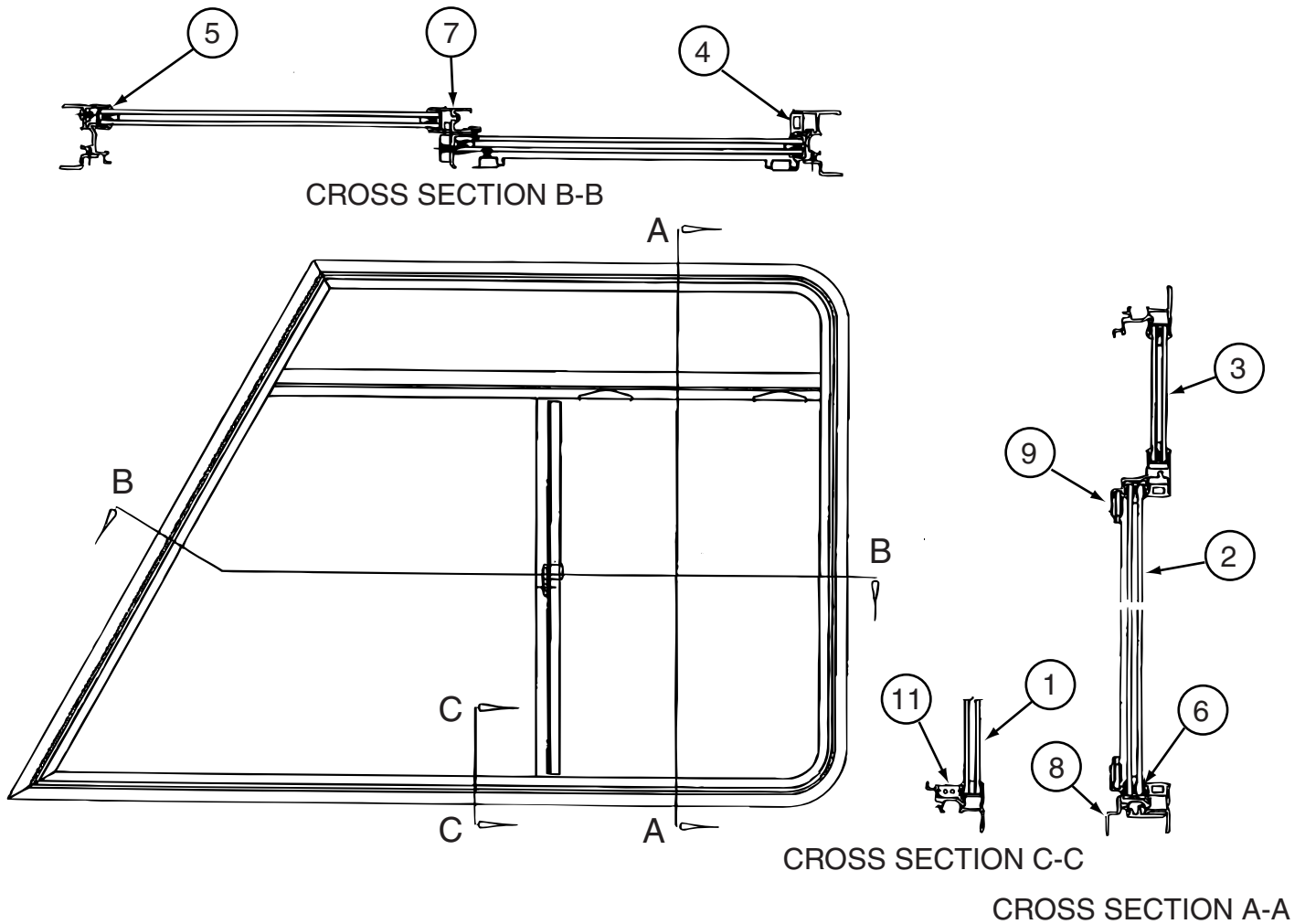
WINDOW & VENTS GROUP (CONTINUED)
COMPONENT PARTS FOR WINDOW & VENT LAYOUT (CONTINUED)



150656-09-01A

| KEY | PART NUMBER | U/M | DESCRIPTION | VENDOR NO |
|-----|---------------|-----|------------------------------|-------------|
| 1 | 150656-09-701 | EA | GLASS-TIPOUT - W/HINGE/RAIL | DTH3027G8 |
| 2 | 150656-09-702 | EA | SCREEN ASM | DTH3027-06 |
| 3 | 150656-02-702 | EA | HANDLE-DIAL | 410-016081E |
| 4 | 150656-08-701 | EA | OPERATOR - TIPOUT/LARGE | 410-036141 |
| 5 | 150656-08-700 | EA | SEAL/DUAL - WINDOW - 100" | 132-030725 |
| 6 | 150656-09-703 | EA | RETAINER - TRIM | DTH3027-56 |
| 7 | 100322-01-701 | FT | SEAL-VENT | 122-016071 |
| 8 | 150651-03-702 | EA | COVER - DRAIN SLOT | 132-030723 |
| 9 | 112898-06-707 | EA | HANDLE/RH-EGRESS(SLD)ESC-RED | 182-025911 |
| 10 | 112898-06-708 | EA | HANDLE/LH-EGRESS(SLD)ESC-RED | 182-025912 |
| 11 | 150656-09-700 | EA | SEAL/SPONGE FOAM-SCREEN/FRME | 140-035542 |

WINDOW & VENTS GROUP (CONTINUED)
COMPONENT PARTS FOR WINDOW & VENT LAYOUT (CONTINUED)

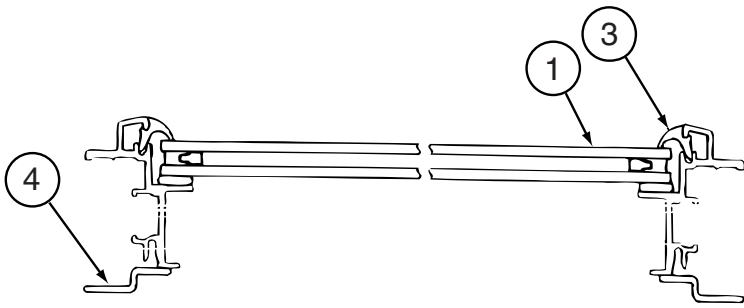


151072-01-01A

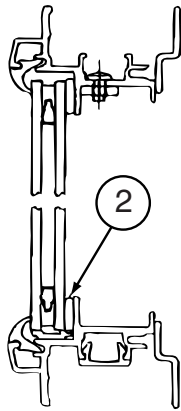
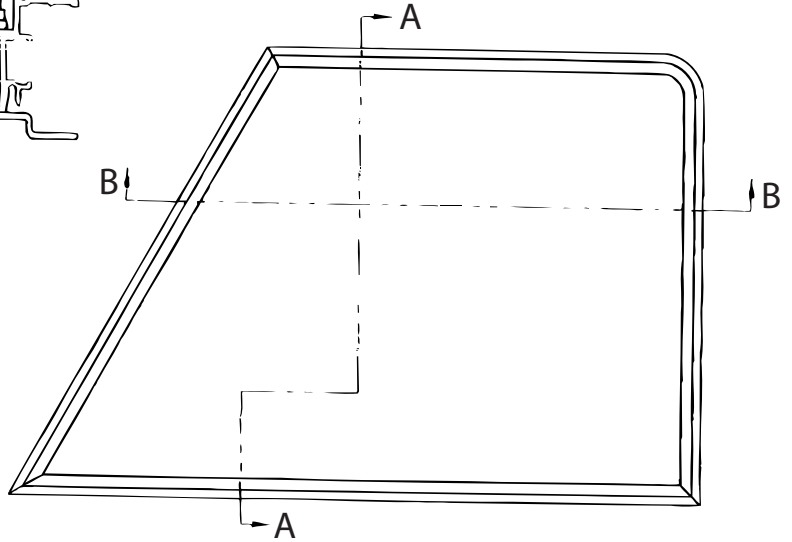
| KEY | PART NUMBER | U/M | DESCRIPTION | VENDOR NO |
|-----|---------------|-----|------------------------------|---------------------|
| 1 | 125583-01-702 | EA | GLASS - STATIONARY - R.H. | 390-026101 |
| 2 | 151072-01-701 | EA | GLASS-SLIDING W/SASH & LATCH | FH3040A9R |
| 3 | 151072-01-702 | EA | GLASS - STATIONARY - UPPER | 390-036521 |
| 4 | 150648-01-703 | FT | PLUG - FILLER | 132-030308 |
| 5 | 151069-03-705 | EA | VINYL GLAZING - F/STATIONARY | DH567-12 MITER/WELD |
| 5 | 151069-03-706 | EA | VINYL GLAZING - F/STATIONARY | DH373-12 MITER/WELD |
| 6 | 151069-01-700 | EA | CHANNEL-RUN, SLIDING | 122-030627 |
| 7 | 098644-01-706 | FT | WEATHERSTRIP - GLASS | 171-010668 |
| 8 | 151072-01-703 | EA | RETAINER-TRIM - 1 OF 2 PCE | H573K67RA |
| 8 | 151072-01-704 | EA | RETAINER-TRIM - 1 OF 2 PCE | H573K67RB |
| 9 | 151072-01-700 | EA | SCREEN ASM | 410-035507 |
| 10 | 150648-01-700 | EA | LATCH-HORIZONTAL SLIDE-BLK | FH3000-CK |
| 11 | 112795-01-701 | EA | SLIDE-STOP | 132-019092 |

CONTACT WINNEBAGO PARTS SALES FOR FOR UNLISTED COMPONENTS

WINDOW & VENTS GROUP (CONTINUED)
COMPONENT PARTS FOR WINDOW & VENT LAYOUT (CONTINUED)



CROSS SECTION B-B



CROSS SECTION A-A

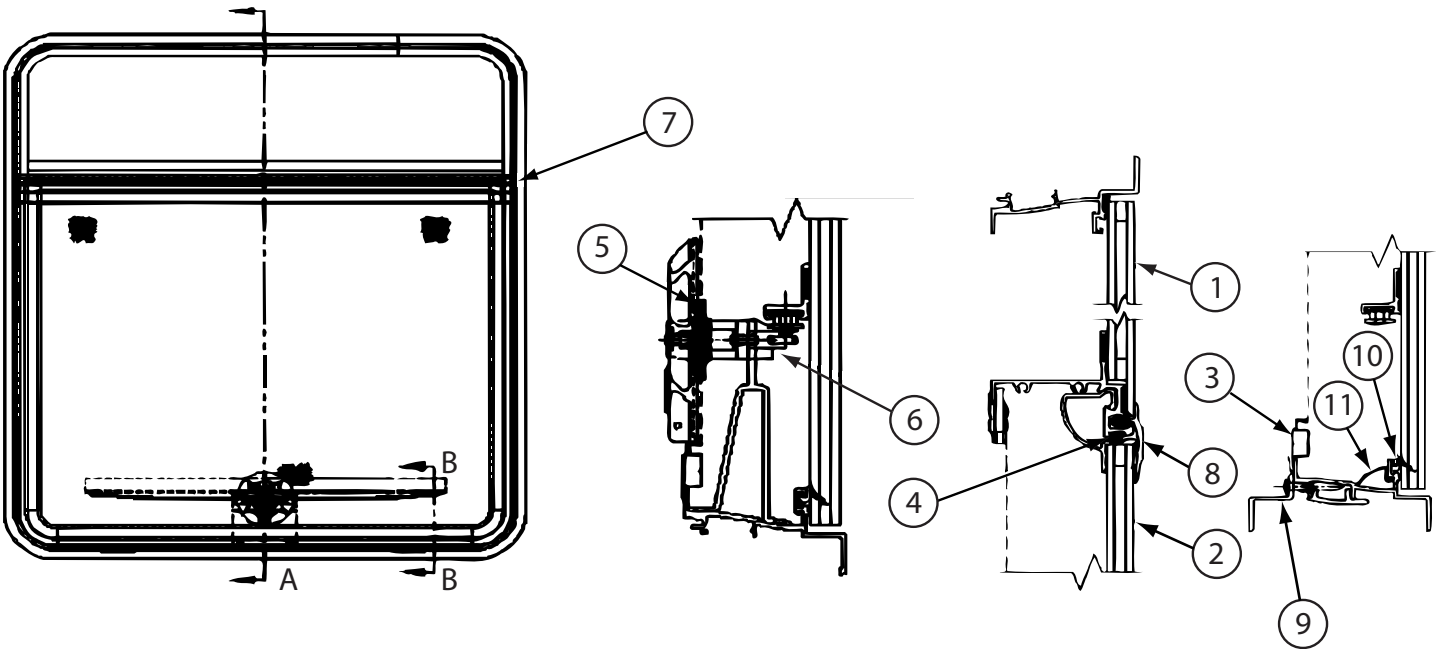
151073-01-01A

| KEY | PART NUMBER | U/M | DESCRIPTION | VENDOR NO |
|-----|---------------|-----|----------------------------|------------|
| 1 | 125585-01-700 | EA | GLASS - STATIONARY | 390026092 |
| 2 | 115630-01-705 | EA | TAPE - BUTYL | 154-011956 |
| 3 | 151073-01-700 | EA | VINYL BUTYL-MITERED/FORMED | FH56912 |
| 4 | 151073-01-701 | EA | RETAINER - TRIM | H569K67L |

151074-01-01A

| KEY | PART NUMBER | U/M | DESCRIPTION | VENDOR NO |
|-----|---------------|-----|------------------------------|------------|
| 1 | 151074-01-700 | EA | GLASS - STATIONARY | 390-028331 |
| 2 | 115630-01-705 | FT | TAPE - BUTYL | 154-011956 |
| 3 | 151074-01-701 | EA | VINYL GLAZING-MITERED/FORMED | FH570-12 |
| 4 | 151074-01-702 | EA | RETAINER - TRIM | H570K67L |

WINDOW & VENTS GROUP (CONTINUED)
COMPONENT PARTS FOR WINDOW & VENT LAYOUT (CONTINUED)



161452-02-01A

| KEY | PART NUMBER | U/M | DESCRIPTION | VENDOR NO. |
|-----|---------------|-----|-------------------------|------------|
| 3 | 150656-05-701 | EA | SCREEN ASM | 410-035640 |
| 4 | 098644-01-706 | FT | WEATHERSTRIP - GLASS | 171-010668 |
| 5 | 100322-01-718 | EA | HANDLE-DIAL | 410-016081 |
| 6 | 150656-08-701 | EA | OPERATOR - TIPOUT/LARGE | 410-036141 |
| 7 | 161452-01-700 | FT | FELT SEAL | 160-014688 |
| 9 | 150656-05-702 | EA | RETAINER - TRIM | DTH035-56 |
| 10 | 100322-01-701 | FT | SEAL-VENT | 122-016071 |
| 11 | 150651-03-702 | FT | COVER - DRAIN SLOT | 132-030723 |

CONTACT WINNEBAGO PARTS SALES FOR FOR UNLISTED COMPONENTS

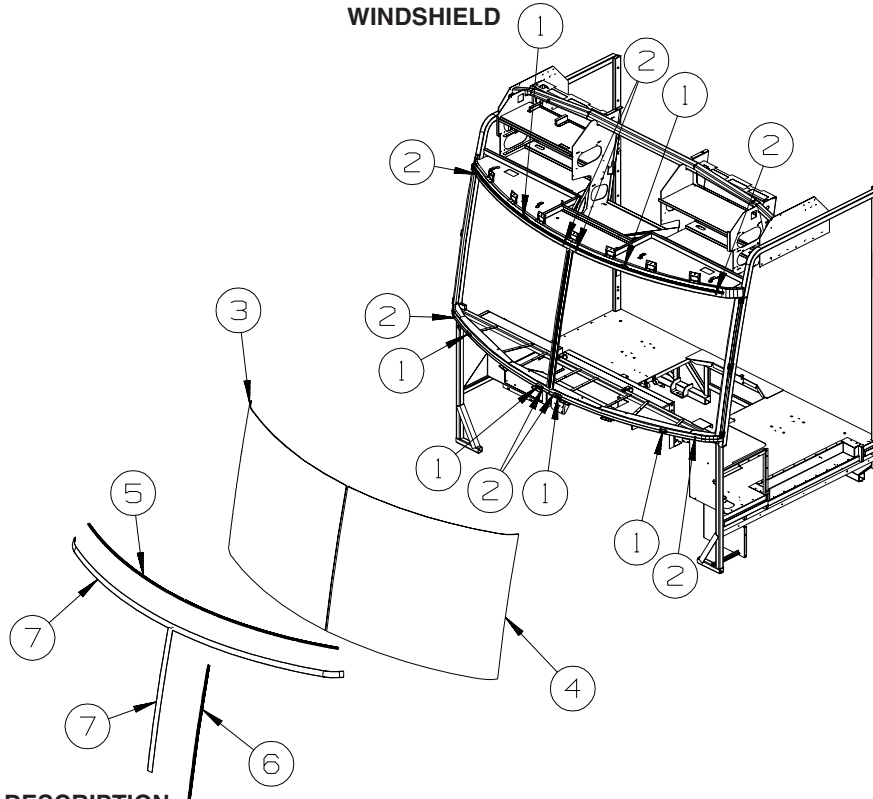
161452-04-01A

| KEY | PART NUMBER | U/M | DESCRIPTION | VENDOR NO. |
|-----|---------------|-----|-------------------------|------------|
| 3 | 150656-09-703 | EA | SCREEN ASM | DTH3027-06 |
| 4 | 098644-01-706 | FT | WEATHERSTRIP - GLASS | 171-010668 |
| 5 | 100322-01-718 | EA | HANDLE-DIAL | 410-016081 |
| 6 | 150656-08-701 | EA | OPERATOR - TIPOUT/LARGE | 410-036141 |
| 7 | 161452-01-700 | FT | FELT SEAL | 160-014688 |
| 9 | 150656-09-703 | EA | RETAINER - TRIM | DTH3027-56 |
| 10 | 100322-01-701 | FT | SEAL-VENT | 122-016071 |
| 11 | 150651-03-702 | FT | COVER - DRAIN SLOT | 132-030723 |

CONTACT WINNEBAGO PARTS SALES FOR FOR UNLISTED COMPONENTS

WINDSHIELD & WIPER GROUP

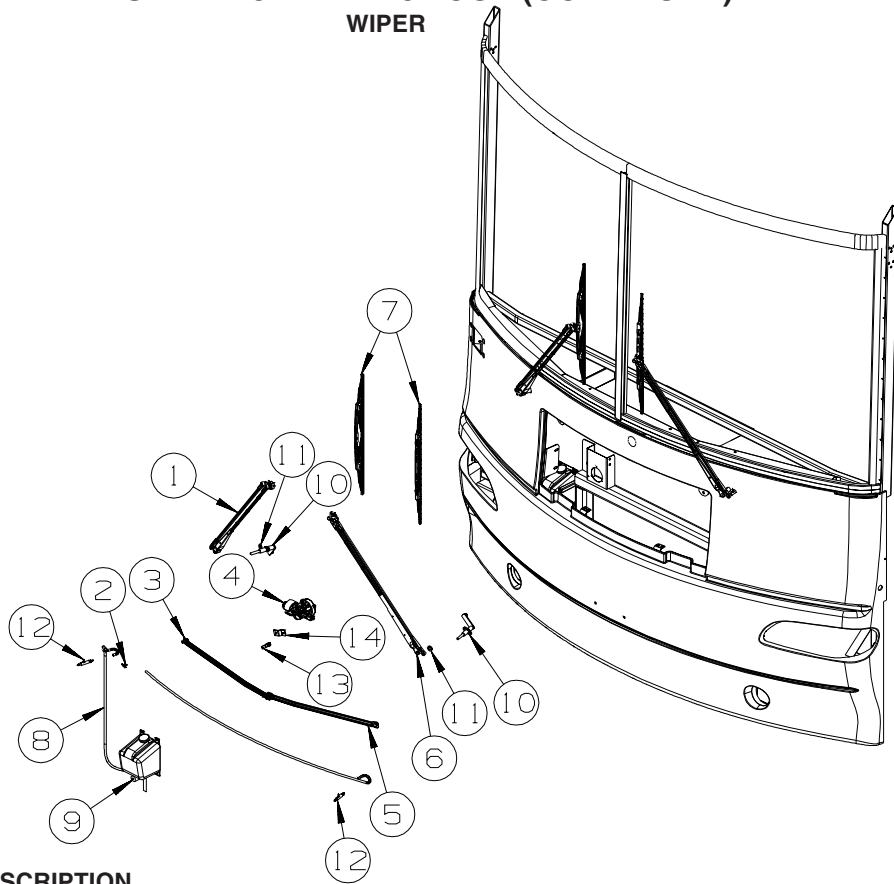
WINDSHIELD



| KEY | PART NUMBER | U/M | DESCRIPTION |
|-----|---------------|-----|-----------------------------------------------------|
| 1 | 002328-03-000 | EA | BLOCK - WINDSHIELD - .125" X .5" X .98" |
| 2 | 081914-02-000 | EA | BUMPER - RUBBER - ROUND - 5/16" DIA. X 13/64" THICK |
| 3 | 124328-01-000 | EA | WINDSHIELD - PASSENGER - 52" X 41" (CURVED) |
| 4 | 124328-02-000 | EA | WINDSHIELD - DRIVER - 52" X 41" (CURVED) |
| 5 | 127862-01-000 | EA | CARRIER/REVEAL - WINDSHIELD - 47.2" |
| 6 | 127862-09-000 | EA | CARRIER/REVEAL - WINDSHIELD - 38.6" |
| 7 | 120533-01-000 | FT | MOLDING - REVEAL - WINDSHIELD |

WINDSHIELD & WIPER GROUP (CONTINUED)

WIPER



| KEY | PART NUMBER | U/M | DESCRIPTION |
|-----|---------------|-----|---------------------------------------------------------------------------------------|
| 1* | 149402-03-000 | EA | ARM - WINDSHIELD WIPER/PANTOGRAPH - RIGHT HAND - 28" |
| 2 | 146486-01-000 | EA | TEE - PLASTIC - 5/32" X 5/32" X 5/32" - ON LEFT SIDE OF WORKHORSE CHASSIS |
| 3 | 149403-01-000 | EA | LINK/CONNECTING-WINDSHIELD WIPER - CLOSED/CLOSED - 24" |
| 4 | 149409-01-000 | EA | MOTOR - WIPER - DYNAMIC PARK |
| 5 | 149403-02-000 | EA | LINK/CONNECTING-WINDSHIELD WIPER - OPEN/CLOSED GROMMET-24" |
| 6* | 149402-04-000 | EA | ARM - WINDSHIELD WIPER/PANTOGRAPH - LEFT HAND - 28" |
| 7 | 149399-01-000 | EA | BLADE - WINDSHIELD WIPER - 24" |
| 8 | 045794-01-000 | FT | HOSE - WINDSHIELD WASHER - 5/32"ID - BLACK - ON LEFT SIDE OF WORKHORSE CHASSIS |
| 9 | 117766-02-000 | EA | RESERVOIR/PUMP - WINDSHIELD WASHER - ON LEFT SIDE OF WORKHORSE CHASSIS |
| 10* | 149401-03-000 | EA | SHAFT/PIVOT - WINDSHIELD WIPER |
| 11 | 110742-03-000 | EA | GASKET - WIPER |
| 12 | 145698-01-01A | EA | SHAFT/IDLER - PANTOGRAPH - W/WASHER DIVERTER - STAINLESS |
| 13 | 149395-01-000 | EA | STUD/DOUBLE BALL CRANK - WIPER MOTOR |
| 14 | 149408-01-000 | EA | ARM - DRIVE/WIPER MOTOR |

*COMPONENT PARTS LISTED LATER IN THIS GROUP

COMPONENT PARTS FOR WIPER

149401-03-000

| KEY | PART NUMBER | U/M | DESCRIPTION | VENDOR NO. |
|-----|---------------|-----|------------------------------|-----------------|
| | 096505-02-703 | EA | NUT/ACORN - HD W/.687 BRL | 51065-40-NT27WC |
| | 149401-01-700 | EA | HARDWARE PKG - F/SHAFT&PIVOT | PSHWKIT |
| | 149401-01-701 | EA | SEAL CAP/RUBBER GROMMET | 300749 |

149402-03-000 & 149402-04-000

| KEY | PART NUMBER | U/M | DESCRIPTION | VENDOR NO. |
|-----|---------------|-----|--------------------------|------------|
| | 149402-03-700 | EA | WASHER NOZZLE KIT W/HDWR | 19476 |
| | 149402-03-701 | EA | COVER/CAP - BLACK | 200342 |