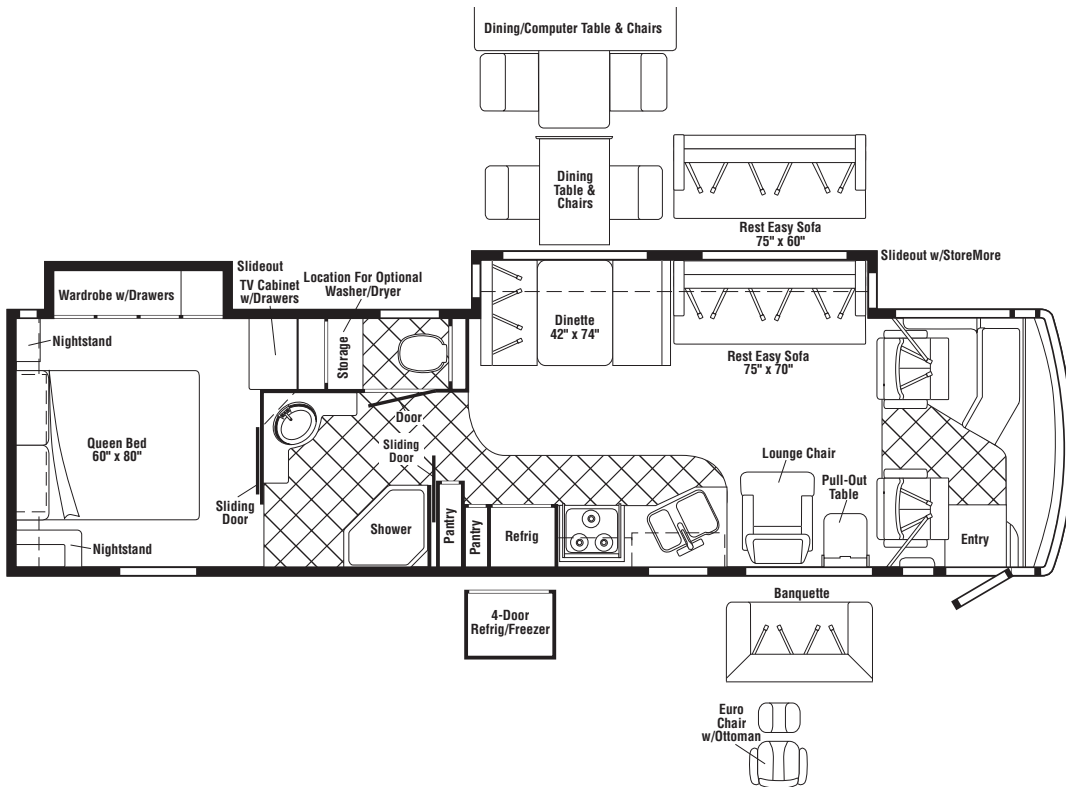


2007
MERIDIAN & MERIDIAN SE
IKP36G & IKP36SG
P-SERIES

CONCERT CHERRY
 UD5 IRISH CREAM
 UN1 IRISH CREAM
 UE1 HARBOR LIGHTS
 UN2 HARBOR LIGHTS
 UE5 PUMPERNICKEL
 UN3 PUMPERNICKEL
WASHED MAPLE
 UD6 IRISH CREAM
 UE2 HARBOR LIGHTS
 UE6 PUMPERNICKEL
SIERRA MAPLE
 UD7 IRISH CREAM
 UE3 HARBOR LIGHTS
 UE7 PUMPERNICKEL
 UP4 BARCELONA SAGE
 UP5 REGENCY



FLOORPLAN

CONTENTS

| | |
|--|-----------|
| FLOORPLAN | 1 |
| ACCESSORIES GROUP | 6 |
| OPERATORS MANUAL | 6 |
| AUDIO VIDEO GROUP | 7 |
| RADIO SYSTEM | 7 |
| REAR MONITOR | 7 |
| COMPONENT PARTS FOR REAR MONITOR | 7 |
| 144677-10-02A & 144677-11-02A | 7 |
| CABINET & APPLIANCE GROUP | 8 |
| CABINET & APPLIANCE LAYOUT | 8 |
| COMPONENT PARTS FOR CABINET & APPLIANCE LAYOUT | 23 |
| 119267-12-02A | 23 |
| 120075-12-01A, 120075-13-01A, 120075-14-01A, 120075-15-01A | 24 |
| 120075-23-01A | 31 |
| 121569-05-01A, 121569-06-01A, 121569-07-01A | 38 |
| 125242-03-02A | 44 |
| 125242-05-02A | 51 |
| 126022-01-01A, 126022-02-01A, 126022-03-01A | 60 |
| 135065-03-01A, 135065-03-03A, 135065-04-01A | 61 |
| CHASSIS GROUP | 63 |
| FRAME | 63 |
| FRONT END | 65 |
| AIR INTAKE | 66 |
| INSULATION | 67 |
| STEPWELL COVER | 70 |
| COMPONENT PARTS FOR STEPWELL COVER | 70 |
| 141691-01-01A | 70 |
| EXHAUST | 71 |
| HITCH | 71 |
| REAR BUMPER | 71 |
| FUEL | 72 |
| HYDRAULIC LEVELING | 73 |
| COMPONENT PARTS FOR HYDRAULIC LEVELING | 74 |
| 100536-47-000 | 74 |
| 153452-22-000 | 74 |
| 153452-23-000 | 74 |
| WHEEL, TIRE, COVERS &/OR LINERS | 74 |
| COMPONENT PARTS FOR WHEEL, TIRE, COVERS &/OR LINERS | 74 |
| 145580-05-000 | 74 |
| CURTAIN & CUSHION GROUP | 75 |
| NOTICE | 75 |
| CUSHION LAYOUT | 76 |
| BUCKET SEATS | 79 |
| COMPONENT PARTS FOR BUCKET SEATS | 80 |
| 122611-02-000 | 80 |
| LOUNGE CHAIR | 81 |
| SOFA | 82 |
| WINDOW TREATMENT | 89 |
| HARDWARE | 91 |
| FABRICS | 93 |
| DRIVERS COMPARTMENT GROUP | 95 |
| DASH | 95 |
| FRONT INTERIOR | 96 |
| COMPONENT PARTS FOR FRONT INTERIOR | 102 |
| 091990-08-01A | 102 |
| CABINETS | 103 |

CONTENTS (CONTINUED)

| | |
|--|------------|
| ELECTRICAL GROUP | 105 |
| 110V BODY WIRING | 105 |
| 12V BODY WIRING | 107 |
| EXTERIOR LAMPS | 115 |
| FRONT END | 118 |
| GPS | 122 |
| FRONT TV/VCR | 123 |
| COMPONENT PARTS FOR WIRING | 124 |
| 076319-23-000 | 124 |
| 076319-25-000 | 124 |
| 086280-01-000 | 124 |
| 087694-01-000 | 124 |
| 091206-04-000 | 124 |
| 108354-01-01A | 124 |
| 121935-01-01A | 125 |
| 123775-01-02A | 125 |
| 133004-05-01A | 125 |
| 136119-01-000 | 126 |
| 137417-01-01A, 137417-03-01A | 126 |
| 137417-05-01A | 126 |
| 137417-06-01A | 126 |
| 137424-01-000 | 126 |
| 137424-08-000 | 126 |
| 141454-03-01A | 127 |
| 142612-05-01A | 128 |
| 146048-01-01A | 128 |
| 146299-02-000 | 128 |
| 149040-02-000 | 128 |
| 149049-01-000,149049-02-000 | 128 |
| 151458-01-000 | 128 |
| 153464-03/06-01A | 128 |
| 154548-01-000 | 128 |
| 155619-01-000 | 128 |
| 156413-01-01A | 128 |
| 158836-01-000 | 128 |
| CIRCUIT BREAKERS, FUSES & RELAYS | 129 |
| CONVERTER, INVERTER, LOAD CENTERS | 130 |
| BOXES & CORDS | 131 |
| WIRE ASSEMBLIES | 131 |
| CONNECTORS & CONDUIT | 132 |
| CHASSIS | 134 |
| EXTERIOR BODY GROUP | 135 |
| AIR HORN | 135 |
| COMPONENT PARTS FOR AIR HORN | 135 |
| 077497-06-000 | 135 |
| GRAPHICS & PAINT | 136 |
| PANELS & TRIMS | 140 |
| COMPONENT PARTS FOR PANELS & TRIMS | 143 |
| 131431-08-01A | 143 |
| 131431-08-02A | 143 |
| 142721-01-01A, 142721-02-01A | 143 |
| 142721-01-02A, 142721-02-02A | 143 |
| LADDER | 143 |
| FRONT END | 144 |
| STRUCTURAL COMPONENTS | 146 |
| AWNINGS | 146 |

CONTENTS (CONTINUED)

| | |
|--|------------|
| EXTERIOR DOORS & COMPARTMENTS GROUP | 147 |
| DOOR & COMPARTMENT LAYOUT | 147 |
| COMPONENT PARTS FOR DOOR & COMPARTMENT LAYOUT | 152 |
| 084103-08-000 | 152 |
| 094708-06-01A | 152 |
| 142226-02-01A | 152 |
| COMPARTMENT DOOR PIECE PARTS | 153 |
| ENTRY | 155 |
| COMPONENT PARTS FOR ENTRY | 156 |
| 128913-14-05A | 156 |
| 128913-14-06A | 157 |
| EXTERIOR SLIDEOUT GROUP | 159 |
| FRONT LEFT | 159 |
| COMPONENT PARTS FOR FRONT SLIDEOUT | 162 |
| 100536-52-000 | 162 |
| 152553-01-000, 152553-02-000 | 162 |
| 152553-03-000 | 162 |
| 153651-02-01A | 162 |
| LEFT REAR | 163 |
| COMPONENT PARTS FOR LEFT REAR SLIDEOUT | 165 |
| 100536-46-000 | 165 |
| 139507-01-000 | 165 |
| GENERATOR GROUP | 166 |
| DIESEL | 166 |
| HEATING & A/C GROUP | 167 |
| AUTOMOTIVE | 167 |
| COMPONENT PARTS FOR AUTOMOTIVE | 169 |
| 072342-15-000 | 169 |
| 072342-16-000 | 169 |
| 072342-17-000 | 169 |
| 072342-18-000 | 170 |
| 103930-36-000 | 171 |
| 103930-41-000 | 172 |
| 103930-51-000 | 172 |
| 103930-55-000 | 172 |
| FURNACE | 173 |
| COMPONENT PARTS FOR FURNACE | 174 |
| 143563-02-000 | 174 |
| CENTRAL | 176 |
| COMPONENT PARTS FOR CENTRAL | 177 |
| 105620-16-000 | 177 |
| INTERIOR FINISH GROUP | 179 |
| MOLDINGS & TRIMS | 179 |
| PANELING & LAMINATES | 187 |
| INTERIOR TRIM LAYOUT | 189 |
| COMPONENT PARTS FOR INTERIOR TRIM LAYOUT | 193 |
| 158076-04-01A | 193 |
| FLOOR COVERINGS | 194 |
| HARDWARE | 195 |
| LABELS GROUP | 201 |
| LP GROUP | 205 |
| LP SYSTEM | 205 |
| COMPONENT PARTS FOR LP SYSTEM | 205 |
| 151784-03-000 | 205 |

CONTENTS (CONTINUED)

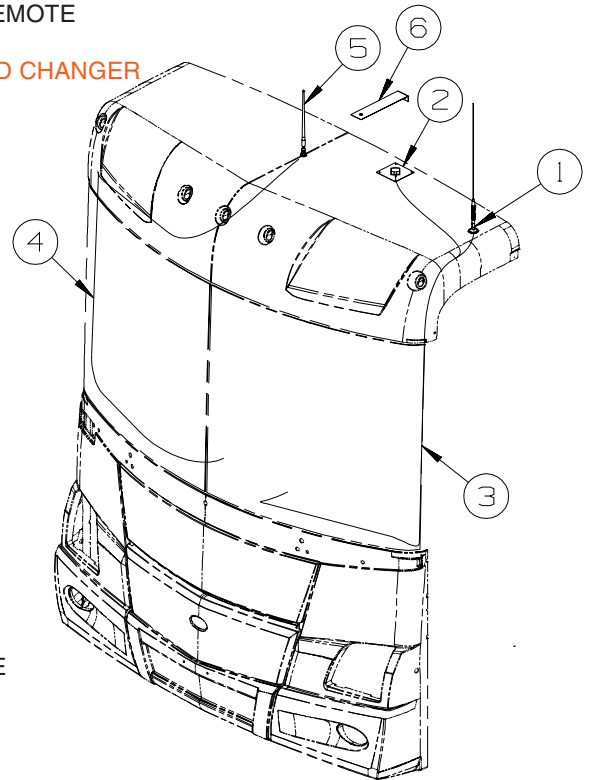
| | |
|--|------------|
| SEALANTS & FASTENERS GROUP | 206 |
| SEALANTS & ADHESIVES | 206 |
| BOLTS, NUTS AND WASHERS | 207 |
| SCREWS | 209 |
| CLAMPS, CLIPS, GROMMETS, RIVETS & PLUGS | 212 |
| MISCELLANEOUS FASTENERS | 213 |
| WATER & SEWAGE GROUP | 214 |
| DRAINAGE SYSTEM | 214 |
| COMPONENT PARTS FOR DRAINAGE SYSTEM | 216 |
| 144728-01-000 | 216 |
| 152829-01-01A | 216 |
| WATER SYSTEM | 217 |
| COMPONENT PARTS FOR WATER SYSTEM | 223 |
| 075241-04-000, 075241-05-000, 075241-06-000 | 223 |
| 098607-01-000 | 223 |
| 103635-01-000 | 223 |
| 123744-03-01A | 223 |
| 125420-01-02A, 125420-01-03A, 125420-03-03A, 125420-04-03A | 223 |
| 129390-03-02A | 223 |
| 144215-01-000 | 223 |
| 144215-02-000 | 223 |
| 144596-01-01A | 223 |
| 145541-01-000 | 224 |
| WINDOW & VENTS GROUP | 225 |
| WINDOW & VENT LAYOUT | 225 |
| COMPONENT PARTS FOR WINDOW & VENT LAYOUT | 226 |
| 122882-02-01A, 122882-03-01A | 226 |
| 123780-09-01A | 226 |
| 150648-01-01A | 227 |
| 150648-04-01A, 150648-05-01A | 228 |
| 150648-07-01A, 150648-22-01A | 228 |
| 150648-08-01A & 150648-09-01A | 228 |
| 150648-16-01A | 228 |
| 150648-20-01A, 150648-30-01A | 228 |
| 150649-05-01A | 229 |
| 150649-07-01A | 229 |
| 150656-10-01A | 230 |
| 151069-03-01A | 231 |
| WINDSHIELD & WIPER GROUP | 232 |
| WINDSHIELD | 232 |
| WIPER | 233 |
| COMPONENT PARTS FOR WIPER | 234 |
| 145270-01-000 | 234 |
| 149401-01-000, 149401-02-000 | 234 |
| 149402-03-000 & 149402-04-000 | 234 |

ACCESSORIES GROUP
OPERATORS MANUAL

| KEY | PART NUMBER | U/M | DESCRIPTION |
|------------|--------------------|------------|--|
| | 156864-01-000 | DW | TOP LEVEL-P,2007 |
| | 129079-04-01A | EA | CASE - VINYL/BLK-EXPANDABLE ACCORDION SIDES-11"WX9"HX14"L FROM: 00-00-00 THRU: 07-30-06 |
| | 159842-01-01A | EA | CASE - VINYL - F/MANUALS - W/SLEEVES - BLACK FROM: 07-31-06 THRU: 99-99-99 |
| | 132000-08-007 | EA | MANUAL/OWNER - MERIDIAN - 2007 |
| | 132000-37-007 | EA | MANUAL/OWNER - MERIDIAN SE - P SERIES SE - 2007 |
| | 158603-07-008 | EA | MANUAL/OWNER - SUPPLEMENT - P-SERIES - 2007 |
| | 132001-14-007 | EA | GUIDE/BASIC OPERATOR - AUDIO/VIDEO - P SERIES - 2007 |
| | 132001-19-007 | EA | GUIDE/BASIC OPERATOR - AUDIO/VIDEO - P SERIES SE 2007 |
| | 159842-01-01A | EA | CASE - VINYL - F/MANUALS - W/SLEEVES - BLACK |

AUDIO VIDEO GROUP RADIO SYSTEM

| KEY | PART NUMBER | U/M | DESCRIPTION |
|-----|---------------|-----|--|
| | 135420-07-000 | EA | MOUNTING KIT - RADIO - A-BODY |
| | 135420-19-000 | EA | REMOTE CONTROL/RADIO (CREDIT CARD SIZE) |
| | 135420-18-000 | EA | REMOTE CONTROL/RADIO (STEERING WHEEL MOUNT) |
| | 135420-15-000 | EA | RADIO-AM/FM/CD/SIRIUS/SATELLITE READY/IR REMOTE |
| | 135420-14-000 | EA | RECEIVER (EYE) - INFRARED |
| | 148134-01-000 | EA | CHANGER - COMPACT DISC - SANYO EAX-510 - CD CHANGER |



| KEY | PART NUMBER | U/M | DESCRIPTION |
|-----|---------------|-----|--|
| 1 | NA | EA | ANTENNA - CB - W/O CABLE |
| 2 | 158494-01-000 | EA | ANTENNA/SATELLITE - RADIO/SIRIUS |
| 3 | NA | EA | CABLE - CB - COAX |
| 4 | 090944-03-000 | EA | CABLE - ANTENNA |
| 5 | 090944-02-000 | EA | ANTENNA - RADIO - 16" RUBBER - W/O LEAD WIRE |
| 6 | 140600-06-01B | EA | BRACKET/ANTENNA MOUNT - MILL FINISH |

REAR MONITOR

| KEY | PART NUMBER | U/M | DESCRIPTION |
|-----|---------------|-----|--|
| * | 144677-10-02A | EA | CAMERA - REAR VIEW - WALL MOUNT/RIGHT - PRIMED |
| * | 144677-11-02A | EA | CAMERA - REAR VIEW - WALL MOUNT/LEFT - PRIMED |
| | 157160-01-01A | EA | GASKET - CAMERA/SIDE MOUNT |
| | 137919-03-01A | EA | SHROUD - CAMERA/OUTER - BRIGHT WHITE |
| | 144677-04-000 | EA | CAMERA - REAR VIEW W/BRACKET - BLACK & WHITE - VBCS150 |
| | 136514-02-000 | EA | CABLE - MONITOR/CAMERA |
| | 114870-01-000 | EA | PLUG - AUDIO W/LEADS - 48.5" |
| | 144677-06-000 | EA | MONITOR/BLACK & WHITE - 7" - 3 PIN/MECH CONTROLS - RESIZED |
| | 144677-08-000 | EA | MONITOR/BLACK & WHITE- 7" -W/O SIDE CAMERAS/WIRE ASM/CABLE |
| | 143363-03-000 | EA | CABLE - MONITOR/CAMERA - COLOR - SONY VCB-MHC20 |
| | 144677-12-000 | EA | CABLE - MONITOR/CAMERA - 12' |

***COMPONENT PARTS LISTED LATER IN THIS GROUP**

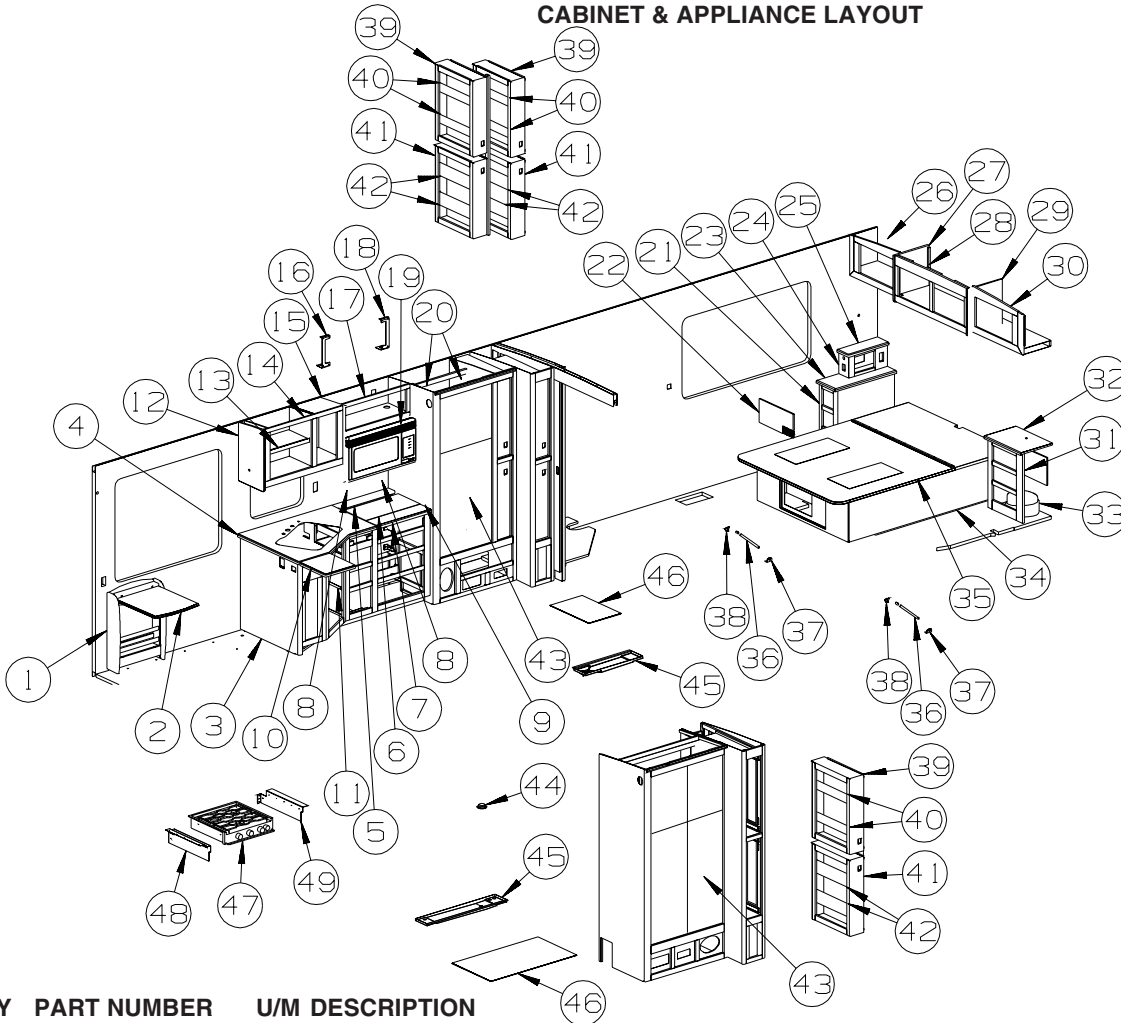
COMPONENT PARTS FOR REAR MONITOR

144677-10-02A & 144677-11-02A

| KEY | PART NUMBER | U/M | DESCRIPTION | VENDOR NO. |
|-----|---------------|-----|-----------------------------|------------|
| | 144677-10-701 | EA | HOUSING/CAMERA-RT/LT-PRIMED | SIDHSGGTR |

CABINET & APPLIANCE GROUP

CABINET & APPLIANCE LAYOUT



| KEY | PART NUMBER | U/M | DESCRIPTION |
|-----|---------------|-----|--|
| 1 | 149044-02-SA1 | EA | CABINET - W/PULLOUT TABLE - CONCERT CHERRY |
| 1 | 149044-02-SA2 | EA | CABINET - W/PULLOUT TABLE - WASHED MAPLE |
| 1 | 149044-02-SA3 | EA | CABINET - W/PULLOUT TABLE - SIERRA MAPLE |
| 2 | 149044-31-SA1 | EA | TABLE - F/PULLOUT CABINET - BROWN PLANK CHERRY - CONCERT CHERRY |
| 2 | 149044-31-SA2 | EA | TABLE - F/PULLOUT CABINET - HARDROCK MAPLE - WASHED MAPLE |
| 2 | 149044-31-SA3 | EA | TABLE - F/PULLOUT CABINET - HONEY MAPLE - SIERRA MAPLE |
| 3 | P53780-03-UC1 | EA | CABINET - GALLEY - W/O COUNTERTOP/DRS/DRAWERS/HDW - CONCERT CHERRY (UD5,UE1,UE5) |
| 3 | P53780-03-UM7 | EA | CABINET - GALLEY - W/O COUNTERTOP/DRS/DRAWERS/HDW - CONCERT CHERRY (UN1,UN2,UN3) |
| 3 | P53780-03-UC2 | EA | CABINET - GALLEY - W/O COUNTERTOP/DRS/DRAWERS/HDW - WASHED MAPLE |
| 3 | P53780-03-UC3 | EA | CABINET - GALLEY - W/O COUNTERTOP/DRS/DRAWERS/HDW - SIERRA MAPLE |
| 4 | 149086-60-10A | EA | COUNTERTOP - 1/4" VENDURA - PEBBLE BEACH |
| | | | FROM: 00-00-00 THRU: 09-30-06 |
| 4 | 161205-02-UM4 | EA | COUNTERTOP - GALLEY |
| | | | FROM: 10-01-06 THRU: 99-99-99 |
| 5 | 149094-02-10A | EA | COVER/STOVE TOP - 1/4" VENDURA - PEBBLE BEACH |
| | | | FROM: 00-00-00 THRU: 09-30-06 |
| 5 | 161211-02-UM4 | EA | COVER - STOVE TOP - LAMINATED |
| | | | FROM: 10-01-06 THRU: 99-99-99 |
| 6 | 130816-06-10A | EA | COUNTERTOP/STOVE LID - 1/4" VENDURA - PEBBLE BEACH |
| | | | FROM: 00-00-00 THRU: 09-30-06 |
| 6 | 161211-03-UM4 | EA | COVER - STOVE TOP - LAMINATED |
| | | | FROM: 10-01-06 THRU: 99-99-99 |
| 7* | 126022-01-01A | EA | COVER/RANGE - BI-FOLD - 22" - BLACK TEXTURED |
| 8 | 109506-12-000 | EA | FILM/ABRASION-RESISTANT - TRANSPARENT - 1" DIA. |
| 9 | 130813-36-10A | EA | BACKSPLASH/COUNTERTOP - 1/2" VENDURA - PEBBLE BEACH |
| | | | FROM: 00-00-00 THRU: 09-30-06 |
| 9 | 161216-07-UN1 | EA | BACKSPLASH - COUNTERTOP |
| | | | FROM: 10-01-06 THRU: 99-99-99 |
| 10 | 141784-01-10A | EA | COUNTERTOP EXTENSION - 1/4"VENDURA - PEBBLE BEACH |
| | | | FROM: 00-00-00 THRU: 09-30-06 |
| 10 | 161214-02-UM4 | EA | EXTENSION - COUNTERTOP - W/O HDW |
| | | | FROM: 10-01-06 THRU: 99-99-99 |

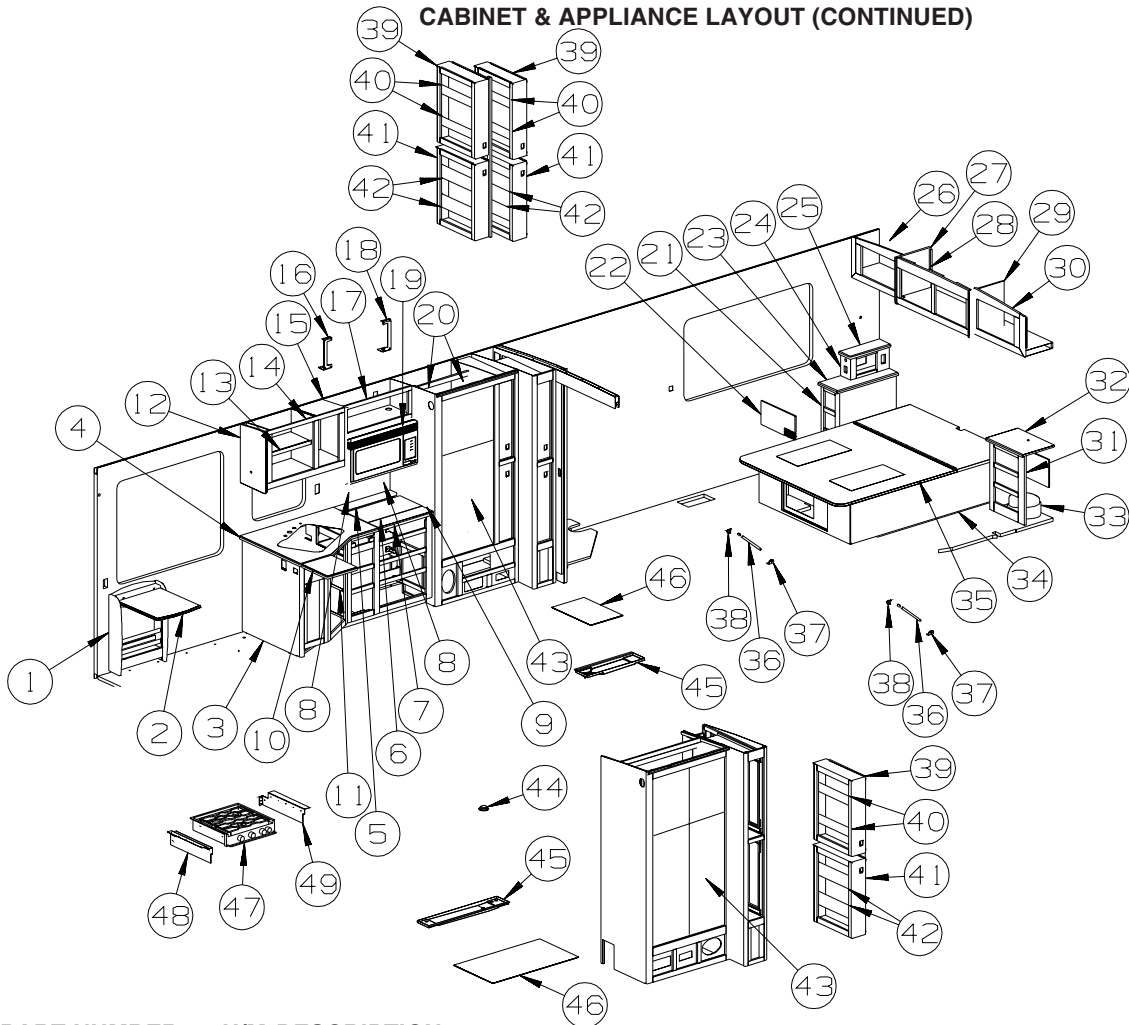
CABINET & APPLIANCE GROUP (CONTINUED)

CABINET & APPLIANCE LAYOUT (CONTINUED)

| KEY | PART NUMBER | U/M | DESCRIPTION |
|-----|---------------|-----|---|
| 11 | 057534-08-000 | EA | TIEBACK - CLEAR PLASTIC - 16" |
| 12 | 145517-19-R69 | EA | END CAP - OVERHEAD CABINET - CONCERT CHERRY |
| 12 | 145517-19-R76 | EA | END CAP - OVERHEAD CABINET - WASHED MAPLE |
| 12 | 145517-19-SA3 | EA | END CAP - OVERHEAD CABINET - SIERRA MAPLE |
| 13 | 146010-22-R69 | EA | SHELF - W/PLASTIC EDGE MOLDING - CONCERT CHERRY |
| 13 | 146010-22-RW7 | EA | SHELF - W/PLASTIC EDGE MOLDING - WASHED MAPLE |
| 13 | 146010-22-SA3 | EA | SHELF - W/PLASTIC EDGE MOLDING - SIERRA MAPLE |
| 14 | 146010-03-UC1 | EA | CABINET - OVERHEAD/GALLEY - W/O DOORS/HARDWARE - CONCERT CHERRY (UD5,UE1,UE5) |
| 14 | 146010-03-UM7 | EA | CABINET - OVERHEAD/GALLEY - W/O DOORS/HARDWARE - CONCERT CHERRY (UN1,UN2,UN3) |
| 14 | 146010-03-UC2 | EA | CABINET - OVERHEAD/GALLEY - W/O DOORS/HARDWARE - WASHED MAPLE |
| 14 | 146010-03-TS0 | EA | CABINET - OVERHEAD/GALLEY - W/O DOORS/HARDWARE - SIERRA MAPLE |
| 15 | 145517-03-R39 | EA | END CAP - OVERHEAD CABINET - CONCERT CHERRY |
| 15 | 145517-03-R46 | EA | END CAP - OVERHEAD CABINET - WASHED MAPLE |
| 15 | 145517-03-SA3 | EA | END CAP - OVERHEAD CABINET - SIERRA MAPLE |
| 16 | 130736-03-02B | EA | BRACKET - MICROWAVE - E-COATED |
| 17 | 148838-01-SA1 | EA | CABINET - OVERHEAD/MICROWAVE - W/O DOOR/HARDWARE - CONCERT CHERRY (UD5,UE1,UE5) |
| 17 | 148838-01-UM7 | EA | CABINET - OVERHEAD/MICROWAVE - W/O DOOR/HARDWARE - CONCERT CHERRY (UN1,UN2,UN3) |
| 17 | 148838-01-SA2 | EA | CABINET - OVERHEAD/MICROWAVE - W/O DOOR/HARDWARE - WASHED MAPLE |
| 17 | 148838-01-SA3 | EA | CABINET - OVERHEAD/MICROWAVE - W/O DOOR/HARDWARE - SIERRA MAPLE |
| 18 | 130736-04-02B | EA | BRACKET - MICROWAVE - E-COATED |
| 19* | 119267-12-02A | EA | OVEN - MICROWAVE/CONVECTION W/HOOD US - #R-1874 FROM: 00-00-00 THRU: 07-30-06 |
| 19 | 119267-17-01A | EA | OVEN - MICROWAVE/CONVECTION W/HOOD US - #R-1880LST FROM: 07-31-06 THRU: 99-99-99 |
| 20 | 090329-01-000 | FT | SEAL - "T" - REFRIGERATOR CABINET |
| 21 | 153781-01-TB1 | EA | CABINET - NIGHTSTAND/RH - W/O COUNTERTOP/DOORS/DRAWERS/HDW (UD5) |
| 21 | 153781-01-TB2 | EA | CABINET - NIGHTSTAND/RH - W/O COUNTERTOP/DOORS/DRAWERS/HDW (UD6) |
| 21 | 153781-01-TB3 | EA | CABINET - NIGHTSTAND/RH - W/O COUNTERTOP/DOORS/DRAWERS/HDW (UD7) |
| 21 | 153781-01-TA1 | EA | CABINET - NIGHTSTAND/RH - W/O COUNTERTOP/DOORS/DRAWERS/HDW (UE1) |
| 21 | 153781-01-TA2 | EA | CABINET - NIGHTSTAND/RH - W/O COUNTERTOP/DOORS/DRAWERS/HDW (UE2) |
| 21 | 153781-01-TA3 | EA | CABINET - NIGHTSTAND/RH - W/O COUNTERTOP/DOORS/DRAWERS/HDW (UE3) |
| 21 | 153781-01-UD1 | EA | CABINET - NIGHTSTAND/RH - W/O COUNTERTOP/DOORS/DRAWERS/HDW (UE5) |
| 21 | 153781-01-UD2 | EA | CABINET - NIGHTSTAND/RH - W/O COUNTERTOP/DOORS/DRAWERS/HDW (UE6) |
| 21 | 153781-01-UD3 | EA | CABINET - NIGHTSTAND/RH - W/O COUNTERTOP/DOORS/DRAWERS/HDW (UE7) |
| 21 | 153781-01-UM7 | EA | CABINET - NIGHTSTAND/RH - W/O COUNTERTOP/DOORS/DRAWERS/HDW (UN1) |
| 21 | 153781-01-UM8 | EA | CABINET - NIGHTSTAND/RH - W/O COUNTERTOP/DOORS/DRAWERS/HDW (UN2) |
| 21 | 153781-01-UM9 | EA | CABINET - NIGHTSTAND/RH - W/O COUNTERTOP/DOORS/DRAWERS/HDW (UN3) |
| 21 | 153781-01-UP5 | EA | CABINET-NIGHTSTAND/RH-W/O CTRTP/DR/DWR/HDW (UP4,UP5)-P36SG, SPECIAL EDITION (SE) |
| 22 | 140594-17-01A | EA | GRILL - RETURN AIR - 18.8" X 9" - BLACK |
| 23 | 145182-09-SB5 | EA | COUNTERTOP - LAMINATED - BROWN PLANK CHERRY/CHERRY - CONCERT CHERRY |
| 23 | 145182-09-SB6 | EA | COUNTERTOP - LAMINATED - HARDROCK MAPLE/WASHED MAPLE - WASHED MAPLE |
| 23 | 145182-09-SB7 | EA | COUNTERTOP - LAMINATED - HONEY MAPLE/SIERRA MAPLE - SIERRA MAPLE |
| 24 | 140452-03-P79 | EA | CABINET - F/RADIO - W/O HARDWARE - CONCERT CHERRY |
| 24 | 140452-03-P28 | EA | CABINET - F/RADIO - W/O HARDWARE - WASHED MAPLE |
| 24 | 140452-03-SA3 | EA | CABINET - F/RADIO - W/O HARDWARE - SIERRA MAPLE |
| 25 | 145182-10-SB5 | EA | COUNTERTOP - LAMINATED - BROWN PLANK CHERRY/CHERRY - CONCERT CHERRY |
| 25 | 145182-10-SB6 | EA | COUNTERTOP - LAMINATED - HARDROCK MAPLE/WASHED MAPLE - WASHED MAPLE |
| 25 | 145182-10-SB7 | EA | COUNTERTOP - LAMINATED - HONEY MAPLE/SIERRA MAPLE - SIERRA MAPLE |
| 26 | 156065-01-TB5 | EA | CABINET - OVERHEAD/REAR/RIGHT HAND - W/O DOORS/HDW - CONCERT CHERRY (UD5,UE1,UE5) |
| 26 | 156065-01-UN1 | EA | CABINET - OVERHEAD/REAR/RIGHT HAND - W/O DOORS/HDW - CONCERT CHERRY (UN1,UN2,UN3) |
| 26 | 156065-01-TB6 | EA | CABINET - OVERHEAD/REAR/RIGHT HAND - W/O DOORS/HDW - WASHED MAPLE |
| 26 | 156065-01-TB7 | EA | CABINET - OVERHEAD/REAR/RIGHT HAND - W/O DOORS/HDW - SIERRA MAPLE |
| 26 | 156065-02-TB5 | EA | CABINET-OVHD/REAR/RH-CONCERT CHERRY (UD5,UE1,UE5)-STEREO SYSTEMW/CD/DVD REAR |
| 26 | 156065-02-UN1 | EA | CABINET-OVHD/REAR/RH-CONCERT CHERRY (UN1,UN2,UN3)-STEREO SYSTEMW/CD/DVD REAR |
| 26 | 156065-02-TB6 | EA | CABINET-OVHD/REAR/RH-W/O DRS/HDW-WASHED MAPLE-STEREO SYSTEMW/CD/DVD REAR |
| 26 | 156065-02-TB7 | EA | CABINET-OVHD/REAR/RH-W/O DRS/HDW-SIERRA MAPLE-STEREO SYSTEMW/CD/DVD REAR |
| 27 | 141820-17-P79 | EA | END CAP - OVERHEAD CABINET - CONCERT CHERRY |
| 27 | 141820-17-RW7 | EA | END CAP - OVERHEAD CABINET - WASHED MAPLE |
| 27 | 141820-17-SB7 | EA | END CAP - OVERHEAD CABINET - SIERRA MAPLE |
| 28 | 141820-01-P79 | EA | CABINET - OVERHEAD/REAR/CENTER - W/O DRS/HARDWARE - CONCERT CHERRY (UD5,UE1,UE5) |
| 28 | 141820-01-UN1 | EA | CABINET - OVERHEAD/REAR/CENTER - W/O DRS/HARDWARE - CONCERT CHERRY (UN1,UN2,UN3) |
| 28 | 141820-01-RW7 | EA | CABINET - OVERHEAD/REAR/CENTER - W/O DRS/HARDWARE - WASHED MAPLE |
| 28 | 141820-01-TS1 | EA | CABINET - OVERHEAD/REAR/CENTER - W/O DRS/HARDWARE - SIERRA MAPLE |

CABINET & APPLIANCE GROUP (CONTINUED)

CABINET & APPLIANCE LAYOUT (CONTINUED)



| KEY | PART NUMBER | U/M | DESCRIPTION |
|-----|---------------|-----|--|
| 29 | 141820-16-P79 | EA | END CAP - OVERHEAD CABINET - CONCERT CHERRY |
| 29 | 141820-16-RW7 | EA | END CAP - OVERHEAD CABINET - WASHED MAPLE |
| 29 | 141820-16-SB7 | EA | END CAP - OVERHEAD CABINET - SIERRA MAPLE |
| 30 | 141280-01-P79 | EA | CABINET - OVERHEAD/REAR/LEFT HAND - W/O DRS/HDW - CONCERT CHERRY (UD5,UE1,UE5) |
| 30 | 141280-01-UN1 | EA | CABINET - OVERHEAD/REAR/LEFT HAND - W/O DRS/HDW - CONCERT CHERRY (UN1,UN2,UN3) |
| 30 | 141280-01-RW7 | EA | CABINET - OVERHEAD/REAR/LEFT HAND - W/O DRS/HDW - WASHED MAPLE |
| 30 | 141280-01-SB7 | EA | CABINET - OVERHEAD/REAR/LEFT HAND - W/O DRS/HDW - SIERRA MAPLE |
| 30 | 141280-02-P79 | EA | CABINET - OVHD/REAR/LH-CONCERT CHERRY (UD5,UE1,UE5)-STEREO SYSTEM/W/CD/DVD REAR |
| 30 | 141280-02-UN1 | EA | CABINET - OVHD/REAR/LH-CONCERT CHERRY (UN1,UN2,UN3)-STEREO SYSTEM/W/CD/DVD REAR |
| 30 | 141280-02-SB6 | EA | CABINET - OVHD/REAR/LH-W/O DRS/HDW-WASHED MAPLE-STEREO SYSTEM/W/CD/DVD REAR |
| 30 | 141280-02-SB7 | EA | CABINET - OVHD/REAR/LH-W/O DRS/HDW-SIERRA MAPLE-STEREO SYSTEM/W/CD/DVD REAR |
| 31 | 153782-01-TA1 | EA | CABINET - NIGHTSTAND/LH - W/O CTRTP/DRS/DWRS/HDW - CONCERT CHERRY (UD5,UE1,UE5) |
| 31 | 153782-01-UM7 | EA | CABINET - NIGHTSTAND/LH - W/O CTRTP/DRS/DWRS/HDW - CONCERT CHERRY (UN1,UN2,UN3) |
| 31 | 153782-01-TA2 | EA | CABINET - NIGHTSTAND/LH - W/O CTRTP/DRS/DWRS/HDW - WASHED MAPLE |
| 31 | 153782-01-TA3 | EA | CABINET - NIGHTSTAND/LH - W/O CTRTP/DRS/DWRS/HDW - SIERRA MAPLE |
| 31 | 153782-02-TA1 | EA | CAB.-NIGHTSTAND/LH-CONCERT CHERRY (UD5,UE1,UE5)-SLEEP NUM. BED-QUEEN SIZE |
| 31 | 153782-02-UM7 | EA | CAB.-NIGHTSTAND/LH-CONCERT CHERRY (UN1,UN2,UN3)-SLEEP NUM. BED-QUEEN SIZE |
| 31 | 153782-02-TA2 | EA | CAB.-NIGHTSTAND/LH-W/O CTRTP/DR/DWR/HDW-WASHED MAPLE-SLEEP NUM. BED-QUEEN SIZE |
| 31 | 153782-02-TA3 | EA | CAB.-NIGHTSTAND/LH-W/O CTRTP/DR/DWR/HDW-SIERRA MAPLE-SLEEP NUM. BED-QUEEN SIZE |
| 32 | 145182-11-SB5 | EA | COUNTERTOP - LAMINATED - BROWN PLANK CHERRY/CHERRY - CONCERT CHERRY |
| 32 | 145182-11-SB6 | EA | COUNTERTOP - LAMINATED - HARDROCK MAPLE/WASHED MAPLE - WASHED MAPLE |
| 32 | 145182-11-SB7 | EA | COUNTERTOP - LAMINATED - HONEY MAPLE/SIERRA MAPLE - SIERRA MAPLE |
| 32 | 145182-49-UP2 | EA | COUNTERTOP - LAMINATED - SIERRA MAPLE - SIERRA MAPLE-P36SG, SPECIAL EDITION (SE) |
| 33 | 142411-03-000 | EA | AIR PUMP W/CONTROLS - F/SELECT COMFORT MATTRESS - SLEEP NUM. BED-QUEEN SIZE |
| 34 | P49016-01-R69 | EA | CABINET/BASE-F/QUEEN BED-W/O DRS/DWRS/HDW-CONCERT CHERRY |
| 34 | P49016-01-RW7 | EA | CABINET/BASE-F/QUEEN BED-W/O DRS/DWRS/HDW-WASHED MAPLE |
| 34 | P49016-01-SA3 | EA | CABINET/BASE-F/QUEEN BED-W/O DRS/DWRS/HDW-SIERRA MAPLE |
| 34 | P49016-02-R69 | EA | CABINET/BASE-F/QUEEN BED-W/O DR/DWRS/HDW-CONCERT CHERRY-INVERTER/CHARGER 2.0 KW |
| 34 | P49016-02-RW7 | EA | CABINET/BASE-F/QUEEN BED-W/O DRS/DWRS/HDW-WASHED MAPLE-INVERTER/CHARGER 2.0 KW |
| 34 | P49016-02-SA3 | EA | CABINET/BASE-F/QUEEN BED-W/O DRS/DWRS/HDW-SIERRA MAPLE-INVERTER/CHARGER 2.0 KW |
| 35 | 137406-04-N52 | EA | BEDBOARD - W/HINGE/T-MOLDING/SLIPNOT - FLIP-UP |

CABINET & APPLIANCE GROUP (CONTINUED)

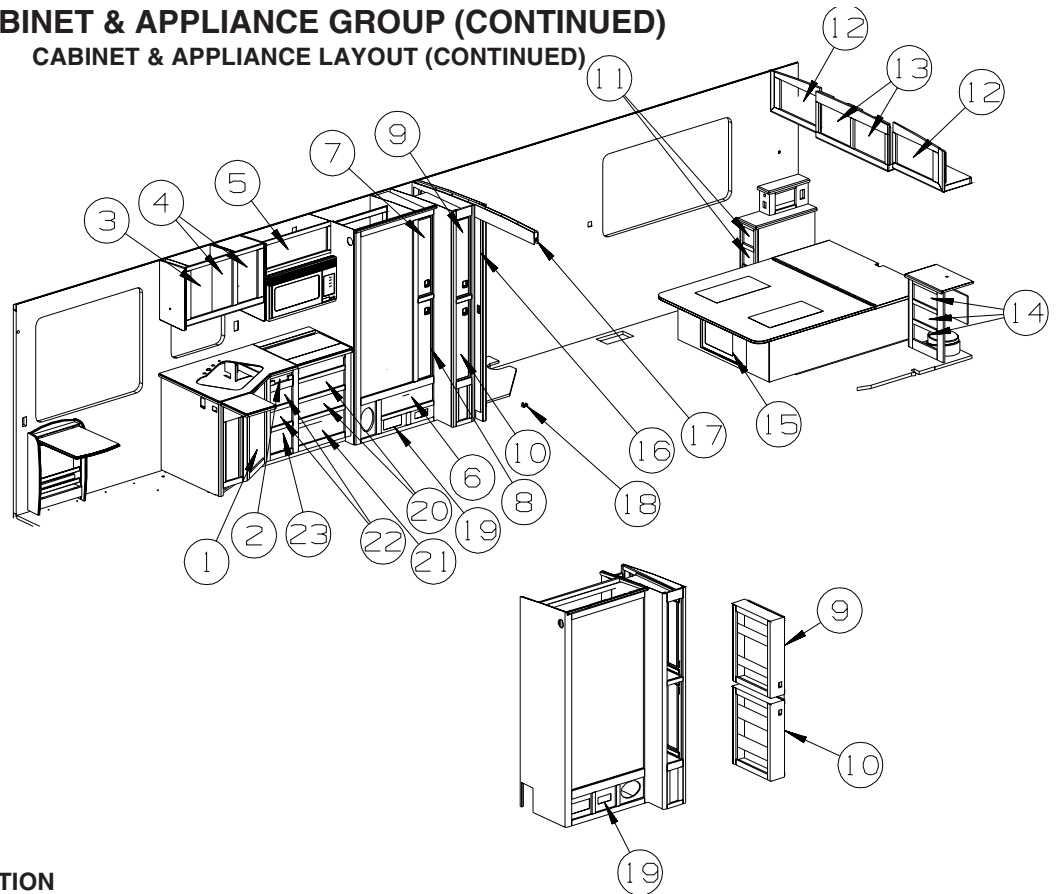
CABINET & APPLIANCE LAYOUT (CONTINUED)

| KEY | PART NUMBER | U/M | DESCRIPTION |
|-----|---------------|-----|---|
| 36 | 142569-15-000 | EA | SPRING/GAS - 120 LB - 20" EXTENDED/12" COMPRESSED |
| 36 | 142569-16-000 | EA | SPRING/GAS - 90 LB - 20" EXTENDED/12" COMPRESSED-SLEEP NUM. BED-QUEEN SIZE |
| 37 | 126263-06-02B | EA | BRACKET - GAS SPRING W/BALL STUD - E-COATED |
| 38 | 126263-08-02B | EA | BRACKET - GAS SPRING W/CENTERED BALL STUD - E-COATED |
| 39 | 153343-01-SD1 | EA | CABINET - PANTRY/SLIDE - W/O DOORS/DRAWERS/HDW - CONCERT CHERRY |
| 39 | 153343-01-SD2 | EA | CABINET - PANTRY/SLIDE - W/O DOORS/DRAWERS/HDW - WASHED MAPLE |
| 39 | 153343-01-S67 | EA | CABINET - PANTRY/SLIDE - W/O DOORS/DRAWERS/HDW - SIERRA MAPLE |
| 40 | 153343-21-SD1 | EA | SHELF - W/WOOD MOLDING - CONCERT CHERRY |
| 40 | 153343-21-SD2 | EA | SHELF - W/WOOD MOLDING - WASHED MAPLE |
| 40 | 153343-21-S67 | EA | SHELF - W/WOOD MOLDING - SIERRA MAPLE |
| 41 | 153343-03-SD1 | EA | CABINET - PANTRY/SLIDE - W/O DOORS/DRAWERS/HDW - CONCERT CHERRY |
| 41 | 153343-03-SD2 | EA | CABINET - PANTRY/SLIDE - W/O DOORS/DRAWERS/HDW - WASHED MAPLE |
| 41 | 153343-03-S67 | EA | CABINET - PANTRY/SLIDE - W/O DOORS/DRAWERS/HDW - SIERRA MAPLE |
| 42 | 153343-27-SD1 | EA | SHELF - W/WOOD MOLDING - CONCERT CHERRY |
| 42 | 153343-27-SD2 | EA | SHELF - W/WOOD MOLDING - WASHED MAPLE |
| 42 | 153343-27-S67 | EA | SHELF - W/WOOD MOLDING - SIERRA MAPLE |
| 43* | 121569-05-01A | EA | REFRIG.-LARGE DBL DR/2 WAY/NON-FLUSH HANDLE-BLK RH |
| 43* | 120075-13-01A | EA | REFRIG.-LGE DBL DR-2-WAY/RH/ICE MAKER/RSD HDL-BLACK |
| 43 | 125242-03-02A | EA | REFRIGERATOR - 4 DOOR - W/ICE MAKER - TITANIUM SST - REFRIGERATOR-4 DOOR FROM: 00-00-00 THRU: 07-09-06 |
| 43 | 125242-05-02A | EA | REFRIGERATOR - 4 DOOR - W/ICE MAKER - TITANIUM SST - REFRIGERATOR-4 DOOR FROM: 07-10-06 THRU: 99-99-99 |
| 43 | 125242-06-01A | EA | REFRIG.-W/ICE MAKER-NORCOLD 1211IM-REFRIGERATOR-4 DOOR/P36SG, SPECIAL EDITION (SE) |
| 44 | 054450-01-000 | EA | LEVEL - REFRIGERATOR |
| 45 | 116751-02-01A | EA | TRAY-REFRIGERATOR-BLACK |
| 45 | 118871-05-01A | EA | TRAY - REFRIGERATOR - SIDE/SIDE - BLACK - 35.5" LONG - REFRIGERATOR-4 DOOR |
| 46 | 158456-01-01A | EA | INSERT/REFRIG.-21.5"WX14.5"H-TITANIUM SST |
| 46 | 158456-03-01A | EA | INSERT/REFRIG.-21.5"WX38.5"H-TITANIUM SST |
| 46 | 103251-10-01A | EA | INSERT/REFRIG.-16.2"X18.4"BLK ACRYLIC - REFRIGERATOR-4 DOOR/P36SG, SPECIAL EDITION (SE) |
| 46 | 103251-11-01A | EA | INSERT/REFRIG.-16.2" X 41.2"-BLK ACRYLIC-REFRIGERATOR-4 DOOR/P36SG, SPECIAL EDITION (SE) |
| 47* | 135065-03-01A | EA | RANGE-3 BURNER (SEALED)-W/O OVEN-NEW STYLE KNOBS-BLK GLASS |
| 48 | 106936-35-04B | EA | BRACKET - TIEDOWN - RANGE - BLACK |
| 49 | 106936-36-04B | EA | BRACKET - TIEDOWN - RANGE/REAR - BLACK |

*COMPONENT PARTS LISTED LATER IN THIS GROUP

CABINET & APPLIANCE GROUP (CONTINUED)

CABINET & APPLIANCE LAYOUT (CONTINUED)



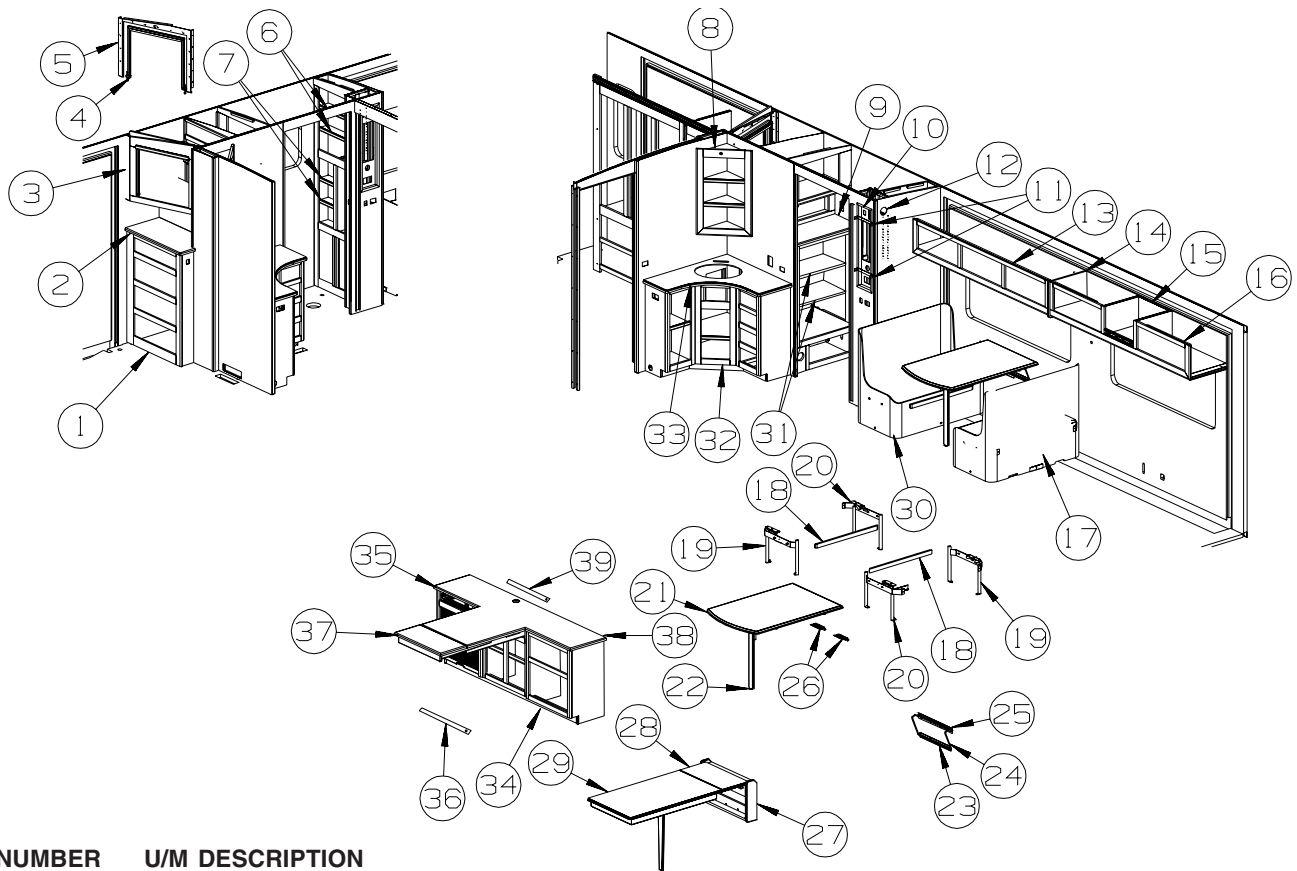
| KEY | PART NUMBER | U/M | DESCRIPTION |
|-----|---------------|-----|---|
| 1 | 136955-C5-UD5 | EA | DOOR - RAISED PANEL/PENCIL EDGE - 15.6" X 29.5" - W/O HDW - CONCERT CHERRY |
| 1 | 136955-C5-UD6 | EA | DOOR - RAISED PANEL/PENCIL EDGE - 15.6" X 29.5" - W/O HDW - WASHED MAPLE |
| 1 | 136955-C5-TS1 | EA | DOOR - RAISED PANEL/PENCIL EDGE - 15.6" X 29.5" - W/O HDW - SIERRA MAPLE |
| 1 | 136955-C5-UP5 | EA | DR-RAISED PANEL/PENCIL EDGE-15.6" X 29.5"-SIERRA MAPLE-P36SG, SPECIAL EDITION (SE) |
| 2 | 144803-A8-TB5 | EA | FACE/DRAWER - SOLID PANEL/PENCIL EDGE-4.3" X 11.4"-W/O HDW - CONCERT CHERRY |
| 2 | 144803-A8-TB6 | EA | FACE/DRAWER - SOLID PANEL/PENCIL EDGE-4.3" X 11.4"-W/O HDW - WASHED MAPLE |
| 2 | 144803-A8-TB7 | EA | FACE/DRAWER - SOLID PANEL/PENCIL EDGE-4.3" X 11.4"-W/O HDW - SIERRA MAPLE |
| 2 | 144803-A8-UP5 | EA | FACE/DWR-SOLID PANEL/PENCIL EDGE-4.3"X11.4"-SIERRA MAPLE-P36SG, SPECIAL EDITION (SE) |
| 3 | 141518-22-UD5 | EA | DOOR - ARCHED/PENCIL EDGE/LEFT HAND-10" X 19.1" - W/O HDW - CONCERT CHERRY |
| 3 | 141518-22-UD6 | EA | DOOR - ARCHED/PENCIL EDGE/LEFT HAND-10" X 19.1" - W/O HDW - WASHED MAPLE |
| 3 | 141518-22-TS1 | EA | DOOR - ARCHED/PENCIL EDGE/LEFT HAND-10" X 19.1" - W/O HDW - SIERRA MAPLE |
| 3 | 141518-22-UP5 | EA | DR-ARCHED/PENCIL EDGE/LH-10" X 19.1"-W/O HDW-SIERRA MAPLE-P36SG, SPECIAL EDITION (SE) |
| 4 | 141520-22-UD5 | EA | DOOR - ARCHED/PENCIL EDGE/RIGHT HAND-10" X 19.1" - W/O HDW - CONCERT CHERRY |
| 4 | 141520-22-UD6 | EA | DOOR - ARCHED/PENCIL EDGE/RIGHT HAND-10" X 19.1" - W/O HDW - WASHED MAPLE |
| 4 | 141520-22-TS1 | EA | DOOR - ARCHED/PENCIL EDGE/RIGHT HAND-10" X 19.1" - W/O HDW - SIERRA MAPLE |
| 4 | 141520-22-UP5 | EA | DR-ARCHED/PENCIL EDGE/RH-10" X 19.1"-W/O HDW-SIERRA MAPLE-P36SG, SPECIAL EDITION (SE) |
| 5 | 141522-25-TB5 | EA | DOOR - ARCHED/PENCIL EDGE/HORIZ - 10" X 25.2" - W/O HDW - CONCERT CHERRY |
| 5 | 141522-25-TB6 | EA | DOOR - ARCHED/PENCIL EDGE/HORIZ - 10" X 25.2" - W/O HDW - WASHED MAPLE |
| 5 | 141522-25-TB7 | EA | DOOR - ARCHED/PENCIL EDGE/HORIZ - 10" X 25.2" - W/O HDW - SIERRA MAPLE |
| 5 | 141522-25-UP5 | EA | DR-ARCHED/PENCIL EDGE/HORIZ-10" X 25.2"-SIERRA MAPLE-P36SG, SPECIAL EDITION (SE) |
| 6 | 153121-C1-TB5 | EA | DRAWER - PENCIL EDGE - 22.6"WX17.7"D-CONCERT CHERRY |
| 6 | 153121-C1-TB6 | EA | DRAWER - PENCIL EDGE - 22.6"WX17.7"D-WASHED MAPLE |
| 6 | 153121-C1-TB7 | EA | DRAWER - PENCIL EDGE - 22.6"WX17.7"D-SIERRA MAPLE |
| 7 | 145268-84-TB5 | EA | DOOR - RAISED PANEL/PENCIL EDGE - 7.9"X30.3"-CONCERT CHERRY |
| 7 | 145268-84-TB6 | EA | DOOR - RAISED PANEL/PENCIL EDGE - 7.9"X30.3"-WASHED MAPLE |
| 7 | 145268-84-TB7 | EA | DOOR - RAISED PANEL/PENCIL EDGE - 7.9"X30.3"-SIERRA MAPLE |
| 8 | 145268-85-TB5 | EA | DOOR - RAISED PANEL/PENCIL EDGE - 7.9"X30.3"-CONCERT CHERRY |
| 8 | 145268-85-TB6 | EA | DOOR - RAISED PANEL/PENCIL EDGE - 7.9"X30.3"-WASHED MAPLE |
| 8 | 145268-85-TB7 | EA | DOOR - RAISED PANEL/PENCIL EDGE - 7.9"X30.3"-SIERRA MAPLE |
| 9 | 154289-01-TB5 | EA | DOOR - RAISED PANEL/PENCIL EDGE - 7.9" X 30.3" - W/O HDW - CONCERT CHERRY |
| 9 | 154289-01-TB6 | EA | DOOR - RAISED PANEL/PENCIL EDGE - 7.9" X 30.3" - W/O HDW - WASHED MAPLE |
| 9 | 154289-01-TB7 | EA | DOOR - RAISED PANEL/PENCIL EDGE - 7.9" X 30.3" - W/O HDW - SIERRA MAPLE |
| 9 | 154289-01-U80 | EA | DR-RAISED PANEL/PENCIL EDGE-7.9" X 30.3"-SIERRA MAPLE-P36SG, SPECIAL EDITION (SE) |
| 10 | 154289-03-TB5 | EA | DOOR - ARCHED PANEL/PENCIL EDGE - 7.9" X 30.3" - W/O HDW - CONCERT CHERRY |
| 10 | 154289-03-TB6 | EA | DOOR - ARCHED PANEL/PENCIL EDGE - 7.9" X 30.3" - W/O HDW - WASHED MAPLE |
| 10 | 154289-03-TB7 | EA | DOOR - ARCHED PANEL/PENCIL EDGE - 7.9" X 30.3" - W/O HDW - SIERRA MAPLE |
| 10 | 154289-03-U80 | EA | DR-ARCHED PANEL/PENCIL EDGE-7.9" X 30.3"-SIERRA MAPLE-P36SG, SPECIAL EDITION (SE) |

CABINET & APPLIANCE GROUP (CONTINUED)
CABINET & APPLIANCE LAYOUT (CONTINUED)

| KEY | PART NUMBER | U/M | DESCRIPTION |
|-----|---------------|-----|---|
| 11 | 153121-02-SB5 | EA | DRAWER - PENCIL EDGE - 5.3"W X 19.7"D - W/O SLIDES/HDW - CONCERT CHERRY |
| 11 | 153121-02-SB6 | EA | DRAWER - PENCIL EDGE - 5.3"W X 19.7"D - W/O SLIDES/HDW - WASHED MAPLE |
| 11 | 153121-02-SB7 | EA | DRAWER - PENCIL EDGE - 5.3"W X 19.7"D - W/O SLIDES/HDW - SIERRA MAPLE |
| 12 | 141522-67-TB5 | EA | DOOR - ARCHED/PENCIL EDGE/HORIZ - 12" X 21.8" - W/O HDW - CONCERT CHERRY |
| 12 | 141522-67-TB6 | EA | DOOR - ARCHED/PENCIL EDGE/HORIZ - 12" X 21.8" - W/O HDW - WASHED MAPLE |
| 12 | 141522-67-TB7 | EA | DOOR - ARCHED/PENCIL EDGE/HORIZ - 12" X 21.8" - W/O HDW - SIERRA MAPLE |
| 12 | 141522-67-UP5 | EA | DR-ARCHED/PENCIL EDGE/HORIZ - 12" X 21.8"-SIERRA MAPLE-P36SG, SPECIAL EDITION (SE) |
| 13 | 141522-64-TB5 | EA | DOOR - ARCHED/PENCIL EDGE/HORIZ - 12" X 18.7" - W/O HDW - CONCERT CHERRY |
| 13 | 141522-64-TB6 | EA | DOOR - ARCHED/PENCIL EDGE/HORIZ - 12" X 18.7" - W/O HDW - WASHED MAPLE |
| 13 | 141522-64-TB7 | EA | DOOR - ARCHED/PENCIL EDGE/HORIZ - 12" X 18.7" - W/O HDW - SIERRA MAPLE |
| 13 | 141522-64-UP5 | EA | DR-ARCHED/PENCIL EDGE/HORIZ-12" X 18.7"-SIERRA MAPLE-P36SG, SPECIAL EDITION (SE) |
| 14 | 153121-04-SB5 | EA | DRAWER - PENCIL EDGE - 12.3"W X 11.8"D - W/O SLIDES/HDW - CONCERT CHERRY |
| 14 | 153121-04-SB6 | EA | DRAWER - PENCIL EDGE - 12.3"W X 11.8"D - W/O SLIDES/HDW - WASHED MAPLE |
| 14 | 153121-04-SB7 | EA | DRAWER - PENCIL EDGE - 12.3"W X 11.8"D - W/O SLIDES/HDW - SIERRA MAPLE |
| 14 | 153121-04-TB7 | EA | DWR-PENCIL EDGE-12.3"W X 11.8"D-W/O SLIDES/HDW-SIERRA MAPLE-P36SG, SPECIAL EDITION (SE) |
| 14 | 144803-EA-R75 | EA | FACE/DWR-SOLID PANEL/PENCIL ED.-6.7" X 14.5"-CONCERT CHERRY-SLEEP NUM. BED-QUEEN SIZE |
| 14 | 144803-EA-R76 | EA | FACE/DWR-SOLID PANEL/PENCIL ED.-6.7" X 14.5"-WASHED MAPLE-SLEEP NUM. BED-QUEEN SIZE |
| 14 | 144803-EA-SB7 | EA | FACE/DWR-SOLID PANEL/PENCIL ED.-6.7" X 14.5"-SIERRA MAPLE-SLEEP NUM. BED-QUEEN SIZE |
| 15 | 136955-A9-TB5 | EA | DOOR - RAISED PANEL/PENCIL EDGE - 14.4" X 26.8" - W/O HDW - CONCERT CHERRY |
| 15 | 136955-A9-TB6 | EA | DOOR - RAISED PANEL/PENCIL EDGE - 14.4" X 26.8" - W/O HDW - WASHED MAPLE |
| 15 | 136955-A9-TB7 | EA | DOOR - RAISED PANEL/PENCIL EDGE - 14.4" X 26.8" - W/O HDW - SIERRA MAPLE |
| 15 | 136955-A9-UP5 | EA | DR-RAISED PANEL/PENCIL EDGE-14.4" X 26.8"-SIERRA MAPLE-P36SG, SPECIAL EDITION (SE) |
| 16 | 146047-05-R90 | EA | DOOR - SLIDING - W/O HARDWARE - CONCERT CHERRY |
| 16 | 146047-05-RW5 | EA | DOOR - SLIDING - W/O HARDWARE - WASHED MAPLE |
| 16 | 146047-05-TA3 | EA | DOOR - SLIDING - W/O HARDWARE - SIERRA MAPLE |
| 16 | 146047-05-UP3 | EA | DOOR - SLIDING - W/O HARDWARE - SIERRA MAPLE-P36SG, SPECIAL EDITION (SE) |
| 17 | 145608-10-01A | EA | TRACK - DOOR - 60.8" - OFF WHITE |
| 18 | 064467-01-000 | EA | GUIDE - POCKET - SLIDING DOOR - WALL MOUNTED |
| 19 | 145298-04-TB5 | EA | DOOR - SOLID PANEL/PENCIL EDGE - 12.6"X6.1"-CONCERT CHERRY |
| 19 | 145298-04-TB6 | EA | DOOR - SOLID PANEL/PENCIL EDGE - 12.6"X6.1"-WASHED MAPLE |
| 19 | 145298-04-TB7 | EA | DOOR - SOLID PANEL/PENCIL EDGE - 12.6"X6.1"-SIERRA MAPLE |
| 19 | 145298-06-TB5 | EA | DR - SOLID PANEL/PENCIL EDGE - 9.2" X 10.2"-CONCERT CHERRY-REFRIGERATOR-4 DOOR |
| 19 | 145298-06-TB6 | EA | DR - SOLID PANEL/PENCIL EDGE - 9.2" X 10.2"-WASHED MAPLE-REFRIGERATOR-4 DOOR |
| 19 | 145298-06-TB7 | EA | DR - SOLID PANEL/PENCIL EDGE - 9.2" X 10.2"-SIERRA MAPLE-REFRIGERATOR-4 DOOR |
| 19 | 145298-06-UP5 | EA | DR-PENCIL EDGE-9.2"X10.2"-SIERRA MAPLE-REFRIGERATOR-4 DOOR/P36SG, SPECIAL EDITION (SE) |
| 20 | 153121-56-TB5 | EA | DRAWER - PENCIL EDGE - 19.8"W X 19.7"D - W/O SLIDES/HDW - CONCERT CHERRY |
| 20 | 153121-56-TB6 | EA | DRAWER - PENCIL EDGE - 19.8"W X 19.7"D - W/O SLIDES/HDW - WASHED MAPLE |
| 20 | 153121-56-TB7 | EA | DRAWER - PENCIL EDGE - 19.8"W X 19.7"D - W/O SLIDES/HDW - SIERRA MAPLE |
| 21 | 153121-10-SB5 | EA | DRAWER - PENCIL EDGE - 19.8"W X 15.7"D - W/O SLIDES/HDW - CONCERT CHERRY |
| 21 | 153121-10-SB6 | EA | DRAWER - PENCIL EDGE - 19.8"W X 15.7"D - W/O SLIDES/HDW - WASHED MAPLE |
| 21 | 153121-10-SB7 | EA | DRAWER - PENCIL EDGE - 19.8"W X 15.7"D - W/O SLIDES/HDW - SIERRA MAPLE |
| 22 | 153121-52-TB5 | EA | DRAWER - PENCIL EDGE - 9.2"W X 19.7"D - W/O SLIDES/HDW - CONCERT CHERRY |
| 22 | 153121-52-TB6 | EA | DRAWER - PENCIL EDGE - 9.2"W X 19.7"D - W/O SLIDES/HDW - WASHED MAPLE |
| 22 | 153121-52-TB7 | EA | DRAWER - PENCIL EDGE - 9.2"W X 19.7"D - W/O SLIDES/HDW - SIERRA MAPLE |
| 23 | 153121-54-TB5 | EA | DRAWER - PENCIL EDGE - 9.2"W X 15.7"D - W/O SLIDES/HDW - CONCERT CHERRY |
| 23 | 153121-54-TB6 | EA | DRAWER - PENCIL EDGE - 9.2"W X 15.7"D - W/O SLIDES/HDW - WASHED MAPLE |
| 23 | 153121-54-TB7 | EA | DRAWER - PENCIL EDGE - 9.2"W X 15.7"D - W/O SLIDES/HDW - SIERRA MAPLE |

CABINET & APPLIANCE GROUP (CONTINUED)

CABINET & APPLIANCE LAYOUT (CONTINUED)



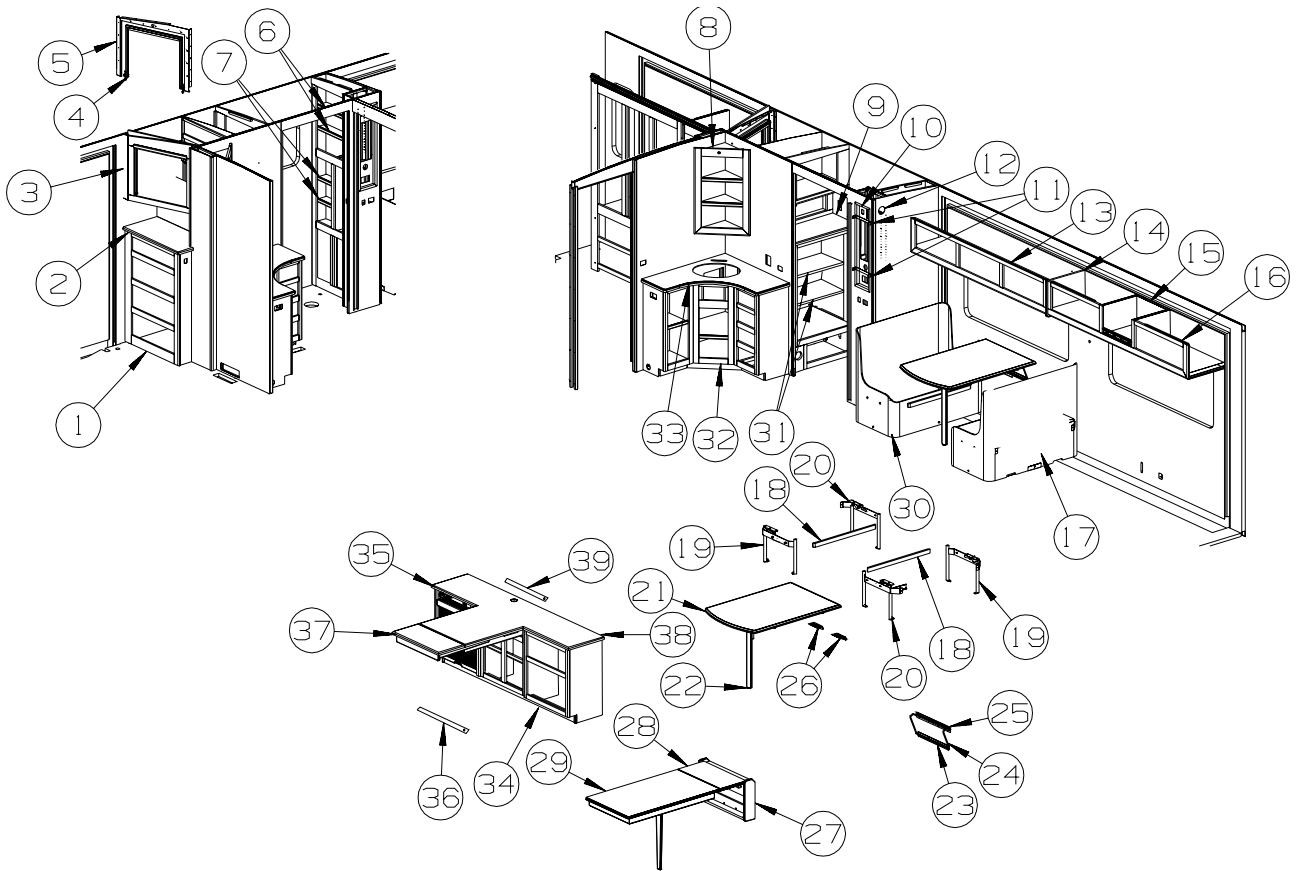
| KEY | PART NUMBER | U/M | DESCRIPTION |
|-----|---------------|-----|--|
| 1 | P52927-01-UC1 | EA | CABINET - DRESSER - W/O COUNTERTOP/DRAWERS/HDW (UD5) |
| 1 | P52927-01-UC2 | EA | CABINET - DRESSER - W/O COUNTERTOP/DRAWERS/HDW (UD6) |
| 1 | P52927-01-UC3 | EA | CABINET - DRESSER - W/O COUNTERTOP/DRAWERS/HDW (UD7) |
| 1 | P52927-01-TA1 | EA | CABINET - DRESSER - W/O COUNTERTOP/DRAWERS/HDW (UE1) |
| 1 | P52927-01-TA2 | EA | CABINET - DRESSER - W/O COUNTERTOP/DRAWERS/HDW (UE2) |
| 1 | P52927-01-TA3 | EA | CABINET - DRESSER - W/O COUNTERTOP/DRAWERS/HDW (UE3) |
| 1 | P52927-01-UD1 | EA | CABINET - DRESSER - W/O COUNTERTOP/DRAWERS/HDW (UE5) |
| 1 | P52927-01-UD2 | EA | CABINET - DRESSER - W/O COUNTERTOP/DRAWERS/HDW (UE6) |
| 1 | P52927-01-TS0 | EA | CABINET - DRESSER - W/O COUNTERTOP/DRAWERS/HDW (UE7) |
| 1 | P52927-01-UM7 | EA | CABINET - DRESSER - W/O COUNTERTOP/DRAWERS/HDW (UN1) |
| 1 | P52927-01-UM8 | EA | CABINET - DRESSER - W/O COUNTERTOP/DRAWERS/HDW (UN2) |
| 1 | P52927-01-UM9 | EA | CABINET - DRESSER - W/O COUNTERTOP/DRAWERS/HDW (UN3) |
| 1 | P52927-01-UP5 | EA | CABINET - DRESSER - W/O CTRTP/DWR/HDW (UP4,UP5)-P36SG, SPECIAL EDITION (SE) |
| 2 | 145182-22-TB5 | EA | COUNTERTOP - LAMINATED - CONCERT CHERRY |
| 2 | 145182-22-TB6 | EA | COUNTERTOP - LAMINATED - WASHED MAPLE |
| 2 | 145182-22-TB7 | EA | COUNTERTOP - LAMINATED - SIERRA MAPLE |
| 3 | 154966-01-TA1 | EA | CABINET - OVERHEAD/TV/REAR - W/O DOORS/HDW - CONCERT CHERRY FROM: 00-00-00 THRU: 02-19-06 |
| 3 | 154966-02-UC1 | EA | CABINET - OVERHEAD/TV/REAR - W/O DOORS/HDW - CONCERT CHERRY FROM: 02-20-06 THRU: 04-02-06 |
| 3 | 157620-02-UC1 | EA | CABINET - OVERHEAD/TV/REAR - W/O DOORS/HDW - CONCERT CHERRY FROM: 04-03-06 THRU: 05-14-06 |
| 3 | 159834-01-UC1 | EA | CABINET - OVERHEAD/TV/REAR - W/O DOORS/HDW - CONCERT CHERRY (UD5,UE1,UE5) FROM: 05-15-06 THRU: 99-99-99 |
| 3 | 159834-01-UM7 | EA | CABINET - OVERHEAD/TV/REAR - W/O DOORS/HDW - CONCERT CHERRY (UN1,UN2,UN3) FROM: 05-15-06 THRU: 99-99-99 |
| 3 | 154966-01-TA2 | EA | CABINET - OVERHEAD/TV/REAR - W/O DOORS/HDW - WASHED MAPLE FROM: 00-00-00 THRU: 02-19-06 |
| 3 | 154966-02-UC2 | EA | CABINET - OVERHEAD/TV/REAR - W/O DOORS/HDW - WASHED MAPLE FROM: 02-20-06 THRU: 04-02-06 |
| 3 | 157620-02-UC2 | EA | CABINET - OVERHEAD/TV/REAR - W/O DOORS/HDW - WASHED MAPLE FROM: 04-03-06 THRU: 05-14-06 |
| 3 | 159834-01-UC2 | EA | CABINET - OVERHEAD/TV/REAR - W/O DOORS/HDW - WASHED MAPLE FROM: 05-15-06 THRU: 99-99-99 |

CABINET & APPLIANCE GROUP (CONTINUED)

CABINET & APPLIANCE LAYOUT (CONTINUED)

| KEY | PART NUMBER | U/M | DESCRIPTION |
|-----|---------------|-----|--|
| 3 | 154966-01-TA3 | EA | CABINET - OVERHEAD/TV/REAR - W/O DOORS/HDW - SIERRA MAPLE FROM: 00-00-00 THRU: 02-19-06 |
| 3 | 154966-02-UC3 | EA | CABINET - OVERHEAD/TV/REAR - W/O DOORS/HDW - SIERRA MAPLE FROM: 02-20-06 THRU: 04-02-06 |
| 3 | 157620-02-UC3 | EA | CABINET - OVERHEAD/TV/REAR - W/O DOORS/HDW - SIERRA MAPLE FROM: 04-03-06 THRU: 05-14-06 |
| 3 | 159834-01-UC3 | EA | CABINET - OVERHEAD/TV/REAR - W/O DOORS/HDW - SIERRA MAPLE FROM: 05-15-06 THRU: 99-99-99 |
| 4 | 151954-04-02B | EA | BRACKET/HOLD DOWN - TV - E-COATED FROM: 00-00-00 THRU: 05-14-06 |
| 4 | 151954-06-02B | EA | BRACKET/HOLD DOWN - TV - E-COATED FROM: 05-15-06 THRU: 99-99-99 |
| 5 | 149520-04-02B | EA | BRACKET - TV FACE - E-COATED |
| 6 | 145986-21-R69 | EA | SHELF - W/WOOD MOLDING - CONCERT CHERRY |
| 6 | 145986-21-RW7 | EA | SHELF - W/WOOD MOLDING - WASHED MAPLE |
| 6 | 145986-21-SA3 | EA | SHELF - W/WOOD MOLDING - SIERRA MAPLE |
| 7 | 145986-23-R69 | EA | SHELF - W/WOOD MOLDING - CONCERT CHERRY |
| 7 | 145986-23-RW7 | EA | SHELF - W/WOOD MOLDING - WASHED MAPLE |
| 7 | 145986-23-SA3 | EA | SHELF - W/WOOD MOLDING - SIERRA MAPLE |
| 8 | 143253-01-P79 | EA | CABINET - MEDICINE - W/O DOORS/HARDWARE - CONCERT CHERRY (UD5,UE1,UE5) |
| 8 | 143253-01-UM7 | EA | CABINET - MEDICINE - W/O DOORS/HARDWARE - CONCERT CHERRY (UN1,UN2,UN3) |
| 8 | 143253-01-RW7 | EA | CABINET - MEDICINE - W/O DOORS/HARDWARE - WASHED MAPLE |
| 8 | 143253-01-SA3 | EA | CABINET - MEDICINE - W/O DOORS/HARDWARE - SIERRA MAPLE |
| 9 | 145182-40-UC1 | EA | COUNTERTOP - LAMINATED - CONCERT CHERRY |
| 9 | 145182-40-UC2 | EA | COUNTERTOP - LAMINATED - WASHED MAPLE |
| 9 | 145182-40-UC3 | EA | COUNTERTOP - LAMINATED - SIERRA MAPLE |
| 10 | 137602-G5-TA1 | EA | POCKET - MONITOR PANEL - CONCERT CHERRY |
| 10 | 137602-G5-TA2 | EA | POCKET - MONITOR PANEL - WASHED MAPLE |
| 10 | 137602-G5-TA3 | EA | POCKET - MONITOR PANEL - SIERRA MAPLE |
| 10 | 137602-C1-R69 | EA | POCKET - MONITOR PANEL - CONCERT CHERRY - INVERTER/CHARGER 2.0 KW |
| 10 | 137602-C1-RW7 | EA | POCKET - MONITOR PANEL - WASHED MAPLE - INVERTER/CHARGER 2.0 KW |
| 10 | 137602-C1-SA3 | EA | POCKET - MONITOR PANEL - SIERRA MAPLE - INVERTER/CHARGER 2.0 KW |
| 11 | 154649-01-02B | EA | BRACKET - ONE PLACE - E-COATED |
| 12 | 137602-G2-SA1 | EA | POCKET - SPEAKER - CONCERT CHERRY FROM: 00-00-00 THRU: 07-30-06 |
| 12 | 137602-G2-SA2 | EA | POCKET - SPEAKER - WASHED MAPLE FROM: 00-00-00 THRU: 07-30-06 |
| 12 | 137602-G2-SA3 | EA | POCKET - SPEAKER - SIERRA MAPLE FROM: 00-00-00 THRU: 07-30-06 |
| 13 | 156861-01-UC1 | EA | CABINET - OVERHEAD/DINETTE - W/O DOORS/HDW - CONCERT CHERRY (UD5,UE1,UE5) |
| 13 | 156861-01-UM7 | EA | CABINET - OVERHEAD/DINETTE - W/O DOORS/HDW - CONCERT CHERRY (UN1,UN2,UN3) |
| 13 | 156861-01-UC2 | EA | CABINET - OVERHEAD/DINETTE - W/O DOORS/HDW - WASHED MAPLE |
| 13 | 156861-01-UC3 | EA | CABINET - OVERHEAD/DINETTE - W/O DOORS/HDW - SIERRA MAPLE |
| 14 | 145517-39-UC1 | EA | END CAP - OVERHEAD CABINET - CONCERT CHERRY |
| 14 | 145517-39-UC2 | EA | END CAP - OVERHEAD CABINET - WASHED MAPLE |
| 14 | 145517-39-UC3 | EA | END CAP - OVERHEAD CABINET - SIERRA MAPLE |
| 15 | 140374-69-000 | EA | MIRROR - SAFETY GLASS - 10.3" X 16.4 |
| 16 | 156862-01-UC1 | EA | CABINET - OVERHEAD/COUCH - W/O DOORS/HDW - CONCERT CHERRY (UD5,UE1,UE5) |
| 16 | 156862-01-UM7 | EA | CABINET - OVERHEAD/COUCH - W/O DOORS/HDW - CONCERT CHERRY (UN1,UN2,UN3) |
| 16 | 156862-01-UC2 | EA | CABINET - OVERHEAD/COUCH - W/O DOORS/HDW - WASHED MAPLE |
| 16 | 156862-01-UC3 | EA | CABINET - OVERHEAD/COUCH - W/O DOORS/HDW - SIERRA MAPLE |
| 17 | 141859-09-UD5 | EA | CABINET/DINETTE W/BACK(WRAPPED)-RIGHT HAND - W/O DOORS/HDW |
| 17 | 141859-09-UD6 | EA | CABINET/DINETTE W/BACK(WRAPPED)-RIGHT HAND - W/O DOORS/HDW |
| 17 | 141859-09-UD7 | EA | CABINET/DINETTE W/BACK(WRAPPED)-RIGHT HAND - W/O DOORS/HDW |
| 17 | 141859-09-UE1 | EA | CABINET/DINETTE W/BACK(WRAPPED)-RIGHT HAND - W/O DOORS/HDW |
| 17 | 141859-09-UE2 | EA | CABINET/DINETTE W/BACK(WRAPPED)-RIGHT HAND - W/O DOORS/HDW |
| 17 | 141859-09-UE3 | EA | CABINET/DINETTE W/BACK(WRAPPED)-RIGHT HAND - W/O DOORS/HDW |
| 17 | 141859-09-UE5 | EA | CABINET/DINETTE W/BACK(WRAPPED)-RIGHT HAND - W/O DOORS/HDW |
| 17 | 141859-09-UE6 | EA | CABINET/DINETTE W/BACK(WRAPPED)-RIGHT HAND - W/O DOORS/HDW |
| 17 | 141859-09-UE7 | EA | CABINET/DINETTE W/BACK(WRAPPED)-RIGHT HAND - W/O DOORS/HDW |
| 17 | 141859-09-UP5 | EA | CABINET/DINETTE W/BACK(WRAPPED)-RIGHT HAND - W/O DRS/HDW- P36SG, SPECIAL EDITION (SE) |
| 18 | 081295-01-M52 | EA | SUPPORT - BED/DINETTE - 28" LONG - CONCERT CHERRY |
| 18 | 081295-01-T03 | EA | SUPPORT - BED/DINETTE - 28" LONG - WASHED MAPLE |
| 18 | 081295-01-RE0 | EA | SUPPORT - BED/DINETTE - 28" LONG - SIERRA MAPLE |

CABINET & APPLIANCE GROUP (CONTINUED)
CABINET & APPLIANCE LAYOUT (CONTINUED)



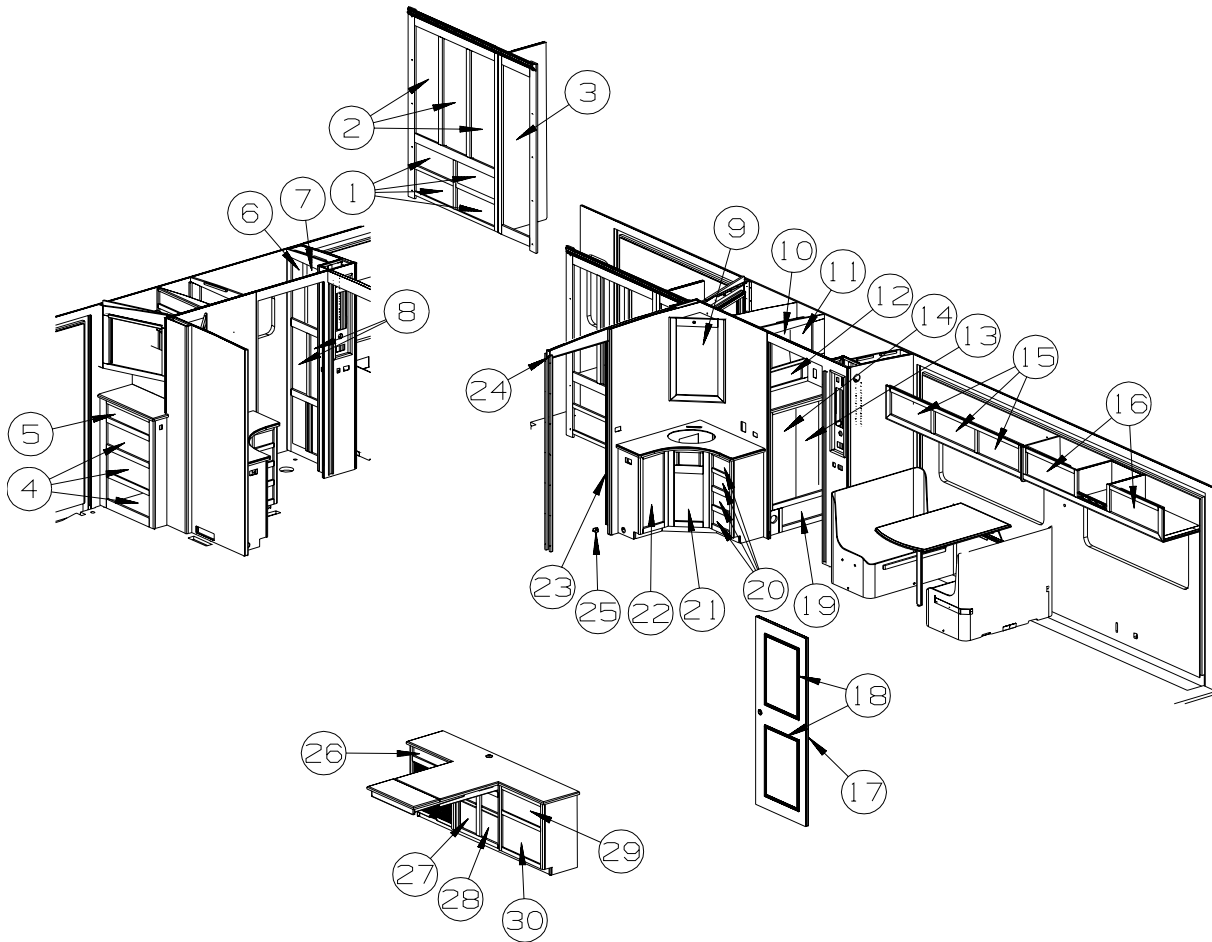
| KEY | PART NUMBER | U/M | DESCRIPTION |
|-----|---------------|-----|---|
| 19 | 142033-02-000 | EA | BRACKET - DINETTE - LEFT HAND |
| 20 | 142033-01-000 | EA | BRACKET - DINETTE - RIGHT HAND |
| 21 | 151683-06-UC1 | EA | TABLE - DINETTE - 27.8" X 41.6" - CONCERT CHERRY |
| 21 | 151683-06-UC2 | EA | TABLE - DINETTE - 27.8" X 41.6" - WASHED MAPLE |
| 21 | 151683-06-UC3 | EA | TABLE - DINETTE - 27.8" X 41.6" - SIERRA MAPLE |
| 21 | 151683-06-UP2 | EA | TABLE - DINETTE - 27.8" X 41.6" - SIERRA MAPLE-P36SG, SPECIAL EDITION (SE) |
| 22 | 143798-01-02A | EA | CATCH - FLOOR TO TABLE LEG - ALMOND |
| 23 | 024281-12-000 | EA | BRACKET/WALL - TABLE LIFT - 17.1" - ALMOND |
| 24 | 024275-16-000 | EA | ROD - TABLE LIFT - W/ARMS 8" & BASE ROD 18.5" - ALMOND |
| 25 | 140921-02-02A | EA | BRACKET/TABLE SUPPORT - 18.5" - ALMOND |
| 26 | 140921-03-02A | EA | HANGER - TABLE - W/VINYL - ALMOND |
| 27 | 133856-01-L52 | EA | CABINET/WALL - W/FOLD DOWN TABLE/LEG - CONCERT CHERRY - DINING TABLE/CHAIRS |
| 27 | 133856-01-RW4 | EA | CABINET/WALL - W/FOLD DOWN TABLE/LEG - WASHED MAPLE - DINING TABLE/CHAIRS |
| 27 | 133856-01-SA3 | EA | CABINET/WALL - W/FOLD DOWN TABLE/LEG - SIERRA MAPLE - DINING TABLE/CHAIRS |
| | 105402-03-000 | EA | STRAP - DINING CHAIR/TIEDOWN - 18" |
| | 009050-02-000 | EA | LEVELER - TABLE TOP - MALE END W/4 SCREWS - PLASTIC |
| | 009050-03-000 | EA | LEVELER - TABLE TOP - FEMALE END W/2 SCREWS - PLASTIC |
| 28 | 133856-12-L52 | EA | TABLE TOP - SMALL HINGED SECTION - LAMINATED - CONCERT CHERRY - DINING TABLE/CHAIRS |
| 28 | 133856-12-RW4 | EA | TABLE TOP - SMALL HINGED SECTION-LAMINATED - WASHED MAPLE - DINING TABLE/CHAIRS |
| 28 | 133856-12-SA3 | EA | TABLE TOP - SMALL HINGED SECTION-LAMINATED - SIERRA MAPLE - DINING TABLE/CHAIRS |
| 29 | 133856-11-L52 | EA | TABLE TOP - LARGE SECTION - LAMINATED - CONCERT CHERRY - DINING TABLE/CHAIRS |
| 29 | 133856-11-RW4 | EA | TABLE TOP - LARGE SECTION - LAMINATED - WASHED MAPLE - DINING TABLE/CHAIRS |
| 29 | 133856-11-SA3 | EA | TABLE TOP - LARGE SECTION - LAMINATED - SIERRA MAPLE - DINING TABLE/CHAIRS |
| 30 | 141859-10-UD5 | EA | CABINET/DINETTE W/BACK(WRAPPED)-LEFT HAND - W/O DOORS/HDW |
| 30 | 141859-10-UD6 | EA | CABINET/DINETTE W/BACK(WRAPPED)-LEFT HAND - W/O DOORS/HDW |
| 30 | 141859-10-UD7 | EA | CABINET/DINETTE W/BACK(WRAPPED)-LEFT HAND - W/O DOORS/HDW |
| 30 | 141859-10-UE1 | EA | CABINET/DINETTE W/BACK(WRAPPED)-LEFT HAND - W/O DOORS/HDW |
| 30 | 141859-10-UE2 | EA | CABINET/DINETTE W/BACK(WRAPPED)-LEFT HAND - W/O DOORS/HDW |
| 30 | 141859-10-UE3 | EA | CABINET/DINETTE W/BACK(WRAPPED)-LEFT HAND - W/O DOORS/HDW |
| 30 | 141859-10-UE5 | EA | CABINET/DINETTE W/BACK(WRAPPED)-LEFT HAND - W/O DOORS/HDW |
| 30 | 141859-10-UE6 | EA | CABINET/DINETTE W/BACK(WRAPPED)-LEFT HAND - W/O DOORS/HDW |
| 30 | 141859-10-UE7 | EA | CABINET/DINETTE W/BACK(WRAPPED)-LEFT HAND - W/O DOORS/HDW |
| 30 | 141859-10-UP5 | EA | CABINET/DINETTE W/BACK(WRAPPED)-LEFT HAND - W/O DRS/HDW-P36SG, SPECIAL EDITION (SE) |

CABINET & APPLIANCE GROUP (CONTINUED)

CABINET & APPLIANCE LAYOUT (CONTINUED)

| KEY | PART NUMBER | U/M | DESCRIPTION |
|-----|---------------|-----|---|
| 31 | 152926-31-TA1 | EA | SHELF - W/PLASTIC EDGE MOLDING - CONCERT CHERRY FROM: 00-00-00 THRU: 05-14-06 |
| 31 | 159835-31-UC1 | EA | SHELF - W/PLASTIC EDGE MOLDING - CONCERT CHERRY FROM: 05-15-06 THRU: 99-99-99 |
| 31 | 152926-31-TA2 | EA | SHELF - W/PLASTIC EDGE MOLDING - WASHED MAPLE FROM: 00-00-00 THRU: 05-14-06 |
| 31 | 159835-31-UC2 | EA | SHELF - W/PLASTIC EDGE MOLDING - WASHED MAPLE FROM: 05-15-06 THRU: 99-99-99 |
| 31 | 152926-31-TA3 | EA | SHELF - W/PLASTIC EDGE MOLDING - SIERRA MAPLE FROM: 00-00-00 THRU: 05-14-06 |
| 31 | 159835-31-UC3 | EA | SHELF - W/PLASTIC EDGE MOLDING - SIERRA MAPLE FROM: 05-15-06 THRU: 99-99-99 |
| 32 | 149105-02-10A | EA | COUNTERTOP - 1/4" VENDURA - PEBBLE BEACH FROM: 00-00-00 THRU: 09-30-06 |
| 32 | 161461-02-UN1 | EA | COUNTERTOP - LAVATORY FROM: 10-01-06 THRU: 99-99-99 |
| 33 | P53776-01-TA1 | EA | CABINET - LAVATORY - W/O COUNTERTOP/DRS/DWRS/HDW - CONCERT CHERRY (UD5,UE1,UE5) |
| 33 | P53776-01-UM7 | EA | CABINET - LAVATORY - W/O COUNTERTOP/DRS/DWRS/HDW - CONCERT CHERRY (UN1,UN2,UN3) |
| 33 | P53776-01-TA2 | EA | CABINET - LAVATORY - W/O COUNTERTOP/DRS/DWRS/HDW - WASHED MAPLE |
| 33 | P53776-01-TA3 | EA | CABINET - LAVATORY - W/O COUNTERTOP/DRS/DWRS/HDW - SIERRA MAPLE |
| 34 | P57091-01-T78 | EA | CABINET - DINETTE/COMPUTER - W/O CTRTP/DRAWERS/HDW - CONCERT CHERRY (UD5,UE1,UE5) |
| 34 | P57091-01-UM7 | EA | CABINET - DINETTE/COMPUTER - W/O CTRTP/DRAWERS/HDW - CONCERT CHERRY (UN1,UN2,UN3) |
| 34 | P57091-01-T79 | EA | CABINET - DINETTE/COMPUTER - W/O CTRTP/DRAWERS/HDW - WASHED MAPLE |
| 34 | P57091-01-T80 | EA | CABINET - DINETTE/COMPUTER - W/O CTRTP/DRAWERS/HDW - SIERRA MAPLE |
| 35 | 157114-01-T78 | EA | TABLE - DINETTE/COMPUTER DESK - W/EXTENSION - CONCERT CHERRY |
| 35 | 157114-01-T79 | EA | TABLE - DINETTE/COMPUTER DESK - W/EXTENSION - WASHED MAPLE |
| 35 | 157114-01-T80 | EA | TABLE - DINETTE/COMPUTER DESK - W/EXTENSION - SIERRA MAPLE |
| 36 | 127156-01-01A | EA | RETAINER - STRAP/CHAIR |
| 37 | 140889-24-SA1 | EA | COUNTERTOP - COMPUTER DESK - GRAY TRANQUILITY/CONCERT CHERRY |
| 37 | 140889-24-SA2 | EA | COUNTERTOP - COMPUTER DESK - GRAY TRANQUILITY/WASHED MAPLE |
| 37 | 140889-24-SA3 | EA | COUNTERTOP - COMPUTER DESK - GRAY TRANQUILITY/SIERRA MAPLE |
| 38 | 140889-43-T78 | EA | COUNTERTOP - LAMINATED - CONCERT CHERRY |
| 38 | 140889-43-T79 | EA | COUNTERTOP - LAMINATED - WASHED MAPLE |
| 38 | 140889-43-T80 | EA | COUNTERTOP - LAMINATED - SIERRA MAPLE |
| 39 | 099856-12-000 | EA | STRAP - TIEDOWN - 122" |

CABINET & APPLIANCE GROUP (CONTINUED)
CABINET & APPLIANCE LAYOUT (CONTINUED)



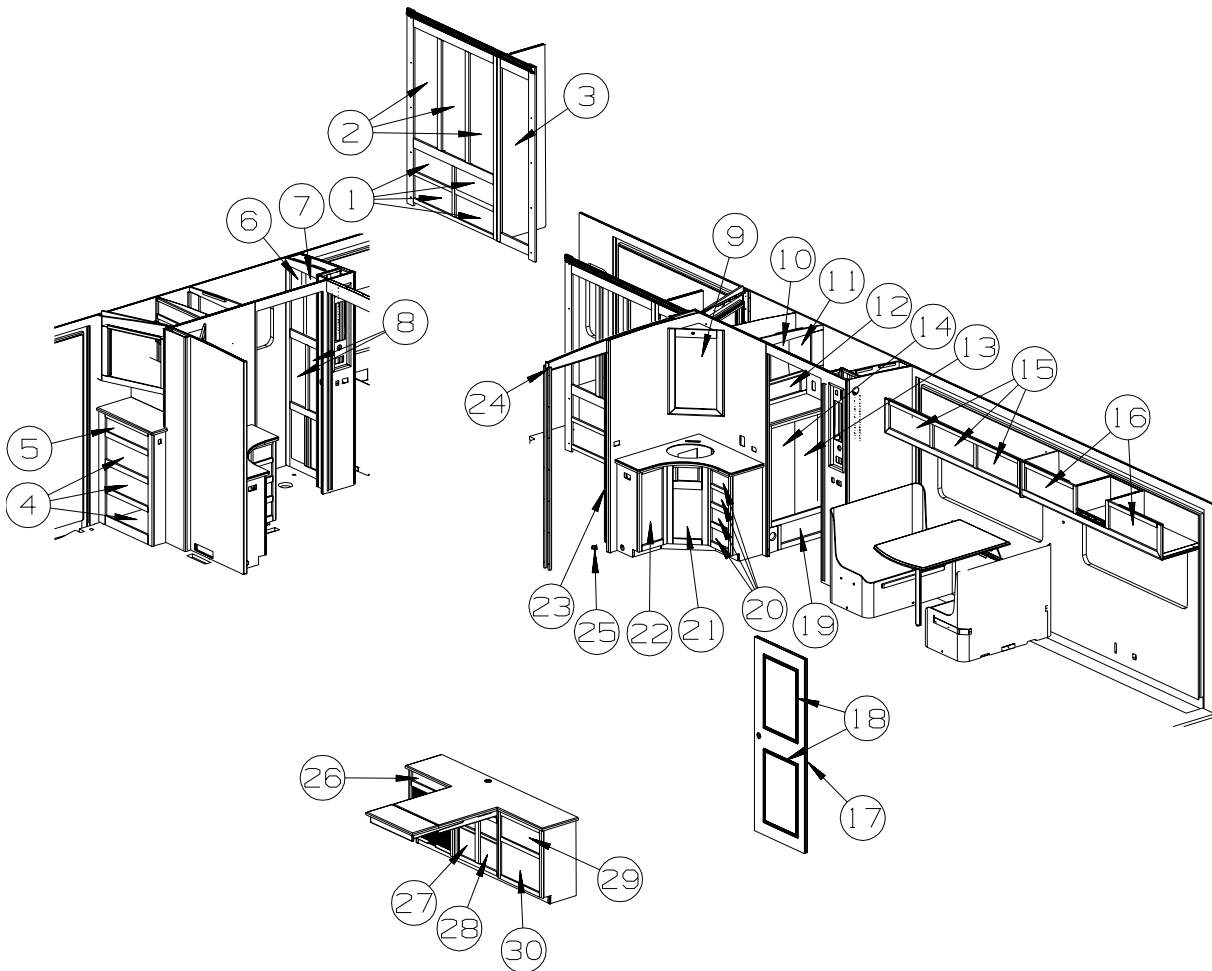
| KEY | PART NUMBER | U/M | DESCRIPTION |
|-----|---------------|-----|---|
| 1 | 153121-06-SB5 | EA | DRAWER - PENCIL EDGE - 20.2"W X 17.7"D - W/O SLIDES/HDW - CONCERT CHERRY |
| 1 | 153121-06-SB6 | EA | DRAWER - PENCIL EDGE - 20.2"W X 17.7"D - W/O SLIDES/HDW - WASHED MAPLE |
| 1 | 153121-06-SB7 | EA | DRAWER - PENCIL EDGE - 20.2"W X 17.7"D - W/O SLIDES/HDW - SIERRA MAPLE |
| 2 | 141518-E2-TB5 | EA | DOOR - ARCHED/PENCIL EDGE/LH HAND - 14.4" X 45.4"-W/O HDW - CONCERT CHERRY |
| 2 | 141518-E2-TB6 | EA | DOOR - ARCHED/PENCIL EDGE/LH HAND - 14.4" X 45.4"-W/O HDW - WASHED MAPLE |
| 2 | 141518-E2-TB7 | EA | DOOR - ARCHED/PENCIL EDGE/LH HAND - 14.4" X 45.4"-W/O HDW - SIERRA MAPLE |
| 2 | 141518-E2-UP5 | EA | DR-ARCHED/PENCIL EDGE/LH-14.4" X 45.4"-W/O HDW-SIERRA MAPLE-P36SG, SPECIAL EDITION (SE) |
| 3 | 141507-01-TB5 | EA | DOOR - MIRRORED/PENCIL EDGE - 16.1" X 65.3" - W/O HDW - CONCERT CHERRY |
| 3 | 141507-01-TB6 | EA | DOOR - MIRRORED/PENCIL EDGE - 16.1" X 65.3" - W/O HDW - WASHED MAPLE |
| 3 | 141507-01-TB7 | EA | DOOR - MIRRORED/PENCIL EDGE - 16.1" X 65.3" - W/O HDW - SIERRA MAPLE |
| 3 | 141507-01-UP5 | EA | DR-MIRRORED/PENCIL EDGE-16.1" X 65.3"-W/O HDW-SIERRA MAPLE-P36SG, SPECIAL EDITION (SE) |
| 3 | 140374-11-000 | EA | MIRROR - SAFETY GLASS - 12.9" X 62" |
| 4 | 153121-U8-TB5 | EA | DRAWER - PENCIL EDGE - 22.6"W X 13.8"D - W/O SLIDES/HDW - CONCERT CHERRY |
| 4 | 153121-U8-TB6 | EA | DRAWER - PENCIL EDGE - 22.6"W X 13.8"D - W/O SLIDES/HDW - WASHED MAPLE |
| 4 | 153121-U8-TB7 | EA | DRAWER - PENCIL EDGE - 22.6"W X 13.8"D - W/O SLIDES/HDW - SIERRA MAPLE |
| 5 | 153121-H0-TB5 | EA | DRAWER - PENCIL EDGE - 22.6"W X 13.8"D - W/O SLIDES/HDW - CONCERT CHERRY |
| 5 | 153121-H0-TB6 | EA | DRAWER - PENCIL EDGE - 22.6"W X 13.8"D - W/O SLIDES/HDW - WASHED MAPLE |
| 5 | 153121-H0-T32 | EA | DRAWER - PENCIL EDGE - 22.6"W X 13.8"D - W/O SLIDES/HDW - SIERRA MAPLE |
| 6 | 141518-25-TB5 | EA | DOOR - ARCHED/PENCIL EDGE/LEFT HAND - 10" X 25.2" -W/O HDW - CONCERT CHERRY |
| 6 | 141518-25-TB6 | EA | DOOR - ARCHED/PENCIL EDGE/LEFT HAND - 10" X 25.2" -W/O HDW - WASHED MAPLE |
| 6 | 141518-25-TB7 | EA | DOOR - ARCHED/PENCIL EDGE/LEFT HAND - 10" X 25.2" -W/O HDW - SIERRA MAPLE |
| 6 | 141518-25-UP5 | EA | DOOR-ARCHED/PENCIL EDGE/LHD-10" X 25.2"-SIERRA MAPLE-P36SG, SPECIAL EDITION (SE) |
| 7 | 141520-25-TB5 | EA | DOOR - ARCHED/PENCIL EDGE/RIGHT HAND -10" X 25.2"-W/O HDW - CONCERT CHERRY |
| 7 | 141520-25-TB6 | EA | DOOR - ARCHED/PENCIL EDGE/RIGHT HAND -10" X 25.2"-W/O HDW - WASHED MAPLE |
| 7 | 141520-25-TB7 | EA | DOOR - ARCHED/PENCIL EDGE/RIGHT HAND -10" X 25.2"-W/O HDW - SIERRA MAPLE |
| 7 | 141520-25-UP5 | EA | DR-ARCHED/PENCIL EDGE/RH-10" X 25.2"-W/O HDW-SIERRA MAPLE-P36SG, SPECIAL EDITION (SE) |
| 8 | 136955-25-TB5 | EA | DOOR - RAISED PANEL/PENCIL EDGE - 10" X 25.2" - W/O HDW - CONCERT CHERRY |
| 8 | 136955-25-TB6 | EA | DOOR - RAISED PANEL/PENCIL EDGE - 10" X 25.2" - W/O HDW - WASHED MAPLE |
| 8 | 136955-25-TB7 | EA | DOOR - RAISED PANEL/PENCIL EDGE - 10" X 25.2" - W/O HDW - SIERRA MAPLE |
| 8 | 136955-25-U58 | EA | DR-RAISED PANEL/PENCIL EDGE-10" X 25.2"-SIERRA MAPLE-P36SG, SPECIAL EDITION (SE) |

CABINET & APPLIANCE GROUP (CONTINUED)

CABINET & APPLIANCE LAYOUT (CONTINUED)

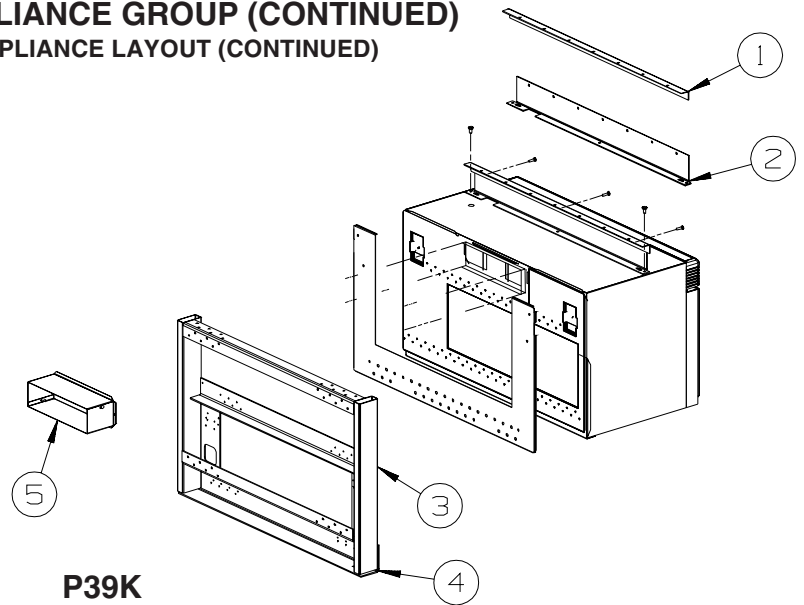
| KEY | PART NUMBER | U/M | DESCRIPTION |
|-----|---------------|-----|--|
| 9 | 141507-06-TB5 | EA | DOOR - MIRRORED/PENCIL EDGE - 15.7" X 27.9" - W/O HDW - CONCERT CHERRY |
| 9 | 141507-06-TB6 | EA | DOOR - MIRRORED/PENCIL EDGE - 15.7" X 27.9" - W/O HDW - WASHED MAPLE |
| 9 | 141507-06-TB7 | EA | DOOR - MIRRORED/PENCIL EDGE - 15.7" X 27.9" - W/O HDW - SIERRA MAPLE |
| 9 | 141507-06-U58 | EA | DR-MIRRORED/PENCIL EDGE-15.7" X 27.9"-W/O HDW-SIERRA MAPLE-P36SG, SPECIAL EDITION (SE) |
| 10 | 141518-16-UD5 | EA | DOOR - ARCHED/PENCIL EDGE/LEFT HAND - 9.8" X 14.5"-W/O HDW - CONCERT CHERRY |
| 10 | 141518-16-UD6 | EA | DOOR - ARCHED/PENCIL EDGE/LEFT HAND - 9.8" X 14.5"-W/O HDW - WASHED MAPLE |
| 10 | 141518-16-TS1 | EA | DOOR - ARCHED/PENCIL EDGE/LEFT HAND - 9.8" X 14.5"-W/O HDW - SIERRA MAPLE |
| 10 | 141518-16-UP5 | EA | DR-ARCHED/PENCIL EDGE/LEFT-9.8"X 14.5"-W/O HDW-SIERRA MAPLE-P36SG, SPECIAL EDITION (SE) |
| 11 | 141520-16-TB5 | EA | DOOR - ARCHED/PENCIL EDGE/RIGHT HAND -9.8" X 14.5"-W/O HDW - CONCERT CHERRY |
| 11 | 141520-16-TB6 | EA | DOOR - ARCHED/PENCIL EDGE/RIGHT HAND -9.8" X 14.5"-W/O HDW - WASHED MAPLE |
| 11 | 141520-16-TB7 | EA | DOOR - ARCHED/PENCIL EDGE/RIGHT HAND -9.8" X 14.5"-W/O HDW - SIERRA MAPLE |
| 11 | 141520-16-UP5 | EA | DR-ARCHED/PENCIL EDGE/RH-9.8" X 14.5"-W/O HDW-SIERRA MAPLE-P36SG, SPECIAL EDITION (SE) |
| 12 | 136955-25-TB5 | EA | DOOR - RAISED PANEL/PENCIL EDGE - 10" X 25.2" - W/O HDW - CONCERT CHERRY |
| 12 | 136955-25-TB6 | EA | DOOR - RAISED PANEL/PENCIL EDGE - 10" X 25.2" - W/O HDW - WASHED MAPLE |
| 12 | 136955-25-TB7 | EA | DOOR - RAISED PANEL/PENCIL EDGE - 10" X 25.2" - W/O HDW - SIERRA MAPLE |
| 12 | 136955-25-U58 | EA | DR-RAISED PANEL/PENCIL EDGE-10" X 25.2"-SIERRA MAPLE-P36SG, SPECIAL EDITION (SE) |
| 13 | 145268-55-TB5 | EA | DOOR - RAISED PANEL/PENCIL EDGE - 12.4" X 36" - W/O HDW - CONCERT CHERRY |
| 13 | 145268-55-TB6 | EA | DOOR - RAISED PANEL/PENCIL EDGE - 12.4" X 36" - W/O HDW - WASHED MAPLE |
| 13 | 145268-55-TB7 | EA | DOOR - RAISED PANEL/PENCIL EDGE - 12.4" X 36" - W/O HDW - SIERRA MAPLE |
| 13 | 145268-55-UP5 | EA | DR-RAISED PANEL/PENCIL EDGE-12.4" X 36"-SIERRA MAPLE-P36SG, SPECIAL EDITION (SE) |
| 14 | 145268-56-TB5 | EA | DOOR - RAISED PANEL/PENCIL EDGE - 12.4" X 36" - W/O HDW - CONCERT CHERRY |
| 14 | 145268-56-TB6 | EA | DOOR - RAISED PANEL/PENCIL EDGE - 12.4" X 36" - W/O HDW - WASHED MAPLE |
| 14 | 145268-56-TB7 | EA | DOOR - RAISED PANEL/PENCIL EDGE - 12.4" X 36" - W/O HDW - SIERRA MAPLE |
| 14 | 145268-56-UP5 | EA | DR-RAISED PANEL/PENCIL EDGE-12.4" X 36"-SIERRA MAPLE-P36SG, SPECIAL EDITION (SE) |
| 15 | 141522-43-T90 | EA | DOOR - ARCHED/PENCIL EDGE/HORIZ - 10.8" X 23.8" - W/O HDW - CONCERT CHERRY |
| 15 | 141522-43-T91 | EA | DOOR - ARCHED/PENCIL EDGE/HORIZ - 10.8" X 23.8" - W/O HDW - WASHED MAPLE |
| 15 | 141522-43-T92 | EA | DOOR - ARCHED/PENCIL EDGE/HORIZ - 10.8" X 23.8" - W/O HDW - SIERRA MAPLE |
| 15 | 141522-43-UP5 | EA | DR-ARCHED/PENCIL EDGE/HORIZ-10.8" X 23.8"-SIERRA MAPLE-P36SG, SPECIAL EDITION (SE) |
| 16 | 141522-46-TB5 | EA | DOOR - ARCHED/PENCIL EDGE/HORIZ - 10.8" X 27.9" - W/O HDW - CONCERT CHERRY |
| 16 | 141522-46-TB6 | EA | DOOR - ARCHED/PENCIL EDGE/HORIZ - 10.8" X 27.9" - W/O HDW - WASHED MAPLE |
| 16 | 141522-46-TB7 | EA | DOOR - ARCHED/PENCIL EDGE/HORIZ - 10.8" X 27.9" - W/O HDW - SIERRA MAPLE |
| 16 | 141522-46-UP5 | EA | DR-ARCHED/PENCIL EDGE/HORIZ-10.8" X 27.9"-SIERRA MAPLE-P36SG, SPECIAL EDITION (SE) |
| 17 | 144645-05-R39 | EA | DOOR - BATH - W/O FRAME (PICTURE)/TOWEL RACK/HDW - CONCERT CHERRY |
| 17 | 144645-05-RW4 | EA | DOOR - BATH - W/O FRAME (PICTURE)/TOWEL RACK/HDW - WASHED MAPLE |
| 17 | 144645-05-SA3 | EA | DOOR - BATH - W/O FRAME (PICTURE)/TOWEL RACK/HDW - SIERRA MAPLE |
| 18 | 141993-05-P46 | EA | FRAME/PICTURE - F/BATH DOOR - 18.8" X 27.8" - CONCERT CHERRY |
| 18 | 141993-05-P56 | EA | FRAME/PICTURE - F/BATH DOOR - 18.8" X 27.8" - WASHED MAPLE |
| 18 | 141993-05-SA3 | EA | FRAME/PICTURE - F/BATH DOOR - 18.8" X 27.8" - SIERRA MAPLE |
| 19 | 153121-C3-TB5 | EA | DRAWER - PENCIL EDGE - 18.6"W X 15.7"D - W/O SLIDES/HDW - CONCERT CHERRY |
| 19 | 153121-C3-TB6 | EA | DRAWER - PENCIL EDGE - 18.6"W X 15.7"D - W/O SLIDES/HDW - WASHED MAPLE |
| 19 | 153121-C3-TB7 | EA | DRAWER - PENCIL EDGE - 18.6"W X 15.7"D - W/O SLIDES/HDW - SIERRA MAPLE |
| 20 | 153121-B9-TB5 | EA | DRAWER - PENCIL EDGE - 8.8"W X 11.8"D - W/O SLIDES/HDW - CONCERT CHERRY |
| 20 | 153121-B9-TB6 | EA | DRAWER - PENCIL EDGE - 8.8"W X 11.8"D - W/O SLIDES/HDW - WASHED MAPLE |
| 20 | 153121-B9-TB7 | EA | DRAWER - PENCIL EDGE - 8.8"W X 11.8"D - W/O SLIDES/HDW - SIERRA MAPLE |
| 21 | 136955-54-UD5 | EA | DOOR - RAISED PANEL/PENCIL EDGE - 11.2" X 19.7" - W/O HDW - CONCERT CHERRY |
| 21 | 136955-54-UD6 | EA | DOOR - RAISED PANEL/PENCIL EDGE - 11.2" X 19.7" - W/O HDW - WASHED MAPLE |
| 21 | 136955-54-TS1 | EA | DOOR - RAISED PANEL/PENCIL EDGE - 11.2" X 19.7" - W/O HDW - SIERRA MAPLE |
| 21 | 136955-54-UP5 | EA | DR-RAISED PANEL/PENCIL EDGE-11.2" X 19.7"-SIERRA MAPLE-P36SG, SPECIAL EDITION (SE) |
| 22 | 136955-47-T90 | EA | DOOR - RAISED PANEL/PENCIL EDGE - 10.8" X 28" - W/O HDW - CONCERT CHERRY |
| 22 | 136955-47-T91 | EA | DOOR - RAISED PANEL/PENCIL EDGE - 10.8" X 28" - W/O HDW - WASHED MAPLE |
| 22 | 136955-47-T92 | EA | DOOR - RAISED PANEL/PENCIL EDGE - 10.8" X 28" - W/O HDW - SIERRA MAPLE |
| 22 | 136955-47-UP5 | EA | DR-RAISED PANEL/PENCIL EDGE-10.8" X 28"-SIERRA MAPLE-P36SG, SPECIAL EDITION (SE) |
| 23 | 146047-04-R90 | EA | DOOR - SLIDING - W/O HARDWARE - CONCERT CHERRY |
| 23 | 146047-04-RW5 | EA | DOOR - SLIDING - W/O HARDWARE - WASHED MAPLE |
| 23 | 146047-04-SN3 | EA | DOOR - SLIDING - W/O HARDWARE - SIERRA MAPLE |
| 23 | 146047-04-UP3 | EA | DOOR - SLIDING - W/O HARDWARE - SIERRA MAPLE-P36SG, SPECIAL EDITION (SE) |
| 24 | 145608-11-01A | EA | TRACK - DOOR - 55.4" - OFF WHITE |
| 25 | 064467-01-000 | EA | GUIDE - POCKET - SLIDING DOOR - WALL MOUNTED |
| 26 | P36353-03-TB5 | EA | DRAWER-KEYBOARD - W/DRAWER SLIDES - W/O HARDWARE - CONCERT CHERRY FROM: 00-00-00 THRU: 05-21-06 |
| 26 | 145298-65-UD5 | EA | DOOR - SOLID PANEL - PENCIL EDGE - 4.25" X 22.8" - CONCERT CHERRY FROM: 05-22-06 THRU: 99-99-99 |
| 26 | P36353-03-TB6 | EA | DRAWER-KEYBOARD - W/DRAWER SLIDES - W/O HARDWARE - WASHED MAPLE FROM: 00-00-00 THRU: 05-21-06 |

CABINET & APPLIANCE GROUP (CONTINUED)
CABINET & APPLIANCE LAYOUT (CONTINUED)



| KEY | PART NUMBER | U/M | DESCRIPTION |
|-----|---------------|-----|--|
| 26 | 145298-65-UD6 | EA | DOOR - SOLID PANEL - PENCIL EDGE - 4.25" X 22.8" - WASHED MAPLE FROM: 05-22-06 THRU: 99-99-99 |
| 26 | P36353-03-TB7 | EA | DRAWER-KEYBOARD - W/DRAWER SLIDES - W/O HARDWARE - SIERRA MAPLE FROM: 00-00-00 THRU: 05-21-06 |
| 26 | 145298-65-UD7 | EA | DOOR - SOLID PANEL - PENCIL EDGE - 4.25" X 22.8" - SIERRA MAPLE FROM: 05-22-06 THRU: 99-99-99 |
| 27 | 153614-35-TB5 | EA | DOOR - RAISED PANEL/PENCIL EDGE - 10.6" X 19.8" - W/O HDW - CONCERT CHERRY |
| 27 | 153614-35-TB6 | EA | DOOR - RAISED PANEL/PENCIL EDGE - 10.6" X 19.8" - W/O HDW - WASHED MAPLE |
| 27 | 153614-35-TB7 | EA | DOOR - RAISED PANEL/PENCIL EDGE - 10.6" X 19.8" - W/O HDW - SIERRA MAPLE |
| 28 | 153614-36-TB5 | EA | DOOR - RAISED PANEL/PENCIL EDGE - 10.6" X 19.8" - W/O HDW - CONCERT CHERRY |
| 28 | 153614-36-TB6 | EA | DOOR - RAISED PANEL/PENCIL EDGE - 10.6" X 19.8" - W/O HDW - WASHED MAPLE |
| 28 | 153614-36-TB7 | EA | DOOR - RAISED PANEL/PENCIL EDGE - 10.6" X 19.8" - W/O HDW - SIERRA MAPLE |
| 29 | 153121-30-TB5 | EA | DRAWER - PENCIL EDGE - 18.6"W X 13.8"D - W/O SLIDES/HDW - CONCERT CHERRY |
| 29 | 153121-30-TB6 | EA | DRAWER - PENCIL EDGE - 18.6"W X 13.8"D - W/O SLIDES/HDW - WASHED MAPLE |
| 29 | 153121-30-TB7 | EA | DRAWER - PENCIL EDGE - 18.6"W X 13.8"D - W/O SLIDES/HDW - SIERRA MAPLE |
| 30 | 153121-32-TB5 | EA | DRAWER - PENCIL EDGE - 18.6"W X 13.8"D - W/O SLIDES/HDW - CONCERT CHERRY |
| 30 | 153121-32-TB6 | EA | DRAWER - PENCIL EDGE - 18.6"W X 13.8"D - W/O SLIDES/HDW - WASHED MAPLE |
| 30 | 153121-32-TB7 | EA | DRAWER - PENCIL EDGE - 18.6"W X 13.8"D - W/O SLIDES/HDW - SIERRA MAPLE |

CABINET & APPLIANCE GROUP (CONTINUED)
CABINET & APPLIANCE LAYOUT (CONTINUED)



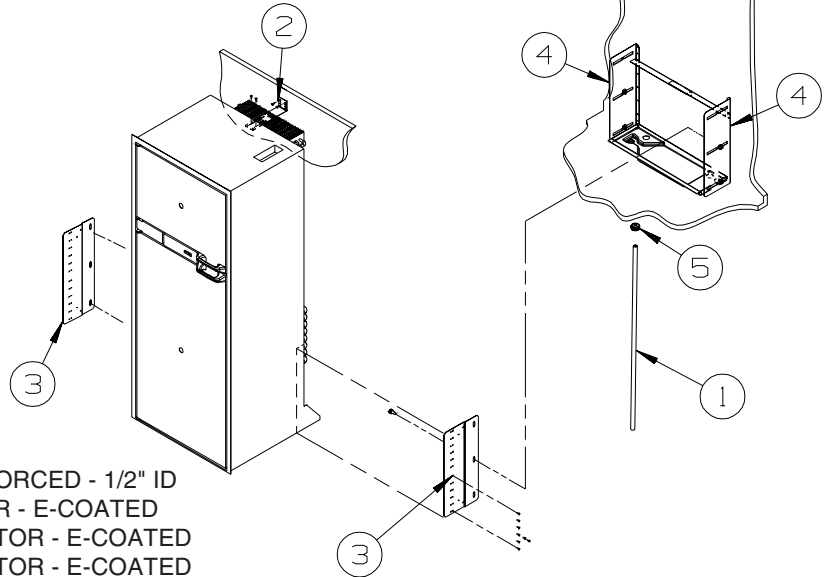
P39K

| KEY | PART NUMBER | U/M | DESCRIPTION |
|-----|---------------|-----|---|
| 1 | 129836-02-02B | EA | ANGLE - W/HOLES - 1" X .8" X 29.5" - E-COATED |
| 2 | 129836-05-02B | EA | ANGLE - W/HOLES - 1" X 3" X 29.5" - E-COATED |
| 3 | 137824-02-02B | EA | BRACKET - MICROWAVE - E-COATED |
| 4 | NOT USED | | |
| 5 | 140093-01-02B | EA | DUCT - E-COATED |

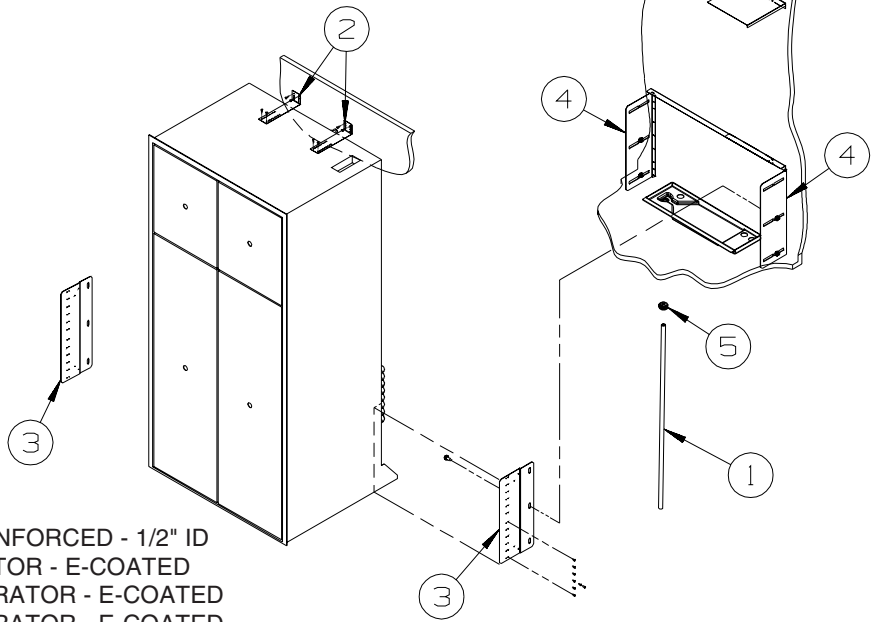
P34H,P34SH

| KEY | PART NUMBER | U/M | DESCRIPTION |
|-----|---------------|-----|---|
| 1 | 129836-02-02B | EA | ANGLE - W/HOLES - 1" X .8" X 29.5" - E-COATED |
| 2 | 129836-01-02B | EA | ANGLE - W/HOLES - 1" X .8" X 29.5" - E-COATED |
| 3 | 137824-03-02B | EA | BRACKET - MICROWAVE - E-COATED |
| 4 | 093305-01-01A | EA | TRIM - EDGE C-TYPE - WIRE CARRIER - .35" X .24" - VINYL |
| 5 | 140093-03-02B | EA | DUCT - E-COATED |

CABINET & APPLIANCE GROUP (CONTINUED)
CABINET & APPLIANCE LAYOUT (CONTINUED)



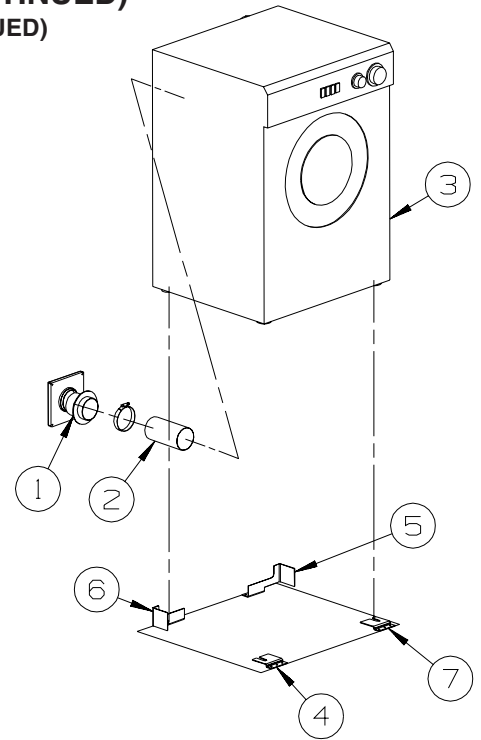
| KEY | PART NUMBER | U/M | DESCRIPTION |
|-----|---------------|-----|---|
| 1 | 112176-01-000 | FT | TUBING - VINYL - REINFORCED - 1/2" ID |
| 2 | 145445-02-02B | EA | STRAP - REFRIGERATOR - E-COATED |
| 3 | 150740-01-02B | EA | BRACKET - REFRIGERATOR - E-COATED |
| 4 | 150740-02-02B | EA | BRACKET - REFRIGERATOR - E-COATED |
| 5 | 152417-01-01A | EA | CLAMP/RATCHET - F/REFRIGERATOR DRIP TRAY HOSE - BLACK |



| KEY | PART NUMBER | U/M | DESCRIPTION |
|-----|---------------|-----|--|
| 1 | 112176-01-000 | FT | TUBING - VINYL - REINFORCED - 1/2" ID |
| 2 | 145445-02-02B | EA | STRAP - REFRIGERATOR - E-COATED |
| 3 | 150740-01-02B | EA | BRACKET - REFRIGERATOR - E-COATED |
| 4 | 150740-02-02B | EA | BRACKET - REFRIGERATOR - E-COATED |
| 5 | 152417-01-01A | EA | CLAMP/RATCHET - F/REFRIDGERATOR DRIP TRAY HOSE - BLACK |

CABINET & APPLIANCE GROUP (CONTINUED)
CABINET & APPLIANCE LAYOUT (CONTINUED)

| KEY | PART NUMBER | U/M | DESCRIPTION |
|-----|---------------|-----|---|
| 1 | 146292-01-01A | EA | COVER - DRYER VENT - BRIGHT WHITE |
| 1 | 146292-01-02A | EA | COVER - DRYER VENT - BLACK - FULL BODY PAINT |
| 1 | 146292-02-01A | EA | DRYER VENT - INNER - BRIGHT WHITE |
| 1 | 146292-02-02A | EA | DRYER VENT - INNER - BLACK - FULL BODY PAINT |
| 2 | 116653-02-000 | FT | DUCT - FLEXIBLE - 3' COMPRESSED/8' EXTENDED |
| 3 | 153204-01-01A | EA | WASHER/DRYER - VENTED - UL/CSA - WHITE |
| 4 | 111913-02-04B | EA | BRACKET/WASHER - TIE DOWN - BLACK |
| 5 | 113795-01-02B | EA | BRACKET - WASHER - E-COATED |
| 6 | 113795-02-02B | EA | BRACKET - WASHER - E-COATED |
| 7 | 111913-03-04B | EA | BRACKET/WASHER - TIE DOWN - BLACK |
| | 141523-01-01A | EA | LABEL - WASHER/DRYER BRACKETS - BLACK/WHITE |
| | 157665-01-000 | GL | RV ANTIFREEZE-50 POTABLE WTR |

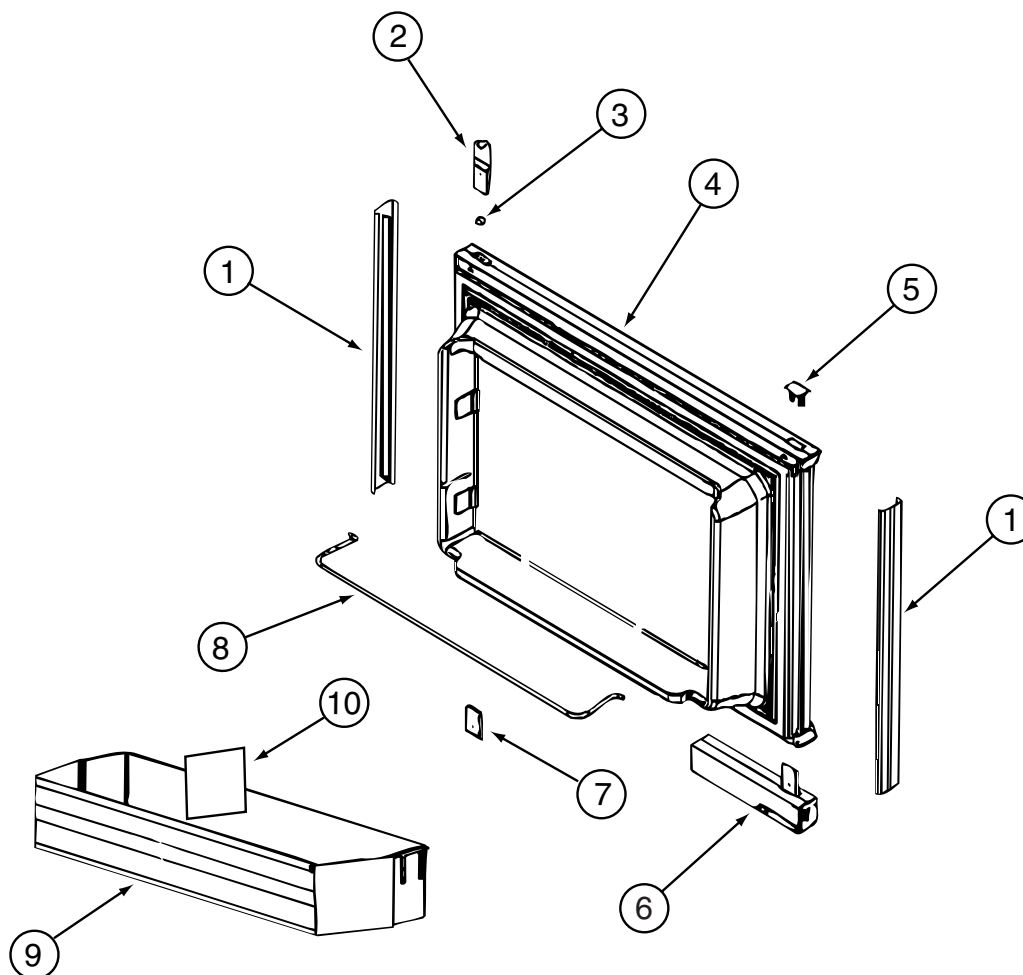


COMPONENT PARTS FOR CABINET & APPLIANCE LAYOUT

119267-12-02A

| KEY | PART NUMBER | U/M | DESCRIPTION | VENDOR NO. |
|-----|---------------|-----|------------------------------|---------------|
| | 119267-04-700 | EA | FILTER-GREASE | BOO2 |
| | 119267-04-703 | EA | PLATE - MOUNTING | FANGTB003MRY0 |
| | 119267-04-704 | EA | LIGHT COVER-F/MOD R1480/1850 | FANGKB009MRYO |
| | 119267-04-705 | EA | SCREW | LX-BZB011MREO |
| | 119267-12-701 | EA | SUPPORT - F/GLASS TRAY | FROLPB020MRKO |
| | 119267-12-702 | EA | RACK - HIGH | FAMI-B006MR0 |
| | 119267-12-703 | EA | RACK - LOW | FAMI-B005MR0 |
| | 119267-12-704 | EA | LOUVER - EXHAUST | PDIF-BO13MRKO |

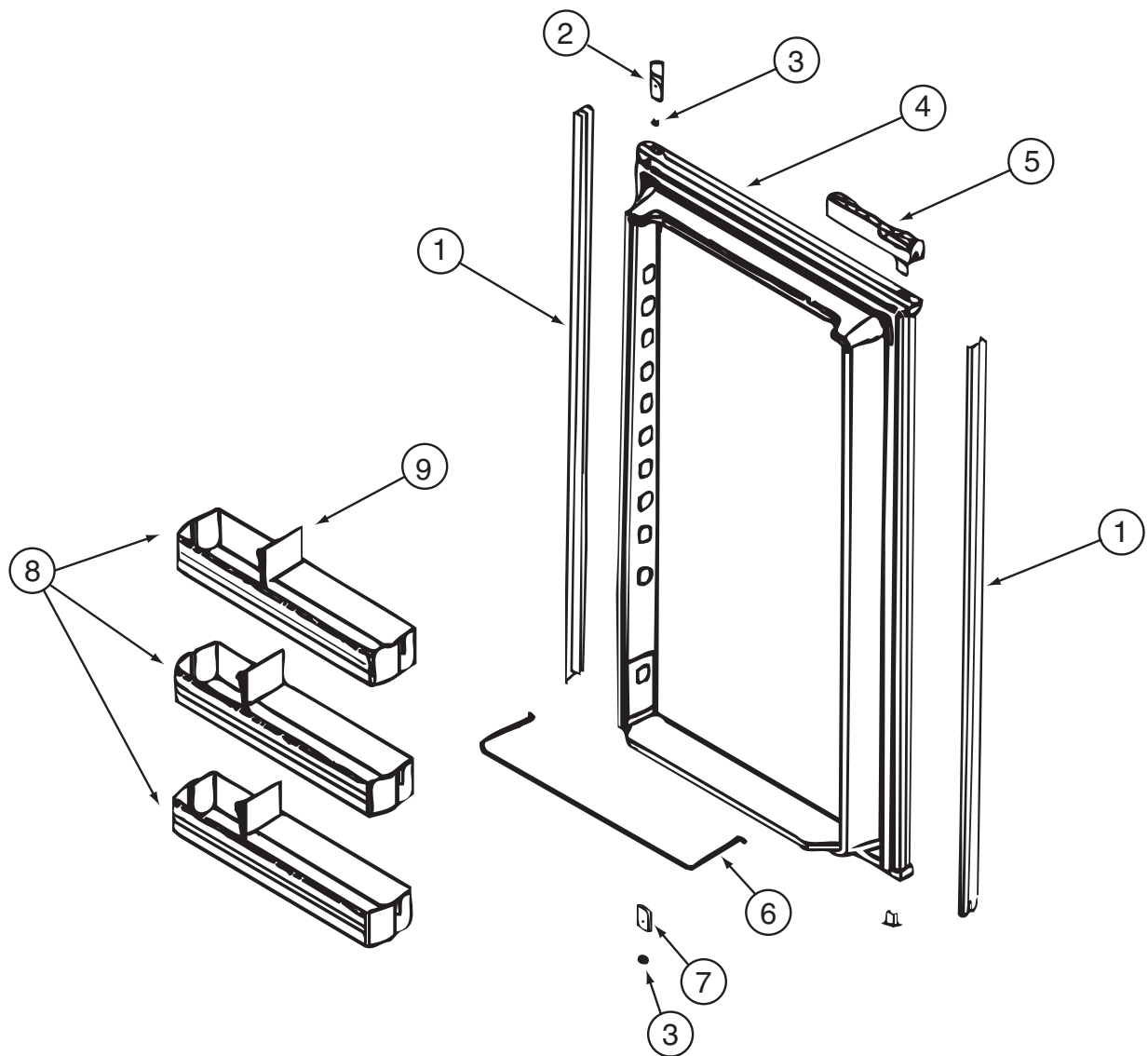
CABINET & APPLIANCE GROUP (CONTINUED)
COMPONENT PARTS FOR CABINET & APPLIANCE LAYOUT (CONTINUED)



120075-12-01A, 120075-13-01A, 120075-14-01A, 120075-15-01A

| KEY | PART NUMBER | U/M | DESCRIPTION | VENDOR NO. |
|-----|---------------|-----|--------------------------------|--------------------|
| 1 | 121568-03-700 | EA | RETAINER - DOOR PNL/WAFFLE/BLK | 619558-WDL-UPPER |
| 2 | 120075-01-701 | EA | HINGE-TOP RH/BOTTOM LH(DOOR) | 618511 |
| 3 | 121568-03-701 | EA | BUSHING - HINGE PIN/GRAY | 619671 |
| 4 | 121568-03-702 | EA | DOOR LINER-UPR/WAFFLED/BLACK | 619627 - SMALL WDL |
| 5 | 120075-01-702 | EA | CAP, (HINGE PLUG) | 618160 |
| 6 | 120075-12-700 | EA | HANDLE(CONTOUR)TOP LH/BTM RH | 621105 |
| 6 | 120075-12-701 | EA | HANDLE(CONTOUR)TOP RH/BTM LH | 621104 |
| 6 | 121568-03-703 | EA | HANDLE/FLUSH-TOP/RH-LWR/LH | 619865 |
| 6 | 121568-03-708 | EA | HANDLE/FLUSH-TOP/LH-LWR/RH | 619866 |
| 7 | 120075-01-705 | EA | HINGE-TOP LH/BOTTOM RH(DOOR) | 618510 |
| 8 | 121568-01-700 | EA | RAIL - DOOR UPPER | 618618 |
| 9 | 120075-07-700 | EA | DOOR BIN - SMALL/CLEAR F/WDL | 619006 WDL |
| 10 | 120075-07-701 | EA | DIVIDER/DOOR BIN CLEAR | 619008 WDL & SDL |
| | 121568-03-704 | EA | TRAVEL LATCH - GRAY | 619647 |
| | 121568-03-705 | EA | STORAGE LATCH - GRAY | 619648 |

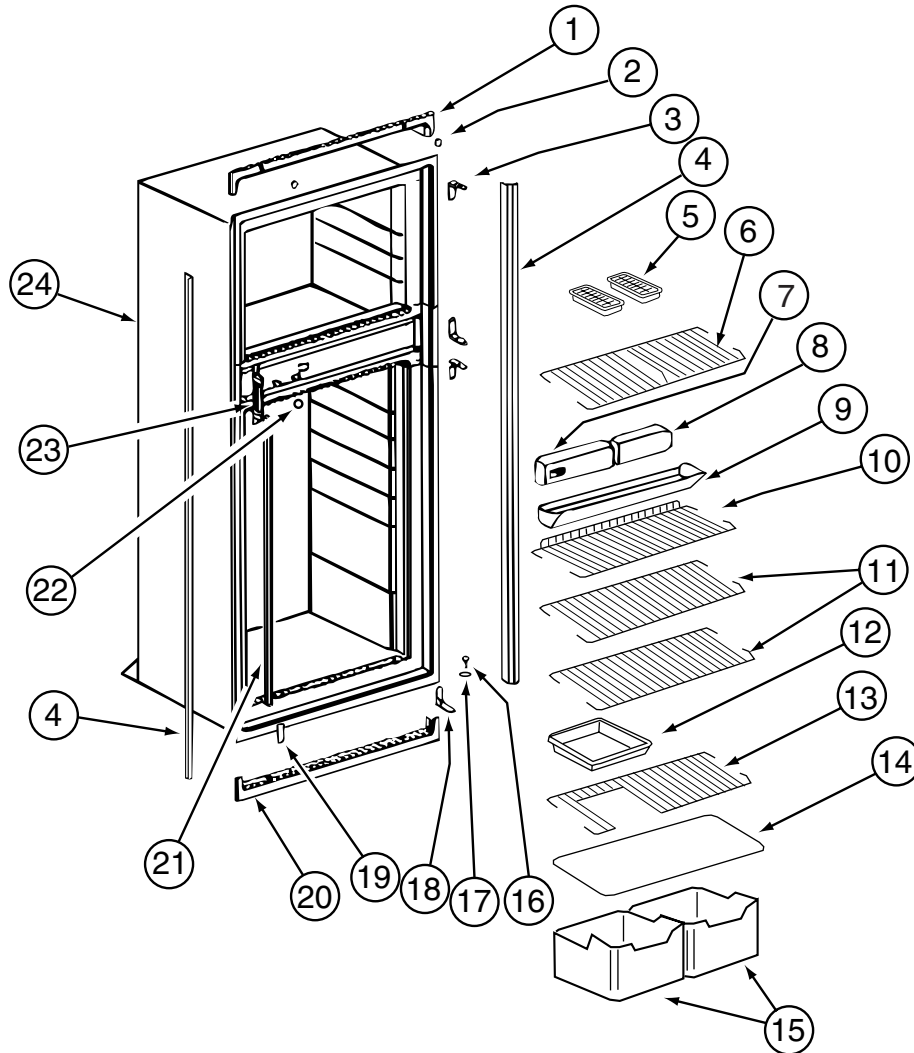
CABINET & APPLIANCE GROUP (CONTINUED)
COMPONENT PARTS FOR CABINET & APPLIANCE LAYOUT (CONTINUED)



120075-12-01A, 120075-13-01A, 120075-14-01A, 120075-15-01A (CONTINUED)

| KEY | PART NUMBER | U/M | DESCRIPTION | VENDOR NO. |
|-----|---------------|-----|------------------------------|--------------------|
| 1 | 120075-07-702 | EA | RETAINER-DOOR PNL/WAFFLE/BLK | 619560-WDL-LOWER |
| 2 | 120075-01-701 | EA | HINGE-TOP RH/BOTTOM LH(DOOR) | 618511 |
| 3 | 121568-03-701 | EA | BUSHING - HINGE PIN/GRAY | 619671 |
| 4 | 120075-07-703 | EA | DOOR LINER-LWR/WAFFLED/BLACK | 619631 - LARGE WDL |
| 5 | 120075-12-700 | EA | HANDLE(CONTOUR)TOP LH/BTM RH | 621105 |
| 5 | 120075-12-701 | EA | HANDLE(CONTOUR)TOP RH/BTM LH | 621104 |
| 5 | 121568-03-703 | EA | HANDLE/FLUSH-TOP/RH-LWR/LH | 619865 |
| 5 | 121568-03-708 | EA | HANDLE/FLUSH-TOP/LH-LWR/RH | 619866 |
| 6 | 121568-01-704 | EA | RAIL - DOOR LOWER | 618578 |
| 7 | 120075-01-705 | EA | HINGE-TOP LH/BOTTOM RH(DOOR) | 618510 |
| 8 | 120075-07-700 | EA | DOOR BIN - SMALL/CLEAR F/WDL | 619006 WDL |
| 8 | 120075-07-704 | EA | DOOR BIN - LARGE/CLEAR F/WDL | 619005 WDL |
| 9 | 120075-07-701 | EA | DIVIDER/DOOR BIN CLEAR | 619008 WDL & SDL |
| | 121568-03-704 | EA | TRAVEL LATCH - GRAY | 619647 |
| | 121568-03-705 | EA | STORAGE LATCH - GRAY | 619648 |

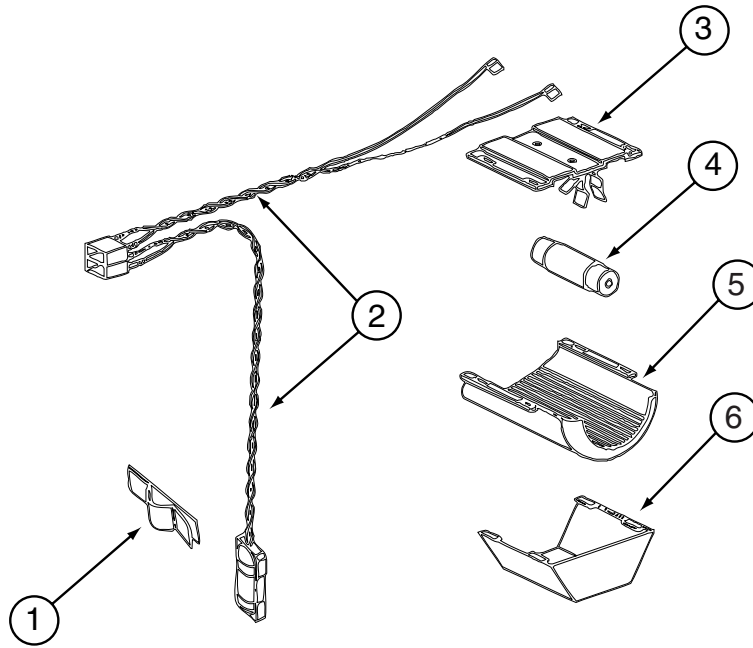
CABINET & APPLIANCE GROUP (CONTINUED)
COMPONENT PARTS FOR CABINET & APPLIANCE LAYOUT (CONTINUED)



120075-09-01A, 120075-10-01A, 120075-12-01A, 120075-13-01A, 120075-14-01A, 120075-15-01A (CONTINUED)

| KEY | PART NUMBER | U/M | DESCRIPTION | VENDOR NO. |
|-----|---------------|-----|--------------------------------|----------------|
| 1 | 121568-03-709 | EA | TRIM - TOP/BLACK | 619687 |
| 2 | 120075-01-714 | EA | PLUG-HOLE (BLACK) | 618170 |
| 3 | 121568-03-710 | EA | HINGE/CABINET-TOP/RH-LWR/LH | 619335 WAFFLED |
| 4 | 120075-07-705 | EA | TRIM - SIDE - BLACK | 622296 |
| 5 | 104137-06-724 | EA | ICE TRAY | 61630422 |
| 6 | 120075-07-706 | EA | SHELF - WIRE F/ICEMAKER MODELS | 620249 |
| 7 | 120075-07-707 | EA | CONTROL BOX - BLACK | 619665 |
| 8 | 121568-03-713 | EA | FRONT BOX/DECORATIVE-BLACK | 619282 |
| 9 | 120075-01-720 | EA | TRAY-DRIP | 623250 |
| 10 | 120075-01-722 | EA | SHELF-WIRE, SHORT | 620269 |
| 11 | 120075-01-723 | EA | SHELF-WIRE | 620270 |
| 12 | 104137-06-718 | EA | SHELF-TRAY, WHITE, W/CUTOUT | 617756 |
| 13 | 120075-01-724 | EA | SHELF-WIRE, W/CUTOUT | 620268 |
| 14 | 120075-01-725 | EA | COVER-CRISPER | 618158 |
| 15 | 120075-07-708 | EA | CRISPER/ICE BIN | 619007 |
| 16 | 120075-01-727 | EA | PIN-HINGE | 618145 |
| 17 | 121568-03-701 | EA | BUSHING - HINGE PIN/GRAY | 619671 |
| 18 | 121568-03-715 | EA | HINGE/CABINET-TOP/LH-LWR/RH | 619336 WAFFLED |
| 19 | 121568-03-716 | EA | COVER - HINGE HOLES | 619301 |
| 20 | 120075-01-729 | EA | TRIM-BOTTOM PIECE | 620958 |
| 21 | 120075-01-730 | EA | RETAINER-SHELF(SER#926684 DN) | 618181 |
| 22 | 121568-03-717 | EA | HOLE PLUG - WHITE | 619561 |
| 23 | 120075-01-732 | EA | PLATE-STRIKE | 618167 |
| 24 | 120075-09-700 | EA | CABINET - FOAMED | 619660 |
| | 120075-01-721 | EA | LOUVER-DRIP TRAY | 618176 |

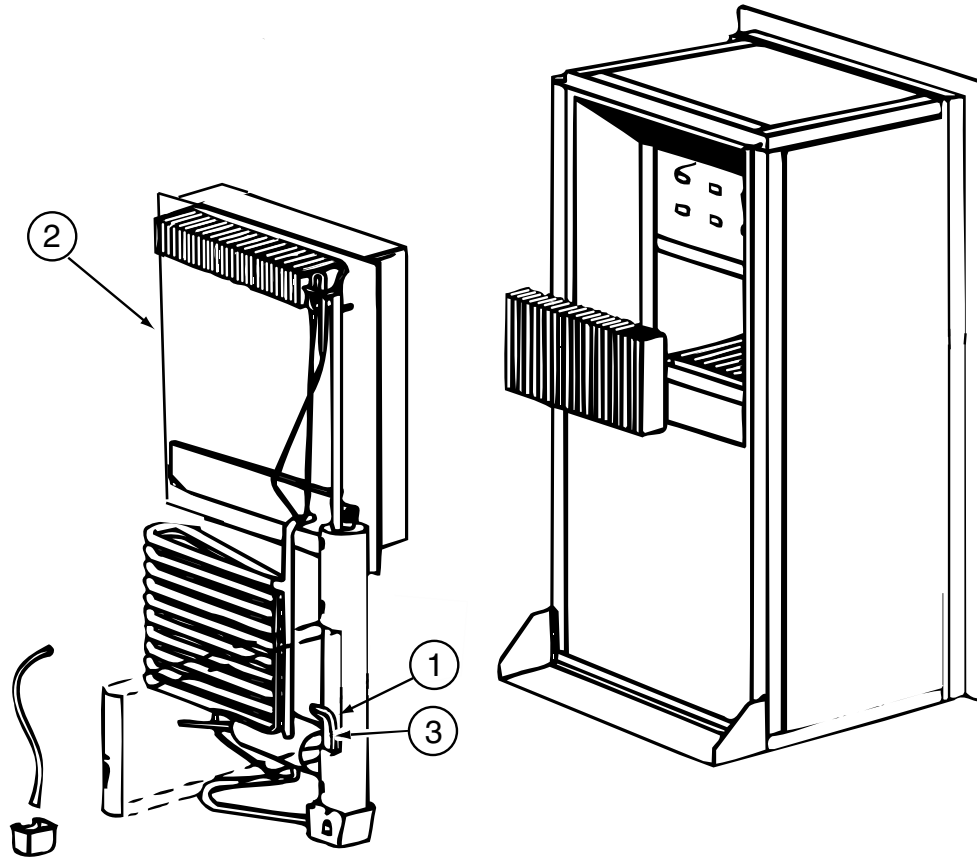
CABINET & APPLIANCE GROUP (CONTINUED)
COMPONENT PARTS FOR CABINET & APPLIANCE LAYOUT (CONTINUED)



120075-09-01A, 120075-10-01A, 120075-12-01A, 120075-13-01A, 120075-14-01A, 120075-15-01A (CONTINUED)

| KEY | PART NUMBER | U/M | DESCRIPTION | VENDOR NO. |
|-----|---------------|-----|------------------------------|------------|
| 1 | 084880-01-760 | EA | CLIP (THERMISTER) | 61689122 |
| 2 | 120075-01-735 | EA | THERMISTER W/LAMP & WIRE/ASM | 618548 |
| 3 | 084880-03-705 | EA | BRACKET-LIGHT-INTERIOR | 61629722 |
| 4 | 084880-03-706 | EA | BULB-LAMP | 61628922 |
| 5 | 120075-01-734 | EA | COVER-LENS | 618190 |
| 6 | 084880-03-707 | EA | COVER-LAMP, LENS | 61627922 |

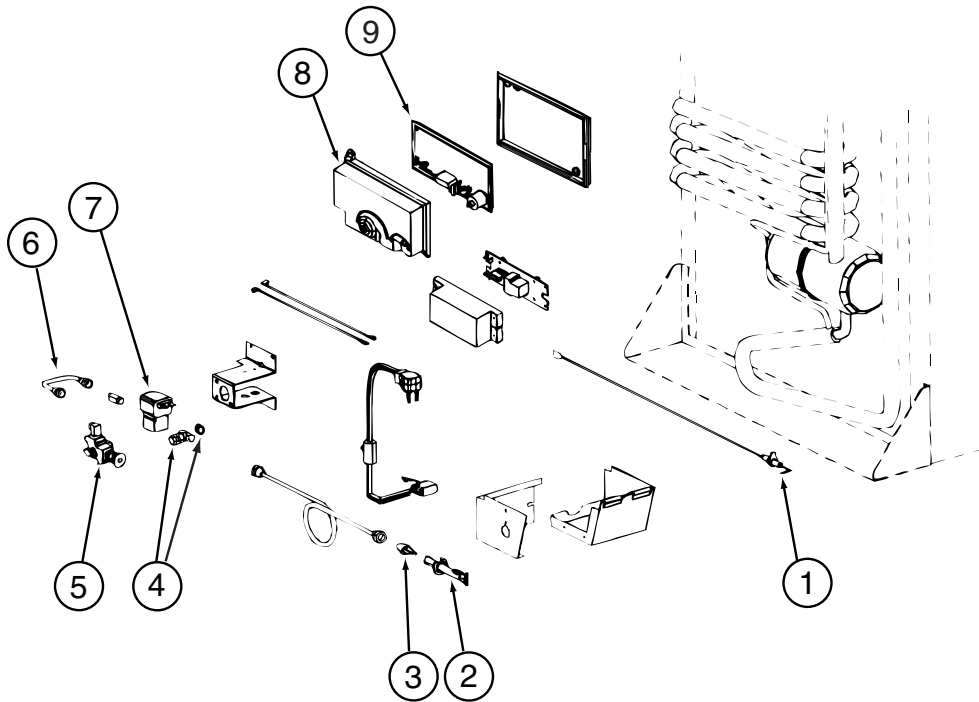
CABINET & APPLIANCE GROUP (CONTINUED)
COMPONENT PARTS FOR CABINET & APPLIANCE LAYOUT (CONTINUED)



120075-09-01A, 120075-10-01A, 120075-12-01A, 120075-13-01A, 120075-14-01A, 120075-15-01A (CONTINUED)

| KEY | PART NUMBER | U/M | DESCRIPTION | VENDOR NO. |
|-----|---------------|-----|----------------------------|------------|
| 1 | 088248-01-710 | EA | HEATER DC (HORIZONTAL) | 61562822 |
| 2 | 120075-01-736 | EA | COOLING UNIT, SERVICE PACK | 618542 |
| 3 | 088248-01-709 | EA | HEATER-AC (HORIZONTAL) | 61562722 |

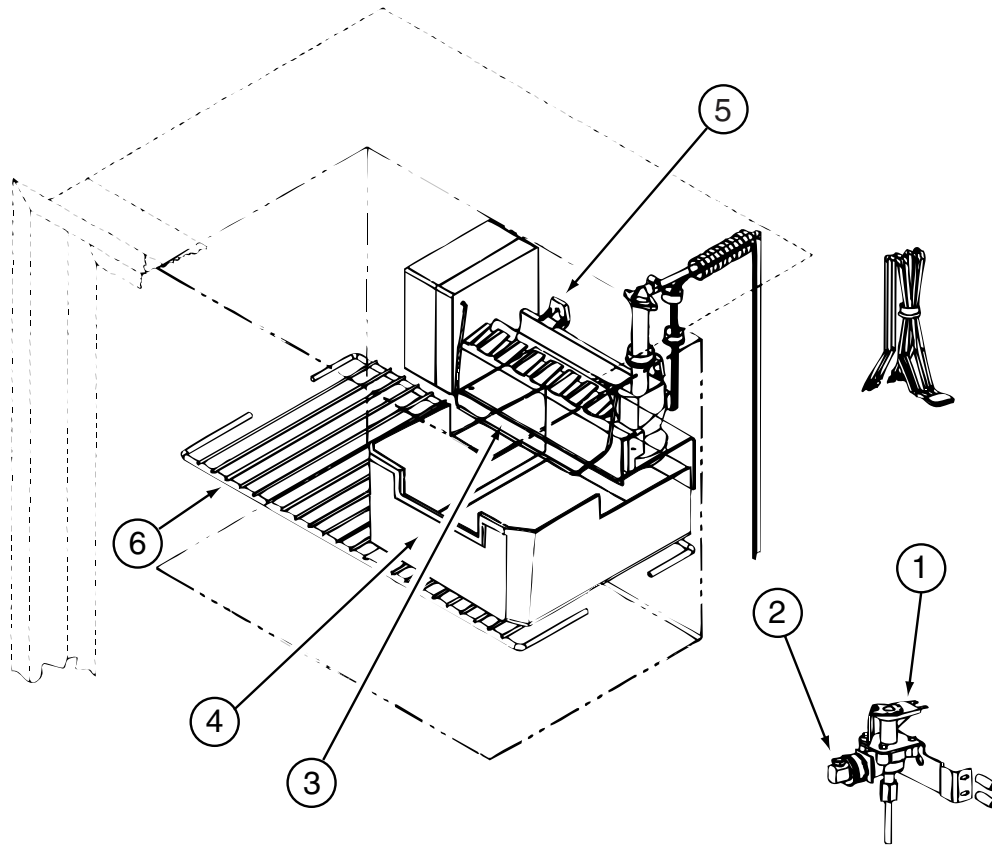
CABINET & APPLIANCE GROUP (CONTINUED)
COMPONENT PARTS FOR CABINET & APPLIANCE LAYOUT (CONTINUED)



120075-09-01A, 120075-10-01A, 120075-12-01A, 120075-13-01A, 120075-14-01A, 120075-15-01A (CONTINUED)

| KEY | PART NUMBER | U/M | DESCRIPTION | VENDOR NO. |
|-----|---------------|-----|------------------------------|-----------------|
| 1 | 104137-06-715 | EA | ELECTRODE-SPARK/SENSOR, SGL | 61692222 |
| 2 | 104137-06-714 | EA | BURNER ASSEMBLY, 5-SLOT | 61705222 |
| 3 | 120075-01-737 | EA | ORIFICE - JEWEL - .0155 | 618284 |
| 4 | 113737-01-702 | EA | PLUG 1/8" F/PRESSURE TAP | 61445322 |
| 4 | 113737-01-716 | EA | TAP-PRESSURE | 61594422 |
| 5 | 104137-06-709 | EA | VALVE-SHUT OFF/MAN-OLD STYLE | 61694922 |
| 5 | 104137-06-734 | EA | VALVE-SHUT OFF/MAN-NEW STYLE | 618696 |
| 6 | 113737-01-750 | EA | TUBE-UNION | 61694622 |
| 7 | 084880-01-718 | EA | VALVE-GAS, (ASCO) | 621447 |
| 8 | 120075-01-738 | EA | COVER-POWER BOARD | 618185 |
| 9 | 120075-07-710 | EA | POWER - BOARD - 2-WAY | 619360 = 621269 |
| | 120075-01-744 | EA | KIT - GAS VALVE/BURNER TUBE | 620609 |

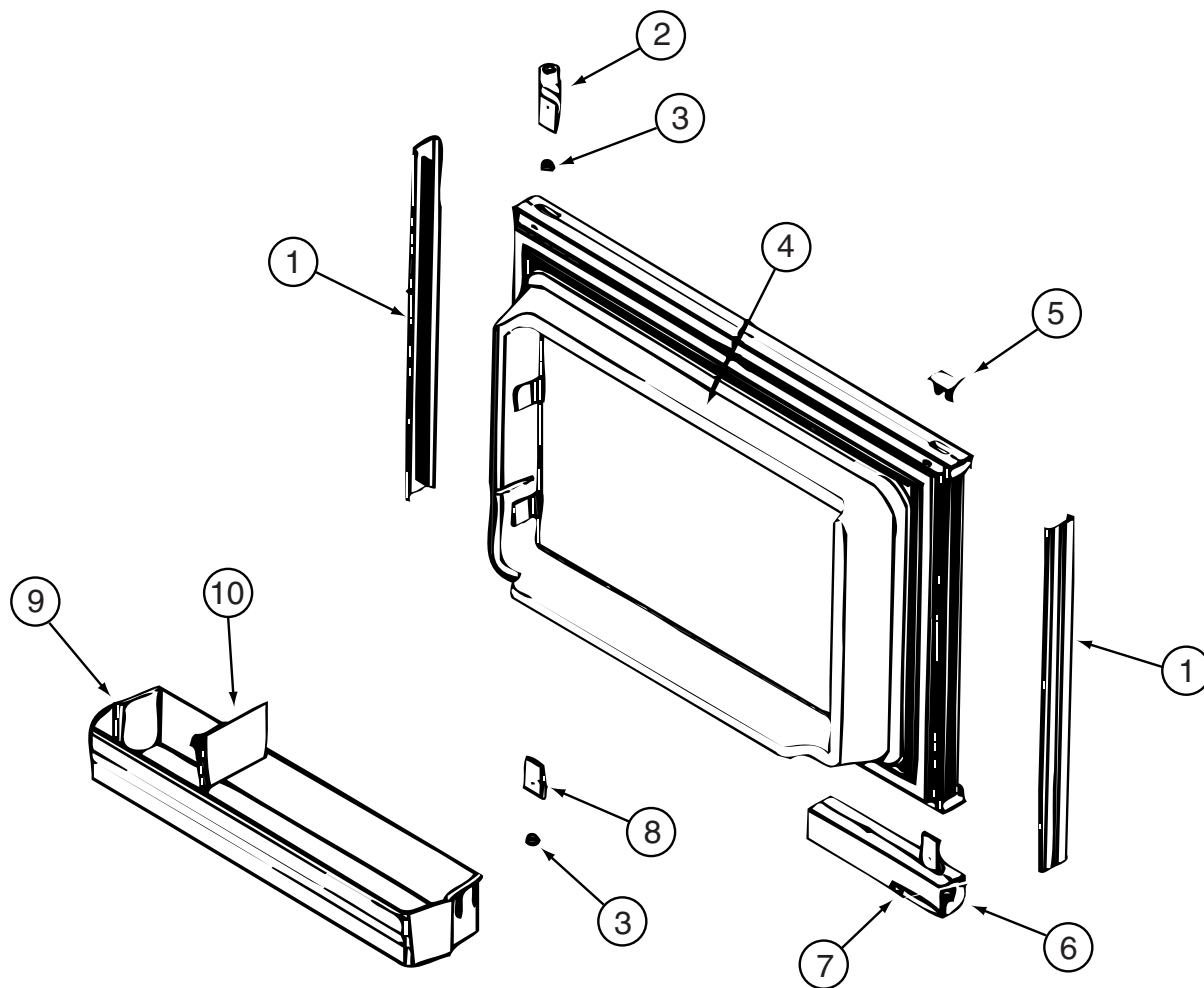
CABINET & APPLIANCE GROUP (CONTINUED)
COMPONENT PARTS FOR CABINET & APPLIANCE LAYOUT (CONTINUED)



120075-09-01A, 120075-10-01A, 120075-13-01A, 120075-14-01A (CONTINUED)

| KEY | PART NUMBER | U/M | DESCRIPTION | VENDOR NO. |
|------------|--------------------|------------|---------------------------|-------------------|
| 1 | 120075-09-701 | EA | WATER VALVE W/BRACKET | 618253 |
| 2 | 120075-03-702 | EA | NUT/COMPRESSION - FITTING | 61678722 |
| 3 | 120075-03-703 | EA | ARM-SHUT OFF | 61656922 |
| 4 | 120075-03-704 | EA | BIN-ICE CUBE | 618154 |
| 5 | 094039-07-706 | EA | ICE MAKER W/O PLATES | 61656522 |
| 6 | 120075-01-717 | EA | SHELF-FREEZER, WIRE | 618172 |

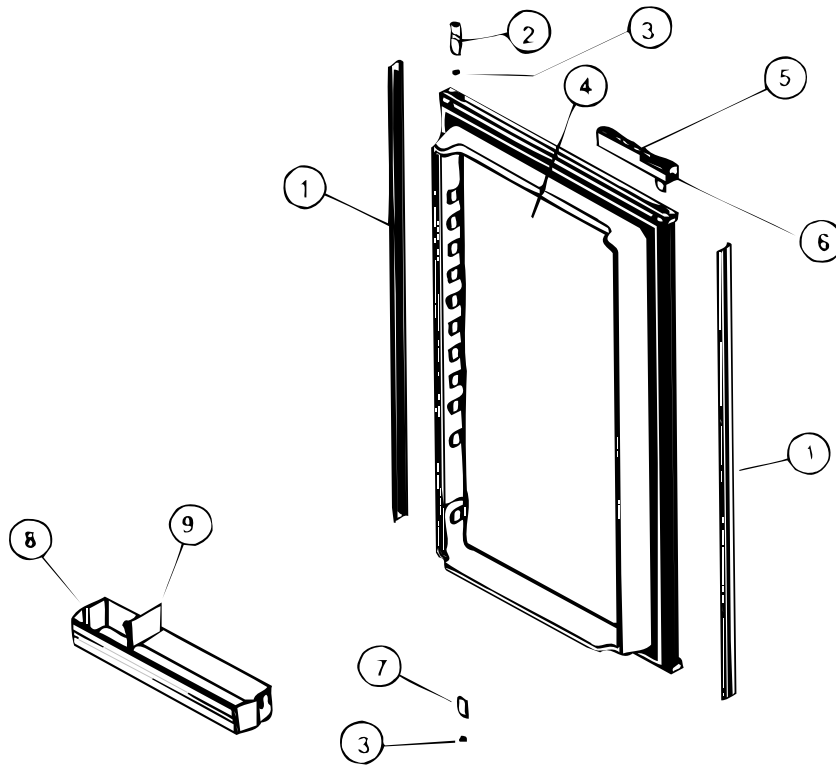
CABINET & APPLIANCE GROUP (CONTINUED)
COMPONENT PARTS FOR CABINET & APPLIANCE LAYOUT (CONTINUED)



120075-23-01A

| KEY | PART NUMBER | U/M | DESCRIPTION | VENDOR NO. |
|-----|---------------|-----|------------------------------|---------------------|
| 1 | 121568-03-700 | EA | RETAINER - DOOR PANEL/BLACK | 619558 |
| 2 | 120075-01-701 | EA | HINGE-TOP RH/BOTTOM LH(DOOR) | 618511 |
| 3 | 121568-03-701 | EA | BUSHING - HINGE PIN/GRAY | 619671 |
| 4 | 121568-03-702 | EA | DOOR LINER - W/TRIM/BLACK | 619627 - SMALL DOOR |
| 5 | 120075-01-702 | EA | CAP, (HINGE PLUG) | 618160 |
| 6 | 120075-12-700 | EA | HANDLE(CONTOUR)TOP LH/BTM RH | 621105 |
| 6 | 120075-12-701 | EA | HANDLE(CONTOUR)TOP RH/BTM LH | 621104 |
| 7 | 121568-03-705 | EA | STORAGE LATCH - GRAY | 619648 |
| 8 | 120075-01-705 | EA | HINGE-TOP LH/BOTTOM RH(DOOR) | 618510 |
| 9 | 120075-07-700 | EA | DOOR BIN - SMALL/CLEAR | 619006 |
| 10 | 120075-07-701 | EA | DIVIDER/DOOR BIN CLEAR | 619008 |

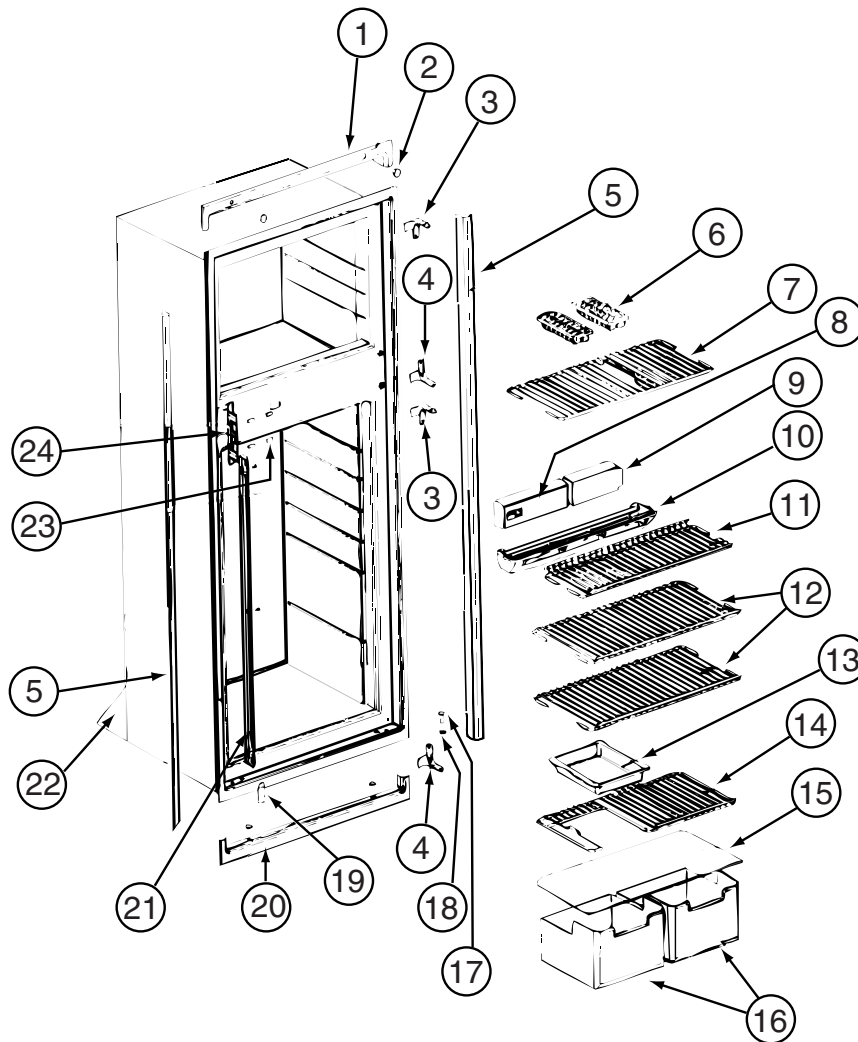
CABINET & APPLIANCE GROUP (CONTINUED)
COMPONENT PARTS FOR CABINET & APPLIANCE LAYOUT (CONTINUED)



120075-23-01A (CONTINUED)

| KEY | PART NUMBER | U/M | DESCRIPTION | VENDOR NO. |
|-----|---------------|-----|------------------------------|---------------------|
| 1 | 120075-07-702 | EA | RETAINER - DOOR PANEL/BLACK | 619560 |
| 2 | 120075-01-701 | EA | HINGE-TOP RH/BOTTOM LH(DOOR) | 618511 |
| 3 | 121568-03-701 | EA | BUSHING - HINGE PIN/GRAY | 619671 |
| 4 | 120075-07-703 | EA | DOOR LINER - BLACK | 619631 - LARGE DOOR |
| 5 | 120075-12-700 | EA | HANDLE(CONTOUR)TOP LH/BTM RH | 621105 |
| 5 | 120075-12-701 | EA | HANDLE(CONTOUR)TOP RH/BTM LH | 621104 |
| 6 | 121568-03-705 | EA | STORAGE LATCH - GRAY | 619648 |
| 7 | 120075-01-705 | EA | HINGE-TOP LH/BOTTOM RH(DOOR) | 618510 |
| 8 | 120075-07-700 | EA | DOOR BIN - SMALL/CLEAR | 619006 |
| 8 | 120075-07-704 | EA | DOOR BIN - LARGE/CLEAR | 619005 |
| 9 | 120075-07-701 | EA | DIVIDER/DOOR BIN CLEAR | 619008 |

CABINET & APPLIANCE GROUP (CONTINUED)
COMPONENT PARTS FOR CABINET & APPLIANCE LAYOUT (CONTINUED)

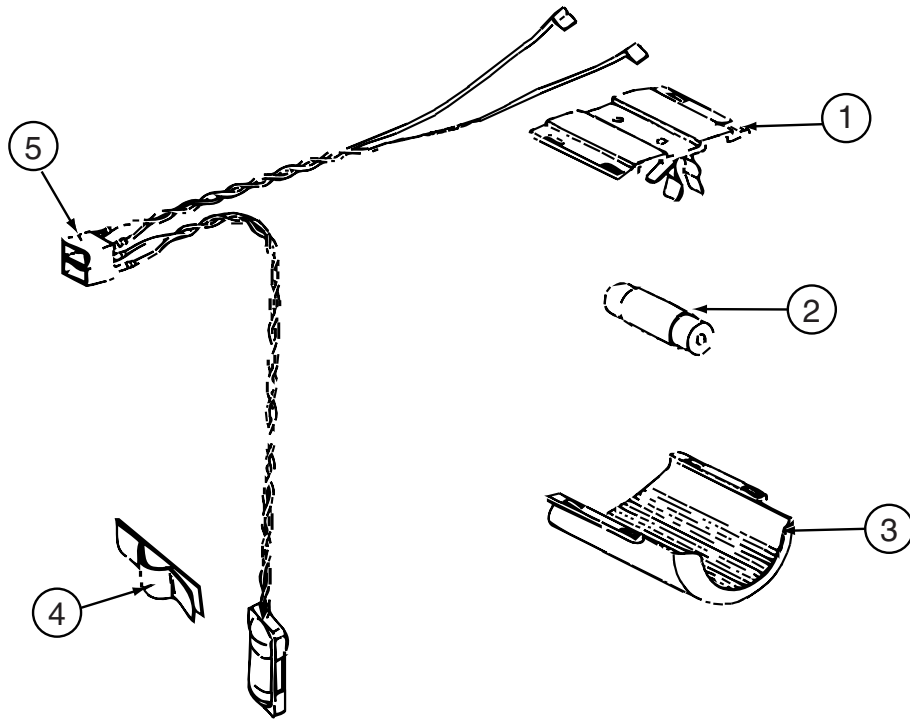


120075-16, 120075-17, 120075-18, 120075-19, 120075-20, 120075-21, 120075-22, 120075-23-01A (CONTINUED)

| KEY | PART NUMBER | U/M | DESCRIPTION | VENDOR NO. |
|-----|---------------|-----|------------------------------|------------|
| 1 | 120075-20-700 | EA | TRIM/TOP ASM W/INSERTS-BLACK | 622319 |
| 2 | 120075-01-714 | EA | PLUG-HOLE (BLACK) | 618170 |
| 3 | 121568-03-710 | EA | HINGE/CABINET-TOP/RH-LWR/LH | 619335 |
| 4 | 121568-03-715 | EA | HINGE/CABINET-TOP/LH-LWR/RH | 619336 |
| 5 | 120075-07-705 | EA | TRIM - SIDE - BLACK | 622296 |
| 6 | 104137-06-724 | EA | ICE TRAY | 61630422 |
| 7 | 121568-03-712 | EA | SHELF-WIRE FREEZER | 620250 |
| 7 | 120075-07-706 | EA | SHELF-WIRE F/ICEMAKER MODELS | 620250 |
| 8 | 120075-07-707 | EA | CONTROL BOX - BLACK | 619665 |
| 9 | 121568-03-713 | EA | FRONT BOX/DECORATIVE-BLACK | 619282 |
| 10 | 120075-20-701 | EA | TRAY/DRIP(INSIDE 1 PC)LOUVER | 623250 |
| 11 | 120075-01-722 | EA | SHELF-WIRE, SHORT | 620269 |
| 12 | 120075-01-723 | EA | SHELF-WIRE | 620270 |
| 13 | 104137-06-718 | EA | SHELF-TRAY, WHITE, W/CUTOUT | 617756 |
| 14 | 120075-20-703 | EA | SHELF - WIRE W/CUTOUT | 620268 |
| 15 | 120075-01-725 | EA | COVER-CRISPER | 618158 |
| 16 | 120075-07-708 | EA | CRISPER/ICE BIN | 619007 |
| 17 | 120075-01-727 | EA | PIN-HINGE | 618145 |
| 18 | 121568-03-701 | EA | BUSHING - HINGE PIN/GRAY | 619671 |
| 19 | 121568-03-716 | EA | COVER - HINGE HOLES | 619301 |
| 20 | 120075-20-702 | EA | TRIM PC(FOAM/TAPE)BTM BLACK | 622323 |
| 21 | 120075-01-730 | EA | RETAINER-SHELF(SER#926684 DN | 618181 |
| 21 | 125242-02-720 | EA | RETAINER/SHELF(SER#926685 UP | 622033 |
| 23 | 121568-06-703 | EA | HOLE PLUG - WHITE | 620282 |
| 24 | 120075-01-732 | EA | PLATE-STRIKE | 618167 |

CONTACT WINNEBAGO PART SALES FOR UNLISTED COMPONENT(S)

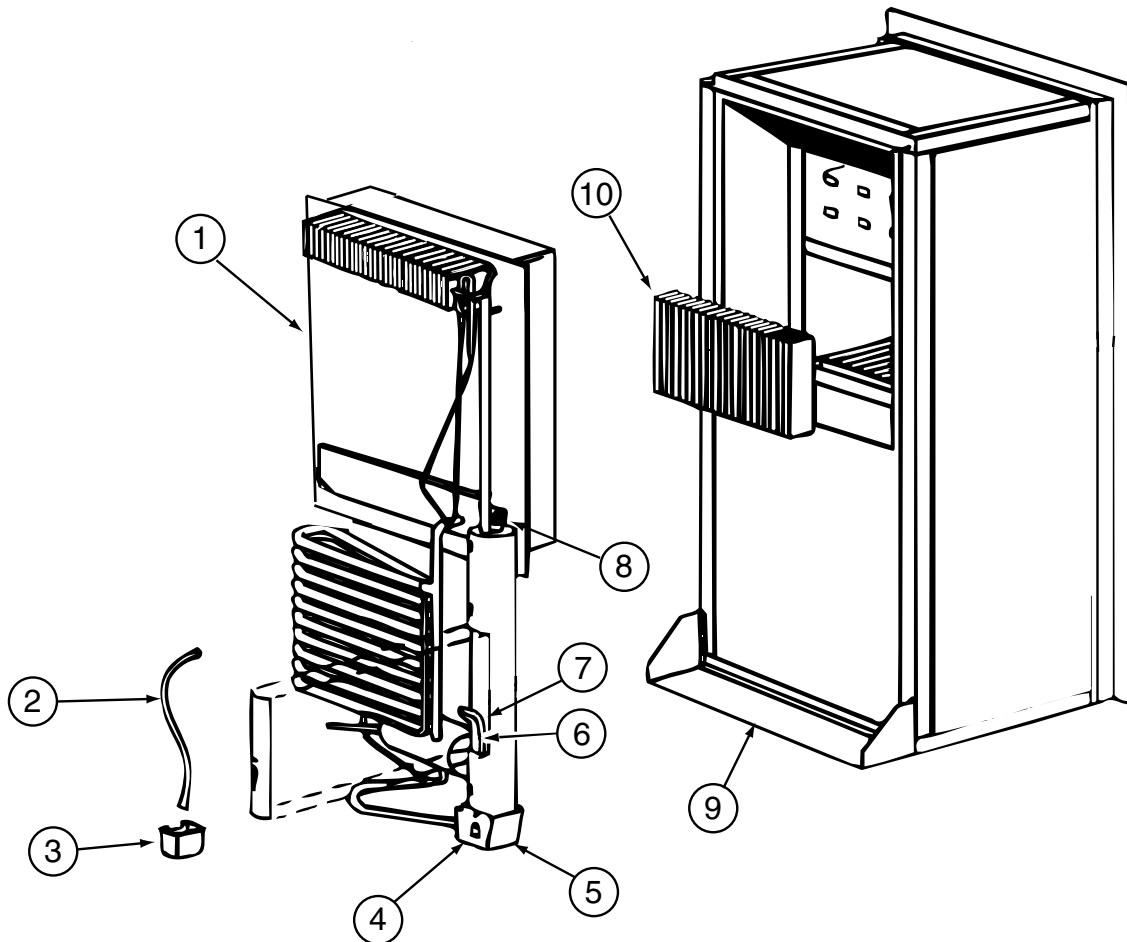
CABINET & APPLIANCE GROUP (CONTINUED)
COMPONENT PARTS FOR CABINET & APPLIANCE LAYOUT (CONTINUED)



120075-16, 120075-17, 120075-18, 120075-19, 120075-20, 120075-21, 120075-22, 120075-23, 121569-08-01A (CONTINUED)

| KEY | PART NUMBER | U/M | DESCRIPTION | VENDOR NO. |
|-----|---------------|-----|------------------------------|------------|
| 1 | 084880-03-705 | EA | BRACKET-LIGHT-INTERIOR | 61629722 |
| 2 | 084880-03-706 | EA | BULB-LAMP | 61628922 |
| 3 | 125242-02-708 | EA | COVER/LAMP BRACKET | 621827 |
| 4 | 084880-01-760 | EA | CLIP (THERMISTER) | 61689122 |
| 5 | 120075-01-735 | EA | THERMISTER W/LAMP & WIRE/ASM | 618548 |

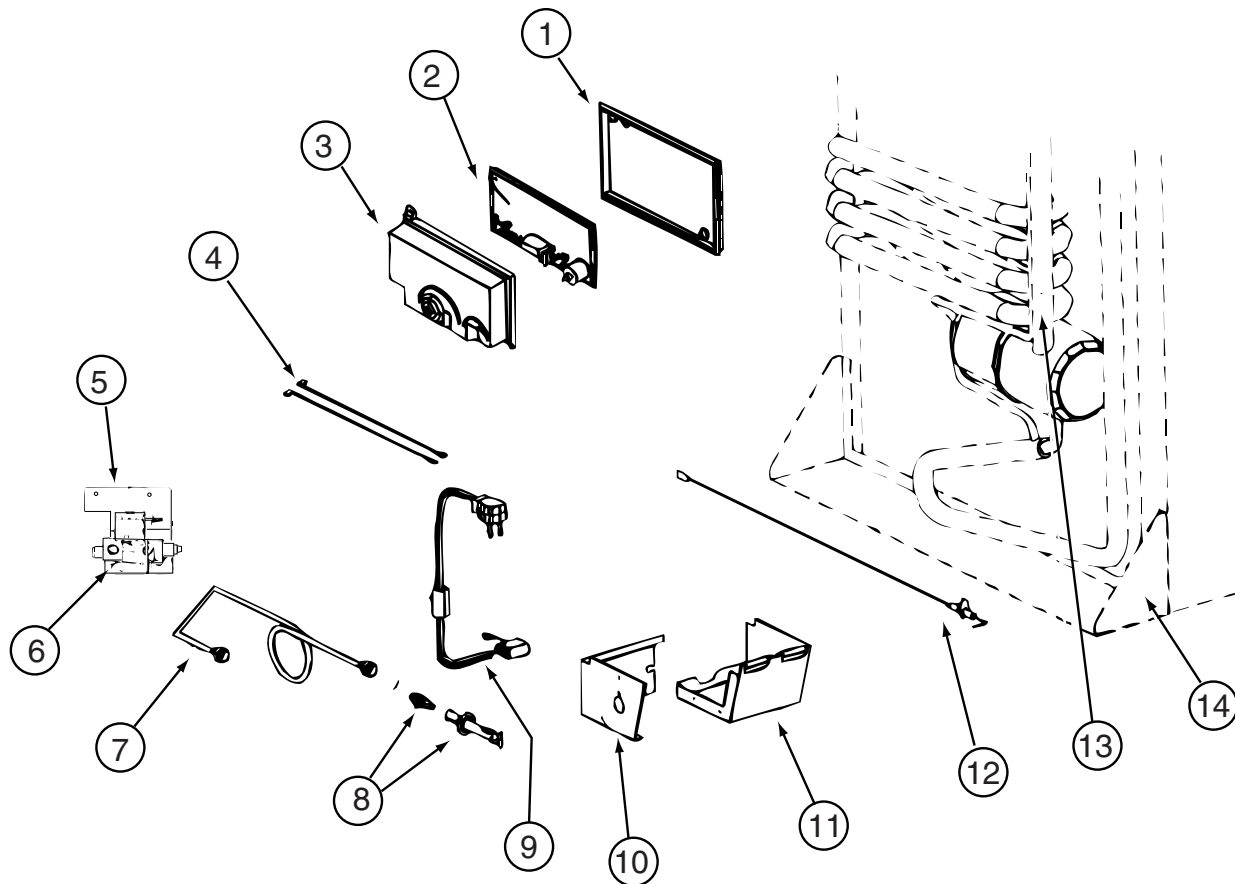
CABINET & APPLIANCE GROUP (CONTINUED)
COMPONENT PARTS FOR CABINET & APPLIANCE LAYOUT (CONTINUED)



120075-16, 120075-17, 120075-18, 120075-19, 120075-20, 120075-21, 120075-22, 120075-23-01A (CONTINUED)

| KEY | PART NUMBER | U/M | DESCRIPTION | VENDOR NO. |
|-----|---------------|-----|--|------------|
| 1 | 120075-01-736 | EA | COOLING UNIT, SERVICE PACK | 618542 |
| 6 | 121568-06-704 | EA | HEATER-AC/300W/120VAC | 621702 |
| | | | CONTACT WINNEBAGO PART SALES FOR UNLISTED COMPONENT(S) | |

CABINET & APPLIANCE GROUP (CONTINUED)
COMPONENT PARTS FOR CABINET & APPLIANCE LAYOUT (CONTINUED)

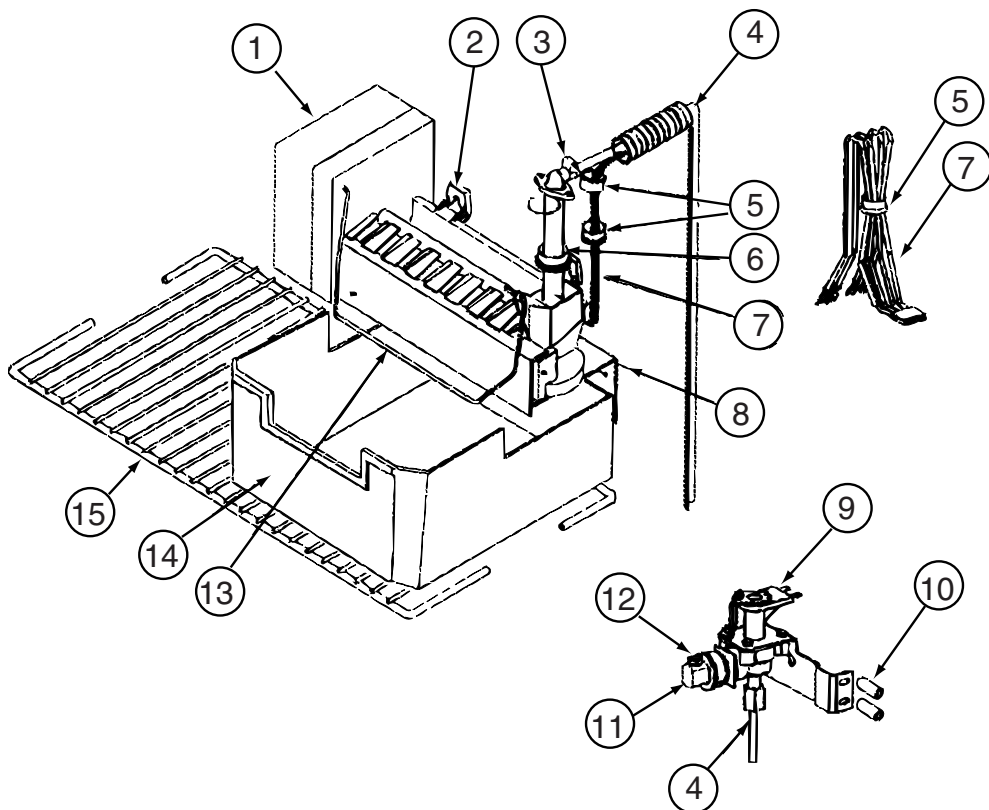


120075-16, 120075-17, 120075-18, 120075-19, 120075-20, 120075-21, 120075-22, 120075-23-01A (CONTINUED)

| KEY | PART NUMBER | U/M | DESCRIPTION | VENDOR NO. |
|-----|---------------|-----|-----------------------------|------------|
| 1 | 120075-01-740 | EA | COVER-BASE, POWER BOARD | 618186 |
| 2 | 120075-20-704 | EA | KIT-POWER BOARD/EG2-2 WAY | 621269001 |
| 3 | 120075-01-738 | EA | COVER-POWER BOARD | 618185 |
| 4 | 125242-02-709 | EA | WIRE/WHITE/9"/GAS VALVE | 621448 |
| 5 | 125242-02-710 | EA | GAS VALVE/BRKT/WIRES COMB. | 621334 |
| 6 | 121568-06-706 | EA | GAS VALVE-COMBO/WRENCH FLAT | 621329 |
| 7 | 120075-20-705 | EA | TUBE/BURNER - N8/N6 | 620033 |
| 8 | 121568-06-708 | EA | BURNER/ORFICE-ADAPTER KIT | 621957 |
| 12 | 104137-06-715 | EA | ELECTRODE-SPARK/SENSOR, SGL | 61692222 |

CONTACT WINNEBAGO PART SALES FOR UNLISTED COMPONENT(S)

CABINET & APPLIANCE GROUP (CONTINUED)
COMPONENT PARTS FOR CABINET & APPLIANCE LAYOUT (CONTINUED)

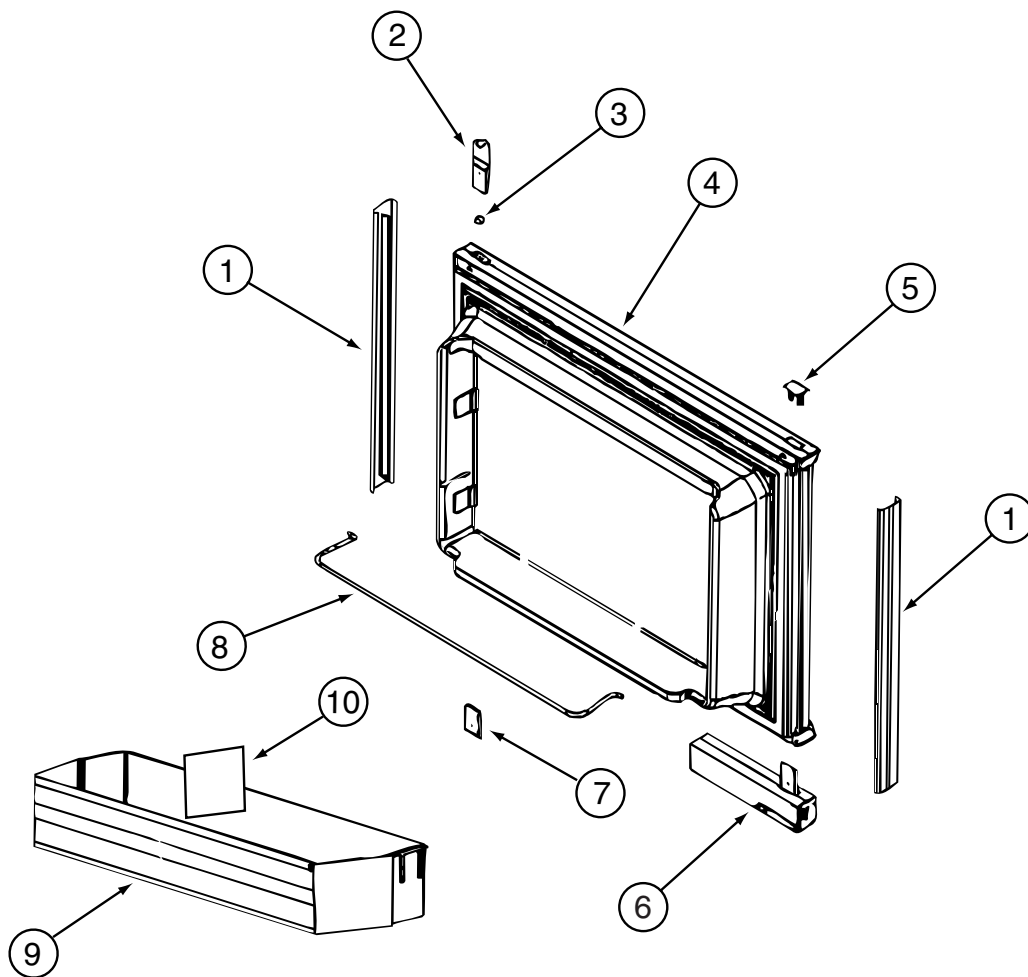


120075-16-01A, 120075-17-01A, 120075-18-01A, 120075-19-01A, 120075-20-01A, 120075-23-01A (CONTINUED)

| KEY | PART NUMBER | U/M | DESCRIPTION | VENDOR NO. |
|-----|---------------|-----|------------------------------|------------|
| 2 | 094039-07-706 | EA | ICE MAKER W/O PLATES | 61656522 |
| 9 | 120075-03-701 | EA | VALVE ASM., WATER, W/BRACKET | 618253 |
| 13 | 120075-03-703 | EA | ARM-SHUT OFF | 61656922 |
| 14 | 120075-07-708 | EA | CRISPER/ICE BIN | 619007 |
| 15 | 120075-07-706 | EA | SHELF-WIRE F/ICEMAKER MODELS | 620249 |

CONTACT WINNEBAGO PART SALES FOR UNLISTED COMPONENT(S)

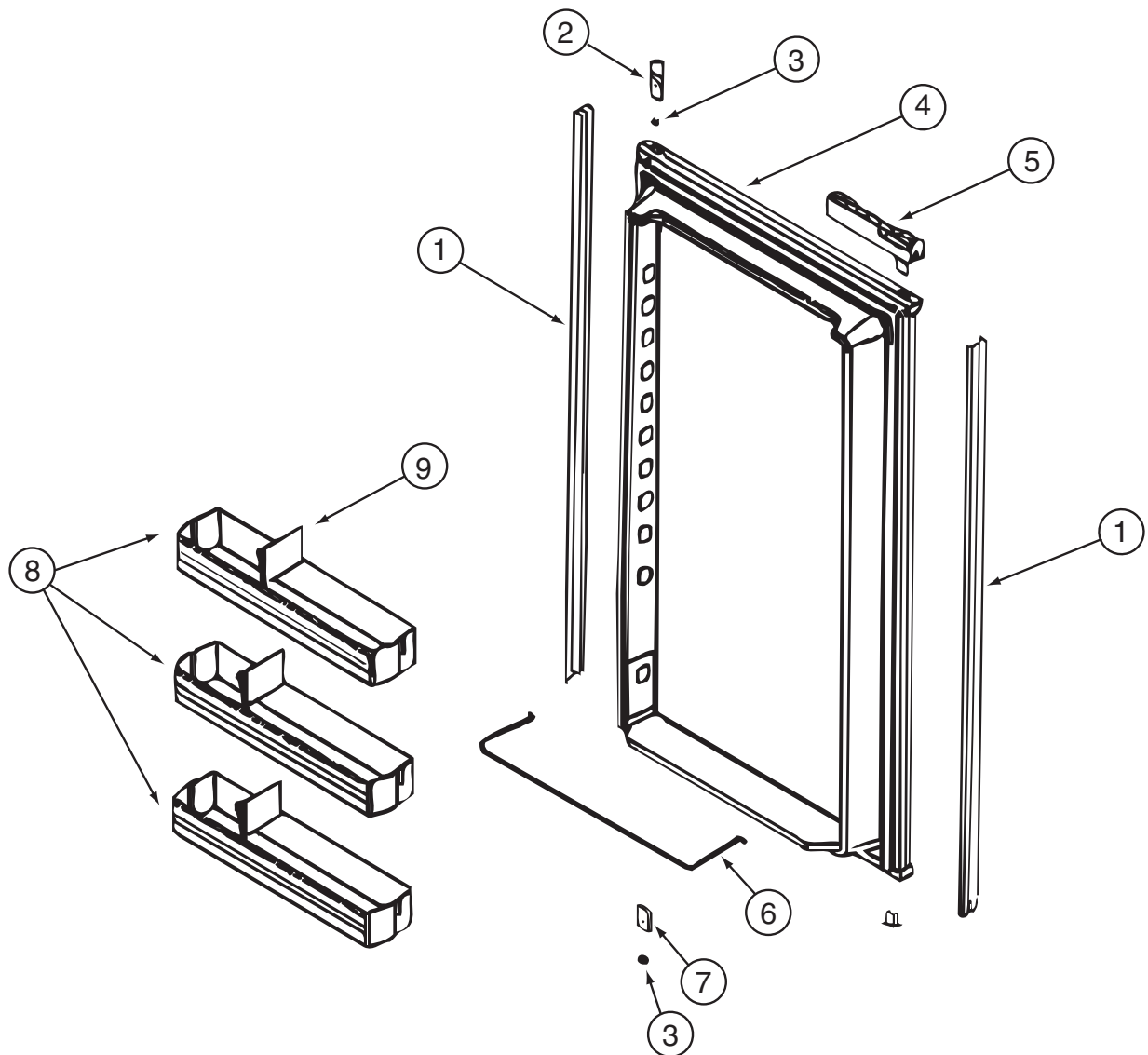
CABINET & APPLIANCE GROUP (CONTINUED)
COMPONENT PARTS FOR CABINET & APPLIANCE LAYOUT (CONTINUED)



121569-05-01A, 121569-06-01A, 121569-07-01A

| KEY | PART NUMBER | U/M | DESCRIPTION | VENDOR NO. |
|-----|---------------|-----|--------------------------------|--------------------|
| 1 | 121568-03-700 | EA | RETAINER - DOOR PNL/WAFFLE/BLK | 619558-WDL-UPPER |
| 2 | 120075-01-701 | EA | HINGE-TOP RH/BOTTOM LH(DOOR) | 618511 |
| 3 | 121568-03-701 | EA | BUSHING - HINGE PIN/GRAY | 619671 |
| 4 | 121568-03-702 | EA | DOOR LINER-UPR/WAFFLED/BLACK | 619627 - SMALL WDL |
| 5 | 120075-01-702 | EA | CAP, (HINGE PLUG) | 618160 |
| 6 | 120075-12-700 | EA | HANDLE(CONTOUR)TOP LH/BTM RH | 621105 |
| 7 | 120075-01-705 | EA | HINGE-TOP LH/BOTTOM RH(DOOR) | 618510 |
| 8 | 121568-01-700 | EA | RAIL - DOOR UPPER | 618618 |
| 9 | 120075-07-700 | EA | DOOR BIN - SMALL/CLEAR F/WDL | 619006 WDL |
| 10 | 120075-07-701 | EA | DIVIDER/DOOR BIN CLEAR | 619008 WDL & SDL |
| | 121568-03-705 | EA | STORAGE LATCH - GRAY | 619648 |

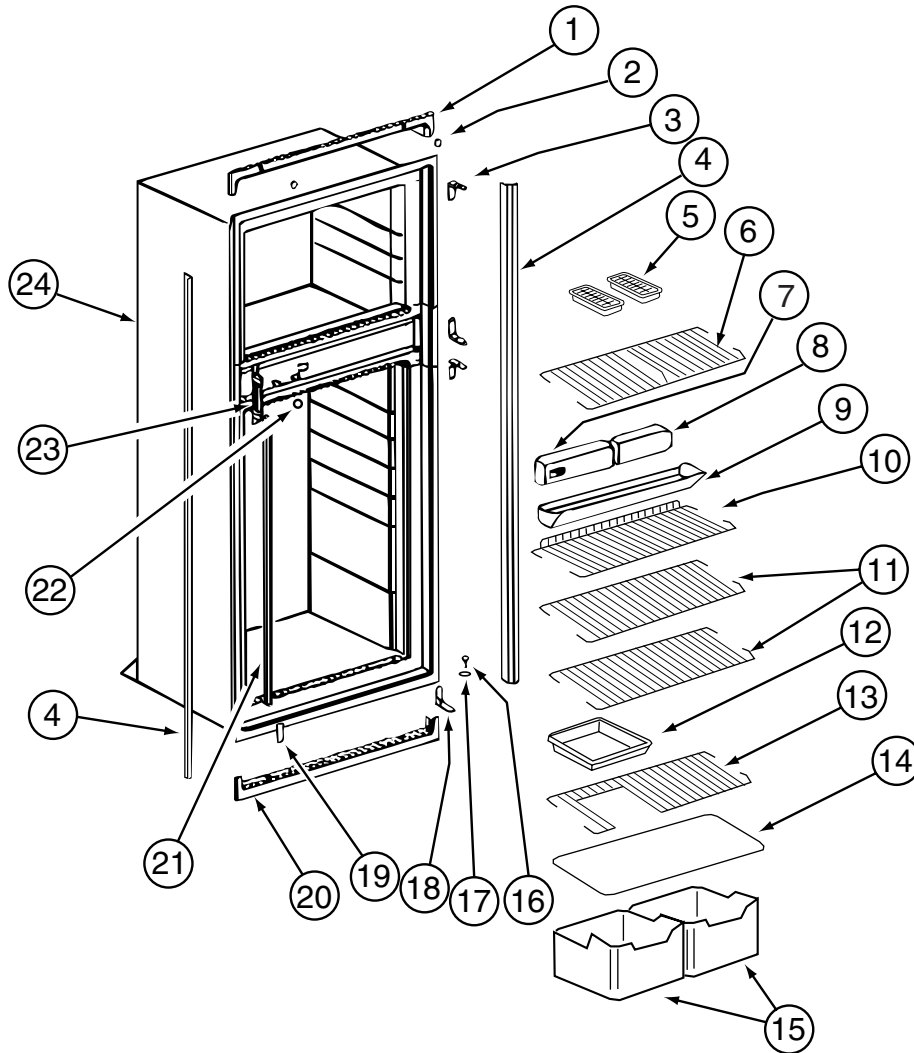
CABINET & APPLIANCE GROUP (CONTINUED)
COMPONENT PARTS FOR CABINET & APPLIANCE LAYOUT (CONTINUED)



121569-05-01A, 121569-06-01A, 121569-07-01A (CONTINUED)

| KEY | PART NUMBER | U/M | DESCRIPTION | VENDOR NO. |
|-----|---------------|-----|--------------------------------|-------------------|
| 1 | 120075-07-702 | EA | RETAINER - DOOR PNL/WAFFLE/BLK | 619560 -WDL-LOWER |
| 2 | 120075-01-701 | EA | HINGE-TOP RH/BOTTOM LH(DOOR) | 618511 |
| 3 | 121568-03-701 | EA | BUSHING - HINGE PIN/GRAY | 619671 |
| 4 | 120075-07-703 | EA | DOOR LINER-LWR/WAFFLED/BLACK | 619631 LARGE WDL |
| 5 | 120075-12-701 | EA | HANDLE(CONTOUR)TOP RH/BTM LH | 621104 |
| 6 | 121568-01-704 | EA | RAIL - DOOR LOWER | 618578 |
| 7 | 120075-01-705 | EA | HINGE-TOP LH/BOTTOM RH(DOOR) | 618510 |
| 8 | 121568-01-701 | EA | BIN - DOOR WHITE-WAFFLED LNR | 618619 WDL |
| 9 | 120075-07-701 | EA | DIVIDER/DOOR BIN CLEAR | 619008 WDL & SDL |
| | 121568-03-705 | EA | STORAGE LATCH - GRAY | 619648 |

CABINET & APPLIANCE GROUP (CONTINUED)
COMPONENT PARTS FOR CABINET & APPLIANCE LAYOUT (CONTINUED)

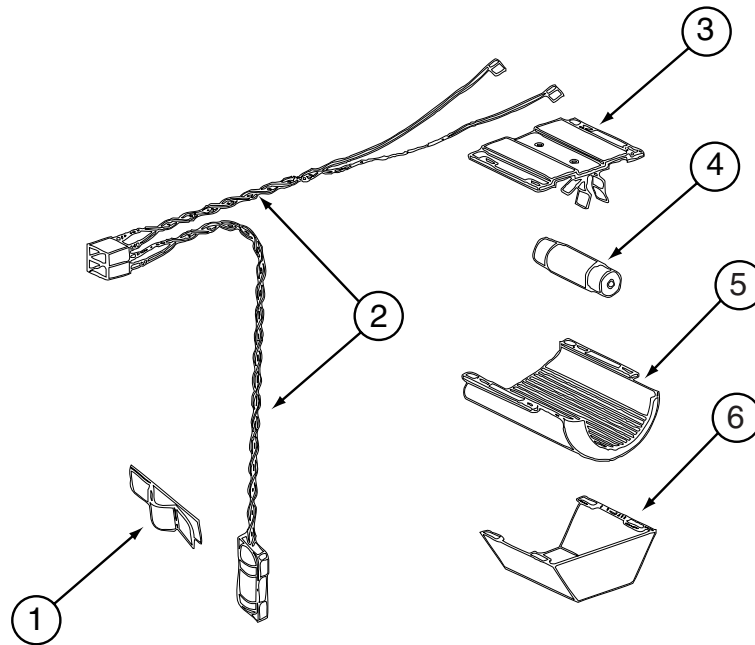


121569-03-01A, 121569-04-01A, 121569-05-01A, 121569-06-01A, 121569-07-01A (CONTINUED)

| KEY | PART NUMBER | U/M | DESCRIPTION | VENDOR NO. |
|-----|---------------|-----|-------------------------------|----------------|
| 1 | 121568-03-709 | EA | TRIM - TOP/BLACK | 619687 |
| 2 | 120075-01-714 | EA | PLUG-HOLE (BLACK) | 618170 |
| 3 | 121568-03-710 | EA | HINGE/CABINET-TOP/RH-LWR/LH | 619335 WAFFLED |
| 4 | 120075-07-705 | EA | TRIM - SIDE - BLACK | 622296 |
| 6 | 121568-03-712 | EA | SHELF - WIRE/FREEZER | 620250 |
| 7 | 121568-03-714 | EA | CONTROL ASM - 2 WAY BLACK | 619350 |
| 8 | 121568-03-713 | EA | FRONT BOX/DECORATIVE-BLACK | 619282 |
| 9 | 120075-01-720 | EA | TRAY-DRIP | 623250 |
| 10 | 121568-01-707 | EA | SHELF - WIRE - SHORT | 620272 |
| 11 | 121568-01-708 | EA | SHELF - WIRE | 620273 |
| 14 | 120075-01-725 | EA | COVER-CRISPER | 618158 |
| 15 | 121568-01-709 | EA | CRISPER | 618571 |
| 16 | 120075-01-727 | EA | PIN-HINGE | 618145 |
| 18 | 121568-03-715 | EA | HINGE/CABINET-TOP/LH-LWR/RH | 619336 WAFFLED |
| 19 | 121568-03-716 | EA | COVER - HINGE HOLES | 619301 |
| 20 | 120075-01-729 | EA | TRIM-BOTTOM PIECE | 620958 |
| 21 | 120075-01-730 | EA | RETAINER-SHELF(SER#926684 DN) | 618181 |
| 22 | 121568-03-717 | EA | HOLE PLUG - WHITE | 619561 |
| 23 | 120075-01-732 | EA | PLATE-STRIKE | 618167 |
| 24 | 120075-07-709 | EA | CABINET - FOAMED | 619347 |
| | 120075-01-721 | EA | LOUVER-DRIP TRAY | 618176 |

CONTACT WINNEBAGO PART SALES FOR UNLISTED COMPONENT(S)

CABINET & APPLIANCE GROUP (CONTINUED)
COMPONENT PARTS FOR CABINET & APPLIANCE LAYOUT (CONTINUED)

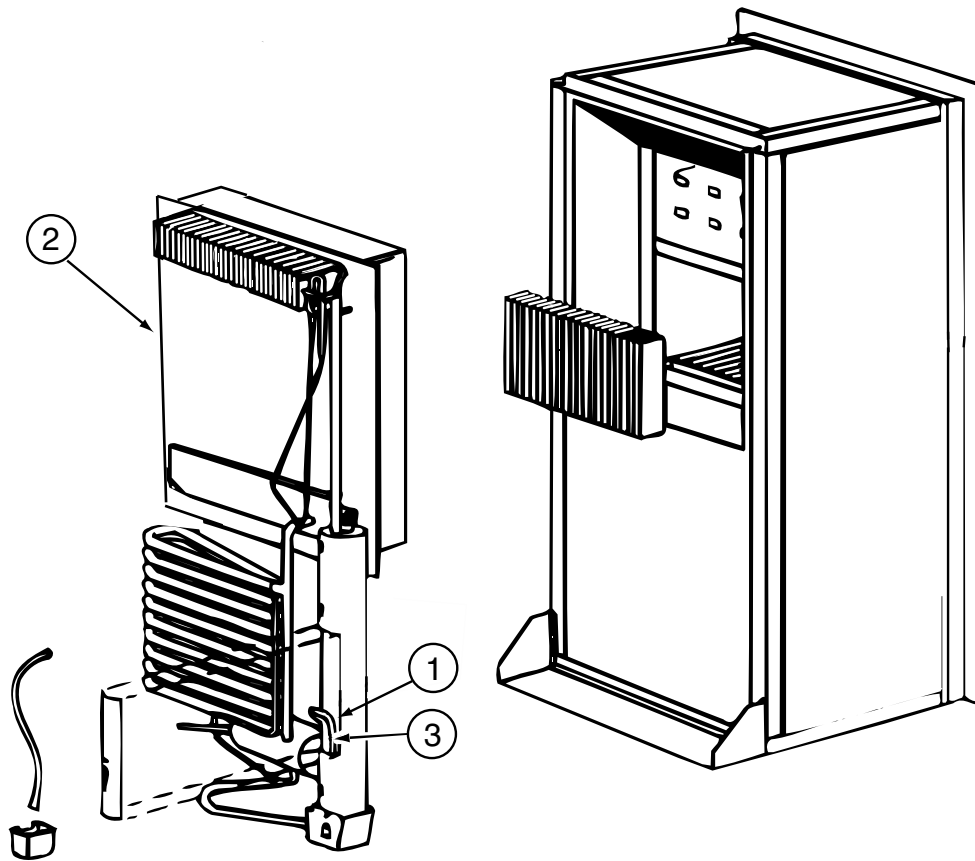


121569-03-01A, 121569-04-01A, 121569-05-01A, 121569-06-01A, 121569-07-01A (CONTINUED)

| KEY | PART NUMBER | U/M | DESCRIPTION | VENDOR NO. |
|-----|---------------|-----|------------------------------|------------|
| 1 | 084880-01-760 | EA | CLIP (THERMISTER) | 61689122 |
| 2 | 120075-01-735 | EA | THERMISTER W/LAMP & WIRE/ASM | 618548 |
| 3 | 084880-03-705 | EA | BRACKET-LIGHT-INTERIOR | 61629722 |
| 4 | 084880-03-706 | EA | BULB-LAMP | 61628922 |
| 6 | 084880-03-707 | EA | COVER-LAMP, LENS | 61627922 |

CONTACT WINNEBAGO PART SALES FOR UNLISTED COMPONENT(S)

CABINET & APPLIANCE GROUP (CONTINUED)
COMPONENT PARTS FOR CABINET & APPLIANCE LAYOUT (CONTINUED)

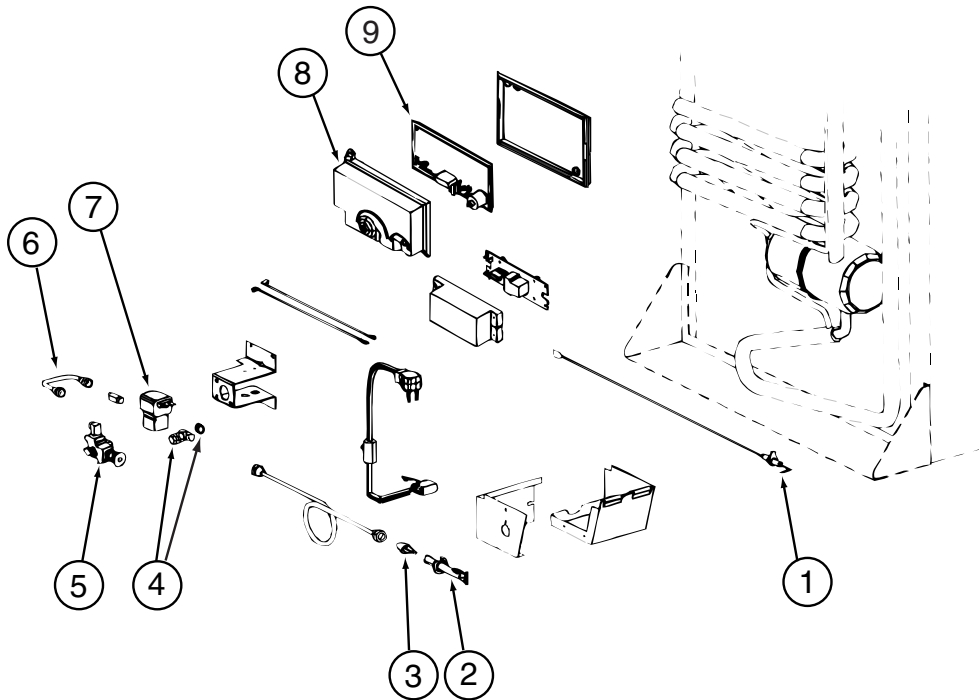


121569-03-01A, 121569-04-01A, 121569-05-01A, 121569-06-01A, 121569-07-01A (CONTINUED)

| KEY | PART NUMBER | U/M | DESCRIPTION | VENDOR NO. |
|-----|---------------|-----|-----------------------------|------------|
| 2 | 120075-01-736 | EA | COOLING UNIT, SERVICE PACK | 618542 |
| 3 | 088248-01-709 | EA | HEATER-AC (HORIZONTAL) | 61562722 |
| | 120075-01-744 | EA | KIT - GAS VALVE/BURNER TUBE | 620609 |

CONTACT WINNEBAGO PART SALES FOR UNLISTED COMPONENT(S)

CABINET & APPLIANCE GROUP (CONTINUED)
COMPONENT PARTS FOR CABINET & APPLIANCE LAYOUT (CONTINUED)

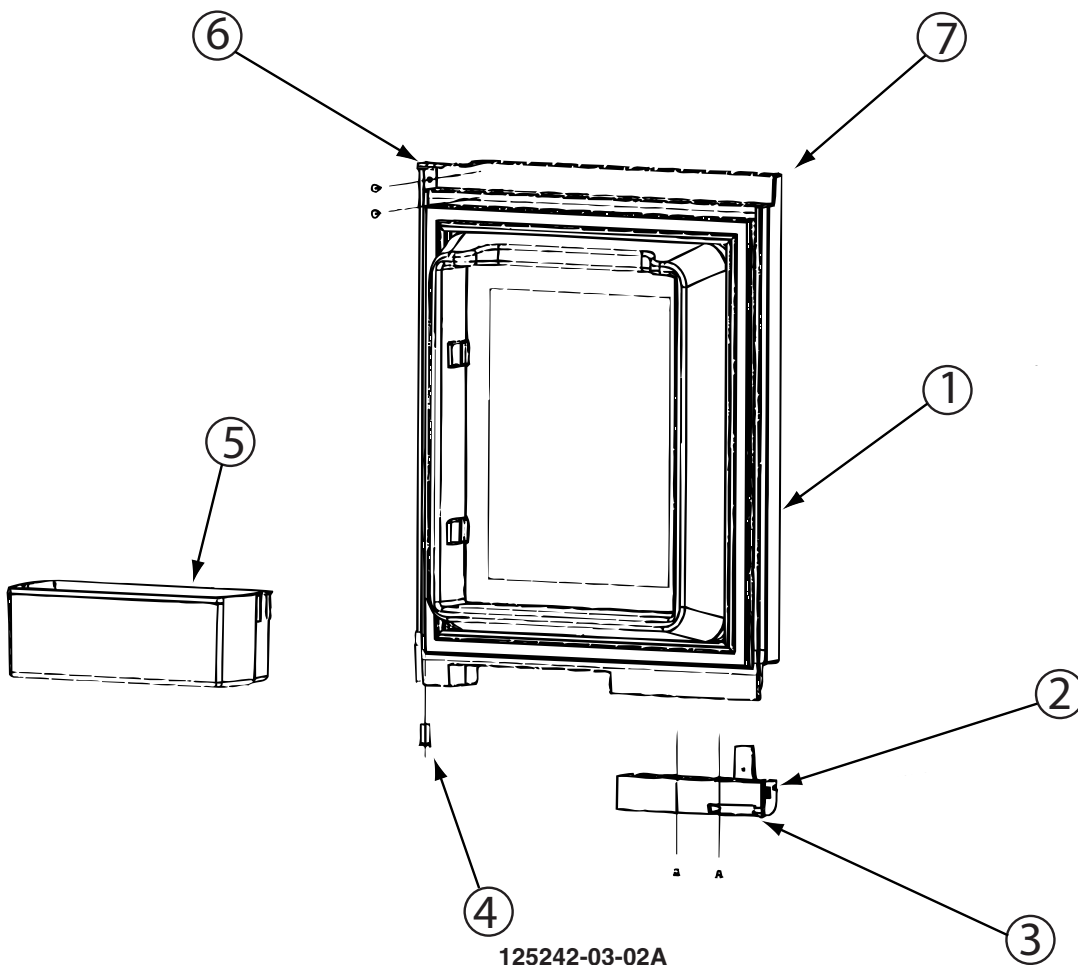


121569-03-01A, 121569-04-01A, 121569-05-01A, 121569-06-01A, 121569-07-01A (CONTINUED)

| KEY | PART NUMBER | U/M | DESCRIPTION | VENDOR NO. |
|-----|---------------|-----|-----------------------------|------------|
| 1 | 104137-06-715 | EA | ELECTRODE-SPARK/SENSOR, SGL | 61692222 |
| 2 | 104137-06-714 | EA | BURNER ASSEMBLY, 5-SLOT | 61705222 |
| 3 | 120075-01-737 | EA | ORIFICE - JEWEL - .0155 | 618284 |
| 4 | 113737-01-702 | EA | PLUG 1/8" F/PRESSURE TAP | 61445322 |
| 4 | 113737-01-716 | EA | TAP-PRESSURE | 61594422 |
| 6 | 113737-01-750 | EA | TUBE-UNION | 61694622 |
| 7 | 084880-01-718 | EA | KIT-GAS VALVE/SOLENOID/TUBE | 621447 |
| 8 | 120075-01-738 | EA | COVER-POWER BOARD | 618185 |
| 9 | 121568-03-719 | EA | POWER - BOARD - 2-WAY | 621267 |
| | 121568-03-720 | EA | VALVE/SOLENOID-MAN SHUT OFF | 618696 |
| | 121569-07-700 | EA | CORD - AC POWER | 61554422 |

CONTACT WINNEBAGO PART SALES FOR UNLISTED COMPONENT(S)

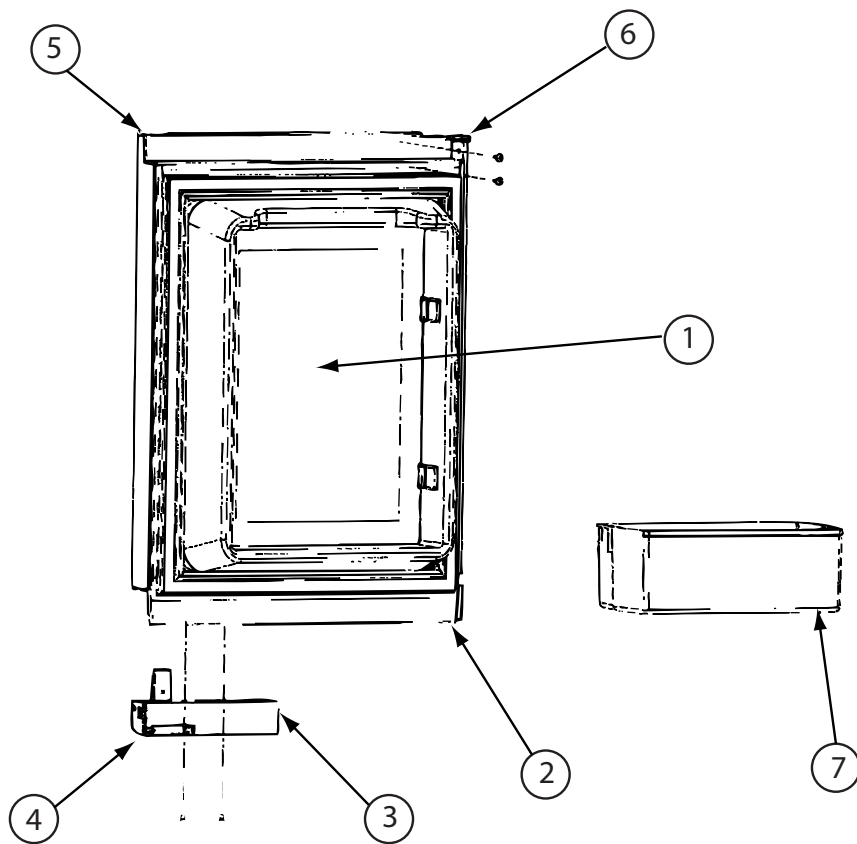
CABINET & APPLIANCE GROUP (CONTINUED)
COMPONENT PARTS FOR CABINET & APPLIANCE LAYOUT (CONTINUED)



125242-03-02A

| KEY | PART NUMBER | U/M | DESCRIPTION | VENDOR NO. |
|-----|---------------|-----|------------------------------|------------|
| 1 | 125242-03-721 | EA | LINER-DOOR/UPPER RH/WRP WPM | 62906101 |
| 2 | 125242-02-701 | EA | HANDLE(CONTOUR)TOP RH LWR LH | 621106 |
| 3 | 125242-02-722 | EA | LATCH-STORAGE DR/BLK POINTED | 619374 |
| 4 | 125242-01-704 | EA | BUSHING-HINGE MIDDLE | 618746 |
| 5 | 125242-03-704 | EA | BIN - DOOR SHELF | 622831 |
| 6 | 125242-03-722 | EA | CAP/DOOR HINGE-UPR RH/LWR LH | 623819 |
| 7 | 125242-03-723 | EA | CAP/DR CENTER-UPR RH/LWR LH | 623820 |

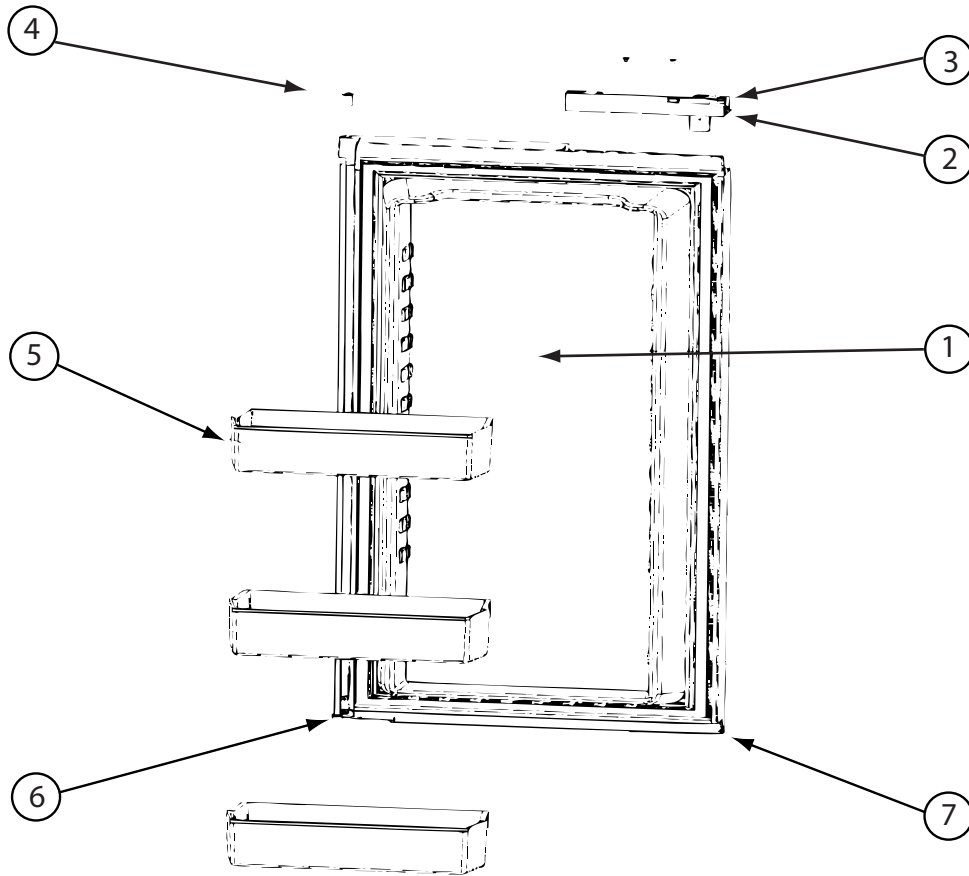
CABINET & APPLIANCE GROUP (CONTINUED)
COMPONENT PARTS FOR CABINET & APPLIANCE LAYOUT (CONTINUED)



125242-03-02A (CONTINUED)

| KEY | PART NUMBER | U/M | DESCRIPTION | VENDOR NO. |
|-----|---------------|-----|------------------------------|------------|
| 1 | 125242-03-724 | EA | LINER-DOOR/UPPER LH/WRP WPM | 62906001 |
| 2 | 125242-01-704 | EA | BUSHING-HINGE MIDDLE | 618746 |
| 3 | 125242-02-700 | EA | HANDLE(CONTOUR)TOP LH BTM RH | 621107 |
| 4 | 125242-02-722 | EA | LATCH-STORAGE DR/BLK POINTED | 619374 |
| 5 | 125242-03-726 | EA | CAP/DR CENTER-UPR LH/LWR RH | 623492 |
| 6 | 125242-03-725 | EA | CAP/DOOR HINGE-UPR LH/LWR RH | 623491 |
| 7 | 125242-03-704 | EA | BIN - DOOR SHELF | 622831 |

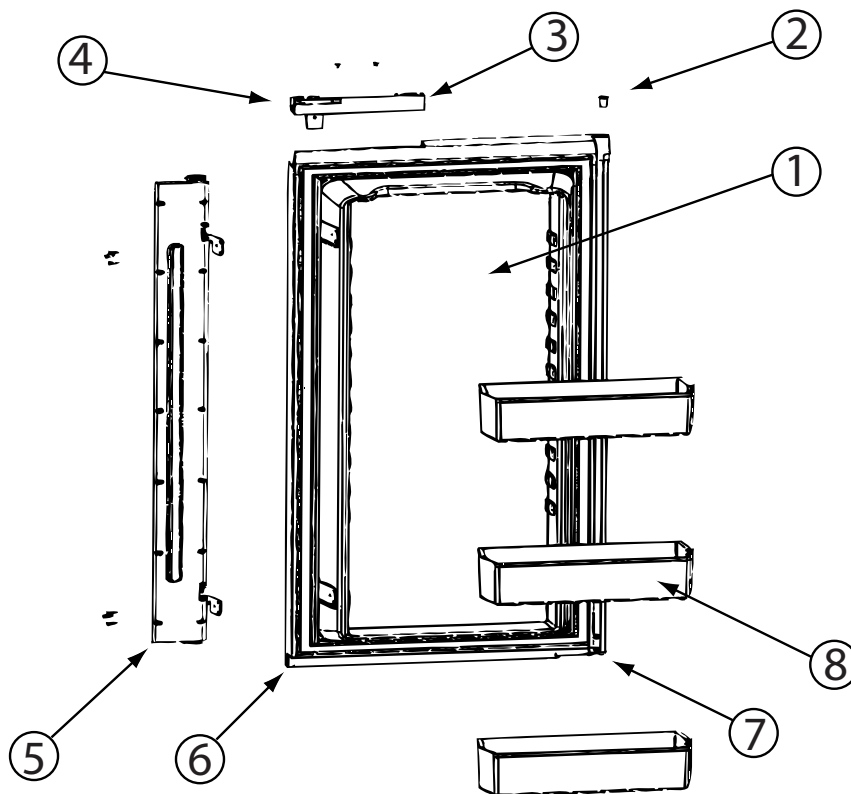
CABINET & APPLIANCE GROUP (CONTINUED)
COMPONENT PARTS FOR CABINET & APPLIANCE LAYOUT (CONTINUED)



125242-03-02A (CONTINUED)

| KEY | PART NUMBER | U/M | DESCRIPTION | VENDOR NO. |
|-----|---------------|-----|------------------------------|------------|
| 1 | 125242-03-727 | EA | LINER-DOOR/LOWER RH/WRP WPM | 62906301 |
| 2 | 125242-02-700 | EA | HANDLE(CONTOUR)TOP LH BTM RH | 621107 |
| 3 | 125242-02-722 | EA | LATCH-STORAGE DR/BLK POINTED | 619374 |
| 4 | 125242-01-704 | EA | BUSHING-HINGE MIDDLE | 618746 |
| 5 | 125242-03-704 | EA | BIN - DOOR SHELF | 622831 |
| 6 | 125242-03-725 | EA | CAP/DOOR HINGE-UPR LH/LWR RH | 623491 |
| 7 | 125242-03-726 | EA | CAP/DR CENTER-UPR LH/LWR RH | 623492 |
| | 125242-01-769 | EA | SHIM DOOR HINGE SERVICE KIT | 625129 |

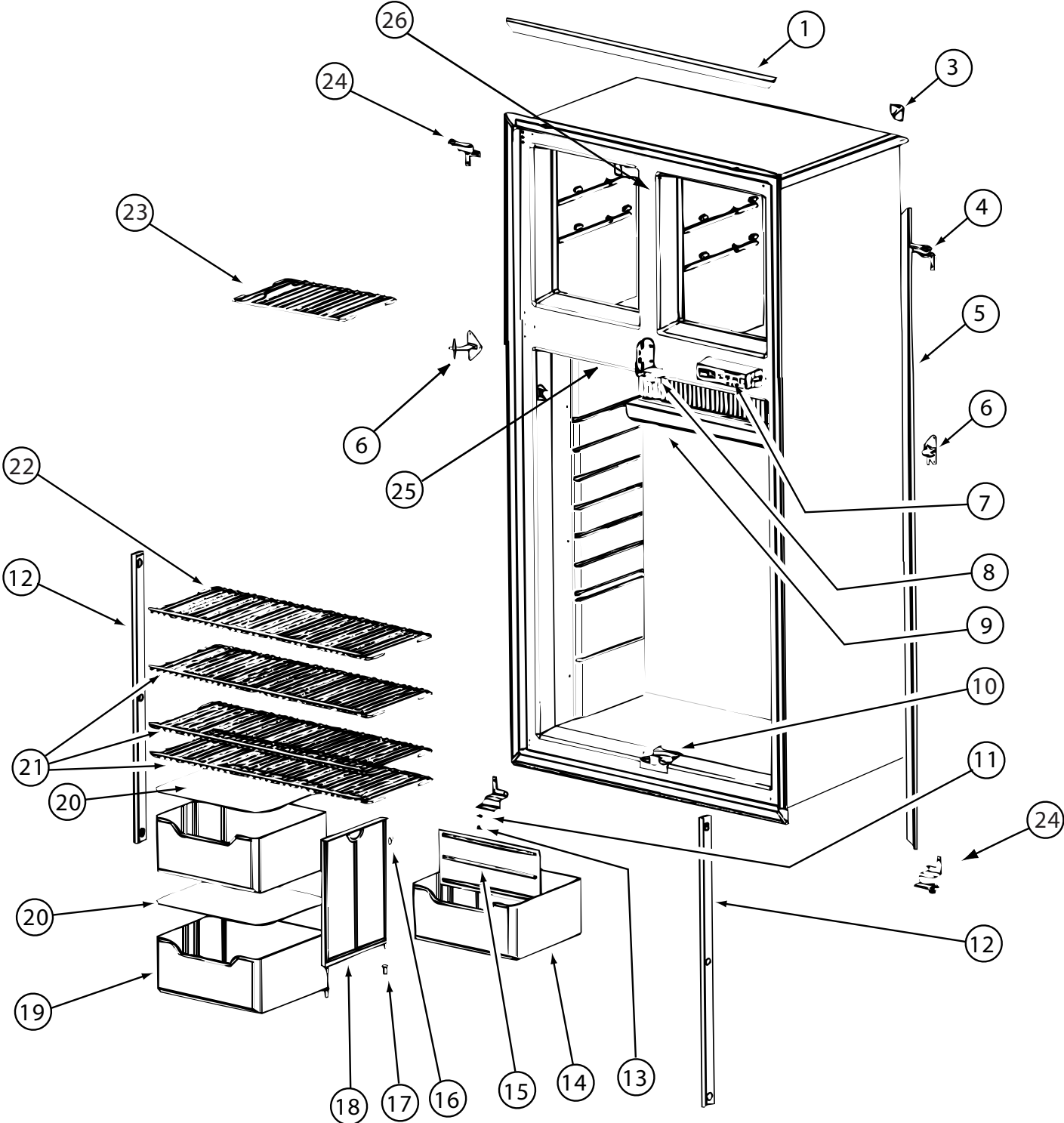
CABINET & APPLIANCE GROUP (CONTINUED)
COMPONENT PARTS FOR CABINET & APPLIANCE LAYOUT (CONTINUED)



125242-03-02A (CONTINUED)

| KEY | PART NUMBER | U/M | DESCRIPTION | VENDOR NO. |
|-----|---------------|-----|--|--------------------|
| 1 | 125242-03-728 | EA | LINER-DOOR/LOWER LH/WRP WPM | 62906201-NO FLAPPE |
| 2 | 125242-01-704 | EA | BUSHING-HINGE MIDDLE | 618746 |
| 3 | 125242-02-701 | EA | HANDLE(CONTOUR)TOP RH LWR LH | 621106 |
| 4 | 125242-02-722 | EA | LATCH-STORAGE DR/BLK POINTED | 619374 |
| 5 | 125242-02-727 | EA | FLAPPER/DOUBLE POLE - FOR S.N.#540295 TO 1291390 | |
| 5 | 125242-02-740 | EA | FLAPPER/DBL POLE-SER#1291391AND UP | |
| 6 | 125242-03-722 | EA | CAP/DOOR HINGE-UPR RH/LWR LH | 623819 |
| 7 | 125242-03-723 | EA | CAP/DR CENTER-UPR RH/LWR LH | 623820 |
| 8 | 125242-03-704 | EA | BIN - DOOR SHELF | 622831 |
| | 125242-01-769 | EA | SHIM DOOR HINGE SERVICE KIT | 625129 |

CABINET & APPLIANCE GROUP (CONTINUED)
COMPONENT PARTS FOR CABINET & APPLIANCE LAYOUT (CONTINUED)



125242-03-02A (CONTINUED)

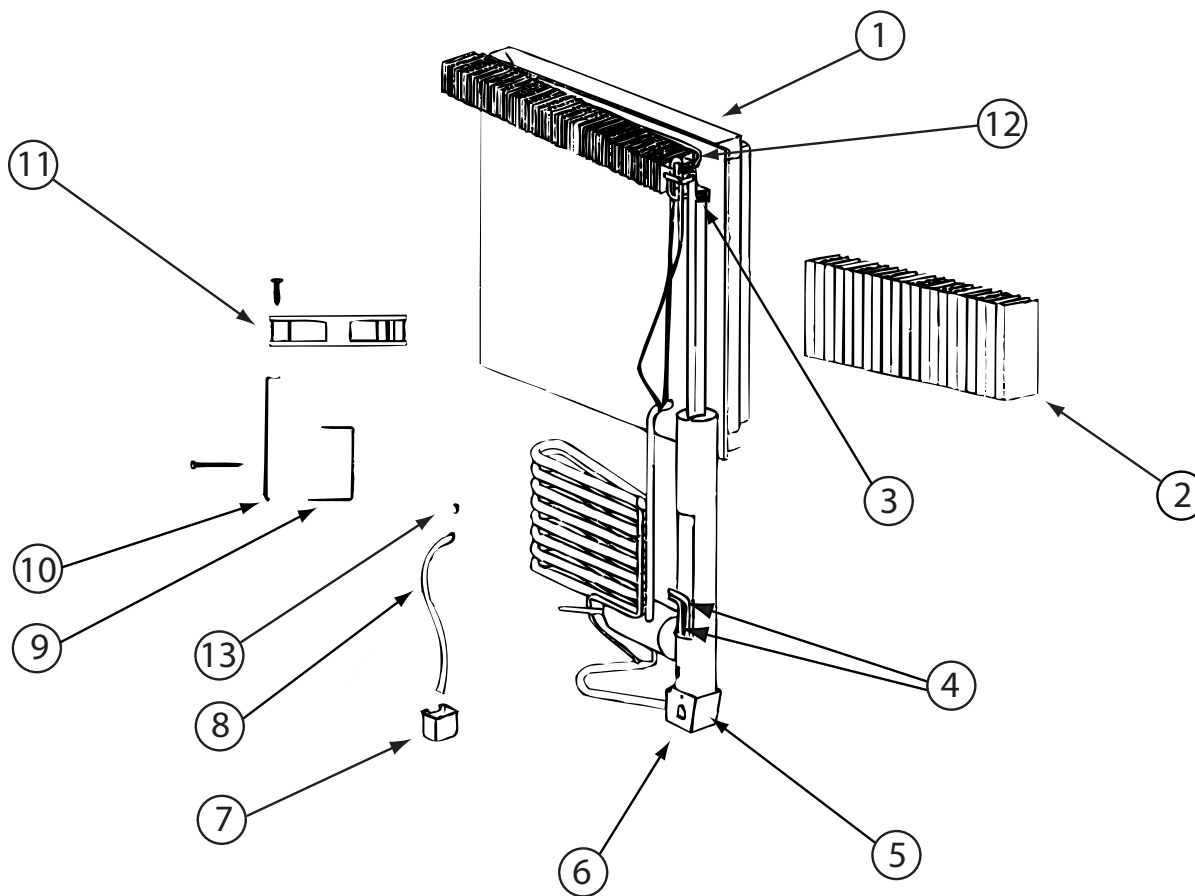
CABINET & APPLIANCE GROUP (CONTINUED)
COMPONENT PARTS FOR CABINET & APPLIANCE LAYOUT (CONTINUED)

125242-03-02A (CONTINUED)

| KEY | PART NUMBER | U/M | DESCRIPTION | VENDOR NO. |
|------------|--------------------|------------|--|-------------------|
| 1 | 125242-02-713 | EA | TRIM/UPR/LWR - SIDE SNAP ON | 621975 |
| 1 | 125242-02-730 | EA | TRIM - TOP/BOTTOM - SCREW ON | 623255 |
| 3 | 125242-01-722 | EA | TRIM - CORNER | 618844 |
| 4 | 125242-03-711 | EA | HINGE-UPR RH/LWR LH WRAP/DRS | 623824 |
| 5 | 125242-01-766 | EA | TRIM-LT/RT HAND-SCREW ON | 623254 |
| 5 | 125242-02-714 | EA | TRIM/SIDES - SIDE SNAP ON | 621976 |
| 6 | 125242-03-729 | EA | HINGE - MIDDLE | 627685 |
| 6 | 125242-03-730 | EA | HINGE PIN - MIDDLE HINGE | 627684 |
| 7 | 125242-03-731 | EA | CONTROL-OPT/ SN8981139 & UP | 628970 |
| 7 | 125242-03-712 | EA | CONTROL-OPT/GRAY- SN832172 UP | 624868 |
| 8 | 125242-01-721 | EA | STRIKE PLATE | 618835 |
| 9 | 125242-01-712 | EA | DRIP TRAY | 618774 |
| 10 | 125242-02-717 | EA | GUIDE ASM LWR(SER#540295 UP) | 620043 |
| 10 | 125242-02-719 | EA | GUIDE ASM UPR(SER#540295 UP) | 620041 |
| 10 | 125242-03-713 | EA | GUIDE BLOCK/FLAPPER/BTM BLK | 624140 |
| 10 | 125242-03-714 | EA | GUIDE-FLAPPERTOP/BLACK | 624141 |
| 12 | 120075-01-730 | EA | RETAINER-SHELF(SER#926684 DN) | 618181 |
| 12 | 125242-02-720 | EA | RETAINER/SHEF(SER#926685 UP) | 622033 |
| 13 | 125242-03-715 | EA | HINGE PIN/UPR-WRAPPED DOORS | 623899 |
| 15 | 125242-01-733 | EA | DIVIDER-BOTTLE CRISPER | 618877 |
| 16 | 125242-01-750 | EA | CLIP | 61409622 |
| 18 | 125242-01-749 | EA | SUPPORT - WALL | 618840 |
| 20 | 125242-01-706 | EA | COVER-CRISPER | 618757 |
| 21 | 125242-01-726 | EA | SHELF-WIRE (LONG) | 618848 |
| 22 | 125242-01-727 | EA | SHELF-WIRE (SHORT) | 618849 |
| 23 | 125242-01-725 | EA | SHELF-FREEZER (WIRE) | 618847 |
| 24 | 125242-03-716 | EA | HINGE-TOP LH/WRAPPED DOORS | 623823 |
| 25 | 125242-01-735 | EA | SWITCH - DOOR LIGHT | 618884 |
| 25 | 125242-01-768 | EA | SWITCH - DOOR LIGHT | 623918 |
| | 120075-01-714 | EA | PLUG-HOLE (BLACK) | 618170 |
| | 125242-01-728 | EA | CAP-SCREW WHITE | 618853 |
| | 125242-03-706 | EA | PROBE - CONTACT/LARGE | 620689 |

CONTACT WINNEBAGO PART SALES FOR UNLISTED COMPONENT(S)

CABINET & APPLIANCE GROUP (CONTINUED)
COMPONENT PARTS FOR CABINET & APPLIANCE LAYOUT (CONTINUED)

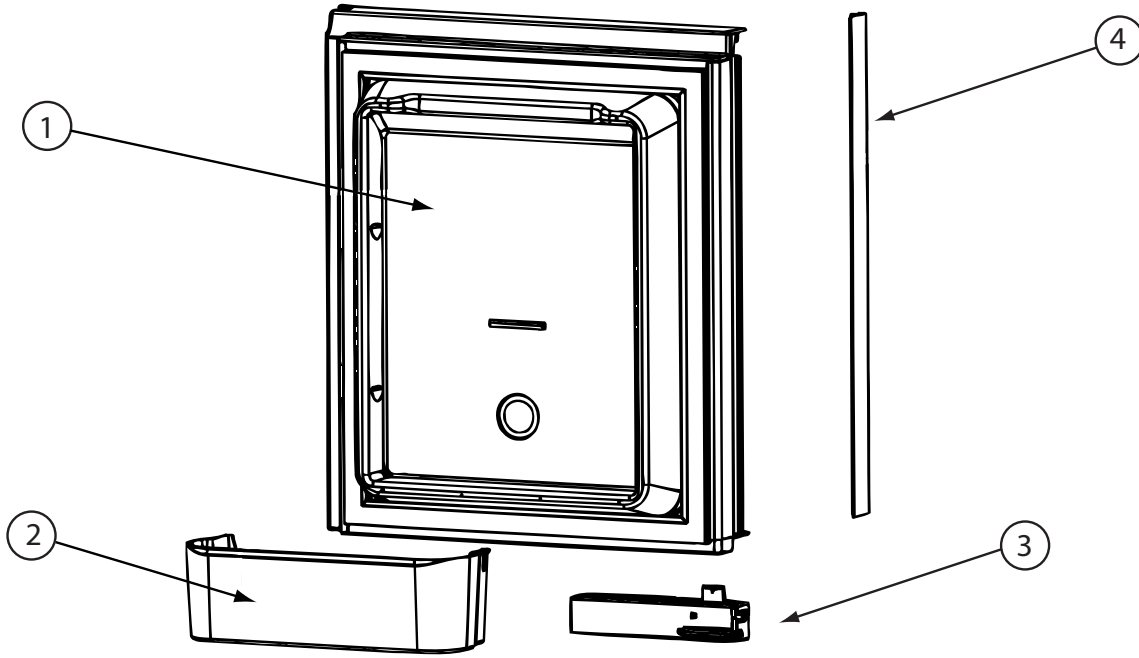


125242-03-02A (CONTINUED)

| KEY | PART NUMBER | U/M | DESCRIPTION | VENDOR NO. |
|-----|---------------|-----|------------------------------|------------|
| 1 | 125242-01-746 | EA | COOLING UNIT - 1200 | 618964 |
| 1 | 125242-05-719 | EA | COOLING UNIT - SN 8835498 UP | 629507 |
| 2 | 125242-05-713 | EA | FINS | 618785 |
| 4 | 125242-01-732 | EA | HEATER AC - 225W/110VAC | 618872 |
| 5 | 125242-01-739 | EA | BASE-BURNER BOX | 618902 |
| 6 | 125242-01-740 | EA | COVER-BURNER BOX | 618910 |
| 9 | 125242-01-730 | EA | BRACKET-DC FAN | 618857 |
| 9 | 125242-05-721 | EA | BRACKET-DC FAN-SN 914576 UP | 628747 |
| 10 | 125242-01-741 | EA | SUPPORT-DC FAN | 618912 |
| 11 | 125242-01-729 | EA | FAN-EXTERNAL DC | 618856 |
| 11 | 125242-05-722 | EA | FAN-EXTRNL DC-SN 914576 UP | 628685 |
| 12 | 113737-01-754 | EA | THERMOSTAT (FAN 12V DC) | 618093 |
| | 125242-01-742 | EA | WIRE ASM.-BAFFLE 55.15" | 618915 |

CONTACT WINNEBAGO PART SALES FOR UNLISTED COMPONENT(S)

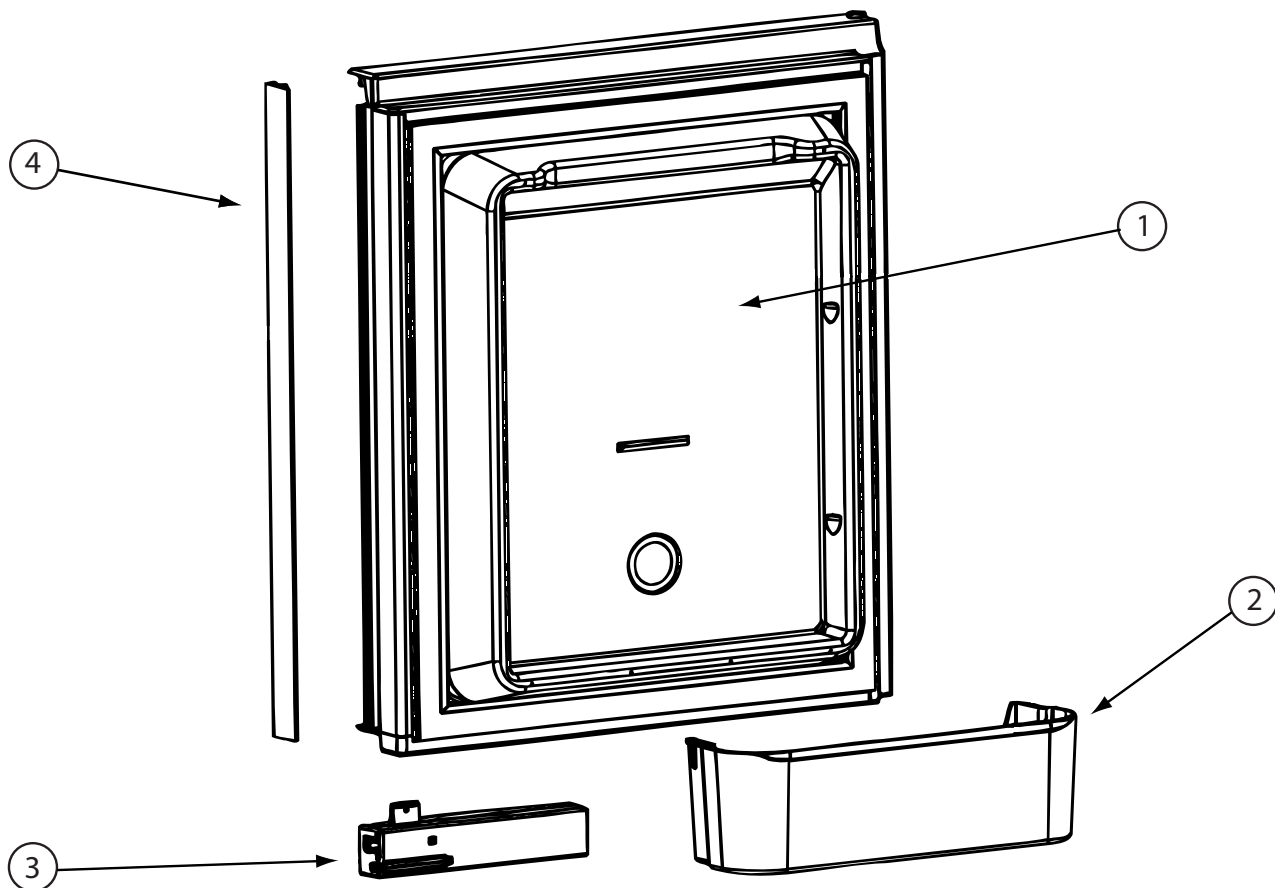
CABINET & APPLIANCE GROUP (CONTINUED)
COMPONENT PARTS FOR CABINET & APPLIANCE LAYOUT (CONTINUED)



125242-05-02A

| KEY | PART NUMBER | U/M | DESCRIPTION | VENDOR NO. |
|--|---------------|-----|------------------------------|------------|
| 1 | 125242-05-700 | EA | LINER-DOOR/UPPER RH/WRP WPM | 62913401 |
| 2 | 125242-05-701 | EA | BIN - DOOR SHELF | 628686 |
| 3 | 125242-02-701 | EA | HANDLE(CONTOUR)TOP RH LWR LH | 621106 |
| | 125242-02-722 | EA | LATCH-STORAGE DR/BLK POINTED | 619374 |
| CONTACT WINNEBAGO PART SALES FOR UNLISTED COMPONENT(S) | | | | |

CABINET & APPLIANCE GROUP (CONTINUED)
COMPONENT PARTS FOR CABINET & APPLIANCE LAYOUT (CONTINUED)

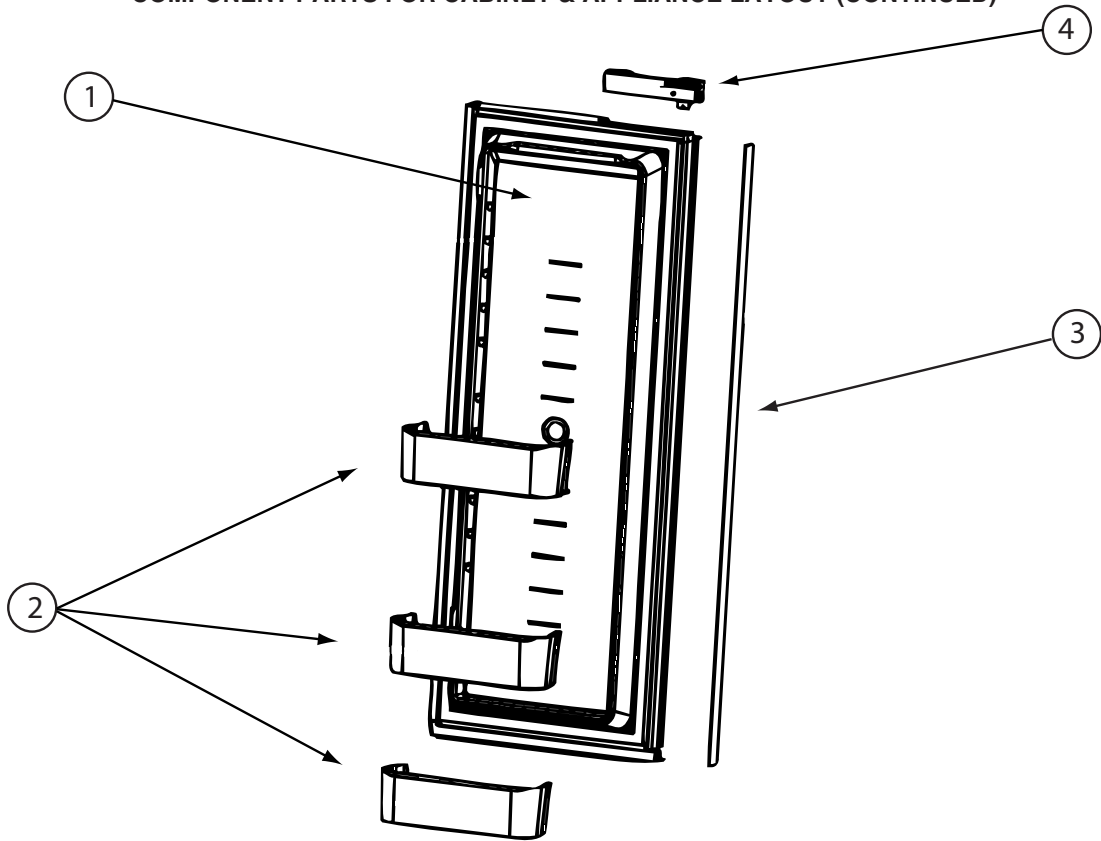


125242-05-02A (CONTINUED)

| KEY | PART NUMBER | U/M | DESCRIPTION | VENDOR NO. |
|-----|---------------|-----|------------------------------|------------|
| 1 | 125242-05-702 | EA | LINER-DOOR/UPPER LH/WRP WPM | 62913301 |
| 2 | 125242-05-701 | EA | BIN - DOOR SHELF | 628686 |
| 3 | 125242-02-700 | EA | HANDLE(CONTOUR)TOP LH BTM RH | 621107 |
| | 125242-02-722 | EA | LATCH-STORAGE DR/BLK POINTED | 619374 |

CONTACT WINNEBAGO PART SALES FOR UNLISTED COMPONENT(S)

CABINET & APPLIANCE GROUP (CONTINUED)
COMPONENT PARTS FOR CABINET & APPLIANCE LAYOUT (CONTINUED)

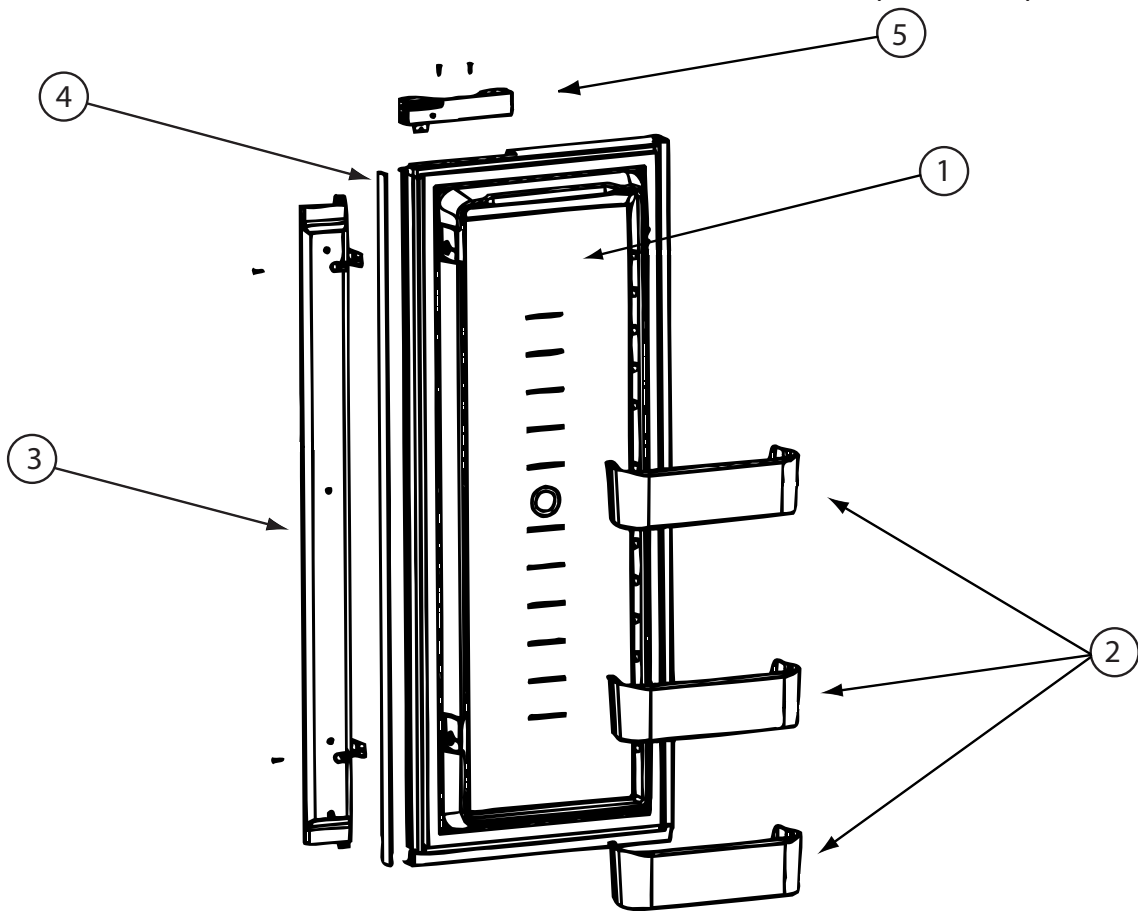


125242-05-02A (CONTINUED)

| KEY | PART NUMBER | U/M | DESCRIPTION | VENDOR NO. |
|-----|---------------|-----|------------------------------|------------|
| 1 | 125242-05-703 | EA | LINER-DOOR/LOWER RH/WRP WPM | 62913601 |
| 2 | 125242-05-701 | EA | BIN - DOOR SHELF | 628686 |
| 4 | 125242-02-700 | EA | HANDLE(CONTOUR)TOP LH BTM RH | 621107 |
| | 125242-02-722 | EA | LATCH-STORAGE DR/BLK POINTED | 619374 |

CONTACT WINNEBAGO PART SALES FOR UNLISTED COMPONENT(S)

CABINET & APPLIANCE GROUP (CONTINUED)
COMPONENT PARTS FOR CABINET & APPLIANCE LAYOUT (CONTINUED)

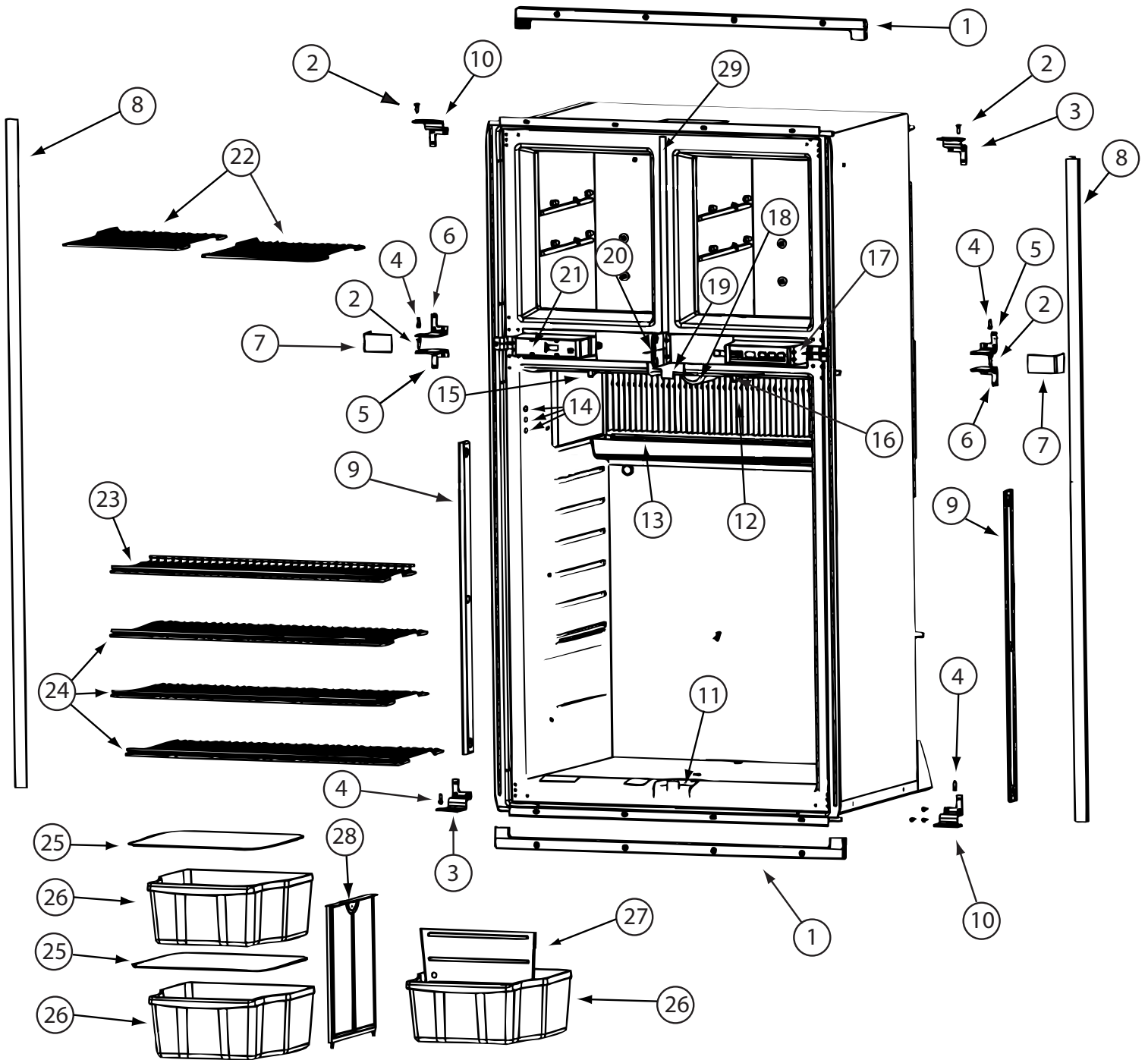


125242-05-02A (CONTINUED)

| KEY | PART NUMBER | U/M | DESCRIPTION | VENDOR NO. |
|-----|---------------|-----|------------------------------|------------|
| 1 | 125242-05-704 | EA | LINER-DOOR/LOWER LH/WRP WPM | 62913501 |
| 2 | 125242-05-701 | EA | BIN - DOOR SHELF | 628686 |
| 3 | 125242-05-705 | EA | FLAPPER ASM | 629049 |
| 5 | 125242-02-701 | EA | HANDLE(CONTOUR)TOP RH LWR LH | 621106 |
| | 125242-02-722 | EA | LATCH-STORAGE DR/BLK POINTED | 619374 |

CONTACT WINNEBAGO PART SALES FOR UNLISTED COMPONENT(S)

CABINET & APPLIANCE GROUP (CONTINUED)
COMPONENT PARTS FOR CABINET & APPLIANCE LAYOUT (CONTINUED)



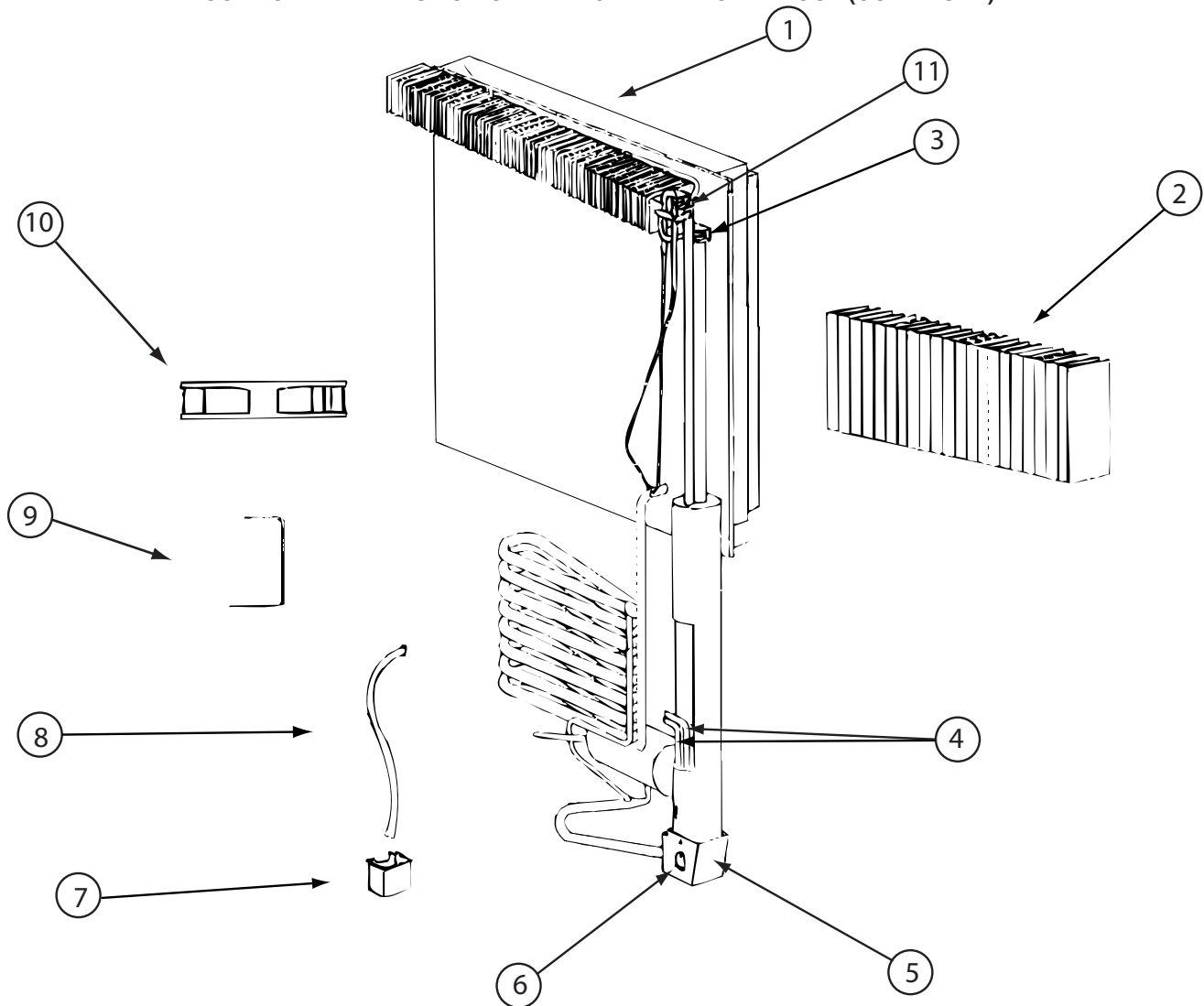
125242-05-02A (CONTINUED)

CABINET & APPLIANCE GROUP (CONTINUED)
COMPONENT PARTS FOR CABINET & APPLIANCE LAYOUT (CONTINUED)

125242-05-02A (CONTINUED)

| KEY | PART NUMBER | U/M | DESCRIPTION | VENDOR NO. |
|------------|--------------------|------------|--|---------------------|
| 1 | 125242-01-767 | EA | KIT - UNIVERSAL TRIM (MAKE YOUR OWN)CORNERS/ETC - SCREW-ON | |
| 2 | 125242-03-715 | EA | HINGE PIN/UPR-WRAPPED DOORS | 623899 |
| 3 | 125242-05-707 | EA | HINGE-OUTER/UPPER RH/LWR LH | 628946 |
| 4 | 113737-01-710 | EA | PIN-HINGE, BOTTOM | 61550722 |
| 5 | 125242-05-708 | EA | HINGE-INNER/UPPER RH/LWR LH | 624363 |
| 6 | 125242-05-709 | EA | HINGE-INNER/UPPER LH/LWR RH | 624364 |
| 7 | 125242-05-710 | EA | COVER - HINGE | 627955 |
| 8 | 125242-01-766 | EA | TRIM - LEFT HAND/RIGHT HAND - VERTICAL - SCREW-ON | |
| 9 | 125242-02-720 | EA | RETAINER/SHELF(SER#926685 UP) | 622033 |
| 10 | 125242-05-711 | EA | HINGE-OUTER/UPPER LH/LWR RH | 628945 |
| 11 | 125242-05-712 | EA | GUIDE BLOCK-FLAPPER/BTM/BLK | 629112 |
| 12 | 125242-05-713 | EA | FINS | 618785 |
| 13 | 125242-01-712 | EA | DRIP TRAY | 618774 |
| 14 | 125242-03-706 | EA | PROBE - CONTACT/LARGE | 620689 |
| 15 | 125242-01-768 | EA | SWITCH - DOOR LIGHT | 623918 |
| 16 | 125242-02-706 | EA | LAMP/WIRE ASM/SER#849677 UP | 620871 |
| 17 | 125242-05-706 | EA | CONTROL ASM - OPTICAL | 629113 |
| 18 | 125242-02-708 | EA | COVER/LAMP BRACKET | 621827 |
| 19 | 125242-05-714 | EA | GUIDE BLOCK-FLAPPER/TOP/BLK | 629111 |
| 20 | 125242-05-715 | EA | PLATE/STRIKE - BLACK | 628473 |
| 21 | 125242-05-716 | EA | BOX/FRONT - DUMMY | 624366 |
| 22 | 125242-01-725 | EA | SHELF-FREEZER (WIRE) | 618847 |
| 23 | 125242-01-727 | EA | SHELF-WIRE (SHORT) | 618849 |
| 24 | 125242-01-726 | EA | SHELF-WIRE (LONG) | 618848 |
| 25 | 125242-01-706 | EA | COVER-CRISPER | 618757 |
| 26 | 125242-05-717 | EA | BIN - BOTTLE/CRISPER | 628688 |
| 27 | 125242-05-718 | EA | DIVIDER - BOTTLE/CRISPER | 628694 |
| 28 | 125242-01-749 | EA | SUPPORT - WALL | 618840 |
| 29 | 125242-02-741 | EA | STRIP-FREEZER-BLACK | 625210 #1291391 &UP |
| | 084880-03-705 | EA | BRACKET-LIGHT-INTERIOR | 61629722 |
| | 084880-03-706 | EA | BULB-LAMP | 61628922 |
| | 120075-01-714 | EA | PLUG-HOLE (BLACK) | 618170 |

CABINET & APPLIANCE GROUP (CONTINUED)
COMPONENT PARTS FOR CABINET & APPLIANCE LAYOUT (CONTINUED)

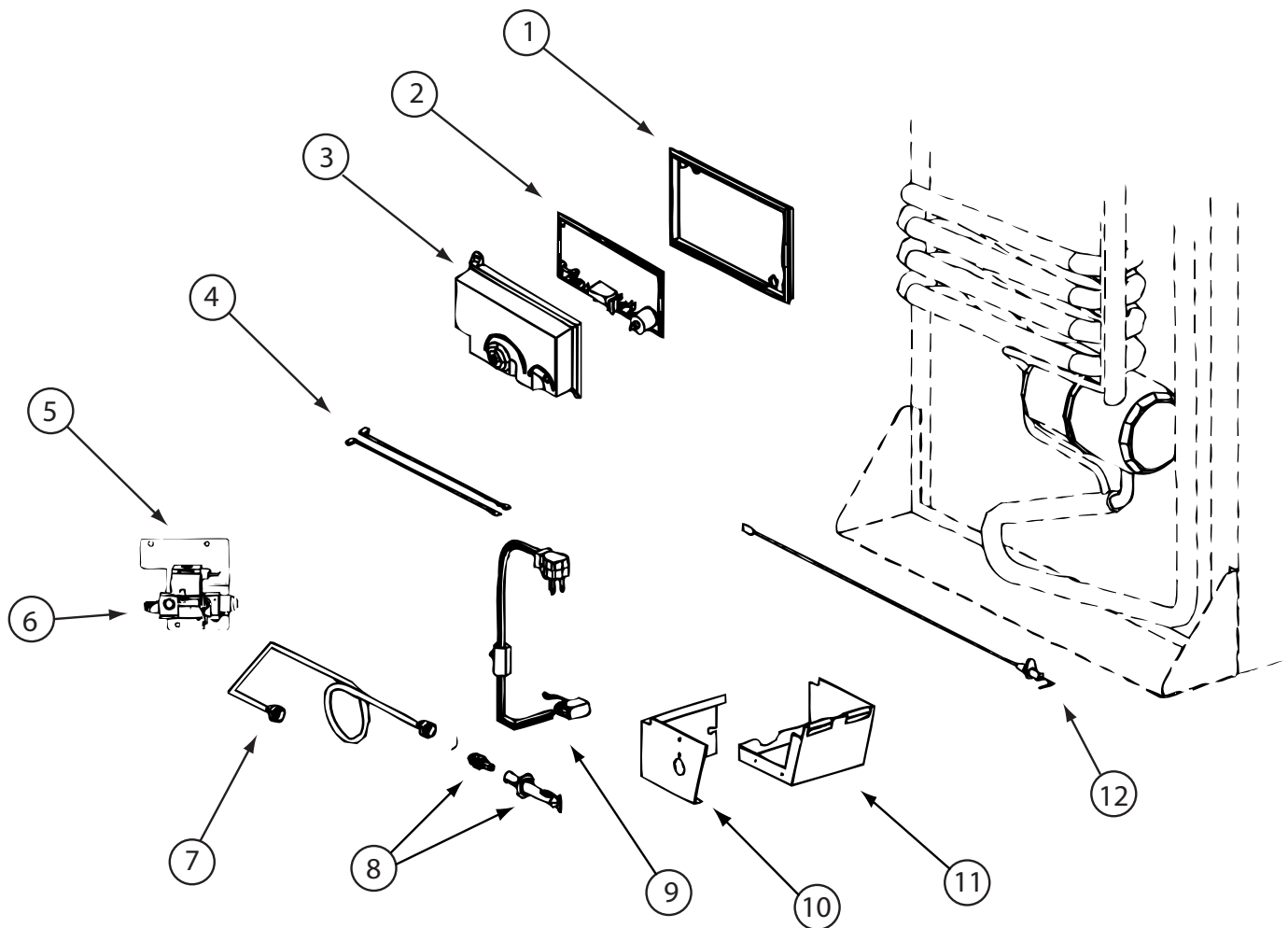


125242-05-02A (CONTINUED)

| KEY | PART NUMBER | U/M | DESCRIPTION | VENDOR NO. |
|-----|---------------|-----|------------------------------|------------|
| 1 | 125242-05-719 | EA | COOLING UNIT - SN 8835498 UP | 629507 |
| 2 | 125242-05-713 | EA | FINS | 618785 |
| 4 | 125242-01-732 | EA | HEATER AC - 225W/110VAC | 618872 |
| 5 | 125242-01-739 | EA | BASE-BURNER BOX | 618902 |
| 6 | 125242-01-740 | EA | COVER-BURNER BOX | 618910 |
| 9 | 125242-05-721 | EA | BRACKET-DC FAN-SN 9144576 UP | 628747 |
| 10 | 125242-05-722 | EA | FAN-EXTRNL DC-SN 9144576 UP | 628685 |
| 11 | 113737-01-754 | EA | THERMOSTAT (FAN 12V DC) | 618093 |
| | 125242-01-742 | EA | WIRE ASM.-BAFFLE 55.15" | 618915 |
| | 125242-05-720 | EA | SWITCH-THERMAL | 628118 |

CONTACT WINNEBAGO PART SALES FOR UNLISTED COMPONENT(S)

CABINET & APPLIANCE GROUP (CONTINUED)
COMPONENT PARTS FOR CABINET & APPLIANCE LAYOUT (CONTINUED)

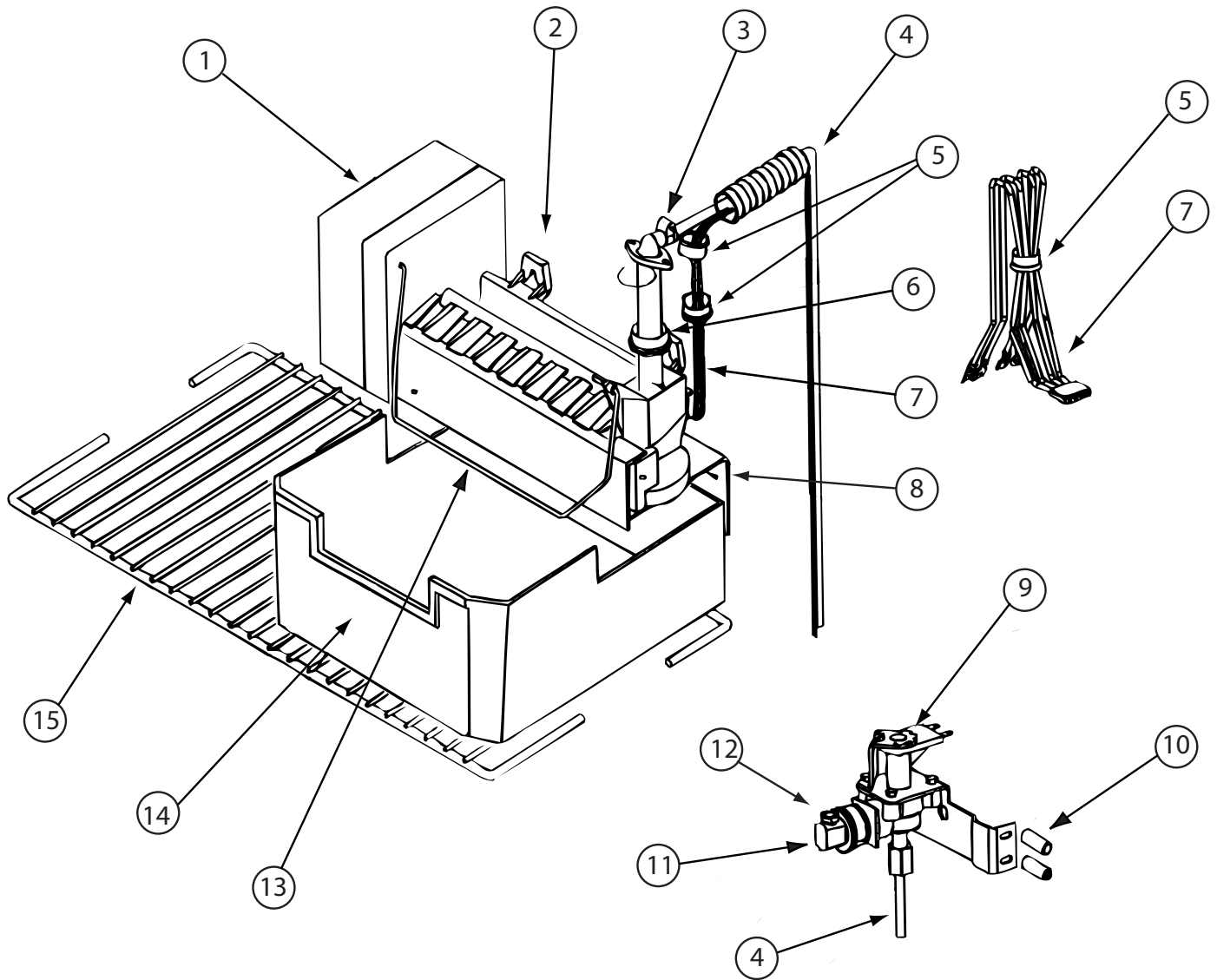


125242-03-02A & 125242-05-02A (CONTINUED)

| KEY | PART NUMBER | U/M | DESCRIPTION | VENDOR NO. |
|-----|---------------|-----|--|------------|
| 1 | 121569-08-701 | EA | BASE - POWER BOARD | 628674 |
| 2 | 121568-06-709 | EA | BOARD/POWER-N611/N822F | 628661 |
| 3 | 121569-08-702 | EA | COVER-POWER BOARD | 628677 |
| 4 | 125242-02-709 | EA | WIRE/WHITE/9"/GAS VALVE | 621448 |
| 6 | 121569-08-703 | EA | VALVE - SOLENOID | 628741 |
| 7 | 125242-05-723 | EA | BURNER TUBE | 624683 |
| 8 | 125242-02-743 | EA | BURNER ORFICE ADAPTER ASSY - NORCOLD# 629013 | |
| 9 | 121569-07-700 | EA | CORD - AC POWER | 61554422 |
| 10 | 125242-01-740 | EA | COVER-BURNER BOX | 618910 |
| 11 | 125242-01-739 | EA | BASE-BURNER BOX | 618902 |
| 12 | 104137-06-715 | EA | ELECTRODE-SPARK/SENSOR, SGL | 61692222 |

CONTACT WINNEBAGO PART SALES FOR UNLISTED COMPONENT(S)

CABINET & APPLIANCE GROUP (CONTINUED)
COMPONENT PARTS FOR CABINET & APPLIANCE LAYOUT (CONTINUED)

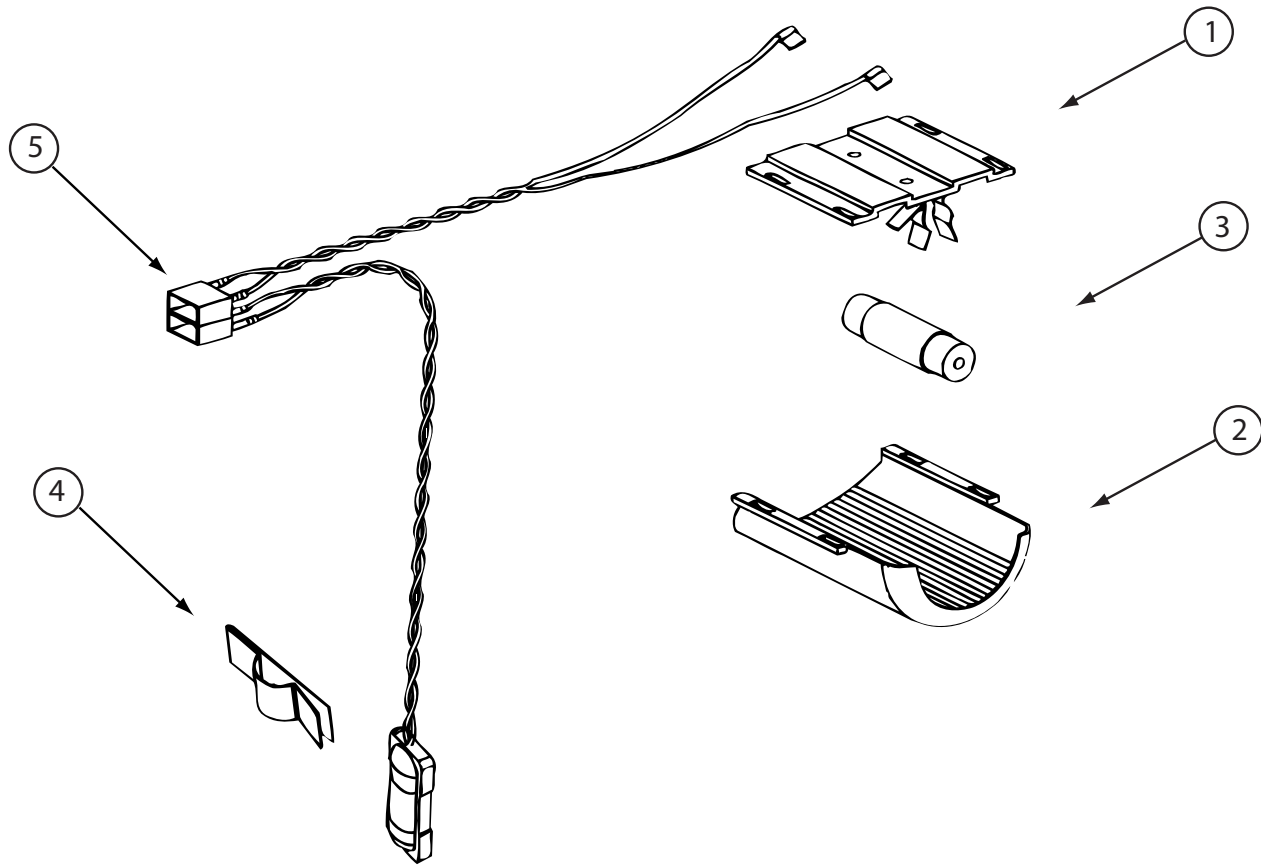


125242-03-02A & 125242-05-02A (CONTINUED)

| KEY | PART NUMBER | U/M | DESCRIPTION | VENDOR NO. |
|-----|---------------|-----|------------------------------|---------------|
| 2 | 094039-07-706 | EA | ICE MAKER W/O PLATES | 61656522 |
| 4 | 125242-05-724 | EA | WATER TUBE/HEATER ASM | 621429 |
| 6 | 120075-03-706 | EA | FITTING WATER LINE | 620039 |
| 8 | 125242-01-737 | EA | BRACKET-MOUNTING (ICE MAKER) | 618894/620890 |
| 9 | 120075-03-701 | EA | WATER VALVE - W/BRACKET | 618253 |
| 11 | 094039-07-707 | EA | GARDEN HOSE ADAP W/BRASS NUT | 61679622 |
| 12 | 094039-07-708 | EA | NUT - COMPRESSION | 622991 |
| 13 | 120075-03-703 | EA | ARM-SHUT OFF | 61656922 |
| 14 | 125242-01-716 | EA | ICE BIN | 618803 |
| 15 | 125242-01-725 | EA | SHELF-FREEZER (WIRE) | 618847 |
| | 120075-09-703 | EA | THERMOSTAT | 620240 |

CONTACT WINNEBAGO PART SALES FOR UNLISTED COMPONENT(S)

CABINET & APPLIANCE GROUP (CONTINUED)
COMPONENT PARTS FOR CABINET & APPLIANCE LAYOUT (CONTINUED)



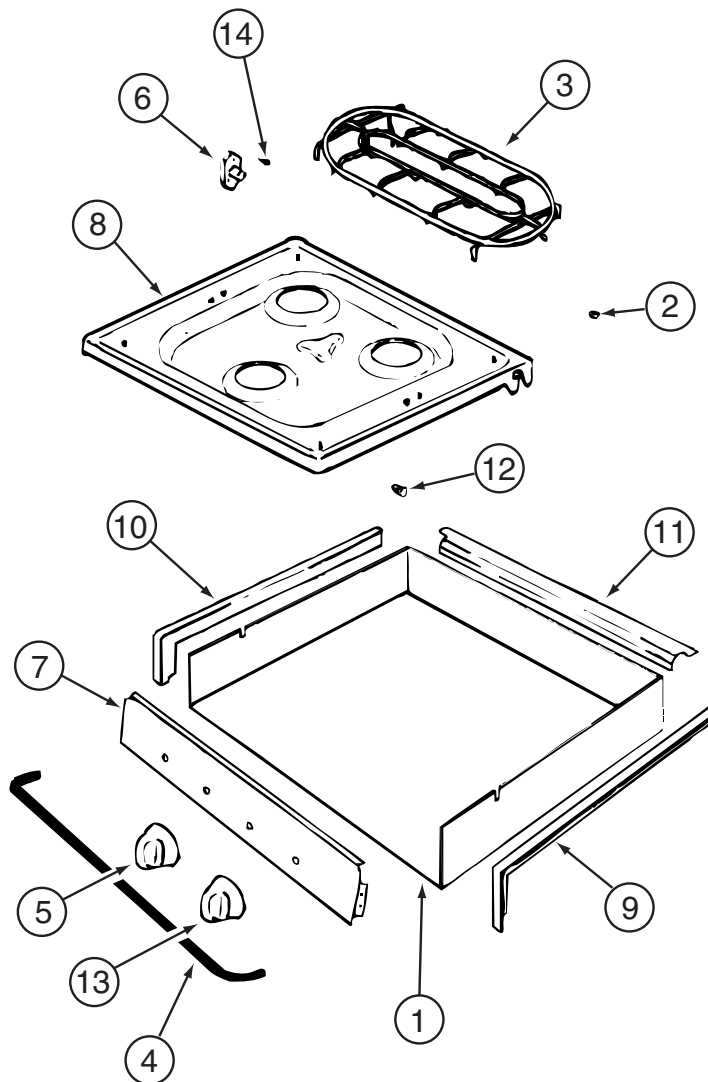
125242-03-02A & 125242-05-02A (CONTINUED)

| KEY | PART NUMBER | U/M | DESCRIPTION | VENDOR NO. |
|-----|---------------|-----|-----------------------------|------------|
| 1 | 084880-03-705 | EA | BRACKET-LIGHT-INTERIOR | 61629722 |
| 2 | 125242-02-708 | EA | COVER/LAMP BRACKET | 621827 |
| 3 | 084880-03-706 | EA | BULB-LAMP | 61628922 |
| 4 | 084880-01-760 | EA | CLIP (THERMISTER) | 61689122 |
| 5 | 125242-02-706 | EA | LAMP/WIRE ASM/SER#849677 UP | 620871 |

126022-01-01A, 126022-02-01A, 126022-03-01A

| KEY | PART NUMBER | U/M | DESCRIPTION | VENDOR NO. |
|-----|---------------|-----|------------------------------|-------------------|
| | 114030-01-707 | EA | PLUG BUTTON BLACK | 74002628 |
| | 126022-01-700 | EA | BUMPER - RANGE BIFOLD COVER | MAGIC 8003P007-60 |
| | 126022-01-701 | EA | HINGE-RANGE BIFOLD COVER-22" | MAGIC 3418F067-34 |

CABINET & APPLIANCE GROUP (CONTINUED)
COMPONENT PARTS FOR CABINET & APPLIANCE LAYOUT (CONTINUED)

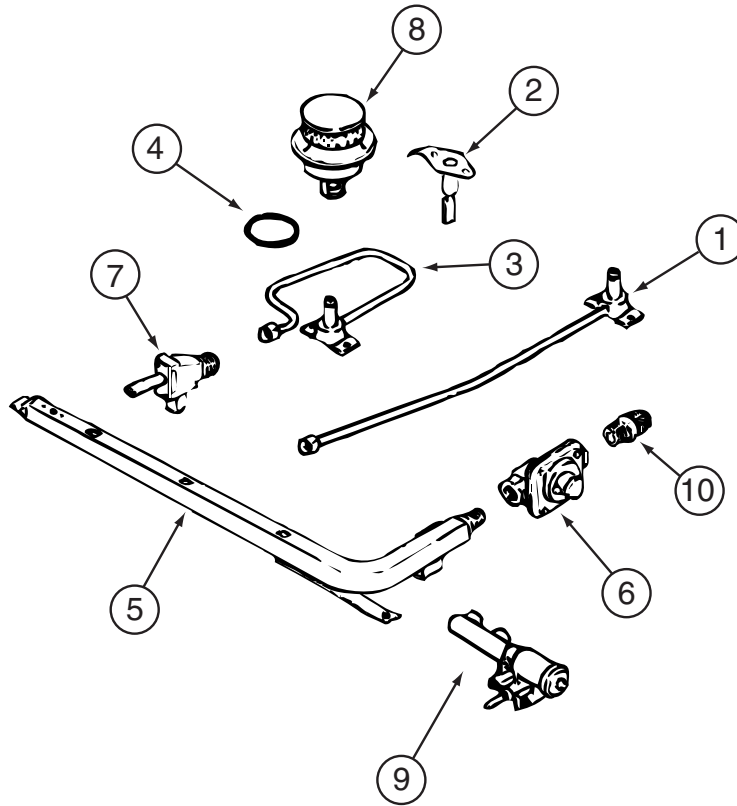


135065-03-01A, 135065-03-03A, 135065-04-01A

| KEY | PART NUMBER | U/M | DESCRIPTION | VENDOR NO. |
|-----|---------------|-----|------------------------------|--------------|
| 2 | 102020-01-709 | EA | BUMPER-GRATE | 8007-P020-60 |
| 3 | 135065-03-703 | EA | GRATE - BLACK(SEALED BURNER) | 74007304 |
| 4 | 114030-02-700 | EA | GUARD/FABRIC - TOWEL BAR | 3609F006-70 |
| 5 | 128728-01-701 | EA | KNOB - BURNER - REAR | 74003941 |
| 5 | 128728-01-702 | EA | KNOB - BURNER - FRONT | 74003942 |
| 6 | 128728-01-703 | EA | PIN/T-NUT F/HINGE | 7103P109-60 |
| 7 | 135065-03-704 | EA | PANEL - MANIFOLD (BLACK) | 74007330 |
| 8 | 128728-01-705 | EA | TOP - MAIN - BLACK | 74003928 |
| 8 | 135065-03-715 | EA | TOP - MAIN - STAINLESS STEEL | 74007299 |
| 9 | 114030-01-704 | EA | TRIM - RIGHT/BLACK TEXTURED | 74002839 |
| 10 | 114030-01-705 | EA | TRIM - LEFT/BLACK TEXTURED | 74002840 |
| 11 | 114030-01-706 | EA | TRIM - REAR/BLACK TEXTURED | 74002841 |
| 12 | 102020-01-724 | EA | BUMPER-MAIN TOP | 8003P008-60 |
| 13 | 128728-01-707 | EA | KNOB - IGNITOR | 74003944 |

CONTACT WINNEBAGO PART SALES FOR UNLISTED COMPONENT(S)

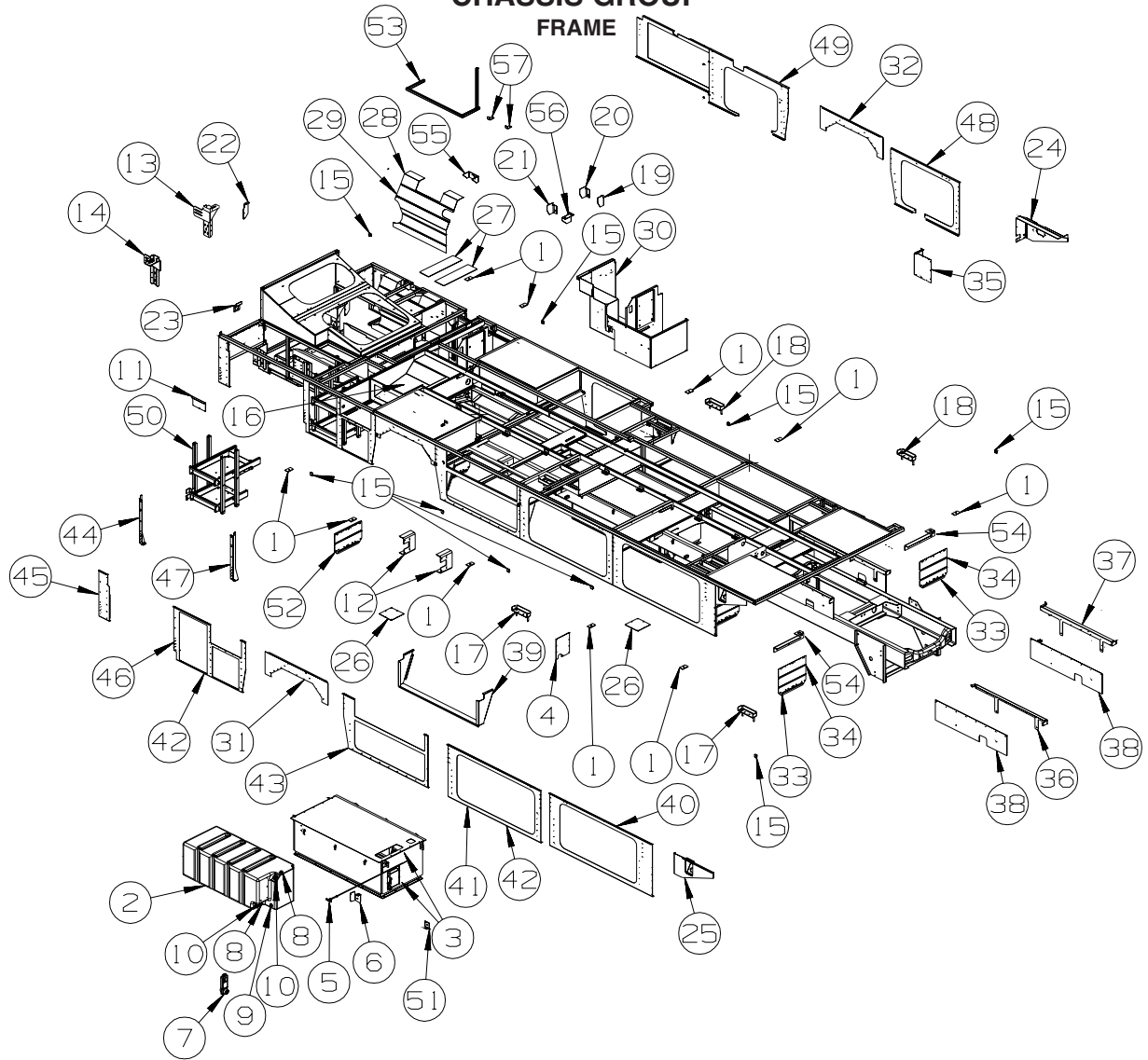
CABINET & APPLIANCE GROUP (CONTINUED)
COMPONENT PARTS FOR CABINET & APPLIANCE LAYOUT (CONTINUED)



135065-03-01A, 135065-03-03A, 135065-04-01A (CONTINUED)

| KEY | PART NUMBER | U/M | DESCRIPTION | VENDOR NO. |
|-----|---------------|-----|------------------------------|------------|
| 1 | 128728-01-708 | EA | FITTING W/ORFICE/TUBE - REAR | 74003931 |
| 2 | 135065-01-701 | EA | IGNITOR/PORCELAIN-TOP BURNER | 74004053 |
| 3 | 128728-01-710 | EA | FITTING W/ORFICE/TUBE - FRT | 74003930 |
| 4 | 135065-03-700 | EA | FITTING - HALF UNION | 74004234 |
| 5 | 135065-01-702 | EA | PIPE/MANIFOLD | 74004642 |
| 6 | 126023-02-703 | EA | REGULATOR - PRESSURE | 74004235 |
| 7 | 135065-01-703 | EA | VALVE/BURNER - REAR | 74004643 |
| 7 | 135065-01-704 | EA | VALVE/BURNER-FRT-HI | 74004644 |
| 7 | 135065-03-701 | EA | SCREW - VALVE | 71003231 |
| 8 | 135065-03-702 | EA | SEALED BURNER ASM.(BLACK) RV | 74003967 |
| 9 | 128728-01-716 | EA | BURNER - IGNITOR | 74003946 |
| 9 | 128728-01-717 | EA | WIRES - IGNITOR | 74003947 |

CHASSIS GROUP FRAME



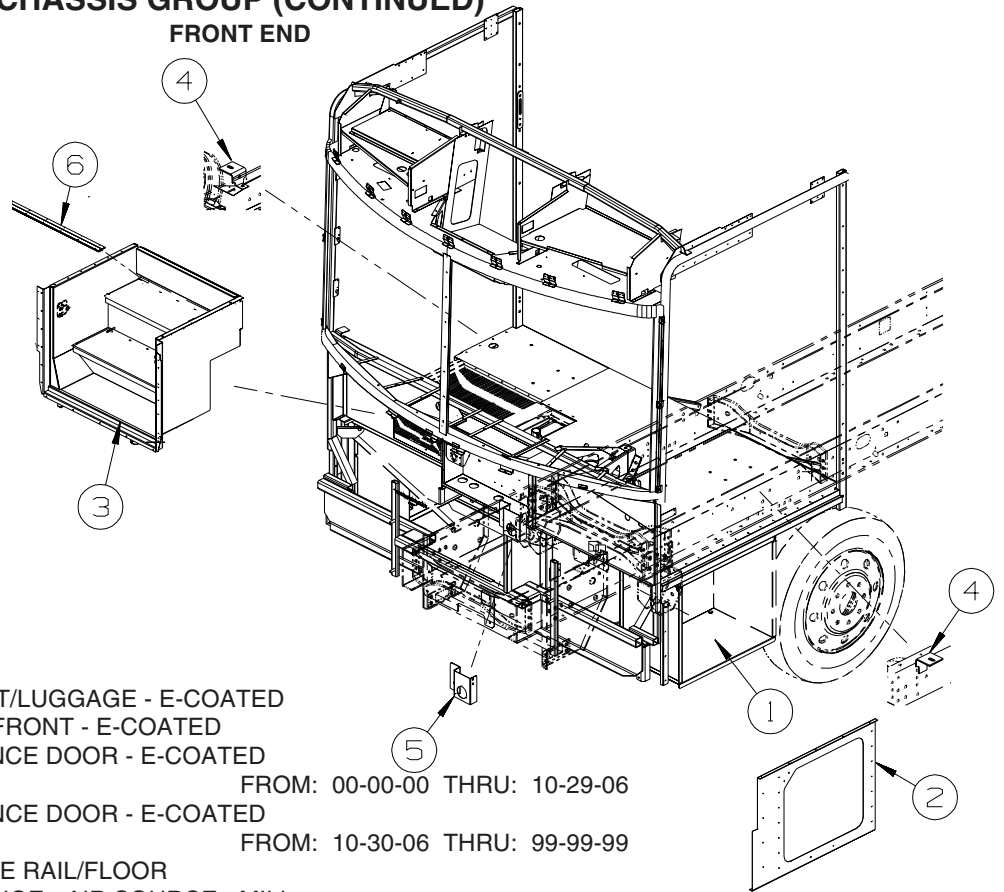
| KEY | PART NUMBER | U/M | DESCRIPTION |
|-----|---------------|-----|--|
| 1 | 135712-01-02B | EA | PLATE - BODY MOUNT - E-COATED |
| 2 | 132678-04-000 | EA | TANK - WATER - 82 GALLON - W/FITTINGS |
| | 049032-01-000 | EA | PATCH - SPINWELD - 3/8" - PLASTIC |
| | 132678-01-000 | EA | TANK - WATER - 86 GALLON - W/O FITTINGS |
| 3 | 112091-01-000 | FT | SEAL/D - NEOPRENE - HEAT ACTIVE ADHESIVE - .9" X .7" |
| 4 | 133352-01-02B | EA | PANEL - ACCESS - WATER TANK - E-COATED |
| 5 | 062421-05-000 | EA | CABLE/ROD - F/DUMP VALVE - W/HANDLE - 48" |
| 6 | 143994-01-12B | EA | BRACKET/MOUNTING - VALVE - BRIGHT WHITE |
| 7 | 062421-03-000 | EA | VALVE/DUMP W/O HANDLE - 1 1/2" X 1 1/2" HUB |
| | 127170-01-000 | EA | LABEL - WATER TANK DRAIN |
| 8 | 042989-05-000 | EA | FITTING - SPINWELD - 1/2" FPT - PLASTIC |
| 9 | 042989-04-000 | EA | FITTING - SPINWELD - 3/8" FPT - PLASTIC |
| 10 | 042989-03-000 | EA | FITTING - SPINWELD - 1 1/4" NPT - PLASTIC |
| 11 | 139982-01-02B | EA | PANEL/COVER - ACCESS - RAM - E-COATED |
| 12 | 120867-01-02B | EA | MOUNT - LP TANK - E-COAT |
| 13 | 131328-03-02B | EA | SUPPORT - REAR RISER - RIGHT HAND - E-COATED |
| 14 | 131328-04-02B | EA | SUPPORT - REAR RISER - LEFT HAND - E-COATED |
| 15 | 119845-01-01A | EA | PLUG/PLASTIC - 1 1/2" SQUARE - BLACK |
| 16 | 144842-01-02B | EA | COMPARTMENT - FURNACE - E-COATED |
| 17 | 152558-01-02B | EA | BRACKET/MOUNT - F/SLIDEOUT - E-COATED |
| 18 | 152558-06-02B | EA | BRACKET/MOUNT - F/SLIDEOUT - E-COATED |
| 19 | 136910-01-02B | EA | BRACKET - CYLINDER/RAM - RIGHT HAND - E-COATED |
| 20 | 136910-02-02B | EA | BRACKET - CYLINDER/RAM - LEFT HAND - E-COATED |
| 21 | 136910-04-02B | EA | BRACKET - CYLINDER (RAM) - E-COATED |
| 22 | 141728-01-02B | EA | HANGER - EXHAUST - E-COATED |
| 23 | 149628-01-02B | EA | BRACKET - TOW POWER |

CHASSIS GROUP (CONTINUED)
FRAME (CONTINUED)

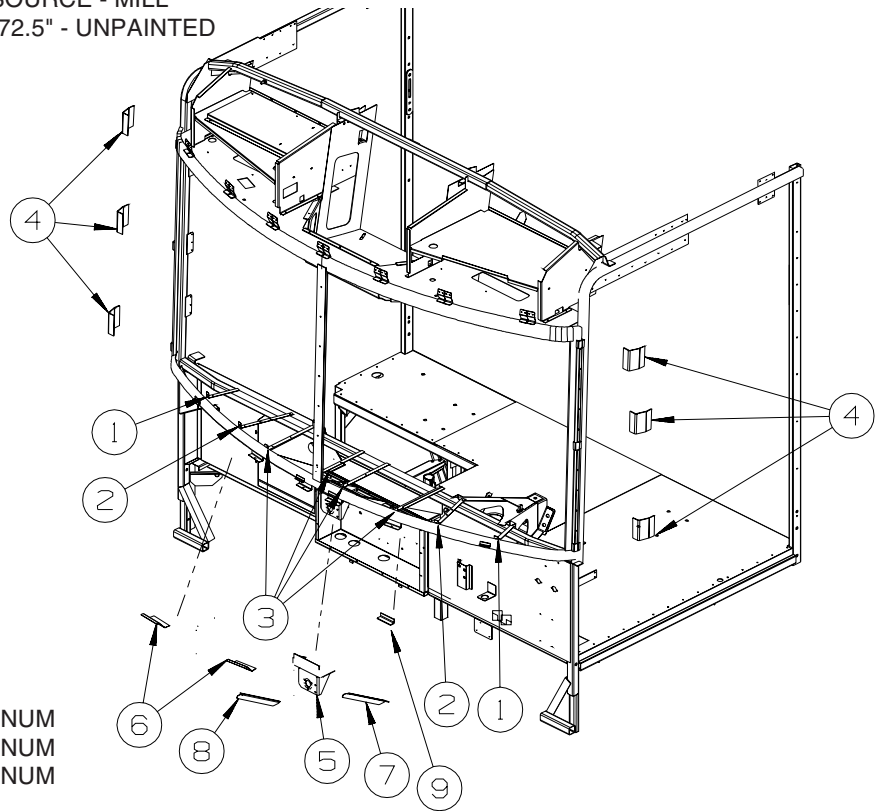
| KEY | PART NUMBER | U/M | DESCRIPTION |
|-----|---------------|-----|---|
| 24 | 158526-01-02B | EA | PANEL - FUEL FILL - LEFT HAND - E-COATED |
| 25 | 158525-01-02B | EA | PANEL - FUEL FILL - RIGHT HAND - E-COATED |
| 26 | 134297-02-02B | EA | PLATE - COVER - E-COATED |
| 27 | 146245-01-000 | EA | INSULATION - FIEBERGLASS/FOIL - 25" |
| 28 | 139420-02-02B | EA | SHIELD - AC CONDENSOR - E-COATED |
| 29 | 113452-02-000 | FT | SEAL/TRIM - FRONT - VINYL W/WIRE CARRIER - .027" |
| 30 | 158455-01-02B | EA | COMPARTMENT - POWER CORD - E-COATED |
| 31 | 119750-11-02B | EA | PANEL/SEAL PLANE - WHEELWELL/RIGHT HAND - E-COATED |
| 32 | 119750-12-02B | EA | PANEL/SEAL PLANE - WHEELWELL/LEFT HAND - E-COATED |
| 33 | 136391-02-02B | EA | GUARD/ROCK - STEEL - W/ANGLE - 18"W X 15"H - E-COATED |
| 34 | 113452-01-000 | FT | SEAL/TRIM - FRONT - VINYL W/WIRE CARRIER - .020" |
| 35 | 132654-05-01A | EA | SUPPORT - WHEEL LIP - BLACK - 20.9" |
| 36 | 143917-01-01A | EA | SHIELD/SPLASH - WHEELWELL |
| 37 | 143916-01-02B | EA | BRACKET/SHIELD - SPLASH - E-COATED |
| 38 | 143916-02-02B | EA | BRACKET/SHIELD - SPLASH - E-COATED |
| | 143530-01-02B | EA | COVER/HOLE - SEAL ACCESS/SLIDEOUT - E-COATED |
| | | | FROM: 00-00-00 THRU: 05-28-06 |
| 39 | 140166-01-02B | EA | SUPPORT - SEAL PLANE - E-COATED |
| 40 | 138549-01-02B | EA | PLATE/SEAL - E-COATED |
| 41 | 138550-01-02B | EA | PLATE/SEAL - E-COATED |
| 42 | 126516-01-01A | FT | TRIM - VINYL/EXTRUDED - 8' |
| 43 | 135642-01-02B | EA | PLATE/SEAL - E-COATED |
| 44 | 141649-01-02B | EA | BRACKET - A/C - E-COATED |
| 45 | 141650-03-02B | EA | PLATE/SEAL - E-COATED |
| 46 | 149117-01-02B | EA | PLATE/SEAL - E-COATED |
| 47 | 141649-03-02B | EA | BRACKET - A/C - E-COATED |
| 48 | 135636-03-02B | EA | PLATE/SEAL - E-COATED |
| 49 | 141223-02-02B | EA | SEAL PLANE - E-COATED |
| 50 | 138866-01-01A | EA | SLIDE - BATTERY TRAY |
| 51 | 119750-12-02B | EA | PANEL/SEAL PLANE - WHEELWELL/LEFT HAND - E-COATED |
| 52 | 136391-01-02B | EA | GUARD/ROCK - STEEL - W/ANGLE - 18"W X 11"H - E-COATED |
| 53 | 134225-01-02B | EA | SUPPORT - CONDENSOR SHIELD - E-COATED |
| 54 | 140273-01-02B | EA | BRACE - ROCK GUARD - E-COATED |
| | | | FROM: 00-00-00 THRU: 01-31-06 |
| 54 | 157712-02-02B | EA | HANGER - ROCK GUARD - E-COATED |
| | | | FROM: 02-01-06 THRU: 99-99-99 |
| 55 | 139409-02-02B | EA | BRACKET - MOUNTING - CYLINDER - E-COATED |
| 56 | 140045-02-02B | EA | BRACKET - CYLINDER - (RAM) - E-COATED |
| 57 | 122922-02-02B | EA | BRACKET/CYLINDER SUPPORT - E-COATED |

CHASSIS GROUP (CONTINUED)

FRONT END



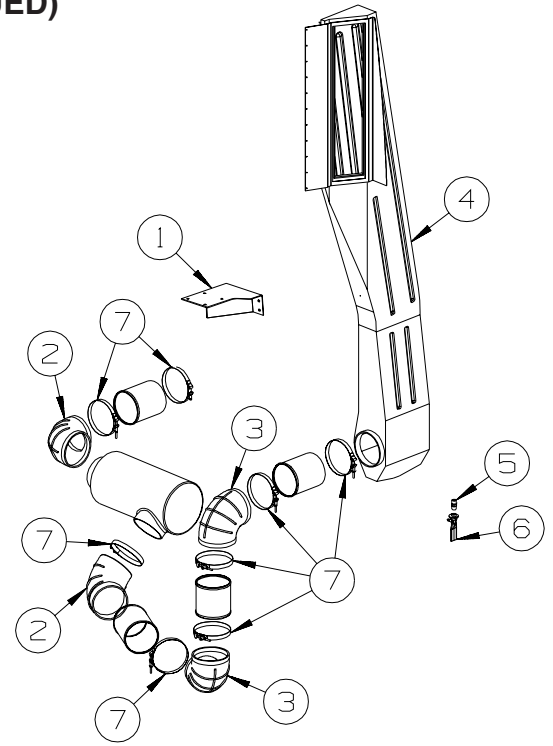
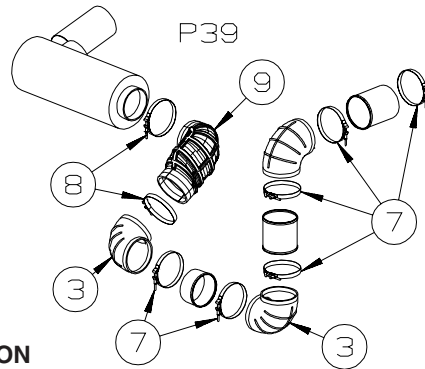
| KEY | PART NUMBER | U/M | DESCRIPTION |
|-----|---------------|-----|---|
| 1 | 123764-05-02B | EA | COMPARTMENT/LUGGAGE - E-COATED |
| 2 | 136332-02-02B | EA | PANEL/SEAL - FRONT - E-COATED |
| 3 | 144034-04-02B | EA | STEP - ENTRANCE DOOR - E-COATED |
| | | | FROM: 00-00-00 THRU: 10-29-06 |
| 3 | 162109-02-02B | EA | STEP - ENTRANCE DOOR - E-COATED |
| | | | FROM: 10-30-06 THRU: 99-99-99 |
| 4 | 117154-04-02B | EA | MOUNT - FRAME RAIL/FLOOR |
| 5 | 142478-01-01B | EA | BRACKET - GAUGE - AIR SOURCE - MILL |
| 6 | 009065-03-000 | EA | HINGE - ALUMINUM - 2" X 72.5" - UNPAINTED |



| KEY | PART NUMBER | U/M | DESCRIPTION |
|-----|---------------|-----|---|
| 1 | 137047-06-01B | EA | STRAP - DEFROSTER PLENUM |
| 2 | 137047-05-01B | EA | STRAP - DEFROSTER PLENUM |
| 3 | 137047-04-01B | EA | STRAP - DEFROSTER PLENUM |
| 4 | 148935-01-01B | EA | BRACKET - WINDSHIELD |
| 5 | 134506-01-01B | EA | BRACKET - WIPER MOTOR |
| 6 | 134202-01-01B | EA | REINFORCEMENT - SUPPORT - LOWER WINDSHIELD/MIDDLE |
| 7 | 134371-01-01B | EA | ANGLE/MOUNT - WIPER MOTOR |
| 8 | 134371-02-01B | EA | ANGLE/MOUNT - WIPER MOTOR |
| 9 | 126289-65-01B | EA | ANGLE - FORMED |

CHASSIS GROUP (CONTINUED)

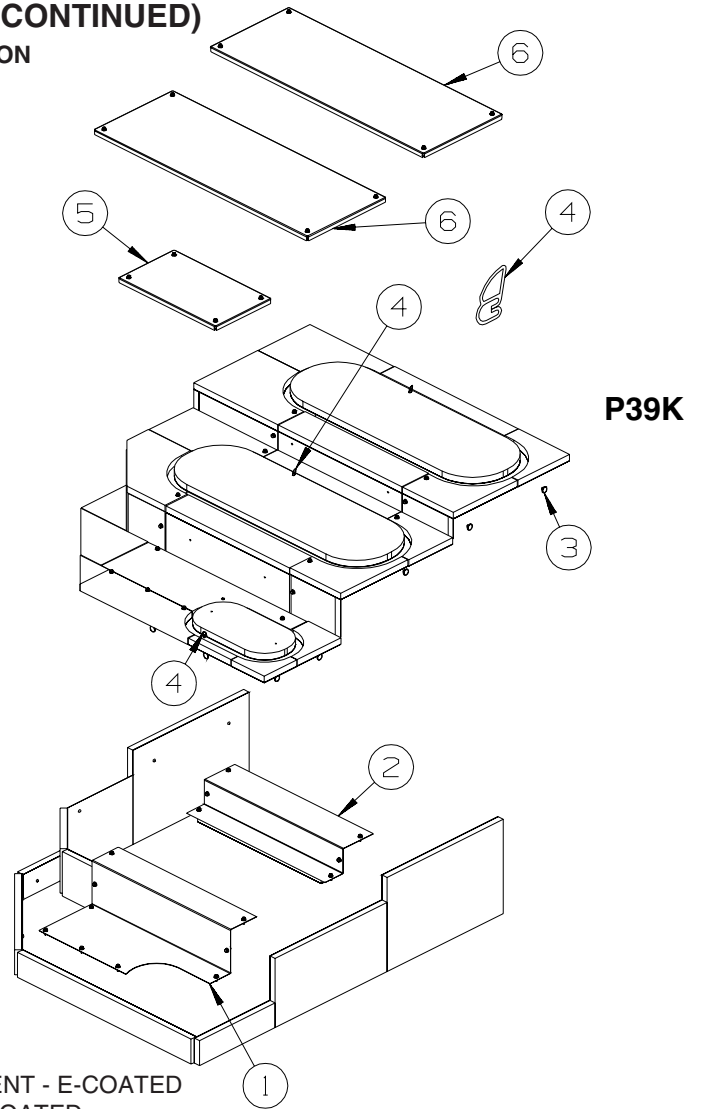
AIR INTAKE



| KEY | PART NUMBER | U/M | DESCRIPTION |
|-----|---------------|-----|--|
| 1 | NOT USED | | |
| 2 | 123362-03-000 | EA | ELBOW - RUBBER - 68 DEGREE 6" ID |
| 3 | 123362-02-000 | EA | ELBOW - AIR INTAKE - RUBBER - 90 DEGREE 6" ID |
| 4 | 129514-02-01A | EA | DUCT - INTAKE AIR - W/FITTING |
| | 129514-01-01A | EA | DUCT - INTAKE AIR |
| 5 | 135386-01-000 | EA | NIPPLE - 1/2" |
| 6 | 130377-01-000 | EA | TUBE/DRAIN - KAZOO - 1 1/4" X 4" |
| 7 | 125083-01-01A | EA | CLAMP - T BOLT - 6" |
| 8 | 125083-03-01A | EA | CLAMP - T BOLT - 6.5" |
| 9 | 150586-01-000 | EA | ELBOW - RUBBER/COBRA HEAD - F/AIR INTAKE - 6" DIAMETER |

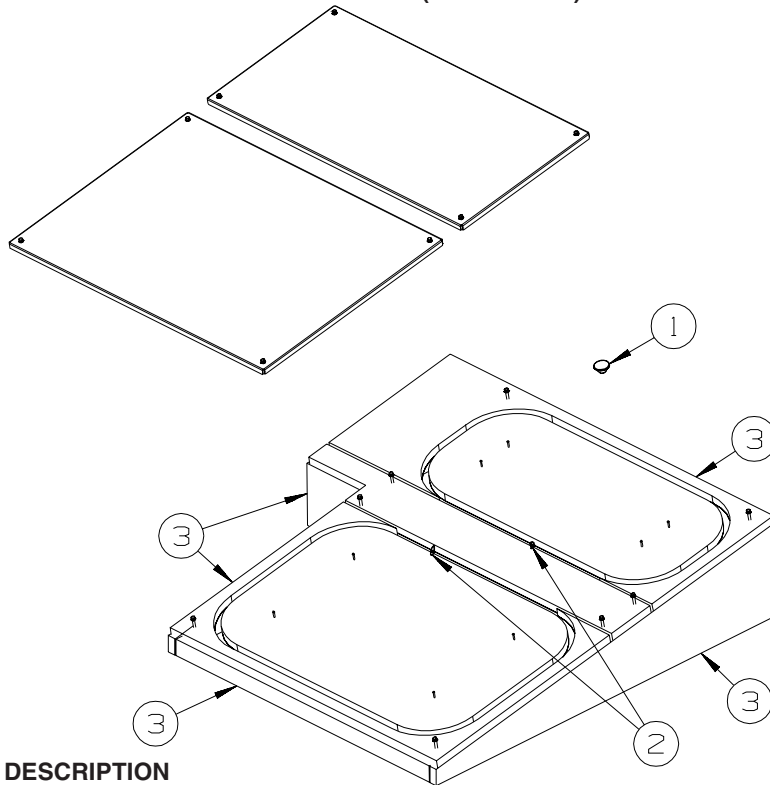
CHASSIS GROUP (CONTINUED)

INSULATION



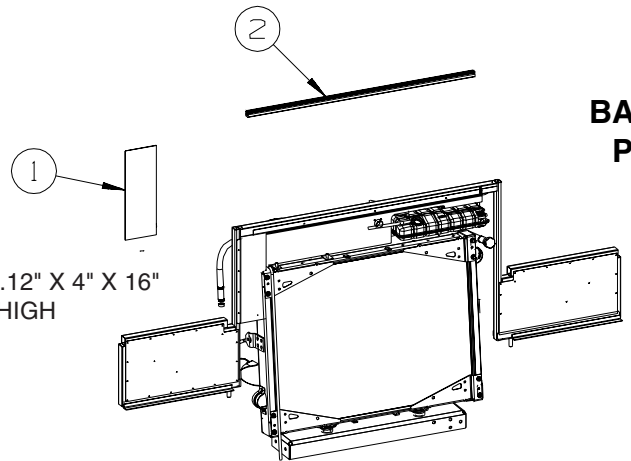
| KEY | PART NUMBER | U/M | DESCRIPTION |
|-----|---------------|-----|---|
| 1 | 140564-02-02B | EA | PANEL/ACCESS - ENGINE COMPARTMENT - E-COATED |
| 2 | 140351-02-02B | EA | PANEL - ACCESS/COMPARTMENT - E-COATED |
| 3 | 106648-01-000 | EA | CAP - STUD - .120 TO .130 DIAMETER |
| 4 | 039623-01-000 | EA | SEAL - MOTOR COVER - RUBBER BULB TYPE |
| 5 | 140420-01-02B | EA | COVER - ENGINE - E-COATED |
| 6 | 140399-01-02B | EA | COVER - ENGINE - E-COATED |
| | 072877-03-000 | EA | INSULATION - SOUND BARRIER- 1" X 36" X 57" - ADHESIVE BACK FROM: 00-00-00 THRU: 12-10-06 |
| | 072877-08-000 | EA | INSULATION - SOUND BARRIER- 1" X 54" X 48" - ADHESIVE BACK FROM: 12-11-06 THRU: 99-99-99 |

CHASSIS GROUP (CONTINUED)
INSULATION (CONTINUED)



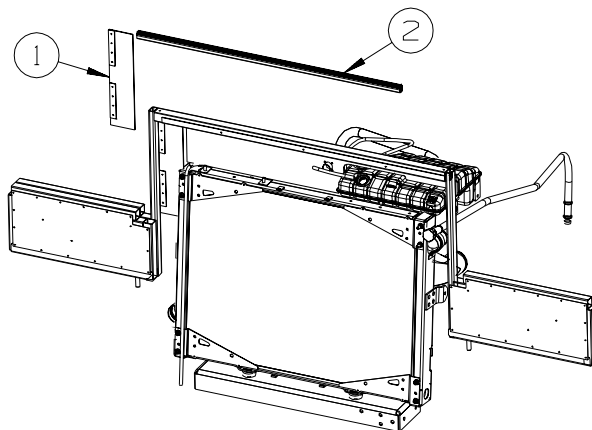
**P34H/SH &
P36G/SG**

| KEY | PART NUMBER | U/M DESCRIPTION |
|-----|---------------|--|
| 1 | 106648-01-000 | EA CAP - STUD - .120 TO .130 DIAMETER |
| 2 | 039623-01-000 | FT SEAL - MOTOR COVER - RUBBER BULB TYPE |
| 3 | 072877-03-000 | EA INSULATION - SOUND BARRIER- 1" X 36" X 57" - ADHESIVE BACK FROM: 00-00-00 THRU: 12-10-06 |
| 3 | 072877-08-000 | EA INSULATION - SOUND BARRIER- 1" X 54" X 48" - ADHESIVE BACK FROM: 12-11-06 THRU: 99-99-99 |



**BAFFLE
P39K**

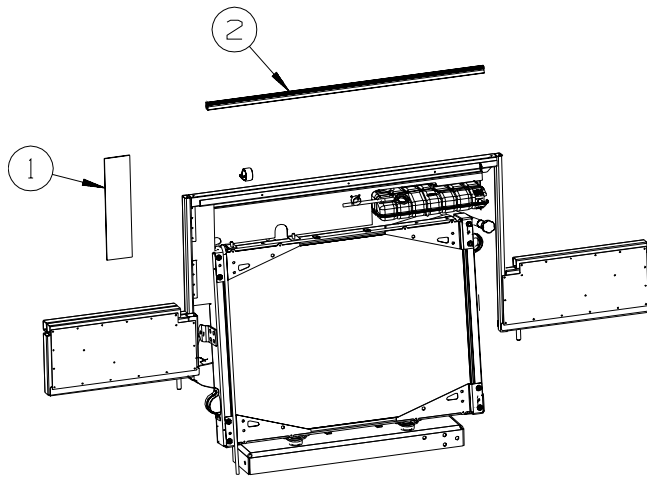
| KEY | PART NUMBER | U/M DESCRIPTION |
|-----|---------------|---|
| 1 | 076310-05-000 | EA SHEET/RUBBER - RADIATOR BAFFLE - .12" X 4" X 16" |
| 2 | 107721-07-000 | FT SEAL - ACCESS DOOR - .9"WIDE X 1.1"HIGH |



**BAFFLE
C7 CAT
P34H, P36G**

| KEY | PART NUMBER | U/M DESCRIPTION |
|-----|---------------|---|
| 1 | 076310-05-000 | EA SHEET/RUBBER - RADIATOR BAFFLE - .12" X 4" X 16" |
| 2 | 107721-07-000 | FT SEAL - ACCESS DOOR - .9"WIDE X 1.1"HIGH |

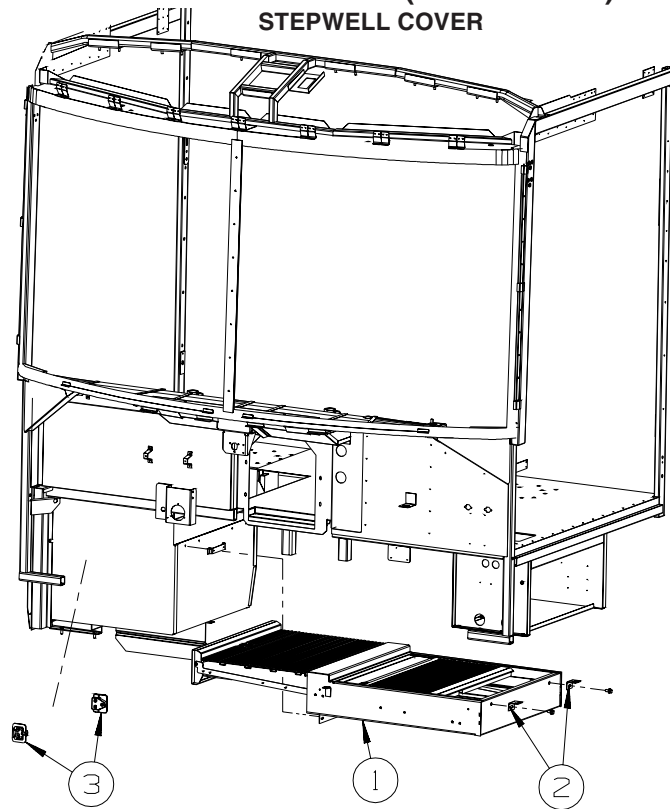
CHASSIS GROUP (CONTINUED)
INSULATION (CONTINUED)



BAFFLE
CUMMINS
P34H/SH, P36G/SG

| KEY | PART NUMBER | U/M | DESCRIPTION |
|-----|---------------|-----|--|
| 1 | 076310-05-000 | EA | SHEET/RUBBER - RADIATER BAFFLE - .12" X 4" X 16" |
| 2 | 107721-07-000 | FT | SEAL - ACCESS DOOR - .9"WIDE X 1.1"HIGH |

CHASSIS GROUP (CONTINUED)
STEPWELL COVER



| KEY | PART NUMBER | U/M | DESCRIPTION |
|-----|---------------|-----|---------------------------------|
| 1* | 141691-01-01A | EA | STEP COVER - SLIDING |
| 2 | 142274-01-02B | EA | BRACKET - STEP COVER - E-COATED |
| 3 | 142499-01-01A | EA | BLOCK/SUPPORT (STEP COVER) |

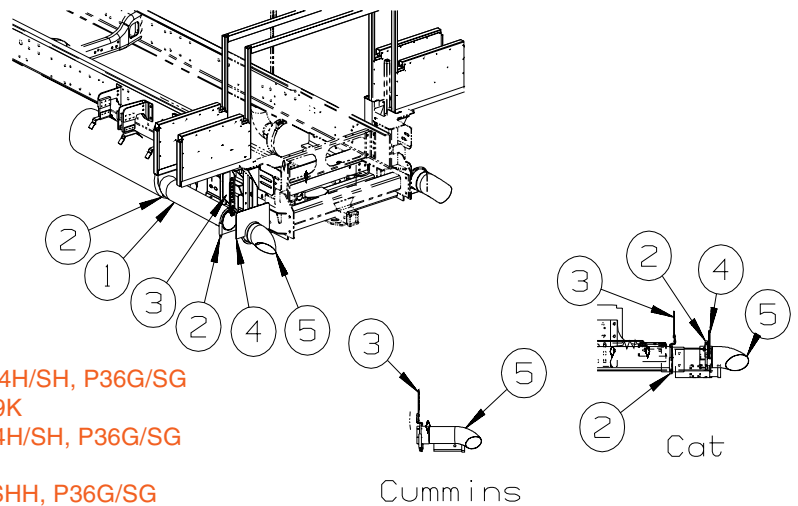
***COMPONENT PARTS LISTED LATER IN THIS GROUP**

COMPONENT PARTS FOR STEPWELL COVER
141691-01-01A

| KEY | PART NUMBER | U/M | DESCRIPTION | VENDOR NO. |
|-----|---------------|-----|-----------------------------|------------|
| | 141691-01-700 | EA | CABLE - 36" | 1218751 |
| | 141691-01-701 | EA | CABLE - 63" | 1218752 |
| | 141691-01-702 | EA | BEARING/ROLLER | 1912040 |
| | 141691-01-703 | EA | LATCH - CABLE RELEASE | 1912125 |
| | 141691-01-704 | EA | SPRING - CABLE PRELOAD | 1217507 |
| | 141691-01-705 | EA | DRUM - CABLE TO MOTOR | 1612535 |
| | 141691-01-706 | EA | BUSHING - .625" X .813" | 1614003 |
| | 141691-01-707 | EA | WIRE HARNESS - PACKARD END | 1809938 |
| | 141691-01-708 | EA | MOTOR W/9 TOOTH PINION | 1820122 |
| | 141691-01-709 | EA | BRACKET-SPRING DRAW BARCONN | 3610586 |
| | 141691-01-710 | EA | BRACKET-SPRING DRAW BAR CBL | 3610599 |

CHASSIS GROUP (CONTINUED)

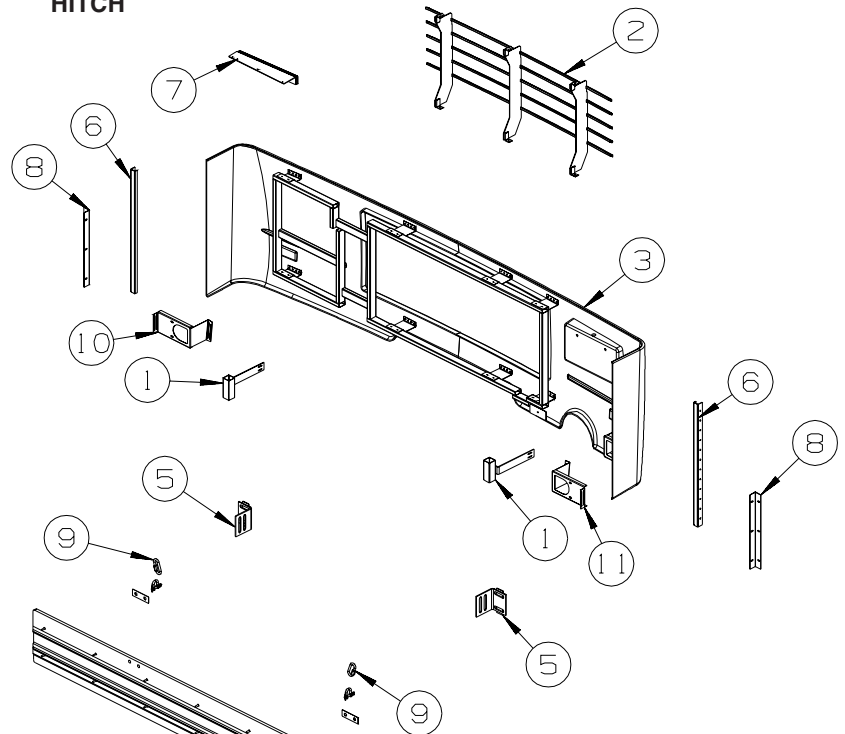
EXHAUST



| KEY | PART NUMBER | U/M | DESCRIPTION |
|-----|---------------|-----|--|
| 1 | 114869-10-000 | EA | PIPE - EXHAUST - CAT - P39K, P34H/SH, P36G/SG |
| 1 | 114869-16-000 | EA | PIPE - EXHAUST - CUMMINS - P39K |
| 1 | 114869-06-000 | EA | PIPE - EXHAUST - CUMMINS - P34H/SH, P36G/SG |
| 2 | 094918-08-000 | EA | CLAMP - EXHAUST - 5" - P39K |
| 2 | 094918-05-000 | EA | CLAMP - EXHAUST - 4 7/16" - P3/SHH, P36G/SG |
| 3 | 007131-01-000 | EA | HANGER - TAILPIPE - 6 SLOTS |
| | 156441-01-02B | EA | STRAP/EXHAUST - E-COATED |
| 4 | 143766-02-02B | EA | SHIELD - EXHAUST/TAIPIPE - E-COATED - P39K, P34H/SH, P36G/SG |
| 5 | 116425-04-000 | EA | EXTENSION - EXHAUST - CHROMED - 5" - CAT |
| 5 | 116425-03-000 | EA | EXTENSION - EXHAUST - CHROMED - 4" - CUMMINS |

| KEY | PART NUMBER | U/M | DESCRIPTION |
|-----|---------------|-----|-------------------------|
| | 134016-03-01A | EA | DRAWBAR/HITCH - CLASS 4 |

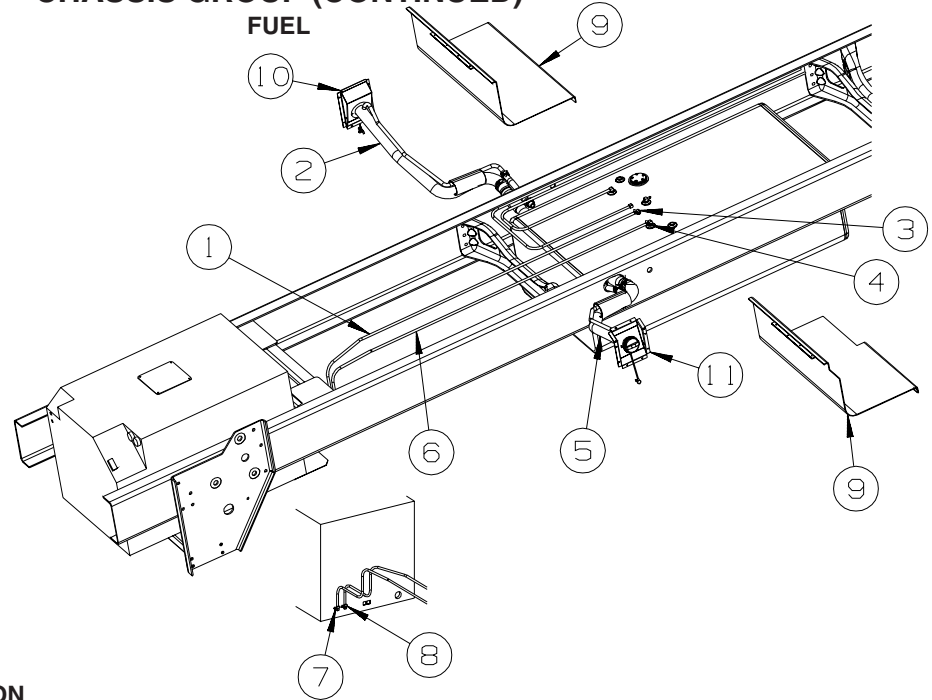
HITCH



REAR BUMPER

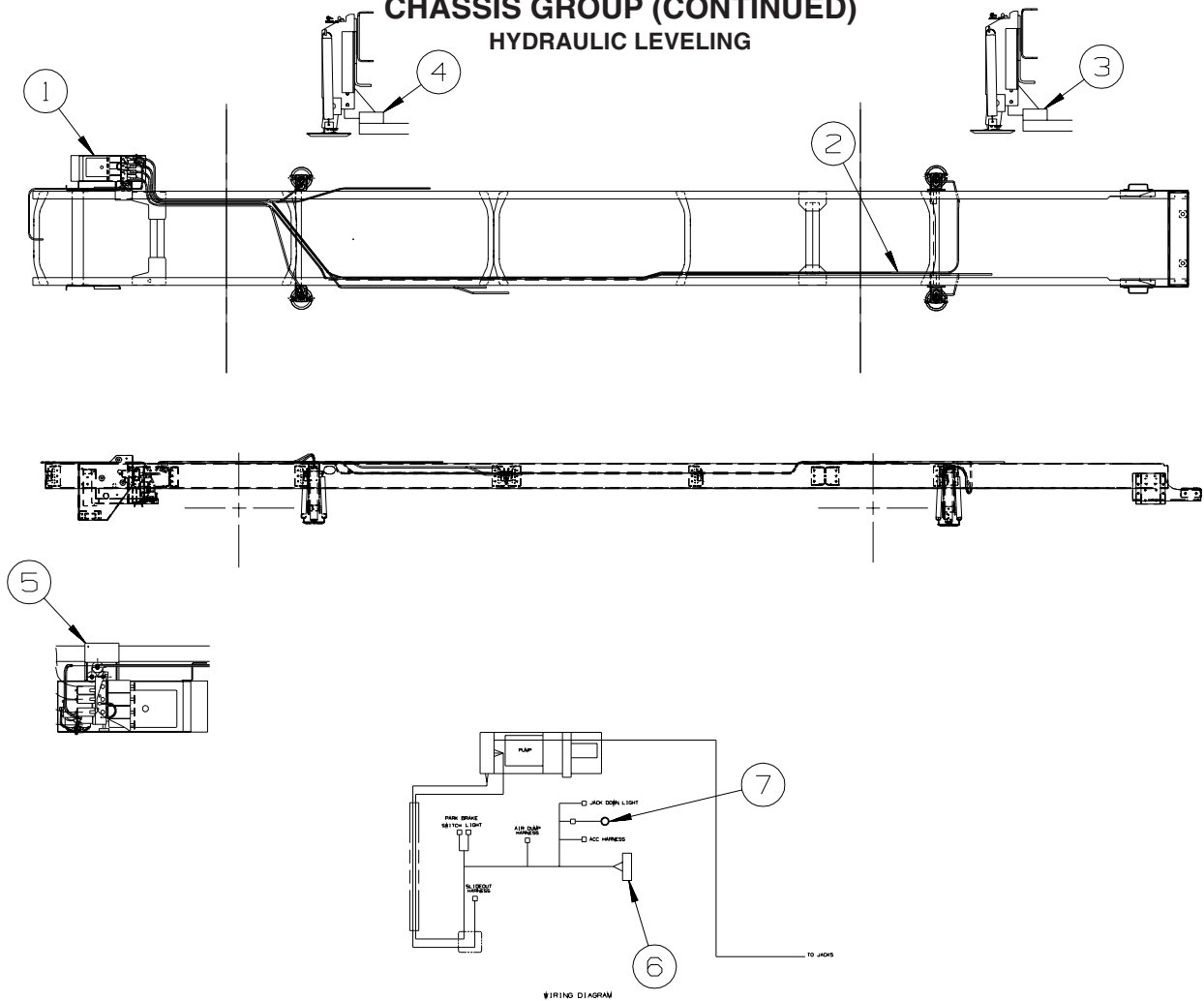
| KEY | PART NUMBER | U/M | DESCRIPTION |
|-----|---------------|-----|--|
| 1 | 134007-01-02B | EA | BRACE - BUMPER - E-COATED |
| 2 | 132447-01-L76 | EA | GRILL - REAR BUMPER |
| 3 | 141262-02-P84 | EA | PANEL - BUMPER/REAR |
| 4 | 151908-01-01A | EA | MUD FLAP - REAR - 10.6" X 93.9" - BRUSHED ALUMINUM |
| | 142627-01-01A | EA | DECAL - LOGO - "ITASCA" - MUDFLAP - CHROME/BLACK |
| 5 | 107524-03-000 | EA | ANGLE - BUMPER - INNER/RIGHT & LEFT HAND |
| 6 | 132071-01-02B | EA | BRACKET - BUMPER - FRONT/REAR - E-COATED |
| 7 | 132857-02-R68 | EA | SUPPORT - LOWER/LADDER |
| 8 | 113041-03-02B | EA | ANGLE - BUMPER MOUNT - E-COATED |
| 9 | 139818-01-01A | EA | LINK - QUICK - STAINLESS STEEL |
| 10 | 141264-02-02B | EA | BRACKET - DOCKING LAMP - E-COATED |
| 11 | 141264-01-02B | EA | BRACKET - DOCKING LAMP - E-COATED |

CHASSIS GROUP (CONTINUED)



| KEY | PART NUMBER | U/M | DESCRIPTION |
|-----|---------------|-----|--|
| 1 | 128139-03-000 | FT | HOSE - FUEL - LOW PERMEABILITY - 1/4" DIAMETER |
| 2 | 157172-02-000 | EA | NECK - FUEL FILL - RIGHT HAND |
| 3 | 114253-01-000 | EA | ELBOW - 1/4 SINGLE BARB X 1/8 MPT |
| 3 | 068382-06-000 | EA | BUSHING - BRASS - 3/8"MPT X 1/8"FPT |
| 4 | 114253-02-000 | EA | ELBOW - 5/16 SINGLE BARB X 1/4 MPT |
| 4 | 068382-02-000 | EA | BUSHING - 3/8"MPT X 1/4"FPT - BRASS |
| 5 | 157172-01-000 | EA | NECK - FUEL FILL - LEFT HAND |
| 6 | 024138-01-000 | FT | HOSE - FUEL - 5/16" ID |
| 7 | 114253-04-000 | EA | ELBOW - 5/16 SINGLE BARB X 1/8 MPT |
| 8 | 114253-01-000 | EA | ELBOW - 1/4 SINGLE BARB X 1/8 MPT |
| 9 | 118726-05-000 | EA | BAFFLE - FUEL FILL |
| 10 | 157237-02-02B | EA | PANEL - FUEL FILL - E-COATED |
| 11 | 157237-01-02B | EA | PANEL - FUEL FILL - E-COATED - P36G/SG,P39K |
| 11 | 157237-02-02B | EA | PANEL - FUEL FILL - E-COATED - P34H/SH |

CHASSIS GROUP (CONTINUED) HYDRAULIC LEVELING



| KEY | PART NUMBER | U/M | DESCRIPTION |
|-----|---------------|-----|---|
| 1* | 153452-22-000 | EA | LEVELING SYSTEM - 625 SYSTEM W/2 SLIDEOUTS - FREIGHTLINER - P34H/SH, P36G/SG |
| 1* | 153452-23-000 | EA | LEVELING SYSTEM - 625 SYSTEM W/3 SLIDEOUTS - FREIGHTLINER - P39K |
| 2* | 100536-47-000 | EA | HOSE KIT - LEVELING JACKS - P34H/SH, P36G/SG |
| 2 | 100536-50-000 | EA | HOSE KIT - LEVELING JACKS - P39K |
| 2* | 100536-47-000 | EA | HOSE KIT - LEVELING JACKS - P39K |
| | | | FROM: 00-00-00 THRU: 06-06-06 |
| | | | FROM: 06-07-06 THRU: 99-99-99 |
| 3 | 114748-08-02B | EA | BRACKET - JACKS/REAR - E-COATED |
| 4 | 114748-02-02B | EA | CROSSMEMBER - REAR JACK MOUNTING |
| 5 | 144224-02-01A | EA | BRACKET - PUMP/LEVELING - BLACK |
| 6 | 107889-12-000 | EA | PANEL - CONTROL - 625 AIR DUMP W/PLUG F/REMOTE - W/HARNES - AUTOMATIC CONTROL |
| | | | FROM: 00-00-00 THRU: 01-16-07 |
| 6 | 107889-13-000 | EA | PANEL - CONTROL - 625 AIR DUMP W/PLUG F/REMOTE - W/HARNES - AUTOMATIC CONTROL |
| | | | FROM: 01-17-07 THRU: 99-99-99 |
| 7 | 134092-05-000 | EA | CHIME KIT - LEVELING SYSTEM - 325/625 |

*COMPONENT PARTS LISTED LATER IN THIS GROUP

CHASSIS GROUP (CONTINUED)
COMPONENT PARTS FOR HYDRAULIC LEVELING
100536-47-000

| KEY | PART NUMBER | U/M | DESCRIPTION | VENDOR NO. |
|-----|---------------|-----|------------------------------|-----------------|
| | 100536-31-701 | EA | HOSE - HYDRAULIC - 96" | RAP5352 |
| | 100536-47-700 | EA | HOSE-HYDRAULIC - 1/4" X 416" | RAP91507 |
| | 100536-47-701 | EA | HOSE-HYDRAULIC - 1/4" X 378" | RAP91501 |
| | 115767-01-704 | EA | HOSE-HYDRAULIC - 1/4" X 146" | RAP90004/AP2443 |

153452-22-000

| KEY | PART NUMBER | U/M | DESCRIPTION | VENDOR NO. |
|-----|---------------|-----|---|------------------|
| | 100532-03-716 | EA | SOLENOID-CONTINUOUS DUTY | RAP7505 |
| | 100532-03-717 | EA | VALVE-PRESS., RETURN SHUTTLE | RAP7964 |
| | 100532-09-704 | EA | VALVE - PRESSURE SOLENOID - 4.5" LONG X 2.3" DIA | RAP90993 |
| | 100532-09-705 | EA | SWITCH-PRESS - 3000 LB. | R3847 |
| | 100532-12-707 | EA | SPRING KIT (PAIR) | R3847 |
| | 100532-32-704 | EA | CHIME - JACK WARNING | |
| | 100532-39-702 | EA | CYLINDER - 9K | RAP9567 |
| | 131306-02-701 | EA | FOOT/JACK - 9K & 12K | RAP8464/AP17525 |
| | 131306-09-700 | EA | VELOCITY VALVE ASM.W/4 VALVE | RAP90280 |
| | 131306-09-701 | EA | VELOCITY VALVE - SINGLE | RAP90279/AP11578 |
| | 131306-11-704 | EA | PRESSURE SWITCH - 50 PSI | RAP2082 |
| | 131306-12-702 | EA | VALVE - PRESSURE SOLENOID - 3.3" LONG X 1.6" DIAMETER | |
| | 144226-01-700 | EA | SWITCH - WARNING/MAGNETIC W/GRAY CONNECTOR | |
| | 153452-18-705 | EA | MOTOR ONLY - 3.7" MONARCH | RAP91249 |
| | 153452-22-700 | EA | BRACKET - 9K JACK MOUNT | RAP9536 |
| | 153452-22-701 | EA | BRACKET - 12K JACK MOUNT | AP91601 |
| | 153452-22-702 | EA | ENCLOSURE BOX W/SENSING UNIT | RAP91764/AP36764 |
| | 153452-22-703 | EA | PUMP/MOTOR/TANK ASM. | RAP91686/AP36694 |

153452-23-000

| KEY | PART NUMBER | U/M | DESCRIPTION | VENDOR NO. |
|-----|---------------|-----|---|------------------|
| | 100532-03-716 | EA | SOLENOID-CONTINUOUS DUTY | RAP7505 |
| | 100532-03-717 | EA | VALVE-PRESS., RETURN SHUTTLE | RAP7964 |
| | 100532-09-704 | EA | VALVE - PRESSURE SOLENOID - 4.5" LONG X 2.3" DIA | RAP90993 |
| | 100532-09-705 | EA | SWITCH-PRESS - 3000 LB. | R3847 |
| | 100532-12-707 | EA | SPRING KIT (PAIR) | R3847 |
| | 100532-32-704 | EA | CHIME - JACK WARNING | |
| | 100532-39-702 | EA | CYLINDER - 9K | RAP9567 |
| | 131306-02-701 | EA | FOOT/JACK - 9K & 12K | RAP8464/AP17525 |
| | 131306-09-700 | EA | VELOCITY VALVE ASM.W/4 VALVE | RAP90280 |
| | 131306-09-701 | EA | VELOCITY VALVE - SINGLE | RAP90279/AP11578 |
| | 131306-11-704 | EA | PRESSURE SWITCH - 50 PSI | RAP2082 |
| | 131306-12-702 | EA | VALVE - PRESSURE SOLENOID - 3.3" LONG X 1.6" DIAMETER | |
| | 144226-01-700 | EA | SWITCH - WARNING/MAGNETIC W/GRAY CONNECTOR | |
| | 153452-18-705 | EA | MOTOR ONLY - 3.7" MONARCH | RAP91249 |
| | 153452-22-700 | EA | BRACKET - 9K JACK MOUNT | RAP9536 |
| | 153452-22-701 | EA | BRACKET - 12K JACK MOUNT | AP91601 |
| | 153452-22-703 | EA | PUMP/MOTOR/TANK ASM. | RAP91686/AP36694 |
| | 153452-23-700 | EA | ENCLOSURE BOX W/SENSING UNIT | RAP91766/AP36769 |

WHEEL, TIRE, COVERS &/OR LINERS

| KEY | PART NUMBER | U/M | DESCRIPTION |
|-----|---------------|-----|--|
| * | 145580-05-000 | EA | LINER - WHEEL(SET OF 4) - 22.5"/10 BOLT - 5-SPEED CHASSIS ONLY |
| | 077030-10-000 | EA | EXTENSION - VALVE STEM - .50" |
| | 077030-11-000 | EA | EXTENSION - VALVE STEM - 6.5" LONG |

*COMPONENT PARTS LISTED LATER IN THIS GROUP

COMPONENT PARTS FOR WHEEL, TIRE, COVERS &/OR LINERS

145580-05-000

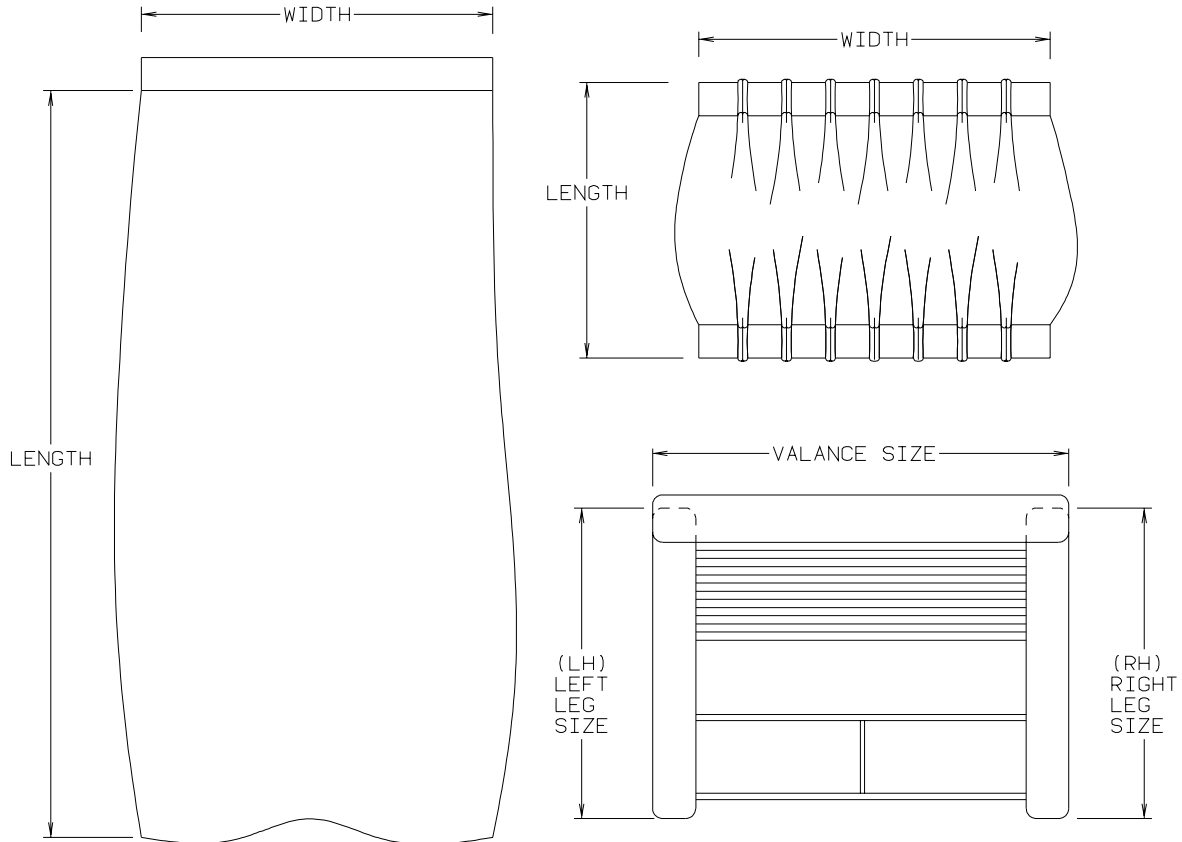
| KEY | PART NUMBER | U/M | DESCRIPTION | VENDOR NO. |
|-----|---------------|-----|-----------------------------|------------|
| | 110435-04-705 | EA | DECAL-CTR HUB 2 3/4" | |
| | 110435-05-700 | EA | CAP-CENTER 4.50"D W/O DECAL | V22510-POC |
| | 145580-01-702 | EA | COVER-LUG NUT/JAM NUT 22M | V19582-EJN |
| | 145580-01-703 | EA | TOOL-INSTALLATION | V22501-TOL |
| | 145580-05-700 | EA | LINER - WHEEL/FRONT - 1EA=1 | V22587-FWC |
| | 145580-05-701 | EA | LINER - WHEEL/REAR - 1EA=1 | V22587-RWC |

CURTAIN & CUSHION GROUP

NOTICE

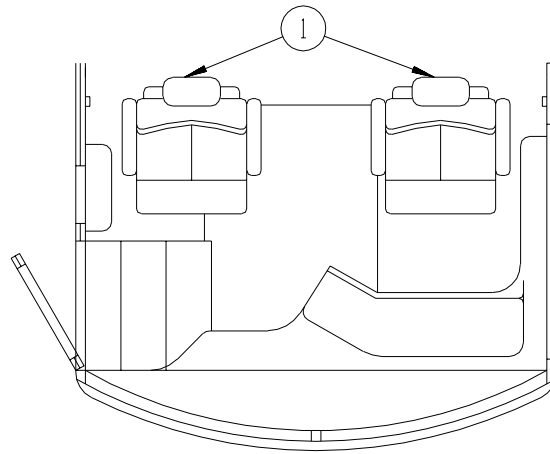
IN ORDER TO ASSIST OUR PARTS SALES DEPT. IN PROVIDING INTERIOR SOFTWARE ITEMS, PLEASE INCLUDE THE SERIAL NUMBER AND THE COLOR CODE NUMBER FROM THE VEHICLE CERTIFICATION LABEL WHEN ORDERING. THIS LABEL IS LOCATED ON THE LEFT SIDEWALL AT THE END OF THE DASH (A-BODY), OR ON THE DRIVER'S DOOR LATCH PLATE (C-BODY).

AN EXAMPLE OF A COLOR CODE NUMBER IS B07, WHICH DESIGNATES AN OVERALL COLOR SCHEME OF A PARTICULAR UNIT. THE COLOR LISTED AFTER THE ITEM DESCRIPTION ON THE MICROFICHE, INDICATES THE OVERALL UNIT COLOR. ORDER THE ITEM YOU DESIRE ACCORDING TO UNIT COLOR CODE. IF ALL COLORS USE THE SAME ITEM NO COLOR CODE WILL BE NOTED.



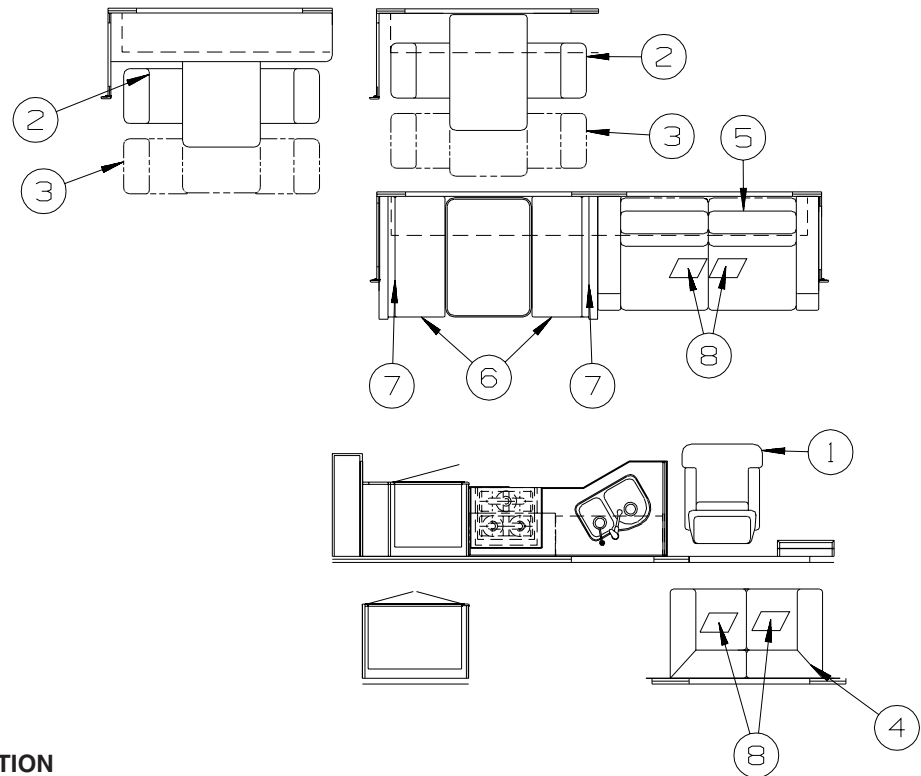
NOTE: USE THIS ILLUSTRATION WHEN DETERMINING LENGTH AND WIDTH MEASUREMENTS FOR CURTAINS. YOU WILL NOTE THE WIDTH MEASUREMENT IS TAKEN ON THE TOP OF THE CURTAIN WITH THE CURTAIN FULLY EXTENDED. THE LENGTH MEASUREMENT IS TAKEN FROM TOP TO BOTTOM. LEFT AND RIGHT WINDOW LEGS ARE DETERMINED WHEN FACING THE WINDOW.

CURTAIN & CUSHION GROUP (CONTINUED)
CUSHION LAYOUT



| KEY | PART NUMBER | U/M | DESCRIP ¹ |
|-----|---------------|-----|--|
| 1 | 145952-04-UD5 | EA | SEAT - BUCKET W/LUMBAR - DRIVER/PASSENGER (UD5, UD6, UD7, UN1) |
| 1 | 145952-04-UE1 | EA | SEAT - BUCKET W/LUMBAR - DRIVER/PASSENGER (UE1, UE2, UE3, UN2) |
| 1 | 145952-09-UE5 | EA | SEAT - BUCKET W/LUMBAR - DRIVER/PASSENGER (UE5, UE6, UE7, UN3) |
| 1 | 145952-04-UP5 | EA | SEAT - BUCKET W/LUMBAR - DRIVER/PASSENGER (UP5) |
| 1 | 145952-08-TB4 | EA | SEAT - BUCKET W/LUMBAR - DRIVER/PASSENGER - ULTRA LEATHER |
| | 152337-01-000 | EA | PROTECTOR - SEAT - CLEAR VINYL |

CURTAIN & CUSHION GROUP (CONTINUED)
CUSHION LAYOUT (CONTINUED)

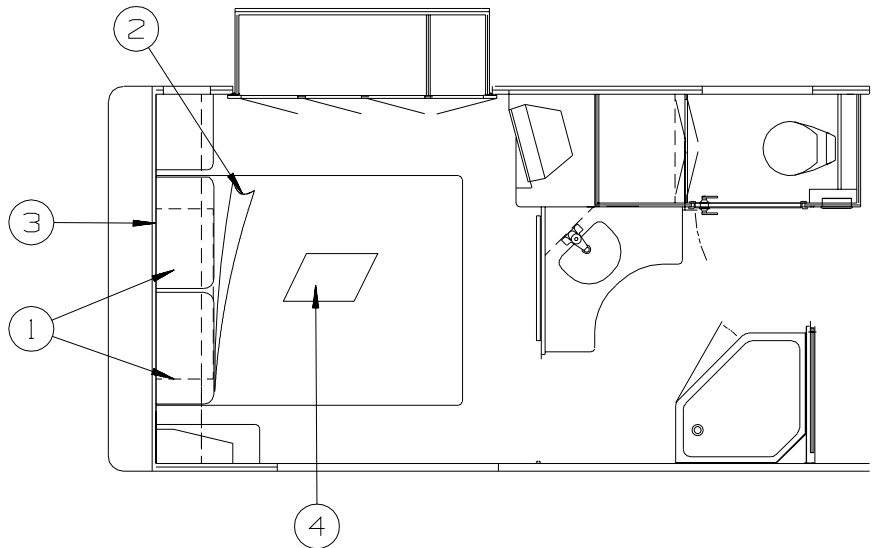


| KEY | PART NUMBER | U/M | DESCRIPTION |
|-----|---------------|-----|---|
| 1 | 142958-10-UD5 | EA | CHAIR - RECLINER/GLIDER - W/SWIVEL BASE/FOOTREST (UD5, UD6, UD7, UN1) |
| 1 | 142958-10-UE1 | EA | CHAIR - RECLINER/GLIDER - W/SWIVEL BASE/FOOTREST (UE1, UE2, UE3, UN2) |
| 1 | 142958-10-UE5 | EA | CHAIR - RECLINER/GLIDER - W/SWIVEL BASE/FOOTREST (UE5, UE6, UE7, UN3) |
| 1 | 142958-10-UP5 | EA | CHAIR - RECLINER/GLIDER - W/SWIVEL BASE/FOOTREST (UP5) |
| 1 | 142958-11-TB4 | EA | CHAIR - RECLINER/GLIDER - W/SWIVEL BASE/FOOTREST - ULTRA LEATHER |
| 1 | 155369-02-T97 | EA | CHAIR/EURO - APOLLO - W/OTTOMAN - EURO ULTRA LEATHER |
| 2 | 150117-02-UD5 | EA | CHAIR - DINING (UD5, UN1) |
| 2 | 150117-02-UD6 | EA | CHAIR - DINING (UD6) |
| 2 | 150117-02-UD7 | EA | CHAIR - DINING (UD7) |
| 2 | 150117-02-UE1 | EA | CHAIR - DINING (UE1, UN2) |
| 2 | 150117-02-UE2 | EA | CHAIR - DINING (UE2) |
| 2 | 150117-02-UE3 | EA | CHAIR - DINING (UE3) |
| 2 | 150117-03-UE5 | EA | CHAIR - DINING (UE5, UN3) |
| 2 | 150117-03-UE6 | EA | CHAIR - DINING (UE6) |
| 2 | 150117-03-UE7 | EA | CHAIR - DINING (UE7) |
| 3 | 157868-03-UD5 | EA | CHAIR - FOLDING (UD5, UN1) |
| 3 | 157868-03-UD6 | EA | CHAIR - FOLDING (UD6) |
| 3 | 157868-03-UD7 | EA | CHAIR - FOLDING (UD7) |
| 3 | 157868-03-UE1 | EA | CHAIR - FOLDING (UE1, UN2) |
| 3 | 157868-03-UE2 | EA | CHAIR - FOLDING (UE2) |
| 3 | 157868-03-UE3 | EA | CHAIR - FOLDING (UE3) |
| 3 | 157868-01-UE5 | EA | CHAIR - FOLDING (UE5, UN3) |
| 3 | 157868-01-UE6 | EA | CHAIR - FOLDING (UE6) |
| 3 | 157868-01-UE7 | EA | CHAIR - FOLDING (UE7) |
| | 099856-13-000 | EA | STRAP - DINING CHAIR/TIEDOWN - 143.5" |
| 4 | 150792-01-UD5 | EA | LOVE SEAT - 40" - COMPLETE/SEAT/BACK/DRAWER/ARMS (UD5, UD6, UD7, UN1) |
| 4 | 150792-01-UE1 | EA | LOVE SEAT - 40" - COMPLETE/SEAT/BACK/DRAWER/ARMS (UE1, UE2, UE3, UN2) |
| 4 | 150792-01-UE5 | EA | LOVE SEAT - 40" - COMPLETE/SEAT/BACK/DRAWER/ARMS (UE5, UE6, UE7, UN3) |
| 4 | 150792-09-UD5 | EA | LOVE SEAT - 40" - COMPLETE/SEAT/BACK/DRAWER/ARMS - ULTRA LEATHER |
| 5 | 150679-01-UD5 | EA | SOFA/SLEEPER - REST EASY - #825/830 ARMS - 30"FF (UD5, UD6, UD7, UN1) |
| 5 | 150679-01-UE1 | EA | SOFA/SLEEPER - REST EASY - #825/830 ARMS - 30"FF (UE1, UE2, UE3, UN2) |
| 5 | 150679-01-UE5 | EA | SOFA/SLEEPER - REST EASY - #825/830 ARMS - 30"FF (UE5, UE6, UE7, UN3) |
| 5 | 150679-01-UP5 | EA | SOFA/SLEEPER - REST EASY - #825/830 ARMS - 30"FF (UP5) |
| 5 | 150679-09-TB4 | EA | SOFA/SLEEPER - REST EASY - #825/830 ARMS - 30"FF - ULTRA LEATHER |
| 5 | 150480-11-UD5 | EA | SOFA/SLPR- REST EASY/DUAL CNT -#826/826 ARMS-30"FF (UD5, UD6, UD7, UN1) - DUAL REST EASY |
| 5 | 150480-11-UE1 | EA | SOFA/SLPR- REST EASY/DUAL CNT -#826/826 ARMS-30"FF (UE1, UE2, UE3, UN2) - DUAL REST EASY |
| 5 | 150480-11-UE5 | EA | SOFA/SLPR- REST EASY/DUAL CNT -#826/826 ARMS-30"FF (UE5, UE6, UE7, UN3) - DUAL REST EASY |
| 5 | 150480-20-TB4 | EA | SOFA/SLPR - RST EASY/DUAL CNT -#826/815 ARMS-30"FF-LTH - ULTRA LEATHER - DUAL REST EASY |

CURTAIN & CUSHION GROUP (CONTINUED)

CUSHION LAYOUT (CONTINUED)

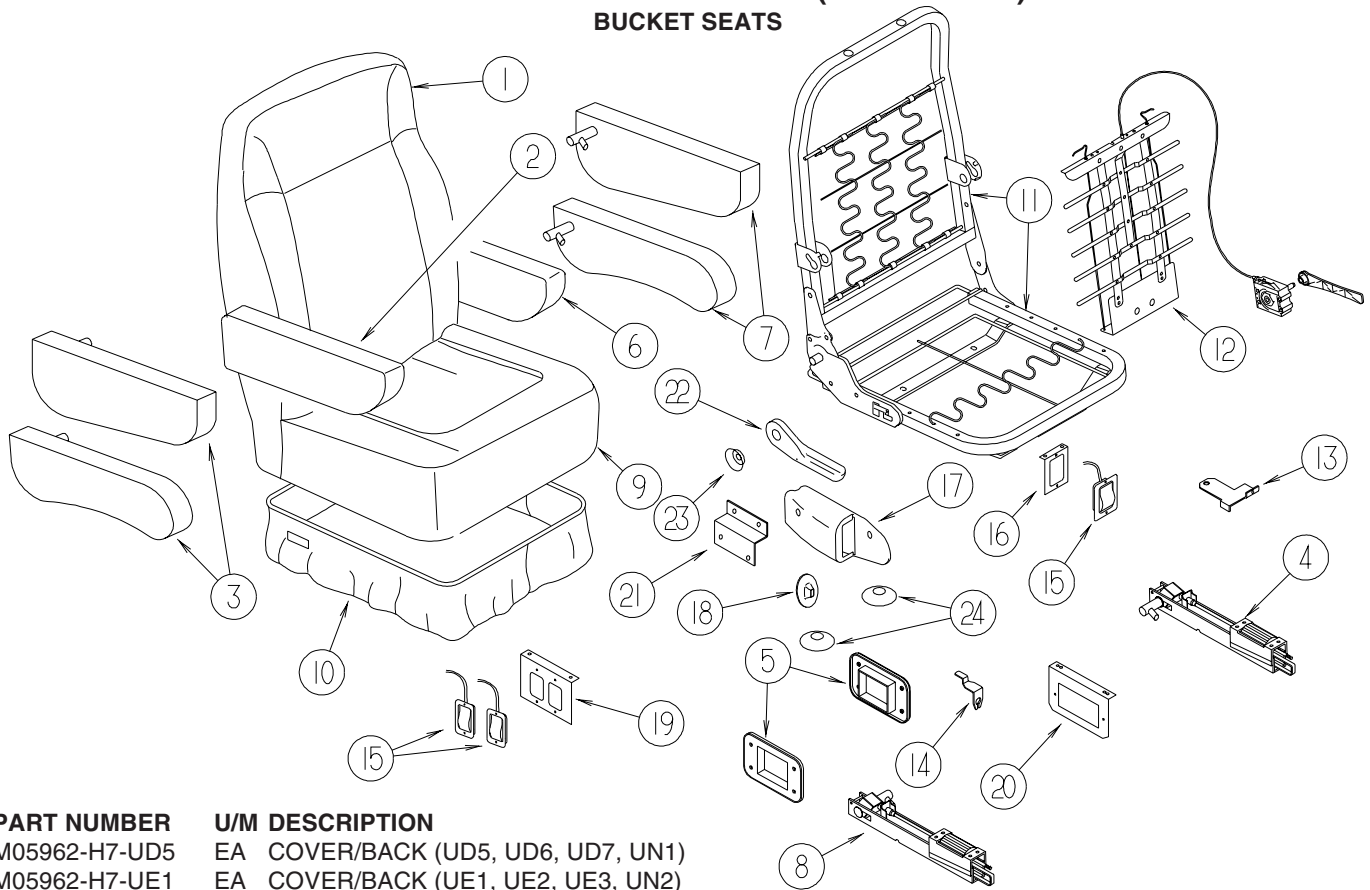
| KEY | PART NUMBER | U/M | DESCRIPTION |
|-----|---------------|-----|--|
| 5 | 154509-01-UD5 | EA | SOFA/SLEEPER - 70" - #926/#802 ARMS/SEAT/BACK (UD5, UD6, UD7, UN1) - COUCH |
| 5 | 154509-01-UE1 | EA | SOFA/SLEEPER - 70" - #926/#802 ARMS/SEAT/BACK (UE1, UE2, UE3, UN2) - COUCH |
| 5 | 154509-01-UE5 | EA | SOFA/SLEEPER - 70" - #926/#802 ARMS/SEAT/BACK (UE5, UE6, UE7, UN3) - COUCH |
| 6 | 142292-05-UD5 | EA | SEAT - DINETTE CUSHION (SPRUNG) - 23" X 38.5" (UD5, UD6, UD7, UN1) |
| 6 | 142292-05-UE1 | EA | SEAT - DINETTE CUSHION (SPRUNG) - 23" X 38.5" (UE1, UE2, UE3, UN2) |
| 6 | 142292-05-UE5 | EA | SEAT - DINETTE CUSHION (SPRUNG) - 23" X 38.5" (UE5, UE6, UE7, UN3) |
| 6 | 142292-07-UP5 | EA | SEAT - DINETTE CUSHION (SPRUNG) - 23" X 38.5" (UP5) |
| | P42292-05-UD5 | EA | COVER/SEAT - DINETTE CUSHION (SPRUNG) - 23.5" X 38.5" (UD5, UD6, UD7, UN1) |
| | P42292-05-UE1 | EA | COVER/SEAT - DINETTE CUSHION (SPRUNG) - 23.5" X 38.5" (UE1, UE2, UE3, UN2) |
| | P42292-05-UE5 | EA | COVER/SEAT - DINETTE CUSHION (SPRUNG) - 23.5" X 38.5" (UE5, UE6, UE7, UN3) |
| | P42292-07-UP5 | EA | COVER/SEAT - DINETTE CUSHION (SPRUNG) - 23.5" X 38.5" (UP5) |
| | 142366-01-000 | EA | FRAME - SPRUNG - DINETTE SEAT |
| | 143730-01-000 | EA | CAP - F/DINETTE BRACKET TUBE - PLASTIC |
| 7 | 154221-01-UD5 | EA | BACK - DINETTE CUSHION - 12" X 40" (UD5, UD6, UD7, UN1) |
| 7 | 154221-01-UE1 | EA | BACK - DINETTE CUSHION - 12" X 40" (UE1, UE2, UE3, UN2) |
| 7 | 154221-01-UE5 | EA | BACK - DINETTE CUSHION - 12" X 40" (UE5, UE6, UE7, UN3) |
| 7 | 154221-04-UP5 | EA | BACK - DINETTE CUSHION - 12" X 40" (UP5) |
| | P54221-01-UD5 | EA | COVER/BACK - DINETTE CUSHION - 12" X 40" (UD5, UD6, UD7, UN1) |
| | P54221-01-UE1 | EA | COVER/BACK - DINETTE CUSHION - 12" X 40" (UE1, UE2, UE3, UN2) |
| | P54221-01-UE5 | EA | COVER/BACK - DINETTE CUSHION - 12" X 40" (UE5, UE6, UE7, UN3) |
| | P54221-04-UP5 | EA | COVER/BACK - DINETTE CUSHION - 12" X 40" (UP5) |
| 8 | 150709-12-UD5 | EA | PILLOW - 15" X 24" (UD5, UD6, UD7, UN1) |
| 8 | 150709-12-UE1 | EA | PILLOW - 15" X 24" (UE1, UE2, UE3, UN2) |
| 8 | 150709-12-UE5 | EA | PILLOW - 15" X 24" (UE5, UE6, UE7, UN3) |
| 8 | 150709-06-UP5 | EA | PILLOW - 15" X 24" (UP5) |



| KEY | PART NUMBER | U/M | DESCRIPTION |
|-----|---------------|-----|--|
| 1 | 126211-11-UD5 | EA | PILLOW SHAM - 20" X 33" (UD5, UD6, UD7, UN1) |
| 1 | 126211-11-UE1 | EA | PILLOW SHAM - 20" X 33" (UE5, UE6, UE7, UN3) |
| 1 | 126211-11-UE5 | EA | PILLOW SHAM - 20" X 33" (UE1, UE2, UE3, UN2) |
| 1 | 126211-17-UP5 | EA | PILLOW SHAM - 20" X 33" (UP5) |
| 2 | 132336-03-UD5 | EA | BEDSPREAD/CAP - 60" X 80" (UD5, UD6, UD7, UN1) |
| 2 | 132336-03-UE1 | EA | BEDSPREAD/CAP - 60" X 80" (UE5, UE6, UE7, UN3) |
| 2 | 132336-03-UE5 | EA | BEDSPREAD/CAP - 60" X 80" (UE1, UE2, UE3, UN2) |
| 2 | 132336-03-UP5 | EA | BEDSPREAD/CAP - 60" X 80" (UP5) |
| 3 | 136875-02-UD5 | EA | HEADBOARD - DYNASTY - 64" - F/QUEEN BED (UD5, UD6, UD7, UN1) |
| 3 | 136875-02-UE1 | EA | HEADBOARD - DYNASTY - 64" - F/QUEEN BED (UE1, UE2, UE3, UN2) |
| 3 | 136875-06-UE5 | EA | HEADBOARD - DYNASTY - 64" - F/QUEEN BED (UE5, UE6, UE7, UN3) |
| 3 | 147660-01-UP5 | EA | HEADBOARD - QUEEN - 62.5" - F/QUEEN BED (UP5) |
| 4 | 150709-07-UD5 | EA | PILLOW - 15" X 24" (UD5, UD6, UD7, UN1) |
| 4 | 150709-07-UE1 | EA | PILLOW - 15" X 24" (UE5, UE6, UE7, UN3) |
| 4 | 150709-07-UE5 | EA | PILLOW - 15" X 24" (UE1, UE2, UE3, UN2) |
| 4 | 150709-07-UP5 | EA | PILLOW - 15" X 24" (UP5) |

CURTAIN & CUSHION GROUP (CONTINUED)

BUCKET SEATS

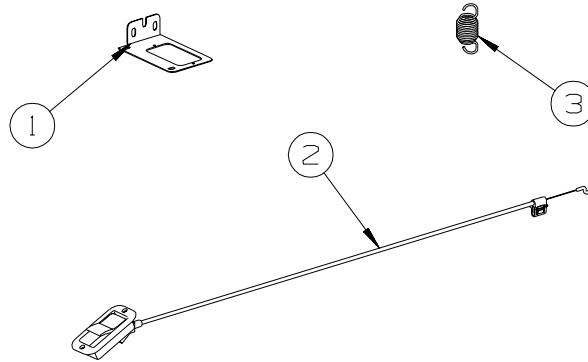


| KEY | PART NUMBER | U/M | DESCRIPTION |
|-----|---------------|-----|--|
| 1 | M05962-H7-UD5 | EA | COVER/BACK (UD5, UD6, UD7, UN1) |
| 1 | M05962-H7-UE1 | EA | COVER/BACK (UE1, UE2, UE3, UN2) |
| 1 | M05962-T9-UE5 | EA | COVER/BACK (UE5, UE6, UE7, UN3) |
| 1 | M05962-H7-UP4 | EA | COVER/BACK (UP4) |
| 1 | M05962-H7-UP5 | EA | COVER/BACK (UP5) |
| 1 | M05962-T6-TB4 | EA | COVER/BACK - LEATHER - ULTRA LEATHER |
| 2 | 148705-01-UA0 | EA | ARMREST - RIGHT (UD5, UD6, UD7, UN1) |
| 2 | 148705-01-UE1 | EA | ARMREST - RIGHT (UE1, UE2, UE3, UN2) |
| 2 | 148705-07-UE5 | EA | ARMREST - RIGHT (UE5, UE6, UE7, UN3) |
| 2 | 148705-01-UP4 | EA | ARMREST - RIGHT (UP4) |
| 2 | 148705-01-UP5 | EA | ARMREST - RIGHT (UP5) |
| 2 | 148705-03-S80 | EA | ARMREST - RIGHT - LEATHER - ULTRA LEATHER |
| | P48705-01-UA0 | EA | COVER/ARMREST - RIGHT (UD5, UD6, UD7, UN1) |
| | P48705-01-UE1 | EA | COVER/ARMREST - RIGHT (UE1, UE2, UE3, UN2) |
| | P48705-07-UE5 | EA | COVER/ARMREST - RIGHT (UE5, UE6, UE7, UN3) |
| | P48705-01-UP4 | EA | COVER/ARMREST - RIGHT (UP4) |
| | P48705-01-UP5 | EA | COVER/ARMREST - RIGHT (UP5) |
| | P48705-03-S80 | EA | COVER/ARMREST - RIGHT - LEATHER - ULTRA LEATHER |
| 3 | | | NOT USED |
| 4 | 148751-01-000 | EA | BRACKET - RIGHT (ADJUSTABLE) W/ROLLER |
| 5 | 148751-03-000 | EA | BRACKET - ROLLER TRIM PLATE |
| 6 | 148705-02-UA0 | EA | ARMREST - LEFT (UD5, UD6, UD7, UN1) |
| 6 | 148705-02-UE1 | EA | ARMREST - LEFT (UE1, UE2, UE3, UN2) |
| 6 | 148705-08-UE5 | EA | ARMREST - LEFT (UE5, UE6, UE7, UN3) |
| 6 | 148705-02-UP4 | EA | ARMREST - LEFT (UP4) |
| 6 | 148705-02-UP5 | EA | ARMREST - LEFT (UP5) |
| 6 | 148705-04-S80 | EA | ARMREST - LEFT - LEATHER - ULTRA LEATHER |
| | P48705-02-UA0 | EA | COVER/ARMREST - LEFT (UD5, UD6, UD7, UN1) |
| | P48705-02-UE1 | EA | COVER/ARMREST - LEFT (UE1, UE2, UE3, UN2) |
| | P48705-08-UE5 | EA | COVER/ARMREST - LEFT (UE5, UE6, UE7, UN3) |
| | P48705-02-UP4 | EA | COVER/ARMREST - LEFT (UP4) |
| | P48705-02-UP5 | EA | COVER/ARMREST - LEFT (UP5) |
| | P48705-04-S80 | EA | COVER/ARMREST - LEFT - LEATHER - ULTRA LEATHER |
| 7 | | | NOT USED |
| 8 | 148751-02-000 | EA | BRACKET - LEFT (ADJUSTABLE) W/ROLLER |
| 9 | M05962-H8-UD5 | EA | COVER/SEAT (UD5, UD6, UD7, UN1) |
| 9 | M05962-H8-UE1 | EA | COVER/SEAT (UE1, UE2, UE3, UN2) |
| 9 | M05962-V0-UE5 | EA | COVER/SEAT (UE5, UE6, UE7, UN3) |

CURTAIN & CUSHION GROUP (CONTINUED)
BUCKET SEATS (CONTINUED)

| KEY | PART NUMBER | U/M | DESCRIPTION |
|-----|---------------|-----|---|
| 9 | M05962-H8-UP4 | EA | COVER/SEAT (UP4) |
| 9 | M05962-H8-UP5 | EA | COVER/SEAT (UP5) |
| 9 | M05962-S7-TF0 | EA | COVER/SEAT - LEATHER - ULTRA LEATHER |
| 10 | 148630-01-UA0 | EA | SKIRT - W/SEAT BELT SLOT (UD5, UD6, UD7, UN1) |
| 10 | 148630-01-UE1 | EA | SKIRT - W/SEAT BELT SLOT (UE1, UE2, UE3, UN2) |
| 10 | 148630-14-UE5 | EA | SKIRT - W/SEAT BELT SLOT (UE5, UE6, UE7, UN3) |
| 10 | 148630-01-UP4 | EA | SKIRT - W/SEAT BELT SLOT (UP4) |
| 10 | 148630-01-UP5 | EA | SKIRT - W/SEAT BELT SLOT (UP5) |
| 10 | 148630-15-TB4 | EA | SKIRT - W/SEAT BELT SLOT - LEATHER - ULTRA LEATHER |
| 10 | 148630-03-UA0 | EA | SKIRT - F/6-WAY POWER (UD5, UD6, UD7, UN1) - POWER SEAT |
| 10 | 148630-03-UE1 | EA | SKIRT - F/6-WAY POWER (UE1, UE2, UE3, UN2) - POWER SEAT |
| 10 | 148630-18-UE5 | EA | SKIRT - F/6-WAY POWER (UE5, UE6, UE7, UN3) - POWER SEAT |
| 10 | 148630-16-TB4 | EA | SKIRT - F/6-WAY POWER - LEATHER - ULTRA LEATHER, POWER SEAT |
| 10 | 148630-21-UD5 | EA | SKIRT - W/SEAT BELT/FOOTREST SLOTS (UD5, UD6, UD7, UN1) - PASSENGER W/FOOTREST |
| 10 | 148630-21-UE1 | EA | SKIRT - W/SEAT BELT/FOOTREST SLOTS (UE1, UE2, UE3, UN2) - PASSENGER W/FOOTREST |
| 10 | 148630-27-UE5 | EA | SKIRT - W/SEAT BELT/FOOTREST SLOTS (UE5, UE6, UE7, UN3) - PASSENGER W/FOOTREST |
| 10 | 148630-25-TB4 | EA | SKIRT - W/SEAT BELT/FOOTREST SLOTS - ULTRA LEATHER PASSENGER W/FOOTREST |
| 11 | 134532-01-000 | EA | FRAME - SEAT/HIGH BACK |
| 12* | 122611-02-000 | EA | LUMBAR - W/LEVER |
| 13 | 117125-01-02B | EA | BRACKET - CABLE MOUNT - ADJUSTER W/LOCK |
| 14 | 108049-02-000 | EA | CLIP - CABLE/PEDESTAL |
| 15 | 108049-04-000 | EA | CABLE - W/MINI LEVER ACTION SWITCH - 28" SHEATH/30" CABLE |
| 16 | 127159-01-02B | EA | BRACKET - SEAT RELEASE - SINGLE REMOTE - E-COATED - POWER SEAT |
| 17 | NOT USED | | |
| 18 | NOT USED | | |
| 19 | 127159-02-02B | EA | BRACKET - SEAT RELEASE - DUAL REMOTE - E-COATED |
| 20 | 128699-01-02B | EA | BRACKET - SEAT SWITCH - E-COATED - POWER SEAT |
| 21 | 147457-01-02B | EA | BRACKET - ZEE W/HOLES - 2.8" - E-COATED |
| 22 | 130802-02-000 | EA | LEVER - RIGHT HAND |
| | 130802-03-000 | EA | SCREW F/LEVER |
| 23 | 148668-01-01A | EA | CUP/TRIM COVER - F/LEVER - BLACK |
| 24 | NOT USED | | |
| | 152337-01-000 | EA | PROTECTOR - SEAT - CLEAR VINYL |
| | 145958-06-000 | EA | PILLOW - HEAD - W/MERIDIAN LOGO |

*COMPONENT PARTS LISTED LATER IN THIS GROUP



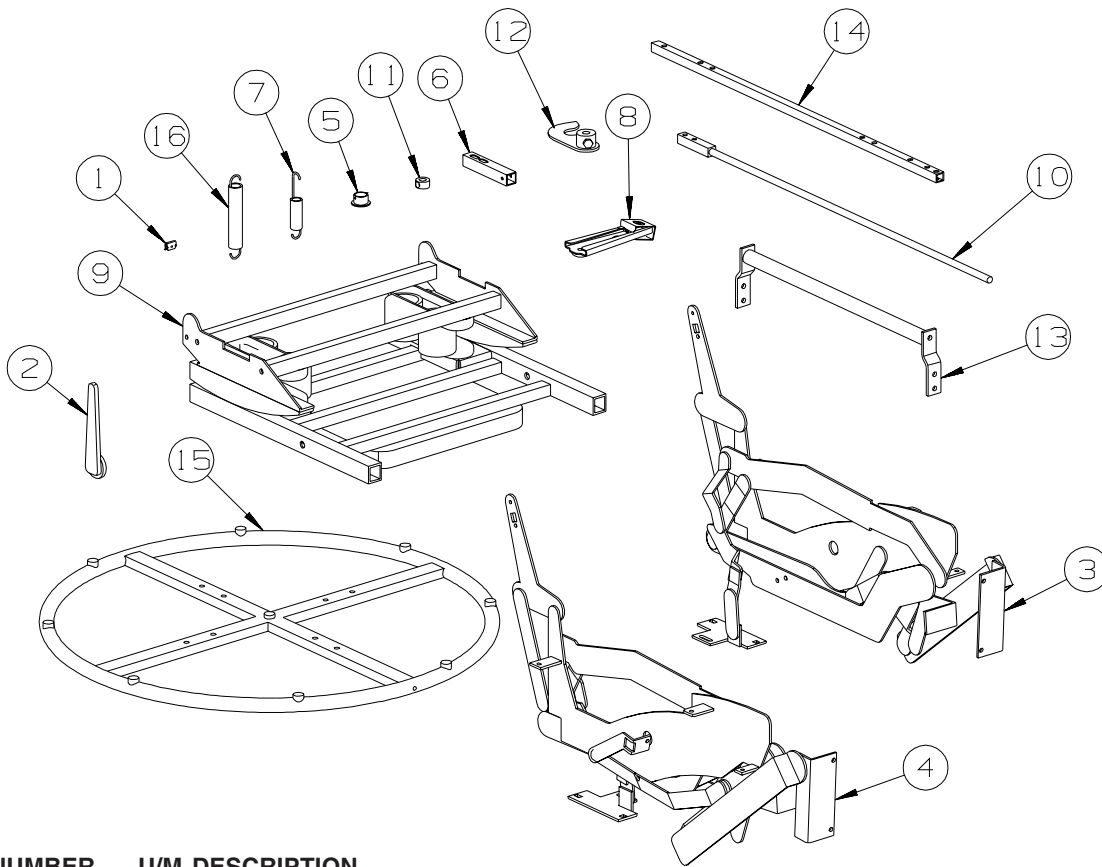
| KEY | PART NUMBER | U/M | DESCRIPTION |
|-----|---------------|-----|---|
| | 154060-01-UD5 | EA | FOOTREST - BUCKET SEAT/PASSENGER (UD5, UD6, UD7, UN1) |
| | 154060-01-UE1 | EA | FOOTREST - BUCKET SEAT/PASSENGER (UE1, UE2, UE3, UN2) |
| | 154060-04-UE5 | EA | FOOTREST - BUCKET SEAT/PASSENGER (UE5, UE6, UE7, UN3) |
| | 154060-03-TF0 | EA | FOOTREST - BUCKET SEAT/PASSENGER - ULTRA LEATHER |
| 1 | 127159-01-02B | EA | BRACKET - SEAT RELEASE - SINGLE REMOTE - E-COATED |
| | 131566-07-000 | EA | 5" DOUBLE LOCKING SLIDE W/TAB |
| 2 | 153956-02-01A | EA | CABLE - FOOTREST - W/BLACK HANDLE |
| 3 | 154190-06-000 | EA | SPRING/FOOTREST - 2.8" |

COMPONENT PARTS FOR BUCKET SEATS

122611-02-000

| KEY | PART NUMBER | U/M | DESCRIPTION | VENDOR NO. |
|-----|---------------|-----|------------------|-----------------|
| | 122611-02-701 | EA | LUMBAR - LEVER | 412 |
| | 122611-02-702 | EA | LUMBAR MECHANISM | 24395-FLEXSTEEL |

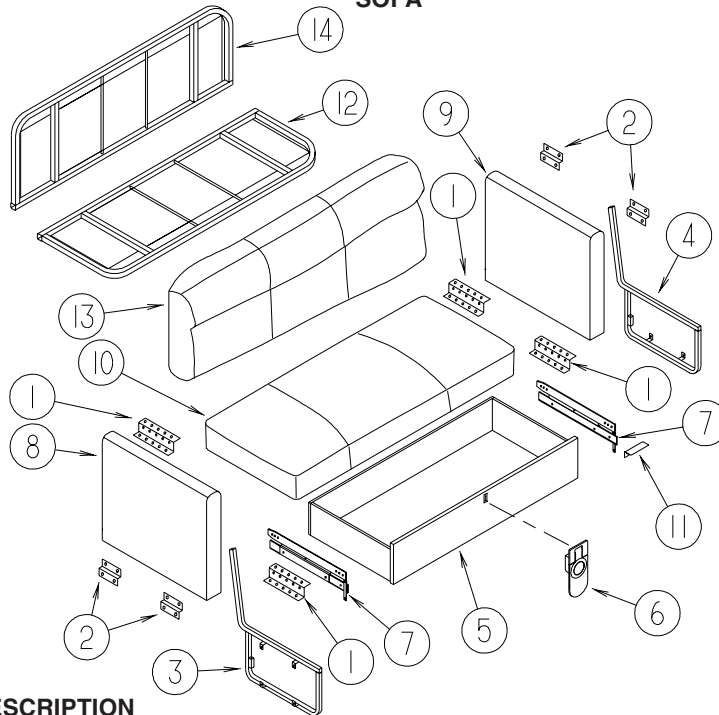
CURTAIN & CUSHION GROUP (CONTINUED)
LOUNGE CHAIR



| KEY | PART NUMBER | U/M | DESCRIPTION |
|-----|---------------|-----|---|
| | P42958-06-UD5 | EA | COVER/CHAIR - RECLINER - W/FOOTREST (UD5, UD6, UD7, UN1) |
| | P42958-06-UE1 | EA | COVER/CHAIR - RECLINER - W/FOOTREST (UE1, UE2, UE3, UN2) |
| | P42958-06-UE5 | EA | COVER/CHAIR - RECLINER - W/FOOTREST (UE5, UE6, UE7, UN3) |
| | P42958-06-UP4 | EA | COVER/CHAIR - RECLINER - W/FOOTREST (UP4) |
| | P42958-06-UP5 | EA | COVER/CHAIR - RECLINER - W/FOOTREST (UP5) |
| | P42958-07-TB4 | EA | COVER/CHAIR - RECLINER - W/FOOTREST -LEATHER - ULTRA LEATHER |
| 1 | 029134-01-000 | EA | CLIP - FINISH - UPHOLSTERY |
| 2 | 133126-11-000 | EA | HANDLE/RECLINE - PLASTIC |
| 3 | 154077-01-000 | EA | RECLINER MECHANISM - RIGHT HAND (WHEN SITTING IN CHAIR) |
| 4 | 154077-02-000 | EA | RECLINER MECHANISM - LEFT HAND (WHEN SITTING IN CHAIR) |
| 5 | 154077-03-000 | EA | BUSHING - PLASTIC/WHITE |
| 6 | 154077-04-000 | EA | TUBE - HANDLE MOUNTING - 3.6" LONG - BLACK |
| 7 | 154077-05-000 | EA | SPRING - EXTENSION - 3.7" |
| 8 | 154077-06-000 | EA | SLEEVE/CLIP - 1.6" X 5.1" |
| 9 | 154077-07-000 | EA | BASE - SWIVEL/ROCKER - BLACK |
| 10 | 154077-08-000 | EA | LATCH ROD - 25.5" - BLACK |
| 11 | 154077-09-000 | EA | LOCK COLLAR - W/SET SCREW LOCK-OUT |
| 12 | 154077-10-000 | EA | LATCH BRACKET - RIGHT FRONT LOCK OUT - BLACK |
| 13 | 154077-11-000 | EA | LATCH TUBE - W/LOCK OUT ENDS - 15.1" - BLACK |
| 14 | 154077-12-000 | EA | LOCK TUBE - .5" X .5" X 23.5" |
| 15 | 154077-13-000 | EA | GRID RING - 24" - BLACK |
| 16 | 154077-14-000 | EA | SPRING/EXTENSION - 4.7" |

CURTAIN & CUSHION GROUP (CONTINUED)

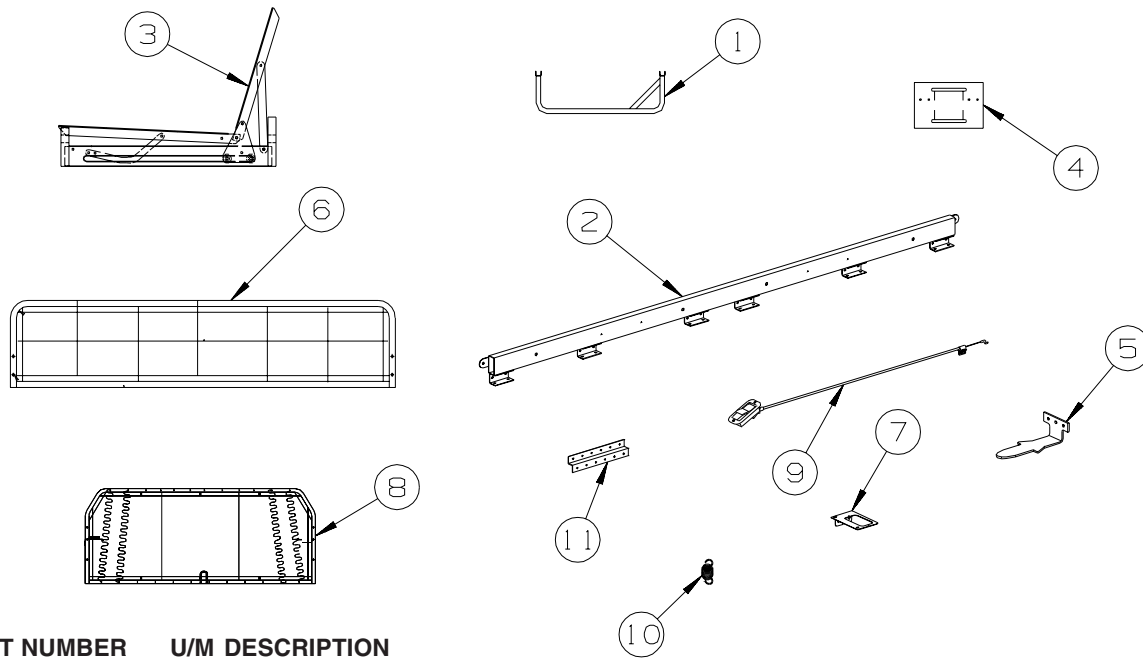
SOFA



BANQUETTE

| KEY | PART NUMBER | U/M | DESCRIPTION |
|-----|---------------|-----|---|
| 1 | 101926-01-02A | EA | BRACKET - ZEE - 2" - BLACK |
| 2 | 116104-04-02B | EA | BRACKET - ZEE W/HOLES - 3.2" - E-COATED |
| 3 | 134306-03-000 | EA | LEG - RIGHT W/O DRAWER TRACK - 48" |
| 4 | 134306-04-000 | EA | LEG - LEFT W/O DRAWER TRACK - 48" |
| 5 | 150792-04-UD5 | EA | DRAWER - 40" - FABRIC COVERED (UD5, UD6, UD7, UN1) |
| 5 | 150792-04-UE1 | EA | DRAWER - 40" - FABRIC COVERED (UE1, UE2, UE3, UN2) |
| 5 | 150792-04-UE5 | EA | DRAWER - 40" - FABRIC COVERED (UE5, UE6, UE7, UN3) |
| 5 | 150792-12-TB4 | EA | DRAWER - 40" - LEATHER COVERED - ULTRA LEATHER |
| 6 | 134511-01-000 | EA | LATCH - BANQUETTE |
| 7 | 134576-01-000 | EA | SLIDE/RAIL KIT - HEAVY DUTY (PAIR) - 22" |
| 8 | 138998-01-UD5 | EA | ARMREST - RIGHT HAND (UD5, UD6, UD7, UN1) |
| 8 | 138998-01-UE1 | EA | ARMREST - RIGHT HAND (UE1, UE2, UE3, UN2) |
| 8 | 138998-01-UE5 | EA | ARMREST - RIGHT HAND (UE5, UE6, UE7, UN3) |
| 8 | 138998-03-SB4 | EA | ARMREST - RIGHT HAND - ULTRA LEATHER |
| 9 | 138998-02-UD5 | EA | ARMREST - LEFT HAND (UD5, UD6, UD7, UN1) |
| 9 | 138998-02-UE1 | EA | ARMREST - LEFT HAND (UE1, UE2, UE3, UN2) |
| 9 | 138998-02-UE5 | EA | ARMREST - LEFT HAND (UE5, UE6, UE7, UN3) |
| 9 | 138998-04-SB4 | EA | ARMREST - LEFT HAND - ULTRA LEATHER |
| 10 | 150792-03-UD5 | EA | SEAT - LOVE SEAT - 40" (UD5, UD6, UD7, UN1) |
| 10 | 150792-03-UE1 | EA | SEAT - LOVE SEAT - 40" (UE1, UE2, UE3, UN2) |
| 10 | 150792-03-UE5 | EA | SEAT - LOVE SEAT - 40" (UE5, UE6, UE7, UN3) |
| 10 | 150792-11-SB4 | EA | SEAT - LOVE SEAT - 40" - LEATHER - ULTRA LEATHER |
| | P50792-03-UD5 | EA | COVER/SEAT - LOVE SEAT - 40" (UD5, UD6, UD7, UN1) |
| | P50792-03-UE1 | EA | COVER/SEAT - LOVE SEAT - 40" (UE1, UE2, UE3, UN2) |
| | P50792-03-UE5 | EA | COVER/SEAT - LOVE SEAT - 40" (UE5, UE6, UE7, UN3) |
| | P50792-07-SB4 | EA | COVER/SEAT - LOVE SEAT - 40" - ULTRA LEATHER |
| 11 | NOT USED | | |
| 12 | 134306-07-000 | EA | FRAME ASM-SEAT,676,40" |
| 13 | 150792-02-UD5 | EA | BACK - LOVE SEAT - 40" (UD5, UD6, UD7, UN1) |
| 13 | 150792-02-UE1 | EA | BACK - LOVE SEAT - 40" (UE1, UE2, UE3, UN2) |
| 13 | 150792-02-UE5 | EA | BACK - LOVE SEAT - 40" (UE5, UE6, UE7, UN3) |
| 13 | 150792-10-TB4 | EA | BACK - LOVE SEAT - 40" - LEATHER - ULTRA LEATHER |
| | P50792-02-UD5 | EA | COVER/BACK - LOVE SEAT - 40" (UD5, UD6, UD7, UN1) |
| | P50792-02-UE1 | EA | COVER/BACK - LOVE SEAT - 40" (UE1, UE2, UE3, UN2) |
| | P50792-02-UE5 | EA | COVER/BACK - LOVE SEAT - 40" (UE5, UE6, UE7, UN3) |
| | P50792-10-TB4 | EA | COVER/BACK - LOVE SEAT - 40" - LEATHER - ULTRA LEATHER |
| 14 | 134306-08-000 | EA | FRAME ASM-BACK,676,40" |

CURTAIN & CUSHION GROUP (CONTINUED)
SOFA (CONTINUED)

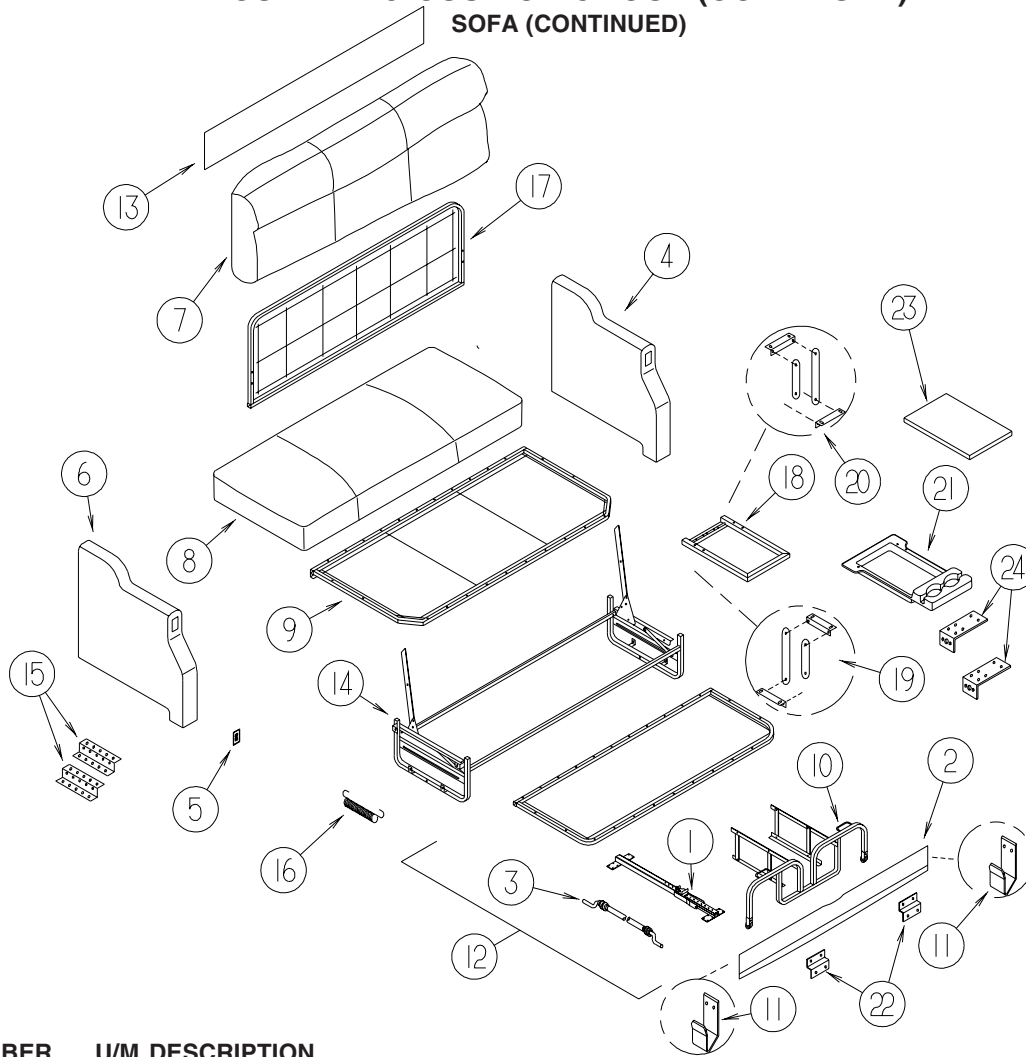


| KEY | PART NUMBER | U/M DESCRIPTION |
|-----|---------------|---|
| 1 | 127335-12-000 | EA LEG - SOFA/BED - 10" |
| 2 | 151290-11-000 | EA BAR - FOOTREST FRAME - 68" |
| 3 | 151290-21-000 | EA FRAME - BASE - 27.25" X 70" |
| | 153655-01-UD5 | EA ARMREST - RIGHT HAND - REMOVABLE (UD5, UD6, UD7, UN1) |
| | 153655-01-UE1 | EA ARMREST - RIGHT HAND - REMOVABLE (UE1, UE2, UE3, UN2) |
| | 153655-01-UE5 | EA ARMREST - RIGHT HAND - REMOVABLE (UE5, UE6, UE7, UN3) |
| | P53655-01-UD5 | EA COVER - ARMREST - REMOVEABLE/RIGHT HAND (UD5, UD6, UD7, UN1) |
| | P53655-01-UE1 | EA COVER - ARMREST - REMOVEABLE/RIGHT HAND (UE1, UE2, UE3, UN2) |
| | P53655-01-UE5 | EA COVER - ARMREST - REMOVEABLE/RIGHT HAND (UE5, UE6, UE7, UN3) |
| 4 | 127335-08-000 | EA BRACKET - REMOVABLE ARMREST/SOFA |
| 5 | 127335-09-000 | EA BRACKET - REMOVABLE ARMREST/CUSHION |
| | 153655-02-UD5 | EA ARMREST - LEFT HAND - REMOVABLE (UD5, UD6, UD7, UN1) |
| | 153655-02-UE1 | EA ARMREST - LEFT HAND - REMOVABLE (UE1, UE2, UE3, UN2) |
| | 153655-02-UE5 | EA ARMREST - LEFT HAND - REMOVABLE (UE5, UE6, UE7, UN3) |
| | P53655-02-UD5 | EA COVER - ARMREST - REMOVEABLE/LEFT HAND (UD5, UD6, UD7, UN1) |
| | P53655-02-UE1 | EA COVER - ARMREST - REMOVEABLE/LEFT HAND (UE1, UE2, UE3, UN2) |
| | P53655-02-UE5 | EA COVER - ARMREST - REMOVEABLE/LEFT HAND (UE5, UE6, UE7, UN3) |
| | 154509-02-UD5 | EA BACK - SOFA - 70" (UD5, UD6, UD7, UN1) |
| | 154509-02-UE1 | EA BACK - SOFA - 70" (UE1, UE2, UE3, UN2) |
| | 154509-02-UE5 | EA BACK - SOFA - 70" (UE5, UE6, UE7, UN3) |
| | P54509-02-UD5 | EA COVER/BACK - SOFA - 70" (UD5, UD6, UD7, UN1) |
| | P54509-02-UE1 | EA COVER/BACK - SOFA - 70" (UE1, UE2, UE3, UN2) |
| | P54509-02-UE5 | EA COVER/BACK - SOFA - 70" (UE5, UE6, UE7, UN3) |
| 6 | 132870-01-000 | EA FRAME/BACK - 70" - CUSTOM LOUNGE |
| | 154509-03-UD5 | EA SEAT - SOFA - 70" (UD5, UD6, UD7, UN1) |
| | 154509-03-UE1 | EA SEAT - SOFA - 70" (UE1, UE2, UE3, UN2) |
| | 154509-03-UE5 | EA SEAT - SOFA - 70" (UE5, UE6, UE7, UN3) |
| | P54509-03-UD5 | EA COVER/SEAT - SOFA - 70" (UD5, UD6, UD7, UN1) |
| | P54509-03-UE1 | EA COVER/SEAT - SOFA - 70" (UE1, UE2, UE3, UN2) |
| | P54509-03-UE5 | EA COVER/SEAT - SOFA - 70" (UE5, UE6, UE7, UN3) |
| | 153795-01-UD5 | EA PANEL - COUCH/RIGHT HAND - FABRIC COVERED (UD5, UD6, UD7, UN1) |
| | 153795-01-UE1 | EA PANEL - COUCH/RIGHT HAND - FABRIC COVERED (UE1, UE2, UE3, UN2) |
| | 153795-01-UE5 | EA PANEL - COUCH/RIGHT HAND - FABRIC COVERED (UE5, UE6, UE7, UN3) |
| | 153795-02-UD5 | EA PANEL - COUCH/LEFT HAND - FABRIC COVERED (UD5, UD6, UD7, UN1) |
| | 153795-02-UE1 | EA PANEL - COUCH/LEFT HAND - FABRIC COVERED (UE1, UE2, UE3, UN2) |
| | 153795-02-UE5 | EA PANEL - COUCH/LEFT HAND - FABRIC COVERED (UE5, UE6, UE7, UN3) |

CURTAIN & CUSHION GROUP (CONTINUED)
SOFA (CONTINUED)

| KEY | PART NUMBER | U/M | DESCRIPTION |
|-----|---------------|-----|---|
| 7 | 127159-03-02B | EA | BRACKET - SEAT RELEASE - REMOTE - E-COATED |
| 8 | 151290-06-000 | EA | FRAME - SEAT - 70" |
| | 154309-03-UD5 | EA | PANEL - FRONT KICK - SOFA - CENTER/LOWER - 22" (UD5, UD6, UD7, UN1) |
| | 154309-03-UE1 | EA | PANEL - FRONT KICK - SOFA - CENTER/LOWER - 22" (UE1, UE2, UE3, UN2) |
| | 154309-03-UE5 | EA | PANEL - FRONT KICK - SOFA - CENTER/LOWER - 22" (UE5, UE6, UE7, UN3) |
| | 154309-04-UD5 | EA | FOOTREST - SOFA/RH FRONT - 11" X 24" (UD5, UD6, UD7, UN1) |
| | 154309-04-UE1 | EA | FOOTREST - SOFA/RH FRONT - 11" X 24" (UE1, UE2, UE3, UN2) |
| | 154309-04-UE5 | EA | FOOTREST - SOFA/RH FRONT - 11" X 24" (UE5, UE6, UE7, UN3) |
| 9 | 153956-02-01A | EA | CABLE - FOOTREST - W/BLACK HANDLE |
| | 154309-05-UD5 | EA | FOOTREST - SOFA/LH FRONT - 11" X 24" (UD5, UD6, UD7, UN1) |
| | 154309-05-UE1 | EA | FOOTREST - SOFA/LH FRONT - 11" X 24" (UE1, UE2, UE3, UN2) |
| | 154309-05-UE5 | EA | FOOTREST - SOFA/LH FRONT - 11" X 24" (UE5, UE6, UE7, UN3) |
| 10 | 154190-06-000 | EA | SPRING/FOOTREST - 2.8" |
| 11 | 155422-01-01A | EA | BRACKET/COUCH - Z - BLACK |

CURTAIN & CUSHION GROUP (CONTINUED)
SOFA (CONTINUED)



RESTEASY

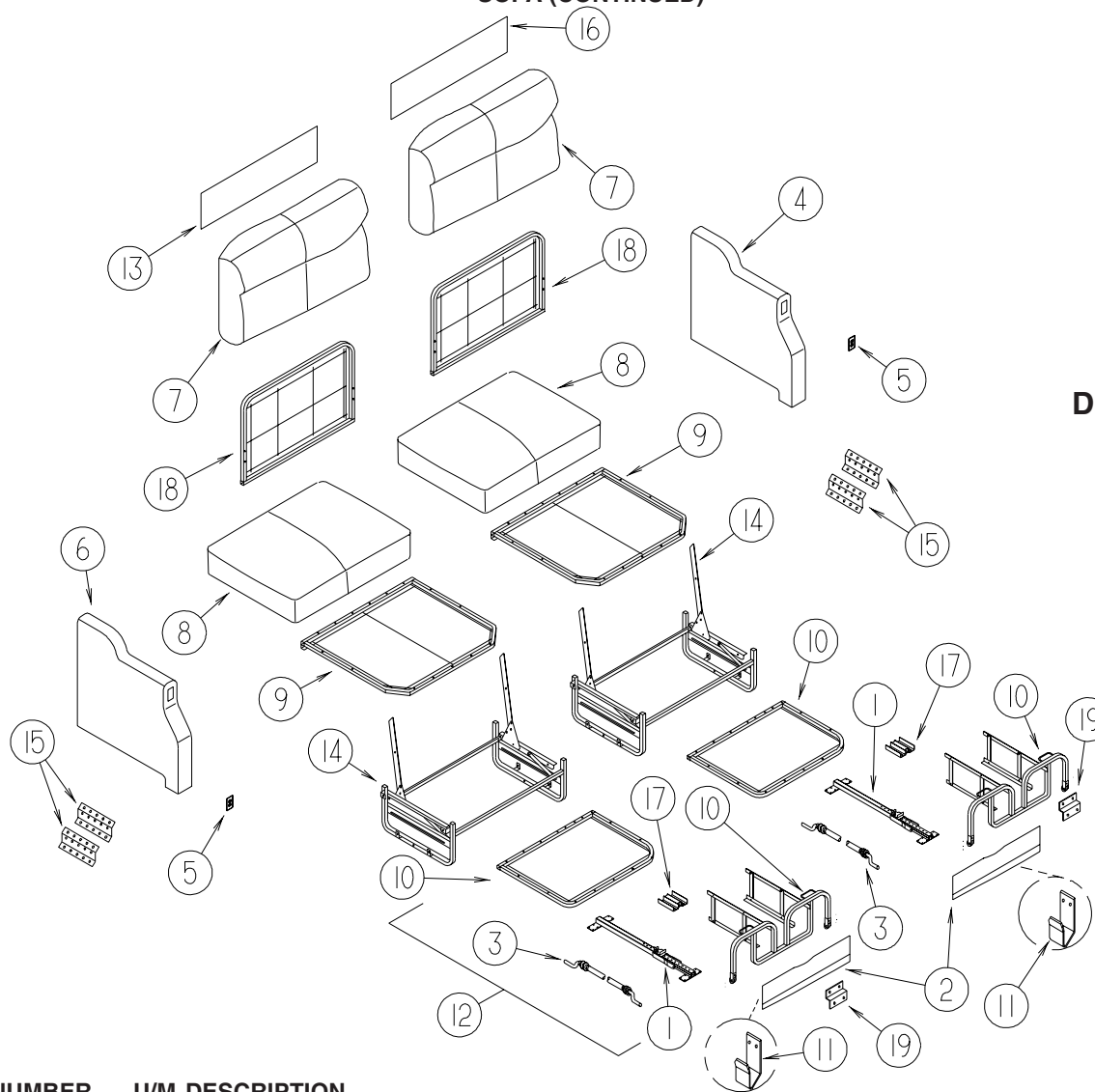
| KEY | PART NUMBER | U/M | DESCRIPTION |
|-----|---------------|-----|--|
| 1 | 159707-01-000 | EA | SLIDE RAIL - W/LATCH MECH/PLATES/STOP F/TRUNDLE FLAT FLOOR |
| 2 | 150679-07-UD5 | EA | PANEL/FRONT KICK - SOFA/SLEEPER - 70" - FABRIC COVERED (UD5,UD6,UD7) |
| 2 | 150679-07-UE1 | EA | PANEL/FRONT KICK - SOFA/SLEEPER - 70" - FABRIC COVERED (UE1,UE2,UE3) |
| 2 | 150679-07-UE5 | EA | PANEL/FRONT KICK - SOFA/SLEEPER - 70" - FABRIC COVERED (UE5,UE6,UE7) |
| 2 | 150679-07-UP5 | EA | PANEL/FRONT KICK - SOFA/SLEEPER - 70" - FABRIC COVERED (UP5) |
| 2 | 150679-12-TB4 | EA | PANEL/FRONT KICK - SOFA/SLEEPER - 70" - LEATHER - ULTRA LEATHER |
| 3 | 148225-01-000 | EA | CABLE ONLY - REMOTE - 31.9" W/Z-ENDS |
| 4 | 149886-02-UD5 | EA | ARMREST - LEFT HAND (UD5,UD6,UD7) |
| 4 | 149886-02-UE1 | EA | ARMREST - LEFT HAND (UE1,UE2,UE3) |
| 4 | 149886-02-UE5 | EA | ARMREST - LEFT HAND (UE5,UE6,UE7) |
| 4 | 149886-02-UP5 | EA | ARMREST - LEFT HAND (UP5) |
| 4 | 149886-10-T97 | EA | ARMREST - LEFT HAND - LEATHER - ULTRA LEATHER |
| | P49886-02-UD5 | EA | COVER/ARMREST - LEFT (UD5,UD6,UD7) |
| | P49886-02-UE1 | EA | COVER/ARMREST - LEFT (UE1,UE2,UE3) |
| | P49886-02-UE5 | EA | COVER/ARMREST - LEFT (UE5,UE6,UE7) |
| | P49886-10-T97 | EA | COVER/ARMREST - LEFT - LEATHER - ULTRA LEATHER |
| | P49886-02-UP5 | EA | COVER/ARMREST - LEFT (UP5) |
| 5 | 136118-01-000 | EA | SWITCH - SOFA/RECLINER |
| 6 | 149886-01-UD5 | EA | ARMREST - RIGHT HAND (UD5,UD6,UD7) |
| 6 | 149886-01-UE1 | EA | ARMREST - RIGHT HAND (UE1,UE2,UE3) |
| 6 | 149886-01-UE5 | EA | ARMREST - RIGHT HAND (UE5,UE6,UE7) |
| 6 | 149886-01-UP5 | EA | ARMREST - RIGHT HAND (UP5) |
| 6 | 149886-09-T97 | EA | ARMREST - RIGHT HAND - W/SWITCH - LEATHER - ULTRA LEATHER |
| | P49886-01-UD5 | EA | COVER/ARMREST - RIGHT (UD5,UD6,UD7) |
| | P49886-01-UE1 | EA | COVER/ARMREST - RIGHT (UE1,UE2,UE3) |
| | P49886-01-UE5 | EA | COVER/ARMREST - RIGHT (UE5,UE6,UE7) |
| | P49886-01-UP5 | EA | COVER/ARMREST - RIGHT (UP5) |
| | P49886-09-T97 | EA | COVER/ARMREST - RIGHT - LEATHER - ULTRA LEATHER |

CURTAIN & CUSHION GROUP (CONTINUED)
SOFA (CONTINUED)

| KEY | PART NUMBER | U/M | DESCRIPTION |
|-----|---------------|-----|---|
| 7 | 150679-02-UD5 | EA | BACK - SOFA/SLEEPER (UD5,UD6,UD7) |
| 7 | 150679-02-UE1 | EA | BACK - SOFA/SLEEPER (UE1,UE2,UE3) |
| 7 | 150679-02-UE5 | EA | BACK - SOFA/SLEEPER (UE5,UE6,UE7) |
| 7 | 159496-02-UP5 | EA | BACK - SOFA/SLEEPER (UP5) |
| 7 | 150679-10-TB4 | EA | BACK - SOFA/SLEEPER - LEATHER - ULTRA LEATHER |
| | P50679-02-UD5 | EA | COVER/BACK - SOFA/SLEEPER REST EASY (UD5,UD6,UD7) |
| | P50679-02-UE1 | EA | COVER/BACK - SOFA/SLEEPER REST EASY (UE1,UE2,UE3) |
| | P50679-02-UE5 | EA | COVER/BACK - SOFA/SLEEPER REST EASY (UE5,UE6,UE7) |
| | P50679-02-UP5 | EA | COVER/BACK - SOFA/SLEEPER REST EASY (UP5) |
| | P50679-10-TB4 | EA | COVER/BACK - SOFA/SLEEPER REST EASY - LEATHER - ULTRA LEATHER |
| 8 | 150679-03-UD5 | EA | SEAT - SOFA/SLEEPER REST EASY (UD5,UD6,UD7) |
| 8 | 150679-03-UE1 | EA | SEAT - SOFA/SLEEPER REST EASY (UE1,UE2,UE3) |
| 8 | 150679-03-UE5 | EA | SEAT - SOFA/SLEEPER REST EASY (UE5,UE6,UE7) |
| 8 | 150679-03-UP5 | EA | SEAT - SOFA/SLEEPER REST EASY (UP5) |
| 8 | 150679-11-TB4 | EA | SEAT - SOFA/SLEEPER REST EASY - LEATHER - ULTRA LEATHER |
| | P50679-03-UD5 | EA | COVER/SEAT - SOFA/SLEEPER REST EASY (UD5,UD6,UD7) |
| | P50679-03-UE1 | EA | COVER/SEAT - SOFA/SLEEPER REST EASY (UE1,UE2,UE3) |
| | P50679-03-UE5 | EA | COVER/SEAT - SOFA/SLEEPER REST EASY (UE5,UE6,UE7) |
| | P50679-03-UP5 | EA | COVER/SEAT - SOFA/SLEEPER REST EASY (UP5) |
| | P50679-11-TB4 | EA | COVER/SEAT - SOFA/SLEEPER REST EASY - LEATHER - ULTRA LEATHER |
| 9 | 151290-06-000 | EA | FRAME - SEAT - 70" |
| 10 | 136534-27-000 | EA | TRUNDLE FRAME - 26" WIDE/DUAL - W/LINKAGE, LATCH & HANDLE |
| 11 | 121906-01-02B | EA | BRACKET - KICKBOARD - E-COATED |
| 12 | 149844-04-UD5 | EA | TRUNDLE - SOFA/SLEEPER REST EASY - 70" (UD5,UD6,UD7) |
| 12 | 149844-04-UE1 | EA | TRUNDLE - SOFA/SLEEPER REST EASY - 70" (UE1,UE2,UE3) |
| 12 | 149844-04-TE5 | EA | TRUNDLE - SOFA/SLEEPER REST EASY - 70" (UE5,UE6,UE7) |
| 12 | 149844-04-UP5 | EA | TRUNDLE - SOFA/SLEEPER REST EASY - 70" (UP5) |
| 12 | 155647-06-T97 | EA | TRUNDLE - SOFA/SLEEPER REST EASY - 70" - LEATHER - ULTRA LEATHER |
| | P49844-04-UD5 | EA | COVER/TRUNDLE - SOFA/SLEEPER REST EASY (UD5,UD6,UD7) |
| | P49844-04-UE1 | EA | COVER/TRUNDLE - SOFA/SLEEPER REST EASY (UE1,UE2,UE3) |
| | P49844-04-UE5 | EA | COVER/TRUNDLE - SOFA/SLEEPER REST EASY (UE5,UE6,UE7) |
| | P49844-04-UP5 | EA | COVER/TRUNDLE - SOFA/SLEEPER REST EASY (UP5) |
| | 155647-A6-T97 | EA | COVER/TRUNDLE - SOFA/SLEEPER REST EASY - LEATHER - ULTRA LEATHER |
| 13 | NOT USED | | |
| 14 | 151290-01-000 | EA | FRAME - BASE - 70" |
| 15 | NOT USED | | |
| 16 | NOT USED | | |
| 17 | 132870-01-000 | EA | FRAME/BACK - 70" - CUSTOM LOUNGE |
| 18 | NOT USED | | |
| 19 | NOT USED | | |
| 20 | NOT USED | | |
| 21 | NOT USED | | |
| 22 | NOT USED | | |
| 23 | NOT USED | | |
| 24 | 152034-01-02B | EA | BRACKET - HOLD DOWN/COUCH - E-COATED |

***COMPONENT PARTS LISTED LATER IN THIS GROUP**

CURTAIN & CUSHION GROUP (CONTINUED)
SOFA (CONTINUED)



DUAL RESTEASY

| KEY | PART NUMBER | U/M DESCRIPTION |
|-----|---------------|---|
| 1 | 159707-03-000 | EA SLIDE RAIL - W/LATCH MECH/PLATES/STOP F/20" RSD FLOOR |
| 2 | 150480-04-UD5 | EA PANEL/FRONT KICK - SOFA/SLEEPER REST EASY-DUAL CONTROLS (UD5, UD6, UD7, UN1, UN1) |
| 2 | 150480-04-UE1 | EA PANEL/FRONT KICK - SOFA/SLEEPER REST EASY-DUAL CONTROLS (UE1, UE2, UE3, UN2, UN2) |
| 2 | 150480-04-UE5 | EA PANEL/FRONT KICK - SOFA/SLEEPER REST EASY-DUAL CONTROLS (UE5, UE6, UE7, UN3, UN3) |
| 2 | 150480-19-T97 | EA PANEL/FRONT KICK - SOFA REST EASY/DUAL CTRL-#826/826 ARMS-30"FF-LTH - ULTRA LEATHER |
| 3 | 148225-01-000 | EA CABLE ONLY - REMOTE - 31.9" W/Z-ENDS |
| 4 | 138644-24-UD5 | EA ARMREST - LEFT HAND (UD5, UD6, UD7, UN1, UN1) |
| 4 | 138644-24-UE1 | EA ARMREST - LEFT HAND (UE1, UE2, UE3, UN2, UN2) |
| 4 | 138644-24-UE5 | EA ARMREST - LEFT HAND (UE5, UE6, UE7, UN3, UN3) |
| 4 | 138644-30-TB4 | EA ARMREST - LEFT HAND - W/SWITCH - LEATHER - ULTRA LEATHER |
| | P38644-07-UD5 | EA COVER/ARMREST - LEFT (UD5, UD6, UD7, UN1, UN1) |
| | P38644-07-UE1 | EA COVER/ARMREST - LEFT (UE1, UE2, UE3, UN2, UN2) |
| | P38644-07-UE5 | EA COVER/ARMREST - LEFT (UE5, UE6, UE7, UN3, UN3) |
| | P38644-30-TB4 | EA COVER/ARMREST - LEFT HAND - LEATHER - ULTRA LEATHER |
| 5 | 136118-01-000 | EA SWITCH - SOFA/RECLINER |
| 6 | 138644-23-UD5 | EA ARMREST - RIGHT HAND (UD5, UD6, UD7, UN1, UN1) |
| 6 | 138644-23-UE1 | EA ARMREST - RIGHT HAND (UE1, UE2, UE3, UN2, UN2) |
| 6 | 138644-23-UE5 | EA ARMREST - RIGHT HAND (UE5, UE6, UE7, UN3, UN3) |
| 6 | 138644-29-TB4 | EA ARMREST - RIGHT HAND - W/SWITCH - LEATHER - ULTRA LEATHER |
| | P38644-06-UD5 | EA COVER/ARMREST - RIGHT HAND (UD5, UD6, UD7, UN1, UN1) |
| | P38644-06-UE1 | EA COVER/ARMREST - RIGHT HAND (UE1, UE2, UE3, UN2, UN2) |
| | P38644-06-UE5 | EA COVER/ARMREST - RIGHT HAND (UE5, UE6, UE7, UN3, UN3) |
| | P38644-29-TB4 | EA COVER/ARMREST - RIGHT HAND - LEATHER - ULTRA LEATHER |

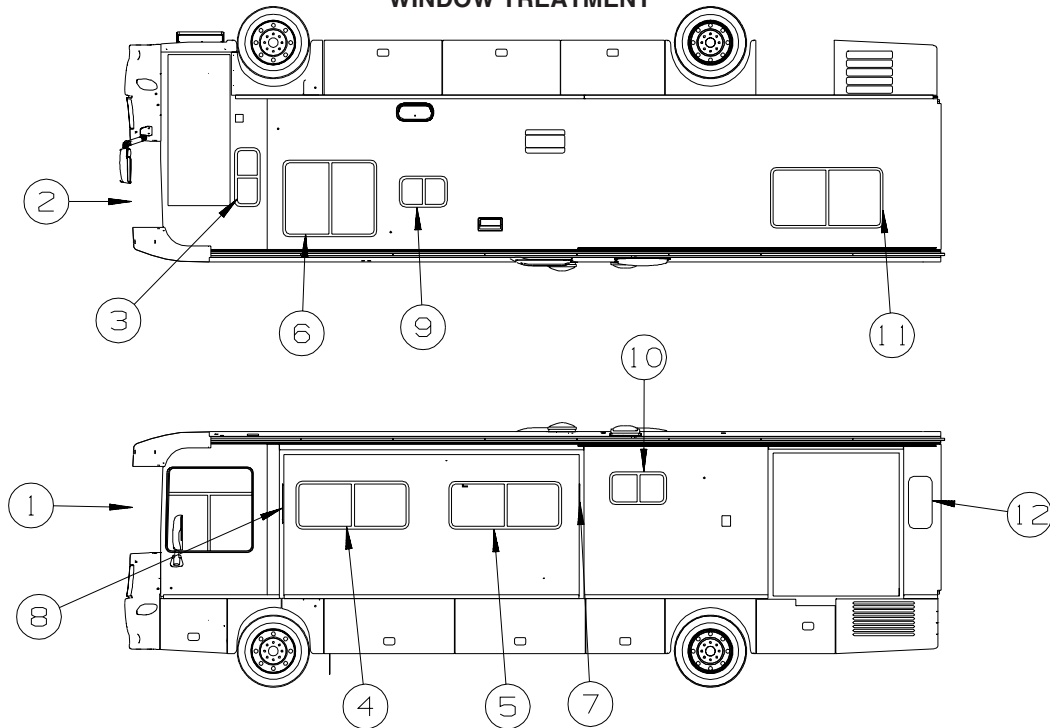
CURTAIN & CUSHION GROUP (CONTINUED)
SOFA (CONTINUED)

| KEY | PART NUMBER | U/M | DESCRIPTION |
|------------|--------------------|------------|--|
| 7 | 150480-02-UD5 | EA | BACK - SOFA/SLEEPER REST EASY-DUAL CONTROLS (UD5, UD6, UD7, UN1, UN1) |
| 7 | 150480-02-UE1 | EA | BACK - SOFA/SLEEPER REST EASY-DUAL CONTROLS (UE1, UE2, UE3, UN2, UN2) |
| 7 | 150480-02-UE5 | EA | BACK - SOFA/SLEEPER REST EASY-DUAL CONTROLS (UE5, UE6, UE7, UN3, UN3) |
| 7 | 150480-16-T97 | EA | BACK - SOFA/SLEEPER REST EASY-DUAL CONTROLS - LEATHER - ULTRA LEATHER |
| | P50480-02-UD5 | EA | COVER/BACK - DUAL (UD5, UD6, UD7, UN1, UN1) |
| | P50480-02-UE1 | EA | COVER/BACK - DUAL (UE1, UE2, UE3, UN2, UN2) |
| | P50480-02-UE5 | EA | COVER/BACK - DUAL (UE5, UE6, UE7, UN3, UN3) |
| | P50480-16-T97 | EA | COVER/BACK - DUAL - LEATHER - ULTRA LEATHER |
| 8 | 150480-03-UD5 | EA | SEAT - SOFA/SLEEPER REST EASY-DUAL CONTROLS (UD5, UD6, UD7, UN1, UN1) |
| 8 | 150480-03-UE1 | EA | SEAT - SOFA/SLEEPER REST EASY-DUAL CONTROLS (UE1, UE2, UE3, UN2, UN2) |
| 8 | 150480-03-UE5 | EA | SEAT - SOFA/SLEEPER REST EASY-DUAL CONTROLS (UE5, UE6, UE7, UN3, UN3) |
| 8 | 150480-17-T97 | EA | SEAT - SOFA/SLEEPER REST EASY-DUAL CONTROLS - LEATHER - ULTRA LEATHER |
| | P50480-03-UD5 | EA | COVER/SEAT - DUAL (UD5, UD6, UD7, UN1, UN1) |
| | P50480-03-UE1 | EA | COVER/SEAT - DUAL (UE1, UE2, UE3, UN2, UN2) |
| | P50480-03-UE5 | EA | COVER/SEAT - DUAL (UE5, UE6, UE7, UN3, UN3) |
| | P50480-17-TB4 | EA | COVER/SEAT - DUAL - LEATHER - ULTRA LEATHER |
| 9 | 151290-02-000 | EA | FRAME - SEAT - 30" |
| 10 | 136534-27-000 | EA | TRUNDLE FRAME - 26" WIDE/DUAL - W/LINKAGE, LATCH & HANDLE |
| 11 | 121906-01-02B | EA | BRACKET - KICKBOARD - E-COATED |
| 12 | 138647-22-UD5 | EA | TRUNDLE - SOFA/SLEEPER - REST EASY/DUAL CONTROLLED (UD5, UD6, UD7, UN1, UN1) |
| 12 | 138647-22-UE1 | EA | TRUNDLE - SOFA/SLEEPER - REST EASY/DUAL CONTROLLED (UE1, UE2, UE3, UN2, UN2) |
| 12 | 138647-22-UE5 | EA | TRUNDLE - SOFA/SLEEPER - REST EASY/DUAL CONTROLLED (UE5, UE6, UE7, UN3, UN3) |
| 12 | 155647-09-T97 | EA | TRUNDLE - SOFA/SLEEPER - DUAL CONTROLLED - LEATHER - ULTRA LEATHER |
| | P38647-22-UD5 | EA | COVER/TRUNDLE - REST EASY/DUAL CONTROLLED - SOFA/SLEEPER (UD5, UD6, UD7, UN1, UN1) |
| | P38647-22-UE1 | EA | COVER/TRUNDLE - REST EASY/DUAL CONTROLLED - SOFA/SLEEPER (UE1, UE2, UE3, UN2, UN2) |
| | P38647-22-UE5 | EA | COVER/TRUNDLE - REST EASY/DUAL CONTROLLED - SOFA/SLEEPER (UE5, UE6, UE7, UN3, UN3) |
| | 155647-A9-T97 | EA | COVER/TRUNDLE - SOFA/SLEEPER - DUAL - LEATHER - ULTRA LEATHER |
| 13 | 139716-16-UD5 | EA | SIGHT SHIELD - DUAL BACK/RIGHT HAND (UD5, UD6, UD7, UN1, UN1) |
| 13 | 139716-16-UE1 | EA | SIGHT SHIELD - DUAL BACK/RIGHT HAND (UE1, UE2, UE3, UN2, UN2) |
| 13 | 139716-16-UE5 | EA | SIGHT SHIELD - DUAL BACK/RIGHT HAND (UE5, UE6, UE7, UN3, UN3) |
| 13 | 139716-18-T97 | EA | SIGHT SHIELD - DUAL BACK/RIGHT HAND - ULTRA LEATHER |
| 14 | 151290-14-000 | EA | FRAME - BASE - 27.25" X 30" X 10.5" - LEFT |
| 14 | 151290-15-000 | EA | FRAME - BASE - 27.25" X 30" X 10.5" - RIGHT |
| 15 | 116104-04-02B | EA | BRACKET - ZEE W/HOLES - 3.2" - E-COATED |
| 16 | 139716-15-UD5 | EA | SIGHT SHIELD - DUAL BACK/LEFT HAND (UD5, UD6, UD7, UN1, UN1) |
| 16 | 139716-15-UE1 | EA | SIGHT SHIELD - DUAL BACK/LEFT HAND (UE1, UE2, UE3, UN2, UN2) |
| 16 | 139716-15-UE5 | EA | SIGHT SHIELD - DUAL BACK/LEFT HAND (UE5, UE6, UE7, UN3, UN3) |
| 16 | 139716-17-T97 | EA | SIGHT SHIELD - DUAL BACK/LEFT HAND - ULTRA LEATHER |
| 17 | 136534-32-000 | EA | BRACKET - DUAL BASE |
| 18 | 136534-25-000 | EA | FRAME/BACK - FOR DUAL REST EASY SOFA - ONE SIDE ONLY |
| 19 | 101926-01-02A | EA | BRACKET - ZEE - 2" - BLACK |

***COMPONENT PARTS LISTED LATER IN THIS GROUP**

CURTAIN & CUSHION GROUP (CONTINUED)

WINDOW TREATMENT



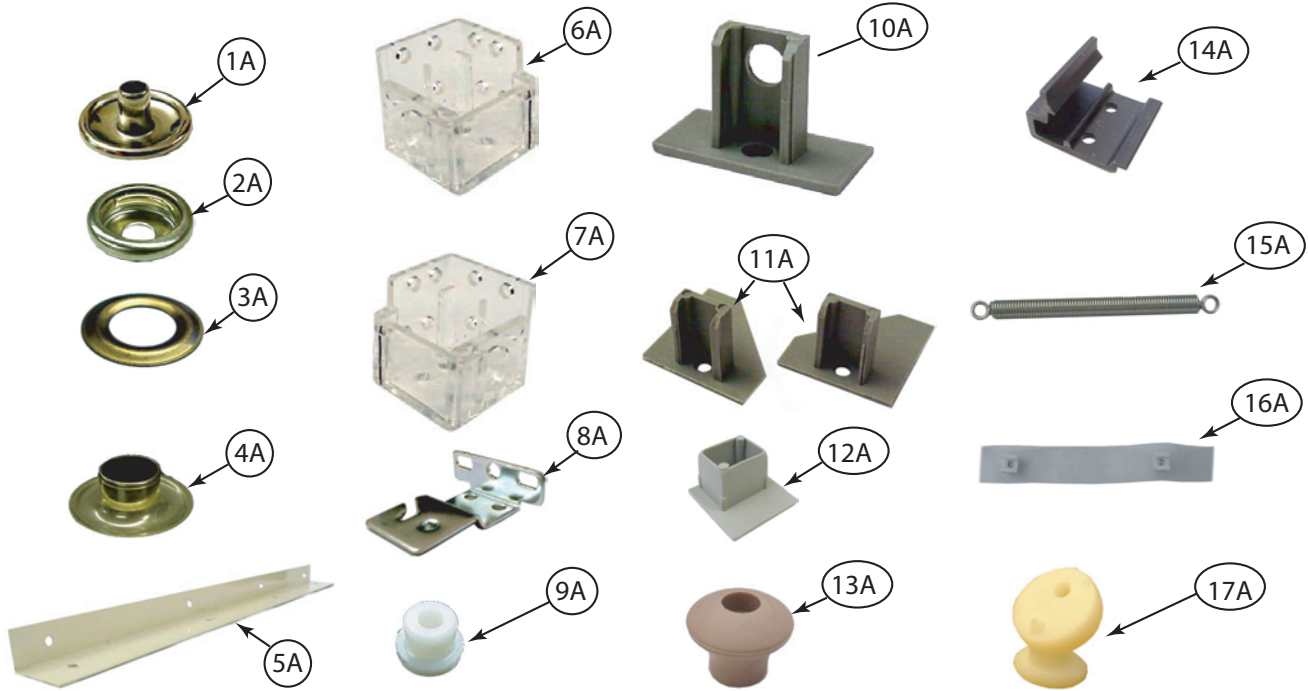
| KEY | PART NUMBER | U/M | DESCRIPTION |
|-----|---------------|-----|--|
| 1 | 147460-01-TA0 | EA | CURTAIN - DRVR/WRAP/PRIVACY/PLEATED - 45" X 113.8" |
| 2 | 147460-02-TA0 | EA | CURTAIN - PASS/Front WRAP/PRIVACY/PLEATED - 42.5" X 119.8" |
| 3 | 147460-03-TA0 | EA | CURTAIN - PASS/REAR WRAP/PRIVACY/PLEATED - 42.5" X 74.9" |
| 4 | 155361-07-UD5 | EA | LAMBREQUIN - GALLANT - 61" X 28" (UD5, UD6, UD7, UN1) |
| 4 | 155361-07-UE1 | EA | LAMBREQUIN - GALLANT - 61" X 28" (UE1, UE2, UE3, UN2) |
| 4 | 155361-07-UE5 | EA | LAMBREQUIN - GALLANT - 61" X 28" (UE5, UE6, UE7, UN3) |
| 4 | 146058-AB-UP5 | EA | LAMBREQUIN - MONTICELLO - 61" X 25" (UP5) |
| 4 | 140789-08-SD0 | EA | BLIND - DAY/NIGHTER - 59" X 26.5" (UD5, UD6, UD7, UE1, UE2, UE3, UE5, UE6, UE7, UN1, UN2, UN3) |
| 4 | 157506-02-TR0 | EA | BLIND - PLEATED - 59" X 26.5" (UP5) |
| 5 | 155361-07-UD5 | EA | LAMBREQUIN - GALLANT - 61" X 28" (UD5, UD6, UD7, UN1) |
| 5 | 155361-07-UE1 | EA | LAMBREQUIN - GALLANT - 61" X 28" (UE1, UE2, UE3, UN2) |
| 5 | 155361-07-UE5 | EA | LAMBREQUIN - GALLANT - 61" X 28" (UE5, UE6, UE7, UN3) |
| 5 | 146058-AB-UP5 | EA | LAMBREQUIN - MONTICELLO - 61" X 25" (UP5) |
| 5 | 155361-66-UD5 | EA | LAMBREQUIN - GALLANT - 61" X 23.5" (UD5, UD6, UD7, UN1) - DINING/COMPUTER TABLE |
| 5 | 155361-66-UE1 | EA | LAMBREQUIN - GALLANT - 61" X 23.5" (UE1, UE2, UE3, UN2) - DINING/COMPUTER TABLE |
| 5 | 155361-66-UE5 | EA | LAMBREQUIN - GALLANT - 61" X 23.5" (UE5, UE6, UE7, UN3) - DINING/COMPUTER TABLE |
| 5 | 152664-01-UD5 | EA | LEG - RIGHT - 21.5" (UD5, UD6, UD7, UN1) |
| 5 | 152664-01-UE1 | EA | LEG - RIGHT - 21.5" (UE1, UE2, UE3, UN2) |
| 5 | 152664-01-UE5 | EA | LEG - RIGHT - 21.5" (UE5, UE6, UE7, UN3) |
| 5 | 152664-49-UP5 | EA | LEG - RIGHT - 21.5" (UP5) |
| 5 | 152664-02-UD5 | EA | LEG - LEFT - 21.5" (UD5, UD6, UD7, UN1) |
| 5 | 152664-02-UE1 | EA | LEG - LEFT - 21.5" (UE1, UE2, UE3, UN2) |
| 5 | 152664-02-UE5 | EA | LEG - LEFT - 21.5" (UE5, UE6, UE7, UN3) |
| 5 | 152664-50-UP5 | EA | LEG - LEFT - 21.5" (UP5) |
| 5 | 140789-08-SD0 | EA | BLIND - DAY/NIGHTER - 59" X 26.5" (UD5, UD6, UD7, UE1, UE2, UE3, UE5, UE6, UE7, UN1, UN2, UN3) |
| 5 | 157506-02-TR0 | EA | BLIND - PLEATED - 59" X 26.5" (UP5) |
| 6 | 155361-65-UD5 | EA | LAMBREQUIN - GALLANT - 51" X 46" (UD5, UD6, UD7, UN1) |
| 6 | 155361-65-UE1 | EA | LAMBREQUIN - GALLANT - 51" X 46" (UE1, UE2, UE3, UN2) |
| 6 | 155361-65-UE5 | EA | LAMBREQUIN - GALLANT - 51" X 46" (UE5, UE6, UE7, UN3) |
| 6 | 146058-AC-UP5 | EA | LAMBREQUIN - MONTICELLO - 51" X 46" (UP5) |
| 6 | 140789-17-SD0 | EA | BLIND - DAY/NIGHTER - 49" X 41" (UD5, UD6, UD7, UE1, UE2, UE3, UE5, UE6, UE7, UN1, UN2, UN3) |
| 6 | 157506-08-TS0 | EA | BLIND - PLEATED - 49" X 41" (UP5) |
| 7 | 155361-67-UD5 | EA | VALANCE - GALLANT - 26" X 7" (UD5, UD6, UD7, UN1) |
| 7 | 155361-67-UE1 | EA | VALANCE - GALLANT - 26" X 7" (UE1, UE2, UE3, UN2) |
| 7 | 155361-67-UE5 | EA | VALANCE - GALLANT - 26" X 7" (UE5, UE6, UE7, UN3) |
| 7 | 146058-AD-UP5 | EA | VALANCE - MONTICELLO - 26" (UP5) |

CURTAIN & CUSHION GROUP (CONTINUED)
WINDOW TREATMENT (CONTINUED)

| KEY | PART NUMBER | U/M | DESCRIPTION |
|-----|---------------|-----|--|
| 7 | 152664-05-UD5 | EA | LEG - RIGHT - 18" (UD5, UD6, UD7, UN1) |
| 7 | 152664-05-UE1 | EA | LEG - RIGHT - 18" (UE1, UE2, UE3, UN2) |
| 7 | 152664-05-UE5 | EA | LEG - RIGHT - 18" (UE5, UE6, UE7, UN3) |
| 7 | 152664-N0-UP5 | EA | LEG - RIGHT - 18" (UP5) |
| 7 | 152664-01-UD5 | EA | LEG - RIGHT - 21.5" (UD5, UD6, UD7, UN1) - DINING/COMPUTER TABLE |
| 7 | 152664-01-UE1 | EA | LEG - RIGHT - 21.5" (UE1, UE2, UE3, UN2) - DINING/COMPUTER TABLE |
| 7 | 152664-01-UE5 | EA | LEG - RIGHT - 21.5" (UE5, UE6, UE7, UN3) - DINING/COMPUTER TABLE |
| 7 | 152664-06-UD5 | EA | LEG - LEFT - 18" (UD5, UD6, UD7, UN1) |
| 7 | 152664-06-UE1 | EA | LEG - LEFT - 18" (UE1, UE2, UE3, UN2) |
| 7 | 152664-06-UE5 | EA | LEG - LEFT - 18" (UE5, UE6, UE7, UN3) |
| 7 | 152664-N1-UP5 | EA | LEG - LEFT - 18" (UP5) |
| 7 | 152664-02-UD5 | EA | LEG - LEFT - 21.5" (UD5, UD6, UD7, UN1) - DINING/COMPUTER TABLE |
| 7 | 152664-02-UE1 | EA | LEG - LEFT - 21.5" (UE1, UE2, UE3, UN2) - DINING/COMPUTER TABLE |
| 7 | 152664-02-UE5 | EA | LEG - LEFT - 21.5" (UE5, UE6, UE7, UN3) - DINING/COMPUTER TABLE |
| 7 | 140789-07-SD0 | EA | BLIND - DAY/NIGHTER - 22.5" X 23" (UD5, UD6, UD7, UE1, UE2, UE3, UE5, UE6, UE7, UN1, UN2, UN3) |
| 7 | 157506-01-TR0 | EA | BLIND - PLEATED - 22.5" X 23" (UP5) |
| 8 | 155361-67-UD5 | EA | VALANCE - GALLANT - 26" X 7" (UD5, UD6, UD7, UN1) |
| 8 | 155361-67-UE1 | EA | VALANCE - GALLANT - 26" X 7" (UE1, UE2, UE3, UN2) |
| 8 | 155361-67-UE5 | EA | VALANCE - GALLANT - 26" X 7" (UE5, UE6, UE7, UN3) |
| 8 | 146058-AD-UP5 | EA | VALANCE - MONTICELLO - 26" (UP5) |
| 8 | 140789-07-SD0 | EA | BLIND - DAY/NIGHTER - 22.5" X 23" (UD5, UD6, UD7, UE1, UE2, UE3, UE5, UE6, UE7, UN1, UN2, UN3) |
| 8 | 157506-01-TR0 | EA | BLIND - PLEATED - 22.5" X 23" (UP5) |
| 9 | 153643-07-UC1 | EA | VALANCE - MODERATE - 28.5" X 3" (UD5, UD6, UD7, UN1) |
| 9 | 153643-07-UC5 | EA | VALANCE - MODERATE - 28.5" X 3" (UE1, UE2, UE3, UN2) |
| 9 | 153643-07-UD1 | EA | VALANCE - MODERATE - 28.5" X 3" (UE5, UE6, UE7, UN3) |
| 9 | 153643-07-UP5 | EA | VALANCE - MODERATE - 28.5" X 3" (UP5) |
| 9 | 109041-57-02A | EA | BLIND - MINI - 26" X 17" |
| 10 | 153643-69-UD5 | EA | VALANCE - MODERATE - 33" - W/BRAID (UD5, UD6, UD7, UN1) |
| 10 | 153643-74-UE1 | EA | VALANCE - MODERATE - 33" - W/BRAID (UE1, UE2, UE3, UN2) |
| 10 | 153643-73-UE5 | EA | VALANCE - MODERATE - 33" - W/BRAID (UE5, UE6, UE7, UN3) |
| 10 | 153643-73-UP5 | EA | VALANCE - MODERATE - 33" - W/BRAID (UP5) |
| 10 | 109041-44-02A | EA | BLIND - 30.5" X 18" |
| 11 | 155361-61-UD5 | EA | VALANCE - GALLANT - 63" X 9" (UD5, UD6, UD7, UN1) |
| 11 | 155361-A1-UE1 | EA | VALANCE - GALLANT - 63" X 9" (UE1, UE2, UE3, UN2) |
| 11 | 155361-38-UE5 | EA | VALANCE - GALLANT - 63" X 9" (UE5, UE6, UE7, UN3) |
| 11 | 146058-AH-UP5 | EA | VALANCE - MONTICELLO - 63" (UP5) |
| 11 | 152664-B2-UD5 | EA | LEG - RIGHT - 32" (UD5, UD6, UD7, UN1) |
| 11 | 152664-B6-UE1 | EA | LEG - RIGHT - 32" (UE1, UE2, UE3, UN2) |
| 11 | 152664-B2-UE5 | EA | LEG - RIGHT - 32" (UE5, UE6, UE7, UN3) |
| 11 | 152664-B4-UP5 | EA | LEG - RIGHT - 32" (UP5) |
| 11 | 152664-B3-UD5 | EA | LEG - LEFT - 32" (UD5, UD6, UD7, UN1) |
| 11 | 152664-B7-UE1 | EA | LEG - LEFT - 32" (UE1, UE2, UE3, UN2) |
| 11 | 152664-B3-UE5 | EA | LEG - LEFT - 32" (UE5, UE6, UE7, UN3) |
| 11 | 152664-B5-UP5 | EA | LEG - LEFT - 32" (UP5) |
| 11 | 140789-84-TA0 | EA | BLIND - DAY/NIGHTER - 59" X 32" (UD5, UD6, UD7, UE1, UE2, UE3, UE5, UE6, UE7, UN1, UN2, UN3) |
| 11 | 157506-09-TS0 | EA | BLIND - PLEATED - 59" X 32" (UP5) |
| 12 | 155361-63-UD5 | EA | VALANCE - GALLANT - 16.5" X 7" (UD5, UD6, UD7, UN1) |
| 12 | 155361-A0-UE1 | EA | VALANCE - GALLANT - 16.5" X 7" (UE1, UE2, UE3, UN2) |
| 12 | 155361-39-UE5 | EA | VALANCE - GALLANT - 16.5" X 7" (UE5, UE6, UE7, UN3) |
| 12 | 146058-AG-UP5 | EA | VALANCE - MONTICELLO - 16.5" X 7" (UP5) |
| 12 | 140789-58-SD0 | EA | BLIND - DAY/NIGHTER - 14.5" X 28.5" (UD5, UD6, UD7, UE1, UE2, UE3, UE5, UE6, UE7, UN1, UN2, UN3) |
| 12 | 157506-10-TS0 | EA | BLIND - PLEATED - 14.5" X 28.5" (UP5) |

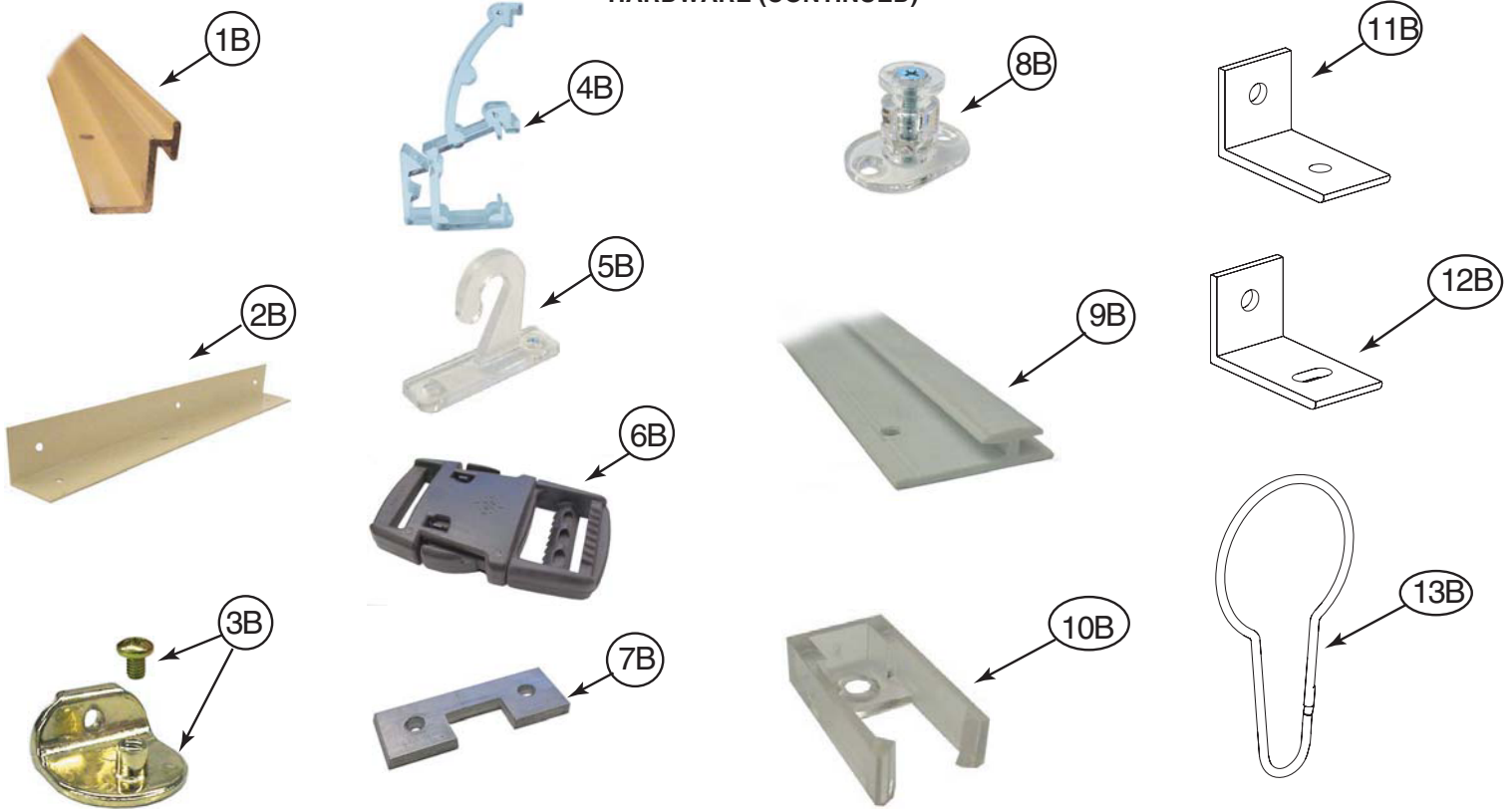
CURTAIN & CUSHION GROUP (CONTINUED)

HARDWARE



| KEY | PART NUMBER | U/M | DESCRIPTION |
|-----|---------------|-----|--|
| 1A | 029155-01-000 | EA | CAP - SNAP - 5/32" OUTSIDE DIAMETER OF PIN |
| 2A | 029156-01-000 | EA | SOCKET - SNAP - 9/16" O.D. |
| 3A | 046867-02-000 | EA | WASHER - HANDY BUTTON #3 |
| 4A | 046867-03-000 | EA | GROMMET - HANDY BUTTON #3 |
| 5A | 075943-10-000 | EA | BRACE - VALANCE - 20" - OFF WHITE |
| 6A | 083170-01-000 | EA | BRACKET/BLIND - LEFT SIDE WHEN FACING WINDOW - CLEAR |
| 7A | 083170-02-000 | EA | BRACKET/BLIND - RIGHT SIDE WHEN FACING WINDOW - CLEAR |
| 8A | 084434-01-000 | EA | BRACKET - MOUNTING - ROLLER SHADE - 1 3/8" |
| 9A | 094896-02-000 | EA | GROMMET - CORD/PLEATED BLIND - NYLON - GRAY |
| 10A | 094907-02-000 | EA | END CAP - PLEATED BLIND/TOP - RH/LH - GRAY PLASTIC |
| 11A | 094907-04-000 | EA | END CAP - PLEATED BLIND/BOTTOM - RH/LH |
| 12A | 094907-09-000 | EA | END CAP/BLIND - CENTER RAIL - RH/LH |
| 13A | 097564-03-000 | EA | HANDLE - KNOB - E-Z LIFT SHADE - TAN |
| | 097593-02-000 | FT | CORD - BLIND - PLEATED - GRAY |
| | 097593-10-000 | FT | CORD - BLIND - PLEATED - VANILLA |
| 14A | 097565-01-000 | EA | BRACKET - MOUNTING - PLEATED BLIND |
| 15A | 097591-01-000 | EA | SPRING - EXTENSION - PLEATED BLIND |
| 15A | 155748-01-000 | EA | SPRING - EXTENSION - DAY/NIGHTER BLIND |
| 16A | 101031-01-000 | YD | TAPE/GLIDE - 4.25" SPACING |
| 17A | 102555-03-000 | EA | BRACKET - (CLEAT TYPE) - F/BLIND HOLDOWN - MILKY WHITE |

CURTAIN & CUSHION GROUP (CONTINUED)
HARDWARE (CONTINUED)



| KEY | PART NUMBER | U/M | DESCRIPTION |
|-----|---------------|-----|---|
| 1B | 105450-14-01A | EA | TRACK-90"-OW - FRT BUNK PRIVACY OUTLOOK/SPIRIT 300-SERIES, ACCESS/IMPULSE 200-SERIES |
| 2B | 105648-01-02A | EA | BRACE - VALANCE - 14" - OFF WHITE |
| 2B | 105648-02-02A | EA | BRACE - VALANCE - 8.5" - OFF WHITE |
| 3B | 106544-01-000 | EA | PULL - SHADE/BRASS |
| 3B | 106544-01-001 | EA | SCREW - SHADE/BRASS |
| 3B | 106544-02-000 | EA | PULL-SHADE - NICKEL |
| 4B | 109353-04-000 | EA | CLIP - VALANCE SLAT MOUNTING - CLEAR PLASTIC |
| 5B | 109441-01-000 | EA | BRACKET/HOOK - BLIND HOLD DOWN |
| 5B | 109441-02-000 | EA | SPACER/BRACKET - BLIND HOLD DOWN |
| 6B | 129491-01-000 | EA | CATCH - SNAP HOOK - 1" |
| 7B | 130549-01-01A | EA | STOP - CURTAIN TRACK |
| 8B | 141634-01-000 | EA | BRACKET-(BOBBIN TYPE) 7/8"H HOLDUPBASE(OVAL)-2 HOLE-CLEAR |
| 9B | 156172-01-01A | EA | TRACK/WALL - 75" - BONE |
| 9B | 156172-02-01A | EA | TRACK/WALL - 32" - BONE |
| 9B | 156172-03-01A | EA | TRACK/WALL - 21" - BONE |
| 10B | 156172-04-01A | EA | END CAP - WALL TRACK - CLEAR |
| 11B | 154316-01-01A | EA | BRACE/ANGLE - W/HOLE - CASHMERE |
| 12B | 154316-02-01A | EA | BRACE/ANGLE - W/SLOT - CASHMERE |
| 13B | 159702-01-01A | EA | HOOK/RING - CURTAIN/SHOWER - NICKEL |

CURTAIN & CUSHION GROUP (CONTINUED)

FABRICS

UD5, UD6, UD7, UN1

113979-09-01A CARPET-HEADLINER (SY) - CEILING
106569-15-01A CARPET-HEADLINER (YD) VINYL - CEILING SLIDEOUT
137813-W6-000 FABRIC-UPHOSTERY,BEDSPREAD MAIN
137813-W6-000 FABRIC-O/H CABT,BEDROOM
137813-W7-000 FABRIC-BEDSPREAD ACCENT PATTERN ACCENT
079680-47-000 FABRIC-UPHOSTERY,ACCENT PLAIN
079680-47-000 FABRIC-UPHL,SEAT INSERT
148797-P3-000 FABRIC-UPHOSTERY MAIN ONE
148797-P4-000 FABRIC-UPHLSTRY,PLAIN ACCENT
148797-P5-000 FABRIC-UPHOLSTERY ACCENT PATTERN
148797-P4-000 FABRIC-O/H CABT,DIN/LOUNGE
148797-P5-000 FABRIC-DINETTE WRAP DINETTES
126883-V0-000 FABRIC-INSERT SLIDEOUT TRIM

UE1, UE2, UE3, UN2

113979-09-01A CARPET-HEADLINER (SY) - CEILING
106569-15-01A CARPET-HEADLINER (YD) VINYL - CEILING SLIDEOUT
137813-Y2-000 FABRIC-UPHOSTERY,BEDSPREAD MAIN
137813-Y4000 FABRIC-UPHOSTERY,BEDSPREAD PATTERN ACCENT
137813-Y2-000 FABRIC-O/H CABT,BEDROOM
079680-47-000 FABRIC-UPHOSTERY,ACCENT PLAIN
079680-47-000 FABRIC-UPHL,SEAT INSERT
148797-S2-000 FABRIC-UPHOSTERY MAIN ONE
148797-S4-000 FABRIC-UPHLSTRY,PLAIN ACCENT
148797-S6-000 FABRIC-DINETTE WRAP DINETTES
148797-S6-000 FABRIC-UPHOLSTERY ACCENT PATTERN
148797-S4-000 FABRIC-O/H CABT,DIN/LOUNGE
126883-V0-000 FABRIC-INSERT SLIDEOUT TRIM

UE5, UE6, UE7, UN3

113979-09-01A CARPET-HEADLINER (SY)- CEILING
106569-15-01A CARPET-HEADLINER (YD) VINYL - CEILING SLIDEOUT
137813-Y3-000 FABRIC-UPHOSTERY,BEDSPREAD MAIN
137813-Y5-000 FABRIC-UPHOSTERY,BEDSPREAD PATTERN ACCENT
137813-Y3-000 FABRIC-O/H CABT,BEDROOM
079680-47-000 FABRIC-UPHOSTERY,ACCENT PLAIN
079680-47-000 FABRIC-UPHL,SEAT INSERT
148797-S3-000 FABRIC-UPHOSTERY MAIN ONE
148797-S5-000 FABRIC-UPHLSTRY,PLAIN ACCENT
148797-S7-000 FABRIC-DINETTE WRAP DINETTES
148797-S7-000 FABRIC-UPHOLSTERY ACCENT PATTERN
148797-S5-000 FABRIC-O/H CABT,DIN/LOUNGE
126883-V0-000 FABRIC-INSERT SLIDEOUT TRIM

UP4

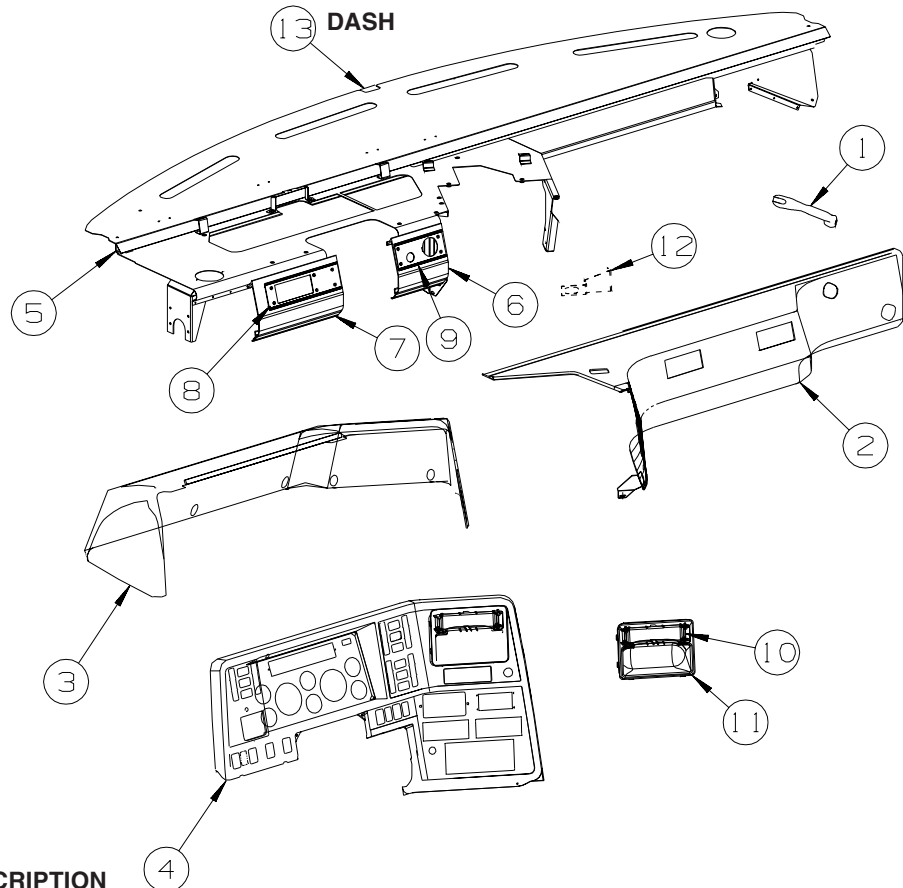
113979-09-01A CARPET-HEADLINER (SY)- CEILING
106569-15-01A CARPET-HEADLINER (YD) VINYL - CEILING SLIDEOUT
137813-D0-000 FABRIC-UPHOSTERY,BEDSPREAD MAIN
137813-D1-000 FABRIC-UPHOSTERY,BEDSPREAD PATTERN ACCENT
137813-D1-000 FABRIC-O/H CABT,BEDROOM
079680-47-000 FABRIC-UPHL,SEAT INSERT
148797-27-000 FABRIC-UPHOSTERY MAIN ONE
148797-G0-000 FABRIC-UPHLSTRY,PLAIN ACCENT
148797-27-000 FABRIC-DINETTE WRAP DINETTES
148797-26-000 FABRIC-UPHOLSTERY ACCENT PATTERN
148797-G0-000 FABRIC-O/H CABT,DIN/LOUNGE
137813-58-000 FABRIC-INSERT SLIDEOUT TRIM

CURTAIN & CUSHION GROUP (CONTINUED)
FABRICS (CONTINUED)

UP5

| | |
|---------------|--|
| 113979-09-01A | CARPET-HEADLINER (SY)- CEILING |
| 106569-14-01A | CARPET-HEADLINER (YD) VINYL - CEILING SLIDEOUT |
| 137813-L6-000 | FABRIC-UPHOSTERY,BEDSPREAD MAIN |
| 137813-L3-000 | FABRIC-UPHOSTERY,BEDSPREAD PATTERN ACCENT A |
| 137813-M5-000 | FABRIC-UPHOSTERY,BEDSPREAD PATTERN ACCENT B |
| 137813-L3-000 | FABRIC-O/H CABT,BEDROOM |
| 079680-47-000 | FABRIC-UPHL,SEAT INSERT |
| 148797-B5-000 | FABRIC-UPHOSTERY MAIN ONE |
| 148797-B8-000 | FABRIC-UPHLSTRY,PLAIN ACCENT |
| 148797-B5-000 | FABRIC-DINETTE WRAP DINETTES |
| 148797-B2-000 | FABRIC-UPHOLSTERY ACCENT PATTERN |
| 148797-B8-000 | FABRIC-O/H CABT,DIN/LOUNGE |
| 137813-58-000 | FABRIC-INSERT SLIDEOUT TRIM |

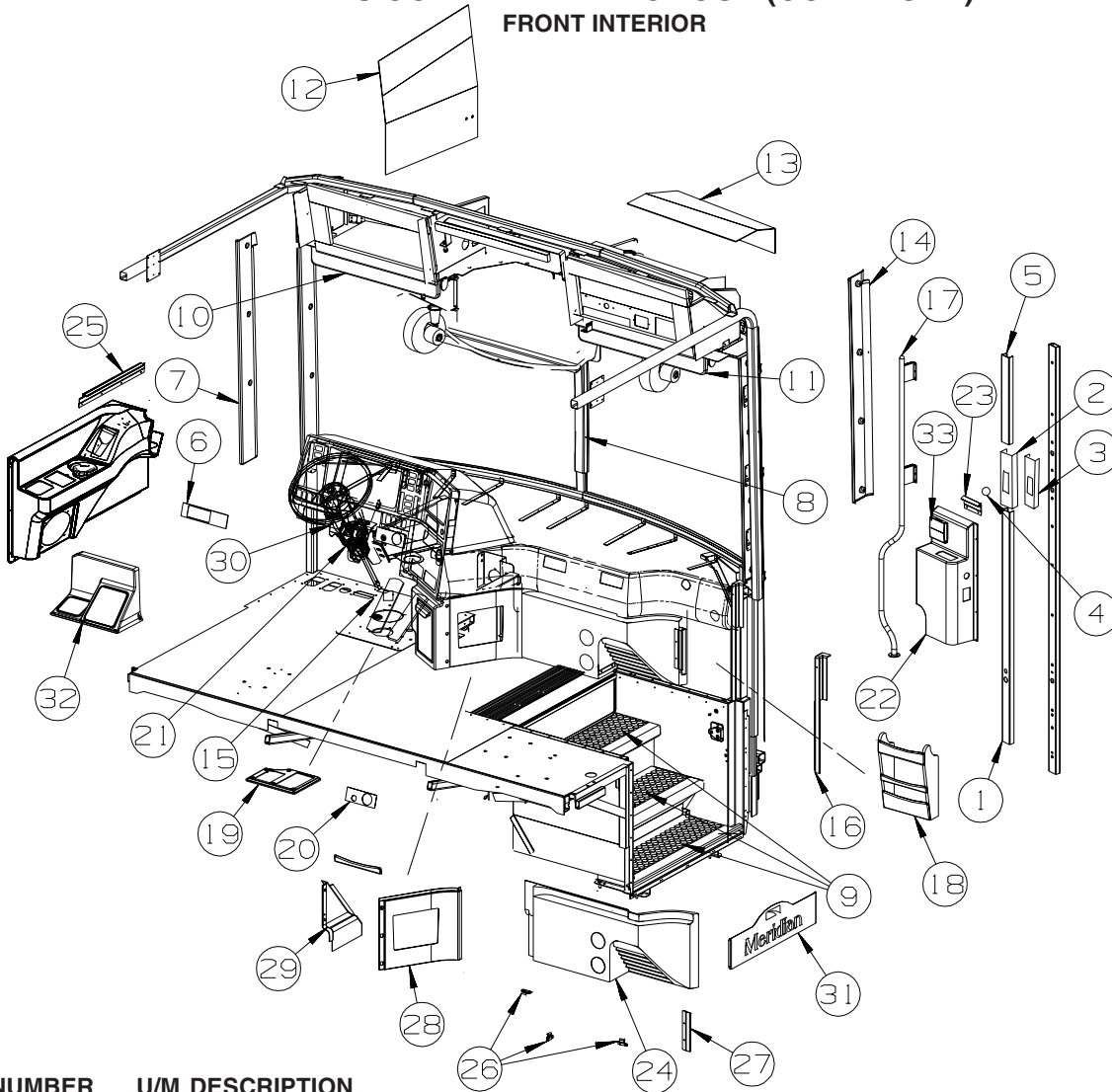
DRIVERS COMPARTMENT GROUP



| KEY | PART NUMBER | U/M | DESCRIPTION |
|-----|---------------|-----|---|
| 1 | 123246-01-07A | EA | HANDLE - GRAB - CASHMERE |
| 2 | 122853-02-TA0 | EA | TRIM - DASH PANEL/RIGHT HAND - CASHMERE |
| 3 | 107263-03-TA0 | EA | POD - INSTRUMENT PANEL - CASHMERE - REARVIEW MONITOR |
| 3 | 107263-04-TA0 | EA | POD - INSTRUMENT PANEL - CASHMERE |
| 4 | 107031-16-03A | EA | BEZEL - EARLY CHASSIS (SEPARATE INFO CENTER ON DASH, CHECK ANTENNA LIGHT IN DASH) |
| 4 | 158202-01-03A | EA | BEZEL - LATE CHASSIS (INFO CENTER IN LIGHT BAR IN CLUSTER, NO CHECK ANTENNA LIGHT) |
| 5 | P23278-03-000 | EA | DASH - W/O VINYL |
| | 106569-09-09A | EA | VINYL - LAMINATE - 1/4" X 25" X 100" - DRIFTWOOD - CASHMERE |
| | 106569-10-09A | EA | VINYL - LAMINATE - 1/4" X 25" X 20" - DRIFTWOOD - CASHMERE |
| 6 | 117991-06-01A | EA | EXTENSION - DASH - DRIVER/LOWER/RIGHT HAND |
| 7 | 117991-05-01A | EA | EXTENSION - DASH - DRIVER/LOWER/LEFT HAND |
| 8 | 118024-07-08A | EA | TRIM - DASH - DRIVER - LOWER/RIGHT HAND - CASHMERE |
| 9 | 118024-05-08A | EA | TRIM - DASH - DRIVER - LOWER/LEFT HAND - CASHMERE |
| 10 | 096776-03-000 | EA | STORAGE BOX - CD'S - 4 DISC HOLDER |
| 11 | 111350-01-20A | EA | POCKET - INSTRUMENT PANEL - UPPER - CASHMERE |
| 12 | 138721-01-02B | EA | BRACKET/SUPPORT - RADIO - E-COATED |
| 13 | 118101-13-02B | EA | DASH PANEL/TOP ONLY - E-COATED |

DRIVERS COMPARTMENT GROUP (CONTINUED)

FRONT INTERIOR

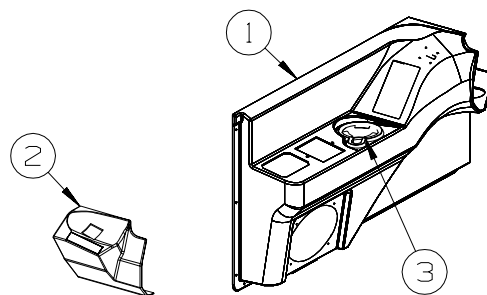


| KEY | PART NUMBER | U/M | DESCRIPTION |
|-----|---------------|-----|---|
| 1 | 024700-59-000 | EA | COVER - ROLL BAR - SIDEWALL - 44.1" - OFF WHITE FROM: 00-00-00 THRU: 07-31-06 |
| 1 | 024700-72-000 | EA | COVER - ROLL BAR - SIDEWALL - 44.1" - MEDIUM OAK FROM: 08-01-06 THRU: 99-99-99 |
| 2 | 140151-01-01A | EA | COVER - SEAT BELT - OFF WHITE FROM: 00-00-00 THRU: 07-31-06 |
| 2 | 140151-01-02A | EA | COVER - SEAT BELT - MEDIUM OAK FROM: 08-01-06 THRU: 99-99-99 |
| 3 | 140151-03-01A | EA | COVER - SLIDING - F/SEATBELT - BLACK FROM: 00-00-00 THRU: 07-31-06 |
| 3 | 140151-03-02A | EA | COVER - SLIDING - F/SEATBELT - MEDIUM OAK FROM: 08-01-06 THRU: 99-99-99 |
| 4 | 140151-02-01A | EA | COVER - SCREW - OFF WHITE FROM: 00-00-00 THRU: 07-31-06 |
| 4 | 140151-02-03A | EA | COVER - SCREW - MEDIUM OAK FROM: 08-01-06 THRU: 99-99-99 |
| 5 | 024700-58-000 | EA | COVER - ROLL BAR - SIDEWALL - 16.5" - OFF WHITE FROM: 00-00-00 THRU: 07-31-06 |
| 5 | 024700-71-000 | EA | COVER - ROLL BAR - SIDEWALL - 16.5" - MEDIUM OAK FROM: 08-01-06 THRU: 99-99-99 |
| 6 | 118377-06-11A | EA | APPLIQUE - LOWER DASH - FREIGHTLINER - CASHMERE |
| 7 | 151370-01-03A | EA | TRIM - A-PILLAR/DRIVER - INTERIOR - CASHMERE |
| 8 | 118452-09-20A | EA | TRIM - WINDSHIELD/CENTER - CASHMERE |
| 9 | 120231-01-02A | EA | FLOORING - RUBBER - 66.4" X 19.8" |
| 10 | 129004-02-07A | EA | TRIM - WINDSHIELD - INTERIOR/DRIVER TOP - CASHMERE |
| 11 | 129004-01-07A | EA | TRIM - WINDSHIELD - INTERIOR/PASSENGER TOP - CASHMERE |
| 12 | 133017-03-TA0 | EA | PANEL - OVERHEAD/FRONT/BOTTOM/RIGHT HAND - CASHMERE |
| 12 | 133017-05-TA0 | EA | PANEL - OVERHEAD/FRONT/BOTTOM/RIGHT HAND - CASHMERE - POWER SUNVISOR |

DRIVERS COMPARTMENT GROUP (CONTINUED)

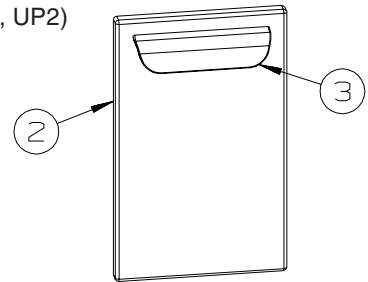
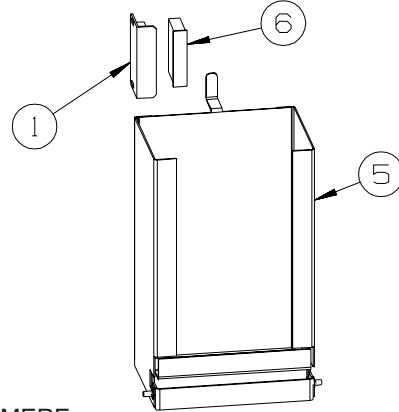
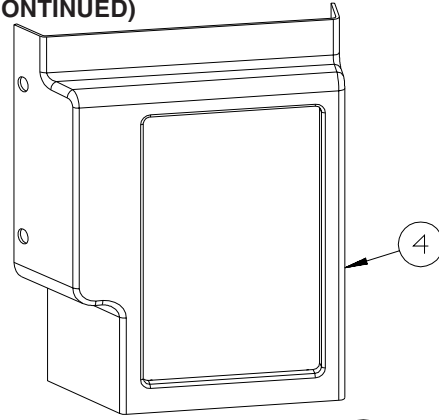
FRONT INTERIOR (CONTINUED)

| KEY | PART NUMBER | U/M | DESCRIPTION |
|-----|---------------|-----|---|
| 13 | 133017-04-TA0 | EA | PANEL - OVERHEAD/FRONT/BOTTOM/LEFT HAND - CASHMERE |
| 13 | 133017-06-TA0 | EA | PANEL - OVERHEAD/FRONT/BOTTOM/LEFT HAND - CASHMERE - POWER SUNVISOR |
| 14 | 151369-01-03A | EA | TRIM - A-PILLAR/PASSENGER - INTERIOR - CASHMERE |
| 15 | 103498-09-000 | EA | BOOT - STEERING COLUMN - W/1/2 CIRCLE |
| 16 | 129657-01-07A | EA | TRIM - A-PILLAR - INTERIOR/PASSENGER LOWER - CASHMERE |
| 17 | 123577-01-01A | EA | HANDRAIL - ASSIST - ENTRY |
| 18 | P56866-01-TA1 | EA | CABINET - MAGAZINE RACK - CONCERT CHERRY |
| 18 | P56866-01-TA2 | EA | CABINET - MAGAZINE RACK - WASHED MAPLE |
| 18 | P56866-01-TA3 | EA | CABINET - MAGAZINE RACK - SIERRA MAPLE |
| 19 | 116993-01-01A | EA | COVER - PEDALS - BLACK |
| 20 | 149101-01-03A | EA | APPLIQUE - LOWER DASH - FREIGHTLINER - CASHMERE |
| 21 | 109832-03-20A | EA | COVER - STEERING COLUMN - CASHMERE |
| 22 | 142206-11-UC1 | EA | PANEL/TRIM - INNER/RIGHT HAND - CASHMERE |
| | 130463-03-02B | EA | ANGLE - TRIM/BACKWALL - E-COATED |
| 23 | 130034-03-02B | EA | CLIP - TRIM - E-COATED |
| 24 | 133037-02-SA0 | EA | PANEL - TRIM - HEATER/A/C - RIGHT HAND - CASHMERE |
| 25 | 130034-04-02B | EA | CLIP - TRIM - E-COATED |
| 26 | 073050-03-000 | EA | MOUNTING CLIP - VALANCE PANEL |
| 27 | 130034-02-02B | EA | CLIP - TRIM - E-COATED |
| 28 | 133163-03-SA0 | EA | PANEL - BEVERAGE TRAY - W/O CUTOUT - RIGHT HAND - CASHMERE |
| 29 | 133164-02-SA0 | EA | PANEL - BEVERAGE TRAY - LEFT HAND - CASHMERE |
| 30 | 095933-07-000 | EA | STOP/TILT - STEERING COLUMN |
| 31 | 146411-04-02A | EA | PANEL/KICK - W/LOGO "MERIDIAN" - BLACK |
| 32 | 151302-01-01A | EA | PANEL/FOOTREST - DRIVER - W/TREAD INSERTS - BLACK |
| 33 | 118718-01-01A | EA | HOLDER/DRINK - COLLAPSIBLE MUG - BLACK PLASTIC FROM: 00-00-00 THRU: 10-22-06 |
| 33 | 118718-01-02A | EA | HOLDER/DRINK - COLLAPSIBLE MUG - WHITE PLASTIC FROM: 10-23-06 THRU: 12-31-06 |
| 33 | 118718-01-03A | EA | HOLDER/DRINK - COLLAPSIBLE MUG - ALMOND FROM: 01-01-07 THRU: 99-99-99 |



| KEY | PART NUMBER | U/M | DESCRIPTION |
|-----|---------------|-----|--|
| 1 | 140578-16-TA0 | EA | PANEL/TRIM - INNER/LEFT HAND - CASHMERE |
| 1 | 140578-16-TB0 | EA | PANEL/TRIM - INNER/LEFT HAND - RIVERSTONE (UP1, UP2) |
| 1 | 140578-27-TA0 | EA | PANEL/TRIM - INNER/LEFT HAND - CASHMERE - 6-SPEED TRANSMISSION |
| 2 | 140580-01-01A | EA | PANEL/TRIM - INSERT - LEFT HAND |
| 3 | 133831-01-01A | EA | HOLDER - CUP W/THREE CENTERLINE RUBBER FINGERS |

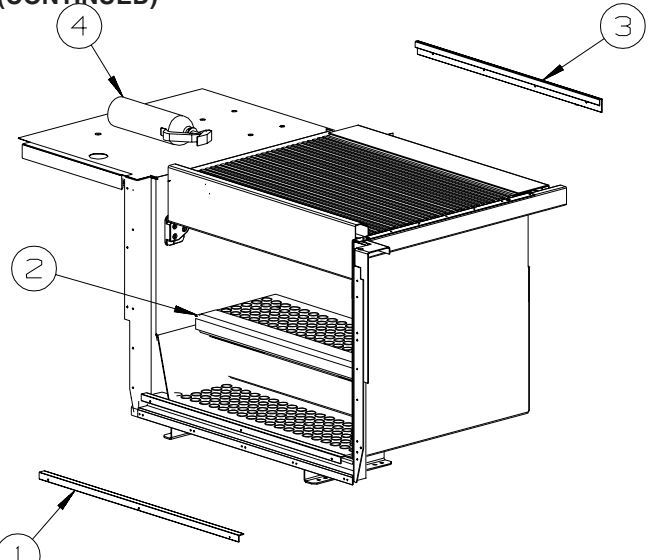
DRIVERS COMPARTMENT GROUP (CONTINUED)
FRONT INTERIOR (CONTINUED)



| KEY | PART NUMBER | U/M | DESCRIPTION |
|-----|---------------|-----|--|
| 1 | 137018-03-01A | EA | BRACKET - MOUNTING - 2" |
| 2 | 142272-01-20A | EA | PANEL/DOOR - GLOVE COMPARTMENT - CASHMERE |
| 2 | 142272-01-19A | EA | PANEL/DOOR - GLOVE COMPARTMENT - RIVERSTONE (UP1, UP2) |
| 3 | 074762-01-000 | EA | PULL - CABINET - 4.8" X .9" - BLACK PLASTIC |
| 4 | 142273-01-20A | EA | PANEL - DASH - LOWER - CASHMERE |
| 4 | 142273-01-19A | EA | PANEL - DASH - LOWER - RIVERSTONE (UP1, UP2) |
| 5 | 142283-01-02B | EA | COMPARTMENT - GLOVE BOX - E-COATED |
| 6 | 137018-01-01A | EA | CATCH - MAGNETIC - 1.6" |

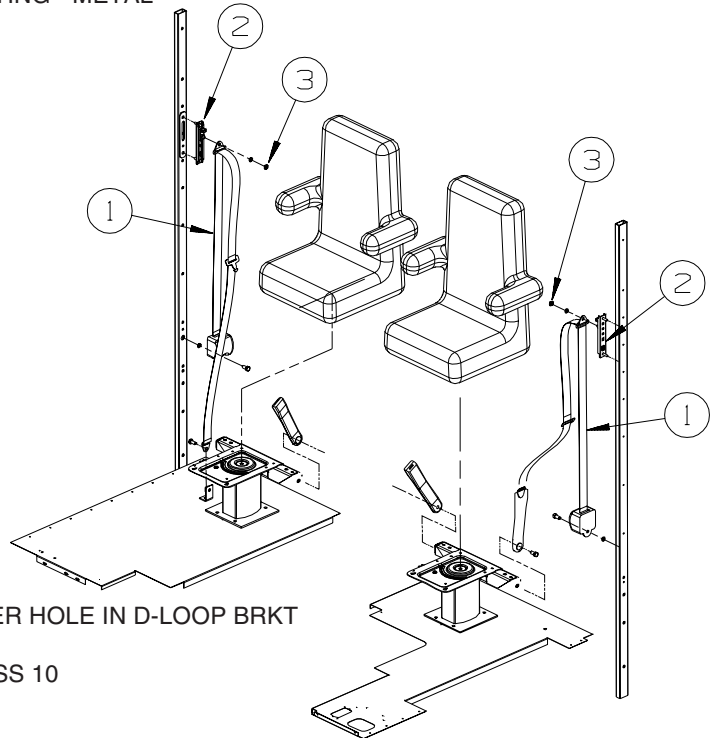
DRIVERS COMPARTMENT GROUP (CONTINUED)

FRONT INTERIOR (CONTINUED)



| KEY | PART NUMBER | U/M | DESCRIPTION |
|-----|---------------|-----|---|
| 1 | 136002-63-02A | EA | ANGLE - W/HOLES - BRIGHT WHITE |
| 2 | 120231-01-02A | EA | FLOORING - RUBBER - 66.4" X 19.8" |
| 3 | 136839-07-01A | EA | TRIM-J - CARPET EDGE/SLIDEOUT - 28.3" - BLACK |
| 4 | 094499-03-000 | EA | EXTINGUISHER/FIRE - DRY - 10BC - W/GAUGE/BRACKET |
| 4* | 094499-02-000 | EA | EXTINGUISHER/FIRE - DRY - 10BC - W/GAUGE - CANADIAN |
| 4 | 094499-04-000 | EA | STRAP - FIRE EXTINGUISHER MOUNTING - METAL |

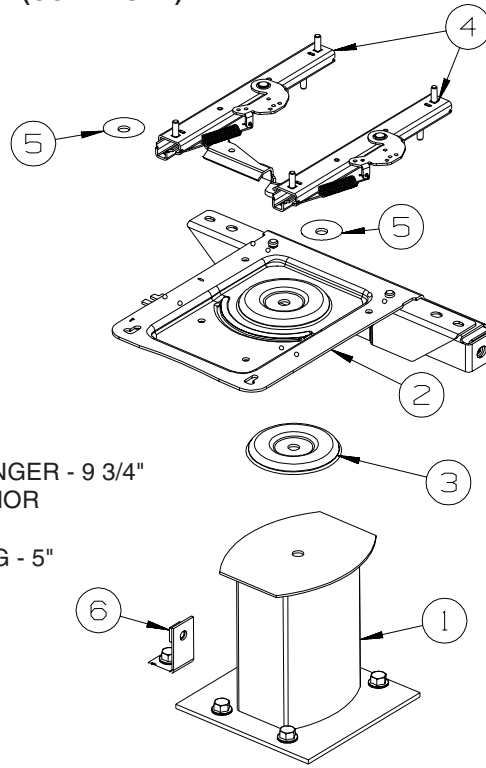
***COMPONENT PARTS LISTED LATER IN THIS GROUP**



| KEY | PART NUMBER | U/M | DESCRIPTION |
|-----|---------------|-----|--|
| 1* | 091990-08-01A | EA | SEAT BELT - 3 POINT - .766" DIAMETER HOLE IN D-LOOP BRKT |
| 2 | 127598-01-01A | EA | ADJUSTER - SEATBELT - D-LOOP |
| 3 | 127598-02-000 | EA | NUT - HEX FLANGE - M10 X 1.5 - CLASS 10 |

***COMPONENT PARTS LISTED LATER IN THIS GROUP**

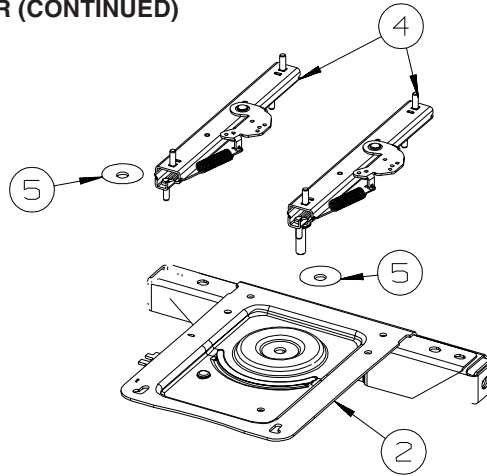
DRIVERS COMPARTMENT GROUP (CONTINUED)
FRONT INTERIOR (CONTINUED)



**PASSENGER
MANUAL**

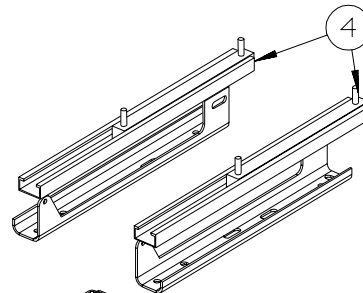
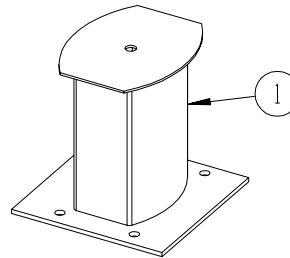
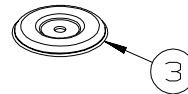
| KEY | PART NUMBER | U/M | DESCRIPTION |
|-----|---------------|-----|---|
| 1 | 133408-01-000 | EA | PEDESTAL - SEAT - DRIVER/PASSENGER - 9 3/4" |
| 2 | 133408-20-000 | EA | TOP PLATE - PASSENGER - W/ANCHOR |
| 3 | 107921-06-000 | EA | BEARING KIT - PEDESTAL |
| 4 | 131566-04-000 | EA | SLIDE/SEAT - HEAVY DUTY LOCKING - 5" |
| | 119952-07-000 | EA | WIRE - LATCH RELEASE/ROTARY |
| 5 | 131566-05-000 | EA | WASHER - SLIDE SPACER |
| 6 | 133408-04-000 | EA | BRACKET - ANCHOR/FLOOR |

DRIVERS COMPARTMENT GROUP (CONTINUED)
FRONT INTERIOR (CONTINUED)



**DRIVERS
MANUAL**

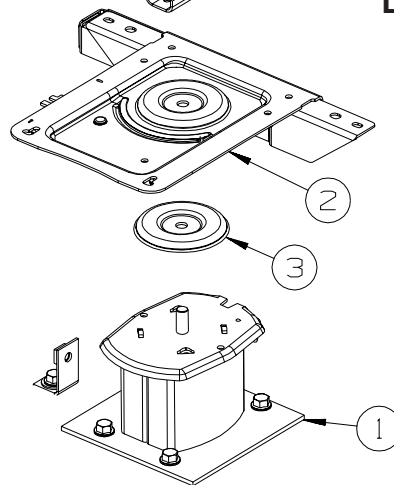
| KEY | PART NUMBER | U/M | DESCRIPTION |
|-----|---------------|-----|---|
| 1 | 133408-01-000 | EA | PEDESTAL - SEAT - DRIVER/PASSENGER - 9 3/4" |
| 2 | 133408-08-000 | EA | TOP PLATE - W/BAR |
| 3 | 107921-06-000 | EA | BEARING KIT - PEDESTAL |
| 4 | 131566-04-000 | EA | SLIDE/SEAT - HEAVY DUTY LOCKING - 5" |
| | 119952-07-000 | EA | WIRE - LATCH RELEASE/ROTARY |
| 5 | 131566-05-000 | EA | WASHER - SLIDE SPACER |



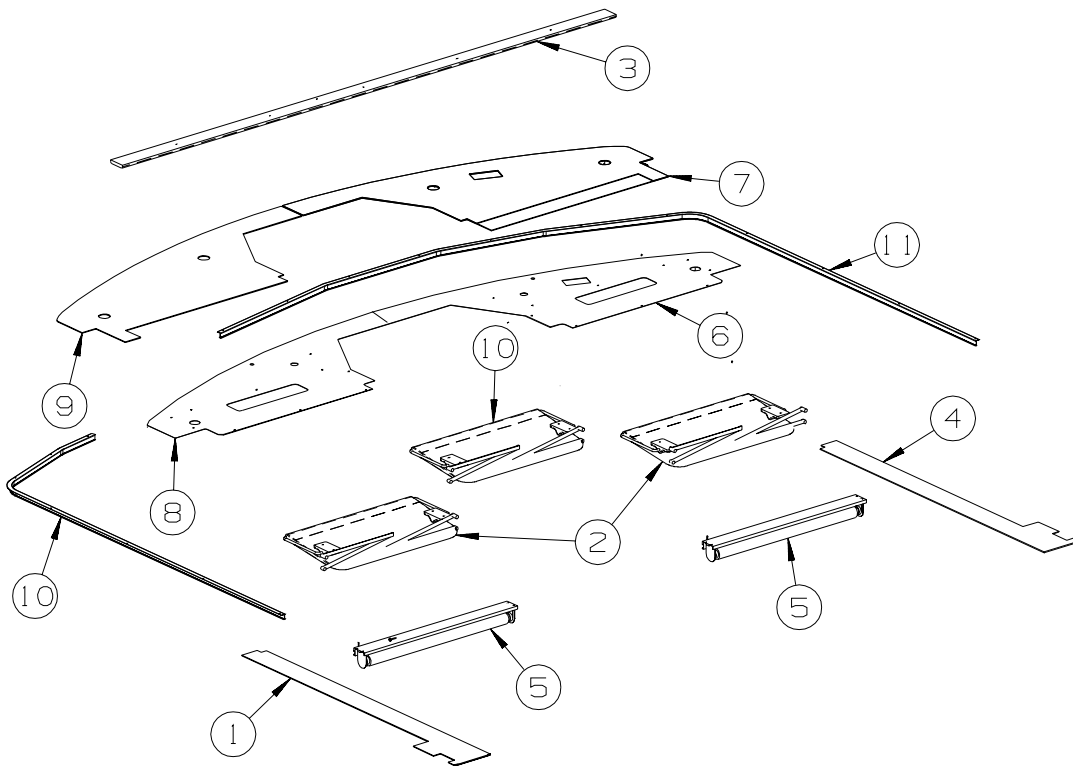
DRIVER POWERED

| KEY | PART NUMBER | U/M | DESCRIPTION |
|-----|---------------|-----|-------------------------------|
| 1 | 133408-05-000 | EA | PEDESTAL - SEAT - 5.75" |
| 2 | 133408-08-000 | EA | TOP PLATE - W/BAR |
| 3 | 107921-06-000 | EA | BEARING KIT - PEDESTAL |
| 4* | 147767-01-000 | EA | SEAT - POWER - 6-WAY - DRIVER |

***COMPONENT PARTS LISTED LATER IN THIS GROUP**



DRIVERS COMPARTMENT GROUP (CONTINUED)
FRONT INTERIOR (CONTINUED)



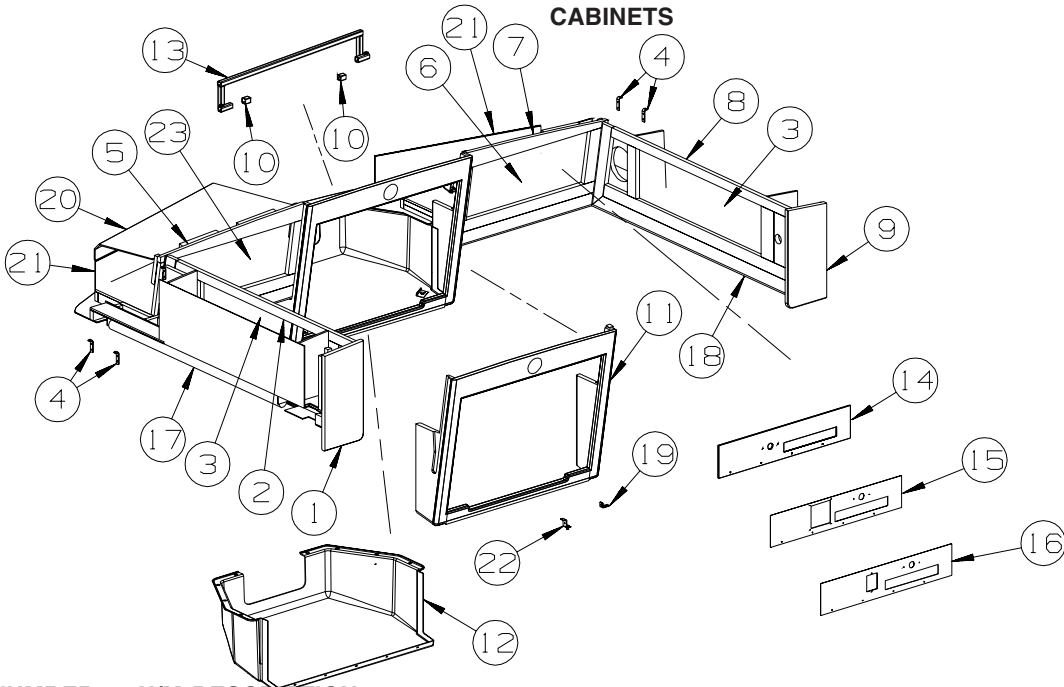
| KEY | PART NUMBER | U/M | DESCRIPTION |
|-----|---------------|-----|---|
| 1 | 146600-02-TA0 | EA | PANEL - OVERHEAD/LEFT HAND - CASHMERE |
| 1 | 146600-02-TB0 | EA | PANEL - OVERHEAD/LEFT HAND - RIVERSTONE (UP1, UP2) |
| 2 | 123298-04-09A | EA | SUNVISOR - 10.5" X 21" - DRIVER/PASSENGER - DRIFTWOOD - CASHMERE |
| 2 | 123298-04-08A | EA | SUNVISOR - 10.5" X 21" - DRIVER/PASSENGER - PUTTY - RIVERSTONE (UP1, UP2) |
| 3 | 133771-04-R69 | EA | MOLDING - CAP - CONCERT CHERRY |
| 3 | 133771-04-R76 | EA | MOLDING - CAP - WASHED MAPLE |
| 3 | 133771-04-SA3 | EA | MOLDING - CAP - SIERRA MAPLE |
| | 042356-01-000 | EA | PLUG - MAHOGANY - 3/8" DOWEL X 1/2" HEAD |
| 4 | 146600-01-TA0 | EA | PANEL - OVERHEAD/RIGHT HAND - CASHMERE |
| 4 | 146600-01-TB0 | EA | PANEL - OVERHEAD/RIGHT HAND - RIVERSTONE (UP1, UP2) |
| 5 | 142380-01-01A | EA | SHADE - POWER - 25.7" |
| 6 | 133017-03-TA0 | EA | PANEL - OVERHEAD/FRONT/BOTTOM/RIGHT HAND - CASHMERE |
| 6 | 133017-03-TB0 | EA | PANEL - OVERHEAD/FRONT/BOTTOM/RIGHT HAND - RIVERSTONE (UP1, UP2) |
| 7 | 133017-05-TA0 | EA | PANEL - OVERHEAD/FRONT/BOTTOM/RIGHT HAND - CASHMERE - POWER SUNVISOR |
| 8 | 133017-04-TA0 | EA | PANEL - OVERHEAD/FRONT/BOTTOM/LEFT HAND - CASHMERE |
| 8 | 133017-04-TB0 | EA | PANEL - OVERHEAD/FRONT/BOTTOM/LEFT HAND - RIVERSTONE (UP1, UP2) |
| 9 | 133017-06-TA0 | EA | PANEL - OVERHEAD/FRONT/BOTTOM/LEFT HAND - CASHMERE - POWER SUNVISOR |
| 10 | 146591-01-03A | EA | TRACK - CURTAIN - LEFT HAND - CASHMERE |
| 10 | 146591-01-02A | EA | TRACK - CURTAIN - LEFT HAND - RIVERSTONE (UP1, UP2) |
| 11 | 146591-02-03A | EA | TRACK - CURTAIN - RIGHT HAND - CASHMERE |
| 11 | 146591-02-02A | EA | TRACK - CURTAIN - RIGHT HAND - RIVERSTONE (UP1, UP2) |

COMPONENT PARTS FOR FRONT INTERIOR

091990-08-01A

| KEY | PART NUMBER | U/M | DESCRIPTION | VENDOR NO. |
|-----|---------------|-----|------------------------------|------------|
| | 091990-01-701 | EA | EXTENDER 9" FOR A8408 3 PT | I-1331-02 |
| | 091990-01-703 | EA | RECEIVER/FEMALE END-SEATBELT | I-1159-02 |
| | 091990-05-700 | EA | SLEEVE/BUCKLE COVER-PLASTIC | 209S-2 |
| | 091990-05-701 | EA | CAP/COVER - BOLT HOLE COVER | 209SC-02 |
| | 091990-05-702 | EA | SLEEVE/RETRACTABLE COVER | 309C-02 |

DRIVERS COMPARTMENT GROUP (CONTINUED)

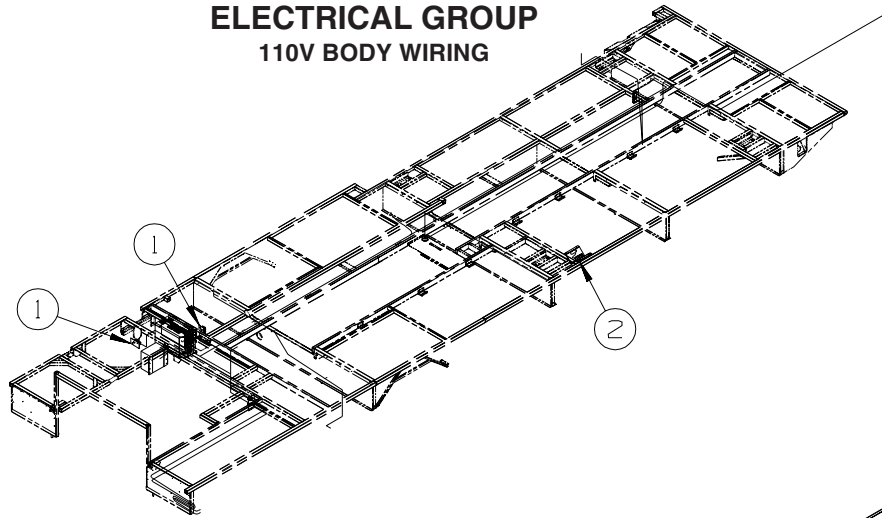


| KEY | PART NUMBER | U/M | DESCRIPTION |
|-----|---------------|-----|--|
| 1 | 146124-36-R69 | EA | END CAP - OVERHEAD CABINET - CONCERT CHERRY |
| 1 | 146124-36-R76 | EA | END CAP - OVERHEAD CABINET - WASHED MAPLE |
| 1 | 146124-36-SA3 | EA | END CAP - OVERHEAD CABINET - SIERRA MAPLE |
| 2 | 146124-02-UD5 | EA | CABINET - FRONT/SIDE (DRVR) - W/O DOORS/HARDWARE |
| 2 | 146124-02-UD6 | EA | CABINET - FRONT/SIDE (DRVR) - W/O DOORS/HARDWARE |
| 2 | 146124-02-UD7 | EA | CABINET - FRONT/SIDE (DRVR) - W/O DOORS/HARDWARE |
| 2 | 146124-02-UE1 | EA | CABINET - FRONT/SIDE (DRVR) - W/O DOORS/HARDWARE |
| 2 | 146124-02-UE2 | EA | CABINET - FRONT/SIDE (DRVR) - W/O DOORS/HARDWARE |
| 2 | 146124-02-UE3 | EA | CABINET - FRONT/SIDE (DRVR) - W/O DOORS/HARDWARE |
| 2 | 146124-02-UE5 | EA | CABINET - FRONT/SIDE (DRVR) - W/O DOORS/HARDWARE |
| 2 | 146124-02-UE6 | EA | CABINET - FRONT/SIDE (DRVR) - W/O DOORS/HARDWARE |
| 2 | 146124-02-UE7 | EA | CABINET - FRONT/SIDE (DRVR) - W/O DOORS/HARDWARE |
| 2 | 146124-02-UN1 | EA | CABINET - FRONT/SIDE (DRVR) - W/O DOORS/HARDWARE |
| 2 | 146124-02-UN2 | EA | CABINET - FRONT/SIDE (DRVR) - W/O DOORS/HARDWARE |
| 2 | 146124-02-UN3 | EA | CABINET - FRONT/SIDE (DRVR) - W/O DOORS/HARDWARE |
| 2 | 146124-02-UP4 | EA | CABINET - FRONT/SIDE (DRVR) - W/O DOORS/HARDWARE-P34SH, SPECIAL EDITION (SE) |
| 2 | 146124-02-UP5 | EA | CABINET - FRONT/SIDE (DRVR) - W/O DOORS/HARDWARE-P36SG, SPECIAL EDITION (SE) |
| 3 | 145797-03-TB5 | EA | DOOR - ARCHED PANEL/PENCIL EDGE - 30.3" X 12" - W/O HDW - CONCERT CHERRY |
| 3 | 145797-03-TB6 | EA | DOOR - ARCHED PANEL/PENCIL EDGE - 30.3" X 12" - W/O HDW - WASHED MAPLE |
| 3 | 145797-03-TB7 | EA | DOOR - ARCHED PANEL/PENCIL EDGE - 30.3" X 12" - W/O HDW - SIERRA MAPLE |
| 3 | 145797-03-UP5 | EA | DR-ARCHED PANEL/PENCIL EDGE-30.3" X 12"-SIERRA MAPLE-P34SH,P36SG, SPECIAL EDITION (SE) |
| 4 | 109216-03-000 | EA | ANGLE - FURNACE DOOR |
| 5 | 145656-02-R39 | EA | CABINET - FRONT/OVERHEAD - W/O DOORS/HARDWARE - CONCERT CHERRY (UD5,UE1,UE5) |
| 5 | 145656-02-UM7 | EA | CABINET - FRONT/OVERHEAD - W/O DOORS/HARDWARE - CONCERT CHERRY (UN1,UN2,UN3) |
| 5 | 145656-02-RW4 | EA | CABINET - FRONT/OVERHEAD - W/O DOORS/HARDWARE - WASHED MAPLE |
| 5 | 145656-02-SA3 | EA | CABINET - FRONT/OVERHEAD - W/O DOORS/HARDWARE - SIERRA MAPLE |
| 6 | 146028-21-TB5 | EA | DOOR - GLASS INSERT/PENCIL EDGE - 12" X 23.8" - W/O HDW - CONCERT CHERRY |
| 6 | 146028-21-TB6 | EA | DOOR - GLASS INSERT/PENCIL EDGE - 12" X 23.8" - W/O HDW - WASHED MAPLE |
| 6 | 146028-21-TB7 | EA | DOOR - GLASS INSERT/PENCIL EDGE - 12" X 23.8" - W/O HDW - SIERRA MAPLE |
| 6 | 146028-03-UP5 | EA | DR-GLASS INSERT/PENCIL EDGE-12" X 23.8"-SIERRA MAPLE-P34SH,P36SG, SPECIAL EDITION (SE) |
| 6 | 100708-33-000 | EA | DOOR/GLASS - TV CABINET - 9" X 21" - W/O HARDWARE-P34SH,P36SG, SPECIAL EDITION (SE) |
| 7 | 145656-01-R39 | EA | CABINET - FRONT/OVERHEAD - W/O DOORS/HARDWARE - CONCERT CHERRY (UD5,UE1,UE5) |
| 7 | 145656-01-UM7 | EA | CABINET - FRONT/OVERHEAD - W/O DOORS/HARDWARE - CONCERT CHERRY (UN1,UN2,UN3) |
| 7 | 145656-01-RW4 | EA | CABINET - FRONT/OVERHEAD - W/O DOORS/HARDWARE - WASHED MAPLE |
| 7 | 145656-01-SA3 | EA | CABINET - FRONT/OVERHEAD - W/O DOORS/HARDWARE - SIERRA MAPLE |
| 8 | 146124-01-UD5 | EA | CABINET - FRONT/SIDE (PASS) - W/O DOORS/HARDWARE |
| 8 | 146124-01-UD6 | EA | CABINET - FRONT/SIDE (PASS) - W/O DOORS/HARDWARE |
| 8 | 146124-01-UD7 | EA | CABINET - FRONT/SIDE (PASS) - W/O DOORS/HARDWARE |
| 8 | 146124-01-UE1 | EA | CABINET - FRONT/SIDE (PASS) - W/O DOORS/HARDWARE |
| 8 | 146124-01-UE2 | EA | CABINET - FRONT/SIDE (PASS) - W/O DOORS/HARDWARE |
| 8 | 146124-01-UE3 | EA | CABINET - FRONT/SIDE (PASS) - W/O DOORS/HARDWARE |
| 8 | 146124-01-UE5 | EA | CABINET - FRONT/SIDE (PASS) - W/O DOORS/HARDWARE |

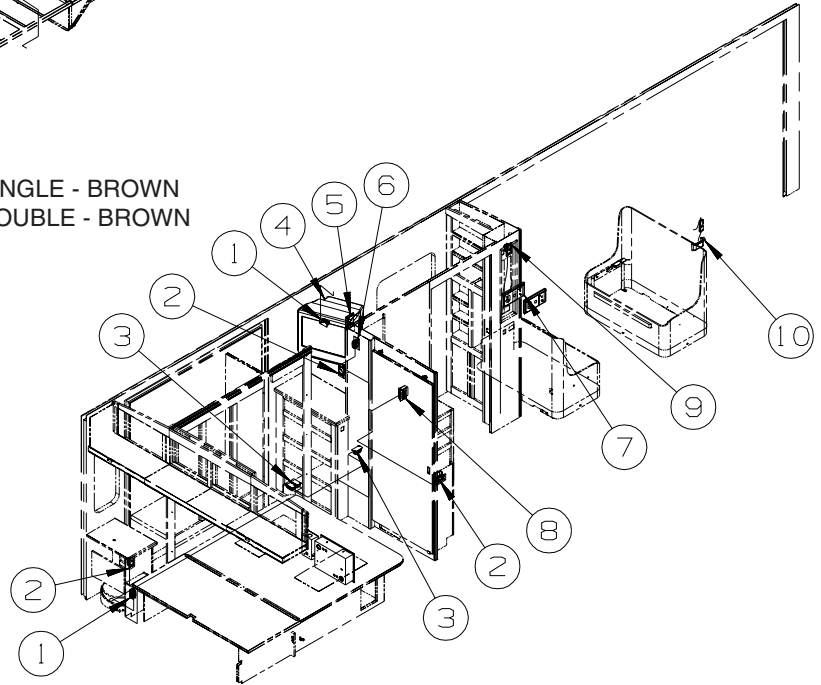
DRIVERS COMPARTMENT GROUP (CONTINUED)
CABINETS (CONTINUED)

| KEY | PART NUMBER | U/M | DESCRIPTION |
|-----|---------------|-----|--|
| 8 | 146124-01-UE6 | EA | CABINET - FRONT/SIDE (PASS) - W/O DOORS/HARDWARE |
| 8 | 146124-01-UE7 | EA | CABINET - FRONT/SIDE (PASS) - W/O DOORS/HARDWARE |
| 8 | 146124-01-UN1 | EA | CABINET - FRONT/SIDE (PASS) - W/O DOORS/HARDWARE |
| 8 | 146124-01-UN2 | EA | CABINET - FRONT/SIDE (PASS) - W/O DOORS/HARDWARE |
| 8 | 146124-01-UN3 | EA | CABINET - FRONT/SIDE (PASS) - W/O DOORS/HARDWARE |
| 8 | 146124-01-UP4 | EA | CABINET - FRONT/SIDE (PASS) - W/O DOORS/HARDWARE-P34SH, SPECIAL EDITION (SE) |
| 8 | 146124-01-UP5 | EA | CABINET - FRONT/SIDE (PASS) - W/O DOORS/HARDWARE-P36SG, SPECIAL EDITION (SE) |
| 9 | 146124-24-R69 | EA | END CAP - OVERHEAD CABINET - CONCERT CHERRY |
| 9 | 146124-24-R76 | EA | END CAP - OVERHEAD CABINET - WASHED MAPLE |
| 9 | 146124-24-SA3 | EA | END CAP - OVERHEAD CABINET - SIERRA MAPLE |
| 10 | 152665-01-01A | EA | CAP - TUBE - 3/4" X 3/4" X 1" - RUBBER/BLACK |
| 11 | 151804-01-SA1 | EA | CABINET/FACE - TV - W/O HARDWARE - CONCERT CHERRY |
| 11 | 151804-01-SA2 | EA | CABINET/FACE - TV - W/O HARDWARE - WASHED MAPLE |
| 11 | 151804-01-SA3 | EA | CABINET/FACE - TV - W/O HARDWARE - SIERRA MAPLE |
| 12 | 145659-01-03A | EA | COVER - FRONT TV/OVERHEAD - CASHMERE |
| 13 | 151954-02-02B | EA | BRACKET/HOLD DOWN - TV - E-COATED |
| | 152665-01-01A | EA | CAP - TUBE - 3/4" X 3/4" X 1" - RUBBER/BLACK |
| 14 | 144652-02-TA0 | EA | PANEL/VINYL COVERED - WIRE HOLE CUT - CASHMERE |
| 15 | 144652-05-TA0 | EA | PANEL/VINYL COVERED - WIRE HOLE CUT - CASHMERE - AUTOMATIC SATELLITE DISH FROM: 00-00-00 THRU: 01-28-07 |
| 15 | 144652-17-TA0 | EA | PANEL/VINYL COVERED - WIRE HOLE CUT - CASHMERE - AUTOMATIC SATELLITE DISH FROM: 01-29-07 THRU: 99-99-99 |
| 16 | 144652-14-TA0 | EA | PANEL/VINYL COVERED - WIRE HOLE CUT (SATELLITE SYS MOTION) - CASHMERE |
| 17 | 126841-09-000 | EA | SHADE - PULL - CHARCOAL MESH - 40.25" X 60" |
| 18 | 126841-05-000 | EA | SHADE - PULL - CHARCOAL MESH - 30.3" X 60" |
| 19 | 152168-01-02B | EA | ANGLE/FORMED - W/STUD WELD - E-COATED |
| 20 | 132909-10-SA0 | EA | PANEL - VINYL COVERED |
| 21 | 132909-04-R38 | EA | PANEL - VINYL COVERED |
| 22 | 152025-03-02B | EA | ANGLE/FORMED - W/O STUD - E-COATED |

ELECTRICAL GROUP 110V BODY WIRING



| KEY | PART NUMBER | U/M | DESCRIPTION |
|-----|---------------|-----|--|
| 1 | 058708-05-000 | EA | RECEPTACLE - ELECTRIC - SINGLE - BROWN |
| 2 | 058708-01-000 | EA | RECEPTACLE - ELECTRIC - DOUBLE - BROWN |

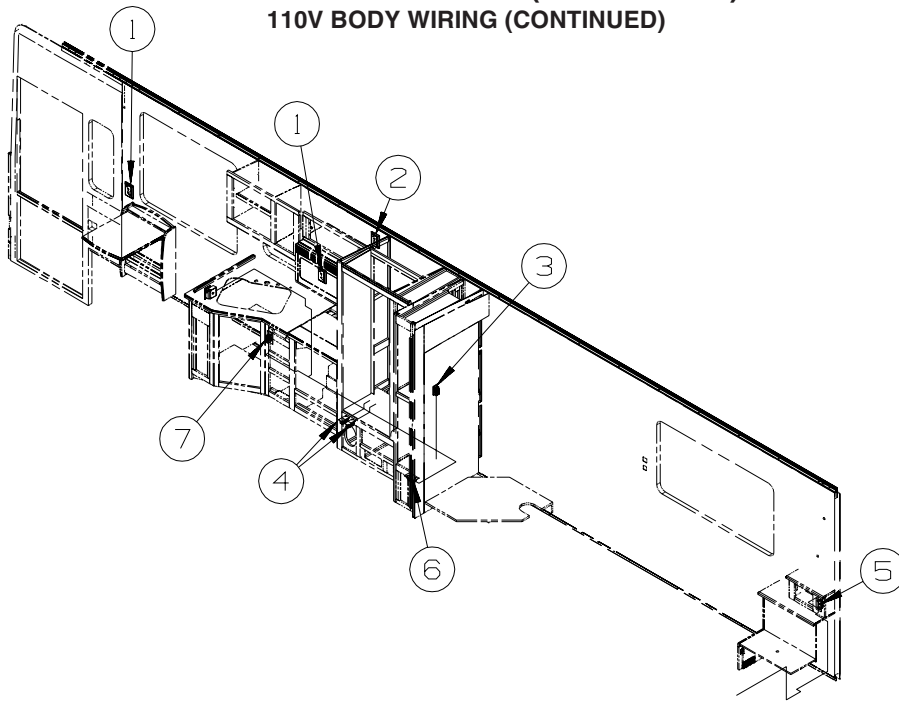


| KEY | PART NUMBER | U/M | DESCRIPTION |
|-----|---------------|-----|--|
| 1 | 058707-01-000 | EA | RECEPTACLE - ELECTRIC - SINGLE - BROWN |
| 2 | 058708-01-000 | EA | RECEPTACLE - ELECTRIC - DOUBLE - BROWN |
| 3 | 058707-02-000 | EA | RECEPTACLE - BLANK - JUNCTION BOX |
| 4* | 149049-02-000 | EA | TV - 20" COLOR/STEREO - FLAT - SONY KV-20FS120 |
| | | | FROM: 00-00-00 THRU: 04-02-06 |
| 4* | 149040-02-000 | EA | TV - 20" FLAT SCREEN/STEREO - RCA 20F410T |
| | | | FROM: 04-03-06 THRU: 05-14-06 |
| 4 | 149040-03-000 | EA | TV - 20" FLAT SCREEN/STEREO - RCA 20F420T |
| | | | FROM: 05-15-06 THRU: 99-99-99 |
| 5 | 133713-01-24A | EA | SPACER/RECEPTACLE - VINYL - CONCERT CHERRY (UD5, UE1, UE5) |
| 5 | 133713-01-25A | EA | SPACER/RECEPTACLE - VINYL - CONCERT CHERRY (UN1, UN2, UN3) |
| 5 | 133713-01-21A | EA | SPACER/RECEPTACLE - VINYL - WASHED MAPLE |
| 5 | 133713-01-22A | EA | SPACER/RECEPTACLE - VINYL - SIERRA MAPLE |
| 5 | 058708-01-000 | EA | RECEPTACLE - ELECTRIC - DOUBLE - BROWN |
| 6 | 058708-05-000 | EA | RECEPTACLE - ELECTRIC - SINGLE - BROWN |
| 6 | 158542-01-01A | EA | LABEL - RECEPTACLE - WASHER/DRYER - WHITE/BLACK |
| 7 | 133713-06-24A | EA | SPACER/RECEPTACLE - PHONE - VINYL - CONCERT CHERRY (UD5, UE1, UE5) |
| 7 | 133713-06-25A | EA | SPACER/RECEPTACLE - PHONE - VINYL - CONCERT CHERRY (UN1, UN2, UN3) |
| 7 | 133713-06-21A | EA | SPACER/RECEPTACLE - PHONE - VINYL - WASHED MAPLE |
| 7 | 133713-06-22A | EA | SPACER/RECEPTACLE - PHONE - VINYL - SIERRA MAPLE |
| 7 | 058708-01-000 | EA | RECEPTACLE - ELECTRIC - DOUBLE - BROWN |
| 8 | 147446-01-02A | EA | RECEPTACLE - GFCI - 15A 125V - BROWN |
| | | | FROM: 00-00-00 THRU: 12-20-06 |
| 8 | 163319-01-02A | EA | RECEPTACLE - GFCI - 15A 125V - BROWN |
| | | | FROM: 12-21-06 THRU: 99-99-99 |
| 8 | 147450-01-02A | EA | PLATE - ELECTRICAL OUTLET - BROWN |
| 9 | 084420-01-000 | EA | SWITCH - TOGGLE - 15 AMP/120 VOLT - BROWN |
| 9 | 083588-02-000 | EA | LABEL - ON/OFF - ENGINE HEATER |
| 10 | 153862-03-01A | EA | COVER - WIRE - 5.9" X 3.8" X 2.2" - BLACK |
| 10 | 155469-01-01A | EA | COVER - WIRE - .9" X 6.3" X 5.6" - BLACK |

*COMPONENT PARTS LISTED LATER IN THIS GROUP

ELECTRICAL GROUP (CONTINUED)

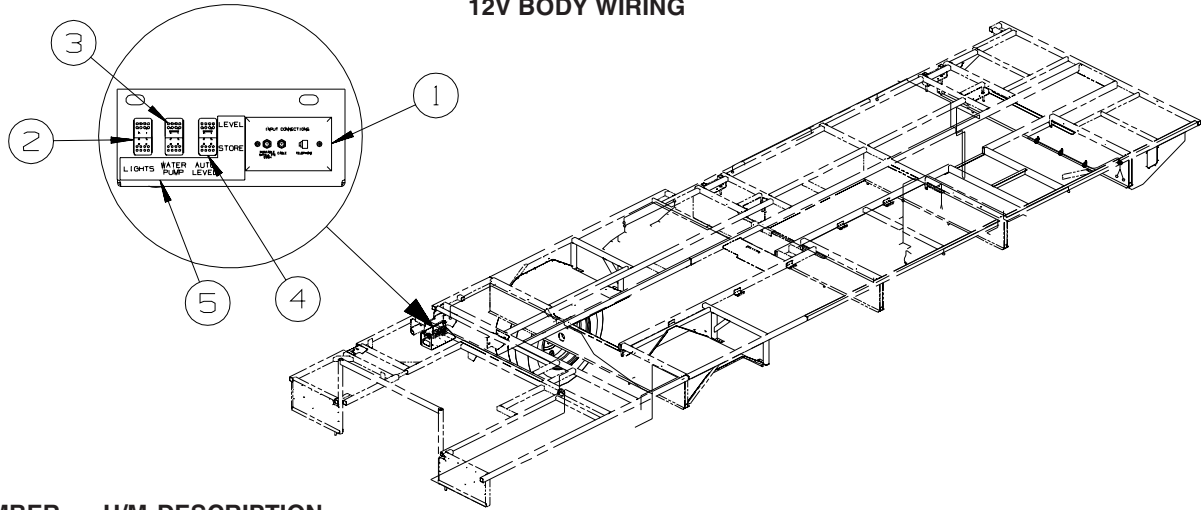
110V BODY WIRING (CONTINUED)



| KEY | PART NUMBER | U/M | DESCRIPTION |
|-----|---------------|-----|--|
| 1 | 133713-01-24A | EA | SPACER/RECEPTACLE - VINYL - CONCERT CHERRY (UD5, UE1, UE5) |
| 1 | 133713-01-25A | EA | SPACER/RECEPTACLE - VINYL - CONCERT CHERRY (UN1, UN2, UN3) |
| 1 | 133713-01-21A | EA | SPACER/RECEPTACLE - VINYL - WASHED MAPLE |
| 1 | 133713-01-22A | EA | SPACER/RECEPTACLE - VINYL - SIERRA MAPLE |
| 1 | 058708-01-000 | EA | RECEPTACLE - ELECTRIC - DOUBLE - BROWN |
| 2 | 133713-01-24A | EA | SPACER/RECEPTACLE - VINYL - CONCERT CHERRY (UD5, UE1, UE5) |
| 2 | 133713-01-25A | EA | SPACER/RECEPTACLE - VINYL - CONCERT CHERRY (UN1, UN2, UN3) |
| 2 | 133713-01-21A | EA | SPACER/RECEPTACLE - VINYL - WASHED MAPLE |
| 2 | 133713-01-22A | EA | SPACER/RECEPTACLE - VINYL - SIERRA MAPLE |
| 2 | 058708-05-000 | EA | RECEPTACLE - ELECTRIC - SINGLE - BROWN |
| 3 | 058707-01-000 | EA | RECEPTACLE - ELECTRIC - SINGLE - BROWN |
| 4 | 058707-02-000 | EA | RECEPTACLE - BLANK - JUNCTION BOX |
| 5 | 058708-01-000 | EA | RECEPTACLE - ELECTRIC - DOUBLE - BROWN |
| 6 | 058708-05-000 | EA | RECEPTACLE - ELECTRIC - SINGLE - BROWN |
| 7 | 147446-01-02A | EA | RECEPTACLE - GFCI - 15A 125V - BROWN |
| | | | FROM: 00-00-00 THRU: 12-20-06 |
| 7 | 163319-01-02A | EA | RECEPTACLE - GFCI - 15A 125V - BROWN |
| | | | FROM: 12-21-06 THRU: 99-99-99 |
| 7 | 147450-01-02A | EA | PLATE - ELECTRICAL OUTLET - BROWN |

ELECTRICAL GROUP (CONTINUED)

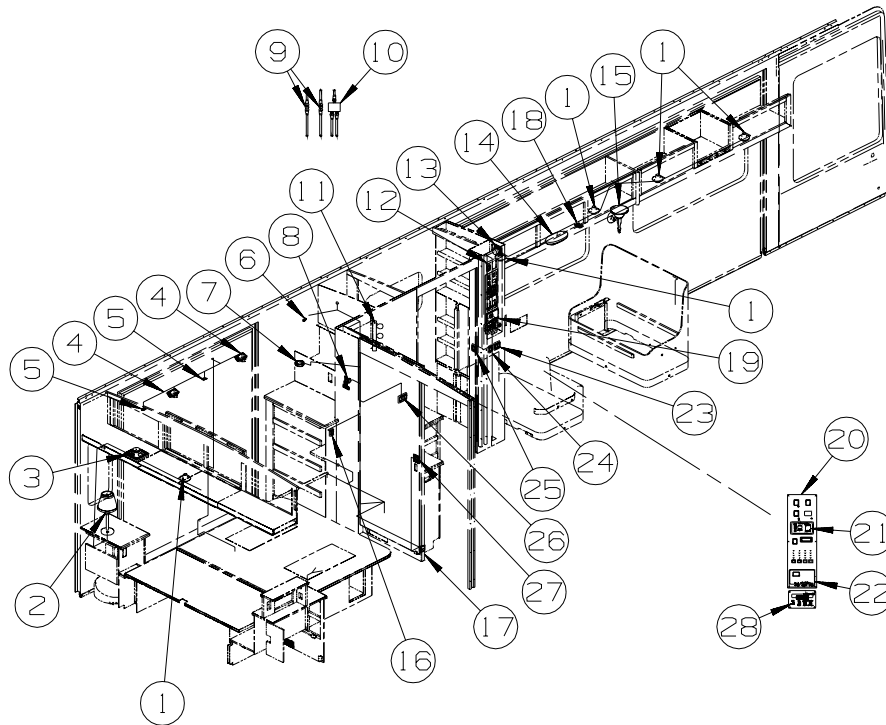
12V BODY WIRING



| KEY | PART NUMBER | U/M | DESCRIPTION |
|-----|---------------|-----|--|
| 1 | 149557-02-01A | EA | PLATE/WALL - PHONE/DUAL COAXIAL/HORIZONTAL - WHITE |
| 2 | 108357-01-000 | EA | SWITCH - ROCKER - SPST - ON/OFF - 2 TERMINAL - W/O COVER |
| 2 | 108356-01-01A | EA | COVER/ACTUATOR SWITCH - 3 GROOVES - BLACK |
| 2 | 108355-01-000 | EA | HOUSING - SWITCH |
| 3 | 108357-15-000 | EA | SWITCH - ROCKER - DPDT - ON/NONE/ON - W/LIGHT W/O COVER |
| 3 | 108356-03-01A | EA | COVER/ACTUATOR SWITCH - 3 GROOVES W/LENS - BLACK |
| 3 | 108355-01-000 | EA | HOUSING - SWITCH |
| 4 | 108357-18-000 | EA | SWITCH - ROCKER - DPDT - MOM/OFF/MOM - W/O COVER |
| 4 | 108357-03-000 | EA | SWITCH - ROCKER - SPDT - ON/OFF/ON - 3 TERM - W/O COVER |
| 4 | 108355-01-000 | EA | HOUSING - SWITCH |
| 5 | 117628-04-000 | EA | LABEL - SWITCH - AUTO LVL/LIGHTS/WTR PUMP - WHITE ON CLEAR |

ELECTRICAL GROUP (CONTINUED)

12V BODY WIRING (CONTINUED)



| KEY | PART NUMBER | U/M | DESCRIPTION |
|-----|---------------|-----|--|
| 1 | 132427-01-02A | EA | LIGHT - READING/SWIVEL - ROUND - NICKEL |
| 2* | 142612-05-01A | EA | LAMP - TABLE - SATIN NICKEL |
| 2 | 065201-09-000 | EA | SHADE - LAMP - FABRIC/PARCHMENT - 4.1"T X 6.1"H X 7.1"B |
| 2 | 117805-02-000 | EA | BULB - 12V - #921 - 1.4 AMPS |
| 3 | 094097-01-000 | EA | SPEAKER - RADIO/TV - W/O GRILLE - 5.25" DIAMETER - STEREO SYSTEM W/CD REAR |
| 3 | 089340-02-000 | EA | GRILLE - SPEAKER - 6.5" SQUARE - STEREO SYSTEM W/CD REAR |
| 4* | 087694-01-000 | EA | LIGHT - WARDROBE/CLOSET - W/SWITCH |
| 5 | 056264-01-000 | EA | SWITCH - LEAF ACTUATOR |
| 6 | 149750-03-000 | EA | TRANSMITTER - F/INFRA RED RECEIVER |
| 6 | 149750-04-000 | EA | MODULE/INTERFACE - INFRA RED (RECEIVER TO TRANSMITTER) FROM: 00-00-00 THRU: 01-15-06 FROM: 00-00-00 THRU: 01-15-06 |
| 7* | 123775-01-02A | EA | LIGHT - HALOGEN - ROUND - SATIN NICKEL |
| 7 | 123775-02-02A | EA | LIGHT - HALOGEN - COLLAR |
| 7 | 123917-01-000 | EA | BULB - 12V - HALOGEN SPOT |
| 8 | 144363-09-02B | EA | PLATE - SWITCH - E-COATED |
| 8 | 108357-06-000 | EA | SWITCH - ROCKER - DPDT - MOM/OFF/MOM - 6 TERM - W/O COVER |
| 8 | 108356-02-01A | EA | COVER/ACTUATOR SWITCH - 2 ROWS DIMPLES - BLACK |
| 8 | 108355-01-000 | EA | HOUSING - SWITCH |
| 8 | 116220-02-000 | EA | APPLIQUE - SWITCH/SLIDEOUT |
| 8 | 116549-01-000 | EA | LABEL - WARNING - SLIDEOUT |
| 9 | 082134-01-000 | EA | ADAPTER - TV - CABLE TO CABLE - TV (REAR) - 20" COLOR, STEREO |
| 10 | 086756-01-000 | EA | SPLITTER - TV/2 WAY - TV (REAR) - 20" COLOR, STEREO |
| 11 | 138116-01-02A | EA | LIGHT/MAKE UP - 3 BULB - CURVED - W/O BULB - SATIN NICKEL |
| 11 | 123918-01-000 | EA | BULB - 12V - MAKEUP - WHITE |
| 12 | 135740-06-01A | EA | SWITCH - ROCKER - ON/OFF - LIGHTED - RED |
| 12 | 135741-01-01A | EA | SWITCH - BASE - SINGLE - BROWN |
| 12 | 135742-35-02A | EA | BEZEL - SWITCH - WATER HEATER/110 VOLT - BROWN |
| 13 | 148026-03-01A | EA | SPEAKER - CUBE - W/O CASE |
| 13 | 160868-01-01A | EA | SPEAKER - ROUND/CEILING - W/O CASE - BLACK FROM: 00-00-00 THRU: 07-30-06 FROM: 07-31-06 THRU: 99-99-99 |
| 13 | 148026-02-01A | EA | SPEAKER GRILLE - CUBE - SILVER FROM: 00-00-00 THRU: 07-30-06 FROM: 07-31-06 THRU: 99-99-99 |
| 13 | 160868-02-01A | EA | GRILLE/ROUND - SPEAKER - SILVER FROM: 07-31-06 THRU: 99-99-99 |

ELECTRICAL GROUP (CONTINUED)

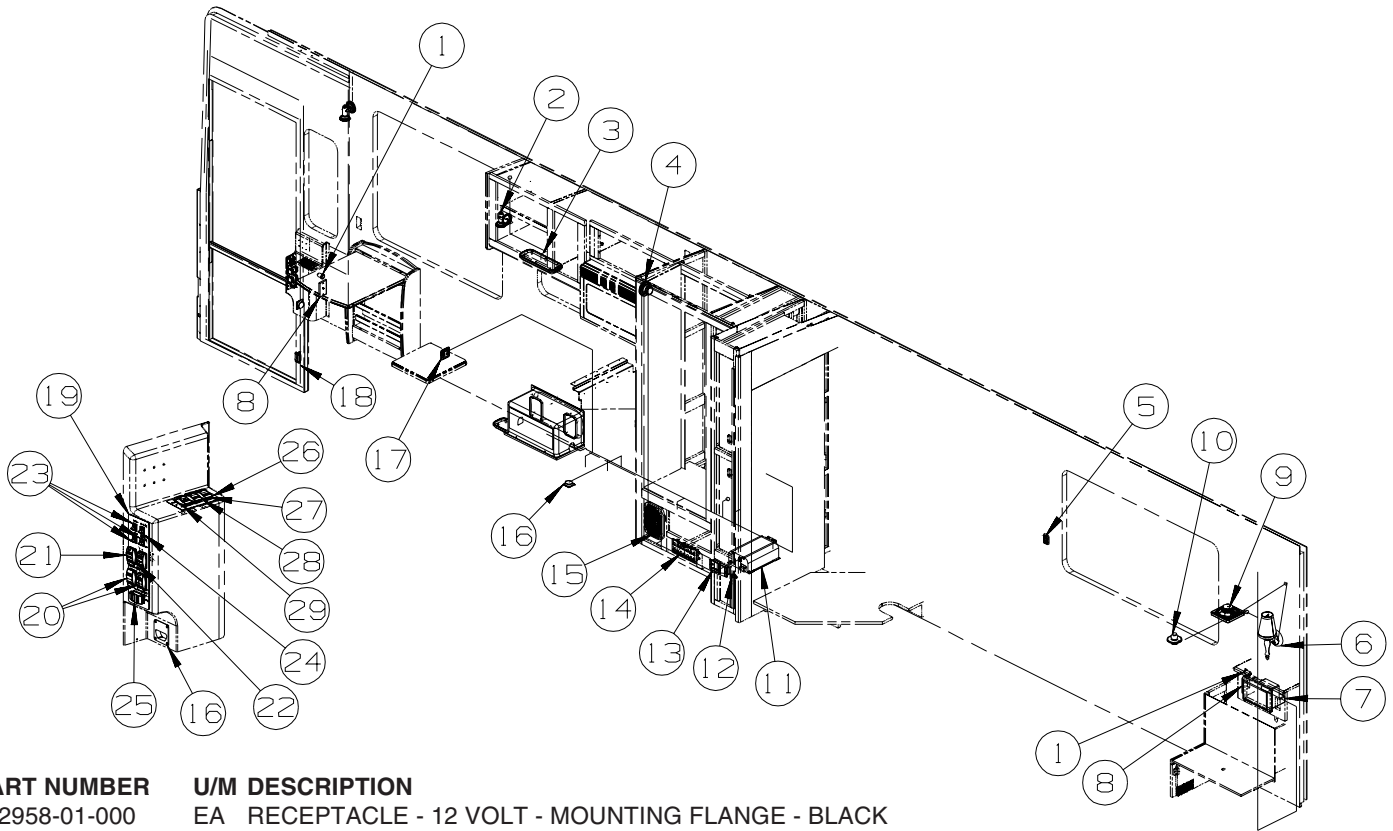
12V BODY WIRING (CONTINUED)

| KEY | PART NUMBER | U/M | DESCRIPTION |
|-----|---------------|-----|---|
| 14 | 093575-35-01A | EA | LIGHT - CEILING/DOUBLE - SATIN NICKEL |
| 14 | 093575-46-01A | EA | LIGHT - CEILING/DOUBLE - BRUSHED NICKEL - P36SG, SPECIAL EDITION (SE) |
| 14 | 117805-02-000 | EA | BULB - 12V - #921 - 1.4 AMPS |
| 15 | 119258-44-01A | EA | LAMP - WALL - UL/CSA - SATIN NICKEL |
| 15 | 119258-56-01A | EA | LAMP - WALL - UL/CSA - BRUSHED NICKEL - P36SG, SPECIAL EDITION (SE) |
| 15 | 117805-02-000 | EA | BULB - 12V - #921 - 1.4 AMPS |
| 16 | 135740-01-02A | EA | SWITCH - ROCKER - SPST - ON/OFF - BROWN |
| 16 | 135742-01-01A | EA | BEZEL - SWITCH - SINGLE - BROWN |
| 17* | 108354-01-01A | EA | LIGHT - COURTESY |
| 18 | 135740-01-01A | EA | SWITCH - ROCKER - SPST - ON/OFF - BROWN |
| 18 | 135741-01-01A | EA | SWITCH - BASE - SINGLE - BROWN |
| 18 | 135742-01-01A | EA | BEZEL - SWITCH - SINGLE - BROWN |
| 19 | 132958-01-000 | EA | RECEPTACLE - 12 VOLT - MOUNTING FLANGE - BLACK |
| 19 | 093253-01-02A | EA | PLATE - WALL - TELEPHONE - BROWN |
| 20* | 133004-05-01A | EA | PANEL/MONITOR-2 TANK-DIGITAL VOLT MT/SOLAR-W/WATER HTR SWT |
| 21 | 127002-10-000 | EA | PANEL/MONITOR - ENERGY MANAGEMENT SYSTEMS CTRL - W/3 PLUG |
| 22 | 105620-18-000 | EA | THERMOSTAT - FURNACE/HEAT PUMP-A/C - W/CHOKE MODULE |
| 23 | 135740-01-02A | EA | SWITCH - ROCKER - SPST - ON/OFF - BROWN - GALLEY |
| 23 | 135740-02-01A | EA | SWITCH - ROCKER - SPDT - ON/ON - BROWN - LOUNGE |
| 23 | 135741-02-01A | EA | SWITCH - BASE - DOUBLE - BROWN |
| 23 | 135742-18-02A | EA | BEZEL - SWITCH - LOUNGE/GALLEY - BROWN |
| 24 | 135740-01-01A | EA | SWITCH - ROCKER - SPST - ON/OFF - BROWN |
| 24 | 135741-01-01A | EA | SWITCH - BASE - SINGLE - BROWN |
| 24 | 135742-30-02A | EA | BEZEL - SWITCH - MONITOR - BROWN |
| 25 | 135740-01-01A | EA | SWITCH - ROCKER - SPST - ON/OFF - BROWN |
| 25 | 135741-02-01A | EA | SWITCH - ROCKER - DPDT - MOM/OFF/MOM - BROWN |
| 25 | 135742-33-02A | EA | BEZEL - SWITCH - CEILING/FAN - BROWN |
| 26 | 135740-01-01A | EA | SWITCH - ROCKER - SPST - ON/OFF - BROWN - MAKEUP/SHOWER |
| 26 | 135740-02-01A | EA | SWITCH - ROCKER - SPDT - ON/ON - BROWN - CEILING |
| 26 | 135741-02-01A | EA | SWITCH - BASE - DOUBLE - BROWN |
| 26 | 135742-14-02A | EA | BEZEL - SWITCH - MAKEUP/CEILING - BROWN |
| 27 | 135740-02-01A | EA | SWITCH - ROCKER - SPDT - ON/ON - BROWN |
| 27 | 135741-02-01A | EA | SWITCH - BASE - DOUBLE - BROWN |
| 27 | 135742-13-02A | EA | BEZEL - SWITCH - CEILING/AISLE - BROWN |
| 28 | 154511-02-000 | EA | REMOTE/PANEL - INVERTER/600 WATT |
| 28 | 148254-03-000 | EA | CABLE/INVERTOR - W/8 PIN MODULAR PHONE JACK - 50'-DIMEN |
| 28 | 148254-05-000 | EA | REMOTE/PANEL - INVERTER/CHARGER - INVERTER/CHARGER 2.0 KW |

*COMPONENT PARTS LISTED LATER IN THIS GROUP

ELECTRICAL GROUP (CONTINUED)

12V BODY WIRING (CONTINUED)



| KEY | PART NUMBER | U/M | DESCRIPTION |
|-----|---------------|-----|--|
| 1 | 132958-01-000 | EA | RECEPTACLE - 12 VOLT - MOUNTING FLANGE - BLACK |
| 2 | 128786-02-02A | EA | LIGHT - READING/SWIVEL - W/O SWITCH - SATIN NICKEL |
| 3* | 137417-05-01A | EA | LIGHT - DOME - DOUBLE - W/SWITCH/OPTIC LENS - WHITE |
| 4 | 148026-03-01A | EA | SPEAKER - CUBE - W/O CASE |
| | | | FROM: 00-00-00 THRU: 07-30-06 |
| 4 | 160868-01-01A | EA | SPEAKER - ROUND/CEILING - W/O CASE - BLACK |
| | | | FROM: 07-31-06 THRU: 99-99-99 |
| 4 | 148026-02-01A | EA | SPEAKER GRILLE - CUBE - SILVER |
| | | | FROM: 00-00-00 THRU: 07-30-06 |
| 4 | 160868-02-01A | EA | GRILLE/ROUND - SPEAKER - SILVER |
| | | | FROM: 07-31-06 THRU: 99-99-99 |
| 5 | 135740-01-01A | EA | SWITCH - ROCKER - SPST - ON/OFF - BROWN - CEILING |
| 5 | 135741-01-01A | EA | SWITCH - BASE - SINGLE - BROWN - CEILING |
| 5 | 135742-07-02A | EA | BEZEL - SWITCH - CEILING - BROWN - CEILING |
| 6 | 119258-45-01A | EA | LAMP - WALL - UL/CSA - SATIN NICKEL |
| 6 | 119258-56-01A | EA | LAMP - WALL - UL/CSA - BRUSHED NICKEL - P36SG, SPECIAL EDITION (SE) |
| 6 | 119257-16-01A | EA | SHADE - LAMP - WHISPER CHABLIS |
| 6 | 119257-25-01A | EA | SHADE - LAMP - IVORY - P36SG, SPECIAL EDITION (SE) |
| 6 | 117805-02-000 | EA | BULB - 12V - #921 - 1.4 AMPS |
| 7 | 133713-06-24A | EA | SPACER/RECEPTACLE - PHONE - VINYL - CONCERT CHERRY (UD5, UE1, UE5) |
| 7 | 133713-06-25A | EA | SPACER/RECEPTACLE - PHONE - VINYL - CONCERT CHERRY (UN1, UN2, UN3) |
| 7 | 133713-06-21A | EA | SPACER/RECEPTACLE - PHONE - VINYL - WASHED MAPLE |
| 7 | 133713-06-22A | EA | SPACER/RECEPTACLE - PHONE - VINYL - SIERRA MAPLE |
| 7 | 156413-01-01A | EA | RADIO - WALL MOUNT - DVD/CD - W/ALARM - JENSEN AWM950 - STEREO SYSTEM W/CD REAR |
| | | | FROM: 00-00-00 THRU: 01-01-07 |
| 7 | 163031-01-01A | EA | RADIO - WALL MOUNT - DVD/CD - W/ALARM - JENSEN AWM960 - STEREO SYSTEM W/CD REAR |
| | | | FROM: 01-02-07 THRU: 99-99-99 |
| 8 | 093253-01-02A | EA | PLATE - WALL - TELEPHONE - BROWN |
| 9 | 094097-01-000 | EA | SPEAKER - RADIO/TV - W/O GRILLE - 5.25" DIAMETER |
| 9 | 089340-02-000 | EA | GRILLE - SPEAKER - 6.5" SQUARE |
| 10 | 132427-01-02A | EA | LIGHT - READING/SWIVEL - ROUND - NICKEL |
| 11 | 123058-01-000 | EA | CONVERTER - 55 AMP - ELECTRONIC - 4 1/8"H X 7"W X 12 3/8"L |
| 12 | 086233-01-000 | EA | STUD - ISOLATED - 3/8" X 7/8" LONG |
| 13 | 150138-01-01A | EA | DETECTOR - LP GAS - WHITE |
| 14 | 139067-03-02B | EA | PLATE - CIRCUIT BREAKER/HOUSE - E-COATED |
| 14 | 092547-12-000 | EA | LABEL - CIRCUIT BREAKER |
| 14 | 081211-04-000 | EA | PLUG - PLASTIC - .46"DIAMETER - TRUSS HEAD - BLACK |

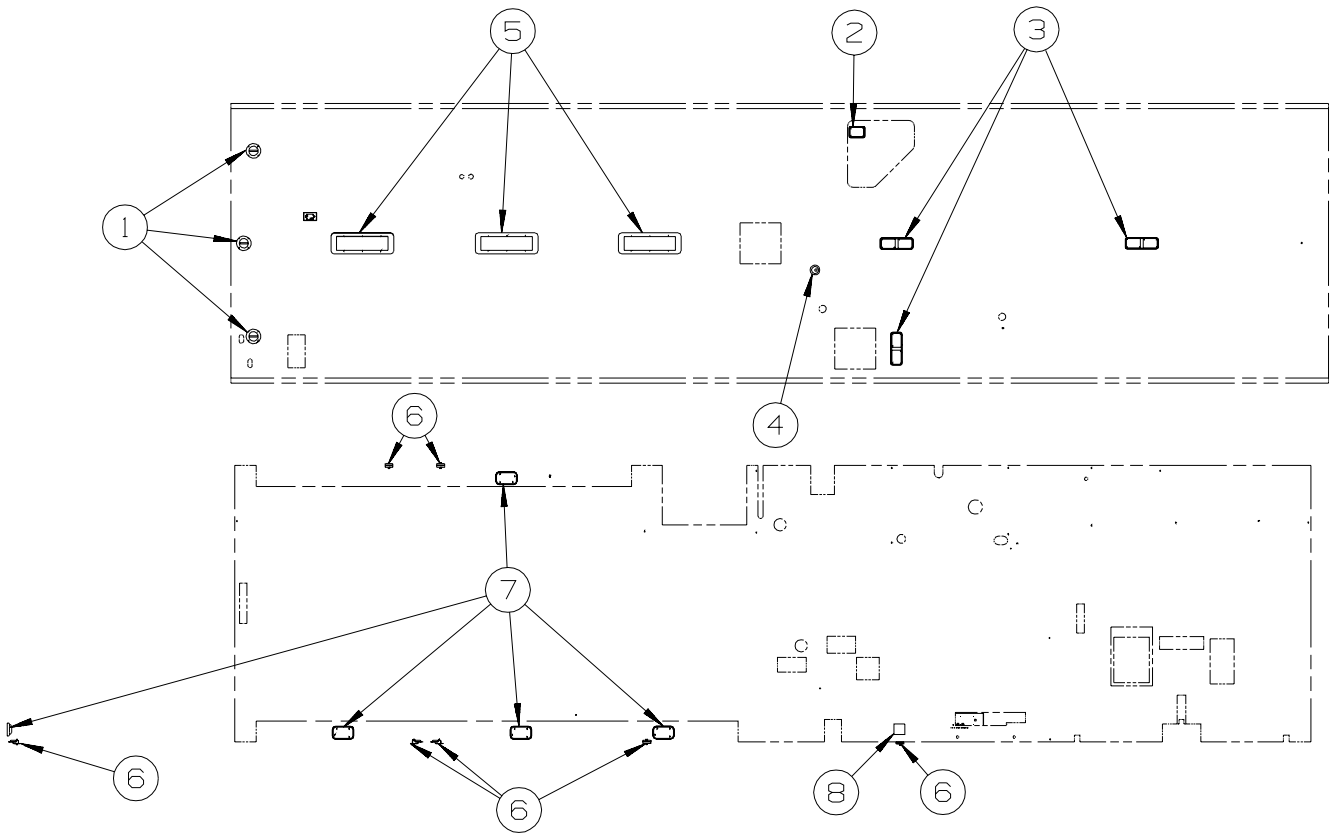
ELECTRICAL GROUP (CONTINUED)

12V BODY WIRING (CONTINUED)

| KEY | PART NUMBER | U/M | DESCRIPTION |
|-----|---------------|-----|--|
| 15 | 150090-01-000 | EA | SPEAKER - 6" X 9" - SUB-WOOFER - MAGNADYNE LS69W FROM: 00-00-00 THRU: 02-26-06 |
| 15 | 124884-01-000 | EA | SPEAKER - 6" X 9" - SUB-WOOFER - W/O GRILLE FROM: 02-27-06 THRU: 99-99-99 |
| 15 | 151569-01-01A | EA | GRILLE - SPEAKER - 6" X 9" - SUB WOOFER - BLACK FROM: 00-00-00 THRU: 02-26-06 |
| 15 | 151844-01-01A | EA | GRILLE - SPEAKER - 6" X 9" - SUB WOOFER - BLACK FROM: 02-27-06 THRU: 99-99-99 |
| 16* | 108354-01-01A | EA | LIGHT - COURTESY |
| 16 | 036196-01-000 | EA | BULB - 12V - #194 - .27 AMP - BAYONETTE |
| 17 | 135740-01-01A | EA | SWITCH - ROCKER - SPST - ON/OFF - BROWN - READING |
| 17 | 135740-02-01A | EA | SWITCH - ROCKER - SPDT - ON/ON - BROWN - aisle |
| 17 | 135741-02-01A | EA | SWITCH - BASE - DOUBLE - BROWN |
| 17 | 135742-21-02A | EA | BEZEL - SWITCH - AISLE/READING - BROWN |
| 18 | 116995-03-000 | EA | SWITCH/MAGNET - ELECTRIC STEP |
| 19 | 149521-02-02B | EA | PLATE - SWITCH/CONSOLE - RIGHT HAND - E-COATED |
| 19 | 149527-02-03A | EA | APPLIQUE/SWITCH - PASSENGER - DARK PUTTY |
| 20 | 108357-07-000 | EA | SWITCH - ROCKER - SPDT - MOM/OFF/MOM - 3 TERM - W/O COVER |
| 20 | 108356-01-01A | EA | COVER/ACTUATOR SWITCH - 3 GROOVES - BLACK |
| 20 | 108355-01-000 | EA | HOUSING - SWITCH |
| 21 | 096241-03-000 | EA | SWITCH - BLANK - BLACK |
| 21 | 108357-06-000 | EA | SWITCH - ROCKER - DPDT - MOM/OFF/MOM - 6 TERM - W/O COVER - AWNING ELECTRIC PACKAGE |
| 21 | 108356-12-01A | EA | COVER/ACTUATOR SWITCH - 3 GROOVES - AWNING/IN/OUT - AWNING ELECTRIC PACKAGE |
| 21 | 108355-01-000 | EA | HOUSING - SWITCH - AWNING ELECTRIC PACKAGE |
| 22 | 096241-03-000 | EA | SWITCH - BLANK - BLACK |
| 22 | 108357-08-000 | EA | SWITCH - ROCKER - DPDT - ON/NONE/ON - 6 TERM - W/O COVER - AWNING ELECTRIC PACKAGE |
| 22 | 108356-13-01A | EA | COVER/ACTUATOR SWITCH - 3 GROOVES - AWNING/PATIO/DOOR - AWNING ELECTRIC PACKAGE |
| 22 | 108355-01-000 | EA | HOUSING - SWITCH - AWNING ELECTRIC PACKAGE |
| 23 | 132180-01-01A | EA | SWITCH - PADDLE - SPST - ON/OFF - BLACK |
| 24 | 132180-02-01A | EA | SWITCH - PADDLE - SPDT - ON/ON - BLACK |
| 25 | 108357-18-000 | EA | SWITCH - ROCKER - DPDT - MOM/OFF/MOM - W/O COVER |
| 25 | 108356-01-01A | EA | COVER/ACTUATOR SWITCH - 3 GROOVES - BLACK |
| 26 | 142487-01-02B | EA | PLATE - SWITCH - E-COATED |
| 26 | 142475-01-03A | EA | APPLIQUE/SWITCH - PASSENGER - DARK PUTTY |
| 27 | 108357-01-000 | EA | SWITCH - ROCKER - SPST - ON/OFF - 2 TERMINAL - W/O COVER |
| 27 | 108356-01-01A | EA | COVER/ACTUATOR SWITCH - 3 GROOVES - BLACK |
| 27 | 108355-01-000 | EA | HOUSING - SWITCH |
| 28 | 096241-03-000 | EA | SWITCH - BLANK - BLACK |
| 28 | 108357-16-000 | EA | SWITCH - ROCKER - DPDT - MOM/ON/MOM - W/O COVER - SUNVISORS - POWERED (2) |
| 28 | 108356-01-01A | EA | COVER/ACTUATOR SWITCH - 3 GROOVES - BLACK - SUNVISORS - POWERED (2) |
| 28 | 108355-01-000 | EA | HOUSING - SWITCH - SUNVISORS - POWERED (2) |
| 29 | 108357-06-000 | EA | SWITCH - ROCKER - DPDT - MOM/OFF/MOM - 6 TERM - W/O COVER |
| 29 | 108356-01-01A | EA | COVER/ACTUATOR SWITCH - 3 GROOVES - BLACK |
| 29 | 108355-01-000 | EA | HOUSING - SWITCH |

*COMPONENT PARTS LISTED LATER IN THIS GROUP

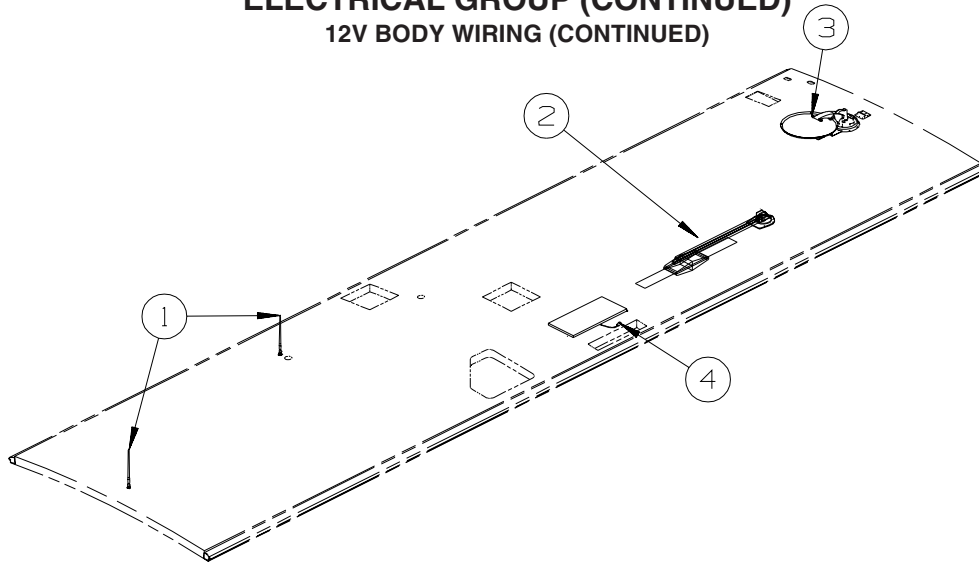
ELECTRICAL GROUP (CONTINUED)
12V BODY WIRING (CONTINUED)



| KEY | PART NUMBER | U/M | DESCRIPTION |
|-----|---------------|-----|--|
| 1 | 151314-01-01A | EA | SPEAKER - CUBE/CEILING - WHITE - MAGNADYNE - LS3CM-WN FROM: 00-00-00 THRU: 07-30-06 |
| 1 | 160867-01-01A | EA | SPEAKER - ROUND/CEILING - CREAM - MAGNADYNE - LS3EYC-WN FROM: 07-31-06 THRU: 99-99-99 |
| 2* | 121935-01-01A | EA | LIGHT - DOME - SHOWER |
| 3* | 137417-06-01A | EA | LIGHT - DOME - DOUBLE - W/O SWITCH - W/FROSTED LENS-WHITE |
| 4 | 146048-01-01A | EA | LIGHT - HALOGEN/ADJUSTABLE - WHITE |
| 5* | 153464-06-01A | EA | LIGHT-FLUORESCENT 21.8"- RECESSED/WARM WHT BULB-W/O SWITCH |
| 5* | 137417-06-01A | EA | LIGHT - DOME - DOUBLE - W/O SWITCH - W/FROSTED LENS-WHITE - P36SG, SPECIAL EDITION (SE) |
| 6 | 041250-01-000 | EA | SWITCH - PUSH BUTTON/DOOR JAMB - METAL/CHROME |
| 6 | 138494-01-02B | EA | BRACKET - SWITCH/LIGHT - E-COATED |
| 7* | 137417-03-01A | EA | LIGHT - DOME - SINGLE - W/O SWITCH - W/FROSTED LENS-WHITE |
| 8* | 086280-01-000 | EA | LIGHT - SURFACE MOUNT - 12 VOLT |

***COMPONENT PARTS LISTED LATER IN THIS GROUP**

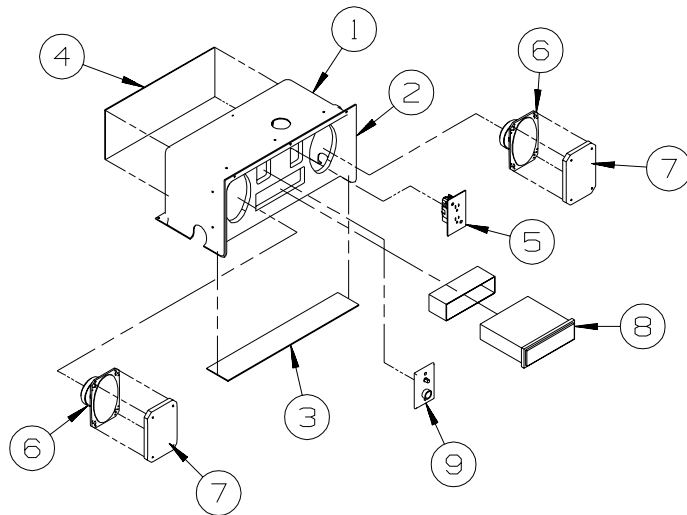
ELECTRICAL GROUP (CONTINUED)
12V BODY WIRING (CONTINUED)



| KEY | PART NUMBER | U/M | DESCRIPTION |
|-----|---------------|-----|---|
| 1 | 090944-01-000 | EA | ANTENNA - RADIO - 16" RUBBER - W/72" LEAD WIRE |
| 1 | 109889-04-000 | EA | EXTENDER - ANTENNA SHAFT - 3.7" |
| 1 | 147741-01-09B | EA | BRACKET - ANTENNA GROUND - GALVANIZED |
| 2* | 076319-23-000 | EA | ANTENNA - TV ROOF MOUNT - 44.5" MAST |
| 2* | 076319-25-000 | EA | KIT - HARDWARE INTERIOR |
| 2 | 069726-02-000 | EA | BUMPER - .88" OD X .40" THICK - BLACK |
| 3 | 154474-04-01A | EA | ANTENNA/SATELLITE - DISH IN DOME/SEARCH IN MOTION - WHITE - IN MOTION SATELLITE |
| 3 | 154474-04-02A | EA | ANTENNA/DISH IN DOME/SEARCH IN MOTION-BLACK- IN MOTION SATELLITE/FULL BODY PAINT |
| 3* | 141454-03-01A | EA | ANTENNA/SATELLITE - "AUTO SEARCH WHILE PARKED/GPS SYSTEM" - SATELLITE DISH-AUTOMATIC FROM: 00-00-00 THRU: 01-28-07 |
| 3 | 163598-01-02A | EA | ANTENNA/SATELLITE - DISH IN DOME/AUT - BLACK - SAT DISH - AUTOMATIC - NOT ILLUSTRATED FROM: 01-29-07 THRU: 99-99-99 |
| 3 | 146488-01-000 | EA | PLATE - ROOF - CABLE ENTRY - SAT DISH - AUTOMATIC - NOT ILLUSTRATED FROM: 01-29-07 THRU: 99-99-99 |
| 3 | 154474-02-000 | EA | CONTROL/SATELLITE KIT - IDB BOX/IDD BOX-POWER SUPPLY-CABLE - IN MOTION SATELLITE |
| 3 | 154474-03-000 | EA | CABLE - SATELLITE - RG6 COAX - 7' W/CONNECTORS - IN MOTION SATELLITE |
| 3 | 146488-01-000 | EA | PLATE - ROOF - CABLE ENTRY - IN MOTION SATELLITE |
| 3* | 137135-02-000 | EA | ANTENNA - SATELLITE DSS - W/SENSOR - SATELLITE DISH & ELEV. SENSOR |
| 4 | 151647-01-000 | EA | PANEL - SOLAR 10 WATT |

***COMPONENT PARTS LISTED LATER IN THIS GROUP**

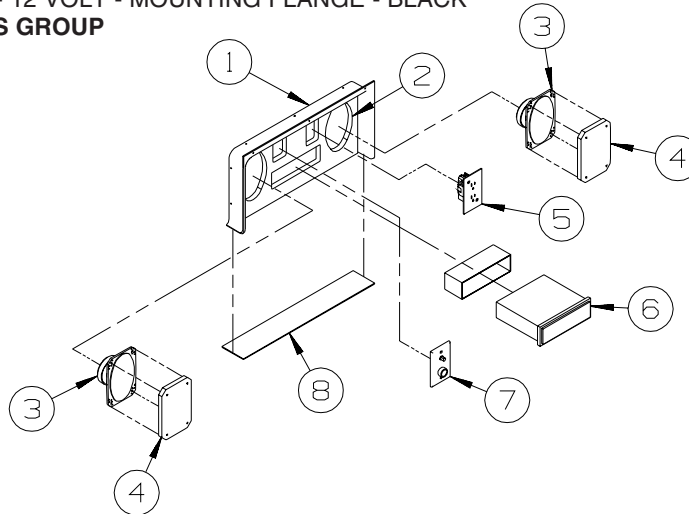
ELECTRICAL GROUP (CONTINUED)
12V BODY WIRING (CONTINUED)



**P36G/SG &
P39K**

| KEY | PART NUMBER | U/M | DESCRIPTION |
|-----|---------------|-----|--|
| 1 | 124696-01-01A | EA | BOX-ENTERTAINMENT CTR/EXT-19.4"W X 10"H X 10.2"D W/CUTOUTS |
| 2 | 127409-03-UC1 | EA | PLATE - RADIO MOUNTING |
| 3 | 104898-01-02A | EA | PLATE - PLASTIC BOTTOM - BRIGHT WHITE |
| 4 | 104898-02-02A | EA | PLATE - PLASTIC BACK - BRIGHT WHITE |
| 5 | 058708-01-000 | EA | RECEPTACLE - ELECTRIC - DOUBLE - BROWN |
| 6 | 110469-01-000 | EA | SPEAKER - 4" X 6" OVAL - COAXIAL |
| 7 | 110470-01-01A | EA | GRILLE - 4" X 6" - OVAL SPEAKER - BLACK |
| 8* | 155619-01-000 | EA | RADIO - AM/FM CD - W/REMOTE - MAGNADYNE M3200CD |
| | | | FROM: 00-00-00 THRU: 08-01-06 |
| 8 | 155619-02-000 | EA | RADIO - AM/FM CD-W/O REMOTE/WIRE HARNESS-MAGNADYNE M3200CD |
| | | | FROM: 08-02-06 THRU: 99-99-99 |
| | 155619-03-000 | EA | REMOTE - RADIO |
| | | | FROM: 08-02-06 THRU: 99-99-99 |
| 9 | 132958-01-000 | EA | RECEPTACLE - 12 VOLT - MOUNTING FLANGE - BLACK |

***COMPONENT PARTS LISTED LATER IN THIS GROUP**

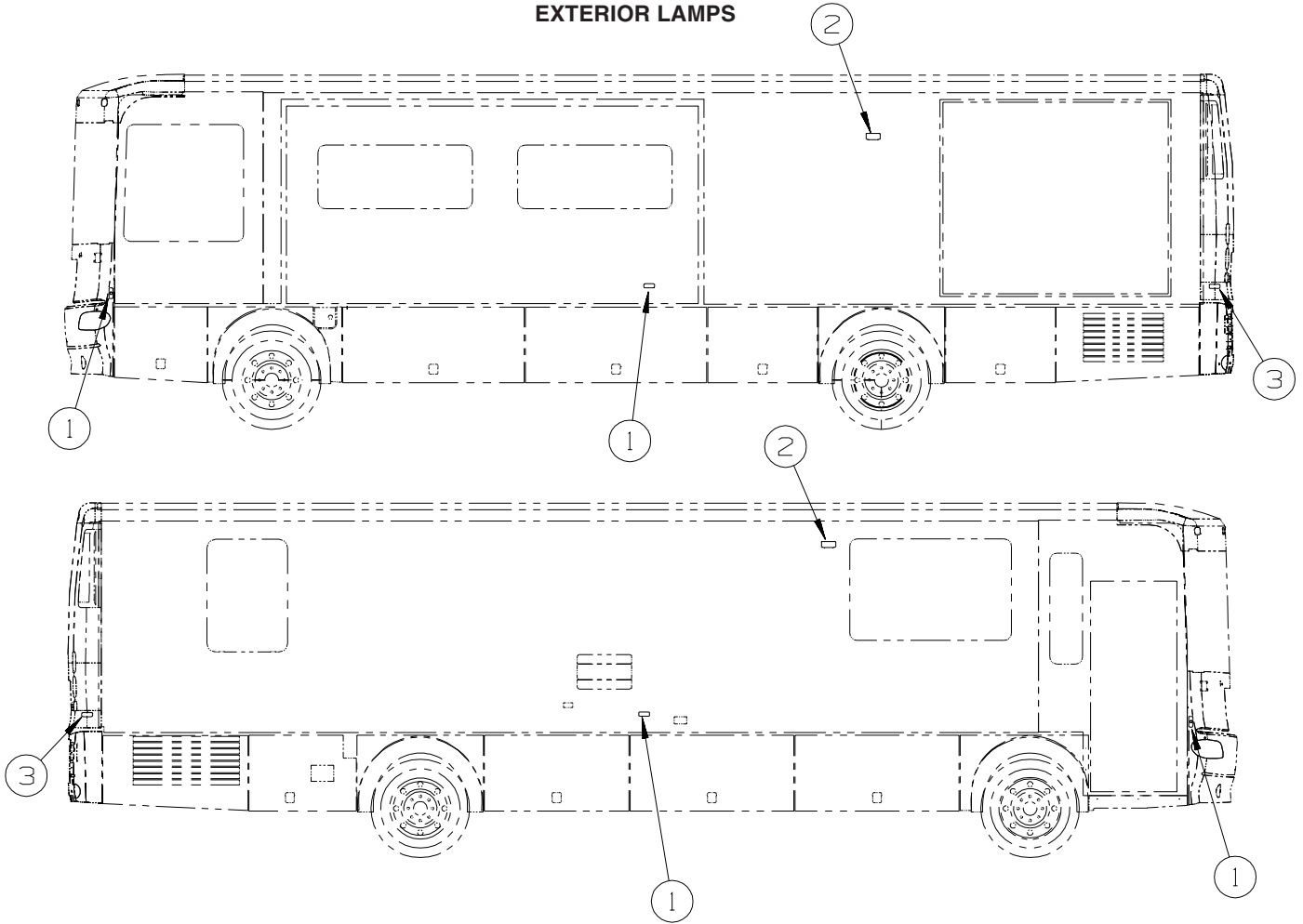


P34H/SH

| KEY | PART NUMBER | U/M | DESCRIPTION |
|-----|---------------|-----|--|
| 1 | 124696-02-01A | EA | BOX-ENTERTAINMENT CTR/EXT-19.4"W X 10"H X 2.5"D - BRT WHT |
| | 124696-01-01A | EA | BOX-ENTERTAINMENT CTR/EXT-19.4"W X 10"H X 10.2"D W/CUTOUTS |
| 2 | 127409-03-U89 | EA | PLATE - RADIO MOUNTING |
| 3 | 110469-01-000 | EA | SPEAKER - 4" X 6" OVAL - COAXIAL |
| 4 | 110470-01-01A | EA | GRILLE - 4" X 6" - OVAL SPEAKER - BLACK |
| 5 | 058708-01-000 | EA | RECEPTACLE - ELECTRIC - DOUBLE - BROWN |
| 6* | 155619-01-000 | EA | RADIO - AM/FM CD - W/REMOTE - MAGNADYNE M3200CD |
| | | | FROM: 00-00-00 THRU: 08-01-06 |
| 6 | 155619-02-000 | EA | RADIO - AM/FM CD-W/O REMOTE/WIRE HARNESS-MAGNADYNE M3200CD |
| | | | FROM: 08-02-06 THRU: 99-99-99 |
| | 155619-03-000 | EA | REMOTE - RADIO |
| | | | FROM: 08-02-06 THRU: 99-99-99 |
| 7 | 132958-01-000 | EA | RECEPTACLE - 12 VOLT - MOUNTING FLANGE - BLACK |
| 8 | 104898-01-02A | EA | PLATE - PLASTIC BOTTOM - BRIGHT WHITE |

***COMPONENT PARTS LISTED LATER IN THIS GROUP**

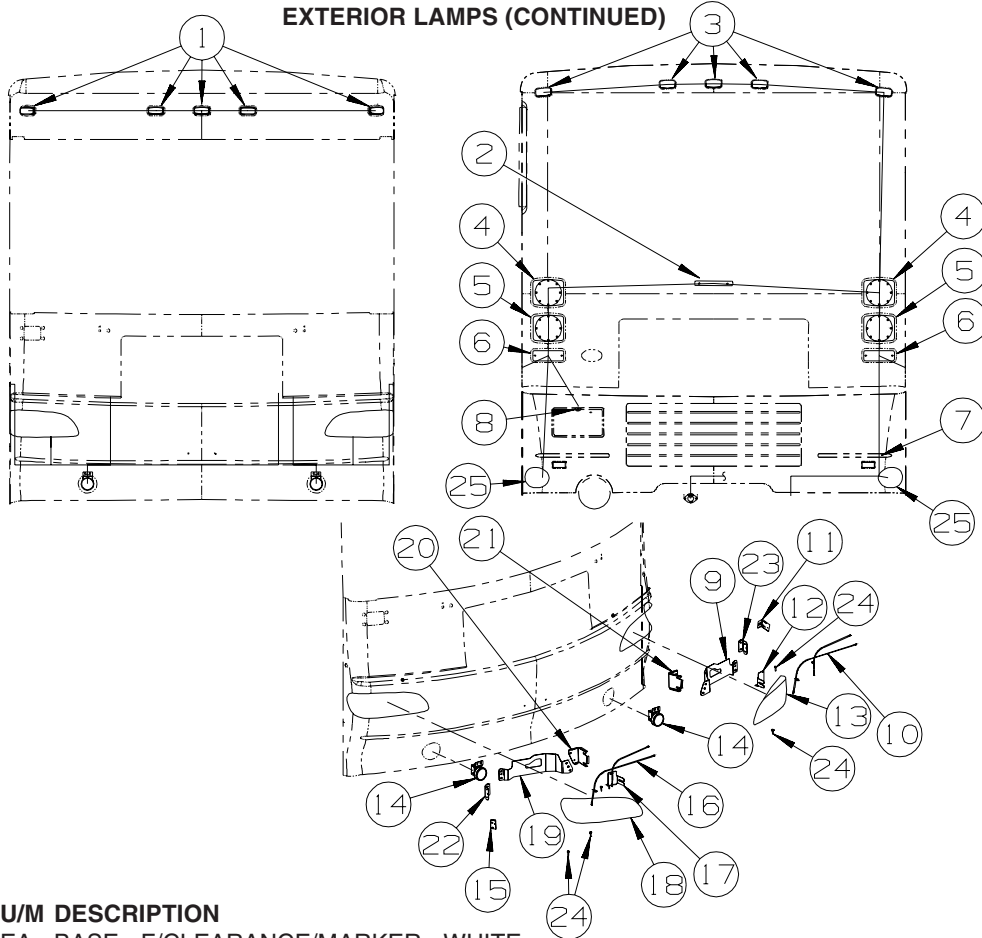
ELECTRICAL GROUP (CONTINUED)
EXTERIOR LAMPS



| KEY | PART NUMBER | U/M | DESCRIPTION |
|-----|---------------|-----|---|
| 1 | 111102-01-000 | EA | BASE - MARKER LAMP |
| 1 | 111102-02-000 | EA | LENS - AMBER - MARKER LAMP |
| | 036196-01-000 | EA | BULB - 12V - #194 - .27 AMP - BAYONETTE |
| 2 | 097917-01-08A | EA | LIGHT/PORCH - CHROME |
| | 008215-01-000 | EA | BULB - 12 VOLT - #1003 - .94 AMP |
| 3 | 111102-01-000 | EA | BASE - MARKER LAMP |
| 3 | 111102-03-000 | EA | LENS - RED - MARKER LAMP |
| | 036196-01-000 | EA | BULB - 12V - #194 - .27 AMP - BAYONETTE |

ELECTRICAL GROUP (CONTINUED)

EXTERIOR LAMPS (CONTINUED)



| KEY | PART NUMBER | U/M DESCRIPTION |
|-----|---------------|--|
| 1 | 133055-03-000 | EA BASE - F/CLEARANCE/MARKER - WHITE |
| 1 | 133055-02-000 | EA LENS - AMBER - F/CLEARANCE/MARKER |
| | 036196-01-000 | EA BULB - 12V - #194 - .27 AMP - BAYONETTE |
| | 127536-02-000 | EA SOCKET - LIGHT - 194 WEDGE |
| 2 | 136917-01-000 | EA LIGHT - BRAKE - CENTER MOUNT - OVAL |
| | 106687-01-000 | EA SOCKET - LIGHT - 2-WIRE |
| 3 | 133055-03-000 | EA BASE - F/CLEARANCE/MARKER - WHITE |
| 3 | 133055-01-000 | EA LENS - RED - F/CLEARANCE/MARKER |
| | 036196-01-000 | EA BULB - 12V - #194 - .27 AMP - BAYONETTE |
| | 127536-02-000 | EA SOCKET - LIGHT - 194 WEDGE |
| 4* | 133054-03-000 | EA LIGHT - STOP/TURN/TAILLIGHT - RED |
| 4 | 037934-01-000 | EA BULB - 12V - #1156 - 2.1 AMP - CLEAR GLASS |
| 5* | 133054-04-000 | EA LIGHT - TURN - AMBER |
| 5 | 037934-01-000 | EA BULB - 12V - #1156 - 2.1 AMP - CLEAR GLASS |
| 6 | 106688-01-000 | EA LIGHT - BACK-UP W/WHITE LENS (LENS/BACK PAN) |
| 6 | 037934-01-000 | EA BULB - 12V - #1156 - 2.1 AMP - CLEAR GLASS |
| 7 | 106646-02-000 | EA REFLECTOR - STICK ON - RED |
| 8 | 087201-01-000 | EA LIGHT - HALF ROUND - 1" X 1.7" - PLASTIC - BLACK OR WHITE |
| 9 | 143903-02-01A | EA BRACKET/HEADLAMP - DRIVER |
| 10 | 145919-02-000 | EA CABLE - HEADLAMP - 21" |
| 10 | 145919-01-000 | EA CABLE - HEADLAMP ADJUSTER - 16.9" LONG |
| 10 | 145927-01-000 | EA CLAMP - CABLE - PLASTIC |
| 10 | 147644-02-02B | EA PLATE - HEADLAMP ADJUSTER - E-COATED |
| 10 | 149562-01-02B | EA HOUSING - CABLE TUBE - E-COATED |
| 11 | 149559-02-02B | EA BRACKET - CABLE/HEADLAMP - E-COATED |
| 12 | 146101-02-02B | EA BRACKET - HEADLAMP/ADJUST - LEFT - E-COATED |
| 13 | 144834-02-000 | EA HEADLAMP - W/PARK&TURN - DRIVER |
| 13 | 037936-01-000 | EA BULB - 12V NUMBER 1157A - 2.10 AMP - AMBER GLASS |
| 13 | 124187-01-000 | EA SOCKET/HOUSING - LOW BEAM HEADLAMP |
| 13 | 124187-02-000 | EA SOCKET/HOUSING - HIGH BEAM HEADLAMP |
| 13 | 145787-01-000 | EA SOCKET - PARK/TURN - GM# 12141302 |

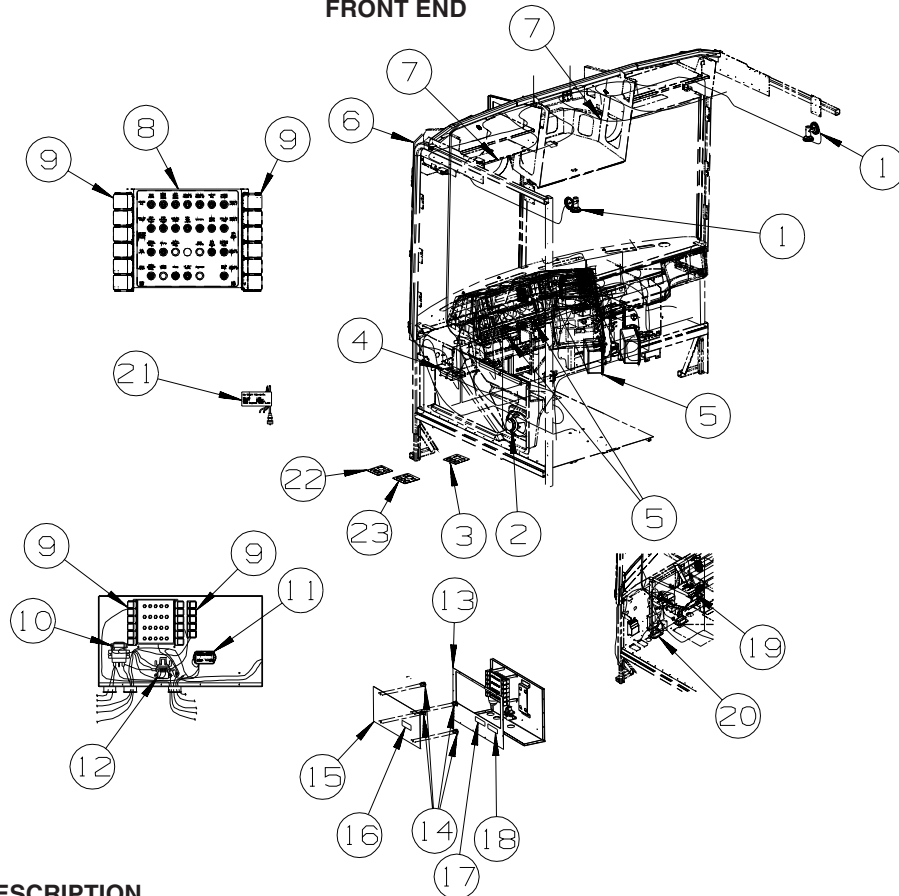
ELECTRICAL GROUP (CONTINUED)
EXTERIOR LAMPS (CONTINUED)

| KEY | PART NUMBER | U/M | DESCRIPTION |
|------------|--------------------|------------|--|
| 14 | 151421-01-000 | EA | LAMP - FOG - CLEAR/ROUND |
| 14 | 139686-01-02B | EA | ANGLE - MOUNT - FOGLAMP - E-COATED |
| 15 | 149559-01-02B | EA | BRACKET - CABLE/HEADLAMP - E-COATED |
| 16 | 145919-02-000 | EA | CABLE - HEADLAMP - 21" |
| 16 | 145919-01-000 | EA | CABLE - HEADLAMP ADJUSTER - 16.9" LONG |
| 16 | 145927-01-000 | EA | CLAMP - CABLE - PLASTIC |
| 16 | 147644-01-02B | EA | PLATE - HEADLAMP ADJUSTER - E-COATED |
| 16 | 149562-01-02B | EA | HOUSING - CABLE TUBE - E-COATED |
| 17 | 146101-01-02B | EA | BRACKET - HEADLAMP/ADJUST - RIGHT - E-COATED |
| 18 | 144834-01-000 | EA | HEADLAMP - W/PARK&TURN - PASSENGER |
| 18 | 037936-01-000 | EA | BULB - 12V NUMBER 1157A - 2.10 AMP - AMBER GLASS |
| 18 | 124187-01-000 | EA | SOCKET/HOUSING - LOW BEAM HEADLAMP |
| 18 | 124187-02-000 | EA | SOCKET/HOUSING - HIGH BEAM HEADLAMP |
| 18 | 145787-01-000 | EA | SOCKET - PARK/TURN - GM# 12141302 |
| 19 | 143903-01-01A | EA | BRACKET/HEADLAMP - PASSENGER |
| 20 | 151374-02-02B | EA | BRACKET - HEADLAMP MOUNT/INNER - E-COATED |
| 21 | 151374-04-02B | EA | BRACKET - HEADLAMP MOUNT/INNER - E-COATED |
| 22 | 151373-02-02B | EA | BRACKET - HEADLAMP MOUNT/OUTER - E-COATED |
| 23 | 151373-04-02B | EA | BRACKET - HEADLAMP MOUNT/OUTER - E-COATED |
| 24 | 144078-01-01A | EA | SCREW - HEX/FLANGE HEAD CAP-1" W/.75" THREAD LENGTH-ZINC |
| 25 | 139001-01-000 | EA | LIGHT ONLY (DOCKING) |
| 25 | 139001-02-000 | EA | SOCKET ONLY - F/DOCKING LAMP |
| 25 | 117806-01-000 | EA | BULB - 12V - #912 - 1.0 AMP |
| 25 | 152256-01-04B | EA | SPACER - BACKUP LIGHT |
| | 146246-01-000 | EA | CONNECTOR/PLUG - TRAILER - 7 PIN |

***COMPONENT PARTS LISTED LATER IN THIS GROUP**

ELECTRICAL GROUP (CONTINUED)

FRONT END



| KEY | PART NUMBER | U/M | DESCRIPTION |
|-----|---------------|-----|---|
| 1 | 128786-02-02A | EA | LIGHT - READING/SWIVEL - W/O SWITCH - SATIN NICKEL |
| | 123917-01-000 | EA | BULB - 12V - HALOGEN SPOT |
| 2 | 150090-01-000 | EA | SPEAKER - 6" X 9" - SUB-WOOFER - MAGNADYNE LS69W |
| | | | FROM: 00-00-00 THRU: 02-26-06 |
| 2 | 124884-01-000 | EA | SPEAKER - 6" X 9" - SUB-WOOFER - W/O GRILLE |
| | | | FROM: 02-27-06 THRU: 99-99-99 |
| 2 | 151569-01-01A | EA | GRILLE - SPEAKER - 6" X 9" - SUB WOOFER - BLACK |
| | | | FROM: 00-00-00 THRU: 02-26-06 |
| 2 | 151844-01-01A | EA | GRILLE - SPEAKER - 6" X 9" - SUB WOOFER - BLACK |
| | | | FROM: 02-27-06 THRU: 99-99-99 |
| 3 | 118662-14-02B | EA | PLATE - EARLY CHASSIS (SEPARATE INFO CENTER ON DASH, CHECK ANTENNA LIGHT IN DASH) |
| 3 | 118662-16-02B | EA | PLATE - LATE CHASSIS (INFO CENTER IN LIGHT BAR IN CLUSTER, NO CHECK ANTENNA LIGHT) |
| 3 | 108357-07-000 | EA | SWITCH - ROCKER - SPDT - MOM/OFF/MOM - 3 TERMINAL - POWER DOOR LOCK WITH REMOTE |
| 3 | 108356-01-01A | EA | COVER/ACTUATOR SWITCH - 3 GROOVES - CONTURA III-BLACK- POWER DOOR LOCK WITH REMOTE |
| 3 | 108355-01-000 | EA | HOUSING - SWITCH - POWER DOOR LOCK WITH REMOTE |
| 3 | 108357-16-000 | EA | SWITCH - ROCKER - DPDT - MOM/ON/MOM - W/O COVER - SUNVISORS - POWERED (2) |
| 3 | 108356-01-01A | EA | COVER/ACTUATOR SWITCH - 3 GROOVES - CONTURA III - BLACK - SUNVISORS - POWERED (2) |
| 3 | 108355-01-000 | EA | HOUSING - SWITCH - SUNVISORS - POWERED (2) |
| 3 | 096241-03-000 | EA | SWITCH - BLANK - BLACK |
| 3 | 088246-01-000 | EA | SWITCH/REMOTE MIRROR -W/2PIN & 6 PIN CONNECTORS/PIGTAIL |
| 3 | 108357-14-000 | EA | SWITCH - ROCKER SPDT - W/LIGHT - ON/OFF - 4 TERMINAL |
| 3 | 108356-03-01A | EA | COVER/ACTUATOR SWITCH-3 GROOVES W/LIGHT-CONTRA III-BLACK |
| 3 | 108355-01-000 | EA | HOUSING - SWITCH |

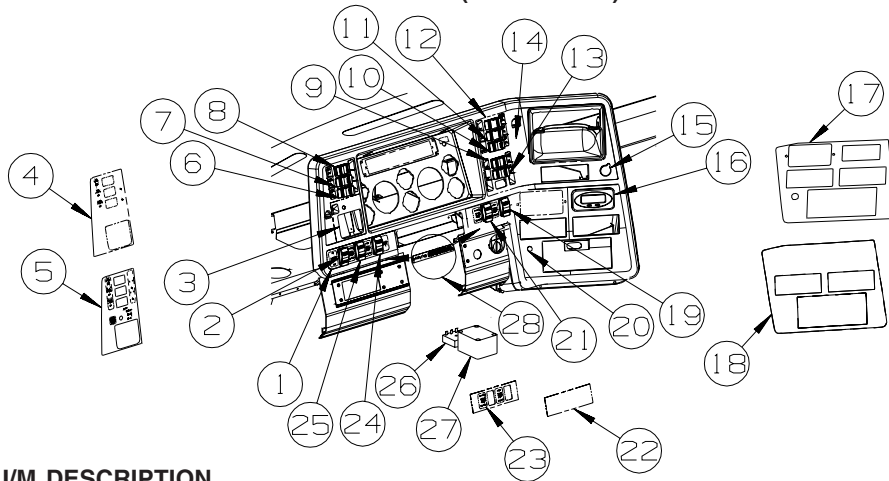
ELECTRICAL GROUP (CONTINUED)
FRONT END (CONTINUED)

| KEY | PART NUMBER | U/M | DESCRIPTION |
|------------|--------------------|------------|--|
| 4 | 135420-20-000 | EA | RECEIVER - SATELLITE RADIO |
| 5 | 113452-01-000 | FT | SEAL/TRIM - FRONT - VINYL W/WIRE CARRIER - .020" |
| 6 | 158494-02-000 | EA | CABLE/ANTENNA - SATELLITE RADIO |
| 7 | 122856-01-01A | EA | FAN-DEFROSTER-2 SPEED W/SWIVEL BASE/NON-OSCILLATING-CHROME |
| 8 | 093236-46-000 | EA | LABEL - CIRCUIT BREAKER |
| 9 | 063912-02-000 | EA | RELAY - CANISTER - SPDT |
| 10 | 008188-02-000 | EA | SOLENOID - VENTED - HEAVY DUTY |
| 11 | 156431-01-000 | EA | CHARGER/BATTERY - CHASSIS TO HOUSE |
| 12 | 086273-01-000 | EA | RELAY - BATTERY DISCONNECT |
| 13 | 113029-06-02B | EA | PANEL - ELECTRICAL BOX FRONT - E-COATED |
| 14 | 098196-01-000 | EA | LATCH - 1/4 TURN - T-BAR |
| 15 | 142209-03-02B | EA | DOOR - ELECTRICAL BOX - E-COATED |
| 15 | 092492-17-000 | EA | SEAL - ELECTRICAL BOX |
| 16 | 098379-03-000 | EA | LABEL - ELECTRICAL BOX - FRONT |
| 17 | 116273-01-000 | EA | LABEL - WARNING - GENERATOR |
| 18 | 098379-04-000 | EA | LABEL - ELECTRICAL BOX - SIDE |
| 19* | 151458-01-000 | EA | KEYLESS ENTRY SYSTEM - ENTRY DOOR & CARGO DOORS - W/REMOTE |
| 20 | 118571-03-000 | EA | BRACKET - MOUNTING |
| 20 | 118571-04-000 | EA | GASKET |
| 21 | 104678-01-000 | EA | LABEL - CB PREP |
| 22 | 143057-01-03A | EA | APPLIQUE - EARLY CHASSIS (SEPARATE INFO CENTER ON DASH, CHECK ANTENNA LIGHT IN DASH) |
| 23 | 143057-02-03A | EA | APPLIQUE - LATE CHASSIS (INFO CENTER IN LIGHT BAR IN CLUSTER, NO CHECK ANTENNA LIGHT) |

***COMPONENT PARTS LISTED LATER IN THIS GROUP**

ELECTRICAL GROUP (CONTINUED)

FRONT END (CONTINUED)



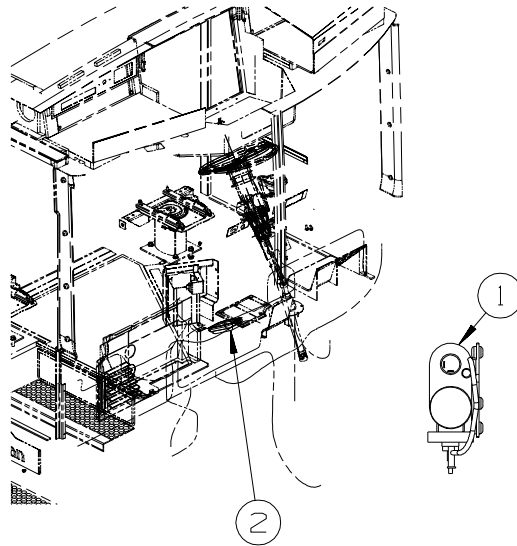
| KEY | PART NUMBER | U/M | DESCRIPTION |
|-----|---------------|-----|--|
| 1 | 104056-66-09A | EA | APPLIQUE - BEZEL - LOWER/DRIVER - DARK PUTTY |
| 2 | 108357-15-000 | EA | SWITCH - ROCKER - DPDT - ON/NONE/ON - W/LIGHT W/O COVER |
| 2 | 108356-03-01A | EA | COVER/ACTUATOR SWITCH -3 GROOVES W/LIGHT-CONTRA III-BLACK |
| 2 | 108355-01-000 | EA | HOUSING - SWITCH |
| 3* | 091206-04-000 | EA | MODULE KIT - WIPER CONTROL - DYNAMIC PARK |
| 4 | 104056-56-09A | EA | APPLIQUE - EARLY CHASSIS (SEPARATE INFO CENTER ON DASH, CHECK ANTENNA LIGHT IN DASH) |
| 5 | 104056-61-09A | EA | APPLIQUE - LATE CHASSIS (INFO CENTER IN LIGHT BAR IN CLUSTER, NO CHECK ANTENNA LIGHT) |
| 6 | 108357-14-000 | EA | SWITCH - ROCKER - SPST - W/LIGHT - ON/OFF - 4 TERMINAL |
| 6 | 108356-03-01A | EA | COVER/ACTUATOR SWITCH -3 GROOVES W/LIGHT-CONTRA III-BLACK |
| 6 | 108355-01-000 | EA | HOUSING - SWITCH |
| 7 | 108357-14-000 | EA | SWITCH - ROCKER - SPST - W/LIGHT - ON/OFF - 4 TERMINAL |
| 7 | 108356-03-01A | EA | COVER/ACTUATOR SWITCH -3 GROOVES W/LIGHT-CONTRA III-BLACK |
| 7 | 108355-01-000 | EA | HOUSING - SWITCH |
| 8 | 108357-09-000 | EA | SWITCH - ROCKER SPDT - ON/NONE/MOM - 3 TERMINAL |
| 8 | 108356-01-01A | EA | COVER/ACTUATOR SWITCH - 3 GROOVES - CONTURA III - BLACK |
| 8 | 108355-01-000 | EA | HOUSING - SWITCH |
| 9 | 108357-03-000 | EA | SWITCH - ROCKER SPDT - ON/OFF/ON - 3 TERMINAL - AUXILIARY FANS |
| 9 | 108356-01-01A | EA | COVER/ACTUATOR SWITCH - 3 GROOVES - CONTURA III - BLACK - AUXILIARY FANS |
| 9 | 108355-01-000 | EA | HOUSING - SWITCH - AUXILIARY FANS |
| 9 | 096241-03-000 | EA | SWITCH - BLANK - BLACK |
| 10 | 108357-10-000 | EA | SWITCH - ROCKER SPDT - W/LIGHT - MOM/NONE/MOM - 5 TERMINAL |
| 10 | 108356-03-01A | EA | COVER/ACTUATOR SWITCH -3 GROOVES W/LIGHT-CONTRA III-BLACK |
| 10 | 108355-01-000 | EA | HOUSING - SWITCH |
| 11 | 108357-06-000 | EA | SWITCH - ROCKER DPDT - MOM/OFF/MOM - 6 TERMINAL |
| 11 | 108356-01-01A | EA | COVER/ACTUATOR SWITCH - 3 GROOVES - CONTURA III - BLACK |
| 11 | 108355-01-000 | EA | HOUSING - SWITCH |
| 12 | 108357-08-000 | EA | SWITCH - ROCKER - DPDT - ON/NONE/ON - 6 TERM - W/O COVER |
| 12 | 108356-01-01A | EA | COVER/ACTUATOR SWITCH - 3 GROOVES - CONTURA III - BLACK |
| 12 | 108355-01-000 | EA | HOUSING - SWITCH |
| 13 | 108357-15-000 | EA | SWITCH - ROCKER - DPDT - ON/NONE/ON - W/LIGHT W/O COVER - AIR HORNS-CHROME |
| 13 | 108356-03-01A | EA | COVER/ACTUATOR SWITCH -3 GROOVES W/LIGHT-CONTRA III-BLACK - AIR HORNS-CHROME |
| 13 | 108355-01-000 | EA | HOUSING - SWITCH - AIR HORNS-CHROME |
| 13 | 096241-03-000 | EA | SWITCH - BLANK - BLACK |
| 14 | 104056-40-09A | EA | APPLIQUE - BEZEL/6 SWITCH - PASSENGER/UPPER - DARK PUTTY |
| 15 | 111414-01-000 | EA | RECEPTACLE/SOCKET - 12 VOLT |
| 16* | 136119-01-000 | EA | COMPASS - EARLY CHASSIS (SEPARATE INFO CENTER ON DASH, CHECK ANTENNA LIGHT IN DASH) |
| 17 | 104056-60-09A | EA | APPLIQUE - EARLY CHASSIS (SEPARATE INFO CENTER ON DASH, CHECK ANTENNA LIGHT IN DASH) |
| 18 | 104056-68-09A | EA | APPLIQUE - LATE CHASSIS (INFO CENTER IN LIGHT BAR IN CLUSTER, NO CHECK ANTENNA LIGHT) |
| 19 | 108357-17-000 | EA | SWITCH - ROCKER - DPDT - MOM/OFF/MOM-W/LIGHT-W/O COVER - SLIDEOUT ROOM - FRONT RIGHT |
| | | | FROM: 00-00-00 THRU: 10-28-06 |
| 19 | 108357-06-000 | EA | SWITCH - ROCKER DPDT - MOM/OFF/MOM - 6 TERMINAL - SLIDEOUT ROOM - FRONT RIGHT |
| | | | FROM: 10-29-06 THRU: 99-99-99 |
| 19 | 108356-03-01A | EA | COVER/ACTUATOR SWITCH-3 GROOVES W/LT-CONTRA III-BLK - SLIDEOUT ROOM - FRONT RIGHT |
| | | | FROM: 00-00-00 THRU: 10-28-06 |
| 19 | 108356-01-01A | EA | COVER/ACTUATOR SWITCH - 3 GROOVES - CONTURA III - BLACK - SLIDEOUT ROOM - FRONT RIGHT |
| | | | FROM: 10-29-06 THRU: 99-99-99 |
| 19 | 108355-01-000 | EA | HOUSING - SWITCH - SLIDEOUT ROOM - FRONT RIGHT |
| 20 | 133534-02-000 | EA | LIGHT - EARLY CHASSIS (SEPARATE INFO CENTER ON DASH, CHECK ANTENNA LIGHT IN DASH) |

ELECTRICAL GROUP (CONTINUED)

FRONT END (CONTINUED)

| KEY | PART NUMBER | U/M | DESCRIPTION |
|-----|---------------|-----|---|
| 21 | 108357-06-000 | EA | SWITCH - ROCKER DPDT - MOM/OFF/MOM - 6 TERMINAL - SLIDEOUT ROOM - FRONT RIGHT |
| 21 | 108356-01-01A | EA | COVER/ACTUATOR SWITCH - 3 GROOVES - CONTURA III - BLACK - SLIDEOUT ROOM - FRONT RIGHT |
| 21 | 108355-01-000 | EA | HOUSING - SWITCH - SLIDEOUT ROOM - FRONT RIGHT |
| 22 | 104056-11-09A | EA | APPLIQUE - BEZEL - LOWER - W/O SLIDEOUT - DARK PUTTY |
| 23 | 104056-67-09A | EA | APPLIQUE - BEZEL - LOWER/PASSENGER - DARK PUTTY - SLIDEOUT ROOM - FRONT RIGHT |
| 24 | 108357-17-000 | EA | SWITCH - ROCKER - DPDT - MOM/OFF/MOM-W/LIGHT-W/O COVER - SLIDEOUT ROOM FRONT LEFT FROM: 00-00-00 THRU: 10-28-06 |
| 24 | 108357-06-000 | EA | SWITCH - ROCKER DPDT - MOM/OFF/MOM - 6 TERMINAL - SLIDEOUT ROOM FRONT LEFT FROM: 10-29-06 THRU: 99-99-99 |
| 24 | 108356-03-01A | EA | COVER/ACTUATOR SWITCH-3 GROOVES W/LT-CONTRA III-BLK - SLIDEOUT ROOM FRONT LEFT FROM: 00-00-00 THRU: 10-28-06 |
| 24 | 108356-01-01A | EA | COVER/ACTUATOR SWITCH - 3 GROOVES - CONTURA III - BLACK - SLIDEOUT ROOM FRONT LEFT FROM: 10-29-06 THRU: 99-99-99 |
| 24 | 108355-01-000 | EA | HOUSING - SWITCH - SLIDEOUT ROOM FRONT LEFT |
| 25 | 108357-06-000 | EA | SWITCH - ROCKER DPDT - MOM/OFF/MOM - 6 TERMINAL - SLIDEOUT ROOM FRONT LEFT |
| 25 | 108356-01-01A | EA | COVER/ACTUATOR SWITCH - 3 GROOVES - CONTURA III - BLACK - SLIDEOUT ROOM FRONT LEFT |
| 25 | 108355-01-000 | EA | HOUSING - SWITCH - SLIDEOUT ROOM FRONT LEFT |
| 26 | 133535-01-000 | EA | MODULE - EARLY CHASSIS (SEPARATE INFO CENTER ON DASH, CHECK ANTENNA LIGHT IN DASH) |
| 27 | 128074-02-000 | EA | FILTER - NOISE - 12 VOLT DC W/PLUGS |
| 28 | 116549-01-000 | EA | LABEL - WARNING - SLIDEOUT |
| | 077031-01-000 | EA | FILM - BLACK - 1" X 1.75" |
| | 103603-01-000 | EA | BULB - 12 VOLT - #74 - .12A WEDGE - GE 22-25 USED IN DASH |
| | 103608-01-000 | EA | SOCKET - WEDGE BASE W/LEADS |

*COMPONENT PARTS LISTED LATER IN THIS GROUP

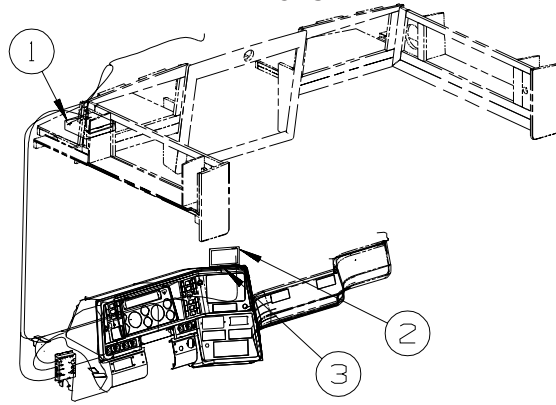


| KEY | PART NUMBER | U/M | DESCRIPTION |
|-----|---------------|-----|---|
| 1 | 114802-01-000 | EA | PUMP - VACUUM - 12V |
| 2* | 137417-01-01A | EA | LIGHT - DOME - SINGLE - W/SWITCH/FROSTED LENS - WHITE |

*COMPONENT PARTS LISTED LATER IN THIS GROUP

ELECTRICAL GROUP (CONTINUED)

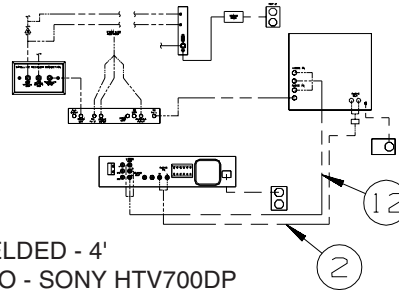
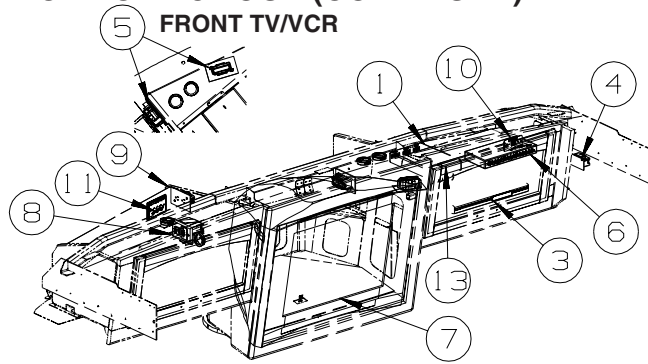
GPS



| KEY | PART NUMBER | U/M | DESCRIPTION |
|-----|---------------|-----|---|
| 1* | 137424-01-000 | EA | GPS-NAVIGATION SYS-W/DVD DIVIT/MAPS/GPS ANT & WIRE HARNESS FROM: 00-00-00 THRU: 04-02-06 |
| 1* | 137424-08-000 | EA | GPS-NAVIGATION SYS-W/DVD DIVIT/MAPS/GPS ANT/WIRE HARNESS FROM: 04-03-06 THRU: 99-99-99 |
| 2 | 137424-06-000 | EA | MONITOR/LCD - COLOR - 6.5" FROM: 00-00-00 THRU: 04-02-06 |
| 2 | 137424-07-000 | EA | MONITOR/LCD - COLOR - 6.5" FROM: 04-03-06 THRU: 03-11-07 |
| 2 | 137424-09-000 | EA | MONITOR/LCD - COLOR - 7" - ALPINE #TME-M740BT FROM: 03-12-07 THRU: 99-99-99 |
| 3 | 137424-04-000 | EA | BRACKET - MONITOR |

***COMPONENT PARTS LISTED LATER IN THIS GROUP**

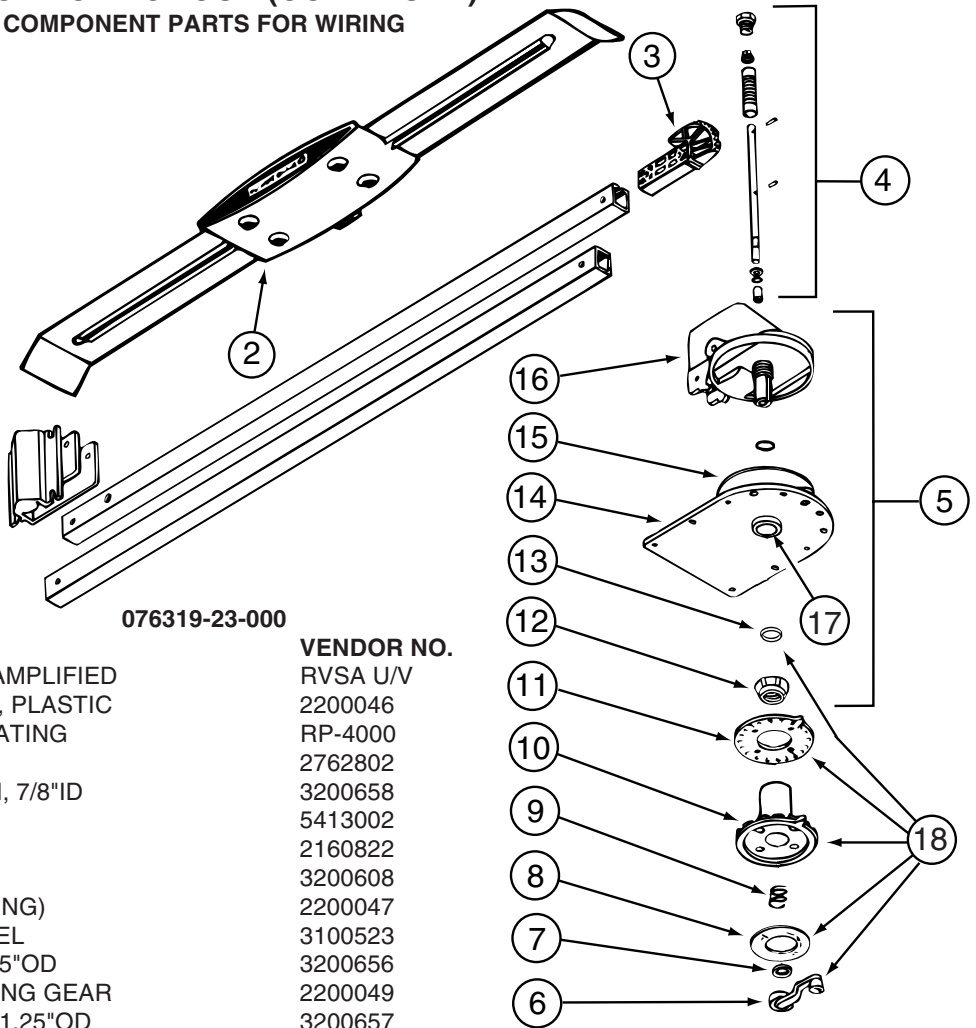
ELECTRICAL GROUP (CONTINUED)



| KEY | PART NUMBER | U/M | DESCRIPTION |
|-----|---------------|-----|---|
| 1 | 140062-01-000 | EA | SWITCH - SPEAKER - 6 CHANNEL |
| 2 | 117420-02-000 | EA | CABLE - W/MALE RCA ENDS - SHIELDED - 4' |
| 3* | 154548-01-000 | EA | DVD/VCR - HOME THEATER COMBO - SONY HTV700DP |
| | | | FROM: 00-00-00 THRU: 02-12-06 |
| 3 | 158931-01-000 | EA | DVD/VCR - HOME THEATER COMBO-W/O SPEAKERS-TOSHIBA SD-V57HT |
| | | | FROM: 02-13-06 THRU: 03-12-06 |
| 3* | 158836-01-000 | EA | DVD - HOME THEATER - W/O SPEAKERS - MEMOREX STS71E-R |
| | | | FROM: 03-13-06 THRU: 99-99-99 |
| 4 | 058707-02-000 | EA | RECEPTACLE - BLANK - JUNCTION BOX |
| 5 | 058708-01-000 | EA | RECEPTACLE - ELECTRIC - DOUBLE - BROWN |
| 6 | 142258-01-000 | EA | SWITCH - VIDEO/ANTENNA POWER SUPPLY |
| 7* | 146299-02-000 | EA | TV - 24" STEREO W/5 JACKS - SONY 24FS120MT02 |
| 8 | 156676-01-000 | EA | CONTROLLER/OUTLET - POWER/TV - AUTO SHUTOFF W/IGNITION |
| 9 | 058708-01-000 | EA | RECEPTACLE - ELECTRIC - DOUBLE - BROWN |
| 9 | 158542-02-01A | EA | LABEL - RECEPTACLE - ELECTRONICS - WHITE/BLACK - CODES/STANDARDS-CSA/CMVSS |
| 10 | 079364-04-000 | EA | SWITCH - ON/OFF ROCKER - 2 TERMINAL - BLACK |
| 10 | 098351-09-02A | EA | PLATE/SWITCH - 1 GANG - CHROME - SPEAKER SELECT/TV - NICKEL |
| 11 | 149557-04-01A | EA | PLATE/WALL - TRIPLE COAXIAL/HORIZONTAL - WHITE |
| 12 | 136860-01-000 | EA | CABLE - RCA - SHIELDED - 3 MALE TO MALE CONNECTORS - 12' |
| 13 | 163598-02-000 | EA | SWITCH/CONTROL - SATELLITE |
| | | | FROM: 01-29-07 THRU: 99-99-99 |

*COMPONENT PARTS LISTED LATER IN THIS GROUP

ELECTRICAL GROUP (CONTINUED)
COMPONENT PARTS FOR WIRING



076319-23-000

| KEY | PART NUMBER | U/M | DESCRIPTION | VENDOR NO. |
|------------|--------------------|------------|-------------------------|-------------------|
| 2 | 076319-01-700 | EA | HEAD-ANTENNA, AMPLIFIED | RVSA U/V |
| 3 | 076319-01-701 | EA | GEAR-ELEVATING, PLASTIC | 2200046 |
| 4 | 076319-01-702 | EA | SHAFT ASM-ELEVATING | RP-4000 |
| 5 | 076319-01-711 | EA | BASE & LIFT ASM | 2762802 |
| 7 | 076319-01-705 | EA | GROMMET-NYLON, 7/8"ID | 3200658 |
| 8 | 076319-01-708 | EA | DECAL-CRANK | 5413002 |
| 9 | 076319-01-707 | EA | SPRING-HANDLE | 2160822 |
| 11 | 076319-01-712 | EA | PLATE - CEILING | 3200608 |
| 12 | 076319-01-715 | EA | NUT (GEAR HOUSING) | 2200047 |
| 14 | 076319-01-713 | EA | PLATE-BASE, STEEL | 3100523 |
| 15 | 076319-01-703 | EA | BEARING-NYLON, 5"OD | 3200656 |
| 16 | 076319-01-714 | EA | HOUSING, ROTATING GEAR | 2200049 |
| 17 | 076319-01-704 | EA | BEARING-NYLON, 1.25"OD | 3200657 |
| 18 | 076319-01-709 | EA | HANDLE-HEAD DIRECTIONAL | 200644 |
| | 076319-01-716 | EA | TUBING, ELEVATING | RP-2900 |

CONTACT WINNEBAGO PART SALES FOR UNLISTED COMPONENT(S)

076319-25-000

| KEY | PART NUMBER | U/M | DESCRIPTION | VENDOR NO. |
|------------|--------------------|------------|------------------------------|-------------------|
| 6 | 076319-01-706 | EA | CRANK-W/SET SCREW UNIV/BEIGE | 2750897 |
| 6 | 120233-01-710 | EA | HANDLE-CRANK W/SCREW - WHITE | RP-6795 |
| 8 | 076319-01-708 | EA | DECAL-CRANK | 5413002 |
| 10 | 076319-25-700 | EA | DIRECTIONAL HANDLE(WHITE) | 3200612 |
| 11 | 076319-25-701 | EA | PLATE - CEILING(WHITE) | 3200609 |
| 13 | 120233-01-709 | EA | WASHER-NYLON | RP-2658 |

CONTACT WINNEBAGO PART SALES FOR UNLISTED COMPONENT(S)

086280-01-000

| KEY | PART NUMBER | U/M | DESCRIPTION | VENDOR NO. |
|------------|--------------------|------------|--------------------|-------------------|
| | 086280-01-700 | EA | BULB,12V | ARP1089 |

087694-01-000

| KEY | PART NUMBER | U/M | DESCRIPTION | VENDOR NO. |
|------------|--------------------|------------|--------------------|-------------------|
| | 087694-01-700 | EA | BULB | GE561 |

091206-04-000

| KEY | PART NUMBER | U/M | DESCRIPTION | VENDOR NO. |
|------------|--------------------|------------|-----------------------------|-------------------|
| | 091206-02-700 | EA | KNOB-INNER | 66C-00019 |
| | 091206-02-701 | EA | KNOB-OUTER | 66C-00020 |
| | 091206-04-700 | EA | SWITCH ASSEM. ONLY | 250-6623 |
| | 102362-03-700 | EA | MODULE-WIPER CONT., DYNAMIC | 66D-00093 |

108354-01-01A

| KEY | PART NUMBER | U/M | DESCRIPTION | VENDOR NO. |
|------------|--------------------|------------|---------------------|-------------------|
| | 108354-01-700 | EA | BULB-COURTESY LIGHT | 395-B |

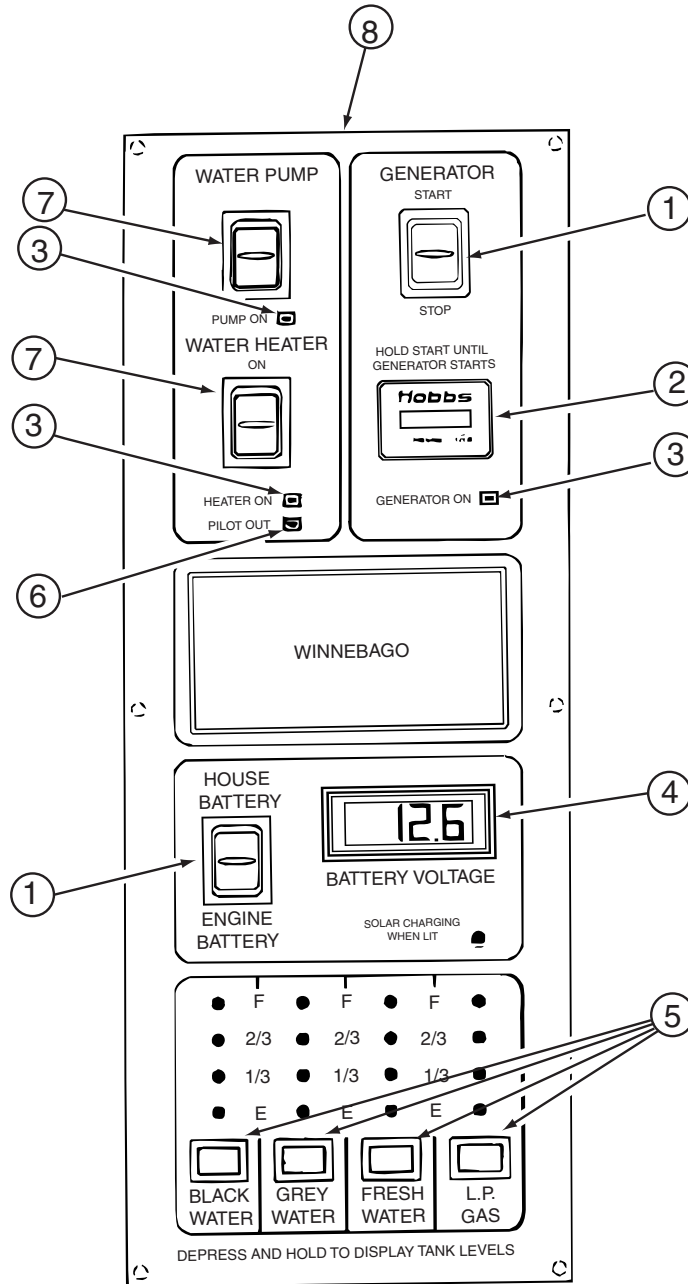
ELECTRICAL GROUP (CONTINUED)
COMPONENT PARTS FOR WIRING (CONTINUED)

121935-01-01A

| KEY | PART NUMBER | U/M | DESCRIPTION | VENDOR NO. |
|-----|---------------|-----|-------------|------------|
| | 121935-01-700 | EA | LENS ONLY | 809511 |

123775-01-02A

| KEY | PART NUMBER | U/M | DESCRIPTION | VENDOR NO. |
|-----|---------------|-----|---------------------------|------------|
| | 123775-01-702 | EA | BEZEL/LENS - SATIN NICKEL | 99 953470 |



133004-05-01A

| KEY | PART NUMBER | U/M | DESCRIPTION | VENDOR NO. |
|-----|---------------|-----|------------------------------|------------|
| 1 | 133004-01-702 | EA | SWITCH/DPDT MOM=ON-OFF-ON | L1011-00 |
| 2 | 100258-10-701 | EA | GAUGE-HR METER ONLY (LCD) | L0775-00 |
| 3 | 133004-01-706 | EA | L.E.D. GREEN-PANEL MOUNT | L0785 |
| 4 | 133004-01-704 | EA | METER/VOLT-DIGITAL - LCD | L1008-00 |
| 5 | 133004-01-705 | EA | SWITCH/MOM ON - PUSH BUTTON | L0950-00 |
| 6 | 130004-01-703 | EA | L.E.D. RED-PANEL MOUNT | L1009-00 |
| 7 | 133004-01-701 | EA | SWITCH/DPDT ON-ON/MAINTAINED | L1025-00 |
| 8 | 133004-05-700 | EA | SCREENED CHASSIS | CC0563-00 |
| | 133004-05-701 | EA | BOARD - PC | L5130-02 |

ELECTRICAL GROUP (CONTINUED)
COMPONENT PARTS FOR WIRING (CONTINUED)

136119-01-000

| KEY | PART NUMBER | U/M | DESCRIPTION | VENDOR NO. |
|------------|--------------------|------------|-------------------------------|---------------------|
| | 136119-01-700 | EA | COMPASS SENSOR (BLACK BOX) | AP-SUB-005 |
| | 136119-01-701 | EA | PROBE/TEMPERATURE SENSOR(V1) | AP-SUB-004A |
| | 136119-01-702 | EA | DISPLAY MODULE-LED (V1) | AP-SUB-004B |
| | 136119-01-703 | EA | HARNESS - COMPASS POWER | AP-HRN-175 |
| | 136119-01-704 | EA | HARNESS - COMPASS ENGINE | AP-HRN-176 |
| | 136119-01-705 | EA | HRNSS-COMP.TEMP SENSOR V1 | AP-HRN-177 |
| | 136119-01-706 | EA | PROBE/TEMPERATURE SENSOR (V2) | AP-SUB-006 |
| | 136119-01-707 | EA | DISPLAY MODULE - VISUAL (V2) | AP-SUB-007 |
| | 136119-01-708 | EA | HARNESS/COMP. COMP/THERM(V2) | AP-HRN-239 W/PACKRD |

137417-01-01A, 137417-03-01A

| KEY | PART NUMBER | U/M | DESCRIPTION | VENDOR NO. |
|------------|--------------------|------------|-------------------------|-------------------|
| | 137417-01-700 | EA | LENS - SINGLE (FROSTED) | 810868 |

137417-05-01A

| KEY | PART NUMBER | U/M | DESCRIPTION | VENDOR NO. |
|------------|--------------------|------------|---------------------|-------------------|
| | 137417-05-700 | EA | LENS - DOUBLE OPTIC | 810845 |

137417-06-01A

| KEY | PART NUMBER | U/M | DESCRIPTION | VENDOR NO. |
|------------|--------------------|------------|---------------------|-------------------|
| | 137417-06-700 | EA | LENS - DOUBLE WHITE | 810867 |

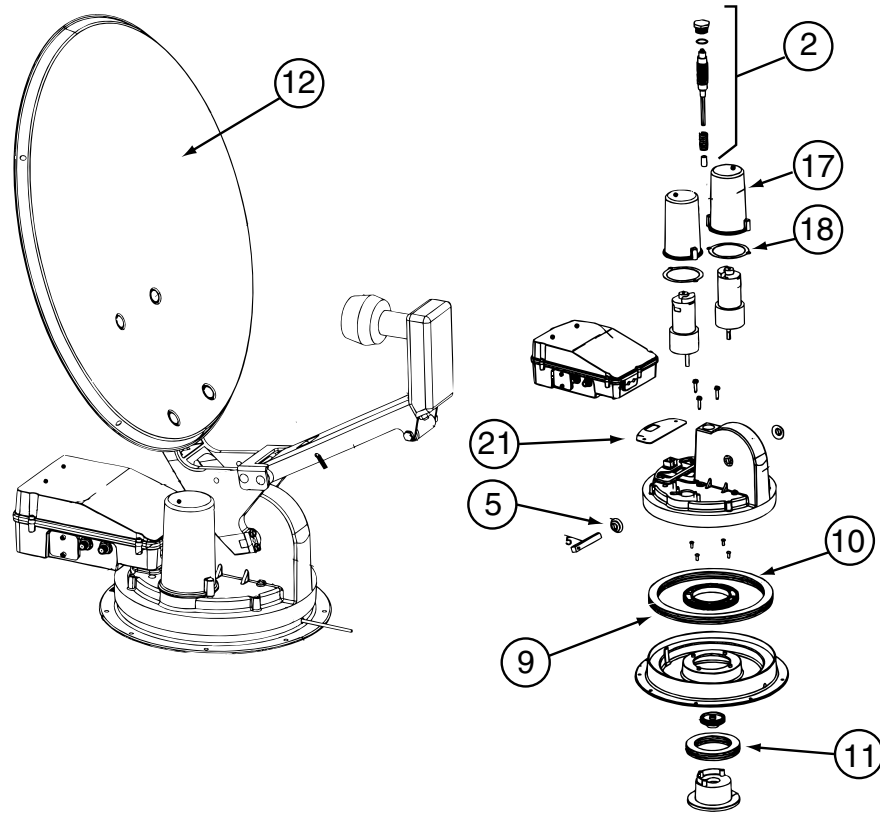
137424-01-000

| KEY | PART NUMBER | U/M | DESCRIPTION | VENDOR NO. |
|------------|--------------------|------------|------------------------------|-------------------|
| | 137424-01-700 | EA | DISC - SETUP - DVD | NVD-A131 |
| | 137424-01-701 | EA | REMOTE | RUE-4190 |
| | 137424-01-702 | EA | CABLE/GPS-13 PIN RGB/6M EXTN | 01T15696Y02 |

137424-08-000

| KEY | PART NUMBER | U/M | DESCRIPTION | VENDOR NO. |
|------------|--------------------|------------|--------------------|-------------------|
| | 137424-08-700 | EA | REMOTE | RUE-4140 |

ELECTRICAL GROUP (CONTINUED)
COMPONENT PARTS FOR WIRING (CONTINUED)



141454-03-01A

| KEY | PART NUMBER | U/M | DESCRIPTION | VENDOR NO. |
|-----|---------------|-----|------------------------------|----------------|
| 2 | 141454-01-700 | EA | KIT ELEV-SHAFT/GEARS/SPRING | RP-RM20 |
| 4 | 137135-01-705 | EA | SPRING | 2160818 |
| 5 | 137135-01-707 | EA | SEAL - PIVOT SHAFT | 2200852 |
| 9 | 137135-01-712 | EA | BEARING - OUTER | 2590347 |
| 10 | 137135-01-714 | EA | GEAR - ELEVATING SHAFT | 2200465 |
| 10 | 141454-01-712 | EA | GEAR - ROTATE | 2200469 |
| 11 | 137135-01-715 | EA | BEARING - INNER | 2590348 |
| 12 | 137135-01-718 | EA | REFLECTOR/WHITE-46CM W/HDWE | RP-35RM |
| 13 | 137135-01-713 | EA | TURRET BASE | 3100730 |
| 17 | 141454-01-705 | EA | HOUSING - MOTOR | 3200260 |
| 18 | 141454-01-706 | EA | GASKET - MOTOR HOUSING | 2240054 |
| 21 | 141454-01-709 | EA | GASKET | 2240056 |
| | 120233-01-714 | EA | CLIP-E | 5160818 |
| | 137135-01-704 | EA | PIN - 1/4" X 3.25" | 2160813 |
| | 137135-01-719 | EA | BRACKET - PIVOT | 2744945 |
| | 137135-01-722 | EA | CLAMP | 2590343 |
| | 137135-01-723 | EA | SUPPORT/FRAME-BACKUP-W/HDWE | RP-RM00 |
| | 137135-02-703 | EA | LOW NOISE BLOCK FILTER | LB-6000 - DUAL |
| | 141454-01-701 | EA | KIT - GEAR/MOTOR-GEAR/ROTATE | RP-RM25 |
| | 141454-01-702 | EA | HOUSING/ELECTRONICS - UPPER | RP-RM10 |
| | 141454-01-703 | EA | HOUSING/ELECTRONICS - LOWER | RP-RM15 |
| | 141454-01-704 | EA | KIT LIFT ASSEMBLY COMPLETE | RP-RM05 |
| | 141454-03-700 | EA | MOTOR (AZIMUTH) | 2665042 |
| | 141454-03-701 | EA | MOTOR (ELEVATION) | 2665041 |
| | 141454-03-702 | EA | CIRCUIT BOARD(CONTROL BOARD) | RP-RM80 |
| | 141454-03-703 | EA | CONTRL PANEL W/BOX (AS2003) | RP-AS85 |

CONTACT WINNEBAGO PART SALES FOR UNLISTED COMPONENT(S)

ELECTRICAL GROUP (CONTINUED)
COMPONENT PARTS FOR WIRING (CONTINUED)

| | | | | |
|------------|--------------------|---------------------------------|------------------------------------|-------------------|
| | | | 142612-05-01A | |
| KEY | PART NUMBER | U/M DESCRIPTION | | VENDOR NO. |
| | 142612-05-700 | EA FINIAL - BALL - CHROME | | 12-038-4 |
| | | | 146048-01-01A | |
| KEY | PART NUMBER | U/M DESCRIPTION | | VENDOR NO. |
| | 123775-01-700 | EA BULB - 10 WATT - HALOGEN | | |
| | | | 146299-02-000 | |
| KEY | PART NUMBER | U/M DESCRIPTION | | VENDOR NO. |
| | 146299-02-700 | EA REMOTE - TV | | 1-468-835-11 |
| | | | 149040-02-000 | |
| KEY | PART NUMBER | U/M DESCRIPTION | | VENDOR NO. |
| | 149040-02-700 | EA REMOTE - TV | | RCR311TBM1-RCA |
| | | | 149049-01-000,149049-02-000 | |
| KEY | PART NUMBER | U/M DESCRIPTION | | VENDOR NO. |
| | 149049-01-700 | EA REMOTE (TV) | | RM-Y1735 |
| | | | 151458-01-000 | |
| KEY | PART NUMBER | U/M DESCRIPTION | | VENDOR NO. |
| | 102756-02-702 | EA BATTERY - 12 VOLT | | 402-1002 |
| | 102756-03-701 | EA REMOTE-KEYLESS ENTRY | | 412-1115 |
| | 102756-03-702 | EA RELAY- 30AMP - SPDT | | 463-1000 |
| | 151458-01-700 | EA MODULE BOARD | | 202-3227 |
| | 151458-01-701 | EA WIRE HARNESS - KEYLESS ENTRY | | 203-6908 |
| | | | 153464-03/06-01A | |
| KEY | PART NUMBER | U/M DESCRIPTION | | VENDOR NO. |
| | 091937-08-700 | EA LENS - LIGHT - FLUORESCENT | | D-766 |
| | | | 154548-01-000 | |
| KEY | PART NUMBER | U/M DESCRIPTION | | VENDOR NO. |
| | 154548-01-700 | EA REMOTE - DVD/VCR | | 1-478-247-11 |
| | | | 155619-01-000 | |
| KEY | PART NUMBER | U/M DESCRIPTION | | VENDOR NO. |
| | 155619-01-700 | EA REMOTE | | RC3200 |
| | | | 156413-01-01A | |
| KEY | PART NUMBER | U/M DESCRIPTION | | VENDOR NO. |
| | 156413-01-700 | EA REMOTE | | REMAWM950 |
| | | | 158836-01-000 | |
| KEY | PART NUMBER | U/M DESCRIPTION | | VENDOR NO. |
| | 158836-01-700 | EA REMOTE | | STS71WREM |

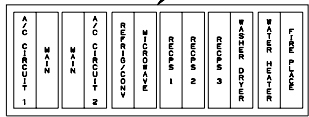
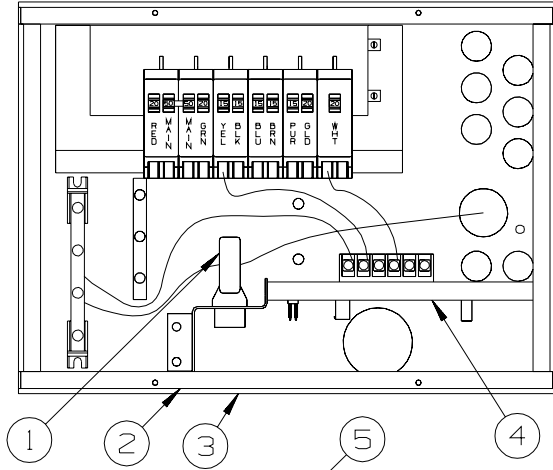
ELECTRICAL GROUP (CONTINUED)
CIRCUIT BREAKERS, FUSES & RELAYS

| KEY | PART NUMBER | U/M | DESCRIPTION |
|------------|--------------------|------------|--|
| | 008235-01-000 | EA | FUSE - 15 AMP/12VOLT - AUTOMOTIVE |
| | 062901-02-000 | EA | FUSE - 5 AMP - AUTOMOTIVE |
| | 062901-04-000 | EA | FUSE - 10 AMP - AUTOMOTIVE |
| | 062901-05-000 | EA | FUSE - 15 AMP - AUTOMOTIVE |
| | 062901-06-000 | EA | FUSE - 20 AMP - AUTOMOTIVE |
| | 062901-07-000 | EA | FUSE - 25 AMP - AUTOMOTIVE |
| | 062901-08-000 | EA | FUSE - 30 AMP - AUTOMOTIVE |
| | 063910-01-000 | EA | HOUSING - RELAY |
| | 063912-02-000 | EA | RELAY - CANISTER - SPDT |
| | 083209-01-000 | EA | CIRCUIT BREAKER - 15 AMP - 120 VOLT - CANADIAN |
| | 083209-02-000 | EA | CIRCUIT BREAKER - 15/15 AMP - 120 VOLT |
| | 083209-03-000 | EA | CIRCUIT BREAKER - 15/20 AMP - 120 VOLT |
| | 083209-04-000 | EA | CIRCUIT BREAKER - 30 AMP - 120 VOLT |
| | 083209-05-000 | EA | CIRCUIT BREAKER - 20 AMP - 120 VOLT |
| | 083209-06-000 | EA | CIRCUIT BREAKER - 30/15 AMP - 120 VOLT |
| | 083209-07-000 | EA | CIRCUIT BREAKER - 20/20 AMP - 120 VOLT |
| | 083209-10-000 | EA | CIRCUIT BREAKER - 20/30 AMP - 120 VOLT |
| | 083209-11-000 | EA | CIRCUIT BREAKER - 20/15 AMP - 120 VOLT |
| | 092786-03-000 | EA | BUSS BAR - 6.9" LONG |
| | 092786-06-000 | EA | BUSS BAR |
| | 093654-01-000 | EA | CIRCUIT BREAKER - 6 AMP - 12 VOLT - PUSH BUTTON - WHITE |
| | 093654-02-000 | EA | CIRCUIT BREAKER - 15 AMP - 12 VOLT - PUSH BUTTON - WHITE |
| | 093654-03-000 | EA | CIRCUIT BREAKER - 20 AMP - 12 VOLT - PUSH BUTTON - WHITE |
| | 093655-01-000 | EA | CIRCUIT BREAKER - 25 AMP - 12 VOLT - PUSH BUTTON - WHITE |
| | 093655-02-000 | EA | CIRCUIT BREAKER - 30 AMP - 12 VOLT - PUSH BUTTON - WHITE |
| | 093655-03-000 | EA | CIRCUIT BREAKER - 40 AMP - 12 VOLT - PUSH BUTTON - WHITE |
| | 097611-01-000 | EA | CIRCUIT BREAKER - 10 AMP |
| | 100341-01-000 | EA | FUSE HOLDER - IN LINE TYPE |
| | 113482-01-000 | EA | CIRCUIT BREAKER - 55 AMP - MANUAL |
| | 115187-01-000 | EA | FUSE - 300 AMP - NON-DELAY |
| | 115187-02-000 | EA | HOLDER - FUSE |
| | 115187-03-000 | EA | FUSE - 60 AMP - NON-DELAY |
| | 122811-01-000 | EA | CIRCUIT BREAKER - 20/50/50/20 AMP - 250V |
| | 125986-02-000 | EA | FUSE - 5 AMP - AUTO - MINI BLADE |
| | 125986-05-000 | EA | FUSE - 15 AMP - AUTO - MINI BLADE |
| | 141789-01-000 | EA | SPACER - CIRCUIT BREAKER |

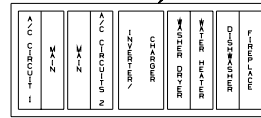
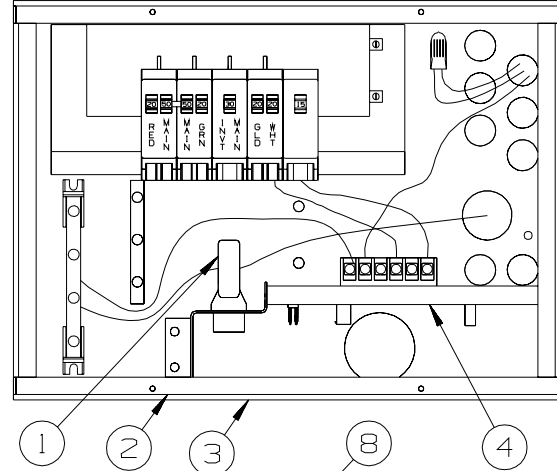
ELECTRICAL GROUP (CONTINUED)

CONVERTER, INVERTER, LOAD CENTERS

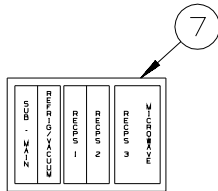
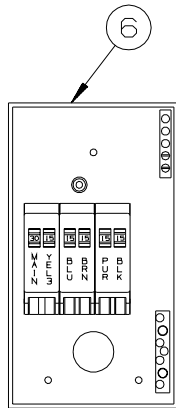
| KEY | PART NUMBER | U/M | DESCRIPTION |
|-----|---------------|-----|--|
| | 148254-01-000 | EA | INVERTER - CHARGER - 2000W AC |
| | 148254-05-000 | EA | REMOTE/PANEL - INVERTER/CHARGER |
| | 148254-03-000 | EA | CABLE - MODULAR JACK - 50' |
| | 123058-01-000 | EA | CONVERTER - 55 AMP - ELECTRONIC - 4 1/8"H X 7"W X 12 3/8"L |
| | 154511-01-000 | EA | INVERTER - 600 WATT - W/O REMOTE PANEL |
| | 154511-02-000 | EA | REMOTE/PANEL - INVERTER/600 WATT |



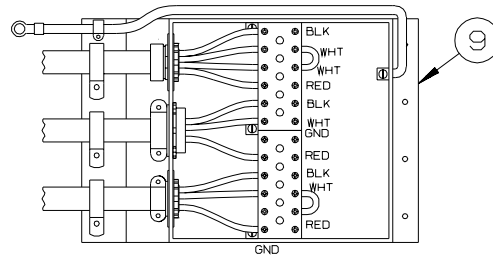
INSTALL LABEL ON FRONT PANEL BELOW BREAKERS BETWEEN MOUNTING HOLES



INSTALL LABEL ON FRONT PANEL BELOW BREAKER BETWEEN MOUNTING HOLES



INSTALL LABEL BELOW PANEL ON CABINET DOOR



| KEY | PART NUMBER | U/M | DESCRIPTION |
|-----|---------------|-----|--|
| 1 | 127002-07-000 | EA | SENSOR - CURRENT |
| 2 | 141258-01-000 | EA | LOAD CENTER - 120/240 - 50 AMP |
| 3 | 141258-02-000 | EA | LOAD CENTER - COVER |
| 4 | 127002-11-000 | EA | MODULE - EMS CENTER - W/REMOTE SENSOR |
| 5 | 095721-47-000 | EA | LABEL - CONTROL CENTER - 50 AM |
| 6 | 109677-01-000 | EA | LOAD CENTER - 120 VOLT - 40 AMP |
| 7 | 095721-43-000 | EA | LABEL - CONTROL CENTER - 50 AMP |
| 8 | 095721-49-000 | EA | LABEL - CONTROL CENTER - 50 AMP |
| 9 | 106071-06-000 | EA | SWITCH - AUTOMATIC TRANSFER - PARALLAX 5070 - 50 AMP |

ELECTRICAL GROUP (CONTINUED)

BOXES & CORDS

| KEY | PART NUMBER | U/M | DESCRIPTION |
|-----|---------------|-----|---|
| | 091910-01-000 | EA | BOX - ELECTRIC - 3.8" X 3.5" X 1.8" - PLASTIC |
| | 091910-02-000 | EA | BOX - ELECTRIC - 2.2" X 3.5" X 1.8" - PLASTIC |
| | 108934-02-000 | EA | CORD - POWER - 50 AMP - 4-WIRE - 36' |
| | 113029-06-02B | EA | PANEL - ELECTRICAL BOX FRONT - E-COATED |
| | 110080-05-000 | EA | SEAL - ELECTRICAL BOX |
| | 115832-01-000 | FT | CORD - HEAVY DUTY - 14-2W GROUND |
| | 133070-01-000 | EA | BOX - ELECTRIC/PLASTIC - 3" X 2" X 2.8" - UL |
| | 133070-02-000 | EA | BOX - ELECTRIC/PLASTIC - 3" X 2" X 2.8" - CSA |
| | 142209-03-02B | EA | DOOR - ELECTRICAL BOX - E-COATED |

WIRE ASSEMBLIES

| KEY | PART NUMBER | U/M | DESCRIPTION |
|-----|---------------|-----|--|
| | 077069-02-000 | EA | CABLE/EXTENSION - RADIO ANTENNA - 96" |
| | 077069-03-000 | EA | CABLE/EXTENSION - RADIO ANTENNA - 260" |
| | 108029-05-000 | EA | WIRE ASSEMBLY - POWER PASSENGER SEAT |
| | 103991-01-000 | EA | WIRE ASM-CRT BKR,POWER |
| | 125853-04-000 | EA | WIRE LOOM - ENTERTAINMENT CENTER |
| | 132267-01-000 | EA | WIRE ASSEMBLY - DOOR LOC |
| | 135131-01-000 | EA | WIRE LOOM - THERMOSTAT |
| | 135420-16-000 | EA | WIRE LOOM - RADIO |
| | 136028-01-000 | EA | WIRE ASM-SOFA,REST EASY |
| | 136860-01-000 | EA | CABLE - RCA - SHIELDED - 3 MALE TO MALE CONNECTORS - 12' |
| | 136860-02-000 | EA | CABLE - RCA - #3 MALE TO #50F MALE CONNECTOR |
| | 137135-03-000 | EA | WIRE LOOM - DIGITAL ELEVATION SENSOR |
| | 137135-04-000 | EA | WIRE HARNESS - POWER - DIGITAL ELEVATION SENSOR |
| | 139583-01-000 | EA | WIRE LOOM - SOFA/DOUBLE REST EASY |
| | 139583-02-000 | EA | WIRE LOOM - SOFA/REAR SWITCH |
| | 140167-01-000 | EA | WIRE LOOM - GPS ADAPTER |
| | 140195-01-000 | EA | WIRE LOOM - RESISTOR/FAN |
| | 145210-01-000 | FT | CABLE - COAXIAL |
| | 139297-01-000 | EA | RESISTOR - 10 OHM/10W CERAMIC |
| | 141454-04-000 | EA | WIRE - SATELLITE - AUTOMATIC |
| | 142258-02-000 | EA | WIRE LOOM - VIDEO SWITCH/POWER SUPPLY |
| | 144677-07-000 | EA | WIRE - MONITOR - POWER - 3 PIN TO 6 PIN (3 WIRE) |
| | 144677-09-000 | EA | WIRE - MONITOR - POWER - 3 PIN/2 PIN |
| | 149750-02-000 | EA | CABLE - (RECEIVER TO MODULE) - 45' |
| | | | FROM: 00-00-00 THRU: 02-19-06 |
| | 145778-02-000 | EA | WIRE - WINDSHIELD WIPER/WASHER - F/FL MMDC ELECTRICAL SYST |
| | 149214-05-000 | EA | WIRE - WINDSHIELD WIPER/WASHER - MMDC ELECTRICAL SYSTEM |
| | 151316-01-000 | EA | WIRE ASM - W/NON CONTACT SENSORS - GREY WATER - 3.9" |
| | 151316-02-000 | EA | WIRE ASM - W/NON CONTACT SENSORS - GREY WATER - 23.6" |
| | 151317-01-000 | EA | WIRE ASM-W/NO CONTACT SENSORS - FRESH WATER/BLK TANK - MALE PLUG - 3.9" |
| | 151317-02-000 | EA | WIRE ASM-W/NO CONTACT SENSORS - FRESH WATER/BLK TANK - MALE PLUG - 23.6" |
| | 151422-01-000 | EA | PIGTAIL - F/FOG LIGHT |
| | 155619-05-000 | EA | WIRE ASSEMBLY - RADIO - 12 PIN |

FROM: 08-14-06 THRU: 99-99-99

ELECTRICAL GROUP (CONTINUED)
CONNECTORS & CONDUIT

| KEY | PART NUMBER | U/M | DESCRIPTION |
|-----|---------------|-----|--|
| | 007940-01-000 | EA | RECEPTACLE/SLIDE 16 TO 12 AWG - FEMALE END |
| | 007940-02-000 | EA | RECEPTACLE/SLIDE 10 AWG |
| | 007954-01-000 | EA | RECEPTACLE - HOUSING - 6 POSITION |
| | 007956-05-000 | EA | INSULATOR - SHRINK - 1/4"ID X 1 1/2" |
| | 008058-01-000 | EA | ADAPTER - POWER CORD - 30 AMP TO 15 AMP |
| | 008311-01-000 | EA | CONNECTOR - WIRE NUT - INSULATED - RED |
| | 008312-01-000 | EA | CONNECTOR - WIRE NUT - INSULATED - BLUE |
| | 008313-01-000 | EA | CONNECTOR - WIRE NUT - INSULATED - YELLOW |
| | 008314-01-000 | EA | CONNECTOR - WIRE NUT - INSULATED - GRAY |
| | 008328-01-000 | EA | TERMINAL - RING - 12/10 WIRE - #10 STUD FIT |
| | 008331-01-000 | EA | TERMINAL - RING - TONGUE - #4 WIRE - 3/8" STUD - COPPER |
| | 008348-01-000 | EA | TERMINAL - RING - 3/8" STUD 2 GA. WIRE |
| | 008355-01-000 | EA | CONNECTOR - CABLE CLAMPING - 3/4" |
| | 008356-01-000 | EA | CONNECTOR - PLASTIC - 3/8" |
| | 008356-02-000 | EA | CONNECTOR - PLASTIC - 21/32" |
| | 008398-01-000 | EA | CONNECTOR - 1/2" X 90 DEGREE - FLEX CONDUIT - UL & CSA |
| | 035416-04-000 | EA | TERMINAL - RING - #10 STUD FIT - INSULATED BARREL #16/14 |
| | 041953-01-000 | FT | CONDUIT - CONVOLUTE SLIT - .5" ID - POLYETHYLENE |
| | 041953-02-000 | FT | CONDUIT - CONVOLUTE SLIT - .6" ID - POLYETHYLENE |
| | 041953-03-000 | FT | CONDUIT - CONVOLUTE SLIT - 1" ID (CLOTHES ROD COVER) |
| | 041953-06-000 | FT | CONDUIT - CONVOLUTE SLIT - .4" ID - POLYETHYLENE |
| | 041953-07-000 | FT | CONDUIT - CONVOLUTE SLIT - .25" ID - POLYETHYLENE |
| | 041953-08-000 | FT | CONDUIT - CONVOLUTE SLIT - 1.5" ID - POLYETHYLENE |
| | 041953-09-000 | FT | CONDUIT - CONVOLUTE SLIT - .5" ID - NYLON |
| | 041953-10-000 | FT | CONDUIT - CONVOLUTE SLIT - .75" ID - NYLON |
| | 041953-11-000 | FT | CONDUIT - CONVOLUTE SLIT - 1.06" ID - NYLON |
| | 041953-12-000 | FT | CONDUIT - CONVOLUTE SOLID - 1.1" ID - NYLON |
| | 041953-13-000 | FT | CONDUIT - CONVOLUTE SLIT - 1.25" ID |
| | 041953-14-000 | FT | CONDUIT - CONVOLUTE SLIT - 1.5" ID |
| | 041953-15-000 | FT | CONDUIT - CONVOLUTE SLIT - 2" |
| | 041953-16-000 | FT | CONDUIT - CONVOLUTE SLIT - 2" |
| | 047441-01-000 | EA | TERMINAL-BATTERY, HORIZONTAL LUG |
| | 047443-01-000 | EA | TERMINAL - .250 RECEPTACLE FIT - INSULATED - 16/14 AWG |
| | 047443-02-000 | EA | TERMINAL - .250 RECEPTACLE FIT - INSULATED - 12/10 AWG |
| | 047443-05-000 | EA | TERMINAL - .250 RECEPTACLE FIT - 18GA AWG |
| | 058028-01-000 | EA | CONNECTOR - ELECTRICAL PIGTAIL - NYLON - CLEAR |
| | 062036-01-000 | EA | TERMINAL - PACK - CON - 12/10 AWG |
| | 076319-12-000 | EA | CONNECTOR - COAXIAL - ONE PIECE |
| | 077479-01-000 | EA | BOOT - BATTERY TERMINAL - DOUBLE CABLE |
| | 077479-02-000 | EA | BOOT - BATTERY TERMINAL - SINGLE CABLE |
| | 080015-02-000 | EA | RECEPTACLE - FLAG - .185 - 16/14 GAUGE |
| | 080015-03-000 | EA | RECEPTACLE - FLAG - .250 - 14/16 GAUGE |
| | 080015-04-000 | EA | RECEPTACLE - FLAG - .187 - 16/14 GAUGE |
| | 082109-01-000 | EA | HOUSING - CONNECTOR - PACKARD |
| | 082741-01-000 | EA | CONNECTOR BODY - 2 CONNECTOR MALE |
| | 087225-01-000 | FT | SLEEVING - 1/2" - TYPE H |
| | 088473-01-000 | EA | HOUSING - PIN - 12 CAVITY (3 ROWS OF 4) |
| | 088473-02-000 | EA | HOUSING - PIN - 15 CAVITY (3 ROWS OF 5) |
| | 088473-03-000 | EA | HOUSING - PIN - 9 CAVITY (3 ROWS OF 3) |
| | 088473-04-000 | EA | HOUSING - PIN - 8 CAVITY IN-LINE |
| | 088473-06-000 | EA | HOUSING - PIN - 6 CAVITY (2 ROWS OF 3) |
| | 088473-07-000 | EA | HOUSING - PIN - 5 CAVITY - IN-LINE |
| | 088473-08-000 | EA | HOUSING - PIN - 4 CAVITY - IN-LINE |
| | 088473-09-000 | EA | HOUSING - PIN - 3 CAVITY - IN-LINE |
| | 088473-10-000 | EA | HOUSING - PIN - 2 CAVITY - IN-LINE |
| | 088473-12-000 | EA | HOUSING - PIN - 3 CAVITY - BLUE |
| | 088473-13-000 | EA | HOUSING - PIN - 3 CAVITY - GREEN |
| | 088473-14-000 | EA | HOUSING - PIN - 3 CAVITY - RED |
| | 088474-01-000 | EA | HOUSING - SOCKET - 12 CAVITY |
| | 088474-02-000 | EA | HOUSING - SOCKET - 15 CAVITY |
| | 088474-03-000 | EA | HOUSING - SOCKET - 9 CAVITY |
| | 088474-06-000 | EA | HOUSING - SOCKET - 6 CAVITY |
| | 088474-07-000 | EA | HOUSING - SOCKET - 5 CAVITY |
| | 088474-08-000 | EA | HOUSING - SOCKET - 4 CAVITY |

ELECTRICAL GROUP (CONTINUED)
CONNECTORS & CONDUIT (CONTINUED)

| KEY | PART NUMBER | U/M | DESCRIPTION |
|-----|---------------|-----|---|
| | 088474-09-000 | EA | HOUSING - SOCKET - 3 CAVITY |
| | 088474-10-000 | EA | HOUSING - SOCKET - 2 CAVITY |
| | 088475-01-000 | EA | PIN - CONNECTOR - 14-20 AWG |
| | 088475-02-000 | EA | PIN - CONNECTOR - 10-12 AWG |
| | 088476-01-000 | EA | TERMINAL - ELECTRICAL |
| | 088476-02-000 | EA | SOCKET - CONNECTOR - 12-10 GA - PRE-TIN |
| | 098261-01-000 | EA | SOCKET - CONNECTOR - WEATHERPACK - 12 AWG |
| | 098261-02-000 | EA | SOCKET - CONNECTOR - WEATHERPACK - 14-18 AWG |
| | 098262-01-000 | EA | SEAL - CONNECTOR - WEATHERPACK |
| | 098264-01-000 | EA | HOUSING - 2 PIN - WEATHER PACK - MALE W/FEMALE PINS |
| | 098264-02-000 | EA | HOUSING - 2 PIN - WEATHER PACK - FEMALE W/MALE PINS |
| | 098265-02-000 | EA | PIN - CONNECTOR - WEATHER PACK |
| | 102777-02-000 | EA | TERMINAL - RING - #6 STUD - 10 AWG |
| | 103608-01-000 | EA | SOCKET - WEDGE BASE W/LEADS |
| | 104100-01-000 | EA | HOUSING - 1 POSITION - 75 AMPS |
| | 104100-03-000 | EA | TERMINAL - 75 AMP |
| | 106007-02-000 | EA | TERMINAL - FEMALE - 10-12 AWG |
| | 110178-01-000 | EA | HOUSING - WIPER MOTOR |
| | 112823-01-000 | EA | SPLICE - REDUCER - 16-14 TO 18-22 |
| | 113072-02-000 | EA | HOUSING - ELECTRICAL - BACK-UP/TAIL LAMP |
| | 113072-03-000 | EA | HOUSING - ELECTRICAL - STOP/MARKER TAILLAMP |
| | 113073-01-000 | EA | WEDGELOCK - HOUSING - TAIL LAMP |
| | 113074-01-000 | EA | TERMINAL - TAILLAMP |
| | 113135-01-000 | EA | TERMINAL - FEMALE - M/P - 14-16 - F/SEALED TERMINAL |
| | 113308-01-000 | EA | TERMINAL - FEMALE - M/P - 14-16 - 280 |
| | 113308-02-000 | EA | TERMINAL - FEMALE - M/P - 14-18 - 280 |
| | 113468-01-000 | EA | HOUSING - 2 POSITION-FEMALE-USED ON WIPER/WASHER WIRE ASM |
| | 113468-02-000 | EA | HOUSING - 2 POSITION - FEMALE |
| | 115931-02-000 | EA | COVER - CONNECTOR - 50 AMP W/LOCKING RING |
| | 115932-02-000 | EA | CONNECTOR - FEMALE - 50 AMP/240 VOLT |
| | 116811-01-000 | EA | TERMINAL - .110 RECEPTACLE - 16-14 AWG |
| | 118571-01-000 | EA | CONNECTOR - 3-WAY - MALE/SEALED |
| | 118571-02-000 | EA | CONNECTOR - 3-WAY - FEMALE/SEALED |
| | 118571-05-000 | EA | LOCK - SECONDARY - FEMALE |
| | 118571-06-000 | EA | LOCK - SECONDARY - MALE |
| | 118599-02-000 | EA | TERMINAL - MALE - M/P - 280/14-12 |
| | 118820-01-000 | EA | INSULATOR - TERMINAL |
| | 129233-01-000 | EA | HOUSING - 2-POSITION/FEMALE - 280-SERIES |
| | 129233-02-000 | EA | HOUSING - 2-POSITION/FEMALE - 280-SERIES |
| | 129233-03-000 | EA | HOUSING - 2-POSITION/FEMALE - 280-SERIES |
| | 131681-01-000 | EA | CONNECTOR - 3/4" SO CORD - UL/CS |
| | 137207-01-000 | EA | HOUSING - PIN - 2 CAVITY/HIGH AMP |
| | 137208-01-000 | EA | HOUSING - SOCKET - 2 CAVITY/HIGH AMP |
| | 137209-01-000 | EA | PIN - CONNECTOR - 10AWG/HIGH AMP |
| | 137210-01-000 | EA | SOCKET - CONNECTOR - 10 AWG/HIGH AMP |
| | 138996-04-000 | EA | CONNECTOR - LAMP |
| | 142520-01-000 | EA | TERMINAL - FEMALE - MINI-FIT 16 |
| | 142522-01-000 | EA | HOUSING - 4 PIN/MALE - MINI FIT |
| | 142522-02-000 | EA | HOUSING - 6 PIN/MALE - MINI FIT |
| | 142522-03-000 | EA | HOUSING - 8 PIN/MALE - MINI FIT |
| | 142522-04-000 | EA | HOUSING - 10 PIN/MALE - MINI FIT |
| | 142522-05-000 | EA | HOUSING - 12 PIN/MALE - MINI FIT |
| | 142522-06-000 | EA | HOUSING - 14 PIN/MALE - MINI FIT |
| | 142524-01-000 | EA | HOUSING - 4 PIN/FEMALE - WEATHER PACK |
| | 142524-02-000 | EA | HOUSING - 4 PIN/FEMALE - WEATHER PACK |
| | 144283-01-000 | EA | CONNECTOR - 110V - F/USE WITH SOW WIRE - BLUE |
| | 144283-02-000 | EA | CONNECTOR - 110V - F/USE WITH NM ROMEX WIRE - CLEAR |
| | 145171-01-000 | EA | CONNECTOR - COAXIAL |
| | 148335-01-000 | EA | HOUSING - 8-POSITION/MALE - 280-GT SERIES |
| | 148335-02-000 | EA | HOUSING - 4-POSITION/MALE - 280-GT SERIES |
| | 148335-03-000 | EA | HOUSING - 6-POSITION/MALE - 280-GT SERIES |
| | 149683-01-000 | EA | HOUSING - F/5 CAVITY RECEPTACLE - W/SQUARE GUIDE PIN |
| | 149683-02-000 | EA | HOUSING - F/5 CAVITY RECEPTACLE - W/ROUND GUIDE PIN |
| | 149686-01-000 | EA | TERMINAL - .250 RECEPTACLE |

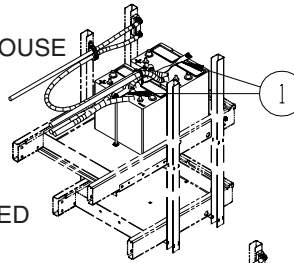
ELECTRICAL GROUP (CONTINUED)

CONNECTORS & CONDUIT (CONTINUED)

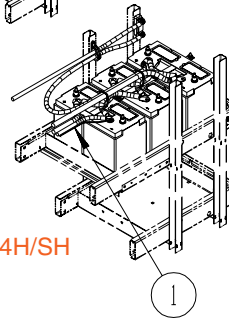
| KEY | PART NUMBER | U/M DESCRIPTION |
|-----|---------------|--|
| | 149687-01-000 | EA HOUSING - 2 POSITION/MALE - PACKARD |
| | 149687-02-000 | EA LOCK - F/2 POSITION HOUSING - PACKARD |
| | 149688-01-000 | EA TERMINAL - MALE - 16 GAUGE WIRE |
| | 156035-01-000 | EA HOUSING - 12-POSITION/FEMALE - 280-GT SERIES |
| | 156041-01-000 | EA TERMINAL - FEMALE - 16-12 - 280-GT SERIES |
| | 156043-01-000 | EA HOUSING - 2-POSITION/FEMALE - 480-MP SERIES |
| | 156043-02-000 | EA LOCK - F/2 POSITION HOUSING - 480 SERIES |
| | 156044-01-000 | EA TERMINAL - FEMALE - 16-12 - 280-GT - F/SEALED HOUSING |
| | 156045-01-000 | EA HOUSING - 10-POSITION/FEMALE - 280-GT SERIES |
| | 156045-02-000 | EA HOUSING - 4-POSITION/FEMALE - 280-GT SERIES |
| | 156045-03-000 | EA HOUSING - 8-POSITION/FEMALE - 280-GT SERIES |
| | 156045-04-000 | EA HOUSING - 6-POSITION/FEMALE - 280-GT SERIES |
| | 156207-01-000 | EA HOUSING - 6-POSITION/MALE - 150-GT SERIES |
| | 156208-01-000 | EA TERMINAL - MALE - 18-16 - 150-GT SERIES |
| | 157590-01-000 | EA TERMINAL - FEMALE - M/P - 10-12 - 630 |
| | 157592-01-000 | EA HOUSING - 7-POSITION/FEMAL - M/P |
| | 157592-02-000 | EA LOCK - SECONDARY - F/7 POSITION HOUSING |
| | 157656-01-01A | EA CONNECTOR - DASH LIGHT - BLACK |
| | 158357-01-000 | EA HOUSING - 3 PIN/MALE - MINI FIT |
| | 158373-01-000 | EA HOUSING - SOCKET - 16 CAVITY - MINI MATE-N-LOCK |
| | 158374-01-000 | EA SOCKET - 16-20 CAVITY - MINI MATE-N-LOCK |

CHASSIS

| KEY | PART NUMBER | U/M DESCRIPTION |
|-----|---------------|---|
| | 008188-02-000 | EA SOLENOID - VENTED - HEAVY DUTY |
| | 086273-01-000 | EA RELAY - BATTERY DISCONNECT |
| | 098379-06-000 | EA LABEL - ELECTRICAL BOX - BLACK/WHITE |
| | 138914-02-02B | EA STRAP/TIEDOWN - BATTERY - E-COATED |
| | 148254-04-000 | EA CABLE - TEMPERTURE/BATTERY |
| | 156431-01-000 | EA CHARGER/BATTERY - CHASSIS TO HOUSE |

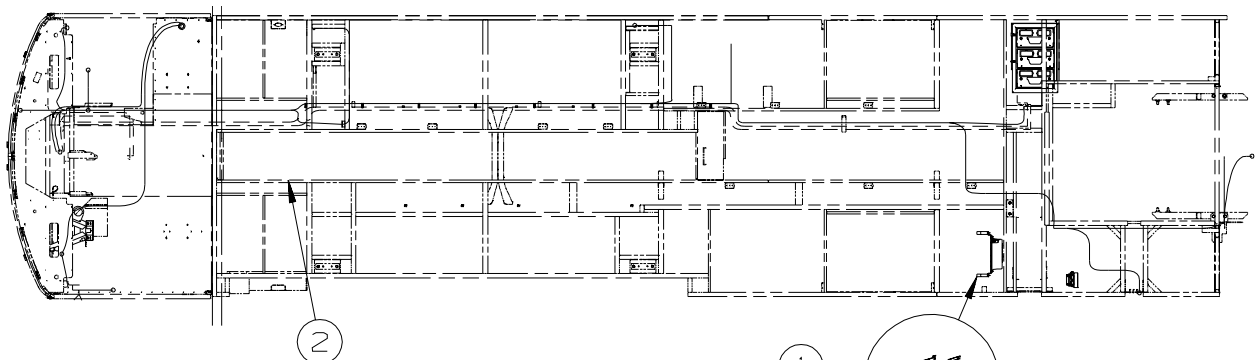


| KEY | PART NUMBER | U/M DESCRIPTION |
|-----|---------------|---------------------------------------|
| 1 | 138914-02-02B | EA STRAP/TIEDOWN - BATTERY - E-COATED |



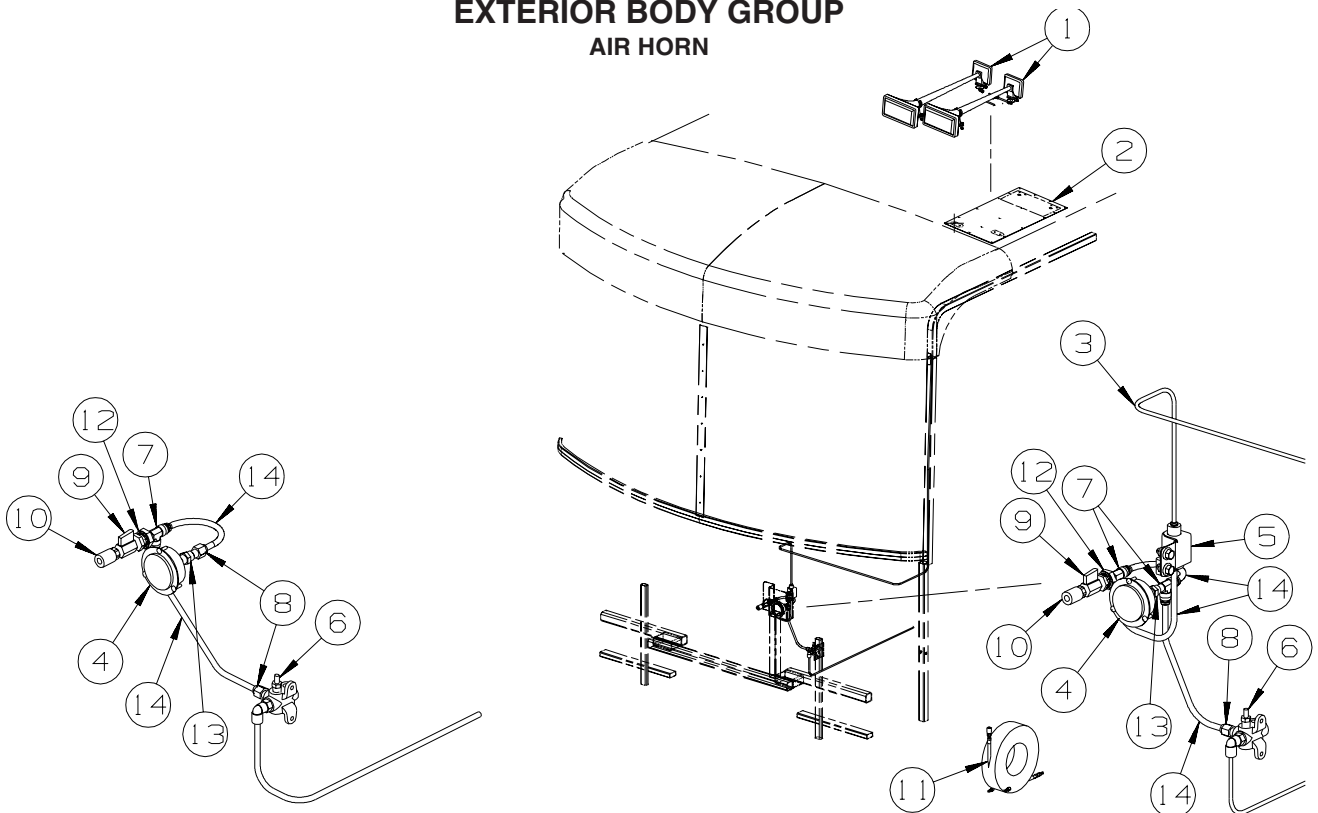
INVERTER/ CHARGER 2.0 KW

| KEY | PART NUMBER | U/M DESCRIPTION |
|-----|---------------|--|
| 1 | 148254-04-000 | EA CABLE - TEMPERTURE/BATTERY - P36G/SG, P34H/SH |
| 1 | 148254-06-000 | EA CABLE - TEMPERTURE/BATTERY - P39K |



| KEY | PART NUMBER | U/M DESCRIPTION |
|-----|---------------|---|
| 1 | 098379-06-000 | EA LABEL - ELECTRICAL BOX - BLACK/WHITE |
| 2 | 113452-02-000 | FT SEAL/TRIM - FRONT - VINYL W/WIRE CARRIER - .027" |

EXTERIOR BODY GROUP AIR HORN



W/O Air Horns

W/Air Horns

| KEY | PART NUMBER | U/M | DESCRIPTION |
|-----|---------------|-----|--|
| 1* | 077497-06-000 | EA | HORN - AIR - CHROME - TWIN |
| 1 | 077497-08-000 | EA | HORN/AIR - TWIN SHORT - BLACK - P34SH,P36SG SPECIAL EDITION (SE) |
| 2 | 125123-01-12B | EA | PLATE/MOUNT - AIR HORN - 25" X 13" - BRIGHT WHITE |
| 3 | 071390-04-000 | FT | TUBING - AIR BRAKE - 1/4" OD-BLK WEATHERHEAD(BRKS & HORN) |
| 4 | 142609-01-000 | EA | GAUGE/AIR - 2.5" MOUNTING FLANGE - 1/4" MPT |
| 5 | 077497-11-000 | EA | SOLENOID - HORN - REMOTE MOUNT |
| 6 | 086241-01-000 | EA | VALVE - AIR - 1/4 MPT X TIRE STEM |
| 7 | 142570-01-000 | EA | TEE - 3/8" T X 1/4" P |
| 8 | 142571-01-000 | EA | CONNECTOR - 3/8" T X 1/4" P |
| 9 | 142597-01-000 | EA | VALVE - BALL - AIR - 1/4" MFPT |
| 10 | 142595-01-000 | EA | COUPLER - QUICK CONNECT - AIR - 1/4" MPT |
| 11 | 142607-03-000 | EA | HOSE - AIR - 50' |
| 12 | 071374-03-000 | EA | FITTING - BULKHEAD - 1/4" X 1/4" MNPT |
| 13 | 075155-03-000 | EA | COUPLING-PIPE, 1/4 BRASS |
| 14 | 071390-07-000 | FT | TUBING - AIR BRAKE - 3/8" - BLACK |
| 14 | 071390-04-000 | FT | TUBING-AIR BRAKE-1/4"OD-BLK WEATHERHEAD(BRKS& HORN)-P34SH,P36SG SPECIAL EDITION (SE) |

*COMPONENT PARTS LISTED LATER IN THIS GROUP

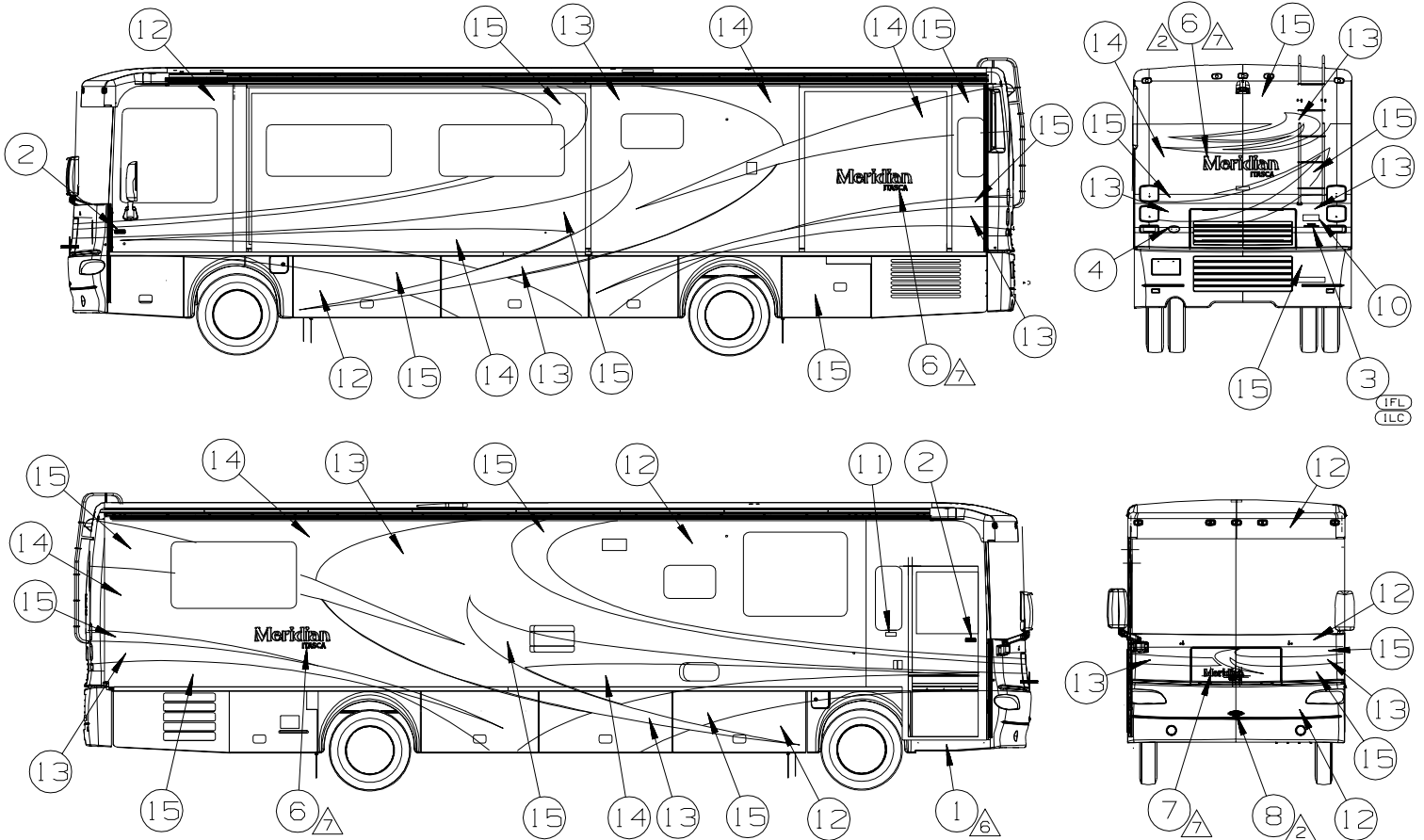
COMPONENT PARTS FOR AIR HORN

077497-06-000

| KEY | PART NUMBER | U/M | DESCRIPTION | VENDOR NO. |
|-----|---------------|-----|--------------------------|------------|
| | 077497-01-701 | EA | SWITCH - COMPRESSOR | 13940-S |
| | 077497-01-702 | EA | SWITCH - TOGGLE - W/WIRE | 12949-S |

EXTERIOR BODY GROUP (CONTINUED)

GRAPHICS & PAINT



| (27A) KEY | PART NUMBER | U/M | DESCRIPTION |
|-----------|--------------------|-----|---|
| 1 | 109506-01-000 | EA | FILM-URETHANE PROTECTANT |
| 2 | 132664-02-CHT(01A) | EA | DECAL-LOGO DOMED WINNEBAGO - CHROME/RED/BLACK |
| 3 | 158621-02-CHT(01A) | EA | DECAL-HORSEPOWER 350 FLEXSCRIPT - CHROME |
| 4 | 137618-05-CHT(01A) | EA | DECAL/BEZEL DOMED GRILL LOGO ITASCA - CHROME/WHITE/BLACK/TEAL |
| 5 | 147279-01-000 | EA | KIT-PAINT PROTECTION |
| 6 | 147293-03-CHT(01A) | EA | DECAL-LOGO MERIDIAN DOMED LG - CHROME/GOLD/BLACK/WHITE |
| 7 | 147293-04-CHT(01A) | EA | DECAL-LOGO MERIDIAN DOMED SML - CHROME/GOLD/BLACK/WHITE |
| 8 | 151687-02-CHT(01A) | EA | DECAL/BEZEL DOMED NAMEPLATE ITASCA - CHROME/WHITE/BLACK/TEAL |
| 9 | | GL | PAINT-CLEAR COAT - SHERWIN WILLIAMS |
| 10 | | EA | PLATE-FREIGHTLINER LG - CHASSIS SUPPLIED |
| 11 | | EA | PLATE-FREIGHTLINER SML - CHASSIS SUPPLIED |
| 12 | | GL | PAINT-IRON GRAY MET - SHERWIN WILLIAMS #61766 |
| 13 | | GL | PAINT-SPRUCE GREEN MET - SHERWIN WILLIAMS #53876 |
| 14 | | GL | PAINT-CANVAS BEIGE MET - SHERWIN WILLIAMS #64156 |

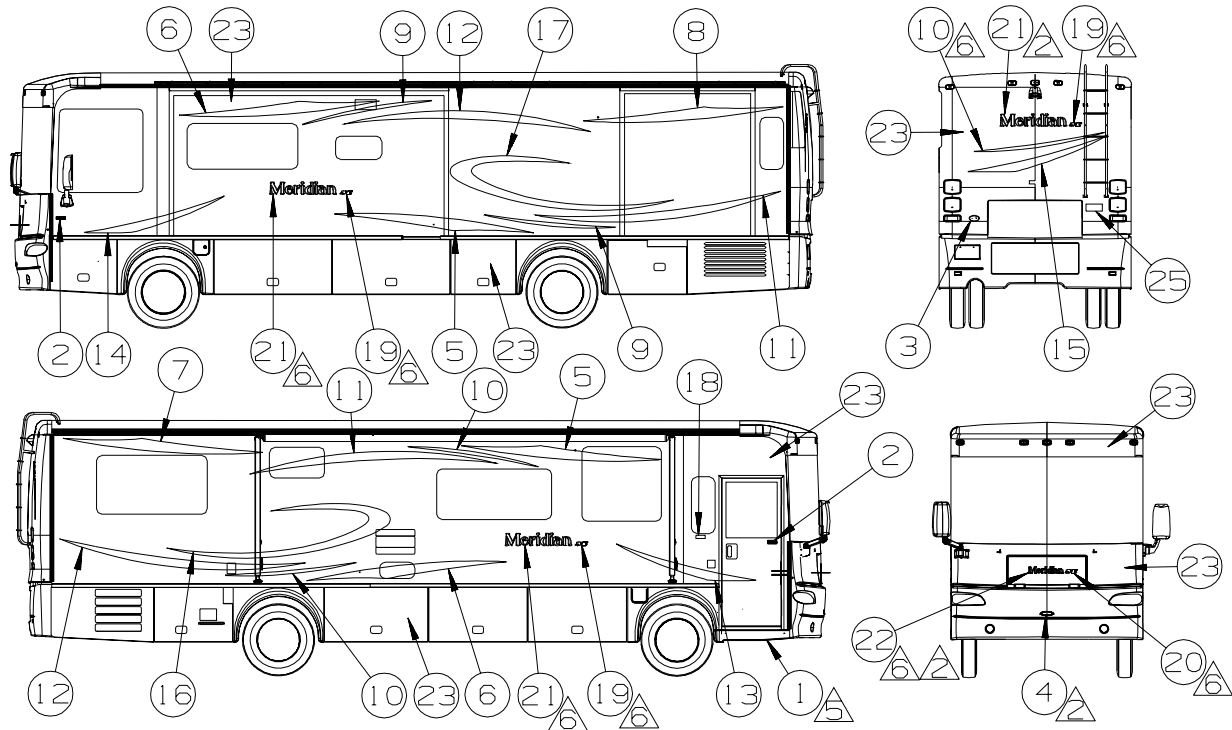
| (92A) KEY | PART NUMBER | U/M | DESCRIPTION |
|-----------|--------------------|-----|---|
| 1 | 109506-01-000 | EA | FILM-URETHANE PROTECTANT |
| 2 | 132664-02-CHT(01A) | EA | DECAL-LOGO DOMED WINNEBAGO - CHROME/RED/BLACK |
| 3 | 158621-02-CHT(01A) | EA | DECAL-HORSEPOWER 350 FLEXSCRIPT - CHROME |
| 4 | 137618-05-CHT(01A) | EA | DECAL/BEZEL DOMED GRILL LOGO ITASCA - CHROME/WHITE/BLACK/TEAL |
| 5 | 147279-01-000 | EA | KIT-PAINT PROTECTION |
| 6 | 147293-03-CHT(01A) | EA | DECAL-LOGO MERIDIAN DOMED LG - CHROME/GOLD/BLACK/WHITE |
| 7 | 147293-04-CHT(01A) | EA | DECAL-LOGO MERIDIAN DOMED SML - CHROME/GOLD/BLACK/WHITE |
| 8 | 151687-02-CHT(01A) | EA | DECAL/BEZEL DOMED NAMEPLATE ITASCA - CHROME/WHITE/BLACK/TEAL |
| 9 | | GL | PAINT-CLEAR COAT - SHERWIN WILLIAMS |
| 10 | | EA | PLATE-FREIGHTLINER LG - CHASSIS SUPPLIED |
| 11 | | EA | PLATE-FREIGHTLINER SML - CHASSIS SUPPLIED |
| 12 | | GL | PAINT-STEEL BLUE MET - SHERWIN WILLIAMS #63302 |
| 13 | | GL | PAINT-LT KHAKI MET - SHERWIN WILLIAMS #64023 |
| 14 | | GL | PAINT-TAUPE MET - SHERWIN WILLIAMS #LM423 |

| (24C) KEY | PART NUMBER | U/M | DESCRIPTION |
|-----------|--------------------|-----|---|
| 1 | 109506-01-000 | EA | FILM-URETHANE PROTECTANT |
| 2 | 132664-02-CHT(01A) | EA | DECAL-LOGO DOMED WINNEBAGO - CHROME/RED/BLACK |
| 3 | 158621-02-CHT(01A) | EA | DECAL-HORSEPOWER 350 FLEXSCRIPT - CHROME |
| 4 | 137618-05-CHT(01A) | EA | DECAL/BEZEL DOMED GRILL LOGO ITASCA - CHROME/WHITE/BLACK/TEAL |
| 5 | 147279-01-000 | EA | KIT-PAINT PROTECTION |
| 6 | 147293-03-CHT(01A) | EA | DECAL-LOGO MERIDIAN DOMED LG - CHROME/GOLD/BLACK/WHITE |
| 7 | 147293-04-CHT(01A) | EA | DECAL-LOGO MERIDIAN DOMED SML - CHROME/GOLD/BLACK/WHITE |
| 8 | 151687-02-CHT(01A) | EA | DECAL/BEZEL DOMED NAMEPLATE ITASCA - CHROME/WHITE/BLACK/TEAL |
| 9 | | GL | PAINT-CLEAR COAT - SHERWIN WILLIAMS |
| 10 | | EA | PLATE-FREIGHTLINER LG - CHASSIS SUPPLIED |
| 11 | | EA | PLATE-FREIGHTLINER SML - CHASSIS SUPPLIED |
| 12 | | GL | PAINT-WOODLAND BROWN MET - SHERWIN WILLIAMS #60160 |
| 13 | | GL | PAINT-SEDONA MET - SHERWIN WILLIAMS #63B14 |
| 14 | | GL | PAINT-POLISHED PEWTER MET - SHERWIN WILLIAMS #63499 |

**DUPONT COLOR CODES ARE NOW FOUND IN THE PAINT CODE MANUAL.
YOU CAN FIND THIS MANUAL ON YOUR DEALER INDEX WEBPAGE UNDER SERVICE.**

EXTERIOR BODY GROUP (CONTINUED)
GRAPHICS & PAINT (CONTINUED)

SPECIAL EDITION GRAPHICS
FROM: 00-00-00 THRU: 01-01-07



| KEY | PART NUMBER | U/M | DESCRIPTION |
|-----|--------------------|-----|---|
| 1 | 109506-01-000 | EA | FILM-URETHANE PROTECTANT |
| 2 | 132664-02-CHT(01A) | EA | DECAL-LOGO DOMED WINNEBAGO - CHROME/RED/BLACK |
| 3 | 137618-05-CHT(01A) | EA | DECAL/BEZEL DOMED GRILL LOGO ITASCA - CHROME/WHITE/BLACK/TEAL |
| 4 | 151687-02-CHT(01A) | EA | DECAL/BEZEL DOMED NAMEPLATE ITASCA - CHROME/WHITE/BLACK/TEAL |
| 5 | 153065-03-CHT(02A) | EA | DECAL-POINT RH - LT CHARCOAL |
| 6 | 153065-04-CHT(02A) | EA | DECAL-POINT LH - LT CHARCOAL |
| 7 | 153065-03-CHT(03A) | EA | DECAL-POINT RR RH - SUNSET |
| 8 | 153065-04-CHT(03A) | EA | DECAL-POINT RR LH - SUNSET |
| 9 | 156403-01-CHT(02A) | EA | DECAL-SLASH #5 RH - LT GOLD |
| 10 | 156403-02-CHT(02A) | EA | DECAL-SLASH #5 LH - LT GOLD |
| 11 | 156405-01-CHT(03A) | EA | DECAL-SLASH #7 RH - SUNSET |
| 12 | 156405-02-CHT(03A) | EA | DECAL-SLASH #7 LH - SUNSET |
| 13 | 157845-03-CHT(01A) | EA | DECAL-SWEEP #3 LWR RH - LT CHARCOAL |
| 14 | 157845-04-CHT(01A) | EA | DECAL-SWEEP #3 LWR LH - LT CHARCOAL |
| 15 | 157845-04-CHT(02A) | EA | DECAL-SWEEP #3 LWR LH - SUNSET |
| 16 | 158335-01-CHT(03A) | EA | DECAL-STRIPE #1 RH - LT GOLD |
| 17 | 158335-02-CHT(03A) | EA | DECAL-STRIPE #1 LH - LT GOLD |
| 18 | ----- | EA | PLATE-FREIGHTLINER SML - CHASSIS SUPPLIED |
| 19 | 161351-03-CHT(01A) | EA | DECAL-LOGO SE LG - SILVER/GOLD/BLACK/BRT WHITE |
| 20 | 161351-02-CHT(01A) | EA | DECAL-LOGO SE SML - SILVER/GOLD/BLACK/BRT WHITE |
| 21 | 161352-01-CHT(01A) | EA | DECAL-LOGO MERIDIAN LG - SILVER/GOLD/BLACK/BRT WHITE |
| 22 | 161352-02-CHT(01A) | EA | DECAL-LOGO MERIDIAN SML - SILVER/GOLD/BLACK/BRT WHITE |
| 23 | 141599-41-000 | GL | PAINT-FORD SILVER MET - DUPONT #373-P7444 |
| 24 | ----- | GL | PAINT-CLEAR COAT - SHERWIN WILLIAMS |
| 25 | ----- | EA | PLATE-FREIGHTLINER LG - CHASSIS SUPPLIED |

- 9. APPLY SEALER-BODY SEAM CLEAR, 94401-04-000 TO HELP SECURE PAINT ON EDGES.
- 8. MANIPULATE DECALS PER DESIGN - DECALS MAY BE FLIPPED / TURN OR USED ON OPPOSITE SIDE OF DECAL DESCRIPTION.
- 7. END PANELS OF SLIDEOUT ROOMS WILL BE PAINTED WITH BASE COAT AND CLEAR COAT ONLY. THERE WILL BE NO COLORED DESIGN GRAPHIC ELEMENTS PAINTED ON END PANELS.
- 6. LOGO IS TO BE HELD TO ±1 MM ON HORIZONTAL PLANE (END TO END).
- 5. FILM TO PROTECT BOTTOM OF DOOR FROM SCUFF MARKS.
- 4. USE 145487-02-000 (100 FT) TO COVER UNSEALED ROOF SEAMS.
- 3. CLEAR COAT TO BE APPLIED ON PAINTED AREAS TO PROTECT PAINT.
- 2. CENTER ON UNIT.
- 1. APPLY PROTECTOR 116424-01-000 TO WATER HEATER LATCH.

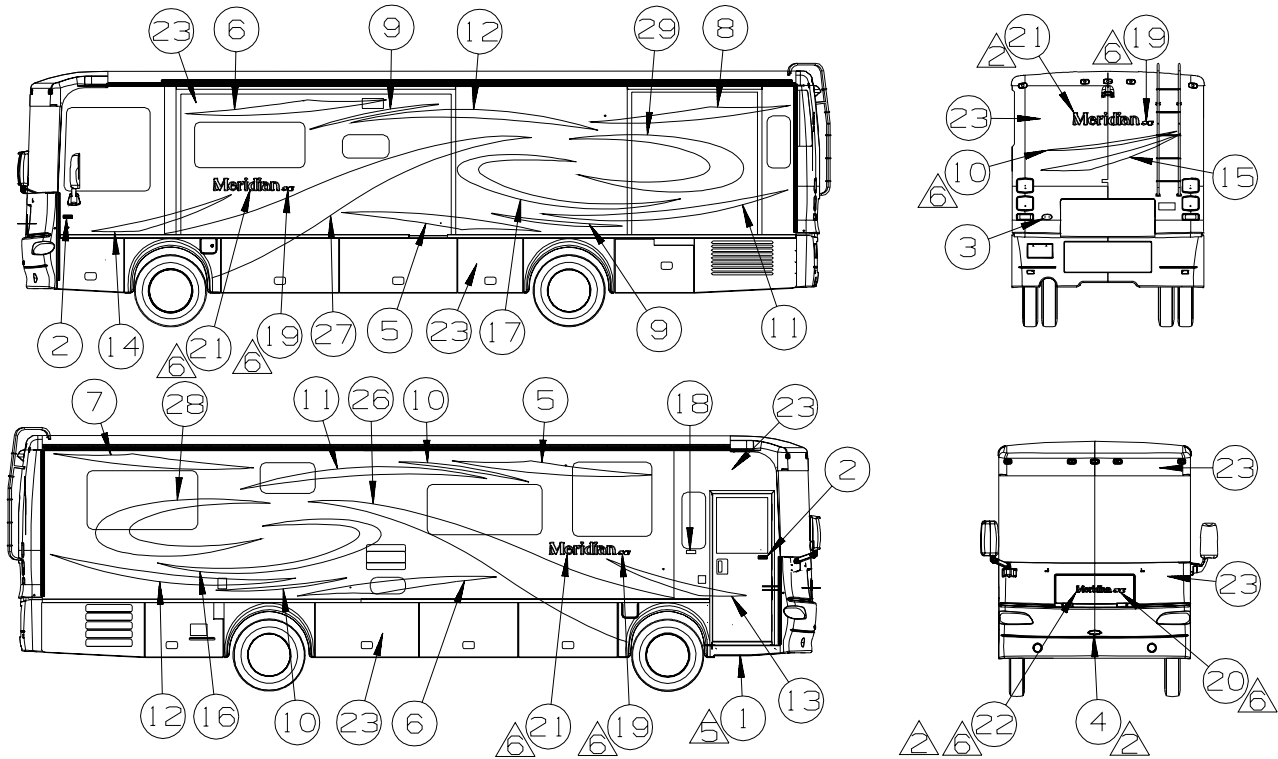
IFA FRTL 27,910 300 5.9L 5-SPC

27B DELUXE FBP W/GRAPHICS PKG

EXTERIOR BODY GROUP (CONTINUED)

GRAPHICS & PAINT (CONTINUED)

SPECIAL EDITION GRAPHICS
FROM: 01-08-07 THRU: 99-99-99

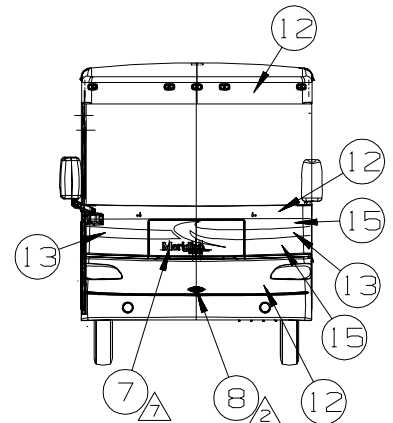
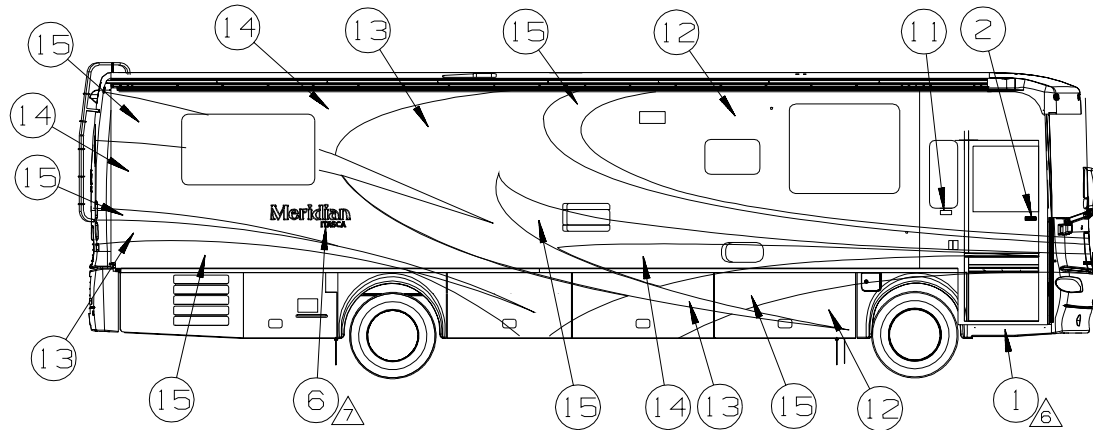
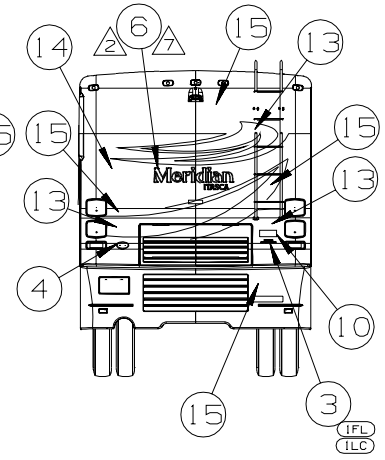
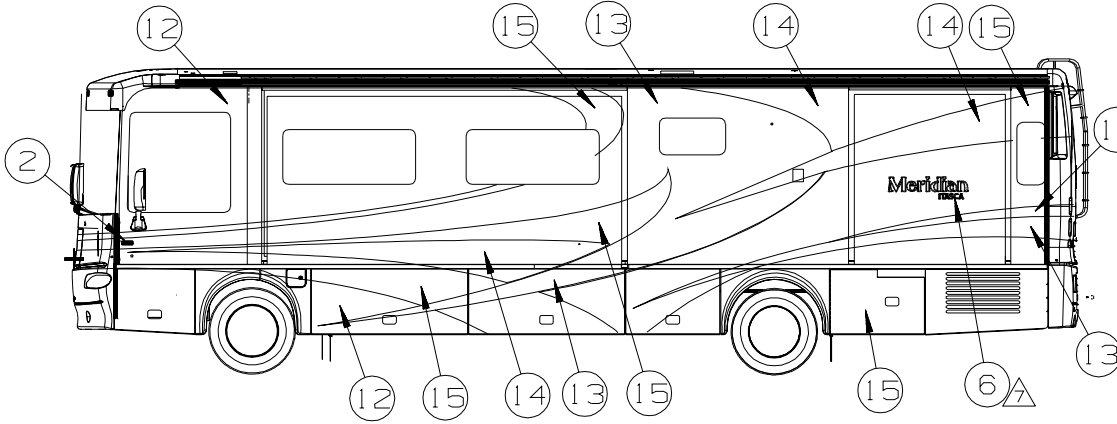


| (27B) KEY | PART NUMBER | U/M | DESCRIPTION |
|-----------|---------------------|-----|---|
| 1 | 109506-01-000 | EA | FILM-URETHANE PROTECTANT |
| 2 | 132864-02-CHT (01A) | EA | DECAL-LOGO DOMED WINNEBAGO - CHROME/RED/BLACK |
| 3 | 137618-05-CHT (01A) | EA | DECAL-BEZEL DOMED GRILL LOGO ITASCA - CHROME/WHITE/BLACK/TEAL |
| 4 | 151687-02-CHT (01A) | EA | DECAL-BEZEL DOMED NAMEPLATE ITASCA - CHROME/WHITE/BLACK/TEAL |
| 5 | 153065-03-CHT (02A) | EA | DECAL-POINT RH - LT CHARCOAL |
| 6 | 153065-04-CHT (02A) | EA | DECAL-POINT LH - LT CHARCOAL |
| 7 | 153065-03-CHT (03A) | EA | DECAL-POINT RR RH - SUNSET |
| 8 | 153065-04-CHT (03A) | EA | DECAL-POINT RR LH - SUNSET |
| 9 | 156403-01-CHT (02A) | EA | DECAL-SLASH #5 RH - LT GOLD |
| 10 | 156403-02-CHT (02A) | EA | DECAL-SLASH #5 LH - LT GOLD |
| 11 | 156405-01-CHT (03A) | EA | DECAL-SLASH #7 RH - SUNSET |
| 12 | 156405-02-CHT (03A) | EA | DECAL-SLASH #7 LH - SUNSET |
| 13 | 157845-03-CHT (01A) | EA | DECAL-SWEEP #3 LWR RH - LT CHARCOAL |
| 14 | 157845-04-CHT (01A) | EA | DECAL-SWEEP #3 LWR LH - LT CHARCOAL |
| 15 | 157845-04-CHT (02A) | EA | DECAL-SWEEP #3 LWR LH - SUNSET |
| 16 | 158335-01-CHT (03A) | EA | DECAL-STRIPE #1 RH - LT GOLD |
| 17 | 158335-02-CHT (03A) | EA | DECAL-STRIPE #1 LH - LT GOLD |
| 18 | ----- | EA | PLATE-FREIGHTLINER SML - CHASSIS SUPPLIED |
| 19 | 161351-03-CHT (01A) | EA | DECAL-LOGO SE LG - SILVER/GOLD/BLACK/BRT WHITE |
| 20 | 161351-02-CHT (01A) | EA | DECAL-LOGO SE SML - SILVER/GOLD/BLACK/BRT WHITE |
| 21 | 161352-01-CHT (01A) | EA | DECAL-LOGO MERIDIAN LG - SILVER/GOLD/BLACK/BRT WHITE |
| 22 | 161352-02-CHT (01A) | EA | DECAL-LOGO MERIDIAN SML - SILVER/GOLD/BLACK/BRT WHITE |
| 23 | 141599-41-000 | GL | PAINT-FORD SILVER MET - DUPONT #373-P7444 |
| 24 | ----- | GL | PAINT-CLEAR COAT - SHERWIN WILLIAMS |
| 25 | ----- | EA | PLATE-FREIGHTLINER LG - CHASSIS SUPPLIED |
| 26 | 163633-01-CHT (01A) | EA | PAINT MASK-DECAL, UPPER, RH - WHITE VINYL |
| 27 | 163633-02-CHT (01A) | EA | PAINT MASK-DECAL, UPPER, LH - WHITE VINYL |
| 28 | 163634-01-CHT (01A) | EA | PAINT MASK-DECAL, UPPER, MID, RH - WHITE VINYL |
| 29 | 163634-02-CHT (01A) | EA | PAINT MASK-DECAL, UPPER, MID, LH - WHITE VINYL |

9. APPLY SEALER-BODY SEAM CLEAR, 94401-04-000 TO HELP SECURE PAINT ON EDGES.
 8. MANIPULATE DECALS PER DESIGN - DECALS MAY BE FLIPPED / TURN OR USED ON OPPOSITE SIDE OF DECAL DESCRIPTION.
 7. END PANELS OF SLIDEOUT ROOMS WILL BE PAINTED WITH BASE COAT AND CLEAR COAT ONLY. THERE WILL BE NO COLORED DESIGN GRAPHIC ELEMENTS PAINTED ON END PANELS.
- (6) LOGO IS TO BE HELD TO ±1 MM ON HORIZONTAL PLANE (END TO END).
 (5) FILM TO PROTECT BOTTOM OF DOOR FROM SCUFF MARKS.
 4. USE 145487-02-000-1109-FT9 TO COVER UNSEALED ROOF SEAMS.
 (3) CLEAR COAT TO BE APPLIED ON PAINTED AREAS TO PROTECT PAINT.
 (2) CENTER ON UNIT.
 1. APPLY PROTECTOR 116424-01-000 TO WATER HEATER LATCH.

EXTERIOR BODY GROUP (CONTINUED) GRAPHICS & PAINT (CONTINUED)

SPECIAL EDITION W/24C FULL BODY PAINT



| (27A) KEY | PART NUMBER | U/M | DESCRIPTION |
|-----------|---------------------|-----|---|
| 1 | 109506-01-000 | EA | FILM-URETHANE PROTECTANT |
| 2 | 132664-02-CHT (01A) | EA | DECAL-LOGO DOMED WINNEBAGO - CHROME/RED/BLACK |
| 3 | 158621-02-CHT (01A) | EA | DECAL-HORSEPOWER 350 FLEXSCRIPT - CHROME |
| 4 | 137618-05-CHT (01A) | EA | DECAL/BEZEL DOMED GRILL LOGO ITASCA - CHROME/WHITE/BLACK/TEAL |
| 5 | 147279-01-000 | EA | KIT-PAINT PROTECTION |
| 6 | 147293-03-CHT (01A) | EA | DECAL-LOGO MERIDIAN DOMED LG - CHROME/GOLD/BLACK/WHITE |
| 7 | 147293-04-CHT (01A) | EA | DECAL-LOGO MERIDIAN DOMED SML - CHROME/GOLD/BLACK/WHITE |
| 8 | 151687-02-CHT (01A) | EA | DECAL/BEZEL DOMED NAMEPLATE ITASCA - CHROME/WHITE/BLACK/TEAL |
| 9 | | EA | PAINT-CLEAR COAT - SHERWIN WILLIAMS |
| 10 | | EA | PLATE-FREIGHTLINER LG - CHASSIS SUPPLIED |
| 11 | | EA | PLATE-FREIGHTLINER SML - CHASSIS SUPPLIED |
| 12 | | GL | PAINT-IRON GRAY MET - SHERWIN WILLIAMS #61766 |
| 13 | | GL | PAINT-SPRUCE GREEN MET - SHERWIN WILLIAMS #53876 |
| 14 | | GL | PAINT-CANVAS BEIGE MET - SHERWIN WILLIAMS #64156 |

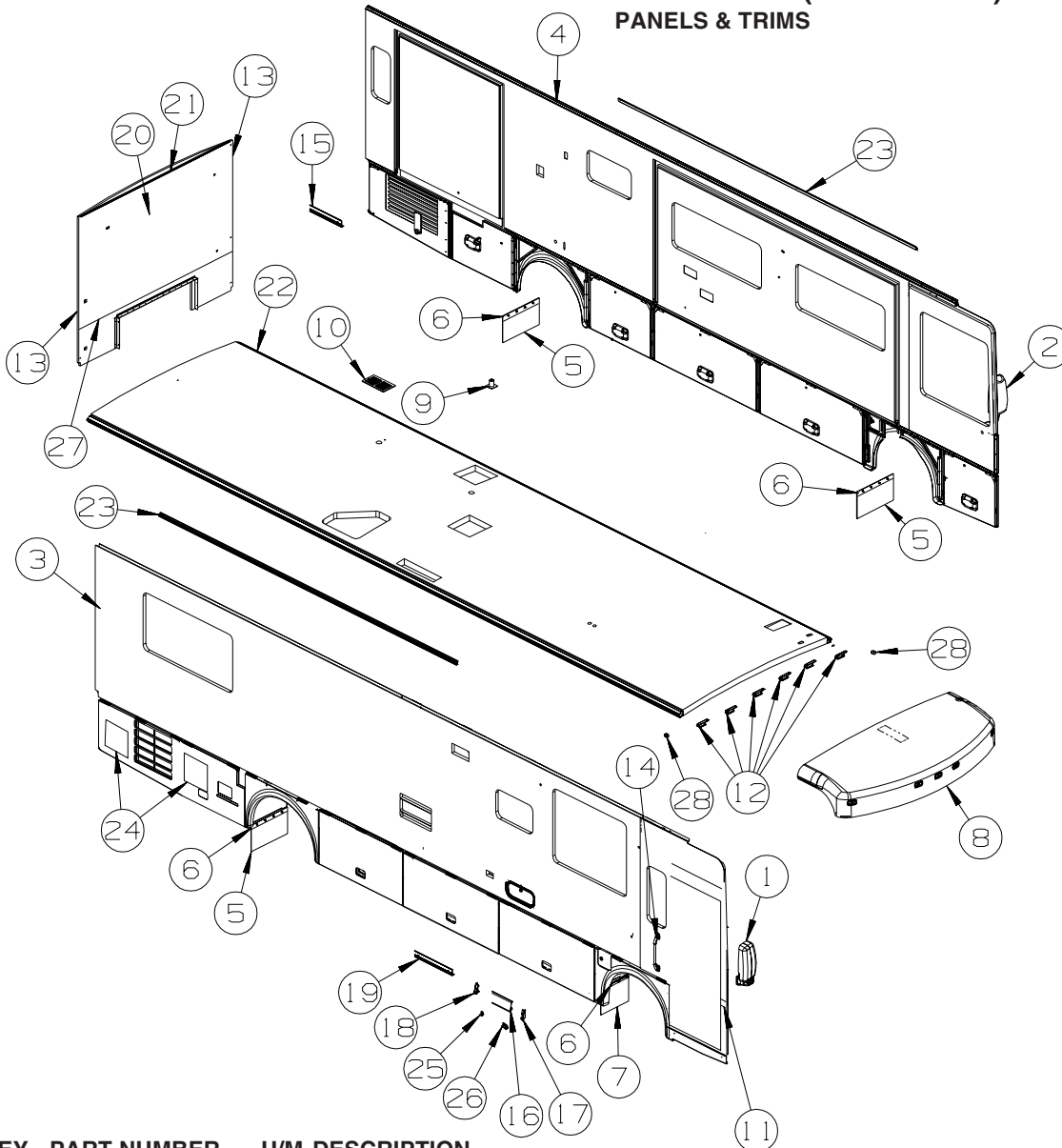
| (92A) KEY | PART NUMBER | U/M | DESCRIPTION |
|-----------|---------------------|-----|---|
| 1 | 109506-01-000 | EA | FILM-URETHANE PROTECTANT |
| 2 | 132664-02-CHT (01A) | EA | DECAL-LOGO DOMED WINNEBAGO - CHROME/RED/BLACK |
| 3 | 158621-02-CHT (01A) | EA | DECAL-HORSEPOWER 350 FLEXSCRIPT - CHROME |
| 4 | 137618-05-CHT (01A) | EA | DECAL/BEZEL DOMED GRILL LOGO ITASCA - CHROME/WHITE/BLACK/TEAL |
| 5 | 147279-01-000 | EA | KIT-PAINT PROTECTION |
| 6 | 147293-03-CHT (01A) | EA | DECAL-LOGO MERIDIAN DOMED LG - CHROME/GOLD/BLACK/WHITE |
| 7 | 147293-04-CHT (01A) | EA | DECAL-LOGO MERIDIAN DOMED SML - CHROME/GOLD/BLACK/WHITE |
| 8 | 151687-02-CHT (01A) | EA | DECAL/BEZEL DOMED NAMEPLATE ITASCA - CHROME/WHITE/BLACK/TEAL |
| 9 | | GL | PAINT-CLEAR COAT - SHERWIN WILLIAMS |
| 10 | | EA | PLATE-FREIGHTLINER LG - CHASSIS SUPPLIED |
| 11 | | EA | PLATE-FREIGHTLINER SML - CHASSIS SUPPLIED |
| 12 | | GL | PAINT-STEEL BLUE MET - SHERWIN WILLIAMS #63302 |
| 13 | | GL | PAINT-LT KHAKI MET - SHERWIN WILLIAMS #64023 |
| 14 | | GL | PAINT-TAUPE MET - SHERWIN WILLIAMS #LM423 |

| (24C) KEY | PART NUMBER | U/M | DESCRIPTION |
|-----------|---------------------|-----|---|
| 1 | 109506-01-000 | EA | FILM-URETHANE PROTECTANT |
| 2 | 132664-02-CHT (01A) | EA | DECAL-LOGO DOMED WINNEBAGO - CHROME/RED/BLACK |
| 3 | 158621-02-CHT (01A) | EA | DECAL-HORSEPOWER 350 FLEXSCRIPT - CHROME |
| 4 | 137618-05-CHT (01A) | EA | DECAL/BEZEL DOMED GRILL LOGO ITASCA - CHROME/WHITE/BLACK/TEAL |
| 5 | 147279-01-000 | EA | KIT-PAINT PROTECTION |
| 6 | 147293-03-CHT (01A) | EA | DECAL-LOGO MERIDIAN DOMED LG - CHROME/GOLD/BLACK/WHITE |
| 7 | 147293-04-CHT (01A) | EA | DECAL-LOGO MERIDIAN DOMED SML - CHROME/GOLD/BLACK/WHITE |
| 8 | 151687-02-CHT (01A) | EA | DECAL/BEZEL DOMED NAMEPLATE ITASCA - CHROME/WHITE/BLACK/TEAL |
| 9 | | GL | PAINT-CLEAR COAT - SHERWIN WILLIAMS |
| 10 | | EA | PLATE-FREIGHTLINER LG - CHASSIS SUPPLIED |
| 11 | | EA | PLATE-FREIGHTLINER SML - CHASSIS SUPPLIED |
| 12 | | GL | PAINT-WOODLAND BROWN MET - SHERWIN WILLIAMS #60160 |
| 13 | | GL | PAINT-SEDONA MET - SHERWIN WILLIAMS #63814 |
| 14 | | GL | PAINT-POLISHED PEWTER MET - SHERWIN WILLIAMS #63499 |

USE PARTS LIST BELOW FOR KEYS 6 & 7

| KEY | PART NUMBER | U/M | DESCRIPTION |
|-----|---------------|-----|---|
| 6 | 161351-03-01A | EA | DECAL - LOGO - SE/LARGE - SILVER/GOLD/BLACK/WHITE |
| 6 | 161352-01-01A | EA | DECAL - LOGO - MERIDIAN/LARGE - SILVER/GOLD/BLACK/WHITE |
| 7 | 161351-02-01A | EA | DECAL - LOGO - SE/SMALL - SILVER/GOLD/BLACK/WHITE |
| 7 | 161352-02-01A | EA | DECAL - LOGO - MERIDIAN/SMALL - SILVER/GOLD/BLACK/WHITE |

EXTERIOR BODY GROUP (CONTINUED) PANELS & TRIMS



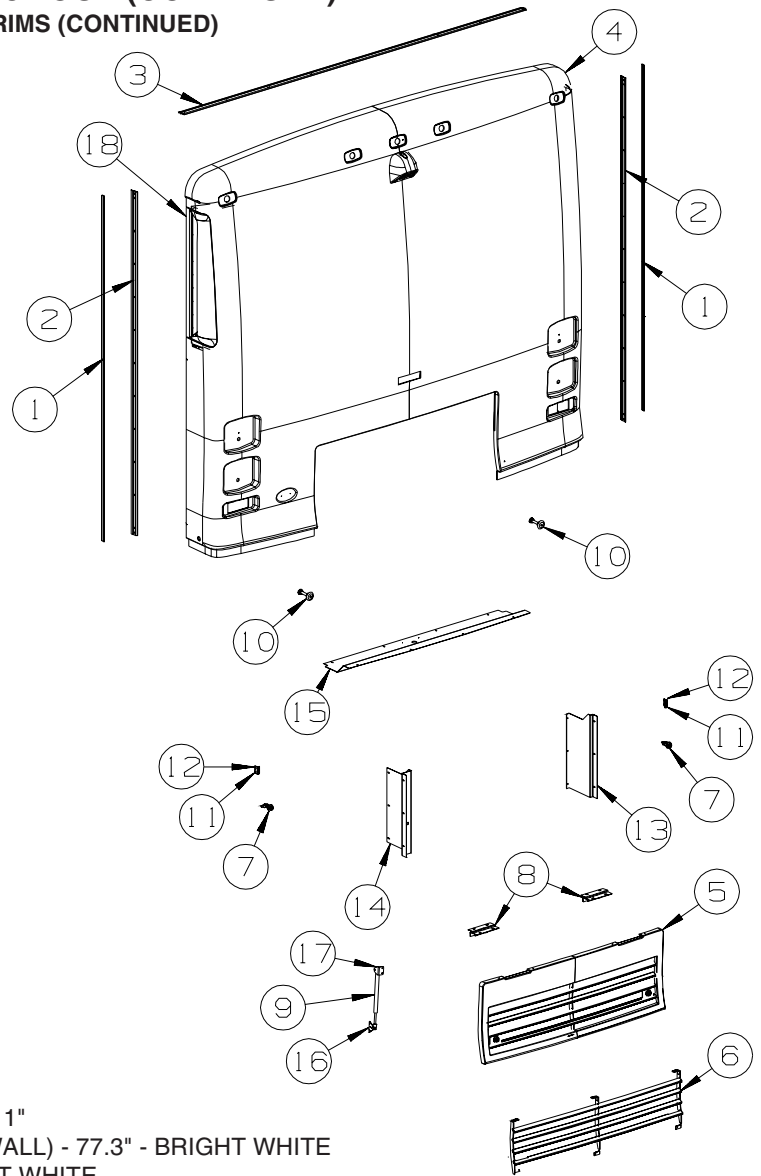
| KEY | PART NUMBER | U/M | DESCRIPTION |
|-----|---------------|-----|---|
| 1* | 131431-08-01A | EA | MIRROR - EXTERIOR/REMOTE/HEAT/PASSENGER-W/TURN SIGNAL-BLK |
| 1* | 131431-08-02A | EA | MIRROR - EXTERIOR/REMOTE/HEAT/PASSENGER-W/TURN SIGNAL-CHR - FULL BODY PAINT |
| 1* | 131431-08-01A | EA | MIRROR - EXTERIOR/REMOTE/HEAT/PASS-W/TURN SIGNAL-BLK - P36SG - SPECIAL EDITION (SE) |
| 1 | 108825-03-000 | EA | GASKET - MIRROR |
| 1 | 133379-01-01A | EA | SCREW - MACHINE - 5/16-18 X 2.00 - TORX |
| 2* | 142721-02-01A | EA | MIRROR - EXTERIOR REMOTE/HEAT/DRVR - (BREAKAWAY) - BLACK |
| 2* | 142721-02-02A | EA | MIRROR - EXTERIOR REMOTE/HEAT/DRVR - (BREAKAWAY) - CHROME - FULL BODY PAINT |
| 2* | 142721-02-01A | EA | MIRROR - EXTERIOR REMOTE/HEAT/DRVR - (BREAKAWAY) - BLACK - P36SG - SPECIAL EDITION (SE) |
| 3 | 156892-02-UD5 | EA | SIDEWALL - PASSENGER - W/O WINDOWS/TRIMS |
| 3 | 156892-02-UD6 | EA | SIDEWALL - PASSENGER - W/O WINDOWS/TRIMS |
| 3 | 156892-02-UD7 | EA | SIDEWALL - PASSENGER - W/O WINDOWS/TRIMS |
| 3 | 156892-02-UE1 | EA | SIDEWALL - PASSENGER - W/O WINDOWS/TRIMS |
| 3 | 156892-02-UE2 | EA | SIDEWALL - PASSENGER - W/O WINDOWS/TRIMS |
| 3 | 156892-02-UE3 | EA | SIDEWALL - PASSENGER - W/O WINDOWS/TRIMS |
| 3 | 156892-02-UE5 | EA | SIDEWALL - PASSENGER - W/O WINDOWS/TRIMS |
| 3 | 156892-02-UE6 | EA | SIDEWALL - PASSENGER - W/O WINDOWS/TRIMS |
| 3 | 156892-02-UE7 | EA | SIDEWALL - PASSENGER - W/O WINDOWS/TRIMS |
| 3 | P56892-02-UP5 | EA | SIDEWALL - PASSENGER - W/O WINDOWS/TRIMS |
| 4 | P56893-01-UC1 | EA | SIDEWALL - DRIVER - W/O WINDOWS/TRIMS (UD5, UD6, UD7) |
| 4 | P56893-01-UC5 | EA | SIDEWALL - DRIVER - W/O WINDOWS/TRIMS (UE1, UE2, UE3) |
| 4 | P56893-01-UD1 | EA | SIDEWALL - DRIVER - W/O WINDOWS/TRIMS (UE5, UE6, UE7) |
| 4 | 156893-01-UP5 | EA | SIDEWALL - DRIVER - W/O WINDOWS/TRIMS (UP5) |
| 5 | 017516-09-000 | EA | MUD FLAP - 12.2"H X 23.5"W - RUBBER - BLACK |
| | 017516-07-000 | EA | MUD FLAP - 14"H X 23.5"W - RUBBER - BLACK |

EXTERIOR BODY GROUP (CONTINUED)
PANELS & TRIMS (CONTINUED)

| KEY | PART NUMBER | U/M | DESCRIPTION |
|-----|---------------|-----|--|
| 6 | 140922-01-02B | EA | RETAINER - MUD FLAP - 1" X 17.7" - E-COATED/BLACK |
| 7 | 017516-01-000 | EA | MUD FLAP - 14"H X 18"W - W/O MOUNTING HOLES - RUBBER - BLK |
| 8 | 131635-02-L76 | EA | CAP - ROOF - W/O LIGHTS/WIRING |
| 9 | 092776-03-000 | EA | ADAPTER - DUCT 2" X 4" X 3" |
| 10 | 093614-11-01A | EA | GRILLE - AIR RETURN - 13.9" X 7.9" - BEIGE |
| 11 | 093673-01-06A | FT | TRIM/MOLDING - 1.4" WIDE X 8' LONG - BRIGHT WHITE |
| 12 | 134774-01-02B | EA | BRACKET - CAB ATTACHMENT - E-COATED |
| 13 | 156622-01-01A | FT | SEALER - TAPE - 1/4" THICK X 3"WIDE X 100 FT |
| 14 | 157749-03-01A | EA | ASSIST HANDLE - NON-LIGHTED - 18" - "ITASCA" ETCHED-CHROME - NOT ILLUSTRATED FROM: 00-00-00 THRU: 09-24-06 |
| 14 | 132442-02-01A | EA | HANDLE - ASSIST/CLEAR-BLANK - 20" - W/CHROME ENDS FROM: 09-25-06 THRU: 99-99-99 |
| 15 | 146548-02-01A | EA | TRIM - RETAINER - 50.3" - MILL |
| 16 | 146550-01-02A | EA | TRIM COVER - SIDEWALL - 182" - BLACK |
| 16 | 146550-01-02A | EA | TRIM COVER - SIDEWALL - 182" - BLACK - P36SG - SPECIAL EDITION (SE) FROM: 00-00-00 THRU: 01-07-07 |
| 16 | 146550-01-03A | EA | TRIM COVER - SIDEWALL - 182" - BRIGHT WHITE - P36SG - SPECIAL EDITION (SE) FROM: 01-08-07 THRU: 99-99-99 |
| 17 | 146576-01-02A | EA | END CAP/TRIM - RIGHT HAND - BLACK |
| 17 | 146576-01-02A | EA | END CAP/TRIM - RIGHT HAND - BLACK - P36SG - SPECIAL EDITION (SE) FROM: 00-00-00 THRU: 01-07-07 |
| 17 | 146576-01-01A | EA | END CAP/TRIM - RIGHT HAND - BRIGHT WHITE - P36SG - SPECIAL EDITION (SE) FROM: 01-08-07 THRU: 99-99-99 |
| 18 | 146576-02-02A | EA | CAP - END/TRIM - LEFT HAND - BLACK |
| 18 | 146576-02-02A | EA | CAP - END/TRIM - LEFT HAND - BLACK - P36SG - SPECIAL EDITION (SE) FROM: 00-00-00 THRU: 01-07-07 |
| 18 | 146576-02-01A | EA | END CAP/TRIM - LEFT HAND - BRIGHT WHITE - P36SG - SPECIAL EDITION (SE) FROM: 01-08-07 THRU: 99-99-99 |
| 19 | 151782-01-01A | EA | TRIM - RETAINER - 143.8" |
| 20 | 156894-01-UC1 | EA | BACKWALL - W/O WINDOW/TRIMS (UD5, UD6, UD7) |
| 20 | 156894-01-UC5 | EA | BACKWALL - W/O WINDOW/TRIMS (UE1, UE2, UE3) |
| 20 | 156894-01-UD1 | EA | BACKWALL - W/O WINDOW/TRIMS (UE5, UE6, UE7) |
| 20 | 156894-01-UP5 | EA | BACKWALL - W/O WINDOW/TRIMS (UP5) |
| 21 | 114248-02-04A | EA | ANGLE - PLASTIC - .7" X .4" X 96.7" - BEIGE |
| 22 | 156895-01-UC1 | EA | ROOF - W/O LIGHTS/VENTS - W/WIRING |
| 22 | 156895-02-UP2 | EA | ROOF - W/O LIGHTS/VENTS - W/WIRING - P36SG, SPECIAL EDITION (SE) |
| 23 | 157284-01-01A | EA | RAIL - AWNING - 192" - BRIGHT WHITE |
| 24 | 105290-01-000 | SF | INSULATION - AIR POCKET W/FOIL - 4' WIDE |
| 25 | 143143-01-01A | EA | ANGLE - SUPPORT/TRIM |
| 26 | 143143-02-01A | EA | ANGLE - SUPPORT/TRIM |
| 27 | 104692-01-000 | FT | SEAL - ADHESIVE BACKED FOAM - 3/4" THICK X 3/4" WIDE X 25' |
| 28 | 156094-02-000 | EA | FOAM - PLUG - SIDEWALL TUBE |

***COMPONENT PARTS LISTED LATER IN THIS GROUP**

EXTERIOR BODY GROUP (CONTINUED)
PANELS & TRIMS (CONTINUED)



| KEY | PART NUMBER | U/M | DESCRIPTION |
|-----|---------------|-----|--|
| 1 | 091985-01-07A | FT | INSERT - TRIM - BRIGHT WHITE - 1" |
| 2 | 092041-09-01A | EA | TRIM - FRONT/REAR CAP (SIDEWALL) - 77.3" - BRIGHT WHITE |
| 3 | 083805-23-000 | EA | TRIM - ROOF CAP - 92.1" - BRIGHT WHITE |
| 4 | 131897-06-R68 | EA | PANEL/REAR CAP - W/O DOOR/LIGHTS - W/SHROUD BACKING PLATE |
| 4 | 131897-06-SB4 | EA | PAN./RR CAP-W/O DR/LTS-W/SHROUD PLATE-NON-PRIMED - FULL BODY PAINT/ P34SH, P36SG |
| 5 | 132182-01-SB4 | EA | DOOR - REAR ENGINE - W/O HARDWARE - NON-PRIMED |
| 6 | 132412-01-L76 | EA | GRILLE/DOOR - TRUNK |
| 7 | 102330-02-000 | EA | LATCH - VISE ACTION/KEY OPERATED |
| 8 | 102325-04-07A | EA | HINGE/TRUNK DOOR - 6" - OFF SET - BRIGHT WHITE |
| 9 | 142569-08-000 | EA | SPRING/GAS - 45 LB - 18.5" EXTENDED/11" COMPRESSED |
| 10 | 058786-01-000 | EA | BOLT - HOOD ADJUSTMENT - 5/16"-18 X 1.5"-2"- W/BLACK PAD |
| 11 | 107719-01-01A | EA | STRIKE - VALANCE DOOR |
| 12 | 118931-01-02B | EA | SHIM - STRIKER - DOOR |
| 13 | 147729-01-02B | EA | SHIELD/ENGINE - SIDE/RIGHT HAND - E-COATED |
| 14 | 132636-05-02B | EA | SHIELD/ENGINE - SIDE/LEFT HAND - E-COATED |
| 15 | 132635-02-02B | EA | SHIELD-ENGINE - UPPER - E-COATED - P39K |
| 15 | 132635-01-02B | EA | SHIELD-ENGINE - UPPER - E-COATED - P34H/SH, P36G/SG |
| 16 | 126263-08-02B | EA | BRACKET - GAS SPRING W/CENTERED BALL STUD - E-COATED |
| 17 | 126263-10-02B | EA | BRACKET - GAS SPRING W/BALL STUD - E-COATED |
| 18 | 131896-01-01A | EA | PANEL/AIR SCOOP - BRIGHT WHITE |
| 18 | 131896-01-02A | EA | PANEL/AIR SCOOP - GRAY |

EXTERIOR BODY GROUP (CONTINUED)

COMPONENT PARTS FOR PANELS & TRIMS 131431-08-01A

| KEY | PART NUMBER | U/M | DESCRIPTION | VENDOR NO. |
|-----|---------------|-----|------------------------------|------------|
| | 106015-16-700 | EA | GLASS-FLAT W/HEAT ELEMENT | 709450 |
| | 106015-18-700 | EA | GLASS/CONVEX | 709650 |
| | 106015-18-701 | EA | ACTUATOR - CONVEX GLASS | 7475410 |
| | 106015-18-702 | EA | MOTOR - FLAT GLASS | 7471180 |
| | 106015-18-703 | EA | GLASS/CONVEX-ACT/HOUSING | 709651 |
| | 131431-03-700 | EA | LIGHT/TURN SIGNAL - AMBER | 7475510 |
| | 131431-07-700 | EA | KIT(SCREW CVR BLK)ROUND/OVAL | 748344 |
| | 131431-08-700 | EA | CAP/BASE - BLK - 1 PKG OF 2 | Q7095150 |

131431-08-02A

| KEY | PART NUMBER | U/M | DESCRIPTION | VENDOR NO. |
|-----|---------------|-----|------------------------------|------------|
| | 106015-16-700 | EA | GLASS/FLAT-W/HEAT ELEMENT | 709450 |
| | 106015-18-700 | EA | GLASS/CONVEX | 709650 |
| | 106015-18-701 | EA | ACTUATOR - CONVEX GLASS | 7475410 |
| | 106015-18-702 | EA | MOTOR - FLAT GLASS | 7471180 |
| | 106015-18-703 | EA | GLASS/CONVEX-ACT/HOUSING | 709651 KIT |
| | 106015-19-700 | EA | GLASS/FLAT-W/BEZEL/HEAT/ANTI | 709645 |
| | 131431-03-700 | EA | LIGHT/TURN SIGNAL - AMBER | 7475510 |
| | 131431-07-700 | EA | KIT(SCREW CVR BLK)ROUND/OVAL | 748344 |
| | 131431-08-700 | EA | CAP/BASE - BLK - 1 PKG OF 2 | Q7095150 |

142721-01-01A, 142721-02-01A

| KEY | PART NUMBER | U/M | DESCRIPTION | VENDOR NO. |
|-----|---------------|-----|------------------------------|------------|
| | 106015-16-700 | EA | GLASS/FLAT-W/HEAT ELEMENT | 709450 |
| | 106015-18-700 | EA | GLASS/CONVEX | 709650 |
| | 106015-18-702 | EA | MOTOR - FLAT GLASS | 7471180 |
| | 106015-18-703 | EA | GLASS/CONVEX-ACT/HOUSING | 709651 |
| | 131431-03-700 | EA | LIGHT/TURN SIGNAL - AMBER | 7475510 |
| | 142721-01-700 | EA | COVER/CAP - BOTTOM | Q709678 |
| | 142721-01-701 | EA | CAP - RECTANGULAR (VELVAC) | 709557 |
| | 142721-01-702 | EA | BRACKET/MOUNT - MIRROR | 7096800 |
| | 142721-01-703 | EA | GASKET/MOUNT - MIRROR | 7094700 |
| | 142721-01-704 | EA | SET SCREW - 5/16"-18 X 1.25" | 4082140 |

142721-01-02A, 142721-02-02A

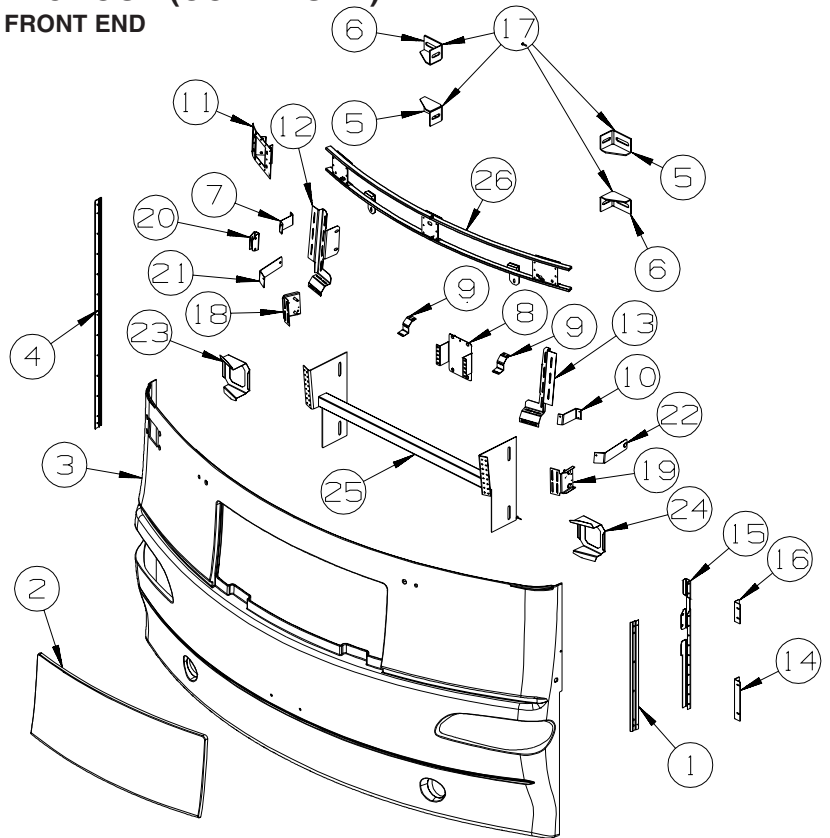
| KEY | PART NUMBER | U/M | DESCRIPTION | VENDOR NO. |
|-----|---------------|-----|------------------------------|------------|
| | 106015-16-700 | EA | GLASS/FLAT-W/HEAT ELEMENT | 709450 |
| | 106015-18-700 | EA | GLASS/CONVEX | 709650 |
| | 106015-18-701 | EA | ACTUATOR - CONVEX GLASS | 7475410 |
| | 106015-18-702 | EA | MOTOR - FLAT GLASS | 7471180 |
| | 106015-18-703 | EA | GLASS/CONVEX-ACT/HOUSING | 709651 KIT |
| | 131431-03-700 | EA | LIGHT/TURN SIGNAL - AMBER | 7475510 |
| | 142721-01-700 | EA | COVER/CAP - BOTTOM | Q709678 |
| | 142721-01-701 | EA | CAP - RECTANGULAR (VELVAC) | 709557 |
| | 142721-01-702 | EA | BRACKET/MOUNT - MIRROR | 7096800 |
| | 142721-01-703 | EA | GASKET/MOUNT - MIRROR | 7097400 |
| | 142721-01-704 | EA | SET SCREW - 5/16"-18 X 1.25" | 4082140 |

LADDER

| KEY | PART NUMBER | U/M | DESCRIPTION |
|-----|---------------|-----|---|
| | 132804-01-01A | EA | LADDER - UPPER - ANODIZED ALUMINUM |
| | 150785-01-01A | EA | LADDER - LOWER - 47.6" / 4 STEP W/DOG LEG - HINGED STANDOFF |
| | 129375-02-000 | EA | SEAL - LADDER BRACKET |

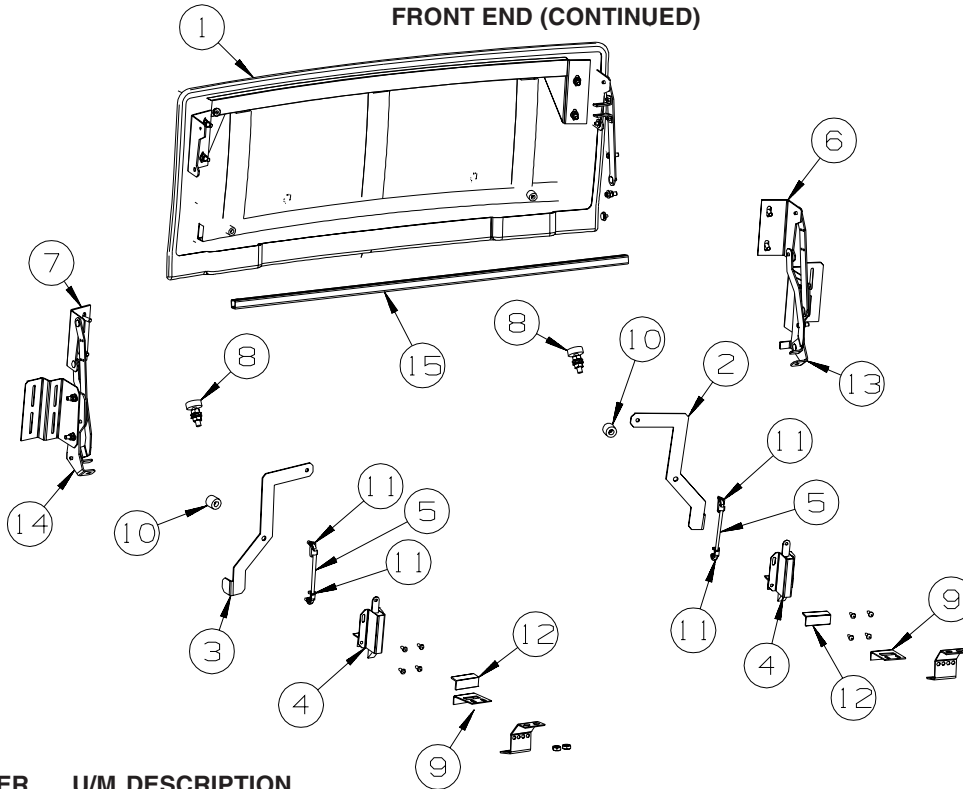
EXTERIOR BODY GROUP (CONTINUED)

FRONT END



| KEY | PART NUMBER | U/M | DESCRIPTION |
|-----|---------------|-----|---|
| 1 | 092041-15-01A | EA | TRIM - FRONT/REAR CAP (SIDEWALL) - 22" - BRIGHT WHITE |
| 1 | 091985-01-07A | FT | INSERT - TRIM - .65" WIDE - BRIGHT WHITE |
| 2 | 137771-01-M76 | EA | HOOD - FRONT - W/O HDW - NON-PRIMED |
| 2 | 137771-01-SA0 | EA | HOOD - FRONT - W/O HDW - NON-PRIMED - FULL BODY PAINT |
| 2 | 137771-01-SA0 | EA | HOOD - FRONT - W/O HDW - NON-PRIMED - P34SH, P36SG |
| 2 | 137771-01-M76 | EA | HOOD - FRONT - W/O HDW - NON-PRIMED - P34SH, P36SG |
| | | | FROM: 00-00-00 THRU: 01-07-07 |
| 2 | 137771-01-M76 | EA | HOOD - FRONT - W/O HDW - NON-PRIMED - P34SH, P36SG |
| | | | FROM: 01-08-07 THRU: 99-99-99 |
| 3 | 143830-07-UC1 | EA | PANEL - FRONT/LOWER - W/O HOOD/LIGHTS |
| 3 | 143830-07-UC2 | EA | PANEL - FRONT/LOWER - W/O HOOD/LIGHTS - FULL BODY PAINT |
| 3 | 143830-07-UC2 | EA | PANEL - FRONT/LOWER - W/O HOOD/LIGHTS - P34SH, P36SG |
| | | | FROM: 00-00-00 THRU: 01-07-07 |
| 3 | 143830-07-UC1 | EA | PANEL - FRONT/LOWER - W/O HOOD/LIGHTS - P34SH, P36SG |
| | | | FROM: 01-08-07 THRU: 99-99-99 |
| 4 | 092041-11-01A | EA | TRIM - FRONT/REAR CAP (SIDEWALL) - 45.4" - BRIGHT WHITE |
| 4 | 091985-01-07A | FT | INSERT - TRIM - .65" WIDE - BRIGHT WHITE |
| 5 | 128455-03-02B | EA | BRACKET - BUMPER - RIGHT HAND UPPER/LEFT HAND LOWER |
| 6 | 128455-04-02B | EA | BRACKET - BUMPER - LEFT HAND UPPER/RIGHT HAND LOWER |
| 7 | 146103-02-02B | EA | PLATE - DRIVER HEADLAMP ADJUSTER - E-COATED |
| 8 | 157431-02-02B | EA | BRACKET - RESERVOIR/WASHER - E-COATED |
| 9 | 134189-02-02B | EA | BRACKET - MOUNT/STRIKER - E-COATED |
| 10 | 146103-01-02B | EA | PLATE - PASSENGER HEADLAMP ADJUSTER - E-COATED |
| 11 | 120850-04-02B | EA | PLATE - SUPPORT/MIRROR - E-COATED |
| 12 | 137703-03-02B | EA | SUPPORT - HINGE - RIGHT HAND - E-COATED |
| 13 | 137703-04-02B | EA | SUPPORT - HINGE - LEFT HAND - E-COATED |
| 14 | 113041-10-02B | EA | ANGLE - MOUNT - E-COATED |
| 15 | 152134-01-02B | EA | BRACKET - HEADLAMP MOUNT - E-COATED |
| 16 | 113041-17-02B | EA | ANGLE/MOUNT - BUMPER - E-COATED |
| 17 | 116617-02-02B | EA | SPACER - BUMPER |
| 18 | 152132-02-02B | EA | BRACKET - HEADLAMP MOUNT/PASSENGER - E-COATED |
| 19 | 152132-04-02B | EA | BRACKET - HEADLAMP MOUNT/DRIVER - E-COATED |
| 20 | 152133-01-02B | EA | BRACKET - HEADLAMP MOUNT - E-COATED |
| 21 | 152142-02-02B | EA | BRACKET - HEADLAMP MOUNT/PASSENGER - E-COATED |
| 22 | 152142-04-02B | EA | BRACKET - HEADLAMP MOUNT/DRIVER - E-COATED |
| 23 | 139685-18-02B | EA | SUPPORT - FOG LAMP - RIGHT HAND - E-COATED |
| 24 | 139685-20-02B | EA | SUPPORT - FOG LAMP - LEFT HAND - E-COATED |
| 25 | 148232-01-02B | EA | SUPPORT - FRONT END - E-COATED |
| 26 | 149784-01-SA0 | EA | SUPPORT - WIPER |

EXTERIOR BODY GROUP (CONTINUED) FRONT END (CONTINUED)



| KEY | PART NUMBER | U/M | DESCRIPTION |
|-----|---------------|-----|--|
| 1 | 137771-01-M76 | EA | HOOD - FRONT - W/O HDW - NON-PRIMED |
| 1 | 137771-01-SA0 | EA | HOOD - FRONT - W/O HDW - NON-PRIMED - FULL BODY PAINT |
| 1 | 137771-01-SA0 | EA | HOOD - FRONT - W/O HDW - NON-PRIMED - P34SH, P36SG |
| | | | FROM: 00-00-00 THRU: 01-07-07 |
| 1 | 137771-01-M76 | EA | HOOD - FRONT - W/O HDW - NON-PRIMED - P34SH, P36SG |
| | | | FROM: 01-08-07 THRU: 99-99-99 |
| 2 | 131545-01-02B | EA | LATCH - HOOD HANDLE - RIGHT HAND - E-COATED |
| 3 | 131545-02-02B | EA | LATCH - HOOD HANDLE - LEFT HAND - E-COATED |
| 4 | 113908-01-000 | EA | LATCH/PLUNGER - F/HOOD |
| 5 | 131606-01-01A | EA | ROD - HOOD LATCH |
| 6 | 137761-01-01A | EA | PLATE - HOOD - MOUNTING - RIGHT HAND |
| 7 | 137761-02-01A | EA | PLATE - HOOD - MOUNTING - LEFT HAND |
| 8 | 058786-01-000 | EA | BOLT - HOOD ADJUSTMENT - 5/16"-18 X 1.5"-2"- W/BLACK PAD |
| 9 | 134190-01-02B | EA | BRACKET - STRIKER/HOOD - E-COATED |
| 10 | 120863-07-000 | EA | BUMPER - RUBBER - .7" DIA X .7" THICK |
| 11 | 102265-01-000 | EA | CLIP - ROD END - 5/32" - BLACK PLASTIC |
| 12 | 134189-02-02B | EA | BRACKET - MOUNT/STRIKER - E-COATED |
| 13 | 137072-03-01A | EA | HINGE - HOOD - RIGHT HAND - BLACK |
| 14 | 137072-04-01A | EA | HINGE - HOOD - LEFT HAND - BLACK |
| 15 | 137300-02-02B | EA | TUBE/TIMING - HOOD - 38.5" - E-COATED |

EXTERIOR BODY GROUP (CONTINUED)
STRUCTURAL COMPONENTS

| KEY | PART NUMBER | U/M | DESCRIPTION |
|------------|--------------------|------------|--|
| | 022754-01-001 | EA | ANGLE - EXTRUDED - 3/4" X 3/4" X 16' - MILL ALUMINUM |
| | 002766-01-001 | EA | ANGLE - EXTRUDED - 1" X 1 1/2" X 17' |
| | 089297-01-000 | SF | PLYWOOD - LUAN - OVERLAY GRADE - 4' X 8' |
| | 089297-03-000 | SF | PLYWOOD - LUAN - OVERLAY GRADE - 4' X 8.3' |
| | 100619-01-000 | BF | FOAM - EXPANDED POLYSTYRENE - 1.34" X 48" X 96" |
| | 100619-02-000 | BF | FOAM - EXPANDED POLYSTYRENE - 1.5" X 48" X 96" |
| | 100619-04-000 | BF | FOAM - EXPANDED POLYSTYRENE - .5" X 48" X 96" |
| | 100619-05-000 | BF | FOAM - EXPANDED POLYSTYRENE - .75" X 48" X 96"-1.5 DENSITY |
| | 100619-13-000 | BF | FOAM - EXPANDED POLYSTYRENE - .34" X 34.65" X 96" |
| | 100619-16-000 | BF | FOAM - EXPANDED POLYSTYRENE - .75" X 48" X 96"-2.0 DENSITY |
| | 105077-08-000 | EA | FOAM - PLUG - ROOF CAP |
| | 120107-07-000 | EA | FOAM - ROOF COVE |
| | 108535-05-03A | SF | FIBERGLASS SHEET - 108" X 500' ROLL - BRIGHT WHITE |
| | 113192-06-02A | EA | FIBERGLASS/LUAN LAMINATED - .2"X79"X446"- GRAY SANDING GEL |
| | 128782-17-01A | EA | FIBERGLASS SHEET - 30.9" X 74.7" - HIGH GLOSS - BRT WHITE |
| | 128782-07-01A | EA | FIBERGLASS SHEET - 5/32" X 78.9" X 456" - HIGH GLOSS - B/W |
| | 128782-09-01A | EA | FIBERGLASS SHEET - 31" X 68.2" - HIGH GLOSS - BRIGHT WHITE |
| | 148884-20-01A | EA | FIBERGLASS SHEET - 4" X 93.8" - HIGH GLOSS - BRIGHT WHITE |
| | 151523-01-01A | EA | CEILING PANEL - 48" X 97.1" - LAMINATED VINYL/FOAM/LUAN |
| | 151523-01-02A | EA | CEILING PANEL - 48" X 97.1" - VINYL/FOAM/LUAN - SPINDRIFT |
| | 152490-01-000 | EA | FOAM - PLUG - ROOF TUBE |

AWNINGS

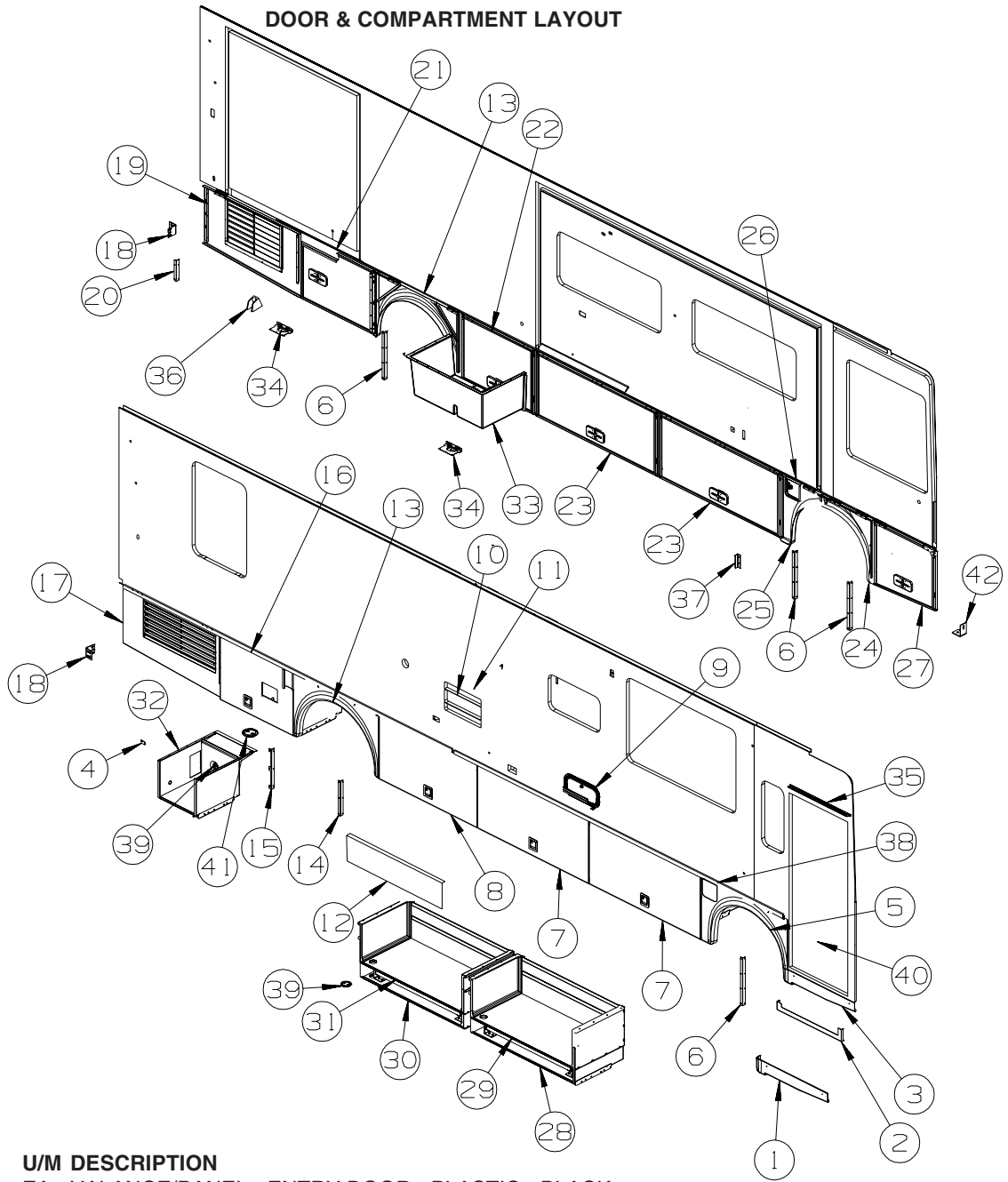
ORDER AWNINGS & REPAIR PARTS FROM DOMETIC. CALL #800-366-3842.

**THE DOMETIC AWNING INFORMATION YOU WILL NEED IS LOCATED ON THE MOTOR HOME NEAR
THE TOP OF THE AWNING RAIL.**

| KEY | PART NUMBER | U/M | DESCRIPTION |
|------------|--------------------|------------|--|
| | 113874-11-01A | EA | SCREW/LAG - AWNING - 1/4" X 1" STAINLESS STEEL |
| | 113874-12-01A | EA | SCREW/LAG - AWNING - 1/4" X 2 3/4" STAINLESS STEEL |
| | 137054-01-01A | EA | BRACKET - AWNING - BLACK |

EXTERIOR DOORS & COMPARTMENTS GROUP

DOOR & COMPARTMENT LAYOUT

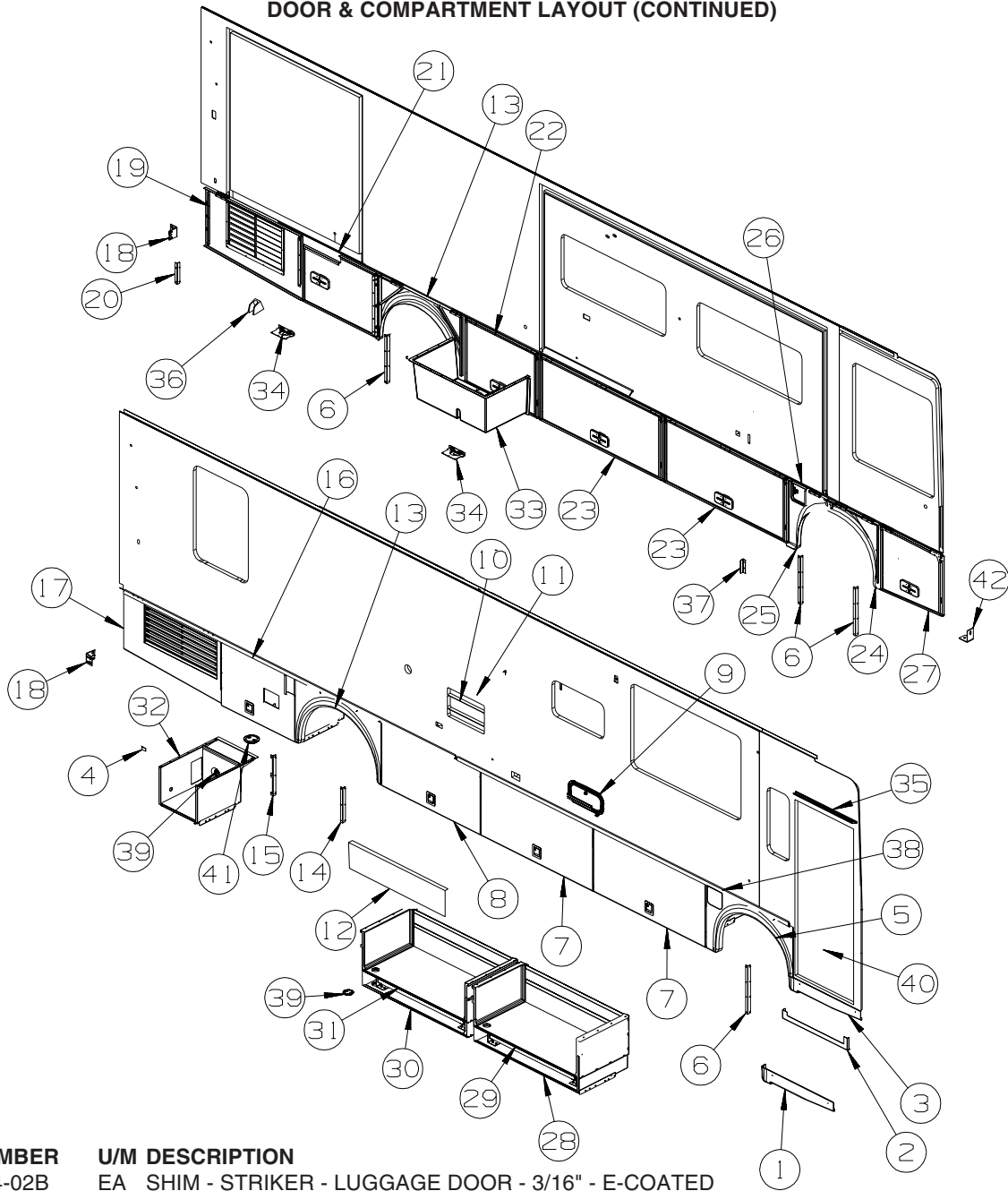


| KEY | PART NUMBER | U/M | DESCRIPTION |
|-----|---------------|-----|---|
| 2 | 131900-02-P75 | EA | VALANCE/PANEL - ENTRY DOOR - PLASTIC - BLACK |
| 2 | 131900-02-P75 | EA | VALANCE/PANEL - ENTRY DOOR - PLASTIC - BLACK - P36SG, SPECIAL EDITION (SE) FROM: 00-00-00 THRU: 01-07-07 |
| 2 | 131900-02-UP5 | EA | VALANCE/PANEL - ENTRY DOOR - PLASTIC - BRIGHT WHITE - P36SG, SPECIAL EDITION (SE) FROM: 01-08-07 THRU: 99-99-99 |
| | 143362-02-02B | EA | CLIP - TRIM - E-COATED |
| 2 | 134125-04-02B | EA | SUPPORT - DOOR/VALANCE - E-COATED |
| 3* | 094708-06-01A | EA | STEP - ELECTRIC - SINGLE - BLACK - KWIKEE |
| | 116975-01-01A | EA | LATCH - W/O STRIKE - BLACK - NEW STYLE |
| 4 | 115620-01-12B | EA | PLATE - BACKING - BRIGHT WHITE |
| 5 | 131922-07-SA0 | EA | PANEL/WHEEL LIP - FRONT/PASSENGER - 47.6" W/FUEL DOOR |
| | 076322-21-000 | FT | TAPE - FOAM/DOUBLE COATED - .045"THK X .50"W |
| 6 | 113904-11-02B | EA | ANGLE - ATTACHMENT/WHEEL LIP - 21.6" - E-COAT |
| 7 | 149777-06-SA0 | EA | VALANCE/DOOR - W/O LATCH/HDW - 61.4" X 28.7" |
| 7 | 149777-06-SA0 | EA | VALANCE/DOOR - W/O LATCH/HDW - 61.4" X 28.7" - P36SG, SPECIAL EDITION (SE) FROM: 00-00-00 THRU: 01-07-07 |
| 7 | 149777-06-UP5 | EA | VALANCE/DOOR - W/O LATCH/HDW - 61.4" X 28.7" - P36SG, SPECIAL EDITION (SE) FROM: 01-08-07 THRU: 99-99-99 |
| | 135624-38-01B | EA | ROD - LATCH |
| | 135624-39-01B | EA | ROD - LATCH |
| | 142569-14-000 | EA | SPRING/GAS - 100 LB - 20" EXTENDED/12" COMPRESSED |

EXTERIOR DOORS & COMPARTMENTS GROUP (CONTINUED)
DOOR & COMPARTMENT LAYOUT (CONTINUED)

| KEY | PART NUMBER | U/M | DESCRIPTION |
|-----|---------------|-----|--|
| | 126263-02-02B | EA | BRACKET - GAS SPRING W/BALL STUD - E-COATED |
| | 130053-01-01A | EA | STRIKER - LUGGAGE DOOR - FLUSH - BLACK |
| | 143793-01-01A | EA | SHIM - STRIKER - LUGGAGE - 3/64" - BLACK |
| | 132892-08-01A | FT | SEAL - BULB/SINGLE - W/U CHANNEL - BLACK |
| 8 | 149777-05-SA0 | EA | VALANCE/DOOR - W/O LATCH/HDW - 54" X 28.7" |
| | 135624-13-01B | EA | ROD - LATCH |
| | 135624-14-01B | EA | ROD - LATCH |
| | 142569-14-000 | EA | SPRING/GAS - 100 LB - 20" EXTENDED/12" COMPRESSED |
| | 126263-02-02B | EA | BRACKET - GAS SPRING W/BALL STUD - E-COATED |
| | 130053-01-01A | EA | STRIKER - LUGGAGE DOOR - FLUSH - BLACK |
| | 143793-01-01A | EA | SHIM - STRIKER - LUGGAGE - 3/64" - BLACK |
| | 132892-08-01A | FT | SEAL - BULB/SINGLE - W/U CHANNEL - BLACK |
| 9 | 126945-09-P07 | EA | DOOR/STORAGE - W/O HARDWARE - 18.3" X 9.9" |
| 9 | 126945-09-R38 | EA | DOOR/STORAGE - W/O HARDWARE - 18.3" X 9.9" - FULL BODY PAINT |
| 10* | 084103-08-000 | EA | DOOR - VENT - REFRIGERATOR - W/O JAMB - BRIGHT WHITE |
| 11 | 084104-08-000 | EA | JAMB - VENT DOOR/REFRIGERATOR - BRIGHT WHITE |
| 12 | 133386-01-02B | EA | PANEL - CLOSEOUT - HOLDING TANK - E-COATED |
| 13 | 131922-03-L76 | EA | PANEL/WHEEL LIP - REAR - 47.2" |
| | 139793-03-01A | EA | HINGE - CENTER/VALANCE DOOR - W/O BALL STUD |
| | 076322-05-000 | FT | TAPE-DOUBLE COATED/ADHESIVE BK-.05"THK X .8"W X 108' - WHT |
| | 076322-21-000 | FT | TAPE - FOAM/DOUBLE COATED - .045"THK X .50"W |
| 14 | 138789-01-02B | EA | ANGLE/MOUNT - WHEEL LIP/BACKWALL - E-COATED |
| 15 | 113904-13-02B | EA | ANGLE - ATTACHMENT/WHEEL LIP - 15.7" - E-COAT |
| 16 | 149777-31-UC1 | EA | VALANCE/DOOR - W/O LATCH/HDW - W/CUT OUT - 40.7" X 28.7" |
| | 135624-45-01B | EA | ROD - LATCH |
| | 135624-46-01B | EA | ROD - LATCH |
| | 142569-15-000 | EA | SPRING/GAS - 120 LB - 20" EXTENDED/12" COMPRESSED |
| | 126263-02-02B | EA | BRACKET - GAS SPRING W/BALL STUD - E-COATED |
| | 130053-01-01A | EA | STRIKER - LUGGAGE DOOR - FLUSH - BLACK |
| | 143793-01-01A | EA | SHIM - STRIKER - LUGGAGE - 3/64" - BLACK |
| | 076322-05-000 | FT | TAPE-DOUBLE COATED/ADHESIVE BK-.05"THK X .8"W X 108' - WHT |
| | 132892-08-01A | FT | SEAL - BULB/SINGLE - W/U CHANNEL - BLACK |
| 17 | 149777-10-SA0 | EA | VALANCE/DOOR - W/O HDW - LOUVERED - 53.6" X 28.7" W/TAPER |
| | 076322-13-000 | FT | TAPE - FOAM/DOUBLE COATED - .020"THK X .75"W - CLEAR |
| | 145993-01-000 | FT | SEAL - "D SECTION" W/ADHESIVE BACK |
| 18 | 140309-03-02B | EA | ANGLE - FURNACE DOOR - E-COATED |
| 19 | 149777-11-SA0 | EA | VALANCE/DOOR - W/O HDW - LOUVERED - 53.3" X 28.7" W/TAPER |
| | 130053-01-01A | EA | STRIKER - LUGGAGE DOOR - FLUSH - BLACK |
| | 143793-01-01A | EA | SHIM - STRIKER - LUGGAGE - 3/64" - BLACK |
| | 076322-13-000 | FT | TAPE - FOAM/DOUBLE COATED - .020"THK X .75"W - CLEAR |
| | 076322-21-000 | FT | TAPE - FOAM/DOUBLE COATED - .045"THK X .50"W |
| 20 | 113904-15-02B | EA | ANGLE - ATTACHMENT/WHEEL LIP - 9.4" - E-COAT |
| 21 | 149777-09-SA0 | EA | VALANCE/DOOR - W/O LATCH/HDW - W/CUT OUT - 41" X 28.7" |
| | 135624-26-01B | EA | ROD - LATCH |
| | 107721-07-000 | FT | SEAL - ACCESS DOOR - .9"WIDE X 1.1"HIGH |
| 22 | 149777-03-SA0 | EA | VALANCE/DOOR - W/O LATCH/HDW - 41" X 28.7" |
| | 135624-32-01B | EA | ROD - LATCH |
| | 135624-33-01B | EA | ROD - LATCH |
| | 142569-16-000 | EA | SPRING/GAS - 90 LB - 20" EXTENDED/12" COMPRESSED |
| | 126263-02-02B | EA | BRACKET - GAS SPRING W/BALL STUD - E-COATED |
| | 130053-01-01A | EA | STRIKER - LUGGAGE DOOR - FLUSH - BLACK |
| | 143793-01-01A | EA | SHIM - STRIKER - LUGGAGE - 3/64" - BLACK |
| | 107721-07-000 | FT | SEAL - ACCESS DOOR - .9"WIDE X 1.1"HIGH |
| 23 | 149777-07-SA0 | EA | VALANCE/DOOR - W/O LATCH/HDW - 67.9" X 28.7" |
| 23 | 149777-07-SA0 | EA | VALANCE/DOOR - W/O LATCH/HDW - 67.9" X 28.7"- P36SG, SPECIAL EDITION (SE) FROM: 00-00-00 THRU: 01-07-07 |
| 23 | 149777-07-UP5 | EA | VALANCE/DOOR - W/O LATCH/HDW - 67.9" X 28.7"- P36SG, SPECIAL EDITION (SE) FROM: 01-08-07 THRU: 99-99-99 |
| | 135624-21-01B | EA | ROD - LATCH |
| | 135624-22-01B | EA | ROD - LATCH |
| | 142569-15-000 | EA | SPRING/GAS - 120 LB - 20" EXTENDED/12" COMPRESSED |
| | 126263-02-02B | EA | BRACKET - GAS SPRING W/BALL STUD - E-COATED |
| | 130053-01-01A | EA | STRIKER - LUGGAGE DOOR - FLUSH - BLACK |
| | 130053-02-01A | EA | STRIKER - LUGGAGE DOOR - OFF SET - BLACK |
| | 143793-01-01A | EA | SHIM/STRIKER - LUGGAGE - 1.5" - BLACK |

EXTERIOR DOORS & COMPARTMENTS GROUP (CONTINUED)
DOOR & COMPARTMENT LAYOUT (CONTINUED)



| KEY | PART NUMBER | U/M | DESCRIPTION |
|-----|---------------|-----|---|
| | 120494-04-02B | EA | SHIM - STRIKER - LUGGAGE DOOR - 3/16" - E-COATED |
| | 132892-08-01A | FT | SEAL - BULB/SINGLE - W/U CHANNEL - BLACK |
| 24 | 136040-01-M70 | EA | PANEL/WHEEL LIP - DRIVER/FRONT WHEELWELL-FRONT SECTION |
| | 139793-03-01A | EA | HINGE - CENTER/VALANCE DOOR - W/O BALL STUD |
| | 076322-05-000 | FT | TAPE-DOUBLE COATED/ADHESIVE BK-.05"THK X .8"W X 108' - WHT |
| | 076322-21-000 | FT | TAPE - FOAM/DOUBLE COATED - .045"THK X .50"W |
| 25 | 136041-02-N70 | EA | PANEL/WHEEL LIP - DRIVER/FRONT WHEELWELL-REAR SECTION |
| 26 | 131905-05-N70 | EA | PANEL/DOOR - FUEL FILL - W/O LOCK - BLACK |
| | 123512-07-02B | EA | BRACKET - DOOR/VALANCE - E-COATED |
| | 138290-01-000 | EA | CASE - W/CAM - W/O CYLINDER/KEY |
| | 153306-01-01A | EA | HINGE - PIANO - 1 1/2" X 5" - UNPAINTED |
| | 139793-03-01A | EA | HINGE - CENTER/VALANCE DOOR - W/O BALL STUD |
| 27 | 149777-08-SA0 | EA | VALANCE/DOOR - W/O LATCH/HDW - 34.9" X 28.7" - W/TAPER |
| 27 | 149777-08-SA0 | EA | VALANCE/DOOR - W/O LATCH/HDW - 34.9" X 28.7" - W/TAPER - P36SG, SPECIAL EDITION (SE) FROM: 00-00-00 THRU: 01-07-07 |
| 27 | 149777-08-UP5 | EA | VALANCE/DOOR - W/O LATCH/HDW - 34.9" X 28.7" - W/TAPER - P36SG, SPECIAL EDITION (SE) FROM: 01-08-07 THRU: 99-99-99 |
| | 135624-41-01B | EA | ROD - LATCH |
| | 135624-42-01B | EA | ROD - LATCH |
| | 142569-27-000 | EA | SPRING/GAS - 112 LB - 17" EXTENDED/11" COMPRESSED |

EXTERIOR DOORS & COMPARTMENTS GROUP (CONTINUED)

DOOR & COMPARTMENT LAYOUT (CONTINUED)

| KEY | PART NUMBER | U/M | DESCRIPTION |
|-----|---------------|-----|--|
| | 126263-02-02B | EA | BRACKET - GAS SPRING W/BALL STUD - E-COATED |
| | 130053-01-01A | EA | STRIKER - LUGGAGE DOOR - FLUSH - BLACK |
| | 143793-01-01A | EA | SHIM - STRIKER - LUGGAGE - 3/64" - BLACK |
| | 132892-08-01A | FT | SEAL - BULB/SINGLE - W/U CHANNEL - BLACK |
| 28 | 149509-02-SA0 | EA | COMPARTMENT - LUGGAGE |
| | 147393-01-02B | EA | RETAINER - COMPARTMENT/SLIDE - E-COATED |
| | 145663-01-000 | EA | SLIDE - TRAY/LUGGAGE - KWIKEE |
| 29 | 149509-01-SA0 | EA | COMPARTMENT - LUGGAGE |
| 30 | 135927-09-N70 | EA | COMPARTMENT - LUGGAGE |
| | 145663-01-000 | EA | SLIDE - TRAY/LUGGAGE - KWIKEE |
| | 147393-01-02B | EA | RETAINER - COMPARTMENT/SLIDE - E-COATED |
| 31 | 145874-02-R68 | EA | COMPARTMENT - LUGGAGE - 59.4" |
| 32 | 132902-03-R68 | EA | COMPARTMENT - LUGGAGE |
| 33 | 144932-02-R68 | EA | COMPARTMENT - DRAINAGE |
| | 112864-01-000 | FT | SEAL - FOAM/BUTYL COVERED - 3/8" X 35' |
| | 098408-01-000 | FT | SEAL - SPONGE RUBBER - CLOSED CELL |
| 34* | 142226-02-01A | EA | HATCH - POWER |
| 35 | 139054-23-01A | EA | CAP - DRIP - JAMB MOUNTED - BRIGHT WHITE |
| 35 | 139054-23-02A | EA | CAP - DRIP - JAMB MOUNTED - BLACK |
| 36 | 131383-03-02A | EA | BRACKET - SHOWER HEAD - WHITE |
| 37 | 113041-15-02B | EA | ANGLE/MOUNT - BUMPER - E-COATED |
| 38 | 131905-07-R83 | EA | PANEL/DOOR - FUEL FILL - W/O LOCK - BLACK |
| 39 | 009426-01-000 | EA | HATCH - POWER CORD - WHITE |
| 40* | 128913-14-06A | EA | DOOR - ENTRY/FRONT - POWER LOCK - BLACK/BLACK |
| 40* | 128913-14-06A | EA | DOOR - ENTRY/FRONT - POWER LOCK - BLACK/BLACK - P36SG, SPECIAL EDITION (SE) FROM: 00-00-00 THRU: 01-07-07 |
| 40* | 128913-14-05A | EA | DOOR - ENTRY/FRONT - POWER LOCK - WHITE/BLACK - P36SG, SPECIAL EDITION (SE) FROM: 01-08-07 THRU: 99-99-99 |

ENTRY DOOR LOCK CYLINDERS

| | | |
|---------------|----|--|
| 138287-11-000 | EA | CYLINDER/LOCK - ENTRY DOOR - MASTER W/3M ICON - (3041) |
| 138287-12-000 | EA | CYLINDER/LOCK - ENTRY DOOR - MASTER W/3M ICON - (3042) |
| 138287-13-000 | EA | CYLINDER/LOCK - ENTRY DOOR - MASTER W/3M ICON - (3043) |
| 138287-14-000 | EA | CYLINDER/LOCK - ENTRY DOOR - MASTER W/3M ICON - (3044) |
| 138287-15-000 | EA | CYLINDER/LOCK - ENTRY DOOR - MASTER W/3M ICON - (3045) |
| 138287-16-000 | EA | CYLINDER/LOCK - ENTRY DOOR - MASTER W/3M ICON - (3046) |
| 138287-17-000 | EA | CYLINDER/LOCK - ENTRY DOOR - MASTER W/3M ICON - (3047) |
| 138287-18-000 | EA | CYLINDER/LOCK - ENTRY DOOR - MASTER W/3M ICON - (3048) |
| 138287-19-000 | EA | CYLINDER/LOCK - ENTRY DOOR - MASTER W/3M ICON - (3049) |
| 138287-20-000 | EA | CYLINDER/LOCK - ENTRY DOOR - MASTER W/3M ICON - (3050) |
| 138292-01-000 | EA | SEAL - LOCK CYLINDER |

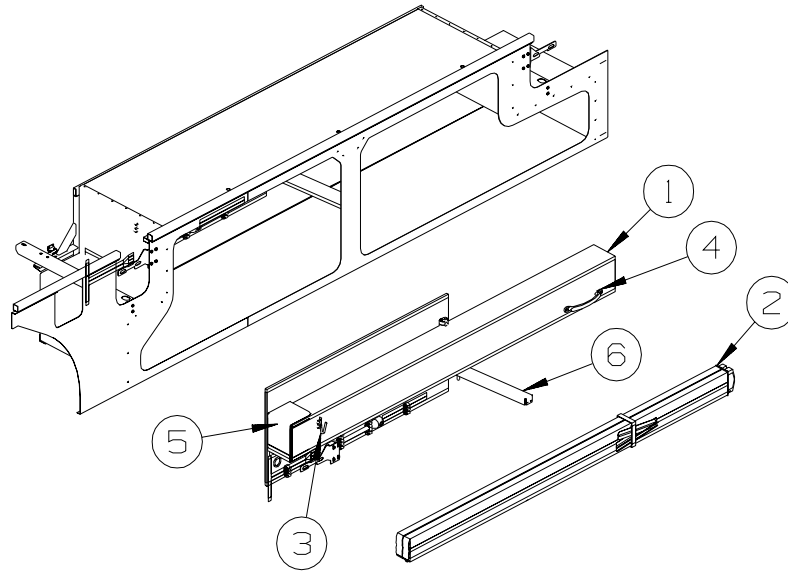
VALANCE DOOR & FUEL FILL DOOR LOCK CYLINDERS

| | | |
|---------------|----|---|
| 138289-11-000 | EA | CYLINDER/LOCK - ACCESS DOORS - REDUCED SENSITIVITY (3041) |
| 138289-12-000 | EA | CYLINDER/LOCK - ACCESS DOORS - REDUCED SENSITIVITY (3042) |
| 138289-13-000 | EA | CYLINDER/LOCK - ACCESS DOORS - REDUCED SENSITIVITY (3043) |
| 138289-14-000 | EA | CYLINDER/LOCK - ACCESS DOORS - REDUCED SENSITIVITY (3044) |
| 138289-15-000 | EA | CYLINDER/LOCK - ACCESS DOORS - REDUCED SENSITIVITY (3045) |
| 138289-16-000 | EA | CYLINDER/LOCK - ACCESS DOORS - REDUCED SENSITIVITY (3046) |
| 138289-17-000 | EA | CYLINDER/LOCK - ACCESS DOORS - REDUCED SENSITIVITY (3047) |
| 138289-18-000 | EA | CYLINDER/LOCK - ACCESS DOORS - REDUCED SENSITIVITY (3048) |
| 138289-19-000 | EA | CYLINDER/LOCK - ACCESS DOORS - REDUCED SENSITIVITY (3049) |
| 138289-20-000 | EA | CYLINDER/LOCK - ACCESS DOORS - REDUCED SENSITIVITY (3050) |
| 138288-11-000 | EA | KEY - REVERSIBLE - #3041 - T/M 16169-02-3041 |
| 138288-12-000 | EA | KEY - REVERSIBLE - #3042 - T/M 16169-02-3042 |
| 138288-13-000 | EA | KEY - REVERSIBLE - #3043 - T/M 16169-02-3043 |
| 138288-14-000 | EA | KEY - REVERSIBLE - #3044 - T/M 16169-02-3044 |
| 138288-15-000 | EA | KEY - REVERSIBLE - #3045 - T/M 16169-02-3045 |
| 138288-16-000 | EA | KEY - REVERSIBLE - #3046 - T/M 16169-02-3046 |
| 138288-17-000 | EA | KEY - REVERSIBLE - #3047 - T/M 16169-02-3047 |
| 138288-18-000 | EA | KEY - REVERSIBLE - #3048 - T/M 16169-02-3048 |
| 138288-19-000 | EA | KEY - REVERSIBLE - #3049 - T/M 16169-02-3049 |
| 138288-20-000 | EA | KEY - REVERSIBLE - #3050 - T/M 16169-02-3050 |

| | | | |
|----|---------------|----|---|
| 41 | 092887-03-000 | EA | HATCH/PLATE - 6.1" FLANGE/4.5" R.O. - BLACK |
| 42 | 123512-07-02B | EA | BRACKET - DOOR/VALANCE - E-COATED |

*COMPONENT PARTS LISTED LATER IN THIS GROUP

EXTERIOR DOORS & COMPARTMENTS GROUP (CONTINUED)
DOOR & COMPARTMENT LAYOUT (CONTINUED)

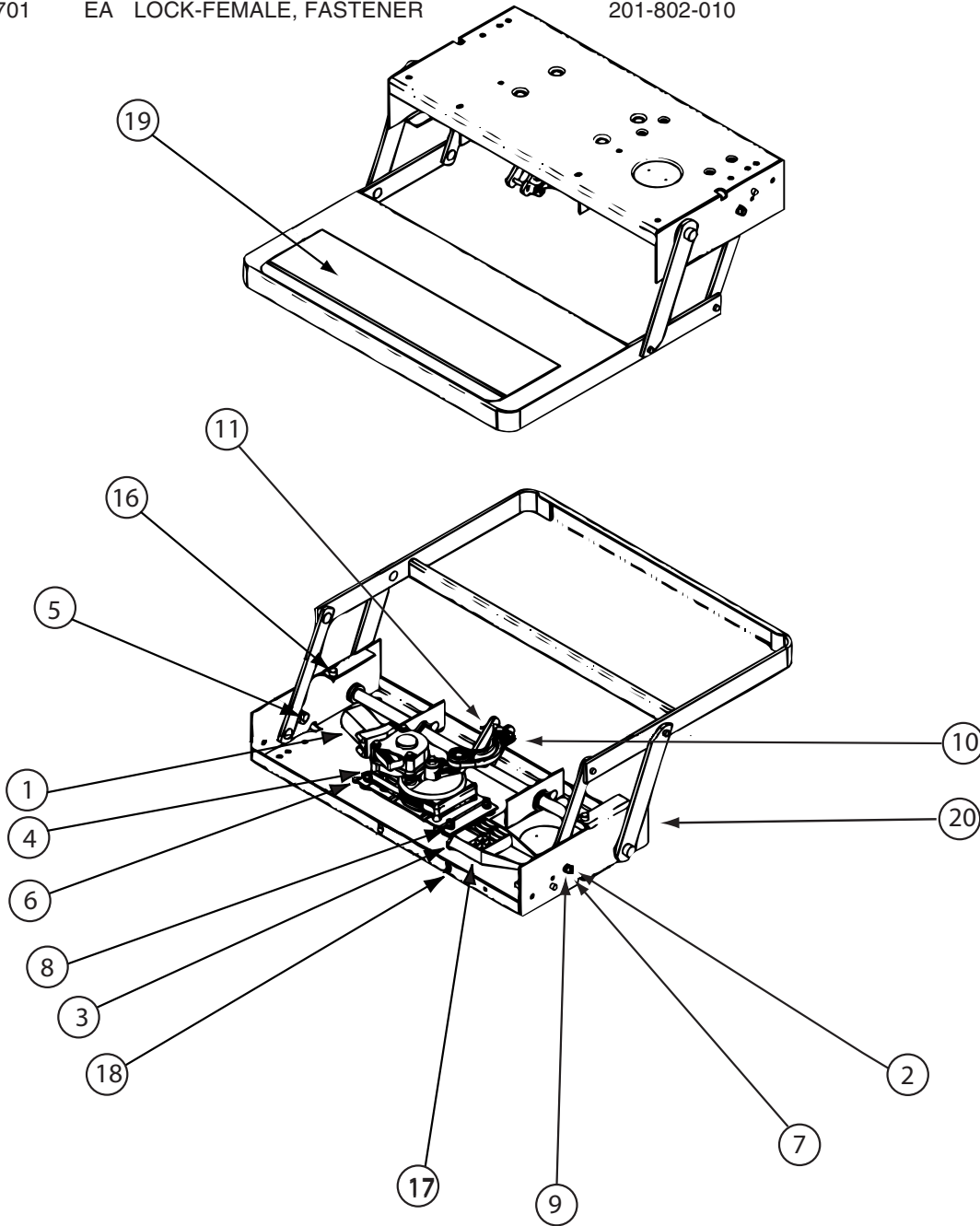


| KEY | PART NUMBER | U/M | DESCRIPTION |
|-----|---------------|-----|---|
| 1 | 148788-01-R83 | EA | CABINET - LADDER BOX - P36G,P39K |
| 1 | 148788-02-R83 | EA | CABINET - LADDER BOX - P34H |
| 2 | 148880-02-01A | EA | LADDER - FOLDING - ALUMINUM - P36G,P39K |
| 2 | 148880-01-01A | EA | LADDER - FOLDING - ALUMINUM - P34H |
| 3 | 143505-01-01A | EA | STRAP - RETAINING W/VELCRO - BLACK |
| | 143506-01-000 | EA | HOOK - J |
| 4 | 009126-03-000 | EA | HANDLE - ASSIST - BLACK TEXTURED |
| 5 | 149366-01-02B | EA | BRACKET - STORAGE BOX/LADDER - E-COATED |
| 6 | 148892-03-02B | EA | CHANNEL - "U" - FORMED - 21.3" - E-COATED - P36G,P39K |
| 6 | 148892-04-02B | EA | CHANNEL - "U" - FORMED - 21.1" - E-COATED - P34H |

EXTERIOR DOORS & COMPARTMENTS GROUP (CONTINUED)
COMPONENT PARTS FOR DOOR & COMPARTMENT LAYOUT

084103-08-000

| KEY | PART NUMBER | U/M | DESCRIPTION | VENDOR NO. |
|-----|---------------|-----|-----------------------|-------------|
| | 084104-01-700 | EA | LOCK-MALE, FASTENER | 201-721-010 |
| | 084104-01-701 | EA | LOCK-FEMALE, FASTENER | 201-802-010 |



094708-06-01A

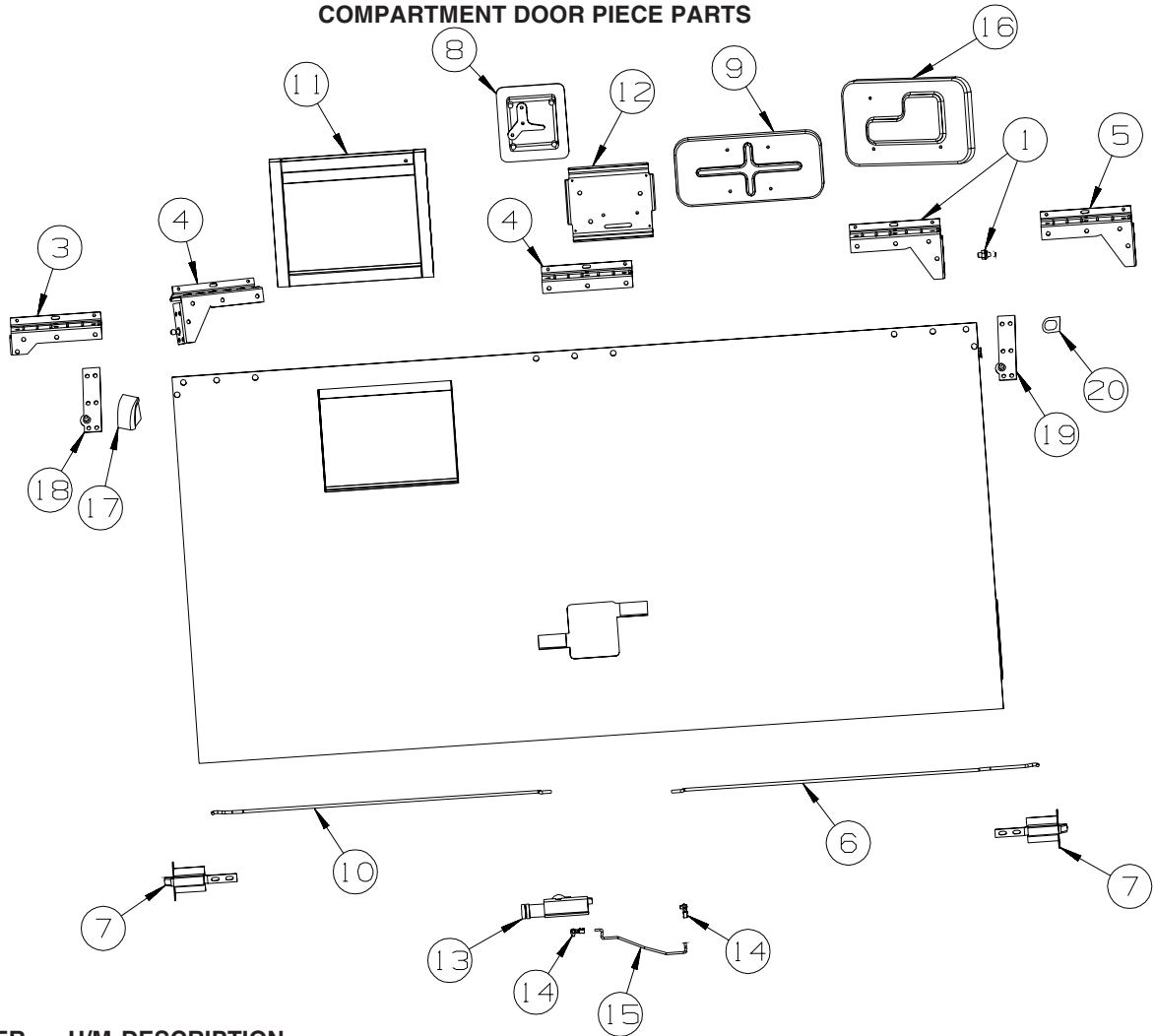
| KEY | PART NUMBER | U/M | DESCRIPTION | VENDOR NO. |
|-----|---------------|-----|------------------------------|------------|
| 1 | 094707-04-701 | EA | MOTOR "AM 214" F/IMGL STEPS | 1101428 |
| 11 | 094707-04-702 | EA | COTTER PIN - W/CLEVIS PIN | 905205000 |
| 16 | 143709-01-701 | EA | BUMPER - BLACK (RUBBER STOP) | 1602000 |
| 17 | 094707-04-700 | EA | CONTROL UNIT W/OVERRIDE | 909510000 |
| 19 | 143709-01-702 | EA | TREAD/NON-SKID _6" X 21" BLK | 1915260 |
| 20 | 094708-06-700 | EA | FRAME W/SGL STEP,28RNF SRS | 3202086 |
| | 094707-03-701 | EA | PLUG - 4-WAY - PACKARD | 909306 |
| | 094707-04-703 | EA | GEAR BOX W/LINKAGE-CURVED | 1101425 |
| | 094707-04-711 | EA | KWIKTEST - W/4-WAY PIGTAIL | 909518000 |

142226-02-01A

| KEY | PART NUMBER | U/M | DESCRIPTION | VENDOR NO. |
|-----|---------------|-----|----------------------------|------------|
| | 142226-02-700 | EA | TAB/LOCKING - ESCAPE (RED) | 9667709 |

EXTERIOR DOORS & COMPARTMENTS GROUP (CONTINUED)

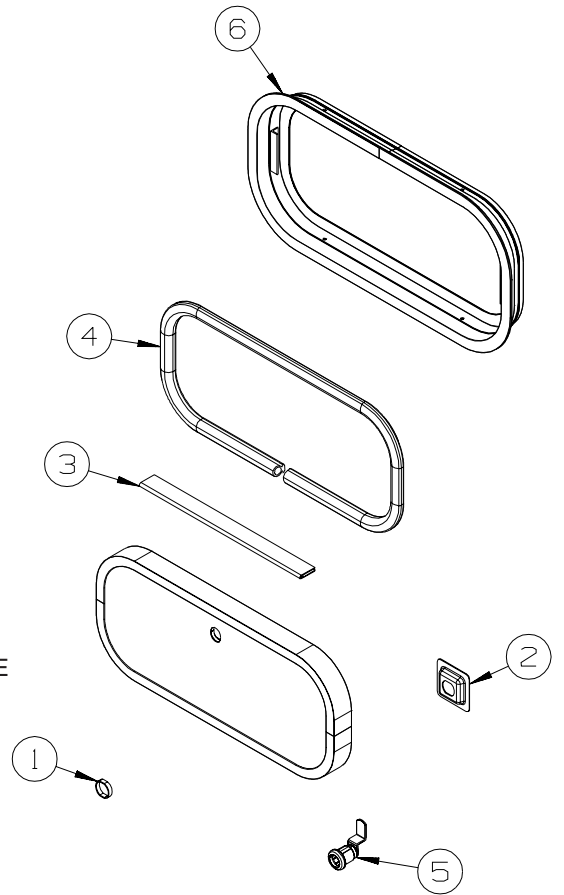
COMPARTMENT DOOR PIECE PARTS



| KEY | PART NUMBER | U/M | DESCRIPTION |
|-----|---------------|-----|---|
| 1 | 139793-01-01A | EA | HINGE - RIGHT HAND/VALANCE DOOR - W/BALL STUD |
| 2 | 139793-02-01A | EA | HINGE - LEFT HAND/VALANCE DOOR - W/BALL STUD |
| 3 | 139793-05-01A | EA | HINGE - LEFT HAND/VALANCE DOOR - W/O BALL STUD |
| 4 | 139793-03-01A | EA | HINGE - CENTER/VALANCE DOOR - W/O BALL STUD |
| 5 | 139793-04-01A | EA | HINGE - RIGHT HAND/VALANCE DOOR - W/O BALL STUD |
| 6 | 135624-71-01B | EA | ROD - LATCH (BLANK) - 37.3" |
| 7 | 121947-01-01A | EA | BOLT - SLIDE W/PLASTIC PLUNGER |
| 8 | 141940-01-01A | EA | LATCH - PADDLE - BLACK |
| 8 | 141940-02-01A | EA | LATCH - PADDLE - NON LOCKING - BLACK |
| 9 | 144172-01-01A | EA | COVER - LATCH - WHITE |
| 9 | 144172-01-02A | EA | COVER - LATCH - BLACK |
| 10 | 132873-02-000 | EA | ROD - LATCH (BLANK) - LEFT HAND |
| 11 | 133049-13-UC1 | EA | TRIM - COVER/WATER HEATER |
| 12 | 141940-04-01A | EA | BRACKET - PADDLE LATCH |
| 13 | 138898-01-000 | EA | ACTUATOR/LOCK - ELECTRIC |
| 14 | 102265-03-000 | EA | CLIP/ROD END - LEFT HAND - .18" - METAL |
| 15 | 141940-03-01A | EA | ROD - PADDLE LATCH |
| 16 | 151904-01-01A | EA | COVER - LATCH/VALANCE DOOR - BRIGHT WHITE |
| 17 | 138643-01-01A | EA | CORNER - VAL DOOR - REAR - RIGHT - BLACK |
| | 138643-02-01A | EA | CORNER - VAL DOOR - REAR - LEFT - BLACK |
| 18 | 147513-01-01A | EA | BALL STUD |
| 19 | 147513-02-01A | EA | BALL STUD |
| 20 | 145993-01-000 | FT | SEAL - "D SECTION" W/ADHESIVE BACK |

EXTERIOR DOORS & COMPARTMENTS GROUP (CONTINUED)
COMPARTMENT DOOR PIECE PARTS (CONTINUED)

| KEY | PART NUMBER | U/M | DESCRIPTION |
|------------|--------------------|------------|--|
| 1 | 139325-01-000 | EA | SPACER - LOCK - 6MM |
| | 139337-01-000 | EA | GASKET - LOCK |
| 2 | 097111-02-04A | EA | POCKET - LOCK - REAR DOOR - BLACK |
| 2 | 097111-02-05A | EA | POCKET - LOCK - REAR DOOR - BRIGHT WHITE |
| 3 | 081801-FN-000 | EA | HINGE - DOOR - PIANO - 2" X 96" - BLACK |
| 3 | 081801-V3-000 | EA | HINGE - DOOR - PIANO - 2" X 96" - BRIGHT WHITE |
| 4 | 156386-01-01A | FT | SEAL - BULB - W/ADHESIVE BACK |
| 5 | 138290-02-000 | EA | CASE - W/CAM - W/O CYLINDER/KEY |
| 6 | 056795-01-000 | FT | TAPE - SEAL - 1/8" X 3/8" WIDE - PRESS ON |



EXTERIOR DOORS & COMPARTMENTS GROUP (CONTINUED)

ENTRY

| KEY | PART NUMBER | U/M | DESCRIPTION |
|-----|---------------|-----|---|
| * | 128913-14-06A | EA | DOOR - ENTRY/FRONT - POWER LOCK - BLACK/BLACK |
| * | 128913-14-06A | EA | DOOR - ENTRY/FRONT - POWER LOCK - BLACK/BLACK - P34SH, P36SG FROM: 00-00-00 THRU: 01-07-07 |
| * | 128913-14-05A | EA | DOOR - ENTRY/FRONT - POWER LOCK - WHITE/BLACK - P34SH, P36SG FROM: 01-08-07 THRU: 99-99-99 |
| | 112782-04-01A | EA | GASKET |
| | 112782-20-01A | EA | LATCH - EXTERIOR - W/O LOCK CYLINDER W/ICON-REVERSIBLE KEY |
| | 112782-21-01A | EA | LATCH - INTERIOR PLATE |
| | 112782-22-01A | EA | LATCH - SINGLE ROTOR |
| | 138898-01-000 | EA | ACTUATOR/LOCK - ELECTRIC |
| | 134450-02-01A | EA | TAPE - ANTI SLIP - 1.25" X 29.9" - BLACK |
| | 138287-11-000 | EA | CYLINDER/LOCK - ENTRY DOOR - MASTER W/3M ICON - (3041) |
| | 138287-12-000 | EA | CYLINDER/LOCK - ENTRY DOOR - MASTER W/3M ICON - (3042) |
| | 138287-13-000 | EA | CYLINDER/LOCK - ENTRY DOOR - MASTER W/3M ICON - (3043) |
| | 138287-14-000 | EA | CYLINDER/LOCK - ENTRY DOOR - MASTER W/3M ICON - (3044) |
| | 138287-15-000 | EA | CYLINDER/LOCK - ENTRY DOOR - MASTER W/3M ICON - (3045) |
| | 138287-16-000 | EA | CYLINDER/LOCK - ENTRY DOOR - MASTER W/3M ICON - (3046) |
| | 138287-17-000 | EA | CYLINDER/LOCK - ENTRY DOOR - MASTER W/3M ICON - (3047) |
| | 138287-18-000 | EA | CYLINDER/LOCK - ENTRY DOOR - MASTER W/3M ICON - (3048) |
| | 138287-19-000 | EA | CYLINDER/LOCK - ENTRY DOOR - MASTER W/3M ICON - (3049) |
| | 138287-20-000 | EA | CYLINDER/LOCK - ENTRY DOOR - MASTER W/3M ICON - (3050) |
| | 138288-11-000 | EA | KEY - REVERSIBLE - #3041 - T/M 16169-02-3041 |
| | 138288-12-000 | EA | KEY - REVERSIBLE - #3042 - T/M 16169-02-3042 |
| | 138288-13-000 | EA | KEY - REVERSIBLE - #3043 - T/M 16169-02-3043 |
| | 138288-14-000 | EA | KEY - REVERSIBLE - #3044 - T/M 16169-02-3044 |
| | 138288-15-000 | EA | KEY - REVERSIBLE - #3045 - T/M 16169-02-3045 |
| | 138288-16-000 | EA | KEY - REVERSIBLE - #3046 - T/M 16169-02-3046 |
| | 138288-17-000 | EA | KEY - REVERSIBLE - #3047 - T/M 16169-02-3047 |
| | 138288-18-000 | EA | KEY - REVERSIBLE - #3048 - T/M 16169-02-3048 |
| | 138288-19-000 | EA | KEY - REVERSIBLE - #3049 - T/M 16169-02-3049 |
| | 138288-20-000 | EA | KEY - REVERSIBLE - #3050 - T/M 16169-02-3050 |

*COMPONENT PARTS LISTED LATER IN THIS GROUP

EXTERIOR DOORS & COMPARTMENTS GROUP (CONTINUED)

COMPONENT PARTS FOR ENTRY

ART NOT YET AVAILABLE

128913-14-05A

| KEY | PART NUMBER | U/M | DESCRIPTION | VENDOR NO. |
|-----|---------------|-----|------------------------------|---------------------|
| 1 | 128913-14-701 | EA | PANEL - OUTER DOOR - WHITE | 490389 |
| 2 | 128913-12-703 | EA | HINGE (TAKES 3) | 490487 |
| 4 | 128913-01-728 | EA | SEAL - DOOR/CORNER- MITERED | 122-041917 |
| 5 | 128913-01-727 | EA | STRIKER BOLT - SPEC COATING | 490780—TM 11628-01 |
| 6 | 106469-04-704 | EA | NUT ASSEMBLY-CAGED W/STRIKER | 11920-16 |
| 9 | 128913-04-714 | EA | RIVET - POP F/EXT DOOR PANEL | 490219 |
| 10 | 128913-12-709 | EA | WINDOW-DUAL PANE | 490751 |
| 18 | 112782-22-01A | EA | LATCH - SINGLE ROTOR | |
| 19 | 128913-05-702 | EA | COVER, BOLT HOLE WHITE CIRCL | 292-042252 |
| 21 | 128913-04-717 | EA | CAP - VINYL - RED | 130-042257 |
| 22 | 128913-13-700 | EA | BUMPER/RUBBER - ENTRY/SCREEN | 490792 |
| 24 | 128913-01-744 | EA | SEAL/BULB-STICK ON/THRESHOLD | 122-042230 |
| 26 | 128913-15-711 | EA | PANEL/INNER PLASTIC-BLACK | 491099 |
| 27 | 128913-15-712 | EA | BACKER PLATE - BLACK | 490940 |
| 30 | 128913-01-714 | EA | CONTACT - MALE/2-POSITION | 400-041934 |
| 31 | 128913-01-713 | EA | CONTACT - FEMALE/2-POSITION | 400-041973 |
| 34 | 128913-15-702 | EA | ACTUATOR - POWER LOCK | 490932 |
| 36 | 128913-15-705 | EA | FRAME/CLAMP - WELD ASM BLACK | 490811 |
| 40 | 128913-01-710 | EA | STRIKER - LATCH/SCREEN DOOR | 130-041815 |
| 41 | 128913-01-709 | EA | TRIKER-SCREEN DR/FRAME MT | 130-041824 |
| 44 | 128913-03-708 | EA | SEAL/HINGE (3 PER DOOR | 124-042236 |
| 45 | 128913-15-706 | EA | LATCH - BRACKET | 490705 |
| 47 | 128913-01-746 | EA | SCREW #8 X 3/4" OVAL HEAD | 276-042030 |
| 48 | 128913-04-700 | FT | TAPE/BUTYL - FOAM CORE | 154-041549 |
| 49 | 106469-05-700 | EA | ROD CLIP | 231-041095 |
| 50 | 128913-12-710 | EA | ROD/LOCK - (POWER) | 203-042371/17770-01 |
| 54 | 128913-15-707 | EA | DOOR CHECK KIT W/HOUSING | 490043 |
| 61 | 128913-01-704 | EA | BRACKET - PIVOT/BRASS | 370-042315 |
| 62 | 128913-02-714 | EA | GUIDE BLOCK - DOOR CHECK | 146-042045 |
| 65 | 128913-04-709 | EA | PIN/CLEVIS-GROOVED W/E-RING | 245-042260 |
| 67 | 128913-01-732 | FT | SEAL - LAZY T | 122-041986 |
| 68 | 128913-01-748 | FT | SEAL/BULB | 132-042483 |

CONTACT WINNEBAGO PARTS SALES FOR UNLISTED COMPONENT(S)

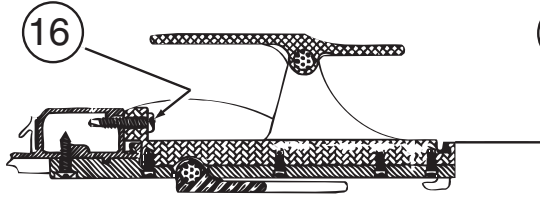
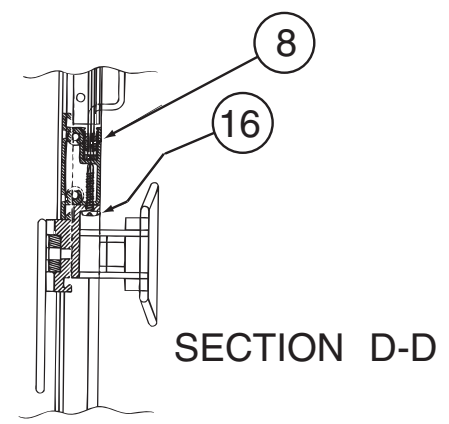
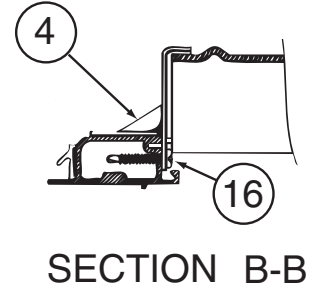
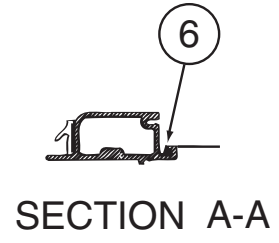
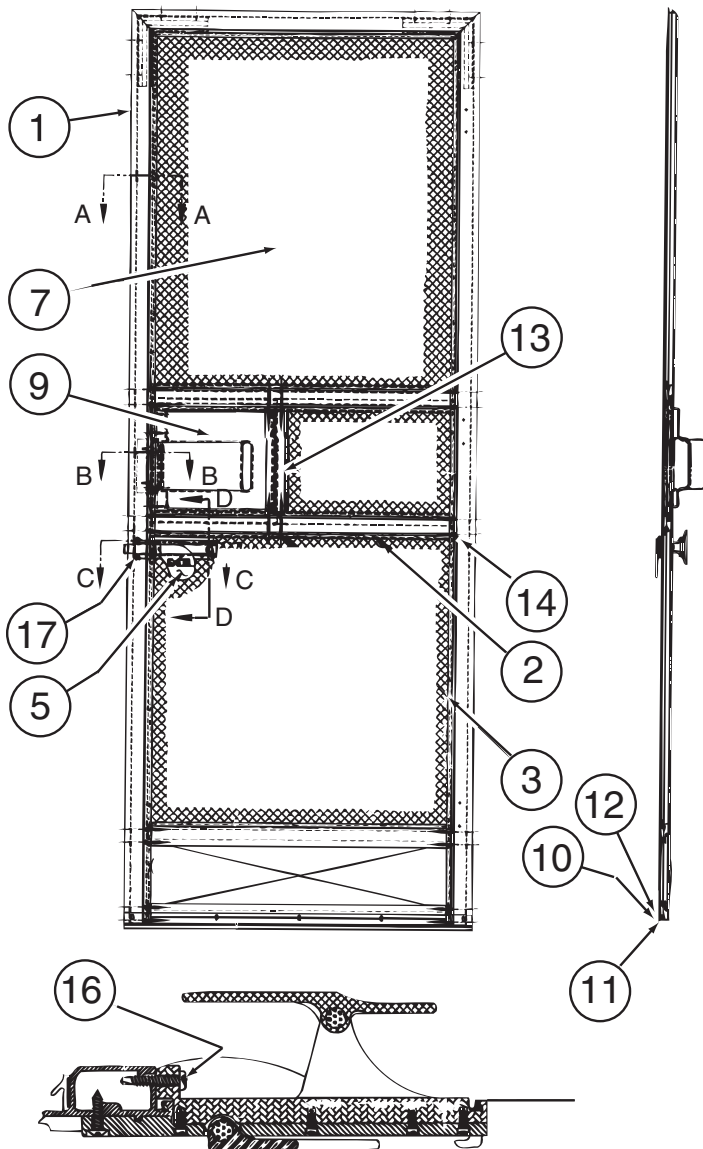
EXTERIOR DOORS & COMPARTMENTS GROUP (CONTINUED)
COMPONENT PARTS FOR ENTRY (CONTINUED)

ART NOT YET AVAILABLE

128913-14-06A

| KEY | PART NUMBER | U/M | DESCRIPTION | VENDOR NO. |
|-----|---------------|-----|---|---------------------|
| 1 | 128913-15-703 | EA | PANEL - OUTER DOOR - BLACK | 490388 |
| 2 | 128913-12-703 | EA | HINGE (TAKES 3) | 490487 |
| 4 | 128913-01-728 | EA | SEAL - DOOR/CORNER- MITERED | 122-041917 |
| 5 | 128913-01-727 | EA | STRIKER BOLT - SPEC COATING | 490780—TM 11628-01 |
| 6 | 106469-04-704 | EA | NUT ASSEMBLY-CAGED W/STRIKER | 11920-16 |
| 9 | 128913-04-714 | EA | RIVET - POP F/EXT DOOR PANEL | 490219 |
| 10 | 128913-12-709 | EA | WINDOW-DUAL PANE | 490751 |
| 19 | 128913-12-714 | EA | COVER - BOLT HOLE - BLACK | 292-042339 |
| 21 | 128913-04-717 | EA | CAP - VINYL - RED | 130-042257 |
| 22 | 128913-13-700 | EA | BUMPER/RUBBER - ENTRY/SCREEN | 490792 |
| 24 | 128913-01-744 | EA | SEAL/BULB-STICK ON/THRESHOLD | 122-042230 |
| 26 | 128913-15-711 | EA | PANEL/INNER PLASTIC-BLACK | 491099 |
| 27 | 128913-15-712 | EA | BACKER PLATE - BLACK | 490940 |
| 30 | 128913-01-714 | EA | CONTACT - MALE/2-POSITION | 400-041934 |
| 31 | 128913-01-713 | EA | CONTACT - FEMALE/2-POSITION | 400-041973 |
| 34 | 128913-15-702 | EA | ACTUATOR - POWER LOCK | 490932 |
| 36 | 128913-15-705 | EA | FRAME/CLAMP - WELD ASM BLACK | 490811 |
| 40 | 128913-01-710 | EA | STRIKER - LATCH/SCREEN DOOR | 130-041815 |
| 41 | 128913-01-709 | EA | TRIKER-SCREEN DR/FRAME MT | 130-041824 |
| 44 | 128913-03-708 | EA | SEAL/HINGE (3 PER DOOR | 124-042236 |
| 45 | 128913-15-706 | EA | LATCH - BRACKET | 490705 |
| 47 | 128913-01-746 | EA | SCREW #8 X 3/4" OVAL HEAD | 276-042030 |
| 48 | 128913-04-700 | FT | TAPE/BUTYL - FOAM CORE | 154-041549 |
| 49 | 106469-05-700 | EA | ROD CLIP | 231-041095 |
| 50 | 128913-12-710 | EA | ROD/LOCK - (POWER) | 203-042371/17770-01 |
| 54 | 128913-15-707 | EA | DOOR CHECK KIT W/HOUSING | 490043 |
| 61 | 128913-01-704 | EA | BRACKET - PIVOT/BRASS | 370-042315 |
| 62 | 128913-02-714 | EA | GUIDE BLOCK - DOOR CHECK | 146-042045 |
| 65 | 128913-04-709 | EA | PIN/CLEVIS-GROOVED W/E-RING | 245-042260 |
| 67 | 128913-01-732 | FT | SEAL - LAZY T | 122-041986 |
| 68 | 128913-01-748 | FT | SEAL/BULB | 132-042483 |
| | | | CONTACT WINNEBAGO PARTS SALES FOR UNLISTED COMPONENT(S) | |

EXTERIOR DOORS & COMPARTMENTS GROUP (CONTINUED)
COMPONENT PARTS FOR ENTRY (CONTINUED)



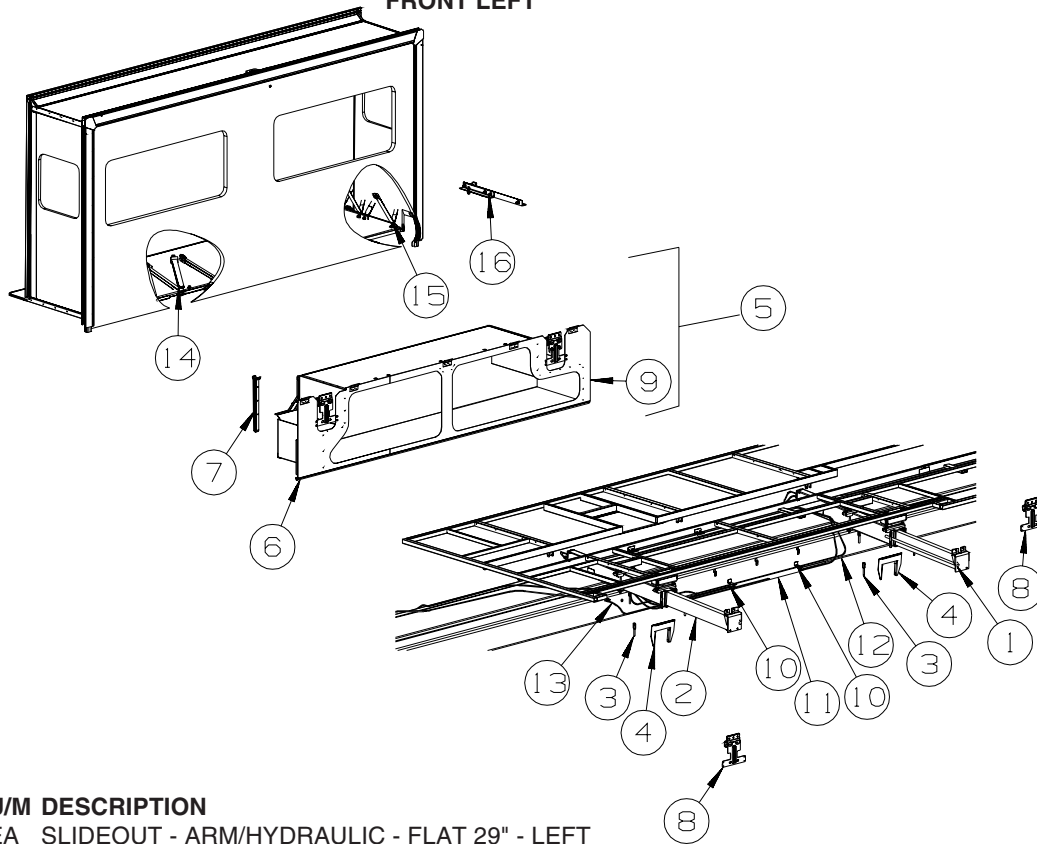
128913-12-03A, 128913-14-01A THRU 06A (CONTINUED)

| KEY | PART NUMBER | U/M | DESCRIPTION | VENDOR NO. |
|-----|---------------|-----|------------------------------|------------|
| 4 | 128913-12-713 | EA | END CAP/SLIDER - BLK/SMOKE | 490319 |
| 5 | 128913-01-731 | EA | LATCH - SCREEN DOOR | 146-041950 |
| 6 | 128913-01-742 | FT | SPLINE - SCREEN | 132-041775 |
| 7 | 128913-01-741 | EA | SCREEN ONLY - SCREENDOOR | 110-041928 |
| 8 | 128913-01-740 | FT | RUN CHANNEL-SCREEN DR SLIDER | 170-041263 |
| 9 | 128913-12-712 | EA | SLIDER/SCREENDOOR-BLK/SMOKE | 490320 |
| 10 | 128913-12-711 | EA | SWEEPER/SCREENDOOR-BLACK | 490742 |
| 11 | 128913-01-736 | FT | WEATHERSTRIP-SCREEN DOOR | 171-041284 |
| 13 | 128913-01-738 | FT | WEATHERSTRIP - SLIDER | 171-041285 |
| | 128913-13-704 | EA | BACKER-F/SCREEN LATCH-BLACK | 130-041818 |

CONTACT WINNEBAGO PARTS SALES FOR UNLISTED COMPONENT(S)

EXTERIOR SLIDEOUT GROUP

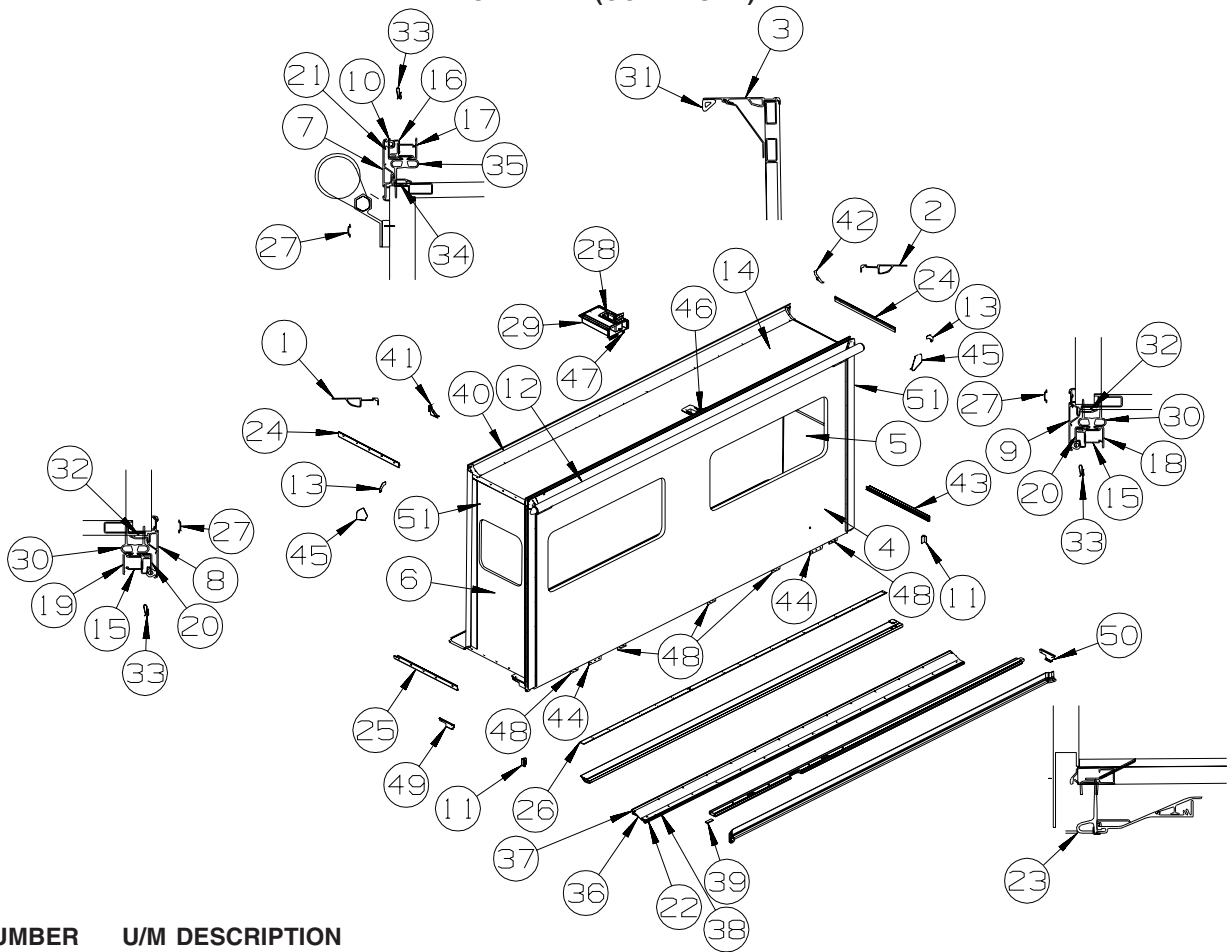
FRONT LEFT



| KEY | PART NUMBER | U/M | DESCRIPTION |
|-----|---------------|-----|--|
| 1* | 152553-01-000 | EA | SLIDEOUT - ARM/HYDRAULIC - FLAT 29" - LEFT FROM: 00-00-00 THRU: 01-07-07 |
| 1 | 163494-02-000 | EA | SLIDEOUT - ARM/HYDRAULIC - 29" - LEFT FROM: 01-08-07 THRU: 99-99-99 |
| | 143738-01-000 | EA | WRENCH - RATCHET - 13/16" X 7/8" |
| 2* | 152553-02-000 | EA | SLIDEOUT - ARM/HYDRAULIC - FLAT 29" - RIGHT FROM: 00-00-00 THRU: 01-07-07 |
| 2 | 163494-01-000 | EA | SLIDEOUT - ARM/HYDRAULIC - 29" - RIGHT FROM: 01-08-07 THRU: 99-99-99 |
| | 143738-01-000 | EA | WRENCH - RATCHET - 13/16" X 7/8" |
| 3 | 151323-02-000 | EA | BOLT - HANGER/STOREMORE - LONG/4.5"X1/2" THREAD - AP31952 |
| 4 | 154254-01-02B | EA | BRACKET - ARM/SLIDEOUT - E-COATED |
| 5 | 157198-01-UC1 | EA | COMPARTMENT - SLIDEOUT |
| 6 | 126516-01-01A | FT | TRIM - VINYL/EXTRUDED - 8' |
| 7 | 126591-02-02B | EA | CARRIER - WIRE LOOM - F/SLIDEOUT ROOM - E-COATED |
| 8 | 152741-03-02B | EA | BRACKET - MOUNT - SLIDEOUT - E-COATED |
| 9 | 157210-01-02B | EA | SEAL PLANE - F/SLIDEOUT - E-COATED |
| 10 | 122922-02-02B | EA | BRACKET/CYLINDER SUPPORT - E-COATED |
| 11* | 152553-03-000 | EA | HOSE KIT - SLIDEOUT/SYNCHRONIZING CYLINDER FROM: 00-00-00 THRU: 12-10-06 |
| 11 | 163102-03-000 | EA | SLIDEOUT - HYDRAULIC - 29" - NOT ILLUSTRATED FROM: 12-11-06 THRU: 99-99-99 |
| 12* | 100536-68-000 | EA | HOSE KIT - F/SLIDEOUT |
| 13 | 155476-02-000 | EA | HOSE KIT - SLIDEOUT |
| 14 | 160167-01-01A | EA | SEAT BELT - 2" X 102" - BLACK |
| 15 | 160167-02-01A | EA | SEAT BELT - 2" X 90" - BLACK |
| 16 | 151078-01-02B | EA | BRACKET - MOUNTING - SEATBELT - E-COATED |

*COMPONENT PARTS LISTED LATER IN THIS GROUP

EXTERIOR SLIDEOUT GROUP (CONTINUED)
FRONT LEFT (CONTINUED)



| KEY | PART NUMBER | U/M | DESCRIPTION |
|-----|---------------|-----|--|
| 1 | 139624-57-02A | EA | TRIM/SEAL - INNER - 71.5" - ALMOND |
| 2 | 139624-58-02A | EA | TRIM/SEAL - INNER - 71.5" - ALMOND |
| 3 | 153113-01-02A | EA | TRIM/SEAL - SLIDEOUT - 158.5" - ALMOND |
| 4 | 156893-11-UC1 | EA | SLUG - F/SLIDEOUT (UD5, UD6, UD7, UN1) |
| 4 | 156893-11-UC5 | EA | SLUG - F/SLIDEOUT (UE1, UE2, UE3, UN2) |
| 4 | 156893-11-UD1 | EA | SLUG - F/SLIDEOUT (UE5, UE6, UE7, UN3) |
| 4 | 156893-11-UP5 | EA | SLUG - F/SLIDEOUT (UP5) |
| 5 | 157026-01-UC1 | EA | PANEL END - F/SLIDEOUT (UD5, UD6, UD7, UN1) |
| 5 | 157026-01-UC5 | EA | PANEL END - F/SLIDEOUT (UE1, UE2, UE3, UN2) |
| 5 | 157026-01-UD1 | EA | PANEL END - F/SLIDEOUT (UE5, UE6, UE7, UN3) |
| 5 | P57026-01-UP5 | EA | PANEL END - F/SLIDEOUT (UP5) |
| 6 | 157026-02-UC1 | EA | PANEL END - F/SLIDEOUT (UD5, UD6, UD7, UN1) |
| 6 | 157026-02-UC5 | EA | PANEL END - F/SLIDEOUT (UE1, UE2, UE3, UN2) |
| 6 | 157026-02-UD1 | EA | PANEL END - F/SLIDEOUT (UE5, UE6, UE7, UN3) |
| 6 | P57026-02-UP5 | EA | PANEL END - F/SLIDEOUT (UP5) |
| 7 | 156417-08-02A | EA | TRIM/SEAL - W/MITERED ENDS - 156.5" - BLACK |
| 7 | 156417-08-01A | EA | TRIM/SEAL - W/MITERED ENDS - 156.5" - BRIGHT WHITE - P36SG |
| 8 | 156417-25-02A | EA | TRIM/SEAL - W/MITERED ENDS - 74.2" - BLACK |
| 8 | 156417-25-01A | EA | TRIM/SEAL - W/MITERED ENDS - 74.2" - BRIGHT WHITE - P36SG |
| 9 | 156417-26-02A | EA | TRIM/SEAL - W/MITERED ENDS - 74.2" - BLACK |
| 9 | 156417-26-01A | EA | TRIM/SEAL - W/MITERED ENDS - 74.2" - BRIGHT WHITE - P36SG |
| 10 | 158297-01-000 | FT | SEAL - D-SECTION/BULB/TEE - ADHESIVE BACK - BLACK |
| 11 | 156480-01-01A | EA | SEAL/BLOCK - SLIDEOUT - 2.6"W X 1.6"H X 1.6"D - BLACK |
| 12 | | | SLIDEOUT AWNING |

ORDER AWNINGS & REPAIR PARTS FROM DOMETIC. CALL #800-366-3842.
THE DOMETIC AWNING INFORMATION YOU WILL NEED IS LOCATED ON THE MOTOR HOME NEAR
THE TOP OF THE AWNING RAIL.

EXTERIOR SLIDEOUT GROUP (CONTINUED)
FRONT LEFT (CONTINUED)

| KEY | PART NUMBER | U/M | DESCRIPTION |
|-----|---------------|-----|---|
| 13 | 156416-01-02B | EA | BRACKET - CORNER TRIM/SLIDEOUT - 3.1" X 3.1" - E-COATED |
| 14 | 156956-01-UC1 | EA | ROOF - F/SLIDEOUT |
| 15 | 142718-01-01A | EA | RETAINER - SIDEWALL/SLIDEOUT - 72.8" |
| 16 | 142718-09-01A | EA | RETAINER - SIDEWALL/SLIDEOUT - 157.6" |
| 17 | 151761-04-02A | EA | TRIM - SIDEWALL/SLIDEOUT/TOP - 159.5" - ALMOND |
| 18 | 151760-02-02A | EA | TRIM - SIDEWALL/SLIDEOUT - 74.8" - ALMOND |
| 19 | 151760-01-02A | EA | TRIM - SIDEWALL/SLIDEOUT - 74.8" - ALMOND |
| 20 | 136824-38-02A | EA | TRIM - SIDEWALL/SLIDEOUT - 74.6" - BLACK |
| 21 | 136824-11-02A | EA | TRIM - SIDEWALL/SLIDEOUT - 159.8" - BLACK |
| 22 | 153109-10-01A | EA | ANGLE/RETAINER - SEAL - .5" X .5" X 156.7" - MILL |
| 23 | 152446-01-000 | FT | SEAL - SLIDEOUT/FLOOR |
| 24 | 158375-01-02A | EA | TRIM - FEATURE STRIP - 29.6" - BLACK |
| 25 | 158349-03-02A | EA | TRIM - FEATURE - LOWER - 31.8" - BLACK |
| 26 | 152641-01-000 | EA | SKID/GLIDE - SLIDEOUT ROOM - 1/4"X2"X95.5" - POLYETHYLENE |
| 27 | 105312-01-13A | FT | INSERT - FEATURE STRIP - VINYL - BLACK |
| 27 | 105312-01-07A | FT | INSERT - FEATURE STRIP - VINYL - BRIGHT WHITE - P36SG |
| 28* | 153651-02-01A | EA | LOCK/LATCH - TRAVEL/SLIDEOUT - W/MOTOR - LEFT HAND - BLACK - NOT ILLUSTRATED FROM: 00-00-00 THRU: 09-25-06 |
| 28 | 153651-04-01A | EA | LOCK/LATCH - TRAVEL/SLIDEOUT - W/MOTOR - LEFT HAND - BLACK FROM: 09-26-06 THRU: 99-99-99 |
| 29 | 155194-01-01A | EA | COVER - LATCH/TRAVEL- PLASTIC - BLACK |
| 30 | 136978-01-01A | FT | SEAL - SLIDEOUT - SINGLE WIPE LIP - BLACK - NOT ILLUSTRATED FROM: 00-00-00 THRU: 05-07-06 |
| 30 | 153161-01-01A | FT | SEAL - SLIDEOUT - DOUBLE WIPE LIP - BLACK FROM: 05-08-06 THRU: 99-99-99 |
| 31 | 146056-01-000 | FT | SEAL - TRIANGLE - W/PSA |
| 32 | 133954-48-02A | EA | TRIM/SEAL - 71.7" - BLACK - NOT ILLUSTRATED FROM: 00-00-00 THRU: 04-16-06 |
| 32 | 146606-48-02A | EA | TRIM/RETAINER - 69.3" - BLACK FROM: 04-17-06 THRU: 99-99-99 |
| 33 | 142549-01-000 | EA | CLIP - "S" TYPE |
| 34 | 133954-01-02A | EA | TRIM/SEAL - 154.3" - BLACK - NOT ILLUSTRATED FROM: 00-00-00 THRU: 04-16-06 |
| 34 | 146606-01-02A | EA | TRIM/RETAINER - 153.5" - BLACK FROM: 04-17-06 THRU: 99-99-99 |
| 35 | 136978-02-01A | FT | SEAL - SLIDEOUT/TOP - SINGLE WIPE LIP - BLACK |
| 36 | 152602-10-01A | EA | RAMP - SLIDEOUT - FLOOR/COACH - 157" - MILL |
| 37 | 153106-17-01A | EA | COVER - RAMP/FLOOR - VINYL/CARPET - 3.2" X 157" - BRT WHT |
| 38 | 153108-10-01A | EA | SPACER - RAMP - SLIDEOUT FLOOR - 157" - MILL |
| 39 | 156475-01-000 | EA | FILTER/FOAM - DRAIN HOLE COVER/SEAL - 60PPI - 1/4"X1"X3" |
| 40 | 153114-01-02A | EA | TRIM/RETAINER - 154.1" - BLACK |
| 41 | 153115-01-01A | EA | COVER - TRIM - SLIDEOUT - INNER/TOP/RH - BLACK |
| 42 | 153115-02-01A | EA | COVER - TRIM - SLIDEOUT - INNER/TOP/LH - BLACK |
| 43 | 158349-04-02A | EA | TRIM - FEATURE - LOWER - 31.8" - BLACK |
| 44 | 153104-01-01A | EA | BRACKET/MOUNT - 1.7" X 3.2" X 5.9" |
| 45 | 156151-01-01A | EA | PROTECTOR - CORNER - SLIDEOUT - BLACK |
| 46 | 156015-01-01A | EA | TAPE/PROTECTION - .06" X 1.25" X 3.5" - W/PSA - NATURAL WHT |
| 47 | 155262-01-01A | EA | TUBE/DRAIN - LATCH/TRAVEL/ROOF - BLACK |
| 48 | 153821-01-01A | EA | BRACKET - MOUNT/SEAL PLANE - BLACK |
| 49 | 153800-01-02B | EA | BRACKET - CLOSEOUT/RH - SLIDEOUT - E-COATED |
| 50 | 153800-02-02B | EA | BRACKET - CLOSEOUT/LH - SLIDEOUT - E-COATED |
| 51 | 093681-39-01A | FT | FILM - 3.1" - FLAT BLACK |

*COMPONENT PARTS LISTED LATER IN THIS GROUP

EXTERIOR SLIDEOUT GROUP (CONTINUED)
COMPONENT PARTS FOR FRONT SLIDEOUT

100536-52-000

| KEY | PART NUMBER | U/M | DESCRIPTION | VENDOR NO. |
|------------|--------------------|------------|------------------------------|-------------------|
| | 100536-52-700 | EA | HOSE-HYDRAULIC - 1/4" X 207" | RAP90119/AP11212 |
| | 100536-52-701 | EA | HOSE-HYDRAULIC 1/4" X 228" | AP5924 |

152553-01-000, 152553-02-000

| KEY | PART NUMBER | U/M | DESCRIPTION | VENDOR NO. |
|------------|--------------------|------------|------------------------------|-------------------|
| | 152553-01-700 | EA | RAM/CYLINDER - SLIDEOUT ROOM | RAP91755 |
| | 145494-02-705 | EA | KIT - ROOM RETRACTING | RAP91357 |

152553-03-000

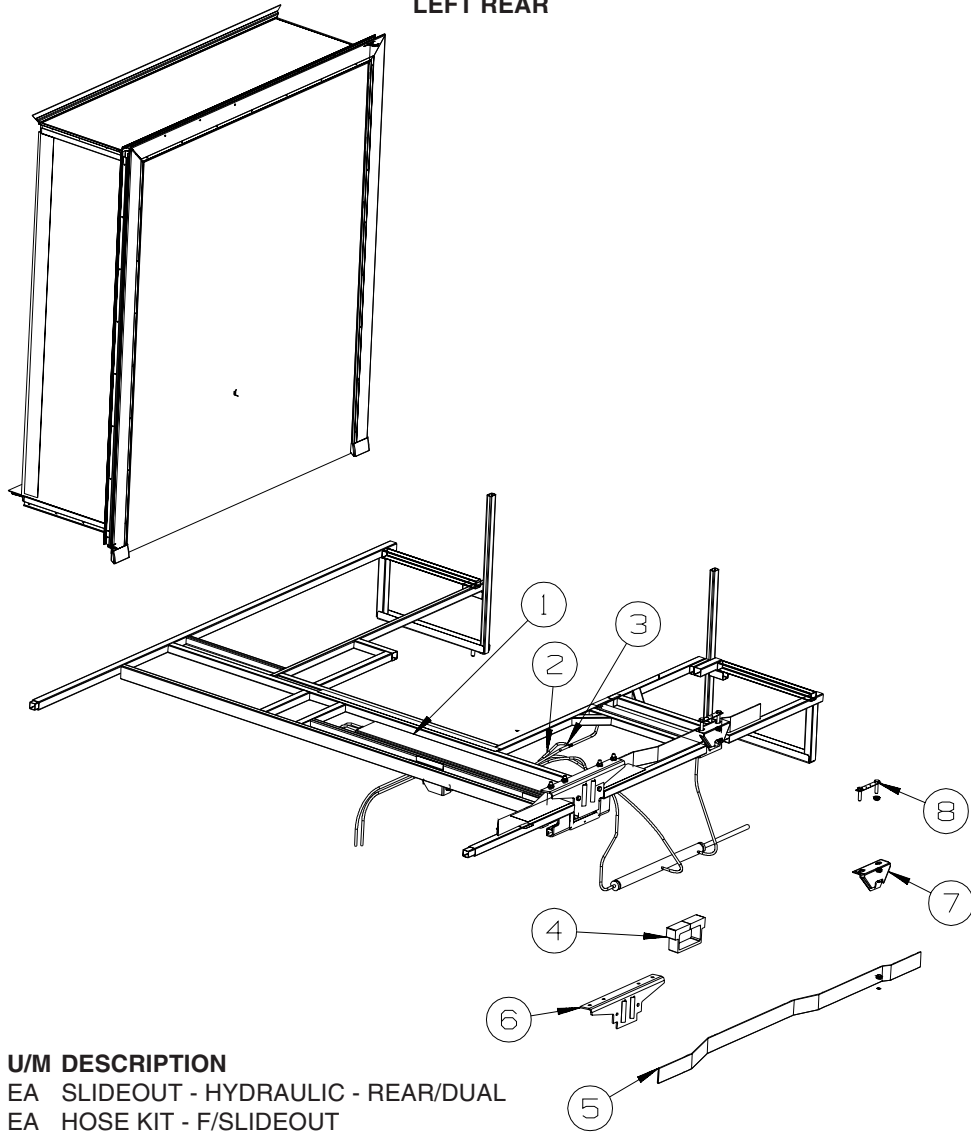
| KEY | PART NUMBER | U/M | DESCRIPTION | VENDOR NO. |
|------------|--------------------|------------|--------------------------|-------------------|
| | 132540-01-701 | EA | CYLINDER - SYNCHRONIZING | RAP90690/AP17966 |

153651-02-01A

| KEY | PART NUMBER | U/M | DESCRIPTION | VENDOR NO. |
|------------|--------------------|------------|--------------------------|-------------------|
| | 153651-01-701 | EA | LIMIT - SWITCH | 1812996 |
| | 153651-01-702 | EA | COVER/BOOT - SEAL | 1612011 |
| | 153651-02-700 | EA | MOTOR/LH - F/TRAVEL LOCK | 1820131 |
| | 153651-02-701 | EA | BRACKET/MOUNTING - MOTOR | 1102223 |

EXTERIOR SLIDEOUT GROUP (CONTINUED)

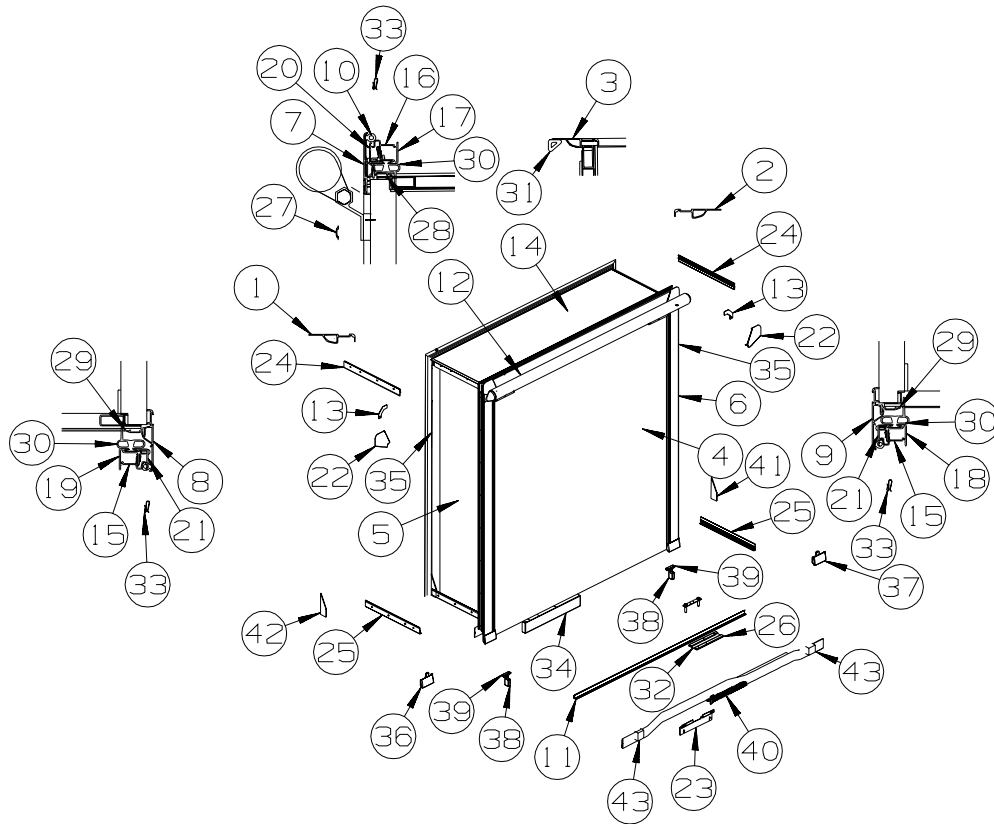
LEFT REAR



| KEY | PART NUMBER | U/M | DESCRIPTION |
|-----|---------------|-----|---|
| 1* | 139507-01-000 | EA | SLIDEOUT - HYDRAULIC - REAR/DUAL |
| 2* | 100536-46-000 | EA | HOSE KIT - F/SLIDEOUT |
| 3 | 123264-01-000 | EA | TEE - UNION - 1/4" X 1/4" X 1/4" |
| 4 | 140664-01-01A | EA | SEAL/RAM - F/SLIDEOUT |
| 5 | 115075-03-000 | FT | SEAL - WIPE - .25" X 2.9" |
| 6 | 136963-01-02B | EA | BRACKET - SLIDEOUT - E-COATED |
| 7 | 139407-03-02B | EA | BRACKET/MOUNT - F/SLIDEOUT - E-COATED |
| 8 | 136995-07-02B | EA | PLATE W/BOLTS - 5.9" X 1" W/1/2" X 2" BOLTS |

*COMPONENT PARTS LISTED LATER IN THIS GROUP

EXTERIOR SLIDEOUT GROUP (CONTINUED)
LEFT REAR (CONTINUED)



| KEY | PART NUMBER | U/M | DESCRIPTION |
|-----|---------------|-----|---|
| 1 | 139624-15-02A | EA | TRIM/SEAL - INNER/RIGHT HAND - 72.9" - ALMOND |
| 2 | 139624-16-02A | EA | TRIM/SEAL - INNER/LEFT HAND - 72.9" - ALMOND |
| 3 | 139624-08-02A | EA | TRIM/SEAL - INNER/TOP - 70.1" - ALMOND |
| 4 | 156893-12-UC1 | EA | SLUG - F/SLIDEOUT (UD5, UD6, UD7, UN1) |
| 4 | 156893-12-UC5 | EA | SLUG - F/SLIDEOUT (UE1, UE2, UE3, UN2) |
| 4 | 156893-12-UD1 | EA | SLUG - F/SLIDEOUT (UE5, UE6, UE7, UN3) |
| 4 | 156893-12-UP5 | EA | SLUG - F/SLIDEOUT (UP5) |
| 5 | 153674-01-UC1 | EA | PANEL END - F/SLIDEOUT (UD5, UD6, UD7, UN1) |
| 5 | 153674-01-TA0 | EA | PANEL END - F/SLIDEOUT (UE1, UE2, UE3, UN2) |
| 5 | 153674-01-TS0 | EA | PANEL END - F/SLIDEOUT (UE5, UE6, UE7, UN3) |
| 5 | P53674-01-UP5 | EA | PANEL END - F/SLIDEOUT (UP5) |
| 6 | 153675-01-UC1 | EA | PANEL END - F/SLIDEOUT (UD5, UD6, UD7, UN1) |
| 6 | 153675-01-TA0 | EA | PANEL END - F/SLIDEOUT (UE1, UE2, UE3, UN2) |
| 6 | 153675-01-TS0 | EA | PANEL END - F/SLIDEOUT (UE5, UE6, UE7, UN3) |
| 6 | P53675-01-UP5 | EA | PANEL END - F/SLIDEOUT (UP5) |
| 7 | 156417-07-02A | EA | TRIM/SEAL - W/MITERED ENDS - 68.4" - BLACK |
| 7 | 156417-07-01A | EA | TRIM/SEAL - W/MITERED ENDS - 68.4" - BRIGHT WHITE - P36SG |
| 8 | 156417-23-02A | EA | TRIM/SEAL - W/MITERED ENDS - 74.5" - BLACK |
| 8 | 156417-23-01A | EA | TRIM/SEAL - W/MITERED ENDS - 74.5" - BRIGHT WHITE - P36SG |
| 9 | 156417-24-02A | EA | TRIM/SEAL - W/MITERED ENDS - 74.5" - BLACK |
| 9 | 156417-24-01A | EA | TRIM/SEAL - W/MITERED ENDS - 74.5" - BRIGHT WHITE - P36SG |
| 10 | 158297-01-000 | FT | SEAL - D-SECTION/BULB/TEE - ADHESIVE BACK - BLACK |
| 11 | 151282-06-01A | EA | TRIM - CARPET EDGE/F-ANGLE - 62.7" - BLACK |
| 12 | | | SLIDEOUT AWNING |

ORDER AWNINGS & REPAIR PARTS FROM DOMETIC. CALL #800-366-3842.
THE DOMETIC AWNINGINFORMATION YOU WILL NEED IS LOCATED ON THE MOTOR HOME NEAR
THE TOP OF THE AWNING RAIL.

EXTERIOR SLIDEOUT GROUP (CONTINUED)
LEFT REAR (CONTINUED)

| KEY | PART NUMBER | U/M | DESCRIPTION | |
|------------|--------------------|------------|---|-------------------------------|
| 13 | 156416-01-02B | EA | BRACKET - CORNER TRIM/SLIDEOUT - 3.1" X 3.1" - E-COATED | |
| 14 | 141228-02-UC1 | EA | ROOF - F/SLIDEOUT | |
| 15 | 142718-01-01A | EA | RETAINER - SIDEWALL/SLIDEOUT - 72.8" | |
| 16 | 142718-21-01A | EA | RETAINER - SIDEWALL/SLIDEOUT - 69.5" | |
| 17 | 151761-03-02A | EA | TRIM - SIDEWALL/SLIDEOUT/TOP - 71.3" - ALMOND | |
| 18 | 151760-03-02A | EA | TRIM - SIDEWALL/SLIDEOUT - 74.5" - ALMOND | |
| 19 | 151760-04-02A | EA | TRIM - SIDEWALL/SLIDEOUT - 74.5" - ALMOND | |
| 20 | 136824-12-02A | EA | TRIM - SIDEWALL/SLIDEOUT - 71.4" - BLACK | |
| 21 | 136824-38-02A | EA | TRIM - SIDEWALL/SLIDEOUT - 74.6" - BLACK | |
| 22 | 156151-01-01A | EA | PROTECTOR - CORNER - SLIDEOUT - BLACK | |
| 23 | 137112-02-02B | EA | BRACKET - COVER - SLIDEOUT - E-COATED | |
| 24 | 158375-03-02A | EA | TRIM - FEATURE STRIP - 20.6" - BLACK | |
| 25 | 157385-03-02A | EA | TRIM - FEATURE STRIP/LOWER - 26.9" - BLACK | |
| 26 | 115325-16-01A | EA | RAIL - FLOOR/SLIDEOUT ROOM - 9.8" LONG - BLACK | |
| 27 | 105312-01-13A | FT | INSERT - FEATURE STRIP - VINYL - BLACK | |
| 27 | 105312-01-07A | FT | INSERT - FEATURE STRIP - VINYL - BRIGHT WHITE - P36SG | |
| 28 | 133954-20-02A | EA | TRIM/SEAL - 64.1" - BLACK - NOT ILLUSTRATED | |
| | | | | FROM: 00-00-00 THRU: 04-16-06 |
| 28 | 146606-20-02A | EA | TRIM/SEAL - 64.1" - BLACK | |
| | | | | FROM: 04-17-06 THRU: 99-99-99 |
| 29 | 133954-48-02A | EA | TRIM/SEAL - 71.7" - BLACK - NOT ILLUSTRATED | |
| | | | | FROM: 00-00-00 THRU: 04-16-06 |
| 29 | 146606-48-02A | EA | TRIM/RETAINER - 69.3" - BLACK | |
| | | | | FROM: 04-17-06 THRU: 99-99-99 |
| 30 | 136978-01-01A | FT | SEAL - SLIDEOUT - BLACK | |
| 31 | 146056-01-000 | FT | SEAL - TRIANGLE - W/PSA | |
| 32 | 115661-01-000 | FT | SHOE/GLIDE - SLIDEOUT ROOM - 1/16" X 3" - POLYETHYLENE | |
| 33 | 142549-01-000 | EA | CLIP - "S" TYPE | |
| 34 | 137125-04-N74 | EA | COVER - RAM - F/SLIDEOUT | |
| 35 | 093681-39-01A | FT | FILM - 3.1" - FLAT BLACK | |
| 36 | 148593-01-02A | EA | CAP - F/SLIDEOUT TRIM - BLACK | |
| 37 | 148593-02-02A | EA | CAP - F/SLIDEOUT TRIM - BLACK | |
| 38 | 126313-09-02B | EA | SUPPORT - ROLLER - SLIDE-OUT ROOM - E-COATED | |
| 39 | 134855-01-000 | EA | BEARING PAD - NARROW | |
| 40 | 143172-01-01A | EA | CARRIER ASM-WIRE, BLACK | |
| 41 | 157809-01-01A | EA | SEAL - FOAM BLOCK/RIGHT SIDE - ADHESIVE BACK | |
| 42 | 157809-02-01A | EA | SEAL - FOAM BLOCK/LEFT SIDE - ADHESIVE BACK | |
| 43 | 137408-01-000 | EA | SEAL - BLOCK - F/SLIDEOUT - 2.2" | |
| | | | | FROM: 04-17-06 THRU: 99-99-99 |

COMPONENT PARTS FOR LEFT REAR SLIDEOUT

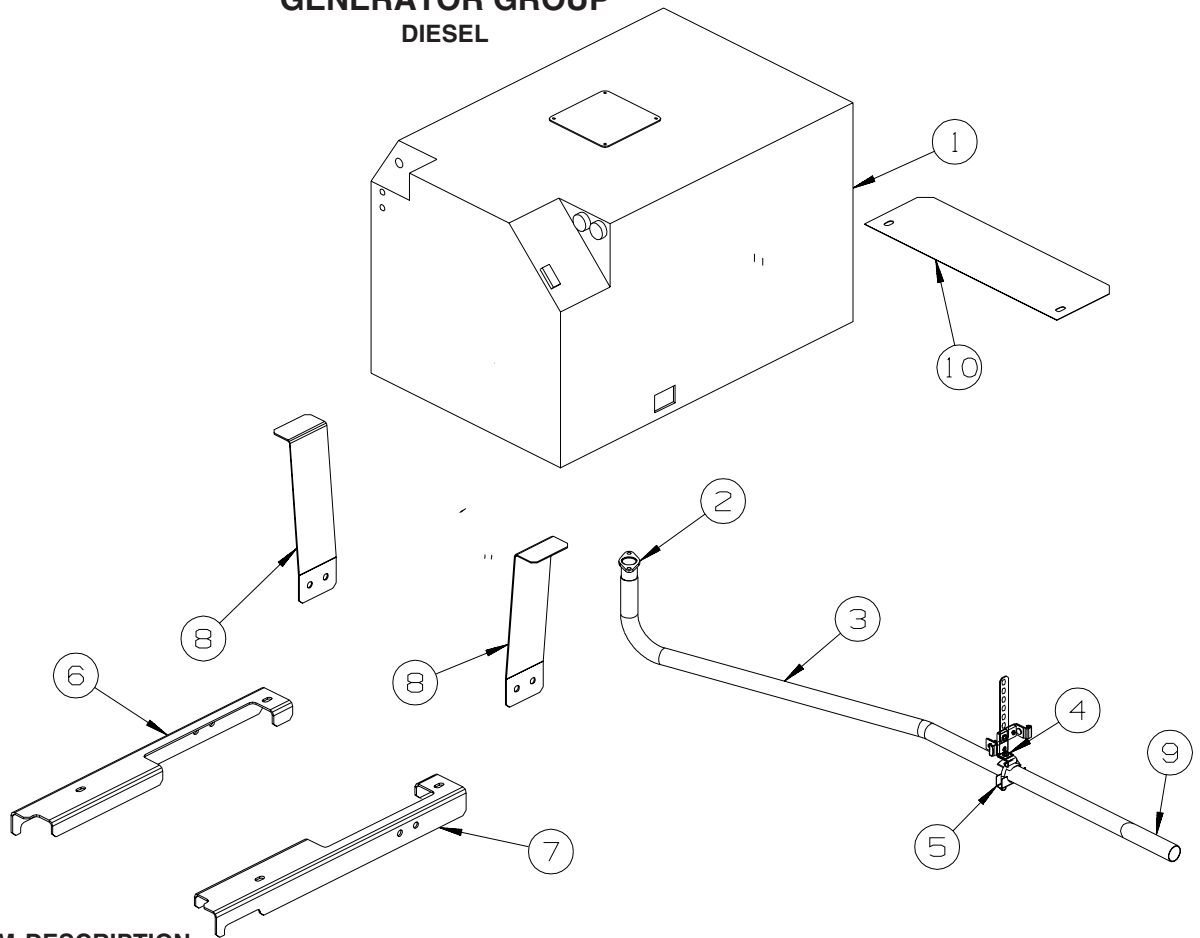
100536-46-000

| KEY | PART NUMBER | U/M | DESCRIPTION | VENDOR NO. |
|------------|--------------------|------------|------------------------------|-------------------|
| | 100536-46-700 | EA | HOSE/HYDRAULIC - 1/4" X 408" | RAP4669/AP4669 |
| | 100536-46-701 | EA | HOSE/HYDRAULIC - 1/4" X 412" | AP7130 |

139507-01-000

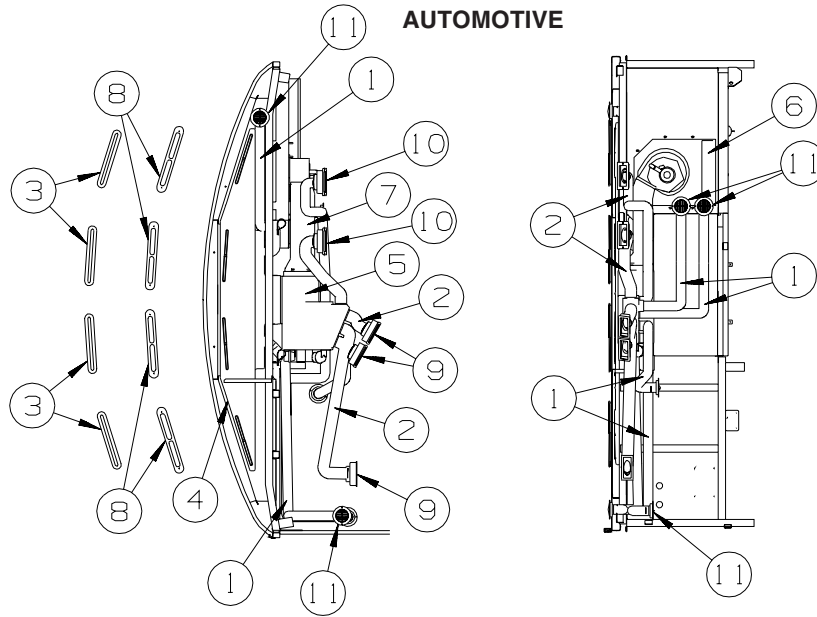
| KEY | PART NUMBER | U/M | DESCRIPTION | VENDOR NO. |
|------------|--------------------|------------|------------------------------|-------------------|
| | 115767-01-703 | EA | HOSE-HYD., 90" F/SLIDEOUT | RAP90001/AP2445 |
| | 139507-01-700 | EA | CYLINDER - SYNCRONIZING | RAP90879/AP24825 |
| | 139507-01-701 | EA | HOSE - HYDRAULIC 1/8" X 102" | AP23738 |
| | 139507-01-702 | EA | CYLINDER - ASSIST | RAP90878/AP25743 |
| | 139507-01-703 | EA | CYLINDER/RAM - MAIN | RAP90877/AP23286 |
| | 139507-01-704 | EA | RESTRICTOR/PROPORTION VALVE | RAP90819/AP10195 |

GENERATOR GROUP DIESEL



| KEY | PART NUMBER | U/M | DESCRIPTION |
|-----|---------------|-----|---|
| 1 | 158258-01-000 | EA | GENERATOR - 8.0KW DIESEL - ONAN #HDKAK/1145 |
| 2 | 106235-01-000 | EA | ADAPTOR - GENERATOR EXHAUST |
| 3 | 137330-03-000 | EA | PIPE - EXHAUST - GENERATOR/DIESEL |
| 4 | 007131-01-000 | EA | HANGER - TAILPIPE - 6 SLOTS |
| 5 | 007125-03-000 | EA | CLAMP - MUFFLER - 1.5" DIAMETER |
| 6 | 137328-02-02B | EA | SUPPORT - GENERATOR - LH - E-COATED |
| 7 | 137328-01-02B | EA | SUPPORT - GENERATOR - RH - E-COATED |
| 8 | 137329-02-02B | EA | BRACKET - HANGAR/GENERATOR - E-COATED |
| 9 | 138246-01-01A | EA | EXTENSION - TAILPIPE - 1.6"ID X 7.7" |
| 10 | 156768-01-02B | EA | SHIELD/HEAT - GENERATOR - E-COATED |

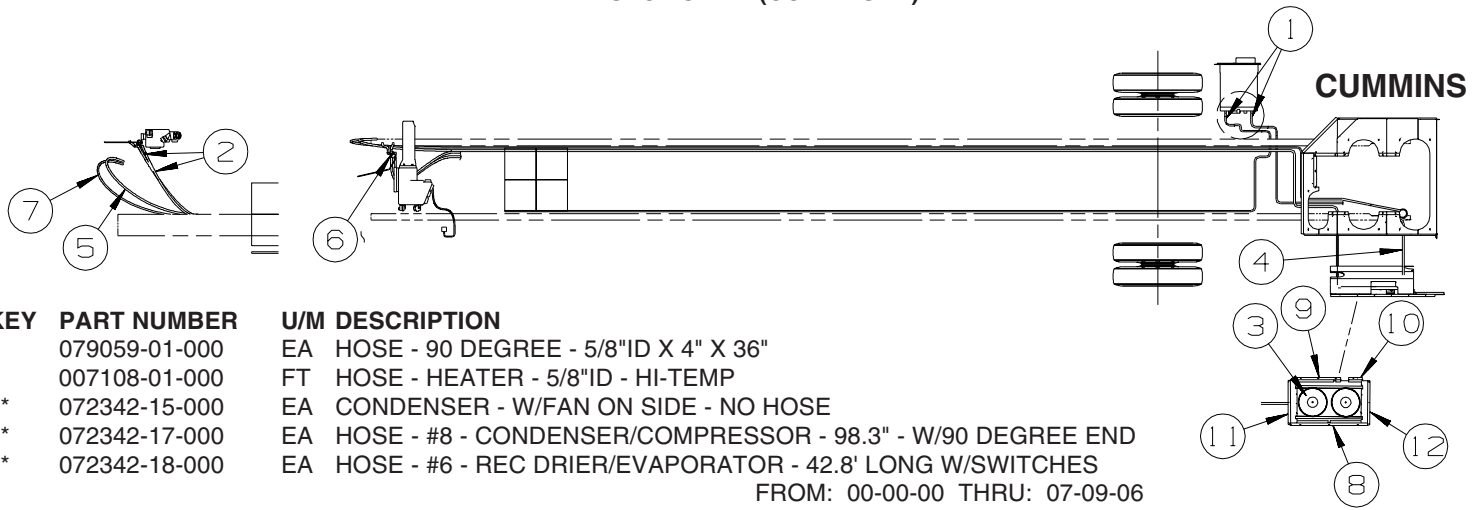
HEATING & A/C GROUP AUTOMOTIVE



| KEY | PART NUMBER | U/M | DESCRIPTION |
|-----|---------------|-----|---|
| 1 | 007076-01-000 | EA | HOSE - FLEXIBLE PVC - 2" ID - INCREMENTS OF 50' |
| 2 | 007281-01-000 | EA | HOSE - FLEXIBLE PVC - 2 1/2" ID X 50' |
| 3 | 077075-01-000 | EA | GASKET - INSTRUMENT PANEL/DEFROSTER PLENUM - .6" X 10.2" |
| 4 | 103017-03-000 | EA | PLENUM - DEFROSTER |
| 5* | 103930-36-000 | EA | CONTROL/PLENUM - ROTARY CONTROL HEAD |
| 6* | 103930-55-000 | EA | EVAPORATOR/HEATER - NONCHARGED - SINGLE OUTPUT |
| 7 | 122822-01-01A | EA | PLENUM - TRANSITION |
| 8 | 135265-01-06A | EA | VENT - DEFROSTER - PLASTIC - CASHMERE |
| 8 | 135265-01-07A | EA | VENT - DEFROSTER - PLASTIC - RIVERSTONE |
| 9 | 135803-01-01A | EA | LOUVER - A/C - 2.5" X 5.2" - BLACK |
| 10 | 135803-02-01A | EA | LOUVER - A/C - 2.5" - 5.7" - W/SCREW HOLES - BLACK |
| 11 | 157225-01-01A | EA | OUTLET - DEFROSTER - W/SWIVEL - 2" SLEEVE/4"OD - BLACK |
| 11 | 157225-01-06A | EA | OUTLET - DEFROSTER - W/SWIVEL - 2" SLEEVE/4"OD - CASHMERE |
| 11 | 157225-01-05A | EA | OUTLET - DEFROSTER - W/SWIVEL - 2" SLEEVE/4"OD - RIVERSTONE |
| | 113452-02-000 | FT | SEAL/TRIM - FRONT - VINYL W/WIRE CARRIER - .027" - WHERE WIRES & HOSES CROSS METAL |

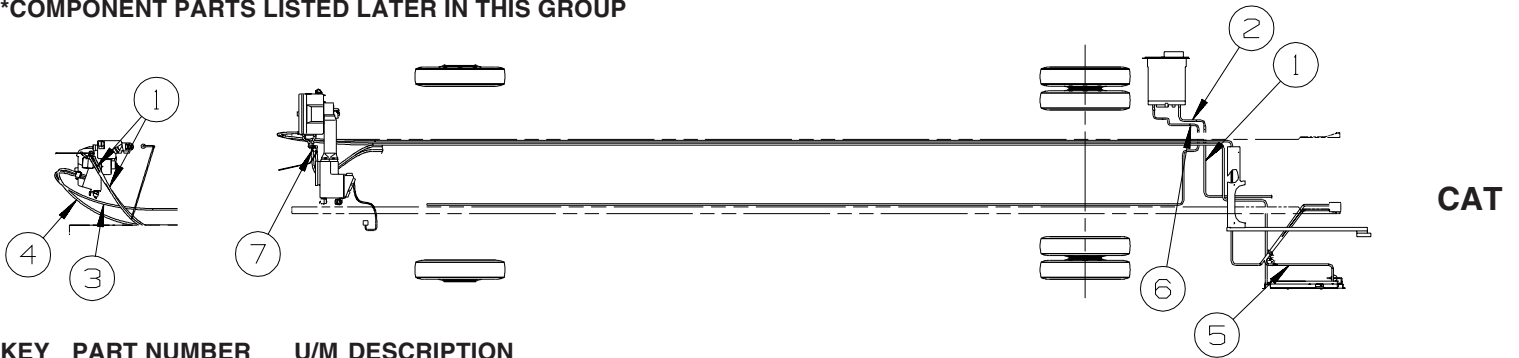
***COMPONENT PARTS LISTED LATER IN THIS GROUP**

HEATING & A/C GROUP (CONTINUED) AUTOMOTIVE (CONTINUED)



| KEY | PART NUMBER | U/M | DESCRIPTION |
|-----|---------------|-----|---|
| 1 | 079059-01-000 | EA | HOSE - 90 DEGREE - 5/8"ID X 4" X 36" |
| 2 | 007108-01-000 | FT | HOSE - HEATER - 5/8"ID - HI-TEMP |
| 3* | 072342-15-000 | EA | CONDENSER - W/FAN ON SIDE - NO HOSE |
| 4* | 072342-17-000 | EA | HOSE - #8 - CONDENSER/COMPRESSOR - 98.3" - W/90 DEGREE END |
| 5* | 072342-18-000 | EA | HOSE - #6 - REC DRIER/EVAPORATOR - 42.8' LONG W/SWITCHES FROM: 00-00-00 THRU: 07-09-06 |
| 5 | 072342-26-000 | EA | HOSE - #6 - REC DRIER/EVAPORATOR - 42.8' LONG W/SWITCHES FROM: 07-10-06 THRU: 99-99-99 |
| 6 | 103930-24-000 | EA | VALVE/WATER CONTROL - 4 PORT/VACUUM CONTROLLED |
| 7* | 103930-51-000 | EA | HOSE KIT - #12 - COMPRESSOR/EVAPORATOR - 41.5' W/90 DEGREE |
| 8 | 158039-01-02B | EA | BRACKET - CONDENSOR - E-COATED |
| 9 | 158039-02-02B | EA | BRACKET-A/C CONDENSER |
| 10 | 158039-03-02B | EA | BRACKET-A/C CONDENSER |
| 11 | 158038-01-02B | EA | BRACKET - CONDENSOR/SIDE - E-COATED |
| 12 | 158038-02-02B | EA | BRACKET-A/C CONDENSER |
| | 113452-02-000 | FT | SEAL/TRIM - FRONT - VINYL W/WIRE CARRIER - .027" - WHERE WIRES & HOSES CROSS METAL |

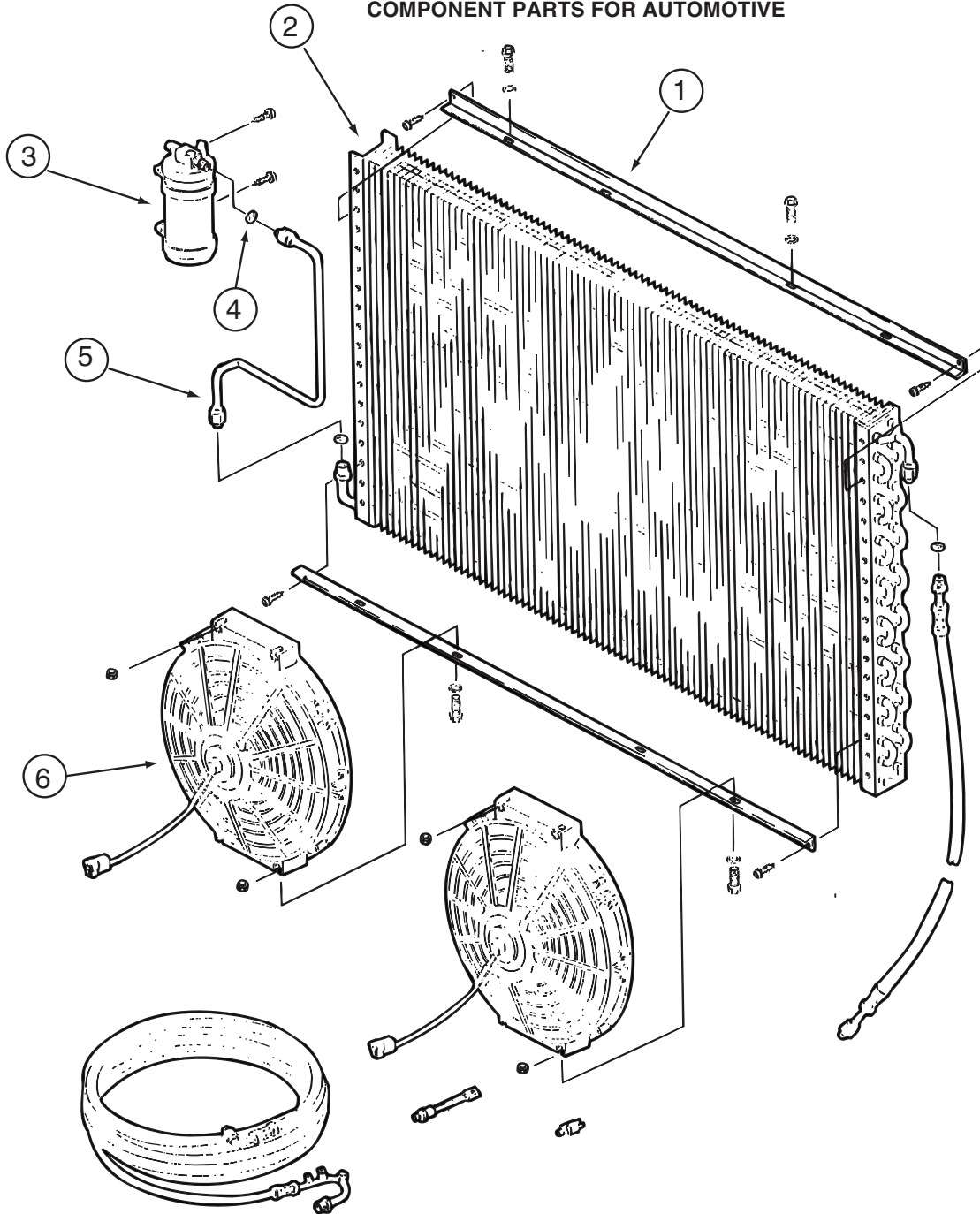
***COMPONENT PARTS LISTED LATER IN THIS GROUP**



| KEY | PART NUMBER | U/M | DESCRIPTION |
|-----|---------------|-----|---|
| 1 | 007108-01-000 | FT | HOSE - HEATER - 5/8"ID - HI-TEMP |
| 2 | 072342-23-000 | EA | HOSE - #6 - 175" LONG |
| 3* | 103930-41-000 | EA | HOSE KIT - EVAPORATOR/COMPRESSOR #12 - 41.3'- STRAIGHT END |
| 4* | 072342-18-000 | EA | HOSE - #6 - REC DRIER/EVAPORATOR - 42.8' LONG W/SWITCHES FROM: 00-00-00 THRU: 07-09-06 |
| 4 | 072342-26-000 | EA | HOSE - #6 - REC DRIER/EVAPORATOR - 42.8' LONG W/SWITCHES FROM: 07-10-06 THRU: 99-99-99 |
| 5* | 072342-16-000 | EA | HOSE - #8 - CONDENSER/COMPRESSOR - 5.2' - W/STRAIGHT END |
| 6 | 079059-01-000 | EA | HOSE - 90 DEGREE - 5/8"ID X 4" X 36" |
| 7 | 103930-24-000 | EA | VALVE/WATER CONTROL - 4 PORT/VACUUM CONTROLLED |
| | 113452-02-000 | FT | SEAL/TRIM - FRONT - VINYL W/WIRE CARRIER - .027" - WHERE WIRES & HOSES CROSS METAL |

***COMPONENT PARTS LISTED LATER IN THIS GROUP**

HEATING & A/C GROUP (CONTINUED)
COMPONENT PARTS FOR AUTOMOTIVE



072342-15-000

| KEY | PART NUMBER | U/M DESCRIPTION | VENDOR NO. |
|-----|---------------|---------------------------------|------------|
| 1 | 072342-13-700 | EA BRACKET - CONDENSER FAN | 070-0148 |
| 2 | 072342-12-700 | EA COIL-CONDENSER | 040-0027 |
| 3 | 072342-12-703 | EA RECEIVER DRIER | 054-0001 |
| 4 | 113245-01-711 | EA O'RING #6 | 045-0129 |
| 5 | 072342-13-703 | EA TUBE ASM. #6 | 052-0040 |
| 6 | 072342-08-703 | EA FAN BLADE/MOTOR & SHROUD 11" | 062-0097 |

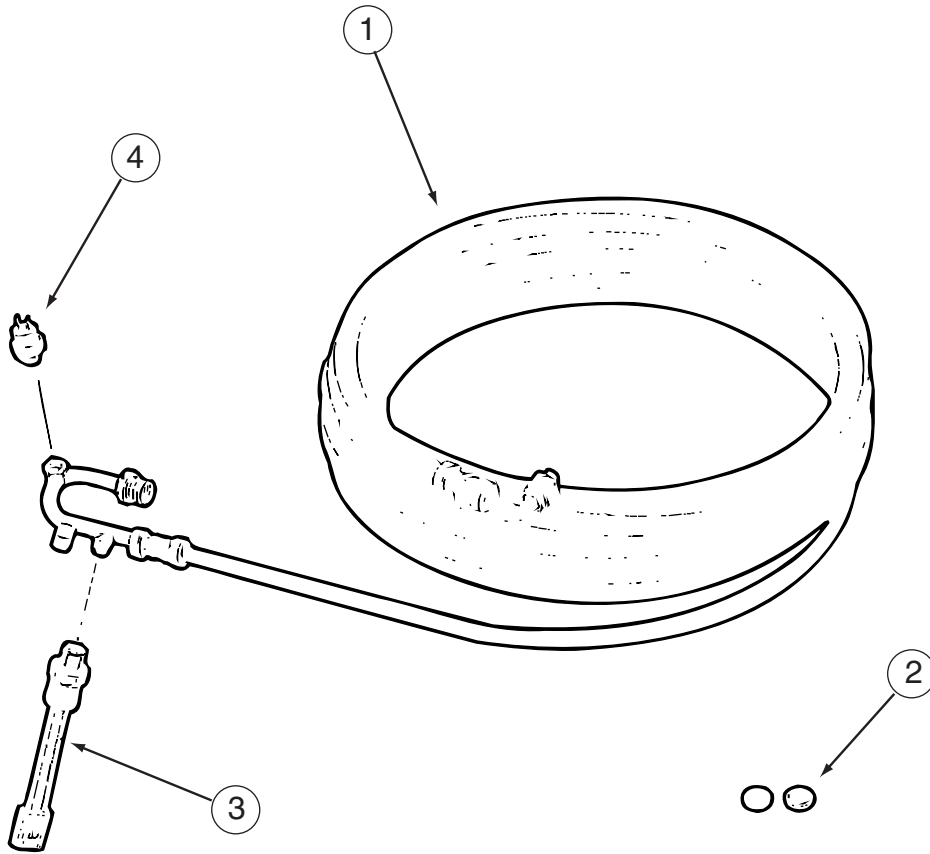
072342-16-000

| KEY | PART NUMBER | U/M DESCRIPTION | VENDOR NO. |
|-----|---------------|-----------------|------------|
| | 072342-13-701 | EA HOSE ASM. #8 | 085-0459 |
| | 113245-01-707 | EA O'RING #8 | 045-0126 |

072342-17-000

| KEY | PART NUMBER | U/M DESCRIPTION | VENDOR NO. |
|-----|---------------|-------------------------------|------------|
| | 072342-12-701 | EA HOSE ASM #8 CONDENSER/COMP | 085-0142 |
| | 113245-01-707 | EA O'RING #8 | 045-0126 |

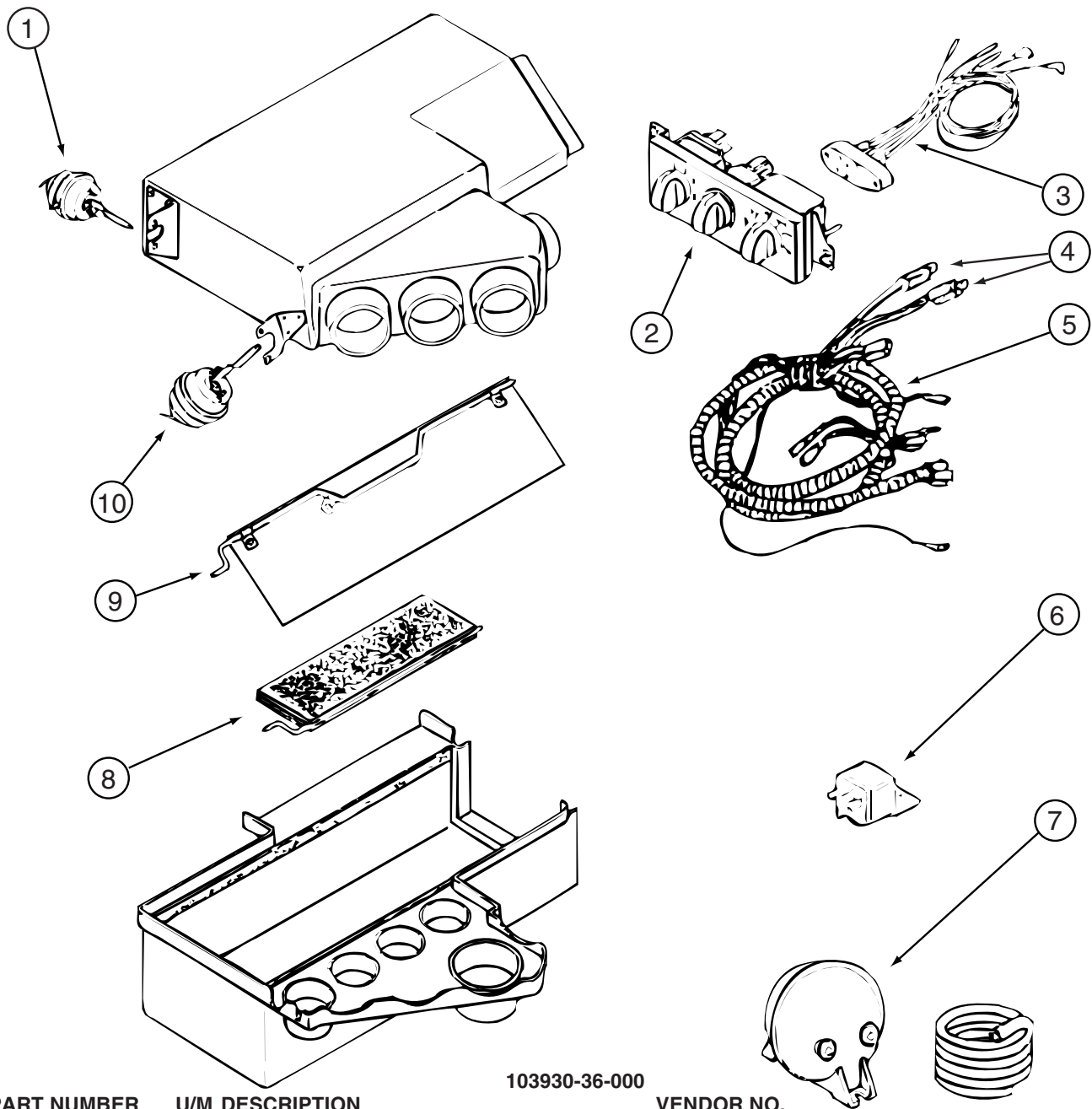
HEATING & A/C GROUP (CONTINUED)
COMPONENT PARTS FOR AUTOMOTIVE (CONTINUED)



072342-18-000

| KEY | PART NUMBER | U/M | DESCRIPTION | VENDOR NO. |
|-----|---------------|-----|-----------------------------|------------|
| 1 | 072342-13-702 | EA | HOSE ASM. #6 | 085-0460 |
| 2 | 113245-01-711 | EA | O'RING #6 | 045-0129 |
| 3 | 103930-01-716 | EA | SWITCH - PRESSURE - FAN | 032-0036 |
| 4 | 103930-12-708 | EA | SWITCH-BINARY-HI/LOW CUTOUT | 032-0048 |

HEATING & A/C GROUP (CONTINUED)
COMPONENT PARTS FOR AUTOMOTIVE (CONTINUED)



103930-36-000

| KEY | PART NUMBER | U/M | DESCRIPTION | VENDOR NO. |
|-----|---------------|-----|--------------------------------------|------------|
| | 103930-36-000 | EA | CONTROL/PLENUM - ROTARY CONTROL HEAD | |
| 1 | 103930-33-701 | EA | MOTOR - VACUUM, 3 STAGE | 030-0105 |
| 2 | 103930-33-702 | EA | CONTROL PANEL | 083-0169 |
| 3 | 103930-33-703 | EA | VACUUM HARNESS | 036-0466 |
| 4 | 103930-33-705 | EA | LIGHT BULBS | 035-0030 |
| 5 | 103930-33-711 | EA | WIRE HARNESS-W/BULBS(CAVITY) | 036-0496 |
| 6 | 103930-02-707 | EA | RELAY-BOSCH W/RESISTER | 031-0001 |
| 7 | 103930-02-710 | EA | CANISTER-VACUUM | 054-0002 |
| 8 | 103930-36-701 | EA | ROD - DOOR, AC | 073-0062 |
| 9 | 103930-36-700 | EA | ROD - DOOR, DEFROST | 073-0061 |
| 10 | 103930-02-708 | EA | MOTOR-VACUUM SERVO, A/C | 030-0025 |
| | 103930-33-707 | EA | SWITCH - BLOWER | 032-00066 |
| | 103930-33-708 | EA | SWITCH - POTENTIOMETER | 032-0184 |
| | 103930-33-709 | EA | SWITCH - VACUUM | 032-0183 |
| | 103930-33-710 | EA | DECAL F/CONTROL HEAD | 058-0102 |
| | 103930-33-712 | EA | KNOB - BLOWER | 062-00539 |
| | 103930-33-713 | EA | KNOB | 062-0540 |
| | 103930-36-702 | EA | PLENUM CASE - UPPER | 060-0442 |
| | 103930-36-703 | EA | PLENUM CASE - LOWER | 060-0443 |
| | 103930-36-704 | EA | SPRING | 022-0119 |

HEATING & A/C GROUP (CONTINUED)

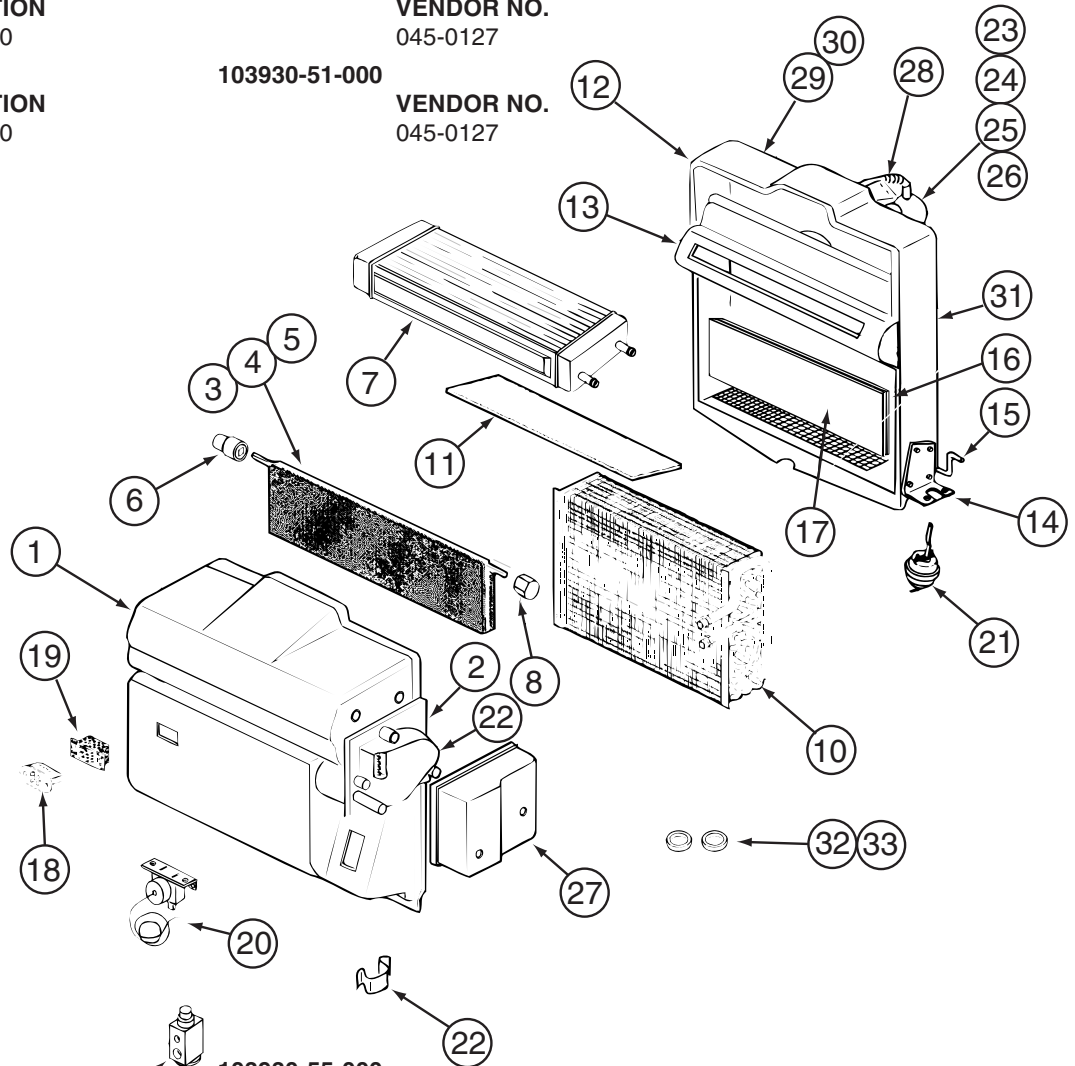
COMPONENT PARTS FOR AUTOMOTIVE (CONTINUED)

103930-41-000

| KEY | PART NUMBER | U/M | DESCRIPTION | VENDOR NO. |
|-----|---------------|-----|-------------|------------|
| | 103930-17-702 | EA | O'RING #10 | 045-0127 |

103930-51-000

| KEY | PART NUMBER | U/M | DESCRIPTION | VENDOR NO. |
|-----|---------------|-----|-------------|------------|
| | 103930-17-702 | EA | O'RING #10 | 045-0127 |



103930-55-000

| KEY | PART NUMBER | U/M | DESCRIPTION | VENDOR NO. |
|-----|---------------|-----|------------------------------|------------|
| 1 | 103930-55-701 | EA | CASE - FRONT | 062-0658 |
| 2 | 103930-30-701 | EA | PLATE - MOTOR MOUNT | 062-0544 |
| 3 | 103930-55-705 | EA | DOOR - BLEND AIR | 071-0892 |
| 6 | 103930-30-702 | EA | BUSHING/DRIVE (BLEND DOOR) | 062-0168 |
| 7 | 103930-55-706 | EA | CORE - HEATER - W/GASKET | 084-0271 |
| 8 | 103930-30-709 | EA | COUPLING - BLEND DOOR SHAFT | 062-0634 |
| 9 | 103930-20-700 | EA | VALVE-EXPANSION-BLOCK, 2 TON | 034-0032 |
| 10 | 103930-55-700 | EA | CORE-EVAPORATOR | 041-00168 |
| 12 | 103930-55-702 | EA | CASE-REAR | 062-0657 |
| 14 | 103930-01-708 | EA | BRACKET-VACUUM MOTOR | 070-0113 |
| 15 | 103930-20-704 | EA | ROD-DOOR-RECIRCULATING | 073-0018 |
| 16 | 103930-55-707 | EA | DOOR - RECIRCULATION | 071-0891 |
| 18 | 103930-01-710 | EA | RESISTOR-FUSED, A/C 4 TERM | 035-0006 |
| 20 | 103930-01-711 | EA | THERMOSTAT | 033-0003 |
| 21 | 103930-02-708 | EA | MOTOR-VACUUM SERVO, A/C | 030-0025 |
| 22 | 103930-30-703 | EA | MOTOR - SERVO | 030-0104 |
| 23 | 103930-20-707 | EA | HOUSING-BLOWER | 062-0145 |
| 24 | 103930-55-703 | EA | MOTOR-BLOWER W/O PIGTAIL | 030-0137 |
| 25 | 103930-01-717 | EA | WHEEL-BLOWER, CLOCKWISE | 062-0010 |
| 26 | 103930-20-708 | EA | CLIP-MOTOR SHAFT | 022-0001 |
| 27 | 103930-30-704 | EA | COVER - SERVO | 062-0545 |
| 32 | 113245-01-707 | EA | O'RING #8 | 045-0126 |
| 33 | 103930-17-702 | EA | O'RING #10 | 045-0127 |
| | 103930-55-704 | EA | CORE-HEATER | 042-0059 |
| | 110279-01-703 | EA | HOSE-VENT F/BLOWER MOTOR | 051-0034 |

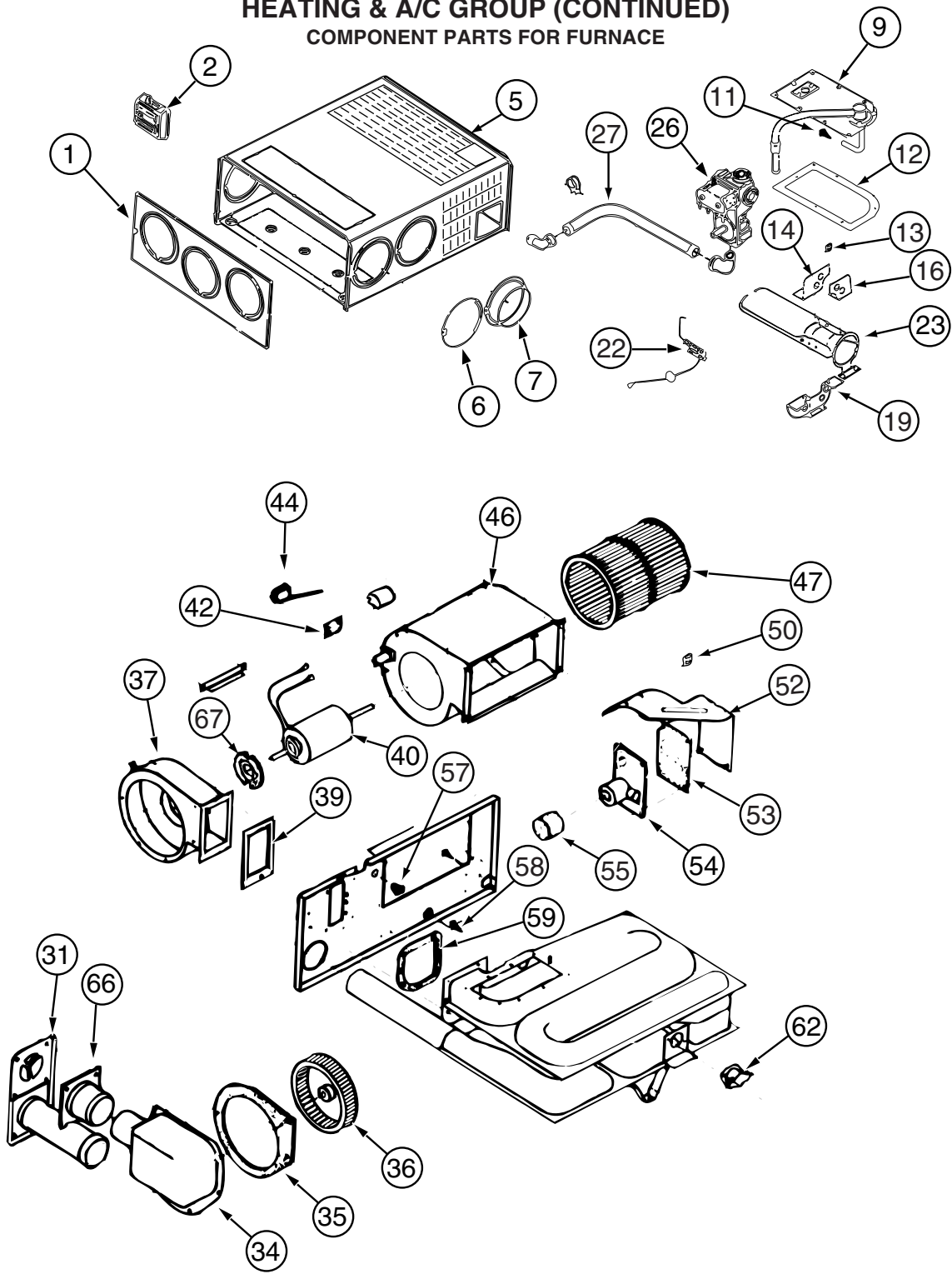
CONTACT WINNEBAGO PART SALES FOR UNLISTED COMPONENT(S)

HEATING & A/C GROUP (CONTINUED)
FURNACE

| KEY | PART NUMBER | U/M | DESCRIPTION |
|------------|--------------------|------------|--|
| * | 143563-02-000 | EA | FURNACE - 40000 BTU HIGH QUIET - SUBURBAN SH-42 2346A |
| | 009198-02-000 | FT | DUCT - HEAT - FLEXIBLE - 2" ID X 25' |
| | 092776-01-000 | EA | ADAPTER - DUCT - 2" |
| | 092776-03-000 | EA | ADAPTER - DUCT 2" X 4" X 3" |
| | 093614-08-02A | EA | GRILLE - AIR RETURN - 9.8" X 13.9" - BEIGE |
| | 093614-10-01A | EA | GRILLE -AIR RETURN-13.9" X 7.9"/11.6" X 5.6" OPENING-BEIGE |
| | 093614-11-01A | EA | GRILLE -AIR RETURN-13.9" X 7.9" - BEIGE |
| | 098668-16-000 | EA | VENT - INTAKE |
| | 126693-05-02B | EA | PANEL - EXHAUST/FURNACE - E-COATED |
| | 141337-01-01A | EA | GASKET - FURNACE |
| | 133323-01-01A | EA | SHROUD - FURNACE - BRIGHT WHITE |
| | 137965-02-02A | EA | REGISTER - 11.2" X 3.6"(9.7 X 2.1"R/O) W/DAMPER - ANT PWTR |
| | 137965-03-02A | EA | REGISTER - 11.2" X 3.6"(9.7 X 2.1"R/O) W/O DAMPER-ANT PWTR |
| | 137965-06-02A | EA | REGISTER - 15.3" X 3.6"(13.9"X2.1"R/O) W/O DAMPER-ANT PWTR |
| | 143563-04-000 | EA | PLATE END - COLLAR |
| | 143563-05-000 | EA | GASKET - FIBERGLASS - SUBURBAN #071018 |
| | 158710-01-000 | EA | ELBOW/DUCT - 2 1/4" X 14" |
| | 105620-18-000 | EA | THERMOSTAT - FURNACE/HEAT PUMP-A/C |

***COMPONENT PARTS LISTED LATER IN THIS GROUP**

HEATING & A/C GROUP (CONTINUED)
COMPONENT PARTS FOR FURNACE



143563-02-000

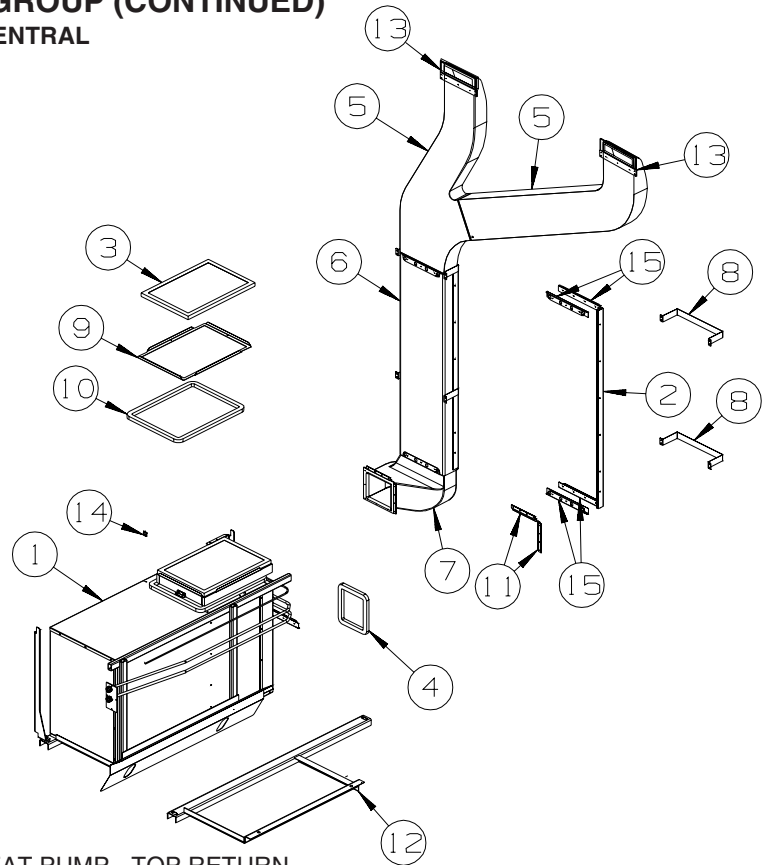
HEATING & A/C GROUP (CONTINUED)
COMPONENT PARTS FOR FURNACE (CONTINUED)

143563-02-000 (CONTINUED)

| KEY | PART NUMBER | U/M | DESCRIPTION | VENDOR NO. |
|------------|--------------------|------------|--|-------------------|
| 1 | 143563-01-700 | EA | CABINET - FRONT | 101907 |
| 2 | | | SEE 12 VOLT WIRING AREAS FOR CORRECT THERMOSTAT | |
| 5 | 143563-02-700 | EA | CABINET | 101915 |
| 7 | 075696-02-703 | EA | COLLAR - DUCT | 050715 |
| 9 | 143563-01-702 | EA | MANIFOLD ASSEMBLY | 171599 |
| 11 | 143563-02-701 | EA | ORFICE - MAIN BURNER | 180309 |
| 12 | 098668-22-703 | EA | GASKET - BURNER ACCESS COVER | 070811 |
| 14 | 143563-02-702 | EA | PLATE - SECONDARY AIR/TOP BACK | 063198 |
| 16 | 143563-02-703 | EA | PLATE - SECONDARY AIR/TOP FRT | 062933 |
| 19 | 143563-02-704 | EA | PLATE - SECONDARY AIR/BOTTOM | 062935 |
| 22 | 139980-01-701 | EA | ELECTRODE | 232286 |
| 23 | 098668-11-701 | EA | BURNER ASSEMBLY, SF-42F | 010799 |
| 26 | 098668-01-718 | EA | VALVE-GAS SF S.N.974903079 | 161122 |
| 27 | 143563-01-707 | EA | PIPE ASSEMBLY (GAS INLET) | 171603 |
| 31 | 098668-01-707 | EA | TUBE ASSEMBLY, EXHAUST W/CAP | 260231 |
| 34 | 143563-01-708 | EA | BOX ASM (COMB. AIR INTAKE) | 051430BK |
| 35 | 143563-01-709 | EA | GASKET (COMB. AIR HOUSING) | 071108 |
| 36 | 143563-01-710 | EA | WHEEL (COMBUSTION AIR) | 350199 |
| 37 | 143563-01-711 | EA | HOUSING (COMBUSTION AIR) | 390862BK |
| 39 | 143563-01-715 | EA | GASKET-FIREWALL/COMB. AIR | 071107 |
| 40 | 143563-02-705 | EA | MOTOR ASSEMBLY | 232726 |
| 42 | 101990-01-714 | EA | GASKET-MICROSWITCH | 230877 |
| 44 | 098668-21-700 | EA | SWITCH-MICRO-W/O FLAG 3 1/4" | 232261 |
| 46 | 143563-01-713 | EA | BLOWER ASSEMBLY(ROOM AIR) | 390867BK |
| 47 | 143563-01-714 | EA | WHEEL - ROOM AIR | 350198 |
| 50 | 139980-01-710 | EA | SWITCH - ON/OFF | 232351 |
| 52 | 139980-01-711 | EA | PANEL ASSEMBLY-MODULE BD | 101663 |
| 53 | 139980-01-712 | EA | INSULATOR - MODULE BD | 070807 |
| 54 | 098668-22-705 | EA | MODULE BD W/RELAY TIME DELAY | 520820 |
| 55 | 139980-01-713 | EA | CAP/INSULATOR-MODULE BD | 070973 |
| 57 | 139980-01-714 | EA | BUSHING - UNIVERSAL | 070362 |
| 58 | 139980-01-715 | EA | BUSHING - STRAIN RELIEF | 231809 |
| 59 | 098668-01-716 | EA | GASKET-FIREWALL,CHAMBER SIDE | 070808 |
| 62 | 143563-02-706 | EA | SWITCH - LIMIT | 232735 |
| 66 | 098668-01-713 | EA | TUBE ASSEMBLY, INTAKE | 051248 |
| 67 | 075697-07-703 | EA | GASKET - MOTOR | 070448 |
| | 143563-02-707 | EA | CHAMBER ASM. - FINAL | 021172BK |
| | | | CONTACT WINNEBAGO PART SALES FOR UNLISTED COMPONENT(S) | |

HEATING & A/C GROUP (CONTINUED)

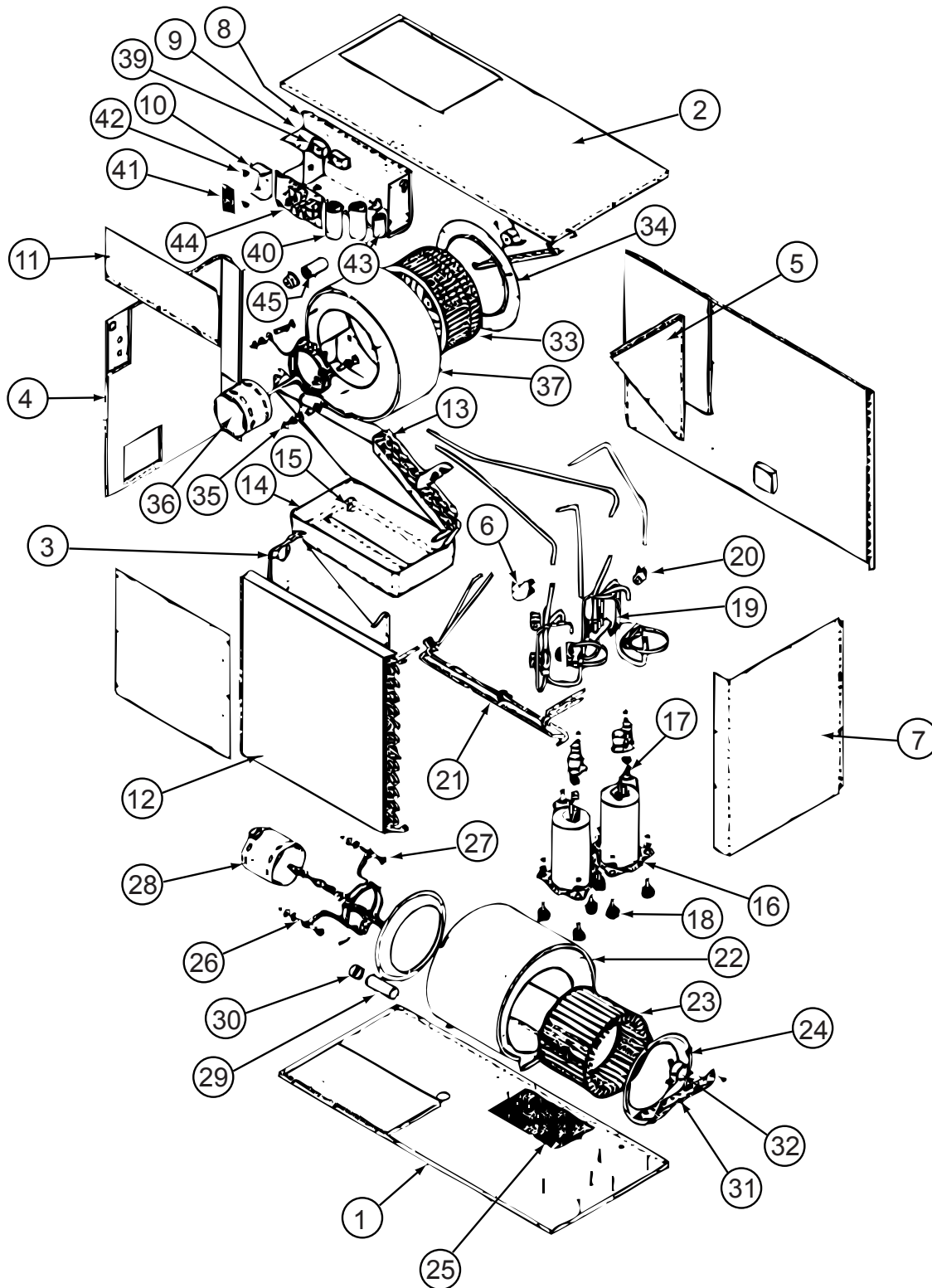
CENTRAL



| KEY | PART NUMBER | U/M | DESCRIPTION |
|-----|---------------|-----|---|
| 1* | 105620-16-000 | EA | A/C - CENTRAL - RIGHT HAND/HEAT PUMP - TOP RETURN |
| 2 | 159408-01-01A | EA | CORNER-W/HOLES,MILL,1212 MM FROM: 07-31-06 THRU: 99-99-99 |
| 3 | 109050-02-000 | EA | FILTER/FURNACE-AC - FIBERGLASS - 1" X 14" X 20" |
| 4 | 134588-02-000 | EA | GASKET - DUCT - 6.4" X 7.4" IS - 8.3" X 9.4" OS |
| 5 | M09204-01-000 | EA | DUCT/AC - UPPER RIGHT HAND/LEFT HAND |
| 5 | 105290-01-000 | SF | INSULATION - AIR POCKET W/FOIL |
| 6 | 117870-10-01A | EA | PLENUM - A/C - 48.5" FROM: 00-00-00 THRU: 07-30-06 |
| 6 | 159404-01-000 | EA | PLENUM - A/C - 48.5" FROM: 07-31-06 THRU: 99-99-99 |
| 7 | P47621-01-000 | EA | DUCT - CENTRAL AIR/FORCED - LOWER |
| 7 | 105290-01-000 | SF | INSULATION - AIR POCKET W/FOIL |
| 8 | 129047-01-02B | EA | STRAP/MOUNTING - AIR DUCT - E-COATED |
| 9 | 139757-01-02B | EA | PANEL - TRAY - A/C FILTER - E-COATED |
| 10 | 134588-04-000 | EA | GASKET - DUCT - 13.9" X 18.2" IS - 15.9" X 20.2" OS |
| 11 | 130481-01-01A | EA | BRACKET - ZEE W/HOLES - 7" |
| 12 | 147613-01-02B | EA | CRADLE - A/C - E-COATED |
| 13 | 129051-01-01A | EA | STRAP - MOUNTING, AIR DUCT, MILL |
| 14 | 107721-07-000 | FT | SEAL - ACCESS DOOR - .9"WIDE X 1.1"HIGH |
| | 130262-01-000 | EA | PROTECTOR - CORNER SAVER - .7" X .7" X 48" FROM: 00-00-00 THRU: 07-30-06 |
| | 115886-11-02A | EA | RETAINER - SIDEWALL - BRIGHT WHITE - 11.8" FROM: 00-00-00 THRU: 07-30-06 |
| 15 | 160755-01-02B | EA | U-CHANNEL-W/HOLES FROM: 07-31-06 THRU: 99-99-99 |

*COMPONENT PARTS LISTED LATER IN THIS GROUP

HEATING & A/C GROUP (CONTINUED)
COMPONENT PARTS FOR CENTRAL



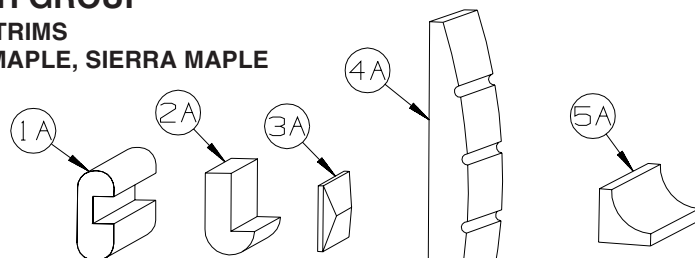
105620-16-000

HEATING & A/C GROUP (CONTINUED)
COMPONENT PARTS FOR CENTRAL (CONTINUED)
105620-16-000 (CONTINUED)

| KEY | PART NUMBER | U/M | DESCRIPTION | VENDOR NO. |
|-----|---------------|-----|------------------------------|------------|
| 10 | 105620-01-733 | EA | ISOLATOR-HIGH VOLTAGE | 6795-117 |
| 10 | 105620-12-704 | EA | COMPRESSOR (TECHUMSEH) | 1450-2149 |
| 12 | 105620-16-700 | EA | CONDENSOR COIL | 1452-1681 |
| 13 | 105620-16-701 | EA | EVAPORATOR COIL | 14521671 |
| 14 | 105620-16-702 | EA | DRAIN PAN | 6537-104 |
| 15 | 105620-12-703 | EA | VALVE - DRAIN | 6795-200 |
| 16 | 105620-12-723 | EA | COMPRESSOR (PANASONIC) | 1450-2229 |
| 17 | 105620-16-703 | EA | OVERLOAD | 1450-0161 |
| 18 | 105620-01-706 | EA | MOUNTING PKG.,COMP., 3 PER | 6759-3081 |
| 19 | 105620-16-704 | EA | REVERSING VALVE | 6537-5321 |
| 20 | 105620-12-708 | EA | COIL - SOLENOID | 1460-1081 |
| 21 | 105620-16-705 | EA | BY-FLO RESTRICTOR | 1454-2561 |
| 22 | 105620-10-718 | EA | BLOWER HOUSING/OUTSIDE AIR | 6536-515 |
| 23 | 105620-01-713 | EA | WHEEL-BLOWER/OUTSIDE AIR | 1472-1011 |
| 24 | 105620-01-714 | EA | VENTURI-BLOWER/OUTSIDE AIR | 6795A150 |
| 26 | 105620-01-715 | EA | MOUNT-BLOWER/OUTSIDE AIR | 6795A3011 |
| 27 | 105620-01-716 | EA | SLEEVE & GROMMET, 4 PER PKG | 6795A3031 |
| 28 | 105620-10-721 | EA | MOTOR/BLOWER-8 3/4" SHAFT | 1468A3029 |
| 29 | 105620-01-718 | EA | CAPACITOR-FAN(OUTDOOR MOTOR) | 1499-5631 |
| 30 | 105620-10-715 | EA | RUBBER CAPACITOR BOOT | 1499-951 |
| 31 | 105620-12-713 | EA | BRACKET/BEARING-O/S AIR BLWR | 6536-514 |
| 32 | 105620-10-701 | EA | BEARING/PILLOW BLOCK-O/S AIR | 6536-3011 |
| 33 | 105620-11-701 | EA | BLOWER WHEEL/INSIDE AIR | 1472-1151 |
| 34 | 105620-12-715 | EA | BLOWER VENTURI/INSIDE AIR | 6535A287 |
| 35 | 105620-01-723 | EA | MOUNT-BLOWER MOTOR - I/S AIR | 6795-302 |
| 36 | 105620-12-716 | EA | BLOWER MTR/IN AIR/REVERSIBLE | 1468-3219 |
| 37 | 105620-16-707 | EA | BLOWER HOUSING/INSIDE AIR | 6537-590 |
| 38 | 105620-12-719 | EA | COIL SENSOR | 7330A3231 |
| 39 | 105620-01-729 | EA | RELAY-COMPRESSOR -4 TERMINAL | 1460-1131 |
| 40 | 105620-12-725 | EA | COMPRESSOR RUN CAPACITOR | 1499-5731 |
| 41 | 105620-16-708 | EA | BOARD/TERMINAL- HIGH VOLTAGE | 6795-3151 |
| 43 | 105620-10-705 | EA | PTCR (START DEVICE) - W/CAP. | 8333A9021 |
| 45 | 093763-01-704 | EA | CAPACITOR-FAN (INDOOR MOTOR) | 1499-5461 |
| | 105620-12-720 | EA | KIT-CIRCUIT BD (6535-SERIES) | 6535-3201 |

CONTACT WINNEBAGO PART SALES FOR UNLISTED COMPONENTS

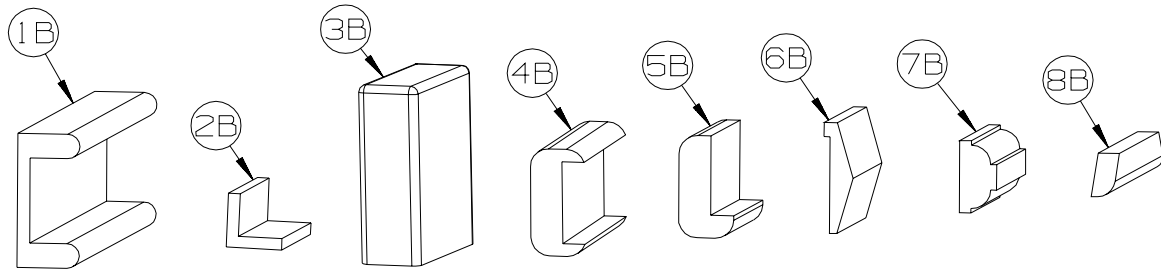
INTERIOR FINISH GROUP
MOLDINGS & TRIMS
CONCERT CHERRY, WASHED MAPLE, SIERRA MAPLE



| KEY | PART NUMBER | U/M | DESCRIPTION |
|-----|---------------|-----|---|
| 1A | M09412-62-N42 | EA | MOLDING/SHELF EDGE - .6" X 1.3" X 96" - PORTSMOUTH OAK |
| 1A | M09412-62-M52 | EA | MOLDING/SHELF EDGE - .6" X 1.3" X 96" - CHERRY - CONCERT CHERRY |
| 1A | M09412-62-M62 | EA | MOLDING/SHELF EDGE - .6" X 1.3" X 96" - WASHED MAPLE - WASHED MAPLE |
| 1A | M09412-62-RC3 | EA | MOLDING/SHELF EDGE - .6" X 1.3" X 96" - HONEY CHERRY - HONEY CHERRY |
| 1A | M09412-62-SA3 | EA | MOLDING/SHELF EDGE - .6" X 1.3" X 96" - MAPLE - SIERRA MAPLE |
| 2A | M09450-77-PC0 | EA | MOLDING - TRIM/HDWD W/LIP -.4"X3.2"X79.6" - PORTSMOUTH OAK |
| 2A | M09450-77-PC1 | EA | MOLDING - TRIM/HDWD W/LIP -.4"X3.2"X79.6" - CONCERT CHERRY |
| 2A | M09450-77-PC2 | EA | MOLDING - TRIM/HDWD W/LIP -.4"X3.2"X79.6" - WASHED MAPLE |
| 2A | M09450-77-RC3 | EA | MOLDING - TRIM/HDWD W/LIP -.4"X3.2"X79.6" - HONEY CHERRY |
| 2A | M09501-32-TG1 | EA | MOLDING/TRIM - W/NOTCH - .8" X 2.5" X 86.2"-CONCERT CHERRY |
| 2A | M09501-32-TG2 | EA | MOLDING/TRIM - W/NOTCH - .8" X 2.5" X 86.2" - WASHED MAPLE, |
| 2A | M09501-32-TD3 | EA | MOLDING/TRIM - W/NOTCH - .8" X 2.5" X 86.2" - SIERRA MAPLE |
| 2A | M09503-52-T77 | EA | MOLDING/TRIM - .75" X 1.2" X 86.5" - PORTSMOUTH OAK |
| 2A | M09503-52-T78 | EA | MOLDING/TRIM - .75" X 1.2" X 86.5" - CONCERT CHERRY |
| 2A | M09503-52-T79 | EA | MOLDING/TRIM - .75" X 1.2" X 86.5" - WASHED MAPLE |
| 2A | M09503-52-T80 | EA | MOLDING/TRIM - .75" X 1.2" X 86.5" - SIERRA MAPLE |
| 2A | M09511-43-T78 | EA | MOLDING - TRIM - W/NOTCH - .8" X 1.4" X 86.3" - CONCERT CHERRY |
| 2A | M09525-80-UM1 | EA | MOLDING - TRIM - W/NOTCH - .8"X 1.4"X 86.5" - CONCERT CHERRY |
| 2A | M09511-43-T79 | EA | MOLDING - TRIM - W/NOTCH - .8" X 1.4" X 86.3" - WASHED MAPLE |
| 2A | M09525-80-U91 | EA | MOLDING - TRIM - W/NOTCH - .8" X 1.4" X 86.5" - WASHED MAPLE |
| 2A | M09511-43-T80 | EA | MOLDING - TRIM - W/NOTCH - .8" X 1.4" X 86.3" - SIERRA MAPLE |
| 2A | M09525-80-U92 | EA | MOLDING - TRIM - W/NOTCH - .8" X 1.4" X 86.5" - SIERRA MAPLE |
| 2A | M09438-25-RA3 | EA | MOLDING - HARDWOOD-W/NOTCH - 1.4"X 80.2" - HONEY CHERRY |
| 2A | M09515-72-TD1 | EA | MOLDING/TRIM - .8" X 2.2" X 86.1" - CONCERT CHERRY |
| 2A | M09515-72-TD2 | EA | MOLDING/TRIM - .8" X 2.2" X 86.1" - WASHED MAPLE |
| 2A | M09515-72-TD3 | EA | MOLDING/TRIM - .8" X 2.2" X 86.1" - SIERRA MAPLE |
| 3A | M09471-91-R69 | EA | MOLDING - TRIM/VEE - .2" X 1" X 34.4" - CONCERT CHERRY |
| 3A | M09471-91-R76 | EA | MOLDING - TRIM/VEE - .2" X 1" X 34.4" - WASHED MAPLE |
| 3A | M09471-91-SA3 | EA | MOLDING - TRIM/VEE - .2" X 1" X 34.4" - SIERRA MAPLE |
| 3A | M09477-88-S34 | EA | MOLDING - TRIM/VEE - .2" X 1" X 19.9" - WASHED MAPLE |
| 3A | M09477-88-S35 | EA | MOLDING - TRIM/VEE - .2" X 1" X 19.9" - SIERRA MAPLE |
| 3A | M09501-30-SD2 | EA | MOLDING - TRIM/VEE - .2" X 1" X 35.1" - WASHED MAPLE |
| 3A | M09501-30-SD3 | EA | MOLDING - TRIM/VEE - .2" X 1" X 35.1" - HONEY CHERRY |
| 3A | M09501-37-TG1 | EA | MOLDING - TRIM/VEE - .2" X 1" X 19.2" - CONCERT CHERRY |
| 3A | M09501-37-TG2 | EA | MOLDING - TRIM/VEE - .2" X 1" X 19.2" - WASHED MAPLE |
| 3A | M09501-37-TD3 | EA | MOLDING - TRIM/VEE - .2" X 1" X 19.2" - SIERRA MAPLE |
| 3A | M09501-37-TG3 | EA | MOLDING - TRIM/VEE - .2" X 1" X 19.2" - HONEY CHERRY |
| 3A | M09501-63-T78 | EA | MOLDING - TRIM/VEE - .2" X 1" X 15" - CONCERT CHERRY |
| 3A | M09501-63-T79 | EA | MOLDING - TRIM/VEE - .2" X 1" X 15" - WASHED MAPLE |
| 3A | M09501-63-T80 | EA | MOLDING - TRIM/VEE - .2" X 1" X 15" - SIERRA MAPLE |
| 3A | M09503-62-TG1 | EA | MOLDING - TRIM/VEE - .2" X 1" X 26.3" - CONCERT CHERRY |
| 3A | M09503-62-TG2 | EA | MOLDING - TRIM/VEE - .2" X 1" X 26.3" - WASHED MAPLE |
| 3A | M09503-62-TG3 | EA | MOLDING - TRIM/VEE - .2" X 1" X 26.3" - HONEY CHERRY |
| 3A | M09511-90-TG1 | EA | MOLDING - TRIM/VEE - .2" X 1" X 42.1" - CONCERT CHERRY |
| 3A | M09511-90-TG3 | EA | MOLDING - TRIM/VEE - .2" X 1" X 42.1" - HONEY CHERRY |
| 3A | M09511-90-TG2 | EA | MOLDING - TRIM/VEE - .2" X 1" X 42.1" - WASHED MAPLE |
| 3A | M09520-15-TD1 | EA | MOLDING - TRIM/VEE - .2" X 1" X 15.3" - CONCERT CHERRY |
| 3A | M09520-15-TD2 | EA | MOLDING - TRIM/VEE - .2" X 1" X 15.3" - WASHED MAPLE |
| 3A | M09520-15-TD3 | EA | MOLDING - TRIM/VEE - .2" X 1" X 15.3" - SIERRA MAPLE |
| 3A | M09520-96-T59 | EA | MOLDING - TRIM/VEE - .2" X 1" X 32.7" - PORTSMOUTH OAK |
| 3A | M09520-96-T60 | EA | MOLDING - TRIM/VEE - .2" X 1" X 32.7" - CONCERT CHERRY |
| 3A | M09520-96-T61 | EA | MOLDING - TRIM/VEE - .2" X 1" X 32.7" - WASHED MAPLE |
| 3A | M09520-96-TP0 | EA | MOLDING - TRIM/VEE - .2" X 1" X 32.7" - SIERRA MAPLE |

INTERIOR FINISH GROUP (CONTINUED)
MOLDINGS & TRIMS (CONTINUED)

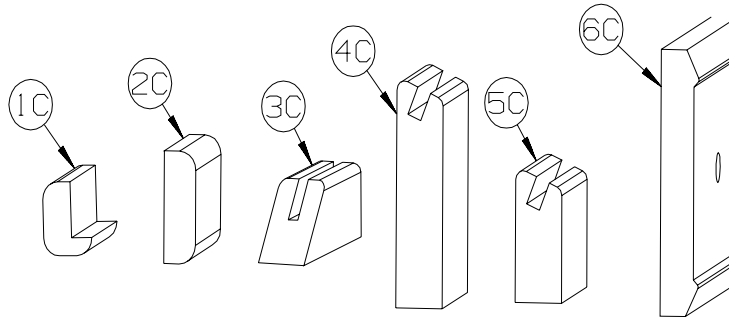
| KEY | PART NUMBER | U/M | DESCRIPTION |
|-----|---------------|-----|--|
| 3A | M09525-96-TA0 | EA | MOLDING - TRIM/VEE - .2" X 1" X 36.2" - PORTSMOUTH OAK |
| 3A | M09525-96-TA1 | EA | MOLDING - TRIM/VEE - .2" X 1" X 36.2" - CONCERT CHERRY |
| 3A | M09525-96-TA2 | EA | MOLDING - TRIM/VEE - .2" X 1" X 36.2" - WASHED MAPLE |
| 3A | M09525-96-TA3 | EA | MOLDING - TRIM/VEE - .2" X 1" X 36.2" - SIERRA MAPLE |
| 3A | M09534-08-T01 | EA | MOLDING - TRIM/VEE - .2" X 1" X 24.5" - SIERRA MAPLE |
| 3A | M09534-08-T02 | EA | MOLDING - TRIM/VEE - .2" X 1" X 24.5" - HONEY CHERRY |
| 3A | M09511-32-T78 | EA | MOLDING - TRIM/VEE - .4" X 1" X 26.8" - CONCERT CHERRY |
| 3A | M09511-32-T79 | EA | MOLDING - TRIM/VEE - .4" X 1" X 26.8" - WASHED MAPLE |
| 3A | M09511-32-T80 | EA | MOLDING - TRIM/VEE - .4" X 1" X 26.8" - SIERRA MAPLE |
| 3A | M09511-86-T78 | EA | MOLDING - TRIM/VEE - .4" X 1" X 28.3" - CONCERT CHERRY |
| 3A | M09511-86-T79 | EA | MOLDING - TRIM/VEE - .4" X 1" X 28.3" - WASHED MAPLE |
| 3A | M09511-86-T80 | EA | MOLDING - TRIM/VEE - .4" X 1" X 28.3" - SIERRA MAPLE |
| 3A | M09477-63-S46 | EA | MOLDING - TRIM/VEE - .4" X 1" X 64.1" - PORTSMOUTH OAK - BATH DOOR TRIM |
| 3A | M09477-63-SR0 | EA | MOLDING - TRIM/VEE - .4" X 1" X 64.1" - SIERRA MAPLE - BATH DOOR TRIM |
| 3A | M09477-64-S46 | EA | MOLDING - TRIM/VEE - .4" X 1" X 14.9" - PORTSMOUTH OAK - BATH DOOR TRIM |
| 3A | M09477-64-SR0 | EA | MOLDING - TRIM/VEE - .4" X 1" X 14.9" - SIERRA MAPLE - BATH DOOR TRIM |
| 4A | M09462-54-R90 | EA | MOLDING - FLUTED, CURVED - .6" X 6" X 82.7" - CONCERT CHERRY |
| 4A | M09462-54-R91 | EA | MOLDING - FLUTED, CURVED - .6" X 6" X 82.7" - WASHED MAPLE |
| 4A | M09462-54-RE3 | EA | MOLDING - FLUTED, CURVED - .6" X 6" X 82.7" - HONEY CHERRY |
| 5A | M09471-79-R38 | EA | MOLDING - TRIM/COVE - .8" X .8" X 95.8" - OAK/PORTS OAK - PORTSMOUTH OAK |
| 5A | M09471-79-R39 | EA | MOLDING - TRIM/COVE - .8" X .8" X 95.8" - CHERRY/CHERRY - CONCERT CHERRY |
| 5A | M09471-79-R46 | EA | MOLDING - TRIM/COVE - .8" X .8" X 95.8" - MAPLE/MAPLE - WASHED MAPLE |
| 5A | M09471-79-RE0 | EA | MOLDING - TRIM/COVE - .8" X .8" X 95.8" - HONEY/CHERRY- HONEY CHERRY |
| 5A | M09471-79-SA3 | EA | MOLDING - TRIM/COVE - .8" X .8" X 95.8" - HONEY/MAPLE - SIERRA MAPLE |



| KEY | PART NUMBER | U/M | DESCRIPTION |
|-----|---------------|-----|---|
| 1B | M09501-84-TG0 | EA | MOLDING/TRIM - CAP/WALL - 2.2" X 85.9" - PORTSMOUTH OAK |
| 1B | M09501-84-TG1 | EA | MOLDING/TRIM - CAP/WALL - 2.2" X 85.9" - CONCERT CHERRY |
| 1B | M09501-84-TG2 | EA | MOLDING/TRIM - CAP/WALL - 2.2" X 85.9" - WASHED MAPLE |
| 1B | M09520-07-TD3 | EA | MOLDING/TRIM - CAP/WALL - 2.2" X 80.5" - SIERRA MAPLE |
| 1B | M09501-84-TG3 | EA | MOLDING/TRIM - CAP/WALL - 2.2" X 85.9" - HONEY CHERRY |
| 2B | M09511-81-TA1 | EA | MOLDING/TRIM - L SHAPE - .8"X .8"X 80.2" - CONCERT CHERRY |
| 2B | M09511-81-TA2 | EA | MOLDING/TRIM - L SHAPE - .8"X .8"X 80.2" - WASHED MAPLE |
| 2B | M09511-81-TA3 | EA | MOLDING/TRIM - L SHAPE - .8"X .8"X 80.2" - SIERRA MAPLE |
| 3B | M09515-81-T01 | EA | MOLDING/HARDWOOD STRAIGHT - 74.3" - WASHED MAPLE |
| 3B | M09515-81-T02 | EA | MOLDING/HARDWOOD STRAIGHT - 74.3" - HONEY CHERRY |
| 4B | M09511-42-T77 | EA | MOLDING - TRIM - W/NOTCH - 1.5" X 86.4" - PORTSMOUTH OAK |
| 4B | M09511-42-T78 | EA | MOLDING - TRIM - W/NOTCH - 1.5" X 86.4" - CONCERT CHERRY |
| 4B | M09511-42-T79 | EA | MOLDING - TRIM - W/NOTCH - 1.5" X 86.4" - WASHED MAPLE |
| 4B | M09511-42-T80 | EA | MOLDING - TRIM - W/NOTCH - 1.5" X 86.4" - SIERRA MAPLE |
| 5B | M09515-18-T78 | EA | MOLDING - HARDWOOD-W/NOTCH - 1.4"X 86.2" - CONCERT CHERRY |
| 5B | M09515-18-T79 | EA | MOLDING - HARDWOOD-W/NOTCH - 1.4"X 86.2" - WASHED MAPLE |
| 5B | M09515-18-T80 | EA | MOLDING - HARDWOOD-W/NOTCH - 1.4"X 86.2" - SIERRA MAPLE |
| 6B | M09515-52-TG1 | EA | MOLDING - TRIM/VEE - 1.5" X 73.9" - CONCERT CHERRY |
| 6B | M09515-52-TG2 | EA | MOLDING - TRIM/VEE - 1.5" X 73.9" - WASHED MAPLE |
| 6B | M09515-52-TG3 | EA | MOLDING - TRIM/VEE - 1.5" X 73.9" - HONEY CHERRY |
| 7B | Y00076-32-438 | EA | MOLDING/TRIM - .5" X 1" X 96" - CHERRY (UNSTAINED) |
| 7B | Y00076-22-438 | EA | MOLDING/TRIM - .5" X 1" X 96" - MAPLE (UNSTAINED) |
| 8B | Y00086-72-438 | EA | MOLDING - VINYL WRAP - .7" X 1.6" X 96" - PORTSMOUTH OAK - PORTSMOUTH OAK |
| 8B | Y00086-62-438 | EA | MOLDING - VINYL WRAP - .7" X 1.6" X 96" - CONCERT CHERRY (U90/94/98/A1/A5/B1/C1/C5/D1/D5/E1/E5/F1/F5/G1/G5/H1/H5) |
| 8B | Y00086-D2-438 | EA | MOLDING - VINYL WRAP - .7" X 1.6" X 96" - CONCERT CHERRY (UM1 THRU UM9, UN1 THRU UN9) |
| 8B | Y00086-A2-438 | EA | MOLDING - VINYL WRAP - .7" X 1.6" X 96" - WASHED MAPLE |
| 8B | Y00086-92-438 | EA | MOLDING - VINYL WRAP - .7" X 1.6" X 96" - SIERRA MAPLE - SIERRA MAPLE |

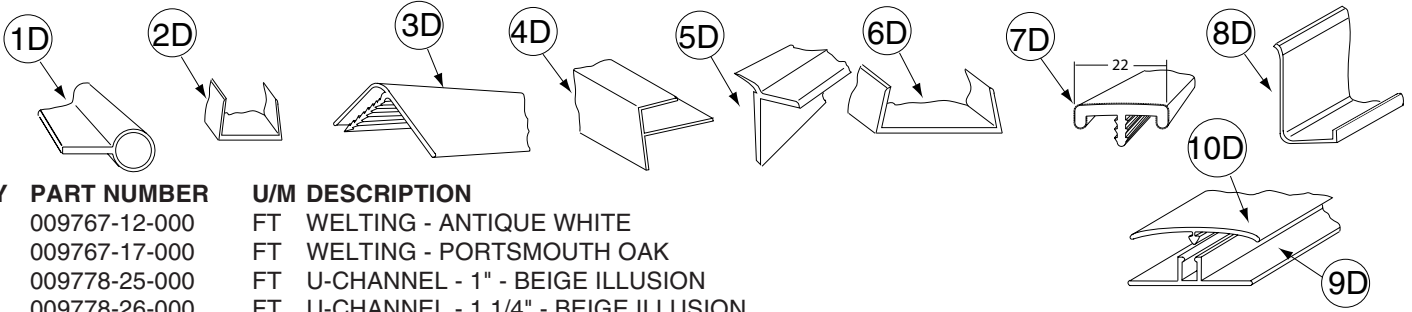
INTERIOR FINISH GROUP (CONTINUED)
MOLDINGS & TRIMS (CONTINUED)

| KEY | PART NUMBER | U/M | DESCRIPTION |
|-----|---------------|-----|---|
| 8B | Y00087-62-438 | EA | MOLDING - 96" - CONCERT CHERRY (U90/94/98/A1/A5/B1/C1/C5/D1/D5/E1/E5/F1/F5/G1/G5/H1/H5) |
| 8B | Y00087-D2-438 | EA | MOLDING - VINYL WRAP - .7" X 2.9" X 96" - CONCERT CHERRY (UM1 THRU UM9, UN1 THRU UN9) |
| 8B | Y00087-A2-438 | EA | MOLDING - VINYL WRAP - .7" X 2.9" X 96" - WASHED MAPLE |
| 8B | Y00087-92-438 | EA | MOLDING - VINYL WRAP - .7" X 2.9" X 96" - SIERRA MAPLE |
| 8B | Y00300-62-438 | EA | MOLDING - 96" - CONCERT CHERRY (U90/94/98/A1/A5/B1/C1/C5/D1/D5/E1/E5/F1/F5/G1/G5/H1/H5) |
| 8B | Y00300-D2-438 | EA | MOLDING - VINYL WRAP - .3" X .6" X 96" - CONCERT CHERRY (UM1 THRU UM9, UN1 THRU UN9) |
| 8B | Y00300-A2-438 | EA | MOLDING - VINYL WRAP - .3" X .6" X 96" - WASHED MAPLE |
| 8B | Y00300-92-438 | EA | MOLDING - VINYL WRAP - .3" X .6" X 96" - SIERRA MAPLE |



| KEY | PART NUMBER | U/M | DESCRIPTION |
|-----|---------------|-----|---|
| 1C | M09520-19-TD1 | EA | MOLDING - TRIM - W/NOTCH - 1" X 86.3" - CONCERT CHERRY |
| 1C | M09520-19-TD2 | EA | MOLDING - TRIM - W/NOTCH - 1" X 86.3" - WASHED MAPLE |
| 1C | M09520-19-TD3 | EA | MOLDING - TRIM - W/NOTCH - 1" X 86.3" - HONEY CHERRY |
| 1C | M09525-27-UF1 | EA | MOLDING - HARDWOOD - .75" X 1.4" X 32.4" - CONCERT CHERRY |
| 1C | M09525-27-UF2 | EA | MOLDING - HARDWOOD - .75" X 1.4" X 32.4" - WASHED MAPLE |
| 1C | M09525-27-UF3 | EA | MOLDING - HARDWOOD - .75" X 1.4" X 32.4" - SIERRA MAPLE |
| 2C | M09511-46-T77 | EA | MOLDING/TRIM - .5" X 1.5" X 86.5" - PORTSMOUTH OAK |
| 2C | M09511-46-T78 | EA | MOLDING/TRIM - .5" X 1.5" X 86.5" - CONCERT CHERRY |
| 2C | M09511-46-T79 | EA | MOLDING/TRIM - .5" X 1.5" X 86.5" - WASHED MAPLE |
| 2C | M09511-46-T80 | EA | MOLDING/TRIM - .5" X 1.5" X 86.5" - SIERRA MAPLE |
| 3C | Y00223-42-438 | EA | MOLDING - HARDWOOD/OAK - .7" X 1" X 96" |
| 3C | Y00223-32-438 | EA | MOLDING - HARDWOOD/CHERRY - .7" X 1" X 96" |
| 3C | Y00223-22-438 | EA | MOLDING - HARDWOOD/MAPLE - .7" X 1" X 96" |
| 4C | Y00054-62-438 | EA | MOLDING- 96" - CONCERT CHERRY (U90/94/98/A1/A5/B1/C1/C5/D1/D5/E1/E5/F1/F5/G1/G5/H1/H5) |
| 4C | Y00054-D2-438 | EA | MOLDING/VYL WRP-BVLD-.73" X 3.1" X 96" - CONCERT CHERRY (UM1 THRU UM9, UN1 THRU UN9) |
| 4C | Y00054-A2-438 | EA | MOLDING/VINYL WRAP-BEVELED ENDS-.73"X3.1"X96" - WASHED MAPLE |
| 4C | Y00054-92-438 | EA | MOLDING/VINYL WRAP-BEVELED-.73" X 3.1" X 96" - SIERRA MAPLE |
| 4C | Y00258-62-438 | EA | MOLDING/VYL 96" - CONCERT CHERRY (U90/94/98/A1/A5/B1/C1/C5/D1/D5/E1/E5/F1/F5/G1/G5/H1/H5) |
| 4C | Y00258-D2-438 | EA | MOLDING/VINYL WRP-BVLD-.73" X 3.1" X 96" - CONCERT CHERRY (UM1 THRU UM9, UN1 THRU UN9) |
| 4C | Y00258-A2-438 | EA | MOLDING/VINYL WRAP-BEVELED ENDS-.73"X3.1"X96" - WASHED MAPLE |
| 4C | Y00258-92-438 | EA | MOLDING/VINYL WRAP-BEVELED-.73" X 3.1" X 96" - SIERRA MAPLE |
| 5C | Y00259-62-438 | EA | MOLDING/VYL 96" - CONCERT CHERRY (U90/94/98/A1/A5/B1/C1/C5/D1/D5/E1/E5/F1/F5/G1/G5/H1/H5) |
| 5C | Y00259-D2-438 | EA | MOLDING/VINYL WRP-BVLD-.73" X 1.8" X 96" - CONCERT CHERRY (UM1 THRU UM9, UN1 THRU UN9) |
| 5C | Y00259-A2-438 | EA | MOLDING/VINYL WRAP-BEVELED-.73"X1.8"X96" - WASHED MAPLE |
| 5C | Y00259-92-438 | EA | MOLDING/VINYL WRAP-BEVELED-.73"X1.8"X96" - SIERRA MAPLE |
| 6C | Y00152-A2-438 | EA | MOLDING/TRIM - VINYL - .6" X 3.5" X 96" - WASHED MAPLE |
| 6C | Y00152-92-438 | EA | MOLDING/TRIM - VINYL - .6" X 3.5" X 96" - SIERRA MAPLE |

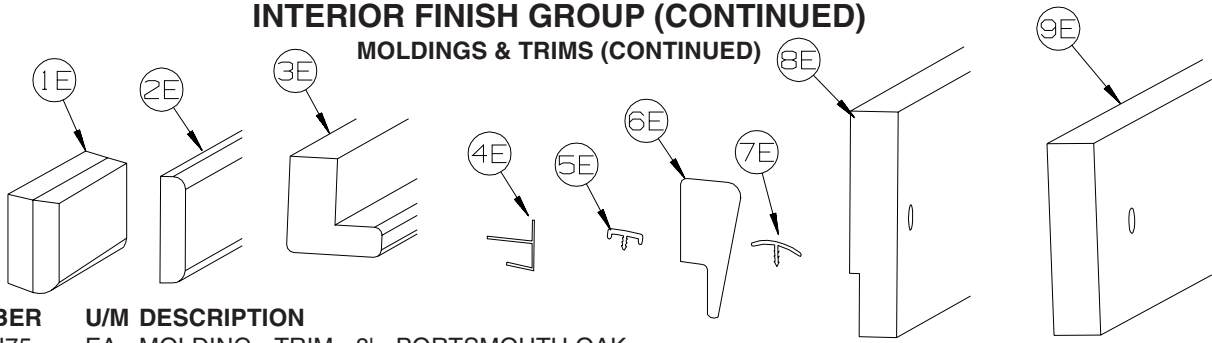
INTERIOR FINISH GROUP (CONTINUED)
MOLDINGS & TRIMS (CONTINUED)



| KEY | PART NUMBER | U/M | DESCRIPTION |
|-----|---------------|-----|---|
| 1D | 009767-12-000 | FT | WELTING - ANTIQUE WHITE |
| 1D | 009767-17-000 | FT | WELTING - PORTSMOUTH OAK |
| 2D | 009778-25-000 | FT | U-CHANNEL - 1" - BEIGE ILLUSION |
| 2D | 009778-26-000 | FT | U-CHANNEL - 1 1/4" - BEIGE ILLUSION |
| 2D | 009778-38-000 | FT | U-CHANNEL - 1" - BONE |
| 2D | 009778-32-000 | FT | U-CHANNEL - 1" - PORTSMOUTH OAK |
| 2D | 009778-34-000 | FT | U-CHANNEL - 1" - CONCERT CHERRY |
| 2D | 009778-27-000 | FT | U-CHANNEL - 1" - WASHED MAPLE |
| 2D | 009778-35-000 | FT | U-CHANNEL - 1" - HONEY CHERRY |
| 2D | 009778-36-000 | FT | U-CHANNEL - 1" - SIERRA MAPLE |
| 3D | 009809-30-000 | EA | MOLDING - CORNER - OUTSIDE - 1" X 84" - BEIGE ILLUSION |
| 3D | 009809-37-000 | EA | MOLDING - CORNER - OUTSIDE - 1" X 84" - BONE |
| 3D | 009809-32-000 | EA | MOLDING - CORNER - OUTSIDE - 1" X 84" - PORTSMOUTH OAK |
| 3D | 009809-33-000 | EA | MOLDING - CORNER - OUTSIDE - 1" X 84" - CONCERT CHERRY |
| 3D | 009809-31-000 | EA | MOLDING - CORNER - OUTSIDE - 1" X 84" - WASHED MAPLE |
| 3D | 009809-34-000 | EA | MOLDING - CORNER - OUTSIDE - 1" X 84" - HONEY CHERRY |
| 3D | 009809-35-000 | EA | MOLDING - CORNER - OUTSIDE - 1" X 84" - SIERRA MAPLE |
| 4D | 009812-31-000 | EA | MOLDING - CORNER - 1/2" W/1/4"CHAN X 84" - BEIGE ILLUSION |
| 4D | 009812-40-000 | EA | MOLDING - CORNER - 1/2" W/1/4"CHAN X 84" - BONE |
| 4D | 009812-35-000 | EA | MOLDING - CORNER - 1/2" W/1/4"CHAN X 84" - PORTSMOUTH OAK |
| 4D | 009812-36-000 | EA | MOLDING - CORNER - 1/2" W/1/4"CHAN X 84" - CONCERT CHERRY |
| 4D | 009812-33-000 | EA | MOLDING - CORNER - 1/2" W/1/4"CHAN X 84" - WASHED MAPLE |
| 4D | 009812-37-000 | EA | MOLDING - CORNER - 1/2" W/1/4"CHAN X 84" - HONEY CHERRY |
| 4D | 009812-38-000 | EA | MOLDING - CORNER - 1/2" W/1/4"CHAN X 84" - SIERRA MAPLE |
| 5D | 022992-11-000 | FT | MOLDING - REVERSE COVE - T-SHAPED - IVORY |
| 5D | 022992-18-000 | FT | MOLDING - REVERSE COVE - T-SHAPED - BONE |
| 5D | 022992-14-000 | FT | MOLDING - REVERSE COVE - T-SHAPED - BRIGHT WHITE |
| 6D | 070504-42-000 | FT | U-CHANNEL - PLASTIC - .13" X 84" - BEIGE ILLUSION |
| 6D | 070504-69-000 | FT | U-CHANNEL - PLASTIC - .13" X 84" - BONE |
| 6D | 070504-43-000 | FT | U-CHANNEL - PLASTIC - .9" X 96" - BEIGE ILLUSION |
| 6D | 070504-70-000 | FT | U-CHANNEL - PLASTIC - .8" X 84" - BONE |
| 6D | 070504-57-000 | FT | U-CHANNEL - PLASTIC - .13" X 84" - PORTSMOUTH OAK |
| 6D | 070504-58-000 | FT | U-CHANNEL - PLASTIC - .9" X 84" - PORTSMOUTH OAK |
| 6D | 070504-60-000 | FT | U-CHANNEL - PLASTIC - .13" X 84" - CONCERT CHERRY |
| 6D | 070504-61-000 | FT | U-CHANNEL - PLASTIC - .9" X 84" - CONCERT CHERRY |
| 6D | 070504-50-000 | FT | U-CHANNEL - PLASTIC - .13" X 96" - WASHED MAPLE |
| 6D | 070504-51-000 | FT | U-CHANNEL - PLASTIC - .9" X 96" - WASHED MAPLE |
| 6D | 070504-62-000 | FT | U-CHANNEL - PLASTIC - 1.65" X 84" - HONEY CHERRY |
| 6D | 070504-63-000 | FT | U-CHANNEL - PLASTIC - .9" X 84" - HONEY CHERRY |
| 6D | 070504-65-000 | FT | U-CHANNEL - PLASTIC - 1.65" X 84" - SIERRA MAPLE |
| 6D | 070504-66-000 | FT | U-CHANNEL - PLASTIC - .9" X 84" - SIERRA MAPLE |
| 7D | 083620-15-000 | FT | MOLDING-T - W/EDGE LIP - 7/8" FACE - BEIGE ILLUSION |
| 7D | 083620-25-000 | FT | MOLDING-T - W/EDGE LIP - 7/8" FACE - BONE |
| 7D | 083620-20-000 | FT | MOLDING-T - W/EDGE LIP - 7/8" FACE - PORTSMOUTH OAK |
| 7D | 083620-21-000 | FT | MOLDING-T - W/EDGE LIP - 7/8" FACE - CONCERT CHERRY |
| 7D | 083620-19-000 | FT | MOLDING-T - W/EDGE LIP - 7/8" FACE - WASHED MAPLE |
| 7D | 083620-24-000 | FT | MOLDING-T - W/EDGE LIP - 7/8" FACE - HONEY CHERRY |
| 7D | 083620-22-000 | FT | MOLDING-T - W/EDGE LIP - 7/8" FACE - SIERRA MAPLE |
| 8D | 085746-04-000 | FT | TRIM-J - CARPET 1.2" X .5" ANGLE - 12' LONG - OFF WHITE |
| 9D | 086229-01-000 | EA | RETAINER - BATTEN - .75" X 92.1" - ANY COLOR |
| 10D | 086229-20-000 | EA | BATTEN - 1" X 96" - BEIGE |

INTERIOR FINISH GROUP (CONTINUED)

MOLDINGS & TRIMS (CONTINUED)

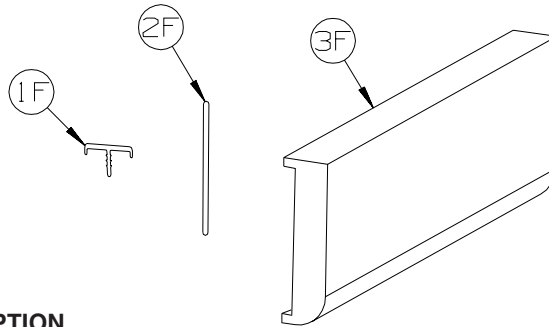


| KEY | PART NUMBER | U/M | DESCRIPTION |
|-----|---------------|-----|---|
| 1E | 100659-30-N75 | EA | MOLDING - TRIM - 8' - PORTSMOUTH OAK |
| 1E | 100659-30-N74 | EA | MOLDING - TRIM - 8' - CONCERT CHERRY |
| 1E | 100659-30-M84 | EA | MOLDING - TRIM - 8' - WASHED MAPLE |
| 1E | 100659-27-RA3 | EA | MOLDING - TRIM - HONEY CHERRY |
| 1E | 100659-31-SA3 | EA | MOLDING - TRIM - SIERRA MAPLE |
| 2E | 100818-01-12A | EA | MOLDING - VINYL WRAPPED - 1.6" X .4" X 84" - PORTSMOUTH OAK |
| 2E | 100818-01-13A | EA | MOLDING - VYL 84" - CONCERT CHERRY (U90/94/98/A1/A5/B1/C1/C5/D1/D5/E1/E5/F1/F5/G1/G5/H1/H5) |
| 2E | 100818-01-23A | EA | MOLDING - VINYL WRPPD - 1.6" X .4" X 84" - CONCERT CHERRY (UM1 THRU UM9, UN1 THRU UN9) |
| 2E | 100818-01-21A | EA | MOLDING - VINYL WRAPPED - 1.6" X .4" X 84" - WASHED MAPLE |
| 2E | 100818-01-14A | EA | MOLDING - VINYL WRAPPED - 1.6" X .4" X 84" - HONEY CHERRY |
| 2E | 100818-01-22A | EA | MOLDING - VINYL WRAPPED - 1.6" X .4" X 84" - SIERRA MAPLE |
| 3E | 100819-01-12A | EA | MOLDING - VINYL WRAPPED-L-SHAPED-1.5"X1.5"X84" - PORTSMOUTH OAK |
| 3E | 100819-01-13A | EA | MOLDING - VYL 84" - CONCERT CHERRY (U90/94/98/A1/A5/B1/C1/C5/D1/D5/E1/E5/F1/F5/G1/G5/H1/H5) |
| 3E | 100819-01-23A | EA | MOLDING - VYL WRPPD-L-SHPD-1.5"X1.5"X84" - CONCERT CHERRY (UM1 THRU UM9, UN1 THRU UN9) |
| 3E | 100819-01-21A | EA | MOLDING - VINYL WRAPPED-L-SHAPED-1.5"X1.5"X84" - WASHED MAPLE |
| 3E | 100819-01-14A | EA | MOLDING - VINYL WRAPPED-L-SHAPED-1.5"X1.5"X84" - HONEY CHERRY |
| 3E | 100819-01-22A | EA | MOLDING - VINYL WRAPPED-L-SHAPED-1.5"X1.5"X84" - SIERRA MAPLE |
| 4E | 103186-01-07A | FT | MOLDING/PLASTIC - 3/8" U-CHANNEL-3/4" FACE - BEIGE ILLUSION |
| 4E | 103186-01-09A | FT | MOLDING/PLASTIC - 3/8" U-CHAN'L-3/4" FACE - PORTSMOUTH OAK |
| 4E | 103186-01-10A | FT | MOLDING/PLASTIC - 3/8" U-CHAN'L-3/4" FACE - CONCERT CHERRY |
| 4E | 103186-01-08A | FT | MOLDING/PLASTIC - 3/8" U-CHANNEL-3/4"FACE-WASHED MAPLE 8' - WASHED MAPLE |
| 4E | 103186-01-11A | FT | MOLDING/PLASTIC - 3/8" U-CHAN'L-3/4" FACE - HONEY CHERRY |
| 4E | 103186-01-12A | FT | MOLDING/PLASTIC - 3/8" U-CHAN'L-3/4" FACE - SIERRA MAPLE |
| 4E | 103186-02-07A | FT | MOLDING/PLASTIC-1" U-CHAN'L-1 3/8" FACE - BEIGE ILLUSION |
| 4E | 103186-02-09A | FT | MOLDING/PLASTIC - 1" U-CHAN'L-1 3/8" FACE - PORTSMOUTH OAK |
| 4E | 103186-02-10A | FT | MOLDING/PLASTIC - 1" U-CHAN'L-1 3/8" FACE - CONCERT CHERRY |
| 4E | 103186-02-08A | FT | MOLDING/PLASTIC - 1" U-CHANNEL-1 3/8"FACE - WASHED MAPLE |
| 4E | 103186-02-11A | FT | MOLDING/PLASTIC - 1" U-CHAN'L-1 3/8" FACE - HONEY CHERRY |
| 4E | 103186-02-12A | FT | MOLDING/PLASTIC - 1" U-CHAN'L-1 3/8" FACE - SIERRA MAPLE |
| 5E | 104676-02-08A | FT | MOLDING-T - W/EDGE LIP - 11/16" FACE - PORTSMOUTH OAK |
| 5E | 104676-02-09A | FT | MOLDING-T - W/EDGE LIP - 11/16" FACE - CONCERT CHERRY |
| 5E | 104676-02-06A | FT | MOLDING-T - W/EDGE LIP - 11/16" FACE - WASHED MAPLE |
| 5E | 104676-02-10A | FT | MOLDING-T - W/EDGE LIP - 11/16" FACE - HONEY CHERRY |
| 5E | 104676-02-12A | FT | MOLDING-T - W/EDGE LIP - 11/16" FACE - SIERRA MAPLE |
| 6E | 105004-01-12A | EA | MOLDING - VINYL WRAPPED - 1" X 96" - PORTSMOUTH OAK |
| 6E | 105004-01-13A | EA | MOLDING - V W 8' - CONCERT CHERRY (U90/94/98/A1/A5/B1/C1/C5/D1/D5/E1/E5/F1/F5/G1/G5/H1/H5) |
| 6E | 105004-01-23A | EA | MOLDING - VINYL WRAPPD 1" X 8' - CONCERT CHERRY (UM1 THRU UM9, UN1 THRU UN9) |
| 6E | 105004-01-21A | EA | MOLDING - VINYL WRAPPED - 1" X 8' - WASHED MAPLE |
| 6E | 105004-01-24A | EA | MOLDING - VINYL WRAPPED - 1" X 8' - HONEY CHERRY |
| 6E | 105004-01-22A | EA | MOLDING - VINYL WRAPPED - 1" X 8' - SIERRA MAPLE |
| 7E | 105709-02-000 | FT | MOLDING-T - W/EDGE LIP 3/4" FACE - BEIGE ILLUSION |
| 8E | 116951-45-R68 | EA | MOLDING - TRIM - 3" X 30.3" - PORTSMOUTH OAK |
| 8E | 116951-45-R69 | EA | MOLDING - TRIM - 3" X 30.3" - CONCERT CHERRY |
| 8E | 116951-45-R76 | EA | MOLDING - TRIM - 3" X 30.3" - WASHED MAPLE |
| 8E | 116951-45-SA3 | EA | MOLDING - TRIM - 3" X 30.3" - SIERRA MAPLE |
| 9E | 116951-37-R68 | EA | MOLDING - TRIM - 3.5" X 38.6" - PORTSMOUTH OAK |
| 9E | 116951-37-R69 | EA | MOLDING - TRIM - 3.5" X 38.6" - CONCERT CHERRY |
| 9E | 116951-37-R76 | EA | MOLDING - TRIM - 3.5" X 38.6" - WASHED MAPLE |
| 9E | 116951-37-SA3 | EA | MOLDING - TRIM - 3.5" X 38.6" - SIERRA MAPLE |
| 9E | 116951-51-SA0 | EA | MOLDING - TRIM - 3.5" X 47.3" - PORTSMOUTH OAK |
| 9E | 116951-51-SA1 | EA | MOLDING - TRIM - 3.5" X 47.3" - CONCERT CHERRY |
| 9E | 116951-51-SA2 | EA | MOLDING - TRIM - 3.5" X 47.3" - WASHED MAPLE |
| 9E | 116951-51-SA3 | EA | MOLDING - TRIM - 3.5" X 47.3" - SIERRA MAPLE |

INTERIOR FINISH GROUP (CONTINUED)

MOLDINGS & TRIMS (CONTINUED)

| KEY | PART NUMBER | U/M | DESCRIPTION |
|-----|---------------|-----|--|
| 9E | 116951-55-TD0 | EA | MOLDING - TRIM - 4.5" X 52.3" - PORTSMOUTH OAK |
| 9E | 116951-55-TD1 | EA | MOLDING - TRIM - 4.5" X 52.3" - CONCERT CHERRY |
| 9E | 116951-55-TD2 | EA | MOLDING - TRIM - 4.5" X 52.3" - WASHED MAPLE |
| 9E | 116951-55-TD3 | EA | MOLDING - TRIM - 4.5" X 52.3" - SIERRA MAPLE |
| 9E | 116951-56-TD0 | EA | MOLDING - TRIM - 4.5" X 52.3" - PORTSMOUTH OAK |
| 9E | 116951-56-TD1 | EA | MOLDING - TRIM - 4.5" X 52.3" - CONCERT CHERRY |
| 9E | 116951-56-TD2 | EA | MOLDING - TRIM - 4.5" X 52.3" - WASHED MAPLE |
| 9E | 116951-56-TD3 | EA | MOLDING - TRIM - 4.5" X 52.3" - SIERRA MAPLE |

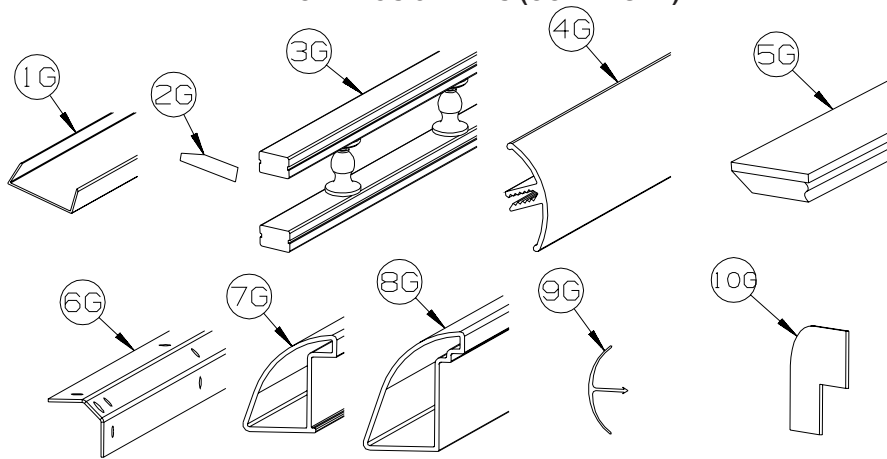


| KEY | PART NUMBER | U/M | DESCRIPTION |
|-----|---------------|-----|--|
| 1F | 119520-01-01A | FT | MOLDING-T - OFFSET W/EDGE LIP - 1.3" FACE - OFF WHITE |
| 1F | 119520-03-03A | FT | MOLDING-T - OFFSET W/EDGE LIP - 1" FACE - WASHED MAPLE |
| 1F | 119520-03-06A | FT | MOLDING-T - OFFSET W/EDGE LIP - 1" FACE - HONEY CHERRY |
| 2F | 127842-01-01A | FT | SEAL - SIGHT SHIELD - 2" BLACK |
| | 137885-A2-438 | EA | LUMBER - VYL .75" - CONCERT CHERRY (U90/94/98/A1/A5/B1/C1/C5/D1/D5/E1/E5/F1/F5/G1/G5/H1/H5) |
| | 160300-A2-438 | EA | LUMBER - VINYL WRAPPED - .7" X .75" X 96" - CONCERT CHERRY (UM1 THRU UM9, UN1 THRU UN9) |
| | 137885-D2-438 | EA | LUMBER - VYL1.5" - CONCERT CHERRY (U90/94/98/A1/A5/B1/C1/C5/D1/D5/E1/E5/F1/F5/G1/G5/H1/H5) |
| | 160300-D2-438 | EA | LUMBER - VINYL WRAPPED - .7" X 1.5" X 96" - CONCERT CHERRY (UM1 THRU UM9, UN1 THRU UN9) |
| | 137885-E2-438 | EA | LUMBER - VYL2" - CONCERT CHERRY (U90/94/98/A1/A5/B1/C1/C5/D1/D5/E1/E5/F1/F5/G1/G5/H1/H5) |
| | 160300-E2-438 | EA | LUMBER - VINYL WRAPPED - .7" X 2" X 96" - CONCERT CHERRY (UM1 THRU UM9, UN1 THRU UN9) |
| | 137885-F2-438 | EA | LUMBER - VYL2.5" - CONCERT CHERRY (U90/94/98/A1/A5/B1/C1/C5/D1/D5/E1/E5/F1/F5/G1/G5/H1/H5) |
| | 160300-F2-438 | EA | LUMBER - VINYL WRAPPED - .7" X 2.5" X 96" - CONCERT CHERRY (UM1 THRU UM9, UN1 THRU UN9) |
| | 137885-G2-438 | EA | LUMBER - VYL3" - CONCERT CHERRY (U90/94/98/A1/A5/B1/C1/C5/D1/D5/E1/E5/F1/F5/G1/G5/H1/H5) |
| | 160300-G2-438 | EA | LUMBER - VINYL WRAPPED - .7" X 3" X 96" - CONCERT CHERRY (UM1 THRU UM9, UN1 THRU UN9) |
| | 137885-H2-438 | EA | LUMBER - VYL3.5" - CONCERT CHERRY (U90/94/98/A1/A5/B1/C1/C5/D1/D5/E1/E5/F1/F5/G1/G5/H1/H5) |
| | 160300-H2-438 | EA | LUMBER - VINYL WRAPPED - .7" X 3.5" X 96" - CONCERT CHERRY (UM1 THRU UM9, UN1 THRU UN9) |
| | 137885-J2-438 | EA | LUMBER - VYL5.5" - CONCERT CHERRY (U90/94/98/A1/A5/B1/C1/C5/D1/D5/E1/E5/F1/F5/G1/G5/H1/H5) |
| | 160300-J2-438 | EA | LUMBER - VINYL WRAPPED - .7" X 5.5" X 96" - CONCERT CHERRY (UM1 THRU UM9, UN1 THRU UN9) |
| | 137885-J2-743 | EA | LUMBER - VYL5.5" - CONCERT CHERRY (U90/94/98/A1/A5/B1/C1/C5/D1/D5/E1/E5/F1/F5/G1/G5/H1/H5) |
| | 160300-J2-743 | EA | LUMBER - VINYL WRAPPED - .7" X 5.5" X 108" - CONCERT CHERRY (UM1 THRU UM9, UN1 THRU UN9) |
| | 137885-K2-438 | EA | LUMBER - VYL3.9" - CONCERT CHERRY (U90/94/98/A1/A5/B1/C1/C5/D1/D5/E1/E5/F1/F5/G1/G5/H1/H5) |
| | 160300-K2-438 | EA | LUMBER - VINYL WRAPPED - .7" X 3.9" X 96" - CONCERT CHERRY (UM1 THRU UM9, UN1 THRU UN9) |
| | 137885-R2-438 | EA | LUMBER - VYL 3" - CONCERT CHERRY (U90/94/98/A1/A5/B1/C1/C5/D1/D5/E1/E5/F1/F5/G1/G5/H1/H5) |
| | 160300-R2-438 | EA | LUMBER - VINYL WRAPPED - .7" X 3" X 96" - CONCERT CHERRY (UM1 THRU UM9, UN1 THRU UN9) |
| 3F | 137887-D2-134 | EA | MOLDING - 1.6" X 84" - CONCERT CHERRY (U90/94/98/A1/A5/B1/C1/C5/D1/D5/E1/E5/F1/F5/G1/G5/H1/H5) |
| 3F | 160301-D2-134 | EA | MOLDING - VINYL WRAPPED - .7" X 1.6" X 84" - CONCERT CHERRY (UM1 THRU UM9, UN1 THRU UN9) |
| 3F | 137887-D2-743 | EA | MLDG - 1.6" X 108" - CONCERT CHERRY (U90/94/98/A1/A5/B1/C1/C5/D1/D5/E1/E5/F1/F5/G1/G5/H1/H5) |
| 3F | 160301-D2-743 | EA | MOLDING - VINYL WRAPPED - .7" X 1.6" X 108" - CONCERT CHERRY (UM1 THRU UM9, UN1 THRU UN9) |
| 3F | 137887-F2-134 | EA | MLDNG - 2.5" X 84" - CONCERT CHERRY (U90/94/98/A1/A5/B1/C1/C5/D1/D5/E1/E5/F1/F5/G1/G5/H1/H5) |
| 3F | 160301-F2-134 | EA | MOLDING - VINYL WRAPPED - .7" X 2.5" X 84" - CONCERT CHERRY (UM1 THRU UM9, UN1 THRU UN9) |
| 3F | 137887-F2-743 | EA | MLDG - 2.5" X 108" - CONCERT CHERRY (U90/94/98/A1/A5/B1/C1/C5/D1/D5/E1/E5/F1/F5/G1/G5/H1/H5) |
| 3F | 160301-F2-743 | EA | MOLDING - VINYL WRAPPED - .7" X 2.5" X 108" - CONCERT CHERRY (UM1 THRU UM9, UN1 THRU UN9) |
| 3F | 137887-F2-438 | EA | MLDG - 2.5" X 96" - CONCERT CHERRY (U90/94/98/A1/A5/B1/C1/C5/D1/D5/E1/E5/F1/F5/G1/G5/H1/H5) |
| 3F | 160301-F2-438 | EA | MOLDING - VINYL WRAPPED - .7" X 2.5" X 96" - CONCERT CHERRY (UM1 THRU UM9, UN1 THRU UN9) |
| | 137894-A2-438 | EA | LUMBER - VINYL WRAPPED - .7" X .75" X 96" - PORTSMOUTH OAK |
| | 137894-D2-438 | EA | LUMBER - VINYL WRAPPED - .7" X 1.5" X 96" - PORTSMOUTH OAK |
| | 137894-E2-438 | EA | LUMBER - VINYL WRAPPED - .7" X 2" X 96" - PORTSMOUTH OAK |
| | 137894-F2-438 | EA | LUMBER - VINYL WRAPPED - .7" X 2.5" X 96" - PORTSMOUTH OAK |
| | 137894-G2-438 | EA | LUMBER - VINYL WRAPPED - .7" X 3" X 96" - PORTSMOUTH OAK |
| | 137894-H2-438 | EA | LUMBER - VINYL WRAPPED - .7" X 3.5" X 96" - PORTSMOUTH OAK |
| | 137894-J2-438 | EA | LUMBER - VINYL WRAPPED - .7" X 5.5" X 80.2" - PORTSMOUTH OAK |
| | 137894-J2-743 | EA | LUMBER - VINYL WRAPPED - .7" X 5.5" X 96" - PORTSMOUTH OAK |
| | 137894-K2-438 | EA | LUMBER - VINYL WRAPPED - .7" X 3.9" X 96" - PORTSMOUTH OAK |
| | 137894-R2-438 | EA | LUMBER - VINYL WRAPPED - .7" X 3" X 96" - PORTSMOUTH OAK |

INTERIOR FINISH GROUP (CONTINUED)
MOLDINGS & TRIMS (CONTINUED)

| KEY | PART NUMBER | U/M | DESCRIPTION |
|------------|--------------------|------------|--|
| 3F | 137895-D2-134 | EA | MOLDING - VINYL WRAPPED - .7" X 1.6" X 84"-PORTSMOUTH OAK |
| 3F | 137895-D2-743 | EA | MOLDING - VINYL WRAPPED - .7" X 1.6" X 108"-PORTSMOUTH OAK |
| 3F | 137895-F2-438 | EA | MOLDING - VINYL WRAPPED - .7" X 2.5" X 96" - PORTSMOUTH OAK |
| 3F | 137895-F2-743 | EA | MOLDING - VINYL WRAPPED - .7" X 2.5" X 108" - PORTSMOUTH OAK |
| | 146419-A2-438 | EA | LUMBER - VINYL WRAPPED - .7" X .75" X 96" - HONEY CHERRY |
| | 146419-D2-438 | EA | LUMBER - VINYL WRAPPED - .7" X 1.5" X 96" - HONEY CHERRY |
| | 146419-E2-438 | EA | LUMBER - VINYL WRAPPED - .7" X 2" X 96" - HONEY CHERRY |
| | 146419-F2-438 | EA | LUMBER - VINYL WRAPPED - .7" X 2.5" X 96" - HONEY CHERRY |
| | 146419-G2-438 | EA | LUMBER - VINYL WRAPPED - .7" X 3" X 96" - HONEY CHERRY |
| | 146419-H2-438 | EA | LUMBER - VINYL WRAPPED - .7" X 3.5" X 96" - HONEY CHERRY |
| | 146419-J2-438 | EA | LUMBER - VINYL WRAPPED - .7" X 5.5" X 96" - HONEY CHERRY |
| | 146419-J2-743 | EA | LUMBER - VINYL WRAPPED - .7" X 5.5" X 108" - HONEY CHERRY |
| | 146419-K2-438 | EA | LUMBER - VINYL WRAPPED - .7" X 3.9" X 96" - HONEY CHERRY |
| | 146419-R2-438 | EA | LUMBER - VINYL WRAPPED - .7" X 3" X 96" - HONEY CHERRY |
| | 146419-S2-438 | EA | LUMBER - VINYL WRAPPED/FULL - .7"X 3.5"X 96"- HONEY CHERRY |
| | 146419-T2-438 | EA | LUMBER - VINYL WRAPPED/FULL - .7"X 5.5"X 96"- HONEY CHERRY |
| 3F | 146425-D2-134 | EA | MOLDING - VINYL WRAPPED - .7" X 1.6" X 83.9" - HONEY CHERRY |
| 3F | 146425-F2-438 | EA | MOLDING - VINYL WRAPPED - .7" X 2.6" X 96" - HONEY CHERRY |
| | 149325-A2-438 | EA | LUMBER - VINYL WRAPPED - .7" X .75" X 96" - WASHED MAPLE |
| | 149325-D2-438 | EA | LUMBER - VINYL WRAPPED - .7" X 1.5" X 96" - WASHED MAPLE |
| | 149325-E2-438 | EA | LUMBER - VINYL WRAPPED - .7" X 2" X 96" - WASHED MAPLE |
| | 149325-F2-438 | EA | LUMBER - VINYL WRAPPED - .7" X 2.5" X 96" - WASHED MAPLE |
| | 149325-G2-438 | EA | LUMBER - VINYL WRAPPED - .7" X 3" X 96" - WASHED MAPLE |
| | 149325-H2-438 | EA | LUMBER - VINYL WRAPPED - .7" X 3.5" X 96" - WASHED MAPLE |
| | 149325-J2-438 | EA | LUMBER - VINYL WRAPPED - .7" X 5.5" X 96" - WASHED MAPLE |
| | 149325-J2-743 | EA | LUMBER - VINYL WRAPPED - .7" X 5.5" X 108" - WASHED MAPLE |
| | 149325-K2-438 | EA | LUMBER - VINYL WRAPPED - .7" X 3.9" X 96" - WASHED MAPLE |
| | 149325-R2-438 | EA | LUMBER - VINYL WRAPPED - .7" X 3" X 96" - WASHED MAPLE |
| 3F | 149326-D2-134 | EA | MOLDING - VINYL WRAPPED - .7" X 1.5" X 83.9" - WASHED MAPLE |
| 3F | 149326-D2-743 | EA | MOLDING - VINYL WRAPPED - .7" X 1.5" X 108" - WASHED MAPLE |
| 3F | 149326-F2-134 | EA | MOLDING - VINYL WRAPPED - .7" X 2.5" X 83.9" - WASHED MAPLE |
| 3F | 149326-F2-438 | EA | MOLDING - VINYL WRAPPED - .7" X 2.5" X 96" - WASHED MAPLE |
| 3F | 149326-F2-743 | EA | MOLDING - VINYL WRAPPED - .7" X 2.5" X 108" - WASHED MAPLE |
| | 149330-A2-438 | EA | LUMBER - VINYL WRAPPED - .7" X .75" X 96" - SIERRA MAPLE |
| | 149330-D2-438 | EA | LUMBER - VINYL WRAPPED - .7" X 1.5" X 96" - SIERRA MAPLE |
| | 149330-E2-438 | EA | LUMBER - VINYL WRAPPED - .7" X 2" X 96" - SIERRA MAPLE |
| | 149330-F2-438 | EA | LUMBER - VINYL WRAPPED - .7" X 2.5" X 96" - SIERRA MAPLE |
| | 149330-G2-438 | EA | LUMBER - VINYL WRAPPED - .7" X 3" X 96" - SIERRA MAPLE |
| | 149330-H2-438 | EA | LUMBER - VINYL WRAPPED - .7" X 3.5" X 96" - SIERRA MAPLE |
| | 149330-J2-438 | EA | LUMBER - VINYL WRAPPED - .7" X 5.5" X 96" - SIERRA MAPLE |
| | 149330-J2-743 | EA | LUMBER - VINYL WRAPPED - .7" X 5.5" X 108" - SIERRA MAPLE |
| | 149330-K2-438 | EA | LUMBER - VINYL WRAPPED - .7" X 3.9" X 96" - SIERRA MAPLE |
| | 149330-R2-438 | EA | LUMBER - VINYL WRAPPED - .7" X 3" X 96" - SIERRA MAPLE |
| 3F | 149331-D2-134 | EA | MOLDING - VINYL WRAPPED - .7" X 1.5" X 83.9" - SIERRA MAPLE |
| 3F | 149331-D2-743 | EA | MOLDING - VINYL WRAP - .7" X 1.5" X 108" - SIERRA MAPLE |
| 3F | 149331-F2-134 | EA | MOLDING - VINYL WRAPPED - .7" X 2.5" X 83.9" - SIERRA MAPLE |
| 3F | 149331-F2-438 | EA | MOLDING - VINYL WRAPPED - .7" X 2.5" X 96" - SIERRA MAPLE |
| 3F | 149331-F2-743 | EA | MOLDING - VINYL WRAPPED - .7" X 2.5" X 108" - SIERRA MAPLE |

INTERIOR FINISH GROUP (CONTINUED)
MOLDINGS & TRIMS (CONTINUED)



| KEY | PART NUMBER | U/M | DESCRIPTION |
|-----|---------------|-----|---|
| 1G | 141260-01-01A | FT | U-CHANNEL - 1" - VILLAGE OAK |
| 1G | 141260-01-02A | FT | U-CHANNEL - 1" - GRADY BROWN |
| 1G | 141260-02-01A | FT | U-CHANNEL - 1 1/8" - VILLAGE OAK |
| 1G | 141260-02-02A | FT | U-CHANNEL - 1 1/8" - GRADY BROWN |
| 2G | 146306-01-01A | FT | TRANSITION - CARPET/TILE |
| 3G | 150167-01-07A | EA | RAIL - DECORATIVE - 96" W/O REVERSE SIDE GROOVE - PORTSMOUTH OAK |
| 3G | 150167-01-02A | EA | RAIL - DECORATIVE - 96" W/O REVERSE SIDE GROOVE - SALEM CHERRY - CONCERT CHERRY |
| 3G | 150167-01-03A | EA | RAIL - DECORATIVE - 96" W/O REVERSE SIDE GROOVE - WASHED MAPLE |
| 3G | 150167-01-09A | EA | RAIL - DECORATIVE - 96" W/O REVERSE SIDE GROOVE - SIERRA MAPLE |
| 4G | 151653-10-02A | EA | TRIM/RADIUS - CABINET CORNER - 79.6" - DULL METALLIC |
| 4G | 151653-13-02A | EA | TRIM/RADIUS - CABINET CORNER - 79.8" - DULL METALLIC |
| 5G | 151676-26-S46 | EA | MOLDING/TRIM - .75" X 1.6" X 80.2" - PORTSMOUTH OAK |
| 5G | 151676-26-S47 | EA | MOLDING/TRIM - .75" X 1.6" X 80.2" - CONCERT CHERRY |
| 5G | 151676-26-S48 | EA | MOLDING/TRIM - .75" X 1.6" X 80.2" - WASHED MAPLE |
| 5G | 151676-26-SR0 | EA | MOLDING/TRIM - .75" X 1.6" X 80.2" - SIERRA MAPLE |
| 6G | 151861-05-02B | EA | ANGLE - SUPPORT/CORNER - 1.4" X 78.6" - E-COATED |
| 7G | 151893-01-02A | EA | TRIM/RADIUS - CABINET BOTTOM - 72.6" - DULL METALLIC |
| 8G | 152077-01-02A | EA | TRIM/RADIUS - CABINET BOTTOM - 27.7" - DULL METALLIC |
| 9G | 156464-01-01A | FT | MOLDING - CORNER - RADIUS/PLASTIC - 8' - HONEY CHERRY |
| 9G | 156464-01-02A | FT | MOLDING - CORNER - RADIUS/PLASTIC - 8' - WASHED MAPLE |
| 9G | 156464-01-03A | FT | MOLDING - CORNER - RADIUS/PLASTIC - 8' - BONE |
| 10G | 160989-01-06A | FT | CAP - CORNER - RADIUS MOLDING - PLASTIC - WASHED MAPLE |
| 10G | 160989-01-07A | FT | CAP - CORNER - RADIUS MOLDING - PLASTIC - HONEY CHERRY |

INTERIOR FINISH GROUP (CONTINUED)
PANELING & LAMINATES

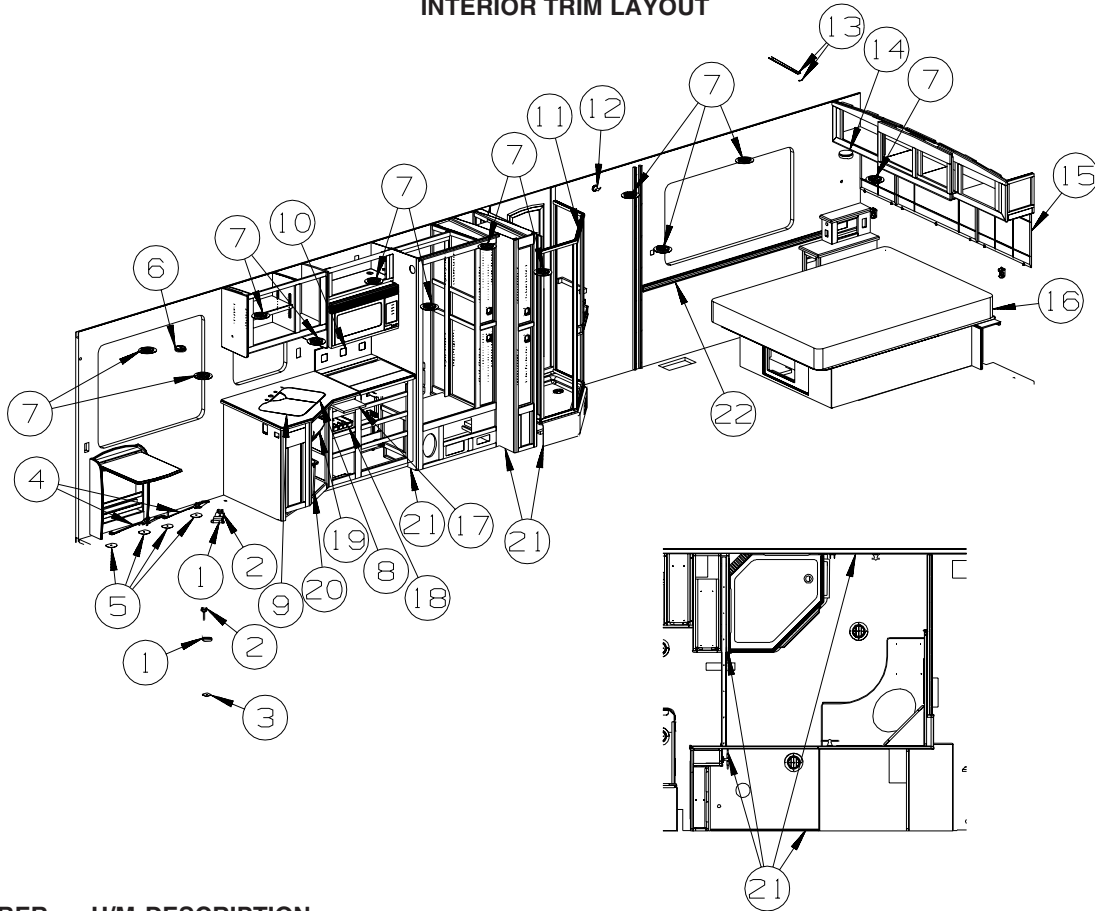
| KEY | PART NUMBER | U/M | DESCRIPTION |
|-----|---------------|-----|--|
| | 000885-B9-000 | SF | PARTICLE BOARD - 3/8" X 4' X 8'- CONCERT CHERRY - 1 SIDED - CONCERT CHERRY |
| | 000885-B5-000 | SF | PARTICLE BOARD - 3/8" X 4' X 8'- WASHED MAPLE - 1 SIDED - WASHED MAPLE |
| | 000885-B1-000 | SF | PARTICLE BOARD - 3/8" X 4' X 8'- SIERRA MAPLE - 1 SIDED - SIERRA MAPLE |
| | 000885-C1-000 | SF | PARTICLE BOARD - 1/2" X 4' X 8'- NEW CONC CHERRY - 2 SIDED - CONCERT CHERRY |
| | 000885-B7-000 | SF | PARTICLE BOARD - 1/2" X 4' X 8'- WASHED MAPLE - 2 SIDED - WASHED MAPLE |
| | 000885-B3-000 | SF | PARTICLE BOARD - 1/2" X 4' X 8'- SIERRA MAPLE - 2 SIDED - SIERRA MAPLE |
| | 000885-C0-000 | SF | PARTICLE BOARD - 3/4" X 4' X 8'- NEW CONC CHERRY - 2 SIDED - CONCERT CHERRY |
| | 000885-B6-000 | SF | PARTICLE BOARD - 3/4" X 4' X 8'- WASHED MAPLE - 2 SIDED - WASHED MAPLE |
| | 000885-B2-000 | SF | PARTICLE BOARD - 3/4" X 4' X 8'- SIERRA MAPLE - 2 SIDED - SIERRA MAPLE |
| | 000885-B8-000 | SF | PARTICLE BOARD - 3/8" X 4' X 8'- NEW CONC CHERRY - 2 SIDED - CONCERT CHERRY |
| | 000885-B4-000 | SF | PARTICLE BOARD - 3/8" X 4' X 8'- WASHED MAPLE - 2 SIDED - WASHED MAPLE |
| | 000885-B0-000 | SF | PARTICLE BOARD - 3/8" X 4' X 8'- SIERRA MAPLE - 2 SIDED - SIERRA MAPLE |
| | 000885-C3-000 | SF | PARTICLE BOARD - 3/8" X 4' X 8'- WHITE THATCH EMB-1 SIDED |
| | 088272-M9-000 | SF | PANELING - WHITE THATCHED - 4' X 8' |
| | 074497-50-000 | SF | PANELING - NEW CONCERT CHERRY - 1/8" X 4' X 8' - CONCERT CHERRY |
| | 074497-49-000 | SF | PANELING - WASHED MAPLE - 1/8" X 4' X 8' - WASHED MAPLE |
| | 074497-48-000 | SF | PANELING - SIERRA MAPLE - 1/8" X 4' X 8' - SIERRA MAPLE |
| | 076773-21-000 | SF | PANELING - 2 SIDED/NEW CONC CHERRY - 1/8" X 4' X 8' - CONCERT CHERRY |
| | 076773-20-000 | SF | PANELING - 2 SIDED/WASHED MAPLE - 1/8" X 4' X 8' - WASHED MAPLE |
| | 076773-19-000 | SF | PANELING - 2 SIDED/SIERRA MAPLE - 1/8" X 4' X 8' - SIERRA MAPLE |
| | 076773-24-000 | SF | PANELING - 1 SIDE/SIERRA MAPLE - 1/8" X 4' X 7' - SIERRA MAPLE |
| | 079666-03-000 | SF | PANELING - CLOSET - CEDAR - 4' X 7' |
| | 088272-N1-000 | SF | PANELING - OASIS/RATTAN - 4' X 7.4' (UD5,UD6,UD7,UN1,UP5) FROM: 00-00-00 THRU: 03-27-08 |
| | 088272-M7-000 | SF | PANELING - KURTA/CANVAS - 4' X 7.4' (UD5,UD6,UD7,UN1,UP5) FROM: 03-28-07 THRU: 99-99-99 |
| | 088272-M1-000 | SF | PANELING - MORITZ/TUSCANY - 4' X 7.4' (UE1,UE2,UE3,UN2) |
| | 088272-L8-000 | SF | PANELING - D'VINCI ALMOND - 1/8" X 4' X 7' (UE5,UE6,UE7,UN3) FROM: 00-00-00 THRU: 03-27-08 |
| | 088272-M7-000 | SF | PANELING - KURTA/CANVAS - 4' X 7.4' (UE5,UE6,UE7,UN3) FROM: 03-28-07 THRU: 99-99-99 |
| | 080215-19-000 | SF | PANELING/PAPER WRAP - 2 SIDED/SIERRA MAPLE-3/16" X 4' X 8' (UP4) |
| | 088272-M3-000 | SF | PANELING - VALENZA/STONE - 4' X 7.4' (UP4) |
| | 088272-M4-000 | SF | PANELING - WHISPER - 4' X 7.4' (UP5) |
| | 088263-K7-000 | EA | BATT STRIP - DECORATIVE - RATTAN - 8' (UD5,UD6,UD7,UN1,UP5) FROM: 00-00-00 THRU: 03-27-08 |
| | 088263-K3-000 | EA | BATT STRIP - DECORATIVE - KURTA/CANVAS - 8' (UD5,UD6,UD7,UN1,UP5) FROM: 03-28-07 THRU: 99-99-99 |
| | 088263-J7-000 | EA | BATT STRIP - DECORATIVE - MORITZ/TUSCANY (UE1,UE2,UE3,UN2) |
| | 088263-J0-000 | EA | BATT STRIP - DECORATIVE - D'VINCI ALMOND (UE5,UE6,UE7,UN3) FROM: 00-00-00 THRU: 03-27-08 |
| | 088263-K3-000 | EA | BATT STRIP - DECORATIVE - KURTA/CANVAS - 8' (UE5,UE6,UE7,UN3) FROM: 03-28-07 THRU: 99-99-99 |
| | 069733-91-000 | EA | BATT STRIP - WOODGRAINED/WASHED MAPLE - 8' (UP4,UP5) |
| | 085284-L1-000 | FT | BATT TAPE - ADHESIVE BACKED - DECORATIVE - RATTAN (UD5,UD6,UD7,UN1,UP5) FROM: 00-00-00 THRU: 03-27-08 |
| | 085284-K7-000 | FT | BATT TAPE - ADHESIVE BACKED - DECORATIVE - KURTA/CANVAS (UD5,UD6,UD7,UN1,UP5) FROM: 03-28-07 THRU: 99-99-99 |
| | 085284-K1-000 | FT | BATT TAPE - ADHESIVE BACKED - DECORATIVE - MORITZ/TUSCANY (UE1,UE2,UE3,UN2) |
| | 085284-J3-000 | FT | BATT TAPE - ADHESIVE BACKED - DECORATIVE - D'VINCI ALMOND (UE5,UE6,UE7,UN3) FROM: 00-00-00 THRU: 03-27-08 |
| | 085284-K7-000 | FT | BATT TAPE - ADHESIVE BACKED - DECORATIVE - KURTA/CANVAS (UE5,UE6,UE7,UN3) FROM: 03-28-07 THRU: 99-99-99 |
| | 085284-J7-000 | FT | BATT TAPE - ADHESIVE BACKED - DECORATIVE (UD5,UD6,UD7,UN1) |
| | 085284-J5-000 | FT | BATT TAPE - ADHESIVE BACKED - DECORATIVE (UE1,UE2,UE3,UN2) |
| | 085284-J4-000 | FT | BATT TAPE - ADHESIVE BACKED - DECORATIVE (UE5,UE6,UE7,UN3,UP4,UP5) |
| | 085284-K3-000 | FT | BATT TAPE - ADHESIVE BACKED - DECORATIVE - STONE (UP4) |
| | 085284-K4-000 | FT | BATT TAPE - ADHESIVE BACKED - DECORATIVE - WHISPER (UP5) |
| | 085284-F7-000 | FT | TAPE/STRIP- TRUE GRIP - 1 1/2" WIDE - ADHESIVE BACKED |
| | 074498-96-000 | SF | LAMINATE - PLASTIC - CHERRY - 4' X 8' - CONCERT CHERRY FROM: 00-00-00 THRU: 10-02-06 |
| | 074498-C2-000 | SF | LAMINATE - PLASTIC - CHERRY - 4' X 8' - CONCERT CHERRY FROM: 10-01-06 THRU: 99-99-99 |

INTERIOR FINISH GROUP (CONTINUED)
PANELING & LAMINATES (CONTINUED)

| KEY | PART NUMBER | U/M | DESCRIPTION |
|------------|--------------------|------------|---|
| | 074498-A6-000 | SF | LAMINATE - PLASTIC - HARDROCK MAPLE - 5' X 8' - WASHED MAPLE |
| | 074498-A8-000 | SF | LAMINATE - PLASTIC - SUEDE/HONEY MAPLE - 5' X 8' - SIERRA MAPLE |
| | 074498-B8-000 | SF | LAMINATE - PLASTIC - CLASSIC ROCK - 5' X 8' |
| | 074498-A2-000 | SF | LAMINATE - PLASTIC - PHANTOM GRAY - 5' X 8' |
| | 074498-A0-000 | SF | LAMINATE - PLASTIC - ROCKY MOUNTAIN HIGH - 4' X 8' |
| | P26866-11-N74 | EA | HANDLE - DOOR/TAMBOUR - 20.8" - CHERRY - CONCERT CHERRY |
| | P26866-11-N84 | EA | HANDLE - DOOR/TAMBOUR - 20.8" - WASHED MAPLE |
| | P26866-11-SA3 | EA | HANDLE - DOOR/TAMBOUR - 20.8" - MAPLE/HONEY - SIERRA MAPLE |

INTERIOR FINISH GROUP (CONTINUED)

INTERIOR TRIM LAYOUT



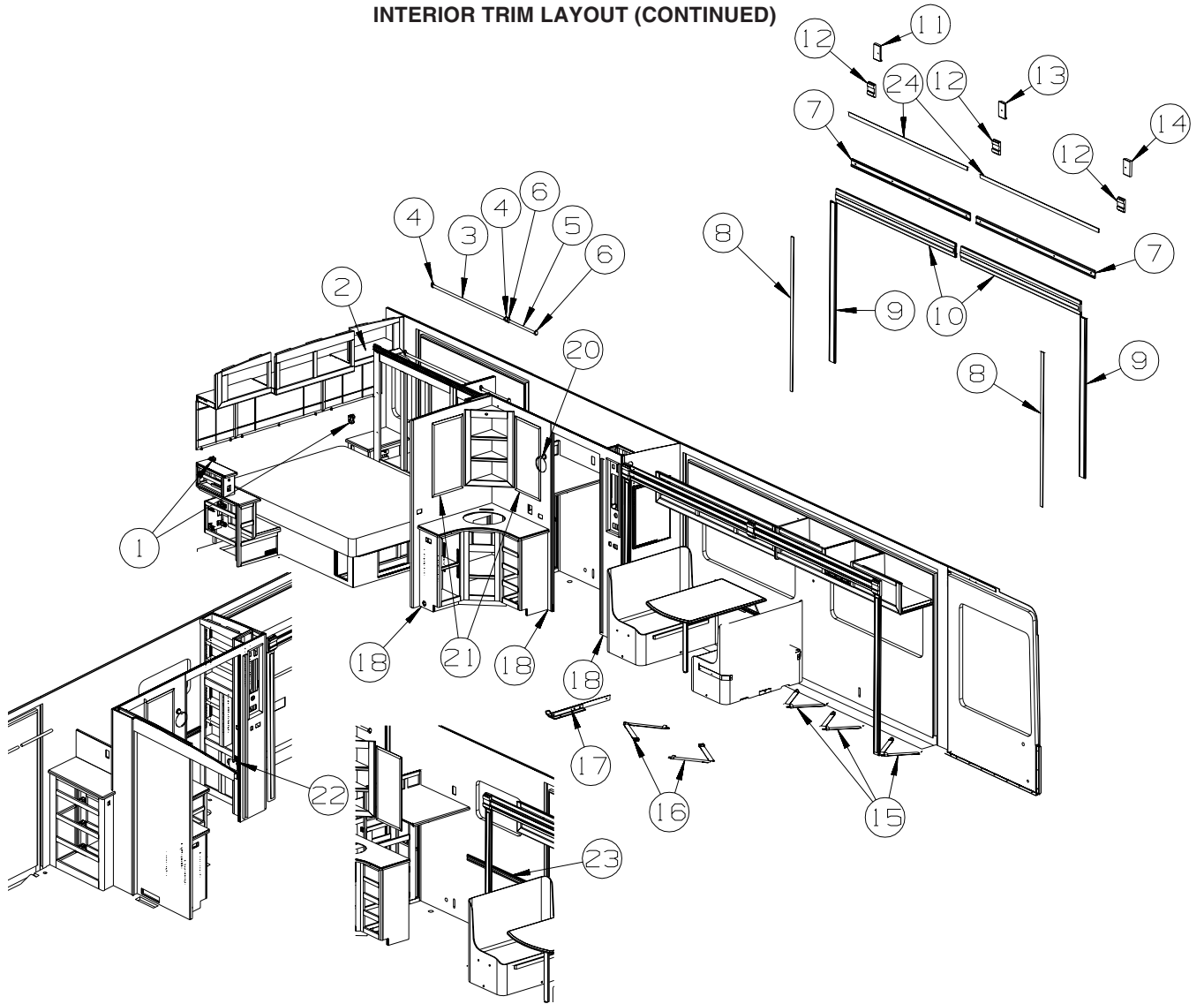
| KEY | PART NUMBER | U/M | DESCRIPTION |
|-----|---------------|-----|---|
| 1 | 134057-01-11B | EA | BRACKET - RECLINER - FLAT BLACK |
| 1 | 143956-03-04B | EA | BRACKET/TIEDOWN - EURO CHAIR - BLACK - LOUNGE CHAIR-EURO LEATHER |
| 2 | 134194-01-01A | EA | KNOB - HOLD DOWN/RECLINER - BLACK |
| 3 | 134128-02-02B | EA | PLATE - W/HOLES - W/WELDNUT - E-COATED |
| 4 | 160167-01-01A | EA | SEAT BELT - 2" X 102" - BLACK |
| 5 | 140221-04-02B | EA | WASHER - SEAT BELT - E-COAT |
| 6 | 072852-01-000 | EA | DETECTOR - SMOKE - W/9 VOLT BATTERY - US |
| 6 | 072852-02-000 | EA | DETECTOR - SMOKE - W/9 VOLT BATTERY - CANADIAN |
| 7 | 120134-01-02A | EA | REGISTER - W/DAMPER - 4" PIPE/6.4" O.D. FACE - WHITE |
| 7 | 120134-02-01A | EA | REGISTER - TRIM RING - WHITE |
| 8 | 137489-02-10A | EA | COVER - SINK/SMALL - 9.6"X15.7"X1/4"VENDURA-PEBBLE BEACH FROM: 00-00-00 THRU: 09-30-06 |
| 8 | 161218-02-UM4 | EA | COVER - SINK/SMALL - 9.6" X 15.7" X VENDURA FROM: 10-01-06 THRU: 99-99-99 |
| 9 | 137489-01-10A | EA | COVER - SINK/LARGE - 13.8"X17"X1/4" VENDURA-PEBBLE BEACH FROM: 00-00-00 THRU: 09-30-06 |
| 9 | 161218-01-UM4 | EA | COVER - SINK/LARGE - 13.8" X 16.9" X VENDURA FROM: 10-01-06 THRU: 99-99-99 |
| 10 | 151184-02-UA0 | EA | BACKSPLASH - W/ACCENTS - VENDURA - PEBBLE BEACH W/BTR BRKL |
| | 151184-12-09A | EA | BACKSPLASH/ACCENT - COUNTERTOP - VENDURA - BUTTER BRICKLE |
| | 151184-13-10A | EA | BACKSPLASH - W/O ACCENTS - VENDURA - PEBBLE BEACH |
| 11* | 158076-04-01A | EA | DOOR - SHOWER - NEO ANGLE - 66.4" TALL - NICKEL/AQUA |
| 11 | 158076-06-01A | EA | LATCH KIT - TRAVEL/SAFETY - LEFT HINGED FROM: 03-27-06 THRU: 99-99-99 |
| 11 | 158076-07-01A | EA | SCREW - F/TRAVEL LATCH - 6-32 X .25" PPH |
| 11 | 158076-08-01A | EA | NUT-HEX - F/TRAVEL LATCH - 6X32 SST - W/NYLON INSERT |
| 11 | 158076-09-01A | EA | LABEL - TRAVEL LATCH - SILVER FOIL |
| 12 | 152957-01-01A | EA | HOOK - ROBE - NICKEL |
| 13 | 138359-01-01A | FT | COVER - ROOF BREAK - PEARL CREAM/PLASTIC - 96" |
| 13 | 138403-01-01A | EA | TRIM - ROOF - MILL |

INTERIOR FINISH GROUP (CONTINUED)
INTERIOR TRIM LAYOUT (CONTINUED)

| KEY | PART NUMBER | U/M | DESCRIPTION |
|------------|--------------------|------------|--|
| 14 | 125136-02-000 | EA | DETECTOR/CO - GAS MODEL - 9 VOLT |
| 15 | 147282-01-01A | EA | MIRROR - BEVELED W/V-GROOVES - 20" X 21" |
| 15 | 147282-02-01A | EA | MIRROR - BEVELED W/V-GROOVES - 44.4" X 21" |
| 15 | 147282-03-01A | EA | MIRROR - BEVELED W/V-GROOVES - 30" X 21" |
| 16 | 154430-02-000 | EA | MATTRESS - INNERSPRING - 60" X 79.5" |
| 16 | 159853-03-000 | EA | MATTRESS - INNERSPRING - 60" X 80" - QUILTED - P36SG, SPECIAL EDITION (SE) |
| 16 | 142411-02-000 | EA | MATTRESS/AIR - 60" X 80" - SELECT COMFORT - MATTRESS - SLEEP NUMBER |
| | 142411-03-000 | EA | AIR PUMP W/CONTROLS - F/SELECT COMFORT MATTRESS - MATTRESS - SLEEP NUMBER |
| 17 | 102778-03-000 | EA | BOARD - CUTTING - .7" X 10" X 17.7" - WOOD |
| 18 | 100081-01-01A | EA | TRAY - SILVERWARE - 9" X 13.3" RUBBERMAID ALMOND PLASTIC |
| 19 | 093605-02-01A | EA | RACK - TOWEL/WIRE - ALMOND |
| 20 | 159032-01-01A | EA | CONTAINER - WASTEBASKET - 14.3 QT - WHITE |
| 21 | M09471-79-R39 | EA | MOLDING - TRIM/COVE - .8" X .8" X 96" - CONCERT CHERRY |
| 21 | M09471-79-R46 | EA | MOLDING - TRIM/COVE - .8" X .8" X 96" - WASHED MAPLE |
| 21 | M09471-79-SA3 | EA | MOLDING - TRIM/COVE - .8" X .8" X 96" - SIERRA MAPLE |
| 22 | M09462-66-R75 | EA | MOLDING - TRIM/RAIL - .6" X 2.4" X 96" - CONCERT CHERRY |
| 22 | M09462-66-R76 | EA | MOLDING - TRIM/RAIL - .6" X 2.4" X 96" - WASHED MAPLE |
| 22 | M09462-66-SA3 | EA | MOLDING - TRIM/RAIL - .6" X 2.4" X 96" - SIERRA MAPLE |

***COMPONENT PARTS LISTED LATER IN THIS GROUP**

INTERIOR FINISH GROUP (CONTINUED)
INTERIOR TRIM LAYOUT (CONTINUED)

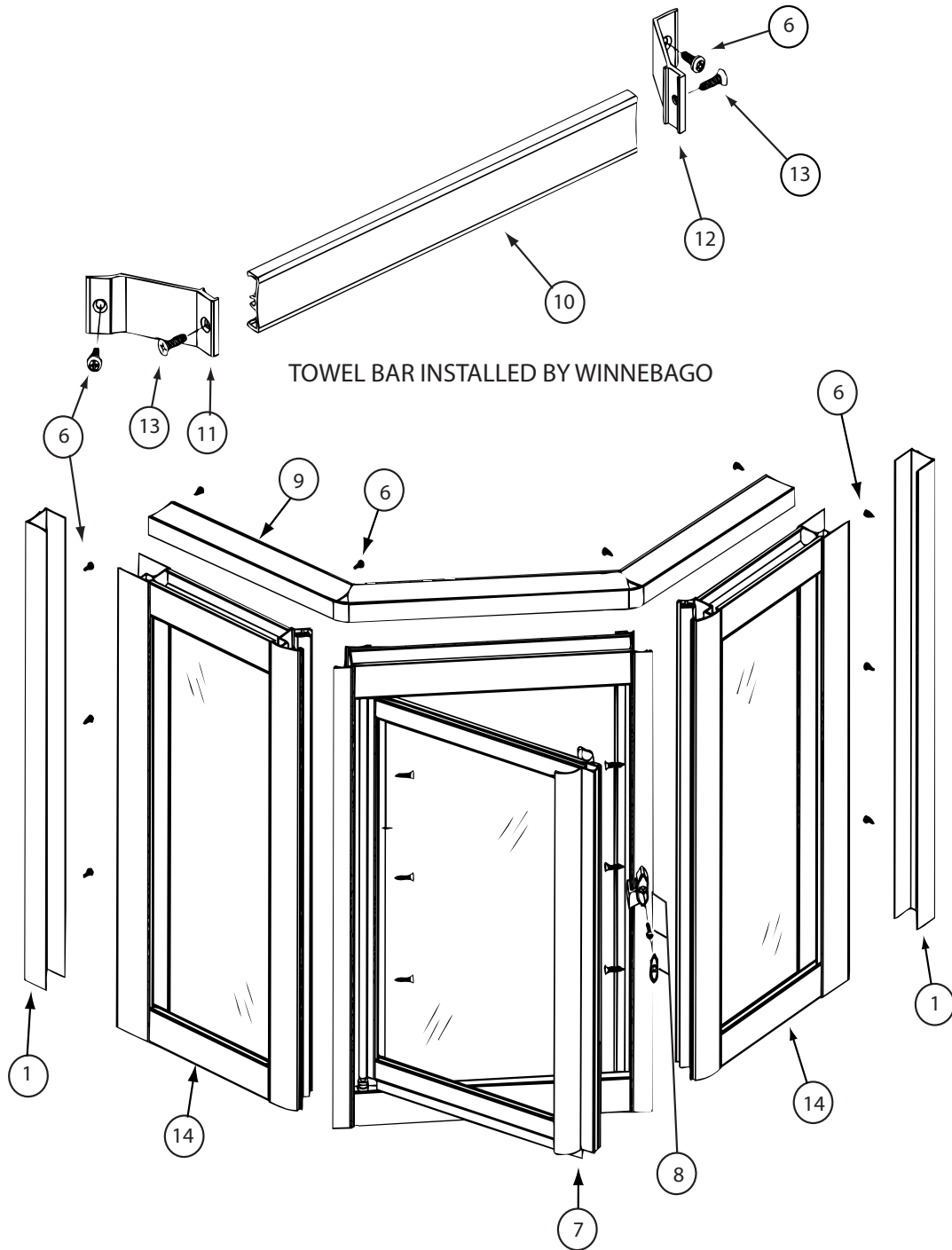


| KEY | PART NUMBER | U/M | DESCRIPTION |
|-----|---------------|-----|--|
| 1 | 142411-05-000 | EA | HOLDER - F/CONTROL (SELECT COMFORT) - MATTRESS - SLEEP NUMBER |
| 2 | 099717-05-000 | EA | STRAP - W/16.5" FEMALE STRAP AND 17.7" MALE STRAP - DINING TABLE/CHAIRS |
| | | | FROM: 02-06-06 THRU: 99-99-99 |
| 3 | 102075-22-03A | EA | ROD - SHOWER CURTAIN - 45.4" - MILL |
| 3 | 041953-12-000 | FT | CONDUIT - CONVOLUTE SOLID - 1.1" ID - NYLON |
| 4 | 152301-01-01A | EA | FLANGE - PLASTIC - 1" CLOTHES ROD HOLDER - WHITE |
| 5 | Y00136-21-218 | EA | DOWEL - WOOD - CLOTHES ROD - 1"DIAMETER X 4' |
| 5 | 041953-12-000 | FT | CONDUIT - CONVOLUTE SOLID - 1.1" ID - NYLON |
| 6 | 009112-01-000 | EA | FLANGE - PLASTIC - 1" CLOTHES ROD - OFF WHITE |
| 7 | M09477-87-SA1 | EA | MOLDING - TRIM - 3.2" X 80.2" - CONCERT CHERRY |
| 7 | M09477-87-SA2 | EA | MOLDING - TRIM - 3.2" X 80.2" - WASHED MAPLE |
| 7 | M09477-87-SA3 | EA | MOLDING - TRIM - 3.2" X 80.2" - SIERRA MAPLE |
| 8 | M09494-49-SA1 | EA | MOLDING - TRIM/VEE - 1.5" X 65.5" - CONCERT CHERRY |
| 8 | M09494-49-SA2 | EA | MOLDING - TRIM/VEE - 1.5" X 65.5" - WASHED MAPLE |
| 8 | M09494-49-SA3 | EA | MOLDING - TRIM/VEE - 1.5" X 65.5" - SIERRA MAPLE |
| 9 | 149626-01-UC1 | EA | MOLDING - F/SLIDEOUT - 3.5" X 68.2" - FABRIC COVERED |
| 10 | 149625-01-UC1 | EA | MOLDING - F/SLIDEOUT - 6" X 74.5" - FABRIC COVERED |
| 11 | P49186-01-SA1 | EA | MOLDING/BLOCK - CORNER/LH - CONCERT CHERRY |
| 11 | P49186-01-SA2 | EA | MOLDING/BLOCK - CORNER/LH - WASHED MAPLE |
| 11 | P49186-01-SA3 | EA | MOLDING/BLOCK - CORNER/LH - SIERRA MAPLE |
| 12 | P49188-01-SA1 | EA | MOLDING/BLOCK - CHERRY IV/CHERRY - CONCERT CHERRY |
| 12 | P49188-01-SA2 | EA | MOLDING/BLOCK - WASHED MAPLE/MAPLE - WASHED MAPLE |
| 12 | P49188-01-SA3 | EA | MOLDING/BLOCK - HONEY/MAPLE - SIERRA MAPLE |
| 13 | P49186-03-SA1 | EA | MOLDING/BLOCK - CENTER - CONCERT CHERRY |
| 13 | P49186-03-SA2 | EA | MOLDING/BLOCK - CENTER - WASHED MAPLE |
| 13 | P49186-03-SA3 | EA | MOLDING/BLOCK - CENTER - SIERRA MAPLE |

INTERIOR FINISH GROUP (CONTINUED)
INTERIOR TRIM LAYOUT (CONTINUED)

| KEY | PART NUMBER | U/M | DESCRIPTION |
|-----|---------------|-----|---|
| 14 | P49186-05-SA1 | EA | MOLDING/BLOCK - CORNER/RH - CONCERT CHERRY |
| 14 | P49186-05-SA2 | EA | MOLDING/BLOCK - CORNER/RH - WASHED MAPLE |
| 14 | P49186-05-SA3 | EA | MOLDING/BLOCK - CORNER/RH - SIERRA MAPLE |
| 15 | 160167-01-01A | EA | SEAT BELT - 2" X 102" - BLACK |
| 16 | 160167-02-01A | EA | SEAT BELT - 2" X 90" - BLACK |
| 17 | 151078-01-02B | EA | BRACKET - MOUNTING - SEAT BELT - E-COATED |
| 18 | M09471-79-R39 | EA | MOLDING - TRIM/COVE - .8" X .8" X 96" - CONCERT CHERRY |
| 18 | M09471-79-R46 | EA | MOLDING - TRIM/COVE - .8" X .8" X 96" - WASHED MAPLE |
| 18 | M09471-79-SA3 | EA | MOLDING - TRIM/COVE - .8" X .8" X 96" - SIERRA MAPLE |
| 19 | 149147-05-04A | EA | MIRROR - FRAMED - 19" X 26" - CHAMPAGNE SILVER |
| | | | FROM: 00-00-00 THRU: 04-09-06 |
| 19 | 131494-05-01A | EA | MIRROR - ARCHED TOP - 20" X 30" |
| | | | FROM: 04-10-06 THRU: 99-99-99 |
| 20 | 152956-01-01A | EA | TOWEL RING - NICKEL |
| 21 | 113195-25-01A | EA | MIRROR - BEVELED SAFETY GLASS - 15.7" X 31.4" |
| 22 | 152958-01-01A | EA | HOLDER - PAPER - W/LID - NICKEL |
| 23 | M09462-66-R75 | EA | MOLDING - TRIM/RAIL - .6" X 2.4" X 96" - CONCERT CHERRY |
| 23 | M09462-66-R76 | EA | MOLDING - TRIM/RAIL - .6" X 2.4" X 96" - WASHED MAPLE |
| 23 | M09462-66-SA3 | EA | MOLDING - TRIM/RAIL - .6" X 2.4" X 96" - SIERRA MAPLE |
| 24 | M09494-46-SB5 | EA | MOLDING - TRIM - 1.5" X 79.6" - CONCERT CHERRY |
| 24 | M09494-49-SB6 | EA | MOLDING - TRIM - 1.5" X 79.6" - WASHED MAPLE |
| 24 | M09494-49-SB7 | EA | MOLDING - TRIM - 1.5" X 79.6" - SIERRA MAPLE |

INTERIOR FINISH GROUP (CONTINUED)
COMPONENT PARTS FOR INTERIOR TRIM LAYOUT



158076-04-01A

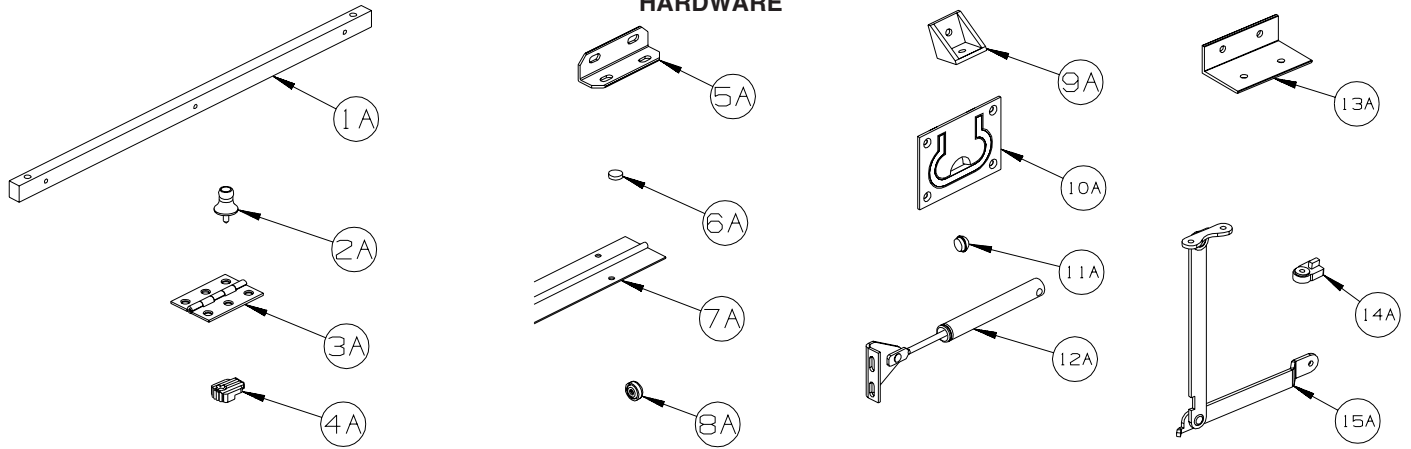
| KEY | PART NUMBER | U/M | DESCRIPTION | VENDOR NO |
|-----|---------------|-----|------------------------------|------------|
| 1 | 158076-03-700 | EA | JAMB - WALL - NICKEL | 201N |
| 2 | 158076-03-701 | EA | PIVOT PIN | CP201 |
| 3 | 158076-03-702 | EA | PIVOT BUSHING | CP209 |
| 4 | 158076-03-703 | EA | PIVOT WASHER - PLASTIC | FW 10-093 |
| 5 | 139047-01-709 | EA | STRIP/MAGNETIC- 55" (NARROW) | 98-42 |
| 6 | 158076-02-701 | EA | SCREW - ADJUSTMENT - NICKEL | 638PHPT-N |
| 7 | 158076-03-704 | FT | VINYL SWEEP | C176B |
| 8 | 089318-01-707 | EA | LATCH/CATCH-TURN-SAFETY-BLK | 9730N |
| 9 | 158076-03-705 | EA | HEADER CAP | 247N |
| 10 | 115011-03-714 | EA | TOWEL BAR - NICKEL | 136N |
| 11 | 158076-03-706 | EA | BRACKET/TOWEL BAR-LH/FACING | 246N |
| 12 | 158076-03-707 | EA | BRACKET/TOWEL BAR-RH/FACING | 199N |
| 13 | 115011-03-716 | EA | SCREW F/TOWEL BAR - NICKEL | 612F-N |
| 14 | 158076-04-700 | EA | WING PNL-RT/LT-FRAMED GLASS | WB423N-AWP |

INTERIOR FINISH GROUP (CONTINUED)
FLOOR COVERINGS

| KEY | PART NUMBER | U/M | DESCRIPTION |
|------------|--------------------|------------|---|
| | 075233-01-000 | SY | PAD - CARPET - 3/8" X 6' ROLL |
| | 089275-02-000 | FT | STRIP - 3/4" X 84" BLACK POLYETHYLENE |
| | 093486-01-000 | SY | CARPET - COMPARTMENT - 72" WIDE - DARK GRAY |
| | 152251-02-01A | SY | CARPET - 4 SQUARE YARD INCREMENTS - CORK (UD5,UD6,UD7,UN1) |
| | 152251-02-03A | SY | CARPET - 4 SQUARE YARD INCREMENTS - TANNED HIDE (UE1,UE2,UE3,UN2) |
| | 152251-07-01A | SY | CARPET - 4 SQUARE YARD INCREMENTS - SAFFRON (UE5,UE6,UE7,UN3) |
| | 152251-05-07A | SY | CARPET - 4 SQUARE YARD INCREMENTS - RAFFIA (UP4,UP5) |
| | 131711-01-11A | EA | TILE/FLOOR - VINYL - 12" X 12" - STONEY TAUPE |

INTERIOR FINISH GROUP (CONTINUED)

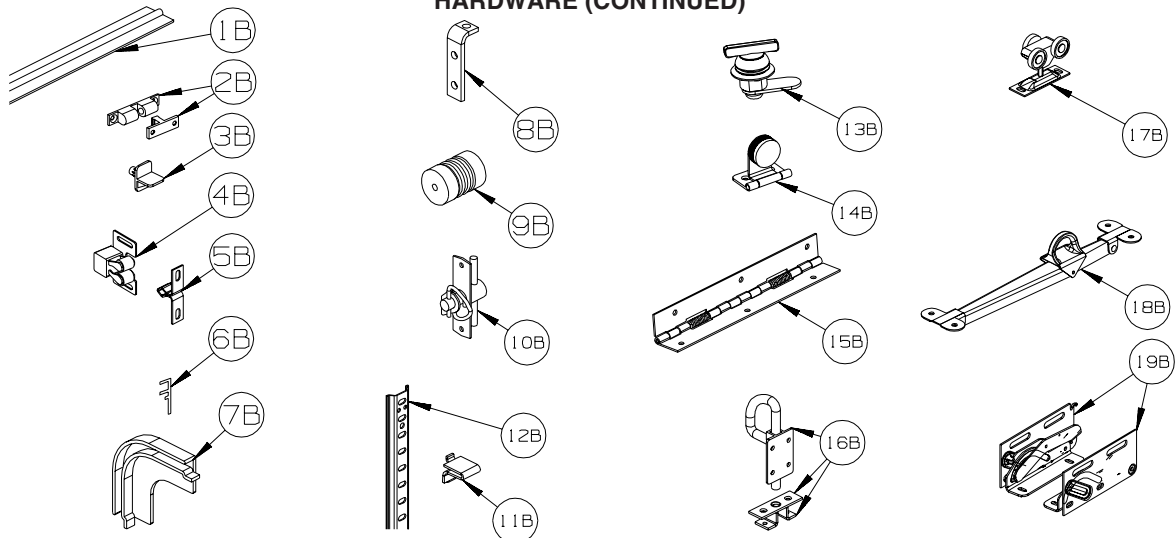
HARDWARE



| KEY | PART NUMBER | U/M | DESCRIPTION |
|-----|---------------|-----|--|
| 1A | P34509-01-N01 | EA | RAIL END - RH/LH - TOWEL RACK - PORTSMOUTH |
| 1A | P34509-01-P14 | EA | RAIL END - RH/LH - TOWEL RACK - CONCERT CHERRY |
| 1A | P34509-01-J70 | EA | RAIL END - RH/LH - TOWEL RACK - WASHED MAPLE |
| 1A | P34509-01-RE0 | EA | RAIL END - RH/LH - TOWEL RACK - HONEY CHERRY |
| 1A | P34509-01-SA3 | EA | RAIL END - RH/LH - TOWEL RACK - SIERRA MAPLE |
| 2A | 009013-01-000 | EA | CATCH - BULLDOG - MALE/FEMALE |
| 3A | 009059-01-000 | EA | HINGE - DOOR - 2" X 1.4" - BRASS |
| 3A | 009059-02-000 | EA | HINGE - DOOR - 2" X 2.7" - BRASS |
| 3A | 009059-03-000 | EA | HINGE - BRASS - 1.75" |
| 3A | 009059-04-000 | EA | HINGE - 2" - ZINC |
| 4A | 009089-01-000 | EA | CLIP - MIRROR |
| 5A | 016604-01-000 | EA | BRACE - ANGLE - 2 1/2" - UNPAINTED METAL |
| 5A | 016604-05-000 | EA | BRACE - ANGLE - 2 1/2" - OFF WHITE METAL |
| 5A | 016604-10-000 | EA | BRACE - SEAT ANGLE - 2.5" - BLACK |
| 6A | 023320-01-000 | EA | PAD - FELT 3/8" DIAMETER |
| 7A | 041389-19-000 | EA | HINGE - PIANO - 1 1/2" X 71.9" - UNPAINTED |
| 7A | 041389-25-000 | EA | HINGE - PIANO - 1 1/2" X 55" - UNPAINTED |
| 7A | 041389-32-000 | EA | HINGE - PIANO - 68" - OFF WHITE |
| 8A | 057671-01-000 | EA | COVER - SCREW - #8 - OFF WHITE |
| 8A | 057671-15-000 | EA | COVER - SCREW - #8 - BRIGHT WHITE |
| 8A | 057671-16-000 | EA | COVER - SCREW - #8 - SOFT WHITE |
| 8A | 057671-18-000 | EA | COVER - SCREW - #8 - OFF WHITE |
| 9A | 065740-01-000 | EA | BRACE - CABINET/CORNER - PLASTIC |
| 10A | 072871-01-000 | EA | PULL - FLUSH - CHROME |
| 11A | 074045-13-000 | EA | PLUG - OAK - 3/8" DOWEL-1/2" HEAD - PORTSMOUTH OAK |
| 11A | 074045-08-000 | EA | PLUG - OAK - 3/8" DOWEL-1/2" HEAD - CONCERT CHERRY |
| 11A | 074045-12-000 | EA | PLUG - OAK - 3/8" DOWEL-1/2" HEAD - WASHED MAPLE |
| 11A | 074045-14-000 | EA | PLUG - OAK - 3/8" DOWEL-1/2" HEAD - HONEY CHERRY |
| 11A | 074045-15-000 | EA | PLUG - OAK - 3/8" DOWEL-1/2" HEAD - SIERRA MAPLE |
| 12A | 074493-02-000 | EA | SUPPORT - PISTON SPRING - CABINET DOOR - 26 LBS |
| 12A | 074493-03-000 | EA | SUPPORT - PISTON SPRING - CABINET DOOR - 12 LBS |
| 12A | 074493-04-000 | EA | SUPPORT - PISTON SPRING - CABINET DOOR - 32LBS |
| 13A | 156732-01-01A | EA | BRACE - ANGLE/COUCH - 2.5" - MILL |
| 13A | 156732-01-02A | EA | BRACE - ANGLE/COUCH - 2.5" - OFF WHITE |
| 13A | 156732-03-01A | EA | BRACE - ANGLE/COUCH - BLACK |
| 14A | 083204-03-000 | EA | BUTTON - RETAINING MIRROR 5/16" TIP |
| 15A | 084412-01-000 | EA | SUPPORT/HINGE KIT (LEFT & RIGHT HINGES) |

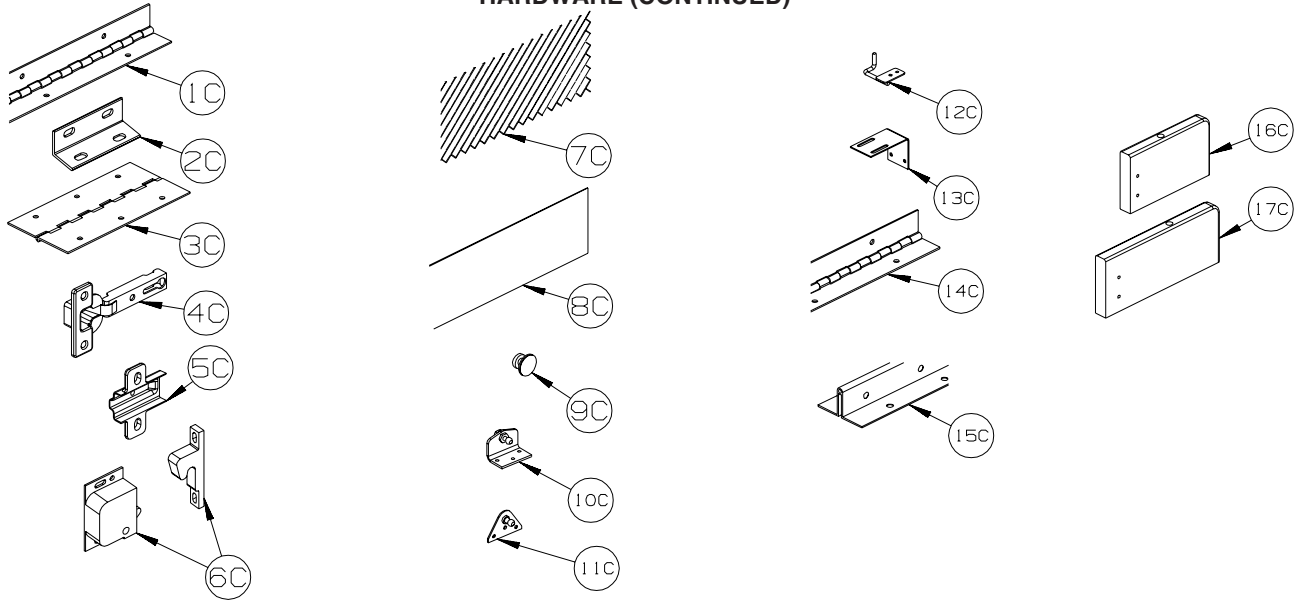
INTERIOR FINISH GROUP (CONTINUED)

HARDWARE (CONTINUED)



| KEY | PART NUMBER | U/M | DESCRIPTION |
|-----|---------------|-----|---|
| 1B | 084413-01-000 | EA | HINGE - 1" X 72" - ALUMINUM - W/HOLES |
| 2B | 084451-01-000 | EA | CATCH & LATCH - 1.7" - BRASS |
| 3B | 092907-01-000 | EA | SUPPORT - SHELF - PIN - 1/4" - CLEAR PLASTIC |
| 4B | 093586-03-000 | EA | CATCH - SPRING ROLLER - .377" |
| 4B | 093586-06-000 | EA | CATCH - SPRING ROLLER - .236" |
| 5B | 093586-04-000 | EA | STRIKE - SPRING STEEL - 1.14" |
| 6B | 093622-01-000 | EA | TRACK - DOOR - TAMBOUR - PLASTIC - 8' LENGTHS |
| 7B | 093623-01-000 | EA | CORNER - TRACK - TAMBOUR DOOR |
| 8B | 096826-01-01A | EA | BRACE-CABINET E-COATED |
| 9B | 097872-04-000 | EA | DOWEL - WOOD - 1" DIAMETER X 1.38" LONG - UNFINISHED |
| 10B | 098196-01-000 | EA | LATCH - 1/4 TURN - T-BAR |
| 11B | 098979-01-000 | EA | CLIP - ADJUSTABLE SHELF |
| 12B | 098980-01-000 | EA | PILASTER - ADJUSTABLE SHELF - 18" |
| 12B | 098980-02-000 | EA | PILASTER - ADJUSTABLE SHELF - 12" |
| 12B | 098980-03-000 | EA | PILASTER - ADJUSTABLE SHELF - 9" |
| 12B | 098980-04-000 | EA | PILASTER - ADJUSTABLE SHELF - 48" |
| 12B | 098980-05-000 | EA | PILASTER - ADJUSTABLE SHELF - 15" |
| 12B | 098980-06-000 | EA | PILASTER - ADJUSTABLE SHELF - 24" |
| 13B | 100710-01-02A | EA | LOCK - GLASS DOOR/TWIST TYPE - NICKEL |
| 14B | 100711-01-02A | EA | HINGE - GLASS DOOR - NICKEL |
| 15B | 102920-01-01A | EA | HINGE - SPRING LOADED - BRASS |
| 15B | 102920-01-02A | EA | HINGE - SPRING LOADED - NICKEL |
| 15B | 129753-01-01A | EA | HINGE - SPRING LOADED - 19" X 19" - BLACK |
| 16B | 103256-01-000 | EA | LATCH COMPLETE (SLIDE) |
| 17B | 103874-01-000 | EA | HANGER - SLIDING DOOR |
| 18B | 104181-01-01A | EA | SUPPORT - LEAF 5.3" EXTENDS TO 7.5" - SAFETY RING - METAL |
| 19B | 108126-01-000 | EA | TRAY HINGE SET (QTY. 2 PER SET) |

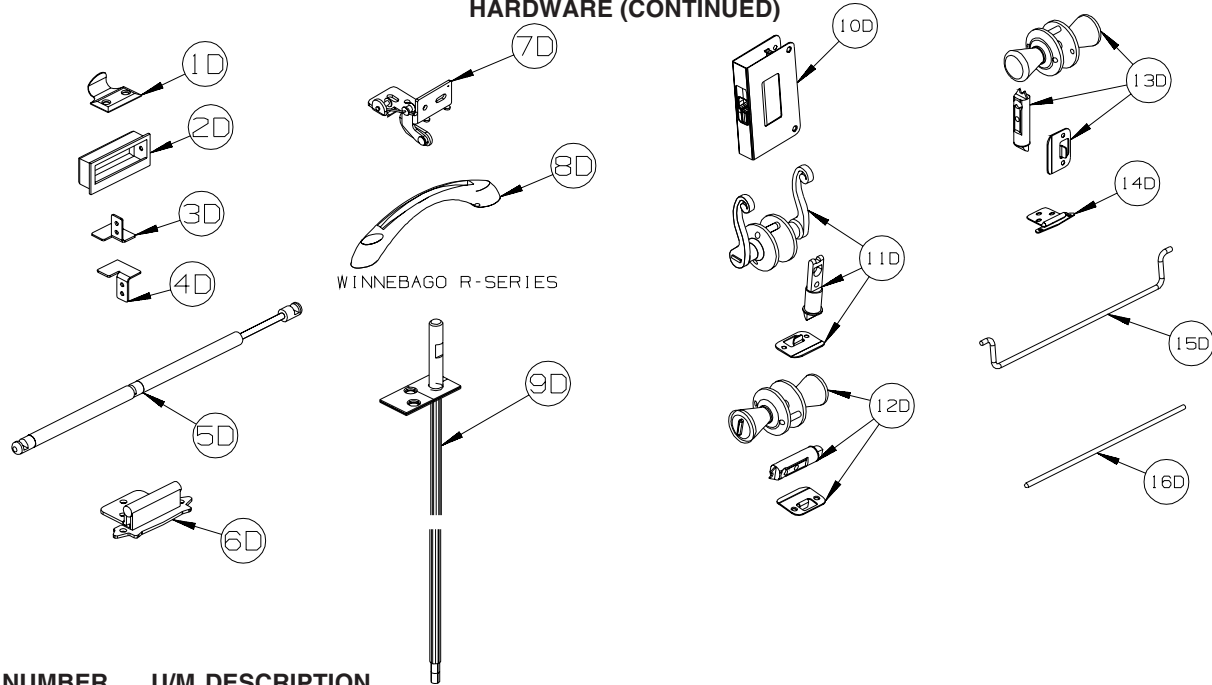
INTERIOR FINISH GROUP (CONTINUED)
HARDWARE (CONTINUED)



| KEY | PART NUMBER | U/M | DESCRIPTION |
|-----|---------------|-----|--|
| 1C | 110496-01-01A | EA | HINGE - BRASS - 2" X 32" |
| 1C | 110496-01-02A | EA | HINGE - NICKEL - 2" X 32" |
| 1C | 110496-05-02A | EA | HINGE - NICKEL - 2" X 11.5" |
| 1C | 110496-06-02A | EA | HINGE - NICKEL - 2" X 9.5" |
| 2C | 111866-01-02A | EA | BRACE - SEAT - ANGLE - OFF WHITE |
| 3C | 114278-02-000 | EA | HINGE - CONTINUOUS - 3" WIDE |
| 4C | 114443-02-01A | EA | HINGE - CABINET DOOR - W/O CLIP - SILVER |
| 5C | 114443-03-01A | EA | CLIP - HINGE/CABINET DOOR - SILVER |
| 6C | 117095-01-01A | EA | LATCH - DOOR - GRABBER W/KEEPER - PLASTIC - BLK-5 LB PULL |
| 6C | 117095-02-01A | EA | LATCH - DOOR - GRABBER W/KEEPER - PLASTIC - BLK-10 LB PULL |
| 6C | 117095-03-01A | EA | LATCH - DOOR - GRABBER W/KEEPER - PLASTIC - BLK-15 LB PULL |
| 7C | 118200-01-01A | SF | MESH - PLASTIC 1/2" - 48" X LENGTH = SF - BLACK |
| 8C | 122717-06-01A | FT | PAD - NON-SKID - PSA - 5"W |
| 9C | 125221-01-01A | EA | PULL - MIRROR - W/ROUND HANDLE |
| 10C | 126263-06-02B | EA | BRACKET - GAS SPRING W/INSIDE BALL STUD - E-COATED |
| 11C | 126263-05-02B | EA | BRACKET - GAS SPRING W/BALL STUD - E-COATED |
| 11C | 126263-08-02B | EA | BRACKET - GAS SPRING W/CENTERED BALL STUD - E-COATED |
| 11C | 126263-19-02B | EA | BRACKET - GAS SPRING W/BALL STUD - E-COATED |
| 12C | 130798-01-02B | EA | GUIDE - POCKET DOOR - E-COATED |
| 13C | 132871-02-02B | EA | BRACKET/L-ANGLE W/HOLES - 1.9" X 2.8" - E-COATED |
| 14C | 134099-01-02A | EA | HINGE - PIANO - WRAP AROUND - 15.7" - NICKEL PLATED |
| 15C | 135538-03-02A | EA | HINGE - PIANO - FULL WRAP - 15.7" - CHROME |
| 16C | 137445-02-P46 | EA | STOP - F/SLIDING DOOR - CONCERT CHERRY |
| 16C | 137445-02-P56 | EA | STOP - F/SLIDING DOOR - WASHED MAPLE |
| 16C | 137445-02-S67 | EA | STOP - F/SLIDING DOOR - SIERRA MAPLE |
| 17C | 137445-03-T78 | EA | STOP - F/SLIDING DOOR - CONCERT CHERRY |
| 17C | 137445-03-T79 | EA | STOP - F/SLIDING DOOR - WASHED MAPLE |
| 17C | 137445-03-T80 | EA | STOP - F/SLIDING DOOR - SIERRA MAPLE |

INTERIOR FINISH GROUP (CONTINUED)

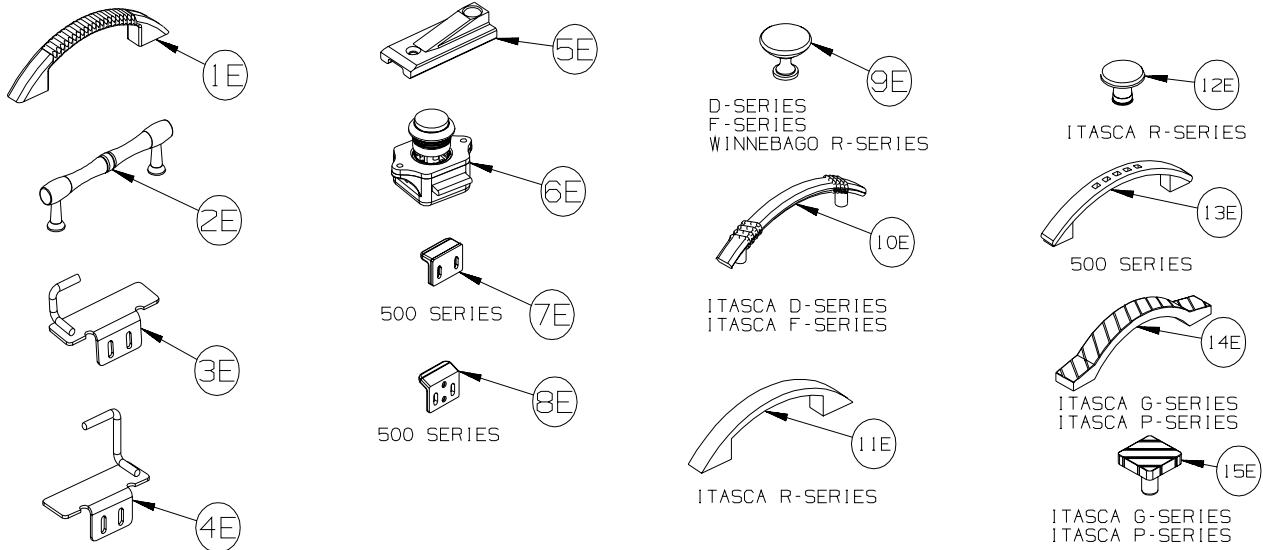
HARDWARE (CONTINUED)



| KEY | PART NUMBER | U/M | DESCRIPTION |
|-----|---------------|-----|--|
| 1D | 137463-01-02A | EA | LIFT - HOOK - PEWTER |
| 2D | 139136-01-02A | EA | HANDLE - .75" RECESSED - PEWTER |
| 2D | 139136-02-02A | EA | HANDLE - .35" RECESSED - PEWTER |
| 3D | 139264-01-02B | EA | STOP - DOOR - TAMBOUR/RH HAND - E-COATED |
| 4D | 139264-02-02B | EA | STOP - DOOR - TAMBOUR/LH HAND - E-COATED |
| 5D | 142569-07-000 | EA | SPRING/GAS - 20 LB - 20" EXTENDED/12" COMPRESSED |
| 5D | 142569-15-000 | EA | SPRING/GAS - 120 LB - 20" EXTENDED/12" COMPRESSED |
| 5D | 142569-16-000 | EA | SPRING/GAS - 90 LB - 20" EXTENDED/12" COMPRESSED |
| 5D | 142569-29-000 | EA | SPRING/GAS - 20 LB - 9.9" EXTENDED/5.9" COMPRESSED |
| 6D | 143468-02-03A | EA | HINGE - SELF CLOSING - SATIN NICKEL |
| 7D | 144488-01-02A | EA | HINGE - CABINET - NICKEL |
| 8D | 144917-01-01A | EA | PULL - DRAWER - SATIN NICKEL - TOUR R-SERIES |
| 9D | 145939-03-01A | EA | ROD/LATCH - AISLE DOOR - BRASS |
| | | | FROM: 00-00-00 THRU: 04-16-06 |
| 9D | 145939-05-01A | EA | ROD/LATCH - AISLE DOOR - BRASS - NOT ILLUSTRATED |
| | | | FROM: 04-17-06 THRU: 07-30-06 |
| 9D | 145939-05-02A | EA | ROD/LATCH - AISLE DOOR - NICKEL - NOT ILLUSTRATED |
| | | | FROM: 07-31-06 THRU: 99-99-99 |
| 10D | 145939-04-02A | EA | LATCH/SLIDE - AISLE DOOR(1" THICK DOOR)-NICKEL/BLACK SLIDE |
| 11D | 146064-01-02A | EA | LOCK/PRIVACY (LOCKING) LEVER STYLE - SATIN PEWTER |
| 12D | 146064-05-01A | EA | LOCK/PRIVACY (LOCKING) KNOB STYLE - SATIN NICKEL |
| 13D | 146064-06-01A | EA | LOCK/PASSAGE (NON LOCKING) KNOB STYLE - SATIN NICKEL |
| 14D | 146553-01-01A | EA | HINGE - CABINET DOOR - BURNISHED BRASS |
| 14D | 146553-01-03A | EA | HINGE - CABINET DOOR - SATIN NICKEL |
| 15D | 146801-01-01A | EA | ROD/TOWEL BAR (OFFSET) - BRASS |
| 15D | 146801-01-02A | EA | ROD/TOWEL BAR (OFFSET) - PEWTER |
| 16D | 146840-03-01A | EA | ROD - .25" X 11.7" - BRASS |
| 16D | 146840-03-02A | EA | ROD - .25" X 11.7" - PEWTER |
| 16D | 146840-04-01A | EA | ROD - .25" X 13.1" - BRASS |
| 16D | 146840-04-02A | EA | ROD - .25" X 13.1" - PEWTER |
| 16D | 146840-05-01A | EA | ROD - .25" X 14.8" - BRASS |
| 16D | 146840-05-02A | EA | ROD - .25" X 14.8" - PEWTER |
| 16D | 146840-07-01A | EA | ROD - .25" X 4.2" - BRASS |
| 16D | 146840-07-02A | EA | ROD - .25" X 4.2" - PEWTER |

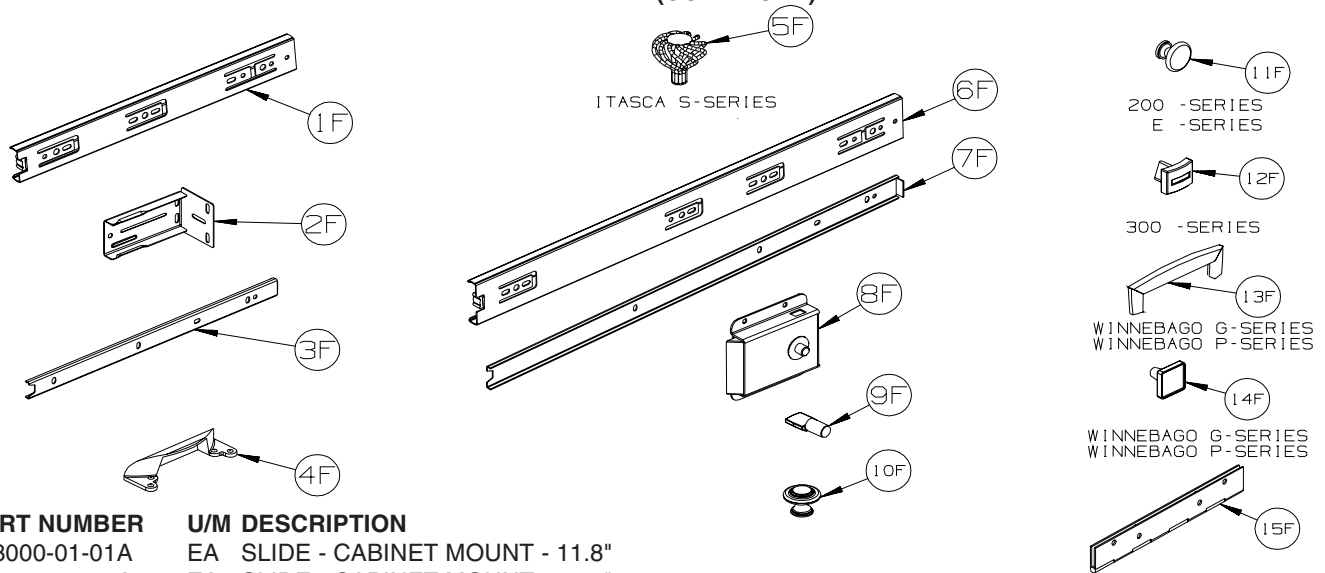
INTERIOR FINISH GROUP (CONTINUED)

HARDWARE (CONTINUED)



| KEY | PART NUMBER | U/M | DESCRIPTION |
|-----|---------------|-----|--|
| 1E | 148816-01-02A | EA | PULL - CABINET DOOR - NICKEL - ASPECT, CAMBRIA 700-SERIES |
| 2E | 149090-01-02A | EA | PULL - CABINET DOOR - NICKEL - SIGHTSEER D-SERIES, VOYAGE F-SERIES |
| 3E | 149607-01-02B | EA | GUIDE - F/POCKET DOOR - 1.6" BENT ROD - E-COATED |
| 3E | 149607-03-02B | EA | GUIDE - F/POCKET DOOR - 2.9" BENT ROD - E-COATED |
| 4E | 149607-04-02B | EA | GUIDE - F/POCKET DOOR - E-COATED |
| 5E | 150983-01-01A | EA | STRIKE/BLOCK - WEDGE STYLE - F/SLIDE DOOR - 3" X 1.2" - BLACK |
| 6E | 151380-01-01A | EA | LATCH - CABINET DOOR - PUSH BUTTON - VIEW & NAVION 500-SERIES |
| 7E | 151380-02-01A | EA | STRIKE - CABINET DOOR - VIEW & NAVION 500-SERIES |
| 8E | 151380-03-01A | EA | STRIKE - CABINET DOOR - VIEW & NAVION 500-SERIES |
| 9E | 152080-01-01A | EA | PULL-NICKEL - SIGHTSEER & SUNOVA D-SERIES, VOYAGE & SUNRISE F-SERIES, TOUR R-SERIES |
| 10E | 152302-01-01A | EA | PULL - CABINET DOOR - SATIN NICKEL - SUNOVA D-SERIES, SUNRISE F-SERIES |
| 11E | 152304-01-01A | EA | PULL - CABINET DOOR - BRONZE - ELLIPSE R-SERIES |
| 12E | 152305-01-01A | EA | KNOB - DOOR/DRAWER - BRONZE - ELLIPSE R-SERIES |
| 13E | 152950-01-01A | EA | PULL - DOOR/DRAWER - BRUSHED NICKEL - VIEW & NAVION 500-SERIES |
| 14E | 152951-01-01A | EA | PULL - DOOR/DRAWER - PEWTER - SUNCRUISER G-SERIES, MERIDIAN P-SERIES |
| 15E | 152952-01-01A | EA | PULL - KNOB/DRAWER - PEWTER - SUNCRUISER G-SERIES, MERIDIAN P-SERIES |

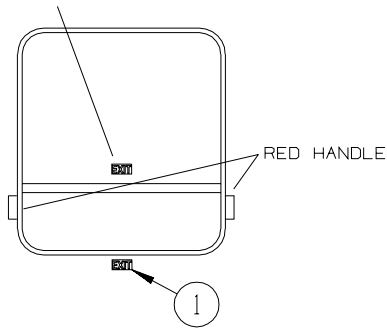
INTERIOR FINISH GROUP (CONTINUED) HARDWARE (CONTINUED)



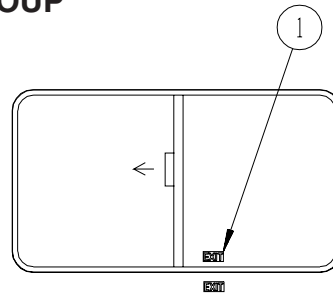
| KEY | PART NUMBER | U/M | DESCRIPTION |
|-----|---------------|-----|--|
| 1F | 153000-01-01A | EA | SLIDE - CABINET MOUNT - 11.8" |
| 1F | 153000-03-01A | EA | SLIDE - CABINET MOUNT - 13.8" |
| 1F | 153000-05-01A | EA | SLIDE - CABINET MOUNT - 15.7" |
| 1F | 153000-07-01A | EA | SLIDE - CABINET MOUNT - 17.7" |
| 1F | 153000-09-01A | EA | SLIDE - CABINET MOUNT - 19.7" |
| 1F | 153000-11-01A | EA | SLIDE - CABINET MOUNT - 21.6" |
| 1F | 153000-14-01A | EA | SLIDE - CABINET MOUNT - 23.6" |
| 1F | 153000-18-01A | EA | SLIDE - CABINET MOUNT - 9.8" |
| 1F | 153000-20-01A | EA | SLIDE - CABINET MOUNT - 25.6" |
| 2F | 153000-13-01A | EA | BACKSOCKET - DRAWER SLIDE |
| 3F | 153000-02-01A | EA | SLIDE - DRAWER MOUNT - 11.8" |
| 3F | 153000-04-01A | EA | SLIDE - DRAWER MOUNT - 13.8" |
| 3F | 153000-06-01A | EA | SLIDE - DRAWER MOUNT - 15.7" |
| 3F | 153000-08-01A | EA | SLIDE - DRAWER MOUNT - 17.7" |
| 3F | 153000-10-01A | EA | SLIDE - DRAWER MOUNT - 19.7" |
| 3F | 153000-12-01A | EA | SLIDE - DRAWER MOUNT - 21.6" |
| 3F | 153000-15-01A | EA | SLIDE - DRAWER MOUNT - 23.4" |
| 3F | 153000-19-01A | EA | SLIDE - DRAWER MOUNT - 9.8" |
| 3F | 153000-21-01A | EA | SLIDE - DRAWER MOUNT - 25.4" |
| 4F | 153308-01-01A | EA | PULL - VANITY STOOL - SATIN NICKEL |
| 5F | 153335-01-02A | EA | PULL - KNOB - DOOR/DRAWER - FLAT BLACK - HORIZON S-SERIES |
| 6F | 153352-01-01A | EA | SLIDE - PANTRY - 19.7" - CABINET MOUNT |
| 6F | 153352-03-01A | EA | SLIDE - EXT ENTERTAINMENT CNTR - 13.8" - CABINET MOUNT |
| 7F | 153352-02-01A | EA | SLIDE - PANTRY - 19.5" - DRAWER MOUNT |
| 7F | 153352-04-01A | EA | SLIDE - EXT ENTERTAINMENT CNTR - 13.6" - DRAWER MOUNT |
| 8F | 153353-01-01A | EA | LATCH - SLIDING/FLUSH - BLACK |
| 9F | 154385-01-02A | EA | PIN - SUPPORT/GLASS DOOR - 1/4" - NICKEL |
| 10F | 155803-01-01A | EA | KNOB CABINET DOOR - WROUGHT IRON |
| 11F | 155925-01-01A | EA | KNOB - DOOR/DRAWER - SATIN NICKEL - ACCESS & IMPULSE 200-SERIES |
| 12F | 156579-01-01A | EA | KNOB - DOOR/DRAWER - PEWTER - OUTLOOK & SPIRIT 300-SERIES |
| 13F | 157246-01-01A | EA | PULL - CABINET DOOR/DRAWER - SATIN NICKEL - ADVENTURER G-SERIES, JOURNEY P-SERIES |
| 14F | 157246-02-01A | EA | KNOB - CABINET DOOR/DRAWER - SATIN NICKEL - ADVENTURER G-SERIES, JOURNEY P-SERIES |
| 15F | 158982-01-04B | EA | HINGE - CONTINUOUS - 2" X 8" - BLACK |
| | 158982-01-01A | EA | HINGE - CONTINUOUS - 2" X 8" - ZINC |

ALTERNATE LABEL LOCATION

LABELS GROUP



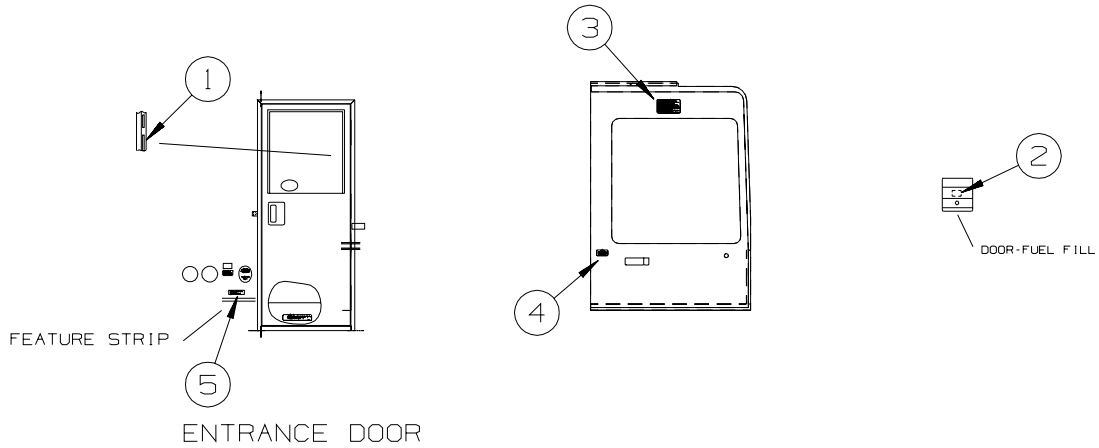
EXIT WINDOW
(HINGE STYLE)



ALTERNATE LABEL LOCATION

EXIT WINDOW
(SLIDER STYLE)

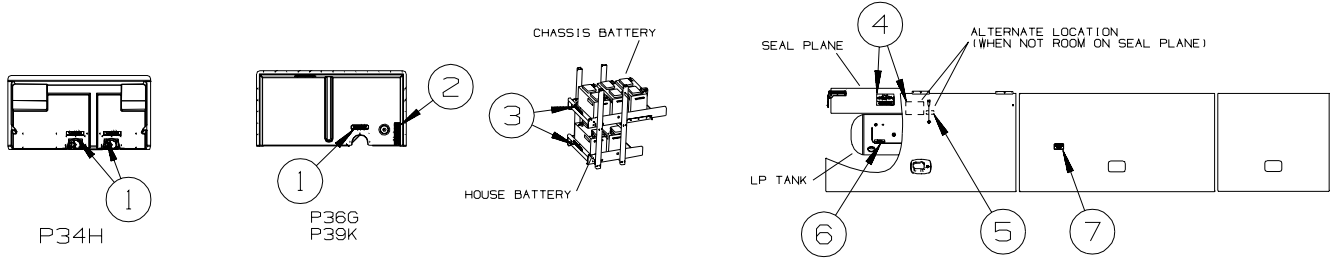
| KEY | PART NUMBER | U/M | DESCRIPTION |
|-----|---------------|-----|------------------------|
| 1 | 039290-01-000 | EA | LABEL - WARNING - EXIT |



ENTRANCE DOOR

| KEY | PART NUMBER | U/M | DESCRIPTION |
|-----|---------------|-----|--|
| 1 | 135869-01-01A | EA | LABEL - MERCURY CONTENT - BLACK ON CLEAR |
| 1 | 135869-01-02A | EA | LABEL - MERCURY CONTENT - WHITE ON CLEAR |
| 2 | 068383-01-000 | EA | LABEL - DIESEL FUEL |
| 3 | 056259-01-000 | EA | LABEL - SAFETY CHECK LIST |
| 4 | 099689-01-000 | EA | LABEL - WARNING - CANCER/TOXICITY |
| 5 | 099509-01-000 | EA | LABEL - AWNING INSTALLATION |

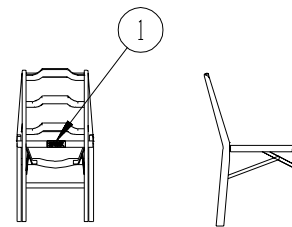
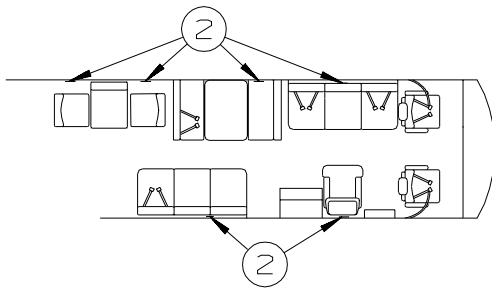
LABELS GROUP (CONTINUED)



TYPICAL UTILITY ACCESS

| KEY | PART NUMBER | U/M | DESCRIPTION |
|-----|---------------|-----|--|
| 1 | 123562-01-000 | EA | LABEL - SERVICE/UTILITY ACCESS |
| 2 | 147845-01-01A | EA | LABEL - DRIP VALVE |
| 3 | 065748-01-000 | EA | LABEL - WARNING - BATTERY CHARGING - UL |
| 3 | 065748-02-000 | EA | LABEL - WARNING - BATTERY CHARGING - CSA |
| 4 | 124519-01-02A | EA | LABEL - WARNING/REFUELING - WHITE ON CLEAR |
| 4 | 023769-01-000 | EA | LABEL - WARNING - LPG - CANADIAN |
| 5 | 124519-01-02A | EA | LABEL - WARNING/REFUELING - WHITE ON CLEAR |
| 5 | 124519-02-01A | EA | LABEL - WARNING/REFUELING - BLACK ON CLEAR - CSA |
| 6 | 079965-01-000 | EA | LABEL - LPG - 80% CAPACITY |
| 7 | 125306-04-01A | EA | LABEL - ELECTRICAL ENTRANCE-120/240V 50 AMP-BLACK ON CLEAR |
| 7 | 125306-04-02A | EA | LABEL - ELECTRICAL ENTRANCE-120/240V 50 AMP-WHITE ON CLEAR |

TYPICAL SEAT AND BELT CONFIGURATIONS

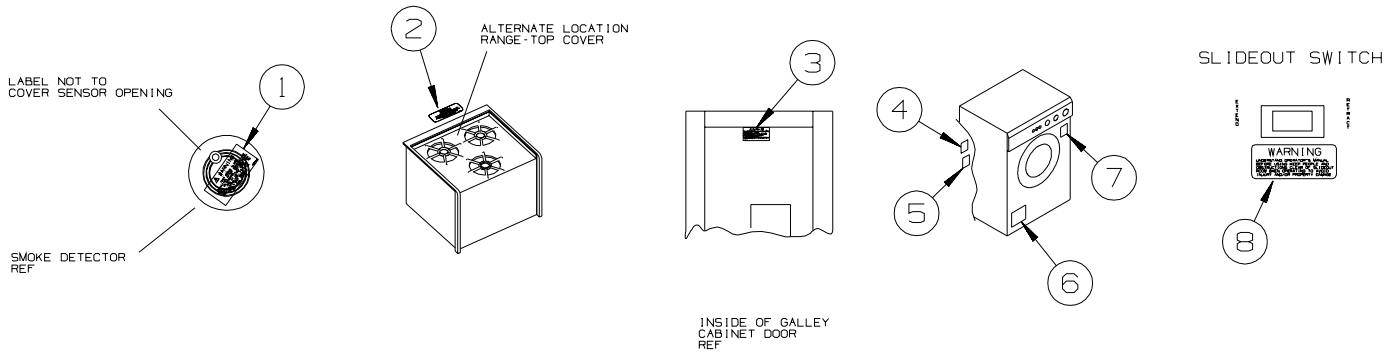


FOLDING CHAIRS

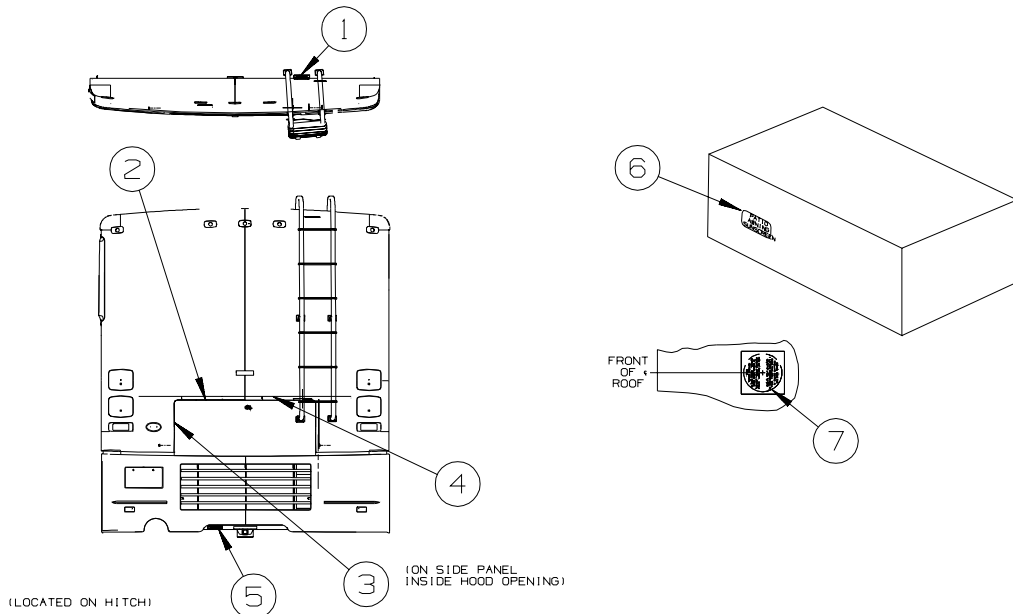
ATTACH LABEL ON OR NEXT TO:
 +ANY SINGLE CHAIR WITHOUT BELTS.
 +ANY DINETTE SEAT WITHOUT BELTS.
 +ANY COUCH WITHOUT BELTS OR ANY SEATING POSITION ON THAT COUCH.
 DO NOT ATTACH LABEL IF:
 +DINETTE SEAT HAS AT LEAST ONE SET OF BELTS INSTALLED.
 FOLDING CHAIRS

| KEY | PART NUMBER | U/M | DESCRIPTION |
|-----|---------------|-----|---|
| 1 | 134537-01-01A | EA | LABEL - OCCUPANCY - CHAIR - US |
| 1 | 134537-02-01A | EA | LABEL - OCCUPANCY - CHAIR - CSA |
| 2 | 134538-01-01A | EA | LABEL - OCCUPANCY - NO SEAT BELT - BLACK ON CLEAR - US |
| 2 | 134538-02-01A | EA | LABEL - OCCUPANCY - NO SEAT BELT - BLACK ON CLEAR - CSA |

LABELS GROUP (CONTINUED)

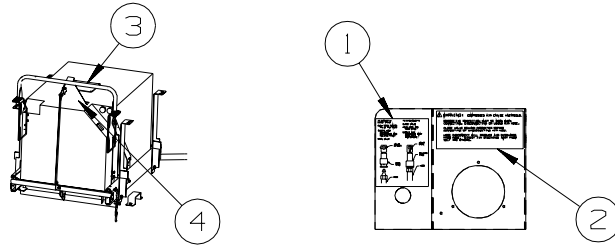


| KEY | PART NUMBER | U/M DESCRIPTION |
|-----|---------------|---|
| 1 | 077956-01-000 | EA LABEL - WARNING/SMOKE DETECTOR |
| 2 | 134539-01-01A | EA LABEL - WARNING - STOVE/HEATING - US - BLACK ON CLEAR |
| 2 | 134540-01-01A | EA LABEL - WARNING - STOVE/HEATING - CSA - BLACK ON CLEAR |
| 3 | 073998-01-000 | EA LABEL - LPG/ODOR WARNING |
| 4 | 147525-01-000 | EA LABEL - DRYER VENT CUTOUT |
| 5 | 147524-01-000 | EA LABEL - DRYER VENTING |
| 6 | 130670-01-01A | EA LABEL - CAUTION DRYER VENTING - BLACK ON CLEAR |
| 7 | 153640-01-01A | EA LABEL - WINTERIZATION - WASHER/DRYER |
| 8 | 116549-02-000 | EA LABEL - WARNING - SLIDEOUT - 1.18" x 3" |



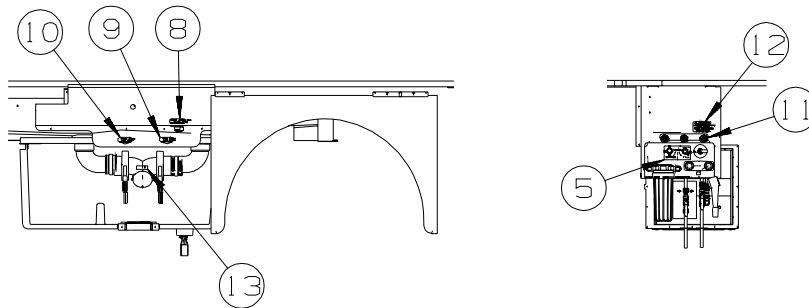
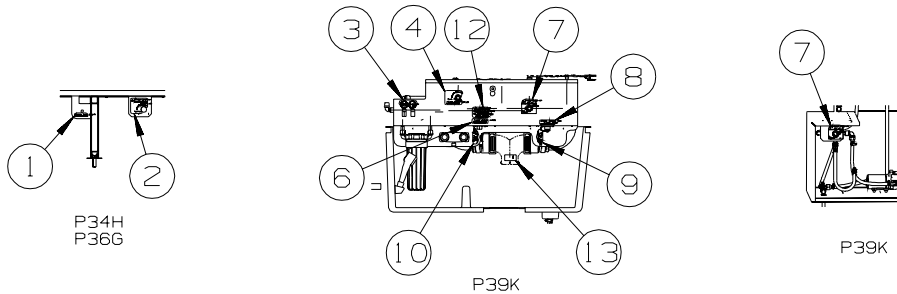
| KEY | PART NUMBER | U/M DESCRIPTION |
|-----|---------------|--|
| 1 | 128218-01-01A | EA LABEL - WARNING - SLIPPERY ROOF |
| 2 | 134359-01-01A | EA LABEL - WARNING - DRIVE BELTS |
| 3 | 116756-03-000 | EA LABEL - WARNING - ETHER/STARTING - RED W/WHITE BACKGROUND |
| 4 | 156213-01-01A | EA LABEL - CHASSIS BATTERY DISCONNECT - WHITE/BLACK |
| 5 | 129669-02-01A | EA LABEL - HITCH/VEHICLE RATE - 500 - WHITE ON CLEAR |
| 6 | 156214-01-01A | EA LABEL - PATIO AWNING SUNSCREEN - WHITE/BLACK |
| 7 | 120431-01-000 | EA LABEL - LOCATION - COAXIAL CABLE/SATELLITE ANTENNA |

LABELS GROUP (CONTINUED)



AIR ACCESS PANEL

| KEY | PART NUMBER | U/M | DESCRIPTION |
|-----|---------------|-----|---|
| 1 | 142773-01-01A | EA | LABEL - CONNECT/COMPRESSED AIR - WHITE LETTERING ON CLEAR |
| 2 | 142771-01-01A | EA | LABEL - WARNING/COMPRESSED AIR - WHITE LETTERING ON CLEAR |
| 3 | 116273-01-000 | EA | LABEL - WARNING - GENERATOR |
| 4 | 131779-01-01A | EA | LABEL - GENERATOR |



| KEY | PART NUMBER | U/M | DESCRIPTION |
|-----|---------------|-----|--|
| 1 | 152547-01-01A | EA | LABEL - TANK DRAIN |
| 2 | 152545-01-01A | EA | LABEL - WINTERIZATION |
| 3 | 152544-02-01A | EA | LABEL - SWITCHES |
| 4 | 152548-02-01A | EA | LABEL - VALVE/FRESH - PANTONE/CLEAR |
| 5 | 147581-01-01A | EA | LABEL - WATERFILL/BYPASS - BLACK/CLEAR |
| 6 | 152538-02-01A | EA | LABEL - FRESH WATER - PANTONE/CLEAR |
| 7 | 152539-01-01A | EA | LABEL - BYPASS |
| 8 | 152546-02-01A | EA | LABEL - TANK FLUSH - PANTONE/CLEAR |
| 9 | 152541-03-01A | EA | LABEL - GRAY WASTE |
| 10 | 152543-03-01A | EA | LABEL - BLACK WASTE |
| 11 | 153905-01-01A | EA | LABEL - VALVES/INLET - PANTONE/CLEAR/PANTONE |
| 12 | 128725-02-01A | EA | LABEL - POTABLE WATER ONLY - BLACK ON CLEAR |
| 13 | 144649-01-01A | EA | LABEL - ADJUSTABLE VALVE - WHITE ON CLEAR |

P34H
P36G

LP GROUP
LP SYSTEM

| KEY | PART NUMBER | U/M | DESCRIPTION |
|------------|--------------------|------------|--|
| | 045703-03-000 | EA | HOSE - LP - 3/8"ID X 18" - 3/8"MPT X 1/2"F SWIVEL - U.S. |
| | 045703-09-000 | EA | HOSE - LP - 3/8"ID X 24" - 3/8"ID F SWIVEL X 3/8"ID F SWIV |
| | 045703-12-000 | EA | HOSE - LP - 3/8"ID X 18" - 3/8"MPT X 1/2"F SWIVEL - CANADA |
| | 045703-15-000 | EA | HOSE - LP - 3/8"ID X 142" - 1/2"F SWIVEL X 3/8"F SWIVEL |
| | 106150-05-000 | EA | REGULATOR - TWO STAGE |
| | 144485-01-000 | EA | COMPARTMENT - LP REGULATOR |
| | 033759-01-000 | EA | ELBOW - 90 DEGREE - 3/8" F X 3/8" F |
| | 010265-01-000 | EA | ELBOW - BRASS - 90 DEGREE - 3/8"F X 1/2"FPT |
| | 010515-03-000 | EA | ELBOW - BLACK - 1/2 X 90 DEGREE STEEL |
| | 010326-01-000 | EA | ADAPTER - FLARE - W/CONE GASKET - 3/8"F X 1/2"F |
| | 010329-01-000 | EA | ADAPTER - BRASS - 1/2"F X 1/2"MPT |
| | 010323-01-000 | EA | ADAPTER - BRASS - 3/8"F X 1/2"MPT |
| | 010377-02-000 | EA | NUT - BRASS - 3/8" FLARE - FORGED |
| | 010380-02-000 | EA | NUT - BRASS - 1/2" FLARE - FORGED |
| | 010589-03-000 | EA | NIPPLE - PIPE - 1/2" X 2 1/2" - BLACK |
| * | 151784-03-000 | EA | TANK - LP - 100 LB - 14"D X 36"L - VAPOR DRAW - W/O CRADLE |
| | 151786-01-01A | EA | BRACKET - LP TANK MOUNTING |
| | 151786-02-01A | EA | STRAP - LP TANK MOUNTING - 1.5" |
| | 040440-03-000 | EA | TRANSMITTER - DIAL/SNAP-ON - 0-90 OHM 2 TERM(POWER/GROUND) |

***COMPONENT PARTS LISTED LATER IN THIS GROUP**

COMPONENT PARTS FOR LP SYSTEM
151784-03-000

| KEY | PART NUMBER | U/M | DESCRIPTION | VENDOR NO. |
|------------|--------------------|------------|------------------------------|--------------------|
| | 040421-01-700 | EA | VALVE-LIQUID LEVEL, 20% | V20058/V21199/G101 |
| | 040421-01-712 | EA | VALVE-SERV. W/O VAPOR RELIEF | 29000853 |
| | 040421-01-713 | EA | VALVE-RELIEF 1" W/SPRING 7" | V-20479 |
| | 088253-01-702 | EA | FLOAT/SCREW IN-SNAP ON DIAL | SG16C0001442 |
| | 144116-01-701 | EA | VALVE/FILL 80 % W/YELLOW CAP | V13414 |

SEALANTS & FASTENERS GROUP
SEALANTS & ADHESIVES

| KEY | PART NUMBER | U/M | DESCRIPTION |
|-----|---------------|-----|--|
| | 004001-02-000 | EA | GUN - PLEXUS ADHESIVE - W/O NOZZLE |
| | 004001-05-000 | EA | ADHESIVE - SCOTCH-WELD - 3M DP100 - CLEAR - 50ML |
| | 004011-01-000 | EA | ADHESIVE-3M-4475 TUBE |
| | 010405-02-000 | EA | TAPE - THREAD SEALING - 3/8" |
| | 064075-07-000 | FT | SEAL - BULB - W/WIRED U CHANNEL - .3" X .5" CHANNEL-BLACK |
| | 067788-01-000 | EA | ADHESIVE - SPRAY - 3M - 19.5 OZ AEROSOL CAN |
| | 069640-01-000 | FT | SEALER - RIBBON - 1/4"DIAMETER X 30 FT - BLACK OR GRAY |
| | 069640-02-000 | FT | SEALER - TAPE - 1/8"THICK X 1/2"WIDE X 60 FT - GRAY |
| | 069640-03-000 | FT | SEALER - TAPE - 1/8"THICK X 3/4"WIDE X 60 FT - BLACK |
| | 069640-07-000 | FT | SEALER - TAPE - 3/32"THICK X 2"WIDE X 45 FT - GRAY |
| | 069640-09-000 | FT | SEALER - TAPE - 1/32"THICK X 2 1/2"WIDE X 80 FT - BRT WHT |
| | 069640-10-000 | FT | SEALER - TAPE - 1/32"THICK X 1 1/2"WIDE X 90 FT - BRT WHT |
| | 069640-11-000 | FT | SEALER - TAPE - 3/16"THICK X 3/8"WIDE X 40 FT - BLACK |
| | 069640-13-000 | FT | SEALER - TAPE - 3/32"THICK X 2"WIDE X 45 FT - BLACK |
| | 069640-14-000 | FT | SEALER - TAPE - 1/16"THICK X 1"WIDE X 100 FT - BLACK |
| | 069640-15-000 | FT | SEALER - TAPE - 1/16"THICK X 3/8"WIDE X 100 FT - BRT WHT |
| | 069640-17-000 | FT | SEALER - TAPE - 1/32"THICK X 1"WIDE X 150 FT - GRAY |
| | 069640-18-000 | FT | SEALER - TAPE - 1/8"THICK X 1/2"WIDE X 60 FT - BRT WHT |
| | 069640-19-000 | FT | SEALER - TAPE - 1/8"THICK X 3/4"WIDE X 60 FT - BRT WHT |
| | 069640-20-000 | FT | SEALER - TAPE - 1/8"THICK X 1/2"WIDE X 60 FT - BLACK |
| | 069640-21-000 | FT | SEALER - TAPE - 1/16"THICK X 1/2"WIDE X 100 FT - BRT WHT |
| | 069640-22-000 | FT | SEALER - TAPE - 1/32"THICK X 1/4"WIDE X 200 FT - BRT WHT |
| | 069640-23-000 | FT | SEALER - TAPE - 1/16"THICK X 3/4"WIDE X 100 FT - BRT WHT |
| | 069640-27-000 | FT | SEALER - TAPE - 1/16"THICK X 2 1/4"WIDE X 50 FT - BRT WHT |
| | 069640-28-000 | FT | SEALER - TAPE - 1/32"THICK X 1 7/8"WIDE X 90 FT - GRAY |
| | 069640-30-000 | FT | SEALER - TAPE - 1/32"THICK X 5/8"WIDE X 50 FT - GRAY |
| | 069640-31-000 | FT | SEALER - TAPE - 1/4"THICK X 3/4"WIDE X 15 FT - BLACK |
| | 069640-32-000 | FT | SEALER - TAPE - 1/16"THICK X 3/8"WIDE X 100 FT - BLACK |
| | 069640-33-000 | FT | SEALER - RIBBON - 3/8"DIAMETER X 20 FT - BLACK |
| | 069640-34-000 | FT | SEALER - RIBBON - 1/4"DIAMETER X 30 FT - BRIGHT WHITE |
| | 072889-28-000 | EA | SEALANT/URETHANE-10 OZ TUBE W/NOZZLE-SELF LEVELING-BRT WHT |
| | 076322-01-000 | FT | TAPE-DOUBLE COATED/ADHESIVE BK-.03"THK X .8"W X 216' - WHT |
| | 076322-02-000 | FT | TAPE-DOUBLE COATED/ADHESIVE BK-.05"THK X 1"W X 108' - WHT |
| | 076322-03-000 | FT | TAPE-DOUBLE COATED/ADHESIVE BK-.05"THK X .5"W X 108' - WHT |
| | 076322-05-000 | FT | TAPE-DOUBLE COATED/ADHESIVE BK-.05"THK X .8"W X 108' - WHT |
| | 076322-07-000 | FT | TAPE-DOUBLE COATED/ADHESIVE BK-.05"THK X .5"W X 200' - BLK |
| | 076322-13-000 | FT | TAPE - FOAM/DOUBLE COATED - .020"THK X .75"W - CLEAR |
| | 076322-21-000 | FT | TAPE - FOAM/DOUBLE COATED - .045"THK X .50"W |
| | 076322-22-000 | FT | TAPE - FOAM/DOUBLE COATED - .045"THK X .75"W |
| | 076322-23-000 | FT | TAPE - FOAM/DOUBLE COATED - .045"THK X 1"W |
| | 076322-25-000 | FT | TAPE - FOAM/DOUBLE COATED - .025"THK X .5"W |
| | 086276-01-000 | EA | TAPE - DOUBLE SIDED - 1/2" WIDE X 108' LONG (SOLD BY ROLL) |
| | 088479-01-000 | EA | TAPE - ALUMINUM - 3" |
| | 090340-01-000 | FT | SEAL - FOAM - CLOSED CELL - 1/4" X 1/2" X 50' |
| | 091255-02-000 | FT | SEAL - ADHESIVE BACKED/FOAM - 3/64"THICK X 3/16"W X 1000' |
| | 091255-03-000 | FT | SEAL - ADHESIVE BACKED/FOAM - 1/4" THICK X 1/4"W X 1000' |
| | 094401-01-000 | EA | SEALER - BODY SEAM - FLEXICLEAR |
| | 094401-04-000 | EA | SEALER - BODY SEAM - CLEAR |
| | 094401-05-000 | EA | SEALER - BODY SEAM - 20OZ BLACK |
| | 094401-06-000 | EA | SEALER - BODY SEAM - 12OZ BLACK |
| | 094401-07-000 | EA | SEALER - BODY SEAM - CLEAR |
| | 098408-01-000 | FT | SEAL - SPONGE RUBBER - CLOSED CELL |
| | 099069-01-000 | FT | SEAL - RUBBER - CLOSED SPONGE - .5" WIDE X .12" THICK-BLK |
| | 099418-01-000 | FT | SEAL - D-SECTION/ADHESIVE BACK - ..44" X .44" - BLK RUBBER |
| | 107828-01-000 | EA | SEALANT - SB - 190 EVERSEAL |
| | 112864-01-000 | FT | SEAL - FOAM/BUTYL COVERED - 3/8" X 35' |
| | 112864-02-000 | FT | FOAM - BUTYL COVERED - 5/16" X 44' |
| | 112864-04-000 | FT | FOAM - BUTYL COVERED - 3/8" X 1/8" |
| | 112901-02-000 | EA | ADHESIVE - PLEXUS - MA330 - 50ML - GRAY |
| | 112901-03-000 | EA | ADHESIVE - PLEXUS - MA300 - 50ML - WHITE |
| | 112902-01-000 | EA | NOZZLE - ELEMENT - 3/8" X 24 |
| | 112902-03-000 | EA | MIXER NOZZLE - F/GUN #00400102000 - SCOTCH-WELD & PLEXUS |
| | 112902-04-000 | EA | NOZZLE - ELEMENT - 1/4" X 3.5" |
| | 112902-05-000 | EA | NOZZLE - BAYONET - 3/8" X 18 |

SEALANTS & FASTENERS GROUP (CONTINUED)

SEALANTS & ADHESIVES (CONTINUED)

| KEY | PART NUMBER | U/M | DESCRIPTION |
|-----|---------------|-----|--|
| | 112902-06-000 | EA | NOZZLE - ELEMENT - 1/2" X 32 |
| | 113366-01-000 | EA | ADHESIVE - INSTANT - 1 OZ |
| | 120074-02-03A | EA | SILICONE - TUBE - W/O NOZZLE - LOW ODOR - SMOKEY WHITE |
| | 120534-01-01A | EA | TAPE - SCOTCH - 3M - 1/2" FINE LINE |
| | 123244-01-000 | FT | TAPE - DOUBLE SIDED/FOAM - 5/64"THICK X 3/4"WIDE X 108' |
| | 123816-01-000 | FT | TAPE - DOUBLE SIDED - 1" X .020" X 200' - CLEAR |
| | 123816-02-000 | FT | TAPE - DOUBLE SIDED - 1/2" X .035" X 200' - CLEAR |
| | 123816-03-000 | FT | TAPE - DOUBLE SIDED - 1/2" X .020" X 200' - CLEAR |
| | 123816-04-000 | FT | TAPE - DOUBLE SIDED - 6" X .0035" X 750' - CLEAR |
| | 123816-06-000 | FT | TAPE - DOUBLE SIDED - 3/4" X 3/4" X 200' - CLEAR |
| | 123816-07-000 | FT | TAPE - DOUBLE SIDED - 1 3/4" X 200' - CLEAR |
| | 126427-01-000 | EA | ADHESIVE - ALL PURPOSE - ABS/PVC |
| | 126427-02-000 | EA | PRIMER - CLEANER - FLEX PIPING |
| | 131264-01-11A | EA | SILICONE - TUBE - W/NOZZLE - BEIGE |
| | 131264-01-12A | EA | SILICONE - TUBE - W/NOZZLE - BONE |
| | 131264-01-13A | EA | SILICONE - TUBE - W/NOZZLE - TRANSLUCENT |
| | 131264-02-01A | EA | SILICONE - TUBE - W/NOZZLE - VW GRAY - BATH ONLY |
| | 131264-03-01A | EA | SILICONE - TUBE - W/O NOZZLE - SELF LEVELING -BRIGHT WHITE |
| | 131264-04-01A | EA | SILICONE/SEALANT/ADHESIVE - FAST CURE F/GLASS/VINYL - B/W |
| | 131264-04-02A | EA | SILICONE/SEALANT/ADHESIVE-FAST CURE F/GLASS/VINYL-SOFT WHT |
| | 131264-05-01A | EA | SILICONE/SEALANT - ODORLESS - TUBE - W/NOZZLE - BLACK |
| | 131264-05-02A | EA | SILICONE/SEALANT - ODORLESS - TUBE - W/NOZZLE - CLEAR |
| | 131384-01-000 | EA | ADHESIVE - JET WELD - 10 OZ CARTRIDGE |
| | 132892-07-01A | FT | SEAL - BULB/SINGLE - W/U CHANNEL - .5" X 1" - BLACK |
| | 152038-01-01A | EA | TAPE - PRESERVATION SEAL - 2" X 36YD ROLL - BLACK |
| | 154585-01-01A | FT | SEAL - FOAM TAPE - ADHESIVE BACK - 3/8" X 3/8" - BLACK |
| | 154585-02-01A | FT | SEAL - FOAM TAPE - ADHESIVE BACK - 3/4" X 1/2" - BLACK |
| | 154585-03-01A | FT | SEAL - FOAM TAPE - ADHESIVE 2 SIDED - 1/8" X 3/4" - BLACK |
| | 154585-04-01A | FT | SEAL - FOAM TAPE - ADHESIVE BACK - 5/8" X 1/8" - WHITE |

BOLTS, NUTS AND WASHERS

| KEY | PART NUMBER | U/M | DESCRIPTION |
|-----|---------------|-----|---|
| | 0MD54F-06-000 | EA | NUT - HEX W/SERATED FLANGE |
| | 000C12-04-08B | EA | BOLT - HEX - 1/4-20 X 1/2 - GRADE #5 - ZINC |
| | 000C12-04-40B | EA | BOLT - HEX - 1/4-20 X 2 1/2 - GRADE #5 ZINC |
| | 000C12-04-20F | EA | BOLT - HEX - 1/4-20 X 1 1/4 - GRADE #5 - STAINLESS STEEL |
| | 000C12-04-12A | EA | BOLT - HEX - 1/4-20 X 3/4 - PLAIN 5 |
| | 000C12-05-16B | EA | BOLT - HEX - 5/16 - 18X1 - GRADE #5 - ZINC |
| | 000C12-05-40B | EA | BOLT - HEX - 5/16"-18 X 2.5" - GRADE #5 - ZINC |
| | 000C12-06-28B | EA | BOLT-HEX-3/8-16X13/4 ZN 5 - 5185-01 |
| | 000C12-08-44B | EA | BOLT - HEX - 1/2-13 X 2 3/4 - GRADE #5 - ZINC |
| | 000C12-08-24B | EA | BOLT - HEX - 1/2-13 X 1 1/2 - GRADE #5 - ZINC |
| | 000C12-08-28B | EA | BOLT - HEX - 1/2-13 X 1 3/4 - GRADE #5 - ZINC |
| | 000C13-07-40B | EA | BOLT - HEX - 7/16-20 X 2 1/2 - GRADE #5 - ZINC |
| | 000C13-07-48B | EA | BOLT - HEX - 7/16-20 X 3 - GRADE #5 - ZINC |
| | 000C13-07-72B | EA | BOLT - HEX - 7/16-20 X 4.5" - GRADE #5 - ZINC |
| | 000C16-07-16B | EA | BOLT - CARRIAGE - ASSIST HANDLE - 7/16-14 X 1 |
| | 000C18-05-40A | EA | BOLT - ELEVATOR - 5/16-18 X 2 1/2 - PL |
| | 000C26-04-18B | EA | BOLT - HEX - SERRATED FLANGE - 1/4-20 X 1 1/8 - ZINC |
| | 000C26-04-14B | EA | BOLT - HEX - SERRATED FLANGE - 1/4-20 X 7/8 - ZINC |
| | 000C26-04-12F | EA | BOLT - HEX - SERRATED FLANGE -1/4-20 X 3/4-STAINLESS STEEL |
| | 000C26-04-10B | EA | BOLT - HEX - SERRATED FLANGE - 1/4-20 X 5/8 - ZINC |
| | 000C26-04-40F | EA | BOLT - HEX - SERRATED FLANGE -1/4-20 X 2.5-STAINLESS STEEL |
| | 000C26-05-12B | EA | BOLT - HEX - SERRATED FLANGE - 5/16-18 X 3/4 - ZINC |
| | 000C26-06-12B | EA | BOLT - HEX - SERRATED FLANGE - 3/8-16 X 3/4 - ZINC |
| | 000C26-06-20B | EA | BOLT - HEX - SERRATED FLANGE - 3/8-16 X 1 1/4 - ZINC |
| | 000C26-06-28B | EA | BOLT - HEX - SERRATED FLANGE - 3/8-16 X 1 3/4 - ZINC |
| | 000C26-06-40B | EA | BOLT - HEX - SERRATED FLANGE - 3/8-16 X 2 1/2 - ZINC |
| | 000C26-08-28B | EA | BOLT - HEX - SERRATED FLANGE - 1/2-13 X 1 3/4 - ZINC |
| | 000C26-08-24B | EA | BOLT - HEX - SERRATED FLANGE - 1/2-13 X 1 1/2 - ZINC |
| | 000C26-08-40B | EA | BOLT - HEX - SERRATED FLANGE - 1/2-13 X 2 1/2-GRADE #5 ZINC |
| | 000C27-08-48B | EA | BOLT-CARR 1/2-13X3.00 GR5 - 97 M-SERIES |
| | 000C27-08-64B | EA | BOLT - CARRIAGE - 1/2-13 X 4 - GRADE 5 |
| | 000D16-07-00B | EA | NUT - HEX - 7/16-14 - ZINC |

SEALANTS & FASTENERS GROUP (CONTINUED)
BOLTS, NUTS AND WASHERS (CONTINUED)

| KEY | PART NUMBER | U/M | DESCRIPTION |
|-----|---------------|-----|--|
| | 000D24-10-00B | EA | NUT - HEX - SELF LOCKING - 10-32 - ZINC |
| | 000D27-05-00B | EA | NUT - HEX LOCK - 5-40 - ZINC |
| | 000D28-10-00B | EA | NUT - HEX - W/NYLON LOCK - 10-32 - ZINC |
| | 000D29-04-00F | EA | NUT - HEX - SELF LOCKING - 1/4 X 20 - STAINLESS STEEL |
| | 000D29-04-00B | EA | NUT - HEX - SELF LOCKING - 1/4 X 20 - ZINC |
| | 000D29-06-00B | EA | NUT - HEX - W/NYLON LOCK - 3/8-16 - ZINC |
| | 000D29-09-00B | EA | NUT - HEX - SELF LOCKING - 9/16-12 - ZINC |
| | 000D34-04-00B | EA | NUT - HEX - LOCKING - 1/4-20 - ZINC |
| | 000D34-06-00B | EA | NUT - HEX - LOCKING - 3/8-16 GRADE C - ZINC |
| | 000D39-04-00B | EA | NUT - HEX - LOCKING W/SERRATED FLANGE - 1/4-20 - ZINC |
| | 000D39-05-00B | EA | NUT - HEX - LOCKING W/SERRATED FLANGE - 5/16-18 - ZINC |
| | 000D39-06-00B | EA | NUT - HEX - LOCKING W/SERRATED FLANGE - 3/8-18 - ZINC |
| | 000D39-06-00D | EA | NUT - HEX - LOCKING W/SERRATED FLANGE - 3/8"-16 BLACK |
| | 000D39-07-00B | EA | NUT - HEX - LOCKING W/SERRATED FLANGE - 7/16-14 - ZINC |
| | 000D39-08-00B | EA | NUT - HEX - LOCKING W/SERRATED FLANGE - 1/2-13 - ZINC |
| | 000D39-09-00B | EA | NUT - HEX - LOCKING W/SERRATED FLANGE - 9/16-12 - ZINC |
| | 000D44-04-00B | EA | NUT - HEX - LOCKING W/SERRATED FLANGE - 1/4-28 - ZINC |
| | 000D44-07-00B | EA | NUT - HEX - LOCKING W/SERRATED FLANGE - 7/16-20 - ZINC |
| | 000D44-08-00B | EA | NUT - HEX - LOCKING W/SERRATED FLANGE - 1/2-20 - ZINC |
| | 000D46-04-00A | EA | NUT - HEX - WELD - 1/4-20 - PLAIN |
| | 000D65-08-00B | EA | NUT - HEX - LOCKING W/SERRATED FLANGE - 8-32 - ZINC |
| | 000D73-08-00C | EA | NUT - HEX FLANGE - 1/2-13 |
| | 000D75-09-00B | EA | NUT - HEX LOCKING - 9/16-12 - ZINC |
| | 000D76-06-00B | EA | NUT - HEX FLANGE - 3/8-16 |
| | 000E11-04-00F | EA | WASHER - LOCKING - 1/4 MED SPLIT - STAINLESS STEEL |
| | 000E11-07-00B | EA | WASHER - LOCKING - 7/16 MED SPLIT - ZINC |
| | 000E11-08-00B | EA | WASHER - LOCKING - 1/2 MED SPLIT - ZINC |
| | 000E13-17-00B | EA | WASHER - FLAT - 3/8 AR - ZINC |
| | 000E13-18-00B | EA | WASHER - FLAT - 3/8 WIDE - ZINC |
| | 000E13-20-00B | EA | WASHER - FLAT - 7/16 WIDE - ZINC |
| | 000E13-22-00B | EA | WASHER - FLAT - 1/2 WIDE - ZINC |
| | 000E13-26-00B | EA | WASHER - FLAT - 5/8 WIDE - ZINC |
| | 000E14-10-00B | EA | WASHER - LOCKING - #10 EXTERNAL TOOTH - ZINC |
| | 000E16-10-00B | EA | WASHER - HARDENED - 5/8 - FLAT - ZINC |
| | 000G45-05-16B | EA | BOLT - LAG - 5/16-9 X 1 - ZINC |
| | 005081-01-000 | EA | NUT - SPEED - C-TYPE - #8 SCREW |
| | 039715-01-000 | EA | NUT-SERT - 1/4" DIAMETER - 20 THREADS |
| | 040921-01-000 | EA | NUT - SPEED - U TYPE - #10-24 - BLACK |
| | 040921-03-000 | EA | NUT - SPEED - U TYPE - #10 |
| | 040921-04-000 | EA | NUT - SPEED - U TYPE - #8-.59" LENGTH X .44" WIDTH |
| | 040921-05-000 | EA | NUT - SPEED - U-TYPE - 8-.67" X .44" WIDE |
| | 040921-11-000 | EA | NUT - SPEED - U-TYPE - 8-.59" LENGTH X .44" WIDTH - BLACK |
| | 041322-01-000 | EA | WASHER - FLANGE - 15/32"ID X 2 3/8"OD - F/SEAT BELT MTG |
| | 044364-02-000 | EA | NUT - SPEED - FLAT - ROUND |
| | 044533-01-000 | EA | WASHER - 1 3/8"OD - FOR BUTTONS - PLASTIC |
| | 051387-06-000 | EA | BOLT - CARRIAGE W/O HOLE - 5/16-18 X 9 1/2 - ZINC |
| | 058716-02-000 | EA | WASHER - FLAT NYLON |
| | 064081-03-000 | EA | NUT - WING 3/8-16 - W/WELD NUT |
| | 077071-01-000 | EA | WASHER - FENDER - 3/16"ID X 1"OD |
| | 087234-01-000 | EA | NUT - JACK - 1/4 X 20 THD - MOLLY |
| | 088787-12-000 | EA | STUD - WELD - 1/4 - 20 X 1.0 LG - MN |
| | 102540-02-000 | EA | SEAL - SCREW |
| | 106956-03-000 | EA | BOLT - HEX TAP - 1/2-13NC X 3 - GRADE 5 - FULL THREAD/ZINC |
| | 106956-10-000 | EA | BOLT - HEX TAP - 9/16-12NC X 3 5/8 -GRD 5-FULL THREAD/ZINC |
| | 106956-11-000 | EA | BOLT - HEX TAP - 1/2-13NC X 2 1/2 - GRD 5-FULL THREAD/ZINC |
| | 106956-13-000 | EA | BOLT - HEX TAP - 1/2-20 X 2 1/2 - GRD 5-FULL THREAD/ZINC |
| | 107397-01-000 | EA | WASHER - FENDER - 3/4"ID X 1"OD |
| | 108067-03-000 | EA | STUD - WELD - 1/4 - 20 X 1/2 CD |
| | 109917-03-000 | EA | WASHER - 1" X .50" |
| | 109917-04-000 | EA | WASHER - 1" X .75" |
| | 128444-01-000 | EA | WASHER - SPRING - CONICAL |
| | 135092-02-01A | EA | BOLT - HEX - SERRATED FLANGE - 1/2-20 X 2 1/2-GRADE 5 ZINC |
| | 135092-05-01A | EA | BOLT - HEX - SERRATED FLANGE - 1/2-20 X 1 - GRADE 5 ZINC |
| | 143399-01-01A | EA | NUT/RETAINING - 3/8" - 24 NFT |

SEALANTS & FASTENERS GROUP (CONTINUED)
BOLTS, NUTS AND WASHERS (CONTINUED)

| KEY | PART NUMBER | U/M | DESCRIPTION |
|-----|---------------|-----|-------------------------------|
| | 144904-01-01A | EA | BOLT - ADJUSTMENT - HEADLAMP |
| | 147284-02-000 | EA | NUT/SELF RETAINING - 5/16"-18 |
| | 148817-01-000 | EA | WASHER/SPUR - LOCKING |

SCREWS

| KEY | PART NUMBER | U/M | DESCRIPTION |
|-----|---------------|-----|---|
| | 0G1208-12-170 | EA | SCREW - 8-18 X 3/4 POH - BRIGHT WHITE |
| | 0G3908-08-170 | EA | SCREW - SF/DR - 8-18 X 1/2 PPH - BRIGHT WHITE |
| | 0G3908-08-410 | EA | SCREW - SF/DR - 8-18 X 1/2 PPH - PARCHMENT |
| | 0G3908-16-170 | EA | SCREW - SF/DR - 8-18 X 1 PPH - BRIGHT WHITE |
| | 0G3908-24-170 | EA | SCREW - SF/DR - 8-18 X 1 1/2 PPH - BRIGHT WHITE |
| | 0G3910-10-330 | EA | SCREW - SF/DR - 20-16 X 5/8 PPH - PUTTY |
| | 0G3910-12-170 | EA | SCREW - SF/DR - 10-16 X 3/4 PPH - BRIGHT WHITE |
| | 0G3910-12-240 | EA | SCREW - SF/DR - 10-16 X .75 PPH - VW LIGHT GRAY |
| | 0G3910-12-380 | EA | SCREW - SF/DR - 10-16 X .75 PPH - CASHMERE |
| | 0G3910-12-370 | EA | SCREW - SF/DR - 10-16 X .75 PPH - RIVERSTONE |
| | 0G3910-24-170 | EA | SCREW - SF/DR - 10-16 X 1 1/2 PPH - BRIGHT WHITE |
| | 0G3910-32-330 | EA | SCREW - SF/DR - 10-16 X 2.00 PPH - PUTTY |
| | 0G5508-08-380 | EA | SCREW - SF/DR - 8-18 X .5 PWH - CASHMERE |
| | 0G5508-08-370 | EA | SCREW - SF/DR - 8-18 X .5 PWH - RIVERSTONE |
| | 0G5508-12-170 | EA | SCREW - SF/DR - 8-18 X 3/4 PWH - BRIGHT WHITE |
| | 0G5508-12-320 | EA | SCREW - SF/DR - 8-18 X 3/4 PWH - GLACIER |
| | 0G5508-12-330 | EA | SCREW - SF/DR - 8-18 X 3/4 PWH - PUTTY |
| | 0G6008-16-170 | EA | SCREW - SF/DR - 8-18 X 1 POH - BRIGHT WHITE |
| | 0G5508-16-250 | EA | SCREW - SF/DR - 8-18 X 1 PWH - VW DARK GRAY |
| | 0G5508-16-330 | EA | SCREW - SF/DR - 8-18 X 1 PWH - PUTTY |
| | 0G5508-16-370 | EA | SCREW - SF/DR - 8-18 X 1 PWH - RIVERSTONE |
| | 0G5508-16-380 | EA | SCREW - SF/DR - 8-18 X 1 PWH - CASHMERE |
| | 0G5508-16-410 | EA | SCREW - SF/DR - 8-18 X 1 PWH - MEDIUM PARCHMENT |
| | 0G6012-32-170 | EA | SCREW - SF/DR - 12-14 X 2 POH - BRIGHT WHITE |
| | 0G6710-08-170 | EA | SCREW - 10-12 X 1/2 PPH - BRIGHT WHITE |
| | 0G6710-12-170 | EA | SCREW - 10-12 X 3/4 PPH - BRIGHT WHITE |
| | 0G6806-16-170 | EA | SCREW - 6-18 X 1 POH - BRIGHT WHITE |
| | 0G6810-24-280 | EA | SCREW - 10-12 X 1 1/2 POH - SOFT WHITE |
| | 000C20-06-24T | EA | SCREW - 3/8-16 X 1 1/2 - FLAT SOCKET |
| | 000C28-05-24D | EA | CAPSCREW/BUTTON HEAD - 5/16-18 X 1 1/2 - #8-BLK PHOSPHATE |
| | 000G11-06-08B | EA | SCREW - 6-20 X 1/2 PPH - ZINC |
| | 000G11-06-10B | EA | SCREW - 6-20 X 5/8 PPH - ZINC |
| | 000G11-06-10J | EA | SCREW - 6-20 X 5/8 PPH - BRASS |
| | 000G11-07-08B | EA | SCREW - 7-19 X 1/2 PPH - ZINC |
| | 000G11-08-06B | EA | SCREW - 8-18 X 3/8 PPH - ZINC |
| | 000G11-08-08T | EA | SCREW - 8-18 X 1/2 PPH - FLUOROCARBON COATING |
| | 000G11-08-12B | EA | SCREW - 8-18 X 3/4 PPH - ZINC |
| | 000G11-08-12P | EA | SCREW - 8-18 X 3/4 PPH - DARK BROWN |
| | 000G11-08-12S | EA | SCREW - 8-18 X 3/4 PPH - OFF WHITE |
| | 000G11-08-12T | EA | SCREW - 8-18 X 3/4 PPH - BLACK MAGNESIUM |
| | 000G11-08-20B | EA | SCREW - 8-18 X 1 1/4 PPH - ZINC |
| | 000G11-08-20G | EA | SCREW - 8-18 X 1 1/4 - ANTIQUE BRASS |
| | 000G11-10-12D | EA | SCREW - 10-16 X 3/4 PPH - BLACK |
| | 000G12-06-08T | EA | SCREW - 6-20 X 1/2 POH - BLACK |
| | 000G12-06-12J | EA | SCREW - 6-20 X .75 POH - BRASS |
| | 000G12-10-16F | EA | SCREW - 10-16 X 1 POH - STAINLESS STEEL |
| | 000G13-05-10B | EA | SCREW - 5-12 X 5/8 PFH - ZINC |
| | 000G13-06-08B | EA | SCREW - 6-20 X 1/2 PFH - ZINC |
| | 000G13-06-08G | EA | SCREW - 6-20 X 1/2 PFH - ANTIQUE BRASS |
| | 000G13-06-10G | EA | SCREW - 6-20 X 5/8 PFH - ANTIQUE BRASS |
| | 000G13-06-16J | EA | SCREW - 6-20 X 1 PFH - BRASS |
| | 000G13-06-169 | EA | SCREW - SF/DR - 6-20 X 1 PFH - SILVER |
| | 000G13-06-24J | EA | SCREW - 6-20 X 1 1/2 PFH - BRASS |
| | 000G13-07-10H | EA | SCREW - 7-19 X 5/8 PFH - BLACK |
| | 000G13-07-12B | EA | SCREW - 7-19 X 3/4 PFH - ZINC |
| | 000G13-08-109 | EA | SCREW - 8-18 X 5/8 PFH |
| | 000G13-08-10B | EA | SCREW - 8-18 X 5/8 PFH - ZINC |
| | 000G13-08-16B | EA | SCREW - 8-18 X 1 PFH - ZINC |

SEALANTS & FASTENERS GROUP (CONTINUED)
SCREWS (CONTINUED)

| KEY | PART NUMBER | U/M | DESCRIPTION |
|------------|--------------------|------------|---|
| | 000G13-08-24B | EA | SCREW - 8-18 X 1 1/2 PFH - ZINC |
| | 000G16-04-24B | EA | SCREW - MACHINE - 1/4-20 X 1 1/2 PPH |
| | 000G18-08-12B | EA | SCREW - MACHINE - 8-32 X 3/4 PPH - ZINC |
| | 000G18-08-16B | EA | SCREW - MACHINE - 8-32 X 1 PPH - ZINC |
| | 000G18-08-24B | EA | SCREW - MACHINE - 8-32 X 1 1/2 PPH - ZINC |
| | 000G18-08-22B | EA | SCREW - MACHINE - 8-32 X 1 3/8 PPH - ZINC |
| | 000G19-10-08B | EA | SCREW - MACHINE - 10-32 X 1/2 PPH - ZINC |
| | 000G19-10-10B | EA | SCREW - MACHINE - 10-32 X 5/8 - PPH - ZINC |
| | 000G19-10-12F | EA | SCREW - MACHINE - 10-32 X 3/4 PPH - STAINLESS STEEL |
| | 000G19-10-20B | EA | SCREW - MACHINE - 10-32 X 1 1/2 PPH - ZINC |
| | 000G32-10-06B | EA | SCREW - 10-32 X 3/8 PPH - ZINC |
| | 000G34-05-12B | EA | SCREW - HEX HEAD TAPPING - 5/16 X 3/4 LONG |
| | 000G36-10-12T | EA | SCREW - 10-24X 3/4 PFH TYPE 23 - BLACK |
| | 000G39-06-10T | EA | SCREW - SF/DR - 6-20 X 5/8 PPH - BLACK |
| | 000G39-06-16T | EA | SCREW - SF/DR - 6-20 X 1 PPH - BLACK |
| | 000G39-08-06B | EA | SCREW - SF/DR - 8-18 X 3/8 PPH - ZINC |
| | 000G39-08-08B | EA | SCREW - SF/DR - 8-18 X 1/2 PPH - ZINC |
| | 000G39-08-08S | EA | SCREW - SF/DR - 8-18 X 1/2 PPH - OFF WHITE |
| | 000G39-08-08T | EA | SCREW - SF/DR - 8-18 X 1/2 PPH - BLACK |
| | 000G39-08-12T | EA | SCREW - SF/DR - 8-18 X 3/4 PPH - BLACK |
| | 000G39-08-16B | EA | SCREW - SF/DR - 8-18 X 1 PPH - ZINC |
| | 000G39-08-16T | EA | SCREW - SF/DR - 6-20 X 1 PPH - BLACK |
| | 000G39-08-24B | EA | SCREW - SF/DR - 8-18 X 1 1/2 PPH - ZINC |
| | 000G39-08-24S | EA | SCREW - SF/DR - 8-18 X 1 1/2 - OFF WHITE |
| | 000G39-08-24T | EA | SCREW - SF/DR - 8-18 X 1 1/2 PPH - BLACK |
| | 000G39-08-32B | EA | SCREW - SF/DR - 8-18 X 2 PPH - ZINC |
| | 000G39-10-08B | EA | SCREW - SF/DR - 10-16 X 1/2 PPH - ZINC |
| | 000G39-10-10B | EA | SCREW - SF/DR - 10-16 X 5/8 PPH - ZINC |
| | 000G39-10-12B | EA | SCREW - SF/DR - 10-16 X 3/4 PPH - ZINC |
| | 000G39-10-129 | EA | SCREW - SF/DR - 10-16 X 3/4 PPH - FLUOROCARBON SILVER |
| | 000G39-10-169 | EA | SCREW - SF/DR - 10-16 X 1 PPH - FLUOROCARBON SILVER |
| | 000G39-10-20B | EA | SCREW - SF/DR - 10-16 X 1 1/4 PPH - ZINC |
| | 000G39-10-20T | EA | SCREW - SF/DR - 10-16 X 1 1/4 PPH - BLACK |
| | 000G39-10-24T | EA | SCREW - SF/DR - 10-16 X 1 1/2" PPH - BLACK |
| | 000G39-10-28T | EA | SCREW - SF/DR - 10-16 X 1 3/4" PPH - BLACK |
| | 000G39-10-32B | EA | SCREW - SF/DR - 10-16 X 2 - PPH - ZINC |
| | 000G39-10-48B | EA | SCREW - SF/DR - 10-16 X 3 - PPH - ZINC |
| | 000G39-10-48T | EA | SCREW - SF/DR - 10-16 X 3 PPH - BLACK |
| | 000G42-04-16B | EA | SCREW - SF/DR - 1/4-14 X 1 HWH - ZINC |
| | 000G42-04-24B | EA | SCREW - SF/DR - 1/4-14 X 1 1/2 - ZINC |
| | 000G46-08-24T | EA | SCREW - MACHINE - 8-32 X 1 1/2 PFH - ZINC |
| | 000G52-06-05B | EA | SCREW - MACHINE - 6-32 X 5/16 PTH - ZINC |
| | 000G52-06-06B | EA | SCREW - MACHINE - 6-32 X 3/8 PTH - ZINC |
| | 000G54-04-14B | EA | SCREW - 1/4-20 X 7/8 PTH - TYPE 23 - ZINC PLATED |
| | 000G55-08-12T | EA | SCREW - SF/DR - 8-18 X 3/4 PWH - BLACK |
| | 000G55-08-124 | EA | SCREW - SF/DR - 8-18 X 3/4 PWH - ASH GRAY |
| | 000G55-08-16T | EA | SCREW - SF/DR - 8-18 X 1 PWH - BLACK |
| | 000G56-12-48B | EA | SCREW - WOOD - 12-11 X 3 POH - SPECIAL HARDENED |
| | 000G57-14-64B | EA | SCREW - 14-10 X 4 PFH ZINC |
| | 000G60-08-16E | EA | SCREW - SF/DR - 8-1 X 1 POH - CHROME |
| | 000G60-08-20F | EA | SCREW - SF/DR - 8-19X1.25 POH |
| | 000G60-08-22B | EA | SCREW - SF/DR - 8-18 X 1.38 POH - ZINC |
| | 000G60-10-16J | EA | SCREW - SF/DR - 10-16 X 1 POH - BRIGHT BRASS |
| | 000G60-10-20B | EA | SCREW - SF/DR - 10-16 X 1 1/4 POH - ZINC |
| | 000G60-10-209 | EA | SCREW - SF/DR - 10-16 X 1 1/4 POH - SILVER STALGAARD |
| | 000G60-10-28T | EA | SCREW - SF/DR - 10-16 X 1 3/4 - BLACK |
| | 000G62-06-24I | EA | SCREW - SF/DR - 8-18 X 1.5 PPH - BLACK |
| | 000G62-06-249 | EA | SCREW - SF/DR - 8-18 X 1.5 PPH - SILVER |
| | 000G62-08-24B | EA | SCREW - SF/DR - 8-18 X 1 1/2 PFH |
| | 000G67-08-32B | EA | SCREW - 8-15 X 2 PPH - ZINC |
| | 000G67-10-08B | EA | SCREW - 10-12 X 1/2 PPH - ZINC |
| | 000G67-10-08S | EA | SCREW - 10-12 X 1/2 PPH - OFF WHITE |
| | 000G67-10-10B | EA | SCREW - 10-12 X 5/8 PPH - ZINC - TYPE A |
| | 000G67-10-10S | EA | SCREW - 10-12 X 5/8 PPH - OFF WHITE |

SEALANTS & FASTENERS GROUP (CONTINUED)
SCREWS (CONTINUED)

| KEY | PART NUMBER | U/M | DESCRIPTION |
|-----|---------------|-----|--|
| | 000G67-10-10T | EA | SCREW - 10-12 X 5/8 PPH - BLACK |
| | 000G67-10-10P | EA | SCREW - 10-12 X 5/8 PPH - DARK BROWN |
| | 000G67-10-12P | EA | SCREW - 10-12 X 3/4 PPH - DARK BROWN |
| | 000G67-10-24B | EA | SCREW - 10-12 X 1 1/2 PPH - ZINC |
| | 000G67-10-24S | EA | SCREW - 10-12 X 1 1/2 PPH - OFF WHITE |
| | 000G67-10-32J | EA | SCREW-10-12X2 PPH - BRIGHT BRASS |
| | 000G68-06-10J | EA | SCREW - 6-18 X 5/8 POH - BRASS |
| | 000G68-06-12B | EA | SCREW - 6-18 X 3/4 POH - ZINC & CLEAR |
| | 000G68-06-12J | EA | SCREW - 6-18 X 3/4 POH - BRASS |
| | 000G68-06-12S | EA | SCREW - 6-18 X 3/4 POH |
| | 029130-01-000 | EA | SCREW - SNAP STUD - #8-16 X 5/8" LONG |
| | 029130-03-000 | EA | SCREW - SNAP STUD - #8-16 X 1" LONG |
| | 049465-01-000 | EA | SCREW - 10-16 PTH W/WASHER - DARK BROWN |
| | 049465-03-000 | EA | SCREW - 10-16 X 1 POH W/WASHER - OFF WHITE |
| | 049465-13-000 | EA | SCREW - 10-16 X 1 PTH W/WASHER - ASH GRAY |
| | 049465-17-000 | EA | SCREW - 10-16 X 1 POH W/WASHER - BRIGHT WHITE |
| | 049465-18-000 | EA | SCREW - 10-16 X 1 POH W/WASHER - VW GRAY |
| | 054434-02-000 | EA | SCREW - SF/DR - 10-16 X 2 - ZINC |
| | 054434-03-000 | EA | SCREW - SF/DR - 10-16 X 2 - PWH - ZINC |
| | 075908-01-000 | EA | SCREW - MACHINE - 10-32 X .56 PTH - EXTERNAL TOOTH - ZINC |
| | 076790-01-000 | EA | SCREW - 6-20 X 1 1/4 PPH - BLACK |
| | 076790-05-000 | EA | SCREW - 6-20 X 1/2 PPH - BLACK - THREAD CUTTING/WOOD |
| | 083554-01-000 | EA | SCREW - DRYWALL - 8 X 1 1/4 |
| | 083554-04-000 | EA | SCREW - DRYWALL - 8 X 2 1/2 |
| | 087721-01-000 | EA | SCREW - FLAT HEAD - TAPPING - 1/4" X 1 1/4" LONG - ZINC |
| | 095772-01-000 | EA | SOCKET-SNAP FASTNER1" SF/DR - SELF DRIVER |
| | 097974-01-000 | EA | SCREW - PARTICLE BOARD - 7-9 X 3/4 PPH |
| | 097974-02-000 | EA | SCREW-PART BD 8-9X.75 PFH - BEIGE |
| | 101618-01-000 | EA | SCREW - 1/4-20 X 3/4 HEX - TAPPING - STALGARD TYPE F |
| | 113563-01-01A | EA | SCREW - 8 X 5/8 LONG SHOULDER/WASHER HEAD |
| | 113563-01-02A | EA | SCREW - 8 X 5/8 LONG SHOULDER/WASHER HEAD - BRIGHT WHITE |
| | 118383-01-09A | EA | RETAINER/RECESSED - F/.22" SCREW - GLACIER |
| | 118383-01-12A | EA | RETAINER/RECESSED - F/.22" SCREW - RIVERSTONE |
| | 118383-01-10A | EA | RETAINER/RECESSED - F/.22" SCREW - STORM GRAY |
| | 118383-01-11A | EA | RETAINER/RECESSED - F/.22" SCREW - CASHMERE |
| | 118383-02-10A | EA | RETAINER/RECESSED - F/.27" SCREW - RIVERSTONE |
| | 118383-02-11A | EA | RETAINER/RECESSED - F/.27" SCREW - CASHMERE |
| | 118383-02-13A | EA | RETAINER/RECESSED - F/.27" SCREW - OFF WHITE |
| | 118383-03-09A | EA | RETAINER/RECESSED - F/.32" SCREW - GLACIER |
| | 118383-04-04A | EA | CAP - F/RECESSED RETAINER - BRIGHT WHITE |
| | 118383-04-09A | EA | CAP - F/RECESSED RETAINER - GLACIER |
| | 118383-04-10A | EA | CAP - F/RECESSED RETAINER - RIVERSTONE |
| | 118383-04-11A | EA | CAP - F/RECESSED RETAINER - CASHMERE |
| | 118383-04-12A | EA | CAP - F/RECESSED RETAINER - STORM GRAY |
| | 118383-04-13A | EA | CAP - F/RECESSED RETAINER - OFF WHITE |
| | 134126-01-01A | EA | SCREW/NAIL - HEX HEAD - 3/4" |
| | 140040-01-000 | EA | SCREW - 1/4-20 X 1 - BUTTON HEAD/SOCKET - W/LOCTITE |
| | 149753-01-01A | EA | RETAINER/RECESSED - F/.22" SCREW - BLACK |
| | 149753-01-02A | EA | RETAINER/RECESSED - F/.22" SCREW - BRIGHT WHITE |
| | 149753-02-01A | EA | CAP - F/RECESSED RETAINER - BLACK |
| | 149753-02-02A | EA | CAP - F/RECESSED RETAINER - BRIGHT WHITE |
| | 154938-01-01A | EA | SCREW - SF/DR - 10-16 X 3/4 PPH - W/SELF SEAL - BRIGHT WHITE |
| | 154938-01-02A | EA | SCREW - SF/DR - 10-16 X 3/4 PPH - W/SELF SEAL - BLACK |
| | 154938-02-01A | EA | SCREW - SF/DR - 8-18 X 1 PFH - W/SELF SEAL - BRIGHT WHITE |
| | 154938-02-02A | EA | SCREW - SF/DR - 8-18 X 1 PFH - W/SELF SEAL - BLACK |
| | 154938-02-03A | EA | SCREW - SF/DR - 8-18 X 1 PFH - W/SELF SEAL - SILVER |
| | 154938-03-01A | EA | SCREW - SF/DR - 8-18 X 5/8 PFH - W/SELF SEAL - BRT WHT |
| | 154935-03-02A | EA | SCREW - SF/DR - 8-18 X 5/8 PFH - W/SELF SEAL - BLACK |
| | 154938-04-01A | EA | SCREW - SF/DR - 10-16 X 1" TPH - W/SELF SEAL - BRT WHT |
| | 154938-04-02A | EA | SCREW - SF/DR - 10-16 X 1" TPH - W/SELF SEAL - BLACK |
| | 154938-05-03A | EA | SCREW - SF/DR - 8-18 X 1.25" PFH - W/SELF SEAL - SILVER |

SEALANTS & FASTENERS GROUP (CONTINUED)

CLAMPS, CLIPS, GROMMETS, RIVETS & PLUGS

| KEY | PART NUMBER | U/M | DESCRIPTION |
|-----|---------------|-----|---|
| | 000H16-04-06R | EA | RIVET - POP ALUMINUM - 1/8 X .313 - .375 |
| | 000H16-06-10R | EA | RIVET - POP ALUMINUM - 3/16 X .501 - .625 |
| | 007161-01-000 | EA | CLAMP - HOSE - SPRING TYPE - 1/2" |
| | 008386-01-000 | EA | GROMMET - SNAP - 3/8" DIAMETER - NYLON |
| | 010495-01-000 | EA | CLAMP - CABLE - 9/16"ID - BLACK |
| | 010495-02-000 | EA | CLAMP - CABLE - 3/8"ID - BLACK |
| | 010495-04-000 | EA | CLAMP - CABLE - 11/16"ID - WHITE |
| | 010497-01-000 | EA | CLAMP - CLOSED - 5/8"ID |
| | 010497-02-000 | EA | CLAMP - CLOSED - 1.5"ID |
| | 010497-03-000 | EA | CLAMP - CLOSED - 1"ID - CUSHIONED |
| | 010497-04-000 | EA | CLAMP - CLOSED - 1 5/8"ID |
| | 010497-05-000 | EA | CLAMP - CLOSED - 1/2"ID |
| | 010497-07-000 | EA | CLAMP - CLOSED - 3/8"ID |
| | 010497-09-000 | EA | CLAMP - CLOSED - 5/16"ID |
| | 010497-10-000 | EA | CLAMP - CLOSED - 7/8"ID |
| | 010499-01-000 | EA | CLAMP - CLOSED - 3/8"ID |
| | 016188-03-000 | EA | GROMMET - LP LINE - 3/8"HOLE X 2 1/2"LONG - RUBBER |
| | 016188-04-000 | EA | GROMMET - LP LINE - 1/2"HOLE X 2 1/2"LONG - RUBBER |
| | 016188-05-000 | EA | GROMMET - LP LINE - 3/8"HOLE X 1 1/4"LONG - RUBBER |
| | 016188-06-000 | EA | GROMMET - LP LINE - 3/8"HOLE X 3 1/4"LONG - RUBBER |
| | 016188-07-000 | EA | GROMMET - L/P LINE - 1/2"HOLE X 3 1/4"LONG |
| | 016188-08-000 | EA | GROMMET - LP LINE - 1/2"HOLE X 1 1/4"LONG - RUBBER |
| | 016188-09-000 | EA | GROMMET - LP LINE - .68"HOLE X 1 1/4"LONG - RUBBER |
| | 016188-10-000 | EA | GROMMET - LP GAS - .68" X 2.5" |
| | 023942-01-000 | EA | GROMMET - RUBBER - 2"OD |
| | 041930-11-000 | EA | RIVET - POP ALUMINUM - 1/8 X .188 - .250 - BRIGHT WHITE |
| | 061420-04-000 | EA | PLUG/PLASTIC - 1 1/4" DIAMETER |
| | 061420-05-000 | EA | PLUG/PLASTIC - 1 1/2" DIAMETER |
| | 061420-09-000 | EA | PLUG/PLASTIC - 1.00" DIAMETER |
| | 061420-10-000 | EA | PLUG/PLASTIC - 1 1/2" DIAMETER - BLACK |
| | 061420-12-000 | EA | PLUG/PLASTIC - 1.50" DIAMETER - RED |
| | 061420-13-000 | EA | PLUG/PLASTIC - 3/8" - FLUSH |
| | 061420-14-000 | EA | PLUG/PLASTIC - 7/8" DIAMETER - BLACK |
| | 061420-15-000 | EA | PLUG/PLASTIC - 2" DIAMETER - BLACK |
| | 061420-16-000 | EA | PLUG/PLASTIC - 2 1/8" DIAMETER - BLACK |
| | 062401-01-000 | EA | CLAMP - HOSE - WORMGEAR - .25" - 1" |
| | 062401-02-000 | EA | CLAMP - HOSE - WORMGEAR - 1.56" - 2.5" ID |
| | 062401-03-000 | EA | CLAMP - HOSE - WORMGEAR - .22" - 1" ID |
| | 062401-04-000 | EA | CLAMP - HOSE - WORMGEAR - .69" - 1.25" ID |
| | 062401-05-000 | EA | CLAMP - HOSE - WORMGEAR - 2" - 3" ID |
| | 062401-06-000 | EA | CLAMP - HOSE - WORMGEAR - .22" - .62" ID |
| | 062401-09-000 | EA | CLAMP - HOSE - WORMGEAR - 2.8" - 3.75" ID |
| | 062401-11-000 | EA | CLAMP - HOSE - WORMGEAR - 3.50" - 4.50" ID |
| | 062401-13-000 | EA | CLAMP - HOSE - WORMGEAR |
| | 063729-12-000 | EA | RIVNUT - 5/16 - 18 UNCUT - FLATHEAD - STAINLESS |
| | 071015-01-000 | EA | GROMMET - RUBBER - .5"ID X 1"OD-W/.38" GROOVE - BLACK |
| | 071015-11-000 | EA | GROMMET - RUBBER - 1"ID FITS .12 MATERIAL - BLACK |
| | 071015-13-000 | EA | GROMMET - RUBBER - .62"ID X 1"OD W/.09" GROOVE - BLACK |
| | 071015-22-000 | EA | GROMMET - RUBBER - .62"ID X 1.12"OD W/.19" GROOVE - BLACK |
| | 071015-26-000 | EA | GROMMET - RUBBER - 1.5"ID X 2.1"OD W/.06" GROOVE - BLACK |
| | 071015-29-000 | EA | GROMMET - RUBBER - .3"ID X 1.3"OD W/.12" GROOVE - BLACK |
| | 071015-30-000 | EA | GROMMET - RUBBER - .3"ID X .81"OD W/.12" GROOVE - BLACK |
| | 071015-39-000 | EA | GROMMET - .75 ID FITS .06 MTL |
| | 071015-41-000 | EA | GROMMET - .125 ID FITS .188 MTL |
| | 071015-42-000 | EA | GROMMET - .25 ID FITS .06 MTL |
| | 075148-02-000 | EA | CLAMP - GROUNDING - BRONZE SCREWS |
| | 077955-01-000 | EA | CLIP/J - 3/8" - VINYL COATED |
| | 080734-02-000 | EA | CLIP - WIRE NYLON |
| | 081211-01-000 | EA | PLUG - PLASTIC - .31"DIA - BLACK |
| | 081211-03-000 | EA | PLUG - PLASTIC - .50"DIAMETER - TRUSS HEAD - BLACK |
| | 081211-04-000 | EA | PLUG - PLASTIC - .46"DIAMETER - TRUSS HEAD - BLACK |
| | 083609-01-000 | EA | CLAMP - WIRE - DUAL - EQUAL DIAMETERS - 5/8" |
| | 083610-01-000 | EA | CLAMP - WIRE - DUAL - UNEQUAL DIAMETERS - 3/4" & 1 1/4" |
| | 083610-02-000 | EA | CLAMP - WIRE - DUAL - UNEQUAL DIAMETERS - 3/4" & 2" |

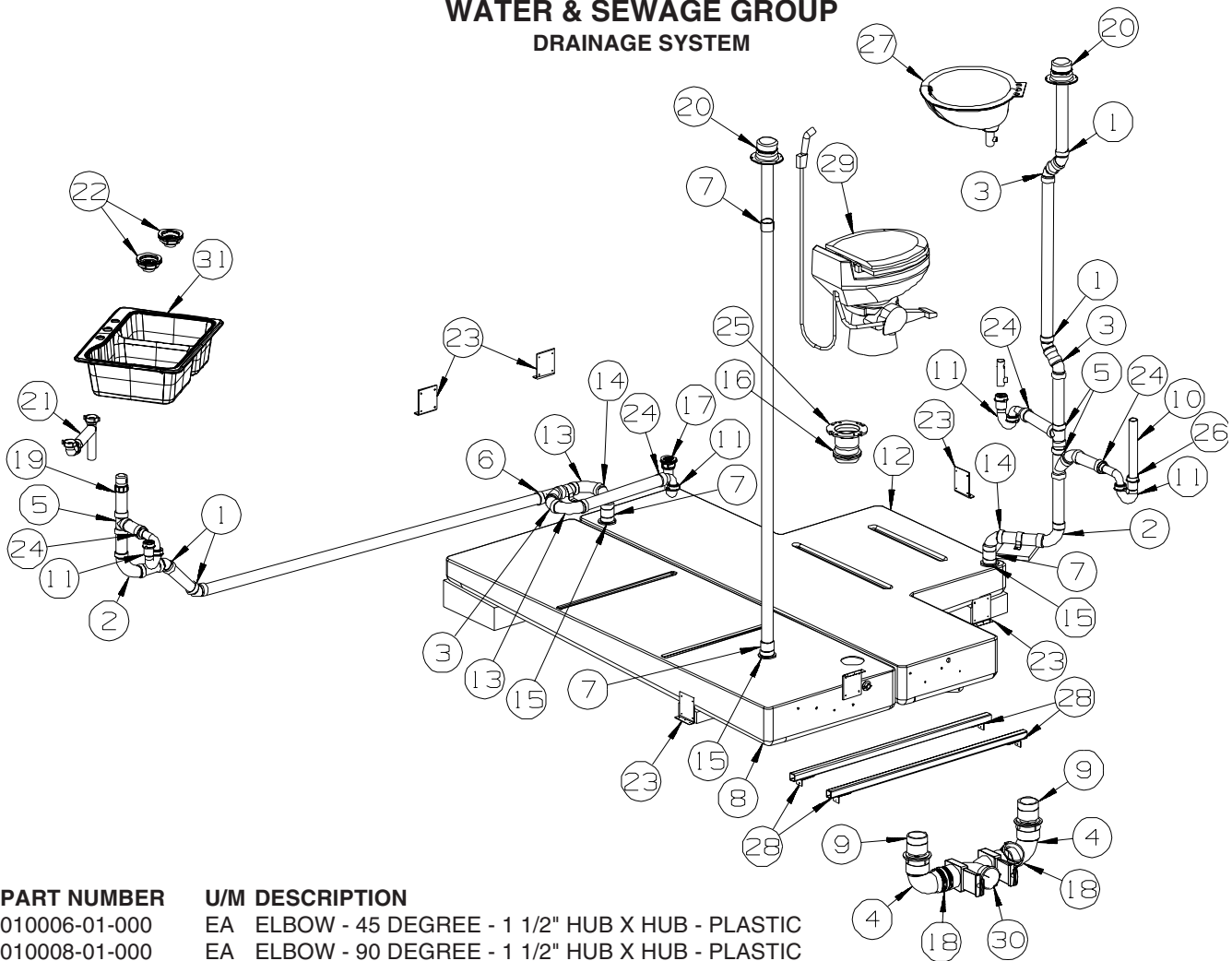
SEALANTS & FASTENERS GROUP (CONTINUED)
CLAMPS, CLIPS, GROMMETS, RIVETS & PLUGS (CONTINUED)

| KEY | PART NUMBER | U/M | DESCRIPTION |
|-----|---------------|-----|--|
| | 083610-03-000 | EA | CLAMP - WIRE - DUAL - EQUAL DIAMETERS - 2" |
| | 088756-01-000 | EA | GROMMET - WEB - 1 1/8"ID |
| | 089329-02-000 | EA | CLIP - SPRING |
| | 091952-01-000 | EA | CLIP - GRIPPER - 1" - BLACK VINYL COATED |
| | 091952-02-000 | EA | CLIP - GRIPPER - 3/4" - BLACK VINYL COATED |
| | 091952-03-000 | EA | CLIP - GRIPPER - 1/2" - BLACK VINYL COATED |
| | 094362-02-000 | EA | CLIP - XMAS TREE - BINDER HEAD - .9" LONG/ANY COLOR |
| | 094362-05-000 | EA | CLIP - XMAS TREE - ROUND HEAD - 1.4" LONG/ANY COLOR |
| | 113133-02-01A | EA | RIVET - POP - ALUMINUM - 3/16 X .252 - .504 - BLACK |
| | 114208-05-000 | EA | GROMMET - EDGE LINER - FITS 2" |
| | 118626-01-02A | EA | RIVET/POP - ALUMINUM - 3/16 X .08 - .375 |
| | 118626-01-01A | EA | RIVET/POP - ALUMINUM - 3/16 X 1.2"(GRIP RANGE .1"-.4") |
| | 118626-02-01A | EA | RIVET/POP - ALUMINUM - 3/16 X .500 - .750 |
| | 118626-03-01A | EA | RIVET/POP - STAINLESS STEEL - 3/16 X .500 - .750 |
| | 137014-01-02A | EA | GROMMET - CABLE - BROWN |
| | 137014-01-01A | EA | GROMMET - CABLE - ALMOND |
| | 137014-01-03A | EA | GROMMET - CABLE - BLACK |
| | 139118-02-01A | EA | GROMMET - SCREW - PLASTIC |
| | 155498-01-01A | EA | CLAMP - CLOSED - 7/8"ID - VINYL DIP/GALVONIZED - BLACK |

MISCELLANEOUS FASTENERS

| KEY | PART NUMBER | U/M | DESCRIPTION |
|-----|---------------|-----|---|
| | 008343-01-000 | EA | TIE - WIRE - 6" |
| | 008343-02-000 | EA | TIE - WIRE - 14" |
| | 008343-03-000 | EA | TIE - WIRE - 7 1/2" - BLACK |
| | 029094-04-000 | YD | VELCRO TAPE/LOOP - 1"WIDE - W/ADHESIVE BACK - BLACK |
| | 029096-04-000 | YD | VELCRO TAPE/HOOK - 1"WIDE - BLACK - W/ADHESIVE BACK (PSA) |
| | 048394-02-000 | YD | VELCRO TAPE - HOOK - ADHESIVE BACK - 3/4" WIDE - BEIGE |
| | 085774-01-000 | FT | FASTENER - DUAL LOCK - 1" WIDE - ADHESIVE BACK - BLACK |
| | 085774-02-000 | FT | FASTENER - DUAL HOOK - 1" WIDE - ADHESIVE BACK - BLACK |
| | 088792-02-000 | YD | VELCRO TAPE - LOOP - 3/4" - ADHESIVE BACK - BEIGE |
| | 088792-04-000 | YD | VELCRO TAPE - HOOK - 5/8" - NON-ADHESIVE BACK - WHITE |
| | 088792-05-000 | YD | VELCRO TAPE - LOOP - 5/8" - NON-ADHESIVE BACK - WHITE |
| | 108046-02-000 | EA | CABLE TIE - SCREW MOUNT 15" |

WATER & SEWAGE GROUP DRAINAGE SYSTEM

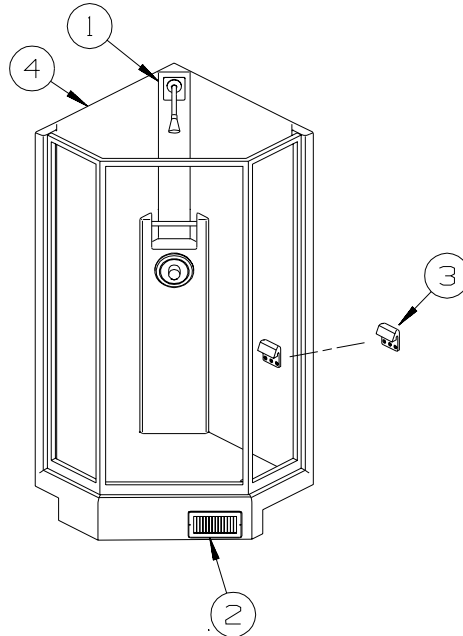


| KEY | PART NUMBER | U/M | DESCRIPTION |
|-----|---------------|-----|--|
| 1 | 010006-01-000 | EA | ELBOW - 45 DEGREE - 1 1/2" HUB X HUB - PLASTIC |
| 2 | 010008-01-000 | EA | ELBOW - 90 DEGREE - 1 1/2" HUB X HUB - PLASTIC |
| 3 | 010051-01-000 | EA | ELBOW - 45 DEGREE - 1 1/2" SPIGOT X HUB - PLASTIC |
| 4 | 010062-01-000 | EA | ELBOW - 3 90 SPIGOT X HUB - PLASTIC |
| 5 | 010071-01-000 | EA | TEE - SANITARY - 1 1/2" HUB X HUB X HUB - PLASTIC |
| 6 | 010073-01-000 | EA | WYE - 45 DEGREE - 1 1/2" HUB X HUB X HUB - PLASTIC |
| 7 | 010115-01-000 | EA | COUPLING - 1 1/2" HUB X HUB - PLASTIC |
| 8 | 132407-01-700 | EA | TANK - HOLDING - 54 GALLON - W/3" OUTLET - W/O FITTINGS |
| | 010232-01-000 | EA | FITTING - SPINWELD - PLASTIC 3FPT |
| | 049032-01-000 | EA | PATCH - SPINWELD - 3/8" - PLASTIC |
| | 114429-02-000 | EA | ELBOW - 1/2"P X 1/2"MPT |
| | 125697-02-000 | EA | NOZZLE - WELD-A-FLUSH |
| 9 | 010129-03-000 | EA | NIPPLE - 3" X 3" TOE - PLASTIC |
| 10 | 126588-02-000 | EA | ARM - WASTE - 1 1/2" X 20" - FEMALE |
| 11 | 107538-02-000 | EA | P-TRAP - PLASTIC - 1 1/2" W/EXTENSION ARM |
| 11 | 011071-01-000 | EA | P-TRAP - 1 1/2" - CSA - PLASTIC - CANADIAN |
| 12 | 132408-01-700 | EA | TANK - HOLDING - 54 GALLON - W/3" NIPPLE - W/O FITTINGS |
| | 010232-01-000 | EA | FITTING - SPINWELD - PLASTIC 3FPT |
| | 049032-01-000 | EA | PATCH - SPINWELD - 3/8" - PLASTIC |
| 13 | 033761-01-000 | EA | ELBOW - 90 DEGREE - TURN - 1 1/2" HUB X 1 1/2" SPIGOT |
| 14 | 034250-01-000 | EA | ELBOW - 90 DEGREE - LONG TURN - 1 1/2" HUB X HUB - ABS |
| 15 | 061607-01-000 | EA | GROMMET - HOLDING TANK - 1 1/2" NPS |
| 16 | 061607-02-000 | EA | GROMMET - HOLDING TANK - 3" NPS |
| 17 | 066440-01-000 | EA | STRAINER - SHOWER DRAIN - W/RUBBER WASHER |
| 17 | 011069-06-000 | EA | TAILPIECE - 1 1/2" X 1 1/4" X 2 1/2" - BRASS |
| | 127440-02-01A | EA | WASHER - RUBBER - 1.8" X .1" |
| | 130403-01-000 | EA | NUT - SLIP - W/WINGS 1 1/2" |
| 18 | 078406-01-000 | EA | COUPLER - 3" X 3" W/CLAMPS - RUBBER |
| 19 | 079968-01-000 | EA | VENT - MECHANICAL/TRAP ARM - ANTI-SIPHON-2" X 7.3" PLASTIC |
| 20 | 083558-03-000 | EA | VENT - W/COVER - F/PLUMBING STACK - OFF WHITE |
| 21 | 011091-02-000 | EA | WASTE - CONTINUOUS - DOUBLE SINK |
| 22 | 092303-01-000 | EA | STRAINER - W/BASKET - GALLEY SINK - 4" OD |

WATER & SEWAGE GROUP (CONTINUED)
DRAINAGE SYSTEM (CONTINUED)

| KEY | PART NUMBER | U/M | DESCRIPTION |
|-----|---------------|-----|---|
| 23 | 094756-02-01A | EA | BRACKET - L - 6.1" LONG X 3.9" WIDE - STEEL |
| 24 | 152146-01-000 | EA | CONNECTOR - 1 1/2"P X 1 1/2"MPT |
| 25 | 116644-01-000 | EA | FLANGE/CLOSET - 3" FEMALE - 4 BOLT |
| | | | FROM: 00-00-00 THRU: 05-28-06 |
| 25 | 024676-01-000 | EA | FLANGE/CLOSET - 4" X 3" - BLACK PLASTIC |
| | | | FROM: 05-29-06 THRU: 99-99-99 |
| 26 | 061420-10-000 | EA | PLUG/PLASTIC - 1 1/2" DIAMETER - BLACK |
| 27 | 155318-01-01A | EA | SINK - LAVATORY - OVAL - 19.5" X 16" X 6.1" - CREAM |
| | 147930-01-000 | EA | WASHER/SEAL - FOAM - 1.4"ID X 2.1"OD - F/POP-UP DRAIN |
| | | | FROM: 00-00-00 THRU: 05-07-06 |
| 28 | 132871-03-02B | EA | BRACKET/L ANGLE W/HOLES - 1.2" X 2.8" - E-COATED |
| 29* | 152829-01-01A | EA | TOILET/AQUA MAGIC STYLE LITE - TALL - W/SPRAY - WHITE |
| 30 | 136143-01-000 | EA | VALVE - DUAL - 3" X 3" |
| * | 144728-01-000 | EA | VALVE - SEWER HOSE - 3" |
| | 139513-01-000 | EA | HOSE - SEWER - 3" X 10' - W/ADAPTER |
| | 062416-01-000 | EA | ADAPTER - SEWER HOSE TO 3" PIPE |
| | 147845-01-01A | EA | LABEL - DRIP VALVE |
| 31 | 148870-01-01A | EA | SINK/DOUBLE - LRG/SML BASIN - 25" X 19" X 7" |

***COMPONENT PARTS LISTED LATER IN THIS GROUP**



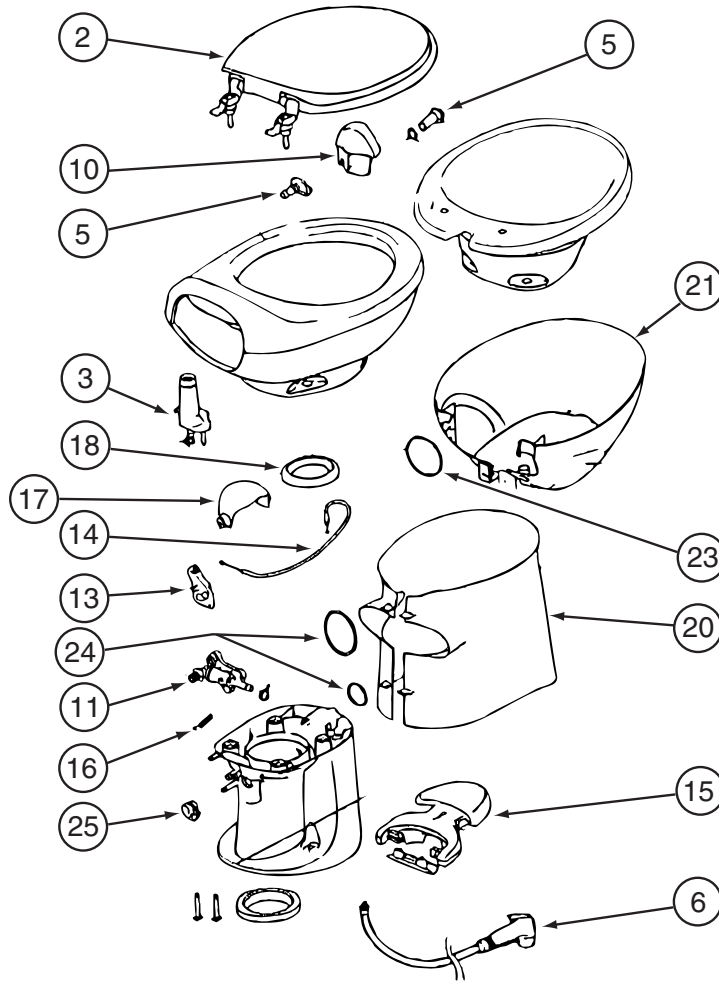
| KEY | PART NUMBER | U/M | DESCRIPTION |
|-----|---------------|-----|---|
| 1 | 143218-01-02A | EA | PLATE/COVER - SHOWER HEAD - SOFT WHITE |
| 2 | 089326-02-000 | EA | GRILLE - FLOOR - HEATING - 9.3" X 5.3" - SOFT WHITE |
| 3 | NOT USED | EA | SEAT - SHOWER/FOLDING - WHITE |
| 4 | 142017-01-01A | EA | SHOWER - FIBERGLASS - SOFT WHITE |

WATER & SEWAGE GROUP (CONTINUED)

COMPONENT PARTS FOR DRAINAGE SYSTEM

144728-01-000

| KEY | PART NUMBER | U/M | DESCRIPTION | VENDOR NO. |
|-----|---------------|-----|-----------------------------|------------|
| | 144728-01-700 | EA | GASKET-RUBBER, INSIDE VALVE | 9667310-11 |
| | 144728-01-701 | EA | GASKET-RUBBER, OUTSIDE | 9667310-10 |



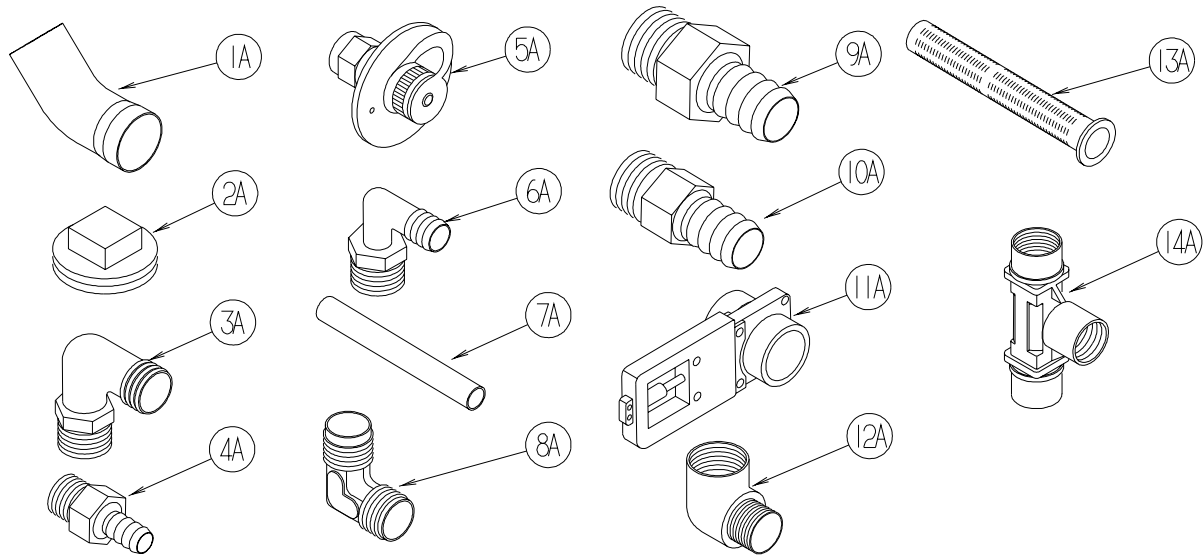
152829-01-01A

| KEY | PART NUMBER | U/M | DESCRIPTION | VENDOR NO. |
|-----|---------------|-----|-----------------------------|------------|
| 2 | 152829-01-700 | EA | SEAT/COVER ASSEMBLY - WHITE | 34144 |
| 3 | 152829-01-708 | EA | VACUUM BREAKER | 34122 |
| 5 | 152829-01-710 | EA | FLUSH NOZZLE - WHITE | 34124 |
| 6 | 147421-01-708 | EA | HAND SPRAY KIT - WHITE HEAD | 33226 |
| 10 | 152829-01-711 | EA | POD - WHITE | 34129 |
| 11 | 152829-01-701 | EA | WATER VALVE | 34100 |
| 13 | 152829-01-703 | EA | WATER VALVE DRIVE ARM | 34104 |
| 14 | 152829-01-704 | EA | CABLE - F/PEDAL | 34106 |
| 15 | 152829-01-709 | EA | PEDAL PACKAGE - WHITE | 34112 |
| 16 | 152829-01-705 | EA | SPRING/RETURN-FWATER VALVE | 34110 |
| 17 | 152829-01-706 | EA | WASTE BALL - WHITE | 34117 |
| 18 | 152829-01-707 | EA | SEAL - F/WASTE BALL | 34120 |
| 21 | 152829-01-713 | EA | BOWL WRAP - WHITE | 34133 |
| 23 | 152829-01-712 | EA | O-RING - F/BOWL WRAP | 34131 |
| 25 | 152829-01-702 | EA | WASTE BALL DRIVE ARM | 34102 |

CONTACT WINNEBAGO PARTS SALES FOR UNLISTED COMPONENT(S)

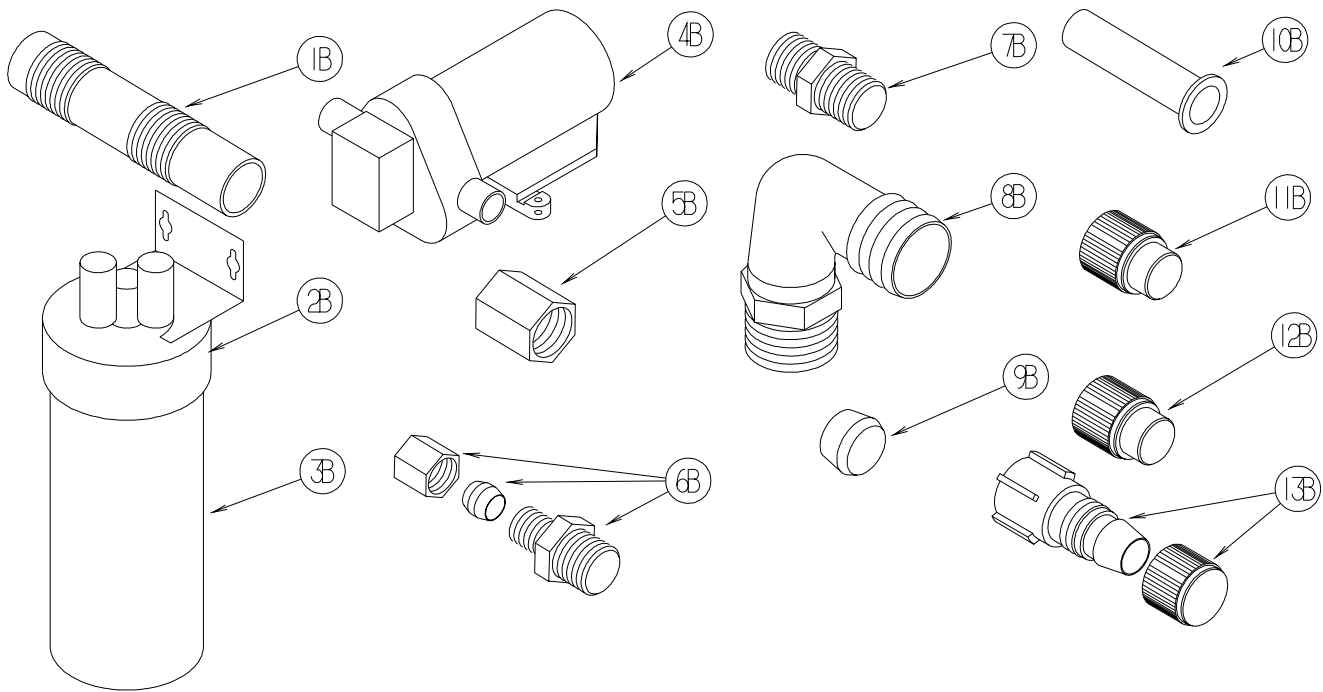
WATER & SEWAGE GROUP (CONTINUED)

WATER SYSTEM



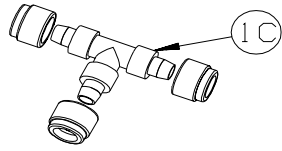
| KEY | PART NUMBER | U/M | DESCRIPTION |
|-----|---------------|-----|---|
| 1A | 010009-01-000 | EA | ELBOW - 90 DEGREE - 1/4 BEND - 1 1/2" PLASTIC |
| 2A | 010166-01-000 | EA | PLUG/THREADED - 1 1/4"MPT - PLASTIC - BLACK - UL |
| 3A | 010219-01-000 | EA | ELBOW - 1 1/4 MPT X 1 1/4 BARB - WATER FILL - PLASTIC |
| 4A | 010224-01-000 | EA | ADAPTER - HOSE TO PIPE - 3/8 MPT X 3/8 BARB - PLASTIC |
| 5A | 010230-06-000 | EA | FILL - CITY WATER - W/CHECK VALVE - MPT - BRUSHED ALUM |
| 6A | 035539-01-000 | EA | ELBOW - 3/8 MPT X 3/8 BARB - PLASTIC |
| 7A | 039800-04-000 | FT | TUBING - POLYBUTYL - 1/4"OD |
| 7A | 074462-02-000 | FT | TUBING - VINYL - 3/8 ID X 20' - CLEAR |
| 7A | 112176-01-000 | FT | TUBING - VINYL - REINFORCED - 1/2" ID |
| 7A | 124188-01-000 | FT | TUBING - PEX - 1/2" ID X 20' - BLUE(COLD) |
| 7A | 124188-02-000 | FT | TUBING - PEX - 1/2" ID X 20' - RED(HOT) |
| 8A | 039808-03-000 | EA | ELBOW - 1/2" MPT X 1/2" MPT - PLASTIC |
| 9A | 044927-01-000 | EA | ADAPTER - HOSE TO PIPE-1 1/4 MPTX1 1/4 BARB-BLACK PLASTIC |
| 10A | 044927-02-000 | EA | ADAPTER - REDUCING - 1" MPT X 1.3" BARB - PLASTIC |
| 11A | 062421-03-000 | EA | VALVE/DUMP W/O HANDLE - 1 1/2" X 1 1/2" HUB |
| | 062421-05-000 | EA | CABLE/ROD - F/DUMP VALVE - W/HANDLE - 48" |
| | 062421-07-000 | EA | CABLE/ROD - F/DUMP VALVE - W/HANDLE - 144" |
| | 062421-08-000 | EA | CABLE/ROD - F/DUMP VALVE - W/HANDLE - 108" |
| 12A | 065318-02-000 | EA | ELBOW - 90 DEGREE - 3/8" MPT TO 3/8" FPT |
| 13A | 077954-02-000 | EA | FILTER - WATER TANK - W/SCREEN IN TANK |
| 14A | 039798-01-000 | EA | TEE - 1/2"MPT X 1/2"MPT X 1/2"MPT - PLASTIC |

WATER & SEWAGE GROUP (CONTINUED)
WATER SYSTEM (CONTINUED)

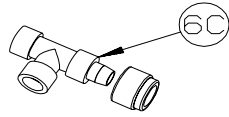


| KEY | PART NUMBER | U/M | DESCRIPTION |
|-----|---------------|-----|---|
| 1B | 079381-01-000 | FT | TUBING - RIBBED FLEXIBLE - WATER FILL - 1.4" ID |
| 2B | 087200-01-000 | EA | FILTER-WATER PURIFCATION, EVERPURE QC2-AC |
| 3B | 087200-02-000 | EA | CARTRIDGE-WATER FILTER,AC - EVERPURE 9601-11 |
| 4B* | 098607-01-000 | EA | PUMP - WATER - W/.5" MPT FITTING - FLOW 2.8 GPM |
| | | | FROM: 00-00-00 THRU: 06-21-06 |
| 4B | 160702-01-000 | EA | PUMP - WATER - 3.0 GPM - W/1/2" MPT |
| | | | FROM: 06-22-06 THRU: 99-99-99 |
| 5B | 101814-01-000 | EA | COUPLING - FEMALE - 1/2" X 1/2" FPT - GRAY |
| 6B | 103798-01-000 | EA | CONNECTOR - 1/4 OD X 3/8 MPT |
| 7B | 110438-02-000 | EA | VALVE - CHECK - BRASS - 1/2 MPT X 1/2 MPT |
| 8B | 111223-02-000 | EA | ELBOW - 1/2" MPT X 3/8" BARB - PLASTIC |
| 8B | 111223-03-000 | EA | ELBOW - 3/4" MPT X 1/2" BARB - PLASTIC |
| 8B | 111223-04-000 | EA | ELBOW - 1/2" MPT X 1/2" BARB - PLASTIC |
| 9B | 111888-01-000 | EA | FERRULE - PLASTIC - .250 ID X .375 OD |
| 10B | 111888-02-000 | EA | INSERT - BRASS - 1/4 COMP |
| 11B | 113697-01-000 | EA | CAP - 3/8"P |
| 12B | 114427-01-000 | EA | CAP - 1/2"P |
| 13B | 114427-02-000 | EA | PLUG - W/COMP NUT - 1/2" PLASTIC PIPE/1/2" FLAIR-IT |

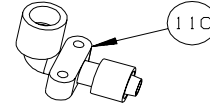
WATER & SEWAGE GROUP (CONTINUED)
WATER SYSTEM (CONTINUED)



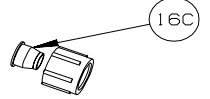
1C



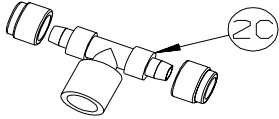
6C



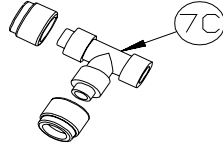
11C



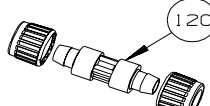
16C



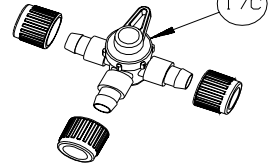
2C



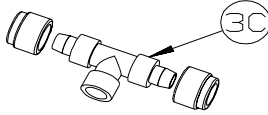
7C



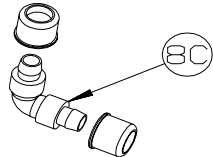
12C



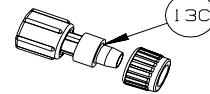
17C



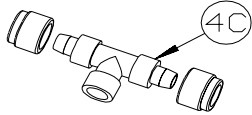
3C



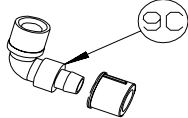
8C



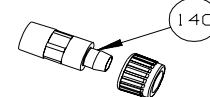
13C



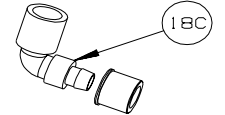
4C



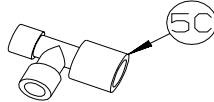
9C



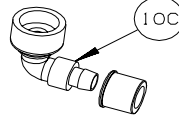
14C



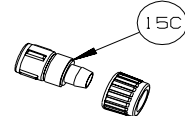
18C



5C



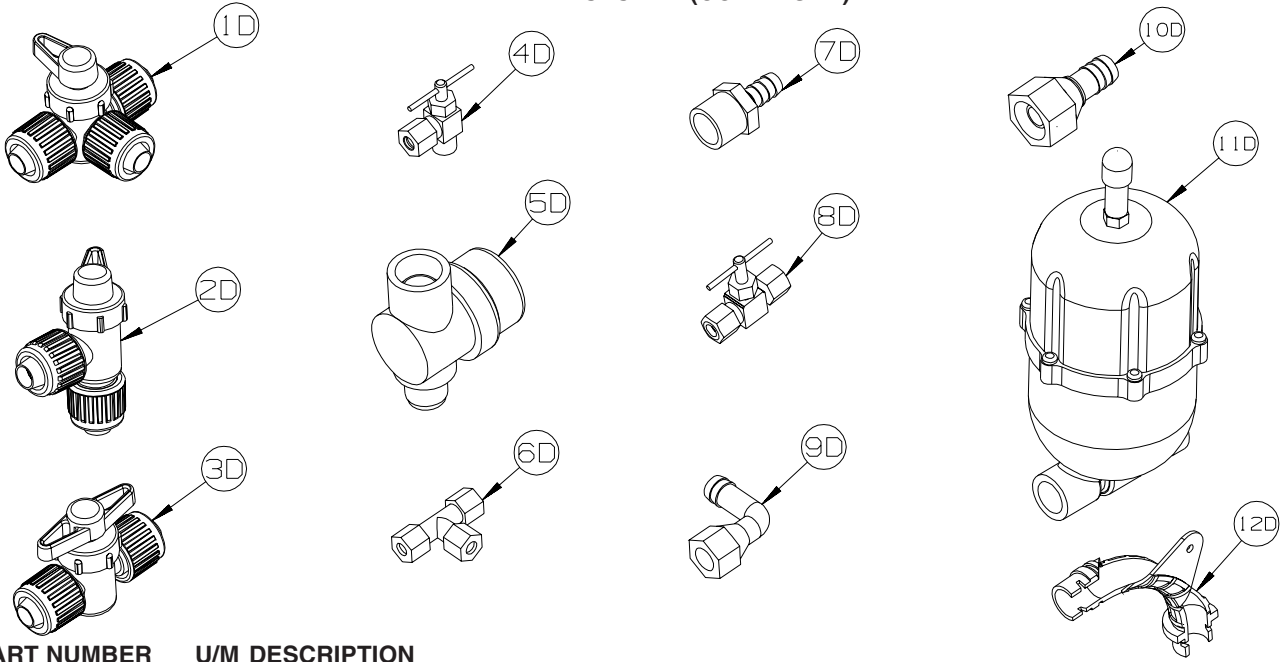
10C



15C

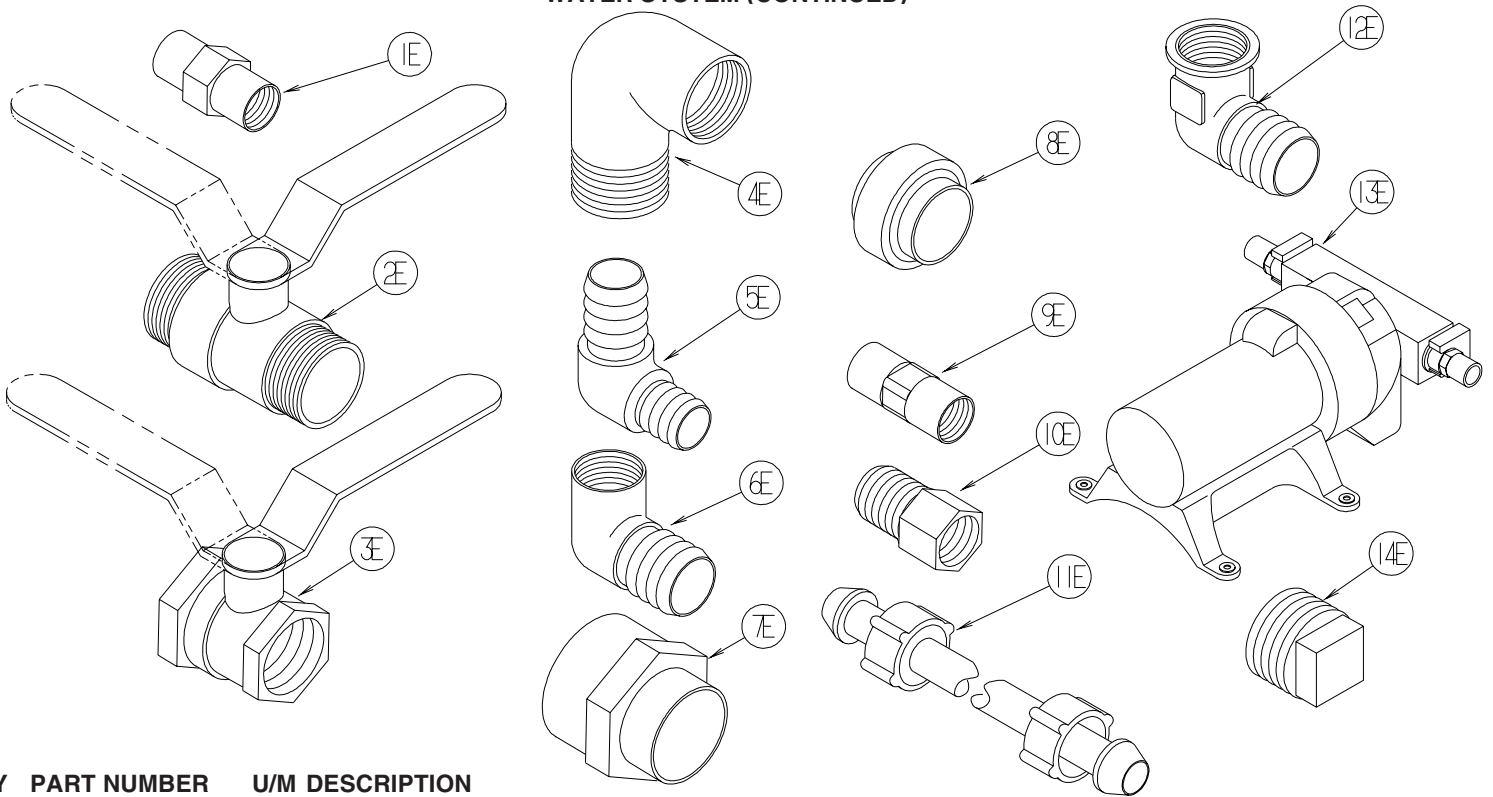
| KEY | PART NUMBER | U/M | DESCRIPTION |
|-----|---------------|-----|---|
| 1C | 114428-01-000 | EA | TEE - 1/2"P X 1/2"P X 1/2"P |
| 2C | 114428-02-000 | EA | TEE - SWIVEL - 1/2"P X 1/2"P X 1/2"FPT |
| 3C | 114428-03-000 | EA | TEE - 1/2"P X 1/2"P X 1/2"MPT |
| 4C | 114428-04-000 | EA | TEE - 1/2"P X 1/2"P X 1/8"FPT |
| 5C | 114428-05-000 | EA | TEE - 1/2" SWIVEL X 1/2" MPT X 1/2" MPT |
| 6C | 114428-06-000 | EA | TEE - 1/2" P X 1/2" MPT X 1/2" MPT |
| 7C | 114428-07-000 | EA | TEE - 1/2" P X 1/2" MPT X 1/2" P |
| 8C | 114429-01-000 | EA | ELBOW - 1/2"P X 1/2"P |
| 9C | 114429-02-000 | EA | ELBOW - 1/2"P X 1/2"MPT |
| 9C | 114429-04-000 | EA | ELBOW - 1/2"P X 3/8"MPT |
| 9C | 114429-05-000 | EA | ELBOW - 1/2"P X 3/4"MPT |
| 9C | 114429-10-000 | EA | ELBOW - SWIVEL - 1/2"MPT X 1/2"FPT |
| 10C | 114429-06-000 | EA | ELBOW - SWIVEL - 1/2"P X 3/4"FPT |
| 10C | 114429-08-000 | EA | ELBOW - SWIVEL - 1/2"P X 1/2"FPT |
| 11C | 114429-09-000 | EA | ELBOW - 1/2"P X 1/2"FPT DROP EAR |
| 12C | 114430-01-000 | EA | ADAPTER - 1/2"P X 1/2"P |
| 13C | 114430-02-000 | EA | ADAPTER - SWIVEL - 1/2"P X 1/2"FPT |
| 13C | 114430-04-000 | EA | ADAPTER - SWIVEL - 1/2"P X 3/8"MPT |
| 14C | 114430-03-000 | EA | ADAPTER - 1/2"P X 1/2"MPT |
| 15C | 114430-06-000 | EA | ADAPTER - 1/2"P X 3/8"FPT |
| 15C | 114430-09-000 | EA | ADAPTER - 1/2"P X 1/2"FPT |
| 16C | 114430-10-000 | EA | ADAPTER - NUT - PIPE CONNECTION - 1/2" |
| 17C | 114431-01-000 | EA | VALVE - 180 DEGREE/CENTER DRAIN - 1/2"P - THREE WAY |
| 18C | 114429-11-000 | EA | ELBOW - 1/2"P X 1/2"FPT |

WATER & SEWAGE GROUP (CONTINUED)
WATER SYSTEM (CONTINUED)



| KEY | PART NUMBER | U/M | DESCRIPTION |
|-----|---------------|-----|--|
| 1D | 114431-02-000 | EA | VALVE - WATER BYPASS - 1/2"P - THREE WAY (WATER HEATER) |
| 2D | 114431-03-000 | EA | VALVE - 90 DEGREE DRAIN - 1/2"P |
| 3D | 114431-04-000 | EA | VALVE - "INLINE SHUT-OFF" - 1/2"P |
| 4D | 114431-05-000 | EA | VALVE - NEEDLE - 1/8" MPT X 1/4" COMPRESSION (ICE MAKER) |
| 5D | 152925-01-01A | EA | FILTER - IN LINE - TWIST ON - 1/2" - BLACK |
| 6D | 118423-01-000 | EA | FITTING - BRASS-TEE - 1/4C X 1/4C X 1/4C |
| 7D | 118809-01-000 | EA | ADAPTER - 1/2" MPT X 3/8" BARB - PLASTIC |
| 7D | 118809-02-000 | EA | ADAPTER - 1/2" MPT X 1/2" BARB - PLASTIC |
| 8D | 120868-01-000 | EA | VALVE - NEEDLE - 1/4" COMPRESSION X 1/4" COMPRESSION |
| 9D | 123150-01-000 | EA | ELBOW - 1/2 FPT X 1/2 BARB - SWIVEL |
| 10D | 123152-01-000 | EA | ADAPTER - 1/2 FPT X 1/2 BARB - SWIVEL |
| 11D | 123243-01-000 | EA | TANK - ACCUMULATOR - 24 OZ |
| | 123317-01-000 | EA | TANK - ACCUMULATOR - 2 GALLON |
| 12D | 124184-01-000 | EA | SUPPORT - WATER LINE - BEND |

WATER & SEWAGE GROUP (CONTINUED)
WATER SYSTEM (CONTINUED)

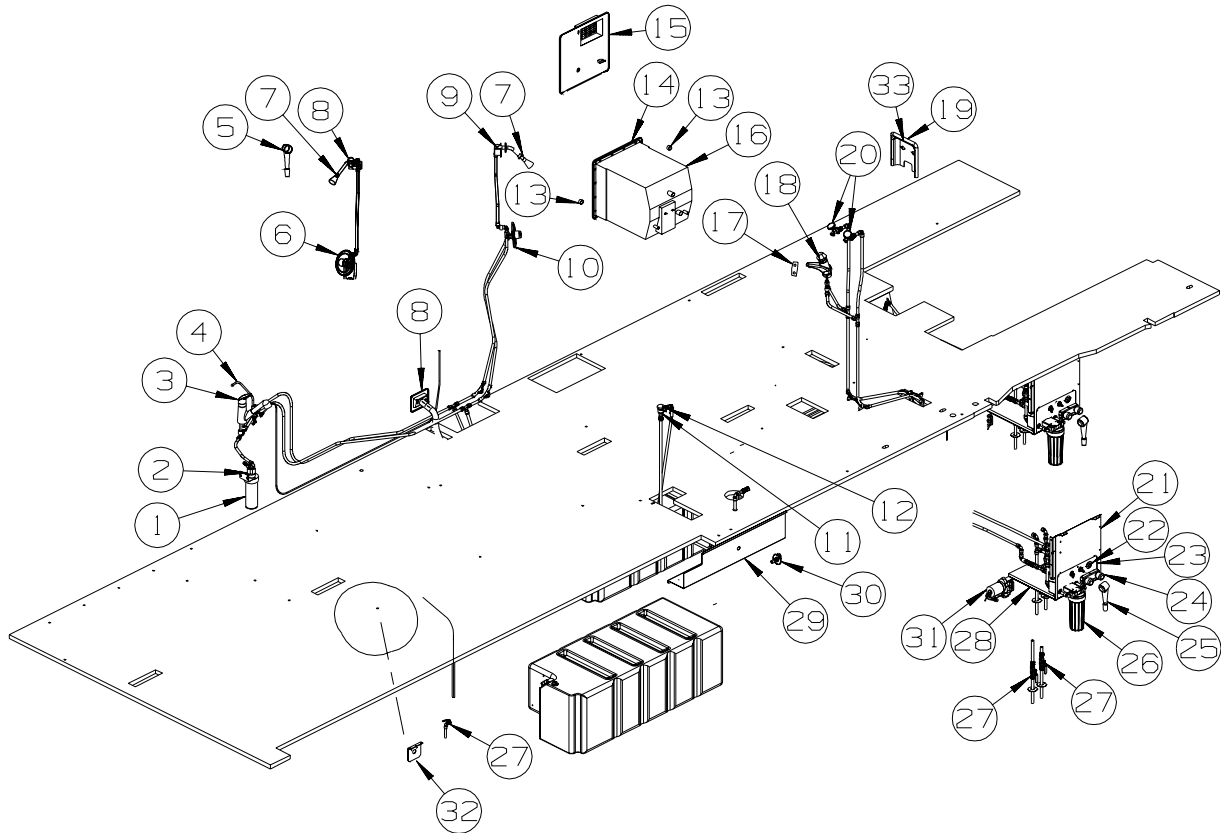


| KEY | PART NUMBER | U/M | DESCRIPTION |
|------|---------------|-----|---|
| 1E | 132148-01-000 | EA | CONNECTOR - 1/2" X 1/2"MPT - BRASS |
| 2E | 132483-01-000 | EA | VALVE/BALL - 1" - THREADED ENDS |
| 3E | 132483-02-000 | EA | VALVE/BALL - 1/2" - BRASS - FPT |
| 4E | 132484-01-000 | EA | ELBOW - 90 DEGREE - 1MPT X 1FPT - PLASTIC |
| 5E | 132781-01-000 | EA | ELBOW - 1.3" BARB X 1.3" BARB - 90 DEGREE - PLASTIC |
| 6E | 132782-01-000 | EA | ELBOW - 1"FPT X 1.3" BARB - 90 DEGREE - PLASTIC |
| 7E | 133835-01-000 | EA | ADAPTER - REDUCING - 1 1/2" X 1 1/4" |
| 8E | 133889-01-000 | EA | UNION - 1 1/2 DOUBLE SLIP - PVC |
| 9E | 135386-01-000 | EA | NIPPLE - 1/2" |
| 10E | 136333-01-000 | EA | ADAPTER - BRASS - 1/2"MPT X 1/2"FPT |
| 11E | 140821-01-000 | EA | TUBE - WATER SUPPLY - 3/8" X 24" |
| 11E | 140821-02-000 | EA | TUBE - WATER SUPPLY - 3/8" X 30" |
| 11E | 140821-03-000 | EA | TUBE - WATER SUPPLY - 3/8" X 36" |
| 11E | 140821-04-000 | EA | TUBE - WATER SUPPLY - 3/8" X 48" |
| 11E | 140821-05-000 | EA | TUBE - WATER SUPPLY - 3/8" X 54" |
| 11E | 140821-06-000 | EA | TUBE - WATER SUPPLY - 3/8" X 60" |
| 11E | 140821-07-000 | EA | TUBE - WATER SUPPLY - 3/8" X 72" |
| 11E | 140821-08-000 | EA | TUBE - WATER SUPPLY - 1/2" X 24" |
| 11E | 140821-09-000 | EA | TUBE - WATER SUPPLY - 1/2" X 36" |
| 11E | 140821-10-000 | EA | TUBE - WATER SUPPLY - 1/2" X 48" |
| 12E | 142812-01-000 | EA | ELBOW - BRASS - 1/2"MPT X 1/2"FPT |
| 13E* | 144215-01-000 | EA | PUMP - WATER - 5.7 GPM - W/1/2" MPT |

FROM: 00-00-00 THRU: 02-05-06

14E 145609-01-000 EA PLUG - BRASS - 1/2" MPT/HEX HEAD
***COMPONENT PARTS LISTED LATER IN THIS GROUP**

WATER & SEWAGE GROUP (CONTINUED)
WATER SYSTEM (CONTINUED)



| KEY | PART NUMBER | U/M | DESCRIPTION |
|-----|---------------|-----|--|
| 1 | 087200-02-000 | EA | CARTRIDGE - WATER FILTER |
| 1 | 160946-01-000 | EA | FILTER - REPLACEMENT - P36SG, SPECIAL EDITION (SE) |
| 2 | 087200-01-000 | EA | FILTER - WATER PURIFICATION |
| 2 | 160946-01-000 | EA | FILTER - WATER PURIFICATION - SINK - P36SG, SPECIAL EDITION (SE) |
| 3* | 123744-03-01A | EA | FAUCET - GALLEY/SINGLE CONTROL W/SPRAYER HEAD - CHROME |
| 3 | 149164-01-01A | EA | FAUCET - GALLEY - SINGLE CONTROL - CHROME - P36SG, SPECIAL EDITION (SE) |
| 4* | 103635-01-000 | EA | FAUCET - SINGLE CONTROL/DRINKING WATER |
| 5* | 129390-03-02A | EA | SHOWER HEAD - W/HOSE & BRACKET - CHROME |
| 6 | 144596-02-02A | EA | TRIM KIT - (KNOB & PLATE) - CHATEAU - CHROME - SHOWER HEAD-HAND HELD |
| 6* | 144596-01-01A | EA | VALVE ONLY - FAUCET/SHOWER - W/TEMP LIMIT STOP(MOEN 62300) - SHOWER HEAD-HAND HELD |
| 7 | 128974-01-02A | EA | VALVE - SHOWER HEAD/WATER SAVER (ON/OFF) - CHROME |
| 8 | 135028-02-02A | EA | DROP ELL - F/HAND HELD SHOWER HEAD/OVAL - W/1/2"IPS-CHROME - SHOWER HEAD-HAND HELD |
| 8 | 130041-03-18A | EA | SPACER/SHOWER HEAD - SOFT WHITE - SHOWER HEAD-HAND HELD |
| 9 | 143101-01-01A | EA | BRACKET - SHOWER HEAD |
| 10 | 144596-03-02A | EA | TRIM KIT - (KNOB/HANDLE/PLATE/SHOWER HEAD & ARM) - CHROME |
| 10* | 144596-01-01A | EA | VALVE ONLY - FAUCET/SHOWER - W/TEMP LIMIT STOP(MOEN 62300) |
| 11 | 125697-04-000 | EA | BREAKER/VACUUM - F/FLUSHING SYSTEM |
| 12 | 125697-03-000 | EA | CHECK VALVE - F/FLUSHING SYSTEM |
| 13 | 117047-02-000 | EA | BUMPER - RUBBER/WASHER INSERT |
| 14 | 144898-01-02B | EA | PLATE - WATER HEATER - E-COATED |
| 15* | 125420-01-03A | EA | DOOR - WATER HEATER - 10 GALLON - 18" X 17.7" - BLACK |
| 16* | 145541-01-000 | EA | WATER HEATER/MOTOR AID-GAS/ELECT IGN - GCH10A-4E - 10 GAL |
| 17 | 105218-01-01A | EA | SPACER - FAUCET/LAVATORY SINK - 2" X 5.9" - ABS PLASTIC |
| 18 | 152311-02-01A | EA | FAUCET - LAVATORY - SINGLE CONTROL - W/WASTE - CHROME |
| 19 | 149259-01-R68 | EA | PANEL - FAUCET (WASHER/DRYER) |
| 20 | 098419-01-000 | EA | FAUCET - 90 DEGREE |
| 21 | 156843-01-12B | EA | PANEL - WATER/SERVICE CENTER - BRIGHT WHITE |
| 22 | 010230-06-000 | EA | FILL - CITY WATER - W/CHECK VALVE - MPT - BRUSHED ALUM |
| 23 | 159065-01-12B | EA | PANEL - WATER CENTER - BRIGHT WHITE |
| 24* | 075241-06-000 | EA | FAUCET/SHOWER -.5"MPT W/1.9" INLET PIPES- EXTERIOR/BRT WHT |
| 25 | 131383-01-02A | EA | SHOWER HEAD - W/60" HOSE & BRACKET - WHITE |
| 26 | 155482-01-01A | EA | PREFILTER/WATER SYSTEM - HOUSING/FILTER CARTRIDGE/WRENCH |

WATER & SEWAGE GROUP (CONTINUED)
WATER SYSTEM (CONTINUED)

| KEY | PART NUMBER | U/M | DESCRIPTION |
|------------|--------------------|------------|---|
| 27 | 132483-02-000 | EA | VALVE/BALL - 1/2"FPT - BRASS |
| 28 | 156851-01-UC1 | EA | SHELF - WATER CENTER |
| 29 | 142093-01-12B | EA | PANEL/COVER - DRAIN - BRIGHT WHITE |
| 30 | 125697-05-000 | EA | INLET/WATER - F/FLUSHING SYSTEM |
| 31* | 144215-01-000 | EA | PUMP - WATER - 5.7 GPM - W/1/2" MPT - NOT ILLUSTRATED FROM: 00-00-00 THRU: 02-05-06 |
| 31* | 144215-02-000 | EA | STRAINER - WATER PUMP - NOT ILLUSTRATED FROM: 00-00-00 THRU: 02-05-06 |
| 31* | 098607-01-000 | EA | PUMP - WATER - W/.5" MPT FITTING - FLOW 2.8 GPM - NOT ILLUSTRATED FROM: 02-06-06 THRU: 06-21-06 |
| 31 | 160702-01-000 | EA | PUMP - WATER - 3.0 GPM - W/1/2" MPT FROM: 06-22-06 THRU: 99-99-99 |
| 32 | 137410-02-02B | EA | BRACKET - VALVE - WINTERIZATION - E-COATED |
| 33 | 149257-01-01A | EA | PANEL - FAUCET - F/WASHER/DRYER INSTALL - BRIGHT WHITE |

***COMPONENT PARTS LISTED LATER IN THIS GROUP**

COMPONENT PARTS FOR WATER SYSTEM

075241-04-000, 075241-05-000, 075241-06-000

| KEY | PART NUMBER | U/M | DESCRIPTION | VENDOR NO. |
|------------|--------------------|------------|------------------------|-------------------|
| | 075240-05-700 | EA | CARTRIDGE - WASHERLESS | 9-P42 |

098607-01-000

| KEY | PART NUMBER | U/M | DESCRIPTION | VENDOR NO. |
|------------|--------------------|------------|------------------------------|-------------------|
| | 098607-01-702 | EA | DIAPHRAGM/DRIVE ASSEMBLY KIT | 94-238-04 |
| | 098607-01-703 | EA | VALVE KIT | 94-232-00 |
| | 098607-01-705 | EA | VALVE-CHECK, KIT | 94-237-00 |
| | 098607-01-706 | EA | HOUSING, W/SWITCH ONLY | 94-231-20 |
| | 098607-01-707 | EA | MOTOR W/BASEPLATE | 11-148-04 |

103635-01-000

| KEY | PART NUMBER | U/M | DESCRIPTION | VENDOR NO. |
|------------|--------------------|------------|--------------------|-------------------|
| | 103635-01-703 | EA | CARTRIDGE - 10" | ADC-959201 |

123744-03-01A

| KEY | PART NUMBER | U/M | DESCRIPTION | VENDOR NO. |
|------------|--------------------|------------|------------------------------|-------------------|
| | 135027-01-700 | EA | CLIP - RETAINER | 883 |
| | 135027-01-705 | EA | CARTRIDGE F/SGL LEVER FAUCET | 1225 |

125420-01-02A, 125420-01-03A, 125420-03-03A, 125420-04-03A

| KEY | PART NUMBER | U/M | DESCRIPTION | VENDOR NO. |
|------------|--------------------|------------|--------------------|-------------------|
| | 051391-01-705 | EA | FASTENER - CAMLOCK | 92609 |

129390-03-02A

| KEY | PART NUMBER | U/M | DESCRIPTION | VENDOR NO. |
|------------|--------------------|------------|---------------------------|-------------------|
| | 129390- 03- 702 | EA | CONNECTOR-SWIVEL - CHROME | A-4002-CPK |

144215-01-000

| KEY | PART NUMBER | U/M | DESCRIPTION | VENDOR NO. |
|------------|--------------------|------------|------------------------|-------------------|
| | 144215-01-700 | EA | VALVE ASSEMBLY | 94-030-01 |
| | 144215-01-701 | EA | DRIVE ASSEMBLY | 94-030-02 |
| | 144215-01-702 | EA | FITTING KIT - W/ORINGS | 94-615-06 |

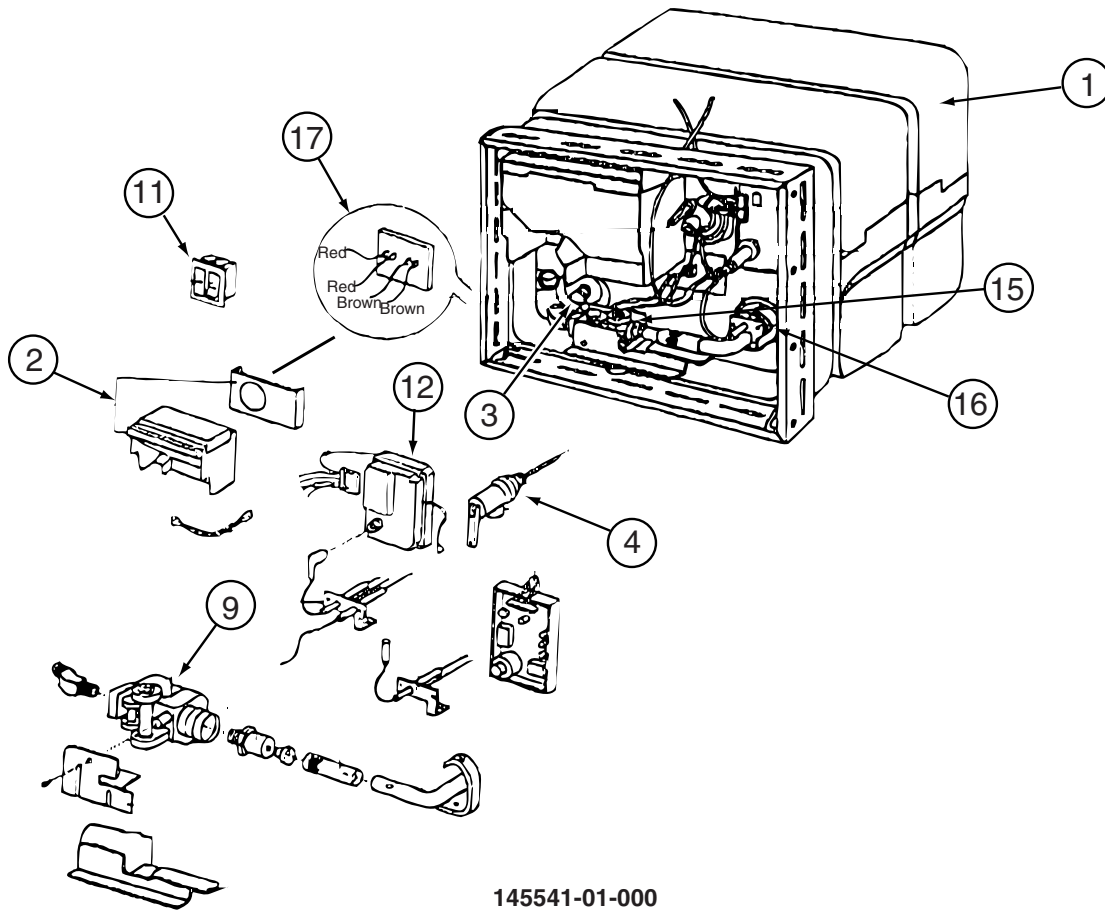
144215-02-000

| KEY | PART NUMBER | U/M | DESCRIPTION | VENDOR NO. |
|------------|--------------------|------------|------------------------------|-------------------|
| | 144215-02-700 | EA | FITTING KIT- COUPLER W/ORING | 94-637-00 |

144596-01-01A

| KEY | PART NUMBER | U/M | DESCRIPTION | VENDOR NO. |
|------------|--------------------|------------|-------------------------|-------------------|
| | 144596-01-700 | EA | CARTRIDGE (REPLACEMENT) | 1222 |

WATER & SEWAGE GROUP (CONTINUED)
COMPONENT PARTS FOR WATER SYSTEM (CONTINUED)



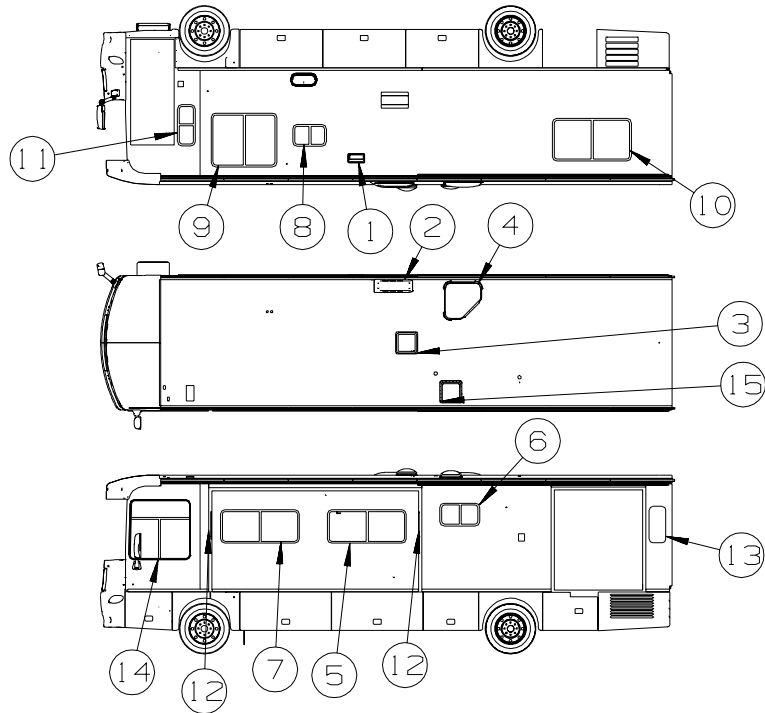
145541-01-000

| KEY | PART NUMBER | U/M | DESCRIPTION | VENDOR NO. |
|-----|---------------|-----|------------------------------|----------------|
| 1 | 145541-01-700 | EA | TANK - W/INSULATION - 10 GAL | 91028 |
| 2 | 051391-04-707 | EA | KIT-EXHAUST, (FLUE & GASKET) | 90960 |
| 3 | 051391-01-715 | EA | PLUG-DRAIN, 1 EA = 2 PER PKG | 91857 |
| 4 | 051391-01-704 | EA | VALVE-RELIEF, 1/2" FITTING | 91604 |
| 9 | 051393-01-726 | EA | VALVE/SOLENOID - W/O BRACKET | 93870 |
| 11 | 145541-01-701 | EA | SWITCH - ON/OFF - WHITE | 91859 |
| 12 | 145541-01-702 | EA | CIRCUIT BOARD | 91226 |
| 15 | 145541-01-703 | EA | SWITCH - THERMAL CUT OFF | 93866 |
| 16 | 051393-01-725 | EA | ELECTRODE-SGL SPADE CONNECT. | 93868 |
| 17 | 051393-01-721 | EA | THERMOSTAT W/ECO, 140 FRT MT | 91447 |
| | 051391-05-706 | EA | ELEMENT-HEATING 1500 WATT | 92249 W/GASKET |
| | 051393-01-701 | EA | SWITCH - REMOTE - W/LIGHT | 91959 |
| | 145541-01-704 | EA | RELAY | 90061 |
| | 145541-01-705 | EA | JUNCTION BOX(PLASTIC) 10 GAL | 91224 |

CONTACT WINNEBAGO PARTS SALES FOR UNLISTED COMPONENT(S)

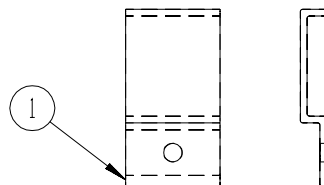
WINDOW & VENTS GROUP

WINDOW & VENT LAYOUT



| KEY | PART NUMBER | U/M | DESCRIPTION |
|-----|---------------|-----|--|
| 1 | 138983-01-02A | EA | VENT - MICROWAVE/OUTER - BLACK |
| 1 | 138983-03-01A | EA | COVER - VENT MICROWAVE/OUTER - BRIGHT WHITE |
| 2 | 149508-01-01A | EA | CAP - ROOF/REFRIGERATOR VENT - GRAY |
| 2 | 149508-02-01A | EA | BASE - ROOF/REFRIGERATOR VENT - BLACK |
| 3* | 123780-09-01A | EA | FANTASTIC VENT-4"ROOF- W/FAN/DBL DOME-W/O THERM/PWR LIFT |
| | 009440-01-000 | EA | GEAR/ARM - LIFT - ROOF VENT COVER |
| 3 | 123780-26-01A | EA | FANTASTIC VENT-4"ROOF- W/FAN/DBL DOME-W/O THERM/PWR LIFT - P36SG, SPECIAL EDITION (SE) |
| 4 | 122214-01-02A | EA | PANEL - SKYLITE - INNER - W/ANGLED CORNER - WHITE |
| 4 | 138372-01-02B | EA | TRIM - CORNER - SKYLIGHT - E-COATED |
| 4 | 139411-01-01A | EA | PANEL/SKYLITE - OUTER - NEO ANGLE - WHITE |
| 5* | 150648-01-01A | EA | WINDOW-HORIZ SLIDER/ESCAPE/FLUSH/THERMO/LH-23.8"X57.7"-BLK |
| 6* | 150648-05-01A | EA | WINDOW-HORIZ SLIDER/FLUSH/THERMO/LH - 16" X 28.7" - BLACK |
| 7* | 150648-07-01A | EA | WINDOW-HORIZ SLIDER/FLUSH/THERMO/LH - 23.8" X 57.7" |
| 8* | 150648-08-01A | EA | WINDOW-HORIZ SLIDER/FLUSH/THERMO/RH - 15.2" X 24" |
| 9* | 150648-16-01A | EA | WINDOW-HORIZ SLIDER/FLUSH/THERMO/RH - 39" X 47.9" |
| 10* | 150648-30-01A | EA | WINDOW-HORIZ SLIDER/ESCAPE/FLUSH/THERMO/RH - 30.7" X 57.7" |
| 11* | 150649-05-01A | EA | WINDOW - VERT SLIDER/FLUSH/THERMO - 29.6" X 12.3" |
| 12* | 150649-07-01A | EA | WINDOW - VERT SLIDER/FLUSH/THERMO - 19.8" X 20.8" |
| 13* | 150656-10-01A | EA | WINDOW - TIPOUT/FLUSH/THERMO - 27.2" X 12.3" |
| | | | FROM: 00-00-00 THRU: 10-01-06 |
| 13 | 161452-05-01A | EA | WINDOW - TIPOUT/FLUSH/THERMO - 27.2" X 12.3" |
| | | | FROM: 10-02-06 THRU: 99-99-99 |
| 14* | 151069-03-01A | EA | WINDOW - CAB/LEFT HAND/FLUSH/THERMO - 43.6" X 44.9"/43.6" |
| 15* | 123780-09-01A | EA | FANTASTIC VENT-4"ROOF- W/FAN/DBL DOME-W/O THERM/PWR LIFT |
| 15* | 122882-02-01A | EA | VENT - ROOF - W/FAN - W/O INSIDE GARNISH - UL - P36SG, SPECIAL EDITION (SE) |
| 15* | 122882-03-01A | EA | VENT - ROOF - W/FAN - W/O INSIDE GARNISH - CSA - P36SG, SPECIAL EDITION (SE), CANADIAN |
| | 009440-01-000 | EA | GEAR/ARM - LIFT - ROOF VENT COVER |
| | 048648-01-000 | EA | MOTOR/ROOF VENT - W/RESISTER - 1/8"SHAFT - 12VOLT - P36SG, SPECIAL EDITION (SE) |
| | 048649-01-000 | EA | FAN BLADE - ROOF VENT - 6 BLADED - 6"RADIUS - P36SG, SPECIAL EDITION (SE) |
| 15 | 122882-07-01A | EA | GARNISH - ROOF VENT - 2.5" TO 4.1" - P36SG, SPECIAL EDITION (SE) |

*COMPONENT PARTS LISTED LATER IN THIS GROUP



SCREEN RETAINER

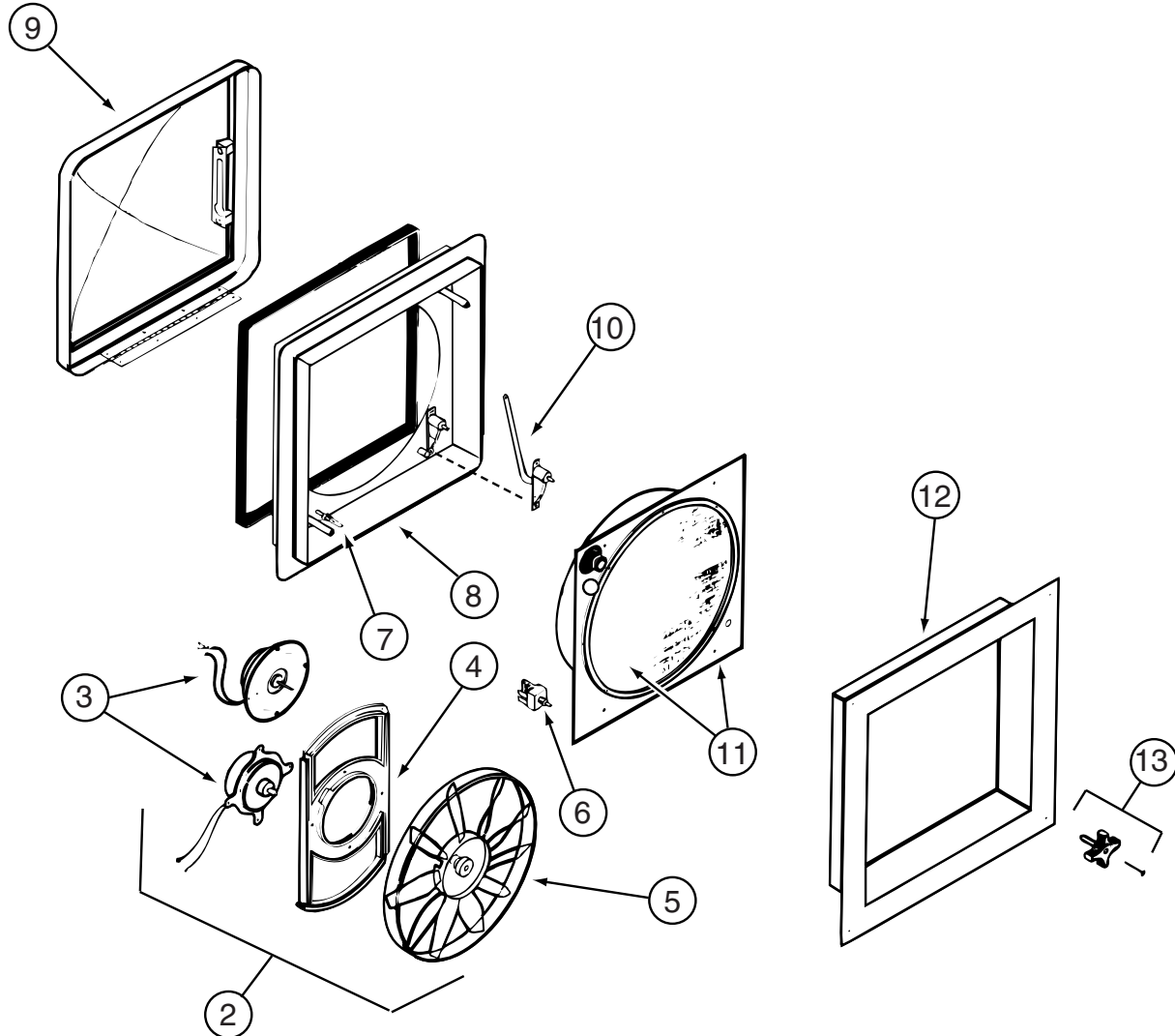
| KEY | PART NUMBER | U/M | DESCRIPTION |
|-----|---------------|-----|---------------------------------------|
| 1 | 151905-01-01A | EA | CLIP/BRAKET - SCREEN RETAINER - BLACK |

WINDOW & VENTS GROUP (CONTINUED)

COMPONENT PARTS FOR WINDOW & VENT LAYOUT

122882-02-01A, 122882-03-01A

| KEY | PART NUMBER | U/M | DESCRIPTION | VENDOR NO. |
|-----|---------------|-----|--------------------------|------------|
| | 064470-01-700 | EA | COVER - VENT | J7291 |
| | 064470-01-701 | EA | SLIDE BAR - VENT LID | JRP1291B |
| | 110051-03-700 | EA | SWITCH-BLACK/PUSH BUTTON | 27-0164 |
| | 122882-01-700 | EA | HANDLE - CRANK - BLACK | 90128 |
| | 122882-01-701 | EA | SCREEN | JRP-1124-B |
| | 122882-01-702 | EA | HANDLE - CRANK - WHITE | JRP1031B |



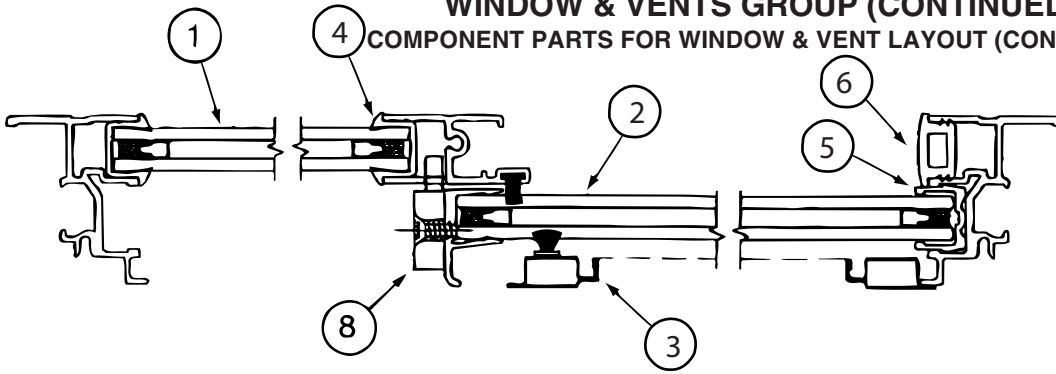
123780-09-01A

| KEY | PART NUMBER | U/M | DESCRIPTION | VENDOR NO. |
|-----|---------------|-----|------------------------------|------------|
| 2 | 084079-11-700 | EA | MOTOR & FAN BLADE W/BRACKET | K4017-09 |
| 3 | 084079-01-705 | EA | MOTOR/EXT BRKT/FAN BLADE KIT | 1080-00 |
| 5 | 084079-01-704 | EA | BLADE-FAN | 1138-00 |
| 6 | 084079-01-709 | EA | SWITCH - MAIN - 3 SPEED | 1031-05 |
| 7 | 084079-01-707 | EA | SWITCH - SAFETY | 1122-05 |
| 8 | 123780-05-700 | EA | BASE/MAIN-BRT WHT W/GASKET | 1010-81 |
| 9 | 123780-09-700 | EA | DOME (DOUBLE)WHT TRANSPARENT | K2020-82 |
| 11 | 123780-03-701 | EA | SCREEN ASM 78-100MM W/SWITCH | 1030BT-81 |
| 12 | 123780-03-700 | EA | GARNISH - INT. 3"-4" BRT/WHT | 2040-81 |
| 13 | 084079-01-703 | EA | KNOB-LIFT | 1140K-00 |
| | 084079-01-706 | EA | PLUG, 12 VOLT | 1090 |
| | 123780-01-702 | EA | SCREEN INSERT (SCREEN RING) | K1035-81 |

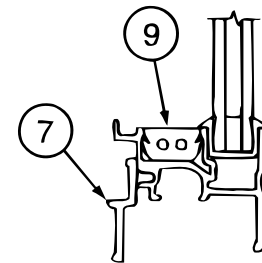
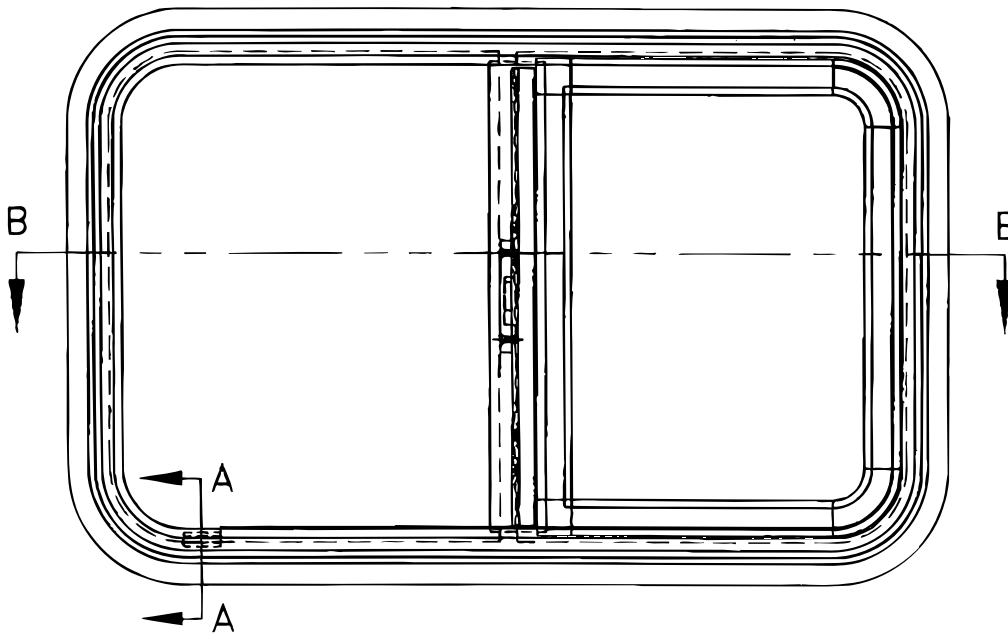
CONTACT WINNEBAGO PART SALES FOR UNLISTED COMPONENT(S)

WINDOW & VENTS GROUP (CONTINUED)

COMPONENT PARTS FOR WINDOW & VENT LAYOUT (CONTINUED)



CROSS SECTION B-B



CROSS SECTION
A-A

150648-01-01A

| KEY | PART NUMBER | U/M | DESCRIPTION | VENDOR NO |
|-----|---------------|-----|------------------------------|------------|
| 1 | 150648-01-705 | EA | GLASS - STATIONARY | 390-028313 |
| 2 | 150648-01-706 | EA | GLASS-SLIDING W/SASH & LATCH | FH3003G8 |
| 3 | 150648-01-702 | EA | SCREEN ASM | 410-031156 |
| 4 | 112795-01-705 | FT | VINYL - GLAZING | 132-027331 |
| 5 | 151069-01-700 | EA | CHANNEL-RUN, SLIDING | 122-030627 |
| 6 | 150648-01-703 | EA | PLUG - FILLER | 132-030308 |
| 7 | 150648-01-707 | EA | RETAINER - TRIM | H493-67 |
| 8 | 150648-01-700 | EA | LATCH-HORIZONTAL SLIDE-BLK | FH3000-CK |
| 8 | 150648-01-701 | EA | LATCH-HORIZONTAL SLIDE-RED | FH3003-CK |
| 9 | 150648-01-704 | EA | SLIDE STOP | 132-030866 |
| | 150648-05-702 | FT | FIN SEAL-F/LOCKING RAIL-BLK | 171-06234 |

WINDOW & VENTS GROUP (CONTINUED)
COMPONENT PARTS FOR WINDOW & VENT LAYOUT (CONTINUED)
150648-04-01A, 150648-05-01A

| KEY | PART NUMBER | U/M | DESCRIPTION | VENDOR NO |
|-----|---------------|-----|------------------------------|------------|
| 1 | 112795-72-700 | EA | GLASS - STATIONARY | 390-028307 |
| 2 | 150648-04-700 | EA | GLASS-SLIDING W/SASH & LATCH | FH3002G8 |
| 3 | 150648-05-700 | EA | SCREEN ASM | 410-031158 |
| 4 | 112795-01-705 | FT | VINYL - GLAZING | 132-027331 |
| 5 | 151069-01-700 | EA | CHANNEL-RUN, SLIDING | 122-030627 |
| 6 | 150648-01-703 | EA | PLUG - FILLER | 132-030308 |
| 7 | 150648-05-701 | EA | RETAINER - TRIM | CH29-67 |
| 8 | 150648-01-700 | EA | LATCH-HORIZONTAL SLIDE-BLK | FH3000-CK |
| 8 | 150648-01-701 | EA | LATCH-HORIZONTAL SLIDE-RED | FH3003-CK |
| 9 | 150648-01-704 | EA | SLIDE STOP | 132-030866 |
| | 150648-05-702 | FT | FIN SEAL-F/LOCKING RAIL-BLK | 171-062348 |

150648-07-01A, 150648-22-01A

| KEY | PART NUMBER | U/M | DESCRIPTION | VENDOR NO |
|-----|---------------|-----|------------------------------|------------|
| 1 | 150648-07-701 | EA | GLASS - STATIONARY | 390-028314 |
| 2 | 150648-07-700 | EA | GLASS-SLIDING W/SASH & LATCH | FH3000G8 |
| 3 | 150648-01-702 | EA | SCREEN ASM | 410-031156 |
| 4 | 112795-01-705 | FT | VINYL - GLAZING | 132-027331 |
| 5 | 151069-01-700 | EA | CHANNEL-RUN, SLIDING | 122-030627 |
| 6 | 150648-01-703 | EA | PLUG - FILLER | 132-030308 |
| 7 | 150648-01-707 | EA | RETAINER - TRIM | H493-67 |
| 8 | 150648-01-700 | EA | LATCH-HORIZONTAL SLIDE-BLK | FH3000-CK |
| 8 | 150648-01-701 | EA | LATCH-HORIZONTAL SLIDE-RED | FH3003-CK |
| 9 | 150648-01-704 | EA | SLIDE STOP | 132-030866 |
| | 150648-05-702 | FT | FIN SEAL-F/LOCKING RAIL-BLK | 171-062348 |

150648-08-01A & 150648-09-01A

| KEY | PART NUMBER | U/M | DESCRIPTION | VENDOR NO |
|-----|---------------|-----|------------------------------|------------|
| 1 | 112795-78-700 | EA | GLASS - STATIONARY | 390-028338 |
| 2 | 150648-08-700 | EA | GLASS-SLIDING W/SASH & LATCH | FH3015G8 |
| 3 | 150648-09-700 | EA | SCREEN ASM | 410-035336 |
| 4 | 112795-01-705 | FT | VINYL - GLAZING | 132-027331 |
| 5 | 151069-01-700 | EA | CHANNEL-RUN, SLIDING | 122-030627 |
| 6 | 150648-01-703 | EA | PLUG - FILLER | 132-030308 |
| 7 | 098674-06-704 | EA | RETAINER - TRIM | B969-67 |
| 8 | 150648-01-700 | EA | LATCH-HORIZONTAL SLIDE-BLK | FH3000-CK |
| 8 | 150648-01-701 | EA | LATCH-HORIZONTAL SLIDE-RED | FH3003-CK |
| 9 | 150648-01-704 | EA | SLIDE STOP | 132-030866 |
| | 150648-05-702 | FT | FIN SEAL-F/LOCKING RAIL-BLK | 171-062348 |

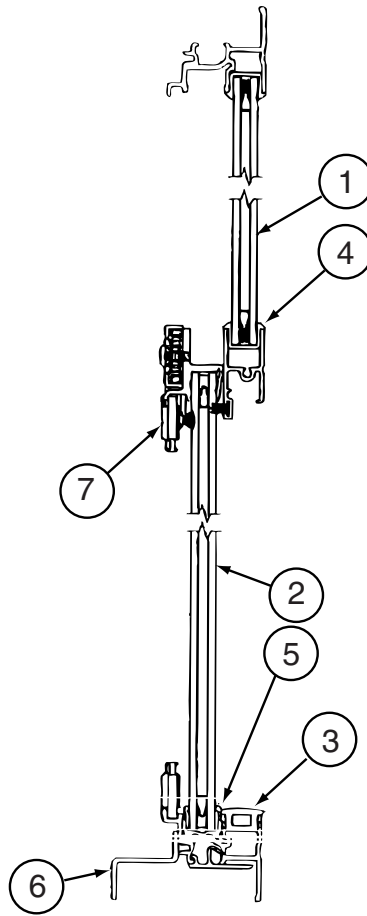
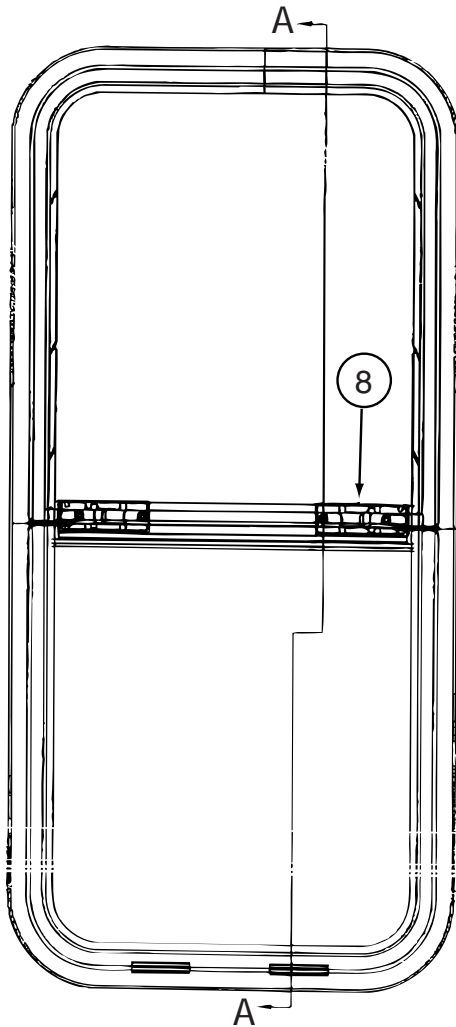
150648-16-01A

| KEY | PART NUMBER | U/M | DESCRIPTION | VENDOR NO |
|-----|---------------|-----|------------------------------|------------|
| 1 | 112795-82-700 | EA | GLASS - STATIONARY | 390-028333 |
| 2 | 150648-16-701 | EA | GLASS-SLIDING W/SASH & LATCH | FH3012G8 |
| 3 | 150648-16-700 | EA | SCREEN ASM | 410-035334 |
| 4 | 112795-01-705 | FT | VINYL - GLAZING | 132-027331 |
| 5 | 151069-01-700 | EA | CHANNEL-RUN, SLIDING | 122-030627 |
| 6 | 150648-01-703 | EA | PLUG - FILLER | 132-030308 |
| 7 | 150648-16-702 | EA | RETAINER - TRIM | H611-67 |
| 8 | 150648-01-700 | EA | LATCH-HORIZONTAL SLIDE-BLK | FH3000-CK |
| 8 | 150648-01-701 | EA | LATCH-HORIZONTAL SLIDE-RED | FH3003-CK |
| 9 | 150648-01-704 | EA | SLIDE STOP | 132-030866 |
| | 150648-05-702 | FT | FIN SEAL-F/LOCKING RAIL-BLK | 171-06234 |

150648-20-01A, 150648-30-01A

| KEY | PART NUMBER | U/M | DESCRIPTION | VENDOR NO |
|-----|---------------|-----|------------------------------|------------|
| 1 | 112795-76-700 | EA | GLASS - STATIONARY | 390-028347 |
| 2 | 150648-20-700 | EA | GLASS-SLIDING W/SASH & LATCH | FH3014G8 |
| 3 | 150648-20-701 | EA | SCREEN ASM | 410-035331 |
| 4 | 112795-01-705 | FT | VINYL - GLAZING | 132-027331 |
| 5 | 151069-01-700 | FT | CHANNEL-RUN, SLIDING | 122-030627 |
| 6 | 150648-01-703 | FT | PLUG - FILLER | 132-030308 |
| 7 | 098647-01-704 | EA | RETAINER - TRIM | H112-67 |
| 8 | 150648-01-701 | EA | LATCH-HORIZONTAL SLIDE-RED | FH3003-CK |
| 8 | 150658-01-700 | EA | LATCH-HORIZONTAL SLIDE-BLK | FH3000-CK |
| 9 | 150648-01-704 | EA | SLIDE STOP | 132-030866 |
| | 150648-05-702 | FT | FIN SEAL-F/LOCKING RAIL-BLK | 171-062348 |

WINDOW & VENTS GROUP (CONTINUED)
COMPONENT PARTS FOR WINDOW & VENT LAYOUT (CONTINUED)



CROSS SECTION A-A

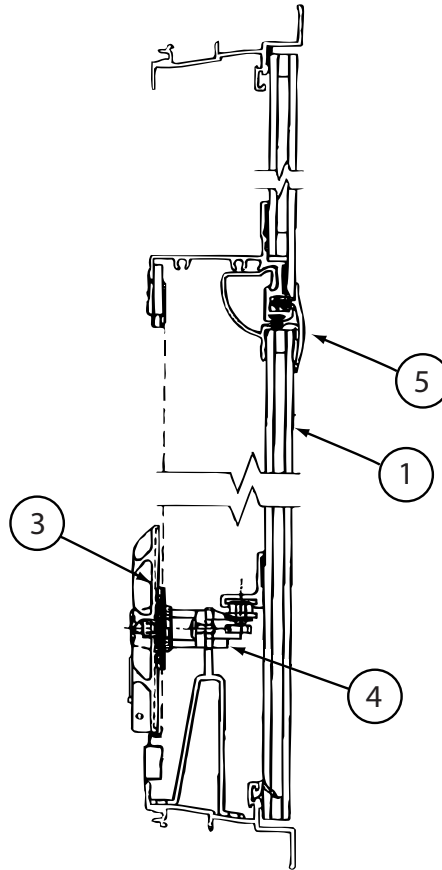
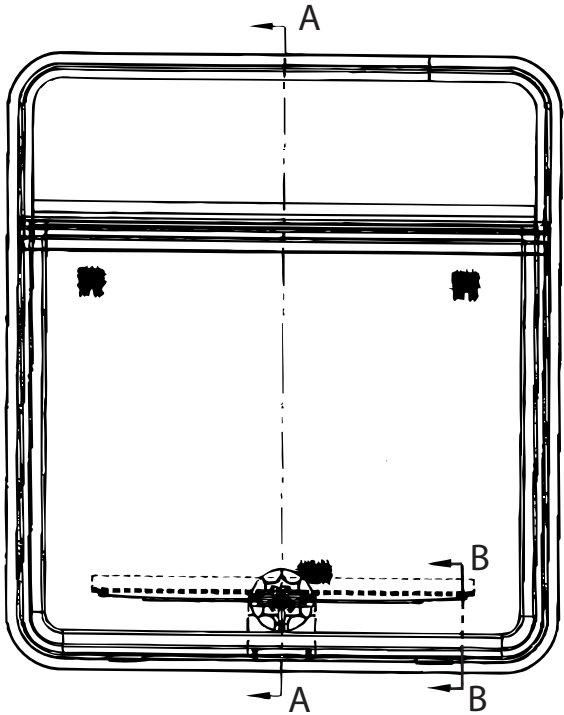
150649-05-01A

| KEY | PART NUMBER | U/M | DESCRIPTION | VENDOR NO |
|-----|---------------|-----|--------------------------------------|------------|
| 1 | 150649-05-704 | EA | GLASS - STATIONARY | 390-035648 |
| 2 | 150649-05-705 | EA | GLASS-SLIDING W/PULL & LATCH | FH3054A9 |
| 3 | 150648-01-703 | EA | PLUG - FILLER | 132-030308 |
| 4 | 112795-01-705 | FT | VINYL-GLAZING | 132-027331 |
| 5 | 151069-01-700 | EA | CHANNEL-RUN, SLIDING | 122-030627 |
| 6 | 150649-05-700 | EA | RETAINER - TRIM | H754-67 |
| 7 | 150649-05-703 | EA | SCREEN ASM | 410-035633 |
| 8 | 150649-01-700 | EA | LATCH KIT - F/VERTICAL SLIDE - BLACK | FH3016-CK |
| | 150649-05-702 | EA | FIN SEAL-F/LOCKING RAIL-BLK | 171-062348 |

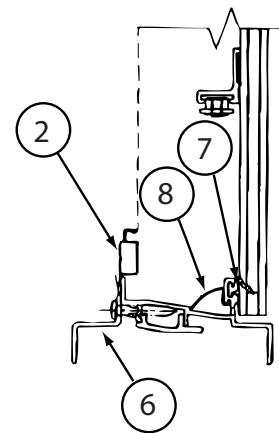
150649-07-01A

| KEY | PART NUMBER | U/M | DESCRIPTION | VENDOR NO |
|-----|---------------|-----|------------------------------|------------|
| 1 | 150649-07-700 | EA | GLASS - STATIONARY | 390-028662 |
| 2 | 150649-07-702 | EA | GLASS-SLIDING W/PULL & LATCH | FH3052G8 |
| 3 | 150648-01-703 | FT | PLUG - FILLER | 132-030308 |
| 4 | 112795-01-705 | FT | VINYL - GLAZING | 132-027331 |
| 5 | 151069-01-700 | FT | CHANNEL-RUN, SLIDING | 122-030627 |
| 6 | 150649-07-703 | EA | RETAINER - TRIM | H702-61 |
| 7 | 150649-07-701 | EA | SCREEN ASM | 410-035475 |
| 8 | 150649-01-700 | EA | LATCH-VERTICLE SLIDE-BLK | FH3016-CK |

WINDOW & VENTS GROUP (CONTINUED)
COMPONENT PARTS FOR WINDOW & VENT LAYOUT (CONTINUED)



CROSS SECTION A-A

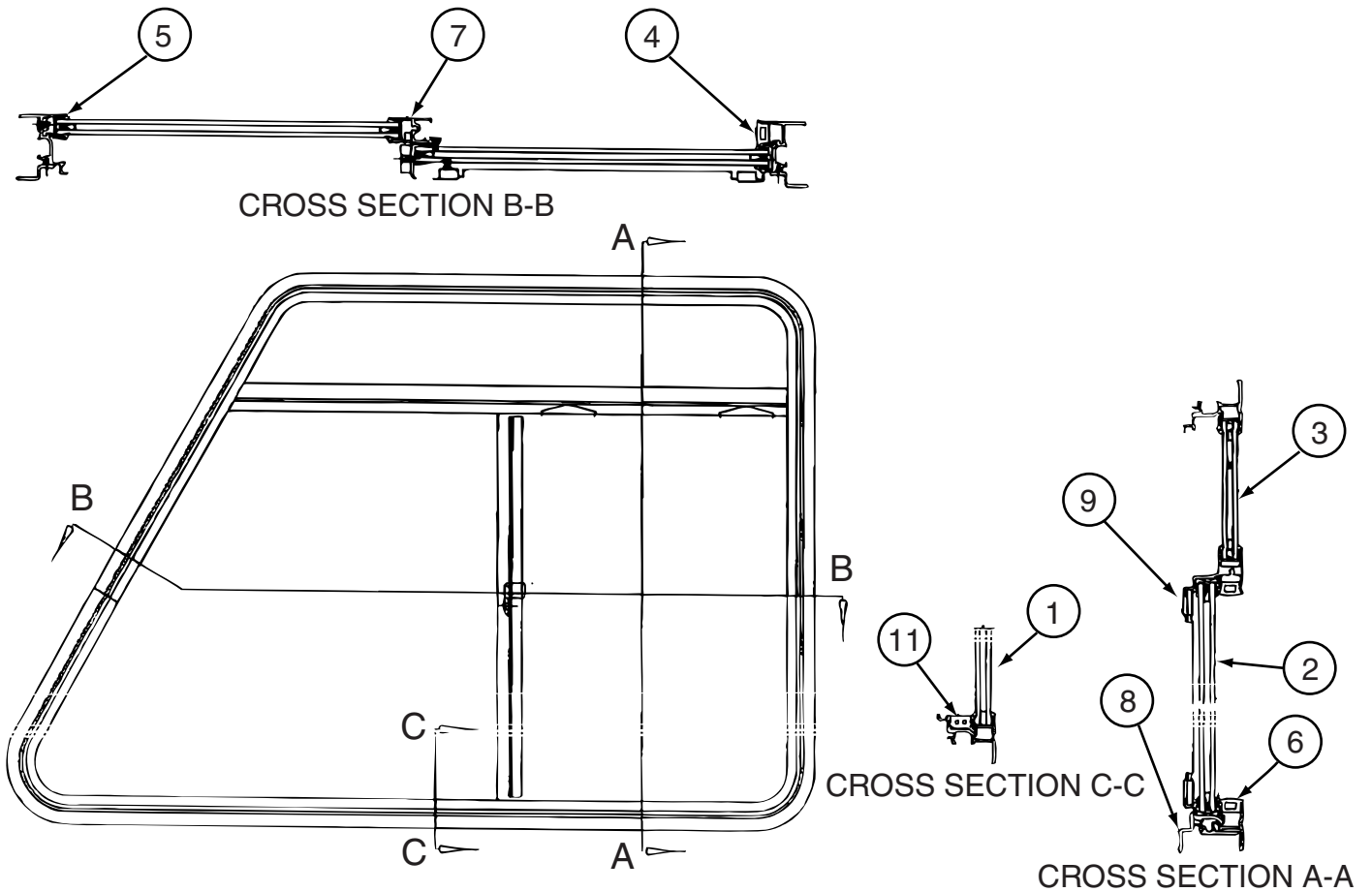


CROSS SECTION B-B

150656-10-01A

| KEY | PART NUMBER | U/M | DESCRIPTION | VENDOR NO |
|-----|---------------|-----|---------------------------|-------------|
| 1 | 150656-10-700 | EA | GLASS-TIPOUT W/GUIDE RAIL | DTH3042G8 |
| 2 | 150656-10-702 | EA | SCREEN ASM | 410-035639 |
| 3 | 150656-02-702 | EA | HANDLE-DIAL | 410-016081E |
| 4 | 150656-01-701 | EA | OPERATOR - TIPOUT/SMALL | 410-036142 |
| 5 | 150656-08-700 | EA | SEAL/DUAL - WINDOW - 100" | 132-030725 |
| 6 | 150656-10-703 | EA | RETAINER - TRIM | DTH3042-56 |
| 7 | 100322-01-701 | FT | SEAL-VENT | 122-016071 |
| 8 | 150651-03-702 | EA | COVER - DRAIN SLOT | 132-030723 |

WINDOW & VENTS GROUP (CONTINUED)
COMPONENT PARTS FOR WINDOW & VENT LAYOUT (CONTINUED)

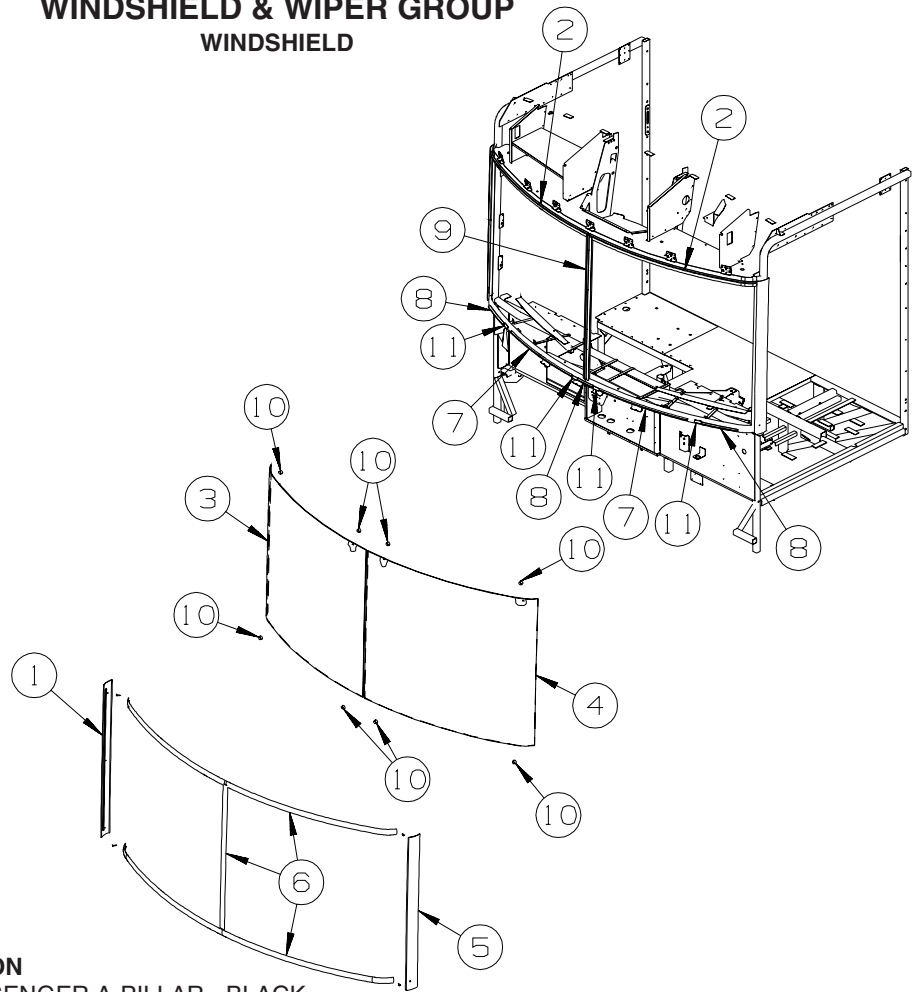


151069-03-01A

| KEY | PART NUMBER | U/M | DESCRIPTION | VENDOR NO |
|-----|---------------|-----|------------------------------|---------------------|
| 1 | 151069-03-702 | EA | GLASS - STATIONARY - LOWER | 390-027478 |
| 2 | 151069-03-701 | EA | GLASS-SLIDING W/SASH & LATCH | FH3041A9L |
| 3 | 151069-03-703 | EA | GLASS - STATIONARY - UPPER | 390-035508 |
| 4 | 150648-01-703 | FT | PLUG - FILLER | 132-030308 |
| 5 | 151069-03-705 | EA | VINYL GLAZING - F/STATIONARY | DH567-12 MITER/WELD |
| 5 | 151069-03-706 | EA | VINYL GLAZING - F/STATIONARY | DH373-12 MITER/WELD |
| 6 | 151069-01-700 | FT | CHANNEL-RUN, SLIDING | 122-030627 |
| 7 | 098644-01-706 | FT | WEATHERSTRIP - GLASS | 171-010668 |
| 8 | 151069-03-704 | EA | RETAINER - TRIM | H671-67L |
| 9 | 151069-03-700 | EA | SCREEN ASM | 410-035962 |
| 10 | 150648-01-700 | EA | LATCH-HORIZONTAL SLIDE-BLK | FH3000-CK |
| 11 | 112795-01-701 | EA | SLIDE-STOP | 132-019092 |
| | 151069-01-703 | EA | COVER - DRAIN SLOT - LH | 130-030398 LEFT |

WINDSHIELD & WIPER GROUP

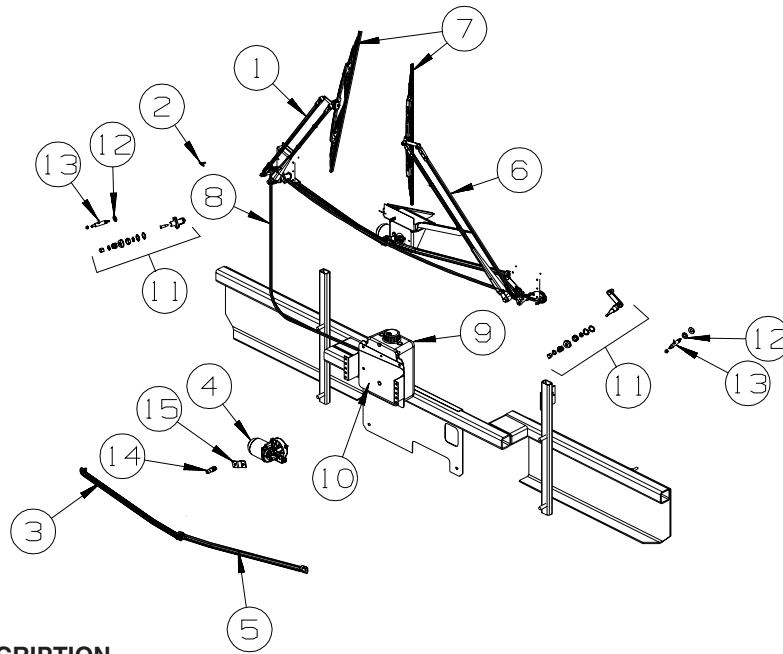
WINDSHIELD



| KEY | PART NUMBER | U/M | DESCRIPTION |
|-----|---------------|-----|---|
| 1 | 129497-05-02A | EA | TRIM - PASSENGER A-PILLAR - BLACK |
| 2 | 127862-01-000 | EA | CARRIER - REVEAL - WINDSHIELD - 47.2" |
| 3 | 131244-01-000 | EA | WINDSHIELD - PASSENGER - 52.5" X 44.4" (CURVED) |
| 4 | 131244-02-000 | EA | WINDSHIELD - DRIVER - 52.5" X 44.4" (CURVED) |
| 5 | 129497-06-02A | EA | TRIM - DRIVER A-PILLAR - BLACK |
| 6 | 120533-01-000 | FT | MOLDING - REVEAL - WINDSHIELD |
| 7 | 117335-06-000 | EA | CARRIER/REVEAL - 29.8" |
| 8 | 132375-01-000 | EA | CARRIER/REVEAL - WINDSHIELD - 5.5" |
| 9 | 127862-06-000 | EA | CARRIER/REVEAL - WINDSHIELD - 41.9" |
| 10 | 081914-02-000 | EA | BUMPER - RUBBER - ROUND - 5/16" DIA. X 13/64" THICK |
| 11 | 002328-03-000 | EA | BLOCK - WINDSHIELD - .125" X .5" X .98" |

WINDSHIELD & WIPER GROUP (CONTINUED)

WIPER

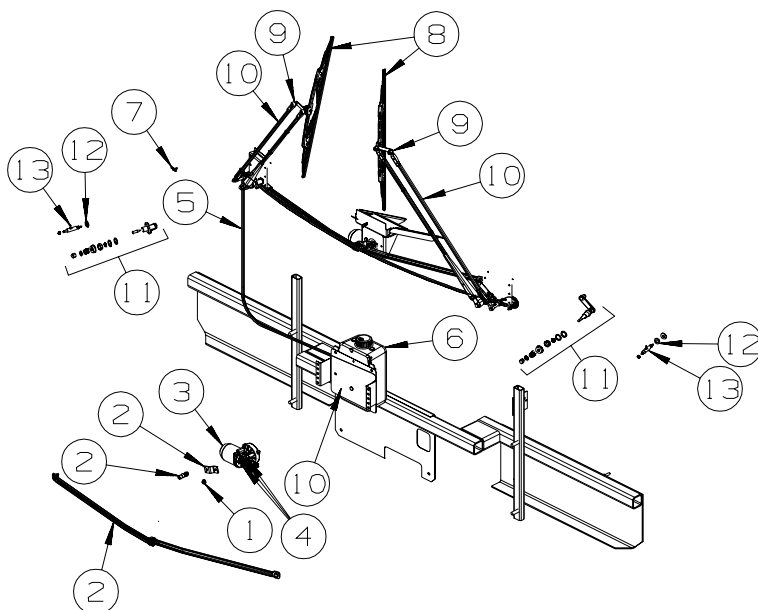


FROM: 00-00-00
THRU: 12-16-05

| KEY | PART NUMBER | U/M | DESCRIPTION |
|-----|---------------|-----|--|
| 1* | 149402-03-000 | EA | ARM - WINDSHIELD WIPER/PANTOGRAPH - RIGHT HAND - 28" |
| 2 | 146486-01-000 | EA | TEE - PLASTIC - 5/32" X 5/32" X 5/32" |
| 3 | 149403-01-000 | EA | LINK/CONNECTING-WINDSHIELD WIPER - CLOSED/CLOSED - 24" |
| 4 | 149409-01-000 | EA | MOTOR - WIPER - DYNAMIC PARK |
| 5 | 149403-02-000 | EA | LINK/CONNECTING-WINDSHIELD WIPER - OPEN/CLOSED GROMMET-24" |
| 6* | 149402-04-000 | EA | ARM - WINDSHIELD WIPER/PANTOGRAPH - LEFT HAND - 28" |
| 7 | 149399-01-000 | EA | BLADE - WINDSHIELD WIPER - 24" |
| 8 | 045794-01-000 | FT | HOSE - WINDSHIELD WASHER - 5/32"ID - BLACK |
| 9 | 157507-01-000 | EA | RESERVOIR/PUMP - WINDSHIELD WASHER |
| 10 | 157431-02-02B | EA | BRACKET - RESERVOIR/WASHER - E-COATED |
| 11* | 149401-02-000 | EA | SHAFT & PIVOT ASM. - WINDSHIELD WIPER |
| 12 | 110742-03-000 | EA | GASKET - WIPER |
| 13 | 145698-01-01A | EA | SHAFT/IDLER - PANTOGRAPH - W/WASHER DIVERTER - STAINLESS |
| 14 | 149395-01-000 | EA | STUD/DOUBLE BALL CRANK - WIPER MOTOR |
| 15 | 149408-01-000 | EA | ARM - DRIVE/WIPER MOTOR |

*COMPONENT PARTS LISTED LATER IN THIS GROUP

WINDSHIELD & WIPER GROUP (CONTINUED)
WIPER (CONTINUED)



FROM: 12-17-05
THRU: 99-99-99

| KEY | PART NUMBER | U/M | DESCRIPTION |
|-----|---------------|-----|--|
| 1 | 145637-01-000 | EA | NUT/RETAINING - WIPER MOTOR TO DRIVE ARM - M8-1.25 |
| 2 | 145624-01-000 | EA | LINK/WIPER DRIVE ASM. - DRV CRANK-DOUBLE BALL-RH & LH LINK |
| 3 | 145321-01-000 | EA | MOTOR - WIPER |
| 4 | 145627-01-000 | EA | SCREW - WIPER MOTOR MOUNTING - M6-1.25 X 5/8" |
| 5 | 045794-01-000 | FT | HOSE - WINDSHIELD WASHER - 5/32"ID - BLACK |
| 6 | 117766-02-000 | EA | RESERVOIR/PUMP - WINDSHIELD WASHER |
| 7 | 146486-01-000 | EA | TEE - PLASTIC - 5/32" X 5/32" X 5/32" |
| 8 | 145277-01-000 | EA | BLADE - WINDSHIELD WIPER - 24" |
| 9 | 145631-01-000 | EA | SCREW - F/JET NOZZLE - #4 X 1/4" PAN HEAD/SELF TAPPING |
| 10* | 145270-01-000 | EA | ARM - WIPER - PANTOGRAPH - 28" |
| | | | FROM: 00-00-00 THRU: 02-11-07 |
| 10 | 145270-02-000 | EA | ARM - WIPER - PANTOGRAPH - 28" - TRICO AW-15609 |
| | | | FROM: 02-12-07 THRU: 99-99-99 |
| 11 | 145623-01-000 | EA | SHAFT/PIVOT - WINDSHIELD WIPER |
| 12 | 110742-03-000 | EA | GASKET - WIPER |
| 13 | 145698-01-01A | EA | SHAFT/IDLER - PANTOGRAPH - W/WASHER DIVERTER - STAINLESS |

***COMPONENT PARTS LISTED LATER IN THIS GROUP**

COMPONENT PARTS FOR WIPER
145270-01-000

| KEY | PART NUMBER | U/M | DESCRIPTION | VENDOR NO. |
|-----|---------------|-----|------------------------------|------------|
| | 145270-01-700 | EA | WASHER JET W/HOSE & TEE | AW-PJ96 |
| | 145270-01-701 | EA | COVER/HEAD - LOWER WIPER ARM | AW-RPHC |
| | 145270-01-702 | EA | COVER/BRG - UPPER WIPER ARM | AW-RBC |
| | 145270-01-703 | EA | COVER/ARM & HOSE - WIPER ARM | AW-PWAC |
| | 145270-01-706 | EA | BOLT & NUT KIT - WIPER ARM | PART SALES |

149401-01-000,149401-02-000

| KEY | PART NUMBER | U/M | DESCRIPTION | VENDOR NO. |
|-----|---------------|-----|------------------------------|-----------------|
| | 096505-02-703 | EA | NUT/ACORN - HD W/.687 BRL | 51065-40-NT27WC |
| | 149401-01-700 | EA | HARDWARE PKG - F/SHAFT&PIVOT | PSHWKIT |
| | 149401-01-701 | EA | SEAL CAP/RUBBER GROMMET | 300749 |

149402-03-000 & 149402-04-000

| KEY | PART NUMBER | U/M | DESCRIPTION | VENDOR NO. |
|-----|---------------|-----|--------------------------|------------|
| | 149402-03-700 | EA | WASHER NOZZLE KIT W/HDWR | 19476 |
| | 149402-03-701 | EA | COVER/CAP - BLACK | 200342 |