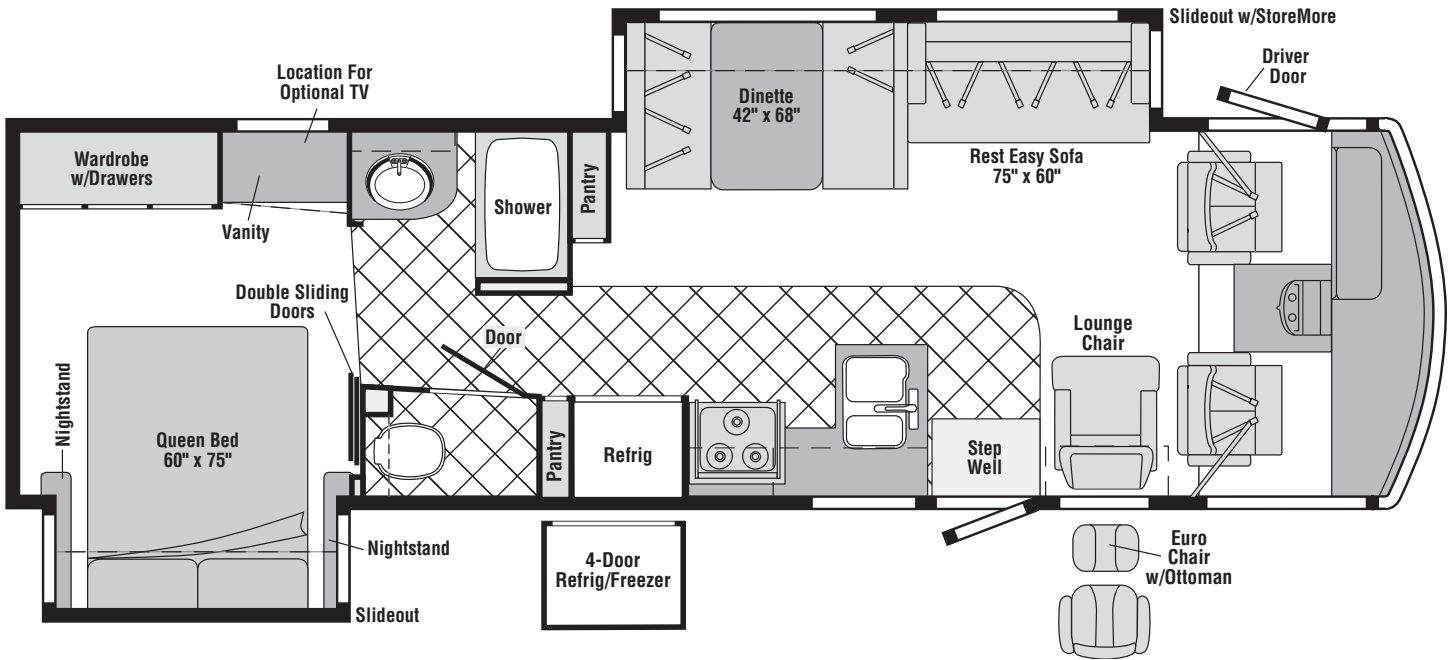


2007
SUNRISE
IFF33V
F-SERIES
WASHED MAPLE
U79 SALASAN
U83 GARDEN MIST
U87 SURFSIDE SLATE
SIERRA MAPLE
U80 SALASAN
U84 GARDEN MIST
U88 SURFSIDE SLATE



FLOORPLAN

CONTENTS

| | |
|--|-----------|
| FLOORPLAN | 1 |
| ACCESSORIES GROUP | 6 |
| OPERATORS MANUAL | 6 |
| AUDIO VIDEO GROUP | 7 |
| RADIO SYSTEM | 7 |
| REAR MONITOR | 7 |
| COMPONENT PARTS FOR REAR MONITOR | 7 |
| 144677-10-01A | 7 |
| 144677-11-01A | 7 |
| CABINET & APPLIANCE GROUP | 8 |
| CABINET & APPLIANCE LAYOUT | 8 |
| COMPONENT PARTS FOR CABINET & APPLIANCE LAYOUT | 19 |
| 114030-04-01A | 19 |
| 119267-12-01A | 20 |
| 119267-13-01A | 20 |
| 119267-15-01A | 20 |
| 120075-12-01A, 120075-13-01A, 120075-14-01A, 120075-15-01A | 21 |
| 121569-05-01A, 121569-06-01A, 121569-07-01A | 27 |
| 125242-02-01A | 32 |
| 125242-03-02A | 42 |
| 125242-05-02A | 52 |
| 126022-01-01A, 126022-02-01A, 126022-03-01A | 59 |
| 135065-03-01A, 135065-03-03A, 135065-04-01A | 59 |
| 151277-03-01A, 151279-01-01A, 151279-02-01A/02A, 151279-03-01A | 62 |
| CHASSIS GROUP | 64 |
| FRAME | 64 |
| AIR INTAKE | 65 |
| FRONT END | 66 |
| DRIVETRAIN | 68 |
| EXHAUST | 68 |
| FUEL | 71 |
| SPARE TIRE | 73 |
| HYDRAULIC LEVELING | 73 |
| COMPONENT PARTS FOR HYDRAULIC LEVELING | 74 |
| 100536-57-000 | 74 |
| 139641-09-000 | 74 |
| 139641-10-000 | 75 |
| WHEEL, TIRE, COVERS &/OR LINERS | 76 |
| COMPONENT PARTS FOR WHEEL, TIRE, COVERS &/OR LINERS | 76 |
| 145580-02-000 | 76 |
| 145580-03-000 | 76 |
| 154672-01-000 | 76 |
| BRAKE | 76 |
| BRAKELINE | 76 |
| CURTAIN & CUSHION GROUP | 77 |
| NOTICE | 77 |
| CUSHION LAYOUT | 78 |
| BUCKET SEATS | 81 |
| COMPONENT PARTS FOR BUCKET SEATS | 82 |
| 122611-02-000 | 82 |
| LOUNGE CHAIR | 83 |
| SOFA | 84 |
| COMPONENT PARTS FOR SOFA | 85 |
| 136534-02-000, 136534-03-000, 136534-13-000, 136534-15-000 | 85 |
| 136534-17-000 | 85 |
| 148226-01-000, 148226-02-000, 148226-03-000 | 85 |
| WINDOW TREATMENT | 86 |
| HARDWARE | 88 |
| ACCESSORIES | 89 |
| FABRICS | 90 |

CONTENTS (CONTINUED)

| | |
|--|------------|
| DRIVERS COMPARTMENT GROUP | 92 |
| DASH | 92 |
| MOTOR COVER | 94 |
| BEVERAGE TRAY | 95 |
| FRONT INTERIOR | 96 |
| COMPONENT PARTS FOR FRONT INTERIOR | 100 |
| 091990-08-01A | 100 |
| 147767-01-000, 147767-02-000 | 100 |
| CABINETS | 101 |
| ELECTRICAL GROUP | 103 |
| 110V BODY WIRING | 103 |
| 12V BODY WIRING | 105 |
| EXTERIOR LAMPS | 111 |
| FRONT END | 113 |
| FRONT TV/VCR | 115 |
| SIDE TV/VCR | 116 |
| COMPONENT PARTS FOR WIRING | 117 |
| 076319-23-000 | 117 |
| 076319-25-000 | 117 |
| 086280-01-000 | 118 |
| 087694-01-000 | 118 |
| 097917-01-06A | 118 |
| 108354-01-01A | 118 |
| 121935-01-01A | 118 |
| 134940-06-01A | 119 |
| 134940-08-01A | 119 |
| 137135-02-000 | 120 |
| 137417-01-01A, 137417-03-01A | 121 |
| 137417-05-01A | 121 |
| 137417-06-01A | 121 |
| 141454-03-01A | 121 |
| 146298-02-000 | 122 |
| 148658-01,02-000 | 122 |
| 149040-02-000 | 122 |
| 149040-03-000 | 122 |
| 149049-01-000,149049-02-000 | 122 |
| 153464-03/06-01A | 122 |
| 154548-01-000 | 122 |
| 155619-01-000 | 122 |
| 158836-01-000 | 122 |
| CIRCUIT BREAKERS, FUSES & RELAYS | 123 |
| CONVERTER, INVERTER, LOAD CENTERS | 124 |
| BOXES & CORDS | 125 |
| WIRE ASSEMBLIES | 125 |
| CONNECTORS & CONDUIT | 126 |
| CHASSIS | 128 |
| EXTERIOR BODY GROUP | 129 |
| GRAPHICS & PAINT | 129 |
| PANELS & TRIMS | 131 |
| COMPONENT PARTS FOR PANELS & TRIMS | 133 |
| 106015-18-01A, 106015-19-01A | 133 |
| LADDER | 133 |
| FRONT END | 134 |
| STRUCTURAL COMPONENTS | 135 |
| AWNINGS | 135 |

CONTENTS (CONTINUED)

| | |
|---|------------|
| EXTERIOR DOORS & COMPARTMENTS GROUP | 136 |
| DOOR & COMPARTMENT LAYOUT | 136 |
| COMPONENT PARTS FOR DOOR & COMPARTMENT LAYOUT | 142 |
| 084103-08-000 | 142 |
| 094707-04-01A | 142 |
| 110506-A1-000, 110506-A2-000, 110506-26-000, 110506-27-000, 110506-36-000 | 142 |
| 142226-02-01A | 142 |
| 143709-02-01A | 143 |
| COMPARTMENT DOOR PIECE PARTS | 144 |
| DRIVERS | 147 |
| COMPONENT PARTS FOR DRIVERS | 148 |
| 125581-09-01A | 148 |
| ENTRY | 150 |
| SCREEN | 151 |
| LATCH - ENTRY | 152 |
| EXTERIOR SLIDEOUT GROUP | 153 |
| FRONT LEFT | 153 |
| COMPONENT PARTS FOR FRONT LEFT | 156 |
| 148875-01-000, 148875-02-000 | 156 |
| REAR RIGHT | 157 |
| COMPONENT PARTS FOR REAR RIGHT | 159 |
| 149165-01-000 | 159 |
| GENERATOR GROUP | 160 |
| GAS | 160 |
| HEATING & A/C GROUP | 161 |
| AUTOMOTIVE | 161 |
| COMPONENT PARTS FOR AUTOMOTIVE | 163 |
| 103930-44-000 | 163 |
| 103930-45-000 | 163 |
| 103930-46-000 | 163 |
| 103930-47-000 | 163 |
| 103930-49-000 | 163 |
| 103930-55-000 | 165 |
| FURNACE | 166 |
| COMPONENT PARTS FOR FURNACE | 167 |
| 143563-01-000 | 167 |
| 143563-02-000 | 169 |
| REAR HEATER | 171 |
| CENTRAL | 172 |
| COMPONENT PARTS FOR CENTRAL | 173 |
| 105620-12-000 | 173 |
| INTERIOR FINISH GROUP | 175 |
| MOLDINGS & TRIMS | 175 |
| PANELING & LAMINATES | 183 |
| INTERIOR TRIM LAYOUT | 184 |
| COMPONENT PARTS FOR INTERIOR TRIM LAYOUT | 188 |
| 094499-02-000 | 188 |
| 115011-03-02A | 188 |
| FLOOR COVERINGS | 189 |
| HARDWARE | 190 |
| LABELS GROUP | 196 |
| LP GROUP | 199 |
| LP SYSTEM | 199 |
| COMPONENT PARTS FOR LP SYSTEM | 199 |
| 144116-01-000 | 199 |

CONTENTS (CONTINUED)

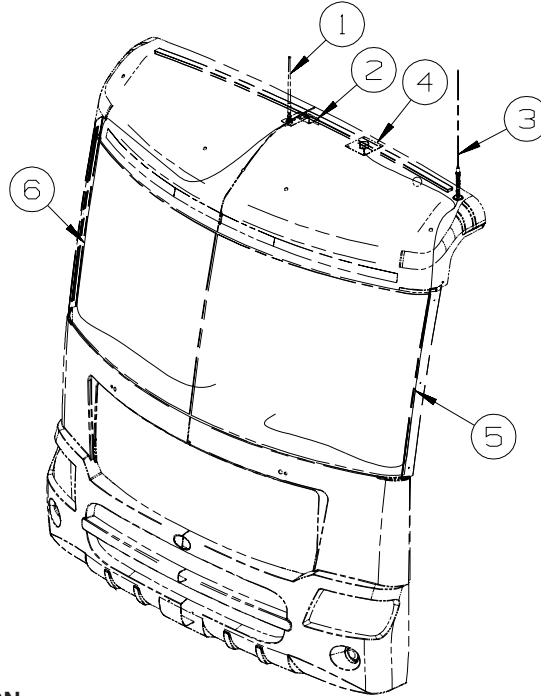
| | |
|--|------------|
| SEALANTS & FASTENERS GROUP | 200 |
| SEALANTS & ADHESIVES | 200 |
| BOLTS, NUTS AND WASHERS | 201 |
| SCREWS | 203 |
| CLAMPS, CLIPS, GROMMETS, RIVETS & PLUGS | 206 |
| MISCELLANEOUS FASTENERS | 207 |
| WATER & SEWAGE GROUP | 208 |
| DRAINAGE SYSTEM | 208 |
| COMPONENT PARTS FOR DRAINAGE SYSTEM | 210 |
| 144728-01-000 | 210 |
| 152829-01-01A | 210 |
| WATER SYSTEM | 211 |
| COMPONENT PARTS FOR WATER SYSTEM | 217 |
| 051393-01-000 | 217 |
| 098607-01-000 | 218 |
| 103635-01-000 | 218 |
| 123744-03-01A | 218 |
| 125420-01-02A, 125420-01-03A, 125420-03-03A, 125420-04-03A | 218 |
| 144215-01-000 | 218 |
| 145541-01-000 | 219 |
| 145541-02-000 | 219 |
| WINDOW & VENTS GROUP | 220 |
| WINDOW & VENT LAYOUT | 220 |
| COMPONENT PARTS FOR WINDOW & VENT LAYOUT | 221 |
| 122882-01-01A | 221 |
| 122882-02-01A, 122882-03-01A | 221 |
| 123780-03-01A | 222 |
| 150648-04-01A, 150648-05-01A | 223 |
| 150648-07-01A, 150648-22-01A | 224 |
| 150649-08-01A | 224 |
| 150649-12-01A | 225 |
| 150649-19-01A | 225 |
| 150651-07-01A | 225 |
| 150656-09-01A | 226 |
| 151072-01-01A | 227 |
| 151073-01-01A | 228 |
| 151074-01-01A | 228 |
| WINDSHIELD & WIPER GROUP | 229 |
| WINDSHIELD | 229 |
| WIPER | 230 |
| COMPONENT PARTS FOR WIPER | 230 |
| 149401-01-000, 149401-02-000 | 230 |
| 149402-03-000 & 149402-04-000 | 230 |

ACCESSORIES GROUP
OPERATORS MANUAL

| KEY | PART NUMBER | U/M | DESCRIPTION |
|------------|--------------------|------------|---|
| | 157281-01-000 | DW | TOP LEVEL-F,2007 |
| | 129079-01-01A | EA | CASE - VINYL/BLACK-EXPANDABLE ACCORDION SIDES-7"WX9"HX14"L FROM: 00-00-00 THRU: 07-09-06 |
| | 129079-04-01A | EA | CASE - VINYL/BLK-EXPANDABLE ACCORDION SIDES-11"WX9"HX14"L FROM: 07-10-06 THRU: 07-30-06 |
| | 159842-01-01A | EA | CASE - VINYL - F/MANUALS - W/SLEEVES - BLACK FROM: 07-31-06 THRU: 99-99-99 |
| | 132000-14-007 | EA | MANUAL/OWNER - SUNRISE - 2007 |
| | 158603-07-006 | EA | MANUAL/OWNER - SUPPLEMENT - F-SERIES - 2007 |

AUDIO VIDEO GROUP RADIO SYSTEM

| KEY | PART NUMBER | U/M | DESCRIPTION |
|-----|---------------|-----|--|
| | 135420-07-000 | EA | MOUNTING KIT - RADIO - A-BODY |
| | 135420-14-000 | EA | RECEIVER (EYE) - INFRARED |
| | 135420-15-000 | EA | RADIO-AM/FM/CD/SIRIUS SATELLITE READY-W/O REMOTES/WIRE ASM |
| | 135420-18-000 | EA | REMOTE CONTROL/RADIO (STEERING WHEEL MOUNT) |
| | 135420-19-000 | EA | REMOTE CONTROL/RADIO (CREDIT CARD SIZE) |



| KEY | PART NUMBER | U/M | DESCRIPTION |
|-----|---------------|-----|--|
| 1 | 090944-02-000 | EA | ANTENNA - RADIO - 16" RUBBER - W/O LEAD WIRE |
| 2 | 115916-01-01B | EA | BRACKET - ANTENNA MOUNT |
| 3 | NA | EA | ANTENNA - CB - W/O CABLE |
| 4 | 158494-01-000 | EA | ANTENNA/SATELLITE - RADIO/SIRIUS |
| 5 | NA | EA | CABLE - CB - COAX |
| 6 | 090944-03-000 | EA | CABLE - ANTENNA |

REAR MONITOR

| KEY | PART NUMBER | U/M | DESCRIPTION |
|-----|---------------|-----|---|
| | 136514-02-000 | EA | CABLE - MONITOR/CAMERA |
| | 144677-06-000 | EA | MONITOR/BLACK & WHITE - 7" - 3 PIN/MECH CONTROLS - RESIZED - REAR MONITOR SYS-AUDIO |
| | 144677-04-000 | EA | CAMERA - REAR VIEW W/BRACKET - BLACK & WHITE - VB150 - REAR MONITOR SYS-AUDIO |
| | 137919-03-01A | EA | SHROUD - CAMERA/OUTER - BRIGHT WHITE - REAR MONITOR SYS-AUDIO |
| | 144677-08-000 | EA | MONITOR/BLACK & WHITE - 7" - W/O SIDE CAMERAS/WIRE ASM/CABLE - VIDEO CAMERA SYSTEM |
| * | 144677-10-01A | EA | CAMERA - REAR VIEW - WALL MOUNT/RIGHT - BRIGHT WHITE - VIDEO CAMERA SYSTEM |
| * | 144677-11-01A | EA | CAMERA - REAR VIEW - WALL MOUNT/LEFT - BRIGHT WHITE - VIDEO CAMERA SYSTEM |
| | 144677-12-000 | EA | CABLE - MONITOR/CAMERA - 12' - VIDEO CAMERA SYSTEM |
| | 098819-01-000 | EA | SPEAKER - 4" - 2 WATT - 8 OHM |
| | 093214-01-05A | EA | GRILLE - SPEAKER - 4" - CASHMERE |
| | 114870-01-000 | EA | PLUG - AUDIO W/LEADS - 48.5" |

COMPONENT PARTS FOR REAR MONITOR

144677-10-01A

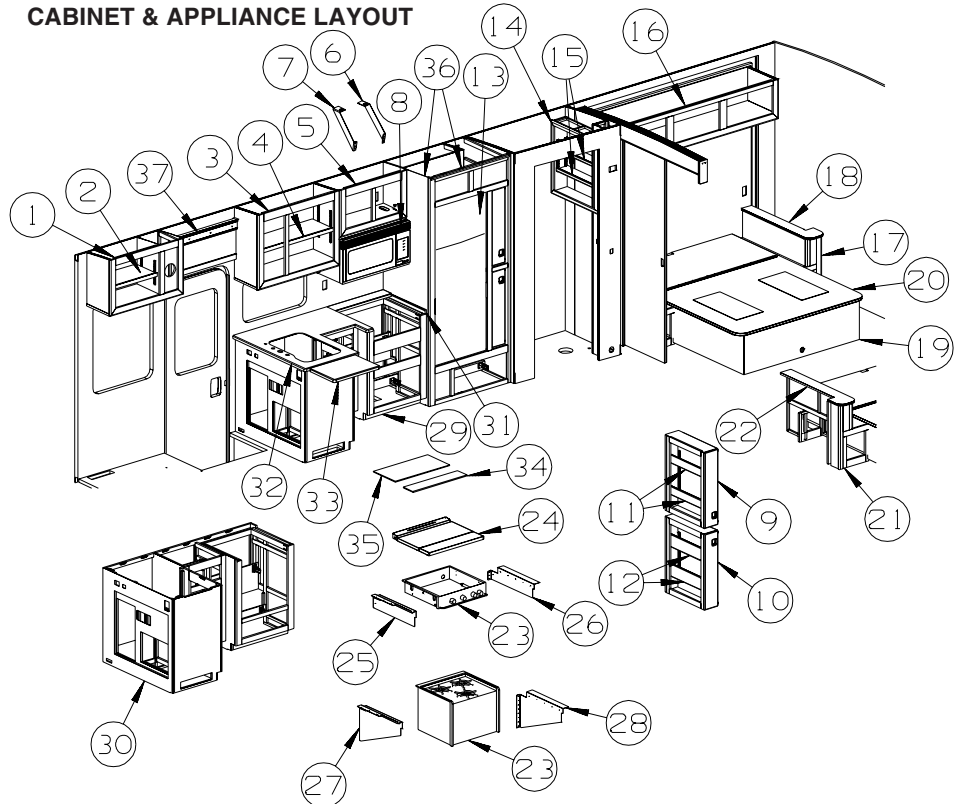
| KEY | PART NUMBER | U/M | DESCRIPTION | VENDOR NO. |
|-----|---------------|-----|----------------------------|---------------|
| | 144677-10-700 | EA | HOUSING/CAMERA-RT/LT-WHITE | SIDHSGWHT |
| | 144677-10-702 | EA | SERVICE PACK-SCREW COVER | PSVCSIDHSGWHT |
| | 144677-10-703 | EA | SERVICE PACK-SCREW COVER | PSVCSIDHSGGPR |

144677-11-01A

| KEY | PART NUMBER | U/M | DESCRIPTION | VENDOR NO. |
|-----|---------------|-----|----------------------------|------------|
| | 144677-10-700 | EA | HOUSING/CAMERA-RT/LT-WHITE | SIDHSGWHT |

CABINET & APPLIANCE GROUP

CABINET & APPLIANCE LAYOUT



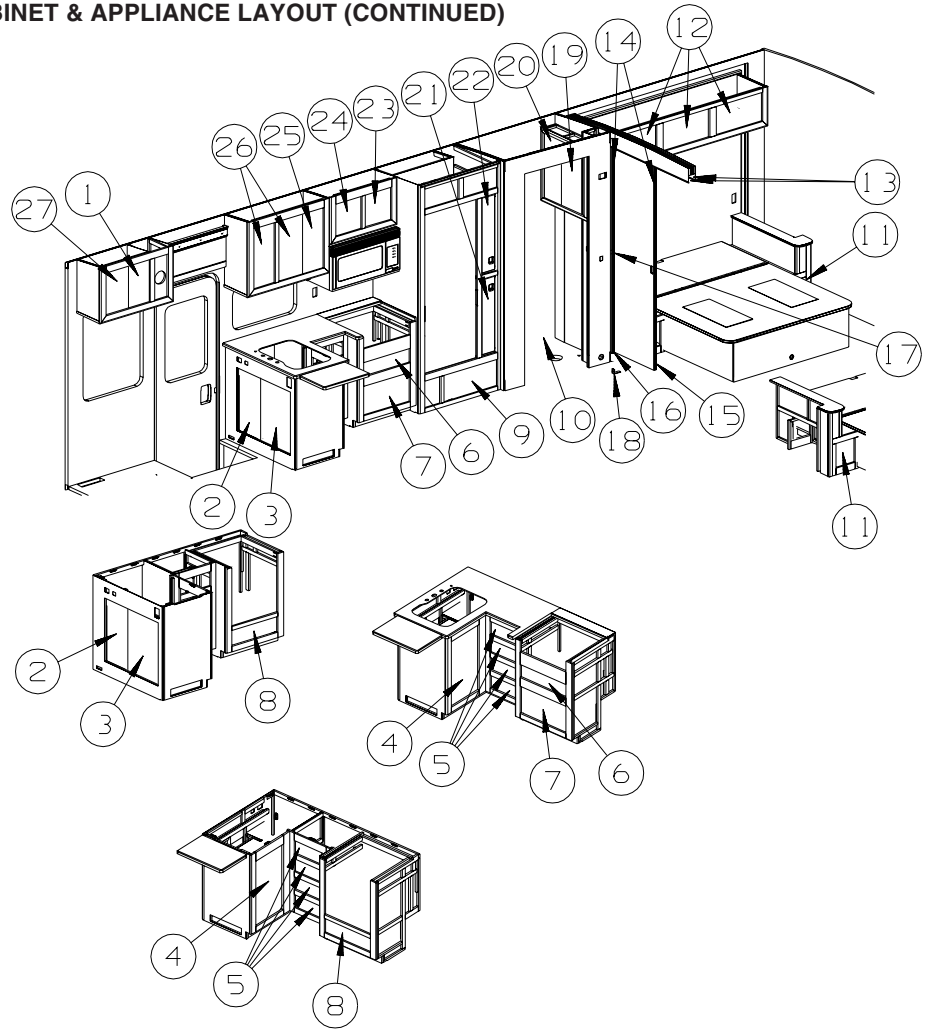
| KEY | PART NUMBER | U/M | DESCRIPTION |
|-----|---------------|-----|--|
| 1 | 157564-01-U67 | EA | CABINET - OVERHEAD/FRONT - W/O DOORS/HDW - WASHED MAPLE |
| 1 | 157564-01-U68 | EA | CABINET - OVERHEAD/FRONT - W/O DOORS/HDW - SIERRA MAPLE |
| 2 | 157564-15-U67 | EA | SHELF - W/PLASTIC EDGE MOLDING - WASHED MAPLE |
| 2 | 157564-15-U68 | EA | SHELF - W/PLASTIC EDGE MOLDING - SIERRA MAPLE |
| 3 | 157539-01-U67 | EA | CABINET - OVERHEAD/GALLEY - W/O DOORS/HDW - WASHED MAPLE |
| 3 | 157539-01-U68 | EA | CABINET - OVERHEAD/GALLEY - W/O DOORS/HDW - SIERRA MAPLE |
| 4 | 157539-21-U67 | EA | SHELF - W/PLASTIC EDGE MOLDING - WASHED MAPLE |
| 4 | 157539-21-U68 | EA | SHELF - W/PLASTIC EDGE MOLDING - SIERRA MAPLE |
| 5 | 157550-01-U67 | EA | CABINET - OVERHEAD/MICROWAVE - W/O DOORS/HDW - WASHED MAPLE |
| 5 | 157550-01-U68 | EA | CABINET - OVERHEAD/MICROWAVE - W/O DOORS/HDW - SIERRA MAPLE |
| 6 | 152316-01-02B | EA | BRACKET/SUPPORT - MICROWAVE - E-COATED |
| 7 | 152316-02-02B | EA | BRACKET/SUPPORT - MICROWAVE - E-COATED |
| 8* | 119267-12-01A | EA | OVEN - MICROWAVE/CONVECTION W/HOOD US - #R-1874T - CONVECTION/U.S. FROM: 00-00-00 THRU: 07-30-06 |
| 8 | 119267-17-01A | EA | OVEN - MICROWAVE/CONVECTION W/HOOD US - #R-1880LST - CONVECTION FROM: 07-31-06 THRU: 99-99-99 |
| 8* | 119267-15-01A | EA | OVEN - MICROWAVE/NON/CONVECTION W/HOOD US - OVEN W/FAN |
| 9 | 153343-01-SD2 | EA | CABINET - PANTRY/SLIDE - W/O DOORS/DRAWERS/HDW - WASHED MAPLE |
| 9 | 153343-01-S67 | EA | CABINET - PANTRY/SLIDE - W/O DOORS/DRAWERS/HDW - SIERRA MAPLE |
| 10 | 153343-03-SD2 | EA | CABINET - PANTRY/SLIDE - W/O DOORS/DRAWERS/HDW - WASHED MAPLE |
| 10 | 153343-03-S67 | EA | CABINET - PANTRY/SLIDE - W/O DOORS/DRAWERS/HDW - SIERRA MAPLE |
| 11 | 153343-21-SD2 | EA | SHELF - W/WOOD MOLDING - WASHED MAPLE |
| 11 | 153343-21-S67 | EA | SHELF - W/WOOD MOLDING - SIERRA MAPLE |
| 12 | 153343-27-SD2 | EA | SHELF - W/WOOD MOLDING - WASHED MAPLE |
| 12 | 153343-27-S67 | EA | SHELF - W/WOOD MOLDING - SIERRA MAPLE |
| 13* | 121569-05-01A | EA | REFRIGERATOR-LRG DBL DR/2 WAY/NON-FLUSH HANDLE-BLK RH - REFRIGERATOR-DOUBLE DOOR |
| 13* | 120075-13-01A | EA | REFRIGERATOR-LG DBL DR-2-WAY/RH/ICE MKR/FLSH HDL-BLK- REFRIGERATOR/FRZR W/ICEMAKER |
| 13* | 125242-03-02A | EA | REFRIGERATOR - 4 DOOR - W/ICE MAKER - TITANIUM SST - REFRIGERATOR-4 DOOR FROM: 00-00-00 THRU: 07-09-06 |
| 13* | 125242-05-02A | EA | REFRIGERATOR - 4 DOOR - W/ICE MAKER - TITANIUM SST - REFRIGERATOR-4 DOOR FROM: 07-10-06 THRU: 99-99-99 |
| | 116751-05-01A | EA | TRAY - REFRIGERATOR - BLACK |
| | 118871-13-01A | EA | TRAY - REFRIGERATOR - SIDE/SIDE - BLACK - 4-DOOR REFRIGERATOR |
| | 054450-01-000 | EA | LEVEL - REFRIGERATOR |
| | 090329-01-000 | FT | SEAL - "T" - REFRIGERATOR CABINET |
| | 158456-01-01A | EA | INSERT/REFRIGERATOR DOOR - 21.5"W X 14.5"H - TITANIUM SST |
| | 158456-03-01A | EA | INSERT/REFRIGERATOR DOOR - 21.5"W X 38.5"H - TITANIUM SST |
| | P34457-01-L94 | EA | PANEL - INSERT RSD MEMBRANE - 16.1" X 18.3" - WASHED MAPLE - 4-DOOR REFRIGERATOR |
| | P34457-01-SA3 | EA | PANEL - INSERT RSD MEMBRANE - 16.1" X 18.3" - SIERRA MAPLE - 4-DOOR REFRIGERATOR |

CABINET & APPLIANCE GROUP (CONTINUED)
CABINET & APPLIANCE LAYOUT (CONTINUED)

| KEY | PART NUMBER | U/M | DESCRIPTION |
|-----|---------------|-----|--|
| | P34457-02-L94 | EA | PANEL - INSERT RSD MEMBRANE - 16.1" X 41.1" - WASHED MAPLE - 4-DOOR REFRIGERATOR |
| | P34457-02-SA3 | EA | PANEL - INSERT RSD MEMBRANE - 16.1" X 41.1" - SIERRA MAPLE - 4-DOOR REFRIGERATOR |
| 14 | 157682-01-U67 | EA | CABINET - OVERHEAD/LINEN - W/O DOORS/HDW - WASHED MAPLE |
| 14 | 157682-01-U68 | EA | CABINET - OVERHEAD/LINEN - W/O DOORS/HDW - SIERRA MAPLE |
| 15 | 157682-15-U79 | EA | SHELF - W/WOOD MOLDING - WASHED MAPLE |
| 15 | 157682-15-U68 | EA | SHELF - W/WOOD MOLDING - SIERRA MAPLE |
| 16 | 156643-01-U91 | EA | CABINET - OVERHEAD/REAR/RIGHT HAND - W/O DOORS/HDW - WASHED MAPLE |
| 16 | 156643-01-U92 | EA | CABINET - OVERHEAD/REAR/RIGHT HAND - W/O DOORS/HDW - SIERRA MAPLE |
| 17 | 136885-04-RW4 | EA | CABINET - NIGHTSTAND/RH - W/O CTRTP/DOOR/DWR/HDW - WASHED MAPLE |
| 17 | 136885-04-S67 | EA | CABINET - NIGHTSTAND/RH - W/O CTRTP/DOOR/DWR/HDW - SIERRA MAPLE |
| 18 | 133655-26-U71 | EA | COUNTERTOP - LAMINATED - CLASSIC ROCK/WASHED MAPLE (U79, U87) |
| 18 | 133655-26-U72 | EA | COUNTERTOP - LAMINATED - CLASSIC ROCK/SIERRA MAPLE (U80, U88) |
| 18 | 133655-26-U83 | EA | COUNTERTOP - LAMINATED - KALHARI TOPAZ/WASHED MAPLE (U83) |
| 18 | 133655-26-U84 | EA | COUNTERTOP - LAMINATED - KALHARI TOPAZ/SIERRA MAPLE (U84) |
| 19 | 137388-03-S48 | EA | CABINET/BASE - W/O DOOR/DRAWER/HDW - F/QUEEN BED - WASHED MAPLE |
| 19 | 137388-03-SR0 | EA | CABINET/BASE - W/O DOOR/DRAWER/HDW - F/QUEEN BED - SIERRA MAPLE |
| 20 | 137406-01-N42 | EA | BEDBOARD - W/HINGE/T-MOLDING/SLIPNOT - FLIP-UP |
| | 096764-02-000 | EA | SLIPNOT - ANTISLIP - 1'WIDE (180' ROLLS) - WHITE |
| 21 | 136885-03-RW4 | EA | CABINET - NIGHTSTAND/LH - W/O CTRTP/DOOR/DWR/HDW - WASHED MAPLE |
| 21 | 136885-03-S67 | EA | CABINET - NIGHTSTAND/LH - W/O CTRTP/DOOR/DWR/HDW - SIERRA MAPLE |
| 22 | 133655-25-U71 | EA | COUNTERTOP - LAMINATED - CLASSIC ROCK/WASHED MAPLE (U79, U87) |
| 22 | 133655-25-U72 | EA | COUNTERTOP - LAMINATED - CLASSIC ROCK/SIERRA MAPLE (U80, U88) |
| 22 | 133655-25-U83 | EA | COUNTERTOP - LAMINATED - KALHARI TOPAZ/WASHED MAPLE (U83) |
| 22 | 133655-25-U84 | EA | COUNTERTOP - LAMINATED - KALHARI TOPAZ/SIERRA MAPLE (U84) |
| 23* | 114030-04-01A | EA | RANGE - 3 BRNR TOP/NEW STYLE KNOBS/GRATES-W/O OVEN-BLK - RANGE TOP 3-BURNER |
| 23* | 151277-03-01A | EA | RANGE-22"-3 BURNER - MERCURY FREE - BLK DOOR/TEXTURED - RANGE 3 BURNER WITH OVEN |
| 24* | 126022-01-01A | EA | COVER/RANGE - BI-FOLD - 22" - BLACK TEXTURED |
| 25 | 106936-50-04B | EA | BRACKET - TIEDOWN - RANGE/FRONT - BLACK - RANGE TOP 3-BURNER |
| 26 | 106936-51-04B | EA | BRACKET - TIEDOWN - RANGE - BLACK - RANGE TOP 3-BURNER |
| 27 | 136382-24-04B | EA | BRACKET - TIEDOWN - OVEN - BLACK - RANGE 3 BURNER WITH OVEN |
| 28 | 136382-25-04B | EA | BRACKET - TIEDOWN - OVEN - BLACK - RANGE 3 BURNER WITH OVEN |
| 29 | P57536-01-U67 | EA | CABINET - GALLEY - W/O CNTRTP/DOORS/DRWRS/HDW - WASHED MAPLE - RANGE TOP 3-BURNER |
| 29 | P57536-01-U68 | EA | CABINET - GALLEY - W/O CNTRTP/DOORS/DRWRS/HDW - SIERRA MAPLE - RANGE TOP 3-BURNER |
| 30 | P57536-02-U67 | EA | CABINET - GALLEY-W/O CTRTP/DRS/DRWRS/HDW - WASHED MAPLE - RANGE 3 BURNER WITH OVEN |
| 30 | P57536-02-U68 | EA | CABINET - GALLEY-W/O CTRTP/DRS/DRWRS/HDW - SIERRA MAPLE - RANGE 3 BURNER WITH OVEN |
| 31 | 130813-23-10A | EA | BACKSPLASH/COUNTERTOP - 1/2" VENDURA - PEBBLE BEACH FROM: 00-00-00 THRU: 07-16-06 |
| 31 | 161006-02-U79 | EA | BACKSPLASH/COUNTERTOP - 1/2" VENDURA FROM: 07-17-06 THRU: 99-99-99 |
| 32 | 137475-26-10A | EA | COUNTERTOP - 1/4" VENDURA - PEBBLE BEACH FROM: 00-00-00 THRU: 02-09-06 |
| 32 | 149086-65-10A | EA | COUNTERTOP - 1/4" VENDURA - PEBBLE BEACH FROM: 02-10-06 THRU: 07-16-06 |
| 32 | 160530-02-U79 | EA | COUNTERTOP - W/BACKING - VENDURA FROM: 07-17-06 THRU: 99-99-99 |
| 33 | 141784-02-10A | EA | COUNTERTOP EXTENSION - 1/4"VENDURA - PEBBLE BEACH FROM: 00-00-00 THRU: 07-16-06 |
| 33 | 160696-02-U79 | EA | COUNTERTOP - W/BACKING - VENDURA FROM: 07-17-06 THRU: 99-99-99 |
| 34 | 130816-01-10A | EA | COUNTERTOP/STOVE LID-5.4" X 24.3"-1/4" VENDURA - PEBBLE BEACH FROM: 00-00-00 THRU: 07-16-06 |
| 34 | 161004-02-U79 | EA | COUNTERTOP - STOVE LID - 1/4" VENDURA FROM: 07-17-06 THRU: 99-99-99 |
| 35 | 130816-06-10A | EA | COUNTERTOP/STOVE LID - 1/4" VENDURA - PEBBLE BEACH FROM: 00-00-00 THRU: 07-16-06 |
| 35 | 161004-04-U79 | EA | COUNTERTOP - STOVE LID - 1/4" VENDURA FROM: 07-17-06 THRU: 99-99-99 |
| 36 | | | REFRIGERATOR CABINET SEALS |
| | 090329-01-000 | FT | SEAL - "T" - REFRIGERATOR CABINET |
| | 100128-02-000 | FT | SEAL - FOAM/ADHESIVE BACK - .37" WIDE X .37" THICK X 60' |
| | 154585-02-01A | FT | SEAL - FOAM TAPE - ADHESIVE BACK - 3/4" X 1/2" - BLACK |
| 37 | 157962-01-U67 | EA | CABINET - OVERHEAD/ENTRY DOOR - W/O DOORS/HDW - WASHED MAPLE |
| 37 | 157962-01-U68 | EA | CABINET - OVERHEAD/ENTRY DOOR - W/O DOORS/HDW - SIERRA MAPLE |

*COMPONENT PARTS LISTED LATER IN THIS GROUP

CABINET & APPLIANCE GROUP (CONTINUED)
CABINET & APPLIANCE LAYOUT (CONTINUED)



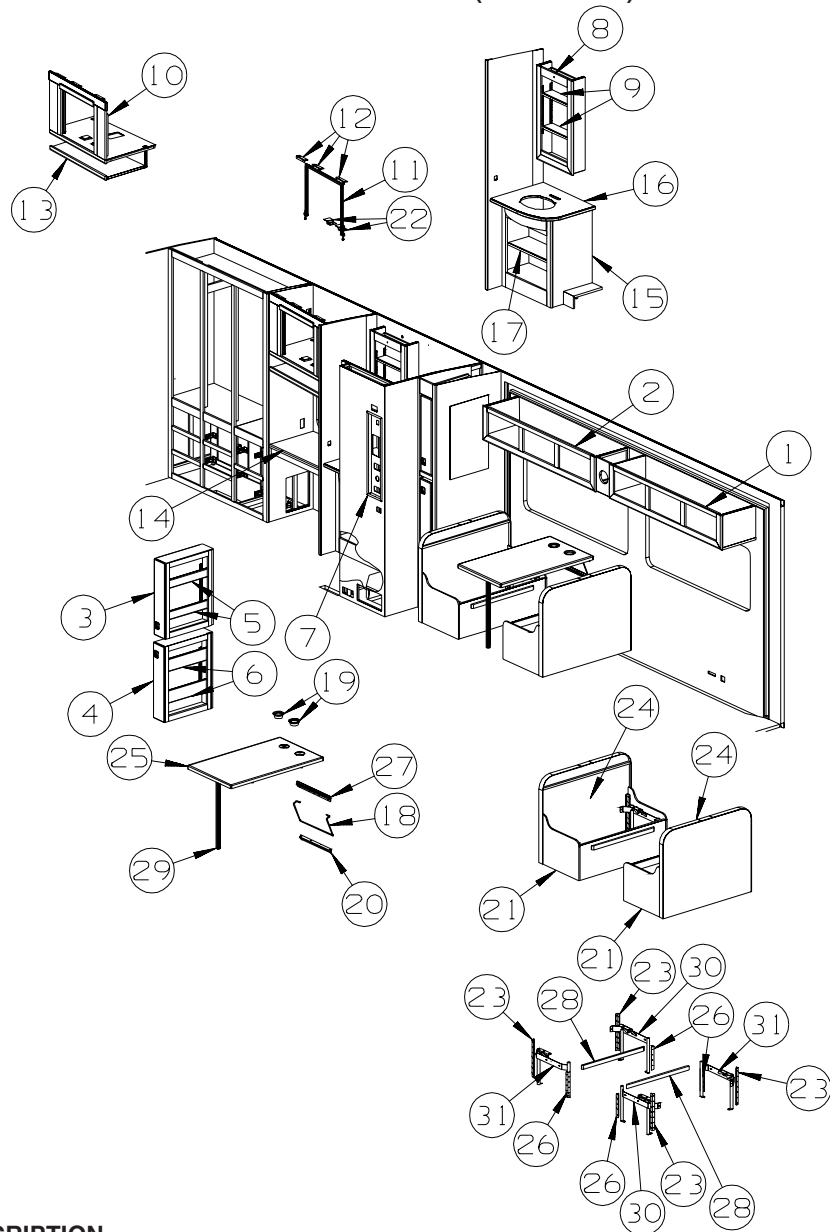
| KEY | PART NUMBER | U/M | DESCRIPTION |
|-----|---------------|-----|---|
| 1 | 141520-39-U79 | EA | DOOR - ARCHED/PENCIL EDGE/RIGHT HAND - 10.8" X 16.5" - W/O HDW - WASHED MAPLE |
| 1 | 141520-39-U80 | EA | DOOR - ARCHED/PENCIL EDGE/RIGHT HAND - 10.8" X 16.5" - W/O HDW - SIERRA MAPLE |
| 2 | 136919-C2-U79 | EA | DOOR - FLAT/PENCIL EDGE - 15.3" X 25.6" - W/O HARDWARE - WASHED MAPLE |
| 2 | 136919-C2-U58 | EA | DOOR - FLAT/PENCIL EDGE - 15.3" X 25.6" - W/O HARDWARE - SIERRA MAPLE |
| 3 | 136919-C3-U79 | EA | DOOR - FLAT/PENCIL EDGE - 15.3" X 25.6" - W/O HARDWARE - WASHED MAPLE |
| 3 | 136919-C3-U58 | EA | DOOR - FLAT/PENCIL EDGE - 15.3" X 25.6" - W/O HARDWARE - SIERRA MAPLE |
| 4 | 136919-D5-U79 | EA | DOOR - FLAT/PENCIL EDGE - 15.7" X 27.9" - W/O HARDWARE - WASHED MAPLE |
| 4 | 136919-D5-U80 | EA | DOOR - FLAT/PENCIL EDGE - 15.7" X 27.9" - W/O HARDWARE - SIERRA MAPLE |
| 5 | 153121-U9-T70 | EA | DRAWER - PENCIL EDGE - 13.5"W X 11.8"D - W/O SLIDES/HDW - WASHED MAPLE |
| 5 | 153121-U9-TP3 | EA | DRAWER - PENCIL EDGE - 13.5"W X 11.8"D - W/O SLIDES/HDW - SIERRA MAPLE |
| 6 | 153121-V1-T70 | EA | DRAWER-PENCIL EDGE-19.8"WX17.7"D-W/O SLIDES/HDW - WASHED MAPLE - RANGE TOP 3-BURNER |
| 6 | 153121-V1-TP3 | EA | DRAWER - PENCIL EDGE-19.8"WX17.7"D-W/O SLIDES/HDW - SIERRA MAPLE - RANGE TOP 3-BURNER |
| 7 | 153121-V2-T70 | EA | DRAWER-PENCIL EDGE-19.8"WX13.8"D-W/O SLIDES/HDW - WASHED MAPLE - RANGE TOP 3-BURNER |
| 7 | 153121-V2-TP3 | EA | DRAWER - PENCIL EDGE-19.8"WX13.8"D-W/O SLIDES/HDW - SIERRA MAPLE - RANGE TOP 3-BURNER |
| 8 | 153121-GU-T70 | EA | DRAWER-PENCIL EDGE-19.8"WX13.8"D-W/O SLDS/HDW-WASHED MAPLE-RANGE 3-BURNER W/OVEN |
| 8 | 153121-GU-TP3 | EA | DRAWER-PENCIL EDGE-19.8"WX13.8"D-W/O SLDS/HDW- SIERRA MAPLE - RANGE 3-BURNER W/OVEN |
| 9 | 153121-V0-T70 | EA | DRAWER - PENCIL EDGE - 23"W X 13.8"D - W/O SLIDES/HDW - WASHED MAPLE |
| 9 | 153121-V0-TP3 | EA | DRAWER - PENCIL EDGE - 23"W X 13.8"D - W/O SLIDES/HDW - SIERRA MAPLE |
| 10 | 153095-01-T79 | EA | DOOR - BATH - 25.6" X 75.7" - W/O HDW - WASHED MAPLE |
| 10 | 153095-01-T80 | EA | DOOR - BATH - 25.6" X 75.7" - W/O HDW - SIERRA MAPLE |
| 11 | 153121-48-T91 | EA | DRAWER - PENCIL EDGE - 7.6"W X 23.6"D - W/O SLIDES/HDW - WASHED MAPLE |
| 11 | 153121-48-T92 | EA | DRAWER - PENCIL EDGE - 7.6"W X 23.6"D - W/O SLIDES/HDW - SIERRA MAPLE |
| 12 | 141522-85-U79 | EA | DOOR - ARCHED/PENCIL EDGE/HORIZ - 12.8" X 21.8" - W/O HDW - WASHED MAPLE |
| 12 | 141522-85-U80 | EA | DOOR - ARCHED/PENCIL EDGE/HORIZ - 12.8" X 21.8" - W/O HDW - SIERRA MAPLE |
| 13 | 137422-01-01A | EA | TRACK - DOOR - 66.4" - OFF WHITE - NOT ILLUSTRATED |
| | | | FROM: 00-00-00 THRU: 06-04-06 |
| 13 | 145608-01-01A | EA | TRACK - DOOR - 66.5" - OFF WHITE |
| | | | FROM: 06-05-06 THRU: 99-99-99 |
| 14 | 137421-03-U67 | EA | DOOR - SLIDING/DOUBLE - WASHED MAPLE |
| 14 | 137421-03-U68 | EA | DOOR - SLIDING/DOUBLE - SIERRA MAPLE |

CABINET & APPLIANCE GROUP (CONTINUED)
CABINET & APPLIANCE LAYOUT (CONTINUED)

| KEY | PART NUMBER | U/M | DESCRIPTION |
|-------------------------------|---------------|-----|---|
| 15 | 137421-24-U67 | EA | PANEL - SLIDING DOOR - W/O HANGER - WASHED MAPLE |
| 15 | 137421-24-U68 | EA | PANEL - SLIDING DOOR - W/O HANGER - SIERRA MAPLE |
| 16 | 137421-27-U67 | EA | PANEL - SLIDING DOOR - W/O HANGER - WASHED MAPLE |
| 16 | 137421-27-U68 | EA | PANEL - SLIDING DOOR - W/O HANGER - SIERRA MAPLE |
| 17 | 057534-03-000 | EA | TIEBACK - CLEAR PLASTIC - 7.5" |
| 18 | 138136-02-02B | EA | GUIDE - DOOR - E-COATED |
| FROM: 00-00-00 THRU: 03-28-06 | | | |
| 18 | 138136-05-02B | EA | GUIDE - DOOR - E-COATED |
| FROM: 03-29-06 THRU: 99-99-99 | | | |
| 19 | 141520-72-U79 | EA | DOOR - ARCHED/PENCIL EDGE/RIGHT HAND - 12" X 25.9" - W/O HDW - WASHED MAPLE |
| 19 | 141520-72-U80 | EA | DOOR - ARCHED/PENCIL EDGE/RIGHT HAND - 12" X 25.9" - W/O HDW - SIERRA MAPLE |
| 20 | 141518-71-U79 | EA | DOOR - ARCHED/PENCIL EDGE/LEFT HAND - 12" X 25.9" - W/O HDW - WASHED MAPLE |
| 20 | 141518-71-U80 | EA | DOOR - ARCHED/PENCIL EDGE/LEFT HAND - 12" X 25.9" - W/O HDW - SIERRA MAPLE |
| 20 | 076767-04-000 | EA | CABLE - STAINLESS STEEL - 5.9" |
| 21 | 154289-01-U79 | EA | DOOR - RAISED PANEL/PENCIL EDGE - 7.9" X 30.3" - W/O HDW - WASHED MAPLE |
| 21 | 154289-01-U80 | EA | DOOR - RAISED PANEL/PENCIL EDGE - 7.9" X 30.3" - W/O HDW - SIERRA MAPLE |
| 22 | 154289-03-T79 | EA | DOOR - ARCHED PANEL/PENCIL EDGE - 7.9" X 30.3" - W/O HDW - WASHED MAPLE |
| 22 | 154289-03-U80 | EA | DOOR - ARCHED PANEL/PENCIL EDGE - 7.9" X 30.3" - W/O HDW - SIERRA MAPLE |
| 23 | 141520-81-U79 | EA | DOOR - ARCHED/PENCIL EDGE/RIGHT HAND - 12.4" X 14.3" - W/O HDW - WASHED MAPLE |
| 23 | 141520-81-U80 | EA | DOOR - ARCHED/PENCIL EDGE/RIGHT HAND - 12.4" X 14.3" - W/O HDW - SIERRA MAPLE |
| 24 | 141518-80-U79 | EA | DOOR - ARCHED/PENCIL EDGE/LEFT HAND - 12.4" X 14.3" - W/O HDW - WASHED MAPLE |
| 24 | 141518-80-U80 | EA | DOOR - ARCHED/PENCIL EDGE/LEFT HAND - 12.4" X 14.3" - W/O HDW - SIERRA MAPLE |
| 25 | 141520-45-U79 | EA | DOOR - ARCHED/PENCIL EDGE/RIGHT HAND - 10.8" X 23.8" - W/O HDW - WASHED MAPLE |
| 25 | 141520-45-U80 | EA | DOOR - ARCHED/PENCIL EDGE/RIGHT HAND - 10.8" X 23.8" - W/O HDW - SIERRA MAPLE |
| 26 | 141518-44-U79 | EA | DOOR - ARCHED/PENCIL EDGE/LEFT HAND - 10.8" X 23.8" - W/O HDW - WASHED MAPLE |
| 26 | 141518-44-U80 | EA | DOOR - ARCHED/PENCIL EDGE/LEFT HAND - 10.8" X 23.8" - W/O HDW - SIERRA MAPLE |
| 27 | 141518-38-U79 | EA | DOOR - ARCHED/PENCIL EDGE/LEFT HAND - 10.8" X 16.5" - W/O HDW - WASHED MAPLE |
| 27 | 141518-38-U80 | EA | DOOR - ARCHED/PENCIL EDGE/LEFT HAND - 10.8" X 16.5" - W/O HDW - SIERRA MAPLE |

CABINET & APPLIANCE GROUP (CONTINUED)

CABINET & APPLIANCE LAYOUT (CONTINUED)

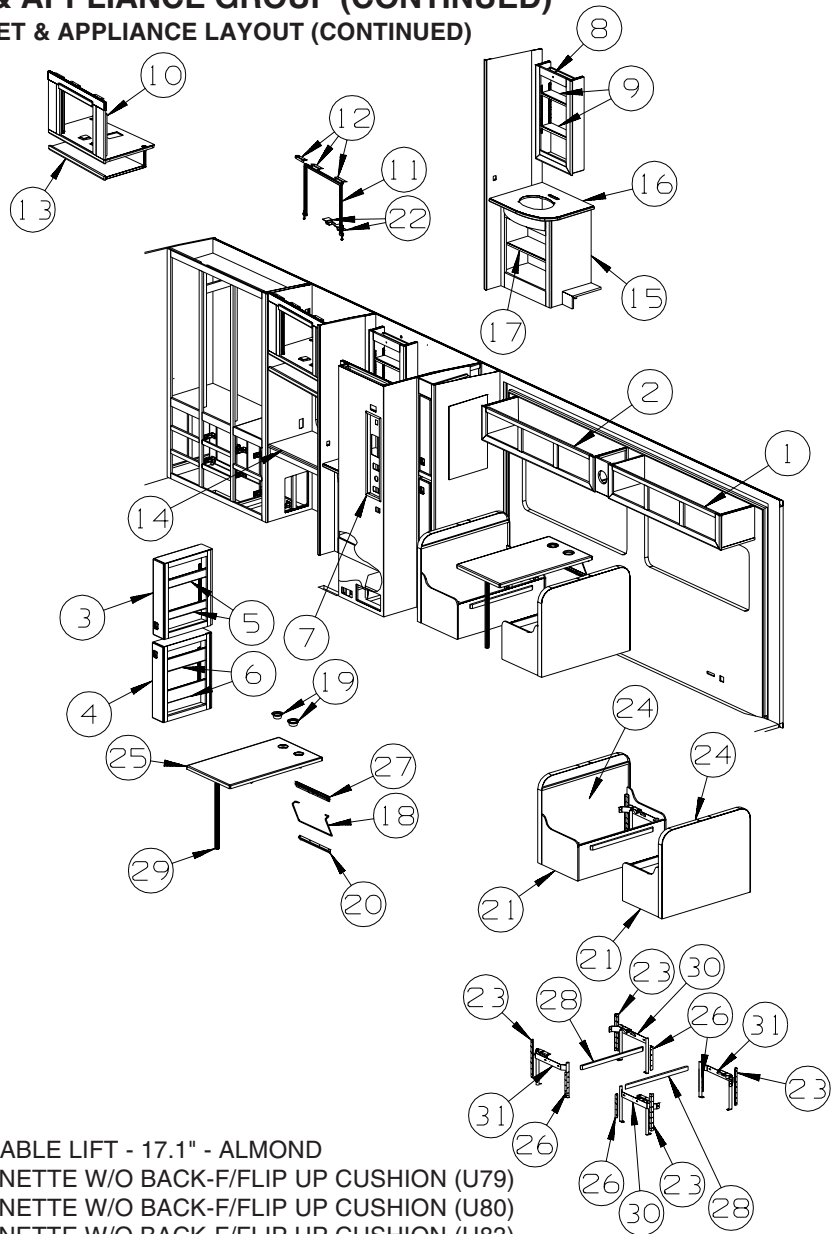


| KEY | PART NUMBER | U/M | DESCRIPTION |
|-----|---------------|-----|---|
| 1 | 158493-01-U67 | EA | CABINET - OVERHEAD/COUCH - W/O DOORS/HDW - WASHED MAPLE |
| 1 | 158493-01-U68 | EA | CABINET - OVERHEAD/COUCH - W/O DOORS/HDW - SIERRA MAPLE |
| 2 | 153229-01-T61 | EA | CABINET - OVERHEAD/DINETTE - W/O DOORS/HDW - WASHED MAPLE |
| 2 | 153229-01-TP0 | EA | CABINET - OVERHEAD/DINETTE - W/O DOORS/HDW - SIERRA MAPLE |
| 3 | 153343-02-SD2 | EA | CABINET - PANTRY/SLIDE - W/O DOORS/DRAWERS/HDW - WASHED MAPLE |
| 3 | 153343-02-S67 | EA | CABINET - PANTRY/SLIDE - W/O DOORS/DRAWERS/HDW - SIERRA MAPLE |
| 4 | 153343-04-S66 | EA | CABINET - PANTRY/SLIDE - W/O DOORS/DRAWERS/HDW - WASHED MAPLE |
| 4 | 153343-04-S67 | EA | CABINET - PANTRY/SLIDE - W/O DOORS/DRAWERS/HDW - SIERRA MAPLE |
| 5 | 153343-21-SD2 | EA | SHELF - W/WOOD MOLDING - WASHED MAPLE |
| 5 | 153343-21-S67 | EA | SHELF - W/WOOD MOLDING - SIERRA MAPLE |
| 6 | 153343-27-SD2 | EA | SHELF - W/WOOD MOLDING - WASHED MAPLE |
| 6 | 153343-27-S67 | EA | SHELF - W/WOOD MOLDING - SIERRA MAPLE |
| 7 | 137602-G9-T61 | EA | POCKET - MONITOR PANEL - WASHED MAPLE |
| 7 | 137602-G9-TP0 | EA | POCKET - MONITOR PANEL - SIERRA MAPLE |
| 7 | 137602-G7-T61 | EA | POCKET - MONITOR PANEL - WASHED MAPLE - INVERTER DC/AC, 600W |
| 7 | 137602-G7-TP0 | EA | POCKET - MONITOR PANEL - SIERRA MAPLE - INVERTER DC/AC, 600W |
| 8 | 157624-01-U67 | EA | CABINET - OVERHEAD/MEDICINE - W/O DOORS/HDW - WASHED MAPLE |
| 8 | 157624-01-U68 | EA | CABINET - OVERHEAD/MEDICINE - W/O DOORS/HDW - SIERRA MAPLE |
| 9 | 157624-12-U67 | EA | SHELF - W/PLASTIC EDGE MOLDING - WASHED MAPLE |
| 9 | 157624-12-U68 | EA | SHELF - W/PLASTIC EDGE MOLDING - SIERRA MAPLE |

CABINET & APPLIANCE GROUP (CONTINUED)
CABINET & APPLIANCE LAYOUT (CONTINUED)

| KEY | PART NUMBER | U/M | DESCRIPTION |
|-----|---------------|-----|---|
| 10 | 154426-01-T61 | EA | CABINET - TV/REAR - W/O DOORS/HARDWARE - WASHED MAPLE FROM: 00-00-00 THRU: 02-19-06 |
| 10 | 159562-01-U67 | EA | CABINET - TV/REAR - W/O DOORS/HARDWARE - WASHED MAPLE FROM: 02-20-06 THRU: 04-02-06 |
| 10 | 159924-01-U67 | EA | CABINET - TV/REAR - W/O DOORS/HARDWARE - WASHED MAPLE FROM: 04-03-06 THRU: 05-14-06 |
| 10 | 159858-01-U67 | EA | CABINET - TV/REAR - W/O DOORS/HARDWARE - WASHED MAPLE FROM: 05-15-06 THRU: 99-99-99 |
| 10 | 154426-01-TP0 | EA | CABINET - TV/REAR - W/O DOORS/HARDWARE - SIERRA MAPLE FROM: 00-00-00 THRU: 02-19-06 |
| 10 | 159562-01-U68 | EA | CABINET - TV/REAR - W/O DOORS/HARDWARE - SIERRA MAPLE FROM: 02-20-06 THRU: 04-02-06 |
| 10 | 159924-01-U68 | EA | CABINET - TV/REAR - W/O DOORS/HARDWARE - SIERRA MAPLE FROM: 04-03-06 THRU: 05-14-06 |
| 10 | 159858-01-U68 | EA | CABINET - TV/REAR - W/O DOORS/HARDWARE - SIERRA MAPLE FROM: 05-15-06 THRU: 99-99-99 |
| 10 | 154426-02-T61 | EA | CABINET - TV/REAR - W/O DOORS/HARDWARE - WASHED MAPLE - TV (REAR)-20"COLOR, STEREO FROM: 00-00-00 THRU: 02-19-06 |
| 10 | 159562-02-U67 | EA | CABINET - TV/REAR - W/O DOORS/HARDWARE - WASHED MAPLE - TV (REAR)-20"COLOR, STEREO FROM: 02-20-06 THRU: 04-02-06 |
| 10 | 159924-02-U67 | EA | CABINET - TV/REAR - W/O DOORS/HARDWARE - WASHED MAPLE - TV (REAR)-20"COLOR, STEREO FROM: 04-03-06 THRU: 05-14-06 |
| 10 | 159858-02-U67 | EA | CABINET - TV/REAR - W/O DOORS/HARDWARE - WASHED MAPLE - TV (REAR)-20"COLOR, STEREO FROM: 05-15-06 THRU: 99-99-99 |
| 10 | 154426-02-TP0 | EA | CABINET - TV/REAR - W/O DOORS/HARDWARE - SIERRA MAPLE - TV (REAR)-20"COLOR, STEREO FROM: 00-00-00 THRU: 02-19-06 |
| 10 | 159562-02-U68 | EA | CABINET - TV/REAR - W/O DOORS/HARDWARE - SIERRA MAPLE - TV (REAR)-20"COLOR, STEREO FROM: 02-20-06 THRU: 04-02-06 |
| 10 | 159924-02-U68 | EA | CABINET - TV/REAR - W/O DOORS/HARDWARE - SIERRA MAPLE - TV (REAR)-20"COLOR, STEREO FROM: 04-03-06 THRU: 05-14-06 |
| 10 | 159858-02-U68 | EA | CABINET - TV/REAR - W/O DOORS/HARDWARE - SIERRA MAPLE - TV (REAR)-20"COLOR, STEREO FROM: 05-15-06 THRU: 99-99-99 |
| | 152024-01-02B | EA | ANGLE/FORMED - W/HOLES - E-COATED FROM: 00-00-00 THRU: 04-02-06 |
| | 152025-03-02B | EA | ANGLE/FORMED - W/O STUD - E-COATED FROM: 00-00-00 THRU: 04-02-06 |
| | 152665-01-01A | EA | CAP - TUBE - 3/4" X 3/4" X 1" - RUBBER/BLACK FROM: 00-00-00 THRU: 04-02-06 |
| 11 | 151954-04-02B | EA | BRACKET/HOLD DOWN - TV - E-COATED - NOT ILLUSTRATED FROM: 00-00-00 THRU: 04-02-06 |
| 11 | 148247-05-02B | EA | STRAP/TIEDOWN - TV - E-COATED - NOT ILLUSTRATED FROM: 04-03-06 THRU: 05-14-06 |
| 11 | 151954-06-02B | EA | BRACKET/HOLD DOWN - TV - E-COATED FROM: 05-15-06 THRU: 99-99-99 |
| 12 | 106699-01-01A | EA | BRACKET F/TV INSTALLATION - OVERHEAD CABINET |
| 13 | 153144-02-U67 | EA | CABINET - TV SHELF - W/O HARDWARE - WASHED MAPLE |
| 13 | 153144-02-U68 | EA | CABINET - TV SHELF - W/O HARDWARE - SIERRA MAPLE |
| 14 | 140889-44-U79 | EA | COUNTERTOP - LAMINATED |
| 14 | 140889-44-U80 | EA | COUNTERTOP - LAMINATED |
| 14 | 140889-44-U83 | EA | COUNTERTOP - LAMINATED |
| 14 | 140889-44-U84 | EA | COUNTERTOP - LAMINATED |
| 14 | 140889-44-U87 | EA | COUNTERTOP - LAMINATED |
| 14 | 140889-44-U88 | EA | COUNTERTOP - LAMINATED |
| 15 | P38515-01-S48 | EA | CABINET - LAVATORY - W/O COUNTERTOP/DOORS/DRAWERS/HARDWARE - WASHED MAPLE |
| 15 | P38515-01-SR0 | EA | CABINET - LAVATORY - W/O COUNTERTOP/DOORS/DRAWERS/HARDWARE - SIERRA MAPLE |
| 16 | 133654-52-U79 | EA | COUNTERTOP - LAMINATED - MYSTIQUE DAWN/WASHED MAPLE (U79) |
| 16 | 133654-52-U80 | EA | COUNTERTOP - LAMINATED - MYSTIQUE DAWN/SIERRA MAPLE (U80) |
| 16 | 133654-52-U83 | EA | COUNTERTOP - LAMINATED - LINO FRIEZE/WASHED MAPLE (U83) |
| 16 | 133654-52-U84 | EA | COUNTERTOP - LAMINATED - LINO FRIEZE/SIERRA MAPLE (U84) |
| 16 | 133654-52-U87 | EA | COUNTERTOP - LAMINATED - ROCKY MOUNTAIN HIGH/WASHED MAPLE (U87) |
| 16 | 133654-52-U88 | EA | COUNTERTOP - LAMINATED - ROCKY MOUNTAIN HIGH/SIERRA MAPLE (U88) |
| 17 | 138515-20-N30 | EA | SHELF - W/PLASTIC EDGE MOLDING |
| 18 | 024275-16-000 | EA | ROD - TABLE LIFT - W/ARMS 8" & BASE ROD 18.5" - ALMOND |
| 19 | 064781-06-000 | EA | HOLDER/CUP - TWO STEP - OFF WHITE |

CABINET & APPLIANCE GROUP (CONTINUED)
CABINET & APPLIANCE LAYOUT (CONTINUED)

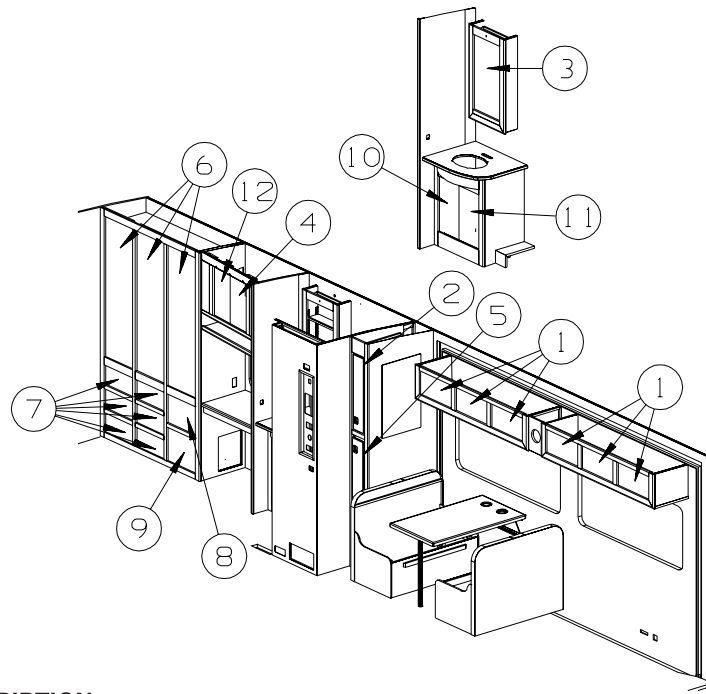


| KEY | PART NUMBER | U/M | DESCRIPTION |
|-----|---------------|-----|---|
| 20 | 024281-12-000 | EA | BRACKET/WALL - TABLE LIFT - 17.1" - ALMOND |
| 21 | 142046-A7-U79 | EA | CABINET/BASE - DINETTE W/O BACK-F/FLIP UP CUSHION (U79) |
| 21 | 142046-A7-U80 | EA | CABINET/BASE - DINETTE W/O BACK-F/FLIP UP CUSHION (U80) |
| 21 | 142046-A7-T73 | EA | CABINET/BASE - DINETTE W/O BACK-F/FLIP UP CUSHION (U83) |
| 21 | 142046-A7-TP4 | EA | CABINET/BASE - DINETTE W/O BACK-F/FLIP UP CUSHION (U84) |
| 21 | 142046-A7-T76 | EA | CABINET/BASE - DINETTE W/O BACK-F/FLIP UP CUSHION (U87) |
| 21 | 142046-A7-TP5 | EA | CABINET/BASE - DINETTE W/O BACK-F/FLIP UP CUSHION (U88) |
| 22 | 159879-01-02B | EA | ZEE BRACKET W/HOLES |

FROM: 05-15-06 THRU: 99-99-99

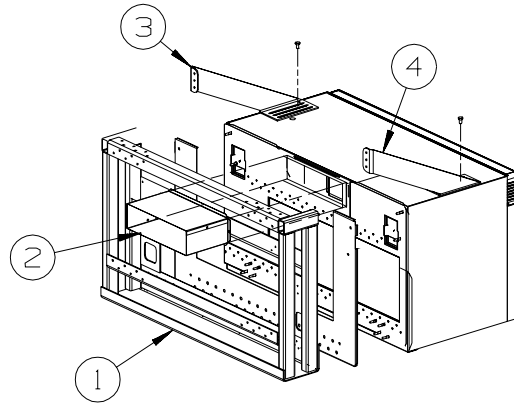
| | | | |
|----|---------------|----|--|
| 23 | 122021-02-02A | EA | ANGLE - W/HOLES - 13.7" LONG - OFF WHITE |
| 24 | 142046-A9-U79 | EA | PANEL/BACK - DINETTE SEAT (U79) |
| 24 | 142046-A9-U80 | EA | PANEL/BACK - DINETTE SEAT (U80) |
| 24 | 142046-A9-T73 | EA | PANEL/BACK - DINETTE SEAT (U83) |
| 24 | 142046-A9-TP4 | EA | PANEL/BACK - DINETTE SEAT (U84) |
| 24 | 142046-A9-U87 | EA | PANEL/BACK - DINETTE SEAT (U87) |
| 24 | 142046-A9-U88 | EA | PANEL/BACK - DINETTE SEAT (U88) |
| 25 | 149294-03-U71 | EA | TABLE/DINETTE - W/LEG - 24"W X 41.6"D (U79, U87) |
| 25 | 149294-03-U80 | EA | TABLE/DINETTE - W/LEG - 24"W X 41.6"D (U80, U88) |
| 25 | 149294-03-U83 | EA | TABLE/DINETTE - W/LEG - 24"W X 41.6"D (U83) |
| 25 | 149294-03-U84 | EA | TABLE/DINETTE - W/LEG - 24"W X 41.6"D (U84) |
| 26 | 122021-01-02A | EA | ANGLE - W/HOLES - 8.6" LONG - OFF WHITE |
| 27 | 140921-02-02A | EA | BRACKET/TABLE SUPPORT - 18.5" - ALMOND |
| 28 | 081295-01-T03 | EA | SUPPORT - BED/DINETTE - 28" LONG - WASHED MAPLE |
| 28 | 081295-01-RE0 | EA | SUPPORT - BED/DINETTE - 28" LONG - SIERRA MAPLE |
| 29 | 143798-01-02A | EA | CATCH - FLOOR TO TABLE LEG - ALMOND |
| 30 | 142033-01-000 | EA | BRACKET - DINETTE - RIGHT HAND |
| 31 | 142033-02-000 | EA | BRACKET - DINETTE - LEFT HAND |

CABINET & APPLIANCE GROUP (CONTINUED)
CABINET & APPLIANCE LAYOUT (CONTINUED)



| KEY | PART NUMBER | U/M | DESCRIPTION |
|-----|---------------|-----|---|
| 1 | 141522-22-U79 | EA | DOOR - ARCHED/PENCIL EDGE/HORIZ - 10" X 19.1" - W/O HDW - WASHED MAPLE |
| 1 | 141522-22-U80 | EA | DOOR - ARCHED/PENCIL EDGE/HORIZ - 10" X 19.1" - W/O HDW - SIERRA MAPLE |
| 2 | 154289-03-U79 | EA | DOOR - ARCHED PANEL/PENCIL EDGE - 7.9" X 30.3" - W/O HDW - WASHED MAPLE |
| 2 | 154289-03-U80 | EA | DOOR - ARCHED PANEL/PENCIL EDGE - 7.9" X 30.3" - W/O HDW - SIERRA MAPLE |
| 3 | 145576-B1-U67 | EA | DOOR - MIRRORED - 15.6" X 29.5" - W/O HARDWARE - WASHED MAPLE |
| 3 | 145576-B1-U68 | EA | DOOR - MIRRORED - 15.6" X 29.5" - W/O HARDWARE - SIERRA MAPLE |
| 3 | 093606-50-000 | EA | MIRROR - BEVELED EDGE - 15.6" X 29.5" |
| 3 | 076767-04-000 | EA | CABLE - STAINLESS STEEL - 5.9" |
| 4 | 141520-88-U79 | EA | DOOR - ARCHED/PENCIL EDGE/RIGHT HAND - 13.4" X 21.8" - W/O HDW - WASHED MAPLE |
| 4 | 141520-88-U80 | EA | DOOR - ARCHED/PENCIL EDGE/RIGHT HAND - 13.4" X 21.8" - W/O HDW - SIERRA MAPLE |
| 5 | 154289-01-U79 | EA | DOOR - RAISED PANEL/PENCIL EDGE - 7.9" X 30.3" - W/O HDW - WASHED MAPLE |
| 5 | 154289-01-U80 | EA | DOOR - RAISED PANEL/PENCIL EDGE - 7.9" X 30.3" - W/O HDW - SIERRA MAPLE |
| 6 | 141507-09-U79 | EA | DOOR - MIRRORED/PENCIL EDGE - 16.7" X 54.4" - W/O HDW - WASHED MAPLE |
| 6 | 141507-09-U80 | EA | DOOR - MIRRORED/PENCIL EDGE - 16.7" X 54.4" - W/O HDW - SIERRA MAPLE |
| 6 | 140374-76-000 | EA | MIRROR - SAFETY GLASS - 13.4" X 51.2" |
| 6 | 076767-04-000 | EA | CABLE - STAINLESS STEEL - 5.9" |
| 7 | 153121-58-UA2 | EA | DRAWER - PENCIL EDGE - 14.7"W X 17.7"D - W/O SLIDES/HDW - WASHED MAPLE |
| 7 | 153121-58-UA3 | EA | DRAWER - PENCIL EDGE - 14.7"W X 17.7"D - W/O SLIDES/HDW - SIERRA MAPLE |
| 8 | 153121-60-T91 | EA | DRAWER - PENCIL EDGE - 14.7"W X 11.8"D - W/O SLIDES/HDW - WASHED MAPLE |
| 8 | 153121-60-T92 | EA | DRAWER - PENCIL EDGE - 14.7"W X 11.8"D - W/O SLIDES/HDW - SIERRA MAPLE |
| 9 | 153121-62-T91 | EA | DRAWER - PENCIL EDGE - 14.7"W X 11.8"D - W/O SLIDES/HDW - WASHED MAPLE |
| 9 | 153121-62-T92 | EA | DRAWER - PENCIL EDGE - 14.7"W X 11.8"D - W/O SLIDES/HDW - SIERRA MAPLE |
| 10 | 136919-68-U79 | EA | DOOR - FLAT/PENCIL EDGE - 12" X 21.8" - W/O HARDWARE - WASHED MAPLE |
| 10 | 136919-68-U80 | EA | DOOR - FLAT/PENCIL EDGE - 12" X 21.8" - W/O HARDWARE - SIERRA MAPLE |
| 11 | 136919-69-U79 | EA | DOOR - FLAT/PENCIL EDGE - 12" X 21.8" - W/O HARDWARE - WASHED MAPLE |
| 11 | 136919-69-U80 | EA | DOOR - FLAT/PENCIL EDGE - 12" X 21.8" - W/O HARDWARE - SIERRA MAPLE |
| 12 | 141518-88-U79 | EA | DOOR - ARCHED/PENCIL EDGE/LEFT HAND - 13.4" X 21.8" - W/O HDW - WASHED MAPLE |
| 12 | 141518-88-U80 | EA | DOOR - ARCHED/PENCIL EDGE/LEFT HAND - 13.4" X 21.8" - W/O HDW - SIERRA MAPLE |

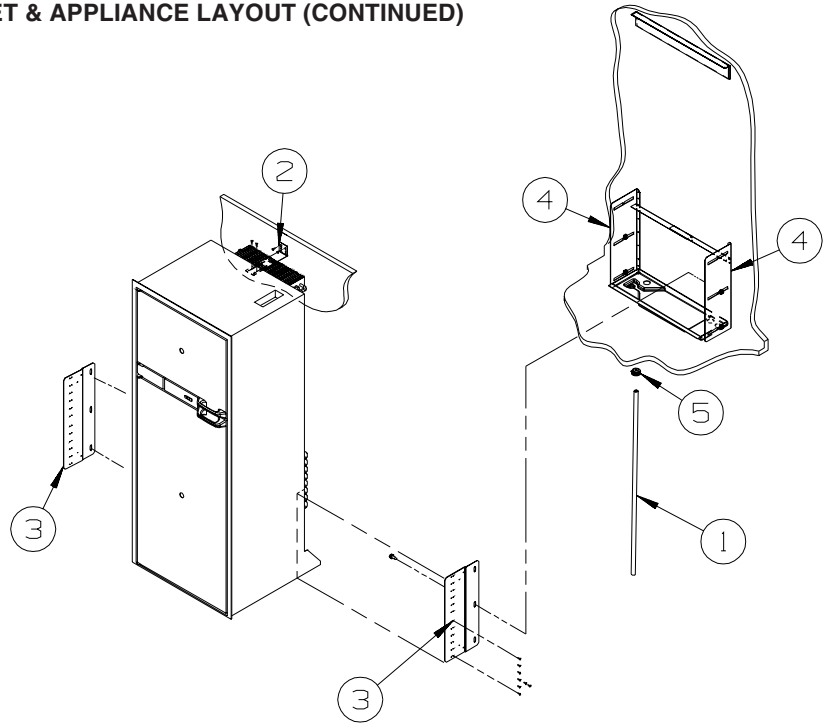
CABINET & APPLIANCE GROUP (CONTINUED)
CABINET & APPLIANCE LAYOUT (CONTINUED)



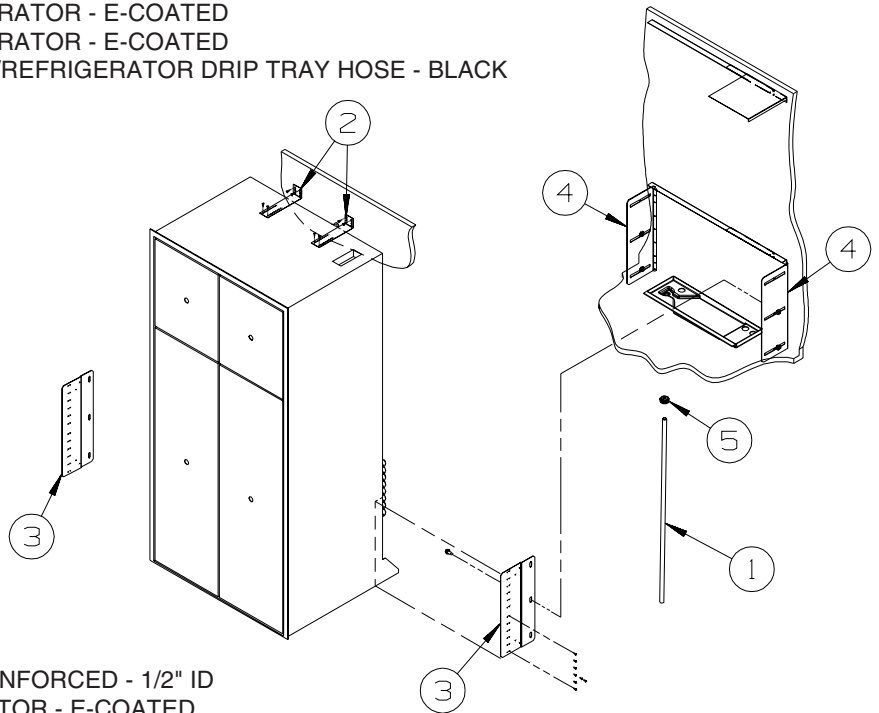
35A, 38J

| KEY | PART NUMBER | U/M | DESCRIPTION |
|------------|--------------------|------------|--|
| 1 | 137824-06-02B | EA | BRACKET - MICROWAVE - E-COATED |
| 2 | 140093-06-02B | EA | DUCT - E-COATED |
| 3 | 153314-01-02B | EA | BRACKET/SUPPORT - MICROWAVE - E-COATED |
| 4 | 153314-02-02B | EA | BRACKET/SUPPORT - MICROWAVE - E-COATED |

CABINET & APPLIANCE GROUP (CONTINUED)
CABINET & APPLIANCE LAYOUT (CONTINUED)

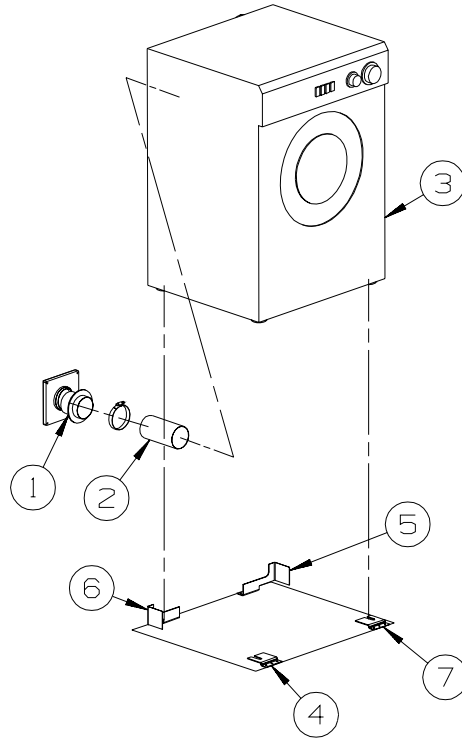


| KEY | PART NUMBER | U/M | DESCRIPTION |
|-----|---------------|-----|---|
| 1 | 112176-01-000 | FT | TUBING - VINYL - REINFORCED - 1/2" ID |
| 2 | 145445-02-02B | EA | STRAP - REFRIGERATOR - E-COATED |
| 3 | 150740-01-02B | EA | BRACKET - REFRIGERATOR - E-COATED |
| 4 | 150740-02-02B | EA | BRACKET - REFRIGERATOR - E-COATED |
| 5 | 152417-01-01A | EA | CLAMP/RATCHET - F/REFRIGERATOR DRIP TRAY HOSE - BLACK |



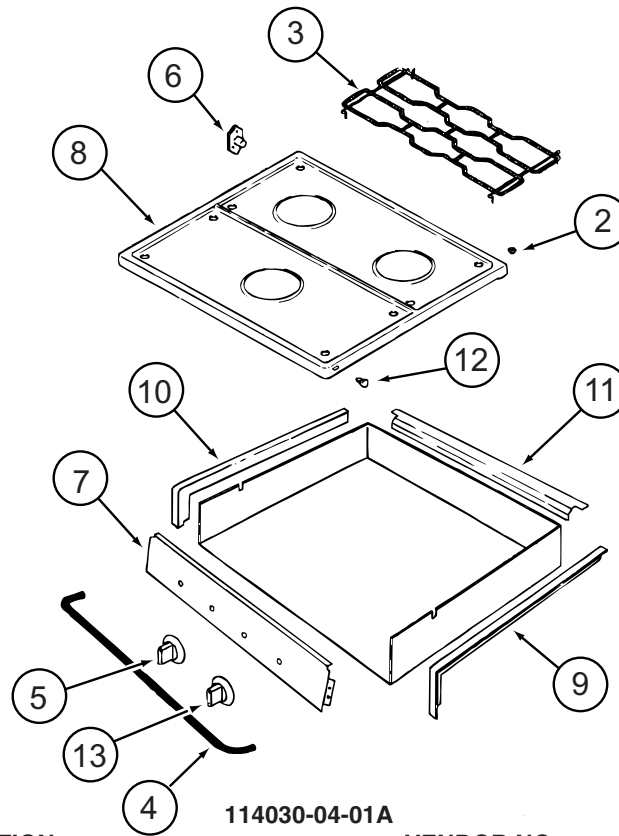
| KEY | PART NUMBER | U/M | DESCRIPTION |
|-----|---------------|-----|--|
| 1 | 112176-01-000 | FT | TUBING - VINYL - REINFORCED - 1/2" ID |
| 2 | 145445-02-02B | EA | STRAP - REFRIGERATOR - E-COATED |
| 3 | 150740-01-02B | EA | BRACKET - REFRIGERATOR - E-COATED |
| 4 | 150740-02-02B | EA | BRACKET - REFRIGERATOR - E-COATED |
| 5 | 152417-01-01A | EA | CLAMP/RATCHET - F/REFRIDGERATOR DRIP TRAY HOSE - BLACK |

CABINET & APPLIANCE GROUP (CONTINUED)
CABINET & APPLIANCE LAYOUT (CONTINUED)



| KEY | PART NUMBER | U/M | DESCRIPTION |
|-----|---------------|-----|---|
| 1 | 146292-01-01A | EA | COVER - DRYER VENT - BRIGHT WHITE |
| 1 | 146292-01-02A | EA | COVER - DRYER VENT - BLACK - FULL BODY PAINT |
| 1 | 146292-02-01A | EA | DRYER VENT - INNER - BRIGHT WHITE |
| 1 | 146292-02-02A | EA | DRYER VENT - INNER - BLACK - FULL BODY PAINT |
| 2 | 116653-02-000 | FT | DUCT - FLEXIBLE - 3' COMPRESSED/8' EXTENDED |
| 3 | 153204-01-01A | EA | WASHER/DRYER - VENTED - UL/CSA - WHITE |
| 4 | 111913-02-04B | EA | BRACKET/WASHER - TIE DOWN - BLACK |
| 5 | 113795-01-02B | EA | BRACKET - WASHER - E-COATED |
| 6 | 113795-02-02B | EA | BRACKET - WASHER - E-COATED |
| 7 | 111913-03-04B | EA | BRACKET/WASHER - TIE DOWN - BLACK |
| | 141523-01-01A | EA | LABEL - WASHER/DRYER BRACKETS - BLACK/WHITE |
| | 157665-01-000 | GL | RV ANTIFREEZE-50 POTABLE WTR |

CABINET & APPLIANCE GROUP (CONTINUED)
COMPONENT PARTS FOR CABINET & APPLIANCE LAYOUT

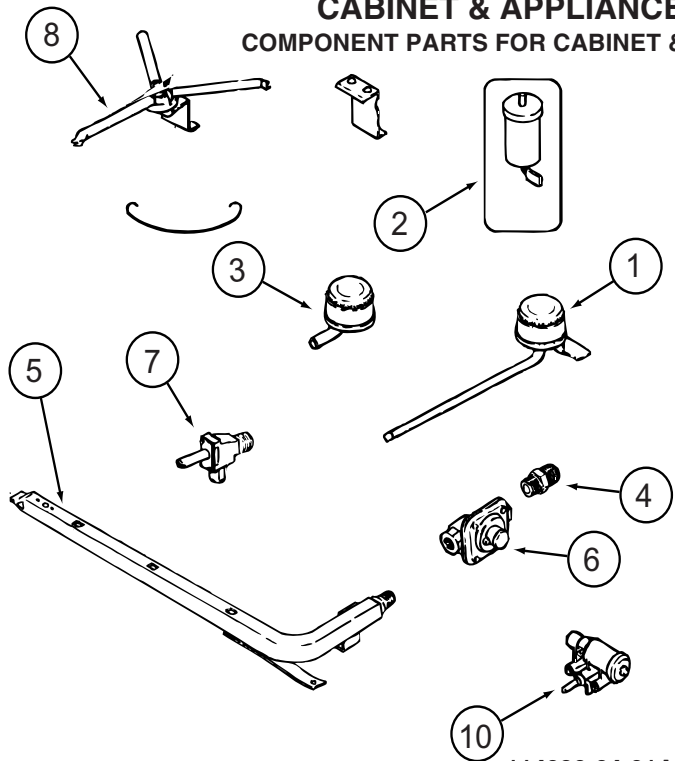


| KEY | PART NUMBER | U/M | DESCRIPTION | VENDOR NO. |
|-----|---------------|-----|-----------------------------|------------------|
| 2 | 102020-01-709 | EA | BUMPER-GRATE | 8007P020-60 |
| 3 | 112881-04-702 | EA | GRATE - BLACK | 74007277 |
| 4 | 114030-02-700 | EA | GUARD/FABRIC - TOWEL BAR | 3609F006-70 |
| 5 | 128728-01-701 | EA | KNOB - BURNER - REAR | 74003941 (1 PER) |
| 5 | 128728-01-702 | EA | KNOB - BURNER - FRONT | 74003942 |
| 6 | 128728-01-703 | EA | PIN/T-NUT F/HINGE | 7103P109-60 |
| 7 | 114030-04-700 | EA | PANEL - MANIFOLD - BLACK | 74007325 |
| 8 | 126023-01-728 | EA | TOP - MAIN (BLACK) | 74003323 |
| 9 | 114030-01-704 | EA | TRIM - RIGHT/BLACK TEXTURED | 74002839 |
| 10 | 114030-01-705 | EA | TRIM - LEFT/BLACK TEXTURED | 74002840 |
| 11 | 114030-01-706 | EA | TRIM - REAR/BLACK TEXTURED | 74002841 |
| 12 | 102020-01-724 | EA | BUMPER - MAIN TOP | 8003P008-60 |
| 13 | 128728-01-707 | EA | KNOB - IGNITER | 74003944 |

114030-04-01A

CONTACT WINNEBAGO PART SALES FOR UNLISTED COMPONENT(S)

CABINET & APPLIANCE GROUP (CONTINUED)
COMPONENT PARTS FOR CABINET & APPLIANCE LAYOUT (CONTINUED)



114030-04-01A (CONTINUED)

| KEY | PART NUMBER | U/M | DESCRIPTION | VENDOR NO. |
|-----|---------------|-----|---------------------------------|-------------|
| 1 | 112881-04-700 | EA | BURNER - TOP /LEFT REAR | 74004584 |
| 1 | 126023-01-700 | EA | BURNER - TOP (RT-REAR) 5100 BTU | 74004583 |
| 2 | 112881-04-705 | EA | PUSH RING (ELECTRODE MTG) | 7104P002-60 |
| 2 | 126023-01-711 | EA | ELECTRODE - IGNITER (ONLY) | 7432P077-60 |
| 3 | 112881-04-701 | EA | BURNER - TOP/FRONT | 74004582 |
| 4 | 135065-03-700 | EA | FITTING - HALF UNION | 74004234 |
| 5 | 135065-01-702 | EA | PIPE/MANIFOLD | 74004642 |
| 6 | 126023-02-702 | EA | PIPE - MANIFOLD | 74004360 |
| 7 | 126023-02-705 | EA | VALVE - BURNER - REAR | 74004362 |
| 7 | 126023-02-706 | EA | VALVE - BURNER - FRONT | 74004363 |
| 8 | 126023-01-736 | EA | FLASH TUBE EXTENSION (REAR) | 74003326 |
| 8 | 126023-01-737 | EA | FLASH TUBE EXTENSION (FRONT) | 74003327 |
| 10 | 126023-01-719 | EA | IGNITER HEAD - TOP BURNER | 74002413 |
| | 126023-02-703 | EA | REGULATOR - PRESSURE | 74004235 |

CONTACT WINNEBAGO PART SALES FOR UNLISTED COMPONENT(S)

119267-12-01A

| KEY | PART NUMBER | U/M | DESCRIPTION | VENDOR NO. |
|-----|---------------|-----|------------------------------|---------------|
| | 119267-04-700 | EA | FILTER-GREASE | BOO2 |
| | 119267-04-703 | EA | PLATE - MOUNTING | FANGTB003MRYO |
| | 119267-04-704 | EA | LIGHT COVER-F/MOD R1480/1850 | FANGKB009MRYO |
| | 119267-12-700 | EA | LOUVER-EXHAUST | PDIF-BO32MRFO |
| | 119267-12-702 | EA | RACK - HIGH | FAMI-B006MR0 |
| | 119267-12-703 | EA | RACK - LOW | FAMI-B005MR0 |

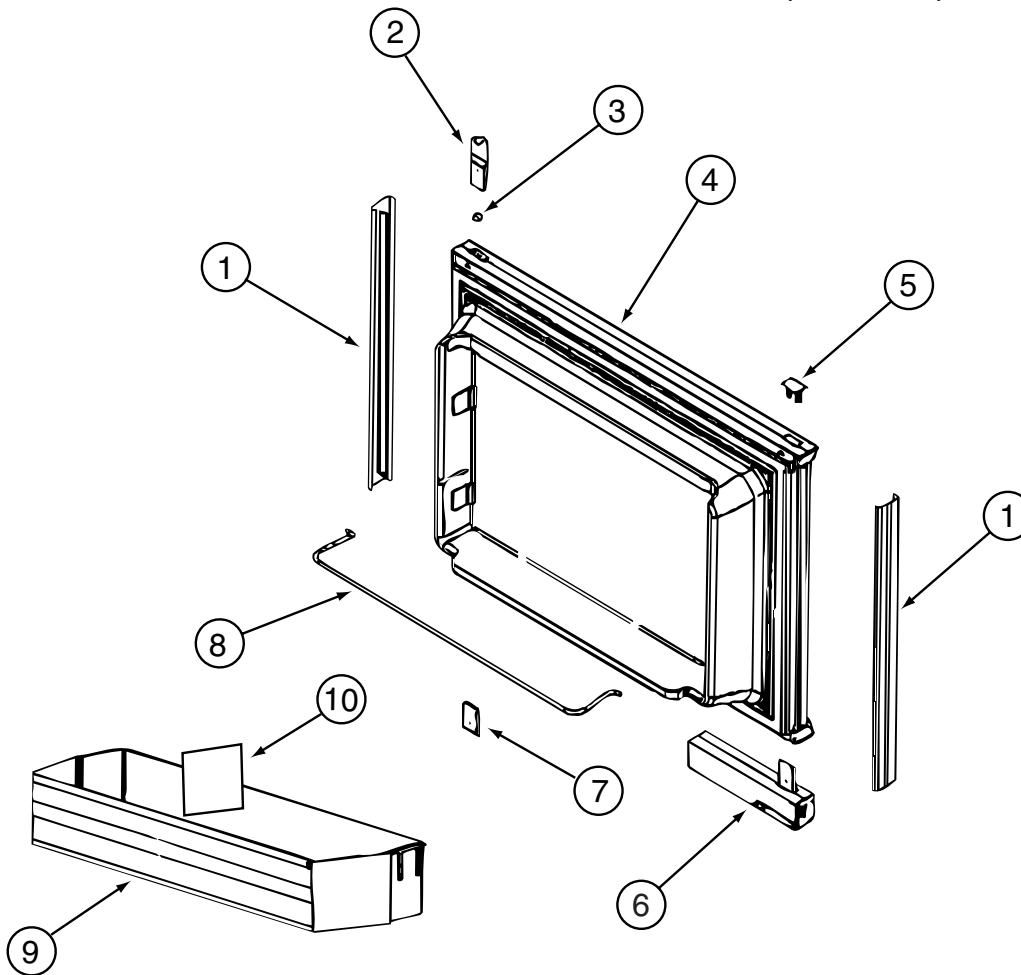
119267-13-01A

| KEY | PART NUMBER | U/M | DESCRIPTION | VENDOR NO. |
|-----|---------------|-----|---------------|--------------|
| | 119267-04-700 | EA | FILTER-GREASE | BOO2 |
| | 119267-12-702 | EA | RACK - HIGH | FAMI-B006MR0 |
| | 119267-12-703 | EA | RACK - LOW | FAMI-B005MR0 |

119267-15-01A

| KEY | PART NUMBER | U/M | DESCRIPTION | VENDOR NO. |
|-----|---------------|-----|------------------------|---------------|
| | 119267-15-700 | EA | SUPPORT - F/GLASS TRAY | FROLPB025MRKO |
| | 119267-15-701 | EA | TRAY - GLASS | NTNT-A10WREZ |

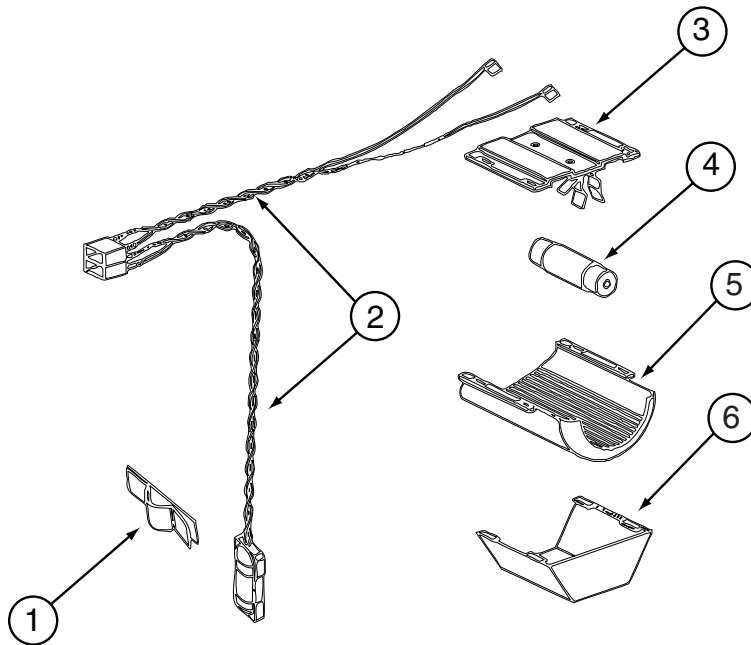
CABINET & APPLIANCE GROUP (CONTINUED)
COMPONENT PARTS FOR CABINET & APPLIANCE LAYOUT (CONTINUED)



120075-12-01A, 120075-13-01A, 120075-14-01A, 120075-15-01A

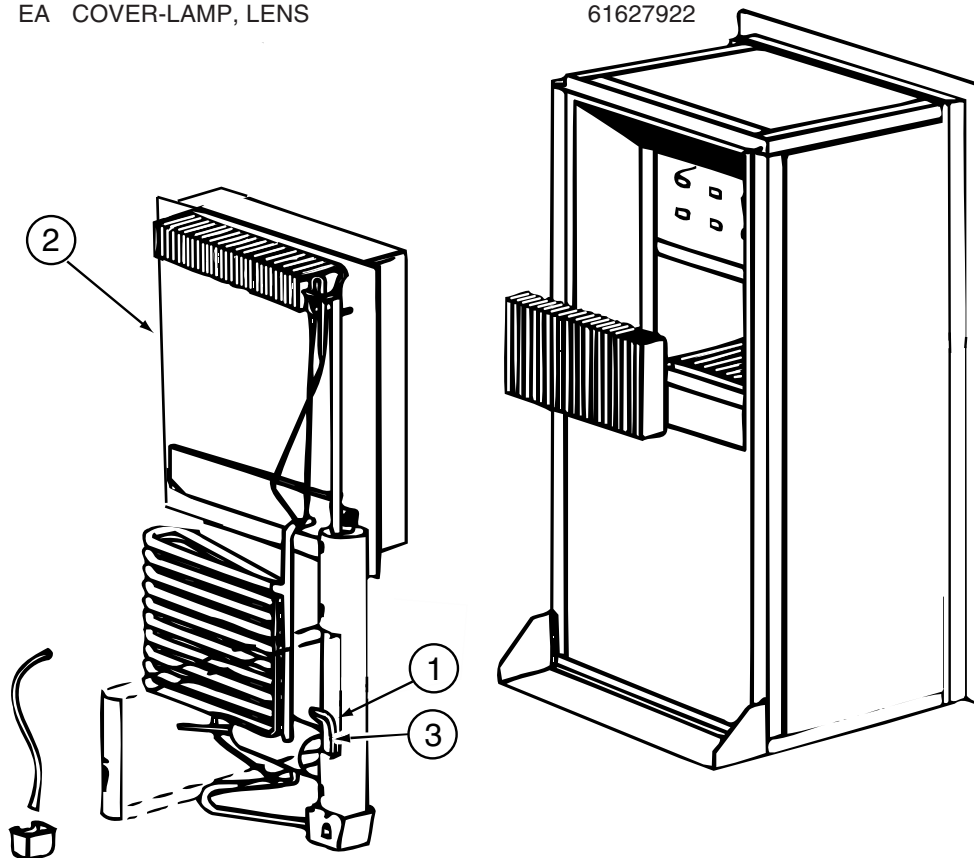
| KEY | PART NUMBER | U/M | DESCRIPTION | VENDOR NO. |
|-----|---------------|-----|--------------------------------|--------------------|
| 1 | 121568-03-700 | EA | RETAINER - DOOR PNL/WAFFLE/BLK | 619558-WDL-UPPER |
| 2 | 120075-01-701 | EA | HINGE-TOP RH/BOTTOM LH(DOOR) | 618511 |
| 3 | 121568-03-701 | EA | BUSHING - HINGE PIN/GRAY | 619671 |
| 4 | 121568-03-702 | EA | DOOR LINER-UPR/WAFFLED/BLACK | 619627 - SMALL WDL |
| 5 | 120075-01-702 | EA | CAP, (HINGE PLUG) | 618160 |
| 6 | 120075-12-700 | EA | HANDLE(CONTOUR)TOP LH/BTM RH | 621105 |
| 6 | 120075-12-701 | EA | HANDLE(CONTOUR)TOP RH/BTM LH | 621104 |
| 6 | 121568-03-703 | EA | HANDLE/FLUSH-TOP/RH-LWR/LH | 619865 |
| 6 | 121568-03-708 | EA | HANDLE/FLUSH-TOP/LH-LWR/RH | 619866 |
| 7 | 120075-01-705 | EA | HINGE-TOP LH/BOTTOM RH(DOOR) | 618510 |
| 8 | 121568-01-700 | EA | RAIL - DOOR UPPER | 618618 |
| 9 | 120075-07-700 | EA | DOOR BIN - SMALL/CLEAR F/WDL | 619006 WDL |
| 10 | 120075-07-701 | EA | DIVIDER/DOOR BIN CLEAR | 619008 WDL & SDL |
| | 121568-03-704 | EA | TRAVEL LATCH - GRAY | 619647 |
| | 121568-03-705 | EA | STORAGE LATCH - GRAY | 619648 |

CABINET & APPLIANCE GROUP (CONTINUED)
COMPONENT PARTS FOR CABINET & APPLIANCE LAYOUT (CONTINUED)



120075-09-01A, 120075-10-01A, 120075-12-01A, 120075-13-01A, 120075-14-01A, 120075-15-01A (CONTINUED)

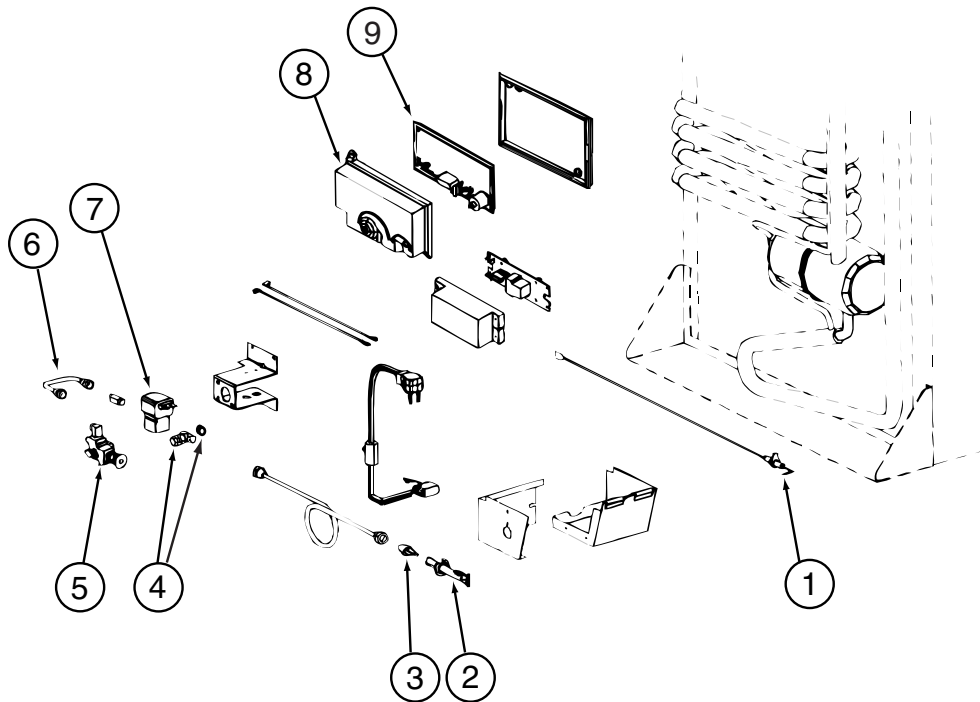
| KEY | PART NUMBER | U/M | DESCRIPTION | VENDOR NO. |
|-----|---------------|-----|------------------------------|------------|
| 1 | 084880-01-760 | EA | CLIP (THERMISTER) | 61689122 |
| 2 | 120075-01-735 | EA | THERMISTER W/LAMP & WIRE/ASM | 618548 |
| 3 | 084880-03-705 | EA | BRACKET-LIGHT-INTERIOR | 61629722 |
| 4 | 084880-03-706 | EA | BULB-LAMP | 61628922 |
| 5 | 120075-01-734 | EA | COVER-LENS | 618190 |
| 6 | 084880-03-707 | EA | COVER-LAMP, LENS | 61627922 |



120075-09-01A, 120075-10-01A, 120075-12-01A, 120075-13-01A, 120075-14-01A, 120075-15-01A (CONTINUED)

| KEY | PART NUMBER | U/M | DESCRIPTION | VENDOR NO. |
|-----|---------------|-----|----------------------------|------------|
| 1 | 088248-01-710 | EA | HEATER DC (HORIZONTAL) | 61562822 |
| 2 | 120075-01-736 | EA | COOLING UNIT, SERVICE PACK | 618542 |
| 3 | 088248-01-709 | EA | HEATER-AC (HORIZONTAL) | 61562722 |

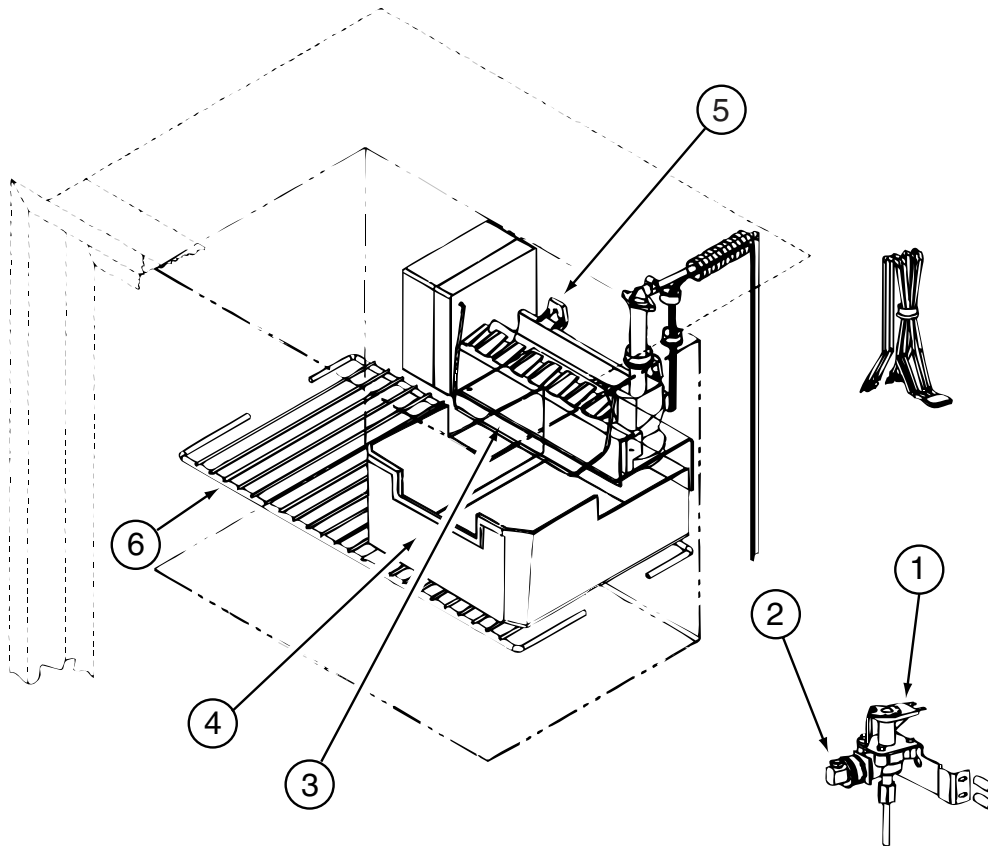
CABINET & APPLIANCE GROUP (CONTINUED)
COMPONENT PARTS FOR CABINET & APPLIANCE LAYOUT (CONTINUED)



120075-09-01A, 120075-10-01A, 120075-12-01A, 120075-13-01A, 120075-14-01A, 120075-15-01A (CONTINUED)

| KEY | PART NUMBER | U/M | DESCRIPTION | VENDOR NO. |
|-----|---------------|-----|------------------------------|-----------------|
| 1 | 104137-06-715 | EA | ELECTRODE-SPARK/SENSOR, SGL | 61692222 |
| 2 | 104137-06-714 | EA | BURNER ASSEMBLY, 5-SLOT | 61705222 |
| 3 | 120075-01-737 | EA | ORIFICE - JEWEL - .0155 | 618284 |
| 4 | 113737-01-702 | EA | PLUG 1/8" F/PRESSURE TAP | 61445322 |
| 4 | 113737-01-716 | EA | TAP-PRESSURE | 61594422 |
| 5 | 104137-06-709 | EA | VALVE-SHUT OFF/MAN-OLD STYLE | 61694922 |
| 5 | 104137-06-734 | EA | VALVE-SHUT OFF/MAN-NEW STYLE | 618696 |
| 6 | 113737-01-750 | EA | TUBE-UNION | 61694622 |
| 7 | 084880-01-718 | EA | VALVE-GAS, (ASCO) | 621447 |
| 8 | 120075-01-738 | EA | COVER-POWER BOARD | 618185 |
| 9 | 120075-07-710 | EA | POWER - BOARD - 2-WAY | 619360 = 621269 |
| | 120075-01-744 | EA | KIT - GAS VALVE/BURNER TUBE | 620609 |

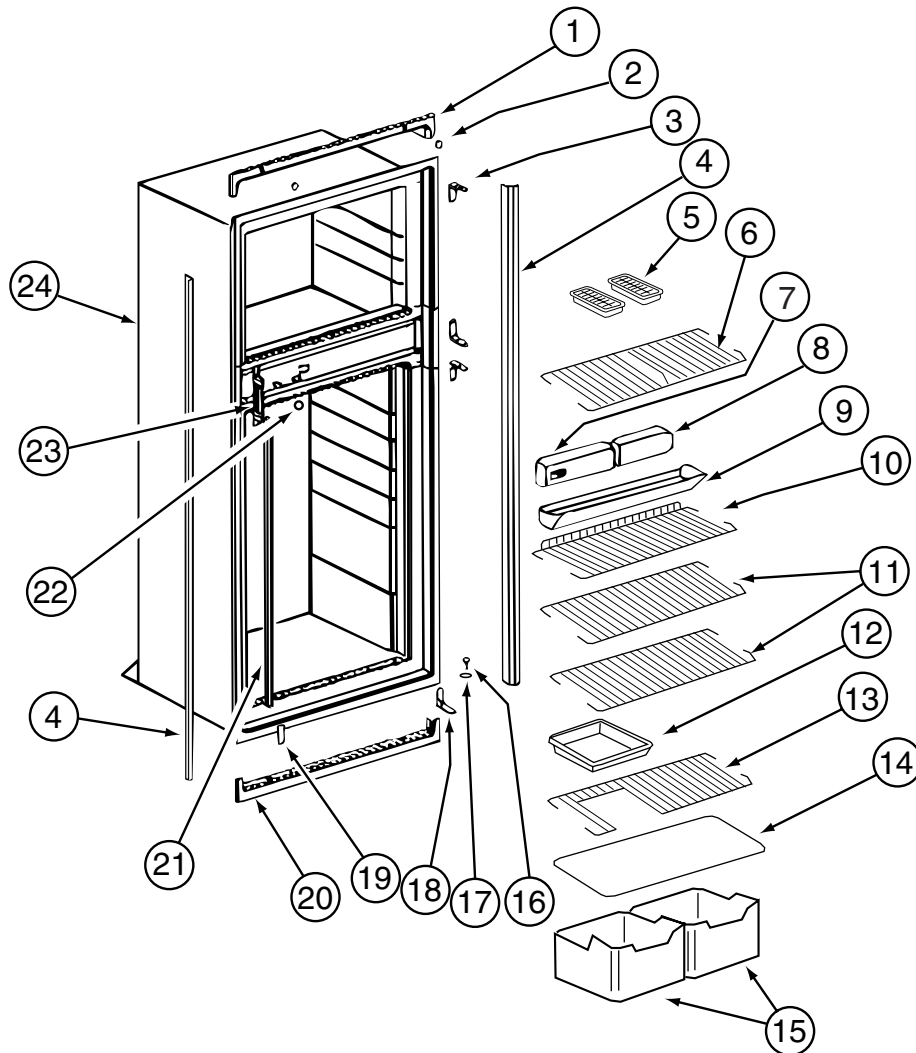
CABINET & APPLIANCE GROUP (CONTINUED)
COMPONENT PARTS FOR CABINET & APPLIANCE LAYOUT (CONTINUED)



120075-09-01A, 120075-10-01A, 120075-13-01A, 120075-14-01A (CONTINUED)

| KEY | PART NUMBER | U/M | DESCRIPTION | VENDOR NO. |
|-----|---------------|-----|---------------------------|------------|
| 1 | 120075-09-701 | EA | WATER VALVE W/BRACKET | 618253 |
| 2 | 120075-03-702 | EA | NUT/COMPRESSION - FITTING | 61678722 |
| 3 | 120075-03-703 | EA | ARM-SHUT OFF | 61656922 |
| 4 | 120075-03-704 | EA | BIN-ICE CUBE | 618154 |
| 5 | 094039-07-706 | EA | ICE MAKER W/O PLATES | 61656522 |
| 6 | 120075-01-717 | EA | SHELF-FREEZER, WIRE | 618172 |

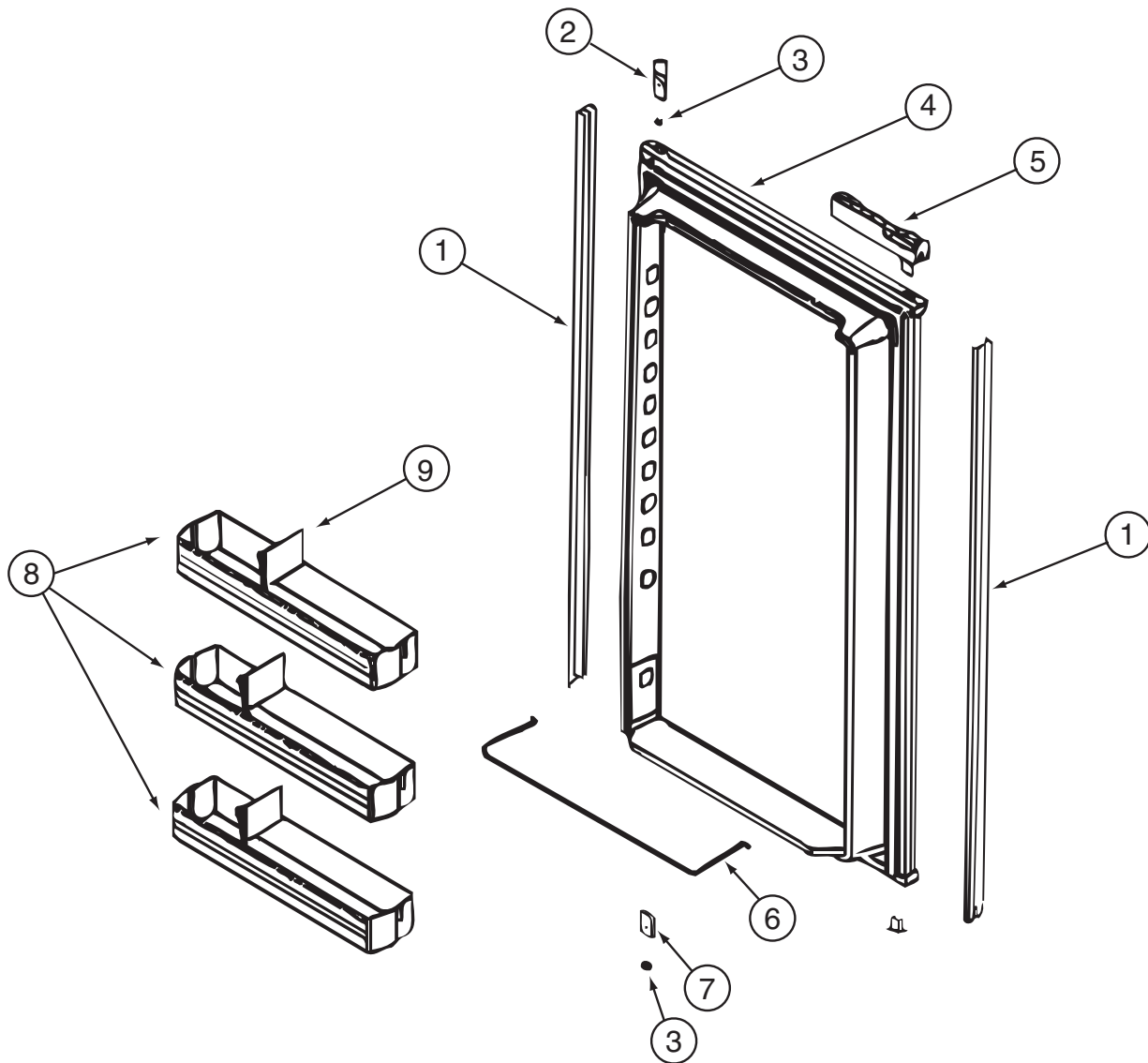
CABINET & APPLIANCE GROUP (CONTINUED)
COMPONENT PARTS FOR CABINET & APPLIANCE LAYOUT (CONTINUED)



120075-09-01A, 120075-10-01A, 120075-12-01A, 120075-13-01A, 120075-14-01A, 120075-15-01A (CONTINUED)

| KEY | PART NUMBER | U/M | DESCRIPTION | VENDOR NO. |
|-----|---------------|-----|--------------------------------|----------------|
| 1 | 121568-03-709 | EA | TRIM - TOP/BLACK | 619687 |
| 2 | 120075-01-714 | EA | PLUG-HOLE (BLACK) | 618170 |
| 3 | 121568-03-710 | EA | HINGE/CABINET-TOP/RH-LWR/LH | 619335 WAFFLED |
| 4 | 120075-07-705 | EA | TRIM - SIDE - BLACK | 622296 |
| 5 | 104137-06-724 | EA | ICE TRAY | 61630422 |
| 6 | 120075-07-706 | EA | SHELF - WIRE F/ICEMAKER MODELS | 620249 |
| 7 | 120075-07-707 | EA | CONTROL BOX - BLACK | 619665 |
| 8 | 121568-03-713 | EA | FRONT BOX/DECORATIVE-BLACK | 619282 |
| 9 | 120075-01-720 | EA | TRAY-DRIP | 623250 |
| 10 | 120075-01-722 | EA | SHELF-WIRE, SHORT | 620269 |
| 11 | 120075-01-723 | EA | SHELF-WIRE | 620270 |
| 12 | 104137-06-718 | EA | SHELF-TRAY, WHITE, W/CUTOUT | 617756 |
| 13 | 120075-01-724 | EA | SHELF-WIRE, W/CUTOUT | 620268 |
| 14 | 120075-01-725 | EA | COVER-CRISPER | 618158 |
| 15 | 120075-07-708 | EA | CRISPER/ICE BIN | 619007 |
| 16 | 120075-01-727 | EA | PIN-HINGE | 618145 |
| 17 | 121568-03-701 | EA | BUSHING - HINGE PIN/GRAY | 619671 |
| 18 | 121568-03-715 | EA | HINGE/CABINET-TOP/LH-LWR/RH | 619336 WAFFLED |
| 19 | 121568-03-716 | EA | COVER - HINGE HOLES | 619301 |
| 20 | 120075-01-729 | EA | TRIM-BOTTOM PIECE | 620958 |
| 21 | 120075-01-730 | EA | RETAINER-SHELF(SER#926684 DN) | 618181 |
| 22 | 121568-03-717 | EA | HOLE PLUG - WHITE | 619561 |
| 23 | 120075-01-732 | EA | PLATE-STRIKE | 618167 |
| 24 | 120075-09-700 | EA | CABINET - FOAMED | 619660 |
| | 120075-01-721 | EA | LOUVER-DRIP TRAY | 618176 |

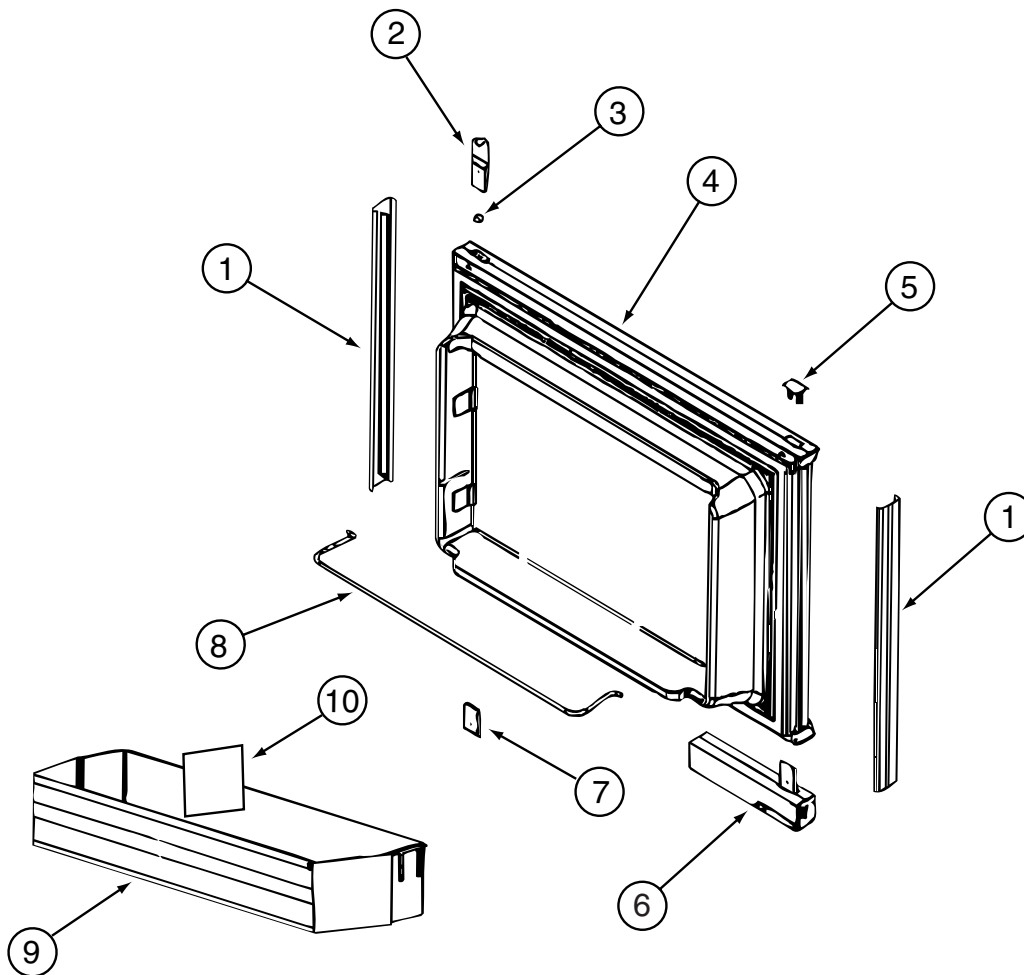
CABINET & APPLIANCE GROUP (CONTINUED)
COMPONENT PARTS FOR CABINET & APPLIANCE LAYOUT (CONTINUED)



120075-12-01A, 120075-13-01A, 120075-14-01A, 120075-15-01A (CONTINUED)

| KEY | PART NUMBER | U/M | DESCRIPTION | VENDOR NO. |
|-----|---------------|-----|------------------------------|--------------------|
| 1 | 120075-07-702 | EA | RETAINER-DOOR PNL/WAFFLE/BLK | 619560-WDL-LOWER |
| 2 | 120075-01-701 | EA | HINGE-TOP RH/BOTTOM LH(DOOR) | 618511 |
| 3 | 121568-03-701 | EA | BUSHING - HINGE PIN/GRAY | 619671 |
| 4 | 120075-07-703 | EA | DOOR LINER-LWR/WAFFLED/BLACK | 619631 - LARGE WDL |
| 5 | 120075-12-700 | EA | HANDLE(CONTOUR)TOP LH/BTM RH | 621105 |
| 5 | 120075-12-701 | EA | HANDLE(CONTOUR)TOP RH/BTM LH | 621104 |
| 5 | 121568-03-703 | EA | HANDLE/FLUSH-TOP/RH-LWR/LH | 619865 |
| 5 | 121568-03-708 | EA | HANDLE/FLUSH-TOP/LH-LWR/RH | 619866 |
| 6 | 121568-01-704 | EA | RAIL - DOOR LOWER | 618578 |
| 7 | 120075-01-705 | EA | HINGE-TOP LH/BOTTOM RH(DOOR) | 618510 |
| 8 | 120075-07-700 | EA | DOOR BIN - SMALL/CLEAR F/WDL | 619006 WDL |
| 8 | 120075-07-704 | EA | DOOR BIN - LARGE/CLEAR F/WDL | 619005 WDL |
| 9 | 120075-07-701 | EA | DIVIDER/DOOR BIN CLEAR | 619008 WDL & SDL |
| | 121568-03-704 | EA | TRAVEL LATCH - GRAY | 619647 |
| | 121568-03-705 | EA | STORAGE LATCH - GRAY | 619648 |

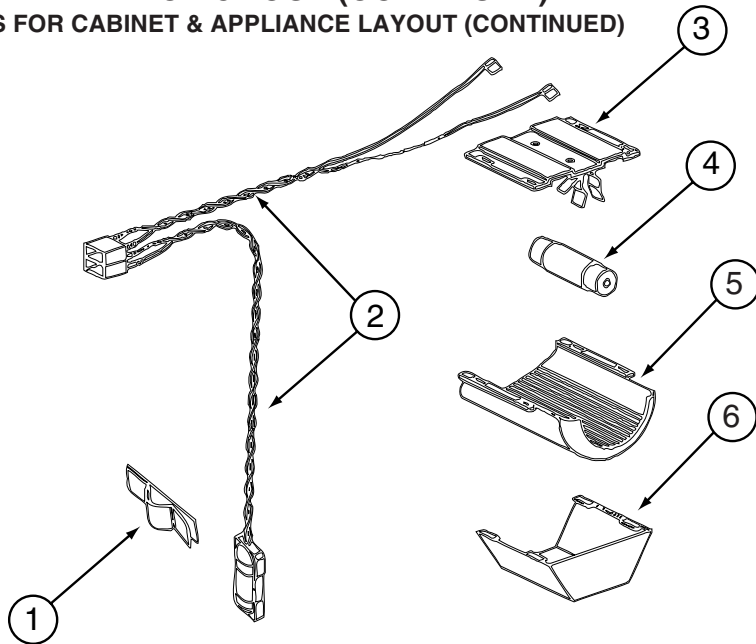
CABINET & APPLIANCE GROUP (CONTINUED)
COMPONENT PARTS FOR CABINET & APPLIANCE LAYOUT (CONTINUED)



121569-05-01A, 121569-06-01A, 121569-07-01A

| KEY | PART NUMBER | U/M | DESCRIPTION | VENDOR NO. |
|-----|---------------|-----|--------------------------------|--------------------|
| 1 | 121568-03-700 | EA | RETAINER - DOOR PNL/WAFFLE/BLK | 619558-WDL-UPPER |
| 2 | 120075-01-701 | EA | HINGE-TOP RH/BOTTOM LH(DOOR) | 618511 |
| 3 | 121568-03-701 | EA | BUSHING - HINGE PIN/GRAY | 619671 |
| 4 | 121568-03-702 | EA | DOOR LINER-UPR/WAFFLED/BLACK | 619627 - SMALL WDL |
| 5 | 120075-01-702 | EA | CAP, (HINGE PLUG) | 618160 |
| 6 | 120075-12-700 | EA | HANDLE(CONTOUR)TOP LH/BTM RH | 621105 |
| 7 | 120075-01-705 | EA | HINGE-TOP LH/BOTTOM RH(DOOR) | 618510 |
| 8 | 121568-01-700 | EA | RAIL - DOOR UPPER | 618618 |
| 9 | 120075-07-700 | EA | DOOR BIN - SMALL/CLEAR F/WDL | 619006 WDL |
| 10 | 120075-07-701 | EA | DIVIDER/DOOR BIN CLEAR | 619008 WDL & SDL |
| | 121568-03-705 | EA | STORAGE LATCH - GRAY | 619648 |

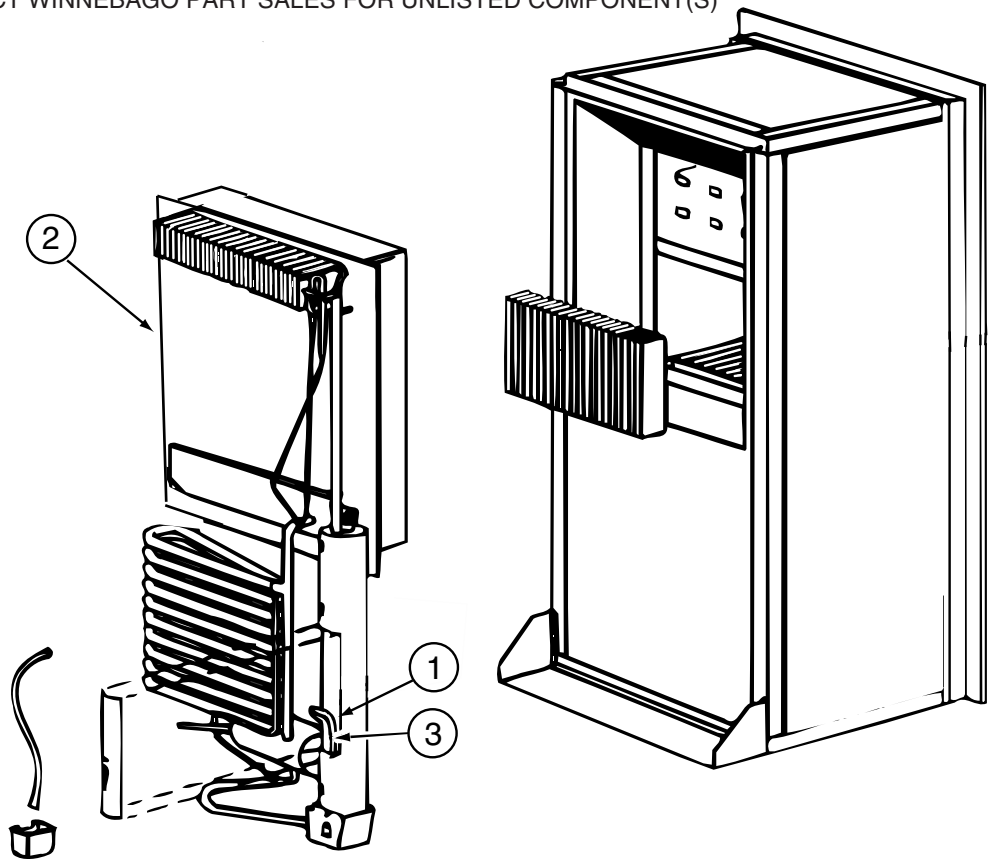
CABINET & APPLIANCE GROUP (CONTINUED)
COMPONENT PARTS FOR CABINET & APPLIANCE LAYOUT (CONTINUED)



121569-03-01A, 121569-04-01A, 121569-05-01A, 121569-06-01A, 121569-07-01A (CONTINUED)

| KEY | PART NUMBER | U/M | DESCRIPTION | VENDOR NO. |
|-----|---------------|-----|------------------------------|------------|
| 1 | 084880-01-760 | EA | CLIP (THERMISTER) | 61689122 |
| 2 | 120075-01-735 | EA | THERMISTER W/LAMP & WIRE/ASM | 618548 |
| 3 | 084880-03-705 | EA | BRACKET-LIGHT-INTERIOR | 61629722 |
| 4 | 084880-03-706 | EA | BULB-LAMP | 61628922 |
| 6 | 084880-03-707 | EA | COVER-LAMP, LENS | 61627922 |

CONTACT WINNEBAGO PART SALES FOR UNLISTED COMPONENT(S)

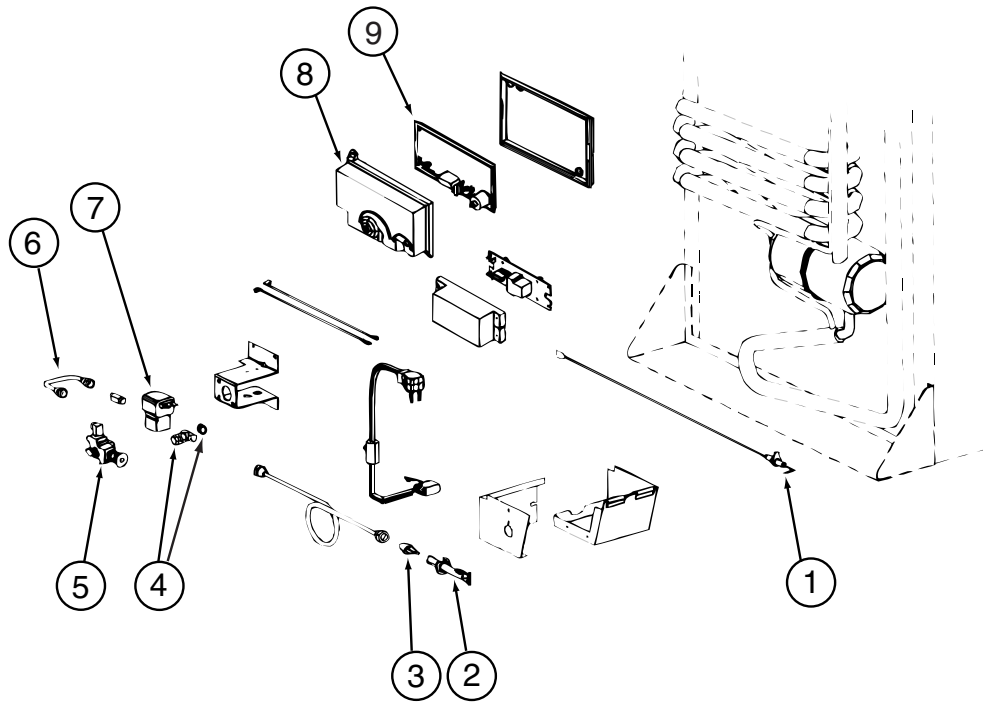


121569-03-01A, 121569-04-01A, 121569-05-01A, 121569-06-01A, 121569-07-01A (CONTINUED)

| KEY | PART NUMBER | U/M | DESCRIPTION | VENDOR NO. |
|-----|---------------|-----|-----------------------------|------------|
| 2 | 120075-01-736 | EA | COOLING UNIT, SERVICE PACK | 618542 |
| 3 | 088248-01-709 | EA | HEATER-AC (HORIZONTAL) | 61562722 |
| | 120075-01-744 | EA | KIT - GAS VALVE/BURNER TUBE | 620609 |

CONTACT WINNEBAGO PART SALES FOR UNLISTED COMPONENT(S)

CABINET & APPLIANCE GROUP (CONTINUED)
COMPONENT PARTS FOR CABINET & APPLIANCE LAYOUT (CONTINUED)

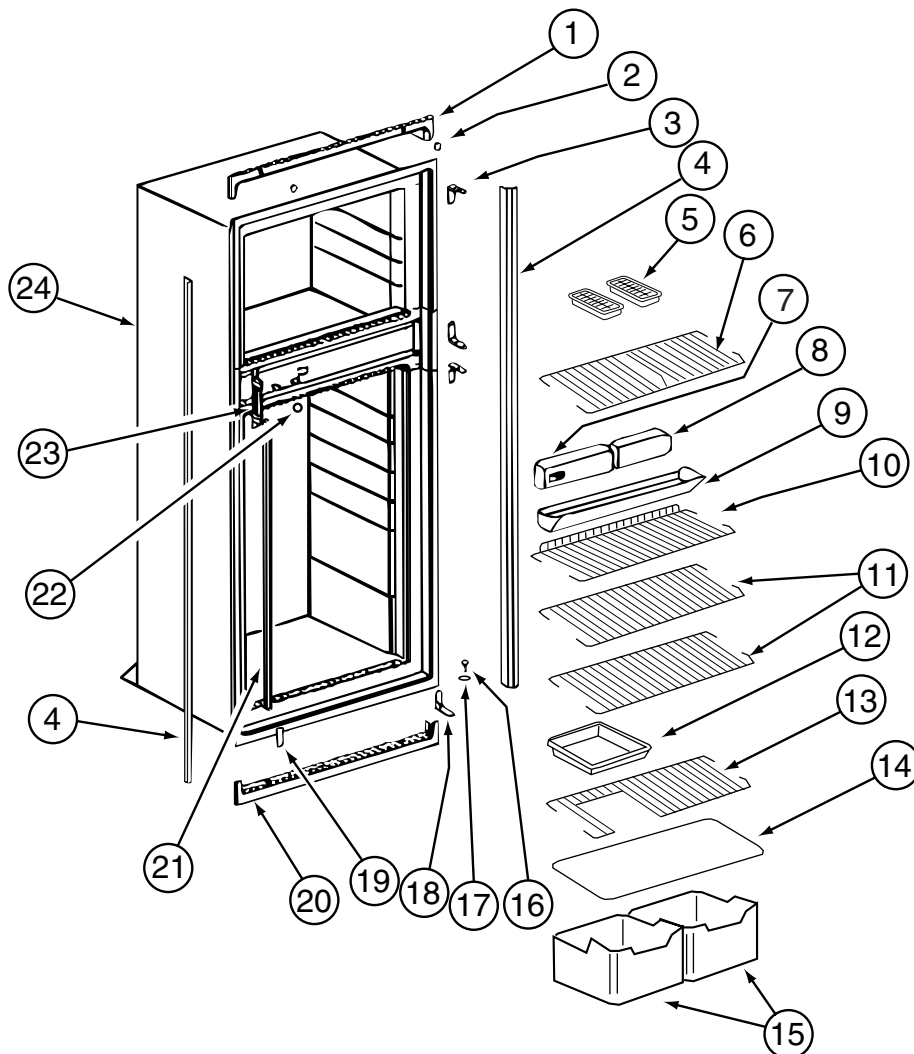


121569-03-01A, 121569-04-01A, 121569-05-01A, 121569-06-01A, 121569-07-01A (CONTINUED)

| KEY | PART NUMBER | U/M | DESCRIPTION | VENDOR NO. |
|-----|---------------|-----|-----------------------------|------------|
| 1 | 104137-06-715 | EA | ELECTRODE-SPARK/SENSOR, SGL | 61692222 |
| 2 | 104137-06-714 | EA | BURNER ASSEMBLY, 5-SLOT | 61705222 |
| 3 | 120075-01-737 | EA | ORIFICE - JEWEL - .0155 | 618284 |
| 4 | 113737-01-702 | EA | PLUG 1/8" F/PRESSURE TAP | 61445322 |
| 4 | 113737-01-716 | EA | TAP-PRESSURE | 61594422 |
| 6 | 113737-01-750 | EA | TUBE-UNION | 61694622 |
| 7 | 084880-01-718 | EA | KIT-GAS VALVE/SOLENOID/TUBE | 621447 |
| 8 | 120075-01-738 | EA | COVER-POWER BOARD | 618185 |
| 9 | 121568-03-719 | EA | POWER - BOARD - 2-WAY | 621267 |
| | 121568-03-720 | EA | VALVE/SOLENOID-MAN SHUT OFF | 618696 |
| | 121569-07-700 | EA | CORD - AC POWER | 61554422 |

CONTACT WINNEBAGO PART SALES FOR UNLISTED COMPONENT(S)

CABINET & APPLIANCE GROUP (CONTINUED)
COMPONENT PARTS FOR CABINET & APPLIANCE LAYOUT (CONTINUED)

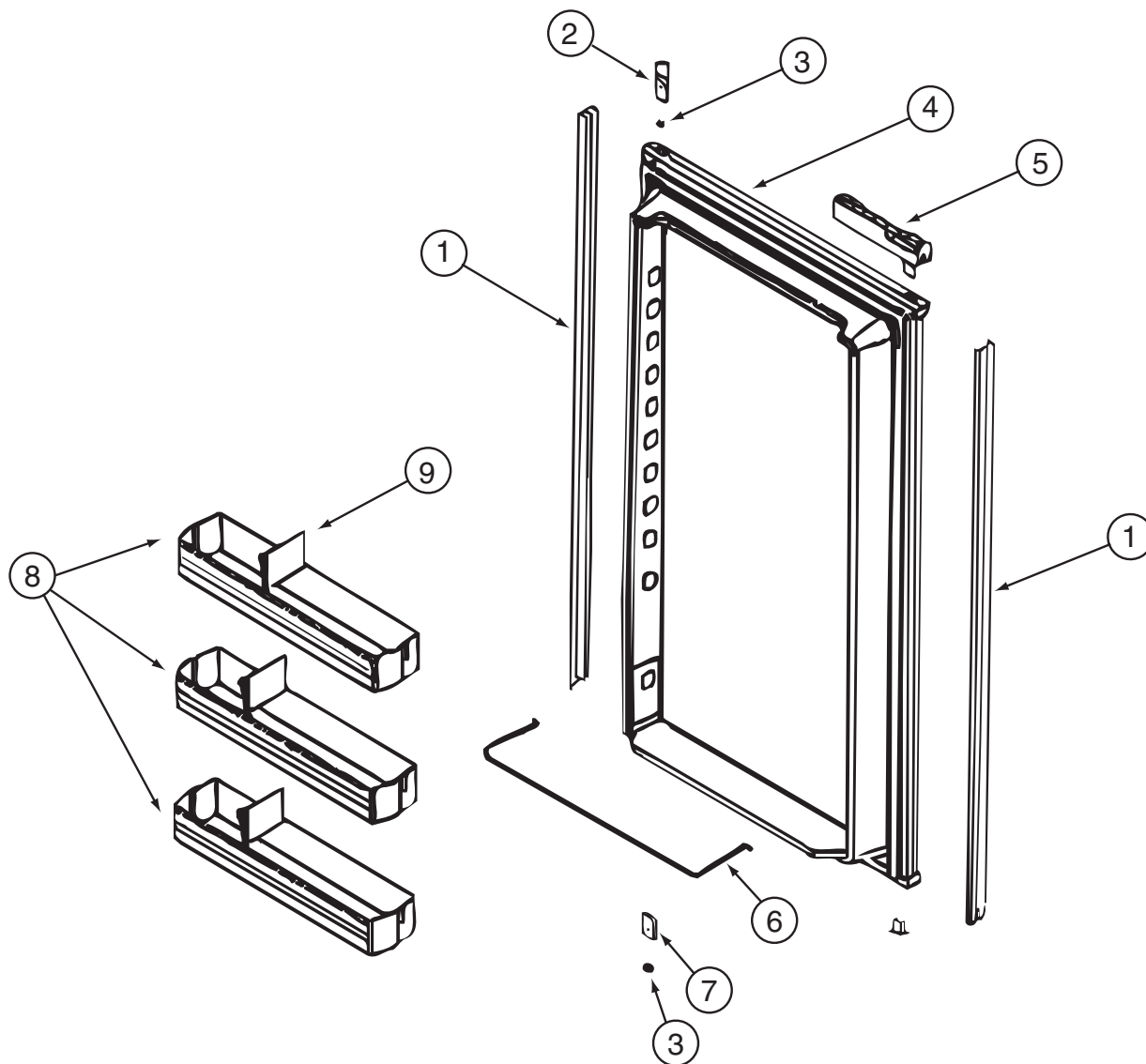


121569-03-01A, 121569-04-01A, 121569-05-01A, 121569-06-01A, 121569-07-01A (CONTINUED)

| KEY | PART NUMBER | U/M | DESCRIPTION | VENDOR NO. |
|-----|---------------|-----|-------------------------------|----------------|
| 1 | 121568-03-709 | EA | TRIM - TOP/BLACK | 619687 |
| 2 | 120075-01-714 | EA | PLUG-HOLE (BLACK) | 618170 |
| 3 | 121568-03-710 | EA | HINGE/CABINET-TOP/RH-LWR/LH | 619335 WAFFLED |
| 4 | 120075-07-705 | EA | TRIM - SIDE - BLACK | 622296 |
| 6 | 121568-03-712 | EA | SHELF - WIRE/FREEZER | 620250 |
| 7 | 121568-03-714 | EA | CONTROL ASM - 2 WAY BLACK | 619350 |
| 8 | 121568-03-713 | EA | FRONT BOX/DECORATIVE-BLACK | 619282 |
| 9 | 120075-01-720 | EA | TRAY-DRIP | 623250 |
| 10 | 121568-01-707 | EA | SHELF - WIRE - SHORT | 620272 |
| 11 | 121568-01-708 | EA | SHELF - WIRE | 620273 |
| 14 | 120075-01-725 | EA | COVER-CRISPER | 618158 |
| 15 | 121568-01-709 | EA | CRISPER | 618571 |
| 16 | 120075-01-727 | EA | PIN-HINGE | 618145 |
| 18 | 121568-03-715 | EA | HINGE/CABINET-TOP/LH-LWR/RH | 619336 WAFFLED |
| 19 | 121568-03-716 | EA | COVER - HINGE HOLES | 619301 |
| 20 | 120075-01-729 | EA | TRIM-BOTTOM PIECE | 620958 |
| 21 | 120075-01-730 | EA | RETAINER-SHELF(SER#926684 DN) | 618181 |
| 22 | 121568-03-717 | EA | HOLE PLUG - WHITE | 619561 |
| 23 | 120075-01-732 | EA | PLATE-STRIKE | 618167 |
| 24 | 120075-07-709 | EA | CABINET - FOAMED | 619347 |
| | 120075-01-721 | EA | LOUVER-DRIP TRAY | 618176 |

CONTACT WINNEBAGO PART SALES FOR UNLISTED COMPONENT(S)

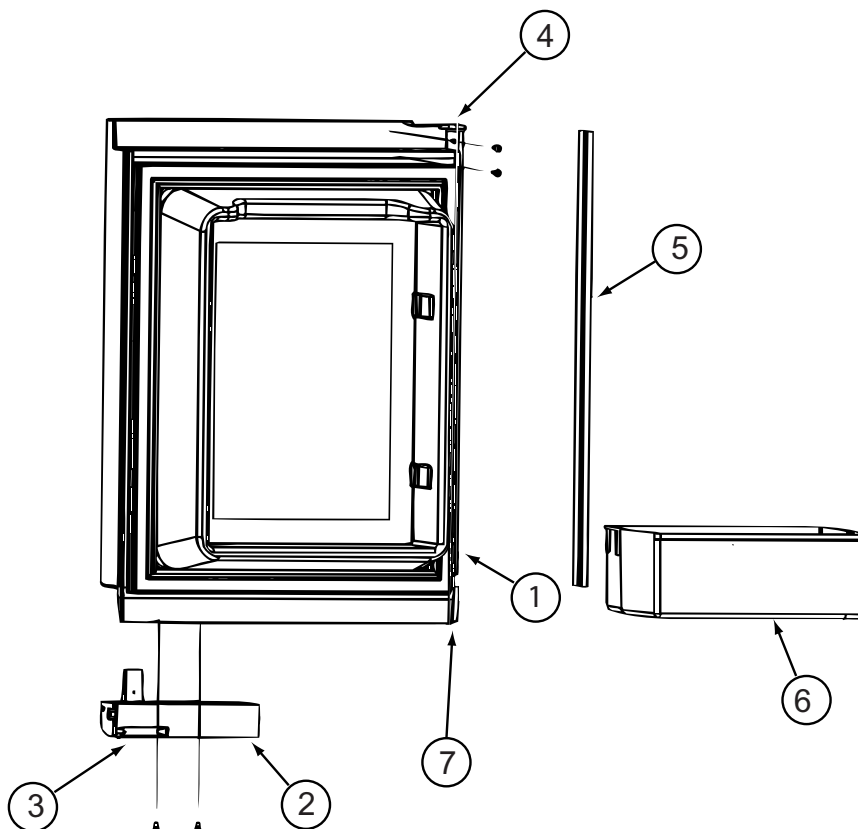
CABINET & APPLIANCE GROUP (CONTINUED)
COMPONENT PARTS FOR CABINET & APPLIANCE LAYOUT (CONTINUED)



121569-05-01A, 121569-06-01A, 121569-07-01A (CONTINUED)

| KEY | PART NUMBER | U/M | DESCRIPTION | VENDOR NO. |
|-----|---------------|-----|--------------------------------|-------------------|
| 1 | 120075-07-702 | EA | RETAINER - DOOR PNL/WAFFLE/BLK | 619560 -WDL-LOWER |
| 2 | 120075-01-701 | EA | HINGE-TOP RH/BOTTOM LH(DOOR) | 618511 |
| 3 | 121568-03-701 | EA | BUSHING - HINGE PIN/GRAY | 619671 |
| 4 | 120075-07-703 | EA | DOOR LINER-LWR/WAFFLED/BLACK | 619631 LARGE WDL |
| 5 | 120075-12-701 | EA | HANDLE(CONTOUR)TOP RH/BTM LH | 621104 |
| 6 | 121568-01-704 | EA | RAIL - DOOR LOWER | 618578 |
| 7 | 120075-01-705 | EA | HINGE-TOP LH/BOTTOM RH(DOOR) | 618510 |
| 8 | 121568-01-701 | EA | BIN - DOOR WHITE-WAFFLED LNR | 618619 WDL |
| 9 | 120075-07-701 | EA | DIVIDER/DOOR BIN CLEAR | 619008 WDL & SDL |
| | 121568-03-705 | EA | STORAGE LATCH - GRAY | 619648 |

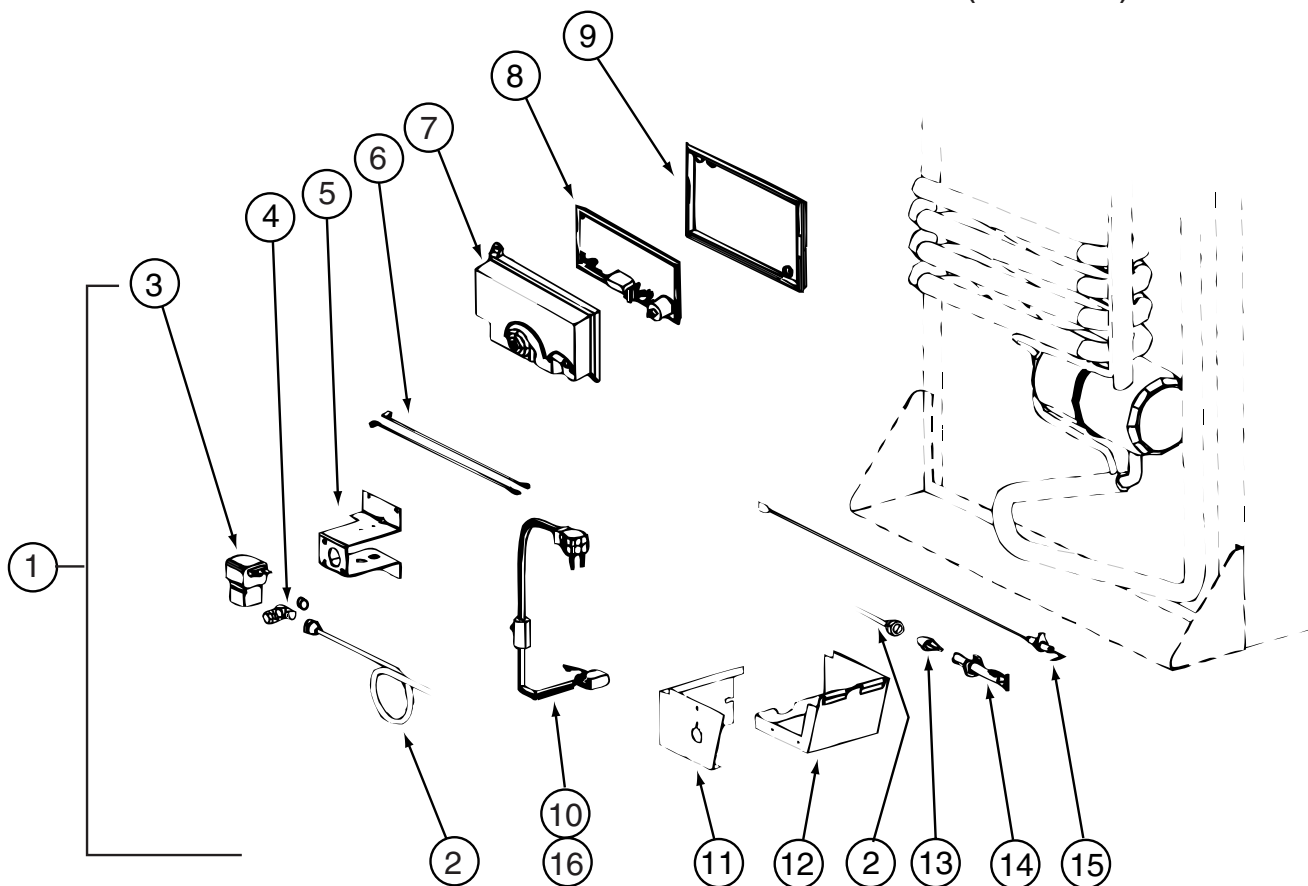
CABINET & APPLIANCE GROUP (CONTINUED)
COMPONENT PARTS FOR CABINET & APPLIANCE LAYOUT (CONTINUED)



125242-02-01A

| KEY | PART NUMBER | U/M | DESCRIPTION | VENDOR NO. |
|-----|---------------|-----|------------------------------|---------------------|
| 1 | 125242-01-762 | EA | LINER/FOAMED-UPPER/LH-WHITE | 619839 |
| 1 | 125242-02-734 | EA | LINER/FOAMED-UPPER/LH-BLACK | 625212 AFT #1291390 |
| 2 | 125242-02-700 | EA | HANDLE(CONTOUR)TOP LH BTM RH | 621107 |
| 3 | 125242-02-722 | EA | LATCH-STORAGE DR/BLK POINTED | 619374 |
| 4 | 125242-02-724 | EA | HINGE - DOOR | 618792 |
| 5 | 125242-02-723 | EA | RETAINER/PANEL-UPPER DOOR | 623166 |
| 6 | 125242-03-704 | EA | DOOR BIN | 622831 |
| 7 | 125242-01-704 | EA | BUSHING-HINGE MIDDLE | 618746 |
| | 125242-02-725 | EA | DOOR ASM/UPR LH/WHITE GASKET | 621148 |
| | 125242-02-735 | EA | DOOR ASM/UPR LH/BLACK GASKET | 625220 AFT #1291390 |
| | 125242-01-719 | EA | RETAINER-UPPER PANEL | 618825 = 623166 |

CABINET & APPLIANCE GROUP (CONTINUED)
COMPONENT PARTS FOR CABINET & APPLIANCE LAYOUT (CONTINUED)

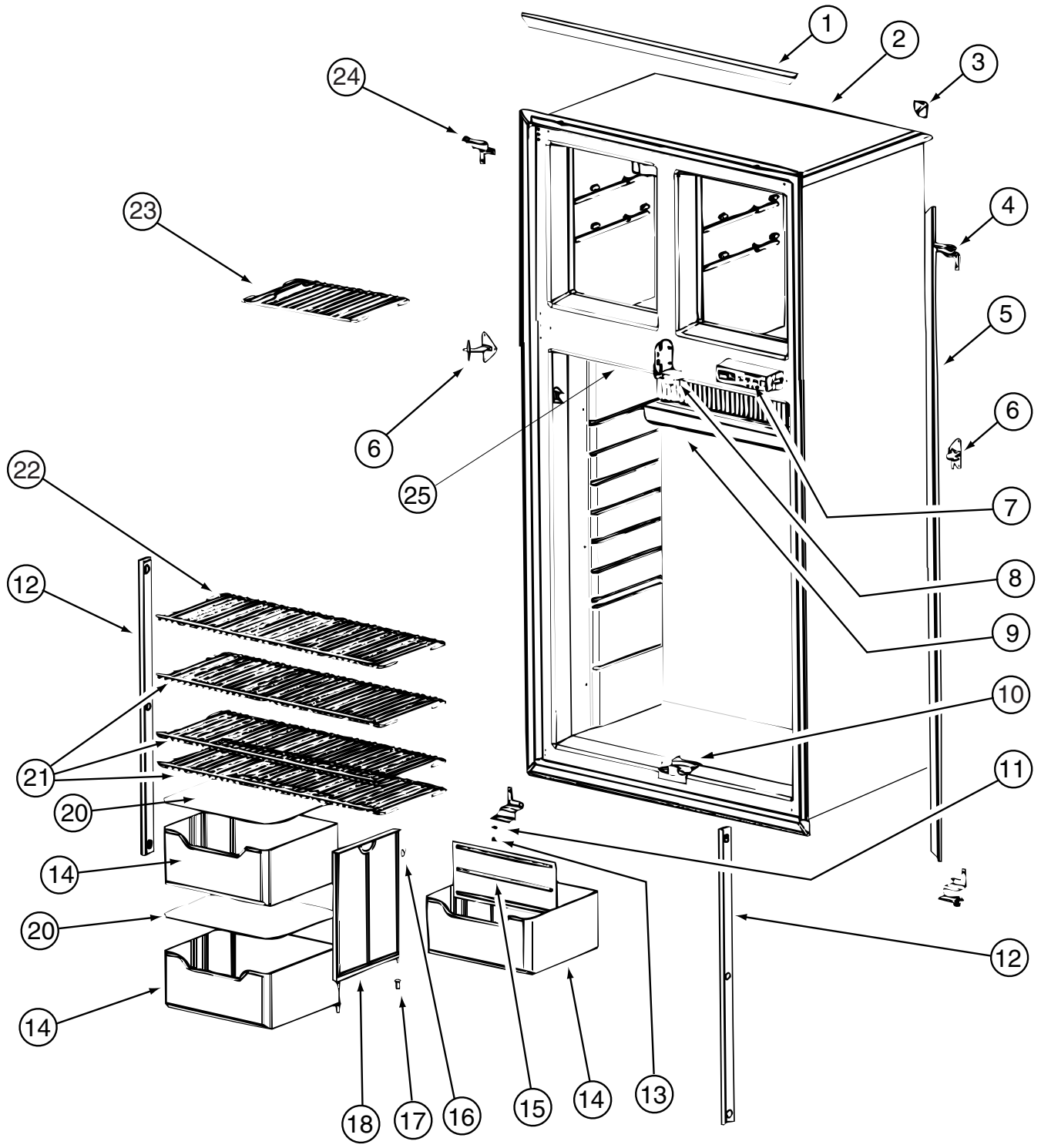


125242-02-01A (CONTINUED)

| KEY | PART NUMBER | U/M | DESCRIPTION | VENDOR NO. |
|-----|---------------|-----|------------------------------|------------|
| 1 | 125242-01-753 | EA | KIT-GAS VALVE/SOLENOID/TUBE | 621445 |
| 2 | 125242-01-744 | EA | BURNER TUBE | 618937 |
| 4 | 113737-01-716 | EA | TAP-PRESSURE | 61594422 |
| 7 | 120075-01-738 | EA | COVER-POWER BOARD | 618185 |
| 8 | 125242-02-703 | EA | POWER BOARD (SER #832171 UP) | 621271 |
| 9 | 120075-01-740 | EA | COVER-BASE, POWER BOARD | 618186 |
| 11 | 125242-01-740 | EA | COVER-BURNER BOX | 618910 |
| 12 | 125242-01-739 | EA | BASE-BURNER BOX | 618902 |
| 13 | 125242-01-717 | EA | ORIFICE-JEWELED | 618814 |
| 14 | 125242-01-743 | EA | BURNER - 8 SLOT | 618932 |
| 15 | 104137-06-715 | EA | ELECTRODE-SPARK/SENSOR, SGL | 61692222 |
| | 113737-01-753 | EA | PIN (TRAVEL LATCH) | 618046 |

CONTACT WINNEBAGO PART SALES FOR UNLISTED COMPONENT(S)

CABINET & APPLIANCE GROUP (CONTINUED)
COMPONENT PARTS FOR CABINET & APPLIANCE LAYOUT (CONTINUED)



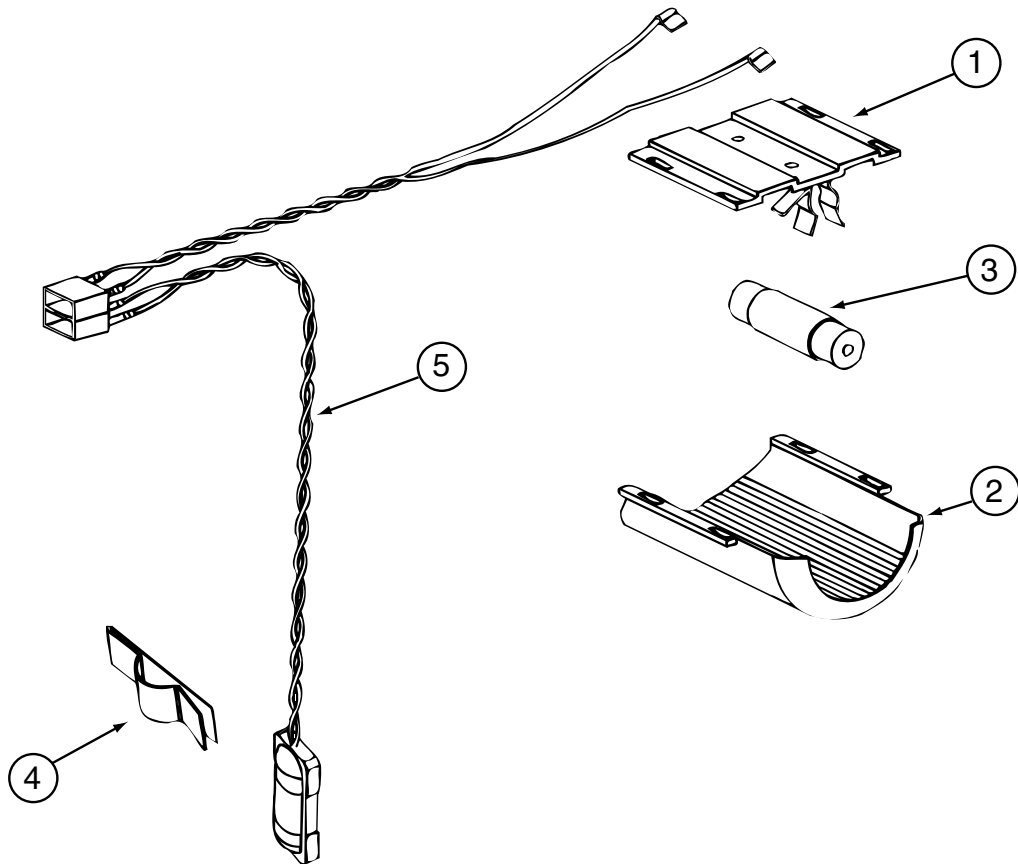
125242-02-01A (CONTINUED)

CABINET & APPLIANCE GROUP (CONTINUED)
COMPONENT PARTS FOR CABINET & APPLIANCE LAYOUT (CONTINUED)

125242-02-01A (CONTINUED)

| KEY | PART NUMBER | U/M | DESCRIPTION | VENDOR NO. |
|------------|--------------------|------------|-------------------------------|----------------------|
| 1 | 125242-01-723 | EA | TRIM-HORIZONTAL-FRT SNAP ON | 618845 |
| 1 | 125242-02-713 | EA | TRIM/UPR/LWR - SIDE SNAP ON | 621975 |
| 1 | 125242-02-730 | EA | TRIM - TOP/BOTTOM - SCREW ON | 623255 |
| 2 | 125242-01-748 | EA | CABINET/FOAMED ASSEMBLY | 618748 |
| 3 | 125242-01-722 | EA | TRIM-CORNER | 618844 |
| 3 | 125242-01-767 | EA | KIT INSTALL(U TRIM PCS)HDW | 623528 |
| 4 | 125242-01-715 | EA | HINGE - TOP RH/BOTTOM LH | 618798 |
| 5 | 125242-01-724 | EA | TRIM-LT/RT-FRT VERT SNAPON | 618846 |
| 5 | 125242-01-766 | EA | TRIM-LT/RT HAND-SCREW ON | 623254 |
| 5 | 125242-02-714 | EA | TRIM/SIDES - SIDE SNAP ON | 621976 |
| 6 | 125242-01-713 | EA | HINGE-MIDDLE (PAINTED) | 618794 |
| 7 | 125242-01-705 | EA | CONTROL ASM(SER#832171) DWN | 618750 |
| 7 | 125242-02-704 | EA | DISPLAY ASM (SER#832172) UP | 621188 |
| 8 | 125242-01-751 | EA | BLOCK - GUIDE - UPPER | 618789 |
| 9 | 125242-01-712 | EA | DRIP TRAY | 618774 |
| 10 | 125242-01-752 | EA | BLOCK - GUIDE - LOWER | 618788 |
| 11 | 120075-01-708 | EA | BUSHING-DOOR HINGE | 618144 |
| 12 | 120075-01-730 | EA | RETAINER-SHELF(SER#926684) DN | 618181 |
| 12 | 125242-02-720 | EA | RETAINER/SHELF(SER#926685) UP | 622033 |
| 13 | 120075-01-727 | EA | PIN-HINGE | 618145 |
| 14 | 125242-01-734 | EA | CRISPER/BOTTLE BIN | 618878 |
| 15 | 125242-01-733 | EA | DIVIDER-BOTTLE CRISPER | 618877 |
| 16 | 125242-01-750 | EA | CLIP | 61409622 |
| 17 | 113737-01-701 | EA | BUSHING-HINGE | 61742022 |
| 18 | 125242-01-749 | EA | SUPPORT - WALL | 618840 |
| 20 | 125242-01-706 | EA | COVER-CRISPER | 618757 |
| 21 | 125242-01-726 | EA | SHELF-WIRE (LONG) | 618848 |
| 22 | 125242-01-727 | EA | SHELF-WIRE (SHORT) | 618849 |
| 23 | 125242-01-725 | EA | SHELF-FREEZER (WIRE) | 618847 |
| 24 | 125242-01-714 | EA | HINGE - TOP LH/BOTTOM RH | 618796 |
| 25 | 125242-01-735 | EA | SWITCH - DOOR LIGHT | 618884 |
| 25 | 125242-01-768 | EA | SWITCH - DOOR LIGHT | 623918 |
| | 120075-01-714 | EA | PLUG-HOLE (BLACK) | 618170 |
| | 125242-01-728 | EA | CAP-SCREW WHITE | 618853 |
| | 125242-02-741 | EA | STRIP-FREEZER-BLACK | 625210 #1291391 & UP |

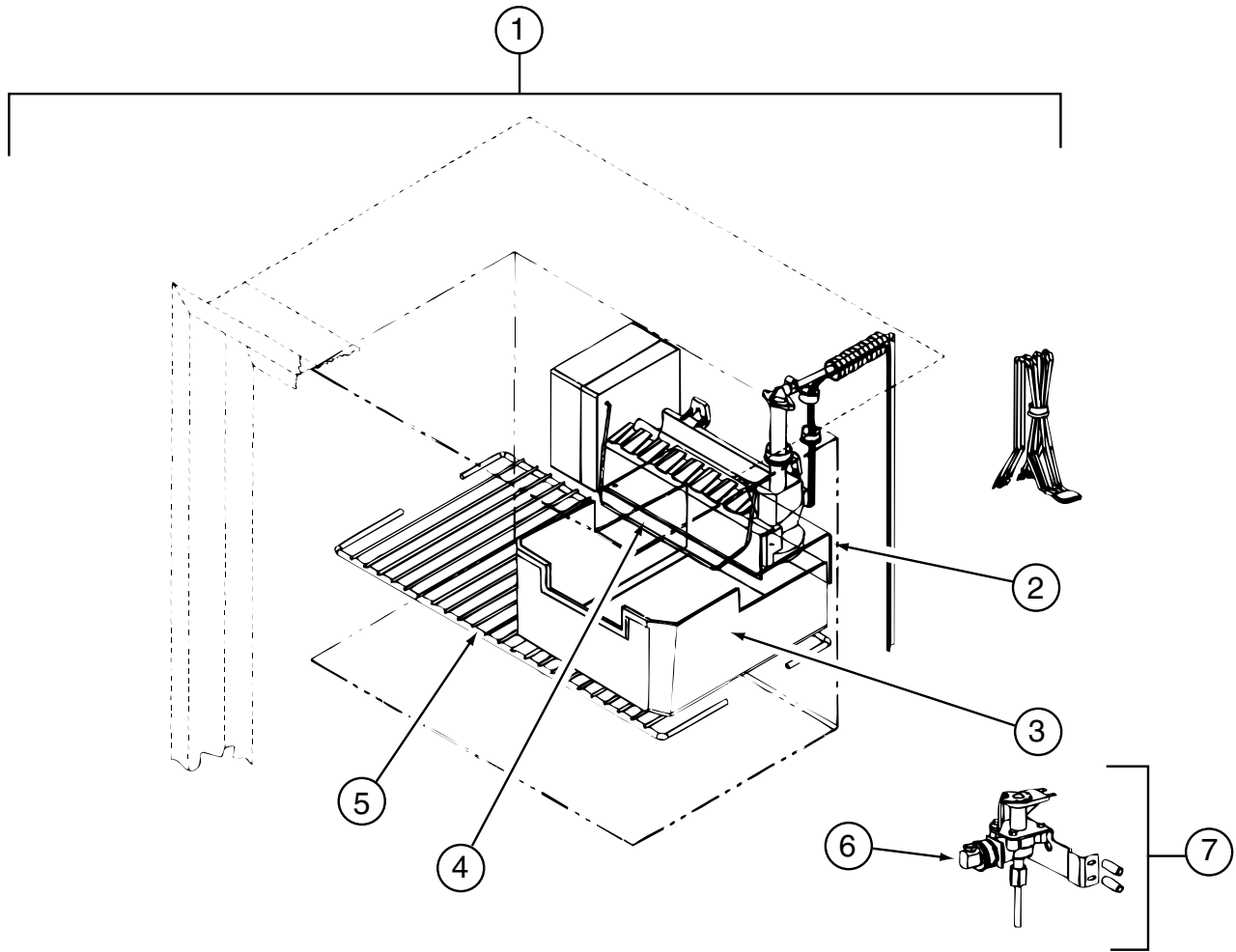
CABINET & APPLIANCE GROUP (CONTINUED)
COMPONENT PARTS FOR CABINET & APPLIANCE LAYOUT (CONTINUED)



125242-02-01A & 125242-03-01A (CONTINUED)

| KEY | PART NUMBER | U/M | DESCRIPTION | VENDOR NO. |
|-----|---------------|-----|------------------------------|------------|
| 1 | 084880-03-705 | EA | BRACKET-LIGHT-INTERIOR | 61629722 |
| 2 | 120075-01-734 | EA | COVER-LENS | 618190 |
| 3 | 084880-03-706 | EA | BULB-LAMP | 61628922 |
| 4 | 084880-01-760 | EA | CLIP (THERMISTER) | 61689122 |
| 5 | 120075-01-735 | EA | THERMISTER W/LAMP & WIRE/ASM | 618548 |
| | 125242-02-706 | EA | LAMP/WIRE ASM/SER#849677 UP | 620871 |
| | 125242-02-707 | EA | LAMP/WIRE ASM SER#849677 DWN | 621742 |

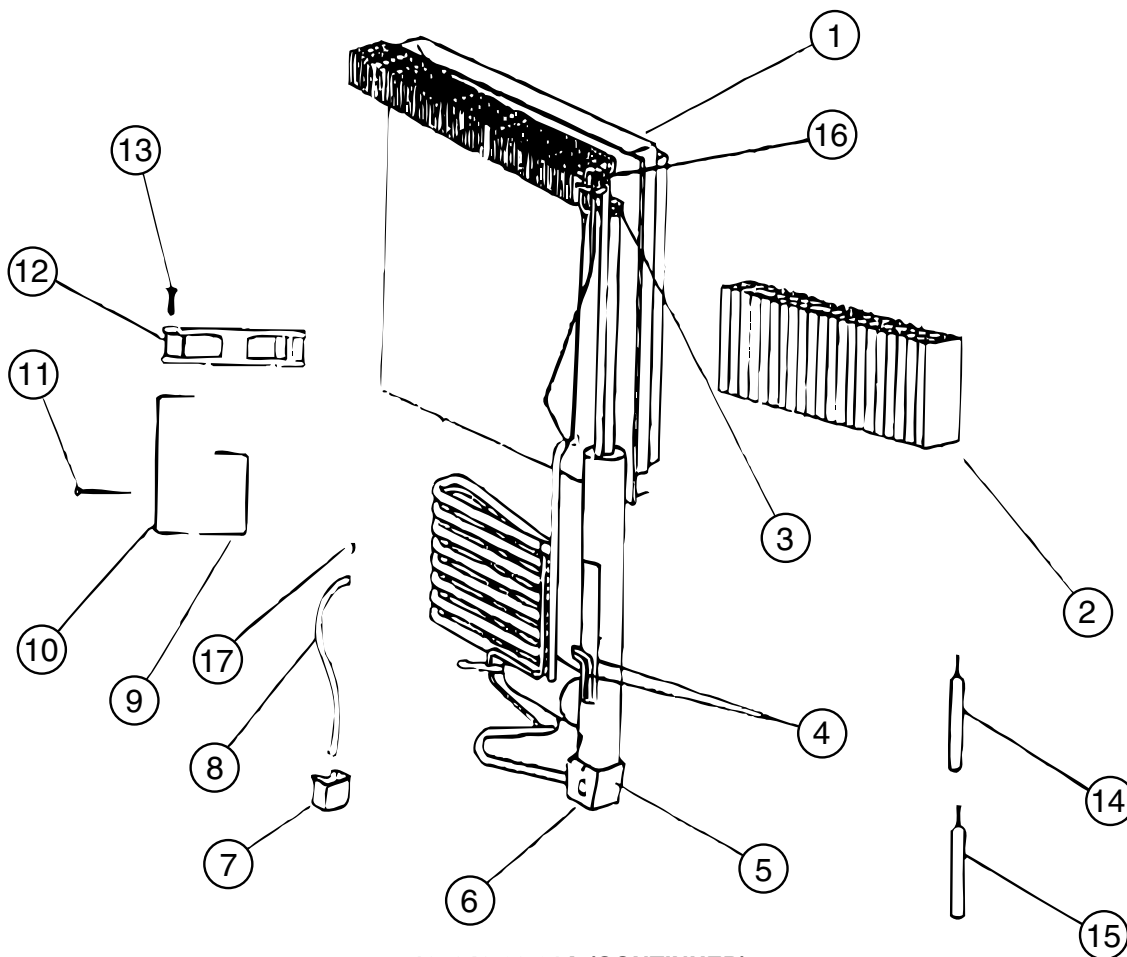
CABINET & APPLIANCE GROUP (CONTINUED)
COMPONENT PARTS FOR CABINET & APPLIANCE LAYOUT (CONTINUED)



125242-02-01A & 125242-03-01A (CONTINUED)

| KEY | PART NUMBER | U/M | DESCRIPTION | VENDOR NO. |
|-----|---------------|-----|------------------------------|---------------|
| 1 | 094039-07-706 | EA | ICE MAKER W/O PLATES | 61656522 |
| 2 | 125242-01-737 | EA | BRACKET-MOUNTING (ICE MAKER) | 618894/620890 |
| 3 | 125242-01-716 | EA | ICE BIN | 618803 |
| 4 | 120075-03-703 | EA | ARM-SHUT OFF | 61656922 |
| 5 | 125242-01-725 | EA | SHELF-FREEZER (WIRE) | 618847 |
| 6 | 120075-03-702 | EA | NUT/COMPRESSION - FITTING | 61678722 |
| 7 | 120075-03-701 | EA | VALVE ASM., WATER, W/BRACKET | 618253 |
| | 094039-07-707 | EA | GARDEN HOSE ADAP W/BRASS NUT | 61679622 |
| | 094039-07-708 | EA | NUT - COMPRESSION | 622991 |

CABINET & APPLIANCE GROUP (CONTINUED)
COMPONENT PARTS FOR CABINET & APPLIANCE LAYOUT (CONTINUED)

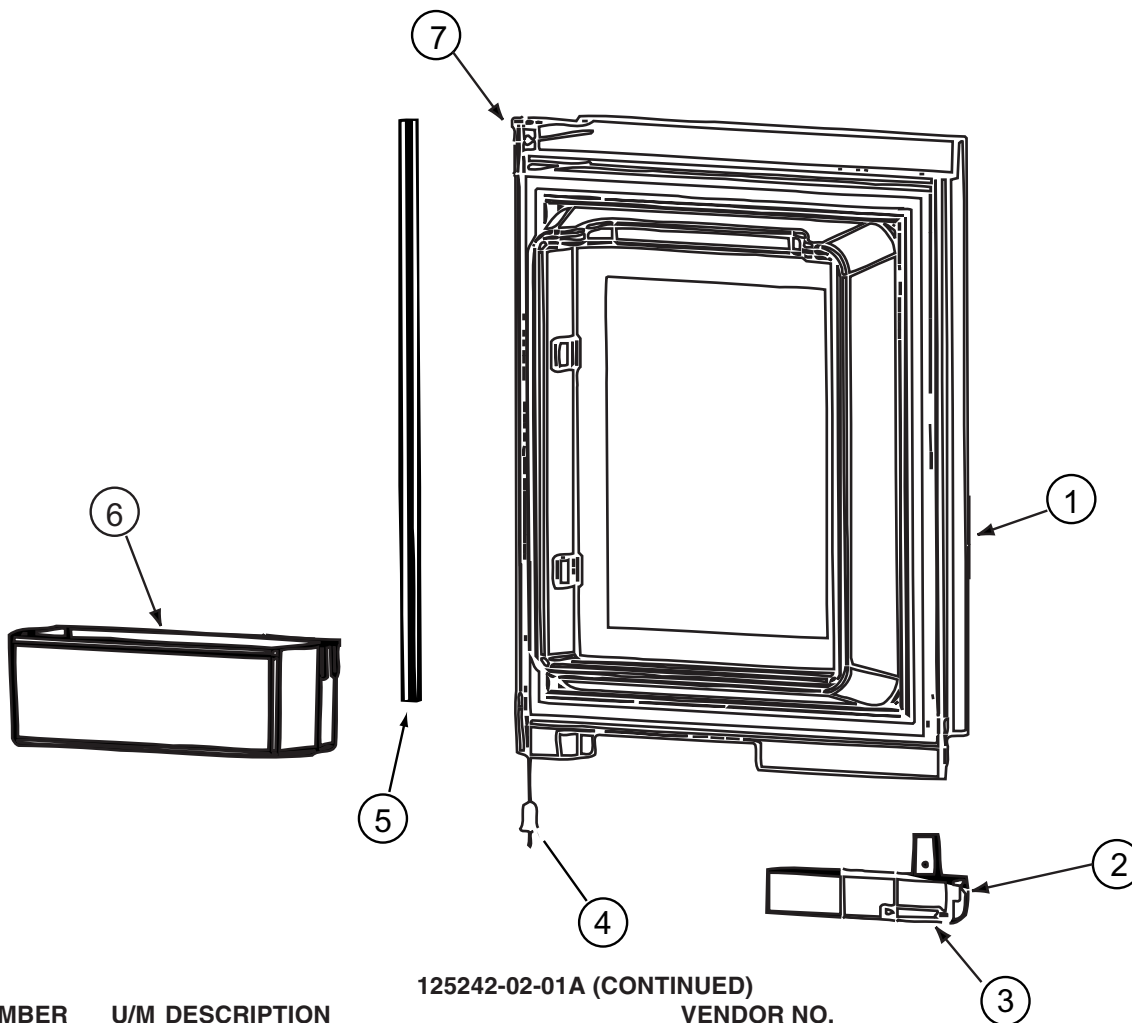


125242-02-01A (CONTINUED)

| KEY | PART NUMBER | U/M | DESCRIPTION | VENDOR NO. |
|-----|---------------|-----|-------------------------|------------|
| 1 | 125242-01-746 | EA | COOLING UNIT - 1200 | 618964 |
| 4 | 125242-01-732 | EA | HEATER AC - 225W/110VAC | 618872 |
| 5 | 125242-01-739 | EA | BASE-BURNER BOX | 618902 |
| 6 | 125242-01-740 | EA | COVER-BURNER BOX | 618910 |
| 9 | 125242-01-730 | EA | BRACKET-DC FAN | 618857 |
| 10 | 125242-01-741 | EA | SUPPORT-DC FAN | 618912 |
| 12 | 125242-01-729 | EA | FAN-EXTERNAL DC | 618856 |
| 16 | 113737-01-754 | EA | THERMOSTAT (FAN 12V DC) | 618093 |

CONTACT WINNEBAGO PART SALES FOR UNLISTED COMPONENT(S)

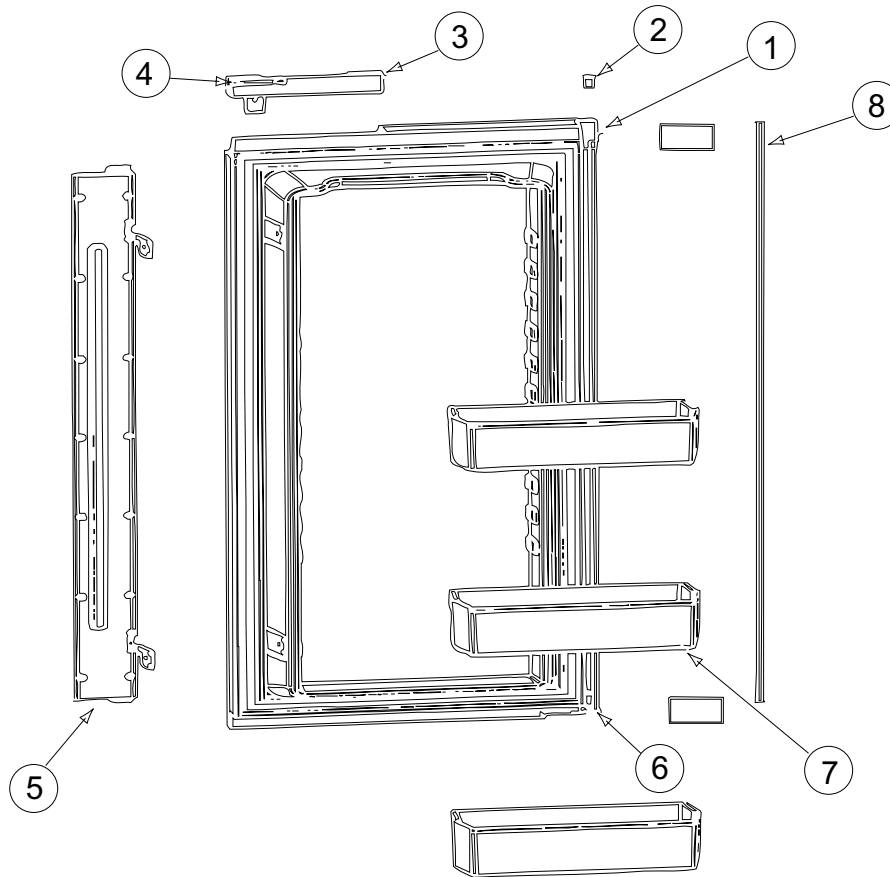
CABINET & APPLIANCE GROUP (CONTINUED)
COMPONENT PARTS FOR CABINET & APPLIANCE LAYOUT (CONTINUED)



125242-02-01A (CONTINUED)

| KEY | PART NUMBER | U/M | DESCRIPTION | VENDOR NO. |
|-----|---------------|-----|------------------------------|---------------------|
| 1 | 125242-01-763 | EA | LINER/FOAMED-UPPER/RH-WHITE | 619840 |
| 1 | 125242-02-733 | EA | LINER/FOAMED-UPPER/RH-BLACK | 625213 1291391 & UP |
| 2 | 125242-02-701 | EA | HANDLE(CONTOUR)TOP RH LWR LH | 621106 |
| 3 | 125242-02-722 | EA | LATCH-STORAGE DR/BLK POINTED | 619374 |
| 4 | 125242-01-704 | EA | BUSHING-HINGE MIDDLE | 618746 |
| 5 | 125242-02-723 | EA | RETAINER/PANEL-UPPER DOOR | 623166 |
| 6 | 125242-03-704 | EA | BIN - DOOR SHELF | 622831 |
| 7 | 125242-02-724 | EA | HINGE - DOOR | 618792 |
| | 125242-02-721 | EA | DOOR ASM-UPR/RH/WHITE GASKET | 621149 |
| | 125242-02-732 | EA | DOOR ASM-UPR/RH/BLACK GASKET | 625221 1291391 & UP |
| | 125242-01-719 | EA | RETAINER-UPPER PANEL | 618825 = 623166 |

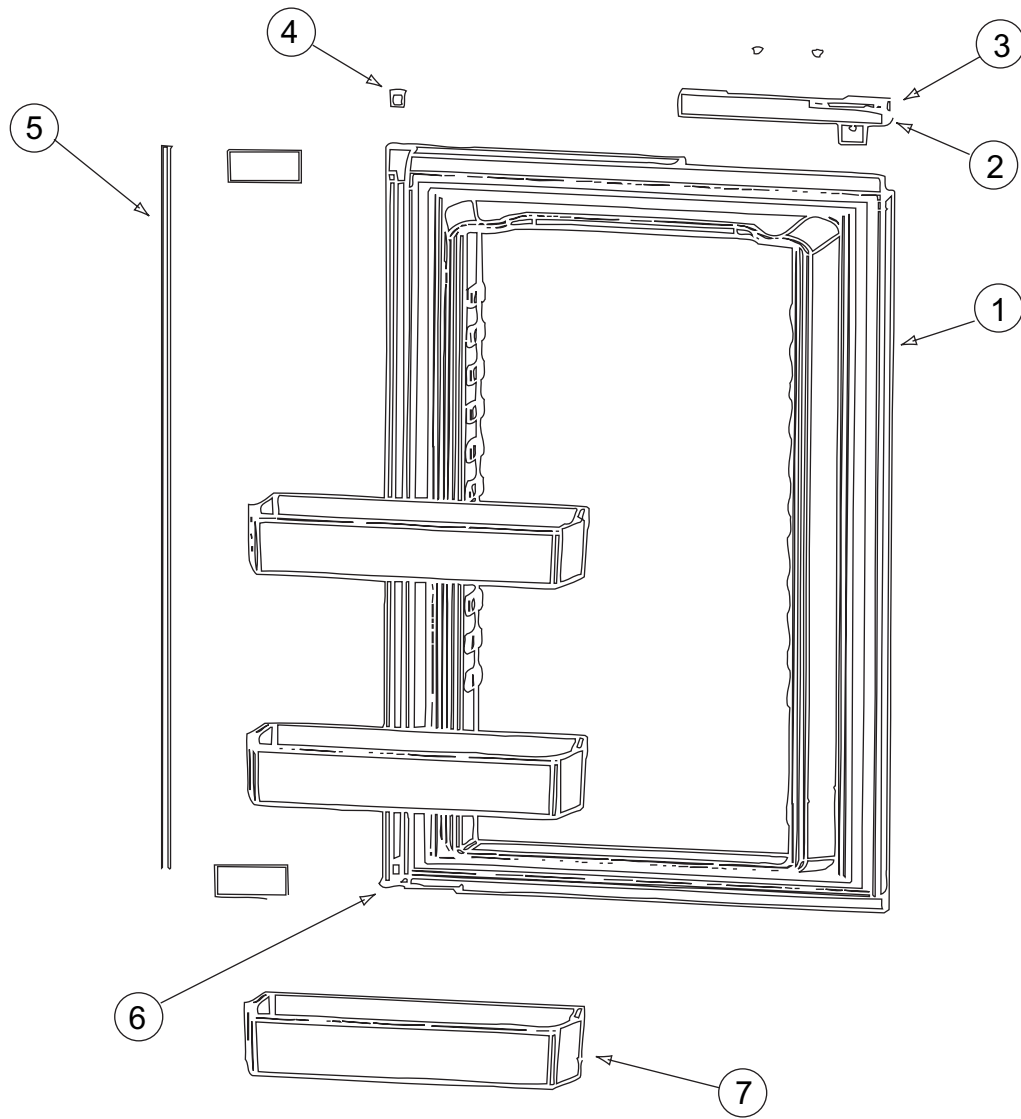
CABINET & APPLIANCE GROUP (CONTINUED)
COMPONENT PARTS FOR CABINET & APPLIANCE LAYOUT (CONTINUED)



125242-02-01A (CONTINUED)

| KEY | PART NUMBER | U/M | DESCRIPTION | VENDOR NO. |
|-----|---------------|-----|----------------------------------|---------------------|
| 1 | 125242-01-765 | EA | LINER/FOAMED-LOWER-LH-WHITE | 619837 |
| 1 | 125242-02-739 | EA | LINER/FOAMED-LOWER-LH-BLACK | 625214 1291390 & UP |
| 2 | 125242-01-704 | EA | BUSHING-HINGE MIDDLE | 618746 |
| 3 | 125242-02-701 | EA | HANDLE(CONTOUR)TOP RH LWR LH | 621106 |
| 4 | 125242-02-722 | EA | LATCH-STORAGE DR/BLK POINTED | 619374 |
| 5 | 125242-02-727 | EA | FLAPPER/DBL POLE (SER#540295) UP | 619845 |
| 5 | 125242-02-740 | EA | FLAPPER/DBL POLE SER#1291391 | 623887 1291391 & UP |
| 6 | 125242-02-724 | EA | HINGE - DOOR | 618792 |
| 7 | 125242-03-704 | EA | BIN - DOOR SHELF | 622831 |
| 8 | 125242-02-728 | EA | RETAINER/PANEL - LOWER | 623167 |
| | 125242-02-726 | EA | DOOR ASM-LWR LH/WHITE GASKET | 621150 |
| | 125242-02-738 | EA | DOOR ASM-LWR LH/BLACK GASKET | 625222 1291390 & UP |
| | 125242-02-716 | EA | GUIDE ASM LWR(SER#540294 DN) | 620042 |
| | 125242-02-717 | EA | GUIDE ASM LWR(SER#540295 UP) | 620043 |
| | 125242-03-706 | EA | PROBE - CONTACT/LARGE | 620689 |

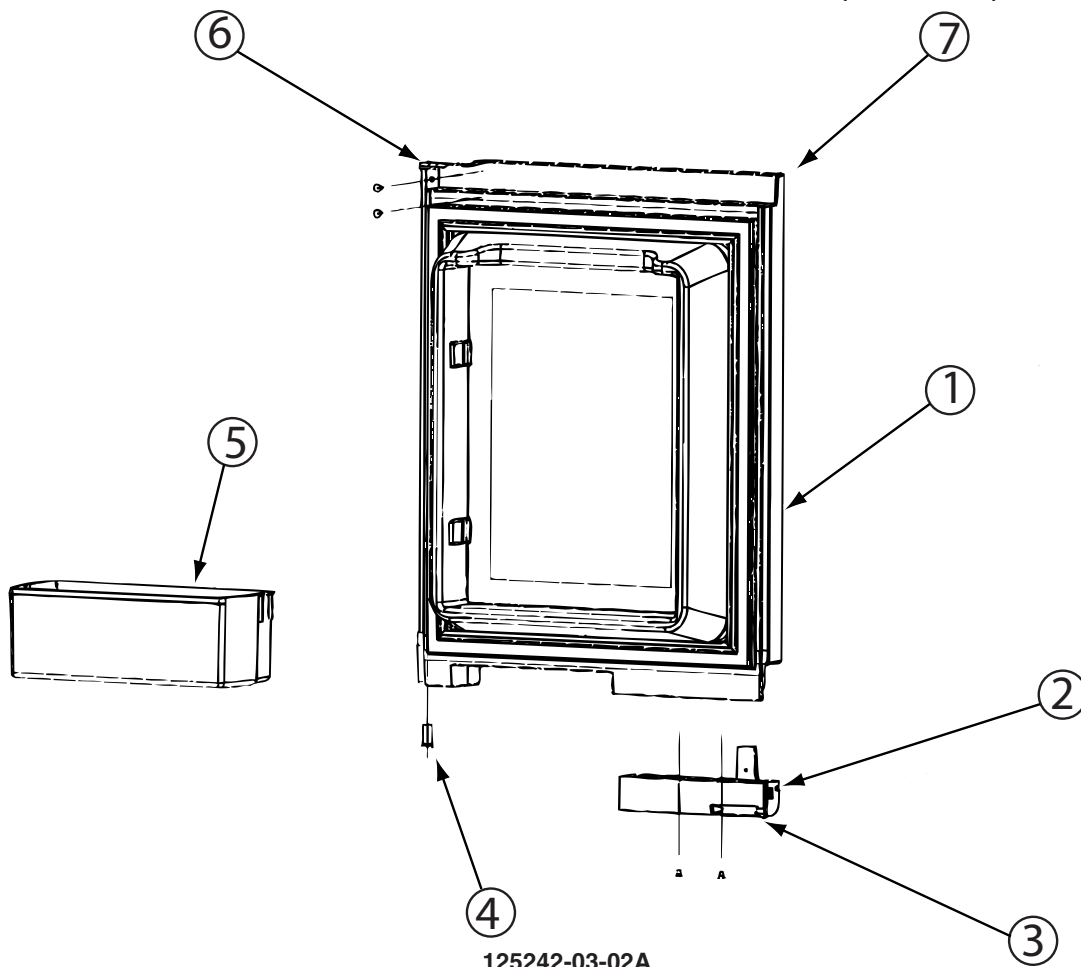
CABINET & APPLIANCE GROUP (CONTINUED)
COMPONENT PARTS FOR CABINET & APPLIANCE LAYOUT (CONTINUED)



125242-02-01A (CONTINUED)

| KEY | PART NUMBER | U/M | DESCRIPTION | VENDOR NO. |
|-----|---------------|-----|------------------------------|---------------------|
| 1 | 125242-01-764 | EA | LINER/FOAMED-LOWER/RH-WHITE | 619838 |
| 1 | 125242-02-737 | EA | LINER/FOAMED-LOWER/RH-BLACK | 625215 F/1291391&UP |
| 2 | 125242-02-700 | EA | HANDLE(CONTOUR)TOP LH BTM RH | 621107 |
| 3 | 125242-02-722 | EA | LATCH-STORAGE DR/BLK POINTED | 619374 |
| 4 | 125242-01-704 | EA | BUSHING-HINGE MIDDLE | 618746 |
| 5 | 125242-02-728 | EA | RETAINER/PANEL - LOWER | 623167 |
| 6 | 125242-02-724 | EA | HINGE - DOOR | 618792 |
| 7 | 125242-03-704 | EA | BIN - DOOR SHELF | 622831 |
| | 125242-02-729 | EA | DOOR ASM-LWR RH/WHITE GASKET | 621151 |
| | 125242-02-736 | EA | DOOR ASM-LWR RH/BLACK GASKET | 625223 F/1291391&UP |
| | 125242-02-716 | EA | GUIDE ASM LWR(SER#540294 DN) | 620042 |
| | 125242-02-717 | EA | GUIDE ASM LWR(SER#540295 UP) | 620043 |

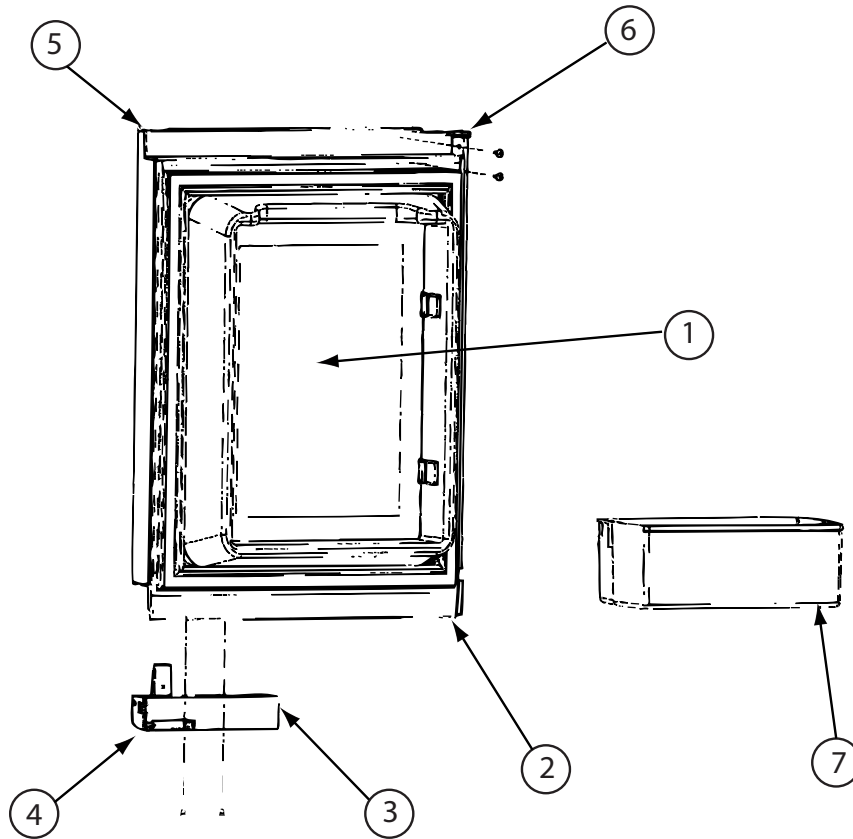
CABINET & APPLIANCE GROUP (CONTINUED)
COMPONENT PARTS FOR CABINET & APPLIANCE LAYOUT (CONTINUED)



125242-03-02A

| KEY | PART NUMBER | U/M | DESCRIPTION | VENDOR NO. |
|-----|---------------|-----|------------------------------|------------|
| 1 | 125242-03-721 | EA | LINER-DOOR/UPPER RH/WRP WPM | 62906101 |
| 2 | 125242-02-701 | EA | HANDLE(CONTOUR)TOP RH LWR LH | 621106 |
| 3 | 125242-02-722 | EA | LATCH-STORAGE DR/BLK POINTED | 619374 |
| 4 | 125242-01-704 | EA | BUSHING-HINGE MIDDLE | 618746 |
| 5 | 125242-03-704 | EA | BIN - DOOR SHELF | 622831 |
| 6 | 125242-03-722 | EA | CAP/DOOR HINGE-UPR RH/LWR LH | 623819 |
| 7 | 125242-03-723 | EA | CAP/DR CENTER-UPR RH/LWR LH | 623820 |

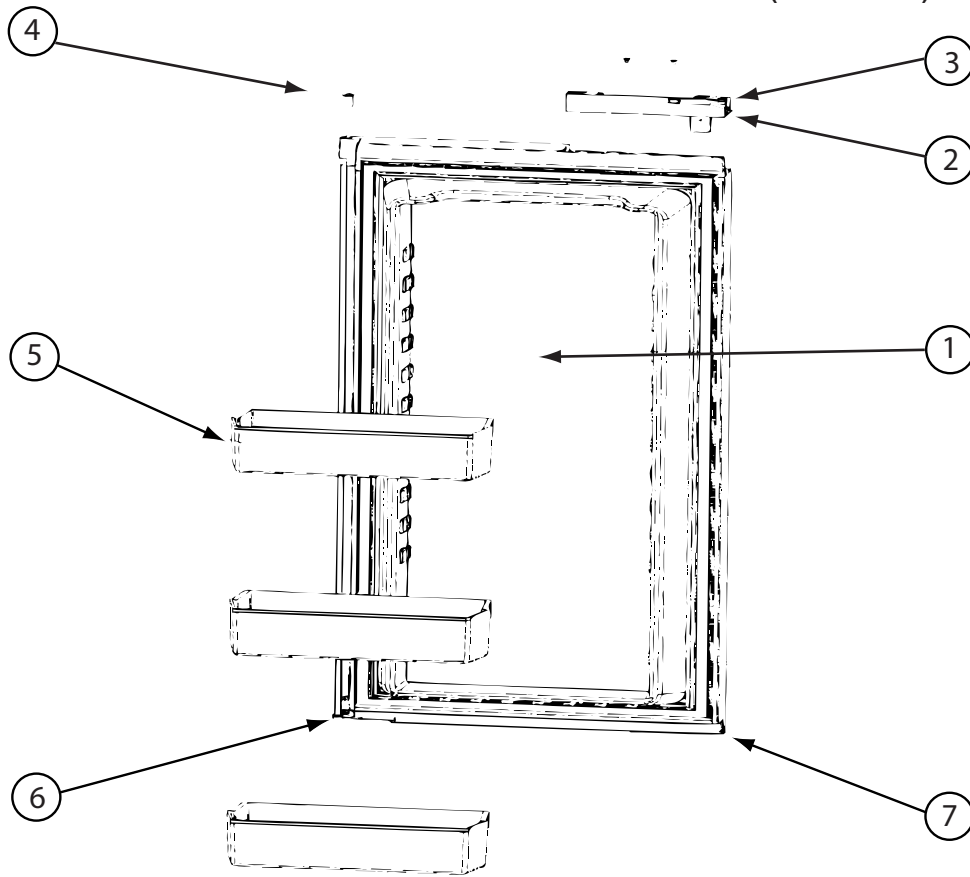
CABINET & APPLIANCE GROUP (CONTINUED)
COMPONENT PARTS FOR CABINET & APPLIANCE LAYOUT (CONTINUED)



125242-03-02A (CONTINUED)

| KEY | PART NUMBER | U/M | DESCRIPTION | VENDOR NO. |
|-----|---------------|-----|------------------------------|------------|
| 1 | 125242-03-724 | EA | LINER-DOOR/UPPER LH/WRP WPM | 62906001 |
| 2 | 125242-01-704 | EA | BUSHING-HINGE MIDDLE | 618746 |
| 3 | 125242-02-700 | EA | HANDLE(CONTOUR)TOP LH BTM RH | 621107 |
| 4 | 125242-02-722 | EA | LATCH-STORAGE DR/BLK POINTED | 619374 |
| 5 | 125242-03-726 | EA | CAP/DR CENTER-UPR LH/LWR RH | 623492 |
| 6 | 125242-03-725 | EA | CAP/DOOR HINGE-UPR LH/LWR RH | 623491 |
| 7 | 125242-03-704 | EA | BIN - DOOR SHELF | 622831 |

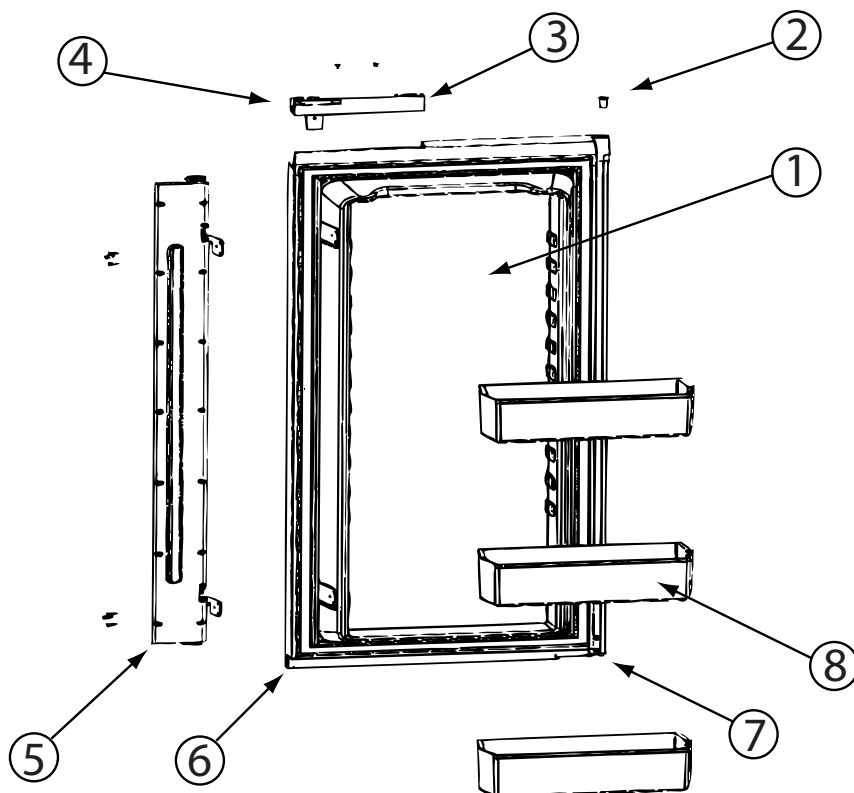
CABINET & APPLIANCE GROUP (CONTINUED)
COMPONENT PARTS FOR CABINET & APPLIANCE LAYOUT (CONTINUED)



125242-03-02A (CONTINUED)

| KEY | PART NUMBER | U/M | DESCRIPTION | VENDOR NO. |
|-----|---------------|-----|------------------------------|------------|
| 1 | 125242-03-727 | EA | LINER-DOOR/LOWER RH/WRP WPM | 62906301 |
| 2 | 125242-02-700 | EA | HANDLE(CONTOUR)TOP LH BTM RH | 621107 |
| 3 | 125242-02-722 | EA | LATCH-STORAGE DR/BLK POINTED | 619374 |
| 4 | 125242-01-704 | EA | BUSHING-HINGE MIDDLE | 618746 |
| 5 | 125242-03-704 | EA | BIN - DOOR SHELF | 622831 |
| 6 | 125242-03-725 | EA | CAP/DOOR HINGE-UPR LH/LWR RH | 623491 |
| 7 | 125242-03-726 | EA | CAP/DR CENTER-UPR LH/LWR RH | 623492 |
| | 125242-01-769 | EA | SHIM DOOR HINGE SERVICE KIT | 625129 |

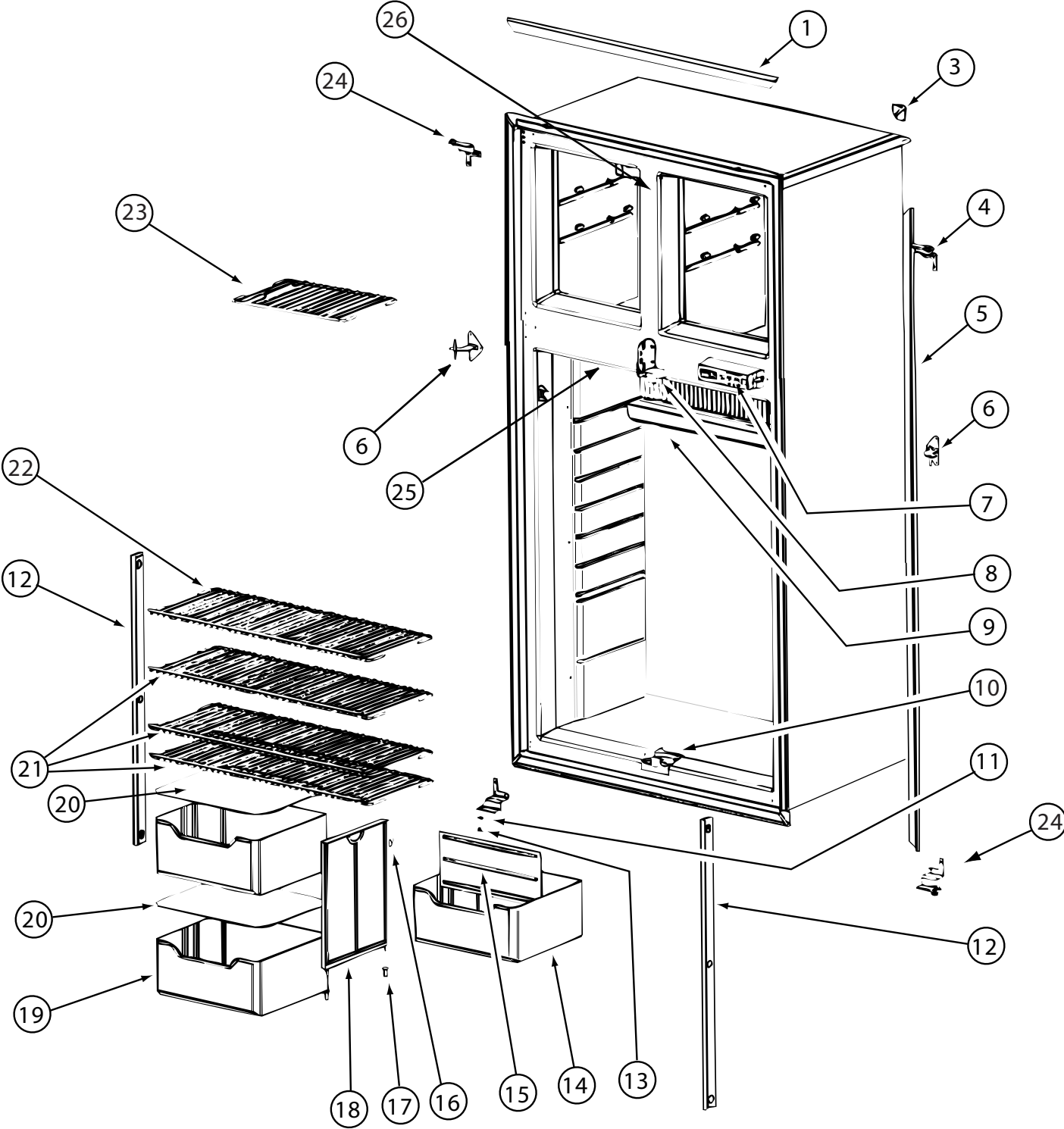
CABINET & APPLIANCE GROUP (CONTINUED)
COMPONENT PARTS FOR CABINET & APPLIANCE LAYOUT (CONTINUED)



125242-03-02A (CONTINUED)

| KEY | PART NUMBER | U/M | DESCRIPTION | VENDOR NO. |
|-----|---------------|-----|--|--------------------|
| 1 | 125242-03-728 | EA | LINER-DOOR/LOWER LH/WRP WPM | 62906201-NO FLAPPE |
| 2 | 125242-01-704 | EA | BUSHING-HINGE MIDDLE | 618746 |
| 3 | 125242-02-701 | EA | HANDLE(CONTOUR)TOP RH LWR LH | 621106 |
| 4 | 125242-02-722 | EA | LATCH-STORAGE DR/BLK POINTED | 619374 |
| 5 | 125242-02-727 | EA | FLAPPER/DOUBLE POLE - FOR S.N.#540295 TO 1291390 | |
| 5 | 125242-02-740 | EA | FLAPPER/DBL POLE-SER#1291391AND UP | |
| 6 | 125242-03-722 | EA | CAP/DOOR HINGE-UPR RH/LWR LH | 623819 |
| 7 | 125242-03-723 | EA | CAP/DR CENTER-UPR RH/LWR LH | 623820 |
| 8 | 125242-03-704 | EA | BIN - DOOR SHELF | 622831 |
| | 125242-01-769 | EA | SHIM DOOR HINGE SERVICE KIT | 625129 |

CABINET & APPLIANCE GROUP (CONTINUED)
COMPONENT PARTS FOR CABINET & APPLIANCE LAYOUT (CONTINUED)



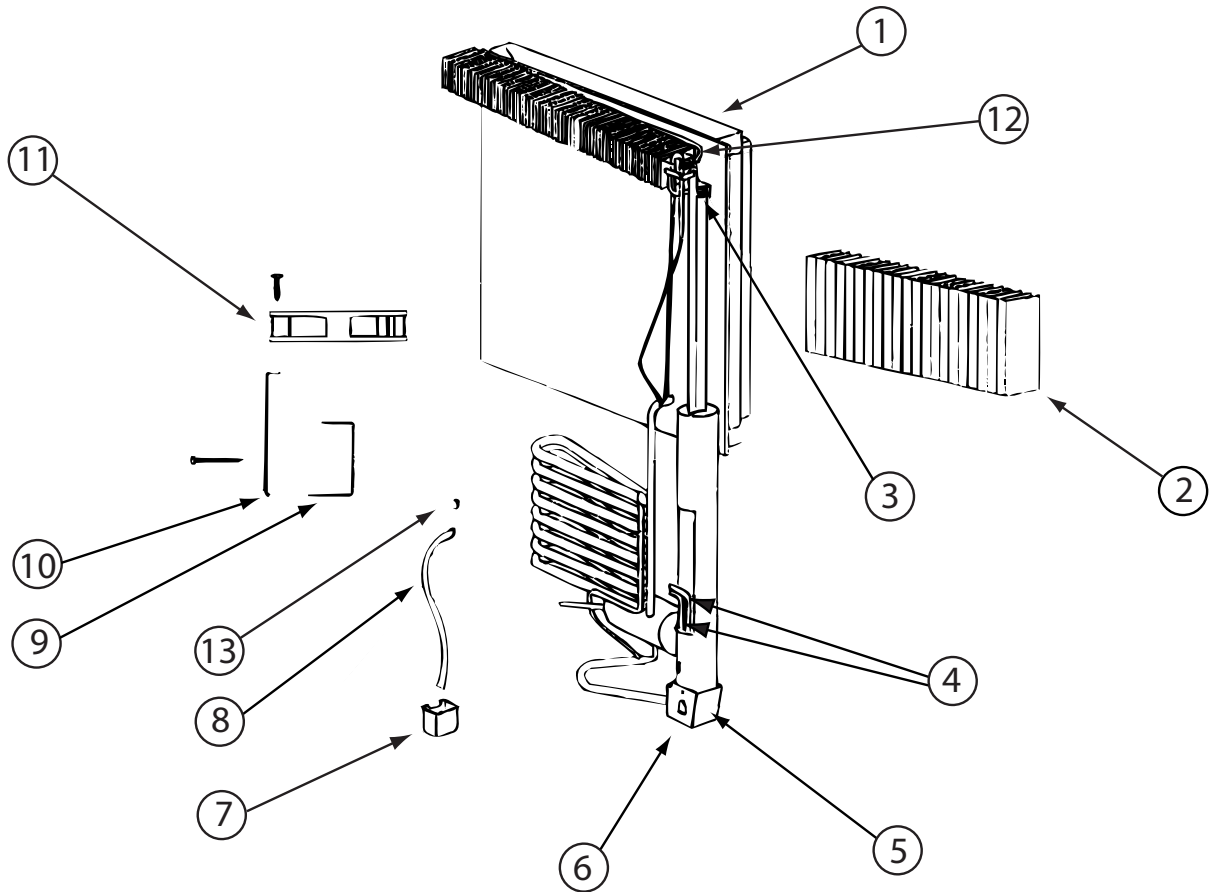
125242-03-02A (CONTINUED)

CABINET & APPLIANCE GROUP (CONTINUED)
COMPONENT PARTS FOR CABINET & APPLIANCE LAYOUT (CONTINUED)

125242-03-02A (CONTINUED)

| KEY | PART NUMBER | U/M | DESCRIPTION | VENDOR NO. |
|------------|--------------------|------------|--|-------------------|
| 1 | 125242-02-713 | EA | TRIM/UPR/LWR - SIDE SNAP ON | 621975 |
| 1 | 125242-02-730 | EA | TRIM - TOP/BOTTOM - SCREW ON | 623255 |
| 3 | 125242-01-722 | EA | TRIM - CORNER | 618844 |
| 4 | 125242-03-711 | EA | HINGE-UPR RH/LWR LH WRAP/DRS | 623824 |
| 5 | 125242-01-766 | EA | TRIM-LT/RT HAND-SCREW ON | 623254 |
| 5 | 125242-02-714 | EA | TRIM/SIDES - SIDE SNAP ON | 621976 |
| 6 | 125242-03-729 | EA | HINGE - MIDDLE | 627685 |
| 6 | 125242-03-730 | EA | HINGE PIN - MIDDLE HINGE | 627684 |
| 7 | 125242-03-731 | EA | CONTROL-OPT/ SN8981139 & UP | 628970 |
| 7 | 125242-03-712 | EA | CONTROL-OPT/GRAY- SN832172 UP | 624868 |
| 8 | 125242-01-721 | EA | STRIKE PLATE | 618835 |
| 9 | 125242-01-712 | EA | DRIP TRAY | 618774 |
| 10 | 125242-02-717 | EA | GUIDE ASM LWR(SER#540295 UP) | 620043 |
| 10 | 125242-02-719 | EA | GUIDE ASM UPR(SER#540295 UP) | 620041 |
| 10 | 125242-03-713 | EA | GUIDE BLOCK/FLAPPER/BTM BLK | 624140 |
| 10 | 125242-03-714 | EA | GUIDE-FLAPPERTOP/BLACK | 624141 |
| 12 | 120075-01-730 | EA | RETAINER-SHELF(SER#926684 DN) | 618181 |
| 12 | 125242-02-720 | EA | RETAINER/SHEF(SER#926685 UP) | 622033 |
| 13 | 125242-03-715 | EA | HINGE PIN/UPR-WRAPPED DOORS | 623899 |
| 15 | 125242-01-733 | EA | DIVIDER-BOTTLE CRISPER | 618877 |
| 16 | 125242-01-750 | EA | CLIP | 61409622 |
| 18 | 125242-01-749 | EA | SUPPORT - WALL | 618840 |
| 20 | 125242-01-706 | EA | COVER-CRISPER | 618757 |
| 21 | 125242-01-726 | EA | SHELF-WIRE (LONG) | 618848 |
| 22 | 125242-01-727 | EA | SHELF-WIRE (SHORT) | 618849 |
| 23 | 125242-01-725 | EA | SHELF-FREEZER (WIRE) | 618847 |
| 24 | 125242-03-716 | EA | HINGE-TOP LH/WRAPPED DOORS | 623823 |
| 25 | 125242-01-735 | EA | SWITCH - DOOR LIGHT | 618884 |
| 25 | 125242-01-768 | EA | SWITCH - DOOR LIGHT | 623918 |
| | 120075-01-714 | EA | PLUG-HOLE (BLACK) | 618170 |
| | 125242-01-728 | EA | CAP-SCREW WHITE | 618853 |
| | 125242-03-706 | EA | PROBE - CONTACT/LARGE | 620689 |
| | | | CONTACT WINNEBAGO PART SALES FOR UNLISTED COMPONENT(S) | |

CABINET & APPLIANCE GROUP (CONTINUED)
COMPONENT PARTS FOR CABINET & APPLIANCE LAYOUT (CONTINUED)

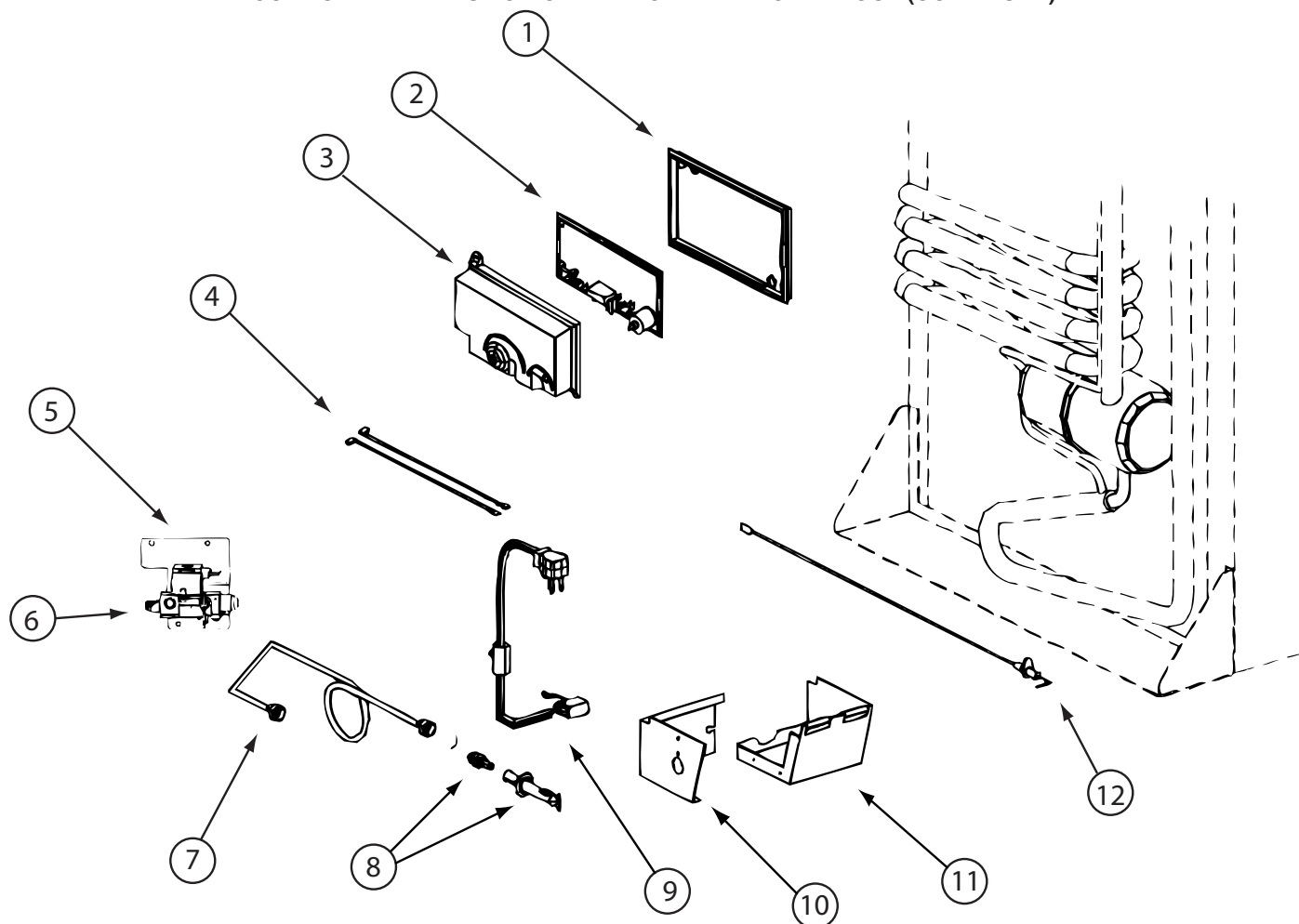


125242-03-02A (CONTINUED)

| KEY | PART NUMBER | U/M | DESCRIPTION | VENDOR NO. |
|-----|---------------|-----|------------------------------|------------|
| 1 | 125242-01-746 | EA | COOLING UNIT - 1200 | 618964 |
| 1 | 125242-05-719 | EA | COOLING UNIT - SN 8835498 UP | 629507 |
| 2 | 125242-05-713 | EA | FINS | 618785 |
| 4 | 125242-01-732 | EA | HEATER AC - 225W/110VAC | 618872 |
| 5 | 125242-01-739 | EA | BASE-BURNER BOX | 618902 |
| 6 | 125242-01-740 | EA | COVER-BURNER BOX | 618910 |
| 9 | 125242-01-730 | EA | BRACKET-DC FAN | 618857 |
| 9 | 125242-05-721 | EA | BRACKET-DC FAN-SN 914576 UP | 628747 |
| 10 | 125242-01-741 | EA | SUPPORT-DC FAN | 618912 |
| 11 | 125242-01-729 | EA | FAN-EXTERNAL DC | 618856 |
| 11 | 125242-05-722 | EA | FAN-EXTRNL DC-SN 914576 UP | 628685 |
| 12 | 113737-01-754 | EA | THERMOSTAT (FAN 12V DC) | 618093 |
| | 125242-01-742 | EA | WIRE ASM.-BAFFLE 55.15" | 618915 |

CONTACT WINNEBAGO PART SALES FOR UNLISTED COMPONENT(S)

CABINET & APPLIANCE GROUP (CONTINUED)
COMPONENT PARTS FOR CABINET & APPLIANCE LAYOUT (CONTINUED)

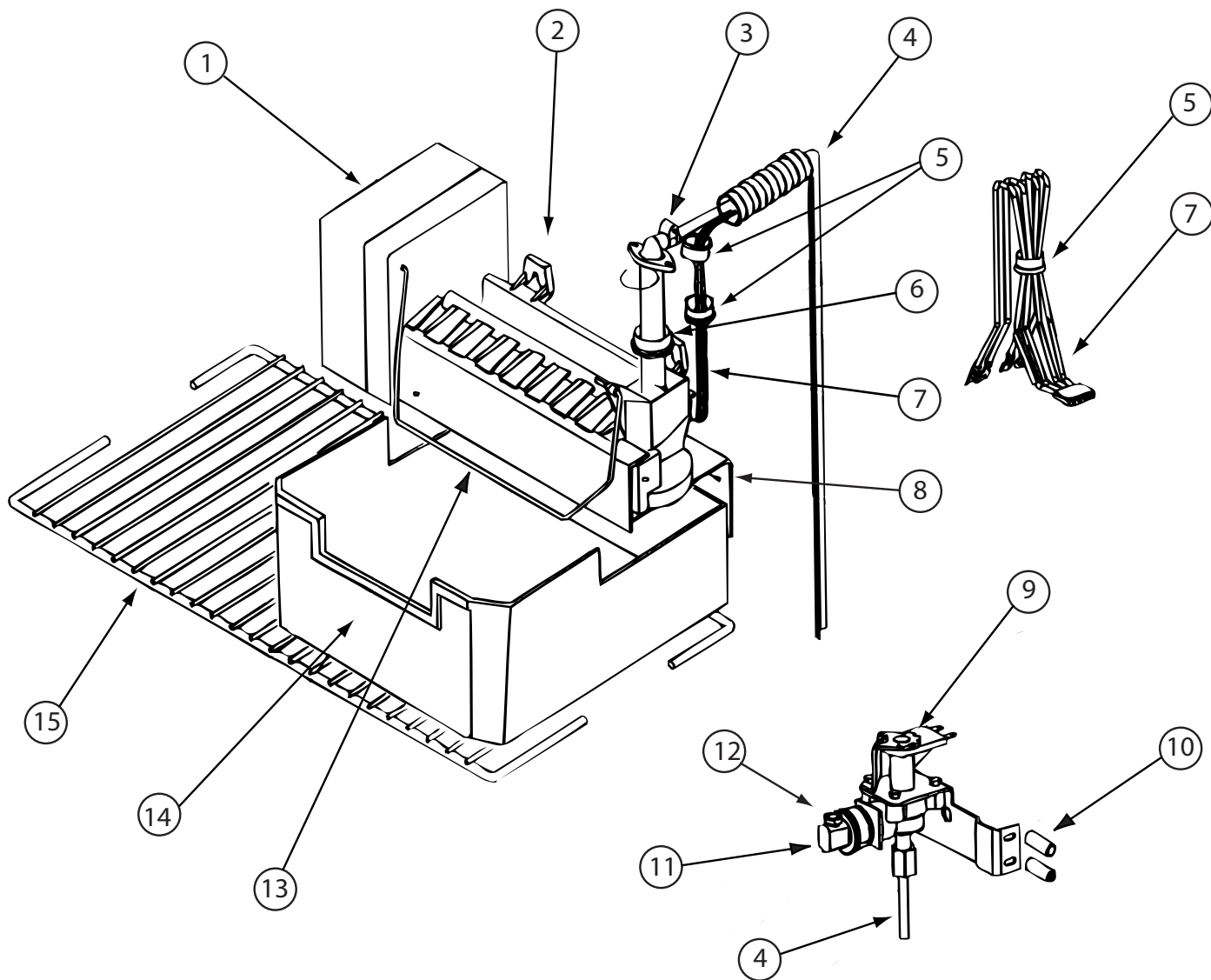


125242-03-02A & 125242-05-02A (CONTINUED)

| KEY | PART NUMBER | U/M | DESCRIPTION | VENDOR NO. |
|-----|---------------|-----|--|------------|
| 1 | 121569-08-701 | EA | BASE - POWER BOARD | 628674 |
| 2 | 121568-06-709 | EA | BOARD/POWER-N611/N822F | 628661 |
| 3 | 121569-08-702 | EA | COVER-POWER BOARD | 628677 |
| 4 | 125242-02-709 | EA | WIRE/WHITE/9"/GAS VALVE | 621448 |
| 6 | 121569-08-703 | EA | VALVE - SOLENOID | 628741 |
| 7 | 125242-05-723 | EA | BURNER TUBE | 624683 |
| 8 | 125242-02-743 | EA | BURNER ORFICE ADAPTER ASSY - NORCOLD# 629013 | |
| 9 | 121569-07-700 | EA | CORD - AC POWER | 61554422 |
| 10 | 125242-01-740 | EA | COVER-BURNER BOX | 618910 |
| 11 | 125242-01-739 | EA | BASE-BURNER BOX | 618902 |
| 12 | 104137-06-715 | EA | ELECTRODE-SPARK/SENSOR, SGL | 61692222 |

CONTACT WINNEBAGO PART SALES FOR UNLISTED COMPONENT(S)

CABINET & APPLIANCE GROUP (CONTINUED)
COMPONENT PARTS FOR CABINET & APPLIANCE LAYOUT (CONTINUED)

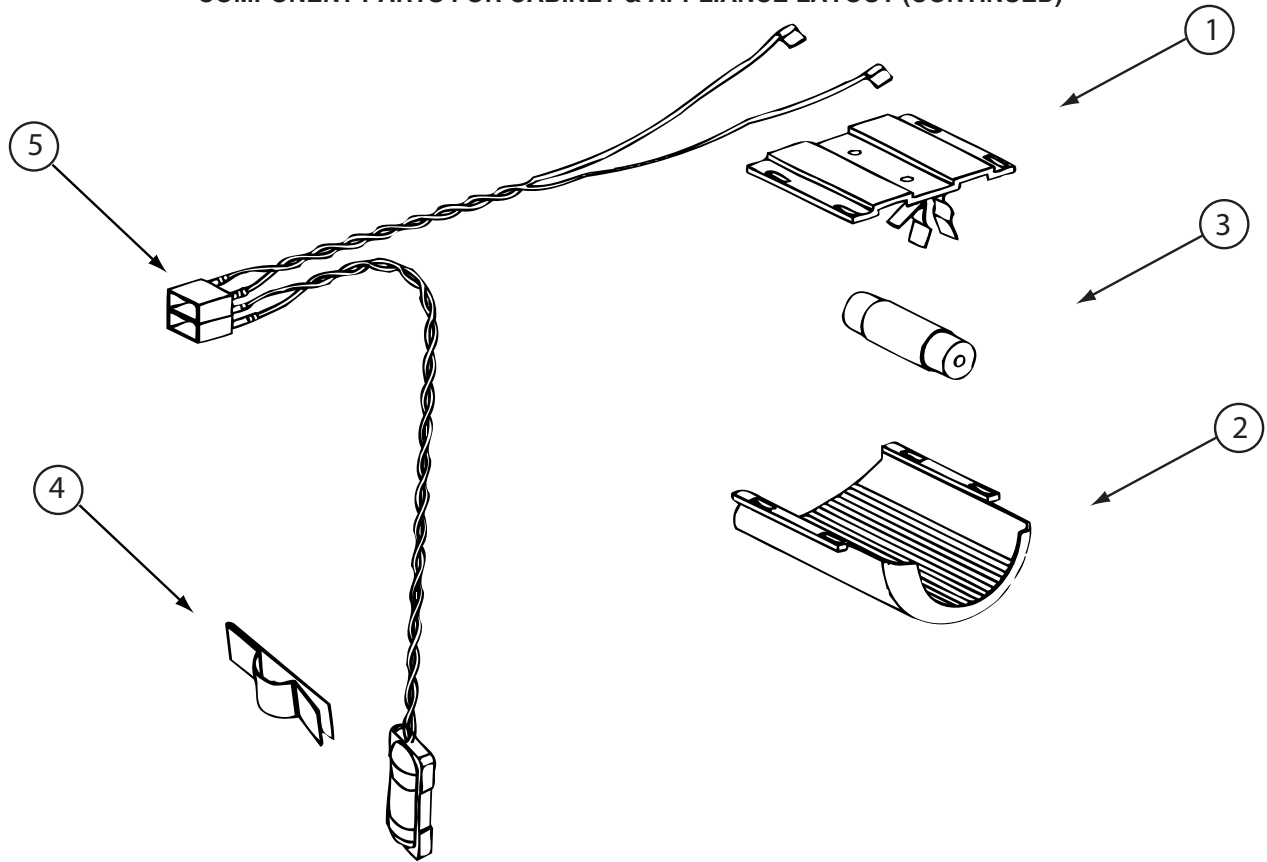


125242-03-02A & 125242-05-02A (CONTINUED)

| KEY | PART NUMBER | U/M | DESCRIPTION | VENDOR NO. |
|-----|---------------|-----|------------------------------|---------------|
| | 2 | EA | ICE MAKER W/O PLATES | 61656522 |
| | 4 | EA | WATER TUBE/HEATER ASM | 621429 |
| | 6 | EA | FITTING WATER LINE | 620039 |
| | 8 | EA | BRACKET-MOUNTING (ICE MAKER) | 618894/620890 |
| | 9 | EA | WATER VALVE - W/BRACKET | 618253 |
| | 11 | EA | GARDEN HOSE ADAP W/BRASS NUT | 61679622 |
| | 12 | EA | NUT - COMPRESSION | 622991 |
| | 13 | EA | ARM-SHUT OFF | 61656922 |
| | 14 | EA | ICE BIN | 618803 |
| | 15 | EA | SHELF-FREEZER (WIRE) | 618847 |
| | 120075-09-703 | EA | THERMOSTAT | 620240 |

CONTACT WINNEBAGO PART SALES FOR UNLISTED COMPONENT(S)

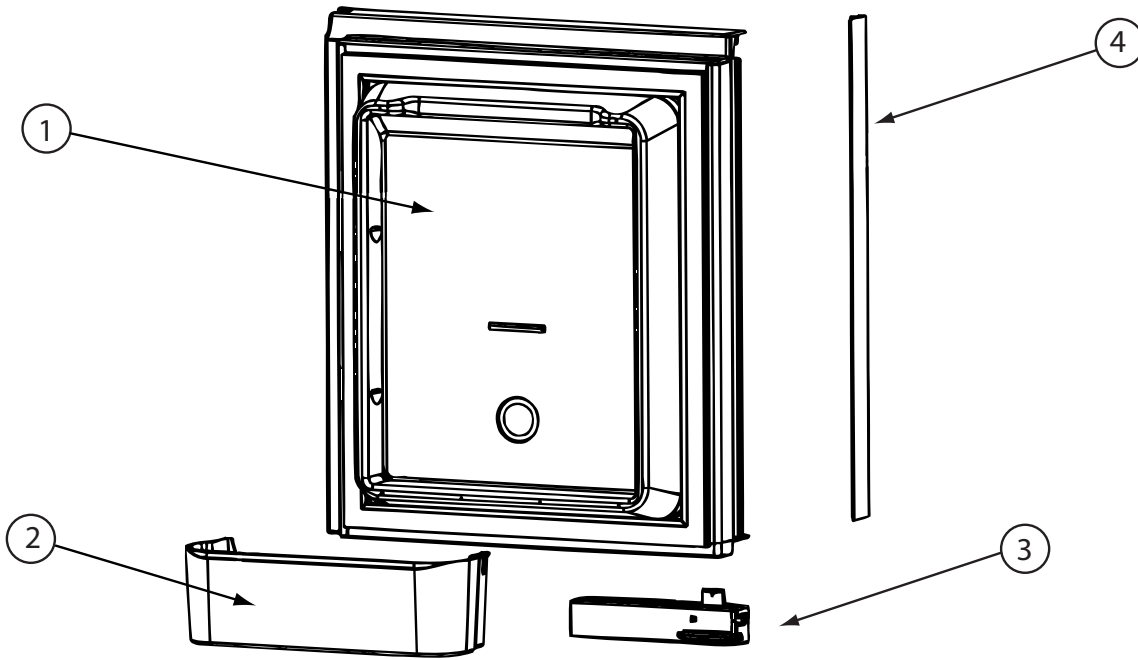
CABINET & APPLIANCE GROUP (CONTINUED)
COMPONENT PARTS FOR CABINET & APPLIANCE LAYOUT (CONTINUED)



125242-03-02A & 125242-05-02A (CONTINUED)

| KEY | PART NUMBER | U/M | DESCRIPTION | VENDOR NO. |
|-----|---------------|-----|-----------------------------|------------|
| 1 | 084880-03-705 | EA | BRACKET-LIGHT-INTERIOR | 61629722 |
| 2 | 125242-02-708 | EA | COVER/LAMP BRACKET | 621827 |
| 3 | 084880-03-706 | EA | BULB-LAMP | 61628922 |
| 4 | 084880-01-760 | EA | CLIP (THERMISTER) | 61689122 |
| 5 | 125242-02-706 | EA | LAMP/WIRE ASM/SER#849677 UP | 620871 |

CABINET & APPLIANCE GROUP (CONTINUED)
COMPONENT PARTS FOR CABINET & APPLIANCE LAYOUT (CONTINUED)

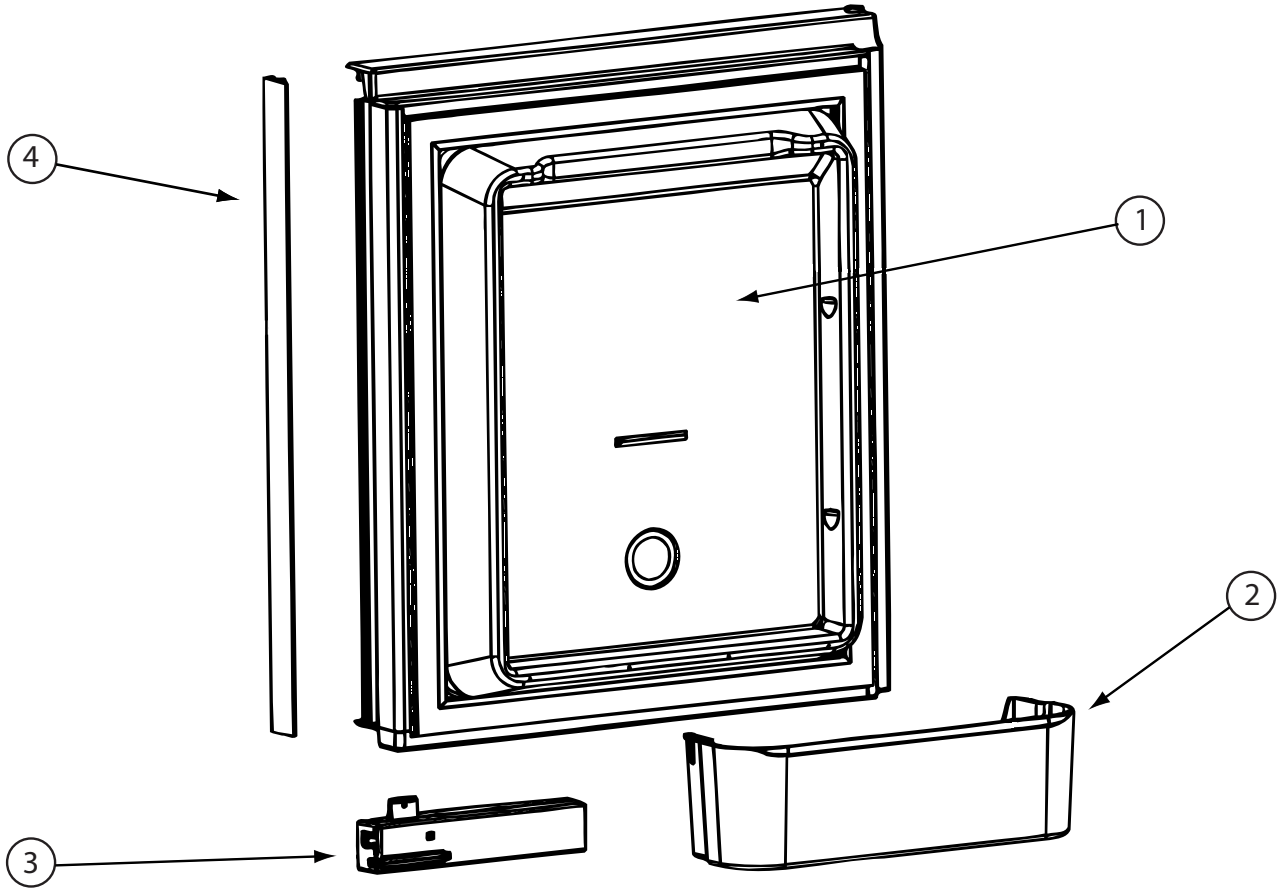


125242-05-02A

| KEY | PART NUMBER | U/M | DESCRIPTION | VENDOR NO. |
|-----|---------------|-----|------------------------------|------------|
| 1 | 125242-05-700 | EA | LINER-DOOR/UPPER RH/WRP WPM | 62913401 |
| 2 | 125242-05-701 | EA | BIN - DOOR SHELF | 628686 |
| 3 | 125242-02-701 | EA | HANDLE(CONTOUR)TOP RH LWR LH | 621106 |
| | 125242-02-722 | EA | LATCH-STORAGE DR/BLK POINTED | 619374 |

CONTACT WINNEBAGO PART SALES FOR UNLISTED COMPONENT(S)

CABINET & APPLIANCE GROUP (CONTINUED)
COMPONENT PARTS FOR CABINET & APPLIANCE LAYOUT (CONTINUED)

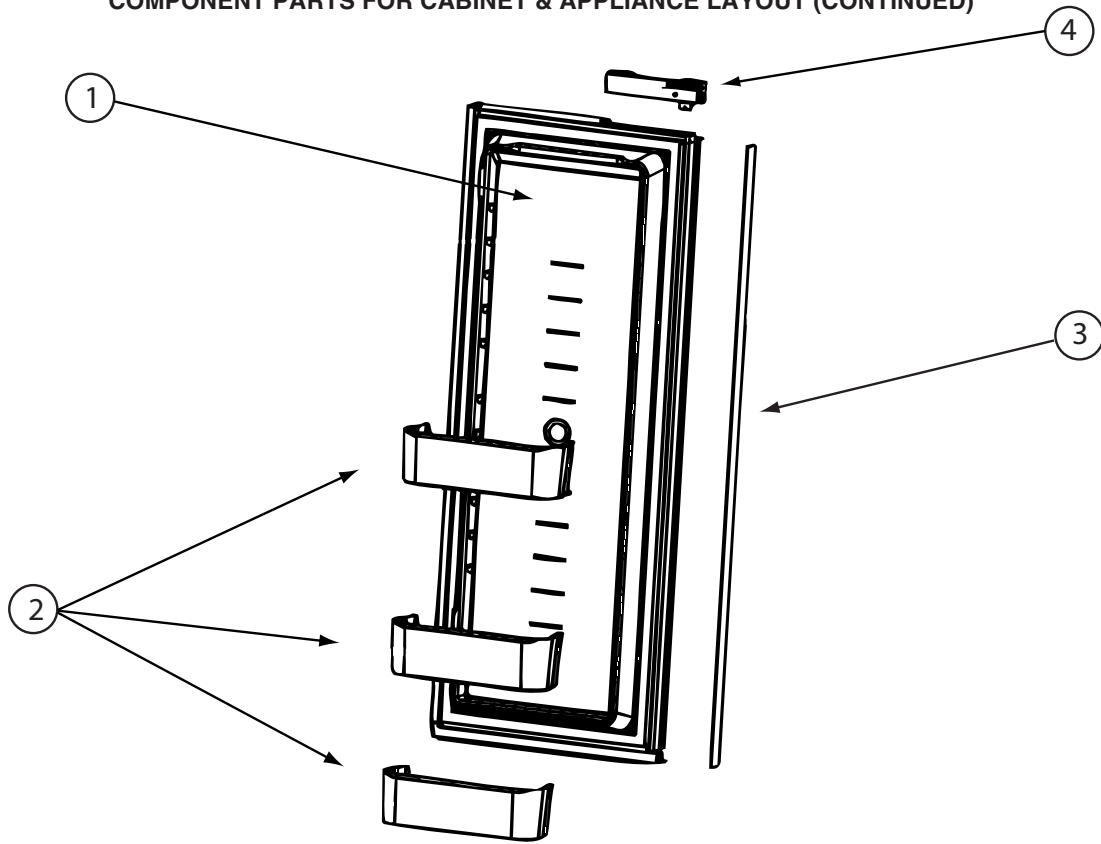


125242-05-02A (CONTINUED)

| KEY | PART NUMBER | U/M | DESCRIPTION | VENDOR NO. |
|-----|---------------|-----|------------------------------|------------|
| 1 | 125242-05-702 | EA | LINER-DOOR/UPPER LH/WRP WPM | 62913301 |
| 2 | 125242-05-701 | EA | BIN - DOOR SHELF | 628686 |
| 3 | 125242-02-700 | EA | HANDLE(CONTOUR)TOP LH BTM RH | 621107 |
| | 125242-02-722 | EA | LATCH-STORAGE DR/BLK POINTED | 619374 |

CONTACT WINNEBAGO PART SALES FOR UNLISTED COMPONENT(S)

CABINET & APPLIANCE GROUP (CONTINUED)
COMPONENT PARTS FOR CABINET & APPLIANCE LAYOUT (CONTINUED)

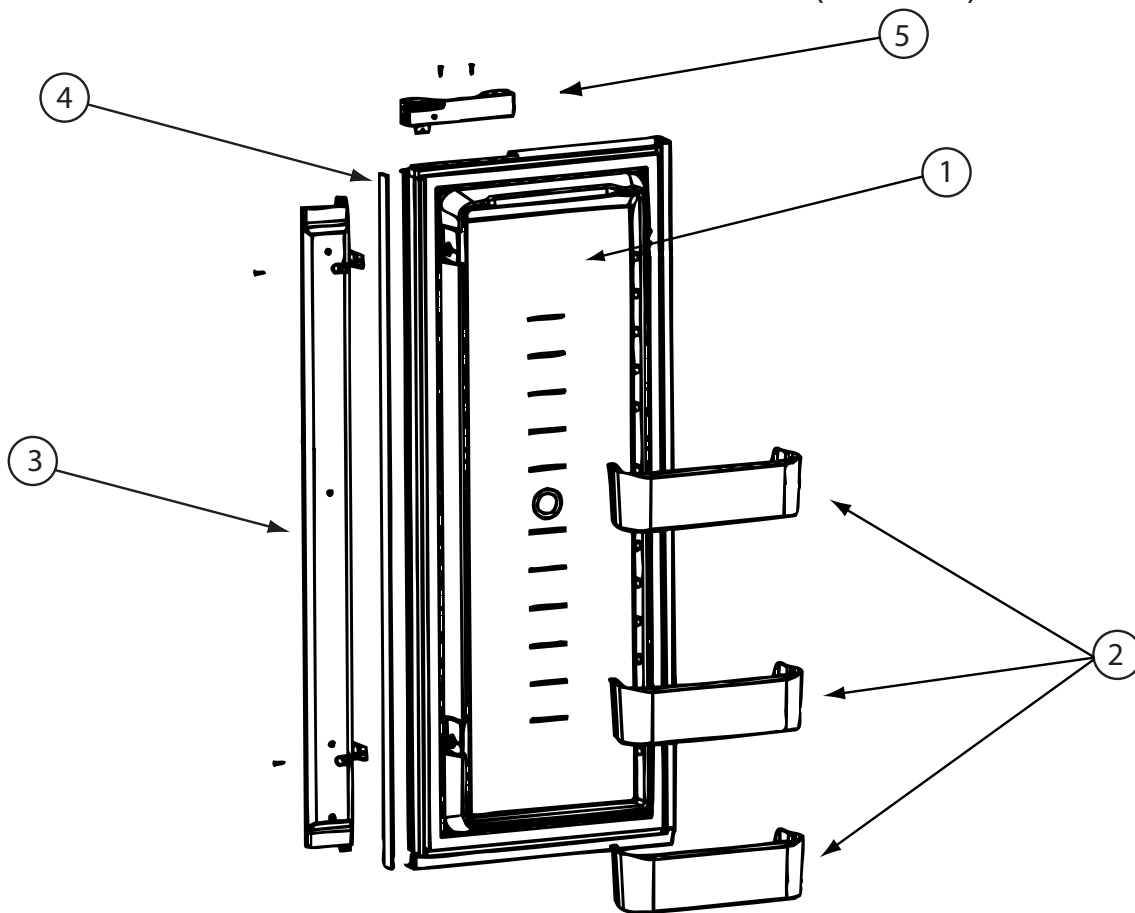


125242-05-02A (CONTINUED)

| KEY | PART NUMBER | U/M | DESCRIPTION | VENDOR NO. |
|-----|---------------|-----|------------------------------|------------|
| 1 | 125242-05-703 | EA | LINER-DOOR/LOWER RH/WRP WPM | 62913601 |
| 2 | 125242-05-701 | EA | BIN - DOOR SHELF | 628686 |
| 4 | 125242-02-700 | EA | HANDLE(CONTOUR)TOP LH BTM RH | 621107 |
| | 125242-02-722 | EA | LATCH-STORAGE DR/BLK POINTED | 619374 |

CONTACT WINNEBAGO PART SALES FOR UNLISTED COMPONENT(S)

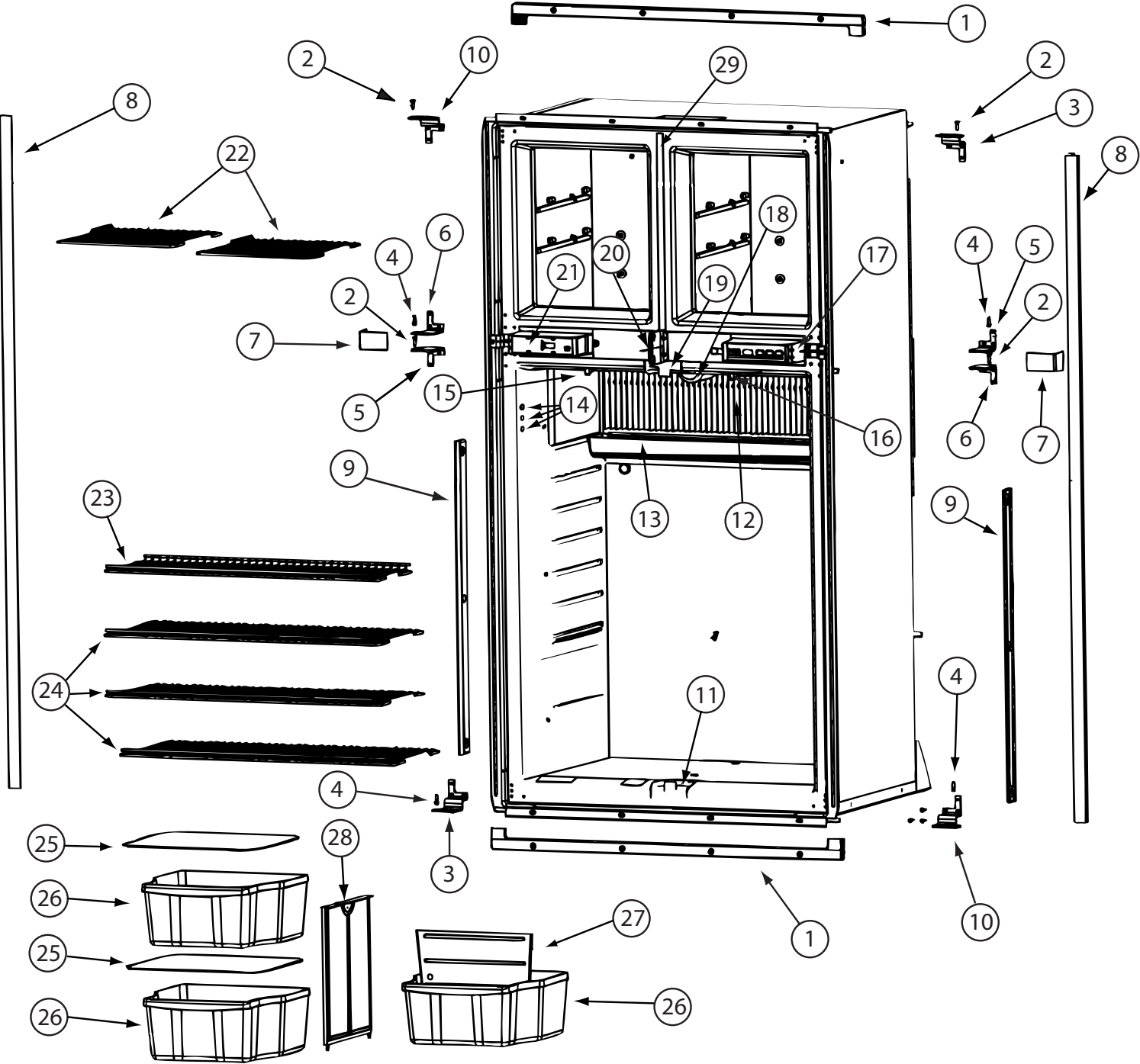
CABINET & APPLIANCE GROUP (CONTINUED)
COMPONENT PARTS FOR CABINET & APPLIANCE LAYOUT (CONTINUED)



125242-05-02A (CONTINUED)

| KEY | PART NUMBER | U/M | DESCRIPTION | VENDOR NO. |
|-----|---------------|-----|--|------------|
| 1 | 125242-05-704 | EA | LINER-DOOR/LOWER LH/WRP WPM | 62913501 |
| 2 | 125242-05-701 | EA | BIN - DOOR SHELF | 628686 |
| 3 | 125242-05-705 | EA | FLAPPER ASM | 629049 |
| 5 | 125242-02-701 | EA | HANDLE(CONTOUR)TOP RH LWR LH | 621106 |
| | 125242-02-722 | EA | LATCH-STORAGE DR/BLK POINTED | 619374 |
| | | | CONTACT WINNEBAGO PART SALES FOR UNLISTED COMPONENT(S) | |

CABINET & APPLIANCE GROUP (CONTINUED)
COMPONENT PARTS FOR CABINET & APPLIANCE LAYOUT (CONTINUED)



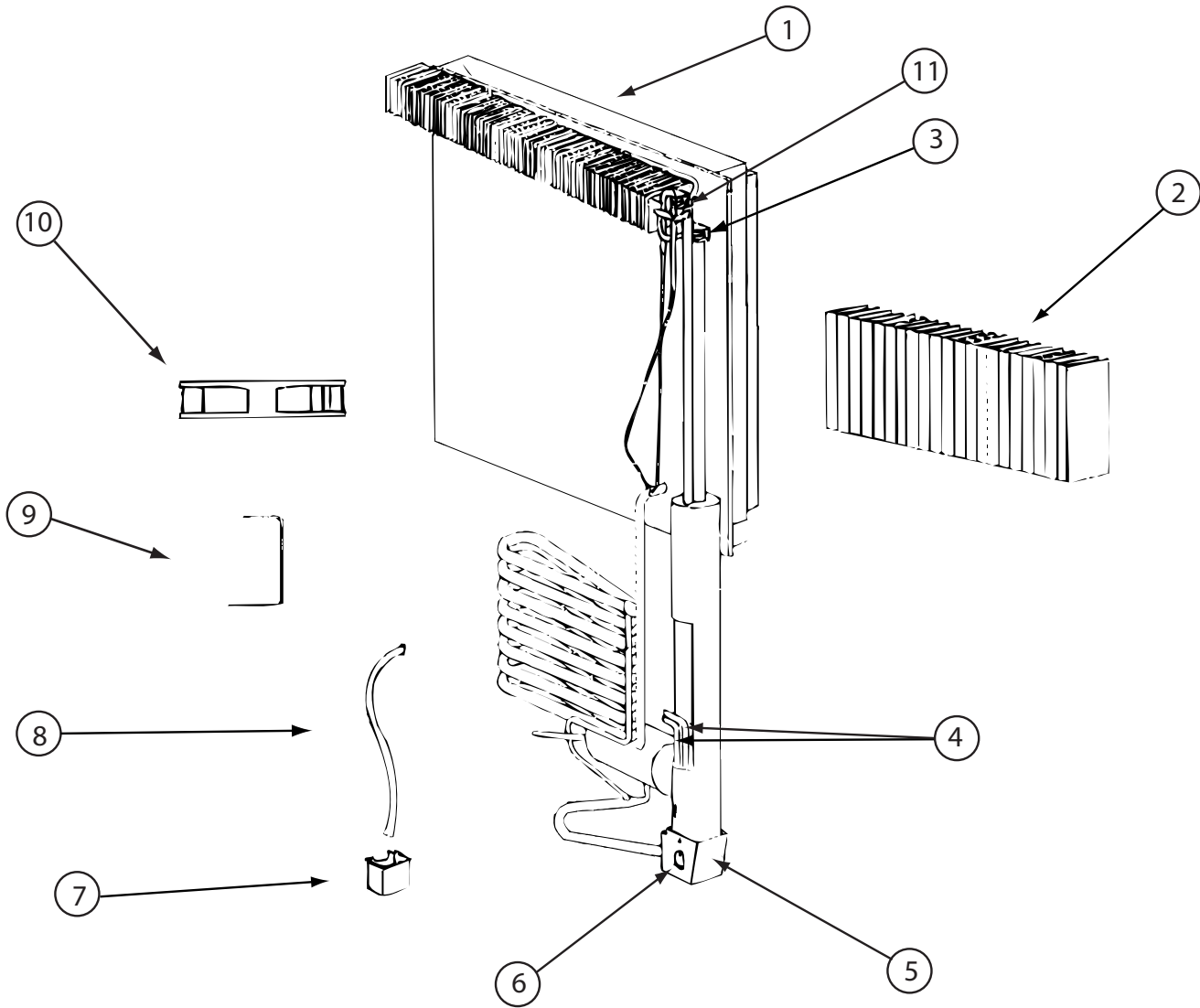
125242-05-02A (CONTINUED)

CABINET & APPLIANCE GROUP (CONTINUED)
COMPONENT PARTS FOR CABINET & APPLIANCE LAYOUT (CONTINUED)

125242-05-02A (CONTINUED)

| KEY | PART NUMBER | U/M | DESCRIPTION | VENDOR NO. |
|------------|--------------------|------------|--|---------------------|
| 1 | 125242-01-767 | EA | KIT - UNIVERSAL TRIM (MAKE YOUR OWN)CORNERS/ETC - SCREW-ON | |
| 2 | 125242-03-715 | EA | HINGE PIN/UPR-WRAPPED DOORS | 623899 |
| 3 | 125242-05-707 | EA | HINGE-OUTER/UPPER RH/LWR LH | 628946 |
| 4 | 113737-01-710 | EA | PIN-HINGE, BOTTOM | 61550722 |
| 5 | 125242-05-708 | EA | HINGE-INNER/UPPER RH/LWR LH | 624363 |
| 6 | 125242-05-709 | EA | HINGE-INNER/UPPER LH/LWR RH | 624364 |
| 7 | 125242-05-710 | EA | COVER - HINGE | 627955 |
| 8 | 125242-01-766 | EA | TRIM - LEFT HAND/RIGHT HAND - VERTICAL - SCREW-ON | |
| 9 | 125242-02-720 | EA | RETAINER/SHELF(SER#926685 UP) | 622033 |
| 10 | 125242-05-711 | EA | HINGE-OUTER/UPPER LH/LWR RH | 628945 |
| 11 | 125242-05-712 | EA | GUIDE BLOCK-FLAPPER/BTM/BLK | 629112 |
| 12 | 125242-05-713 | EA | FINS | 618785 |
| 13 | 125242-01-712 | EA | DRIP TRAY | 618774 |
| 14 | 125242-03-706 | EA | PROBE - CONTACT/LARGE | 620689 |
| 15 | 125242-01-768 | EA | SWITCH - DOOR LIGHT | 623918 |
| 16 | 125242-02-706 | EA | LAMP/WIRE ASM/SER#849677 UP | 620871 |
| 17 | 125242-05-706 | EA | CONTROL ASM - OPTICAL | 629113 |
| 18 | 125242-02-708 | EA | COVER/LAMP BRACKET | 621827 |
| 19 | 125242-05-714 | EA | GUIDE BLOCK-FLAPPER/TOP/BLK | 629111 |
| 20 | 125242-05-715 | EA | PLATE/STRIKE - BLACK | 628473 |
| 21 | 125242-05-716 | EA | BOX/FRONT - DUMMY | 624366 |
| 22 | 125242-01-725 | EA | SHELF-FREEZER (WIRE) | 618847 |
| 23 | 125242-01-727 | EA | SHELF-WIRE (SHORT) | 618849 |
| 24 | 125242-01-726 | EA | SHELF-WIRE (LONG) | 618848 |
| 25 | 125242-01-706 | EA | COVER-CRISPER | 618757 |
| 26 | 125242-05-717 | EA | BIN - BOTTLE/CRISPER | 628688 |
| 27 | 125242-05-718 | EA | DIVIDER - BOTTLE/CRISPER | 628694 |
| 28 | 125242-01-749 | EA | SUPPORT - WALL | 618840 |
| 29 | 125242-02-741 | EA | STRIP-FREEZER-BLACK | 625210 #1291391 &UP |
| | 084880-03-705 | EA | BRACKET-LIGHT-INTERIOR | 61629722 |
| | 084880-03-706 | EA | BULB-LAMP | 61628922 |
| | 120075-01-714 | EA | PLUG-HOLE (BLACK) | 618170 |

CABINET & APPLIANCE GROUP (CONTINUED)
COMPONENT PARTS FOR CABINET & APPLIANCE LAYOUT (CONTINUED)



125242-05-02A (CONTINUED)

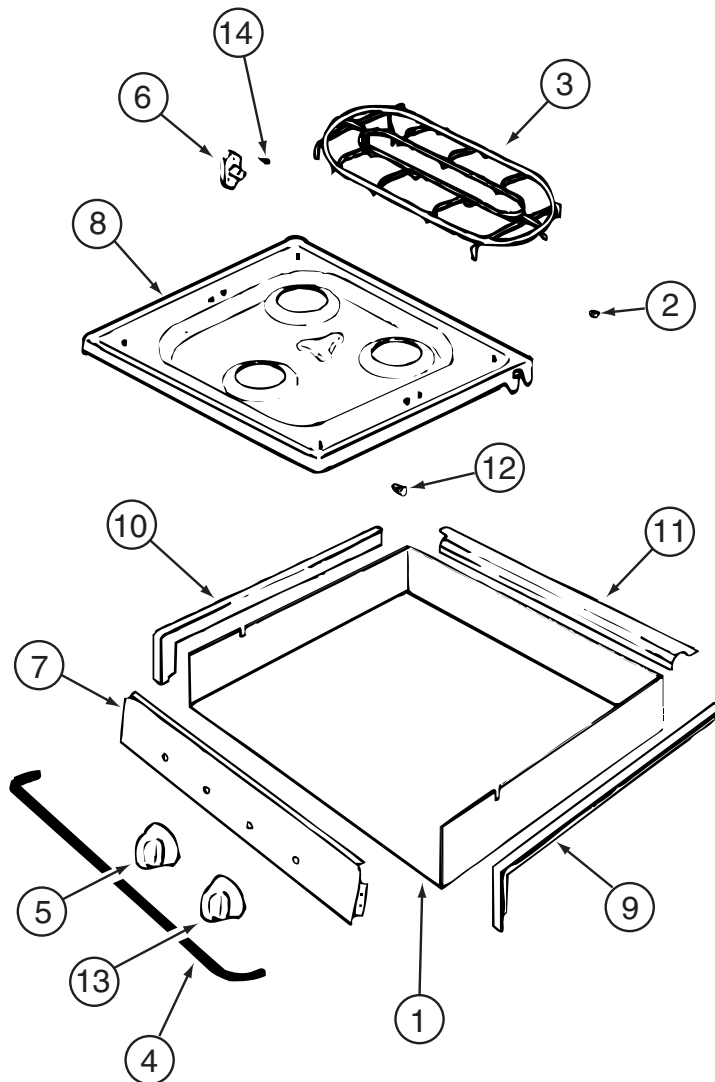
| KEY | PART NUMBER | U/M | DESCRIPTION | VENDOR NO. |
|-----|---------------|-----|------------------------------|------------|
| 1 | 125242-05-719 | EA | COOLING UNIT - SN 8835498 UP | 629507 |
| 2 | 125242-05-713 | EA | FINS | 618785 |
| 4 | 125242-01-732 | EA | HEATER AC - 225W/110VAC | 618872 |
| 5 | 125242-01-739 | EA | BASE-BURNER BOX | 618902 |
| 6 | 125242-01-740 | EA | COVER-BURNER BOX | 618910 |
| 9 | 125242-05-721 | EA | BRACKET-DC FAN-SN 9144576 UP | 628747 |
| 10 | 125242-05-722 | EA | FAN-EXTRNL DC-SN 9144576 UP | 628685 |
| 11 | 113737-01-754 | EA | THERMOSTAT (FAN 12V DC) | 618093 |
| | 125242-01-742 | EA | WIRE ASM.-BAFFLE 55.15" | 618915 |
| | 125242-05-720 | EA | SWITCH-THERMAL | 628118 |

CONTACT WINNEBAGO PART SALES FOR UNLISTED COMPONENT(S)

CABINET & APPLIANCE GROUP (CONTINUED)
COMPONENT PARTS FOR CABINET & APPLIANCE LAYOUT (CONTINUED)

126022-01-01A, 126022-02-01A, 126022-03-01A

| KEY | PART NUMBER | U/M | DESCRIPTION | VENDOR NO. |
|-----|---------------|-----|------------------------------|-------------------|
| | 114030-01-707 | EA | PLUG BUTTON BLACK | 74002628 |
| | 126022-01-700 | EA | BUMPER - RANGE BIFOLD COVER | MAGIC 8003P007-60 |
| | 126022-01-701 | EA | HINGE-RANGE BIFOLD COVER-22" | MAGIC 3418F067-34 |

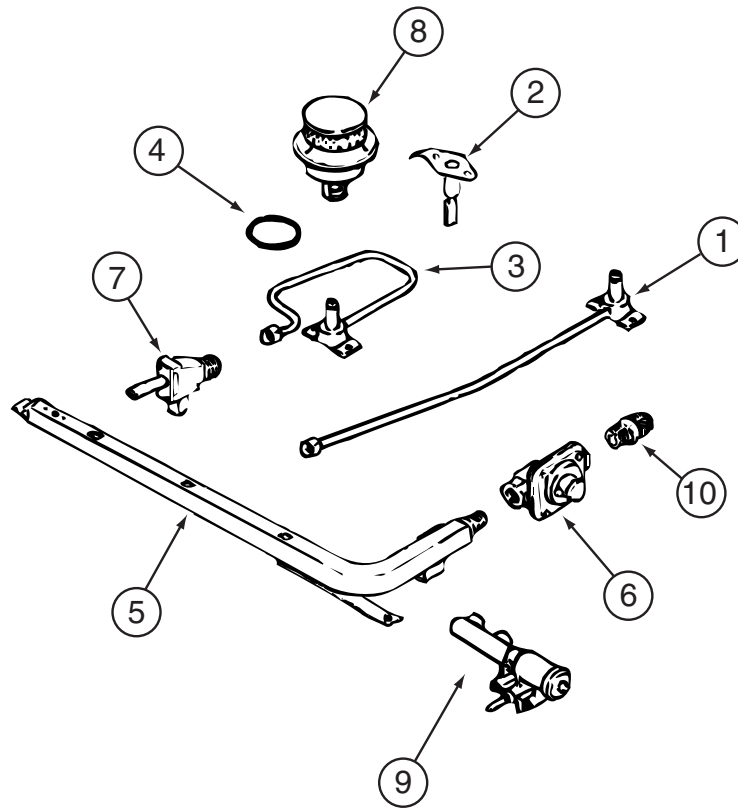


135065-03-01A, 135065-03-03A, 135065-04-01A

| KEY | PART NUMBER | U/M | DESCRIPTION | VENDOR NO. |
|-----|---------------|-----|------------------------------|--------------|
| 2 | 102020-01-709 | EA | BUMPER-GRATE | 8007-P020-60 |
| 3 | 135065-03-703 | EA | GRATE - BLACK(SEALED BURNER) | 74007304 |
| 4 | 114030-02-700 | EA | GUARD/FABRIC - TOWEL BAR | 3609F006-70 |
| 5 | 128728-01-701 | EA | KNOB - BURNER - REAR | 74003941 |
| 5 | 128728-01-702 | EA | KNOB - BURNER - FRONT | 74003942 |
| 6 | 128728-01-703 | EA | PIN/T-NUT F/HINGE | 7103P109-60 |
| 7 | 135065-03-704 | EA | PANEL - MANIFOLD (BLACK) | 74007330 |
| 8 | 128728-01-705 | EA | TOP - MAIN - BLACK | 74003928 |
| 8 | 135065-03-715 | EA | TOP - MAIN - STAINLESS STEEL | 74007299 |
| 9 | 114030-01-704 | EA | TRIM - RIGHT/BLACK TEXTURED | 74002839 |
| 10 | 114030-01-705 | EA | TRIM - LEFT/BLACK TEXTURED | 74002840 |
| 11 | 114030-01-706 | EA | TRIM - REAR/BLACK TEXTURED | 74002841 |
| 12 | 102020-01-724 | EA | BUMPER-MAIN TOP | 8003P008-60 |
| 13 | 128728-01-707 | EA | KNOB - IGNITOR | 74003944 |

CONTACT WINNEBAGO PART SALES FOR UNLISTED COMPONENT(S)

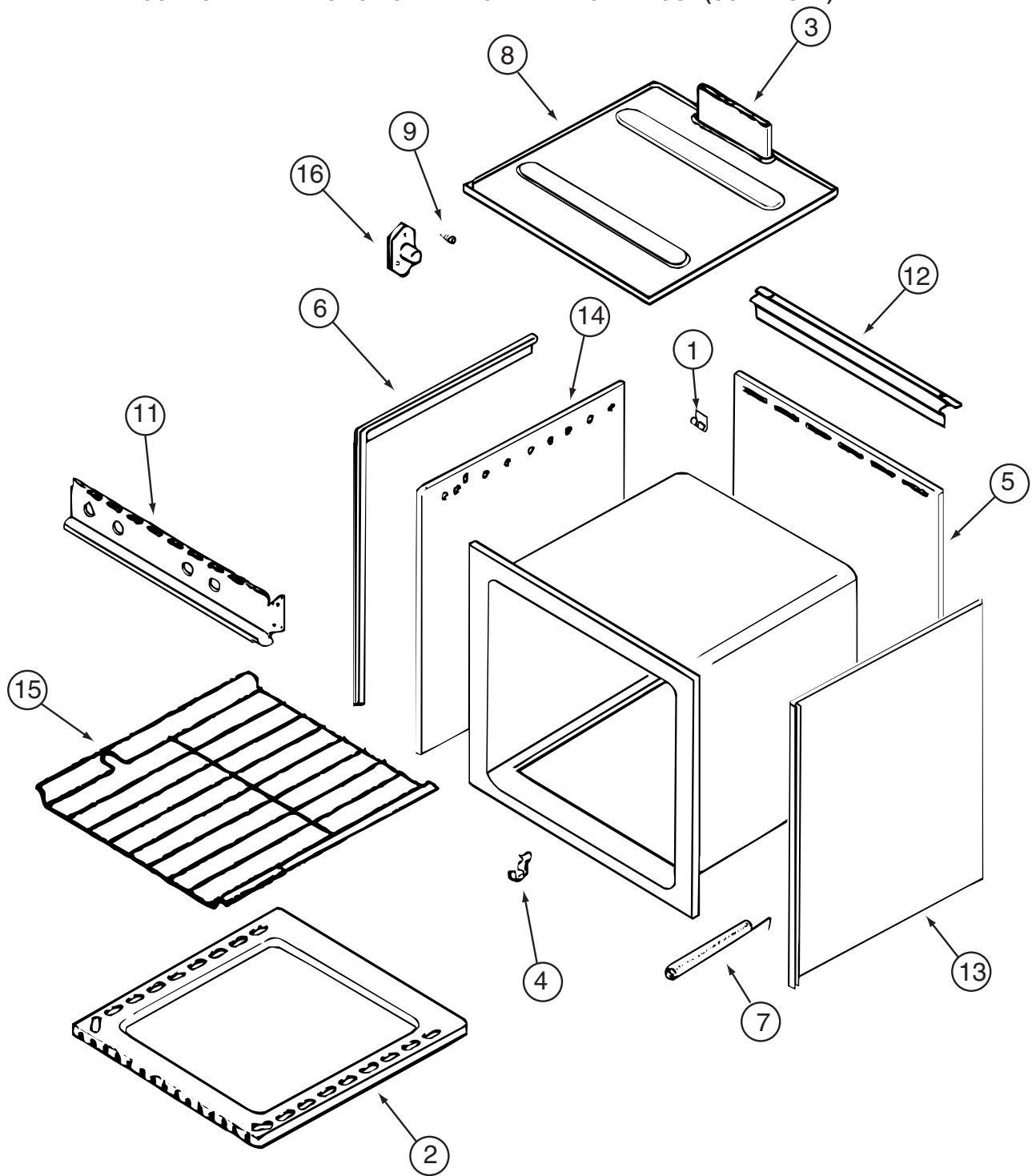
CABINET & APPLIANCE GROUP (CONTINUED)
COMPONENT PARTS FOR CABINET & APPLIANCE LAYOUT (CONTINUED)



135065-03-01A, 135065-03-03A, 135065-04-01A (CONTINUED)

| KEY | PART NUMBER | U/M | DESCRIPTION | VENDOR NO. |
|-----|---------------|-----|------------------------------|------------|
| 1 | 128728-01-708 | EA | FITTING W/ORFICE/TUBE - REAR | 74003931 |
| 2 | 135065-01-701 | EA | IGNITOR/PORCELAIN-TOP BURNER | 74004053 |
| 3 | 128728-01-710 | EA | FITTING W/ORFICE/TUBE - FRT | 74003930 |
| 4 | 135065-03-700 | EA | FITTING - HALF UNION | 74004234 |
| 5 | 135065-01-702 | EA | PIPE/MANIFOLD | 74004642 |
| 6 | 126023-02-703 | EA | REGULATOR - PRESSURE | 74004235 |
| 7 | 135065-01-703 | EA | VALVE/BURNER - REAR | 74004643 |
| 7 | 135065-01-704 | EA | VALVE/BURNER-FRT-HI | 74004644 |
| 7 | 135065-03-701 | EA | SCREW - VALVE | 71003231 |
| 8 | 135065-03-702 | EA | SEALED BURNER ASM.(BLACK) RV | 74003967 |
| 9 | 128728-01-716 | EA | BURNER - IGNITOR | 74003946 |
| 9 | 128728-01-717 | EA | WIRES - IGNITOR | 74003947 |

CABINET & APPLIANCE GROUP (CONTINUED)
COMPONENT PARTS FOR CABINET & APPLIANCE LAYOUT (CONTINUED)

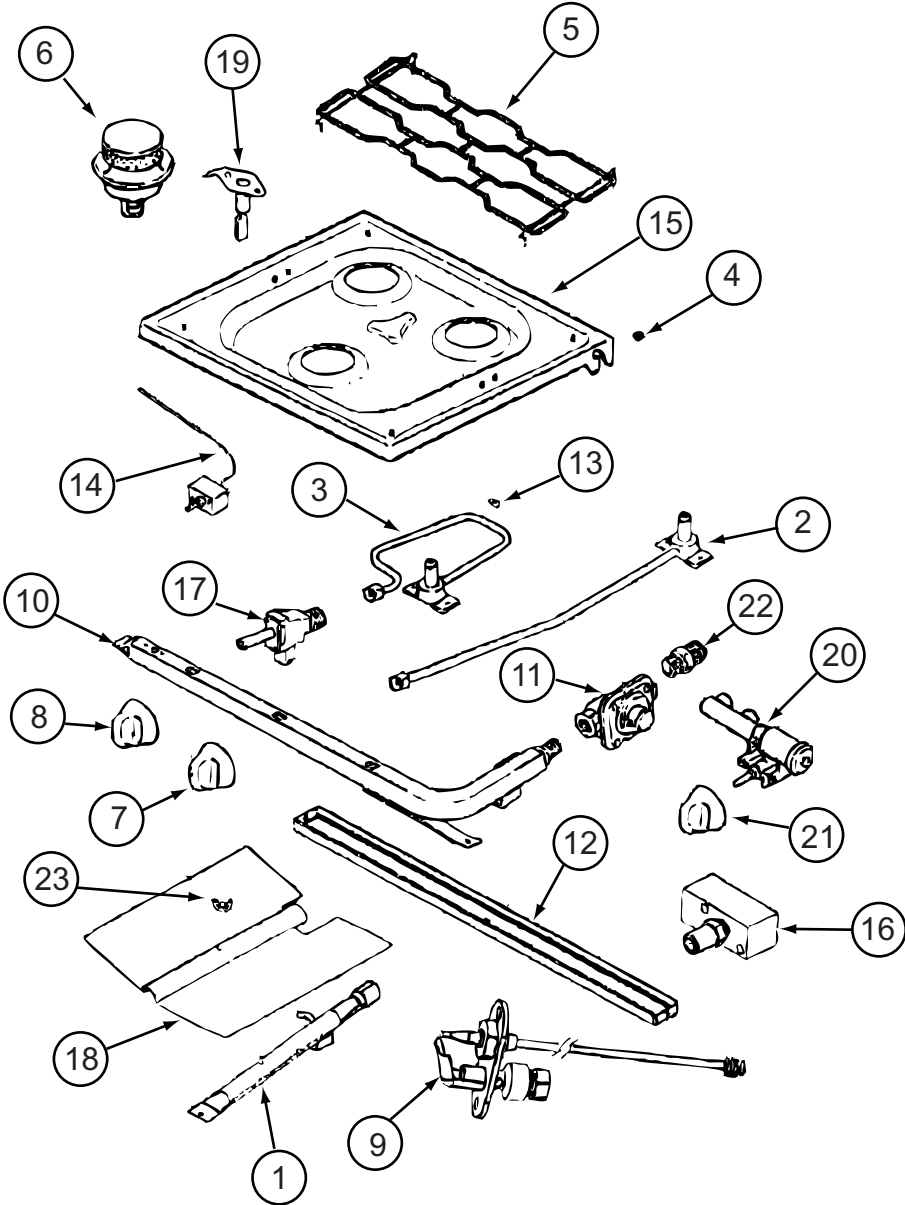


135066-03-01A/04A, 150778-01-01A, 151277-03-01A, 151279-02-01A/02A, 151279-03-01A (CONTINUED)

| KEY | PART NUMBER | U/M | DESCRIPTION | VENDOR NO. |
|-----|---------------|-----|------------------------------|-------------|
| 1 | 112881-03-702 | EA | CLIP - MAIN TOP | 74003998 |
| 2 | 126023-01-731 | EA | BOTTOM - OVEN | 2205F016-19 |
| 3 | 126023-01-718 | EA | FLUE BOX ASSEMBLY | 4006W075-80 |
| 6 | 126023-01-713 | EA | TRIM - SIDE (RIGHT) | 74002827 |
| 6 | 126023-01-714 | EA | TRIM - SIDE (LEFT) | 74002828 |
| 7 | 135066-03-708 | EA | SPRING - OVEN DOOR | 7803P053-60 |
| 9 | 128728-01-703 | EA | PIN/T-NUT F/HINGE | 7103P109-60 |
| 11 | 135066-03-701 | EA | PANEL - MANIFOLD - BLACK | 74007306 |
| 12 | 112881-01-721 | EA | DEFLECTOR/FLUE-BLK-SEALED BR | 74002829 |
| 15 | 126023-01-716 | EA | RACK - OVEN | 74003106 |

CONTACT WINNEBAGO PART SALES FOR UNLISTED COMPONENT(S)

CABINET & APPLIANCE GROUP (CONTINUED)
COMPONENT PARTS FOR CABINET & APPLIANCE LAYOUT (CONTINUED)



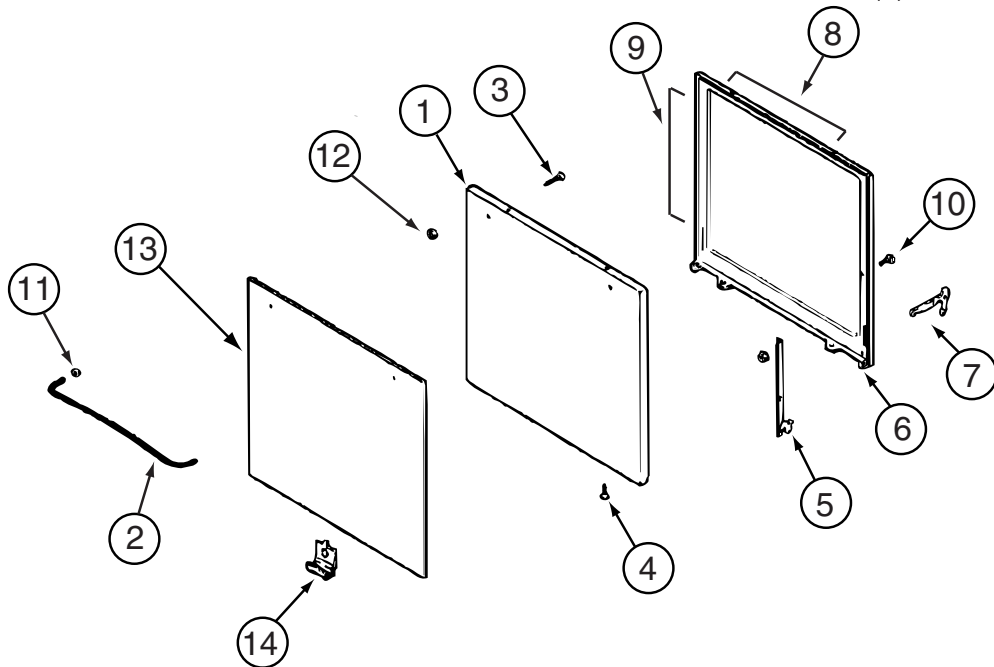
151277-03-01A, 151279-01-01A, 151279-02-01A/02A, 151279-03-01A

CABINET & APPLIANCE GROUP (CONTINUED)
COMPONENT PARTS FOR CABINET & APPLIANCE LAYOUT (CONTINUED)

151277-03-01A, 151279-01-01A, 151279-02-01A/02A, 151279-03-01A (CONTINUED)

| KEY | PART NUMBER | U/M | DESCRIPTION | VENDOR NO. |
|-----|---------------|-----|--|------------------|
| 1 | 151279-02-700 | EA | BURNER - OVEN - W/SHUTTER | 74009853 |
| 2 | 128728-01-708 | EA | FITTING W/ORFICE/TUBE - REAR | 74003931 |
| 3 | 128728-01-710 | EA | FITTING W/ORFICE/TUBE - FRT | 74003930 |
| 4 | 102020-01-709 | EA | BUMPER-GRATE | 8007P020-60 |
| 5 | 135065-03-703 | EA | GRATE - BLACK(SEALED BURNER) | 74007304 |
| 6 | 135065-03-702 | EA | SEALED BURNER ASM.(BLACK) RV | 74003967 |
| 7 | 128728-01-701 | EA | KNOB - BURNER - REAR | 74003941 (1 PER) |
| 7 | 128728-01-702 | EA | KNOB - BURNER - FRONT | 74003942 (2 PER) |
| 8 | 151279-02-701 | EA | KNOB - THERMOSTAT - BLACK | 74009858 |
| 9 | 112881-04-706 | EA | PILOT-OVEN (151279-01-01A ONLY) | 74006334 |
| 9 | 151279-01-700 | EA | PILOT-BURNER- 16" (151279-01-01A ONLY) | 74009852 |
| 9 | 151279-02-705 | EA | PILOT - OVEN - 22" SERIES | 74010544 |
| 10 | 151279-02-702 | EA | PIPE - MANIFOLD | 74009856 |
| 11 | 126023-02-703 | EA | REGULATOR - PRESSURE | 74004235 |
| 11 | 112881-03-701 | EA | REGULATOR KIT W/FITTINGS | 12001285 |
| 13 | 102020-01-724 | EA | BUMPER-MAIN TOP | 8003P008-60 |
| 14 | 151279-02-703 | EA | THERMOSTAT | 74009855 |
| 15 | 128728-01-705 | EA | TOP - MAIN - BLACK | 74003928 |
| 15 | 135065-03-715 | EA | TOP - MAIN - STAINLESS STEEL | 74007299 |
| 16 | 151279-02-704 | EA | ELBOW BLOCK ASM (VALVE-OVEN) | 74009864 |
| 17 | 135065-01-703 | EA | VALVE/BURNER - REAR | 74004643 |
| 17 | 135065-01-704 | EA | VALVE/BURNER-FRT-HI | 74004644 |
| 18 | 135656-01-701 | EA | MIXER/AIR | 3411F003-34 |
| 19 | 135065-01-701 | EA | IGNITOR/PORCELAIN-TOP BURNER | 74004053 |
| 20 | 128728-01-716 | EA | IGNITOR - F/BURNERS | 74003946 |
| 20 | 128728-01-717 | EA | WIRES - IGNITOR | 74003947 |
| 21 | 128728-01-707 | EA | KNOB - IGNITOR | 74003944 |
| 22 | 135065-03-700 | EA | FITTING - HALF UNION | 74004234 |

CONTACT WINNEBAGO PART SALES FOR UNLISTED COMPONENT(S)



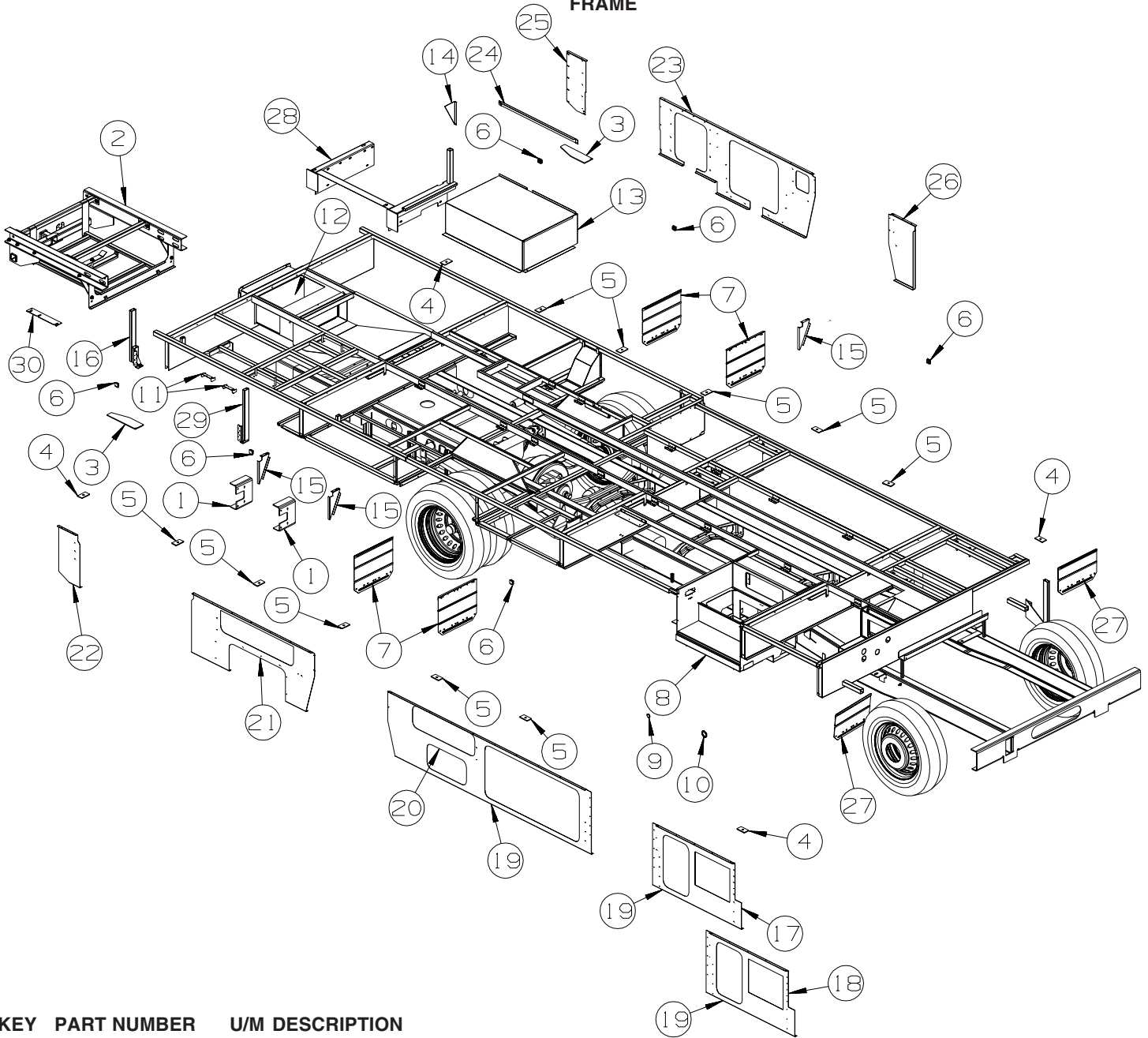
150778-01-01A, 151277-03-01A, 151279-02-01A, 151279-03-01A (CONTINUED)

| KEY | PART NUMBER | U/M | DESCRIPTION | VENDOR NO. |
|-----|---------------|-----|-------------------------|-------------|
| 1 | 126023-01-712 | EA | PANEL - DOOR (BLACK) | 74001190 |
| 2 | 128727-01-701 | EA | HANDLE - OVEN DOOR | 74003929 |
| 5 | 151277-01-704 | EA | HINGE KIT-OVEN DR/LT | 12400028 |
| 5 | 151277-01-705 | EA | HINGE KIT-OVEN DR/RT | 12400029 |
| 8 | 126023-01-732 | EA | SEAL/OVEN DR TOP | 7212P014-60 |
| 9 | 135066-03-714 | EA | SEAL - OVEN DOOR SIDES | 7212P039-60 |
| 13 | 102020-01-725 | EA | GLASS OUTER | 7902P266-60 |
| 14 | 126023-01-738 | EA | CLIP - GLASS OVEN/BLACK | 7112P093-60 |

CONTACT WINNEBAGO PART SALES FOR UNLISTED COMPONENT(S)

CHASSIS GROUP

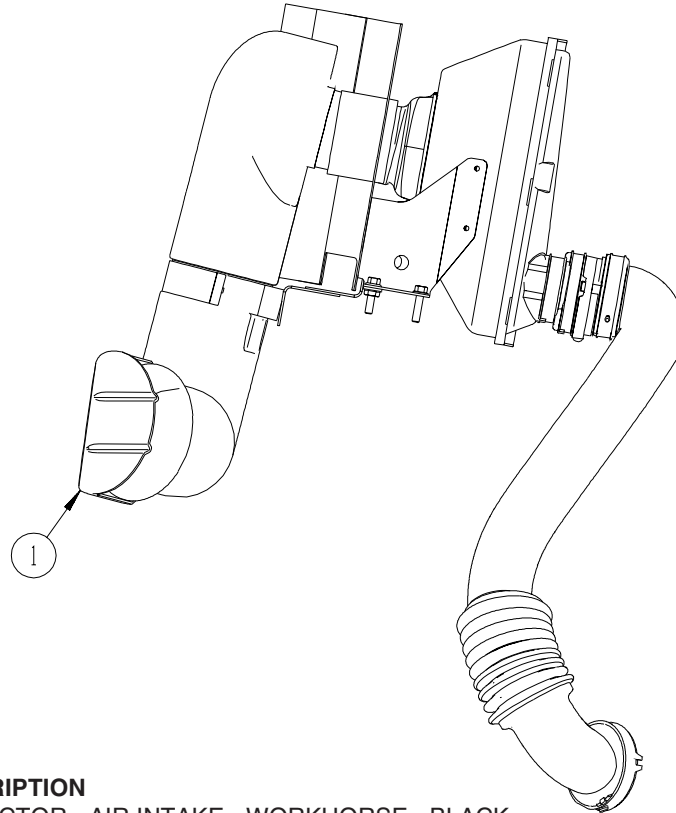
FRAME



| KEY | PART NUMBER | U/M | DESCRIPTION |
|-----|---------------|-----|---|
| 1 | 120867-01-02B | EA | MOUNT - LP TANK - E-COAT |
| 2 | 154052-02-01A | EA | CLIP/REAR EXTENSION RAIL - W/HITCH/TIRE CARRIER |
| 3 | 133095-01-02B | EA | PLATE - CLIP - E-COATED |
| 4 | 135712-02-02B | EA | PLATE - BODY MOUNT - E-COATED |
| 5 | 135712-01-02B | EA | PLATE - BODY MOUNT - E-COATED |
| 6 | 119845-01-01A | EA | PLUG/PLASTIC - 1 1/2" SQUARE - BLACK |
| 7 | 136391-02-02B | EA | GUARD/ROCK - STEEL - W/ANGLE - 18"W X 15"H - E-COATED |
| 8 | 152362-01-02B | EA | BOX/ENTRANCE STEP - E-COATED |
| | | | FROM: 00-00-00 THRU: 10-10-06 |
| 8 | 161763-01-02B | EA | BOX/ENTRANCE STEP - E-COATED |
| | | | FROM: 10-11-06 THRU: 99-99-99 |
| 9 | 061420-09-000 | EA | PLUG/PLASTIC - 1.00" DIAMETER |
| 10 | 061420-15-000 | EA | PLUG/PLASTIC - 2.00" DIAMETER - BLACK |
| 11 | 156785-05-02B | EA | BRACKET - A/C SUPPORT - E-COATED |
| 12 | 144746-12-02B | EA | COMPARTMENT - FURNACE - E-COATED |
| 13 | 140930-02-02B | EA | COMPARTMENT - GENERATOR - E-COATED |
| 14 | 123440-07-02B | EA | SUPPORT - PANEL - 8.7" X 4.7" - E-COATED |
| 15 | 123440-02-02B | EA | SUPPORT - PANEL - 9.9"/7.6" X 4.7" - E-COATED |
| 16 | 156548-04-02B | EA | SUPPORT - A/C - E-COATED |
| 17 | 144365-01-02B | EA | PLATE/SEAL - E-COATED |

CHASSIS GROUP (CONTINUED)
FRAME (CONTINUED)

| KEY | PART NUMBER | U/M | DESCRIPTION |
|-----|---------------|-----|--|
| 18 | 144365-57-02B | EA | PLATE/SEAL - E-COATED |
| 19 | 126516-01-01A | FT | TRIM - VINYL/EXTRUDED - 8' |
| 20 | 137098-32-02B | EA | PLATE/SEAL - E-COATED |
| 21 | 137098-40-02B | EA | PLATE/SEAL - E-COATED |
| 22 | 137098-36-02B | EA | PLATE/SEAL - E-COATED |
| 23 | 144365-12-02B | EA | PLATE/SEAL - E-COATED |
| 24 | 133612-05-02B | EA | ZEE/SEAL PLANE - BOTTOM - E-COATED |
| 25 | 137103-23-02B | EA | PLATE/SEAL - E-COATED |
| 26 | 137103-01-02B | EA | PLATE/SEAL - E-COATED |
| 27 | 136388-07-02B | EA | GUARD/ROCK - STEEL - 18" X 11" - E-COATED |
| 28 | 138113-01-02B | EA | OUTRIGGER/GENERATOR - E-COATED |
| 29 | 133833-01-02B | EA | HANGER - A/C - E-COATED |
| 30 | 136538-01-02B | EA | SHIM - HITCH - E-COATED |
| | 113452-01-000 | EA | SEAL/TRIM - FRONT - VINYL W/WIRE CARRIER - .020" |

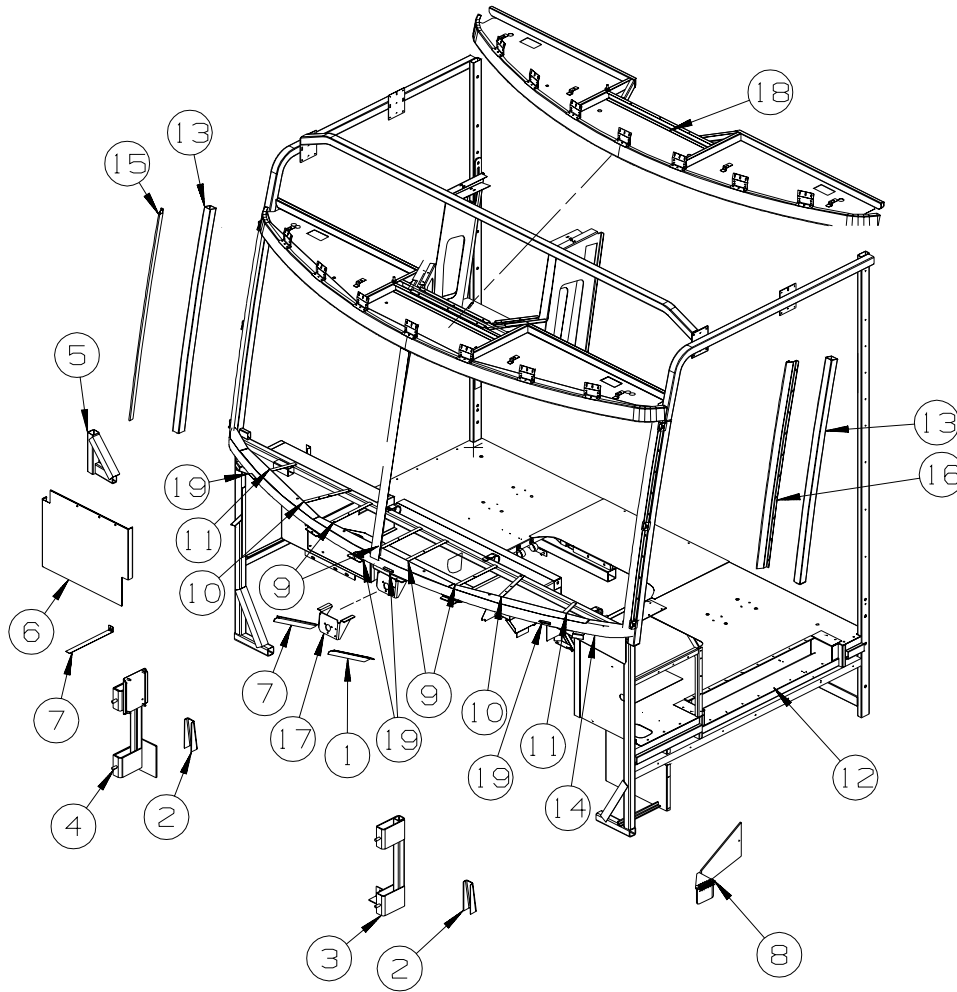


AIR INTAKE

| KEY | PART NUMBER | U/M | DESCRIPTION |
|-----|---------------|-----|--|
| 1 | 154181-01-10A | EA | DEFLECTOR - AIR INTAKE - WORKHORSE - BLACK |

CHASSIS GROUP (CONTINUED)

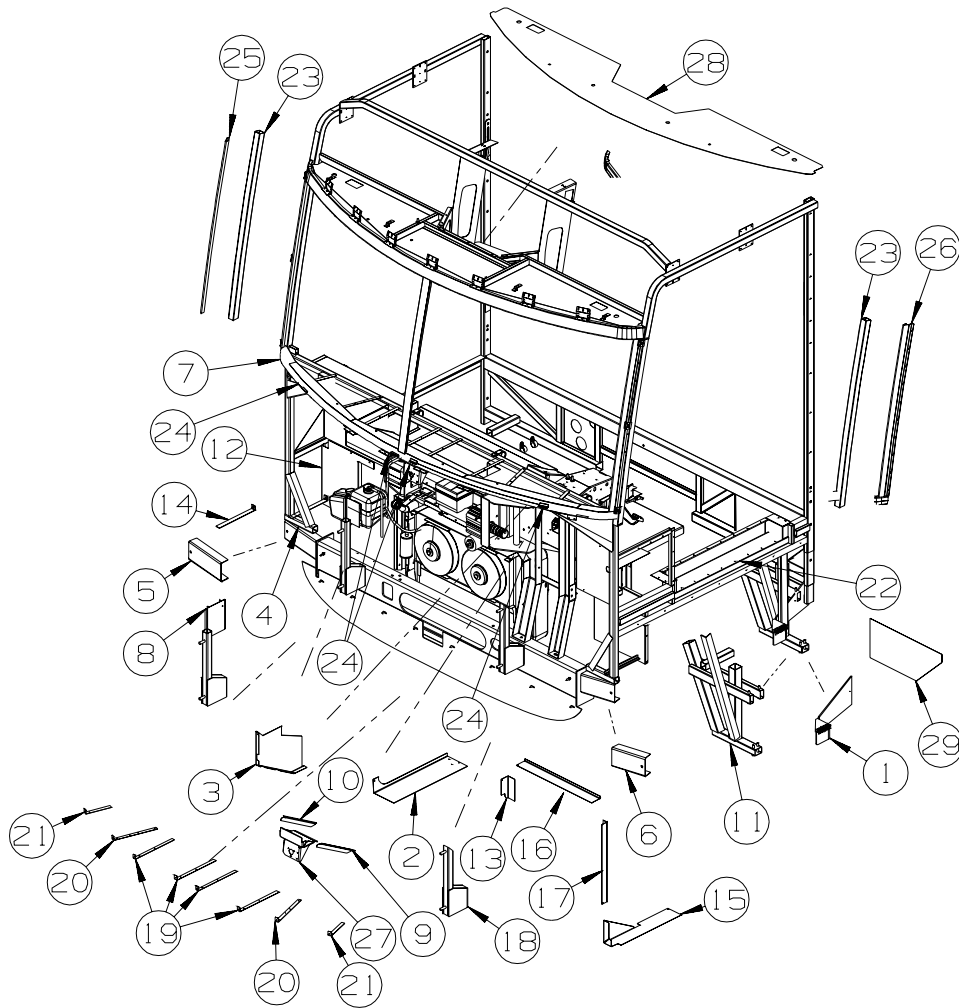
FRONT END



FORD

| KEY | PART NUMBER | U/M | DESCRIPTION |
|-----|---------------|-----|---|
| 1 | 134371-01-01B | EA | ANGLE/MOUNT - WIPER MOTOR |
| 2 | 117622-01-02B | EA | BRACE - TUBE/BUMPER - VERTICAL - E-COATED |
| 3 | 152916-01-02B | EA | SUPPORT - FRONT - E-COATED |
| 4 | 152916-05-02B | EA | SUPPORT - FRONT - E-COATED |
| 5 | 152725-02-02B | EA | SUPPORT - WHEEL LIP - E-COATED |
| 6 | 144679-02-02B | EA | SHIELD/SPLASH - HEADLIGHT - E-COATED |
| 7 | 134371-02-01B | EA | ANGLE/MOUNT - WIPER MOTOR |
| 8 | 152131-01-04B | EA | STEP - DRIVER DOOR - BLACK - F33V |
| 9 | 137047-04-01B | EA | STRAP - DEFROSTER PLENUM |
| 10 | 137047-05-01B | EA | STRAP - DEFROSTER PLENUM |
| 11 | 137047-06-01B | EA | STRAP - DEFROSTER PLENUM |
| 12 | 146492-02-01B | EA | PANEL - STEPWELL |
| 13 | 117273-01-01A | EA | TUBE - SUPPORT - A-PILLAR |
| 14 | 124974-01-01B | EA | SUPPORT - WINDSHIELD, LOWER, MILL FINISH |
| 15 | 156767-01-01B | EA | FRAME - WINDSHIELD - A-PILLAR - MILL |
| 16 | 156767-02-01B | EA | FRAME - WINDSHIELD - A-PILLAR - MILL |
| 17 | 134506-04-01B | EA | BRACKET - WIPER MOTOR |
| 18 | 132793-03-01B | EA | HEADER - WINDSHIELD |
| 19 | 126289-65-01B | EA | ANGLE - FORMED - 4 USED |

CHASSIS GROUP (CONTINUED) FRONT END (CONTINUED)



WORKHORSE

| KEY | PART NUMBER | U/M | DESCRIPTION |
|-----|---------------|-----|--|
| 1 | 152131-01-04B | EA | STEP - DRIVER DOOR - BLACK - F33V |
| 2 | 137041-01-02B | EA | ANGLE/FILLER - MOTOR COVER - E-COATED |
| 3 | 150565-01-02B | EA | PANEL - CLOSE OUT - CAB - E-COATED |
| 4 | 152725-02-02B | EA | SUPPORT - WHEEL LIP - E-COATED |
| 5 | 137048-02-02B | EA | CHANNEL/SUPPORT - FRONT END - E-COATED |
| 6 | 137048-01-02B | EA | CHANNEL/SUPPORT - FRONT END - E-COATED |
| 7 | 124974-01-01B | EA | SUPPORT - WINDSHIELD, LOWER, MILL |
| 8 | 134807-11-02B | EA | SUPPORT - FRONT - E-COATED - INCLUDES RESERVOIR BRACKET |
| 9 | 134371-01-01B | EA | ANGLE/MOUNT - WIPER MOTOR |
| 10 | 134371-02-01B | EA | ANGLE/MOUNT - WIPER MOTOR |
| 11 | 138340-01-02B | EA | SUPPORT/STEP - DRIVER - E-COATED - CHASSIS W/22.5 TIRE - F35A, F35L, F38J |
| 12 | 121962-02-02B | EA | SHIELD/SPLASH - HEADLIGHT - E-COATED |
| 13 | 139131-01-02B | EA | ANGLE - W/NOTCH - E-COATED |
| 14 | 139119-01-02B | EA | STRAP - BENT, W/HOLE - E-COATED |
| 15 | 137045-01-02B | EA | PANEL - FILLER, BULKHEAD - E-COATED |
| 16 | 137037-01-02B | EA | ANGLE/FILLER - E-COATED |
| 17 | 137037-02-02B | EA | ANGLE/FILLER - E-COATED |
| 18 | 134807-12-02B | EA | SUPPORT - FRONT - E-COATED |
| 19 | 137047-04-01B | EA | STRAP - DEFROSTER PLENUM |
| 20 | 137047-05-01B | EA | STRAP - DEFROSTER PLENUM |
| 21 | 137047-06-01B | EA | STRAP - DEFROSTER PLENUM |
| 22 | 146492-02-01B | EA | PANEL - STEPWELL |
| 23 | 117273-01-01A | EA | TUBE - SUPPORT - A-PILLAR |
| 24 | 126289-65-01B | EA | ANGLE - FORMED |
| 25 | 156767-01-01B | EA | FRAME - WINDSHIELD - A-PILLAR - MILL |
| 26 | 156767-02-01B | EA | FRAME - WINDSHIELD - A-PILLAR - MILL |
| 27 | 134506-04-01B | EA | BRACKET - WIPER MOTOR |
| 28 | 132793-03-01B | EA | HEADER - WINDSHIELD, MILL |
| 29 | 137496-01-01B | EA | PANEL - SPLASH GUARD - F35A, F35L, F38J |

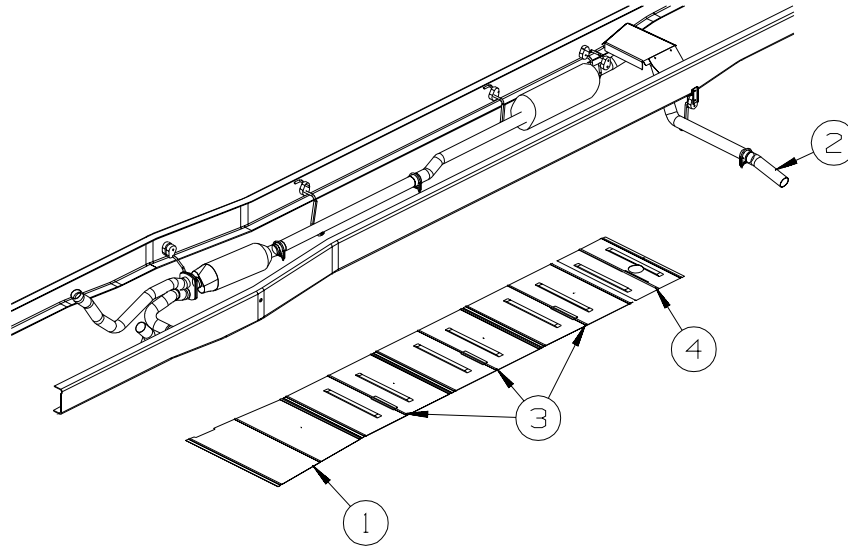
CHASSIS GROUP (CONTINUED)

DRIVETRAIN

WORKHORSE F38J

| KEY | PART NUMBER | U/M | DESCRIPTION |
|-----|---------------|-----|--|
| | 128528-03-000 | EA | BOLT - U-JOINT - 3/8-24 X 3/4 |
| | 128528-04-000 | EA | STRAP - BEARING - 1480 JOINT |
| | 138616-01-02B | EA | BRACKET/BEARING MOUNT - FRONT/248" W B - E-COATED - 228 STRETCH TO 248, 24000 GVWR |
| | 138616-02-02B | EA | BRACKET/BEARING MOUNT - MID-RR/248" W B - E-COATED - 228 STRETCH TO 248, 24000 GVWR |
| | 138126-05-000 | EA | DRIVESHAFT-BAL-4 SEC-WH W2 -248" WB - 228 STRETCH TO 248, 24000 GVWR W/DISC PARK BRAKE |

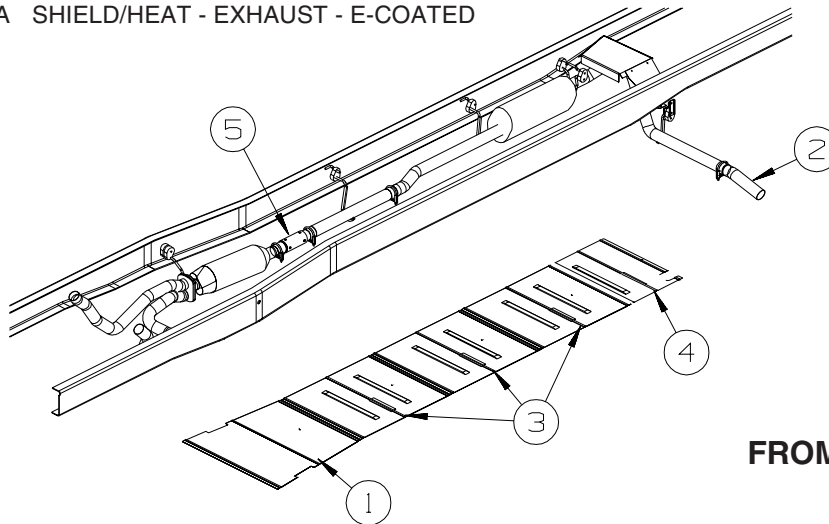
EXHAUST



228" WHEELBASE

**FORD
F35A, F35L**

| KEY | PART NUMBER | U/M | DESCRIPTION |
|-----|---------------|-----|--|
| 1 | 128756-01-02B | EA | SHIELD - HEAT/EXHAUST - 33.9" X 16.9" - E-COATED |
| 2 | 142985-01-000 | EA | PIPE - EXHAUST |
| 3 | 143712-05-02B | EA | SHIELD/HEAT - EXHAUST - E-COATED |
| 4 | 143712-07-02B | EA | SHIELD/HEAT - EXHAUST - E-COATED |

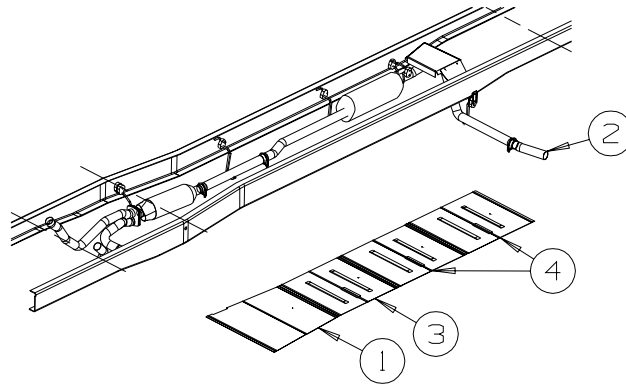


STRETCH 208" WHEELBASE
TO 228" WHEELBASE

**FORD
F35A, F35L
FROM 01-20-07 THRU 02-09-07**

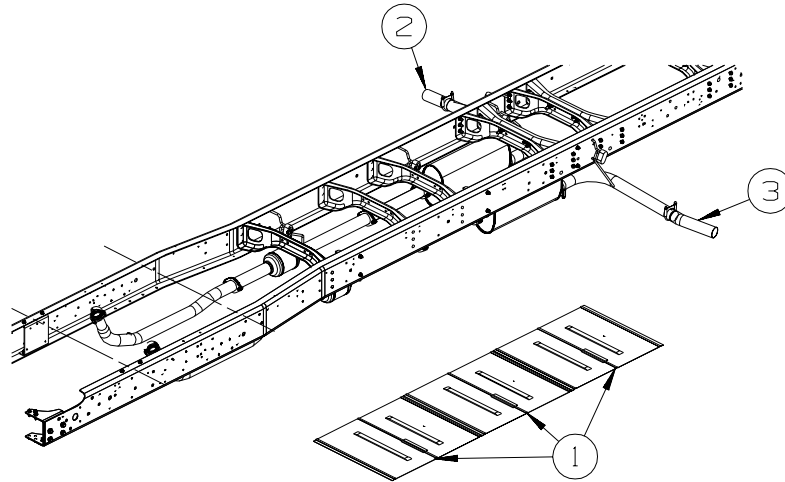
| KEY | PART NUMBER | U/M | DESCRIPTION |
|-----|---------------|-----|--|
| 1 | 128756-01-02B | EA | SHIELD - HEAT/EXHAUST - 33.9" X 16.9" - E-COATED |
| 2 | 142985-01-000 | EA | PIPE - EXHAUST |
| 3 | 143712-05-02B | EA | SHIELD/HEAT - EXHAUST - E-COATED |
| 4 | 143712-07-02B | EA | SHIELD/HEAT - EXHAUST - E-COATED |
| 5 | 112012-03-000 | EA | PIPE - EXHAUST - 3" DIAMETER - FORD CHASSIS |

CHASSIS GROUP (CONTINUED)
EXHAUST (CONTINUED)



**FORD
F33V**

| KEY | PART NUMBER | U/M | DESCRIPTION |
|-----|---------------|-----|--|
| 1 | 128756-01-02B | EA | SHIELD - HEAT/EXHAUST - 33.9" X 16.9" - E-COATED |
| 2 | 142985-01-000 | EA | PIPE - EXHAUST |
| 3 | 143712-02-02B | EA | SHIELD - HEAT/EXHAUST - E-COATED |
| 4 | 143712-05-02B | EA | SHIELD/HEAT - EXHAUST - E-COATED |

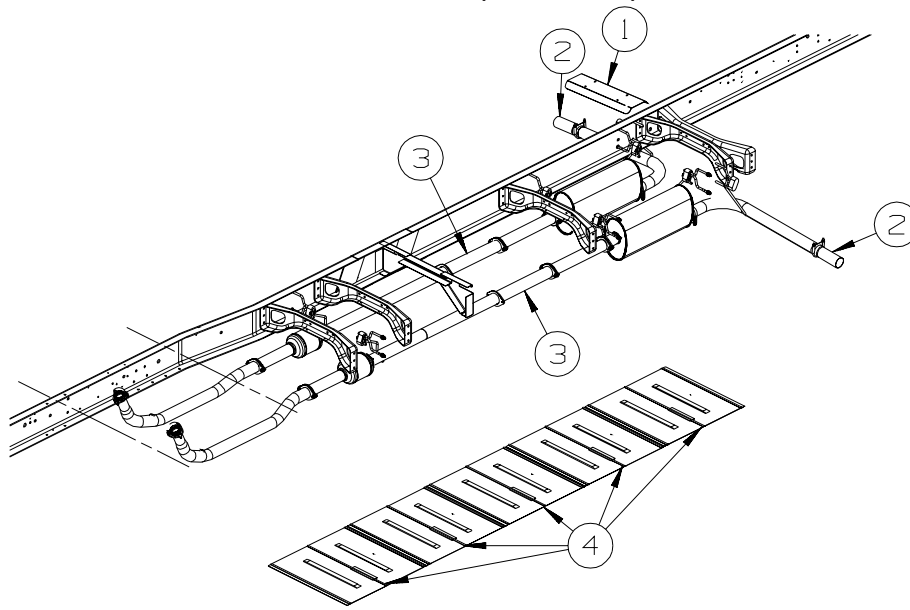


**WORKHORSE
F33V**

208" WHEELBASE

| KEY | PART NUMBER | U/M | DESCRIPTION |
|-----|---------------|-----|---|
| 1 | 143712-05-02B | EA | SHIELD - HEAT/EXHAUST - E-COATED |
| 2 | 098762-05-000 | EA | EXTENSION - EXHAUST - STRAIGHT - 3" O.D X 7.9" LONG - SST |
| | 094918-01-000 | EA | CLAMP - EXHAUST - 3" - GUILLOTINE STYLE |
| 3 | 142985-01-000 | EA | PIPE - EXHAUST |

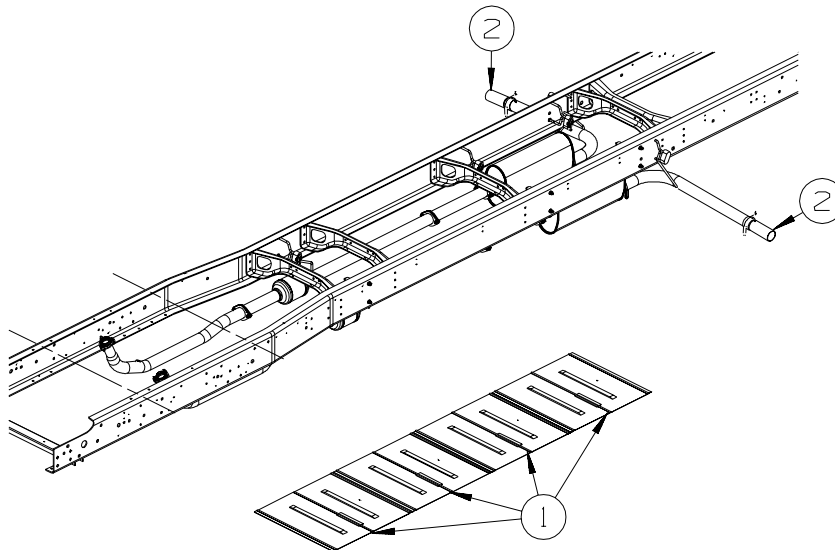
CHASSIS GROUP (CONTINUED)
EXHAUST (CONTINUED)



**WORKHORSE
F38J**

248" WHEELBASE

| KEY | PART NUMBER | U/M | DESCRIPTION |
|-----|---------------|-----|---|
| 1 | 150346-01-09B | EA | SHIELD - TAILPIPE - GALVANIZED |
| 2 | 098762-05-000 | EA | EXTENSION - EXHAUST - STRAIGHT - 3" O.D X 7.9" LONG - SST |
| 3 | 137652-06-000 | EA | PIPE - EXHAUST W/FLANGES |
| 4 | 143712-02-02B | EA | SHIELD/HEAT - EXHAUST - E-COATED |
| | 094918-01-000 | EA | CLAMP - EXHAUST - 3" - GUILLOTINE STYLE |



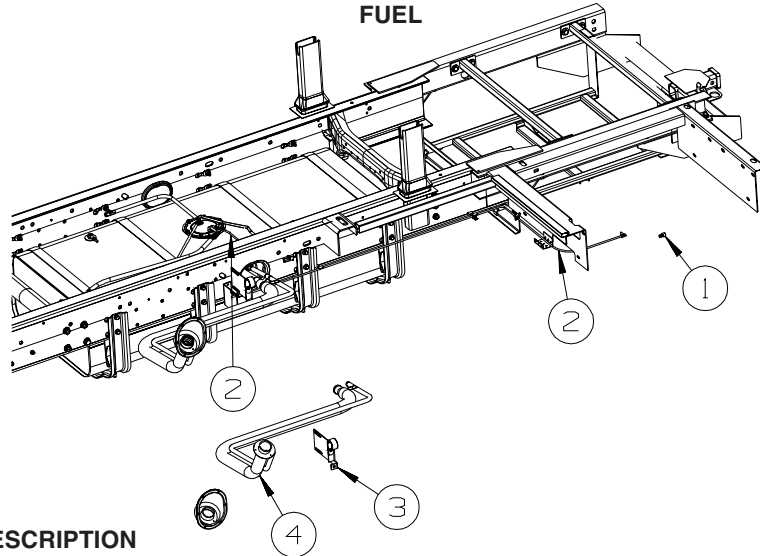
**WORKHORSE
F35A, F35L**

228" WHEELBASE

| KEY | PART NUMBER | U/M | DESCRIPTION |
|-----|---------------|-----|---|
| 1 | 128756-01-02B | EA | SHIELD - HEAT/EXHAUST - 33.9" X 16.9" - E-COATED |
| 2 | 098762-05-000 | EA | EXTENSION - EXHAUST - STRAIGHT - 3" O.D X 7.9" LONG - SST |
| | 094918-01-000 | EA | CLAMP - EXHAUST - 3" - GUILLOTINE STYLE |

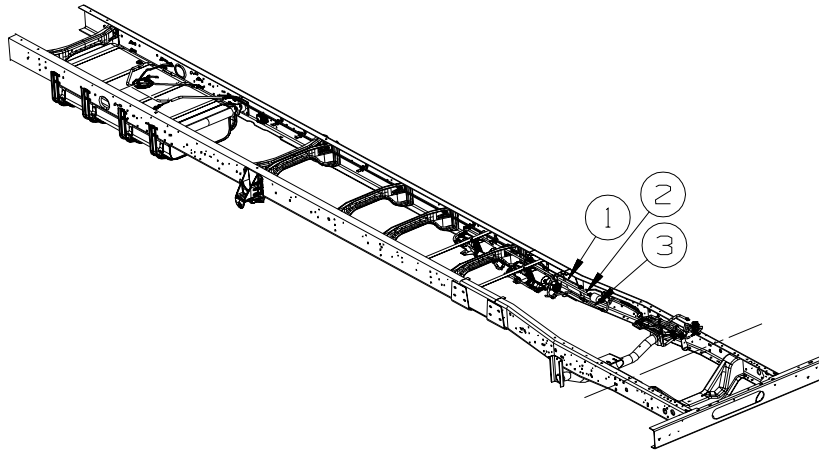
CHASSIS GROUP (CONTINUED)

FUEL



FORD

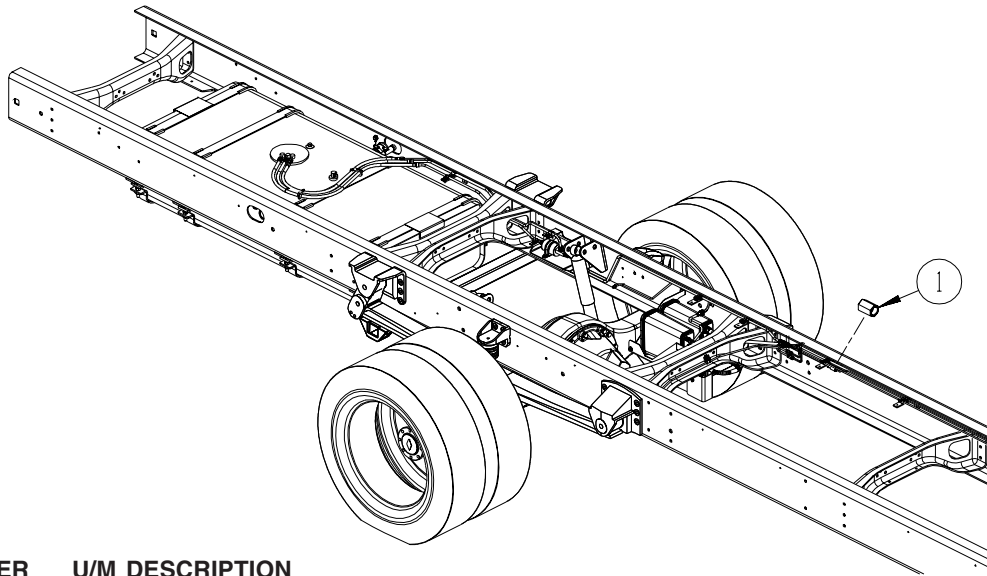
| KEY | PART NUMBER | U/M | DESCRIPTION |
|-----|---------------|-----|--|
| 1 | 084884-01-000 | EA | PLUG - BRASS - 3/8" |
| 2 | 128139-03-000 | FT | HOSE - FUEL - LOW PERMEABILITY - 1/4" DIAMETER |
| 3 | 140728-02-02B | EA | BRACKET - FUEL FILL - E-COATED |
| 4 | 153027-01-000 | EA | NECK - FUEL FILL |



**FORD
F38J**

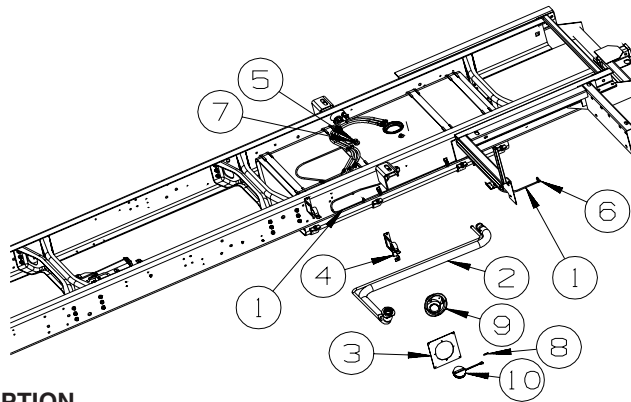
| KEY | PART NUMBER | U/M | DESCRIPTION |
|-----|---------------|-----|---|
| 1 | 155360-02-000 | EA | EXTENSION - TUBE/VAPOR 5/16" - FUEL TANK VENT |
| 2 | 129494-03-000 | EA | FUEL LINE - 5/16" X 21.2" - FORD CHASSIS |
| 3 | 155359-01-000 | EA | EXTENSION - TUBE/VAPOR 1/2" - EMISSION CANISTER |

CHASSIS GROUP (CONTINUED)
FUEL (CONTINUED)



WORKHORSE

| KEY | PART NUMBER | U/M DESCRIPTION |
|-----|---------------|--|
| 1 | 098779-02-000 | EA COUPLER - FUEL LINE - 1.2" LONG X 16MM THREAD - STRETCHED CHASSIS ONLY |



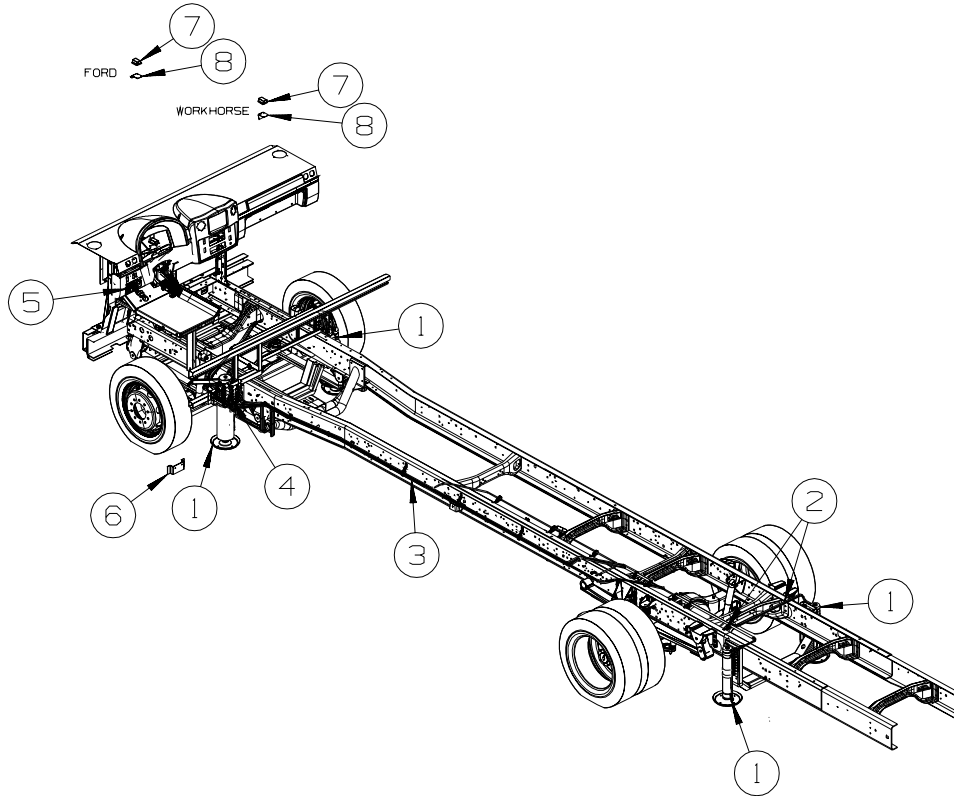
WORKHORSE

| KEY | PART NUMBER | U/M DESCRIPTION |
|-----|---------------|--|
| 1 | 128139-03-000 | FT HOSE - FUEL - LOW PERMEABILITY - 1/4" DIAMETER |
| 2 | 136300-02-000 | EA NECK - FUEL FILL |
| 3 | 139138-01-02B | EA PLATE - FUEL FILL - E-COATED |
| 4 | 140728-03-02B | EA BRACKET - FUEL FILL - E-COATED |
| 5 | 068382-06-000 | EA BUSHING - BRASS - 3/8"MPT X 1/8"FPT |
| 6 | 084884-01-000 | EA PLUG - BRASS - 3/8" |
| 7 | 114254-01-000 | EA ADAPTER - 1/4 BARB X 1/8 MPT |
| 8 | 099069-01-000 | EA SEAL - RUBBER - CLOSED SPONGE - .5" WIDE X .12" THICK-BLK |
| 9 | 128299-02-01A | EA SHROUD - FUEL FILL |
| 10 | 163743-01-000 | EA CAP - FUEL FILL - 1/4 TURN - WORKHORSE |

CHASSIS GROUP (CONTINUED)

SPARE TIRE

| KEY | PART NUMBER | U/M | DESCRIPTION |
|-----|---------------|-----|--|
| | 102340-08-000 | EA | TIRE - 245/70R X 19.5F - GOODYEAR - FORD |
| | 091673-07-000 | EA | TIRE - 225/70R19.5 LRF - MICHELIN XRV - W16/W18 16000/18000 GVWR WORKHORSE |
| | 102340-07-000 | EA | TIRE - 245/70R X 19.5F - MICHELIN XRV - W20 20700 GVWR WORKHORSE |
| | 102340-09-000 | EA | TIRE - 245/70R X 19.5G - GOODYEAR - W21 21200 GVWR WORKHORSE |
| | | | WHEEL - FORD IS CHASSIS SUPPLIED |
| | 156482-01-000 | EA | WHEEL - STEEL - 19.5" X 6" - 10 BOLT - W16/W18 16000/18000 GVWR WORKHORSE |
| | 118814-05-000 | EA | WHEEL - STEEL - 19.5" X 6.75" - W/STEM - GRAY - W20/W21 20700/21200 GVWR WORKHORSE |
| | 051377-07-000 | EA | VALVE STEM - 1.5" - W16/W18 16000/18000 GVWR WORKHORSE |
| | 051377-01-000 | EA | VALVE STEM - W20 20700 GVWR WORKHORSE |
| | 051377-06-000 | EA | VALVE STEM - .5" X 2 1/3" W/22 DEGREE BEND - W21 21200 GVWR WORKHORSE |

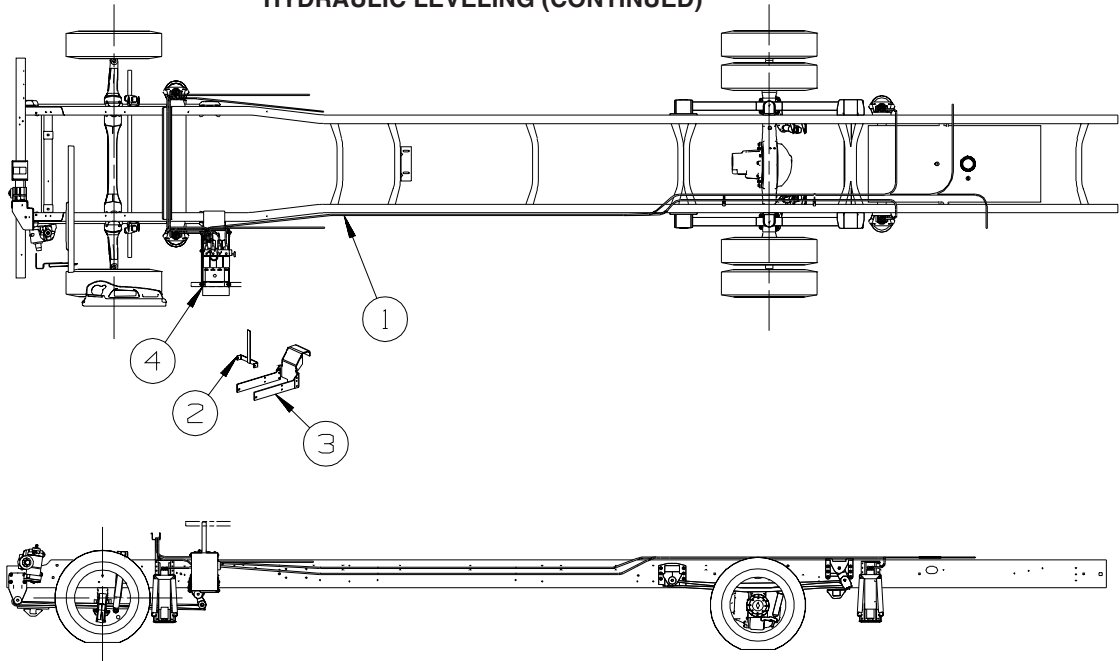


HYDRAULIC LEVELING

| KEY | PART NUMBER | U/M | DESCRIPTION |
|-----|---------------|-----|--|
| 1* | 139641-09-000 | EA | LEVELING SYSTEM - W/O PUMP - W/HARNES/RMT SWITCH CAPABLE - FORD - F33V, F35A, F35L |
| 1* | 139641-10-000 | EA | LEVELING SYSTEM-W/O PUMP-W/HARNES/RMT SWITCH CAPABLE - WH - F33V, F35A, F35L |
| 2 | 126624-01-02B | EA | ANGLE - WIRE SUPPORT - E-COAT |
| 3 | 139644-03-000 | EA | HOSE KIT - LEVELING JACKS |
| 4 | 156056-01-000 | EA | PUMP - F/MANUAL LEVELING SYSTEM |
| 4 | 156056-02-000 | EA | PUMP - F/AUTOMATIC LEVELING SYSTEM |
| 5 | 139643-02-000 | EA | CONTROL - LEVEL W/O INDIVIDUAL CONTROLS - RECTANGLE BOX |
| 5 | 139643-08-000 | EA | CONTROL - LEVEL - AUTO SYST-W/SENSOR HARNES/RMT SW CAPABLE |
| 6 | 154816-01-02B | EA | BRACKET - PUMP/LEVELING - E-COATED |
| 7 | 156057-01-000 | EA | SENSOR - F/AUTOMATIC LEVELING SYSTEM - #1802923 |
| 8 | 153870-01-02B | EA | BRACKET - SENSOR/LEVEL - E-COATED - WORKHORSE |
| 8 | 153870-02-02B | EA | BRACKET - SENSOR/LEVEL - E-COATED - FORD |

*COMPONENT PARTS LISTED LATER IN THIS GROUP

CHASSIS GROUP (CONTINUED)
HYDRAULIC LEVELING (CONTINUED)



| KEY | PART NUMBER | U/M | DESCRIPTION |
|-----|---------------|-----|---|
| 1* | 100536-57-000 | EA | HOSE KIT - F/LEVELING JACKS |
| 2 | 149900-01-02B | EA | BRACKET - PUMP/LEVELING SYSTEM - E-COATED |
| 3 | 150001-01-02B | EA | BRACKET - PUMP/LEVELING SYSTEM - E-COATED |
| 4 | 153452-19-000 | EA | LEVELING SYSTEM - 625 SYSTEM W/3 SLIDEOUTS - WORKHORSE - F38J |

***COMPONENT PARTS LISTED LATER IN THIS GROUP**

COMPONENT PARTS FOR HYDRAULIC LEVELING

100536-57-000

| KEY | PART NUMBER | U/M | DESCRIPTION | VENDOR NO. |
|-----|---------------|-----|------------------------------|-----------------|
| | 100536-09-700 | EA | HOSE-HYDRAULIC-324" | RAP91489/AP2464 |
| | 100536-26-700 | EA | HOSE - HYDRAULIC-1/4" X 100" | RAP90077/AP7832 |
| | 115767-01-705 | EA | HOSE-HYDRAULIC - 1/4" X 60" | RAP4073/AP4073 |
| | 135250-02-700 | EA | HOSE-HYDRAULIC - 1/4" X 300" | RAP90806/AP4064 |

139641-09-000

| KEY | PART NUMBER | U/M | DESCRIPTION | VENDOR NO. |
|-----|---------------|-----|------------------------------|------------|
| | 139641-01-701 | EA | HARNES -AIR PUMP/WARN LIGHT | 1809891 |
| | 139641-01-704 | EA | SWITCH/SENSOR-JACK (UP/DOWN) | 1812992 |
| | 139641-01-705 | EA | FITTING HYD (1/4"X90 DEGREE) | 1904500 |
| | 139641-01-706 | EA | FITTING HYD (1/4" STRAIGHT) | 1904510 |
| | 139641-01-709 | EA | JACK - REAR 15"/10K | 3700701 |
| | 139641-01-710 | EA | CYLINDER ONLY - 15"/10K | 1905200 |
| | 139641-01-715 | EA | BOLT KIT(CROSS MBR/JK/PUMP) | 3717794 |
| | 139641-01-720 | EA | JACK - FRONT 15"/10K | 3700702 |
| | 139641-01-723 | EA | FOOT PAD - JACK | 3700367 |
| | 139641-01-724 | EA | BOLT/FOOT - 3/4-10 X 1 1/2" | 1204645 |
| | 139641-01-725 | EA | HARNES - EMERGENCY RETRACT | 1809908 |
| | 139641-02-700 | EA | HARNES F/READ SWITCH (FORD) | 1809911 |
| | 139641-02-701 | EA | BRACKET MTG (F53/W22 REAR) | 3717742 |
| | 139641-02-703 | EA | CROSS MEMBER/REAR (F53/W22) | 3717795 |
| | 139641-09-700 | EA | BRACKET/MOUNTING (F53 FRONT) | 3717809 |
| | 139641-09-701 | EA | BRACKET/FRONT X-MEMBER | 3717808 |

CHASSIS GROUP (CONTINUED)
COMPONENT PARTS FOR HYDRAULIC LEVELING (CONTINUED)

139641-10-000

| KEY | PART NUMBER | U/M | DESCRIPTION | VENDOR NO. |
|-----|---------------|-----|-------------------------------|------------|
| | 139641-01-701 | EA | HARNESSE -AIR PUMP/WARN LIGHT | 1809891 |
| | 139641-01-704 | EA | SWITCH/SENSOR-JACK (UP/DOWN) | 1812992 |
| | 139641-01-705 | EA | FITTING HYD (1/4"X90 DEGREE) | 1904500 |
| | 139641-01-706 | EA | FITTING HYD (1/4" STRAIGHT) | 1904510 |
| | 139641-01-709 | EA | JACK - REAR 15"/10K | 3700701 |
| | 139641-01-710 | EA | CYLINDER ONLY - 15"/10K | 1905200 |
| | 139641-01-711 | EA | BRACKET MTG (WORKHORSE REAR) | 3717740 |
| | 139641-01-715 | EA | BOLT KIT(CROSS MBR/JK/PUMP) | 3717794 |
| | 139641-01-720 | EA | JACK - FRONT 15"/10K | 3700702 |
| | 139641-01-723 | EA | FOOT PAD - JACK | 3700367 |
| | 139641-01-724 | EA | BOLT/FOOT - 3/4-10 X 1 1/2" | 1204645 |
| | 139641-01-725 | EA | HARNESSE - EMERGENCY RETRACT | 1809908 |
| | 139641-02-700 | EA | HARNESSE F/READ SWITCH (FORD) | 1809911 |
| | 139641-02-701 | EA | BRACKET MTG (F53/W22 REAR) | 3717742 |
| | 139641-02-703 | EA | CROSS MEMBER/REAR (F53/W22) | 3717795 |
| | 139641-03-700 | EA | CROSSMEMBER/FRONT (W22) | 3717804 |

CHASSIS GROUP (CONTINUED)

WHEEL, TIRE, COVERS &/OR LINERS

| KEY | PART NUMBER | U/M | DESCRIPTION |
|-----|---------------|-----|--|
| * | 145580-03-000 | EA | LINER - WHEEL(SET OF 4) - 19.5" - 8 BOLT/4HAND HOLE - WORKHORSE W/19.5 TIRE |
| * | 145580-02-000 | EA | LINER - WHEEL(SET OF 4) - 22.5"/10 BOLT - WORKHORSE W/22.5 TIRE |
| * | 154672-01-000 | EA | LINER - WHEEL - SET/4 - 19.5 - 10 BOLT - FORD |
| * | 150723-01-000 | EA | COVER/HUB-SET-FT & RR HUBS/NUT CVRS/TOOL - FORD ALUMINUM WHEELS |
| | 077030-10-000 | EA | EXTENSION - VALVE STEM - .50" - METAL |
| | 095012-10-000 | EA | EXTENSION/VALVE STEM - LIVE - 8.5" |
| | 095012-07-000 | EA | STABILIZER/VALVE EXTENSION - LIVE - 4" |

*COMPONENT PARTS LISTED LATER IN THIS GROUP

COMPONENT PARTS FOR WHEEL, TIRE, COVERS &/OR LINERS

145580-02-000

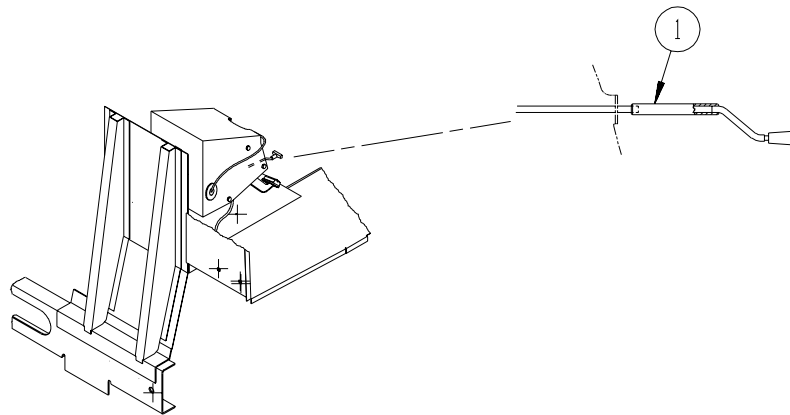
| KEY | PART NUMBER | U/M | DESCRIPTION | VENDOR NO. |
|-----|---------------|-----|-----------------------------|---------------------|
| | 110435-04-705 | EA | DECAL-CTR HUB 2 3/4" DIAMO | 2 3/4 DECAL DIAMOND |
| | 110435-05-700 | EA | CAP-CENTER, POP-OUT 4 1/2" | V22510-POC |
| | 145580-01-702 | EA | COVER-LUG NUT/JAM NUT 22M | V22501-EJN |
| | 145580-01-703 | EA | TOOL-INSTALLATION | V22501-TOL |
| | 145580-02-700 | EA | LINER - WHEEL/FRONT - 1EA=1 | V22569-FWC |
| | 145580-02-701 | EA | LINER - WHEEL/REAR - 1EA=1 | V22569-RWC |

145580-03-000

| KEY | PART NUMBER | U/M | DESCRIPTION | VENDOR NO. |
|-----|---------------|-----|-----------------------------|---------------------|
| | 110435-04-705 | EA | DECAL-CTR HUB 2 3/4" | 2 3/4 DECAL DIAMOND |
| | 110435-05-700 | EA | CAP-CENTER 4.50"D W/O DECAL | V22510-POC |
| | 110435-12-700 | EA | LINER - WHEEL - FRONT | V19580-FWC |
| | 110435-12-701 | EA | LINER - WHEEL - REAR | V19580-RWC |
| | 145580-01-702 | EA | COVER-LUG NUT/JAM NUT 22M | V19582-EJN |
| | 145580-01-703 | EA | TOOL-INSTALLATION | V22501-TOL |

154672-01-000

| KEY | PART NUMBER | U/M | DESCRIPTION | VENDOR NO. |
|-----|---------------|-----|-----------------------|------------|
| | 154672-01-700 | EA | LINER - WHEEL - FRONT | V195F6-FWC |
| | 154672-01-701 | EA | LINER - WHEEL - REAR | V195F6-RWC |



FORD

BRAKE

| KEY | PART NUMBER | U/M | DESCRIPTION |
|-----|---------------|-----|--------------------------|
| 1 | 113007-01-000 | EA | PIN - SPRING - .375 X 3" |

BRAKELINE

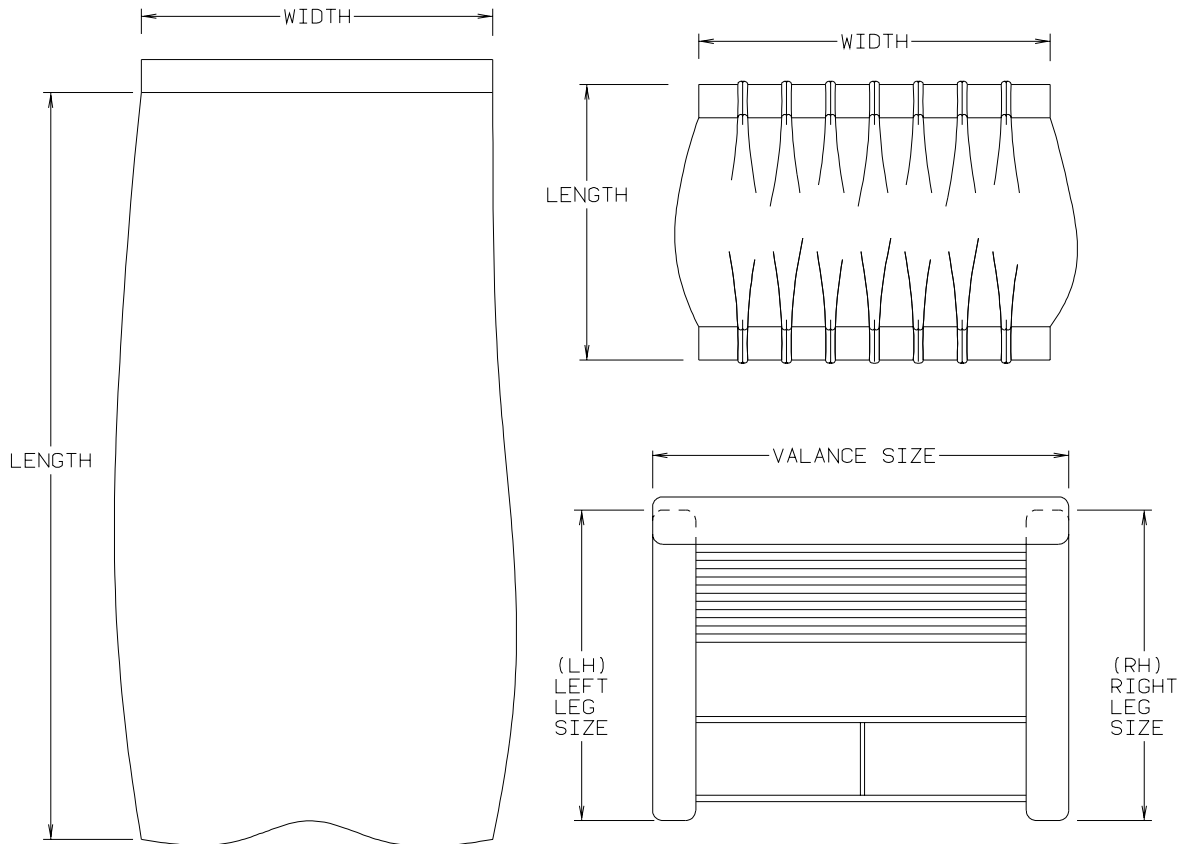
| KEY | PART NUMBER | U/M | DESCRIPTION |
|-----|---------------|-----|-------------------------------|
| | 075466-01-000 | EA | UNION - INVERTED FLAIR - 1/4" |

CURTAIN & CUSHION GROUP

NOTICE

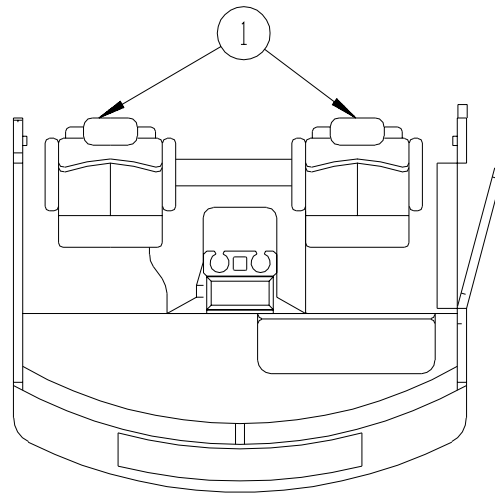
IN ORDER TO ASSIST OUR PARTS SALES DEPT. IN PROVIDING INTERIOR SOFTWARE ITEMS, PLEASE INCLUDE THE SERIAL NUMBER AND THE COLOR CODE NUMBER FROM THE VEHICLE CERTIFICATION LABEL WHEN ORDERING. THIS LABEL IS LOCATED ON THE LEFT SIDEWALL AT THE END OF THE DASH (A-BODY), OR ON THE DRIVER'S DOOR LATCH PLATE (C-BODY).

AN EXAMPLE OF A COLOR CODE NUMBER IS B07, WHICH DESIGNATES AN OVERALL COLOR SCHEME OF A PARTICULAR UNIT. THE COLOR LISTED AFTER THE ITEM DESCRIPTION ON THE MICROFICHE, INDICATES THE OVERALL UNIT COLOR. ORDER THE ITEM YOU DESIRE ACCORDING TO UNIT COLOR CODE. IF ALL COLORS USE THE SAME ITEM NO COLOR CODE WILL BE NOTED.



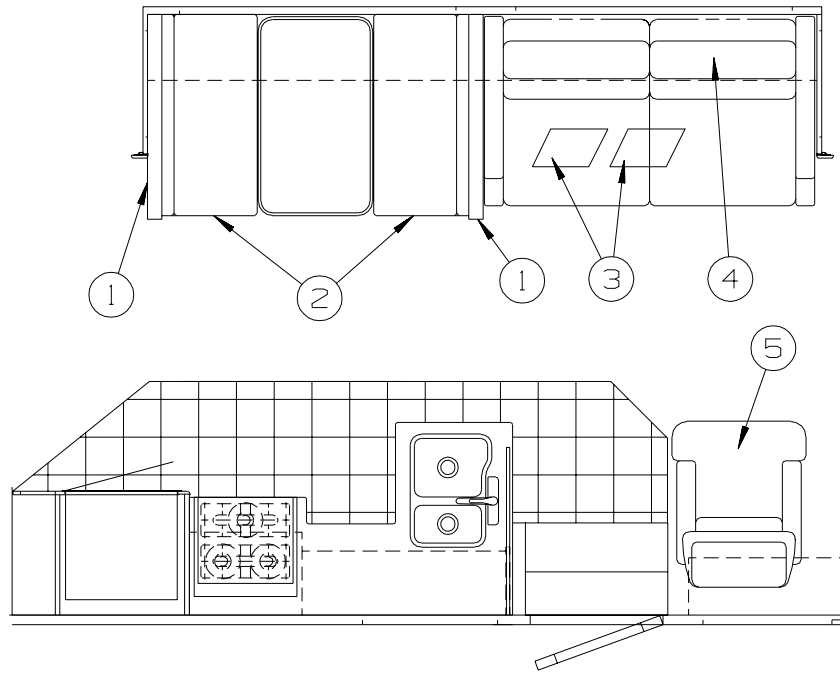
NOTE: USE THIS ILLUSTRATION WHEN DETERMINING LENGTH AND WIDTH MEASUREMENTS FOR CURTAINS. YOU WILL NOTE THE WIDTH MEASUREMENT IS TAKEN ON THE TOP OF THE CURTAIN WITH THE CURTAIN FULLY EXTENDED. THE LENGTH MEASUREMENT IS TAKEN FROM TOP TO BOTTOM. LEFT AND RIGHT WINDOW LEGS ARE DETERMINED WHEN FACING THE WINDOW.

CURTAIN & CUSHION GROUP (CONTINUED)
CUSHION LAYOUT



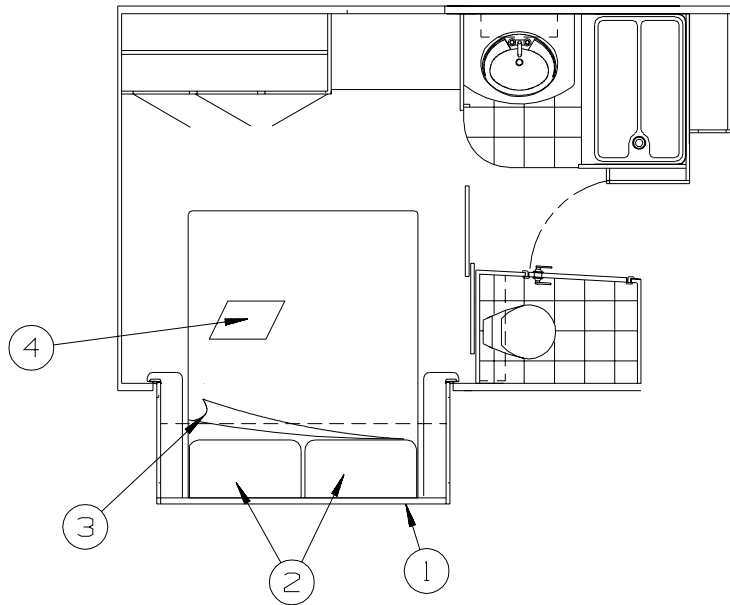
| KEY | PART NUMBER | U/M | DESCRIPTION |
|-----|---------------|-----|---|
| 1 | 150083-06-U79 | EA | SEAT - BUCKET - W/LUMBAR (U79,U80) |
| 1 | 150083-06-U83 | EA | SEAT - BUCKET - W/LUMBAR (U83,U84) |
| 1 | 150083-07-U87 | EA | SEAT - BUCKET - W/LUMBAR (U87,U88) |
| 1 | 150083-08-U79 | EA | SEAT - BUCKET W/LUMBAR - LEATHER (U79,U80,U83,U84) - ULTRA LEATHER |
| 1 | 150083-08-U87 | EA | SEAT - BUCKET W/LUMBAR - LEATHER (U87,U88) - ULTRA LEATHER |

CURTAIN & CUSHION GROUP (CONTINUED)
CUSHION LAYOUT (CONTINUED)



| KEY | PART NUMBER | U/M | DESCRIPTION |
|-----|---------------|-----|---|
| 1 | 155036-06-U79 | EA | BACK - DINETTE CUSHION - 10" X 40" (U79,U80) |
| 1 | 155036-06-U83 | EA | BACK - DINETTE CUSHION - 10" X 40" (U83,U84) |
| 1 | 155036-06-U87 | EA | BACK - DINETTE CUSHION - 10" X 40" (U87,U88) |
| | P55036-06-U79 | EA | COVER/BACK - DINETTE CUSHION - 10" X 40" (U79,U80) |
| | P55036-06-U83 | EA | COVER/BACK - DINETTE CUSHION - 10" X 40" (U83,U84) |
| | P55036-06-U87 | EA | COVER/BACK - DINETTE CUSHION - 10" X 40" (U87,U88) |
| | 143730-01-000 | EA | CAP - F/DINETTE BRACKET TUBE - PLASTIC |
| 2 | 142292-01-U79 | EA | SEAT - DINETTE CUSHION (SPRUNG) - 22" X 37" (U79,U80) |
| 2 | 142292-01-U83 | EA | SEAT - DINETTE CUSHION (SPRUNG) - 22" X 37" (U83,U84) |
| 2 | 142292-01-T74 | EA | SEAT - DINETTE CUSHION (SPRUNG) - 22" X 37" (U87,U88) |
| | P42292-01-U79 | EA | COVER/SEAT - DINETTE CUSHION (SPRUNG) - 22" X 37" (U79,U80) |
| | P42292-01-U83 | EA | COVER/SEAT - DINETTE CUSHION (SPRUNG) - 22" X 37" (U83,U84) |
| | P42292-01-T74 | EA | COVER/SEAT - DINETTE CUSHION (SPRUNG) - 22" X 37" (U87,U88) |
| | 142366-03-000 | EA | FRAME - SPRUNG - DINETTE SEAT |
| 3 | 154087-06-U79 | EA | PILLOW - 15" X 23" (U79,U80) |
| 3 | 154087-06-U83 | EA | PILLOW - 15" X 23" (U83,U84) |
| 3 | 154087-07-U87 | EA | PILLOW - 15" X 23" (U87,U88) |
| 4 | 159279-09-U79 | EA | SOFA/SLEEPER - MULTI POSITION - #822/#824 ARMS - 30"RSD (U79,U80) - REST EASY |
| 4 | 159279-09-U83 | EA | SOFA/SLEEPER - MULTI POSITION - #822/#824 ARMS - 30"RSD (U83,U84) - REST EASY |
| 4 | 159279-09-U87 | EA | SOFA/SLEEPER - MULTI POSITION - #822/#824 ARMS - 30"RSD (U87,U88) - REST EASY |
| 4 | 159279-10-U79 | EA | SOFA/SLEEPER-MULTI POSITION-30"RSD(U79,U80,U83,U84) - REST EASY/ULTRA LEATHER |
| 4 | 159279-10-U87 | EA | SOFA/SLEEPER - MULTI POSITION -30"RSD (U87,U88) - REST EASY/ULTRA LEATHER |
| 5 | 149747-06-U79 | EA | CHAIR/RECLINER - W/FOOTREST (U79,U80) |
| 5 | 149747-06-U83 | EA | CHAIR/RECLINER - W/FOOTREST (U83,U84) |
| 5 | 149747-09-U87 | EA | CHAIR/RECLINER - W/FOOTREST (U87,U88) |
| 5 | 149747-08-U79 | EA | CHAIR/RECLINER - W/FOOTREST - LEATHER (U79,U80) - ULTRA LEATHER |
| 5 | 149747-08-U83 | EA | CHAIR/RECLINER - W/FOOTREST - LEATHER (U83,U84) - ULTRA LEATHER |
| 5 | 149747-08-U87 | EA | CHAIR/RECLINER - W/FOOTREST - LEATHER (U87,U88) - ULTRA LEATHER |
| 5 | 155369-02-T97 | EA | CHAIR/EURO - APOLLO - W/OTTOMAN - ULTRA LEATHER (U79,U80,U83,U84) - ULTRA LEATHER |
| 5 | 155369-02-T89 | EA | CHAIR/EURO - APOLLO - W/OTTOMAN - ULTRA LEATHER (U87,U88) - ULTRA LEATHER |

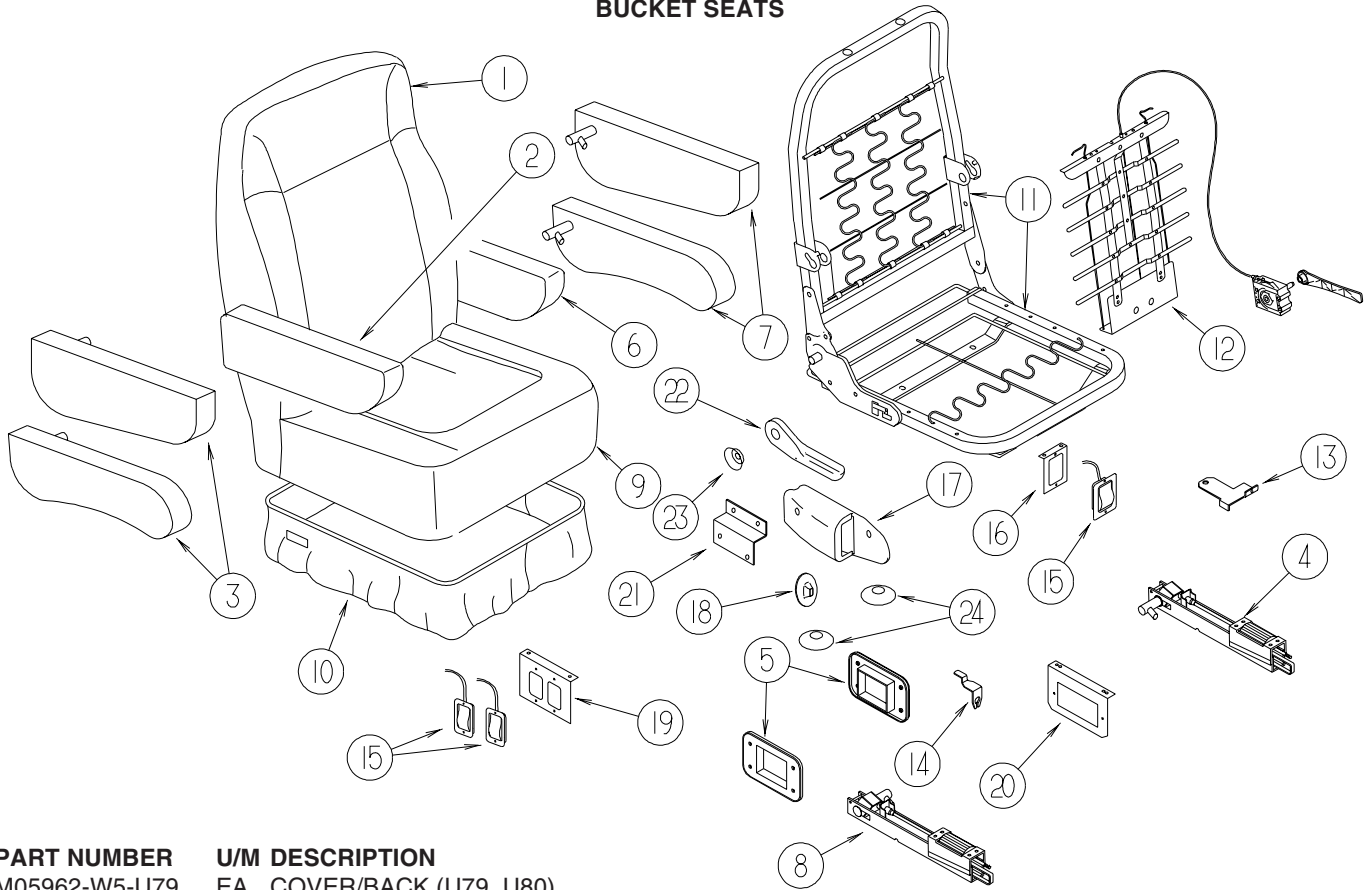
CURTAIN & CUSHION GROUP (CONTINUED)
CUSHION LAYOUT (CONTINUED)



| KEY | PART NUMBER | U/M | DESCRIPTION |
|-----|---------------|-----|--|
| 1 | 159061-01-U79 | EA | HEADBOARD - LAUREL (U79,U80) |
| 1 | 159061-01-U83 | EA | HEADBOARD - LAUREL (U83,U84) |
| 1 | 159061-01-U87 | EA | HEADBOARD - LAUREL (U87,U88) |
| 2 | 104565-29-U79 | EA | PILLOW SHAM (U79,U80) |
| 2 | 104565-29-U83 | EA | PILLOW SHAM (U83,U84) |
| 2 | 104565-29-U87 | EA | PILLOW SHAM (U87,U88) |
| 3 | 132336-05-U79 | EA | BEDSPREAD/CAP - 60" X 75" (U79,U80) |
| 3 | 132336-05-U83 | EA | BEDSPREAD/CAP - 60" X 75" (U83,U84) |
| 3 | 132336-05-T74 | EA | BEDSPREAD/CAP - 60" X 75" (U87,U88) |
| 4 | 155220-04-U79 | EA | PILLOW - 18" - SQUARE - W/FRINGE (U79,U80) |
| 4 | 155220-04-U83 | EA | PILLOW - 18" - SQUARE - W/FRINGE (U83,U84) |
| 4 | 155220-04-U87 | EA | PILLOW - 18" - SQUARE - W/FRINGE (U87,U88) |

CURTAIN & CUSHION GROUP (CONTINUED)

BUCKET SEATS



| KEY | PART NUMBER | U/M | DESCRIPTION |
|-----|---------------|-----|--|
| 1 | M05962-W5-U79 | EA | COVER/BACK (U79, U80) |
| 1 | M05962-W5-U83 | EA | COVER/BACK (U83, U84) |
| 1 | M05962-W7-U87 | EA | COVER/BACK (U87, U88) |
| 1 | M05962-W9-U79 | EA | COVER/BACK (U79, U80, U83, U84) - ULTRALEATHER |
| 1 | M05962-W9-U87 | EA | COVER/BACK (U87, U88) - ULTRALEATHER |
| 2 | 148652-01-U79 | EA | ARMREST - RIGHT (U79, U80) |
| 2 | 148652-01-T71 | EA | ARMREST - RIGHT (U83, U84) |
| 2 | 148652-01-T74 | EA | ARMREST - RIGHT (U87, U88) |
| 2 | 148652-03-S58 | EA | ARMREST - RIGHT (U79, U80, U83, U84) - ULTRALEATHER |
| 2 | 148652-03-S55 | EA | ARMREST - RIGHT (U87, U88) - ULTRALEATHER |
| | P48652-01-U79 | EA | COVER/ARMREST - RIGHT (U79, U80) |
| | P48652-01-T71 | EA | COVER/ARMREST - RIGHT (U83, U84) |
| | P48652-01-T74 | EA | COVER/ARMREST - RIGHT (U87, U88) |
| | P48652-03-S58 | EA | COVER/ARMREST - RIGHT (U79, U80, U83, U84) - ULTRALEATHER |
| | P48652-03-S55 | EA | COVER/ARMREST - RIGHT (U87, U88) - ULTRALEATHER |
| 3 | 130698-03-000 | EA | ARMREST/MOLDED - RIGHT - W/O COVER |
| 4 | NOT USED | | |
| 5 | NOT USED | | |
| 6 | 148652-02-U79 | EA | ARMREST - LEFT (U67, U68) |
| 6 | 148652-02-T71 | EA | ARMREST - LEFT (U71, U72) |
| 6 | 148652-02-T74 | EA | ARMREST - LEFT (U75, U76) |
| 6 | 148652-04-S58 | EA | ARMREST - LEFT (U79, U80, U83, U84) - ULTRALEATHER |
| 6 | 148652-04-S55 | EA | ARMREST - LEFT (U87, U88) - ULTRALEATHER |
| | P48652-02-U79 | EA | COVER/ARMREST - LEFT (U79, U80) |
| | P48652-02-T71 | EA | COVER/ARMREST - LEFT (U83, U84) |
| | P48652-02-T74 | EA | COVER/ARMREST - LEFT (U87, U88) |
| | P48652-04-S58 | EA | COVER/ARMREST - LEFT (U79, U80, U83, U84) - ULTRALEATHER |
| | P48652-04-S55 | EA | COVER/ARMREST - LEFT (U87, U88) - ULTRALEATHER |
| 7 | 130698-04-000 | EA | ARMREST/MOLDED - LEFT - W/O COVER |
| 8 | NOT USED | | |
| 9 | M05962-W6-U79 | EA | COVER/SEAT (U79, U80) |
| 9 | M05962-W6-U83 | EA | COVER/SEAT (U83, U84) |
| 9 | M05962-W8-U87 | EA | COVER/SEAT (U87, U88) |
| 9 | M05962-X0-U79 | EA | COVER/SEAT (U79, U80, U83, U84) - ULTRALEATHER |
| 9 | M05962-X0-U87 | EA | COVER/SEAT (U87, U88) - ULTRALEATHER |

CURTAIN & CUSHION GROUP (CONTINUED)
BUCKET SEATS (CONTINUED)

| KEY | PART NUMBER | U/M | DESCRIPTION |
|-----|---------------|-----|---|
| 10 | 148630-01-U79 | EA | SKIRT - W/SEAT BELT SLOT (U79, U80) |
| 10 | 148630-01-T71 | EA | SKIRT - W/SEAT BELT SLOT (U83, U84) |
| 10 | 148630-01-T74 | EA | SKIRT - W/SEAT BELT SLOT (U87 U88) |
| 10 | 148630-15-TB4 | EA | SKIRT - W/SEAT BELT SLOT (U79, U80, U83, U84) - ULTRALEATHER |
| 10 | 148630-15-TC4 | EA | SKIRT - W/SEAT BELT SLOT (U87, U88) - ULTRALEATHER |
| 10 | 148630-03-U79 | EA | SKIRT - F/6-WAY POWER (U67, U68) - 6-WAY POWER |
| 10 | 148630-03-T71 | EA | SKIRT - F/6-WAY POWER (U71, U72) - 6-WAY POWER |
| 10 | 148630-03-T74 | EA | SKIRT - F/6-WAY POWER (U75 U76) - 6-WAY POWER |
| 10 | 148630-16-TB4 | EA | SKIRT - F/6-WAY POWER (U79, U80, U83, U84) - ULTRALEATHER, 6-WAY POWER |
| 10 | 148630-16-TC4 | EA | SKIRT - F/6-WAY POWER (U87, U88) - ULTRALEATHER, 6-WAY POWER |
| 11 | 134532-01-000 | EA | FRAME - SEAT/HIGH BACK |
| 12* | 122611-02-000 | EA | LUMBAR - W/LEVER |
| 13 | 117125-01-02B | EA | BRACKET - CABLE MOUNT - ADJUSTER W/LOCK |
| 14 | 108049-02-000 | EA | CLIP - CABLE/PEDESTAL |
| 15 | 108049-04-000 | EA | CABLE - W/MINI LEVER ACTION SWITCH - 28" SHEATH/30" CABLE |
| 16 | 127159-01-02B | EA | BRACKET - SEAT RELEASE - SINGLE REMOTE - E-COATED - 6-WAY POWER |
| 17 | 080730-09-000 | EA | SHIELD - RECLINER HANDLE |
| 18 | 080730-11-00 | EA | SHIELD - RUBBER BOOT |
| 19 | 127159-02-02B | EA | BRACKET - SEAT RELEASE - DUAL REMOTE - E-COATED |
| 20 | 128699-01-02B | EA | BRACKET - SEAT SWITCH - E-COATED - 6-WAY POWER |
| 21 | 147457-01-02B | EA | BRACKET - ZEE W/HOLES - 2.8" - E-COATED |
| 22 | 130802-02-000 | EA | LEVER - RIGHT HAND |
| | 130802-03-000 | EA | SCREW F/LEVER |
| 23 | 148668-01-01A | EA | CUP/TRIM COVER - F/LEVER - BLACK |
| 24 | NOT USED | | |
| | 152337-01-000 | EA | PROTECTOR - SEAT - CLEAR VINYL |

***COMPONENT PARTS LISTED LATER IN THIS GROUP**

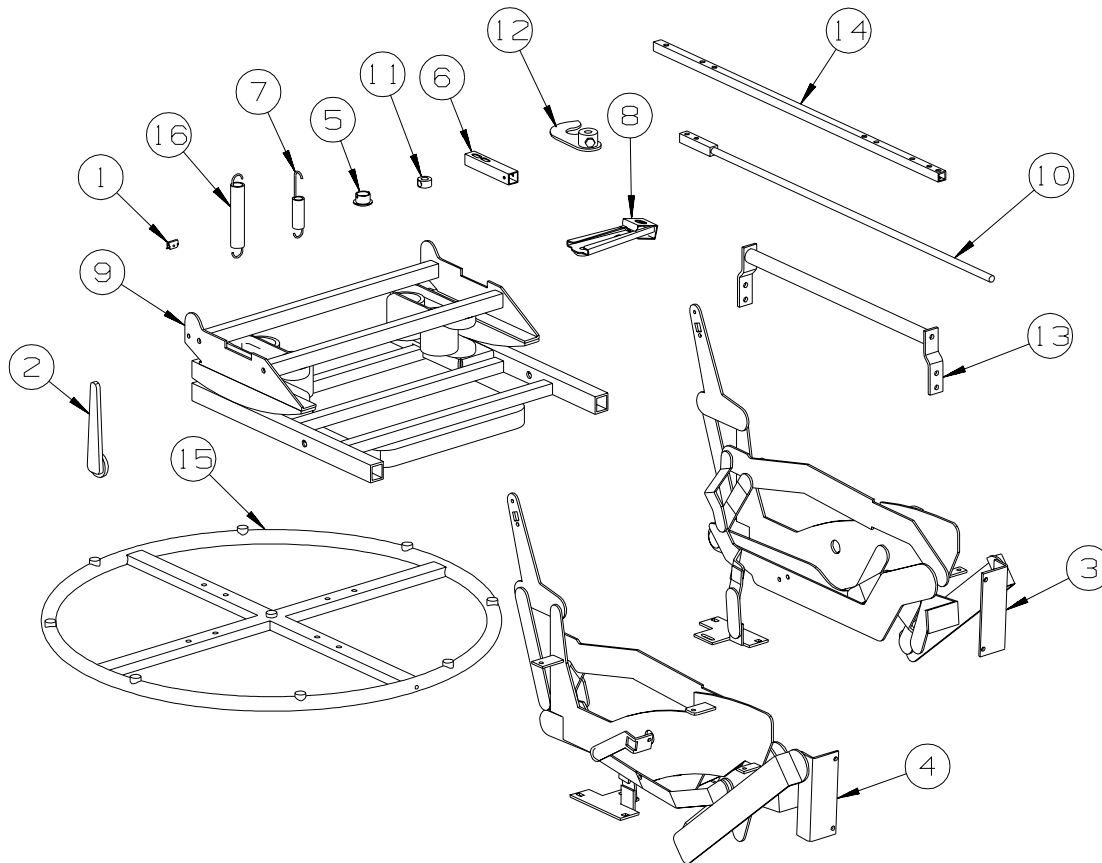
COMPONENT PARTS FOR BUCKET SEATS

122611-02-000

| KEY | PART NUMBER | U/M | DESCRIPTION | VENDOR NO. |
|-----|---------------|-----|------------------|-----------------|
| | 122611-02-701 | EA | LUMBAR - LEVER | 412 |
| | 122611-02-702 | EA | LUMBAR MECHANISM | 24395-FLEXSTEEL |

CURTAIN & CUSHION GROUP (CONTINUED)

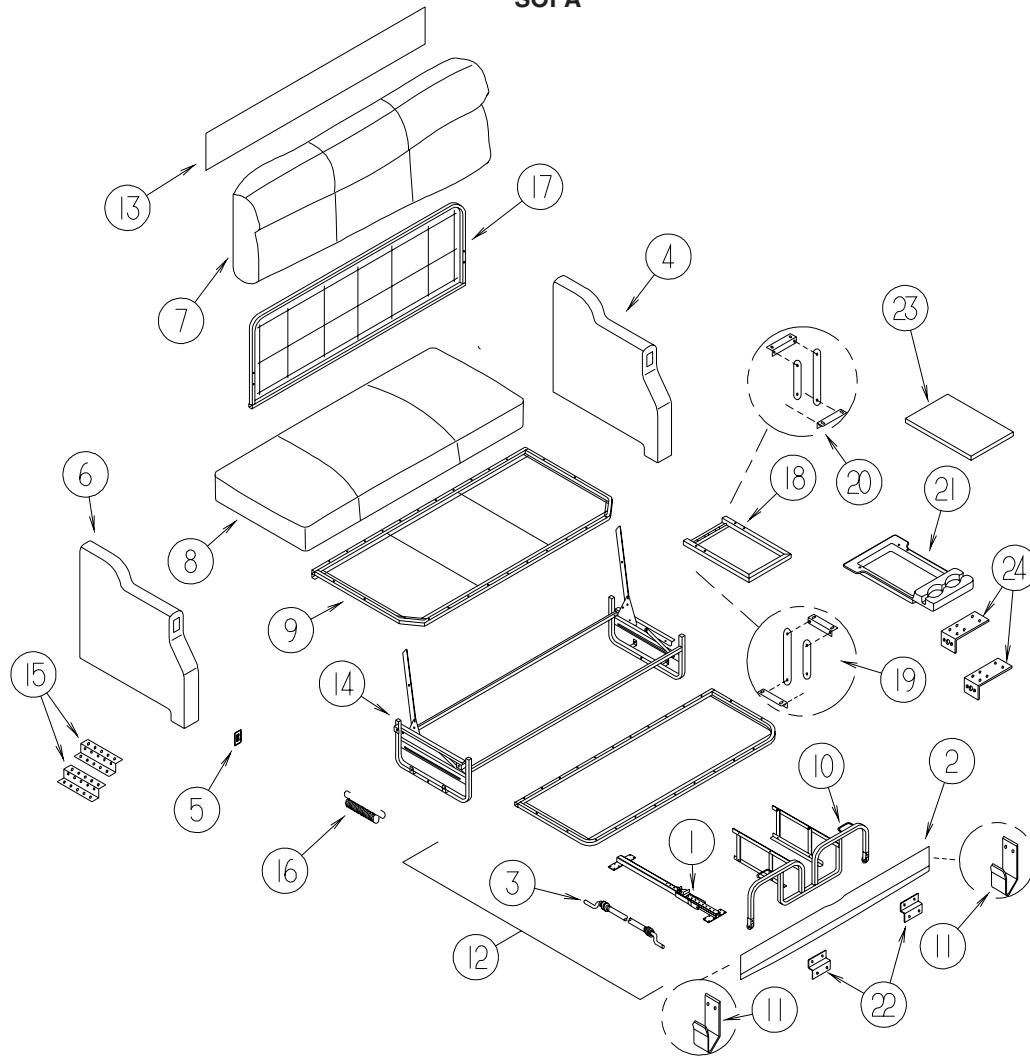
LOUNGE CHAIR



| KEY | PART NUMBER | U/M | DESCRIPTION |
|-----|---------------|-----|--|
| | P49747-03-U79 | EA | COVER/CHAIR - RECLINER - W/FOOTREST (U79,U80) |
| | P49747-03-U83 | EA | COVER/CHAIR - RECLINER - W/FOOTREST (U83,U84) |
| | P35477-09-U87 | EA | COVER/CHAIR - RECLINER - W/FOOTREST (U87,U88) |
| | P49747-08-U79 | EA | COVER/CHAIR - RECLINER - W/FOOTREST (U79,U80) - ULTRALEATHER |
| | P49747-08-U83 | EA | COVER/CHAIR - RECLINER - W/FOOTREST (U83,U84) - ULTRALEATHER |
| | P49747-08-U87 | EA | COVER/CHAIR - RECLINER - W/FOOTREST (U87,U88) - ULTRALEATHER |
| 1 | 029134-01-000 | EA | CLIP - FINISH - UPHOLSTERY |
| 2 | 133126-11-000 | EA | HANDLE/RECLINE - PLASTIC |
| 3 | 154077-01-000 | EA | RECLINER MECHANISM - RIGHT HAND (WHEN SITTING IN CHAIR) |
| 4 | 154077-02-000 | EA | RECLINER MECHANISM - LEFT HAND (WHEN SITTING IN CHAIR) |
| 5 | 154077-03-000 | EA | BUSHING - PLASTIC/WHITE |
| 6 | 154077-04-000 | EA | TUBE/HANDLE MOUNTING - 3.6" LONG - BLACK |
| 7 | 154077-05-000 | EA | SPRING - EXTENSION - 3.7" |
| 8 | 154077-06-000 | EA | SLEEVE/CLIP - 1.6" X 5.1" |
| 9 | 154077-07-000 | EA | BASE - SWIVEL/ROCKER - BLACK |
| 10 | 154077-08-000 | EA | LATCH ROD - 25.5" - BLACK |
| 11 | 154077-09-000 | EA | LOCK COLLAR - W/SET SCREW LOCK-OUT |
| 12 | 154077-10-000 | EA | LATCH BRACKET - RIGHT FRONT LOCK OUT - BLACK |
| 13 | 154077-11-000 | EA | LATCH TUBE - W/LOCK OUT ENDS - 15.1" - BLACK |
| 14 | 154077-12-000 | EA | LOCK TUBE - .5" X .5" X 23.5" |
| 15 | 154077-13-000 | EA | GRID RING - 24" - BLACK |
| 16 | 154077-14-000 | EA | SPRING/EXTENSION - 4.7" |

CURTAIN & CUSHION GROUP (CONTINUED)

SOFA



REST EASY

| KEY | PART NUMBER | U/M | DESCRIPTION |
|-----|---------------|-----|---|
| 1 | 159707-02-000 | EA | SLIDE RAIL - W/LATCH MECH/PLATES/STOP F/30" RAISED FLOOR |
| 2 | 149744-04-U79 | EA | PANEL/FRONT KICK - SOFA/SLEEPER - 59.5" (U79,U80) |
| 2 | 149744-04-U83 | EA | PANEL/FRONT KICK - SOFA/SLEEPER - 59.5" (U83,U84) |
| 2 | 149744-21-U87 | EA | PANEL/FRONT KICK - SOFA/SLEEPER - 59.5" (U87,U88) |
| 2 | 150452-18-T97 | EA | PANEL/FRONT KICK - SOFA/SLEEPER - 59.5" - LEATHER (U79,U80, U83,U84) - ULTRA LEATHER |
| 2 | 150452-18-T89 | EA | PANEL/FRONT KICK - SOFA/SLEEPER - 59.5" - LEATHER (U87,U88) - ULTRA LEATHER |
| 3 | 148225-01-000 | EA | CABLE ONLY - REMOTE - 31.9" W/Z-ENDS |
| 4 | 150408-08-U79 | EA | ARMREST - LEFT HAND (U79,U80) |
| 4 | 150408-08-T71 | EA | ARMREST - LEFT HAND (U83,U84) |
| 4 | 150408-18-U87 | EA | ARMREST - LEFT HAND (U87,U88) |
| 4 | 150408-10-U79 | EA | ARMREST - LEFT HAND (U79,U80, U83,U84) - ULTRA LEATHER |
| 4 | 150408-10-U87 | EA | ARMREST - LEFT HAND (U87,U88) - ULTRA LEATHER |
| | P50408-02-U79 | EA | COVER/ARMREST - LEFT HAND (U79,U80) |
| | P50408-02-T71 | EA | COVER/ARMREST - LEFT HAND (U83,U84) |
| | P50408-06-U87 | EA | COVER/ARMREST - LEFT HAND (U87,U88) |
| | P50408-04-U79 | EA | COVER/ARMREST - LEFT HAND (U79,U80, U83,U84) - ULTRA LEATHER |
| | P50408-04-U87 | EA | COVER/ARMREST - LEFT HAND (U87,U88) - ULTRA LEATHER |
| 5 | 136118-01-000 | EA | SWITCH - SOFA/RECLINER |
| 6 | 150408-07-U79 | EA | ARMREST - RIGHT HAND - W/SWITCH (U79,U80) |
| 6 | 150408-07-T71 | EA | ARMREST - RIGHT HAND - W/SWITCH (U83,U84) |
| 6 | 150408-17-U87 | EA | ARMREST - RIGHT HAND - W/SWITCH (U87,U88) |
| 6 | 150408-09-U79 | EA | ARMREST - RIGHT HAND - W/SWITCH (U79,U80, U83,U84) - ULTRA LEATHER |
| 6 | 150408-09-U87 | EA | ARMREST - RIGHT HAND - W/SWITCH (U87,U88) - ULTRA LEATHER |
| | P50408-01-U79 | EA | COVER/ARMREST - RIGHT HAND (U79,U80) |
| | P50408-01-T71 | EA | COVER/ARMREST - RIGHT HAND (U83,U84) |
| | P50408-05-U87 | EA | COVER/ARMREST - RIGHT HAND (U87,U88) |
| | P50408-03-U79 | EA | COVER/ARMREST - RIGHT HAND (U79,U80, U83,U84) - ULTRA LEATHER |
| | P50408-03-U87 | EA | COVER/ARMREST - RIGHT HAND (U87,U88) - ULTRA LEATHER |

CURTAIN & CUSHION GROUP (CONTINUED)
SOFA (CONTINUED)

| KEY | PART NUMBER | U/M | DESCRIPTION |
|------------|--------------------|------------|---|
| 7 | 159280-01-U79 | EA | BACK - SOFA/SLEEPER (U79,U80) |
| 7 | 159280-01-U83 | EA | BACK - SOFA/SLEEPER (U83,U84) |
| 7 | 159280-06-U87 | EA | BACK - SOFA/SLEEPER (U87,U88) |
| 7 | 159280-05-U79 | EA | BACK - SOFA/SLEEPER - LEATHER (U79,U80, U83,U84) - ULTRA LEATHER |
| 7 | 159280-05-U87 | EA | BACK - SOFA/SLEEPER - LEATHER (U87,U88) - ULTRA LEATHER |
| | 159280-A1-U79 | EA | COVER/BACK - SOFA/SLEEPER (U79,U80) |
| | 159280-A1-U83 | EA | COVER/BACK - SOFA/SLEEPER (U83,U84) |
| | 159280-A6-U87 | EA | COVER/BACK - SOFA/SLEEPER (U87,U88) |
| | 159280-A5-U79 | EA | COVER/BACK - SOFA/SLEEPER - LEATHER (U79,U80, U83,U84) - ULTRA LEATHER |
| | 159280-A5-U87 | EA | COVER/BACK - SOFA/SLEEPER - LEATHER (U87,U88) - ULTRA LEATHER |
| 8 | 149744-15-U79 | EA | SEAT - SOFA/SLEEPER REST EASY (U79,U80) |
| 8 | 149744-15-U83 | EA | SEAT - SOFA/SLEEPER REST EASY (U83,U84) |
| 8 | 149744-22-U87 | EA | SEAT - SOFA/SLEEPER REST EASY (U87,U88) |
| 8 | 149744-20-U67 | EA | SEAT - SOFA/SLEEPER REST EASY - LEATHER (U79,U80, U83,U84) - ULTRA LEATHER |
| 8 | 149744-20-U87 | EA | SEAT - SOFA/SLEEPER REST EASY - LEATHER (U87,U88) - ULTRA LEATHER |
| | P49744-15-U79 | EA | COVER/SEAT - SOFA/SLEEPER REST EASY (U79,U80) |
| | P49744-15-U83 | EA | COVER/SEAT - SOFA/SLEEPER REST EASY (U83,U84) |
| | P49744-22-U87 | EA | COVER/SEAT - SOFA/SLEEPER REST EASY (U87,U88) |
| | P49744-20-U67 | EA | COVER/SEAT - SOFA/SLEEPER REST EASY - LEATHER (U79,U80, U83,U84) - ULTRA LEATHER |
| | P49744-20-U87 | EA | COVER/SEAT - SOFA/SLEEPER REST EASY - LEATHER (U87,U88) - ULTRA LEATHER |
| 9 | 151290-04-000 | EA | FRAME - SEAT - 60" |
| 10* | 136534-17-000 | EA | TRUNDLE FRAME - 17.5" X 55" - W/LINKAGE, LATCH & HANDLE |
| 11 | 121906-01-02B | EA | BRACKET - KICKBOARD - E-COATED |
| 12 | 155647-02-UA0 | EA | TRUNDLE - SOFA/SLEEPER - 60" - LEATHER (U79,U80, U83,U84) - ULTRA LEATHER |
| 12 | 155647-01-U79 | EA | TRUNDLE - SOFA/SLEEPER - 60" (U79,U80) |
| 12 | 155647-01-U83 | EA | TRUNDLE - SOFA/SLEEPER - 60" (U83,U84) |
| 12 | 155647-10-U87 | EA | TRUNDLE - SOFA/SLEEPER - 60" (U87,U88) |
| 12 | 155647-02-UA0 | EA | TRUNDLE - SOFA/SLEEPER - 60" - LEATHER (U79,U80, U83,U84) - ULTRA LEATHER |
| 12 | 155647-02-U87 | EA | TRUNDLE - SOFA/SLEEPER - 60" - LEATHER (U87,U88) - ULTRA LEATHER |
| | 155647-A1-U79 | EA | COVER/TRUNDLE - SOFA/SLEEPER - 60" (U79,U80) |
| | 155647-A1-U83 | EA | COVER/TRUNDLE - SOFA/SLEEPER - 60" (U83,U84) |
| | 155647-B0-U87 | EA | COVER/TRUNDLE - SOFA/SLEEPER - 60" (U87,U88) |
| | 155647-A2-UA0 | EA | COVER/TRUNDLE - SOFA/SLEEPER - 60" - LEATHER (U79,U80, U83,U84) - ULTRA LEATHER |
| | 155647-A2-U87 | EA | COVER/TRUNDLE - SOFA/SLEEPER - 60" - LEATHER (U87,U88) - ULTRA LEATHER |
| 13 | NOT USED | | |
| 14* | 136534-13-000 | EA | BASE - 27.25" X 60" - POWERED |
| 15 | NOT USED | | |
| 16 | 136534-33-000 | EA | SPRING/ASSIST - 1/2" X 7" W/HOOK ENDS - REST EASY SOFAS |
| 17 | 136534-18-000 | EA | FRAME/BACK - 16.5" X 60" |
| 18 | NOT USED | | |
| 19 | NOT USED | | |
| 20 | NOT USED | | |
| 21 | NOT USED | | |
| 22 | 101926-01-02A | EA | BRACKET - ZEE - 2" - BLACK |
| 23 | NOT USED | | |
| 24 | NOT USED | | |

***COMPONENT PARTS LISTED LATER IN THIS GROUP**

COMPONENT PARTS FOR SOFA

136534-02-000, 136534-03-000, 136534-13-000, 136534-15-000

| KEY | PART NUMBER | U/M | DESCRIPTION | VENDOR NO. |
|------------|--------------------|------------|------------------------------|-------------------|
| | 136534-02-700 | EA | MOTOR | 9PL-MO-W/T-1 |
| | 136534-02-701 | EA | CABLE/DRV MTR-REST EASY SOFA | 9PL-FCA27.75 |

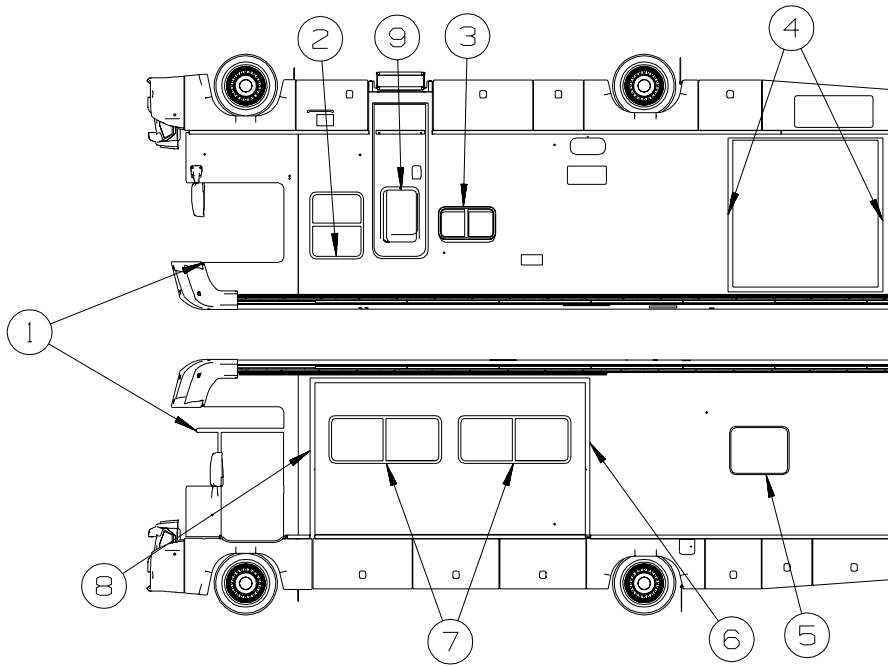
136534-17-000

| KEY | PART NUMBER | U/M | DESCRIPTION | VENDOR NO. |
|------------|--------------------|------------|------------------------|-------------------|
| | 136534-07-701 | EA | WHEEL - NYLON - 1 5/8" | 9WHEEL-1.62 |

148226-01-000, 148226-02-000, 148226-03-000

| KEY | PART NUMBER | U/M | DESCRIPTION | VENDOR NO. |
|------------|--------------------|------------|-----------------------------|-------------------|
| | 148226-01-700 | EA | BUSHING/GUIDE - F/MECHANISM | 9TN-SLD-GR-1 |
| | 148226-01-701 | EA | SLIDE MECHANISM ASM W/LATCH | PTN-SLD-BUSH1 |

CURTAIN & CUSHION GROUP (CONTINUED)
WINDOW TREATMENT



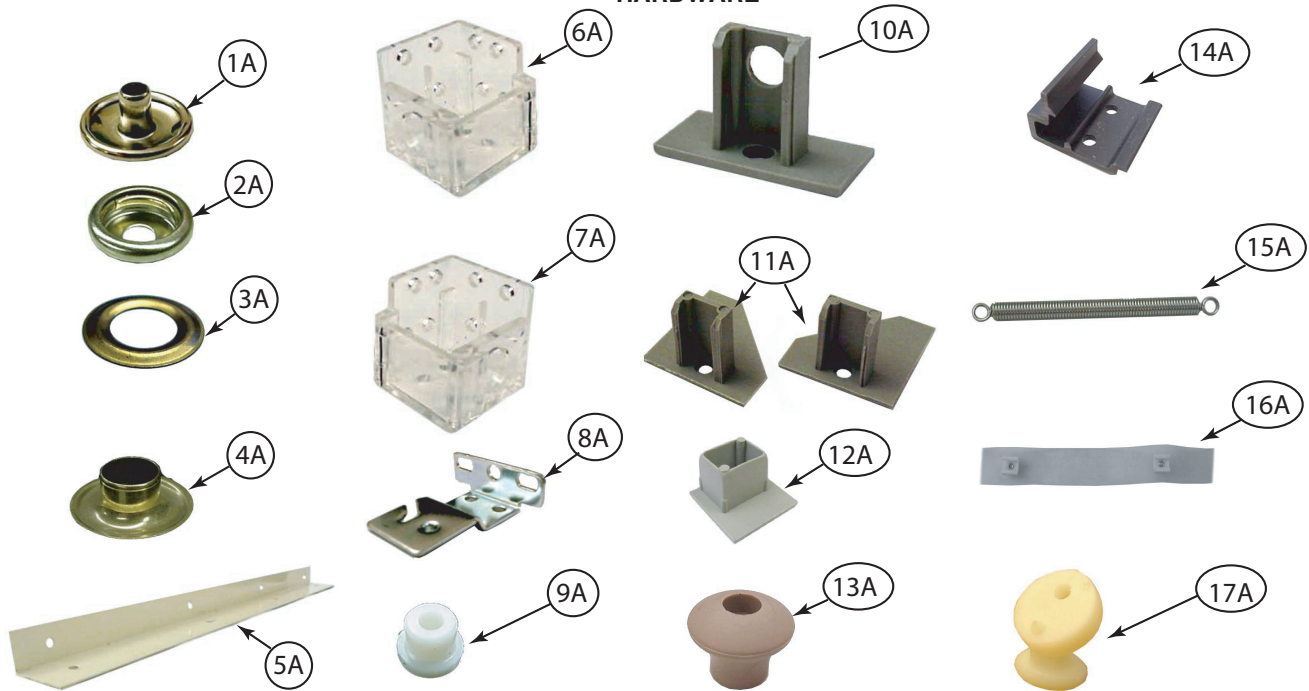
| KEY | PART NUMBER | U/M | DESCRIPTION |
|-----|---------------|-----|---|
| 1 | 101668-67-J22 | EA | CURTAIN - RIGHT HAND/LEFT HAND - 42" X 110" |
| 1 | 073260-42-TT4 | EA | TIEBACK - 6" X 18" |
| 2 | 159031-02-U79 | EA | VALANCE - LAUREL - 32" (U79,U80) |
| 2 | 159031-02-U83 | EA | VALANCE - LAUREL - 32" (U83,U84) |
| 2 | 159031-05-U87 | EA | VALANCE - LAUREL - 32" (U87,U88) |
| 2 | 152664-G0-U79 | EA | LEG - RIGHT - 35" (U79,U80) |
| 2 | 152664-G0-T71 | EA | LEG - RIGHT - 35" (U83,U84) |
| 2 | 152664-G0-T74 | EA | LEG - RIGHT - 35" (U87,U88) |
| 2 | 152664-G1-U79 | EA | LEG - LEFT - 35" (U79,U80) |
| 2 | 152664-G1-T71 | EA | LEG - LEFT - 35" (U83,U84) |
| 2 | 152664-G1-T74 | EA | LEG - LEFT - 35" (U87,U88) |
| 2 | 140789-70-U71 | EA | BLIND - DAY/NIGHTER - 28" X 33" |
| 3 | 109041-58-04A | EA | BLIND - MINI - 30.5" X 17" |
| 4 | 159031-08-U79 | EA | VALANCE - LAUREL - 26" (U79,U80) |
| 4 | 159031-10-U83 | EA | VALANCE - LAUREL - 26" (U83,U84) |
| 4 | 159031-08-U87 | EA | VALANCE - LAUREL - 26" (U87,U88) |
| 4 | 152664-29-U71 | EA | LEG - RIGHT - 26" (U79,U80) |
| 4 | 152664-23-U83 | EA | LEG - RIGHT - 26" (U83,U84) |
| 4 | 152664-29-U87 | EA | LEG - RIGHT - 26" (U87,U88) |
| 4 | 152664-30-U71 | EA | LEG - LEFT - 26" (U79,U80) |
| 4 | 152664-24-U83 | EA | LEG - LEFT - 26" (U83,U84) |
| 4 | 152664-30-U87 | EA | LEG - LEFT - 26" (U87,U88) |
| 4 | 140789-40-S46 | EA | BLIND - DAY/NIGHTER - 22.5" X 27" |
| 5 | 159031-07-U79 | EA | VALANCE - LAUREL - 33" (U79,U80) |
| 5 | 159031-07-U79 | EA | VALANCE - LAUREL - 33" (U83,U84) |
| 5 | 159031-09-U83 | EA | VALANCE - LAUREL - 33" (U87,U88) |
| 5 | 140789-01-S46 | EA | BLIND - DAY/NIGHTER - 31" X 28.5" |

CURTAIN & CUSHION GROUP (CONTINUED)
WINDOW TREATMENT (CONTINUED)

| KEY | PART NUMBER | U/M | DESCRIPTION |
|------------|--------------------|------------|------------------------------------|
| 6 | 159031-03-U79 | EA | VALANCE - LAUREL - 26.5" (U79,U80) |
| 6 | 159031-03-U83 | EA | VALANCE - LAUREL - 26.5" (U83,U84) |
| 6 | 159031-06-U87 | EA | VALANCE - LAUREL - 26.5" (U87,U88) |
| 6 | 152664-47-U79 | EA | LEG - RIGHT - 32" (U79,U80) |
| 6 | 152664-47-U83 | EA | LEG - RIGHT - 32" (U83,U84) |
| 6 | 152664-47-U87 | EA | LEG - RIGHT - 32" (U87,U88) |
| 6 | 152664-48-U79 | EA | LEG - LEFT - 32" (U79,U80) |
| 6 | 152664-48-U83 | EA | LEG - LEFT - 32" (U83,U84) |
| 6 | 152664-48-U87 | EA | LEG - LEFT - 32" (U87,U88) |
| 6 | 140789-07-S46 | EA | BLIND - DAY/NIGHTER - 22.5" X 23" |
| 7 | 159031-01-U79 | EA | VALANCE - LAUREL - 63.5" (U79,U80) |
| 7 | 159031-01-U83 | EA | VALANCE - LAUREL - 63.5" (U83,U84) |
| 7 | 159031-04-U87 | EA | VALANCE - LAUREL - 63.5" (U87,U88) |
| 7 | 152445-11-U79 | EA | LEG - RIGHT - 23.5" (U79,U80) |
| 7 | 152445-11-T71 | EA | LEG - RIGHT - 23.5" (U83,U84) |
| 7 | 152445-11-T74 | EA | LEG - RIGHT - 23.5" (U87,U88) |
| 7 | 152445-12-U79 | EA | LEG - LEFT - 23.5" (U79,U80) |
| 7 | 152445-12-T71 | EA | LEG - LEFT - 23.5" (U83,U84) |
| 7 | 152445-12-T74 | EA | LEG - LEFT - 23.5" (U87,U88) |
| 7 | 140789-08-S46 | EA | BLIND - DAY/NIGHTER - 59" X 26.5" |
| 8 | 159031-03-U79 | EA | VALANCE - LAUREL - 26.5" (U79,U80) |
| 8 | 159031-03-U83 | EA | VALANCE - LAUREL - 26.5" (U83,U84) |
| 8 | 159031-06-U87 | EA | VALANCE - LAUREL - 26.5" (U87,U88) |
| 8 | 152664-73-U79 | EA | LEG - RIGHT - 24" (U67,U68) |
| 8 | 152664-73-T71 | EA | LEG - RIGHT - 24" (U71,U72) |
| 8 | 152664-73-T74 | EA | LEG - RIGHT - 24" (U75,U76) |
| 8 | 152664-74-U79 | EA | LEG - LEFT - 24" (U67,U68) |
| 8 | 152664-74-T71 | EA | LEG - LEFT - 24" (U71,U72) |
| 8 | 152664-74-T74 | EA | LEG - LEFT - 24" (U75,U76) |
| 8 | 140789-71-U71 | EA | BLIND - DAY/NIGHTER - 23" X 36" |
| 9 | 084755-57-P37 | EA | SHADE - PULL - 27.25" |

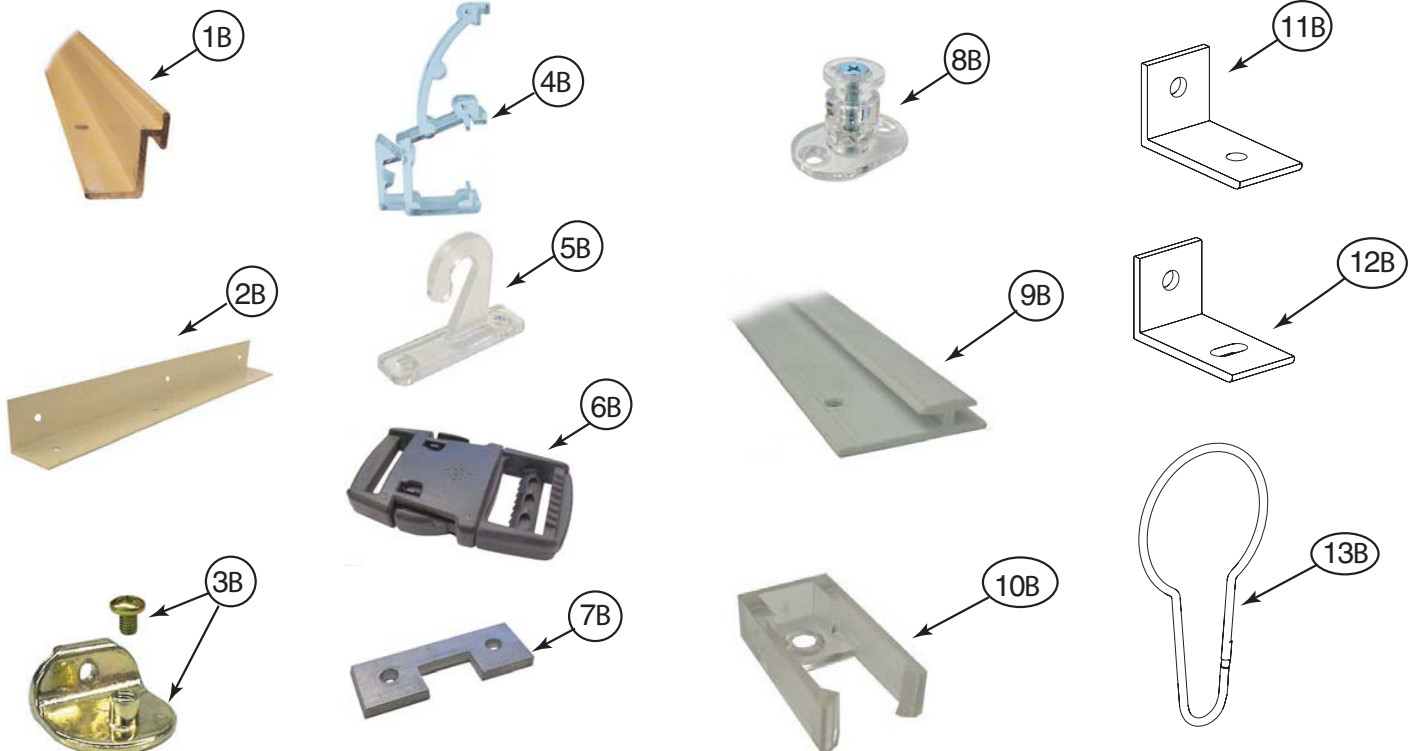
CURTAIN & CUSHION GROUP (CONTINUED)

HARDWARE



| KEY | PART NUMBER | U/M | DESCRIPTION |
|-----|---------------|-----|--|
| 1A | 029155-01-000 | EA | CAP - SNAP - 5/32" OUTSIDE DIAMETER OF PIN |
| 2A | 029156-01-000 | EA | SOCKET - SNAP - 9/16" O.D. |
| 3A | 046867-02-000 | EA | WASHER - HANDY BUTTON #3 |
| 4A | 046867-03-000 | EA | GROMMET - HANDY BUTTON #3 |
| 5A | 075943-10-000 | EA | BRACE - VALANCE - 20" - OFF WHITE |
| 6A | 083170-01-000 | EA | BRACKET/BLIND - LEFT SIDE WHEN FACING WINDOW - CLEAR |
| 7A | 083170-02-000 | EA | BRACKET/BLIND - RIGHT SIDE WHEN FACING WINDOW - CLEAR |
| 8A | 084434-01-000 | EA | BRACKET - MOUNTING - ROLLER SHADE - 1 3/8" |
| 9A | 094896-02-000 | EA | GROMMET - CORD/PLEATED BLIND - NYLON - GRAY |
| 10A | 094907-02-000 | EA | END CAP - PLEATED BLIND/TOP - RH/LH - GRAY PLASTIC |
| 11A | 094907-04-000 | EA | END CAP - PLEATED BLIND/BOTTOM - RH/LH |
| 12A | 094907-09-000 | EA | END CAP/BLIND - CENTER RAIL - RH/LH |
| 13A | 097564-03-000 | EA | HANDLE - KNOB - E-Z LIFT SHADE - TAN |
| | 097593-02-000 | FT | CORD - BLIND - PLEATED - GRAY |
| | 097593-10-000 | FT | CORD - BLIND - PLEATED - VANILLA |
| 14A | 097565-01-000 | EA | BRACKET - MOUNTING - PLEATED BLIND |
| 15A | 097591-01-000 | EA | SPRING - EXTENSION - PLEATED BLIND |
| 15A | 155748-01-000 | EA | SPRING - EXTENSION - DAY/NIGHTER BLIND |
| 16A | 101031-01-000 | YD | TAPE/GLIDE - 4.25" SPACING |
| 17A | 102555-03-000 | EA | BRACKET - (CLEAT TYPE) - F/BLIND HOLDOWN - MILKY WHITE |

CURTAIN & CUSHION GROUP (CONTINUED)
HARDWARE (CONTINUED)



| KEY | PART NUMBER | U/M | DESCRIPTION |
|-----|---------------|-----|---|
| 1B | 105450-14-01A | EA | TRACK-90"-OW - FRT BUNK PRIVACY OUTLOOK/SPIRIT 300-SERIES, ACCESS/IMPULSE 200-SERIES |
| 2B | 105648-01-02A | EA | BRACE - VALANCE - 14" - OFF WHITE |
| 2B | 105648-02-02A | EA | BRACE - VALANCE - 8.5" - OFF WHITE |
| 3B | 106544-01-000 | EA | PULL - SHADE/BRASS |
| 3B | 106544-01-001 | EA | SCREW - SHADE/BRASS |
| 3B | 106544-02-000 | EA | PULL-SHADE - NICKEL |
| 4B | 109353-04-000 | EA | CLIP - VALANCE SLAT MOUNTING - CLEAR PLASTIC |
| 5B | 109441-01-000 | EA | BRACKET/HOOK - BLIND HOLD DOWN |
| | 109441-02-000 | EA | SPACER/BRACKET - BLIND HOLD DOWN |
| 6B | 129491-01-000 | EA | CATCH - SNAP HOOK - 1" |
| 7B | 130549-01-01A | EA | STOP - CURTAIN TRACK |
| 8B | 141634-01-000 | EA | BRACKET-(BOBBIN TYPE) 7/8"H HOLDUPBASE(OVAL)-2 HOLE-CLEAR |
| 9B | 156172-01-01A | EA | TRACK/WALL - 75" - BONE |
| 9B | 156172-02-01A | EA | TRACK/WALL - 32" - BONE |
| 9B | 156172-03-01A | EA | TRACK/WALL - 21" - BONE |
| 10B | 156172-04-01A | EA | END CAP - WALL TRACK - CLEAR |
| 11B | 154316-01-01A | EA | BRACE/ANGLE - W/HOLE - CASHMERE |
| 12B | 154316-02-01A | EA | BRACE/ANGLE - W/SLOT - CASHMERE |
| 13B | 159702-01-01A | EA | HOOK/RING - CURTAIN/SHOWER - NICKEL |

ACCESSORIES

| KEY | PART NUMBER | U/M | DESCRIPTION |
|-----|---------------|-----|-----------------------------------|
| | 099856-11-000 | EA | STRAP - TIEDOWN - 7.9" |
| | 057534-01-000 | EA | TIEBACK - CLEAR PLASTIC - 6" |
| | 070578-02-N30 | EA | BUTTON - SCREW - STUD - #30 VINYL |

CURTAIN & CUSHION GROUP (CONTINUED)

FABRICS

U79, U80

072333-85-000 FABRIC-DRAPERY, MAIN
079680-47-000 FABRIC-UPHOSTERY,ACCENT PLAIN
079680-47-000 FABRIC-UPHL,SEAT INSERT
079680-50-000 FABRIC-HEADLINER/PADS/BUNKS
113979-09-01A CARPET-HEADLINER - CEILING
113979-11-01A CARPET-HEADLINER, SLIDEOUT - CEILING
142523-04-000 VINYL-CABINET ENDS, CAB AREA
148797-T9-000 FABRIC-UPHOSTERY MAIN ONE
148797-U0-000 FABRIC-UPHLSTRY,PLAIN ACCENT
148797-U0-000 FABRIC-DINETTE WRAP
148797-U0-000 FABRIC-OVERLAY S/O TRIM FRT
148797-U0-000 FABRIC-LOUNGE TRIM
137813-58-000 FABRIC-UPHOLSTERY, 2ND PATTERN
148797-U1-000 FABRIC-UPHOLSTERY ACCENT
148797-U1-000 FABRIC-O/H CABT, DIN/LOUNGE
148797-U1-000 FABRIC-INSERT S/O TRIM FRT
137813-Y0-000 FABRIC-O/H CABT, BEDROOM
137813-Y0-000 FABRIC-INSERT S/O TRIM REAR
137813-Y0-000 FABRIC-UPHOLSTERY, BEDSPREAD PATTERN ACCENT
156773-06-000 FABRIC-UPHOSTERY,BEDSPREAD MAIN
137813-M5-000 FABRIC-BEDSPREAD ACCENT PATTERN ACCENT

U83, U84

072333-85-000 FABRIC-DRAPERY, MAIN
079680-47-000 FABRIC-UPHOSTERY,ACCENT PLAIN
079680-47-000 FABRIC-UPHL,SEAT INSERT
079680-50-000 FABRIC-HEADLINER/PADS/BUNKS
113979-09-01A CARPET-HEADLINER - CEILING
113979-11-01A CARPET-HEADLINER, SLIDEOUT - CEILING
142523-04-000 VINYL-CABINET ENDS, CAB AREA
148797-C2-000 FABRIC-UPHOSTERY MAIN ONE
148797-C3-000 FABRIC-UPHLSTRY,PLAIN ACCENT
148797-C3-000 FABRIC-DINETTE WRAP
148797-C3-000 FABRIC-O/H CABT, DIN/LOUNGE
148797-C3-000 FABRIC-OVERLAY S/O TRIM FRT
148797-C3-000 FABRIC-LOUNGE TRIM
148797-G8-000 FABRIC-UPHOLSTERY, 2ND PATTERN
148797-G8-000 FABRIC-UPHOLSTERY ACCENT
148797-G8-000 FABRIC-INSERT S/O TRIM FRT
156773-07-000 FABRIC-UPHOSTERY,BEDSPREAD MAIN
156773-08-000 FABRIC-UPHOSTERY,BEDSPREAD PATTERN ACCENT
156773-08-000 FABRIC-O/H CABT, BEDROOM
156773-08-000 FABRIC-INSERT S/O TRIM REAR
137813-M6-000 FABRIC-BEDSPREAD ACCENT PATTERN ACCENT

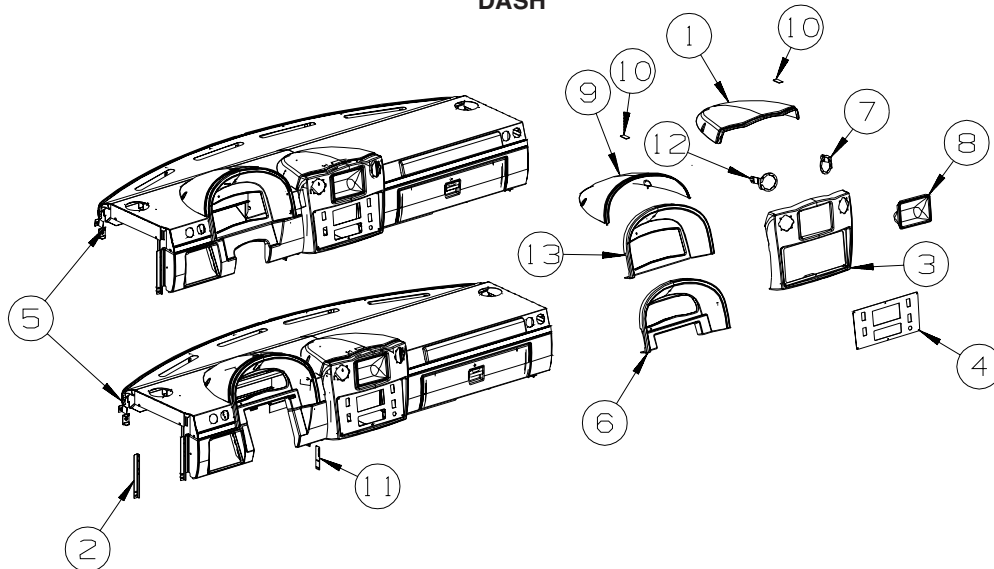
CURTAIN & CUSHION GROUP (CONTINUED)
FABRICS (CONTINUED)

U87, U88

072333-85-000 FABRIC-DRAPERY, MAIN
079680-47-000 FABRIC-UPHOSTERY,ACCENT PLAIN
079680-47-000 FABRIC-UPHL,SEAT INSERT
079680-50-000 FABRIC-HEADLINER/PADS/BUNKS
113979-09-01A CARPET-HEADLINER - CEILING
113979-11-01A CARPET-HEADLINER, SLIDEOUT - CEILING
142523-03-000 VINYL-CABINET ENDS, CAB AREA
148797-J2-000 FABRIC-UPHOSTERY MAIN ONE
148797-J2-000 FABRIC-INSERT S/O TRIM FRONT
148797-J3-000 FABRIC-UPHLSTRY,PLAIN ACCENT
148797-J3-000 FABRIC-DINETTE WRAP
148797-J3-000 FABRIC-OVERLAY S/O TRIM FRT
148797-J3-000 FABRIC-O/H CABT, DIN/LOUNGE
148797-J3-000 FABRIC-LOUNGE TRIM
142523-02-000 FABRIC-UPHLSTRY, ACCENT PLAIN
142523-02-000 FABRIC-UPHLSTRY, SEAT INSERT
137813-58-000 FABRIC-UPHOLSTERY, 2ND PATTERN
137813-58-000 FABRIC-UPHOLSTERY ACCENT
137813-S3-000 FABRIC-UPHOSTERY,BEDSPREAD MAIN
137813-S4-000 FABRIC-UPHOSTERY,BEDSPREAD PATTERN ACCENT
137813-S4-000 FABRIC-O/H CABT, BEDROOM
137813-S4-000 FABRIC-INSERT S/O TRIM REAR

DRIVERS COMPARTMENT GROUP

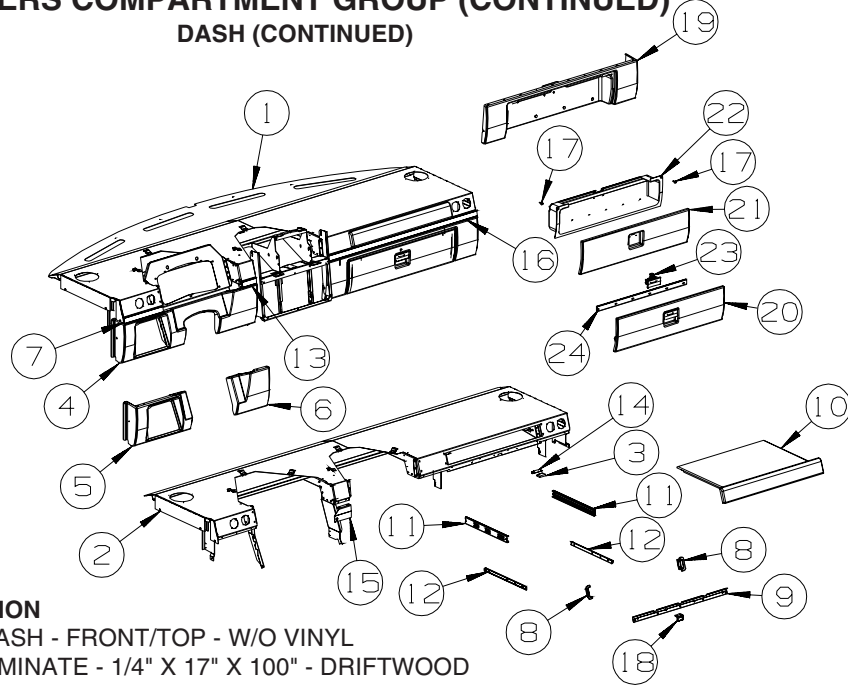
DASH



| KEY | PART NUMBER | U/M | DESCRIPTION |
|-----|---------------|-----|--|
| 1 | 155702-01-01A | EA | POD - DASH CENTER - BRIARWOOD |
| 1 | 155702-02-01A | EA | POD - DASH CENTER - BRIARWOOD - RR MONITOR SYS-AUDIO |
| 2 | 128692-01-02B | EA | ANGLE-FORMED,DASH SUPPORT, E-COAT |
| 3 | 155701-01-01A | EA | BEZEL - DASH/CENTER - BRIARWOOD |
| 4 | 156051-01-02B | EA | PANEL/BEZEL - DASH/CENTER - E-COATED |
| 5 | 154743-02-U67 | EA | DASH COMPLETE - CASHMERE |
| 5 | 154743-02-U87 | EA | DASH COMPLETE - RIVERSTONE |
| 5 | 154743-01-U67 | EA | DASH COMPLETE - CASHMERE - WORKHORSE |
| 5 | 154743-01-U87 | EA | DASH COMPLETE - RIVERSTONE - WORKHORSE |
| 6 | 155699-01-01A | EA | BEZEL - INSTRUMENT PANEL - FORD - BRIARWOOD |
| 7 | 156255-01-02B | EA | RETAINER - LOUVER/RIGHT - E-COATED |
| 8 | 111350-02-20A | EA | POCKET - INSTRUMENT PANEL - UPPER/RIGHT - CASHMERE |
| 8 | 111350-02-19A | EA | POCKET - INSTRUMENT PANEL - UPPER/RIGHT - RIVERSTONE |
| 9 | 155700-01-01A | EA | POD - INSTRUMENT PANEL - BRIARWOOD |
| 10 | 110530-01-000 | FT | SEAL - SPONGE - .31" X .62" |
| 11 | 139603-01-02B | EA | STRAP-DASH SUPPORT, CTR - E-COAT |
| 12 | 156255-02-02B | EA | RETAINER - LOUVER/LEFT - E-COATED |
| 13 | 155698-01-01A | EA | BEZEL - INSTRUMENT PANEL - WORKHORSE - BRIARWOOD - WORKHORSE |

DRIVERS COMPARTMENT GROUP (CONTINUED)

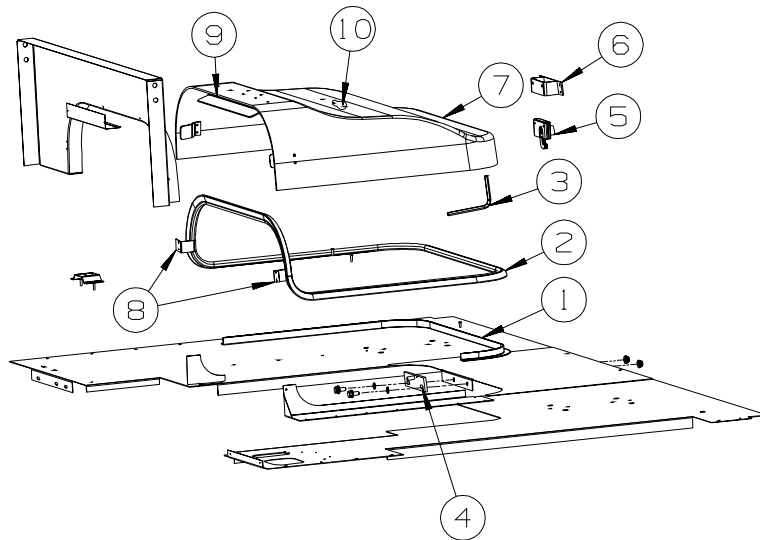
DASH (CONTINUED)



| KEY | PART NUMBER | U/M | DESCRIPTION |
|-----|---------------|-----|---|
| 1 | 154741-02-02B | EA | PANEL - DASH - FRONT/TOP - W/O VINYL |
| | 106569-07-09A | EA | VINYL - LAMINATE - 1/4" X 17" X 100" - DRIFTWOOD |
| | 106569-07-08A | EA | VINYL - LAMINATE - 1/4" X 17" X 100" - PUTTY |
| | 106569-16-09A | EA | VINYL - LAMINATE - 1/4" X 30" X 100" - DRIFTWOOD |
| | 106569-16-08A | EA | VINYL - LAMINATE - 1/4" X 30" X 100" - PUTTY |
| 2 | 154742-01-02B | EA | DASH - W/O VINYL - E-COATED - WORKHORSE |
| 3 | 137018-01-01A | EA | CATCH - MAGNETIC - 1.6" |
| 4 | 155129-01-02A | EA | PANEL/TRIM - DASH/LOWER LEFT - CASHMERE - WORKHORSE |
| 4 | 155129-01-01A | EA | PANEL/TRIM - DASH/LOWER LEFT - RIVERSTONE - WORKHORSE |
| 5 | 156254-01-02A | EA | PANEL/TRIM - DASH/LOWER - DRIVER/LEFT - CASHMERE - FORD |
| 5 | 156254-01-01A | EA | PANEL/TRIM - DASH/LOWER - DRIVER/LEFT - RIVERSTONE - FORD |
| 6 | 156253-01-02A | EA | PANEL/TRIM - DASH/LOWER - DRIVER/RIGHT - CASHMERE - FORD |
| 6 | 156253-01-01A | EA | PANEL/TRIM - DASH/LOWER - DRIVER/RIGHT - RIVERSTONE - FORD |
| 7 | 155053-03-20A | EA | TRIM - DASH/LOWER/LEFT - CASHMERE |
| 7 | 155053-03-19A | EA | TRIM - DASH/LOWER/LEFT - RIVERSTONE |
| 8 | 156580-01-02A | EA | TRIM - DASH/SLIDEOUT TABLE - CASHMERE |
| 8 | 156580-01-01A | EA | TRIM - DASH/SLIDEOUT TABLE - RIVERSTONE |
| 9 | 156585-01-02B | EA | RETAINER - VINYL/LOWER - E-COATED |
| 10 | 156646-01-01A | EA | TABLE TOP - PULLOUT/WORKSTATION - FUSION JAZZ |
| 11 | 135314-01-01A | EA | SLIDE - DASH WORK STATION - RIGHT HAND - NOT ILLUSTRATED |
| | | | FROM: 00-00-00 THRU: 02-23-06 |
| 11 | 153000-03-01A | EA | SLIDE - CABINET MOUNT - 13.8" |
| | | | FROM: 02-24-06 THRU: 99-99-99 |
| 12 | 135314-02-01A | EA | SLIDE - DASH WORK STATION - LEFT HAND - NOT ILLUSTRATED |
| | | | FROM: 00-00-00 THRU: 02-23-06 |
| 12 | 153000-04-01A | EA | SLIDE - DRAWER MOUNT - 13.8" |
| | | | FROM: 02-24-06 THRU: 99-99-99 |
| 13 | 155053-02-20A | EA | TRIM - DASH/LOWER/CENTER - CASHMERE |
| 13 | 155053-02-19A | EA | TRIM - DASH/LOWER/CENTER - RIVERSTONE |
| 14 | 137018-03-01A | EA | BRACKET - MOUNTING - 2" |
| 15 | 155948-01-02B | EA | SUPPORT - PARK BRAKE SWITCH - E-COATED - WORKHORSE 24,000-22.5 |
| 16 | 155053-01-20A | EA | TRIM - DASH/LOWER/RIGHT - CASHMERE |
| 16 | 155053-01-19A | EA | TRIM - DASH/LOWER/RIGHT - RIVERSTONE |
| 17 | 120863-10-000 | EA | BUMPER - RUBBER/RADIUS TOP/PULL - 1" |
| 18 | 152171-07-01A | EA | KEEPER - LATCH - METAL |
| 19 | 155130-02-U65 | EA | PANEL/TRIM - DASH/LOWER/RIGHT - W/O DOOR/HDW - CASHMERE |
| 19 | 155130-02-U87 | EA | PANEL/TRIM - DASH/LOWER/RIGHT - W/O DOOR/HDW - RIVERSTONE |
| 20 | 155133-01-U65 | EA | COMPARTMENT/GLOVE - W/DOOR - W/O HINGE/HDW - CASHMERE |
| 20 | 155133-01-U87 | EA | COMPARTMENT/GLOVE - W/DOOR - W/O HINGE/HDW - RIVERSTONE |
| 21 | 155132-01-02A | EA | PANEL/DOOR - GLOVE COMPARTMENT - W/O HDW - CASHMERE |
| 21 | 155132-01-01A | EA | PANEL/DOOR - GLOVE COMPARTMENT - W/O HDW - RIVERSTONE |
| 22 | 155134-01-02A | EA | COMPARTMENT/GLOVE - CASHMERE |
| 22 | 155134-01-01A | EA | COMPARTMENT/GLOVE - RIVERSTONE |
| 23 | 155757-01-01A | EA | LATCH - GLOVE COMPARTMENT - BLACK |
| 24 | 156730-01-01A | EA | HINGE - CONTINUOUS - GLOVE BOX |
| | 009065-03-000 | EA | HINGE - ALUMINUM - 2" X 72.5" - UNPAINTED |

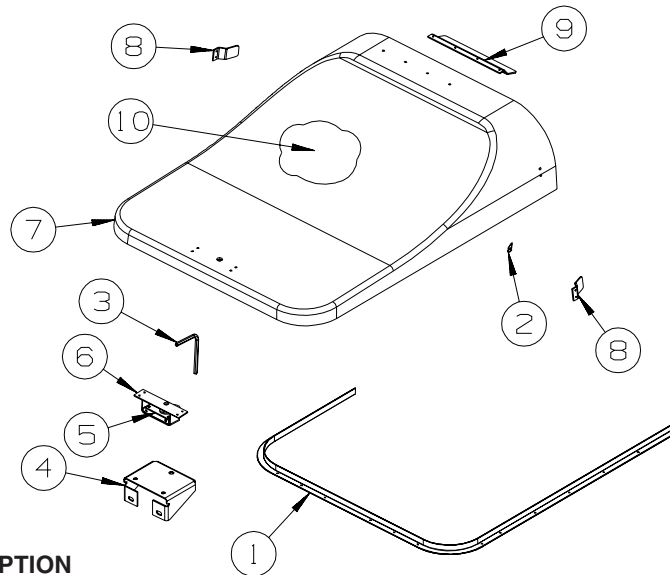
DRIVERS COMPARTMENT GROUP (CONTINUED)

MOTOR COVER



FORD

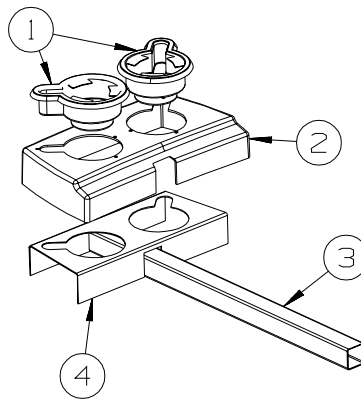
| KEY | PART NUMBER | U/M | DESCRIPTION |
|-----|---------------|-----|--|
| 1 | 115860-06-01A | EA | TRIM - MOTOR COVER - FORD - MILL FINISH |
| 2 | 039623-01-000 | FT | SEAL - MOTOR COVER - RUBBER BULB TYPE |
| 3 | 116833-01-02B | EA | WRENCH - HEX MOTOR COVER - E-COATED |
| 4 | 115852-01-02B | EA | STRIKE - LATCH - MOTOR COVER - E-COATED |
| 5 | 116581-01-000 | EA | LATCH - W/O STRIKE - MOTOR COVER |
| 6 | 115850-01-02B | EA | RETAINER - LATCH - MOTOR COVER - RIGHT HAND - E-COATED |
| 7 | 156754-01-U59 | EA | COVER - MOTOR - W/CARPET - FORD (U79, U80) |
| 7 | 156754-01-U57 | EA | COVER - MOTOR - W/CARPET - FORD (U83, U84) |
| 7 | 156754-01-U75 | EA | COVER - MOTOR - W/CARPET - FORD (U87, U88) |
| | 153970-02-01A | EA | COVER - MOTOR - W/O CARPET |
| 8 | 115855-04-02B | EA | RETAINER - MOTOR COVER/SIDE - E-COATED |
| 9 | 115855-01-02B | EA | RETAINER - MOTOR COVER/TOP - E-COATED |
| 10 | 134497-01-000 | SF | FOIL/ALUMINUM - REINFORCED |



WORKHORSE

| KEY | PART NUMBER | U/M | DESCRIPTION |
|-----|---------------|-----|--|
| 1 | 137332-01-01A | EA | TRIM - MOTOR COVER |
| 2 | 039623-01-000 | FT | SEAL - MOTOR COVER - RUBBER BULB TYPE |
| 3 | 116833-01-02B | EA | WRENCH - HEX MOTOR COVER - E-COATED |
| 4 | 137305-02-02B | EA | BRACKET - STRIKE SUPPORT - E-COATED |
| 5 | 116581-01-000 | EA | LATCH - W/O STRIKE - MOTOR COVER |
| 6 | 115850-01-02B | EA | RETAINER - LATCH - MOTOR COVER - RIGHT HAND - E-COATED |
| 7 | 137097-01-T53 | EA | COVER - MOTOR - W/CARPET (U79, U80) |
| 7 | 137097-01-U57 | EA | COVER - MOTOR - W/CARPET (U83, U84) |
| 7 | 137097-01-T65 | EA | COVER - MOTOR - W/CARPET (U87, U88) |
| | 137096-01-01A | EA | COVER - MOTOR - W/O CARPET |
| 8 | 115855-04-02B | EA | RETAINER - MOTOR COVER/SIDE - E-COATED |
| 9 | 115855-03-02B | EA | RETAINER - MOTOR COVER/TOP - E-COATED |
| 10 | 134497-01-000 | SF | FOIL/ALUMINUM - REINFORCED |

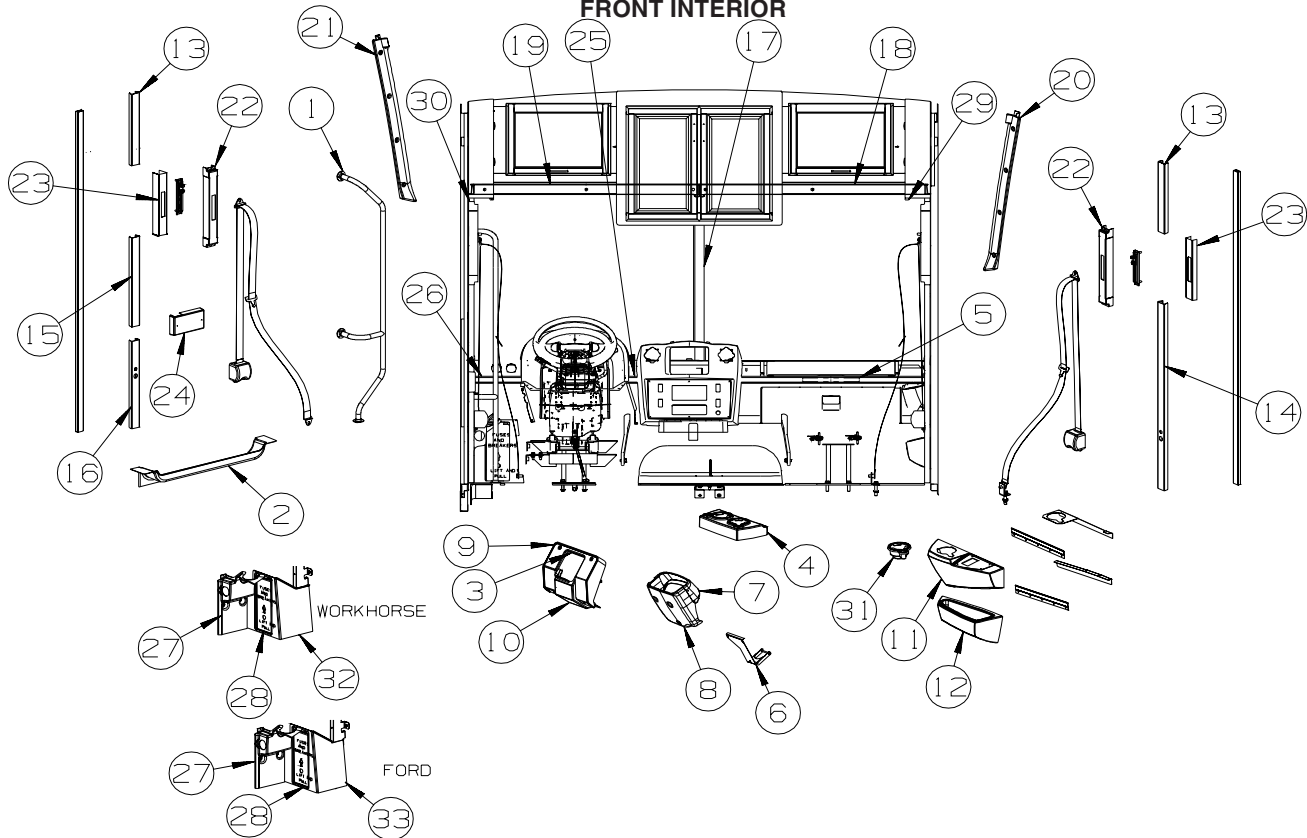
DRIVERS COMPARTMENT GROUP (CONTINUED)
BEVERAGE TRAY



| KEY | PART NUMBER | U/M | DESCRIPTION |
|------------|--------------------|------------|--|
| 1 | 133831-01-01A | EA | HOLDER - CUP W/THREE CENTERLINE RUBBER FINGERS |
| 2 | 156018-01-20A | EA | TRAY - BEVERAGE - CASHMERE |
| 2 | 156018-01-19A | EA | TRAY - BEVERAGE - RIVERSTONE |
| 3 | 156047-01-02B | EA | SUPPORT - BEVERAGE TRAY - E-COATED |
| 4 | 156016-01-01B | EA | BRACKET - BEVERAGE TRAY - E-COATED |

DRIVERS COMPARTMENT GROUP (CONTINUED)

FRONT INTERIOR

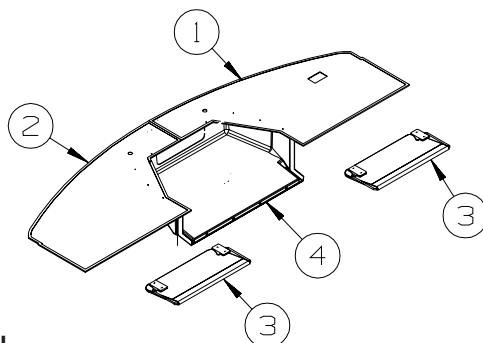


| KEY | PART NUMBER | U/M | DESCRIPTION |
|-----|---------------|-----|--|
| 1 | 131058-04-02A | EA | HAND RAIL - INTERIOR CAB DOOR - BLACK |
| 2 | 131849-01-20A | EA | TRIM/STEP - DRIVER DOOR - CASHMERE |
| 2 | 131849-01-19A | EA | TRIM/STEP - DRIVER DOOR - RIVERSTONE |
| | 102569-02-000 | EA | MAT - ANTI SLIP - LOWER |
| 3 | 110530-01-000 | FT | SEAL - SPONGE - .31" X .62" - FORD |
| 4 | 156018-01-20A | EA | TRAY - BEVERAGE - CASHMERE |
| 4 | 156018-01-19A | EA | TRAY - BEVERAGE - RIVERSTONE |
| 5 | 149510-03-02A | EA | APPLIQUE - LOWER DASH - DARK ANTELOPE |
| 6 | 148806-01-02B | EA | MOUNT ASM-STEERING COVE, E-COAT - WORKHORSE |
| 7 | 155934-01-20A | EA | COVER - STEERING COLUMN - UPPER - WORKHORSE - CASHMERE - WORKHORSE |
| 7 | 155934-01-19A | EA | COVER - STEERING COLUMN - UPPER - WORKHORSE - RIVERSTONE - WORKHORSE |
| 8 | 155935-01-20A | EA | COVER - STEERING COLUMN - LOWER - WORKHORSE - CASHMERE - WORKHORSE |
| 8 | 155935-01-19A | EA | COVER - STEERING COLUMN - LOWER - WORKHORSE - RIVERSTONE - WORKHORSE |
| 9 | 155936-01-02A | EA | COVER - STEERING COLUMN - UPPER - FORD - CASHMERE - FORD |
| 9 | 155936-01-01A | EA | COVER - STEERING COLUMN - UPPER - FORD - RIVERSTONE - FORD |
| 9 | 148815-02-20A | EA | COVER - STEERING COLUMN - UPPER - CASHMERE - FORD |
| 9 | 148815-02-19A | EA | COVER - STEERING COLUMN - UPPER - RIVERSTONE - FORD |
| 10 | 125795-01-20A | EA | COVER - STEERING COLUMN/LOWER - CASHMERE - FORD |
| 10 | 125795-01-19A | EA | COVER - STEERING COLUMN/LOWER - RIVERSTONE - FORD |
| 11 | 148829-01-S64 | EA | PANEL - PASSENGER SIDE/UPPER - CASHMERE |
| 11 | 148829-01-S72 | EA | PANEL - PASSENGER SIDE/UPPER - RIVERSTONE |
| | 130034-08-02B | EA | CLIP - TRIM - E-COATED |
| | 148830-01-20A | EA | PANEL - PASSENGER SIDE - UPPER - CASHMERE |
| | 148830-01-19A | EA | PANEL - PASSENGER SIDE - UPPER - RIVERSTONE |
| | 149218-01-02B | EA | BRACKET - MOUNTING - CUPHOLDER - E-COATED |
| 12 | 148831-01-S64 | EA | PANEL - PASSENGER SIDE/LOWER - CASHMERE |
| 12 | 148831-01-S72 | EA | PANEL - PASSENGER SIDE/LOWER - RIVERSTONE |
| | 130034-08-02B | EA | CLIP - TRIM - E-COATED |
| | 148828-01-20A | EA | POCKET/STORAGE - PASSENGER SIDE - CASHMERE |
| | 148828-01-19A | EA | POCKET/STORAGE - PASSENGER SIDE - RIVERSTONE |
| | 148832-01-20A | EA | PANEL - PASSENGER SIDE - LOWER - CASHMERE |
| | 148832-01-19A | EA | PANEL - PASSENGER SIDE - LOWER - RIVERSTONE |
| | 149229-01-02B | EA | BRACKET - PANEL MOUNTING - E-COATED |
| 13 | 024700-58-000 | EA | COVER - ROLL BAR - SIDEWALL - 16.5" - OFF WHITE |
| 14 | 024700-59-000 | EA | COVER - ROLL BAR - SIDEWALL - 44.1" - OFF WHITE |
| 15 | 024700-66-000 | EA | COVER - ROLL BAR - SIDEWALL - 20.6" - OFF WHITE |

DRIVERS COMPARTMENT GROUP (CONTINUED)

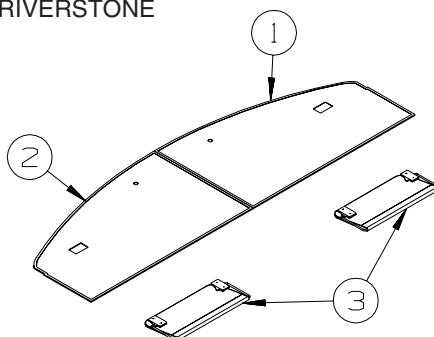
FRONT INTERIOR (CONTINUED)

| KEY | PART NUMBER | U/M | DESCRIPTION |
|-----|---------------|-----|--|
| 16 | 024700-67-000 | EA | COVER - ROLL BAR - SIDEWALL - 20.1" - OFF WHITE |
| 17 | 118452-04-20A | EA | TRIM - WINDSHIELD - CENTER - CASHMERE |
| 17 | 118452-04-19A | EA | TRIM - WINDSHIELD - CENTER - RIVERSTONE |
| 18 | 118453-03-05A | EA | TRIM - WINDSHIELD - INNER/TOP/PASSENGER - CASHMERE |
| 18 | 118453-03-04A | EA | TRIM - WINDSHIELD - INNER/TOP/PASSENGER - RIVERSTONE |
| 19 | 118453-04-05A | EA | TRIM - WINDSHIELD - INNER/TOP/DRIVER - CASHMERE |
| 19 | 118453-04-04A | EA | TRIM - WINDSHIELD - INNER/TOP/DRIVER - RIVERSTONE |
| 20 | 155329-01-05A | EA | TRIM - A-PILLAR/PASSENGER - CASHMERE |
| 20 | 155329-01-04A | EA | TRIM - A-PILLAR/PASSENGER - RIVERSTONE |
| 21 | 155329-02-05A | EA | TRIM - A-PILLAR/DRIVER - CASHMERE |
| 21 | 155329-02-04A | EA | TRIM - A-PILLAR/DRIVER - RIVERSTONE |
| 22 | 140151-01-01A | EA | COVER - SEAT BELT - OFF WHITE |
| 23 | 140151-03-01A | EA | COVER - SLIDING - F/SEATBELT - BLACK |
| 24 | 141072-01-01A | EA | COVER - BRACKET/LATCH - OFF WHITE |
| | 140151-02-01A | EA | COVER - SCREW - OFF WHITE |
| 25 | 149510-04-02A | EA | APPLIQUE - LOWER DASH - DARK ANTELOPE |
| 26 | 149510-05-02A | EA | APPLIQUE - LOWER DASH - DARK ANTELOPE |
| 27 | 148825-01-20A | EA | PANEL/TRIM - UNDER DASH/LEFT HAND - CASHMERE |
| 27 | 148825-01-19A | EA | PANEL/TRIM - UNDER DASH/LEFT HAND - RIVERSTONE |
| 28 | 148826-01-20A | EA | PANEL/DOOR - FUSE PANEL/LEFT HAND - CASHMERE |
| 28 | 148826-01-19A | EA | PANEL/DOOR - FUSE PANEL/LEFT HAND - RIVERSTONE |
| 29 | 127254-14-20A | EA | TRACK/WRAPAROUND - PASSENGER - CASHMERE |
| 29 | 127254-14-19A | EA | TRACK/WRAPAROUND - PASSENGER - RIVERSTONE |
| 30 | 127254-04-20A | EA | TRACK/WRAPAROUND - DRIVER - CASHMERE |
| 30 | 127254-04-19A | EA | TRACK/WRAPAROUND - DRIVER - RIVERSTONE |
| 31 | 133831-01-01A | EA | HOLDER - CUP W/THREE CENTERLINE RUBBER FINGERS |
| 32 | 148824-01-20A | EA | PANEL/TRIM - FUSE PANEL/LEFT HAND - CASHMERE |
| 32 | 148824-01-19A | EA | PANEL/TRIM - FUSE PANEL/LEFT HAND - RIVERSTONE |
| 33 | 148824-02-20A | EA | PANEL/TRIM - FUSE PANEL/LEFT HAND - CASHMERE |
| 33 | 148824-02-19A | EA | PANEL/TRIM - FUSE PANEL/LEFT HAND - RIVERSTONE |



WITH FRONT TV

| KEY | PART NUMBER | U/M | DESCRIPTION |
|-----|---------------|-----|--|
| 1 | 126440-35-U67 | EA | PANEL - OVERHEAD/FRONT/BOTTOM/RIGHT HAND - VINYL COVERED |
| 2 | 126440-36-U67 | EA | PANEL - OVERHEAD/FRONT/BOTTOM/LEFT HAND - VINYL COVERED |
| 3 | 123298-04-09A | EA | SUNVISOR - 10.5" X 21" - DRIVER/PASSENGER - DRIFTWOOD |
| 3 | 123298-04-08A | EA | SUNVISOR - 10.5" X 21" - DRIVER/PASSENGER - PUTTY |
| 4 | 152485-01-20A | EA | COVER - FRONT TV - CASHMERE |
| 4 | 152485-01-20A | EA | COVER - FRONT TV - RIVERSTONE |

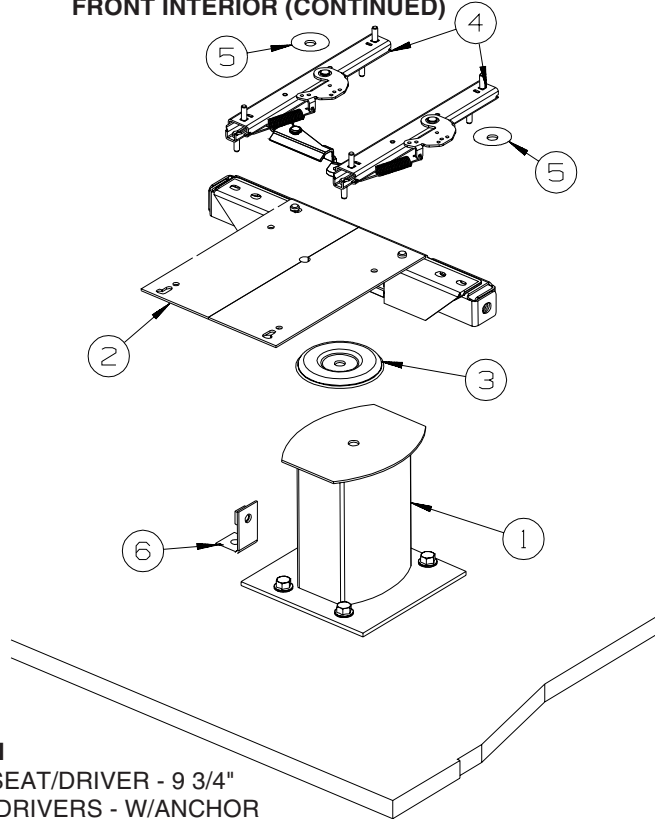


WITHOUT FRONT TV

| KEY | PART NUMBER | U/M | DESCRIPTION |
|-----|---------------|-----|--|
| 1 | 126440-37-U67 | EA | PANEL - OVERHEAD/FRONT/BOTTOM/RIGHT HAND - VINYL COVERED |
| 2 | 126440-38-U67 | EA | PANEL - OVERHEAD/FRONT/BOTTOM/LEFT HAND - VINYL COVERED |
| 3 | 123298-04-09A | EA | SUNVISOR - 10.5" X 21" - DRIVER/PASSENGER - DRIFTWOOD |
| 3 | 123298-04-08A | EA | SUNVISOR - 10.5" X 21" - DRIVER/PASSENGER - PUTTY |

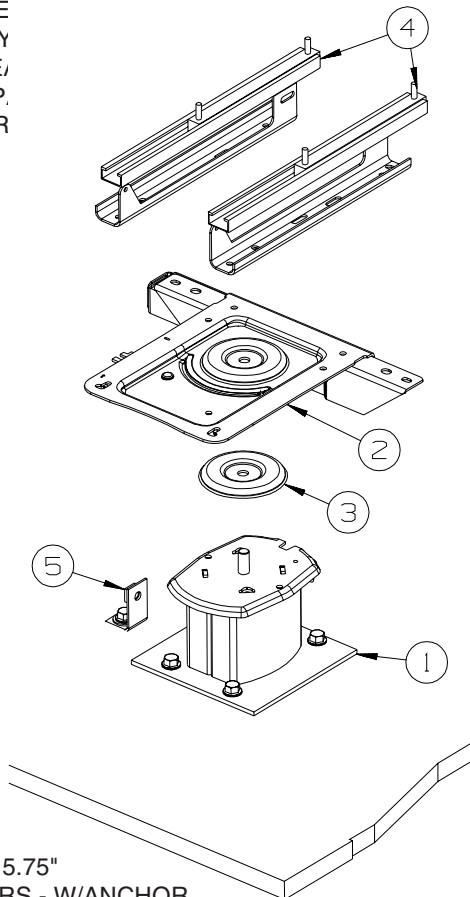
DRIVERS COMPARTMENT GROUP (CONTINUED)

FRONT INTERIOR (CONTINUED)



DRIVER MANUAL

| KEY | PART NUMBER | U/M | DESCRIPTION |
|-----|---------------|-----|---------------------------------|
| 1 | 133408-01-000 | EA | PEDESTAL - SEAT/DRIVER - 9 3/4" |
| 2 | 133408-19-000 | EA | TOP PLATE - DRIVERS - W/ANCHOR |
| 3 | 107921-06-000 | EA | BEARING KIT - PEDE |
| 4 | 131566-04-000 | EA | SLIDE/SEAT - HEAVY |
| | 119952-07-000 | EA | WIRE - LATCH RELE, |
| 5 | 131566-05-000 | EA | WASHER - SLIDE SP. |
| 6 | 133408-04-000 | EA | BRACKET - ANCHOR |

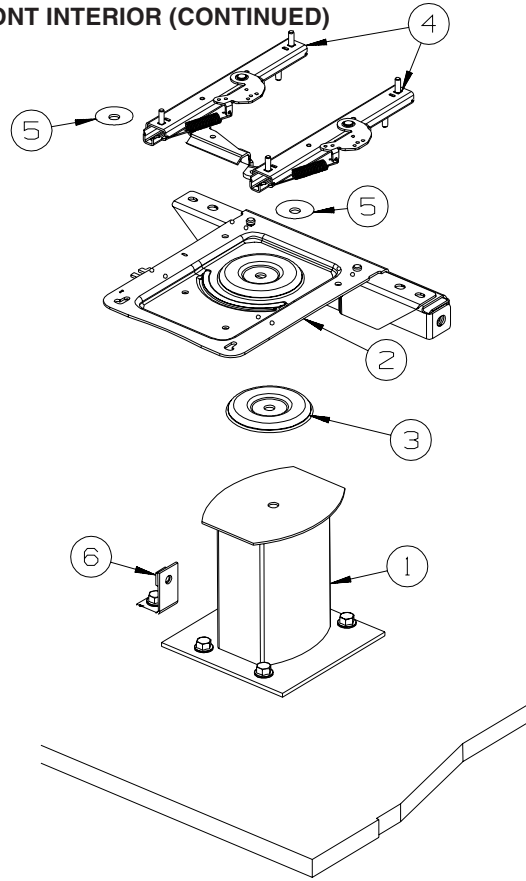


DRIVER POWERED

| KEY | PART NUMBER | U/M | DESCRIPTION |
|-----|---------------|-----|--------------------------------|
| 1 | 133408-05-000 | EA | PEDESTAL - SEAT - 5.75" |
| 2 | 133408-19-000 | EA | TOP PLATE - DRIVERS - W/ANCHOR |
| 3 | 107921-06-000 | EA | BEARING KIT - PEDESTAL |
| 4* | 147767-01-000 | EA | SEAT - POWER - 6-WAY - DRIVER |
| 5 | 133408-04-000 | EA | BRACKET - ANCHOR/FLOOR |

***COMPONENT PARTS LISTED LATER IN THIS GROUP**

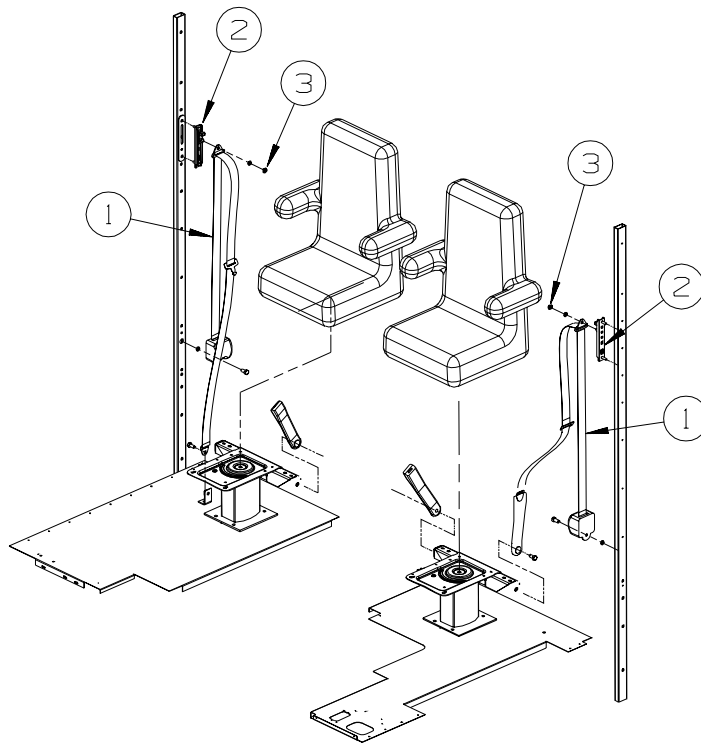
DRIVERS COMPARTMENT GROUP (CONTINUED)
FRONT INTERIOR (CONTINUED)



PASSENGER MANUAL

| KEY | PART NUMBER | U/M | DESCRIPTION |
|-----|---------------|-----|---|
| 1 | 133408-01-000 | EA | PEDESTAL - SEAT - DRIVER/PASSENGER - 9 3/4" |
| 2 | 133408-20-000 | EA | TOP PLATE - PASSENGER - W/ANCHOR |
| 3 | 107921-06-000 | EA | BEARING KIT - PEDESTAL |
| 4 | 131566-04-000 | EA | SLIDE/SEAT - HEAVY DUTY LOCKING - 5" |
| | 119952-07-000 | EA | WIRE - LATCH RELEASE/ROTARY |
| 5 | 131566-05-000 | EA | WASHER - SLIDE SPACER |
| 6 | 133408-04-000 | EA | BRACKET - ANCHOR/FLOOR |

DRIVERS COMPARTMENT GROUP (CONTINUED)
FRONT INTERIOR (CONTINUED)



| KEY | PART NUMBER | U/M | DESCRIPTION |
|-----|---------------|-----|--|
| 1* | 091990-08-01A | EA | SEAT BELT - 3 POINT - .766" DIAMETER HOLE IN D-LOOP BRKT |
| 2 | 127598-01-01A | EA | ADJUSTER - SEATBELT - D-LOOP |
| 3 | 127598-02-000 | EA | NUT - HEX FLANGE - M10 X 1.5 - CLASS 10 |

***COMPONENT PARTS LISTED LATER IN THIS GROUP**

COMPONENT PARTS FOR FRONT INTERIOR

091990-08-01A

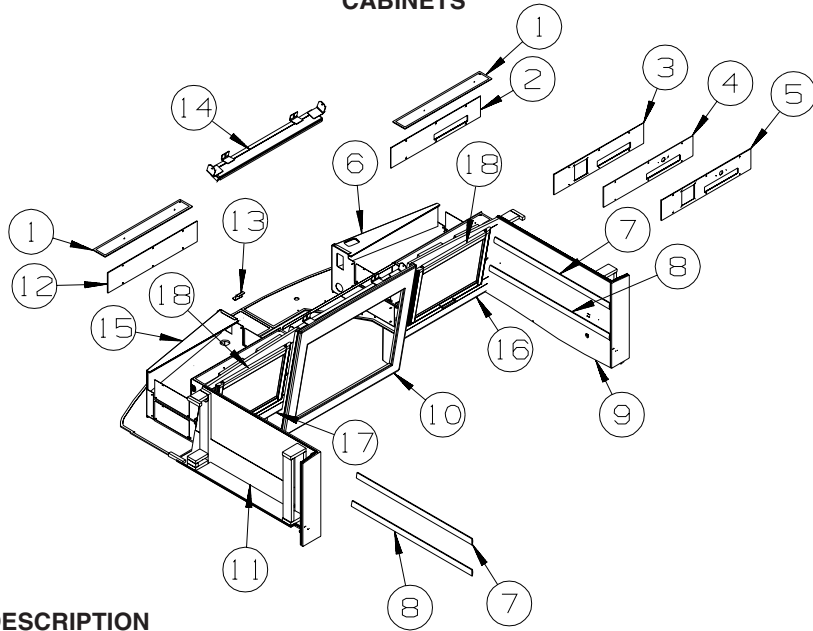
| KEY | PART NUMBER | U/M | DESCRIPTION | VENDOR NO. |
|-----|---------------|-----|------------------------------|------------|
| | 091990-01-701 | EA | EXTENDER 9" FOR A8408 3 PT | I-1331-02 |
| | 091990-01-703 | EA | RECEIVER/FEMALE END-SEATBELT | I-1159-02 |
| | 091990-05-700 | EA | SLEEVE/BUCKLE COVER-PLASTIC | 209S-2 |
| | 091990-05-701 | EA | CAP/COVER - BOLT HOLE COVER | 209SC-02 |
| | 091990-05-702 | EA | SLEEVE/RETRACTABLE COVER | 309C-02 |

147767-01-000, 147767-02-000

| KEY | PART NUMBER | U/M | DESCRIPTION | VENDOR NO |
|-----|---------------|-----|--------------------|---------------------|
| | 147767-01-700 | EA | SWITCH PLATE | SHROCK-9PT-SWT-PLTE |
| | 147767-01-701 | EA | MOTOR - VERTICAL | SHROCK 9PT-M0-VER-0 |
| | 147767-01-702 | EA | MOTOR - HORIZONTAL | SHROCK 9PT-M0-HOZ-0 |

DRIVERS COMPARTMENT GROUP (CONTINUED)

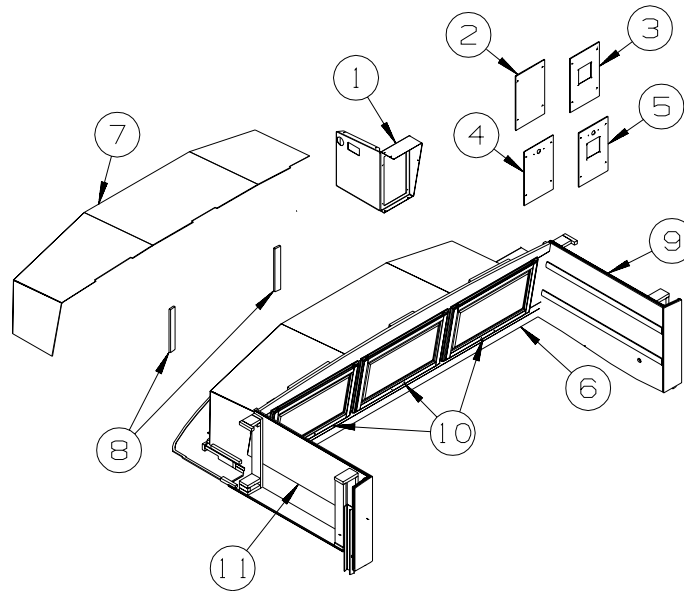
CABINETS



WITH FRONT TV

| KEY | PART NUMBER | U/M | DESCRIPTION |
|-----|---------------|-----|--|
| 1 | 150628-08-U67 | EA | PANEL - VINYL COVERED |
| 2 | 150628-01-U67 | EA | PANEL - VINYL COVERED - HOME THEATER SYS |
| 3 | 150628-09-T81 | EA | PANEL - VINYL COVERED - AUTOMATIC SATELLITE DISH/HOME THEATER SYS |
| | | | FROM: 00-00-00 THRU: 01-28-07 |
| 3 | 150628-15-U67 | EA | PANEL - VINYL COVERED - AUTOMATIC SATELLITE DISH/HOME THEATER SYS |
| | | | FROM: 01-29-07 THRU: 99-99-99 |
| 4 | 150628-11-U67 | EA | PANEL - VINYL COVERED |
| 5 | 150628-12-U67 | EA | PANEL - VINYL COVERED - AUTOMATIC SATELLITE DISH |
| | | | FROM: 00-00-00 THRU: 01-28-07 |
| 5 | 150628-16-U67 | EA | PANEL - VINYL COVERED - AUTOMATIC SATELLITE DISH |
| | | | FROM: 01-29-07 THRU: 99-99-99 |
| 6 | 132909-16-R32 | EA | PANEL - VINYL COVERED |
| 7 | M09525-25-U67 | EA | MOLDING - TRIM/VEE - 1.5" X 34.3" - WASHED MAPLE |
| 7 | M09525-25-U68 | EA | MOLDING - TRIM/VEE - 1.5" X 34.3" - SIERRA MAPLE |
| 8 | M09525-26-U67 | EA | MOLDING - TRIM/VEE - 1.5" X 35.8" - WASHED MAPLE |
| 8 | M09525-26-U68 | EA | MOLDING - TRIM/VEE - 1.5" X 35.8" - SIERRA MAPLE |
| 9 | 157841-01-U67 | EA | PANEL - OVERHEAD/FRONT - RIGHT HAND - VINYL COVERED |
| 10 | 152404-01-T79 | EA | CABINET - FRONT/TV FACE - W/O DOORS/HDW - WASHED MAPLE |
| 10 | 152404-01-T80 | EA | CABINET - FRONT/TV FACE - W/O DOORS/HDW - SIERRA MAPLE |
| 11 | 157841-02-U67 | EA | PANEL - OVERHEAD/FRONT - LEFT HAND - VINYL COVERED |
| 12 | 150628-02-U67 | EA | PANEL - VINYL COVERED |
| 13 | 152944-02-02B | EA | BRACKET - TIEDOWN/TV - E-COATED |
| 14 | 155314-02-02B | EA | BRACKET - TV - 32.6" - W/ANGLES - W/O FOAM TAPE - E-COATED |
| 15 | 132909-17-U67 | EA | PANEL - VINYL COVERED - LH HAND |
| 16 | 152403-01-T79 | EA | CABINET - OVERHEAD/FRONT/RH HAND - W/O DOORS/HDW - WASHED MAPLE |
| 16 | 152403-01-T80 | EA | CABINET - OVERHEAD/FRONT/RH HAND - W/O DOORS/HDW - SIERRA MAPLE |
| 17 | 152403-02-T79 | EA | CABINET - OVERHEAD/FRONT - W/O DOORS/HDW - WASHED MAPLE |
| 17 | 152403-02-T80 | EA | CABINET - OVERHEAD/FRONT - W/O DOORS/HDW - SIERRA MAPLE |
| 18 | 146028-64-U79 | EA | DOOR - GLASS INSERT/PENCIL EDGE - 15.7" X 21.8" - W/O HDW - WASHED MAPLE |
| | | | FROM: 00-00-00 THRU: 02-22-06 |
| 18 | 146028-A4-U79 | EA | DOOR - GLASS INSERT/PENCIL EDGE - 15.7" X 21.8" - W/O HDW - WASHED MAPLE |
| | | | FROM: 02-23-06 THRU: 99-99-99 |
| 18 | 146028-64-U80 | EA | DOOR - GLASS INSERT/PENCIL EDGE - 15.7" X 21.8" - W/O HDW - SIERRA MAPLE |
| | | | FROM: 00-00-00 THRU: 02-22-06 |
| 18 | 146028-A4-U80 | EA | DOOR - GLASS INSERT/PENCIL EDGE - 15.7" X 21.8" - W/O HDW - SIERRA MAPLE |
| | | | FROM: 02-23-06 THRU: 99-99-99 |
| | 100708-50-000 | EA | DOOR/GLASS - TV CABINET - 13" X 19.1" - W/O HARDWARE |
| | | | FROM: 02-23-06 THRU: 99-99-99 |

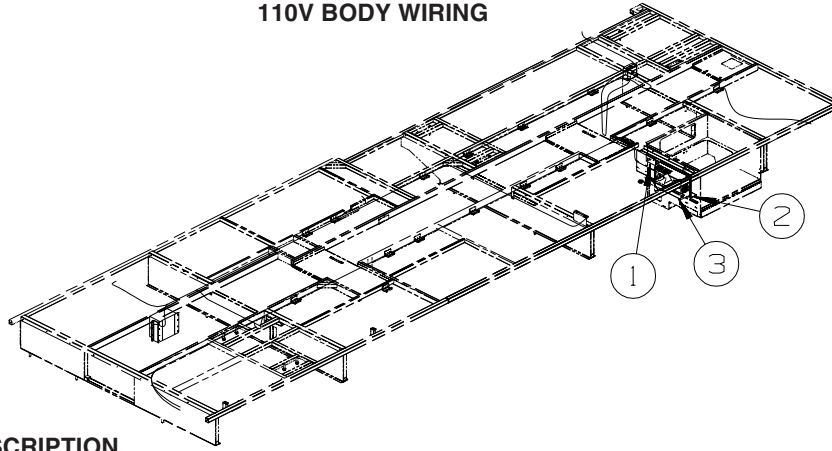
DRIVERS COMPARTMENT GROUP (CONTINUED)
CABINETS (CONTINUED)



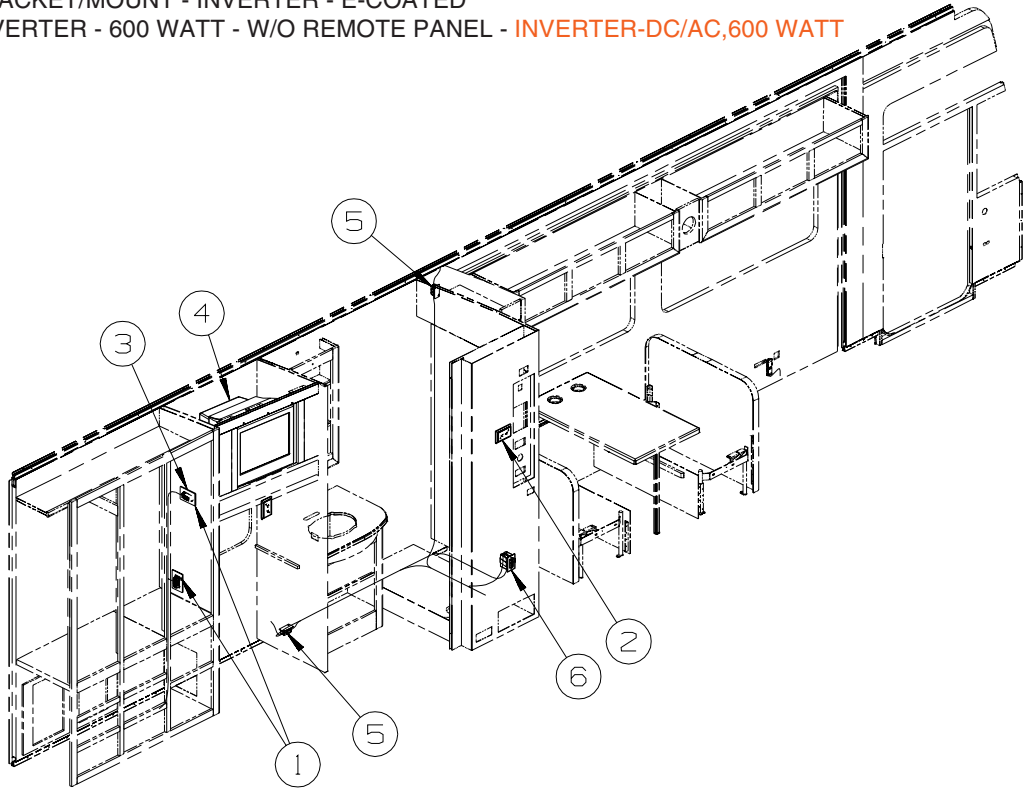
**WITHOUT FRONT TV
F38J ONLY**

| KEY | PART NUMBER | U/M | DESCRIPTION |
|-----|---------------|-----|--|
| 1 | 155123-02-02B | EA | PANEL - END, CLOSEOUT |
| 2 | 155127-01-TG0 | EA | PANEL - VINYL COVERED |
| 3 | 155127-02-TG0 | EA | PANEL - VINYL COVERED - AUTOMATIC SATELLITE DISH |
| | | | FROM: 00-00-00 THRU: 01-28-07 |
| 3 | 155127-10-U87 | EA | PANEL - VINYL COVERED - AUTOMATIC SATELLITE DISH |
| | | | FROM: 01-29-07 THRU: 99-99-99 |
| 4 | 155127-04-U67 | EA | PANEL - VINYL COVERED - HOME THEATER SYS |
| 5 | 155127-05-U67 | EA | PANEL - VINYL COVERED - AUTOMATIC SATELLITE DISH/HOME THEATER SYS |
| | | | FROM: 00-00-00 THRU: 01-28-07 |
| 5 | 155127-11-U67 | EA | PANEL - VINYL COVERED - AUTOMATIC SATELLITE DISH/HOME THEATER SYS |
| | | | FROM: 01-29-07 THRU: 99-99-99 |
| 6 | 153644-01-T79 | EA | CABINET - OVERHEAD/FRONT - W/O DOORS/HDW - WASHED MAPLE |
| 6 | 153644-01-T80 | EA | CABINET - OVERHEAD/FRONT - W/O DOORS/HDW - SIERRA MAPLE |
| 7 | 140015-06-U67 | EA | PANEL ASM - CLOSEOUT, OVERHEAD FRONT |
| 8 | 118608-21-U67 | EA | PANEL-HEADLINER |
| 9 | 157841-01-U67 | EA | PANEL - OVERHEAD/FRONT - RIGHT HAND - VINYL COVERED |
| 10 | 141522-C1-U79 | EA | DOOR - ARCHED/PENCIL EDGE/HORIZ - 15.3" X 25.6" - W/O HDW - WASHED MAPLE |
| 10 | 141522-C1-U80 | EA | DOOR - ARCHED/PENCIL EDGE/HORIZ - 15.3" X 25.6" - W/O HDW - SIERRA MAPLE |
| 11 | 157841-02-U67 | EA | PANEL - OVERHEAD/FRONT - LEFT HAND - VINYL COVERED |

ELECTRICAL GROUP 110V BODY WIRING



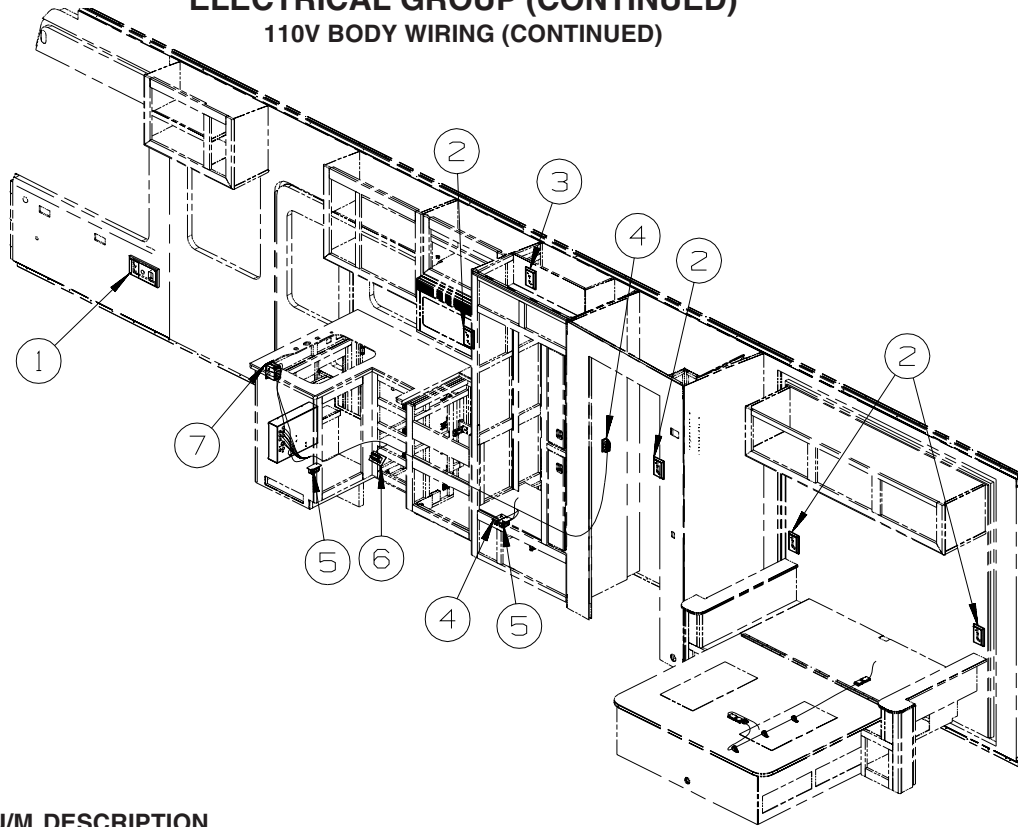
| KEY | PART NUMBER | U/M | DESCRIPTION |
|-----|---------------|-----|---|
| 1 | 058708-05-000 | EA | RECEPTACLE - ELECTRICAL - SINGLE - BROWN |
| 2 | 154367-07-02B | EA | BRACKET/MOUNT - INVERTER - E-COATED |
| 3 | 154511-01-000 | EA | INVERTER - 600 WATT - W/O REMOTE PANEL - INVERTER-DC/AC,600 WATT |



| KEY | PART NUMBER | U/M | DESCRIPTION |
|-----|---------------|-----|---|
| 1 | 058708-01-000 | EA | RECEPTACLE - ELECTRIC - DOUBLE - BROWN |
| 1 | 058708-06-000 | EA | RECEPTACLE - DUPLEX - WHITE |
| 2 | 133713-01-21A | EA | SPACER/RECEPTACLE - VINYL - WASHED MAPLE |
| 2 | 133713-01-22A | EA | SPACER/RECEPTACLE - VINYL - SIERRA MAPLE |
| 2 | 058708-01-000 | EA | RECEPTACLE - ELECTRIC - DOUBLE - BROWN |
| 2 | 058708-06-000 | EA | RECEPTACLE - DUPLEX - WHITE |
| 3 | 158542-02-01A | EA | LABEL - RECEPTACLE - ELECTRONICS - WHITE/BLACK |
| 4* | 149049-02-000 | EA | TV - 20" COLOR/STEREO - FLAT - SONY KV-20FS120 FROM: 00-00-00 THRU: 04-02-06 |
| 4* | 149040-02-000 | EA | TV - 20" FLAT SCREEN/STEREO - RCA 20F410T FROM: 04-03-06 THRU: 05-14-06 |
| 4 | 149040-03-000 | EA | TV - 20" FLAT SCREEN/STEREO - RCA 20F420T FROM: 05-15-06 THRU: 99-99-99 |
| 5 | 058707-02-000 | EA | RECEPTACLE - BLANK - JUNCTION BOX |
| 6 | 147446-01-02A | EA | RECEPTACLE - GFCI - 15A 125V - BROWN FROM: 00-00-00 THRU: 12-20-06 |
| 6 | 163319-01-02A | EA | RECEPTACLE - GFCI - 15A 125V - BROWN FROM: 12-21-06 THRU: 99-99-99 |
| 6 | 147450-01-02A | EA | PLATE - ELECTRICAL OUTLET - BROWN |

***COMPONENT PARTS LISTED LATER IN THIS GROUP**

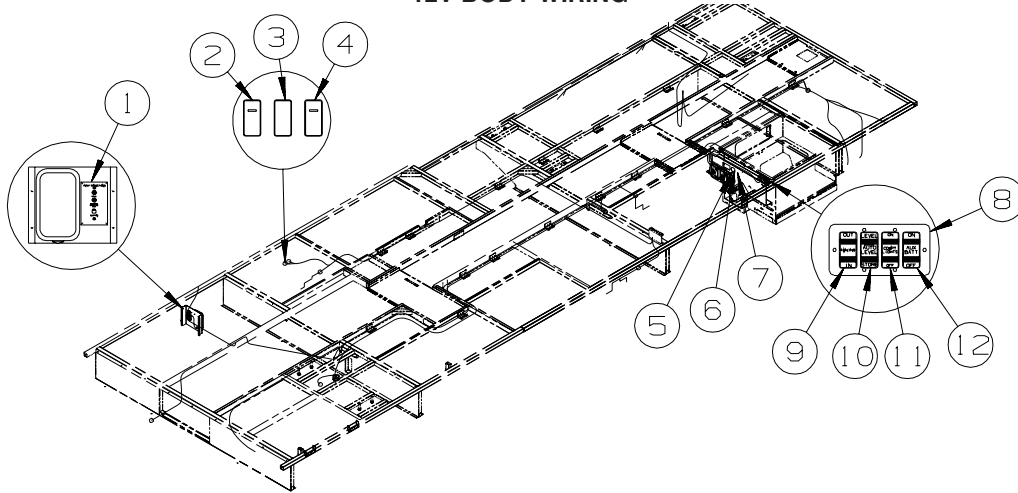
ELECTRICAL GROUP (CONTINUED)
110V BODY WIRING (CONTINUED)



| KEY | PART NUMBER | U/M | DESCRIPTION |
|-----|---------------|-----|--|
| 1 | 133713-06-21A | EA | SPACER/RECEPTACLE - PHONE - VINYL - WASHED MAPLE |
| 1 | 133713-06-22A | EA | SPACER/RECEPTACLE - PHONE - VINYL - SIERRA MAPLE |
| 1 | 058708-01-000 | EA | RECEPTACLE - ELECTRIC - DOUBLE - BROWN |
| 1 | 058708-06-000 | EA | RECEPTACLE - DUPLEX - WHITE |
| 2 | 133713-01-21A | EA | SPACER/RECEPTACLE - VINYL - WASHED MAPLE |
| 2 | 133713-01-22A | EA | SPACER/RECEPTACLE - VINYL - SIERRA MAPLE |
| 2 | 058708-01-000 | EA | RECEPTACLE - ELECTRIC - DOUBLE - BROWN |
| 2 | 058708-06-000 | EA | RECEPTACLE - DUPLEX - WHITE |
| 3 | 133713-01-21A | EA | SPACER/RECEPTACLE - VINYL - WASHED MAPLE |
| 3 | 133713-01-22A | EA | SPACER/RECEPTACLE - VINYL - SIERRA MAPLE |
| 3 | 058708-05-000 | EA | RECEPTACLE - ELECTRICAL - SINGLE - BROWN |
| 4 | 058707-01-000 | EA | RECEPTACLE - ELECTRIC - SINGLE - BROWN |
| 5 | 058707-02-000 | EA | RECEPTACLE - BLANK - JUNCTION BOX |
| 6 | 058708-01-000 | EA | RECEPTACLE - ELECTRIC - DOUBLE - BROWN |
| 6 | 058708-06-000 | EA | RECEPTACLE - DUPLEX - WHITE |
| 7 | 147446-01-02A | EA | RECEPTACLE - GFCI - 15A 125V - BROWN |
| | | | FROM: 00-00-00 THRU: 12-20-06 |
| 7 | 163319-01-02A | EA | RECEPTACLE - GFCI - 15A 125V - BROWN |
| | | | FROM: 12-21-06 THRU: 99-99-99 |
| 7 | 147450-01-02A | EA | PLATE - ELECTRICAL OUTLET - BROWN |

ELECTRICAL GROUP (CONTINUED)

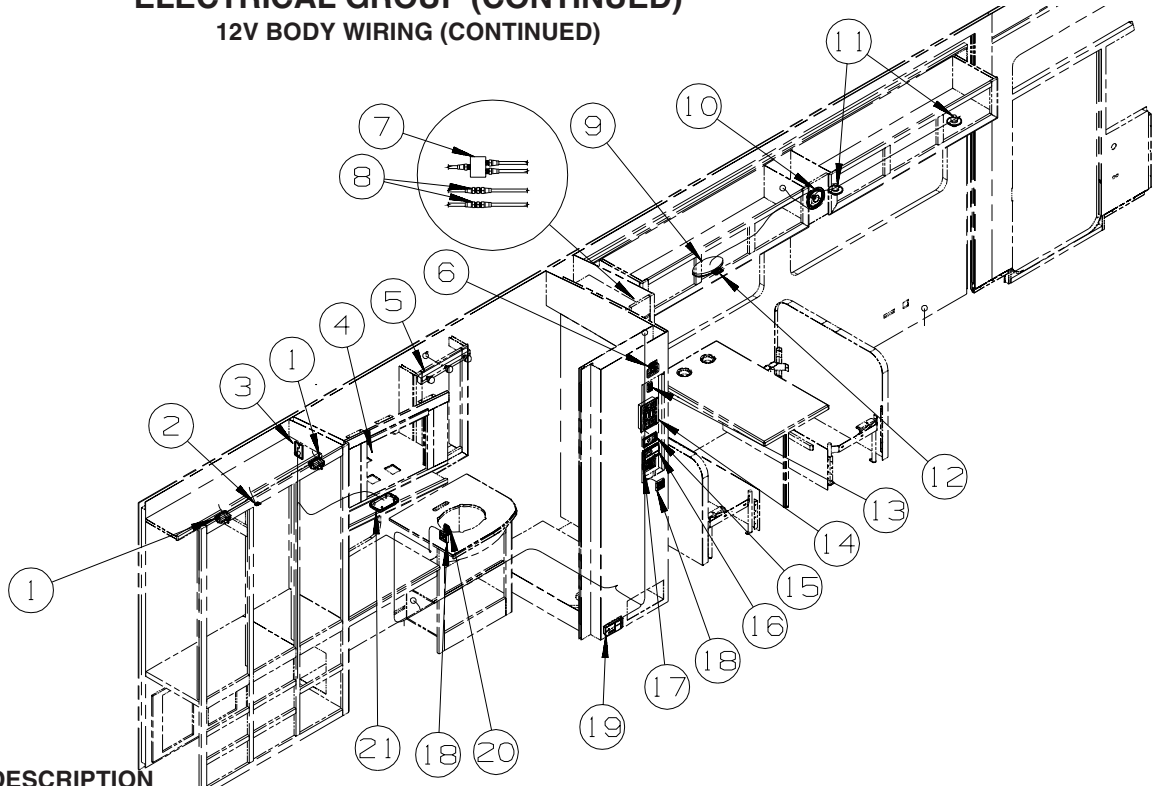
12V BODY WIRING



| KEY | PART NUMBER | U/M | DESCRIPTION |
|-----|---------------|-----|--|
| 1 | 149557-01-01A | EA | PLATE/WALL - PHONE/DUAL COAXIAL/VERTICAL - WHITE |
| 2 | 108357-15-000 | EA | SWITCH - ROCKER - DPDT - ON/NONE/ON - W/LIGHT W/O COVER |
| 2 | 108356-03-01A | EA | COVER/ACTUATOR SWITCH - 3 GROOVES W/LENS - BLACK |
| 2 | 108355-01-000 | EA | HOUSING - SWITCH |
| 3 | 108357-01-000 | EA | SWITCH - ROCKER - SPST - ON/OFF - 2 TERMINAL - W/O COVER |
| 3 | 108356-01-01A | EA | COVER/ACTUATOR SWITCH - 3 GROOVES - BLACK |
| 3 | 108355-01-000 | EA | HOUSING - SWITCH |
| 4 | 108357-18-000 | EA | SWITCH - ROCKER - DPDT - MOM/OFF/MOM - W/O COVER - HYDRAULIC LEVEL JACKS-AUTO |
| 4 | 108356-03-01A | EA | COVER/ACTUATOR SWITCH - 3 GROOVES W/LENS - BLACK - HYDRAULIC LEVEL JACKS-AUTO |
| 4 | 108355-01-000 | EA | HOUSING - SWITCH - HYDRAULIC LEVEL JACKS-AUTO |
| 4 | 096241-03-000 | EA | SWITCH - BLANK - BLACK |
| 5 | 082134-01-000 | EA | ADAPTER - TV - CABLE TO CABLE |
| 6 | 082136-01-000 | EA | NUT - HEX JAM - 3/8-32 |
| 7 | 157486-01-02A | EA | LABEL - TV/EXTERIOR |
| 8 | 158431-01-02B | EA | PLATE - SWITCH - E-COATED |
| 9 | 108357-07-000 | EA | SWITCH - ROCKER - SPDT - MOM/OFF/MOM - 3 TERM - W/O COVER - AWNING - PATIO, ELECTRIC |
| 9 | 108356-12-01A | EA | COVER/ACTUATOR SWITCH - 3 GROOVES - AWNING/IN/OUT - AWNING - PATIO, ELECTRIC |
| 9 | 108355-01-000 | EA | HOUSING - SWITCH - AWNING - PATIO, ELECTRIC |
| 9 | 096241-03-000 | EA | SWITCH - BLANK - BLACK |
| 10 | 108357-18-000 | EA | SWITCH - ROCKER - DPDT - MOM/OFF/MOM - W/O COVER - HYDRAULIC LEVEL JACKS-AUTO |
| 10 | 108356-15-01A | EA | COVER/ACTUATOR SW.-3 GROOVES-LEVELING JACKS/REMOTE-HYDRAULIC LEVEL JACKS-AUTO |
| 10 | 108355-01-000 | EA | HOUSING - SWITCH - HYDRAULIC LEVEL JACKS-AUTO |
| 10 | 096241-03-000 | EA | SWITCH - BLANK - BLACK |
| 11 | 108357-01-000 | EA | SWITCH - ROCKER - SPST - ON/OFF - 2 TERMINAL - W/O COVER |
| 11 | 108356-14-01A | EA | COVER/ACTUATOR SWITCH - 3 GROOVES - COMPT LIGHTS |
| 11 | 108355-01-000 | EA | HOUSING - SWITCH |
| 12 | 108357-06-000 | EA | SWITCH - ROCKER - DPDT - MOM/OFF/MOM - 6 TERM - W/O COVER |
| 12 | 108356-11-01A | EA | COVER/ACTUATOR SWITCH - 3 GROOVES - AUX BATT - BLACK |
| 12 | 108355-01-000 | EA | HOUSING - SWITCH |

ELECTRICAL GROUP (CONTINUED)

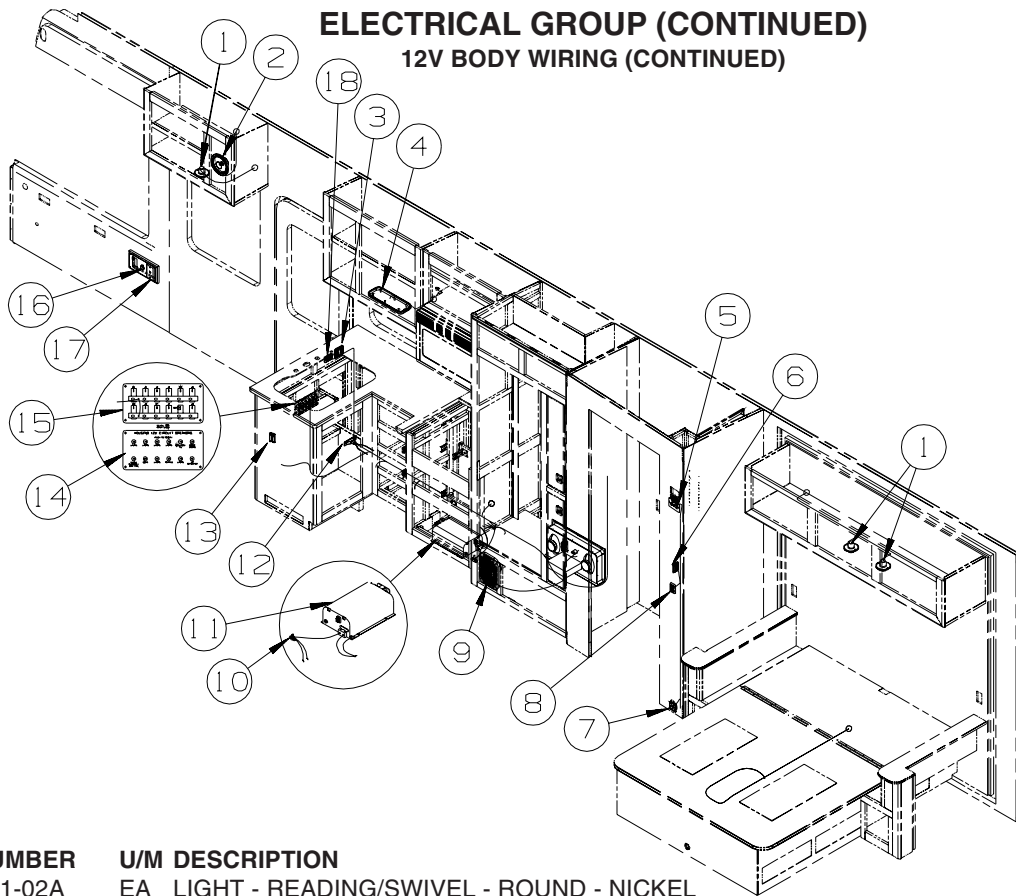
12V BODY WIRING (CONTINUED)



| KEY | PART NUMBER | U/M | DESCRIPTION |
|-----|---------------|-----|--|
| 1* | 087694-01-000 | EA | LIGHT - WARDROBE/CLOSET - W/SWITCH |
| 2 | 056264-01-000 | EA | SWITCH - LEAF ACTUATOR |
| 3 | 076319-09-000 | EA | WALLPLATE - TV CABLE RECEPTACLE - SINGLE - BROWN |
| 4 | 136860-03-000 | EA | CABLE - RCA - SHIELDED - 3 MALE TO MALE CONNECTORS - 6' - TV (REAR)-20"COLOR, STEREO |
| 4 | 159064-01-01A | EA | LABEL - CABLE/RCA - WHITE ON BLACK - TV (REAR)-20"COLOR, STEREO |
| 5 | 138116-01-02A | EA | LIGHT/MAKE UP - 3 BULB - CURVED - W/O BULB - SATIN NICKEL |
| 5 | 123918-01-000 | EA | BULB - 12V - MAKEUP - WHITE |
| 6 | 116549-02-000 | EA | LABEL - WARNING - SLIDEOUT |
| 6 | 138173-04-000 | EA | CONTROL PANEL (TOUCH PAD) - ELECTRIC SLIDEOUT - #1802931 |
| 7 | 086756-01-000 | EA | SPLITTER - TV/2 WAY |
| 8 | 082134-01-000 | EA | ADAPTER - TV - CABLE TO CABLE |
| 9 | 093575-26-03A | EA | LIGHT - CEILING/OVAL - SATIN NICKEL |
| 9 | 117805-01-000 | EA | BULB - 12V - #921F - 1.4 AMPS |
| 10 | 094097-01-000 | EA | SPEAKER - RADIO/TV - W/O GRILLE - 5.25" DIAMETER |
| 11 | 132427-01-02A | EA | LIGHT - READING/SWIVEL - ROUND - NICKEL |
| 12 | 135740-01-01A | EA | SWITCH - ROCKER - SPST - ON/OFF - BROWN |
| 12 | 135741-01-01A | EA | SWITCH - BASE - SINGLE - BROWN |
| 12 | 135742-01-01A | EA | BEZEL - SWITCH - SINGLE - BROWN |
| 13 | 138253-01-02A | EA | SWITCH - BLANK - BROWN |
| 13 | 135741-01-01A | EA | SWITCH - BASE - SINGLE - BROWN |
| 13 | 135742-01-01A | EA | BEZEL - SWITCH - SINGLE - BROWN |
| 13 | 135740-06-01A | EA | SWITCH - ROCKER - ON/OFF - LIGHTED - RED - WTR HTR-6GAL OR 10 GAL/ELE/LP/MOTORAID |
| 13 | 135741-01-01A | EA | SWITCH - BASE - SINGLE - BROWN - WTR HTR-6GAL OR 10 GAL/ELE/LP/MOTORAID |
| 13 | 135742-35-02A | EA | BEZEL-SWITCH-WATER HEATER/110 VOLT - BROWN - WTR HTR-6GAL OR 10 GAL/ELE/LP/MOTORAID |
| 14* | 134940-06-01A | EA | PANEL - MONITOR - 2 TANK - W/GENERATOR SWITCH |
| 14* | 134940-08-01A | EA | PANEL - MONITOR - 2 TANK-W/GENERATOR SWITCH/SOLAR CHARGER - SOLAR PANEL-10 WATT |
| 15 | 127002-10-000 | EA | PANEL/MONITOR - ENERGY MANAGEMENT SYSTEMS CTRL - W/3 PLUG |
| 16 | 105620-18-000 | EA | THERMOSTAT - FURNACE/HEAT PUMP-A/C |
| 17 | 154511-02-000 | EA | REMOTE/PANEL - INVERTER/600 WATT - INVERTER-DC/AC,600 WATT |
| 17 | 148254-03-000 | EA | CABLE/INVERTOR - W/8 PIN MODULAR PHONE JACK - 50'-DIMEN - INVERTER-DC/AC,600 WATT |
| 18 | 135740-01-01A | EA | SWITCH - ROCKER - SPST - ON/OFF - BROWN |
| 18 | 135740-02-01A | EA | SWITCH - ROCKER - SPDT - ON/ON - BROWN |
| 18 | 135741-02-01A | EA | SWITCH - BASE - DOUBLE - BROWN |
| 18 | 135742-16-02A | EA | BEZEL - SWITCH - CEILING/HALL - BROWN |
| 19 | 150138-01-01A | EA | DETECTOR - LP GAS - WHITE |
| 20 | 135740-01-01A | EA | SWITCH - ROCKER - SPST - ON/OFF - BROWN |
| 20 | 135741-01-01A | EA | SWITCH - BASE - SINGLE - BROWN |
| 20 | 135742-08-02A | EA | BEZEL - SWITCH - MAKEUP - BROWN |
| 21* | 137417-01-01A | EA | LIGHT - DOME - SINGLE - W/SWITCH/FROSTED LENS - WHITE |

*COMPONENT PARTS LISTED LATER IN THIS GROUP

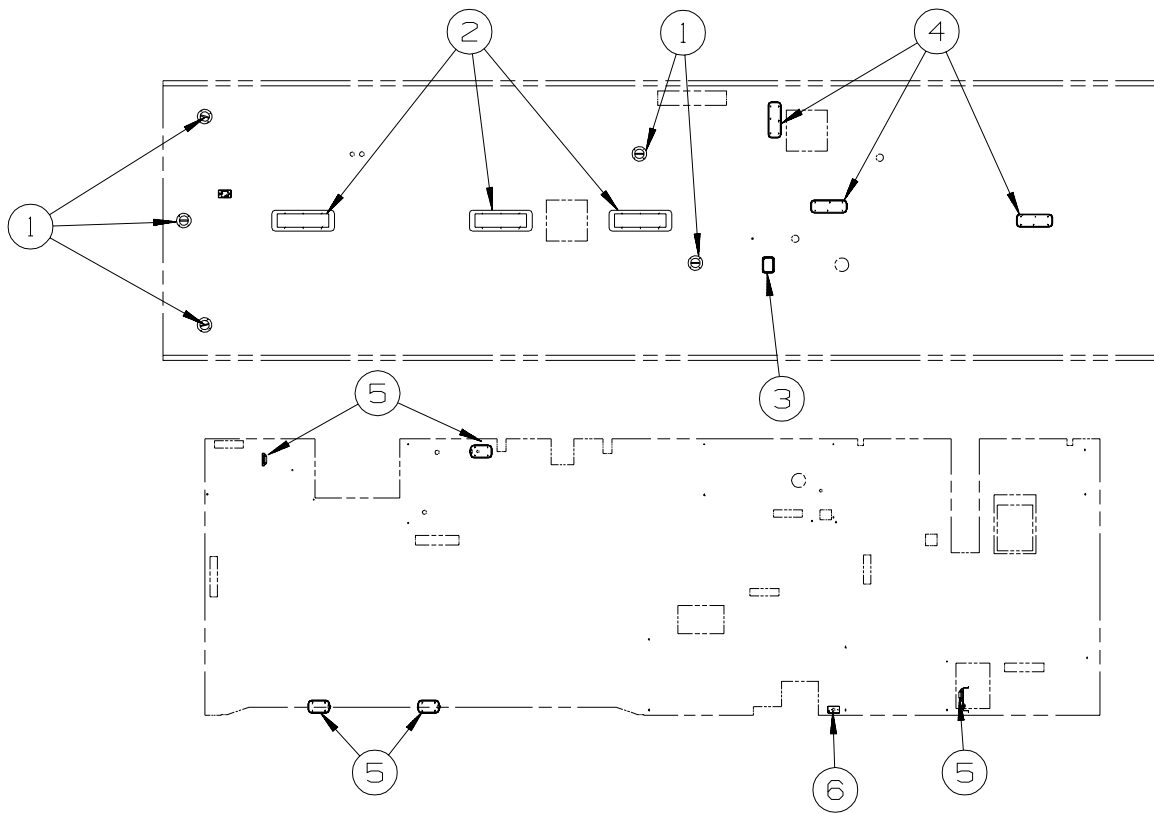
ELECTRICAL GROUP (CONTINUED) 12V BODY WIRING (CONTINUED)



| KEY | PART NUMBER | U/M | DESCRIPTION |
|-----|---------------|-----|--|
| 1 | 132427-01-02A | EA | LIGHT - READING/SWIVEL - ROUND - NICKEL |
| 2 | 094097-01-000 | EA | SPEAKER - RADIO/TV - W/O GRILLE - 5.25" DIAMETER |
| 3 | 135740-01-01A | EA | SWITCH - ROCKER - SPST - ON/OFF - BROWN |
| 3 | 135741-02-01A | EA | SWITCH - BASE - DOUBLE - BROWN |
| 3 | 135742-19-02A | EA | BEZEL - SWITCH - CEILING/PORCH - BROWN |
| 4* | 137417-05-01A | EA | LIGHT - DOME - DOUBLE - W/SWITCH/OPTIC LENS - WHITE |
| 5 | 116549-02-000 | EA | LABEL - WARNING - SLIDEOUT |
| 5 | 138173-04-000 | EA | CONTROL PANEL (TOUCH PAD) - ELECTRIC SLIDEOUT - #1802931 |
| 6 | 135740-01-01A | EA | SWITCH - ROCKER - SPST - ON/OFF - BROWN |
| 6 | 135741-01-01A | EA | SWITCH - BASE - SINGLE - BROWN |
| 6 | 135742-07-02A | EA | BEZEL - SWITCH - CEILING - BROWN |
| 7* | 108354-01-01A | EA | LIGHT - COURTESY |
| 8 | 135740-01-01A | EA | SWITCH - ROCKER - SPST - ON/OFF - BROWN |
| 8 | 135741-01-01A | EA | SWITCH - BASE - SINGLE - BROWN |
| 8 | 135742-06-02A | EA | BEZEL - SWITCH - AISLE - BROWN |
| 9 | 150090-01-000 | EA | SPEAKER - 6" X 9" - SUB-WOOFER - MAGNADYNE LS69W |
| 9 | 124884-01-000 | EA | SPEAKER - 6" X 9" - SUB-WOOFER - W/O GRILLE |
| 9 | 151569-01-01A | EA | GRILLE - SPEAKER - 6" X 9" - SUB WOOFER - BLACK |
| 9 | 151844-01-01A | EA | GRILLE - SPEAKER - 6" X 9" - SUB WOOFER - BLACK |
| 10 | 086233-01-000 | EA | STUD - ISOLATED - 3/8" X 7/8" LONG |
| 11 | 123058-02-000 | EA | CONVERTER - 45 AMP - ELECTRONIC - 4 1/8"H X 7"W X 12 3/8"L |
| 12 | 061424-01-000 | EA | LIGHT - AISLE - 12 VOLT - RECTANGULAR |
| 13 | 116995-02-000 | EA | SWITCH/MAGNET - ELECTRIC STEP - BLACK/WHITE- NORMALLY OPEN |
| 14 | 092547-10-000 | EA | LABEL - CIRCUIT BREAKER |
| 15 | 139067-02-02B | EA | PLATE - CIRCUIT BREAKER/HOUSE - E-COATED |
| 16 | 132958-01-000 | EA | RECEPTACLE - 12 VOLT - MOUNTING FLANGE - BLACK |
| 17 | 093253-01-03A | EA | PLATE - WALL - TELEPHONE - WHITE |
| 17 | 093253-01-02A | EA | PLATE - WALL - TELEPHONE - BROWN |
| 18 | 135740-01-01A | EA | SWITCH - ROCKER - SPST - ON/OFF - BROWN |
| 18 | 135741-01-01A | EA | SWITCH - BASE - SINGLE - BROWN |
| 18 | 135742-11-02A | EA | BEZEL - SWITCH - STEP - BROWN |

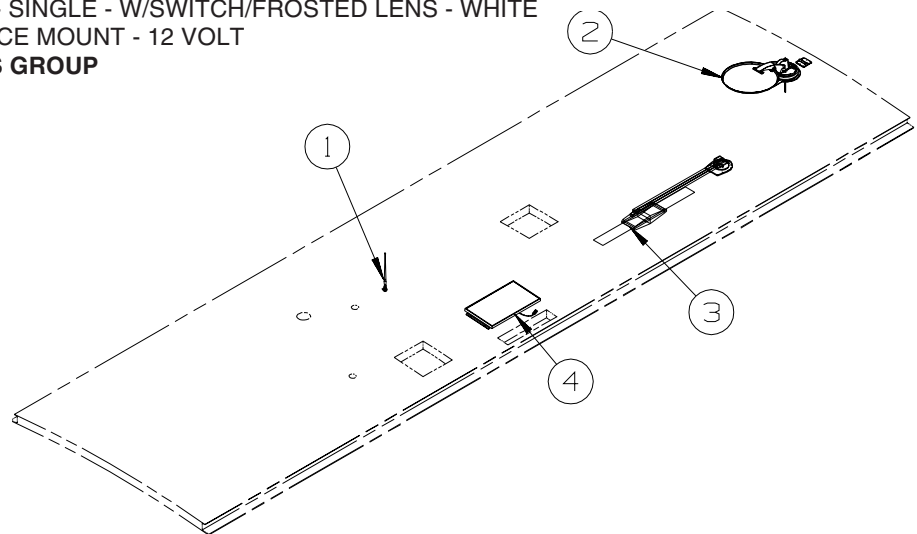
*COMPONENT PARTS LISTED LATER IN THIS GROUP

ELECTRICAL GROUP (CONTINUED)
12V BODY WIRING (CONTINUED)



| KEY | PART NUMBER | U/M | DESCRIPTION |
|-----|---------------|-----|--|
| 1 | 151314-01-01A | EA | SPEAKER - CUBE/CEILING - WHITE - MAGNADYNE - LS3CM-WN - HOME THEATER SOUND SYSTEM FROM: 00-00-00 THRU: 07-16-06 |
| 1 | 160867-01-01A | EA | SPEAKER - ROUND/CEILING - CREAM - MAGNADYNE-LS3EYC-WN - HOME THEATER SOUND SYSTEM FROM: 07-17-06 THRU: 99-99-99 |
| 2* | 153464-06-01A | EA | LIGHT-FLUORESCENT 21.8"- RECESSED/WARM WHT BULB-W/O SWITCH |
| 3* | 121935-01-01A | EA | LIGHT - DOME - SHOWER - W/HOLE IN LENS |
| 4* | 137417-06-01A | EA | LIGHT - DOME - DOUBLE - W/O SWITCH - W/FROSTED LENS-WHITE |
| 5* | 137417-01-01A | EA | LIGHT - DOME - SINGLE - W/SWITCH/FROSTED LENS - WHITE |
| 6* | 086280-01-000 | EA | LIGHT - SURFACE MOUNT - 12 VOLT |

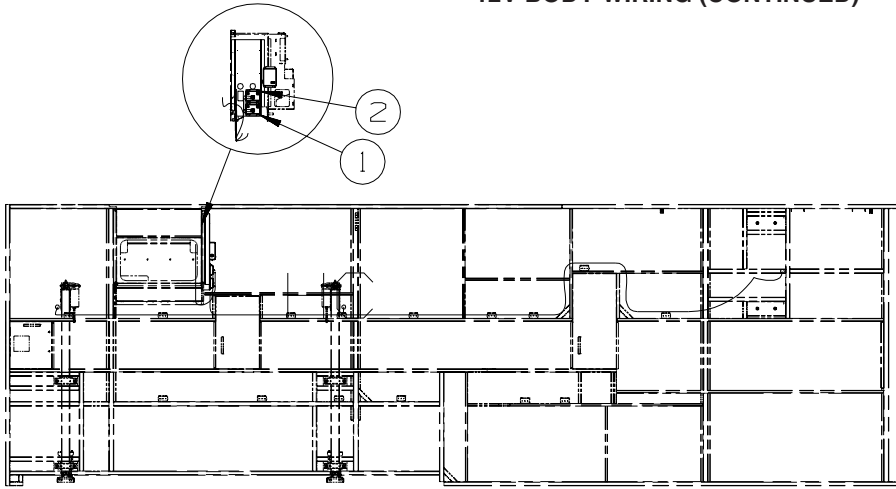
***COMPONENT PARTS LISTED LATER IN THIS GROUP**



| KEY | PART NUMBER | U/M | DESCRIPTION |
|-----|---------------|-----|--|
| 1 | 090944-01-000 | EA | ANTENNA - RADIO - 16" RUBBER - W/72" LEAD WIRE |
| 1 | 109889-04-000 | EA | EXTENDER - ANTENNA SHAFT - 3.7" |
| 1 | 147741-01-09B | EA | BRACKET - ANTENNA GROUND - GALVANIZED |
| 2* | 141454-03-01A | EA | ANTENNA/SATELLITE - "AUTO SEARCH WHILE PARKED/GPS SYSTEM" - SATELLITE DISH-AUTOMATIC |
| 2* | 137135-02-000 | EA | ANTENNA - SATELLITE DSS - W/SENSOR - SATELLITE DISH & ELEV.SENSOR |
| 3* | 076319-23-000 | EA | ANTENNA - TV ROOF MOUNT - 44.5" MAST |
| 3* | 076319-25-000 | EA | KIT - HARDWARE INTERIOR |
| 3 | 069726-02-000 | EA | BUMPER - .88" OD X .40" THICK - BLACK |
| 4 | 151647-01-000 | EA | PANEL - SOLAR 10 WATT |

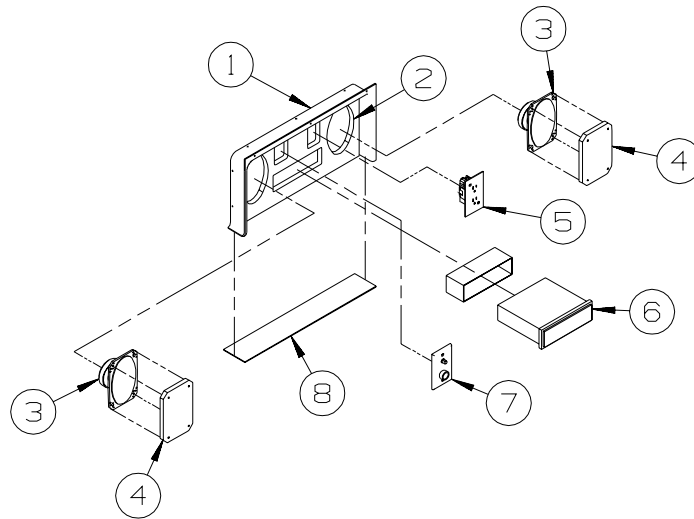
***COMPONENT PARTS LISTED LATER IN THIS GROUP**

ELECTRICAL GROUP (CONTINUED)
12V BODY WIRING (CONTINUED)



| KEY | PART NUMBER | U/M | DESCRIPTION |
|-----|---------------|-----|---|
| 1 | 149828-01-000 | EA | SLIDE ASM - SINGLE/HIGH SPEED |
| 2 | 149825-01-000 | EA | CONTROL MODULE - DIGISYNC/HIGH SPEED - F/C-BODY RAM |

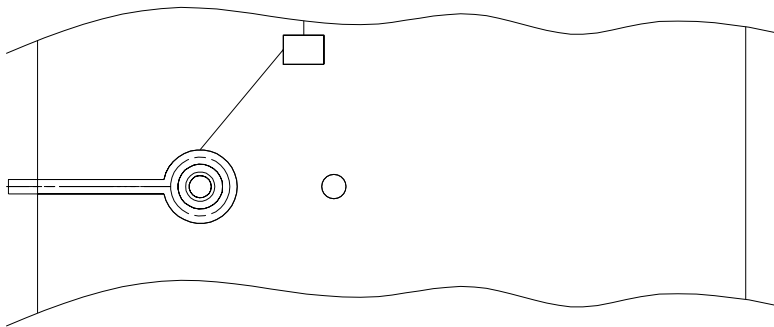
ELECTRICAL GROUP (CONTINUED)
12V BODY WIRING (CONTINUED)



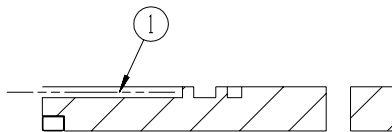
**EXTERIOR
ENTERTAINMENT**

| KEY | PART NUMBER | U/M | DESCRIPTION |
|-----|---------------|-----|--|
| 1 | 124696-02-01A | EA | BOX-ENTERTAINMENT CTR/EXT-19.4"W X 10"H X 2.5"D - BRT WHT |
| | 124696-01-01A | EA | BOX-ENTERTAINMENT CTR/EXT-19.4"W X 10"H X 10.2"D W/CUTOUTS |
| 2 | 127409-03-U89 | EA | PLATE - RADIO MOUNTING |
| 3 | 110469-01-000 | EA | SPEAKER - 4" X 6" OVAL - COAXIAL |
| 4 | 110470-01-01A | EA | GRILLE - 4" X 6" - OVAL SPEAKER - BLACK |
| 5 | 058708-01-000 | EA | RECEPTACLE - ELECTRIC - DOUBLE - BROWN |
| 6* | 155619-01-000 | EA | RADIO - AM/FM CD - W/REMOTE - MAGNADYNE M3200CD |
| | | | FROM: 00-00-00 THRU: 08-01-06 |
| 6 | 155619-02-000 | EA | RADIO - AM/FM CD-W/O REMOTE/WIRE HARNESS-MAGNADYNE M3200CD |
| | | | FROM: 08-02-06 THRU: 99-99-99 |
| | 155619-03-000 | EA | REMOTE - RADIO |
| | | | FROM: 08-02-06 THRU: 99-99-99 |
| 7 | 132958-01-000 | EA | RECEPTACLE - 12 VOLT - MOUNTING FLANGE - BLACK |
| 8 | 104898-01-02A | EA | PLATE - PLASTIC BOTTOM - BRIGHT WHITE |

*COMPONENT PARTS LISTED LATER IN THIS GROUP



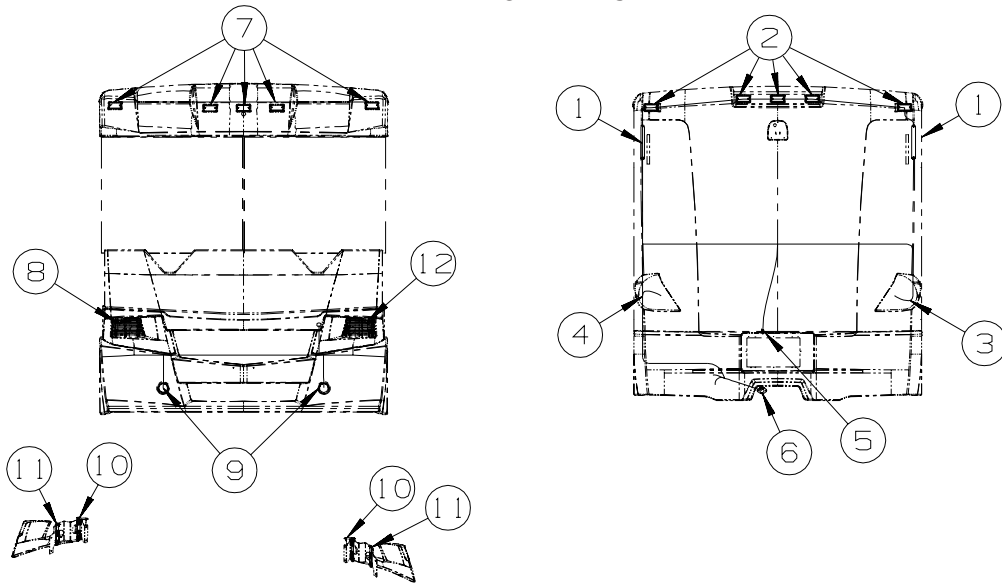
**SATELLITE WIRING DETAIL
ON ROOF**



| KEY | PART NUMBER | U/M | DESCRIPTION |
|-----|---------------|-----|---|
| 1 | 154474-03-000 | EA | CABLE - SATELLITE - COAX - 8' W/CONNECTORS - AUTOMATIC SATELLITE DISH |
| 1 | 141454-04-000 | EA | WIRE - SATELLITE - AUTOMATIC - AUTOMATIC SATELLITE DISH |
| | | | FROM: 00-00-00 THRU: 01-28-07 |
| 1 | 163598-03-000 | EA | CABLE - SATELLITE CONTROL - AUTOMATIC SATELLITE DISH |
| | | | FROM: 01-29-07 THRU: 99-99-99 |

ELECTRICAL GROUP (CONTINUED)

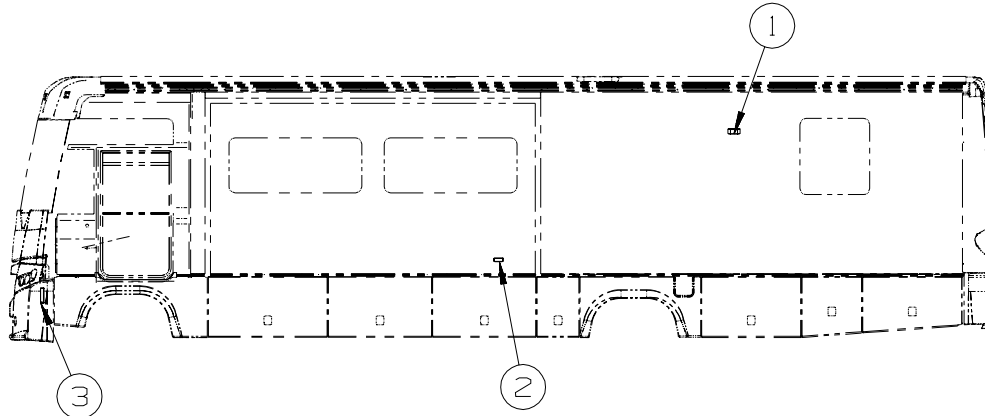
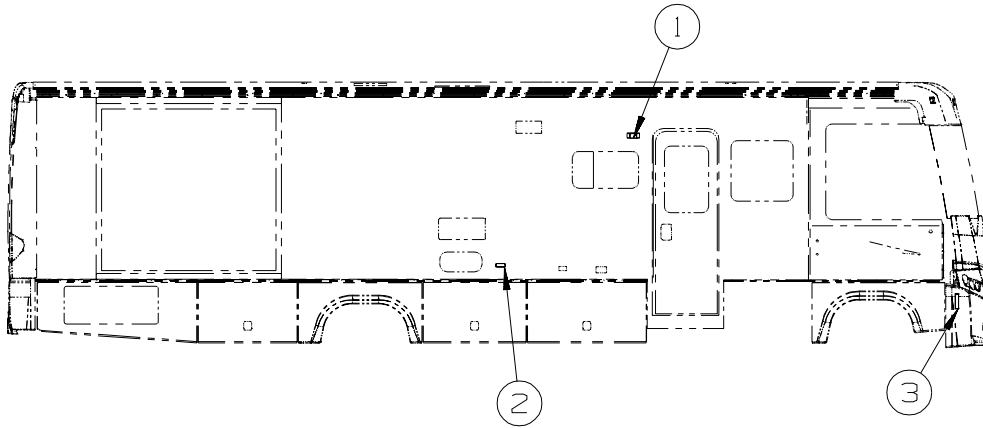
EXTERIOR LAMPS



| KEY | PART NUMBER | U/M | DESCRIPTION |
|-----|---------------|-----|---|
| 1 | 151076-01-000 | EA | LIGHT - BRAKE - CENTER MOUNT |
| 2 | 102520-02-000 | EA | LIGHT - CLEARANCE - W/O SOCKET/HOUSING - RED |
| 2 | 102541-01-000 | EA | GASKET - CLEARANCE LIGHT |
| 2 | 036196-01-000 | EA | BULB - 12V - #194 - .27 AMP - BAYONETTE |
| 2 | 067789-02-000 | EA | SOCKET - LAMP |
| 3* | 148658-01-000 | EA | TAILLAMP - PASSENGER/REAR |
| 4* | 148658-02-000 | EA | TAILLAMP - DRIVER/REAR |
| 5 | 087201-01-000 | EA | LIGHT - HALF ROUND - 1" X 1.7" - PLASTIC - BLACK OR WHITE |
| 6 | 157593-01-000 | EA | CONNECTOR - PLUG - TRAILER - 7 SOCKET |
| 6 | 146246-01-000 | EA | CONNECTOR/PLUG - TRAILER - 7 PIN |
| 7 | 102520-01-000 | EA | LIGHT - CLEARANCE - W/O SOCKET/HOUSING - AMBER |
| 7 | 102541-01-000 | EA | GASKET - CLEARANCE LIGHT |
| 7 | 036196-01-000 | EA | BULB - 12V - #194 - .27 AMP - BAYONETTE |
| 8 | 148657-01-000 | EA | HEADLAMP - PASSENGER - W/PARK&TURN |
| 8 | 112708-02-000 | EA | BULB - 12 VOLT - #3157NA |
| 8 | 148657-05-000 | EA | SOCKET - F/LAMP |
| | 088758-01-000 | EA | HOUSING - HEADLAMP - CONNECTOR TERMINAL W/3 WIRES |
| 9 | 151421-01-000 | EA | LAMP - FOG - CLEAR/ROUND - HAMSAR - W/PACKARD CONNECTOR |
| 9 | 139686-01-02B | EA | ANGLE - MOUNT - FOG/LAMP - E-COATED |
| 10 | 148078-01-01A | EA | RETAINER - HEADLAMP - OUTSIDE - BLACK |
| 11 | 148078-02-01A | EA | RETAINER - HEADLAMP - INSIDE - BLACK |
| 12 | 148657-02-000 | EA | HEADLAMP - DRIVER - W/PARK&TURN |
| 12 | 112708-02-000 | EA | BULB - 12 VOLT - #3157NA |
| 12 | 148657-05-000 | EA | SOCKET - F/LAMP |
| 12 | 088758-01-000 | EA | HOUSING - HEADLAMP - CONNECTOR TERMINAL W/3 WIRES |
| | 067789-02-000 | EA | SOCKET - LAMP - FORD |

***COMPONENT PARTS LIST LATER IN THIS GROUP**

ELECTRICAL GROUP (CONTINUED)
EXTERIOR LAMPS (CONTINUED)

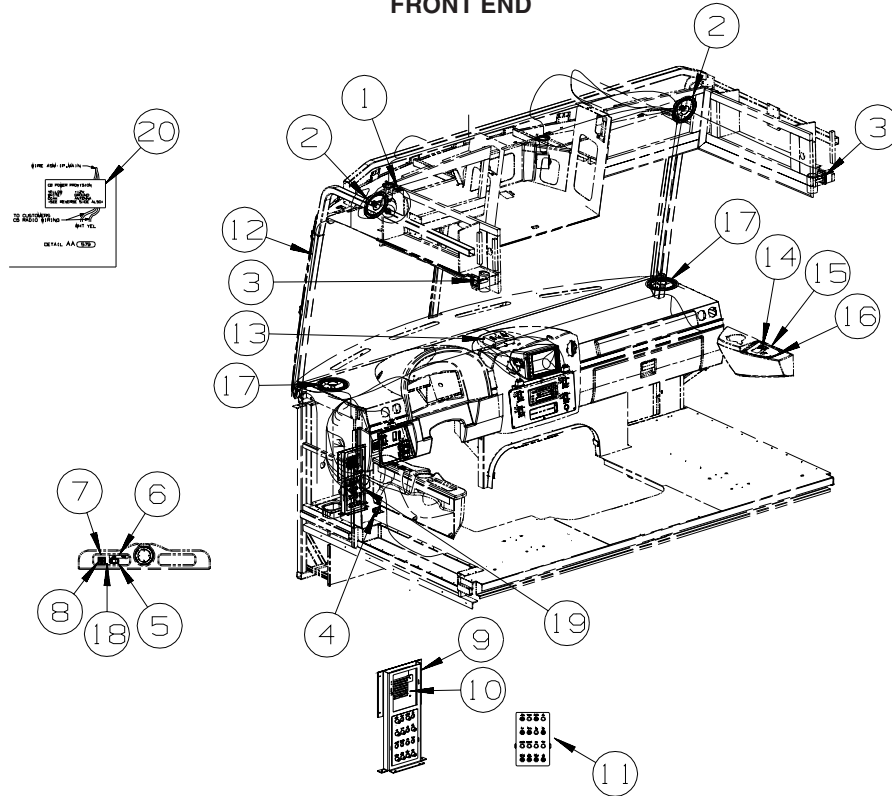


| KEY | PART NUMBER | U/M | DESCRIPTION |
|-----|---------------|-----|---|
| 1* | 097917-01-06A | EA | LIGHT - PORCH - ENTRY DOOR - BRIGHT WHITE |
| | 008215-01-000 | EA | BULB - 12 VOLT - #1003 - .94 AMP |
| 2 | 111102-02-000 | EA | LENS - AMBER - MARKER LAMP |
| 2 | 111102-01-000 | EA | BASE - MARKER LAMP |
| 2 | 036196-01-000 | EA | BULB - 12V - #194 - .27 AMP - BAYONETTE |
| 3 | 117826-02-000 | EA | LAMP/SIDE MARKER ASSEMBLY - AMBER |
| 3 | 117826-03-000 | EA | GASKET/SIDE MARKER LIGHT |
| 3 | 036196-01-000 | EA | BULB - 12V - #194 - .27 AMP - BAYONETTE |

***COMPONENT PARTS LISTED LATER IN THIS GROUP**

ELECTRICAL GROUP (CONTINUED)

FRONT END

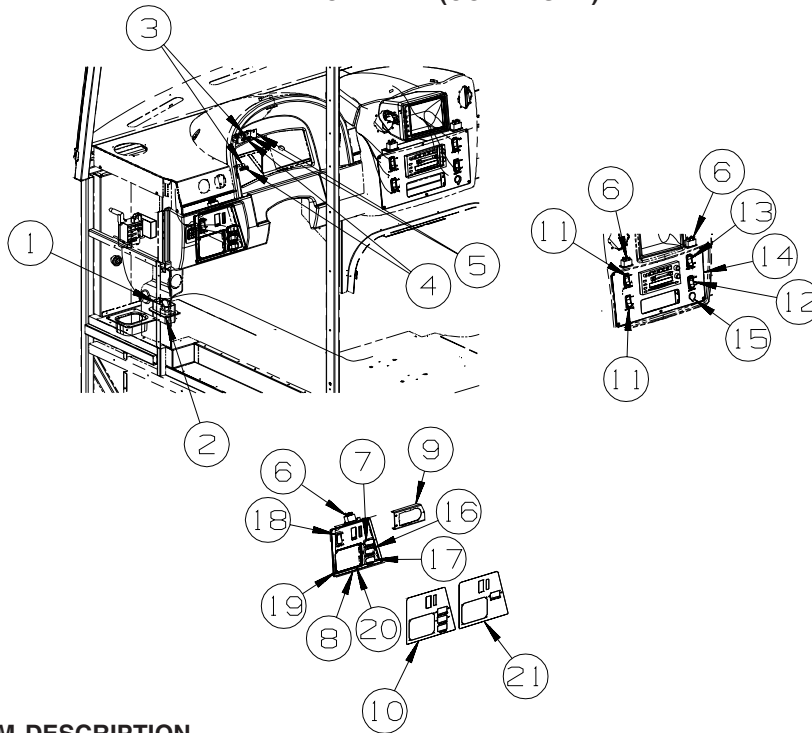


| KEY | PART NUMBER | U/M | DESCRIPTION |
|-----|---------------|-----|--|
| 1 | 122856-01-01A | EA | FAN-DEFROSTER-2 SPEED W/SWIVEL BASE/NON-OSCILLATING-CHROME |
| 2 | 094097-01-000 | EA | SPEAKER - RADIO/TV - W/O GRILLE - 5.25" DIAMETER |
| 3 | 149590-01-02A | EA | LIGHT - READING/SWIVEL - W/O SWITCH - NICKEL |
| | 123917-01-000 | EA | BULB - 12V - HALOGEN SPOT |
| 4 | 147428-01-02B | EA | BRACKET/ZEE - F/TEMPERATURE SENSOR - E-COATED - WORKHORSE |
| 5 | NOT USED | | |
| 6 | NOT USED | | |
| 7 | NOT USED | | |
| 8 | NOT USED | | |
| 9 | 149689-01-02B | EA | BRACKET - CIRCUIT BREAKER - E-COATED |
| 10 | 149690-01-02B | EA | BRACKET - FUSE PANEL - E-COATED - WORKHORSE |
| 10 | 149690-02-02B | EA | BRACKET - FUSE PANEL - E-COATED - FORD |
| 11 | 093236-47-000 | EA | LABEL - CIRCUIT BREAKER |
| 12 | 158494-02-000 | EA | CABLE/ANTENNA - SATELLITE RADIO SIRRUS |
| 13 | 135420-20-000 | EA | RECEIVER - SATELLITE RADIO |
| 14 | 145638-01-01A | EA | SWITCH/ROCKER - SPST (ON/OFF) - LIGHTED - BLACK |
| 15 | 156292-05-01A | EA | APPLIQUE - PASSENGER/RIGHT - DARK ANTELOPE |
| 16 | 145926-14-02B | EA | INSERT - SWITCH PLATE - 1 HOLE - NICKEL |
| 17 | 094097-01-000 | EA | SPEAKER - RADIO/TV - W/O GRILLE - 5.25" DIAMETER |
| 18 | 139111-01-02A | EA | GRILLE - SPEAKER - 6" ROUND - GLACIER |
| | | | FROM: 00-00-00 THRU: 03-12-06 |
| 18 | 159430-01-01A | EA | GRILLE - SPEAKER - 6" ROUND - CASHMERE |
| | | | FROM: 03-13-06 THRU: 99-99-99 |
| 19 | 041250-01-000 | EA | SWITCH - PUSH BUTTON/DOOR JAMB - METAL/CHROME |
| 20 | 104678-01-000 | EA | LABEL - CB PREP |

CANADIAN DAY RUN LAMPS ON 2007 OR NEWER FORD CHASSIS

| KEY | PART NUMBER | U/M | DESCRIPTION |
|-----|---------------|-----|---|
| | 163912-01-000 | EA | RESISITOR - DAYTIME RUNNING LIGHTS - FORD/CSA |
| | 163913-01-000 | EA | RELAY - DAYTIME RUNNING LIGHTS - FORD/CSA |

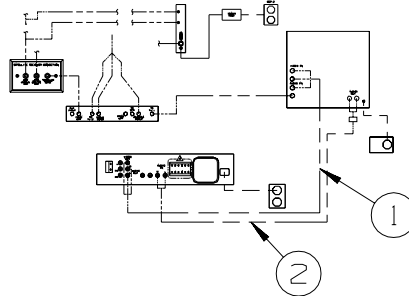
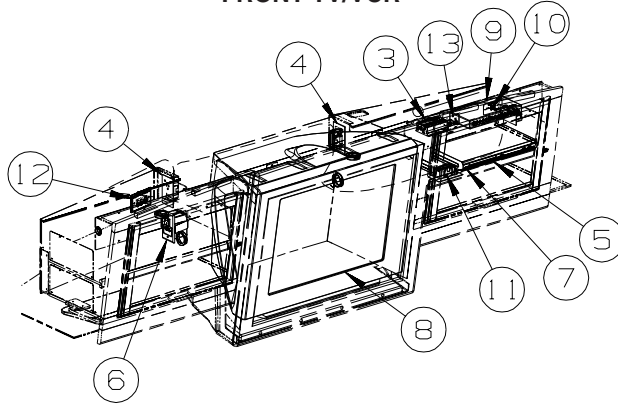
ELECTRICAL GROUP (CONTINUED) FRONT END (CONTINUED)



| KEY | PART NUMBER | U/M | DESCRIPTION |
|-----|---------------|-----|---|
| 1 | 118571-03-000 | EA | BRACKET - MOUNTING |
| 2 | 118571-04-000 | EA | GASKET |
| 3 | 150237-01-000 | EA | LIGHT - INDICATOR - RED |
| 4 | 133533-01-01A | EA | LABEL - JACKS DOWN - CLEAR W/WHITE LETTERING |
| 5 | 063912-01-000 | EA | RELAY - CANISTER - SPDT |
| 6 | 157655-01-01A | EA | LIGHT - DASH/SWITCH - 2 LAMP INCANDESCENT - BLACK HOUSING |
| 7 | 145638-04-01A | EA | SWITCH/ROCKER - SPDT (ON/ON) - BLACK |
| 8 | 156292-03-01A | EA | APPLIQUE - DRIVERS/LEFT - FORD - DARK ANTELOPE |
| 9 | 155516-01-02B | EA | MOUNT - HEADLAMP SWITCH - E-COATED |
| 10 | 156292-02-01A | EA | APPLIQUE - DRIVERS/LEFT - WORKHORSE - DARK ANTELOPE |
| 11 | 145638-03-01A | EA | SWITCH/ROCKER - SPDT (ON/OFF/ON) - BLACK |
| 12 | 145638-06-01A | EA | SWITCH/ROCKER - SPDT (ON/OFF/ON) - LIGHTED - BLACK |
| 13 | 145638-07-01A | EA | SWITCH/ROCKER - DPDT (ON/ON) - BLACK |
| 14 | 156292-01-01A | EA | APPLIQUE - BEZEL - CENTER - DARK ANTELOPE |
| 15 | 111414-01-000 | EA | RECEPTACLE/SOCKET - 12 VOLT |
| 16 | 145638-01-01A | EA | SWITCH/ROCKER - SPST (ON/OFF) - BLACK - WORKHORSE |
| 17 | 145638-14-01A | EA | SWITCH/ROCKER - DPDT (ON/OFF/ON) - BLACK - WORKHORSE |
| 18 | 145638-02-01A | EA | SWITCH/ROCKER - SPST (ON/OFF) - LIGHTED - BLACK |
| 19 | NOT USED | | |
| 20 | NOT USED | | |

ELECTRICAL GROUP (CONTINUED)

FRONT TV/VCR

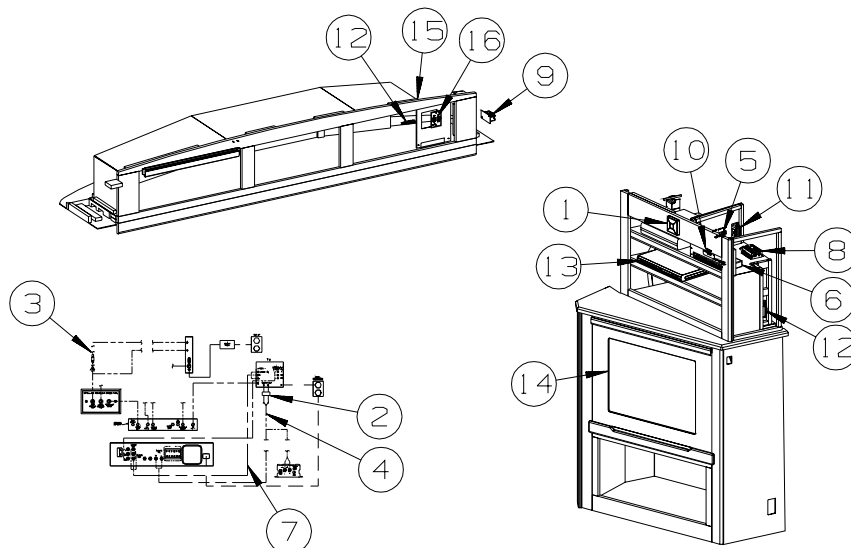


| KEY | PART NUMBER | U/M | DESCRIPTION |
|-----|---------------|-----|--|
| 1 | 136860-01-000 | EA | CABLE - RCA - #3 MALE TO #12F MALE CONNECTOR |
| 2 | 117420-02-000 | EA | CABLE - W/MALE RCA ENDS - SHIELDED - 4' |
| 3 | 147139-01-000 | EA | AMPLIFIER - STEREO 2 CHANNEL |
| 4 | 058708-01-000 | EA | RECEPTACLE - ELECTRIC - DOUBLE - BROWN |
| 4 | 158542-02-01A | EA | LABEL - RECEPTACLE - ELECTRONICS - WHITE/BLACK - CANADIAN |
| 5 | 159771-01-000 | EA | DVD/MP3 PLAYER - PROGRESSIVE SCAN - MEMOREX MVD2022 - DVD PLAYER |
| 5 | 158931-01-000 | EA | DVD/VCR - HOME THEATER COMBO - TOSHIBA SD-V57HT - HOME THEATER SYSTEM |
| 5* | 158836-01-000 | EA | DVD - HOME THEATER - W/O SPEAKERS - MEMOREX STS71E-R - HOME THEATER SYSTEM FROM: 00-00-00 THRU: 03-12-06 |
| 6 | 156676-01-000 | EA | CONTROLLER/OUTLET - POWER/TV - AUTO SHUTOFF W/IGNITION |
| 7 | 058707-02-000 | EA | RECEPTACLE - BLANK - JUNCTION BOX |
| 8* | 146298-02-000 | EA | TV - 27" STEREO W/5 JACKS - SONY 27FS120 |
| 9 | 142258-01-000 | EA | SWITCH - VIDEO/ANTENNA POWER SUPPLY |
| 10 | 079364-04-000 | EA | SWITCH - ON/OFF ROCKER - 2 TERMINAL - BLACK |
| 10 | 098351-09-02A | EA | PLATE/SWITCH - 1 GANG - CHROME - SPEAKER SELECT/TV |
| 11 | 058708-01-000 | EA | RECEPTACLE - ELECTRIC - DOUBLE - BROWN |
| 12 | 149557-04-01A | EA | PLATE/WALL - TRIPLE COAXIAL/HORIZONTAL - WHITE |
| 13 | 163598-02-000 | EA | SWITCH/CONTROL - SATELLITE |
| | | | FROM: 01-29-07 THRU: 99-99-99 |

*COMPONENT PARTS LISTED LATER IN THIS GROUP

ELECTRICAL GROUP (CONTINUED)

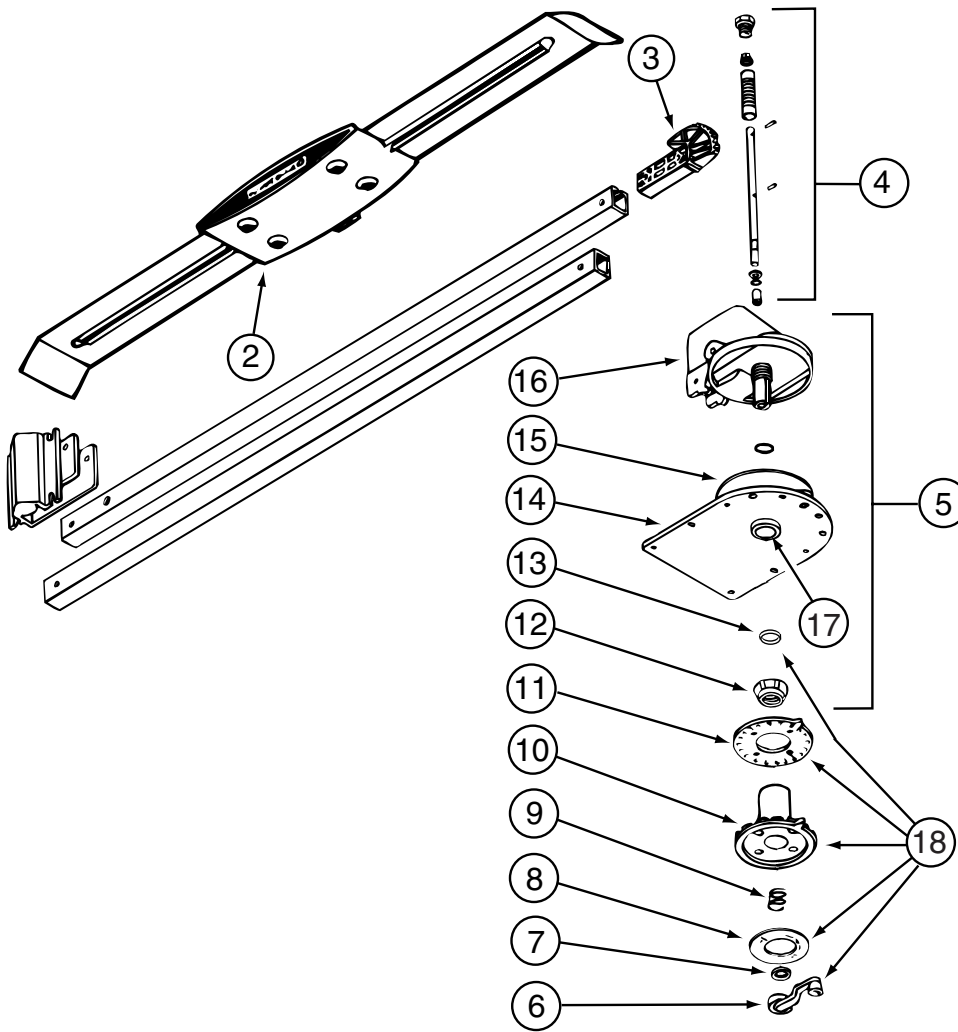
SIDE TV/VCR



| KEY | PART NUMBER | U/M | DESCRIPTION |
|-----|---------------|-----|--|
| 1 | 148026-02-01A | EA | SPEAKER GRILLE - CUBE - SILVER |
| 1 | 148026-03-01A | EA | SPEAKER - CUBE - W/O CASE |
| 2 | 123324-01-000 | EA | FILTER - GROUND LOOP |
| 3 | 082134-01-000 | EA | ADAPTER - TV - CABLE TO CABLE |
| 4 | 117420-03-000 | EA | CABLE - W/MALE RCA ENDS - SHIELDED - 20' |
| 5 | 149557-04-01A | EA | PLATE/WALL - TRIPLE COAXIAL/HORIZONTAL - WHITE |
| 6 | 142258-01-000 | EA | SWITCH - VIDEO/ANTENNA POWER SUPPLY |
| 7 | 136860-01-000 | EA | CABLE - RCA - #3 MALE TO #12F MALE CONNECTOR |
| 8 | 147139-01-000 | EA | AMPLIFIER - STEREO 2 CHANNEL |
| 9 | 058707-02-000 | EA | RECEPTACLE - BLANK - JUNCTION BOX |
| 10 | 079364-04-000 | EA | SWITCH - ON/OFF ROCKER - 2 TERMINAL - BLACK |
| 10 | 098351-09-02A | EA | PLATE/SWITCH - 1 GANG - CHROME - SPEAKER SELECT/TV |
| 11 | 058708-01-000 | EA | RECEPTACLE - ELECTRIC - DOUBLE - BROWN |
| 11 | 158542-02-01A | EA | LABEL - RECEPTACLE - ELECTRONICS - WHITE/BLACK - CANADIAN |
| 12 | 058708-01-000 | EA | RECEPTACLE - ELECTRIC - DOUBLE - BROWN |
| 13 | 159771-01-000 | EA | DVD/VCR PLAYER - SONY SLV-D360P - DVD PLAYER |
| 13* | 158836-01-000 | EA | DVD - HOME THEATER - W/O SPEAKERS - MEMOREX STS71E-R - HOME THEATER SYSTEM |
| 14* | 146298-02-000 | EA | TV - 27" STEREO W/5 JACKS - SONY 27FS120 |
| 15 | 115539-01-000 | EA | RELAY - RADIO/TV SPEAKER SWITCH W/WIRE - #SCLD-W-B-4PDT-C FROM: 06-26-06 THRU: 99-99-99 |
| 16 | 163598-02-000 | EA | SWITCH/CONTROL - SATELLITE FROM: 01-29-07 THRU: 99-99-99 |

*COMPONENT PARTS LISTED LATER IN THIS GROUP

ELECTRICAL GROUP (CONTINUED)
COMPONENT PARTS FOR WIRING



076319-23-000

| KEY | PART NUMBER | U/M | DESCRIPTION | VENDOR NO. |
|-----|---------------|-----|-------------------------|------------|
| 2 | 076319-01-700 | EA | HEAD-ANTENNA, AMPLIFIED | RVSA U/V |
| 3 | 076319-01-701 | EA | GEAR-ELEVATING, PLASTIC | 2200046 |
| 4 | 076319-01-702 | EA | SHAFT ASM-ELEVATING | RP-4000 |
| 5 | 076319-01-711 | EA | BASE & LIFT ASM | 2762802 |
| 7 | 076319-01-705 | EA | GROMMET-NYLON, 7/8"ID | 3200658 |
| 8 | 076319-01-708 | EA | DECAL-CRANK | 5413002 |
| 9 | 076319-01-707 | EA | SPRING-HANDLE | 2160822 |
| 11 | 076319-01-712 | EA | PLATE - CEILING | 3200608 |
| 12 | 076319-01-715 | EA | NUT (GEAR HOUSING) | 2200047 |
| 14 | 076319-01-713 | EA | PLATE-BASE, STEEL | 3100523 |
| 15 | 076319-01-703 | EA | BEARING-NYLON, 5"OD | 3200656 |
| 16 | 076319-01-714 | EA | HOUSING, ROTATING GEAR | 2200049 |
| 17 | 076319-01-704 | EA | BEARING-NYLON, 1.25"OD | 3200657 |
| 18 | 076319-01-709 | EA | HANDLE-HEAD DIRECTIONAL | 200644 |
| | 076319-01-716 | EA | TUBING, ELEVATING | RP-2900 |

CONTACT WINNEBAGO PART SALES FOR UNLISTED COMPONENT(S)

076319-25-000

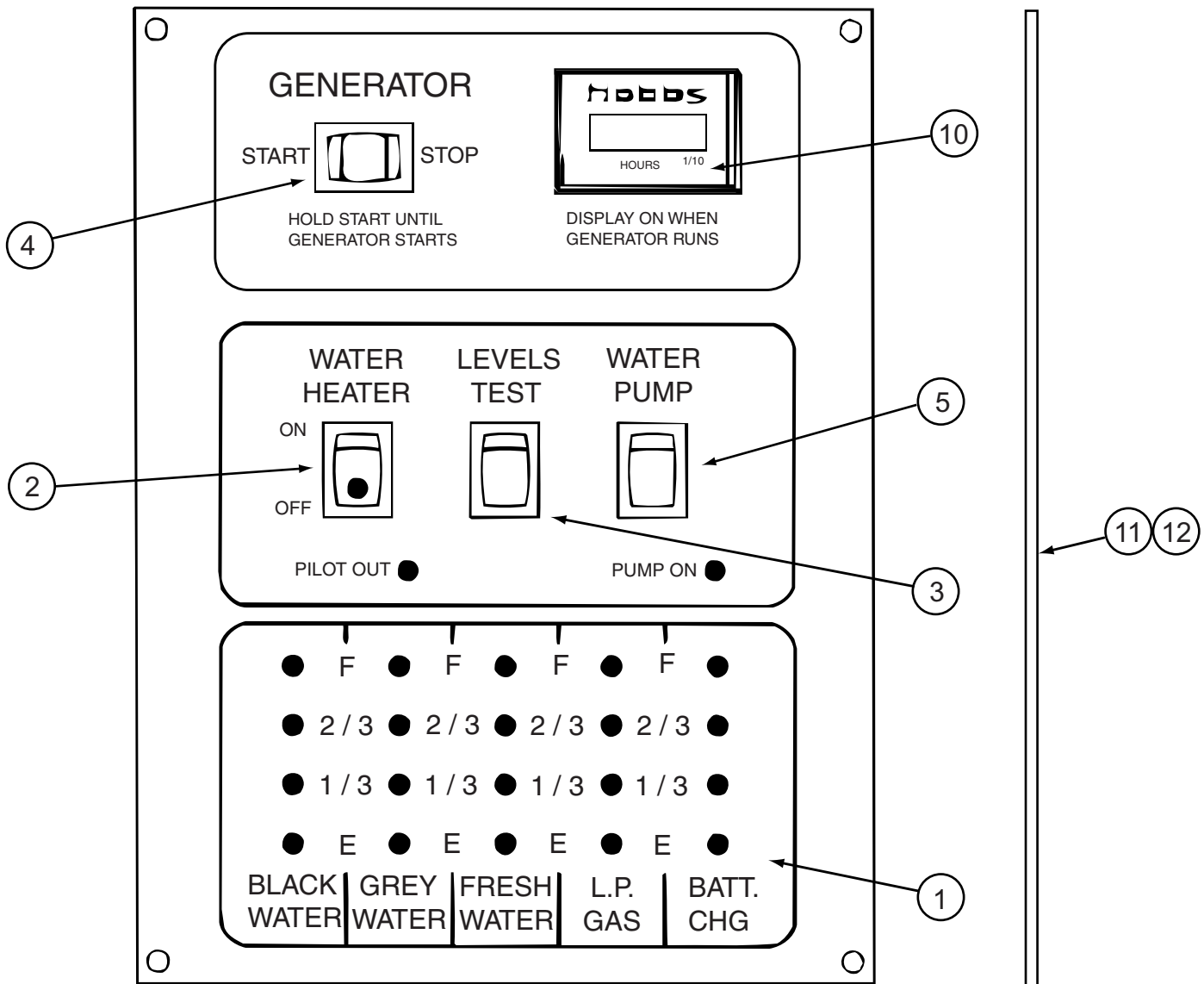
| KEY | PART NUMBER | U/M | DESCRIPTION | VENDOR NO. |
|-----|---------------|-----|------------------------------|------------|
| 6 | 076319-01-706 | EA | CRANK-W/SET SCREW UNIV/BEIGE | 2750897 |
| 6 | 120233-01-710 | EA | HANDLE-CRANK W/SCREW - WHITE | RP-6795 |
| 8 | 076319-01-708 | EA | DECAL-CRANK | 5413002 |
| 10 | 076319-25-700 | EA | DIRECTIONAL HANDLE(WHITE) | 3200612 |
| 11 | 076319-25-701 | EA | PLATE - CEILING(WHITE) | 3200609 |
| 13 | 120233-01-709 | EA | WASHER-NYLON | RP-2658 |

CONTACT WINNEBAGO PART SALES FOR UNLISTED COMPONENT(S)

ELECTRICAL GROUP (CONTINUED)
COMPONENT PARTS FOR WIRING (CONTINUED)

| | | | | |
|------------|--------------------|------------|----------------------|-------------------|
| | | | 086280-01-000 | |
| KEY | PART NUMBER | U/M | DESCRIPTION | VENDOR NO. |
| | 086280-01-700 | EA | BULB,12V | ARP1089 |
| | | | 087694-01-000 | |
| KEY | PART NUMBER | U/M | DESCRIPTION | VENDOR NO. |
| | 087694-01-700 | EA | BULB | GE561 |
| | | | 097917-01-06A | |
| KEY | PART NUMBER | U/M | DESCRIPTION | VENDOR NO. |
| | 097917-01-700 | EA | LENS-LIGHT, CLEAR | 30-78-021 |
| | | | 108354-01-01A | |
| KEY | PART NUMBER | U/M | DESCRIPTION | VENDOR NO. |
| | 108354-01-700 | EA | BULB-COURTESY LIGHT | 395-B |
| | | | 121935-01-01A | |
| KEY | PART NUMBER | U/M | DESCRIPTION | VENDOR NO. |
| | 121935-01-700 | EA | LENS ONLY | 809511 |

ELECTRICAL GROUP (CONTINUED)
COMPONENT PARTS FOR WIRING (CONTINUED)



134940-06-01A

| KEY | PART NUMBER | U/M | DESCRIPTION | VENDOR NO. |
|-----|---------------|-----|------------------------------|------------|
| 1 | 134940-01-702 | EA | CHASSIS - SILKSCREENED | CC0558-00 |
| 2 | 134940-01-701 | EA | SWITCH-SPST/ON-OFF/BLK W/LGT | L0109 |
| 3 | 096983-01-701 | EA | SWITCH - SPST/MOM 2 TERMINAL | L0111-00 |
| 4 | 096983-01-702 | EA | SWITCH - MOM/OFF/MOM/3 TERM | L0112-00 |
| 5 | 096983-01-703 | EA | SWITCH - ON/ON | L0115-00 |
| 10 | 100258-10-701 | EA | GAUGE-HR METER ONLY (LCD) | L0775-00 |
| 11 | 134940-06-700 | EA | PC BOARD - SENSOR SYSTEM/RED | L5131-02 |

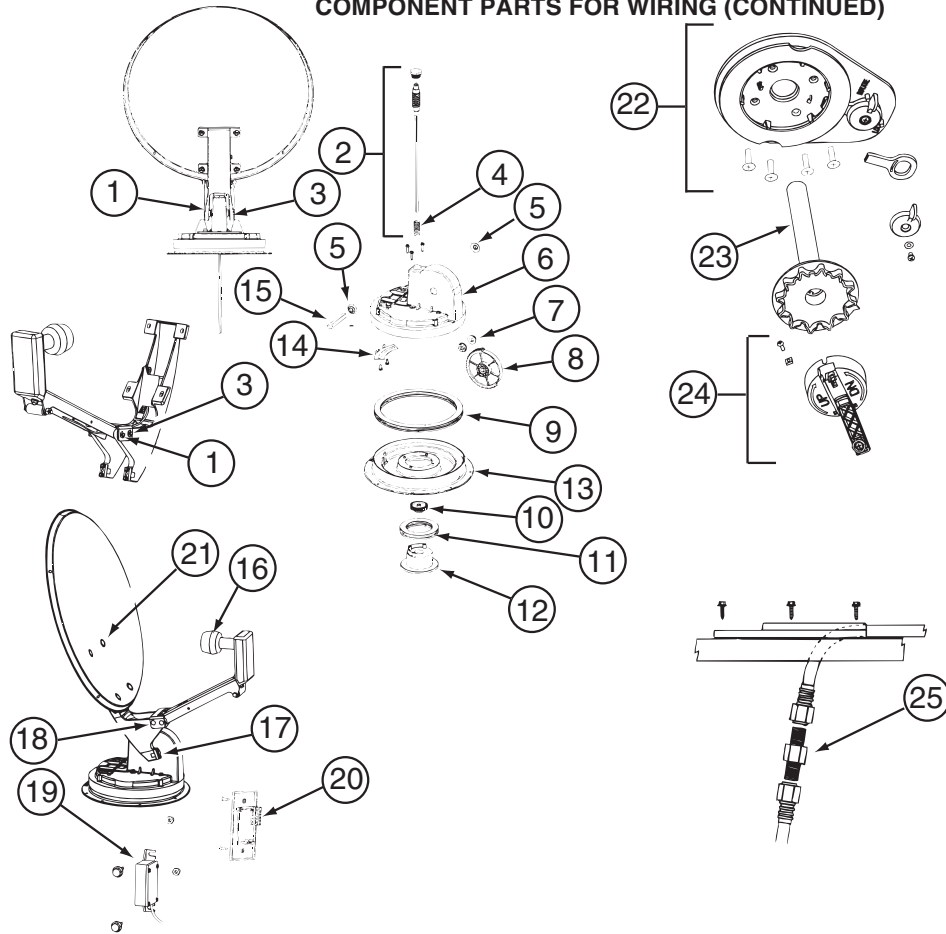
CONTACT WINNEBAGO PART SALES FOR UNLISTED COMPONENT(S)

134940-08-01A

| KEY | PART NUMBER | U/M | DESCRIPTION | VENDOR NO. |
|-----|---------------|-----|------------------------------|------------|
| 1 | 134940-04-700 | EA | CHASSIS - SILKSCREENED | CE0136-00 |
| 2 | 134940-01-701 | EA | SWITCH-SPST/ON-OFF/BLK W/LGT | L0109 |
| 3 | 096983-01-701 | EA | SWITCH - SPST/MOM 2 TERMINAL | L0111-00 |
| 4 | 096983-01-702 | EA | SWITCH - MOM/OFF/MOM/3 TERM | L0112-00 |
| 5 | 096983-01-703 | EA | SWITCH - ON/ON | L0115-00 |
| 10 | 100258-10-701 | EA | GAUGE-HR METER ONLY (LCD) | L0775-00 |
| 11 | 134940-06-700 | EA | PC BOARD - SENSOR SYSTEM/RED | L5131-02 |
| 12 | 134940-04-701 | EA | BOARD - PC - SOLAR LIGHT | L5121-01 |

CONTACT WINNEBAGO PART SALES FOR UNLISTED COMPONENT(S)

ELECTRICAL GROUP (CONTINUED)
COMPONENT PARTS FOR WIRING (CONTINUED)



137135-02-000

| KEY | PART NUMBER | U/M | DESCRIPTION | VENDOR NO. |
|-----|---------------|-----|------------------------------|----------------|
| 1 | 120233-01-714 | EA | CLIP-E | 5160818 |
| 2 | 137135-01-703 | EA | KIT ELEV - SHAFT/GEAR/SPRING | RP-4400 |
| 3 | 137135-01-704 | EA | PIN - 1/4" X 3.25" | 2160813 |
| 4 | 137135-01-705 | EA | SPRING | 2160818 |
| 5 | 137135-01-707 | EA | SEAL - PIVOT SHAFT | 2200852 |
| 6 | 137135-01-708 | EA | TURRET | 3100728 |
| 7 | 137135-01-709 | EA | PIVOT BEARING | 2200470 |
| 8 | 137135-01-711 | EA | GEAR - ELEVATING | 2200464 |
| 9 | 137135-01-712 | EA | BEARING - OUTER | 2590347 |
| 10 | 137135-01-714 | EA | GEAR - ELEVATING SHAFT | 2200465 |
| 11 | 137135-01-715 | EA | BEARING - INNER | 2590348 |
| 12 | 137135-01-716 | EA | HUB | 3100731 |
| 13 | 137135-01-713 | EA | TURRET BASE | 3100730 |
| 14 | 137135-01-710 | EA | PLATE - ROTATE LIMIT | 3720052 |
| 16 | 137135-02-703 | EA | LOW NOISE BLOCK FILTER | LB-6000 - DUAL |
| 17 | 137135-01-722 | EA | CLAMP | 2590343 |
| 18 | 137135-01-719 | EA | BRACKET - PIVOT | 2744945 |
| 19 | 137135-01-720 | EA | DE-SENSOR UNIT W/43" CABLE | DM4000 |
| 20 | 137135-02-701 | EA | BOX - SURFACE MOUNT | SM-100 |
| 21 | 137135-01-717 | EA | BOLT - FLAT HEAD | 2160362 |
| 22 | 120233-01-737 | EA | PLATE/INT-W/DIRECTIONAL HDLE | RK-CEIL |
| 23 | 120233-01-704 | EA | DIAL/DIRECTIONAL 4"W/SPRING | 3200364 |
| 24 | 120233-01-738 | EA | HDW PKG-HANDLE/SPRING/WASHER | RK-HAND |
| 25 | 137135-01-701 | EA | CONNECTOR - F - MALE TO MALE | FS-8100 |
| | 120233-04-700 | EA | KIT-WALL PLATE/CABLE - GRAY | DM4000 |
| | 137135-01-700 | EA | ROOF WEDGE W/GASKET | RW-5000 |
| | 137135-01-706 | EA | KIT-TURRET/SEAL/BEARING/GEAR | RP-RM30 |
| | 137135-01-718 | EA | REFLECTOR/WHITE-46CM W/HDW | RP-35RM |
| | 137135-02-700 | EA | DE-SENSOR | 2780096 |
| | 137135-02-704 | EA | KIT-UPDATE DIRECTIONAL HDL | RP-RMDH |
| | 137135-02-705 | EA | KIT-TURRET & SHAFT COMPLETE | RP-RM46 |

CONTACT WINNEBAGO PART SALES FOR UNLISTED COMPONENT(S)

ELECTRICAL GROUP (CONTINUED)
COMPONENT PARTS FOR WIRING (CONTINUED)

137417-01-01A, 137417-03-01A

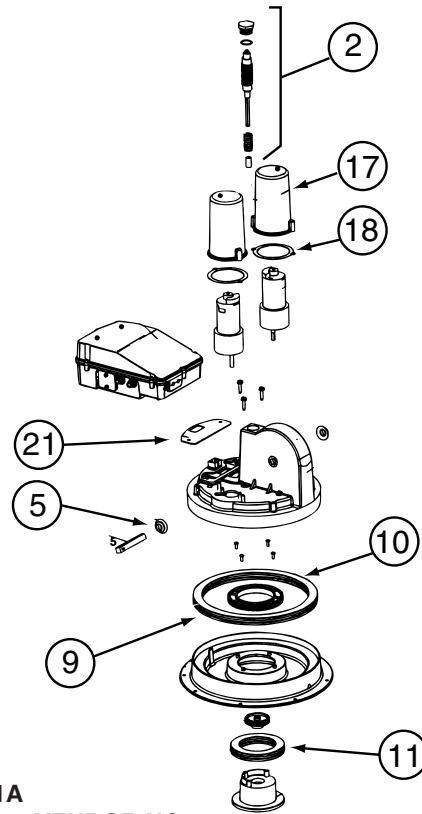
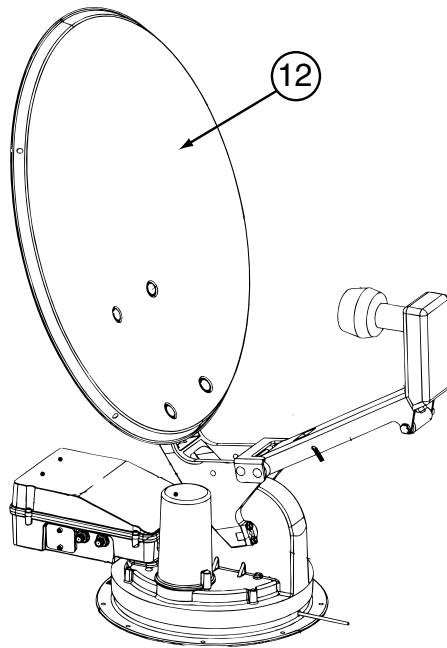
| KEY | PART NUMBER | U/M | DESCRIPTION | VENDOR NO. |
|-----|---------------|-----|-------------------------|------------|
| | 137417-01-700 | EA | LENS - SINGLE (FROSTED) | 810868 |

137417-05-01A

| KEY | PART NUMBER | U/M | DESCRIPTION | VENDOR NO. |
|-----|---------------|-----|---------------------|------------|
| | 137417-05-700 | EA | LENS - DOUBLE OPTIC | 810845 |

137417-06-01A

| KEY | PART NUMBER | U/M | DESCRIPTION | VENDOR NO. |
|-----|---------------|-----|---------------------|------------|
| | 137417-06-700 | EA | LENS - DOUBLE WHITE | 810867 |



141454-03-01A

| KEY | PART NUMBER | U/M | DESCRIPTION | VENDOR NO. |
|-----|---------------|-----|------------------------------|----------------|
| 2 | 141454-01-700 | EA | KIT ELEV-SHAFT/GEARS/SPRING | RP-RM20 |
| 4 | 137135-01-705 | EA | SPRING | 2160818 |
| 5 | 137135-01-707 | EA | SEAL - PIVOT SHAFT | 2200852 |
| 9 | 137135-01-712 | EA | BEARING - OUTER | 2590347 |
| 10 | 137135-01-714 | EA | GEAR - ELEVATING SHAFT | 2200465 |
| 10 | 141454-01-712 | EA | GEAR - ROTATE | 2200469 |
| 11 | 137135-01-715 | EA | BEARING - INNER | 2590348 |
| 12 | 137135-01-718 | EA | REFLECTOR/WHITE-46CM W/HDWE | RP-35RM |
| 13 | 137135-01-713 | EA | TURRET BASE | 3100730 |
| 17 | 141454-01-705 | EA | HOUSING - MOTOR | 3200260 |
| 18 | 141454-01-706 | EA | GASKET - MOTOR HOUSING | 2240054 |
| 21 | 141454-01-709 | EA | GASKET | 2240056 |
| | 120233-01-714 | EA | CLIP-E | 5160818 |
| | 137135-01-704 | EA | PIN - 1/4" X 3.25" | 2160813 |
| | 137135-01-719 | EA | BRACKET - PIVOT | 2744945 |
| | 137135-01-722 | EA | CLAMP | 2590343 |
| | 137135-01-723 | EA | SUPPORT/FRAME-BACKUP-W/HDWE | RP-RM00 |
| | 137135-02-703 | EA | LOW NOISE BLOCK FILTER | LB-6000 - DUAL |
| | 141454-01-701 | EA | KIT - GEAR/MOTOR-GEAR/ROTATE | RP-RM25 |
| | 141454-01-702 | EA | HOUSING/ELECTRONICS - UPPER | RP-RM10 |
| | 141454-01-703 | EA | HOUSING/ELECTRONICS - LOWER | RP-RM15 |
| | 141454-01-704 | EA | KIT LIFT ASSEMBLY COMPLETE | RP-RM05 |
| | 141454-03-700 | EA | MOTOR (AZIMUTH) | 2665042 |
| | 141454-03-701 | EA | MOTOR (ELEVATION) | 2665041 |
| | 141454-03-702 | EA | CIRCUIT BOARD(CONTROL BOARD) | RP-RM80 |
| | 141454-03-703 | EA | CONTRL PANEL W/BOX (AS2003) | RP-AS85 |

CONTACT WINNEBAGO PART SALES FOR UNLISTED COMPONENT(S)

ELECTRICAL GROUP (CONTINUED)
COMPONENT PARTS FOR WIRING (CONTINUED)

146298-02-000

| KEY | PART NUMBER | U/M | DESCRIPTION | VENDOR NO. |
|------------|--------------------|------------|--------------------|-------------------|
| | 146298-02-700 | EA | REMOTE - TV | 1-478-707-11 |

148658-01,02-000

| KEY | PART NUMBER | U/M | DESCRIPTION | VENDOR NO. |
|------------|--------------------|------------|--------------------------|-------------------|
| | 148658-01-700 | EA | WIRE ASM-PIGTAIL/SOCKETS | 81555AA050 |

149040-02-000

| KEY | PART NUMBER | U/M | DESCRIPTION | VENDOR NO. |
|------------|--------------------|------------|--------------------|-------------------|
| | 149040-02-700 | EA | REMOTE - TV | RCR311TBM1-RCA |

149040-03-000

| KEY | PART NUMBER | U/M | DESCRIPTION | VENDOR NO. |
|------------|--------------------|------------|--------------------|-------------------|
| | 149040-03-700 | EA | REMOTE - TV | 265714 |

149049-01-000,149049-02-000

| KEY | PART NUMBER | U/M | DESCRIPTION | VENDOR NO. |
|------------|--------------------|------------|--------------------|-------------------|
| | 149049-01-700 | EA | REMOTE (TV) | RM-Y1735 |

153464-03/06-01A

| KEY | PART NUMBER | U/M | DESCRIPTION | VENDOR NO. |
|------------|--------------------|------------|----------------------------|-------------------|
| | 091937-08-700 | EA | LENS - LIGHT - FLUORESCENT | D-766 |

154548-01-000

| KEY | PART NUMBER | U/M | DESCRIPTION | VENDOR NO. |
|------------|--------------------|------------|--------------------|-------------------|
| | 154548-01-700 | EA | REMOTE - DVD/VCR | 1-478-247-11 |

155619-01-000

| KEY | PART NUMBER | U/M | DESCRIPTION | VENDOR NO. |
|------------|--------------------|------------|--------------------|-------------------|
| | 155619-01-700 | EA | REMOTE | RC3200 |

158836-01-000

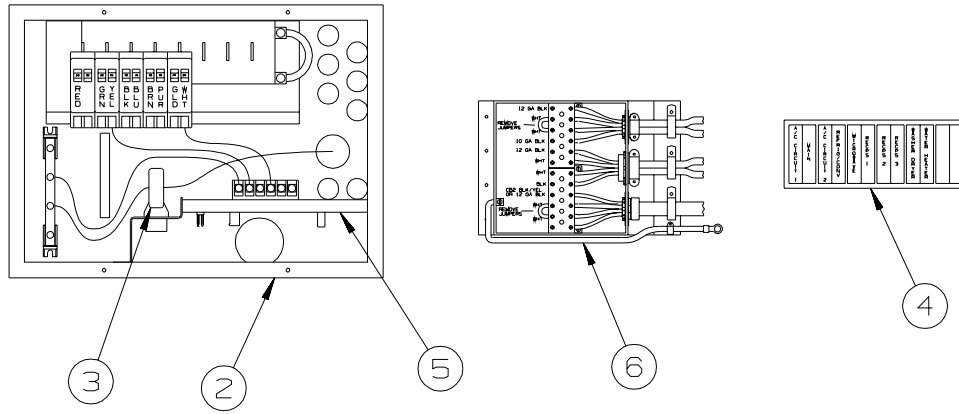
| KEY | PART NUMBER | U/M | DESCRIPTION | VENDOR NO. |
|------------|--------------------|------------|--------------------|-------------------|
| | 158836-01-700 | EA | REMOTE | STS71WREM |

ELECTRICAL GROUP (CONTINUED)
CIRCUIT BREAKERS, FUSES & RELAYS

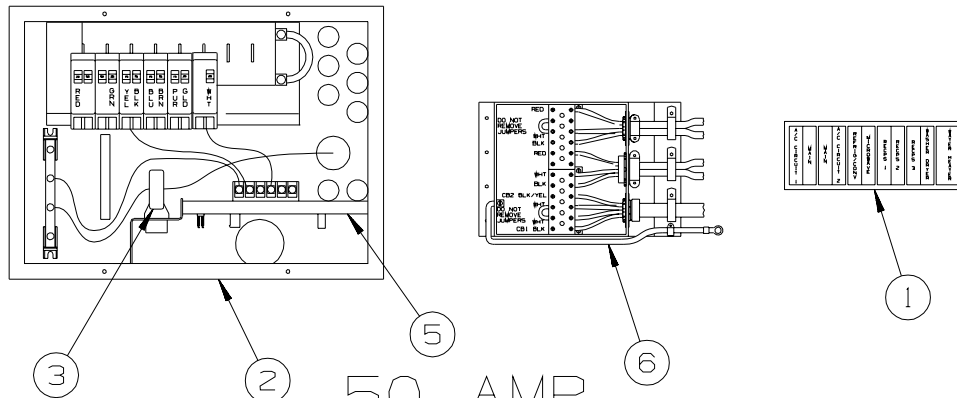
| KEY | PART NUMBER | U/M | DESCRIPTION |
|------------|--------------------|------------|--|
| | 008235-01-000 | EA | FUSE - 15 AMP/12VOLT - AUTOMOTIVE |
| | 062901-02-000 | EA | FUSE - 5 AMP - AUTOMOTIVE |
| | 062901-04-000 | EA | FUSE - 10 AMP - AUTOMOTIVE |
| | 062901-05-000 | EA | FUSE - 15 AMP - AUTOMOTIVE |
| | 062901-06-000 | EA | FUSE - 20 AMP - AUTOMOTIVE |
| | 062901-07-000 | EA | FUSE - 25 AMP - AUTOMOTIVE |
| | 062901-08-000 | EA | FUSE - 30 AMP - AUTOMOTIVE |
| | 063910-01-000 | EA | HOUSING - RELAY |
| | 063912-02-000 | EA | RELAY - CANISTER - SPDT |
| | 083209-01-000 | EA | CIRCUIT BREAKER - 15 AMP - 120 VOLT - CANADIAN |
| | 083209-02-000 | EA | CIRCUIT BREAKER - 15/15 AMP - 120 VOLT |
| | 083209-03-000 | EA | CIRCUIT BREAKER - 15/20 AMP - 120 VOLT |
| | 083209-04-000 | EA | CIRCUIT BREAKER - 30 AMP - 120 VOLT |
| | 083209-05-000 | EA | CIRCUIT BREAKER - 20 AMP - 120 VOLT |
| | 083209-06-000 | EA | CIRCUIT BREAKER - 30/15 AMP - 120 VOLT |
| | 083209-07-000 | EA | CIRCUIT BREAKER - 20/20 AMP - 120 VOLT |
| | 083209-10-000 | EA | CIRCUIT BREAKER - 20/30 AMP - 120 VOLT |
| | 083209-11-000 | EA | CIRCUIT BREAKER - 20/15 AMP - 120 VOLT |
| | 092786-03-000 | EA | BUSS BAR - 6.9" LONG |
| | 092786-06-000 | EA | BUSS BAR |
| | 093654-01-000 | EA | CIRCUIT BREAKER - 6 AMP - 12 VOLT - PUSH BUTTON - WHITE |
| | 093654-02-000 | EA | CIRCUIT BREAKER - 15 AMP - 12 VOLT - PUSH BUTTON - WHITE |
| | 093654-03-000 | EA | CIRCUIT BREAKER - 20 AMP - 12 VOLT - PUSH BUTTON - WHITE |
| | 093655-01-000 | EA | CIRCUIT BREAKER - 25 AMP - 12 VOLT - PUSH BUTTON - WHITE |
| | 093655-02-000 | EA | CIRCUIT BREAKER - 30 AMP - 12 VOLT - PUSH BUTTON - WHITE |
| | 093655-03-000 | EA | CIRCUIT BREAKER - 40 AMP - 12 VOLT - PUSH BUTTON - WHITE |
| | 097611-01-000 | EA | CIRCUIT BREAKER - 10 AMP |
| | 100341-01-000 | EA | FUSE HOLDER - IN LINE TYPE |
| | 113482-01-000 | EA | CIRCUIT BREAKER - 55 AMP - MANUAL |
| | 115187-01-000 | EA | FUSE - 300 AMP - NON-DELAY |
| | 115187-02-000 | EA | HOLDER - FUSE |
| | 115187-03-000 | EA | FUSE - 60 AMP - NON-DELAY |
| | 122811-01-000 | EA | CIRCUIT BREAKER - 20/50/50/20 AMP - 250V |
| | 125986-02-000 | EA | FUSE - 5 AMP - AUTO - MINI BLADE |
| | 125986-05-000 | EA | FUSE - 15 AMP - AUTO - MINI BLADE |
| | 141789-01-000 | EA | SPACER - CIRCUIT BREAKER |

ELECTRICAL GROUP (CONTINUED) CONVERTER, INVERTER, LOAD CENTERS

| KEY | PART NUMBER | U/M | DESCRIPTION |
|-----|---------------|-----|--|
| | 123058-02-000 | EA | CONVERTER - 45 AMP - ELECTRONIC - 4 1/8"H X 7"W X 12 3/8"L |
| | 148254-03-000 | EA | CABLE/INVERTOR - W/8 PIN MODULAR PHONE JACK - 50' DIMEN |
| | 154511-01-000 | EA | INVERTER - 600 WATT - W/O REMOTE PANEL |
| | 154511-02-000 | EA | REMOTE/PANEL - INVERTER/600 WATT |



30 AMP



50 AMP

| KEY | PART NUMBER | U/M | DESCRIPTION |
|-----|---------------|-----|---|
| 1 | 095721-33-000 | EA | LABEL - CONTROL CENTER - 50 AMP - US |
| 2 | 141258-01-000 | EA | LOAD CENTER - 120/240 - 30/50 AMP |
| 2 | 141258-02-000 | EA | LOAD CENTER - COVER |
| 3 | 127002-07-000 | EA | SENSOR - CURRENT |
| 4 | 095721-31-000 | EA | LABEL - CONTROL CENTER - 30 AMP - US |
| 5 | 127002-11-000 | EA | MODULE - EMS CENTER - W/REMOTE SENSOR |
| 6 | 106071-06-000 | EA | SWITCH - AUTOMATIC TRANSFER - PARALLAX 5070 - 30/50 AMP |

ELECTRICAL GROUP (CONTINUED)
BOXES & CORDS

| KEY | PART NUMBER | U/M | DESCRIPTION |
|-----|---------------|-----|--|
| | 008054-01-000 | EA | CORD - POWER - 10/3 WIRE - 30 AMP - 25' |
| | 108934-02-000 | EA | CORD - POWER - 50 AMP - 4-WIRE - 36' |
| | 115832-01-000 | FT | CORD - HEAVY DUTY - 14-2 W/GROUND |
| | 131679-01-000 | EA | BOX/ELECTRIC-WATERPROOF-4" X 4" - W/4 3/4"OUTLETS-UL/CSA |
| | 131680-01-000 | EA | COVER - F/ELECTRIC BOX W/GASKET 4" X 4" - UL/CSA |
| | 133070-01-000 | EA | BOX - ELECTRIC/PLASTIC - 3" X 2" X 2.8" - UL |
| | 133070-02-000 | EA | BOX - ELECTRIC/PLASTIC - 3" X 2" X 2.8" - CSA |

WIRE ASSEMBLIES

| KEY | PART NUMBER | U/M | DESCRIPTION |
|-----|---------------|-----|---|
| | 077069-02-000 | EA | CABLE/EXTENSION - RADIO ANTENNA - 96" |
| | 077069-03-000 | EA | CABLE/EXTENSION - RADIO ANTENNA - 260" |
| | 125853-04-000 | EA | WIRE LOOM - ENTERTAINMENT CENTER |
| | 126030-01-000 | EA | WIRE ASM - WIPER/WASHER |
| | 131279-02-000 | EA | WIRE LOOM - POWER SEAT - DRIVER |
| | 135131-01-000 | EA | WIRE LOOM - THERMOSTAT |
| | 135420-16-000 | EA | WIRE LOOM - RADIO |
| | 136028-01-000 | EA | WIRE ASM - SOFA, REST EASY |
| | 137135-03-000 | EA | WIRE LOOM - DIGITAL ELEVATION SENSOR |
| | 137135-04-000 | EA | WIRE HARNESS - POWER - DIGITAL ELEVATION SENSOR |
| | 141454-04-000 | EA | WIRE - SATELLITE - AUTOMATIC |
| | | | FROM: 00-00-00 THRU: 01-28-07 |
| | 163598-03-000 | EA | CABLE - SATELLITE CONTROL |
| | | | FROM: 01-29-07 THRU: 99-99-99 |
| | 142258-02-000 | EA | WIRE LOOM - VIDEO SWITCH/POWER SUPPLY |
| | 144677-07-000 | EA | WIRE - MONITOR - POWER - 3 PIN TO 6 PIN (3 WIRE) |
| | 144677-09-000 | EA | WIRE - MONITOR - POWER - 3 PIN/2PIN |
| | 147139-02-000 | EA | WIRE - STEREO KIT - ASA 100ZXIHAR |
| | 147313-01-000 | EA | WIRE - OUTSIDE TEMP SENSOR - W/O SENSOR |
| | 151316-02-000 | EA | WIRE ASM - W/NON CONTACT SENSORS - GREY WATER - 23.6" |
| | 151317-01-000 | EA | WIRE ASM-W/NON CONTACT SENSORS-FRESH WATER/BLK TANK-3.9" |
| | 151317-02-000 | EA | WIRE ASM-W/NON CONTACT SENSORS-FRESH WATER/BLK TANK-23.6" |
| | 151422-01-000 | EA | PIGTAIL - F/FOG LIGHT |
| | 155619-05-000 | EA | WIRE ASSEMBLY - RADIO - 12 PIN |
| | 155522-01-000 | EA | WIRE ASSEMBLY - SLIDEOUT RAMS |
| | 155522-02-000 | EA | WIRE ASSEMBLY - SLIDEOUT RAMS |
| | 156832-01-000 | EA | WIRE ASSEMBLY - INSTRUMENT PANEL - MAIN - WORKHORSE |
| | 156833-01-000 | EA | WIRE ASSEMBLY - INSTRUMENT PANEL - MAIN - FORD |

ELECTRICAL GROUP (CONTINUED)
CONNECTORS & CONDUIT

| KEY | PART NUMBER | U/M | DESCRIPTION |
|-----|---------------|-----|--|
| | 007940-01-000 | EA | RECEPTACLE/SLIDE 16 TO 12 AWG - FEMALE END |
| | 007940-02-000 | EA | RECEPTACLE/SLIDE 10 AWG |
| | 007954-01-000 | EA | RECEPTACLE - HOUSING - 6 POSITION |
| | 007956-05-000 | EA | INSULATOR - SHRINK - 1/4"ID X 1 1/2" |
| | 008058-01-000 | EA | ADAPTER - POWER CORD - 30 AMP TO 15 AMP |
| | 008311-01-000 | EA | CONNECTOR - WIRE NUT - INSULATED - RED |
| | 008312-01-000 | EA | CONNECTOR - WIRE NUT - INSULATED - BLUE |
| | 008313-01-000 | EA | CONNECTOR - WIRE NUT - INSULATED - YELLOW |
| | 008314-01-000 | EA | CONNECTOR - WIRE NUT - INSULATED - GRAY |
| | 008328-01-000 | EA | TERMINAL - RING - 12/10 WIRE - #10 STUD FIT |
| | 008331-01-000 | EA | TERMINAL - RING - TONGUE - #4 WIRE - 3/8" STUD - COPPER |
| | 008348-01-000 | EA | TERMINAL - RING - 3/8" STUD 2 GA. WIRE |
| | 008355-01-000 | EA | CONNECTOR - CABLE CLAMPING - 3/4" |
| | 008356-01-000 | EA | CONNECTOR - PLASTIC - 3/8" |
| | 008356-02-000 | EA | CONNECTOR - PLASTIC - 21/32" |
| | 008398-01-000 | EA | CONNECTOR - 1/2" X 90 DEGREE - FLEX CONDUIT - UL & CSA |
| | 035416-04-000 | EA | TERMINAL - RING - #10 STUD FIT - INSULATED BARREL #16/14 |
| | 041953-01-000 | FT | CONDUIT - CONVOLUTE SLIT - .5" ID - POLYETHYLENE |
| | 041953-02-000 | FT | CONDUIT - CONVOLUTE SLIT - .6" ID - POLYETHYLENE |
| | 041953-03-000 | FT | CONDUIT - CONVOLUTE SLIT - 1" ID (CLOTHES ROD COVER) |
| | 041953-06-000 | FT | CONDUIT - CONVOLUTE SLIT - .4" ID - POLYETHYLENE |
| | 041953-07-000 | FT | CONDUIT - CONVOLUTE SLIT - .25" ID - POLYETHYLENE |
| | 041953-08-000 | FT | CONDUIT - CONVOLUTE SLIT - 1.5" ID - POLYETHYLENE |
| | 041953-09-000 | FT | CONDUIT - CONVOLUTE SLIT - .5" ID - NYLON |
| | 041953-10-000 | FT | CONDUIT - CONVOLUTE SLIT - .75" ID - NYLON |
| | 041953-11-000 | FT | CONDUIT - CONVOLUTE SLIT - 1.06" ID - NYLON |
| | 041953-12-000 | FT | CONDUIT - CONVOLUTE SOLID - 1.1" ID - NYLON |
| | 041953-13-000 | FT | CONDUIT - CONVOLUTE SLIT - 1.25" ID |
| | 041953-14-000 | FT | CONDUIT - CONVOLUTE SLIT - 1.5" ID |
| | 041953-15-000 | FT | CONDUIT - CONVOLUTE SLIT - 2" |
| | 041953-16-000 | FT | CONDUIT - CONVOLUTE SLIT - 2" |
| | 047441-01-000 | EA | TERMINAL-BATTERY, HORIZONTAL LUG |
| | 047443-01-000 | EA | TERMINAL - .250 RECEPTACLE FIT - INSULATED - 16/14 AWG |
| | 047443-02-000 | EA | TERMINAL - .250 RECEPTACLE FIT - INSULATED - 12/10 AWG |
| | 047443-05-000 | EA | TERMINAL - .250 RECEPTACLE FIT - 18GA AWG |
| | 058028-01-000 | EA | CONNECTOR - ELECTRICAL PIGTAIL - NYLON - CLEAR |
| | 062036-01-000 | EA | TERMINAL - PACK - CON - 12/10 AWG |
| | 076319-12-000 | EA | CONNECTOR - COAXIAL - ONE PIECE |
| | 077479-01-000 | EA | BOOT - BATTERY TERMINAL - DOUBLE CABLE |
| | 077479-02-000 | EA | BOOT - BATTERY TERMINAL - SINGLE CABLE |
| | 080015-02-000 | EA | RECEPTACLE - FLAG - .185 - 16/14 GAUGE |
| | 080015-03-000 | EA | RECEPTACLE - FLAG - .250 - 14/16 GAUGE |
| | 080015-04-000 | EA | RECEPTACLE - FLAG - .187 - 16/14 GAUGE |
| | 082109-01-000 | EA | HOUSING - CONNECTOR - PACKARD |
| | 082741-01-000 | EA | CONNECTOR BODY - 2 CONNECTOR MALE |
| | 087225-01-000 | FT | SLEEVING - 1/2" - TYPE H |
| | 088473-01-000 | EA | HOUSING - PIN - 12 CAVITY (3 ROWS OF 4) |
| | 088473-02-000 | EA | HOUSING - PIN - 15 CAVITY (3 ROWS OF 5) |
| | 088473-03-000 | EA | HOUSING - PIN - 9 CAVITY (3 ROWS OF 3) |
| | 088473-04-000 | EA | HOUSING - PIN - 8 CAVITY IN-LINE |
| | 088473-06-000 | EA | HOUSING - PIN - 6 CAVITY (2 ROWS OF 3) |
| | 088473-07-000 | EA | HOUSING - PIN - 5 CAVITY - IN-LINE |
| | 088473-08-000 | EA | HOUSING - PIN - 4 CAVITY - IN-LINE |
| | 088473-09-000 | EA | HOUSING - PIN - 3 CAVITY - IN-LINE |
| | 088473-10-000 | EA | HOUSING - PIN - 2 CAVITY - IN-LINE |
| | 088473-12-000 | EA | HOUSING - PIN - 3 CAVITY - BLUE |
| | 088473-13-000 | EA | HOUSING - PIN - 3 CAVITY - GREEN |
| | 088473-14-000 | EA | HOUSING - PIN - 3 CAVITY - RED |
| | 088474-01-000 | EA | HOUSING - SOCKET - 12 CAVITY |
| | 088474-02-000 | EA | HOUSING - SOCKET - 15 CAVITY |
| | 088474-03-000 | EA | HOUSING - SOCKET - 9 CAVITY |
| | 088474-06-000 | EA | HOUSING - SOCKET - 6 CAVITY |
| | 088474-07-000 | EA | HOUSING - SOCKET - 5 CAVITY |
| | 088474-08-000 | EA | HOUSING - SOCKET - 4 CAVITY |

ELECTRICAL GROUP (CONTINUED)
CONNECTORS & CONDUIT (CONTINUED)

| KEY | PART NUMBER | U/M | DESCRIPTION |
|-----|---------------|-----|---|
| | 088474-09-000 | EA | HOUSING - SOCKET - 3 CAVITY |
| | 088474-10-000 | EA | HOUSING - SOCKET - 2 CAVITY |
| | 088475-01-000 | EA | PIN - CONNECTOR - 14-20 AWG |
| | 088475-02-000 | EA | PIN - CONNECTOR - 10-12 AWG |
| | 088476-01-000 | EA | TERMINAL - ELECTRICAL |
| | 088476-02-000 | EA | SOCKET - CONNECTOR - 12-10 GA - PRE-TIN |
| | 098261-01-000 | EA | SOCKET - CONNECTOR - WEATHERPACK - 12 AWG |
| | 098261-02-000 | EA | SOCKET - CONNECTOR - WEATHERPACK - 14-18 AWG |
| | 098262-01-000 | EA | SEAL - CONNECTOR - WEATHERPACK |
| | 098264-01-000 | EA | HOUSING - 2 PIN - WEATHER PACK - MALE W/FEMALE PINS |
| | 098264-02-000 | EA | HOUSING - 2 PIN - WEATHER PACK - FEMALE W/MALE PINS |
| | 098265-02-000 | EA | PIN - CONNECTOR - WEATHER PACK |
| | 102777-02-000 | EA | TERMINAL - RING - #6 STUD - 10 AWG |
| | 103608-01-000 | EA | SOCKET - WEDGE BASE W/LEADS |
| | 104100-01-000 | EA | HOUSING - 1 POSITION - 75 AMPS |
| | 104100-03-000 | EA | TERMINAL - 75 AMP |
| | 106007-02-000 | EA | TERMINAL - FEMALE - 10-12 AWG |
| | 110178-01-000 | EA | HOUSING - WIPER MOTOR |
| | 112823-01-000 | EA | SPLICE - REDUCER - 16-14 TO 18-22 |
| | 113072-02-000 | EA | HOUSING - ELECTRICAL - BACK-UP/TAIL LAMP |
| | 113072-03-000 | EA | HOUSING - ELECTRICAL - STOP/MARKER TAILLAMP |
| | 113073-01-000 | EA | WEDGELOCK - HOUSING - TAIL LAMP |
| | 113074-01-000 | EA | TERMINAL - TAILLAMP |
| | 113135-01-000 | EA | TERMINAL - FEMALE - M/P - 14-16 - F/SEALED TERMINAL |
| | 113308-01-000 | EA | TERMINAL - FEMALE - M/P - 14-16 - 280 |
| | 113308-02-000 | EA | TERMINAL - FEMALE - M/P - 14-18 - 280 |
| | 113468-01-000 | EA | HOUSING - 2 POSITION-FEMALE-USED ON WIPER/WASHER WIRE ASM |
| | 113468-02-000 | EA | HOUSING - 2 POSITION - FEMALE |
| | 115931-02-000 | EA | COVER - CONNECTOR - 50 AMP W/LOCKING RING |
| | 115932-02-000 | EA | CONNECTOR - FEMALE - 50 AMP/240 VOLT |
| | 116811-01-000 | EA | TERMINAL - .110 RECEPTACLE - 16-14 AWG |
| | 118571-01-000 | EA | CONNECTOR - 3-WAY - MALE/SEALED |
| | 118571-02-000 | EA | CONNECTOR - 3-WAY - FEMALE/SEALED |
| | 118571-05-000 | EA | LOCK - SECONDARY - FEMALE |
| | 118571-06-000 | EA | LOCK - SECONDARY - MALE |
| | 118599-02-000 | EA | TERMINAL - MALE - M/P - 280/14-12 |
| | 118820-01-000 | EA | INSULATOR - TERMINAL |
| | 129233-01-000 | EA | HOUSING - 2-POSITION/FEMALE - 280-SERIES |
| | 129233-02-000 | EA | HOUSING - 2-POSITION/FEMALE - 280-SERIES |
| | 129233-03-000 | EA | HOUSING - 2-POSITION/FEMALE - 280-SERIES |
| | 131681-01-000 | EA | CONNECTOR - 3/4" SO CORD - UL/CS |
| | 137207-01-000 | EA | HOUSING - PIN - 2 CAVITY/HIGH AMP |
| | 137208-01-000 | EA | HOUSING - SOCKET - 2 CAVITY/HIGH AMP |
| | 137209-01-000 | EA | PIN - CONNECTOR - 10AWG/HIGH AMP |
| | 137210-01-000 | EA | SOCKET - CONNECTOR - 10 AWG/HIGH AMP |
| | 138996-04-000 | EA | CONNECTOR - LAMP |
| | 142520-01-000 | EA | TERMINAL - FEMALE - MINI-FIT 16 |
| | 142522-01-000 | EA | HOUSING - 4 PIN/MALE - MINI FIT |
| | 142522-02-000 | EA | HOUSING - 6 PIN/MALE - MINI FIT |
| | 142522-03-000 | EA | HOUSING - 8 PIN/MALE - MINI FIT |
| | 142522-04-000 | EA | HOUSING - 10 PIN/MALE - MINI FIT |
| | 142522-05-000 | EA | HOUSING - 12 PIN/MALE - MINI FIT |
| | 142522-06-000 | EA | HOUSING - 14 PIN/MALE - MINI FIT |
| | 142524-01-000 | EA | HOUSING - 4 PIN/FEMALE - WEATHER PACK |
| | 142524-02-000 | EA | HOUSING - 4 PIN/FEMALE - WEATHER PACK |
| | 144283-01-000 | EA | CONNECTOR - 110V - F/USE WITH SOW WIRE - BLUE |
| | 144283-02-000 | EA | CONNECTOR - 110V - F/USE WITH NM ROMEX WIRE - CLEAR |
| | 145171-01-000 | EA | CONNECTOR - COAXIAL |
| | 148335-01-000 | EA | HOUSING - 8-POSITION/MALE - 280-GT SERIES |
| | 148335-02-000 | EA | HOUSING - 4-POSITION/MALE - 280-GT SERIES |
| | 148335-03-000 | EA | HOUSING - 6-POSITION/MALE - 280-GT SERIES |
| | 149683-01-000 | EA | HOUSING - F/5 CAVITY RECEPTACLE - W/SQUARE GUIDE PIN |
| | 149683-02-000 | EA | HOUSING - F/5 CAVITY RECEPTACLE - W/ROUND GUIDE PIN |
| | 149686-01-000 | EA | TERMINAL - .250 RECEPTACLE |

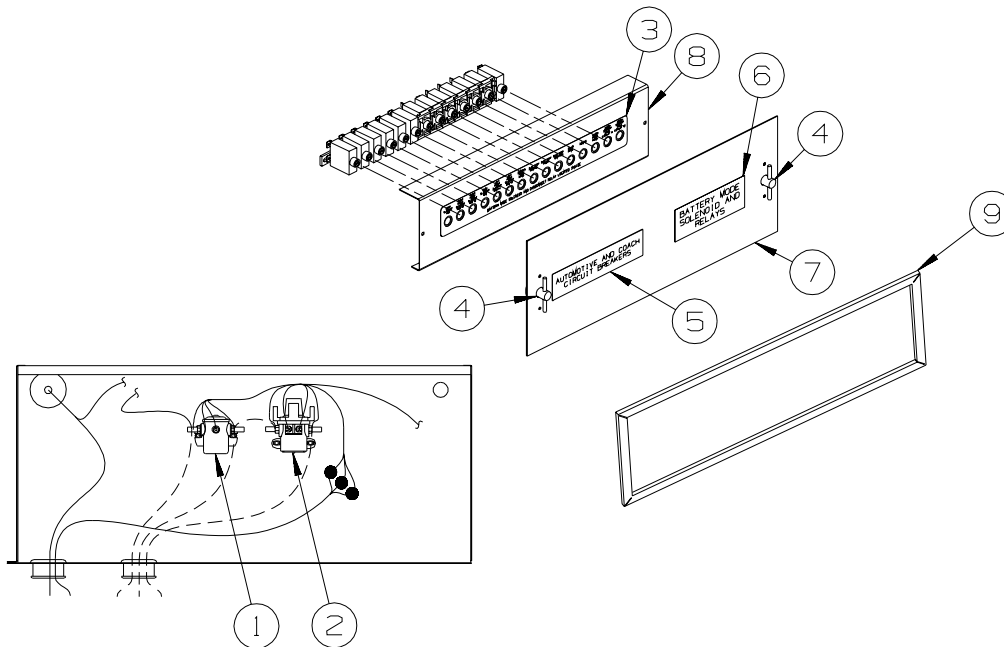
ELECTRICAL GROUP (CONTINUED)

CONNECTORS & CONDUIT (CONTINUED)

| KEY | PART NUMBER | U/M | DESCRIPTION |
|-----|---------------|-----|---|
| | 149687-01-000 | EA | HOUSING - 2 POSITION/MALE - PACKARD |
| | 149687-02-000 | EA | LOCK - F/2 POSITION HOUSING - PACKARD |
| | 149688-01-000 | EA | TERMINAL - MALE - 16 GAUGE WIRE |
| | 156035-01-000 | EA | HOUSING - 12-POSITION/FEMALE - 280-GT SERIES |
| | 156041-01-000 | EA | TERMINAL - FEMALE - 16-12 - 280-GT SERIES |
| | 156043-01-000 | EA | HOUSING - 2-POSITION/FEMALE - 480-MP SERIES |
| | 156043-02-000 | EA | LOCK - F/2 POSITION HOUSING - 480 SERIES |
| | 156044-01-000 | EA | TERMINAL - FEMALE - 16-12 - 280-GT - F/SEALED HOUSING |
| | 156045-01-000 | EA | HOUSING - 10-POSITION/FEMALE - 280-GT SERIES |
| | 156045-02-000 | EA | HOUSING - 4-POSITION/FEMALE - 280-GT SERIES |
| | 156045-03-000 | EA | HOUSING - 8-POSITION/FEMALE - 280-GT SERIES |
| | 156045-04-000 | EA | HOUSING - 6-POSITION/FEMALE - 280-GT SERIES |
| | 156207-01-000 | EA | HOUSING - 6-POSITION/MALE - 150-GT SERIES |
| | 156208-01-000 | EA | TERMINAL - MALE - 18-16 - 150-GT SERIES |
| | 157590-01-000 | EA | TERMINAL - FEMALE - M/P - 10-12 - 630 |
| | 157592-01-000 | EA | HOUSING - 7-POSITION/FEMAL - M/P |
| | 157592-02-000 | EA | LOCK - SECONDARY - F/7 POSITION HOUSING |
| | 157656-01-01A | EA | CONNECTOR - DASH LIGHT - BLACK |
| | 158357-01-000 | EA | HOUSING - 3 PIN/MALE - MINI FIT |
| | 158373-01-000 | EA | HOUSING - SOCKET - 16 CAVITY - MINI MATE-N-LOCK |
| | 158374-01-000 | EA | SOCKET - 16-20 CAVITY - MINI MATE-N-LOCK |

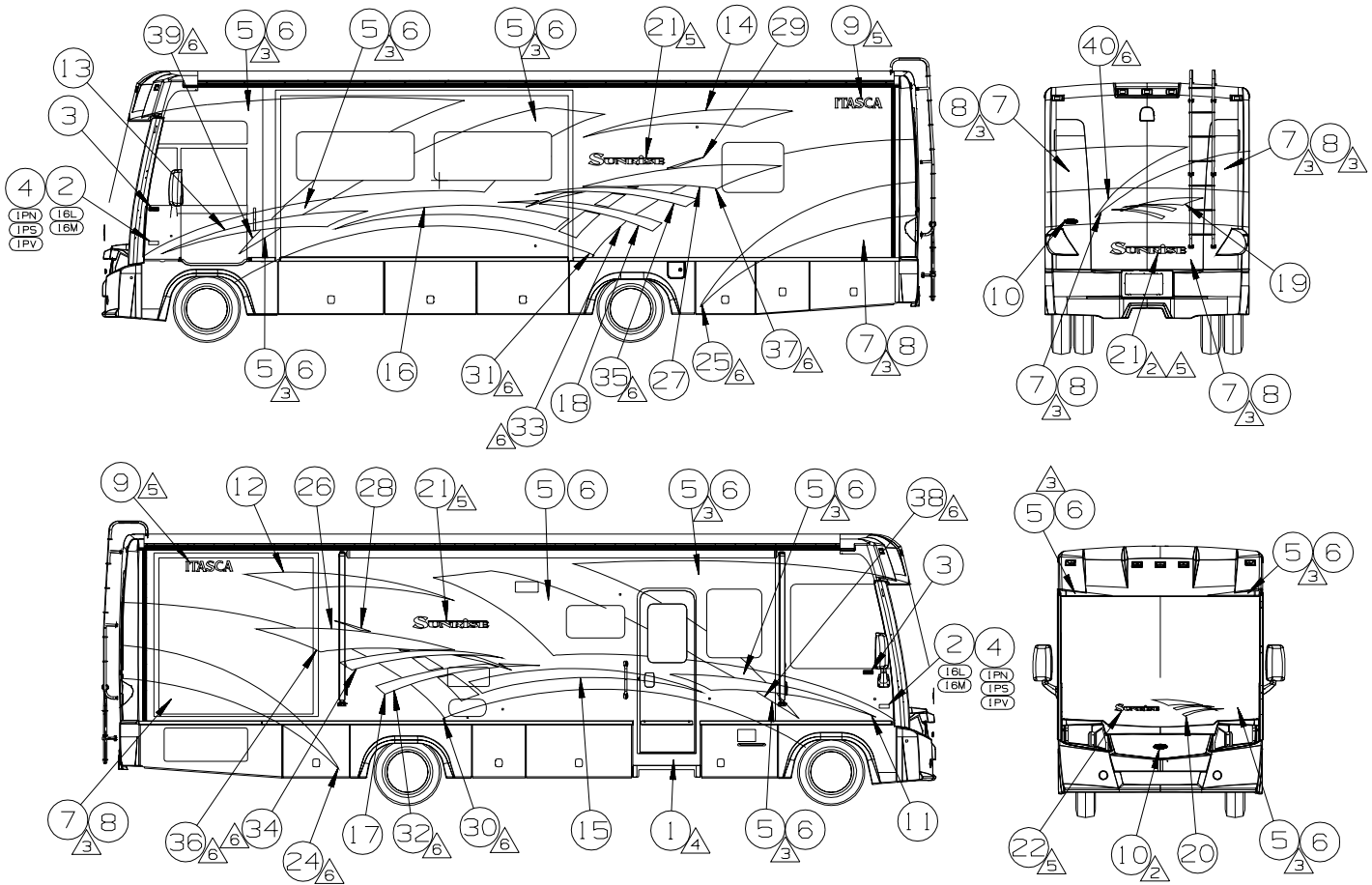
CHASSIS

| KEY | PART NUMBER | U/M | DESCRIPTION |
|-----|---------------|-----|--|
| | 160014-01-02B | EA | TIEDOWN - BATTERY - E-COATED |
| | 086233-01-000 | EA | STUD - ISOLATED - 3/8" X 7/8" LONG |
| | 113452-02-000 | FT | SEAL/TRIM - FRONT - VINYL W/WIRE CARRIER - .027" |



| KEY | PART NUMBER | U/M | DESCRIPTION |
|-----|---------------|-----|--|
| 1 | 008188-01-000 | EA | SOLENOID - 3 POST - BATTERY CHANGE OVER |
| 2 | 086273-01-000 | EA | RELAY - BATTERY DISCONNECT |
| 3 | 093236-43-000 | EA | LABEL - CIRCUIT BREAKER |
| 4 | 098196-01-000 | EA | LATCH - 1/4 TURN - T-BAR |
| 5 | 098379-01-000 | EA | LABEL - CIRCUIT BREAKER - FRONT BOX |
| 6 | 098379-04-000 | EA | LABEL - ELECTRICAL BOX - SIDE |
| 7 | 109925-04-000 | EA | DOOR - ELECTRICAL BOX - 6.9" X 18.5" - GM/FORD |
| 8 | 118531-07-02B | EA | PLATE - CIRCUIT BREAKER - E COATED |
| 9 | 092492-11-000 | EA | SEAL - ELECTRIC BOX - 7" X 18.4" |

EXTERIOR BODY GROUP GRAPHICS & PAINT



| QTY | PART NUMBER | UOM | DESCRIPTION |
|-----|--------------------|-----|--|
| 1 | 109506-01-000 | EA | FILM-URETHANE PROTECTANT |
| 2 | 129922-02-CHT(01A) | EA | EMBLEM-TRITON V10 (3 VALVE) - BLACK/CHROME |
| 3 | 132664-02-CHT(01A) | EA | DECAL-LOGO DOMED WINNEBAGO - CHROME/RED/BLACK |
| 4 | ----- | EA | DECAL-EMBLEM - CHASSIS SUPPLIED |
| 1 | 141599-39-000 | GL | PAINT-SPRUCE GREEN MET - DUPONT #373-P7443 |
| 2 | 141599-41-000 | EA | PAINT-FORD SILVER MET - DUPONT #373-P7444 |
| 3 | 141599-22-000 | GL | PAINT-GRANITE MET - DUPONT #373-P7433 |
| 4 | 141599-31-000 | GL | PAINT-METALLIC GOLD - DUPONT #373-P7436 |
| 5 | 144597-02-CHT(04A) | EA | DECAL-LOGO ITASCA - DP BLUE STAR/BRT WHITE |
| 6 | 144597-02-CHT(26A) | EA | DECAL-LOGO ITASCA - DP FOREST GREEN/GRT WHITE |
| 7 | 151687-02-CHT(01A) | EA | DECAL-BEZEL DOMED NAMEPLATE ITASCA - CHROME/WHITE/BLACK/TEAL |
| 8 | 157877-01-CHT(01A) | EA | DECAL-SWEEP FRT RH - DK COPPER |
| 9 | 157877-01-CHT(03A) | EA | DECAL-SWEEP FRT RH - DP BLUE STAR |
| 10 | 157877-01-CHT(02A) | EA | DECAL-SWEEP FRT RH - DP FOREST GREEN |
| 11 | 157877-01-CHT(03A) | EA | DECAL-SWEEP FRT RH - DP BLUE STAR |
| 12 | 157877-02-CHT(01A) | EA | DECAL-SWEEP FRT LH - DK COPPER |
| 13 | 157877-02-CHT(03A) | EA | DECAL-SWEEP FRT LH - DP BLUE STAR |
| 14 | 157877-02-CHT(02A) | EA | DECAL-SWEEP FRT LH - DP FOREST GREEN |
| 15 | 157877-02-CHT(03A) | EA | DECAL-SWEEP FRT LH - DP BLUE STAR |
| 16 | 157878-01-CHT(01A) | EA | DECAL-SWEEP MID RH - LT GOLD |
| 17 | 157878-01-CHT(02A) | EA | DECAL-SWEEP MID RH - BLUE |
| 18 | 157878-02-CHT(01A) | EA | DECAL-SWEEP MID LH - LT GOLD |
| 19 | 157878-02-CHT(02A) | EA | DECAL-SWEEP MID LH - BLUE |
| 20 | 157879-01-CHT(01A) | EA | DECAL-SWEEP RR RH - MOSS GREEN/DK COPPER/LT GOLD |
| 21 | 157879-01-CHT(02A) | EA | DECAL-SWEEP RR RH - IVY GREEN/WARM SILVER/BLUE |
| 22 | 157879-02-CHT(01A) | EA | DECAL-SWEEP RR LH - MOSS GREEN/DK COPPER/LT GOLD |
| 23 | 157879-02-CHT(02A) | EA | DECAL-SWEEP RR LH - IVY GREEN/WARM SILVER/BLUE |
| 24 | 157880-01-CHT(01A) | EA | DECAL-REAR - MOSS GREEN/DK COPPER |
| 25 | 157880-01-CHT(02A) | EA | DECAL-REAR - IVY GREEN/BLUE |
| 26 | 157882-01-CHT(01A) | EA | DECAL-FRONT - IVY GREEN/BLUE |
| 27 | 157882-01-CHT(02A) | EA | DECAL-FRONT - IVY GREEN/BLUE |
| 28 | 157883-01-CHT(01A) | EA | DECAL-LOGO SUNRISE LG - BRT WHITE/DK COPPER/BLACK/COPPER |
| 29 | 157883-01-CHT(02A) | EA | DECAL-LOGO SUNRISE LG - BRT WHITE/BLUE/BLACK/COPPER |
| 30 | 157883-02-CHT(01A) | EA | DECAL-LOGO SUNRISE SML - BRT WHITE/DK COPPER/BLACK/COPPER |
| 31 | 157883-02-CHT(02A) | EA | DECAL-LOGO SUNRISE SML - BRT WHITE/BLUE/BLACK/COPPER |
| 32 | 141599-27-000 | GL | PAINT-IRON CLEAR 55 GAL - DUPONT #34405 |
| 33 | 161041-01-CHT(01A) | EA | DECAL-LOWER PAINT PROTECTION RH - YELLOW |
| 34 | 161041-02-CHT(01A) | EA | DECAL-LOWER PAINT PROTECTION LH - YELLOW |
| 35 | 158640-01-CHT(01A) | EA | DECAL-SWEEP LG RH - MOSS GREEN |
| 36 | 158640-01-CHT(02A) | EA | DECAL-SWEEP LG RH - IVY GREEN |
| 37 | 158640-02-CHT(01A) | EA | DECAL-SWEEP LG LH - MOSS GREEN |
| 38 | 158640-02-CHT(02A) | EA | DECAL-SWEEP LG LH - IVY GREEN |
| 39 | 158641-01-CHT(01A) | EA | DECAL-TIP RH - LT GOLD |
| 40 | 158641-01-CHT(02A) | EA | DECAL-TIP RH - BLUE |
| 1 | 158641-02-CHT(01A) | EA | DECAL-TIP LH - LT GOLD |
| 2 | 158641-02-CHT(02A) | EA | DECAL-TIP LH - BLUE |
| 3 | 161042-01-CHT(01A) | EA | DECAL-MID LOWER #1 PAINT PROTECTION RH - YELLOW |
| 4 | 161042-02-CHT(01A) | EA | DECAL-MID LOWER #1 PAINT PROTECTION LH - YELLOW |
| 5 | 161043-01-CHT(01A) | EA | DECAL-MID LOWER #2 PAINT PROTECTION RH - YELLOW |
| 6 | 161043-02-CHT(01A) | EA | DECAL-MID LOWER #2 PAINT PROTECTION LH - YELLOW |
| 7 | 161044-01-CHT(01A) | EA | DECAL-MID UPPER #1 PAINT PROTECTION RH - YELLOW |
| 8 | 161044-02-CHT(01A) | EA | DECAL-MID UPPER #1 PAINT PROTECTION LH - YELLOW |
| 9 | 161045-01-CHT(01A) | EA | DECAL-MID UPPER #2 PAINT PROTECTION RH - YELLOW |
| 10 | 161045-02-CHT(01A) | EA | DECAL-MID UPPER #2 PAINT PROTECTION LH - YELLOW |
| 11 | 161046-01-CHT(01A) | EA | DECAL-FRONT SIDEWALL PAINT PROTECTION RH - YELLOW |
| 12 | 161046-02-CHT(01A) | EA | DECAL-FRONT SIDEWALL PAINT PROTECTION LH - YELLOW |
| 13 | 161047-01-CHT(01A) | EA | DECAL-REAR PAINT PROTECTION - YELLOW |

- ⚠️ PAINT MASK TO BE REMOVED AFTER PAINT.
 - ⚠️ LOGO IS TO BE HELD TO PLANE ON A HORIZONTAL PLANE (END TO END).
 - ⚠️ FILM TO PROTECT BOTTOM OF DOOR FROM SCUFF MARKS.
 - ⚠️ CLEAR COAT TO BE APPLIED ON PAINTED AREAS TO PROTECT PAINT.
 - ⚠️ CENTER ON UNIT.
 - 1. APPLY PROTECTOR 116424-01-000 TO WATER HEATER LATCH.
- (16L) FORD 22,000*-22.5 AL WHL
 - (IPV) WORKHORSE 24,000*-22.5 TIRE
 - (IPS) WORKHORSE 22,000*-22.5 TIRE
 - (IPN) WORKHORSE 20,700*
 - (16M) FORD CHASSIS 20,500*/V10 ENG
 - (92K) EXTERIOR GRAPHICS PACKAGE #2
 - (27G) EXTERIOR GRAPHICS PACKAGE #1

NOTES:

EXTERIOR BODY GROUP (CONTINUED)

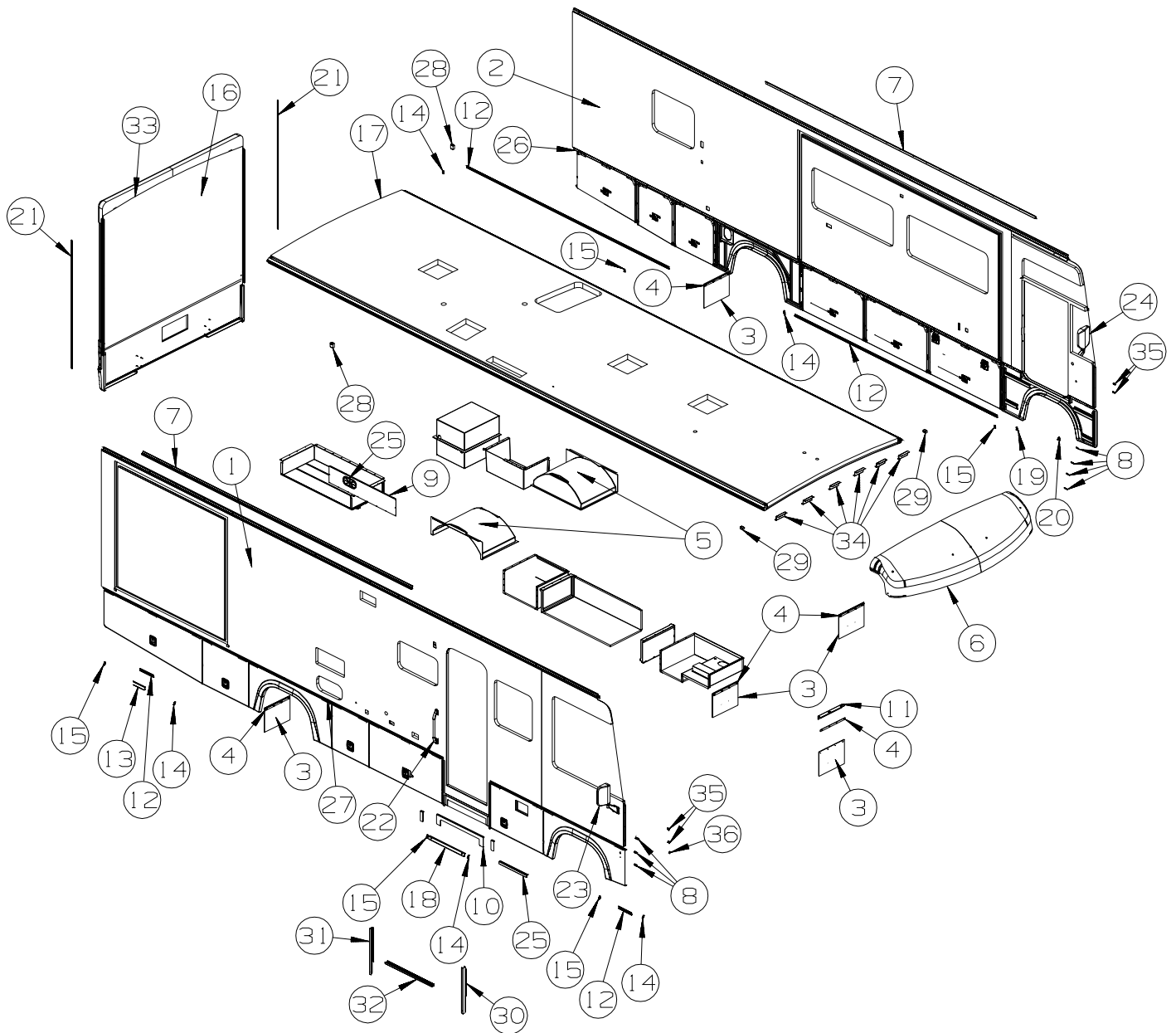
GRAPHICS & PAINT (CONTINUED)

**DUPONT COLOR CODES ARE NOW FOUND IN THE PAINT CODE MANUAL.
YOU CAN FIND THIS MANUAL ON YOUR DEALER INDEX WEBPAGE UNDER SERVICE.**

| KEY | PART NUMBER | U/M | DESCRIPTION |
|------------|--------------------|------------|--|
| | 072882-01-000 | GL | PAINT - LOW BAKE - OFF WHITE |
| | 093681-40-01A | FT | FILM - 2" - FLAT BLACK - DRIVERS DOOR |

EXTERIOR BODY GROUP (CONTINUED)

PANELS & TRIMS



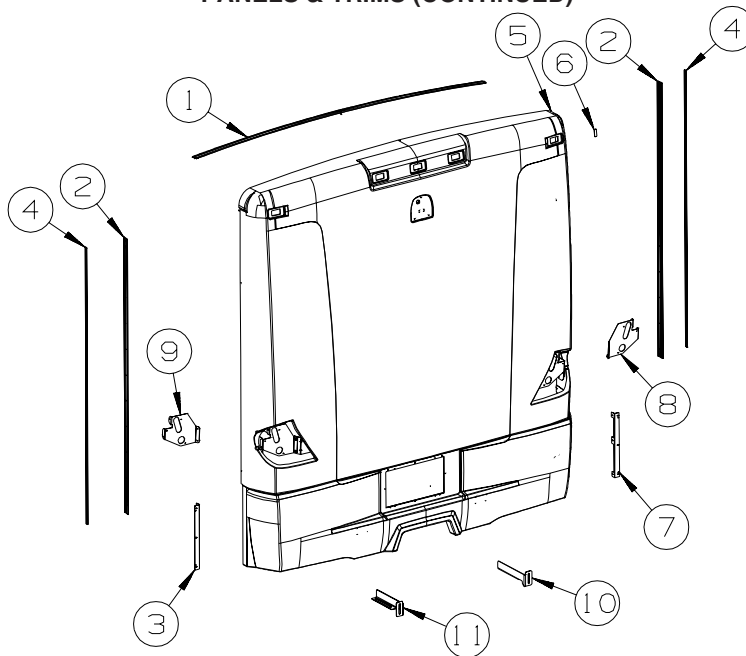
| KEY | PART NUMBER | U/M DESCRIPTION |
|-----|---------------|---|
| 1 | 156875-01-U79 | EA SIDEWALL - PASSENGER - W/O WINDOWS/TRIMS (U79) |
| 1 | 156875-01-U67 | EA SIDEWALL - PASSENGER - W/O WINDOWS/TRIMS (U80) |
| 1 | 156875-01-U83 | EA SIDEWALL - PASSENGER - W/O WINDOWS/TRIMS (U83) |
| 1 | 156875-01-U71 | EA SIDEWALL - PASSENGER - W/O WINDOWS/TRIMS (U84) |
| 1 | 156875-01-U87 | EA SIDEWALL - PASSENGER - W/O WINDOWS/TRIMS (U87, U88) |
| 2 | 156875-01-U79 | EA SIDEWALL - DRIVER - W/O WINDOWS/TRIMS (U79) |
| 2 | 156875-01-U67 | EA SIDEWALL - DRIVER - W/O WINDOWS/TRIMS (U80) |
| 2 | 156875-01-U83 | EA SIDEWALL - DRIVER - W/O WINDOWS/TRIMS (U83) |
| 2 | 156875-01-U71 | EA SIDEWALL - DRIVER - W/O WINDOWS/TRIMS (U84) |
| 2 | 156875-01-U87 | EA SIDEWALL - DRIVER - W/O WINDOWS/TRIMS (U87, U88) |
| 3 | 017516-01-000 | EA MUD FLAP - 14"H X 18"W - W/O MOUNTING HOLES - RUBBER - BLK |
| 4 | 140922-01-02B | EA RETAINER - MUD FLAP - 1" X 17.7" - E-COATED/BLACK |
| 5 | 131365-01-000 | EA WHEELWELL - PLASTIC |
| 6 | 157633-02-U67 | EA CAP - ROOF/FRONT - W/O LIGHTS/WIRING |
| 7 | 157284-01-01A | EA RAIL - AWNING - 192" - BRIGHT WHITE |
| 8 | 132597-01-02B | EA ANGLE/SUPPORT/TRIM - 2" - E-COATED |
| 9 | 133386-02-02B | EA PANEL - CLOSEOUT - HOLDING TANK - E-COATED |
| | | FROM: 00-00-00 THRU: 07-18-06 |
| 9 | 133386-05-02B | EA PANEL - CLOSEOUT - HOLDING TANK - E-COATED |
| | | FROM: 07-19-06 THRU: 99-99-99 |
| 10 | 138021-02-01B | EA VALANCE/PANEL - ENTRY STEP/U-SHAPED - 33.2" X 4.1" - MILL |

EXTERIOR BODY GROUP (CONTINUED)
PANELS & TRIMS (CONTINUED)

| KEY | PART NUMBER | U/M | DESCRIPTION |
|------------|--------------------|------------|--|
| 11 | 132695-01-02B | EA | ANGLE - MUDFLAP - E-COATED |
| 12 | 146548-01-01A | EA | TRIM - RETAINER - 143.8" - MILL |
| 13 | 146550-01-02A | EA | TRIM COVER - SIDEWALL - 182" - BLACK |
| 14 | 146576-01-01A | EA | END CAP/TRIM - RIGHT HAND - BRIGHT WHITE |
| 15 | 146576-02-01A | EA | END CAP/TRIM - LEFT HAND - BRIGHT WHITE |
| 16 | 157162-01-U67 | EA | BACKWALL/INNER - W/O REAR CAP (U79, U80) |
| 16 | 157162-01-U71 | EA | BACKWALL/INNER - W/O REAR CAP (U83, U84) |
| 16 | 157162-01-U87 | EA | BACKWALL/INNER - W/O REAR CAP (U87, U88) |
| 17 | 156877-01-U67 | EA | ROOF - W/O LIGHTS/VENTS - W/WIRING |
| 18 | 149822-01-01A | EA | TRIM - SIDEWALL/ENTRY DOOR - 25.3" - BRIGHT WHITE |
| 19 | 150742-01-02A | EA | CAP/TRIM - DRIVER DOOR - BLACK |
| 20 | 150742-02-02A | EA | CAP/TRIM - DRIVER DOOR - BLACK |
| 21 | 156622-01-01A | FT | SEALER - TAPE - 1/4"THICK X 3"WIDE X 100 FT |
| 22 | 157749-03-01A | EA | ASSIST HANDLE - NON-LIGHTED - 18" - "ITASCA" ETCHED-CHROME |
| 23* | 106015-18-01A | EA | MIRROR - EXTERIOR/REMOTE/HEAT - PASSENGER |
| 24* | 106015-19-01A | EA | MIRROR - EXTERIOR/REMOTE/HEAT - DRIVER |
| 25 | 148331-01-01A | EA | PLUG - OVAL/LARGE - BLACK |
| | | | FROM: 07-20-06 THRU: 99-99-99 |
| 26 | 104692-01-000 | FT | SEAL - ADHESIVE BACKED FOAM - 3/4" THICK X 3/4" WIDE X 25' |
| | 099418-01-000 | FT | SEAL - D-SECTION/ADHESIVE BACK - .44" X .44" - BLK RUBBER |
| | | | FROM: 01-02-07 THRU: 99-99-99 |
| 27 | 153498-01-02A | EA | BUMPER - RUBBER - BLACK |
| 28 | 156094-01-000 | EA | FOAM - PLUG - SIDEWALL TUBE |
| 29 | 156094-02-000 | EA | FOAM - PLUG - SIDEWALL TUBE |
| 30 | 133100-05-02A | EA | TRIM - SIDEWALL - 26.5" - BRIGHT WHITE |
| 31 | 133100-06-02A | EA | TRIM - SIDEWALL - 26.5" - BRIGHT WHITE |
| 32 | 152800-01-02A | EA | TRIM - SIDEWALL/ENTRY STEP - 33.2" - BRIGHT WHITE |
| 33 | 114248-04-04A | EA | ANGLE - PLASTIC - .2" X .4" X 96.5" - BEIGE |
| 34 | 134774-01-02B | EA | BRACKET - CAB ATTACHMENT - E-COATED |
| | | | FROM: 06-16-06 THRU: 99-99-99 |
| 35 | 143143-02-01A | EA | ANGLE - SUPPORT/TRIM |
| 36 | 143143-01-01A | EA | ANGLE - SUPPORT/TRIM |

***COMPONENT PARTS LISTED LATER IN THIS GROUP**

EXTERIOR BODY GROUP (CONTINUED)
PANELS & TRIMS (CONTINUED)



| KEY | PART NUMBER | U/M | DESCRIPTION |
|-----|---------------|-----|--|
| 1 | 083805-23-000 | EA | TRIM - ROOF CAP - 92.1" - BRIGHT WHITE |
| 2 | 092041-12-01A | EA | TRIM - FRONT/REAR CAP (SIDEWALL) - 84" - BRIGHT WHITE FROM: 00-00-00 THRU: 05-25-06 |
| 2 | 092041-01-03A | EA | TRIM - FRONT/REAR CAP (SIDEWALL) - 83.1" - BRIGHT WHITE FROM: 05-26-06 THRU: 99-99-99 |
| 3 | 138789-01-02B | EA | ANGLE/MOUNT - WHEEL LIP/BACKWALL - E-COATED |
| 4 | 091985-01-07A | FT | INSERT - TRIM - REAR CAP TO SIDEWALL - .66" - BRIGHT WHITE |
| 5 | 157591-03-U65 | EA | PANEL - REAR CAP - W/O CAMERA MOUNT |
| 5 | 157591-04-U65 | EA | PANEL - REAR CAP - W/CAMERA MOUNT - REARVIEW MONITOR SYS W/AUDIO |
| 6 | 104692-03-000 | EA | SEAL - ADHESIVE BACKED FOAM - 1" THICK X 1 3/16"WIDE X 15' |
| 7 | 150703-01-02B | EA | ANGLE - MOUNT - SEAL PLANE - E-COATED |
| 8 | 149005-03-02B | EA | SUPPORT - TAIL LAMP - RIGHT - E-COATED |
| 9 | 149005-04-02B | EA | SUPPORT - TAIL LAMP - LEFT - E-COATED |
| 10 | 149152-01-02B | EA | BRACE-REAR CAP, LOWER, RH - E-COATED |
| 11 | 149152-02-02B | EA | BRACE-REAR CAP, LOWER, LH - E-COATED |

COMPONENT PARTS FOR PANELS & TRIMS

106015-18-01A, 106015-19-01A

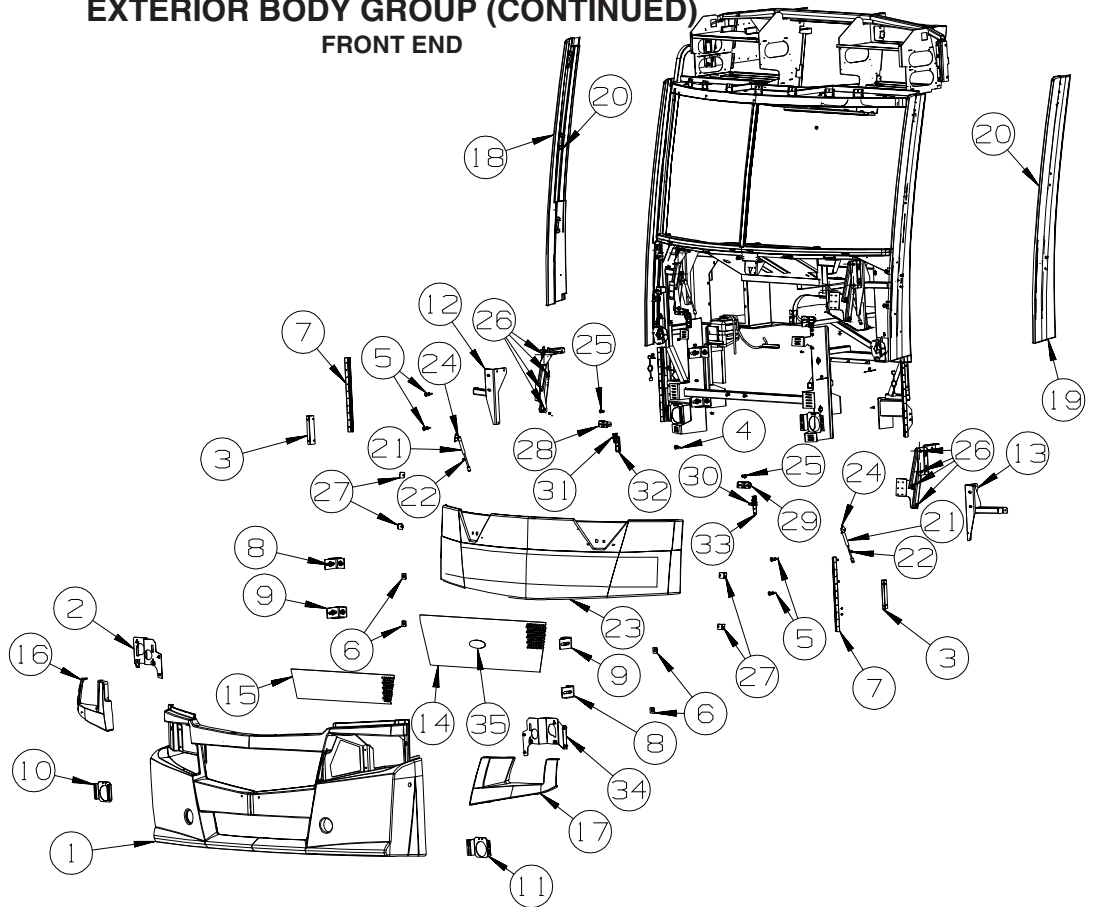
| KEY | PART NUMBER | U/M | DESCRIPTION | VENDOR NO. |
|-----|---------------|-----|--------------------------------------|------------|
| | 106015-12-702 | EA | CAP/SCREW - (PKG OF 4) - BLK | 748329 RND |
| | 106015-16-700 | EA | GLASS-FLAT W/HEAT ELEMENT | 709450 |
| | 106015-18-700 | EA | GLASS/CONVEX-KIT W/CLIP | 709650 |
| | 106015-18-701 | EA | ACTUATOR - CONVEX GLASS | 7475410 |
| | 106015-18-702 | EA | MOTOR - FLAT GLASS | 747118 |
| | 106015-18-703 | EA | CONVEX REBUILT KIT | 709651 |
| | 106015-19-700 | EA | VIBRATION KIT - MIRROR GLASS, VELVAC | 709645 |

LADDER

| KEY | PART NUMBER | U/M | DESCRIPTION |
|-----|---------------|-----|---|
| | 129375-02-000 | EA | SEAL - LADDER BRACKET |
| | 149238-02-01A | EA | LADDER - UPPER - BRUSHED ALUMINUM |
| | 150785-02-01A | EA | LADDER - LOWER - 35.6"/3 STEP W/DOG LEG - HINGED STANDOFF |

EXTERIOR BODY GROUP (CONTINUED)

FRONT END



| KEY | PART NUMBER | U/M | DESCRIPTION |
|-----|---------------|-----|---|
| 1 | 156609-03-U79 | EA | PANEL - FRONT/LOWER - W/O HOOD/LIGHTS/HDW |
| 2 | 156577-01-02B | EA | SUPPORT - HEADLAMP/PASSENGER - E-COATED |
| 3 | 113041-21-02B | EA | ANGLE/MOUNT - BUMPER - E-COATED |
| 4 | 058786-01-000 | EA | BOLT - HOOD ADJUSTMENT - 5/16"-18 X 1.5"-2"- W/BLACK PAD |
| 5 | 058786-04-000 | EA | BOLT - HOOD ADJUSTMENT - 5/16"-18 X 2"-2.5"- W/BLACK PAD |
| 5 | 058786-01-000 | EA | BOLT - HOOD ADJUSTMENT - 5/16"-18 X 1.5"-2"- W/BLACK PAD FROM: 00-00-00 THRU: 01-07-07 |
| 6 | 116617-02-02B | EA | SPACER - BUMPER |
| 7 | 132071-07-02B | EA | BRACKET - BUMPER - REAR - E-COATED |
| 8 | 128455-07-02B | EA | BRACKET - BUMPER - E-COATED |
| 9 | 128455-08-02B | EA | BRACKET - BUMPER - E-COATED |
| 10 | 158969-02-02B | EA | SUPPORT - FOG LAMP - PASSENGER - E-COATED |
| 11 | 158969-04-02B | EA | SUPPORT - FOG LAMP - DRIVER - E-COATED |
| 12 | 158040-01-02B | EA | BRACKET - HOOD - E-COATED |
| 12 | 162971-01-02B | EA | SUPPORT - HINGE/HOOD - E-COATED FROM: 00-00-00 THRU: 01-07-07 |
| 13 | 158040-02-02B | EA | BRACKET - HOOD - E-COATED FROM: 01-08-07 THRU: 99-99-99 |
| 13 | 162971-02-02B | EA | SUPPORT - HINGE/HOOD - E-COATED FROM: 00-00-00 THRU: 01-07-07 |
| 14 | 157221-01-02A | EA | GRILLE/MESH - UPPER - BRIGHT DIP |
| 15 | 157221-02-02A | EA | GRILLE/MESH - LOWER - BRIGHT DIP |
| 16 | 156907-01-01A | EA | BEZEL - HEADLAMP/PARK TURN - PASSENGER |
| 17 | 156907-02-01A | EA | BEZEL - HEADLAMP/PARK TURN - DRIVER |
| 18 | 156198-01-U65 | EA | TRIM - A-PILLAR - PASSENGER |
| 18 | P61380-01-U67 | EA | TRIM - A-PILLAR - PASSENGER - NOT ILLUSTRATED FROM: 00-00-00 THRU: 10-08-06 |
| 19 | 156198-02-U65 | EA | TRIM - A-PILLAR - DRIVER |
| 19 | P61380-02-U67 | EA | TRIM - A-PILLAR - DRIVER - NOT ILLUSTRATED FROM: 10-09-06 THRU: 99-99-99 |

EXTERIOR BODY GROUP (CONTINUED)
FRONT END (CONTINUED)

| KEY | PART NUMBER | U/M | DESCRIPTION |
|-----|---------------|-----|---|
| 20 | 158297-01-000 | FT | SEAL - D-SECTION/BULB/TEE - ADHESIVE BACK - BLACK |
| 21 | 142569-30-000 | EA | SPRING/GAS - 90 LB - 9.6" EXTENDED/6.5" COMPRESSED |
| 22 | 057460-02-000 | EA | BALL STUD - F/GAS SPRING .39" - 5/16"-18 |
| 23 | 156587-02-U79 | EA | HOOD - FRONT - W/O HDW |
| 24 | 126263-08-02B | EA | BRACKET - GAS SPRING W/CENTERED BALL STUD - E-COATED |
| 25 | 149358-01-01A | EA | BOLT - STRIKER - .375" DIAMETER |
| 26 | 155042-01-01A | EA | BEARING/CLIP - F/ELECTRIC SLIDING TV MECHANISM - CHARCOAL |
| 27 | 157013-01-02B | EA | ANGLE - HOOD STOP - E-COATED |
| 28 | 160724-01-02B | EA | BRACE ASM - STRIKE/RH - E-COATED |
| 29 | 160724-02-02B | EA | BRACE ASM - STRIKE/LH - E-COATED |
| 30 | 149359-02-01A | EA | LATCH - SINGLE ROTOR - MINI/RIGHT HAND - HOOD - ZINC |
| 31 | 149359-03-01A | EA | LATCH - SINGLE ROTOR - MINI/LEFT HAND - HOOD - ZINC |
| 32 | 158033-01-02B | EA | ANGLE - LATCH/RH - E-COATED |
| 33 | 158033-02-02B | EA | ANGLE - LATCH/LH - E-COATED |
| 34 | 156577-02-02B | EA | SUPPORT - HEADLAMP/DRIVER - E-COATED |
| 35 | 157207-01-02B | EA | MOUNT - BADGE/GRILLE - E-COATED |

STRUCTURAL COMPONENTS

| KEY | PART NUMBER | U/M | DESCRIPTION |
|-----|---------------|-----|--|
| | 002766-01-001 | EA | ANGLE - EXTRUDED - 1" X 1 1/2" X 17' |
| | 089297-01-000 | SF | PLYWOOD - LUAN - OVERLAY GRADE - 4' X 8' |
| | 089297-03-000 | SF | PLYWOOD - LUAN - OVERLAY GRADE - 4' X 8.3' |
| | 100619-01-000 | BF | FOAM - EXPANDED POLYSTYRENE - 1.34" X 48" X 96" |
| | 100619-02-000 | BF | FOAM - EXPANDED POLYSTYRENE - 1.5" X 48" X 96" |
| | 100619-04-000 | BF | FOAM - EXPANDED POLYSTYRENE - .5" X 48" X 96" |
| | 100619-05-000 | BF | FOAM - EXPANDED POLYSTYRENE - .75" X 48" X 96"-1.5"DENSITY |
| | 100619-13-000 | BF | FOAM - EXPANDED POLYSTYRENE-.34" X 34.7" X 96"-2" DENSITY |
| | 100619-16-000 | BF | FOAM - EXPANDED POLYSTYRENE - .75" X 48" X 96"-2" DENSITY |
| | 100619-22-000 | BF | FOAM - EXPANDED POLYSTYRENE - 1.34" X 48" X 120" |
| | 105077-08-000 | EA | FOAM - PLUG - ROOF CAP |
| | 108535-05-03A | SF | FIBERGLASS SHEET - 108" X 500' ROLL - BRIGHT WHITE |
| | 116942-03-01A | LB | ALUMINUM - .7" X 40" X 158" |
| | 120107-07-000 | EA | FOAM - ROOF COVE |
| | 128782-17-01A | EA | FIBERGLASS SHEET - 30.9" X 74.7" - HIGH GLOSS - BRT WHITE |
| | 128782-18-01A | EA | FIBERGLASS SHEET - 85.2" X 448.1" - HIGH GLOSS - BRT WHITE |
| | 148884-20-01A | EA | FIBERGLASS SHEET - 4" X 93.8" - HIGH GLOSS - BRIGHT WHITE |
| | 152490-01-000 | EA | FOAM - PLUG - ROOF TUBE |

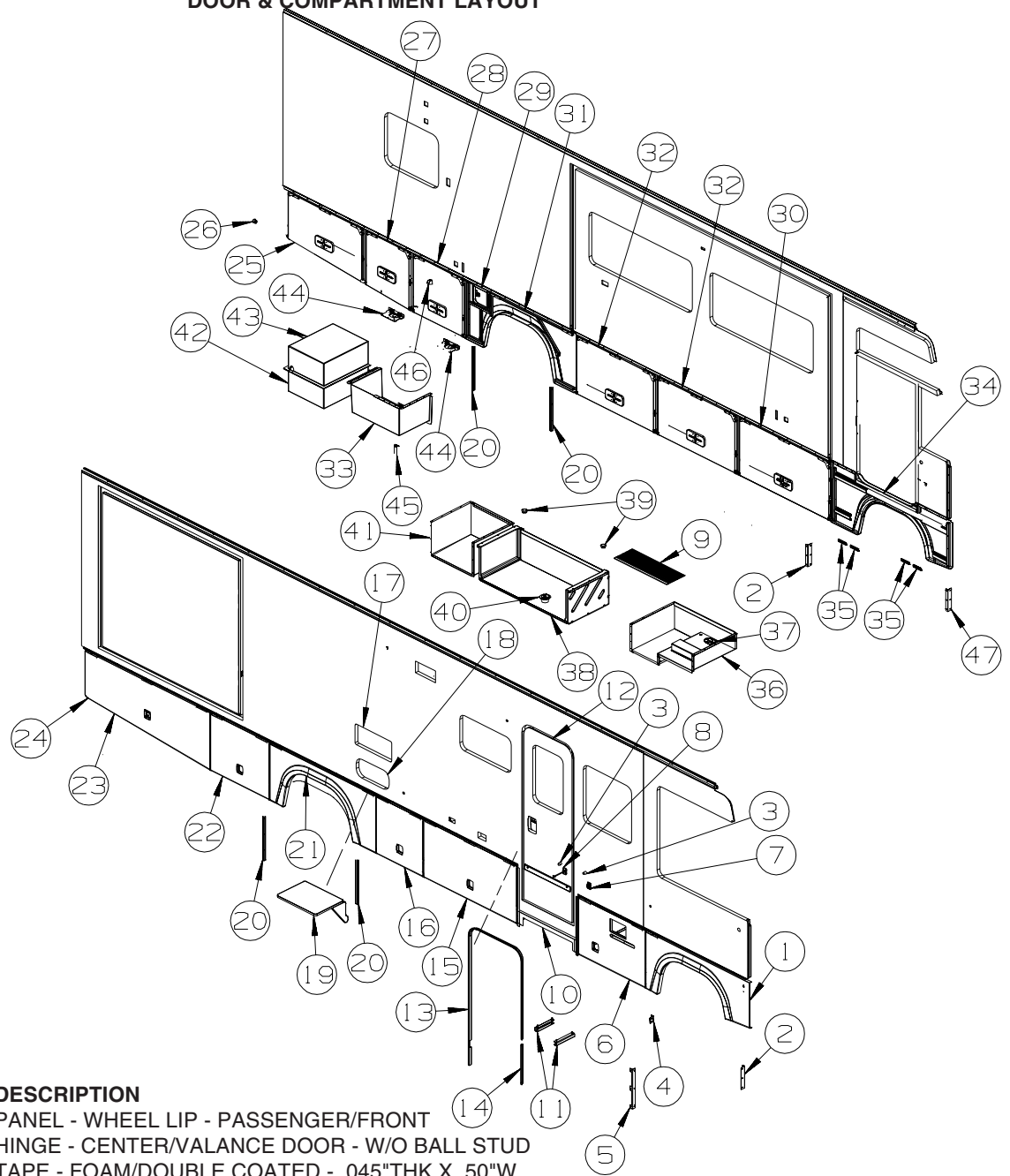
AWNINGS

ORDER AWNINGS & REPAIR PARTS FROM DOMETIC. CALL #800-366-3842.
THE DOMETIC AWNING INFORMATION YOU WILL NEED IS LOCATED ON THE MOTOR HOME NEAR
THE TOP OF THE AWNING RAIL.

| KEY | PART NUMBER | U/M | DESCRIPTION |
|-----|---------------|-----|--|
| | 113874-11-01A | EA | SCREW/LAG - AWNING - 1/4" X 1" STAINLESS STEEL |
| | 113874-12-01A | EA | SCREW/LAG - AWNING - 1/4" X 2 3/4" STAINLESS STEEL |
| | 137054-01-02A | EA | BRACKET - AWNING - BRIGHT WHITE - MANUAL FROM: 00-00-00 THRU: 12-10-06 |
| | 161739-01-02A | EA | BRACKET - AWNING - BRIGHT WHITE - MANUAL FROM: 12-11-06 THRU: 99-99-99 |

EXTERIOR DOORS & COMPARTMENTS GROUP

DOOR & COMPARTMENT LAYOUT

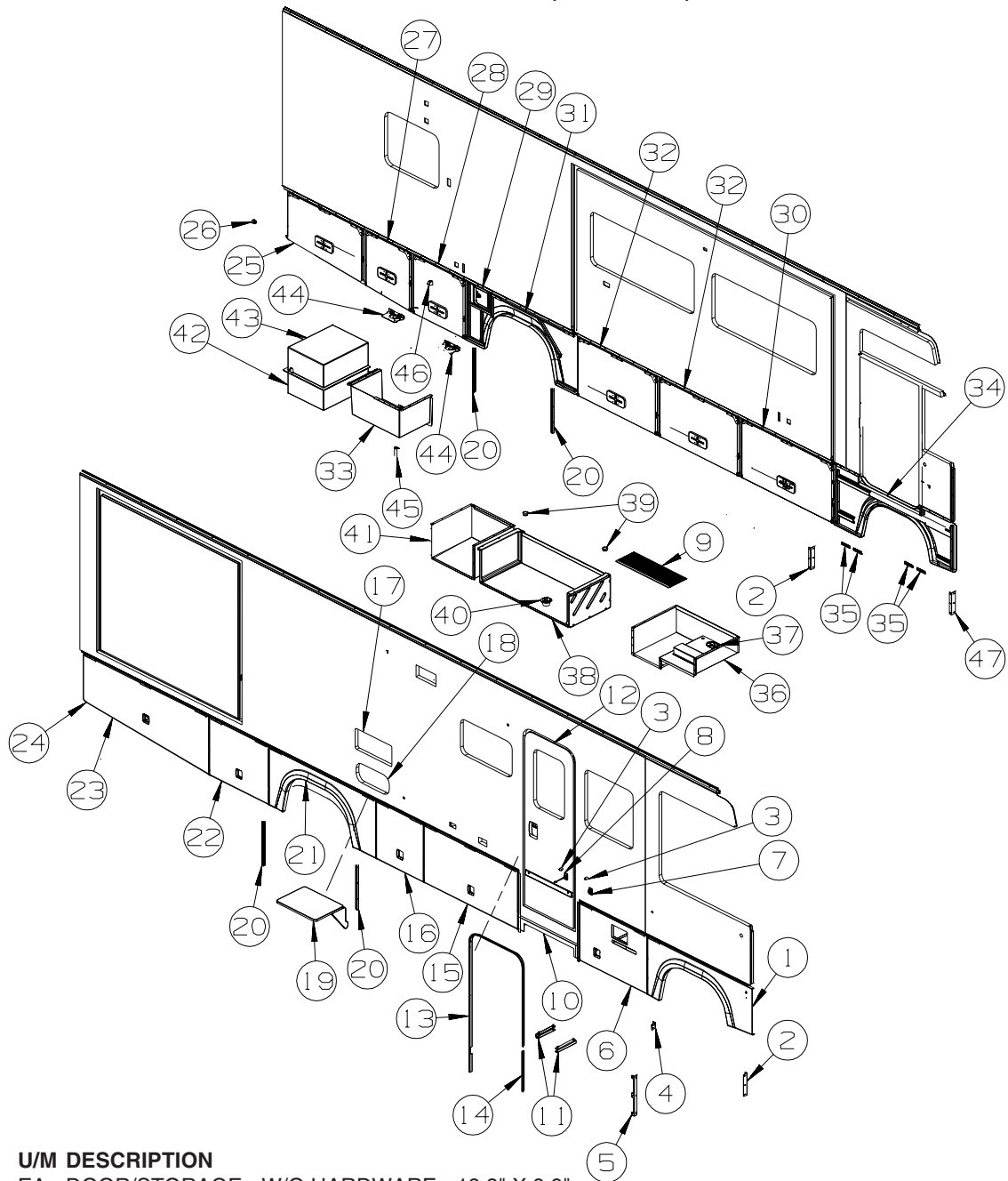


| KEY | PART NUMBER | U/M | DESCRIPTION |
|-----|---------------|-----|---|
| 1 | 156541-01-U67 | EA | PANEL - WHEEL LIP - PASSENGER/FRONT |
| | 139793-03-01A | EA | HINGE - CENTER/VALANCE DOOR - W/O BALL STUD |
| | 076322-21-000 | FT | TAPE - FOAM/DOUBLE COATED - .045"THK X .50"W |
| | 076322-22-000 | FT | TAPE - FOAM/DOUBLE COATED - .045" X .75" |
| 2 | 113904-18-02B | EA | ANGLE - ATTACHMENT/WHEEL LIP - E-COATED |
| | | | FROM: 00-00-00 THRU: 03-30-06 |
| 2 | 113904-16-02B | EA | ANGLE - ATTACHMENT/WHEEL LIP - E-COATED |
| | | | FROM: 03-31-06 THRU: 99-99-99 |
| 3 | 120863-02-000 | EA | BUMPER - RUBBER/RADIUS TOP - 1" X 1 1/2" |
| 4 | 113904-19-02B | EA | ANGLE - ATTACHMENT/WHEEL LIP - E-COATED |
| 5 | 138789-01-02B | EA | ANGLE/MOUNT - WHEEL LIP/BACKWALL - E-COATED |
| 6 | 147682-04-U67 | EA | VALANCE/DOOR - W/O LATCH/HDWR - W/CUT-OUT - 37.2" X 26.9" |
| | 132873-D5-000 | EA | ROD - LATCH - 21.7" W/3/4" DOG LEG |
| | 135624-A7-01B | EA | ROD - LATCH |
| | 142569-12-000 | EA | SPRING/GAS - 90 LB - 15" EXTENDED/9.5" COMPRESSED |
| | 126263-02-02B | EA | BRACKET - GAS SPRING W/BALL STUD - E-COATED |
| | 130053-01-01A | EA | STRIKER - LUGGAGE DOOR - FLUSH - BLACK |
| | 143793-01-01A | EA | SHIM - STRIKER - LUGGAGE - 3/64" - BLACK |
| | 132892-08-01A | FT | SEAL - BULB/SINGLE - W/U CHANNEL - BLACK |
| | 099418-01-000 | FT | SEAL - D-SECTION/ADHESIVE BACK - .44" X .44" - BLK RUBBER |
| | | | FROM: 01-02-07 THRU: 99-99-99 |
| 7 | 104099-02-04A | EA | CATCH/RETAINER - DOOR HOLDER - BRIGHT WHITE |
| 8 | 104099-03-04A | EA | CATCH - DOOR HOLDER - STRIKE - 6" - BRIGHT WHITE |

EXTERIOR DOORS & COMPARTMENTS GROUP (CONTINUED)
DOOR & COMPARTMENT LAYOUT (CONTINUED)

| KEY | PART NUMBER | U/M | DESCRIPTION |
|---|--------------------|------------|---|
| 9 | 133114-01-01A | EA | TREAD - STEP/RUBBER - 29.3" X 10.1" - TAUPE |
| 10* | 094707-04-01A | EA | STEP - ELECTRIC DOUBLE - KWIKEE |
| | 116975-01-01A | EA | LATCH - W/O STRIKE - BLACK - NEW STYLE |
| 11 | 138787-02-02B | EA | CHANNEL/MOUNT - E-COAT |
| 12 | P32206-17-U67 | EA | DOOR - ENTRY W/SCREEN DOOR - W/O WINDOW/LATCH (U79, U80) |
| 12 | P32206-17-U71 | EA | DOOR - ENTRY W/SCREEN DOOR - W/O WINDOW/LATCH (U83, U84) |
| 12 | P32206-17-U75 | EA | DOOR - ENTRY W/SCREEN DOOR - W/O WINDOW/LATCH (U87, U88) |
| ENTRY DOOR LOCK CYLINDERS | | | |
| | 138287-11-000 | EA | CYLINDER/LOCK - ENTRY DOOR - MASTER W/3M ICON - (3041) |
| | 138287-12-000 | EA | CYLINDER/LOCK - ENTRY DOOR - MASTER W/3M ICON - (3042) |
| | 138287-13-000 | EA | CYLINDER/LOCK - ENTRY DOOR - MASTER W/3M ICON - (3043) |
| | 138287-14-000 | EA | CYLINDER/LOCK - ENTRY DOOR - MASTER W/3M ICON - (3044) |
| | 138287-15-000 | EA | CYLINDER/LOCK - ENTRY DOOR - MASTER W/3M ICON - (3045) |
| | 138287-16-000 | EA | CYLINDER/LOCK - ENTRY DOOR - MASTER W/3M ICON - (3046) |
| | 138287-17-000 | EA | CYLINDER/LOCK - ENTRY DOOR - MASTER W/3M ICON - (3047) |
| | 138287-18-000 | EA | CYLINDER/LOCK - ENTRY DOOR - MASTER W/3M ICON - (3048) |
| | 138287-19-000 | EA | CYLINDER/LOCK - ENTRY DOOR - MASTER W/3M ICON - (3049) |
| | 138287-20-000 | EA | CYLINDER/LOCK - ENTRY DOOR - MASTER W/3M ICON - (3050) |
| | 138292-01-000 | EA | SEAL - LOCK CYLINDER |
| VALANCE DOOR, DRIVER DOOR & WATER FILL DOOR LOCK CYLINDERS | | | |
| | 138289-11-000 | EA | CYLINDER/LOCK - ACCESS DOORS - REDUCED SENSITIVITY (3041) |
| | 138289-12-000 | EA | CYLINDER/LOCK - ACCESS DOORS - REDUCED SENSITIVITY (3042) |
| | 138289-13-000 | EA | CYLINDER/LOCK - ACCESS DOORS - REDUCED SENSITIVITY (3043) |
| | 138289-14-000 | EA | CYLINDER/LOCK - ACCESS DOORS - REDUCED SENSITIVITY (3044) |
| | 138289-15-000 | EA | CYLINDER/LOCK - ACCESS DOORS - REDUCED SENSITIVITY (3045) |
| | 138289-16-000 | EA | CYLINDER/LOCK - ACCESS DOORS - REDUCED SENSITIVITY (3046) |
| | 138289-17-000 | EA | CYLINDER/LOCK - ACCESS DOORS - REDUCED SENSITIVITY (3047) |
| | 138289-18-000 | EA | CYLINDER/LOCK - ACCESS DOORS - REDUCED SENSITIVITY (3048) |
| | 138289-19-000 | EA | CYLINDER/LOCK - ACCESS DOORS - REDUCED SENSITIVITY (3049) |
| | 138289-20-000 | EA | CYLINDER/LOCK - ACCESS DOORS - REDUCED SENSITIVITY (3050) |
| | 138288-11-000 | EA | KEY - REVERSIBLE - #3041 - T/M 16169-02-3041 |
| | 138288-12-000 | EA | KEY - REVERSIBLE - #3042 - T/M 16169-02-3042 |
| | 138288-13-000 | EA | KEY - REVERSIBLE - #3043 - T/M 16169-02-3043 |
| | 138288-14-000 | EA | KEY - REVERSIBLE - #3044 - T/M 16169-02-3044 |
| | 138288-15-000 | EA | KEY - REVERSIBLE - #3045 - T/M 16169-02-3045 |
| | 138288-16-000 | EA | KEY - REVERSIBLE - #3046 - T/M 16169-02-3046 |
| | 138288-17-000 | EA | KEY - REVERSIBLE - #3047 - T/M 16169-02-3047 |
| | 138288-18-000 | EA | KEY - REVERSIBLE - #3048 - T/M 16169-02-3048 |
| | 138288-19-000 | EA | KEY - REVERSIBLE - #3049 - T/M 16169-02-3049 |
| | 138288-20-000 | EA | KEY - REVERSIBLE - #3050 - T/M 16169-02-3050 |
| 13 | 139100-01-01A | EA | GARNISH/RADIUS - ENTRY DOOR - BRIGHT WHITE |
| 14 | 139101-01-01A | EA | GARNISH/STRAIGHT - W/NOTCH - 36.31" - BRIGHT WHITE |
| 15 | 147682-01-U67 | EA | VALANCE/DOOR - W/O PADDLE LATCH/HDWR - 51.8" X 26.3" |
| | 132873-D1-000 | EA | ROD - LATCH - 19.7" W/3/4" DOG LEG |
| | 135624-A5-01B | EA | ROD - LATCH |
| | 142569-12-000 | EA | SPRING/GAS - 90 LB - 15" EXTENDED/9.5" COMPRESSED |
| | 126263-02-02B | EA | BRACKET - GAS SPRING W/BALL STUD - E-COATED |
| | 130053-01-01A | EA | STRIKER - LUGGAGE DOOR - FLUSH - BLACK |
| | 143793-01-01A | EA | SHIM - STRIKER - LUGGAGE - 3/64" - BLACK |
| | 132892-08-01A | FT | SEAL - BULB/SINGLE - W/U CHANNEL - BLACK |
| | 099418-01-000 | FT | SEAL - D-SECTION/ADHESIVE BACK - .44" X .44" - BLK RUBBER |
| | | | FROM: 01-02-07 THRU: 99-99-99 |
| 16 | 140982-02-P37 | EA | VALANCE/DOOR - W/O LATCH/HINGE - 26.1" X 26.3" |
| | 132873-21-000 | EA | ROD - LATCH - 6.8" W/3/4" DOG LEG |
| | 135624-75-01B | EA | ROD - LATCH |
| | 142569-12-000 | EA | SPRING/GAS - 90 LB - 15" EXTENDED/9.5" COMPRESSED |
| | 126263-02-02B | EA | BRACKET - GAS SPRING W/BALL STUD - E-COATED |
| | 130053-01-01A | EA | STRIKER - LUGGAGE DOOR - FLUSH - BLACK |
| | 143793-01-01A | EA | SHIM - STRIKER - LUGGAGE - 3/64" - BLACK |
| | 132892-08-01A | FT | SEAL - BULB/SINGLE - W/U CHANNEL - BLACK |
| | 099418-01-000 | FT | SEAL - D-SECTION/ADHESIVE BACK - .44" X .44" - BLK RUBBER |
| | | | FROM: 01-02-07 THRU: 99-99-99 |
| 17* | 084103-08-000 | EA | DOOR - VENT - REFRIGERATOR - W/O JAMB - BRIGHT WHITE |
| 17 | 084104-08-000 | EA | JAMB - VENT DOOR/REFRIGERATOR - BRIGHT WHITE |

EXTERIOR DOORS & COMPARTMENTS GROUP (CONTINUED)
DOOR & COMPARTMENT LAYOUT (CONTINUED)

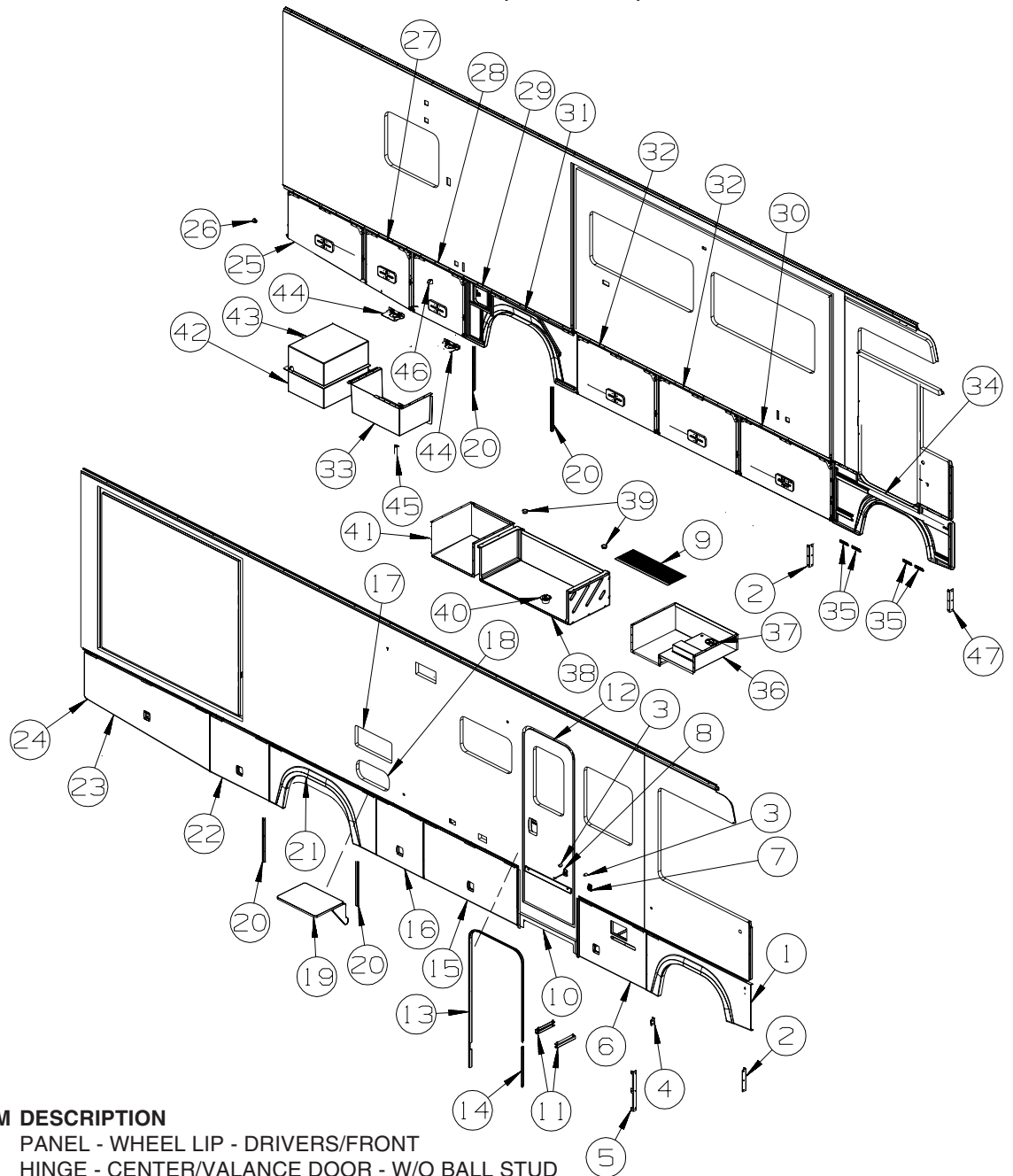


| KEY | PART NUMBER | U/M | DESCRIPTION |
|-----|---------------|-----|--|
| 18 | 126945-09-P07 | EA | DOOR/STORAGE - W/O HARDWARE - 18.3" X 9.9" |
| 19 | 142034-01-01A | EA | SHELF - F/EXTERIOR TV - BRIGHT WHITE |
| 20 | 113904-13-02B | EA | ANGLE - ATTACHMENT/WHEEL LIP - 15.7" - E-COAT |
| 21 | 141621-34-S46 | EA | PANEL/WHEEL LIP - PASSENGER/REAR - 59.4" |
| | 139793-03-01A | EA | HINGE - CENTER/VALANCE DOOR - W/O BALL STUD |
| | 076322-21-000 | FT | TAPE - FOAM/DOUBLE COATED - .045"THK X .50"W |
| | 076322-22-000 | FT | TAPE - FOAM/DOUBLE COATED - .045" X .75" |
| 22 | 140982-05-P37 | EA | VALANCE/DOOR - W/O LATCH/HINGE - 32.8" X 26.3" |
| | 132873-25-000 | EA | ROD - LATCH - 10.2" W/3/4" DOG LEG |
| | 135624-08-01B | EA | ROD - LATCH |
| | 142569-17-000 | EA | SPRING/GAS - 90 LB - 12" EXTENDED/8.5" COMPRESSED |
| | 126263-02-02B | EA | BRACKET - GAS SPRING W/BALL STUD - E-COATED |
| | 130053-01-01A | EA | STRIKER - LUGGAGE DOOR - FLUSH - BLACK |
| | 143793-01-01A | EA | SHIM - STRIKER - LUGGAGE - 3/64" - BLACK |
| | 076767-14-000 | EA | CABLE - STAINLESS STEEL - 14.9" |
| | 132892-08-01A | FT | SEAL - BULB/SINGLE - W/U CHANNEL - BLACK |
| 23 | 147682-11-R38 | EA | VALANCE/DOOR - PASS W/O LATCH/HDWR - 26.4" X 69.5" X 21.4" |
| | 107721-07-000 | FT | SEAL - ACCESS DOOR - .9"WIDE X 1.1"HIGH |
| | 076322-13-000 | FT | TAPE - FOAM/DOUBLE COATED - .020"THK X .75"W - CLEAR |
| 24 | 140309-03-02B | EA | ANGLE - FURNACE DOOR - E-COATED |

EXTERIOR DOORS & COMPARTMENTS GROUP (CONTINUED)
DOOR & COMPARTMENT LAYOUT (CONTINUED)

| KEY | PART NUMBER | U/M | DESCRIPTION |
|-----|---------------|-----|--|
| 25 | 147682-08-R32 | EA | VALANCE/DOOR - DRVR W/O LATCH/HDWR - 24.4" X 43.1" X 21.3" |
| | 132873-29-000 | EA | ROD - LATCH - 15.4" W/3/4" DOG LEG |
| | 135624-77-01B | EA | ROD - LATCH |
| | 142569-17-000 | EA | SPRING/GAS - 90 LB - 12" EXTENDED/8.5" COMPRESSED |
| | 126263-02-02B | EA | BRACKET - GAS SPRING W/BALL STUD - E-COATED |
| | 130053-01-01A | EA | STRIKER - LUGGAGE DOOR - FLUSH - BLACK |
| | 143793-01-01A | EA | SHIM - STRIKER - LUGGAGE - 3/64" - BLACK |
| | 132892-08-01A | FT | SEAL - BULB/SINGLE - W/U CHANNEL - BLACK |
| 26 | 117047-01-000 | EA | BUMPER - RUBBER/WASHER INSERT |
| 27 | 140982-15-P37 | EA | VALANCE/DOOR - DRVR W/O LATCH/HINGE- 26.3" X 26.1" X 24.4" |
| | 132873-21-000 | EA | ROD - LATCH - 6.8" W/3/4" DOG LEG |
| | 135624-75-01B | EA | ROD - LATCH |
| | 142569-12-000 | EA | SPRING/GAS - 90 LB - 15" EXTENDED/9.5" COMPRESSED |
| | 126263-02-02B | EA | BRACKET - GAS SPRING W/BALL STUD - E-COATED |
| | 130053-01-01A | EA | STRIKER - LUGGAGE DOOR - FLUSH - BLACK |
| | 143793-01-01A | EA | SHIM - STRIKER - LUGGAGE - 3/64" - BLACK |
| | 107721-07-000 | FT | SEAL - ACCESS DOOR - .9"WIDE X 1.1"HIGH |
| | 099418-01-000 | FT | SEAL - D-SECTION/ADHESIVE BACK - .44" X .44" - BLK RUBBER FROM: 01-02-07 THRU: 99-99-99 |
| 28 | 140982-03-P37 | EA | VALANCE/DOOR - W/O LATCH/HINGE - 29.3" X 26.3" |
| | 132873-23-000 | EA | ROD - LATCH - 8.5" W/3/4" DOG LEG |
| | 132873-24-000 | EA | ROD - LATCH - 10.3" W/3/4" DOG LEG FROM: 00-00-00 THRU: 08-28-05 |
| | 135624-26-01B | EA | ROD - LATCH FROM: 08-29-05 THRU: 99-99-99 |
| | 142569-12-000 | EA | SPRING/GAS - 90 LB - 15" EXTENDED/9.5" COMPRESSED |
| | 126263-02-02B | EA | BRACKET - GAS SPRING W/BALL STUD - E-COATED |
| | 130053-01-01A | EA | STRIKER - LUGGAGE DOOR - FLUSH - BLACK |
| | 143793-01-01A | EA | SHIM/STRIKER - LUGGAGE - 1.5" - BLACK |
| | 107721-07-000 | FT | SEAL - ACCESS DOOR - .9"WIDE X 1.1"HIGH |
| | 099418-01-000 | FT | SEAL - D-SECTION/ADHESIVE BACK - .44" X .44" - BLK RUBBER FROM: 01-02-07 THRU: 99-99-99 |
| 29 | 131905-03-L32 | EA | PANEL/DOOR - FUEL FILL - W/O LOCK - BLACK |
| * | 110506-A2-000 | EA | LOCK - TWIST - 26.45MM |
| | 110506-51-000 | EA | CASE/CYLINDER - TWIST LATCH - W/O CAM - 1" - 596669 |
| | 110506-78-000 | EA | CAM - LATCHING - 2.3" |
| | 153306-01-01A | EA | HINGE - PIANO - 1 1/2" X 5" - UNPAINTED |
| 30 | 147682-01-U67 | EA | VALANCE/DOOR - W/O PADDLE LATCH/HDWR - 51.8" X 26.3" |
| | 132873-D1-000 | EA | ROD - LATCH - 19.7" W/3/4" DOG LEG |
| | 135624-A5-01B | EA | ROD - LATCH |
| | 142569-12-000 | EA | SPRING/GAS - 90 LB - 15" EXTENDED/9.5" COMPRESSED |
| | 126263-02-02B | EA | BRACKET - GAS SPRING W/BALL STUD - E-COATED |
| | 130053-01-01A | EA | STRIKER - LUGGAGE DOOR - FLUSH - BLACK |
| | 130053-02-01A | EA | STRIKER - LUGGAGE DOOR - OFF SET - BLACK |
| | 143793-01-01A | EA | SHIM/STRIKER - LUGGAGE - 1.5" - BLACK |
| | 132892-08-01A | FT | SEAL - BULB/SINGLE - W/U CHANNEL - BLACK |
| | 099418-01-000 | FT | SEAL - D-SECTION/ADHESIVE BACK - .44" X .44" - BLK RUBBER FROM: 01-02-07 THRU: 99-99-99 |
| 31 | 144686-13-S46 | EA | PANEL/WHEEL LIP - DRIVER/REAR |
| | 139793-03-01A | EA | HINGE - CENTER/VALANCE DOOR - W/O BALL STUD |
| | 076322-21-000 | FT | TAPE - FOAM/DOUBLE COATED - .045"THK X .50"W |
| | 076322-22-000 | FT | TAPE - FOAM/DOUBLE COATED - .045" X .75" |
| 32 | 140982-09-U67 | EA | VALANCE/DOOR - W/O LATCH/HINGE - 45" X 26.3" |
| | 132873-31-000 | EA | ROD - LATCH - 16.3" W/3/4" DOG LEG |
| | 135624-78-01B | EA | ROD - LATCH |
| | 142569-12-000 | EA | SPRING/GAS - 90 LB - 15" EXTENDED/9.5" COMPRESSED |
| | 126263-02-02B | EA | BRACKET - GAS SPRING W/BALL STUD - E-COATED |
| | 130053-01-01A | EA | STRIKER - LUGGAGE DOOR - FLUSH - BLACK |
| | 143793-01-01A | EA | SHIM - STRIKER - LUGGAGE - 3/64" - BLACK |
| | 132892-08-01A | FT | SEAL - BULB/SINGLE - W/U CHANNEL - BLACK |
| | 099418-01-000 | FT | SEAL - D-SECTION/ADHESIVE BACK - .44" X .44" - BLK RUBBER FROM: 01-02-07 THRU: 99-99-99 |
| 33 | 144654-01-000 | EA | COMPARTMENT - DRAINAGE |

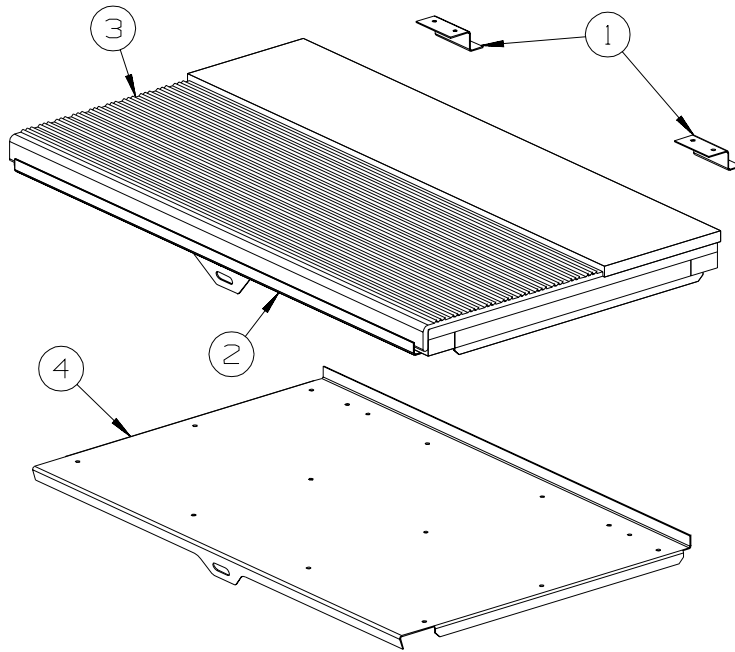
EXTERIOR DOORS & COMPARTMENTS GROUP (CONTINUED)
DOOR & COMPARTMENT LAYOUT (CONTINUED)



| KEY | PART NUMBER | U/M | DESCRIPTION |
|-----|---------------|-----|--|
| 34 | 156503-01-U67 | EA | PANEL - WHEEL LIP - DRIVERS/FRONT |
| | 139793-03-01A | EA | HINGE - CENTER/VALANCE DOOR - W/O BALL STUD |
| | 076322-22-000 | FT | TAPE - FOAM/DOUBLE COATED - .045" X .75" |
| 35 | 132654-07-01A | EA | SUPPORT - WHEEL LIP - BLACK - 4.5" |
| 36 | 141698-36-S46 | EA | COMPARTMENT - LUGGAGE |
| 36 | 141698-37-S46 | EA | COMPARTMENT - LUGGAGE - WATER HEATER -10GAL/ELEC/LP/MOTOR AID |
| 37 | 148331-01-01A | EA | PLUG - OVAL/LARGE - BLACK |
| 38 | 144629-16-RS2 | EA | COMPARTMENT - LUGGAGE |
| | | | FROM: 00-00-00 THRU: 02-02-06 |
| 38 | 144629-41-U67 | EA | COMPARTMENT - LUGGAGE |
| | | | FROM: 02-03-06 THRU: 99-99-99 |
| 39 | 081211-03-000 | EA | PLUG - PLASTIC - .50"DIAMETER - TRUSS HEAD - BLACK |
| 40 | 009426-01-000 | EA | HATCH - POWER CORD - WHITE |
| 41 | 141698-26-P45 | EA | COMPARTMENT - LUGGAGE |
| 42 | 132315-03-000 | EA | COMPARTMENT - POWER CORD - GEN-5.5KW -GAS-MARQ GOLD-GEN-7.0KW -GAS-MARQ GOLD |
| 43 | 132315-06-000 | EA | COMPARTMENT - POWER CORD |
| 44* | 142226-02-01A | EA | HATCH - POWER |
| 45 | 130377-02-000 | EA | UBE/DRAIN - KAZOO - 1 1/2" X 4" |
| 46 | 131383-03-02A | EA | BRACKET - SHOWER HEAD - WHITE |
| 47 | 113904-18-02B | EA | ANGLE - ATTACHMENT/WHEEL LIP - E-COATED |

*COMPONENT PARTS LISTED LATER IN THIS GROUP

EXTERIOR DOORS & COMPARTMENTS GROUP (CONTINUED)
DOOR & COMPARTMENT LAYOUT (CONTINUED)



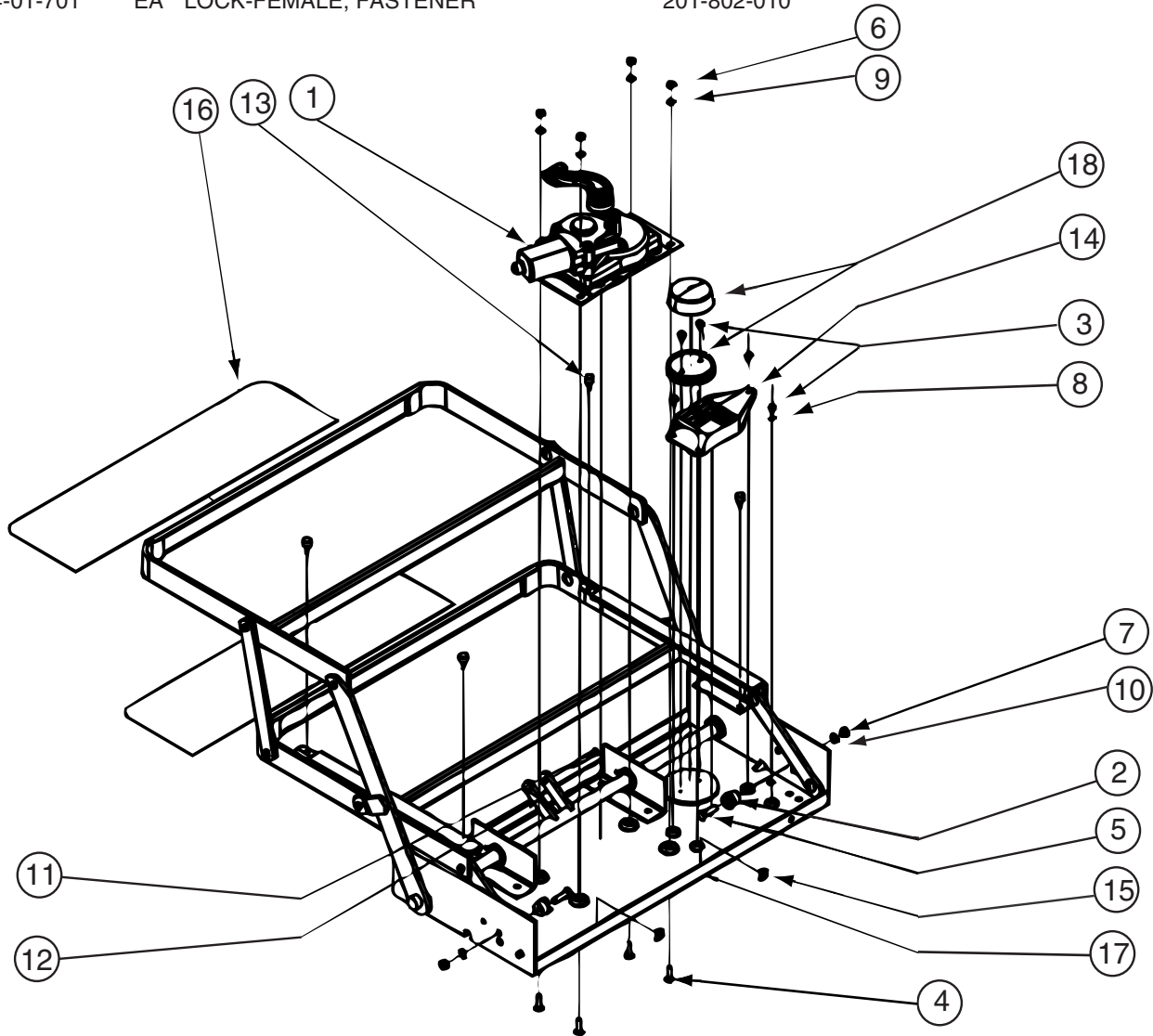
| KEY | PART NUMBER | U/M | DESCRIPTION |
|-----|---------------|-----|--|
| 1 | 101222-01-04A | EA | BRACKET - CATCH - LID - E-COATED |
| 2 | P20256-07-000 | EA | LID/DOOR - ENTRY STEP - W/O CARPET/HARDWARE |
| 3 | 133114-02-01A | EA | TREAD - STEP/RUBBER - W/LIP - 28.5" X 9.8" - TAUPE |
| 4 | 123330-03-02B | EA | SUPPORT - ENTRY STEP - E-COATED |

EXTERIOR DOORS & COMPARTMENTS GROUP (CONTINUED)

COMPONENT PARTS FOR DOOR & COMPARTMENT LAYOUT

084103-08-000

| KEY | PART NUMBER | U/M | DESCRIPTION | VENDOR NO. |
|-----|---------------|-----|-----------------------|-------------|
| | 084104-01-700 | EA | LOCK-MALE, FASTENER | 201-721-010 |
| | 084104-01-701 | EA | LOCK-FEMALE, FASTENER | 201-802-010 |



094707-04-01A

| KEY | PART NUMBER | U/M | DESCRIPTION | VENDOR NO. |
|-----|---------------|-----|--|------------|
| 1 | 094707-04-701 | EA | MOTOR "AM 214" F/IMGL STEPS | 1101428 |
| 1 | 094707-04-703 | EA | GEAR BOX W/LINKAGE-CURVED | 1101425 |
| 2 | 143709-01-700 | EA | CAM STOP | 1102200 |
| 12 | 094707-04-702 | EA | COTTOR PIN - W/CLEVIS PIN | 905205000 |
| 13 | 143709-01-701 | EA | BUMPER - BLACK (RUBBER STOP) | 1602000 |
| 14 | 094707-04-700 | EA | CONTROL UNIT W/OVERRIDE | 909510000 |
| 16 | 143709-01-702 | EA | TREAD/NON-SKID 6" X 21" BLK | 1915260 |
| 17 | 094707-04-704 | EA | FRAME W/DBL STEP-32REINF SRS | 3202082 |
| 18 | 088746-01-705 | EA | LIGHT-UNDER STEP | 9004 |
| | 094707-03-701 | EA | PLUG - 4-WAY - PACKARD | 909306 |
| | 094707-04-711 | EA | KWIKTEST - W/4-WAY PIGTAIL | 909518000 |
| | | | CONTACT WINNEBAGO PART SALES FOR UNLISTED COMPONENT(S) | |

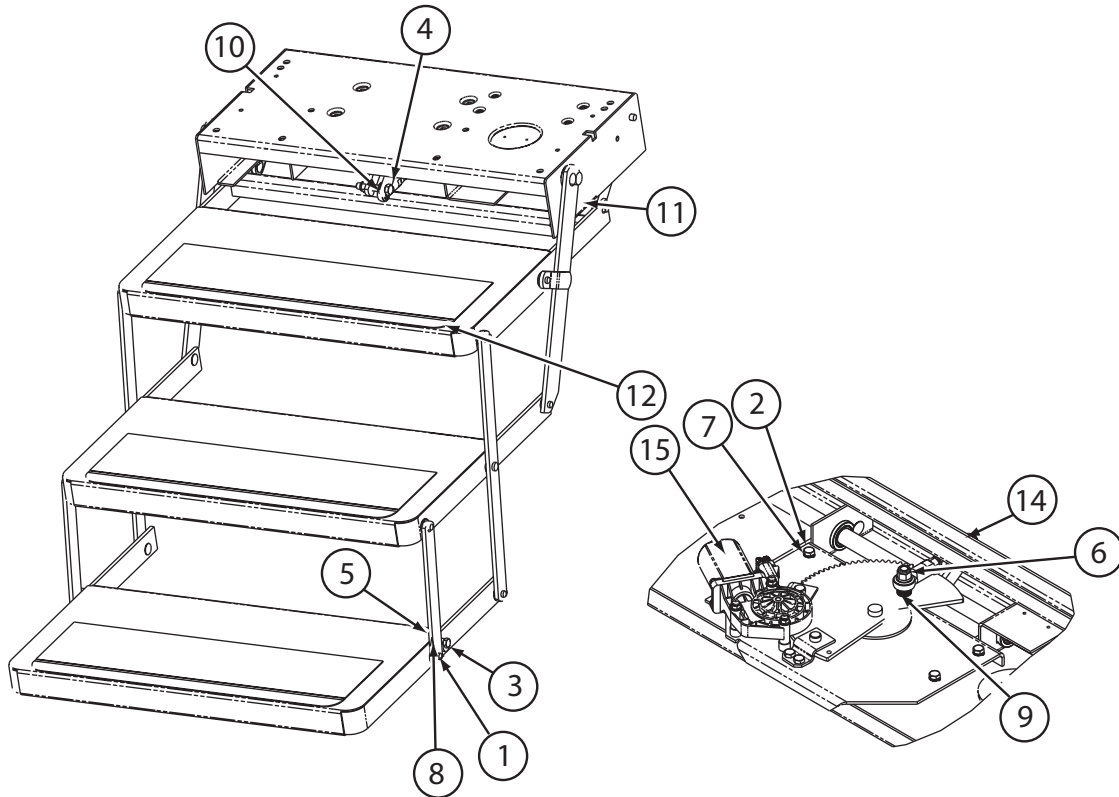
110506-A1-000, 110506-A2-000, 110506-26-000, 110506-27-000, 110506-36-000

| KEY | PART NUMBER | U/M | DESCRIPTION | VENDOR NO. |
|-----|---------------|-----|-------------|------------|
| | 110506-40-700 | EA | HDWE KIT | 596950AAL |

142226-02-01A

| KEY | PART NUMBER | U/M | DESCRIPTION | VENDOR NO |
|-----|---------------|-----|----------------------------|-----------|
| | 142226-02-700 | EA | TAB/LOCKING - ESCAPE (RED) | 9667709 |

EXTERIOR DOORS & COMPARTMENTS GROUP (CONTINUED)
COMPONENT PARTS FOR DOOR & COMPARTMENT LAYOUT (CONTINUED)

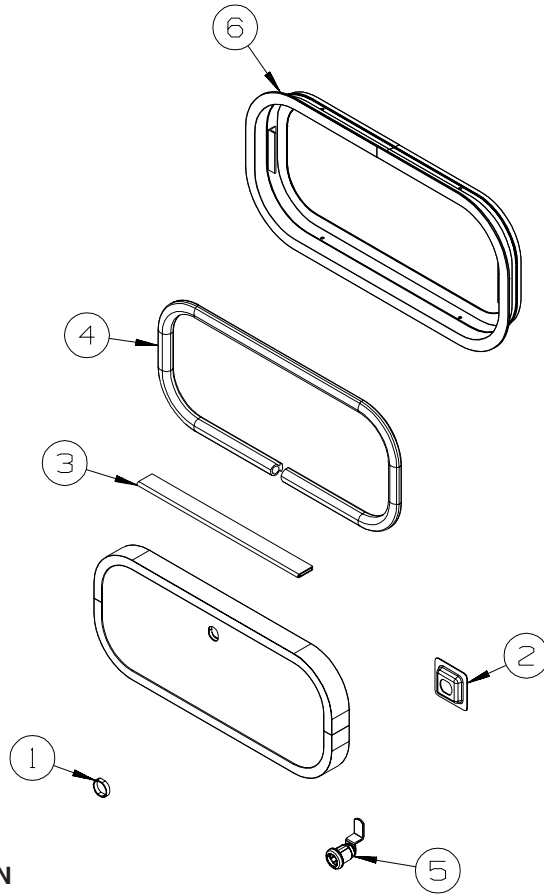


143709-02-01A

| KEY | PART NUMBER | U/M | DESCRIPTION | VENDOR NO. |
|-----|----------------|-----|------------------------------|------------|
| 1 | 143709-01-700 | EA | CAM STOP | 1102200 |
| 13 | 143709-01-701 | EA | BUMPER - BLACK (RUBBER STOP) | 1602000 |
| 15 | 143709-01-702 | EA | TREAD/NON-SKID _6" X 21" BLK | 1915260 |
| 16 | 143709-01-703 | EA | FRAME ONLY PAINTED BLACK 25 | 908025000 |
| 17 | 143709-02-700 | EA | LINK/ASSEMBLY 24/25 SERIES | 3380050 |
| 18 | 143709-02-701 | EA | MOTOR ASM W/TABLE 24/25 STEP | 3392152 |
| 18 | 094707-04-701 | EA | MOTOR "AM 214" F/IMGL STEPS | 1101428 |
| | 088746-01-705 | EA | LIGHT-UNDER STEP | 9004 |
| | 094707-033-701 | EA | PLUG - 4-WAY - PACKARD | 909306 |
| | 094707-04-700 | EA | CONTROL UNIT W/OVERRIDE | 909510000 |
| | 094707-04-711 | EA | KWIKTEST - W/4-WAY PIGTAIL | 909518000 |

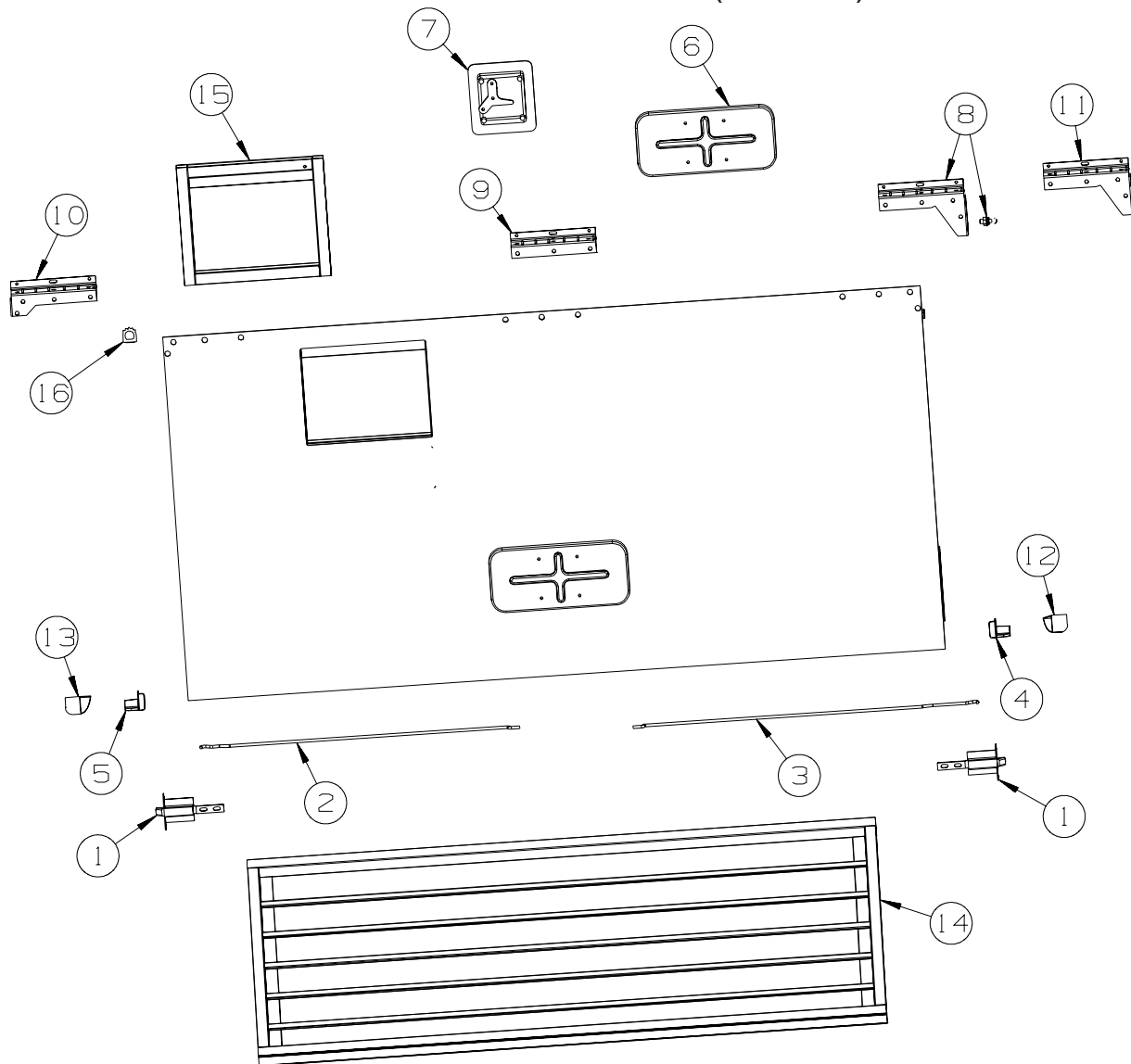
CONTACT WINNEBAGO PART SALES FOR UNLISTED COMPONENT(S)

EXTERIOR DOORS & COMPARTMENTS GROUP (CONTINUED)
COMPARTMENT DOOR PIECE PARTS



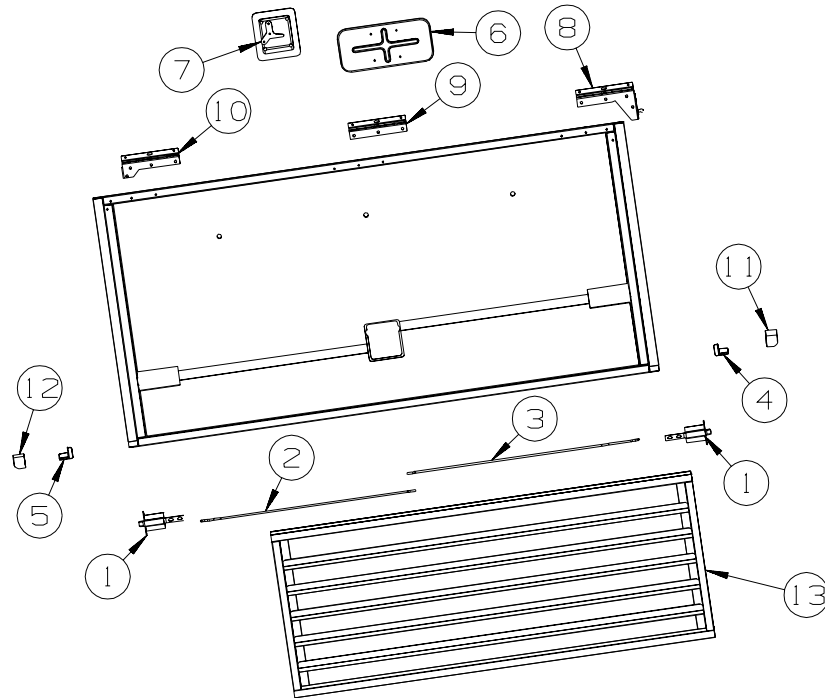
| KEY | PART NUMBER | U/M | DESCRIPTION |
|-----|---------------|-----|--|
| 1 | 139325-01-000 | EA | SPACER - LOCK - 6MM |
| | 139337-01-000 | EA | GASKET - LOCK |
| 2 | 097111-02-04A | EA | POCKET - LOCK - REAR DOOR - BLACK |
| 2 | 097111-02-05A | EA | POCKET - LOCK - REAR DOOR - BRIGHT WHITE |
| 3 | 081801-FN-000 | EA | HINGE - DOOR - PIANO - 2" X 96" - BLACK |
| 3 | 081801-V3-000 | EA | HINGE - DOOR - PIANO - 2" X 96" - BRIGHT WHITE |
| 4 | 156386-01-01A | FT | SEAL - BULB - W/ADHESIVE BACK |
| 5 | 138290-02-000 | EA | CASE - W/CAM - W/O CYLINDER/KEY |
| 6 | 056795-01-000 | FT | TAPE - SEAL - 1/8" X 3/8" WIDE - PRESS ON |

EXTERIOR DOORS & COMPARTMENTS GROUP (CONTINUED)
COMPARTMENT DOOR PIECE PARTS (CONTINUED)



| KEY | PART NUMBER | U/M | DESCRIPTION |
|-----|---------------|-----|---|
| 1 | 121947-01-01A | EA | BOLT - SLIDE/LATCH - W/PLASTIC PLUNGER |
| 2 | 132873-01-000 | EA | ROD - LATCH (BLANK) - 37.3" |
| 3 | 135624-71-01B | EA | ROD - LATCH (BLANK) - 37.3" |
| 4 | 135276-01-01A | EA | REINFORCEMENT - CORNER - LEFT HAND (FACING DOOR) - BLACK |
| 5 | 135276-02-01A | EA | REINFORCEMENT - CORNER - RIGHT HAND (FACING DOOR) - BLACK |
| 6 | 137359-01-01A | EA | COVER - LATCH - WHITE |
| 7 | 154900-01-01A | EA | LATCH/PADDLE - LOCKING - COMPT DOOR - KEY ONE - BLACK |
| 8 | 139793-01-01A | EA | HINGE - RIGHT HAND/VALANCE DOOR - W/BALL STUD |
| 9 | 139793-03-01A | EA | HINGE - CENTER/VALANCE DOOR - W/O BALL STUD |
| 10 | 139793-05-01A | EA | HINGE - LEFT HAND/VALANCE DOOR - W/O BALL STUD |
| 11 | 139793-04-01A | EA | HINGE - RIGHT HAND/VALANCE DOOR - W/O BALL STUD |
| 12 | 141601-02-01A | EA | END CAP/VALANCE DOOR - DRVR SIDE/REAR OF DOOR/1MM NOTCH |
| 13 | 141601-01-01A | EA | END CAP/VALANCE DOOR - PASS SIDE/REAR OF DOOR-W1MM NOTCH |
| 14 | 113333-10-M42 | EA | GRILLE - A/C DOOR |
| 15 | 133049-11-R32 | EA | TRIM - COVER/WATER HEATER - F33V |
| 15 | 133049-09-U67 | EA | TRIM - COVER/WATER HEATER - F35A, F35L |
| 16 | 107721-07-000 | FT | SEAL - ACCESS DOOR - .9"WIDE X 1.1"HIGH |

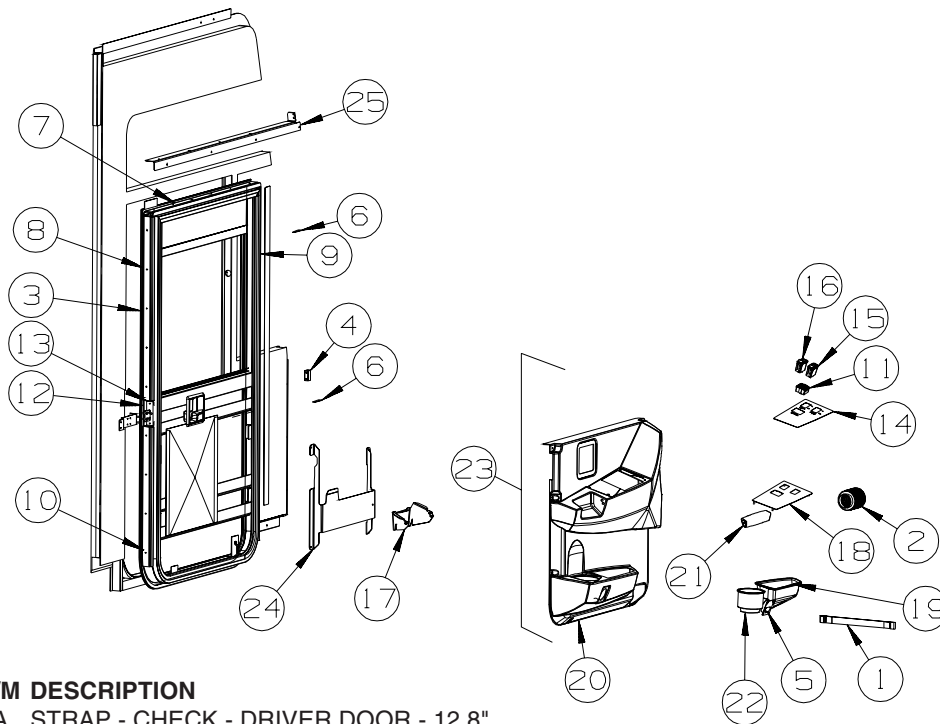
EXTERIOR DOORS & COMPARTMENTS GROUP (CONTINUED)
COMPARTMENT DOOR PIECE PARTS (CONTINUED)



| KEY | PART NUMBER | U/M | DESCRIPTION |
|-----|---------------|-----|---|
| 1 | 121947-01-01A | EA | BOLT - SLIDE/LATCH - W/PLASTIC PLUNGER |
| 2 | 132873-01-000 | EA | ROD - LATCH (BLANK) - 37.3" |
| 3 | 135624-71-01B | EA | ROD - LATCH (BLANK) - 37.3" |
| 4 | 135276-01-01A | EA | REINFORCEMENT - CORNER - LEFT HAND (FACING DOOR) - BLACK |
| 5 | 135276-02-01A | EA | REINFORCEMENT - CORNER - RIGHT HAND (FACING DOOR) - BLACK |
| 6 | 137359-01-01A | EA | COVER - LATCH - WHITE |
| 7 | 154900-01-01A | EA | LATCH/PADDLE - LOCKING - COMPT DOOR - KEY ONE - BLACK |
| 7 | 154900-02-01A | EA | LATCH/PADDLE - NON LOCKING - COMPT DOOR - BLACK |
| 8 | 139793-01-01A | EA | HINGE - RIGHT HAND/VALANCE DOOR - W/BALL STUD |
| 9 | 139793-03-01A | EA | HINGE - CENTER/VALANCE DOOR - W/O BALL STUD |
| 10 | 139793-05-01A | EA | HINGE - LEFT HAND/VALANCE DOOR - W/O BALL STUD |
| 11 | NOT USED | | |
| 12 | NOT USED | | |
| 13 | NOT USED | | |

EXTERIOR DOORS & COMPARTMENTS GROUP (CONTINUED)

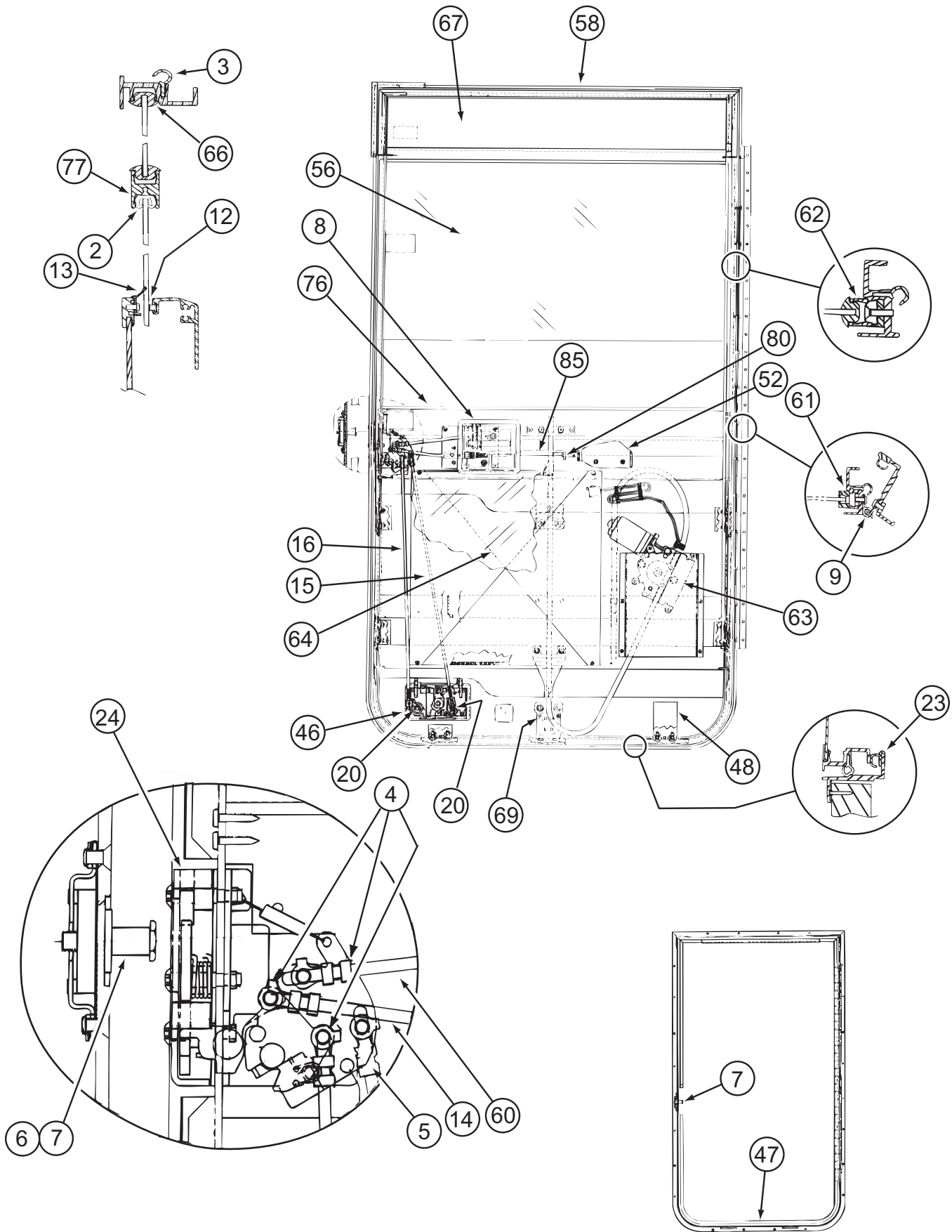
DRIVERS



| KEY | PART NUMBER | U/M | DESCRIPTION |
|-----|---------------|-----|--|
| 1 | 109378-01-000 | EA | STRAP - CHECK - DRIVER DOOR - 12.8" |
| 2 | 117802-01-000 | EA | GROMMET - CONVOLUTED - 2" |
| 3* | 125581-09-01A | EA | DOOR - DRIVER - POWER WINDOW/LOCK |
| 4 | 128131-01-01A | EA | SPACER/SWITCH - DOME - BLACK |
| 5 | 108354-01-01A | EA | LIGHT - COURTESY |
| 6 | 109235-01-01A | FT | COVER - SCREW - MAT BLACK |
| 6 | 109235-01-05A | FT | COVER - SCREW - BRIGHT WHITE |
| 7 | 125725-01-01A | EA | FRAME - DRIVER DOOR - 33.5" - BLACK |
| 8 | 125725-03-01A | EA | FRAME - DRIVER DOOR - 27.8" - BLACK |
| 9 | 125725-07-01A | EA | FRAME - DRIVER DOOR - 53.3" - BLACK |
| 10 | 125725-08-01A | EA | FRAME - DRIVER DOOR - 21.4" - BLACK |
| 11 | 088246-01-000 | EA | SWITCH/REMOTE MIRROR - W/2PIN & 6 PIN CONNECTORS/PIGTAIL |
| 12 | 126506-01-02B | EA | BRACKET - STRIKE - DRIVER DOOR - E-COATED |
| 13 | 126534-01-02B | EA | SPACER - STRIKE - DRIVER DOOR - E-COATED |
| 14 | 156292-04-01A | EA | APPLIQUE - DRIVERS DOOR - DARK ANTELOPE |
| 15 | 145638-09-01A | EA | SWITCH/ROCKER - DPDT - (ON/OFF/ON) - BLACK - POWER WINDOW |
| 15 | 108355-02-000 | EA | HOUSING - SWITCH - 12 POSITION |
| 16 | 145638-02-01A | EA | SWITCH/ROCKER - SPST - (ON/OFF) - LIGHTED - BLACK - HEATED MIRROR |
| 16 | 108355-02-000 | EA | HOUSING - SWITCH - 12 POSITION |
| 17 | 149512-01-02B | EA | BRACKET - DOOR HANDLE - E-COATED |
| 18 | 145926-12-02B | EA | INSERT - SWITCH PLATE - 2 HOLE/RELAY SLOT - E-COATED |
| 19 | 148827-01-20A | EA | POCKET/STORAGE - DRIVER DOOR - CASHMERE |
| 20 | 155341-01-20A | EA | PANEL - INNER/DRIVER DOOR - CASHMERE |
| 21 | 148833-01-02A | EA | HANDLE - DRIVER DOOR - CASHMERE |
| 22 | 134566-01-01A | EA | HOLDER - CUP - TWO STEP - BLACK |
| 23 | 155342-01-U67 | EA | PANEL - INNER/DRIVER DOOR |
| 24 | 149513-01-02B | EA | BRACKET - SUPPORT/DOOR HANDLE - E-COATED |
| 25 | 125804-02-02B | EA | ANGLE - DOOR SUPPORT - E-COATED |
| | 093681-40-01A | FT | FILM - 2" - FLAT BLACK |

*COMPONENT PARTS LISTED LATER IN THIS GROUP

EXTERIOR DOORS & COMPARTMENTS GROUP (CONTINUED)
COMPONENT PARTS FOR DRIVERS



125581-09-01A

EXTERIOR DOORS & COMPARTMENTS GROUP (CONTINUED)
COMPONENT PARTS FOR DRIVERS (CONTINUED)

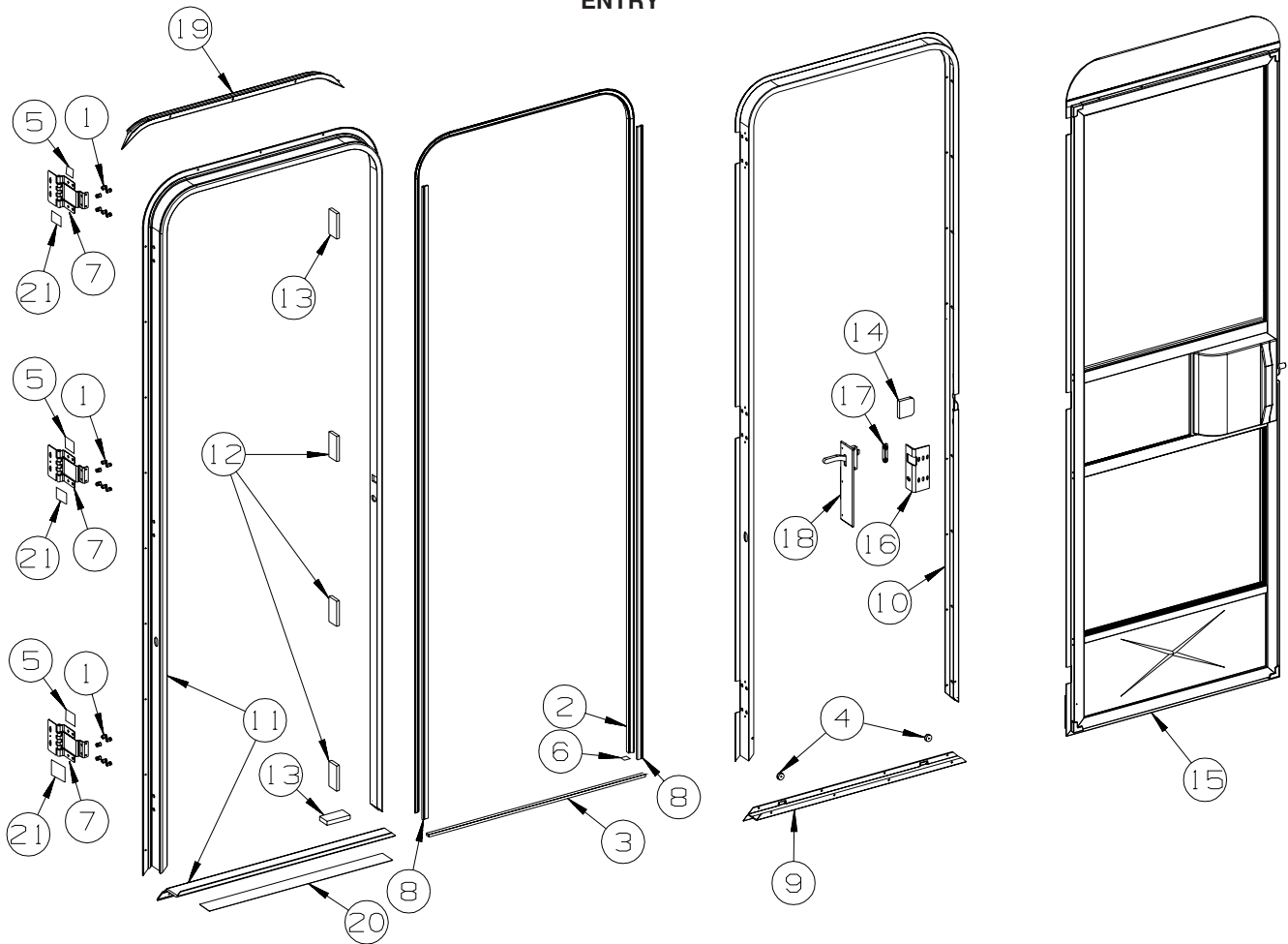
125581-09-01A (CONTINUED)

| KEY | PART NUMBER | U/M | DESCRIPTION | VENDOR NO. |
|------------|--------------------|------------|------------------------------|-------------------|
| 2 | 106469-01-705 | FT | CHANNEL-RUN, SLIDING | 122-010850 |
| 3 | 106469-01-702 | EA | SEAL-DOOR FRAME (DOOR)EA=1 | 122-040984 |
| 4 | 106469-04-714 | EA | ROD-CLIP, RH | 80801 |
| 5 | 106469-04-713 | EA | ROD-CLIP, LH | 80802 |
| 6 | 106469-04-704 | EA | NUT ASSEMBLY-CAGED W/STRIKER | 11920-16 |
| 7 | 106469-04-703 | EA | BOLT-STRIKER, W/WASHER | 10335-16 |
| 8 | 106469-04-712 | EA | HANDLE/DOOR-INNER W/HARDWARE | 11297-01 |
| 9 | 106469-05-702 | EA | HINGE - 42" | 211-041194 |
| 12 | 106469-01-709 | FT | WEATHERSTRIP FUZZY | 171-040630 |
| 13 | 125581-03-703 | EA | WEATHERSTRIP - BELTING | 132-041069 |
| 13 | 125581-09-712 | EA | WEATHERSTRIP/BELT - F/GLASS | 490664 |
| 14 | 106469-04-711 | EA | ROD-LOCK, HORIZONTAL | 15508-01 |
| 15 | 125581-04-700 | EA | ROD - LATCH/VERTICAL ADJUST. | 203-041767 |
| 16 | 125581-04-701 | EA | ROD - LOCK/VERTICAL ADJUST. | 203-041768 |
| 20 | 128913-01-707 | EA | NUT - HEX/NYLOCK - 1/4 - 20 | 233-062447 |
| 23 | 106469-01-723 | EA | SEAL-BULB ASM. (DOOR JAMB) | 171-040985 |
| 24 | 106469-05-706 | EA | LATCH-ROTARY, W/LINKAGE | 16512-01 |
| 46 | 125581-09-700 | EA | PADDLE-W/O LOCK RH (REV KEY) | 17191-02 |
| 46 | 125581-09-701 | EA | LATCH/LOCK-DRVR DR (REV KEY) | PARTS DEPT |
| 46 | 125581-09-702 | EA | LATCH/LOCK-DRVR DR (REV KEY) | PARTS DEPT |
| 46 | 125581-09-703 | EA | LATCH/LOCK-DRVR DR (REV KEY) | PARTS DEPT |
| 46 | 125581-09-704 | EA | LATCH/LOCK-DRVR DR (REV KEY) | PARTS DEPT |
| 46 | 125581-09-705 | EA | LATCH/LOCK-DRVR DR (REV KEY) | PARTS DEPT |
| 46 | 125581-09-706 | EA | LATCH/LOCK-DRVR DR (REV KEY) | PARTS DEPT |
| 46 | 125581-09-707 | EA | LATCH/LOCK-DRVR DR (REV KEY) | PARTS DEPT |
| 46 | 125581-09-708 | EA | LATCH/LOCK-DRVR DR (REV KEY) | PARTS DEPT |
| 46 | 125581-09-709 | EA | LATCH/LOCK-DRVR DR (REV KEY) | PARTS DEPT |
| 46 | 125581-09-710 | EA | LATCH/LOCK-DRVR DR (REV KEY) | PARTS DEPT |
| 46 | 125581-09-721 | EA | LATCH/LOCK-DRVR DR (3041) | PARTS DEPT (3041) |
| 46 | 125581-09-722 | EA | LATCH/LOCK-DRVR DR (3042) | PARTS DEPT (3042) |
| 46 | 125581-09-723 | EA | LATCH/LOCK-DRVR DR (3043) | PARTS DEPT (3043) |
| 46 | 125581-09-724 | EA | LATCH/LOCK-DRVR DR (3044) | PARTS DEPT (3044) |
| 46 | 125581-09-725 | EA | LATCH/LOCK-DRVR DR (3045) | PARTS DEPT (3045) |
| 46 | 125581-09-726 | EA | LATCH/LOCK-DRVR DR (3046) | PARTS DEPT (3046) |
| 46 | 125581-09-727 | EA | LATCH/LOCK-DRVR DR (3047) | PARTS DEPT (3047) |
| 46 | 125581-09-728 | EA | LATCH/LOCK-DRVR DR (3048) | PARTS DEPT (3048) |
| 46 | 125581-09-729 | EA | LATCH/LOCK-DRVR DR (3049) | PARTS DEPT (3049) |
| 46 | 125581-09-730 | EA | LATCH/LOCK-DRVR DR (3050) | PARTS DEPT (3050) |
| 47 | 125581-04-703 | EA | FRAME - MOUNTING - BLACK | V180-35L |
| 48 | 125581-07-703 | EA | BRACKET-ALUMINUM "L"(INSIDE) | N135-55 |
| 56 | 125581-08-703 | EA | GLASS-ROLL-UP 29.46"X29.37" | 106-042081 |
| 56 | 125581-09-711 | EA | GLASS-ROLL UP 24"H X 29.37"W | 490207 |
| 58 | 125581-08-702 | EA | FRAME/DOOR - SUB ASSY-BLACK | V220-98L |
| 60 | 106469-04-705 | EA | ROD-LATCH, HORIZONTAL | 203-041139 |
| 61 | 125581-08-701 | EA | CHANNEL/VERT ROLL UP-BLACK | V220-60 |
| 62 | 125581-08-700 | EA | CHANNEL/VERT STA GLASS-BLACK | V220-61 |
| 63 | 125581-03-702 | EA | REGULATOR-ELECTRIC-SPEC RH | 410-040966 |
| 64 | 125581-06-700 | EA | PANEL/INTERIOR | V164-97 |
| 66 | 125581-04-710 | FT | VINYL - GLAZING | 132-041484 |
| 67 | 125581-07-701 | EA | GLASS-STATIONERY/4.95"X29.5" | 106-042082 |
| 69 | 125581-04-711 | EA | CHANNEL-GLASS - LIFT BRKT | N135-66 |
| 76 | 125581-03-701 | EA | SILL - INNER - BLACK | V123-68L |
| 77 | 125581-03-700 | EA | MULLION RAIL- BLACK | V123-84 |
| | 106469-04-716 | EA | LEVER-LOCKING-BLACK | 80978-00 |
| | 125581-07-705 | EA | BRACKET (L) F/SEAL PROTECT | 490201 |
| | 125581-07-704 | EA | BRACKET - STRAP/JAMB & DOOR | 248-080394 |
| | 125581-10-701 | EA | CLIP - CABLE | 130-042047 |
| | 125581-09-731 | EA | SPLINE-DRIVER DOOR WDO SEAL | 491279 |

CONTACT WINNEBAGO PART SALES FOR UNLISTED COMPONENT(S)

EXTERIOR DOORS & COMPARTMENTS GROUP (CONTINUED)

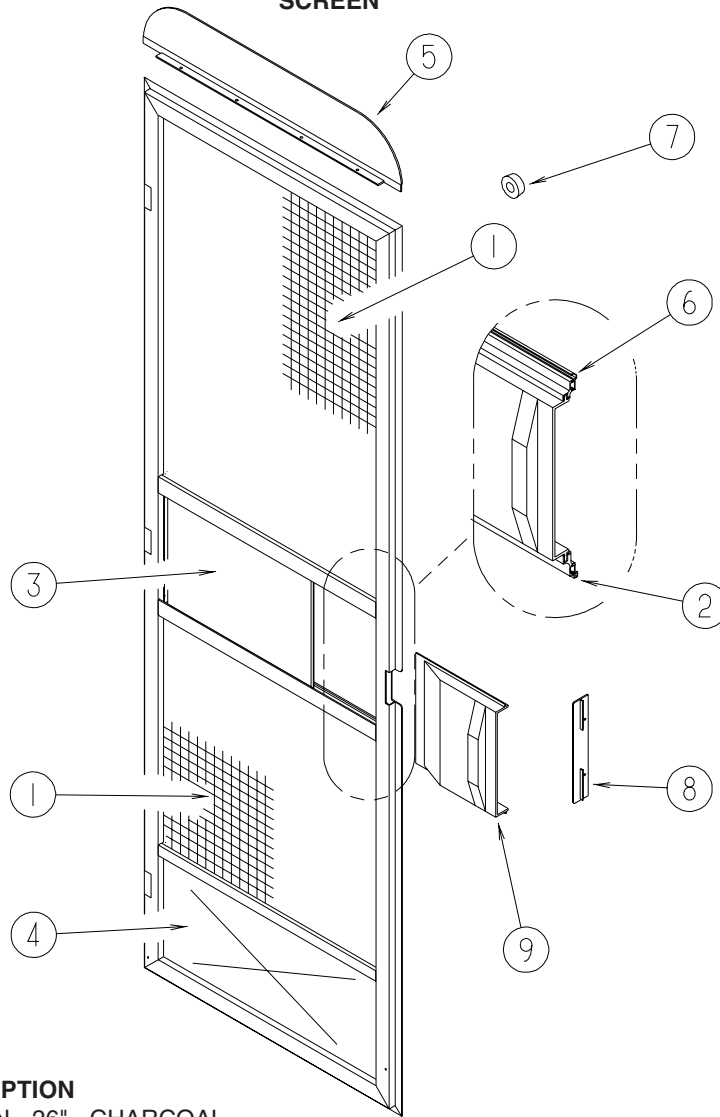
ENTRY



| KEY | PART NUMBER | U/M | DESCRIPTION |
|-----|---------------|-----|--|
| 1 | 039715-01-000 | EA | NUT-SERT - 1/4" DIAMETER - 20 THREADS |
| 2 | 075671-04-000 | FT | SEAL - SPONGE - LAZY T - W/ADHESIVE STRIP - .5" WIDE |
| 3 | 075673-05-000 | FT | SEAL/PILE - .5" HIGH W/ADHESIVE BACK - BLACK |
| 4 | 081914-02-000 | EA | BUMPER - RUBBER - ROUND - 5/16" DIA. X 13/64" THICK |
| 5 | 100128-02-000 | FT | SEAL - FOAM/ADHESIVE BACK - .37" WIDE X .37" THICK X 60' |
| 6 | 104692-01-000 | FT | SEAL - ADHESIVE BACKED FOAM - 3/4" THICK X 3/4" WIDE X 25' |
| 7 | 106719-01-05A | EA | HINGE - ENTRY DOOR - BRIGHT WHITE |
| 8 | 118929-01-01A | FT | SEAL - PILE - PUSH ON |
| 9 | 121893-03-02A | EA | FRAME - ENTRY DOOR/LOWER - BRIGHT WHITE |
| 10 | 121894-27-01A | EA | FRAME - ENTRY DOOR - BRIGHT WHITE |
| 11 | 121898-14-01A | EA | JAMB - DOOR/ENTRANCE - BRIGHT WHITE |
| 12 | 125724-01-000 | EA | SHIM - DOOR, ENTRANCE |
| 13 | 125724-02-000 | EA | SHIM - DOOR, ENTRANCE |
| 14 | 130096-05-000 | EA | FOAM - SCREEN DOOR, RETAINER |
| 15 | P32208-02-L32 | EA | DOOR - SCREEN - W/O HARDWARE |
| 16 | 137401-01-03B | EA | BRACKET - DOOR ANGLE - OFF WHITE |
| 17 | 148364-01-12B | EA | STRIKE - SCREEN DOOR - BRIGHT WHITE |
| 18 | 132915-01-01A | EA | LATCH - SCREEN DOOR - BLACK |
| 19 | 139054-19-01A | EA | CAP - DRIP - JAMB MOUNTED - BRIGHT WHITE |
| 20 | 038327-01-000 | EA | TAPE - ANTI-SLIP - 2" X 60' |
| 21 | 154585-01-01A | FT | SEAL - FOAM TAPE - ADHESIVE BACK - 3/8" X 3/8" - BLACK |

EXTERIOR DOORS & COMPARTMENTS GROUP (CONTINUED)

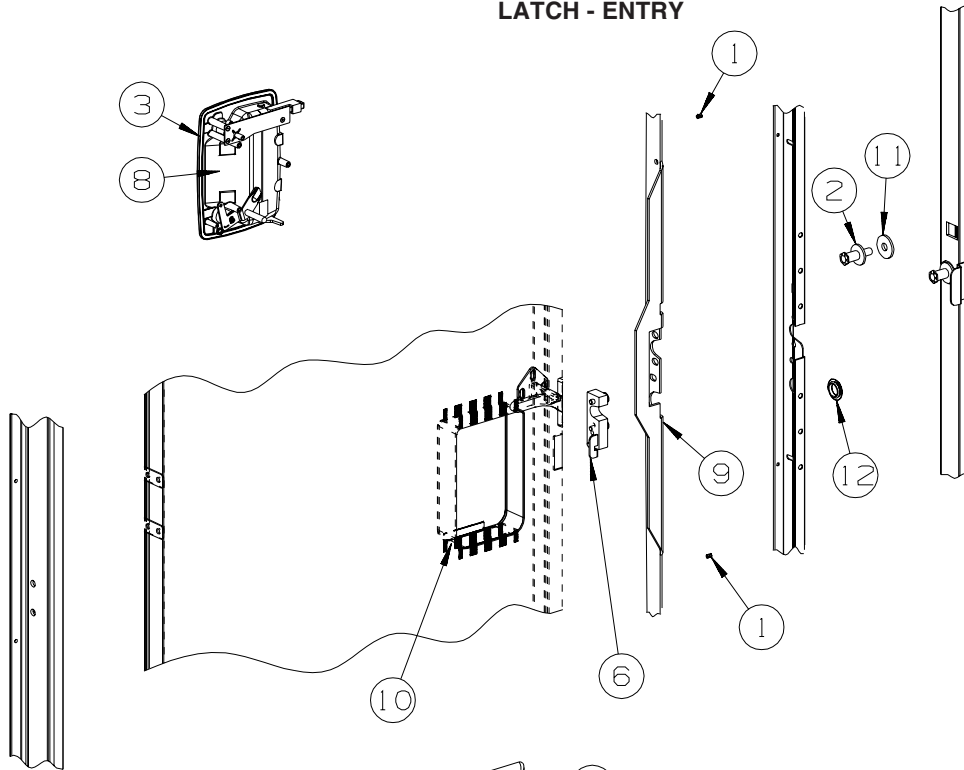
SCREEN



| KEY | PART NUMBER | U/M | DESCRIPTION |
|-----|---------------|-----|--|
| 1 | 002293-02-000 | SF | SCREEN - 26" - CHARCOAL |
| 2 | 002294-01-000 | FT | SPLINE - SCREENING - .13" X .14" |
| 3 | 016454-18-000 | EA | INSERT/CENTER - SCREEN DOOR |
| 4 | 078552-09-000 | EA | INSERT - SCREEN DOOR - LOWER |
| 5 | 078595-03-000 | EA | PLATE - SCREEN DOOR |
| 6 | 078777-08-000 | FT | CHANNEL - SLIDER - 4 FOOT INCREMENTS |
| 7 | 120863-09-000 | EA | BUMPER - RUBBER/RADIUS TOP - 3/4" X 3/8" - LT GRAY |
| 8 | 132081-01-01A | EA | STRIKE - SLIDER - SCREEN DOOR - BRIGHT WHITE |
| 9 | 132082-01-01A | EA | SLIDER - SCREEN DOOR - BRIGHT WHITE |

EXTERIOR DOORS & COMPARTMENTS GROUP (CONTINUED)

LATCH - ENTRY



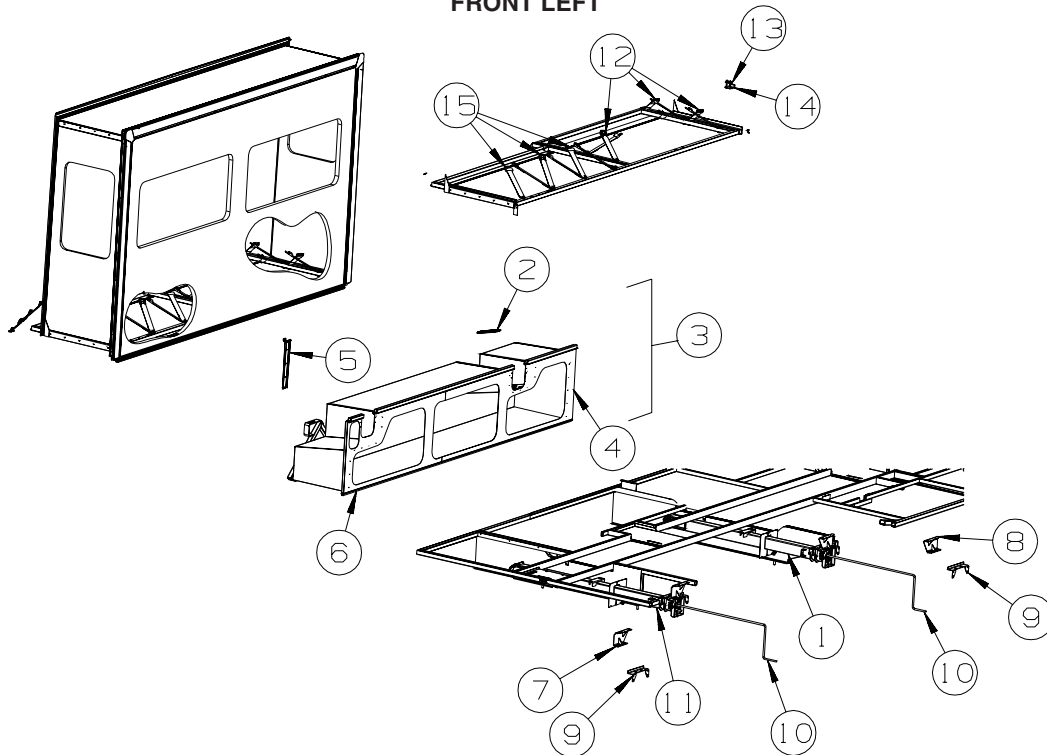
| KEY | PART NUMBER | U/M | DESCRIPTION |
|-----|---------------|-----|--|
| 1 | 072893-04-000 | EA | NUTSERT - 10-32 |
| 2 | 092927-20-000 | EA | STRIKER - BOLT |
| 3 | 112782-04-01A | EA | GASKET |
| 4 | 112782-05-01A | EA | CAP - VINYL - RED |
| 5 | 112782-08-01A | EA | SCREW - MOUNTING/PLATE - ZINC |
| 6 | 112782-22-01A | EA | LATCH - SINGLE ROTOR |
| 7 | 112782-21-01A | EA | LATCH - INTERIOR PLATE |
| 7 | 112782-27-01A | EA | LATCH - INTERIOR PLATE - WHITE |
| 8 | 112782-20-01A | EA | LATCH - EXTERIOR - W/O LOCK CYLINDER W/ICON-REVERSIBLE KEY |
| 9 | 132207-01-02B | EA | STIFFENER/DOOR - FORMED - E-COATED |
| 10 | 137230-01-01A | EA | SPACER - NOTCHED, MILL |
| 11 | 147900-01-01A | EA | SPACER - STRIKE BOLT, MILL |
| 12 | 061420-14-000 | EA | PLUG/PLASTIC - 7/8" DIAMETER - BLACK |

FROM: 00-00-00 THRU: 05-28-06

FROM: 05-29-06 THRU: 99-99-99

EXTERIOR SLIDEOUT GROUP

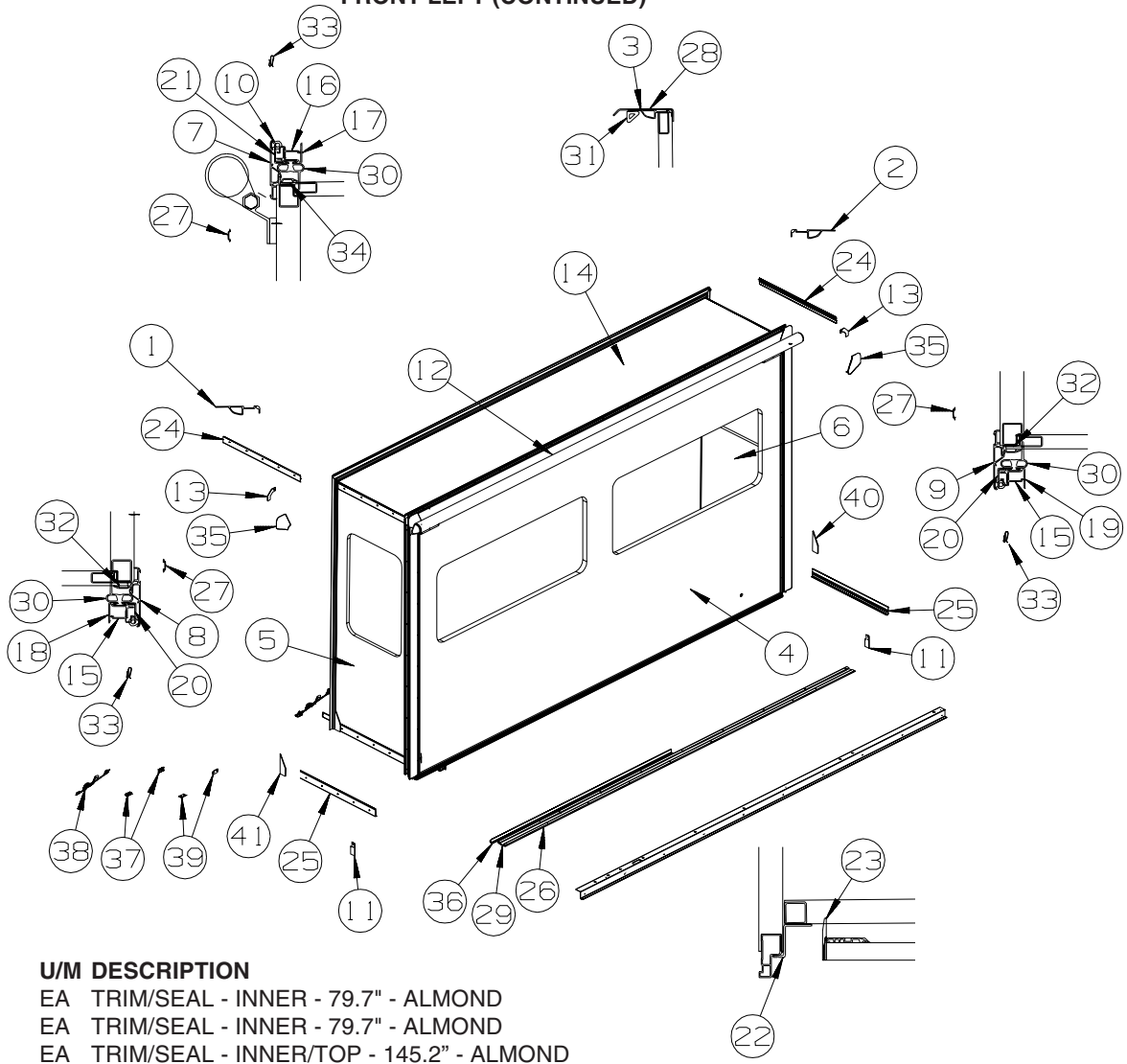
FRONT LEFT



| KEY | PART NUMBER | U/M | DESCRIPTION |
|-----|---------------|-----|---|
| 1* | 148875-02-000 | EA | SLIDEOUT - ELECTRIC 30" - LEFT HAND |
| 2 | 148331-01-01A | EA | PLUG - OVAL/LARGE - BLACK |
| 3 | 144137-34-U65 | EA | COMPARTMENT - F/SLIDEOUT |
| 4 | 144138-33-02B | EA | SEAL PLANE - E-COATED |
| 5 | 126591-01-02B | EA | CARRIER/EXTENSION - F/SLIDEOUT-F/WIRE/HOSES - E-COATED |
| 6 | 126516-01-01A | FT | TRIM - VINYL/EXTRUDED - 8' |
| 7 | 145328-02-02B | EA | BRACKET/MOUNT - SLIDEOUT - E-COATED |
| 8 | 145328-01-02B | EA | BRACKET/MOUNT - SLIDEOUT - E-COATED |
| 9 | 128386-01-02B | EA | BRACKET - SLIDEOUT COMPARTMENT - E-COATED |
| 10 | 138173-06-000 | EA | CRANK - SLIDEOUT |
| 11* | 148875-01-000 | EA | SLIDEOUT - ELECTRIC 30" - RIGHT HAND |
| 12 | 160167-02-01A | EA | SEAT BELT - 2" X 90" - BLACK |
| 13 | 150700-01-02B | EA | PLATE/MOUNTING - RESTRAINT/CHILD - 1" X 2.3" - E-COATED |
| 14 | 150697-02-02B | EA | BRACKET - RESTRAINT/CHILD - E-COATED |
| 15 | 160167-01-01A | EA | SEAT BELT - 2" X 102" - BLACK |
| | 093249-01-000 | EA | CAP/SCREW - MOLDED/VINYL - BLACK |

***COMPONENT PARTS LISTED LATER IN THIS GROUP**

EXTERIOR SLIDEOUT GROUP (CONTINUED)
FRONT LEFT (CONTINUED)



| KEY | PART NUMBER | U/M | DESCRIPTION |
|-----|---------------|-----|--|
| 1 | 139624-59-02A | EA | TRIM/SEAL - INNER - 79.7" - ALMOND |
| 2 | 139624-60-02A | EA | TRIM/SEAL - INNER - 79.7" - ALMOND |
| 3 | 139624-06-02A | EA | TRIM/SEAL - INNER/TOP - 145.2" - ALMOND |
| 4 | 156876-11-U67 | EA | SLUG - F/SLIDEOUT (U79, U80) |
| 4 | 156876-11-U71 | EA | SLUG - F/SLIDEOUT (U83, U84) |
| 4 | 156876-11-U87 | EA | SLUG - F/SLIDEOUT (U87, U88) |
| 5 | 152610-01-U67 | EA | PANEL END - F/SLIDEOUT (U79, U80) |
| 5 | 152610-01-U71 | EA | PANEL END - F/SLIDEOUT (U83, U84) |
| 5 | 152610-01-U87 | EA | PANEL END - F/SLIDEOUT (U87, U88) |
| 6 | 152611-02-U67 | EA | PANEL END - F/SLIDEOUT (U79, U80) |
| 6 | 152611-02-U71 | EA | PANEL END - F/SLIDEOUT (U83, U84) |
| 6 | 152611-02-U87 | EA | PANEL END - F/SLIDEOUT (U87, U88) |
| 7 | 156417-04-01A | EA | TRIM/SEAL - W/MITERED ENDS - 143.6" - BRIGHT WHITE |
| | | | FROM: 00-00-00 THRU: 02-11-07 |
| 7 | 162052-04-01A | EA | TRIM/SEAL - W/MITERED ENDS - 143.6" - BRIGHT WHITE - NOT ILLUSTRATED |
| | | | FROM: 02-12-07 THRU: 99-99-99 |
| 8 | 156417-33-01A | EA | TRIM/SEAL - W/MITERED ENDS - 80.8" - BRIGHT WHITE |
| | | | FROM: 00-00-00 THRU: 02-16-06 |
| 8 | 156417-28-01A | EA | TRIM/SEAL - W/MITERED ENDS - 80.4" - BRIGHT WHITE |
| | | | FROM: 02-17-06 THRU: 02-11-07 |
| 8 | 162052-28-01A | EA | TRIM/SEAL - W/MITERED ENDS - 80.4" - BRIGHT WHITE - NOT ILLUSTRATED |
| | | | FROM: 02-12-07 THRU: 99-99-99 |
| 9 | 156417-32-01A | EA | TRIM/SEAL - W/MITERED ENDS - 80.8" - BRIGHT WHITE |
| | | | FROM: 00-00-00 THRU: 02-16-06 |
| 9 | 156417-29-01A | EA | TRIM/SEAL - W/MITERED ENDS - 80.4" - BRIGHT WHITE |
| | | | FROM: 02-17-06 THRU: 02-11-07 |
| 9 | 162052-29-01A | EA | TRIM/SEAL - W/MITERED ENDS - 80.4" - BRIGHT WHITE - NOT ILLUSTRATED |
| | | | FROM: 02-12-07 THRU: 99-99-99 |
| 10 | 158297-01-000 | FT | SEAL - D-SECTION/BULB/TEE - ADHESIVE BACK - BLACK |
| 11 | 126546-03-03A | EA | COVER - END/SIDEWALL - BLACK |

EXTERIOR SLIDEOUT GROUP (CONTINUED)
FRONT LEFT (CONTINUED)

| KEY | PART NUMBER | U/M | DESCRIPTION |
|-----|-------------|-----|-----------------|
| 12 | | | SLIDEOUT AWNING |

ORDER AWNINGS & REPAIR PARTS FROM DOMETIC. CALL #800-366-3842.

**THE DOMETIC AWNING INFORMATION YOU WILL NEED IS LOCATED ON THE MOTOR HOME NEAR
THE TOP OF THE AWNING RAIL.**

| | | | |
|----|---------------|----|---|
| 13 | 156416-01-12B | EA | BRACKET - CORNER TRIM/SLIDEOUT - 3.1"X 3.1" - BRIGHT WHITE FROM: 00-00-00 THRU: 01-06-07 |
| 13 | 156416-01-02B | EA | BRACKET - CORNER TRIM/SLIDEOUT - 3.1"X 3.1" - E-COATED FROM: 00-00-00 THRU: 01-06-07 |
| 13 | 160421-01-01A | EA | CORNER TRIM/SLIDEOUT - 3.1"X 3.1" - BLACK - NOT ILLUSTRATED FROM: 01-07-07 THRU: 99-99-99 |
| 14 | 154274-01-SB8 | EA | ROOF - F/SLIDEOUT |
| 15 | 142718-38-01A | EA | RETAINER - SIDEWALL/SLIDEOUT - 79" |
| 16 | 142718-02-01A | EA | RETAINER - SIDEWALL/SLIDEOUT - 144.9" - MILL |
| 17 | 151761-01-02A | EA | TRIM - SIDEWALL/SLIDEOUT/TOP - 146.4" - ALMOND |
| 18 | 151760-22-02A | EA | TRIM - SIDEWALL/SLIDEOUT - 81.1" - ALMOND |
| 19 | 151760-23-02A | EA | TRIM - SIDEWALL/SLIDEOUT - 81.1" - ALMOND |
| 20 | 136824-49-01A | EA | TRIM - SIDEWALL/SLIDEOUT - 80.9" - BRIGHT WHITE |
| 21 | 136824-05-01A | EA | TRIM - SIDEWALL/SLIDEOUT - 146.4" - BRIGHT WHITE |
| 22 | 131520-31-01A | EA | EXTRUSION/ZEE - F/SLIDEOUT - 140.4" - MILL |
| 23 | 115075-03-000 | FT | SEAL - WIPE - .25" X 2.9" |
| 24 | 158375-01-01A | EA | TRIM/FEATURE STRIP - 29.6" - BRIGHT WHITE |
| 25 | 158030-02-01A | EA | TRIM - FEATURE STRIP/LOWER - 2.3" X 29.1" - BRIGHT WHITE FROM: 00-00-00 THRU: 02-11-07 |
| 25 | 158030-07-01A | EA | TRIM - FEATURE STRIP/LOWER - 2.3" X 28.9" - BRIGHT WHITE FROM: 02-12-07 THRU: 99-99-99 |
| 26 | 115325-04-02A | EA | RAIL - FLOOR/SLIDEOUT ROOM - 134.2" LONG - BLACK |
| 27 | 105312-01-07A | FT | INSERT - FEATURE STRIP - VINYL - BRIGHT WHITE |
| 28 | 125466-02-04A | EA | SUPPORT - ROOF/INTERIOR - ALMOND |
| 29 | 115661-01-000 | FT | SHOE/GLIDE - SLIDEOUT ROOM - 1/16" X 3" - POLYETHYLENE |
| 30 | 136978-01-01A | FT | SEAL - SLIDEOUT - SINGLE WIPE LIP - BLACK |
| 31 | 146056-01-000 | FT | SEAL - TRIANGLE - W/PSA |
| 32 | 133954-66-01A | EA | TRIM/SEAL - 75.8" - BRIGHT WHITE - NOT ILLUSTRATED FROM: 00-00-00 THRU: 04-16-06 |
| 32 | 146606-66-01A | EA | TRIM/RETAINER - 75.8" - BRIGHT WHITE FROM: 04-17-06 THRU: 99-99-99 |
| 33 | 142549-01-000 | EA | CLIP - "S" TYPE |
| 34 | 133954-07-01A | EA | TRIM/SEAL - 141.8" - BRIGHT WHITE - NOT ILLUSTRATED FROM: 00-00-00 THRU: 04-16-06 |
| 34 | 146606-07-01A | EA | TRIM/RETAINER - 141" - BRIGHT WHITE FROM: 04-17-06 THRU: 99-99-99 |
| 35 | 156151-01-02A | EA | PROTECTOR - CORNER - SLIDEOUT - BRIGHT WHITE |
| 36 | 151282-03-01A | EA | TRIM - CARPET EDGE/F-ANGLE - 69.6" - BLACK |
| 37 | 135619-02-01A | EA | PLATE - TIEDOWN - SLIDEOUT ROOM |
| 38 | 135619-01-01A | EA | STRAP - TIEDOWN - SLIDEOUT ROOM |
| 39 | 135622-01-02B | EA | PLATE - TIEDOWN - SLIDEOUT ROOM |
| 40 | 157809-01-01A | EA | SEAL - FOAM BLOCK/RIGHT SIDE - ADHESIVE BACK |
| 41 | 157809-02-01A | EA | SEAL - FOAM BLOCK/LEFT SIDE - ADHESIVE BACK |

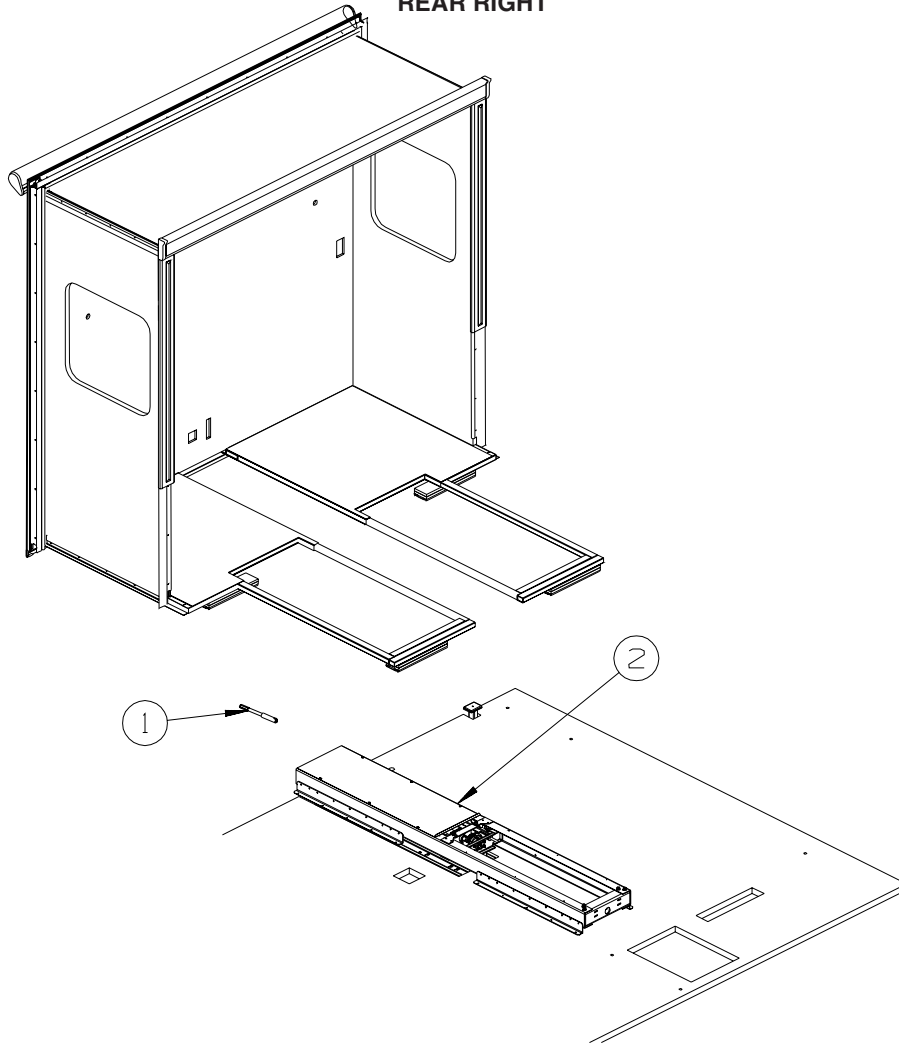
EXTERIOR SLIDEOUT GROUP (CONTINUED)
COMPONENT PARTS FOR FRONT LEFT

148875-01-000, 148875-02-000

| KEY | PART NUMBER | U/M | DESCRIPTION | VENDOR NO. |
|------------|--------------------|------------|------------------------------|-------------------|
| | 130294-04-700 | EA | SCREW - 5/16"-18 X 1 1/2" | 1202060 |
| | 131281-01-702 | EA | PIN/CLEVIS-1/4" PLATED | 1213190 |
| | 131281-01-704 | EA | HAIRPIN/COTTER - 3/8" SPRING | 1213460 |
| | 131682-01-700 | EA | ROLLER - (BEARING) | 1912040 |
| | 138173-01-701 | EA | POP RIVET - SS 3/16"X1/4" | 1214630 |
| | 138173-01-707 | EA | WEAR PUCK - PLASTIC F/DRIVE | 1612523 |
| | 140457-01-701 | EA | BUSHING - 1" X 3/4" X 1/2"ID | 1614006 |
| | 140457-01-704 | EA | SHAFT/AXLE - REAR ROLLER | 7204523 |
| | 148875-01-700 | EA | PIN/COTTER - 3/32" X 1/2" | 1213520 |
| | 148875-01-701 | EA | PIN/ROLL - 3/16" X 3/4" | 1213693 |
| | 148875-01-702 | EA | PIN/ROLL - 1/4" X 1" | 1213701 |
| | 148875-01-703 | EA | NUT - PLASTIC - 1" | 1612548 |
| | 148875-01-704 | EA | END CARRIER - PLASTIC - 1" | 1612549 |
| | 148875-01-705 | EA | MOTOR/LINEAR - SLIDE ROOM | 1820111 |
| | 148875-01-706 | EA | DRIVE SCREW - SLIDE ROOM | 1820401 |
| | 148875-01-707 | EA | END GUIDE F/SCREW - 1" | 1820450 |

EXTERIOR SLIDEOUT GROUP (CONTINUED)

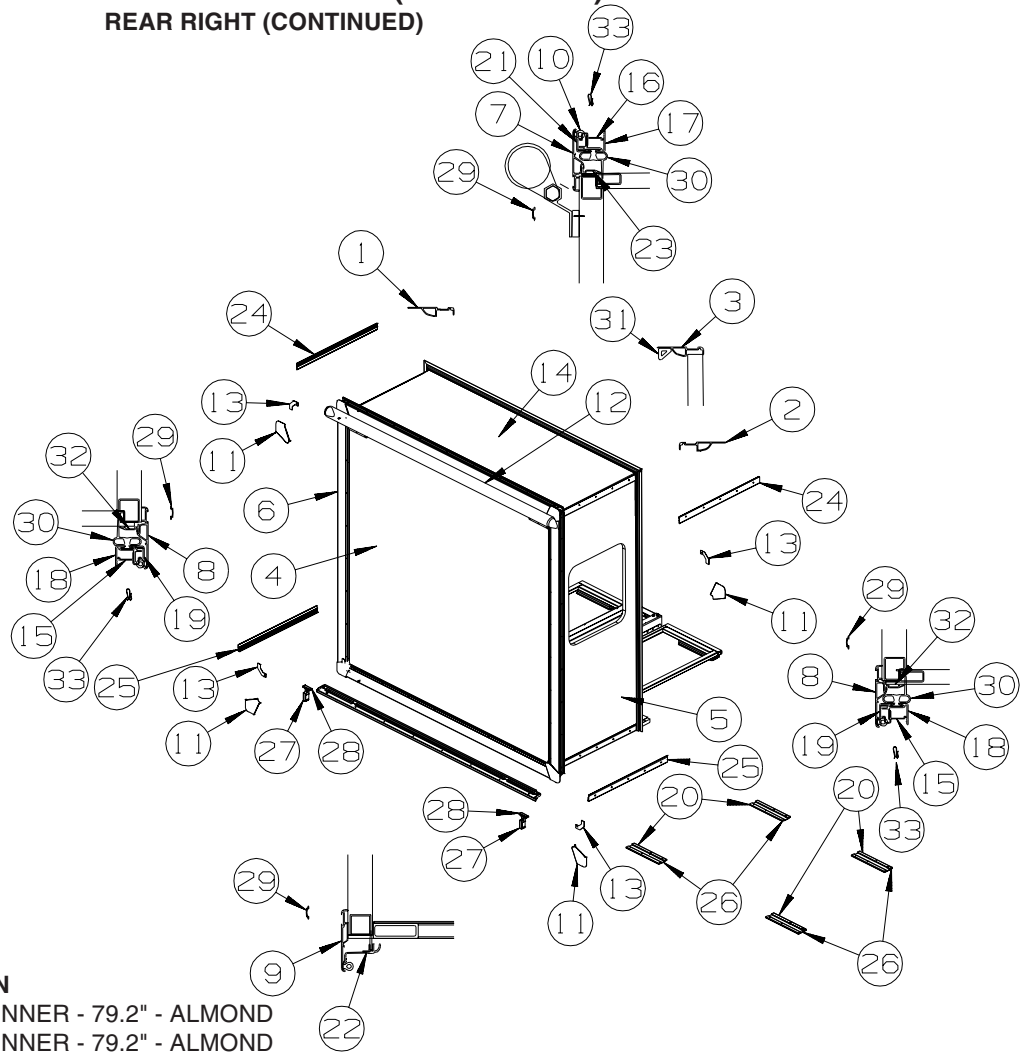
REAR RIGHT



| KEY | PART NUMBER | U/M | DESCRIPTION |
|-----|---------------|-----|--|
| 1 | 140464-03-000 | EA | WRENCH - SLIDE ROOM RETRACT - RATCHET W/2 EXTENSIONS |
| 2* | 149165-01-000 | EA | SLIDEOUT - ELECTRIC/REAR/SINGLE |

*COMPONENT PARTS LISTED LATER IN THIS GROUP

EXTERIOR SLIDEOUT GROUP (CONTINUED)
REAR RIGHT (CONTINUED)



| KEY | PART NUMBER | U/M | DESCRIPTION |
|-----|---------------|-----|---|
| 1 | 139624-41-02A | EA | TRIM/SEAL - INNER - 79.2" - ALMOND |
| 2 | 139624-42-02A | EA | TRIM/SEAL - INNER - 79.2" - ALMOND |
| 3 | 139624-04-02A | EA | TRIM/SEAL - INNER/TOP - 80.2" - ALMOND |
| 4 | 156875-11-U67 | EA | SLUG - F/SLIDEOUT (U79, U80) |
| 4 | 156875-11-U71 | EA | SLUG - F/SLIDEOUT (U83, U84) |
| 4 | 156875-11-U87 | EA | SLUG - F/SLIDEOUT (U87, U88) |
| 5 | 152693-01-U67 | EA | PANEL END - F/SLIDEOUT (U79, U80) |
| 5 | 152693-01-U93 | EA | PANEL END - F/SLIDEOUT (U83, U84) |
| 5 | 152693-01-U87 | EA | PANEL END - F/SLIDEOUT (U87, U88) |
| 6 | 152694-01-U67 | EA | PANEL END - F/SLIDEOUT (U79, U80) |
| 6 | 152694-01-U93 | EA | PANEL END - F/SLIDEOUT (U83, U84) |
| 6 | 152694-01-U87 | EA | PANEL END - F/SLIDEOUT (U87, U88) |
| 7 | 156417-01-01A | EA | TRIM/SEAL - W/MITERED ENDS - 78.4" - BRIGHT WHITE FROM: 00-00-00 THRU: 02-11-07 |
| 7 | 162052-01-01A | EA | TRIM/SEAL - W/MITERED ENDS - 78.4" - BRIGHT WHITE - NOT ILLUSTRATED FROM: 02-12-07 THRU: 99-99-99 |
| 8 | 156417-30-01A | EA | TRIM/SEAL - W/MITERED ENDS - 78.6" - BRIGHT WHITE FROM: 00-00-00 THRU: 02-11-07 |
| 8 | 162052-30-01A | EA | TRIM/SEAL - W/MITERED ENDS - 78.6" - BRIGHT WHITE - NOT ILLUSTRATED FROM: 02-12-07 THRU: 99-99-99 |
| 9 | 142233-20-01A | EA | TRIM/SEAL - W/MITERED ENDS - 78.4" - BRIGHT WHITE FROM: 00-00-00 THRU: 02-11-07 |
| 9 | 162054-02-01A | EA | TRIM/SEAL - W/MITERED ENDS - 78.4" - BRIGHT WHITE - NOT ILLUSTRATED FROM: 02-12-07 THRU: 99-99-99 |
| 10 | 158297-01-000 | FT | SEAL - D-SECTION/BULB/TEE - ADHESIVE BACK - BLACK |
| 11 | 156151-01-02A | EA | PROTECTOR - CORNER - SLIDEOUT - BRIGHT WHITE |
| 12 | | | SLIDEOUT AWNING |

ORDER AWNINGS & REPAIR PARTS FROM DOMETIC. CALL #800-366-3842.
THE DOMETIC AWNING INFORMATION YOU WILL NEED IS LOCATED ON THE MOTOR HOME NEAR THE TOP OF THE AWNING RAIL.

EXTERIOR SLIDEOUT GROUP (CONTINUED)
REAR RIGHT (CONTINUED)

| KEY | PART NUMBER | U/M | DESCRIPTION |
|-----|---------------|-----|---|
| 13 | 156416-01-12B | EA | BRACKET - CORNER TRIM/SLIDEOUT - 3.1"X 3.1" - BRIGHT WHITE FROM: 00-00-00 THRU: 01-06-07 |
| 13 | 156416-01-02B | EA | BRACKET - CORNER TRIM/SLIDEOUT - 3.1"X 3.1" - E-COATED FROM: 00-00-00 THRU: 01-06-07 |
| 13 | 160421-01-01A | EA | CORNER TRIM/SLIDEOUT - 3.1"X 3.1" - BLACK - NOT ILLUSTRATED FROM: 01-07-07 THRU: 99-99-99 |
| 14 | 153392-01-T59 | EA | ROOF - F/SLIDEOUT |
| 15 | 142718-38-01A | EA | RETAINER - SIDEWALL/SLIDEOUT - 79" |
| 16 | 142718-23-01A | EA | RETAINER - SIDEWALL/SLIDEOUT - 79.9" |
| 17 | 151761-02-02A | EA | TRIM - SIDEWALL/SLIDEOUT/TOP - 81.2" - ALMOND |
| 18 | 151760-24-02A | EA | TRIM - SIDEWALL/SLIDEOUT - 78.6" - ALMOND |
| 19 | 136824-50-01A | EA | TRIM - SIDEWALL/SLIDEOUT - 79.2" - BRIGHT WHITE |
| 20 | 115325-08-01A | EA | RAIL - FLOOR/SLIDEOUT ROOM - 12" LONG - BLACK |
| 21 | 136824-02-01A | EA | TRIM - SIDEWALL/SLIDEOUT - 81.2" - BRIGHT WHITE |
| 22 | 157584-02-AA2 | EA | TRIM/ZEE - W/SEAL/END CAPS - SLIDEOUT/LOWER-80.7"- BRT WHT |
| 23 | 133954-18-01A | EA | TRIM/SEAL - 76.5" - BRIGHT WHITE - NOT ILLUSTRATED FROM: 00-00-00 THRU: 04-16-06 |
| 23 | 146606-18-01A | EA | TRIM/RETAINER - 76.5" - BRIGHT WHITE FROM: 04-17-06 THRU: 05-29-06 |
| 23 | 146606-12-01A | EA | TRIM/RETAINER - 75.7" - BRIGHT WHITE FROM: 05-30-06 THRU: 99-99-99 |
| 24 | 158375-01-01A | EA | TRIM - FEATURE STRIP - 29.6" - BRIGHT WHITE |
| 25 | 157385-01-01A | EA | TRIM - FEATURE STRIP/LOWER - 26.9" - BRIGHT WHITE FROM: 00-00-00 THRU: 02-11-07 |
| 25 | 157385-08-01A | EA | TRIM - FEATURE STRIP/LOWER - 26.7" - BRIGHT WHITE FROM: 02-12-07 THRU: 99-99-99 |
| 26 | 115661-01-000 | FT | SHOE/GLIDE - SLIDEOUT ROOM - 1/16" X 3" - POLYETHYLENE |
| 27 | 126313-12-02B | EA | SUPPORT - SLIDE - F/SLIDE-OUT ROOM - E-COATED |
| 28 | 128599-03-000 | EA | PAD - F/SLIDEOUT - 2" X 2.6" |
| 29 | 105312-01-07A | FT | INSERT - FEATURE STRIP - VINYL - BRIGHT WHITE |
| 30 | 136978-01-01A | FT | SEAL - SLIDEOUT - BLACK |
| 31 | 146056-01-000 | FT | SEAL - TRIANGLE - W/PSA |
| 32 | 133954-62-01A | EA | TRIM/SEAL - 75.1" - BRIGHT WHITE - NOT ILLUSTRATED FROM: 00-00-00 THRU: 04-16-06 |
| 32 | 146606-62-01A | EA | TRIM/RETAINER - 75.1" - BRIGHT WHITE FROM: 04-17-06 THRU: 99-99-99 |
| 33 | 142549-01-000 | EA | CLIP - "S" TYPE |

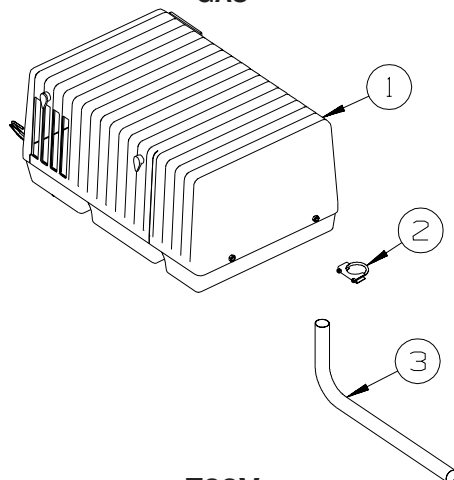
COMPONENT PARTS FOR REAR RIGHT

149165-01-000

| KEY | PART NUMBER | U/M | DESCRIPTION | VENDOR NO. |
|-----|---------------|-----|------------------------------|------------|
| | 131281-01-702 | EA | PIN/CLEVIS-1/4" PLATED | 1213190 |
| | 131281-01-704 | EA | HAIRPIN/COTTER - 3/8" SPRING | 1213460 |
| | 138173-01-701 | EA | POP RIVET - SS 3/16"X1/4" | 1214630 |
| | 138173-01-707 | EA | WEAR PUCK - PLASTIC F/DRIVE | 1612523 |
| | 148875-01-703 | EA | NUT - PLASTIC - 1" | 1612548 |
| | 148875-01-705 | EA | MOTOR/LINEAR - SLIDE ROOM | 1820111 |
| | 149165-01-700 | EA | BEARING - 5/8" ID | 1102015 |
| | 149165-01-701 | EA | PIN/CLEVIS - 1/4" X 2" | 1213204 |
| | 149165-01-702 | EA | SEAL/RUBBER - LOWER ROOM "Z" | 1611999 |
| | 149165-01-703 | EA | SEAL/RUBBER - INNER FRAME | 1612007 |
| | 149165-01-704 | EA | SEAL/LOWER ROOM - "Z" | 1612009 |
| | 149165-01-705 | EA | DRIVE/WORM SCREW - 30" | 1820400 |

GENERATOR GROUP

GAS



F33V

| KEY | PART NUMBER | U/M | DESCRIPTION |
|-----|---------------|-----|---|
| 1 | 135707-06-000 | EA | GENERATOR - 5.5 - 30/30 - GAS - MARQUIS GOLD - 50 AMP |
| 1 | 135707-07-000 | EA | GENERATOR - 5.5 - 30/20 - GAS - MARQUIS GOLD - 30 AMP |
| 2 | 007125-03-000 | EA | CLAMP - MUFFLER - 1.5" DIAMETER |
| 3 | 105958-30-000 | EA | PIPE - EXHAUST/GENERATOR |

F35A UP TO 08-15-06

| KEY | PART NUMBER | U/M | DESCRIPTION |
|-----|---------------|-----|---|
| 1 | 135707-06-000 | EA | GENERATOR - 5.5 - 30/30 - GAS - MARQUIS GOLD - 50 AMP |
| 1 | 135707-07-000 | EA | GENERATOR - 5.5 - 30/20 - GAS - MARQUIS GOLD - 30 AMP |
| 2 | 007125-03-000 | EA | CLAMP - MUFFLER - 1.5" DIAMETER |
| 3 | 105958-27-000 | EA | PIPE - EXHAUST/GENERATOR |

F35A AFTER 08-15-06

| KEY | PART NUMBER | U/M | DESCRIPTION |
|-----|---------------|-----|---|
| 1 | 135707-06-000 | EA | GENERATOR - 5.5 - 30/30 - GAS - MARQUIS GOLD - 50 AMP |
| 1 | 135707-07-000 | EA | GENERATOR - 5.5 - 30/20 - GAS - MARQUIS GOLD - 30 AMP |
| 2 | 007125-03-000 | EA | CLAMP - MUFFLER - 1.5" DIAMETER |
| 3 | 105958-07-000 | EA | PIPE - EXHAUST - 1.4" INLET X 1.5"O.D. - 4.9" X 20.1" |

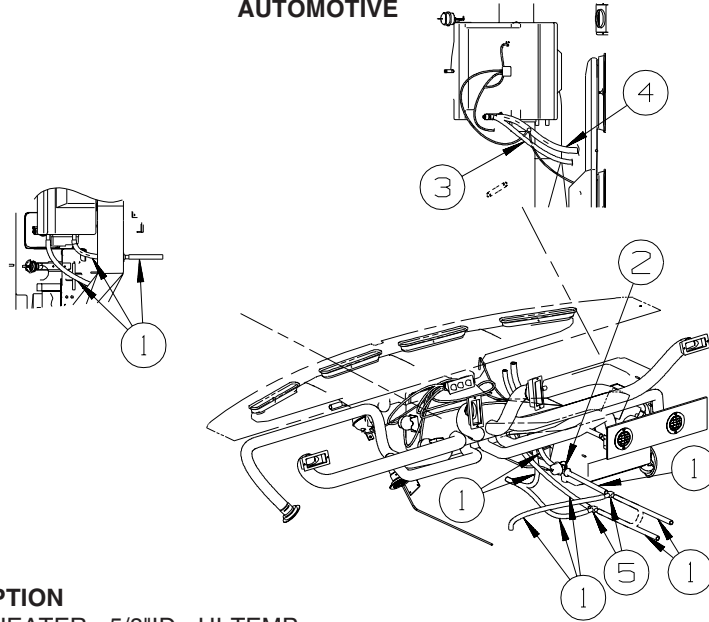
F35L, F38J UP TO 08-15-06

| KEY | PART NUMBER | U/M | DESCRIPTION |
|-----|---------------|-----|---|
| 1 | 135707-06-000 | EA | GENERATOR - 5.5 - 30/30 - GAS - MARQUIS GOLD - 50 AMP |
| 1 | 135707-07-000 | EA | GENERATOR - 5.5 - 30/20 - GAS - MARQUIS GOLD - 30 AMP |
| 2 | 007125-03-000 | EA | CLAMP - MUFFLER - 1.5" DIAMETER |
| 3 | 105958-30-000 | EA | PIPE - EXHAUST/GENERATOR |

F35L, F38J AFTER 08-15-06

| KEY | PART NUMBER | U/M | DESCRIPTION |
|-----|---------------|-----|---|
| 1 | 135707-06-000 | EA | GENERATOR - 5.5 - 30/30 - GAS - MARQUIS GOLD - 50 AMP |
| 1 | 135707-07-000 | EA | GENERATOR - 5.5 - 30/20 - GAS - MARQUIS GOLD - 30 AMP |
| 2 | 007125-03-000 | EA | CLAMP - MUFFLER - 1.5" DIAMETER |
| 3 | 105958-07-000 | EA | PIPE - EXHAUST - 1.4" INLET X 1.5"O.D. - 4.9" X 20.1" |

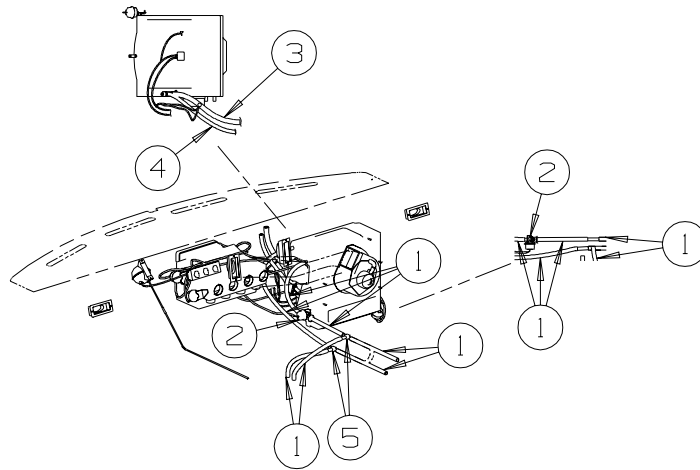
HEATING & A/C GROUP AUTOMOTIVE



WORKHORSE

| KEY | PART NUMBER | U/M | DESCRIPTION |
|-----|---------------|-----|---|
| 1 | 007108-01-000 | FT | HOSE - HEATER - 5/8"ID - HI-TEMP |
| 2 | 103930-23-000 | EA | VALVE/WATER - 2 PORT/VACUUM CONTROLLED - "NEW DESIGN" |
| 3* | 103930-46-000 | EA | HOSE - EXPANSION BLOCK (EVAPORATOR) TO COMPRESSOR |
| 4* | 103930-47-000 | EA | HOSE - EXPANSION VALVE (EVAPORATOR) TO DRIER |
| 5 | 076776-01-000 | EA | TEE - BEADED - 5/8" X 5/8" X 5/8" |

***COMPONENT PARTS LISTED LATER IN THIS GROUP**

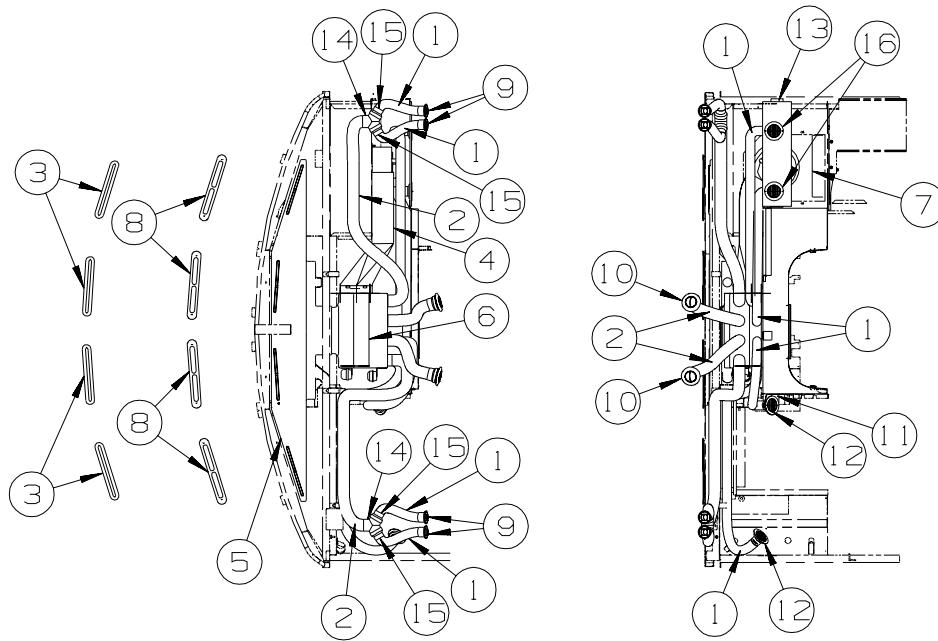


FORD

| KEY | PART NUMBER | U/M | DESCRIPTION |
|-----|---------------|-----|--|
| 1 | 007108-01-000 | FT | HOSE - HEATER - 5/8"ID - HI-TEMP |
| 2 | 103930-23-000 | EA | VALVE/WATER - 2 PORT/VACUUM CONTROLLED - "NEW DESIGN" |
| 3* | 103930-44-000 | EA | HOSE - EVAPORATOR/DRYER - #6 |
| 4* | 103930-45-000 | EA | HOSE - EVAPORATOR/COMPRESSOR - PRIOR TO 2007 FORD CHASSIS |
| 4 | 103930-64-000 | EA | HOSE - EVAPORATOR/COMPRESSOR - 2007 FORD CHASSIS |
| 5 | 076776-01-000 | EA | TEE - BEADED - 5/8" X 5/8" X 5/8" |

***COMPONENT PARTS LISTED LATER IN THIS GROUP**

HEATING & A/C GROUP (CONTINUED) AUTOMOTIVE (CONTINUED)



| KEY | PART NUMBER | U/M | DESCRIPTION |
|-----|---------------|-----|---|
| 1 | 007076-01-000 | EA | HOSE - FLEXIBLE PVC - 2" ID - INCREMENTS OF 50' |
| 2 | 007281-01-000 | EA | HOSE - FLEXIBLE PVC - 2 1/2" ID X 50' |
| 3 | 077075-01-000 | EA | GASKET - INSTRUMENT PANEL/DEFROSTER PLENUM - .6" X 10.2" |
| 4 | 103016-03-000 | EA | PLENUM - TRANSITION |
| 5 | 103017-03-000 | EA | PLENUM - DEFROSTER |
| 6* | 103930-49-000 | EA | CONTROL/PLENUM - LARGE ROTARY |
| 7* | 103930-55-000 | EA | EVAPORATOR/HEATER - NONCHARGED - SINGLE OUTPUT |
| 8 | 135265-01-07A | EA | VENT - DEFROSTER - PLASTIC - RIVERSTONE |
| 8 | 135265-01-06A | EA | VENT - DEFROSTER - PLASTIC - CASHMERE |
| 9 | 158174-01-01A | EA | LOUVER - ROUND - 2" HOSE - BLACK |
| 10 | 146504-01-01A | EA | LOUVER - ROUND 2.5" - BLACK |
| 11 | 136157-03-02B | EA | BRACKET - HEATER - E-COATED |
| 12 | 157225-01-01A | EA | OUTLET - DEFROSTER - W/SWIVEL - 2" SLEEVE/4"OD - BLACK |
| 13 | 156732-01-01A | EA | BRACE |
| 14 | 098342-01-000 | EA | CONNECTOR/WYE - 2.5" - FLEXHOSE |
| 15 | 098342-02-000 | EA | ADAPTOR - HOSE - 2.5" TO 2" |
| 16 | 157225-01-06A | EA | OUTLET - DEFROSTER - W/SWIVEL - 2" SLEEVE/4"OD - CASHMERE |
| 16 | 157225-01-05A | EA | OUTLET - DEFROSTER - W/SWIVEL - 2" SLEEVE/4"OD - RIVERSTONE |
| | 113452-02-000 | FT | SEAL/TRIM - FRONT - VINYL W/WIRE CARRIER - .027" - WHERE WIRES & HOSES CROSS METAL |

*COMPONENT PARTS LISTED LATER IN THIS GROUP

HEATING & A/C GROUP (CONTINUED)

COMPONENT PARTS FOR AUTOMOTIVE

103930-44-000

| KEY | PART NUMBER | U/M | DESCRIPTION | VENDOR NO |
|-----|---------------|-----|------------------------------|-----------|
| | 103930-29-701 | EA | O'RING F/LOW PRESSURE SWITCH | 045-0483 |
| | 103930-44-700 | EA | HOSE ASSEMBLY #6 | 085-0462 |
| | 113245-01-711 | EA | O'RING #6 | 045-0129 |

103930-45-000

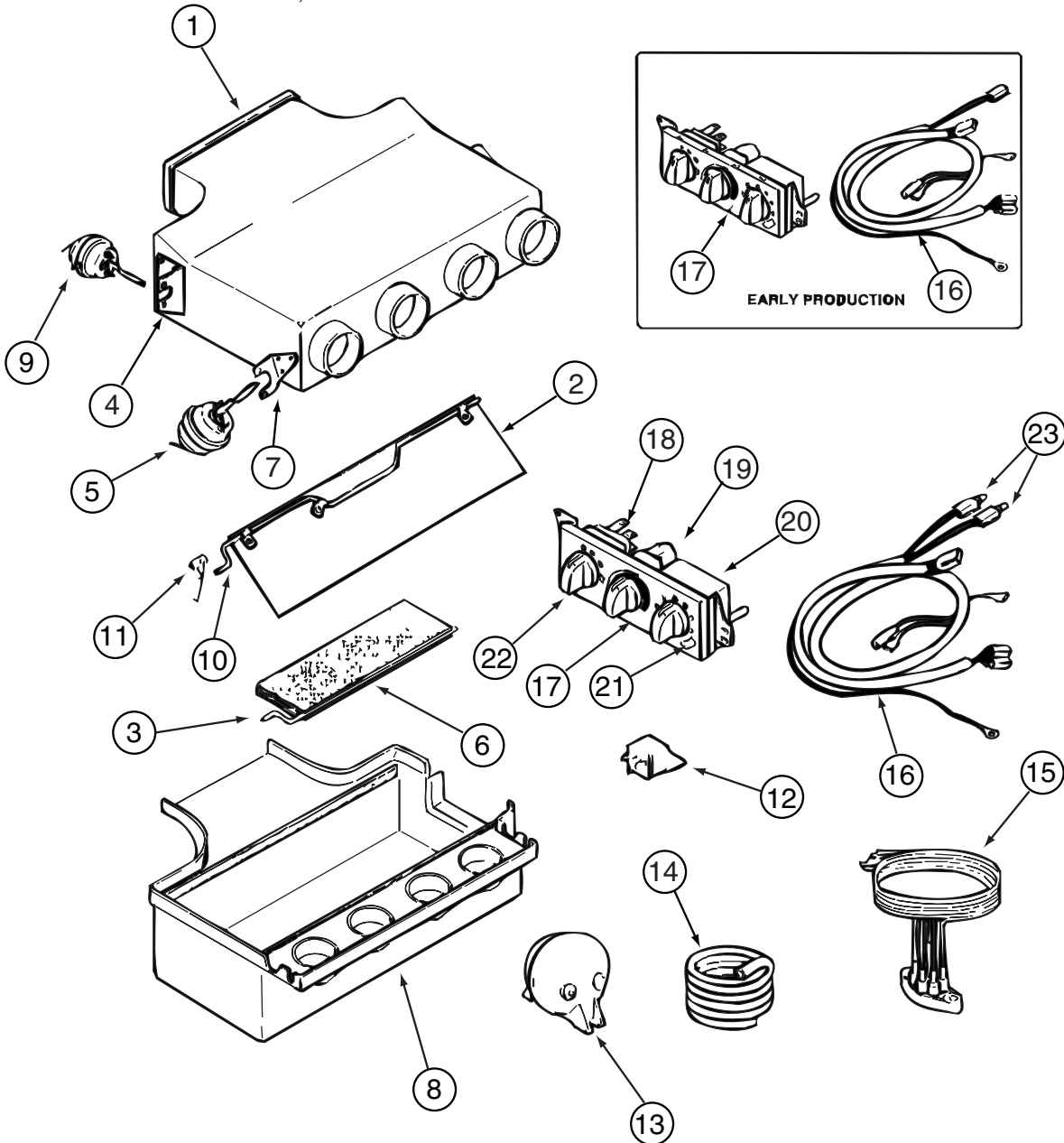
| KEY | PART NUMBER | U/M | DESCRIPTION | VENDOR NO. |
|-----|---------------|-----|---------------------------|------------|
| | 103930-17-702 | EA | O'RING #10 | 045-0127 |
| | 103930-45-700 | EA | HOSE - #10 EVAP/COMP - 3' | 085-0463 |

103930-46-000

| KEY | PART NUMBER | U/M | DESCRIPTION | VENDOR NO |
|-----|---------------|-----|------------------------------|-----------|
| | 103930-17-702 | EA | O'RING #10 | 045-0127 |
| | 103930-29-701 | EA | O'RING F/LOW PRESSURE SWITCH | 045-0483 |
| | 103930-46-700 | EA | HOSE - #10 EVAP/COMP - 4.3' | 085-0486 |

103930-47-000

| KEY | PART NUMBER | U/M | DESCRIPTION | VENDOR NO |
|-----|---------------|-----|-----------------------------|-----------|
| | 103930-47-700 | EA | HOSE - #6-EVAP/DRIER - 2.2' | 085-0485 |
| | 113245-01-710 | EA | O'RING, #12 | 045-0128 |



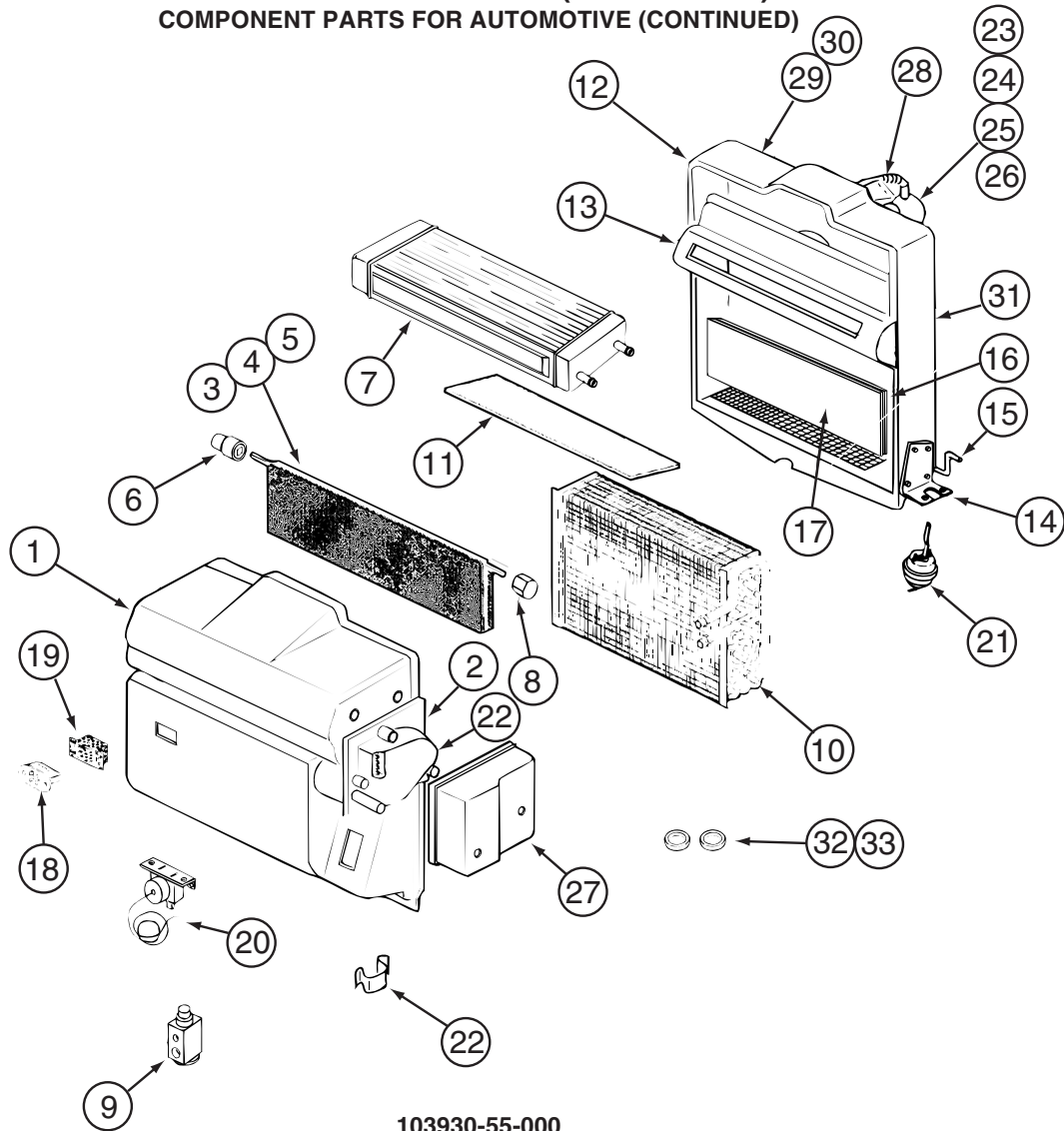
103930-49-000

HEATING & A/C GROUP (CONTINUED)
COMPONENT PARTS FOR AUTOMOTIVE (CONTINUED)

103930-49-000 (CONTINUED)

| KEY | PART NUMBER | U/M | DESCRIPTION | VENDOR NO. |
|------------|--------------------|------------|--|-------------------|
| 1 | 103930-39-705 | EA | PLENUM - TOP | 060-0482 |
| 2 | 103930-04-700 | EA | DOOR - DEFROSTER-A/C | 071-0149 |
| 3 | 103930-39-700 | EA | ROD - DOOR - AC/HEAT | 073-067 |
| 5 | 103930-02-708 | EA | MOTOR-VACUUM SERVO, A/C | 030-0025 |
| 6 | 103930-39-706 | EA | PLATE - DOOR - A/C | 071-0623 |
| 8 | 103930-39-707 | EA | PLENUM - BOTTOM | 060-0483 |
| 9 | 103930-33-701 | EA | MOTOR - VACUUM, 3 STAGE | 030-0105 |
| 10 | 103930-39-701 | EA | ROD - DOOR - AC/DEFROST | 073-0069 |
| 11 | 103930-39-704 | EA | SPRING | 022-0119 |
| 12 | 103930-02-707 | EA | RELAY-BOSCH W/RESISTER | 031-0001 |
| 13 | 103930-02-710 | EA | CANISTER-VACUUM | 054-0002 |
| 15 | 103930-33-703 | EA | VACUUM HARNESS | 036-0466 |
| 16 | 103930-49-700 | EA | HARNESS - WIRE | 036-556 |
| 16 | 103930-49-701 | EA | HARNESS - WIRE W/BULBS | 036-0557 |
| 17 | 103930-49-702 | EA | CONTROL PANEL-RECESSED FACE | 032-0054 |
| 17 | 103930-49-703 | EA | CONTROL PANEL - NON RECESSED | 083-0223 |
| 18 | 103930-49-704 | EA | SWITCH - BLOWER | 032-0332 |
| 19 | 103930-49-705 | EA | POTENTIOMETER | 032-0182 |
| 20 | 103930-49-706 | EA | SWITCH - VACUUM | 032-0185 |
| 21 | 103930-49-707 | EA | DECAL CONTROL PANEL-N/RECESS | 058-0144 |
| 22 | 103930-49-708 | EA | KNOB - BLOWER - NONRECESSED | 062-0620 |
| 23 | 103930-33-705 | EA | LIGHT BULBS | 035-0030 |
| | | | CONTACT WINNEBAGO PART SALES FOR UNLISTED COMPONENT(S) | |

HEATING & A/C GROUP (CONTINUED)
COMPONENT PARTS FOR AUTOMOTIVE (CONTINUED)



103930-55-000

| KEY | PART NUMBER | U/M | DESCRIPTION | VENDOR NO. |
|-----|---------------|-----|------------------------------|------------|
| 1 | 103930-55-701 | EA | CASE - FRONT | 062-0658 |
| 2 | 103930-30-701 | EA | PLATE - MOTOR MOUNT | 062-0544 |
| 3 | 103930-55-705 | EA | DOOR - BLEND AIR | 071-0892 |
| 6 | 103930-30-702 | EA | BUSHING/DRIVE (BLEND DOOR) | 062-0168 |
| 7 | 103930-55-706 | EA | CORE - HEATER - W/GASKET | 084-0271 |
| 8 | 103930-30-709 | EA | COUPLING - BLEND DOOR SHAFT | 062-0634 |
| 9 | 103930-20-700 | EA | VALVE-EXPANSION-BLOCK, 2 TON | 034-0032 |
| 10 | 103930-55-700 | EA | CORE-EVAPORATOR | 041-00168 |
| 12 | 103930-55-702 | EA | CASE-REAR | 062-0657 |
| 14 | 103930-01-708 | EA | BRACKET-VACUUM MOTOR | 070-0113 |
| 15 | 103930-20-704 | EA | ROD-DOOR-RECIRCULATING | 073-0018 |
| 16 | 103930-55-707 | EA | DOOR - RECIRCULATION | 071-0891 |
| 18 | 103930-01-710 | EA | RESISTOR-FUSED, A/C 4 TERM | 035-0006 |
| 20 | 103930-01-711 | EA | THERMOSTAT | 033-0003 |
| 21 | 103930-02-708 | EA | MOTOR-VACUUM SERVO, A/C | 030-0025 |
| 22 | 103930-30-703 | EA | MOTOR - SERVO | 030-0104 |
| 23 | 103930-20-707 | EA | HOUSING-BLOWER | 062-0145 |
| 24 | 103930-55-703 | EA | MOTOR-BLOWER W/O PIGTAIL | 030-0137 |
| 25 | 103930-01-717 | EA | WHEEL-BLOWER, CLOCKWISE | 062-0010 |
| 26 | 103930-20-708 | EA | CLIP-MOTOR SHAFT | 022-0001 |
| 27 | 103930-30-704 | EA | COVER - SERVO | 062-0545 |
| 32 | 113245-01-707 | EA | O'RING #8 | 045-0126 |
| 33 | 103930-17-702 | EA | O'RING #10 | 045-0127 |
| | 103930-55-704 | EA | CORE-HEATER | 042-0059 |
| | 110279-01-703 | EA | HOSE-VENT F/BLOWER MOTOR | 051-0034 |

CONTACT WINNEBAGO PART SALES FOR UNLISTED COMPONENT(S)

HEATING & A/C GROUP (CONTINUED)

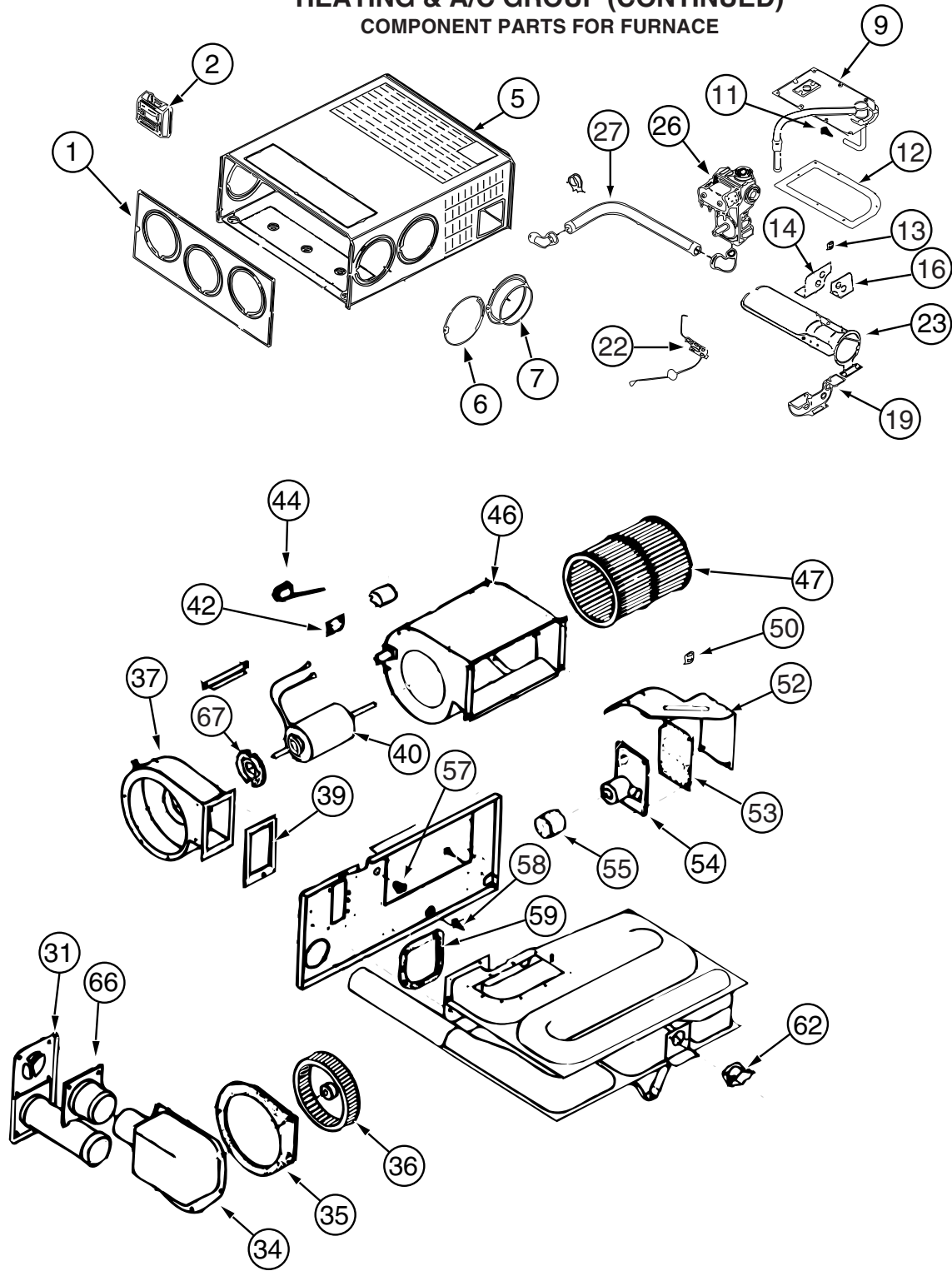
FURNACE

| KEY | PART NUMBER | U/M | DESCRIPTION |
|-----|---------------|-----|---|
| * | 143563-01-000 | EA | FURNACE - 35000 BTU/HIGH QUIET - SUBURBAN SH-35 2322 - FURNACE - 35,000 BTU |
| * | 143563-02-000 | EA | FURNACE - 40000 BTU HIGH QUIET - SUBURBAN SH-42 2346A - FURNACE - 40,000 BTU |
| | 009198-02-000 | FT | DUCT - HEAT - FLEXIBLE - 2" ID X 25' |
| | 092776-01-000 | EA | ADAPTER - DUCT - 2" |
| | 093614-13-02A | EA | GRILLE - AIR RETURN - 15.9" X 11.9" - BEIGE |
| | 126693-05-02B | EA | PANEL - EXHAUST/FURNACE - E-COATED |
| | 134651-01-000 | FT | SEAL - 1/2" X 3/4" X 9' - PSA 1 SIDE |
| | 137965-01-02A | EA | REGISTER - 11.2" X 3.6"(9.7 X 2.1"R/O) W/O DAMPER-ANT PWTR |
| | 137965-02-02A | EA | REGISTER - 11.2" X 3.6"(9.7 X 2.1"R/O) W/DAMPER - ANT PWTR |
| | 137965-03-02A | EA | REGISTER - 11.2" X 3.6"(9.7 X 2.1"R/O) W/O DAMPER - ANT PWTR |
| | 137965-04-02A | EA | REGISTER - 11.2" X 3.6"(9.7 X 2.1"R/O) W/DAMPER - ANT PWTR |
| | 137965-06-02A | EA | REGISTER - 15.3" X 3.6"(13.9"X2.1"R/O) W/O DAMPER-ANT PWTR |
| | 137965-10-02A | EA | REGISTER - 15.3" X 3.6"(13.8"X2.1"R/O) W/O DAMPER-ANT PWTR - W/O MOUNTING HOLES |
| | 139980-05-000 | EA | VENT - INTAKE |
| | 139980-06-000 | EA | VENT CAP |
| | 141194-03-02B | EA | PANEL/FURNACE CLOSEOUT - E-COATED |
| | 141337-01-01A | EA | GASKET - FURNACE |
| | 143563-03-02A | EA | DOOR/ACCESS - FURNACE - W/FRAME - BLACK |
| | 143563-04-000 | EA | PLATE END - COLLAR |
| | 143563-05-000 | EA | GASKET - FIBERGLASS - SUBURBAN #071018 |
| | 157225-01-06A | EA | OUTLET - DEFROSTER - W/SWIVEL - 2" SLEEVE/4"OD - CASHMERE |
| | 158710-01-000 | EA | ELBOW/DUCT - 2 1/4" ID X 14" |

***COMPONENT PARTS LISTED LATER IN THIS GROUP**

HEATING & A/C GROUP (CONTINUED)

COMPONENT PARTS FOR FURNACE



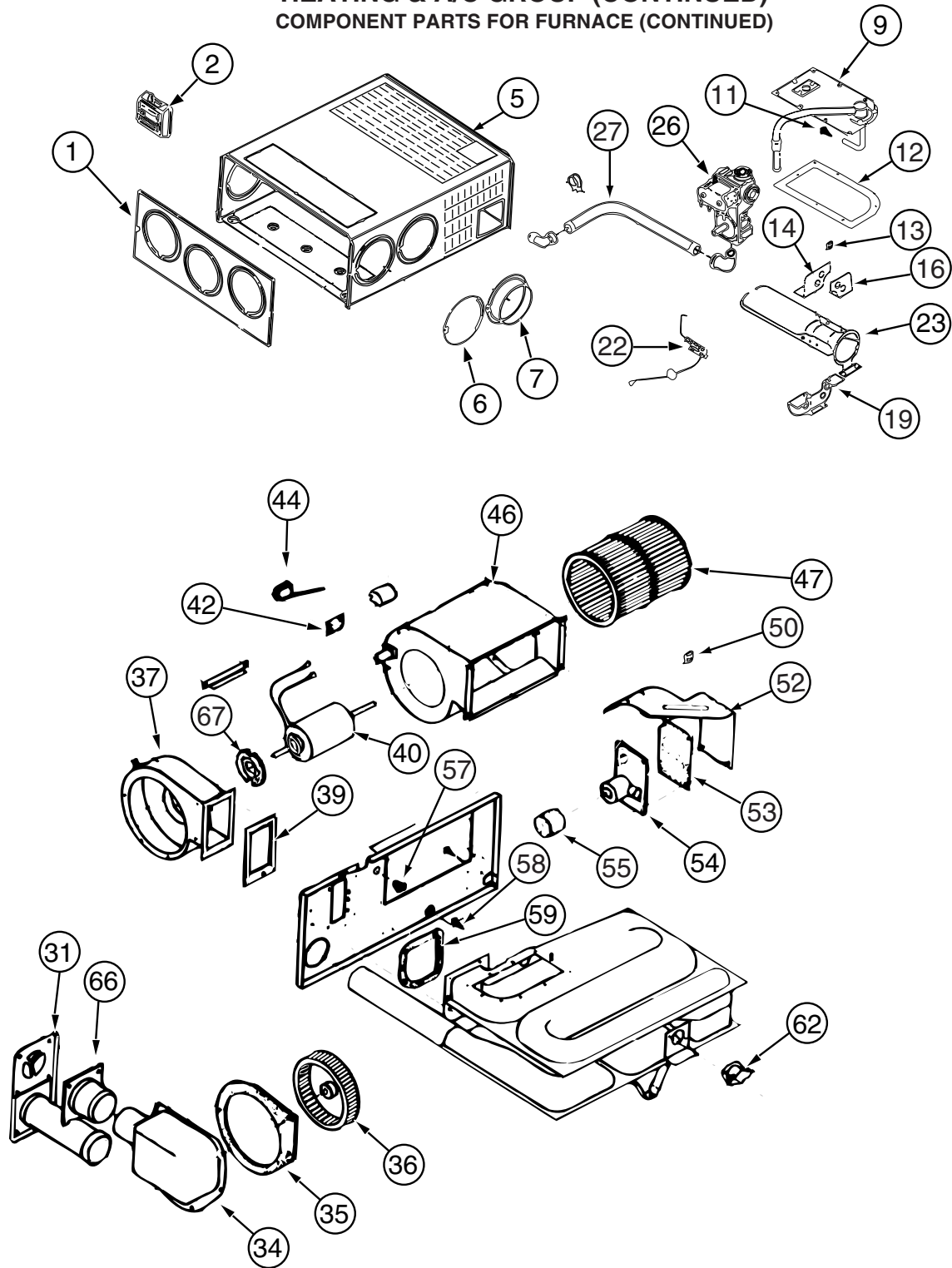
143563-01-000

HEATING & A/C GROUP (CONTINUED)
COMPONENT PARTS FOR FURNACE (CONTINUED)

143563-01-000 (CONTINUED)

| KEY | PART NUMBER | U/M | DESCRIPTION | VENDOR NO. |
|------------|--------------------|------------|--|-------------------|
| 1 | 143563-01-700 | EA | CABINET - FRONT | 101907 |
| 2 | | | 12 VOLT WIRING AREAS FOR CORRECT THERMOSTAT | |
| 5 | 143563-01-701 | EA | CABINET | 101921 |
| 7 | 075696-02-703 | EA | COLLAR - DUCT | 050715 |
| 9 | 143563-01-702 | EA | MANIFOLD ASSEMBLY | 171599 |
| 11 | 143563-01-703 | EA | ORFICE - MAIN BURNER | 180308 |
| 12 | 098668-22-703 | EA | GASKET - BURNER ACCESS COVER | 070811 |
| 14 | 143563-01-704 | EA | PLATE - SECONDARY AIR/TOP BACK | 063199 |
| 16 | 143563-01-705 | EA | PLATE - SECONDARY AIR/TOP FRT | 062936 |
| 19 | 143563-01-706 | EA | PLATE - SECONDARY AIR/BOTTOM | 062938 |
| 22 | 139980-01-701 | EA | ELECTRODE | 232286 |
| 23 | 098668-02-700 | EA | BURNER ASSEMBLY,SF-30 & SF35 | 010745 |
| 26 | 098668-01-718 | EA | VALVE-GAS SF S.N.974903079 | 161122 |
| 27 | 143563-01-707 | EA | PIPE ASSEMBLY (GAS INLET) | 171603 |
| 31 | 098668-01-707 | EA | TUBE ASSEMBLY, EXHAUST W/CAP | 260231 |
| 34 | 143563-01-708 | EA | BOX ASM (COMB. AIR INTAKE) | 051430BK |
| 35 | 143563-01-709 | EA | GASKET (COMB. AIR HOUSING) | 071108 |
| 36 | 143563-01-710 | EA | WHEEL (COMBUSTION AIR) | 350199 |
| 37 | 143563-01-711 | EA | HOUSING (COMBUSTION AIR) | 390862BK |
| 39 | 143563-01-715 | EA | GASKET-FIREWALL/COMB. AIR | 071107 |
| 40 | 143563-01-712 | EA | MOTOR ASSEMBLY | 232727 |
| 42 | 101990-01-714 | EA | GASKET-MICROSWITCH | 230877 |
| 44 | 098668-21-700 | EA | SWITCH-MICRO-W/O FLAG 3 1/4" | 232261 |
| 46 | 143563-01-713 | EA | BLOWER ASSEMBLY(ROOM AIR) | 390867BK |
| 47 | 143563-01-714 | EA | WHEEL - ROOM AIR | 350198 |
| 50 | 139980-01-710 | EA | SWITCH - ON/OFF | 232351 |
| 52 | 139980-01-711 | EA | PANEL ASSEMBLY-MODULE BD | 101663 |
| 53 | 139980-01-712 | EA | INSULATOR - MODULE BD | 070807 |
| 54 | 098668-22-705 | EA | MODULE BD W/RELAY TIME DELAY | 520820 |
| 55 | 139980-01-713 | EA | CAP/INSULATOR-MODULE BD | 070973 |
| 57 | 139980-01-714 | EA | BUSHING - UNIVERSAL | 070362 |
| 58 | 139980-01-715 | EA | BUSHING - STRAIN RELIEF | 231809 |
| 59 | 098668-01-716 | EA | GASKET-FIREWALL,CHAMBER SIDE | 070808 |
| 62 | 098668-21-701 | EA | SWITCH - LIMIT | 232504 |
| 66 | 098668-01-713 | EA | TUBE ASSEMBLY, INTAKE | 051248 |
| 67 | 075697-07-703 | EA | GASKET - MOTOR | 070448 |
| | 143563-01-716 | EA | CHAMBER ASM. - FINAL | |
| | | | CONTACT WINNEBAGO PART SALES FOR UNLISTED COMPONENT(S) | |

HEATING & A/C GROUP (CONTINUED)
COMPONENT PARTS FOR FURNACE (CONTINUED)



143563-02-000

HEATING & A/C GROUP (CONTINUED)
COMPONENT PARTS FOR FURNACE (CONTINUED)

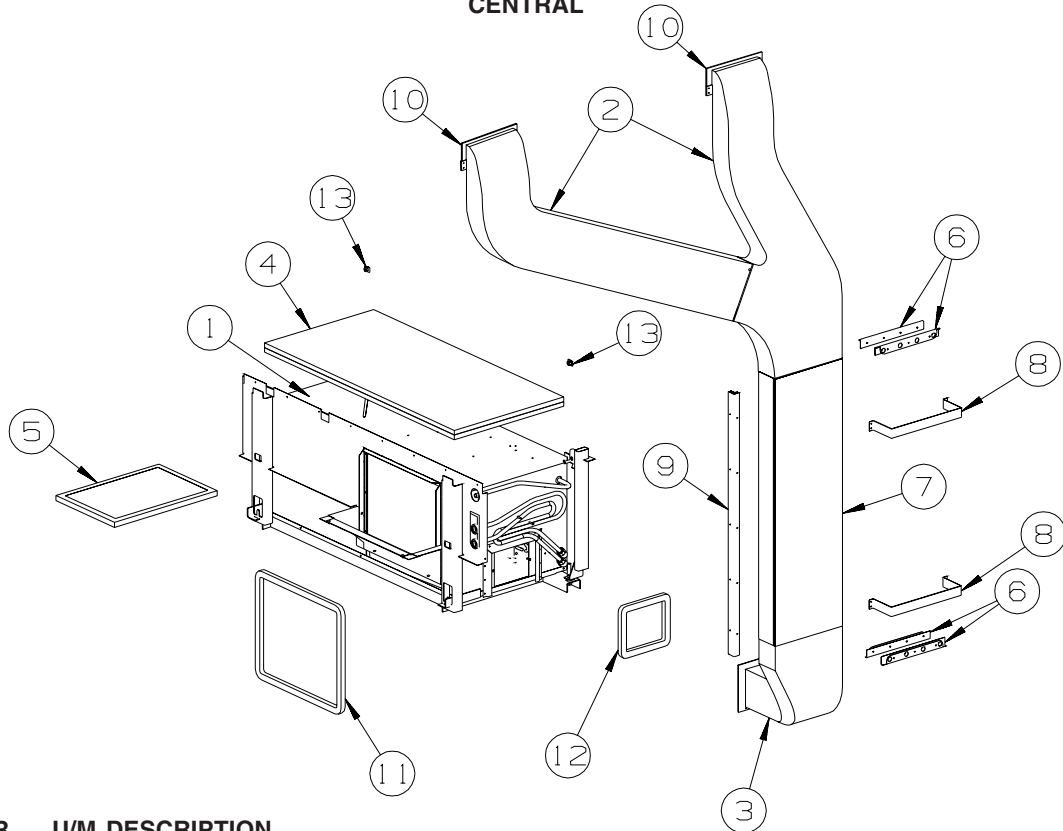
143563-02-000 (CONTINUED)

| KEY | PART NUMBER | U/M | DESCRIPTION | VENDOR NO. |
|------------|--------------------|------------|--|-------------------|
| 1 | 143563-01-700 | EA | CABINET - FRONT | 101907 |
| 2 | | | SEE 12 VOLT WIRING AREAS FOR CORRECT THERMOSTAT | |
| 5 | 143563-02-700 | EA | CABINET | 101915 |
| 7 | 075696-02-703 | EA | COLLAR - DUCT | 050715 |
| 9 | 143563-01-702 | EA | MANIFOLD ASSEMBLY | 171599 |
| 11 | 143563-02-701 | EA | ORFICE - MAIN BURNER | 180309 |
| 12 | 098668-22-703 | EA | GASKET - BURNER ACCESS COVER | 070811 |
| 14 | 143563-02-702 | EA | PLATE - SECONDARY AIR/TOP BACK | 063198 |
| 16 | 143563-02-703 | EA | PLATE - SECONDARY AIR/TOP FRT | 062933 |
| 19 | 143563-02-704 | EA | PLATE - SECONDARY AIR/BOTTOM | 062935 |
| 22 | 139980-01-701 | EA | ELECTRODE | 232286 |
| 23 | 098668-11-701 | EA | BURNER ASSEMBLY, SF-42F | 010799 |
| 26 | 098668-01-718 | EA | VALVE-GAS SF S.N.974903079 | 161122 |
| 27 | 143563-01-707 | EA | PIPE ASSEMBLY (GAS INLET) | 171603 |
| 31 | 098668-01-707 | EA | TUBE ASSEMBLY, EXHAUST W/CAP | 260231 |
| 34 | 143563-01-708 | EA | BOX ASM (COMB. AIR INTAKE) | 051430BK |
| 35 | 143563-01-709 | EA | GASKET (COMB. AIR HOUSING) | 071108 |
| 36 | 143563-01-710 | EA | WHEEL (COMBUSTION AIR) | 350199 |
| 37 | 143563-01-711 | EA | HOUSING (COMBUSTION AIR) | 390862BK |
| 39 | 143563-01-715 | EA | GASKET-FIREWALL/COMB. AIR | 071107 |
| 40 | 143563-02-705 | EA | MOTOR ASSEMBLY | 232726 |
| 42 | 101990-01-714 | EA | GASKET-MICROSWITCH | 230877 |
| 44 | 098668-21-700 | EA | SWITCH-MICRO-W/O FLAG 3 1/4" | 232261 |
| 46 | 143563-01-713 | EA | BLOWER ASSEMBLY(ROOM AIR) | 390867BK |
| 47 | 143563-01-714 | EA | WHEEL - ROOM AIR | 350198 |
| 50 | 139980-01-710 | EA | SWITCH - ON/OFF | 232351 |
| 52 | 139980-01-711 | EA | PANEL ASSEMBLY-MODULE BD | 101663 |
| 53 | 139980-01-712 | EA | INSULATOR - MODULE BD | 070807 |
| 54 | 098668-22-705 | EA | MODULE BD W/RELAY TIME DELAY | 520820 |
| 55 | 139980-01-713 | EA | CAP/INSULATOR-MODULE BD | 070973 |
| 57 | 139980-01-714 | EA | BUSHING - UNIVERSAL | 070362 |
| 58 | 139980-01-715 | EA | BUSHING - STRAIN RELIEF | 231809 |
| 59 | 098668-01-716 | EA | GASKET-FIREWALL,CHAMBER SIDE | 070808 |
| 62 | 143563-02-706 | EA | SWITCH - LIMIT | 232735 |
| 66 | 098668-01-713 | EA | TUBE ASSEMBLY, INTAKE | 051248 |
| 67 | 075697-07-703 | EA | GASKET - MOTOR | 070448 |
| | 143563-02-707 | EA | CHAMBER ASM. - FINAL | 021172BK |
| | | | CONTACT WINNEBAGO PART SALES FOR UNLISTED COMPONENT(S) | |

HEATING & A/C GROUP (CONTINUED)
REAR HEATER

| KEY | PART NUMBER | U/M | DESCRIPTION |
|------------|--------------------|------------|--|
| | 147610-01-000 | EA | HEATER - AUTO/AUX - F33V, F35A, F35L |
| | 147610-02-000 | EA | HEATER - AUTO/AUX - F38J |
| | 104692-01-000 | FT | SEAL - ADHESIVE BACKED FOAM - 3/4" THICK X 3/4" WIDE X 25' |
| | 007108-01-000 | FT | HOSE - HEATER - 5/8" ID - HI-TEMP |
| | 079059-01-000 | EA | HOSE - 90 DEGREE - 5/8"ID X 4" X 36" |
| | 079059-13-000 | EA | HOSE - 90 DEGREE - .61"ID X 4" X 48" |
| | 137965-01-02A | EA | REGISTER - 11.2" X 3.6"(9.7 X 2.1"R/O) W/O DAMPER-ANT PWTR |

HEATING & A/C GROUP (CONTINUED) CENTRAL

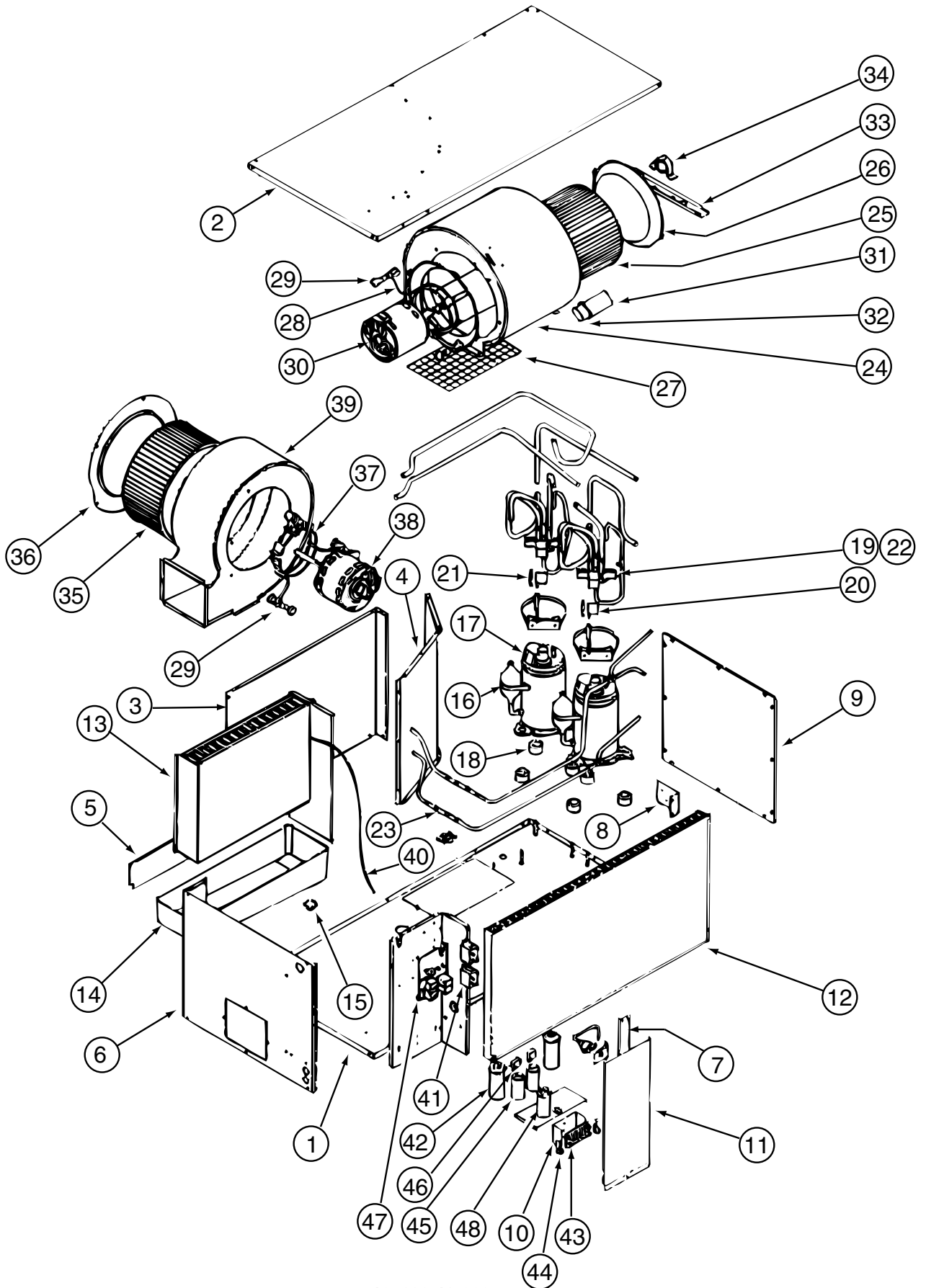


| KEY | PART NUMBER | U/M | DESCRIPTION |
|-----|---------------|-----|--|
| 1* | 105620-12-000 | EA | A/C-CENTRAL - RH HAND/HEAT PUMP/12,000 BTU - TECUMSEH COMP |
| 2 | M09204-01-000 | EA | DUCT/AC - UPPER RIGHT HAND/LEFT HAND |
| 3 | P38842-01-000 | EA | DUCT - CENTRAL AIR/FORCED - W/INSULATION - LOWER |
| | 105290-01-000 | SF | INSULATION - AIR POCKET W/FOIL - 4' WIDE |
| 4 | 100619-16-000 | BF | FOAM - EXPANDED POLYSTYRENE - .75" X 48" X 96"-2" DENSITY |
| 5 | 109050-02-000 | EA | FILTER/FURNACE-AC - FIBERGLASS - 1" X 14" X 20" |
| | 100128-02-000 | FT | SEAL - FOAM/ADHESIVE BACK - .37" WIDE X .37" THICK X 60' FROM: 00-00-00 THRU: 07-30-06 |
| 6 | 115886-11-02A | EA | RETAINER - SIDEWALL - BRIGHT WHITE - 11.8" - NOT ILLUSTRATED FROM: 00-00-00 THRU: 07-30-06 |
| 6 | 160755-01-02B | EA | U-CHANNEL W/HOLES FROM: 07-31-06 THRU: 99-99-99 |
| | 130262-06-000 | EA | PROTECTOR - CORNER SAVER - .7" X .7" FROM: 00-00-00 THRU: 07-30-06 |
| 7 | 117870-11-01A | EA | PLENUM - A/C - 43" FROM: 00-00-00 THRU: 07-30-06 |
| 7 | 159404-02-000 | EA | PLENUM - A/C FROM: 07-31-06 THRU: 99-99-99 |
| 8 | 129047-01-02B | EA | STRAP/MOUNTING - AIR DUCT - E-COATED |
| 9 | 159408-02-01A | EA | CORNER - W/HOLES FROM: 07-31-06 THRU: 99-99-99 |
| 10 | 104692-01-000 | FT | SEAL - ADHESIVE BACKED FOAM - 3/4" THICK X 3/4" WIDE X 25' |
| 11 | 134588-01-000 | EA | GASKET - DUCT - 15.5" X 18.2" IS - 17.4" X 20.2" OS |
| 12 | 134588-02-000 | EA | GASKET - DUCT - 6.4" X 7.4" IS - 8.3" X 9.4" OS |
| 13 | 142913-01-000 | EA | J-CLIP - F/TV HOLD DOWN |

*COMPONENT PARTS LISTED LATER IN THIS GROUP

HEATING & A/C GROUP (CONTINUED)

COMPONENT PARTS FOR CENTRAL



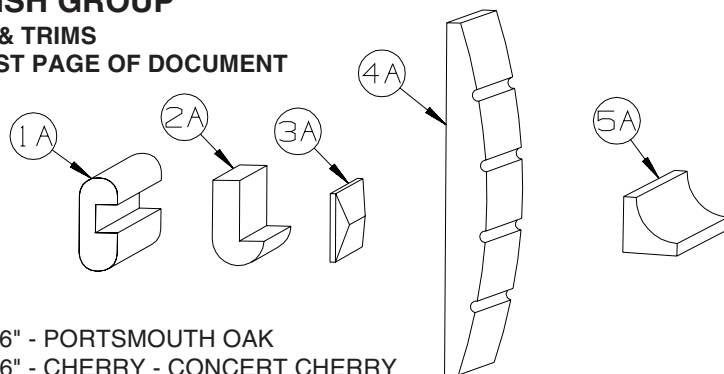
105620-12-000

HEATING & A/C GROUP (CONTINUED)
COMPONENT PARTS FOR CENTRAL (CONTINUED)

105620-12-000 (CONTINUED)

| KEY | PART NUMBER | U/M | DESCRIPTION | VENDOR NO. |
|------------|--------------------|------------|--|-------------------|
| 10 | 105620-01-733 | EA | ISOLATOR-HIGH VOLTAGE | 6795-117 |
| 11 | 105620-10-716 | EA | DOOR - ELECTRIC BOX | 6535B346 |
| 12 | 105620-12-701 | EA | COIL - CONDENSER | 1452A1621 |
| 13 | 105620-12-702 | EA | COIL - EVAPORATOR | 1452A1611 |
| 15 | 105620-12-703 | EA | VALVE - DRAIN | 6795-200 |
| 16 | 105620-12-723 | EA | COMPRESSOR (PANASONIC) | 1450-2229 |
| 17 | 105620-12-705 | EA | OVERLOAD | 1450-0081 |
| 18 | 105620-01-706 | EA | MOUNTING PKG.,COMP., 3 PER | 6759-3081 |
| 19 | 105620-12-724 | EA | REVERSING VALVE ASSEMBLY | 6535-535 |
| 20 | 105620-12-708 | EA | COIL - SOLENOID | 1460-1081 |
| 21 | 105620-12-709 | EA | WIRE HARNESS-REVERSING VALVE | 6536-111 |
| 22 | 105620-12-710 | EA | VALVE - REVERSE ONLY | 1454A350 |
| 23 | 105620-12-711 | EA | RESTRICTOR - BY FLOW | 1454-2521 |
| 24 | 105620-10-718 | EA | BLOWER HOUSING/OUTSIDE AIR | 6536-515 |
| 25 | 105620-01-713 | EA | WHEEL-BLOWER/OUTSIDE AIR | 1472-1011 |
| 26 | 105620-01-714 | EA | VENTURI-BLOWER/OUTSIDE AIR | 6795A150 |
| 28 | 105620-01-715 | EA | MOUNT-BLOWER/OUTSIDE AIR | 6795A3011 |
| 29 | 105620-01-716 | EA | SLEEVE & GROMMET, 4 PER PKKG. | 6795A3031 |
| 30 | 105620-10-721 | EA | MOTOR/BLOWER-8 3/4" SHAFT | 1468A3029 |
| 31 | 105620-01-718 | EA | CAPACITOR-FAN (OUTDOOR MOTOR)) | 1499-5631 |
| 32 | 105620-10-715 | EA | RUBBER CAPACITOR BOOT | 1499-951 |
| 33 | 105620-10-700 | EA | BEARING BRACKET/OUTSIDE AIR | 6536-514 |
| 34 | 105620-10-701 | EA | BEARING/PILLOW BLOCK-O/S AIR | 6536-3011 |
| 35 | 105620-11-701 | EA | BLOWER WHEEL/INSIDE AIR | 1472-1151 |
| 36 | 105620-12-715 | EA | BLOWER VENTURI/INSIDE AIR | 6535A287 |
| 37 | 105620-01-723 | EA | MOUNT-BLOWER MOTOR - I/S AIR | 6795-302 |
| 38 | 105620-12-716 | EA | BLOWER MTR/IN AIR/REVERSIBLE | 1468-3219 |
| 39 | 105620-11-706 | EA | MOTOR/BLOWER KIT | 6535B5901 |
| 40 | 105620-12-719 | EA | COIL SENSOR | 7330A3231 |
| 41 | 105620-01-729 | EA | RELAY-COMPRESSOR -4 TERMINAL | 1460-1131 |
| 42 | 105620-12-725 | EA | COMPRESSOR RUN CAPACITOR | 1499-5731 |
| 43 | 105620-01-738 | EA | BOARD-TERMINAL, HIGH VOLTAGE | 6795-315 |
| 46 | 105620-10-705 | EA | PTCR (START DEVICE) - W/CAP. | 8333A9021 |
| 47 | 105620-12-721 | EA | CIRCUIT BD (6535 A SERIES) | 6535A3201 |
| 48 | 093763-01-704 | EA | CAPACITOR-FAN (INDOOR MOTOR) | 1499-5461 |
| | 105620-10-720 | EA | FUSE/BUSS(8AMP/250V) 2 PKG | 6535-3081 |
| | | | CONTACT WINNEBAGO PART SALES FOR UNLISTED COMPONENT(S) | |

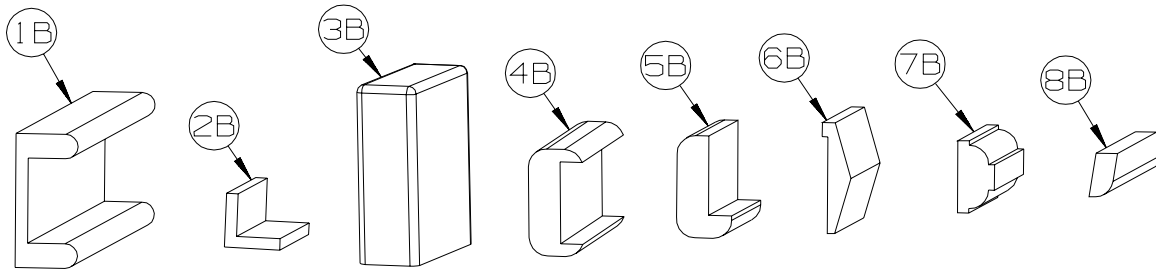
INTERIOR FINISH GROUP
MOLDINGS & TRIMS
LIST WOOD TONES FROM 1ST PAGE OF DOCUMENT



| KEY | PART NUMBER | U/M | DESCRIPTION |
|-----|---------------|-----|---|
| 1A | M09412-62-N42 | EA | MOLDING/SHELF EDGE - .6" X 1.3" X 96" - PORTSMOUTH OAK |
| 1A | M09412-62-M52 | EA | MOLDING/SHELF EDGE - .6" X 1.3" X 96" - CHERRY - CONCERT CHERRY |
| 1A | M09412-62-M62 | EA | MOLDING/SHELF EDGE - .6" X 1.3" X 96" - WASHED MAPLE - WASHED MAPLE |
| 1A | M09412-62-RC3 | EA | MOLDING/SHELF EDGE - .6" X 1.3" X 96" - HONEY CHERRY - HONEY CHERRY |
| 1A | M09412-62-SA3 | EA | MOLDING/SHELF EDGE - .6" X 1.3" X 96" - MAPLE - SIERRA MAPLE |
| 2A | M09450-77-PC0 | EA | MOLDING - TRIM/HDWD W/LIP -.4"X3.2"X79.6" - PORTSMOUTH OAK |
| 2A | M09450-77-PC1 | EA | MOLDING - TRIM/HDWD W/LIP -.4"X3.2"X79.6" - CONCERT CHERRY |
| 2A | M09450-77-PC2 | EA | MOLDING - TRIM/HDWD W/LIP -.4"X3.2"X79.6" - WASHED MAPLE |
| 2A | M09450-77-RC3 | EA | MOLDING - TRIM/HDWD W/LIP -.4"X3.2"X79.6" - HONEY CHERRY |
| 2A | M09501-32-TG1 | EA | MOLDING/TRIM - W/NOTCH - .8" X 2.5" X 86.2"-CONCERT CHERRY |
| 2A | M09501-32-TG2 | EA | MOLDING/TRIM - W/NOTCH - .8" X 2.5" X 86.2" - WASHED MAPLE, |
| 2A | M09501-32-TD3 | EA | MOLDING/TRIM - W/NOTCH - .8" X 2.5" X 86.2" - SIERRA MAPLE |
| 2A | M09503-52-T77 | EA | MOLDING/TRIM - .75" X 1.2" X 86.5" - PORTSMOUTH OAK |
| 2A | M09503-52-T78 | EA | MOLDING/TRIM - .75" X 1.2" X 86.5" - CONCERT CHERRY |
| 2A | M09503-52-T79 | EA | MOLDING/TRIM - .75" X 1.2" X 86.5" - WASHED MAPLE |
| 2A | M09503-52-T80 | EA | MOLDING/TRIM - .75" X 1.2" X 86.5" - SIERRA MAPLE |
| 2A | M09511-43-T78 | EA | MOLDING - TRIM - W/NOTCH - .8" X 1.4" X 86.3" - CONCERT CHERRY |
| 2A | M09525-80-UM1 | EA | MOLDING - TRIM - W/NOTCH - .8"X 1.4"X 86.5" - CONCERT CHERRY |
| 2A | M09511-43-T79 | EA | MOLDING - TRIM - W/NOTCH - .8" X 1.4" X 86.3" - WASHED MAPLE |
| 2A | M09525-80-U91 | EA | MOLDING - TRIM - W/NOTCH - .8" X 1.4" X 86.5" - WASHED MAPLE |
| 2A | M09511-43-T80 | EA | MOLDING - TRIM - W/NOTCH - .8" X 1.4" X 86.3" - SIERRA MAPLE |
| 2A | M09525-80-U92 | EA | MOLDING - TRIM - W/NOTCH - .8" X 1.4" X 86.5" - SIERRA MAPLE |
| 2A | M09438-25-RA3 | EA | MOLDING - HARDWOOD-W/NOTCH - 1.4"X 80.2" - HONEY CHERRY |
| 2A | M09515-72-TD1 | EA | MOLDING/TRIM - .8" X 2.2" X 86.1" - CONCERT CHERRY |
| 2A | M09515-72-TD2 | EA | MOLDING/TRIM - .8" X 2.2" X 86.1" - WASHED MAPLE |
| 2A | M09515-72-TD3 | EA | MOLDING/TRIM - .8" X 2.2" X 86.1" - SIERRA MAPLE |
| 3A | M09471-91-R69 | EA | MOLDING - TRIM/VEE - .2" X 1" X 34.4" - CONCERT CHERRY |
| 3A | M09471-91-R76 | EA | MOLDING - TRIM/VEE - .2" X 1" X 34.4" - WASHED MAPLE |
| 3A | M09471-91-SA3 | EA | MOLDING - TRIM/VEE - .2" X 1" X 34.4" - SIERRA MAPLE |
| 3A | M09477-88-S34 | EA | MOLDING - TRIM/VEE - .2" X 1" X 19.9" - WASHED MAPLE |
| 3A | M09477-88-S35 | EA | MOLDING - TRIM/VEE - .2" X 1" X 19.9" - SIERRA MAPLE |
| 3A | M09501-30-SD2 | EA | MOLDING - TRIM/VEE - .2" X 1" X 35.1" - WASHED MAPLE |
| 3A | M09501-30-SD3 | EA | MOLDING - TRIM/VEE - .2" X 1" X 35.1" - HONEY CHERRY |
| 3A | M09501-37-TG1 | EA | MOLDING - TRIM/VEE - .2" X 1" X 19.2" - CONCERT CHERRY |
| 3A | M09501-37-TG2 | EA | MOLDING - TRIM/VEE - .2" X 1" X 19.2" - WASHED MAPLE |
| 3A | M09501-37-TD3 | EA | MOLDING - TRIM/VEE - .2" X 1" X 19.2" - SIERRA MAPLE |
| 3A | M09501-37-TG3 | EA | MOLDING - TRIM/VEE - .2" X 1" X 19.2" - HONEY CHERRY |
| 3A | M09501-63-T78 | EA | MOLDING - TRIM/VEE - .2" X 1" X 15" - CONCERT CHERRY |
| 3A | M09501-63-T79 | EA | MOLDING - TRIM/VEE - .2" X 1" X 15" - WASHED MAPLE |
| 3A | M09501-63-T80 | EA | MOLDING - TRIM/VEE - .2" X 1" X 15" - SIERRA MAPLE |
| 3A | M09503-62-TG1 | EA | MOLDING - TRIM/VEE - .2" X 1" X 26.3" - CONCERT CHERRY |
| 3A | M09503-62-TG2 | EA | MOLDING - TRIM/VEE - .2" X 1" X 26.3" - WASHED MAPLE |
| 3A | M09503-62-TG3 | EA | MOLDING - TRIM/VEE - .2" X 1" X 26.3" - HONEY CHERRY |
| 3A | M09511-90-TG1 | EA | MOLDING - TRIM/VEE - .2" X 1" X 42.1" - CONCERT CHERRY |
| 3A | M09511-90-TG3 | EA | MOLDING - TRIM/VEE - .2" X 1" X 42.1" - HONEY CHERRY |
| 3A | M09511-90-TG2 | EA | MOLDING - TRIM/VEE - .2" X 1" X 42.1" - WASHED MAPLE |
| 3A | M09520-15-TD1 | EA | MOLDING - TRIM/VEE - .2" X 1" X 15.3" - CONCERT CHERRY |
| 3A | M09520-15-TD2 | EA | MOLDING - TRIM/VEE - .2" X 1" X 15.3" - WASHED MAPLE |
| 3A | M09520-15-TD3 | EA | MOLDING - TRIM/VEE - .2" X 1" X 15.3" - SIERRA MAPLE |
| 3A | M09520-96-T59 | EA | MOLDING - TRIM/VEE - .2" X 1" X 32.7" - PORTSMOUTH OAK |
| 3A | M09520-96-T60 | EA | MOLDING - TRIM/VEE - .2" X 1" X 32.7" - CONCERT CHERRY |
| 3A | M09520-96-T61 | EA | MOLDING - TRIM/VEE - .2" X 1" X 32.7" - WASHED MAPLE |
| 3A | M09520-96-TP0 | EA | MOLDING - TRIM/VEE - .2" X 1" X 32.7" - SIERRA MAPLE |

INTERIOR FINISH GROUP (CONTINUED)
MOLDINGS & TRIMS (CONTINUED)

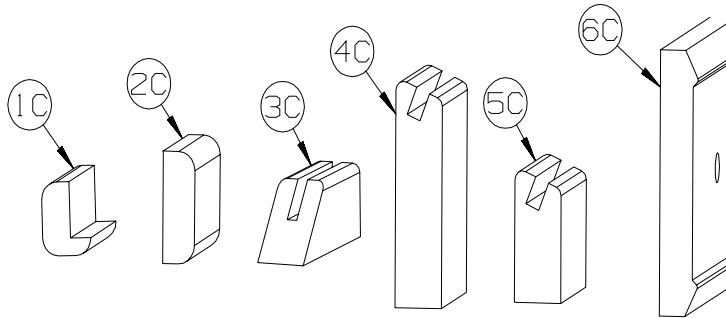
| KEY | PART NUMBER | U/M | DESCRIPTION |
|-----|---------------|-----|--|
| 3A | M09525-96-TA0 | EA | MOLDING - TRIM/VEE - .2" X 1" X 36.2" - PORTSMOUTH OAK |
| 3A | M09525-96-TA1 | EA | MOLDING - TRIM/VEE - .2" X 1" X 36.2" - CONCERT CHERRY |
| 3A | M09525-96-TA2 | EA | MOLDING - TRIM/VEE - .2" X 1" X 36.2" - WASHED MAPLE |
| 3A | M09525-96-TA3 | EA | MOLDING - TRIM/VEE - .2" X 1" X 36.2" - SIERRA MAPLE |
| 3A | M09534-08-T01 | EA | MOLDING - TRIM/VEE - .2" X 1" X 24.5" - SIERRA MAPLE |
| 3A | M09534-08-T02 | EA | MOLDING - TRIM/VEE - .2" X 1" X 24.5" - HONEY CHERRY |
| 3A | M09511-32-T78 | EA | MOLDING - TRIM/VEE - .4" X 1" X 26.8" - CONCERT CHERRY |
| 3A | M09511-32-T79 | EA | MOLDING - TRIM/VEE - .4" X 1" X 26.8" - WASHED MAPLE |
| 3A | M09511-32-T80 | EA | MOLDING - TRIM/VEE - .4" X 1" X 26.8" - SIERRA MAPLE |
| 3A | M09511-86-T78 | EA | MOLDING - TRIM/VEE - .4" X 1" X 28.3" - CONCERT CHERRY |
| 3A | M09511-86-T79 | EA | MOLDING - TRIM/VEE - .4" X 1" X 28.3" - WASHED MAPLE |
| 3A | M09511-86-T80 | EA | MOLDING - TRIM/VEE - .4" X 1" X 28.3" - SIERRA MAPLE |
| 3A | M09477-63-S46 | EA | MOLDING - TRIM/VEE - .4" X 1" X 64.1" - PORTSMOUTH OAK - BATH DOOR TRIM |
| 3A | M09477-63-SR0 | EA | MOLDING - TRIM/VEE - .4" X 1" X 64.1" - SIERRA MAPLE - BATH DOOR TRIM |
| 3A | M09477-64-S46 | EA | MOLDING - TRIM/VEE - .4" X 1" X 14.9" - PORTSMOUTH OAK - BATH DOOR TRIM |
| 3A | M09477-64-SR0 | EA | MOLDING - TRIM/VEE - .4" X 1" X 14.9" - SIERRA MAPLE - BATH DOOR TRIM |
| 4A | M09462-54-R90 | EA | MOLDING - FLUTED, CURVED - .6" X 6" X 82.7" - CONCERT CHERRY |
| 4A | M09462-54-R91 | EA | MOLDING - FLUTED, CURVED - .6" X 6" X 82.7" - WASHED MAPLE |
| 4A | M09462-54-RE3 | EA | MOLDING - FLUTED, CURVED - .6" X 6" X 82.7" - HONEY CHERRY |
| 5A | M09471-79-R38 | EA | MOLDING - TRIM/COVE - .8" X .8" X 95.8" - OAK/PORTS OAK - PORTSMOUTH OAK |
| 5A | M09471-79-R39 | EA | MOLDING - TRIM/COVE - .8" X .8" X 95.8" - CHERRY/CHERRY - CONCERT CHERRY |
| 5A | M09471-79-R46 | EA | MOLDING - TRIM/COVE - .8" X .8" X 95.8" - MAPLE/MAPLE - WASHED MAPLE |
| 5A | M09471-79-RE0 | EA | MOLDING - TRIM/COVE - .8" X .8" X 95.8" - HONEY/CHERRY- HONEY CHERRY |
| 5A | M09471-79-SA3 | EA | MOLDING - TRIM/COVE - .8" X .8" X 95.8" - HONEY/MAPLE - SIERRA MAPLE |



| KEY | PART NUMBER | U/M | DESCRIPTION |
|-----|---------------|-----|---|
| 1B | M09501-84-TG0 | EA | MOLDING/TRIM - CAP/WALL - 2.2" X 85.9" - PORTSMOUTH OAK |
| 1B | M09501-84-TG1 | EA | MOLDING/TRIM - CAP/WALL - 2.2" X 85.9" - CONCERT CHERRY |
| 1B | M09501-84-TG2 | EA | MOLDING/TRIM - CAP/WALL - 2.2" X 85.9" - WASHED MAPLE |
| 1B | M09520-07-TD3 | EA | MOLDING/TRIM - CAP/WALL - 2.2" X 80.5" - SIERRA MAPLE |
| 1B | M09501-84-TG3 | EA | MOLDING/TRIM - CAP/WALL - 2.2" X 85.9" - HONEY CHERRY |
| 2B | M09511-81-TA1 | EA | MOLDING/TRIM - L SHAPE - .8"X .8"X 80.2" - CONCERT CHERRY |
| 2B | M09511-81-TA2 | EA | MOLDING/TRIM - L SHAPE - .8"X .8"X 80.2" - WASHED MAPLE |
| 2B | M09511-81-TA3 | EA | MOLDING/TRIM - L SHAPE - .8"X .8"X 80.2" - SIERRA MAPLE |
| 3B | M09515-81-T01 | EA | MOLDING/HARDWOOD STRAIGHT - 74.3" - WASHED MAPLE |
| 3B | M09515-81-T02 | EA | MOLDING/HARDWOOD STRAIGHT - 74.3" - HONEY CHERRY |
| 4B | M09511-42-T77 | EA | MOLDING - TRIM - W/NOTCH - 1.5" X 86.4" - PORTSMOUTH OAK |
| 4B | M09511-42-T78 | EA | MOLDING - TRIM - W/NOTCH - 1.5" X 86.4" - CONCERT CHERRY |
| 4B | M09511-42-T79 | EA | MOLDING - TRIM - W/NOTCH - 1.5" X 86.4" - WASHED MAPLE |
| 4B | M09511-42-T80 | EA | MOLDING - TRIM - W/NOTCH - 1.5" X 86.4" - SIERRA MAPLE |
| 5B | M09515-18-T78 | EA | MOLDING - HARDWOOD-W/NOTCH - 1.4"X 86.2" - CONCERT CHERRY |
| 5B | M09515-18-T79 | EA | MOLDING - HARDWOOD-W/NOTCH - 1.4"X 86.2" - WASHED MAPLE |
| 5B | M09515-18-T80 | EA | MOLDING - HARDWOOD-W/NOTCH - 1.4"X 86.2" - SIERRA MAPLE |
| 6B | M09515-52-TG1 | EA | MOLDING - TRIM/VEE - 1.5" X 73.9" - CONCERT CHERRY |
| 6B | M09515-52-TG2 | EA | MOLDING - TRIM/VEE - 1.5" X 73.9" - WASHED MAPLE |
| 6B | M09515-52-TG3 | EA | MOLDING - TRIM/VEE - 1.5" X 73.9" - HONEY CHERRY |
| 7B | Y00076-32-438 | EA | MOLDING/TRIM - .5" X 1" X 96" - CHERRY (UNSTAINED) |
| 7B | Y00076-22-438 | EA | MOLDING/TRIM - .5" X 1" X 96" - MAPLE (UNSTAINED) |
| 8B | Y00086-72-438 | EA | MOLDING - VINYL WRAP - .7" X 1.6" X 96" - PORTSMOUTH OAK - PORTSMOUTH OAK |
| 8B | Y00086-62-438 | EA | MOLDING - 96" - CONCERT CHERRY (U90/94/98/A1/A5/B1/C1/C5/D1/D5/E1/E5/F1/F5/G1/G5/H1/H5) |
| 8B | Y00086-D2-438 | EA | MOLDING - VINYL WRAP - .7" X 1.6" X 96" - CONCERT CHERRY (UM1 THRU UM9, UN1 THRU UN9) |
| 8B | Y00086-A2-438 | EA | MOLDING - VINYL WRAP - .7" X 1.6" X 96" - WASHED MAPLE |
| 8B | Y00086-92-438 | EA | MOLDING - VINYL WRAP - .7" X 1.6" X 96" - SIERRA MAPLE - SIERRA MAPLE |

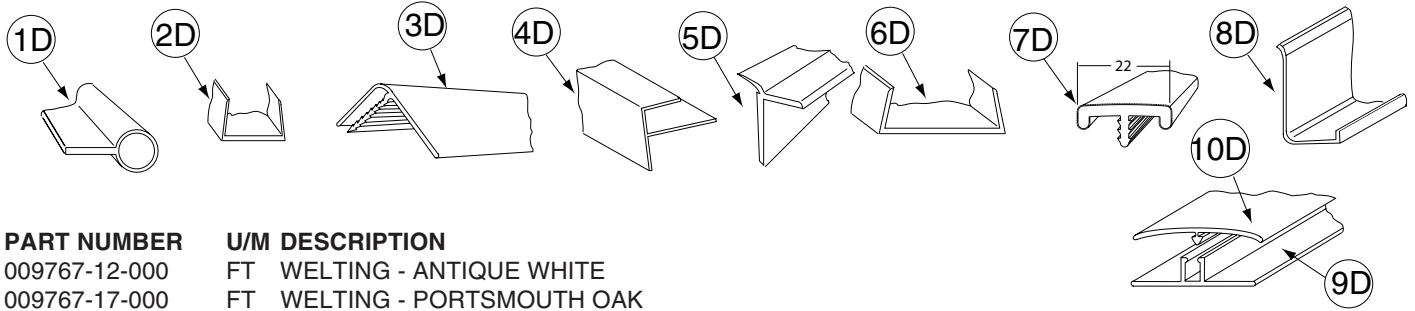
INTERIOR FINISH GROUP (CONTINUED)
MOLDINGS & TRIMS (CONTINUED)

| KEY | PART NUMBER | U/M | DESCRIPTION |
|-----|---------------|-----|---|
| 8B | Y00087-62-438 | EA | MOLDING - 96" - CONCERT CHERRY (U90/94/98/A1/A5/B1/C1/C5/D1/D5/E1/E5/F1/F5/G1/G5/H1/H5) |
| 8B | Y00087-D2-438 | EA | MOLDING - VINYL WRAP - .7" X 2.9" X 96" - CONCERT CHERRY (UM1 THRU UM9, UN1 THRU UN9) |
| 8B | Y00087-A2-438 | EA | MOLDING - VINYL WRAP - .7" X 2.9" X 96" - WASHED MAPLE |
| 8B | Y00087-92-438 | EA | MOLDING - VINYL WRAP - .7" X 2.9" X 96" - SIERRA MAPLE |
| 8B | Y00300-62-438 | EA | MOLDING - 96" - CONCERT CHERRY (U90/94/98/A1/A5/B1/C1/C5/D1/D5/E1/E5/F1/F5/G1/G5/H1/H5) |
| 8B | Y00300-D2-438 | EA | MOLDING - VINYL WRAP - .3" X .6" X 96" - CONCERT CHERRY (UM1 THRU UM9, UN1 THRU UN9) |
| 8B | Y00300-A2-438 | EA | MOLDING - VINYL WRAP - .3" X .6" X 96" - WASHED MAPLE |
| 8B | Y00300-92-438 | EA | MOLDING - VINYL WRAP - .3" X .6" X 96" - SIERRA MAPLE |



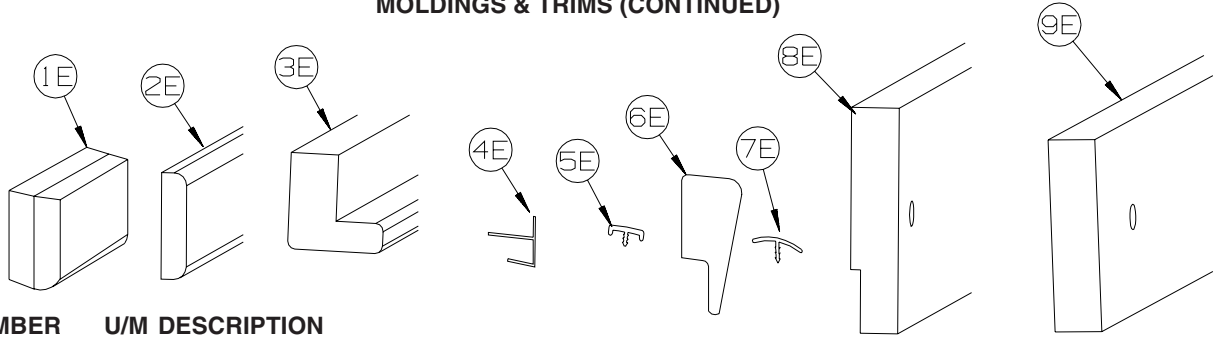
| KEY | PART NUMBER | U/M | DESCRIPTION |
|-----|---------------|-----|---|
| 1C | M09520-19-TD1 | EA | MOLDING - TRIM - W/NOTCH - 1" X 86.3" - CONCERT CHERRY |
| 1C | M09520-19-TD2 | EA | MOLDING - TRIM - W/NOTCH - 1" X 86.3" - WASHED MAPLE |
| 1C | M09520-19-TD3 | EA | MOLDING - TRIM - W/NOTCH - 1" X 86.3" - HONEY CHERRY |
| 1C | M09525-27-UF1 | EA | MOLDING - HARDWOOD - .75" X 1.4" X 32.4" - CONCERT CHERRY |
| 1C | M09525-27-UF2 | EA | MOLDING - HARDWOOD - .75" X 1.4" X 32.4" - WASHED MAPLE |
| 1C | M09525-27-UF3 | EA | MOLDING - HARDWOOD - .75" X 1.4" X 32.4" - SIERRA MAPLE |
| 2C | M09511-46-T77 | EA | MOLDING/TRIM - .5" X 1.5" X 86.5" - PORTSMOUTH OAK |
| 2C | M09511-46-T78 | EA | MOLDING/TRIM - .5" X 1.5" X 86.5" - CONCERT CHERRY |
| 2C | M09511-46-T79 | EA | MOLDING/TRIM - .5" X 1.5" X 86.5" - WASHED MAPLE |
| 2C | M09511-46-T80 | EA | MOLDING/TRIM - .5" X 1.5" X 86.5" - SIERRA MAPLE |
| 3C | Y00223-42-438 | EA | MOLDING - HARDWOOD/OAK - .7" X 1" X 96" |
| 3C | Y00223-32-438 | EA | MOLDING - HARDWOOD/CHERRY - .7" X 1" X 96" |
| 3C | Y00223-22-438 | EA | MOLDING - HARDWOOD/MAPLE - .7" X 1" X 96" |
| 4C | Y00054-62-438 | EA | MOLDING- 96" - CONCERT CHERRY (U90/94/98/A1/A5/B1/C1/C5/D1/D5/E1/E5/F1/F5/G1/G5/H1/H5) |
| 4C | Y00054-D2-438 | EA | MOLDING/VYL WRP-BVLD-.73" X 3.1" X 96" - CONCERT CHERRY (UM1 THRU UM9, UN1 THRU UN9) |
| 4C | Y00054-A2-438 | EA | MOLDING/VINYL WRAP-BEVELED ENDS-.73"X3.1"X96" - WASHED MAPLE |
| 4C | Y00054-92-438 | EA | MOLDING/VINYL WRAP-BEVELED-.73" X 3.1" X 96" - SIERRA MAPLE |
| 4C | Y00258-62-438 | EA | MOLDING/VYL 96" - CONCERT CHERRY (U90/94/98/A1/A5/B1/C1/C5/D1/D5/E1/E5/F1/F5/G1/G5/H1/H5) |
| 4C | Y00258-D2-438 | EA | MOLDING/VINYL WRP-BVLD-.73" X 3.1" X 96" - CONCERT CHERRY (UM1 THRU UM9, UN1 THRU UN9) |
| 4C | Y00258-A2-438 | EA | MOLDING/VINYL WRAP-BEVELED ENDS-.73"X3.1"X96" - WASHED MAPLE |
| 4C | Y00258-92-438 | EA | MOLDING/VINYL WRAP-BEVELED-.73" X 3.1" X 96" - SIERRA MAPLE |
| 5C | Y00259-62-438 | EA | MOLDING/VYL 96" - CONCERT CHERRY (U90/94/98/A1/A5/B1/C1/C5/D1/D5/E1/E5/F1/F5/G1/G5/H1/H5) |
| 5C | Y00259-D2-438 | EA | MOLDING/VINYL WRP-BVLD-.73" X 1.8" X 96" - CONCERT CHERRY (UM1 THRU UM9, UN1 THRU UN9) |
| 5C | Y00259-A2-438 | EA | MOLDING/VINYL WRAP-BEVELED-.73"X1.8"X96" - WASHED MAPLE |
| 5C | Y00259-92-438 | EA | MOLDING/VINYL WRAP-BEVELED-.73"X1.8"X96" - SIERRA MAPLE |
| 6C | Y00152-A2-438 | EA | MOLDING/TRIM - VINYL - .6" X 3.5" X 96" - WASHED MAPLE |
| 6C | Y00152-92-438 | EA | MOLDING/TRIM - VINYL - .6" X 3.5" X 96" - SIERRA MAPLE |

INTERIOR FINISH GROUP (CONTINUED)
MOLDINGS & TRIMS (CONTINUED)



| KEY | PART NUMBER | U/M | DESCRIPTION |
|-----|---------------|-----|---|
| 1D | 009767-12-000 | FT | WELTING - ANTIQUE WHITE |
| 1D | 009767-17-000 | FT | WELTING - PORTSMOUTH OAK |
| 2D | 009778-25-000 | FT | U-CHANNEL - 1" - BEIGE ILLUSION |
| 2D | 009778-26-000 | FT | U-CHANNEL - 1 1/4" - BEIGE ILLUSION |
| 2D | 009778-38-000 | FT | U-CHANNEL - 1" - BONE |
| 2D | 009778-32-000 | FT | U-CHANNEL - 1" - PORTSMOUTH OAK |
| 2D | 009778-34-000 | FT | U-CHANNEL - 1" - CONCERT CHERRY |
| 2D | 009778-27-000 | FT | U-CHANNEL - 1" - WASHED MAPLE |
| 2D | 009778-35-000 | FT | U-CHANNEL - 1" - HONEY CHERRY |
| 2D | 009778-36-000 | FT | U-CHANNEL - 1" - SIERRA MAPLE |
| 3D | 009809-30-000 | EA | MOLDING - CORNER - OUTSIDE - 1" X 84" - BEIGE ILLUSION |
| 3D | 009809-37-000 | EA | MOLDING - CORNER - OUTSIDE - 1" X 84" - BONE |
| 3D | 009809-32-000 | EA | MOLDING - CORNER - OUTSIDE - 1" X 84" - PORTSMOUTH OAK |
| 3D | 009809-33-000 | EA | MOLDING - CORNER - OUTSIDE - 1" X 84" - CONCERT CHERRY |
| 3D | 009809-31-000 | EA | MOLDING - CORNER - OUTSIDE - 1" X 84" - WASHED MAPLE |
| 3D | 009809-34-000 | EA | MOLDING - CORNER - OUTSIDE - 1" X 84" - HONEY CHERRY |
| 3D | 009809-35-000 | EA | MOLDING - CORNER - OUTSIDE - 1" X 84" - SIERRA MAPLE |
| 4D | 009812-31-000 | EA | MOLDING - CORNER - 1/2" W/1/4"CHAN X 84" - BEIGE ILLUSION |
| 4D | 009812-40-000 | EA | MOLDING - CORNER - 1/2" W/1/4"CHAN X 84" - BONE |
| 4D | 009812-35-000 | EA | MOLDING - CORNER - 1/2" W/1/4"CHAN X 84" - PORTSMOUTH OAK |
| 4D | 009812-36-000 | EA | MOLDING - CORNER - 1/2" W/1/4"CHAN X 84" - CONCERT CHERRY |
| 4D | 009812-33-000 | EA | MOLDING - CORNER - 1/2" W/1/4"CHAN X 84" - WASHED MAPLE |
| 4D | 009812-37-000 | EA | MOLDING - CORNER - 1/2" W/1/4"CHAN X 84" - HONEY CHERRY |
| 4D | 009812-38-000 | EA | MOLDING - CORNER - 1/2" W/1/4"CHAN X 84" - SIERRA MAPLE |
| 5D | 022992-11-000 | FT | MOLDING - REVERSE COVE - T-SHAPED - IVORY |
| 5D | 022992-18-000 | FT | MOLDING - REVERSE COVE - T-SHAPED - BONE |
| 5D | 022992-14-000 | FT | MOLDING - REVERSE COVE - T-SHAPED - BRIGHT WHITE |
| 6D | 070504-42-000 | FT | U-CHANNEL - PLASTIC - .13" X 84" - BEIGE ILLUSION |
| 6D | 070504-69-000 | FT | U-CHANNEL - PLASTIC - .13" X 84" - BONE |
| 6D | 070504-43-000 | FT | U-CHANNEL - PLASTIC - .9" X 96" - BEIGE ILLUSION |
| 6D | 070504-70-000 | FT | U-CHANNEL - PLASTIC - .8" X 84" - BONE |
| 6D | 070504-57-000 | FT | U-CHANNEL - PLASTIC - .13" X 84" - PORTSMOUTH OAK |
| 6D | 070504-58-000 | FT | U-CHANNEL - PLASTIC - .9" X 84" - PORTSMOUTH OAK |
| 6D | 070504-60-000 | FT | U-CHANNEL - PLASTIC - .13" X 84" - CONCERT CHERRY |
| 6D | 070504-61-000 | FT | U-CHANNEL - PLASTIC - .9" X 84" - CONCERT CHERRY |
| 6D | 070504-50-000 | FT | U-CHANNEL - PLASTIC - .13" X 96" - WASHED MAPLE |
| 6D | 070504-51-000 | FT | U-CHANNEL - PLASTIC - .9" X 96" - WASHED MAPLE |
| 6D | 070504-62-000 | FT | U-CHANNEL - PLASTIC - 1.65" X 84" - HONEY CHERRY |
| 6D | 070504-63-000 | FT | U-CHANNEL - PLASTIC - .9" X 84" - HONEY CHERRY |
| 6D | 070504-65-000 | FT | U-CHANNEL - PLASTIC - 1.65" X 84" - SIERRA MAPLE |
| 6D | 070504-66-000 | FT | U-CHANNEL - PLASTIC - .9" X 84" - SIERRA MAPLE |
| 7D | 083620-15-000 | FT | MOLDING-T - W/EDGE LIP - 7/8" FACE - BEIGE ILLUSION |
| 7D | 083620-25-000 | FT | MOLDING-T - W/EDGE LIP - 7/8" FACE - BONE |
| 7D | 083620-20-000 | FT | MOLDING-T - W/EDGE LIP - 7/8" FACE - PORTSMOUTH OAK |
| 7D | 083620-21-000 | FT | MOLDING-T - W/EDGE LIP - 7/8" FACE - CONCERT CHERRY |
| 7D | 083620-19-000 | FT | MOLDING-T - W/EDGE LIP - 7/8" FACE - WASHED MAPLE |
| 7D | 083620-24-000 | FT | MOLDING-T - W/EDGE LIP - 7/8" FACE - HONEY CHERRY |
| 7D | 083620-22-000 | FT | MOLDING-T - W/EDGE LIP - 7/8" FACE - SIERRA MAPLE |
| 8D | 085746-04-000 | FT | TRIM-J - CARPET 1.2" X .5" ANGLE - 12' LONG - OFF WHITE |
| 9D | 086229-01-000 | EA | RETAINER - BATTEN - .75" X 92.1" - ANY COLOR |
| 10D | 086229-20-000 | EA | BATTEN - 1" X 96" - BEIGE |

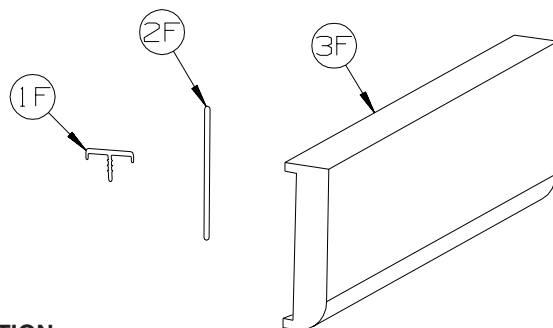
INTERIOR FINISH GROUP (CONTINUED)
MOLDINGS & TRIMS (CONTINUED)



| KEY | PART NUMBER | U/M | DESCRIPTION |
|-----|---------------|-----|---|
| 1E | 100659-30-N75 | EA | MOLDING - TRIM - 8' - PORTSMOUTH OAK |
| 1E | 100659-30-N74 | EA | MOLDING - TRIM - 8' - CONCERT CHERRY |
| 1E | 100659-30-M84 | EA | MOLDING - TRIM - 8' - WASHED MAPLE |
| 1E | 100659-27-RA3 | EA | MOLDING - TRIM - HONEY CHERRY |
| 1E | 100659-31-SA3 | EA | MOLDING - TRIM - SIERRA MAPLE |
| 2E | 100818-01-12A | EA | MOLDING - VINYL WRAPPED - 1.6" X .4" X 84" - PORTSMOUTH OAK |
| 2E | 100818-01-13A | EA | MOLDING - VYL 84" - CONCERT CHERRY (U90/94/98/A1/A5/B1/C1/C5/D1/D5/E1/E5/F1/F5/G1/G5/H1/H5) |
| 2E | 100818-01-23A | EA | MOLDING - VINYL WRPPD - 1.6" X .4" X 84" - CONCERT CHERRY (UM1 THRU UM9, UN1 THRU UN9) |
| 2E | 100818-01-21A | EA | MOLDING - VINYL WRAPPED - 1.6" X .4" X 84" - WASHED MAPLE |
| 2E | 100818-01-14A | EA | MOLDING - VINYL WRAPPED - 1.6" X .4" X 84" - HONEY CHERRY |
| 2E | 100818-01-22A | EA | MOLDING - VINYL WRAPPED - 1.6" X .4" X 84" - SIERRA MAPLE |
| 3E | 100819-01-12A | EA | MOLDING - VINYL WRAPPED-L-SHAPED-1.5"X1.5"X84" - PORTSMOUTH OAK |
| 3E | 100819-01-13A | EA | MOLDING - VYL 84" - CONCERT CHERRY (U90/94/98/A1/A5/B1/C1/C5/D1/D5/E1/E5/F1/F5/G1/G5/H1/H5) |
| 3E | 100819-01-23A | EA | MOLDING - VYL WRPPD-L-SHPD-1.5"X1.5"X84" - CONCERT CHERRY (UM1 THRU UM9, UN1 THRU UN9) |
| 3E | 100819-01-21A | EA | MOLDING - VINYL WRAPPED-L-SHAPED-1.5"X1.5"X84" - WASHED MAPLE |
| 3E | 100819-01-14A | EA | MOLDING - VINYL WRAPPED-L-SHAPED-1.5"X1.5"X84" - HONEY CHERRY |
| 3E | 100819-01-22A | EA | MOLDING - VINYL WRAPPED-L-SHAPED-1.5"X1.5"X84" - SIERRA MAPLE |
| 4E | 103186-01-07A | FT | MOLDING/PLASTIC - 3/8" U-CHANNEL-3/4" FACE -BEIGE ILLUSION |
| 4E | 103186-01-09A | FT | MOLDING/PLASTIC - 3/8" U-CHAN'L-3/4" FACE - PORTSMOUTH OAK |
| 4E | 103186-01-10A | FT | MOLDING/PLASTIC - 3/8" U-CHAN'L-3/4" FACE - CONCERT CHERRY |
| 4E | 103186-01-08A | FT | MOLDING/PLASTIC - 3/8" U-CHANNEL-3/4"FACE-WASHED MAPLE 8' - WASHED MAPLE |
| 4E | 103186-01-11A | FT | MOLDING/PLASTIC - 3/8" U-CHAN'L-3/4" FACE - HONEY CHERRY |
| 4E | 103186-01-12A | FT | MOLDING/PLASTIC - 3/8" U-CHAN'L-3/4" FACE - SIERRA MAPLE |
| 4E | 103186-02-07A | FT | MOLDING/PLASTIC-1" U-CHAN'L-1 3/8" FACE - BEIGE ILLUSION |
| 4E | 103186-02-09A | FT | MOLDING/PLASTIC - 1" U-CHAN'L-1 3/8" FACE - PORTSMOUTH OAK |
| 4E | 103186-02-10A | FT | MOLDING/PLASTIC - 1" U-CHAN'L-1 3/8" FACE - CONCERT CHERRY |
| 4E | 103186-02-08A | FT | MOLDING/PLASTIC - 1" U-CHANNEL-1 3/8"FACE - WASHED MAPLE |
| 4E | 103186-02-11A | FT | MOLDING/PLASTIC - 1" U-CHAN'L-1 3/8" FACE - HONEY CHERRY |
| 4E | 103186-02-12A | FT | MOLDING/PLASTIC - 1" U-CHAN'L-1 3/8" FACE - SIERRA MAPLE |
| 5E | 104676-02-08A | FT | MOLDING-T - W/EDGE LIP - 11/16" FACE - PORTSMOUTH OAK |
| 5E | 104676-02-09A | FT | MOLDING-T - W/EDGE LIP - 11/16" FACE - CONCERT CHERRY |
| 5E | 104676-02-06A | FT | MOLDING-T - W/EDGE LIP - 11/16" FACE - WASHED MAPLE |
| 5E | 104676-02-10A | FT | MOLDING-T - W/EDGE LIP - 11/16" FACE - HONEY CHERRY |
| 5E | 104676-02-12A | FT | MOLDING-T - W/EDGE LIP - 11/16" FACE - SIERRA MAPLE |
| 6E | 105004-01-12A | EA | MOLDING - VINYL WRAPPED - 1" X 96" - PORTSMOUTH OAK |
| 6E | 105004-01-13A | EA | MOLDING - V W 8' - CONCERT CHERRY (U90/94/98/A1/A5/B1/C1/C5/D1/D5/E1/E5/F1/F5/G1/G5/H1/H5) |
| 6E | 105004-01-23A | EA | MOLDING - VINYL WRAPPD 1" X 8' - CONCERT CHERRY (UM1 THRU UM9, UN1 THRU UN9) |
| 6E | 105004-01-21A | EA | MOLDING - VINYL WRAPPED - 1" X 8' - WASHED MAPLE |
| 6E | 105004-01-24A | EA | MOLDING - VINYL WRAPPED - 1" X 8' - HONEY CHERRY |
| 6E | 105004-01-22A | EA | MOLDING - VINYL WRAPPED - 1" X 8' - SIERRA MAPLE |
| 7E | 105709-02-000 | FT | MOLDING-T - W/EDGE LIP 3/4" FACE - BEIGE ILLUSION |
| 8E | 116951-45-R68 | EA | MOLDING - TRIM - 3" X 30.3" - PORTSMOUTH OAK |
| 8E | 116951-45-R69 | EA | MOLDING - TRIM - 3" X 30.3" - CONCERT CHERRY |
| 8E | 116951-45-R76 | EA | MOLDING - TRIM - 3" X 30.3" - WASHED MAPLE |
| 8E | 116951-45-SA3 | EA | MOLDING - TRIM - 3" X 30.3" - SIERRA MAPLE |
| 9E | 116951-37-R68 | EA | MOLDING - TRIM - 3.5" X 38.6" - PORTSMOUTH OAK |
| 9E | 116951-37-R69 | EA | MOLDING - TRIM - 3.5" X 38.6" - CONCERT CHERRY |
| 9E | 116951-37-R76 | EA | MOLDING - TRIM - 3.5" X 38.6" - WASHED MAPLE |
| 9E | 116951-37-SA3 | EA | MOLDING - TRIM - 3.5" X 38.6" - SIERRA MAPLE |
| 9E | 116951-51-SA0 | EA | MOLDING - TRIM - 3.5" X 47.3" - PORTSMOUTH OAK |
| 9E | 116951-51-SA1 | EA | MOLDING - TRIM - 3.5" X 47.3" - CONCERT CHERRY |
| 9E | 116951-51-SA2 | EA | MOLDING - TRIM - 3.5" X 47.3" - WASHED MAPLE |
| 9E | 116951-51-SA3 | EA | MOLDING - TRIM - 3.5" X 47.3" - SIERRA MAPLE |

INTERIOR FINISH GROUP (CONTINUED)
MOLDINGS & TRIMS (CONTINUED)

| KEY | PART NUMBER | U/M | DESCRIPTION |
|-----|---------------|-----|--|
| 9E | 116951-55-TD0 | EA | MOLDING - TRIM - 4.5" X 52.3" - PORTSMOUTH OAK |
| 9E | 116951-55-TD1 | EA | MOLDING - TRIM - 4.5" X 52.3" - CONCERT CHERRY |
| 9E | 116951-55-TD2 | EA | MOLDING - TRIM - 4.5" X 52.3" - WASHED MAPLE |
| 9E | 116951-55-TD3 | EA | MOLDING - TRIM - 4.5" X 52.3" - SIERRA MAPLE |
| 9E | 116951-56-TD0 | EA | MOLDING - TRIM - 4.5" X 52.3" - PORTSMOUTH OAK |
| 9E | 116951-56-TD1 | EA | MOLDING - TRIM - 4.5" X 52.3" - CONCERT CHERRY |
| 9E | 116951-56-TD2 | EA | MOLDING - TRIM - 4.5" X 52.3" - WASHED MAPLE |
| 9E | 116951-56-TD3 | EA | MOLDING - TRIM - 4.5" X 52.3" - SIERRA MAPLE |

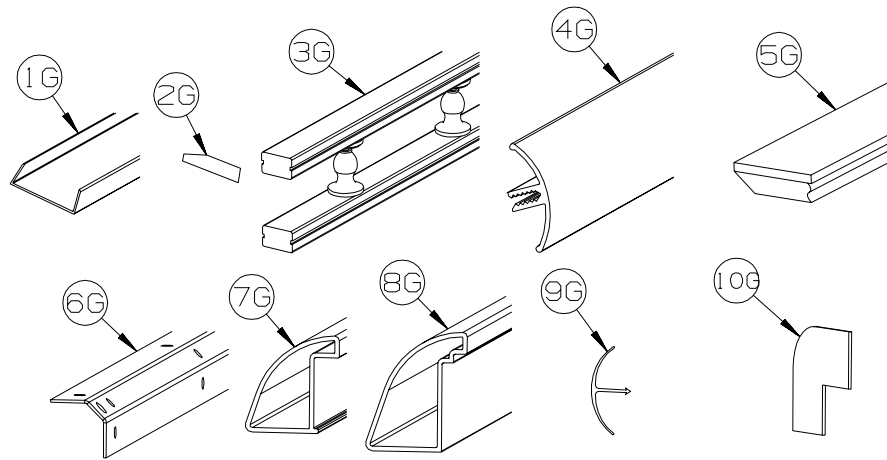


| KEY | PART NUMBER | U/M | DESCRIPTION |
|-----|---------------|-----|---|
| 1F | 119520-01-01A | FT | MOLDING-T - OFFSET W/EDGE LIP - 1.3" FACE - OFF WHITE |
| 1F | 119520-03-03A | FT | MOLDING-T - OFFSET W/EDGE LIP - 1" FACE - WASHED MAPLE |
| 1F | 119520-03-06A | FT | MOLDING-T - OFFSET W/EDGE LIP - 1" FACE - HONEY CHERRY |
| 2F | 127842-01-01A | FT | SEAL - SIGHT SHIELD - 2" BLACK |
| | 137885-A2-438 | EA | LUMBER - VYL .75" - CONCERT CHERRY (U90/94/98/A1/A5/B1/C1/C5/D1/D5/E1/E5/F1/F5/G1/G5/H1/H5) |
| | 160300-A2-438 | EA | LUMBER - VINYL WRAPPED - .7" X .75" X 96" - CONCERT CHERRY (UM1 THRU UM9, UN1 THRU UN9) |
| | 137885-D2-438 | EA | LUMBER - VYL1.5" - CONCERT CHERRY (U90/94/98/A1/A5/B1/C1/C5/D1/D5/E1/E5/F1/F5/G1/G5/H1/H5) |
| | 160300-D2-438 | EA | LUMBER - VINYL WRAPPED - .7" X 1.5" X 96" - CONCERT CHERRY (UM1 THRU UM9, UN1 THRU UN9) |
| | 137885-E2-438 | EA | LUMBER - VYL2" -CONCERT CHERRY (U90/94/98/A1/A5/B1/C1/C5/D1/D5/E1/E5/F1/F5/G1/G5/H1/H5) |
| | 160300-E2-438 | EA | LUMBER - VINYL WRAPPED - .7" X 2" X 96" - CONCERT CHERRY (UM1 THRU UM9, UN1 THRU UN9) |
| | 137885-F2-438 | EA | LUMBER - VYL2.5" - CONCERT CHERRY (U90/94/98/A1/A5/B1/C1/C5/D1/D5/E1/E5/F1/F5/G1/G5/H1/H5) |
| | 160300-F2-438 | EA | LUMBER - VINYL WRAPPED - .7" X 2.5" X 96" - CONCERT CHERRY (UM1 THRU UM9, UN1 THRU UN9) |
| | 137885-G2-438 | EA | LUMBER - VYL3" - CONCERT CHERRY (U90/94/98/A1/A5/B1/C1/C5/D1/D5/E1/E5/F1/F5/G1/G5/H1/H5) |
| | 160300-G2-438 | EA | LUMBER - VINYL WRAPPED - .7" X 3" X 96" - CONCERT CHERRY (UM1 THRU UM9, UN1 THRU UN9) |
| | 137885-H2-438 | EA | LUMBER - VYL3.5" - CONCERT CHERRY (U90/94/98/A1/A5/B1/C1/C5/D1/D5/E1/E5/F1/F5/G1/G5/H1/H5) |
| | 160300-H2-438 | EA | LUMBER - VINYL WRAPPED - .7" X 3.5" X 96" - CONCERT CHERRY (UM1 THRU UM9, UN1 THRU UN9) |
| | 137885-J2-438 | EA | LUMBER - VYL5.5" - CONCERT CHERRY (U90/94/98/A1/A5/B1/C1/C5/D1/D5/E1/E5/F1/F5/G1/G5/H1/H5) |
| | 160300-J2-438 | EA | LUMBER - VINYL WRAPPED - .7" X 5.5" X 96" - CONCERT CHERRY (UM1 THRU UM9, UN1 THRU UN9) |
| | 137885-J2-743 | EA | LUMBER - VYL5.5" - CONCERT CHERRY (U90/94/98/A1/A5/B1/C1/C5/D1/D5/E1/E5/F1/F5/G1/G5/H1/H5) |
| | 160300-J2-743 | EA | LUMBER - VINYL WRAPPED - .7" X 5.5" X 108" - CONCERT CHERRY (UM1 THRU UM9, UN1 THRU UN9) |
| | 137885-K2-438 | EA | LUMBER - VYL3.9" - CONCERT CHERRY (U90/94/98/A1/A5/B1/C1/C5/D1/D5/E1/E5/F1/F5/G1/G5/H1/H5) |
| | 160300-K2-438 | EA | LUMBER - VINYL WRAPPED - .7" X 3.9" X 96" - CONCERT CHERRY (UM1 THRU UM9, UN1 THRU UN9) |
| | 137885-R2-438 | EA | LUMBER - VYL 3" - CONCERT CHERRY (U90/94/98/A1/A5/B1/C1/C5/D1/D5/E1/E5/F1/F5/G1/G5/H1/H5) |
| | 160300-R2-438 | EA | LUMBER - VINYL WRAPPED - .7" X 3" X 96" - CONCERT CHERRY (UM1 THRU UM9, UN1 THRU UN9) |
| 3F | 137887-D2-134 | EA | MOLDING - 1.6" X 84"- CONCERT CHERRY (U90/94/98/A1/A5/B1/C1/C5/D1/D5/E1/E5/F1/F5/G1/G5/H1/H5) |
| 3F | 160301-D2-134 | EA | MOLDING -VINYL WRAPPED - .7" X 1.6" X 84" - CONCERT CHERRY (UM1 THRU UM9, UN1 THRU UN9) |
| 3F | 137887-D2-743 | EA | MLDG - 1.6" X 108" - CONCERT CHERRY (U90/94/98/A1/A5/B1/C1/C5/D1/D5/E1/E5/F1/F5/G1/G5/H1/H5) |
| 3F | 160301-D2-743 | EA | MOLDING - VINYL WRAPPED- .7" X 1.6" X 108" - CONCERT CHERRY (UM1 THRU UM9, UN1 THRU UN9) |
| 3F | 137887-F2-134 | EA | MLDNG - 2.5" X 84" - CONCERT CHERRY (U90/94/98/A1/A5/B1/C1/C5/D1/D5/E1/E5/F1/F5/G1/G5/H1/H5) |
| 3F | 160301-F2-134 | EA | MOLDING - VINYL WRAPPED - .7" X 2.5" X 84" - CONCERT CHERRY (UM1 THRU UM9, UN1 THRU UN9) |
| 3F | 137887-F2-743 | EA | MLDG - 2.5" X 108" - CONCERT CHERRY (U90/94/98/A1/A5/B1/C1/C5/D1/D5/E1/E5/F1/F5/G1/G5/H1/H5) |
| 3F | 160301-F2-743 | EA | MOLDING - VINYL WRPPD - .7" X 2.5" X 108" - CONCERT CHERRY (UM1 THRU UM9, UN1 THRU UN9) |
| 3F | 137887-F2-438 | EA | MLDG - 2.5" X 96" - CONCERT CHERRY (U90/94/98/A1/A5/B1/C1/C5/D1/D5/E1/E5/F1/F5/G1/G5/H1/H5) |
| 3F | 160301-F2-438 | EA | MOLDING - VINYL WRPPD - .7" X 2.5" X 96" - CONCERT CHERRY (UM1 THRU UM9, UN1 THRU UN9) |
| | 137894-A2-438 | EA | LUMBER - VINYL WRAPPED - .7" X .75" X 96" - PORTSMOUTH OAK |
| | 137894-D2-438 | EA | LUMBER - VINYL WRAPPED - .7" X 1.5" X 96" - PORTSMOUTH OAK |
| | 137894-E2-438 | EA | LUMBER - VINYL WRAPPED - .7" X 2" X 96" - PORTSMOUTH OAK |
| | 137894-F2-438 | EA | LUMBER - VINYL WRAPPED - .7" X 2.5" X 96" - PORTSMOUTH OAK |
| | 137894-G2-438 | EA | LUMBER - VINYL WRAPPED - .7" X 3" X 96" - PORTSMOUTH OAK |
| | 137894-H2-438 | EA | LUMBER - VINYL WRAPPED - .7" X 3.5" X 96" - PORTSMOUTH OAK |
| | 137894-J2-438 | EA | LUMBER - VINYL WRAPPED - .7" X 5.5" X 80.2" - PORTSMOUTH OAK |
| | 137894-J2-743 | EA | LUMBER - VINYL WRAPPED - .7" X 5.5" X 96" - PORTSMOUTH OAK |
| | 137894-K2-438 | EA | LUMBER - VINYL WRAPPED - .7" X 3.9" X 96" - PORTSMOUTH OAK |
| | 137894-R2-438 | EA | LUMBER - VINYL WRAPPED - .7" X 3" X 96" - PORTSMOUTH OAK |

INTERIOR FINISH GROUP (CONTINUED)
MOLDINGS & TRIMS (CONTINUED)

| KEY | PART NUMBER | U/M | DESCRIPTION |
|-----|---------------|-----|--|
| 3F | 137895-D2-134 | EA | MOLDING - VINYL WRAPPED - .7" X 1.6" X 84"-PORTSMOUTH OAK |
| 3F | 137895-D2-743 | EA | MOLDING - VINYL WRAPPED - .7" X 1.6" X 108"-PORTSMOUTH OAK |
| 3F | 137895-F2-438 | EA | MOLDING - VINYL WRAPPED - .7" X 2.5" X 96" - PORTSMOUTH OAK |
| 3F | 137895-F2-743 | EA | MOLDING - VINYL WRAPPED - .7" X 2.5" X 108" - PORTSMOUTH OAK |
| | 146419-A2-438 | EA | LUMBER - VINYL WRAPPED - .7" X .75" X 96" - HONEY CHERRY |
| | 146419-D2-438 | EA | LUMBER - VINYL WRAPPED - .7" X 1.5" X 96" - HONEY CHERRY |
| | 146419-E2-438 | EA | LUMBER - VINYL WRAPPED - .7" X 2" X 96" - HONEY CHERRY |
| | 146419-F2-438 | EA | LUMBER - VINYL WRAPPED - .7" X 2.5" X 96" - HONEY CHERRY |
| | 146419-G2-438 | EA | LUMBER - VINYL WRAPPED - .7" X 3" X 96" - HONEY CHERRY |
| | 146419-H2-438 | EA | LUMBER - VINYL WRAPPED - .7" X 3.5" X 96" - HONEY CHERRY |
| | 146419-J2-438 | EA | LUMBER - VINYL WRAPPED - .7" X 5.5" X 96" - HONEY CHERRY |
| | 146419-J2-743 | EA | LUMBER - VINYL WRAPPED - .7" X 5.5" X 108" - HONEY CHERRY |
| | 146419-K2-438 | EA | LUMBER - VINYL WRAPPED - .7" X 3.9" X 96" - HONEY CHERRY |
| | 146419-R2-438 | EA | LUMBER - VINYL WRAPPED - .7" X 3" X 96" - HONEY CHERRY |
| | 146419-S2-438 | EA | LUMBER - VINYL WRAPPED/FULL - .7"X 3.5"X 96"- HONEY CHERRY |
| | 146419-T2-438 | EA | LUMBER - VINYL WRAPPED/FULL - .7"X 5.5"X 96"- HONEY CHERRY |
| 3F | 146425-D2-134 | EA | MOLDING - VINYL WRAPPED - .7" X 1.6" X 83.9" - HONEY CHERRY |
| 3F | 146425-F2-438 | EA | MOLDING - VINYL WRAPPED - .7" X 2.6" X 96" - HONEY CHERRY |
| | 149325-A2-438 | EA | LUMBER - VINYL WRAPPED - .7" X .75" X 96" - WASHED MAPLE |
| | 149325-D2-438 | EA | LUMBER - VINYL WRAPPED - .7" X 1.5" X 96" - WASHED MAPLE |
| | 149325-E2-438 | EA | LUMBER - VINYL WRAPPED - .7" X 2" X 96" - WASHED MAPLE |
| | 149325-F2-438 | EA | LUMBER - VINYL WRAPPED - .7" X 2.5" X 96" - WASHED MAPLE |
| | 149325-G2-438 | EA | LUMBER - VINYL WRAPPED - .7" X 3" X 96" - WASHED MAPLE |
| | 149325-H2-438 | EA | LUMBER - VINYL WRAPPED - .7" X 3.5" X 96" - WASHED MAPLE |
| | 149325-J2-438 | EA | LUMBER - VINYL WRAPPED - .7" X 5.5" X 96" - WASHED MAPLE |
| | 149325-J2-743 | EA | LUMBER - VINYL WRAPPED - .7" X 5.5" X 108" - WASHED MAPLE |
| | 149325-K2-438 | EA | LUMBER - VINYL WRAPPED - .7" X 3.9" X 96" - WASHED MAPLE |
| | 149325-R2-438 | EA | LUMBER - VINYL WRAPPED - .7" X 3" X 96" - WASHED MAPLE |
| 3F | 149326-D2-134 | EA | MOLDING - VINYL WRAPPED - .7" X 1.5" X 83.9" - WASHED MAPLE |
| 3F | 149326-D2-743 | EA | MOLDING - VINYL WRAPPED - .7" X 1.5" X 108" - WASHED MAPLE |
| 3F | 149326-F2-134 | EA | MOLDING - VINYL WRAPPED - .7" X 2.5" X 83.9" - WASHED MAPLE |
| 3F | 149326-F2-438 | EA | MOLDING - VINYL WRAPPED - .7" X 2.5" X 96" - WASHED MAPLE |
| 3F | 149326-F2-743 | EA | MOLDING - VINYL WRAPPED - .7" X 2.5" X 108" - WASHED MAPLE |
| | 149330-A2-438 | EA | LUMBER - VINYL WRAPPED - .7" X .75" X 96" - SIERRA MAPLE |
| | 149330-D2-438 | EA | LUMBER - VINYL WRAPPED - .7" X 1.5" X 96" - SIERRA MAPLE |
| | 149330-E2-438 | EA | LUMBER - VINYL WRAPPED - .7" X 2" X 96" - SIERRA MAPLE |
| | 149330-F2-438 | EA | LUMBER - VINYL WRAPPED - .7" X 2.5" X 96" - SIERRA MAPLE |
| | 149330-G2-438 | EA | LUMBER - VINYL WRAPPED - .7" X 3" X 96" - SIERRA MAPLE |
| | 149330-H2-438 | EA | LUMBER - VINYL WRAPPED - .7" X 3.5" X 96" - SIERRA MAPLE |
| | 149330-J2-438 | EA | LUMBER - VINYL WRAPPED - .7" X 5.5" X 96" - SIERRA MAPLE |
| | 149330-J2-743 | EA | LUMBER - VINYL WRAPPED - .7" X 5.5" X 108" - SIERRA MAPLE |
| | 149330-K2-438 | EA | LUMBER - VINYL WRAPPED - .7" X 3.9" X 96" - SIERRA MAPLE |
| | 149330-R2-438 | EA | LUMBER - VINYL WRAPPED - .7" X 3" X 96" - SIERRA MAPLE |
| 3F | 149331-D2-134 | EA | MOLDING - VINYL WRAPPED - .7" X 1.5" X 83.9" - SIERRA MAPLE |
| 3F | 149331-D2-743 | EA | MOLDING - VINYL WRAP - .7" X 1.5" X 108" - SIERRA MAPLE |
| 3F | 149331-F2-134 | EA | MOLDING - VINYL WRAPPED - .7" X 2.5" X 83.9" - SIERRA MAPLE |
| 3F | 149331-F2-438 | EA | MOLDING - VINYL WRAPPED - .7" X 2.5" X 96" - SIERRA MAPLE |
| 3F | 149331-F2-743 | EA | MOLDING - VINYL WRAPPED - .7" X 2.5" X 108" - SIERRA MAPLE |

INTERIOR FINISH GROUP (CONTINUED)
MOLDINGS & TRIMS (CONTINUED)



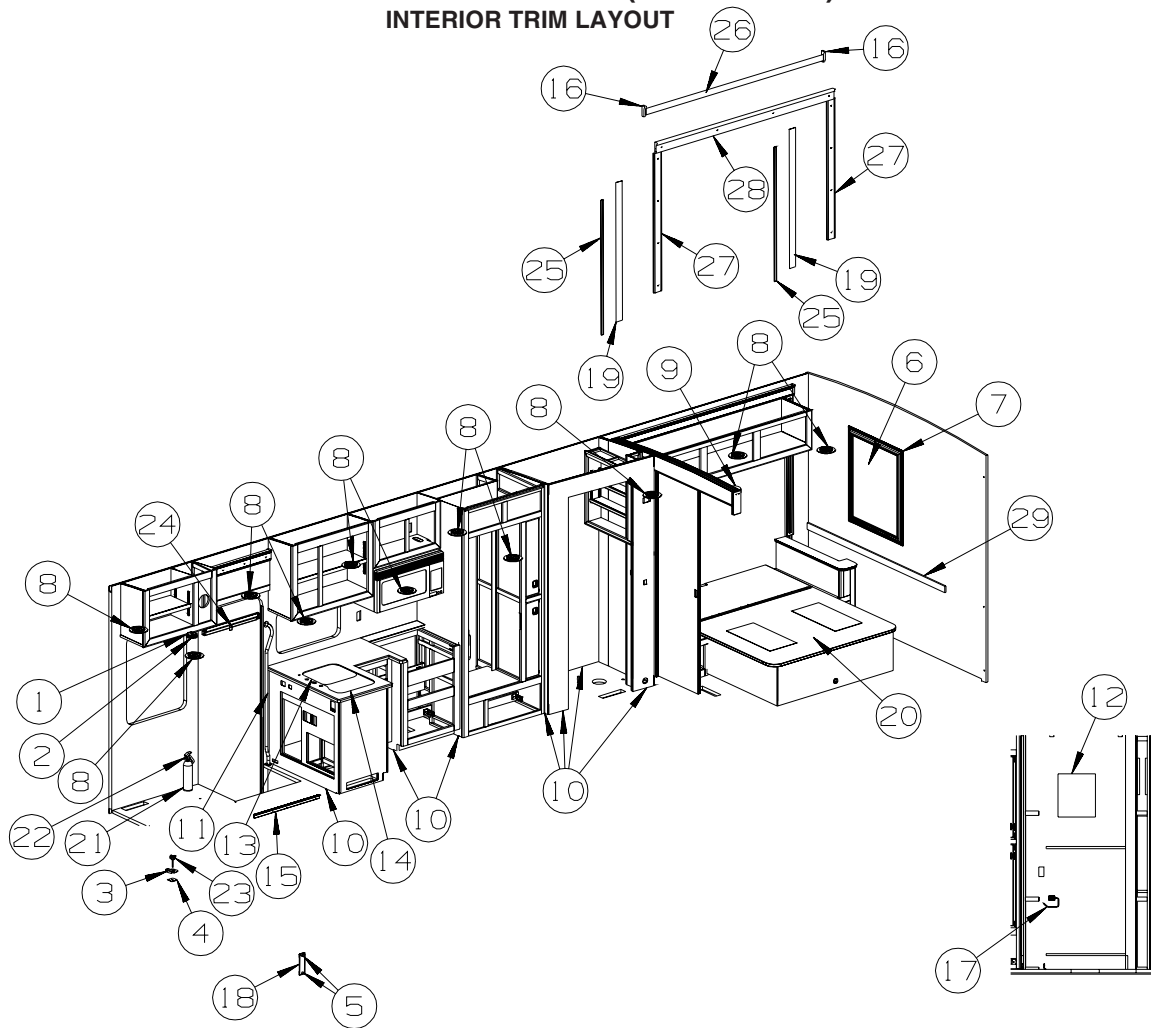
| KEY | PART NUMBER | U/M | DESCRIPTION |
|-----|---------------|-----|---|
| 1G | 141260-01-01A | FT | U-CHANNEL - 1" - VILLAGE OAK |
| 1G | 141260-01-02A | FT | U-CHANNEL - 1" - GRADY BROWN |
| 1G | 141260-02-01A | FT | U-CHANNEL - 1 1/8" - VILLAGE OAK |
| 1G | 141260-02-02A | FT | U-CHANNEL - 1 1/8" - GRADY BROWN |
| 2G | 146306-01-01A | FT | TRANSITION - CARPET/TILE |
| 3G | 150167-01-07A | EA | RAIL - DECORATIVE - 96" W/O REVERSE SIDE GROOVE - PORTSMOUTH OAK |
| 3G | 150167-01-02A | EA | RAIL - DECORATIVE - 96" W/O REVERSE SIDE GROOVE - SALEM CHERRY - CONCERT CHERRY |
| 3G | 150167-01-03A | EA | RAIL - DECORATIVE - 96" W/O REVERSE SIDE GROOVE - WASHED MAPLE |
| 3G | 150167-01-09A | EA | RAIL - DECORATIVE - 96" W/O REVERSE SIDE GROOVE - SIERRA MAPLE |
| 4G | 151653-10-02A | EA | TRIM/RADIUS - CABINET CORNER - 79.6" - DULL METALLIC |
| 4G | 151653-13-02A | EA | TRIM/RADIUS - CABINET CORNER - 79.8" - DULL METALLIC |
| 5G | 151676-26-S46 | EA | MOLDING/TRIM - .75" X 1.6" X 80.2" - PORTSMOUTH OAK |
| 5G | 151676-26-S47 | EA | MOLDING/TRIM - .75" X 1.6" X 80.2" - CONCERT CHERRY |
| 5G | 151676-26-S48 | EA | MOLDING/TRIM - .75" X 1.6" X 80.2" - WASHED MAPLE |
| 5G | 151676-26-SR0 | EA | MOLDING/TRIM - .75" X 1.6" X 80.2" - SIERRA MAPLE |
| 6G | 151861-05-02B | EA | ANGLE - SUPPORT/CORNER - 1.4" X 78.6" - E-COATED |
| 7G | 151893-01-02A | EA | TRIM/RADIUS - CABINET BOTTOM - 72.6" - DULL METALLIC |
| 8G | 152077-01-02A | EA | TRIM/RADIUS - CABINET BOTTOM - 27.7" - DULL METALLIC |
| 9G | 156464-01-01A | FT | MOLDING - CORNER - RADIUS/PLASTIC - 8' - HONEY CHERRY |
| 9G | 156464-01-02A | FT | MOLDING - CORNER - RADIUS/PLASTIC - 8' - WASHED MAPLE |
| 9G | 156464-01-03A | FT | MOLDING - CORNER - RADIUS/PLASTIC - 8' - BONE |
| 10G | 160989-01-06A | FT | CAP - CORNER - RADIUS MOLDING - PLASTIC - WASHED MAPLE |
| 10G | 160989-01-07A | FT | CAP - CORNER - RADIUS MOLDING - PLASTIC - HONEY CHERRY |

INTERIOR FINISH GROUP (CONTINUED)
PANELING & LAMINATES

| KEY | PART NUMBER | U/M | DESCRIPTION |
|-----|---------------|-----|---|
| | 000885-C3-000 | SF | PARTICLE BOARD - 3/8" X 4' X 8' - WHITE THATCH EMB-1 SIDED |
| | 000885-B4-000 | SF | PARTICLE BOARD - 3/8" X 4' X 8'- WASHED MAPLE - 2 SIDED - WASHED MAPLE |
| | 000885-B5-000 | SF | PARTICLE BOARD - 3/8" X 4' X 8'- WASHED MAPLE - 1 SIDED - WASHED MAPLE |
| | 000885-B6-000 | SF | PARTICLE BOARD - 3/4" X 4' X 8'- WASHED MAPLE - 2 SIDED - WASHED MAPLE |
| | 000885-B7-000 | SF | PARTICLE BOARD - 1/2" X 4' X 8'- WASHED MAPLE - 2 SIDED - WASHED MAPLE |
| | 000885-B1-000 | SF | PARTICLE BOARD - 3/8" X 4' X 8' - SIERRA MAPLE - 1-SIDED - SIERRA MAPLE |
| | 000885-B0-000 | SF | PARTICLE BOARD - 3/8" X 4' X 8' - SIERRA MAPLE - 2-SIDED - SIERRA MAPLE |
| | 000885-B2-000 | SF | PARTICLE BOARD - 3/4" X 4' X 8' - SIERRA MAPLE - 2-SIDED - SIERRA MAPLE |
| | 000885-B3-000 | SF | PARTICLE BOARD - 1/2" X 4' X 8' - SIERRA MAPLE - 2-SIDED - SIERRA MAPLE |
| | 079666-03-000 | SF | PANELING - CLOSET - CEDAR - 4' X 7' |
| | 074497-49-000 | SF | PANELING - WASHED MAPLE - 1/8" X 4' X 8' - WASHED MAPLE |
| | 074497-48-000 | SF | PANELING - SIERRA MAPLE - 1/8" X 4' X 8' - SIERRA MAPLE |
| | 088272-M9-000 | SF | PANELING - WHITE THATCHED - 4' X 8' |
| | 088272-L8-000 | SF | PANELING - D'VINCI ALMOND - 4' X 7' (U79, U80) FROM: 00-00-00 THRU: 03-37-07 |
| | 088272-M7-000 | SF | PANELING - KURTA CANVAS - 4' X 7.4' (U79, U80) FROM: 03-28-07 THRU: 99-99-99 |
| | 088272-M7-000 | SF | PANELING - KURTA/CANVAS - 4' X 7' (U83, U84) |
| | 088272-M0-000 | SF | PANELING - SISAL/CHICORY - 4' X 7.4' (U87, U88) |
| | 076773-20-000 | SF | PANELING - 2 SIDED/WASHED MAPLE - 1/8" X 4' X 8' - WASHED MAPLE |
| | 076773-19-000 | SF | PANELING - 2 SIDED/SIERRA MAPLE - 1/8" X 4' X 8' - SIERRA MAPLE |
| | 088263-J2-000 | EA | BATT STRIP - DECORATIVE - NEAT/WASHED MAPLE - WASHED MAPLE |
| | 088263-J1-000 | EA | BATT STRIP - DECORATIVE - SIERRA MAPLE |
| | 088263-J0-000 | EA | BATT STRIP - DECORATIVE - D'VINCI ALMOND (U79, U80) FROM: 00-00-00 THRU: 03-37-07 |
| | 088263-K3-000 | EA | BATT STRIP - DECORATIVE - KURTA/CANVAS - 8' (U79, U80) FROM: 03-28-07 THRU: 99-99-99 |
| | 088263-K3-000 | EA | BATT STRIP - DECORATIVE - KURTA/CANVAS - 8' (U83, U84) |
| | 088263-J6-000 | EA | BATT STRIP - DECORATIVE - SISAL/CHICORY (U87, U88) |
| | 085284-F7-000 | FT | TAPE/STRIP - TRUE GRIP - 1 1/2" WIDE - ADHESIVE BACKED |
| | 085284-J3-000 | FT | BATT TAPE - ADHESIVE BACKED - DECORATIVE - D'VINCI ALMOND (U79, U80) FROM: 00-00-00 THRU: 03-37-07 |
| | 085284-K7-000 | FT | BATT TAPE - ADHESIVE BACKED - DECORATIVE - KURTA/CANVAS (U79, U80) FROM: 03-28-07 THRU: 99-99-99 |
| | 085284-K7-000 | FT | BATT TAPE - ADHESIVE BACKED - DECORATIVE - KURTA/CANVAS (U83, U84) |
| | 085284-K0-000 | FT | BATT TAPE - ADHESIVE BACKED - DECORATIVE - SISAL/CHICORY (U87, U88) |
| | 085284-J5-000 | FT | BATT TAPE - ADHESIVE BACKED - DECORATIVE-NEAT/WASHED MAPLE - WASHED MAPLE |
| | 085284-J4-000 | FT | BATT TAPE - ADHESIVE BACKED - DECORATIVE - SIERRA MAPLE |
| | 074498-40-000 | SF | LAMINATE - PLASTIC - OFF WHITE - 4' X 8' |
| | 074498-A6-000 | SF | LAMINATE - PLASTIC - HARDROCK MAPLE - 5' X 8' - WASHED MAPLE |
| | 074498-A8-000 | SF | LAMINATE - PLASTIC - SUEDE/HONEY MAPLE - 5' X 8' - SIERRA MAPLE |
| | 074498-A9-000 | SF | LAMINATE - PLASTIC - KALAHARI TOPAZ - 5' X 8' (U83, U84) |
| | 074498-B8-000 | SF | LAMINATE - PLASTIC - CLASSIC ROCK - 5' X 8' (U79, U80, U87, U88) |
| | 074498-A6-000 | SF | LAMINATE - PLASTIC - HARDROCK MAPLE - 5' X 8' - WASHED MAPLE |
| | 074498-A8-000 | SF | LAMINATE - PLASTIC - SIERRA MAPLE - 4' X 8' - SIERRA MAPLE |
| | 076325-73-000 | FT | MOLDING - EDGE BAND - .93" X .024" - OFF WHITE |
| | 076325-81-000 | FT | MOLDING - EDGE BAND - 1 5/16" X .30" - NEAT/WASHED MAPLE - WASHED MAPLE |
| | 076325-83-000 | FT | MOLDING - EDGE BAND - .93" X .024" - SIERRA MAPLE |

INTERIOR FINISH GROUP (CONTINUED)

INTERIOR TRIM LAYOUT



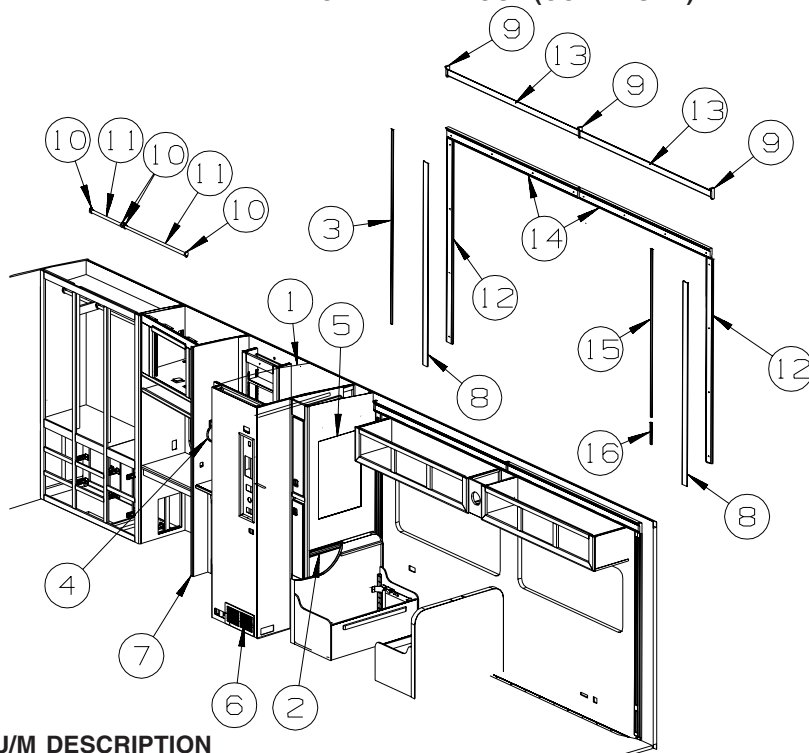
| KEY | PART NUMBER | U/M | DESCRIPTION |
|-----|---------------|-----|--|
| 1 | 072852-01-000 | EA | DETECTOR - SMOKE - W/9 VOLT BATTERY - US |
| 1 | 072852-02-000 | EA | DETECTOR - SMOKE - W/9 VOLT BATTERY - CANADIAN |
| 2 | 077956-01-000 | EA | LABEL - WARNING/SMOKE DETECTOR |
| 3 | 134057-01-11B | EA | BRACKET - RECLINER - FLAT BLACK |
| 3 | 143956-03-04B | EA | BRACKET/TIEDOWN - EURO CHAIR - BLACK - LOUNGE CHAIR-EURO/LNG CHR-HOOP-ULTRLTR |
| 4 | 134128-02-02B | EA | PLATE - W/HOLES - W/WELDNUT - E-COATED |
| 5 | 140151-02-02A | EA | COVER - SCREW - BRIGHT WHITE |
| 5 | 140151-02-03A | EA | COVER - SCREW - MEDIUM OAK |
| | | | FROM: 00-00-00 THRU: 07-31-06 |
| 6 | 140374-30-000 | EA | MIRROR - SAFETY GLASS - 25.6" X 31.5" |
| 7 | 142631-02-02A | EA | FRAME - MIRROR - 35.7"H X 30"W - WASHED MAPLE |
| 7 | 142631-02-04A | EA | FRAME - MIRROR - 35.7"H X 30"W - SIERRA MAPLE |
| 8 | 120134-01-02A | EA | REGISTER - W/DAMPER - 4" PIPE/6.4" O.D. FACE - WHITE |
| 9 | 125136-02-000 | EA | DETECTOR/CO - GAS MODEL - 9 VOLT |
| 10 | M09471-79-R46 | EA | MOLDING - TRIM/COVE - .8" X .8" X 96" - WASHED MAPLE |
| 10 | M09471-79-SA3 | EA | MOLDING - TRIM/COVE - .8" X .8" X 96" - SIERRA MAPLE |
| 11 | 131058-03-02A | EA | HAND RAIL - INTERIOR ENTRY DOOR - BLACK |
| 12 | 131493-02-39A | EA | PICTURE - DECORATIVE - 13" X 15" - CASUAL ELEGANCE (U79, U80) |
| 12 | 131493-02-41A | EA | PICTURE - DECORATIVE - 13" X 15" - POTS & FIGS (U83, U84) |
| 12 | 131493-02-42A | EA | PICTURE - DECORATIVE - 13" X 15" - TRIO I/II (U87, U88) |
| 12 | 130120-01-01A | EA | BRACKET/MOUNTING - MIRROR |
| 13 | 137489-01-10A | EA | COVER - SINK/LARGE - 13.8"X17"X1/4" VENDURA-PEBBLE BEACH |
| | | | FROM: 00-00-00 THRU: 07-16-06 |
| 13 | 161005-02-U79 | EA | COVER - SINK - 1/4" VENDURA - PEBBLE BEACH |
| | | | FROM: 07-17-06 THRU: 99-99-99 |
| 14 | 137489-02-09A | EA | COVER - SINK/SMALL - 9.6"X15.7"X1/4"VENDURA-BUTTER BRICKLE |
| | | | FROM: 00-00-00 THRU: 07-16-06 |
| 14 | 161005-04-U79 | EA | COVER - SINK - 1/4" VENDURA - PEBBLE BEACH |
| | | | FROM: 07-17-06 THRU: 99-99-99 |

INTERIOR FINISH GROUP (CONTINUED)
INTERIOR TRIM LAYOUT (CONTINUED)

| KEY | PART NUMBER | U/M | DESCRIPTION |
|-----|---------------|-----|--|
| 15 | 139955-06-02A | EA | TRIM - STEP/ENTRY - 29.3" - TITANIUM |
| 16 | 149151-01-S48 | EA | MOLDING/BLOCK - WASHED MAPLE |
| 16 | 149151-01-SR0 | EA | MOLDING/BLOCK - SIERRA MAPLE |
| 17 | 145980-03-03A | EA | HOLDER - TOILET TISSUE - EURO - CHROME |
| 18 | 148362-01-01A | EA | COVER - BRACKET/STRIKE - BRIGHT WHITE |
| | | | FROM: 00-00-00 THRU: 07-31-06 |
| 18 | 148362-01-02A | EA | COVER - BRACKET/STRIKE - MEDIUM OAK |
| | | | FROM: 08-01-06 THRU: 99-99-99 |
| 19 | 149496-47-U79 | EA | TRIM - DECORATIVE - 2.6" X 52.1" - FABRIC COVERED (U79, U80) |
| 19 | 149496-47-U83 | EA | TRIM - DECORATIVE - 2.6" X 52.1" - FABRIC COVERED (U83, U84) |
| 19 | 149496-47-U87 | EA | TRIM - DECORATIVE - 2.6" X 52.1" - FABRIC COVERED (U87, U88) |
| 20 | 154430-01-000 | EA | MATTRESS - INNERSPRING - 60" X 74.5" |
| 21 | 094499-03-000 | EA | EXTINGUISHER/FIRE - DRY - 10BC - W/GAUGE/BRACKET |
| 21* | 094499-02-000 | EA | EXTINGUISHER/FIRE - DRY - 10BC - W/GAUGE - CANADIAN |
| 22 | 094499-04-000 | EA | STRAP - FIRE EXTINGUISHER MOUNTING - METAL |
| 23 | 134194-01-01A | EA | KNOB - HOLD DOWN/RECLINER - BLACK |
| 24 | 144628-02-01A | EA | SHADE - SCREEN DOOR - 23" X 33.4" - BRIGHT WHITE |
| 25 | M09525-09-U79 | EA | MOLDING - TRIM/VEE - .2" X 1" X 50.4" - WASHED MAPLE |
| | | | FROM: 00-00-00 THRU: 06-25-06 |
| 25 | M09538-36-U79 | EA | MOLDING - TRIM/VEE - .4" X 1" X 50.4" - WASHED MAPLE |
| | | | FROM: 06-26-06 THRU: 99-99-99 |
| 25 | M09525-09-U80 | EA | MOLDING - TRIM/VEE - .2" X 1" X 50.4" - SIERRA MAPLE |
| | | | FROM: 00-00-00 THRU: 06-25-06 |
| 25 | M09538-36-U80 | EA | MOLDING - TRIM/VEE - .4" X 1" X 50.4" - SIERRA MAPLE |
| | | | FROM: 06-26-06 THRU: 99-99-99 |
| 26 | 149496-49-U79 | EA | TRIM - DECORATIVE - 2.2" X 79.7" - FABRIC COVERED (U79, U80) |
| | | | FROM: 00-00-00 THRU: 02-05-06 |
| 26 | 149496-40-U79 | EA | TRIM - DECORATIVE - 2.2" X 79.6" - FABRIC COVERED (U79, U80) |
| | | | FROM: 02-06-06 THRU: 99-99-99 |
| 26 | 149496-49-U83 | EA | TRIM - DECORATIVE - 2.2" X 79.7" - FABRIC COVERED (U83, U84) |
| | | | FROM: 00-00-00 THRU: 02-05-06 |
| 26 | 149496-40-U83 | EA | TRIM - DECORATIVE - 2.2" X 79.6" - FABRIC COVERED (U83, U84) |
| | | | FROM: 02-06-06 THRU: 99-99-99 |
| 26 | 149496-49-U87 | EA | TRIM - DECORATIVE - 2.2" X 79.7" - FABRIC COVERED (U87, U88) |
| | | | FROM: 00-00-00 THRU: 02-05-06 |
| 26 | 149496-40-T74 | EA | TRIM - DECORATIVE - 2.2" X 79.6" - FABRIC COVERED (U87, U88) |
| | | | FROM: 02-06-06 THRU: 99-99-99 |
| 27 | Y00152-A2-438 | EA | MOLDING/TRIM - VINYL - .6" X 3.5" X 96" - WASHED MAPLE |
| 27 | Y00152-92-438 | EA | MOLDING/TRIM - VINYL - .6" X 3.5" X 96" - SIERRA MAPLE |
| 28 | Y00282-A2-438 | EA | MOLDING - SLIDEOUT/VINYL WRAP - 3.9"X 96" - WASHED MAPLE |
| 28 | Y00282-92-438 | EA | MOLDING - SLIDEOUT/VINYL WRAP - 3.9"X 96" - SIERRA MAPLE |
| 29 | 100182-10-T91 | EA | TRIM/WOOD - CHAIR RAIL - 2.5" X 8' - WASHED MAPLE |
| | | | FROM: 00-00-00 THRU: 08-20-06 |
| 29 | M09462-66-R74 | EA | MOLDING - TRIM/RAIL - .6" X 2.4" X 96" - PORTSMOUTH OAK |
| | | | FROM: 08-21-06 THRU: 99-99-99 |
| 29 | 100182-10-TU1 | EA | TRIM/WOOD - CHAIR RAIL - 2.5" X 8' - SIERRA MAPLE |
| | | | FROM: 00-00-00 THRU: 08-20-06 |
| 29 | M09462-66-SA3 | EA | MOLDING - TRIM/RAIL - .6" X 2.4" X 96" - SIERRA MAPLE |
| | | | FROM: 08-21-06 THRU: 99-99-99 |

***COMPONENT PARTS LISTED LATER IN THIS GROUP**

INTERIOR FINISH GROUP (CONTINUED)
INTERIOR TRIM LAYOUT (CONTINUED)



| KEY | PART NUMBER | U/M | DESCRIPTION |
|-----|---------------|-----|--|
| 1* | 115011-03-02A | EA | DOOR SHOWER - SLIDING/BYPASS W/40" LOWER TRACK-CHROME/AQUA |
| 2 | 100182-10-T91 | EA | TRIM/WOOD - CHAIR RAIL - 2.5" X 8' - WASHED MAPLE |
| | | | FROM: 00-00-00 THRU: 08-20-06 |
| 2 | M09462-66-R74 | EA | MOLDING - TRIM/RAIL - .6" X 2.4" X 96" - PORTSMOUTH OAK |
| | | | FROM: 08-21-06 THRU: 99-99-99 |
| 2 | 100182-10-TU1 | EA | TRIM/WOOD - CHAIR RAIL - 2.5" X 8' - SIERRA MAPLE |
| | | | FROM: 00-00-00 THRU: 08-20-06 |
| 2 | M09462-66-SA3 | EA | MOLDING - TRIM/RAIL - .6" X 2.4" X 96" - SIERRA MAPLE |
| | | | FROM: 08-21-06 THRU: 99-99-99 |
| 3 | M09525-07-U67 | EA | MOLDING - TRIM/VEE - .2" X 1" X 73" - WASHED MAPLE |
| | | | FROM: 00-00-00 THRU: 06-25-06 |
| 3 | M09538-31-U79 | EA | MOLDING - TRIM/VEE - .4" X 1" X 73" - WASHED MAPLE |
| | | | FROM: 06-26-06 THRU: 99-99-99 |
| 3 | M09525-07-U68 | EA | MOLDING - TRIM/VEE - .2" X 1" X 73" - SIERRA MAPLE |
| | | | FROM: 00-00-00 THRU: 06-25-06 |
| 3 | M09538-31-U80 | EA | MOLDING - TRIM/VEE - .4" X 1" X 73" - SIERRA MAPLE |
| | | | FROM: 06-26-06 THRU: 99-99-99 |
| 4 | 145980-06-03A | EA | TOWEL RING - CHROME |
| 5 | 149147-02-03A | EA | MIRROR - FRAMED V-GROOVE & FROST - WASHED MAPLE |
| 5 | 149147-02-05A | EA | MIRROR - FRAMED V-GROOVE & FROST - SIERRA MAPLE |
| 6 | 093614-01-02A | EA | GRILLE - AIR RETURN - 15.9" X 7.9" - BEIGE |
| 7 | M09471-79-R46 | EA | MOLDING - TRIM/COVE - .8" X .8" X 96" - WASHED MAPLE |
| 7 | M09471-79-SA3 | EA | MOLDING - TRIM/COVE - .8" X .8" X 96" - SIERRA MAPLE |
| 8 | 149496-46-U79 | EA | TRIM - DECORATIVE - 2.6" X 76.2" - FABRIC COVERED (U79, U80) |
| 8 | 149496-46-U83 | EA | TRIM - DECORATIVE - 2.6" X 76.2" - FABRIC COVERED (U83, U84) |
| 8 | 149496-46-U87 | EA | TRIM - DECORATIVE - 2.6" X 76.2" - FABRIC COVERED (U87, U88) |
| 9 | 149151-01-S48 | EA | MOLDING/BLOCK - WASHED MAPLE |
| 9 | 149151-01-SR0 | EA | MOLDING/BLOCK - SIERRA MAPLE |
| 10 | 152301-01-01A | EA | FLANGE - PLASTIC - 1" CLOTHES ROD HOLDER - WHITE |
| 11 | Y00136-21-218 | EA | DOWEL - WOOD - CLOTHES ROD - 1"DIAMETER X 4' |
| 12 | Y00152-A2-438 | EA | MOLDING/TRIM - VINYL - .6" X 3.5" X 96" - WASHED MAPLE |
| 12 | Y00152-92-438 | EA | MOLDING/TRIM - VINYL - .6" X 3.5" X 96" - SIERRA MAPLE |
| 13 | 149496-23-U79 | EA | TRIM - DECORATIVE - 2.2" X 71.9" - FABRIC COVERED (U79, U80) |
| 13 | 149496-23-U83 | EA | TRIM - DECORATIVE - 2.2" X 71.9" - FABRIC COVERED (U83, U84) |
| 13 | 149496-23-U87 | EA | TRIM - DECORATIVE - 2.2" X 71.9" - FABRIC COVERED (U87, U88) |
| 14 | Y00282-A2-438 | EA | MOLDING - SLIDEOUT/VINYL WRAP - 3.9"X 96" - WASHED MAPLE |
| 14 | Y00282-92-438 | EA | MOLDING - SLIDEOUT/VINYL WRAP - 3.9"X 96" - SIERRA MAPLE |

INTERIOR FINISH GROUP (CONTINUED)
INTERIOR TRIM LAYOUT (CONTINUED)

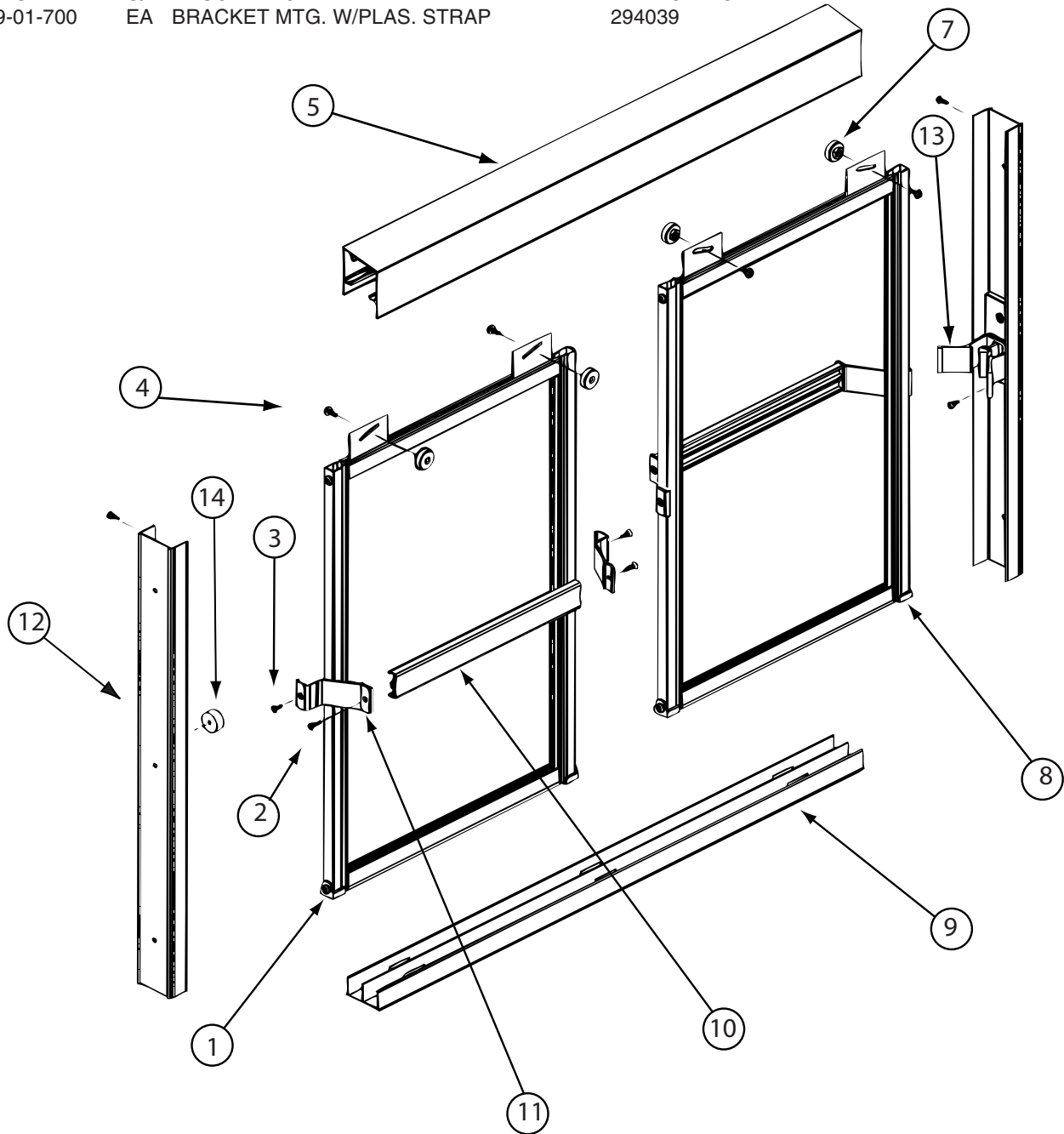
| KEY | PART NUMBER | U/M | DESCRIPTION |
|------------|--------------------|------------|---|
| 15 | M09511-93-TG2 | EA | MOLDING - TRIM/VEE - .2" X 1" X 63" - WASHED MAPLE FROM: 00-00-00 THRU: 06-25-06 |
| 15 | M09503-91-T79 | EA | MOLDING - TRIM/VEE - .4" X 1" X 63.1" - WASHED MAPLE FROM: 06-26-06 THRU: 99-99-99 |
| 15 | M09511-93-U68 | EA | MOLDING - TRIM/VEE - .2" X 1" X 63" - SIERRA MAPLE FROM: 00-00-00 THRU: 06-25-06 |
| 15 | M09503-91-T80 | EA | MOLDING - TRIM/VEE - .4" X 1" X 63.1" - SIERRA MAPLE FROM: 06-26-06 THRU: 99-99-99 |
| 16 | M09525-24-U67 | EA | MOLDING - TRIM/VEE - .2" X 1" X 8.2" - WASHED MAPLE FROM: 00-00-00 THRU: 06-25-06 |
| 16 | M09538-32-U79 | EA | MOLDING - TRIM/VEE - .4" X 1" X 8.2" - WASHED MAPLE FROM: 06-26-06 THRU: 99-99-99 |
| 16 | M09525-24-U68 | EA | MOLDING - TRIM/VEE - .2" X 1" X 8.2" - SIERRA MAPLE FROM: 00-00-00 THRU: 06-25-06 |
| 16 | M09538-32-U80 | EA | MOLDING - TRIM/VEE - .4" X 1" X 8.2" - SIERRA MAPLE FROM: 06-26-06 THRU: 99-99-99 |

***COMPONENT PARTS LISTED LATER IN THIS GROUP**

INTERIOR FINISH GROUP (CONTINUED)
COMPONENT PARTS FOR INTERIOR TRIM LAYOUT

094499-02-000

| KEY | PART NUMBER | U/M | DESCRIPTION | VENDOR NO |
|-----|---------------|-----|----------------------------|-----------|
| | 094499-01-700 | EA | BRACKET MTG. W/PLAS. STRAP | 294039 |



115011-03-02A

| KEY | PART NUMBER | U/M | DESCRIPTION | VENDOR NO. |
|-----|---------------|-----|-----------------------------|---------------|
| 1 | 115011-03-708 | EA | GUIDE/NYLON -F/DOOR BOTTOM | CP1105 |
| 2 | 115011-03-700 | EA | SCREW F/TOWEL BAR/HEADER | 612F-B |
| 3 | 115011-03-703 | EA | SCREW F/TOWEL BAR BRKTS | 638F-B CHROME |
| 4 | 115011-01-705 | EA | SCREW-ROLLER, (HEX HEAD) | 832HEX |
| 5 | 115011-03-709 | EA | HEADER - CHROME | 45B |
| 7 | 115011-01-704 | EA | ROLLERS | PN193 |
| 8 | 115011-01-706 | FT | GLAZING VINYL-BLACK | C154B |
| 9 | 115011-03-704 | EA | TRACK/BOTTOM - 50" CHROME | 90B |
| 10 | 115011-03-701 | EA | TOWEL BAR - SILVER | 136B - 17" |
| 11 | 115011-03-702 | EA | BRACKET-TOWEL BAR - SILVER | 135B |
| 12 | 115011-03-706 | EA | JAMB - WALL SHOWER DOOR | 126B |
| 13 | 115011-03-707 | EA | TRAVEL LATCH - BLACK | 9733B |
| 14 | 115011-01-714 | EA | BUMPER - RATTLE/SHOWER DOOR | 5168S |
| | 115011-01-715 | EA | PAD - FOAM | 116R |

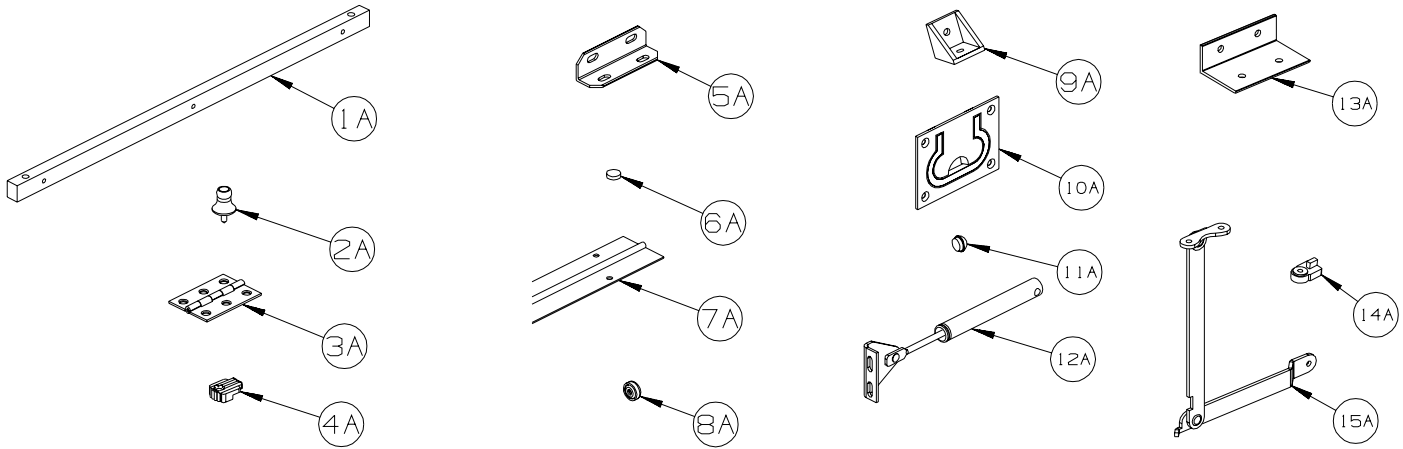
CONTACT WINNEBAGO PART SALES FOR UNLISTED COMPONENT(S)

INTERIOR FINISH GROUP (CONTINUED)
FLOOR COVERINGS

| KEY | PART NUMBER | U/M | DESCRIPTION |
|------------|--------------------|------------|---|
| | 075233-01-000 | SY | PAD - CARPET - 3/8" X 6'W ROLL - SOLD BY THE SQUARE YARD |
| | 089275-02-000 | FT | STRIP - 3/4" X 84" BLACK POLYETHYLENE |
| | 093486-01-000 | SY | CARPET - COMPARTMENT - 72" WIDE - DARK GRAY |
| | 152251-05-07A | EA | CARPET - 4 SQUARE YARD INCREMENTS - RAFFIA (U79, U80, U83, U84) |
| | 152251-05-02A | SY | CARPET - 4 SQUARE YARD INCREMENTS - BURLWOOD (U87, U88) |
| | 131711-01-13A | SY | TILE/FLOOR - VINYL - 12" X 12" - MESA |

INTERIOR FINISH GROUP (CONTINUED)

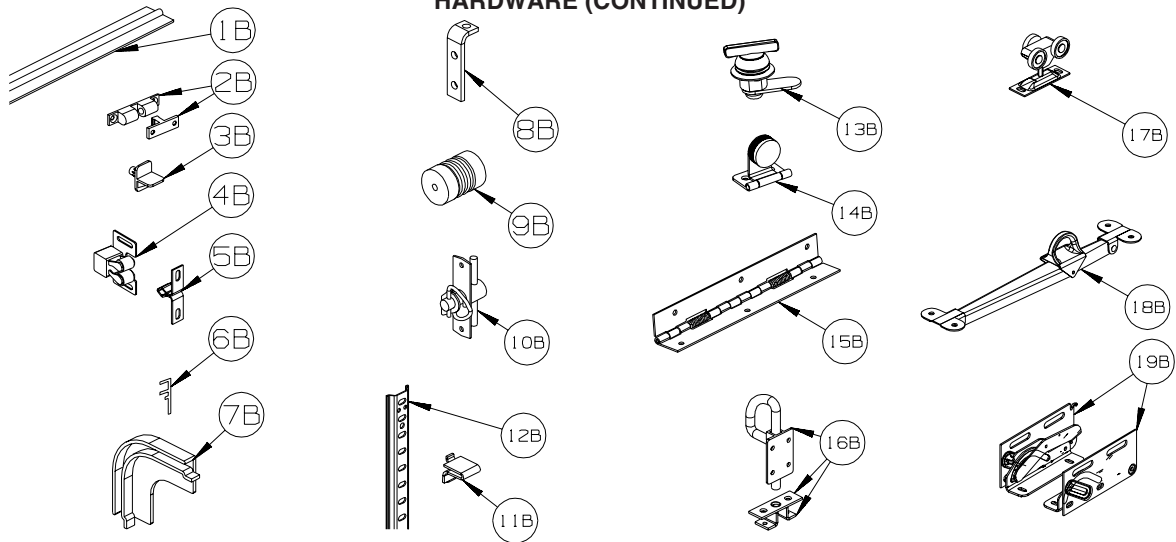
HARDWARE



| KEY | PART NUMBER | U/M | DESCRIPTION |
|-----|---------------|-----|--|
| 1A | P34509-01-N01 | EA | RAIL END - RH/LH - TOWEL RACK - PORTSMOUTH |
| 1A | P34509-01-P14 | EA | RAIL END - RH/LH - TOWEL RACK - CONCERT CHERRY |
| 1A | P34509-01-J70 | EA | RAIL END - RH/LH - TOWEL RACK - WASHED MAPLE |
| 1A | P34509-01-RE0 | EA | RAIL END - RH/LH - TOWEL RACK - HONEY CHERRY |
| 1A | P34509-01-SA3 | EA | RAIL END - RH/LH - TOWEL RACK - SIERRA MAPLE |
| 2A | 009013-01-000 | EA | CATCH - BULLDOG - MALE/FEMALE |
| 3A | 009059-01-000 | EA | HINGE - DOOR - 2" X 1.4" - BRASS |
| 3A | 009059-02-000 | EA | HINGE - DOOR - 2" X 2.7" - BRASS |
| 3A | 009059-03-000 | EA | HINGE - BRASS - 1.75" |
| 3A | 009059-04-000 | EA | HINGE - 2" - ZINC |
| 4A | 009089-01-000 | EA | CLIP - MIRROR |
| 5A | 016604-01-000 | EA | BRACE - ANGLE - 2 1/2" - UNPAINTED METAL |
| 5A | 016604-05-000 | EA | BRACE - ANGLE - 2 1/2" - OFF WHITE METAL |
| 5A | 016604-10-000 | EA | BRACE - SEAT ANGLE - 2.5" - BLACK |
| 6A | 023320-01-000 | EA | PAD - FELT 3/8" DIAMETER |
| 7A | 041389-19-000 | EA | HINGE - PIANO - 1 1/2" X 71.9" - UNPAINTED |
| 7A | 041389-25-000 | EA | HINGE - PIANO - 1 1/2" X 55" - UNPAINTED |
| 7A | 041389-32-000 | EA | HINGE - PIANO - 68" - OFF WHITE |
| 8A | 057671-01-000 | EA | COVER - SCREW - #8 - OFF WHITE |
| 8A | 057671-15-000 | EA | COVER - SCREW - #8 - BRIGHT WHITE |
| 8A | 057671-16-000 | EA | COVER - SCREW - #8 - SOFT WHITE |
| 8A | 057671-18-000 | EA | COVER - SCREW - #8 - OFF WHITE |
| 9A | 065740-01-000 | EA | BRACE - CABINET/CORNER - PLASTIC |
| 10A | 072871-01-000 | EA | PULL - FLUSH - CHROME |
| 11A | 074045-13-000 | EA | PLUG - OAK - 3/8" DOWEL-1/2" HEAD - PORTSMOUTH OAK |
| 11A | 074045-08-000 | EA | PLUG - OAK - 3/8" DOWEL-1/2" HEAD - CONCERT CHERRY |
| 11A | 074045-12-000 | EA | PLUG - OAK - 3/8" DOWEL-1/2" HEAD - WASHED MAPLE |
| 11A | 074045-14-000 | EA | PLUG - OAK - 3/8" DOWEL-1/2" HEAD - HONEY CHERRY |
| 11A | 074045-15-000 | EA | PLUG - OAK - 3/8" DOWEL-1/2" HEAD - SIERRA MAPLE |
| 12A | 074493-02-000 | EA | SUPPORT - PISTON SPRING - CABINET DOOR - 26 LBS |
| 12A | 074493-03-000 | EA | SUPPORT - PISTON SPRING - CABINET DOOR - 12 LBS |
| 12A | 074493-04-000 | EA | SUPPORT - PISTON SPRING - CABINET DOOR - 32LBS |
| 13A | 156732-01-01A | EA | BRACE - ANGLE/COUCH - 2.5" - MILL |
| 13A | 156732-01-02A | EA | BRACE - ANGLE/COUCH - 2.5" - OFF WHITE |
| 13A | 156732-03-01A | EA | BRACE - ANGLE/COUCH - BLACK |
| 14A | 083204-03-000 | EA | BUTTON - RETAINING MIRROR 5/16" TIP |
| 15A | 084412-01-000 | EA | SUPPORT/HINGE KIT (LEFT & RIGHT HINGES) |

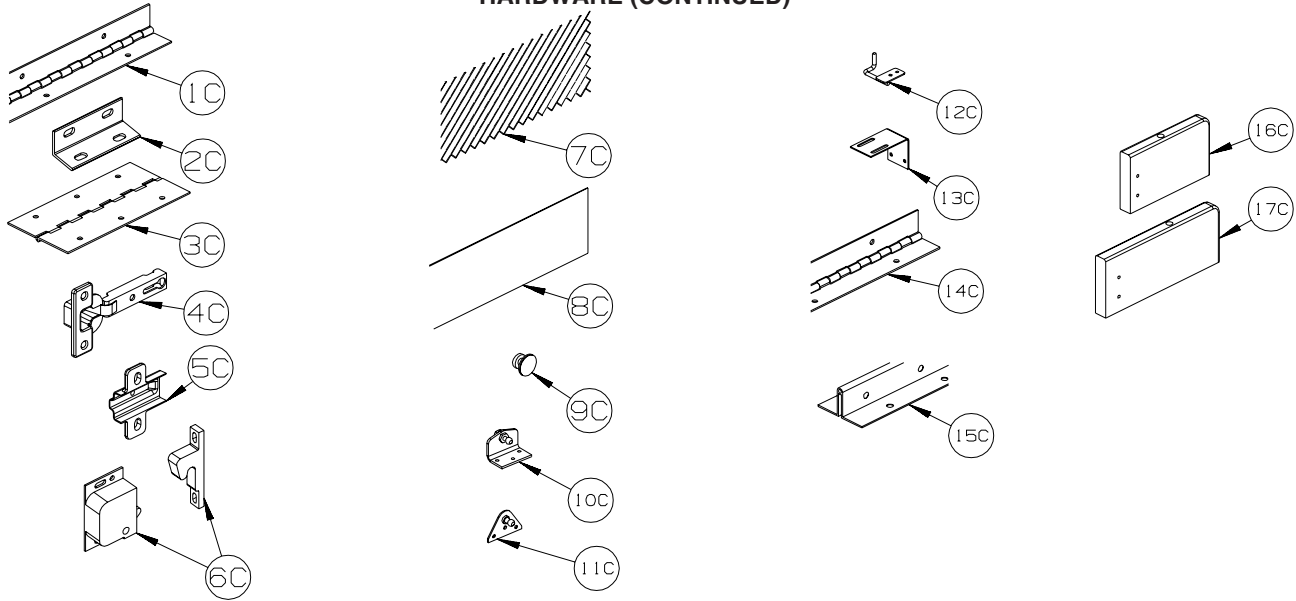
INTERIOR FINISH GROUP (CONTINUED)

HARDWARE (CONTINUED)



| KEY | PART NUMBER | U/M | DESCRIPTION |
|-----|---------------|-----|---|
| 1B | 084413-01-000 | EA | HINGE - 1" X 72" - ALUMINUM - W/HOLES |
| 2B | 084451-01-000 | EA | CATCH & LATCH - 1.7" - BRASS |
| 3B | 092907-01-000 | EA | SUPPORT - SHELF - PIN - 1/4" - CLEAR PLASTIC |
| 4B | 093586-03-000 | EA | CATCH - SPRING ROLLER - .377" |
| 4B | 093586-06-000 | EA | CATCH - SPRING ROLLER - .236" |
| 5B | 093586-04-000 | EA | STRIKE - SPRING STEEL - 1.14" |
| 6B | 093622-01-000 | EA | TRACK - DOOR - TAMBOUR - PLASTIC - 8' LENGTHS |
| 7B | 093623-01-000 | EA | CORNER - TRACK - TAMBOUR DOOR |
| 8B | 096826-01-01A | EA | BRACE-CABINET E-COATED |
| 9B | 097872-04-000 | EA | DOWEL - WOOD - 1" DIAMETER X 1.38" LONG - UNFINISHED |
| 10B | 098196-01-000 | EA | LATCH - 1/4 TURN - T-BAR |
| 11B | 098979-01-000 | EA | CLIP - ADJUSTABLE SHELF |
| 12B | 098980-01-000 | EA | PILASTER - ADJUSTABLE SHELF - 18" |
| 12B | 098980-02-000 | EA | PILASTER - ADJUSTABLE SHELF - 12" |
| 12B | 098980-03-000 | EA | PILASTER - ADJUSTABLE SHELF - 9" |
| 12B | 098980-04-000 | EA | PILASTER - ADJUSTABLE SHELF - 48" |
| 12B | 098980-05-000 | EA | PILASTER - ADJUSTABLE SHELF - 15" |
| 12B | 098980-06-000 | EA | PILASTER - ADJUSTABLE SHELF - 24" |
| 13B | 100710-01-02A | EA | LOCK - GLASS DOOR/TWIST TYPE - NICKEL |
| 14B | 100711-01-02A | EA | HINGE - GLASS DOOR - NICKEL |
| 15B | 102920-01-01A | EA | HINGE - SPRING LOADED - BRASS |
| 15B | 102920-01-02A | EA | HINGE - SPRING LOADED - NICKEL |
| 15B | 129753-01-01A | EA | HINGE - SPRING LOADED - 19" X 19" - BLACK |
| 16B | 103256-01-000 | EA | LATCH COMPLETE (SLIDE) |
| 17B | 103874-01-000 | EA | HANGER - SLIDING DOOR |
| 18B | 104181-01-01A | EA | SUPPORT - LEAF 5.3" EXTENDS TO 7.5" - SAFETY RING - METAL |
| 19B | 108126-01-000 | EA | TRAY HINGE SET (QTY. 2 PER SET) |

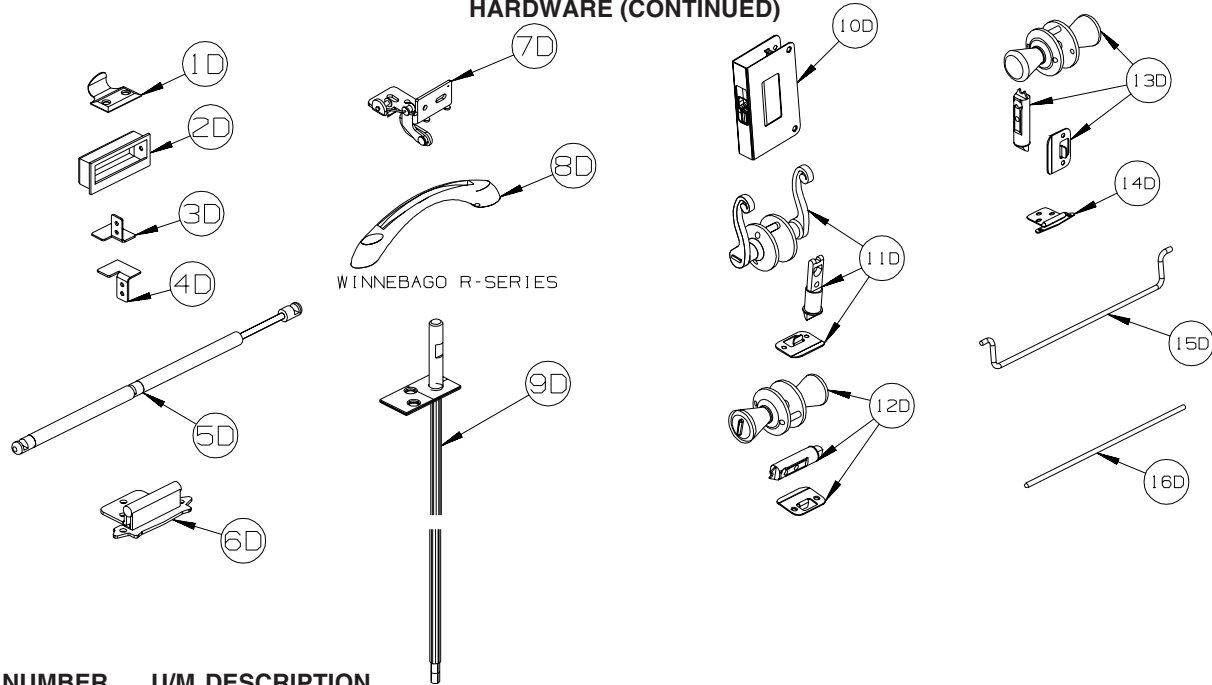
INTERIOR FINISH GROUP (CONTINUED)
HARDWARE (CONTINUED)



| KEY | PART NUMBER | U/M | DESCRIPTION |
|-----|---------------|-----|--|
| 1C | 110496-01-01A | EA | HINGE - BRASS - 2" X 32" |
| 1C | 110496-01-02A | EA | HINGE - NICKEL - 2" X 32" |
| 1C | 110496-05-02A | EA | HINGE - NICKEL - 2" X 11.5" |
| 1C | 110496-06-02A | EA | HINGE - NICKEL - 2" X 9.5" |
| 2C | 111866-01-02A | EA | BRACE - SEAT - ANGLE - OFF WHITE |
| 3C | 114278-02-000 | EA | HINGE - CONTINUOUS - 3" WIDE |
| 4C | 114443-02-01A | EA | HINGE - CABINET DOOR - W/O CLIP - SILVER |
| 5C | 114443-03-01A | EA | CLIP - HINGE/CABINET DOOR - SILVER |
| 6C | 117095-01-01A | EA | LATCH - DOOR - GRABBER W/KEEPER - PLASTIC - BLK-5 LB PULL |
| 6C | 117095-02-01A | EA | LATCH - DOOR - GRABBER W/KEEPER - PLASTIC - BLK-10 LB PULL |
| 6C | 117095-03-01A | EA | LATCH - DOOR - GRABBER W/KEEPER - PLASTIC - BLK-15 LB PULL |
| 7C | 118200-01-01A | SF | MESH - PLASTIC 1/2" - 48" X LENGTH = SF - BLACK |
| 8C | 122717-06-01A | FT | PAD - NON-SKID - PSA - 5"W |
| 9C | 125221-01-01A | EA | PULL - MIRROR - W/ROUND HANDLE |
| 10C | 126263-06-02B | EA | BRACKET - GAS SPRING W/INSIDE BALL STUD - E-COATED |
| 11C | 126263-05-02B | EA | BRACKET - GAS SPRING W/BALL STUD - E-COATED |
| 11C | 126263-08-02B | EA | BRACKET - GAS SPRING W/CENTERED BALL STUD - E-COATED |
| 11C | 126263-19-02B | EA | BRACKET - GAS SPRING W/BALL STUD - E-COATED |
| 12C | 130798-01-02B | EA | GUIDE - POCKET DOOR - E-COATED |
| 13C | 132871-02-02B | EA | BRACKET/L-ANGLE W/HOLES - 1.9" X 2.8" - E-COATED |
| 14C | 134099-01-02A | EA | HINGE - PIANO - WRAP AROUND - 15.7" - NICKEL PLATED |
| 15C | 135538-03-02A | EA | HINGE - PIANO - FULL WRAP - 15.7" - CHROME |
| 16C | 137445-02-P46 | EA | STOP - F/SLIDING DOOR - CONCERT CHERRY |
| 16C | 137445-02-P56 | EA | STOP - F/SLIDING DOOR - WASHED MAPLE |
| 16C | 137445-02-S67 | EA | STOP - F/SLIDING DOOR - SIERRA MAPLE |
| 17C | 137445-03-T78 | EA | STOP - F/SLIDING DOOR - CONCERT CHERRY |
| 17C | 137445-03-T79 | EA | STOP - F/SLIDING DOOR - WASHED MAPLE |
| 17C | 137445-03-T80 | EA | STOP - F/SLIDING DOOR - SIERRA MAPLE |

INTERIOR FINISH GROUP (CONTINUED)

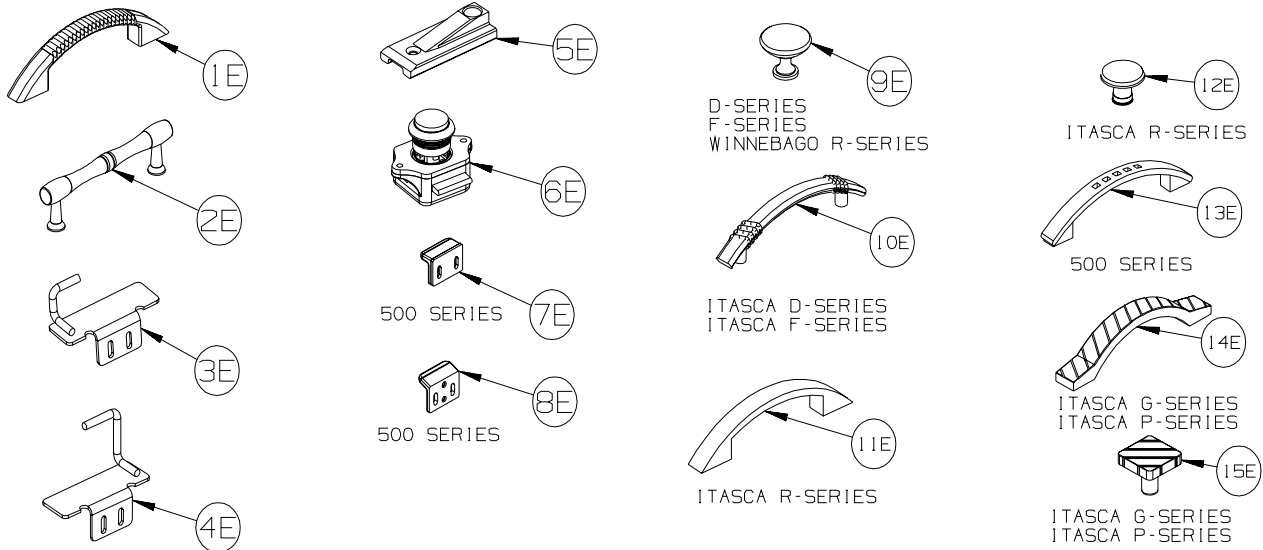
HARDWARE (CONTINUED)



| KEY | PART NUMBER | U/M | DESCRIPTION |
|-----|---------------|-----|--|
| 1D | 137463-01-02A | EA | LIFT - HOOK - PEWTER |
| 2D | 139136-01-02A | EA | HANDLE - .75" RECESSED - PEWTER |
| 2D | 139136-02-02A | EA | HANDLE - .35" RECESSED - PEWTER |
| 3D | 139264-01-02B | EA | STOP - DOOR - TAMBOUR/RH HAND - E-COATED |
| 4D | 139264-02-02B | EA | STOP - DOOR - TAMBOUR/LH HAND - E-COATED |
| 5D | 142569-07-000 | EA | SPRING/GAS - 20 LB - 20" EXTENDED/12" COMPRESSED |
| 5D | 142569-15-000 | EA | SPRING/GAS - 120 LB - 20" EXTENDED/12" COMPRESSED |
| 5D | 142569-16-000 | EA | SPRING/GAS - 90 LB - 20" EXTENDED/12" COMPRESSED |
| 5D | 142569-29-000 | EA | SPRING/GAS - 20 LB - 9.9" EXTENDED/5.9" COMPRESSED |
| 6D | 143468-02-03A | EA | HINGE - SELF CLOSING - SATIN NICKEL |
| 7D | 144488-01-02A | EA | HINGE - CABINET - NICKEL |
| 8D | 144917-01-01A | EA | PULL - DRAWER - SATIN NICKEL - TOUR R-SERIES |
| 9D | 145939-03-01A | EA | ROD/LATCH - AISLE DOOR - BRASS |
| | | | FROM: 00-00-00 THRU: 04-16-06 |
| 9D | 145939-05-01A | EA | ROD/LATCH - AISLE DOOR - BRASS - NOT ILLUSTRATED |
| | | | FROM: 04-17-06 THRU: 07-30-06 |
| 9D | 145939-05-02A | EA | ROD/LATCH - AISLE DOOR - NICKEL - NOT ILLUSTRATED |
| | | | FROM: 07-31-06 THRU: 99-99-99 |
| 10D | 145939-04-02A | EA | LATCH/SLIDE - AISLE DOOR(1" THICK DOOR)-NICKEL/BLACK SLIDE |
| 11D | 146064-01-02A | EA | LOCK/PRIVACY (LOCKING) LEVER STYLE - SATIN PEWTER |
| 12D | 146064-05-01A | EA | LOCK/PRIVACY (LOCKING) KNOB STYLE - SATIN NICKEL |
| 13D | 146064-06-01A | EA | LOCK/PASSAGE (NON LOCKING) KNOB STYLE - SATIN NICKEL |
| 14D | 146553-01-01A | EA | HINGE - CABINET DOOR - BURNISHED BRASS |
| 14D | 146553-01-03A | EA | HINGE - CABINET DOOR - SATIN NICKEL |
| 15D | 146801-01-01A | EA | ROD/TOWEL BAR (OFFSET) - BRASS |
| 15D | 146801-01-02A | EA | ROD/TOWEL BAR (OFFSET) - PEWTER |
| 16D | 146840-03-01A | EA | ROD - .25" X 11.7" - BRASS |
| 16D | 146840-03-02A | EA | ROD - .25" X 11.7" - PEWTER |
| 16D | 146840-04-01A | EA | ROD - .25" X 13.1" - BRASS |
| 16D | 146840-04-02A | EA | ROD - .25" X 13.1" - PEWTER |
| 16D | 146840-05-01A | EA | ROD - .25" X 14.8" - BRASS |
| 16D | 146840-05-02A | EA | ROD - .25" X 14.8" - PEWTER |
| 16D | 146840-07-01A | EA | ROD - .25" X 4.2" - BRASS |
| 16D | 146840-07-02A | EA | ROD - .25" X 4.2" - PEWTER |

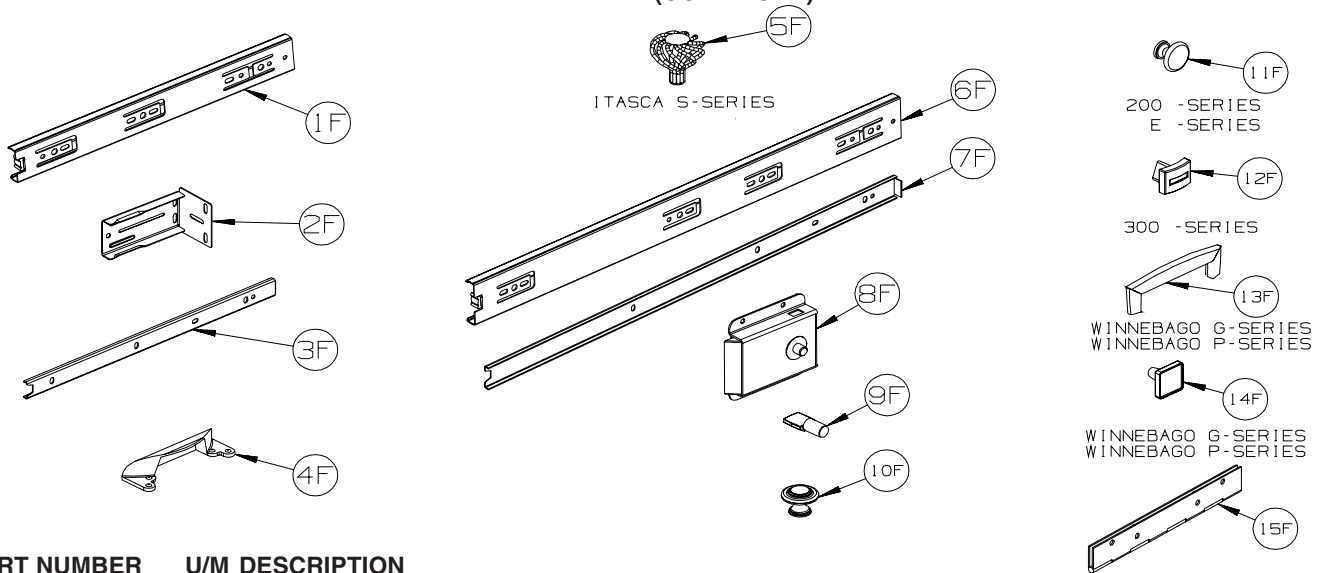
INTERIOR FINISH GROUP (CONTINUED)

HARDWARE (CONTINUED)



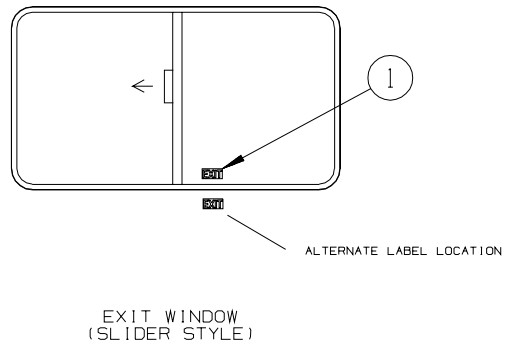
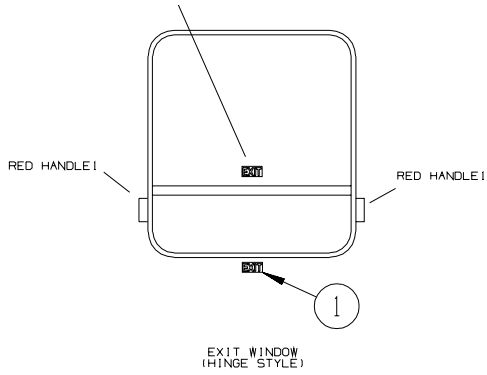
| KEY | PART NUMBER | U/M | DESCRIPTION |
|-----|---------------|-----|--|
| 1E | 148816-01-02A | EA | PULL - CABINET DOOR - NICKEL - ASPECT, CAMBRIA 700-SERIES |
| 2E | 149090-01-02A | EA | PULL - CABINET DOOR - NICKEL - SIGHTSEER D-SERIES, VOYAGE F-SERIES |
| 3E | 149607-01-02B | EA | GUIDE - F/POCKET DOOR - 1.6" BENT ROD - E-COATED |
| 3E | 149607-03-02B | EA | GUIDE - F/POCKET DOOR - 2.9" BENT ROD - E-COATED |
| 4E | 149607-04-02B | EA | GUIDE - F/POCKET DOOR - E-COATED |
| 5E | 150983-01-01A | EA | STRIKE/BLOCK - WEDGE STYLE - F/SLIDE DOOR - 3" X 1.2" - BLACK |
| 6E | 151380-01-01A | EA | LATCH - CABINET DOOR - PUSH BUTTON - VIEW & NAVION 500-SERIES |
| 7E | 151380-02-01A | EA | STRIKE - CABINET DOOR - VIEW & NAVION 500-SERIES |
| 8E | 151380-03-01A | EA | STRIKE - CABINET DOOR - VIEW & NAVION 500-SERIES |
| 9E | 152080-01-01A | EA | PULL-NICKEL - SIGHTSEER & SUNOVA D-SERIES, VOYAGE & SUNRISE F-SERIES, TOUR R-SERIES |
| 10E | 152302-01-01A | EA | PULL - CABINET DOOR - SATIN NICKEL - SUNOVA D-SERIES, SUNRISE F-SERIES |
| 11E | 152304-01-01A | EA | PULL - CABINET DOOR - BRONZE- ELLIPSE R-SERIES |
| 12E | 152305-01-01A | EA | KNOB - DOOR/DRAWER - BRONZE - ELLIPSE R-SERIES |
| 13E | 152950-01-01A | EA | PULL - DOOR/DRAWER - BRUSHED NICKEL - VIEW & NAVION 500-SERIES |
| 14E | 152951-01-01A | EA | PULL - DOOR/DRAWER - PEWTER - SUNCRUISER G-SERIES, MERIDIAN P-SERIES |
| 15E | 152952-01-01A | EA | PULL - KNOB/DRAWER - PEWTER - SUNCRUISER G-SERIES, MERIDIAN P-SERIES |

INTERIOR FINISH GROUP (CONTINUED) HARDWARE (CONTINUED)

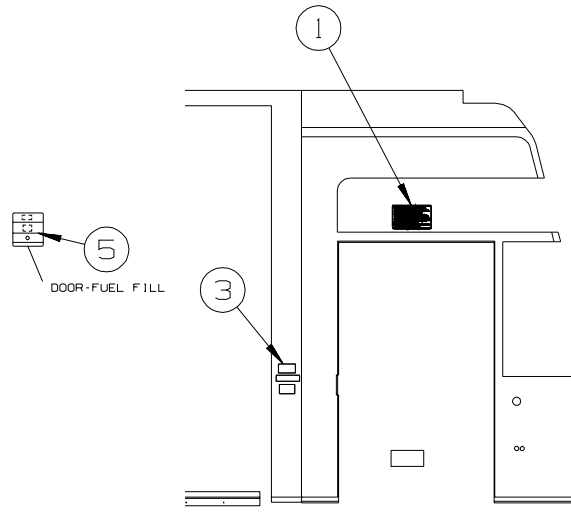
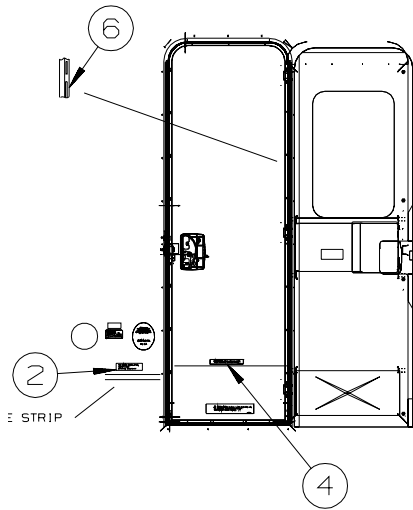


| KEY | PART NUMBER | U/M | DESCRIPTION |
|-----|---------------|-----|--|
| 1F | 153000-01-01A | EA | SLIDE - CABINET MOUNT - 11.8" |
| 1F | 153000-03-01A | EA | SLIDE - CABINET MOUNT - 13.8" |
| 1F | 153000-05-01A | EA | SLIDE - CABINET MOUNT - 15.7" |
| 1F | 153000-07-01A | EA | SLIDE - CABINET MOUNT - 17.7" |
| 1F | 153000-09-01A | EA | SLIDE - CABINET MOUNT - 19.7" |
| 1F | 153000-11-01A | EA | SLIDE - CABINET MOUNT - 21.6" |
| 1F | 153000-14-01A | EA | SLIDE - CABINET MOUNT - 23.6" |
| 1F | 153000-18-01A | EA | SLIDE - CABINET MOUNT - 9.8" |
| 1F | 153000-20-01A | EA | SLIDE - CABINET MOUNT - 25.6" |
| 2F | 153000-13-01A | EA | BACKSOCKET - DRAWER SLIDE |
| 3F | 153000-02-01A | EA | SLIDE - DRAWER MOUNT - 11.8" |
| 3F | 153000-04-01A | EA | SLIDE - DRAWER MOUNT - 13.8" |
| 3F | 153000-06-01A | EA | SLIDE - DRAWER MOUNT - 15.7" |
| 3F | 153000-08-01A | EA | SLIDE - DRAWER MOUNT - 17.7" |
| 3F | 153000-10-01A | EA | SLIDE - DRAWER MOUNT - 19.7" |
| 3F | 153000-12-01A | EA | SLIDE - DRAWER MOUNT - 21.6" |
| 3F | 153000-15-01A | EA | SLIDE - DRAWER MOUNT - 23.4" |
| 3F | 153000-19-01A | EA | SLIDE - DRAWER MOUNT - 9.8" |
| 3F | 153000-21-01A | EA | SLIDE - DRAWER MOUNT - 25.4" |
| 4F | 153308-01-01A | EA | PULL - VANITY STOOL - SATIN NICKEL |
| 5F | 153335-01-02A | EA | PULL - KNOB - DOOR/DRAWER - FLAT BLACK - HORIZON S-SERIES |
| 6F | 153352-01-01A | EA | SLIDE - PANTRY - 19.7" - CABINET MOUNT |
| 6F | 153352-03-01A | EA | SLIDE - EXT ENTERTAINMENT CNTR - 13.8" - CABINET MOUNT |
| 7F | 153352-02-01A | EA | SLIDE - PANTRY - 19.5" - DRAWER MOUNT |
| 7F | 153352-04-01A | EA | SLIDE - EXT ENTERTAINMENT CNTR - 13.6" - DRAWER MOUNT |
| 8F | 153353-01-01A | EA | LATCH - SLIDING/FLUSH - BLACK |
| 9F | 154385-01-02A | EA | PIN - SUPPORT/GLASS DOOR - 1/4" - NICKEL |
| 10F | 155803-01-01A | EA | KNOB CABINET DOOR - WROUGHT IRON |
| 11F | 155925-01-01A | EA | KNOB - DOOR/DRAWER - SATIN NICKEL - ACCESS & IMPULSE 200-SERIES |
| 12F | 156579-01-01A | EA | KNOB - DOOR/DRAWER - PEWTER - OUTLOOK & SPIRIT 300-SERIES |
| 13F | 157246-01-01A | EA | PULL - CABINET DOOR/DRAWER - SATIN NICKEL - ADVENTURER G-SERIES, JOURNEY P-SERIES |
| 14F | 157246-02-01A | EA | KNOB - CABINET DOOR/DRAWER - SATIN NICKEL - ADVENTURER G-SERIES, JOURNEY P-SERIES |
| 15F | 158982-01-04B | EA | HINGE - CONTINUOUS - 2" X 8" - BLACK |
| | 158982-01-01A | EA | HINGE - CONTINUOUS - 2" X 8" - ZINC |

LABELS GROUP



| KEY | PART NUMBER | U/M | DESCRIPTION |
|-----|---------------|-----|------------------------|
| 1 | 039290-01-000 | EA | LABEL - WARNING - EXIT |

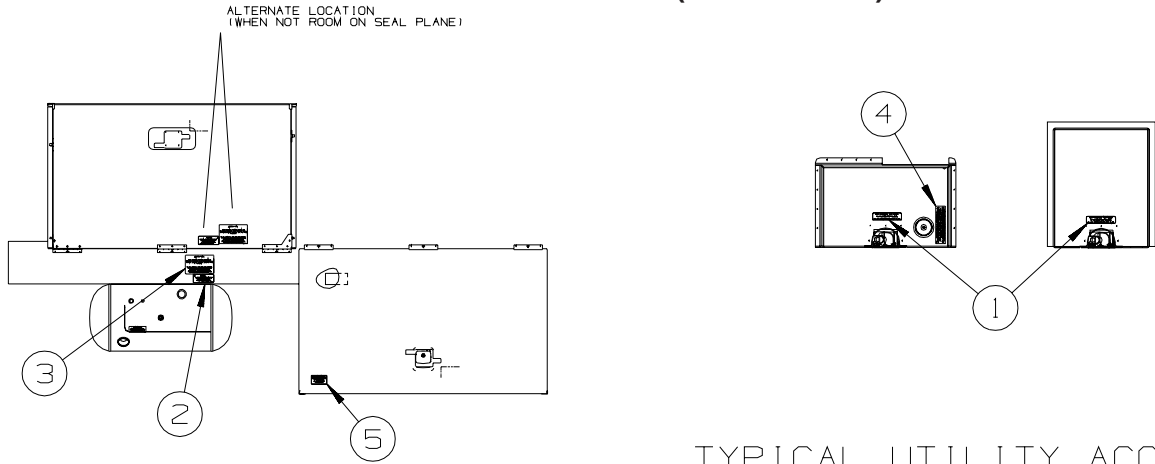


ENTRANCE DOOR

DRIVERS DOOR

| KEY | PART NUMBER | U/M | DESCRIPTION |
|-----|---------------|-----|--|
| 1 | 056259-01-000 | EA | LABEL - SAFETY CHECK LIST |
| 2 | 099509-01-000 | EA | LABEL - AWNING INSTALLATION |
| 3 | 099689-01-000 | EA | LABEL - WARNING - CANCER/TOXICITY |
| 4 | 065748-01-000 | EA | LABEL - WARNING - BATTERY CHARGING - UL |
| 4 | 065748-02-000 | EA | LABEL - WARNING - BATTERY CHARGING - CSA |
| 5 | 124519-01-02A | EA | LABEL - WARNING/REFUELING - WHITE ON CLEAR - US |
| 5 | 124519-02-01A | EA | LABEL - WARNING/REFUELING - BLACK ON CLEAR - CSA |
| 6 | 135869-01-01A | EA | LABEL - MERCURY CONTENT - BLACK ON CLEAR |

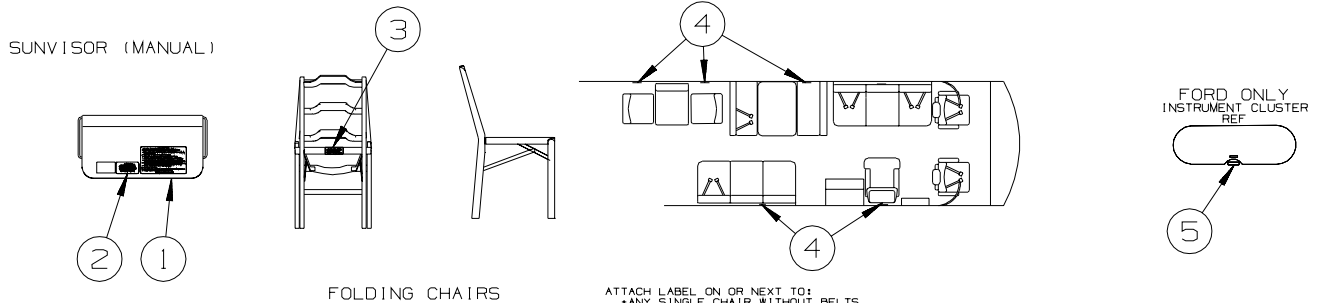
LABELS GROUP (CONTINUED)



TYPICAL UTILITY ACCESS

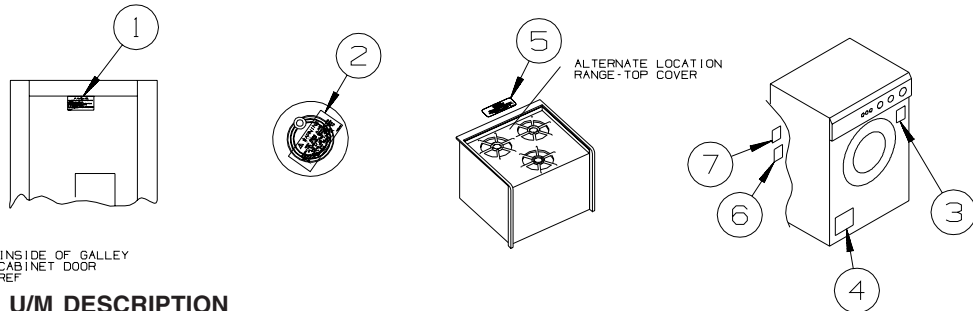
| KEY | PART NUMBER | U/M DESCRIPTION |
|-----|---------------|---|
| 1 | 123562-01-000 | EA LABEL - SERVICE/UTILITY ACCESS |
| 2 | 124519-01-02A | EA LABEL - WARNING/REFUELING - WHITE ON CLEAR - US |
| 2 | 124519-02-01A | EA LABEL - WARNING/REFUELING - BLACK ON CLEAR - CSA |
| 3 | 124520-01-02A | EA LABEL - LP GAS ONLY - WHITE ON CLEAR |
| 3 | 023769-01-000 | EA LABEL - WARNING - LPG - CANADIAN |
| 4 | 147845-01-01A | EA LABEL - DRIP VALVE |
| 5 | 125306-01-01A | EA LABEL - ELECTRICAL ENTRANCE - 110V 30 AMP - BLACK ON CLEAR |

TYPICAL SEAT AND BELT CONFIGURATIONS



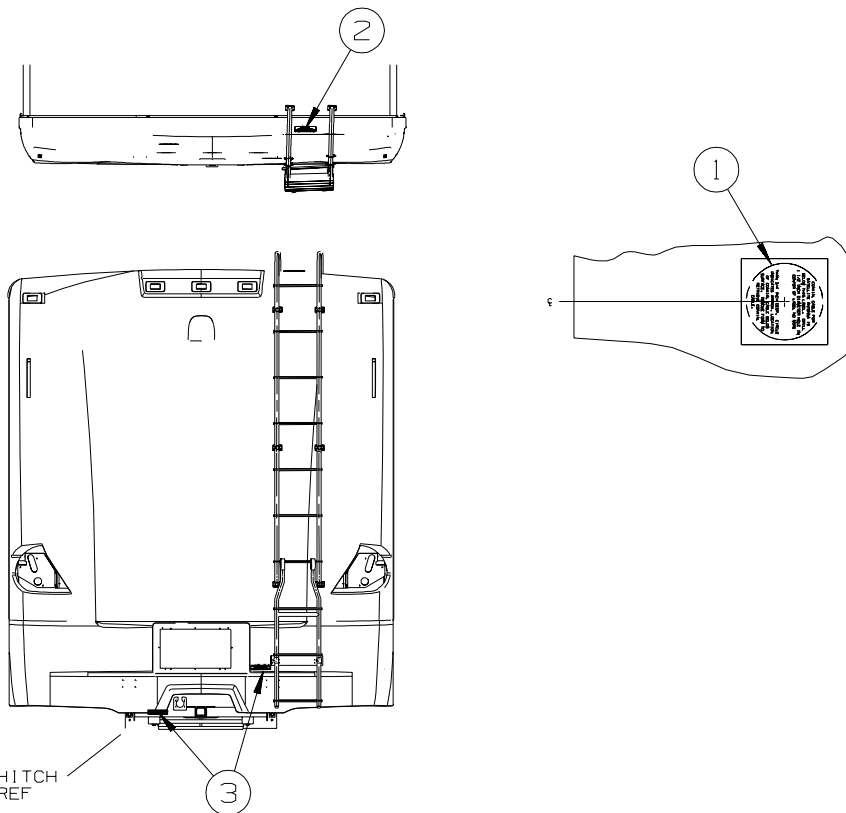
ATTACH LABEL ON OR NEXT TO:
 • ANY SINGLE CHAIR WITHOUT BELTS.
 • ANY DINETTE SEAT WITHOUT BELTS.
 • ANY COUCH WITHOUT BELTS OR ANY SEATING POSITION ON THAT COUCH.
 DO NOT ATTACH LABEL IF:
 • DINETTE SEAT HAS AT LEAST ONE SET OF BELTS INSTALLED.

| KEY | PART NUMBER | U/M DESCRIPTION |
|-----|---------------|--|
| 1 | 056259-01-000 | EA LABEL - SAFETY CHECK LIST |
| 2 | 099689-01-000 | EA LABEL - WARNING - CANCER/TOXICITY |
| 3 | 134537-01-01A | EA LABEL - OCCUPANCY - CHAIR - US |
| 3 | 134537-02-01A | EA LABEL - OCCUPANCY - CHAIR - CSA |
| 4 | 134538-01-01A | EA LABEL - OCCUPANCY - NO SEAT BELT - BLACK ON CLEAR - US |
| 4 | 134538-02-01A | EA LABEL - OCCUPANCY - NO SEAT BELT - BLACK ON CLEAR - CSA |
| 5 | 155692-01-02A | EA LABEL - ODOMETER - READ IN MILE - WHITE/CLEAR |

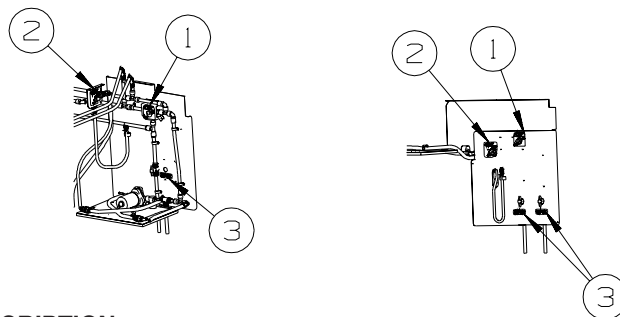


| KEY | PART NUMBER | U/M DESCRIPTION |
|-----|---------------|---|
| 1 | 073998-01-000 | EA LABEL - LPG/ODOR WARNING |
| 2 | 077956-01-000 | EA LABEL - WARNING/SMOKE DETECTOR |
| 3 | 153640-01-01A | EA LABEL - WINTERIZATION - WASHER/DRYER |
| 4 | 130670-01-01A | EA LABEL - CAUTION DRYER VENTING - BLACK ON CLEAR |
| 5 | 134539-01-01A | EA LABEL - WARNING - STOVE/HEATING - US - BLACK ON CLEAR |
| 5 | 134540-01-01A | EA LABEL - WARNING - STOVE/HEATING - CSA - BLACK ON CLEAR - CANADIAN |
| 6 | 147524-01-000 | EA LABEL - DRYER VENTING |
| 7 | 147525-01-000 | EA LABEL - DRYER VENT CUTOUT |

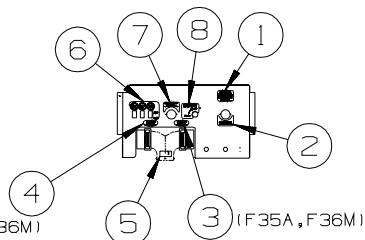
LABELS GROUP (CONTINUED)



| KEY | PART NUMBER | U/M DESCRIPTION |
|-----|---------------|---|
| 1 | 120431-01-000 | EA LABEL - LOCATION - COAXIAL CABLE/SATELLITE ANTENNA |
| 2 | 128218-01-01A | EA LABEL - WARNING - SLIPPERY ROOF |
| 3 | 129669-02-01A | EA LABEL - HITCH/VEHICLE RATE - 500 - WHITE ON CLEAR |
| 3 | 129669-02-02A | EA LABEL - HITCH/VEHICLE RATE - 500 - BLACK ON CLEAR |



| KEY | PART NUMBER | U/M DESCRIPTION |
|-----|---------------|--|
| 1 | 152539-01-01A | EA LABEL - BYPASS |
| 2 | 152545-01-01A | EA LABEL - WINTERIZATION |
| 3 | 154302-01-01A | EA LABEL - FRESH WATER DRAIN - PANTONE/CLEAR |



| KEY | PART NUMBER | U/M DESCRIPTION |
|-----|---------------|---|
| 1 | 128725-02-01A | EA LABEL - POTABLE WATER ONLY - BLACK ON CLEAR |
| 2 | 152538-01-01A | EA LABEL - FRESH WATER - PANTONE/CLEAR |
| 3 | 152541-03-01A | EA LABEL - GRAY WASTE - F35A, F36M |
| 3 | 152543-03-01A | EA LABEL - BLACK WASTE |
| 4 | 152541-03-01A | EA LABEL - GRAY WASTE |
| 4 | 152543-03-01A | EA LABEL - BLACK WASTE - F35A, F36M |
| 5 | 144649-01-01A | EA LABEL - ADJUSTABLE VALVE - WHITE ON CLEAR |
| 6 | 152544-06-01A | EA LABEL - SWITCHES - WTR PUMP/LIGHT/AUTO LVL-W/LVL/STORE DWN |
| 7 | 152546-01-01A | EA LABEL - TANK FLUSH - PANTONE/CLEAR |
| 8 | 152548-01-01A | EA LABEL - VALVE/FRESH |

**LP GROUP
LP SYSTEM**

| KEY | PART NUMBER | U/M | DESCRIPTION |
|-----|---------------|-----|--|
| | 010323-01-000 | EA | ADAPTER - 3/8"F X 1/2"MPT - BRASS |
| | 010326-01-000 | EA | ADAPTER - FLARE - W/CONE GASKET - 3/8"F X 1/2"F |
| | 010377-02-000 | EA | NUT - 3/8" FLARE - FORGED - BRASS |
| | 010380-02-000 | EA | NUT - 1/2" FLARE - FORGED - BRASS |
| | 010589-01-000 | EA | NIPPLE - PIPE - 1/2" X 1 1/2" - BLACK |
| | 024250-01-000 | EA | ADAPTER - BRASS - 3/8"F X 1/2"FPT |
| | 040440-03-000 | EA | TRANSMITTER - DIAL/SNAP-ON - 0-90 OHM 2 TERM(POWER/GROUND) |
| | 045703-01-000 | EA | HOSE - LP - 3/8"ID X 24" - 3/8"MPT X 1/2"F SWIVEL - US |
| | 045703-02-000 | EA | HOSE - LP - 3/8"ID X 24" - 3/8"MPT X 1/2"F SWIVEL - CSA |
| | 106150-05-000 | EA | REGULATOR - TWO STAGE |
| * | 144116-01-000 | EA | TANK - LP - 100 LB - 14"D X 47"L |
| | 144485-01-000 | EA | COVER - LP REGULATOR |

***COMPONENT PARTS LISTED LATER IN THIS GROUP**

COMPONENT PARTS FOR LP SYSTEM

| KEY | PART NUMBER | U/M | DESCRIPTION | VENDOR NO. |
|-----|---------------|-----|------------------------------|--------------|
| | 040421-01-712 | EA | VALVE-SERV. W/O VAPOR RELIEF | 29000853 |
| | 040421-01-713 | EA | VALVE-RELIEF 1" W/SPRING 7" | V-20479 |
| | 088253-09-700 | EA | SENDING UNIT-F/SNAP ON DIAL | SG14C0001466 |
| | 144116-01-700 | EA | VALVE-OUTAGE(NO STEM REMOVE) | V20058 |
| | 144116-01-701 | EA | VALVE/FILL 80 % W/YELLOW CAP | V13414 |

SEALANTS & FASTENERS GROUP
SEALANTS & ADHESIVES

| KEY | PART NUMBER | U/M | DESCRIPTION |
|------------|--------------------|------------|--|
| | 004001-02-000 | EA | GUN - PLEXUS ADHESIVE - W/O NOZZLE |
| | 004001-05-000 | EA | ADHESIVE - SCOTCH-WELD - 3M DP100 - CLEAR - 50ML |
| | 004011-01-000 | EA | ADHESIVE-3M-4475 TUBE |
| | 010405-02-000 | EA | TAPE - THREAD SEALING - 3/8" |
| | 064075-07-000 | FT | SEAL - BULB - W/WIRED U CHANNEL - .3" X .5" CHANNEL-BLACK |
| | 067788-01-000 | EA | ADHESIVE - SPRAY - 3M - 19.5 OZ AEROSOL CAN |
| | 069640-01-000 | FT | SEALER - RIBBON - 1/4"DIAMETER X 30 FT - BLACK OR GRAY |
| | 069640-02-000 | FT | SEALER - TAPE - 1/8"THICK X 1/2"WIDE X 60 FT - GRAY |
| | 069640-03-000 | FT | SEALER - TAPE - 1/8"THICK X 3/4"WIDE X 60 FT - BLACK |
| | 069640-07-000 | FT | SEALER - TAPE - 3/32"THICK X 2"WIDE X 45 FT - GRAY |
| | 069640-09-000 | FT | SEALER - TAPE - 1/32"THICK X 2 1/2"WIDE X 80 FT - BRT WHT |
| | 069640-10-000 | FT | SEALER - TAPE - 1/32"THICK X 1 1/2"WIDE X 90 FT - BRT WHT |
| | 069640-11-000 | FT | SEALER - TAPE - 3/16"THICK X 3/8"WIDE X 40 FT - BLACK |
| | 069640-13-000 | FT | SEALER - TAPE - 3/32"THICK X 2"WIDE X 45 FT - BLACK |
| | 069640-14-000 | FT | SEALER - TAPE - 1/16"THICK X 1"WIDE X 100 FT - BLACK |
| | 069640-15-000 | FT | SEALER - TAPE - 1/16"THICK X 3/8"WIDE X 100 FT - BRT WHT |
| | 069640-17-000 | FT | SEALER - TAPE - 1/32"THICK X 1"WIDE X 150 FT - GRAY |
| | 069640-18-000 | FT | SEALER - TAPE - 1/8"THICK X 1/2"WIDE X 60 FT - BRT WHT |
| | 069640-19-000 | FT | SEALER - TAPE - 1/8"THICK X 3/4"WIDE X 60 FT - BRT WHT |
| | 069640-20-000 | FT | SEALER - TAPE - 1/8"THICK X 1/2"WIDE X 60 FT - BLACK |
| | 069640-21-000 | FT | SEALER - TAPE - 1/16"THICK X 1/2"WIDE X 100 FT - BRT WHT |
| | 069640-22-000 | FT | SEALER - TAPE - 1/32"THICK X 1/4"WIDE X 200 FT - BRT WHT |
| | 069640-23-000 | FT | SEALER - TAPE - 1/16"THICK X 3/4"WIDE X 100 FT - BRT WHT |
| | 069640-27-000 | FT | SEALER - TAPE - 1/16"THICK X 2 1/4"WIDE X 50 FT - BRT WHT |
| | 069640-28-000 | FT | SEALER - TAPE - 1/32"THICK X 1 7/8"WIDE X 90 FT - GRAY |
| | 069640-30-000 | FT | SEALER - TAPE - 1/32"THICK X 5/8"WIDE X 50 FT - GRAY |
| | 069640-31-000 | FT | SEALER - TAPE - 1/4"THICK X 3/4"WIDE X 15 FT - BLACK |
| | 069640-32-000 | FT | SEALER - TAPE - 1/16"THICK X 3/8"WIDE X 100 FT - BLACK |
| | 069640-33-000 | FT | SEALER - RIBBON - 3/8"DIAMETER X 20 FT - BLACK |
| | 069640-34-000 | FT | SEALER - RIBBON - 1/4"DIAMETER X 30 FT - BRIGHT WHITE |
| | 072889-28-000 | EA | SEALANT/URETHANE-10 OZ TUBE W/NOZZLE-SELF LEVELING-BRT WHT |
| | 076322-01-000 | FT | TAPE-DOUBLE COATED/ADHESIVE BK-.03"THK X .8"W X 216' - WHT |
| | 076322-02-000 | FT | TAPE-DOUBLE COATED/ADHESIVE BK-.05"THK X 1"W X 108' - WHT |
| | 076322-03-000 | FT | TAPE-DOUBLE COATED/ADHESIVE BK-.05"THK X .5"W X 108' - WHT |
| | 076322-05-000 | FT | TAPE-DOUBLE COATED/ADHESIVE BK-.05"THK X .8"W X 108' - WHT |
| | 076322-07-000 | FT | TAPE-DOUBLE COATED/ADHESIVE BK-.05"THK X .5"W X 200' - BLK |
| | 076322-13-000 | FT | TAPE - FOAM/DOUBLE COATED - .020"THK X .75"W - CLEAR |
| | 076322-21-000 | FT | TAPE - FOAM/DOUBLE COATED - .045"THK X .50"W |
| | 076322-22-000 | FT | TAPE - FOAM/DOUBLE COATED - .045"THK X .75"W |
| | 076322-23-000 | FT | TAPE - FOAM/DOUBLE COATED - .045"THK X 1"W |
| | 076322-25-000 | FT | TAPE - FOAM/DOUBLE COATED - .025"THK X .5"W |
| | 086276-01-000 | EA | TAPE - DOUBLE SIDED - 1/2" WIDE X 108' LONG (SOLD BY ROLL) |
| | 088479-01-000 | EA | TAPE - ALUMINUM - 3" |
| | 090340-01-000 | FT | SEAL - FOAM - CLOSED CELL - 1/4" X 1/2" X 50' |
| | 091255-02-000 | FT | SEAL - ADHESIVE BACKED/FOAM - 3/64"THICK X 3/16"W X 1000' |
| | 091255-03-000 | FT | SEAL - ADHESIVE BACKED/FOAM - 1/4" THICK X 1/4"W X 1000' |
| | 094401-01-000 | EA | SEALER - BODY SEAM - FLEXICLEAR |
| | 094401-04-000 | EA | SEALER - BODY SEAM - CLEAR |
| | 094401-05-000 | EA | SEALER - BODY SEAM - 20OZ BLACK |
| | 094401-06-000 | EA | SEALER - BODY SEAM - 12OZ BLACK |
| | 094401-07-000 | EA | SEALER - BODY SEAM - CLEAR |
| | 098408-01-000 | FT | SEAL - SPONGE RUBBER - CLOSED CELL |
| | 099069-01-000 | FT | SEAL - RUBBER - CLOSED SPONGE - .5" WIDE X .12" THICK-BLK |
| | 099418-01-000 | FT | SEAL - D-SECTION/ADHESIVE BACK - ..44" X .44" - BLK RUBBER |
| | 107828-01-000 | EA | SEALANT - SB - 190 EVERSEAL |
| | 112864-01-000 | FT | SEAL - FOAM/BUTYL COVERED - 3/8" X 35' |
| | 112864-02-000 | FT | FOAM - BUTYL COVERED - 5/16" X 44' |
| | 112864-04-000 | FT | FOAM - BUTYL COVERED - 3/8" X 1/8" |
| | 112901-02-000 | EA | ADHESIVE - PLEXUS - MA330 - 50ML - GRAY |
| | 112901-03-000 | EA | ADHESIVE - PLEXUS - MA300 - 50ML - WHITE |
| | 112902-01-000 | EA | NOZZLE - ELEMENT - 3/8" X 24 |
| | 112902-03-000 | EA | MIXER NOZZLE - F/GUN #00400102000 - SCOTCH-WELD & PLEXUS |
| | 112902-04-000 | EA | NOZZLE - ELEMENT - 1/4" X 3.5" |
| | 112902-05-000 | EA | NOZZLE - BAYONET - 3/8" X 18 |

SEALANTS & FASTENERS GROUP (CONTINUED)

SEALANTS & ADHESIVES (CONTINUED)

| KEY | PART NUMBER | U/M | DESCRIPTION |
|-----|---------------|-----|--|
| | 112902-06-000 | EA | NOZZLE - ELEMENT - 1/2" X 32 |
| | 113366-01-000 | EA | ADHESIVE - INSTANT - 1 OZ |
| | 120074-02-03A | EA | SILICONE - TUBE - W/O NOZZLE - LOW ODOR - SMOKEY WHITE |
| | 120534-01-01A | EA | TAPE - SCOTCH - 3M - 1/2" FINE LINE |
| | 123244-01-000 | FT | TAPE - DOUBLE SIDED/FOAM - 5/64"THICK X 3/4"WIDE X 108' |
| | 123816-01-000 | FT | TAPE - DOUBLE SIDED - 1" X .020" X 200' - CLEAR |
| | 123816-02-000 | FT | TAPE - DOUBLE SIDED - 1/2" X .035" X 200' - CLEAR |
| | 123816-03-000 | FT | TAPE - DOUBLE SIDED - 1/2" X .020" X 200' - CLEAR |
| | 123816-04-000 | FT | TAPE - DOUBLE SIDED - 6" X .0035" X 750' - CLEAR |
| | 123816-06-000 | FT | TAPE - DOUBLE SIDED - 3/4" X 3/4" X 200' - CLEAR |
| | 123816-07-000 | FT | TAPE - DOUBLE SIDED - 1 3/4" X 200' - CLEAR |
| | 126427-01-000 | EA | ADHESIVE - ALL PURPOSE - ABS/PVC |
| | 126427-02-000 | EA | PRIMER - CLEANER - FLEX PIPING |
| | 131264-01-11A | EA | SILICONE - TUBE - W/NOZZLE - BEIGE |
| | 131264-01-12A | EA | SILICONE - TUBE - W/NOZZLE - BONE |
| | 131264-01-13A | EA | SILICONE - TUBE - W/NOZZLE - TRANSLUCENT |
| | 131264-02-01A | EA | SILICONE - TUBE - W/NOZZLE - VW GRAY - BATH ONLY |
| | 131264-03-01A | EA | SILICONE - TUBE - W/O NOZZLE - SELF LEVELING -BRIGHT WHITE |
| | 131264-04-01A | EA | SILICONE/SEALANT/ADHESIVE - FAST CURE F/GLASS/VINYL - B/W |
| | 131264-04-02A | EA | SILICONE/SEALANT/ADHESIVE-FAST CURE F/GLASS/VINYL-SOFT WHT |
| | 131264-05-01A | EA | SILICONE/SEALANT - ODORLESS - TUBE - W/NOZZLE - BLACK |
| | 131264-05-02A | EA | SILICONE/SEALANT - ODORLESS - TUBE - W/NOZZLE - CLEAR |
| | 131384-01-000 | EA | ADHESIVE - JET WELD - 10 OZ CARTRIDGE |
| | 132892-07-01A | FT | SEAL - BULB/SINGLE - W/U CHANNEL - .5" X 1" - BLACK |
| | 152038-01-01A | EA | TAPE - PRESERVATION SEAL - 2" X 36YD ROLL - BLACK |
| | 154585-01-01A | FT | SEAL - FOAM TAPE - ADHESIVE BACK - 3/8" X 3/8" - BLACK |
| | 154585-02-01A | FT | SEAL - FOAM TAPE - ADHESIVE BACK - 3/4" X 1/2" - BLACK |
| | 154585-03-01A | FT | SEAL - FOAM TAPE - ADHESIVE 2 SIDED - 1/8" X 3/4" - BLACK |
| | 154585-04-01A | FT | SEAL - FOAM TAPE - ADHESIVE BACK - 5/8" X 1/8" - WHITE |

BOLTS, NUTS AND WASHERS

| KEY | PART NUMBER | U/M | DESCRIPTION |
|-----|---------------|-----|---|
| | 0MD54F-06-000 | EA | NUT - HEX W/SERATED FLANGE |
| | 000C12-04-08B | EA | BOLT - HEX - 1/4-20 X 1/2 - GRADE #5 - ZINC |
| | 000C12-04-40B | EA | BOLT - HEX - 1/4-20 X 2 1/2 - GRADE #5 ZINC |
| | 000C12-04-20F | EA | BOLT - HEX - 1/4-20 X 1 1/4 - GRADE #5 - STAINLESS STEEL |
| | 000C12-04-12A | EA | BOLT - HEX - 1/4-20 X 3/4 - PLAIN 5 |
| | 000C12-05-16B | EA | BOLT - HEX - 5/16 - 18X1 - GRADE #5 - ZINC |
| | 000C12-05-40B | EA | BOLT - HEX - 5/16"-18 X 2.5" - GRADE #5 - ZINC |
| | 000C12-06-28B | EA | BOLT-HEX-3/8-16X13/4 ZN 5 - 5185-01 |
| | 000C12-08-44B | EA | BOLT - HEX - 1/2-13 X 2 3/4 - GRADE #5 - ZINC |
| | 000C12-08-24B | EA | BOLT - HEX - 1/2-13 X 1 1/2 - GRADE #5 - ZINC |
| | 000C12-08-28B | EA | BOLT - HEX - 1/2-13 X 1 3/4 - GRADE #5 - ZINC |
| | 000C13-07-40B | EA | BOLT - HEX - 7/16-20 X 2 1/2 - GRADE #5 - ZINC |
| | 000C13-07-48B | EA | BOLT - HEX - 7/16-20 X 3 - GRADE #5 - ZINC |
| | 000C13-07-72B | EA | BOLT - HEX - 7/16-20 X 4.5" - GRADE #5 - ZINC |
| | 000C16-07-16B | EA | BOLT - CARRIAGE - ASSIST HANDLE - 7/16-14 X 1 |
| | 000C18-05-40A | EA | BOLT - ELEVATOR - 5/16-18 X 2 1/2 - PL |
| | 000C26-04-18B | EA | BOLT - HEX - SERRATED FLANGE - 1/4-20 X 1 1/8 - ZINC |
| | 000C26-04-14B | EA | BOLT - HEX - SERRATED FLANGE - 1/4-20 X 7/8 - ZINC |
| | 000C26-04-12F | EA | BOLT - HEX - SERRATED FLANGE -1/4-20 X 3/4-STAINLESS STEEL |
| | 000C26-04-10B | EA | BOLT - HEX - SERRATED FLANGE - 1/4-20 X 5/8 - ZINC |
| | 000C26-04-40F | EA | BOLT - HEX - SERRATED FLANGE -1/4-20 X 2.5-STAINLESS STEEL |
| | 000C26-05-12B | EA | BOLT - HEX - SERRATED FLANGE - 5/16-18 X 3/4 - ZINC |
| | 000C26-06-12B | EA | BOLT - HEX - SERRATED FLANGE - 3/8-16 X 3/4 - ZINC |
| | 000C26-06-20B | EA | BOLT - HEX - SERRATED FLANGE - 3/8-16 X 1 1/4 - ZINC |
| | 000C26-06-28B | EA | BOLT - HEX - SERRATED FLANGE - 3/8-16 X 1 3/4 - ZINC |
| | 000C26-06-40B | EA | BOLT - HEX - SERRATED FLANGE - 3/8-16 X 2 1/2 - ZINC |
| | 000C26-08-28B | EA | BOLT - HEX - SERRATED FLANGE - 1/2-13 X 1 3/4 - ZINC |
| | 000C26-08-24B | EA | BOLT - HEX - SERRATED FLANGE - 1/2-13 X 1 1/2 - ZINC |
| | 000C26-08-40B | EA | BOLT - HEX - SERRATED FLANGE - 1/2-13 X 2 1/2-GRADE #5 ZINC |
| | 000C27-08-48B | EA | BOLT-CARR 1/2-13X3.00 GR5 - 97 M-SERIES |
| | 000C27-08-64B | EA | BOLT - CARRIAGE - 1/2-13 X 4 - GRADE 5 |
| | 000D16-07-00B | EA | NUT - HEX - 7/16-14 - ZINC |

SEALANTS & FASTENERS GROUP (CONTINUED)
BOLTS, NUTS AND WASHERS (CONTINUED)

| KEY | PART NUMBER | U/M | DESCRIPTION |
|-----|---------------|-----|--|
| | 000D24-10-00B | EA | NUT - HEX - SELF LOCKING - 10-32 - ZINC |
| | 000D27-05-00B | EA | NUT - HEX LOCK - 5-40 - ZINC |
| | 000D28-10-00B | EA | NUT - HEX - W/NYLON LOCK - 10-32 - ZINC |
| | 000D29-04-00F | EA | NUT - HEX - SELF LOCKING - 1/4 X 20 - STAINLESS STEEL |
| | 000D29-04-00B | EA | NUT - HEX - SELF LOCKING - 1/4 X 20 - ZINC |
| | 000D29-06-00B | EA | NUT - HEX - W/NYLON LOCK - 3/8-16 - ZINC |
| | 000D29-09-00B | EA | NUT - HEX - SELF LOCKING - 9/16-12 - ZINC |
| | 000D34-04-00B | EA | NUT - HEX - LOCKING - 1/4-20 - ZINC |
| | 000D34-06-00B | EA | NUT - HEX - LOCKING - 3/8-16 GRADE C - ZINC |
| | 000D39-04-00B | EA | NUT - HEX - LOCKING W/SERRATED FLANGE - 1/4-20 - ZINC |
| | 000D39-05-00B | EA | NUT - HEX - LOCKING W/SERRATED FLANGE - 5/16-18 - ZINC |
| | 000D39-06-00B | EA | NUT - HEX - LOCKING W/SERRATED FLANGE - 3/8-18 - ZINC |
| | 000D39-06-00D | EA | NUT - HEX - LOCKING W/SERRATED FLANGE - 3/8"-16 BLACK |
| | 000D39-07-00B | EA | NUT - HEX - LOCKING W/SERRATED FLANGE - 7/16-14 - ZINC |
| | 000D39-08-00B | EA | NUT - HEX - LOCKING W/SERRATED FLANGE - 1/2-13 - ZINC |
| | 000D39-09-00B | EA | NUT - HEX - LOCKING W/SERRATED FLANGE - 9/16-12 - ZINC |
| | 000D44-04-00B | EA | NUT - HEX - LOCKING W/SERRATED FLANGE - 1/4-28 - ZINC |
| | 000D44-07-00B | EA | NUT - HEX - LOCKING W/SERRATED FLANGE - 7/16-20 - ZINC |
| | 000D44-08-00B | EA | NUT - HEX - LOCKING W/SERRATED FLANGE - 1/2-20 - ZINC |
| | 000D46-04-00A | EA | NUT - HEX - WELD - 1/4-20 - PLAIN |
| | 000D65-08-00B | EA | NUT - HEX - LOCKING W/SERRATED FLANGE - 8-32 - ZINC |
| | 000D73-08-00C | EA | NUT - HEX FLANGE - 1/2-13 |
| | 000D75-09-00B | EA | NUT - HEX LOCKING - 9/16-12 - ZINC |
| | 000D76-06-00B | EA | NUT - HEX FLANGE - 3/8-16 |
| | 000E11-04-00F | EA | WASHER - LOCKING - 1/4 MED SPLIT - STAINLESS STEEL |
| | 000E11-07-00B | EA | WASHER - LOCKING - 7/16 MED SPLIT - ZINC |
| | 000E11-08-00B | EA | WASHER - LOCKING - 1/2 MED SPLIT - ZINC |
| | 000E13-17-00B | EA | WASHER - FLAT - 3/8 AR - ZINC |
| | 000E13-18-00B | EA | WASHER - FLAT - 3/8 WIDE - ZINC |
| | 000E13-20-00B | EA | WASHER - FLAT - 7/16 WIDE - ZINC |
| | 000E13-22-00B | EA | WASHER - FLAT - 1/2 WIDE - ZINC |
| | 000E13-26-00B | EA | WASHER - FLAT - 5/8 WIDE - ZINC |
| | 000E14-10-00B | EA | WASHER - LOCKING - #10 EXTERNAL TOOTH - ZINC |
| | 000E16-10-00B | EA | WASHER - HARDENED - 5/8 - FLAT - ZINC |
| | 000G45-05-16B | EA | BOLT - LAG - 5/16-9 X 1 - ZINC |
| | 005081-01-000 | EA | NUT - SPEED - C-TYPE - #8 SCREW |
| | 039715-01-000 | EA | NUT-SERT - 1/4" DIAMETER - 20 THREADS |
| | 040921-01-000 | EA | NUT - SPEED - U TYPE - #10-24 - BLACK |
| | 040921-03-000 | EA | NUT - SPEED - U TYPE - #10 |
| | 040921-04-000 | EA | NUT - SPEED - U TYPE - #8-.59" LENGTH X .44" WIDTH |
| | 040921-05-000 | EA | NUT - SPEED - U-TYPE - 8-.67" X .44" WIDE |
| | 040921-11-000 | EA | NUT - SPEED - U-TYPE - 8-.59" LENGTH X .44" WIDTH - BLACK |
| | 041322-01-000 | EA | WASHER - FLANGE - 15/32"ID X 2 3/8"OD - F/SEAT BELT MTG |
| | 044364-02-000 | EA | NUT - SPEED - FLAT - ROUND |
| | 044533-01-000 | EA | WASHER - 1 3/8"OD - FOR BUTTONS - PLASTIC |
| | 051387-06-000 | EA | BOLT - CARRIAGE W/O HOLE - 5/16-18 X 9 1/2 - ZINC |
| | 058716-02-000 | EA | WASHER - FLAT NYLON |
| | 064081-03-000 | EA | NUT - WING 3/8-16 - W/WELD NUT |
| | 077071-01-000 | EA | WASHER - FENDER - 3/16"ID X 1"OD |
| | 087234-01-000 | EA | NUT - JACK - 1/4 X 20 THD - MOLLY |
| | 088787-12-000 | EA | STUD - WELD - 1/4 - 20 X 1.0 LG - MN |
| | 102540-02-000 | EA | SEAL - SCREW |
| | 106956-03-000 | EA | BOLT - HEX TAP - 1/2-13NC X 3 - GRADE 5 - FULL THREAD/ZINC |
| | 106956-10-000 | EA | BOLT - HEX TAP - 9/16-12NC X 3 5/8 -GRD 5-FULL THREAD/ZINC |
| | 106956-11-000 | EA | BOLT - HEX TAP - 1/2-13NC X 2 1/2 - GRD 5-FULL THREAD/ZINC |
| | 106956-13-000 | EA | BOLT - HEX TAP - 1/2-20 X 2 1/2 - GRD 5-FULL THREAD/ZINC |
| | 107397-01-000 | EA | WASHER - FENDER - 3/4"ID X 1"OD |
| | 108067-03-000 | EA | STUD - WELD - 1/4 - 20 X 1/2 CD |
| | 109917-03-000 | EA | WASHER - 1" X .50" |
| | 109917-04-000 | EA | WASHER - 1" X .75" |
| | 128444-01-000 | EA | WASHER - SPRING - CONICAL |
| | 135092-02-01A | EA | BOLT - HEX - SERRATED FLANGE - 1/2-20 X 2 1/2-GRADE 5 ZINC |
| | 135092-05-01A | EA | BOLT - HEX - SERRATED FLANGE - 1/2-20 X 1 - GRADE 5 ZINC |
| | 143399-01-01A | EA | NUT/RETAINING - 3/8"- 24 NFT |

SEALANTS & FASTENERS GROUP (CONTINUED)
BOLTS, NUTS AND WASHERS (CONTINUED)

| KEY | PART NUMBER | U/M | DESCRIPTION |
|-----|---------------|-----|-------------------------------|
| | 144904-01-01A | EA | BOLT - ADJUSTMENT - HEADLAMP |
| | 147284-02-000 | EA | NUT/SELF RETAINING - 5/16"-18 |
| | 148817-01-000 | EA | WASHER/SPUR - LOCKING |

SCREWS

| KEY | PART NUMBER | U/M | DESCRIPTION |
|-----|---------------|-----|---|
| | 0G1208-12-170 | EA | SCREW - 8-18 X 3/4 POH - BRIGHT WHITE |
| | 0G3908-08-170 | EA | SCREW - SF/DR - 8-18 X 1/2 PPH - BRIGHT WHITE |
| | 0G3908-08-410 | EA | SCREW - SF/DR - 8-18 X 1/2 PPH - PARCHMENT |
| | 0G3908-16-170 | EA | SCREW - SF/DR - 8-18 X 1 PPH - BRIGHT WHITE |
| | 0G3908-24-170 | EA | SCREW - SF/DR - 8-18 X 1 1/2 PPH - BRIGHT WHITE |
| | 0G3910-10-330 | EA | SCREW - SF/DR - 20-16 X 5/8 PPH - PUTTY |
| | 0G3910-12-170 | EA | SCREW - SF/DR - 10-16 X 3/4 PPH - BRIGHT WHITE |
| | 0G3910-12-240 | EA | SCREW - SF/DR - 10-16 X .75 PPH - VW LIGHT GRAY |
| | 0G3910-12-380 | EA | SCREW - SF/DR - 10-16 X .75 PPH - CASHMERE |
| | 0G3910-12-370 | EA | SCREW - SF/DR - 10-16 X .75 PPH - RIVERSTONE |
| | 0G3910-24-170 | EA | SCREW - SF/DR - 10-16 X 1 1/2 PPH - BRIGHT WHITE |
| | 0G3910-32-330 | EA | SCREW - SF/DR - 10-16 X 2.00 PPH - PUTTY |
| | 0G5508-08-380 | EA | SCREW - SF/DR - 8-18 X .5 PWH - CASHMERE |
| | 0G5508-08-370 | EA | SCREW - SF/DR - 8-18 X .5 PWH - RIVERSTONE |
| | 0G5508-12-170 | EA | SCREW - SF/DR - 8-18 X 3/4 PWH - BRIGHT WHITE |
| | 0G5508-12-320 | EA | SCREW - SF/DR - 8-18 X 3/4 PWH - GLACIER |
| | 0G5508-12-330 | EA | SCREW - SF/DR - 8-18 X 3/4 PWH - PUTTY |
| | 0G6008-16-170 | EA | SCREW - SF/DR - 8-18 X 1 POH - BRIGHT WHITE |
| | 0G5508-16-250 | EA | SCREW - SF/DR - 8-18 X 1 PWH - VW DARK GRAY |
| | 0G5508-16-330 | EA | SCREW - SF/DR - 8-18 X 1 PWH - PUTTY |
| | 0G5508-16-370 | EA | SCREW - SF/DR - 8-18 X 1 PWH - RIVERSTONE |
| | 0G5508-16-380 | EA | SCREW - SF/DR - 8-18 X 1 PWH - CASHMERE |
| | 0G5508-16-410 | EA | SCREW - SF/DR - 8-18 X 1 PWH - MEDIUM PARCHMENT |
| | 0G6012-32-170 | EA | SCREW - SF/DR - 12-14 X 2 POH - BRIGHT WHITE |
| | 0G6710-08-170 | EA | SCREW - 10-12 X 1/2 PPH - BRIGHT WHITE |
| | 0G6710-12-170 | EA | SCREW - 10-12 X 3/4 PPH - BRIGHT WHITE |
| | 0G6806-16-170 | EA | SCREW - 6-18 X 1 POH - BRIGHT WHITE |
| | 0G6810-24-280 | EA | SCREW - 10-12 X 1 1/2 POH - SOFT WHITE |
| | 000C20-06-24T | EA | SCREW - 3/8-16 X 1 1/2 - FLAT SOCKET |
| | 000C28-05-24D | EA | CAPSCREW/BUTTON HEAD - 5/16-18 X 1 1/2 - #8-BLK PHOSPHATE |
| | 000G11-06-08B | EA | SCREW - 6-20 X 1/2 PPH - ZINC |
| | 000G11-06-10B | EA | SCREW - 6-20 X 5/8 PPH - ZINC |
| | 000G11-06-10J | EA | SCREW - 6-20 X 5/8 PPH - BRASS |
| | 000G11-07-08B | EA | SCREW - 7-19 X 1/2 PPH - ZINC |
| | 000G11-08-06B | EA | SCREW - 8-18 X 3/8 PPH - ZINC |
| | 000G11-08-08T | EA | SCREW - 8-18 X 1/2 PPH - FLUOROCARBON COATING |
| | 000G11-08-12B | EA | SCREW - 8-18 X 3/4 PPH - ZINC |
| | 000G11-08-12P | EA | SCREW - 8-18 X 3/4 PPH - DARK BROWN |
| | 000G11-08-12S | EA | SCREW - 8-18 X 3/4 PPH - OFF WHITE |
| | 000G11-08-12T | EA | SCREW - 8-18 X 3/4 PPH - BLACK MAGNESIUM |
| | 000G11-08-20B | EA | SCREW - 8-18 X 1 1/4 PPH - ZINC |
| | 000G11-08-20G | EA | SCREW - 8-18 X 1 1/4 - ANTIQUE BRASS |
| | 000G11-10-12D | EA | SCREW - 10-16 X 3/4 PPH - BLACK |
| | 000G12-06-08T | EA | SCREW - 6-20 X 1/2 POH - BLACK |
| | 000G12-06-12J | EA | SCREW - 6-20 X .75 POH - BRASS |
| | 000G12-10-16F | EA | SCREW - 10-16 X 1 POH - STAINLESS STEEL |
| | 000G13-05-10B | EA | SCREW - 5-12 X 5/8 PFH - ZINC |
| | 000G13-06-08B | EA | SCREW - 6-20 X 1/2 PFH - ZINC |
| | 000G13-06-08G | EA | SCREW - 6-20 X 1/2 PFH - ANTIQUE BRASS |
| | 000G13-06-10G | EA | SCREW - 6-20 X 5/8 PFH - ANTIQUE BRASS |
| | 000G13-06-16J | EA | SCREW - 6-20 X 1 PFH - BRASS |
| | 000G13-06-169 | EA | SCREW - SF/DR - 6-20 X 1 PFH - SILVER |
| | 000G13-06-24J | EA | SCREW - 6-20 X 1 1/2 PFH - BRASS |
| | 000G13-07-10H | EA | SCREW - 7-19 X 5/8 PFH - BLACK |
| | 000G13-07-12B | EA | SCREW - 7-19 X 3/4 PFH - ZINC |
| | 000G13-08-109 | EA | SCREW - 8-18 X 5/8 PFH |
| | 000G13-08-10B | EA | SCREW - 8-18 X 5/8 PFH - ZINC |
| | 000G13-08-16B | EA | SCREW - 8-18 X 1 PFH - ZINC |

SEALANTS & FASTENERS GROUP (CONTINUED)
SCREWS (CONTINUED)

| KEY | PART NUMBER | U/M | DESCRIPTION |
|-----|---------------|-----|---|
| | 000G13-08-24B | EA | SCREW - 8-18 X 1 1/2 PFH - ZINC |
| | 000G16-04-24B | EA | SCREW - MACHINE - 1/4-20 X 1 1/2 PPH |
| | 000G18-08-12B | EA | SCREW - MACHINE - 8-32 X 3/4 PPH - ZINC |
| | 000G18-08-16B | EA | SCREW - MACHINE - 8-32 X 1 PPH - ZINC |
| | 000G18-08-24B | EA | SCREW - MACHINE - 8-32 X 1 1/2 PPH - ZINC |
| | 000G18-08-22B | EA | SCREW - MACHINE - 8-32 X 1 3/8 PPH - ZINC |
| | 000G19-10-08B | EA | SCREW - MACHINE - 10-32 X 1/2 PPH - ZINC |
| | 000G19-10-10B | EA | SCREW - MACHINE - 10-32 X 5/8 - PPH - ZINC |
| | 000G19-10-12F | EA | SCREW - MACHINE - 10-32 X 3/4 PPH - STAINLESS STEEL |
| | 000G19-10-20B | EA | SCREW - MACHINE - 10-32 X 1 1/2 PPH - ZINC |
| | 000G32-10-06B | EA | SCREW - 10-32 X 3/8 PPH - ZINC |
| | 000G34-05-12B | EA | SCREW - HEX HEAD TAPPING - 5/16 X 3/4 LONG |
| | 000G36-10-12T | EA | SCREW - 10-24X 3/4 PFH TYPE 23 - BLACK |
| | 000G39-06-10T | EA | SCREW - SF/DR - 6-20 X 5/8 PPH - BLACK |
| | 000G39-06-16T | EA | SCREW - SF/DR - 6-20 X 1 PPH - BLACK |
| | 000G39-08-06B | EA | SCREW - SF/DR - 8-18 X 3/8 PPH - ZINC |
| | 000G39-08-08B | EA | SCREW - SF/DR - 8-18 X 1/2 PPH - ZINC |
| | 000G39-08-08S | EA | SCREW - SF/DR - 8-18 X 1/2 PPH - OFF WHITE |
| | 000G39-08-08T | EA | SCREW - SF/DR - 8-18 X 1/2 PPH - BLACK |
| | 000G39-08-12T | EA | SCREW - SF/DR - 8-18 X 3/4 PPH - BLACK |
| | 000G39-08-16B | EA | SCREW - SF/DR - 8-18 X 1 PPH - ZINC |
| | 000G39-08-16T | EA | SCREW - SF/DR - 6-20 X 1 PPH - BLACK |
| | 000G39-08-24B | EA | SCREW - SF/DR - 8-18 X 1 1/2 PPH - ZINC |
| | 000G39-08-24S | EA | SCREW - SF/DR - 8-18 X 1 1/2 - OFF WHITE |
| | 000G39-08-24T | EA | SCREW - SF/DR - 8-18 X 1 1/2 PPH - BLACK |
| | 000G39-08-32B | EA | SCREW - SF/DR - 8-18 X 2 PPH - ZINC |
| | 000G39-10-08B | EA | SCREW - SF/DR - 10-16 X 1/2 PPH - ZINC |
| | 000G39-10-10B | EA | SCREW - SF/DR - 10-16 X 5/8 PPH - ZINC |
| | 000G39-10-12B | EA | SCREW - SF/DR - 10-16 X 3/4 PPH - ZINC |
| | 000G39-10-129 | EA | SCREW - SF/DR - 10-16 X 3/4 PPH - FLUOROCARBON SILVER |
| | 000G39-10-169 | EA | SCREW - SF/DR - 10-16 X 1 PPH - FLUOROCARBON SILVER |
| | 000G39-10-20B | EA | SCREW - SF/DR - 10-16 X 1 1/4 PPH - ZINC |
| | 000G39-10-20T | EA | SCREW - SF/DR - 10-16 X 1 1/4 PPH - BLACK |
| | 000G39-10-24T | EA | SCREW - SF/DR - 10-16 X 1 1/2" PPH - BLACK |
| | 000G39-10-28T | EA | SCREW - SF/DR - 10-16 X 1 3/4" PPH - BLACK |
| | 000G39-10-32B | EA | SCREW - SF/DR - 10-16 X 2 - PPH - ZINC |
| | 000G39-10-48B | EA | SCREW - SF/DR - 10-16 X 3 - PPH - ZINC |
| | 000G39-10-48T | EA | SCREW - SF/DR - 10-16 X 3 PPH - BLACK |
| | 000G42-04-16B | EA | SCREW - SF/DR - 1/4-14 X 1 HWH - ZINC |
| | 000G42-04-24B | EA | SCREW - SF/DR - 1/4-14 X 1 1/2 - ZINC |
| | 000G46-08-24T | EA | SCREW - MACHINE - 8-32 X 1 1/2 PFH - ZINC |
| | 000G52-06-05B | EA | SCREW - MACHINE - 6-32 X 5/16 PTH - ZINC |
| | 000G52-06-06B | EA | SCREW - MACHINE - 6-32 X 3/8 PTH - ZINC |
| | 000G54-04-14B | EA | SCREW - 1/4-20 X 7/8 PTH - TYPE 23 - ZINC PLATED |
| | 000G55-08-12T | EA | SCREW - SF/DR - 8-18 X 3/4 PWH - BLACK |
| | 000G55-08-124 | EA | SCREW - SF/DR - 8-18 X 3/4 PWH - ASH GRAY |
| | 000G55-08-16T | EA | SCREW - SF/DR - 8-18 X 1 PWH - BLACK |
| | 000G56-12-48B | EA | SCREW - WOOD - 12-11 X 3 POH - SPECIAL HARDENED |
| | 000G57-14-64B | EA | SCREW - 14-10 X 4 PFH ZINC |
| | 000G60-08-16E | EA | SCREW - SF/DR - 8-1 X 1 POH - CHROME |
| | 000G60-08-20F | EA | SCREW - SF/DR - 8-19X1.25 POH |
| | 000G60-08-22B | EA | SCREW - SF/DR - 8-18 X 1.38 POH - ZINC |
| | 000G60-10-16J | EA | SCREW - SF/DR - 10-16 X 1 POH - BRIGHT BRASS |
| | 000G60-10-20B | EA | SCREW - SF/DR - 10-16 X 1 1/4 POH - ZINC |
| | 000G60-10-209 | EA | SCREW - SF/DR - 10-16 X 1 1/4 POH - SILVER STALGAARD |
| | 000G60-10-28T | EA | SCREW - SF/DR - 10-16 X 1 3/4 - BLACK |
| | 000G62-06-24I | EA | SCREW - SF/DR - 8-18 X 1.5 PPH - BLACK |
| | 000G62-06-249 | EA | SCREW - SF/DR - 8-18 X 1.5 PPH - SILVER |
| | 000G62-08-24B | EA | SCREW - SF/DR - 8-18 X 1 1/2 PFH |
| | 000G67-08-32B | EA | SCREW - 8-15 X 2 PPH - ZINC |
| | 000G67-10-08B | EA | SCREW - 10-12 X 1/2 PPH - ZINC |
| | 000G67-10-08S | EA | SCREW - 10-12 X 1/2 PPH - OFF WHITE |
| | 000G67-10-10B | EA | SCREW - 10-12 X 5/8 PPH - ZINC - TYPE A |
| | 000G67-10-10S | EA | SCREW - 10-12 X 5/8 PPH - OFF WHITE |

SEALANTS & FASTENERS GROUP (CONTINUED)
SCREWS (CONTINUED)

| KEY | PART NUMBER | U/M | DESCRIPTION |
|-----|---------------|-----|--|
| | 000G67-10-10T | EA | SCREW - 10-12 X 5/8 PPH - BLACK |
| | 000G67-10-10P | EA | SCREW - 10-12 X 5/8 PPH - DARK BROWN |
| | 000G67-10-12P | EA | SCREW - 10-12 X 3/4 PPH - DARK BROWN |
| | 000G67-10-24B | EA | SCREW - 10-12 X 1 1/2 PPH - ZINC |
| | 000G67-10-24S | EA | SCREW - 10-12 X 1 1/2 PPH - OFF WHITE |
| | 000G67-10-32J | EA | SCREW-10-12X2 PPH - BRIGHT BRASS |
| | 000G68-06-10J | EA | SCREW - 6-18 X 5/8 POH - BRASS |
| | 000G68-06-12B | EA | SCREW - 6-18 X 3/4 POH - ZINC & CLEAR |
| | 000G68-06-12J | EA | SCREW - 6-18 X 3/4 POH - BRASS |
| | 000G68-06-12S | EA | SCREW - 6-18 X 3/4 POH |
| | 029130-01-000 | EA | SCREW - SNAP STUD - #8-16 X 5/8" LONG |
| | 029130-03-000 | EA | SCREW - SNAP STUD - #8-16 X 1" LONG |
| | 049465-01-000 | EA | SCREW - 10-16 PTH W/WASHER - DARK BROWN |
| | 049465-03-000 | EA | SCREW - 10-16 X 1 POH W/WASHER - OFF WHITE |
| | 049465-13-000 | EA | SCREW - 10-16 X 1 PTH W/WASHER - ASH GRAY |
| | 049465-17-000 | EA | SCREW - 10-16 X 1 POH W/WASHER - BRIGHT WHITE |
| | 049465-18-000 | EA | SCREW - 10-16 X 1 POH W/WASHER - VW GRAY |
| | 054434-02-000 | EA | SCREW - SF/DR - 10-16 X 2 - ZINC |
| | 054434-03-000 | EA | SCREW - SF/DR - 10-16 X 2 - PWH - ZINC |
| | 075908-01-000 | EA | SCREW - MACHINE - 10-32 X .56 PTH - EXTERNAL TOOTH - ZINC |
| | 076790-01-000 | EA | SCREW - 6-20 X 1 1/4 PPH - BLACK |
| | 076790-05-000 | EA | SCREW - 6-20 X 1/2 PPH - BLACK - THREAD CUTTING/WOOD |
| | 083554-01-000 | EA | SCREW - DRYWALL - 8 X 1 1/4 |
| | 083554-04-000 | EA | SCREW - DRYWALL - 8 X 2 1/2 |
| | 087721-01-000 | EA | SCREW - FLAT HEAD - TAPPING - 1/4" X 1 1/4" LONG - ZINC |
| | 095772-01-000 | EA | SOCKET-SNAP FASTNER1" SF/DR - SELF DRIVER |
| | 097974-01-000 | EA | SCREW - PARTICLE BOARD - 7-9 X 3/4 PPH |
| | 097974-02-000 | EA | SCREW-PART BD 8-9X.75 PFH - BEIGE |
| | 101618-01-000 | EA | SCREW - 1/4-20 X 3/4 HEX - TAPPING - STALGARD TYPE F |
| | 113563-01-01A | EA | SCREW - 8 X 5/8 LONG SHOULDER/WASHER HEAD |
| | 113563-01-02A | EA | SCREW - 8 X 5/8 LONG SHOULDER/WASHER HEAD - BRIGHT WHITE |
| | 118383-01-09A | EA | RETAINER/RECESSED - F/.22" SCREW - GLACIER |
| | 118383-01-12A | EA | RETAINER/RECESSED - F/.22" SCREW - RIVERSTONE |
| | 118383-01-10A | EA | RETAINER/RECESSED - F/.22" SCREW - STORM GRAY |
| | 118383-01-11A | EA | RETAINER/RECESSED - F/.22" SCREW - CASHMERE |
| | 118383-02-10A | EA | RETAINER/RECESSED - F/.27" SCREW - RIVERSTONE |
| | 118383-02-11A | EA | RETAINER/RECESSED - F/.27" SCREW - CASHMERE |
| | 118383-02-13A | EA | RETAINER/RECESSED - F/.27" SCREW - OFF WHITE |
| | 118383-03-09A | EA | RETAINER/RECESSED - F/.32" SCREW - GLACIER |
| | 118383-04-04A | EA | CAP - F/RECESSED RETAINER - BRIGHT WHITE |
| | 118383-04-09A | EA | CAP - F/RECESSED RETAINER - GLACIER |
| | 118383-04-10A | EA | CAP - F/RECESSED RETAINER - RIVERSTONE |
| | 118383-04-11A | EA | CAP - F/RECESSED RETAINER - CASHMERE |
| | 118383-04-12A | EA | CAP - F/RECESSED RETAINER - STORM GRAY |
| | 118383-04-13A | EA | CAP - F/RECESSED RETAINER - OFF WHITE |
| | 134126-01-01A | EA | SCREW/NAIL - HEX HEAD - 3/4" |
| | 140040-01-000 | EA | SCREW - 1/4-20 X 1 - BUTTON HEAD/SOCKET - W/LOCTITE |
| | 149753-01-01A | EA | RETAINER/RECESSED - F/.22" SCREW - BLACK |
| | 149753-01-02A | EA | RETAINER/RECESSED - F/.22" SCREW - BRIGHT WHITE |
| | 149753-02-01A | EA | CAP - F/RECESSED RETAINER - BLACK |
| | 149753-02-02A | EA | CAP - F/RECESSED RETAINER - BRIGHT WHITE |
| | 154938-01-01A | EA | SCREW - SF/DR - 10-16 X 3/4 PPH - W/SELF SEAL - BRIGHT WHITE |
| | 154938-01-02A | EA | SCREW - SF/DR - 10-16 X 3/4 PPH - W/SELF SEAL - BLACK |
| | 154938-02-01A | EA | SCREW - SF/DR - 8-18 X 1 PFH - W/SELF SEAL - BRIGHT WHITE |
| | 154938-02-02A | EA | SCREW - SF/DR - 8-18 X 1 PFH - W/SELF SEAL - BLACK |
| | 154938-02-03A | EA | SCREW - SF/DR - 8-18 X 1 PFH - W/SELF SEAL - SILVER |
| | 154938-03-01A | EA | SCREW - SF/DR - 8-18 X 5/8 PFH - W/SELF SEAL - BRT WHT |
| | 154935-03-02A | EA | SCREW - SF/DR - 8-18 X 5/8 PFH - W/SELF SEAL - BLACK |
| | 154938-04-01A | EA | SCREW - SF/DR - 10-16 X 1" TPH - W/SELF SEAL - BRT WHT |
| | 154938-04-02A | EA | SCREW - SF/DR - 10-16 X 1" TPH - W/SELF SEAL - BLACK |
| | 154938-05-03A | EA | SCREW - SF/DR - 8-18 X 1.25" PFH - W/SELF SEAL - SILVER |

SEALANTS & FASTENERS GROUP (CONTINUED)

CLAMPS, CLIPS, GROMMETS, RIVETS & PLUGS

| KEY | PART NUMBER | U/M | DESCRIPTION |
|-----|---------------|-----|---|
| | 000H16-04-06R | EA | RIVET - POP ALUMINUM - 1/8 X .313 - .375 |
| | 000H16-06-10R | EA | RIVET - POP ALUMINUM - 3/16 X .501 - .625 |
| | 007161-01-000 | EA | CLAMP - HOSE - SPRING TYPE - 1/2" |
| | 008386-01-000 | EA | GROMMET - SNAP - 3/8" DIAMETER - NYLON |
| | 010495-01-000 | EA | CLAMP - CABLE - 9/16"ID - BLACK |
| | 010495-02-000 | EA | CLAMP - CABLE - 3/8"ID - BLACK |
| | 010495-04-000 | EA | CLAMP - CABLE - 11/16"ID - WHITE |
| | 010497-01-000 | EA | CLAMP - CLOSED - 5/8"ID |
| | 010497-02-000 | EA | CLAMP - CLOSED - 1.5"ID |
| | 010497-03-000 | EA | CLAMP - CLOSED - 1"ID - CUSHIONED |
| | 010497-04-000 | EA | CLAMP - CLOSED - 1 5/8"ID |
| | 010497-05-000 | EA | CLAMP - CLOSED - 1/2"ID |
| | 010497-07-000 | EA | CLAMP - CLOSED - 3/8"ID |
| | 010497-09-000 | EA | CLAMP - CLOSED - 5/16"ID |
| | 010497-10-000 | EA | CLAMP - CLOSED - 7/8"ID |
| | 010499-01-000 | EA | CLAMP - CLOSED - 3/8"ID |
| | 016188-03-000 | EA | GROMMET - LP LINE - 3/8"HOLE X 2 1/2"LONG - RUBBER |
| | 016188-04-000 | EA | GROMMET - LP LINE - 1/2"HOLE X 2 1/2"LONG - RUBBER |
| | 016188-05-000 | EA | GROMMET - LP LINE - 3/8"HOLE X 1 1/4"LONG - RUBBER |
| | 016188-06-000 | EA | GROMMET - LP LINE - 3/8"HOLE X 3 1/4"LONG - RUBBER |
| | 016188-07-000 | EA | GROMMET - L/P LINE - 1/2"HOLE X 3 1/4"LONG |
| | 016188-08-000 | EA | GROMMET - LP LINE - 1/2"HOLE X 1 1/4"LONG - RUBBER |
| | 016188-09-000 | EA | GROMMET - LP LINE - .68"HOLE X 1 1/4"LONG - RUBBER |
| | 016188-10-000 | EA | GROMMET - LP GAS - .68" X 2.5" |
| | 023942-01-000 | EA | GROMMET - RUBBER - 2"OD |
| | 041930-11-000 | EA | RIVET - POP ALUMINUM - 1/8 X .188 - .250 - BRIGHT WHITE |
| | 061420-04-000 | EA | PLUG/PLASTIC - 1 1/4" DIAMETER |
| | 061420-05-000 | EA | PLUG/PLASTIC - 1 1/2" DIAMETER |
| | 061420-09-000 | EA | PLUG/PLASTIC - 1.00" DIAMETER |
| | 061420-10-000 | EA | PLUG/PLASTIC - 1 1/2" DIAMETER - BLACK |
| | 061420-12-000 | EA | PLUG/PLASTIC - 1.50" DIAMETER - RED |
| | 061420-13-000 | EA | PLUG/PLASTIC - 3/8" - FLUSH |
| | 061420-14-000 | EA | PLUG/PLASTIC - 7/8" DIAMETER - BLACK |
| | 061420-15-000 | EA | PLUG/PLASTIC - 2" DIAMETER - BLACK |
| | 061420-16-000 | EA | PLUG/PLASTIC - 2 1/8" DIAMETER - BLACK |
| | 062401-01-000 | EA | CLAMP - HOSE - WORMGEAR - .25" - 1" |
| | 062401-02-000 | EA | CLAMP - HOSE - WORMGEAR - 1.56" - 2.5" ID |
| | 062401-03-000 | EA | CLAMP - HOSE - WORMGEAR - .22" - 1" ID |
| | 062401-04-000 | EA | CLAMP - HOSE - WORMGEAR - .69" - 1.25" ID |
| | 062401-05-000 | EA | CLAMP - HOSE - WORMGEAR - 2" - 3" ID |
| | 062401-06-000 | EA | CLAMP - HOSE - WORMGEAR - .22" - .62" ID |
| | 062401-09-000 | EA | CLAMP - HOSE - WORMGEAR - 2.8" - 3.75" ID |
| | 062401-11-000 | EA | CLAMP - HOSE - WORMGEAR - 3.50" - 4.50" ID |
| | 062401-13-000 | EA | CLAMP - HOSE - WORMGEAR |
| | 063729-12-000 | EA | RIVNUT - 5/16 - 18 UNCUT - FLATHEAD - STAINLESS |
| | 071015-01-000 | EA | GROMMET - RUBBER - .5"ID X 1"OD-W/.38" GROOVE - BLACK |
| | 071015-11-000 | EA | GROMMET - RUBBER - 1"ID FITS .12 MATERIAL - BLACK |
| | 071015-13-000 | EA | GROMMET - RUBBER - .62"ID X 1"OD W/.09" GROOVE - BLACK |
| | 071015-22-000 | EA | GROMMET - RUBBER - .62"ID X 1.12"OD W/.19" GROOVE - BLACK |
| | 071015-26-000 | EA | GROMMET - RUBBER - 1.5"ID X 2.1"OD W/.06" GROOVE - BLACK |
| | 071015-29-000 | EA | GROMMET - RUBBER - .3"ID X 1.3"OD W/.12" GROOVE - BLACK |
| | 071015-30-000 | EA | GROMMET - RUBBER - .3"ID X .81"OD W/.12" GROOVE - BLACK |
| | 071015-39-000 | EA | GROMMET - .75 ID FITS .06 MTL |
| | 071015-41-000 | EA | GROMMET - .125 ID FITS .188 MTL |
| | 071015-42-000 | EA | GROMMET - .25 ID FITS .06 MTL |
| | 075148-02-000 | EA | CLAMP - GROUNDING - BRONZE SCREWS |
| | 077955-01-000 | EA | CLIP/J - 3/8" - VINYL COATED |
| | 080734-02-000 | EA | CLIP - WIRE NYLON |
| | 081211-01-000 | EA | PLUG - PLASTIC - .31"DIA - BLACK |
| | 081211-03-000 | EA | PLUG - PLASTIC - .50"DIAMETER - TRUSS HEAD - BLACK |
| | 081211-04-000 | EA | PLUG - PLASTIC - .46"DIAMETER - TRUSS HEAD - BLACK |
| | 083609-01-000 | EA | CLAMP - WIRE - DUAL - EQUAL DIAMETERS - 5/8" |
| | 083610-01-000 | EA | CLAMP - WIRE - DUAL - UNEQUAL DIAMETERS - 3/4" & 1 1/4" |
| | 083610-02-000 | EA | CLAMP - WIRE - DUAL - UNEQUAL DIAMETERS - 3/4" & 2" |

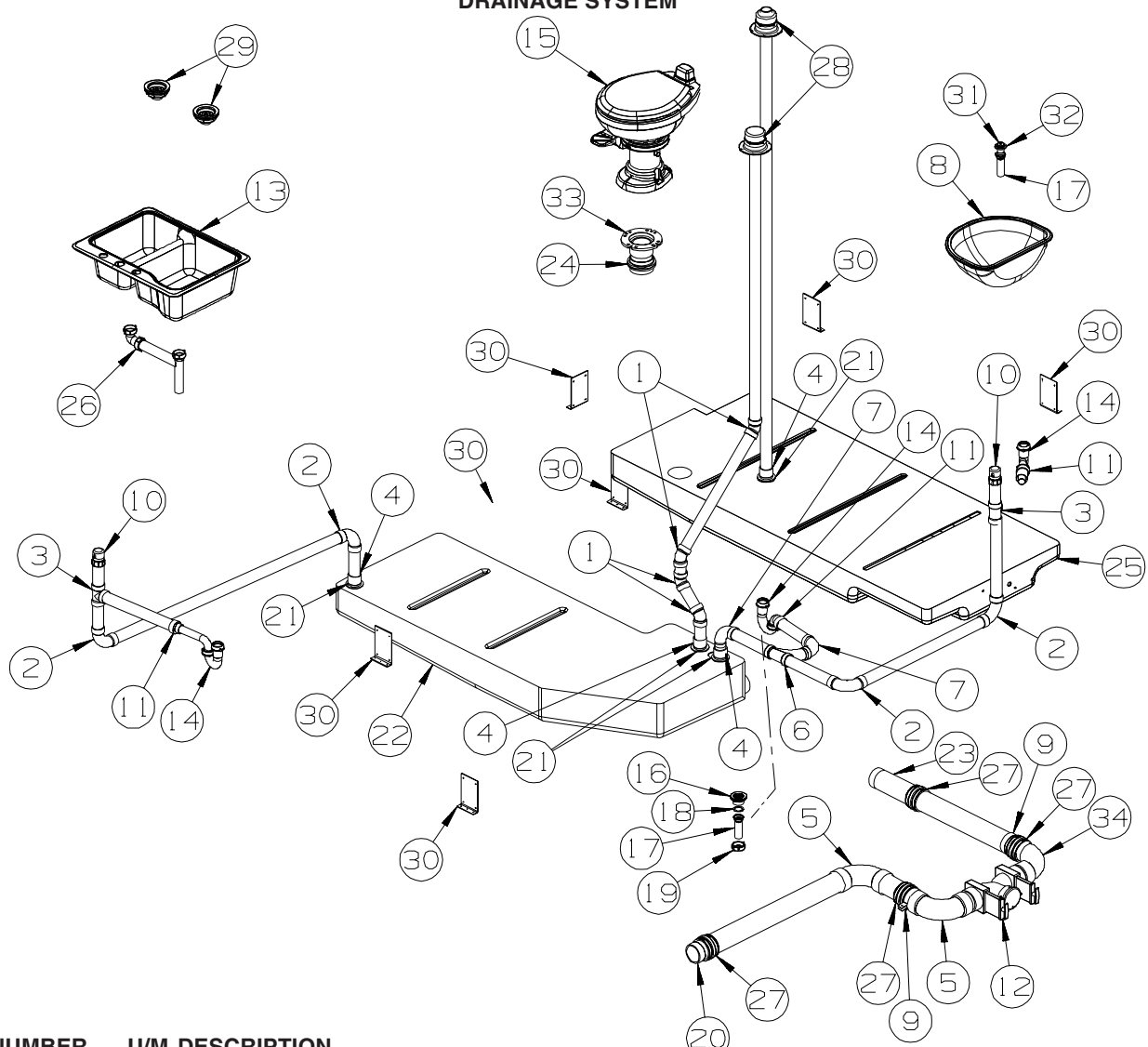
SEALANTS & FASTENERS GROUP (CONTINUED)
CLAMPS, CLIPS, GROMMETS, RIVETS, & PLUGS (CONTINUED)

| KEY | PART NUMBER | U/M | DESCRIPTION |
|-----|---------------|-----|--|
| | 083610-03-000 | EA | CLAMP - WIRE - DUAL - EQUAL DIAMETERS - 2" |
| | 088756-01-000 | EA | GROMMET - WEB - 1 1/8"ID |
| | 089329-02-000 | EA | CLIP - SPRING |
| | 091952-01-000 | EA | CLIP - GRIPPER - 1" - BLACK VINYL COATED |
| | 091952-02-000 | EA | CLIP - GRIPPER - 3/4" - BLACK VINYL COATED |
| | 091952-03-000 | EA | CLIP - GRIPPER - 1/2" - BLACK VINYL COATED |
| | 094362-02-000 | EA | CLIP - XMAS TREE - BINDER HEAD - .9" LONG/ANY COLOR |
| | 094362-05-000 | EA | CLIP - XMAS TREE - ROUND HEAD - 1.4" LONG/ANY COLOR |
| | 113133-02-01A | EA | RIVET - POP - ALUMINUM - 3/16 X .252 - .504 - BLACK |
| | 114208-05-000 | EA | GROMMET - EDGE LINER - FITS 2" |
| | 118626-01-02A | EA | RIVET/POP - ALUMINUM - 3/16 X .08 - .375 |
| | 118626-01-01A | EA | RIVET/POP - ALUMINUM - 3/16 X 1.2"(GRIP RANGE .1"-.4") |
| | 118626-02-01A | EA | RIVET/POP - ALUMINUM - 3/16 X .500 - .750 |
| | 118626-03-01A | EA | RIVET/POP - STAINLESS STEEL - 3/16 X .500 - .750 |
| | 137014-01-02A | EA | GROMMET - CABLE - BROWN |
| | 137014-01-01A | EA | GROMMET - CABLE - ALMOND |
| | 137014-01-03A | EA | GROMMET - CABLE - BLACK |
| | 139118-02-01A | EA | GROMMET - SCREW - PLASTIC |
| | 155498-01-01A | EA | CLAMP - CLOSED - 7/8"ID - VINYL DIP/GALVONIZED - BLACK |

MISCELLANEOUS FASTENERS

| KEY | PART NUMBER | U/M | DESCRIPTION |
|-----|---------------|-----|---|
| | 008343-01-000 | EA | TIE - WIRE - 6" |
| | 008343-02-000 | EA | TIE - WIRE - 14" |
| | 008343-03-000 | EA | TIE - WIRE - 7 1/2" - BLACK |
| | 029094-04-000 | YD | VELCRO TAPE/LOOP - 1"WIDE - W/ADHESIVE BACK - BLACK |
| | 029096-04-000 | YD | VELCRO TAPE/HOOK - 1"WIDE - BLACK - W/ADHESIVE BACK (PSA) |
| | 048394-02-000 | YD | VELCRO TAPE - HOOK - ADHESIVE BACK - 3/4" WIDE - BEIGE |
| | 085774-01-000 | FT | FASTENER - DUAL LOCK - 1" WIDE - ADHESIVE BACK - BLACK |
| | 085774-02-000 | FT | FASTENER - DUAL HOOK - 1" WIDE - ADHESIVE BACK - BLACK |
| | 088792-02-000 | YD | VELCRO TAPE - LOOP - 3/4" - ADHESIVE BACK - BEIGE |
| | 088792-04-000 | YD | VELCRO TAPE - HOOK - 5/8" - NON-ADHESIVE BACK - WHITE |
| | 088792-05-000 | YD | VELCRO TAPE - LOOP - 5/8" - NON-ADHESIVE BACK - WHITE |
| | 108046-02-000 | EA | CABLE TIE - SCREW MOUNT 15" |

WATER & SEWAGE GROUP DRAINAGE SYSTEM

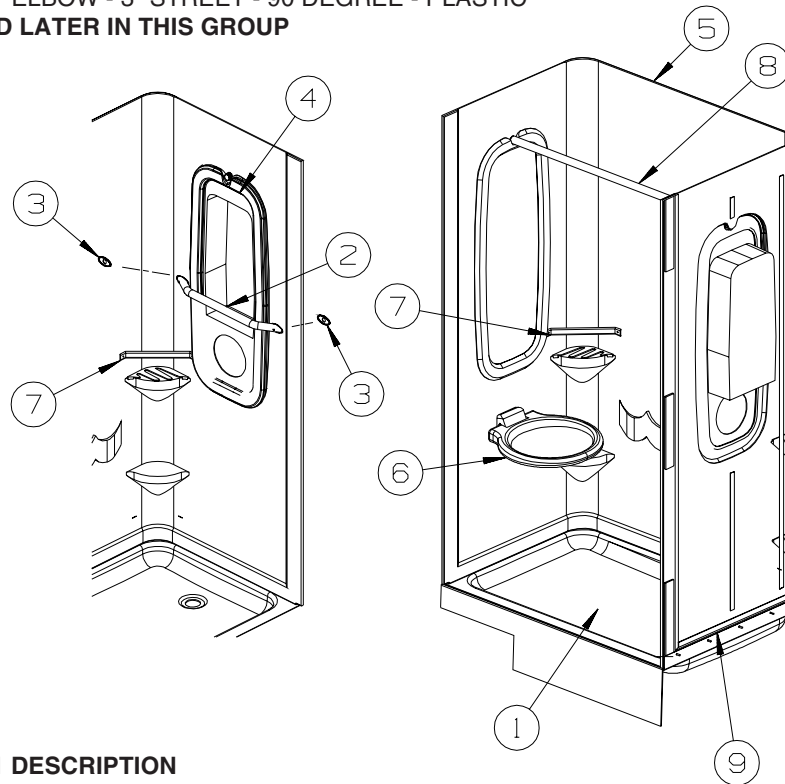


| KEY | PART NUMBER | U/M | DESCRIPTION |
|-----|---------------|-----|--|
| 1 | 010006-01-000 | EA | ELBOW - 45 DEGREE - 1 1/2" HUB X HUB - PLASTIC |
| 2 | 010008-01-000 | EA | ELBOW - 90 DEGREE - 1 1/2" HUB X HUB - PLASTIC |
| 3 | 010071-01-000 | EA | TEE - SANITARY - 1 1/2" HUB X HUB X HUB - PLASTIC |
| 4 | 010115-01-000 | EA | COUPLING - 1 1/2" HUB X HUB - PLASTIC |
| 5 | 031126-01-000 | EA | ELBOW - 1/4 BEND - 3" X 90" XLT - BLACK PLASTIC |
| 6 | 031365-02-000 | EA | TEE - 1 1/2" EXTRA LONG TURN - PLASTIC |
| 7 | 033761-01-000 | EA | ELBOW - 90 DEGREE - TURN - 1 1/2" HUB X 1 1/2" SPIGOT |
| 8 | 156661-01-01A | EA | SINK - LAVATORY - OVAL - 15" X 12" X 6.5" - GLACIER WHITE |
| 9 | 141443-01-02B | EA | HOLDER - RING - 3.6" DIAMETER - METAL |
| 10 | 079968-01-000 | EA | VENT - MECHANICAL/TRAP ARM - ANTI-SIPHON-2" X 7.3" PLASTIC |
| 11 | 152146-01-000 | EA | CONNECTOR - 1 1/2" P X 1 1/2" MPT |
| 12 | 136143-01-000 | EA | VALVE - DUAL - 3" X 3" |
| | 139513-01-000 | EA | HOSE - SEWER - 3" X 10' - W/ADAPTER |
| | 062416-01-000 | EA | ADAPTER - SEWER HOSE TO 3" PIPE |
| 13 | 148870-01-01A | EA | SINK/DOUBLE - LRG/SML BASIN - 25" X 19" X 7" |
| 14 | 107538-02-000 | EA | P-TRAP - PLASTIC - 1 1/2" W/EXTENSION ARM |
| 14 | 011071-01-000 | EA | P-TRAP - 1 1/2" - CSA - PLASTIC - CANADIAN |
| 15* | 152829-01-01A | EA | TOILET/AQUA MAGIC STYLE LITE - TALL - W/SPRAY - WHITE |
| | | | FROM: 00-00-00 THRU: 02-18-07 |
| 15 | 160815-01-01A | EA | TOILET/STYLE II - TALL - W/SPRAY - WHITE |
| | | | FROM: 02-19-06 THRU: 99-99-99 |
| 16 | 066440-01-000 | EA | STRAINER - SHOWER DRAIN - W/RUBBER WASHER |
| 17 | 011069-02-000 | EA | TAILPIECE - TUB/SHOWER - 1 1/2" X 1 1/4" X 4" - BRASS |
| 18 | 127440-02-01A | EA | WASHER - RUBBER - 1.8" X .1" |
| 19 | 130403-01-000 | EA | NUT - SLIP - W/WINGS 1 1/2" |
| 20 | 010129-03-000 | EA | NIPPLE - 3" X 3" TOE - PLASTIC |
| 21 | 061607-01-000 | EA | GROMMET - HOLDING TANK - 1 1/2" NPS |

WATER & SEWAGE GROUP (CONTINUED)
DRAINAGE SYSTEM (CONTINUED)

| KEY | PART NUMBER | U/M | DESCRIPTION |
|-----|---------------|-----|--|
| 22 | 135367-01-700 | EA | TANK - HOLDING - 45 GALLON - W/3" NIPPLE - W/O FITTINGS |
| | 049032-01-000 | EA | PATCH - SPINWELD - 3/8" - PLASTIC |
| 23 | 010129-05-000 | EA | NIPPLE - PLASTIC - 3" X 10" |
| 24 | 061607-02-000 | EA | GROMMET - HOLDING TANK - 3" NPS |
| 25 | 139423-01-700 | EA | TANK - HOLDING - 52 GALLON - W/O FITTINGS |
| | 049032-01-000 | EA | PATCH - SPINWELD - 3/8" - PLASTIC |
| | 125697-02-000 | EA | NOZZLE - WELD-A-FLUSH |
| | 130685-01-000 | EA | ADAPTER - 1 7/8" FEMALE SLIP X 1 1/2" FEMALE THREAD/O-RING |
| 26 | 011091-02-000 | EA | WASTE - CONTINUOUS - DOUBLE SINK |
| 27 | 078406-01-000 | EA | COUPLER - 3" X 3" W/CLAMPS - RUBBER |
| 28 | 083558-03-000 | EA | VENT W/COVER F/PLUMBING STACK - OFF WHITE |
| 29 | 092303-01-000 | EA | STRAINER - W/BASKET - GALLEY SINK - 4" OD |
| 30 | 094756-02-01A | EA | BRACKET - L - 6.1" LONG X 3.9" WIDE - STEEL |
| 31 | 106116-01-02A | EA | STRAINER/PLASTIC - STOPPER/TAILPIECE/GASKET & NUT-LAVATORY |
| 32 | 106116-02-01A | EA | GASKET - STRAINER |
| 33 | 116644-01-000 | EA | FLANGE/CLOSET - 3" FEMALE - 4 BOLT |
| | | | FROM: 00-00-00 THRU: 01-10-06 |
| 33 | 024676-01-000 | EA | FLANGE/CLOSET - 4" X 3" - BLACK PLASTIC |
| | | | FROM: 01-11-06 THRU: 99-99-99 |
| 34 | 041956-01-000 | EA | ELBOW - 3" STREET - 90 DEGREE - PLASTIC |

***COMPONENT PARTS LISTED LATER IN THIS GROUP**



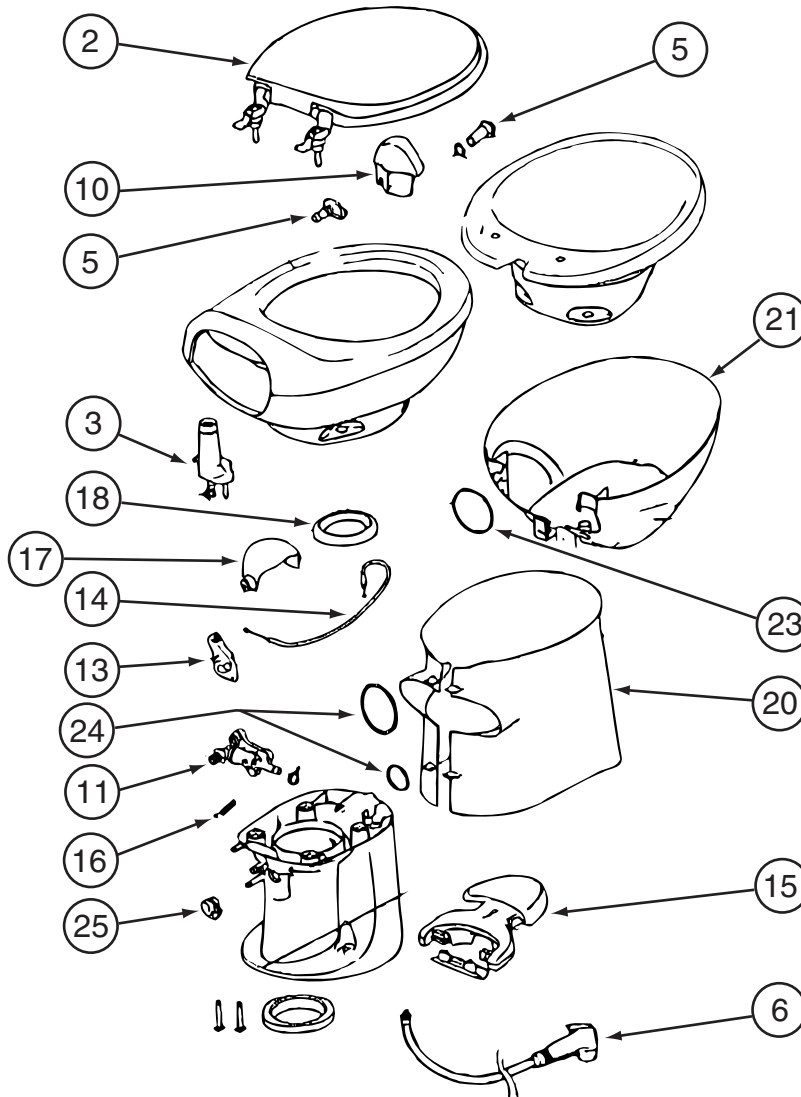
| KEY | PART NUMBER | U/M | DESCRIPTION |
|-----|---------------|-----|---|
| 1 | M02630-79-R38 | EA | SHOWER PAN - W/STRAINER - SOFT WHITE |
| 2 | 132083-01-02A | EA | HANDRAIL/ASSIST - 1" DIAMETER/W/END CAPS - SOFT WHITE |
| 3 | 132083-02-01A | EA | PAD - OVAL - BLACK RUBBER |
| 4 | 132192-02-01A | EA | CADDY - SHOWER - SOFT WHITE |
| 5 | 147188-02-01A | EA | SURROUND - SHOWER - SOFT WHITE |
| 6 | | | NOT USED |
| 7 | | | NOT USED |
| 8 | 102075-18-02A | EA | ROD - SHOWER CURTAIN - 1" OD X 38.9" - SOFT WHITE |
| | 081114-02-000 | EA | CAP - INSERT/ROUND - 1" DIAMETER - WHITE PLASTIC |
| 9 | 154585-03-01A | FT | SEAL - FOAM TAPE - ADHESIVE BACK - 1/8" X 3/4" - GRAY |

WATER & SEWAGE GROUP (CONTINUED)

COMPONENT PARTS FOR DRAINAGE SYSTEM

144728-01-000

| KEY | PART NUMBER | U/M | DESCRIPTION | VENDOR NO. |
|-----|---------------|-----|-----------------------------|------------|
| | 144728-01-700 | EA | GASKET-RUBBER, INSIDE VALVE | 9667310-11 |
| | 144728-01-701 | EA | GASKET-RUBBER, OUTSIDE | 9667310-10 |



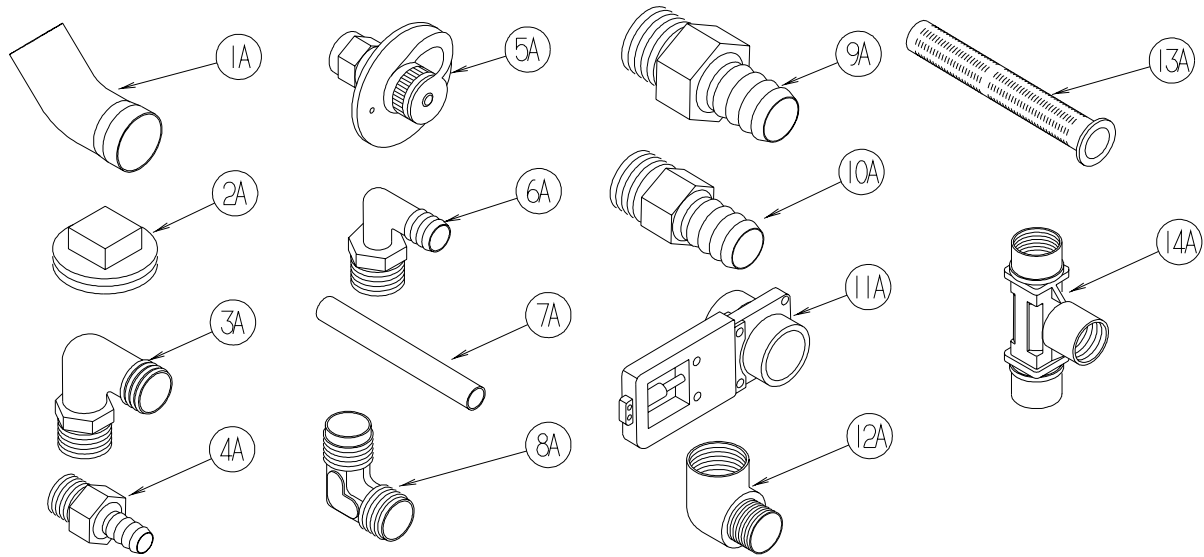
152829-01-01A

| KEY | PART NUMBER | U/M | DESCRIPTION | VENDOR NO. |
|-----|---------------|-----|-----------------------------|------------|
| 2 | 152829-01-700 | EA | SEAT/COVER ASSEMBLY - WHITE | 34144 |
| 3 | 152829-01-708 | EA | VACUUM BREAKER | 34122 |
| 5 | 152829-01-710 | EA | FLUSH NOZZLE - WHITE | 34124 |
| 6 | 147421-01-708 | EA | HAND SPRAY KIT - WHITE HEAD | 33226 |
| 10 | 152829-01-711 | EA | POD - WHITE | 34129 |
| 11 | 152829-01-701 | EA | WATER VALVE | 34100 |
| 13 | 152829-01-703 | EA | WATER VALVE DRIVE ARM | 34104 |
| 14 | 152829-01-704 | EA | CABLE - F/PEDAL | 34106 |
| 15 | 152829-01-709 | EA | PEDAL PACKAGE - WHITE | 34112 |
| 16 | 152829-01-705 | EA | SPRING/RETURN-FWATER VALVE | 34110 |
| 17 | 152829-01-706 | EA | WASTE BALL - WHITE | 34117 |
| 18 | 152829-01-707 | EA | SEAL - F/WASTE BALL | 34120 |
| 21 | 152829-01-713 | EA | BOWL WRAP - WHITE | 34133 |
| 23 | 152829-01-712 | EA | O-RING - F/BOWL WRAP | 34131 |
| 25 | 152829-01-702 | EA | WASTE BALL DRIVE ARM | 34102 |

CONTACT WINNEBAGO PARTS SALES FOR UNLISTED COMPONENT(S)

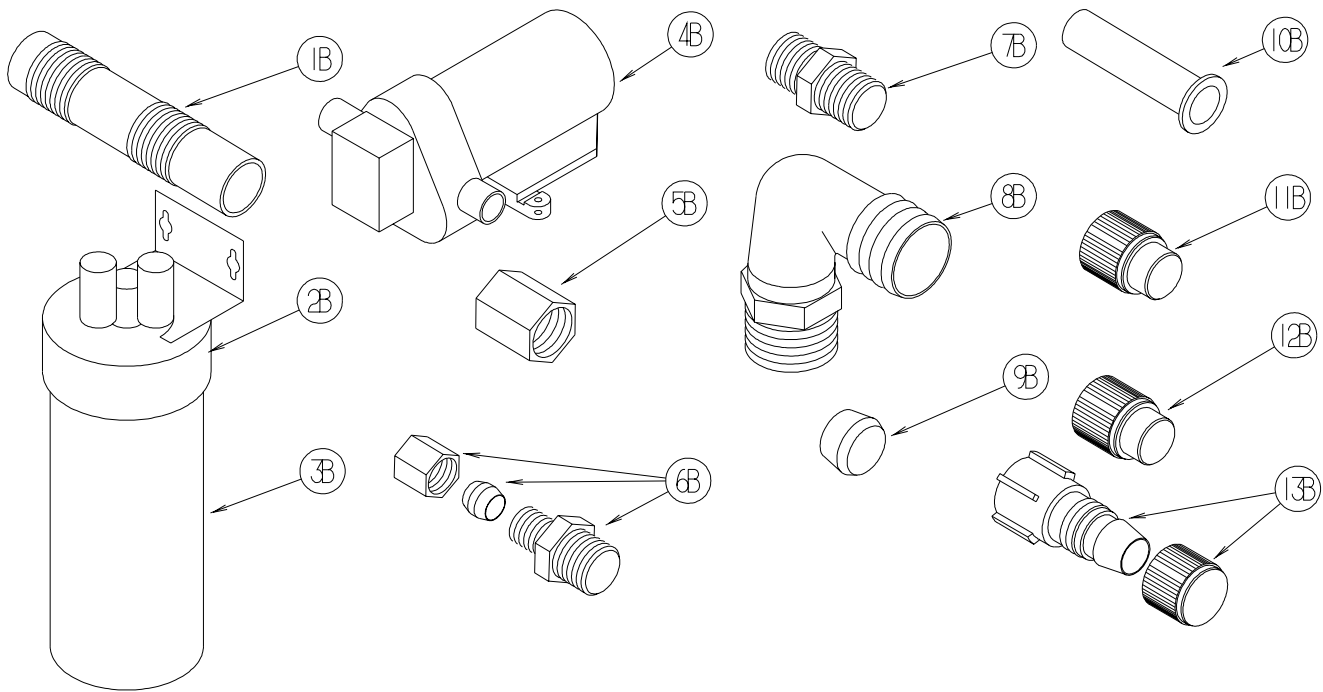
WATER & SEWAGE GROUP (CONTINUED)

WATER SYSTEM



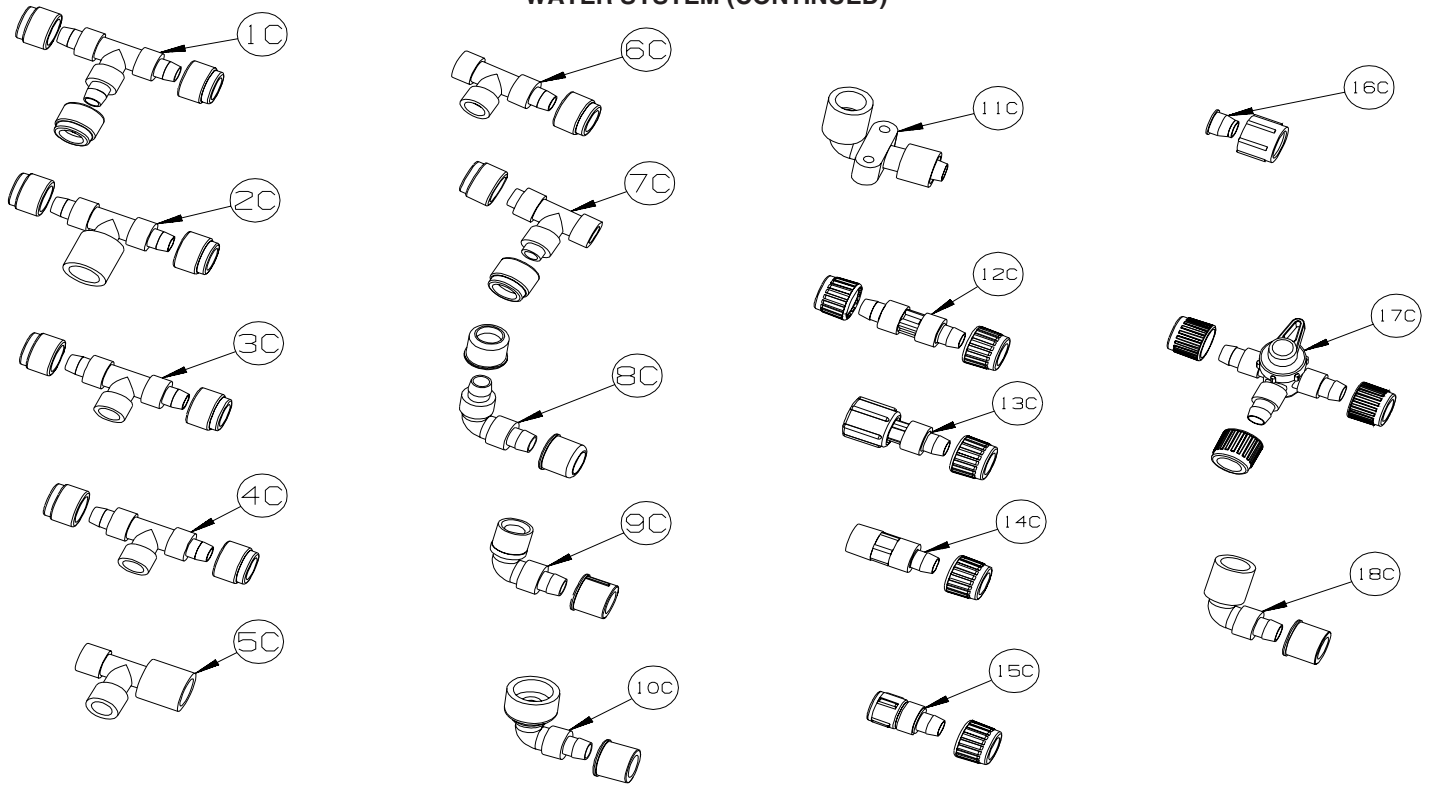
| KEY | PART NUMBER | U/M | DESCRIPTION |
|-----|---------------|-----|---|
| 1A | 010009-01-000 | EA | ELBOW - 90 DEGREE - 1/4 BEND - 1 1/2" PLASTIC |
| 2A | 010166-01-000 | EA | PLUG/THREADED - 1 1/4"MPT - PLASTIC - BLACK - UL |
| 3A | 010219-01-000 | EA | ELBOW - 1 1/4 MPT X 1 1/4 BARB - WATER FILL - PLASTIC |
| 4A | 010224-01-000 | EA | ADAPTER - HOSE TO PIPE - 3/8 MPT X 3/8 BARB - PLASTIC |
| 5A | 010230-06-000 | EA | FILL - CITY WATER - W/CHECK VALVE - MPT - BRUSHED ALUM |
| 6A | 035539-01-000 | EA | ELBOW - 3/8 MPT X 3/8 BARB - PLASTIC |
| 7A | 039800-04-000 | FT | TUBING - POLYBUTYL - 1/4"OD |
| 7A | 074462-02-000 | FT | TUBING - VINYL - 3/8 ID X 20' - CLEAR |
| 7A | 112176-01-000 | FT | TUBING - VINYL - REINFORCED - 1/2" ID |
| 7A | 124188-01-000 | FT | TUBING - PEX - 1/2" ID X 20' - BLUE(COLD) |
| 7A | 124188-02-000 | FT | TUBING - PEX - 1/2" ID X 20' - RED(HOT) |
| 8A | 039808-03-000 | EA | ELBOW - 1/2" MPT X 1/2" MPT - PLASTIC |
| 9A | 044927-01-000 | EA | ADAPTER - HOSE TO PIPE-1 1/4 MPTX1 1/4 BARB-BLACK PLASTIC |
| 10A | 044927-02-000 | EA | ADAPTER - REDUCING - 1" MPT X 1.3" BARB - PLASTIC |
| 11A | 062421-03-000 | EA | VALVE/DUMP W/O HANDLE - 1 1/2" X 1 1/2" HUB |
| | 062421-05-000 | EA | CABLE/ROD - F/DUMP VALVE - W/HANDLE - 48" |
| | 062421-07-000 | EA | CABLE/ROD - F/DUMP VALVE - W/HANDLE - 144" |
| | 062421-08-000 | EA | CABLE/ROD - F/DUMP VALVE - W/HANDLE - 108" |
| 12A | 065318-02-000 | EA | ELBOW - 90 DEGREE - 3/8" MPT TO 3/8" FPT |
| 13A | 077954-02-000 | EA | FILTER - WATER TANK - W/SCREEN IN TANK |
| 14A | 039798-01-000 | EA | TEE - 1/2"MPT X 1/2"MPT X 1/2"MPT - PLASTIC |

WATER & SEWAGE GROUP (CONTINUED)
WATER SYSTEM (CONTINUED)



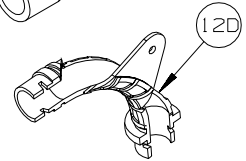
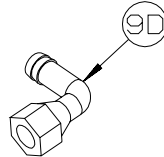
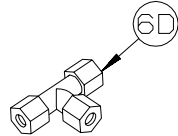
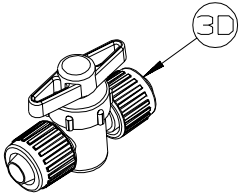
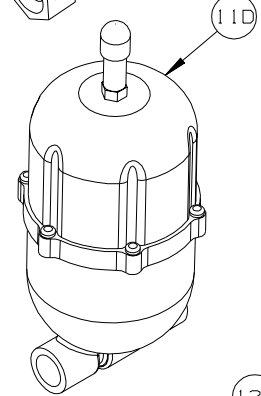
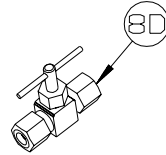
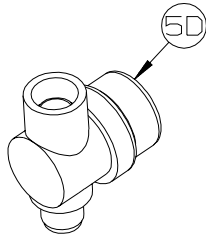
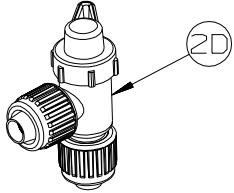
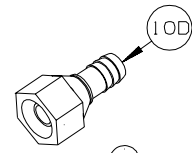
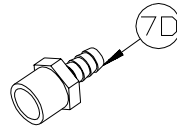
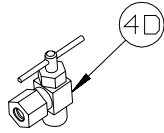
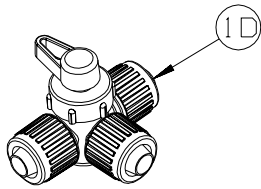
| KEY | PART NUMBER | U/M | DESCRIPTION |
|-----|---------------|-----|---|
| 1B | 079381-01-000 | FT | TUBING - RIBBED FLEXIBLE - WATER FILL - 1.4" ID |
| 2B | 087200-01-000 | EA | FILTER-WATER PURIFCATION, EVERPURE QC2-AC |
| 3B | 087200-02-000 | EA | CARTRIDGE-WATER FILTER,AC - EVERPURE 9601-11 |
| 4B* | 098607-01-000 | EA | PUMP - WATER - W/.5" MPT FITTING - FLOW 2.8 GPM |
| | | | FROM: 00-00-00 THRU: 06-21-06 |
| 4B | 160702-01-000 | EA | PUMP - WATER - 3.0 GPM - W/1/2" MPT |
| | | | FROM: 06-22-06 THRU: 99-99-99 |
| 5B | 101814-01-000 | EA | COUPLING - FEMALE - 1/2" X 1/2" FPT - GRAY |
| 6B | 103798-01-000 | EA | CONNECTOR - 1/4 OD X 3/8 MPT |
| 7B | 110438-02-000 | EA | VALVE - CHECK - BRASS - 1/2 MPT X 1/2 MPT |
| 8B | 111223-02-000 | EA | ELBOW - 1/2" MPT X 3/8" BARB - PLASTIC |
| 8B | 111223-03-000 | EA | ELBOW - 3/4" MPT X 1/2" BARB - PLASTIC |
| 8B | 111223-04-000 | EA | ELBOW - 1/2" MPT X 1/2" BARB - PLASTIC |
| 9B | 111888-01-000 | EA | FERRULE - PLASTIC - .250 ID X .375 OD |
| 10B | 111888-02-000 | EA | INSERT - BRASS - 1/4 COMP |
| 11B | 113697-01-000 | EA | CAP - 3/8"P |
| 12B | 114427-01-000 | EA | CAP - 1/2"P |
| 13B | 114427-02-000 | EA | PLUG - W/COMP NUT - 1/2" PLASTIC PIPE/1/2" FLAIR-IT |

WATER & SEWAGE GROUP (CONTINUED)
WATER SYSTEM (CONTINUED)



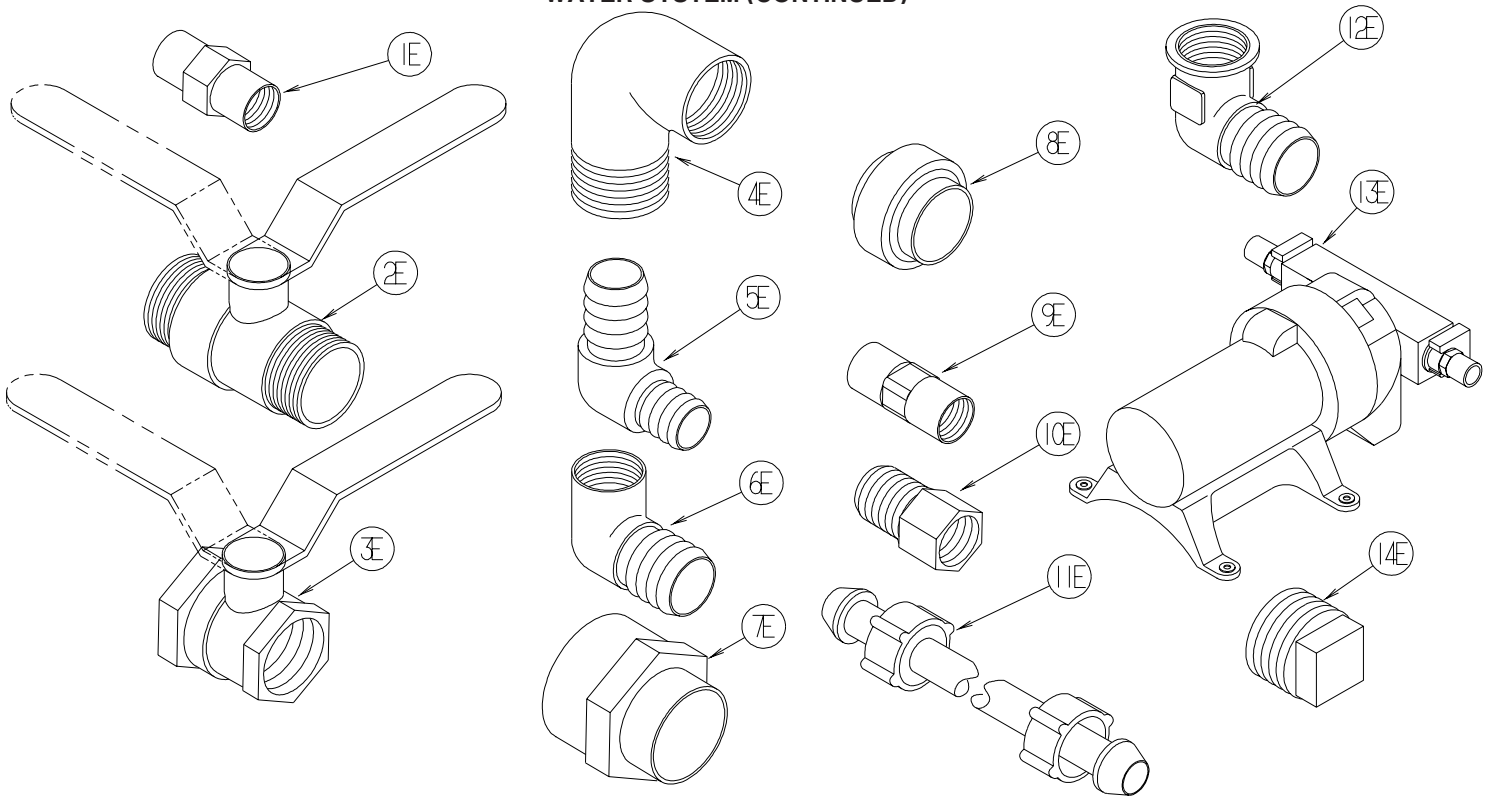
| KEY | PART NUMBER | U/M | DESCRIPTION |
|-----|---------------|-----|---|
| 1C | 114428-01-000 | EA | TEE - 1/2"P X 1/2"P X 1/2"P |
| 2C | 114428-02-000 | EA | TEE - SWIVEL - 1/2"P X 1/2"P X 1/2"FPT |
| 3C | 114428-03-000 | EA | TEE - 1/2"P X 1/2"P X 1/2"MPT |
| 4C | 114428-04-000 | EA | TEE - 1/2"P X 1/2"P X 1/8"FPT |
| 5C | 114428-05-000 | EA | TEE - 1/2" SWIVEL X 1/2" MPT X 1/2" MPT |
| 6C | 114428-06-000 | EA | TEE - 1/2" P X 1/2" MPT X 1/2" MPT |
| 7C | 114428-07-000 | EA | TEE - 1/2" P X 1/2" MPT X 1/2" P |
| 8C | 114429-01-000 | EA | ELBOW - 1/2"P X 1/2"P |
| 9C | 114429-02-000 | EA | ELBOW - 1/2"P X 1/2"MPT |
| 9C | 114429-04-000 | EA | ELBOW - 1/2"P X 3/8"MPT |
| 9C | 114429-05-000 | EA | ELBOW - 1/2"P X 3/4"MPT |
| 9C | 114429-10-000 | EA | ELBOW - SWIVEL - 1/2"MPT X 1/2"FPT |
| 10C | 114429-06-000 | EA | ELBOW - SWIVEL - 1/2"P X 3/4"FPT |
| 10C | 114429-08-000 | EA | ELBOW - SWIVEL - 1/2"P X 1/2"FPT |
| 11C | 114429-09-000 | EA | ELBOW - 1/2"P X 1/2"FPT DROP EAR |
| 12C | 114430-01-000 | EA | ADAPTER - 1/2"P X 1/2"P |
| 13C | 114430-02-000 | EA | ADAPTER - SWIVEL - 1/2"P X 1/2"FPT |
| 13C | 114430-04-000 | EA | ADAPTER - SWIVEL - 1/2"P X 3/8"MPT |
| 14C | 114430-03-000 | EA | ADAPTER - 1/2"P X 1/2"MPT |
| 15C | 114430-06-000 | EA | ADAPTER - 1/2"P X 3/8"FPT |
| 15C | 114430-09-000 | EA | ADAPTER - 1/2"P X 1/2"FPT |
| 16C | 114430-10-000 | EA | ADAPTER - NUT - PIPE CONNECTION - 1/2" |
| 17C | 114431-01-000 | EA | VALVE - 180 DEGREE/CENTER DRAIN - 1/2"P - THREE WAY |
| 18C | 114429-11-000 | EA | ELBOW - 1/2"P X 1/2"FPT |

WATER & SEWAGE GROUP (CONTINUED)
WATER SYSTEM (CONTINUED)



| KEY | PART NUMBER | U/M | DESCRIPTION |
|-----|---------------|-----|--|
| 1D | 114431-02-000 | EA | VALVE - WATER BYPASS - 1/2"P - THREE WAY (WATER HEATER) |
| 2D | 114431-03-000 | EA | VALVE - 90 DEGREE DRAIN - 1/2"P |
| 3D | 114431-04-000 | EA | VALVE - "INLINE SHUT-OFF" - 1/2"P |
| 4D | 114431-05-000 | EA | VALVE - NEEDLE - 1/8" MPT X 1/4" COMPRESSION (ICE MAKER) |
| 5D | 152925-01-01A | EA | FILTER - IN LINE - TWIST ON - 1/2" - BLACK |
| 6D | 118423-01-000 | EA | FITTING - BRASS-TEE - 1/4C X 1/4C X 1/4C |
| 7D | 118809-01-000 | EA | ADAPTER - 1/2" MPT X 3/8" BARB - PLASTIC |
| 7D | 118809-02-000 | EA | ADAPTER - 1/2" MPT X 1/2" BARB - PLASTIC |
| 8D | 120868-01-000 | EA | VALVE - NEEDLE - 1/4" COMPRESSION X 1/4" COMPRESSION |
| 9D | 123150-01-000 | EA | ELBOW - 1/2 FPT X 1/2 BARB - SWIVEL |
| 10D | 123152-01-000 | EA | ADAPTER - 1/2 FPT X 1/2 BARB - SWIVEL |
| 11D | 123243-01-000 | EA | TANK - ACCUMULATOR - 24 OZ |
| | 123317-01-000 | EA | TANK - ACCUMULATOR - 2 GALLON |
| 12D | 124184-01-000 | EA | SUPPORT - WATER LINE - BEND |

WATER & SEWAGE GROUP (CONTINUED)
WATER SYSTEM (CONTINUED)



| KEY | PART NUMBER | U/M | DESCRIPTION |
|------|---------------|-----|---|
| 1E | 132148-01-000 | EA | CONNECTOR - 1/2" X 1/2"MPT - BRASS |
| 2E | 132483-01-000 | EA | VALVE/BALL - 1" - THREADED ENDS |
| 3E | 132483-02-000 | EA | VALVE/BALL - 1/2" - BRASS - FPT |
| 4E | 132484-01-000 | EA | ELBOW - 90 DEGREE - 1MPT X 1FPT - PLASTIC |
| 5E | 132781-01-000 | EA | ELBOW - 1.3" BARB X 1.3" BARB - 90 DEGREE - PLASTIC |
| 6E | 132782-01-000 | EA | ELBOW - 1"FPT X 1.3" BARB - 90 DEGREE - PLASTIC |
| 7E | 133835-01-000 | EA | ADAPTER - REDUCING - 1 1/2" X 1 1/4" |
| 8E | 133889-01-000 | EA | UNION - 1 1/2 DOUBLE SLIP - PVC |
| 9E | 135386-01-000 | EA | NIPPLE - 1/2" |
| 10E | 136333-01-000 | EA | ADAPTER - BRASS - 1/2"MPT X 1/2"FPT |
| 11E | 140821-01-000 | EA | TUBE - WATER SUPPLY - 3/8" X 24" |
| 11E | 140821-02-000 | EA | TUBE - WATER SUPPLY - 3/8" X 30" |
| 11E | 140821-03-000 | EA | TUBE - WATER SUPPLY - 3/8" X 36" |
| 11E | 140821-04-000 | EA | TUBE - WATER SUPPLY - 3/8" X 48" |
| 11E | 140821-05-000 | EA | TUBE - WATER SUPPLY - 3/8" X 54" |
| 11E | 140821-06-000 | EA | TUBE - WATER SUPPLY - 3/8" X 60" |
| 11E | 140821-07-000 | EA | TUBE - WATER SUPPLY - 3/8" X 72" |
| 11E | 140821-08-000 | EA | TUBE - WATER SUPPLY - 1/2" X 24" |
| 11E | 140821-09-000 | EA | TUBE - WATER SUPPLY - 1/2" X 36" |
| 11E | 140821-10-000 | EA | TUBE - WATER SUPPLY - 1/2" X 48" |
| 12E | 142812-01-000 | EA | ELBOW - BRASS - 1/2"MPT X 1/2"FPT |
| 13E* | 144215-01-000 | EA | PUMP - WATER - 5.7 GPM - W/1/2" MPT |

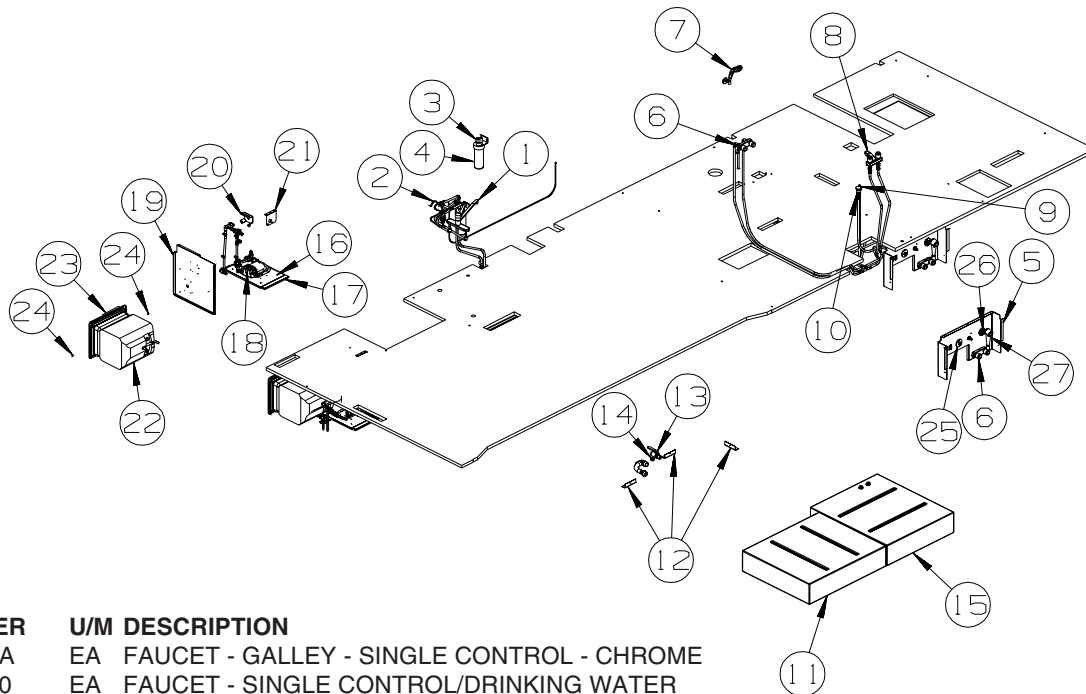
FROM: 00-00-00 THRU: 02-05-06

14E 145609-01-000 EA PLUG - BRASS - 1/2" MPT/HEX HEAD

***COMPONENT PARTS LISTED LATER IN THIS GROUP**

WATER & SEWAGE GROUP (CONTINUED)

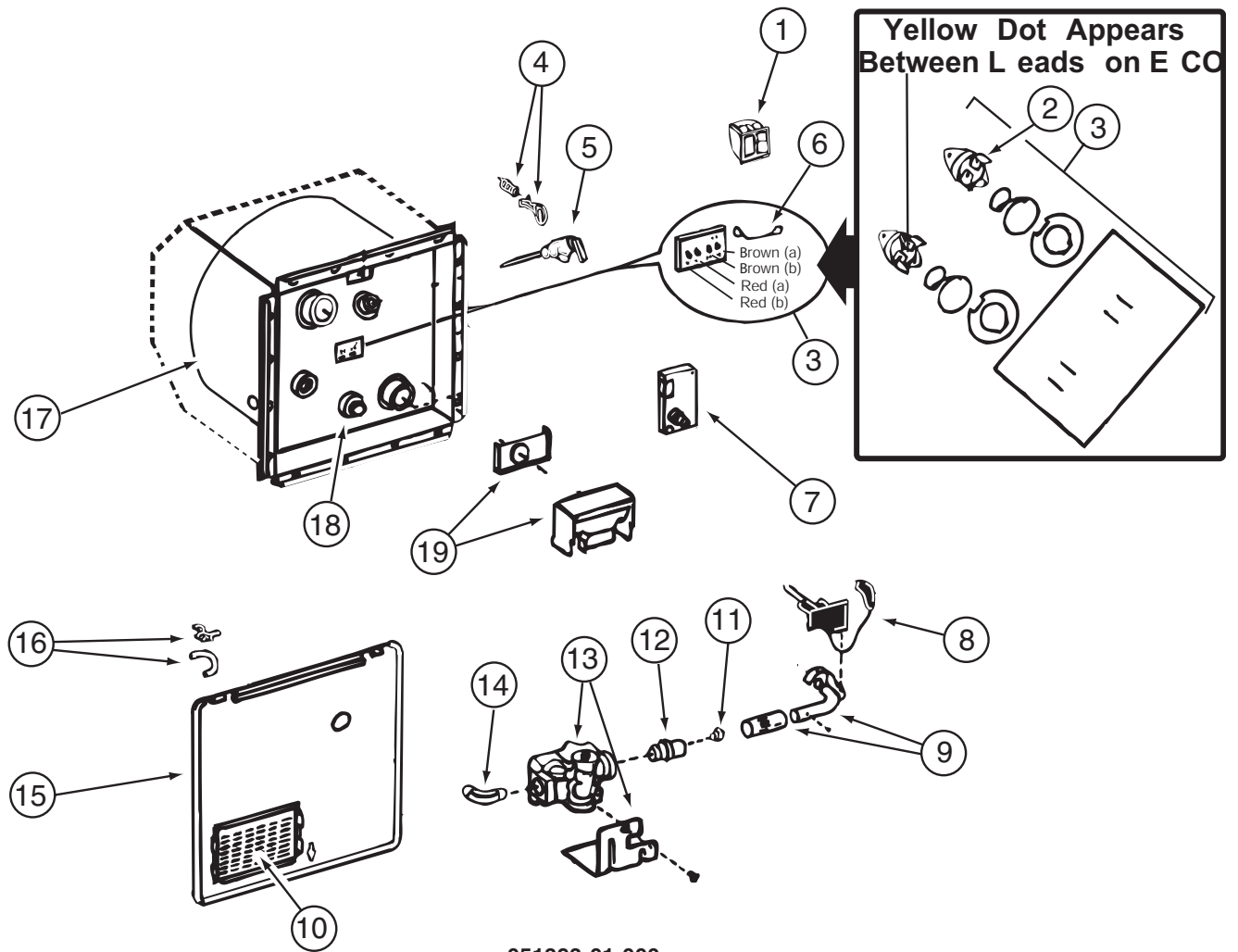
WATER SYSTEM (CONTINUED)



| KEY | PART NUMBER | U/M | DESCRIPTION |
|-----|---------------|-----|---|
| 1 | 149164-01-01A | EA | FAUCET - GALLEY - SINGLE CONTROL - CHROME |
| 2* | 103635-01-000 | EA | FAUCET - SINGLE CONTROL/DRINKING WATER |
| 3 | 087200-01-000 | EA | FILTER - WATER PURIFICATION |
| 4 | 087200-02-000 | EA | CARTRIDGE - WATER FILTER |
| 5 | 136034-12-12B | EA | PANEL - SERVICE CENTER - BRIGHT WHITE |
| 6 | 163269-01-01A | EA | FAUCET/SHOWER - .5"MPT W/1.9" INLET PIPES- EXTERIOR/BRT WHITE |
| 7 | 129390-04-01A | EA | SHOWER HEAD - W/HOSE & BRACKET - WHITE |
| 8 | 148886-01-01A | EA | FAUCET - LAVATORY/DUAL CONTROL/4" CENTER - CHROME |
| 9 | 125697-03-000 | EA | CHECK VALVE - F/FLUSHING SYSTEM |
| 10 | 125697-04-000 | EA | BREAKER/VACUUM - F/FLUSHING SYSTEM |
| 11 | 132224-05-000 | EA | TANK - WATER - 40 GALLON - W/FITTINGS - 37.8"X 33.1"X 8.3" |
| | 042989-03-000 | EA | FITTING - SPINWELD - 1 1/4"NPT - PLASTIC |
| | 042989-05-000 | EA | FITTING - SPINWELD - 1/2"FPT - PLASTIC |
| | 049032-01-000 | EA | PATCH - SPINWELD - 3/8" - PLASTIC |
| | 077594-02-000 | EA | FILTER - WATER TANK - W/SCREEN IN TANK |
| 12 | 142053-30-134 | EA | ANGLE-STL,ROOF JOINT,0134 MM - TOP COAT OFF WHITE |
| 13 | 132483-01-000 | EA | VALVE/BALL - 1" - THREADED ENDS |
| 14 | 132782-01-000 | EA | ELBOW - 1"FPT X 1.3" BARB - 90 DEGREE - PLASTIC |
| 15 | 132224-38-000 | EA | TANK - WATER - 40 GALLON - W/FITTINGS - 37.8"X 33.1"X 8.3" |
| | 042989-03-000 | EA | FITTING - SPINWELD - 1 1/4"NPT - PLASTIC |
| | 042989-04-000 | EA | FITTING - SPINWELD - 3/8"FPT - PLASTIC |
| | 042989-05-000 | EA | FITTING - SPINWELD - 1/2"FPT - PLASTIC |
| | 042989-08-000 | EA | FITTING - SPINWELD - 1"FPT - PLASTIC |
| | 049032-01-000 | EA | PATCH - SPINWELD - 3/8" - PLASTIC |
| 16 | 149477-01-02B | EA | PANEL - WATER PUMP - E-COATED |
| 17 | 140364-04-01A | EA | FOAM - PAD - .5" X 12" X 18" |
| 18* | 098607-01-000 | EA | PUMP - WATER - W/.5" MPT FITTING - FLOW 2.8 GPM - NOT ILLUSTRATED |
| | | | FROM: 00-00-00 THRU: 06-21-06 |
| 18 | 160702-01-000 | EA | PUMP - WATER - 3.0 GPM - W/1/2" MPT |
| | | | FROM: 06-22-06 THRU: 99-99-99 |
| 19 | 149497-02-12B | EA | PANEL - F/VALVE BYPASS - BRIGHT WHITE |
| 20 | 138618-01-12B | EA | COVER - VALVE - BYPASS - BRIGHT WHITE |
| 21 | 137410-02-02B | EA | BRACKET - VALVE - WINTERIZATION - E-COATED |
| 22* | 145541-02-000 | EA | WATER HEATER-6 GAL-GAS/ELEC/120'-REM IGN-W/HEAT EXC-4E |
| 22* | 145541-01-000 | EA | WATER HEATER/MOTOR AID-GAS/ELECT IGN - GCH10A-4E - WTR HTR-10GAL/ELEC/LP/MTRAIID |
| 22* | 051393-01-000 | EA | WATER HEATER - GH6-8E - ELECTRONIC IGNITION W/MOTOR AID - WTR HTR-AUX AUTO/MOTORAIID |
| 23* | 125420-04-03A | EA | DOOR - WATER HEATER - 18" X 14.6" - BLACK |
| 23* | 125420-03-03A | EA | DOOR - WATER HEATER - 18" X 17.7" - BLACK - WTR HTR-10GAL/ELEC/LP/MTRAIID |
| 24 | 117047-02-000 | EA | BUMPER - RUBBER/WASHER INSERT |
| 25 | 125697-05-000 | EA | INLET/WATER - F/FLUSHING SYSTEM |
| 26 | 010230-06-000 | EA | FILL - CITY WATER - W/CHECK VALVE - MPT - BRUSHED ALUM |
| 27 | 131383-01-02A | EA | SHOWER HEAD - W/60" HOSE & BRACKET - WHITE |

*COMPONENT PARTS LISTED LATER IN THIS GROUP

WATER & SEWAGE GROUP (CONTINUED)
COMPONENT PARTS FOR WATER SYSTEM



051393-01-000

| KEY | PART NUMBER | U/M | DESCRIPTION | VENDOR NO. |
|-----|---------------|-----|--|---------------|
| 1 | 051393-01-701 | EA | SWITCH PACKAGE | 91959 |
| 2 | 051391-04-701 | EA | THERMOSTAT 12V DC-120 PRESET | 91470 |
| 3 | 051393-01-721 | EA | ECO & THERMOSTAT ASM - FRT MT - 140° | 91447 |
| 4 | 051391-01-705 | EA | FASTENER - CAMLOC | 92609 |
| 5 | 051391-01-704 | EA | VALVE - RELIEF - 1/2" FITTING | 91604 |
| 6 | 051393-01-723 | EA | SWITCH - ENERGY CUT-OFF | 93866 |
| 7 | 051393-01-724 | EA | CIRCUIT BOARD - W/ SPADE TERMINAL | 93867 |
| 8 | 051393-01-725 | EA | ELECTRODE - SINGLE SPADE CNT | 93868 |
| 9 | 051391-04-703 | EA | BURNER - MAIN | 91638 |
| 10 | 051391-01-717 | EA | GRILLE | 92640 |
| 11 | 051391-01-710 | EA | ORIFICE - MAIN BURNER | 92742 |
| 12 | 051391-03-700 | EA | ORIFICE HOLDER | 91563 |
| 13 | 051393-01-726 | EA | SOLENOID VALVE & BRACKET | 93870 |
| 14 | 051391-01-714 | EA | ELBOW - 45 DEGREE - 3/8" F X 3/8" MPT | 91044 |
| 15 | | EA | DOOR-WATER HEATER - SEE EXTERIOR DOOR & COMPARTMENT GROUP BY MODEL | |
| 16 | 051391-01-700 | EA | HINGE KIT - W/CLIP | 92568 & 92559 |
| 17 | 051391-04-704 | EA | TANK - INNER | 91642 |
| 18 | 051391-01-715 | EA | DRAIN PLUG | 91857 |
| 19 | 051391-04-707 | EA | FLUE & GASKET | 90960 |
| | 111129-01-711 | EA | BRACKET-CORNER, SET OF FOUR | 91928 |

WATER & SEWAGE GROUP (CONTINUED)
COMPONENT PARTS FOR WATER SYSTEM (CONTINUED)

098607-01-000

| KEY | PART NUMBER | U/M | DESCRIPTION | VENDOR NO. |
|------------|--------------------|------------|------------------------------|-------------------|
| | 098607-01-702 | EA | DIAPHRAGM/DRIVE ASSEMBLY KIT | 94-238-04 |
| | 098607-01-703 | EA | VALVE KIT | 94-232-00 |
| | 098607-01-705 | EA | VALVE-CHECK, KIT | 94-237-00 |
| | 098607-01-706 | EA | HOUSING, W/SWITCH ONLY | 94-231-20 |
| | 098607-01-707 | EA | MOTOR W/BASEPLATE | 11-148-04 |

103635-01-000

| KEY | PART NUMBER | U/M | DESCRIPTION | VENDOR NO. |
|------------|--------------------|------------|--------------------|-------------------|
| | 103635-01-703 | EA | CARTRIDGE - 10" | ADC-959201 |

123744-03-01A

| KEY | PART NUMBER | U/M | DESCRIPTION | VENDOR NO. |
|------------|--------------------|------------|------------------------------|-------------------|
| | 135027-01-700 | EA | CLIP - RETAINER | 883 |
| | 135027-01-705 | EA | CARTRIDGE F/SGL LEVER FAUCET | 1225 |

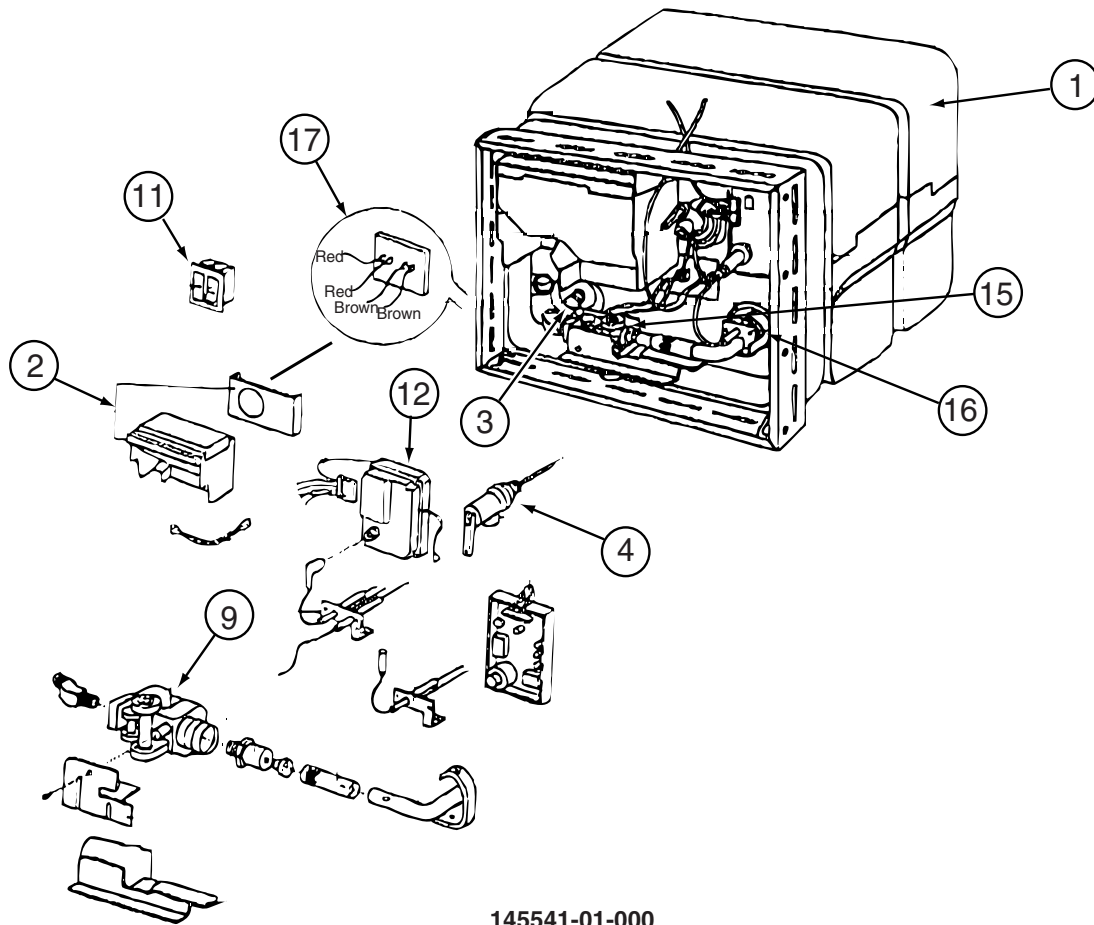
125420-01-02A, 125420-01-03A, 125420-03-03A, 125420-04-03A

| KEY | PART NUMBER | U/M | DESCRIPTION | VENDOR NO. |
|------------|--------------------|------------|--------------------|-------------------|
| | 051391-01-705 | EA | FASTENER - CAMLOCK | 92609 |

144215-01-000

| KEY | PART NUMBER | U/M | DESCRIPTION | VENDOR NO. |
|------------|--------------------|------------|------------------------|-------------------|
| | 144215-01-700 | EA | VALVE ASSEMBLY | 94-030-01 |
| | 144215-01-701 | EA | DRIVE ASSEMBLY | 94-030-02 |
| | 144215-01-702 | EA | FITTING KIT - W/ORINGS | 94-615-06 |

WATER & SEWAGE GROUP (CONTINUED)
COMPONENT PARTS FOR WATER SYSTEM (CONTINUED)



145541-01-000

| KEY | PART NUMBER | U/M | DESCRIPTION | VENDOR NO. |
|-----|---------------|-----|------------------------------|----------------|
| 1 | 145541-01-700 | EA | TANK - W/INSULATION - 10 GAL | 91028 |
| 2 | 051391-04-707 | EA | KIT-EXHAUST, (FLUE & GASKET) | 90960 |
| 3 | 051391-01-715 | EA | PLUG-DRAIN, 1 EA = 2 PER PKG | 91857 |
| 4 | 051391-01-704 | EA | VALVE-RELIEF, 1/2" FITTING | 91604 |
| 9 | 051393-01-726 | EA | VALVE/SOLENOID - W/O BRACKET | 93870 |
| 11 | 145541-01-701 | EA | SWITCH - ON/OFF - WHITE | 91859 |
| 12 | 145541-01-702 | EA | CIRCUIT BOARD | 91226 |
| 15 | 145541-01-703 | EA | SWITCH - THERMAL CUT OFF | 93866 |
| 16 | 051393-01-725 | EA | ELECTRODE-SGL SPADE CONNECT. | 93868 |
| 17 | 051393-01-721 | EA | THERMOSTAT W/ECO, 140 FRT MT | 91447 |
| | 051391-05-706 | EA | ELEMENT-HEATING 1500 WATT | 92249 W/GASKET |
| | 051393-01-701 | EA | SWITCH - REMOTE - W/LIGHT | 91959 |
| | 145541-01-704 | EA | RELAY | 90061 |
| | 145541-01-705 | EA | JUNCTION BOX(PLASTIC) 10 GAL | 91224 |

CONTACT WINNEBAGO PARTS SALES FOR UNLISTED COMPONENT(S)

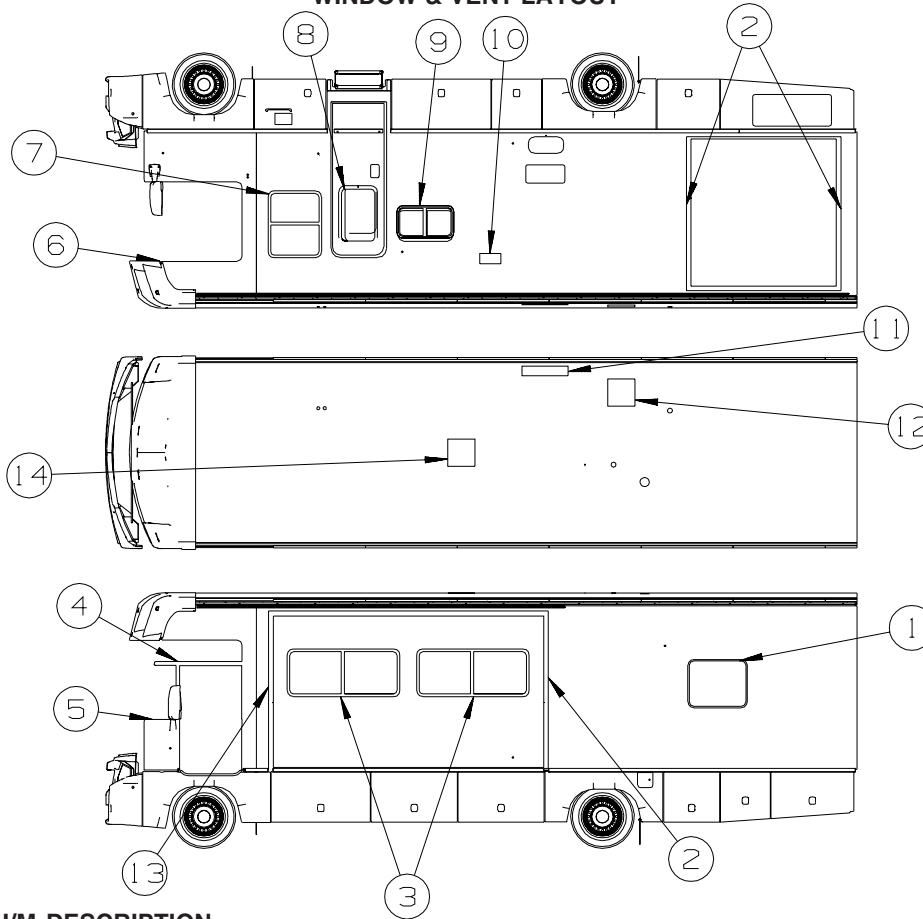
145541-02-000

| KEY | PART NUMBER | U/M | DESCRIPTION | VENDOR NO. |
|-----|---------------|-----|------------------------------|----------------|
| 1 | 145541-02-700 | EA | TANK/SERVICE KIT PCS- 6 GAL | 91053 |
| 2 | 051391-04-707 | EA | KIT-EXHAUST, (FLUE & GASKET) | 90960 |
| 3 | 051391-01-715 | EA | PLUG-DRAIN, 1 EA = 2 PER PKG | 91857 |
| 4 | 051391-01-704 | EA | VALVE-RELIEF, 1/2" FITTING | 91604 |
| 9 | 051393-01-726 | EA | VALVE-SOLENOID - W/O BRACKET | 93870 |
| 11 | 051393-01-701 | EA | SWITCH - REMOTE - W/LIGHT | 91959 |
| 11 | 145541-01-701 | EA | SWITCH - ON/OFF - WHITE | 91859 |
| 12 | 145541-01-702 | EA | CIRCUIT BOARD | 91226 |
| 15 | 145541-01-703 | EA | SWITCH - THERMAL CUT OFF | 93866 |
| 16 | 051393-01-725 | EA | ELECTRODE-SGL SPADE CONNECT. | 93868 |
| 17 | 051393-01-721 | EA | THERMOSTAT W/ECO, 140 FRT MT | 91447 |
| | 051391-05-706 | EA | ELEMENT-HEATING 1500 WATT | 92249 W/GASKET |
| | 145541-01-704 | EA | RELAY | 90061 |
| | 145541-02-701 | EA | JUNCTION BOX(PLASTIC) 6 GAL | 91222 |

CONTACT WINNEBAGO PARTS SALES FOR UNLISTED COMPONENT(S)

WINDOW & VENTS GROUP

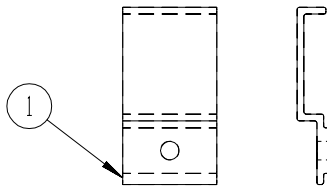
WINDOW & VENT LAYOUT



| KEY | PART NUMBER | U/M | DESCRIPTION |
|-----|---------------|-----|--|
| 1* | 150656-09-01A | EA | WINDOW - TIPOUT/FLUSH/ESCAPE/THERMO - 24.2" X 30.2" FROM: 00-00-00 THRU: 10-01-06 |
| 1 | 161452-04-01A | EA | WINDOW - TIPOUT/FLUSH/ESCAPE/THERMO - 24.2" X 30.2" FROM: 10-02-06 THRU: 99-99-99 |
| 2* | 150649-08-01A | EA | WINDOW - VERT SLIDER/FLUSH/THERMO - 23.8" X 20.8" |
| 3* | 150648-07-01A | EA | WINDOW-HORIZ SLIDER/FLUSH/THERMO/LH - 23.8" X 57.7" |
| 4* | 151074-01-01A | EA | WINDOW - CAB/VISTA/FLUSH/THERMO - 11.3" X 44.7"/41.8" |
| 5* | 151073-01-01A | EA | WINDOW - CAB/FRT SLANT/FLUSH/THERMO - 28.1" X 19.7"/6.6" |
| 6* | 151072-01-01A | EA | WINDOW - CAB/RIGHT HAND/FLUSH/THERMO - 41.5" X 50.2"/41.8" |
| 7* | 150649-12-01A | EA | WINDOW - VERT SLIDER/FLUSH/THERMO - 33.4" X 26.9" |
| 8* | 150651-07-01A | EA | WINDOW - STATIONARY/FLUSH/THERMO - 26.3" X 19.1" - BLACK |
| 9* | 150648-04-01A | EA | WINDOW-HORIZ SLIDER/FLUSH/THERMO/RH - 16" X 28.7" |
| 10 | 138983-01-01A | EA | VENT - MICROWAVE/OUTER - BRIGHT WHITE |
| 10 | 138983-03-01A | EA | COVER - VENT MICROWAVE/OUTER - BRIGHT WHITE |
| 11 | 149508-01-02A | EA | CAP - ROOF/REFRIGERATOR VENT - WHITE |
| 11 | 149508-02-02A | EA | BASE - ROOF/REFRIGERATOR VENT - BRIGHT WHITE |
| 12* | 122882-02-01A | EA | VENT - ROOF - W/FAN - W/O INSIDE GARNISH - UL |
| 12* | 122882-03-01A | EA | VENT - ROOF - W/FAN - W/O INSIDE GARNISH - CSA - CANADIAN |
| | 009440-01-000 | EA | GEAR/ARM - LIFT - ROOF VENT COVER |
| | 048648-01-000 | EA | MOTOR/ROOF VENT - W/RESISTER - 1/8"SHAFT - 12VOLT |
| | 048649-01-000 | EA | FAN BLADE - ROOF VENT - 6 BLADED - 6"RADIUS |
| 12 | 122882-07-01A | EA | GARNISH - ROOF VENT - 2.5" TO 4.1" |
| 13* | 150649-19-01A | EA | WINDOW - VERT SLIDER/FLUSH/THERMO - 31.7" X 21.1" |
| 14* | 122882-01-01A | EA | VENT - ROOF - NONPOWERED - W/O INSIDE GARNISH |
| | 009440-01-000 | EA | GEAR/ARM - LIFT - ROOF VENT COVER |
| 14 | 122882-07-01A | EA | GARNISH - ROOF VENT - 2.5" TO 4.1" |
| 14* | 123780-03-01A | EA | FANTASTIC VENT-3"/4"ROOF-W/FAN-W/O THERM/PWR LIFT/WHT CVR |
| | 009440-01-000 | EA | GEAR/ARM - LIFT - ROOF VENT COVER |

*COMPONENT PARTS LISTED LATER IN THIS GROUP

WINDOW & VENTS GROUP (CONTINUED)
WINDOW & VENT LAYOUT (CONTINUED)



SCREEN RETAINER

| KEY | PART NUMBER | U/M | DESCRIPTION |
|------------|--------------------|------------|--|
| 1 | 151905-01-01A | EA | CLIP/BRACKET - SCREEN RETAINER - BLACK |

COMPONENT PARTS FOR WINDOW & VENT LAYOUT

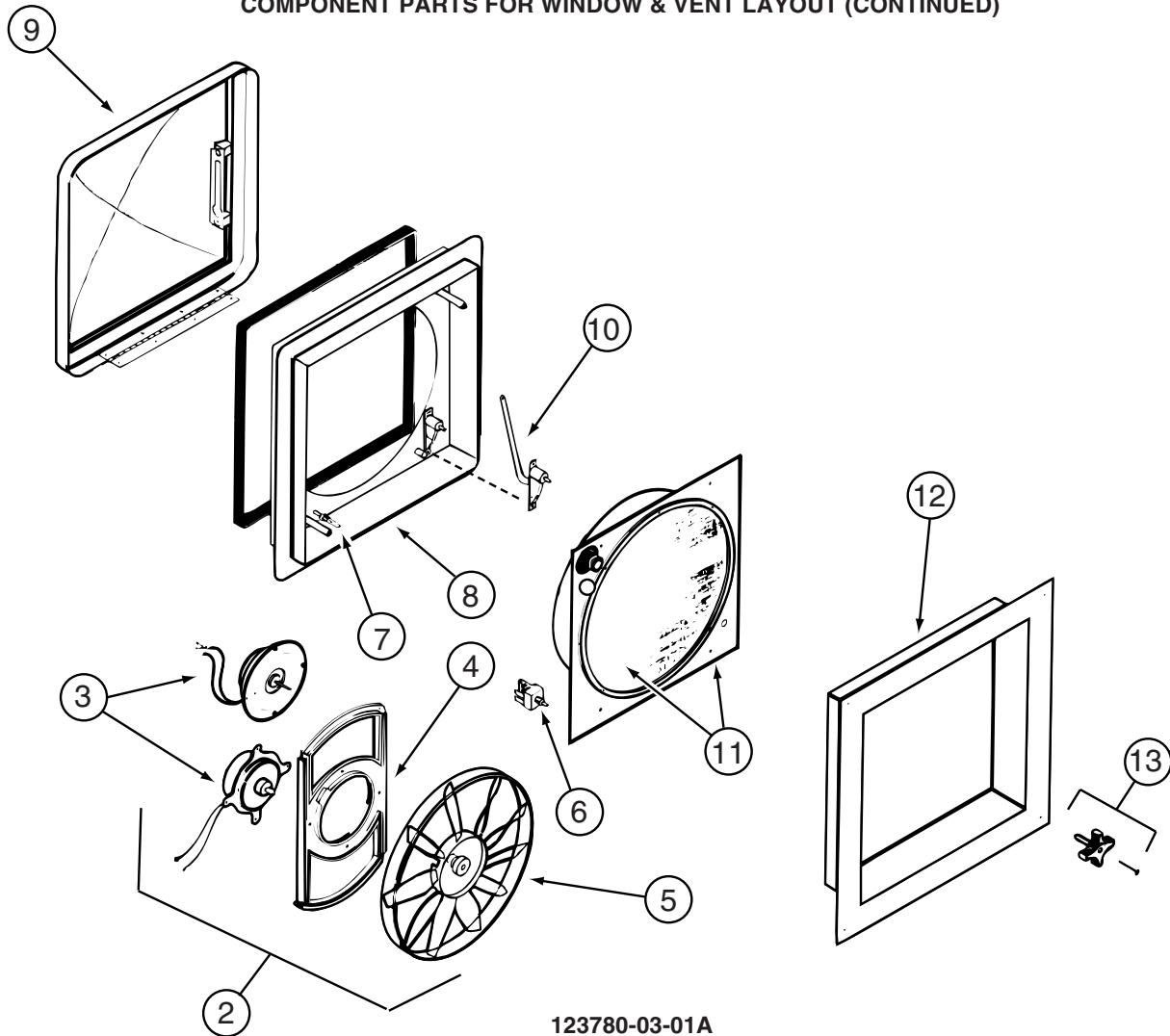
122882-01-01A

| KEY | PART NUMBER | U/M | DESCRIPTION | VENDOR NO. |
|------------|--------------------|------------|------------------------|-------------------|
| | 064470-01-700 | EA | COVER - VENT | J7291 |
| | 064470-01-701 | EA | SLIDE BAR - VENT LID | JRP1291B |
| | 122882-01-700 | EA | HANDLE - CRANK - BLACK | 90128 |
| | 122882-01-701 | EA | SCREEN | JRP-1124-B |
| | 122882-01-702 | EA | HANDLE - CRANK - WHITE | JRP1031B |

122882-02-01A, 122882-03-01A

| KEY | PART NUMBER | U/M | DESCRIPTION | VENDOR NO. |
|------------|--------------------|------------|--------------------------|-------------------|
| | 064470-01-700 | EA | COVER - VENT | J7291 |
| | 064470-01-701 | EA | SLIDE BAR - VENT LID | JRP1291B |
| | 110051-03-700 | EA | SWITCH-BLACK/PUSH BUTTON | 27-0164 |
| | 122882-01-700 | EA | HANDLE - CRANK - BLACK | 90128 |
| | 122882-01-701 | EA | SCREEN | JRP-1124-B |
| | 122882-01-702 | EA | HANDLE - CRANK - WHITE | JRP1031B |

WINDOW & VENTS GROUP (CONTINUED)
COMPONENT PARTS FOR WINDOW & VENT LAYOUT (CONTINUED)

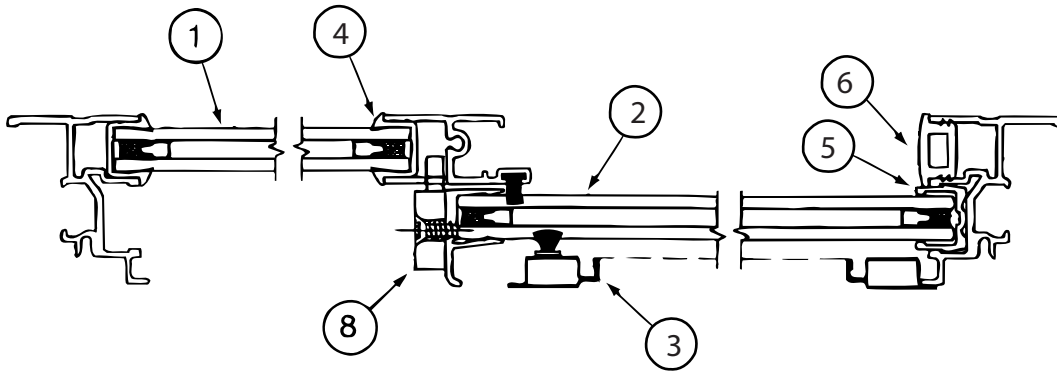


123780-03-01A

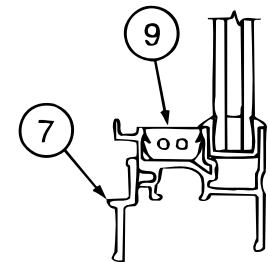
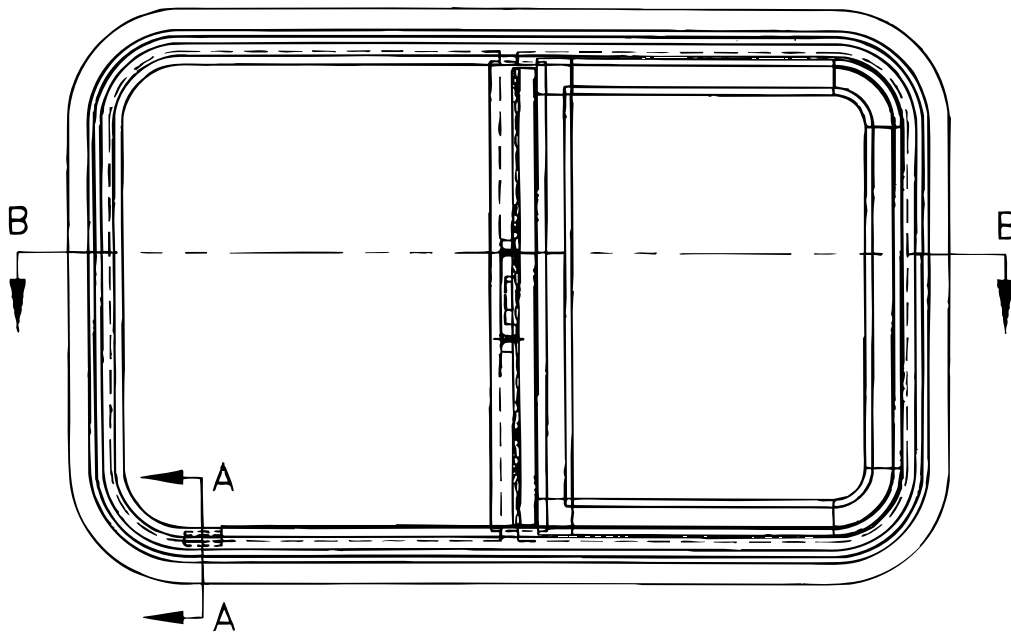
| KEY | PART NUMBER | U/M | DESCRIPTION | VENDOR NO. |
|-----|---------------|-----|------------------------------|------------|
| 2 | 084079-11-700 | EA | MOTOR & FAN BLADE W/BRACKET | K4017-09 |
| 3 | 084079-01-705 | EA | MOTOR/EXT BRKT/FAN BLADE KIT | 1080-00 |
| 4 | 084079-01-711 | EA | MOTOR MOUNT (BOWTIE) | 1015-00 |
| 5 | 084079-01-704 | EA | BLADE-FAN | 1138-00 |
| 6 | 084079-01-709 | EA | SWITCH - MAIN - 3 SPEED | 1031-05 |
| 7 | 084079-01-707 | EA | SWITCH - SAFETY | 1122-05 |
| 8 | 123780-05-700 | EA | BASE/MAIN-BRT WHT W/GASKET | 1010-81 |
| 9 | 123780-01-700 | EA | COVER - VENT W/HINGE & SLIDE | 1020K-81 |
| 10 | 009440-01-000 | EA | GEAR-ARM-ROOF VENT | 705221K38 |
| 11 | 123780-03-701 | EA | SCREEN ASM 78-100MM W/SWITCH | 1030BT-81 |
| 12 | 123780-03-700 | EA | GARNISH - INT. 3"-4" BRT/WHT | 2040-81 |
| 13 | 084079-01-703 | EA | KNOB-LIFT | 1140K-00 |
| | 084079-01-706 | EA | PLUG, 12 VOLT | 1090 |
| | 123780-01-702 | EA | SCREEN INSERT (SCREEN RING) | K1035-81 |

CONTACT WINNEBAGO PART SALES FOR UNLISTED COMPONENT(S)

WINDOW & VENTS GROUP (CONTINUED)
COMPONENT PARTS FOR WINDOW & VENT LAYOUT (CONTINUED)



CROSS SECTION B-B



CROSS SECTION
A-A

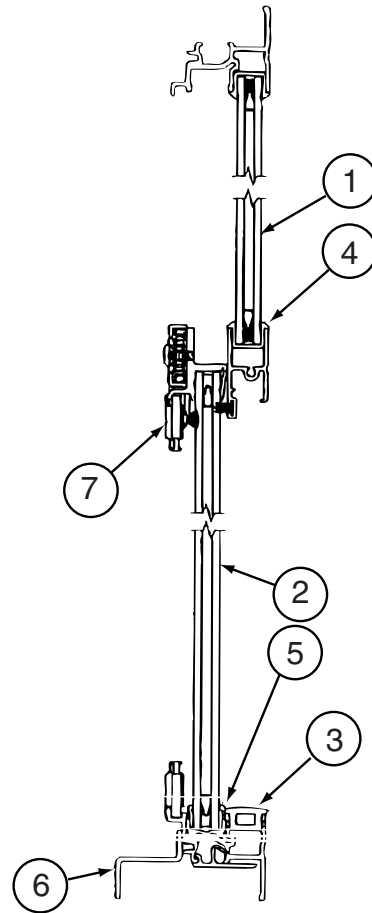
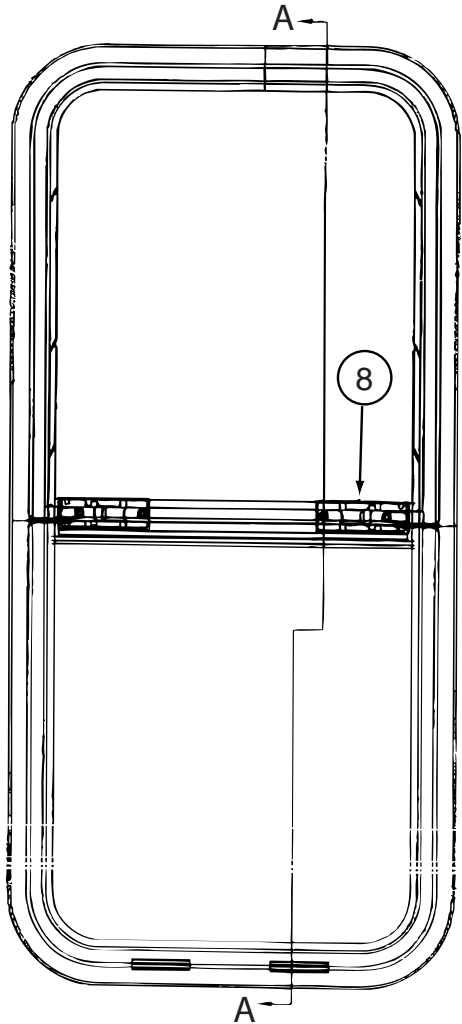
150648-04-01A, 150648-05-01A

| KEY | PART NUMBER | U/M | DESCRIPTION | VENDOR NO |
|-----|---------------|-----|------------------------------|------------|
| 1 | 112795-72-700 | EA | GLASS - STATIONARY | 390-028307 |
| 2 | 150648-04-700 | EA | GLASS-SLIDING W/SASH & LATCH | FH3002G8 |
| 3 | 150648-05-700 | EA | SCREEN ASM | 410-031158 |
| 4 | 112795-01-705 | FT | VINYL - GLAZING | 132-027331 |
| 5 | 151069-01-700 | EA | CHANNEL-RUN, SLIDING | 122-030627 |
| 6 | 150648-01-703 | EA | PLUG - FILLER | 132-030308 |
| 7 | 150648-05-701 | EA | RETAINER - TRIM | CH29-67 |
| 8 | 150648-01-700 | EA | LATCH-HORIZONTAL SLIDE-BLK | FH3000-CK |
| 8 | 150648-01-701 | EA | LATCH-HORIZONTAL SLIDE-RED | FH3003-CK |
| 9 | 150648-01-704 | EA | SLIDE STOP | 132-030866 |
| | 150648-05-702 | FT | FIN SEAL-F/LOCKING RAIL-BLK | 171-062348 |

WINDOW & VENTS GROUP (CONTINUED)
COMPONENT PARTS FOR WINDOW & VENT LAYOUT (CONTINUED)

150648-07-01A, 150648-22-01A

| KEY | PART NUMBER | U/M | DESCRIPTION | VENDOR NO |
|-----|---------------|-----|------------------------------|------------|
| 1 | 150648-07-701 | EA | GLASS - STATIONARY | 390-028314 |
| 2 | 150648-07-700 | EA | GLASS-SLIDING W/SASH & LATCH | FH3000G8 |
| 3 | 150648-01-702 | EA | SCREEN ASM | 410-031156 |
| 4 | 112795-01-705 | FT | VINYL - GLAZING | 132-027331 |
| 5 | 151069-01-700 | EA | CHANNEL-RUN, SLIDING | 122-030627 |
| 6 | 150648-01-703 | EA | PLUG - FILLER | 132-030308 |
| 7 | 150648-01-707 | EA | RETAINER - TRIM | H493-67 |
| 8 | 150648-01-700 | EA | LATCH-HORIZONTAL SLIDE-BLK | FH3000-CK |
| 8 | 150648-01-701 | EA | LATCH-HORIZONTAL SLIDE-RED | FH3003-CK |
| 9 | 150648-01-704 | EA | SLIDE STOP | 132-030866 |
| | 150648-05-702 | FT | FIN SEAL-F/LOCKING RAIL-BLK | 171-062348 |



CROSS SECTION A-A

150649-08-01A

| KEY | PART NUMBER | U/M | DESCRIPTION | VENDOR NO |
|-----|---------------|-----|--------------------------------------|------------|
| 1 | 150649-08-700 | EA | GLASS - STATIONARY | 390-035202 |
| 2 | 150649-08-701 | EA | GLASS-SLIDING W/PULL & LATCH | FH3029G8 |
| 3 | 150648-01-703 | EA | PLUG - FILLER | 132-030308 |
| 4 | 112795-01-705 | FT | VINYL-GLAZING | 132-027331 |
| 5 | 151069-01-700 | EA | FIN CHANNEL-RUN, SLIDING | 122-030627 |
| 6 | 150649-08-702 | EA | RETAINER - TRIM | H754-67 |
| 7 | 150649-07-701 | EA | SCREEN ASM | 410-035475 |
| 8 | 150649-01-700 | EA | LATCH KIT - F/VERTICAL SLIDE - BLACK | FH3016-CK |

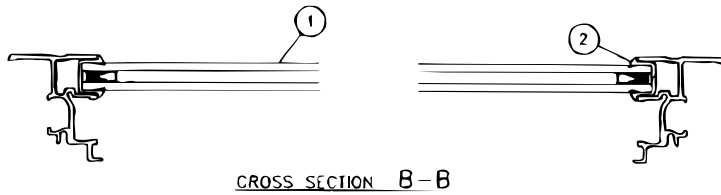
WINDOW & VENTS GROUP (CONTINUED)
COMPONENT PARTS FOR WINDOW & VENT LAYOUT (CONTINUED)

150649-12-01A

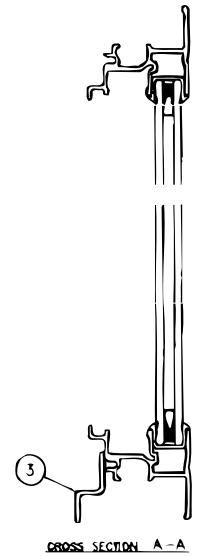
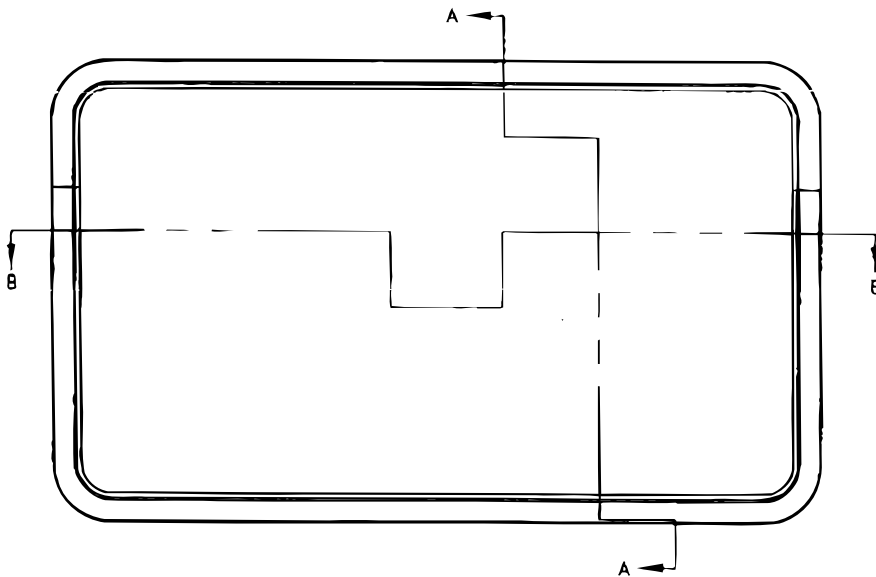
| KEY | PART NUMBER | U/M | DESCRIPTION | VENDOR NO |
|-----|---------------|-----|--------------------------------------|------------|
| 1 | 150649-12-700 | EA | GLASS - STATIONARY | 390-031007 |
| 2 | 150649-12-701 | EA | GLASS-SLIDING W/PULL & LATCH | FH3026G8 |
| 3 | 150648-01-703 | EA | PLUG - FILLER | 132-030308 |
| 4 | 112795-01-705 | FT | VINYL-GLAZING | 132-027331 |
| 5 | 151069-01-700 | EA | FIN CHANNEL-RUN, SLIDING | 122-030627 |
| 6 | 150649-12-702 | EA | RETAINER - TRIM | H3026-67 |
| 7 | 150649-12-703 | EA | SCREEN ASM | 410-035472 |
| 8 | 150649-01-700 | EA | LATCH KIT - F/VERTICAL SLIDE - BLACK | FH3016-CK |

150649-19-01A

| KEY | PART NUMBER | U/M | DESCRIPTION | VENDOR NO |
|-----|---------------|-----|------------------------------|------------|
| 1 | 112898-26-700 | EA | GLASS - STATIONARY | 390-028343 |
| 2 | 150649-10-700 | EA | GLASS-SLIDING W/PULL & LATCH | FH3019G8 |
| 3 | 150648-01-703 | EA | PLUG - FILLER | 132-030308 |
| 4 | 112795-01-705 | FT | VINYL-GLAZING | 132-027331 |
| 5 | 151069-01-700 | EA | FIN CHANNEL-RUN, SLIDING | 122-030627 |
| 6 | 150649-19-700 | EA | RETAINER - TRIM | H332-61 |
| 7 | 150649-10-701 | EA | SCREEN ASM | 410-035465 |
| 8 | 150649-01-700 | EA | LATCH-VERTICLE SLIDE-BLK | FH3016-CK |



CROSS SECTION B-B

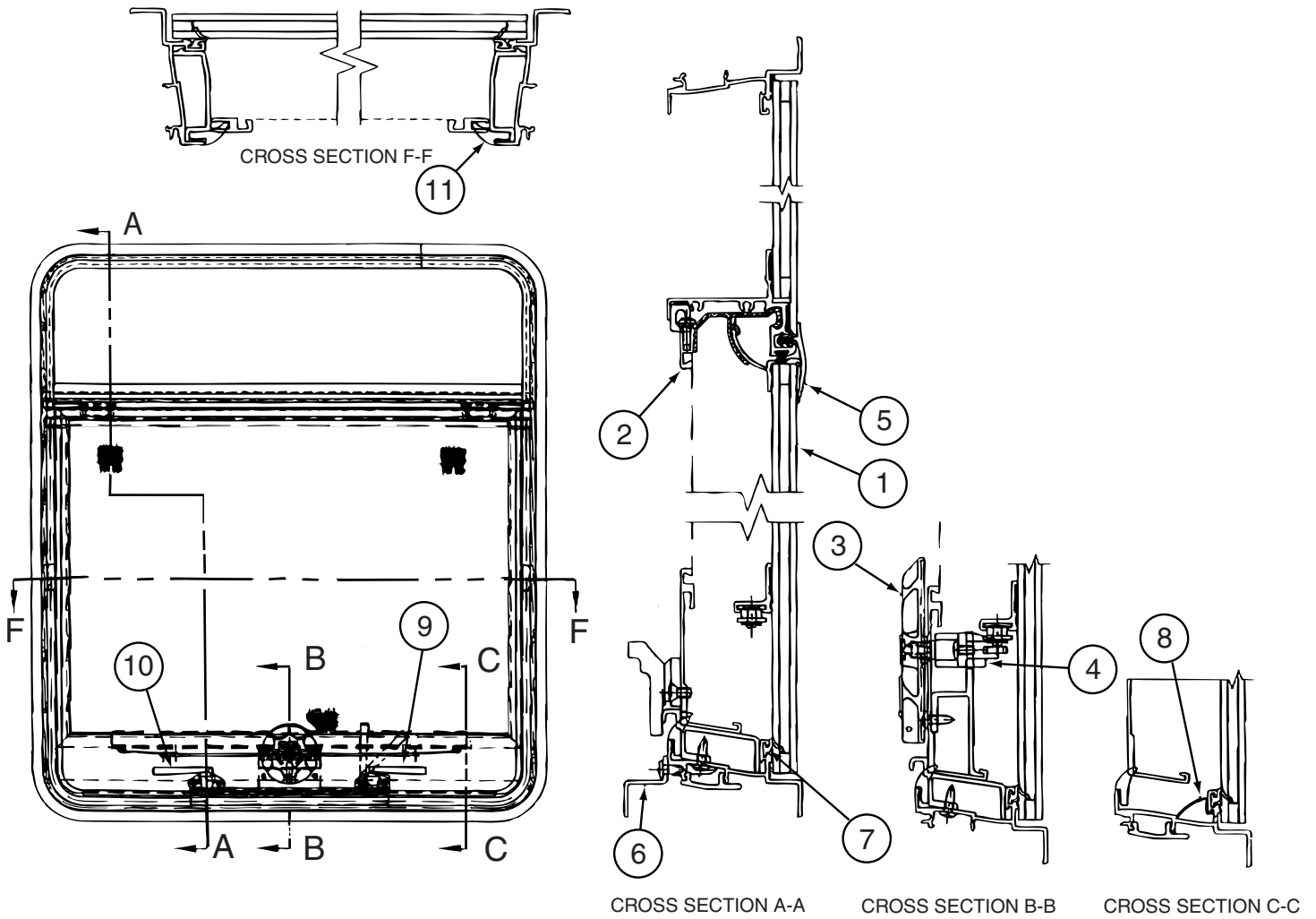


CROSS SECTION A-A

150651-07-01A

| KEY | PART NUMBER | U/M | DESCRIPTION | VENDOR NO |
|-----|---------------|-----|--------------------|------------|
| 1 | 150651-07-700 | EA | GLASS - STATIONARY | 390-036022 |
| 2 | 150651-07-701 | EA | RETAINER - TRIM | H3074-67 |
| 3 | 112795-01-705 | FT | VINYL - GLAZING | 132-027331 |

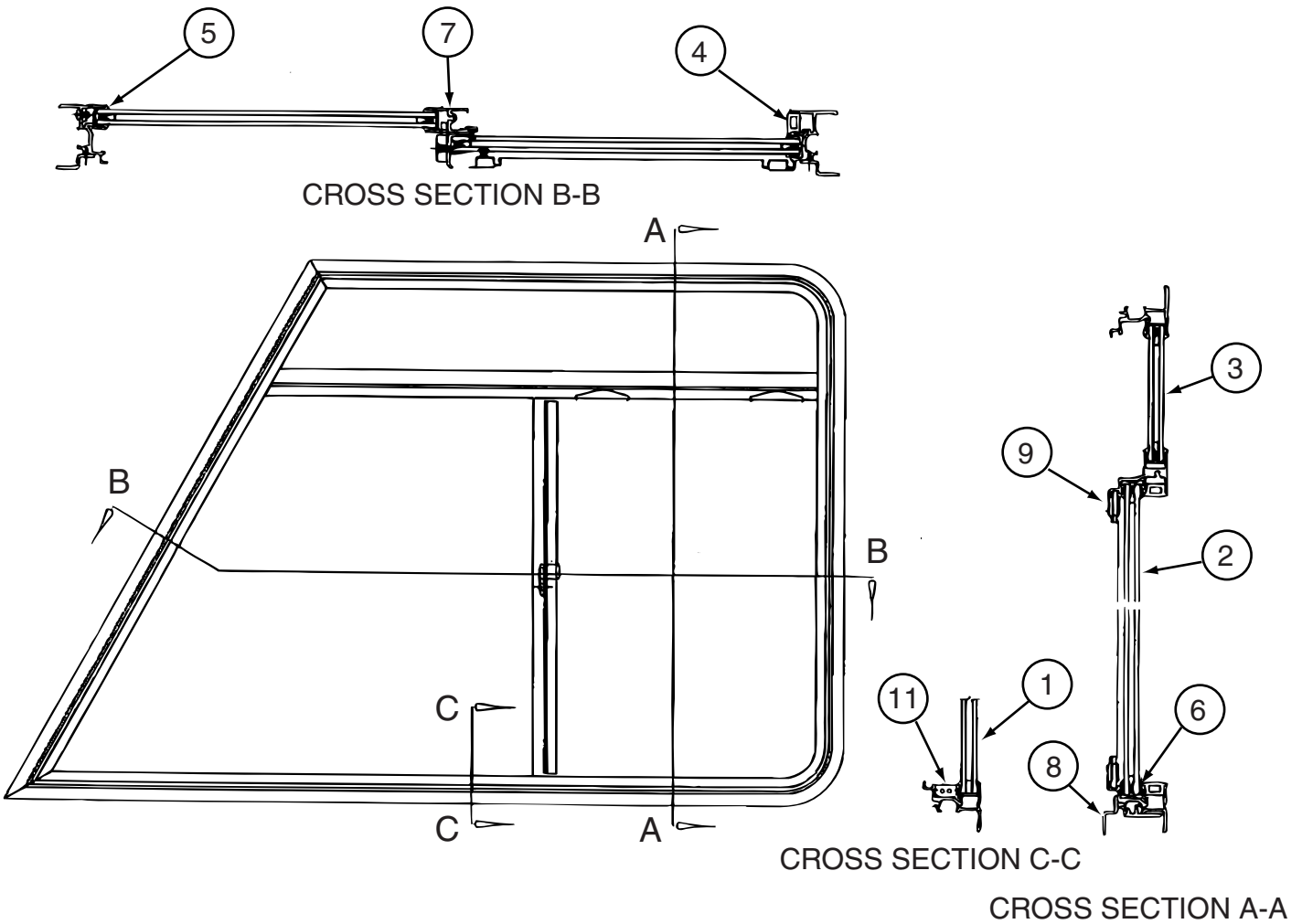
WINDOW & VENTS GROUP (CONTINUED)
COMPONENT PARTS FOR WINDOW & VENT LAYOUT (CONTINUED)



150656-09-01A

| KEY | PART NUMBER | U/M | DESCRIPTION | VENDOR NO |
|-----|---------------|-----|------------------------------|-------------|
| 1 | 150656-09-701 | EA | GLASS-TIPOUT - W/HINGE/RAIL | DTH3027G8 |
| 2 | 150656-09-702 | EA | SCREEN ASM | DTH3027-06 |
| 3 | 150656-02-702 | EA | HANDLE-DIAL | 410-016081E |
| 4 | 150656-08-701 | EA | OPERATOR - TIPOUT/LARGE | 410-036141 |
| 5 | 150656-08-700 | EA | SEAL/DUAL - WINDOW - 100" | 132-030725 |
| 6 | 150656-09-703 | EA | RETAINER - TRIM | DTH3027-56 |
| 7 | 100322-01-701 | FT | SEAL-VENT | 122-016071 |
| 8 | 150651-03-702 | EA | COVER - DRAIN SLOT | 132-030723 |
| 9 | 112898-06-707 | EA | HANDLE/RH-EGRESS(SLD)ESC-RED | 182-025911 |
| 10 | 112898-06-708 | EA | HANDLE/LH-EGRESS(SLD)ESC-RED | 182-025912 |
| 11 | 150656-09-700 | EA | SEAL/SPONGE FOAM-SCREEN/FRME | 140-035542 |

WINDOW & VENTS GROUP (CONTINUED)
COMPONENT PARTS FOR WINDOW & VENT LAYOUT (CONTINUED)

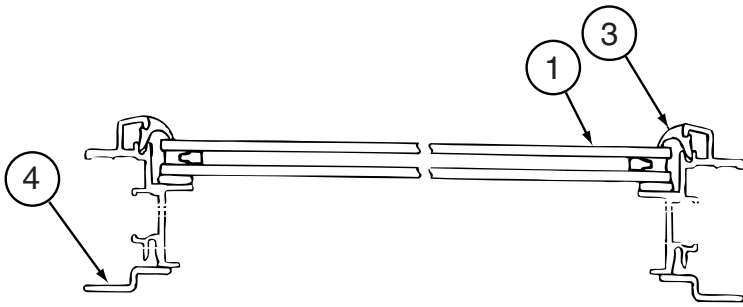


151072-01-01A

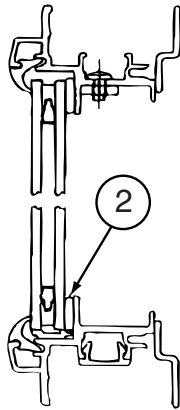
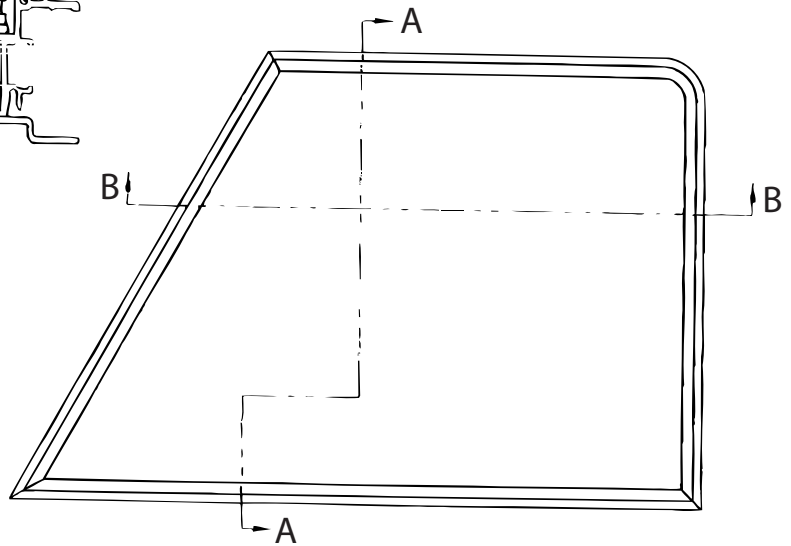
| KEY | PART NUMBER | U/M | DESCRIPTION | VENDOR NO |
|-----|---------------|-----|------------------------------|---------------------|
| 1 | 125583-01-702 | EA | GLASS - STATIONARY - R.H. | 390-026101 |
| 2 | 151072-01-701 | EA | GLASS-SLIDING W/SASH & LATCH | FH3040A9R |
| 3 | 151072-01-702 | EA | GLASS - STATIONARY - UPPER | 390-036521 |
| 4 | 150648-01-703 | FT | PLUG - FILLER | 132-030308 |
| 5 | 151069-03-705 | EA | VINYL GLAZING - F/STATIONARY | DH567-12 MITER/WELD |
| 5 | 151069-03-706 | EA | VINYL GLAZING - F/STATIONARY | DH373-12 MITER/WELD |
| 6 | 151069-01-700 | EA | CHANNEL-RUN, SLIDING | 122-030627 |
| 7 | 098644-01-706 | FT | WEATHERSTRIP - GLASS | 171-010668 |
| 8 | 151072-01-703 | EA | RETAINER-TRIM - 1 OF 2 PCE | H573K67RA |
| 8 | 151072-01-704 | EA | RETAINER-TRIM - 1 OF 2 PCE | H573K67RB |
| 9 | 151072-01-700 | EA | SCREEN ASM | 410-035507 |
| 10 | 150648-01-700 | EA | LATCH-HORIZONTAL SLIDE-BLK | FH3000-CK |
| 11 | 112795-01-701 | EA | SLIDE-STOP | 132-019092 |

CONTACT WINNEBAGO PARTS SALES FOR FOR UNLISTED COMPONENTS

WINDOW & VENTS GROUP (CONTINUED)
COMPONENT PARTS FOR WINDOW & VENT LAYOUT (CONTINUED)



CROSS SECTION B-B



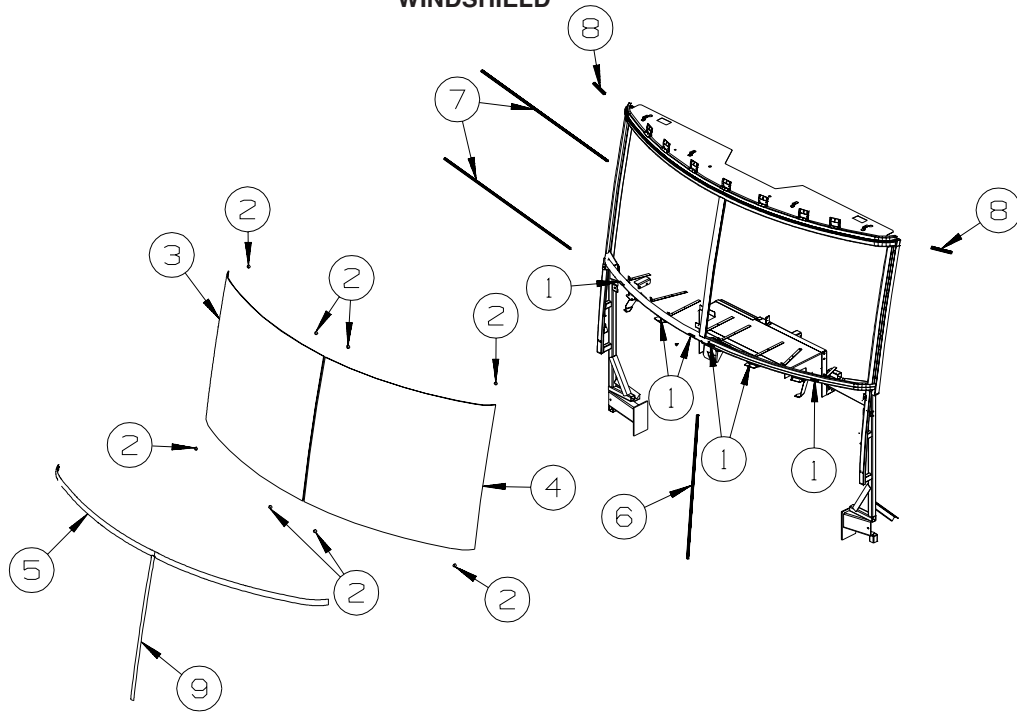
CROSS SECTION A-A

| 151073-01-01A | | | | |
|---------------|---------------|-----|----------------------------|------------|
| KEY | PART NUMBER | U/M | DESCRIPTION | VENDOR NO |
| 1 | 125585-01-700 | EA | GLASS - STATIONARY | 390026092 |
| 2 | 115630-01-705 | EA | TAPE - BUTYL | 154-011956 |
| 3 | 151073-01-700 | EA | VINYL BUTYL-MITERED/FORMED | FH56912 |
| 4 | 151073-01-701 | EA | RETAINER - TRIM | H569K67L |

| 151074-01-01A | | | | |
|---------------|---------------|-----|------------------------------|------------|
| KEY | PART NUMBER | U/M | DESCRIPTION | VENDOR NO |
| 1 | 151074-01-700 | EA | GLASS - STATIONARY | 390-028331 |
| 2 | 115630-01-705 | FT | TAPE - BUTYL | 154-011956 |
| 3 | 151074-01-701 | EA | VINYL GLAZING-MITERED/FORMED | FH570-12 |
| 4 | 151074-01-702 | EA | RETAINER - TRIM | H570K67L |

WINDSHIELD & WIPER GROUP

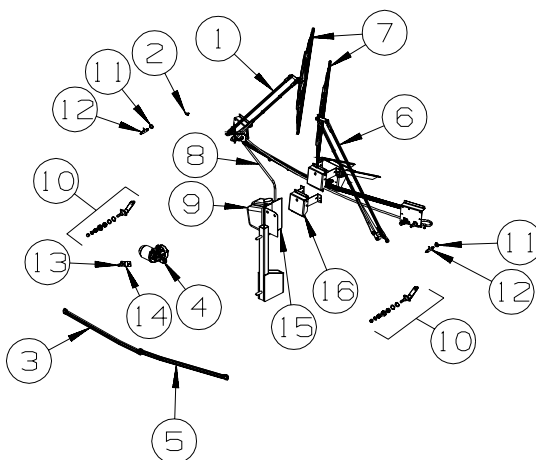
WINDSHIELD



| KEY | PART NUMBER | U/M | DESCRIPTION |
|-----|---------------|-----|---|
| 1 | 002328-03-000 | EA | BLOCK - WINDSHIELD - .125" X .5" X .98" |
| 2 | 081914-02-000 | EA | BUMPER - RUBBER - ROUND - 5/16" DIA. X 13/64" THICK |
| 3 | 124328-01-000 | EA | WINDSHIELD - PASSENGER - 52" X 41" (CURVED) |
| 4 | 124328-02-000 | EA | WINDSHIELD - DRIVER - 52" X 41" (CURVED) |
| 5 | 120533-01-000 | FT | MOLDING - REVEAL - WINDSHIELD |
| 6 | 127862-06-000 | EA | CARRIER/REVEAL - WINDSHIELD - 41.9" |
| 7 | 127862-01-000 | EA | CARRIER/REVEAL - WINDSHIELD - 47.2" |
| 8 | 127862-01-045 | EA | CARRIER/REVEAL - WINDSHIELD - 47.2" |
| 9 | 159729-01-01A | FT | MOLDING - REVEAL - WINDSHIELD |

WINDSHIELD & WIPER GROUP (CONTINUED)

WIPER



| KEY | PART NUMBER | U/M | DESCRIPTION |
|-----|---------------|-----|--|
| 1* | 149402-03-000 | EA | ARM - WINDSHIELD WIPER/PANTOGRAPH - RIGHT HAND - 28" |
| 2 | 146486-01-000 | EA | TEE - PLASTIC - 5/32" X 5/32" X 5/32" |
| 3 | 149403-01-000 | EA | LINK/CONNECTING-WINDSHIELD WIPER - CLOSED/CLOSED - 24" |
| 4 | 149409-01-000 | EA | MOTOR - WINDSHIELD WIPER - DYNAMIC PARK |
| 5 | 149403-02-000 | EA | LINK/CONNECTING-WINDSHIELD WIPER - OPEN/CLOSED GROMMET-24" |
| 6* | 149402-04-000 | EA | ARM - WINDSHIELD WIPER/PANTOGRAPH - LEFT HAND - 28" |
| 7 | 149399-01-000 | EA | BLADE - WINDSHIELD WIPER - 24" |
| 8 | 045794-01-000 | FT | HOSE - WINDSHIELD WASHER - 5/32"ID - BLACK |
| 9 | 117766-02-000 | EA | RESERVOIR/PUMP - WINDSHIELD WASHER |
| 10* | 149401-02-000 | EA | SHAFT/PIVOT - WINDSHIELD WIPER - 4.1" OVERALL |
| 11 | 110742-03-000 | EA | GASKET - WIPER ADAPTER SHAFT |
| 12 | 145698-01-01A | EA | SHAFT/IDLER - PANTOGRAPH - W/WASHER DIVERTER - STAINLESS |
| 13 | 149395-01-000 | EA | STUD/DOUBLE BALL CRANK - WIPER MOTOR |
| 14 | 149408-01-000 | EA | ARM - DRIVE/WIPER MOTOR |
| 15 | 156697-01-02B | EA | BRACKET - F/RESERVOIR - E-COATED - FORD |
| 16 | 157842-01-02B | EA | BRACKET - WIPER SUPPORT - E-COATED |

*COMPONENT PARTS LISTED LATER IN THIS GROUP

COMPONENT PARTS FOR WIPER

149401-01-000,149401-02-000

| KEY | PART NUMBER | U/M | DESCRIPTION | VENDOR NO. |
|-----|---------------|-----|------------------------------|-----------------|
| | 096505-02-703 | EA | NUT/ACORN - HD W/.687 BRL | 51065-40-NT27WC |
| | 149401-01-700 | EA | HARDWARE PKG - F/SHAFT&PIVOT | PSHWKIT |
| | 149401-01-701 | EA | SEAL CAP/RUBBER GROMMET | 300749 |

149402-03-000 & 149402-04-000

| KEY | PART NUMBER | U/M | DESCRIPTION | VENDOR NO. |
|-----|---------------|-----|--------------------------|------------|
| | 149402-03-700 | EA | WASHER NOZZLE KIT W/HDWR | 19476 |
| | 149402-03-701 | EA | COVER/CAP - BLACK | 200342 |