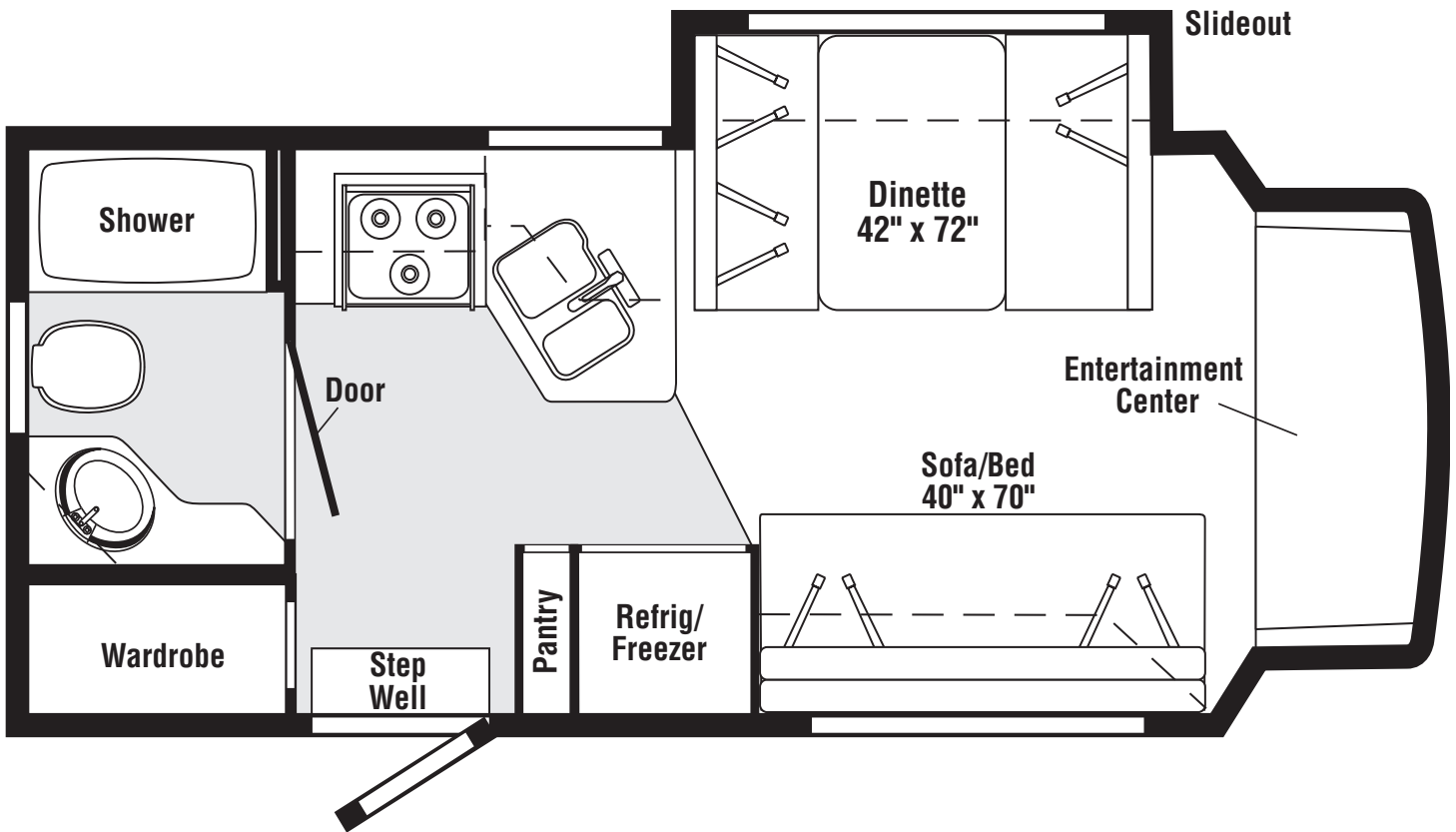


**2007
CAMBRIA
IF723D
700-SERIES
WASHED MAPLE
U45 MANGO TWIST
U47 NIGHT MIST
U49 NANTUCKET FOG
SIERRA MAPLE
U46 MANGO TWIST
U48 NIGHT MIST
U50 NANTUCKET FOG**



FLOORPLANS

CONTENTS

FLOORPLANS	1
ACCESSORIES GROUP	5
OPERATORS MANUAL	5
AUDIO VIDEO GROUP	6
RADIO SYSTEM	6
REAR MONITOR	6
COMPONENT PARTS FOR REAR MONITOR	6
156930-02-01A	6
CABINET & APPLIANCE GROUP	7
CABINET & APPLIANCE LAYOUT	7
COMPONENT PARTS FOR CABINET & APPLIANCE LAYOUT	13
114030-04-01A	13
121568-06-01A, 121568-07-01A, 121568-08-01A	15
136354-05-01A, 136354-05-02A	19
136354-06-01A, 136354-06-02A	20
150606-04-01A, 150606-04-02A	20
151277-01-01A, 151277-02-01A	21
158686-01-01A	23
CHASSIS GROUP	24
BRAKELINE	24
DRIVETRAIN	24
EXHAUST	24
FRAME	25
FUEL	26
HITCH	26
HYDRAULIC LEVELING	27
COMPONENT PARTS FOR HYDRAULIC LEVELING	28
157770-01-000	28
SPARE TIRE	28
COMPONENT PARTS FOR SPARE TIRE	28
149703-01-01A	28
SUSPENSION	29
COMPONENT PARTS FOR SUSPENSION	29
153119-01-000	29
153119-02-000	29
WHEEL, TIRE, COVERS &/OR LINERS	29
COMPONENT PARTS FOR WHEEL, TIRE, COVERS &/OR LINERS	29
110435-13-000	29
144647-01-000	29
CURTAIN & CUSHION GROUP	30
NOTICE	30
CUSHION LAYOUT	31
BUCKET SEATS	33
SOFA	35
WINDOW TREATMENT	37
HARDWARE	38
ACCESSORIES	39
FABRICS	40
DRIVERS COMPARTMENT GROUP	41
FRONT INTERIOR	41
CABINETS	42

CONTENTS (CONTINUED)

ELECTRICAL GROUP	43
110V BODY WIRING	43
12V BODY WIRING	45
EXTERIOR LAMPS	49
FRONT END	50
FRONT TV/VCR	51
COMPONENT PARTS FOR WIRING	52
076319-23-000	52
076319-25-000	52
087694-01-000	52
093575-30-02A	52
097917-01-06A	52
120269-07-01A	52
121935-01-01A	52
133908-09-01A	53
134940-06-01A	53
134940-07-01A	53
137135-02-000	54
137417-02-01A	55
137417-06-01A	55
146299-02-000	55
155619-01-000	55
156130-01-000	55
158778-01-000	55
CIRCUIT BREAKERS, FUSES & RELAYS	56
CONVERTER, INVERTER, LOAD CENTERS	56
COMPONENT PARTS FOR CONVERTER, INVERTER, LOAD CENTERS	56
083208-07-000	56
BOXES & CORDS	57
WIRE ASSEMBLIES	57
CONNECTORS & CONDUIT	58
CHASSIS	60
EXTERIOR BODY GROUP	62
GRAPHICS & PAINT	62
PANELS & TRIMS	64
COMPONENT PARTS FOR PANELS & TRIMS	67
133908-14 & 133908-15, -01A/02A	67
133908-01 THRU 133908-08, 133908-10 THRU 133908-13, -01A/-02A/-03A	67
FRONT END	68
LADDER	69
STRUCTURAL COMPONENTS	69
AWNINGS	69
EXTERIOR DOORS & COMPARTMENTS GROUP	70
DOOR & COMPARTMENT LAYOUT	70
COMPONENT PARTS FOR DOOR & COMPARTMENT LAYOUT	72
084103-08-000	72
094708-05-01A	73
COMPARTMENT DOOR PIECE PARTS	74
COMPONENT PARTS FOR COMPARTMENT DOOR PIECE PARTS	75
110506-A1-000, 110506-A2-000, 110506-26-000, 110506-27-000, 110506-36-000	75
138637-03-000, 138637-04-000	75
ENTRY	76
SCREEN	77
LATCH - ENTRY	78
EXTERIOR SLIDEOUT GROUP	79
FRONT LEFT	79
COMPONENT PARTS FOR FRONT LEFT	82
148685-01-000	82
GENERATOR GROUP	83
GAS	83

CONTENTS (CONTINUED)

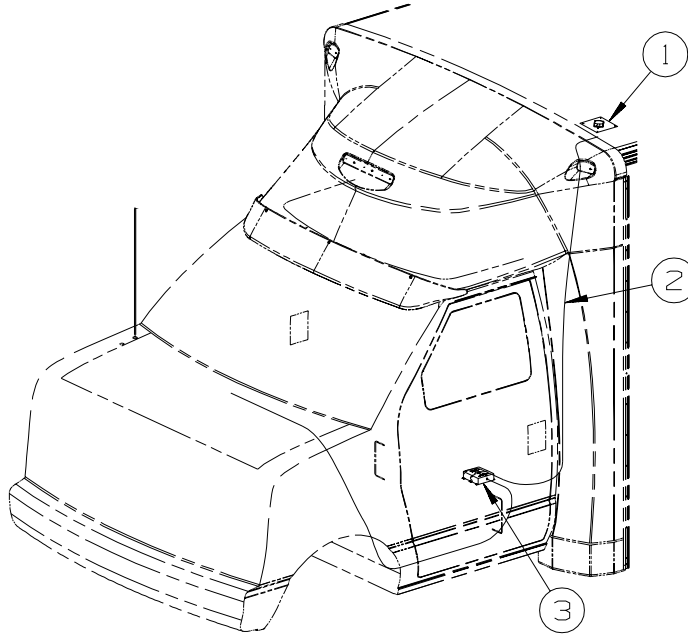
HEATING & A/C GROUP	84
FURNACE	84
COMPONENT PARTS FOR FURNACE	85
139980-01-000	85
139980-02-000	87
ROOF	89
COMPONENT PARTS FOR ROOF	89
131184-01-01A	89
131184-05-01A	90
148644-01-01A	91
148644-02-01A	92
INTERIOR FINISH GROUP	93
MOLDINGS & TRIMS	93
PANELING & LAMINATES	101
INTERIOR TRIM LAYOUT	102
COMPONENT PART FOR INTERIOR TRIM LAYOUT	103
094499-02-000	103
FLOOR COVERINGS	103
HARDWARE	104
LABELS GROUP	110
LP GROUP	114
LP SYSTEM	114
COMPONENT PARTS FOR LP SYSTEM	114
144116-09-000	114
SEALANTS & FASTENERS GROUP	115
SEALANTS & ADHESIVES	115
BOLTS, NUTS AND WASHERS	116
SCREWS	118
CLAMPS, CLIPS, GROMMETS, RIVETS & PLUGS	122
MISCELLANEOUS FASTENERS	122
WATER & SEWAGE GROUP	123
DRAINAGE SYSTEM	123
COMPONENT PARTS FOR DRAINAGE SYSTEM	125
147421-01-01A, 147421-02-01A	125
WATER SYSTEM	126
COMPONENT PARTS FOR WATER SYSTEM	132
051391-03-000	132
098607-01-000	133
144215-01-000	133
145541-02-000	133
WINDOW & VENTS GROUP	134
WINDOW & VENT LAYOUT	134
COMPONENT PARTS FOR WINDOW & VENT LAYOUT	135
098647-07-03A	135
098647-23-02A	136
098647-54-01A	136
122882-01-01A	136
122882-02-01A, 122882-03-01A	136
123780-03-01A	137
150648-01-01A	138
150648-02-01A, 150648-03-01A	139
150648-08-01A & 150648-09-01A	139
150651-01-01A	139

ACCESSORIES GROUP
OPERATORS MANUAL

KEY	PART NUMBER	U/M	DESCRIPTION
	129079-01-01A	EA	CASE - VINYL/BLACK-EXPANDABLE ACCORDION SIDES-7"WX9"HX14"L FROM: 00-00-00 THRU: 07-09-06
	129079-04-01A	EA	CASE - VINYL/BLK-EXPANDABLE ACCORDION SIDES-11"WX9"HX14"L FROM: 07-10-06 THRU: 07-30-06
	159842-01-01A	EA	CASE - VINYL - F/MANUALS - W/SLEEVES - BLACK FROM: 07-31-06 THRU: 99-99-99
	132000-27-007	EA	MANUAL/OWNER - CAMBRIA - 2007
	158603-07-004	EA	MANUAL/OWNER - SUPPLEMENT - 700 SERIES - 2007
	156570-01-000	DW	TOP LEVEL-700,2007

AUDIO VIDEO GROUP RADIO SYSTEM

KEY	PART NUMBER	U/M	DESCRIPTION
	135420-05-000	EA	RADIO - MOUNTING KIT - FORD
	135420-19-000	EA	REMOTE CONTROL/RADIO (CREDIT CARD SIZE)
	135420-18-000	EA	REMOTE CONTROL/RADIO (STEERING WHEEL MOUNT)
	135420-15-000	EA	RADIO-AM/FM/CD/SIRIUS SATELLITE READY/IR REMOTE
	135420-14-000	EA	RECEIVER - INFRARED



KEY	PART NUMBER	U/M	DESCRIPTION
1	158494-01-000	EA	ANTENNA/SATELLITE - RADIO/SIRIUS
2	158494-02-000	EA	CABLE/ANTENNA - SATELLITE RADIO SIRIUS
3	135420-20-000	EA	RECEIVER - SATELLITE RADIO

REAR MONITOR

KEY	PART NUMBER	U/M	DESCRIPTION
	156442-01-01A	EA	COLOR MONITOR/LCD - 5.6" - NO AUDIO - PLAS POD MOUNT - TAN FROM: 00-00-00 THRU: 07-09-06
	156442-02-01A	EA	COLOR MONITOR/LCD - 5.6" - NO AUDIO-PLAS POD MOUNT-TAN/BLK FROM: 07-10-06 THRU: 99-99-99
	156930-01-01A	EA	MONITOR/LCD - 5.6" - NO AUDIO - PLASTIC POD MOUNT - TAN - CHEVY FROM: 00-00-00 THRU: 07-09-06
*	156930-02-01A	EA	MONITOR/LCD - 5.6" - NO AUDIO - PLASTIC POD MOUNT - TAN - CHEVY FROM: 07-10-06 THRU: 99-99-99
	144677-04-000	EA	CAMERA - REAR VIEW W/BACKET - BLACK & WHITE - VBCS150
	149227-01-02B	EA	BRACKET - CAMERA - E-COATED - ASPECT, CAMBRIA
	149237-01-01A	EA	SHROUD - CAMERA/OUTER - BRIGHT WHITE - ASPECT, CAMBRIA
	149237-01-02A	EA	SHROUD - CAMERA/OUTER - PRIMED - ASPECT, CAMBRIA / DLX GRAPHICS
	154189-04-02A	EA	COVER/TRIM - WIRING - 15.3" - ALMOND - ACCESS, IMPULSE 226A, 228P, 229T, 231C
	154189-06-02A	EA	COVER/TRIM - WIRING - 17.3" - ALMOND - ACCESS, IMPULSE 224V
	160883-01-02B	EA	BRACKET-MONITOR-E-COATED - ACCESS, IMPULSE / OUTLOOK, SPIRIT - FORD FROM: 06-12-06 THRU: 99-99-99

*COMPONENT PARTS LISTED LATER IN THIS GROUP

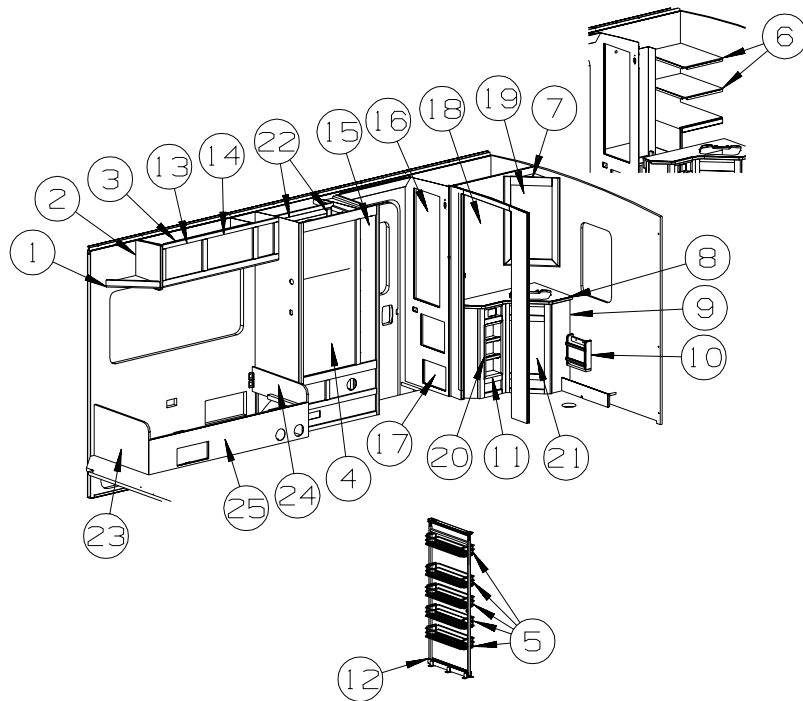
COMPONENT PARTS FOR REAR MONITOR

156930-02-01A

KEY	PART NUMBER	U/M	DESCRIPTION	VENDOR NO.
	156920-02-700	EA	SHROUD - REAR VIEW MONITOR	33200012

CABINET & APPLIANCE GROUP

CABINET & APPLIANCE LAYOUT



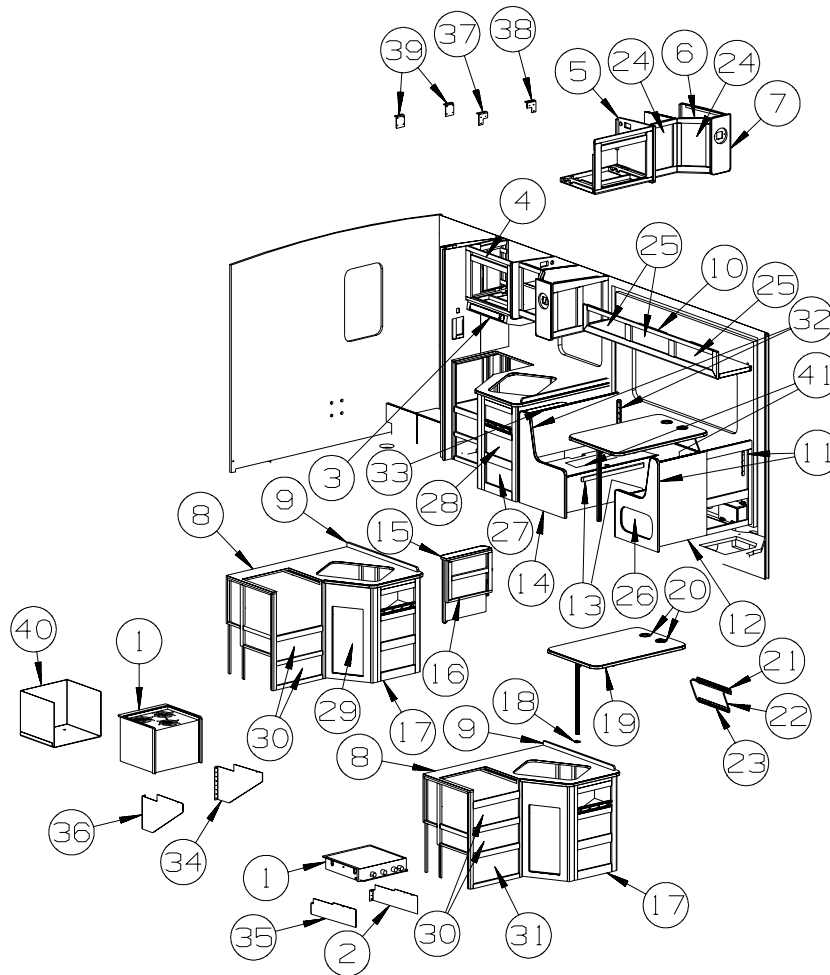
KEY	PART NUMBER	U/M	DESCRIPTION
1	148764-01-S34	EA	CABINET/SHELF - W/O DOORS/HARDWARE - WASHED MAPLE
1	148764-01-S35	EA	CABINET/SHELF - W/O DOORS/HARDWARE - SIERRA MAPLE
2	148713-01-S34	EA	END CAP - OVERHEAD CABINET - WASHED MAPLE
2	148713-01-S35	EA	END CAP - OVERHEAD CABINET - SIERRA MAPLE
3	148726-01-U37	EA	CABINET - OVERHEAD - W/O DOORS/HARDWARE - WASHED MAPLE
3	148726-01-U38	EA	CABINET - OVERHEAD - W/O DOORS/HARDWARE - SIERRA MAPLE
3	148726-02-U37	EA	CABINET - OVERHEAD - W/O DOORS/HARDWARE - WASHED MAPLE - SOUND SURROUND SYS.
3	148726-02-U38	EA	CABINET - OVERHEAD - W/O DOORS/HARDWARE - SIERRA MAPLE - SOUND SURROUND SYS.
4*	121568-07-01A	EA	REFRIGERATOR - SMALL DBL DOOR-LH/2 WAY- 52.8"HX23.5"WX24"D
	116751-01-01A	EA	TRAY - REFRIGERATOR
	054450-01-000	EA	LEVEL - REFRIGERATOR
5	148432-10-01A	EA	PANTRY BASKET - 6" X 20.5" X 3.3"
6	148381-36-S34	EA	SHELF - W/PLASTIC EDGE TRIM - WASHED MAPLE
			FROM: 00-00-00 THRU: 01-18-06
6	159348-36-U37	EA	SHELF - W/PLASTIC EDGE TRIM - WASHED MAPLE
			FROM: 01-19-06 THRU: 99-99-99
6	158774-36-U37	EA	SHELF - W/PLASTIC EDGE TRIM - WASHED MAPLE - HYDRAULIC LEVEL JACKS-AUTO
			FROM: 01-19-06 THRU: 99-99-99
6	148381-36-S35	EA	SHELF - W/PLASTIC EDGE TRIM - SIERRA MAPLE
			FROM: 00-00-00 THRU: 01-18-06
6	159348-36-U38	EA	SHELF - W/PLASTIC EDGE TRIM - SIERRA MAPLE
			FROM: 01-19-06 THRU: 99-99-99
6	158774-36-U38	EA	SHELF - W/PLASTIC EDGE TRIM - SIERRA MAPLE - HYDRAULIC LEVEL JACKS-AUTO
			FROM: 01-19-06 THRU: 99-99-99
7	143253-02-S34	EA	CABINET - MEDICINE - W/O DOORS/HARDWARE - WASHED MAPLE
7	143253-02-S35	EA	CABINET - MEDICINE - W/O DOORS/HARDWARE - SIERRA MAPLE
8	133654-54-U45	EA	COUNTERTOP - LAMINATED - HOUSE ROCK/WASHED MAPLE (U45)
8	133654-54-U38	EA	COUNTERTOP - LAMINATED - HOUSE ROCK/SIERRA MAPLE (U46)
8	133654-54-U47	EA	COUNTERTOP - LAMINATED - CINDER GRAY/WASHED MAPLE (U47)
8	133654-54-U40	EA	COUNTERTOP - LAMINATED - CINDER GRAY/SIERRA MAPLE (U48)
8	133654-54-U49	EA	COUNTERTOP - LAMINATED - CLASSIC ROCK/WASHED MAPLE (U49)
8	133654-54-U50	EA	COUNTERTOP - LAMINATED - CLASSIC ROCK/SIERRA MAPLE (U50)
9	P48673-02-T41	EA	CABINET - LAVATORY - W/O COUNTERTOP/DOORS/DRAWERS/HDW - WASHED MAPLE
9	P48673-02-T42	EA	CABINET - LAVATORY - W/O COUNTERTOP/DOORS/DRAWERS/HDW - SIERRA MAPLE

CABINET & APPLIANCE GROUP (CONTINUED)
CABINET & APPLIANCE LAYOUT (CONTINUED)

KEY	PART NUMBER	U/M	DESCRIPTION
10	140304-05-T41	EA	CABINET - MAGAZINE RACK - WASHED MAPLE
10	140304-05-T42	EA	CABINET - MAGAZINE RACK - SIERRA MAPLE
11	140359-05-S34	EA	CABINET - STORAGE - W/O DOORS/HARDWARE - WASHED MAPLE
11	140359-05-T42	EA	CABINET - STORAGE - W/O DOORS/HARDWARE - SIERRA MAPLE
12	148432-02-01A	EA	SLIDE FRAME - PANTRY - 22.1" DEEP X 49.8" TO 52.8" TALL
13	136954-82-S34	EA	DOOR - RAISED PANEL/OGEE EDGE - 12.8" X 17.7" - W/O HDW - WASHED MAPLE
13	136954-82-S35	EA	DOOR - RAISED PANEL/OGEE EDGE - 12.8" X 17.7" - W/O HDW - SIERRA MAPLE
14	136954-85-S34	EA	DOOR - RAISED PANEL/OGEE EDGE - 12.8" X 21.8" - W/O HDW - WASHED MAPLE
14	136954-85-S35	EA	DOOR - RAISED PANEL/OGEE EDGE - 12.8" X 21.8" - W/O HDW - SIERRA MAPLE
15	145268-30-S34	EA	DOOR - RAISED PANEL/OGEE EDGE - 8.1" X 53.9" - W/O HDW - WASHED MAPLE
15	145268-30-S35	EA	DOOR - RAISED PANEL/OGEE EDGE - 8.1" X 53.9" - W/O HDW - SIERRA MAPLE
16	145268-32-S34	EA	DOOR - RAISED PANEL/OGEE EDGE - 15.7" X 41.5" - W/O HDW - WASHED MAPLE
16	145268-32-S35	EA	DOOR - RAISED PANEL/OGEE EDGE - 15.7" X 41.5" - W/O HDW - SIERRA MAPLE
17	136918-16-S34	EA	DOOR - FLAT/OGEE EDGE - 9.8" X 14.5" - W/O HARDWARE - WASHED MAPLE
17	136918-16-S35	EA	DOOR - FLAT/OGEE EDGE - 9.8" X 14.5" - W/O HARDWARE - SIERRA MAPLE
	076767-04-000	EA	CABLE - STAINLESS STEEL - 5.9"
18	144645-08-S34	EA	DOOR - BATH - W/O TOWEL RACK/HARDWARE - WASHED MAPLE
18	144645-08-S35	EA	DOOR - BATH - W/O TOWEL RACK/HARDWARE - SIERRA MAPLE
19	145576-08-SB6	EA	DOOR - W/MIRROR - 17.5" X 27.9" - W/O HARDWARE - WASHED MAPLE
19	145576-08-SB7	EA	DOOR - W/MIRROR - 17.5" X 27.9" - W/O HARDWARE - SIERRA MAPLE
	093606-28-000	EA	MIRROR - BEVELED EDGE - 17.5" X 27.9"
	076767-04-000	EA	CABLE - STAINLESS STEEL - 5.9"
20	136918-08-S34	EA	DOOR - FLAT/OGEE EDGE - 9.2" X 21.8" - W/O HARDWARE - WASHED MAPLE
20	136918-08-S35	EA	DOOR - FLAT/OGEE EDGE - 9.2" X 21.8" - W/O HARDWARE - SIERRA MAPLE
21	136918-87-T41	EA	DOOR - FLAT/OGEE EDGE - 12.8" X 21.8" - W/O HARDWARE - WASHED MAPLE
21	136918-87-T42	EA	DOOR - FLAT/OGEE EDGE - 12.8" X 21.8" - W/O HARDWARE - SIERRA MAPLE
22	090329-01-000	FT	SEAL - "T" - REFRIGERATOR CABINET
23	148296-11-T47	EA	CABINET - COUCH END - RIGHT END PANEL - FABRIC COVERED (U45, U46)
23	148296-11-T49	EA	CABINET - COUCH END - RIGHT END PANEL - FABRIC COVERED (U47, U48)
23	148296-11-U49	EA	CABINET - COUCH END - RIGHT END PANEL - FABRIC COVERED (U49, U50)
23	148296-17-T43	EA	CABINET - COUCH END - RH END PANEL - LEATHER (U45, U46, U49, U50) - ULTRALEATHER
23	148296-17-T41	EA	CABINET - COUCH END - RH END PANEL - LEATHER (U47, U48) - ULTRALEATHER
24	148296-13-T47	EA	CABINET - COUCH END - LEFT END PANEL - FABRIC COVERED (U45, U46)
24	148296-13-T49	EA	CABINET - COUCH END - LEFT END PANEL - FABRIC COVERED (U47, U48)
24	148296-13-U49	EA	CABINET - COUCH END - LEFT END PANEL - FABRIC COVERED (U49, U50)
24	148296-18-U39	EA	CABINET - COUCH END - LEFT END PANEL - LEATHER (U45, U46, U49, U50) - ULTRALEATHER
24	148296-18-U37	EA	CABINET - COUCH END - LEFT END PANEL - LEATHER (U47, U48) - ULTRALEATHER
25	148296-15-T47	EA	CABINET - COUCH - FRONT - FABRIC COVERED (U45, U46)
25	148296-15-T49	EA	CABINET - COUCH - FRONT - FABRIC COVERED (U47, U48)
25	148296-15-U49	EA	CABINET - COUCH - FRONT - FABRIC COVERED (U49, U50)
25	148296-19-U39	EA	CABINET - COUCH - FRONT - LEATHER COVERED (U45, U46, U49, U50) - ULTRALEATHER
25	148296-19-U37	EA	CABINET - COUCH - FRONT - LEATHER COVERED (U47, U48) - ULTRALEATHER

***COMPONENT PARTS LISTED LATER IN THIS GROUP**

CABINET & APPLIANCE GROUP (CONTINUED)
CABINET & APPLIANCE LAYOUT (CONTINUED)



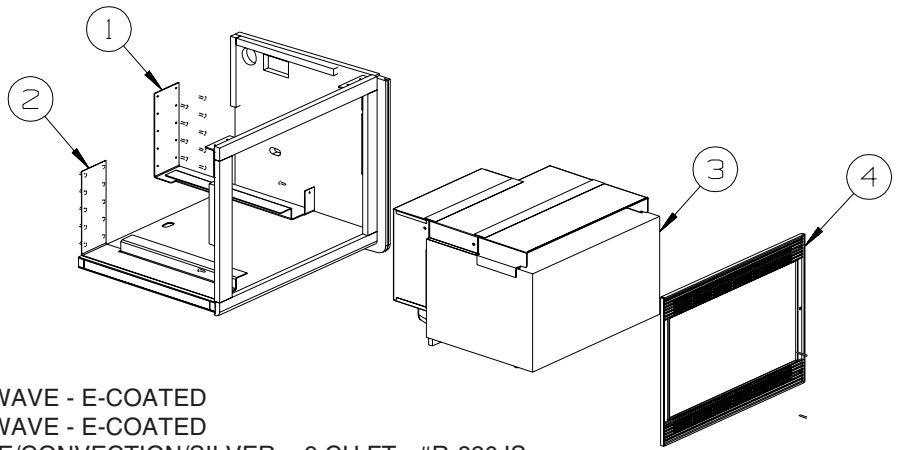
KEY	PART NUMBER	U/M	DESCRIPTION
1*	114030-04-01A	EA	RANGE - 3 BRNR TOP/NEW STYLE KNOBS/GRATES-W/O OVEN-BLK
1*	151277-01-01A	EA	RANGE-16"-3 BURNER - MERCURY FREE - BLACK DOOR/TEXTURED - RANGE-3BRNR W/OVEN
2	142139-03-02B	EA	BRACKET/TIEDOWN - STOVE - E-COATED
3*	136354-05-02A	EA	HOOD - RANGE - W/LITE/FAN - SILVER TEXTURED
3*	136354-06-02A	EA	HOOD - RANGE - W/LITE/FAN - SILVER TEXTURED - CANADIAN
	112160-01-000	FT	SEAL - D SECTION - .2 X .3" - FOAM RUBBER
4	149511-02-S34	EA	CABINET - OVERHEAD/MICROWAVE/CONVECTION - W/O HDW - WASHED MAPLE
4	149511-02-S35	EA	CABINET - OVERHEAD/MICROWAVE/CONVECTION - W/O HDW - SIERRA MAPLE
4	148643-01-S34	EA	CABINET - OVERHEAD/MICROWAVE - W/O DOORS/HDW - WASHED MAPLE - MICROWAVE OVEN
4	148643-01-S35	EA	CABINET - OVERHEAD/MICROWAVE - W/O DOORS/HDW - SIERRA MAPLE - MICROWAVE OVEN
5	148655-01-S34	EA	END CAP - OVERHEAD CABINET - WASHED MAPLE
5	148655-01-S35	EA	END CAP - OVERHEAD CABINET - SIERRA MAPLE
6	148731-02-U37	EA	CABINET - OVERHEAD/GALLEY - W/O DOORS/HDW - WASHED MAPLE
6	148731-02-U38	EA	CABINET - OVERHEAD/GALLEY - W/O DOORS/HDW - SIERRA MAPLE
7	149091-01-S34	EA	END CAP - OVERHEAD CABINET - WASHED MAPLE
7	149091-01-S35	EA	END CAP - OVERHEAD CABINET - SIERRA MAPLE
8	133653-39-U45	EA	COUNTERTOP - LAMINATED - HOUSE ROCK/WASHED MAPLE (U45)
8	133653-39-U38	EA	COUNTERTOP - LAMINATED - HOUSE ROCK/SIERRA MAPLE (U46)
8	133653-39-S38	EA	COUNTERTOP - LAMINATED - CINDER GRAY/WASHED MAPLE (U47)
8	133653-39-S39	EA	COUNTERTOP - LAMINATED - CINDER GRAY/SIERRA MAPLE (U48)
8	133653-39-U49	EA	COUNTERTOP - LAMINATED - CLASSIC ROCK/WASHED MAPLE (U49)
8	133653-39-U50	EA	COUNTERTOP - LAMINATED - CLASSIC ROCK/SIERRA MAPLE (U50)
9	098335-16-U37	EA	RAIL - GALLEY - 39" (U45, U46)
9	098335-16-S38	EA	RAIL - GALLEY - 39" (U47, U48)
9	098335-16-U49	EA	RAIL - GALLEY - 39" (U49, U50)
10	149866-01-S34	EA	CABINET - OVERHEAD/DINETTE - W/O DOORS/HARDWARE - WASHED MAPLE
10	149866-01-S35	EA	CABINET - OVERHEAD/DINETTE - W/O DOORS/HARDWARE - SIERRA MAPLE

CABINET & APPLIANCE GROUP (CONTINUED)
CABINET & APPLIANCE LAYOUT (CONTINUED)

KEY	PART NUMBER	U/M	DESCRIPTION
11	122021-01-02A	EA	ANGLE - W/HOLES - 8.6" LONG - OFF WHITE
12	145004-09-T41	EA	CABINET/DINETTE-RH-W/END CAP/BACK/FACE-W/O DOOR/SEAT BOARD - WASHED MAPLE
12	145004-09-S35	EA	CABINET/DINETTE-RH-W/END CAP/BACK/FACE-W/O DOOR/SEAT BOARD - SIERRA MAPLE
13	081295-01-T03	EA	SUPPORT - BED/DINETTE - 28" LONG - WASHED MAPLE
13	081295-01-RE0	EA	SUPPORT - BED/DINETTE - 28" LONG - SIERRA MAPLE
14	145004-11-T41	EA	CABINET/DINETTE-LH-W/END CAP/FACE-W/O DOOR/SEAT BOARD/BACK - WASHED MAPLE
14	145004-11-S35	EA	CABINET/DINETTE-LH-W/END CAP/FACE-W/O DOOR/SEAT BOARD/BACK - SIERRA MAPLE
15	140887-17-U37	EA	COUNTERTOP - LAMINATED - HOUSE ROCK (U45, U46)
15	140887-17-S38	EA	COUNTERTOP - LAMINATED - CINDER GRAY (U46, U47)
15	140887-17-U49	EA	COUNTERTOP - LAMINATED - CLASSIC ROC/WASHED MAPLE (U49, U50)
16	149225-01-S34	EA	CABINET - STORAGE - W/O DOORS/HARDWARE - WASHED MAPLE
16	149225-01-S35	EA	CABINET - STORAGE - W/O DOORS/HARDWARE - SIERRA MAPLE
17	P48508-02-T41	EA	CABINET - GALLEY - W/O CTRTP/DOORS/DRWS/HDW - WASHED MAPLE
17	P48508-02-T42	EA	CABINET - GALLEY - W/O CTRTP/DOORS/DRWS/HDW - SIERRA MAPLE
17	P48508-01-T41	EA	CABINET - GALLEY - W/O CTRTP/DOORS/DRWS/HDW - WASHED MAPLE - RANGE-3BRNR W/OVEN
17	P48508-01-T42	EA	CABINET - GALLEY - W/O CTRTP/DOORS/DRWS/HDW - SIERRA MAPLE - RANGE-3BRNR W/OVEN
18	143798-01-01A	EA	CATCH - FLOOR TO TABLE LEG - BRIGHT WHITE
18	143798-02-01A	EA	CATCH - TABLE LEG TO FLOOR - BRIGHT WHITE
19	144605-07-U37	EA	TABLE - DINETTE - 41.6" X 27.8" - W/O HARDWARE (U45)
19	144605-07-U38	EA	TABLE - DINETTE - 41.6" X 27.8" - W/O HARDWARE (U46)
19	144605-07-U39	EA	TABLE - DINETTE - 41.6" X 27.8" - W/O HARDWARE (U47)
19	144605-07-U40	EA	TABLE - DINETTE - 41.6" X 27.8" - W/O HARDWARE (U48)
19	144605-07-U49	EA	TABLE - DINETTE - 41.6" X 27.8" - W/O HARDWARE (U49)
19	144605-07-U50	EA	TABLE - DINETTE - 41.6" X 27.8" - W/O HARDWARE (U50)
20	064781-06-000	EA	HOLDER/CUP - TWO STEP - OFF WHITE
20	064781-07-000	EA	HOLDER/CUP - TWO STEP - BLACK
21	140921-02-02A	EA	BRACKET/TABLE SUPPORT - 18.5" - ALMOND
22	024275-16-000	EA	ROD - TABLE LIFT - W/ARMS 8" & BASE ROD 18.5" - ALMOND
23	024281-12-000	EA	BRACKET/WALL - TABLE LIFT - 17.1" - ALMOND
24	145268-34-S34	EA	DOOR - RAISED PANEL/OGEE EDGE - 16.7" X 10" - W/O HDW - WASHED MAPLE
24	145268-34-S35	EA	DOOR - RAISED PANEL/OGEE EDGE - 16.7" X 10" - W/O HDW - SIERRA MAPLE
25	144803-EC-S34	EA	FACE/DRAWER - SOLID PANEL/OGEE EDGE - 6.7" X 14.5"-W/O HDW - WASHED MAPLE
25	144803-EC-S35	EA	FACE/DRAWER - SOLID PANEL/OGEE EDGE - 6.7" X 14.5"-W/O HDW - SIERRA MAPLE
26	147084-07-S34	EA	DOOR - FLAT PANEL/OGEE EDGE - 10" X 19.1" - W/O HDW - WASHED MAPLE
26	147084-07-TK0	EA	DOOR - FLAT PANEL/OGEE EDGE - 10" X 19.1" - W/O HDW - SIERRA MAPLE
27	153121-X5-T41	EA	DRAWER - OGEE EDGE - 14.3"W X 19.7"D - W/O SLIDES/HDW - WASHED MAPLE
27	153121-X5-T42	EA	DRAWER - OGEE EDGE - 14.3"W X 19.7"D - W/O SLIDES/HDW - SIERRA MAPLE
28	153121-X3-T41	EA	DRAWER - OGEE EDGE - 14.3"W X 19.7"D - W/O SLIDES/HDW - WASHED MAPLE
28	153121-X3-T42	EA	DRAWER - OGEE EDGE - 14.3"W X 19.7"D - W/O SLIDES/HDW - SIERRA MAPLE
29	136918-71-S34	EA	DOOR - FLAT/OGEE EDGE - 12" X 25.9" - W/O HARDWARE - WASHED MAPLE
29	136918-71-S35	EA	DOOR - FLAT/OGEE EDGE - 12" X 25.9" - W/O HARDWARE - SIERRA MAPLE
30	153121-S8-T41	EA	DRAWER - OGEE EDGE - 19.8"W X 15.7"D - W/O SLIDES/HDW - WASHED MAPLE
30	153121-S8-TK0	EA	DRAWER - OGEE EDGE - 19.8"W X 15.7"D - W/O SLIDES/HDW - SIERRA MAPLE
31	153121-X8-T41	EA	DRAWER - OGEE EDGE - 19.8"W X 15.7"D - W/O SLIDES/HDW - WASHED MAPLE
31	153121-X8-T42	EA	DRAWER - OGEE EDGE - 19.8"W X 15.7"D - W/O SLIDES/HDW - SIERRA MAPLE
32	122021-02-02A	EA	ANGLE - W/HOLES - 13.7" LONG - OFF WHITE
33	145004-96-S34	EA	SEAT BACK - DINETTE - UPPER - LEFT - WASHED MAPLE
33	145004-96-S35	EA	SEAT BACK - DINETTE - UPPER - LEFT - SIERRA MAPLE
34	140176-03-02B	EA	BRACKET/TIEDOWN - STOVE - E-COATED - RANGE-3BRNR W/OVEN
35	142139-04-02B	EA	BRACKET/TIEDOWN - STOVE - E-COATED
36	140176-04-02B	EA	BRACKET/TIEDOWN - STOVE - E-COATED - RANGE-3BRNR W/OVEN
37	149420-03-02B	EA	BRACE - MICROWAVE - E-COATED - MICROWAVE OVEN
38	149420-04-02B	EA	BRACE - MICROWAVE - E-COATED - MICROWAVE OVEN
39	140185-04-02B	EA	BRACE - MICROWAVE - E-COATED - NON-CONVECTION
40	162694-01-01A	EA	ENCLOSURE - STOVE - 20.7"W X 16.1"H X 18.7"D
41	091261-01-000	FT	SLIPNOT - ANTISLIP - 1' WIDE X 12' - BLACK

*COMPONENT PARTS LISTED LATER IN THIS GROUP

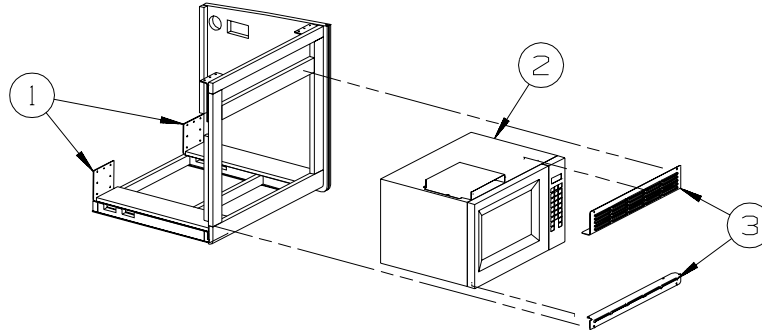
CABINET & APPLIANCE GROUP (CONTINUED)
CABINET & APPLIANCE LAYOUT (CONTINUED)



KEY	PART NUMBER	U/M DESCRIPTION
1	149418-09-02B	EA BRACKET - MICROWAVE - E-COATED
2	149418-10-02B	EA BRACKET - MICROWAVE - E-COATED
3*	150606-04-02A	EA OVEN - MICROWAVE/CONVECTION/SILVER - .9 CU FT - #R-820JS
3	150606-06-01A	EA OVEN - MICROWAVE/CONVECTION/BLACK - .9 CU FT - #R820BK-CSA - CANADIAN
4	150606-05-02A	EA TRIM KIT - MICROWAVE .9 CU FT - SILVER - MAGNADYNE #R820
4	150606-05-01A	EA TRIM KIT - MICROWAVE .9 CU FT - BLACK - MAGNADYNE #R820 - CANADIAN

*COMPONENT PARTS LISTED LATER IN THIS GROUP

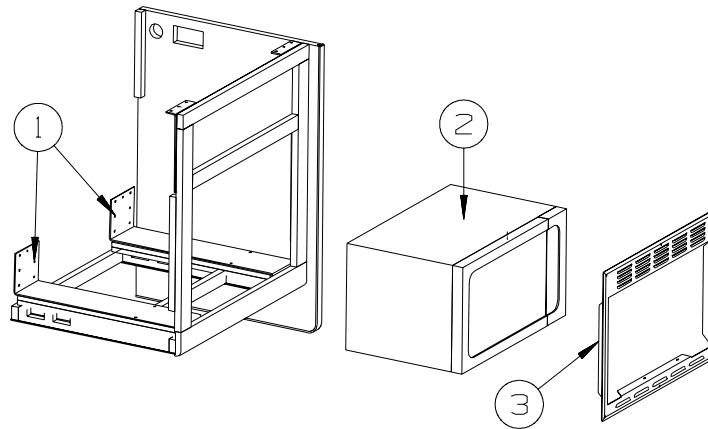
FROM: 00-00-00 THRU: 02-08-06



**NON-
CONVECTION**

KEY	PART NUMBER	U/M DESCRIPTION
1	143759-11-02B	EA BRACKET - MICROWAVE - E-COATED
2	153390-01-01A	EA OVEN/MICROWAVE - 1.1 CU FT-NON-CONV-W/O TRIM-BLACK-UL/CSA
3	153390-02-01A	EA TRIM KIT W/VENT - MICROWAVE 1.1 CU FT - BLACK - WHIRLPOOL

FROM: 02-09-06 THRU: 99-99-99

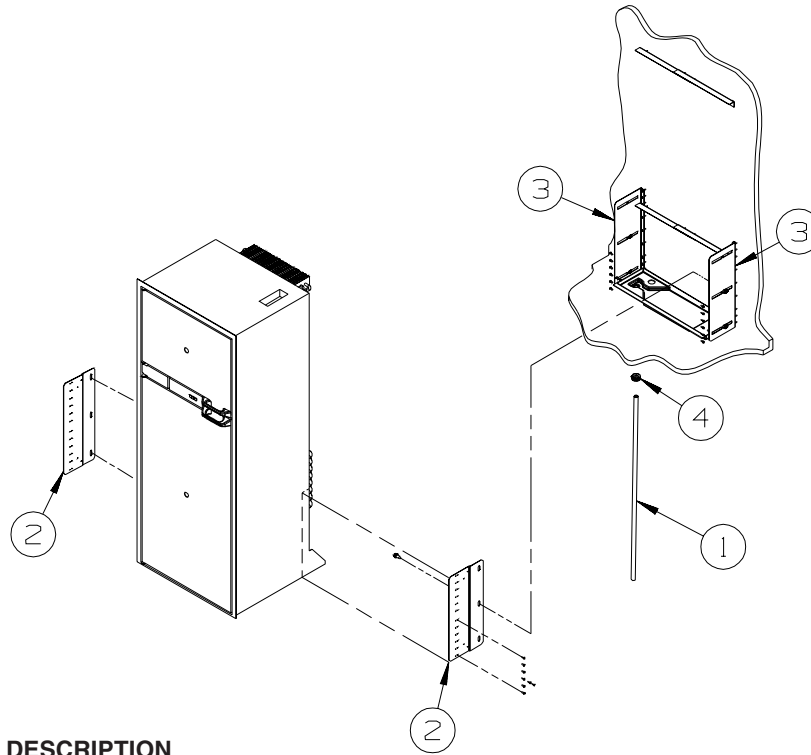


**NON-
CONVECTION**

KEY	PART NUMBER	U/M DESCRIPTION
1	143759-11-02B	EA BRACKET - MICROWAVE - E-COATED
2*	158686-01-01A	EA OVEN/MICROWAVE - .9 CU FT - NON-CONV - BLACK
2	158686-02-01A	EA OVEN/MICROWAVE - .9 CU FT - NON-CONV - W/O TRIM/VENTS-BLK
		FROM: 00-00-00 THRU: 04-08-07
		FROM: 04-09-07 THRU: 99-99-99
3	164197-01-01A	EA TRIM KIT - MICROWAVE - BLACK
		FROM: 04-09-07 THRU: 99-99-99

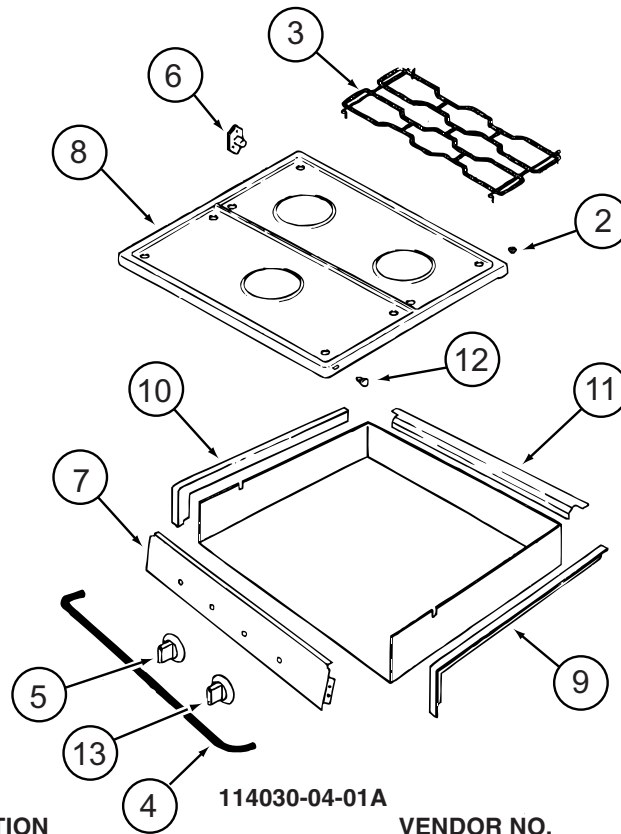
*COMPONENT PARTS LISTED LATER IN THIS GROUP

CABINET & APPLIANCE GROUP (CONTINUED)
CABINET & APPLIANCE LAYOUT (CONTINUED)



KEY	PART NUMBER	U/M	DESCRIPTION
1	112176-01-000	FT	TUBING - VINYL - REINFORCED - 1/2" ID
2	150740-01-02B	EA	BRACKET - REFRIGERATOR - E-COATED
3	150740-02-02B	EA	BRACKET - REFRIGERATOR - E-COATED
4	152417-01-01A	EA	CLAMP/RATCHET - F/REFRIDGERATOR DRIP TRAY HOSE - BLACK

CABINET & APPLIANCE GROUP (CONTINUED)
COMPONENT PARTS FOR CABINET & APPLIANCE LAYOUT

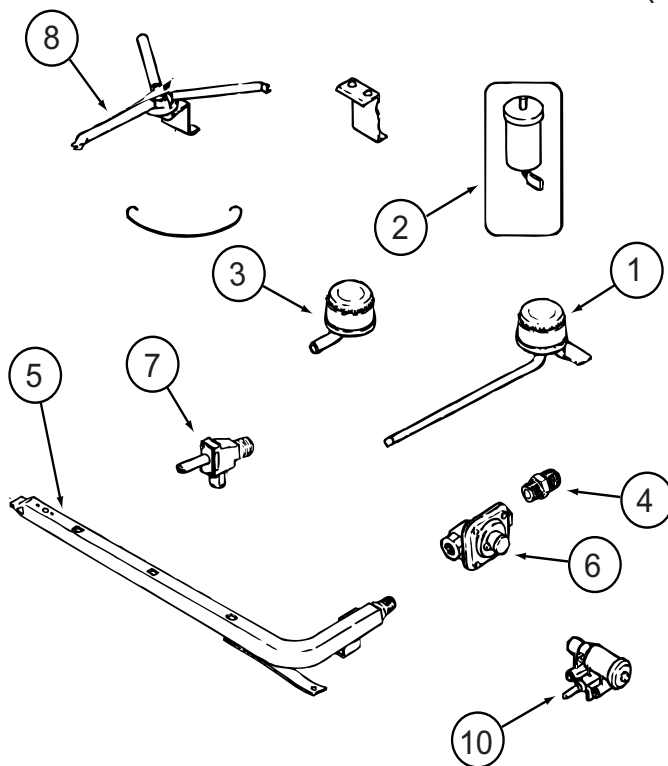


KEY	PART NUMBER	U/M	DESCRIPTION	VENDOR NO.
2	102020-01-709	EA	BUMPER-GRATE	8007P020-60
3	112881-04-702	EA	GRATE - BLACK	74007277
4	114030-02-700	EA	GUARD/FABRIC - TOWEL BAR	3609F006-70
5	128728-01-701	EA	KNOB - BURNER - REAR	74003941 (1 PER)
5	128728-01-702	EA	KNOB - BURNER - FRONT	74003942
6	128728-01-703	EA	PIN/T-NUT F/HINGE	7103P109-60
7	114030-04-700	EA	PANEL - MANIFOLD - BLACK	74007325
8	126023-01-728	EA	TOP - MAIN (BLACK)	74003323
9	114030-01-704	EA	TRIM - RIGHT/BLACK TEXTURED	74002839
10	114030-01-705	EA	TRIM - LEFT/BLACK TEXTURED	74002840
11	114030-01-706	EA	TRIM - REAR/BLACK TEXTURED	74002841
12	102020-01-724	EA	BUMPER - MAIN TOP	8003P008-60
13	128728-01-707	EA	KNOB - IGNITER	74003944

114030-04-01A

CONTACT WINNEBAGO PART SALES FOR UNLISTED COMPONENT(S)

CABINET & APPLIANCE GROUP (CONTINUED)
COMPONENT PARTS FOR CABINET & APPLIANCE LAYOUT (CONTINUED)

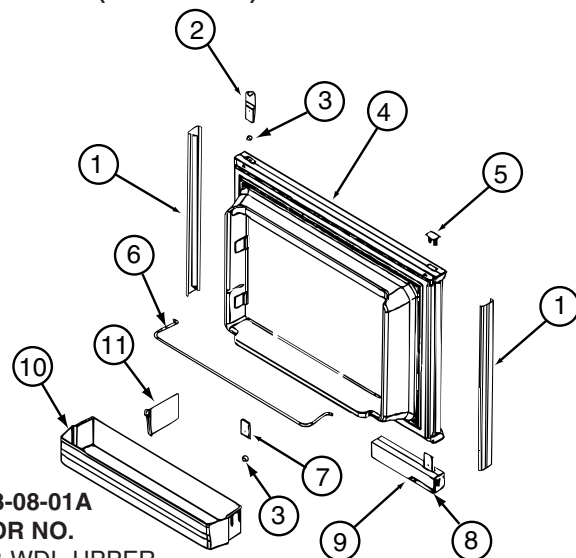


114030-04-01A (CONTINUED)

KEY	PART NUMBER	U/M	DESCRIPTION	VENDOR NO.
1	112881-04-700	EA	BURNER - TOP /LEFT REAR	74004584
1	126023-01-700	EA	BURNER - TOP (RT-REAR) 5100 BTU	74004583
2	112881-04-705	EA	PUSH RING (ELECTRODE MTG)	7104P002-60
2	126023-01-711	EA	ELECTRODE - IGNITER (ONLY)	7432P077-60
3	112881-04-701	EA	BURNER - TOP/FRONT	74004582
4	135065-03-700	EA	FITTING - HALF UNION	74004234
5	135065-01-702	EA	PIPE/MANIFOLD	74004642
6	126023-02-702	EA	PIPE - MANIFOLD	74004360
7	126023-02-705	EA	VALVE - BURNER - REAR	74004362
7	126023-02-706	EA	VALVE - BURNER - FRONT	74004363
8	126023-01-736	EA	FLASH TUBE EXTENSION (REAR)	74003326
8	126023-01-737	EA	FLASH TUBE EXTENSION (FRONT)	74003327
10	126023-01-719	EA	IGNITER HEAD - TOP BURNER	74002413
	126023-02-703	EA	REGULATOR - PRESSURE	74004235

CONTACT WINNEBAGO PART SALES FOR UNLISTED COMPONENT(S)

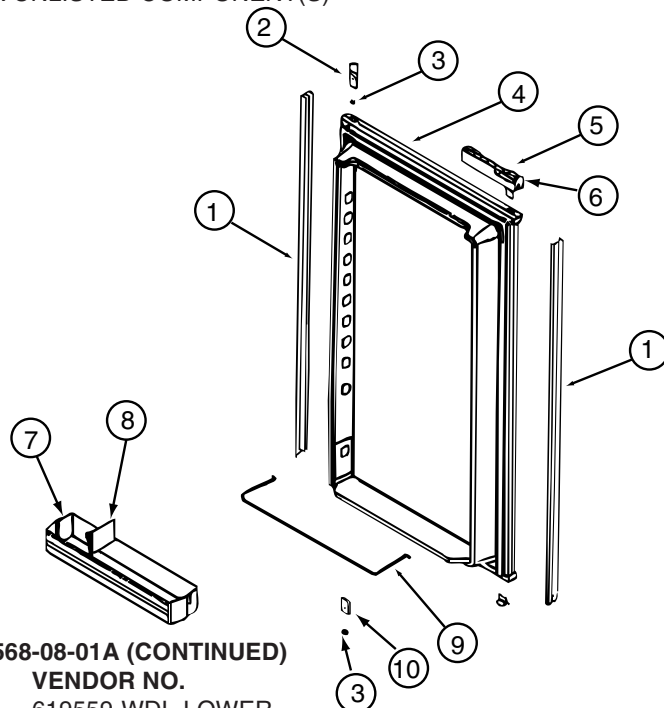
CABINET & APPLIANCE GROUP (CONTINUED)
COMPONENT PARTS FOR CABINET & APPLIANCE LAYOUT (CONTINUED)



121568-06-01A, 121568-07-01A, 121568-08-01A

KEY	PART NUMBER	U/M	DESCRIPTION	VENDOR NO.
1	121568-03-700	EA	RETAINER-DOOR PNL/WAFFLE/BLK	619558-WDL-UPPER
2	120075-01-701	EA	HINGE-TOP RH/BOTTOM LH(DOOR)	618511
3	121568-03-701	EA	BUSHING - HINGE PIN/GRAY	619671
4	121568-03-702	EA	DOOR LINER-UPR/WAFFLED/BLACK	619627 - SMALL WDL
5	120075-01-702	EA	CAP, (HINGE PLUG)	618160
6	121568-01-700	EA	RAIL - DOOR UPPER	618618
7	120075-01-705	EA	HINGE-TOP LH/BOTTOM RH(DOOR)	618510
8	121568-03-705	EA	STORAGE LATCH - GRAY	619648
9	121568-03-721	EA	HANDLE/DOOR UPPER RH SWING	621465
9	121568-03-722	EA	HANDLE/DOOR LOWER RH SWING	621469
10	121568-01-701	EA	BIN - DOOR WHITE-WAFFLED LNR	618619 WDL

CONTACT WINNEBAGO PART SALES FOR UNLISTED COMPONENT(S)

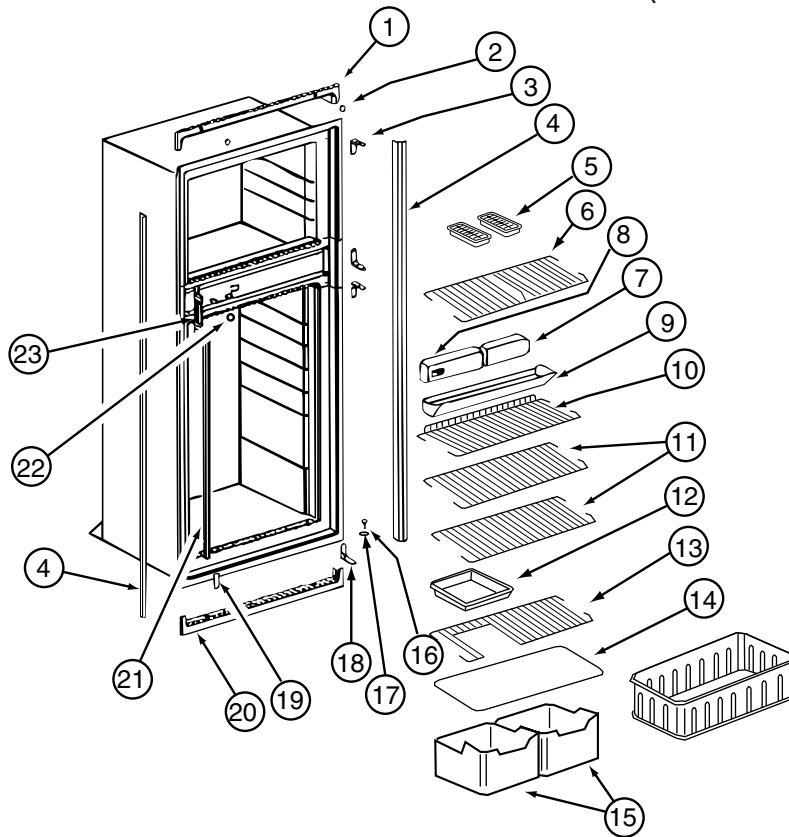


121568-06-01A, 121568-07-01A, 121568-08-01A (CONTINUED)

KEY	PART NUMBER	U/M	DESCRIPTION	VENDOR NO.
1	121568-03-706	EA	RETAINER-DOOR PNL/WAFFLE/BLK	619559-WDL-LOWER
2	120075-01-701	EA	HINGE-TOP RH/BOTTOM LH(DOOR)	618511
3	121568-03-701	EA	BUSHING - HINGE PIN/GRAY	619671
4	121568-03-707	EA	DOOR LINER-LWR/WAFFLED/B/TRM	619629
5	121568-03-721	EA	HANDLE/DOOR UPPER RH SWING	621465
5	121568-03-722	EA	HANDLE/DOOR LOWER RH SWING	621469
6	121568-03-705	EA	STORAGE LATCH - GRAY	619648
7	121568-01-701	EA	BIN - DOOR WHITE-WAFFLED LNR	618619 WDL
9	121568-01-704	EA	RAIL - DOOR LOWER	618578
10	120075-01-705	EA	HINGE-TOP LH/BOTTOM RH(DOOR)	618510

CONTACT WINNEBAGO PART SALES FOR UNLISTED COMPONENT(S)

CABINET & APPLIANCE GROUP (CONTINUED)
COMPONENT PARTS FOR CABINET & APPLIANCE LAYOUT (CONTINUED)

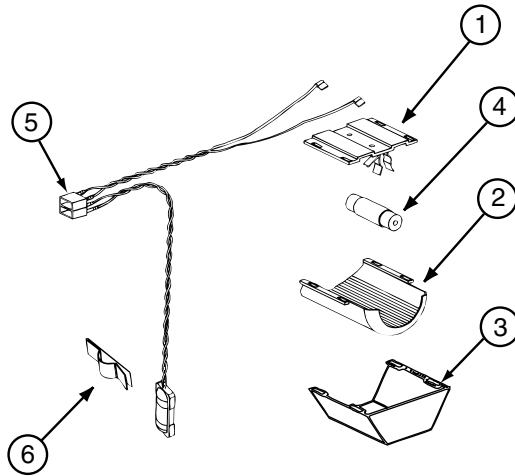


121568-06-01A, 121568-07-01A, 121568-08-01A (CONTINUED)

KEY	PART NUMBER	U/M	DESCRIPTION	VENDOR NO.
1	120075-01-713	EA	TRIM-TOP PIECE	619687
2	120075-01-714	EA	PLUG-HOLE (BLACK)	618170
3	121568-03-710	EA	HINGE/CABINET-TOP/RH-LWR/LH	619335 WAFFLED
4	121568-03-711	EA	TRIM - SIDE/BLACK	622295
6	121568-01-705	EA	SHELF - WIRE FREEZER	620250
7	121568-06-700	EA	FRONT BOX-N611	622002
8	121568-06-701	EA	CONTROL ASSY-OPTICAL/N611	621988
9	120075-01-720	EA	TRAY-DRIP	623250
9	120075-01-721	EA	LOUVER-DRIP TRAY	618176
11	121568-01-708	EA	SHELF - WIRE	620273
13	121568-01-707	EA	SHELF - WIRE - SHORT	620272
14	120075-01-725	EA	COVER-CRISPER - 18.5" WIDE	618158
15	121568-01-709	EA	CRISPER	618571
16	120075-01-727	EA	PIN-HINGE	618145
17	121568-03-701	EA	BUSHING - HINGE PIN/GRAY	619671
18	121568-03-715	EA	HINGE/CABINET-TOP/LH-LWR/RH	619336 WAFFLED
19	121568-03-716	EA	COVER - HINGE HOLES	619301
20	120075-01-729	EA	TRIM-BOTTOM PIECE	620958
21	121568-06-702	EA	CLIP - SHELF	61536522
22	121568-06-703	EA	HOLE PLUG - WHITE	620282
23	120075-01-732	EA	PLATE-STRIKE	618167

CONTACT WINNEBAGO PART SALES FOR UNLISTED COMPONENT(S)

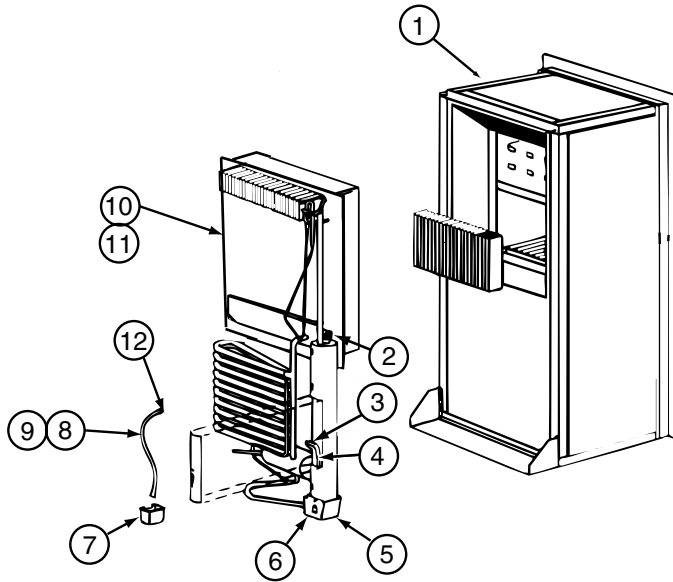
CABINET & APPLIANCE GROUP (CONTINUED)
COMPONENT PARTS FOR CABINET & APPLIANCE LAYOUT (CONTINUED)



121568-03-01A, 121568-04-01A, 121568-05-01A, 121568-06-01A, 121568-07-01A, 121568-08-01A (CONTINUED)

KEY	PART NUMBER	U/M	DESCRIPTION	VENDOR NO.
1	084880-01-760	EA	CLIP (THERMISTER)	61689122
2	120075-01-735	EA	THERMISTER W/LAMP & WIRE/ASM	618548
3	084880-03-705	EA	BRACKET-LIGHT-INTERIOR	61629722
4	084880-03-706	EA	BULB-LAMP	61628922
6	084880-03-707	EA	COVER-LAMP, LENS	61627922

CONTACT WINNEBAGO PART SALES FOR UNLISTED COMPONENT(S)

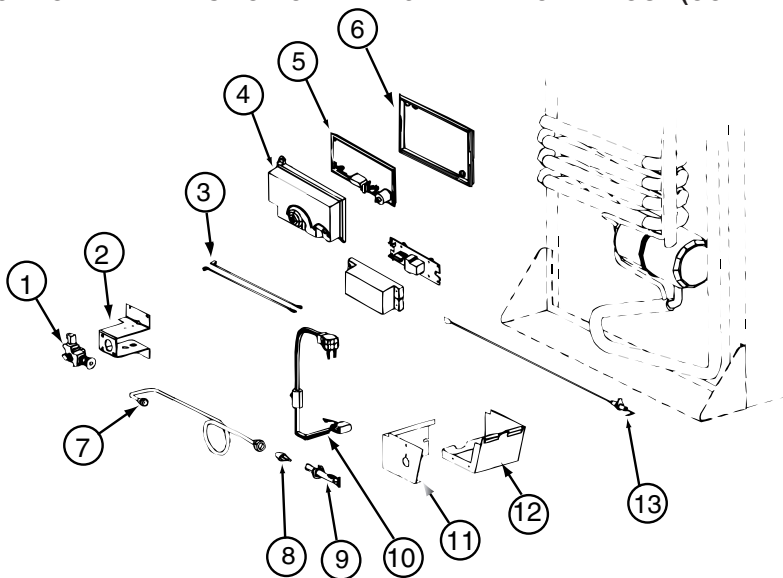


121568-06-01A, 121568-07-01A, 121568-08-01A (CONTINUED)

KEY	PART NUMBER	U/M	DESCRIPTION	VENDOR NO.
4	121568-06-704	EA	HEATER-AC/300W/120VAC	621702
10	120076-01-704	EA	COOLING UNIT, SERVICE PACK	618543

CONTACT WINNEBAGO PART SALES FOR UNLISTED COMPONENT(S)

CABINET & APPLIANCE GROUP (CONTINUED)
COMPONENT PARTS FOR CABINET & APPLIANCE LAYOUT (CONTINUED)



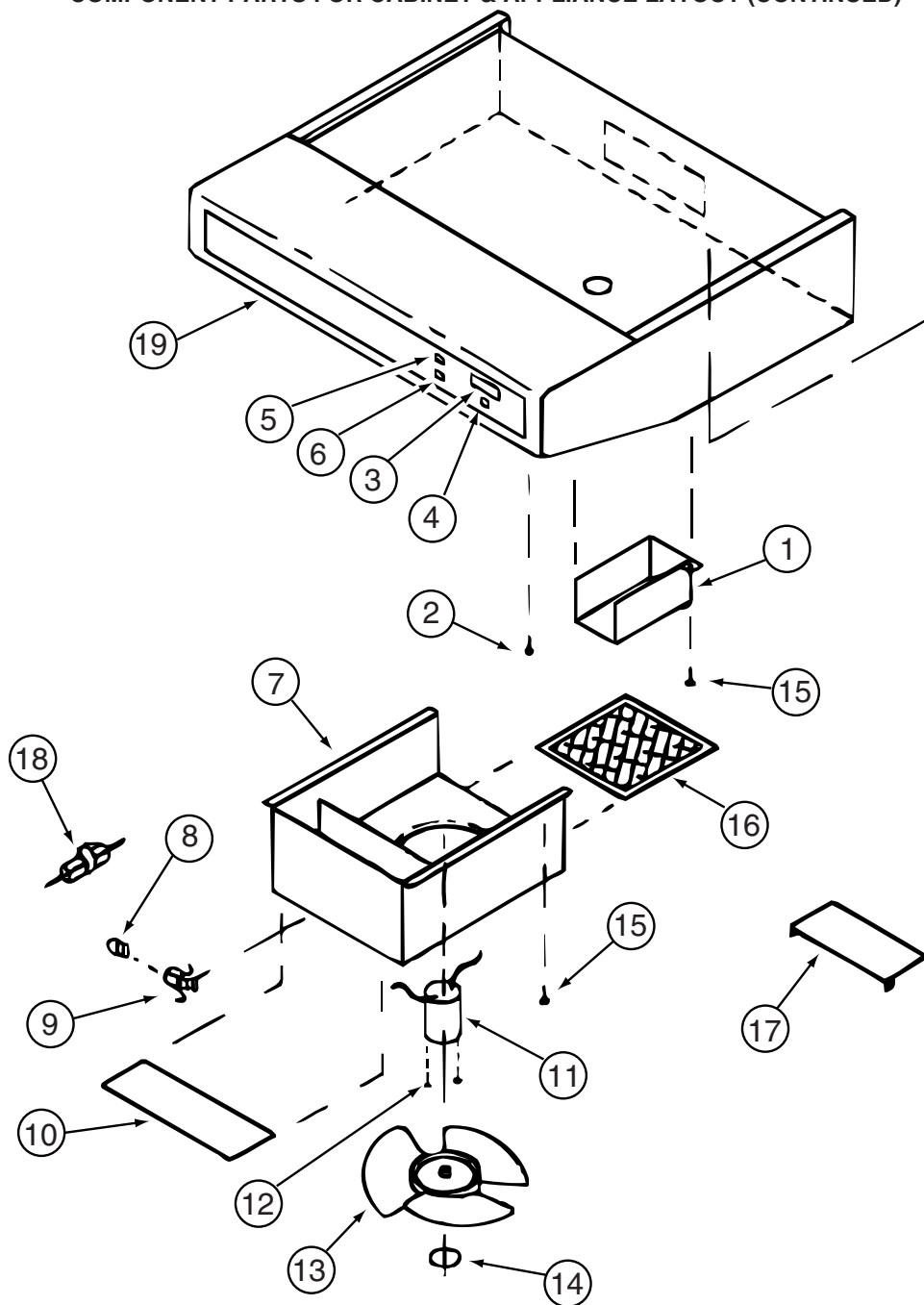
121568-06-01A, 121568-07-01A, 121568-08-01A (CONTINUED)

KEY	PART NUMBER	U/M	DESCRIPTION	VENDOR NO.
1	121568-06-705	EA	GAS VALVE/BRKT ASSY-COMBO	621439
1	121568-06-706	EA	GAS VALVE-COMBO/WRENCH FLAT	621329
4	120075-01-738	EA	COVER-POWER BOARD	618185
5	121568-06-707	EA	BOARD/POWER-N611	621991 = 621991001
6	120075-01-740	EA	BASE - POWER BOARD	618186
8	121568-06-708	EA	BURNER/ORFICE-ADAPTER KIT	621957
13	104137-06-715	EA	ELECTRODE-SPARK/SENSOR, SGL	61692222
	121569-08-704	EA	TUBE/BURNER - N8/N6	624682
			CONTACT WINNEBAGO PART SALES FOR UNLISTED COMPONENT(S)	

121568-05-01A, 121568-07-01A, 121568-08-01A (CONTINUED)

KEY	PART NUMBER	U/M	DESCRIPTION	VENDOR NO.
	121568-05-700	EA	FAN 12V KIT DBLE SIDEWALL	619020

CABINET & APPLIANCE GROUP (CONTINUED)
COMPONENT PARTS FOR CABINET & APPLIANCE LAYOUT (CONTINUED)



136354-05-01A, 136354-05-02A

KEY	PART NUMBER	U/M	DESCRIPTION	VENDOR NO.
3	100258-10-700	EA	GAUGE-HOUR METER, SCREW ON	L0150-00 WAS 150
4	096983-01-702	EA	SWITCH - MOM/OFF/MOM/3 TERM	L0112-00
6	096983-01-700	EA	SWITCH/1 SPEED -ON/OFF- BLK	L0108-00
8	117806-01-000	EA	BULB-12V NO.912 1.0 AMPS	GENERAL MOTOR HOMES
9	092696-01-710	EA	HOLDER-LAMP	CB0267-02
10	096983-01-708	EA	LENS-LAMP	CC0179
11	136354-05-700	EA	MOTOR-12 VOLT	VC0536-02
13	136354-05-701	EA	BLADE-FAN 7" DIA	VD0216-00
16	096983-01-707	EA	FILTER-MESH	CC0246-00
17	100258-01-701	EA	DAMPER ASSEMBLY (METAL FLAP)	CA0565-00
19	100258-01-700	EA	LABEL-HOOD NOSE	CC0428-00

CONTACT WINNEBAGO PART SALES FOR UNLISTED COMPONENT(S)

CABINET & APPLIANCE GROUP (CONTINUED)
COMPONENT PARTS FOR CABINET & APPLIANCE LAYOUT (CONTINUED)

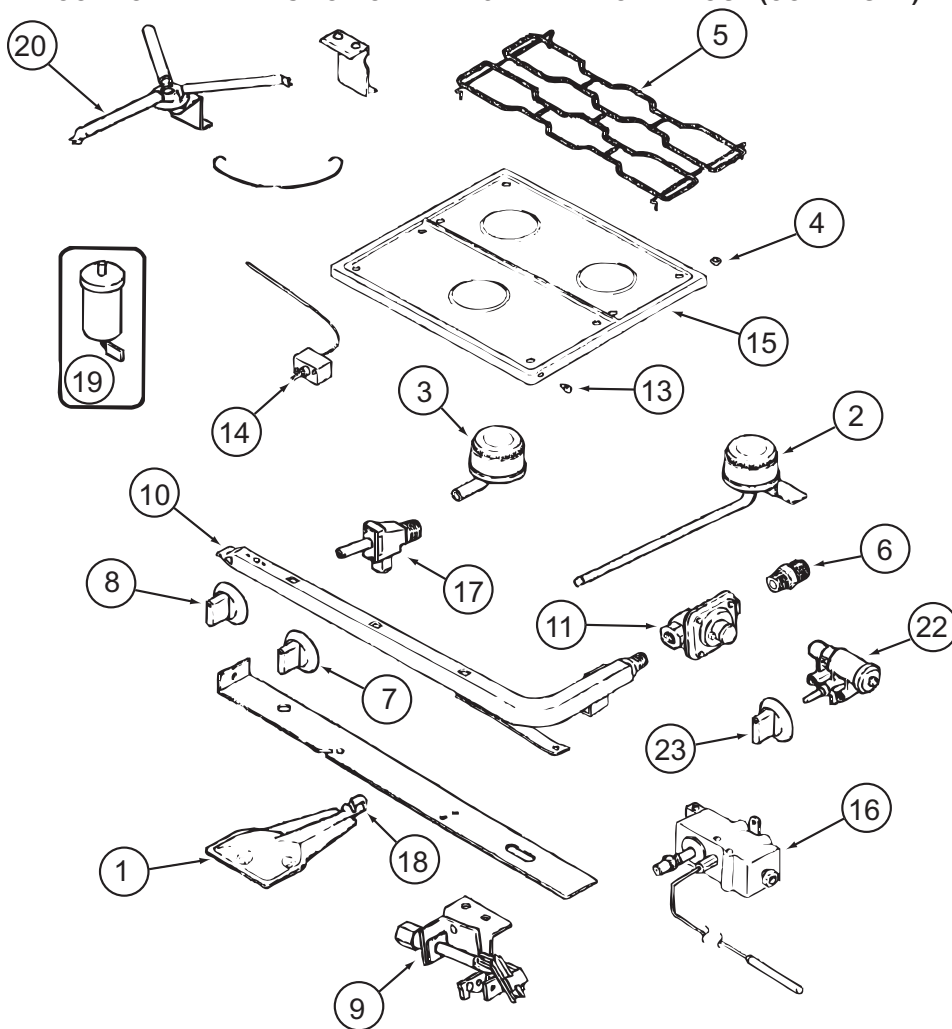
136354-06-01A, 136354-06-02A

KEY	PART NUMBER	U/M	DESCRIPTION	VENDOR NO.
3	100258-10-700	EA	GAUGE-HOUR METER, SCREW ON	L0150-00 WAS 150
4	096983-01-702	EA	SWITCH - MOM/OFF/MOM/3 TERM	L0112-00
5	096983-01-700	EA	SWITCH/1 SPEED -ON/OFF- BLK	L0108-00
8	117806-01-000	EA	BULB-12V NO.912 1.0 AMPS	GENERAL MOTOR HOMES
9	092696-01-710	EA	HOLDER-LAMP	CB0267-02
10	096983-01-708	EA	LENS-LAMP	CC0179
11	136354-06-700	EA	MOTOR - FAN (CSA)	VC0535-02
13	136354-05-701	EA	BLADE-FAN 7" DIA	VD0216-00
16	096983-01-707	EA	FILTER-MESH	CC0246-00
17	100258-01-701	EA	DAMPER ASSEMBLY (METAL FLAP)	CA0565-00
19	100258-01-700	EA	LABEL-HOOD NOSE	CC0428-00
CONTACT WINNEBAGO PART SALES FOR UNLISTED COMPONENT(S)				

150606-04-01A, 150606-04-02A

KEY	PART NUMBER	U/M	DESCRIPTION	VENDOR NO.
	122753-02-700	EA	PLATE/CAROUSEL-GLASS	NTNT-A097WREO
	150606-04-700	EA	RACK - BAKING	FAMI-A104WRM0

CABINET & APPLIANCE GROUP (CONTINUED)
COMPONENT PARTS FOR CABINET & APPLIANCE LAYOUT (CONTINUED)

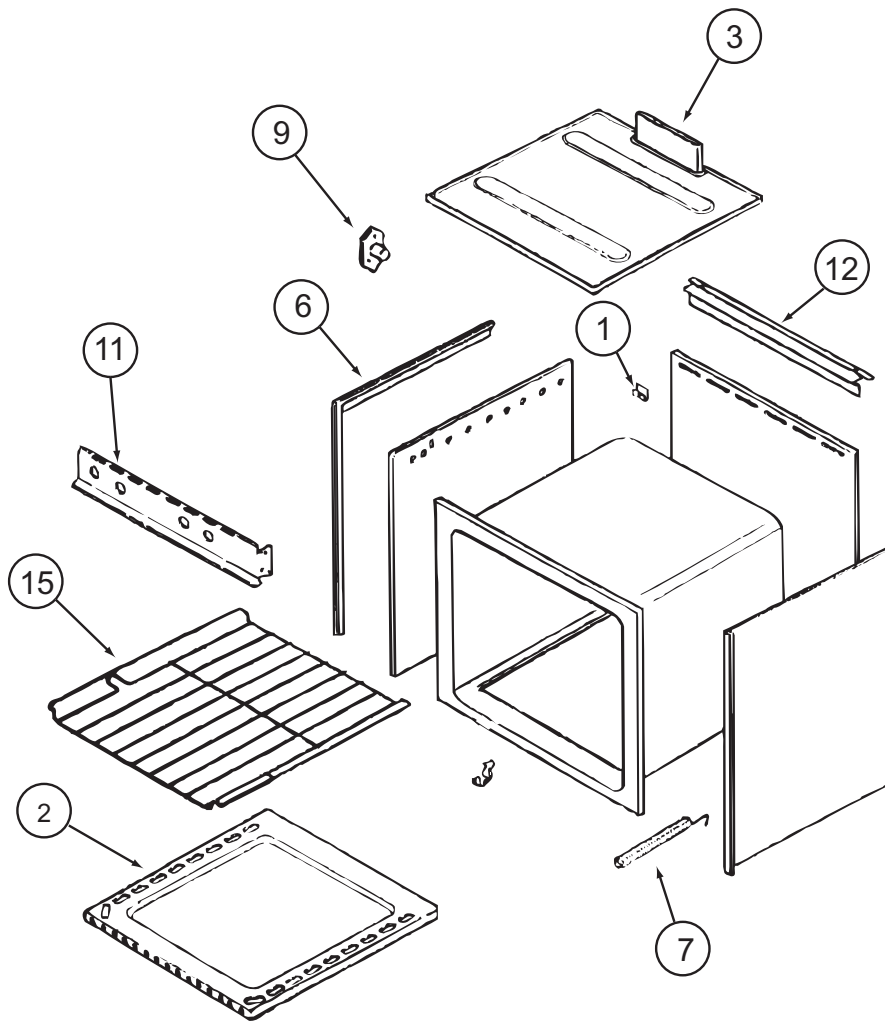


151277-01-01A, 151277-02-01A

KEY	PART NUMBER	U/M	DESCRIPTION	VENDOR NO.
1	151279-02-700	EA	BURNER - OVEN - W/SHUTTER	74009853
2	112881-04-700	EA	BURNER - TOP/LEFT REAR	74004584
2	126023-01-700	EA	BURNER-TOP (RT-REAR) 5100BTU	74004583
3	112881-04-701	EA	BURNER - TOP/FRONT	74004582
4	102020-01-709	EA	BUMPER-GRATE	8007P020-60
5	112881-04-702	EA	GRATE - BLACK	74007277
6	135065-03-700	EA	FITTING - HALF UNION	74004234
7	128728-01-701	EA	KNOB - BURNER - REAR	74003941 (1 PER)
7	128728-01-702	EA	KNOB - BURNER - FRONT	74003942 (2 PER)
8	151279-02-701	EA	KNOB - THERMOSTAT - BLACK	74009858
9	151279-01-700	EA	PILOT - BURNER - 16" SERIES	74009852
10	151279-02-702	EA	PIPE - MANIFOLD	74009856
11	112881-03-701	EA	REGULATOR KIT W/FITTINGS	12001285
13	102020-01-724	EA	BUMPER-MAIN TOP	8003P008-60
14	151279-02-703	EA	THERMOSTAT	74009855
15	151277-01-700	EA	TOP - MAIN (BLACK)	74007287
16	151279-02-704	EA	ELBOW BLOCK ASM (VALVE-OVEN)	74009864
17	151277-01-701	EA	VALVE/REAR - W/SET SCREW	12002254
17	151277-01-702	EA	VALVE/FRONT - W/SET SCREW	12002246
19	112881-04-705	EA	PUSH RING (ELECTRODE MTG)	7104P002-60
19	126023-01-711	EA	ELECTRODE - IGNITER (ONLY)	7432P077-60
20	126023-01-736	EA	FLASH TUBE EXTENSION (REAR)	74003326
20	126023-01-737	EA	FLASH TUBE EXTENSION (FRONT)	74003327
21	112881-04-708	EA	CLIP-FLASH TUBE	7112P068-60
22	126023-01-735	EA	KIT - IGNITOR TOP BRNER & KNOB	12001296=74002413&4
23	128728-01-707	EA	KNOB - IGNITOR	74003944
26	112881-04-709	EA	SHIELD-SPARK	3604F211-45

CONTACT WINNEBAGO PART SALES FOR UNLISTED COMPONENT(S)

CABINET & APPLIANCE GROUP (CONTINUED)
COMPONENT PARTS FOR CABINET & APPLIANCE LAYOUT (CONTINUED)

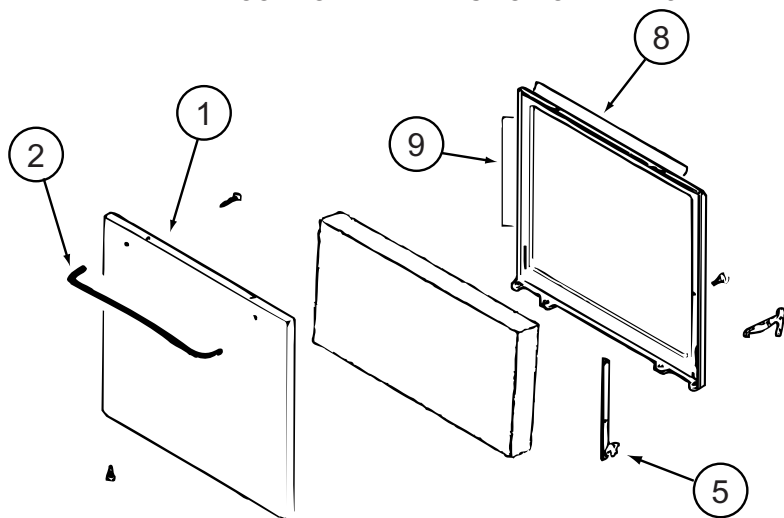


151277-01-01A (CONTINUED)

KEY	PART NUMBER	U/M	DESCRIPTION	VENDOR NO.
1	112881-03-702	EA	CLIP - MAIN TOP	74003998
2	126023-01-731	EA	BOTTOM - OVEN	2205F016-19
3	126023-01-718	EA	FLUE BOX ASSEMBLY	4006W075-80
6	126023-01-713	EA	TRIM - SIDE (RIGHT) BLACK	74002827
6	126023-01-714	EA	TRIM - SIDE (LEFT) BLACK	74002828
7	135066-03-700	EA	SPRING - OVEN DOOR	74001835
9	128728-01-703	EA	PIN/T-NUT F/HINGE	7103P109-60
11	112881-04-707	EA	MANIFOLD - BLACK	74007296
12	112881-01-721	EA	DEFLECTOR/FLUE-BLK-SEALED BR	74002829
15	126023-01-716	EA	RACK - OVEN	74003106

CONTACT WINNEBAGO PART SALES FOR UNLISTED COMPONENT(S)

CABINET & APPLIANCE GROUP (CONTINUED)
COMPONENT PARTS FOR CABINET & APPLIANCE LAYOUT (CONTINUED)



151277-01-01A (CONTINUED)

KEY	PART NUMBER	U/M	DESCRIPTION	VENDOR NO.
1	102022-01-704	EA	GLASS-OUTER	7902P261-60
1	112881-01-713	EA	DOOR/OVEN-TEXT/BLK NO WINDOW	2401F126-70
2	128727-01-701	EA	HANDLE - OVEN DOOR	74003929
5	151277-01-704	EA	HINGE KIT-OVEN DR/LT	12400028
5	151277-01-705	EA	HINGE KIT-OVEN DR/RT	12400029
8	126023-01-732	EA	SEAL/OVEN DR TOP	7212P014-60
9	135066-03-714	EA	SEAL - OVEN DOOR SIDES	7212P039-60

CONTACT WINNEBAGO PART SALES FOR UNLISTED COMPONENT(S)

158686-01-01A

KEY	PART NUMBER	U/M	DESCRIPTION	VENDOR NO.
	158686-01-700	EA	PLATE-GLASS	SR11092PLATE
	158686-01-701	EA	TRIM KIT - 2 PC.	ODY-2-92KIT

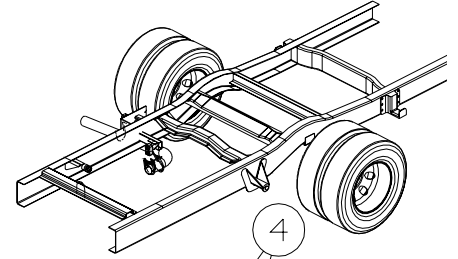
CHASSIS GROUP BRAKELINE

KEY	PART NUMBER	U/M	DESCRIPTION
	088498-01-000	EA	UNION - INVERTED FLARE - BRASS - 3/16 - FORD CHASSIS

DRIVETRAIN

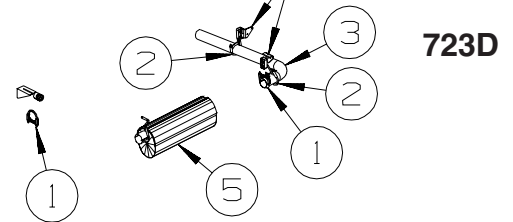
729H

KEY	PART NUMBER	U/M	DESCRIPTION
	103653-23-000	EA	BOLT - U-JOINT - 5/16-24 X .75
	103653-24-000	EA	STRAP - U-JOINT



EXHAUST

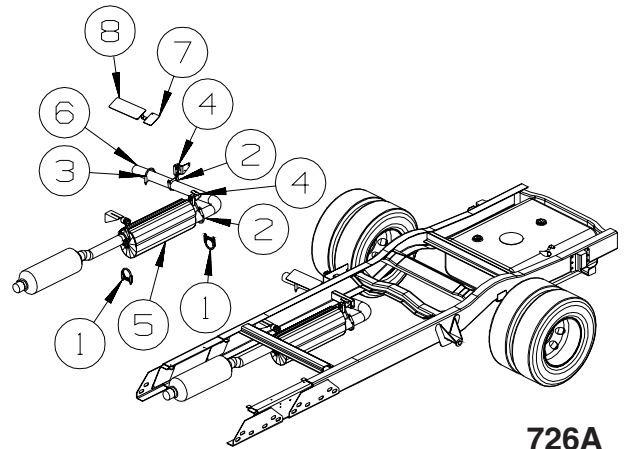
KEY	PART NUMBER	U/M	DESCRIPTION
1	094918-06-000	EA	CLAMP - EXHAUST - 3" - HEAVY DUTY
2	122392-02-02B	EA	HANGER - TAILPIPE - E-COATED
3	148094-01-000	EA	PIPE - EXHAUST/TAIL
4	143811-01-000	EA	HANGER - EXHAUST - FORD F53
5	143929-02-000	EA	MUFFLER - EXHAUST
5	143929-04-000	EA	MUFFLER - EXHAUST



FROM: 00-00-00 THRU: 06-30-06

FROM: 07-01-06 THRU: 99-99-99

KEY	PART NUMBER	U/M	DESCRIPTION
1	094918-06-000	EA	CLAMP - EXHAUST - 3" - HEAVY DUTY
2	122392-02-02B	EA	HANGER - TAILPIPE - E-COATED
3	094918-01-000	EA	CLAMP - EXHAUST - 3" - GUILLOTINE STYLE
4	143811-01-000	EA	HANGER - EXHAUST - FORD F53
5	143929-02-000	EA	MUFFLER - EXHAUST

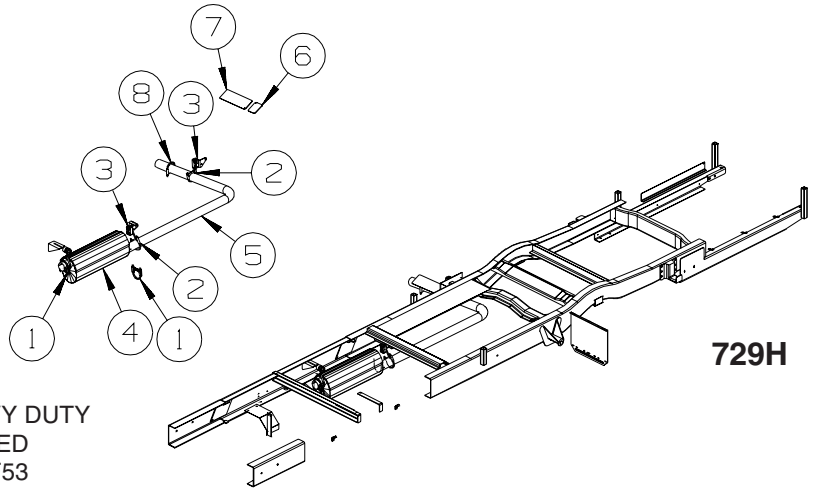


FROM: 00-00-00 THRU: 06-30-06

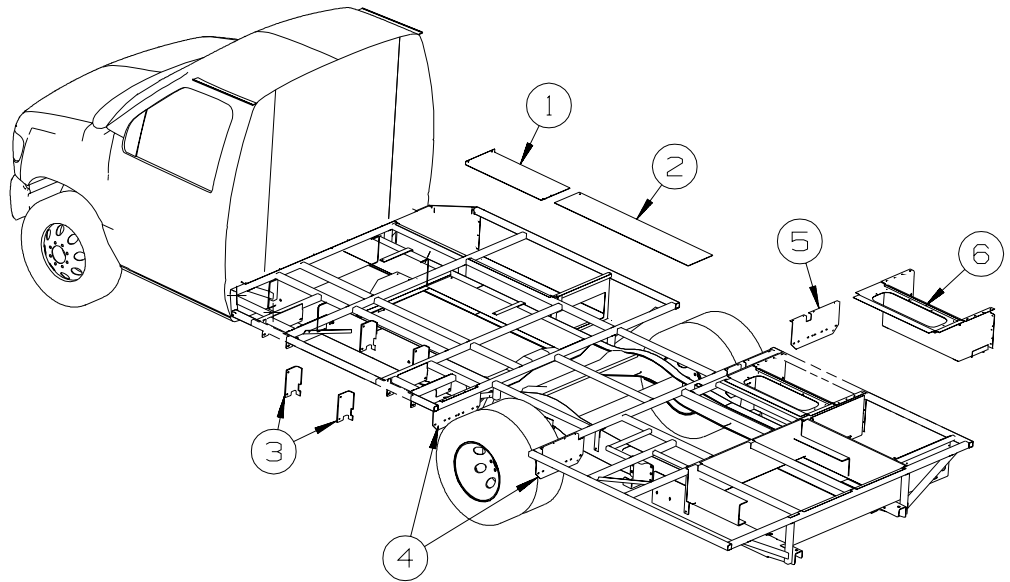
FROM: 07-01-06 THRU: 99-99-99

5	143929-04-000	EA	MUFFLER - EXHAUST
6	148094-02-000	EA	PIPE - EXHAUST/TAIL
7	143138-03-02B	EA	SHIELD - EXHAUST - E-COATED
8	143138-04-02B	EA	SHIELD - EXHAUST - E-COATED

CHASSIS GROUP (CONTINUED) EXHAUST (CONTINUED)



KEY	PART NUMBER	U/M DESCRIPTION
1	094918-06-000	EA CLAMP - EXHAUST - 3" - HEAVY DUTY
2	122392-02-02B	EA HANGER - TAILPIPE - E-COATED
3	143811-01-000	EA HANGER - EXHAUST - FORD F53
4	143929-02-000	EA MUFFLER - EXHAUST
		FROM: 00-00-00 THRU: 06-30-06
4	143929-04-000	EA MUFFLER - EXHAUST
		FROM: 07-01-06 THRU: 99-99-99
5	148094-03-000	EA PIPE - EXHAUST/TAIL
6	143138-03-02B	EA SHIELD - EXHAUST - E-COATED
7	143138-04-02B	EA SHIELD - EXHAUST - E-COATED
8	094918-01-000	EA CLAMP - EXHAUST - 3" - GUILLOTINE STYLE

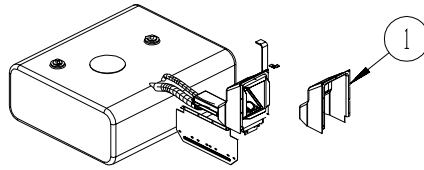


FRAME

KEY	PART NUMBER	U/M DESCRIPTION
1	135676-06-02B	EA SHIELD - HEAT - E-COATED
2	145027-03-02B	EA SHIELD - HEAT - E-COATED
3	147847-01-02B	EA BRACKET - LP SUPPORT - E-COATED
4	152277-01-02B	EA GUARD/ROCK - STEEL - W/BEND/2 NOTCHES - 18"W X 8.6"H
5	152277-02-02B	EA GUARD/ROCK - STEEL - W/BEND/1 NOTCH - 18"W X 8.6"H
6	135458-07-02B	EA BOX - ENTRY STEP - E-COATED

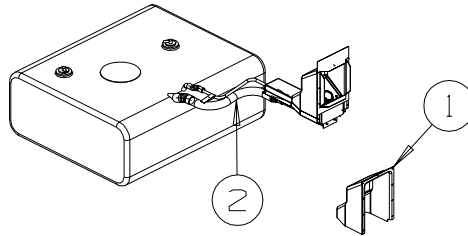
CHASSIS GROUP (CONTINUED)

FUEL



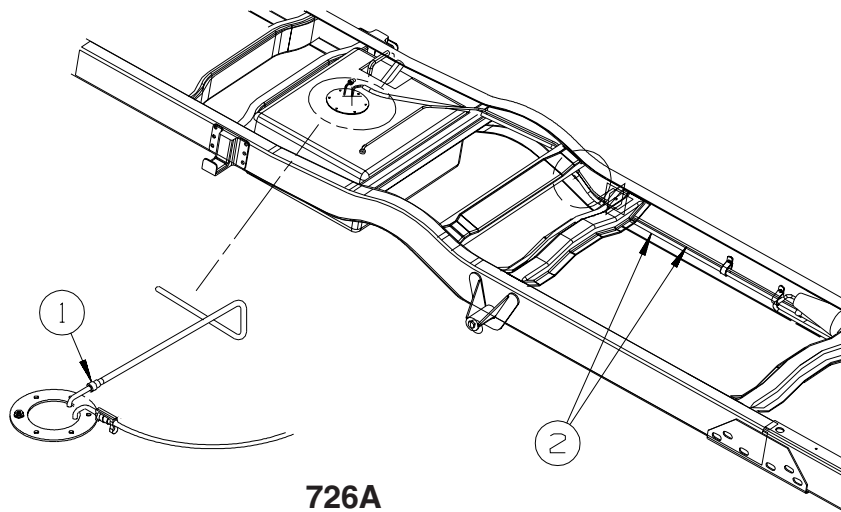
723D

KEY	PART NUMBER	U/M DESCRIPTION
1	148654-01-10A	EA SHROUD - FUEL FILL - UPPER - BLACK



726A, 729H

KEY	PART NUMBER	U/M DESCRIPTION
1	148654-02-10A	EA SHROUD - FUEL FILL - UPPER - BLACK
2	148650-02-000	EA NECK - FILLER/MAIN/EXTENSION



726A

KEY	PART NUMBER	U/M DESCRIPTION
1	149468-01-000	EA FITTING - F/FUEL-SENDING UNIT - 1/4"
2	106388-13-000	EA FUEL LINE - FORD - 5/16 HP - FORD E450

729H

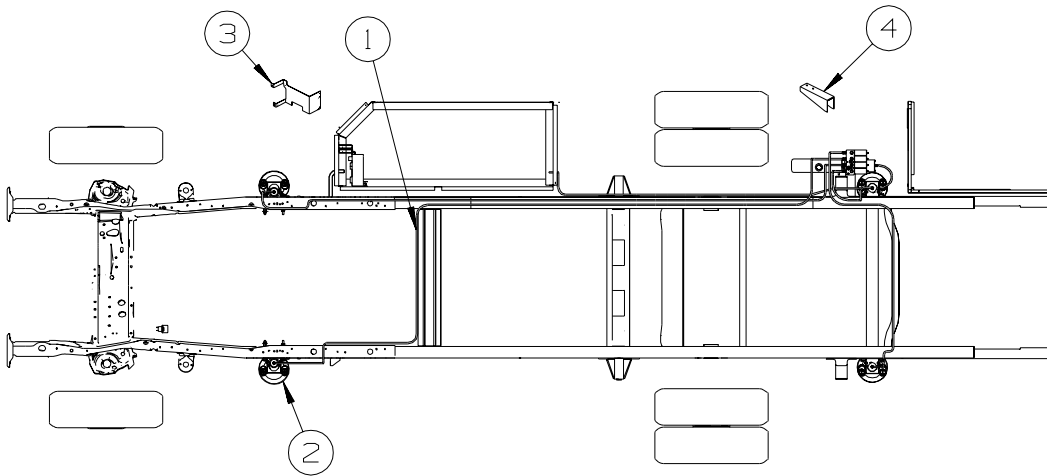
KEY	PART NUMBER	U/M DESCRIPTION
1	149468-01-000	EA FITTING - F/FUEL-SENDING UNIT - 1/4"
2	106388-12-000	EA FUEL LINE - 5/16 HP - W/FEMALE CONNECTOR - 65.8"

HITCH

KEY	PART NUMBER	U/M DESCRIPTION
	148064-01-000	EA DRAWBAR/HITCH - CLASS 3

CHASSIS GROUP (CONTINUED)

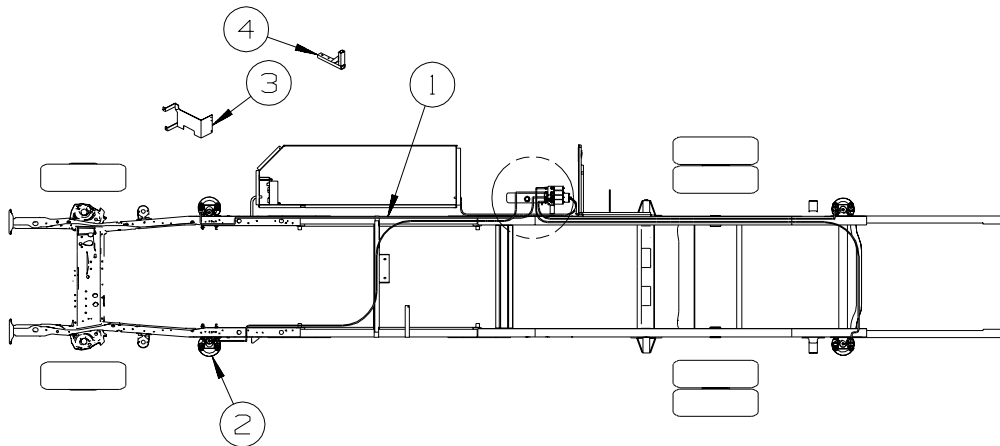
HYDRAULIC LEVELING



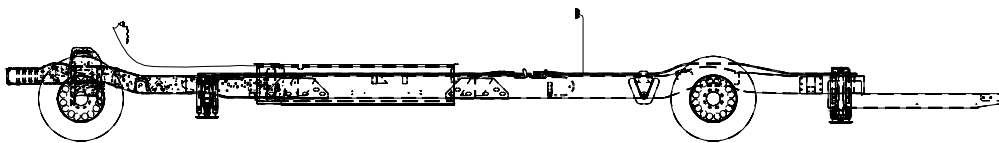
723D

KEY	PART NUMBER	U/M	DESCRIPTION
1	100536-66-000	EA	HOSE KIT - F/LEVELING JACKS
2*	157770-01-000	EA	LEVELING SYSTEM - 625 SYSTEM - FORD
3	158627-01-02B	EA	BRACKET - CONTROL BOX - E-COATED
4	158729-01-02B	EA	BRACKET - PUMP/LEVELING SYSTEM - E-COATED

*COMPONENT PARTS LISTED LATER IN THIS GROUP



726A, 729H



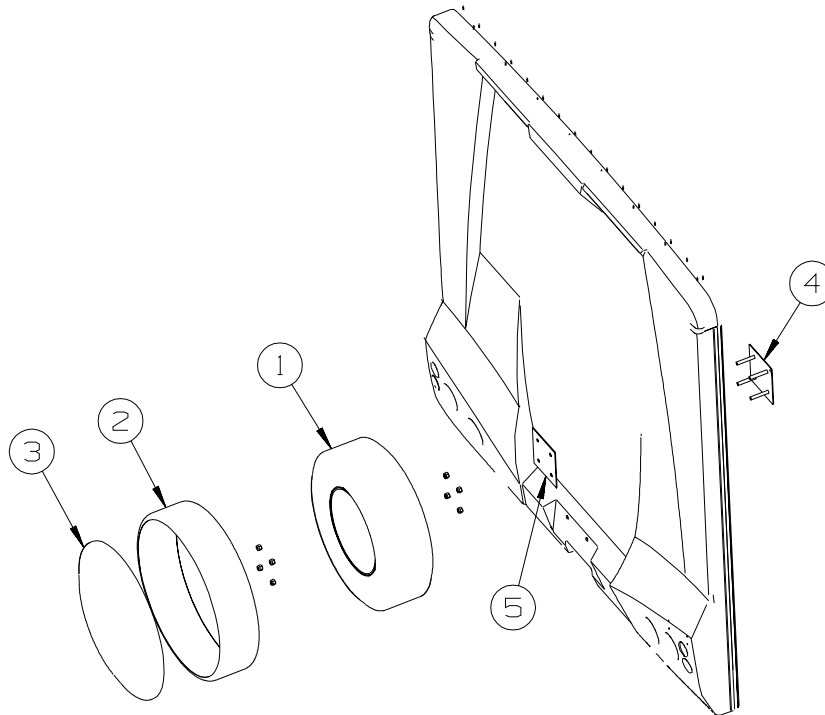
KEY	PART NUMBER	U/M	DESCRIPTION
1	100536-65-000	EA	HOSE KIT - F/LEVELING JACKS - 726A
1	100536-64-000	EA	HOSE KIT - F/LEVELING JACKS - 729H
2*	157770-01-000	EA	LEVELING SYSTEM - 625 SYSTEM - FORD
3	158627-01-02B	EA	BRACKET - CONTROL BOX - E-COATED
4	157452-01-02B	EA	BRACKET/MOUNTING - PUMP - E-COATED

*COMPONENT PARTS LISTED LATER IN THIS GROUP

CHASSIS GROUP (CONTINUED)
COMPONENT PARTS FOR HYDRAULIC LEVELING

157770-01-000

KEY	PART NUMBER	U/M	DESCRIPTION	VENDOR NO.
	100532-01-717	EA	MOTOR FOR PMP/RESRV RAP90014	RAP90311
	100532-03-716	EA	SOLENOID-CONTINUOUS DUTY	RAP7505
	100532-03-717	EA	VALVE-PRESS., RETURN SHUTTLE	RAP7964
	100532-03-726	EA	SWITCH - PRESSURE	RAP8003
	100532-09-705	EA	SWITCH-PRESS - 3000 LB.	RAP0993
	100532-09-710	EA	SOLENOID-INTERMITENT DUTY	RAP0533
	100532-12-707	EA	SPRING KIT (PAIR)	R3847
	100532-32-704	EA	CHIME - JACK WARNING	
	131306-11-704	EA	PRESSURE SWITCH - 50 PSI	RAP2082
	131306-12-702	EA	VALVE - PRESSURE SOLENOID - 3.3" LONG X 1.6" DIAMETER	
	144226-01-700	EA	SWITCH - WARNING/MAGNETIC W/GRAY CONNECTOR	
	144226-08-702	EA	SENSING UNIT/BI-AXIS - PROGRAMABLE W/6"PIGTAIL/INSTRUCTION	
	157770-01-700	EA	CYLINDER W/O FOOT - 4K	RAP91855/AP36046
	157770-01-701	EA	CYLINDER W/O FOOT - 6K	RAP91856
	157770-01-702	EA	SPRING KIT - 4K JACK	R91916
	157770-01-703	EA	TOUCH PAD - 625 FORD C BODY	RAP91864/AP36468
	157770-01-704	EA	ENCLOSURE BOX W/SENSING UNIT	RAP91762/AP36595
	157770-01-705	EA	PUMP/MOTOR/TANK ASM	RAP91912/AP37416



SPARE TIRE

KEY	PART NUMBER	U/M	DESCRIPTION
1	083425-14-000	EA	TIRE - LT225/75R16 LRE - MICHELIN LTX M/S
1	083617-05-000	EA	WHEEL - STEEL - 6" X 16" - FORD W/6 VENT HOLES
1	164137-01-01A	EA	WHEEL - STEEL - 6" X 16" - 4 VENT HOLES/OVAL - FORD W/4 VENT HOLES
2*	149703-01-01A	EA	RING - TIRE COVER - SPARE
3	149703-02-01A	EA	INSERT - TIRE COVER - SPARE
4	155344-01-02B	EA	BRACKET/SUPPORT - SPARE TIRE - E-COATED
5	155344-02-02B	EA	BRACKET/PLATE - E-COATED
	051377-07-000	EA	VALVE STEM - FORD W/6 VENT HOLES
	051377-09-000	EA	VALVE STEM - 1.8" - FORD W/4 VENT HOLES

*COMPONENT PARTS LISTED LATER IN THIS GROUP

COMPONENT PARTS FOR SPARE TIRE

149703-01-01A

KEY	PART NUMBER	U/M	DESCRIPTION	VENDOR NO.
	149703-01-700	EA	CYLINDER LOCK/CAM/CLIP/2 KEY	CAM LOCK/CLIP/KEYS

CHASSIS GROUP (CONTINUED)

SUSPENSION

KEY PART NUMBER U/M DESCRIPTION

* 153119-01-000 EA AIRSPRING - AIR BAG KIT - E450 UNDER RAIL MOUNT - 14,050 LB.GVWR, REAR AIR SPRINGS

* 153119-02-000 EA AIRSPRING - AIR BAG KIT - E350 UNDER RAIL MOUNT - 11,500 LB.GVWR, REAR AIR SPRINGS

*COMPONENT PARTS LISTED LATER IN THIS GROUP

COMPONENT PARTS FOR SUSPENSION

153119-01-000

KEY	PART NUMBER	U/M	DESCRIPTION	VENDOR NO.
	084096-01-708	EA	AIRLINE SERVICE KIT	W21-760-2012
	153119-01-700	EA	AIR SPRING (AIR BAG)	W217606397
	153119-01-701	EA	BRACKET - UPPER DRIVER	W217605440
	153119-01-702	EA	BRACKET - UPPER PASSENGER	W217605441
	153119-01-703	EA	BRACKET - LOWER	W217605439
	153119-01-704	EA	BRACE - UPPER DRIVER	W217605442
	153119-01-705	EA	BRACE - UPPER PASSENGER	W217605443
	153119-01-706	EA	STRAP/CLAMP - F/BRACKET	W217605433

153119-02-000

KEY	PART NUMBER	U/M	DESCRIPTION	VENDOR NO.
	084096-01-708	EA	AIRLINE SERVICE KIT	W21-760-2012
	135674-A1-701	EA	UPPER DRIVER BRACKET	5110 - FIRESTONE
	135674-A1-702	EA	UPPER PASSENGER BRACKET	5111 - FIRESTONE
	153119-02-700	EA	BRACKET - LOWER	W217605361
	153119-02-701	EA	STRAP/CLAMP - F/BRACKET	W217605360

WHEEL, TIRE, COVERS &/OR LINERS

KEY	PART NUMBER	U/M	DESCRIPTION
	077030-01-000	EA	EXTENSION - VALVE STEM - 1.25" - METAL
	077030-10-000	EA	EXTENSION - VALVE STEM - .50" - METAL
	095012-05-000	EA	EXTENSION/VALVE STEM - LIVE - 5"
	095012-06-000	EA	STABILIZER/VALVE EXTENSION - LIVE - 2"
	095012-07-000	EA	STABILIZER/VALVE EXTENSION - LIVE - 4"
	095012-09-000	EA	EXTENSION/VALVE STEM - LIVE - 7.7"
*	110435-13-000	EA	LINER - WHEEL - SET OF 4 - 16" (8 HOLE) - FORD W/ STEEL WHEEL W/6 SLOTS
*	144647-01-000	EA	LINER - WHEEL SET (SET=4) 16" - FORD W/ STEEL WHEEL W/4 SLOTS/CHEVY
	080208-02-000	EA	BAR/LEVERAGE - LUG WRENCH - 13/16" DIA - ALUMINUM WHEEL
	080208-06-000	EA	LUG WRENCH - 1"/1.1" SOCKETS X 16.4" LONG - ALUMINUM WHEEL
	149749-01-000	EA	WHEEL - ALUMINUM - 6" X 16" - FRONT - FORD E450 - ALUMINUM WHEELS
	149749-02-000	EA	WHEEL - ALUMINUM - 6" X 16" - REAR - FORD E450 - ALUMINUM WHEELS
	156797-03-000	EA	COVER/HUB - FRONT - ALUMINUM WHEELS - ALUMINUM WHEELS
	156797-04-000	EA	COVER/HUB - REAR - ALUMINUM WHEELS - ALUMINUM WHEELS
	149749-05-000	EA	COVER/NUT - ALUMINUM WHEELS
	149749-06-000	EA	NUT/WHEEL - 9/16"-18 - LOW PROFILE - FORD E450 - ALUMINUM WHEELS

*COMPONENT PARTS LISTED LATER IN THIS GROUP

COMPONENT PARTS FOR WHEEL, TIRE, COVERS &/OR LINERS

110435-13-000

KEY	PART NUMBER	U/M	DESCRIPTION	VENDOR NO.
	110435-01-711	EA	DECAL-CENTER CAP, 2"	2" DECAL
	110435-10-705	EA	TOOL/JAMB NUT INSTALLATION	V195P7-TOL
	110435-13-700	EA	LINER - WHEEL - FRONT	V160F7-FWC
	110435-13-701	EA	LINER - WHEEL - REAR	V160F7-RWC
	110435-13-702	EA	JAMB NUT W/COVER - 9/16"	V160F7-EJN

144647-01-000

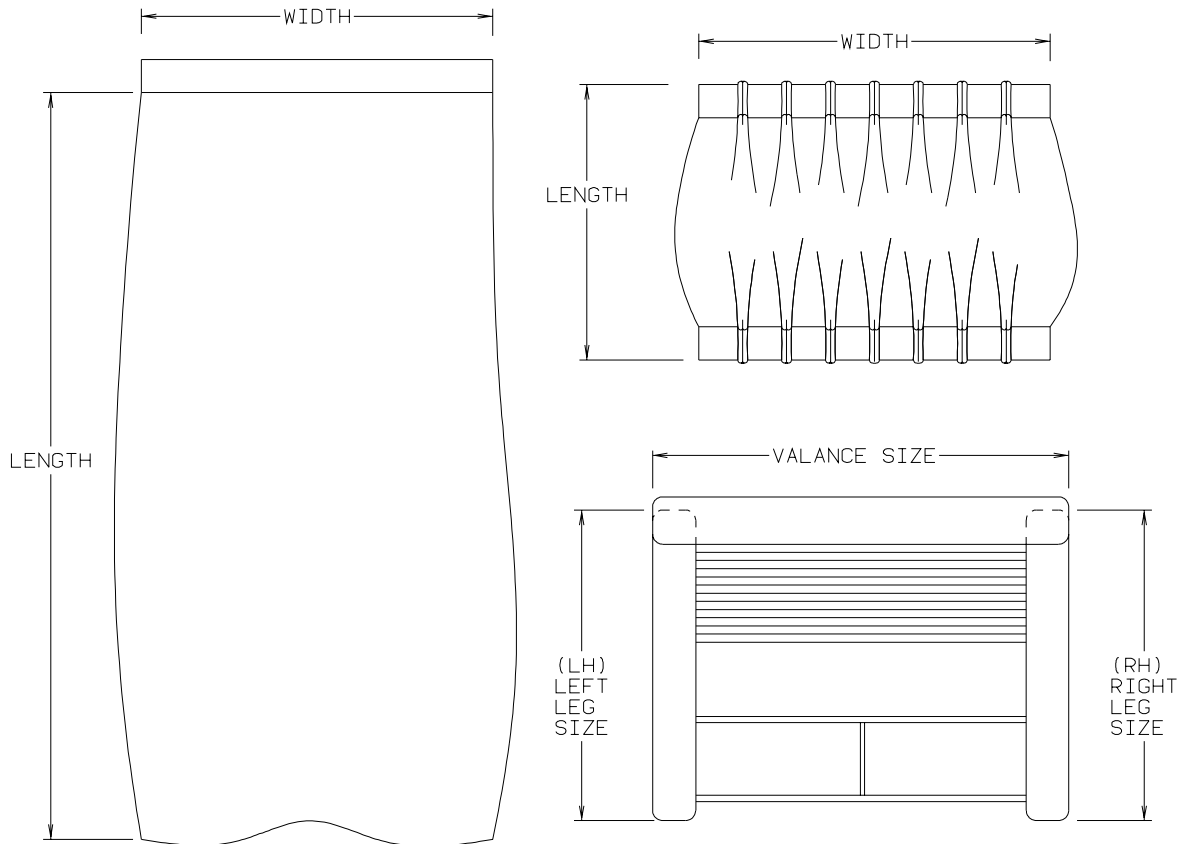
KEY	PART NUMBER	U/M	DESCRIPTION	VENDOR NO.
	110435-01-711	EA	DECAL-CENTER CAP, 2"	2" DECAL
	144647-01-700	EA	WHEEL COVER - FRONT/1 PIECE	FL60-FWC
	144647-01-701	EA	WHEEL COVER - REAR/1 PIECE	FL60-RWC

CURTAIN & CUSHION GROUP

NOTICE

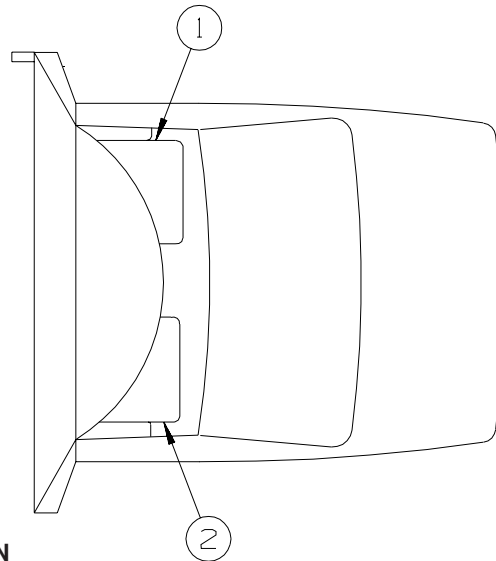
IN ORDER TO ASSIST OUR PARTS SALES DEPT. IN PROVIDING INTERIOR SOFTWARE ITEMS, PLEASE INCLUDE THE SERIAL NUMBER AND THE COLOR CODE NUMBER FROM THE VEHICLE CERTIFICATION LABEL WHEN ORDERING. THIS LABEL IS LOCATED ON THE LEFT SIDEWALL AT THE END OF THE DASH (A-BODY), OR ON THE DRIVER'S DOOR LATCH PLATE (C-BODY).

AN EXAMPLE OF A COLOR CODE NUMBER IS B07, WHICH DESIGNATES AN OVERALL COLOR SCHEME OF A PARTICULAR UNIT. THE COLOR LISTED AFTER THE ITEM DESCRIPTION ON THE MICROFICHE, INDICATES THE OVERALL UNIT COLOR. ORDER THE ITEM YOU DESIRE ACCORDING TO UNIT COLOR CODE. IF ALL COLORS USE THE SAME ITEM NO COLOR CODE WILL BE NOTED.



NOTE: USE THIS ILLUSTRATION WHEN DETERMINING LENGTH AND WIDTH MEASUREMENTS FOR CURTAINS. YOU WILL NOTE THE WIDTH MEASUREMENT IS TAKEN ON THE TOP OF THE CURTAIN WITH THE CURTAIN FULLY EXTENDED. THE LENGTH MEASUREMENT IS TAKEN FROM TOP TO BOTTOM. LEFT AND RIGHT WINDOW LEGS ARE DETERMINED WHEN FACING THE WINDOW.

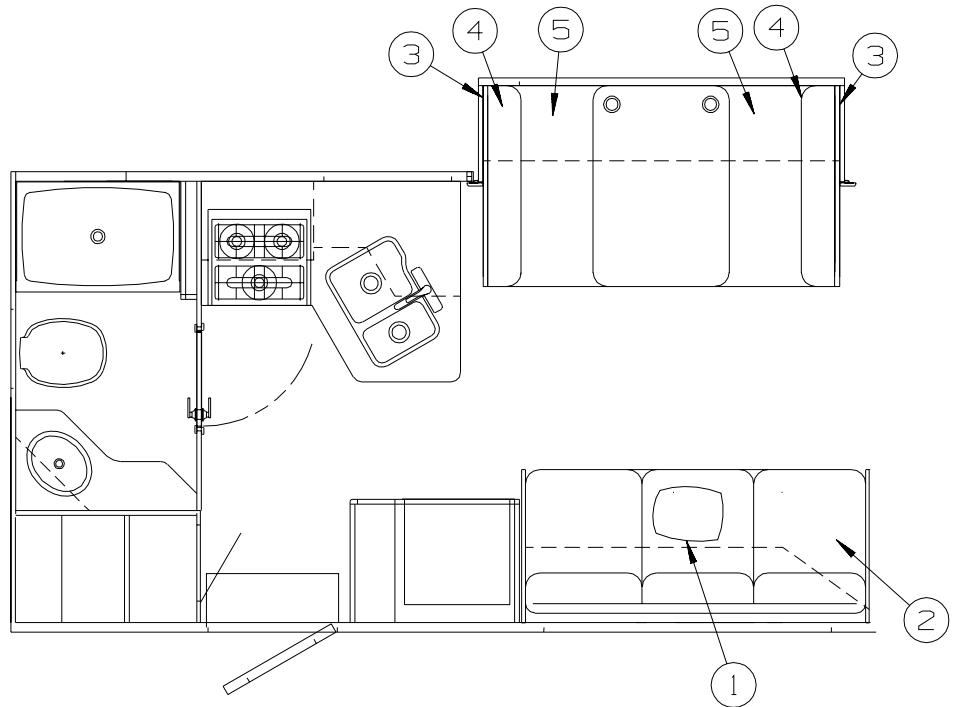
CURTAIN & CUSHION GROUP (CONTINUED)
CUSHION LAYOUT



**FROM: 00-00-00
 THRU: 05-21-06
 FOR EXTERIOR
 GRAPHICS
 FROM: 00-00-00
 THRU: 06-11-06
 FOR EXTERIOR
 GRAPHICS
 DELUX,
 CHASSIS
 SUPPLIED AFTER
 THESE DATES**

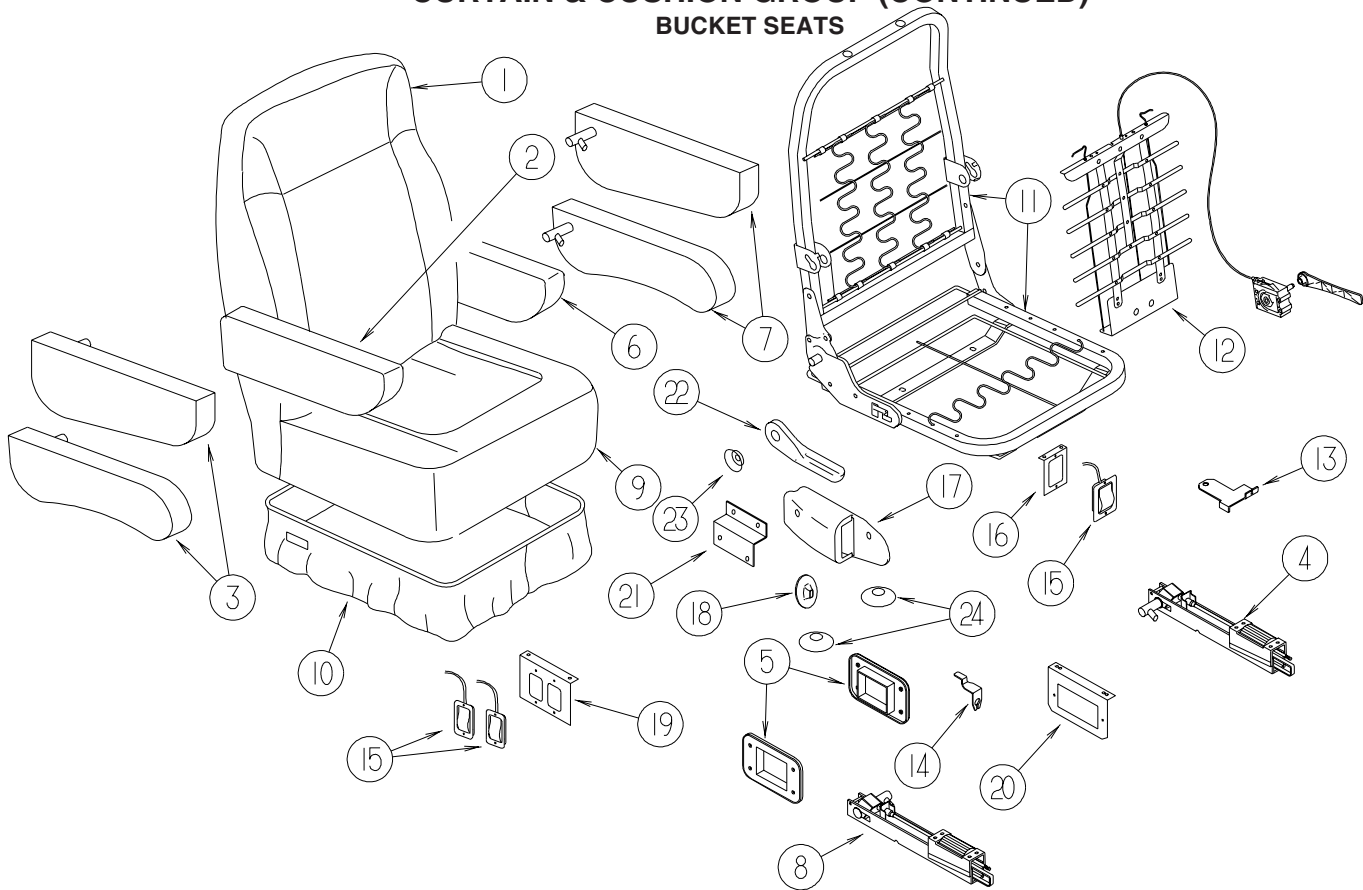
KEY	PART NUMBER	U/M	DESCRIPTION
1	149587-01-T47	EA	SEAT - BUCKET/DRIVER (U45, U46, U49, U50)
1	149587-01-T49	EA	SEAT - BUCKET/DRIVER (U47, U48)
1	149587-09-U29	EA	SEAT - BUCKET/DRIVER - LEATHER (U45, U46, U49, U50) - ULTRA LEATHER
1	149587-09-U31	EA	SEAT - BUCKET/DRIVER - LEATHER (U47, U48) - ULTRA LEATHER
2	149587-02-T47	EA	SEAT - BUCKET/PASSENGER (U45, U46, U49, U50)
2	149587-02-T49	EA	SEAT - BUCKET/PASSENGER (U47, U48)
2	149587-10-U29	EA	SEAT - BUCKET/PASSENGER - LEATHER (U45, U46, U49, U50) - ULTRA LEATHER
2	149587-10-U31	EA	SEAT - BUCKET/PASSENGER - LEATHER (U47, U48) - ULTRA LEATHER

CURTAIN & CUSHION GROUP (CONTINUED)
CUSHION LAYOUT (CONTINUED)



KEY	PART NUMBER	U/M	DESCRIPTION
1	155354-01-T47	EA	PILLOW - 18" (U45, U46)
1	155354-02-T49	EA	PILLOW - 18" (U47, U48)
1	155354-04-U49	EA	PILLOW - 18" (U49, U50)
2			SEE SOFA AREA
3	111338-11-T47	EA	PAD - DINETTE SEATBACK (U45, U46, U49, U50)
3	111338-11-T49	EA	PAD - DINETTE SEATBACK (U47, U48)
3	111338-17-T43	EA	PAD - DINETTE SEATBACK - LEATHER (U45, U46, U49, U50) - ULTRA LEATHER
3	111338-17-T41	EA	PAD - DINETTE SEATBACK - LEATHER (U47, U48) - ULTRA LEATHER
4	153670-16-U45	EA	CUSHION - SEAT BACK - 13.5" X 42" X 5" - W/INSERT (U45, U46)
4	153670-20-U47	EA	CUSHION - SEAT BACK - 13.5" X 42" X 5" - W/INSERT (U47, U48)
4	153670-19-U49	EA	CUSHION - SEAT BACK - 13.5" X 42" X 5" (U49, U50)
4	153670-17-U45	EA	CUSHION - SEAT BACK - 13.5" X 42" X 5" - W/INSERT (U45, U46) - ULTRA LEATHER
4	153670-18-U47	EA	CUSHION - SEAT BACK - 13.5" X 42" X 5" - W/INSERT (U47, U48) - ULTRA LEATHER
4	153670-18-U49	EA	CUSHION - SEAT BACK - 13.5" X 42" X 5" - W/INSERT (U49, U50) - ULTRA LEATHER
	P53670-16-U45	EA	COVER/BACK - 13.5" X 42" X 5" - W/INSERT (U45, U46)
	P53670-20-U47	EA	COVER/BACK - 13.5" X 42" X 5" - W/INSERT (U47, U48)
	P53670-19-U49	EA	COVER/BACK - 13.5" X 42" X 5" (U49, U50)
	P53670-17-U45	EA	COVER/BACK - 13.5" X 42" X 5" - W/INSERT (U45, U46) - ULTRA LEATHER
	P53670-18-U47	EA	COVER/BACK - 13.5" X 42" X 5" - W/INSERT (U47, U48) - ULTRA LEATHER
	P53670-18-U49	EA	COVER/BACK - 13.5" X 42" X 5" - W/INSERT (U49, U50) - ULTRA LEATHER
5	153671-07-T47	EA	CUSHION - SEAT - 23" X 42" X 5" (U45, U46)
5	153671-02-T49	EA	CUSHION - SEAT - 23" X 42" X 5" (U47, U48)
5	153671-02-U49	EA	CUSHION - SEAT - 23" X 42" X 5" (U49, U50)
5	153671-06-T41	EA	CUSHION - SEAT - 23" X 42" X 5" (U45, U46, U49, U50) - ULTRA LEATHER
5	153671-06-T43	EA	CUSHION - SEAT - 23" X 42" X 5" (U47, U48) - ULTRA LEATHER
	153671-A7-T47	EA	COVER/SEAT - 23" X 42" X 5" (U45, U46)
	153671-A2-T49	EA	COVER/SEAT - 23" X 42" X 5" (U47, U48)
	153671-A2-U49	EA	COVER/SEAT - 23" X 42" X 5" (U49, U50)
	153671-A6-T41	EA	COVER/SEAT - 23" X 42" X 5" (U45, U46, U49, U50) - ULTRA LEATHER
	153671-A6-T43	EA	COVER/SEAT - 23" X 42" X 5" (U47, U48) - ULTRA LEATHER

CURTAIN & CUSHION GROUP (CONTINUED)
BUCKET SEATS



FROM: 00-00-00 THRU: 05-28-06 FOR DECAL PKG EXTERIOR
FROM: 00-00-00 THRU: 07-16-06 FOR PAINT PKG EXTERIOR

KEY	PART NUMBER	U/M	DESCRIPTION
1	M05962-L3-T47	EA	COVER/BACK (U45, U46, U49, U50)
1	M05962-L3-T49	EA	COVER/BACK (U47, U48)
1	M05962-T1-U21	EA	COVER/BACK - LEATHER (U45, U46, U49, U50) - ULTRALEATHER
1	M05962-T1-U25	EA	COVER/BACK - LEATHER (U47, U48) - ULTRALEATHER
2	129666-07-T47	EA	ARMREST - RIGHT HAND (U45, U46, U49, U50)
2	129666-07-T49	EA	ARMREST - RIGHT HAND (U47, U48)
2	129666-09-T16	EA	ARMREST - RIGHT HAND (U45, U46, U49, U50) - ULTRALEATHER
2	129666-09-T18	EA	ARMREST - RIGHT HAND (U47, U48) - ULTRALEATHER
	P29666-07-T47	EA	COVER/ARMREST - RIGHT HAND (U45, U46, U49, U50)
	P29666-07-T49	EA	COVER/ARMREST - RIGHT HAND (U47, U48)
	P29666-09-T16	EA	COVER/ARMREST - RIGHT HAND (U45, U46, U49, U50) - ULTRALEATHER
	P29666-09-T18	EA	COVER/ARMREST - RIGHT HAND (U47, U48) - ULTRALEATHER
3	130698-01-000	EA	ARMREST/MOLDED - RIGHT - W/O COVER
4	NOT USED		
5	NOT USED		
6	129666-08-T47	EA	ARMREST - LEFT HAND (U45, U46, U49, U50)
6	129666-08-T49	EA	ARMREST - LEFT HAND (U47, U48)
6	129666-10-T16	EA	ARMREST - LEFT HAND (U45, U46, U49, U50) - ULTRALEATHER
6	129666-10-T18	EA	ARMREST - LEFT HAND (U47, U48) - ULTRALEATHER
	P29666-08-T47	EA	COVER/ARMREST - LEFT HAND (U45, U46, U49, U50)
	P29666-08-T49	EA	COVER/ARMREST - LEFT HAND (U47, U48)
	P29666-10-T16	EA	COVER/ARMREST - LEFT HAND (U45, U46, U49, U50) - ULTRALEATHER
	P29666-10-T18	EA	COVER/ARMREST - LEFT HAND (U47, U48) - ULTRALEATHER
7	130698-02-000	EA	ARMREST/MOLDED - LEFT - W/O COVER
8	NOT USED		
9	M05962-P0-T47	EA	COVER/SEAT - W/SKIRT - DRIVER (U45, U46, U49, U50)
9	M05962-P0-T49	EA	COVER/SEAT - DRIVER (U47, U48)
9	M05962-T3-U21	EA	COVER/SEAT - W/SKIRT - DRIVER - LEATHER (U45, U46, U49, U50) - ULTRALEATHER
9	M05962-T3-U25	EA	COVER/SEAT - W/SKIRT - DRIVER - LEATHER (U47, U48) - ULTRALEATHER
9	M05962-N9-T47	EA	COVER/SEAT - W/SKIRT - PASSENGER (U45, U46, U49, U50)
9	M05962-N9-T49	EA	COVER/SEAT - PASSENGER (U47, U48)

CURTAIN & CUSHION GROUP (CONTINUED)
BUCKET SEATS (CONTINUED)

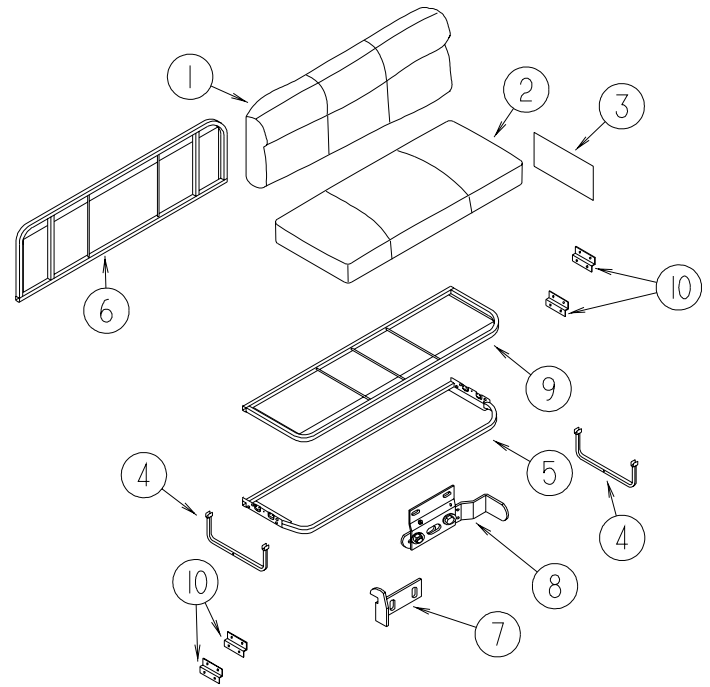
KEY	PART NUMBER	U/M	DESCRIPTION
9	M05962-T2-U21	EA	COVER/SEAT - W/SKIRT - PASSENGER - LEATHER (U45, U46, U49, U50) - ULTRALEATHER
9	M05962-T2-U25	EA	COVER/SEAT - W/SKIRT - PASSENGER - LEATHER (U47, U48) - ULTRALEATHER
10	NOT USED		
11	132875-04-000	EA	FRAME - LEFT HAND CHAIR/TAPERED BACK
11	132875-03-000	EA	FRAME - RIGHT HAND CHAIR/TAPERED BACK
12	NOT USED		
13	NOT USED		
14	NOT USED		
15	NOT USED		
16	NOT USED		
17	NOT USED		
18	NOT USED		
19	NOT USED		
20	NOT USED		
21	147457-01-02B	EA	BRACKET - ZEE W/HOLES - 2.8" - E-COATED
22	130802-01-000	EA	LEVER - LEFT HAND
	130802-02-000	EA	LEVER - RIGHT HAND
	130802-03-000	EA	SCREW F/LEVER
23	NOT USED		
24	007221-01-000	EA	SPACER - SEAT/ADJUSTER
	029134-01-000	EA	CLIP - FINISH - UPHOLSTERY

FROM: 05-29-06 THRU: 99-99-99 FOR DECAL PKG EXTERIOR
FROM: 07-17-06 THRU: 99-99-99 FOR PAINT PKG EXTERIOR

KEY	PART NUMBER	U/M	DESCRIPTION
1	158708-03-U21	EA	COVER - BACK (U45, U46, U49, U50) - ULTRALEATHER
1	158708-03-U25	EA	COVER - BACK (U47, U48) - ULTRALEATHER
2	158708-05-U21	EA	COVER - ARMREST/DRIVER (U45, U46, U49, U50) - ULTRALEATHER
2	158708-05-U25	EA	COVER - ARMREST/DRIVER (U47, U48) - ULTRALEATHER
3	NOT USED		
4	NOT USED		
5	NOT USED		
6	158708-06-U21	EA	COVER - ARMREST/PASSENGER (U45, U46, U49, U50) - ULTRALEATHER
6	158708-06-U25	EA	COVER - ARMREST/PASSENGER (U47, U48) - ULTRALEATHER
7	NOT USED		
8	NOT USED		
9	158708-04-U21	EA	COVER - SEAT - DRIVER (U45, U46, U49, U50) - ULTRALEATHER
9	158708-04-U25	EA	COVER - SEAT - DRIVER (U47, U48) - ULTRALEATHER
9	158708-07-U21	EA	COVER - SEAT - PASSENGER (U45, U46, U49, U50) - ULTRALEATHER
9	158708-07-U25	EA	COVER - SEAT - PASSENGER (U47, U48) - ULTRALEATHER
10	NOT USED		
11	NOT USED		
12	NOT USED		
13	NOT USED		
14	NOT USED		
15	NOT USED		
16	NOT USED		
17	NOT USED		
18	NOT USED		
19	NOT USED		
20	NOT USED		
21	NOT USED		
22	NOT USED		
23	NOT USED		
24	007221-01-000	EA	SPACER - SEAT/ADJUSTER

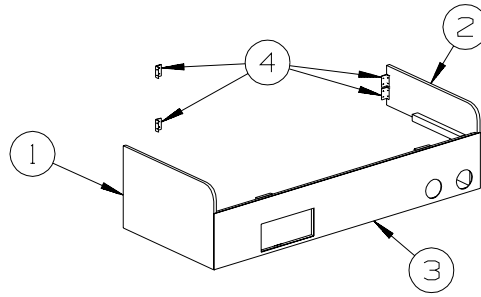
CURTAIN & CUSHION GROUP (CONTINUED)

SOFA



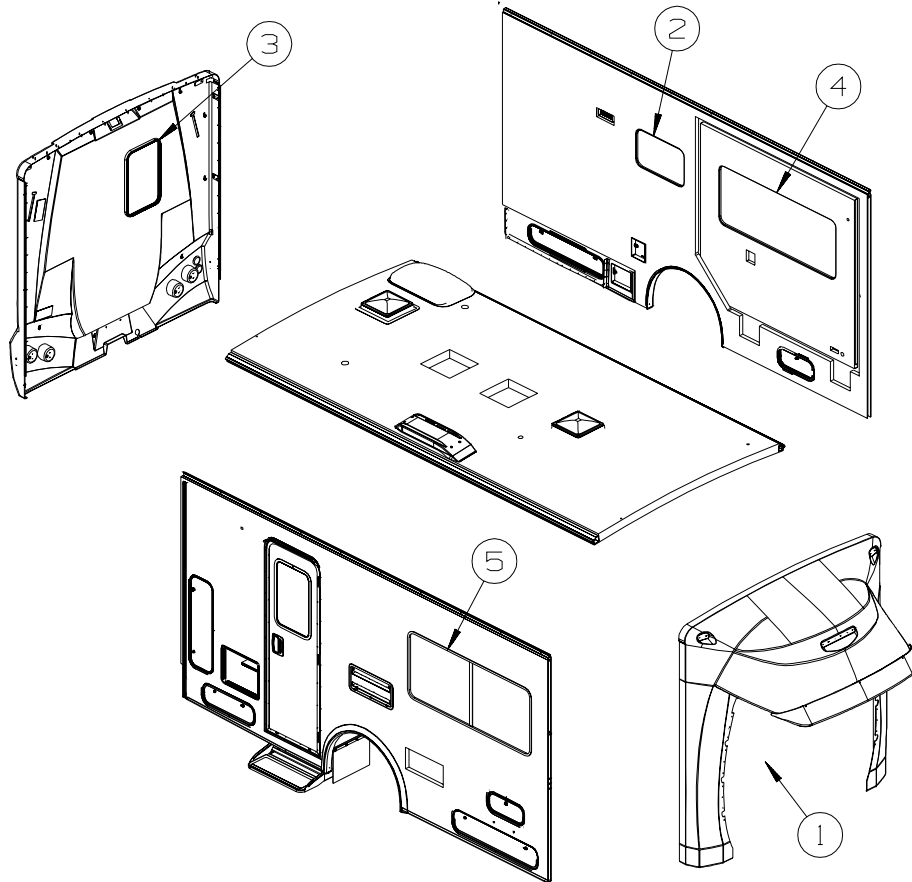
KEY	PART NUMBER	U/M	DESCRIPTION
1	149804-03-T47	EA	BACK - SOFA/BED - 70" (U45, U46)
1	149804-03-T49	EA	BACK - SOFA/BED - 70" (U47, U48)
1	149804-03-U49	EA	BACK - SOFA/BED - 70" (U49, U50)
1	161040-04-U45	EA	BACK - SOFA/BED - 70" (U45, U46, U49, U50) - ULTRALEATHER
1	161040-04-U47	EA	BACK - SOFA/BED - 70" (U47, U48) - ULTRALEATHER
	P49804-03-T47	EA	COVER - BACK - SOFA/BED - 70" (U45, U46)
	P49804-03-T49	EA	COVER - BACK - SOFA/BED - 70" (U47, U48)
	P49804-03-U49	EA	COVER - BACK - SOFA/BED - 70" (U49, U50)
	161040-A4-U45	EA	COVER - BACK - SOFA/BED - 70" (U45, U46, U49, U50) - ULTRALEATHER
	161040-A4-U47	EA	COVER - BACK - SOFA/BED - 70" (U47, U48) - ULTRALEATHER
2	149812-03-T47	EA	SEAT - SOFA/BED - 70" (U45, U46)
2	149812-03-T49	EA	SEAT - SOFA/BED - 70" (U47, U48)
2	149812-03-U49	EA	SEAT - SOFA/BED - 70" (U49, U50)
2	149812-07-U45	EA	SEAT - SOFA/BED - 70" (U45, U46, U49, U50) - ULTRALEATHER
2	149812-07-U47	EA	SEAT - SOFA/BED - 70" (U47, U48) - ULTRALEATHER
	P49812-03-T47	EA	COVER - SEAT - SOFA/BED - 70" (U45, U46)
	P49812-03-T49	EA	COVER - SEAT - SOFA/BED - 70" (U47, U48)
	P49812-03-U49	EA	COVER - SEAT - SOFA/BED - 70" (U49, U50)
	P49812-07-U45	EA	COVER - SEAT - SOFA/BED - 70" (U45, U46, U49, U50) - ULTRALEATHER
	P49812-07-U47	EA	COVER - SEAT - SOFA/BED - 70" (U47, U48) - ULTRALEATHER
3	NOT USED		
4	127335-07-000	EA	LEG - SOFA/BED - 8"
5	101085-12-000	EA	FRAME - BASE - SOFA/BED - 20" X 70"
6	101085-14-000	EA	FRAME - BACK - SOFA/BED - 16" X 67.5"
7	NOT USED		
8	NOT USED		
9	101085-13-000	EA	FRAME - SEAT - SOFA/BED - 27.25" X 70"
10	NOT USED		
	156732-01-02A	EA	BRACE - ANGLE/COUCH - 2.5" - OFF WHITE

CURTAIN & CUSHION GROUP (CONTINUED)
SOFA (CONTINUED)



KEY	PART NUMBER	U/M	DESCRIPTION
1	148296-11-T47	EA	CABINET - COUCH END - RIGHT END PANEL - FABRIC COVERED (U45, U46)
1	148296-11-T49	EA	CABINET - COUCH END - RIGHT END PANEL - FABRIC COVERED (U47, U48)
1	148296-11-U49	EA	CABINET - COUCH END - RIGHT END PANEL - FABRIC COVERED (U49, U50)
1	148296-17-T43	EA	CABINET - COUCH END - RIGHT END PANEL - LTHR COVERED (U45, U46, U49, U50) - ULTRALEATHER
1	148296-17-T41	EA	CABINET - COUCH END - RIGHT END PANEL - LTHR CVRD (U47, U48) - ULTRALEATHER
2	148296-13-T47	EA	CABINET - COUCH END - LEFT END PANEL - FABRIC COVERED (U45, U46)
2	148296-13-T49	EA	CABINET - COUCH END - LEFT END PANEL - FABRIC COVERED (U47, U48)
2	148296-13-U49	EA	CABINET - COUCH END - LEFT END PANEL - FABRIC COVERED (U49, U50)
2	148296-18-U39	EA	CABINET - COUCH END - LEFT END PANEL - LEATHER CVRD (U45, U46, U49, U50) - ULTRALEATHER
2	148296-18-U37	EA	CABINET - COUCH END - LEFT END PANEL - LTHR COVERED (U47, U48) - ULTRALEATHER
3	148296-15-T47	EA	CABINET - COUCH - FRONT - FABRIC COVERED (U45, U46)
3	148296-15-T49	EA	CABINET - COUCH - FRONT - FABRIC COVERED (U47, U48)
3	148296-15-U49	EA	CABINET - COUCH - FRONT - FABRIC COVERED (U49, U50)
3	148296-19-U39	EA	CABINET - COUCH - FRONT - LEATHER COVERED (U45, U46, U49, U50) - ULTRALEATHER
3	148296-19-U37	EA	CABINET - COUCH - FRONT - LEATHER COVERED (U47, U48) - ULTRALEATHER
4	153732-01-01A	EA	BRACE - ANGLE/COUCH - 2.5" - OFF WHITE

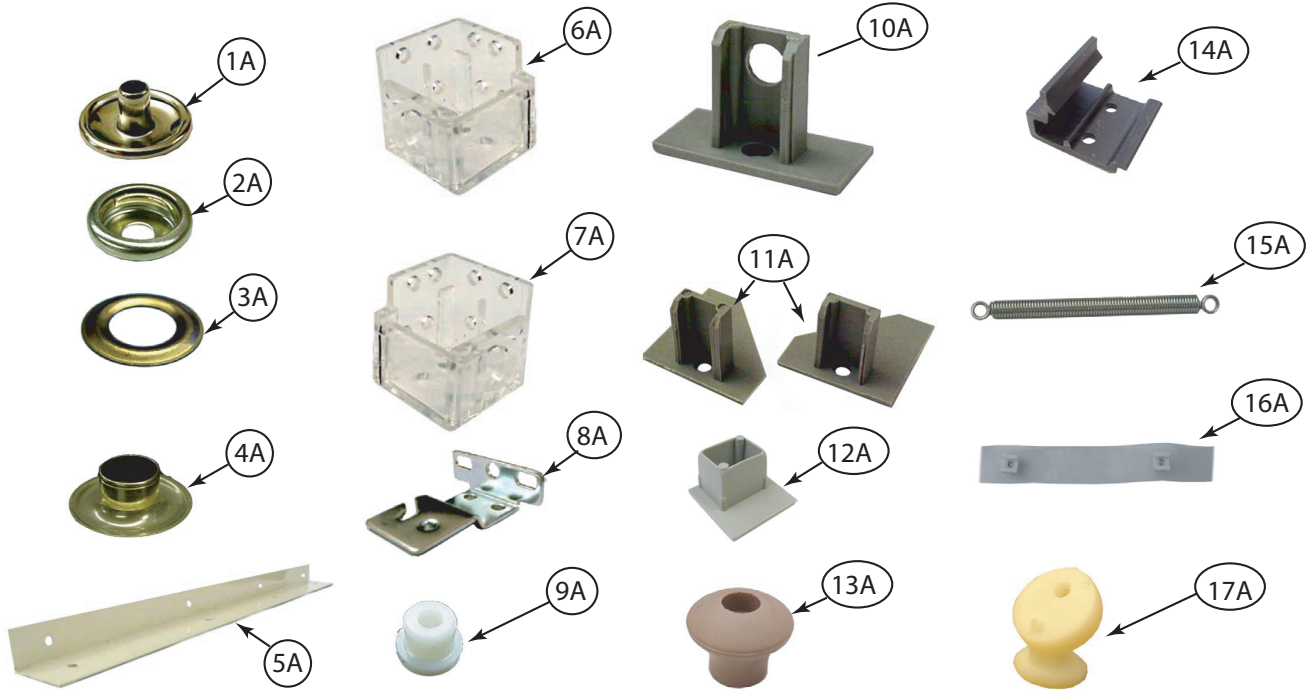
CURTAIN & CUSHION GROUP (CONTINUED)
WINDOW TREATMENT



KEY	PART NUMBER	U/M	DESCRIPTION
1	076892-34-T45	EA	CURTAIN - CAB PRIVACY - 52" X 74" (U45, U46)
1	076892-34-T49	EA	CURTAIN - CAB PRIVACY - 52" X 74" (U47, U48)
1	076892-34-U49	EA	CURTAIN - CAB PRIVACY - 52" X 74" (U49, U50)
2	109041-57-05A	EA	BLIND - MINI - 26" X 17" (U45, U46, U49, U50)
2	109041-57-03A	EA	BLIND - MINI - 26" X 17" (U47, U48)
3	109041-69-02A	EA	BLIND - MINI - 19" X 30" (U45, U46, U49, U50)
3	109041-69-01A	EA	BLIND - MINI - 19" X 30" (U47, U48)
4	158115-14-U45	EA	VALANCE - MORGAN - 63" (U45, U46)
4	158115-15-U47	EA	VALANCE - MORGAN - 63" (U47, U48)
4	158115-16-U49	EA	VALANCE - MORGAN - 63" (U49, U50)
4	152445-07-T47	EA	LEG - RIGHT - 23.5" (U45, U46)
4	152445-11-T49	EA	LEG - RIGHT - 23.5" (U47, U48)
4	152445-07-U49	EA	LEG - RIGHT - 23.5" (U49, U50)
4	152445-08-T47	EA	LEG - LEFT - 23.5" (U45, U46)
4	152445-12-T49	EA	LEG - LEFT - 23.5" (U47, U48)
4	152445-08-U49	EA	LEG - LEFT - 23.5" (U49, U50)
4	140789-08-S46	EA	BLIND - DAY/NIGHTER - 59" X 26.5" (U45, U46, U49, U50)
4	140789-08-N02	EA	BLIND - DAY/NIGHTER - 59" X 26.5" (U47, U48)
5	158115-25-U45	EA	VALANCE - MORGAN - 20.5" (U45, U46)
5	158115-26-U47	EA	VALANCE - MORGAN - 20.5" (U47, U48)
5	158115-27-U49	EA	VALANCE - MORGAN - 20.5" (U49, U50)
5	152445-07-T47	EA	LEG - RIGHT - 23.5" (U45, U46)
5	152445-11-T49	EA	LEG - RIGHT - 23.5" (U47, U48)
5	152445-07-U49	EA	LEG - RIGHT - 23.5" (U49, U50)
5	152445-08-T47	EA	LEG - LEFT - 23.5" (U45, U46)
5	152445-12-T49	EA	LEG - LEFT - 23.5" (U47, U48)
5	152445-08-U49	EA	LEG - LEFT - 23.5" (U49, U50)
5	140789-14-S36	EA	BLIND - DAY/NIGHTER - 61" X 28.5" (U45, U46, U49, U50)
5	140789-14-N02	EA	BLIND - DAY/NIGHTER - 61" X 28.5" (U47, U48)

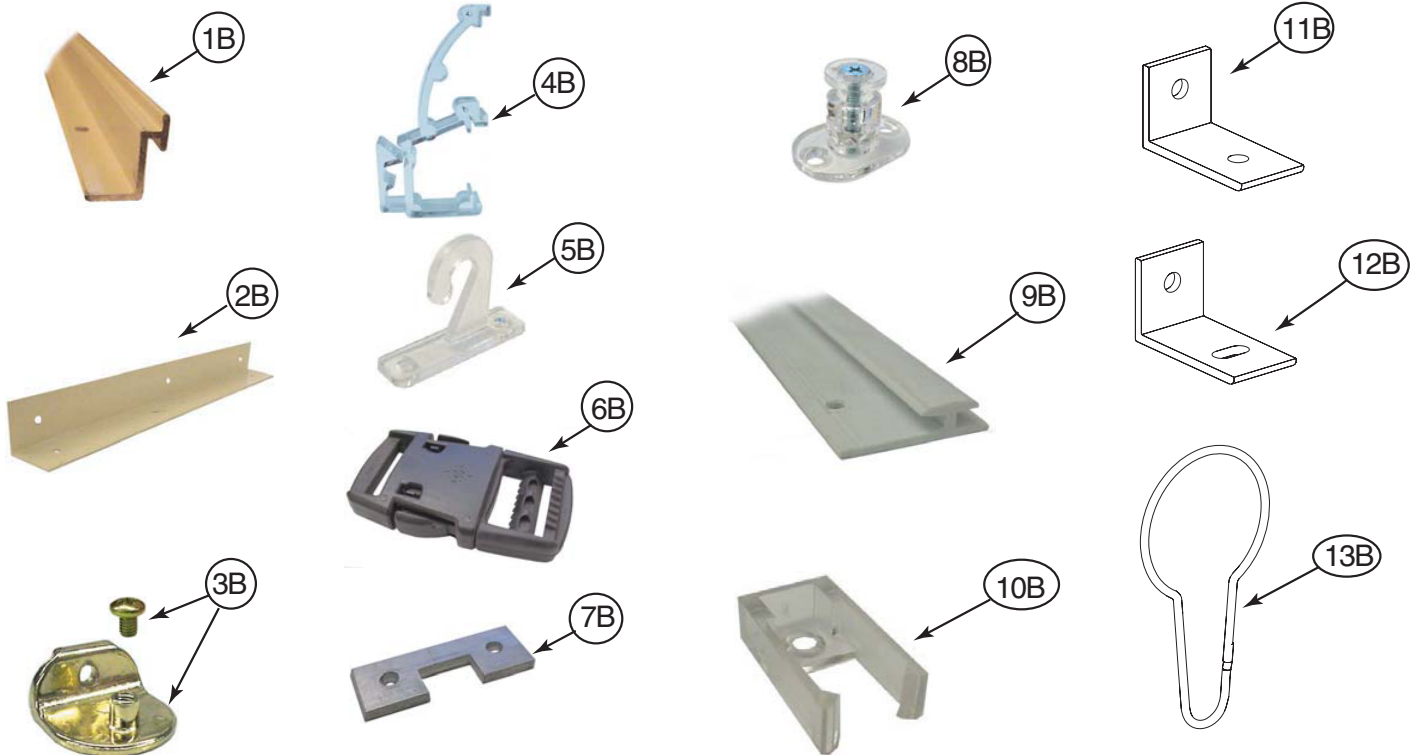
CURTAIN & CUSHION GROUP (CONTINUED)

HARDWARE



KEY	PART NUMBER	U/M	DESCRIPTION
1A	029155-01-000	EA	CAP - SNAP - 5/32" OUTSIDE DIAMETER OF PIN
2A	029156-01-000	EA	SOCKET - SNAP - 9/16" O.D.
3A	046867-02-000	EA	WASHER - HANDY BUTTON #3
4A	046867-03-000	EA	GROMMET - HANDY BUTTON #3
5A	075943-10-000	EA	BRACE - VALANCE - 20" - OFF WHITE
6A	083170-01-000	EA	BRACKET/BLIND - LEFT SIDE WHEN FACING WINDOW - CLEAR
7A	083170-02-000	EA	BRACKET/BLIND - RIGHT SIDE WHEN FACING WINDOW - CLEAR
8A	084434-01-000	EA	BRACKET - MOUNTING - ROLLER SHADE - 1 3/8"
9A	094896-02-000	EA	GROMMET - CORD/PLEATED BLIND - NYLON - GRAY
10A	094907-02-000	EA	END CAP - PLEATED BLIND/TOP - RH/LH - GRAY PLASTIC
11A	094907-04-000	EA	END CAP - PLEATED BLIND/BOTTOM - RH/LH
12A	094907-09-000	EA	END CAP/BLIND - CENTER RAIL - RH/LH
13A	097564-03-000	EA	HANDLE - KNOB - E-Z LIFT SHADE - TAN
	097593-02-000	FT	CORD - BLIND - PLEATED - GRAY
	097593-10-000	FT	CORD - BLIND - PLEATED - VANILLA
14A	097565-01-000	EA	BRACKET - MOUNTING - PLEATED BLIND
15A	097591-01-000	EA	SPRING - EXTENSION - PLEATED BLIND
15A	155748-01-000	EA	SPRING - EXTENSION - DAY/NIGHTER BLIND
16A	101031-01-000	YD	TAPE/GLIDE - 4.25" SPACING
17A	102555-03-000	EA	BRACKET - (CLEAT TYPE) - F/BLIND HOLDOWN - MILKY WHITE

CURTAIN & CUSHION GROUP (CONTINUED)
HARDWARE (CONTINUED)



KEY	PART NUMBER	U/M	DESCRIPTION
1B	105450-14-01A	EA	TRACK-90"-OW - FRT BUNK PRIVACY OUTLOOK/SPIRIT 300-SERIES, ACCESS/IMPULSE 200-SERIES
2B	105648-01-02A	EA	BRACE - VALANCE - 14" - OFF WHITE
2B	105648-02-02A	EA	BRACE - VALANCE - 8.5" - OFF WHITE
3B	106544-01-000	EA	PULL - SHADE/BRASS
3B	106544-01-001	EA	SCREW - SHADE/BRASS
3B	106544-02-000	EA	PULL-SHADE - NICKEL
4B	109353-04-000	EA	CLIP - VALANCE SLAT MOUNTING - CLEAR PLASTIC
5B	109441-01-000	EA	BRACKET/HOOK - BLIND HOLD DOWN
	109441-02-000	EA	SPACER/BRACKET - BLIND HOLD DOWN
6B	129491-01-000	EA	CATCH - SNAP HOOK - 1"
7B	130549-01-01A	EA	STOP - CURTAIN TRACK
8B	141634-01-000	EA	BRACKET-(BOBBIN TYPE) 7/8"H HOLDUPBASE(OVAL)-2 HOLE-CLEAR
9B	156172-01-01A	EA	TRACK/WALL - 75" - BONE
9B	156172-02-01A	EA	TRACK/WALL - 32" - BONE
9B	156172-03-01A	EA	TRACK/WALL - 21" - BONE
10B	156172-04-01A	EA	END CAP - WALL TRACK - CLEAR
11B	154316-01-01A	EA	BRACE/ANGLE - W/HOLE - CASHMERE
12B	154316-02-01A	EA	BRACE/ANGLE - W/SLOT - CASHMERE
13B	159702-01-01A	EA	HOOK/RING - CURTAIN/SHOWER - NICKEL

ACCESSORIES

KEY	PART NUMBER	U/M	DESCRIPTION
	057534-01-000	EA	TIEBACK - CLEAR PLASTIC - 6"

CURTAIN & CUSHION GROUP (CONTINUED)

FABRICS

U45, U46

079680-47-000 FABRIC-UPHOSTERY,ACCENT PLAIN
079680-47-000 FABRIC-UPHL,SEAT INSERT
079680-47-000 VINYL-BUCKET SEATS
148797-H8-000 FABRIC-DRAPERY, MAIN
113979-09-01A CARPET-HEADLINER
148797-H9-000 FABRIC-UPHLSTRY,PLAIN ACCENT
148797-H9-000 FABRIC-VALANCE & TIEBACKS
148797-H9-000 FABRIC-HEADLINER/PADS/BUNKS
137813-R9-000 FABRIC-UPHOSTERY,BEDSPREAD MAIN
148797-H9-000 FABRIC-UPHOSTERY MAIN ONE
148797-H8-000 FABRIC-UPHOSTERY,BEDSPREAD PATTERN ACCENT
148797-H9-000 FABRIC-DINETTE WRAP
148797-H8-000 FABRIC-O/H CABT,DIN/LOUNGE
148797-H8-000 FABRIC-UPHOLSTERY ACCENT PATTERN

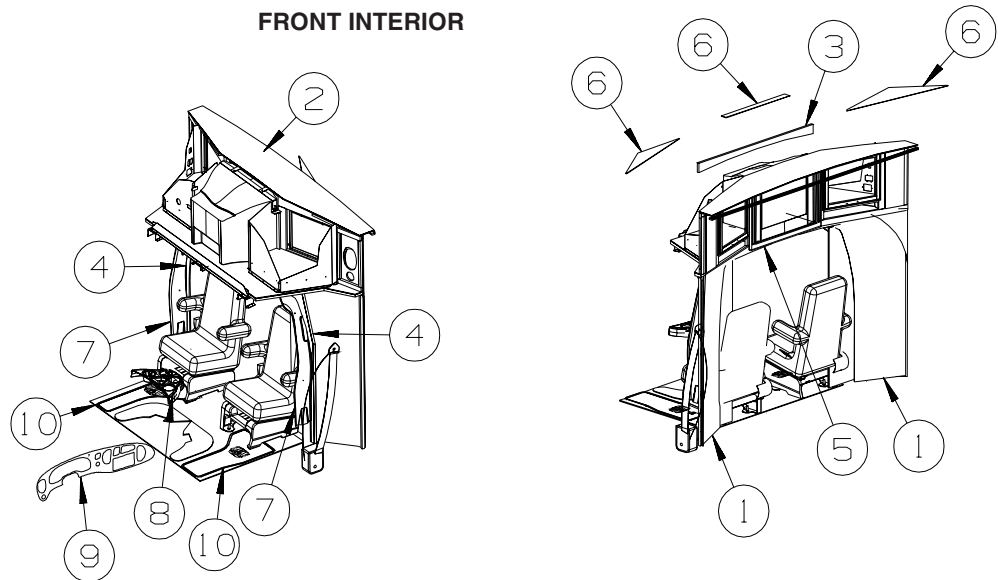
U47, U48

148797-H6-000 FABRIC-DRAPERY, MAIN
113979-09-01A CARPET-HEADLINER
137813-N0-000 FABRIC-UPHOSTERY,BEDSPREAD MAIN
142523-02-000 FABRIC-UPHOSTERY,ACCENT PLAIN
142523-02-000 FABRIC-UPHL,SEAT INSERT
142523-02-000 VINYL-BUCKET SEATS
148797-H6-000 FABRIC-UPHOSTERY MAIN ONE
148797-H6-000 FABRIC-UPHOSTERY,BEDSPREAD PATTERN ACCENT
148797-H7-000 FABRIC-O/H CABT,DIN/LOUNGE
148797-H7-000 FABRIC-UPHOLSTERY ACCENT PATTERN
148797-H7-000 FABRIC-UPHLSTRY,PLAIN ACCENT
148797-H7-000 FABRIC-DINETTE WRAP
148797-H7-000 FABRIC-VALANCE & TIEBACKS
148797-H7-000 FABRIC-HEADLINER/PADS/BUNKS

U49, U50

137813-X4-000 FABRIC-DRAPERY, MAIN
113979-09-01A CARPET-HEADLINER
079680-47-000 FABRIC-UPHOSTERY,ACCENT PLAIN
079680-47-000 FABRIC-UPHL,SEAT INSERT
148797-R4-000 FABRIC-UPHLSTRY,2ND PATTERN
148797-R3-000 FABRIC-UPHOSTERY MAIN ONE
137813-X4-000 FABRIC-UPHOSTERY,BEDSPREAD PATTERN ACCENT
137813-X3-000 FABRIC-UPHOSTERY,BEDSPREAD MAIN
148797-H9-000 FABRIC-O/H CABT,DIN/LOUNGE
148797-R4-000 FABRIC-UPHOLSTERY ACCENT PATTERN
148797-H9-000 FABRIC-UPHLSTRY,PLAIN ACCENT
148797-H9-000 FABRIC-DINETTE WRAP
148797-H9-000 FABRIC-VALANCE & TIEBACKS
148797-H9-000 FABRIC-HEADLINER/PADS/BUNKS

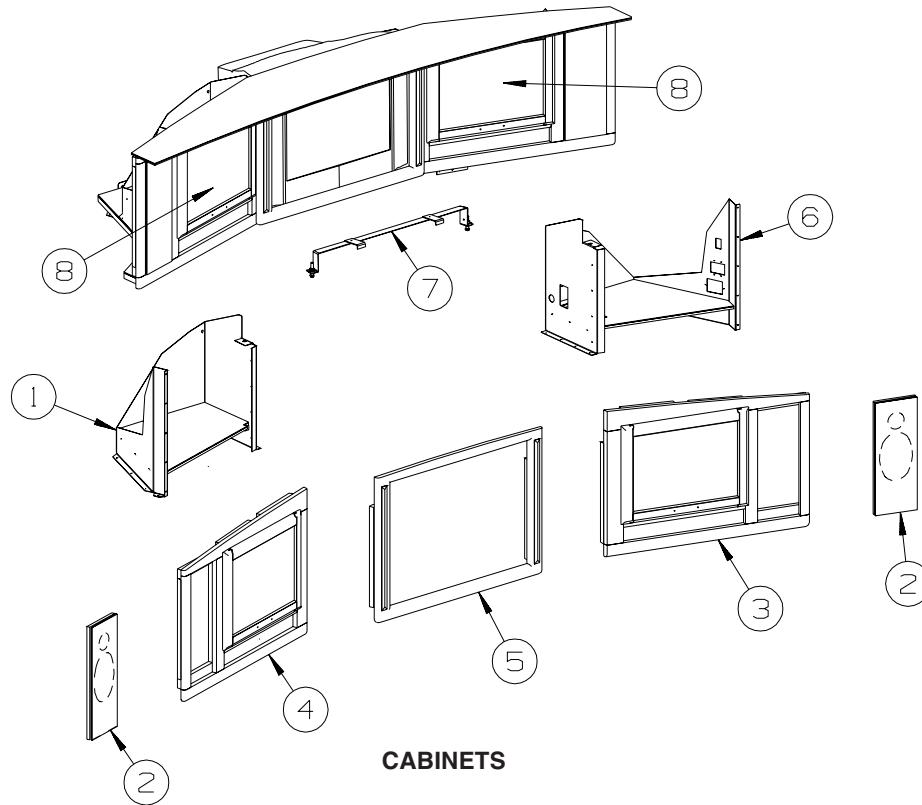
DRIVERS COMPARTMENT GROUP FRONT INTERIOR



KEY	PART NUMBER	U/M	DESCRIPTION
1	149336-03-T47	EA	PANEL/TRANSITION - INNER - RIGHT HAND (U45, U46)
1	149336-03-T49	EA	PANEL/TRANSITION - INNER - RIGHT HAND (U47, U48)
1	149336-03-U49	EA	PANEL/TRANSITION - INNER - RIGHT HAND (U49, U50)
1	149336-05-U45	EA	PANEL/TRANSITION - INNER - RIGHT HAND (U45, U46, U49, U50) - ULTRALEATHER
1	149336-05-U47	EA	PANEL/TRANSITION - INNER - RIGHT HAND (U47, U48) - ULTRALEATHER
1	149336-04-T47	EA	PANEL/TRANSITION - INNER - LEFT HAND (U45, U46)
1	149336-04-T49	EA	PANEL/TRANSITION - INNER - LEFT HAND (U47, U48)
1	149336-04-U49	EA	PANEL/TRANSITION - INNER - LEFT HAND (U49, U50)
1	149336-06-T47	EA	PANEL/TRANSITION - INNER - LEFT HAND (U45, U46, U49, U50) - ULTRALEATHER
1	149336-06-T49	EA	PANEL/TRANSITION - INNER - LEFT HAND (U47, U48) - ULTRALEATHER
2	150793-01-S34	EA	MOLDING - HARDWOOD-W/NOTCH - 1.4"X 91.8" - WASHED MAPLE
2	150793-01-S35	EA	MOLDING - HARDWOOD-W/NOTCH - 1.4"X 91.8" - SIERRA MAPLE
3	149411-02-T47	EA	TRIM/REAR CAB - FABRIC WRAPPED - 51.7" (U45, U46)
3	149411-02-T49	EA	TRIM/REAR CAB - FABRIC WRAPPED - 51.7" (U47, U48)
3	149411-02-U49	EA	TRIM/REAR CAB - FABRIC WRAPPED - 51.7" (U49, U50)
4	149530-03-T47	EA	TRIM - B-PILLAR - RIGHT HAND (U45, U46)
4	149530-03-T49	EA	TRIM - B-PILLAR - RIGHT HAND (U47, U48)
4	149530-03-U49	EA	TRIM - B-PILLAR - RIGHT HAND (U49, U50)
4	149530-04-T47	EA	TRIM - B-PILLAR - LEFT HAND (U45, U46)
4	149530-04-T49	EA	TRIM - B-PILLAR - LEFT HAND (U47, U48)
4	149530-04-U49	EA	TRIM - B-PILLAR - LEFT HAND (U49, U50)
5	149948-01-02A	EA	HEADLINER - WITH DOME LIGHT - FORD - PEBBLE
6	150149-03-T47	EA	TRIM - ENTERTAINMENT CENTER/BOTTOM - FABRIC WRAPPED - 36.7" (U45, U46)
6	150149-03-T49	EA	TRIM - ENTERTAINMENT CENTER/BOTTOM - FABRIC WRAPPED - 36.7" (U47, U48)
6	150149-03-U49	EA	TRIM - ENTERTAINMENT CENTER/BOTTOM - FABRIC WRAPPED - 36.7" (U49, U50)
6	150149-04-T47	EA	TRIM - ENTERTAINMENT CENTER/BOTTOM - FABRIC WRAPPED - 29.1" (U45, U46)
6	150149-04-T49	EA	TRIM - ENTERTAINMENT CENTER/BOTTOM - FABRIC WRAPPED - 29.1" (U47, U48)
6	150149-04-U49	EA	TRIM - ENTERTAINMENT CENTER/BOTTOM - FABRIC WRAPPED - 29.1" (U49, U50)
7	150481-01-23A	EA	TRIM - B-PILLAR - RIGHT HAND - PEBBLE
7	150481-02-23A	EA	TRIM - B-PILLAR - LEFT HAND - PEBBLE
8	150974-02-05A	EA	APPLIQUE - BEZEL - MOTOR COVER - REGAL BURL - I.P. APPLIQUE FROM: 00-00-00 THRU: 06-11-06
8	150974-05-05A	EA	APPLIQUE - BEZEL - MOTOR COVER - FORD -LTHR REGAL BURL - I.P. APPLIQUE FROM: 06-12-06 THRU: 99-99-99
8	150974-02-05A	EA	APPLIQUE - BEZEL - MOTOR COVER - REGAL BURL - I.P. APPLIQUE / DLX GRAPHICS FROM: 00-00-00 THRU: 05-21-06
8	150974-05-05A	EA	APPLIQUE - BEZEL - MOTOR COVER - FORD -LTHR REGAL BURL - I.P. APPLIQUE / DLX GRAPHICS FROM: 05-22-06 THRU: 99-99-99
9	150974-01-05A	EA	APPLIQUE - BEZEL - INSTRUMENT PANEL - REGAL BURLWOOD - I.P. APPLIQUE

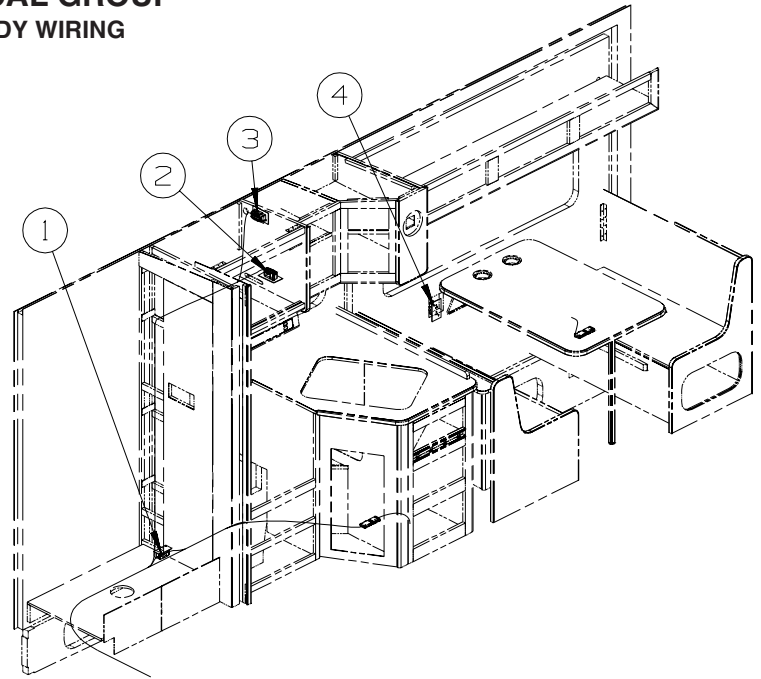
DRIVERS COMPARTMENT GROUP (CONTINUED)
FRONT INTERIOR (CONTINUED)

KEY	PART NUMBER	U/M	DESCRIPTION
10	155266-03-01A	EA	MAT - FLOOR - FRONT PASSENGER - "I" - FORD - PEBBLE BROWN FROM: 00-00-00 THRU: 07-09-06
10	155266-04-01A	EA	MAT - FLOOR - FRONT DRIVER - "I" - FORD - PEBBLE BROWN FROM: 00-00-00 THRU: 07-09-06
10	155266-06-01A	EA	MAT - FLOOR - SET - "I" - FORD - PEBBLE BROWN/BLACK FROM: 07-10-06 THRU: 99-99-99
	106431-03-23A	EA	COVER - SEATBELT RECOIL - DRIVER - PEBBLE FROM: 00-00-00 THRU: 05-21-06
	106431-04-23A	EA	COVER - SEATBELT RECOIL - PASSENGER - PEBBLE FROM: 00-00-00 THRU: 05-21-06
	106431-03-23A	EA	COVER - SEATBELT RECOIL - DRIVER - PEBBLE - DLX GRAPHICS FROM: 00-00-00 THRU: 06-11-06
	106431-04-23A	EA	COVER - SEATBELT RECOIL - PASSENGER - PEBBLE - DLX GRAPHICS FROM: 00-00-00 THRU: 06-11-06
	147623-01-02A	EA	TRAY - BEVERAGE - W/LOWER POCKET (TRIMLINE CONSOLE) PEBBLE FROM: 00-00-00 THRU: 05-21-06
	147623-01-02A	EA	TRAY - BEVERAGE - W/LOWER POCKET (TRIMLINE CONSOLE) PEBBLE - DLX GRAPHICS FROM: 00-00-00 THRU: 05-29-06



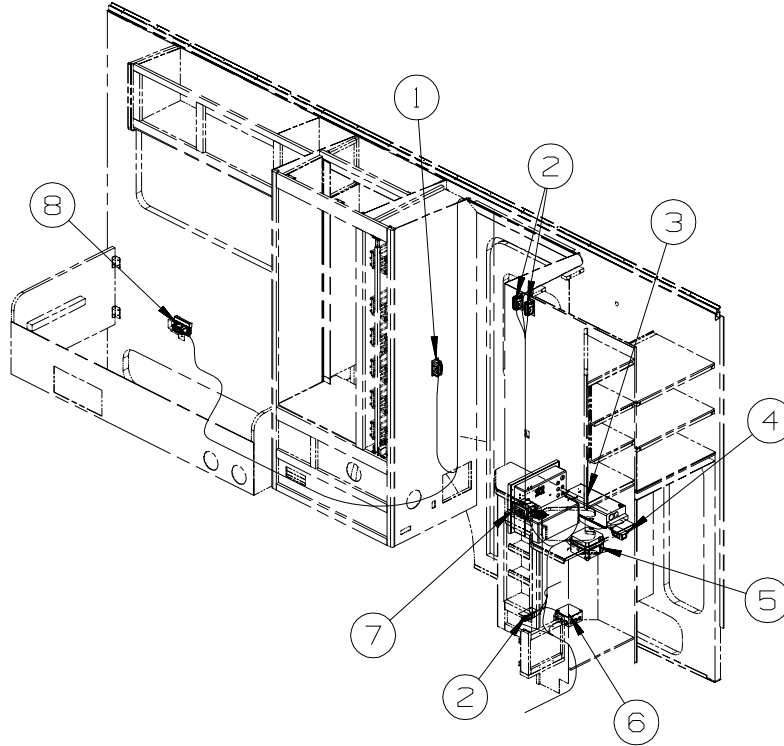
KEY	PART NUMBER	U/M	DESCRIPTION
1	149487-02-02B	EA	COMPARTMENT/OVERHEAD - FRONT/LH HAND - E-COATED
2	149457-13-T47	EA	COVER/PANEL - FABRIC INSERT (U45, U46, U49, U50)
2	149457-13-T49	EA	COVER/PANEL - FABRIC INSERT (U47, U48)
3	149457-18-S34	EA	FACE/FRAME (PICTURE) OVERHEAD/PASS - W/O FABRIC INSERT/HDW - WASHED MAPLE
3	149457-18-S35	EA	FACE/FRAME (PICTURE) OVERHEAD/PASS - W/O FABRIC INSERT/HDW - SIERRA MAPLE
4	149457-19-S34	EA	FACE/FRAME (PICTURE) OVERHEAD/PASS - W/O FABRIC INSERT/HDW - WASHED MAPLE
4	149457-19-S35	EA	FACE/FRAME (PICTURE) OVERHEAD/PASS - W/O FABRIC INSERT/HDW - SIERRA MAPLE
5	149407-02-S34	EA	FRAME/FACE - F/TV - WASHED MAPLE
5	149407-02-S35	EA	FRAME/FACE - F/TV - SIERRA MAPLE
6	149487-03-02B	EA	COMPARTMENT/OVERHEAD - FRONT/RH HAND - E-COATED
7	151954-03-02B	EA	BRACKET/HOLD DOWN - TV - E-COATED
8	146028-81-T47	EA	DOOR - GLASS INSERT/OGEE EDGE - 15.7" X 20.4" - W/O HDW - WASHED MAPLE
8	146028-81-T48	EA	DOOR - GLASS INSERT/OGEE EDGE - 15.7" X 20.4" - W/O HDW - SIERRA MAPLE

ELECTRICAL GROUP 110V BODY WIRING



KEY	PART NUMBER	U/M	DESCRIPTION
1	058707-02-000	EA	RECEPTACLE - BLANK - JUNCTION BOX
2	058708-02-000	EA	RECEPTACLE - ELECTRIC - DOUBLE - IVORY
2	058708-01-000	EA	RECEPTACLE - ELECTRIC - DOUBLE - BROWN
3	058708-07-000	EA	RECEPTACLE - ELECTRICAL - SINGLE - WHITE
3	058708-05-000	EA	RECEPTACLE - ELECTRICAL - SINGLE - BROWN
3	160984-01-01A	EA	RECEPTACLE - ELECTRICAL - SINGLE/FLUSH - 20 AMP - BROWN - CANADIAN
4	058708-02-000	EA	RECEPTACLE - ELECTRIC - DOUBLE - IVORY
4	058708-01-000	EA	RECEPTACLE - ELECTRIC - DOUBLE - BROWN
4	133713-04-21A	EA	SPACER/RECEPTACLE - VINYL - WASHED MAPLE
4	133713-04-22A	EA	SPACER/RECEPTACLE - VINYL - SIERRA MAPLE

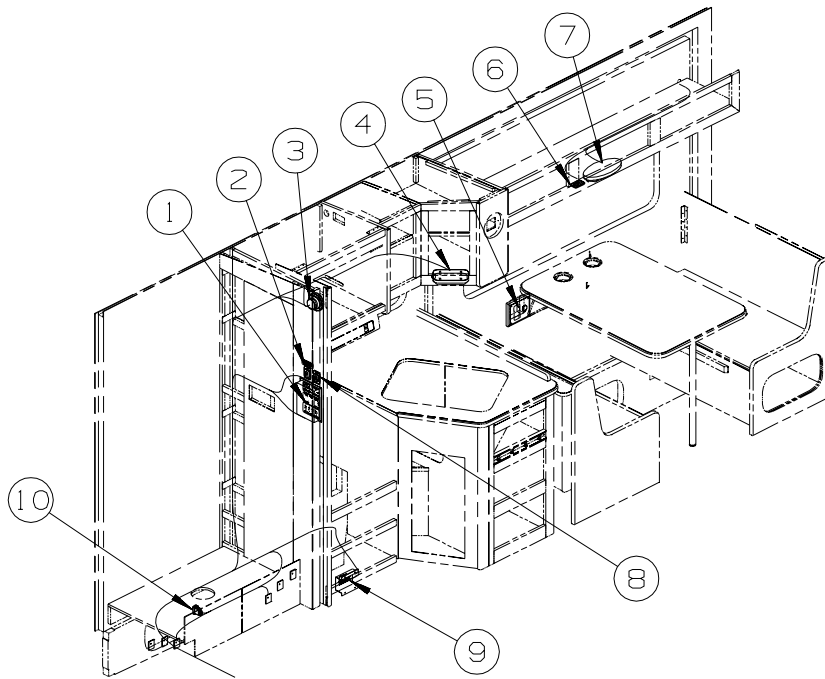
ELECTRICAL GROUP (CONTINUED)
110V BODY WIRING (CONTINUED)



KEY	PART NUMBER	U/M	DESCRIPTION
1	058708-07-000	EA	RECEPTACLE - ELECTRICAL - SINGLE - WHITE FROM: 00-00-00 THRU: 07-31-06
1	058708-05-000	EA	RECEPTACLE - ELECTRICAL - SINGLE - BROWN FROM: 00-00-00 THRU: 07-31-06
1	058707-01-000	EA	RECEPTACLE - ELECTRIC - SINGLE - BROWN FROM: 08-01-06 THRU: 99-99-99
2	058707-02-000	EA	RECEPTACLE - BLANK - JUNCTION BOX
3	099048-04-000	EA	INVERTER - 300 WATT
4	058707-02-000	EA	RECEPTACLE - BLANK - JUNCTION BOX
4	058707-01-000	EA	RECEPTACLE - ELECTRIC - SINGLE - BROWN - INVERTER-DC/AC, 300 WATT
5	136481-01-000	EA	MODULE - AUTO ENERGY SELECTOR
6	008289-01-000	EA	BOX - ELECTRIC/STEEL - 4" X 4" - 1/2" & 3/4" KNOCKOUTS
6	008294-01-000	EA	COVER - ELECTRIC BOX - BLANK/STEEL - 4" X 4" - GRAY
7	147446-01-01A	EA	RECEPTACLE - GFCI - 15A 125V - WHITE FROM: 00-00-00 THRU: 03-25-07
7	163319-01-01A	EA	RECEPTACLE - GFCI - 15A 125V - WHITE FROM: 03-26-07 THRU: 99-99-99
7	147446-01-02A	EA	RECEPTACLE - GFCI - 15A 125V - BROWN FROM: 00-00-00 THRU: 12-20-06
7	163319-01-02A	EA	RECEPTACLE - GFCI - 15A 125V - BROWN FROM: 12-21-06 THRU: 99-99-99
7	147450-01-01A	EA	PLATE - ELECTRICAL OUTLET - WHITE
7	147450-01-02A	EA	PLATE - ELECTRICAL OUTLET - BROWN
8	131826-01-01A	EA	RECEPTACLE - EXTERIOR - W/COVER/GASKET - WHITE

ELECTRICAL GROUP (CONTINUED)

12V BODY WIRING

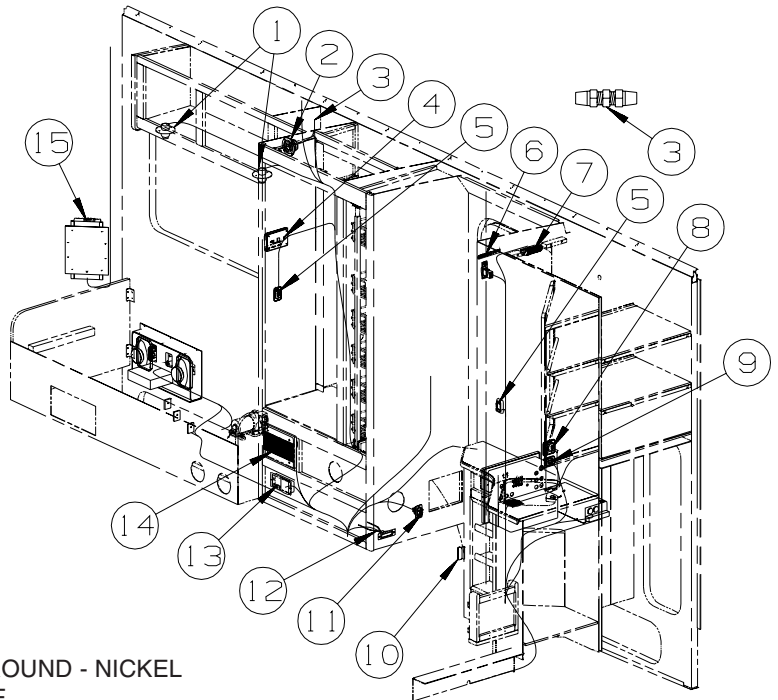


KEY	PART NUMBER	U/M	DESCRIPTION
1*	134940-06-01A	EA	PANEL - MONITOR - 2 TANK - W/GENERATOR SWITCH - GEN-4.0KW-ONANGAS-MICROQUIET
1*	134940-07-01A	EA	PANEL - MONITOR - 2 TANK
2	135740-06-01A	EA	SWITCH - ROCKER - ON/OFF - LIGHTED - RED - DRAINAGE SYSTEM-HEATED
2	135741-01-02A	EA	SWITCH - BASE - SINGLE - WHITE - DRAINAGE SYSTEM-HEATED
2	135741-01-01A	EA	SWITCH - BASE - SINGLE - BROWN - DRAINAGE SYSTEM-HEATED
2	135742-01-02A	EA	BEZEL - SWITCH - SINGLE - WHITE - DRAINAGE SYSTEM-HEATED
2	135742-01-01A	EA	BEZEL - SWITCH - SINGLE - BROWN - DRAINAGE SYSTEM-HEATED
2	134563-01-01A	EA	LABEL - SWITCH - HEATER - DRAINAGE SYSTEM-HEATED
3	148026-03-01A	EA	SPEAKER - CUBE - W/O CASE
3	148026-02-01A	EA	SPEAKER GRILLE - CUBE - SILVER
3	149414-01-13A	EA	POD/SPEAKER - RECESSED/GRAY
3	149422-01-02B	EA	BRACKET/MOUNTING - SPEAKER - E-COATED
3	160868-01-01A	EA	SPEAKER - ROUND/CEILING - W/O CASE - BLACK
3	160868-02-01A	EA	GRILLE/ROUND - SPEAKER - SILVER
4*	137417-02-01A	EA	LIGHT - DOME - SINGLE - W/SWITCH/OPTIC LENS - WHITE
5	132958-01-000	EA	RECEPTACLE - 12 VOLT - MOUNTING FLANGE - BLACK
5	133713-04-21A	EA	SPACER/RECEPTACLE - VINYL - WASHED MAPLE
5	133713-04-22A	EA	SPACER/RECEPTACLE - VINYL - SIERRA MAPLE
6	135740-01-02A	EA	SWITCH - ROCKER - SPST - ON/OFF - WHITE
6	135740-01-01A	EA	SWITCH - ROCKER - SPST - ON/OFF - BROWN
6	135741-01-02A	EA	SWITCH - BASE - SINGLE - WHITE
6	135741-01-01A	EA	SWITCH - BASE - SINGLE - BROWN
6	135742-01-02A	EA	BEZEL - SWITCH - SINGLE - WHITE
6	135742-01-01A	EA	BEZEL - SWITCH - SINGLE - BROWN
7*	093575-30-02A	EA	LIGHT - CEILING/ROUND - SATIN NICKEL
7	117805-02-000	EA	BULB - 12V - #921 - 1.4 AMPS
8	135740-06-01A	EA	SWITCH - ROCKER - ON/OFF - LIGHTED - RED - WTR HTR-6GAL ELECTRIC/LP GAS
8	135741-01-01A	EA	SWITCH - BASE - SINGLE - BROWN - WTR HTR-6GAL ELECTRIC/LP GAS
8	135742-35-02A	EA	BEZEL - SWITCH - WATER HEATER/110 VOLT - BROWN - WTR HTR-6GAL ELECTRIC/LP GAS
9	149557-03-01A	EA	PLATE/WALL - DUAL COAXIAL/HORIZONTAL - WHITE
10	108357-15-000	EA	SWITCH - ROCKER - DPDT - ON/NONE/ON - W/LIGHT W/O COVER
10	108356-04-01A	EA	COVER/ACTUATOR SWITCH - 2 ROWS DIMPLES W/LENS - BLACK
10	108355-01-000	EA	HOUSING - SWITCH

*COMPONENT PARTS LISTED LATER IN THIS GROUP

ELECTRICAL GROUP (CONTINUED)

12V BODY WIRING (CONTINUED)



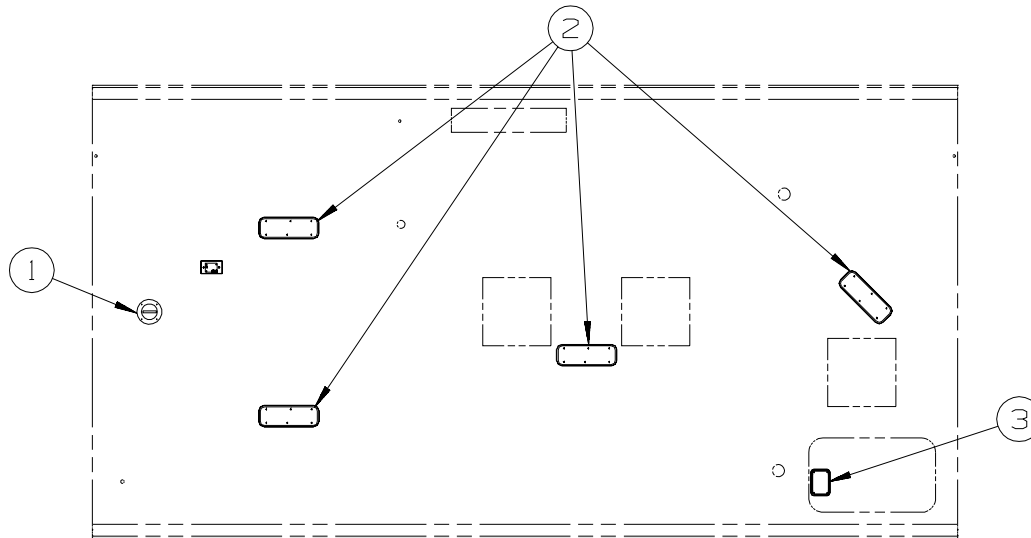
KEY	PART NUMBER	U/M	DESCRIPTION
1	132427-01-02A	EA	LIGHT - READING/SWIVEL - ROUND - NICKEL
2	148026-03-01A	EA	SPEAKER - CUBE - W/O CASE
			FROM: 00-00-00 THRU: 07-23-06
2	148026-02-01A	EA	SPEAKER GRILLE - CUBE - SILVER
			FROM: 00-00-00 THRU: 07-23-06
2	149414-01-13A	EA	POD/SPEAKER - RECESSED/GRAY
			FROM: 00-00-00 THRU: 07-23-06
2	149422-01-02B	EA	BRACKET/MOUNTING - SPEAKER - E-COATED
			FROM: 00-00-00 THRU: 07-23-06
2	160868-01-01A	EA	SPEAKER - ROUND/CEILING - W/O CASE - BLACK
			FROM: 07-24-06 THRU: 99-99-99
2	160868-02-01A	EA	GRILLE/ROUND - SPEAKER - SILVER
			FROM: 07-24-06 THRU: 99-99-99
3	082134-01-000	EA	ADAPTER - TV - CABLE TO CABLE
4	135618-01-01A	EA	THERMOSTAT - HEAT PUMP/FURNACE - WHITE
4	135618-03-01A	EA	THERMOSTAT - ROOF A/C & FURNACE - WHITE
5	135740-01-01A	EA	SWITCH - ROCKER - SPST - ON/OFF - BROWN
5	135741-01-01A	EA	SWITCH - BASE - SINGLE - BROWN
5	135742-07-02A	EA	BEZEL - SWITCH - CEILING - BROWN
6	144363-09-02B	EA	PLATE - SWITCH - E-COATED
6	108357-06-000	EA	SWITCH - ROCKER - DPDT - MOM/OFF/MOM - 6 TERM - W/O COVER
6	108356-02-01A	EA	COVER/ACTUATOR SWITCH - 2 ROWS DIMPLES - BLACK
6	108355-01-000	EA	HOUSING - SWITCH
6	116220-01-000	EA	APPLIQUE - SWITCH/SLIDEOUT
6	116549-01-000	EA	LABEL - WARNING - SLIDEOUT
7*	087694-01-000	EA	LIGHT - WARDROBE/CLOSET - W/SWITCH
8	135740-01-02A	EA	SWITCH - ROCKER - SPST - ON/OFF - WHITE
8	135740-01-01A	EA	SWITCH - ROCKER - SPST - ON/OFF - BROWN
8	135741-02-02A	EA	SWITCH - BASE - DOUBLE - WHITE
8	135741-02-01A	EA	SWITCH - BASE - DOUBLE - BROWN
8	135742-19-01A	EA	BEZEL - SWITCH - CEILING/PORCH - WHITE
8	135742-19-02A	EA	BEZEL - SWITCH - CEILING/PORCH - BROWN
9	135740-01-01A	EA	SWITCH - ROCKER - SPST - ON/OFF - BROWN - ENTRANCE STEP-ELEC.
9	135741-01-01A	EA	SWITCH - BASE - SINGLE - BROWN - ENTRANCE STEP-ELEC.
9	135742-11-02A	EA	BEZEL - SWITCH - STEP - BROWN - ENTRANCE STEP-ELEC.
10	116995-02-000	EA	SWITCH/MAGNET - ELECTRIC STEP - BLACK/WHITE- NORMALLY OPEN - ENTRANCE STEP-ELEC.
11	108357-06-000	EA	SWITCH - ROCKER - DPDT - MOM/OFF/MOM - 6 TERM - W/O COVER
11	108356-11-01A	EA	COVER/ACTUATOR SWITCH - 3 GROOVES - AUX BATT - BLACK
11	108355-01-000	EA	HOUSING - SWITCH
11	098351-07-02A	EA	PLATE/SWITCH - 1 GANG - CHROME - GENERATOR SWITCH
12	061424-01-000	EA	LIGHT - AISLE - 12 VOLT - RECTANGULAR
13	150138-01-02A	EA	DETECTOR - LP GAS - BROWN

ELECTRICAL GROUP (CONTINUED)

12V BODY WIRING (CONTINUED)

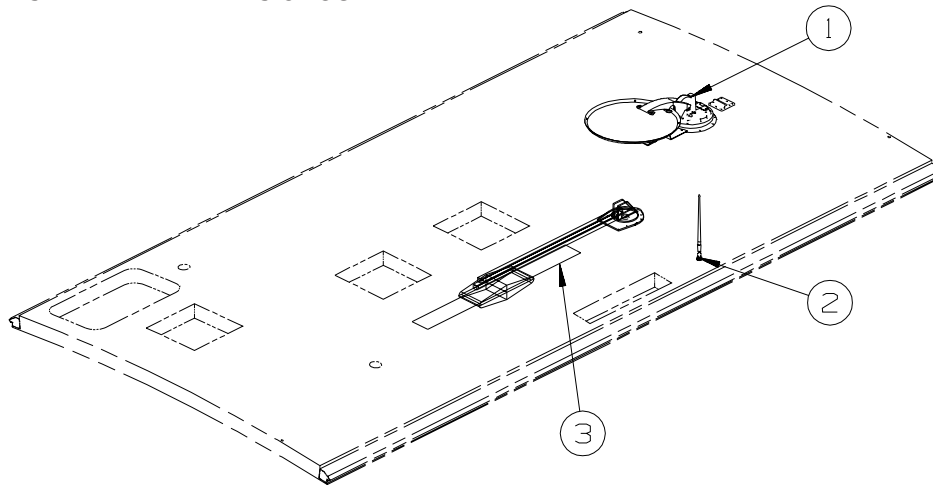
KEY	PART NUMBER	U/M	DESCRIPTION
14	124884-01-000	EA	SPEAKER - 6" X 9" - SUB-WOOFER - W/O GRILLE
14	151844-01-01A	EA	GRILLE - SPEAKER - 6" X 9" - SUB WOOFER - BLACK
15	124881-02-000	EA	AMPLIFIER-AUDIO-MTS Q SURROUND-ORANGE LABEL (LATEST)-SOUND SYS. DLX. W/Q-SURROUND

***COMPONENT PARTS LISTED LATER IN THIS GROUP**



KEY	PART NUMBER	U/M	DESCRIPTION
1	151314-01-01A	EA	SPEAKER - CUBE/CEILING - WHITE - MAGNADYNE - LS3CM-WN FROM: 00-00-00 THRU: 07-23-06
1	160867-01-01A	EA	SPEAKER - ROUND/CEILING - CREAM - MAGNADYNE - LS3EYC-WN FROM: 07-24-06 THRU: 99-99-99
2*	137417-06-01A	EA	LIGHT - DOME - DOUBLE - W/O SWITCH - W/FROSTED LENS-WHITE
3*	121935-01-01A	EA	LIGHT - DOME - SHOWER - W/HOLE IN LENS

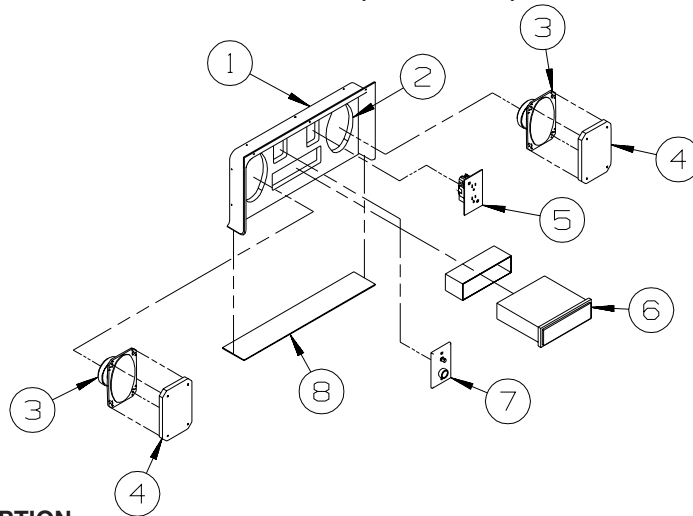
***COMPONENT PARTS LISTED LATER IN THIS GROUP**



KEY	PART NUMBER	U/M	DESCRIPTION
1*	137135-02-000	EA	ANTENNA - SATELLITE DSS - W/SENSOR - SATELLITE DISH & ELEV.SENSOR
1	154474-04-01A	EA	ANTENNA/SATELLITE - DISH IN DOME/SEARCH IN MOTION - WHITE
1	154474-02-000	EA	CONTROL/SATELLITE KIT - IDB BOX/IDD BOX-POWER SUPPLY-CABLE
1	154474-03-000	EA	CABLE - SATELLITE - COAX - 8' W/CONNECTORS
1	146488-01-000	EA	PLATE - ROOF - CABLE ENTRY
2	090944-01-000	EA	ANTENNA - RADIO - 16" RUBBER - W/72" LEAD WIRE
2	109889-04-000	EA	EXTENDER - ANTENNA SHAFT - 3.7"
2	147741-01-09B	EA	BRACKET - ANTENNA GROUND - GALVANIZED
3*	076319-23-000	EA	ANTENNA - TV ROOF MOUNT - 44.5" MAST
3*	076319-25-000	EA	KIT - HARDWARE INTERIOR
3	069726-02-000	EA	BUMPER - .88" OD X .40" THICK - BLACK

***COMPONENT PARTS LISTED LATER IN THIS GROUP**

ELECTRICAL GROUP (CONTINUED)
12V BODY WIRING (CONTINUED)

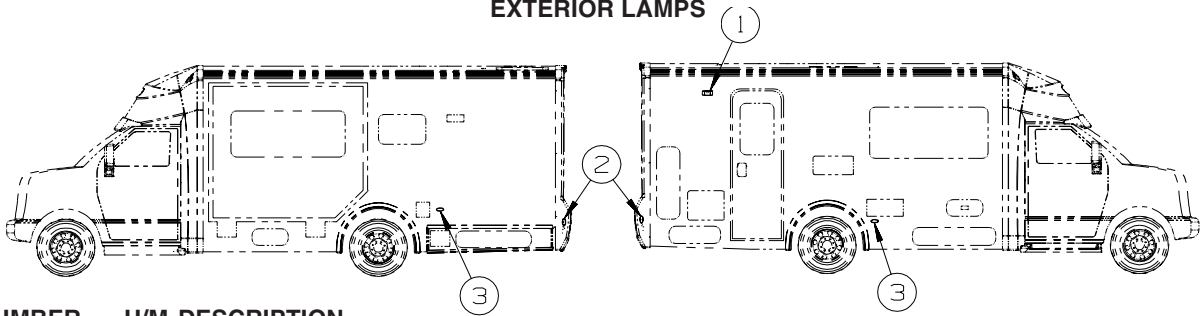


KEY	PART NUMBER	U/M	DESCRIPTION
1	124696-02-01A	EA	BOX-ENTERTAINMENT CTR/EXT-19.4"W X 10"H X 2.5"D - BRT WHT
	124696-01-01A	EA	BOX-ENTERTAINMENT CTR/EXT-19.4"W X 10"H X 10.2"D W/CUTOUTS
2	127409-02-L15	EA	PLATE - RADIO MOUNTING
3	110469-01-000	EA	SPEAKER - 4" X 6" OVAL - COAXIAL
4	110470-01-01A	EA	GRILLE - 4" X 6" - OVAL SPEAKER - BLACK
5	058708-01-000	EA	RECEPTACLE - ELECTRIC - DOUBLE - BROWN
6*	155619-01-000	EA	RADIO - AM/FM CD - W/REMOTE - MAGNADYNE M3200CD
			FROM: 00-00-00 THRU: 08-01-06
6	155619-02-000	EA	RADIO - AM/FM CD-W/O REMOTE/WIRE HARNESS-MAGNADYNE M3200CD
			FROM: 08-02-06 THRU: 99-99-99
	155619-03-000	EA	REMOTE - RADIO
			FROM: 08-02-06 THRU: 99-99-99
7	076319-09-000	EA	WALLPLATE - TV CABLE RECEPTACLE - SINGLE - BROWN
8	104898-01-02A	EA	PLATE - PLASTIC BOTTOM - BRIGHT WHITE

***COMPONENT PARTS LISTED LATER IN THIS GROUP**

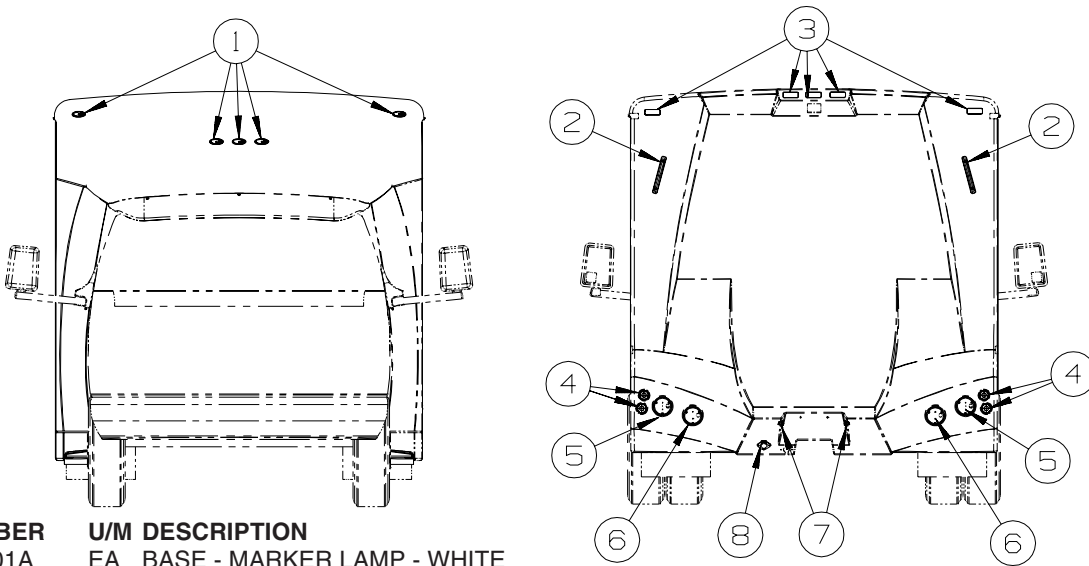
ELECTRICAL GROUP (CONTINUED)

EXTERIOR LAMPS



KEY	PART NUMBER	U/M	DESCRIPTION
1*	097917-01-06A	EA	LIGHT - PORCH - ENTRY DOOR - BRIGHT WHITE
	008215-01-000	EA	BULB - 12 VOLT - #1003 - .94 AMP
2	147680-01-01A	EA	BASE - MARKER LAMP - WHITE
2	147680-03-01A	EA	LAMP - MARKER - LENS - RED
3	147680-01-01A	EA	BASE - MARKER LAMP - WHITE - 729H
3	147680-02-01A	EA	LAMP - MARKER - LENS - AMBER - 729H

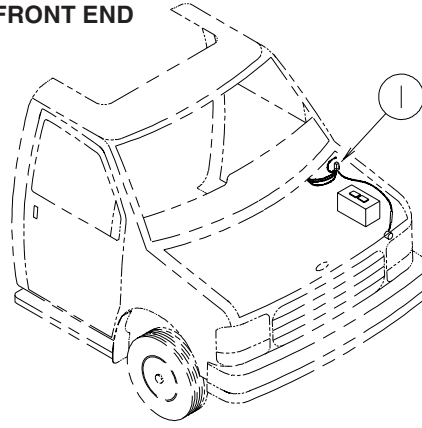
*COMPONENT PARTS LISTED LATER IN THIS GROUP



KEY	PART NUMBER	U/M	DESCRIPTION
1	147680-01-01A	EA	BASE - MARKER LAMP - WHITE
1	147680-02-01A	EA	LAMP - MARKER - LENS - AMBER
2	151076-01-000	EA	LIGHT - BRAKE - CENTER MOUNT
3	147680-01-01A	EA	BASE - MARKER LAMP - WHITE
3	147680-03-01A	EA	LAMP - MARKER - LENS - RED
4	141514-01-000	EA	REFLECTOR - ROUND/RED
5	149222-01-000	EA	LAMP - STOP/TURN/TAIL - HELLA 84412B
6	149222-02-000	EA	LAMP - BACKUP - HELLA 84411B
7	087201-01-000	EA	LIGHT - HALF ROUND - 1" X 1.7" - PLASTIC - BLACK OR WHITE
8	146246-01-000	EA	CONNECTOR/PLUG - TRAILER - 7 PIN
	157593-01-000	EA	CONNECTOR - PLUG - TRAILER - 7 SOCKET

ELECTRICAL GROUP (CONTINUED)

FRONT END



KEY	PART NUMBER	U/M	DESCRIPTION
1	100138-01-000	EA	MODULE - DAYTIME/RUNNING LIGHT - HAMSAR DRL #H8005B

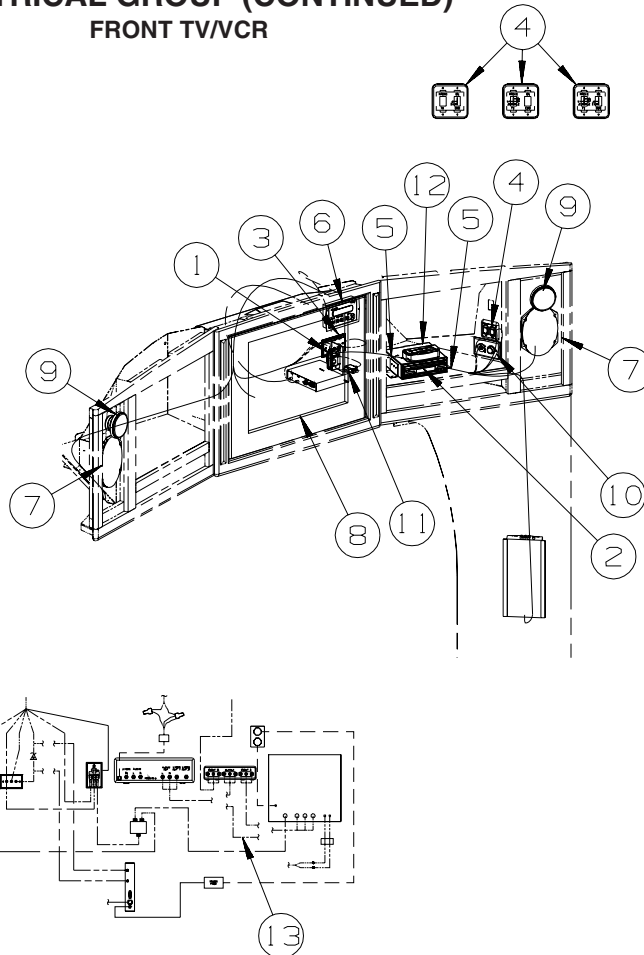


KEY	PART NUMBER	U/M	DESCRIPTION
*	120269-07-01A	EA	PANEL - W/ELECTRIC MIRROR/HEAT SWITCH - F/#L28X OPTION - MIRRORS-EXTERIOR W/DEFROST
*	133908-09-01A	EA	PANEL - F/ELECTRIC MIRROR ONLY - L28X OPTION - MIRRORS-EXTERIOR W/DEFROST - CHEVY

***COMPONENT PARTS LISTED LATER IN THIS GROUP**

ELECTRICAL GROUP (CONTINUED)

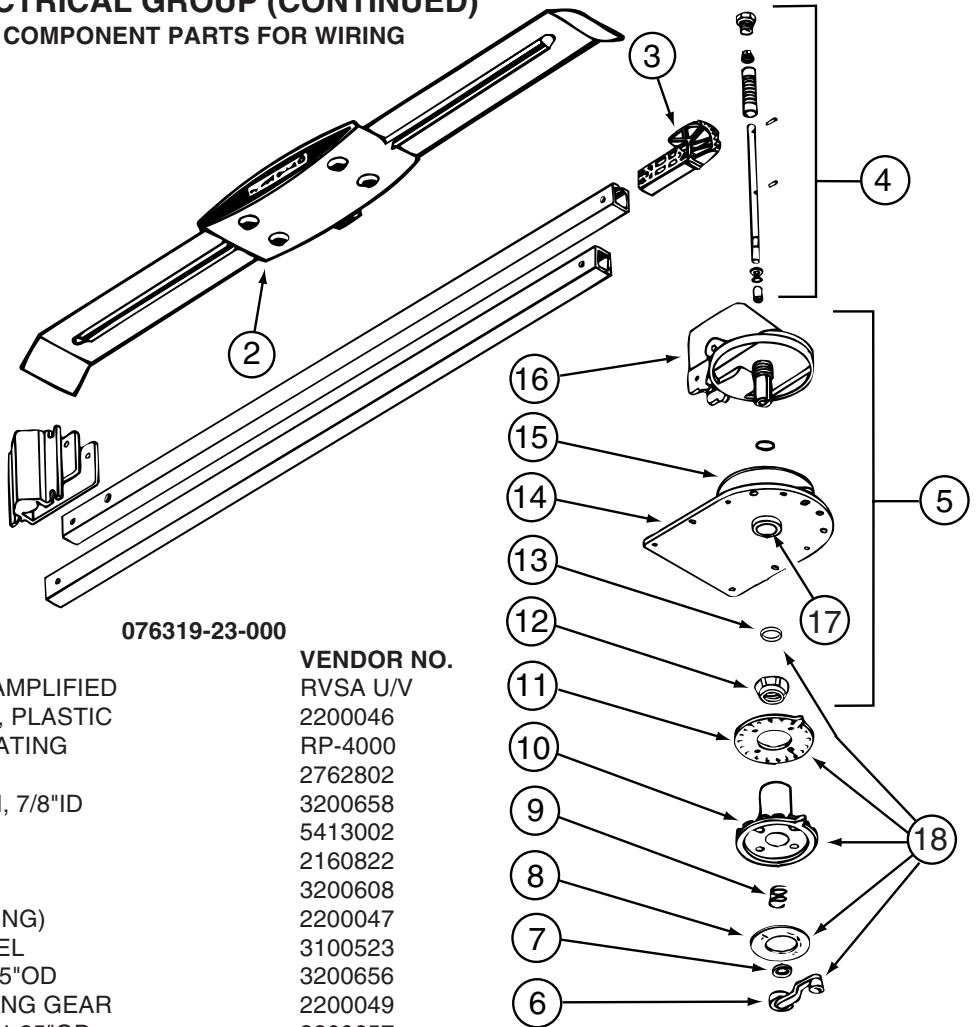
FRONT TV/VCR



KEY	PART NUMBER	U/M	DESCRIPTION
1	058708-01-000	EA	RECEPTACLE - ELECTRIC - DOUBLE - BROWN
2*	156130-01-000	EA	DVD PLAYER - SLOT-IN - AUDIOVOX - AVD301 - NOT ILLUSTRATED
			FROM: 00-00-00 THRU: 01-01-06
2*	158778-01-000	EA	DVD PLAYER - SLOT-IN - 12V - JENSEN - DV352WIN
			FROM: 01-02-06 THRU: 99-99-99
3	149557-04-01A	EA	PLATE/WALL - TRIPLE COAXIAL/HORIZONTAL - WHITE
4	138253-01-02A	EA	SWITCH - BLANK - BROWN - SOUND SYS. DLX. W/Q-SURROUND OR DIGITAL VIDEO DISC PLAYER
4	135740-01-01A	EA	SWITCH - ROCKER-SPST - SOUND SYS. DLX. W/Q-SURROUND AND/OR DIGITAL VIDEO DISC PLAYER
4	135741-02-01A	EA	SWITCH - BASE - DOUBLE - BROWN
4	135742-53-02A	EA	BEZEL - SWITCH - RADIO/TV/DVD - BROWN - DIGITAL VIDEO DISC PLAYER
4	135740-05-01A	EA	SWITCH -ROCKER-DPDT - DIGITAL VIDEO DISC PLAYER AND/OR SOUND SYS. DLX. W/Q-SURROUND
5	158807-01-02B	EA	BRACKET - DVD - E-COATED
			FROM: 01-02-06 THRU: 99-99-99
6	154474-02-000	EA	CONTROL/SATELLITE KIT - IDB BOX/IDD BOX-PWR SUPPLY-CABLE - INMOTION SATELLITE
7	110465-01-000	EA	SPEAKER KIT,4 - 5 X 7 SPEAKERS
8*	146299-02-000	EA	TV - 24" STEREO W/5 JACKS - SONY 24FS120MT02
9	148026-02-01A	EA	SPEAKER GRILLE - CUBE - SILVER - SOUND SYS. DLX. W/Q-SURROUND - NOT ILLUSTRATED
			FROM: 00-00-00 THRU: 07-23-06
9	160868-02-01A	EA	GRILLE/ROUND - SPEAKER - SILVER - SOUND SYS. DLX. W/Q-SURROUND
			FROM: 07-24-06 THRU: 99-99-99
9	148026-03-01A	EA	SPEAKER - CUBE - W/O CASE - SOUND SYS. DLX. W/Q-SURROUND - NOT ILLUSTRATED
			FROM: 00-00-00 THRU: 07-23-06
9	160868-01-01A	EA	SPEAKER - ROUND/CEILING - W/O CASE - BLACK - SOUND SYS. DLX. W/Q-SURROUND
			FROM: 07-24-06 THRU: 99-99-99
10	086777-02-000	EA	WALLPLATE/TV CABLE W/ANTENNA SWITCH/BOOSTER - 2 TV - BLACK
11	086756-01-000	EA	SPLITTER - TV/2 WAY
12	156689-01-000	EA	SWITCH - AUDIO/VIDEO - 15" TV LCD W/REMOTE, 729H
13	136860-01-000	EA	CABLE - RCA - #3 MALE TO #12F MALE CONNECTOR - 15" TV LCD W/REMOTE
	149750-03-000	EA	TRANSMITTER - F/INFRA RED RECEIVER - 15" TV LCD W/REMOTE, 729H
			FROM: 00-00-00 THRU: 01-16-06
	149750-04-000	EA	MODULE/INTERFACE - INFRA RED (RCVR TO TRNSMTTR) - 15" TV LCD W/REMOTE
			FROM: 00-00-00 THRU: 01-16-06

*COMPONENT PARTS LISTED LATER IN THIS GROUP

ELECTRICAL GROUP (CONTINUED)
COMPONENT PARTS FOR WIRING



076319-23-000

KEY	PART NUMBER	U/M	DESCRIPTION	VENDOR NO.
2	076319-01-700	EA	HEAD-ANTENNA, AMPLIFIED	RVSA U/V
3	076319-01-701	EA	GEAR-ELEVATING, PLASTIC	2200046
4	076319-01-702	EA	SHAFT ASM-ELEVATING	RP-4000
5	076319-01-711	EA	BASE & LIFT ASM	2762802
7	076319-01-705	EA	GROMMET-NYLON, 7/8"ID	3200658
8	076319-01-708	EA	DECAL-CRANK	5413002
9	076319-01-707	EA	SPRING-HANDLE	2160822
11	076319-01-712	EA	PLATE - CEILING	3200608
12	076319-01-715	EA	NUT (GEAR HOUSING)	2200047
14	076319-01-713	EA	PLATE-BASE, STEEL	3100523
15	076319-01-703	EA	BEARING-NYLON, 5"OD	3200656
16	076319-01-714	EA	HOUSING, ROTATING GEAR	2200049
17	076319-01-704	EA	BEARING-NYLON, 1.25"OD	3200657
18	076319-01-709	EA	HANDLE-HEAD DIRECTIONAL	200644
	076319-01-716	EA	TUBING, ELEVATING	RP-2900

CONTACT WINNEBAGO PART SALES FOR UNLISTED COMPONENT(S)

076319-25-000

KEY	PART NUMBER	U/M	DESCRIPTION	VENDOR NO.
6	076319-01-706	EA	CRANK-W/SET SCREW UNIV/BEIGE	2750897
6	120233-01-710	EA	HANDLE-CRANK W/SCREW - WHITE	RP-6795
8	076319-01-708	EA	DECAL-CRANK	5413002
10	076319-25-700	EA	DIRECTIONAL HANDLE(WHITE)	3200612
11	076319-25-701	EA	PLATE - CEILING(WHITE)	3200609
13	120233-01-709	EA	WASHER-NYLON	RP-2658

CONTACT WINNEBAGO PART SALES FOR UNLISTED COMPONENT(S)

087694-01-000

KEY	PART NUMBER	U/M	DESCRIPTION	VENDOR NO.
	087694-01-700	EA	BULB	GE561

093575-30-02A

KEY	PART NUMBER	U/M	DESCRIPTION	VENDOR NO.
	093575-30-700	EA	GLOBE, GLASS	9109

097917-01-06A

KEY	PART NUMBER	U/M	DESCRIPTION	VENDOR NO.
	097917-01-700	EA	LENS-LIGHT, CLEAR	30-78-021

120269-07-01A

KEY	PART NUMBER	U/M	DESCRIPTION	VENDOR NO.
	120269-07-700	EA	SWITCH - REMOTE	7475720
	133908-09-700	EA	SWITCH - MIRROR HEATER	7475150

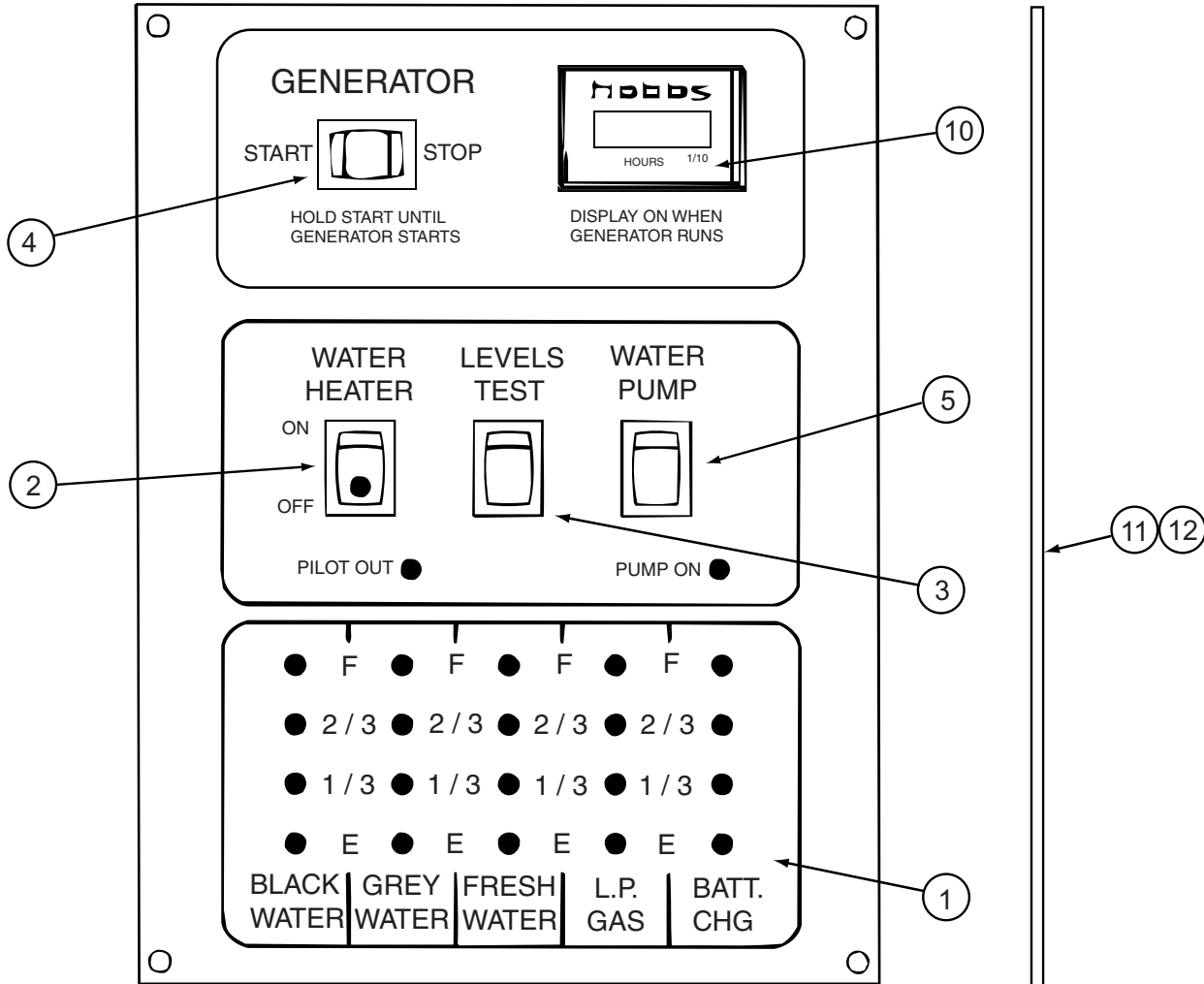
121935-01-01A

KEY	PART NUMBER	U/M	DESCRIPTION	VENDOR NO.
	121935-01-700	EA	LENS ONLY	809511

ELECTRICAL GROUP (CONTINUED)
COMPONENT PARTS FOR WIRING (CONTINUED)

133908-09-01A

KEY	PART NUMBER	U/M	DESCRIPTION	VENDOR NO.
	133908-09-700	EA	SWITCH-MIRROR HEATER	7475150



134940-06-01A

KEY	PART NUMBER	U/M	DESCRIPTION	VENDOR NO.
1	134940-01-702	EA	CHASSIS - SILKSCREENED	CC0558-00
2	134940-01-701	EA	SWITCH-SPST/ON-OFF/BLK W/LGT	L0109
3	096983-01-701	EA	SWITCH - SPST/MOM 2 TERMINAL	L0111-00
4	096983-01-702	EA	SWITCH - MOM/OFF/MOM/3 TERM	L0112-00
5	096983-01-703	EA	SWITCH - ON/ON	L0115-00
10	100258-10-701	EA	GAUGE-HR METER ONLY (LCD)	L0775-00
11	134940-06-700	EA	PC BOARD - SENSOR SYSTEM/RED	L5131-02

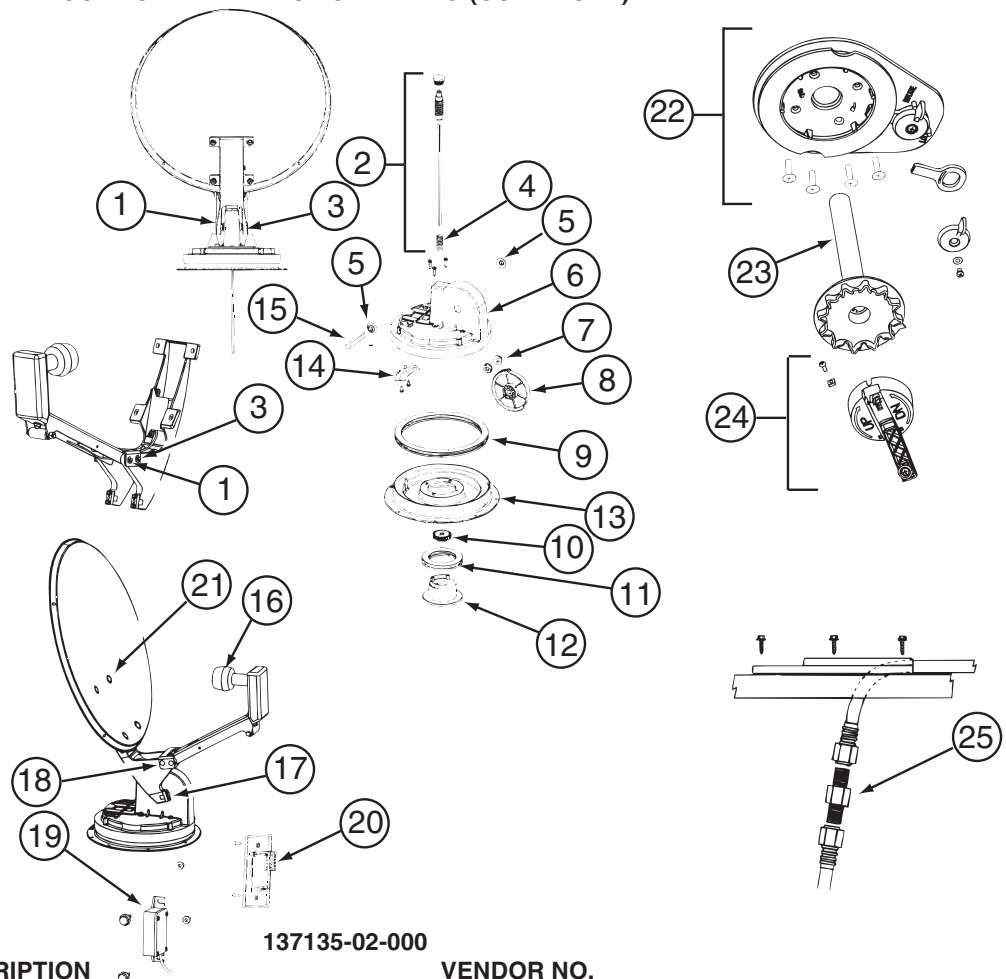
CONTACT WINNEBAGO PART SALES FOR UNLISTED COMPONENT(S)

134940-07-01A

KEY	PART NUMBER	U/M	DESCRIPTION	VENDOR NO.
1	134940-01-702	EA	CHASSIS - SILKSCREENED	CC0558-00
2	134940-01-701	EA	SWITCH-SPST/ON-OFF/BLK W/LGT	L0109
3	096983-01-701	EA	SWITCH - SPST/MOM 2 TERMINAL	L0111-00
4	096983-01-703	EA	SWITCH - ON/ON	L0115-00
5	134940-02-700	EA	SWITCH - DUMMY	L0118
11	134940-06-700	EA	PC BOARD - SENSOR SYSTEM/RED	L5131-02

CONTACT WINNEBAGO PART SALES FOR UNLISTED COMPONENT(S)

ELECTRICAL GROUP (CONTINUED)
COMPONENT PARTS FOR WIRING (CONTINUED)



137135-02-000

KEY	PART NUMBER	U/M	DESCRIPTION	VENDOR NO.
1	120233-01-714	EA	CLIP-E	5160818
2	137135-01-703	EA	KIT ELEV - SHAFT/GEAR/SPRING	RP-4400
3	137135-01-704	EA	PIN - 1/4" X 3.25"	2160813
4	137135-01-705	EA	SPRING	2160818
5	137135-01-707	EA	SEAL - PIVOT SHAFT	2200852
6	137135-01-708	EA	TURRET	3100728
7	137135-01-709	EA	PIVOT BEARING	2200470
8	137135-01-711	EA	GEAR - ELEVATING	2200464
9	137135-01-712	EA	BEARING - OUTER	2590347
10	137135-01-714	EA	GEAR - ELEVATING SHAFT	2200465
11	137135-01-715	EA	BEARING - INNER	2590348
12	137135-01-716	EA	HUB	3100731
13	137135-01-713	EA	TURRET BASE	3100730
14	137135-01-710	EA	PLATE - ROTATE LIMIT	3720052
16	137135-02-703	EA	LOW NOISE BLOCK FILTER	LB-6000 - DUAL
17	137135-01-722	EA	CLAMP	2590343
18	137135-01-719	EA	BRACKET - PIVOT	2744945
19	137135-01-720	EA	DE-SENSOR UNIT W/43" CABLE	DM4000
20	137135-02-701	EA	BOX - SURFACE MOUNT	SM-100
21	137135-01-717	EA	BOLT - FLAT HEAD	2160362
22	120233-01-737	EA	PLATE/INT-W/DIRECTIONAL HDLE	RK-CEIL
23	120233-01-704	EA	DIAL/DIRECTIONAL 4"W/SPRING	3200364
24	120233-01-738	EA	HDW PKG-HANDLE/SPRING/WASHER	RK-HAND
25	137135-01-701	EA	CONNECTOR - F - MALE TO MALE	FS-8100
	120233-04-700	EA	KIT-WALL PLATE/CABLE - GRAY	DM4000
	137135-01-700	EA	ROOF WEDGE W/GASKET	RW-5000
	137135-01-706	EA	KIT-TURRET/SEAL/BEARING/GEAR	RP-RM30
	137135-01-718	EA	REFLECTOR/WHITE-46CM W/HDW	RP-35RM
	137135-02-700	EA	DE-SENSOR	2780096
	137135-02-704	EA	KIT-UPDATE DIRECTIONAL HDL	RP-RMDH
	137135-02-705	EA	KIT-TURRET & SHAFT COMPLETE	RP-RM46

CONTACT WINNEBAGO PART SALES FOR UNLISTED COMPONENT(S)

ELECTRICAL GROUP (CONTINUED)
COMPONENT PARTS FOR WIRING (CONTINUED)

			137417-02-01A	
KEY	PART NUMBER	U/M DESCRIPTION		VENDOR NO.
	137417-02-700	EA LENS - SINGLE OPTIC		810844
			137417-06-01A	
KEY	PART NUMBER	U/M DESCRIPTION		VENDOR NO.
	137417-06-700	EA LENS - DOUBLE WHITE		810867
			146299-02-000	
KEY	PART NUMBER	U/M DESCRIPTION		VENDOR NO.
	146299-02-700	EA REMOTE - TV		1-468-835-11
			155619-01-000	
KEY	PART NUMBER	U/M DESCRIPTION		VENDOR NO.
	155619-01-700	EA REMOTE		RC3200
			156130-01-000	
KEY	PART NUMBER	U/M DESCRIPTION		VENDOR NO.
	149925-01-700	EA REMOTE - F/DVD		P42MA0101
			158778-01-000	
KEY	PART NUMBER	U/M DESCRIPTION		VENDOR NO.
	158778-01-700	EA REMOTE - DVD		PSVCDV352

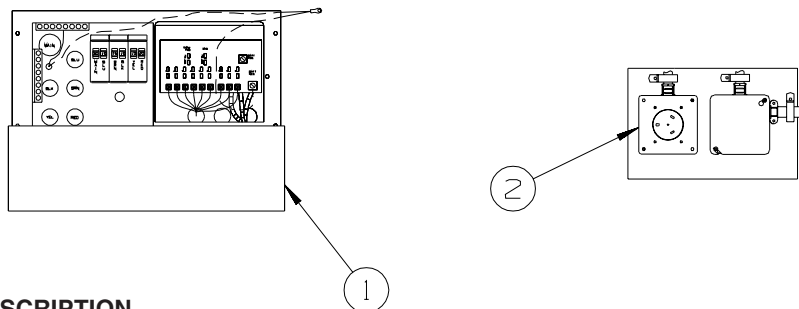
ELECTRICAL GROUP (CONTINUED)

CIRCUIT BREAKERS, FUSES & RELAYS

KEY	PART NUMBER	U/M	DESCRIPTION
	008235-01-000	EA	FUSE - 15 AMP/12VOLT - AUTOMOTIVE
	062901-02-000	EA	FUSE - 5 AMP - AUTOMOTIVE
	062901-04-000	EA	FUSE - 10 AMP - AUTOMOTIVE
	062901-05-000	EA	FUSE - 15 AMP - AUTOMOTIVE
	062901-06-000	EA	FUSE - 20 AMP - AUTOMOTIVE
	062901-07-000	EA	FUSE - 25 AMP - AUTOMOTIVE
	062901-08-000	EA	FUSE - 30 AMP - AUTOMOTIVE
	063910-01-000	EA	HOUSING - RELAY
	063912-02-000	EA	RELAY - CANISTER - SPDT
	083209-01-000	EA	CIRCUIT BREAKER - 15 AMP - 120 VOLT - CANADIAN
	083209-02-000	EA	CIRCUIT BREAKER - 15/15 AMP - 120 VOLT
	083209-03-000	EA	CIRCUIT BREAKER - 15/20 AMP - 120 VOLT
	083209-04-000	EA	CIRCUIT BREAKER - 30 AMP - 120 VOLT
	083209-05-000	EA	CIRCUIT BREAKER - 20 AMP - 120 VOLT
	083209-06-000	EA	CIRCUIT BREAKER - 30/15 AMP - 120 VOLT
	083209-07-000	EA	CIRCUIT BREAKER - 20/20 AMP - 120 VOLT
	083209-10-000	EA	CIRCUIT BREAKER - 20/30 AMP - 120 VOLT
	083209-11-000	EA	CIRCUIT BREAKER - 20/15 AMP - 120 VOLT
	092786-03-000	EA	BUSS BAR - 6.9" LONG
	092786-06-000	EA	BUSS BAR
	093654-01-000	EA	CIRCUIT BREAKER - 6 AMP - 12 VOLT - PUSH BUTTON - WHITE
	093654-02-000	EA	CIRCUIT BREAKER - 15 AMP - 12 VOLT - PUSH BUTTON - WHITE
	093654-03-000	EA	CIRCUIT BREAKER - 20 AMP - 12 VOLT - PUSH BUTTON - WHITE
	093655-01-000	EA	CIRCUIT BREAKER - 25 AMP - 12 VOLT - PUSH BUTTON - WHITE
	093655-02-000	EA	CIRCUIT BREAKER - 30 AMP - 12 VOLT - PUSH BUTTON - WHITE
	093655-03-000	EA	CIRCUIT BREAKER - 40 AMP - 12 VOLT - PUSH BUTTON - WHITE
	097611-01-000	EA	CIRCUIT BREAKER - 10 AMP
	100341-01-000	EA	FUSE HOLDER - IN LINE TYPE
	113482-01-000	EA	CIRCUIT BREAKER - 55 AMP - MANUAL
	115187-01-000	EA	FUSE - 300 AMP - NON-DELAY
	115187-02-000	EA	HOLDER - FUSE
	115187-03-000	EA	FUSE - 60 AMP - NON-DELAY
	122811-01-000	EA	CIRCUIT BREAKER - 20/50/50/20 AMP - 250V
	125986-02-000	EA	FUSE - 5 AMP - AUTO - MINI BLADE
	125986-05-000	EA	FUSE - 15 AMP - AUTO - MINI BLADE
	141789-01-000	EA	SPACER - CIRCUIT BREAKER

CONVERTER, INVERTER, LOAD CENTERS

KEY	PART NUMBER	U/M	DESCRIPTION
	099048-04-000	EA	INVERTER - 300 WATT



KEY	PART NUMBER	U/M	DESCRIPTION
1*	083208-07-000	EA	CONTROL CENTER - 45 AMP - 120V/12V - W/O BREAKERS
2	024924-02-000	EA	RECEPTACLE - POWER CORD - W/PARTIAL PLATE

*COMPONENT PARTS LISTED LATER IN THIS GROUP

COMPONENT PARTS FOR CONVERTER, INVERTER, LOAD CENTERS

083208-07-000

KEY	PART NUMBER	U/M	DESCRIPTION	VENDOR NO.
	083208-06-701	EA	CONVERTER ONLY (LOWER UNIT)	7345R

ELECTRICAL GROUP (CONTINUED)

BOXES & CORDS

KEY	PART NUMBER	U/M	DESCRIPTION
	008054-01-000	EA	CORD - POWER - 10/3 WIRE - 30 AMP - 25'
	008289-01-000	EA	BOX - ELECTRIC/STEEL - 4" X 4" - 1/2" & 3/4" KNOCKOUTS
	008294-01-000	EA	COVER - ELECTRIC BOX - BLANK/STEEL - 4" X 4" - GRAY
	069238-01-000	EA	COVER - ELECTRICAL BOX - W/HOLE - 4" X 4" - GRAY
	091910-01-000	EA	BOX - ELECTRIC - 3.8" X 3.5" X 1.8" - PLASTIC
	091910-02-000	EA	BOX - ELECTRIC - 2.2" X 3.5" X 1.8" - PLASTIC
	115832-01-000	FT	CORD - HEAVY DUTY - 14-2 W/GROUND
	133070-01-000	EA	BOX - ELECTRIC/PLASTIC - 3" X 2" X 2.8" - UL
	133070-02-000	EA	BOX - ELECTRIC/PLASTIC - 3" X 2" X 2.8" - CSA

WIRE ASSEMBLIES

KEY	PART NUMBER	U/M	DESCRIPTION
	077069-02-000	EA	CABLE/EXTENSION - RADIO ANTENNA - 96"
	106851-01-000	EA	WIRE ASSEMBLY - RUNNING LIGHTS - FUSE
	116894-01-000	EA	WIRE ASSEMBLY - SPEED SENSOR EXTENDED - 726A, 729H
	120269-08-000	EA	HARNESS/WIRE - F/ELECTRIC MIRRORS
	124882-11-000	EA	WIRE LOOM - AMPLIFIER - Q SURROUND
	125853-04-000	EA	WIRE LOOM - ENTERTAINMENT CENTER
	134551-10-000	EA	WIRE ASSEMBLY - HEATER/TANKS - 2 PAD -167.1"(LONGEST WIRE) - 723D
	135420-17-000	EA	WIRE - RADIO - C FORD - 4 PIN
	136514-02-000	EA	CABLE - MONITOR/CAMERA
	136860-02-000	EA	CABLE - RCA - SHIELDED - 3 MALE TO MALE CONNECTORS - 50' - 729H FROM: 00-00-00 THRU: 02-11-07
	137135-03-000	EA	WIRE LOOM - DIGITAL ELEVATION SENSOR
	137135-04-000	EA	WIRE HARNESS - POWER - DIGITAL ELEVATION SENSOR
	145210-01-000	FT	CABLE - COAXIAL
	149750-02-000	EA	CABLE - (RECEIVER TO MODULE) - 4' - 729H FROM: 00-00-00 THRU: 01-30-06
	151316-02-000	EA	WIRE ASM - W/NON CONTACT SENSORS - GREY WATER - 23.6" - 729H
	151316-03-000	EA	WIRE ASM - W/NON CONTACT SENSORS - GREY WATER - 43.2" - 726A
	151316-06-000	EA	WIRE ASM - W/NON CONTACT SENSORS - GREY WATER - 78.6" - 723D
	151317-01-000	EA	WIRE ASM-W/NON CONTACT SENSORS-FRESH WATER/BLK TANK-3.9"
	151317-03-000	EA	WIRE ASM-W/NON CONTACT SENSORS-FRESH WATER/BLK TANK-43.2" - 726A
	151317-04-000	EA	WIRE ASM-W/NON CONTACT SENSORS-FRESH WATER/BLK TANK-62.9" - 723D
	153891-01-000	EA	WIRE ASM-HEATER,RELAY - 723D
	153924-01-000	EA	WIRE ASSEMBLY - POWER CABLE - 12V - F/15" SHARP LCD TV - 729H
	155619-05-000	EA	WIRE ASSEMBLY - RADIO - 12 PIN FROM: 08-02-06 THRU: 99-99-99
	160123-02-000	EA	WIRE/CABLE - POWER - PROVIEW WB101-06 - 729H

ELECTRICAL GROUP (CONTINUED)
CONNECTORS & CONDUIT

KEY	PART NUMBER	U/M	DESCRIPTION
	007940-01-000	EA	RECEPTACLE/SLIDE 16 TO 12 AWG - FEMALE END
	007940-02-000	EA	RECEPTACLE/SLIDE 10 AWG
	007954-01-000	EA	RECEPTACLE - HOUSING - 6 POSITION
	007956-05-000	EA	INSULATOR - SHRINK - 1/4"ID X 1 1/2"
	008058-01-000	EA	ADAPTER - POWER CORD - 30 AMP TO 15 AMP
	008311-01-000	EA	CONNECTOR - WIRE NUT - INSULATED - RED
	008312-01-000	EA	CONNECTOR - WIRE NUT - INSULATED - BLUE
	008313-01-000	EA	CONNECTOR - WIRE NUT - INSULATED - YELLOW
	008314-01-000	EA	CONNECTOR - WIRE NUT - INSULATED - GRAY
	008328-01-000	EA	TERMINAL - RING - 12/10 WIRE - #10 STUD FIT
	008331-01-000	EA	TERMINAL - RING - TONGUE - #4 WIRE - 3/8" STUD - COPPER
	008348-01-000	EA	TERMINAL - RING - 3/8" STUD 2 GA. WIRE
	008355-01-000	EA	CONNECTOR - CABLE CLAMPING - 3/4"
	008356-01-000	EA	CONNECTOR - PLASTIC - 3/8"
	008356-02-000	EA	CONNECTOR - PLASTIC - 21/32"
	008398-01-000	EA	CONNECTOR - 1/2" X 90 DEGREE - FLEX CONDUIT - UL & CSA
	035416-04-000	EA	TERMINAL - RING - #10 STUD FIT - INSULATED BARREL #16/14
	041953-01-000	FT	CONDUIT - CONVOLUTE SLIT - .5" ID - POLYETHYLENE
	041953-02-000	FT	CONDUIT - CONVOLUTE SLIT - .6" ID - POLYETHYLENE
	041953-03-000	FT	CONDUIT - CONVOLUTE SLIT - 1" ID (CLOTHES ROD COVER)
	041953-06-000	FT	CONDUIT - CONVOLUTE SLIT - .4" ID - POLYETHYLENE
	041953-07-000	FT	CONDUIT - CONVOLUTE SLIT - .25" ID - POLYETHYLENE
	041953-08-000	FT	CONDUIT - CONVOLUTE SLIT - 1.5" ID - POLYETHYLENE
	041953-09-000	FT	CONDUIT - CONVOLUTE SLIT - .5" ID - NYLON
	041953-10-000	FT	CONDUIT - CONVOLUTE SLIT - .75" ID - NYLON
	041953-11-000	FT	CONDUIT - CONVOLUTE SLIT - 1.06" ID - NYLON
	041953-12-000	FT	CONDUIT - CONVOLUTE SOLID - 1.1" ID - NYLON
	041953-13-000	FT	CONDUIT - CONVOLUTE SLIT - 1.25" ID
	041953-14-000	FT	CONDUIT - CONVOLUTE SLIT - 1.5" ID
	041953-15-000	FT	CONDUIT - CONVOLUTE SLIT - 2"
	041953-16-000	FT	CONDUIT - CONVOLUTE SLIT - 2"
	047441-01-000	EA	TERMINAL-BATTERY, HORIZONTAL LUG
	047443-01-000	EA	TERMINAL - .250 RECEPTACLE FIT - INSULATED - 16/14 AWG
	047443-02-000	EA	TERMINAL - .250 RECEPTACLE FIT - INSULATED - 12/10 AWG
	047443-05-000	EA	TERMINAL - .250 RECEPTACLE FIT - 18GA AWG
	058028-01-000	EA	CONNECTOR - ELECTRICAL PIGTAIL - NYLON - CLEAR
	062036-01-000	EA	TERMINAL - PACK - CON - 12/10 AWG
	076319-12-000	EA	CONNECTOR - COAXIAL - ONE PIECE
	077479-01-000	EA	BOOT - BATTERY TERMINAL - DOUBLE CABLE
	077479-02-000	EA	BOOT - BATTERY TERMINAL - SINGLE CABLE
	080015-02-000	EA	RECEPTACLE - FLAG - .185 - 16/14 GAUGE
	080015-03-000	EA	RECEPTACLE - FLAG - .250 - 14/16 GAUGE
	080015-04-000	EA	RECEPTACLE - FLAG - .187 - 16/14 GAUGE
	082109-01-000	EA	HOUSING - CONNECTOR - PACKARD
	082741-01-000	EA	CONNECTOR BODY - 2 CONNECTOR MALE
	087225-01-000	FT	SLEEVING - 1/2" - TYPE H
	088473-01-000	EA	HOUSING - PIN - 12 CAVITY (3 ROWS OF 4)
	088473-02-000	EA	HOUSING - PIN - 15 CAVITY (3 ROWS OF 5)
	088473-03-000	EA	HOUSING - PIN - 9 CAVITY (3 ROWS OF 3)
	088473-04-000	EA	HOUSING - PIN - 8 CAVITY IN-LINE
	088473-06-000	EA	HOUSING - PIN - 6 CAVITY (2 ROWS OF 3)
	088473-07-000	EA	HOUSING - PIN - 5 CAVITY - IN-LINE
	088473-08-000	EA	HOUSING - PIN - 4 CAVITY - IN-LINE
	088473-09-000	EA	HOUSING - PIN - 3 CAVITY - IN-LINE
	088473-10-000	EA	HOUSING - PIN - 2 CAVITY - IN-LINE
	088473-12-000	EA	HOUSING - PIN - 3 CAVITY - BLUE
	088473-13-000	EA	HOUSING - PIN - 3 CAVITY - GREEN
	088473-14-000	EA	HOUSING - PIN - 3 CAVITY - RED
	088474-01-000	EA	HOUSING - SOCKET - 12 CAVITY
	088474-02-000	EA	HOUSING - SOCKET - 15 CAVITY
	088474-03-000	EA	HOUSING - SOCKET - 9 CAVITY
	088474-06-000	EA	HOUSING - SOCKET - 6 CAVITY
	088474-07-000	EA	HOUSING - SOCKET - 5 CAVITY
	088474-08-000	EA	HOUSING - SOCKET - 4 CAVITY

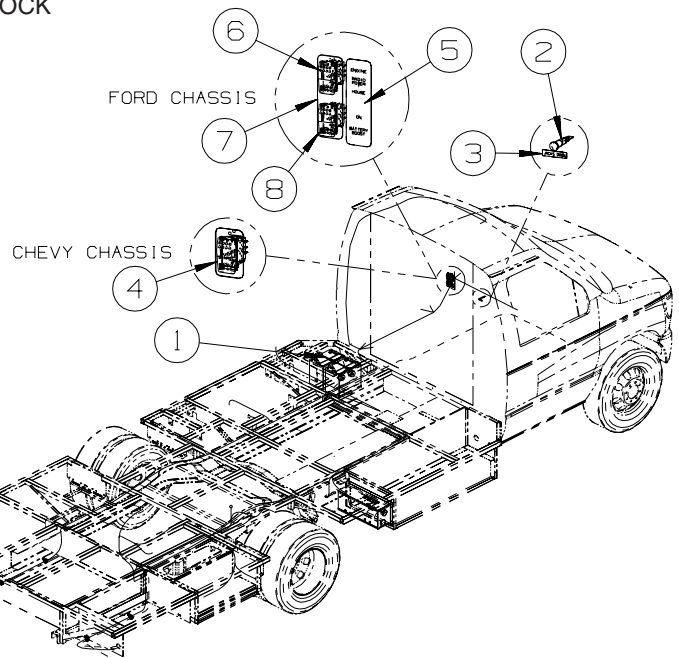
ELECTRICAL GROUP (CONTINUED)
CONNECTORS & CONDUIT (CONTINUED)

KEY	PART NUMBER	U/M	DESCRIPTION
	088474-09-000	EA	HOUSING - SOCKET - 3 CAVITY
	088474-10-000	EA	HOUSING - SOCKET - 2 CAVITY
	088475-01-000	EA	PIN - CONNECTOR - 14-20 AWG
	088475-02-000	EA	PIN - CONNECTOR - 10-12 AWG
	088476-01-000	EA	TERMINAL - ELECTRICAL
	088476-02-000	EA	SOCKET - CONNECTOR - 12-10 GA - PRE-TIN
	098261-01-000	EA	SOCKET - CONNECTOR - WEATHERPACK - 12 AWG
	098261-02-000	EA	SOCKET - CONNECTOR - WEATHERPACK - 14-18 AWG
	098262-01-000	EA	SEAL - CONNECTOR - WEATHERPACK
	098264-01-000	EA	HOUSING - 2 PIN - WEATHER PACK - MALE W/FEMALE PINS
	098264-02-000	EA	HOUSING - 2 PIN - WEATHER PACK - FEMALE W/MALE PINS
	098265-02-000	EA	PIN - CONNECTOR - WEATHER PACK
	102777-02-000	EA	TERMINAL - RING - #6 STUD - 10 AWG
	103608-01-000	EA	SOCKET - WEDGE BASE W/LEADS
	104100-01-000	EA	HOUSING - 1 POSITION - 75 AMPS
	104100-03-000	EA	TERMINAL - 75 AMP
	106007-02-000	EA	TERMINAL - FEMALE - 10-12 AWG
	110178-01-000	EA	HOUSING - WIPER MOTOR
	112823-01-000	EA	SPLICE - REDUCER - 16-14 TO 18-22
	113072-02-000	EA	HOUSING - ELECTRICAL - BACK-UP/TAIL LAMP
	113072-03-000	EA	HOUSING - ELECTRICAL - STOP/MARKER TAILLAMP
	113073-01-000	EA	WEDGELOCK - HOUSING - TAIL LAMP
	113074-01-000	EA	TERMINAL - TAILLAMP
	113135-01-000	EA	TERMINAL - FEMALE - M/P - 14-16 - F/SEALED TERMINAL
	113308-01-000	EA	TERMINAL - FEMALE - M/P - 14-16 - 280
	113308-02-000	EA	TERMINAL - FEMALE - M/P - 14-18 - 280
	113468-01-000	EA	HOUSING - 2 POSITION-FEMALE-USED ON WIPER/WASHER WIRE ASM
	113468-02-000	EA	HOUSING - 2 POSITION - FEMALE
	115931-02-000	EA	COVER - CONNECTOR - 50 AMP W/LOCKING RING
	115932-02-000	EA	CONNECTOR - FEMALE - 50 AMP/240 VOLT
	116811-01-000	EA	TERMINAL - .110 RECEPTACLE - 16-14 AWG
	118571-01-000	EA	CONNECTOR - 3-WAY - MALE/SEALED
	118571-02-000	EA	CONNECTOR - 3-WAY - FEMALE/SEALED
	118571-05-000	EA	LOCK - SECONDARY - FEMALE
	118571-06-000	EA	LOCK - SECONDARY - MALE
	118599-02-000	EA	TERMINAL - MALE - M/P - 280/14-12
	118820-01-000	EA	INSULATOR - TERMINAL
	129233-01-000	EA	HOUSING - 2-POSITION/FEMALE - 280-SERIES
	129233-02-000	EA	HOUSING - 2-POSITION/FEMALE - 280-SERIES
	129233-03-000	EA	HOUSING - 2-POSITION/FEMALE - 280-SERIES
	131681-01-000	EA	CONNECTOR - 3/4" SO CORD - UL/CS
	137207-01-000	EA	HOUSING - PIN - 2 CAVITY/HIGH AMP
	137208-01-000	EA	HOUSING - SOCKET - 2 CAVITY/HIGH AMP
	137209-01-000	EA	PIN - CONNECTOR - 10AWG/HIGH AMP
	137210-01-000	EA	SOCKET - CONNECTOR - 10 AWG/HIGH AMP
	138996-04-000	EA	CONNECTOR - LAMP
	142520-01-000	EA	TERMINAL - FEMALE - MINI-FIT 16
	142522-01-000	EA	HOUSING - 4 PIN/MALE - MINI FIT
	142522-02-000	EA	HOUSING - 6 PIN/MALE - MINI FIT
	142522-03-000	EA	HOUSING - 8 PIN/MALE - MINI FIT
	142522-04-000	EA	HOUSING - 10 PIN/MALE - MINI FIT
	142522-05-000	EA	HOUSING - 12 PIN/MALE - MINI FIT
	142522-06-000	EA	HOUSING - 14 PIN/MALE - MINI FIT
	142524-01-000	EA	HOUSING - 4 PIN/FEMALE - WEATHER PACK
	142524-02-000	EA	HOUSING - 4 PIN/FEMALE - WEATHER PACK
	144283-01-000	EA	CONNECTOR - 110V - F/USE WITH SOW WIRE - BLUE
	144283-02-000	EA	CONNECTOR - 110V - F/USE WITH NM ROMEX WIRE - CLEAR
	145171-01-000	EA	CONNECTOR - COAXIAL
	148335-01-000	EA	HOUSING - 8-POSITION/MALE - 280-GT SERIES
	148335-02-000	EA	HOUSING - 4-POSITION/MALE - 280-GT SERIES
	148335-03-000	EA	HOUSING - 6-POSITION/MALE - 280-GT SERIES
	149683-01-000	EA	HOUSING - F/5 CAVITY RECEPTACLE - W/SQUARE GUIDE PIN
	149683-02-000	EA	HOUSING - F/5 CAVITY RECEPTACLE - W/ROUND GUIDE PIN
	149686-01-000	EA	TERMINAL - .250 RECEPTACLE

ELECTRICAL GROUP (CONTINUED)

CONNECTORS & CONDUIT (CONTINUED)

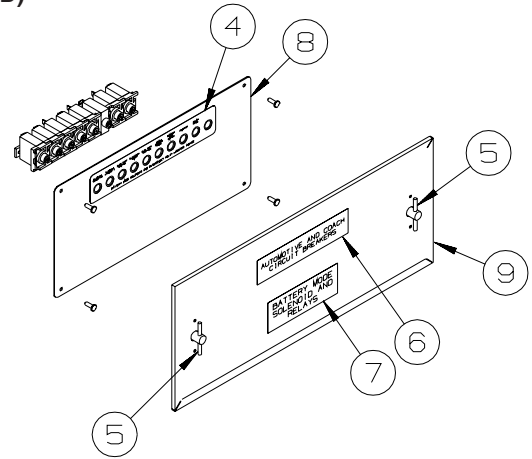
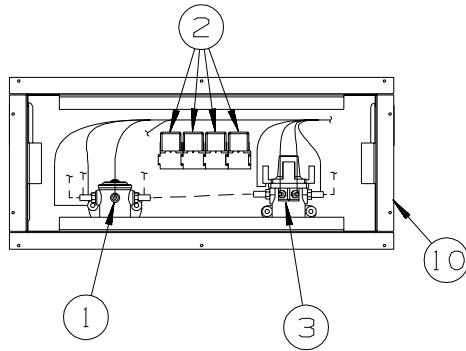
KEY	PART NUMBER	U/M	DESCRIPTION
	149687-01-000	EA	HOUSING - 2 POSITION/MALE - PACKARD
	149687-02-000	EA	LOCK - F/2 POSITION HOUSING - PACKARD
	149688-01-000	EA	TERMINAL - MALE - 16 GAUGE WIRE
	156035-01-000	EA	HOUSING - 12-POSITION/FEMALE - 280-GT SERIES
	156041-01-000	EA	TERMINAL - FEMALE - 16-12 - 280-GT SERIES
	156043-01-000	EA	HOUSING - 2-POSITION/FEMALE - 480-MP SERIES
	156043-02-000	EA	LOCK - F/2 POSITION HOUSING - 480 SERIES
	156044-01-000	EA	TERMINAL - FEMALE - 16-12 - 280-GT - F/SEALED HOUSING
	156045-01-000	EA	HOUSING - 10-POSITION/FEMALE - 280-GT SERIES
	156045-02-000	EA	HOUSING - 4-POSITION/FEMALE - 280-GT SERIES
	156045-03-000	EA	HOUSING - 8-POSITION/FEMALE - 280-GT SERIES
	156045-04-000	EA	HOUSING - 6-POSITION/FEMALE - 280-GT SERIES
	156207-01-000	EA	HOUSING - 6-POSITION/MALE - 150-GT SERIES
	156208-01-000	EA	TERMINAL - MALE - 18-16 - 150-GT SERIES
	157590-01-000	EA	TERMINAL - FEMALE - M/P - 10-12 - 630
	157592-01-000	EA	HOUSING - 7-POSITION/FEMAL - M/P
	157592-02-000	EA	LOCK - SECONDARY - F/7 POSITION HOUSING
	157656-01-01A	EA	CONNECTOR - DASH LIGHT - BLACK
	158357-01-000	EA	HOUSING - 3 PIN/MALE - MINI FIT
	158373-01-000	EA	HOUSING - SOCKET - 16 CAVITY - MINI MATE-N-LOCK
	158374-01-000	EA	SOCKET - 16-20 CAVITY - MINI MATE-N-LOCK



CHASSIS

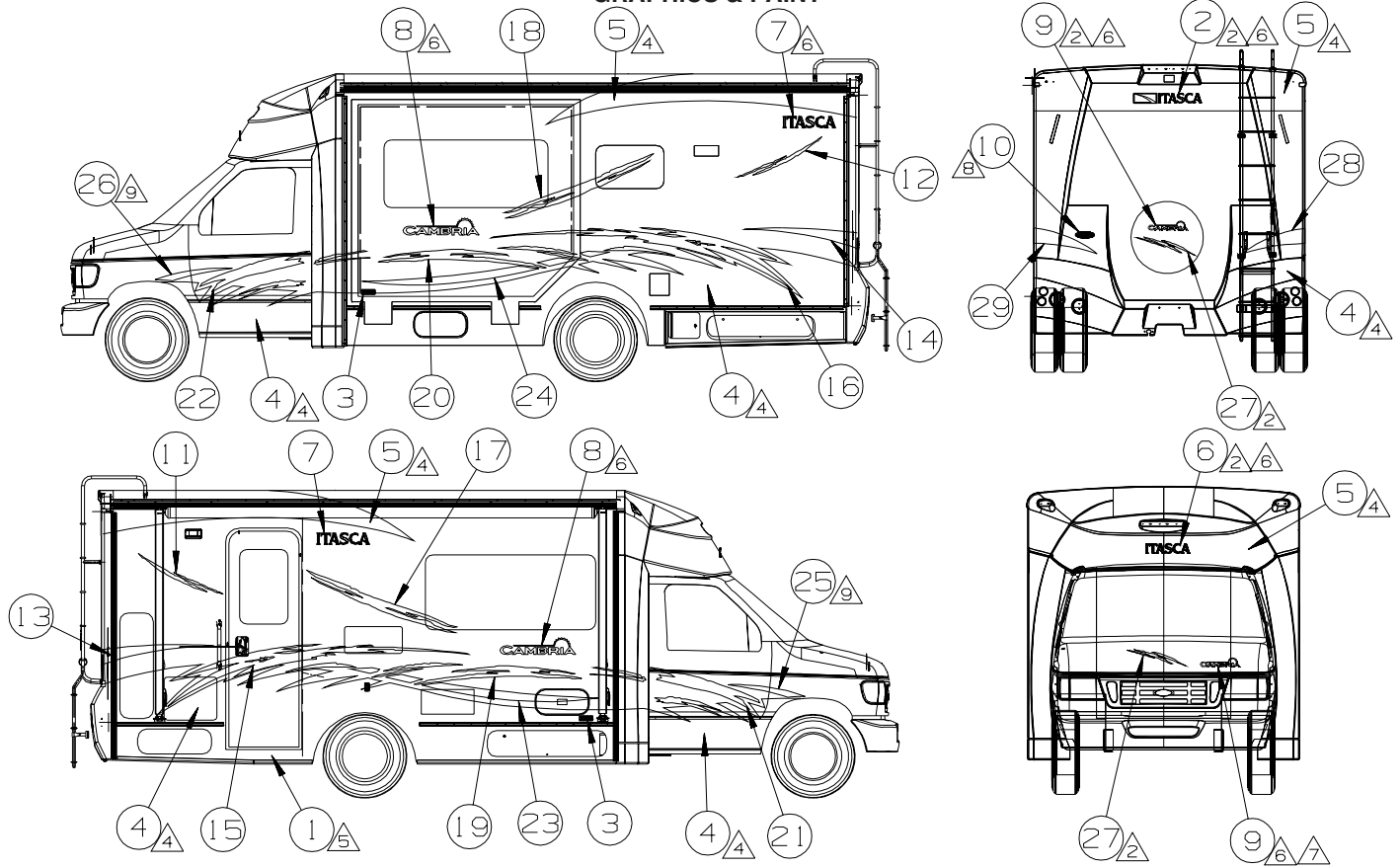
KEY	PART NUMBER	U/M	DESCRIPTION
1	065450-05-000	EA	TIEDOWN - BATTERY - 8.4" TUBE
1	160014-01-02B	EA	TIEDOWN - BATTERY - E-COATED
2	150237-01-000	EA	LIGHT - INDICATOR - RED - HYDRAULIC LEVEL JACKS-AUTO
			FROM: 01-10-06 THRU: 99-99-99
3	133533-01-01A	EA	LABEL - JACKS DOWN - CLEAR W/WHITE LETTERING - HYDRAULIC LEVEL JACKS-AUTO
4	108357-09-000	EA	SWITCH - ROCKER - SPDT - ON/NONE/MOM - 3 TERM - W/O COVER - CHEVY
4	108356-07-01A	EA	COVER/ACTUATOR SWITCH - 2 ROWS DIMPLES - AUX START - BLACK - CHEVY
4	108355-01-000	EA	HOUSING - SWITCH - CHEVY
4	144363-07-04B	EA	PLATE - SWITCH - BLACK - CHEVY
5	145731-01-01A	EA	LABEL - SWITCH - RADIO/BATTERY - BLACK
6	108357-08-000	EA	SWITCH - ROCKER - DPDT - 0N/NONE/ON - 6 TERM - W/O COVER - FORD
6	108356-02-01A	EA	COVER/ACTUATOR SWITCH - 2 ROWS DIMPLES - BLACK - FORD
6	108355-01-000	EA	HOUSING - SWITCH - FORD
7	144363-12-04B	EA	PLATE - SWITCH - BLACK - FORD
8	108357-09-000	EA	SWITCH - ROCKER - SPDT - ON/NONE/MOM - 3 TERM - W/O COVER - FORD
8	108356-02-01A	EA	COVER/ACTUATOR SWITCH - 2 ROWS DIMPLES - BLACK - FORD
8	108355-01-000	EA	HOUSING - SWITCH - FORD

ELECTRICAL GROUP (CONTINUED) CHASSIS (CONTINUED)



KEY	PART NUMBER	U/M	DESCRIPTION
1	008188-01-000	EA	SOLENOID - 3 POST - BATTERY CHANGE OVER
2	063912-02-000	EA	RELAY - CANISTER - SPDT
3	086273-01-000	EA	RELAY - BATTERY DISCONNECT
4	093236-38-000	EA	LABEL - CIRCUIT BREAKER
5	098196-01-000	EA	LATCH - 1/4 TURN - T-BAR
6	098379-01-000	EA	LABEL - CIRCUIT BREAKER - FRONT BOX
7	098379-04-000	EA	LABEL - ELECTRICAL BOX - SIDE
8	139067-09-02B	EA	PLATE - CIRCUIT BREAKER/HOUSE - E-COATED
9	141273-04-02B	EA	COVER - ELECTRICAL BOX - E-COATED
10	155605-01-02B	EA	BOX - ELECTRICAL - E-COATED

EXTERIOR BODY GROUP GRAPHICS & PAINT



(276) KEY	PART NUMBER	U/M	DESCRIPTION
1	109506-01-000	EA	FILM-URETHANE PROTECTANT
2	124806-01-CHT150A1	EA	DECAL-LOGO ITASCA W/ICON - BLACK MET/DK TITANIUM
3	132664-02-CHT101A1	EA	DECAL-LOGO DOMED WINNEBAGO - CHROME/RED/BLACK
4	141599-31-000	GL	PAINT - METTALIC GOLD - DUPONT #373-P7436
5	141599-42-000	GL	PAINT - DK TITANIUM - DUPONT #373-P765286
6	144587-03-CHT116A1	EA	DECAL-LOGO ITASCA - BLACK MET/DK TITANIUM
7	144587-03-CHT118A1	EA	DECAL-LOGO ITASCA - BLACK/BRT WHITE
8	150103-01-CHT101A1	EA	DECAL-CAMBRIA LG - BRT GOLD/BLACK/W.SILVER/CHARCOAL
9	150103-02-CHT101A1	EA	DECAL-CAMBRIA SML - BRT GOLD/BLACK/W.SILVER/CHARCOAL
10	151687-02-CHT101A1	EA	DECAL-BEZEL DOMED NAMEPLATE ITASCA - CHROME/WHITE/BLACK/TEAL
11	157052-01-CHT101A1	EA	DECAL-SPLASH 1 RH - BLACK MET
12	157052-02-CHT101A1	EA	DECAL-SPLASH 1 LH - BLACK MET
13	157066-01-CHT101A1	EA	DECAL-SIDE SWEEP RH - PEWTER
14	157056-02-CHT101A1	EA	DECAL-SIDE SWEEP LH - PEWTER
15	157063-01-CHT101A1	EA	DECAL-SPLASH 2 RH - BLACK MET/KHAKI MET
16	157063-02-CHT101A1	EA	DECAL-SPLASH 2 LH - BLACK MET/KHAKI MET
17	157064-01-CHT101A1	EA	DECAL-SPLASH 3 RH - BLACK MET
18	157064-02-CHT101A1	EA	DECAL-SPLASH 3 LH - BLACK MET
19	157065-01-CHT101A1	EA	DECAL-SPLASH 4 RH - BLACK MET/KHAKI MET
20	157065-02-CHT101A1	EA	DECAL-SPLASH 4 LH - BLACK MET/KHAKI MET
21	157066-01-CHT101A1	EA	DECAL-SPLASH 5 RH - BLACK MET/KHAKI MET
22	157066-02-CHT101A1	EA	DECAL-SPLASH 5 LH - BLACK MET/KHAKI MET
23	157067-01-CHT101A1	EA	DECAL-SPLASH 6 RH - PEWTER
24	157067-02-CHT101A1	EA	DECAL-SPLASH 6 LH - PEWTER
25	157069-01-CHT101A1	EA	DECAL-FRONT WHEEL RH - PEWTER
26	157068-02-CHT101A1	EA	DECAL-FRONT WHEEL LH - PEWTER
27	157069-01-CHT101A1	EA	DECAL-FRONT/REAR - BLACK MET/KHAKI MET
28	157071-01-CHT101A1	EA	DECAL-BACK SWEEP RH - PEWTER
29	157071-02-CHT101A1	EA	DECAL-BACK SWEEP LH - PEWTER
30	GL	PAINT-CLEAR COAT - SHERWIN WILLIAMS

(92K) KEY	PART NUMBER	U/M	DESCRIPTION
1	109506-01-000	EA	FILM-URETHANE PROTECTANT
2	124806-01-CHT151A1	EA	DECAL-LOGO ITASCA W/ICON - DK TEAL/SANDSTONE BEIGE
3	132664-02-CHT101A1	EA	DECAL-LOGO DOMED WINNEBAGO - CHROME/RED/BLACK
4	141599-48-000	GL	PAINT - CATALINA BLUE - DUPONT #373-P759414
5	141599-35-000	GL	PAINT - SANDSTONE BEIGE - DUPONT #373-P7436
6	144587-03-CHT117A1	EA	DECAL-LOGO ITASCA - DK TEAL/SANDSTONE BEIGE
7	144587-03-CHT119A1	EA	DECAL-LOGO ITASCA - DK TEAL/BRT WHITE
8	150103-01-CHT101A1	EA	DECAL-CAMBRIA LG - BRT GOLD/BLACK/W.SILVER/CHARCOAL
9	150103-02-CHT101A1	EA	DECAL-CAMBRIA SML - BRT GOLD/BLACK/W.SILVER/CHARCOAL
10	151687-02-CHT101A1	EA	DECAL-BEZEL DOMED NAMEPLATE ITASCA - CHROME/WHITE/BLACK/TEAL
11	157052-01-CHT102A1	EA	DECAL-SPLASH 1 RH - BLUE MET
12	157052-02-CHT102A1	EA	DECAL-SPLASH 1 LH - BLUE MET
13	157056-01-CHT102A1	EA	DECAL-SIDE SWEEP RH - LT GOLD MET
14	157056-02-CHT102A1	EA	DECAL-SIDE SWEEP LH - LT GOLD MET
15	157063-01-CHT102A1	EA	DECAL-SPLASH 2 RH - BLUE MET/DK TEAL
16	157063-02-CHT102A1	EA	DECAL-SPLASH 2 LH - BLUE MET/DK TEAL
17	157064-01-CHT102A1	EA	DECAL-SPLASH 3 RH - BLUE MET
18	157064-02-CHT102A1	EA	DECAL-SPLASH 3 LH - BLUE MET
19	157065-01-CHT102A1	EA	DECAL-SPLASH 4 RH - BLUE MET/DK TEAL
20	157065-02-CHT102A1	EA	DECAL-SPLASH 4 LH - BLUE MET/DK TEAL
21	157066-01-CHT102A1	EA	DECAL-SPLASH 5 RH - BLUE MET/DK TEAL
22	157066-02-CHT102A1	EA	DECAL-SPLASH 5 LH - BLUE MET/DK TEAL
23	157067-01-CHT102A1	EA	DECAL-SPLASH 6 RH - LT GOLD
24	157067-02-CHT102A1	EA	DECAL-SPLASH 6 LH - LT GOLD
25	157068-01-CHT102A1	EA	DECAL-FRONT WHEEL RH - LT GOLD
26	157068-02-CHT102A1	EA	DECAL-FRONT WHEEL LH - LT GOLD
27	157069-01-CHT102A1	EA	DECAL-FRONT/REAR - BLUE MET/DK TEAL
28	157071-01-CHT102A1	EA	DECAL-BACK SWEEP RH - LT GOLD MET
29	157071-02-CHT102A1	EA	DECAL-BACK SWEEP LH - LT GOLD MET
30	GL	PAINT-CLEAR COAT - SHERWIN WILLIAMS

6. LOGO IS TO BE ±1 MM ON A HORIZONTAL PLANE (END TO END).

5. FILM TO PROTECT BOTTOM OF DOOR FROM SCUFF MARKS.

4. CLEAR COAT TO BE APPLIED ON PAINTED AREAS TO PROTECT PAINT.

3. PAINTED AREA IS TO BE BELOW FEATURE STRIP FOR OPTIONAL PAINTED MODELS AND CONTINUES ON CAB DOORS TO WHEELWELL.

2. CENTERED ON UNIT.

1. APPLY PROTECTOR 116424-01-000 TO WATER HEATER DOOR LATCH.

12. NO VINYL OR PAINT ON SLIDEOUT ROOM END PANELS.

11. DIMENSION FROM BODY LINE.

10. DIMENSION FROM EDGE OF CAB DOOR.

9. SET DECAL TO MATE WITH CONTOUR OF WHEEL WELL.

8. CENTER BADGE ON SURFACE.

7. LOCATE DECAL 120 MM LEFT OF HOOD EDGE AND 60 MM UP FROM FRONT EDGE OF HOOD.

166 FORD CHASSIS 14,050 LB.GVWR

16C FORD CHASSIS 11,500 LB.GVWR

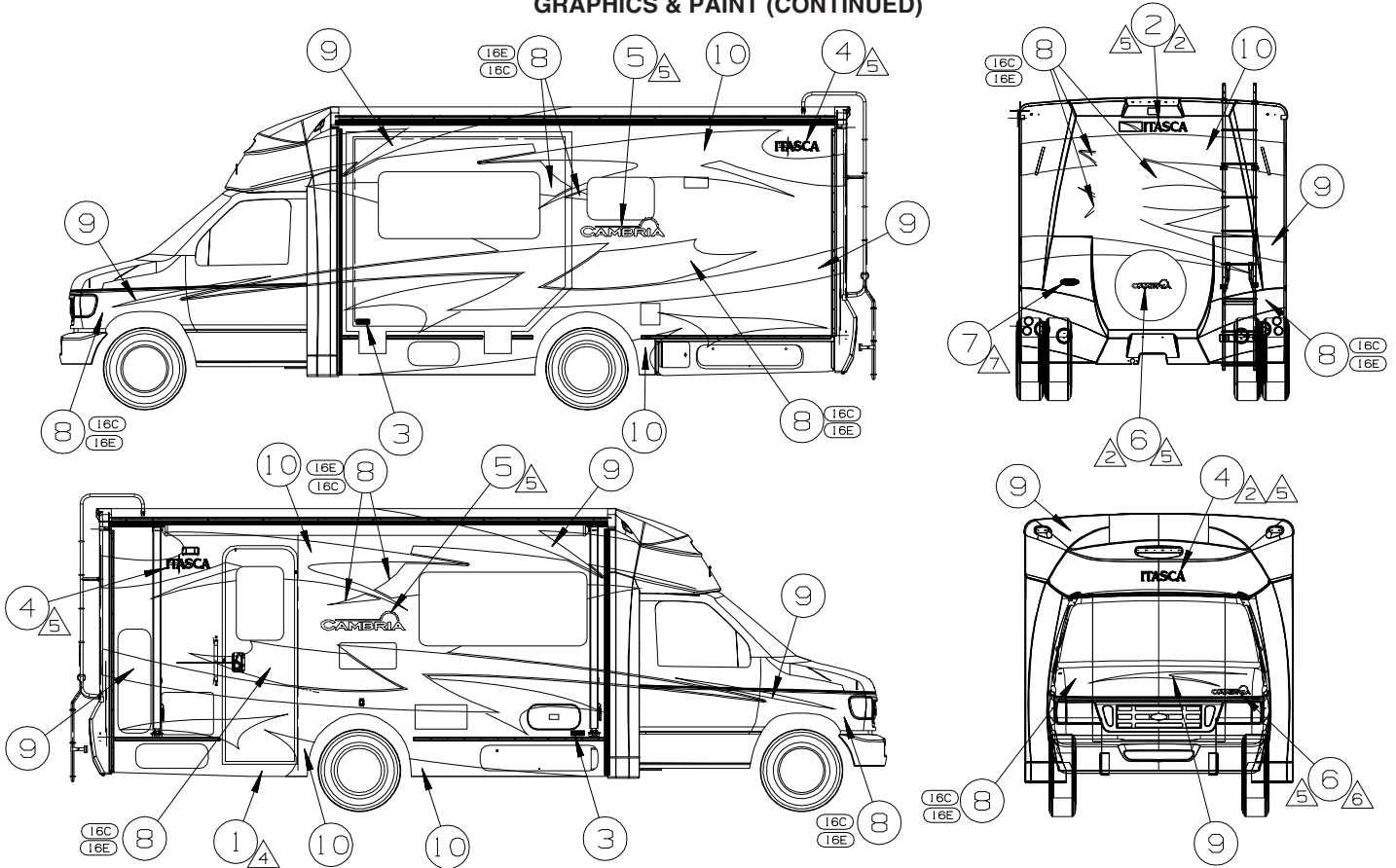
92K EXTERIOR GRAPHICS PACKAGE #2

276 EXTERIOR GRAPHICS PACKAGE #1

NOTES:

EXTERIOR BODY GROUP (CONTINUED)

GRAPHICS & PAINT (CONTINUED)



DELUXE EXTERIOR GRAPHICS

(26F) KEYS	PART NUMBER	U/M	DESCRIPTION MOONLIGHT
1	109506-01-000	EA	FILM-URETHANE PROTECTANT
2	124806-01-CHT (52A)	EA	DECAL-LOGO ITASCA W/ICON - STERLING SILVER/BRT WHITE
3	132864-02-CHT (01A)	EA	DECAL-LOGO DOMED WINNEBAGO - CHROME/RED/BLACK
4	144587-03-CHT (20A)	EA	DECAL-LOGO ITASCA - STERLING SILVER/BRT WHITE
5	150103-01-CHT (01A)	EA	DECAL-LOGO CAMBRIA LG - BRT GOLD/BLACK/WHITE SILVER/CHARCOAL
6	150103-02-CHT (01A)	EA	DECAL-LOGO CAMBRIA SML - BRT GOLD/BLACK/WHITE SILVER/CHARCOAL
7	151687-02-CHT (01A)	EA	DECAL/BEZEL DOMED NAMEPLATE ITASCA - CHROME/WHITE/BLACK TEAL
(16C) 8 (16E)	GL	PAINT-SILVER MET - SHERWIN WILLIAMS #43638
9	GL	PAINT-BLACK MET - SHERWIN WILLIAMS #40888
10	GL	PAINT-MED PLATINUM MET - SHERWIN WILLIAMS #44094
(4) 11	GL	PAINT-CLEAR COAT - SHERWIN WILLIAMS

(26H) KEYS	PART NUMBER	U/M	DESCRIPTION NUTMET
1	109506-01-000	EA	FILM-URETHANE PROTECTANT
2	124806-01-CHT (52A)	EA	DECAL-LOGO ITASCA W/ICON - STERLING SILVER/BRT WHITE
3	132864-02-CHT (01A)	EA	DECAL-LOGO DOMED WINNEBAGO - CHROME/RED/BLACK
4	144587-03-CHT (20A)	EA	DECAL-LOGO ITASCA - STERLING SILVER/BRT WHITE
5	150103-01-CHT (01A)	EA	DECAL-LOGO CAMBRIA LG - BRT GOLD/BLACK/WHITE SILVER/CHARCOAL
6	150103-02-CHT (01A)	EA	DECAL-LOGO CAMBRIA SML - BRT GOLD/BLACK/WHITE SILVER/CHARCOAL
7	151687-02-CHT (01A)	EA	DECAL/BEZEL DOMED NAMEPLATE ITASCA - CHROME/WHITE/BLACK TEAL
(16C) 8 (16E)	GL	PAINT-SILVER MET - SHERWIN WILLIAMS #43638
9	GL	PAINT-SUDAN BROWN - SHERWIN WILLIAMS #33581
10	GL	PAINT-MOJAVOE BEIGE MET - SHERWIN WILLIAMS #62879
(4) 11	GL	PAINT-CLEAR COAT - SHERWIN WILLIAMS

- 9. USE PROTECTIVE FILM 145487-02-000 TO COVER UNSEALED ROOF SEAMS.
- 8. END PANELS OF SLIDEOUT ROOMS WILL NOT BE PAINTED WITH BASE COAT AND CLEAR COAT. THERE WILL BE NO COLORED DESIGN GRAPHICS ELEMENTS PAINTED ON END PANELS.
- (4) CENTER BADGE ON SURFACE.
- (4) LOCATE DECAL 120 MM RIGHT OF HOOD EMBLEM AND 70 MM UP FROM GRILLE.
- (4) LOGO IS TO BE HELD TO ±1 MM ON A HORIZONTAL PLANE (END TO END).
- (4) FILM TO PROTECT BOTTOM OF DOOR FROM SCUFF MARKS.
- (4) CLEAR COAT TO BE APPLIED ON PAINTED AREAS TO PROTECT PAINT.
- (4) CENTERED ON UNIT.
- 1. APPLY PROTECTOR 116424-01-000 TO WATER HEATER DOOR LATCH.

- (16E) FORD CHASSIS 14,050 LB.GVWR
- (16C) FORD CHASSIS 11,500 LB.GVWR
- (26H) EXT GRAPHICS-DELUXE PKG #2
- (26F) EXT GRAPHICS-DELUXE, PKG #1

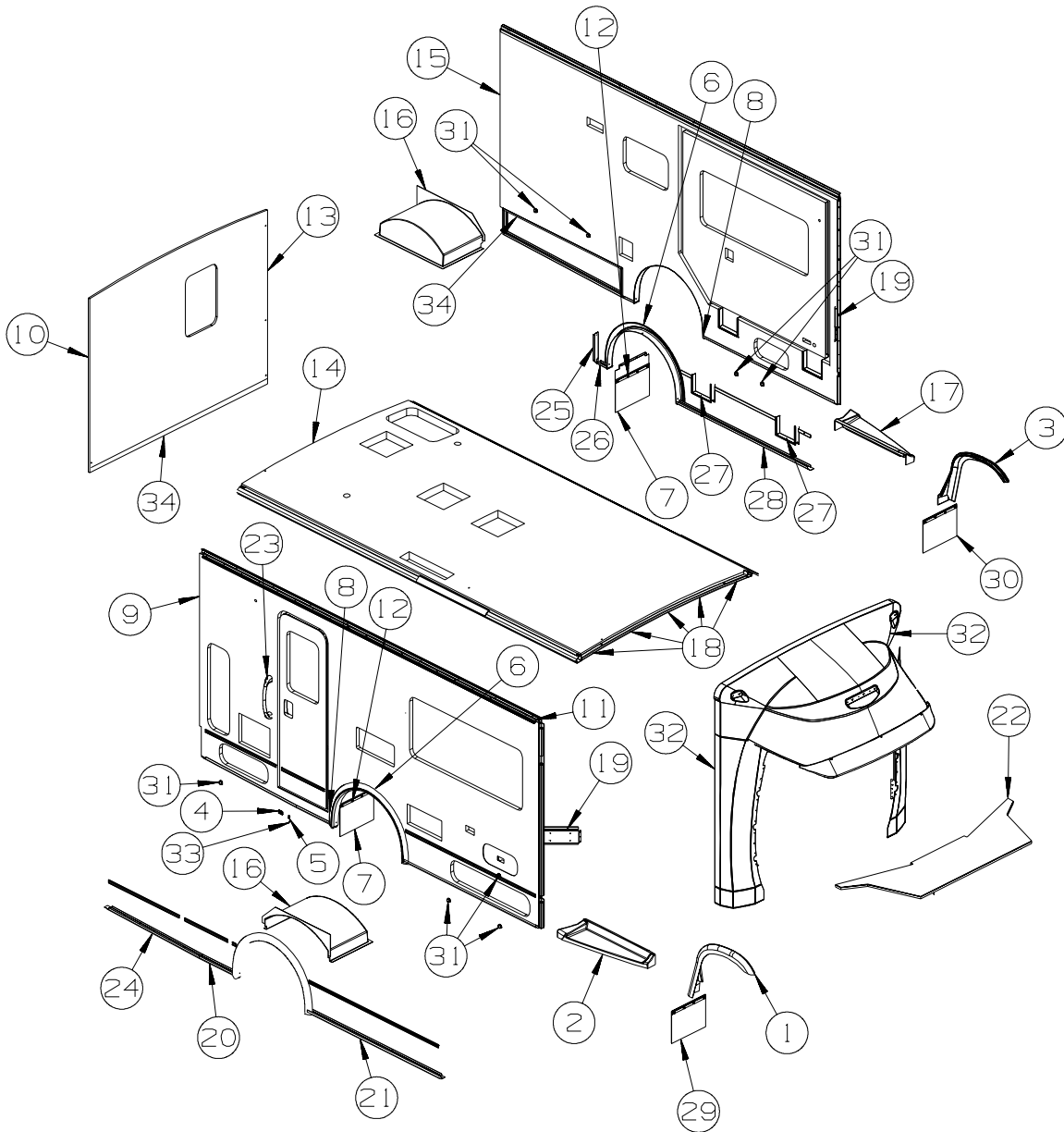
NOTES:

KEY	PART NUMBER	U/M	DESCRIPTION
	072882-01-000	GL	PAINT - LOW BAKE - OFF WHITE

**DUPONT COLOR CODES ARE NOW FOUND IN THE PAINT CODE MANUAL.
YOU CAN FIND THIS MANUAL ON YOUR DEALER INDEX WEBPAGE UNDER SERVICE.**

EXTERIOR BODY GROUP (CONTINUED)

PANELS & TRIMS



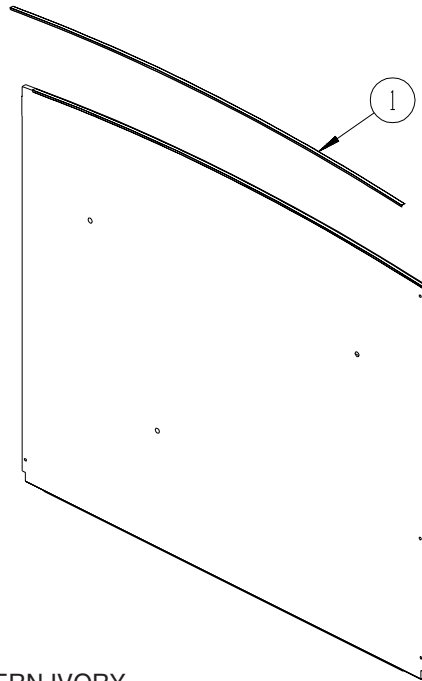
KEY	PART NUMBER	U/M	DESCRIPTION
1	149604-07-01A	EA	WHEEL LIP - FIBERGLASS - PASSENGER - FORD
2	149604-03-01A	EA	RUNNING BOARD/WEDGE - PASSENGER - FORD 700 - PRIMED
	146515-03-01A	EA	MAT - ANTI SLIP - RIGHT HAND - BLACK
	149604-09-000	EA	HARDWARE KIT (RUNNING BOARD INSTALL)
3	149604-08-01A	EA	WHEEL LIP - FIBERGLASS - DRIVER
4	108688-06-03A	EA	STRIP - FEATURE - W/O INSERT/END CAPS - 96.9" - BRIGHT WHT
5	108651-01-01A	EA	END CAP - FEATURE STRIP
6	148210-01-10A	EA	TRIM - REAR WHEELWELL - BLACK
7	017516-01-000	EA	MUD FLAP - 14"H X 18"W - W/O MOUNTING HOLES - RUBBER - BLK
8	148255-01-01A	EA	TRIM - SIDEWALL - U CHANNEL - PVC - .5" X 1.7" X 42"
9	157496-01-U37	EA	SIDEWALL - PASSENGER - W/O WINDOWS/TRIMS (U45, U46)
9	157496-01-U39	EA	SIDEWALL - PASSENGER - W/O WINDOWS/TRIMS (U47, U48)
9	157496-01-U41	EA	SIDEWALL - PASSENGER - W/O WINDOWS/TRIMS (U49, U50)
10	156622-01-01A	FT	SEALER - TAPE - 1/4"THICK X 3"WIDE X 100 FT
11	157284-01-01A	EA	RAIL - AWNING - 192" - BRIGHT WHITE
12	140922-01-02B	EA	RETAINER - MUD FLAP - 1" X 17.7" - E-COATED/BLACK
13	157498-01-U37	EA	BACKWALL - W/O WINDOW/TRIMS (U45, U46)
13	157498-01-U39	EA	BACKWALL - W/O WINDOW/TRIMS (U47, U48)
13	157498-01-U41	EA	BACKWALL - W/O WINDOW/TRIMS (U49, U50)
14	157499-01-U37	EA	ROOF - W/O LIGHTS/VENTS - W/WIRING

EXTERIOR BODY GROUP (CONTINUED)
PANELS & TRIMS (CONTINUED)

KEY	PART NUMBER	U/M	DESCRIPTION
15	157497-01-U37	EA	SIDEWALL - DRIVER - W/O WINDOWS/TRIMS (U45, U46)
15	157497-01-U39	EA	SIDEWALL - DRIVER - W/O WINDOWS/TRIMS (U47, U48)
15	157497-01-U41	EA	SIDEWALL - DRIVER - W/O WINDOWS/TRIMS (U49, U50)
16	147951-03-000	EA	WHEELWELL - PLASTIC
17	149604-04-01A	EA	RUNNING BOARD/WEDGE - DRIVER - FORD 700 - PRIMED
	146515-04-01A	EA	MAT - ANTI SLIP - LEFT HAND - BLACK
	149604-09-000	EA	HARDWARE KIT (RUNNING BOARD INSTALL)
18	134774-02-02B	EA	BRACKET - CAP ATTACHMENT - E-COATED
19	149392-01-02B	EA	BRACKET - TRANSITION/LOWER - E-COATED
20	148700-02-01A	EA	TRIM - SIDEWALL/BOTTOM - 20.5" - BRIGHT WHITE
21	148700-03-01A	EA	TRIM - SIDEWALL/BOTTOM - 50.6" - RH NOTCH - BRIGHT WHITE
22	P49312-01-S34	EA	SLEEPERBOARD
23	152854-01-01A	EA	HANDLE - ASSIST - WHITE W/BLACK RUBBER GRIP - 18 5/8"
24	148700-01-01A	EA	TRIM - SIDEWALL/BOTTOM - 71.5" - LH NOTCH - BRIGHT WHITE
25	156772-01-01A	EA	TRIM - SIDEWALL - 12.6" - BRIGHT WHITE
26	148700-17-01A	EA	TRIM - SIDEWALL/BOTTOM - 5.8" - BRIGHT WHITE
27	148736-01-S34	EA	TRIM - SIDEWALL
	137970-13-02A	EA	TRIM - SIDEWALL - 8.3"
	137970-14-02A	EA	TRIM - SIDEWALL - 8.3"
	137970-15-02A	EA	TRIM - SIDEWALL - 11"
28	148700-05-01A	EA	TRIM - SIDEWALL/BOTTOM - 71.5" - RH NOTCH - BRIGHT WHITE
29	149604-05-01A	EA	MUD FLAP - FIBERGLASS - PASSENGER
30	149604-06-01A	EA	MUD FLAP - FIBERGLASS - DRIVER
31	153498-01-02A	EA	BUMPER - RUBBER - BLACK
32	148700-04-01A	EA	TRIM - SIDEWALL/BOTTOM - 65.1" - BRIGHT WHITE
	112160-01-000	FT	SEAL - D SECTION - .2 X .3" - FOAM RUBBER
33	105312-01-07A	EA	INSERT - FEATURE STRIP - VINYL - BRIGHT WHITE
34	104692-01-000	FT	SEAL - ADHESIVE BACKED FOAM - 3/4" THICK X 3/4" WIDE X 25'

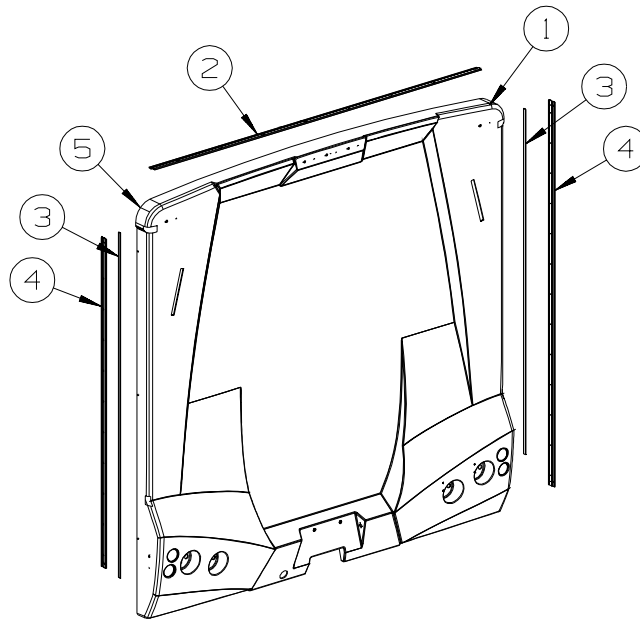
***COMPONENT PARTS LISTED LATER IN THIS GROUP**

EXTERIOR BODY GROUP (CONTINUED)
PANELS & TRIMS (CONTINUED)



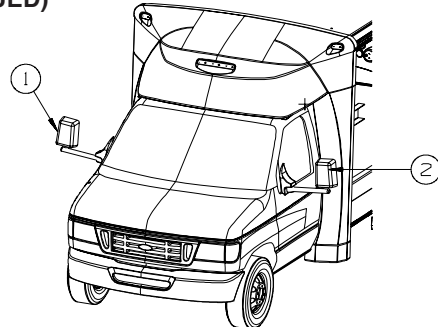
BACKWALL

KEY	PART NUMBER	U/M DESCRIPTION
1	114248-02-01A	EA ANGLE - PLASTIC - .7" X .4" X 96.7" - MODERN IVORY



KEY	PART NUMBER	U/M DESCRIPTION
1	159282-03-U37	EA PANEL - REAR CAP - W/O CAMERA MOUNT
1	159282-03-AA1	EA PANEL - REAR CAP - W/O CAMERA MOUNT - DLX GRAPHICS
1	159282-04-U37	EA PANEL - REAR CAP - W/CAMERA MOUNT - REARVIEW MONITOR SYSTEM
1	159282-04-AA1	EA PANEL - REAR CAP - W/CAMERA MOUNT - REARVIEW MONITOR SYSTEM/ DLX GRAPHICS
2	083805-08-000	EA TRIM - ROOF CAP - 92.1" - MILL
3	091985-01-07A	EA INSERT - TRIM - REAR CAP TO SIDEWALL - .66" - BRIGHT WHITE
4	092041-08-01A	EA TRIM - FRONT/REAR CAP (SIDEWALL) - 86.6" - BRIGHT WHITE
5	104692-03-000	EA SEAL - ADHESIVE BACKED FOAM - 1" THICK X 1 3/16"WIDE X 15'

EXTERIOR BODY GROUP (CONTINUED)
PANELS & TRIMS (CONTINUED)



KEY	PART NUMBER	U/M	DESCRIPTION
1*	133908-14-01A	EA	MIRROR/PASSENGER - 96" - BRIGHT WHITE
1*	133908-16-01A	EA	MIRROR/PASSENGER - 96" - HEATED/REMOTE - WHITE - MIRRORS - EXT W/DEFROST
1*	133908-16-03A	EA	MIRROR/PASS-96"-HEATED/REMOTE-SILVER - MIRRORS - EXT W/DEFROST/DELUXE GRAPHICS PKG
2*	133908-15-01A	EA	MIRROR/DRIVER - 96" - WHITE
2*	133908-17-01A	EA	MIRROR/DRIVER - 96" - HEATED/REMOTE - WHITE - MIRRORS - EXTERIOR W/DEFROST
2*	133908-17-03A	EA	MIRROR/DRVR-96"-HEATED/REMOTE-SILVER - MIRRORS - EXT W/DEFROST/DELUXE GRAPHICS PKG

***COMPONENT PARTS LISTED LATER IN THIS GROUP**

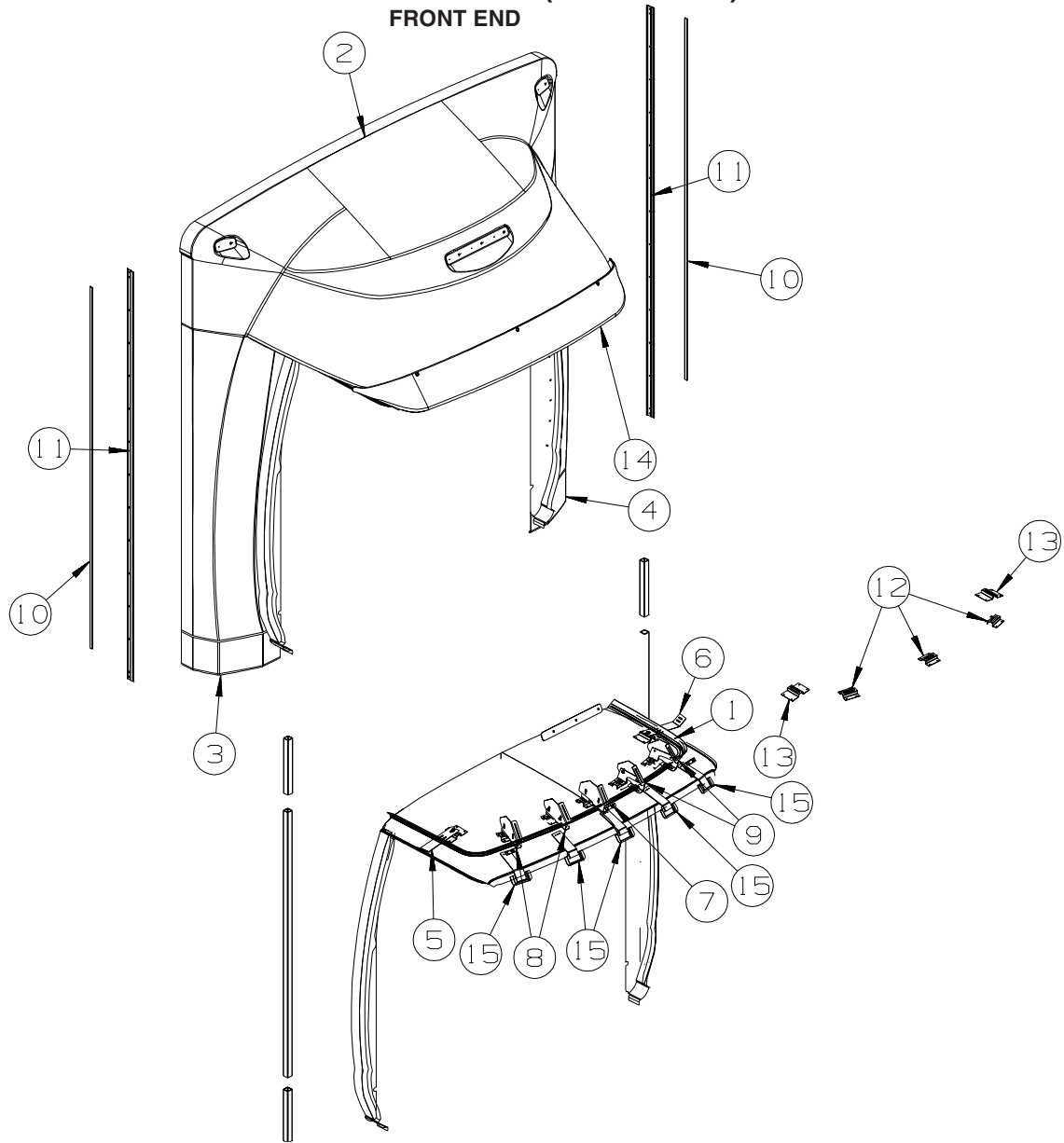
COMPONENT PARTS FOR PANELS & TRIMS

133908-14 & 133908-15, -01A/02A				
KEY	PART NUMBER	U/M	DESCRIPTION	VENDOR NO.
	117051-01-700	EA	MIRROR-CONVEX	723068-4
	120269-01-700	EA	GLASS KIT W/BEZEL RH/LH	709407-8
	133908-03-700	EA	CAP - RECT/BLACK-W/O LIGHT	709577
	133908-04-700	EA	CAP-MIRROR/ROUND - W/O LIGHT	7095470

133908-01 THRU 133908-08, 133908-10 THRU 133908-13, -01A/-02A/-03A				
KEY	PART NUMBER	U/M	DESCRIPTION	VENDOR NO.
	117051-01-700	EA	MIRROR-CONVEX	723068-4
	120269-05-701	EA	GLASS-HTD/REM RH/LH W/CONVEX	709411
	133908-03-700	EA	CAP - RECT/BLACK-W/O LIGHT	709557
	133908-04-700	EA	CAP-MIRROR/ROUND - W/O LIGHT	7095470

EXTERIOR BODY GROUP (CONTINUED)

FRONT END



KEY	PART NUMBER	U/M	DESCRIPTION
1	149470-01-000	FT	SEAL/D TYPE - W/LEG
2	149543-01-S34	EA	PANEL - FRONT W/TRANSITION PANEL
2	149543-01-AA2	EA	PANEL - FRONT W/TRANSITION PANEL - DLX GRAPHICS
3	148300-03-S34	EA	PANEL - TRANSITION - RIGHT HAND
3	148300-03-AA2	EA	PANEL - TRANSITION - RIGHT HAND - DLX GRAPHICS
4	148300-04-S34	EA	PANEL - TRANSITION - LEFT HAND
4	148300-04-AA2	EA	PANEL - TRANSITION - LEFT HAND - DLX GRAPHICS
5	149505-01-02B	EA	BRACKET - ROOF CAP/RIGHT HAND - E-COATED
6	149505-02-02B	EA	BRACKET - ROOF CAP/LEFT HAND - E-COATED
7	149522-01-02B	EA	BRACKET - FRONT/ROOF CAP - CENTER - E-COATED
8	149522-02-02B	EA	BRACKET - FRONT/ROOF CAP - RIGHT HAND - E-COATED
9	149522-03-02B	EA	BRACKET - FRONT/ROOF CAP - LEFT HAND - E-COATED
10	091985-01-07A	EA	INSERT - TRIM - REAR CAP TO SIDEWALL - .66" - BRIGHT WHITE
11	092041-14-01A	EA	TRIM - FRONT/REAR CAP (SIDEWALL) - 87.8" - BRIGHT WHITE
12	143322-01-02B	EA	CHANNEL - HAT - MOUNT/CAP - E-COATED
13	143322-02-02B	EA	CHANNEL - HAT - MOUNT/CAP - E-COATED
14	149342-02-S34	EA	VISOR - ROOF CAP
15	151497-01-01A	EA	POCKET - VISOR - PLASTIC - BRIGHT WHITE

EXTERIOR BODY GROUP (CONTINUED)
LADDER

KEY	PART NUMBER	U/M	DESCRIPTION
	129639-08-01A	EA	LADDER - 71.7" - 5 STEP - BRUSHED ALUMINUM
	129639-10-01A	EA	LADDER - 72.3" - 5 STEP - BRUSHED ALUMINUM - 729H
	150785-03-01A	EA	LADDER - LOWER - 35.4"/3 STEP W/DOG LEG - HINGED STANDOFF
	150785-07-01A	EA	LADDER - LOWER - 35.4"/3 STEP W/DOG LEG - HINGED STANDOFF - 729H
	129375-02-000	EA	SEAL - LADDER BRACKET

STRUCTURAL COMPONENTS

KEY	PART NUMBER	U/M	DESCRIPTION
	002726-01-001	EA	GARNISH - U-CHANNEL - 1.38" X 19' - SERRATED
	002726-01-002	EA	EXTR-GARNISH 1.38X192.00 WDO - 6063T5
	002766-01-001	EA	ANGLE - EXTRUDED - 1" X 1 1/2" X 17'
	077517-62-000	EA	FIBERGLASS SHEET - 48" X 96" - BRIGHT WHITE
	089297-01-000	SF	PLYWOOD - LUAN - OVERLAY GRADE - 4' X 8'
	089297-03-000	SF	PLYWOOD - LUAN - OVERLAY GRADE - 4' X 8.3'
	100619-01-000	BF	FOAM - EXPANDED POLYSTYRENE - 1.34" X 48" X 96"
	100619-02-000	BF	FOAM - EXPANDED POLYSTYRENE - 1.5" X 48" X 96"
	100619-04-000	BF	FOAM - EXPANDED POLYSTYRENE - .5" X 48" X 96"
	100619-05-000	BF	FOAM - EXPANDED POLYSTYRENE - .75" X 48" X 96"-1.5" DENSITY
	100619-16-000	BF	FOAM - EXPANDED POLYSTYRENE - .75" X 48" X 96"-2" DENSITY
	100619-22-000	BF	FOAM - EXPANDED POLYSTYRENE - 1.34" X 48" X 120"
	100619-50-000	BF	FOAM - EXPANDED POLYSTYRENE - 3" X 48" X 88.4"
	116942-03-01A	LB	ALUMINUM - .7" X 40" X 158"
	120107-01-000	EA	FOAM - ROOF COVE - 2.8" X 48" LONG
	120107-02-000	EA	FOAM - PLUG - ROOF TUBE - 2.2" X 2.9" X 1.8" LONG
	120107-03-000	EA	FOAM - PLUG - SIDEWALL TUBE - 1.2" X 2.1" X 1.8" LONG
	120107-07-000	EA	FOAM - ROOF COVE
	159631-08-01A	EA	FIBERGLASS SHEET - 22.1" X 68.2" - BRIGHT WHITE FROM: 00-00-00 THRU: 01-14-07
	162931-08-01A	EA	FIBERGLASS SHEET - 22.1" X 68.2" - BRIGHT WHITE FROM: 01-15-07 THRU: 99-99-99
	159631-15-01A	EA	FIBERGLASS SHEET - 4" X 93.8" - BRIGHT WHITE FROM: 00-00-00 THRU: 01-14-07
	162931-15-01A	EA	FIBERGLASS SHEET - 4" X 93.8" - BRIGHT WHITE FROM: 01-15-07 THRU: 99-99-99
KEY	159631-21-01A	EA	FIBERGLASS SHEET - 89.7" X 254.5" - BRIGHT WHITE FROM: 00-00-00 THRU: 01-14-07
	162931-21-01A	EA	FIBERGLASS SHEET - 89.7" X 254.5" - BRIGHT WHITE FROM: 01-15-07 THRU: 99-99-99

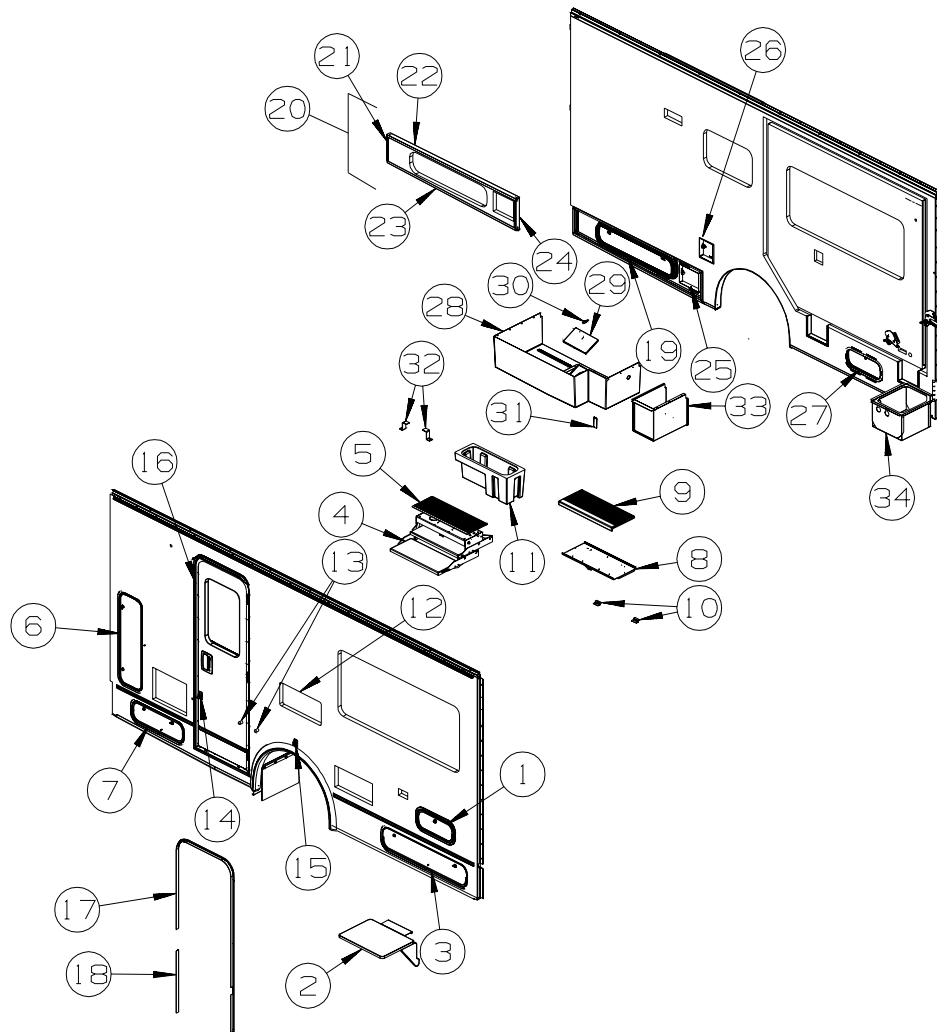
AWNINGS

	127647-03-01A	EA	ROD/AWNING GUARD - ENTRY DOOR - 19.4" LONG
	127960-01-01A	EA	RETAINER - EYE - 3/8" - STAINLESS STEEL
	113874-12-01A	EA	SCREW/LAG - AWNING - 1/4" X 2 3/4" STAINLESS STEEL
	137054-01-02A	EA	BRACKET - AWNING - BRIGHT WHITE - 723D, 726A FROM: 00-00-00 THRU: 12-10-06
	161739-01-02A	EA	BRACKET - AWNING - BRIGHT WHITE - 723D, 726A FROM: 12-11-06 THRU: 99-99-99
	146457-02-03A	EA	BRACKET - AWNING - BRIGHT WHITE - 729H

ORDER AWNINGS & REPAIR PARTS FROM DOMETIC. CALL #800-366-3842.
THE DOMETIC AWNING INFORMATION YOU WILL NEED IS LOCATED ON THE MOTOR HOME NEAR
THE TOP OF THE AWNING RAIL.

EXTERIOR DOORS & COMPARTMENTS GROUP

DOOR & COMPARTMENT LAYOUT



KEY	PART NUMBER	U/M	DESCRIPTION
1	126945-09-P07	EA	DOOR/STORAGE - W/O HARDWARE - 18.3" X 9.9" - ENT CENTR/EXT W/CD
1	126945-09-R38	EA	DOOR/STORAGE - W/O HARDWARE - 18.3" X 9.9" - ENT CENTR/EXT W/CD/DLX GRAPHICS PKG
2	142034-01-01A	EA	SHELF - F/EXTERIOR TV - BRIGHT WHITE - ENTERTAINMENT CENTR/EXT W/CD
3	126946-44-S34	EA	DOOR/STORAGE - W/O HARDWARE - 41.7" X 8.9"
3	126946-44-AA1	EA	DOOR/STORAGE - W/O HARDWARE - 41.7" X 8.9" - DELUXE GRAPHICS PACKAGE
4	139748-02-04B	EA	STEP/PULLOUT - W/BRACKETS - BLACK
			FROM: 00-00-00 THRU: 05-28-06
4	139748-04-04B	EA	STEP/PULLOUT - W/BRACKETS - BLACK
			FROM: 05-29-06 THRU: 99-99-99
	102569-04-000	EA	MAT - ANTI SLIP
4*	094708-05-01A	EA	STEP - ELECTRIC - SINGLE - BLACK - KWIKEE
	116975-01-01A	EA	LATCH - W/O STRIKE - BLACK - NEW STYLE
5	133114-03-01A	EA	TREAD - STEP/RUBBER - 27.1" X 10.1" - TAUPE
6	126946-52-S34	EA	DOOR/STORAGE - W/O HARDWARE - 36.8" X 11.5"
6	126946-52-AA1	EA	DOOR/STORAGE - W/O HARDWARE - 36.8" X 11.5" - DELUXE GRAPHICS PACKAGE
7	126946-48-S34	EA	DOOR/STORAGE - W/O HARDWARE - 25.6" X 8.5"
7	126946-48-AA1	EA	DOOR/STORAGE - W/O HARDWARE - 25.6" X 8.5" - DELUXE GRAPHICS PACKAGE
8	123330-05-02B	EA	SUPPORT - ENTRY STEP - E-COATED
			FROM: 00-00-00 THRU: 01-08-06
8	123330-08-02B	EA	SUPPORT - ENTRY STEP - E-COATED
			FROM: 01-09-06 THRU: 99-99-99
9	147781-01-01A	EA	TREAD/STEP - RUBBER - TAUPE
10	146747-01-02B	EA	BRACKET/CATCH - E-COATED
11	158100-01-01A	EA	COMPARTMENT - STORAGE - PLASTIC
	098408-01-000	FT	SEAL - SPONGE RUBBER - CLOSED CELL
12*	084103-08-000	EA	DOOR - VENT - REFRIGERATOR - W/O JAMB - BRIGHT WHITE
12	084104-08-000	EA	JAMB - VENT DOOR/REFRIGERATOR - BRIGHT WHITE
13	117046-02-000	EA	BUMPER - RUBBER/ROUND END - 1.5"

EXTERIOR DOORS & COMPARTMENTS GROUP (CONTINUED)
DOOR & COMPARTMENT LAYOUT (CONTINUED)

KEY	PART NUMBER	U/M	DESCRIPTION
14	104099-03-04A	EA	CATCH - DOOR HOLDER - STRIKE - 6" - BRIGHT WHITE
15	104099-02-04A	EA	CATCH/RETAINER - DOOR HOLDER - BRIGHT WHITE
16	P32206-15-T47	EA	DOOR - ENTRY W/SCREEN DOOR - W/O WINDOW/LATCH (U45, U46)
16	P32206-15-U39	EA	DOOR - ENTRY W/SCREEN DOOR - W/O WINDOW/LATCH (U47, U48)
16	P32206-15-T41	EA	DOOR - ENTRY W/SCREEN DOOR - W/O WINDOW/LATCH (U49, U50)
	138897-01-000	EA	SWITCH - 2 PIN/SPRING LOADED CONTACTS (EA=1 SWITCH)

ENTRY DOOR LOCK CYLINDERS

138287-11-000	EA	CYLINDER/LOCK - ENTRY DOOR - MASTER W/3M ICON - (3041)
138287-12-000	EA	CYLINDER/LOCK - ENTRY DOOR - MASTER W/3M ICON - (3042)
138287-13-000	EA	CYLINDER/LOCK - ENTRY DOOR - MASTER W/3M ICON - (3043)
138287-14-000	EA	CYLINDER/LOCK - ENTRY DOOR - MASTER W/3M ICON - (3044)
138287-15-000	EA	CYLINDER/LOCK - ENTRY DOOR - MASTER W/3M ICON - (3045)
138287-16-000	EA	CYLINDER/LOCK - ENTRY DOOR - MASTER W/3M ICON - (3046)
138287-17-000	EA	CYLINDER/LOCK - ENTRY DOOR - MASTER W/3M ICON - (3047)
138287-18-000	EA	CYLINDER/LOCK - ENTRY DOOR - MASTER W/3M ICON - (3048)
138287-19-000	EA	CYLINDER/LOCK - ENTRY DOOR - MASTER W/3M ICON - (3049)
138287-20-000	EA	CYLINDER/LOCK - ENTRY DOOR - MASTER W/3M ICON - (3050)
138292-01-000	EA	SEAL - LOCK CYLINDER
138288-11-000	EA	KEY - REVERSIBLE - #3041 - T/M 16169-02-3041
138288-12-000	EA	KEY - REVERSIBLE - #3042 - T/M 16169-02-3042
138288-13-000	EA	KEY - REVERSIBLE - #3043 - T/M 16169-02-3043
138288-14-000	EA	KEY - REVERSIBLE - #3044 - T/M 16169-02-3044
138288-15-000	EA	KEY - REVERSIBLE - #3045 - T/M 16169-02-3045
138288-16-000	EA	KEY - REVERSIBLE - #3046 - T/M 16169-02-3046
138288-17-000	EA	KEY - REVERSIBLE - #3047 - T/M 16169-02-3047
138288-18-000	EA	KEY - REVERSIBLE - #3048 - T/M 16169-02-3048
138288-19-000	EA	KEY - REVERSIBLE - #3049 - T/M 16169-02-3049
138288-20-000	EA	KEY - REVERSIBLE - #3050 - T/M 16169-02-3050

VALANCE DOOR LOCK CYLINDERS

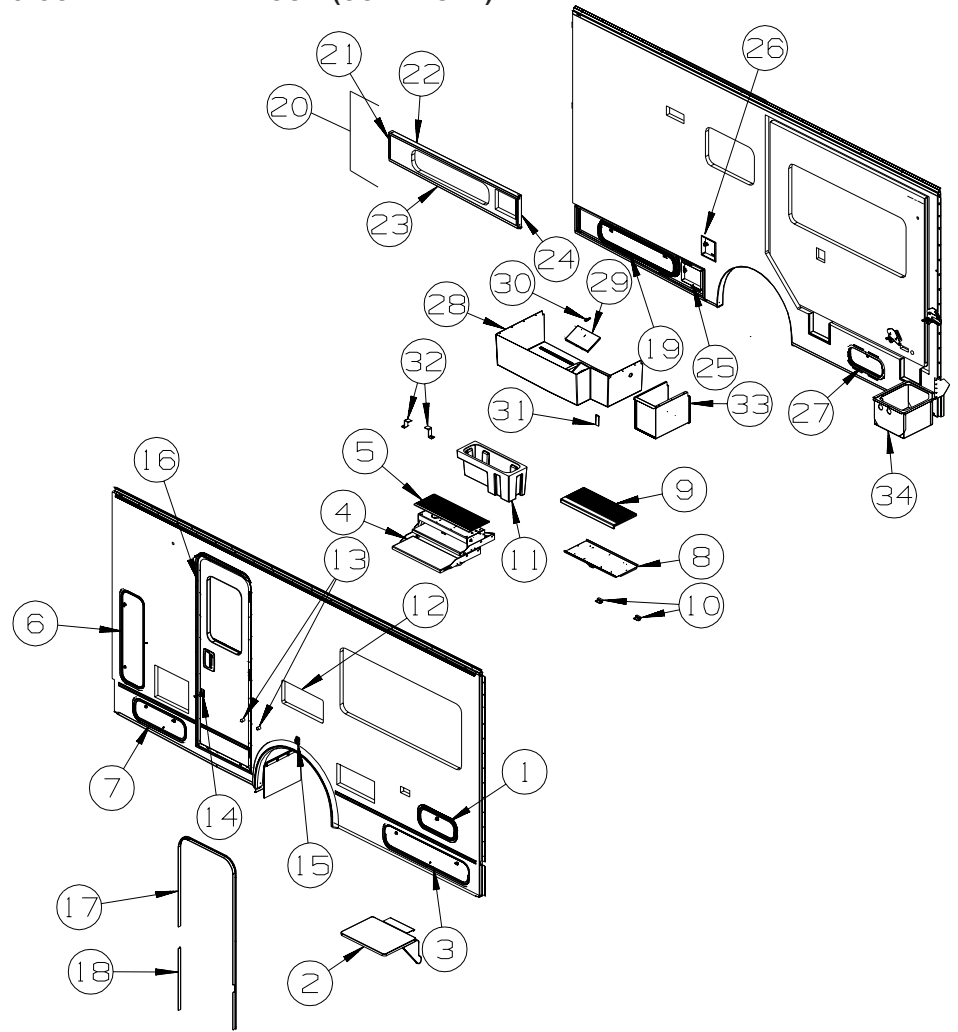
138637-53-000	EA	CASE/CYLINDER - LOCKING - W/O CAM/KEY - 1.5"
138637-53-001	EA	CASE/CYLINDER - LOCKING - W/O CAM/KEY - 1.5"
138637-53-002	EA	CASE/CYLINDER - LOCKING - W/O CAM/KEY - 1.5"
138637-53-003	EA	CASE/CYLINDER - LOCKING - W/O CAM/KEY - 1.5"
138637-53-004	EA	CASE/CYLINDER - LOCKING - W/O CAM/KEY - 1.5"
138637-53-005	EA	CASE/CYLINDER - LOCKING - W/O CAM/KEY - 1.5"
138637-53-006	EA	CASE/CYLINDER - LOCKING - W/O CAM/KEY - 1.5"
138637-53-007	EA	CASE/CYLINDER - LOCKING - W/O CAM/KEY - 1.5"
138637-53-008	EA	CASE/CYLINDER - LOCKING - W/O CAM/KEY - 1.5"
138637-53-009	EA	CASE/CYLINDER - LOCKING - W/O CAM/KEY - 1.5"

POWERCORD DOOR, WATER FILL & FUEL FILL DOOR LOCK CYLINDERS

138637-52-000	EA	CASE/CYLINDER - LOCKING - W/O CAM/KEY - .9"
138637-52-001	EA	CASE/CYLINDER - LOCKING - W/O CAM/KEY - .9"
138637-52-002	EA	CASE/CYLINDER - LOCKING - W/O CAM/KEY - .9"
138637-52-003	EA	CASE/CYLINDER - LOCKING - W/O CAM/KEY - .9"
138637-52-004	EA	CASE/CYLINDER - LOCKING - W/O CAM/KEY - .9"
138637-52-005	EA	CASE/CYLINDER - LOCKING - W/O CAM/KEY - .9"
138637-52-006	EA	CASE/CYLINDER - LOCKING - W/O CAM/KEY - .9"
138637-52-007	EA	CASE/CYLINDER - LOCKING - W/O CAM/KEY - .9"
138637-52-008	EA	CASE/CYLINDER - LOCKING - W/O CAM/KEY - .9"
138637-52-009	EA	CASE/CYLINDER - LOCKING - W/O CAM/KEY - .9"
138637-51-000	EA	KEYS - SET OF TWO
138637-51-001	EA	KEYS - SET OF TWO
138637-51-002	EA	KEYS - SET OF TWO
138637-51-003	EA	KEYS - SET OF TWO
138637-51-004	EA	KEYS - SET OF TWO
138637-51-005	EA	KEYS - SET OF TWO
138637-51-006	EA	KEYS - SET OF TWO
138637-51-007	EA	KEYS - SET OF TWO
138637-51-008	EA	KEYS - SET OF TWO
138637-51-009	EA	KEYS - SET OF TWO

17	139100-08-01A	EA	GARNISH/RADIUS - ENTRY DOOR - BRIGHT WHITE
18	139101-02-01A	EA	GARNISH/STRAIGHT - 35.31" - W/O NOTCHES - BRIGHT WHITE

EXTERIOR DOORS & COMPARTMENTS GROUP (CONTINUED)
DOOR & COMPARTMENT LAYOUT (CONTINUED)



KEY	PART NUMBER	U/M	DESCRIPTION
	19	126946-43-S34	EA DOOR/STORAGE - W/O HARDWARE - 37.8" X 8.3"
	19	126946-43-AA1	EA DOOR/STORAGE - W/O HARDWARE - 37.8" X 8.3" - DELUXE GRAPHICS PACKAGE
	20	154691-02-U37	EA PANEL - REMOVABLE - W/O HDW (U37, U38)
	20	154691-02-U39	EA PANEL - REMOVABLE - W/O HDW (U39, U40)
	20	154691-02-U41	EA PANEL - REMOVABLE - W/O HDW (U41, U42)
	21	156995-02-01A	EA TRIM - SIDEWALL - U CHANNEL - 1.8" X 11.1" - BRIGHT WHITE
	22	156963-01-01A	EA TRIM - SIDEWALL - U CHANNEL - 63.5" - BRIGHT WHITE
	23	148700-04-01A	EA TRIM - SIDEWALL/BOTTOM - 65.1" - BRIGHT WHITE
	24	156995-01-01A	EA TRIM - SIDEWALL - U CHANNEL - 1.8" X 12.6"
	25	142894-01-01A	EA DOOR/POWER CORD - W/HATCH - W/LOCK - BRIGHT WHITE
	26	147587-01-01A	EA DOOR - FUEL FILL
	27	126945-02-R07	EA DOOR/STORAGE - W/O HARDWARE - 18" X 8.3"
	27	126945-02-AA1	EA DOOR/STORAGE - W/O HARDWARE - 18" X 8.3" - BLACK - DELUXE GRAPHICS PACKAGE
	28	157509-03-000	EA COMPARTMENT - DRAINAGE
	29	151104-01-01A	FT SEAL - BULB - W/WIRED U CHANNEL - .3" X .5" CHANNEL-BLACK
	30	153718-01-01A	EA LATCH - HOLD DOWN PANEL - STAINLESS STEEL
	31	130377-02-000	EA UBE/DRAIN - KAZOO - 1 1/2" X 4"
	32	158387-01-02B	EA BRACKET/ZEE - W/HOLES - 1.6"W - E-COATED
	33	1148015-01-02B	EA COMPARTMENT - POWER CORD - E-COATED
	34	148042-01-02B	EA COMPARTMENT - BATTERY - E-COATED

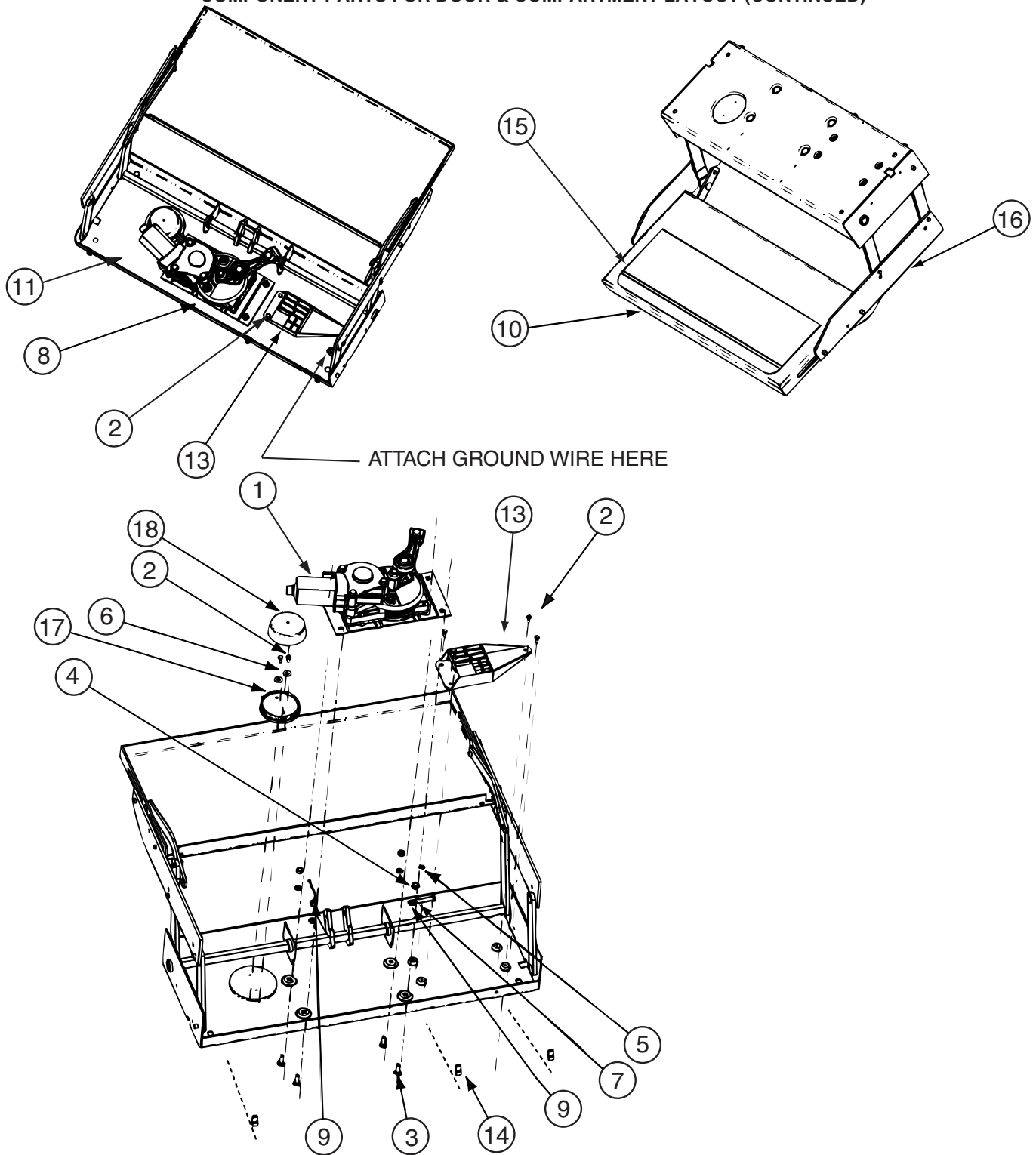
*COMPONENT PARTS LISTED LATER IN THIS GROUP

COMPONENT PARTS FOR DOOR & COMPARTMENT LAYOUT

084103-08-000

KEY	PART NUMBER	U/M	DESCRIPTION	VENDOR NO.
	084104-01-700	EA	LOCK-MALE, FASTENER	201-721-010
	084104-01-701	EA	LOCK-FEMALE, FASTENER	201-802-010

EXTERIOR DOORS & COMPARTMENTS GROUP (CONTINUED)
COMPONENT PARTS FOR DOOR & COMPARTMENT LAYOUT (CONTINUED)

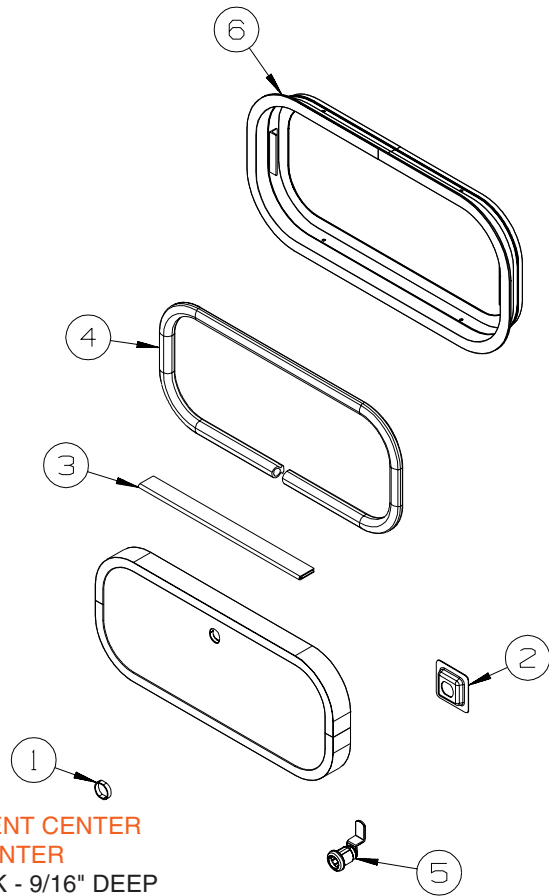


094708-05-01A

KEY	PART NUMBER	U/M	DESCRIPTION	VENDOR NO.
1	094707-04-701	EA	MOTOR "AM 214" F/IMGL STEPS	1101428
13	094707-04-700	EA	CONTROL UNIT W/OVERRIDE	909510000
15	143709-01-702	EA	TREAD/NON-SKID 6" X 21" BLK	1915260
16	094708-05-701	EA	FRAME W/SGL STEP,28 SERIES	908028000
17	088746-01-705	EA	LIGHT-UNDER STEP	9004
	094707-03-701	EA	PLUG - 4-WAY - PACKARD	909306
	094707-04-702	EA	COTTER PIN - W/CLEVIS PIN	905205000
	094707-04-711	EA	KWIKTEST - W/4-WAY PIGTAIL	909518000
	094708-05-700	EA	GEAR BOX W/LINKAGE-STRAIGHT	1101426

CONTACT WINNEBAGO PART SALES FOR UNLISTED COMPONENT(S)

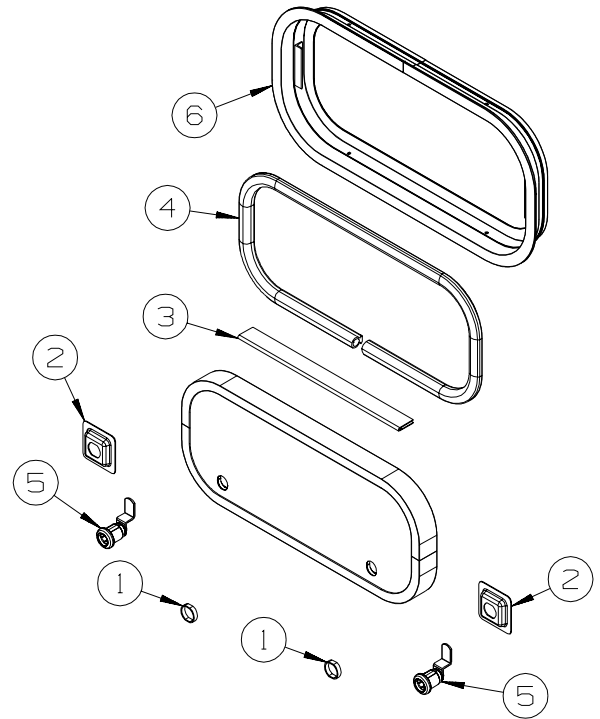
EXTERIOR DOORS & COMPARTMENTS GROUP (CONTINUED)
COMPARTMENT DOOR PIECE PARTS



KEY	PART NUMBER	U/M	DESCRIPTION
1	139325-01-000	EA	SPACER - LOCK - 6MM - ENTERTAINMENT CENTER
	139337-01-000	EA	GASKET - LOCK - ENTERTAINMENT CENTER
1	144734-01-000	EA	SPACER - COMPARTMENT DOOR LOCK - 9/16" DEEP
2	097111-02-04A	EA	POCKET - LOCK - REAR DOOR - BLACK - ENTERTAINMENT CENTER
3	081801-V3-000	EA	HINGE - DOOR - PIANO - 2" X 96" - BRIGHT WHITE
3	081801-FN-000	EA	HINGE - DOOR - PIANO - 2" X 96" - BLACK
4	156386-01-01A	FT	SEAL - BULB - .4" X .5" - W/ADHESIVE BACK
5*	110506-27-000	EA	LOCK - TWIST - 1.6" - TWIST LOCK
	110506-55-000	EA	CASE/CYLINDER - TWIST LOCK - W/O CAM - 1.25" - 597312AA1 - TWIST LOCK
	110506-66-000	EA	CAM - LATCHING - DOG LEG - 1.5" LONG - TWIST LOCK
5	138290-02-000	EA	CASE - W/CAM - W/O CYLINDER/KEY - ENTERTAINMENT CENTER
5	138637-04-000	EA	LOCK ASM. - KEYED - 1.5" CASE (CYLINDER/CAM/HDWR PKG) - KEYED LOCK
	144474-01-000	EA	ADAPTER - LOCK - 180 DEGREE - KEYED LOCK
	138637-63-000	EA	CAM - LATCHING - DOG LEG - 1.5" LONG - KEYED LOCK
	138637-53-000	EA	CASE/CYLINDER - LOCKING - W/O CAM/KEY - 1.5"
	138637-53-001	EA	CASE/CYLINDER - LOCKING - W/O CAM/KEY - 1.5"
	138637-53-002	EA	CASE/CYLINDER - LOCKING - W/O CAM/KEY - 1.5"
	138637-53-003	EA	CASE/CYLINDER - LOCKING - W/O CAM/KEY - 1.5"
	138637-53-004	EA	CASE/CYLINDER - LOCKING - W/O CAM/KEY - 1.5"
	138637-53-005	EA	CASE/CYLINDER - LOCKING - W/O CAM/KEY - 1.5"
	138637-53-006	EA	CASE/CYLINDER - LOCKING - W/O CAM/KEY - 1.5"
	138637-53-007	EA	CASE/CYLINDER - LOCKING - W/O CAM/KEY - 1.5"
	138637-53-008	EA	CASE/CYLINDER - LOCKING - W/O CAM/KEY - 1.5"
	138637-53-009	EA	CASE/CYLINDER - LOCKING - W/O CAM/KEY - 1.5"
6	056795-01-000	FT	TAPE-SEAL, 1/8~ X 3/8~ WIDE - PRESS ON

*COMPONENT PARTS LISTED LATER IN THIS GROUP

EXTERIOR DOORS & COMPARTMENTS GROUP (CONTINUED)
COMPARTMENT DOOR PIECE PARTS (CONTINUED)



KEY	PART NUMBER	U/M	DESCRIPTION
1	144734-01-000	EA	SPACER - COMPARTMENT DOOR LOCK - 9/16" DEEP - TWIST LOCK/STRATTEC LOCKS
1	139325-01-000	EA	SPACER - LOCK - 6MM - TRI/MARK LOCKS
	139337-01-000	EA	GASKET - LOCK - TRI/MARK LOCKS
2	097111-02-04A	EA	POCKET - LOCK - REAR DOOR - BLACK
3	081801-V3-000	EA	HINGE - DOOR - PIANO - 2" X 96" - BRIGHT WHITE
3	081801-FN-000	EA	HINGE - DOOR - PIANO - 2" X 96" - BLACK
4	156386-01-01A	FT	SEAL - BULB - .4" X .5" - W/ADHESIVE BACK
5*	110506-27-000	EA	LOCK - TWIST - 1.6" - TWIST LOCK
	110506-55-000	EA	CASE/CYLINDER - TWIST LOCK - W/O CAM - 1.25" - 597312AA1 - TWIST LOCK
	110506-66-000	EA	CAM - LATCHING - DOG LEG - 1.5" LONG - TWIST LOCK
5*	138637-04-000	EA	LOCK ASM. - KEYED - 1.5" CASE (CYLINDER/CAM/HDWR PKG) - KEYED LOCK/ STRATTEC
	144474-01-000	EA	ADAPTER - LOCK - 180 DEGREE
	138637-63-000	EA	CAM - LATCHING - DOG LEG - 1 1/2" LONG
	138637-53-000	EA	CASE/CYLINDER - LOCKING - W/O CAM/KEY - 1.5"
	138637-53-001	EA	CASE/CYLINDER - LOCKING - W/O CAM/KEY - 1.5"
	138637-53-002	EA	CASE/CYLINDER - LOCKING - W/O CAM/KEY - 1.5"
	138637-53-003	EA	CASE/CYLINDER - LOCKING - W/O CAM/KEY - 1.5"
	138637-53-004	EA	CASE/CYLINDER - LOCKING - W/O CAM/KEY - 1.5"
	138637-53-005	EA	CASE/CYLINDER - LOCKING - W/O CAM/KEY - 1.5"
	138637-53-006	EA	CASE/CYLINDER - LOCKING - W/O CAM/KEY - 1.5"
	138637-53-007	EA	CASE/CYLINDER - LOCKING - W/O CAM/KEY - 1.5"
	138637-53-008	EA	CASE/CYLINDER - LOCKING - W/O CAM/KEY - 1.5"
	138637-53-009	EA	CASE/CYLINDER - LOCKING - W/O CAM/KEY - 1.5"
5	138290-02-000	EA	CASE - W/CAM - W/O CYLINDER/KEY - KEYED ALIKE TRIMARK LOCK LISTED IN LAYOUT
6	056795-01-000	FT	TAPE-SEAL, 1/8~ X 3/8~ WIDE - PRESS ON

*COMPONENT PARTS LISTED LATER IN THIS GROUP

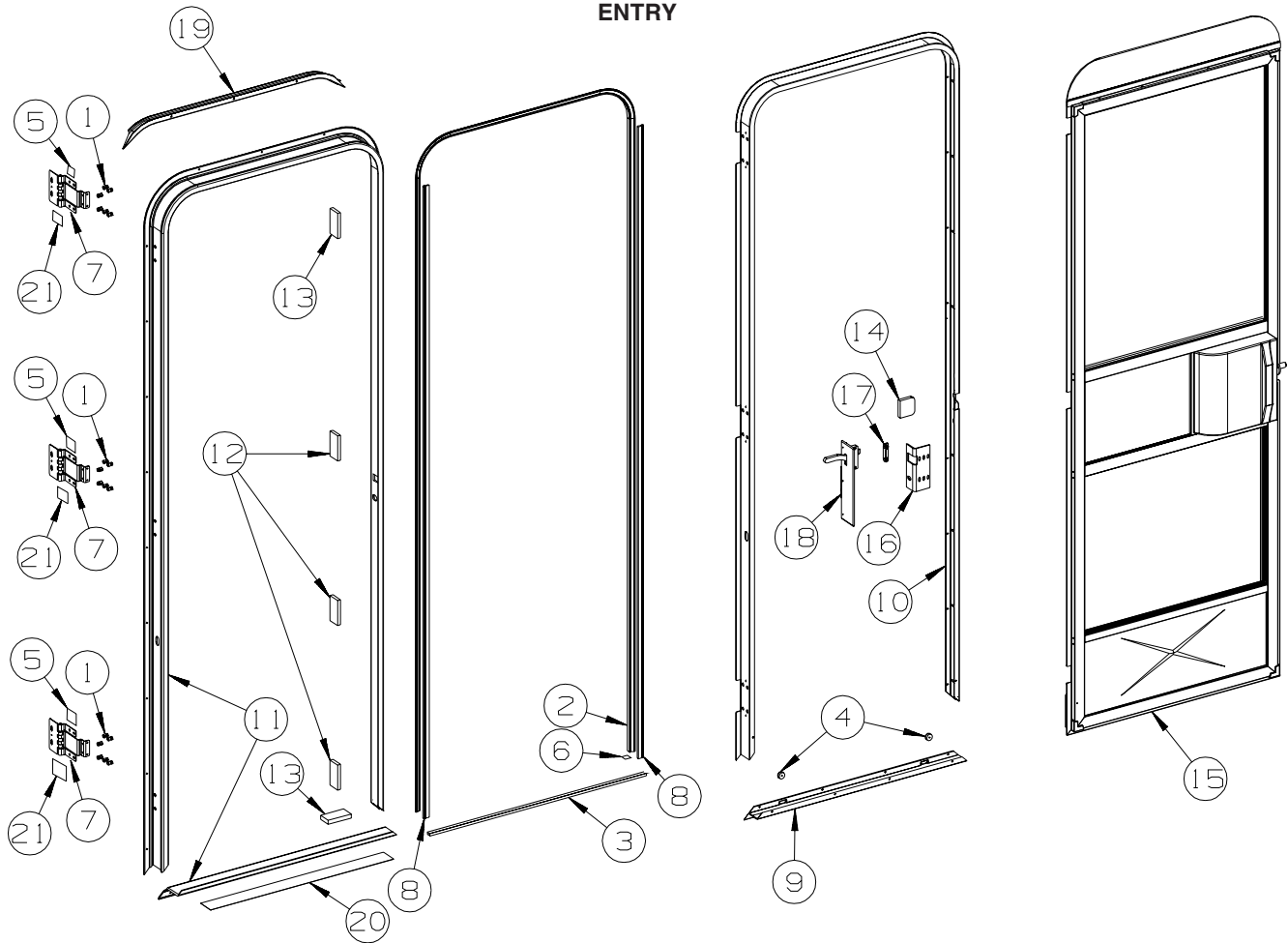
COMPONENT PARTS FOR COMPARTMENT DOOR PIECE PARTS

KEY	PART NUMBER	U/M	DESCRIPTION	VENDOR NO.
			110506-A1-000, 110506-A2-000, 110506-26-000, 110506-27-000, 110506-36-000	
				596950AAL

KEY	PART NUMBER	U/M	DESCRIPTION	VENDOR NO.
			138637-03-000, 138637-04-000	
				596950AAL

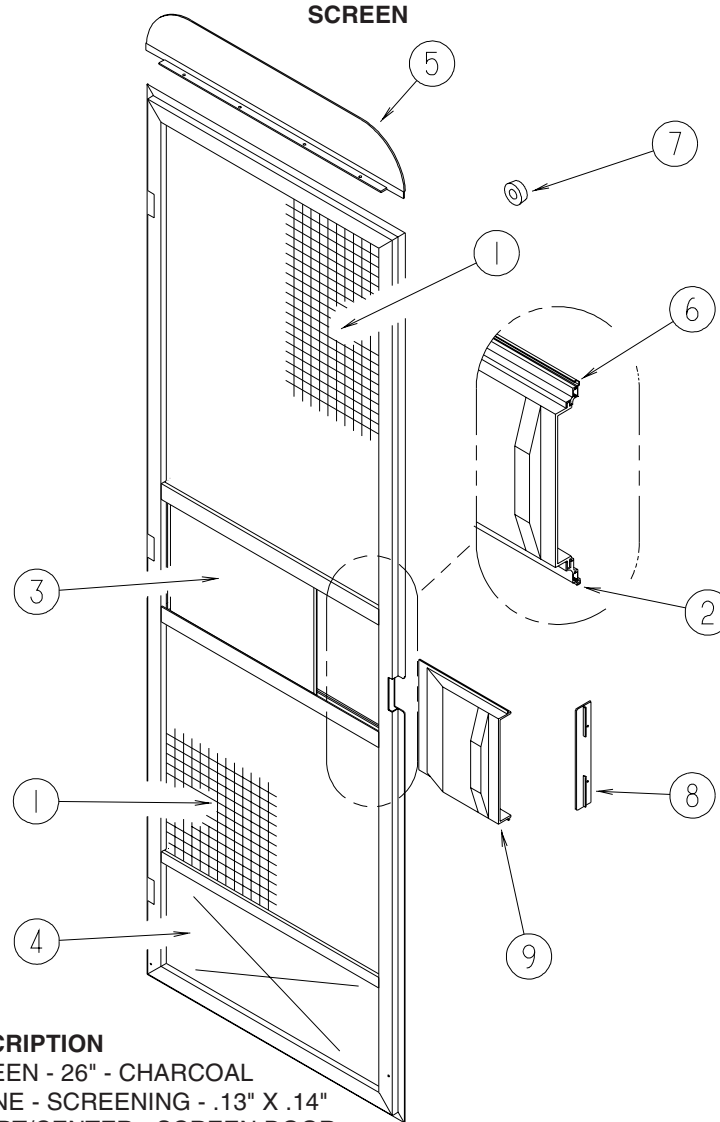
EXTERIOR DOORS & COMPARTMENTS GROUP (CONTINUED)

ENTRY



KEY	PART NUMBER	U/M	DESCRIPTION
1	039715-01-000	EA	NUT-SERT - 1/4" DIAMETER - 20 THREADS
2	075671-04-000	FT	SEAL - SPONGE - LAZY T - W/ADHESIVE STRIP - .5" WIDE
3	075673-05-000	FT	SEAL/PILE - .5" HIGH W/ADHESIVE BACK - BLACK
4	081914-02-000	EA	BUMPER - RUBBER - ROUND - 5/16" DIA. X 13/64" THICK
5	100128-02-000	FT	SEAL - FOAM/ADHESIVE BACK - .37" WIDE X .37" THICK X 60'
6	104692-01-000	FT	SEAL - ADHESIVE BACKED FOAM - 3/4" THICK X 3/4" WIDE X 25'
7	106719-01-05A	EA	HINGE - ENTRY DOOR - BRIGHT WHITE
8	118929-01-01A	FT	SEAL - PILE - PUSH ON
9	121893-01-01A	EA	FRAME - ENTRY DOOR/BOTTOM - BRIGHT WHITE
10	121894-31-01A	EA	FRAME - ENTRY DOOR - BRIGHT WHITE
11	121898-21-01A	EA	JAMB - DOOR/ENTRANCE - BRIGHT WHITE
12	125724-01-000	EA	SHIM - DOOR, ENTRANCE
13	125724-02-000	EA	SHIM - DOOR, ENTRANCE
14	130096-05-000	EA	FOAM - SCREEN DOOR, RETAINER
15	P32208-06-S34	EA	DOOR - SCREEN - W/O HARDWARE
16	137401-01-03B	EA	BRACKET - DOOR ANGLE - OFF WHITE
17	148364-01-12B	EA	STRIKE - SCREEN DOOR - BRIGHT WHITE
18	132915-01-01A	EA	LATCH - SCREEN DOOR - BLACK
19	139054-01-01A	EA	CAP - DRIP - JAMB MOUNTED - BRIGHT WHITE
20	038327-01-000	EA	TAPE - ANTI-SLIP - 2" X 60'
21	154585-01-01A	FT	SEAL - FOAM TAPE - ADHESIVE BACK - 3/8" X 3/8" - BLACK

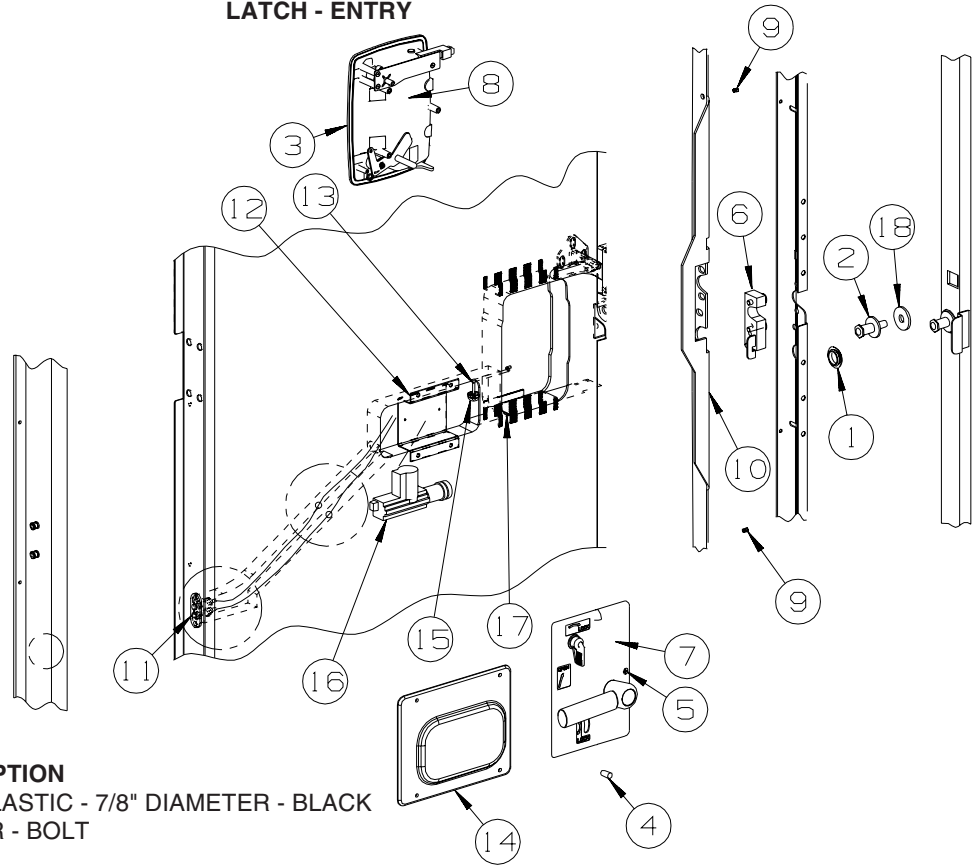
EXTERIOR DOORS & COMPARTMENTS GROUP (CONTINUED)



KEY	PART NUMBER	U/M	DESCRIPTION
1	002293-02-000	SF	SCREEN - 26" - CHARCOAL
2	002294-01-000	FT	SPLINE - SCREENING - .13" X .14"
3	016454-21-000	EA	INSERT/CENTER - SCREEN DOOR
4	078552-03-000	EA	KICK PANEL - SCREEN DOOR - LOWER INSERT - UNPAINTED
5	078595-01-000	EA	TOP PLATE - SCREEN DOOR - CURVED TOP - 4.7" X 25.35"
6	078777-08-000	FT	CHANNEL - SLIDER - 4 FOOT INCREMENTS
7	120863-09-000	EA	BUMPER - RUBBER/RADIUS TOP - 3/4" X 3/8" - LT GRAY
8	132081-01-01A	EA	STRIKE - SLIDER - SCREEN DOOR - BRIGHT WHITE
9	132082-01-01A	EA	SLIDER - SCREEN DOOR - BRIGHT WHITE

EXTERIOR DOORS & COMPARTMENTS GROUP (CONTINUED)

LATCH - ENTRY

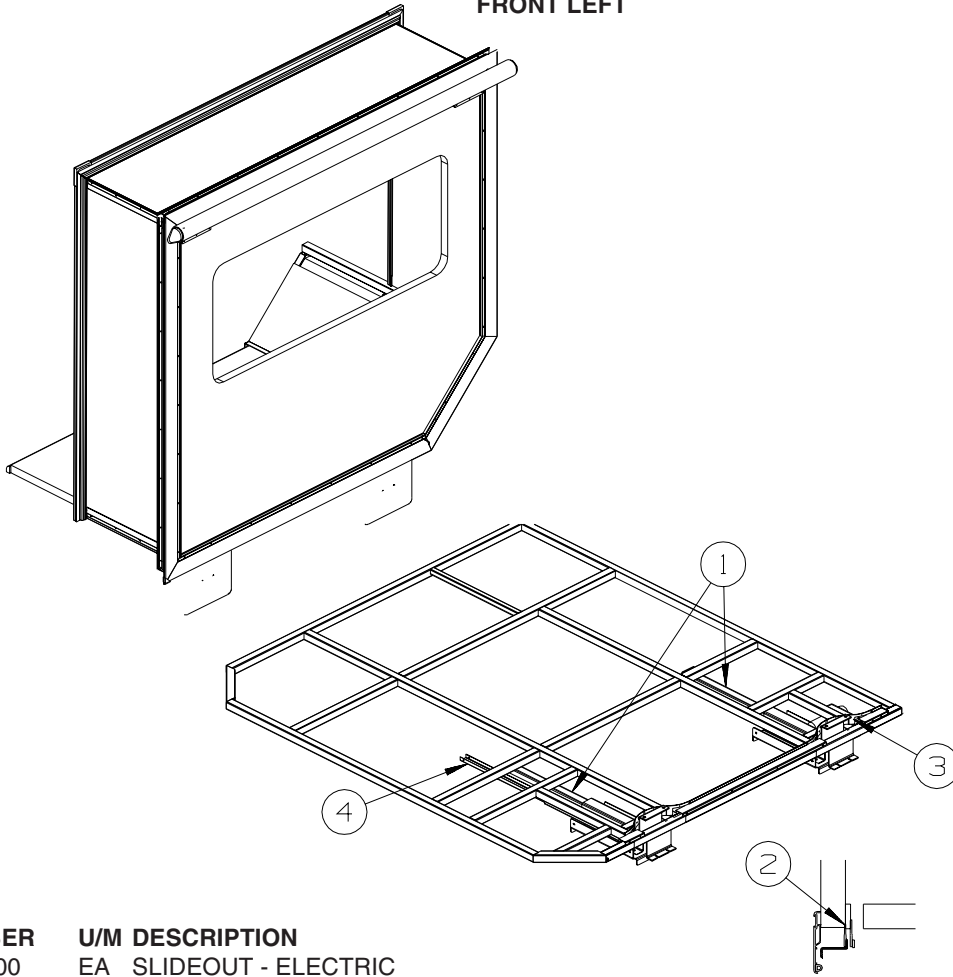


KEY	PART NUMBER	U/M	DESCRIPTION
1	061420-14-000	EA	PLUG/PLASTIC - 7/8" DIAMETER - BLACK
2	092927-20-000	EA	STRIKER - BOLT
3	112782-04-01A	EA	GASKET
4	112782-05-01A	EA	CAP - VINYL - RED
5	112782-08-01A	EA	SCREW - MOUNTING/PLATE - ZINC
6	112782-22-01A	EA	LATCH - SINGLE ROTOR
7	112782-21-01A	EA	LATCH - INTERIOR PLATE
7	112782-27-01A	EA	LATCH - INTERIOR PLATE
8	112782-20-01A	EA	LATCH - EXTERIOR - W/O LOCK CYLINDER W/ICON-REVERSIBLE KEY
9	072893-04-000	EA	NUTSERT - 10-32
10	132207-01-02B	EA	STIFFENER/DOOR - FORMED - E-COATED - OUTLOOK, SPIRIT, SIGHTSEER, SUNOVA
10	132207-03-02B	EA	STIFFENER/DOOR - FORMED - E-COATED - VIEW, ASPECT, NAVION, CAMBRIA
11	138897-01-000	EA	SWITCH - 2 PIN/SPRING LOADED CONTACTS (EA=1 SWITCH)
12	113650-02-02B	EA	BRACKET - ACTUATOR - ELECTRIC - E-COATED
13	113651-01-01A	EA	ROD - CONTROL - MOTOR/LOCK
14	113960-01-01A	EA	COVER - ACTUATOR - POWER LOCK
15	114209-01-01A	EA	PUSHNUT - CAP - 1/8" - WHITE
16	138898-01-000	EA	ACTUATOR/LOCK - ELECTRIC
17	137230-01-01A	EA	SPACER- NOTCHED, MILL
18	147900-01-01A	EA	SPACER-STRIKE BOLT, MILL

FROM: 00-00-00 THRU: 04-30-06

FROM: 05-01-06 THRU: 99-99-99

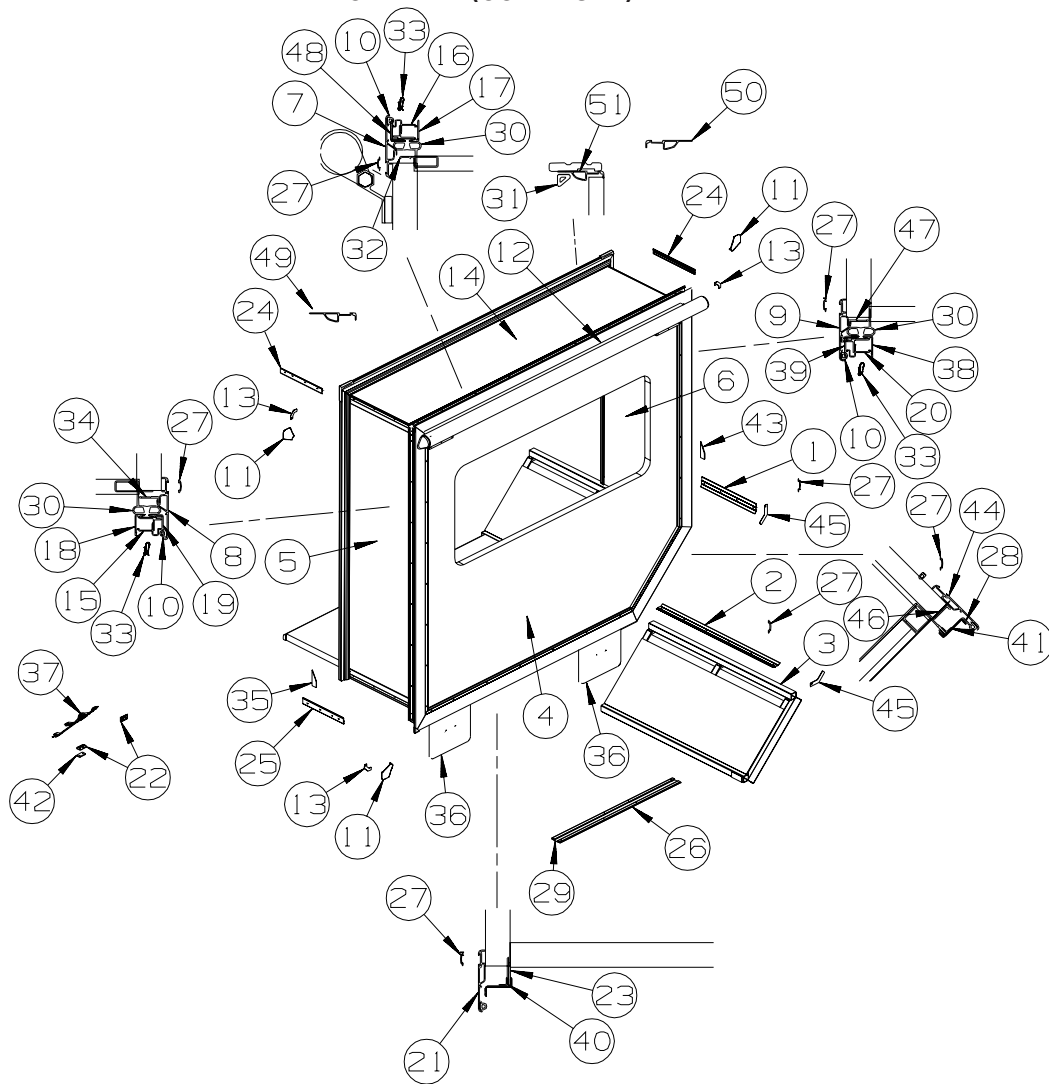
EXTERIOR SLIDEOUT GROUP
FRONT LEFT



KEY	PART NUMBER	U/M	DESCRIPTION
1*	148685-01-000	EA	SLIDEOUT - ELECTRIC
2	123012-04-000	FT	SEAL - SLIDEOUT - .09"/.13" THICK X 1.5" - W/ADHESIVE
3	140282-04-S34	EA	TRIM - SIDEWALL - 64.8" - BRIGHT WHITE
4	141019-02-02B	EA	SUPPORT - WIRE - E-COATED

***COMPONENT PARTS LISTED LATER IN THIS GROUP**

EXTERIOR SLIDEOUT GROUP (CONTINUED)
FRONT LEFT (CONTINUED)



KEY	PART NUMBER	U/M	DESCRIPTION
1	149704-01-01A	EA	TRIM - FEATURE STRIP/SLIDEOUT - 20" - BRIGHT WHITE
2	149705-01-01A	EA	TRIM - FEATURE STRIP/SLIDEOUT - 43.2" - BRIGHT WHITE
3	149125-01-S34	EA	PANEL - CORNER F/SLIDEOUT (U45, U47, U49)
3	149125-01-S35	EA	PANEL - CORNER F/SLIDEOUT (U46, U48, U50)
4	157497-11-U37	EA	SLUG - F/SLIDEOUT (U45, U46)
4	157497-11-U39	EA	SLUG - F/SLIDEOUT (U47, U48)
4	157497-11-U41	EA	SLUG - F/SLIDEOUT (U49, U50)
5	155789-01-T47	EA	PANEL END - F/SLIDEOUT (U45, U46)
5	155789-01-U39	EA	PANEL END - F/SLIDEOUT (U47, U48)
5	155789-01-T41	EA	PANEL END - F/SLIDEOUT (U49, U50)
6	157664-01-U37	EA	PANEL END - F/SLIDEOUT (U45, U46)
6	157664-01-U39	EA	PANEL END - F/SLIDEOUT (U47, U48)
6	157664-01-U41	EA	PANEL END - F/SLIDEOUT (U49, U50)
7	156417-01-01A	EA	TRIM/SEAL - W/MITERED ENDS - 76.5" - BRIGHT WHITE
8	156417-11-01A	EA	TRIM/SEAL - W/MITERED ENDS - 70.2" - BRIGHT WHITE
9	156417-31-01A	EA	TRIM/SEAL - W/MITERED ENDS - 55.6" - BRIGHT WHITE
10	158297-01-000	FT	SEAL - D-SECTION/BULB/TEE - ADHESIVE BACK - BLACK
11	156151-01-02A	EA	PROTECTOR - CORNER - SLIDEOUT - BRIGHT WHITE
12			SLIDEOUT AWNING

ORDER AWNINGS & REPAIR PARTS FROM DOMETIC. CALL #800-366-3842.

THE DOMETIC AWNING INFORMATION YOU WILL NEED IS LOCATED ON THE MOTOR HOME NEAR THE TOP OF THE AWNING RAIL.

EXTERIOR SLIDEOUT GROUP (CONTINUED)
FRONT LEFT (CONTINUED)

KEY	PART NUMBER	U/M	DESCRIPTION
13	156416-01-02B	EA	BRACKET - CORNER TRIM/SLIDEOUT - 3.1"X 3.1" - E-COATED FROM: 00-00-00 THRU: 01-06-07
13	156416-01-12B	EA	BRACKET - CORNER TRIM/SLIDEOUT - 3.1"X 3.1" -BRIGHT WHITE FROM: 00-00-00 THRU: 01-06-07
13	160421-01-01A	EA	CORNER TRIM/SLIDEOUT - 3.1" X 3.1" - BLACK - NOT ILLUSTRATED FROM: 01-07-07 THRU: 99-99-99
14	148411-01-S34	EA	ROOF - F/SLIDEOUT
15	142718-31-01A	EA	RETAINER - SIDEWALL/SLIDEOUT - 58.8"
16	142718-23-01A	EA	RETAINER - SIDEWALL/SLIDEOUT - 79.9"
17	151761-18-02A	EA	TRIM - SIDEWALL/SLIDEOUT/TOP - 81.4" - ALMOND
18	151760-20-02A	EA	TRIM - SIDEWALL/SLIDEOUT - 70.5" - ALMOND
19	136824-43-01A	EA	TRIM - SIDEWALL/SLIDEOUT - 70" - BRIGHT WHITE
20	142718-32-01A	EA	RETAINER - SIDEWALL/SLIDEOUT - 58.8"
21	142233-24-01A	EA	TRIM/SEAL - W/MITERED ENDS - 63.7" - BRIGHT WHITE
22	135619-02-01A	EA	PLATE - TIEDOWN - SLIDEOUT ROOM
23	123012-04-000	FT	SEAL - SLIDEOUT - .09"/.13" THICK X 1.5" - W/ADHESIVE
24	158375-01-01A	EA	TRIM - FEATURE STRIP - 29.6" - BRIGHT WHITE - NOT ILLUSTRATED FROM: 00-00-00 THRU: 05-18-06
24	158375-03-01A	EA	TRIM - FEATURE STRIP - 20.6" - BRIGHT WHITE FROM: 05-19-06 THRU: 99-99-99
25	158030-01-01A	EA	TRIM - FEATURE STRIP/LOWER - 2.3" X 20" - BRIGHT WHITE
26	115325-07-01A	EA	RAIL - FLOOR/SLIDEOUT ROOM - 44.4" LONG - BLACK
27	105312-01-07A	FT	INSERT - FEATURE STRIP - VINYL - BRIGHT WHITE
28	148250-01-02A	EA	TRIM/ZEE - SIDEWALL - 22.6" - BRIGHT WHITE
29	115661-01-000	FT	SHOE/GLIDE - SLIDEOUT ROOM - 1/16" X 3" - POLYETHYLENE
30	136978-01-01A	FT	SEAL - SLIDEOUT - SINGLE WIPE LIP - BLACK
31	146056-01-000	FT	SEAL - TRIANGLE - W/PSA
32	133954-18-01A	EA	TRIM/SEAL - 76.5" - BRIGHT WHITE - NOT ILLUSTRATED FROM: 00-00-00 THRU: 01-10-06
32	133954-12-01A	EA	TRIM/SEAL - 75.7" - BRIGHT WHITE - NOT ILLUSTRATED FROM: 01-11-06 THRU: 05-07-06
32	146606-12-01A	EA	TRIM/RETAINER - 75.7" - BRIGHT WHITE FROM: 05-08-06 THRU: 99-99-99
33	142549-01-000	EA	CLIP - "S" TYPE
34	133954-47-01A	EA	TRIM/SEAL - 66.4" - BRIGHT WHITE - NOT ILLUSTRATED FROM: 00-00-00 THRU: 05-07-06
34	146606-47-01A	EA	TRIM/RETAINER - 66" - BRIGHT WHITE FROM: 05-08-06 THRU: 99-99-99
35	157809-02-01A	EA	SEAL - FOAM BLOCK/LEFT SIDE - ADHESIVE BACK
36	138077-07-01A	EA	COVER/RAM - 11" X 8.8" - W/O TUBE - BRIGHT WHITE
37	135619-01-01A	EA	STRAP - TIEDOWN - SLIDEOUT ROOM
38	151760-21-02A	EA	TRIM - SIDEWALL/SLIDEOUT - 54.7" - ALMOND
39	136824-44-01A	EA	TRIM - SIDEWALL/SLIDEOUT - 55.5" - BRIGHT WHITE
40	149821-16-01A	EA	TRIM/ANGLE - SIDEWALL - BLACK - 1/2" X 1/2" X 27"
41	149821-14-01A	EA	TRIM/ANGLE - SIDEWALL - BLACK - 1/2" X 1/2" X 20.4"
42	135622-01-02B	EA	PLATE - TIEDOWN - SLIDEOUT ROOM
43	157809-01-01A	EA	SEAL - FOAM BLOCK/RIGHT SIDE - ADHESIVE BACK
44	142233-14-01A	EA	TRIM/SEAL - W/MITERED ENDS - 23" - BRIGHT WHITE
45	149691-01-12B	EA	TRIM/KEY CORNER - SLIDEOUT - BRT WHT
46	133954-55-01A	EA	TRIM/SEAL - 19.5" - BRIGHT WHITE - NOT ILLUSTRATED FROM: 00-00-00 THRU: 05-07-06
46	146606-55-01A	EA	TRIM/RETAINER - 19.5" - BRIGHT WHITE FROM: 05-08-06 THRU: 99-99-99
47	133954-49-01A	EA	TRIM/SEAL - 54.1" - BRIGHT WHITE - NOT ILLUSTRATED FROM: 00-00-00 THRU: 05-07-06
47	146606-49-01A	EA	TRIM/RETAINER - 51.9" - BRIGHT WHITE FROM: 05-08-06 THRU: 99-99-99
48	136824-02-01A	EA	TRIM - SIDEWALL/SLIDEOUT - 81.2" - BRIGHT WHITE
49	139624-13-02A	EA	TRIM/SEAL - INNER/RIGHT HAND - 70.2" - ALMOND
50	139624-30-02A	EA	TRIM/SEAL - INNER/TOP - 54.4" - ALMOND
51	139624-04-02A	EA	TRIM/SEAL - INNER/TOP - 80.2" - ALMOND

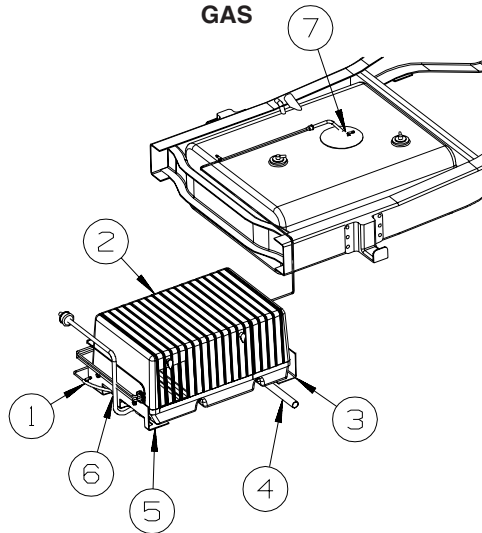
EXTERIOR SLIDEOUT GROUP (CONTINUED)
COMPONENT PARTS FOR FRONT LEFT

148685-01-000

KEY	PART NUMBER	U/M	DESCRIPTION	VENDOR NO.
	148685-01-700	EA	MOTOR - 12 VOLT	28408
	148685-01-701	EA	BUSHING - 3/16" ID	80501
	148685-01-702	EA	HOLDING BRAKE	28662
	148685-01-703	EA	BEARING - F/TRANSFER GEAR	14691
	148685-01-704	EA	GEAR & SHAFT ASM.	26191
	148685-01-705	EA	TRANSFER GEAR	28564
	148685-01-706	EA	IDLER SHAFT ASM.	26209
	148685-01-707	EA	THRUST WASHER	14459
	148685-01-708	EA	GASKET - CASE	28995
	148685-01-709	EA	BEARING - FLANGE TYPE	645-0035
	148685-01-710	EA	BEARING - FLANGE TYPE	10055
	148685-01-711	EA	ADAPTER - MOTOR TO GEAR	28669
	148685-01-712	EA	BEARING - FLANGE TYPE	14458
	148685-01-713	EA	GASKET - MOTOR TO COVER	25596
	148685-01-714	EA	POWERHEAD ASM. W/MOTOR	29002

GENERATOR GROUP

GAS



KEY	PART NUMBER	U/M	DESCRIPTION
1	128139-03-000	EA	HOSE - FUEL - LOW PERMEABILITY - 1/4" DIAMETER
2	109982-03-000	EA	GENERATOR - 4.0 MICROLITE - ONAN
3	114071-02-02B	EA	SUPPORT - GENERATOR - RIGHT
4	105958-29-000	EA	PIPE - EXHAUST/GENERATOR - 723D, 729H
4	105958-08-000	EA	PIPE - EXHAUST/GENERATOR - 1.5" OD X 3.1" X 19.7" - 726A
	007125-04-000	EA	CLAMP - MUFFLER - 1.12"DIAMETER
5	114070-02-02B	EA	SUPPORT - GENERATOR - LEFT
6	084884-01-000	EA	PLUG - BRASS - 3/8"
7			CHASSIS SUPPLIED

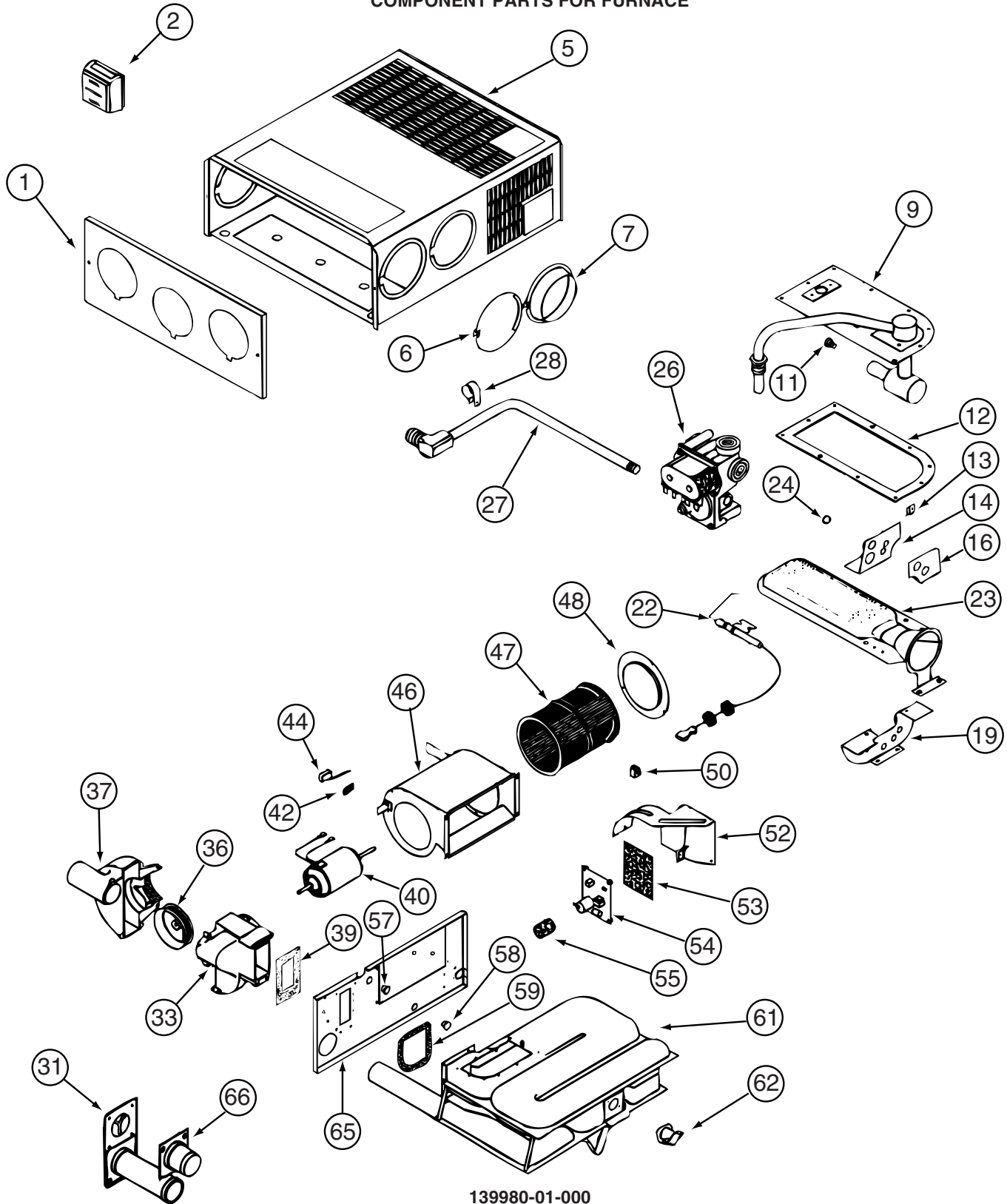
HEATING & A/C GROUP
FURNACE

KEY	PART NUMBER	U/M	DESCRIPTION
	009198-01-000	FT	DUCT - HEAT - FLEXIBLE - 4" ID X 25'
	009198-02-000	FT	DUCT - HEAT - FLEXIBLE - 2" ID X 25'
	009200-01-000	EA	TAPE - FURNACE - 1 1/2"
	069636-02-000	EA	CONNECTOR - DUCT - 4" ID
	056464-11-000	EA	REGISTER W/DAMPER - 4" DIAMETER - PLASTIC - OFF WHITE
	089367-02-000	EA	TEE - 4" X 2" X 4"
	093614-01-02A	EA	GRILLE - AIR RETURN - 15.9" X 7.9" - BEIGE - 723D
	093614-11-01A	EA	GRILLE - AIR RETURN - 13.9" X 7.9" - BEIGE - 726A, 729H
	098668-23-000	EA	DOOR - ACCESS - FURNACE - BRIGHT WHITE
	136516-01-01A	EA	WYE - 2" - DUCT
*	139980-01-000	EA	FURNACE - 25000 BTU - SF QUIET - SUBURBAN SF-25 2320J - FURNACE-25,000 BTU
*	139980-02-000	EA	FURNACE - 30000 BTU - SF QUIET - SUBURBAN SF-30 2321J - FURNACE-30,000 BTU

***COMPONENT PARTS LISTED LATER IN THIS GROUP**

HEATING & A/C GROUP (CONTINUED)

COMPONENT PARTS FOR FURNACE



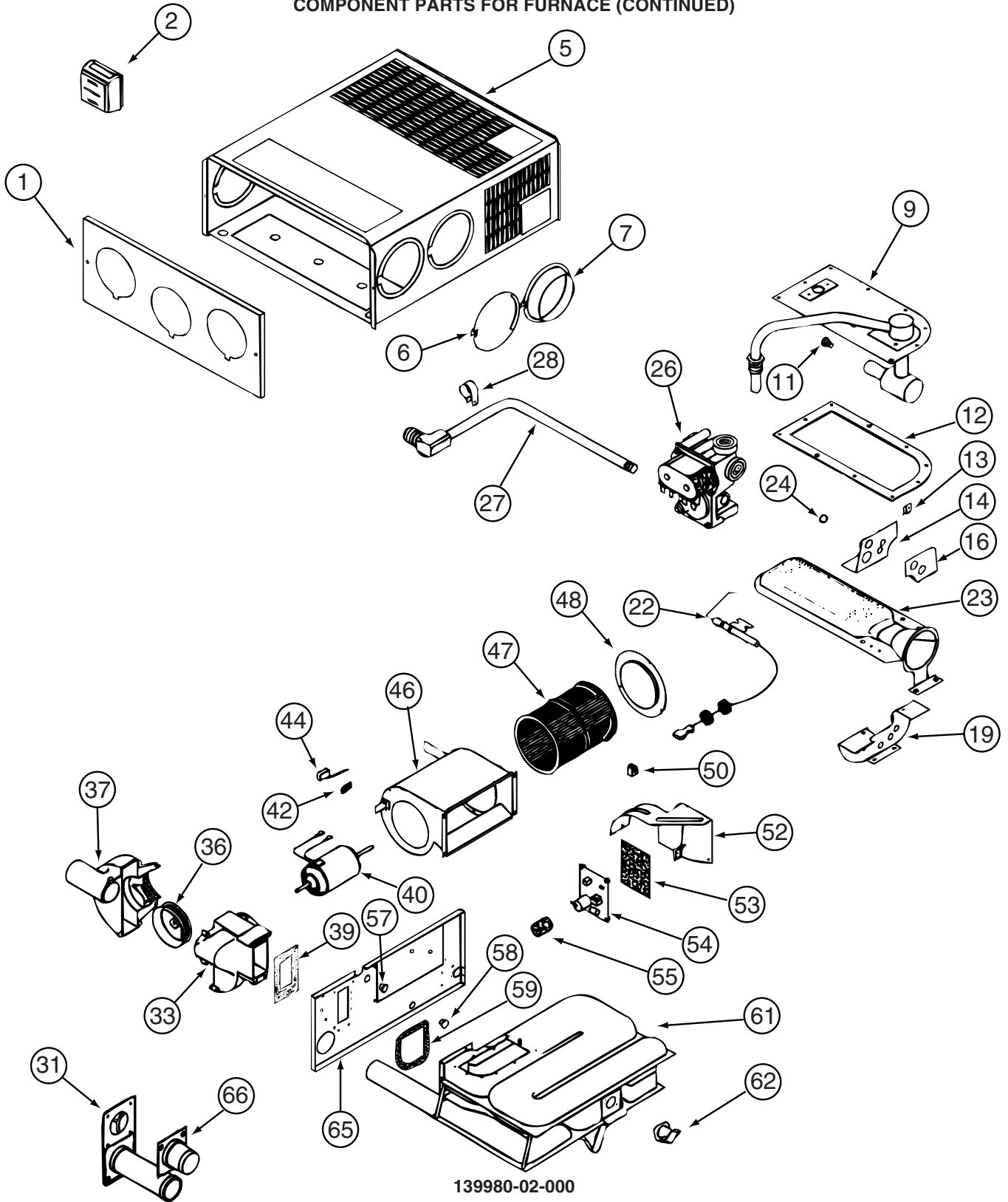
139980-01-000

HEATING & A/C GROUP (CONTINUED)
COMPONENT PARTS FOR FURNACE (CONTINUED)

139980-01-000 (CONTINUED)

KEY	PART NUMBER	U/M	DESCRIPTION	VENDOR NO.
9	139980-01-700	EA	MANIFOLD ASSEMBLY	171571
11	090039-01-703	EA	ORIFICE-MAIN BURNER	180193
12	098668-22-703	EA	GASKET - BURNER ACCESS COVER	070811
22	139980-01-701	EA	ELECTRODE	232286
23	098668-01-703	EA	BURNER ASSEMBLY	010762
26	098668-01-718	EA	VALVE-GAS SF S.N.974903079	161122
27	139980-01-702	EA	PIPE ASSEMBLY/GAS INLET	171574
31	098668-01-707	EA	TUBE ASSEMBLY, EXHAUST W/CAP	260231
33	139980-01-703	EA	HOUSING/COMB. - FRONT/HALF	390852
36	098668-01-706	EA	WHEEL-COMBUSTION AIR	350184
37	139980-01-704	EA	HOUSING/COMB. - REAR/HALF	390848
39	139980-01-705	EA	GASKET/FIREWALL-COMB AIR	071084
40	139980-01-706	EA	MOTOR ASSEMBLY W/GASKET	232682
42	101990-01-714	EA	GASKET-MICROSWITCH	230877
44	098668-21-700	EA	SWITCH-MICRO-W/O FLAG 3 1/4"	232261
46	139980-01-708	EA	BLOWER ASSEMBLY - ROOM AIR	390739BK
47	098668-01-711	EA	WHEEL-BLOWER, ROOM AIR	350129
48	139980-01-709	EA	ORFICE RING	390696
50	139980-01-710	EA	SWITCH - ON/OFF	232351
52	139980-01-711	EA	PANEL ASSEMBLY-MODULE BD	101663
53	139980-01-712	EA	INSULATOR - MODULE BD	070807
54	098668-22-705	EA	MODULE BD W/RELAY TIME DELAY	520820
55	139980-01-713	EA	CAP/INSULATOR-MODULE BD	070973
57	139980-01-714	EA	BUSHING - UNIVERSAL	070362
58	139980-01-715	EA	BUSHING - STRAIN RELIEF	231809
59	098668-01-716	EA	GASKET-FIREWALL,CHAMBER SIDE	070808
61	139980-01-716	EA	CHAMBER ASSEMBLY - FINAL	021149BK
62	098668-21-701	EA	SWITCH - LIMIT	232504
66	098668-01-713	EA	TUBE ASSEMBLY, INTAKE	051248
	098668-19-700	EA	DOOR/CABINET ACCESS	101888
	139980-02-700	EA	BLOWER ASM-1/2 HOUSING/OUTER	390851
	139980-02-701	EA	BLOWER ASM-1/2 HOUSING/INNER	390872
			CONTACT WINNEBAGO PART SALES FOR UNLISTED COMPONENT(S)	

HEATING & A/C GROUP (CONTINUED)
COMPONENT PARTS FOR FURNACE (CONTINUED)



139980-02-000

HEATING & A/C GROUP (CONTINUED)
COMPONENT PARTS FOR FURNACE (CONTINUED)

139980-02-000 (CONTNUED)

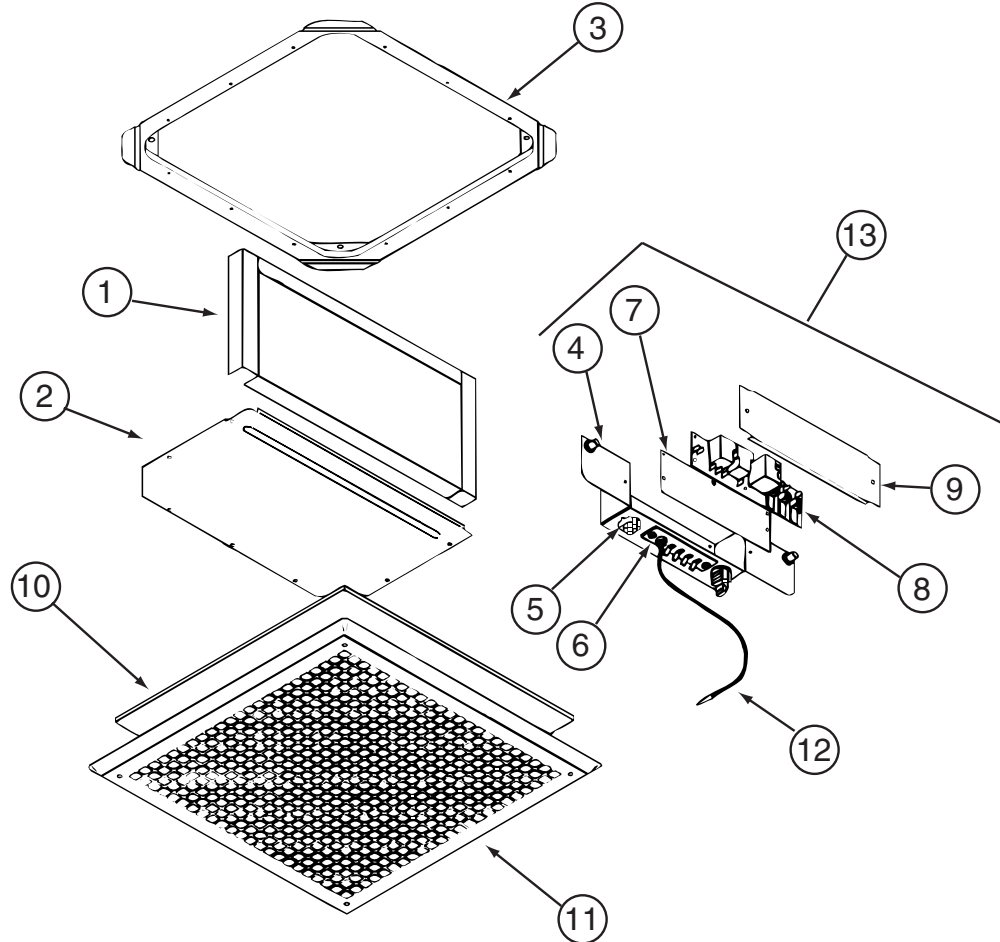
KEY	PART NUMBER	U/M	DESCRIPTION	VENDOR NO.
9	139980-01-700	EA	MANIFOLD ASSEMBLY	171571
11	092300-02-701	EA	ORIFICE-MAIN BURNER (NT-30BW	180214
12	098668-22-703	EA	GASKET - BURNER ACCESS COVER	070811
22	139980-01-701	EA	ELECTRODE	232286
23	098668-02-700	EA	BURNER ASSEMBLY,SF-30 & SF35	010745
26	098668-01-718	EA	VALVE-GAS SF S.N.974903079	161122
27	139980-01-702	EA	PIPE ASSEMBLY/GAS INLET	171574
31	098668-01-707	EA	TUBE ASSEMBLY, EXHAUST W/CAP	260231
33	139980-01-703	EA	HOUSING/COMB. - FRONT/HALF	390852
36	098668-01-706	EA	WHEEL-COMBUSTION AIR	350184
37	139980-01-704	EA	HOUSING/COMB. - REAR/HALF	390848
39	139980-01-705	EA	GASKET/FIREWALL-COMB AIR	071084
40	139980-01-706	EA	MOTOR ASSEMBLY W/GASKET	232682
42	101990-01-714	EA	GASKET-MICROSWITCH	230877
44	098668-21-700	EA	SWITCH-MICRO-W/O FLAG 3 1/4"	232261
46	139980-01-708	EA	BLOWER ASSEMBLY - ROOM AIR	390739BK
47	098668-01-711	EA	WHEEL-BLOWER, ROOM AIR	350129
48	139980-01-709	EA	ORFICE RING	390696
50	139980-01-710	EA	SWITCH - ON/OFF	232351
52	139980-01-711	EA	PANEL ASSEMBLY-MODULE BD	101663
53	139980-01-712	EA	INSULATOR - MODULE BD	070807
54	098668-22-705	EA	MODULE BD W/RELAY TIME DELAY	520820
55	139980-01-713	EA	CAP/INSULATOR-MODULE BD	070973
57	139980-01-714	EA	BUSHING - UNIVERSAL	070362
58	139980-01-715	EA	BUSHING - STRAIN RELIEF	231809
59	098668-01-716	EA	GASKET-FIREWALL,CHAMBER SIDE	070808
61	139980-01-716	EA	CHAMBER ASSEMBLY - FINAL	021149BK
62	098668-21-701	EA	SWITCH - LIMIT	232504
66	098668-01-713	EA	TUBE ASSEMBLY, INTAKE	051248
	139980-02-700	EA	BLOWER ASM-1/2 HOUSING/OUTER	390851
	139980-02-701	EA	BLOWER ASM-1/2 HOUSING/INNER	390872
			CONTACT WINNEBAGO PART SALES FOR UNLISTED COMPONENT(S)	

HEATING & A/C GROUP (CONTINUED)

ROOF

KEY	PART NUMBER	U/M	DESCRIPTION
	131184-02-01A	EA	BOARD - DIVIDER - SILVER
*	131184-01-01A	EA	CEILING ASSEMBLY - A/C DUCTED - WHITE
*	131184-05-01A	EA	CEILING ASSEMBLY - HEAT PUMP - WHITE - A/C HEAT PUMP - HI EFF, LOW PFL
*	148644-01-01A	EA	A/C-ROOF - LOW PROFILE - ART WHITE - RVP 9203C876
*	148644-02-01A	EA	A/C-ROOF-LOW PROFILE/HEAT PMP-ART WHT-RVP9003C876 - A/C HEAT PUMP - HI EFF, LOW PFL

***COMPONENT PARTS LISTED LATER IN THIS GROUP**



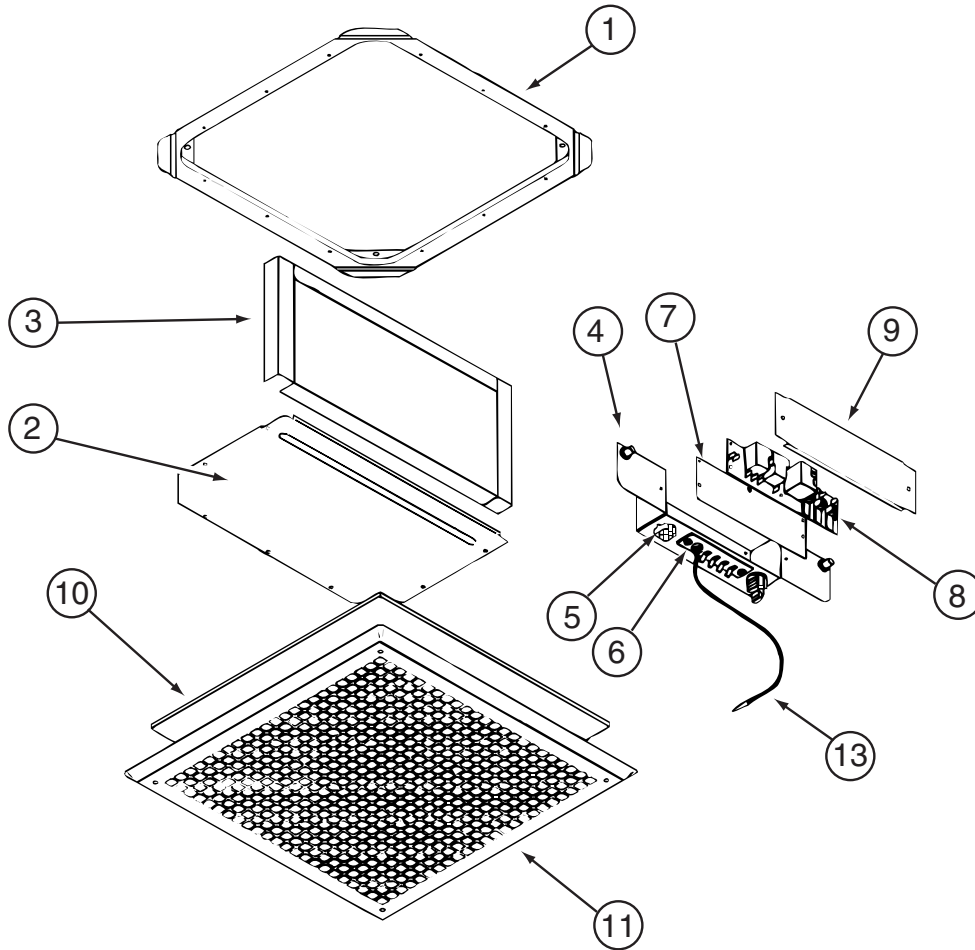
COMPONENT PARTS FOR ROOF

131184-01-01A

KEY	PART NUMBER	U/M	DESCRIPTION	VENDOR NO.
1	131184-01-707	EA	DUCT DIVIDER	8330-3501
5	131184-01-700	EA	PLUG ASSEMBLY	7330A389
6	131184-01-701	EA	TERMINAL BOARD	7330B3201
7	131184-01-702	EA	ISOLATOR - BLANK	7330C365
8	108892-01-702	EA	BOARD-P.C.	7330A3211
10	108892-01-703	EA	FILTER	6798A3761
11	108892-01-704	EA	GRILLE 16 3/8X16 3/8 RETURN	6798-3041
12	131184-01-704	EA	COIL SENSOR	7330-6111
13	131184-01-705	EA	JUNCTION BOX ASSEMBLY	7330B5551
	131184-01-703	EA	SMALL PARTS PKG	8330-5961

CONTACT WINNEBAGO PART SALES FOR UNLISTED COMPONENT(S)

HEATING & A/C GROUP (CONTINUED)
COMPONENT PARTS FOR ROOF (CONTINUED)

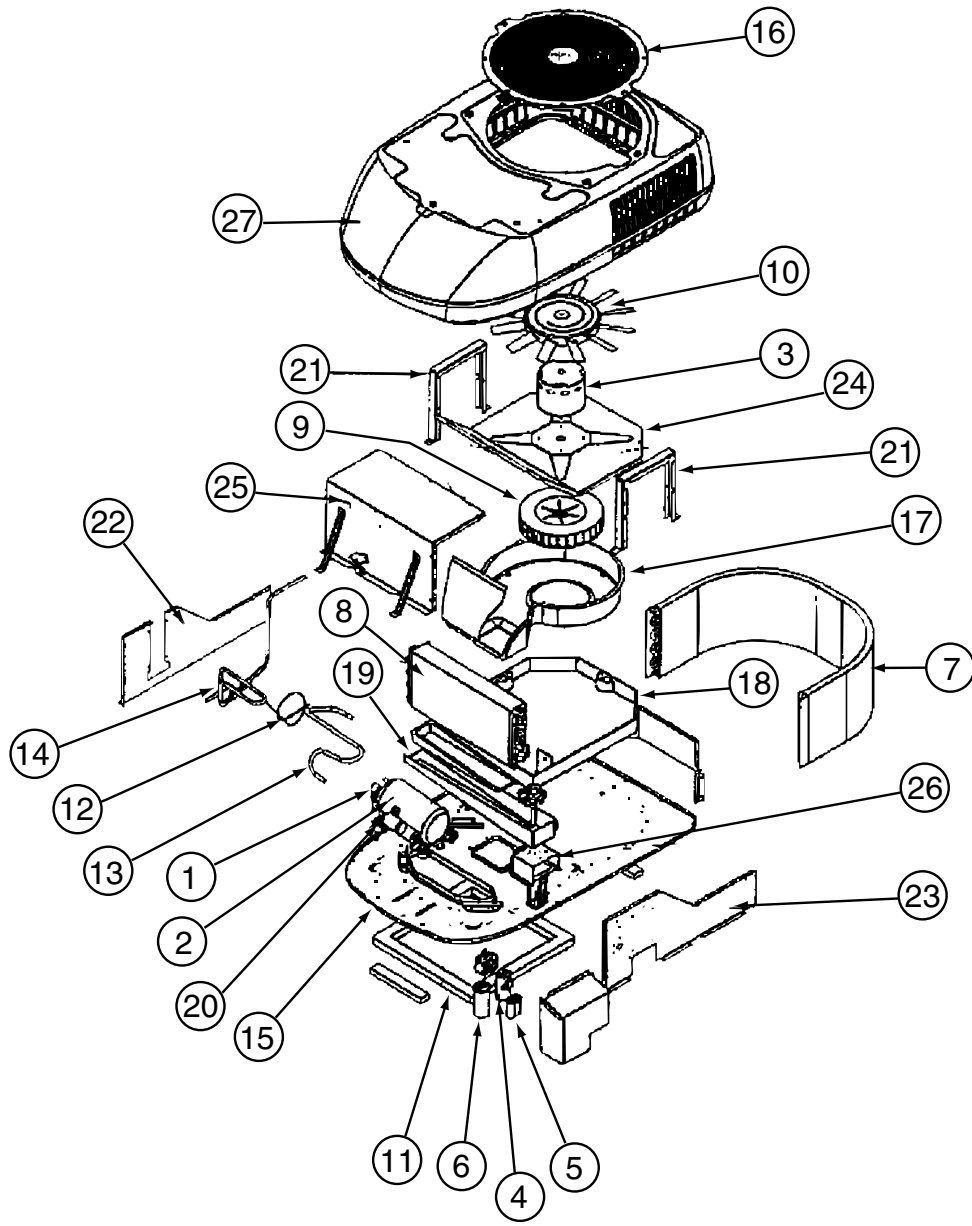


131184-05-01A

KEY	PART NUMBER	U/M	DESCRIPTION	VENDOR NO.
4	131184-05-700	EA	BOX - JUNCTION	8530-5091
5	131184-04-700	EA	PLUG ASSEMBLY	7530A340
6	131184-04-702	EA	BOARD - TERMINAL	7530B3201
7	131184-01-702	EA	ISOLATOR - BLANK	7330C365
8	131184-04-705	EA	BOARD - P.C.	7330B3311
10	108892-01-703	EA	FILTER	6798A3761
11	108892-01-704	EA	GRILLE 16 3/8X16 3/8 RETURN	6798-3041
13	105620-12-719	EA	COIL SENSOR	7330A3231
	131184-01-703	EA	SMALL PARTS PKG	8330-5961

CONTACT WINNEBAGO PART SALES FOR UNLISTED COMPONENT(S)

HEATING & A/C GROUP (CONTINUED)
COMPONENT PARTS FOR ROOF (CONTINUED)



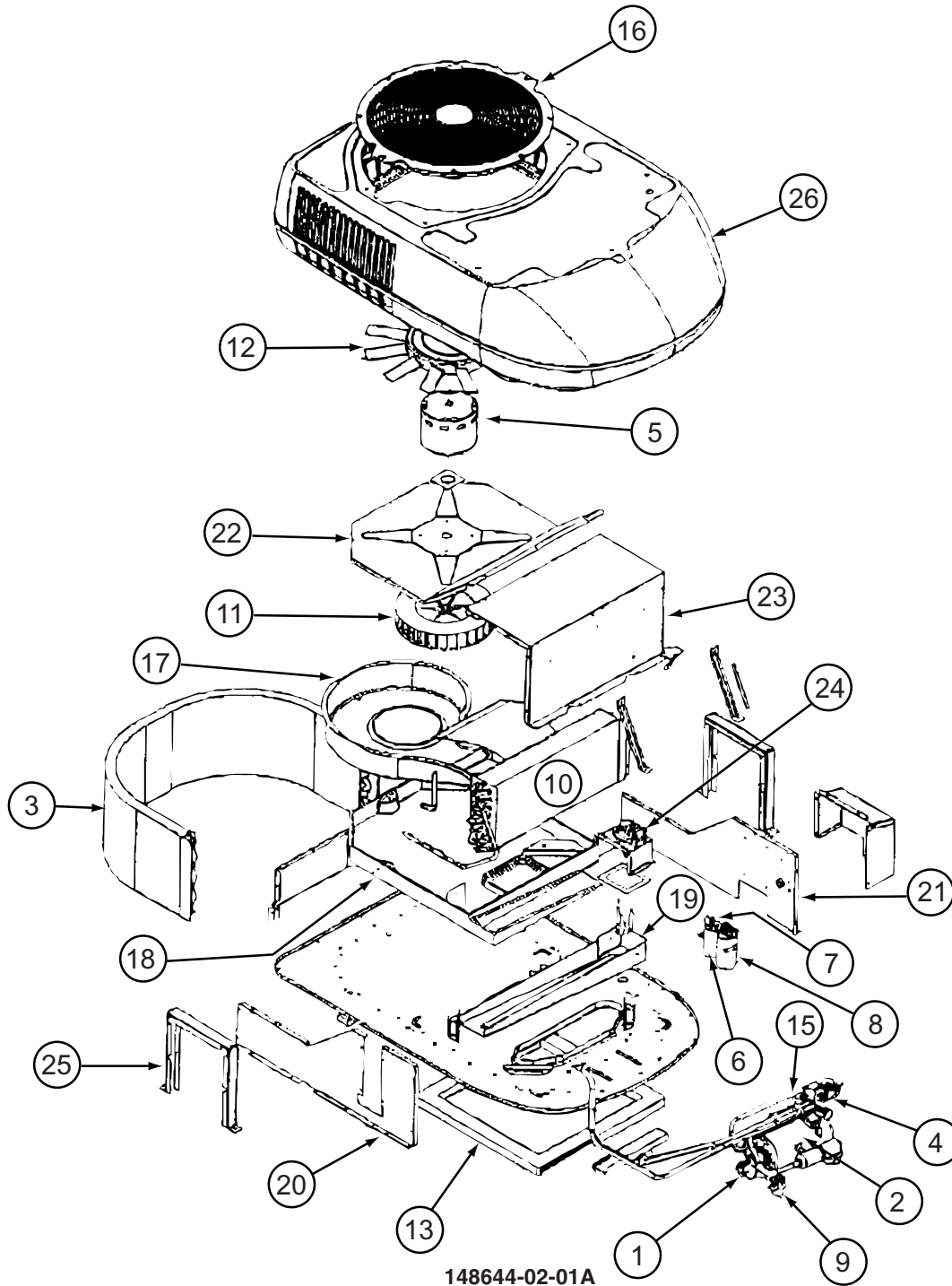
148644-01-01A

KEY	PART NUMBER	U/M	DESCRIPTION	VENDOR NO.
1	148644-01-701	EA	OVERLOAD	1450-0131
2	148644-01-702	EA	COMPRESSOR	1450A2189
3	148644-01-703	EA	MOTOR - BLOWER	1468A3239
4	105620-10-705	EA	PTCR (START DEVICE) - W/CAP.	8333A9021
5	093763-01-704	EA	CAPACITOR-FAN (INDOOR MOTOR)	1499-5461
6	131188-01-701	EA	RUN CAP. (COMP-40MFD/370V)	1499-5721
7	148644-01-704	EA	COIL-CONDENSER	1452-1201
8	148644-01-705	EA	COIL - EVAPORATOR	1452-1211
9	147102-01-705	EA	BLOWER WHEEL	1472-1111
10	147102-01-706	EA	FAN BLADE	1472-5021
11	037648-01-714	EA	GASKET PACKAGE	8332-3301
27	148644-01-700	EA	SHROUD - (ARCTIC WHITE)	9233A5461

CONTACT WINNEBAGO PART SALES FOR UNLISTED COMPONENT(S)

HEATING & A/C GROUP (CONTINUED)

COMPONENT PARTS FOR ROOF (CONTINUED)

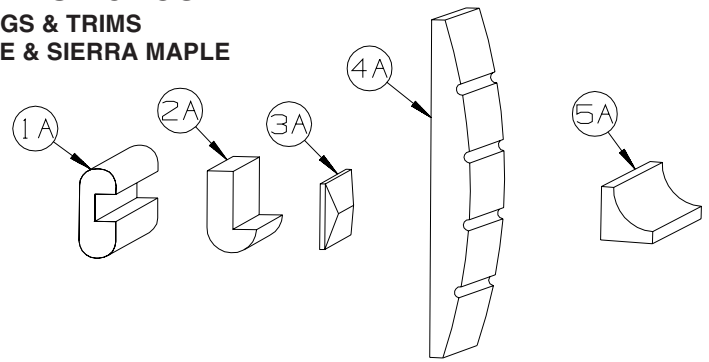


148644-02-01A

KEY	PART NUMBER	U/M	DESCRIPTION	VENDOR NO.
1	148644-01-701	EA	OVERLOAD	1450-0131
2	148644-01-702	EA	COMPRESSOR	1450A2189
3	148644-02-700	EA	COIL - CONDENSER	1452-1241
4	105620-12-708	EA	COIL - SOLENOID	1460-1081
5	148644-01-703	EA	MOTOR - BLOWER	1468A3239
6	105620-10-705	EA	PTCR (START DEVICE) - W/CAP.	8333A9021
7	093763-01-704	EA	CAPACITOR-FAN (INDOOR MOTOR)	1499-5461
8	131188-01-701	EA	RUN CAP. (COMP-40MFD/370V)	1499-5721
10	148644-02-701	EA	COIL - EVAPORATOR	1452-1261
11	147102-01-705	EA	BLOWER WHEEL	1472-1111
12	147102-01-706	EA	FAN BLADE	1472-5021
13	037648-01-714	EA	GASKET PACKAGE	8332-3301
26	148644-01-700	EA	SHROUD - (ARCTIC WHITE)	9233A5461

CONTACT WINNEBAGO PART SALES FOR UNLISTED COMPONENT(S)

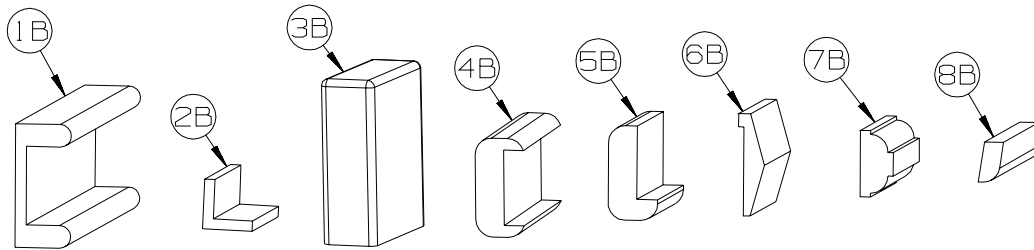
INTERIOR FINISH GROUP
MOLDINGS & TRIMS
WASHED MAPLE & SIERRA MAPLE



KEY	PART NUMBER	U/M	DESCRIPTION
1A	M09412-62-N42	EA	MOLDING/SHELF EDGE - .6" X 1.3" X 96" - PORTSMOUTH OAK
1A	M09412-62-M52	EA	MOLDING/SHELF EDGE - .6" X 1.3" X 96" - CHERRY - CONCERT CHERRY
1A	M09412-62-M62	EA	MOLDING/SHELF EDGE - .6" X 1.3" X 96" - WASHED MAPLE - WASHED MAPLE
1A	M09412-62-RC3	EA	MOLDING/SHELF EDGE - .6" X 1.3" X 96" - HONEY CHERRY - HONEY CHERRY
1A	M09412-62-SA3	EA	MOLDING/SHELF EDGE - .6" X 1.3" X 96" - MAPLE - SIERRA MAPLE
2A	M09450-77-PC0	EA	MOLDING - TRIM/HDWD W/LIP -.4"X3.2"X79.6" - PORTSMOUTH OAK
2A	M09450-77-PC1	EA	MOLDING - TRIM/HDWD W/LIP -.4"X3.2"X79.6" - CONCERT CHERRY
2A	M09450-77-PC2	EA	MOLDING - TRIM/HDWD W/LIP -.4"X3.2"X79.6" - WASHED MAPLE
2A	M09450-77-RC3	EA	MOLDING - TRIM/HDWD W/LIP -.4"X3.2"X79.6" - HONEY CHERRY
2A	M09501-32-TG1	EA	MOLDING/TRIM - W/NOTCH - .8" X 2.5" X 86.2"-CONCERT CHERRY
2A	M09501-32-TG2	EA	MOLDING/TRIM - W/NOTCH - .8" X 2.5" X 86.2" - WASHED MAPLE,
2A	M09501-32-TD3	EA	MOLDING/TRIM - W/NOTCH - .8" X 2.5" X 86.2" - SIERRA MAPLE
2A	M09503-52-T77	EA	MOLDING/TRIM - .75" X 1.2" X 86.5" - PORTSMOUTH OAK
2A	M09503-52-T78	EA	MOLDING/TRIM - .75" X 1.2" X 86.5" - CONCERT CHERRY
2A	M09503-52-T79	EA	MOLDING/TRIM - .75" X 1.2" X 86.5" - WASHED MAPLE
2A	M09503-52-T80	EA	MOLDING/TRIM - .75" X 1.2" X 86.5" - SIERRA MAPLE
2A	M09511-43-T78	EA	MOLDING - TRIM - W/NOTCH - .8" X 1.4" X 86.3" - CONCERT CHERRY
2A	M09525-80-UM1	EA	MOLDING - TRIM - W/NOTCH - .8"X 1.4"X 86.5" - CONCERT CHERRY
2A	M09511-43-T79	EA	MOLDING - TRIM - W/NOTCH - .8" X 1.4" X 86.3" - WASHED MAPLE
2A	M09525-80-U91	EA	MOLDING - TRIM - W/NOTCH - .8" X 1.4" X 86.5" - WASHED MAPLE
2A	M09511-43-T80	EA	MOLDING - TRIM - W/NOTCH - .8" X 1.4" X 86.3" - SIERRA MAPLE
2A	M09525-80-U92	EA	MOLDING - TRIM - W/NOTCH - .8" X 1.4" X 86.5" - SIERRA MAPLE
2A	M09438-25-RA3	EA	MOLDING - HARDWOOD-W/NOTCH - 1.4"X 80.2" - HONEY CHERRY
2A	M09515-72-TD1	EA	MOLDING/TRIM - .8" X 2.2" X 86.1" - CONCERT CHERRY
2A	M09515-72-TD2	EA	MOLDING/TRIM - .8" X 2.2" X 86.1" - WASHED MAPLE
2A	M09515-72-TD3	EA	MOLDING/TRIM - .8" X 2.2" X 86.1" - SIERRA MAPLE
3A	M09471-91-R69	EA	MOLDING - TRIM/VEE - .2" X 1" X 34.4" - CONCERT CHERRY
3A	M09471-91-R76	EA	MOLDING - TRIM/VEE - .2" X 1" X 34.4" - WASHED MAPLE
3A	M09471-91-SA3	EA	MOLDING - TRIM/VEE - .2" X 1" X 34.4" - SIERRA MAPLE
3A	M09477-88-S34	EA	MOLDING - TRIM/VEE - .2" X 1" X 19.9" - WASHED MAPLE
3A	M09477-88-S35	EA	MOLDING - TRIM/VEE - .2" X 1" X 19.9" - SIERRA MAPLE
3A	M09501-30-SD2	EA	MOLDING - TRIM/VEE - .2" X 1" X 35.1" - WASHED MAPLE
3A	M09501-30-SD3	EA	MOLDING - TRIM/VEE - .2" X 1" X 35.1" - HONEY CHERRY
3A	M09501-37-TG1	EA	MOLDING - TRIM/VEE - .2" X 1" X 19.2" - CONCERT CHERRY
3A	M09501-37-TG2	EA	MOLDING - TRIM/VEE - .2" X 1" X 19.2" - WASHED MAPLE
3A	M09501-37-TD3	EA	MOLDING - TRIM/VEE - .2" X 1" X 19.2" - SIERRA MAPLE
3A	M09501-37-TG3	EA	MOLDING - TRIM/VEE - .2" X 1" X 19.2" - HONEY CHERRY
3A	M09501-63-T78	EA	MOLDING - TRIM/VEE - .2" X 1" X 15" - CONCERT CHERRY
3A	M09501-63-T79	EA	MOLDING - TRIM/VEE - .2" X 1" X 15" - WASHED MAPLE
3A	M09501-63-T80	EA	MOLDING - TRIM/VEE - .2" X 1" X 15" - SIERRA MAPLE
3A	M09503-62-TG1	EA	MOLDING - TRIM/VEE - .2" X 1" X 26.3" - CONCERT CHERRY
3A	M09503-62-TG2	EA	MOLDING - TRIM/VEE - .2" X 1" X 26.3" - WASHED MAPLE
3A	M09503-62-TG3	EA	MOLDING - TRIM/VEE - .2" X 1" X 26.3" - HONEY CHERRY
3A	M09511-90-TG1	EA	MOLDING - TRIM/VEE - .2" X 1" X 42.1" - CONCERT CHERRY
3A	M09511-90-TG3	EA	MOLDING - TRIM/VEE - .2" X 1" X 42.1" - HONEY CHERRY
3A	M09511-90-TG2	EA	MOLDING - TRIM/VEE - .2" X 1" X 42.1" - WASHED MAPLE
3A	M09520-15-TD1	EA	MOLDING - TRIM/VEE - .2" X 1" X 15.3" - CONCERT CHERRY
3A	M09520-15-TD2	EA	MOLDING - TRIM/VEE - .2" X 1" X 15.3" - WASHED MAPLE
3A	M09520-15-TD3	EA	MOLDING - TRIM/VEE - .2" X 1" X 15.3" - SIERRA MAPLE
3A	M09520-96-T59	EA	MOLDING - TRIM/VEE - .2" X 1" X 32.7" - PORTSMOUTH OAK
3A	M09520-96-T60	EA	MOLDING - TRIM/VEE - .2" X 1" X 32.7" - CONCERT CHERRY
3A	M09520-96-T61	EA	MOLDING - TRIM/VEE - .2" X 1" X 32.7" - WASHED MAPLE
3A	M09520-96-TP0	EA	MOLDING - TRIM/VEE - .2" X 1" X 32.7" - SIERRA MAPLE

INTERIOR FINISH GROUP (CONTINUED)
MOLDINGS & TRIMS (CONTINUED)

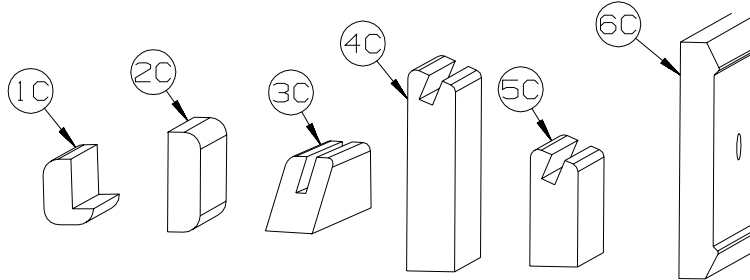
KEY	PART NUMBER	U/M	DESCRIPTION
3A	M09525-96-TA0	EA	MOLDING - TRIM/VEE - .2" X 1" X 36.2" - PORTSMOUTH OAK
3A	M09525-96-TA1	EA	MOLDING - TRIM/VEE - .2" X 1" X 36.2" - CONCERT CHERRY
3A	M09525-96-TA2	EA	MOLDING - TRIM/VEE - .2" X 1" X 36.2" - WASHED MAPLE
3A	M09525-96-TA3	EA	MOLDING - TRIM/VEE - .2" X 1" X 36.2" - SIERRA MAPLE
3A	M09534-08-T01	EA	MOLDING - TRIM/VEE - .2" X 1" X 24.5" - SIERRA MAPLE
3A	M09534-08-T02	EA	MOLDING - TRIM/VEE - .2" X 1" X 24.5" - HONEY CHERRY
3A	M09511-32-T78	EA	MOLDING - TRIM/VEE - .4" X 1" X 26.8" - CONCERT CHERRY
3A	M09511-32-T79	EA	MOLDING - TRIM/VEE - .4" X 1" X 26.8" - WASHED MAPLE
3A	M09511-32-T80	EA	MOLDING - TRIM/VEE - .4" X 1" X 26.8" - SIERRA MAPLE
3A	M09511-86-T78	EA	MOLDING - TRIM/VEE - .4" X 1" X 28.3" - CONCERT CHERRY
3A	M09511-86-T79	EA	MOLDING - TRIM/VEE - .4" X 1" X 28.3" - WASHED MAPLE
3A	M09511-86-T80	EA	MOLDING - TRIM/VEE - .4" X 1" X 28.3" - SIERRA MAPLE
3A	M09477-63-S46	EA	MOLDING - TRIM/VEE - .4" X 1" X 64.1" - PORTSMOUTH OAK - BATH DOOR TRIM
3A	M09477-63-SR0	EA	MOLDING - TRIM/VEE - .4" X 1" X 64.1" - SIERRA MAPLE - BATH DOOR TRIM
3A	M09477-64-S46	EA	MOLDING - TRIM/VEE - .4" X 1" X 14.9" - PORTSMOUTH OAK - BATH DOOR TRIM
3A	M09477-64-SR0	EA	MOLDING - TRIM/VEE - .4" X 1" X 14.9" - SIERRA MAPLE - BATH DOOR TRIM
4A	M09462-54-R90	EA	MOLDING - FLUTED, CURVED - .6" X 6" X 82.7" - CONCERT CHERRY
4A	M09462-54-R91	EA	MOLDING - FLUTED, CURVED - .6" X 6" X 82.7" - WASHED MAPLE
4A	M09462-54-RE3	EA	MOLDING - FLUTED, CURVED - .6" X 6" X 82.7" - HONEY CHERRY
5A	M09471-79-R38	EA	MOLDING - TRIM/COVE - .8" X .8" X 95.8" - OAK/PORTS OAK - PORTSMOUTH OAK
5A	M09471-79-R39	EA	MOLDING - TRIM/COVE - .8" X .8" X 95.8" - CHERRY/CHERRY - CONCERT CHERRY
5A	M09471-79-R46	EA	MOLDING - TRIM/COVE - .8" X .8" X 95.8" - MAPLE/MAPLE - WASHED MAPLE
5A	M09471-79-RE0	EA	MOLDING - TRIM/COVE - .8" X .8" X 95.8" - HONEY/CHERRY- HONEY CHERRY
5A	M09471-79-SA3	EA	MOLDING - TRIM/COVE - .8" X .8" X 95.8" - HONEY/MAPLE - SIERRA MAPLE



KEY	PART NUMBER	U/M	DESCRIPTION
1B	M09501-84-TG0	EA	MOLDING/TRIM - CAP/WALL - 2.2" X 85.9" - PORTSMOUTH OAK
1B	M09501-84-TG1	EA	MOLDING/TRIM - CAP/WALL - 2.2" X 85.9" - CONCERT CHERRY
1B	M09501-84-TG2	EA	MOLDING/TRIM - CAP/WALL - 2.2" X 85.9" - WASHED MAPLE
1B	M09520-07-TD3	EA	MOLDING/TRIM - CAP/WALL - 2.2" X 80.5" - SIERRA MAPLE
1B	M09501-84-TG3	EA	MOLDING/TRIM - CAP/WALL - 2.2" X 85.9" - HONEY CHERRY
2B	M09511-81-TA1	EA	MOLDING/TRIM - L SHAPE - .8"X .8"X 80.2" - CONCERT CHERRY
2B	M09511-81-TA2	EA	MOLDING/TRIM - L SHAPE - .8"X .8"X 80.2" - WASHED MAPLE
2B	M09511-81-TA3	EA	MOLDING/TRIM - L SHAPE - .8"X .8"X 80.2" - SIERRA MAPLE
3B	M09515-81-T01	EA	MOLDING/HARDWOOD STRAIGHT - 74.3" - WASHED MAPLE
3B	M09515-81-T02	EA	MOLDING/HARDWOOD STRAIGHT - 74.3" - HONEY CHERRY
4B	M09511-42-T77	EA	MOLDING - TRIM - W/NOTCH - 1.5" X 86.4" - PORTSMOUTH OAK
4B	M09511-42-T78	EA	MOLDING - TRIM - W/NOTCH - 1.5" X 86.4" - CONCERT CHERRY
4B	M09511-42-T79	EA	MOLDING - TRIM - W/NOTCH - 1.5" X 86.4" - WASHED MAPLE
4B	M09511-42-T80	EA	MOLDING - TRIM - W/NOTCH - 1.5" X 86.4" - SIERRA MAPLE
5B	M09515-18-T78	EA	MOLDING - HARDWOOD-W/NOTCH - 1.4"X 86.2" - CONCERT CHERRY
5B	M09515-18-T79	EA	MOLDING - HARDWOOD-W/NOTCH - 1.4"X 86.2" - WASHED MAPLE
5B	M09515-18-T80	EA	MOLDING - HARDWOOD-W/NOTCH - 1.4"X 86.2" - SIERRA MAPLE
6B	M09515-52-TG1	EA	MOLDING - TRIM/VEE - 1.5" X 73.9" - CONCERT CHERRY
6B	M09515-52-TG2	EA	MOLDING - TRIM/VEE - 1.5" X 73.9" - WASHED MAPLE
6B	M09515-52-TG3	EA	MOLDING - TRIM/VEE - 1.5" X 73.9" - HONEY CHERRY
7B	Y00076-32-438	EA	MOLDING/TRIM - .5" X 1" X 96" - CHERRY (UNSTAINED)
7B	Y00076-22-438	EA	MOLDING/TRIM - .5" X 1" X 96" - MAPLE (UNSTAINED)
8B	Y00086-72-438	EA	MOLDING - VINYL WRAP - .7" X 1.6" X 96" - PORTSMOUTH OAK - PORTSMOUTH OAK
8B	Y00086-62-438	EA	MOLDING - 96" - CONCERT CHERRY (U90/94/98/A1/A5/B1/C1/C5/D1/D5/E1/E5/F1/F5/G1/G5/H1/H5)
8B	Y00086-D2-438	EA	MOLDING - VINYL WRAP - .7" X 1.6" X 96" - CONCERT CHERRY (UM1 THRU UM9, UN1 THRU UN9)
8B	Y00086-A2-438	EA	MOLDING - VINYL WRAP - .7" X 1.6" X 96" - WASHED MAPLE
8B	Y00086-92-438	EA	MOLDING - VINYL WRAP - .7" X 1.6" X 96" - SIERRA MAPLE - SIERRA MAPLE

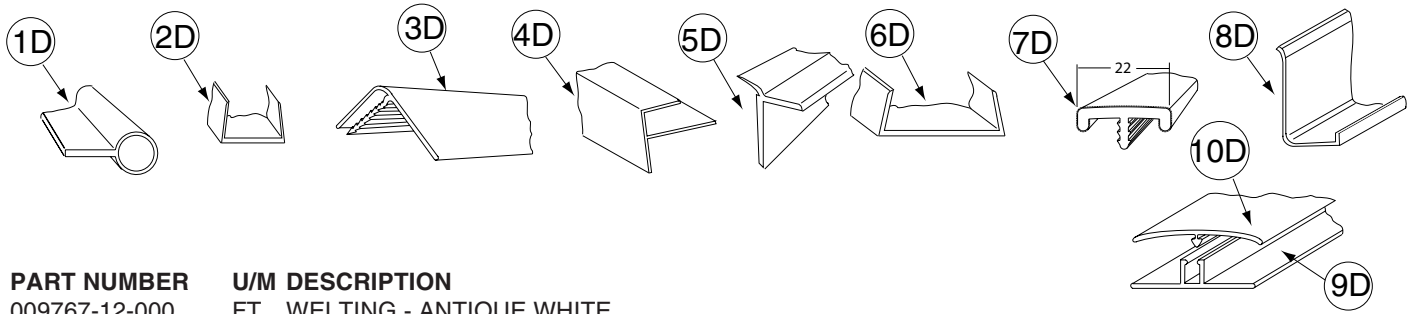
INTERIOR FINISH GROUP (CONTINUED)
MOLDINGS & TRIMS (CONTINUED)

KEY	PART NUMBER	U/M DESCRIPTION
8B	Y00087-62-438	EA MOLDING - 96" - CONCERT CHERRY (U90/94/98/A1/A5/B1/C1/C5/D1/D5/E1/E5/F1/F5/G1/G5/H1/H5)
8B	Y00087-D2-438	EA MOLDING - VINYL WRAP - .7" X 2.9" X 96" - CONCERT CHERRY (UM1 THRU UM9, UN1 THRU UN9)
8B	Y00087-A2-438	EA MOLDING - VINYL WRAP - .7" X 2.9" X 96" - WASHED MAPLE
8B	Y00087-92-438	EA MOLDING - VINYL WRAP - .7" X 2.9" X 96" - SIERRA MAPLE
8B	Y00300-62-438	EA MOLDING - 96" - CONCERT CHERRY (U90/94/98/A1/A5/B1/C1/C5/D1/D5/E1/E5/F1/F5/G1/G5/H1/H5)
8B	Y00300-D2-438	EA MOLDING - VINYL WRAP - .3" X .6" X 96" - CONCERT CHERRY (UM1 THRU UM9, UN1 THRU UN9)
8B	Y00300-A2-438	EA MOLDING - VINYL WRAP - .3" X .6" X 96" - WASHED MAPLE
8B	Y00300-92-438	EA MOLDING - VINYL WRAP - .3" X .6" X 96" - SIERRA MAPLE



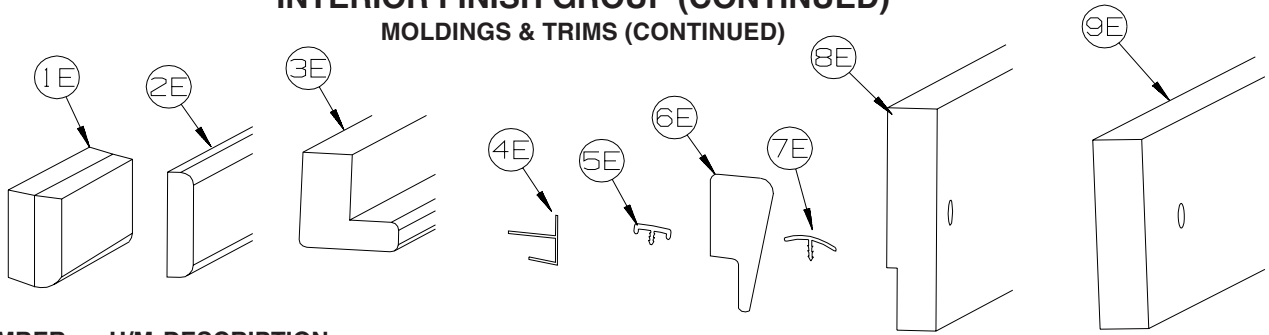
KEY	PART NUMBER	U/M DESCRIPTION
1C	M09520-19-TD1	EA MOLDING - TRIM - W/NOTCH - 1" X 86.3" - CONCERT CHERRY
1C	M09520-19-TD2	EA MOLDING - TRIM - W/NOTCH - 1" X 86.3" - WASHED MAPLE
1C	M09520-19-TD3	EA MOLDING - TRIM - W/NOTCH - 1" X 86.3" - HONEY CHERRY
1C	M09525-27-UF1	EA MOLDING - HARDWOOD - .75" X 1.4" X 32.4" - CONCERT CHERRY
1C	M09525-27-UF2	EA MOLDING - HARDWOOD - .75" X 1.4" X 32.4" - WASHED MAPLE
1C	M09525-27-UF3	EA MOLDING - HARDWOOD - .75" X 1.4" X 32.4" - SIERRA MAPLE
2C	M09511-46-T77	EA MOLDING/TRIM - .5" X 1.5" X 86.5" - PORTSMOUTH OAK
2C	M09511-46-T78	EA MOLDING/TRIM - .5" X 1.5" X 86.5" - CONCERT CHERRY
2C	M09511-46-T79	EA MOLDING/TRIM - .5" X 1.5" X 86.5" - WASHED MAPLE
2C	M09511-46-T80	EA MOLDING/TRIM - .5" X 1.5" X 86.5" - SIERRA MAPLE
3C	Y00223-42-438	EA MOLDING - HARDWOOD/OAK - .7" X 1" X 96"
3C	Y00223-32-438	EA MOLDING - HARDWOOD/CHERRY - .7" X 1" X 96"
3C	Y00223-22-438	EA MOLDING - HARDWOOD/MAPLE - .7" X 1" X 96"
4C	Y00054-62-438	EA MOLDING- 96" - CONCERT CHERRY (U90/94/98/A1/A5/B1/C1/C5/D1/D5/E1/E5/F1/F5/G1/G5/H1/H5)
4C	Y00054-D2-438	EA MOLDING/VYL WRP-BVLD-.73" X 3.1" X 96" - CONCERT CHERRY (UM1 THRU UM9, UN1 THRU UN9)
4C	Y00054-A2-438	EA MOLDING/VINYL WRAP-BEVELED ENDS-.73"X3.1"X96" - WASHED MAPLE
4C	Y00054-92-438	EA MOLDING/VINYL WRAP-BEVELED-.73" X 3.1" X 96" - SIERRA MAPLE
4C	Y00258-62-438	EA MOLDING/VYL 96" - CONCERT CHERRY (U90/94/98/A1/A5/B1/C1/C5/D1/D5/E1/E5/F1/F5/G1/G5/H1/H5)
4C	Y00258-D2-438	EA MOLDING/VINYL WRP-BVLD-.73" X 3.1" X 96" - CONCERT CHERRY (UM1 THRU UM9, UN1 THRU UN9)
4C	Y00258-A2-438	EA MOLDING/VINYL WRAP-BEVELED ENDS-.73"X3.1"X96" - WASHED MAPLE
4C	Y00258-92-438	EA MOLDING/VINYL WRAP-BEVELED-.73" X 3.1" X 96" - SIERRA MAPLE
5C	Y00259-62-438	EA MOLDING/VYL 96" - CONCERT CHERRY (U90/94/98/A1/A5/B1/C1/C5/D1/D5/E1/E5/F1/F5/G1/G5/H1/H5)
5C	Y00259-D2-438	EA MOLDING/VINYL WRP-BVLD-.73" X 1.8" X 96" - CONCERT CHERRY (UM1 THRU UM9, UN1 THRU UN9)
5C	Y00259-A2-438	EA MOLDING/VINYL WRAP-BEVELED-.73"X1.8"X96" - WASHED MAPLE
5C	Y00259-92-438	EA MOLDING/VINYL WRAP-BEVELED-.73"X1.8"X96" - SIERRA MAPLE
6C	Y00152-A2-438	EA MOLDING/TRIM - VINYL - .6" X 3.5" X 96" - WASHED MAPLE
6C	Y00152-92-438	EA MOLDING/TRIM - VINYL - .6" X 3.5" X 96" - SIERRA MAPLE

INTERIOR FINISH GROUP (CONTINUED)
MOLDINGS & TRIMS (CONTINUED)



KEY	PART NUMBER	U/M	DESCRIPTION
1D	009767-12-000	FT	WELTING - ANTIQUE WHITE
1D	009767-17-000	FT	WELTING - PORTSMOUTH OAK
2D	009778-25-000	FT	U-CHANNEL - 1" - BEIGE ILLUSION
2D	009778-26-000	FT	U-CHANNEL - 1 1/4" - BEIGE ILLUSION
2D	009778-38-000	FT	U-CHANNEL - 1" - BONE
2D	009778-32-000	FT	U-CHANNEL - 1" - PORTSMOUTH OAK
2D	009778-34-000	FT	U-CHANNEL - 1" - CONCERT CHERRY
2D	009778-27-000	FT	U-CHANNEL - 1" - WASHED MAPLE
2D	009778-35-000	FT	U-CHANNEL - 1" - HONEY CHERRY
2D	009778-36-000	FT	U-CHANNEL - 1" - SIERRA MAPLE
3D	009809-30-000	EA	MOLDING - CORNER - OUTSIDE - 1" X 84" - BEIGE ILLUSION
3D	009809-37-000	EA	MOLDING - CORNER - OUTSIDE - 1" X 84" - BONE
3D	009809-32-000	EA	MOLDING - CORNER - OUTSIDE - 1" X 84" - PORTSMOUTH OAK
3D	009809-33-000	EA	MOLDING - CORNER - OUTSIDE - 1" X 84" - CONCERT CHERRY
3D	009809-31-000	EA	MOLDING - CORNER - OUTSIDE - 1" X 84" - WASHED MAPLE
3D	009809-34-000	EA	MOLDING - CORNER - OUTSIDE - 1" X 84" - HONEY CHERRY
3D	009809-35-000	EA	MOLDING - CORNER - OUTSIDE - 1" X 84" - SIERRA MAPLE
4D	009812-31-000	EA	MOLDING - CORNER - 1/2" W/1/4"CHAN X 84" - BEIGE ILLUSION
4D	009812-40-000	EA	MOLDING - CORNER - 1/2" W/1/4"CHAN X 84" - BONE
4D	009812-35-000	EA	MOLDING - CORNER - 1/2" W/1/4"CHAN X 84" - PORTSMOUTH OAK
4D	009812-36-000	EA	MOLDING - CORNER - 1/2" W/1/4"CHAN X 84" - CONCERT CHERRY
4D	009812-33-000	EA	MOLDING - CORNER - 1/2" W/1/4"CHAN X 84" - WASHED MAPLE
4D	009812-37-000	EA	MOLDING - CORNER - 1/2" W/1/4"CHAN X 84" - HONEY CHERRY
4D	009812-38-000	EA	MOLDING - CORNER - 1/2" W/1/4"CHAN X 84" - SIERRA MAPLE
5D	022992-11-000	FT	MOLDING - REVERSE COVE - T-SHAPED - IVORY
5D	022992-18-000	FT	MOLDING - REVERSE COVE - T-SHAPED - BONE
5D	022992-14-000	FT	MOLDING - REVERSE COVE - T-SHAPED - BRIGHT WHITE
6D	070504-42-000	FT	U-CHANNEL - PLASTIC - .13" X 84" - BEIGE ILLUSION
6D	070504-69-000	FT	U-CHANNEL - PLASTIC - .13" X 84" - BONE
6D	070504-43-000	FT	U-CHANNEL - PLASTIC - .9" X 96" - BEIGE ILLUSION
6D	070504-70-000	FT	U-CHANNEL - PLASTIC - .8" X 84" - BONE
6D	070504-57-000	FT	U-CHANNEL - PLASTIC - .13" X 84" - PORTSMOUTH OAK
6D	070504-58-000	FT	U-CHANNEL - PLASTIC - .9" X 84" - PORTSMOUTH OAK
6D	070504-60-000	FT	U-CHANNEL - PLASTIC - .13" X 84" - CONCERT CHERRY
6D	070504-61-000	FT	U-CHANNEL - PLASTIC - .9" X 84" - CONCERT CHERRY
6D	070504-50-000	FT	U-CHANNEL - PLASTIC - .13" X 96" - WASHED MAPLE
6D	070504-51-000	FT	U-CHANNEL - PLASTIC - .9" X 96" - WASHED MAPLE
6D	070504-62-000	FT	U-CHANNEL - PLASTIC - 1.65" X 84" - HONEY CHERRY
6D	070504-63-000	FT	U-CHANNEL - PLASTIC - .9" X 84" - HONEY CHERRY
6D	070504-65-000	FT	U-CHANNEL - PLASTIC - 1.65" X 84" - SIERRA MAPLE
6D	070504-66-000	FT	U-CHANNEL - PLASTIC - .9" X 84" - SIERRA MAPLE
7D	083620-15-000	FT	MOLDING-T - W/EDGE LIP - 7/8" FACE - BEIGE ILLUSION
7D	083620-25-000	FT	MOLDING-T - W/EDGE LIP - 7/8" FACE - BONE
7D	083620-20-000	FT	MOLDING-T - W/EDGE LIP - 7/8" FACE - PORTSMOUTH OAK
7D	083620-21-000	FT	MOLDING-T - W/EDGE LIP - 7/8" FACE - CONCERT CHERRY
7D	083620-19-000	FT	MOLDING-T - W/EDGE LIP - 7/8" FACE - WASHED MAPLE
7D	083620-24-000	FT	MOLDING-T - W/EDGE LIP - 7/8" FACE - HONEY CHERRY
7D	083620-22-000	FT	MOLDING-T - W/EDGE LIP - 7/8" FACE - SIERRA MAPLE
8D	085746-04-000	FT	TRIM-J - CARPET 1.2" X .5" ANGLE - 12' LONG - OFF WHITE
9D	086229-01-000	EA	RETAINER - BATTEN - .75" X 92.1" - ANY COLOR
10D	086229-20-000	EA	BATTEN - 1" X 96" - BEIGE

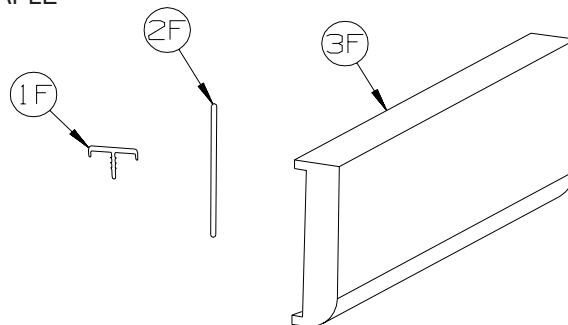
INTERIOR FINISH GROUP (CONTINUED)
MOLDINGS & TRIMS (CONTINUED)



KEY	PART NUMBER	U/M	DESCRIPTION
1E	100659-30-N75	EA	MOLDING - TRIM - 8' - PORTSMOUTH OAK
1E	100659-30-N74	EA	MOLDING - TRIM - 8' - CONCERT CHERRY
1E	100659-30-M84	EA	MOLDING - TRIM - 8' - WASHED MAPLE
1E	100659-27-RA3	EA	MOLDING - TRIM - HONEY CHERRY
1E	100659-31-SA3	EA	MOLDING - TRIM - SIERRA MAPLE
2E	100818-01-12A	EA	MOLDING - VINYL WRAPPED - 1.6" X .4" X 84" - PORTSMOUTH OAK
2E	100818-01-13A	EA	MOLDING - VYL 84" - CONCERT CHERRY (U90/94/98/A1/A5/B1/C1/C5/D1/D5/E1/E5/F1/F5/G1/G5/H1/H5)
2E	100818-01-23A	EA	MOLDING - VINYL WRPPD - 1.6" X .4" X 84" - CONCERT CHERRY (UM1 THRU UM9, UN1 THRU UN9)
2E	100818-01-21A	EA	MOLDING - VINYL WRAPPED - 1.6" X .4" X 84" - WASHED MAPLE
2E	100818-01-14A	EA	MOLDING - VINYL WRAPPED - 1.6" X .4" X 84" - HONEY CHERRY
2E	100818-01-22A	EA	MOLDING - VINYL WRAPPED - 1.6" X .4" X 84" - SIERRA MAPLE
3E	100819-01-12A	EA	MOLDING - VINYL WRAPPED-L-SHAPED-1.5"X1.5"X84" - PORTSMOUTH OAK
3E	100819-01-13A	EA	MOLDING - VYL 84" - CONCERT CHERRY (U90/94/98/A1/A5/B1/C1/C5/D1/D5/E1/E5/F1/F5/G1/G5/H1/H5)
3E	100819-01-23A	EA	MOLDING - VYL WRPPD-L-SHPD-1.5"X1.5"X84" - CONCERT CHERRY (UM1 THRU UM9, UN1 THRU UN9)
3E	100819-01-21A	EA	MOLDING - VINYL WRAPPED-L-SHAPED-1.5"X1.5"X84" - WASHED MAPLE
3E	100819-01-14A	EA	MOLDING - VINYL WRAPPED-L-SHAPED-1.5"X1.5"X84" - HONEY CHERRY
3E	100819-01-22A	EA	MOLDING - VINYL WRAPPED-L-SHAPED-1.5"X1.5"X84" - SIERRA MAPLE
4E	103186-01-07A	FT	MOLDING/PLASTIC - 3/8" U-CHANNEL-3/4" FACE -BEIGE ILLUSION
4E	103186-01-09A	FT	MOLDING/PLASTIC - 3/8" U-CHAN'L-3/4" FACE - PORTSMOUTH OAK
4E	103186-01-10A	FT	MOLDING/PLASTIC - 3/8" U-CHAN'L-3/4" FACE - CONCERT CHERRY
4E	103186-01-08A	FT	MOLDING/PLASTIC - 3/8" U-CHANNEL-3/4"FACE-WASHED MAPLE 8' - WASHED MAPLE
4E	103186-01-11A	FT	MOLDING/PLASTIC - 3/8" U-CHAN'L-3/4" FACE - HONEY CHERRY
4E	103186-01-12A	FT	MOLDING/PLASTIC - 3/8" U-CHAN'L-3/4" FACE - SIERRA MAPLE
4E	103186-02-07A	FT	MOLDING/PLASTIC-1" U-CHAN'L-1 3/8" FACE - BEIGE ILLUSION
4E	103186-02-09A	FT	MOLDING/PLASTIC - 1" U-CHAN'L-1 3/8" FACE - PORTSMOUTH OAK
4E	103186-02-10A	FT	MOLDING/PLASTIC - 1" U-CHAN'L-1 3/8" FACE - CONCERT CHERRY
4E	103186-02-08A	FT	MOLDING/PLASTIC - 1" U-CHANNEL-1 3/8"FACE - WASHED MAPLE
4E	103186-02-11A	FT	MOLDING/PLASTIC - 1" U-CHAN'L-1 3/8" FACE - HONEY CHERRY
4E	103186-02-12A	FT	MOLDING/PLASTIC - 1" U-CHAN'L-1 3/8" FACE - SIERRA MAPLE
5E	104676-02-08A	FT	MOLDING-T - W/EDGE LIP - 11/16" FACE - PORTSMOUTH OAK
5E	104676-02-09A	FT	MOLDING-T - W/EDGE LIP - 11/16" FACE - CONCERT CHERRY
5E	104676-02-06A	FT	MOLDING-T - W/EDGE LIP - 11/16" FACE - WASHED MAPLE
5E	104676-02-10A	FT	MOLDING-T - W/EDGE LIP - 11/16" FACE - HONEY CHERRY
5E	104676-02-12A	FT	MOLDING-T - W/EDGE LIP - 11/16" FACE - SIERRA MAPLE
6E	105004-01-12A	EA	MOLDING - VINYL WRAPPED - 1" X 96" - PORTSMOUTH OAK
6E	105004-01-13A	EA	MOLDING - V W 8' - CONCERT CHERRY (U90/94/98/A1/A5/B1/C1/C5/D1/D5/E1/E5/F1/F5/G1/G5/H1/H5)
6E	105004-01-23A	EA	MOLDING - VINYL WRAPPED 1" X 8' - CONCERT CHERRY (UM1 THRU UM9, UN1 THRU UN9)
6E	105004-01-21A	EA	MOLDING - VINYL WRAPPED - 1" X 8' - WASHED MAPLE
6E	105004-01-24A	EA	MOLDING - VINYL WRAPPED - 1" X 8' - HONEY CHERRY
6E	105004-01-22A	EA	MOLDING - VINYL WRAPPED - 1" X 8' - SIERRA MAPLE
7E	105709-02-000	FT	MOLDING-T - W/EDGE LIP 3/4" FACE - BEIGE ILLUSION
8E	116951-45-R68	EA	MOLDING - TRIM - 3" X 30.3" - PORTSMOUTH OAK
8E	116951-45-R69	EA	MOLDING - TRIM - 3" X 30.3" - CONCERT CHERRY
8E	116951-45-R76	EA	MOLDING - TRIM - 3" X 30.3" - WASHED MAPLE
8E	116951-45-SA3	EA	MOLDING - TRIM - 3" X 30.3" - SIERRA MAPLE
9E	116951-37-R68	EA	MOLDING - TRIM - 3.5" X 38.6" - PORTSMOUTH OAK
9E	116951-37-R69	EA	MOLDING - TRIM - 3.5" X 38.6" - CONCERT CHERRY
9E	116951-37-R76	EA	MOLDING - TRIM - 3.5" X 38.6" - WASHED MAPLE
9E	116951-37-SA3	EA	MOLDING - TRIM - 3.5" X 38.6" - SIERRA MAPLE
9E	116951-51-SA0	EA	MOLDING - TRIM - 3.5" X 47.3" - PORTSMOUTH OAK
9E	116951-51-SA1	EA	MOLDING - TRIM - 3.5" X 47.3" - CONCERT CHERRY
9E	116951-51-SA2	EA	MOLDING - TRIM - 3.5" X 47.3" - WASHED MAPLE
9E	116951-51-SA3	EA	MOLDING - TRIM - 3.5" X 47.3" - SIERRA MAPLE

INTERIOR FINISH GROUP (CONTINUED)
MOLDINGS & TRIMS (CONTINUED)

KEY	PART NUMBER	U/M	DESCRIPTION
9E	116951-55-TD0	EA	MOLDING - TRIM - 4.5" X 52.3" - PORTSMOUTH OAK
9E	116951-55-TD1	EA	MOLDING - TRIM - 4.5" X 52.3" - CONCERT CHERRY
9E	116951-55-TD2	EA	MOLDING - TRIM - 4.5" X 52.3" - WASHED MAPLE
9E	116951-55-TD3	EA	MOLDING - TRIM - 4.5" X 52.3" - SIERRA MAPLE
9E	116951-56-TD0	EA	MOLDING - TRIM - 4.5" X 52.3" - PORTSMOUTH OAK
9E	116951-56-TD1	EA	MOLDING - TRIM - 4.5" X 52.3" - CONCERT CHERRY
9E	116951-56-TD2	EA	MOLDING - TRIM - 4.5" X 52.3" - WASHED MAPLE
9E	116951-56-TD3	EA	MOLDING - TRIM - 4.5" X 52.3" - SIERRA MAPLE

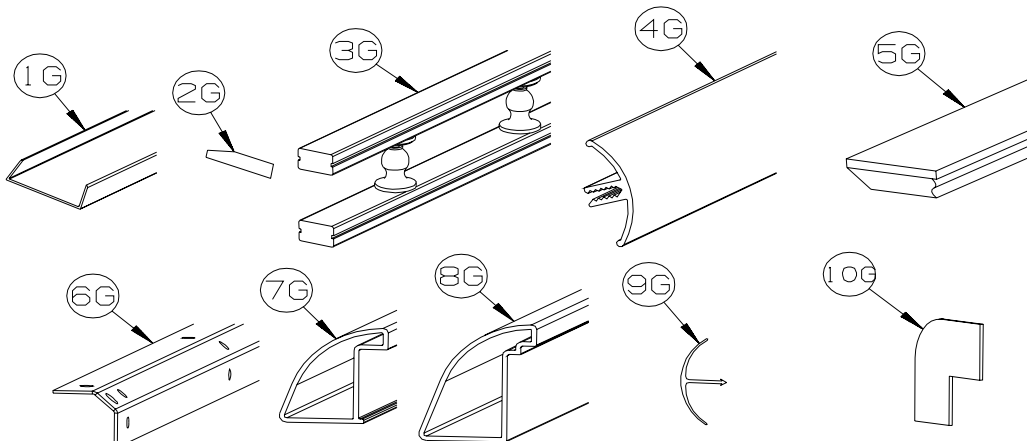


KEY	PART NUMBER	U/M	DESCRIPTION
1F	119520-01-01A	FT	MOLDING-T - OFFSET W/EDGE LIP - 1.3" FACE - OFF WHITE
1F	119520-03-03A	FT	MOLDING-T - OFFSET W/EDGE LIP - 1" FACE - WASHED MAPLE
1F	119520-03-06A	FT	MOLDING-T - OFFSET W/EDGE LIP - 1" FACE - HONEY CHERRY
2F	127842-01-01A	FT	SEAL - SIGHT SHIELD - 2" BLACK
	137885-A2-438	EA	LUMBER - VYL .75" - CONCERT CHERRY (U90/94/98/A1/A5/B1/C1/C5/D1/D5/E1/E5/F1/F5/G1/G5/H1/H5)
	160300-A2-438	EA	LUMBER - VINYL WRAPPED - .7" X .75" X 96" - CONCERT CHERRY (UM1 THRU UM9, UN1 THRU UN9)
	137885-D2-438	EA	LUMBER - VYL1.5" - CONCERT CHERRY (U90/94/98/A1/A5/B1/C1/C5/D1/D5/E1/E5/F1/F5/G1/G5/H1/H5)
	160300-D2-438	EA	LUMBER - VINYL WRAPPED - .7" X 1.5" X 96" - CONCERT CHERRY (UM1 THRU UM9, UN1 THRU UN9)
	137885-E2-438	EA	LUMBER - VYL2" - CONCERT CHERRY (U90/94/98/A1/A5/B1/C1/C5/D1/D5/E1/E5/F1/F5/G1/G5/H1/H5)
	160300-E2-438	EA	LUMBER - VINYL WRAPPED - .7" X 2" X 96" - CONCERT CHERRY (UM1 THRU UM9, UN1 THRU UN9)
	137885-F2-438	EA	LUMBER - VYL2.5" - CONCERT CHERRY (U90/94/98/A1/A5/B1/C1/C5/D1/D5/E1/E5/F1/F5/G1/G5/H1/H5)
	160300-F2-438	EA	LUMBER - VINYL WRAPPED - .7" X 2.5" X 96" - CONCERT CHERRY (UM1 THRU UM9, UN1 THRU UN9)
	137885-G2-438	EA	LUMBER - VYL3" - CONCERT CHERRY (U90/94/98/A1/A5/B1/C1/C5/D1/D5/E1/E5/F1/F5/G1/G5/H1/H5)
	160300-G2-438	EA	LUMBER - VINYL WRAPPED - .7" X 3" X 96" - CONCERT CHERRY (UM1 THRU UM9, UN1 THRU UN9)
	137885-H2-438	EA	LUMBER - VYL3.5" - CONCERT CHERRY (U90/94/98/A1/A5/B1/C1/C5/D1/D5/E1/E5/F1/F5/G1/G5/H1/H5)
	160300-H2-438	EA	LUMBER - VINYL WRAPPED - .7" X 3.5" X 96" - CONCERT CHERRY (UM1 THRU UM9, UN1 THRU UN9)
	137885-J2-438	EA	LUMBER - VYL5.5" - CONCERT CHERRY (U90/94/98/A1/A5/B1/C1/C5/D1/D5/E1/E5/F1/F5/G1/G5/H1/H5)
	160300-J2-438	EA	LUMBER - VINYL WRAPPED - .7" X 5.5" X 96" - CONCERT CHERRY (UM1 THRU UM9, UN1 THRU UN9)
	137885-J2-743	EA	LUMBER - VYL5.5" - CONCERT CHERRY (U90/94/98/A1/A5/B1/C1/C5/D1/D5/E1/E5/F1/F5/G1/G5/H1/H5)
	160300-J2-743	EA	LUMBER - VINYL WRAPPED - .7" X 5.5" X 108" - CONCERT CHERRY (UM1 THRU UM9, UN1 THRU UN9)
	137885-K2-438	EA	LUMBER - VYL3.9" - CONCERT CHERRY (U90/94/98/A1/A5/B1/C1/C5/D1/D5/E1/E5/F1/F5/G1/G5/H1/H5)
	160300-K2-438	EA	LUMBER - VINYL WRAPPED - .7" X 3.9" X 96" - CONCERT CHERRY (UM1 THRU UM9, UN1 THRU UN9)
	137885-R2-438	EA	LUMBER - VYL 3" - CONCERT CHERRY (U90/94/98/A1/A5/B1/C1/C5/D1/D5/E1/E5/F1/F5/G1/G5/H1/H5)
	160300-R2-438	EA	LUMBER - VINYL WRAPPED - .7" X 3" X 96" - CONCERT CHERRY (UM1 THRU UM9, UN1 THRU UN9)
3F	137887-D2-134	EA	MOLDING - 1.6" X 84" - CONCERT CHERRY (U90/94/98/A1/A5/B1/C1/C5/D1/D5/E1/E5/F1/F5/G1/G5/H1/H5)
3F	160301-D2-134	EA	MOLDING - VINYL WRAPPED - .7" X 1.6" X 84" - CONCERT CHERRY (UM1 THRU UM9, UN1 THRU UN9)
3F	137887-D2-743	EA	MLDG - 1.6" X 108" - CONCERT CHERRY (U90/94/98/A1/A5/B1/C1/C5/D1/D5/E1/E5/F1/F5/G1/G5/H1/H5)
3F	160301-D2-743	EA	MOLDING - VINYL WRAPPED - .7" X 1.6" X 108" - CONCERT CHERRY (UM1 THRU UM9, UN1 THRU UN9)
3F	137887-F2-134	EA	MLDNG - 2.5" X 84" - CONCERT CHERRY (U90/94/98/A1/A5/B1/C1/C5/D1/D5/E1/E5/F1/F5/G1/G5/H1/H5)
3F	160301-F2-134	EA	MOLDING - VINYL WRAPPED - .7" X 2.5" X 84" - CONCERT CHERRY (UM1 THRU UM9, UN1 THRU UN9)
3F	137887-F2-743	EA	MLDG - 2.5" X 108" - CONCERT CHERRY (U90/94/98/A1/A5/B1/C1/C5/D1/D5/E1/E5/F1/F5/G1/G5/H1/H5)
3F	160301-F2-743	EA	MOLDING - VINYL WRAPPED - .7" X 2.5" X 108" - CONCERT CHERRY (UM1 THRU UM9, UN1 THRU UN9)
3F	137887-F2-438	EA	MLDG - 2.5" X 96" - CONCERT CHERRY (U90/94/98/A1/A5/B1/C1/C5/D1/D5/E1/E5/F1/F5/G1/G5/H1/H5)
3F	160301-F2-438	EA	MOLDING - VINYL WRAPPED - .7" X 2.5" X 96" - CONCERT CHERRY (UM1 THRU UM9, UN1 THRU UN9)
	137894-A2-438	EA	LUMBER - VINYL WRAPPED - .7" X .75" X 96" - PORTSMOUTH OAK
	137894-D2-438	EA	LUMBER - VINYL WRAPPED - .7" X 1.5" X 96" - PORTSMOUTH OAK
	137894-E2-438	EA	LUMBER - VINYL WRAPPED - .7" X 2" X 96" - PORTSMOUTH OAK
	137894-F2-438	EA	LUMBER - VINYL WRAPPED - .7" X 2.5" X 96" - PORTSMOUTH OAK
	137894-G2-438	EA	LUMBER - VINYL WRAPPED - .7" X 3" X 96" - PORTSMOUTH OAK
	137894-H2-438	EA	LUMBER - VINYL WRAPPED - .7" X 3.5" X 96" - PORTSMOUTH OAK
	137894-J2-438	EA	LUMBER - VINYL WRAPPED - .7" X 5.5" X 80.2" - PORTSMOUTH OAK
	137894-J2-743	EA	LUMBER - VINYL WRAPPED - .7" X 5.5" X 96" - PORTSMOUTH OAK
	137894-K2-438	EA	LUMBER - VINYL WRAPPED - .7" X 3.9" X 96" - PORTSMOUTH OAK
	137894-R2-438	EA	LUMBER - VINYL WRAPPED - .7" X 3" X 96" - PORTSMOUTH OAK

INTERIOR FINISH GROUP (CONTINUED)
MOLDINGS & TRIMS (CONTINUED)

KEY	PART NUMBER	U/M	DESCRIPTION
3F	137895-D2-134	EA	MOLDING - VINYL WRAPPED - .7" X 1.6" X 84"-PORTSMOUTH OAK
3F	137895-D2-743	EA	MOLDING - VINYL WRAPPED - .7" X 1.6" X 108"-PORTSMOUTH OAK
3F	137895-F2-438	EA	MOLDING - VINYL WRAPPED - .7" X 2.5" X 96" - PORTSMOUTH OAK
3F	137895-F2-743	EA	MOLDING - VINYL WRAPPED - .7" X 2.5" X 108" - PORTSMOUTH OAK
	146419-A2-438	EA	LUMBER - VINYL WRAPPED - .7" X .75" X 96" - HONEY CHERRY
	146419-D2-438	EA	LUMBER - VINYL WRAPPED - .7" X 1.5" X 96" - HONEY CHERRY
	146419-E2-438	EA	LUMBER - VINYL WRAPPED - .7" X 2" X 96" - HONEY CHERRY
	146419-F2-438	EA	LUMBER - VINYL WRAPPED - .7" X 2.5" X 96" - HONEY CHERRY
	146419-G2-438	EA	LUMBER - VINYL WRAPPED - .7" X 3" X 96" - HONEY CHERRY
	146419-H2-438	EA	LUMBER - VINYL WRAPPED - .7" X 3.5" X 96" - HONEY CHERRY
	146419-J2-438	EA	LUMBER - VINYL WRAPPED - .7" X 5.5" X 96" - HONEY CHERRY
	146419-J2-743	EA	LUMBER - VINYL WRAPPED - .7" X 5.5" X 108" - HONEY CHERRY
	146419-K2-438	EA	LUMBER - VINYL WRAPPED - .7" X 3.9" X 96" - HONEY CHERRY
	146419-R2-438	EA	LUMBER - VINYL WRAPPED - .7" X 3" X 96" - HONEY CHERRY
	146419-S2-438	EA	LUMBER - VINYL WRAPPED/FULL - .7"X 3.5"X 96"- HONEY CHERRY
	146419-T2-438	EA	LUMBER - VINYL WRAPPED/FULL - .7"X 5.5"X 96"- HONEY CHERRY
3F	146425-D2-134	EA	MOLDING - VINYL WRAPPED - .7" X 1.6" X 83.9" - HONEY CHERRY
3F	146425-F2-438	EA	MOLDING - VINYL WRAPPED - .7" X 2.6" X 96" - HONEY CHERRY
	149325-A2-438	EA	LUMBER - VINYL WRAPPED - .7" X .75" X 96" - WASHED MAPLE
	149325-D2-438	EA	LUMBER - VINYL WRAPPED - .7" X 1.5" X 96" - WASHED MAPLE
	149325-E2-438	EA	LUMBER - VINYL WRAPPED - .7" X 2" X 96" - WASHED MAPLE
	149325-F2-438	EA	LUMBER - VINYL WRAPPED - .7" X 2.5" X 96" - WASHED MAPLE
	149325-G2-438	EA	LUMBER - VINYL WRAPPED - .7" X 3" X 96" - WASHED MAPLE
	149325-H2-438	EA	LUMBER - VINYL WRAPPED - .7" X 3.5" X 96" - WASHED MAPLE
	149325-J2-438	EA	LUMBER - VINYL WRAPPED - .7" X 5.5" X 96" - WASHED MAPLE
	149325-J2-743	EA	LUMBER - VINYL WRAPPED - .7" X 5.5" X 108" - WASHED MAPLE
	149325-K2-438	EA	LUMBER - VINYL WRAPPED - .7" X 3.9" X 96" - WASHED MAPLE
	149325-R2-438	EA	LUMBER - VINYL WRAPPED - .7" X 3" X 96" - WASHED MAPLE
3F	149326-D2-134	EA	MOLDING - VINYL WRAPPED - .7" X 1.5" X 83.9" - WASHED MAPLE
3F	149326-D2-743	EA	MOLDING - VINYL WRAPPED - .7" X 1.5" X 108" - WASHED MAPLE
3F	149326-F2-134	EA	MOLDING - VINYL WRAPPED - .7" X 2.5" X 83.9" - WASHED MAPLE
3F	149326-F2-438	EA	MOLDING - VINYL WRAPPED - .7" X 2.5" X 96" - WASHED MAPLE
3F	149326-F2-743	EA	MOLDING - VINYL WRAPPED - .7" X 2.5" X 108" - WASHED MAPLE
	149330-A2-438	EA	LUMBER - VINYL WRAPPED - .7" X .75" X 96" - SIERRA MAPLE
	149330-D2-438	EA	LUMBER - VINYL WRAPPED - .7" X 1.5" X 96" - SIERRA MAPLE
	149330-E2-438	EA	LUMBER - VINYL WRAPPED - .7" X 2" X 96" - SIERRA MAPLE
	149330-F2-438	EA	LUMBER - VINYL WRAPPED - .7" X 2.5" X 96" - SIERRA MAPLE
	149330-G2-438	EA	LUMBER - VINYL WRAPPED - .7" X 3" X 96" - SIERRA MAPLE
	149330-H2-438	EA	LUMBER - VINYL WRAPPED - .7" X 3.5" X 96" - SIERRA MAPLE
	149330-J2-438	EA	LUMBER - VINYL WRAPPED - .7" X 5.5" X 96" - SIERRA MAPLE
	149330-J2-743	EA	LUMBER - VINYL WRAPPED - .7" X 5.5" X 108" - SIERRA MAPLE
	149330-K2-438	EA	LUMBER - VINYL WRAPPED - .7" X 3.9" X 96" - SIERRA MAPLE
	149330-R2-438	EA	LUMBER - VINYL WRAPPED - .7" X 3" X 96" - SIERRA MAPLE
3F	149331-D2-134	EA	MOLDING - VINYL WRAPPED - .7" X 1.5" X 83.9" - SIERRA MAPLE
3F	149331-D2-743	EA	MOLDING - VINYL WRAP - .7" X 1.5" X 108" - SIERRA MAPLE
3F	149331-F2-134	EA	MOLDING - VINYL WRAPPED - .7" X 2.5" X 83.9" - SIERRA MAPLE
3F	149331-F2-438	EA	MOLDING - VINYL WRAPPED - .7" X 2.5" X 96" - SIERRA MAPLE
3F	149331-F2-743	EA	MOLDING - VINYL WRAPPED - .7" X 2.5" X 108" - SIERRA MAPLE

INTERIOR FINISH GROUP (CONTINUED)
MOLDINGS & TRIMS (CONTINUED)



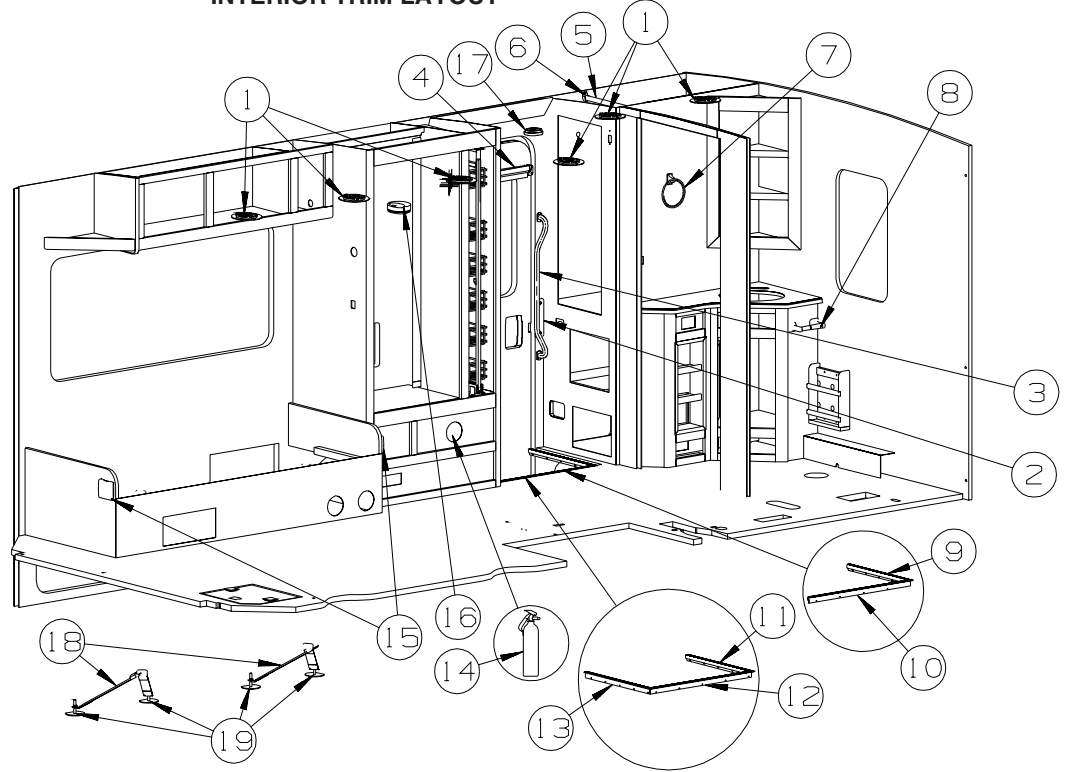
KEY	PART NUMBER	U/M	DESCRIPTION
1G	141260-01-01A	FT	U-CHANNEL - 1" - VILLAGE OAK
1G	141260-01-02A	FT	U-CHANNEL - 1" - GRADY BROWN
1G	141260-02-01A	FT	U-CHANNEL - 1 1/8" - VILLAGE OAK
1G	141260-02-02A	FT	U-CHANNEL - 1 1/8" - GRADY BROWN
2G	146306-01-01A	FT	TRANSITION - CARPET/TILE
3G	150167-01-07A	EA	RAIL - DECORATIVE - 96" W/O REVERSE SIDE GROOVE - PORTSMOUTH OAK
3G	150167-01-02A	EA	RAIL - DECORATIVE - 96" W/O REVERSE SIDE GROOVE - SALEM CHERRY - CONCERT CHERRY
3G	150167-01-03A	EA	RAIL - DECORATIVE - 96" W/O REVERSE SIDE GROOVE - WASHED MAPLE
3G	150167-01-09A	EA	RAIL - DECORATIVE - 96" W/O REVERSE SIDE GROOVE - SIERRA MAPLE
4G	151653-10-02A	EA	TRIM/RADIUS - CABINET CORNER - 79.6" - DULL METALLIC
4G	151653-13-02A	EA	TRIM/RADIUS - CABINET CORNER - 79.8" - DULL METALLIC
5G	151676-26-S46	EA	MOLDING/TRIM - .75" X 1.6" X 80.2" - PORTSMOUTH OAK
5G	151676-26-S47	EA	MOLDING/TRIM - .75" X 1.6" X 80.2" - CONCERT CHERRY
5G	151676-26-S48	EA	MOLDING/TRIM - .75" X 1.6" X 80.2" - WASHED MAPLE
5G	151676-26-SR0	EA	MOLDING/TRIM - .75" X 1.6" X 80.2" - SIERRA MAPLE
6G	151861-05-02B	EA	ANGLE - SUPPORT/CORNER - 1.4" X 78.6" - E-COATED
7G	151893-01-02A	EA	TRIM/RADIUS - CABINET BOTTOM - 72.6" - DULL METALLIC
8G	152077-01-02A	EA	TRIM/RADIUS - CABINET BOTTOM - 27.7" - DULL METALLIC
9G	156464-01-01A	FT	MOLDING - CORNER - RADIUS/PLASTIC - 8' - HONEY CHERRY
9G	156464-01-02A	FT	MOLDING - CORNER - RADIUS/PLASTIC - 8' - WASHED MAPLE
9G	156464-01-03A	FT	MOLDING - CORNER - RADIUS/PLASTIC - 8' - BONE
10G	160989-01-06A	FT	CAP - CORNER - RADIUS MOLDING - PLASTIC - WASHED MAPLE
10G	160989-01-07A	FT	CAP - CORNER - RADIUS MOLDING - PLASTIC - HONEY CHERRY

INTERIOR FINISH GROUP (CONTINUED)
PANELING & LAMINATES

KEY	PART NUMBER	U/M	DESCRIPTION
	000885-C3-000	SF	PARTICLE BOARD - 3/8" X 4' X 8' - WHITE THATCH EMB-1 SIDED
	000885-B4-000	SF	PARTICLE BOARD - 3/8" X 4' X 8'- WASHED MAPLE - 2 SIDED - WASHED MAPLE
	000885-B5-000	SF	PARTICLE BOARD - 3/8" X 4' X 8'- WASHED MAPLE - 1 SIDED - WASHED MAPLE
	000885-B6-000	SF	PARTICLE BOARD - 3/4" X 4' X 8'- WASHED MAPLE - 2 SIDED - WASHED MAPLE
	000885-B7-000	SF	PARTICLE BOARD - 1/2" X 4' X 8'- WASHED MAPLE - 2 SIDED - WASHED MAPLE
	000885-B0-000	SF	PARTICLE BOARD - 3/8" X 4' X 8'- SIERRA MAPLE - 2 SIDED - SIERRA MAPLE
	000885-B1-000	SF	PARTICLE BOARD - 3/8" X 4' X 8'- SIERRA MAPLE - 1 SIDED - SIERRA MAPLE
	000885-B2-000	SF	PARTICLE BOARD - 3/4" X 4' X 8'- SIERRA MAPLE - 2 SIDED - SIERRA MAPLE
	000885-B3-000	SF	PARTICLE BOARD - 1/2" X 4' X 8'- SIERRA MAPLE - 2 SIDED - SIERRA MAPLE
	074497-49-000	SF	PANELING - WASHED MAPLE - 1/8" X 4' X 8' - WASHED MAPLE
	074497-48-000	SF	PANELING - SIERRA MAPLE - 1/8" X 4' X 8 - SIERRA MAPLE'
	076773-20-000	SF	PANELING - 2 SIDED/WASHED MAPLE - 1/8" X 4' X 8' - WASHED MAPLE
	076773-19-000	SF	PANELING - 2 SIDED/SIERRA MAPLE - 1/8" X 4' X 8' - SIERRA MAPLE
	088272-M9-000	SF	PANELING - WHITE THATCHED - 4' X 8'
	088272-M1-000	SF	PANELING - MORITZ/TUSCANY - 4' X 7.4' (U45, U46)
	088272-N2-000	SF	PANELING - MADRAS/MOON - 4' X 7.4' (U47, U48)
	088272-M0-000	SF	PANELING - SISAL/CHICORY - 4' X 7.4' (U49, U50)
	074498-B7-000	SF	LAMINATE - PLASTIC - HOUSE ROCK - 5' X 8' (U45, U46)
	074498-A5-000	SF	LAMINATE - PLASTIC - CINDER GRAY - 5' X 8' (U47, U48)
	074498-B8-000	SF	LAMINATE - PLASTIC - CLASSIC ROCK - 5' X 8' (U49, U50)
	074498-B6-000	SF	LAMINATE - PLASTIC - SATIN OXIDE - 5' X 8'
	076325-39-000	FT	MOLDING - EDGE BAND - 1 5/16" X .030" - ALMOND
	076325-40-000	FT	MOLDING - EDGE BAND - .93" X .024" - ALMOND
	076325-81-000	FT	MOLDING - EDGE BAND - 1 5/16" X .30" - NEAT/WASHED MAPLE - WASHED MAPLE
	076325-83-000	FT	MOLDING - EDGE BAND - .93" X .024" - SIERRA MAPLE - SIERRA MAPLE
	085284-K1-000	FT	BATT TAPE - ADHESIVE BACKED - DECORATIVE - MORITZ/TUSCANY (U45, U46)
	085284-L2-000	FT	BATT TAPE - ADHESIVE BACKED - DECORATIVE - MOON (U47, U48)
	085284-K0-000	FT	BATT TAPE - ADHESIVE BACKED - DECORATIVE - SISAL/CHICORY (U49, U50)
	085284-J5-000	FT	BATT TAPE - ADHESIVE BACKED - DECORATIVE-NEAT/WASHED MAPLE - WASHED MAPLE
	085284-J4-000	FT	BATT TAPE - ADHESIVE BACKED - DECORATIVE-SIERRA MAPLE - SIERRA MAPLE
	085284-K9-000	FT	BATT TAPE - ADHESIVE BACKED - DECORATIVE - WHITE THATCHED
	088263-J2-000	EA	BATT STRIP - DECORATIVE - NEAT/WASHED MAPLE - WASHED MAPLE
	088263-J1-000	EA	BATT STRIP - DECORATIVE - SIERRA MAPLE - SIERRA MAPLE
	088263-J7-000	EA	BATT STRIP - DECORATIVE - MORITZ/TUSCANY (U45, U46)
	088263-K8-000	EA	BATT STRIP - DECORATIVE - MOON - 8' (U47, U48)
	088263-J6-000	EA	BATT STRIP - DECORATIVE - SISAL/CHICORY (U49, U50)
	126339-01-000	SF	BOARD - WHEAT - 60" X 72"

INTERIOR FINISH GROUP (CONTINUED)

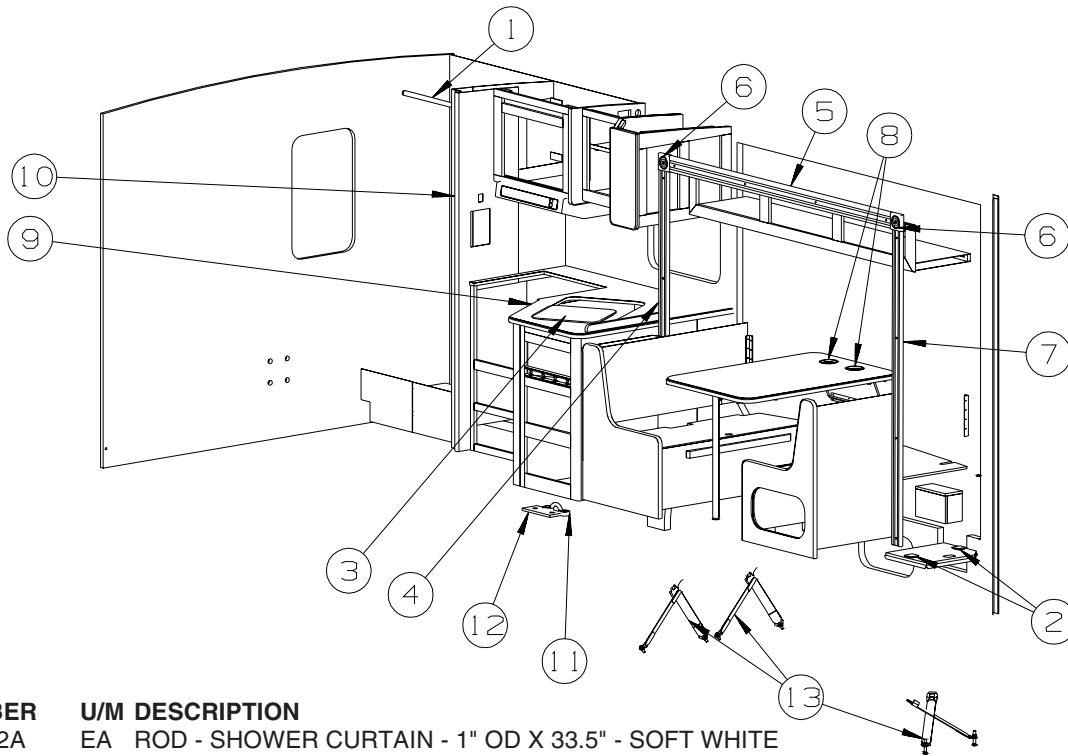
INTERIOR TRIM LAYOUT



KEY	PART NUMBER	U/M	DESCRIPTION
1	120134-01-02A	EA	REGISTER - W/DAMPER - 4" PIPE/6.4" O.D. FACE - WHITE
2	152933-01-01A	EA	COVER - BRACKET - STRIKE - BRIGHT WHITE
3	137605-02-01A	EA	HAND RAIL - INTERIOR ENTRY DOOR - BLACK
3	137605-04-01A	EA	HAND RAIL - INTERIOR ENTRY DOOR - BLACK FROM: 00-00-00 THRU: 03-05-06
4	144628-03-01A	EA	SHADE - SCREEN DOOR - 20.1" X 33.4" - BRIGHT WHITE
5	Y00136-21-218	EA	DOWEL - WOOD - CLOTHES ROD - 1"DIAMETER X 4'
6	152301-01-01A	EA	FLANGE - PLASTIC - 1" CLOTHES ROD HOLDER - WHITE
7	145980-06-03A	EA	TOWEL RING - CHROME
8	145980-01-02A	EA	HOLDER - TOILET TISSUE - CHROME
9	139955-05-01A	EA	TRIM - STEP/ENTRY - 20.9" - MILL FROM: 00-00-00 THRU: 02-05-06
10	139955-02-01A	EA	TRIM - STEP/ENTRY - 27.7" - MILL FROM: 00-00-00 THRU: 02-05-06
11	139955-16-01A	EA	TRIM - STEP/ENTRY - 21.7" - MILL FROM: 02-06-06 THRU: 99-99-99
12	139955-17-01A	EA	TRIM - STEP/ENTRY - 28" - MILL FROM: 02-06-06 THRU: 99-99-99
13	139955-15-01A	EA	TRIM - STEP/ENTRY - 21.7" - MILL FROM: 02-06-06 THRU: 99-99-99
14	094499-03-000	EA	EXTINGUISHER/FIRE - DRY - 10BC - W/GAUGE/BRACKET
14*	094499-02-000	EA	EXTINGUISHER/FIRE - DRY - 10BC - W/GAUGE - CANADIAN
14	094499-04-000	EA	STRAP - FIRE EXTINGUISHER MOUNTING - METAL
15	118718-01-01A	EA	HOLDER/DRINK - COLLAPSIBLE MUG - BLACK PLASTIC
16	125136-02-000	EA	DETECTOR/CO - GAS MODEL - 9 VOLT
17	072852-01-000	EA	DETECTOR - SMOKE - W/9 VOLT BATTERY - US
17	072852-02-000	EA	DETECTOR - SMOKE - W/9 VOLT BATTERY - CANADIAN
17	077956-01-000	EA	LABEL - WARNING/SMOKE DETECTOR
18	160167-01-01A	EA	SEAT BELT - 2" X 102" - BLACK
19	140221-04-02B	EA	WASHER - SEAT BELT - E-COAT
	132610-05-32A	EA	WALLPAPER - BORDER - 7" - SELF-ADHESIVE (U45,U46) FROM: 00-00-00 THRU: 01-18-06
	132610-05-40A	EA	WALLPAPER - BORDER - 7" - SELF-ADHESIVE (U47,U48) FROM: 00-00-00 THRU: 01-18-06
	132610-04-07A	EA	WALLPAPER - BORDER - 5" - SELF-ADHESIVE (U49,U50) FROM: 00-00-00 THRU: 01-18-06

*COMPONENT PARTS LISTED LATER IN THIS GROUP

INTERIOR FINISH GROUP (CONTINUED)
INTERIOR TRIM LAYOUT (CONTINUED)



KEY	PART NUMBER	U/M	DESCRIPTION
1	102075-06-02A	EA	ROD - SHOWER CURTAIN - 1" OD X 33.5" - SOFT WHITE
2	081114-02-000	EA	CAP - INSERT/ROUND - 1" DIAMETER - WHITE PLASTIC
3	103610-04-U37	EA	COVER - SINK - 15.7" X 13.8" - HOUSE ROCK (U45,U46)
			FROM: 00-00-00 THRU: 10-01-06
3	103610-04-S38	EA	COVER - SINK - 15.7" X 13.8" - CINDER GRAY (U47,U48)
			FROM: 00-00-00 THRU: 10-01-06
3	103610-04-U49	EA	COVER - SINK - 15.7" X 13.8" - CLASSIC ROCK (U49,U50)
			FROM: 00-00-00 THRU: 10-01-06
3	159542-01-U22	EA	COVER - SINK - 15.6" X 13.9" - WASHED MAPLE
			FROM: 10-02-06 THRU: 99-99-99
3	159542-01-U58	EA	COVER - SINK - 15.6" X 13.9" - SIERRA MAPLE
			FROM: 10-02-06 THRU: 99-99-99
4	132663-27-21A	EA	MOLDING-VINYL WRAP/PRE DRILLED-.6" X 3" X 51.3"-N/MAPLE - WASHED MAPLE
4	132663-27-22A	EA	MOLDING-VINYL WRAP/PRE DRILLED-.6" X 3" X 51.3"-S/MAPLE - SIERRA MAPLE
5	132663-18-21A	EA	MOLDING-VINYL WRAP/PRE DRILLED-.6"X 3.4"X 73.1"-WASHED MAPLE
5	132663-18-22A	EA	MOLDING-VINYL WRAP/PRE DRILLED-.6"X 3.4"X 73.1"-SIERRA MAPLE
6	132844-02-21A	EA	BLOCK - CORNER - 3.5" X 3.5" - WASHED MAPLE
6	132844-02-22A	EA	BLOCK - CORNER - 3.5" X 3.5" - SIERRA MAPLE
7	132663-20-21A	EA	MOLDING-VINYL WRAP/PRE DRILLED-.6"X3"X67.1" - WASHED MAPLE
7	132663-20-22A	EA	MOLDING-VINYL WRAP/PRE DRILLED-.6"X3"X67.1" - SIERRA MAPLE
8	064781-07-000	EA	HOLDER/CUP - TWO STEP - BLACK
9	120760-01-000	EA	RUBBER BUMPER - CLEAR - .1" THICK X .8" DIAMETER
10	151578-01-02A	EA	DOOR - SHOWER - 36.3" X 61.9" - WHT OPAQUE SCREEN/WHITE
11	127960-01-01A	EA	RETAINER - EYE - 3/8" - STAINLESS STEEL
12	150700-02-02B	EA	PLATE/MOUNTING - RESTRAINT/CHILD - 1" X 2.3" - E-COATED
13	160167-02-01A	EA	SEAT BELT - 2" X 90" - BLACK

COMPONENT PART FOR INTERIOR TRIM LAYOUT

094499-02-000

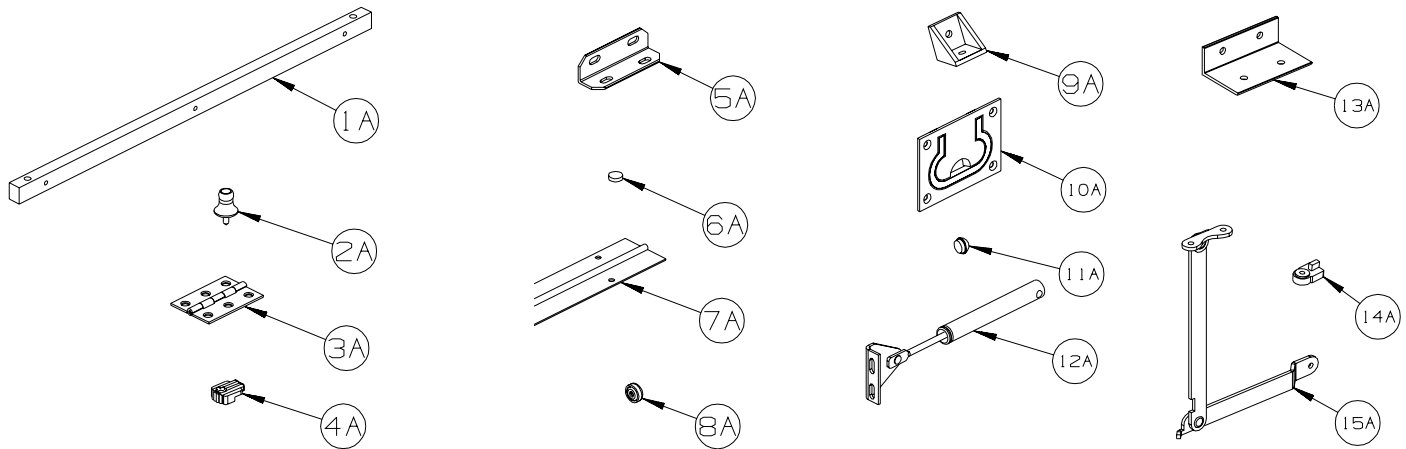
KEY	PART NUMBER	U/M	DESCRIPTION	VENDOR NO
	094499-01-700	EA	BRACKET MTG. W/PLAS. STRAP	294039

FLOOR COVERINGS

KEY	PART NUMBER	U/M	DESCRIPTION
	042720-38-000	SY	VINYL - FLOOR COVERING - BRIDGEWAY
	075233-01-000	SY	PAD - CARPET - 3/8" X 6'W ROLL - SOLD BY THE SQUARE YARD
	089275-02-000	FT	STRIP - 3/4" X 84" BLACK POLYETHYLENE
	093486-01-000	SY	CARPET - COMPARTMENT - 72" WIDE - DARK GRAY
	152251-06-01A	SY	CARPET - 4 SQUARE YARD INCREMENTS - WHEAT (U45, U46)
	152251-05-06A	SY	CARPET - 4 SQUARE YARD INCREMENTS - CAST IRON (U47, U48)
	152251-05-02A	SY	CARPET - 4 SQUARE YARD INCREMENTS - BURLWOOD (U49, U50)

INTERIOR FINISH GROUP (CONTINUED)

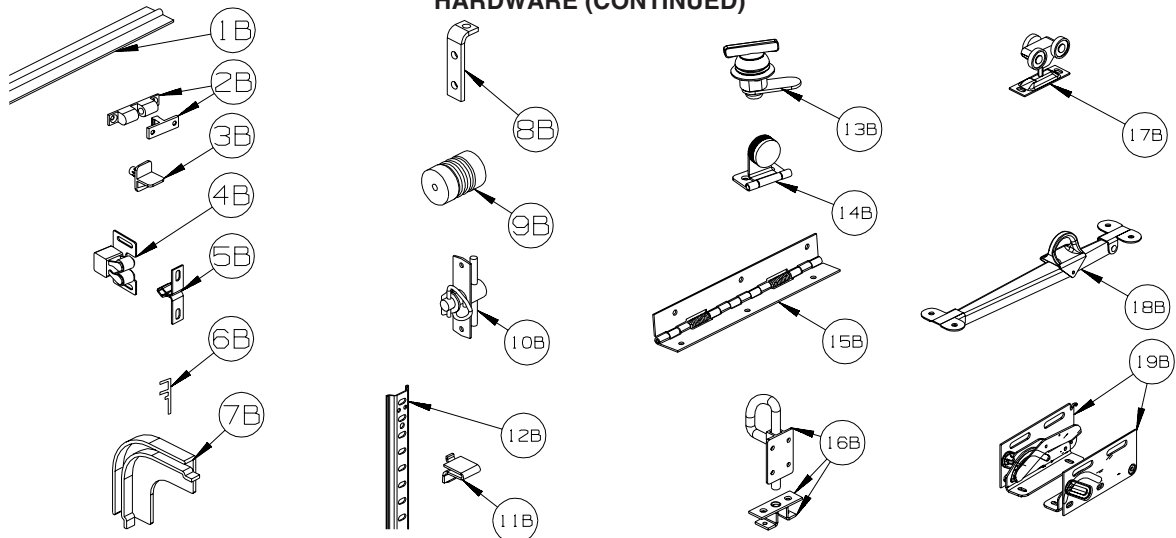
HARDWARE



KEY	PART NUMBER	U/M	DESCRIPTION
1A	P34509-01-N01	EA	RAIL END - RH/LH - TOWEL RACK - PORTSMOUTH
1A	P34509-01-P14	EA	RAIL END - RH/LH - TOWEL RACK - CONCERT CHERRY
1A	P34509-01-J70	EA	RAIL END - RH/LH - TOWEL RACK - WASHED MAPLE
1A	P34509-01-RE0	EA	RAIL END - RH/LH - TOWEL RACK - HONEY CHERRY
1A	P34509-01-SA3	EA	RAIL END - RH/LH - TOWEL RACK - SIERRA MAPLE
2A	009013-01-000	EA	CATCH - BULLDOG - MALE/FEMALE
3A	009059-01-000	EA	HINGE - DOOR - 2" X 1.4" - BRASS
3A	009059-02-000	EA	HINGE - DOOR - 2" X 2.7" - BRASS
3A	009059-03-000	EA	HINGE - BRASS - 1.75"
3A	009059-04-000	EA	HINGE - 2" - ZINC
4A	009089-01-000	EA	CLIP - MIRROR
5A	016604-01-000	EA	BRACE - ANGLE - 2 1/2" - UNPAINTED METAL
5A	016604-05-000	EA	BRACE - ANGLE - 2 1/2" - OFF WHITE METAL
5A	016604-10-000	EA	BRACE - SEAT ANGLE - 2.5" - BLACK
6A	023320-01-000	EA	PAD - FELT 3/8" DIAMETER
7A	041389-19-000	EA	HINGE - PIANO - 1 1/2" X 71.9" - UNPAINTED
7A	041389-25-000	EA	HINGE - PIANO - 1 1/2" X 55" - UNPAINTED
7A	041389-32-000	EA	HINGE - PIANO - 68" - OFF WHITE
8A	057671-01-000	EA	COVER - SCREW - #8 - OFF WHITE
8A	057671-15-000	EA	COVER - SCREW - #8 - BRIGHT WHITE
8A	057671-16-000	EA	COVER - SCREW - #8 - SOFT WHITE
8A	057671-18-000	EA	COVER - SCREW - #8 - OFF WHITE
9A	065740-01-000	EA	BRACE - CABINET/CORNER - PLASTIC
10A	072871-01-000	EA	PULL - FLUSH - CHROME
11A	074045-13-000	EA	PLUG - OAK - 3/8" DOWEL-1/2" HEAD - PORTSMOUTH OAK
11A	074045-08-000	EA	PLUG - OAK - 3/8" DOWEL-1/2" HEAD - CONCERT CHERRY
11A	074045-12-000	EA	PLUG - OAK - 3/8" DOWEL-1/2" HEAD - WASHED MAPLE
11A	074045-14-000	EA	PLUG - OAK - 3/8" DOWEL-1/2" HEAD - HONEY CHERRY
11A	074045-15-000	EA	PLUG - OAK - 3/8" DOWEL-1/2" HEAD - SIERRA MAPLE
12A	074493-02-000	EA	SUPPORT - PISTON SPRING - CABINET DOOR - 26 LBS
12A	074493-03-000	EA	SUPPORT - PISTON SPRING - CABINET DOOR - 12 LBS
12A	074493-04-000	EA	SUPPORT - PISTON SPRING - CABINET DOOR - 32LBS
13A	156732-01-01A	EA	BRACE - ANGLE/COUCH - 2.5" - MILL
13A	156732-01-02A	EA	BRACE - ANGLE/COUCH - 2.5" - OFF WHITE
13A	156732-03-01A	EA	BRACE - ANGLE/COUCH - BLACK
14A	083204-03-000	EA	BUTTON - RETAINING MIRROR 5/16" TIP
15A	084412-01-000	EA	SUPPORT/HINGE KIT (LEFT & RIGHT HINGES)

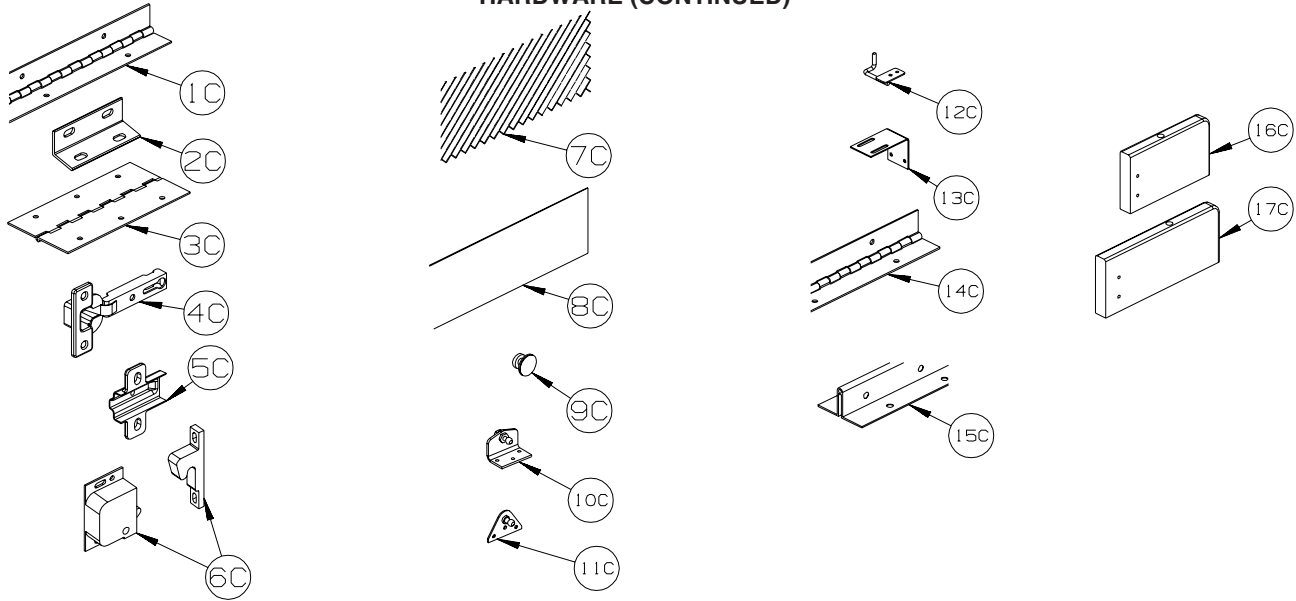
INTERIOR FINISH GROUP (CONTINUED)

HARDWARE (CONTINUED)



KEY	PART NUMBER	U/M	DESCRIPTION
1B	084413-01-000	EA	HINGE - 1" X 72" - ALUMINUM - W/HOLES
2B	084451-01-000	EA	CATCH & LATCH - 1.7" - BRASS
3B	092907-01-000	EA	SUPPORT - SHELF - PIN - 1/4" - CLEAR PLASTIC
4B	093586-03-000	EA	CATCH - SPRING ROLLER - .377"
4B	093586-06-000	EA	CATCH - SPRING ROLLER - .236"
5B	093586-04-000	EA	STRIKE - SPRING STEEL - 1.14"
6B	093622-01-000	EA	TRACK - DOOR - TAMBOUR - PLASTIC - 8' LENGTHS
7B	093623-01-000	EA	CORNER - TRACK - TAMBOUR DOOR
8B	096826-01-01A	EA	BRACE-CABINET E-COATED
9B	097872-04-000	EA	DOWEL - WOOD - 1" DIAMETER X 1.38" LONG - UNFINISHED
10B	098196-01-000	EA	LATCH - 1/4 TURN - T-BAR
11B	098979-01-000	EA	CLIP - ADJUSTABLE SHELF
12B	098980-01-000	EA	PILASTER - ADJUSTABLE SHELF - 18"
12B	098980-02-000	EA	PILASTER - ADJUSTABLE SHELF - 12"
12B	098980-03-000	EA	PILASTER - ADJUSTABLE SHELF - 9"
12B	098980-04-000	EA	PILASTER - ADJUSTABLE SHELF - 48"
12B	098980-05-000	EA	PILASTER - ADJUSTABLE SHELF - 15"
12B	098980-06-000	EA	PILASTER - ADJUSTABLE SHELF - 24"
13B	100710-01-02A	EA	LOCK - GLASS DOOR/TWIST TYPE - NICKEL
14B	100711-01-02A	EA	HINGE - GLASS DOOR - NICKEL
15B	102920-01-01A	EA	HINGE - SPRING LOADED - BRASS
15B	102920-01-02A	EA	HINGE - SPRING LOADED - NICKEL
15B	129753-01-01A	EA	HINGE - SPRING LOADED - 19" X 19" - BLACK
16B	103256-01-000	EA	LATCH COMPLETE (SLIDE)
17B	103874-01-000	EA	HANGER - SLIDING DOOR
18B	104181-01-01A	EA	SUPPORT - LEAF 5.3" EXTENDS TO 7.5" - SAFETY RING - METAL
19B	108126-01-000	EA	TRAY HINGE SET (QTY. 2 PER SET)

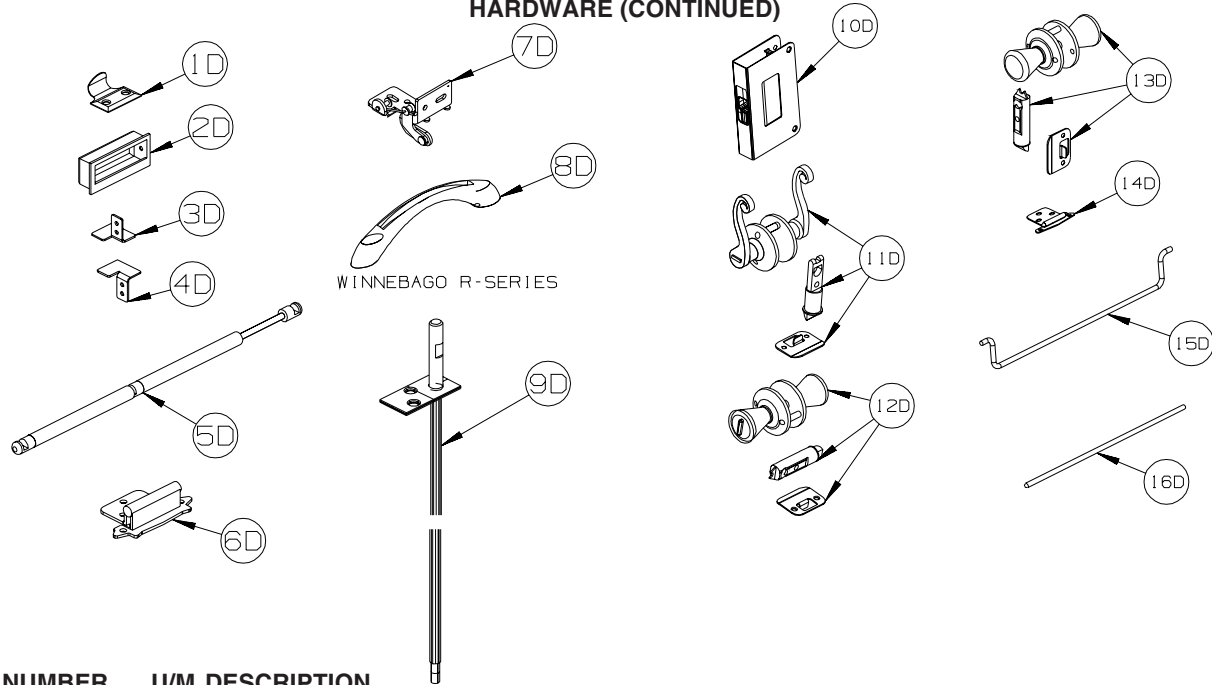
INTERIOR FINISH GROUP (CONTINUED)
HARDWARE (CONTINUED)



KEY	PART NUMBER	U/M	DESCRIPTION
1C	110496-01-01A	EA	HINGE - BRASS - 2" X 32"
1C	110496-01-02A	EA	HINGE - NICKEL - 2" X 32"
1C	110496-05-02A	EA	HINGE - NICKEL - 2" X 11.5"
1C	110496-06-02A	EA	HINGE - NICKEL - 2" X 9.5"
2C	111866-01-02A	EA	BRACE - SEAT - ANGLE - OFF WHITE
3C	114278-02-000	EA	HINGE - CONTINUOUS - 3" WIDE
4C	114443-02-01A	EA	HINGE - CABINET DOOR - W/O CLIP - SILVER
5C	114443-03-01A	EA	CLIP - HINGE/CABINET DOOR - SILVER
6C	117095-01-01A	EA	LATCH - DOOR - GRABBER W/KEEPER - PLASTIC - BLK-5 LB PULL
6C	117095-02-01A	EA	LATCH - DOOR - GRABBER W/KEEPER - PLASTIC - BLK-10 LB PULL
6C	117095-03-01A	EA	LATCH - DOOR - GRABBER W/KEEPER - PLASTIC - BLK-15 LB PULL
7C	118200-01-01A	SF	MESH - PLASTIC 1/2" - 48" X LENGTH = SF - BLACK
8C	122717-06-01A	FT	PAD - NON-SKID - PSA - 5"W
9C	125221-01-01A	EA	PULL - MIRROR - W/ROUND HANDLE
10C	126263-06-02B	EA	BRACKET - GAS SPRING W/INSIDE BALL STUD - E-COATED
11C	126263-05-02B	EA	BRACKET - GAS SPRING W/BALL STUD - E-COATED
11C	126263-08-02B	EA	BRACKET - GAS SPRING W/CENTERED BALL STUD - E-COATED
11C	126263-19-02B	EA	BRACKET - GAS SPRING W/BALL STUD - E-COATED
12C	130798-01-02B	EA	GUIDE - POCKET DOOR - E-COATED
13C	132871-02-02B	EA	BRACKET/L-ANGLE W/HOLES - 1.9" X 2.8" - E-COATED
14C	134099-01-02A	EA	HINGE - PIANO - WRAP AROUND - 15.7" - NICKEL PLATED
15C	135538-03-02A	EA	HINGE - PIANO - FULL WRAP - 15.7" - CHROME
16C	137445-02-P46	EA	STOP - F/SLIDING DOOR - CONCERT CHERRY
16C	137445-02-P56	EA	STOP - F/SLIDING DOOR - WASHED MAPLE
16C	137445-02-S67	EA	STOP - F/SLIDING DOOR - SIERRA MAPLE
17C	137445-03-T78	EA	STOP - F/SLIDING DOOR - CONCERT CHERRY
17C	137445-03-T79	EA	STOP - F/SLIDING DOOR - WASHED MAPLE
17C	137445-03-T80	EA	STOP - F/SLIDING DOOR - SIERRA MAPLE

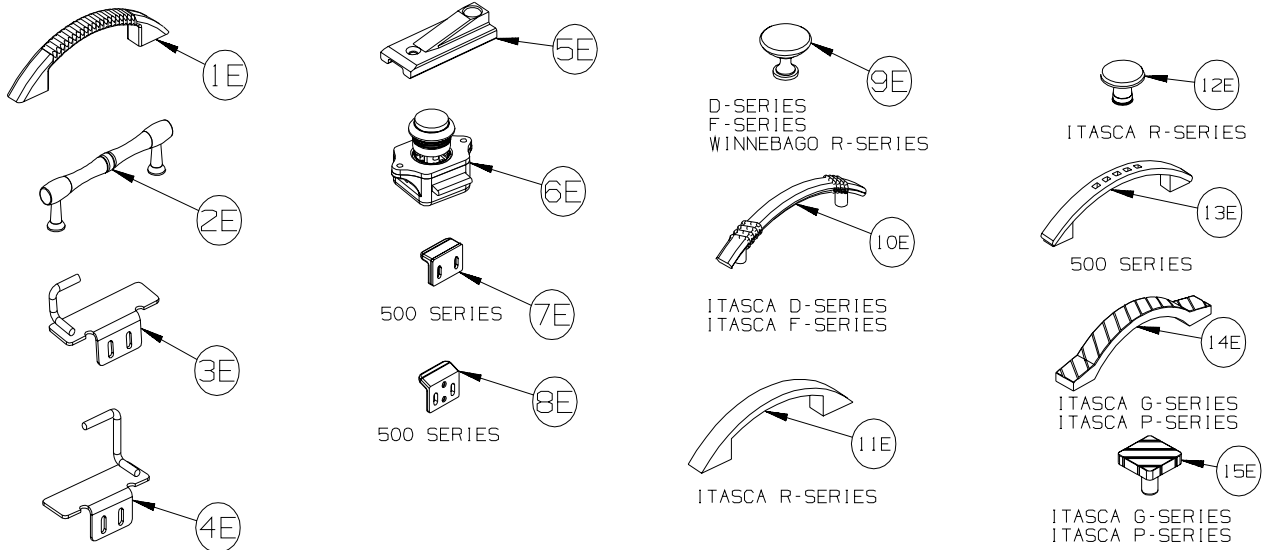
INTERIOR FINISH GROUP (CONTINUED)

HARDWARE (CONTINUED)



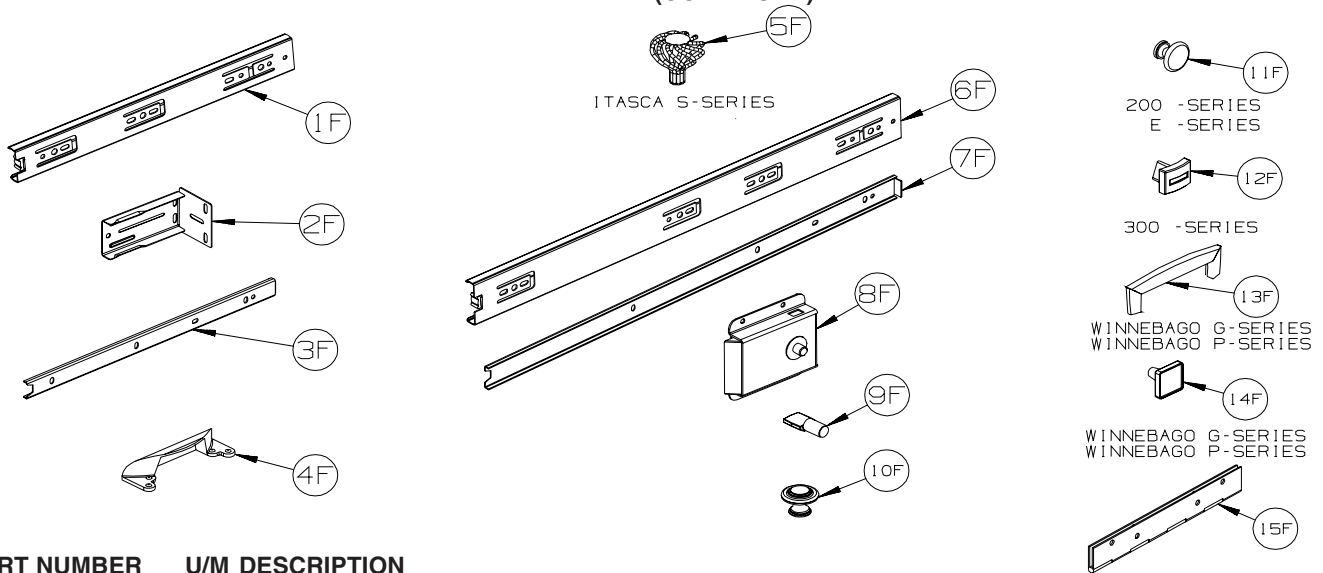
KEY	PART NUMBER	U/M	DESCRIPTION
1D	137463-01-02A	EA	LIFT - HOOK - PEWTER
2D	139136-01-02A	EA	HANDLE - .75" RECESSED - PEWTER
2D	139136-02-02A	EA	HANDLE - .35" RECESSED - PEWTER
3D	139264-01-02B	EA	STOP - DOOR - TAMBOUR/RH HAND - E-COATED
4D	139264-02-02B	EA	STOP - DOOR - TAMBOUR/LH HAND - E-COATED
5D	142569-07-000	EA	SPRING/GAS - 20 LB - 20" EXTENDED/12" COMPRESSED
5D	142569-15-000	EA	SPRING/GAS - 120 LB - 20" EXTENDED/12" COMPRESSED
5D	142569-16-000	EA	SPRING/GAS - 90 LB - 20" EXTENDED/12" COMPRESSED
5D	142569-29-000	EA	SPRING/GAS - 20 LB - 9.9" EXTENDED/5.9" COMPRESSED
6D	143468-02-03A	EA	HINGE - SELF CLOSING - SATIN NICKEL
7D	144488-01-02A	EA	HINGE - CABINET - NICKEL
8D	144917-01-01A	EA	PULL - DRAWER - SATIN NICKEL - TOUR R-SERIES
9D	145939-03-01A	EA	ROD/LATCH - AISLE DOOR - BRASS
			FROM: 00-00-00 THRU: 04-16-06
9D	145939-05-01A	EA	ROD/LATCH - AISLE DOOR - BRASS - NOT ILLUSTRATED
			FROM: 04-17-06 THRU: 07-30-06
9D	145939-05-02A	EA	ROD/LATCH - AISLE DOOR - NICKEL - NOT ILLUSTRATED
			FROM: 07-31-06 THRU: 99-99-99
10D	145939-04-02A	EA	LATCH/SLIDE - AISLE DOOR(1" THICK DOOR)-NICKEL/BLACK SLIDE
11D	146064-01-02A	EA	LOCK/PRIVACY (LOCKING) LEVER STYLE - SATIN PEWTER
12D	146064-05-01A	EA	LOCK/PRIVACY (LOCKING) KNOB STYLE - SATIN NICKEL
13D	146064-06-01A	EA	LOCK/PASSAGE (NON LOCKING) KNOB STYLE - SATIN NICKEL
14D	146553-01-01A	EA	HINGE - CABINET DOOR - BURNISHED BRASS
14D	146553-01-03A	EA	HINGE - CABINET DOOR - SATIN NICKEL
15D	146801-01-01A	EA	ROD/TOWEL BAR (OFFSET) - BRASS
15D	146801-01-02A	EA	ROD/TOWEL BAR (OFFSET) - PEWTER
16D	146840-03-01A	EA	ROD - .25" X 11.7" - BRASS
16D	146840-03-02A	EA	ROD - .25" X 11.7" - PEWTER
16D	146840-04-01A	EA	ROD - .25" X 13.1" - BRASS
16D	146840-04-02A	EA	ROD - .25" X 13.1" - PEWTER
16D	146840-05-01A	EA	ROD - .25" X 14.8" - BRASS
16D	146840-05-02A	EA	ROD - .25" X 14.8" - PEWTER
16D	146840-07-01A	EA	ROD - .25" X 4.2" - BRASS
16D	146840-07-02A	EA	ROD - .25" X 4.2" - PEWTER

INTERIOR FINISH GROUP (CONTINUED) HARDWARE (CONTINUED)



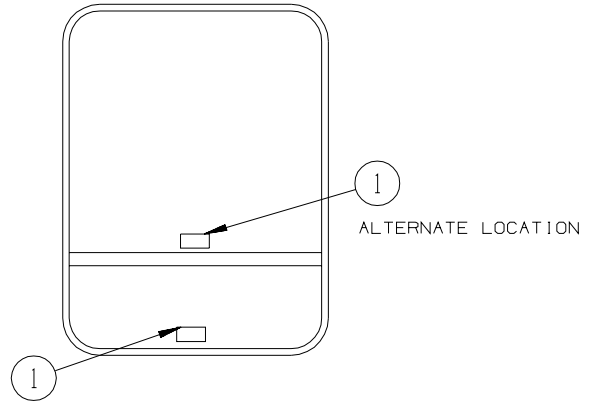
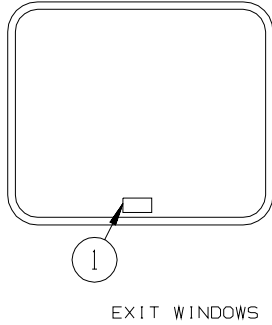
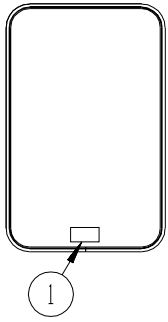
KEY	PART NUMBER	U/M	DESCRIPTION
1E	148816-01-02A	EA	PULL - CABINET DOOR - NICKEL - ASPECT, CAMBRIA 700-SERIES
2E	149090-01-02A	EA	PULL - CABINET DOOR - NICKEL - SIGHTSEER D-SERIES, VOYAGE F-SERIES
3E	149607-01-02B	EA	GUIDE - F/POCKET DOOR - 1.6" BENT ROD - E-COATED
3E	149607-03-02B	EA	GUIDE - F/POCKET DOOR - 2.9" BENT ROD - E-COATED
4E	149607-04-02B	EA	GUIDE - F/POCKET DOOR - E-COATED
5E	150983-01-01A	EA	STRIKE/BLOCK - WEDGE STYLE - F/SLIDE DOOR - 3" X 1.2" - BLACK
6E	151380-01-01A	EA	LATCH - CABINET DOOR - PUSH BUTTON - VIEW & NAVION 500-SERIES
7E	151380-02-01A	EA	STRIKE - CABINET DOOR - VIEW & NAVION 500-SERIES
8E	151380-03-01A	EA	STRIKE - CABINET DOOR - VIEW & NAVION 500-SERIES
9E	152080-01-01A	EA	PULL-NICKEL - SIGHTSEER & SUNOVA D-SERIES, VOYAGE & SUNRISE F-SERIES, TOUR R-SERIES
10E	152302-01-01A	EA	PULL - CABINET DOOR - SATIN NICKEL - SUNOVA D-SERIES, SUNRISE F-SERIES
11E	152304-01-01A	EA	PULL - CABINET DOOR - BRONZE- ELLIPSE R-SERIES
12E	152305-01-01A	EA	KNOB - DOOR/DRAWER - BRONZE - ELLIPSE R-SERIES
13E	152950-01-01A	EA	PULL - DOOR/DRAWER - BRUSHED NICKEL - VIEW & NAVION 500-SERIES
14E	152951-01-01A	EA	PULL - DOOR/DRAWER - PEWTER - SUNCRUISER G-SERIES, MERIDIAN P-SERIES
15E	152952-01-01A	EA	PULL - KNOB/DRAWER - PEWTER - SUNCRUISER G-SERIES, MERIDIAN P-SERIES

INTERIOR FINISH GROUP (CONTINUED) HARDWARE (CONTINUED)

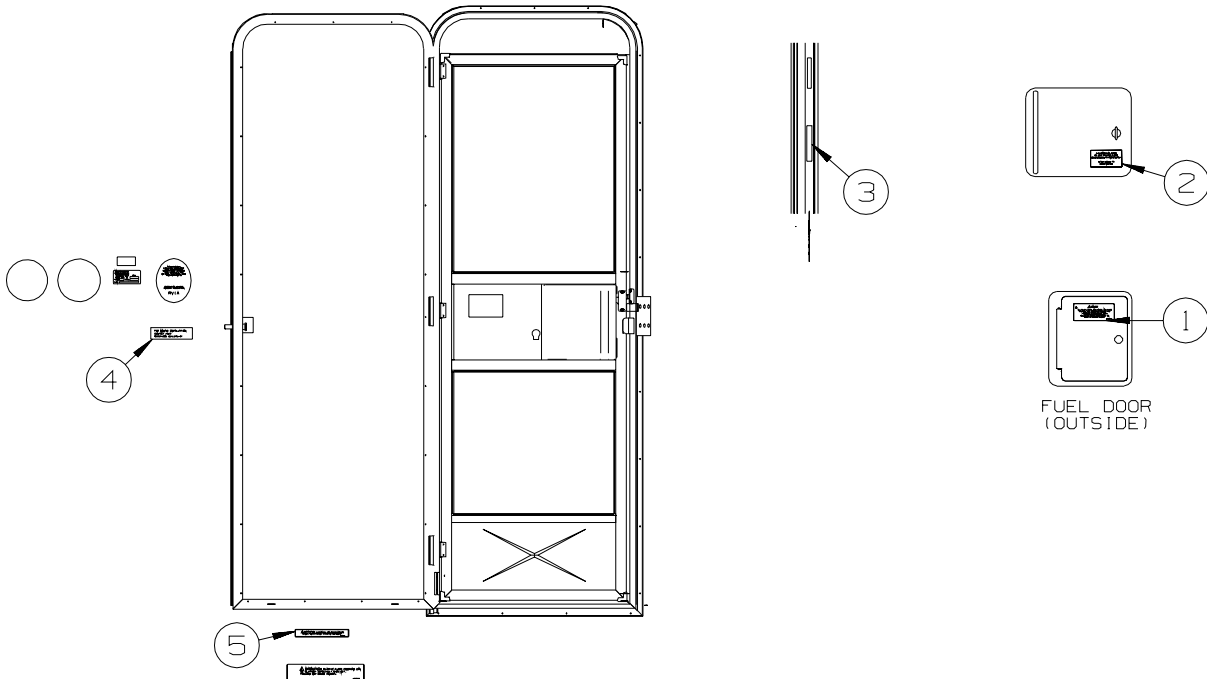


KEY	PART NUMBER	U/M	DESCRIPTION
1F	153000-01-01A	EA	SLIDE - CABINET MOUNT - 11.8"
1F	153000-03-01A	EA	SLIDE - CABINET MOUNT - 13.8"
1F	153000-05-01A	EA	SLIDE - CABINET MOUNT - 15.7"
1F	153000-07-01A	EA	SLIDE - CABINET MOUNT - 17.7"
1F	153000-09-01A	EA	SLIDE - CABINET MOUNT - 19.7"
1F	153000-11-01A	EA	SLIDE - CABINET MOUNT - 21.6"
1F	153000-14-01A	EA	SLIDE - CABINET MOUNT - 23.6"
1F	153000-18-01A	EA	SLIDE - CABINET MOUNT - 9.8"
1F	153000-20-01A	EA	SLIDE - CABINET MOUNT - 25.6"
2F	153000-13-01A	EA	BACKSOCKET - DRAWER SLIDE
3F	153000-02-01A	EA	SLIDE - DRAWER MOUNT - 11.8"
3F	153000-04-01A	EA	SLIDE - DRAWER MOUNT - 13.8"
3F	153000-06-01A	EA	SLIDE - DRAWER MOUNT - 15.7"
3F	153000-08-01A	EA	SLIDE - DRAWER MOUNT - 17.7"
3F	153000-10-01A	EA	SLIDE - DRAWER MOUNT - 19.7"
3F	153000-12-01A	EA	SLIDE - DRAWER MOUNT - 21.6"
3F	153000-15-01A	EA	SLIDE - DRAWER MOUNT - 23.4"
3F	153000-19-01A	EA	SLIDE - DRAWER MOUNT - 9.8"
3F	153000-21-01A	EA	SLIDE - DRAWER MOUNT - 25.4"
4F	153308-01-01A	EA	PULL - VANITY STOOL - SATIN NICKEL
5F	153335-01-02A	EA	PULL - KNOB - DOOR/DRAWER - FLAT BLACK - HORIZON S-SERIES
6F	153352-01-01A	EA	SLIDE - PANTRY - 19.7" - CABINET MOUNT
6F	153352-03-01A	EA	SLIDE - EXT ENTERTAINMENT CNTR - 13.8" - CABINET MOUNT
7F	153352-02-01A	EA	SLIDE - PANTRY - 19.5" - DRAWER MOUNT
7F	153352-04-01A	EA	SLIDE - EXT ENTERTAINMENT CNTR - 13.6" - DRAWER MOUNT
8F	153353-01-01A	EA	LATCH - SLIDING/FLUSH - BLACK
9F	154385-01-02A	EA	PIN - SUPPORT/GLASS DOOR - 1/4" - NICKEL
10F	155803-01-01A	EA	KNOB CABINET DOOR - WROUGHT IRON
11F	155925-01-01A	EA	KNOB - DOOR/DRAWER - SATIN NICKEL - ACCESS & IMPULSE 200-SERIES
12F	156579-01-01A	EA	KNOB - DOOR/DRAWER - PEWTER - OUTLOOK & SPIRIT 300-SERIES
13F	157246-01-01A	EA	PULL - CABINET DOOR/DRAWER - SATIN NICKEL - ADVENTURER G-SERIES, JOURNEY P-SERIES
14F	157246-02-01A	EA	KNOB - CABINET DOOR/DRAWER - SATIN NICKEL - ADVENTURER G-SERIES, JOURNEY P-SERIES
15F	158982-01-04B	EA	HINGE - CONTINUOUS - 2" X 8" - BLACK
	158982-01-01A	EA	HINGE - CONTINUOUS - 2" X 8" - ZINC

LABELS GROUP

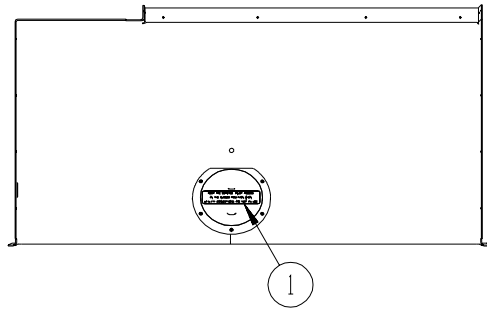
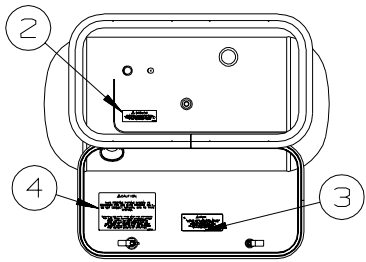


KEY	PART NUMBER	U/M DESCRIPTION
1	039290-01-000	EA LABEL - WARNING - EXIT

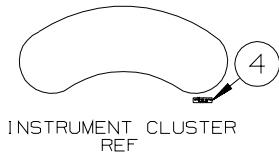


KEY	PART NUMBER	U/M DESCRIPTION
1	124519-01-01A	EA LABEL - WARNING/REFUELING - BLACK ON CLEAR
1	124519-01-02A	EA LABEL - WARNING/REFUELING - WHITE ON CLEAR
1	124519-02-01A	EA LABEL - WARNING/REFUELING - BLACK ON CLEAR - CANADIAN
1	124519-02-02A	EA LABEL - WARNING/REFUELING - WHITE ON CLEAR - CANADIAN
2	125306-04-01A	EA LABEL - ELECTRICAL ENTRANCE-120/20V 50 AMP-BLACK ON CLEAR
2	125306-04-02A	EA LABEL - ELECTRICAL ENTRANCE-120/240V 50 AMP-WHITE ON CLEAR
3	135869-01-01A	EA LABEL - MERCURY CONTENT - BLACK ON CLEAR
3	135869-01-02A	EA LABEL - MERCURY CONTENT - WHITE ON CLEAR
4	099509-01-000	EA LABEL - AWNING INSTALLATION
5	065748-01-000	EA LABEL - WARNING - BATTERY CHARGING - UL

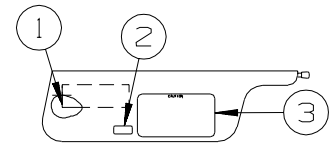
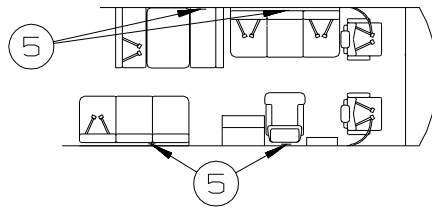
LABELS GROUP (CONTINUED)



KEY	PART NUMBER	U/M	DESCRIPTION
1	123562-01-000	EA	LABEL - SERVICE/UTILITY ACCESS
2	079965-01-000	EA	LABEL - LPG - 80% CAPACITY
3	124519-01-01A	EA	LABEL - WARNING/REFUELING - BLACK ON CLEAR
3	124519-01-02A	EA	LABEL - WARNING/REFUELING - WHITE ON CLEAR
4	124520-01-01A	EA	LABEL - LP GAS ONLY - BLACK ON CLEAR
4	124520-01-02A	EA	LABEL - LP GAS ONLY - WHITE ON CLEAR
4	023769-01-000	EA	LABEL - WARNING - LPG - CANADIAN



TYPICAL SEAT AND BELT CONFIGURATIONS



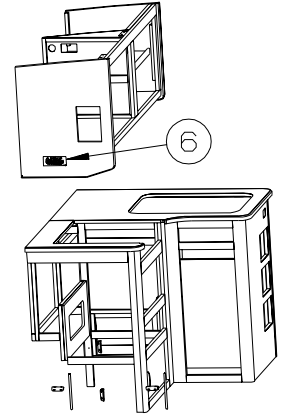
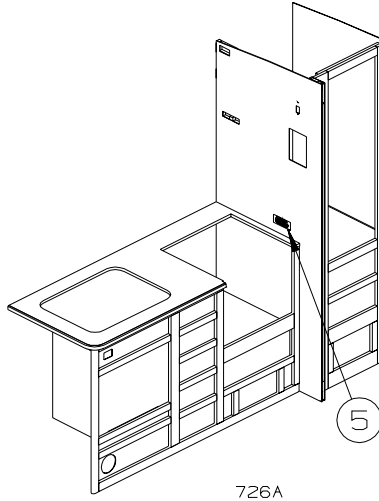
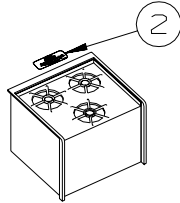
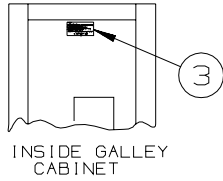
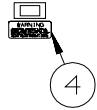
LABELS SHALL BE LOCATED ON OPPOSITE SIDE OF VISOR THAT THE AIR BAG LABEL IS INSTALLED ON.

ATTACH LABEL ON OR NEXT TO:
 +ANY SINGLE CHAIR WITHOUT BELTS.
 +ANY DINETTE SEAT WITHOUT BELTS.
 +ANY COUCH WITHOUT BELTS OR ANY SEATING POSITION ON THAT COUCH.
 DO NOT ATTACH LABEL IF:
 +DINETTE SEAT HAS AT LEAST ONE SET OF BELTS INSTALLED.

KEY	PART NUMBER	U/M	DESCRIPTION
1	126611-01-000	EA	LABEL - AIR BAG - VISOR
2	099689-01-000	EA	LABEL - WARNING - CANCER/TOXICITY
3	056259-01-000	EA	LABEL - SAFETY CHECK LIST
4	155692-01-01A	EA	LABEL - ODOMETER - READ IN MILE - BLACK/WHITE
4	155692-01-02A	EA	LABEL - ODOMETER - READ IN MILE - WHITE/CLEAR
5	134538-01-01A	EA	LABEL - OCCUPANCY - NO SEAT BELT - BLACK ON CLEAR - US
5	134538-02-01A	EA	LABEL - OCCUPANCY - NO SEAT BELT - BLACK ON CLEAR - CANADIAN

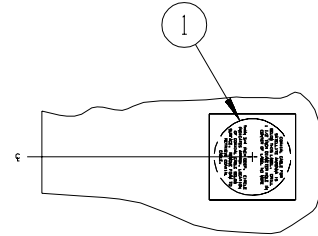
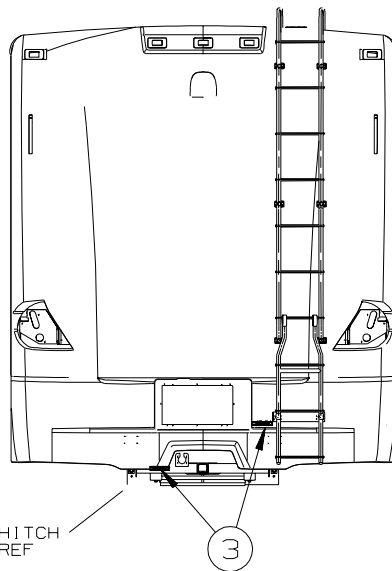
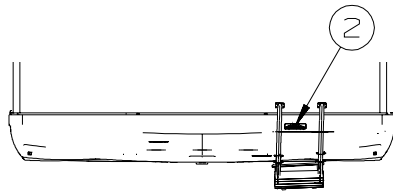
LABELS GROUP (CONTINUED)

SLIDEOUT CONTROL SWITCH



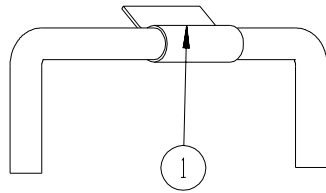
729H

KEY	PART NUMBER	U/M	DESCRIPTION
1	077956-01-000	EA	LABEL - WARNING/SMOKE DETECTOR
2	134539-01-01A	EA	LABEL - WARNING - STOVE/HEATING - US - BLACK ON CLEAR
2	134540-01-01A	EA	LABEL - WARNING - STOVE/HEATING - CSA - BLACK ON CLEAR - CANADIAN
3	073998-01-000	EA	LABEL - LPG/ODOR WARNING
4	116549-02-000	EA	LABEL - WARNING - SLIDEOUT
5	143911-01-01A	EA	LABEL - CURTAIN SECUREMENT - BLACK ON CLEAR
5	155196-01-01A	EA	LABEL - CURTAIN SECUREMENT - BLACK ON CLEAR - CANADIAN
6	143911-02-01A	EA	LABEL - CURTAIN SECUREMENT - BLACK ON CLEAR
6	155196-01-01A	EA	LABEL - CURTAIN SECUREMENT - BLACK ON CLEAR - CANADIAN

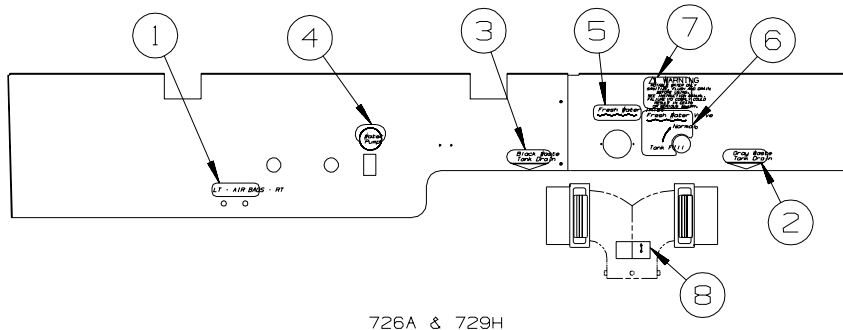
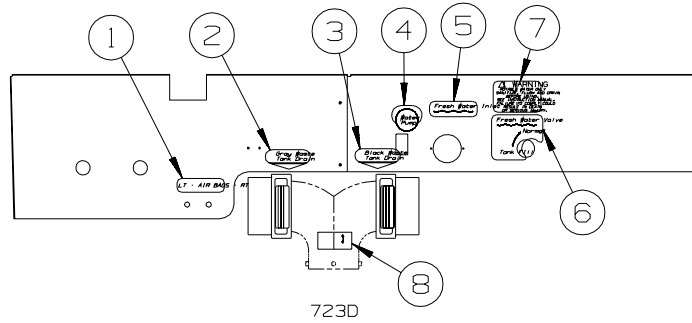


KEY	PART NUMBER	U/M	DESCRIPTION
1	128218-01-01A	EA	LABEL - WARNING - SLIPPERY ROOF
2	120431-01-000	EA	LABEL - LOCATION - COAXIAL CABLE/SATELLITE ANTENNA
3	129669-01-01A	EA	LABEL - HITCH/VEHICLE RATE - 350 - WHITE ON CLEAR
3	129669-01-02A	EA	LABEL - HITCH/VEHICLE RATE - 350 - BLACK ON CLEAR

LABELS GROUP (CONTINUED)



KEY	PART NUMBER	U/M DESCRIPTION
1	128658-01-000	EA LABEL - PROP ROD - ENTRY DOOR



KEY	PART NUMBER	U/M DESCRIPTION
1	136360-02-01A	EA LABEL - AIR BAGS - BLACK/CLEAR
2	152541-03-01A	EA LABEL - GRAY WASTE
3	152543-03-01A	EA LABEL - BLACK WASTE
3	152543-03-02A	EA LABEL - BLACK WASTE - WHITE/BLACK
4	152544-03-01A	EA LABEL - SWITCHES - WATER PUMP
5	152538-02-01A	EA LABEL - FRESH WATER - PANTONE/CLEAR
6	152548-01-01A	EA LABEL - VALVE/FRESH
7	128725-02-01A	EA LABEL - POTABLE WATER ONLY - BLACK ON CLEAR
8	144649-01-01A	EA LABEL - ADJUSTABLE VALVE - WHITE ON CLEAR

**LP GROUP
LP SYSTEM**

KEY	PART NUMBER	U/M	DESCRIPTION
	010323-01-000	EA	ADAPTER - 3/8"F X 1/2"MPT - BRASS
	010326-01-000	EA	ADAPTER - FLARE - W/CONE GASKET - 3/8"F X 1/2"F
	010329-01-000	EA	ADAPTER - 1/2"F X 1/2"MPT - BRASS
	010377-02-000	EA	NUT - 3/8" FLARE - FORGED - BRASS
	010380-02-000	EA	NUT - 1/2" FLARE - FORGED - BRASS
	010589-01-000	EA	NIPPLE - PIPE - 1/2" X 1 1/2" - BLACK
	024250-01-000	EA	ADAPTER - BRASS - 3/8"F X 1/2"FPT
	040440-02-000	EA	TRANSMITTER - DIAL/BOLT-ON - 0-90 OHM 2 TERM(POWER/GROUND)
	045703-03-000	EA	HOSE - LP - 3/8"ID X 18" - 3/8"MPT X 1/2"F SWIVEL - US
	045703-07-000	EA	HOSE - LP - 3/8"ID X 10" - 3/8"MPT X 1/2"F SWIVEL - US
	045703-12-000	EA	HOSE - LP - 3/8"ID X 18" - 3/8"MPT X 1/2"F SWIVEL - CSA
	045703-22-000	EA	HOSE - LP - 3/8"ID X 60" - 1/2"F SWIVEL X1/2"F SWVL US/CSA
	057042-01-000	EA	ADAPTER - CROSS 1/2"PIPE
	106150-05-000	EA	REGULATOR - TWO STAGE
*	144116-09-000	EA	TANK - LP - 60 LB - 14"D X 29.75"L
	144485-01-000	EA	COVER - LP REGULATOR
	148919-01-000	EA	UNION-FLARE - 3/8" BRASS
	148919-02-000	EA	UNION-FLARE - 1/2" BRASS

***COMPONENT PARTS LISTED LATER IN THIS GROUP**

COMPONENT PARTS FOR LP SYSTEM

144116-09-000

KEY	PART NUMBER	U/M	DESCRIPTION	VENDOR NO.
	040421-01-712	EA	VALVE-SERV. W/O VAPOR RELIEF	V20373
	040421-01-713	EA	VALVE-RELIEF 1" W/SPRING 7"	V20479
	144116-01-700	EA	VALVE-OUTAGE(NO STEM REMOVE)	V20058
	144116-04-700	EA	FLOAT/SENDING UNIT W/O DIAL	G11530
	144116-04-701	EA	DIAL - TRANSMITER	G12845
	144116-09-700	EA	VALVE/FILL 80%	V20150

SEALANTS & FASTENERS GROUP
SEALANTS & ADHESIVES

KEY	PART NUMBER	U/M	DESCRIPTION
	004001-02-000	EA	GUN - PLEXUS ADHESIVE - W/O NOZZLE
	004001-05-000	EA	ADHESIVE - SCOTCH-WELD - 3M DP100 - CLEAR - 50ML
	004011-01-000	EA	ADHESIVE-3M-4475 TUBE
	010405-02-000	EA	TAPE - THREAD SEALING - 3/8"
	064075-07-000	FT	SEAL - BULB - W/WIRED U CHANNEL - .3" X .5" CHANNEL-BLACK
	067788-01-000	EA	ADHESIVE - SPRAY - 3M - 19.5 OZ AEROSOL CAN
	069640-01-000	FT	SEALER - RIBBON - 1/4"DIAMETER X 30 FT - BLACK OR GRAY
	069640-02-000	FT	SEALER - TAPE - 1/8"THICK X 1/2"WIDE X 60 FT - GRAY
	069640-03-000	FT	SEALER - TAPE - 1/8"THICK X 3/4"WIDE X 60 FT - BLACK
	069640-07-000	FT	SEALER - TAPE - 3/32"THICK X 2"WIDE X 45 FT - GRAY
	069640-09-000	FT	SEALER - TAPE - 1/32"THICK X 2 1/2"WIDE X 80 FT - BRT WHT
	069640-10-000	FT	SEALER - TAPE - 1/32"THICK X 1 1/2"WIDE X 90 FT - BRT WHT
	069640-11-000	FT	SEALER - TAPE - 3/16"THICK X 3/8"WIDE X 40 FT - BLACK
	069640-13-000	FT	SEALER - TAPE - 3/32"THICK X 2"WIDE X 45 FT - BLACK
	069640-14-000	FT	SEALER - TAPE - 1/16"THICK X 1"WIDE X 100 FT - BLACK
	069640-15-000	FT	SEALER - TAPE - 1/16"THICK X 3/8"WIDE X 100 FT - BRT WHT
	069640-17-000	FT	SEALER - TAPE - 1/32"THICK X 1"WIDE X 150 FT - GRAY
	069640-18-000	FT	SEALER - TAPE - 1/8"THICK X 1/2"WIDE X 60 FT - BRT WHT
	069640-19-000	FT	SEALER - TAPE - 1/8"THICK X 3/4"WIDE X 60 FT - BRT WHT
	069640-20-000	FT	SEALER - TAPE - 1/8"THICK X 1/2"WIDE X 60 FT - BLACK
	069640-21-000	FT	SEALER - TAPE - 1/16"THICK X 1/2"WIDE X 100 FT - BRT WHT
	069640-22-000	FT	SEALER - TAPE - 1/32"THICK X 1/4"WIDE X 200 FT - BRT WHT
	069640-23-000	FT	SEALER - TAPE - 1/16"THICK X 3/4"WIDE X 100 FT - BRT WHT
	069640-27-000	FT	SEALER - TAPE - 1/16"THICK X 2 1/4"WIDE X 50 FT - BRT WHT
	069640-28-000	FT	SEALER - TAPE - 1/32"THICK X 1 7/8"WIDE X 90 FT - GRAY
	069640-30-000	FT	SEALER - TAPE - 1/32"THICK X 5/8"WIDE X 50 FT - GRAY
	069640-31-000	FT	SEALER - TAPE - 1/4"THICK X 3/4"WIDE X 15 FT - BLACK
	069640-32-000	FT	SEALER - TAPE - 1/16"THICK X 3/8"WIDE X 100 FT - BLACK
	069640-33-000	FT	SEALER - RIBBON - 3/8"DIAMETER X 20 FT - BLACK
	069640-34-000	FT	SEALER - RIBBON - 1/4"DIAMETER X 30 FT - BRIGHT WHITE
	072889-28-000	EA	SEALANT/URETHANE-10 OZ TUBE W/NOZZLE-SELF LEVELING-BRT WHT
	076322-01-000	FT	TAPE-DOUBLE COATED/ADHESIVE BK-.03"THK X .8"W X 216' - WHT
	076322-02-000	FT	TAPE-DOUBLE COATED/ADHESIVE BK-.05"THK X 1"W X 108' - WHT
	076322-03-000	FT	TAPE-DOUBLE COATED/ADHESIVE BK-.05"THK X .5"W X 108' - WHT
	076322-05-000	FT	TAPE-DOUBLE COATED/ADHESIVE BK-.05"THK X .8"W X 108' - WHT
	076322-07-000	FT	TAPE-DOUBLE COATED/ADHESIVE BK-.05"THK X .5"W X 200' - BLK
	076322-13-000	FT	TAPE - FOAM/DOUBLE COATED - .020"THK X .75"W - CLEAR
	076322-21-000	FT	TAPE - FOAM/DOUBLE COATED - .045"THK X .50"W
	076322-22-000	FT	TAPE - FOAM/DOUBLE COATED - .045"THK X .75"W
	076322-23-000	FT	TAPE - FOAM/DOUBLE COATED - .045"THK X 1"W
	076322-25-000	FT	TAPE - FOAM/DOUBLE COATED - .025"THK X .5"W
	086276-01-000	EA	TAPE - DOUBLE SIDED - 1/2" WIDE X 108' LONG (SOLD BY ROLL)
	088479-01-000	EA	TAPE - ALUMINUM - 3"
	090340-01-000	FT	SEAL - FOAM - CLOSED CELL - 1/4" X 1/2" X 50'
	091255-02-000	FT	SEAL - ADHESIVE BACKED/FOAM - 3/64"THICK X 3/16"W X 1000'
	091255-03-000	FT	SEAL - ADHESIVE BACKED/FOAM - 1/4" THICK X 1/4"W X 1000'
	094401-01-000	EA	SEALER - BODY SEAM - FLEXICLEAR
	094401-04-000	EA	SEALER - BODY SEAM - CLEAR
	094401-05-000	EA	SEALER - BODY SEAM - 20OZ BLACK
	094401-06-000	EA	SEALER - BODY SEAM - 12OZ BLACK
	094401-07-000	EA	SEALER - BODY SEAM - CLEAR
	098408-01-000	FT	SEAL - SPONGE RUBBER - CLOSED CELL
	099069-01-000	FT	SEAL - RUBBER - CLOSED SPONGE - .5" WIDE X .12" THICK-BLK
	099418-01-000	FT	SEAL - D-SECTION/ADHESIVE BACK - ..44" X .44" - BLK RUBBER
	107828-01-000	EA	SEALANT - SB - 190 EVERSEAL
	112864-01-000	FT	SEAL - FOAM/BUTYL COVERED - 3/8" X 35'
	112864-02-000	FT	FOAM - BUTYL COVERED - 5/16" X 44'
	112864-04-000	FT	FOAM - BUTYL COVERED - 3/8" X 1/8"
	112901-02-000	EA	ADHESIVE - PLEXUS - MA330 - 50ML - GRAY
	112901-03-000	EA	ADHESIVE - PLEXUS - MA300 - 50ML - WHITE
	112902-01-000	EA	NOZZLE - ELEMENT - 3/8" X 24
	112902-03-000	EA	MIXER NOZZLE - F/GUN #00400102000 - SCOTCH-WELD & PLEXUS
	112902-04-000	EA	NOZZLE - ELEMENT - 1/4" X 3.5"
	112902-05-000	EA	NOZZLE - BAYONET - 3/8" X 18

SEALANTS & FASTENERS GROUP (CONTINUED)

SEALANTS & ADHESIVES (CONTINUED)

KEY	PART NUMBER	U/M	DESCRIPTION
	112902-06-000	EA	NOZZLE - ELEMENT - 1/2" X 32
	113366-01-000	EA	ADHESIVE - INSTANT - 1 OZ
	120074-02-03A	EA	SILICONE - TUBE - W/O NOZZLE - LOW ODOR - SMOKEY WHITE
	120534-01-01A	EA	TAPE - SCOTCH - 3M - 1/2" FINE LINE
	123244-01-000	FT	TAPE - DOUBLE SIDED/FOAM - 5/64"THICK X 3/4"WIDE X 108'
	123816-01-000	FT	TAPE - DOUBLE SIDED - 1" X .020" X 200' - CLEAR
	123816-02-000	FT	TAPE - DOUBLE SIDED - 1/2" X .035" X 200' - CLEAR
	123816-03-000	FT	TAPE - DOUBLE SIDED - 1/2" X .020" X 200' - CLEAR
	123816-04-000	FT	TAPE - DOUBLE SIDED - 6" X .0035" X 750' - CLEAR
	123816-06-000	FT	TAPE - DOUBLE SIDED - 3/4" X 3/4" X 200' - CLEAR
	123816-07-000	FT	TAPE - DOUBLE SIDED - 1 3/4" X 200' - CLEAR
	126427-01-000	EA	ADHESIVE - ALL PURPOSE - ABS/PVC
	126427-02-000	EA	PRIMER - CLEANER - FLEX PIPING
	131264-01-11A	EA	SILICONE - TUBE - W/NOZZLE - BEIGE
	131264-01-12A	EA	SILICONE - TUBE - W/NOZZLE - BONE
	131264-01-13A	EA	SILICONE - TUBE - W/NOZZLE - TRANSLUCENT
	131264-02-01A	EA	SILICONE - TUBE - W/NOZZLE - VW GRAY - BATH ONLY
	131264-03-01A	EA	SILICONE - TUBE - W/O NOZZLE - SELF LEVELING - BRIGHT WHITE
	131264-04-01A	EA	SILICONE/SEALANT/ADHESIVE - FAST CURE F/GLASS/VINYL - B/W
	131264-04-02A	EA	SILICONE/SEALANT/ADHESIVE-FAST CURE F/GLASS/VINYL-SOFT WHT
	131264-05-01A	EA	SILICONE/SEALANT - ODORLESS - TUBE - W/NOZZLE - BLACK
	131264-05-02A	EA	SILICONE/SEALANT - ODORLESS - TUBE - W/NOZZLE - CLEAR
	131384-01-000	EA	ADHESIVE - JET WELD - 10 OZ CARTRIDGE
	132892-07-01A	FT	SEAL - BULB/SINGLE - W/U CHANNEL - .5" X 1" - BLACK
	152038-01-01A	EA	TAPE - PRESERVATION SEAL - 2" X 36YD ROLL - BLACK
	154585-01-01A	FT	SEAL - FOAM TAPE - ADHESIVE BACK - 3/8" X 3/8" - BLACK
	154585-02-01A	FT	SEAL - FOAM TAPE - ADHESIVE BACK - 3/4" X 1/2" - BLACK
	154585-03-01A	FT	SEAL - FOAM TAPE - ADHESIVE 2 SIDED - 1/8" X 3/4" - BLACK
	154585-04-01A	FT	SEAL - FOAM TAPE - ADHESIVE BACK - 5/8" X 1/8" - WHITE

BOLTS, NUTS AND WASHERS

KEY	PART NUMBER	U/M	DESCRIPTION
	0MD54F-06-000	EA	NUT - HEX W/SERATED FLANGE
	000C12-04-08B	EA	BOLT - HEX - 1/4-20 X 1/2 - GRADE #5 - ZINC
	000C12-04-40B	EA	BOLT - HEX - 1/4-20 X 2 1/2 - GRADE #5 ZINC
	000C12-04-20F	EA	BOLT - HEX - 1/4-20 X 1 1/4 - GRADE #5 - STAINLESS STEEL
	000C12-04-12A	EA	BOLT - HEX - 1/4-20 X 3/4 - PLAIN 5
	000C12-05-16B	EA	BOLT - HEX - 5/16 - 18X1 - GRADE #5 - ZINC
	000C12-05-40B	EA	BOLT - HEX - 5/16"-18 X 2.5" - GRADE #5 - ZINC
	000C12-06-28B	EA	BOLT-HEX-3/8-16X13/4 ZN 5 - 5185-01
	000C12-08-44B	EA	BOLT - HEX - 1/2-13 X 2 3/4 - GRADE #5 - ZINC
	000C12-08-24B	EA	BOLT - HEX - 1/2-13 X 1 1/2 - GRADE #5 - ZINC
	000C12-08-28B	EA	BOLT - HEX - 1/2-13 X 1 3/4 - GRADE #5 - ZINC
	000C13-07-40B	EA	BOLT - HEX - 7/16-20 X 2 1/2 - GRADE #5 - ZINC
	000C13-07-48B	EA	BOLT - HEX - 7/16-20 X 3 - GRADE #5 - ZINC
	000C13-07-72B	EA	BOLT - HEX - 7/16-20 X 4.5" - GRADE #5 - ZINC
	000C16-07-16B	EA	BOLT - CARRIAGE - ASSIST HANDLE - 7/16-14 X 1
	000C18-05-40A	EA	BOLT - ELEVATOR - 5/16-18 X 2 1/2 - PL
	000C26-04-18B	EA	BOLT - HEX - SERRATED FLANGE - 1/4-20 X 1 1/8 - ZINC
	000C26-04-14B	EA	BOLT - HEX - SERRATED FLANGE - 1/4-20 X 7/8 - ZINC
	000C26-04-12F	EA	BOLT - HEX - SERRATED FLANGE -1/4-20 X 3/4-STAINLESS STEEL
	000C26-04-10B	EA	BOLT - HEX - SERRATED FLANGE - 1/4-20 X 5/8 - ZINC
	000C26-04-40F	EA	BOLT - HEX - SERRATED FLANGE -1/4-20 X 2.5-STAINLESS STEEL
	000C26-05-12B	EA	BOLT - HEX - SERRATED FLANGE - 5/16-18 X 3/4 - ZINC
	000C26-06-12B	EA	BOLT - HEX - SERRATED FLANGE - 3/8-16 X 3/4 - ZINC
	000C26-06-20B	EA	BOLT - HEX - SERRATED FLANGE - 3/8-16 X 1 1/4 - ZINC
	000C26-06-28B	EA	BOLT - HEX - SERRATED FLANGE - 3/8-16 X 1 3/4 - ZINC
	000C26-06-40B	EA	BOLT - HEX - SERRATED FLANGE - 3/8-16 X 2 1/2 - ZINC
	000C26-08-28B	EA	BOLT - HEX - SERRATED FLANGE - 1/2-13 X 1 3/4 - ZINC
	000C26-08-24B	EA	BOLT - HEX - SERRATED FLANGE - 1/2-13 X 1 1/2 - ZINC
	000C26-08-40B	EA	BOLT - HEX - SERRATED FLANGE - 1/2-13 X 2 1/2-GRADE #5 ZINC
	000C27-08-48B	EA	BOLT-CARR 1/2-13X3.00 GR5 - 97 M-SERIES
	000C27-08-64B	EA	BOLT - CARRIAGE - 1/2-13 X 4 - GRADE 5
	000D16-07-00B	EA	NUT - HEX - 7/16-14 - ZINC

SEALANTS & FASTENERS GROUP (CONTINUED)
BOLTS, NUTS AND WASHERS (CONTINUED)

KEY	PART NUMBER	U/M	DESCRIPTION
	000D24-10-00B	EA	NUT - HEX - SELF LOCKING - 10-32 - ZINC
	000D27-05-00B	EA	NUT - HEX LOCK - 5-40 - ZINC
	000D28-10-00B	EA	NUT - HEX - W/NYLON LOCK - 10-32 - ZINC
	000D29-04-00F	EA	NUT - HEX - SELF LOCKING - 1/4 X 20 - STAINLESS STEEL
	000D29-04-00B	EA	NUT - HEX - SELF LOCKING - 1/4 X 20 - ZINC
	000D29-06-00B	EA	NUT - HEX - W/NYLON LOCK - 3/8-16 - ZINC
	000D29-09-00B	EA	NUT - HEX - SELF LOCKING - 9/16-12 - ZINC
	000D34-04-00B	EA	NUT - HEX - LOCKING - 1/4-20 - ZINC
	000D34-06-00B	EA	NUT - HEX - LOCKING - 3/8-16 GRADE C - ZINC
	000D39-04-00B	EA	NUT - HEX - LOCKING W/SERRATED FLANGE - 1/4-20 - ZINC
	000D39-05-00B	EA	NUT - HEX - LOCKING W/SERRATED FLANGE - 5/16-18 - ZINC
	000D39-06-00B	EA	NUT - HEX - LOCKING W/SERRATED FLANGE - 3/8-18 - ZINC
	000D39-06-00D	EA	NUT - HEX - LOCKING W/SERRATED FLANGE - 3/8"-16 BLACK
	000D39-07-00B	EA	NUT - HEX - LOCKING W/SERRATED FLANGE - 7/16-14 - ZINC
	000D39-08-00B	EA	NUT - HEX - LOCKING W/SERRATED FLANGE - 1/2-13 - ZINC
	000D39-09-00B	EA	NUT - HEX - LOCKING W/SERRATED FLANGE - 9/16-12 - ZINC
	000D44-04-00B	EA	NUT - HEX - LOCKING W/SERRATED FLANGE - 1/4-28 - ZINC
	000D44-07-00B	EA	NUT - HEX - LOCKING W/SERRATED FLANGE - 7/16-20 - ZINC
	000D44-08-00B	EA	NUT - HEX - LOCKING W/SERRATED FLANGE - 1/2-20 - ZINC
	000D46-04-00A	EA	NUT - HEX - WELD - 1/4-20 - PLAIN
	000D65-08-00B	EA	NUT - HEX - LOCKING W/SERRATED FLANGE - 8-32 - ZINC
	000D73-08-00C	EA	NUT - HEX FLANGE - 1/2-13
	000D75-09-00B	EA	NUT - HEX LOCKING - 9/16-12 - ZINC
	000D76-06-00B	EA	NUT - HEX FLANGE - 3/8-16
	000E11-04-00F	EA	WASHER - LOCKING - 1/4 MED SPLIT - STAINLESS STEEL
	000E11-07-00B	EA	WASHER - LOCKING - 7/16 MED SPLIT - ZINC
	000E11-08-00B	EA	WASHER - LOCKING - 1/2 MED SPLIT - ZINC
	000E13-17-00B	EA	WASHER - FLAT - 3/8 AR - ZINC
	000E13-18-00B	EA	WASHER - FLAT - 3/8 WIDE - ZINC
	000E13-20-00B	EA	WASHER - FLAT - 7/16 WIDE - ZINC
	000E13-22-00B	EA	WASHER - FLAT - 1/2 WIDE - ZINC
	000E13-26-00B	EA	WASHER - FLAT - 5/8 WIDE - ZINC
	000E14-10-00B	EA	WASHER - LOCKING - #10 EXTERNAL TOOTH - ZINC
	000E16-10-00B	EA	WASHER - HARDENED - 5/8 - FLAT - ZINC
	000G45-05-16B	EA	BOLT - LAG - 5/16-9 X 1 - ZINC
	005081-01-000	EA	NUT - SPEED - C-TYPE - #8 SCREW
	039715-01-000	EA	NUT-SERT - 1/4" DIAMETER - 20 THREADS
	040921-01-000	EA	NUT - SPEED - U TYPE - #10-24 - BLACK
	040921-03-000	EA	NUT - SPEED - U TYPE - #10
	040921-04-000	EA	NUT - SPEED - U TYPE - #8-.59" LENGTH X .44" WIDTH
	040921-05-000	EA	NUT - SPEED - U-TYPE - 8-.67" X .44" WIDE
	040921-11-000	EA	NUT - SPEED - U-TYPE - 8-.59" LENGTH X .44" WIDTH - BLACK
	041322-01-000	EA	WASHER - FLANGE - 15/32"ID X 2 3/8"OD - F/SEAT BELT MTG
	044364-02-000	EA	NUT - SPEED - FLAT - ROUND
	044533-01-000	EA	WASHER - 1 3/8"OD - FOR BUTTONS - PLASTIC
	051387-06-000	EA	BOLT - CARRIAGE W/O HOLE - 5/16-18 X 9 1/2 - ZINC
	058716-02-000	EA	WASHER - FLAT NYLON
	064081-03-000	EA	NUT - WING 3/8-16 - W/WELD NUT
	077071-01-000	EA	WASHER - FENDER - 3/16"ID X 1"OD
	087234-01-000	EA	NUT - JACK - 1/4 X 20 THD - MOLLY
	088787-12-000	EA	STUD - WELD - 1/4 - 20 X 1.0 LG - MN
	102540-02-000	EA	SEAL - SCREW
	106956-03-000	EA	BOLT - HEX TAP - 1/2-13NC X 3 - GRADE 5 - FULL THREAD/ZINC
	106956-10-000	EA	BOLT - HEX TAP - 9/16-12NC X 3 5/8 -GRD 5-FULL THREAD/ZINC
	106956-11-000	EA	BOLT - HEX TAP - 1/2-13NC X 2 1/2 - GRD 5-FULL THREAD/ZINC
	106956-13-000	EA	BOLT - HEX TAP - 1/2-20 X 2 1/2 - GRD 5-FULL THREAD/ZINC
	107397-01-000	EA	WASHER - FENDER - 3/4"ID X 1"OD
	108067-03-000	EA	STUD - WELD - 1/4 - 20 X 1/2 CD
	109917-03-000	EA	WASHER - 1" X .50"
	109917-04-000	EA	WASHER - 1" X .75"
	128444-01-000	EA	WASHER - SPRING - CONICAL
	135092-02-01A	EA	BOLT - HEX - SERRATED FLANGE - 1/2-20 X 2 1/2-GRADE 5 ZINC
	135092-05-01A	EA	BOLT - HEX - SERRATED FLANGE - 1/2-20 X 1 - GRADE 5 ZINC
	143399-01-01A	EA	NUT/RETAINING - 3/8"- 24 NFT

SEALANTS & FASTENERS GROUP (CONTINUED)
BOLTS, NUTS AND WASHERS (CONTINUED)

KEY	PART NUMBER	U/M DESCRIPTION
	144904-01-01A	EA BOLT - ADJUSTMENT - HEADLAMP
	147284-02-000	EA NUT/SELF RETAINING - 5/16"-18
	148817-01-000	EA WASHER/SPUR - LOCKING

SCREWS

KEY	PART NUMBER	U/M DESCRIPTION
	0G1208-12-170	EA SCREW - 8-18 X 3/4 POH - BRIGHT WHITE
	0G3908-08-170	EA SCREW - SF/DR - 8-18 X 1/2 PPH - BRIGHT WHITE
	0G3908-08-410	EA SCREW - SF/DR - 8-18 X 1/2 PPH - PARCHMENT
	0G3908-16-170	EA SCREW - SF/DR - 8-18 X 1 PPH - BRIGHT WHITE
	0G3908-24-170	EA SCREW - SF/DR - 8-18 X 1 1/2 PPH - BRIGHT WHITE
	0G3910-10-330	EA SCREW - SF/DR - 20-16 X 5/8 PPH - PUTTY
	0G3910-12-170	EA SCREW - SF/DR - 10-16 X 3/4 PPH - BRIGHT WHITE
	0G3910-12-240	EA SCREW - SF/DR - 10-16 X .75 PPH - VW LIGHT GRAY
	0G3910-12-380	EA SCREW - SF/DR - 10-16 X .75 PPH - CASHMERE
	0G3910-12-370	EA SCREW - SF/DR - 10-16 X .75 PPH - RIVERSTONE
	0G3910-24-170	EA SCREW - SF/DR - 10-16 X 1 1/2 PPH - BRIGHT WHITE
	0G3910-32-330	EA SCREW - SF/DR - 10-16 X 2.00 PPH - PUTTY
	0G5508-08-380	EA SCREW - SF/DR - 8-18 X .5 PWH - CASHMERE
	0G5508-08-370	EA SCREW - SF/DR - 8-18 X .5 PWH - RIVERSTONE
	0G5508-12-170	EA SCREW - SF/DR - 8-18 X 3/4 PWH - BRIGHT WHITE
	0G5508-12-320	EA SCREW - SF/DR - 8-18 X 3/4 PWH - GLACIER
	0G5508-12-330	EA SCREW - SF/DR - 8-18 X 3/4 PWH - PUTTY
	0G6008-16-170	EA SCREW - SF/DR - 8-18 X 1 POH - BRIGHT WHITE
	0G5508-16-250	EA SCREW - SF/DR - 8-18 X 1 PWH - VW DARK GRAY
	0G5508-16-330	EA SCREW - SF/DR - 8-18 X 1 PWH - PUTTY
	0G5508-16-370	EA SCREW - SF/DR - 8-18 X 1 PWH - RIVERSTONE
	0G5508-16-380	EA SCREW - SF/DR - 8-18 X 1 PWH - CASHMERE
	0G5508-16-410	EA SCREW - SF/DR - 8-18 X 1 PWH - MEDIUM PARCHMENT
	0G6012-32-170	EA SCREW - SF/DR - 12-14 X 2 POH - BRIGHT WHITE
	0G6710-08-170	EA SCREW - 10-12 X 1/2 PPH - BRIGHT WHITE
	0G6710-12-170	EA SCREW - 10-12 X 3/4 PPH - BRIGHT WHITE
	0G6806-16-170	EA SCREW - 6-18 X 1 POH - BRIGHT WHITE
	0G6810-24-280	EA SCREW - 10-12 X 1 1/2 POH - SOFT WHITE
	000C20-06-24T	EA SCREW - 3/8-16 X 1 1/2 - FLAT SOCKET
	000C28-05-24D	EA CAPSCREW/BUTTON HEAD - 5/16-18 X 1 1/2 - #8-BLK PHOSPHATE
	000G11-06-08B	EA SCREW - 6-20 X 1/2 PPH - ZINC
	000G11-06-10B	EA SCREW - 6-20 X 5/8 PPH - ZINC
	000G11-06-10J	EA SCREW - 6-20 X 5/8 PPH - BRASS
	000G11-07-08B	EA SCREW - 7-19 X 1/2 PPH - ZINC
	000G11-08-06B	EA SCREW - 8-18 X 3/8 PPH - ZINC
	000G11-08-08T	EA SCREW - 8-18 X 1/2 PPH - FLUOROCARBON COATING
	000G11-08-12B	EA SCREW - 8-18 X 3/4 PPH - ZINC
	000G11-08-12P	EA SCREW - 8-18 X 3/4 PPH - DARK BROWN
	000G11-08-12S	EA SCREW - 8-18 X 3/4 PPH - OFF WHITE
	000G11-08-12T	EA SCREW - 8-18 X 3/4 PPH - BLACK MAGNESIUM
	000G11-08-20B	EA SCREW - 8-18 X 1 1/4 PPH - ZINC
	000G11-08-20G	EA SCREW - 8-18 X 1 1/4 - ANTIQUE BRASS
	000G11-10-12D	EA SCREW - 10-16 X 3/4 PPH - BLACK
	000G12-06-08T	EA SCREW - 6-20 X 1/2 POH - BLACK
	000G12-06-12J	EA SCREW - 6-20 X .75 POH - BRASS
	000G12-10-16F	EA SCREW - 10-16 X 1 POH - STAINLESS STEEL
	000G13-05-10B	EA SCREW - 5-12 X 5/8 PFH - ZINC
	000G13-06-08B	EA SCREW - 6-20 X 1/2 PFH - ZINC
	000G13-06-08G	EA SCREW - 6-20 X 1/2 PFH - ANTIQUE BRASS
	000G13-06-10G	EA SCREW - 6-20 X 5/8 PFH - ANTIQUE BRASS
	000G13-06-16J	EA SCREW - 6-20 X 1 PFH - BRASS
	000G13-06-169	EA SCREW - SF/DR - 6-20 X 1 PFH - SILVER
	000G13-06-24J	EA SCREW - 6-20 X 1 1/2 PFH - BRASS
	000G13-07-10H	EA SCREW - 7-19 X 5/8 PFH - BLACK
	000G13-07-12B	EA SCREW - 7-19 X 3/4 PFH - ZINC
	000G13-08-109	EA SCREW - 8-18 X 5/8 PFH
	000G13-08-10B	EA SCREW - 8-18 X 5/8 PFH - ZINC
	000G13-08-16B	EA SCREW - 8-18 X 1 PFH - ZINC

SEALANTS & FASTENERS GROUP (CONTINUED)
SCREWS (CONTINUED)

KEY	PART NUMBER	U/M	DESCRIPTION
	000G13-08-24B	EA	SCREW - 8-18 X 1 1/2 PFH - ZINC
	000G16-04-24B	EA	SCREW - MACHINE - 1/4-20 X 1 1/2 PPH
	000G18-08-12B	EA	SCREW - MACHINE - 8-32 X 3/4 PPH - ZINC
	000G18-08-16B	EA	SCREW - MACHINE - 8-32 X 1 PPH - ZINC
	000G18-08-24B	EA	SCREW - MACHINE - 8-32 X 1 1/2 PPH - ZINC
	000G18-08-22B	EA	SCREW - MACHINE - 8-32 X 1 3/8 PPH - ZINC
	000G19-10-08B	EA	SCREW - MACHINE - 10-32 X 1/2 PPH - ZINC
	000G19-10-10B	EA	SCREW - MACHINE - 10-32 X 5/8 - PPH - ZINC
	000G19-10-12F	EA	SCREW - MACHINE - 10-32 X 3/4 PPH - STAINLESS STEEL
	000G19-10-20B	EA	SCREW - MACHINE - 10-32 X 1 1/2 PPH - ZINC
	000G32-10-06B	EA	SCREW - 10-32 X 3/8 PPH - ZINC
	000G34-05-12B	EA	SCREW - HEX HEAD TAPPING - 5/16 X 3/4 LONG
	000G36-10-12T	EA	SCREW - 10-24X 3/4 PFH TYPE 23 - BLACK
	000G39-06-10T	EA	SCREW - SF/DR - 6-20 X 5/8 PPH - BLACK
	000G39-06-16T	EA	SCREW - SF/DR - 6-20 X 1 PPH - BLACK
	000G39-08-06B	EA	SCREW - SF/DR - 8-18 X 3/8 PPH - ZINC
	000G39-08-08B	EA	SCREW - SF/DR - 8-18 X 1/2 PPH - ZINC
	000G39-08-08S	EA	SCREW - SF/DR - 8-18 X 1/2 PPH - OFF WHITE
	000G39-08-08T	EA	SCREW - SF/DR - 8-18 X 1/2 PPH - BLACK
	000G39-08-12T	EA	SCREW - SF/DR - 8-18 X 3/4 PPH - BLACK
	000G39-08-16B	EA	SCREW - SF/DR - 8-18 X 1 PPH - ZINC
	000G39-08-16T	EA	SCREW - SF/DR - 6-20 X 1 PPH - BLACK
	000G39-08-24B	EA	SCREW - SF/DR - 8-18 X 1 1/2 PPH - ZINC
	000G39-08-24S	EA	SCREW - SF/DR - 8-18 X 1 1/2 - OFF WHITE
	000G39-08-24T	EA	SCREW - SF/DR - 8-18 X 1 1/2 PPH - BLACK
	000G39-08-32B	EA	SCREW - SF/DR - 8-18 X 2 PPH - ZINC
	000G39-10-08B	EA	SCREW - SF/DR - 10-16 X 1/2 PPH - ZINC
	000G39-10-10B	EA	SCREW - SF/DR - 10-16 X 5/8 PPH - ZINC
	000G39-10-12B	EA	SCREW - SF/DR - 10-16 X 3/4 PPH - ZINC
	000G39-10-129	EA	SCREW - SF/DR - 10-16 X 3/4 PPH - FLUOROCARBON SILVER
	000G39-10-169	EA	SCREW - SF/DR - 10-16 X 1 PPH - FLUOROCARBON SILVER
	000G39-10-20B	EA	SCREW - SF/DR - 10-16 X 1 1/4 PPH - ZINC
	000G39-10-20T	EA	SCREW - SF/DR - 10-16 X 1 1/4 PPH - BLACK
	000G39-10-24T	EA	SCREW - SF/DR - 10-16 X 1 1/2" PPH - BLACK
	000G39-10-28T	EA	SCREW - SF/DR - 10-16 X 1 3/4" PPH - BLACK
	000G39-10-32B	EA	SCREW - SF/DR - 10-16 X 2 - PPH - ZINC
	000G39-10-48B	EA	SCREW - SF/DR - 10-16 X 3 - PPH - ZINC
	000G39-10-48T	EA	SCREW - SF/DR - 10-16 X 3 PPH - BLACK
	000G42-04-16B	EA	SCREW - SF/DR - 1/4-14 X 1 HWH - ZINC
	000G42-04-24B	EA	SCREW - SF/DR - 1/4-14 X 1 1/2 - ZINC
	000G46-08-24T	EA	SCREW - MACHINE - 8-32 X 1 1/2 PFH - ZINC
	000G52-06-05B	EA	SCREW - MACHINE - 6-32 X 5/16 PTH - ZINC
	000G52-06-06B	EA	SCREW - MACHINE - 6-32 X 3/8 PTH - ZINC
	000G54-04-14B	EA	SCREW - 1/4-20 X 7/8 PTH - TYPE 23 - ZINC PLATED
	000G55-08-12T	EA	SCREW - SF/DR - 8-18 X 3/4 PWH - BLACK
	000G55-08-124	EA	SCREW - SF/DR - 8-18 X 3/4 PWH - ASH GRAY
	000G55-08-16T	EA	SCREW - SF/DR - 8-18 X 1 PWH - BLACK
	000G56-12-48B	EA	SCREW - WOOD - 12-11 X 3 POH - SPECIAL HARDENED
	000G57-14-64B	EA	SCREW - 14-10 X 4 PFH ZINC
	000G60-08-16E	EA	SCREW - SF/DR - 8-1 X 1 POH - CHROME
	000G60-08-20F	EA	SCREW - SF/DR - 8-19X1.25 POH
	000G60-08-22B	EA	SCREW - SF/DR - 8-18 X 1.38 POH - ZINC
	000G60-10-16J	EA	SCREW - SF/DR - 10-16 X 1 POH - BRIGHT BRASS
	000G60-10-20B	EA	SCREW - SF/DR - 10-16 X 1 1/4 POH - ZINC
	000G60-10-209	EA	SCREW - SF/DR - 10-16 X 1 1/4 POH - SILVER STALGAARD
	000G60-10-28T	EA	SCREW - SF/DR - 10-16 X 1 3/4 - BLACK
	000G62-06-24I	EA	SCREW - SF/DR - 8-18 X 1.5 PPH - BLACK
	000G62-06-249	EA	SCREW - SF/DR - 8-18 X 1.5 PPH - SILVER
	000G62-08-24B	EA	SCREW - SF/DR - 8-18 X 1 1/2 PFH
	000G67-08-32B	EA	SCREW - 8-15 X 2 PPH - ZINC
	000G67-10-08B	EA	SCREW - 10-12 X 1/2 PPH - ZINC
	000G67-10-08S	EA	SCREW - 10-12 X 1/2 PPH - OFF WHITE
	000G67-10-10B	EA	SCREW - 10-12 X 5/8 PPH - ZINC - TYPE A
	000G67-10-10S	EA	SCREW - 10-12 X 5/8 PPH - OFF WHITE

SEALANTS & FASTENERS GROUP (CONTINUED)

SCREWS (CONTINUED)

KEY	PART NUMBER	U/M	DESCRIPTION
	000G67-10-10T	EA	SCREW - 10-12 X 5/8 PPH - BLACK
	000G67-10-10P	EA	SCREW - 10-12 X 5/8 PPH - DARK BROWN
	000G67-10-12P	EA	SCREW - 10-12 X 3/4 PPH - DARK BROWN
	000G67-10-24B	EA	SCREW - 10-12 X 1 1/2 PPH - ZINC
	000G67-10-24S	EA	SCREW - 10-12 X 1 1/2 PPH - OFF WHITE
	000G67-10-32J	EA	SCREW-10-12X2 PPH - BRIGHT BRASS
	000G68-06-10J	EA	SCREW - 6-18 X 5/8 POH - BRASS
	000G68-06-12B	EA	SCREW - 6-18 X 3/4 POH - ZINC & CLEAR
	000G68-06-12J	EA	SCREW - 6-18 X 3/4 POH - BRASS
	000G68-06-12S	EA	SCREW - 6-18 X 3/4 POH
	029130-01-000	EA	SCREW - SNAP STUD - #8-16 X 5/8" LONG
	029130-03-000	EA	SCREW - SNAP STUD - #8-16 X 1" LONG
	049465-01-000	EA	SCREW - 10-16 PTH W/WASHER - DARK BROWN
	049465-03-000	EA	SCREW - 10-16 X 1 POH W/WASHER - OFF WHITE
	049465-13-000	EA	SCREW - 10-16 X 1 PTH W/WASHER - ASH GRAY
	049465-17-000	EA	SCREW - 10-16 X 1 POH W/WASHER - BRIGHT WHITE
	049465-18-000	EA	SCREW - 10-16 X 1 POH W/WASHER - VW GRAY
	054434-02-000	EA	SCREW - SF/DR - 10-16 X 2 - ZINC
	054434-03-000	EA	SCREW - SF/DR - 10-16 X 2 - PWH - ZINC
	075908-01-000	EA	SCREW - MACHINE - 10-32 X .56 PTH - EXTERNAL TOOTH - ZINC
	076790-01-000	EA	SCREW - 6-20 X 1 1/4 PPH - BLACK
	076790-05-000	EA	SCREW - 6-20 X 1/2 PPH - BLACK - THREAD CUTTING/WOOD
	083554-01-000	EA	SCREW - DRYWALL - 8 X 1 1/4
	083554-04-000	EA	SCREW - DRYWALL - 8 X 2 1/2
	087721-01-000	EA	SCREW - FLAT HEAD - TAPPING - 1/4" X 1 1/4" LONG - ZINC
	095772-01-000	EA	SOCKET-SNAP FASTNER1" SF/DR - SELF DRIVER
	097974-01-000	EA	SCREW - PARTICLE BOARD - 7-9 X 3/4 PPH
	097974-02-000	EA	SCREW-PART BD 8-9X.75 PFH - BEIGE
	101618-01-000	EA	SCREW - 1/4-20 X 3/4 HEX - TAPPING - STALGARD TYPE F
	113563-01-01A	EA	SCREW - 8 X 5/8 LONG SHOULDER/WASHER HEAD
	113563-01-02A	EA	SCREW - 8 X 5/8 LONG SHOULDER/WASHER HEAD - BRIGHT WHITE
	118383-01-09A	EA	RETAINER/RECESSED - F/.22" SCREW - GLACIER
	118383-01-12A	EA	RETAINER/RECESSED - F/.22" SCREW - RIVERSTONE
	118383-01-10A	EA	RETAINER/RECESSED - F/.22" SCREW - STORM GRAY
	118383-01-11A	EA	RETAINER/RECESSED - F/.22" SCREW - CASHMERE
	118383-02-10A	EA	RETAINER/RECESSED - F/.27" SCREW - RIVERSTONE
	118383-02-11A	EA	RETAINER/RECESSED - F/.27" SCREW - CASHMERE
	118383-02-13A	EA	RETAINER/RECESSED - F/.27" SCREW - OFF WHITE
	118383-03-09A	EA	RETAINER/RECESSED - F/.32" SCREW - GLACIER
	118383-04-04A	EA	CAP - F/RECESSED RETAINER - BRIGHT WHITE
	118383-04-09A	EA	CAP - F/RECESSED RETAINER - GLACIER
	118383-04-10A	EA	CAP - F/RECESSED RETAINER - RIVERSTONE
	118383-04-11A	EA	CAP - F/RECESSED RETAINER - CASHMERE
	118383-04-12A	EA	CAP - F/RECESSED RETAINER - STORM GRAY
	118383-04-13A	EA	CAP - F/RECESSED RETAINER - OFF WHITE
	134126-01-01A	EA	SCREW/NAIL - HEX HEAD - 3/4"
	140040-01-000	EA	SCREW - 1/4-20 X 1 - BUTTON HEAD/SOCKET - W/LOCTITE
	149753-01-01A	EA	RETAINER/RECESSED - F/.22" SCREW - BLACK
	149753-01-02A	EA	RETAINER/RECESSED - F/.22" SCREW - BRIGHT WHITE
	149753-02-01A	EA	CAP - F/RECESSED RETAINER - BLACK
	149753-02-02A	EA	CAP - F/RECESSED RETAINER - BRIGHT WHITE
	154938-01-01A	EA	SCREW - SF/DR - 10-16 X 3/4 PPH - W/SELF SEAL - BRIGHT WHITE
	154938-01-02A	EA	SCREW - SF/DR - 10-16 X 3/4 PPH - W/SELF SEAL - BLACK
	154938-02-01A	EA	SCREW - SF/DR - 8-18 X 1 PFH - W/SELF SEAL - BRIGHT WHITE
	154938-02-02A	EA	SCREW - SF/DR - 8-18 X 1 PFH - W/SELF SEAL - BLACK
	154938-02-03A	EA	SCREW - SF/DR - 8-18 X 1 PFH - W/SELF SEAL - SILVER
	154938-03-01A	EA	SCREW - SF/DR - 8-18 X 5/8 PFH - W/SELF SEAL - BRT WHT
	154935-03-02A	EA	SCREW - SF/DR - 8-18 X 5/8 PFH - W/SELF SEAL - BLACK
	154938-04-01A	EA	SCREW - SF/DR - 10-16 X 1" TPH - W/SELF SEAL - BRT WHT
	154938-04-02A	EA	SCREW - SF/DR - 10-16 X 1" TPH - W/SELF SEAL - BLACK
	154938-05-03A	EA	SCREW - SF/DR - 8-18 X 1.25" PFH - W/SELF SEAL - SILVER

SEALANTS & FASTENERS GROUP (CONTINUED)
CLAMPS, CLIPS, GROMMETS, RIVETS & PLUGS

KEY	PART NUMBER	U/M	DESCRIPTION
	000H16-04-06R	EA	RIVET - POP ALUMINUM - 1/8 X .313 - .375
	000H16-06-10R	EA	RIVET - POP ALUMINUM - 3/16 X .501 - .625
	007161-01-000	EA	CLAMP - HOSE - SPRING TYPE - 1/2"
	008386-01-000	EA	GROMMET - SNAP - 3/8" DIAMETER - NYLON
	010495-01-000	EA	CLAMP - CABLE - 9/16"ID - BLACK
	010495-02-000	EA	CLAMP - CABLE - 3/8"ID - BLACK
	010495-04-000	EA	CLAMP - CABLE - 11/16"ID - WHITE
	010497-01-000	EA	CLAMP - CLOSED - 5/8"ID
	010497-02-000	EA	CLAMP - CLOSED - 1.5"ID
	010497-03-000	EA	CLAMP - CLOSED - 1"ID - CUSHIONED
	010497-04-000	EA	CLAMP - CLOSED - 1 5/8"ID
	010497-05-000	EA	CLAMP - CLOSED - 1/2"ID
	010497-07-000	EA	CLAMP - CLOSED - 3/8"ID
	010497-09-000	EA	CLAMP - CLOSED - 5/16"ID
	010497-10-000	EA	CLAMP - CLOSED - 7/8"ID
	010499-01-000	EA	CLAMP - CLOSED - 3/8"ID
	016188-03-000	EA	GROMMET - LP LINE - 3/8"HOLE X 2 1/2"LONG - RUBBER
	016188-04-000	EA	GROMMET - LP LINE - 1/2"HOLE X 2 1/2"LONG - RUBBER
	016188-05-000	EA	GROMMET - LP LINE - 3/8"HOLE X 1 1/4"LONG - RUBBER
	016188-06-000	EA	GROMMET - LP LINE - 3/8"HOLE X 3 1/4"LONG - RUBBER
	016188-07-000	EA	GROMMET - L/P LINE - 1/2"HOLE X 3 1/4"LONG
	016188-08-000	EA	GROMMET - LP LINE - 1/2"HOLE X 1 1/4"LONG - RUBBER
	016188-09-000	EA	GROMMET - LP LINE - .68"HOLE X 1 1/4"LONG - RUBBER
	016188-10-000	EA	GROMMET - LP GAS - .68" X 2.5"
	023942-01-000	EA	GROMMET - RUBBER - 2"OD
	041930-11-000	EA	RIVET - POP ALUMINUM - 1/8 X .188 - .250 - BRIGHT WHITE
	061420-04-000	EA	PLUG/PLASTIC - 1 1/4" DIAMETER
	061420-05-000	EA	PLUG/PLASTIC - 1 1/2" DIAMETER
	061420-09-000	EA	PLUG/PLASTIC - 1.00" DIAMETER
	061420-10-000	EA	PLUG/PLASTIC - 1 1/2" DIAMETER - BLACK
	061420-12-000	EA	PLUG/PLASTIC - 1.50" DIAMETER - RED
	061420-13-000	EA	PLUG/PLASTIC - 3/8" - FLUSH
	061420-14-000	EA	PLUG/PLASTIC - 7/8" DIAMETER - BLACK
	061420-15-000	EA	PLUG/PLASTIC - 2" DIAMETER - BLACK
	061420-16-000	EA	PLUG/PLASTIC - 2 1/8" DIAMETER - BLACK
	062401-01-000	EA	CLAMP - HOSE - WORMGEAR - .25" - 1"
	062401-02-000	EA	CLAMP - HOSE - WORMGEAR - 1.56" - 2.5" ID
	062401-03-000	EA	CLAMP - HOSE - WORMGEAR - .22" - 1" ID
	062401-04-000	EA	CLAMP - HOSE - WORMGEAR - .69" - 1.25" ID
	062401-05-000	EA	CLAMP - HOSE - WORMGEAR - 2" - 3" ID
	062401-06-000	EA	CLAMP - HOSE - WORMGEAR - .22" - .62" ID
	062401-09-000	EA	CLAMP - HOSE - WORMGEAR - 2.8" - 3.75" ID
	062401-11-000	EA	CLAMP - HOSE - WORMGEAR - 3.50" - 4.50" ID
	062401-13-000	EA	CLAMP - HOSE - WORMGEAR
	063729-12-000	EA	RIVNUT - 5/16 - 18 UNCUT - FLATHEAD - STAINLESS
	071015-01-000	EA	GROMMET - RUBBER - .5"ID X 1"OD-W/.38" GROOVE - BLACK
	071015-11-000	EA	GROMMET - RUBBER - 1"ID FITS .12 MATERIAL - BLACK
	071015-13-000	EA	GROMMET - RUBBER - .62"ID X 1"OD W/.09" GROOVE - BLACK
	071015-22-000	EA	GROMMET - RUBBER - .62"ID X 1.12"OD W/.19" GROOVE - BLACK
	071015-26-000	EA	GROMMET - RUBBER - 1.5"ID X 2.1"OD W/.06" GROOVE - BLACK
	071015-29-000	EA	GROMMET - RUBBER - .3"ID X 1.3"OD W/.12" GROOVE - BLACK
	071015-30-000	EA	GROMMET - RUBBER - .3"ID X .81"OD W/.12" GROOVE - BLACK
	071015-39-000	EA	GROMMET - .75 ID FITS .06 MTL
	071015-41-000	EA	GROMMET - .125 ID FITS .188 MTL
	071015-42-000	EA	GROMMET - .25 ID FITS .06 MTL
	075148-02-000	EA	CLAMP - GROUNDING - BRONZE SCREWS
	077955-01-000	EA	CLIP/J - 3/8" - VINYL COATED
	080734-02-000	EA	CLIP - WIRE NYLON
	081211-01-000	EA	PLUG - PLASTIC - .31"DIA - BLACK
	081211-03-000	EA	PLUG - PLASTIC - .50"DIAMETER - TRUSS HEAD - BLACK
	081211-04-000	EA	PLUG - PLASTIC - .46"DIAMETER - TRUSS HEAD - BLACK
	083609-01-000	EA	CLAMP - WIRE - DUAL - EQUAL DIAMETERS - 5/8"
	083610-01-000	EA	CLAMP - WIRE - DUAL - UNEQUAL DIAMETERS - 3/4" & 1 1/4"
	083610-02-000	EA	CLAMP - WIRE - DUAL - UNEQUAL DIAMETERS - 3/4" & 2"

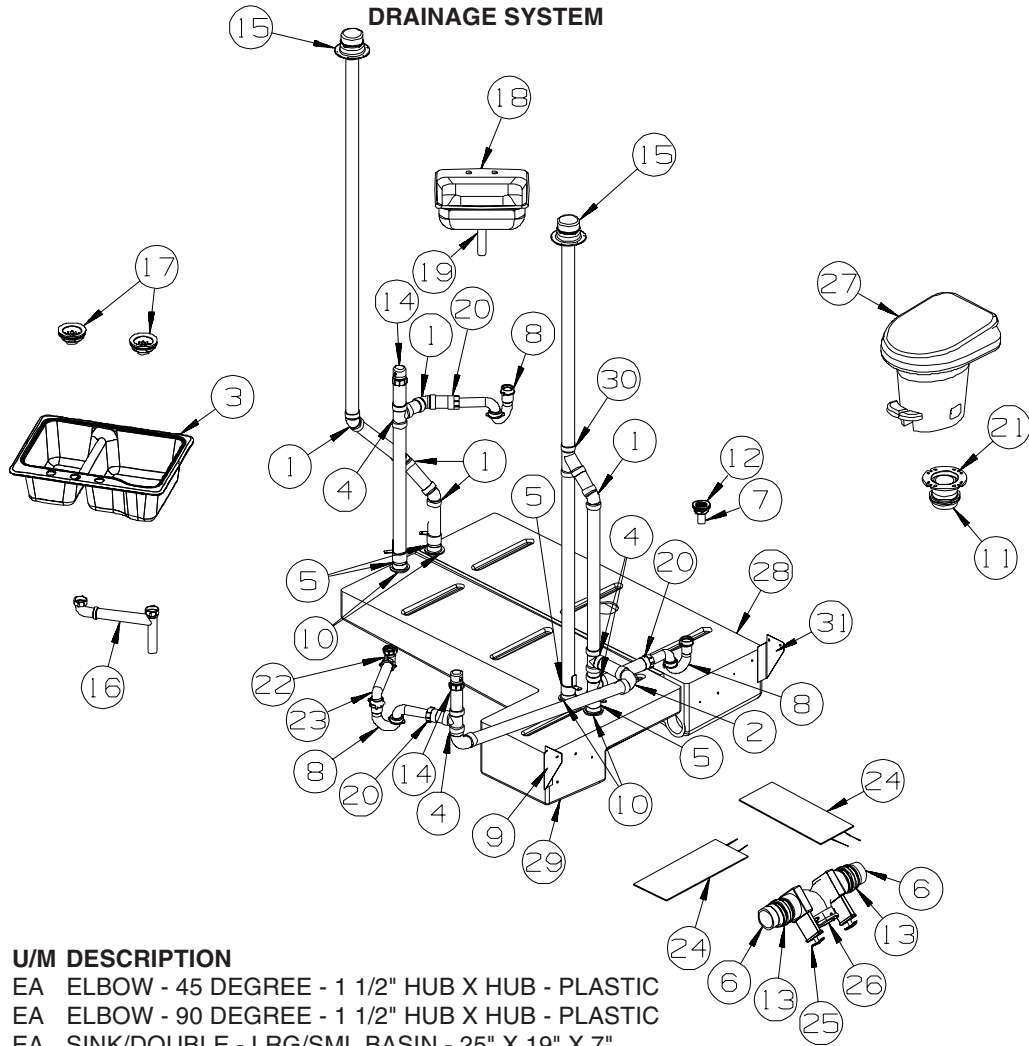
SEALANTS & FASTENERS GROUP (CONTINUED)
CLAMPS, CLIPS, GROMMETS, RIVETS & PLUGS (CONTINUED)

KEY	PART NUMBER	U/M	DESCRIPTION
	083610-03-000	EA	CLAMP - WIRE - DUAL - EQUAL DIAMETERS - 2"
	088756-01-000	EA	GROMMET - WEB - 1 1/8"ID
	089329-02-000	EA	CLIP - SPRING
	091952-01-000	EA	CLIP - GRIPPER - 1" - BLACK VINYL COATED
	091952-02-000	EA	CLIP - GRIPPER - 3/4" - BLACK VINYL COATED
	091952-03-000	EA	CLIP - GRIPPER - 1/2" - BLACK VINYL COATED
	094362-02-000	EA	CLIP - XMAS TREE - BINDER HEAD - .9" LONG/ANY COLOR
	094362-05-000	EA	CLIP - XMAS TREE - ROUND HEAD - 1.4" LONG/ANY COLOR
	113133-02-01A	EA	RIVET - POP - ALUMINUM - 3/16 X .252 - .504 - BLACK
	114208-05-000	EA	GROMMET - EDGE LINER - FITS 2"
	118626-01-02A	EA	RIVET/POP - ALUMINUM - 3/16 X .08 - .375
	118626-01-01A	EA	RIVET/POP - ALUMINUM - 3/16 X 1.2"(GRIP RANGE .1"-.4")
	118626-02-01A	EA	RIVET/POP - ALUMINUM - 3/16 X .500 - .750
	118626-03-01A	EA	RIVET/POP - STAINLESS STEEL - 3/16 X .500 - .750
	137014-01-02A	EA	GROMMET - CABLE - BROWN
	137014-01-01A	EA	GROMMET - CABLE - ALMOND
	137014-01-03A	EA	GROMMET - CABLE - BLACK
	139118-02-01A	EA	GROMMET - SCREW - PLASTIC
	155498-01-01A	EA	CLAMP - CLOSED - 7/8"ID - VINYL DIP/GALVONIZED - BLACK

MISCELLANEOUS FASTENERS

KEY	PART NUMBER	U/M	DESCRIPTION
	008343-01-000	EA	TIE - WIRE - 6"
	008343-02-000	EA	TIE - WIRE - 14"
	008343-03-000	EA	TIE - WIRE - 7 1/2" - BLACK
	029094-04-000	YD	VELCRO TAPE/LOOP - 1"WIDE - W/ADHESIVE BACK - BLACK
	029096-04-000	YD	VELCRO TAPE/HOOK - 1"WIDE - BLACK - W/ADHESIVE BACK (PSA)
	048394-02-000	YD	VELCRO TAPE - HOOK - ADHESIVE BACK - 3/4" WIDE - BEIGE
	085774-01-000	FT	FASTENER - DUAL LOCK - 1" WIDE - ADHESIVE BACK - BLACK
	085774-02-000	FT	FASTENER - DUAL HOOK - 1" WIDE - ADHESIVE BACK - BLACK
	088792-02-000	YD	VELCRO TAPE - LOOP - 3/4" - ADHESIVE BACK - BEIGE
	088792-04-000	YD	VELCRO TAPE - HOOK - 5/8" - NON-ADHESIVE BACK - WHITE
	088792-05-000	YD	VELCRO TAPE - LOOP - 5/8" - NON-ADHESIVE BACK - WHITE
	108046-02-000	EA	CABLE TIE - SCREW MOUNT 15"

WATER & SEWAGE GROUP DRAINAGE SYSTEM

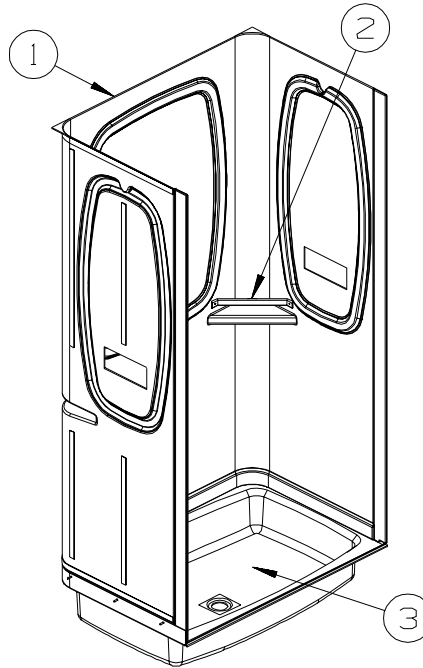


KEY	PART NUMBER	U/M	DESCRIPTION
1	010006-01-000	EA	ELBOW - 45 DEGREE - 1 1/2" HUB X HUB - PLASTIC
2	010008-01-000	EA	ELBOW - 90 DEGREE - 1 1/2" HUB X HUB - PLASTIC
3	148870-01-01A	EA	SINK/DOUBLE - LRG/SML BASIN - 25" X 19" X 7"
4	010071-01-000	EA	TEE - SANITARY - 1 1/2" HUB X HUB X HUB - PLASTIC
5	010115-01-000	EA	COUPLING - 1 1/2" HUB X HUB - PLASTIC
6	010129-03-000	EA	NIPPLE - 3" X 3" TOE - PLASTIC
7	011069-06-000	EA	TAILPIECE - 1 1/2" X 1 1/4" X 2 1/2"
8	107538-02-000	EA	P - TRAP - PLASTIC - 1 1/2" W/EXTENSION ARM
8	011071-01-000	EA	P-TRAP - 1 1/2" - CSA - PLASTIC - CANADIAN
9	112628-08-02B	EA	BRACKET/TIEDOWN - WATER TANK - E-COATED
10	061607-01-000	EA	GROMMET - HOLDING TANK - 1 1/2" NPS
11	061607-02-000	EA	GROMMET - HOLDING TANK - 3" NPS
12	066440-01-000	EA	STRAINER - SHOWER DRAIN - W/RUBBER WASHER
13	078406-01-000	EA	COUPLER - 3" X 3" W/CLAMPS - RUBBER
14	079968-01-000	EA	VENT - MECHANICAL/TRAP ARM - ANTI-SIPHON-2" X 7.3" PLASTIC
15	083558-03-000	EA	VENT W/COVER F/PLUMBING STACK - OFF WHITE
16	011091-02-000	EA	WASTE - CONTINUOUS - DOUBLE SINK
17	092303-01-000	EA	STRAINER - W/BASKET - GALLEY SINK - 4" OD
18	156661-01-01A	EA	SINK - LAVATORY - OVAL - 15" X 12" X 6.5" - GLACIER WHITE
19	011069-05-000	EA	TAILPIECE - 1 1/2" X 1 1/4" X 6" - PLASTIC
			FROM: 00-00-00 THRU: 01-08-06
19	106116-01-02A	EA	STRAINER/PLASTIC - STOPPER/TAILPIECE/GASKET & NUT-LAVATORY
			FROM: 01-09-06 THRU: 99-99-99
20	152146-01-000	EA	CONNECTOR - 1 1/2"P X 1 1/2"MPT
21	116644-01-000	EA	FLANGE/CLOSET - 3" FEMALE - 4 BOLT
22	125569-01-000	EA	ELBOW - 1 1/2" X 90 DEGREE - DOUBLE SLIP
23	126588-01-000	EA	ARM - WASTE - 1 1/2" X 9 1/2" - FEMALE
	127440-02-01A	EA	WASHER - RUBBER - 1.8" X .1"
	130403-01-000	EA	NUT - SLIP - W/WINGS 1 1/2"
24	133972-04-000	EA	PAD/HEATER - HOLDING TANK - F/34 GALLON - DRAINAGE SYSTEM-HEATED
25	136143-01-000	EA	VALVE - DUAL - 3" X 3"
	139513-01-000	EA	HOSE - SEWER - 3" X 10' - W/ADAPTER
	062416-01-000	EA	ADAPTER - SEWER HOSE TO 3" PIPE

WATER & SEWAGE GROUP (CONTINUED)
DRAINAGE SYSTEM (CONTINUED)

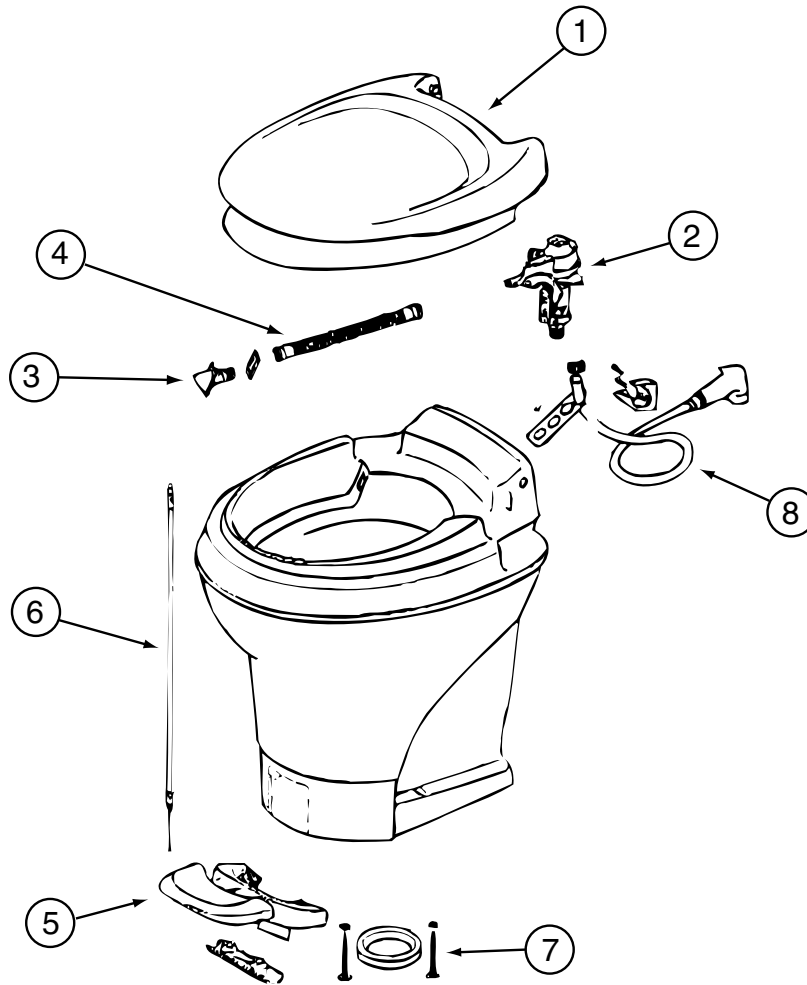
KEY	PART NUMBER	U/M	DESCRIPTION
27*	147421-01-01A	EA	TOILET/AQUA MAGIC 5 (HIGH) FOOTFLUSH - W/SPRAY - WHITE
28	157735-01-700	EA	TANK - HOLDING - 24 GALLON - W/3" NIPPLE - W/O FITTINGS
	049032-01-000	EA	PATCH - SPINWELD - 3/8" - PLASTIC
29	147773-01-700	EA	TANK - HOLDING - 23 GAL - W/3" OUTLET NIPPLE - BLACK WATER
	049032-01-000	EA	PATCH - SPINWELD - 3/8" - PLASTIC
30	010073-01-000	EA	WYE - 45 DEGREE - 1 1/2" HUB X HUB X HUB - PLASTIC
31	112628-07-02B	EA	BRACKET/TIEDOWN - WATER TANK - E-COATED

***COMPONENT PARTS LISTED LATER IN THIS GROUP**



KEY	PART NUMBER	U/M	DESCRIPTION
1	147677-01-18A	EA	SURROUND - SHOWER/TUB
2	113714-04-02A	EA	RETAINER - SHELF/SHOWER - SOFT WHITE
3	M02630-87-S34	EA	SHOWER PAN - W/STRAINER

WATER & SEWAGE GROUP (CONTINUED)
COMPONENT PARTS FOR DRAINAGE SYSTEM

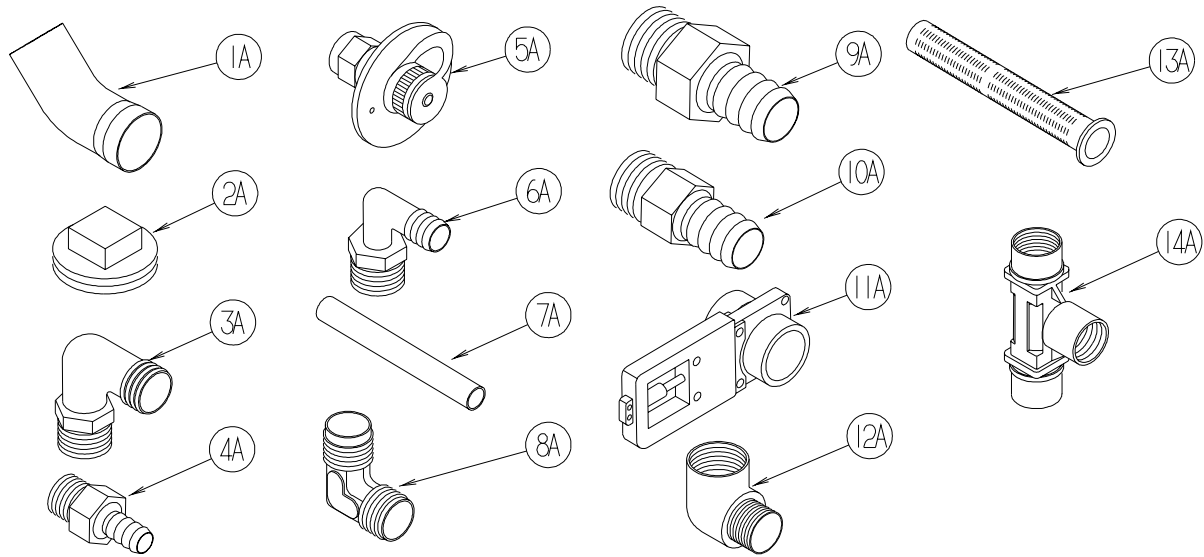


147421-01-01A, 147421-02-01A

KEY	PART NUMBER	U/M	DESCRIPTION	VENDOR NO.
1	147421-01-700	EA	SEAT & COVER ASSEMBLY(WHT)	31703
2	147421-01-701	EA	WATER MODULE ASSEMBLY	31705
3	147421-01-702	EA	NOZZLE ASSEMBLY	31706
4	147421-01-703	EA	LINK - WATER MODULE	31621
5	147421-01-704	EA	PEDAL - WHITE	31709
6	147421-01-705	EA	FOOT CABLE	31711
7	063740-01-706	EA	BOLT PACKAGE-FLOOR FLANGE	12524 THETFORD
8	147421-01-708	EA	HAND SPRAY KIT - WHITE HEAD	33226
	147421-01-706	EA	SEAL - BLADE	31708
	147421-01-707	EA	CAP (UNIVERSAL BOLT) - WHITE	31713

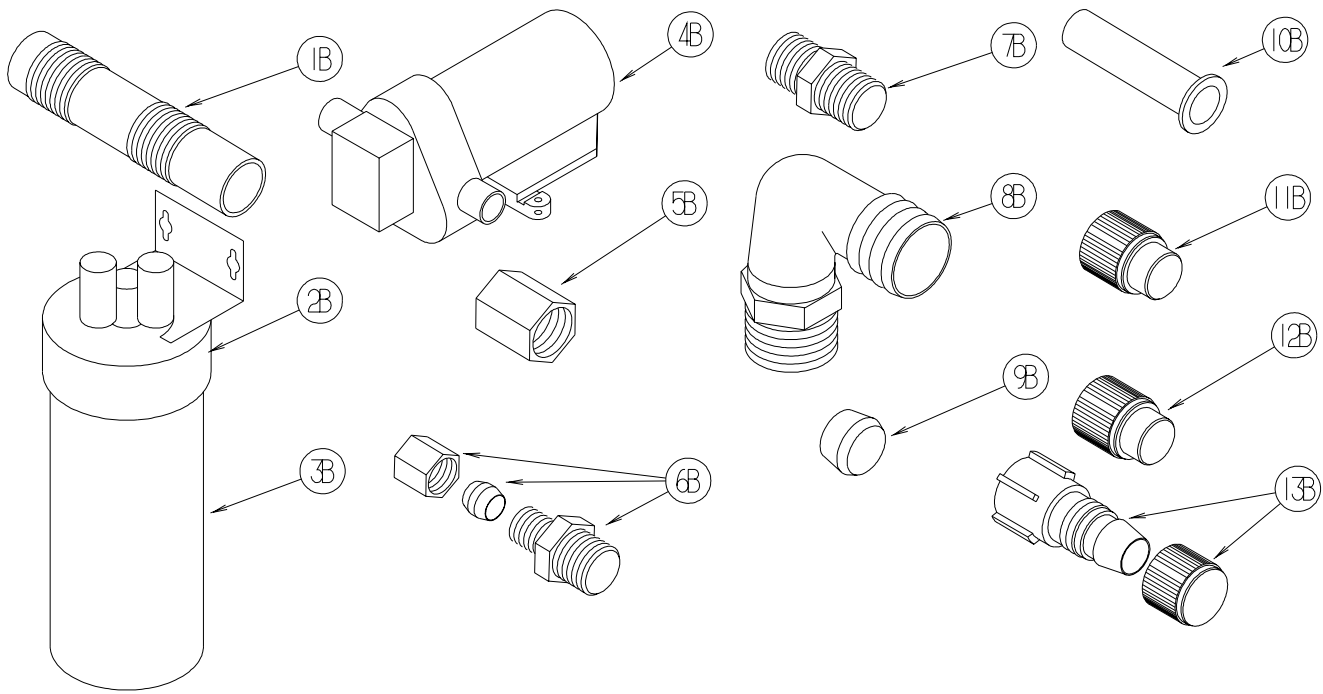
WATER & SEWAGE GROUP (CONTINUED)

WATER SYSTEM



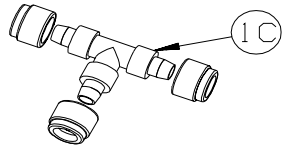
KEY	PART NUMBER	U/M	DESCRIPTION
1A	010009-01-000	EA	ELBOW - 90 DEGREE - 1/4 BEND - 1 1/2" PLASTIC
2A	010166-01-000	EA	PLUG/THREADED - 1 1/4"MPT - PLASTIC - BLACK - UL
3A	010219-01-000	EA	ELBOW - 1 1/4 MPT X 1 1/4 BARB - WATER FILL - PLASTIC
4A	010224-01-000	EA	ADAPTER - HOSE TO PIPE - 3/8 MPT X 3/8 BARB - PLASTIC
5A	010230-06-000	EA	FILL - CITY WATER - W/CHECK VALVE - MPT - BRUSHED ALUM
6A	035539-01-000	EA	ELBOW - 3/8 MPT X 3/8 BARB - PLASTIC
7A	039800-04-000	FT	TUBING - POLYBUTYL - 1/4"OD
7A	074462-02-000	FT	TUBING - VINYL - 3/8 ID X 20' - CLEAR
7A	112176-01-000	FT	TUBING - VINYL - REINFORCED - 1/2" ID
7A	124188-01-000	FT	TUBING - PEX - 1/2" ID X 20' - BLUE(COLD)
7A	124188-02-000	FT	TUBING - PEX - 1/2" ID X 20' - RED(HOT)
8A	039808-03-000	EA	ELBOW - 1/2" MPT X 1/2" MPT - PLASTIC
9A	044927-01-000	EA	ADAPTER - HOSE TO PIPE-1 1/4 MPTX1 1/4 BARB-BLACK PLASTIC
10A	044927-02-000	EA	ADAPTER - REDUCING - 1" MPT X 1.3" BARB - PLASTIC
11A	062421-03-000	EA	VALVE/DUMP W/O HANDLE - 1 1/2" X 1 1/2" HUB
	062421-05-000	EA	CABLE/ROD - F/DUMP VALVE - W/HANDLE - 48"
	062421-07-000	EA	CABLE/ROD - F/DUMP VALVE - W/HANDLE - 144"
	062421-08-000	EA	CABLE/ROD - F/DUMP VALVE - W/HANDLE - 108"
12A	065318-02-000	EA	ELBOW - 90 DEGREE - 3/8" MPT TO 3/8" FPT
13A	077954-02-000	EA	FILTER - WATER TANK - W/SCREEN IN TANK
14A	039798-01-000	EA	TEE - 1/2"MPT X 1/2"MPT X 1/2"MPT - PLASTIC

WATER & SEWAGE GROUP (CONTINUED)
WATER SYSTEM (CONTINUED)

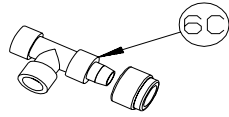


KEY	PART NUMBER	U/M	DESCRIPTION
1B	079381-01-000	FT	TUBING - RIBBED FLEXIBLE - WATER FILL - 1.4" ID
2B	087200-01-000	EA	FILTER-WATER PURIFICATION, EVERPURE QC2-AC
3B	087200-02-000	EA	CARTRIDGE-WATER FILTER,AC - EVERPURE 9601-11
4B*	098607-01-000	EA	PUMP - WATER - W/.5" MPT FITTING - FLOW 2.8 GPM
			FROM: 00-00-00 THRU: 06-21-06
4B	160702-01-000	EA	PUMP - WATER - 3.0 GPM - W/1/2" MPT
			FROM: 06-22-06 THRU: 99-99-99
5B	101814-01-000	EA	COUPLING - FEMALE - 1/2" X 1/2" FPT - GRAY
6B	103798-01-000	EA	CONNECTOR - 1/4 OD X 3/8 MPT
7B	110438-02-000	EA	VALVE - CHECK - BRASS - 1/2 MPT X 1/2 MPT
8B	111223-02-000	EA	ELBOW - 1/2" MPT X 3/8" BARB - PLASTIC
8B	111223-03-000	EA	ELBOW - 3/4" MPT X 1/2" BARB - PLASTIC
8B	111223-04-000	EA	ELBOW - 1/2" MPT X 1/2" BARB - PLASTIC
9B	111888-01-000	EA	FERRULE - PLASTIC - .250 ID X .375 OD
10B	111888-02-000	EA	INSERT - BRASS - 1/4 COMP
11B	113697-01-000	EA	CAP - 3/8"P
12B	114427-01-000	EA	CAP - 1/2"P
13B	114427-02-000	EA	PLUG - W/COMP NUT - 1/2" PLASTIC PIPE/1/2" FLAIR-IT

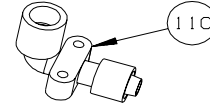
WATER & SEWAGE GROUP (CONTINUED)
WATER SYSTEM (CONTINUED)



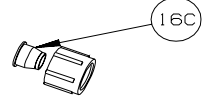
1C



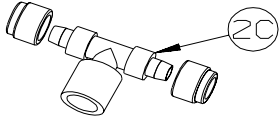
6C



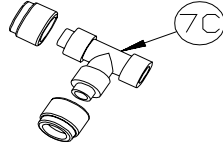
11C



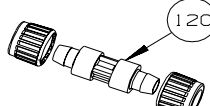
16C



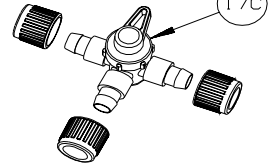
2C



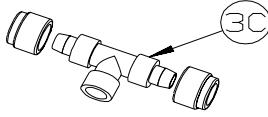
7C



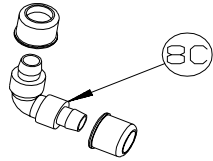
12C



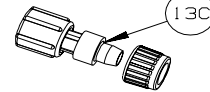
17C



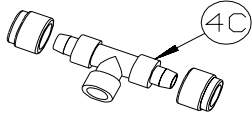
3C



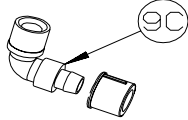
8C



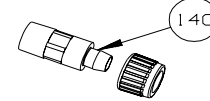
13C



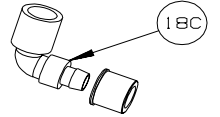
4C



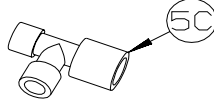
9C



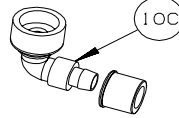
14C



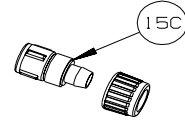
18C



5C



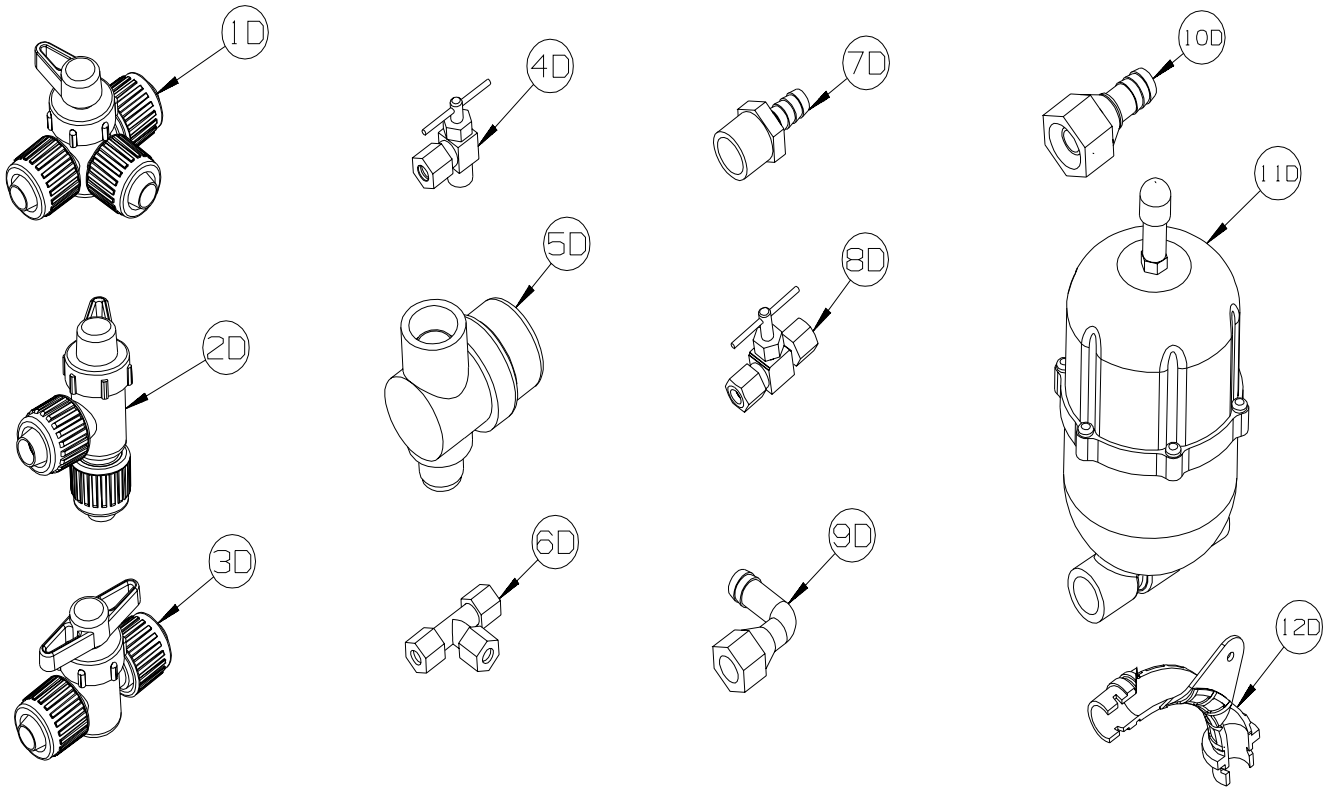
10C



15C

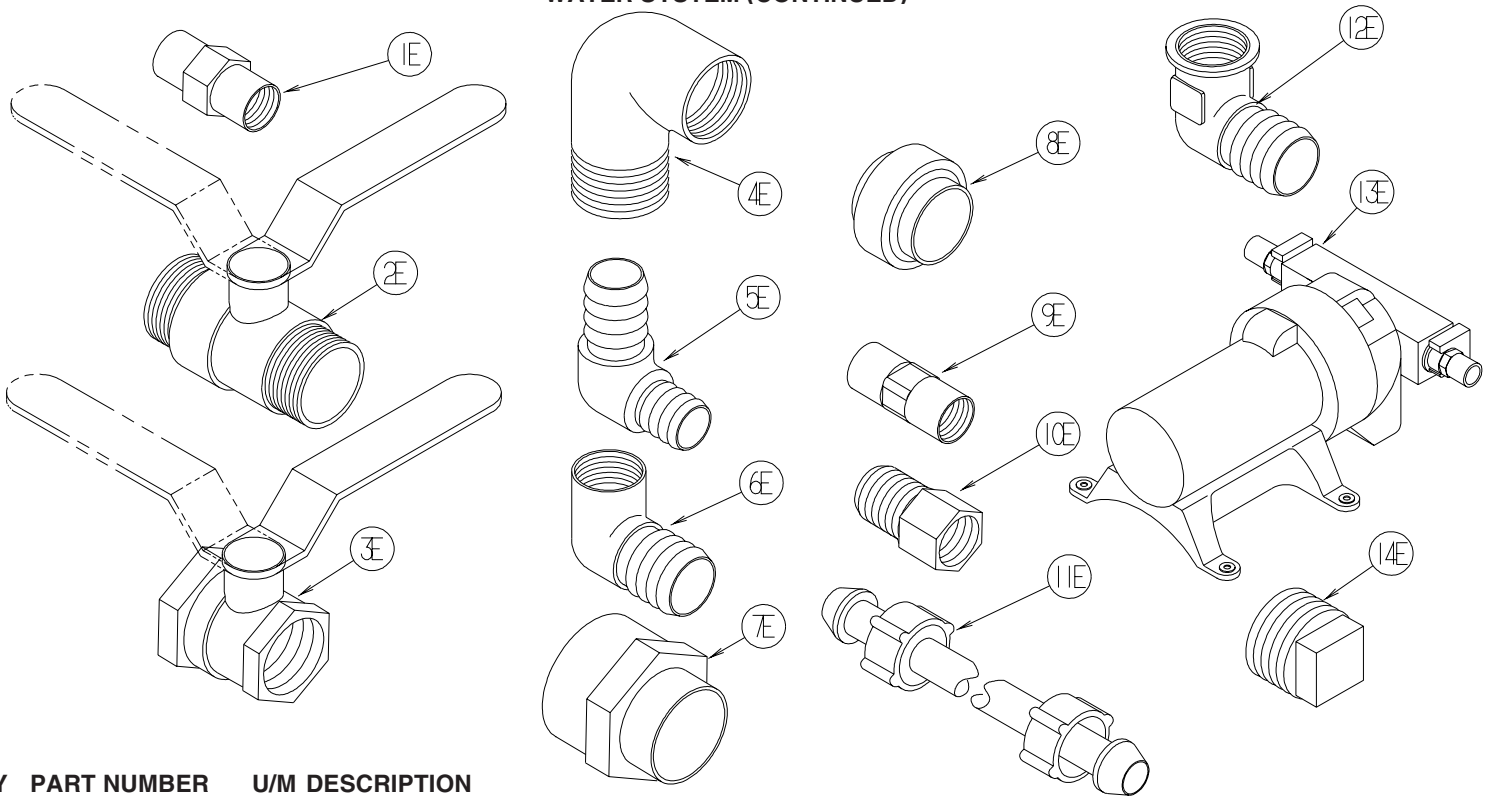
KEY	PART NUMBER	U/M	DESCRIPTION
1C	114428-01-000	EA	TEE - 1/2"P X 1/2"P X 1/2"P
2C	114428-02-000	EA	TEE - SWIVEL - 1/2"P X 1/2"P X 1/2"FPT
3C	114428-03-000	EA	TEE - 1/2"P X 1/2"P X 1/2"MPT
4C	114428-04-000	EA	TEE - 1/2"P X 1/2"P X 1/8"FPT
5C	114428-05-000	EA	TEE - 1/2" SWIVEL X 1/2" MPT X 1/2" MPT
6C	114428-06-000	EA	TEE - 1/2" P X 1/2" MPT X 1/2" MPT
7C	114428-07-000	EA	TEE - 1/2" P X 1/2" MPT X 1/2" P
8C	114429-01-000	EA	ELBOW - 1/2"P X 1/2"P
9C	114429-02-000	EA	ELBOW - 1/2"P X 1/2"MPT
9C	114429-04-000	EA	ELBOW - 1/2"P X 3/8"MPT
9C	114429-05-000	EA	ELBOW - 1/2"P X 3/4"MPT
9C	114429-10-000	EA	ELBOW - SWIVEL - 1/2"MPT X 1/2"FPT
10C	114429-06-000	EA	ELBOW - SWIVEL - 1/2"P X 3/4"FPT
10C	114429-08-000	EA	ELBOW - SWIVEL - 1/2"P X 1/2"FPT
11C	114429-09-000	EA	ELBOW - 1/2"P X 1/2"FPT DROP EAR
12C	114430-01-000	EA	ADAPTER - 1/2"P X 1/2"P
13C	114430-02-000	EA	ADAPTER - SWIVEL - 1/2"P X 1/2"FPT
13C	114430-04-000	EA	ADAPTER - SWIVEL - 1/2"P X 3/8"MPT
14C	114430-03-000	EA	ADAPTER - 1/2"P X 1/2"MPT
15C	114430-06-000	EA	ADAPTER - 1/2"P X 3/8"FPT
15C	114430-09-000	EA	ADAPTER - 1/2"P X 1/2"FPT
16C	114430-10-000	EA	ADAPTER - NUT - PIPE CONNECTION - 1/2"
17C	114431-01-000	EA	VALVE - 180 DEGREE/CENTER DRAIN - 1/2"P - THREE WAY
18C	114429-11-000	EA	ELBOW - 1/2"P X 1/2"FPT

WATER & SEWAGE GROUP (CONTINUED)
WATER SYSTEM (CONTINUED)



KEY	PART NUMBER	U/M	DESCRIPTION
1D	114431-02-000	EA	VALVE - WATER BYPASS - 1/2"P - THREE WAY (WATER HEATER)
2D	114431-03-000	EA	VALVE - 90 DEGREE DRAIN - 1/2"P
3D	114431-04-000	EA	VALVE - "INLINE SHUT-OFF" - 1/2"P
4D	114431-05-000	EA	VALVE - NEEDLE - 1/8" MPT X 1/4" COMPRESSION (ICE MAKER)
5D	152925-01-01A	EA	FILTER - IN LINE - TWIST ON - 1/2" - BLACK
6D	118423-01-000	EA	FITTING - BRASS-TEE - 1/4C X 1/4C X 1/4C
7D	118809-01-000	EA	ADAPTER - 1/2" MPT X 3/8" BARB - PLASTIC
7D	118809-02-000	EA	ADAPTER - 1/2" MPT X 1/2" BARB - PLASTIC
8D	120868-01-000	EA	VALVE - NEEDLE - 1/4" COMPRESSION X 1/4" COMPRESSION
9D	123150-01-000	EA	ELBOW - 1/2 FPT X 1/2 BARB - SWIVEL
10D	123152-01-000	EA	ADAPTER - 1/2 FPT X 1/2 BARB - SWIVEL
11D	123243-01-000	EA	TANK - ACCUMULATOR - 24 OZ
EA	123317-01-000	EA	TANK - ACCUMULATOR - 2 GALLON
12D	124184-01-000	EA	SUPPORT - WATER LINE - BEND

WATER & SEWAGE GROUP (CONTINUED)
WATER SYSTEM (CONTINUED)



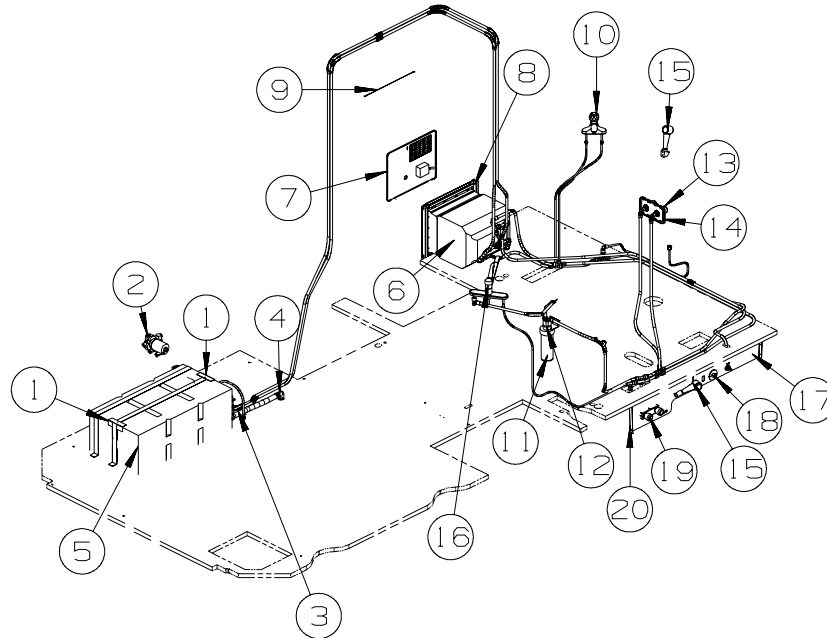
KEY	PART NUMBER	U/M	DESCRIPTION
1E	132148-01-000	EA	CONNECTOR - 1/2" X 1/2"MPT - BRASS
2E	132483-01-000	EA	VALVE/BALL - 1" - THREADED ENDS
3E	132483-02-000	EA	VALVE/BALL - 1/2" - BRASS - FPT
4E	132484-01-000	EA	ELBOW - 90 DEGREE - 1MPT X 1FPT - PLASTIC
5E	132781-01-000	EA	ELBOW - 1.3" BARB X 1.3" BARB - 90 DEGREE - PLASTIC
6E	132782-01-000	EA	ELBOW - 1"FPT X 1.3" BARB - 90 DEGREE - PLASTIC
7E	133835-01-000	EA	ADAPTER - REDUCING - 1 1/2" X 1 1/4"
8E	133889-01-000	EA	UNION - 1 1/2 DOUBLE SLIP - PVC
9E	135386-01-000	EA	NIPPLE - 1/2"
10E	136333-01-000	EA	ADAPTER - BRASS - 1/2"MPT X 1/2"FPT
11E	140821-01-000	EA	TUBE - WATER SUPPLY - 3/8" X 24"
11E	140821-02-000	EA	TUBE - WATER SUPPLY - 3/8" X 30"
11E	140821-03-000	EA	TUBE - WATER SUPPLY - 3/8" X 36"
11E	140821-04-000	EA	TUBE - WATER SUPPLY - 3/8" X 48"
11E	140821-05-000	EA	TUBE - WATER SUPPLY - 3/8" X 54"
11E	140821-06-000	EA	TUBE - WATER SUPPLY - 3/8" X 60"
11E	140821-07-000	EA	TUBE - WATER SUPPLY - 3/8" X 72"
11E	140821-08-000	EA	TUBE - WATER SUPPLY - 1/2" X 24"
11E	140821-09-000	EA	TUBE - WATER SUPPLY - 1/2" X 36"
11E	140821-10-000	EA	TUBE - WATER SUPPLY - 1/2" X 48"
12E	142812-01-000	EA	ELBOW - BRASS - 1/2"MPT X 1/2"FPT
13E*	144215-01-000	EA	PUMP - WATER - 5.7 GPM - W/1/2" MPT

FROM: 00-00-00 THRU: 02-05-06

14E 145609-01-000 EA PLUG - BRASS - 1/2" MPT/HEX HEAD

***COMPONENT PARTS LISTED LATER IN THIS GROUP**

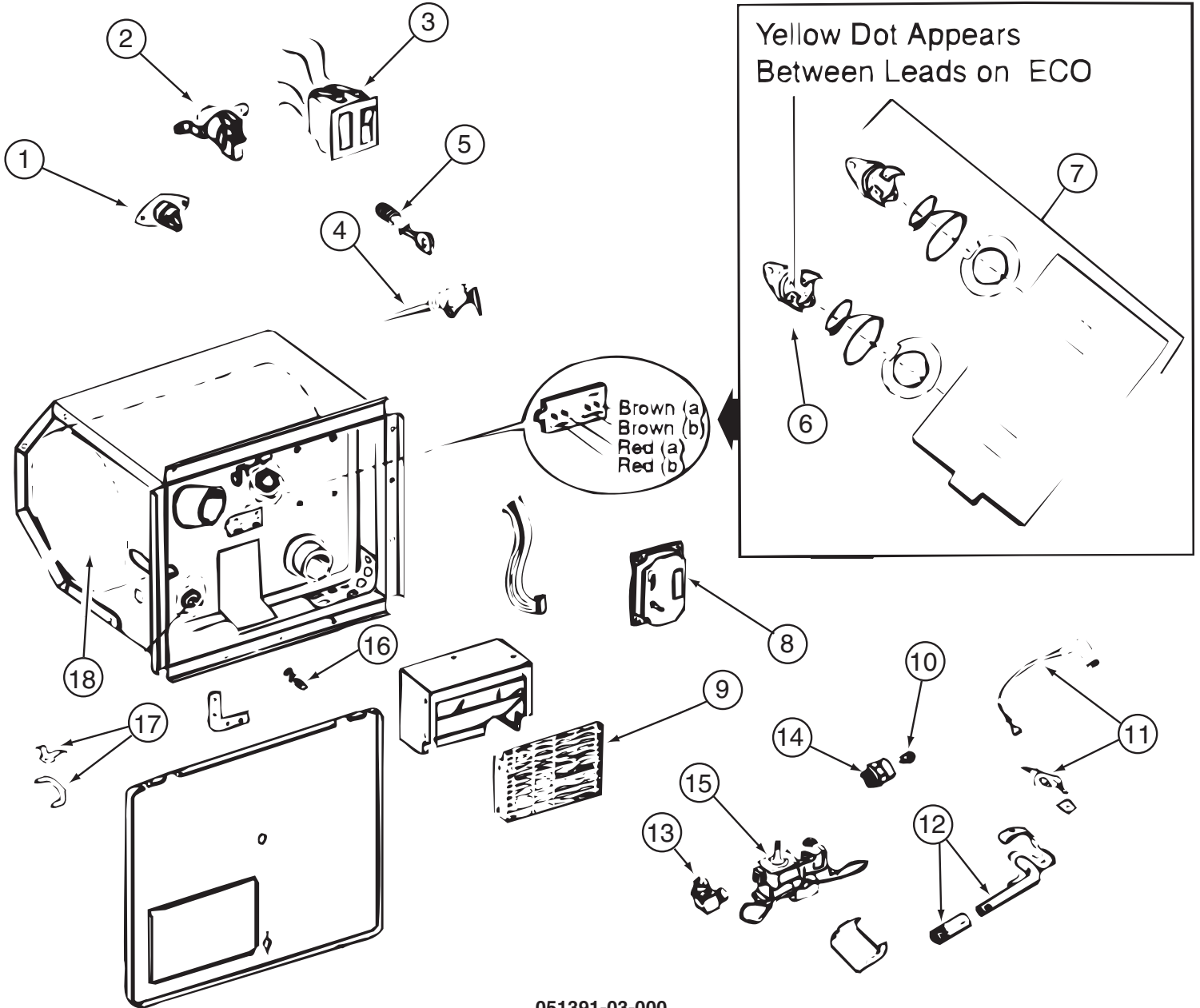
WATER & SEWAGE GROUP (CONTINUED)
WATER SYSTEM (CONTINUED)



KEY	PART NUMBER	U/M	DESCRIPTION
1	142053-30-134	EA	ANGLE-STL,ROOF JOINT,0134 MM - TOP COAT OFF WHITE
2*	098607-01-000	EA	PUMP - WATER - W/.5" MPT FITTING - FLOW 2.8 GPM - NOT ILLUSTRATED FROM: 00-00-00 THRU: 06-21-06
2	160702-01-000	EA	PUMP - WATER - 3.0 GPM - W/1/2" MPT FROM: 06-22-06 THRU: 99-99-99
3	132483-01-000	EA	VALVE/BALL - 1" - THREADED ENDS
4	132781-01-000	EA	ELBOW - 1.3" BARB X 1.3" BARB - 90 DEGREE - PLASTIC
5	045195-09-000	EA	TANK - WATER - 27 GALLON - W/FITTINGS - 34.5" X 18" X 12"
	042989-04-000	EA	FITTING - SPINWELD - 3/8"FPT - PLASTIC
	042989-05-000	EA	FITTING - SPINWELD - 1/2"FPT - PLASTIC
	042989-08-000	EA	FITTING - SPINWELD - 1"FPT - PLASTIC
	049032-01-000	EA	PATCH - SPINWELD - 3/8" - PLASTIC
6*	051391-03-000	EA	WATER HEATER G6A-8E ELECTRONIC IGNITION
6*	145541-02-000	EA	WATER HEATER-6 GAL-GAS/ELEC/120'-REM IGN-W/HEAT EXC - WTR HTR-6GAL ELECTRIC/LP GAS
7	052009-06-000	EA	DOOR - WATER HEATER - BRIGHT WHITE - 18" X 14.6"
8	152239-01-01A	EA	FLANGE/MOUNTING/RECESSED - 19.3" X 15.8" - BRIGHT WHITE
9	076767-03-000	EA	CABLE - STAINLESS STEEL - 18.5"
10	152311-01-01A	EA	FAUCET - LAVATORY - SINGLE CONTROL - CHROME
11	087200-01-000	EA	FILTER - WATER PURIFICATION
12	087200-02-000	EA	CARTRIDGE - WATER FILTER
13	163269-01-02A	EA	FAUCET - SHOWER CONTROL - CHROME
14	075606-03-000	EA	PANEL - FAUCET SHOWER - SOFT WHITE
15	131383-01-02A	EA	SHOWER HEAD - W/60" HOSE & BRACKET - WHITE
16	149164-01-01A	EA	FAUCET - GALLEY - SINGLE CONTROL - CHROME
17	147776-01-12B	EA	PANEL - SERVICE CENTER - BRIGHT WHITE
18	010230-06-000	EA	FILL - CITY WATER - W/CHECK VALVE - MPT - BRUSHED ALUM
19	163269-01-01A	EA	FAUCET/SHOWER -.5"MPT W/1.9" INLET PIPES- EXTERIOR/BRT WHT
20	147775-01-12B	EA	PANEL - SERVICE CENTER - BRIGHT WHITE

*COMPONENT PARTS LISTED LATER IN THIS GROUP

WATER & SEWAGE GROUP (CONTINUED)
COMPONENT PARTS FOR WATER SYSTEM



051391-03-000

KEY	PART NUMBER	U/M	DESCRIPTION	VENDOR NO.
3	051393-01-701	EA	SWITCH - REMOTE - W/LIGHT	91959
4	051391-01-704	EA	VALVE-RELIEF, 1/2" FITTING	91604
4	051391-03-701	EA	VALVE-RELIEF - 3/4" FITTING	90028
5	051391-01-705	EA	FASTENER-CAMLOCK	92609
6	051391-04-701	EA	THERMOSTAT 12V DC-120 PRESET	91470
7	051393-01-721	EA	THERMOSTAT W/ECO, 140 FRT MT	91447
9	051391-04-707	EA	KIT-EXHAUST, (FLUE & GASKET)	90960
10	051391-01-710	EA	ORIFICE-MAIN BURNER	92742
12	051391-04-703	EA	BURNER-MAIN/ELECTRONIC IG	91638
13	051391-01-714	EA	FITTING-ELBOW 45,3/8F X 3/8	MPT 1044
14	051391-03-700	EA	HOLDER-ORIFICE	91563
16	051391-01-715	EA	PLUG-DRAIN, 1 EA = 2 PER PKG	91857
17	051391-01-700	EA	HINGE KIT, (PIN & CLIP)	92568&92559
18	051391-04-706	EA	TANK-G6A-4E/6E/7E/8E-FRT.MT	91641 - INNER
	051391-01-717	EA	GRILLE-WATER HEATER DOOR	92640
	051393-01-723	EA	SWITCH - THERMAL CUTOUT 2/PK	93866 WAS 93853
	051393-01-724	EA	BOARD-CIRCUIT, SPADE TERMINAL	93865
	051393-01-725	EA	ELECTRODE-SGL SPADE CONNECT.	93868
	051393-01-726	EA	VALVE/SOLENOID - W/O BRACKET	93870
	111129-01-711	EA	BRACKET-CORNER, SET OF FOUR	91928

CONTACT WINNEBAGO PARTS SALES FOR UNLISTED COMPONENT(S)

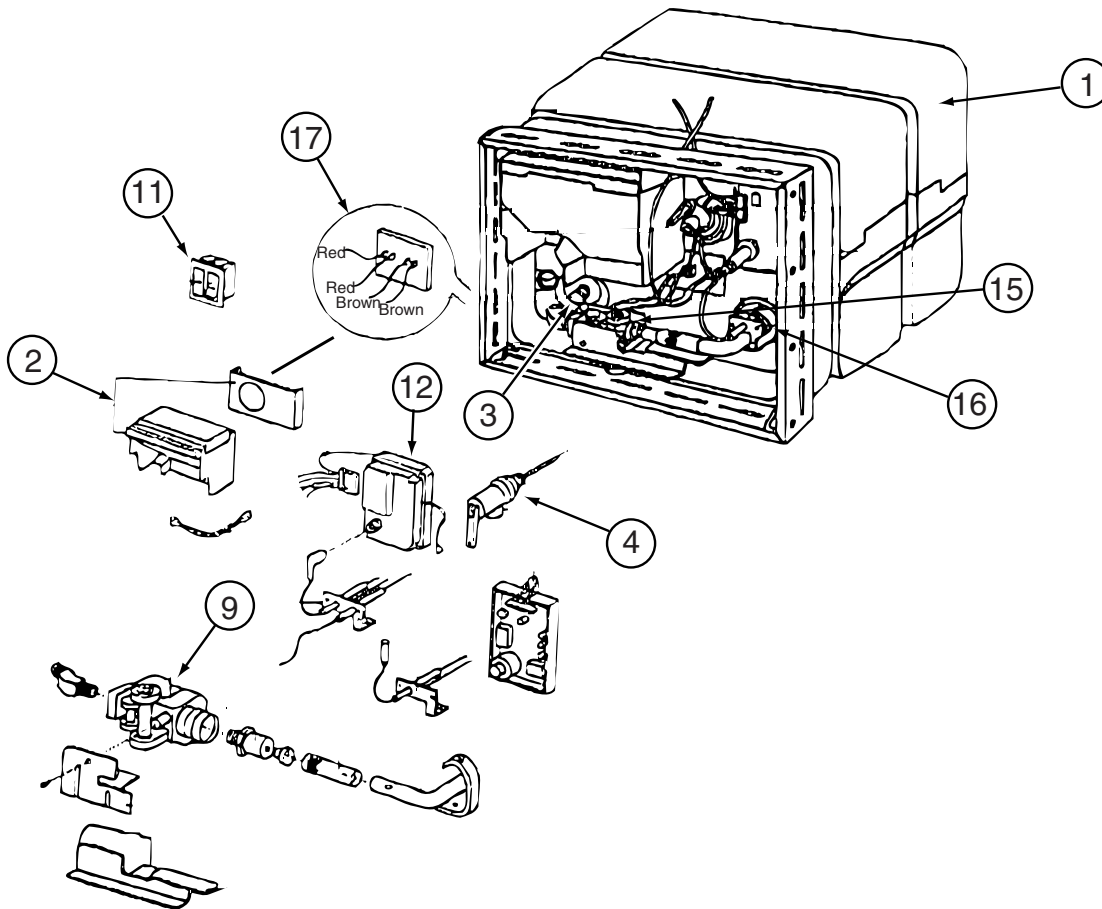
WATER & SEWAGE GROUP (CONTINUED)
COMPONENT PARTS FOR WATER SYSTEM (CONTINUED)

098607-01-000

KEY	PART NUMBER	U/M	DESCRIPTION	VENDOR NO.
	098607-01-702	EA	DIAPHRAGM/DRIVE ASSEMBLY KIT	94-238-04
	098607-01-703	EA	VALVE KIT	94-232-00
	098607-01-705	EA	VALVE-CHECK, KIT	94-237-00
	098607-01-706	EA	HOUSING, W/SWITCH ONLY	94-231-20
	098607-01-707	EA	MOTOR W/BASEPLATE	11-148-04

144215-01-000

KEY	PART NUMBER	U/M	DESCRIPTION	VENDOR NO.
	144215-01-700	EA	VALVE ASSEMBLY	94-030-01
	144215-01-701	EA	DRIVE ASSEMBLY	94-030-02
	144215-01-702	EA	FITTING KIT - W/ORINGS	94-615-06



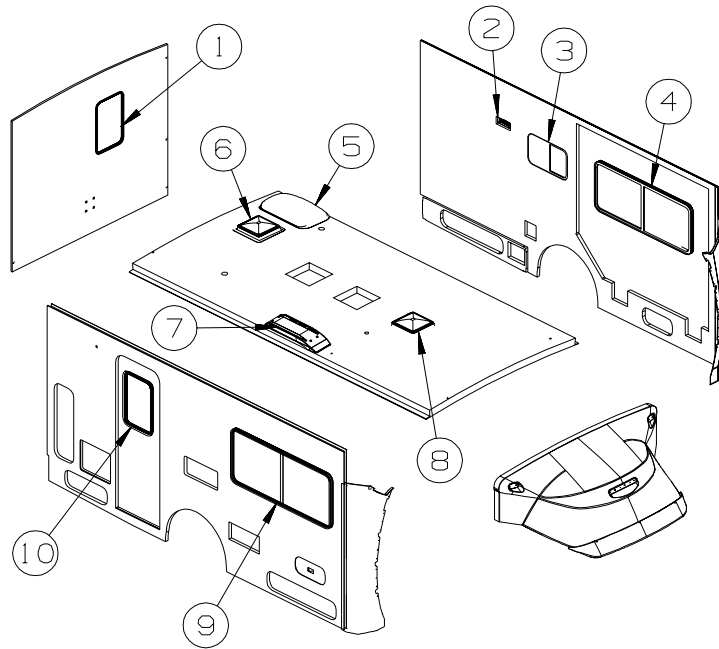
145541-02-000

KEY	PART NUMBER	U/M	DESCRIPTION	VENDOR NO.
1	145541-02-700	EA	TANK/SERVICE KIT PCS- 6 GAL	91053
2	051391-04-707	EA	KIT-EXHAUST, (FLUE & GASKET)	90960
3	051391-01-715	EA	PLUG-DRAIN, 1 EA = 2 PER PKG	91857
4	051391-01-704	EA	VALVE-RELIEF, 1/2" FITTING	91604
9	051393-01-726	EA	VALVE-SOLENOID - W/O BRACKET	93870
11	051393-01-701	EA	SWITCH - REMOTE - W/LIGHT	91959
11	145541-01-701	EA	SWITCH - ON/OFF - WHITE	91859
12	145541-01-702	EA	CIRCUIT BOARD	91226
15	145541-01-703	EA	SWITCH - THERMAL CUT OFF	93866
16	051393-01-725	EA	ELECTRODE-SGL SPADE CONNECT.	93868
17	051393-01-721	EA	THERMOSTAT W/ECO, 140 FRT MT	91447
	051391-05-706	EA	ELEMENT-HEATING 1500 WATT	92249 W/GASKET
	145541-01-704	EA	RELAY	90061
	145541-02-701	EA	JUNCTION BOX(PLASTIC) 6 GAL	91222

CONTACT WINNEBAGO PARTS SALES FOR UNLISTED COMPONENT(S)

WINDOW & VENTS GROUP

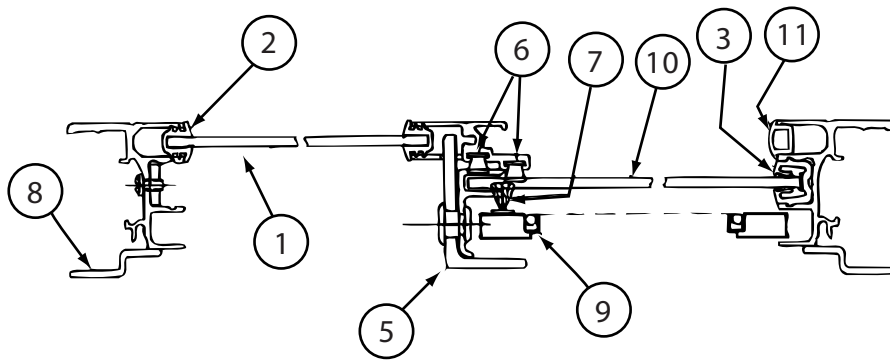
WINDOW & VENT LAYOUT



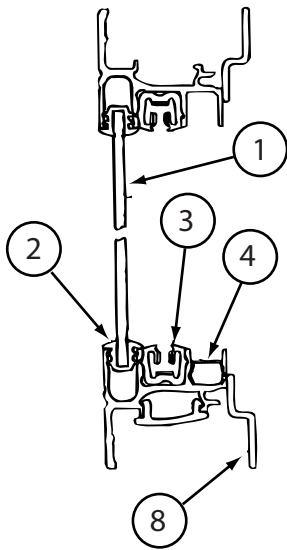
KEY	PART NUMBER	U/M	DESCRIPTION
1	117053-02-F36	EA	WINDOW - PICTURE - W/O TRIM - 60% TINTING - 26.4" X 17"
1	117054-02-03A	EA	TRIM/RETAINER - INSIDE - 16.9" X 26.2" - BLACK
1	002181-25-000	EA	GLASS - PICTURE WINDOW - 25.8"W X 16.4"H
1	087561-01-000	FT	SEAL - GLASS - EXTERIOR - .5" WIDE - VINYL BLACK
1*	150651-01-01A	EA	WINDOW - STATIONARY/FLUSH/THERMO - 26.3" X 17" - BLACK - DUAL PANE
2	147821-01-01A	EA	VENT - EXHAUST/RANGE HOOD - BRIGHT WHITE
2	147821-02-01A	EA	SHROUD - EXHAUST VENT/RANGE HOOD - BRIGHT WHITE
3*	098647-07-03A	EA	WINDOW - DRIVER HORIZ SLIDER W/TRIM - TINTED - 15" X 23.7"
3*	150648-09-01A	EA	WINDOW-HORIZ SLIDER/FLUSH/THERMO/LH - 15.2" X 24" - DUAL PANE
4*	098647-54-01A	EA	WINDOW - DRVR HORIZ SLIDER/EGRESS W/TRIM - 57.5" X 23.6"
4*	150648-01-01A	EA	WINDOW-HORIZ SLIDER/ESCAPE/FLUSH/THERMO/LH-23.8"X57.7"-BLK - DUAL PANE
5	122193-01-02A	EA	PANEL - SKYLITE - INNER - W/LIGHT INDENTATION
5	138372-01-02B	EA	TRIM - CORNER - SKYLIGHT - E-COATED
5	138379-02-01A	EA	PANEL/SKYLIGHT OTR - RECT/4"H CTR DOME - 18.4"X 29.5"- WHT
6*	122882-02-01A	EA	VENT - ROOF - W/FAN - W/O INSIDE GARNISH - UL
6*	122882-03-01A	EA	VENT - ROOF - W/FAN - W/O INSIDE GARNISH - CSA
6	009440-01-000	EA	GEAR/ARM - LIFT - ROOF VENT COVER
6	048648-01-000	EA	MOTOR/ROOF VENT - W/RESISTER - 1/8"SHAFT - 12VOLT
6	048649-01-000	EA	FAN BLADE - ROOF VENT - 6 BLADED - 6"RADIUS
7	149508-02-02A	EA	BASE - ROOF/REFRIGERATOR VENT - BRIGHT WHITE
7	149508-01-02A	EA	CAP - ROOF/REFRIGERATOR VENT - WHITE
8*	122882-01-01A	EA	VENT - ROOF - NONPOWERED - W/O INSIDE GARNISH
8	122882-07-01A	EA	GARNISH - ROOF VENT - 2.5" TO 4.1"
8	009440-01-000	EA	GEAR/ARM - LIFT - ROOF VENT COVER
8*	123780-03-01A	EA	FANTASTIC VENT-3"4"ROOF-W/FAN-W/O THERM/PWR LIFT/WHT CVR - VENT-POWER VENTILATOR
8	009440-01-000	EA	GEAR/ARM - LIFT - ROOF VENT COVER - VENT-POWER VENTILATOR
9*	098647-23-02A	EA	WINDOW - PASS HORIZ SLIDER TINTED W/RETAINER-26.1" X 59.7"
9*	150648-03-01A	EA	WINDOW-HORIZ SLIDER/FLUSH/THERMO/RH - 26.3" X 59.9" - BLK - DUAL PANE
10	117053-02-F36	EA	WINDOW - PICTURE - W/O TRIM - 60% TINTING - 26.4" X 17"
10	117054-02-03A	EA	TRIM/RETAINER - INSIDE - 16.9" X 26.2" - BLACK
10	002181-25-000	EA	GLASS - PICTURE WINDOW - 25.8"W X 16.4"H
10	087561-01-000	FT	SEAL - GLASS - EXTERIOR - .5" WIDE - VINYL BLACK
10*	150651-01-01A	EA	WINDOW - STATIONARY/FLUSH/THERMO - 26.3" X 17" - BLACK - DUAL PANE

*COMPONENT PARTS LISTED LATER IN THIS GROUP

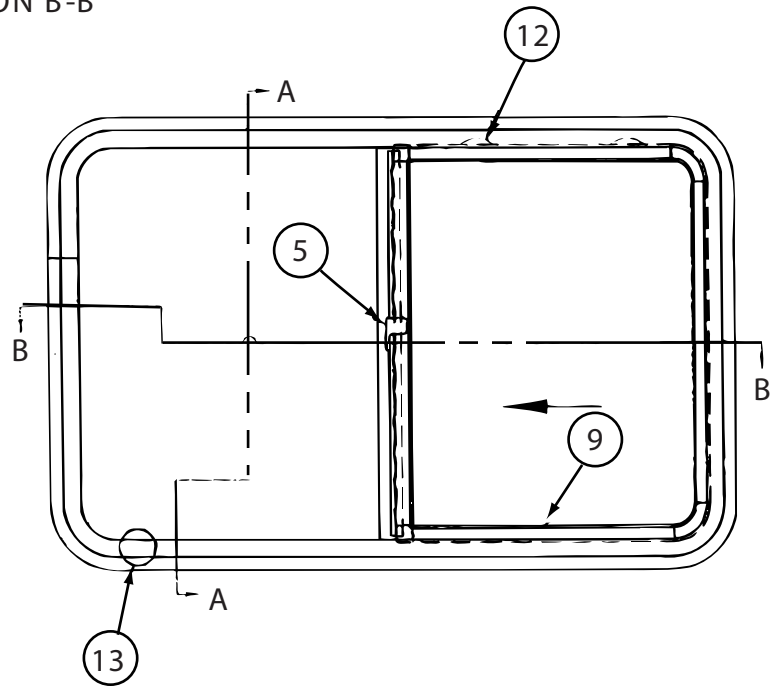
WINDOW & VENTS GROUP (CONTINUED)
COMPONENT PARTS FOR WINDOW & VENT LAYOUT



CROSS SECTION B-B



CROSS SECTION A-A



098647-07-03A

KEY	PART NUMBER	U/M	DESCRIPTION	VENDOR NO.
1	098644-01-716	FT	PLUG - FILLER	132-014470
2	098644-01-705	FT	GLAZING - STRIP	132-010231
3	098644-01-706	FT	WEATHERSTRIP - GLASS	171-010668
4	098644-01-713	EA	CLIP - SCREEN - METAL	226-016966
4	125582-01-701	EA	CLIP - SCREEN - PLASTIC	130-005153
5	098644-01-719	EA	STOP - SLIDER GLASS	132-014203
6	098644-01-710	FT	TRACK - SCREEN SPACER 12'	132-017135
7	098644-01-700	EA	LATCH - REPAIR KIT (BLACK)	B801-CK
7	098647-54-701	EA	LATCH - REPAIR KIT (RED)	B081-CK
8	098644-01-708	FT	CHANNEL - RUN PIERCED	122-016543
9	098644-01-711	FT	WEATHERSTRIP - SCREEN BLACK	171-016965
10	098647-06-700	EA	GLASS - STATIONARY 10.9X13.8	106-016921
11	098647-06-702	EA	GLASS-SLIDING W/SASH & LATCH	B969-G9
12	098647-06-703	EA	SCREEN ASM - W/SEALS & CLIPS	410-016477
13	098647-07-701	EA	RETAINER - TRIM	H969-67
	098644-01-717	FT	SPLINE - SCREEN	132-004716

WINDOW & VENTS GROUP (CONTINUED)
COMPONENT PARTS FOR WINDOW & VENT LAYOUT (CONTINUED)

098647-23-02A

KEY	PART NUMBER	U/M	DESCRIPTION	VENDOR NO.
1	098644-01-716	FT	PLUG - FILLER	132-014470
2	098644-01-705	FT	GLAZING - STRIP	132-010231
3	098644-01-706	FT	WEATHERSTRIP - GLASS	171-010668
4	098644-01-713	EA	CLIP - SCREEN - METAL	226-016966
4	125582-01-701	EA	CLIP - SCREEN - PLASTIC	130-005153
5	098644-01-719	EA	STOP - SLIDER GLASS	132-014203
6	098644-01-710	FT	TRACK - SCREEN SPACER 12'	132-017135
7	098644-01-700	EA	LATCH - REPAIR KIT (BLACK)	B801-CK
7	098647-54-701	EA	LATCH - REPAIR KIT (RED)	B081-CK
8	098644-01-708	FT	CHANNEL - RUN PIERCED	122-016543
9	098644-01-711	FT	WEATHERSTRIP - SCREEN BLACK	171-016965
10	098647-23-703	EA	GLASS - STATIONARY	106-017622
11	098647-23-700	EA	GLASS SLIDING W/SASH & LATCH	H287-G9
12	098647-23-704	EA	SCREEN ASM - W/SEALS & CLIPS	410-019066
13	098647-22-701	EA	RETAINER - TRIM	H287-67
	098644-01-717	FT	SPLINE - SCREEN	132-004716

098647-54-01A

KEY	PART NUMBER	U/M	DESCRIPTION	VENDOR NO.
1	098644-01-716	FT	PLUG - FILLER	132-014470
2	098644-01-705	FT	GLAZING - STRIP	132-010231
3	098644-01-706	FT	WEATHERSTRIP - GLASS	171-010668
4	098644-01-713	EA	CLIP - SCREEN - METAL	226-016966
4	125582-01-701	EA	CLIP - SCREEN - PLASTIC	130-0
5	098644-01-719	EA	STOP - SLIDER GLASS	132-014203
6	098644-01-710	FT	TRACK - SCREEN SPACER 12'	132-017135
7	098647-54-701	EA	LATCH - REPAIR KIT (RED)	B081-CK
8	098644-01-708	FT	CHANNEL - RUN PIERCED	122-016543
9	098644-01-711	FT	WEATHERSTRIP - SCREEN BLACK	171-016965
10	098647-47-700	EA	GLASS - STATIONARY	106-025224
11	098647-54-700	EA	GLASS-SLIDING W/SASH & LATCH	H666-G9
12	098647-47-702	EA	SCREEN ASM - W/SEALS & CLIPS	410-025226
13	098647-47-704	EA	RETAINER - TRIM	H493-66
	098644-01-717	FT	SPLINE - SCREEN	132-004716

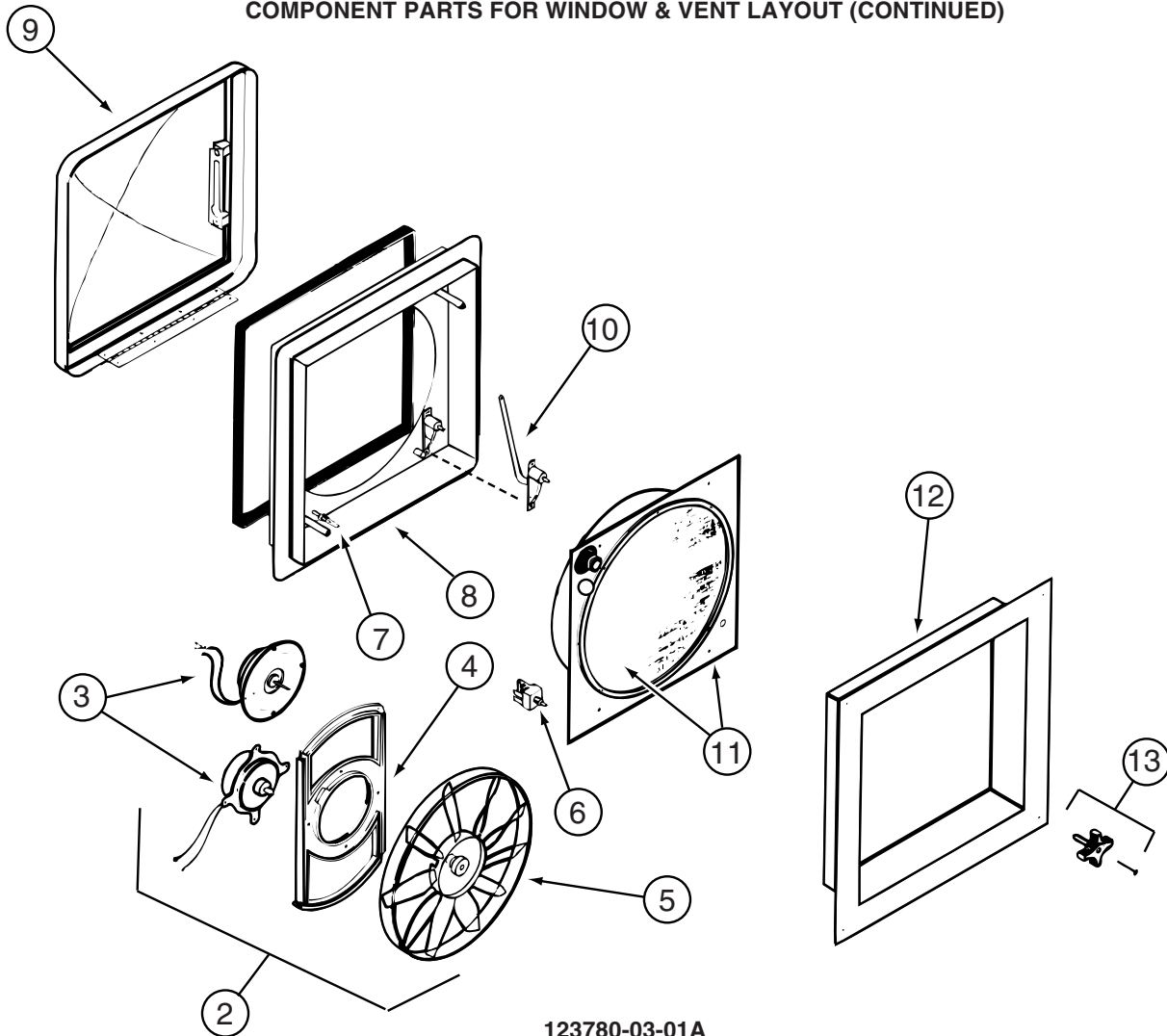
122882-01-01A

KEY	PART NUMBER	U/M	DESCRIPTION	VENDOR NO.
	064470-01-700	EA	COVER - VENT	J7291
	064470-01-701	EA	SLIDE BAR - VENT LID	JRP1291B
	122882-01-700	EA	HANDLE - CRANK - BLACK	90128
	122882-01-701	EA	SCREEN	JRP-1124-B
	122882-01-702	EA	HANDLE - CRANK - WHITE	JRP1031B

122882-02-01A, 122882-03-01A

KEY	PART NUMBER	U/M	DESCRIPTION	VENDOR NO.
	064470-01-700	EA	COVER - VENT	J7291
	064470-01-701	EA	SLIDE BAR - VENT LID	JRP1291B
	110051-03-700	EA	SWITCH-BLACK/PUSH BUTTON	27-0164
	122882-01-700	EA	HANDLE - CRANK - BLACK	90128
	122882-01-701	EA	SCREEN	JRP-1124-B
	122882-01-702	EA	HANDLE - CRANK - WHITE	JRP1031B

WINDOW & VENTS GROUP (CONTINUED)
COMPONENT PARTS FOR WINDOW & VENT LAYOUT (CONTINUED)

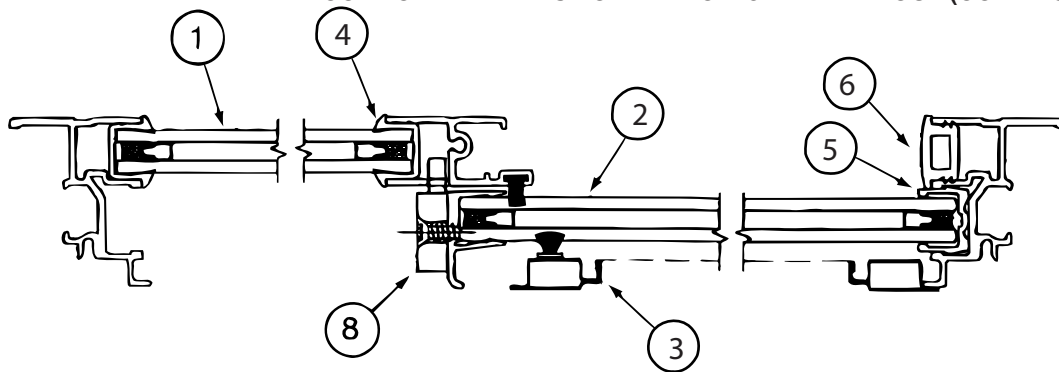


123780-03-01A

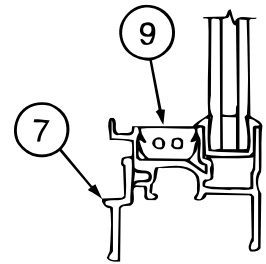
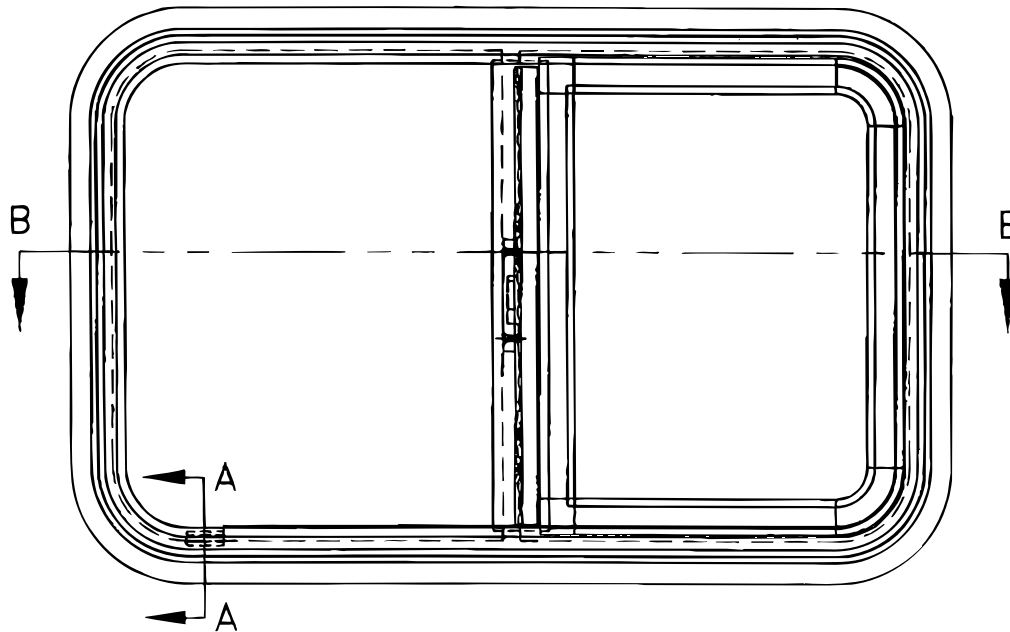
KEY	PART NUMBER	U/M	DESCRIPTION	VENDOR NO.
2	084079-11-700	EA	MOTOR & FAN BLADE W/BRACKET	K4017-09
3	084079-01-705	EA	MOTOR/EXT BRKT/FAN BLADE KIT	1080-00
4	084079-01-711	EA	MOTOR MOUNT (BOWTIE)	1015-00
5	084079-01-704	EA	BLADE-FAN	1138-00
6	084079-01-709	EA	SWITCH - MAIN - 3 SPEED	1031-05
7	084079-01-707	EA	SWITCH - SAFETY	1122-05
8	123780-05-700	EA	BASE/MAIN-BRT WHT W/GASKET	1010-81
9	123780-01-700	EA	COVER - VENT W/HINGE & SLIDE	1020K-81
10	009440-01-000	EA	GEAR-ARM-ROOF VENT	705221K38
11	123780-03-701	EA	SCREEN ASM 78-100MM W/SWITCH	1030BT-81
12	123780-03-700	EA	GARNISH - INT. 3"-4" BRT/WHT	2040-81
13	084079-01-703	EA	KNOB-LIFT	1140K-00
	084079-01-706	EA	PLUG, 12 VOLT	1090
	123780-01-702	EA	SCREEN INSERT (SCREEN RING)	K1035-81

CONTACT WINNEBAGO PART SALES FOR UNLISTED COMPONENT(S)

WINDOW & VENTS GROUP (CONTINUED)
COMPONENT PARTS FOR WINDOW & VENT LAYOUT (CONTINUED)



CROSS SECTION B-B



CROSS SECTION
A-A

150648-01-01A

KEY	PART NUMBER	U/M	DESCRIPTION	VENDOR NO
1	150648-01-705	EA	GLASS - STATIONARY	390-028313
2	150648-01-706	EA	GLASS-SLIDING W/SASH & LATCH	FH3003G8
3	150648-01-702	EA	SCREEN ASM	410-031156
4	112795-01-705	FT	VINYL - GLAZING	132-027331
5	151069-01-700	EA	CHANNEL-RUN, SLIDING	122-030627
6	150648-01-703	EA	PLUG - FILLER	132-030308
7	150648-01-707	EA	RETAINER - TRIM	H493-67
8	150648-01-700	EA	LATCH-HORIZONTAL SLIDE-BLK	FH3000-CK
8	150648-01-701	EA	LATCH-HORIZONTAL SLIDE-RED	FH3003-CK
9	150648-01-704	EA	SLIDE STOP	132-030866
	150648-05-702	FT	FIN SEAL-F/LOCKING RAIL-BLK	171-06234

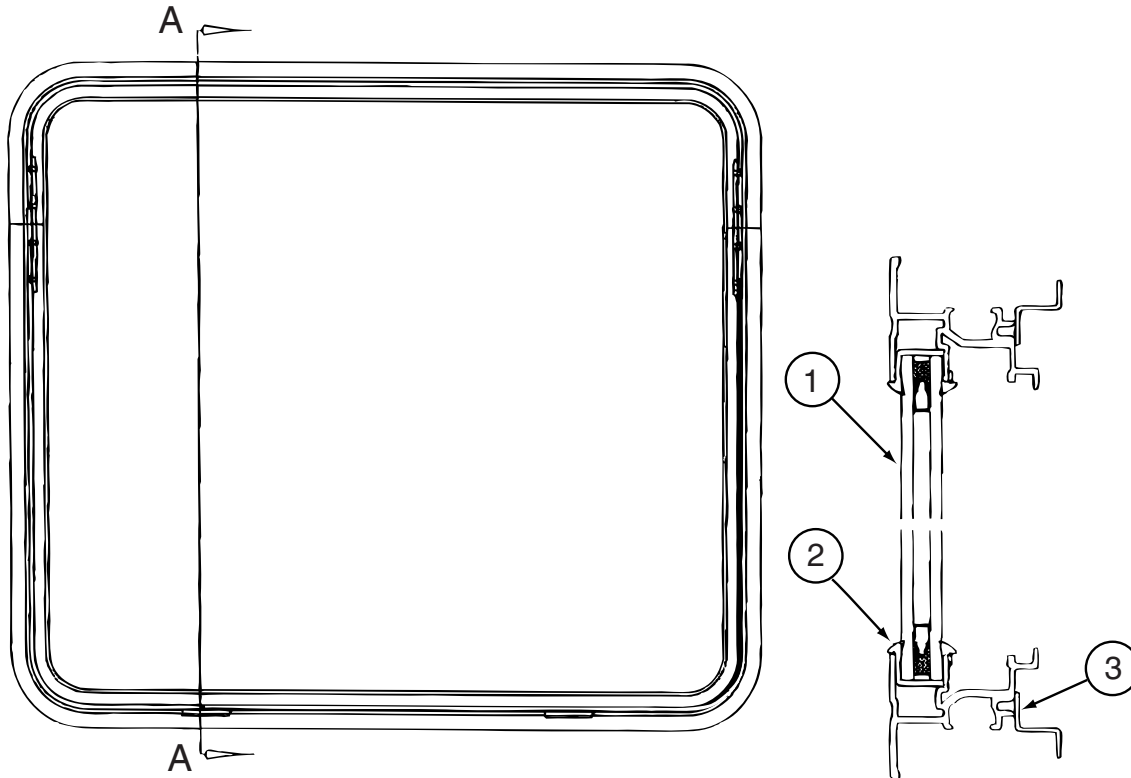
WINDOW & VENTS GROUP (CONTINUED)
COMPONENT PARTS FOR WINDOW & VENT LAYOUT (CONTINUED)

150648-02-01A, 150648-03-01A

KEY	PART NUMBER	U/M	DESCRIPTION	VENDOR NO
1	112795-68-700	EA	GLASS - STATIONARY	390-028353
2	150648-02-700	EA	GLASS-SLIDING W/SASH & LATCH	FH3009G8
3	150648-19-700	EA	SCREEN ASM	410-035332
4	112795-01-705	FT	VINYL - GLAZING	132-027331
5	151069-01-700	EA	CHANNEL-RUN, SLIDING	122-030627
6	150648-01-703	EA	PLUG - FILLER	132-030308
7	098647-22-701	EA	RETAINER - TRIM	H287-67
8	150648-01-700	EA	LATCH-HORIZONTAL SLIDE-BLK	FH3000-CK
8	150648-01-701	EA	LATCH-HORIZONTAL SLIDE-RED	FH3003-CK
9	150648-01-704	EA	SLIDE STOP	132-030866
	150648-05-702	FT	FIN SEAL-F/LOCKING RAIL-BLK	171-062348

150648-08-01A & 150648-09-01A

KEY	PART NUMBER	U/M	DESCRIPTION	VENDOR NO
1	112795-78-700	EA	GLASS - STATIONARY	390-028338
2	150648-08-700	EA	GLASS-SLIDING W/SASH & LATCH	FH3015G8
3	150648-09-700	EA	SCREEN ASM	410-035336
4	112795-01-705	FT	VINYL - GLAZING	132-027331
5	151069-01-700	EA	CHANNEL-RUN, SLIDING	122-030627
6	150648-01-703	EA	PLUG - FILLER	132-030308
7	098674-06-704	EA	RETAINER - TRIM	B969-67
8	150648-01-700	EA	LATCH-HORIZONTAL SLIDE-BLK	FH3000-CK
8	150648-01-701	EA	LATCH-HORIZONTAL SLIDE-RED	FH3003-CK
9	150648-01-704	EA	SLIDE STOP	132-030866
	150648-05-702	FT	FIN SEAL-F/LOCKING RAIL-BLK	171-062348



CROSS SECTION A-A

150651-01-01A

KEY	PART NUMBER	U/M	DESCRIPTION	VENDOR NO
1	113733-10-700	EA	GLASS-STATIONARY	390-028306
2	112795-01-705	FT	VINYL - GLAZING	132-027331
3	150651-01-700	EA	RETAINER - TRIM	H416-67