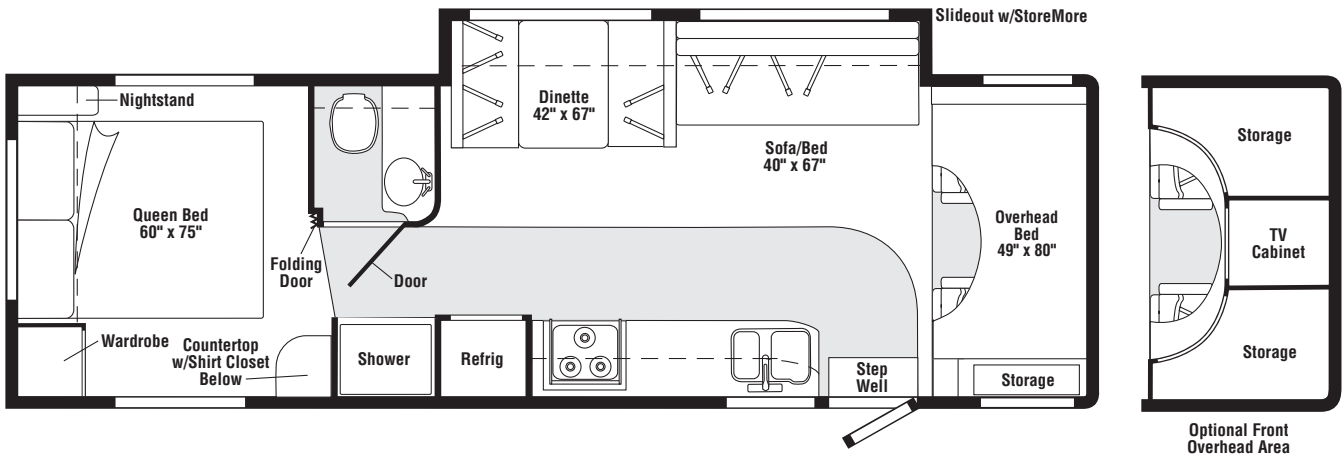


2007
SPIRIT
IF331C
300-SERIES
HONEY CHERRY
U29 CINNABAR
U31 ROCKPORT
U33 SHADOW DANCE
WASHED MAPLE
U30 CINNABAR
U32 ROCKPORT
U34 SHADOW DANCE



FLOORPLAN

CONTENTS

| | |
|---|-----------|
| FLOORPLAN | 1 |
| ACCESSORIES GROUP | 6 |
| OPERATORS MANUAL | 6 |
| AUDIO VIDEO GROUP | 7 |
| RADIO SYSTEM | 7 |
| COMPONENT PARTS FOR RADIO SYSTEM | 7 |
| 135420-20-000 | 7 |
| REAR MONITOR | 7 |
| COMPONENT PARTS FOR REAR MONITOR | 7 |
| 156930-02-01A | 7 |
| CABINET & APPLIANCE GROUP | 8 |
| CABINET & APPLIANCE LAYOUT | 8 |
| COMPONENT PARTS FOR CABINET & APPLIANCE LAYOUT | 13 |
| 121568-06-01A, 121568-07-01A, 121568-08-01A | 13 |
| 157570-01-01A, 157570-02-01A | 17 |
| CHASSIS GROUP | 18 |
| FRAME | 18 |
| DRIVESHAFT | 19 |
| EXHAUST | 20 |
| HITCH | 21 |
| FUEL | 21 |
| SPARE TIRE | 22 |
| SUSPENSION | 23 |
| COMPONENT PARTS FOR SUSPENSION | 23 |
| 144887-02-000 | 23 |
| 156618-01-000 | 23 |
| WHEEL, TIRE, COVERS &/OR LINERS | 24 |
| COMPONENT PARTS FOR WHEEL, TIRE, COVERS &/OR LINERS | 24 |
| 110435-13-000 | 24 |
| 144647-01-000 | 24 |
| BRAKELINE | 24 |
| CURTAIN & CUSHION GROUP | 25 |
| NOTICE | 25 |
| CUSHION LAYOUT | 26 |
| BUCKET SEATS | 29 |
| SOFA | 30 |
| WINDOW TREATMENT | 31 |
| HARDWARE | 33 |
| ACCESSORIES | 34 |
| FABRICS | 35 |
| DRIVERS COMPARTMENT GROUP | 36 |
| FRONT INTERIOR | 36 |
| CABINETS | 38 |

CONTENTS (CONTINUED)

| | |
|---|-----------|
| ELECTRICAL GROUP | 39 |
| 110V BODY WIRING | 39 |
| 12V BODY WIRING | 41 |
| EXTERIOR LAMPS | 46 |
| FRONT END | 47 |
| FRONT TV/VCR | 48 |
| SIDE TV/VCR | 49 |
| COMPONENT PARTS FOR WIRING | 50 |
| 076319-23-000 | 50 |
| 076319-25-000 | 50 |
| 087694-01-000 | 51 |
| 097917-01-06A | 51 |
| 120269-07-01A | 51 |
| 121935-01-01A | 51 |
| 133908-09-01A | 51 |
| 134940-06-01A | 52 |
| 134940-07-01A | 52 |
| 137135-02-000 | 53 |
| 137417-01-01A, 137417-03-01A | 54 |
| 137417-02-01A | 54 |
| 137417-05-01A | 54 |
| 137417-06-01A | 54 |
| 146298-02-000 | 54 |
| 155619-01-000 | 54 |
| 156413-01-01A | 54 |
| 158703-01-000 | 54 |
| 158836-01-000 | 54 |
| CIRCUIT BREAKERS, FUSES & RELAYS | 55 |
| CONVERTER, INVERTER, LOAD CENTERS | 55 |
| COMPONENT PARTS FOR CONVERTER, INVERTER, LOAD CENTERS | 55 |
| 083208-07-000 | 55 |
| BOXES & CORDS | 56 |
| WIRE ASSEMBLIES | 56 |
| CONNECTORS & CONDUIT | 57 |
| CHASSIS | 59 |
| EXTERIOR BODY GROUP | 61 |
| GRAPHICS & PAINT | 61 |
| PANELS & TRIMS | 62 |
| COMPONENT PARTS FOR PANELS & TRIMS | 66 |
| 133908-01 THRU 133908-08, 133908-10 THRU 133908-13, -01A/-02A/-03A | 66 |
| 133908-09-01A | 66 |
| FRONT END | 66 |
| STRUCTURAL COMPONENTS | 67 |
| AWNINGS | 67 |
| COMPONENT PARTS FOR AWNINGS | 67 |
| 113874-01-02A | 67 |
| EXTERIOR DOORS & COMPARTMENTS GROUP | 68 |
| DOOR & COMPARTMENT LAYOUT | 68 |
| COMPONENT PARTS FOR DOOR & COMPARTMENT LAYOUT | 72 |
| 084103-08-000 | 72 |
| 094708-05-01A | 72 |
| COMPARTMENT DOOR PIECE PARTS | 73 |
| COMPONENT PARTS FOR COMPARTMENT DOOR PIECE PARTS | 77 |
| 110506-A1-000, 110506-A2-000, 110506-26-000, 110506-27-000, 110506-36-000 | 77 |
| ENTRY | 77 |
| SCREEN | 78 |
| LATCH - ENTRY | 79 |

CONTENTS (CONTINUED)

| | |
|---|------------|
| EXTERIOR SLIDEOUT GROUP | 80 |
| FRONT LEFT | 80 |
| COMPONENT PARTS FOR FRONT SLIDEOUT | 83 |
| 142598-01-000 | 83 |
| 142598-02-000 | 83 |
| GENERATOR GROUP | 84 |
| HEATING & A/C GROUP | 85 |
| FURNACE | 85 |
| COMPONENT PARTS FOR FURNACE | 86 |
| 139980-02-000 | 86 |
| REAR HEATER | 87 |
| COMPONENT PARTS FOR REAR HEATER | 87 |
| 084405-01-000 | 87 |
| ROOF | 88 |
| COMPONENT PARTS FOR ROOF | 88 |
| 131184-01-01A | 88 |
| 131184-05-01A | 89 |
| 131188-03-01A | 90 |
| 131188-04-01A | 91 |
| INTERIOR FINISH GROUP | 92 |
| MOLDINGS & TRIMS | 92 |
| PANELING & LAMINATES | 100 |
| INTERIOR TRIM LAYOUT | 101 |
| COMPONENT PARTS FOR INTERIOR TRIM LAYOUT | 104 |
| 089318-05-000 | 104 |
| 094499-02-000 | 104 |
| 131595-01-01A, 131595-05-01A, 131595-10-01A | 104 |
| FLOOR COVERINGS | 105 |
| HARDWARE | 106 |
| LABELS GROUP | 112 |
| LP GROUP | 114 |
| LP SYSTEM | 114 |
| COMPONENT PARTS FOR LP SYSTEM | 114 |
| 144116-04-000 | 114 |
| SEALANTS & FASTENERS GROUP | 115 |
| SEALANTS & ADHESIVES | 115 |
| BOLTS, NUTS AND WASHERS | 116 |
| SCREWS | 118 |
| CLAMPS, CLIPS, GROMMETS, RIVETS & PLUGS | 121 |
| MISCELLANEOUS FASTENERS | 122 |
| WATER & SEWAGE GROUP | 123 |
| DRAINAGE SYSTEM | 123 |
| COMPONENT PARTS FOR DRAINAGE SYSTEM | 125 |
| 062415-01-000 | 125 |
| 147421-01-01A, 147421-02-01A | 125 |
| WATER SYSTEM | 126 |
| COMPONENT PARTS FOR WATER SYSTEM | 133 |
| 051391-03-000 | 133 |
| 075241-04-000, 075241-05-000, 075241-06-000 | 134 |
| 098607-01-000 | 134 |
| 145541-02-000 | 134 |
| 152311-01-01A | 134 |

CONTENTS (CONTINUED)

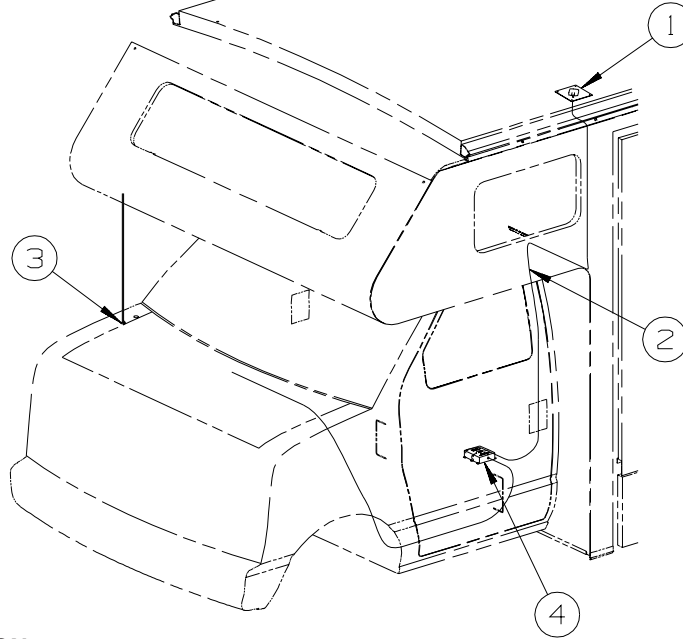
| | |
|--|------------|
| WINDOW & VENTS GROUP | 135 |
| WINDOW & VENT LAYOUT | 135 |
| COMPONENT PARTS FOR WINDOW & VENT LAYOUT | 137 |
| 098647-29-02A, 098647-30-02A | 137 |
| 098647-31-02A, 098647-32-02A | 138 |
| 098647-74-01A | 138 |
| 098647-78-01A, 098647-79-01A | 139 |
| 098647-80-01A | 139 |
| 122882-01-01A | 139 |
| 122882-02-01A, 122882-03-01A | 139 |
| 123780-03-01A | 140 |
| 150648-04-01A, 150648-05-01A | 141 |
| 150648-07-01A, 150648-22-01A | 141 |
| 150648-26-01A | 142 |
| 150648-31-01A, 150648-32-01A | 142 |
| 150651-01-01A | 142 |
| 150651-03-01A | 143 |
| 150656-03-01A | 143 |
| 161452-01-01A | 144 |

ACCESSORIES GROUP
OPERATORS MANUAL

| KEY | PART NUMBER | U/M | DESCRIPTION |
|------------|--------------------|------------|---|
| | 156400-01-000 | DW | TOP LEVEL-300,2007 |
| | 129079-01-01A | EA | CASE - VINYL/BLACK-EXPANDABLE ACCORDION SIDES-7"WX9"HX14"L FROM: 00-00-00 THRU: 07-09-06 |
| | 129079-04-01A | EA | CASE - VINYL/BLK-EXPANDABLE ACCORDION SIDES-11"WX9"HX14"L FROM: 07-10-06 THRU: 07-30-06 |
| | 159842-01-01A | EA | CASE - VINYL - F/MANUALS - W/SLEEVES - BLACK FROM: 07-31-06 THRU: 99-99-99 |
| | 132000-12-007 | EA | MANUAL/OWNER - SPIRIT - 2007 |

AUDIO VIDEO GROUP RADIO SYSTEM

| KEY | PART NUMBER | U/M | DESCRIPTION |
|-----|---------------|-----|--|
| | 135420-15-000 | EA | RADIO-AM/FM/CD/SIRIUS SATELLITE READY-W/O REMOTES/WIRE ASM |
| | 135420-05-000 | EA | MOUNTING KIT - RADIO - FORD |
| | 135420-19-000 | EA | REMOTE CONTROL/RADIO (CREDIT CARD SIZE) |
| | 135420-18-000 | EA | REMOTE CONTROL/RADIO (STEERING WHEEL MOUNT) |
| | 135420-14-000 | EA | RECEIVER (EYE) - INFRARED |



| KEY | PART NUMBER | U/M | DESCRIPTION |
|-----|---------------|-----|--|
| 1 | 158494-01-000 | EA | ANTENNA/SATELLITE - RADIO/SIRIUS |
| 2 | 158494-02-000 | EA | CABLE/ANTENNA - SATELLITE RADIO SIRIUS |
| 3 | 108137-01-000 | EA | PLUG - ANTENNA |
| 4* | 135420-20-000 | EA | RECEIVER - SATELLITE RADIO |

*COMPONENT PARTS LISTED LATER IN THIS GROUP

COMPONENT PARTS FOR RADIO SYSTEM

135420-20-000

| KEY | PART NUMBER | U/M | DESCRIPTION | VENDOR NO. |
|-----|---------------|-----|-------------------------|------------|
| | 135420-20-700 | EA | CABLE-RECIEVER TO RADIO | M9CABLE |

REAR MONITOR

| KEY | PART NUMBER | U/M | DESCRIPTION |
|-----|---------------|-----|--|
| | 156442-01-01A | EA | COLOR MONITOR/LCD - 5.6" - NO AUDIO - PLAS POD MOUNT - TAN FROM: 00-00-00 THRU: 07-09-06 |
| | 156442-02-01A | EA | COLOR MONITOR/LCD - 5.6" - NO AUDIO-PLAS POD MOUNT-TAN/BLK FROM: 07-10-06 THRU: 99-99-99 |
| | 156930-01-01A | EA | MONITOR/LCD - 5.6" - NO AUDIO - PLASTIC POD MOUNT - TAN - CHEVY FROM: 00-00-00 THRU: 07-09-06 |
| * | 156930-02-01A | EA | MONITOR/LCD - 5.6" - NO AUDIO - PLASTIC POD MOUNT - TAN - CHEVY FROM: 07-10-06 THRU: 99-99-99 |
| | 144677-04-000 | EA | CAMERA - REAR VIEW W/BACKET - BLACK & WHITE - VBSC150 |
| | 149227-01-02B | EA | BRACKET - CAMERA - E-COATED - ASPECT, CAMBRIA |
| | 149237-01-01A | EA | SHROUD - CAMERA/OUTER - BRIGHT WHITE - ASPECT, CAMBRIA |
| | 149237-01-02A | EA | SHROUD - CAMERA/OUTER - PRIMED - ASPECT, CAMBRIA / DLX GRAPHICS |
| | 154189-04-02A | EA | COVER/TRIM - WIRING - 15.3" - ALMOND - ACCESS, IMPULSE 226A, 228P, 229T, 231C |
| | 154189-06-02A | EA | COVER/TRIM - WIRING - 17.3" - ALMOND - ACCESS, IMPULSE 224V |
| | 160883-01-02B | EA | BRACKET-MONITOR-E-COATED - ACCESS, IMPULSE / OUTLOOK, SPIRIT - FORD FROM: 06-12-06 THRU: 99-99-99 |

*COMPONENT PARTS LISTED LATER IN THIS GROUP

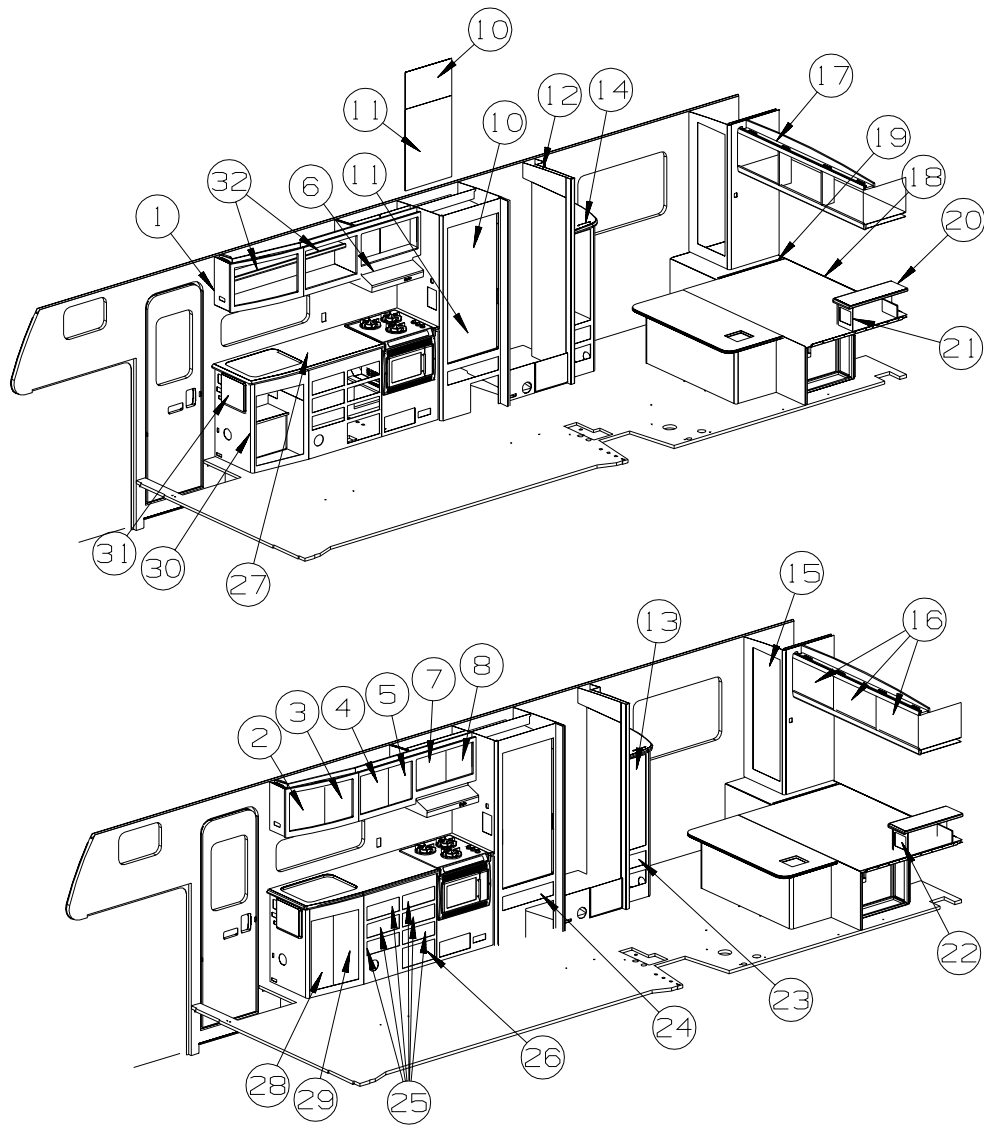
COMPONENT PARTS FOR REAR MONITOR

156930-02-01A

| KEY | PART NUMBER | U/M | DESCRIPTION | VENDOR NO. |
|-----|---------------|-----|-----------------------------|------------|
| | 156930-02-700 | EA | SHROUD - REAR VIEW MONITOR | 33200012 |
| | 156930-02-701 | EA | BRACKET - REAR VIEW MONITOR | 32300009 |

CABINET & APPLIANCE GROUP

CABINET & APPLIANCE LAYOUT



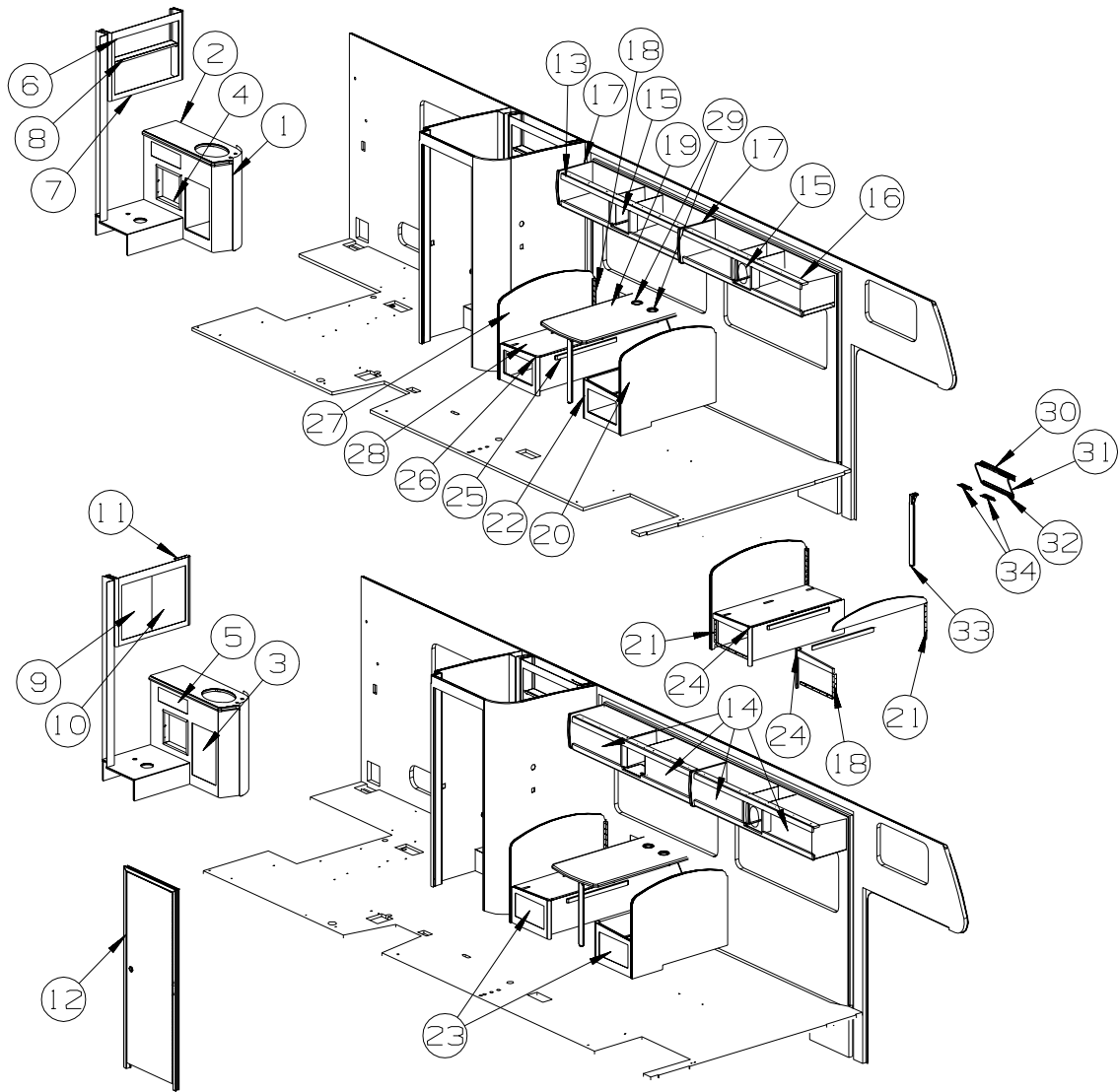
| KEY | PART NUMBER | U/M | DESCRIPTION |
|-----|---------------|-----|---|
| 1 | 155770-03-U21 | EA | CABINET - OVERHEAD/GALLEY - W/O DOORS/HDW - HONEY CHERRY |
| 1 | 155770-03-U22 | EA | CABINET - OVERHEAD/GALLEY - W/O DOORS/HDW - WASHED MAPLE |
| 1 | 155770-01-U21 | EA | CABINET - OVERHEAD/GALLEY - W/O DOORS/HDW - HONEY CHERRY - INTERIOR UPGRADE PKG |
| 1 | 155770-01-U22 | EA | CABINET - OVERHEAD/GALLEY - W/O DOORS/HDW - WASHED MAPLE - INTERIOR UPGRADE PKG |
| 2 | 156092-03-U21 | EA | DOOR - CURVED/VERTICLE - 13.8"W X 15.7"H - W/O HDW - HONEY CHERRY |
| 2 | 156092-03-U22 | EA | DOOR - CURVED/VERTICLE - 13.8"W X 15.7"H - W/O HDW - WASHED MAPLE |
| 3 | 156092-04-U21 | EA | DOOR - CURVED/VERTICLE - 13.8"W X 15.7"W - W/O HDW - HONEY CHERRY |
| 3 | 156092-04-U22 | EA | DOOR - CURVED/VERTICLE - 13.8"W X 15.7"H - W/O HDW - WASHED MAPLE |
| 4 | 159216-16-U21 | EA | DOOR - FLAT/SQUARE EDGE - 12.4" X 15.7" - W/O HDW - HONEY CHERRY |
| 4 | 159216-16-U22 | EA | DOOR - FLAT/SQUARE EDGE - 12.4" X 15.7" - W/O HDW - WASHED MAPLE |
| 5 | 159216-17-U21 | EA | DOOR - FLAT/SQUARE EDGE - 12.4" X 15.7" - W/O HDW - HONEY CHERRY |
| 5 | 159216-17-U22 | EA | DOOR - FLAT/SQUARE EDGE - 12.4" X 15.7" - W/O HDW - WASHED MAPLE |
| 6* | 157570-01-01A | EA | HOOD - RANGE 24" - W/LIGHT/FAN - BLACK TEXTURED |
| 6* | 157570-02-01A | EA | HOOD - RANGE 24" - W/LIGHT/FAN - BLACK TEXTURED - CANADIAN |
| 7 | 159216-14-U21 | EA | DOOR - FLAT/SQUARE EDGE - 13.6" X 14.2" - W/O HDW - HONEY CHERRY |
| 7 | 159216-14-U22 | EA | DOOR - FLAT/SQUARE EDGE - 13.6" X 14.2" - W/O HDW - WASHED MAPLE |
| 8 | 159216-15-U21 | EA | DOOR - FLAT/SQUARE EDGE - 13.6" X 14.2" - W/O HDW - HONEY CHERRY |
| 8 | 159216-15-U22 | EA | DOOR - FLAT/SQUARE EDGE - 13.6" X 14.2" - W/O HDW - WASHED MAPLE |
| 9* | 121568-06-01A | EA | REFRIGERATOR - SMALL DBL DOOR-RH/2 WAY - 52.8"HX23.5"WX24"D |
| 10 | 103251-07-01A | EA | INSERT/REFRIGERATOR DOOR - 21.6" X 14.5" - BLACK ACRYLIC |
| 10 | 158456-01-01A | EA | INSERT/REFRIGERATOR DOOR - 21.5"W X 14.5"H - TITANIUM SST |
| 11 | 103251-09-01A | EA | INSERT/REFRIGERATOR DOOR - 21.6" X 38.6" - BLACK ACRYLIC |
| 11 | 158456-02-01A | EA | INSERT/REFRIGERATOR DOOR - 21.5"W X 31.6"H - TITANIUM SST |
| | 054450-01-000 | EA | LEVEL - REFRIGERATOR |
| | 116751-03-01A | EA | TRAY - REFRIGERATOR - BLACK |

CABINET & APPLIANCE GROUP (CONTINUED)
CABINET & APPLIANCE LAYOUT (CONTINUED)

| KEY | PART NUMBER | U/M | DESCRIPTION |
|-----|---------------|-----|---|
| 12 | 157828-03-01A | EA | COUNTERTOP - WARDROBE CABINET (U29, U30, U31, U32) |
| 12 | 157828-03-02A | EA | COUNTERTOP - WARDROBE CABINET (U33, U34) |
| 13 | 159216-09-U21 | EA | DOOR - FLAT/SQUARE EDGE - 10.8" X 36.4" - W/O HDW - HONEY CHERRY |
| 13 | 159216-09-U22 | EA | DOOR - FLAT/SQUARE EDGE - 10.8" X 36.4" - W/O HDW - WASHED MAPLE |
| 14 | 076767-04-000 | EA | CABLE - STAINLESS STEEL - 5.9" |
| 15 | 159204-02-U21 | EA | DOOR - MIRRORED - 16.7" X 48" - W/O HDW - HONEY CHERRY |
| 15 | 159204-02-U22 | EA | DOOR - MIRRORED - 16.7" X 48" - W/O HDW - WASHED MAPLE |
| | 140374-85-000 | EA | MIRROR - SAFETY GLASS - 12.8" X 44" |
| 16 | 159187-11-U21 | EA | DOOR - CURVED - 16.9" X 24.1" - W/O HDW - HONEY CHERRY |
| 16 | 159187-11-U22 | EA | DOOR - CURVED - 16.9" X 24.1" - W/O HDW - WASHED MAPLE |
| 17 | 155718-01-U21 | EA | CABINET - OVERHEAD/REAR - W/O DOORS/HDW - HONEY CHERRY |
| 17 | 155718-01-U22 | EA | CABINET - OVERHEAD/REAR - W/O DOORS/HDW - WASHED MAPLE |
| 18 | 155693-01-U21 | EA | CABINET - BED BASE - QUEEN - W/O DOORS/DRAWERS/HDW - HONEY CHERRY |
| 18 | 155693-01-U22 | EA | CABINET - BED BASE - QUEEN - W/O DOORS/DRAWERS/HDW - WASHED MAPLE |
| 19 | 158079-01-01A | EA | SUPPORT - BUNK/REAR - OFF WHITE |
| 20 | 157828-04-01A | EA | COUNTERTOP - NIGHTSTAND (U29, U30, U31, U32) |
| 20 | 157828-04-02A | EA | COUNTERTOP - NIGHTSTAND (U33, U34) |
| 21 | 155695-01-U21 | EA | CABINET - NIGHTSTAND/RH - W/O COUNTERTOP/DOORS/DRAWERS/HDW - HONEY CHERRY |
| 21 | 155695-01-U22 | EA | CABINET - NIGHTSTAND/RH - W/O COUNTERTOP/DOORS/DRAWERS/HDW - WASHED MAPLE |
| 22 | 153121-HR-U21 | EA | DRAWER - VENEER FACE - 5.3"W X 19.7"D - W/O SLIDES/HDW - HONEY CHERRY |
| 22 | 153121-HR-U22 | EA | DRAWER - VENEER FACE - 5.3"W X 19.7"D - W/O SLIDES/HDW - WASHED MAPLE |
| 23 | 153121-HS-U21 | EA | DRAWER - VENEER FACE - 8.8"W X 13.8"D - W/O SLIDES/HDW - HONEY CHERRY |
| 23 | 153121-HS-U22 | EA | DRAWER - VENEER FACE - 8.8"W X 13.8"D - W/O SLIDES/HDW - WASHED MAPLE |
| 24 | 159205-10-U21 | EA | DRAWER FACE - VENEER - 6.1" X 24.8" - W/O HDW - HONEY CHERRY |
| 24 | 159205-10-U22 | EA | DRAWER FACE - VENEER - 6.1" X 24.8" - W/O HDW - WASHED MAPLE |
| 25 | 153121-HT-U21 | EA | DRAWER - VENEER FACE - 13.9"W X 15.7"D - W/O SLIDES/HDW - HONEY CHERRY |
| 25 | 153121-HT-U22 | EA | DRAWER - VENEER FACE - 13.9"W X 15.7"D - W/O SLIDES/HDW - WASHED MAPLE |
| 26 | 153121-HV-U21 | EA | DRAWER - VENEER FACE - 13.9"W X 15.7"D - W/O SLIDES/HDW - HONEY CHERRY |
| 26 | 153121-HV-U22 | EA | DRAWER - VENEER FACE - 13.9"W X 15.7"D - W/O SLIDES/HDW - WASHED MAPLE |
| 27 | 157828-01-01A | EA | COUNTERTOP - GALLEY CABINET (U29, U30, U31, U32) |
| 27 | 157828-01-02A | EA | COUNTERTOP - GALLEY CABINET (U33, U34) |
| 28 | 159216-18-U21 | EA | DOOR - FLAT/SQUARE EDGE - 10.6" X 27.9" - W/O HDW - HONEY CHERRY |
| 28 | 159216-18-U22 | EA | DOOR - FLAT/SQUARE EDGE - 10.6" X 27.9" - W/O HDW - WASHED MAPLE |
| 29 | 159216-19-U21 | EA | DOOR - FLAT/SQUARE EDGE - 10.6" X 27.9" - W/O HDW - HONEY CHERRY |
| 29 | 159216-19-U22 | EA | DOOR - FLAT/SQUARE EDGE - 10.6" X 27.9" - W/O HDW - WASHED MAPLE |
| 30 | P55726-01-U21 | EA | CABINET - GALLEY - W/O CTRTP/DRS/DRWRS/HDW - HONEY CHERRY |
| 30 | P55726-01-U22 | EA | CABINET - GALLEY - W/O CTRTP/DRS/DRWRS/HDW - WASHED MAPLE |
| 30 | P55726-02-U21 | EA | CABT-GALLEY-W/O CTRTP/DRS/DRWRS/HDW-HONEY CHERRY - TWO WAY RADIOS |
| 30 | P55726-02-U22 | EA | CABT-GALLEY-W/O CTRTP/DRS/DRWRS/HDW-WASHED MAPLE - TWO WAY RADIOS |
| 30 | P55726-03-U21 | EA | CABT-GALLEY-W/O CTRTP/DRS/DRWRS/HDW-HONEY CHERRY - INVERTER |
| 30 | P55726-03-U22 | EA | CABT-GALLEY-W/O CTRTP/DRS/DRWRS/HDW-WASHED MAPLE - INVERTER |
| 30 | P55726-04-U21 | EA | CABT-GALLEY-W/O CTRTP/DRS/DRWRS/HDW-HONEY CHERRY - INVERTER-TWO WAY RADIOS |
| 30 | P55726-04-U22 | EA | CABT-GALLEY-W/O CTRTP/DRS/DRWRS/HDW-WASHED MAPLE - INVERTER-TWO WAY RADIOS |
| 30 | P55726-05-U21 | EA | CABT-GALLEY-W/O CTRTP/DRS/DRWRS/HDW-HONEY CHERRY - WTR HTR-6G/110/LP/MA |
| 30 | P55726-05-U22 | EA | CABT-GALLEY-W/O CTRTP/DRS/DRWRS/HDW-WASHED MAPLE - WTR HTR-6G/110/LP/MA |
| 30 | P55726-06-U21 | EA | CABT-GALLEY-W/O CTRTP/HDW-HONEY CHERRY - WTR HTR-6G/110/LP/MA-TWO WAY RADIOS |
| 30 | P55726-06-U22 | EA | CABT-GALLEY-W/O CTRTP/HDW-WASHED MAPLE - WTR HTR-6G/110/LP/MA-TWO WAY RADIOS |
| 30 | P55726-07-U21 | EA | CABT-GALLEY-W/O CTRTP/HDW-HONEY CHERRY - WTR HTR-6G/110/LP/MA-INVERTER |
| 30 | P55726-07-U22 | EA | CABT-GALLEY-W/O CTRTP/HDW-WASHED MAPLE - WTR HTR-6G/110/LP/MA-INVERTER |
| 30 | P55726-08-U21 | EA | CABT-GALLEY-W/O HDW-HONEY CHERRY-WTR HTR-6G/110/LP/MA-TWO WAY RADIOS-INVERTER |
| 30 | P55726-08-U22 | EA | CABT-GALLEY-W/O HDW-WASHED MAPLE - WTR HTR-6G/110/LP/MA-TWO WAY RADIOS-INVERTER |
| 31 | 157828-06-01A | EA | COUNTERTOP - EXTENSION/GALLEY (U29, U30, U31, U32) |
| 31 | 157828-06-02A | EA | COUNTERTOP - EXTENSION/GALLEY (U33, U34) |
| 32 | 155770-22-U21 | EA | SHELF - W/PLASTIC EDGE MOLDING - HONEY CHERRY |
| 32 | 155770-22-U22 | EA | SHELF - W/PLASTIC EDGE MOLDING - WASHED MAPLE |

*COMPONENT PARTS LISTED LATER IN THIS GROUP

CABINET & APPLIANCE GROUP (CONTINUED)
CABINET & APPLIANCE LAYOUT (CONTINUED)



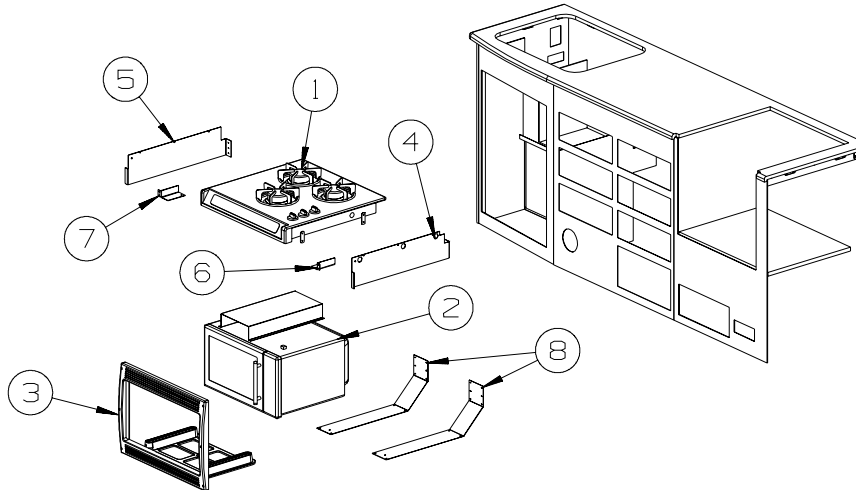
| KEY | PART NUMBER | U/M | DESCRIPTION |
|-----|---------------|-----|---|
| 1 | P55914-01-U21 | EA | CABINET - LAVATORY - W/O COUNTERTOP/DOORS/DRAWERS/HDW - HONEY CHERRY |
| 1 | P55914-01-U22 | EA | CABINET - LAVATORY - W/O COUNTERTOP/DOORS/DRAWERS/HDW - WASHED MAPLE |
| 2 | 157828-02-01A | EA | COUNTERTOP - LAVATORY CABINET (U29, U30, U31, U32) |
| 2 | 157828-02-02A | EA | COUNTERTOP - LAVATORY CABINET (U33, U34) |
| 3 | 159216-13-U21 | EA | DOOR - FLAT/SQUARE EDGE - 14.2" X 20.4" - W/O HDW - HONEY CHERRY |
| 3 | 159216-13-U22 | EA | DOOR - FLAT/SQUARE EDGE - 14.2" X 20.4" - W/O HDW - WASHED MAPLE |
| 4 | 137602-10-RE3 | EA | POCKET - MAGAZINE RACK - W/RAIL (PEWTER) - HONEY CHERRY |
| 4 | 137602-10-RW5 | EA | POCKET - MAGAZINE RACK - W/RAIL (PEWTER) - WASHED MAPLE |
| 5 | 153121-HU-U21 | EA | DRAWER - VENEER FACE - 15.5"W X 9.8"D - W/O SLIDES/HDW - HONEY CHERRY |
| 5 | 153121-HU-U22 | EA | DRAWER - VENEER FACE - 15.5"W X 9.8"D - W/O SLIDES/HDW - WASHED MAPLE |
| 6 | 156144-01-U21 | EA | CABINET - OVERHEAD/MEDICINE - W/O DOORS/HDW - HONEY CHERRY |
| 6 | 156144-01-U22 | EA | CABINET - OVERHEAD/MEDICINE - W/O DOORS/HDW - WASHED MAPLE |
| 7 | 158227-02-U21 | EA | END CAP - OVERHEAD CABINET - HONEY CHERRY |
| 7 | 158227-02-U22 | EA | END CAP - OVERHEAD CABINET - WASHED MAPLE |
| 8 | 156144-19-U21 | EA | SHELF - W/PLASTIC EDGE MOLDING - HONEY CHERRY |
| 8 | 156144-19-U22 | EA | SHELF - W/PLASTIC EDGE MOLDING - WASHED MAPLE |
| 9 | 159216-11-U21 | EA | DOOR - FLAT/SQUARE EDGE - 14.9" X 21.8" - W/O HDW - HONEY CHERRY |
| 9 | 159216-11-U22 | EA | DOOR - FLAT/SQUARE EDGE - 14.9" X 21.8" - W/O HDW - WASHED MAPLE |
| 10 | 159216-12-U21 | EA | DOOR - FLAT/SQUARE EDGE - 14.9" X 21.8" - W/O HDW - HONEY CHERRY |
| 10 | 159216-12-U22 | EA | DOOR - FLAT/SQUARE EDGE - 14.9" X 21.8" - W/O HDW - WASHED MAPLE |
| 11 | 076767-04-000 | EA | CABLE - STAINLESS STEEL - 5.9" |
| 12 | 144645-04-U21 | EA | DOOR - BATH - W/O FRAME (PICTURE)/TOWEL RACK/HDW - HONEY CHERRY |
| 12 | 144645-04-RW1 | EA | DOOR - BATH - W/O FRAME (PICTURE)/TOWEL RACK/HDW - WASHED MAPLE |
| 13 | 155769-01-U21 | EA | CABINET - OVERHEAD/FRONT - W/O DOORS/HDW - HONEY CHERRY |
| 13 | 155769-01-U22 | EA | CABINET - OVERHEAD/FRONT - W/O DOORS/HDW - WASHED MAPLE |

CABINET & APPLIANCE GROUP (CONTINUED)
CABINET & APPLIANCE LAYOUT (CONTINUED)

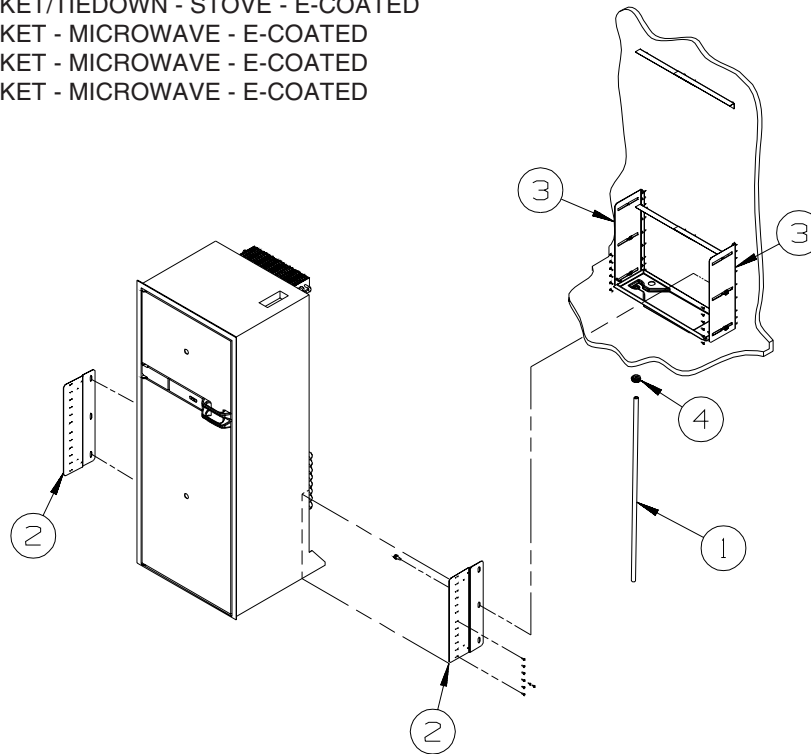
| KEY | PART NUMBER | U/M | DESCRIPTION |
|------------|--------------------|------------|---|
| 14 | 159187-10-U21 | EA | DOOR - CURVED - 11.8" X 27.9" - W/O HDW - HONEY CHERRY |
| 14 | 159187-10-U22 | EA | DOOR - CURVED - 11.8" X 27.9" - W/O HDW - WASHED MAPLE |
| 15 | 156100-01-U21 | EA | COVER - SPEAKER - W/FABRIC - HONEY CHERRY |
| 15 | 156100-01-U22 | EA | COVER - SPEAKER - W/FABRIC - WASHED MAPLE |
| 16 | 155769-02-U21 | EA | CABINET - OVERHEAD/FRONT/DINETTE - W/O DOORS/HDW - HONEY CHERRY |
| 16 | 155769-02-U22 | EA | CABINET - OVERHEAD/FRONT/DINETTE - W/O DOORS/HDW - WASHED MAPLE |
| 17 | 158227-01-U21 | EA | END CAP - OVERHEAD CABINET - HONEY CHERRY |
| 17 | 158227-01-U22 | EA | END CAP - OVERHEAD CABINET - WASHED MAPLE |
| 18 | 122021-02-02A | EA | ANGLE - W/HOLES - 13.7" LONG - OFF WHITE |
| 19 | 159010-01-U21 | EA | TABLE - DINETTE - W/HANGER (U29, U30, U31, U32) |
| | 157828-05-01A | EA | COUNTERTOP - TABLE - W/O HDW (U29, U30, U31, U32) |
| 19 | 159010-01-U25 | EA | TABLE - DINETTE - W/HANGER (U33, U34) |
| | 157828-05-02A | EA | COUNTERTOP - TABLE - W/O HDW (U33, U34) |
| 20 | 155741-24-U21 | EA | PANEL/BACK - DINETTE - RIGHT HAND - W/O HDW - HONEY CHERRY |
| 20 | 155741-24-U22 | EA | PANEL/BACK - DINETTE - RIGHT HAND - W/O HDW - WASHED MAPLE |
| 21 | 122021-01-02A | EA | ANGLE - W/HOLES - 8.6" LONG - OFF WHITE |
| 22 | P55741-02-U21 | EA | CABINET/SEAT BASE - RIGHT HAND - W/O DOOR/DRAWER/HDW - HONEY CHERRY |
| 22 | P55741-02-U22 | EA | CABINET/SEAT BASE - RIGHT HAND - W/O DOOR/DRAWER/HDW - WASHED MAPLE |
| 23 | 159216-08-U21 | EA | DOOR - FLAT/SQUARE EDGE - 10" X 19.1" - W/O HDW - HONEY CHERRY |
| 23 | 159216-08-U22 | EA | DOOR - FLAT/SQUARE EDGE - 10" X 19.1" - W/O HDW - WASHED MAPLE |
| 24 | 080176-09-000 | EA | CAP - CORNER - RADIUS MOLDING - PLASTIC - HONEY CHERRY |
| 24 | 080176-08-000 | EA | CAP - CORNER - RADIUS MOLDING - PLASTIC - WASHED MAPLE |
| 25 | 081295-01-RE0 | EA | SUPPORT - BED/DINETTE - 28" LONG - HONEY CHERRY |
| 25 | 081295-01-T03 | EA | SUPPORT - BED/DINETTE - 28" LONG - WASHED MAPLE |
| 26 | P55741-01-U21 | EA | CABINET/SEAT BASE - LEFT HAND - W/O DOOR/DRAWER/HDW - HONEY CHERRY |
| 26 | P55741-01-U22 | EA | CABINET/SEAT BASE - LEFT HAND - W/O DOOR/DRAWER/HDW - WASHED MAPLE |
| 27 | 155741-15-U21 | EA | PANEL/BACK - DINETTE - LEFT HAND - W/O HDW - HONEY CHERRY |
| 27 | 155741-15-U22 | EA | PANEL/BACK - DINETTE - LEFT HAND - W/O HDW - WASHED MAPLE |
| 28 | 091261-01-000 | FT | SLIPNOT - ANTISLIP - 1' WIDE X 12' - BLACK |
| 29 | 064781-06-000 | EA | HOLDER/CUP - TWO STEP - OFF WHITE |
| 30 | 140921-02-02A | EA | BRACKET/TABLE SUPPORT - 18.5" - ALMOND |
| 31 | 024275-16-000 | EA | ROD - TABLE LIFT - W/ARMS 8" & BASE ROD 18.5" - ALMOND |
| 32 | 024281-12-000 | EA | BRACKET/WALL - TABLE LIFT - 17.1" - ALMOND |
| 33 | 143798-01-01A | EA | CATCH - FLOOR TO TABLE LEG - BRIGHT WHITE |
| 34 | 140921-03-02A | EA | HANGER - TABLE - W/VINYL - ALMOND |

***COMPONENT PARTS LISTED LATER IN THIS GROUP**

CABINET & APPLIANCE GROUP (CONTINUED)
CABINET & APPLIANCE LAYOUT (CONTINUED)

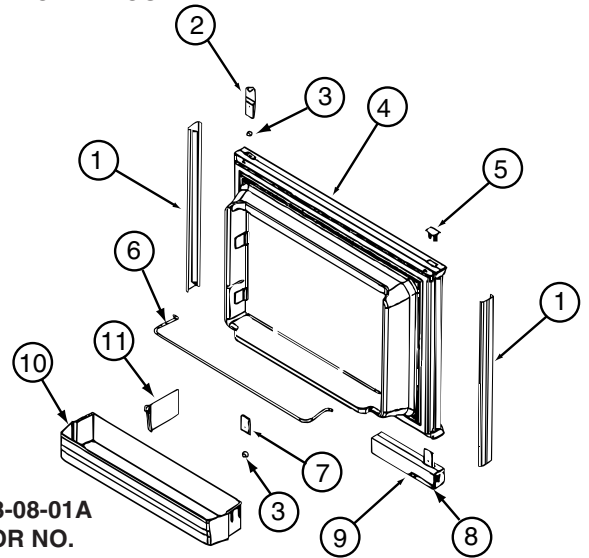


| KEY | PART NUMBER | U/M | DESCRIPTION |
|-----|---------------|-----|--|
| 1 | 156801-01-01A | EA | RANGE - 3 BURNER - 8100 BTU - STAINLESS STEEL |
| | 115870-01-000 | FT | SEAL/EDGE - TRIM |
| 2 | 156801-02-01A | EA | OVEN/MICROWAVE - 1 CU FT/TURN TABLE - STAINLESS STEEL FACE |
| 3 | 156801-03-01A | EA | TRIM KIT - MICROWAVE - STAINLESS STEEL |
| 4 | 156798-01-02B | EA | BRACKET/TIEDOWN - STOVE - E-COATED |
| 5 | 156798-02-02B | EA | BRACKET/TIEDOWN - STOVE - E-COATED |
| 6 | 156800-01-02B | EA | BRACKET - MICROWAVE - E-COATED |
| 7 | 156800-02-02B | EA | BRACKET - MICROWAVE - E-COATED |
| 8 | 156799-01-02B | EA | BRACKET - MICROWAVE - E-COATED |



| KEY | PART NUMBER | U/M | DESCRIPTION |
|-----|---------------|-----|---|
| 1 | 112176-01-000 | FT | TUBING - VINYL - REINFORCED - 1/2" ID |
| 2 | 150740-01-02B | EA | BRACKET/TIEDOWN - REFRIGERATOR - E-COATED |
| 3 | 150740-02-02B | EA | BRACKET/TIEDOWN - REFRIGERATOR - E-COATED |
| 4 | 152417-01-01A | EA | CLAMP/RATCHET - F/REFRIGERATOR DRIP TRAY HOSE - BLACK |

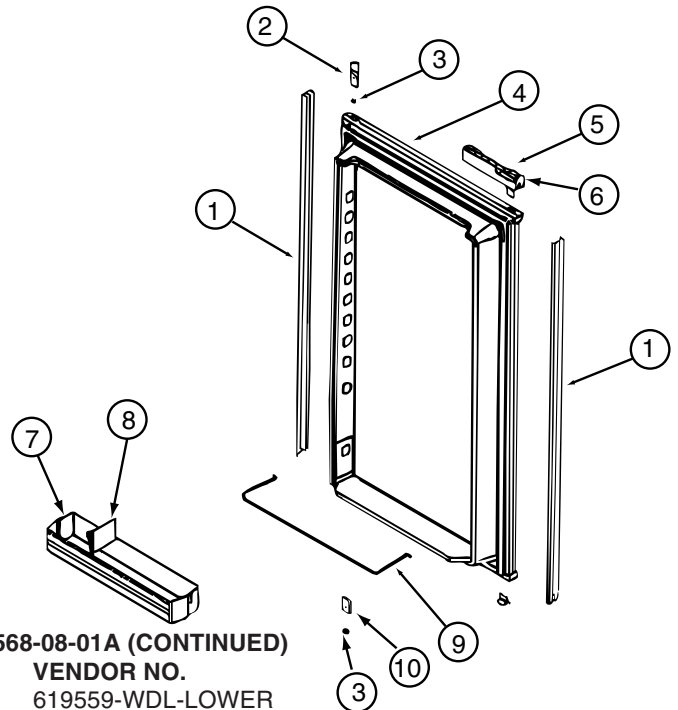
CABINET & APPLIANCE GROUP (CONTINUED)
COMPONENT PARTS FOR CABINET & APPLIANCE LAYOUT



121568-06-01A, 121568-07-01A, 121568-08-01A

| KEY | PART NUMBER | U/M | DESCRIPTION | VENDOR NO. |
|-----|---------------|-----|------------------------------|--------------------|
| 1 | 121568-03-700 | EA | RETAINER-DOOR PNL/WAFFLE/BLK | 619558-WDL-UPPER |
| 2 | 120075-01-701 | EA | HINGE-TOP RH/BOTTOM LH(DOOR) | 618511 |
| 3 | 121568-03-701 | EA | BUSHING - HINGE PIN/GRAY | 619671 |
| 4 | 121568-03-702 | EA | DOOR LINER-UPR/WAFFLED/BLACK | 619627 - SMALL WDL |
| 5 | 120075-01-702 | EA | CAP, (HINGE PLUG) | 618160 |
| 6 | 121568-01-700 | EA | RAIL - DOOR UPPER | 618618 |
| 7 | 120075-01-705 | EA | HINGE-TOP LH/BOTTOM RH(DOOR) | 618510 |
| 8 | 121568-03-705 | EA | STORAGE LATCH - GRAY | 619648 |
| 9 | 121568-03-721 | EA | HANDLE/DOOR UPPER RH SWING | 621465 |
| 9 | 121568-03-722 | EA | HANDLE/DOOR LOWER RH SWING | 621469 |
| 10 | 121568-01-701 | EA | BIN - DOOR WHITE-WAFFLED LNR | 618619 WDL |

CONTACT WINNEBAGO PART SALES FOR UNLISTED COMPONENT(S)

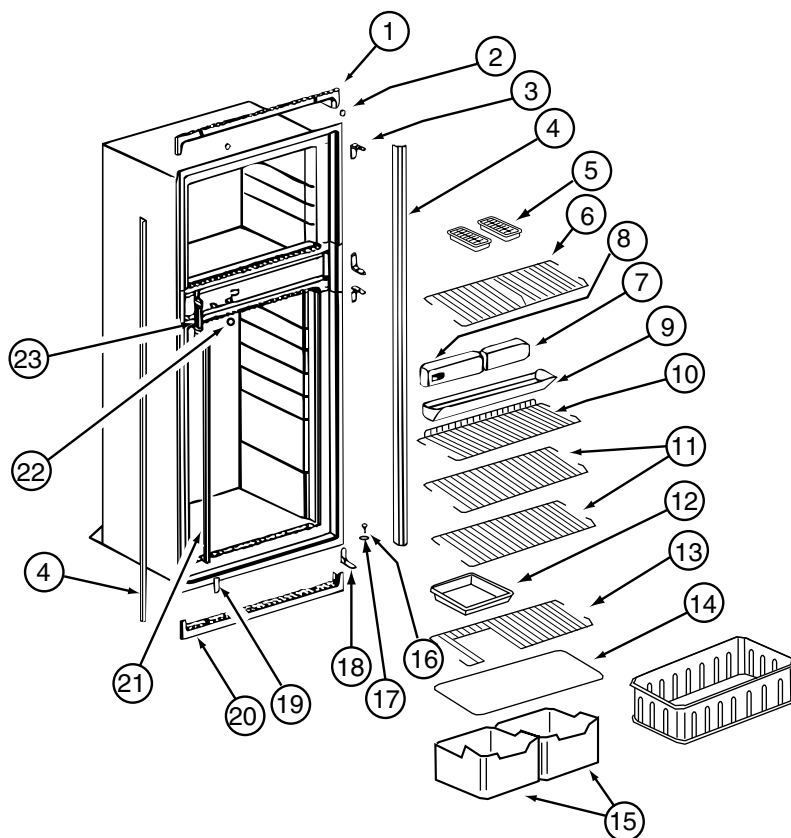


121568-06-01A, 121568-07-01A, 121568-08-01A (CONTINUED)

| KEY | PART NUMBER | U/M | DESCRIPTION | VENDOR NO. |
|-----|---------------|-----|------------------------------|------------------|
| 1 | 121568-03-706 | EA | RETAINER-DOOR PNL/WAFFLE/BLK | 619559-WDL-LOWER |
| 2 | 120075-01-701 | EA | HINGE-TOP RH/BOTTOM LH(DOOR) | 618511 |
| 3 | 121568-03-701 | EA | BUSHING - HINGE PIN/GRAY | 619671 |
| 4 | 121568-03-707 | EA | DOOR LINER-LWR/WAFFLED/B/TRM | 619629 |
| 5 | 121568-03-721 | EA | HANDLE/DOOR UPPER RH SWING | 621465 |
| 5 | 121568-03-722 | EA | HANDLE/DOOR LOWER RH SWING | 621469 |
| 6 | 121568-03-705 | EA | STORAGE LATCH - GRAY | 619648 |
| 7 | 121568-01-701 | EA | BIN - DOOR WHITE-WAFFLED LNR | 618619 WDL |
| 9 | 121568-01-704 | EA | RAIL - DOOR LOWER | 618578 |
| 10 | 120075-01-705 | EA | HINGE-TOP LH/BOTTOM RH(DOOR) | 618510 |

CONTACT WINNEBAGO PART SALES FOR UNLISTED COMPONENT(S)

CABINET & APPLIANCE GROUP (CONTINUED)
COMPONENT PARTS FOR CABINET & APPLIANCE LAYOUT (CONTINUED)

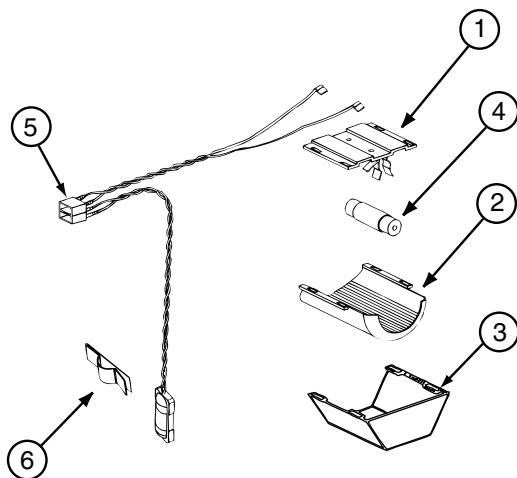


121568-06-01A, 121568-07-01A, 121568-08-01A (CONTINUED)

| KEY | PART NUMBER | U/M | DESCRIPTION | VENDOR NO. |
|-----|---------------|-----|-----------------------------|----------------|
| 1 | 120075-01-713 | EA | TRIM-TOP PIECE | 619687 |
| 2 | 120075-01-714 | EA | PLUG-HOLE (BLACK) | 618170 |
| 3 | 121568-03-710 | EA | HINGE/CABINET-TOP/RH-LWR/LH | 619335 WAFFLED |
| 4 | 121568-03-711 | EA | TRIM - SIDE/BLACK | 622295 |
| 6 | 121568-01-705 | EA | SHELF - WIRE FREEZER | 620250 |
| 7 | 121568-06-700 | EA | FRONT BOX-N611 | 622002 |
| 8 | 121568-06-701 | EA | CONTROL ASSY-OPTICAL/N611 | 621988 |
| 9 | 120075-01-720 | EA | TRAY-DRIP | 623250 |
| 9 | 120075-01-721 | EA | LOUVER-DRIP TRAY | 618176 |
| 11 | 121568-01-708 | EA | SHELF - WIRE | 620273 |
| 13 | 121568-01-707 | EA | SHELF - WIRE - SHORT | 620272 |
| 14 | 120075-01-725 | EA | COVER-CRISPER - 18.5" WIDE | 618158 |
| 15 | 121568-01-709 | EA | CRISPER | 618571 |
| 16 | 120075-01-727 | EA | PIN-HINGE | 618145 |
| 17 | 121568-03-701 | EA | BUSHING - HINGE PIN/GRAY | 619671 |
| 18 | 121568-03-715 | EA | HINGE/CABINET-TOP/LH-LWR/RH | 619336 WAFFLED |
| 19 | 121568-03-716 | EA | COVER - HINGE HOLES | 619301 |
| 20 | 120075-01-729 | EA | TRIM-BOTTOM PIECE | 620958 |
| 21 | 121568-06-702 | EA | CLIP - SHELF | 61536522 |
| 22 | 121568-06-703 | EA | HOLE PLUG - WHITE | 620282 |
| 23 | 120075-01-732 | EA | PLATE-STRIKE | 618167 |

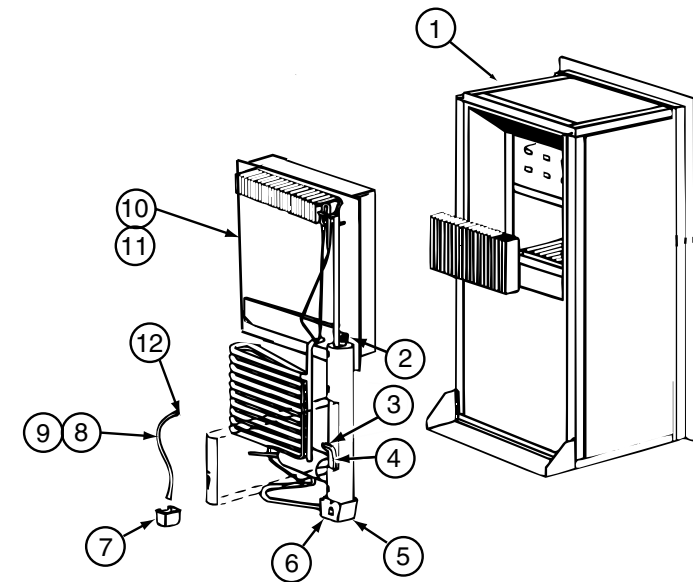
CONTACT WINNEBAGO PART SALES FOR UNLISTED COMPONENT(S)

CABINET & APPLIANCE GROUP (CONTINUED)
COMPONENT PARTS FOR CABINET & APPLIANCE LAYOUT (CONTINUED)



121568-03-01A, 121568-04-01A, 121568-05-01A, 121568-06-01A, 121568-07-01A, 121568-08-01A (CONTINUED)

| KEY | PART NUMBER | U/M | DESCRIPTION | VENDOR NO. |
|-----|---------------|-----|------------------------------|------------|
| 1 | 084880-01-760 | EA | CLIP (THERMISTER) | 61689122 |
| 2 | 120075-01-735 | EA | THERMISTER W/LAMP & WIRE/ASM | 618548 |
| 3 | 084880-03-705 | EA | BRACKET-LIGHT-INTERIOR | 61629722 |
| 4 | 084880-03-706 | EA | BULB-LAMP | 61628922 |
| 6 | 084880-03-707 | EA | COVER-LAMP, LENS | 61627922 |

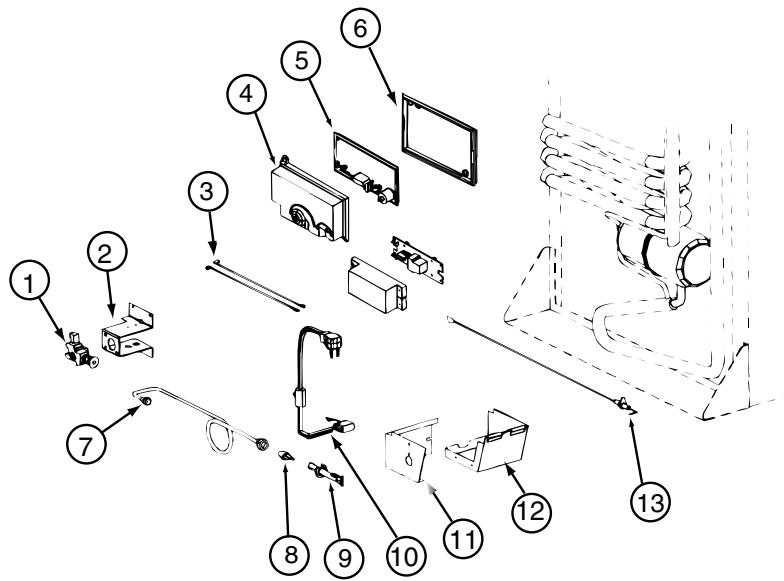


121568-06-01A, 121568-07-01A, 121568-08-01A (CONTINUED)

| KEY | PART NUMBER | U/M | DESCRIPTION | VENDOR NO. |
|-----|---------------|-----|----------------------------|------------|
| 4 | 121568-06-704 | EA | HEATER-AC/300W/120VAC | 621702 |
| 10 | 120076-01-704 | EA | COOLING UNIT, SERVICE PACK | 618543 |

CONTACT WINNEBAGO PART SALES FOR UNLISTED COMPONENT(S)

CABINET & APPLIANCE GROUP (CONTINUED)
COMPONENT PARTS FOR CABINET & APPLIANCE LAYOUT (CONTINUED)

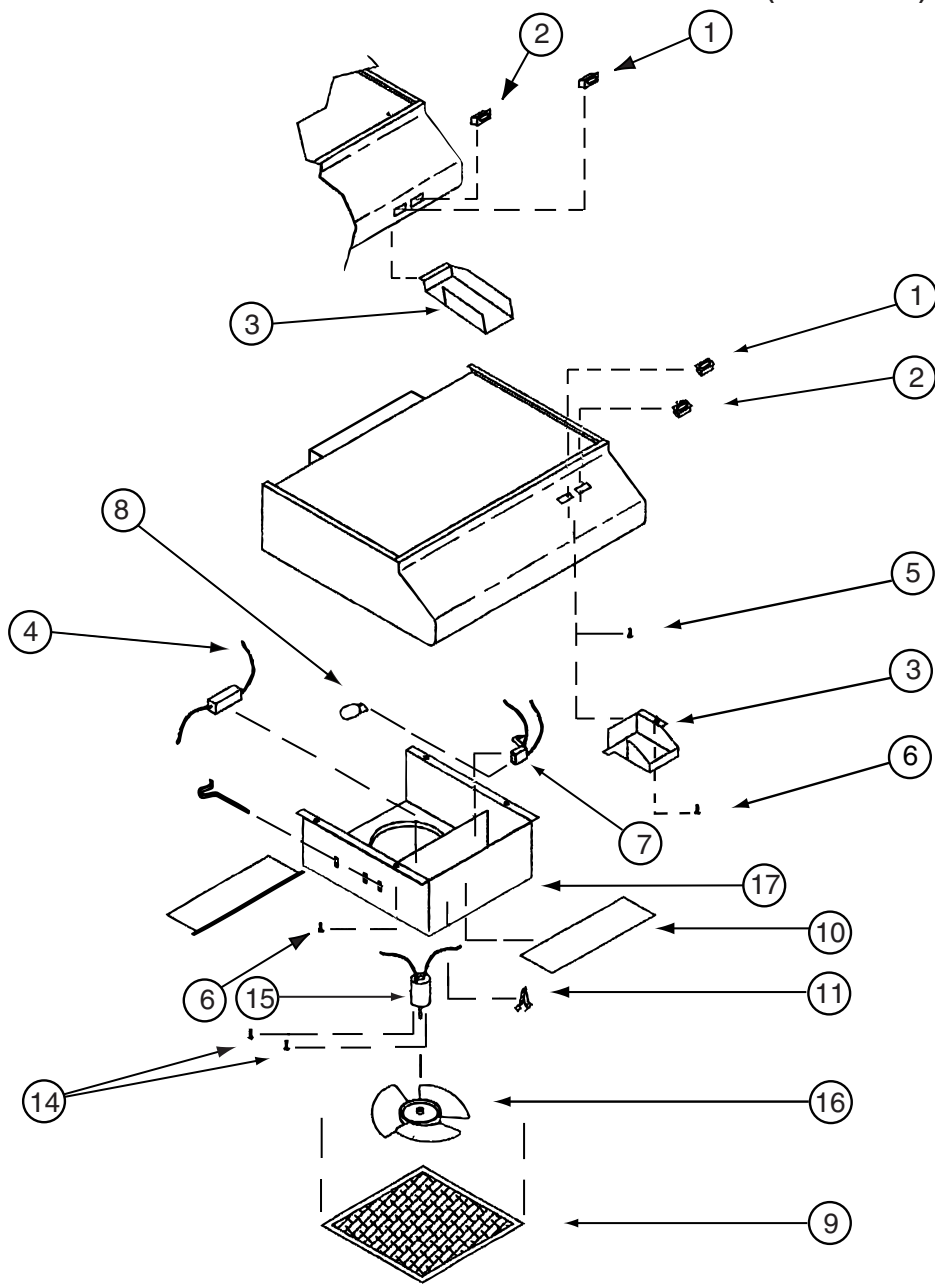


121568-06-01A, 121568-07-01A, 121568-08-01A (CONTINUED)

| KEY | PART NUMBER | U/M | DESCRIPTION | VENDOR NO. |
|-----|---------------|-----|-----------------------------|--------------------|
| 1 | 121568-06-705 | EA | GAS VALVE/BRKT ASSY-COMBO | 621439 |
| 1 | 121568-06-706 | EA | GAS VALVE-COMBO/WRENCH FLAT | 621329 |
| 4 | 120075-01-738 | EA | COVER-POWER BOARD | 618185 |
| 5 | 121568-06-707 | EA | BOARD/POWER-N611 | 621991 = 621991001 |
| 6 | 120075-01-740 | EA | BASE - POWER BOARD | 618186 |
| 8 | 121568-06-708 | EA | BURNER/ORFICE-ADAPTER KIT | 621957 |
| 13 | 104137-06-715 | EA | ELECTRODE-SPARK/SENSOR, SGL | 61692222 |
| | 121569-08-704 | EA | TUBE/BURNER - N8/N6 | 624682 |

CONTACT WINNEBAGO PART SALES FOR UNLISTED COMPONENT(S)

CABINET & APPLIANCE GROUP (CONTINUED)
COMPONENT PARTS FOR CABINET & APPLIANCE LAYOUT (CONTINUED)

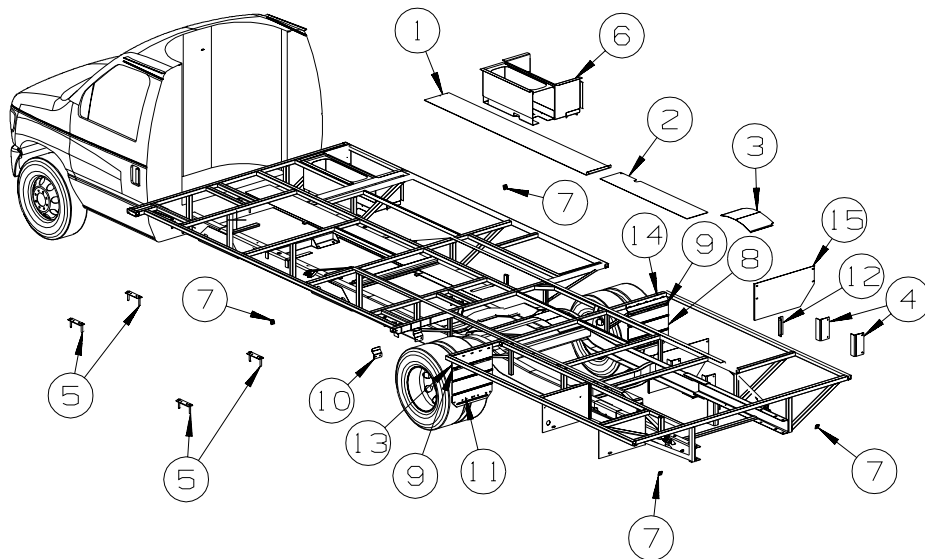


157570-01-01A, 157570-02-01A

| KEY | PART NUMBER | U/M | DESCRIPTION | VENDOR NO. |
|-----|---------------|-----|---------------------|------------|
| 1 | 157570-01-700 | EA | SWITCH - LAMP/BLACK | L1196-00 |
| 2 | 157570-01-701 | EA | SWITCH - FAN/BLACK | L1194-00 |
| 9 | 096983-01-707 | EA | FILTER-MESH | CC0246-00 |
| 10 | 092696-02-701 | EA | LENS-LAMP | CC0179 |
| 15 | 157570-01-702 | EA | MOTOR-12 VOLT | VD0218-00 |
| 16 | 136354-05-701 | EA | BLADE-FAN 7" DIA | VD0216-00 |

CONTACT WINNEBAGO PART SALES FOR UNLISTED COMPONENT(S)

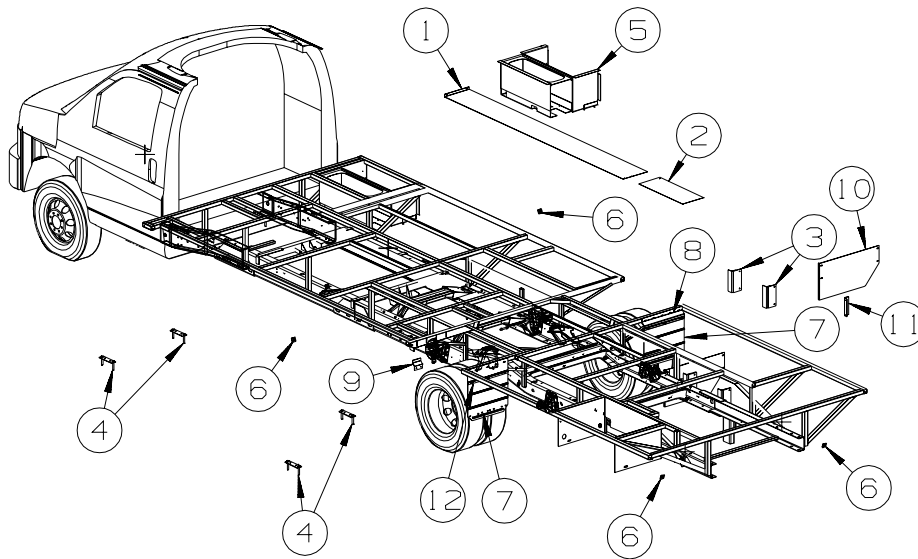
CHASSIS GROUP FRAME



FORD

| KEY | PART NUMBER | U/M | DESCRIPTION |
|-----|---------------|-----|---|
| 1 | 135676-01-02B | EA | SHIELD - HEAT - E-COATED |
| 2 | 145027-01-02B | EA | SHIELD - HEAT - E-COATED |
| 3 | 158704-01-02B | EA | SHIELD/HEAT - E-COATED |
| 4 | 136042-01-02B | EA | BRACKET - LP SUPPORT - E-COATED |
| 5 | 136995-03-02B | EA | PLATE W/BOLTS - 6.9" X 2" W/1/2" X 3" BOLTS |
| 6 | 135458-04-02B | EA | BOX - ENTRY STEP - E-COATED |
| 6 | 162352-01-02B | EA | BOX/ENTRANCE STEP - E-COATED |
| | | | FROM: 00-00-00 THRU: 12-03-06 |
| 7 | 141901-02-02B | EA | PLATE - TIE DOWN - E-COATED |
| 8 | 136391-02-02B | EA | GUARD/ROCK - STEEL - W/ANGLE - 18"W X 15"H - E-COATED |
| 9 | 157464-01-02B | EA | BRACKET/MOUNTING - MUD GUARD - E-COATED |
| | | | FROM: 00-00-00 THRU: 05-07-06 |
| 9 | 157464-03-02B | EA | BRACKET/MOUNTING - MUD GUARD - E-COATED |
| | | | FROM: 05-08-06 THRU: 99-99-99 |
| 10 | 141003-01-02B | EA | PLATE - VALVE - AIR SPRING - E-COATED |
| 11 | 136391-03-02B | EA | GUARD/ROCK - STEEL - W/ANGLE - 18"W X 19.7"H - E-COATED |
| | | | FROM: 00-00-00 THRU: 05-07-06 |
| 11 | 136391-02-02B | EA | GUARD/ROCK - STEEL - W/ANGLE - 18"W X 15"H - E-COATED |
| | | | FROM: 05-08-06 THRU: 99-99-99 |
| 12 | 157588-02-02B | EA | ANGLE - W/WELD STUD - 6.7" - E-COATED |
| 13 | 157464-03-02B | EA | BRACKET/MOUNTING - MUD GUARD - E-COATED |
| | | | FROM: 00-00-00 THRU: 05-31-06 |
| 14 | 157464-01-02B | EA | BRACKET/MOUNTING - MUD GUARD - E-COATED |
| | | | FROM: 00-00-00 THRU: 05-31-06 |
| 15 | 111848-08-02B | EA | SHIELD - HEAT - EXHAUST - E-COATED |

CHASSIS GROUP (CONTINUED)
FRAME (CONTINUED)



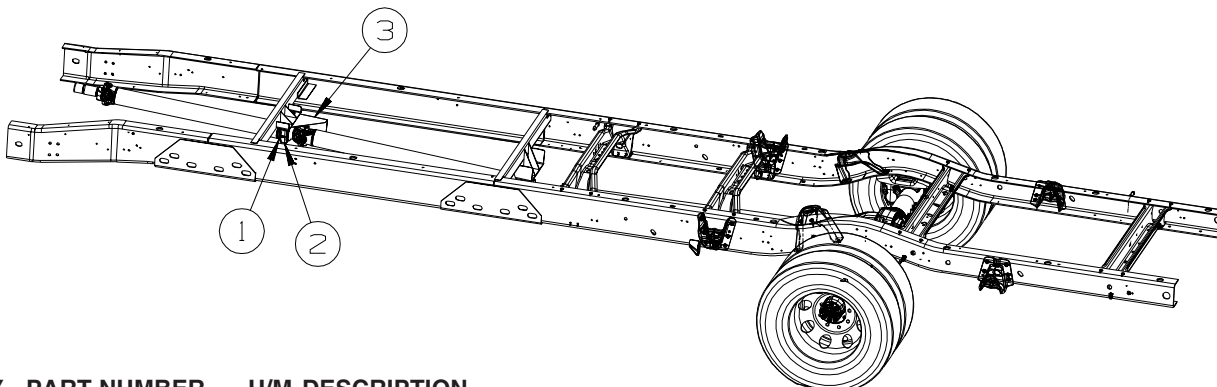
CHEVY

| KEY | PART NUMBER | U/M | DESCRIPTION | |
|-----|---------------|-----|---|-------------------------------|
| 1 | 135676-10-02B | EA | SHIELD - HEAT - E-COATED | |
| | | | | FROM: 00-00-00 THRU: 06-14-06 |
| 1 | 135676-15-02B | EA | SHIELD - HEAT - E-COATED | |
| | | | | FROM: 06-15-06 THRU: 99-99-99 |
| 2 | 145027-06-02B | EA | SHIELD - HEAT - E-COATED | |
| 3 | 136042-01-02B | EA | BRACKET - LP SUPPORT - E-COATED | |
| 4 | 136995-03-02B | EA | PLATE W/BOLTS - 6.9" X 2" W/1/2" X 3" BOLTS | |
| 5 | 135458-04-02B | EA | BOX - ENTRY STEP - E-COATED | |
| | | | | FROM: 00-00-00 THRU: 12-03-06 |
| 6 | 162352-01-02B | EA | BOX/ENTRANCE STEP - E-COATED | |
| | | | | FROM: 12-04-06 THRU: 99-99-99 |
| 6 | 141901-02-02B | EA | PLATE - TIE DOWN - E-COATED | |
| 7 | 136391-02-02B | EA | GUARD/ROCK - STEEL - W/ANGLE - 18"W X 15"H - E-COATED | |
| 8 | 157464-01-02B | EA | BRACKET/MOUNTING - MUD GUARD - E-COATED | |
| 9 | 141003-01-02B | EA | PLATE - VALVE - AIR SPRING - E-COATED | |
| 10 | 111848-08-02B | EA | SHIELD - HEAT - EXHAUST - E-COATED | |
| 11 | 157588-02-02B | EA | ANGLE - W/WELD STUD - 6.7" - E-COATED | |
| 12 | 157464-03-02B | EA | BRACKET/MOUNTING - MUD GUARD - E-COATED | |

DRIVESHAFT

FORD

| KEY | PART NUMBER | U/M | DESCRIPTION |
|-----|---------------|-----|--------------------------------|
| | 103653-23-000 | EA | BOLT - U-JOINT - 5/16-24 X .75 |
| | 103653-24-000 | EA | STRAP - U-JOINT |

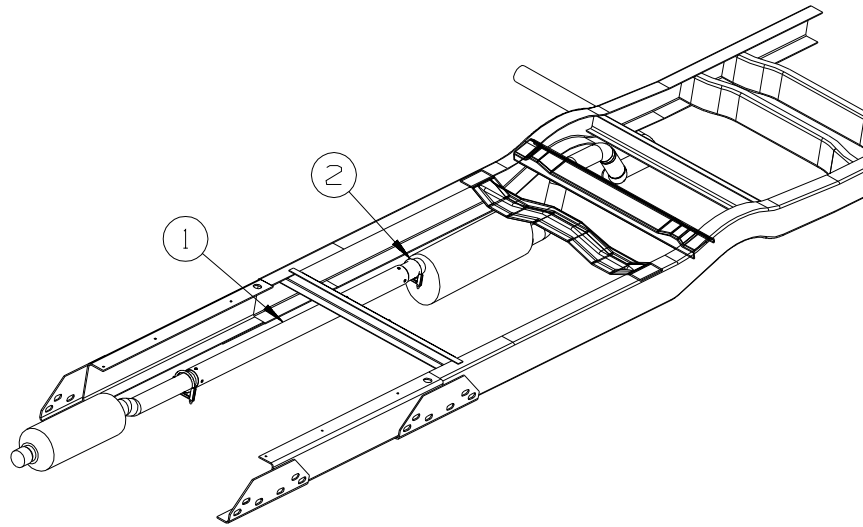


CHEVY

| KEY | PART NUMBER | U/M | DESCRIPTION |
|-----|---------------|-----|------------------------------------|
| 1 | 103653-23-000 | EA | BOLT - U-JOINT - 5/16-24 X .75 |
| 2 | 103653-24-000 | EA | STRAP - U-JOINT |
| 3 | 155659-01-02B | EA | SHIELD - HEAT/DRIVELINE - E-COATED |

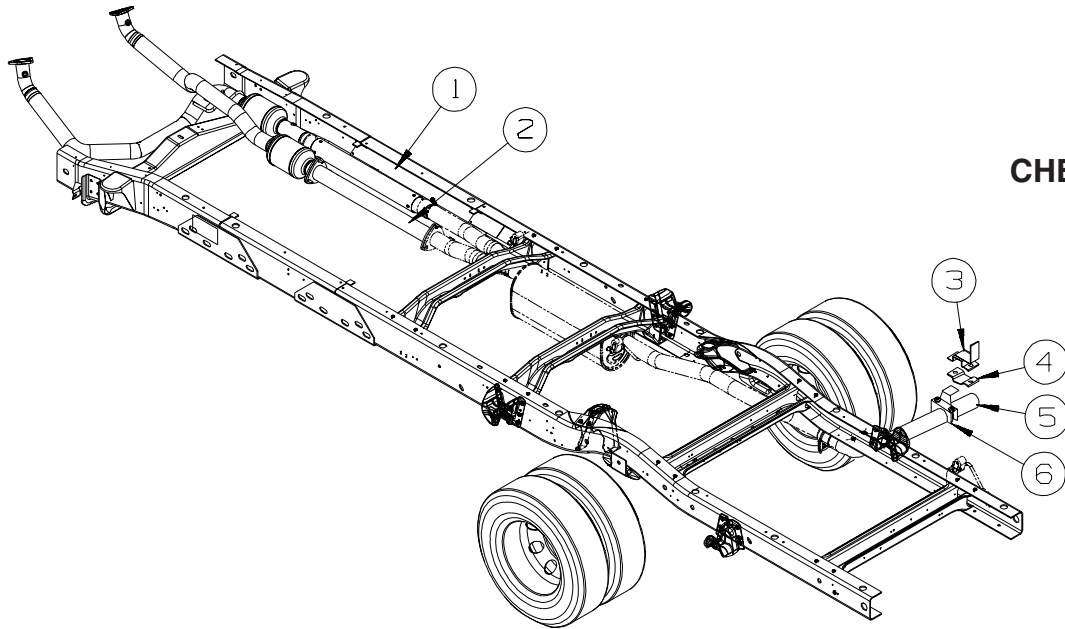
CHASSIS GROUP (CONTINUED)

EXHAUST



FORD

| KEY | PART NUMBER | U/M | DESCRIPTION |
|-----|---------------|-----|--|
| 1 | 111478-04-000 | EA | EXHAUST PIPE - DOUBLE WALL STAINLESS STEEL - 63.8" |
| 2 | 094918-06-000 | EA | CLAMP - EXHAUST - 3" - HEAVY DUTY |



CHEVY

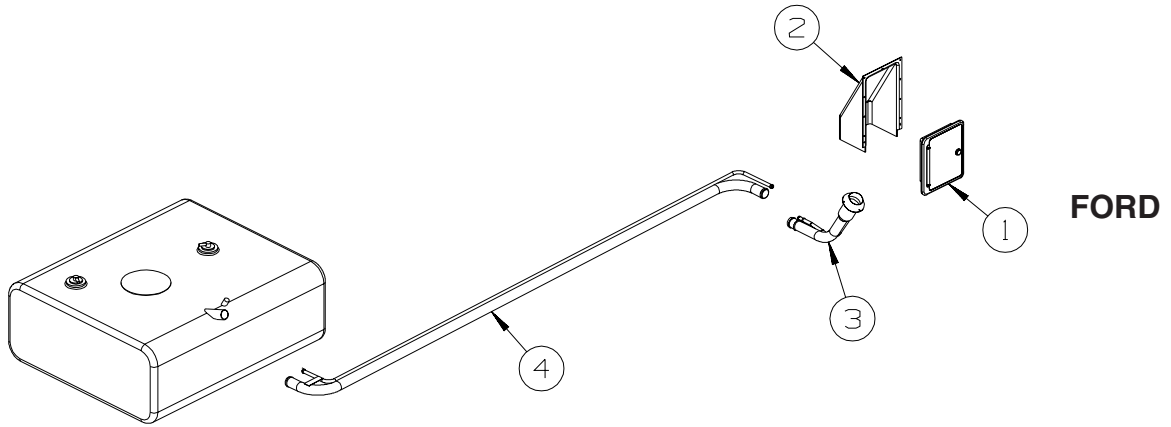
| KEY | PART NUMBER | U/M | DESCRIPTION |
|-----|---------------|-----|--|
| 1 | 111478-04-000 | EA | EXHAUST PIPE - DOUBLE WALL STAINLESS STEEL - 63.8" |
| 1 | 007125-08-000 | EA | CLAMP - MUFFLER - 3" DIAMETER |
| 2 | 155581-01-000 | EA | PIPE - EXHAUST - 62" EXTENSION - W/OXYGEN OUTLET |
| 2 | 124610-01-000 | EA | GASKET - EXHAUST |
| 3 | 117380-05-02B | EA | HANGER - TAILPIPE - E-COATED |
| 4 | 095190-01-000 | EA | HANGER - EXHAUST - 4" X 1.4" |
| 5 | 155696-01-000 | EA | PIPE - EXHAUST/TAIL |
| 6 | 094918-06-000 | EA | CLAMP - EXHAUST - 3" - HEAVY DUTY |

CHASSIS GROUP (CONTINUED)

HITCH

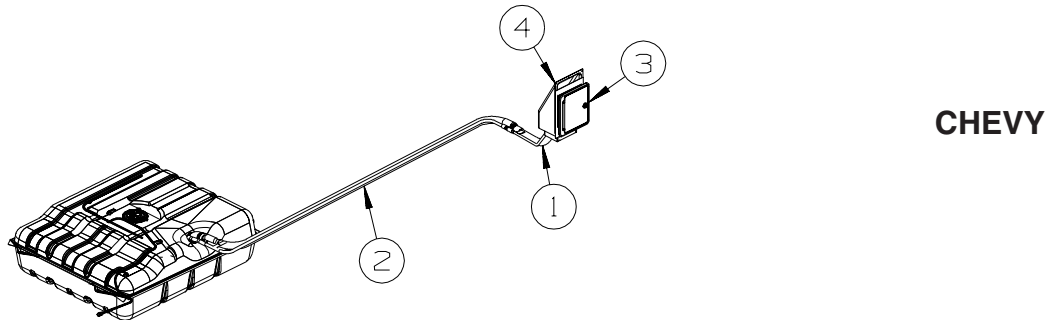
| KEY | PART NUMBER | U/M | DESCRIPTION |
|-----|---------------|-----|--|
| | 154054-03-01A | EA | HITCH RECEIVER - BOLT ON CLASS III - BLACK |
| | 140441-01-02B | EA | PLATE - SKID - E-COATED |

FROM: 00-00-00 THRU: 01-29-06



FUEL

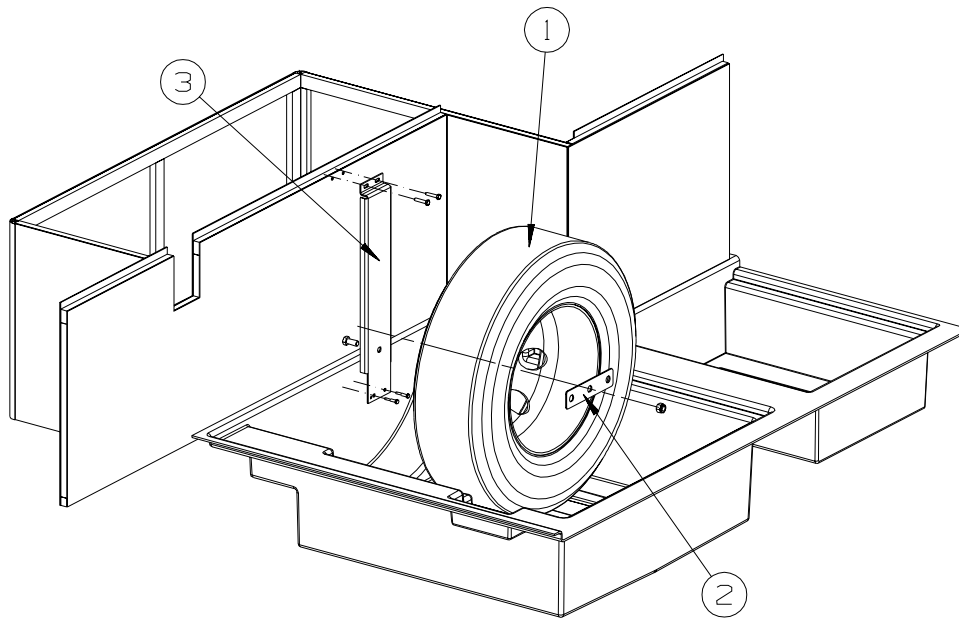
| KEY | PART NUMBER | U/M | DESCRIPTION |
|-----|---------------|-----|---|
| 1 | 147587-01-01A | EA | DOOR - FUEL FILL |
| | 138290-03-000 | EA | CASE - W/CAM - W/O CYLINDER/KEY |
| 2 | 135557-01-01A | EA | SHROUD - FUEL FILL - UPPER - 16" X 8.2" |
| 3 | 148650-01-000 | EA | NECK - FILLER/MAIN/EXTENSION |
| 4 | 148789-01-000 | EA | NECK - FUEL FILL |



| KEY | PART NUMBER | U/M | DESCRIPTION |
|-----|---------------|-----|--|
| 1 | 155829-01-000 | EA | NECK - FUEL FILL - CHEVY |
| 2 | 155869-01-000 | EA | NECK - FILLER/MAIN/EXTENSION - GM |
| | | | FROM: 00-00-00 THRU: 01-22-06 |
| 2 | 155869-03-000 | EA | NECK - FILLER/MAIN/EXTENSION - W/FLAP VALVE - GM |
| | | | FROM: 01-23-06 THRU: 99-99-99 |
| 3 | 147587-01-01A | EA | DOOR - FUEL FILL |
| | 138290-03-000 | EA | CASE - W/CAM - W/O CYLINDER/KEY |
| 4 | 135557-01-01A | EA | SHROUD - FUEL FILL - UPPER - 16" X 8.2" |

CHASSIS GROUP (CONTINUED)

SPARE TIRE



| KEY | PART NUMBER | U/M | DESCRIPTION |
|-----|---------------|-----|--|
| 1 | 083425-14-000 | EA | TIRE - LT225/75R16 LRE - MICHELIN LTX M/S - FORD |
| 1 | 144388-02-000 | EA | TIRE - LT225/75R16 LRE - UNIROYAL LAREDO - CHEVY |
| 1 | 083617-05-000 | EA | WHEEL - STEEL - 6" X 16" - FORD W/6 VENT HOLES |
| 1 | 164137-01-01A | EA | WHEEL - STEEL - 6" X 16" - 4 VENT HOLES/OVAL - FORD W/4 VENT HOLES |
| 1 | 144386-02-000 | EA | WHEEL - STEEL - 6.5" X 16" - 8 BOLT - CHEVY |
| 2 | 143547-01-02B | EA | RETAINER - SPARE TIRE - E-COATED |
| 3 | 157324-01-01B | EA | BRACKET - SPARE TIRE |
| | 051377-07-000 | EA | VALVE STEM - FORD W/6 VENT HOLES |
| | 051377-09-000 | EA | VALVE STEM - 1.8" - FORD W/4 VENT HOLES |
| | 155645-01-000 | EA | VALVE STEM - 1.25" - CHEVY |

CHASSIS GROUP (CONTINUED)
SUSPENSION

| KEY | PART NUMBER | U/M | DESCRIPTION |
|------------|--------------------|------------|--|
| * | 144887-02-000 | EA | AIRSPRING - 4" DIAMETER/TWIN BAG SYSTEM - FIRESTONE - FORD |
| * | 156618-01-000 | EA | AIRSPRING - AIR BAG KIT - GMT610/14050 CHEVY - FIRESTONE - CHEVY |

***COMPONENT PARTS LISTED LATER IN THIS GROUP**

COMPONENT PARTS FOR SUSPENSION

144887-02-000

| KEY | PART NUMBER | U/M | DESCRIPTION | VENDOR NO. |
|------------|--------------------|------------|------------------------------|-------------------|
| | 084086-05-704 | EA | BRACKET CLAMP | 5086 |
| | 084086-05-706 | EA | VALVE-INFLATION,PUSH TO CONN | 3032 |
| | 144887-02-700 | EA | AIRSPRING - BAG ONLY | 9000 |
| | 144887-02-701 | EA | BRACKET - LEFT UPPER | 5390 |
| | 144887-02-702 | EA | BRACKET - RIGHT UPPER | 5389 |
| | 144887-02-703 | EA | BRACKET - LOWER RH/LH | 5391 |
| | 144887-02-704 | EA | DISK | 5204 |
| | 144887-02-705 | EA | TUBING/AIR LINE - 18' | 0937 |

156618-01-000

| KEY | PART NUMBER | U/M | DESCRIPTION | VENDOR NO. |
|------------|--------------------|------------|---------------------------|-------------------|
| | 084086-01-709 | EA | SHIELD-HEAT-224 CR SYSTEM | 21-1004 |
| | 084086-01-713 | EA | BRACKET-AXLE STRAP, 4" | 21-1163 |
| | 156618-01-700 | EA | BAG - AIR SPRING - 1 ONLY | 6762 |
| | 156618-01-701 | EA | BRACKET - LEFT UPPER | 5478 |
| | 156618-01-702 | EA | BRACKET - RIGHT UPPER | 5221 |
| | 156618-01-703 | EA | BRACKET - LOWER RH/LH | 5472 |

CHASSIS GROUP (CONTINUED)
WHEEL, TIRE, COVERS &/OR LINERS

| KEY | PART NUMBER | U/M | DESCRIPTION |
|------------|--------------------|------------|---|
| | 112358-02-000 | EA | WRENCH - LUG - 7/8" - L-SHAPE |
| | 080208-02-000 | EA | BAR/LEVERAGE - LUG WRENCH - 13/16" DIA - ALUMINUM WHEELS |
| | 080208-06-000 | EA | LUG WRENCH - 1"/1.1" SOCKETS X 16.4" LONG - ALUMINUM WHEELS |
| | 077030-01-000 | EA | EXTENSION - VALVE STEM - 1.25" - METAL |
| | 077030-10-000 | EA | EXTENSION - VALVE STEM - .50" - METAL |
| | 095012-05-000 | EA | EXTENSION/VALVE STEM - LIVE - 5" |
| | 095012-06-000 | EA | STABILIZER/VALVE EXTENSION - LIVE - 2" |
| | 095012-07-000 | EA | STABILIZER/VALVE EXTENSION - LIVE - 4" |
| | 095012-09-000 | EA | EXTENSION/VALVE STEM - LIVE - 7.7" |
| * | 110435-13-000 | EA | LINER - WHEEL - SET OF 4 - 16" (8 HOLE) - FORD W/ STEEL WHEEL W/6 SLOTS |
| * | 144647-01-000 | EA | LINER - WHEEL SET (SET=4) 16" - FORD W/ STEEL WHEEL W/4 SLOTS/CHEVY |
| | 149749-01-000 | EA | WHEEL - ALUMINUM - 6" X 16" - FRONT - FORD E450 - ALUMINUM WHEELS |
| | 149749-02-000 | EA | WHEEL - ALUMINUM - 6" X 16" - REAR - FORD E450 - ALUMINUM WHEELS |
| | 156797-01-000 | EA | WHEEL - ALUMINUM/FRONT - 16" X 6.5" - 8 BOLT - CHEVY ALUMINUM WHEELS |
| | 156797-02-000 | EA | WHEEL - ALUMINUM/REAR - 16" X 6.5" - 8 BOLT - CHEVY ALUMINUM WHEELS |
| | 156797-03-000 | EA | COVER/HUB - FRONT - ALUMINUM WHEEL - ALUMINUM WHEELS |
| | 156797-04-000 | EA | COVER/HUB - FRONT - ALUMINUM WHEEL - ALUMINUM WHEELS |
| | 149749-05-000 | EA | COVER/NUT - ALUMINUM WHEELS |
| | 149749-06-000 | EA | NUT/WHEEL - 9/16"-18 - LOW PROFILE - FORD E450 - FORD ALUMINUM WHEELS |
| | 156797-06-000 | EA | NUT/LUG - 14MM X 1.5 - ALUMINUM WHEEL - CHEVY ALUMINUM WHEELS |

*COMPONENT PARTS LISTED LATER IN THIS GROUP

COMPONENT PARTS FOR WHEEL, TIRE, COVERS &/OR LINERS

110435-13-000

| KEY | PART NUMBER | U/M | DESCRIPTION | VENDOR NO. |
|------------|--------------------|------------|----------------------------|-------------------|
| | 110435-01-711 | EA | DECAL-CENTER CAP, 2" | 2" DECAL |
| | 110435-10-705 | EA | TOOL/JAMB NUT INSTALLATION | V195P7-TOL |
| | 110435-13-700 | EA | LINER - WHEEL - FRONT | V160F7-FWC |
| | 110435-13-701 | EA | LINER - WHEEL - REAR | V160F7-RWC |
| | 110435-13-702 | EA | JAMB NUT W/COVER - 9/16" | V160F7-EJN |

144647-01-000

| KEY | PART NUMBER | U/M | DESCRIPTION | VENDOR NO. |
|------------|--------------------|------------|-----------------------------|-------------------|
| | 110435-01-711 | EA | DECAL-CENTER CAP, 2" | 2" DECAL |
| | 144647-01-700 | EA | WHEEL COVER - FRONT/1 PIECE | FL60-FWC |
| | 144647-01-701 | EA | WHEEL COVER - REAR/1 PIECE | FL60-RWC |

BRAKELINE

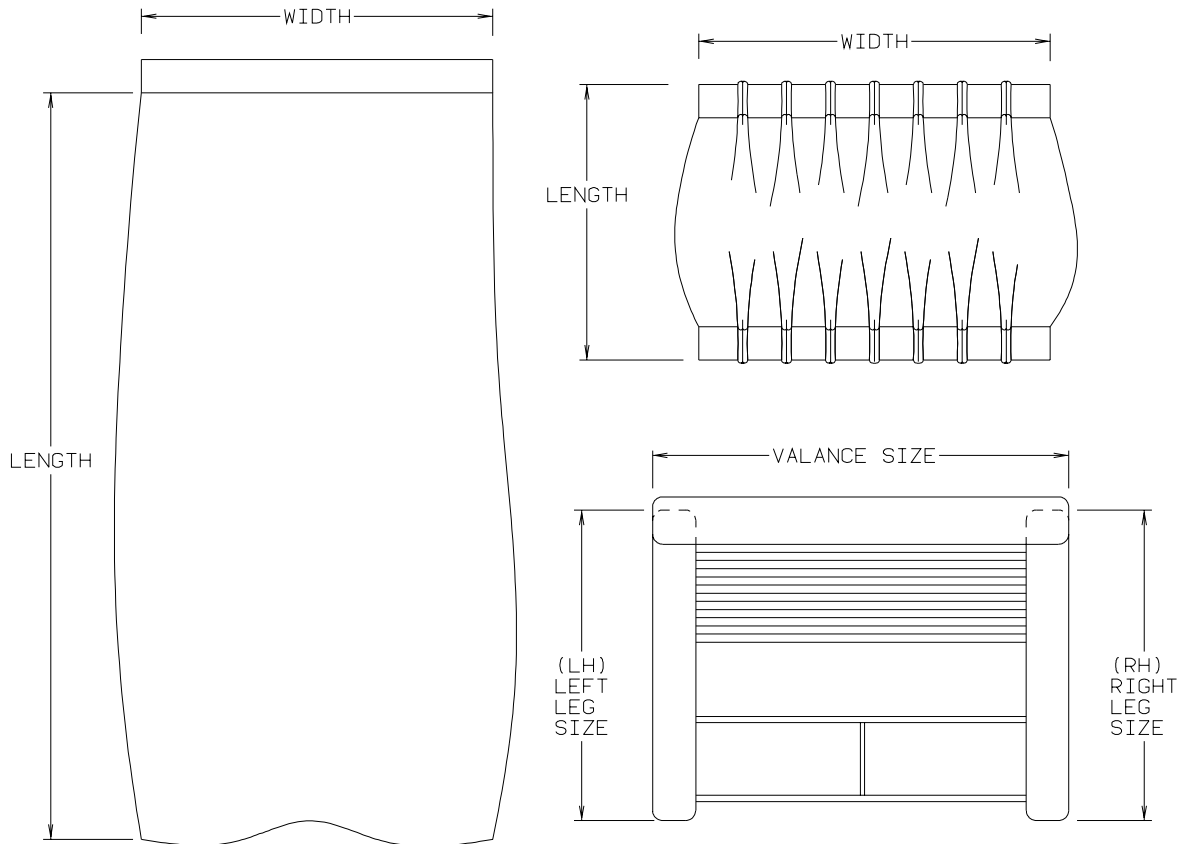
| KEY | PART NUMBER | U/M | DESCRIPTION |
|------------|--------------------|------------|--|
| | 088498-01-000 | EA | UNION - INVERTED FLARE - BRASS - 3/16 - FORD CHASSIS |

CURTAIN & CUSHION GROUP

NOTICE

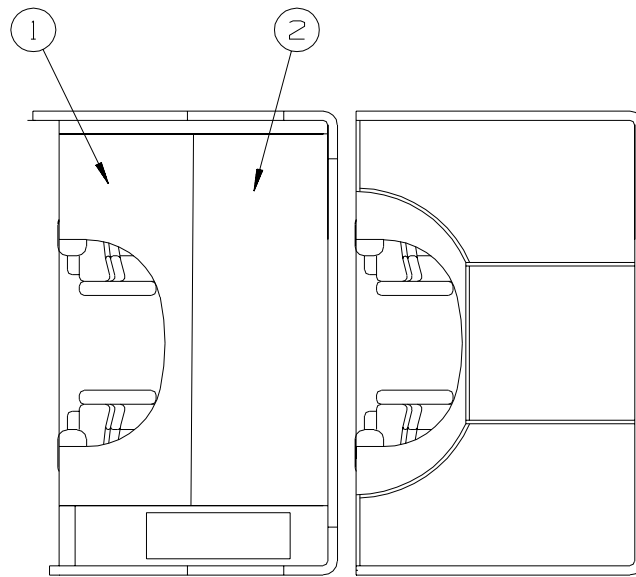
IN ORDER TO ASSIST OUR PARTS SALES DEPT. IN PROVIDING INTERIOR SOFTWARE ITEMS, PLEASE INCLUDE THE SERIAL NUMBER AND THE COLOR CODE NUMBER FROM THE VEHICLE CERTIFICATION LABEL WHEN ORDERING. THIS LABEL IS LOCATED ON THE LEFT SIDEWALL AT THE END OF THE DASH (A-BODY), OR ON THE DRIVER'S DOOR LATCH PLATE (C-BODY).

AN EXAMPLE OF A COLOR CODE NUMBER IS B07, WHICH DESIGNATES AN OVERALL COLOR SCHEME OF A PARTICULAR UNIT. THE COLOR LISTED AFTER THE ITEM DESCRIPTION ON THE MICROFICHE, INDICATES THE OVERALL UNIT COLOR. ORDER THE ITEM YOU DESIRE ACCORDING TO UNIT COLOR CODE. IF ALL COLORS USE THE SAME ITEM NO COLOR CODE WILL BE NOTED.



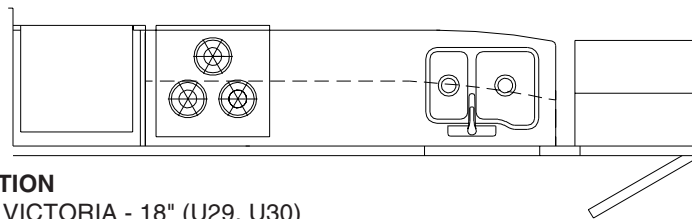
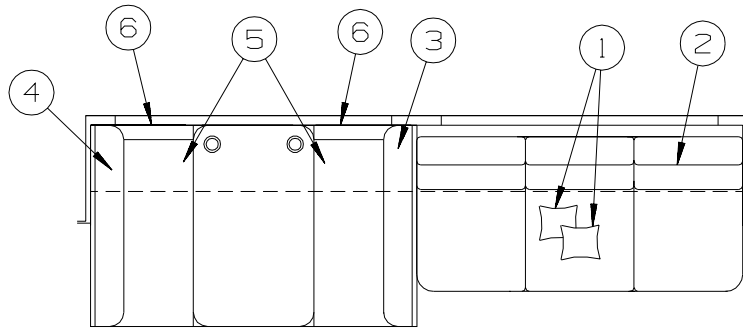
NOTE: USE THIS ILLUSTRATION WHEN DETERMINING LENGTH AND WIDTH MEASUREMENTS FOR CURTAINS. YOU WILL NOTE THE WIDTH MEASUREMENT IS TAKEN ON THE TOP OF THE CURTAIN WITH THE CURTAIN FULLY EXTENDED. THE LENGTH MEASUREMENT IS TAKEN FROM TOP TO BOTTOM. LEFT AND RIGHT WINDOW LEGS ARE DETERMINED WHEN FACING THE WINDOW.

CURTAIN & CUSHION GROUP (CONTINUED)
CUSHION LAYOUT



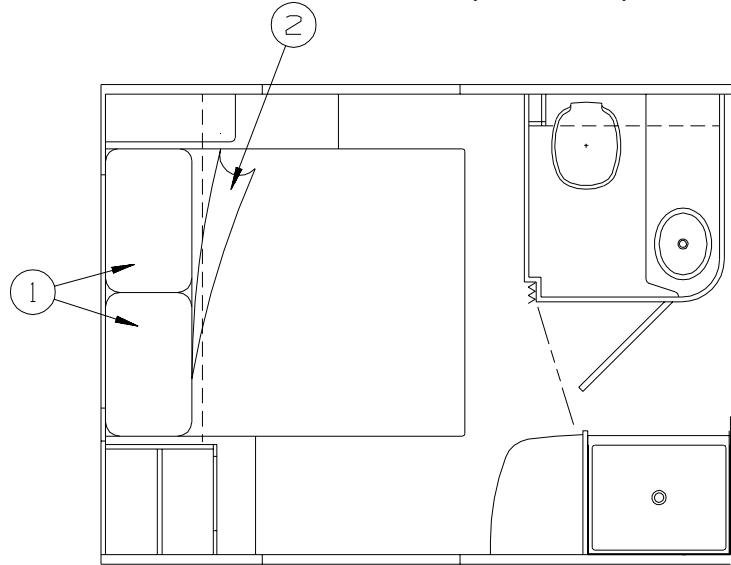
| KEY | PART NUMBER | U/M | DESCRIPTION |
|-----|---------------|-----|---|
| 1 | 157657-04-U29 | EA | CUSHION - OVERHEAD BUNK/REAR - 27" X 80" X 5" (U29, U30) |
| 1 | 157657-04-U31 | EA | CUSHION - OVERHEAD BUNK/REAR - 27" X 80" X 5" (U31, U32) |
| 1 | 157657-02-U33 | EA | CUSHION - OVERHEAD BUNK/REAR - 27" X 80" X 5" (U33, U34) |
| | 157657-A4-U29 | EA | COVER - CUSHION/OVERHEAD BUNK/REAR - 27" X 80" X 5" (U29, U30) |
| | 157657-A4-U31 | EA | COVER - CUSHION/OVERHEAD BUNK/REAR - 27" X 80" X 5" (U31, U32) |
| | 157657-A2-U33 | EA | COVER - CUSHION/OVERHEAD BUNK/REAR - 27" X 80" X 5" (U33, U34) |
| 2 | 157657-09-U29 | EA | CUSHION - OVERHEAD BUNK/FRONT - 22" X 80" X 6" (U29, U30) |
| 2 | 157657-09-U31 | EA | CUSHION - OVERHEAD BUNK/FRONT - 22" X 80" X 6" (U31, U32) |
| 2 | 157657-10-U33 | EA | CUSHION - OVERHEAD BUNK/FRONT - 22" X 80" X 6" (U33, U34) |
| | 157657-A9-U29 | EA | COVER - CUSHION/OVERHEAD/FRONT BUNK -22"X80"X6"-DBL ANGLED (U29, U30) |
| | 157657-A9-U31 | EA | COVER - CUSHION/OVERHEAD/FRONT BUNK -22"X80"X6"-DBL ANGLED (U31, U32) |
| | 157657-B0-U33 | EA | COVER - CUSHION/OVERHEAD/FRONT BUNK -22"X80"X6"-DBL ANGLED (U33, U34) |

CURTAIN & CUSHION GROUP (CONTINUED)
CUSHION LAYOUT (CONTINUED)



| KEY | PART NUMBER | U/M | DESCRIPTION |
|-----|---------------|-----|---|
| 1 | 149230-04-U29 | EA | PILLOW - VICTORIA - 18" (U29, U30) |
| 1 | 149230-04-U31 | EA | PILLOW - VICTORIA - 18" (U31, U32) |
| 1 | 149230-04-U33 | EA | PILLOW - VICTORIA - 18" (U33, U34) |
| 2 | | | SEE SOFA AREA |
| 3 | 153071-09-U29 | EA | CUSHION/DINETTE - BACK/RH - 15" X 44" X 5" (U29, U30) |
| 3 | 153071-07-U31 | EA | CUSHION/DINETTE - BACK/RH - 15" X 44" X 5" (U31, U32) |
| 3 | 153071-07-U33 | EA | CUSHION/DINETTE - BACK/RH - 15" X 44" X 5" (U33, U34) |
| | P53071-09-U29 | EA | COVER/BACK/RIGHT - 15" X 44" X 5" (U29, U30) |
| | P53071-07-U31 | EA | COVER/BACK/RIGHT - 15" X 44" X 5" (U31, U32) |
| | P53071-07-U33 | EA | COVER/BACK/RIGHT - 15" X 44" X 5" (U33, U34) |
| 4 | 153071-10-U29 | EA | CUSHION/DINETTE - BACK/LH - 15" X 44" X 5" (U29, U30) |
| 4 | 153071-08-U31 | EA | CUSHION/DINETTE - BACK/LH - 15" X 44" X 5" (U31, U32) |
| 4 | 153071-08-U33 | EA | CUSHION/DINETTE - BACK/LH - 15" X 44" X 5" (U33, U34) |
| | P53071-10-U29 | EA | COVER/BACK/LEFT - 15" X 44" X 5" (U29, U30) |
| | P53071-08-U31 | EA | COVER/BACK/LEFT - 15" X 44" X 5" (U31, U32) |
| | P53071-08-U33 | EA | COVER/BACK/LEFT - 15" X 44" X 5" (U33, U34) |
| 5 | 153671-11-U29 | EA | CUSHION - SEAT - 23" X 44" X 5" (U29, U30) |
| 5 | 153671-11-U31 | EA | CUSHION - SEAT - 23" X 44" X 5" (U31, U32) |
| 5 | 153671-11-U33 | EA | CUSHION - SEAT - 23" X 44" X 5" (U33, U34) |
| | P53671-11-U29 | EA | COVER/SEAT - 23" X 44" X 5" (U29, U30) |
| | P53671-11-U31 | EA | COVER/SEAT - 23" X 44" X 5" (U31, U32) |
| | P53671-11-U33 | EA | COVER/SEAT - 23" X 44" X 5" (U33, U34) |
| 6 | 157487-05-U29 | EA | CUSHION - FILLER - 7" X 21" X 5" (U29, U30) |
| 6 | 157487-05-U31 | EA | CUSHION - FILLER - 7" X 21" X 5" (U31, U32) |
| 6 | 157487-05-U33 | EA | CUSHION - FILLER - 7" X 21" X 5" (U33, U34) |
| | 157487-A5-U29 | EA | COVER/CUSHION - FILLER - 7" X 21" X 5" (U29, U30) |
| | 157487-A5-U31 | EA | COVER/CUSHION - FILLER - 7" X 21" X 5" (U31, U32) |
| | 157487-A5-U33 | EA | COVER/CUSHION - FILLER - 7" X 21" X 5" (U33, U34) |

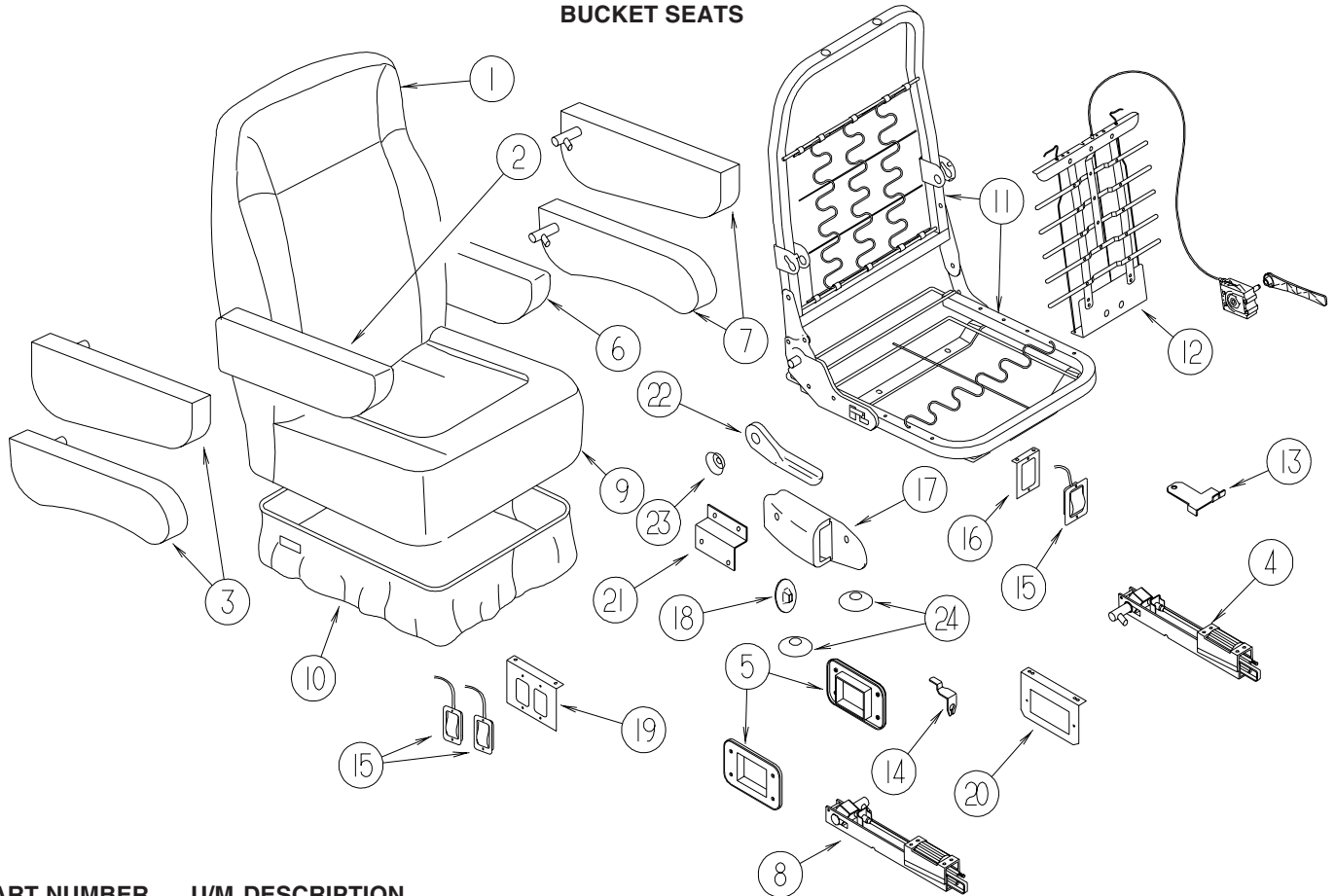
CURTAIN & CUSHION GROUP (CONTINUED)
CUSHION LAYOUT (CONTINUED)



| KEY | PART NUMBER | U/M | DESCRIPTION |
|-----|---------------|-----|--------------------------------------|
| 1 | 104176-04-U29 | EA | PILLOW SHAM - 30" (U29, U30) |
| 1 | 104176-04-U31 | EA | PILLOW SHAM - 30" (U31, U32) |
| 1 | 104176-04-U33 | EA | PILLOW SHAM - 30" (U33, U34) |
| 2 | 132336-01-T17 | EA | BEDSPREAD/CAP - 60" X 75" (U29, U30) |
| 2 | 132336-01-U31 | EA | BEDSPREAD/CAP - 60" X 75" (U31, U32) |
| 2 | 132336-36-U33 | EA | BEDSPREAD/CAP - 60" X 75" (U33, U34) |

CURTAIN & CUSHION GROUP (CONTINUED)

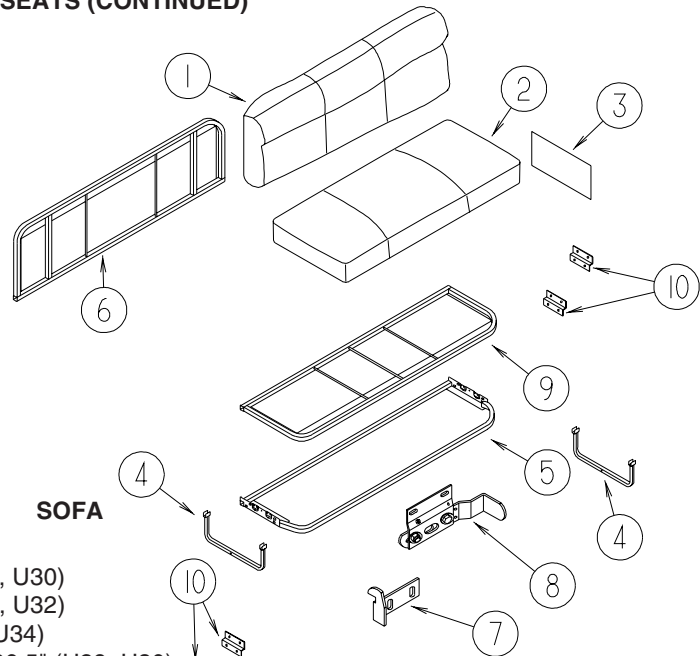
BUCKET SEATS



| KEY | PART NUMBER | U/M | DESCRIPTION |
|-----|---------------|-----|---|
| 1 | 158708-03-U21 | EA | COVER - BACK (U29, U30) - FORD - ULTRALEATHER |
| 1 | 158708-03-U25 | EA | COVER - BACK (U31, U32, U33, U34) - FORD - ULTRALEATHER |
| 1 | 159513-03-U21 | EA | COVER - BACK (U29, U30) - CHEVY - ULTRALEATHER |
| 1 | 159513-03-U25 | EA | COVER - BACK (U31, U32, U33, U34) - CHEVY - ULTRALEATHER |
| 2 | 158708-05-U21 | EA | COVER - ARMREST/DRIVER (U29, U30) - FORD - ULTRALEATHER |
| 2 | 158708-05-U25 | EA | COVER - ARMREST/DRIVER (U31, U32, U33, U34) - FORD - ULTRALEATHER |
| 2 | 159513-05-U21 | EA | COVER - ARMREST/DRIVER (U29, U30) - CHEVY - ULTRALEATHER |
| 2 | 159513-05-U25 | EA | COVER - ARMREST/DRIVER (U31, U32, U33, U34) - CHEVY - ULTRALEATHER |
| 3 | NOT USED | | |
| 4 | NOT USED | | |
| 5 | NOT USED | | |
| 6 | 158708-06-U21 | EA | COVER - ARMREST/PASSENGER (U29, U30) - FORD - ULTRALEATHER |
| 6 | 158708-06-U25 | EA | COVER - ARMREST/PASSENGER (U31, U32, U33, U34) - FORD - ULTRALEATHER |
| 6 | 159513-06-U21 | EA | COVER - ARMREST/PASSENGER (U29, U30) - CHEVY - ULTRALEATHER |
| 6 | 159513-06-U25 | EA | COVER - ARMREST/PASSENGER (U31, U32, U33, U34) - CHEVY - ULTRALEATHER |
| 7 | NOT USED | | |
| 8 | NOT USED | | |
| 9 | 158708-04-U21 | EA | COVER - SEAT (U29, U30) - FORD - ULTRALEATHER |
| 9 | 158708-04-U25 | EA | COVER - SEAT (U31, U32, U33, U34) - FORD - ULTRALEATHER |
| 9 | 158708-07-U21 | EA | COVER - SEAT (U29, U30) - PASSENGER, FORD - ULTRALEATHER |
| 9 | 158708-07-U25 | EA | COVER - SEAT (U31, U32, U33, U34) - PASSENGER, FORD - ULTRALEATHER |
| 9 | 159513-04-U21 | EA | COVER - SEAT (U29, U30) - CHEVY - ULTRALEATHER |
| 9 | 159513-04-U25 | EA | COVER - SEAT (U31, U32, U33, U34) - CHEVY - ULTRALEATHER |
| 10 | NOT USED | | |
| 11 | NOT USED | | |
| 12 | NOT USED | | |
| 13 | NOT USED | | |
| 14 | NOT USED | | |
| 15 | NOT USED | | |
| 16 | NOT USED | | |
| 17 | NOT USED | | |
| 18 | NOT USED | | |
| 19 | NOT USED | | |
| 20 | NOT USED | | |

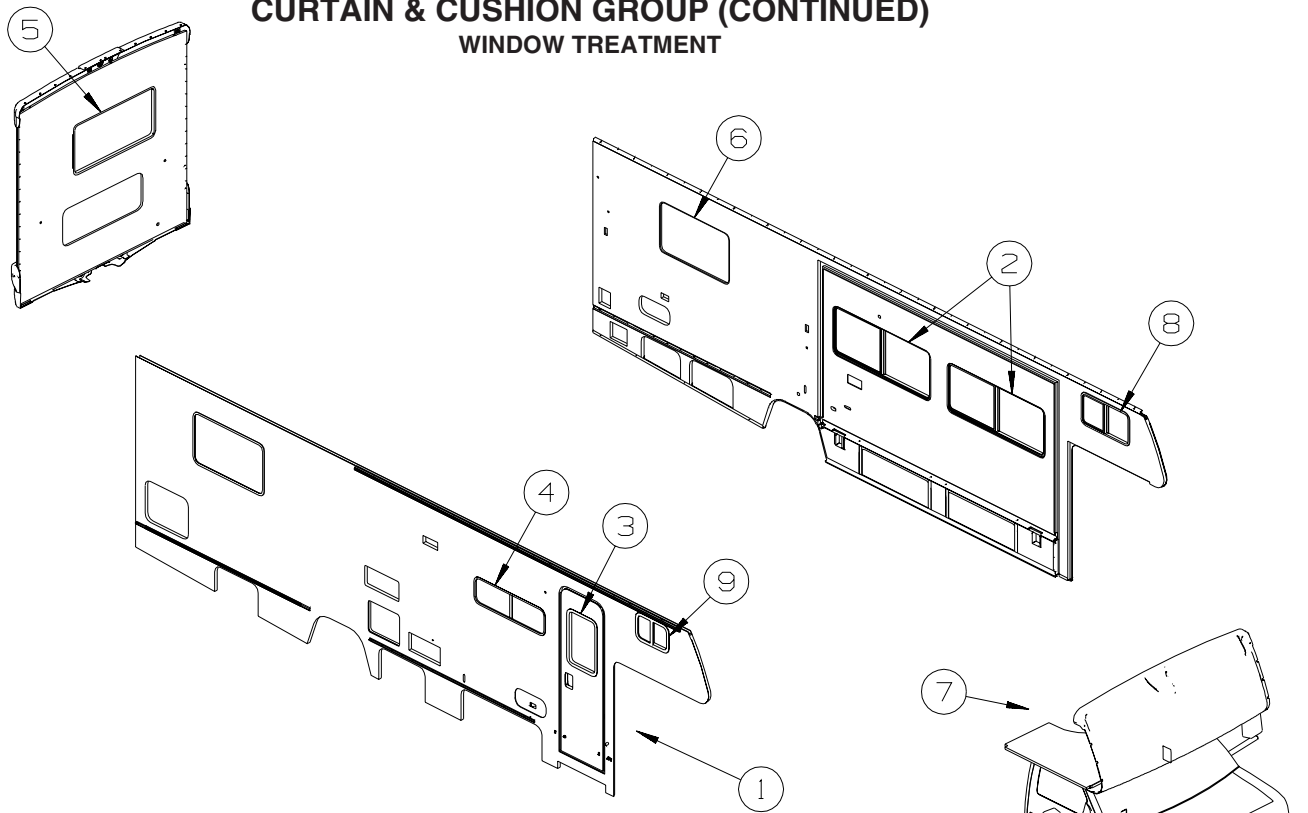
CURTAIN & CUSHION GROUP (CONTINUED)
BUCKET SEATS (CONTINUED)

| KEY | PART NUMBER | U/M | DESCRIPTION |
|-----|-------------|-----|-------------|
| 21 | NOT USED | | |
| 22 | NOT USED | | |
| 23 | NOT USED | | |
| 24 | NOT USED | | |



| KEY | PART NUMBER | U/M | DESCRIPTION |
|-----|---------------|-----|--|
| 1 | 149804-02-T17 | EA | BACK - SOFA/BED - 66.5" (U29, U30) |
| 1 | 149804-08-U31 | EA | BACK - SOFA/BED - 66.5" (U31, U32) |
| 1 | 149804-02-U33 | EA | BACK - SOFA/BED - 74" (U33, U34) |
| | P49804-02-T17 | EA | COVER - BACK - SOFA/BED - 66.5" (U29, U30) |
| | P49804-08-U31 | EA | COVER - BACK - SOFA/BED - 66.5" (U31, U32) |
| | P49804-02-U33 | EA | COVER - BACK - SOFA/BED - 74" (U33, U34) |
| 2 | 149812-02-T17 | EA | SEAT - SOFA/BED - 66.5" (U29, U30) |
| 2 | 149812-08-U31 | EA | SEAT - SOFA/BED - 66.5" (U31, U32) |
| 2 | 149812-02-U33 | EA | SEAT - SOFA/BED - 74" (U33, U34) |
| | P49812-02-T17 | EA | COVER - SEAT - SOFA/BED - 66.5" (U29, U30) |
| | P49812-08-U31 | EA | COVER - SEAT - SOFA/BED - 66.5" (U31, U32) |
| | P49812-02-U33 | EA | COVER - SEAT - SOFA/BED - 74" (U33, U34) |
| 3 | M02634-25-T17 | EA | SKIRT - SOFA/SLEEPER (U29, U30) |
| 3 | 134282-39-U29 | EA | FLAP/COUCH END - SOFA/BED - W/VELCRO (U29, U30) |
| 3 | M02634-25-T31 | EA | SKIRT - SOFA/SLEEPER (U31, U32) |
| 3 | 134282-39-U31 | EA | FLAP/COUCH END - SOFA/BED - W/VELCRO (U31, U32) |
| 3 | M02634-25-U33 | EA | SKIRT - SOFA/SLEEPER (U33, U34) |
| 3 | 134282-39-U33 | EA | FLAP/COUCH END - SOFA/BED - W/VELCRO (U33, U34) |
| 4 | 114763-08-000 | EA | FRAME - FORWARD FACING LEGS |
| 5 | 101085-03-000 | EA | FRAME - BASE - SOFA/BED - 66.5" (U29, U30, U31, U32) |
| 5 | 101085-06-000 | EA | FRAME - BASE - SOFA/BED - 74.75" (U33, U34) |
| 6 | 101085-09-000 | EA | FRAME - BACK - SOFA/BED - 66.5" X 16" (U29, U30, U31, U32) |
| 6 | 101085-10-000 | EA | FRAME - BACK - SOFA/BED - 74.75" (U33, U34) |
| 7 | NOT USED | | |
| 8 | NOT USED | | |
| 9 | 101085-01-000 | EA | FRAME - SEAT - SOFA/BED - 66.5" (U29, U30, U31, U32) |
| 9 | 101085-04-000 | EA | FRAME - SEAT - SOFA/BED - 74.75" (U33, U34) |
| 10 | 116104-04-02B | EA | BRACKET - ZEE W/HOLES - 3.2" - E-COATED |
| | 142692-11-U29 | EA | DOOR/FRONT KICK PANEL - FABRIC COVERED (U29, U30) |
| | 159380-03-U29 | EA | DOOR/FRONT KICK PANEL - FABRIC COVERED (U29, U30) |
| | 142692-11-U31 | EA | DOOR/FRONT KICK PANEL - FABRIC COVERED (U31, U32) |
| | 159380-03-U31 | EA | DOOR/FRONT KICK PANEL - FABRIC COVERED (U31, U32) |
| | 142692-11-U33 | EA | DOOR/FRONT KICK PANEL - FABRIC COVERED (U33, U34) |
| | 159380-03-U33 | EA | DOOR/FRONT KICK PANEL - FABRIC COVERED (U33, U34) |
| | 121906-01-02B | EA | BRACKET - KICKBOARD - E-COATED |

CURTAIN & CUSHION GROUP (CONTINUED) WINDOW TREATMENT



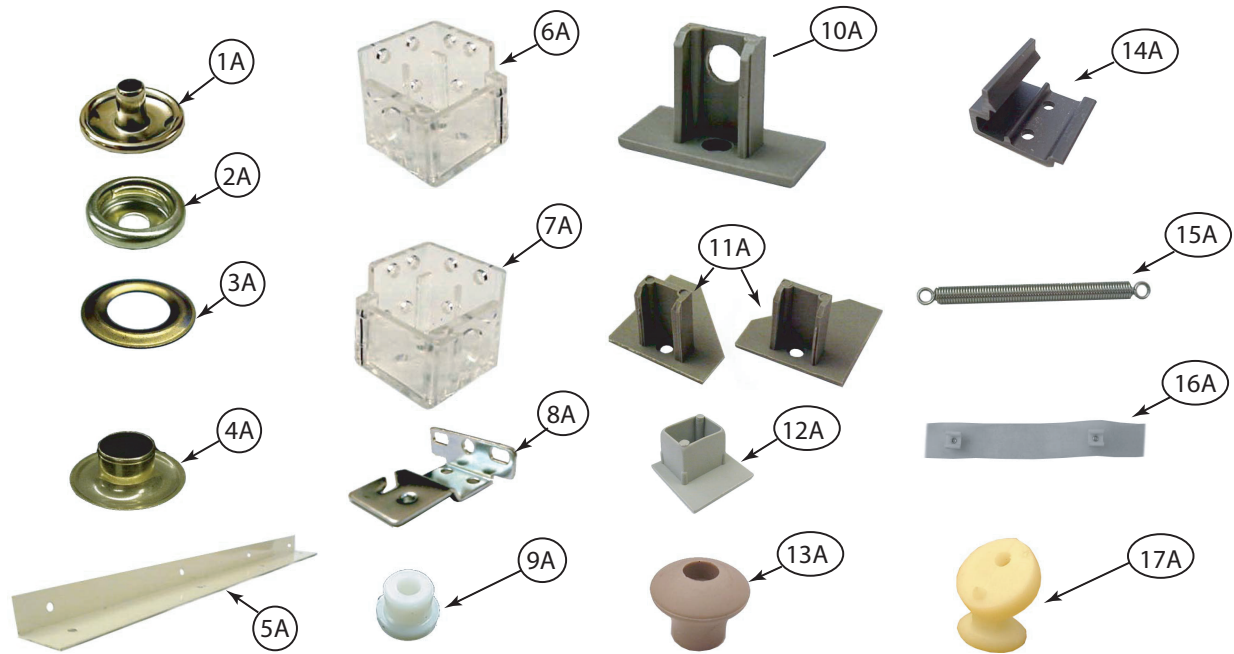
| KEY | PART NUMBER | U/M | DESCRIPTION |
|-----|---------------|-----|---|
| 1 | 076892-30-U29 | EA | CURTAIN - CAB PRIVACY - 47.5" X 74" (U29, U30) |
| 1 | 076892-30-U31 | EA | CURTAIN - CAB PRIVACY - 47.5" X 74" (U31, U32) |
| 1 | 076892-30-U33 | EA | CURTAIN - CAB PRIVACY - 47.5" X 74" (U33, U34) |
| 1 | 076892-29-U29 | EA | CURTAIN - CAB PRIVACY - 47.5" X 74" (U29, U30) - CAB OVER ENTERTAINMENT CTR |
| 1 | 076892-29-U31 | EA | CURTAIN - CAB PRIVACY - 47.5" X 74" (U31, U32) - CAB OVER ENTERTAINMENT CTR |
| 1 | 076892-29-U33 | EA | CURTAIN - CAB PRIVACY - 47.5" X 74" (U33, U34) - CAB OVER ENTERTAINMENT CTR |
| 1 | 073260-23-T17 | EA | TIEBACK - 3" X 18" (U29, U30) |
| 1 | 073260-23-U31 | EA | TIEBACK - 3" X 18" (U31, U32) |
| 1 | 073260-23-U33 | EA | TIEBACK - 3" X 18" (U33, U34) |
| 2 | 158536-01-U29 | EA | VALANCE - ROSEMONT - 63" (U29, U30) |
| 2 | 158536-01-U31 | EA | VALANCE - ROSEMONT - 63" (U31, U32) |
| 2 | 158536-02-U33 | EA | VALANCE - ROSEMONT - 63" (U33, U34) |
| 2 | 152445-13-T57 | EA | LEG - RIGHT - 25" (U29, U30) |
| 2 | 152445-13-U31 | EA | LEG - RIGHT - 25" (U31, U32) |
| 2 | 152445-05-U33 | EA | LEG - RIGHT - 25" (U33, U34) |
| 2 | 152445-14-T57 | EA | LEG - LEFT - 25" (U29, U30) |
| 2 | 152445-14-U31 | EA | LEG - LEFT - 25" (U31, U32) |
| 2 | 152445-06-U33 | EA | LEG - LEFT - 25" (U33, U34) |
| 2 | 157506-02-TR0 | EA | BLIND - PLEATED - 59" X 26.5" (U29, U30) |
| 2 | 157506-02-T12 | EA | BLIND - PLEATED - 59" X 26.5" (U31, U32, U33, U34) |
| 2 | 140789-08-N02 | EA | BLIND - DAY/NIGHTER - 59" X 26.5" (U29, U30) - INTERIOR UPGRADE PKG |
| 2 | 140789-08-T54 | EA | BLIND - DAY/NIGHTER - 59" X 26.5" (U31, U32, U33, U34) - INTERIOR UPGRADE PKG |
| 3 | 153643-57-U29 | EA | VALANCE - MODERATE - 10" X 29" (U29, U30) |
| 3 | 153643-57-U31 | EA | VALANCE - MODERATE - 10" X 29" (U31, U32) |
| 3 | 153643-57-U33 | EA | VALANCE - MODERATE - 10" X 29" (U33, U34) |
| 3 | 084755-57-P37 | EA | SHADE - PULL - 27.25" |
| 4 | 158536-11-U29 | EA | VALANCE - ROSEMONT - 46" (U29, U30) |
| 4 | 158536-11-U31 | EA | VALANCE - ROSEMONT - 46" (U31, U32) |
| 4 | 158536-12-U33 | EA | VALANCE - ROSEMONT - 46" (U33, U34) |
| 4 | 109041-90-01A | EA | BLIND - MINI - 44" X 18" (U29, U30) |
| 4 | 109041-90-02A | EA | BLIND - MINI - 44" X 18" (U31, U32, U33, U34) |
| 5 | 158536-04-U29 | EA | VALANCE - ROSEMONT - 54" (U29, U30) |
| 5 | 158536-04-U31 | EA | VALANCE - ROSEMONT - 54" (U31, U32) |
| 5 | 158536-04-U33 | EA | VALANCE - ROSEMONT - 54" (U33, U34) |
| 5 | 157506-07-TR0 | EA | BLIND - PLEATED - 51" X 27" (U29, U30) |
| 5 | 157506-07-T12 | EA | BLIND - PLEATED - 51" X 27" (U31, U32, U33, U34) |
| 5 | 140789-03-N02 | EA | BLIND - DAY/NIGHTER - 51" X 27" (U29, U30) - INTERIOR UPGRADE PKG |
| 5 | 140789-03-T54 | EA | BLIND - DAY/NIGHTER - 51" X 27" (U31, U32, U33, U34) - INTERIOR UPGRADE PKG |

CURTAIN & CUSHION GROUP (CONTINUED)
WINDOW TREATMENT (CONTINUED)

| KEY | PART NUMBER | U/M | DESCRIPTION |
|------------|--------------------|------------|---|
| 6 | 158536-03-U29 | EA | VALANCE - ROSEMONT - 46" (U29, U30) |
| 6 | 158536-03-U31 | EA | VALANCE - ROSEMONT - 46" (U31, U32) |
| 6 | 158536-03-U33 | EA | VALANCE - ROSEMONT - 46" (U33, U34) |
| 6 | 157506-04-TR0 | EA | BLIND - PLEATED - 43" X 28" (U29, U30) |
| 6 | 157506-04-T12 | EA | BLIND - PLEATED - 43" X 28" (U31, U32, U33, U34) |
| 6 | 140789-02-N02 | EA | BLIND - DAY/NIGHTER - 43" X 28" (U29, U30) - INTERIOR UPGRADE PKG |
| 6 | 140789-02-T54 | EA | BLIND - DAY/NIGHTER - 43" X 28" (U31, U32, U33, U34) - INTERIOR UPGRADE PKG |
| 7 | 101668-80-U29 | EA | CURTAIN - TAPE TOP - 27" X 90" (U29, U30) |
| 7 | 101668-80-U31 | EA | CURTAIN - TAPE TOP - 27" X 90" (U31, U32) |
| 7 | 101668-80-U33 | EA | CURTAIN - TAPE TOP - 27" X 90" (U33, U34) |
| 8 | 101034-17-U29 | EA | CURTAIN - PRIVACY - 16" X 25" (U29, U30) |
| 8 | 101034-17-U31 | EA | CURTAIN - PRIVACY - 16" X 25" (U31, U32) |
| 8 | 101034-17-U33 | EA | CURTAIN - PRIVACY - 16" X 25" (U33, U34) |
| 9 | 101034-72-U29 | EA | CURTAIN - PRIVACY - 19.5" X 34" (U29, U30) |
| 9 | 101034-72-U31 | EA | CURTAIN - PRIVACY - 19.5" X 34" (U31, U32) |
| 9 | 101034-72-U33 | EA | CURTAIN - PRIVACY - 19.5" X 34" (U33, U34) |

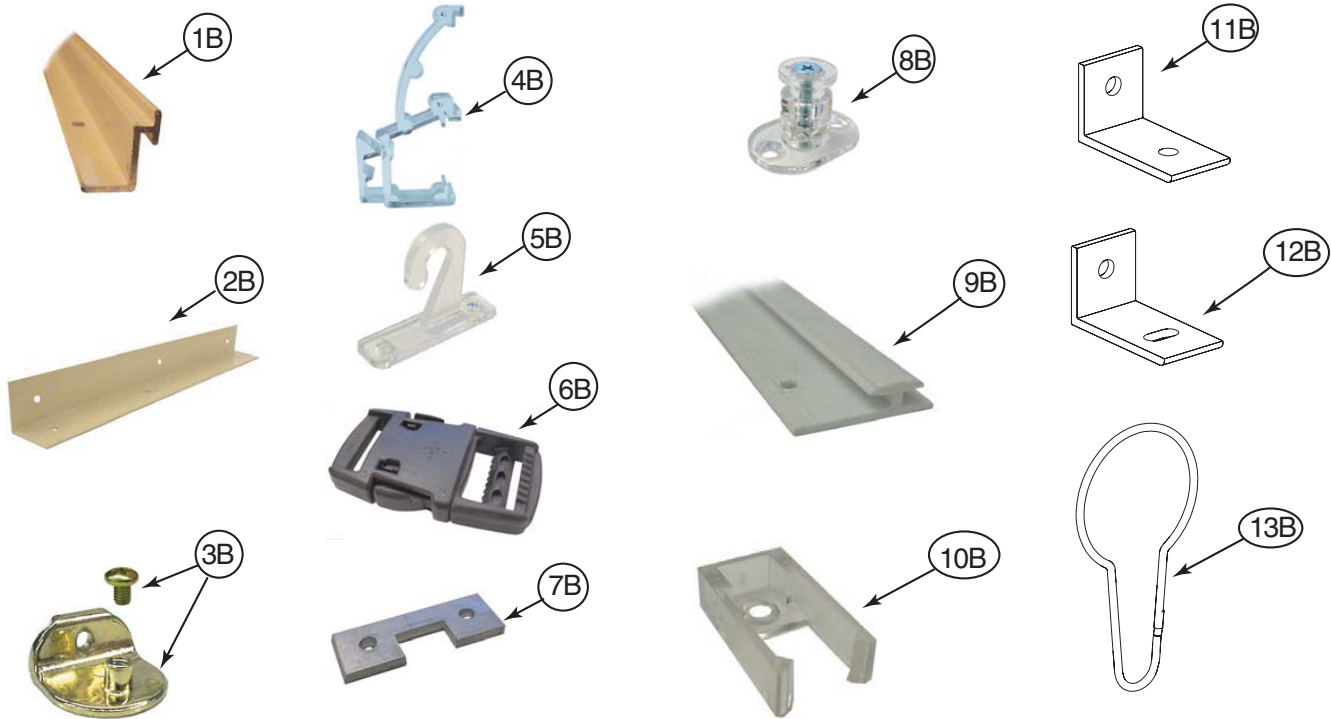
CURTAIN & CUSHION GROUP (CONTINUED)

HARDWARE



| KEY | PART NUMBER | U/M | DESCRIPTION |
|-----|---------------|-----|--|
| 1A | 029155-01-000 | EA | CAP - SNAP - 5/32" OUTSIDE DIAMETER OF PIN |
| 2A | 029156-01-000 | EA | SOCKET - SNAP - 9/16" O.D. |
| 3A | 046867-02-000 | EA | WASHER - HANDY BUTTON #3 |
| 4A | 046867-03-000 | EA | GROMMET - HANDY BUTTON #3 |
| 5A | 075943-10-000 | EA | BRACE - VALANCE - 20" - OFF WHITE |
| 6A | 083170-01-000 | EA | BRACKET/BLIND - LEFT SIDE WHEN FACING WINDOW - CLEAR |
| 7A | 083170-02-000 | EA | BRACKET/BLIND - RIGHT SIDE WHEN FACING WINDOW - CLEAR |
| 8A | 084434-01-000 | EA | BRACKET - MOUNTING - ROLLER SHADE - 1 3/8" |
| 9A | 094896-02-000 | EA | GROMMET - CORD/PLEATED BLIND - NYLON - GRAY |
| 10A | 094907-02-000 | EA | END CAP - PLEATED BLIND/TOP - RH/LH - GRAY PLASTIC |
| 11A | 094907-04-000 | EA | END CAP - PLEATED BLIND/BOTTOM - RH/LH |
| 12A | 094907-09-000 | EA | END CAP/BLIND - CENTER RAIL - RH/LH |
| 13A | 097564-03-000 | EA | HANDLE - KNOB - E-Z LIFT SHADE - TAN |
| | 097593-02-000 | FT | CORD - BLIND - PLEATED - GRAY |
| | 097593-10-000 | FT | CORD - BLIND - PLEATED - VANILLA |
| 14A | 097565-01-000 | EA | BRACKET - MOUNTING - PLEATED BLIND |
| 15A | 097591-01-000 | EA | SPRING - EXTENSION - PLEATED BLIND |
| 15A | 155748-01-000 | EA | SPRING - EXTENSION - DAY/NIGHTER BLIND |
| 16A | 101031-01-000 | YD | TAPE/GLIDE - 4.25" SPACING |
| 17A | 102555-03-000 | EA | BRACKET - (CLEAT TYPE) - F/BLIND HOLDOWN - MILKY WHITE |

CURTAIN & CUSHION GROUP (CONTINUED)
HARDWARE (CONTINUED)



| KEY | PART NUMBER | U/M | DESCRIPTION |
|-----|---------------|-----|---|
| 1B | 105450-14-01A | EA | TRACK-90"-OW - FRT BUNK PRIVACY OUTLOOK/SPIRIT 300-SERIES, ACCESS/IMPULSE 200-SERIES |
| 2B | 105648-01-02A | EA | BRACE - VALANCE - 14" - OFF WHITE |
| 2B | 105648-02-02A | EA | BRACE - VALANCE - 8.5" - OFF WHITE |
| 3B | 106544-01-000 | EA | PULL - SHADE/BRASS |
| 3B | 106544-01-001 | EA | SCREW - SHADE/BRASS |
| 3B | 106544-02-000 | EA | PULL-SHADE - NICKEL |
| 4B | 109353-04-000 | EA | CLIP - VALANCE SLAT MOUNTING - CLEAR PLASTIC |
| 5B | 109441-01-000 | EA | BRACKET/HOOK - BLIND HOLD DOWN |
| | 109441-02-000 | EA | SPACER/BRACKET - BLIND HOLD DOWN |
| 6B | 129491-01-000 | EA | CATCH - SNAP HOOK - 1" |
| 7B | 130549-01-01A | EA | STOP - CURTAIN TRACK |
| 8B | 141634-01-000 | EA | BRACKET-(BOBBIN TYPE) 7/8"H HOLDUPBASE(OVAL)-2 HOLE-CLEAR |
| 9B | 156172-01-01A | EA | TRACK/WALL - 75" - BONE |
| 9B | 156172-02-01A | EA | TRACK/WALL - 32" - BONE |
| 9B | 156172-03-01A | EA | TRACK/WALL - 21" - BONE |
| 10B | 156172-04-01A | EA | END CAP - WALL TRACK - CLEAR |
| 11B | 154316-01-01A | EA | BRACE/ANGLE - W/HOLE - CASHMERE |
| 12B | 154316-02-01A | EA | BRACE/ANGLE - W/SLOT - CASHMERE |
| 13B | 159702-01-01A | EA | HOOK/RING - CURTAIN/SHOWER - NICKEL |

ACCESSORIES

| KEY | PART NUMBER | U/M | DESCRIPTION |
|-----|---------------|-----|------------------------------|
| | 057534-01-000 | EA | TIEBACK - CLEAR PLASTIC - 6" |

CURTAIN & CUSHION GROUP (CONTINUED)

FABRICS

U29, U30 CINNABAR

| | |
|---------------|--|
| 113979-09-01A | CARPET-HEADLINER (SY) - CEILING |
| 113979-10-01A | CARPET-HEADLINER - SLDOUT (SY) - CEILING |
| 113979-11-01A | CARPET-HEADLINER - SLDOUT (SY) - CEILING |
| 137813-R9-000 | FABRIC-DRAPERY - MAIN |
| 148797-L6-000 | FABRIC-UPHOSTERY - MAIN |
| 148797-L8-000 | FABRIC-UPHLSTRY - PLAIN ACCENT |
| 148797-M0-000 | FABRIC-UPHLSTRY ACCENT - PATTERN |
| 137813-U6-000 | FABRIC-UPHOSTERY - BEDSPREAD |
| 142523-04-000 | FABRIC-UPHOSTERY - ACCEN PLAIN |
| 079680-47-000 | FABRIC-UPHL - SEAT INSERT |
| 137813-R9-000 | FABRIC-UPHOSTERY - BEDSPREAD |
| 148797-L8-000 | FABRIC-HDLNR/PAD/BNK-TRANS PANEL |
| 148797-L8-000 | FABRIC-SPEAKER COVER |
| 137813-R9-000 | FABRIC-O/H CABT - DIN/LOUNGE |
| 137813-R9-000 | FABRIC-O/H CABT - BEDROOM |
| 137813-L8-000 | FABRIC-DINETTE WRAP - DINETTES |
| 142523-05-000 | VINYL-BUCKET SEATS |
| 103907-01-01A | VINYL-FILM DRAPERY - BUNK CUSHIONS |
| 142523-08-000 | VINYL-HEADLINERS/BUNKS - CAB AREA |
| 142523-08-000 | VINYL-ACCENT TRIMS - CAB AREA |

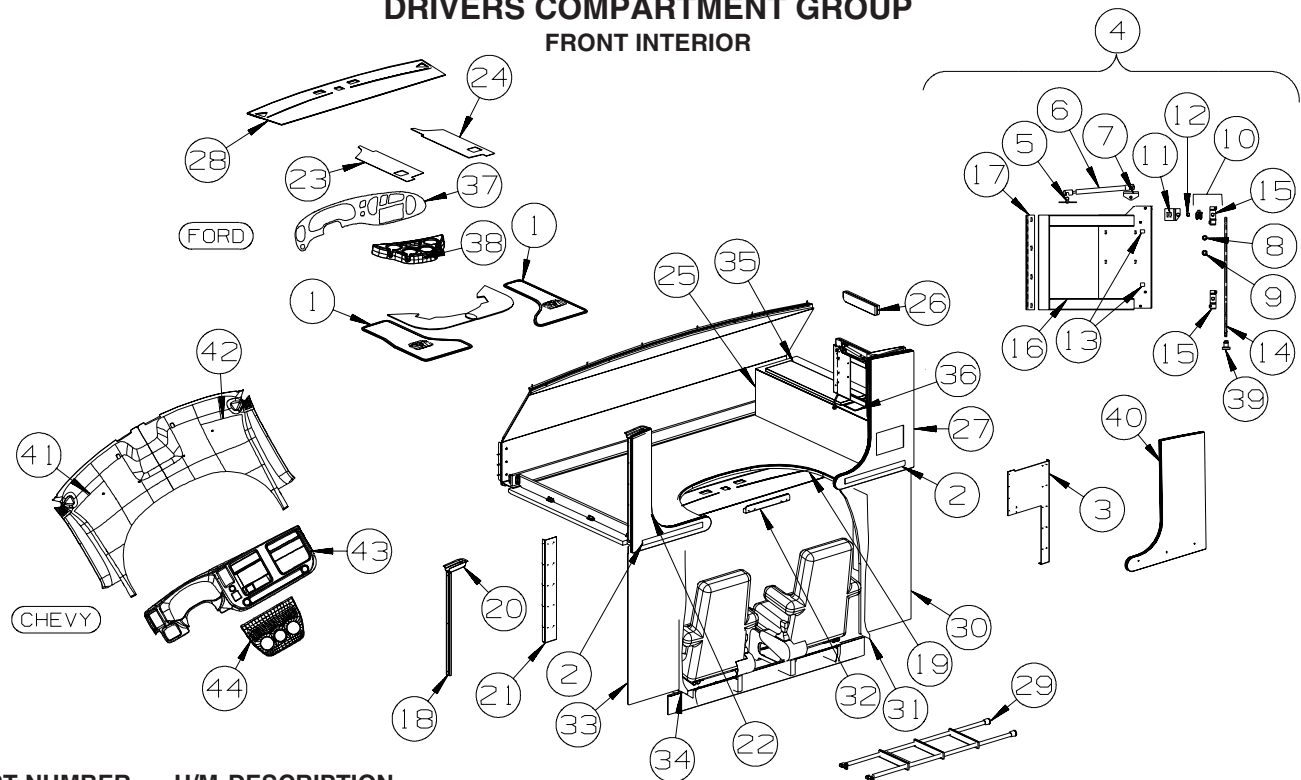
U31, U32 ROCKPORT

| | |
|---------------|--|
| 113979-09-01A | CARPET-HEADLINER (SY) - CEILING |
| 113979-10-01A | CARPET-HEADLINER - SLDOUT (SY) - CEILING |
| 113979-11-01A | CARPET-HEADLINER - SLDOUT (SY) - CEILING |
| 137813-V1-000 | FABRIC-DRAPERY - MAIN |
| 148797-M1-000 | FABRIC-UPHOSTERY - MAIN |
| 148797-M2-000 | FABRIC-UPHLSTRY - PLAIN ACCENT |
| 148797-D8-000 | FABRIC-UPHLSTRY ACCENT - PATTERN |
| 137813-U9-000 | FABRIC-UPHOSTERY - BEDSPREAD |
| 142523-02-000 | FABRIC-UPHOSTERY - ACCENT PLAIN |
| 142523-02-000 | FABRIC-UPHL -SEAT INSERT |
| 137813-V1-000 | FABRIC-UPHOSTERY - BEDSPREAD |
| 148797-M2-000 | FABRIC-HDLNR/PAD/BNK-TRANS PANEL |
| 148797-L8-000 | FABRIC-SPEAKER COVER |
| 148797-M2-000 | FABRIC-O/H CABT - DINETTE/LOUNGE |
| 148797-M2-000 | FABRIC-O/H CABT - BEDROOM |
| 148797-M2-000 | FABRIC-DINETTE WRAP - DINETTES |
| 142523-05-000 | VINYL-BUCKET SEATS |
| 103907-01-01A | VINYL-FILM DRAPERY - BUNK CUSHIONS |
| 142523-08-000 | VINYL-HEADLINERS/BUNKS - CAB AREA |
| 142523-08-000 | VINYL-ACCENT TRIMS - CAB AREA |

U33, U34 SHADOW DANCE

| | |
|---------------|--|
| 113979-09-01A | CARPET-HEADLINER (SY) - CEILING |
| 113979-10-01A | CARPET-HEADLINER - SLDOUT (SY) - CEILING |
| 113979-11-01A | CARPET-HEADLINER - SLDOUT (SY) - CEILING |
| 137813-V2-000 | FABRIC-DRAPERY - MAIN |
| 148797-M3-000 | FABRIC-UPHOSTERY - MAIN |
| 148797-M2-000 | FABRIC-UPHLSTRY - PLAIN ACCENT |
| 148797-M4-000 | FABRIC-UPHLSTRY ACCENT - PATTERN |
| 137813-V0-000 | FABRIC-UPHOSTERY - BEDSPREAD |
| 142523-02-000 | FABRIC-UPHOSTERY - ACCENT PLAIN |
| 142523-02-000 | FABRIC-UPHL -SEAT INSERT |
| 137813-V2-000 | FABRIC-UPHOSTERY - BEDSPREAD |
| 148797-M2-000 | FABRIC-HDLNR/PAD/BNK-TRANS PANEL |
| 148797-L8-000 | FABRIC-SPEAKER COVER |
| 148797-M4-000 | FABRIC-O/H CABT - DIN/LOUNGE |
| 148797-M4-000 | FABRIC-O/H CABT - BEDROOM |
| 148797-M2-000 | FABRIC-DINETTE WRAP - DINETTES |
| 142523-05-000 | VINYL-BUCKET SEATS |
| 103907-01-01A | VINYL-FILM DRAPERY - BUNK CUSHIONS |
| 142523-08-000 | VINYL-HEADLINERS/BUNKS - CAB AREA |
| 142523-08-000 | VINYL-ACCENT TRIMS - CAB AREA |

DRIVERS COMPARTMENT GROUP FRONT INTERIOR



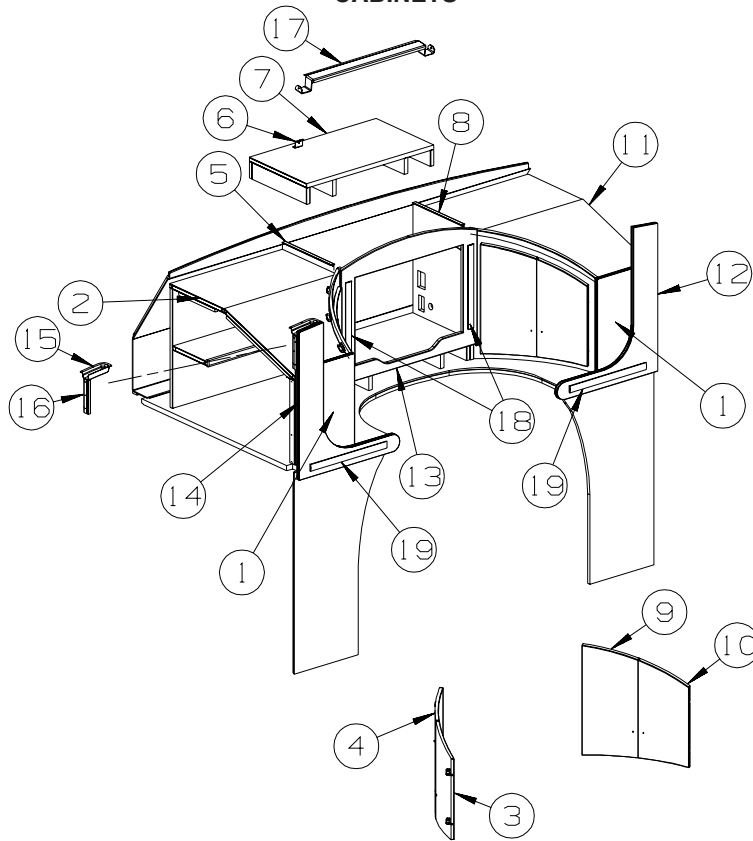
| KEY | PART NUMBER | U/M | DESCRIPTION |
|-----|---------------|-----|--|
| 1 | 155266-04-01A | EA | MAT - FLOOR - FRONT DRIVER - "I" - FORD - PEBBLE BROWN - FORD - INTERIOR UPGRADE PKG FROM: 00-00-00 THRU: 06-11-06 |
| 1 | 155266-03-01A | EA | MAT - FLOOR - FRONT PASSENGER - "I" - FORD - PEBBLE BROWN - FORD - INTERIOR UPGRADE PKG FROM: 00-00-00 THRU: 06-11-06 |
| 1 | 155266-06-01A | EA | MAT - FLOOR - SET - "I" - PEBBLE BROWN/BLACK - FORD - INTERIOR UPGRADE PKG FROM: 06-12-06 THRU: 99-99-99 |
| 2 | M09525-61-U21 | EA | MOLDING - TRIM/VEE - 1.5" X 20.6" - HONEY CHERRY |
| 2 | M09525-61-U22 | EA | MOLDING - TRIM/VEE - 1.5" X 20.6" - WASHED MAPLE |
| 3 | 109709-09-03B | EA | BRACKET - WINGWALL - OFF WHITE |
| 3 | 109709-11-03B | EA | BRACKET - WINGWALL - OFF WHITE - ENTERTAINMENT CENTER-CABOVER |
| 4 | 159840-01-U21 | EA | SUPPORT - TV - COMPLETE |
| 5 | 126263-08-02B | EA | BRACKET - GAS SPRING W/CENTERED BALL STUD - E-COATED |
| 6 | 142569-31-000 | EA | SPRING/GAS - 30 LB - 11.8" EXTENDED/7.3" COMPRESSED |
| 7 | 126263-03-02B | EA | BRACKET - GAS SPRING W/BALL STUD - E/COATED |
| 8 | 150082-06-000 | EA | NUT - F/TV LATCH-KEEPER |
| 9 | 150082-07-000 | EA | WASHER - F/TV LATCH-KEEPER |
| 10 | 150082-02-000 | EA | LATCH/TV - W/O KEEPER/BRACKET/ROD |
| 11 | 150214-01-02B | EA | BRACKET/KEEPER - TV/SWINGOUT - E-COATED FROM: 00-00-00 THRU: 04-01-07 |
| 11 | 150214-02-02B | EA | BRACKET/KEEPER - TV/SWINGOUT - E-COATED FROM: 04-02-07 THRU: 99-99-99 |
| 12 | 150082-03-000 | EA | KEEPER - W/O TV LATCH |
| 13 | 099418-01-000 | FT | SEAL - D-SECTION/ADHESIVE BACK - .44" X .44" - BLK RUBBER |
| 14 | 150082-08-000 | EA | ROD - F/TV LATCH-KEEPER |
| 15 | 150082-04-000 | EA | BRACKET - F/TV LATCH-KEEPER |
| 16 | 156922-01-02B | EA | SUPPORT - TV - E-COATED |
| 17 | 158921-02-01A | EA | HINGE - PIANO - TRUNK DOOR - 2" X 12.6" |
| 18 | 154189-01-02A | EA | COVER/TRIM - WIRING - ALMOND |
| 19 | 158191-01-01A | FT | MOLDING-T - W/EDGE LIP - OFF WHITE |
| 20 | 153474-01-11A | EA | COVER/WIRE - SATELLITE RADIO - BRIGHT WHITE |
| 21 | 109709-11-03B | EA | BRACKET - WINGWALL - OFF WHITE |
| 21 | 109709-10-03B | EA | BRACKET - WINGWALL - OFF WHITE - ENTERTAINMENT CENTER-CABOVER |
| 22 | 158629-03-U21 | EA | PANEL - END CAP - HONEY CHERRY |
| 22 | 158629-03-U22 | EA | PANEL - END CAP - WASHED MAPLE |
| 23 | 106477-10-T11 | EA | TRIM - CAB DOOR - UPPER/LEFT HAND - FORD |
| 24 | 106477-09-T11 | EA | TRIM - CAB DOOR - UPPER/RIGHT HAND - FORD |
| 25 | 156101-01-U29 | EA | CABINET - HAMPER/STORAGE - W/O DOORS/DRAWERS/HDW (U29) |
| 25 | 156101-01-U30 | EA | CABINET - HAMPER/STORAGE - W/O DOORS/DRAWERS/HDW (U30) |
| 25 | 156101-01-U31 | EA | CABINET - HAMPER/STORAGE - W/O DOORS/DRAWERS/HDW (U31, U33) |
| 25 | 156101-01-U32 | EA | CABINET - HAMPER/STORAGE - W/O DOORS/DRAWERS/HDW (U32, U34) |

DRIVERS COMPARTMENT GROUP (CONTINUED)
FRONT INTERIOR (CONTINUED)

| KEY | PART NUMBER | U/M | DESCRIPTION |
|-----|---------------|-----|---|
| 25 | 156101-03-U29 | EA | CABINET - HAMPER/STORAGE - W/O DOORS/DRWS/HDW (U29) - TV-20"AC,LCD,STEREO/CD/DVD |
| 25 | 156101-03-U30 | EA | CABINET - HAMPER/STORAGE - W/O DOORS/DRWS/HDW (U30) - TV-20"AC,LCD,STEREO/CD/DVD |
| 25 | 156101-03-U31 | EA | CABINET - HAMPER/STORAGE - W/O DOORS/DRWS/HDW (U31, U33) - TV-20"AC,LCD,STEREO/CD/DVD |
| 25 | 156101-03-U32 | EA | CABINET - HAMPER/STORAGE - W/O DOORS/DRWS/HDW (U32, U34) - TV-20"AC,LCD,STEREO/CD/DVD |
| 26 | 156101-02-U21 | EA | CABINET-TOP-HMPR/STORAGE-W/O LATCH/HDW-HONEY CHERRY - TV-20"AC,LCD,STEREO/CD/DVD FROM: 00-00-00 THRU: 07-02-06 |
| 26 | 161007-01-U21 | EA | CABINET - SUPPORT/TV - TV-20"AC,LCD,STEREO/CD/DVD FROM: 07-03-06 THRU: 99-99-99 |
| 26 | 156101-02-U22 | EA | CABINET-TOP-HMPR/STORAGE-W/O LATCH/HDW-WASHED MAPLE - TV-20"AC,LCD,STEREO/CD/DVD FROM: 00-00-00 THRU: 07-02-06 |
| 26 | 161007-01-U22 | EA | CABINET - SUPPORT/TV - TV-20"AC,LCD,STEREO/CD/DVD FROM: 07-03-06 THRU: 99-99-99 |
| 27 | 158629-01-U21 | EA | PANEL - END CAP - HONEY CHERRY - TV-20"AC,LCD,CD/DVD |
| 27 | 158629-01-U22 | EA | PANEL - END CAP - WASHED MAPLE - TV-20"AC,LCD,CD/DVD |
| 28 | 106448-07-T11 | EA | HEADLINER - W/VINYL - FORD |
| 28 | 156218-01-T11 | EA | HEADLINER - W/VINYL - CHEVY |
| 29 | 106025-02-01A | EA | LADDER - BUNK - 52" - BLACK FROM: 00-00-00 THRU: 09-03-06 |
| 29 | 106025-05-01A | EA | LADDER - BUNK - 52.8" - BLACK FROM: 09-04-06 THRU: 99-99-99 |
| | 162356-01-000 | EA | STRAP/TIEDOWN - LADDER FROM: 10-16-06 THRU: 99-99-99 |
| 30 | 157047-01-U23 | EA | WINGWALL - INNER/LOWER (U29, U30) - FORD |
| 30 | 157047-01-U31 | EA | WINGWALL - INNER/LOWER (U31, U32, U33, U34) - FORD |
| 30 | 157047-01-U21 | EA | WINGWALL - INNER/LOWER - CHEVY |
| | 070578-19-U23 | EA | BUTTON - #30 - SCREW/STUD - VINYL COVERED (U29, U30) - FORD |
| | 070578-19-U31 | EA | BUTTON - #30 - SCREW/STUD - VINYL COVERED (U31, U32, U33, U34) - FORD |
| | 070578-19-U21 | EA | BUTTON - #30 - SCREW/STUD - VINYL COVERED - CHEVY |
| | 049465-18-000 | EA | SCREW - 10-16 X 1 POH W/WASHER - VW GRAY |
| 31 | 125031-01-T11 | EA | TRIM - CAB - B-PILLAR - PASSENGER SIDE |
| 32 | 094658-04-T02 | EA | HANDLE - BUNK - 1.1" X 2" X 14.9" - HONEY CHERRY |
| 32 | 094658-04-T25 | EA | HANDLE - BUNK - 1.1" X 2" X 14.9" - WASHED MAPLE |
| 33 | 157047-02-U23 | EA | WINGWALL - INNER/LOWER (U29, U30) - FORD |
| 33 | 157047-02-U31 | EA | WINGWALL - INNER/LOWER (U31, U32, U33, U34) - FORD |
| 33 | 157047-02-U21 | EA | WINGWALL - INNER/LOWER - CHEVY |
| | 070578-19-U23 | EA | BUTTON - #30 - SCREW/STUD - VINYL COVERED (U29, U30) - FORD |
| | 070578-19-U31 | EA | BUTTON - #30 - SCREW/STUD - VINYL COVERED (U31, U32, U33, U34) - FORD |
| | 070578-19-U21 | EA | BUTTON - #30 - SCREW/STUD - VINYL COVERED - CHEVY |
| | 049465-18-000 | EA | SCREW - 10-16 X 1 POH W/WASHER - VW GRAY |
| 34 | 125031-02-T11 | EA | TRIM - CAB - B-PILLAR - DRIVER SIDE |
| 35 | 159216-AA-U21 | EA | DOOR - FLAT/SQUARE EDGE - 8.7" X 31.5" - W/O HDW - HONEY CHERRY |
| 35 | 159216-AA-U22 | EA | DOOR - FLAT/SQUARE EDGE - 8.7" X 31.5" - W/O HDW - WASHED MAPLE |
| 36 | 156101-19-U21 | EA | PANEL/ACCESS - W/HOLE CUTOUT - HONEY CHERRY |
| 36 | 156101-19-U22 | EA | PANEL/ACCESS - W/HOLE CUTOUT - WASHED MAPLE |
| 37 | 150974-01-04A | EA | APPLIQUE - BEZEL - INSTR PANEL - LEATHER LASER WAVE - INTERIOR UPGRADE PKG |
| 38 | 150974-05-04A | EA | APPLIQUE - BEZEL - MOTOR COVER - FORD -LEATHER LASER WAVE - INTERIOR UPGRADE PKG |
| 39 | 150109-01-01A | EA | KNOB - F/TV SWINGOUT - BLACK |
| 40 | 158629-08-U21 | EA | PANEL - END CAP - HONEY CHERRY |
| 40 | 158629-08-U22 | EA | PANEL - END CAP - WASHED MAPLE |
| 41 | 156218-02-T11 | EA | HEADLINER - W/VINYL - LEFT HAND - CHEVY |
| 42 | 156218-03-T11 | EA | HEADLINER - W/VINYL - RIGHT HAND - CHEVY |
| 43 | 150974-03-04A | EA | APPLIQUE - BEZEL - INSTR PANEL - LEATHER LASER WAVE - INTERIOR UPGRADE PKG - CHEVY |
| 44 | 150974-04-04A | EA | APPLIQUE - BEZEL - MOTOR COVER - LEATHER LASER WAVE - INTERIOR UPGRADE PKG - CHEVY |
| | 147623-01-02A | EA | TRAY - BEVERAGE - W/LOWER POCKET (TRIMLINE CONSOLE) PEBBLE FROM: 00-00-00 THRU: 05-07-06 |
| | 151391-01-01A | EA | PAD/TRAY - BEVERAGE TRAY FROM: 00-00-00 THRU: 05-07-06 |
| | 151391-02-01A | EA | PAD/CUP - BEVERAGE TRAY FROM: 00-00-00 THRU: 05-07-06 |
| | 147623-01-02A | EA | TRAY - BEVERAGE - W/LOWER POCKET (TRIMLINE CONSOLE) PEBBLE - 331C FROM: 00-00-00 THRU: 04-16-06 |
| | 151391-01-01A | EA | PAD/TRAY - BEVERAGE TRAY - 331C |

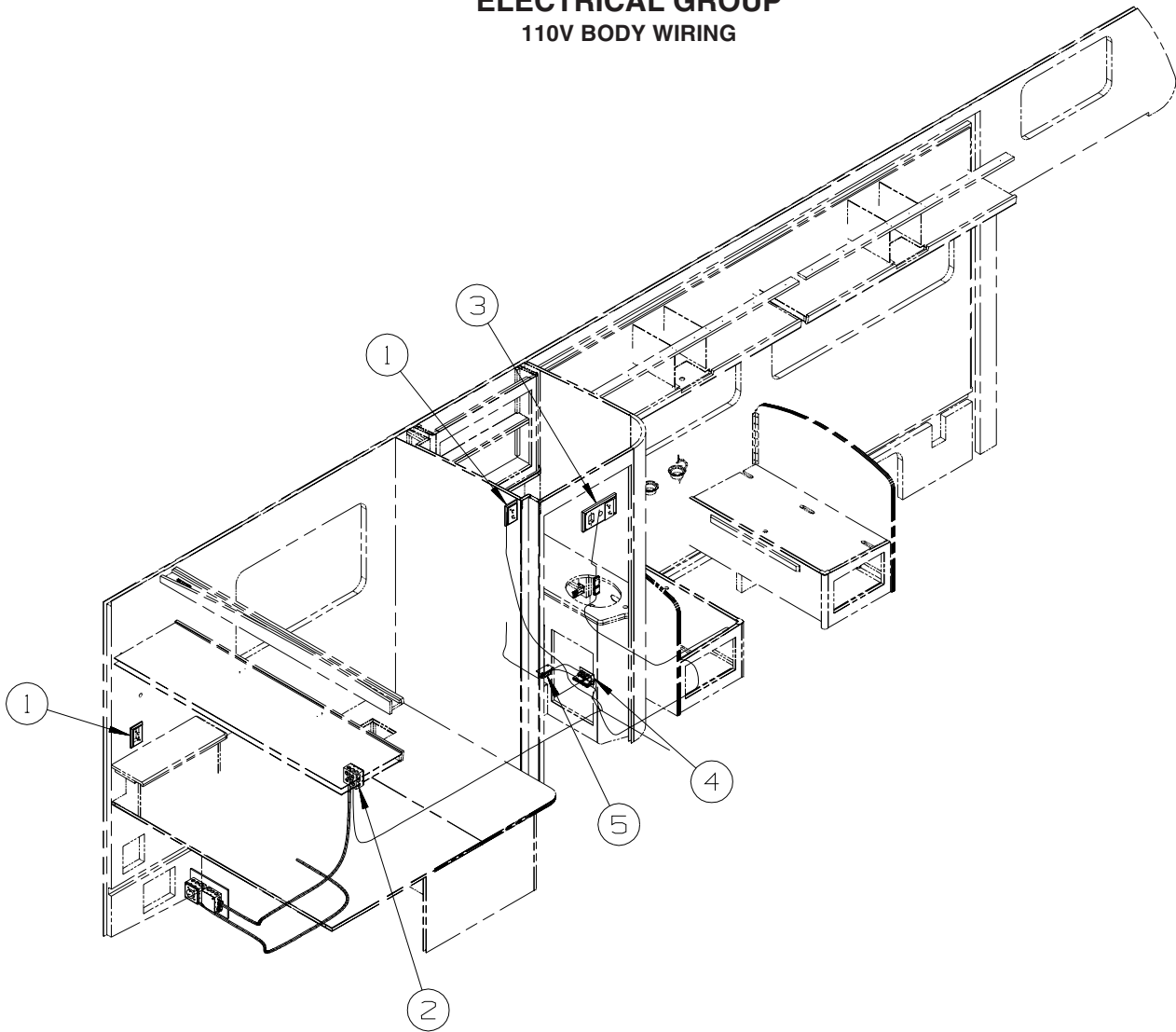
DRIVERS COMPARTMENT GROUP (CONTINUED)

CABINETS



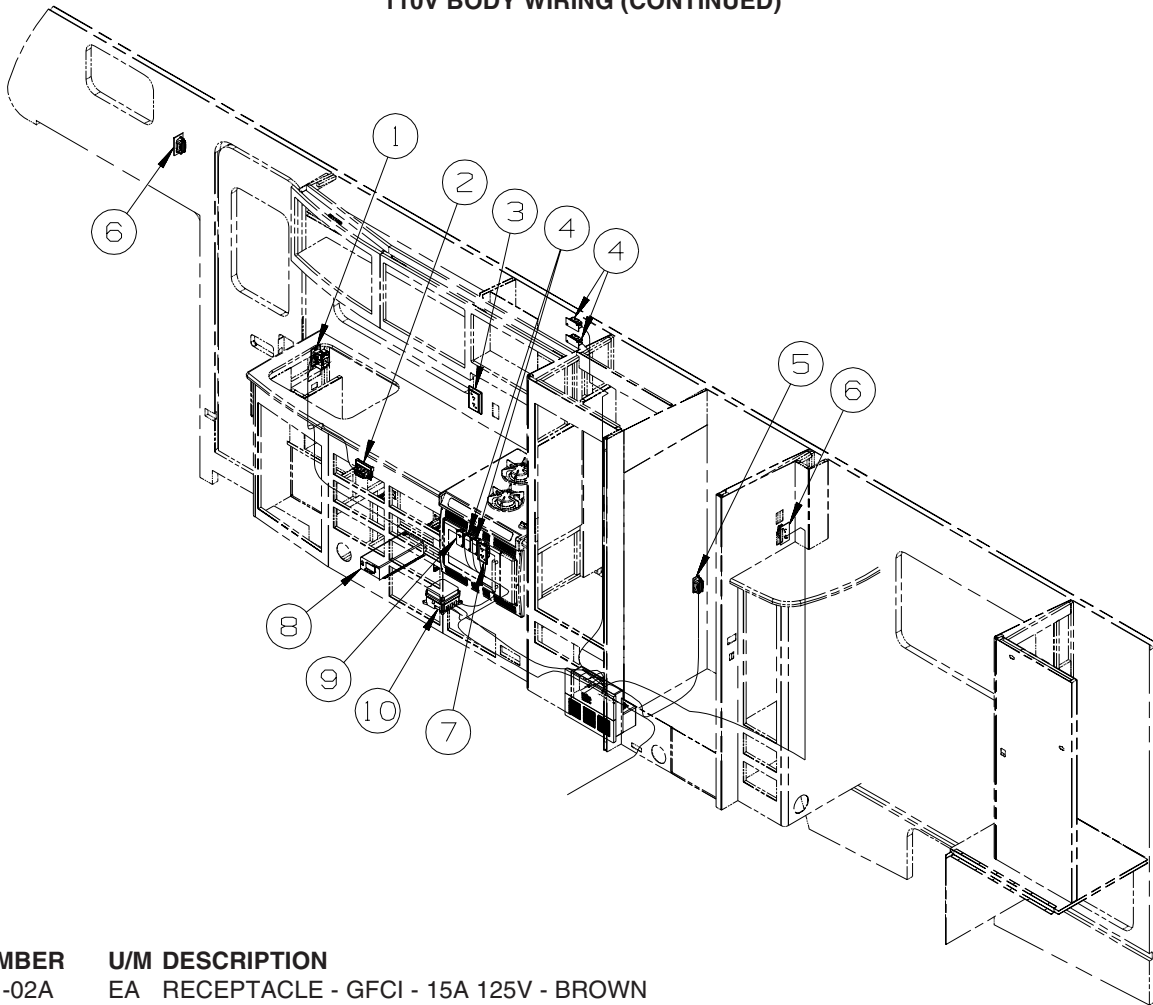
| KEY | PART NUMBER | U/M | DESCRIPTION |
|-----|---------------|-----|--|
| 1 | 158629-05-U21 | EA | PANEL - END CAP - HONEY CHERRY |
| 1 | 158629-05-U22 | EA | PANEL - END CAP - WASHED MAPLE |
| 2 | 157595-01-U21 | EA | CABINET - ENTERTAINMENT CENTER/LEFT HAND - W/O DOORS/HDW - HONEY CHERRY |
| 2 | 157595-01-U22 | EA | CABINET - ENTERTAINMENT CENTER/LEFT HAND - W/O DOORS/HDW - WASHED MAPLE |
| 3 | 157639-04-U21 | EA | DOOR - CURVED/ARCHED - 11.7" X 22.2" - W/O HDW - HONEY CHERRY |
| 3 | 157639-04-U22 | EA | DOOR - CURVED/ARCHED - 11.7" X 22.2" - W/O HDW - WASHED MAPLE |
| 4 | 157639-02-U21 | EA | DOOR - CURVED/ARCHED - 11.7" X 24.8" - W/O HDW - HONEY CHERRY |
| 4 | 157639-02-U22 | EA | DOOR - CURVED/ARCHED - 11.7" X 24.8" - W/O HDW - WASHED MAPLE |
| 5 | 158227-08-U21 | EA | END CAP - OVERHEAD CABINET - HONEY CHERRY |
| 5 | 158227-08-U22 | EA | END CAP - OVERHEAD CABINET - WASHED MAPLE |
| 6 | 152944-02-02B | EA | BRACKET - TIEDOWN/TV - E-COATED |
| 7 | 157616-01-U21 | EA | CABINET - SHELF/TV |
| 8 | 158227-09-U21 | EA | END CAP - OVERHEAD CABINET - HONEY CHERRY |
| 8 | 158227-09-U22 | EA | END CAP - OVERHEAD CABINET - WASHED MAPLE |
| 9 | 157639-01-U21 | EA | DOOR - CURVED/ARCHED - 11.7" X 24.8" - W/O HDW - HONEY CHERRY |
| 9 | 157639-01-U22 | EA | DOOR - CURVED/ARCHED - 11.7" X 24.8" - W/O HDW - WASHED MAPLE |
| 10 | 157639-03-U21 | EA | DOOR - CURVED/ARCHED - 11.7" X 22.2" - W/O HDW - HONEY CHERRY |
| 10 | 157639-03-U22 | EA | DOOR - CURVED/ARCHED - 11.7" X 22.2" - W/O HDW - WASHED MAPLE |
| 11 | 157595-02-U21 | EA | CABINET - ENTERTAINMENT CENTER/RIGHT HAND - W/O DOORS/HDW - HONEY CHERRY |
| 11 | 157595-02-U22 | EA | CABINET - ENTERTAINMENT CENTER/RIGHT HAND - W/O DOORS/HDW - WASHED MAPLE |
| 12 | 158629-04-U21 | EA | PANEL - END CAP - HONEY CHERRY |
| 12 | 158629-04-U22 | EA | PANEL - END CAP - WASHED MAPLE |
| 13 | 158935-01-U21 | EA | FACE/FRAME (PICTURE) - TV CABINET - W/O HDW - HONEY CHERRY |
| 13 | 158935-01-U22 | EA | FACE/FRAME (PICTURE) - TV CABINET - W/O HDW - WASHED MAPLE |
| 14 | 158629-03-U21 | EA | PANEL - END CAP - HONEY CHERRY |
| 14 | 158629-03-U22 | EA | PANEL - END CAP - WASHED MAPLE |
| 15 | 153474-01-11A | EA | COVER/WIRE - SATELLITE RADIO - BRIGHT WHITE |
| 16 | 154189-03-02A | EA | COVER/TRIM - WIRING - ALMOND |
| 17 | 155313-02-02B | EA | BRACKET - MOUNTING/TV - E-COATED |
| 18 | M09525-60-U21 | EA | MOLDING - TRIM/VEE - 1.5" X 18.9" - HONEY CHERRY |
| 18 | M09525-60-U22 | EA | MOLDING - TRIM/VEE - 1.5" X 18.9" - WASHED MAPLE |
| 19 | M09525-61-U21 | EA | MOLDING - TRIM/VEE - 1.5" X 20.6" - HONEY CHERRY |
| 19 | M09525-61-U22 | EA | MOLDING - TRIM/VEE - 1.5" X 20.6" - WASHED MAPLE |

ELECTRICAL GROUP 110V BODY WIRING



| KEY | PART NUMBER | U/M | DESCRIPTION |
|-----|---------------|-----|---|
| 1 | 133713-01-23A | EA | SPACER/RECEPTACLE - VINYL - HONEY CHERRY |
| 1 | 133713-01-21A | EA | SPACER/RECEPTACLE - VINYL - WASHED MAPLE |
| 1 | 058708-01-000 | EA | RECEPTACLE - ELECTRIC - DOUBLE - BROWN |
| 1 | 058708-06-000 | EA | RECEPTACLE - DUPLEX - WHITE |
| 2 | 008289-01-000 | EA | BOX - ELECTRIC/STEEL - 4" X 4" - 1/2" & 3/4" KNOCKOUTS - GEN-4.0KW-ONANGAS-MICROQUIET |
| 2 | 008294-01-000 | EA | COVER - ELECTRIC BOX - BLANK/STEEL - 4" X 4" - GRAY - GEN-4.0KW-ONANGAS-MICROQUIET |
| 3 | 133713-06-23A | EA | SPACER/RECEPTACLE - PHONE - VINYL - HONEY CHERRY |
| 3 | 133713-06-21A | EA | SPACER/RECEPTACLE - PHONE - VINYL - WASHED MAPLE |
| 3 | 058708-01-000 | EA | RECEPTACLE - ELECTRIC - DOUBLE - BROWN |
| 3 | 058708-06-000 | EA | RECEPTACLE - DUPLEX - WHITE |
| 4 | 058708-01-000 | EA | RECEPTACLE - ELECTRIC - DOUBLE - BROWN |
| 4 | 058708-06-000 | EA | RECEPTACLE - DUPLEX - WHITE |
| 5 | 058707-02-000 | EA | RECEPTACLE - BLANK - JUNCTION BOX |

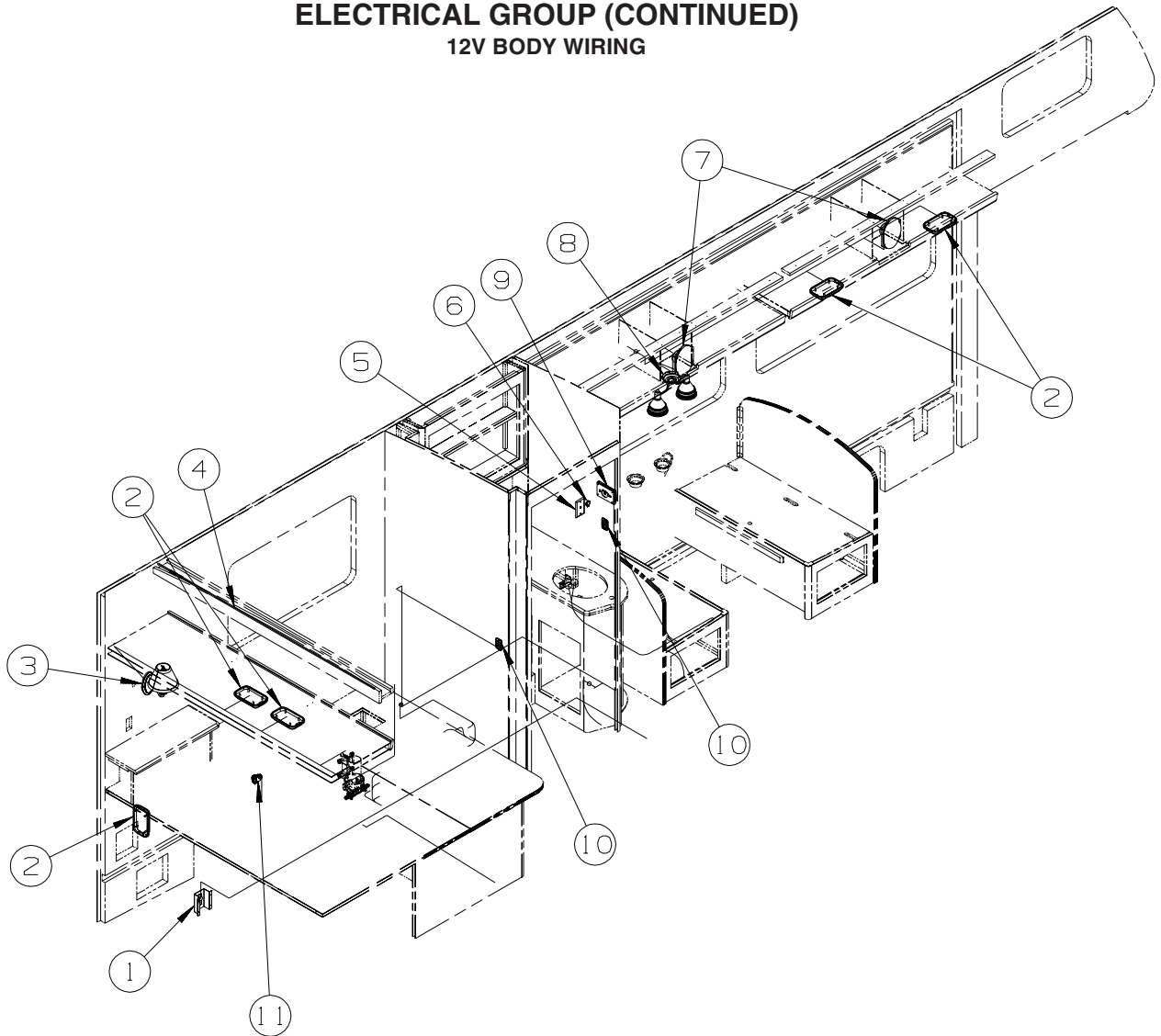
ELECTRICAL GROUP (CONTINUED)
110V BODY WIRING (CONTINUED)



| KEY | PART NUMBER | U/M | DESCRIPTION |
|-----|---------------|-----|---|
| 1 | 147446-01-02A | EA | RECEPTACLE - GFCI - 15A 125V - BROWN FROM: 00-00-00 THRU: 12-20-06 |
| 1 | 163319-01-02A | EA | RECEPTACLE - GFCI - 15A 125V - BROWN FROM: 12-21-06 THRU: 99-99-99 |
| 2 | 131826-01-01A | EA | RECEPTACLE - EXTERIOR - W/COVER/GASKET - WHITE |
| 3 | 133713-01-23A | EA | SPACER/RECEPTACLE - VINYL - HONEY CHERRY |
| 3 | 133713-01-21A | EA | SPACER/RECEPTACLE - VINYL - WASHED MAPLE |
| 3 | 058708-01-000 | EA | RECEPTACLE - ELECTRIC - DOUBLE - BROWN |
| 3 | 058708-06-000 | EA | RECEPTACLE - DUPLEX - WHITE |
| 4 | 058707-02-000 | EA | RECEPTACLE - BLANK - JUNCTION BOX |
| 5 | 058707-01-000 | EA | RECEPTACLE - ELECTRIC - SINGLE - BROWN |
| 6 | 058708-01-000 | EA | RECEPTACLE - ELECTRIC - DOUBLE - BROWN |
| 6 | 058708-06-000 | EA | RECEPTACLE - DUPLEX - WHITE |
| 7 | 157360-01-000 | EA | RECEPTACLE - 20 AMP - SINGLE - SURFACE MOUNT - BROWN |
| 8 | 099048-04-000 | EA | INVERTER - 300 WATT |
| 9 | 058708-05-000 | EA | RECEPTACLE - ELECTRICAL - SINGLE - BROWN |
| 10 | 136481-01-000 | EA | MODULE - AUTO ENERGY SELECTOR |

ELECTRICAL GROUP (CONTINUED)

12V BODY WIRING

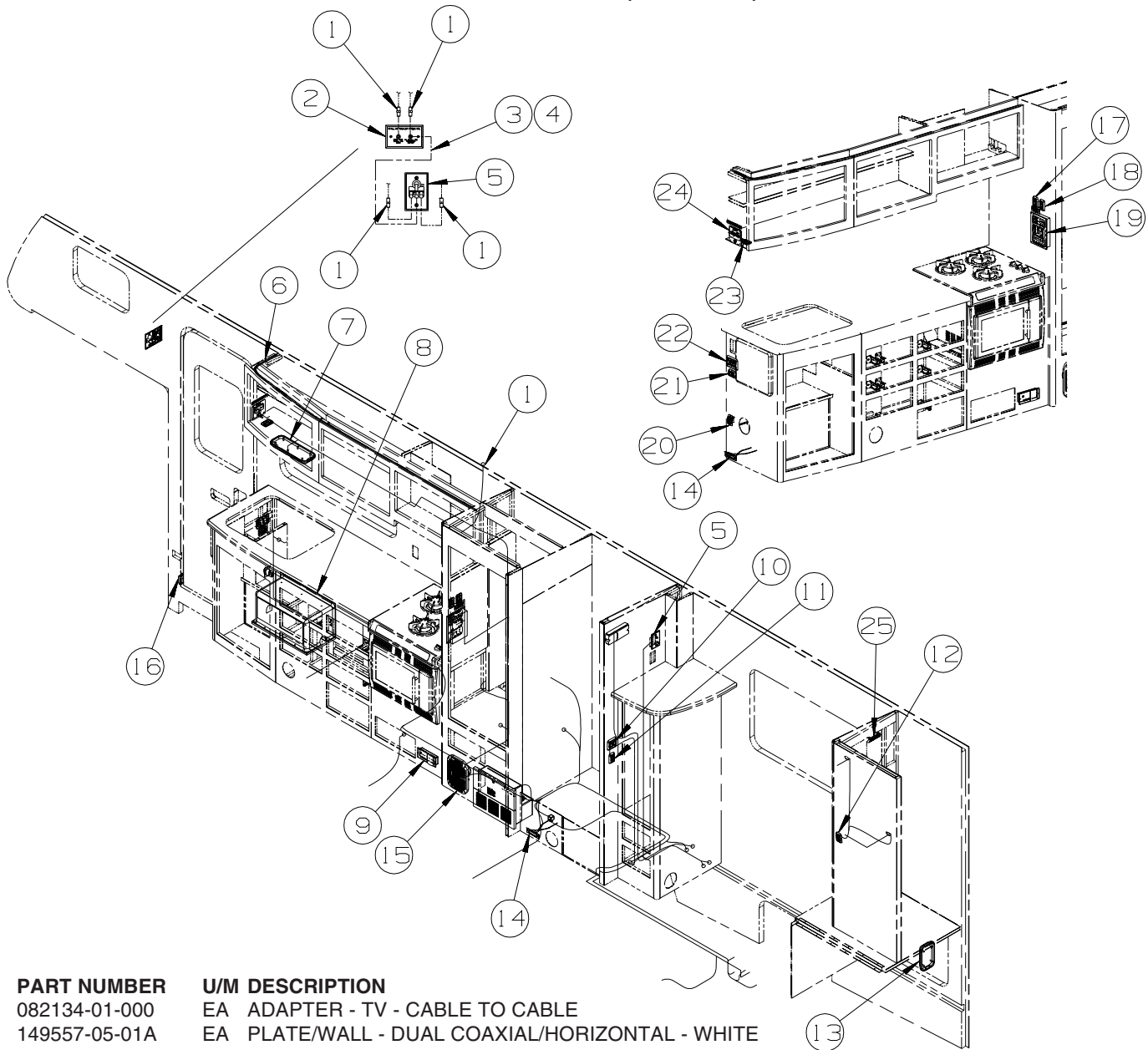


| KEY | PART NUMBER | U/M | DESCRIPTION |
|-----|---------------|-----|--|
| 1 | 130686-01-01A | EA | PLATE - WALL - TELEPHONE/COAX - WHITE |
| 1 | 087236-01-000 | EA | LABEL - CABLE - INPUT |
| 2* | 137417-02-01A | EA | LIGHT - DOME - SINGLE - W/SWITCH/OPTIC LENS - WHITE |
| 3 | 119258-56-01A | EA | LAMP - WALL - UL/CSA - BRUSHED NICKEL |
| 3 | 119257-25-01A | EA | SHADE - LAMP - IVORY |
| 4 | 146514-03-000 | FT | LIGHT - FLEX - ROPE/ROUND - W/O MOUNT CHANNEL - INTERIOR UPGRADE PACKAGE |
| 4 | 146514-04-000 | EA | CHANNEL/MOUNT - F/ROPE LIGHT - INTERIOR UPGRADE PACKAGE |
| 4 | 146514-02-000 | EA | CONNECTOR - LIGHT - INTERIOR UPGRADE PACKAGE |
| 5 | 093253-01-02A | EA | PLATE - WALL - TELEPHONE - BROWN |
| 5 | 093253-01-03A | EA | PLATE - WALL - TELEPHONE - WHITE |
| 6 | 132958-01-000 | EA | RECEPTACLE - 12 VOLT - MOUNTING FLANGE - BLACK |
| 7 | 110465-01-000 | EA | SPEAKER KIT,4 5X7 SPEAKERS |
| 8 | 093575-46-01A | EA | LIGHT - CEILING/DOUBLE - BRUSHED NICKEL |
| 9 | 135618-03-01A | EA | THERMOSTAT - ROOF A/C & FURNACE - WHITE |
| 9 | 135618-01-01A | EA | THERMOSTAT - HEAT PUMP/FURNACE - WHITE |
| 10 | 135740-01-02A | EA | SWITCH - ROCKER - SPST - ON/OFF - WHITE |
| 10 | 135740-01-01A | EA | SWITCH - ROCKER - SPST - ON/OFF - BROWN |
| 10 | 135741-01-02A | EA | SWITCH - BASE - SINGLE - WHITE |
| 10 | 135741-01-01A | EA | SWITCH - BASE - SINGLE - BROWN |
| 10 | 135742-07-01A | EA | BEZEL - SWITCH - CEILING - WHITE |
| 10 | 135742-07-02A | EA | BEZEL - SWITCH - CEILING - BROWN |
| 11 | 108357-15-000 | EA | SWITCH - ROCKER - DPDT - ON/NONE/ON - W/LIGHT W/O COVER - EXTERIOR WASH STATION |
| 11 | 108356-04-01A | EA | COVER/ACTUATOR SWITCH - 2 ROWS DIMPLES W/LENS - BLACK - EXTERIOR WASH STATION |
| 11 | 108355-01-000 | EA | HOUSING - SWITCH - EXTERIOR WASH STATION |

*COMPONENT PARTS LISTED LATER IN THIS GROUP

ELECTRICAL GROUP (CONTINUED)

12V BODY WIRING (CONTINUED)



| KEY | PART NUMBER | U/M | DESCRIPTION |
|-----|---------------|-----|--|
| 1 | 082134-01-000 | EA | ADAPTER - TV - CABLE TO CABLE |
| 2 | 149557-05-01A | EA | PLATE/WALL - DUAL COAXIAL/HORIZONTAL - WHITE |
| 3 | 076319-03-000 | FT | CABLE - COAXIAL - 75 OHM |
| 4 | 076319-12-000 | EA | CONNECTOR - COAXIAL - ONE PIECE |
| 5 | 076319-27-000 | EA | WALLPLATE/RECEPTACLE - WHITE |
| 5 | 076319-09-000 | EA | WALLPLATE/RECEPTACLE - BROWN |
| 6 | 146514-03-000 | FT | LIGHT - FLEX - ROPE/ROUND - W/O MOUNT CHANNEL - INTERIOR UPGRADE PACKAGE |
| 6 | 146514-04-000 | EA | CHANNEL/MOUNT - F/ROPE LIGHT - INTERIOR UPGRADE PACKAGE |
| 6 | 146514-02-000 | EA | CONNECTOR - LIGHT - INTERIOR UPGRADE PACKAGE |
| 7* | 137417-05-01A | EA | LIGHT - DOME - DOUBLE - W/SWITCH/OPTIC LENS - WHITE |
| 8 | 086756-01-000 | EA | SPLITTER - TV/2 WAY - ENTERTAINMENT CENTR/EXT W/CD |
| 9 | 150138-01-02A | EA | DETECTOR - LP GAS - BROWN |
| 10 | 135740-01-02A | EA | SWITCH - ROCKER - SPST - ON/OFF - WHITE |
| 10 | 135740-01-01A | EA | SWITCH - ROCKER - SPST - ON/OFF - BROWN |
| 10 | 135741-02-02A | EA | SWITCH - BASE - DOUBLE - WHITE |
| 10 | 135741-02-01A | EA | SWITCH - BASE - DOUBLE - BROWN |
| 10 | 135742-16-01A | EA | BEZEL - SWITCH - CEILING/HALL - WHITE |
| 10 | 135742-16-02A | EA | BEZEL - SWITCH - CEILING/HALL - BROWN |
| 11 | 135740-01-02A | EA | SWITCH - ROCKER - SPST - ON/OFF - WHITE |
| 11 | 135740-01-01A | EA | SWITCH - ROCKER - SPST - ON/OFF - BROWN |
| 11 | 135741-01-02A | EA | SWITCH - BASE - SINGLE - WHITE |
| 11 | 135741-01-01A | EA | SWITCH - BASE - SINGLE - BROWN |
| 11 | 135742-06-01A | EA | BEZEL - SWITCH - AISLE - WHITE |
| 11 | 135742-06-02A | EA | BEZEL - SWITCH - AISLE - BROWN |

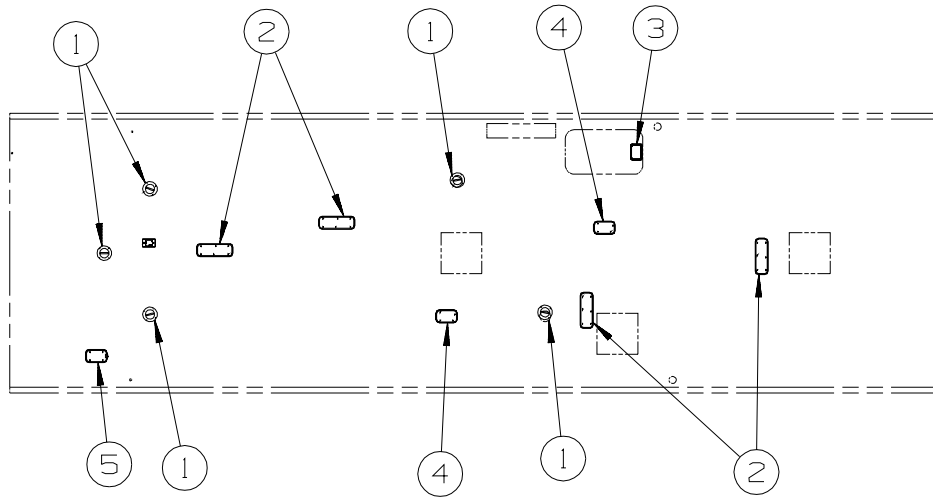
ELECTRICAL GROUP (CONTINUED)
12V BODY WIRING (CONTINUED)

| KEY | PART NUMBER | U/M | DESCRIPTION |
|-----|---------------|-----|---|
| 12 | 135740-01-02A | EA | SWITCH - ROCKER - SPST - ON/OFF - WHITE - INTERIOR UPGRADE PACKAGE |
| 12 | 135740-01-01A | EA | SWITCH - ROCKER - SPST - ON/OFF - BROWN - INTERIOR UPGRADE PACKAGE |
| 12 | 135741-01-02A | EA | SWITCH - BASE - SINGLE - WHITE - INTERIOR UPGRADE PACKAGE |
| 12 | 135741-01-01A | EA | SWITCH - BASE - SINGLE - BROWN - INTERIOR UPGRADE PACKAGE |
| 12 | 135742-50-01A | EA | BEZEL - SWITCH - ACCENT - WHITE - INTERIOR UPGRADE PACKAGE |
| 12 | 135742-50-02A | EA | BEZEL - SWITCH - ACCENT - BROWN - INTERIOR UPGRADE PACKAGE |
| 13* | 137417-02-01A | EA | LIGHT - DOME - SINGLE - W/SWITCH/OPTIC LENS - WHITE |
| 14 | 061424-01-000 | EA | LIGHT - AISLE - 12 VOLT - RECTANGULAR |
| 15 | 150090-01-000 | EA | SPEAKER - 6" X 9" - SUB-WOOFER - MAGNADYNE LS69W - ENTERTAINMENT CENTER-CABOVER |
| 15 | 151569-01-01A | EA | GRILLE - SPEAKER - 6" X 9" - SUB WOOFER - BLACK - ENTERTAINMENT CENTER-CABOVER |
| 16 | 116995-02-000 | EA | SWITCH/MAGNET - ELECTRIC STEP - BLACK/WHITE- NORMALLY OPEN |
| 17 | 135740-06-01A | EA | SWITCH - ROCKER - ON/OFF - LIGHTED - RED - DRAINAGE SYSTEM-HEATED |
| 17 | 135741-01-02A | EA | SWITCH - BASE - SINGLE - WHITE - DRAINAGE SYSTEM-HEATED |
| 17 | 135741-01-01A | EA | SWITCH - BASE - SINGLE - BROWN - DRAINAGE SYSTEM-HEATED |
| 17 | 135742-01-02A | EA | BEZEL - SWITCH - SINGLE - WHITE - DRAINAGE SYSTEM-HEATED |
| 17 | 135742-01-01A | EA | BEZEL - SWITCH - SINGLE - BROWN - DRAINAGE SYSTEM-HEATED |
| 17 | 134563-01-01A | EA | LABEL - SWITCH - HEATER - DRAINAGE SYSTEM-HEATED |
| 18 | 135740-06-01A | EA | SWITCH - ROCKER - ON/OFF - LIGHTED - RED - WTR HTR-6GAL/110/LP/MTR/AUTO |
| 18 | 135741-01-02A | EA | SWITCH - BASE - SINGLE - WHITE - WTR HTR-6GAL/110/LP/MTR/AUTO |
| 18 | 135741-01-01A | EA | SWITCH - BASE - SINGLE - BROWN - WTR HTR-6GAL/110/LP/MTR/AUTO |
| 18 | 135742-35-01A | EA | BEZEL - SWITCH - WATER HEATER/110 VOLT - WHITE - WTR HTR-6GAL/110/LP/MTR/AUTO |
| 18 | 135742-35-02A | EA | BEZEL - SWITCH - WATER HEATER/110 VOLT - BROWN - WTR HTR-6GAL/110/LP/MTR/AUTO |
| 19* | 134940-06-01A | EA | PANEL - MONITOR - 2 TANK - W/GENERATOR SWITCH - GEN-4.0KW-ONANGAS-MICROQUIET |
| 19* | 134940-07-01A | EA | PANEL - MONITOR - 2 TANK |
| 20 | 108357-06-000 | EA | SWITCH - ROCKER - DPDT - MOM/OFF/MOM - 6 TERM - W/O COVER |
| 20 | 108356-11-01A | EA | COVER/ACTUATOR SWITCH - 3 GROOVES - AUX BATT - BLACK |
| 20 | 108355-01-000 | EA | HOUSING - SWITCH |
| 20 | 098351-07-02A | EA | PLATE/SWITCH - 1 GANG - CHROME - GENERATOR SWITCH |
| 21 | 135740-01-01A | EA | SWITCH - ROCKER - SPST - ON/OFF - BROWN - ENTRANCE STEP-ELEC. |
| 21 | 135741-01-01A | EA | SWITCH - BASE - SINGLE - BROWN - ENTRANCE STEP-ELEC. |
| 21 | 135742-11-02A | EA | BEZEL - SWITCH - STEP - BROWN - ENTRANCE STEP-ELEC |
| 22 | 135740-01-01A | EA | SWITCH - ROCKER - SPST - ON/OFF - BROWN |
| 22 | 135740-02-01A | EA | SWITCH - ROCKER - SPDT - ON/ON - BROWN |
| 22 | 135741-03-01A | EA | SWITCH - BASE - TRIPLE - BROWN |
| 22 | 135742-26-02A | EA | BEZEL - SWITCH - PORCH/AISLE/CEILING - BROWN |
| 23 | 135740-01-02A | EA | SWITCH - ROCKER - SPST - ON/OFF - WHITE - INTERIOR UPGRADE PACKAGE |
| 23 | 135740-01-01A | EA | SWITCH - ROCKER - SPST - ON/OFF - BROWN - INTERIOR UPGRADE PACKAGE |
| 23 | 135741-01-02A | EA | SWITCH - BASE - SINGLE - WHITE - INTERIOR UPGRADE PACKAGE |
| 23 | 135741-01-01A | EA | SWITCH - BASE - SINGLE - BROWN - INTERIOR UPGRADE PACKAGE |
| 23 | 135742-50-01A | EA | BEZEL - SWITCH - ACCENT - WHITE - INTERIOR UPGRADE PACKAGE |
| 23 | 135742-50-02A | EA | BEZEL - SWITCH - ACCENT - BROWN - INTERIOR UPGRADE PACKAGE |
| 24 | 138173-04-000 | EA | CONTROL PANEL (TOUCH PAD) - ELECTRIC SLIDEOUT - #1802931 |
| 24 | 116549-01-000 | EA | LABEL - WARNING - SLIDEOUT |
| 25* | 087694-01-000 | EA | LIGHT - WARDROBE/CLOSET - W/SWITCH |

*COMPONENT PARTS LISTED LATER IN THIS GROUP

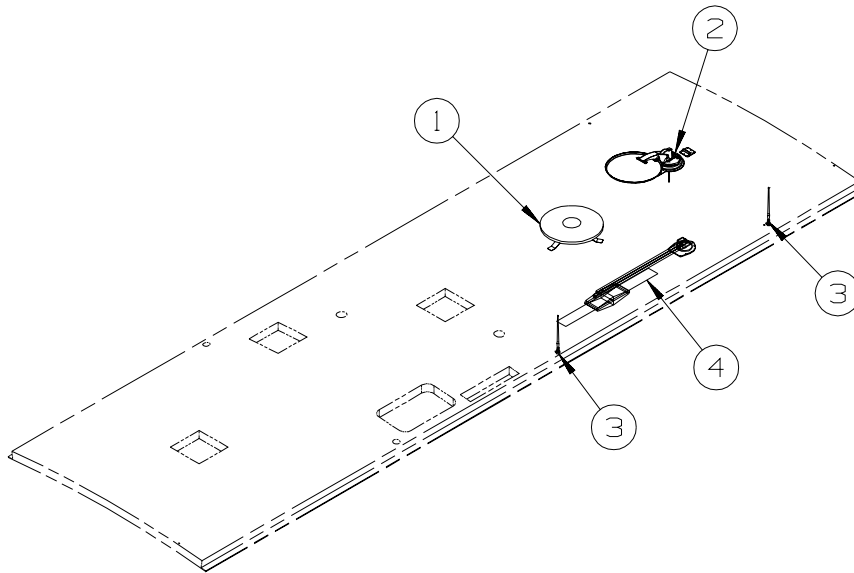
ELECTRICAL GROUP (CONTINUED)

12V BODY WIRING (CONTINUED)



| KEY | PART NUMBER | U/M | DESCRIPTION |
|-----|---------------|-----|--|
| 1 | 151314-01-01A | EA | SPEAKER - CUBE/CEILING - WHITE - MAGNADYNE - LS3CM-WN FROM: 00-00-00 THRU: 07-16-06 |
| 1 | 160867-01-01A | EA | SPEAKER - ROUND/CEILING - CREAM - MAGNADYNE - LS3EYC-WN FROM: 07-17-06 THRU: 99-99-99 |
| 2* | 137417-06-01A | EA | LIGHT - DOME - DOUBLE - W/O SWITCH - W/FROSTED LENS-WHITE |
| 3* | 121935-01-01A | EA | LIGHT - DOME - SHOWER |
| 4* | 137417-03-01A | EA | LIGHT - DOME - SINGLE - W/O SWITCH - W/FROSTED LENS-WHITE |
| 5* | 137417-01-01A | EA | LIGHT - DOME - SINGLE - W/SWITCH/FROSTED LENS - WHITE |

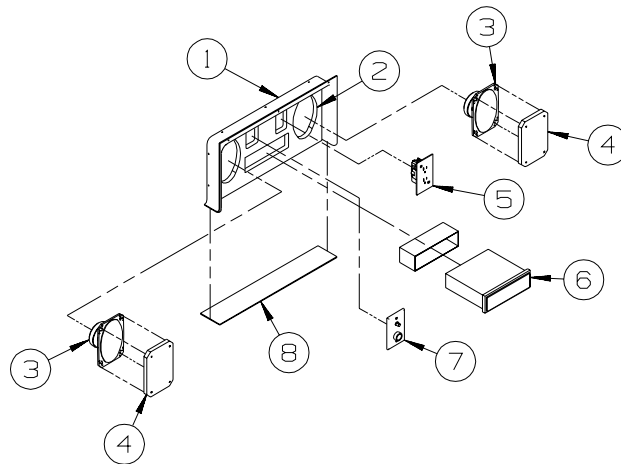
*COMPONENT PARTS LISTED LATER IN THIS GROUP



| KEY | PART NUMBER | U/M | DESCRIPTION |
|-----|---------------|-----|---|
| 1 | 132935-01-000 | EA | ANTENNA - TV ROOF MOUNT - ROUND - W/O POWER SUPPLY - TV ANTENNA-OMNIDIRECTIONAL |
| 1 | 146488-01-000 | EA | PLATE - ROOF - CABLE ENTRY - TV ANTENNA-OMNIDIRECTIONAL |
| 2* | 137135-02-000 | EA | ANTENNA - SATELLITE DSS - W/SENSOR - SATELLITE DISH & ELEV.SENSOR |
| 3 | 090944-01-000 | EA | ANTENNA - RADIO - 16" RUBBER - W/72" LEAD WIRE |
| 3 | 109889-04-000 | EA | EXTENDER - ANTENNA SHAFT - 3.7" |
| 3 | 147741-01-09B | EA | BRACKET - ANTENNA GROUND - GALVANIZED |
| 4* | 076319-23-000 | EA | ANTENNA - TV ROOF MOUNT - 44.5" MAST |
| 4* | 076319-25-000 | EA | KIT - HARDWARE INTERIOR |
| 4 | 069726-02-000 | EA | BUMPER - .88" OD X .40" THICK - BLACK |

*COMPONENT PARTS LISTED LATER IN THIS GROUP

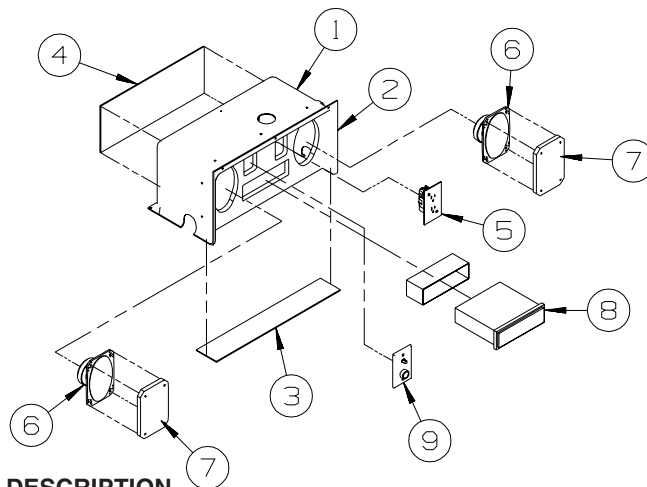
ELECTRICAL GROUP (CONTINUED)
12V BODY WIRING (CONTINUED)



**325F, 327L,
329B, 331H**

| KEY | PART NUMBER | U/M | DESCRIPTION |
|-----|---------------|-----|--|
| 1 | 124696-02-01A | EA | BOX-ENTERTAINMENT CTR/EXT-19.4"W X 10"H X 2.5"D - BRT WHT |
| | 124696-01-01A | EA | BOX-ENTERTAINMENT CTR/EXT-19.4"W X 10"H X 10.2"D W/CUTOUTS |
| 2 | 127409-02-L15 | EA | PLATE - RADIO MOUNTING |
| 3 | 110469-01-000 | EA | SPEAKER - 4" X 6" OVAL - COAXIAL |
| 4 | 110470-01-01A | EA | GRILLE - 4" X 6" - OVAL SPEAKER - BLACK |
| 5 | 058708-01-000 | EA | RECEPTACLE - ELECTRIC - DOUBLE - BROWN |
| 6* | 155619-01-000 | EA | RADIO - AM/FM CD - W/REMOTE - MAGNADYNE M3200CD |
| | | | FROM: 00-00-00 THRU: 08-01-06 |
| 6 | 155619-02-000 | EA | RADIO - AM/FM CD-W/O REMOTE/WIRE HARNESS-MAGNADYNE M3200CD |
| | | | FROM: 08-02-06 THRU: 99-99-99 |
| | 155619-03-000 | EA | REMOTE - RADIO |
| | | | FROM: 08-02-06 THRU: 99-99-99 |
| 7 | 076319-09-000 | EA | WALLPLATE - TV CABLE RECEPTACLE - SINGLE - BROWN |
| 8 | 104898-01-02A | EA | PLATE - PLASTIC BOTTOM - BRIGHT WHITE |

***COMPONENT PARTS LISTED LATER IN THIS GROUP**



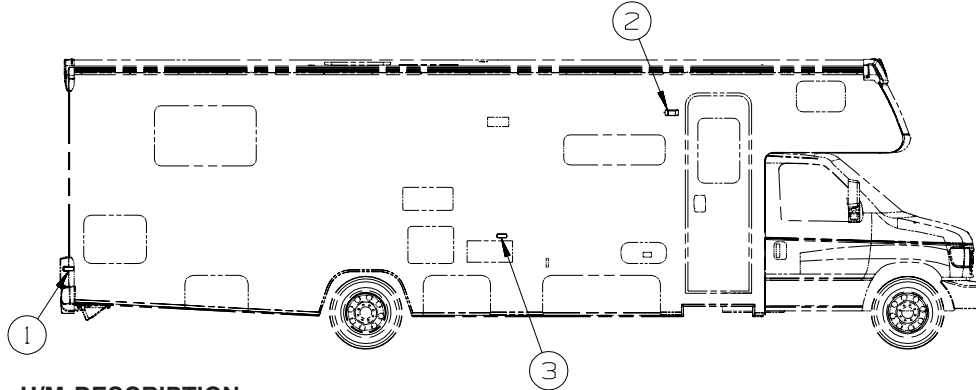
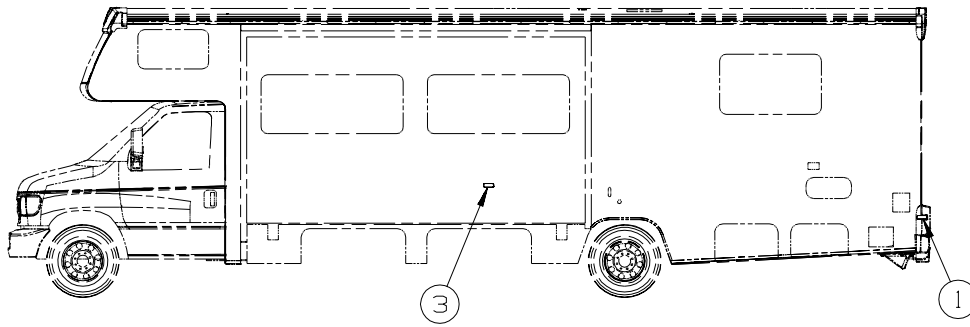
331C

| KEY | PART NUMBER | U/M | DESCRIPTION |
|-----|---------------|-----|--|
| 1 | 124696-01-01A | EA | BOX-ENTERTAINMENT CTR/EXT-19.4"W X 10"H X 10.2"D W/CUTOUTS |
| 2 | 127409-02-L15 | EA | PLATE - RADIO MOUNTING |
| 3 | 104898-01-02A | EA | PLATE - PLASTIC BOTTOM - BRIGHT WHITE |
| 4 | 104898-02-02A | EA | PLATE - PLASTIC BACK - BRIGHT WHITE |
| 5 | 058708-01-000 | EA | RECEPTACLE - ELECTRIC - DOUBLE - BROWN |
| 6 | 110469-01-000 | EA | SPEAKER - 4" X 6" OVAL - COAXIAL |
| 7 | 110470-01-01A | EA | GRILLE - 4" X 6" - OVAL SPEAKER - BLACK |
| 8* | 155619-01-000 | EA | RADIO - AM/FM CD - W/REMOTE - MAGNADYNE M3200CD |
| | | | FROM: 00-00-00 THRU: 08-01-06 |
| 8 | 155619-02-000 | EA | RADIO - AM/FM CD-W/O REMOTE/WIRE HARNESS-MAGNADYNE M3200CD |
| | | | FROM: 08-02-06 THRU: 99-99-99 |
| | 155619-03-000 | EA | REMOTE - RADIO |
| | | | FROM: 08-02-06 THRU: 99-99-99 |
| 9 | 076319-09-000 | EA | WALLPLATE - TV CABLE RECEPTACLE - SINGLE - BROWN |

***COMPONENT PARTS LISTED LATER IN THIS GROUP**

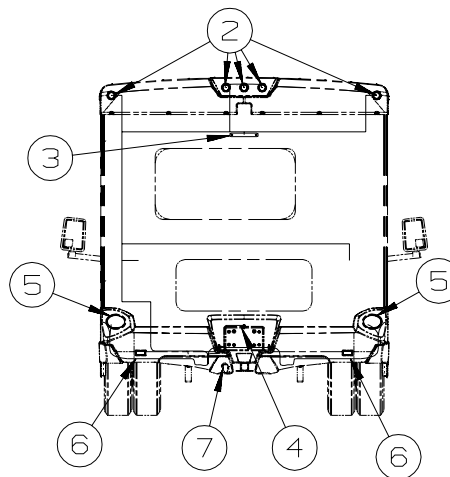
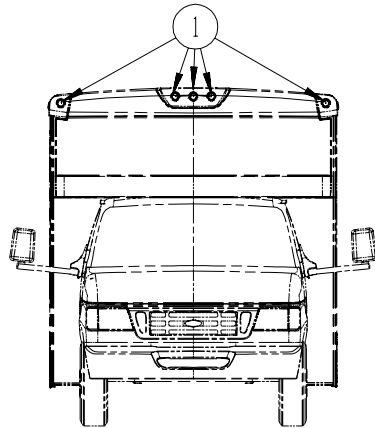
ELECTRICAL GROUP (CONTINUED)

EXTERIOR LAMPS



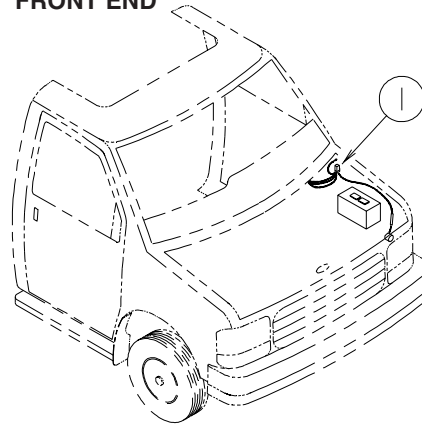
| KEY | PART NUMBER | U/M | DESCRIPTION |
|-----|---------------|-----|---|
| 1 | 111102-01-000 | EA | BASE - MARKER LAMP |
| | 036196-01-000 | EA | BULB - 12V - #194 - .27 AMP - BAYONETTE |
| 1 | 111102-03-000 | EA | LENS - RED - MARKER LAMP |
| 2* | 097917-01-06A | EA | LIGHT - PORCH - ENTRY DOOR - BRIGHT WHITE |
| | 008215-01-000 | EA | BULB - 12 VOLT - #1003 - .94 AMP |
| 3 | 111102-01-000 | EA | BASE - MARKER LAMP |
| | 036196-01-000 | EA | BULB - 12V - #194 - .27 AMP - BAYONETTE |
| 3 | 111102-02-000 | EA | LENS - AMBER - MARKER LAMP |

*COMPONENT PARTS LISTED LATER IN THIS GROUP



| KEY | PART NUMBER | U/M | DESCRIPTION |
|-----|---------------|-----|---|
| 1 | 138996-01-000 | EA | LAMP - CLEARANCE - AMBER |
| 1 | 138996-03-000 | EA | BRACKET - CLEARANCE LIGHT |
| 1 | 036196-01-000 | EA | BULB - 12V - #194 - .27 AMP - BAYONETTE |
| 2 | 138996-02-000 | EA | LAMP - CLEARANCE - RED |
| 2 | 138996-03-000 | EA | BRACKET - CLEARANCE LIGHT |
| 2 | 036196-01-000 | EA | BULB - 12V - #194 - .27 AMP - BAYONETTE |
| 3 | 136916-01-000 | EA | LIGHT - BRAKE - CENTER MOUNT - RECTANGLE - 1.3" X 9.8" |
| 4 | 087201-01-000 | EA | LIGHT - HALF ROUND - 1" X 1.7" - PLASTIC - BLACK OR WHITE |
| 5 | 152070-03-000 | EA | LIGHT - STOP/TAIL/BACK UP |
| 6 | 106646-02-000 | EA | REFLECTOR - STICK ON - RED |
| 7 | 146246-01-000 | EA | CONNECTOR/PLUG - TRAILER - 7 PIN |
| 7 | 157593-01-000 | EA | CONNECTOR - PLUG - TRAILER - 7 SOCKET |

ELECTRICAL GROUP (CONTINUED)
FRONT END



| KEY | PART NUMBER | U/M DESCRIPTION |
|-----|---------------|--|
| 1 | 100138-01-000 | EA MODULE - DAYTIME/RUNNING LIGHT - HAMSAR DRL #H8005B |



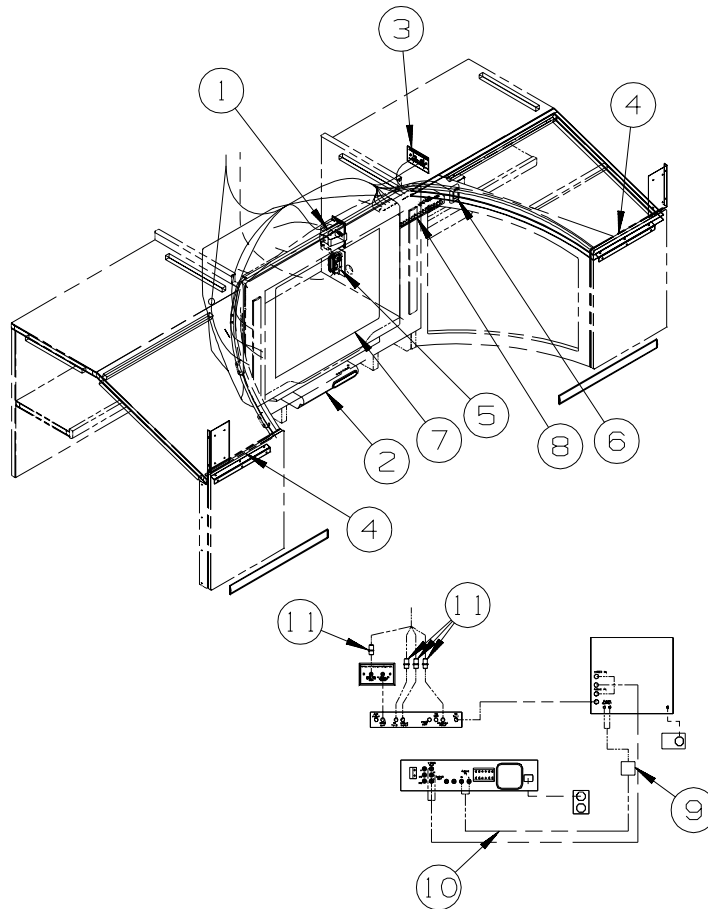
DRIVERS DOOR

| KEY | PART NUMBER | U/M DESCRIPTION |
|-----|---------------|--|
| * | 120269-07-01A | EA PANEL - W/ELECTRIC MIRROR/HEAT SWITCH - F/#L28X OPTION - MIRRORS-EXTERIOR W/DEFROST |
| * | 133908-09-01A | EA PANEL - F/ELECTRIC MIRROR ONLY - L28X OPTION - MIRRORS-EXTERIOR W/DEFROST - CHEVY |

***COMPONENT PARTS LISTED LATER IN THIS GROUP**

ELECTRICAL GROUP (CONTINUED)

FRONT TV/VCR

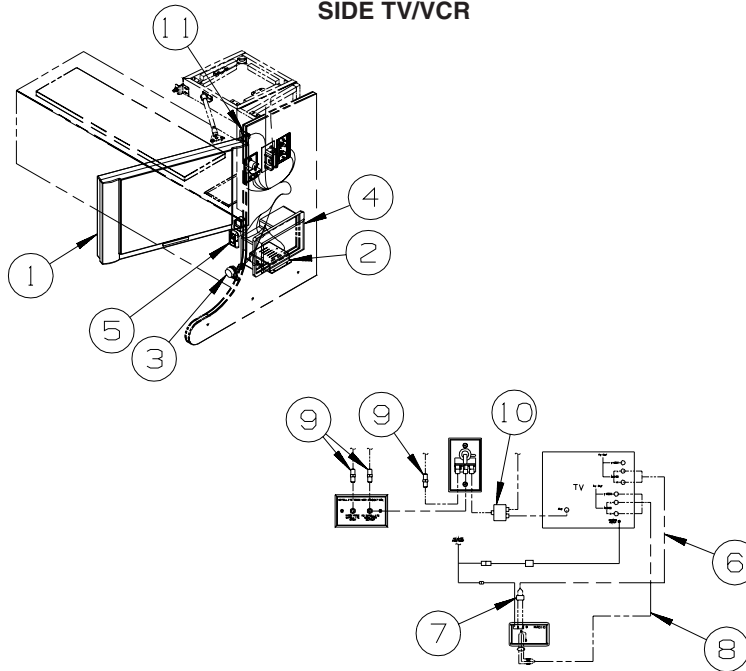


| KEY | PART NUMBER | U/M | DESCRIPTION |
|-----|---------------|-----|---|
| 1 | 156676-01-000 | EA | CONTROLLER/OUTLET - POWER/TV - AUTO SHUTOFF W/IGNITION |
| 2* | 158836-01-000 | EA | DVD - HOME THEATER - W/O SPEAKERS - MEMOREX STS71E-R |
| 3 | 149557-05-01A | EA | PLATE/WALL - DUAL COAXIAL/HORIZONTAL - WHITE |
| 4 | 146514-03-000 | FT | LIGHT - FLEX - ROPE/ROUND - W/O MOUNT CHANNEL |
| | | | FROM: 00-00-00 THRU: 04-30-06 |
| 4 | 146514-01-000 | FT | LIGHT - FLEX - ROPE/ROUND - W/STRIP |
| | | | FROM: 05-01-06 THRU: 99-99-99 |
| 4 | 146514-02-000 | EA | CONNECTOR - LIGHT |
| | | | FROM: 05-01-06 THRU: 99-99-99 |
| 5 | 058708-01-000 | EA | RECEPTACLE - ELECTRIC - DOUBLE - BROWN |
| 5 | 158542-02-01A | EA | LABEL - RECEPTACLE - ELECTRONICS - WHITE/BLACK - CANADIAN |
| 6 | 135740-01-01A | EA | SWITCH - ROCKER - SPST - ON/OFF - BROWN |
| 6 | 135741-01-01A | EA | SWITCH - BASE - SINGLE - BROWN |
| 6 | 135742-50-02A | EA | BEZEL - SWITCH - ACCENT - BROWN |
| 7* | 146298-02-000 | EA | TV - 27" STEREO W/5 JACKS - SONY 27FS120 |
| 8 | 142258-01-000 | EA | SWITCH - VIDEO/ANTENNA POWER SUPPLY |
| 9 | 123324-01-000 | EA | FILTER - GROUND LOOP - ENTERTAINMENT CENTER-CABOVER |
| 10 | 117420-02-000 | EA | CABLE - W/MALE RCA ENDS - SHIELDED - 4' - ENTERTAINMENT CENTER-CABOVER |
| 11 | 082134-01-000 | EA | ADAPTER - TV - CABLE TO CABLE - ENTERTAINMENT CENTER-CABOVER |

*COMPONENT PARTS LISTED LATER IN THIS GROUP

ELECTRICAL GROUP (CONTINUED)

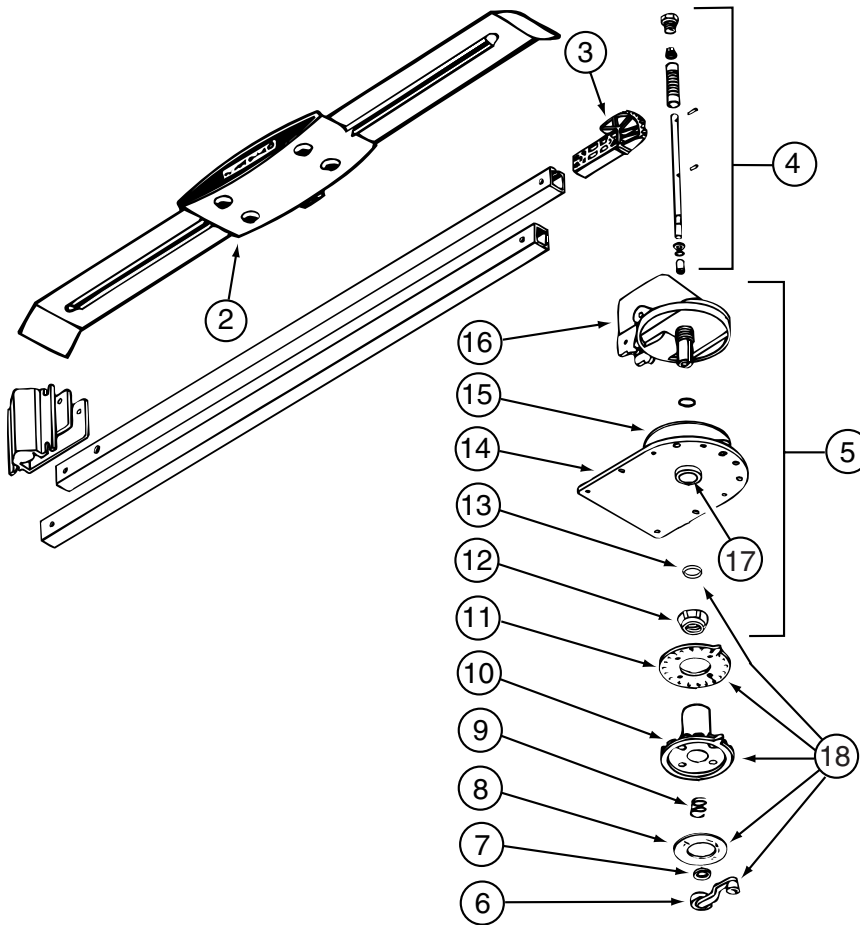
SIDE TV/VCR



| KEY | PART NUMBER | U/M | DESCRIPTION |
|-----|---------------|-----|--|
| 1* | 158703-01-000 | EA | TV - 20" - LCD 4:3 - SIDE SPEAKER - JENSEN JE2043 |
| 2 | 150140-01-000 | EA | CROSSOVER BOX - STANDARD STEREO TO DELUXE SOUND |
| 3 | 150140-02-000 | EA | CROSSOVER COIL - F/SUBWOOFER SPEAKER/LOW FREQUENCY |
| 4* | 156413-01-01A | EA | RADIO - WALL MOUNT - DVD/CD - W/ALARM - JENSEN AWM950 |
| | | | FROM: 00-00-00 THRU: 01-01-07 |
| 4 | 163031-01-01A | EA | RADIO - WALL MOUNT - DVD/CD - W/ALARM - JENSEN AWM960 |
| | | | FROM: 01-02-07 THRU: 99-99-99 |
| 5 | 135740-01-01A | EA | SWITCH - ROCKER - SPST - ON/OFF - BROWN |
| 5 | 135741-01-01A | EA | SWITCH - BASE - SINGLE - BROWN |
| 5 | 135742-45-02A | EA | BEZEL - SWITCH - TV - BROWN |
| 6 | 117420-02-000 | EA | CABLE - W/MALE RCA ENDS - SHIELDED - 4' |
| 7 | 123324-01-000 | EA | FILTER - GROUND LOOP |
| 8 | 136860-01-000 | EA | CABLE - RCA - SHIELDED - 3 MALE TO MALE CONNECTORS - 12' |
| 9 | 082134-01-000 | EA | ADAPTER - TV - CABLE TO CABLE |
| 10 | 086756-01-000 | EA | SPLITTER - TV/2 WAY |
| 11 | 159814-01-000 | EA | SWITCH - PLUNGER - SPST - OFF/ON |
| | | | FROM: 06-14-06 THRU: 99-99-99 |

*COMPONENT PARTS LISTED LATER IN THIS GROUP

ELECTRICAL GROUP (CONTINUED)
COMPONENT PARTS FOR WIRING (CONTINUED)



076319-23-000

| KEY | PART NUMBER | U/M | DESCRIPTION | VENDOR NO. |
|-----|---------------|-----|-------------------------|------------|
| 2 | 076319-01-700 | EA | HEAD-ANTENNA, AMPLIFIED | RVSA U/V |
| 3 | 076319-01-701 | EA | GEAR-ELEVATING, PLASTIC | 2200046 |
| 4 | 076319-01-702 | EA | SHAFT ASM-ELEVATING | RP-4000 |
| 5 | 076319-01-711 | EA | BASE & LIFT ASM | 2762802 |
| 7 | 076319-01-705 | EA | GROMMET-NYLON, 7/8"ID | 3200658 |
| 8 | 076319-01-708 | EA | DECAL-CRANK | 5413002 |
| 9 | 076319-01-707 | EA | SPRING-HANDLE | 2160822 |
| 11 | 076319-01-712 | EA | PLATE - CEILING | 3200608 |
| 12 | 076319-01-715 | EA | NUT (GEAR HOUSING) | 2200047 |
| 14 | 076319-01-713 | EA | PLATE-BASE, STEEL | 3100523 |
| 15 | 076319-01-703 | EA | BEARING-NYLON, 5"OD | 3200656 |
| 16 | 076319-01-714 | EA | HOUSING, ROTATING GEAR | 2200049 |
| 17 | 076319-01-704 | EA | BEARING-NYLON, 1.25"OD | 3200657 |
| 18 | 076319-01-709 | EA | HANDLE-HEAD DIRECTIONAL | 200644 |
| | 076319-01-716 | EA | TUBING, ELEVATING | RP-2900 |

CONTACT WINNEBAGO PART SALES FOR UNLISTED COMPONENT(S)

076319-25-000

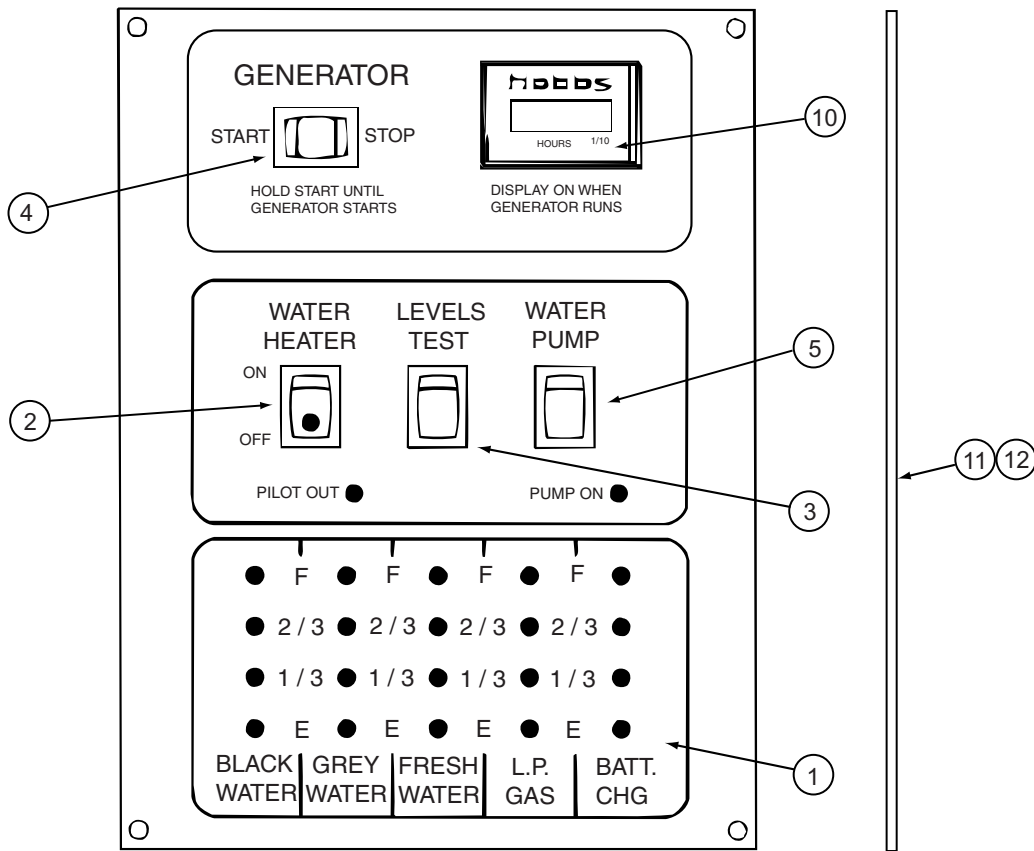
| KEY | PART NUMBER | U/M | DESCRIPTION | VENDOR NO. |
|-----|---------------|-----|------------------------------|------------|
| 6 | 076319-01-706 | EA | CRANK-W/SET SCREW UNIV/BEIGE | 2750897 |
| 6 | 120233-01-710 | EA | HANDLE-CRANK W/SCREW - WHITE | RP-6795 |
| 8 | 076319-01-708 | EA | DECAL-CRANK | 5413002 |
| 10 | 076319-25-700 | EA | DIRECTIONAL HANDLE(WHITE) | 3200612 |
| 11 | 076319-25-701 | EA | PLATE - CEILING(WHITE) | 3200609 |
| 13 | 120233-01-709 | EA | WASHER-NYLON | RP-2658 |

CONTACT WINNEBAGO PART SALES FOR UNLISTED COMPONENT(S)

ELECTRICAL GROUP (CONTINUED)
COMPONENT PARTS FOR WIRING (CONTINUED)

| 087694-01-000 | | | |
|----------------------|--------------------|---------------------------|-------------------|
| KEY | PART NUMBER | U/M DESCRIPTION | VENDOR NO. |
| | 087694-01-700 | EA BULB | GE561 |
| 097917-01-06A | | | |
| KEY | PART NUMBER | U/M DESCRIPTION | VENDOR NO. |
| | 097917-01-700 | EA LENS-LIGHT, CLEAR | 30-78-021 |
| 120269-07-01A | | | |
| KEY | PART NUMBER | U/M DESCRIPTION | VENDOR NO. |
| | 120269-07-700 | EA SWITCH - REMOTE | 7475720 |
| | 133908-09-700 | EA SWITCH - MIRROR HEATER | 7475150 |
| 121935-01-01A | | | |
| KEY | PART NUMBER | U/M DESCRIPTION | VENDOR NO. |
| | 121935-01-700 | EA LENS ONLY | 809511 |
| 133908-09-01A | | | |
| KEY | PART NUMBER | U/M DESCRIPTION | VENDOR NO. |
| | 133908-09-700 | EA SWITCH-MIRROR HEATER | 7475150 |

ELECTRICAL GROUP (CONTINUED)
COMPONENT PARTS FOR WIRING (CONTINUED)



134940-06-01A

| KEY | PART NUMBER | U/M | DESCRIPTION | VENDOR NO. |
|-----|---------------|-----|------------------------------|------------|
| 1 | 134940-01-702 | EA | CHASSIS - SILKSCREENED | CC0558-00 |
| 2 | 134940-01-701 | EA | SWITCH-SPST/ON-OFF/BLK W/LGT | L0109 |
| 3 | 096983-01-701 | EA | SWITCH - SPST/MOM 2 TERMINAL | L0111-00 |
| 4 | 096983-01-702 | EA | SWITCH - MOM/OFF/MOM/3 TERM | L0112-00 |
| 5 | 096983-01-703 | EA | SWITCH - ON/ON | L0115-00 |
| 10 | 100258-10-701 | EA | GAUGE-HR METER ONLY (LCD) | L0775-00 |
| 11 | 134940-06-700 | EA | PC BOARD - SENSOR SYSTEM/RED | L5131-02 |

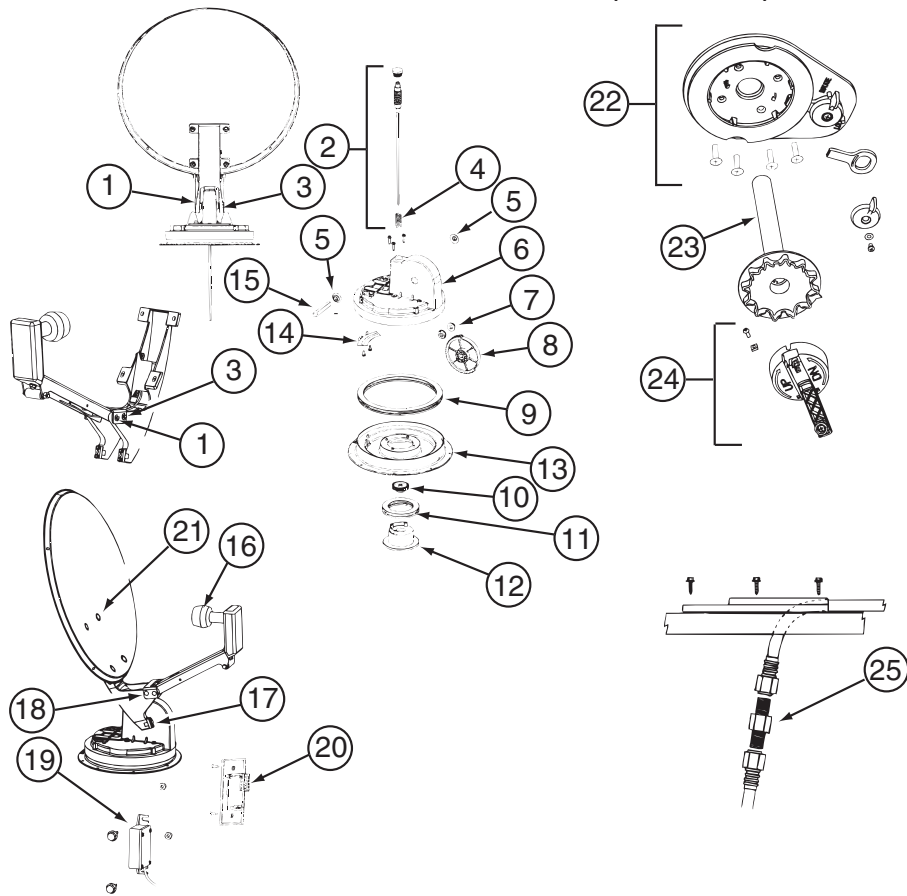
CONTACT WINNEBAGO PART SALES FOR UNLISTED COMPONENT(S)

134940-07-01A

| KEY | PART NUMBER | U/M | DESCRIPTION | VENDOR NO. |
|-----|---------------|-----|------------------------------|------------|
| 1 | 134940-01-702 | EA | CHASSIS - SILKSCREENED | CC0558-00 |
| 2 | 134940-01-701 | EA | SWITCH-SPST/ON-OFF/BLK W/LGT | L0109 |
| 3 | 096983-01-701 | EA | SWITCH - SPST/MOM 2 TERMINAL | L0111-00 |
| 4 | 096983-01-703 | EA | SWITCH - ON/ON | L0115-00 |
| 5 | 134940-02-700 | EA | SWITCH - DUMMY | L0118 |
| 11 | 134940-06-700 | EA | PC BOARD - SENSOR SYSTEM/RED | L5131-02 |

CONTACT WINNEBAGO PART SALES FOR UNLISTED COMPONENT(S)

ELECTRICAL GROUP (CONTINUED)
COMPONENT PARTS FOR WIRING (CONTINUED)



137135-02-000

| KEY | PART NUMBER | U/M | DESCRIPTION | VENDOR NO. |
|-----|---------------|-----|------------------------------|----------------|
| 1 | 120233-01-714 | EA | CLIP-E | 5160818 |
| 2 | 137135-01-703 | EA | KIT ELEV - SHAFT/GEAR/SPRING | RP-4400 |
| 3 | 137135-01-704 | EA | PIN - 1/4" X 3.25" | 2160813 |
| 4 | 137135-01-705 | EA | SPRING | 2160818 |
| 5 | 137135-01-707 | EA | SEAL - PIVOT SHAFT | 2200852 |
| 6 | 137135-01-708 | EA | TURRET | 3100728 |
| 7 | 137135-01-709 | EA | PIVOT BEARING | 2200470 |
| 8 | 137135-01-711 | EA | GEAR - ELEVATING | 2200464 |
| 9 | 137135-01-712 | EA | BEARING - OUTER | 2590347 |
| 10 | 137135-01-714 | EA | GEAR - ELEVATING SHAFT | 2200465 |
| 11 | 137135-01-715 | EA | BEARING - INNER | 2590348 |
| 12 | 137135-01-716 | EA | HUB | 3100731 |
| 13 | 137135-01-713 | EA | TURRET BASE | 3100730 |
| 14 | 137135-01-710 | EA | PLATE - ROTATE LIMIT | 3720052 |
| 16 | 137135-02-703 | EA | LOW NOISE BLOCK FILTER | LB-6000 - DUAL |
| 17 | 137135-01-722 | EA | CLAMP | 2590343 |
| 18 | 137135-01-719 | EA | BRACKET - PIVOT | 2744945 |
| 19 | 137135-01-720 | EA | DE-SENSOR UNIT W/43" CABLE | DM4000 |
| 20 | 137135-02-701 | EA | BOX - SURFACE MOUNT | SM-100 |
| 21 | 137135-01-717 | EA | BOLT - FLAT HEAD | 2160362 |
| 22 | 120233-01-737 | EA | PLATE/INT-W/DIRECTIONAL HDLE | RK-CEIL |
| 23 | 120233-01-704 | EA | DIAL/DIRECTIONAL 4"W/SPRING | 3200364 |
| 24 | 120233-01-738 | EA | HDW PKG-HANDLE/SPRING/WASHER | RK-HAND |
| 25 | 137135-01-701 | EA | CONNECTOR - F - MALE TO MALE | FS-8100 |
| | 120233-04-700 | EA | KIT-WALL PLATE/CABLE - GRAY | DM4000 |
| | 137135-01-700 | EA | ROOF WEDGE W/GASKET | RW-5000 |
| | 137135-01-706 | EA | KIT-TURRET/SEAL/BEARING/GEAR | RP-RM30 |
| | 137135-01-718 | EA | REFLECTOR/WHITE-46CM W/HDW | RP-35RM |
| | 137135-02-700 | EA | DE-SENSOR | 2780096 |
| | 137135-02-704 | EA | KIT-UPDATE DIRECTIONAL HDL | RP-RMDH |
| | 137135-02-705 | EA | KIT-TURRET & SHAFT COMPLETE | RP-RM46 |

CONTACT WINNEBAGO PART SALES FOR UNLISTED COMPONENT(S)

ELECTRICAL GROUP (CONTINUED)
COMPONENT PARTS FOR WIRING (CONTINUED)

| 137417-01-01A, 137417-03-01A | | | |
|------------------------------|--------------------|----------------------------|-------------------|
| KEY | PART NUMBER | U/M DESCRIPTION | VENDOR NO. |
| | 137417-01-700 | EA LENS - SINGLE (FROSTED) | 810868 |
| 137417-02-01A | | | |
| KEY | PART NUMBER | U/M DESCRIPTION | VENDOR NO. |
| | 137417-02-700 | EA LENS - SINGLE OPTIC | 810844 |
| 137417-05-01A | | | |
| KEY | PART NUMBER | U/M DESCRIPTION | VENDOR NO. |
| | 137417-05-700 | EA LENS - DOUBLE OPTIC | 810845 |
| 137417-06-01A | | | |
| KEY | PART NUMBER | U/M DESCRIPTION | VENDOR NO. |
| | 137417-06-700 | EA LENS - DOUBLE WHITE | 810867 |
| 146298-02-000 | | | |
| KEY | PART NUMBER | U/M DESCRIPTION | VENDOR NO. |
| | 146298-02-700 | EA REMOTE - TV | 1-478-707-11 |
| 155619-01-000 | | | |
| KEY | PART NUMBER | U/M DESCRIPTION | VENDOR NO. |
| | 155619-01-700 | EA REMOTE | RC3200 |
| 156413-01-01A | | | |
| KEY | PART NUMBER | U/M DESCRIPTION | VENDOR NO. |
| | 156413-01-700 | EA REMOTE | REMAWM950 |
| 158703-01-000 | | | |
| KEY | PART NUMBER | U/M DESCRIPTION | VENDOR NO. |
| | 158703-01-700 | EA REMOTE | PSVCJE2043 |
| 158836-01-000 | | | |
| KEY | PART NUMBER | U/M DESCRIPTION | VENDOR NO. |
| | 158836-01-700 | EA REMOTE | STS71WREM |

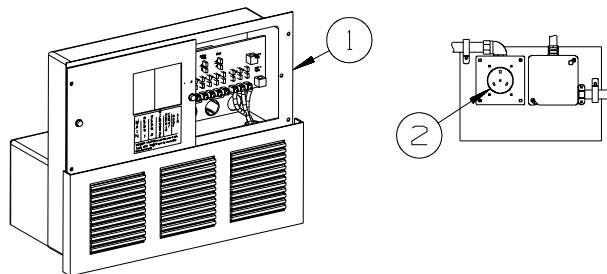
ELECTRICAL GROUP (CONTINUED)

CIRCUIT BREAKERS, FUSES & RELAYS

| KEY | PART NUMBER | U/M | DESCRIPTION |
|-----|---------------|-----|--|
| | 008235-01-000 | EA | FUSE - 15 AMP/12VOLT - AUTOMOTIVE |
| | 062901-02-000 | EA | FUSE - 5 AMP - AUTOMOTIVE |
| | 062901-04-000 | EA | FUSE - 10 AMP - AUTOMOTIVE |
| | 062901-05-000 | EA | FUSE - 15 AMP - AUTOMOTIVE |
| | 062901-06-000 | EA | FUSE - 20 AMP - AUTOMOTIVE |
| | 062901-07-000 | EA | FUSE - 25 AMP - AUTOMOTIVE |
| | 062901-08-000 | EA | FUSE - 30 AMP - AUTOMOTIVE |
| | 063910-01-000 | EA | HOUSING - RELAY |
| | 063912-02-000 | EA | RELAY - CANISTER - SPDT |
| | 083209-01-000 | EA | CIRCUIT BREAKER - 15 AMP - 120 VOLT - CANADIAN |
| | 083209-02-000 | EA | CIRCUIT BREAKER - 15/15 AMP - 120 VOLT |
| | 083209-03-000 | EA | CIRCUIT BREAKER - 15/20 AMP - 120 VOLT |
| | 083209-04-000 | EA | CIRCUIT BREAKER - 30 AMP - 120 VOLT |
| | 083209-05-000 | EA | CIRCUIT BREAKER - 20 AMP - 120 VOLT |
| | 083209-06-000 | EA | CIRCUIT BREAKER - 30/15 AMP - 120 VOLT |
| | 083209-07-000 | EA | CIRCUIT BREAKER - 20/20 AMP - 120 VOLT |
| | 083209-10-000 | EA | CIRCUIT BREAKER - 20/30 AMP - 120 VOLT |
| | 083209-11-000 | EA | CIRCUIT BREAKER - 20/15 AMP - 120 VOLT |
| | 092786-03-000 | EA | BUSS BAR - 6.9" LONG |
| | 092786-06-000 | EA | BUSS BAR |
| | 093654-01-000 | EA | CIRCUIT BREAKER - 6 AMP - 12 VOLT - PUSH BUTTON - WHITE |
| | 093654-02-000 | EA | CIRCUIT BREAKER - 15 AMP - 12 VOLT - PUSH BUTTON - WHITE |
| | 093654-03-000 | EA | CIRCUIT BREAKER - 20 AMP - 12 VOLT - PUSH BUTTON - WHITE |
| | 093655-01-000 | EA | CIRCUIT BREAKER - 25 AMP - 12 VOLT - PUSH BUTTON - WHITE |
| | 093655-02-000 | EA | CIRCUIT BREAKER - 30 AMP - 12 VOLT - PUSH BUTTON - WHITE |
| | 093655-03-000 | EA | CIRCUIT BREAKER - 40 AMP - 12 VOLT - PUSH BUTTON - WHITE |
| | 097611-01-000 | EA | CIRCUIT BREAKER - 10 AMP |
| | 100341-01-000 | EA | FUSE HOLDER - IN LINE TYPE |
| | 113482-01-000 | EA | CIRCUIT BREAKER - 55 AMP - MANUAL |
| | 115187-01-000 | EA | FUSE - 300 AMP - NON-DELAY |
| | 115187-02-000 | EA | HOLDER - FUSE |
| | 115187-03-000 | EA | FUSE - 60 AMP - NON-DELAY |
| | 122811-01-000 | EA | CIRCUIT BREAKER - 20/50/50/20 AMP - 250V |
| | 125986-02-000 | EA | FUSE - 5 AMP - AUTO - MINI BLADE |
| | 125986-05-000 | EA | FUSE - 15 AMP - AUTO - MINI BLADE |
| | 141789-01-000 | EA | SPACER - CIRCUIT BREAKER |

CONVERTER, INVERTER, LOAD CENTERS

| KEY | PART NUMBER | U/M | DESCRIPTION |
|-----|---------------|-----|---------------------|
| | 099048-04-000 | EA | INVERTER - 300 WATT |



| KEY | PART NUMBER | U/M | DESCRIPTION |
|-----|---------------|-----|---|
| 1* | 083208-07-000 | EA | CONTROL CENTER - 45 AMP - 120V/12V - W/O BREAKERS |
| 2 | 024924-02-000 | EA | RECEPTACLE - POWER CORD - W/PARTIAL PLATE |

*COMPONENT PARTS LISTED LATER IN THIS GROUP

COMPONENT PARTS FOR CONVERTER, INVERTER, LOAD CENTERS

| KEY | PART NUMBER | U/M | DESCRIPTION | VENDOR NO. |
|-----|---------------|-----|-----------------------------|------------|
| | 083208-06-701 | EA | CONVERTER ONLY (LOWER UNIT) | 7345R |

083208-07-000

ELECTRICAL GROUP (CONTINUED)

BOXES & CORDS

| KEY | PART NUMBER | U/M | DESCRIPTION |
|-----|---------------|-----|--|
| | 008054-01-000 | EA | CORD - POWER - 10/3 WIRE - 30 AMP - 25' |
| | 115832-01-000 | FT | CORD - HEAVY DUTY - 14-2 W/GROUND |
| | 008289-01-000 | EA | BOX - ELECTRIC/STEEL - 4" X 4" - 1/2" & 3/4" KNOCKOUTS |
| | 091910-01-000 | EA | BOX - ELECTRIC - 3.8" X 3.5" X 1.8" - PLASTIC |
| | 091910-02-000 | EA | BOX - ELECTRIC - 2.2" X 3.5" X 1.8" - PLASTIC |
| | 131679-01-000 | EA | BOX/ELECTRIC-WATERPROOF-4" X 4" - W/4 3/4"OUTLETS-UL/CSA |
| | 133070-01-000 | EA | BOX - ELECTRIC/PLASTIC - 3" X 2" X 2.8" - UL |
| | 133070-02-000 | EA | BOX - ELECTRIC/PLASTIC - 3" X 2" X 2.8" - CSA |
| | 008294-01-000 | EA | COVER - ELECTRIC BOX - BLANK/STEEL - 4" X 4" - GRAY |
| | 069238-01-000 | EA | COVER - ELECTRICAL BOX - W/HOLE - 4" X 4" - GRAY |
| | 131680-01-000 | EA | COVER - F/ELECTRIC BOX W/GASKET 4" X 4" - UL/CSA |

WIRE ASSEMBLIES

| KEY | PART NUMBER | U/M | DESCRIPTION |
|-----|---------------|-----|--|
| | 077069-02-000 | EA | CABLE/EXTENSION - RADIO ANTENNA - 96" |
| | 077069-03-000 | EA | CABLE/EXTENSION - RADIO ANTENNA - 260" |
| | 106851-01-000 | EA | WIRE ASSEMBLY - RUNNING LIGHTS - FUSE |
| | 116894-01-000 | EA | WIRE ASSEMBLY - SPEED SENSOR EXTENDED |
| | | | FROM: 00-00-00 THRU: 12-20-06 |
| | 116894-01-000 | EA | WIRE ASSEMBLY - SPEED SENSOR EXTENDED |
| | | | FROM: 12-21-06 THRU: 99-99-99 |
| | 134551-06-000 | EA | WIRE ASSEMBLY - HEATER/TANKS - 3 PAD -196.5"(LONGEST WIRE) |
| | 134551-08-000 | EA | WIRE ASSEMBLY - HEATER/TANKS - 2 PAD -216.2"(LONGEST WIRE) |
| | 134551-10-000 | EA | WIRE ASSEMBLY - HEATER/TANKS - 2 PAD -167.1"(LONGEST WIRE) |
| | 151316-03-000 | EA | WIRE ASM - W/NON CONTACT SENSORS - GREY WATER - 43.2" |
| | 151316-04-000 | EA | WIRE ASM - W/NON CONTACT SENSORS - GREY WATER - 62.9" |
| | 151316-06-000 | EA | WIRE ASM - W/NON CONTACT SENSORS - GREY WATER - 78.6" |
| | 151317-01-000 | EA | WIRE ASM-W/NON CONTACT SENSORS-FRESH WATER/BLK TANK-3.9" |
| | 151317-02-000 | EA | WIRE ASM-W/NON CONTACT SENSORS-FRESH WATER/BLK TANK-23.6" |
| | 151317-03-000 | EA | WIRE ASM-W/NON CONTACT SENSORS-FRESH WATER/BLK TANK-43.2" |
| | 155619-05-000 | EA | WIRE ASSEMBLY - RADIO - 12 PIN |
| | | | FROM: 08-02-06 THRU: 99-99-99 |
| | 157475-01-000 | EA | WIRE ASSEMBLY - CLEARANCE LAMPS |
| | 157476-01-000 | EA | WIRE ASSEMBLY - TAILLAMPS |
| | 120269-08-000 | EA | HARNESS/WIRE - F/ELECTRIC MIRRORS |
| | 137135-04-000 | EA | WIRE HARNESS - POWER - DIGITAL ELEVATION SENSOR |
| | 125853-04-000 | EA | WIRE LOOM - ENTERTAINMENT CENTER |
| | 137135-03-000 | EA | WIRE LOOM - DIGITAL ELEVATION SENSOR |
| | 142258-02-000 | EA | WIRE LOOM - VIDEO SWITCH/POWER SUPPLY |
| | 135420-17-000 | EA | WIRE - RADIO - C FORD - 4 PIN |
| | 145210-01-000 | FT | CABLE - COAXIAL |

ELECTRICAL GROUP (CONTINUED)
CONNECTORS & CONDUIT

| KEY | PART NUMBER | U/M | DESCRIPTION |
|-----|---------------|-----|--|
| | 007940-01-000 | EA | RECEPTACLE/SLIDE 16 TO 12 AWG - FEMALE END |
| | 007940-02-000 | EA | RECEPTACLE/SLIDE 10 AWG |
| | 007954-01-000 | EA | RECEPTACLE - HOUSING - 6 POSITION |
| | 007956-05-000 | EA | INSULATOR - SHRINK - 1/4"ID X 1 1/2" |
| | 008058-01-000 | EA | ADAPTER - POWER CORD - 30 AMP TO 15 AMP |
| | 008311-01-000 | EA | CONNECTOR - WIRE NUT - INSULATED - RED |
| | 008312-01-000 | EA | CONNECTOR - WIRE NUT - INSULATED - BLUE |
| | 008313-01-000 | EA | CONNECTOR - WIRE NUT - INSULATED - YELLOW |
| | 008314-01-000 | EA | CONNECTOR - WIRE NUT - INSULATED - GRAY |
| | 008328-01-000 | EA | TERMINAL - RING - 12/10 WIRE - #10 STUD FIT |
| | 008331-01-000 | EA | TERMINAL - RING - TONGUE - #4 WIRE - 3/8" STUD - COPPER |
| | 008348-01-000 | EA | TERMINAL - RING - 3/8" STUD 2 GA. WIRE |
| | 008355-01-000 | EA | CONNECTOR - CABLE CLAMPING - 3/4" |
| | 008356-01-000 | EA | CONNECTOR - PLASTIC - 3/8" |
| | 008356-02-000 | EA | CONNECTOR - PLASTIC - 21/32" |
| | 008398-01-000 | EA | CONNECTOR - 1/2" X 90 DEGREE - FLEX CONDUIT - UL & CSA |
| | 035416-04-000 | EA | TERMINAL - RING - #10 STUD FIT - INSULATED BARREL #16/14 |
| | 041953-01-000 | FT | CONDUIT - CONVOLUTE SLIT - .5" ID - POLYETHYLENE |
| | 041953-02-000 | FT | CONDUIT - CONVOLUTE SLIT - .6" ID - POLYETHYLENE |
| | 041953-03-000 | FT | CONDUIT - CONVOLUTE SLIT - 1" ID (CLOTHES ROD COVER) |
| | 041953-06-000 | FT | CONDUIT - CONVOLUTE SLIT - .4" ID - POLYETHYLENE |
| | 041953-07-000 | FT | CONDUIT - CONVOLUTE SLIT - .25" ID - POLYETHYLENE |
| | 041953-08-000 | FT | CONDUIT - CONVOLUTE SLIT - 1.5" ID - POLYETHYLENE |
| | 041953-09-000 | FT | CONDUIT - CONVOLUTE SLIT - .5" ID - NYLON |
| | 041953-10-000 | FT | CONDUIT - CONVOLUTE SLIT - .75" ID - NYLON |
| | 041953-11-000 | FT | CONDUIT - CONVOLUTE SLIT - 1.06" ID - NYLON |
| | 041953-12-000 | FT | CONDUIT - CONVOLUTE SOLID - 1.1" ID - NYLON |
| | 041953-13-000 | FT | CONDUIT - CONVOLUTE SLIT - 1.25" ID |
| | 041953-14-000 | FT | CONDUIT - CONVOLUTE SLIT - 1.5" ID |
| | 041953-15-000 | FT | CONDUIT - CONVOLUTE SLIT - 2" |
| | 041953-16-000 | FT | CONDUIT - CONVOLUTE SLIT - 2" |
| | 047441-01-000 | EA | TERMINAL-BATTERY, HORIZONTAL LUG |
| | 047443-01-000 | EA | TERMINAL - .250 RECEPTACLE FIT - INSULATED - 16/14 AWG |
| | 047443-02-000 | EA | TERMINAL - .250 RECEPTACLE FIT - INSULATED - 12/10 AWG |
| | 047443-05-000 | EA | TERMINAL - .250 RECEPTACLE FIT - 18GA AWG |
| | 058028-01-000 | EA | CONNECTOR - ELECTRICAL PIGTAIL - NYLON - CLEAR |
| | 062036-01-000 | EA | TERMINAL - PACK - CON - 12/10 AWG |
| | 076319-12-000 | EA | CONNECTOR - COAXIAL - ONE PIECE |
| | 077479-01-000 | EA | BOOT - BATTERY TERMINAL - DOUBLE CABLE |
| | 077479-02-000 | EA | BOOT - BATTERY TERMINAL - SINGLE CABLE |
| | 080015-02-000 | EA | RECEPTACLE - FLAG - .185 - 16/14 GAUGE |
| | 080015-03-000 | EA | RECEPTACLE - FLAG - .250 - 14/16 GAUGE |
| | 080015-04-000 | EA | RECEPTACLE - FLAG - .187 - 16/14 GAUGE |
| | 082109-01-000 | EA | HOUSING - CONNECTOR - PACKARD |
| | 082741-01-000 | EA | CONNECTOR BODY - 2 CONNECTOR MALE |
| | 087225-01-000 | FT | SLEEVING - 1/2" - TYPE H |
| | 088473-01-000 | EA | HOUSING - PIN - 12 CAVITY (3 ROWS OF 4) |
| | 088473-02-000 | EA | HOUSING - PIN - 15 CAVITY (3 ROWS OF 5) |
| | 088473-03-000 | EA | HOUSING - PIN - 9 CAVITY (3 ROWS OF 3) |
| | 088473-04-000 | EA | HOUSING - PIN - 8 CAVITY IN-LINE |
| | 088473-06-000 | EA | HOUSING - PIN - 6 CAVITY (2 ROWS OF 3) |
| | 088473-07-000 | EA | HOUSING - PIN - 5 CAVITY - IN-LINE |
| | 088473-08-000 | EA | HOUSING - PIN - 4 CAVITY - IN-LINE |
| | 088473-09-000 | EA | HOUSING - PIN - 3 CAVITY - IN-LINE |
| | 088473-10-000 | EA | HOUSING - PIN - 2 CAVITY - IN-LINE |
| | 088473-12-000 | EA | HOUSING - PIN - 3 CAVITY - BLUE |
| | 088473-13-000 | EA | HOUSING - PIN - 3 CAVITY - GREEN |
| | 088473-14-000 | EA | HOUSING - PIN - 3 CAVITY - RED |
| | 088474-01-000 | EA | HOUSING - SOCKET - 12 CAVITY |
| | 088474-02-000 | EA | HOUSING - SOCKET - 15 CAVITY |
| | 088474-03-000 | EA | HOUSING - SOCKET - 9 CAVITY |
| | 088474-06-000 | EA | HOUSING - SOCKET - 6 CAVITY |
| | 088474-07-000 | EA | HOUSING - SOCKET - 5 CAVITY |
| | 088474-08-000 | EA | HOUSING - SOCKET - 4 CAVITY |

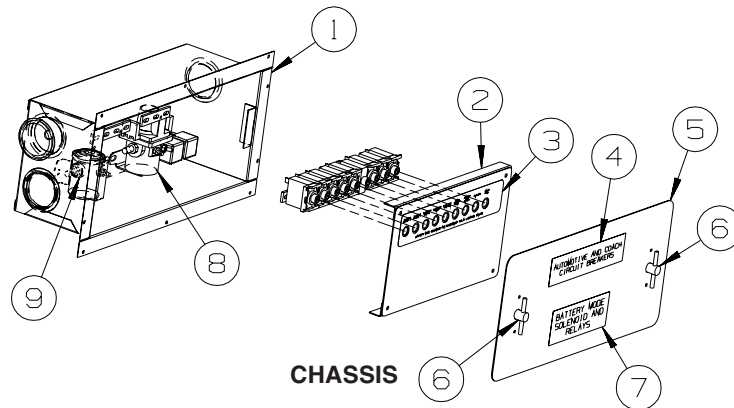
ELECTRICAL GROUP (CONTINUED)
CONNECTORS & CONDUIT (CONTINUED)

| KEY | PART NUMBER | U/M | DESCRIPTION |
|-----|---------------|-----|---|
| | 088474-09-000 | EA | HOUSING - SOCKET - 3 CAVITY |
| | 088474-10-000 | EA | HOUSING - SOCKET - 2 CAVITY |
| | 088475-01-000 | EA | PIN - CONNECTOR - 14-20 AWG |
| | 088475-02-000 | EA | PIN - CONNECTOR - 10-12 AWG |
| | 088476-01-000 | EA | TERMINAL - ELECTRICAL |
| | 088476-02-000 | EA | SOCKET - CONNECTOR - 12-10 GA - PRE-TIN |
| | 098261-01-000 | EA | SOCKET - CONNECTOR - WEATHERPACK - 12 AWG |
| | 098261-02-000 | EA | SOCKET - CONNECTOR - WEATHERPACK - 14-18 AWG |
| | 098262-01-000 | EA | SEAL - CONNECTOR - WEATHERPACK |
| | 098264-01-000 | EA | HOUSING - 2 PIN - WEATHER PACK - MALE W/FEMALE PINS |
| | 098264-02-000 | EA | HOUSING - 2 PIN - WEATHER PACK - FEMALE W/MALE PINS |
| | 098265-02-000 | EA | PIN - CONNECTOR - WEATHER PACK |
| | 102777-02-000 | EA | TERMINAL - RING - #6 STUD - 10 AWG |
| | 103608-01-000 | EA | SOCKET - WEDGE BASE W/LEADS |
| | 104100-01-000 | EA | HOUSING - 1 POSITION - 75 AMPS |
| | 104100-03-000 | EA | TERMINAL - 75 AMP |
| | 106007-02-000 | EA | TERMINAL - FEMALE - 10-12 AWG |
| | 110178-01-000 | EA | HOUSING - WIPER MOTOR |
| | 112823-01-000 | EA | SPLICE - REDUCER - 16-14 TO 18-22 |
| | 113072-02-000 | EA | HOUSING - ELECTRICAL - BACK-UP/TAIL LAMP |
| | 113072-03-000 | EA | HOUSING - ELECTRICAL - STOP/MARKER TAILLAMP |
| | 113073-01-000 | EA | WEDGELOCK - HOUSING - TAIL LAMP |
| | 113074-01-000 | EA | TERMINAL - TAILLAMP |
| | 113135-01-000 | EA | TERMINAL - FEMALE - M/P - 14-16 - F/SEALED TERMINAL |
| | 113308-01-000 | EA | TERMINAL - FEMALE - M/P - 14-16 - 280 |
| | 113308-02-000 | EA | TERMINAL - FEMALE - M/P - 14-18 - 280 |
| | 113468-01-000 | EA | HOUSING - 2 POSITION-FEMALE-USED ON WIPER/WASHER WIRE ASM |
| | 113468-02-000 | EA | HOUSING - 2 POSITION - FEMALE |
| | 115931-02-000 | EA | COVER - CONNECTOR - 50 AMP W/LOCKING RING |
| | 115932-02-000 | EA | CONNECTOR - FEMALE - 50 AMP/240 VOLT |
| | 116811-01-000 | EA | TERMINAL - .110 RECEPTACLE - 16-14 AWG |
| | 118571-01-000 | EA | CONNECTOR - 3-WAY - MALE/SEALED |
| | 118571-02-000 | EA | CONNECTOR - 3-WAY - FEMALE/SEALED |
| | 118571-05-000 | EA | LOCK - SECONDARY - FEMALE |
| | 118571-06-000 | EA | LOCK - SECONDARY - MALE |
| | 118599-02-000 | EA | TERMINAL - MALE - M/P - 280/14-12 |
| | 118820-01-000 | EA | INSULATOR - TERMINAL |
| | 129233-01-000 | EA | HOUSING - 2-POSITION/FEMALE - 280-SERIES |
| | 129233-02-000 | EA | HOUSING - 2-POSITION/FEMALE - 280-SERIES |
| | 129233-03-000 | EA | HOUSING - 2-POSITION/FEMALE - 280-SERIES |
| | 131681-01-000 | EA | CONNECTOR - 3/4" SO CORD - UL/CS |
| | 137207-01-000 | EA | HOUSING - PIN - 2 CAVITY/HIGH AMP |
| | 137208-01-000 | EA | HOUSING - SOCKET - 2 CAVITY/HIGH AMP |
| | 137209-01-000 | EA | PIN - CONNECTOR - 10AWG/HIGH AMP |
| | 137210-01-000 | EA | SOCKET - CONNECTOR - 10 AWG/HIGH AMP |
| | 138996-04-000 | EA | CONNECTOR - LAMP |
| | 142520-01-000 | EA | TERMINAL - FEMALE - MINI-FIT 16 |
| | 142522-01-000 | EA | HOUSING - 4 PIN/MALE - MINI FIT |
| | 142522-02-000 | EA | HOUSING - 6 PIN/MALE - MINI FIT |
| | 142522-03-000 | EA | HOUSING - 8 PIN/MALE - MINI FIT |
| | 142522-04-000 | EA | HOUSING - 10 PIN/MALE - MINI FIT |
| | 142522-05-000 | EA | HOUSING - 12 PIN/MALE - MINI FIT |
| | 142522-06-000 | EA | HOUSING - 14 PIN/MALE - MINI FIT |
| | 142524-01-000 | EA | HOUSING - 4 PIN/FEMALE - WEATHER PACK |
| | 142524-02-000 | EA | HOUSING - 4 PIN/FEMALE - WEATHER PACK |
| | 144283-01-000 | EA | CONNECTOR - 110V - F/USE WITH SOW WIRE - BLUE |
| | 144283-02-000 | EA | CONNECTOR - 110V - F/USE WITH NM ROMEX WIRE - CLEAR |
| | 145171-01-000 | EA | CONNECTOR - COAXIAL |
| | 148335-01-000 | EA | HOUSING - 8-POSITION/MALE - 280-GT SERIES |
| | 148335-02-000 | EA | HOUSING - 4-POSITION/MALE - 280-GT SERIES |
| | 148335-03-000 | EA | HOUSING - 6-POSITION/MALE - 280-GT SERIES |
| | 149683-01-000 | EA | HOUSING - F/5 CAVITY RECEPTACLE - W/SQUARE GUIDE PIN |
| | 149683-02-000 | EA | HOUSING - F/5 CAVITY RECEPTACLE - W/ROUND GUIDE PIN |
| | 149686-01-000 | EA | TERMINAL - .250 RECEPTACLE |

ELECTRICAL GROUP (CONTINUED)

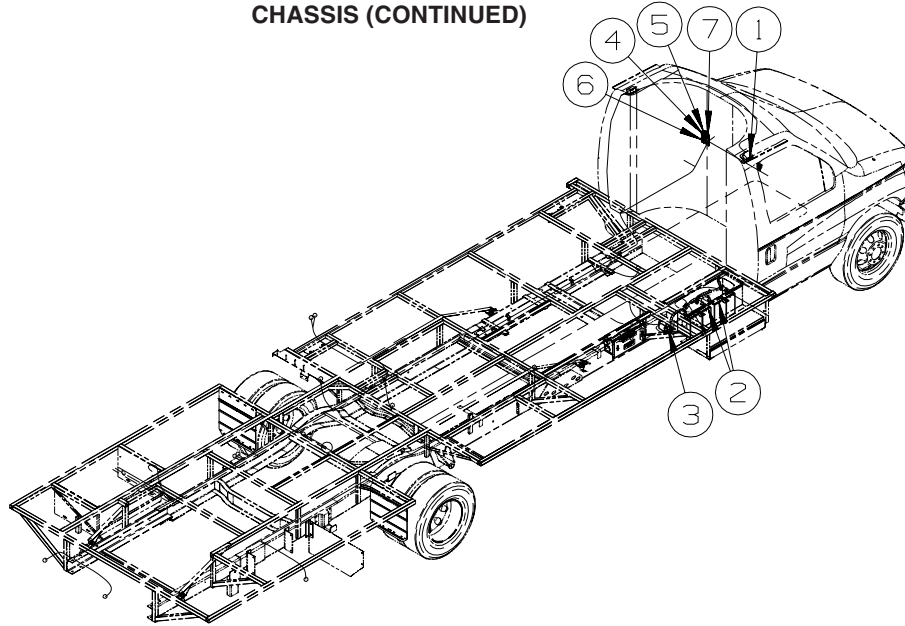
CONNECTORS & CONDUIT (CONTINUED)

| KEY | PART NUMBER | U/M | DESCRIPTION |
|-----|---------------|-----|---|
| | 149687-01-000 | EA | HOUSING - 2 POSITION/MALE - PACKARD |
| | 149687-02-000 | EA | LOCK - F/2 POSITION HOUSING - PACKARD |
| | 149688-01-000 | EA | TERMINAL - MALE - 16 GAUGE WIRE |
| | 156035-01-000 | EA | HOUSING - 12-POSITION/FEMALE - 280-GT SERIES |
| | 156041-01-000 | EA | TERMINAL - FEMALE - 16-12 - 280-GT SERIES |
| | 156043-01-000 | EA | HOUSING - 2-POSITION/FEMALE - 480-MP SERIES |
| | 156043-02-000 | EA | LOCK - F/2 POSITION HOUSING - 480 SERIES |
| | 156044-01-000 | EA | TERMINAL - FEMALE - 16-12 - 280-GT - F/SEALED HOUSING |
| | 156045-01-000 | EA | HOUSING - 10-POSITION/FEMALE - 280-GT SERIES |
| | 156045-02-000 | EA | HOUSING - 4-POSITION/FEMALE - 280-GT SERIES |
| | 156045-03-000 | EA | HOUSING - 8-POSITION/FEMALE - 280-GT SERIES |
| | 156045-04-000 | EA | HOUSING - 6-POSITION/FEMALE - 280-GT SERIES |
| | 156207-01-000 | EA | HOUSING - 6-POSITION/MALE - 150-GT SERIES |
| | 156208-01-000 | EA | TERMINAL - MALE - 18-16 - 150-GT SERIES |
| | 157590-01-000 | EA | TERMINAL - FEMALE - M/P - 10-12 - 630 |
| | 157592-01-000 | EA | HOUSING - 7-POSITION/FEMAL - M/P |
| | 157592-02-000 | EA | LOCK - SECONDARY - F/7 POSITION HOUSING |
| | 157656-01-01A | EA | CONNECTOR - DASH LIGHT - BLACK |
| | 158357-01-000 | EA | HOUSING - 3 PIN/MALE - MINI FIT |
| | 158373-01-000 | EA | HOUSING - SOCKET - 16 CAVITY - MINI MATE-N-LOCK |
| | 158374-01-000 | EA | SOCKET - 16-20 CAVITY - MINI MATE-N-LOCK |



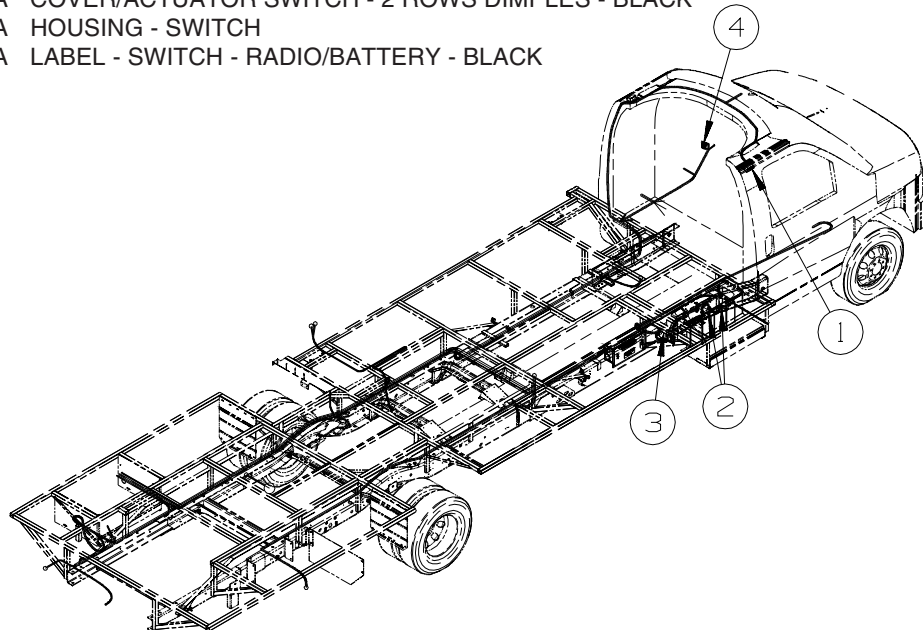
| KEY | PART NUMBER | U/M | DESCRIPTION |
|-----|---------------|-----|--|
| 1 | 141272-01-02B | EA | BOX - ELECTRICAL - E-COATED |
| 2 | 139067-04-02B | EA | PLATE - CIRCUIT BREAKER/HOUSE - E-COATED |
| 3 | 093236-38-000 | EA | LABEL - CIRCUIT BREAKER |
| 4 | 098379-01-000 | EA | LABEL - CIRCUIT BREAKER - FRONT BOX |
| 5 | 141273-01-02B | EA | COVER - ELECTRICAL BOX - E-COATED |
| 5 | 092492-16-000 | EA | SEAL - ELECTRICAL BOX |
| 6 | 098196-01-000 | EA | LATCH - 1/4 TURN - T-BAR |
| 7 | 098379-04-000 | EA | LABEL - ELECTRICAL BOX - SIDE |
| 8 | 086273-01-000 | EA | RELAY - BATTERY DISCONNECT |
| 9 | 008188-01-000 | EA | SOLENOID - 3 POST - BATTERY CHANGE OVER |

ELECTRICAL GROUP (CONTINUED)
CHASSIS (CONTINUED)



FORD

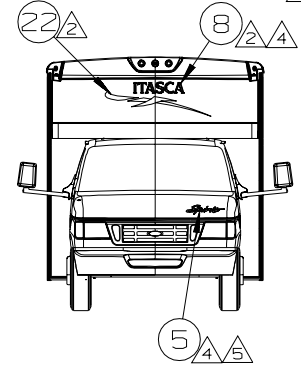
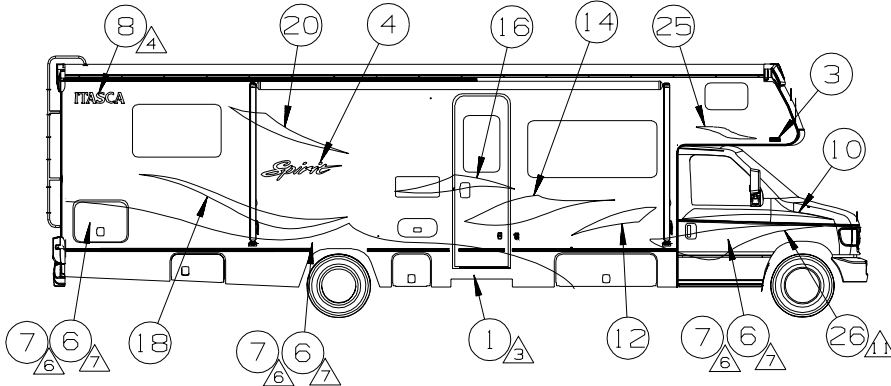
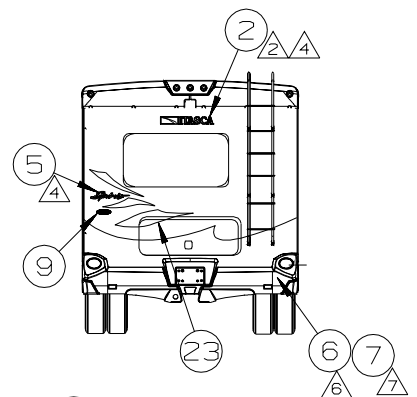
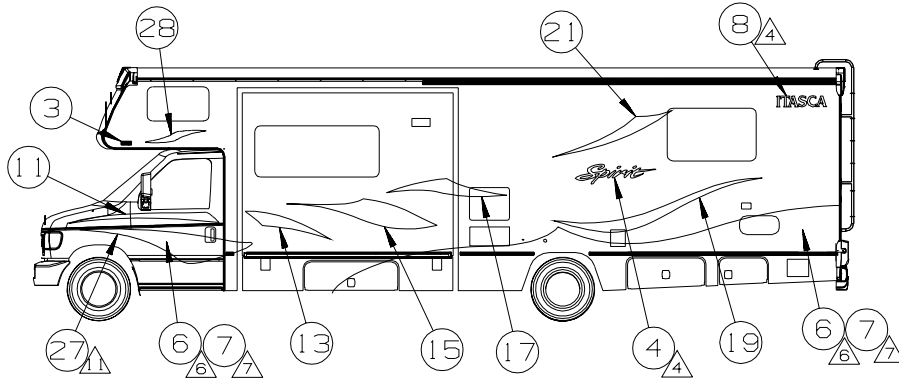
| KEY | PART NUMBER | U/M | DESCRIPTION |
|-----|---------------|-----|---|
| 1 | 112643-01-000 | EA | LIGHT - SINGLE - SWIVEL |
| 1 | 112642-01-06A | EA | TRIM RING - SINGLE LIGHT - BLACK |
| 2 | 065450-05-000 | EA | TIEDOWN - BATTERY - 8.4" TUBE |
| 2 | 160014-01-02B | EA | TIEDOWN - BATTERY - E-COATED |
| 3 | 138173-03-000 | EA | MODULE - (CONTROL BOX) - SLIDEOUT CONTROL - #1802930 |
| 4 | 108357-08-000 | EA | SWITCH - ROCKER - DPDT - 0N/NONE/ON - 6 TERM - W/O COVER |
| 4 | 108356-02-01A | EA | COVER/ACTUATOR SWITCH - 2 ROWS DIMPLES - BLACK |
| 4 | 108355-01-000 | EA | HOUSING - SWITCH |
| 5 | 144363-12-04B | EA | PLATE - SWITCH - BLACK |
| 6 | 108357-09-000 | EA | SWITCH - ROCKER - SPDT - ON/NONE/MOM - 3 TERM - W/O COVER |
| 6 | 108356-02-01A | EA | COVER/ACTUATOR SWITCH - 2 ROWS DIMPLES - BLACK |
| 6 | 108355-01-000 | EA | HOUSING - SWITCH |
| 7 | 145731-01-01A | EA | LABEL - SWITCH - RADIO/BATTERY - BLACK |



CHEVY

| KEY | PART NUMBER | U/M | DESCRIPTION |
|-----|---------------|-----|--|
| 1 | 112643-01-000 | EA | LIGHT - SINGLE - SWIVEL |
| 1 | 112642-01-06A | EA | TRIM RING - SINGLE LIGHT - BLACK |
| 2 | 065450-05-000 | EA | TIEDOWN - BATTERY - 8.4" TUBE |
| 2 | 160014-01-02B | EA | TIEDOWN - BATTERY - E-COATED |
| 3 | 138173-03-000 | EA | MODULE - (CONTROL BOX) - SLIDEOUT CONTROL - #1802930 |
| 4 | 108357-09-000 | EA | SWITCH - ROCKER - SPDT - ON/NONE/MOM - 3 TERM - W/O COVER |
| 4 | 108356-07-01A | EA | COVER/ACTUATOR SWITCH - 2 ROWS DIMPLES - AUX START - BLACK |
| 4 | 108355-01-000 | EA | HOUSING - SWITCH |
| 4 | 144363-07-04B | EA | PLATE - SWITCH - BLACK |

EXTERIOR BODY GROUP GRAPHICS & PAINT



| KEY | PART NUMBER | U/M | DESCRIPTION |
|-----|---------------------|-----|--|
| | 109506-01-000 | EA | FILM-URETHANE PROTECTANT |
| | 124806-01-CHT(149A) | EA | DECAL-ITASCA W/ICON - BURGUNDY/BRT WHITE |
| | 132664-02-CHT(01A) | EA | DECAL-LOGO DOMED WINNEBAGO - CHROME/RED/BLACK |
| | 137508-01-CHT(06A) | EA | DECAL-SPIRIT LG - BURGUNDY/LT GOLD/BRT WHITE |
| | 137508-02-CHT(02A) | EA | DECAL-SPIRIT SML - BURGUNDY/LT GOLD/BRT WHITE |
| | ----- | GL | PAINT-SEDONA BRONZE MET - SHERWIN WILLIAMS #60751 OR 141599-64-000 DUPONT #373-P75911 |
| | ----- | GL | PAINT-SANDSTONE BEIGE MET - SHERWIN WILLIAMS #58299 OR 141599-35-000 DUPONT #373-P7438 |
| | 144587-02-CHT(24A) | EA | DECAL-ITASCA - BURGUNDY/BRT WHITE |
| | 151687-02-CHT(01A) | EA | DECAL/BEZEL DOMED NAMEPLATE ITASCA - CHROME/WHITE/BLACK/TEAL |
| | 156698-01-CHT(01A) | EA | DECAL-CAB DOOR RH - DP FOREST GREEN/LT GOLD |
| | 156698-02-CHT(01A) | EA | DECAL-CAB DOOR LH - DP FOREST GREEN/LT GOLD |
| | 156699-01-CHT(01A) | EA | DECAL-#1 RH - DP FOREST GREEN |
| | 156699-02-CHT(01A) | EA | DECAL-#1 LH - DP FOREST GREEN |
| | 156700-01-CHT(01A) | EA | DECAL-#2 RH - LT GOLD/DP BROWN DIAMOND |
| | 156700-02-CHT(01A) | EA | DECAL-#2 LH - LT GOLD/DP BROWN DIAMOND |
| | 156701-01-CHT(01A) | EA | DECAL-#3 RH - BURGUNDY |
| | 156701-02-CHT(01A) | EA | DECAL-#3 LH - BURGUNDY |
| | 156702-01-CHT(01A) | EA | DECAL-SWEEP RH - DP FOREST GREEN/LT GOLD |
| | 156702-02-CHT(01A) | EA | DECAL-SWEEP LH - DP FOREST GREEN/LT GOLD |
| | 156704-01-CHT(01A) | EA | DECAL-#4 RH - DP BROWN DIAMOND/LT GOLD |
| | 156704-02-CHT(01A) | EA | DECAL-#4 LH - DP BROWN DIAMOND/LT GOLD |
| | 156706-01-CHT(01A) | EA | DECAL-OVHD - DP BROWN DIAMOND/LT GOLD/BURGUNDY |
| | 156707-01-CHT(01A) | EA | DECAL-BACKWALL - LT GOLD/DP BROWN DIAMOND/BURGUNDY/DP FOREST GREEN |
| | ----- | GL | PAINT-CLEAR COAT - SHERWIN WILLIAMS |
| | 160518-01-CHT(02A) | EA | DECAL-OVERHEAD RH - BURGUNDY |
| | 160734-01-CHT(01A) | EA | DECAL-PAINT MASK RH - WHITE VINYL |
| | 160734-02-CHT(01A) | EA | DECAL-PAINT MASK LH - WHITE VINYL |
| | 160518-02-CHT(02A) | EA | DECAL-OVERHEAD LH - BURGUNDY |

10, B, 16F, 7, 16H, B, 10

- 1. UNIT WITH OPTIONAL PAINT WILL USE PAINT MASK, UNITS BUILT IN CHARLES CITY-CDI WILL CUT MASK FROM RAW MATERIAL, UNIT BUILT IN FOREST CITY-CDI WILL SUPPLY PAINT MASK CUT FROM RAW MATERIAL.
- 10. REFER TO UNIT BUILD SCHEDULE TO DETERMINE BRAND OF PAINT USED WHEN BUILT IN CC CDI PAINT USED IS SHERWIN WILLIAMS. WHEN BUILT IN FC PAINT USED IS DUPONT.
- 9. NO VINYL OR PAINT ON SLIDEOUT ROOM END PANELS.
- B. OPTIONAL PAINT
- 7. PAINTED AREA IS TO BE BELOW FEATURE STRIP FOR OPTIONAL PAINTED MODELS & CONTINUES ON CAB DOORS TO WHEEL WELL.
- 6. CLEAR COAT TO BE APPLIED ON PAINTED AREAS TO PROTECT PAINT.
- 5. LOCATE DECAL 120 MM LEFT OF HOOD EDGE AND 60 MM UP FROM FRONT EDGE OF HOOD.
- 4. LOGO IS TO BE ±1 MM ON A HORIZONTAL PLANE (END TO END).
- 3. FILM TO PROTECT BOTTOM OF DOOR FROM SCUFF MARKS.
- 2. CENTERED ON UNIT.

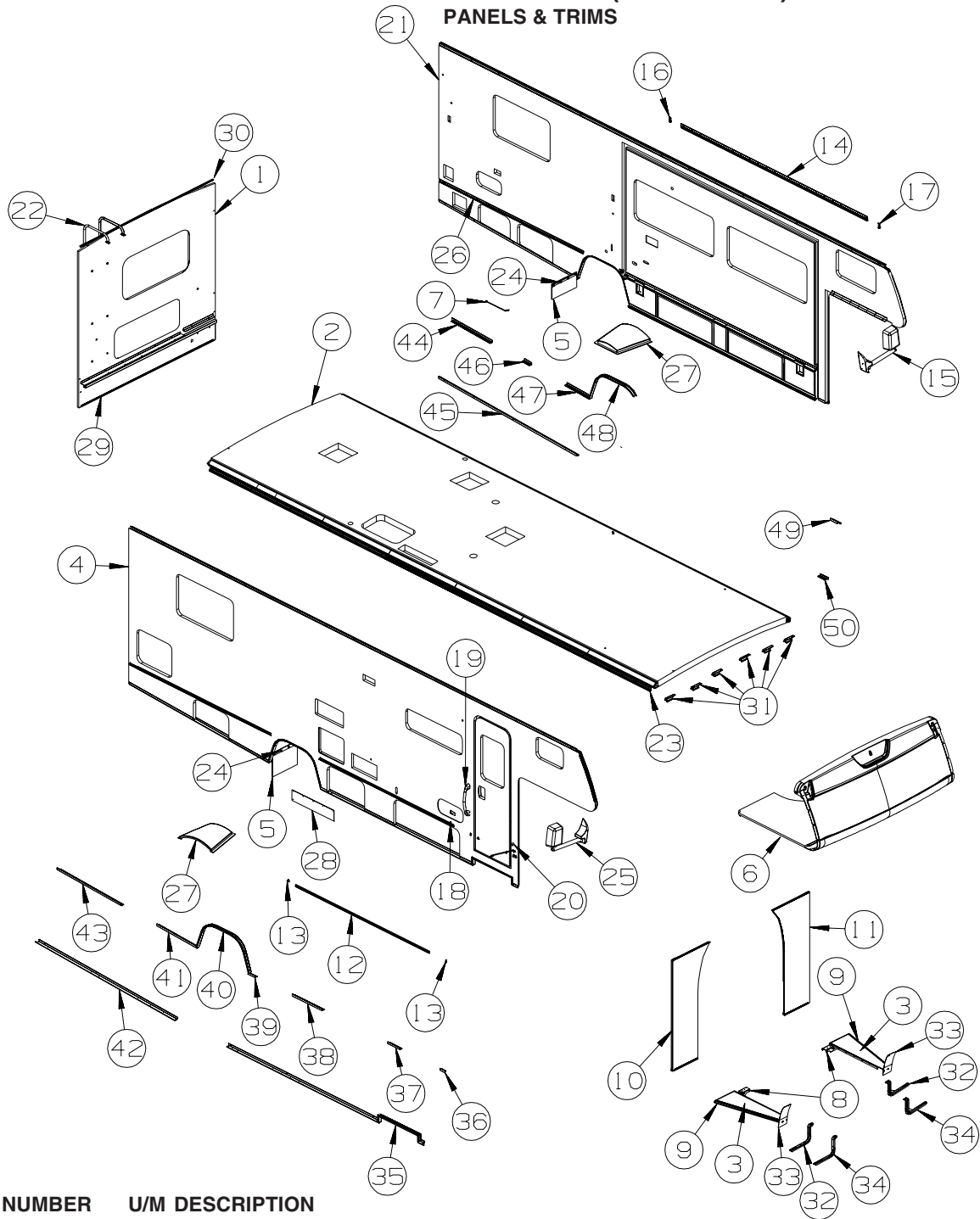
16F EXT PAINT #1 W/FBGLS BOARDS
 16H EXT PAINT #2 W/FBGLS BOARDS
 27G EXTERIOR GRAPHICS PACKAGE #1

1. APPLY PROTECTOR 116424-01-000 TO WATER HEATER DOOR LATCH.

**DUPONT COLOR CODES ARE NOW FOUND IN THE PAINT CODE MANUAL.
 YOU CAN FIND THIS MANUAL ON YOUR DEALER INDEX WEBPAGE UNDER SERVICE.**

EXTERIOR BODY GROUP (CONTINUED)

PANELS & TRIMS

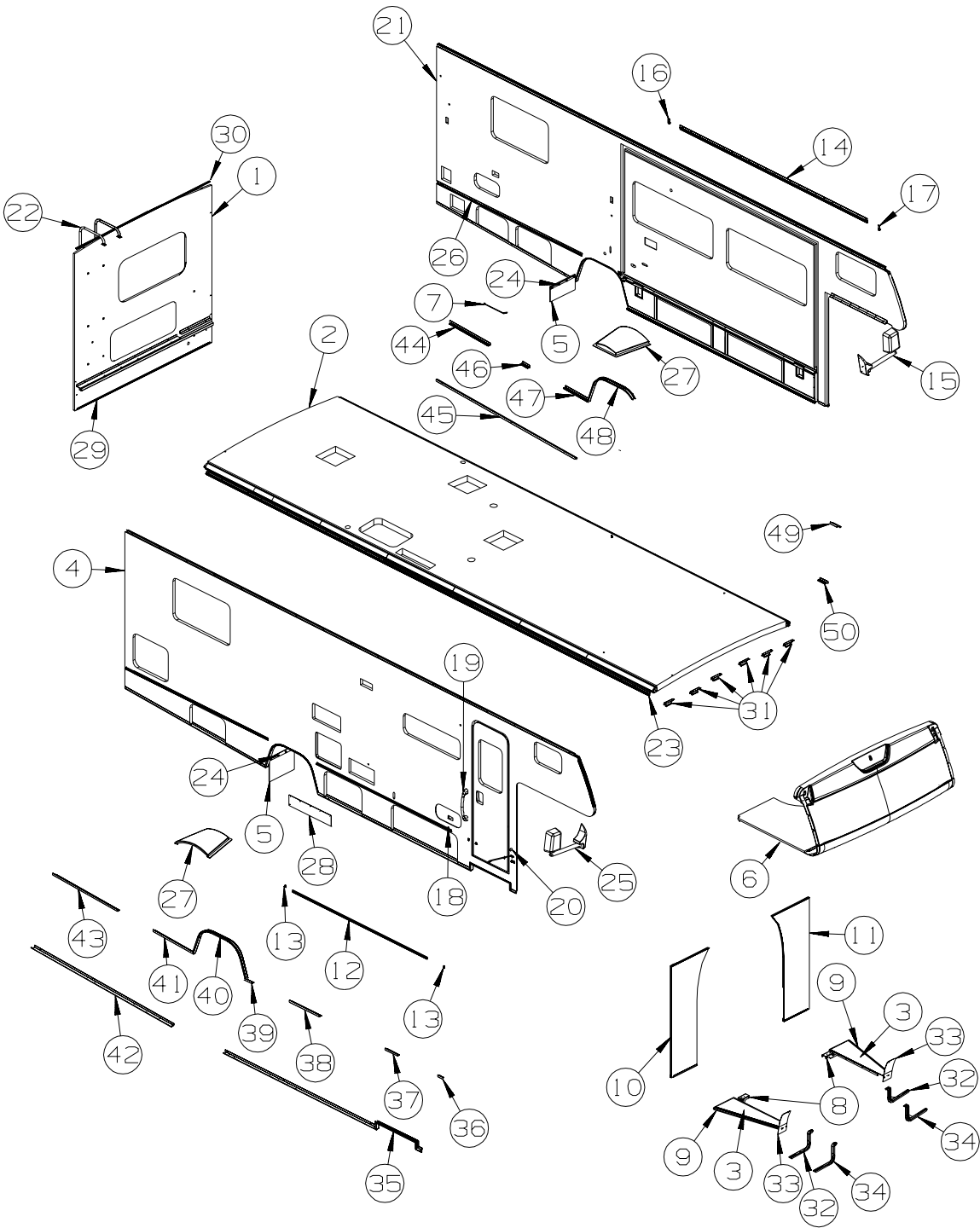


| KEY | PART NUMBER | U/M | DESCRIPTION |
|-----|---------------|-----|---|
| 1 | 155683-01-U21 | EA | BACKWALL - W/O WINDOW/TRIMS (U29, U30) |
| 1 | 155683-01-U23 | EA | BACKWALL - W/O WINDOW/TRIMS (U31, U32) |
| 1 | 155683-01-U25 | EA | BACKWALL - W/O WINDOW/TRIMS (U33, U34) |
| 1 | 155683-02-U21 | EA | BACKWALL - W/O WINDOW/TRIMS (U29, U30) - DUAL PANE WINDOW |
| 1 | 155683-02-U23 | EA | BACKWALL - W/O WINDOW/TRIMS (U31, U32) - DUAL PANE WINDOW |
| 1 | 155683-02-U25 | EA | BACKWALL - W/O WINDOW/TRIMS (U33, U34) - DUAL PANE WINDOW |
| 2 | 155682-01-U21 | EA | ROOF - W/O LIGHTS/VENTS - W/WIRING |
| 3 | 146515-01-01A | EA | MAT - ANTI SLIP - RIGHT HAND - BLACK |
| 3 | 146515-02-01A | EA | MAT - ANTI SLIP - LEFT HAND - BLACK |
| 3 | 146515-03-01A | EA | MAT - ANTI SLIP - RIGHT HAND - BLACK - LOWER BODY PAINT - NOT ILLUSTRATED |
| 3 | 146515-04-01A | EA | MAT - ANTI SLIP - LEFT HAND - BLACK - LOWER BODY PAINT - NOT ILLUSTRATED |
| 4 | P55680-01-U21 | EA | SIDEWALL - PASSENGER - W/O WINDOWS/TRIMS (U29, U30) |
| 4 | P55680-01-U23 | EA | SIDEWALL - PASSENGER - W/O WINDOWS/TRIMS (U31, U32) |
| 4 | P55680-01-U25 | EA | SIDEWALL - PASSENGER - W/O WINDOWS/TRIMS (U33, U34) |
| 5 | 017516-01-000 | EA | MUD FLAP - 14"H X 18"W - W/O MOUNTING HOLES - RUBBER - BLK |
| 6 | 156387-01-U21 | EA | SLEEPERBOARD |
| 7 | 107865-02-000 | EA | ROD - SUPPORT - VALANCE PANEL - 13.2" |

EXTERIOR BODY GROUP (CONTINUED)
PANELS & TRIMS (CONTINUED)

| KEY | PART NUMBER | U/M | DESCRIPTION |
|-----|---------------|-----|--|
| 8 | 146180-01-02B | EA | BRACKET - RUNNING BOARD - E-COATED |
| 9 | 146148-02-01A | EA | BOARD - RUNNING - LEFT HAND/TAPPERED - BLACK |
| 9 | 146148-01-01A | EA | BOARD - RUNNING - RIGHT HAND/TAPPERED - BLACK |
| 9 | 159045-02-01A | EA | BOARD - RUNNING - LEFT HAND/TAPPERED - BLACK - CHEVY |
| 9 | 159045-01-01A | EA | BOARD - RUNNING - RIGHT HAND/TAPPERED - BLACK - CHEVY |
| 9 | 149604-01-02A | EA | RUNNING BOARD/WEDGE - PASS - BRT WHT - LOWER BODY PAINT - NOT ILLUSTRATED |
| 9 | 149604-02-02A | EA | RUNNING BOARD/WEDGE - DRIVER - BRT WHT - LOWER BODY PAINT - NOT ILLUSTRATED |
| 9 | 149604-10-02A | EA | RUNNING BOARD/WEDGE - PASS - BRT WHITE - CHEVY - LOWER BODY PAINT - NOT ILLUSTRATED |
| 9 | 149604-11-02A | EA | RUNNING BOARD/WEDGE - DRIVER - BRT WHT - CHEVY - LOWER BODY PAINT - NOT ILLUSTRATED |
| 10 | 125088-08-N01 | EA | WINGWALL - RIGHT HAND |
| | | | FROM: 00-00-00 THRU: 02-26-06 |
| 10 | 159600-01-T11 | EA | WINGWALL |
| | | | FROM: 02-27-06 THRU: 99-99-99 |
| 11 | 125088-09-N01 | EA | WINGWALL - LEFT HAND |
| | | | FROM: 00-00-00 THRU: 02-26-06 |
| 11 | 159600-02-T11 | EA | WINGWALL |
| | | | FROM: 02-27-06 THRU: 99-99-99 |
| 12 | 108688-06-03A | EA | STRIP - FEATURE - W/O INSERT/END CAPS - 96.9" - BRIGHT WHT |
| 13 | 108651-01-01A | EA | END CAP - FEATURE STRIP |
| 14 | 150188-02-01A | EA | TRIM/HINGE - SIDEWALL - 135.4" - BRIGHT WHITE |
| 15* | 133908-11-01A | EA | MIRROR/DRVR - 102" C BODY/FORD 4-BOLT MT - BRIGHT WHITE |
| 15* | 133908-13-01A | EA | MIRROR/DRVR - 102" C BODY/FORD 4-BOLT MT-HEATED/RMT-B/W - MIRRORS-EXT W/DEFROST |
| 15* | 133908-06-02A | EA | MIRROR/DRVR - 102" WIDE BODY/CHEVY - BRIGHT WHITE - CHEVY |
| 15* | 133908-08-02A | EA | MIRROR/DRVR - 102" C BODY - HEATED/RMT - BRT WHT - MIRRORS-EXT W/DEFROST - CHEVY |
| 16 | 151219-01-01A | EA | CAP - TRIM/SIDEWALL - RIGHT HAND - MILL FINISH |
| 17 | 151219-02-01A | EA | CAP - TRIM/SIDEWALL - LEFT HAND - MILL FINISH |
| 18 | 153498-01-01A | EA | BUMPER - RUBBER - WHITE |
| 19 | 152854-01-01A | EA | HANDLE - ASSIST - WHITE W/BLACK RUBBER GRIP - 18 5/8" |
| 20 | 117046-02-000 | EA | BUMPER - RUBBER/ROUND END - 1.5" |
| 21 | P55681-01-U21 | EA | SIDEWALL - DRIVER - W/O WINDOWS/TRIMS (U29, U30) |
| 21 | P55681-01-U23 | EA | SIDEWALL - DRIVER - W/O WINDOWS/TRIMS (U31, U32) |
| 21 | P55681-01-U25 | EA | SIDEWALL - DRIVER - W/O WINDOWS/TRIMS (U33, U34) |
| 22 | 152869-02-01A | EA | LADDER/FOLDING - 78.6"/129.7" - 10 STEP - BRUSHED ALUMINUM |
| 22 | 152869-04-01A | EA | LADDER/FOLDING - 78.6"/131.9" - 10 STEP - BRUSHED ALUMINUM - CHEVY |
| 23 | 157284-01-01A | EA | RAIL - AWNING - 192" - BRIGHT WHITE |
| 24 | 140922-01-02B | EA | RETAINER - MUD FLAP - 1" X 17.7" - E-COATED/BLACK |
| 25* | 133908-10-01A | EA | MIRROR/PASS - 102" C BODY/FORD 4-BOLT MT - BRIGHT WHITE |
| 25* | 133908-12-01A | EA | MIRROR/PASS - 102" C BODY/FORD 4 BOLT MT-HEATED/REMOTE-B/W - MIRRORS-EXT W/DEFROST |
| 25* | 133908-05-02A | EA | MIRROR/PASS - 102" WIDE BODY/CHEVY - BRIGHT WHITE - CHEVY |
| 25* | 133908-07-02A | EA | MIRROR/PASS - 102" C BODY - HEATED RMT - BRT WHT - MIRRORS-EXT W/DEFROST - CHEVY |
| 26 | 104692-01-000 | FT | SEAL - ADHESIVE BACKED FOAM - 3/4" THICK X 3/4" WIDE X 25' |
| 27 | 112435-03-000 | EA | WHEELWELL |
| 28 | 121948-02-000 | EA | SHIELD - SIGHT |
| 29 | 103335-05-02A | EA | TRIM - BACKWALL - LOWER - 96.3" - BRIGHT WHITE |
| 30 | 114248-02-01A | EA | ANGLE - PLASTIC - .7" X .4" X 96.7" - MODERN IVORY |
| 31 | 134774-01-02B | EA | BRACKET - CAB ATTACHMENT - E-COATED |
| 32 | 159045-05-01A | EA | BRACKET/SUPPORT - F/RUNNING BOARD - BLACK - CHEVY |
| 33 | 146148-03-01A | EA | GUARD - MUD FLAP/RIGHT - BLACK |
| 33 | 146148-04-01A | EA | GUARD - MUD FLAP/LEFT - BLACK |
| 33 | 149604-07-02A | EA | WHEEL LIP - FIBERGLASS - PASS - BRIGHT WHITE - LOWER BODY PAINT - NOT ILLUSTRATED |
| 33 | 149604-08-02A | EA | WHEEL LIP - FIBERGLASS - DRIVER - BRT WHT - LOWER BODY PAINT - NOT ILLUSTRATED |
| 33 | 149604-12-02A | EA | WHEEL LIP - FIBERGLASS - PASS - BRT WHT - CHEVY - LOWER BODY PAINT - NOT ILLUSTRATED |
| 33 | 149604-13-02A | EA | WHEEL LIP - FIBERGLASS - DRIVER - BRT WHT - CHEVY - LOWER BODY PAINT - NOT ILLUSTRATED |
| 33 | 149604-09-000 | EA | HARDWARE KIT (RUNNING BOARD INSTALL) - FORD - LOWER BODY PAINT - NOT ILLUSTRATED |
| 33 | 149604-16-000 | EA | HARDWARE KIT (RUNNING BOARD INSTALL) - CHEVY - LOWER BODY PAINT - NOT ILLUSTRATED |
| 34 | 159045-04-01A | EA | BRACKET/SUPPORT - F/RUNNING BOARD - BLACK - CHEVY |
| 35 | 128732-13-S01 | EA | TRIM - PASSENGER SIDEWALL W/ENTRY DOOR NOTCH - 142.9" |
| 36 | 148759-38-01A | EA | TRIM - SIDEWALL/LOWER - W/MITER - 3.7" - BRIGHT WHITE |
| 37 | 148759-39-01A | EA | TRIM - SIDEWALL/LOWER - W/O MITER - 8.8" - BRIGHT WHITE |
| 38 | 148759-40-01A | EA | TRIM - SIDEWALL/LOWER - W/O MITER - 21.4" - BRIGHT WHITE |
| 39 | 148759-41-01A | EA | TRIM - SIDEWALL/LOWER - W/MITER - 5.1" - BRIGHT WHITE |
| 40 | 127848-01-01A | EA | TRIM - WHEELWELL - BRIGHT WHITE |
| 41 | 148759-42-01A | EA | TRIM - SIDEWALL/LOWER - W/MITER - 29.4" - BRIGHT WHITE |
| 42 | 148760-18-01A | EA | TRIM - ROCKER - LH MITERED/RH NOTCHED - 101.8" - BRT WHT |

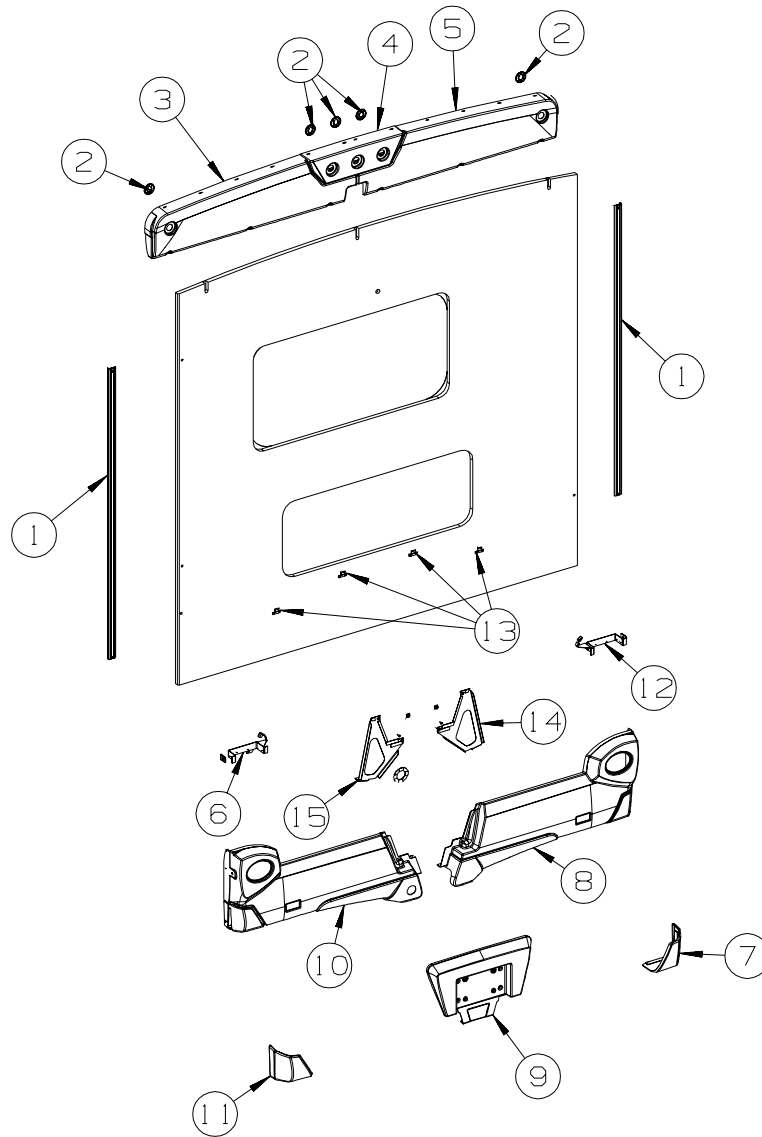
EXTERIOR BODY GROUP (CONTINUED)
PANELS & TRIMS (CONTINUED)



| KEY | PART NUMBER | U/M | DESCRIPTION |
|-----|---------------|-----|--|
| 43 | 148759-B2-01A | EA | TRIM - SIDEWALL/LOWER - 48.8" - BRIGHT WHITE |
| 44 | 148759-47-01A | EA | TRIM - SIDEWALL/LOWER - W/MITER - 29.5" - BRIGHT WHITE |
| 45 | 148760-17-01A | EA | TRIM - ROCKER - LH MITERED/RH NOTCHED - 101.8" - BRT WHT |
| 46 | 148759-46-01A | EA | TRIM - SIDEWALL/LOWER - W/MITER - 5.4" - BRIGHT WHITE |
| 47 | 148759-45-01A | EA | TRIM - SIDEWALL/LOWER - W/MITER - 18" - BRIGHT WHITE |
| 48 | 127815-01-01A | EA | TRIM/WHEELWELL - REAR DRVR/REAR SECTION (LARGER) - BRT WHT |
| 49 | 127820-13-01A | EA | TRIM - SIDEWALL/LOWER - 6.1" - BRIGHT WHITE |
| 50 | 128426-05-01A | EA | TRIM - ROCKER - NOTCHED - 6" - BRIGHT WHITE |

***COMPONENT PARTS LISTED LATER IN THIS GROUP**

EXTERIOR BODY GROUP (CONTINUED) PANELS & TRIMS (CONTINUED)



| KEY | PART NUMBER | U/M | DESCRIPTION |
|-----|---------------|-----|--|
| 1 | 158150-01-01A | EA | TRIM - CONTOUR - 66.8" - BRIGHT WHITE |
| 1 | 158107-01-01A | EA | INSERT - FEATURE STRIP - VINYL - BRIGHT WHITE |
| 2 | 138996-03-000 | EA | BRACKET - CLEARANCE LIGHT |
| 3 | 156058-06-U21 | EA | TRIM - BACKWALL - TOP/DRIVER |
| 4 | 156058-04-U21 | EA | TRIM - BACKWALL - TOP/CENTER |
| 5 | 156058-02-U21 | EA | TRIM - BACKWALL - TOP/PASSENGER |
| 6 | 156312-02-02B | EA | BRACKET/TAILLAMP - DRIVER - E-COATED |
| 7 | 156059-07-10A | EA | TRIM/CAP - BACKWALL - LOWER/PASSENGER - BLACK |
| 7 | 156059-07-25A | EA | TRIM/CAP - BACKWALL - LOWER/PASSENGER - SILVER |
| 8 | 156059-02-U21 | EA | TRIM - BACKWALL - LOWER/PASSENGER |
| 8 | 156059-02-AA1 | EA | TRIM - BACKWALL - LOWER/PASSENGER - LOWER EXTERIOR PAINT |
| 9 | 156059-04-U21 | EA | TRIM - BACKWALL - LOWER/CENTER |
| 9 | 156059-04-AA1 | EA | TRIM - BACKWALL - LOWER/CENTER - LOWER EXTERIOR PAINT |
| 10 | 156059-06-U21 | EA | TRIM - BACKWALL - LOWER/DRIVER |
| 10 | 156059-06-AA1 | EA | TRIM - BACKWALL - LOWER/DRIVER - LOWER EXTERIOR PAINT |
| 11 | 156059-08-10A | EA | TRIM/CAP - BACKWALL - LOWER/DRIVER - BLACK |
| 11 | 156059-08-25A | EA | TRIM/CAP - BACKWALL - LOWER/DRIVER - SILVER |
| 12 | 156312-01-02B | EA | BRACKET/TAILLAMP - PASSENGER - E-COATED |
| 13 | 073050-04-000 | EA | CLIP/MOUNTING - VALANCE PANEL |
| 14 | 156314-01-02B | EA | BRACKET - BUMPER - PASSENGER - E-COATED |
| 15 | 156314-02-02B | EA | BRACKET - BUMPER - DRIVER - E-COATED |

EXTERIOR BODY GROUP (CONTINUED)

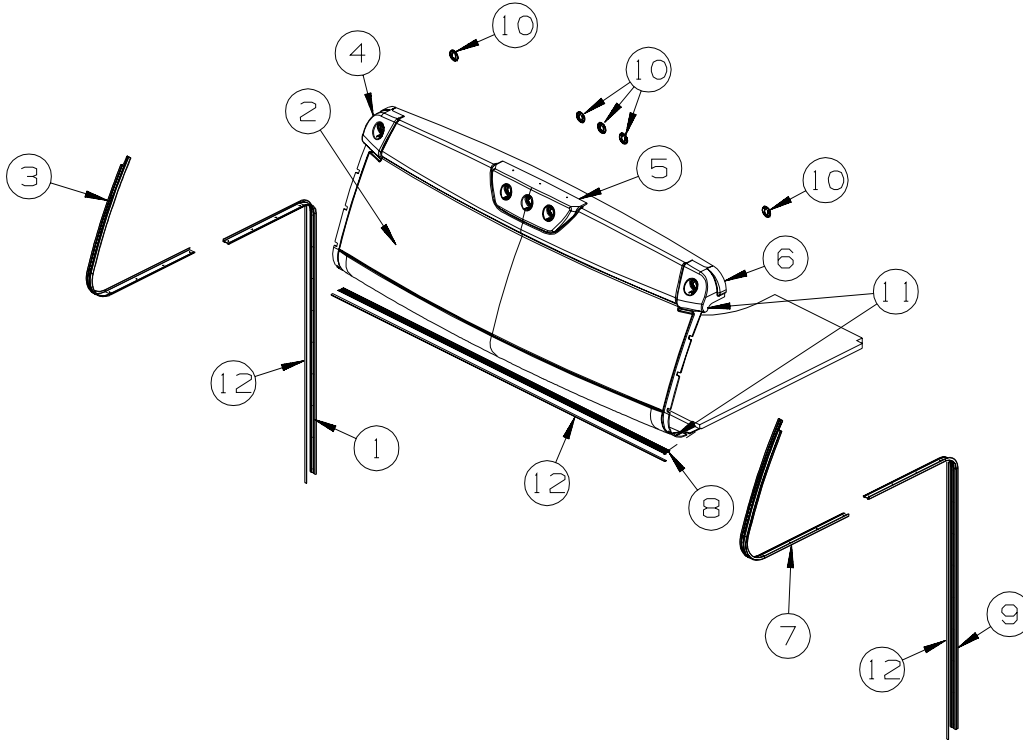
COMPONENT PARTS FOR PANELS & TRIMS

133908-01 THRU 133908-08, 133908-10 THRU 133908-13, -01A/-02A/-03A

| KEY | PART NUMBER | U/M | DESCRIPTION | VENDOR NO. |
|-----|---------------|-----|------------------------------|------------|
| | 117051-01-700 | EA | MIRROR-CONVEX | 723068-4 |
| | 120269-05-701 | EA | GLASS-HTD/REM RH/LH W/CONVEX | 709411 |
| | 133908-03-700 | EA | CAP - RECT/BLACK-W/O LIGHT | 709557 |
| | 133908-04-700 | EA | CAP-MIRROR/ROUND - W/O LIGHT | 7095470 |

133908-09-01A

| KEY | PART NUMBER | U/M | DESCRIPTION | VENDOR NO. |
|-----|---------------|-----|----------------------|------------|
| | 133908-09-700 | EA | SWITCH-MIRROR HEATER | 7475150 |



FRONT END

| KEY | PART NUMBER | U/M | DESCRIPTION |
|-----|---------------|-----|---|
| 1 | 158149-01-01A | EA | TRIM - CONTOUR/FRONT - PASSENGER - BRIGHT WHITE |
| 2 | 157215-01-U21 | EA | CAP - ROOF/FRONT - W/O LIGHTS/WIRING |
| 3 | 158148-01-01A | EA | TRIM - CONTOUR/PASSENGER - 60.9" - BRIGHT WHITE |
| 4 | 156849-02-U21 | EA | TRIM - FRONT CAP/SIDEWALL - TOP/PASSENGER |
| 5 | 156849-04-U21 | EA | TRIM - FRONT CAP - TOP/CENTER |
| 6 | 156849-06-U21 | EA | TRIM - FRONT CAP/SIDEWALL - TOP/DRIVER |
| 7 | 158148-02-01A | EA | TRIM - CONTOUR/DRIVER - 60.9" - BRIGHT WHITE |
| 8 | 158152-01-01A | EA | TRIM - CONTOUR - 96.1" - BRIGHT WHITE |
| 9 | 158149-02-01A | EA | TRIM - CONTOUR/FRONT - DRIVER - BRIGHT WHITE |
| 10 | 138996-03-000 | EA | BRACKET - CLEARANCE LIGHT |
| 11 | 105290-01-000 | SF | INSULATION - AIR POCKET W/FOIL - 4' WIDE |
| 12 | 158107-01-01A | EA | INSERT - FEATURE STRIP - VINYL - BRIGHT WHITE |

EXTERIOR BODY GROUP (CONTINUED)
STRUCTURAL COMPONENTS

| KEY | PART NUMBER | U/M | DESCRIPTION |
|-----|---------------|-----|--|
| | 002365-03-006 | EA | U-CHANNEL - EXTRUDED - 1" X 192" - BRIGHT WHITE |
| | 002726-01-001 | EA | GARNISH - U-CHANNEL - 1.38" X 19' - SERRATED |
| | 002766-01-001 | EA | ANGLE - EXTRUDED - 1" X 1 1/2" X 17' |
| | 089297-01-000 | SF | PLYWOOD - LUAN - OVERLAY GRADE - 4' X 8' |
| | 089297-02-000 | SF | PLYWOOD - LUAN - OVERLAY GRADE - 4' X 9' |
| | 089297-03-000 | SF | PLYWOOD - LUAN - OVERLAY GRADE - 4' X 8.3' |
| | 100619-01-000 | BF | FOAM - EXPANDED POLYSTYRENE - 1.34" X 48" X 96" |
| | 100619-02-000 | BF | FOAM - EXPANDED POLYSTYRENE - 1.5" X 48" X 96" |
| | 100619-04-000 | BF | FOAM - EXPANDED POLYSTYRENE - .5" X 48" X 96" |
| | 100619-05-000 | BF | FOAM - EXPANDED POLYSTYRENE - .75" X 48" X 96"-1.5"DENSITY |
| | 100619-16-000 | BF | FOAM - EXPANDED POLYSTYRENE - .75" X 48" X 96"-2" DENSITY |
| | 100619-27-000 | BF | FOAM - EXPANDED POLYSTYRENE - 3" X 48" X 92.8" |
| | 116942-03-01A | LB | ALUMINUM - .7" X 40" X 158" |
| | 120107-01-000 | EA | FOAM - ROOF COVE - 2.8" X 48" LONG |
| | 120107-02-000 | EA | FOAM - PLUG - ROOF TUBE - 2.2" X 2.9" X 1.8" LONG |
| | 120107-03-000 | EA | FOAM - PLUG - SIDEWALL TUBE - 1.2" X 2.1" X 1.8" LONG |
| | 108535-05-03A | SF | FIBERGLASS SHEET - 108" X 500' ROLL - BRIGHT WHITE |
| | 159631-04-01A | EA | FIBERGLASS SHEET - 99.5" X 100.2" - BRIGHT WHITE |
| | 159631-06-01A | EA | FIBERGLASS SHEET - 56.4" X 99.8" - BRIGHT WHITE |
| | 159631-10-01A | EA | FIBERGLASS SHEET - 31.1" X 68.2" - BRIGHT WHITE |
| | 159631-10-01A | EA | FIBERGLASS SHEET - 31.1" X 68.2" - BRIGHT WHITE |
| | 159631-15-01A | EA | FIBERGLASS SHEET - 4" X 93.8" - BRIGHT WHITE |
| | 159631-02-01A | EA | FIBERGLASS SHEET - 96.7" X 355.7" - BRIGHT WHITE |

AWNINGS

ORDER AWNINGS & REPAIR PARTS FROM DOMETIC. CALL #800-366-3842.

THE DOMETIC AWNING INFORMATION YOU WILL NEED IS LOCATED ON THE MOTOR HOME NEAR THE TOP OF THE AWNING RAIL.

| KEY | PART NUMBER | U/M | DESCRIPTION |
|-----|---------------|-----|--|
| * | 113874-01-02A | EA | HARDWARE KIT - AWNING - W/O STANDOFF BRACKET-BRIGHT WHITE |
| | 113874-11-01A | EA | SCREW/LAG - AWNING - 1/4" X 1" STAINLESS STEEL |
| | 113874-12-01A | EA | SCREW/LAG - AWNING - 1/4" X 2 3/4" STAINLESS STEEL |
| | 127647-02-01A | EA | ROD/AWNING GUARD - ENTRY DOOR - 12.7" LONG |
| | 137054-01-02A | EA | BRACKET - AWNING - BRIGHT WHITE |
| | 127960-01-01A | EA | RETAINER - EYE - 3/8" - STAINLESS STEEL - 325F, 327L, 331C |

*COMPONENT PARTS LISTED LATER IN THIS GROUP

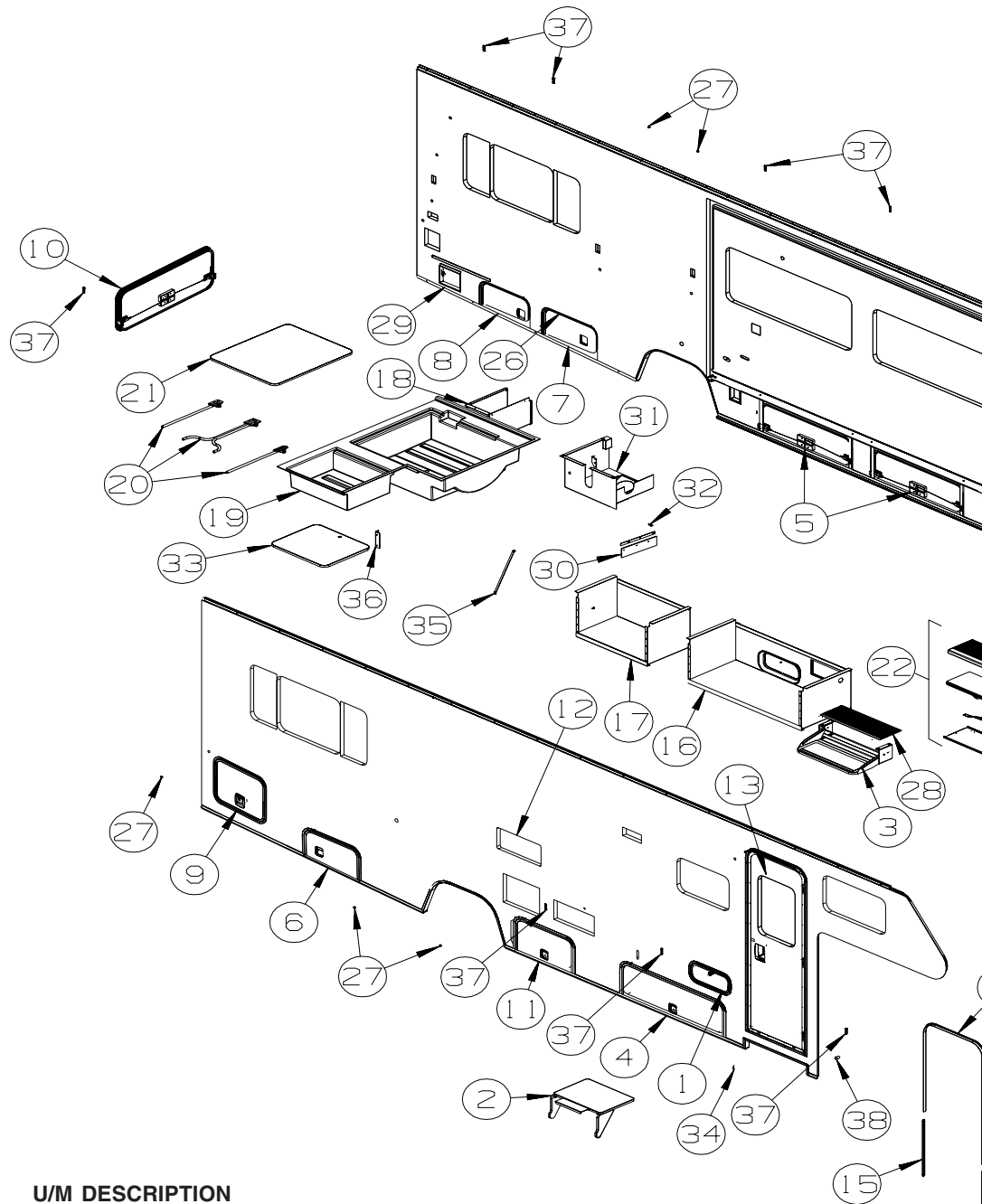
COMPONENT PARTS FOR AWNINGS

113874-01-02A

| KEY | PART NUMBER | U/M | DESCRIPTION | VENDOR NO. |
|-----|---------------|-----|-----------------------------|---------------|
| 1 | 113874-01-714 | EA | RAFTER - MAIN RH/LH BRT/WHT | 830295.536F |
| 2 | 113874-01-715 | EA | RAFTER - SECONDARY BRT/WHT | 830463.511F |
| 3 | 113874-01-702 | EA | KNOB - ADJUSTING | 3105421.014 |
| 4 | 113874-01-706 | EA | LOCK - TRAVEL | 830587.001 |
| 5 | 113874-01-707 | EA | HANDLE - LIFT W/RIVETS | 830644 |
| 6 | 113874-01-712 | EA | FOOT - PATIO | 730366-001 |
| 7 | 113874-01-710 | EA | PLUG-STOP KIT | 830456 |
| 8 | 113874-01-717 | EA | ARM - ADJUSTABLE BRT/WHT | 830467.517/F |
| 9 | 113874-01-709 | EA | NAIL-SPIKE, 8" | 113006 |
| 10 | 113874-01-716 | EA | ARM - MAIN SUPPORT BRT/WHT | 3104502.293/F |
| 11 | 113874-01-703 | EA | ROD-CENTER PULL W/ACCESSORY | 830152.102 |

EXTERIOR DOORS & COMPARTMENTS GROUP

DOOR & COMPARTMENT LAYOUT

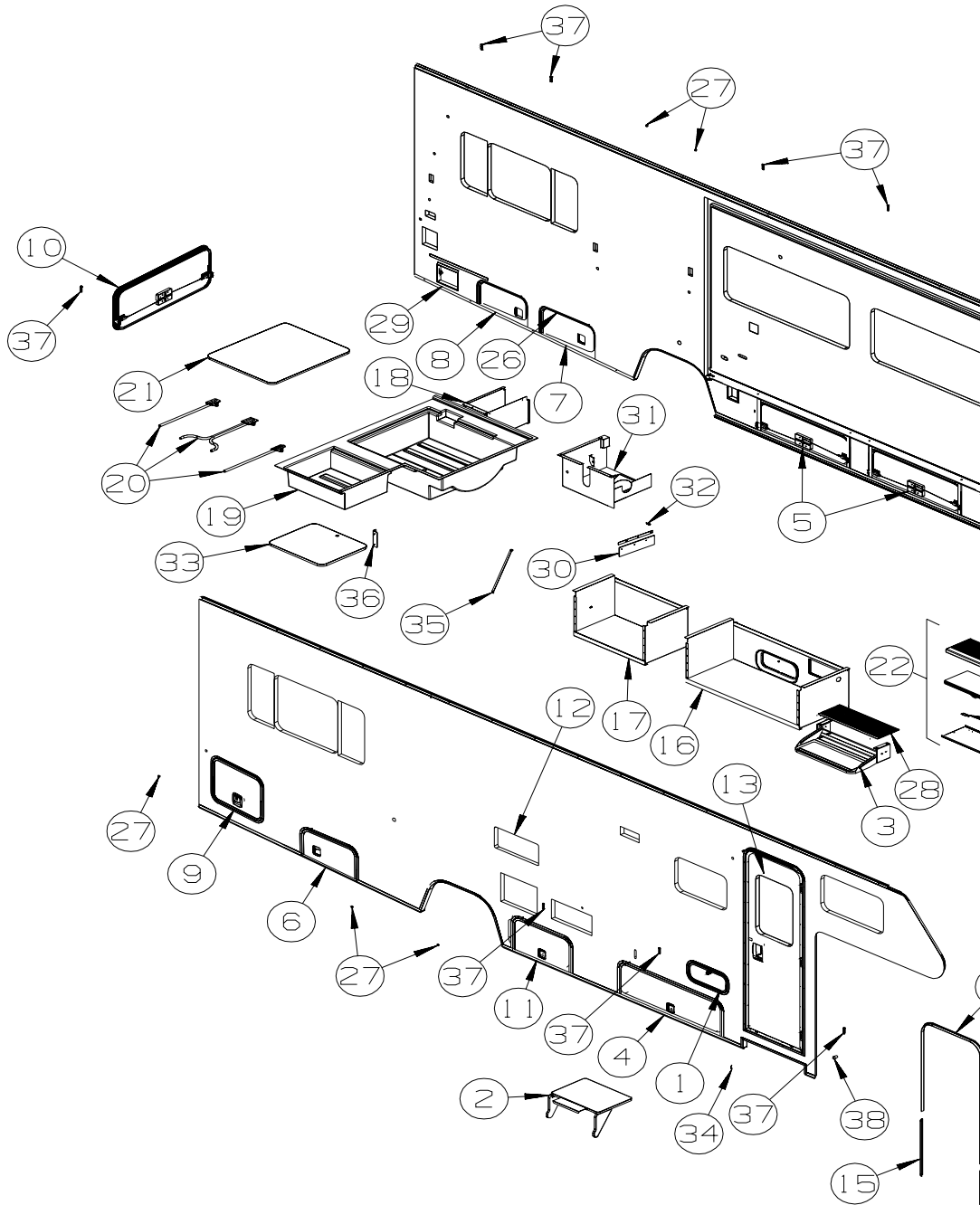


| KEY | PART NUMBER | U/M | DESCRIPTION |
|-----|---------------|-----|--|
| 1 | 126945-09-P07 | EA | DOOR/STORAGE - W/O HARDWARE - 18.3" X 9.9" |
| 2 | 142034-01-01A | EA | SHELF - F/EXTERIOR TV - BRIGHT WHITE |
| 3 | 139748-02-04B | EA | STEP/PULLOUT - W/BRACKETS - BLACK |
| | | | FROM: 00-00-00 THRU: 05-28-06 |
| 3 | 139748-04-04B | EA | STEP/PULLOUT - W/BRACKETS - BLACK |
| | | | FROM: 05-29-06 THRU: 99-99-99 |
| | 102569-04-000 | EA | MAT - ANTI SLIP |
| 3* | 094708-05-01A | EA | STEP - ELECTRIC - SINGLE - BLACK - KWIKEE |
| 4 | 148660-06-S01 | EA | DOOR/STORAGE - W/O HDW/PADDLE LATCH - 47.3" X 16" |
| 4 | 148660-06-AA1 | EA | DOOR/STORAGE - W/O HDW/PADDLE LATCH - 47.3" X 16" - LOWER EXTERIOR PAINT |
| | 150657-25-01B | EA | ROD/WIRE - LATCH |
| | 056795-01-000 | FT | TAPE-SEAL, 1/8~ X 3/8~ WIDE - PRESS ON |
| | 107721-08-000 | FT | SEAL - ACCESS DOOR - .9"WIDE X .9"HIGH |
| 5 | 148660-08-S01 | EA | DOOR/STORAGE - W/O HDW/PADDLE LATCH - 42.1" X 14.2" |
| 5 | 148660-08-AA1 | EA | DOOR/STORAGE - W/O HDW/PADDLE LATCH - 42.1" X 14.2" - LOWER EXTERIOR PAINT |
| | 150657-22-01B | EA | ROD/WIRE - LATCH |
| | 150657-24-01B | EA | ROD/WIRE - LATCH |
| | 056795-01-000 | FT | TAPE-SEAL, 1/8~ X 3/8~ WIDE - PRESS ON |
| | 107721-08-000 | FT | SEAL - ACCESS DOOR - .9"WIDE X .9"HIGH |

EXTERIOR DOORS & COMPARTMENTS GROUP (CONTINUED)
DOOR & COMPARTMENT LAYOUT (CONTINUED)

| KEY | PART NUMBER | U/M | DESCRIPTION |
|-----|---------------|-----|--|
| 6 | 148661-11-S01 | EA | DOOR/STORAGE - PASS W/O HDW/LATCH - 13.1" X 25.4" X 14.5" |
| 6 | 148661-11-AA1 | EA | DOOR/STORAGE - PASS W/O HDW/LATCH - 13.1" X 25.4" X 14.5" - LOWER EXTERIOR PAINT |
| | 150657-10-01B | EA | ROD/WIRE - LATCH |
| | 150657-13-01B | EA | ROD/WIRE - LATCH |
| | 056795-01-000 | FT | TAPE-SEAL, 1/8~ X 3/8~ WIDE - PRESS ON |
| 7 | 148661-13-S01 | EA | DOOR/STORAGE - DRVR W/O HDW/LATCH - 13.7" X 25.4" X 15.1" |
| 7 | 148661-13-AA1 | EA | DOOR/STORAGE - DRVR W/O HDW/LATCH - 13.7" X 25.4" X 15.1" - LOWER EXTERIOR PAINT |
| | 150657-10-01B | EA | ROD/WIRE - LATCH |
| | 150657-13-01B | EA | ROD/WIRE - LATCH |
| | 056795-01-000 | FT | TAPE-SEAL, 1/8~ X 3/8~ WIDE - PRESS ON |
| | 107721-08-000 | FT | SEAL - ACCESS DOOR - .9"WIDE X .9"HIGH |
| 8 | 148661-14-S01 | EA | DOOR/STORAGE - DRVR W/O HDW/LATCH - 12.3" X 23" X 13.5" |
| 8 | 148661-14-AA1 | EA | DOOR/STORAGE - DRVR W/O HDW/LATCH - 12.3" X 23" X 13.5" - LOWER EXTERIOR PAINT |
| | 150657-09-01B | EA | ROD/WIRE - LATCH |
| | 150657-11-01B | EA | ROD/WIRE - LATCH |
| | 056795-01-000 | FT | TAPE-SEAL, 1/8~ X 3/8~ WIDE - PRESS ON |
| | 107721-08-000 | FT | SEAL - ACCESS DOOR - .9"WIDE X .9"HIGH |
| 9 | 150246-06-U21 | EA | DOOR/STORAGE - W/O HARDWARE - 25.2" X 19.3" |
| 9 | 150246-06-AA1 | EA | DOOR/STORAGE - W/O HARDWARE - 25.2" X 19.3" - LOWER EXTERIOR PAINT |
| | 150657-13-01B | EA | ROD/WIRE - LATCH |
| | 150657-42-01B | EA | ROD/WIRE - LATCH |
| | 056795-01-000 | FT | TAPE-SEAL, 1/8~ X 3/8~ WIDE - PRESS ON |
| 10 | 150246-07-U21 | EA | DOOR/STORAGE - W/O HARDWARE - 46.9" X 17.4" |
| 10 | 150246-07-AA1 | EA | DOOR/STORAGE - W/O HARDWARE - 46.9" X 17.4" - LOWER EXTERIOR PAINT |
| | 150657-25-01B | EA | ROD/WIRE - LATCH |
| | 056795-01-000 | FT | TAPE-SEAL, 1/8~ X 3/8~ WIDE - PRESS ON |
| 11 | 148660-04-S01 | EA | DOOR/STORAGE - W/O HDW/PADDLE LATCH - 26.9" X 16" |
| 11 | 148660-04-AA1 | EA | DOOR/STORAGE - W/O HDW/PADDLE LATCH - 26.9" X 16" - LOWER EXTERIOR PAINT |
| | 150657-11-01B | EA | ROD/WIRE - LATCH |
| | 150657-15-01B | EA | ROD/WIRE - LATCH |
| | 155346-07-04B | EA | PROP ROD - 17.3" - BLACK |
| | 056795-01-000 | FT | TAPE-SEAL, 1/8~ X 3/8~ WIDE - PRESS ON |
| | 107721-08-000 | FT | SEAL - ACCESS DOOR - .9"WIDE X .9"HIGH |
| 12* | 084103-08-000 | EA | DOOR - VENT - REFRIGERATOR - W/O JAMB - BRIGHT WHITE |
| 12 | 084104-08-000 | EA | JAMB - VENT DOOR/REFRIGERATOR - BRIGHT WHITE |
| 13 | P32206-18-TR0 | EA | DOOR - ENTRY W/SCREEN DOOR - W/O WINDOW/LATCH (U29, U30) |
| 13 | P32206-18-U23 | EA | DOOR - ENTRY W/SCREEN DOOR - W/O WINDOW/LATCH (U31, U32) |
| 13 | P32206-18-U25 | EA | DOOR - ENTRY W/SCREEN DOOR - W/O WINDOW/LATCH (U33, U34) |
| | 138292-01-000 | EA | SEAL - LOCK CYLINDER |
| 14 | 139100-02-01A | EA | GARNISH/RADIUS - ENTRY DOOR - BRIGHT WHITE |
| 15 | 139101-02-01A | EA | GARNISH/STRAIGHT - 35.31" - W/O NOTCHES - BRIGHT WHITE |
| 16 | 137554-16-N01 | EA | COMPARTMENT - LUGGAGE |
| 16 | 137554-46-U21 | EA | COMPARTMENT - LUGGAGE - WATER HEATER W/MOTOR AID |
| 17 | 137554-10-N01 | EA | COMPARTMENT - LUGGAGE |
| 18 | 140662-01-02B | EA | COMPARTMENT - POWER CORD - E-COATED |
| 19 | 156199-01-01A | EA | COMPARTMENT - TRUNK |
| 20 | 160875-01-01A | EA | LEG - TABLE/FOLDING - W/HDW |
| | | | FROM: 07-24-06 THRU: 99-99-99 |
| 21 | 158154-01-U01 | EA | TABLE - 36.6" X 30.3" - W/O HDW |
| 22 | 104005-08-R07 | EA | LID ASM-ENTRANCE STEP |
| 23 | 123330-05-02B | EA | SUPPORT - ENTRY STEP - E-COATED |
| 24 | 146747-01-02B | EA | BRACKET/CATCH - E-COATED |
| 25 | 147781-01-01A | EA | TREAD/STEP - RUBBER - TAUPE |
| 26 | 116975-01-01A | EA | LATCH - W/O STRIKE - BLACK - NEW STYLE |
| 27 | 120863-05-000 | EA | BUMPER - RUBBER/RADIUS TOP - 3/4" X 3/8" |
| 28 | 133114-03-01A | EA | TREAD - STEP/RUBBER - 27.1" X 10.1" - TAUPE |
| 29 | 142894-01-01A | EA | DOOR/POWER CORD - W/HATCH - W/LOCK - BRIGHT WHITE |
| 30 | 017516-10-000 | EA | MUD FLAP - 3.9"H X 14.9"W - RUBBER - BLACK |
| 31 | 139455-03-02B | EA | COMPARTMENT - DRAINAGE - E-COATED |
| 32 | 153718-01-01A | EA | LATCH - HOLD DOWN PANEL - STAINLESS STEEL |
| 33 | 158154-03-U21 | EA | TABLE - 25.7" X 22.4" - W/O HDW |
| 34 | 105312-01-07A | FT | INSERT - FEATURE STRIP - VINYL - BRIGHT WHITE |
| 35 | 147811-01-02B | EA | TUBE/SUPPORT - FLOOR TO VALANCE PANEL - E-COATED |
| 36 | 157588-02-02B | EA | ANGLE - W/WELD STUD - 6.7" - E-COATED |

EXTERIOR DOORS & COMPARTMENTS GROUP (CONTINUED)
DOOR & COMPARTMENT LAYOUT (CONTINUED)



| KEY | PART NUMBER | U/M | DESCRIPTION |
|---------------------------------|---------------|-----|--|
| 37 | 102768-01-000 | EA | HOLDER - COMPARTMENT/ENTRY DOOR - METAL - MILL FINISH |
| 38 | 117046-02-000 | EA | BUMPER - RUBBER/ROUND END - 1.5" |
| 39 | 104692-01-000 | FT | SEAL - ADHESIVE BACKED FOAM - 3/4" THICK X 3/4" WIDE X 25' |
| ENTRY DOOR LOCK CYLINERS | | | |
| | 138287-11-000 | EA | CYLINDER/LOCK - ENTRY DOOR - MASTER W/3M ICON - (3041) |
| | 138287-12-000 | EA | CYLINDER/LOCK - ENTRY DOOR - MASTER W/3M ICON - (3042) |
| | 138287-13-000 | EA | CYLINDER/LOCK - ENTRY DOOR - MASTER W/3M ICON - (3043) |
| | 138287-14-000 | EA | CYLINDER/LOCK - ENTRY DOOR - MASTER W/3M ICON - (3044) |
| | 138287-15-000 | EA | CYLINDER/LOCK - ENTRY DOOR - MASTER W/3M ICON - (3045) |
| | 138287-16-000 | EA | CYLINDER/LOCK - ENTRY DOOR - MASTER W/3M ICON - (3046) |
| | 138287-17-000 | EA | CYLINDER/LOCK - ENTRY DOOR - MASTER W/3M ICON - (3047) |
| | 138287-18-000 | EA | CYLINDER/LOCK - ENTRY DOOR - MASTER W/3M ICON - (3048) |
| | 138287-19-000 | EA | CYLINDER/LOCK - ENTRY DOOR - MASTER W/3M ICON - (3049) |
| | 138287-20-000 | EA | CYLINDER/LOCK - ENTRY DOOR - MASTER W/3M ICON - (3050) |

EXTERIOR DOORS & COMPARTMENTS GROUP (CONTINUED)
DOOR & COMPARTMENT LAYOUT (CONTINUED)

VALANCE DOOR, WATER FILL, FUEL FILL DOOR LOCK CYLINDERS

| KEY | PART NUMBER | U/M | DESCRIPTION |
|------------|--------------------|------------|---|
| | 138289-11-000 | EA | CYLINDER/LOCK - ACCESS DOORS - REDUCED SENSITIVITY (3041) |
| | 138289-12-000 | EA | CYLINDER/LOCK - ACCESS DOORS - REDUCED SENSITIVITY (3042) |
| | 138289-13-000 | EA | CYLINDER/LOCK - ACCESS DOORS - REDUCED SENSITIVITY (3043) |
| | 138289-14-000 | EA | CYLINDER/LOCK - ACCESS DOORS - REDUCED SENSITIVITY (3044) |
| | 138289-15-000 | EA | CYLINDER/LOCK - ACCESS DOORS - REDUCED SENSITIVITY (3045) |
| | 138289-16-000 | EA | CYLINDER/LOCK - ACCESS DOORS - REDUCED SENSITIVITY (3046) |
| | 138289-17-000 | EA | CYLINDER/LOCK - ACCESS DOORS - REDUCED SENSITIVITY (3047) |
| | 138289-18-000 | EA | CYLINDER/LOCK - ACCESS DOORS - REDUCED SENSITIVITY (3048) |
| | 138289-19-000 | EA | CYLINDER/LOCK - ACCESS DOORS - REDUCED SENSITIVITY (3049) |
| | 138289-20-000 | EA | CYLINDER/LOCK - ACCESS DOORS - REDUCED SENSITIVITY (3050) |
| | 138288-11-000 | EA | KEY - REVERSIBLE - #3041 - T/M 16169-02-3041 |
| | 138288-12-000 | EA | KEY - REVERSIBLE - #3042 - T/M 16169-02-3042 |
| | 138288-13-000 | EA | KEY - REVERSIBLE - #3043 - T/M 16169-02-3043 |
| | 138288-14-000 | EA | KEY - REVERSIBLE - #3044 - T/M 16169-02-3044 |
| | 138288-15-000 | EA | KEY - REVERSIBLE - #3045 - T/M 16169-02-3045 |
| | 138288-16-000 | EA | KEY - REVERSIBLE - #3046 - T/M 16169-02-3046 |
| | 138288-17-000 | EA | KEY - REVERSIBLE - #3047 - T/M 16169-02-3047 |
| | 138288-18-000 | EA | KEY - REVERSIBLE - #3048 - T/M 16169-02-3048 |
| | 138288-19-000 | EA | KEY - REVERSIBLE - #3049 - T/M 16169-02-3049 |
| | 138288-20-000 | EA | KEY - REVERSIBLE - #3050 - T/M 16169-02-3050 |

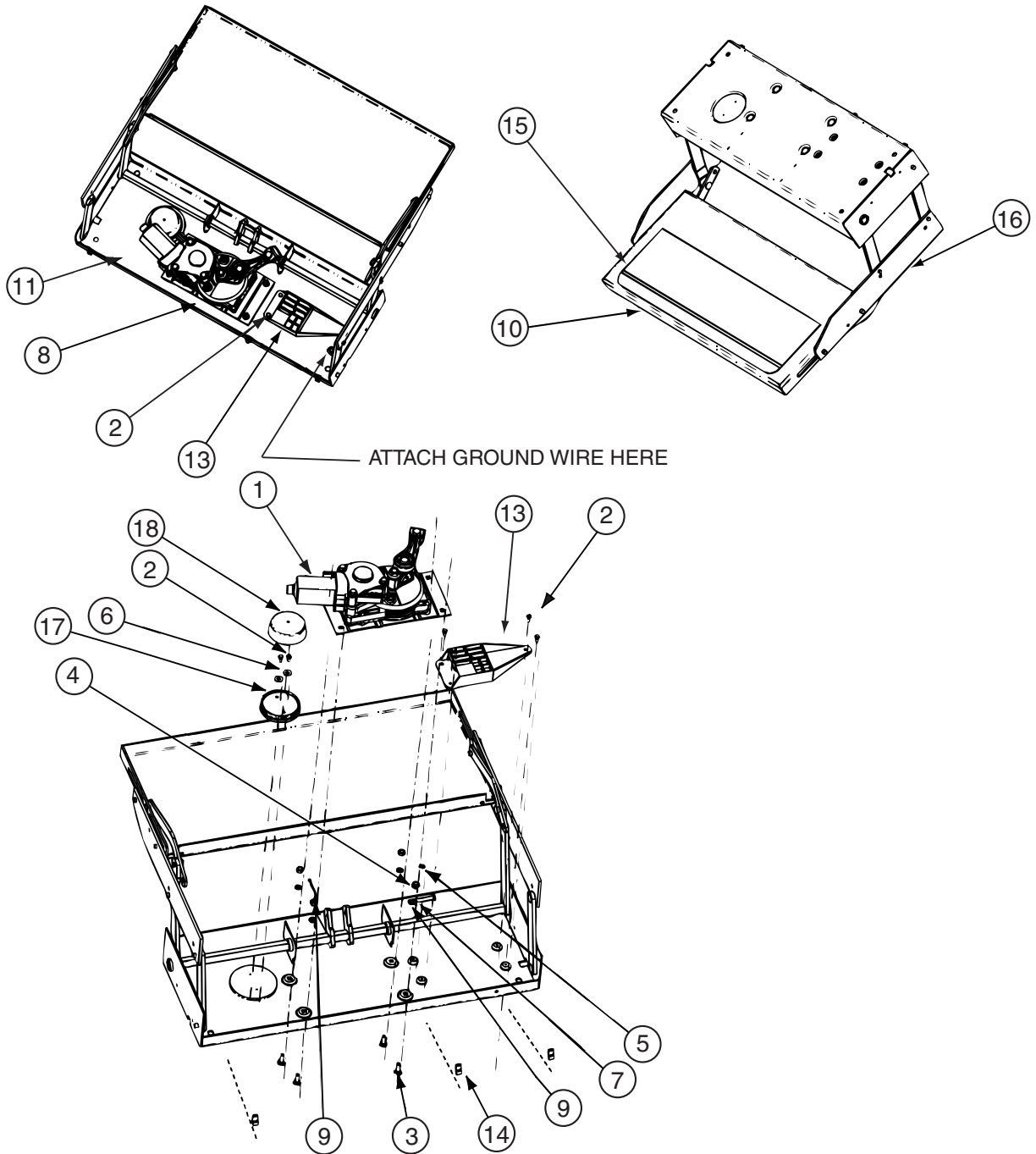
***COMPONENT PARTS LISTED LATER IN THIS GROUP**

EXTERIOR DOORS & COMPARTMENTS GROUP (CONTINUED)

COMPONENT PARTS FOR DOOR & COMPARTMENT LAYOUT

084103-08-000

| KEY | PART NUMBER | U/M DESCRIPTION | VENDOR NO. |
|-----|---------------|--------------------------|-------------|
| | 084104-01-700 | EA LOCK-MALE, FASTENER | 201-721-010 |
| | 084104-01-701 | EA LOCK-FEMALE, FASTENER | 201-802-010 |

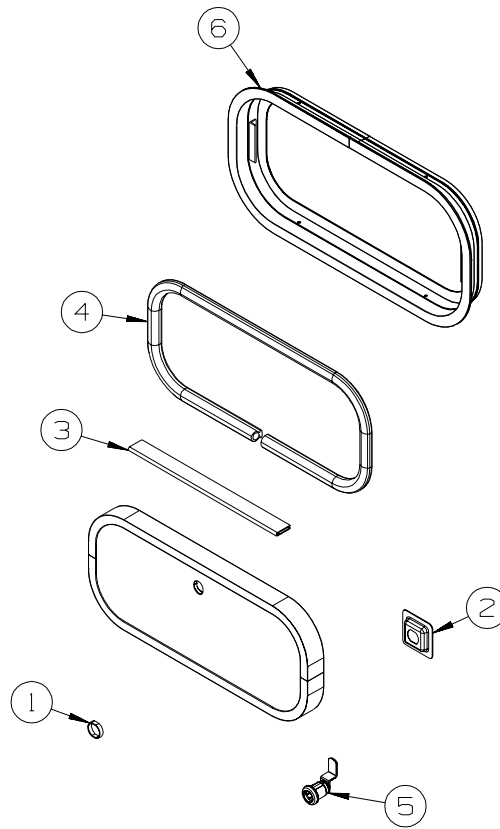


094708-05-01A

| KEY | PART NUMBER | U/M DESCRIPTION | VENDOR NO. |
|-----|---------------|--------------------------------|------------|
| 1 | 094707-04-701 | EA MOTOR "AM 214" F/IMGL STEPS | 1101428 |
| 13 | 094707-04-700 | EA CONTROL UNIT W/OVERRIDE | 909510000 |
| 15 | 143709-01-702 | EA TREAD/NON-SKID 6" X 21" BLK | 1915260 |
| 16 | 094708-05-701 | EA FRAME W/SGL STEP,28 SERIES | 908028000 |
| 17 | 088746-01-705 | EA LIGHT-UNDER STEP | 9004 |
| | 094707-03-701 | EA PLUG - 4-WAY - PACKARD | 909306 |
| | 094707-04-702 | EA COTTER PIN - W/CLEVIS PIN | 905205000 |
| | 094707-04-711 | EA KWIKTEST - W/4-WAY PIGTAIL | 909518000 |
| | 094708-05-700 | EA GEAR BOX W/LINKAGE-STRAIGHT | 1101426 |

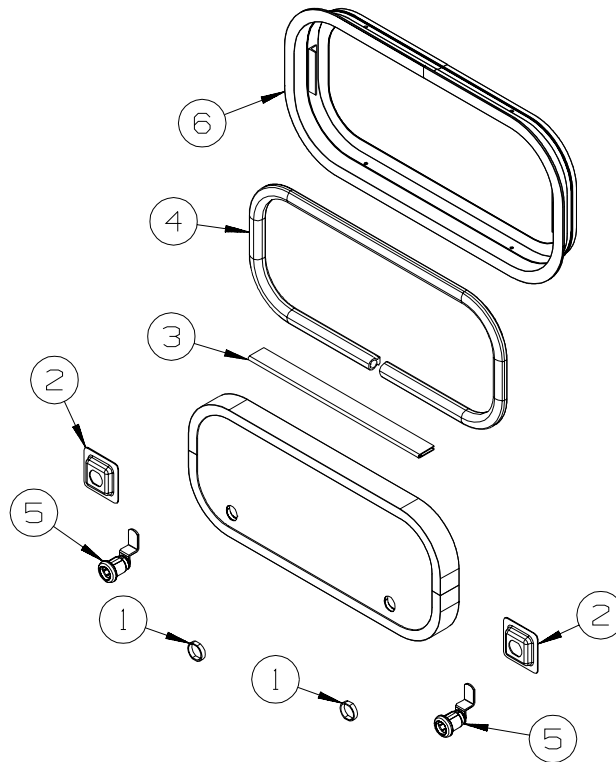
CONTACT WINNEBAGO PART SALES FOR UNLISTED COMPONENT(S)

EXTERIOR DOORS & COMPARTMENTS GROUP (CONTINUED)
COMPARTMENT DOOR PIECE PARTS



| KEY | PART NUMBER | U/M | DESCRIPTION |
|-----|---------------|-----|--|
| 1 | 139325-01-000 | EA | SPACER - LOCK - 6MM |
| | 139337-01-000 | EA | GASKET - LOCK |
| 2 | 097111-02-04A | EA | POCKET - LOCK - REAR DOOR - BLACK |
| 2 | 097111-02-05A | EA | POCKET - LOCK - REAR DOOR - BRIGHT WHITE |
| 3 | 081801-FN-000 | EA | HINGE - DOOR - PIANO - 2" X 96" - BLACK |
| 3 | 081801-V3-000 | EA | HINGE - DOOR - PIANO - 2" X 96" - BRIGHT WHITE |
| 4 | 156386-01-01A | FT | SEAL - BULB - W/ADHESIVE BACK |
| 5 | 138290-02-000 | EA | CASE - W/CAM - W/O CYLINDER/KEY |
| 6 | 056795-01-000 | FT | TAPE - SEAL - 1/8" X 3/8" WIDE - PRESS ON |

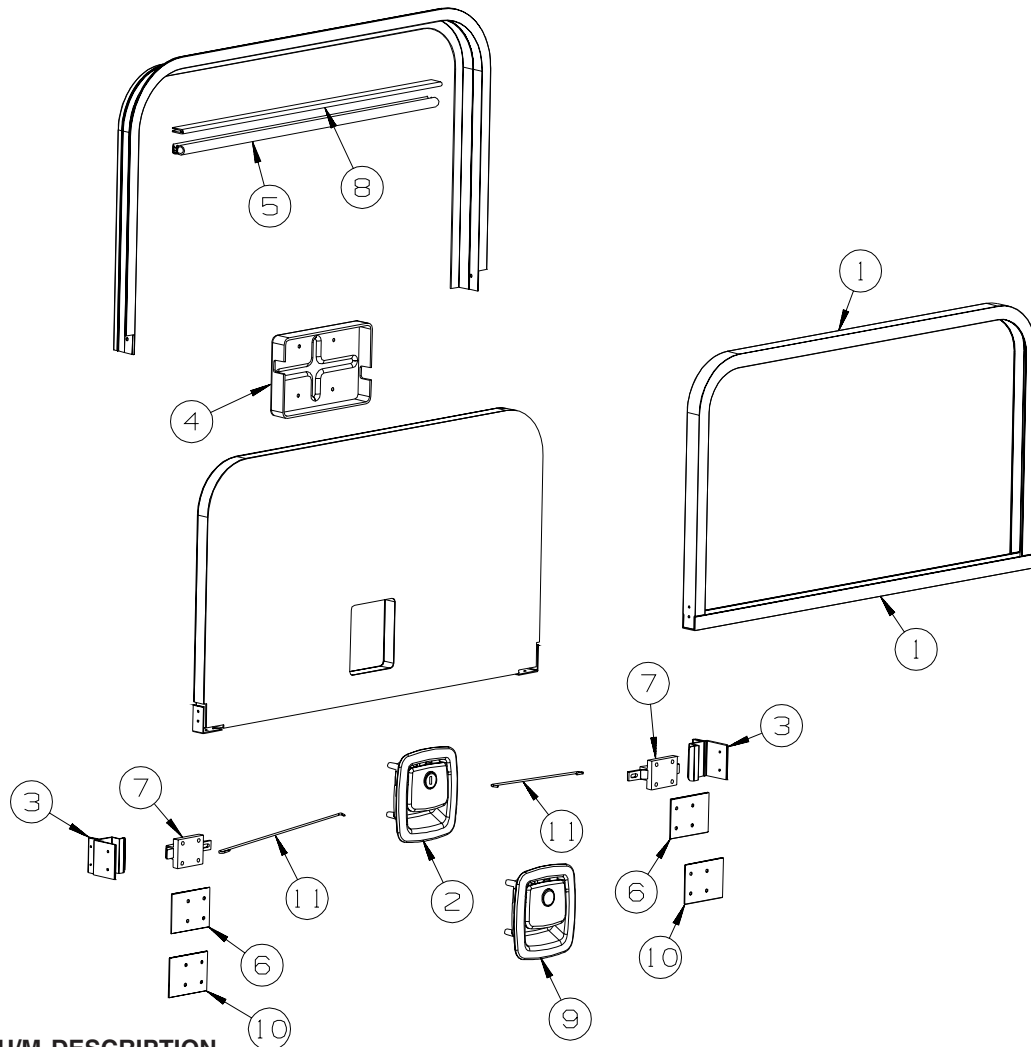
EXTERIOR DOORS & COMPARTMENTS GROUP (CONTINUED)
COMPARTMENT DOOR PIECE PARTS (CONTINUED)



| KEY | PART NUMBER | U/M | DESCRIPTION |
|-----|---------------|-----|---|
| 1 | 144734-01-000 | EA | SPACER - COMPARTMENT DOOR LOCK - 9/16" DEEP - TWIST LOCK/STRATTEC LOCKS |
| 1 | 139325-01-000 | EA | SPACER - LOCK - 6MM - TRI/MARK LOCKS |
| | 139337-01-000 | EA | GASKET - LOCK - TRI/MARK LOCKS |
| 2 | 097111-02-04A | EA | POCKET - LOCK - REAR DOOR - BLACK |
| 3 | 081801-V3-000 | EA | HINGE - DOOR - PIANO - 2" X 96" - BRIGHT WHITE |
| 3 | 081801-FN-000 | EA | HINGE - DOOR - PIANO - 2" X 96" - BLACK |
| 4 | 156386-01-01A | FT | SEAL - BULB - .4" X .5" - W/ADHESIVE BACK |
| 5* | 110506-27-000 | EA | LOCK - TWIST - 1.6" - TWIST LOCK |
| | 110506-55-000 | EA | CASE/CYLINDER - TWIST LOCK - W/O CAM - 1.25" - 597312AA1 - TWIST LOCK |
| | 110506-66-000 | EA | CAM - LATCHING - DOG LEG - 1.5" LONG - TWIST LOCK |
| 5 | 138637-04-000 | EA | LOCK ASM. - KEYED - 1.5" CASE (CYLINDER/CAM/HDWR PKG) - KEYED LOCK/ STRATTEC |
| | 144474-01-000 | EA | ADAPTER - LOCK - 180 DEGREE |
| | 138637-63-000 | EA | CAM - LATCHING - DOG LEG - 1 1/2" LONG |
| | 138637-53-000 | EA | CASE/CYLINDER - LOCKING - W/O CAM/KEY - 1.5" |
| | 138637-53-001 | EA | CASE/CYLINDER - LOCKING - W/O CAM/KEY - 1.5" |
| | 138637-53-002 | EA | CASE/CYLINDER - LOCKING - W/O CAM/KEY - 1.5" |
| | 138637-53-003 | EA | CASE/CYLINDER - LOCKING - W/O CAM/KEY - 1.5" |
| | 138637-53-004 | EA | CASE/CYLINDER - LOCKING - W/O CAM/KEY - 1.5" |
| | 138637-53-005 | EA | CASE/CYLINDER - LOCKING - W/O CAM/KEY - 1.5" |
| | 138637-53-006 | EA | CASE/CYLINDER - LOCKING - W/O CAM/KEY - 1.5" |
| | 138637-53-007 | EA | CASE/CYLINDER - LOCKING - W/O CAM/KEY - 1.5" |
| | 138637-53-008 | EA | CASE/CYLINDER - LOCKING - W/O CAM/KEY - 1.5" |
| | 138637-53-009 | EA | CASE/CYLINDER - LOCKING - W/O CAM/KEY - 1.5" |
| 5 | 138290-02-000 | EA | CASE - W/CAM - W/O CYLINDER/KEY - KEYED ALIKE TRIMARK LOCK LISTED IN LAYOUT |
| 6 | 056795-01-000 | FT | TAPE-SEAL, 1/8~ X 3/8~ WIDE - PRESS ON |

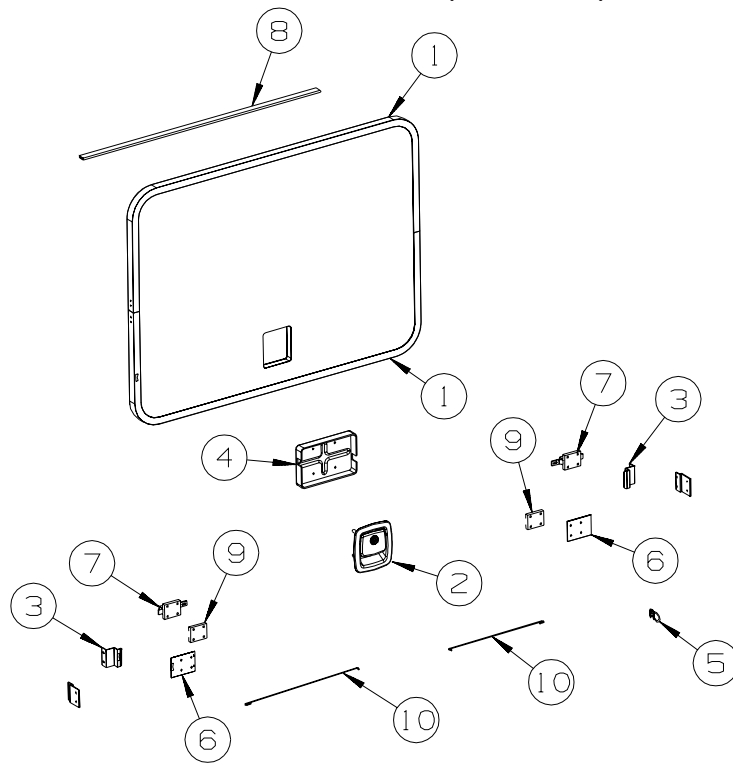
***COMPONENT PARTS LISTED LATER IN THIS GROUP**

EXTERIOR DOORS & COMPARTMENTS GROUP (CONTINUED)
COMPARTMENT DOOR PIECE PARTS (CONTINUED)

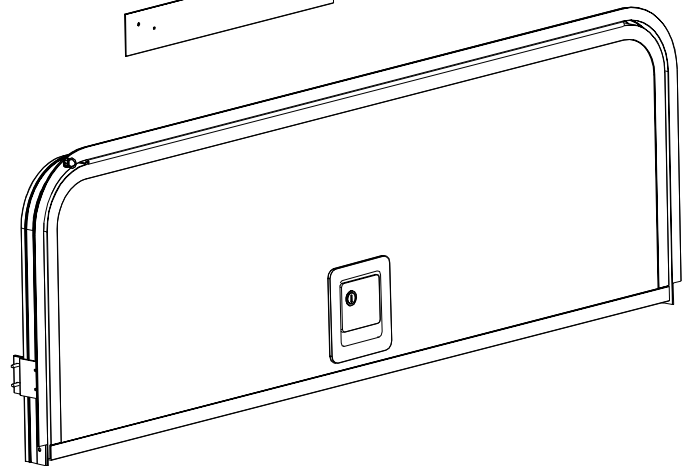
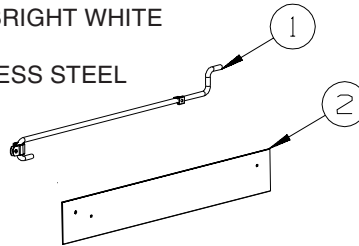


| KEY | PART NUMBER | U/M | DESCRIPTION |
|-----|---------------|-----|--|
| 1 | 096217-55-006 | EA | U-CHANNEL - 210" - BRIGHT WHITE |
| 1 | 096217-55-009 | EA | U-CHANNEL - 210" - BLACK - LOWER EXTERIOR PAINT |
| 2 | 154900-01-02A | EA | LATCH/PADDLE - LOCKING - COMPT DOOR - KEY ONE - WHITE |
| 2 | 154900-01-01A | EA | LATCH/PADDLE - LOCKING - COMPT DOOR - KEY ONE - BLACK - LOWER EXTERIOR PAINT |
| 3 | 150789-01-S01 | EA | STRIKER - STORAGE DOOR |
| 4 | 122277-06-02A | EA | COVER - LATCH - WHITE |
| 5 | 151104-01-01A | FT | SEAL - BULB - W/WIRED U CHANNEL - .3" X .5" CHANNEL-BLACK |
| 6 | 121577-07-01A | EA | STRAP/PLATE - W/HOLE - 2.25" X 3" - BRIGHT WHITE |
| 7 | 149741-01-01A | EA | BOLT - SLIDE/LATCH |
| 8 | 151229-06-01A | EA | HINGE - CONTINUOUS - 1.5" X 72.4" - BRIGHT WHITE |
| 8 | 151229-06-02A | EA | HINGE - CONTINUOUS - 1.5" X 72.4" - BLACK - LOWER EXTERIOR PAINT |
| 9 | 154900-02-02A | EA | LATCH/PADDLE - NON LOCKING - COMPT DOOR - WHITE |
| 9 | 154900-02-01A | EA | LATCH/PADDLE - NON LOCKING - COMPT DOOR - BLACK - LOWER EXTERIOR PAINT |
| 10 | 149738-01-01A | EA | SPACER - SLIDE BOLT |
| 11 | 150150-01-000 | EA | ROD - LATCH (BLANK) - 27.5" - STAINLESS STEEL |

EXTERIOR DOORS & COMPARTMENTS GROUP (CONTINUED)
COMPARTMENT DOOR PIECE PARTS (CONTINUED)



| KEY | PART NUMBER | U/M | DESCRIPTION |
|-----|---------------|-----|---|
| 1 | 096217-55-006 | EA | U-CHANNEL - 210" - BRIGHT WHITE |
| 2 | 154900-01-02A | EA | LATCH/PADDLE - LOCKING - COMPT DOOR - KEY ONE - WHITE |
| 2 | 154900-01-01A | EA | LATCH/PADDLE - LOCKING - COMPT DOOR - KEY ONE - BLACK |
| 3 | 150789-01-S01 | EA | STRIKER - STORAGE DOOR |
| 4 | 122277-06-02A | EA | COVER - LATCH - WHITE |
| 5 | 151104-01-01A | FT | SEAL - BULB - W/WIRED U CHANNEL - .3" X .5" CHANNEL-BLACK |
| 6 | 121577-07-01A | EA | PLATE - W/HOLE - BRIGHT WHITE |
| | 035648-51-001 | EA | STRAP - EXTRUSION - 2.25" X 80.6" |
| 7 | 149741-01-01A | EA | BOLT - SLIDE/LATCH |
| 8 | 151229-06-01A | EA | HINGE - CONTINUOUS - 1.5" X 72.4" - BRIGHT WHITE |
| 9 | 149738-01-01A | EA | SPACER - SLIDE BOLT |
| 10 | 150150-01-000 | EA | ROD - LATCH (BLANK) - 27.5" - STAINLESS STEEL |



| KEY | PART NUMBER | U/M | DESCRIPTION |
|-----|---------------|-----|---|
| 1 | 155346-03-04B | EA | PROP ROD - 10.6" - BLACK |
| 1 | 155346-04-04B | EA | PROP ROD - 15.3" - BLACK |
| 1 | 155346-07-04B | EA | PROP ROD - 17.3" - BLACK |
| 2 | 121577-02-01A | EA | STRAP/PLATE - W/HOLE - 2.25" X 11.8" - BRIGHT WHITE |
| 2 | 121577-06-01A | EA | STRAP/PLATE - W/HOLE - 2.25" X 15.8" - BRIGHT WHITE |
| 2 | 121577-07-01A | EA | STRAP/PLATE - W/HOLE - 2.25" X 3" - BRIGHT WHITE |
| 2 | 121577-08-01A | EA | STRAP/PLATE - W/HOLE - 2.25" X 10" - BRIGHT WHITE |
| | 035648-51-001 | EA | STRAP - EXTRUSION - 2.25" X 80.6" |

EXTERIOR DOORS & COMPARTMENTS GROUP (CONTINUED)

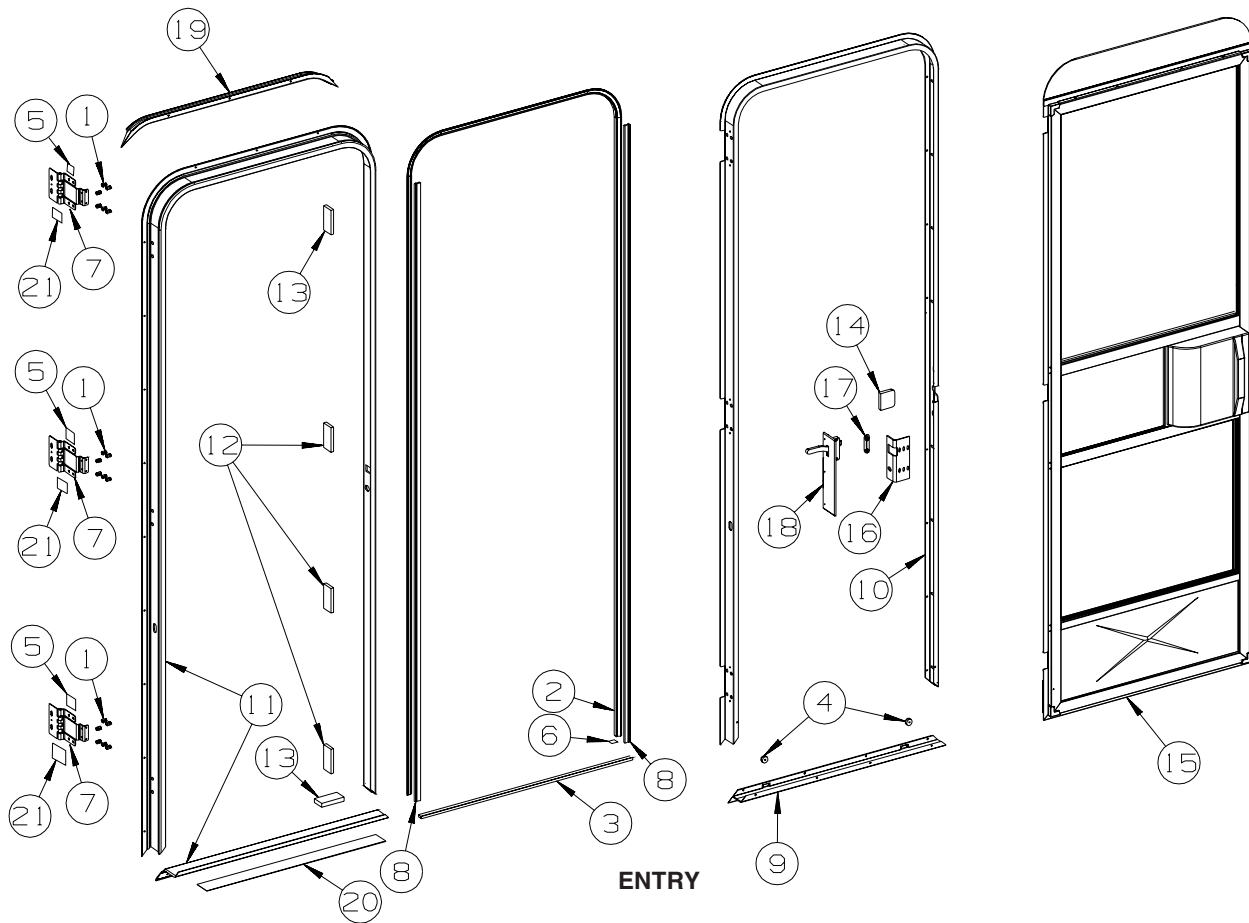
COMPONENT PARTS FOR COMPARTMENT DOOR PIECE PARTS

110506-A1-000, 110506-A2-000, 110506-26-000, 110506-27-000, 110506-36-000

KEY PART NUMBER
110506-40-700

U/M DESCRIPTION
EA HDWE KIT

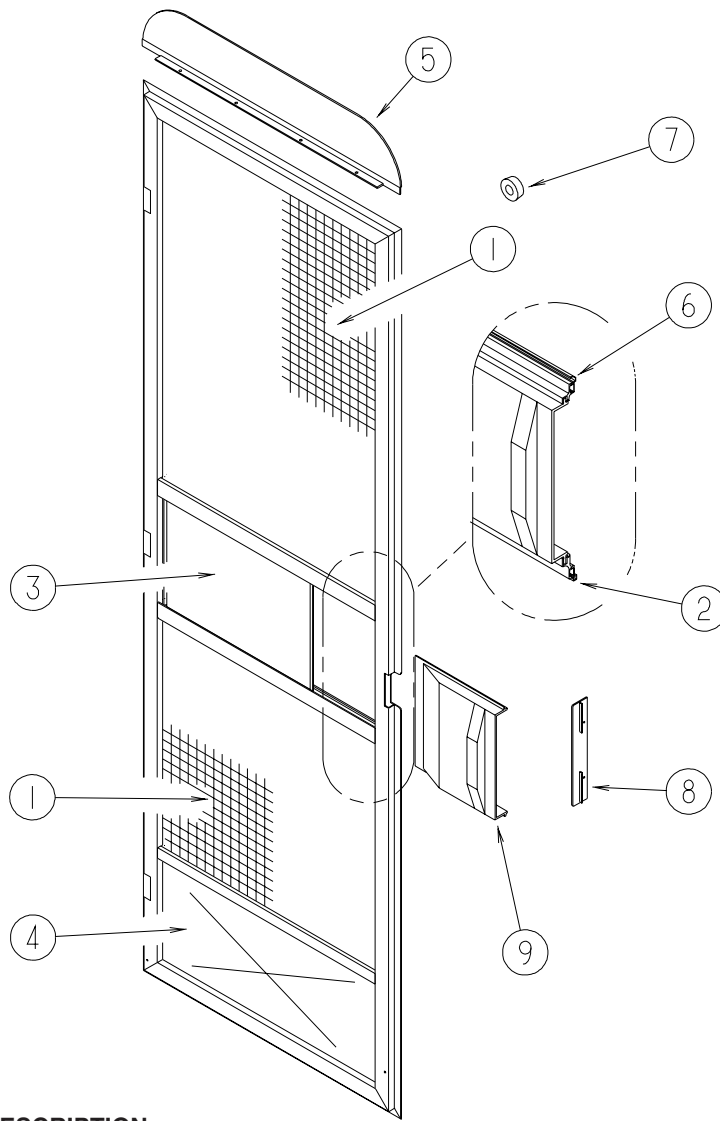
VENDOR NO.
596950AAL



KEY PART NUMBER
1 039715-01-000
2 075671-04-000
3 075673-05-000
4 081914-02-000
5 100128-02-000
6 104692-01-000
7 106719-01-05A
8 118929-01-01A
9 121893-01-01A
10 121894-30-01A
11 121898-18-01A
12 125724-01-000
13 125724-02-000
14 130096-05-000
15 P32208-04-L07
16 137401-01-03B
17 148364-01-12B
18 132915-01-01A
19 139054-01-01A
20 038327-01-000
21 154585-01-01A

U/M DESCRIPTION
EA NUT-SERT - 1/4" DIAMETER - 20 THREADS
FT SEAL - SPONGE - LAZY T - W/ADHESIVE STRIP - .5" WIDE
FT SEAL/PILE - .5" HIGH W/ADHESIVE BACK - BLACK
EA BUMPER - RUBBER - ROUND - 5/16" DIA. X 13/64" THICK
FT SEAL - FOAM/ADHESIVE BACK - .37" WIDE X .37" THICK
FT SEAL - ADHESIVE BACKED FOAM - 3/4" THICK X 3/4" WIDE X 25'
EA HINGE - ENTRY DOOR - BRIGHT WHITE
FT SEAL - PILE - PUSH ON
EA FRAME - ENTRY DOOR/LOWER - BRIGHT WHITE
EA FRAME - ENTRY DOOR - BRIGHT WHITE
EA JAMB - DOOR/ENTRANCE - BRIGHT WHITE
EA SHIM - DOOR, ENTRANCE
EA SHIM - DOOR, ENTRANCE
EA FOAM - SCREEN DOOR, RETAINER
EA DOOR - SCREEN - W/O HARDWARE
EA BRACKET - DOOR ANGLE - OFF WHITE
EA STRIKE - SCREEN DOOR - BRIGHT WHITE
EA LATCH - SCREEN DOOR - BLACK
EA CAP - DRIP - JAMB MOUNTED - BRIGHT WHITE
EA TAPE - ANTI-SLIP - 2" X 60'
FT SEAL - FOAM TAPE - ADHESIVE BACK - 3/8" X 3/8" - BLACK

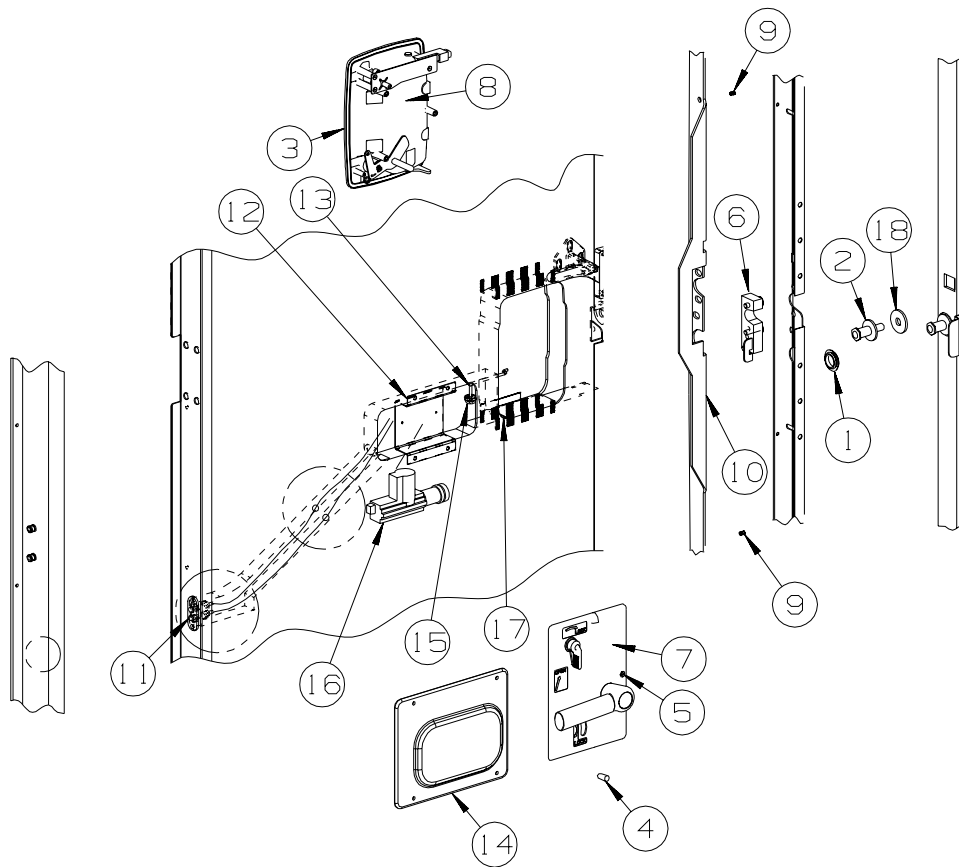
EXTERIOR DOORS & COMPARTMENTS GROUP (CONTINUED)
SCREEN



| KEY | PART NUMBER | U/M | DESCRIPTION |
|-----|---------------|-----|--|
| 1 | 002293-02-000 | SF | SCREEN - 26" - CHARCOAL |
| 2 | 002294-01-000 | FT | SPLINE - SCREENING - .13" X .14" |
| 3 | 016454-21-000 | EA | INSERT/CENTER - SCREEN DOOR |
| 4 | 078552-03-000 | EA | KICK PANEL - SCREEN DOOR - LOWER INSERT - UNPAINTED |
| 5 | 078595-01-000 | EA | TOP PLATE - SCREEN DOOR - CURVED TOP - 4.7" X 25.35" |
| 6 | 078777-08-000 | FT | CHANNEL - SLIDER - 4 FOOT INCREMENTS |
| 7 | 120863-09-000 | EA | BUMPER - RUBBER/RADIUS TOP - 3/4" X 3/8" - LT GRAY |
| 8 | 132081-01-01A | EA | STRIKE - SLIDER - SCREEN DOOR - BRIGHT WHITE |
| 9 | 132082-01-01A | EA | SLIDER - SCREEN DOOR - BRIGHT WHITE |

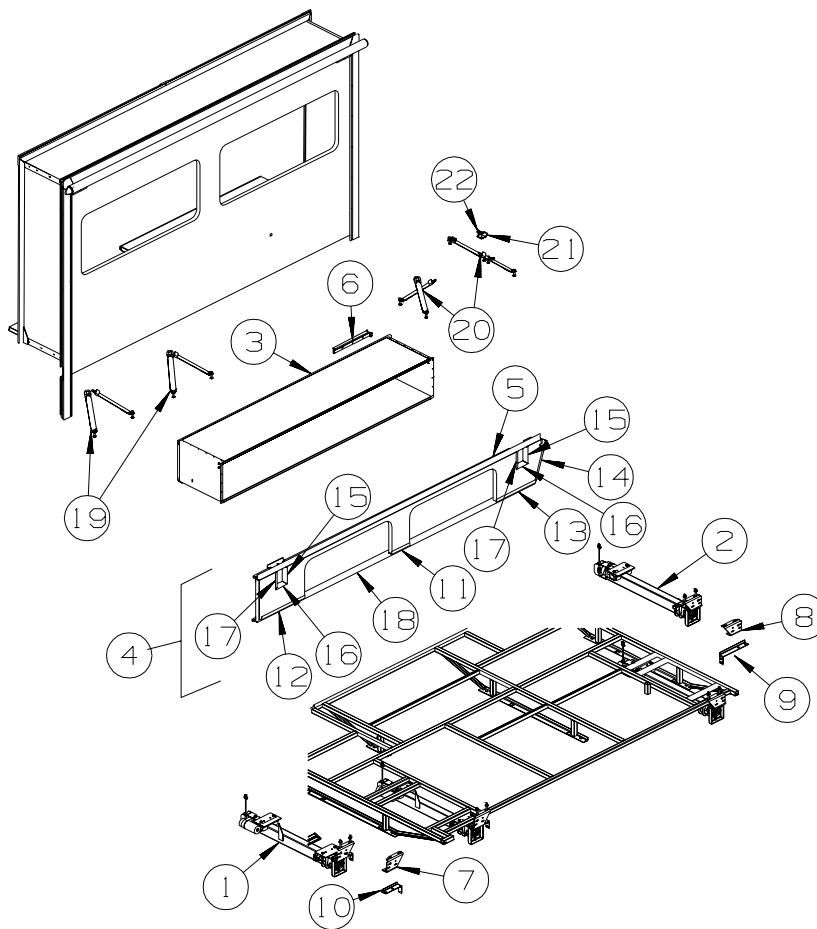
EXTERIOR DOORS & COMPARTMENTS GROUP (CONTINUED)

LATCH - ENTRY



| KEY | PART NUMBER | U/M | DESCRIPTION |
|-----|---------------|-----|--|
| 1 | 061420-14-000 | EA | PLUG/PLASTIC - 7/8" DIAMETER - BLACK |
| 2 | 092927-20-000 | EA | STRIKER - BOLT |
| 3 | 112782-04-01A | EA | GASKET |
| 4 | 112782-05-01A | EA | CAP - VINYL - RED |
| 5 | 112782-08-01A | EA | SCREW - MOUNTING/PLATE - ZINC |
| 6 | 112782-22-01A | EA | LATCH - SINGLE ROTOR |
| 7 | 112782-21-01A | EA | LATCH - INTERIOR PLATE |
| 7 | 112782-27-01A | EA | LATCH - INTERIOR PLATE |
| | | | FROM: 00-00-00 THRU: 04-30-06 |
| | | | FROM: 05-01-06 THRU: 99-99-99 |
| 8 | 112782-20-01A | EA | LATCH - EXTERIOR - W/O LOCK CYLINDER W/ICON-REVERSIBLE KEY |
| 9 | 072893-04-000 | EA | NUTSERT - 10-32 |
| 10 | 132207-01-02B | EA | STIFFENER/DOOR - FORMED - E-COATED - OUTLOOK, SPIRIT, SIGHTSEER, SUNOVA |
| 10 | 132207-03-02B | EA | STIFFENER/DOOR - FORMED - E-COATED - VIEW, ASPECT, NAVION, CAMBRIA |
| 11 | 138897-01-000 | EA | SWITCH - 2 PIN/SPRING LOADED CONTACTS (EA=1 SWITCH) |
| 12 | 113650-02-02B | EA | BRACKET - ACTUATOR - ELECTRIC - E-COATED |
| 13 | 113651-01-01A | EA | ROD - CONTROL - MOTOR/LOCK |
| 14 | 113960-01-01A | EA | COVER - ACTUATOR - POWER LOCK |
| 15 | 114209-01-01A | EA | PUSHNUT - CAP - 1/8" - WHITE |
| 16 | 138898-01-000 | EA | ACTUATOR/LOCK - ELECTRIC |
| 17 | 137230-01-01A | EA | SPACER- NOTCHED, MILL |
| 18 | 147900-01-01A | EA | SPACER-STRIKE BOLT, MILL |

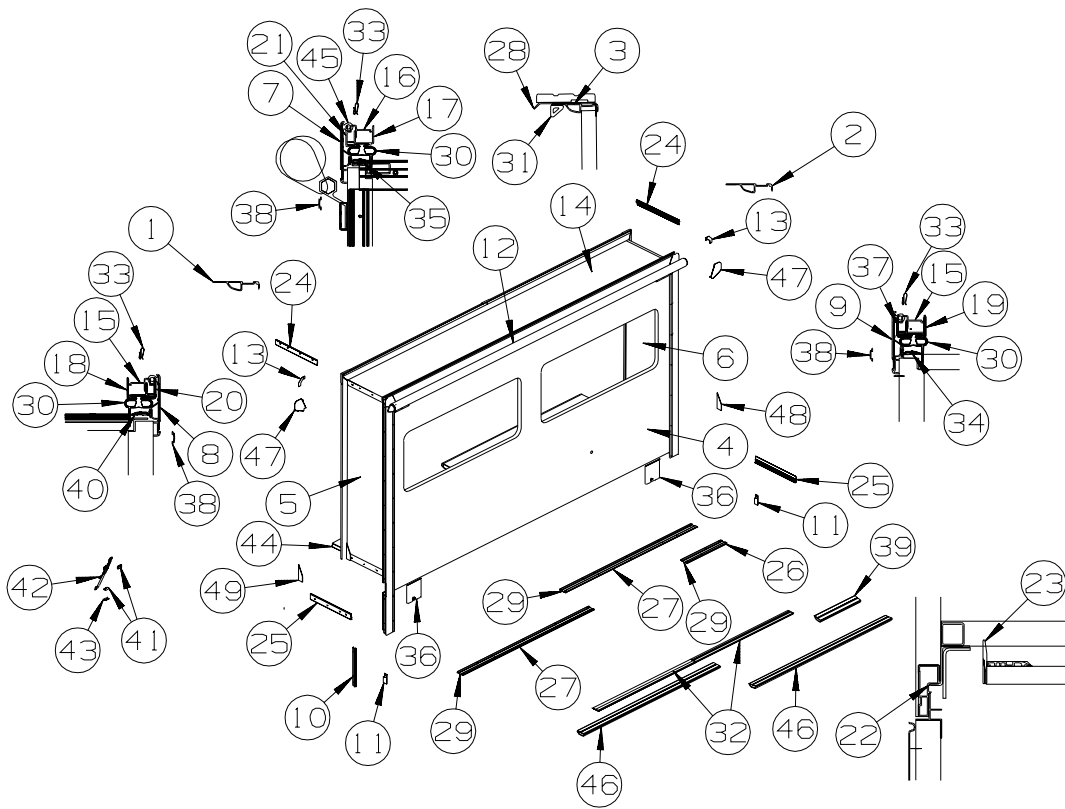
EXTERIOR SLIDEOUT GROUP FRONT LEFT



| KEY | PART NUMBER | U/M | DESCRIPTION |
|-----|---------------|-----|---|
| 1* | 142598-01-000 | EA | SLIDE ARM ASSEMBLY - FRONT - ELECTRIC |
| 2* | 142598-02-000 | EA | SLIDE ARM ASSEMBLY - REAR - ELECTRIC |
| | 138173-05-000 | EA | WRENCH - RETRACT CRANK HANDLE - F/SLIDEOUT |
| 3 | 140962-03-T11 | EA | COMPARTMENT - SLIDEOUT |
| 4 | 150125-03-U21 | EA | PANEL/SEAL PLANE - W/TRIMS/STORAGE DOOR JAMBS - F/SLIDEOUT (U29, U30) |
| 4 | 150125-03-U23 | EA | PANEL/SEAL PLANE - W/TRIMS/STORAGE DOOR JAMBS - F/SLIDEOUT (U31, U32) |
| 4 | 150125-03-U25 | EA | PANEL/SEAL PLANE - W/TRIMS/STORAGE DOOR JAMBS - F/SLIDEOUT (U33, U34) |
| 5 | 140976-03-01A | EA | JAMB - UPPER - BRIGHT WHITE |
| 6 | 126591-01-02B | EA | CARRIER/EXTENSION - F/SLIDEOUT-F/WIRE/HOSES - E-COATED |
| 7 | 127030-03-02B | EA | BRACKET - UPR FRT/MOUNT - OUTSIDE WALL/SLIDEOUT - E-COATED |
| 8 | 127030-04-02B | EA | BRACKET - UPR REAR/MOUNT - OUTSIDE WALL/SLIDEOUT-E-COATED |
| 9 | 127828-06-02B | EA | BRACKET - F/SLIDEOUT COMPARTMENT - E-COATED |
| 10 | 127828-04-02B | EA | BRACKET - F/SLIDEOUT COMPARTMENT - E-COATED |
| 11 | 148759-39-01A | EA | TRIM - SIDEWALL/LOWER - W/O MITER - 8.8" - BRIGHT WHITE |
| 12 | 148759-56-01A | EA | TRIM - SIDEWALL/LOWER - W/O MITER/NOTCH - 21.2" |
| 13 | 148759-58-01A | EA | TRIM - SIDEWALL/LOWER - W/RH MITER - 19.5" |
| 14 | 127852-02-M01 | EA | TRIM - WHEELWELL - SLIDE OUT/REAR |
| 15 | 137970-06-01A | EA | TRIM - SIDEWALL - 6.9" |
| 16 | 137970-08-01A | EA | TRIM - SIDEWALL - 5.7" |
| 17 | 137970-09-01A | EA | TRIM - SIDEWALL - 6.9" |
| 18 | 140981-03-01A | EA | JAMB - LOWER - BRIGHT WHITE |
| 19 | 160167-01-01A | EA | SEAT BELT - 2" X 102" - BLACK |
| 20 | 160167-02-01A | EA | SEAT BELT - 2" X 90" - BLACK |
| 21 | 150697-02-02B | EA | BRACKET - RESTRAINT/CHILD - E-COATED |
| 22 | 150700-01-02B | EA | PLATE/MOUNTING - RESTRAINT/CHILD - 1" X 2.3" - E-COATED |

*COMPONENT PARTS LISTED LATER IN THIS GROUP

EXTERIOR SLIDEOUT GROUP (CONTINUED)
FRONT LEFT (CONTINUED)

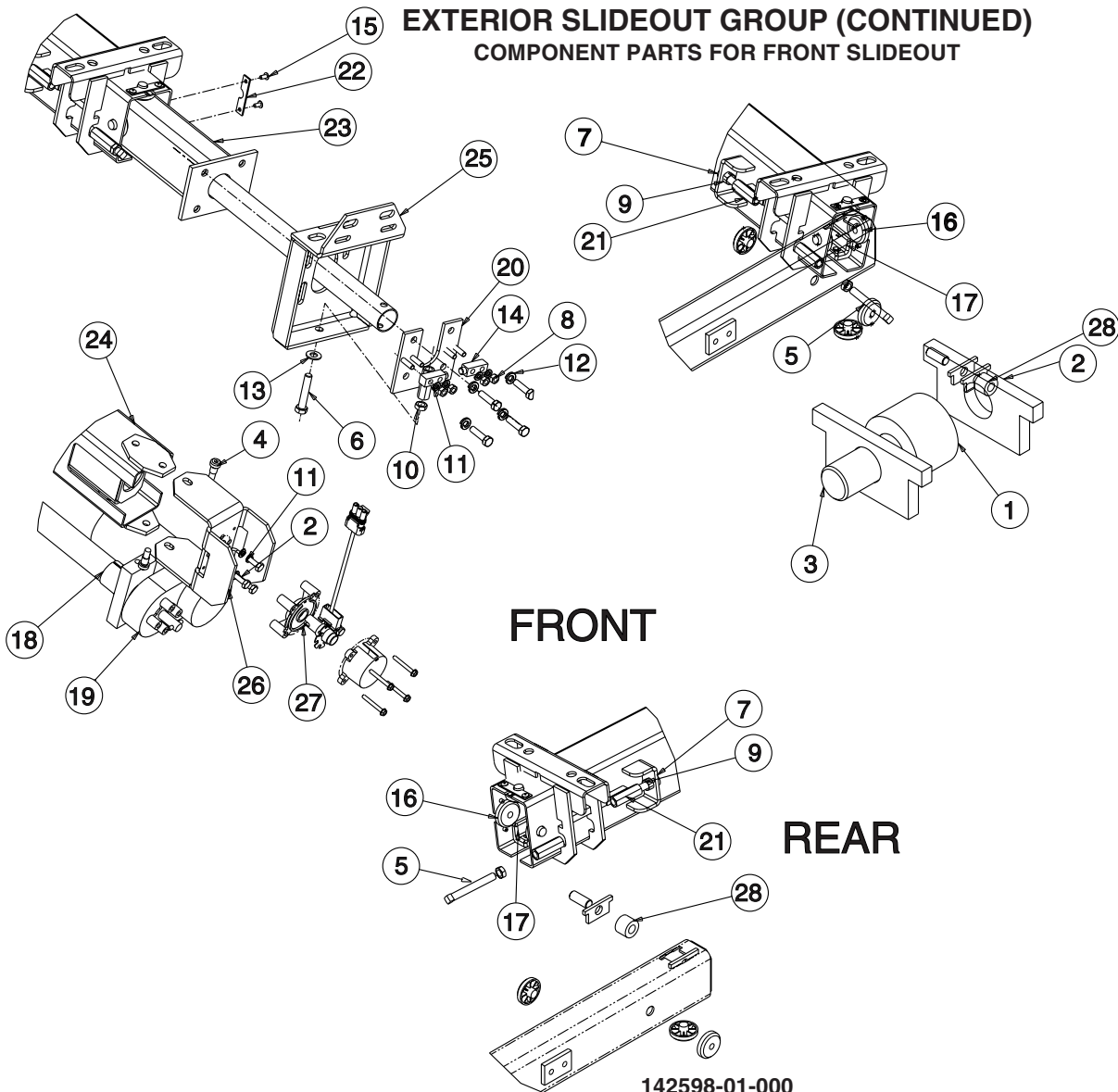


| KEY | PART NUMBER | U/M | DESCRIPTION |
|-----|---------------|-----|---|
| 1 | 139624-01-02A | EA | TRIM/SEAL - INNER/RIGHT HAND - 73.4" - ALMOND |
| 2 | 139624-02-02A | EA | TRIM/SEAL - INNER/LEFT HAND - 73.4" - ALMOND |
| 3 | 139624-07-02A | EA | TRIM/SEAL - INNER/TOP - 141.7" - ALMOND |
| 4 | 155681-11-U21 | EA | SLUG - F/SLIDEOUT (U29, U30) |
| 4 | 155681-11-U23 | EA | SLUG - F/SLIDEOUT (U31, U32) |
| 4 | 155681-11-U25 | EA | SLUG - F/SLIDEOUT (U33, U34) |
| 5 | 157249-01-U01 | EA | PANEL END - F/SLIDEOUT (U29, U30) |
| 5 | 157249-01-U23 | EA | PANEL END - F/SLIDEOUT (U31, U32) |
| 5 | 157249-01-U03 | EA | PANEL END - F/SLIDEOUT (U33, U34) |
| 6 | 157250-01-U01 | EA | PANEL END - F/SLIDEOUT (U29, U30) |
| 6 | 157250-01-U23 | EA | PANEL END - F/SLIDEOUT (U31, U32) |
| 6 | 157250-01-U03 | EA | PANEL END - F/SLIDEOUT (U33, U34) |
| 7 | 156417-06-01A | EA | TRIM/SEAL - W/MITERED ENDS - 140.1" - BRIGHT WHITE |
| 8 | 156417-05-01A | EA | TRIM/SEAL - W/MITERED ENDS - 93.1" - BRIGHT WHITE |
| 9 | 141096-02-01A | EA | TRIM/SEAL - RIGHT HAND - 79" - BRIGHT WHITE |
| 10 | 142718-27-01A | EA | RETAINER - SIDEWALL/SLIDEOUT - 15.2" |
| 11 | 126546-01-02A | EA | COVER - END/SIDEWALL/SLIDEOUT - BRIGHT WHITE |
| | | | FROM: 00-00-00 THRU: 01-05-06 |
| 11 | 126546-03-02A | EA | COVER - END/SIDEWALL SLIDEOUT - BRIGHT WHITE |
| | | | FROM: 01-06-06 THRU: 99-99-99 |
| 12 | 122977-25-03A | EA | AWNING - ORDER AWNING & REPAIR PARTS F/DOMETIC PHONE: 800-366-3842 |
| 13 | 156416-01-12B | EA | TRIM/KEY CORNER - SLIDEOUT - 3.1" X 3.1" - BRIGHT WHITE |
| 14 | 157538-01-U21 | EA | ROOF - F/SLIDEOUT |
| 15 | 142718-01-01A | EA | RETAINER - SIDEWALL/SLIDEOUT - 72.8" |
| 16 | 142718-22-01A | EA | RETAINER - SIDEWALL/SLIDEOUT - 141.3" |
| 17 | 151761-14-02A | EA | TRIM - SIDEWALL/SLIDEOUT/TOP - 143.3" - ALMOND |
| 18 | 158013-03-02A | EA | TRIM - SIDEWALL/SLIDEOUT - 78.8" - ALMOND |
| 19 | 158013-02-02A | EA | TRIM - SIDEWALL/SLIDEOUT - 93.3" - ALMOND |
| 20 | 143753-01-01A | EA | TRIM - SIDEWALL/SLIDEOUT - 78.8" - BRIGHT WHITE |
| 21 | 136824-07-01A | EA | TRIM - SIDEWALL/SLIDEOUT - 144.1" - BRIGHT WHITE |
| 22 | 128621-51-01A | EA | BRACKET/ZEE - SLIDEOUT - 136.9" - MILL |
| 23 | 115075-03-000 | FT | SEAL - WIPE - .25" X 2.9" |
| 24 | 138659-01-01A | EA | TRIM/FEATURE STRIP - 181.7" - BRIGHT WHITE - NOT ILLUSTRATED |
| | | | FROM: 00-00-00 THRU: 01-05-06 |
| 24 | 158375-03-01A | EA | TRIM - FEATURE STRIP - 20.6" - BRIGHT WHITE |
| | | | FROM: 01-06-06 THRU: 99-99-99 |

EXTERIOR SLIDEOUT GROUP (CONTINUED)
FRONT LEFT (CONTINUED)

| KEY | PART NUMBER | U/M | DESCRIPTION |
|-----|---------------|-----|---|
| 25 | 125051-01-01A | EA | TRIM - FEATURE STRIP/LOWER - 20.2" - BRIGHT WHITE - NOT ILLUSTRATED FROM: 00-00-00 THRU: 01-05-06 |
| 25 | 158030-01-01A | EA | TRIM - FEATURE STRIP/LOWER - 2.3" X 20" - BRIGHT WHITE FROM: 01-06-06 THRU: 99-99-99 |
| 26 | 115325-06-02A | EA | RAIL - FLOOR/SLIDEOUT ROOM - 19.7" LONG - BLACK |
| 27 | 115325-03-02A | EA | RAIL - FLOOR/SLIDEOUT ROOM - 64.5" LONG - BLACK |
| 28 | 125466-03-04A | EA | SUPPORT - ROOF/INTERIOR - ALMOND |
| 29 | 115661-01-000 | FT | SHOE/GLIDE - SLIDEOUT ROOM - 1/16" X 3" - POLYETHYLENE |
| 30 | 136978-01-01A | FT | SEAL - SLIDEOUT - BLACK |
| 31 | 146056-01-000 | FT | SEAL - TRIANGLE - W/PSA |
| 32 | 134837-01-01A | EA | RAMP - SLIDEOUT - BLACK PVC |
| 33 | 142549-01-000 | EA | CLIP - "S" TYPE |
| 34 | 133954-12-01A | EA | TRIM/SEAL - 75.7" - BRIGHT WHITE - NOT ILLUSTRATED FROM: 00-00-00 THRU: 05-07-06 |
| 34 | 146606-12-01A | EA | TRIM/RETAINER - 75.7" - BRIGHT WHITE FROM: 05-08-06 THRU: 99-99-99 |
| 35 | 133954-13-01A | EA | TRIM/SEAL - 138.2" - BRIGHT WHITE - NOT ILLUSTRATED FROM: 00-00-00 THRU: 05-07-06 |
| 35 | 146606-13-01A | EA | TRIM/RETAINER - 138.3" - BRIGHT WHITE FROM: 05-08-06 THRU: 99-99-99 |
| 36 | 154963-01-01A | EA | COVER - RAM - 6.8" X 7.6" - BRIGHT WHITE |
| 37 | 136824-26-01A | EA | TRIM - SIDEWALL/SLIDEOUT - 93.3" - BRIGHT WHITE |
| 38 | 105312-01-07A | FT | INSERT - FEATURE STRIP - VINYL - BRIGHT WHITE |
| 39 | 134756-03-M30 | EA | RAMP - FABRIC COVERED - SLIDEOUT - 18.3" - VINYL FLOOR THRU OUT |
| 40 | 133954-11-01A | EA | TRIM/SEAL - 92" - BRIGHT WHITE - NOT ILLUSTRATED FROM: 00-00-00 THRU: 05-07-06 |
| 40 | 146606-11-01A | EA | TRIM/RETAINER - 89.9" - BRIGHT WHITE FROM: 05-08-06 THRU: 99-99-99 |
| 41 | 135619-02-01A | EA | PLATE - TIEDOWN - SLIDEOUT ROOM |
| 42 | 135619-01-01A | EA | STRAP - TIEDOWN - SLIDEOUT ROOM |
| 43 | 135622-01-02B | EA | PLATE - TIEDOWN - SLIDEOUT ROOM |
| 44 | 151282-15-01A | EA | TRIM - CARPET EDGE/F-ANGLE - 66.4" - BLACK |
| 44 | 151282-15-01A | EA | TRIM - CARPET EDGE/F-ANGLE - 66.4" - BLACK FROM: 00-00-00 THRU: 06-04-06 |
| 44 | 151282-13-01A | EA | TRIM - CARPET EDGE/F-ANGLE - 66" - BLACK FROM: 06-05-06 THRU: 99-99-99 |
| 45 | 158297-01-000 | FT | SEAL - D-SECTION/BULB/TEE - ADHESIVE BACK - BLACK |
| 46 | 134756-01-L76 | EA | RAMP - FABRIC COVERED - F/SLIDEOUT - 66.9" - VINYL FLOOR THRU OUT |
| 47 | 156151-01-02A | EA | PROTECTOR - CORNER - SLIDEOUT - BRIGHT WHITE |
| 48 | 157809-01-01A | EA | SEAL - FOAM BLOCK/RIGHT SIDE - ADHESIVE BACK FROM: 01-06-06 THRU: 99-99-99 |
| 49 | 157809-02-01A | EA | SEAL - FOAM BLOCK/LEFT SIDE - ADHESIVE BACK FROM: 01-06-06 THRU: 99-99-99 |

EXTERIOR SLIDEOUT GROUP (CONTINUED)
COMPONENT PARTS FOR FRONT SLIDEOUT



FRONT

REAR

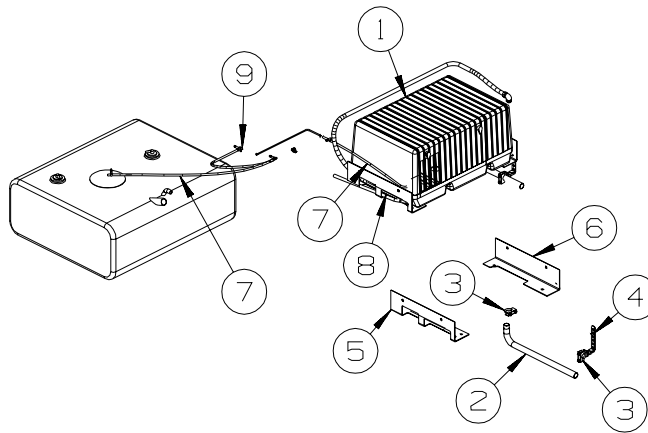
142598-01-000

| KEY | PART NUMBER | U/M | DESCRIPTION | VENDOR NO. |
|--|---------------|-----|------------------------------|------------|
| 1 | 140457-01-701 | EA | BUSHING - 1" X 3/4" X 1/2"ID | 1614006 |
| 3 | 140457-01-704 | EA | SHAFT/AXLE - REAR ROLLER | 7204523 |
| 10 | 138173-01-710 | EA | MOUNT PLATE W/STUDS | 7201098 |
| 10 | 142958-01-700 | EA | TUBE/OUTER -RH (FRONT) | 7201155 |
| 10 | 142958-01-701 | EA | TUBE/INNER - RH & LH | 7201154 |
| 14 | 138173-01-700 | EA | PIN/CLEVIS - PLATED/FRONT | 1213810 |
| 15 | 138173-01-701 | EA | POP RIVET - SS 3/16"X1/4" | 1214630 |
| 16 | 138173-01-707 | EA | WEAR PUCK - PLASTIC F/DRIVE | 1612523 |
| 17 | 138173-01-705 | EA | WEAR PAD - PLASTIC | 1612531 |
| 19 | 138173-01-706 | EA | MOTOR - DRIVE W/WORM SHAFT | 1820106 |
| | 138173-01-704 | EA | HOUSING/ENCODER-MAIN ASSY | 7200055 |
| | 138173-01-711 | EA | BOLT/SHOULDER 3/8 X 1/2 | 1203734 |
| CONTACT WINNEBAGO PART SALES FOR UNLISTED COMPONENT(S) | | | | |

142598-02-000

| KEY | PART NUMBER | U/M | DESCRIPTION | VENDOR NO. |
|--|---------------|-----|------------------------------|------------|
| 1 | 140457-01-701 | EA | BUSHING - 1" X 3/4" X 1/2"ID | 1614006 |
| 3 | 140457-01-704 | EA | SHAFT/AXLE - REAR ROLLER | 7204523 |
| 10 | 142958-01-701 | EA | TUBE/INNER - RH & LH | 7201154 |
| 10 | 142958-02-700 | EA | TUBE/OUTER -LH (REAR) | 7201150 |
| 14 | 138173-01-700 | EA | PIN/CLEVIS - PLATED/FRONT | 1213810 |
| 15 | 138173-01-701 | EA | POP RIVET - SS 3/16"X1/4" | 1214630 |
| 16 | 138173-01-707 | EA | WEAR PUCK - PLASTIC F/DRIVE | 1612523 |
| 17 | 138173-01-705 | EA | WEAR PAD - PLASTIC | 1612531 |
| 19 | 138173-01-706 | EA | MOTOR - DRIVE W/WORM SHAFT | 1820106 |
| | 138173-01-704 | EA | HOUSING/ENCODER-MAIN ASSY | 7200055 |
| CONTACT WINNEBAGO PART SALES FOR UNLISTED COMPONENT(S) | | | | |

GENERATOR GROUP GAS



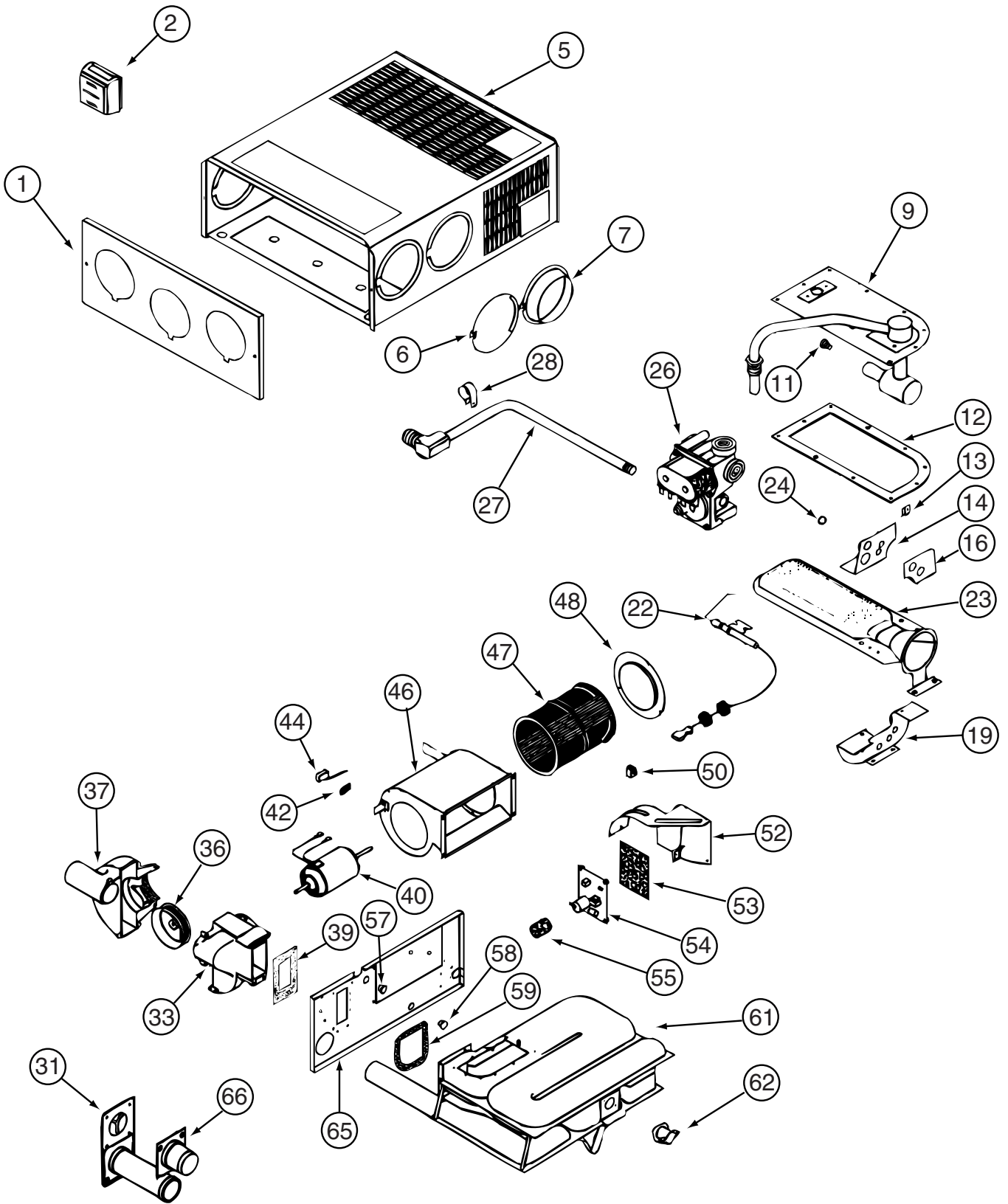
| KEY | PART NUMBER | U/M | DESCRIPTION |
|-----|---------------|-----|---|
| 1 | 109982-03-000 | EA | GENERATOR - 4.0 MICROLITE - ONAN |
| 2 | 105958-08-000 | EA | PIPE - EXHAUST/GENERATOR - 1.5" OD X 3.1" X 19.7" |
| 3 | 007125-04-000 | EA | CLAMP - MUFLER - 1.12"DIAMETER |
| 4 | 007131-01-000 | EA | HANGER - TAILPIPE - 6 SLOTS |
| 5 | 114070-02-02B | EA | SUPPORT - GENERATOR - LEFT |
| 6 | 114071-02-02B | EA | SUPPORT - GENERATOR - RIGHT |
| 7 | 128139-03-000 | FT | HOSE - FUEL - LOW PERMEABILITY - 1/4" DIAMETER |
| 8 | 084884-01-000 | EA | PLUG - BRASS - 3/8" |
| 9 | 068382-06-000 | EA | BUSHING - 3/8"MPT X 1/8"FPT - BRASS - CHEVY |

HEATING & A/C GROUP
FURNACE

| KEY | PART NUMBER | U/M | DESCRIPTION |
|------------|--------------------|------------|---|
| * | 139980-02-000 | EA | FURNACE-30000BTU-SF QUIET-SBRBN SF-30 2321J |
| | 098668-23-000 | EA | DOOR - ACCESS - FURNACE - BRIGHT WHITE |
| | 009198-01-000 | FT | DUCT - HEAT - FLEXIBLE - 4" ID X 25' |
| | 009198-02-000 | FT | DUCT - HEAT - FLEXIBLE - 2" ID X 25' |
| | 056464-10-000 | EA | REGISTER W/O DAMPER - 4" DIAMETER - PLASTIC - BEIGE |
| | 069636-02-000 | EA | CONNECTOR - DUCT - 4" ID |
| | 009200-01-000 | EA | TAPE - FURNACE - 1 1/2" |
| | 089367-01-000 | EA | TEE - 4" OD - 7" LONG - METAL |
| | 089367-02-000 | EA | TEE - 4" X 2" X 4" |
| | 093614-01-02A | EA | GRILLE - AIR RETURN - 15.9" X 7.9" - BEIGE |
| | 093614-02-02A | EA | GRILLE - AIR RETURN - 9.9" X 9.9" - BEIGE |

***COMPONENT PARTS LISTED LATER IN THIS GROUP**

HEATING & A/C GROUP (CONTINUED)
COMPONENT PARTS FOR FURNACE



139980-02-000

HEATING & A/C GROUP (CONTINUED)
COMPONENT PARTS FOR FURNACE (CONTINUED)

139980-02-000 (CONTNUED)

| KEY | PART NUMBER | U/M | DESCRIPTION | VENDOR NO. |
|------------|--------------------|------------|--|-------------------|
| 9 | 139980-01-700 | EA | MANIFOLD ASSEMBLY | 171571 |
| 11 | 092300-02-701 | EA | ORIFICE-MAIN BURNER (NT-30BW | 180214 |
| 12 | 098668-22-703 | EA | GASKET - BURNER ACCESS COVER | 070811 |
| 22 | 139980-01-701 | EA | ELECTRODE | 232286 |
| 23 | 098668-02-700 | EA | BURNER ASSEMBLY,SF-30 & SF35 | 010745 |
| 26 | 098668-01-718 | EA | VALVE-GAS SF S.N.974903079 | 161122 |
| 27 | 139980-01-702 | EA | PIPE ASSEMBLY/GAS INLET | 171574 |
| 31 | 098668-01-707 | EA | TUBE ASSEMBLY, EXHAUST W/CAP | 260231 |
| 33 | 139980-01-703 | EA | HOUSING/COMB. - FRONT/HALF | 390852 |
| 36 | 098668-01-706 | EA | WHEEL-COMBUSTION AIR | 350184 |
| 37 | 139980-01-704 | EA | HOUSING/COMB. - REAR/HALF | 390848 |
| 39 | 139980-01-705 | EA | GASKET/FIREWALL-COMB AIR | 071084 |
| 40 | 139980-01-706 | EA | MOTOR ASSEMBLY W/GASKET | 232682 |
| 42 | 101990-01-714 | EA | GASKET-MICROSWITCH | 230877 |
| 44 | 098668-21-700 | EA | SWITCH-MICRO-W/O FLAG 3 1/4" | 232261 |
| 46 | 139980-01-708 | EA | BLOWER ASSEMBLY - ROOM AIR | 390739BK |
| 47 | 098668-01-711 | EA | WHEEL-BLOWER, ROOM AIR | 350129 |
| 48 | 139980-01-709 | EA | ORFICE RING | 390696 |
| 50 | 139980-01-710 | EA | SWITCH - ON/OFF | 232351 |
| 52 | 139980-01-711 | EA | PANEL ASSEMBLY-MODULE BD | 101663 |
| 53 | 139980-01-712 | EA | INSULATOR - MODULE BD | 070807 |
| 54 | 098668-22-705 | EA | MODULE BD W/RELAY TIME DELAY | 520820 |
| 55 | 139980-01-713 | EA | CAP/INSULATOR-MODULE BD | 070973 |
| 57 | 139980-01-714 | EA | BUSHING - UNIVERSAL | 070362 |
| 58 | 139980-01-715 | EA | BUSHING - STRAIN RELIEF | 231809 |
| 59 | 098668-01-716 | EA | GASKET-FIREWALL,CHAMBER SIDE | 070808 |
| 61 | 139980-01-716 | EA | CHAMBER ASSEMBLY - FINAL | 021149BK |
| 62 | 098668-21-701 | EA | SWITCH - LIMIT | 232504 |
| 66 | 098668-01-713 | EA | TUBE ASSEMBLY, INTAKE | 051248 |
| | 139980-02-700 | EA | BLOWER ASM-1/2 HOUSING/OUTER | 390851 |
| | 139980-02-701 | EA | BLOWER ASM-1/2 HOUSING/INNER | 390872 |
| | | | CONTACT WINNEBAGO PART SALES FOR UNLISTED COMPONENT(S) | |

REAR HEATER

| KEY | PART NUMBER | U/M | DESCRIPTION |
|------------|--------------------|------------|--------------------------------------|
| * | 084405-01-000 | EA | HEATER - REAR/DUCTED - W/MOTOR AID |
| | 007108-01-000 | FT | HOSE - HEATER - 5/8"ID - HI-TEMP |
| | 076776-01-000 | EA | TEE - BEADED - 5/8" X 5/8" X 5/8" |
| | 079059-01-000 | EA | HOSE - 90 DEGREE - 5/8"ID X 4" X 36" |
| | 079059-02-000 | EA | HOSE - 90 DEGREE - .61" ID X 4" X 6" |

***COMPONENT PARTS LISTED LATER IN THIS GROUP**

COMPONENT PARTS FOR REAR HEATER

084405-01-000

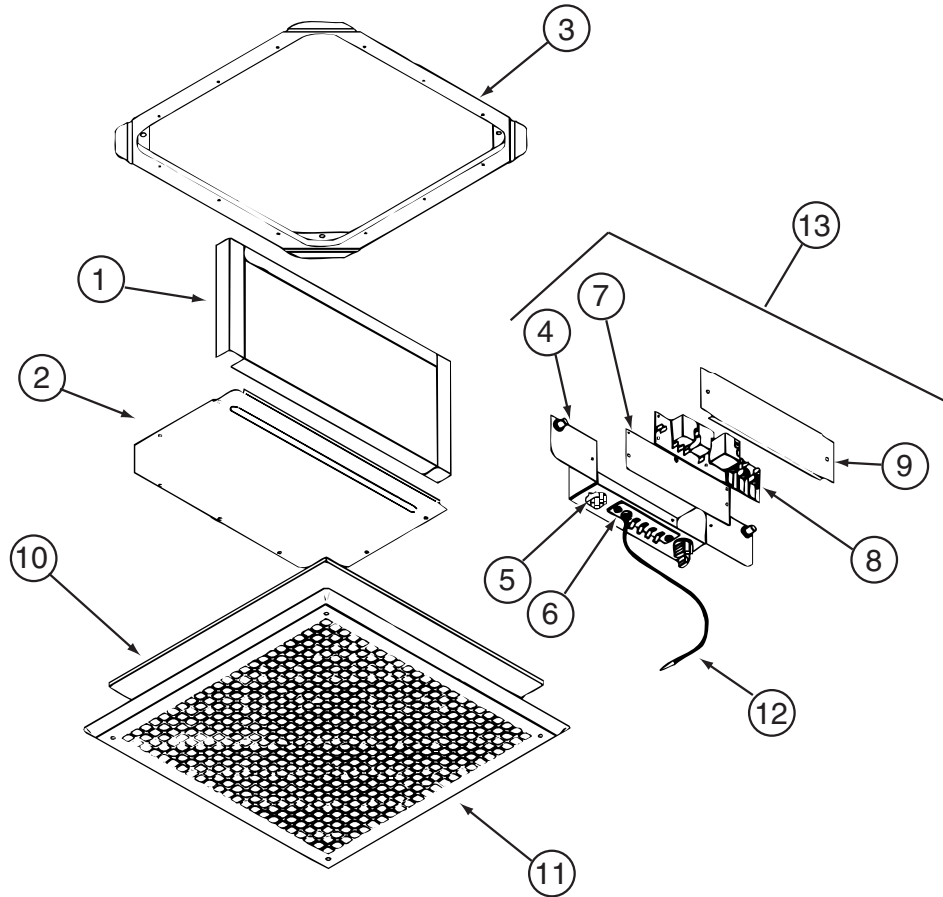
| KEY | PART NUMBER | U/M | DESCRIPTION | VENDOR NO. |
|------------|--------------------|------------|-------------------------|-------------------|
| | 084405-01-700 | EA | CORE-HEATER | FT200229 |
| | 084405-01-701 | EA | FAN BLADES | HV029931 |
| | 084405-01-702 | EA | MOTOR ASSEMBLY, 12 VOLT | RV010348 |

HEATING & A/C GROUP (CONTINUED)

ROOF

| KEY | PART NUMBER | U/M | DESCRIPTION |
|-----|---------------|-----|--|
| * | 131188-03-01A | EA | A/C/ROOF - 14,800 BTU/MACH 15 - NEW MODEL #8335B676 - WHT |
| * | 131188-04-01A | EA | A/C/ROOF - 14,800 BTU/HEAT PUMP - NEW MODEL #8535B676- WHT |
| * | 131184-01-01A | EA | CEILING ASSEMBLY - A/C DUCTED - WHITE |
| | 131184-02-01A | EA | BOARD - DIVIDER - SILVER |
| * | 131184-05-01A | EA | CEILING ASSEMBLY - HEAT PUMP - WHITE |

***COMPONENT PARTS LISTED LATER IN THIS GROUP**



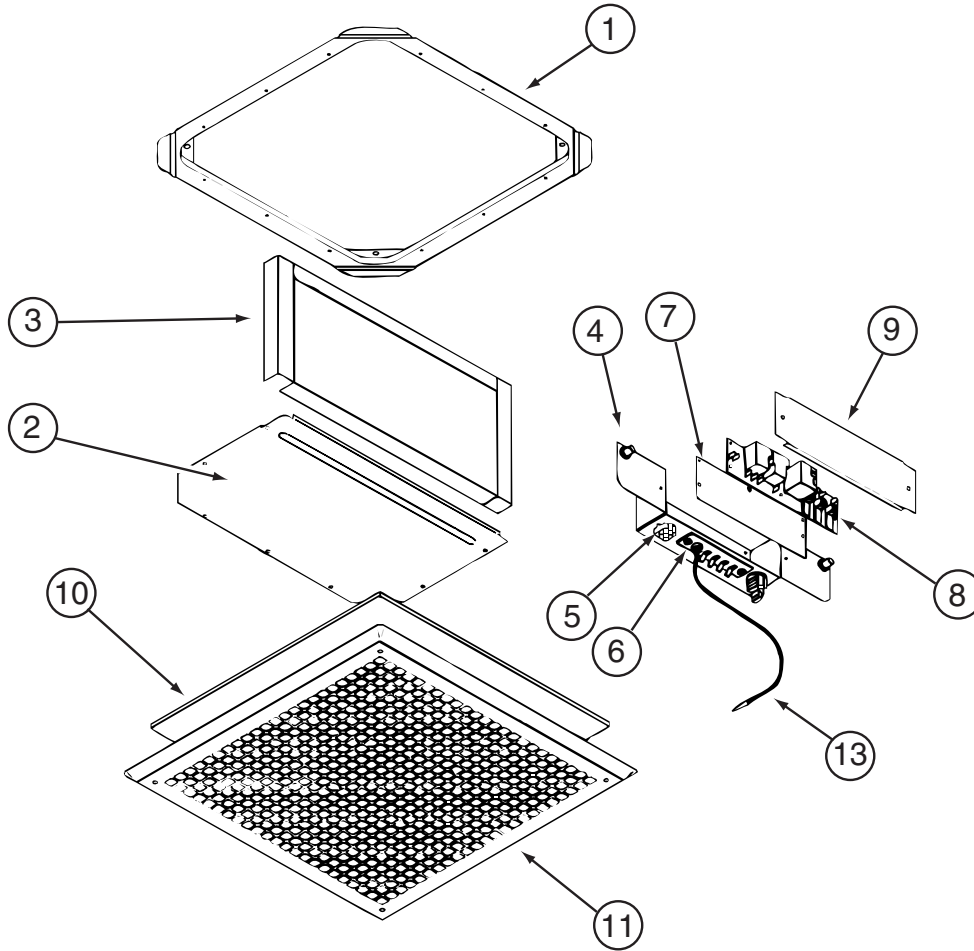
COMPONENT PARTS FOR ROOF

131184-01-01A

| KEY | PART NUMBER | U/M | DESCRIPTION | VENDOR NO. |
|-----|---------------|-----|-----------------------------|------------|
| 1 | 131184-01-707 | EA | DUCT DIVIDER | 8330-3501 |
| 5 | 131184-01-700 | EA | PLUG ASSEMBLY | 7330A389 |
| 6 | 131184-01-701 | EA | TERMINAL BOARD | 7330B3201 |
| 7 | 131184-01-702 | EA | ISOLATOR - BLANK | 7330C365 |
| 8 | 108892-01-702 | EA | BOARD-P.C. | 7330A3211 |
| 10 | 108892-01-703 | EA | FILTER | 6798A3761 |
| 11 | 108892-01-704 | EA | GRILLE 16 3/8X16 3/8 RETURN | 6798-3041 |
| 12 | 131184-01-704 | EA | COIL SENSOR | 7330-6111 |
| 13 | 131184-01-705 | EA | JUNCTION BOX ASSEMBLY | 7330B5551 |
| | 131184-01-703 | EA | SMALL PARTS PKG | 8330-5961 |

CONTACT WINNEBAGO PART SALES FOR UNLISTED COMPONENT(S)

HEATING & A/C GROUP (CONTINUED)
COMPONENT PARTS FOR ROOF (CONTINUED)



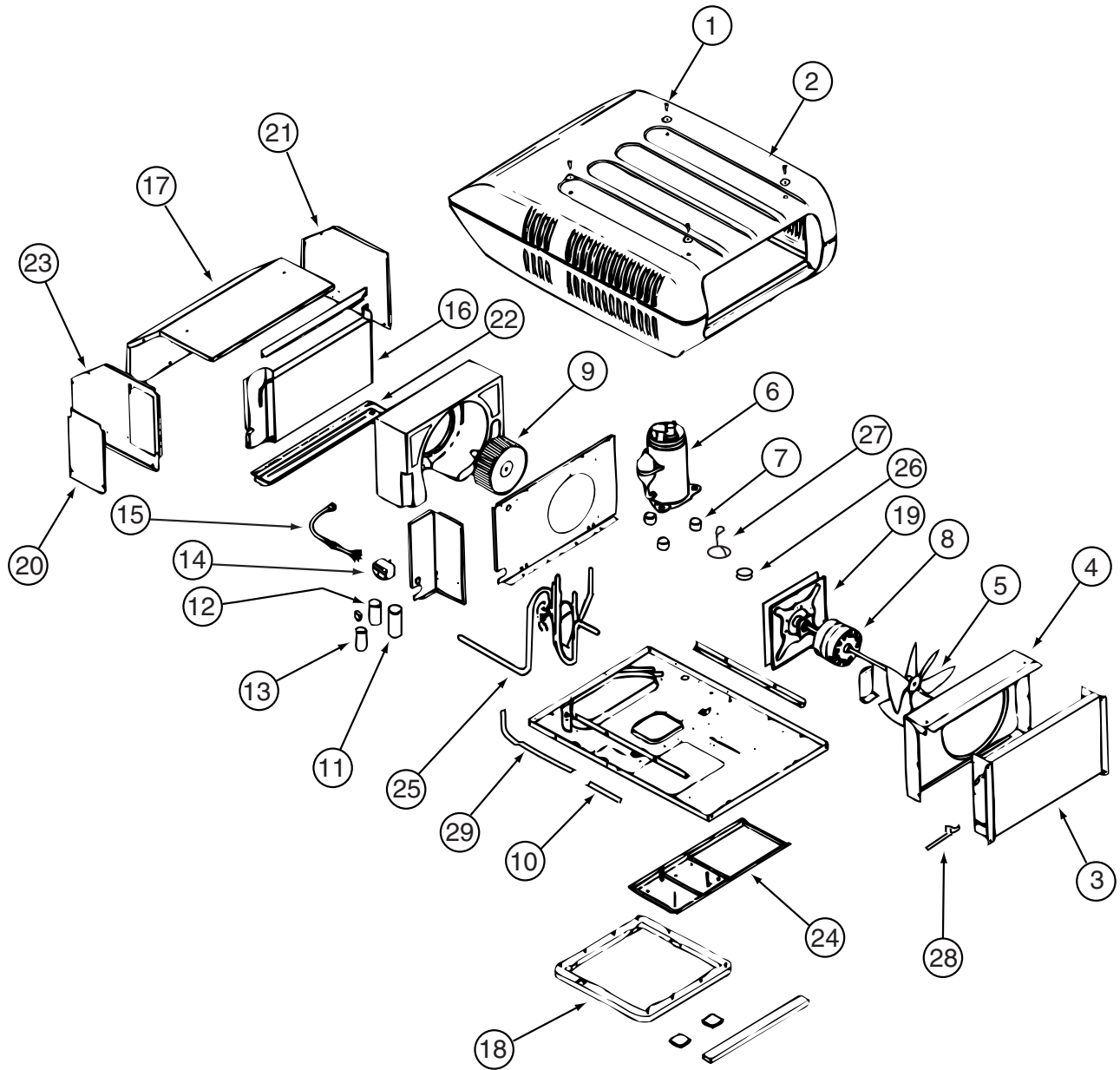
131184-05-01A

| KEY | PART NUMBER | U/M | DESCRIPTION | VENDOR NO. |
|-----|---------------|-----|-----------------------------|------------|
| 4 | 131184-05-700 | EA | BOX - JUNCTION | 8530-5091 |
| 5 | 131184-04-700 | EA | PLUG ASSEMBLY | 7530A340 |
| 6 | 131184-04-702 | EA | BOARD - TERMINAL | 7530B3201 |
| 7 | 131184-01-702 | EA | ISOLATOR - BLANK | 7330C365 |
| 8 | 131184-04-705 | EA | BOARD - P.C. | 7330B3311 |
| 10 | 108892-01-703 | EA | FILTER | 6798A3761 |
| 11 | 108892-01-704 | EA | GRILLE 16 3/8X16 3/8 RETURN | 6798-3041 |
| 13 | 105620-12-719 | EA | COIL SENSOR | 7330A3231 |
| | 131184-01-703 | EA | SMALL PARTS PKG | 8330-5961 |

CONTACT WINNEBAGO PART SALES FOR UNLISTED COMPONENT(S)

HEATING & A/C GROUP (CONTINUED)

COMPONENT PARTS FOR ROOF (CONTINUED)



131188-03-01A

| KEY | PART NUMBER | U/M | DESCRIPTION | VENDOR NO. |
|-----|---------------|-----|------------------------------|------------|
| 2 | 131185-03-700 | EA | SHROUD-ROOF AIR W/HAIL GUARD | 8333-4161 |
| 3 | 115219-01-700 | EA | COIL-CONDENSER | 1452A1321 |
| 5 | 093763-01-712 | EA | BLADE-FAN-CONDENSER | 6733-3221 |
| 6 | 131188-01-700 | EA | COMPRESSOR - TECUMSEH | 1450A2609 |
| 7 | 105620-01-706 | EA | MOUNTING PKG.,COMP., 3 PER | 6759-3081 |
| 8 | 131185-01-701 | EA | MOTOR (115V, 60HZ) | 1468-3069 |
| 9 | 131185-01-702 | EA | BLOWER WHEEL PACKAGE | 1472-1091 |
| 11 | 131188-01-701 | EA | RUN CAP. (COMP-40MFD/370V) | 1499-5721 |
| 12 | 108889-01-708 | EA | CAPACITOR-FAN, 7.5MFD. 370U | 1499-5461 |
| 13 | 126859-01-704 | EA | CAPACITOR - START | 1497-0871 |
| 14 | 091225-01-709 | EA | RELAY-START | 1497-4131 |
| 16 | 131186-01-701 | EA | EVAPORATOR COIL | 1452-1521 |
| 18 | 037648-01-714 | EA | GASKET PACKAGE | 8332-3301 |
| 19 | 131185-01-704 | EA | MOTOR MOUNT & SEAL KIT | 8333-5151 |
| | 093306-01-701 | EA | DECAL PACKAGE, LEFT & RIGHT | 6798B3591 |
| | 108889-01-710 | EA | PAD-FILLER, CONDENSER SEAL | 6759B3971 |
| | 131188-01-702 | EA | LINE - SUCTION | 7335A134 |
| | 131188-01-703 | EA | LINE - DISCHARGE | 7335A135 |

CONTACT WINNEBAGO PART SALES FOR UNLISTED COMPONENT(S)

HEATING & A/C GROUP (CONTINUED)
COMPONENT PARTS FOR ROOF (CONTINUED)

131188-04-01A

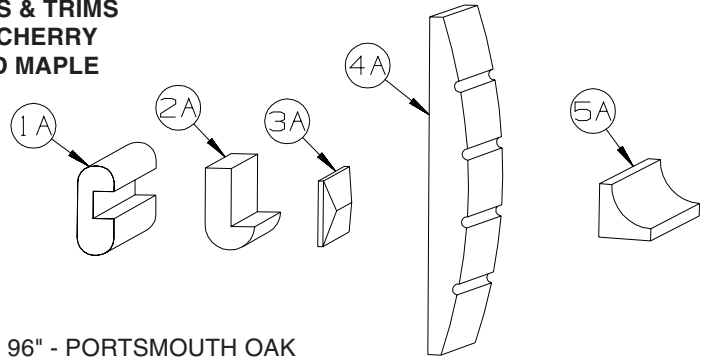
| KEY | PART NUMBER | U/M | DESCRIPTION | VENDOR NO. |
|------------|--------------------|------------|------------------------------|-------------------|
| 3 | 131188-02-700 | EA | CONDENSER COIL | 1452-1441 |
| 5 | 093763-01-712 | EA | BLADE-FAN-CONDENSER | 6733-3221 |
| 6 | 131188-02-701 | EA | COMPRESSOR(TECUMSEH-RK225AT) | 1450A2069 |
| 7 | 105620-01-706 | EA | MOUNTING PKG.,COMP., 3 PER | 6759-3081 |
| 8 | 131185-01-701 | EA | MOTOR (115V, 60HZ) | 1468-3069 |
| 9 | 131185-01-702 | EA | BLOWER WHEEL PACKAGE | 1472-1091 |
| 10 | 131188-02-702 | EA | RESTRICTOR - BY FLOW | 1454-2501 |
| 11 | 131188-01-701 | EA | RUN CAP. (COMP-40MFD/370V) | 1499-5721 |
| 12 | 093763-01-704 | EA | CAPACITOR-FAN (INDOOR MOTOR) | 1499-5461 |
| 13 | 131188-02-703 | EA | CAPACITOR-START(21-25MFD) | 1497-0211 |
| 14 | 091225-01-709 | EA | RELAY-START | 1497-4131 |
| 16 | 131186-01-701 | EA | EVAPORATOR COIL | 1452-1521 |
| 18 | 037648-01-714 | EA | GASKET PACKAGE | 8332-3301 |
| 19 | 131185-01-704 | EA | MOTOR MOUNT & SEAL KIT | 8333-5151 |
| 25 | 131188-02-704 | EA | VALVE/REVERSE ASSEMBLY | 7535A5301 |
| 26 | 105620-12-708 | EA | COIL - SOLENOID | 1460-1081 |
| 27 | 131188-02-705 | EA | WIRE HARNESS F/SOLENOID | 7535-109 |
| 28 | 131188-02-706 | EA | SWITCH - FREEZE | 1460-2041 |
| 29 | 131188-02-707 | EA | LIQUID LINE | 7535-135 |

CONTACT WINNEBAGO PART SALES FOR UNLISTED COMPONENT(S)

INTERIOR FINISH GROUP

MOLDINGS & TRIMS

**HONEY CHERRY
WASHED MAPLE**

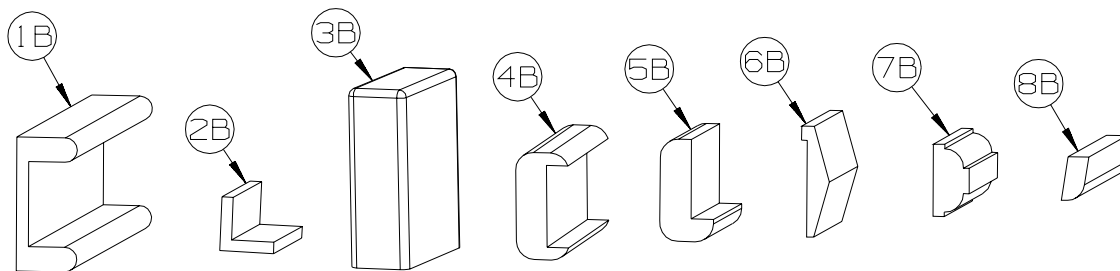


| KEY | PART NUMBER | U/M | DESCRIPTION |
|-----|---------------|-----|---|
| 1A | M09412-62-N42 | EA | MOLDING/SHELF EDGE - .6" X 1.3" X 96" - PORTSMOUTH OAK |
| 1A | M09412-62-M52 | EA | MOLDING/SHELF EDGE - .6" X 1.3" X 96" - CHERRY - CONCERT CHERRY |
| 1A | M09412-62-M62 | EA | MOLDING/SHELF EDGE - .6" X 1.3" X 96" - WASHED MAPLE - WASHED MAPLE |
| 1A | M09412-62-RC3 | EA | MOLDING/SHELF EDGE - .6" X 1.3" X 96" - HONEY CHERRY - HONEY CHERRY |
| 1A | M09412-62-SA3 | EA | MOLDING/SHELF EDGE - .6" X 1.3" X 96" - MAPLE - SIERRA MAPLE |
| 2A | M09450-77-PC0 | EA | MOLDING - TRIM/HDWD W/LIP -.4"X3.2"X79.6" - PORTSMOUTH OAK |
| 2A | M09450-77-PC1 | EA | MOLDING - TRIM/HDWD W/LIP -.4"X3.2"X79.6" - CONCERT CHERRY |
| 2A | M09450-77-PC2 | EA | MOLDING - TRIM/HDWD W/LIP -.4"X3.2"X79.6" - WASHED MAPLE |
| 2A | M09450-77-RC3 | EA | MOLDING - TRIM/HDWD W/LIP -.4"X3.2"X79.6" - HONEY CHERRY |
| 2A | M09501-32-TG1 | EA | MOLDING/TRIM - W/NOTCH - .8" X 2.5" X 86.2"-CONCERT CHERRY |
| 2A | M09501-32-TG2 | EA | MOLDING/TRIM - W/NOTCH - .8" X 2.5" X 86.2" - WASHED MAPLE, |
| 2A | M09501-32-TD3 | EA | MOLDING/TRIM - W/NOTCH - .8" X 2.5" X 86.2" - SIERRA MAPLE |
| 2A | M09503-52-T77 | EA | MOLDING/TRIM - .75" X 1.2" X 86.5" - PORTSMOUTH OAK |
| 2A | M09503-52-T78 | EA | MOLDING/TRIM - .75" X 1.2" X 86.5" - CONCERT CHERRY |
| 2A | M09503-52-T79 | EA | MOLDING/TRIM - .75" X 1.2" X 86.5" - WASHED MAPLE |
| 2A | M09503-52-T80 | EA | MOLDING/TRIM - .75" X 1.2" X 86.5" - SIERRA MAPLE |
| 2A | M09511-43-T78 | EA | MOLDING - TRIM - W/NOTCH - .8" X 1.4" X 86.3" - CONCERT CHERRY |
| 2A | M09525-80-UM1 | EA | MOLDING - TRIM - W/NOTCH - .8"X 1.4"X 86.5" - CONCERT CHERRY |
| 2A | M09511-43-T79 | EA | MOLDING - TRIM - W/NOTCH - .8" X 1.4" X 86.3" - WASHED MAPLE |
| 2A | M09525-80-U91 | EA | MOLDING - TRIM - W/NOTCH - .8" X 1.4" X 86.5" - WASHED MAPLE |
| 2A | M09511-43-T80 | EA | MOLDING - TRIM - W/NOTCH - .8" X 1.4" X 86.3" - SIERRA MAPLE |
| 2A | M09525-80-U92 | EA | MOLDING - TRIM - W/NOTCH - .8" X 1.4" X 86.5" - SIERRA MAPLE |
| 2A | M09438-25-RA3 | EA | MOLDING - HARDWOOD-W/NOTCH - 1.4"X 80.2" - HONEY CHERRY |
| 2A | M09515-72-TD1 | EA | MOLDING/TRIM - .8" X 2.2" X 86.1" - CONCERT CHERRY |
| 2A | M09515-72-TD2 | EA | MOLDING/TRIM - .8" X 2.2" X 86.1" - WASHED MAPLE |
| 2A | M09515-72-TD3 | EA | MOLDING/TRIM - .8" X 2.2" X 86.1" - SIERRA MAPLE |
| 3A | M09471-91-R69 | EA | MOLDING - TRIM/VEE - .2" X 1" X 34.4" - CONCERT CHERRY |
| 3A | M09471-91-R76 | EA | MOLDING - TRIM/VEE - .2" X 1" X 34.4" - WASHED MAPLE |
| 3A | M09471-91-SA3 | EA | MOLDING - TRIM/VEE - .2" X 1" X 34.4" - SIERRA MAPLE |
| 3A | M09477-88-S34 | EA | MOLDING - TRIM/VEE - .2" X 1" X 19.9" - WASHED MAPLE |
| 3A | M09477-88-S35 | EA | MOLDING - TRIM/VEE - .2" X 1" X 19.9" - SIERRA MAPLE |
| 3A | M09501-30-SD2 | EA | MOLDING - TRIM/VEE - .2" X 1" X 35.1" - WASHED MAPLE |
| 3A | M09501-30-SD3 | EA | MOLDING - TRIM/VEE - .2" X 1" X 35.1" - HONEY CHERRY |
| 3A | M09501-37-TG1 | EA | MOLDING - TRIM/VEE - .2" X 1" X 19.2" - CONCERT CHERRY |
| 3A | M09501-37-TG2 | EA | MOLDING - TRIM/VEE - .2" X 1" X 19.2" - WASHED MAPLE |
| 3A | M09501-37-TD3 | EA | MOLDING - TRIM/VEE - .2" X 1" X 19.2" - SIERRA MAPLE |
| 3A | M09501-37-TG3 | EA | MOLDING - TRIM/VEE - .2" X 1" X 19.2" - HONEY CHERRY |
| 3A | M09501-63-T78 | EA | MOLDING - TRIM/VEE - .2" X 1" X 15" - CONCERT CHERRY |
| 3A | M09501-63-T79 | EA | MOLDING - TRIM/VEE - .2" X 1" X 15" - WASHED MAPLE |
| 3A | M09501-63-T80 | EA | MOLDING - TRIM/VEE - .2" X 1" X 15" - SIERRA MAPLE |
| 3A | M09503-62-TG1 | EA | MOLDING - TRIM/VEE - .2" X 1" X 26.3" - CONCERT CHERRY |
| 3A | M09503-62-TG2 | EA | MOLDING - TRIM/VEE - .2" X 1" X 26.3" - WASHED MAPLE |
| 3A | M09503-62-TG3 | EA | MOLDING - TRIM/VEE - .2" X 1" X 26.3" - HONEY CHERRY |
| 3A | M09511-90-TG1 | EA | MOLDING - TRIM/VEE - .2" X 1" X 42.1" - CONCERT CHERRY |
| 3A | M09511-90-TG3 | EA | MOLDING - TRIM/VEE - .2" X 1" X 42.1" - HONEY CHERRY |
| 3A | M09511-90-TG2 | EA | MOLDING - TRIM/VEE - .2" X 1" X 42.1" - WASHED MAPLE |
| 3A | M09520-15-TD1 | EA | MOLDING - TRIM/VEE - .2" X 1" X 15.3" - CONCERT CHERRY |
| 3A | M09520-15-TD2 | EA | MOLDING - TRIM/VEE - .2" X 1" X 15.3" - WASHED MAPLE |
| 3A | M09520-15-TD3 | EA | MOLDING - TRIM/VEE - .2" X 1" X 15.3" - SIERRA MAPLE |
| 3A | M09520-96-T59 | EA | MOLDING - TRIM/VEE - .2" X 1" X 32.7" - PORTSMOUTH OAK |
| 3A | M09520-96-T60 | EA | MOLDING - TRIM/VEE - .2" X 1" X 32.7" - CONCERT CHERRY |
| 3A | M09520-96-T61 | EA | MOLDING - TRIM/VEE - .2" X 1" X 32.7" - WASHED MAPLE |
| 3A | M09520-96-TP0 | EA | MOLDING - TRIM/VEE - .2" X 1" X 32.7" - SIERRA MAPLE |

INTERIOR FINISH GROUP (CONTINUED)

MOLDINGS & TRIMS (CONTINUED)

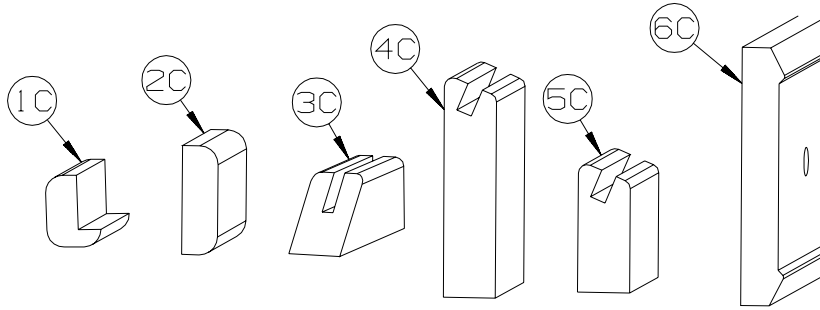
| KEY | PART NUMBER | U/M | DESCRIPTION |
|-----|---------------|-----|--|
| 3A | M09525-96-TA0 | EA | MOLDING - TRIM/VEE - .2" X 1" X 36.2" - PORTSMOUTH OAK |
| 3A | M09525-96-TA1 | EA | MOLDING - TRIM/VEE - .2" X 1" X 36.2" - CONCERT CHERRY |
| 3A | M09525-96-TA2 | EA | MOLDING - TRIM/VEE - .2" X 1" X 36.2" - WASHED MAPLE |
| 3A | M09525-96-TA3 | EA | MOLDING - TRIM/VEE - .2" X 1" X 36.2" - SIERRA MAPLE |
| 3A | M09534-08-T01 | EA | MOLDING - TRIM/VEE - .2" X 1" X 24.5" - SIERRA MAPLE |
| 3A | M09534-08-T02 | EA | MOLDING - TRIM/VEE - .2" X 1" X 24.5" - HONEY CHERRY |
| 3A | M09511-32-T78 | EA | MOLDING - TRIM/VEE - .4" X 1" X 26.8" - CONCERT CHERRY |
| 3A | M09511-32-T79 | EA | MOLDING - TRIM/VEE - .4" X 1" X 26.8" - WASHED MAPLE |
| 3A | M09511-32-T80 | EA | MOLDING - TRIM/VEE - .4" X 1" X 26.8" - SIERRA MAPLE |
| 3A | M09511-86-T78 | EA | MOLDING - TRIM/VEE - .4" X 1" X 28.3" - CONCERT CHERRY |
| 3A | M09511-86-T79 | EA | MOLDING - TRIM/VEE - .4" X 1" X 28.3" - WASHED MAPLE |
| 3A | M09511-86-T80 | EA | MOLDING - TRIM/VEE - .4" X 1" X 28.3" - SIERRA MAPLE |
| 3A | M09477-63-S46 | EA | MOLDING - TRIM/VEE - .4" X 1" X 64.1" - PORTSMOUTH OAK - BATH DOOR TRIM |
| 3A | M09477-63-SR0 | EA | MOLDING - TRIM/VEE - .4" X 1" X 64.1" - SIERRA MAPLE - BATH DOOR TRIM |
| 3A | M09477-64-S46 | EA | MOLDING - TRIM/VEE - .4" X 1" X 14.9" - PORTSMOUTH OAK - BATH DOOR TRIM |
| 3A | M09477-64-SR0 | EA | MOLDING - TRIM/VEE - .4" X 1" X 14.9" - SIERRA MAPLE - BATH DOOR TRIM |
| 4A | M09462-54-R90 | EA | MOLDING - FLUTED, CURVED - .6" X 6" X 82.7" - CONCERT CHERRY |
| 4A | M09462-54-R91 | EA | MOLDING - FLUTED, CURVED - .6" X 6" X 82.7" - WASHED MAPLE |
| 4A | M09462-54-RE3 | EA | MOLDING - FLUTED, CURVED - .6" X 6" X 82.7" - HONEY CHERRY |
| 5A | M09471-79-R38 | EA | MOLDING - TRIM/COVE - .8" X .8" X 95.8" - OAK/PORTS OAK - PORTSMOUTH OAK |
| 5A | M09471-79-R39 | EA | MOLDING - TRIM/COVE - .8" X .8" X 95.8" - CHERRY/CHERRY - CONCERT CHERRY |
| 5A | M09471-79-R46 | EA | MOLDING - TRIM/COVE - .8" X .8" X 95.8" - MAPLE/MAPLE - WASHED MAPLE |
| 5A | M09471-79-RE0 | EA | MOLDING - TRIM/COVE - .8" X .8" X 95.8" - HONEY/CHERRY- HONEY CHERRY |
| 5A | M09471-79-SA3 | EA | MOLDING - TRIM/COVE - .8" X .8" X 95.8" - HONEY/MAPLE - SIERRA MAPLE |



| KEY | PART NUMBER | U/M | DESCRIPTION |
|-----|---------------|-----|---|
| 1B | M09501-84-TG0 | EA | MOLDING/TRIM - CAP/WALL - 2.2" X 85.9" - PORTSMOUTH OAK |
| 1B | M09501-84-TG1 | EA | MOLDING/TRIM - CAP/WALL - 2.2" X 85.9" - CONCERT CHERRY |
| 1B | M09501-84-TG2 | EA | MOLDING/TRIM - CAP/WALL - 2.2" X 85.9" - WASHED MAPLE |
| 1B | M09520-07-TD3 | EA | MOLDING/TRIM - CAP/WALL - 2.2" X 80.5" - SIERRA MAPLE |
| 1B | M09501-84-TG3 | EA | MOLDING/TRIM - CAP/WALL - 2.2" X 85.9" - HONEY CHERRY |
| 2B | M09511-81-TA1 | EA | MOLDING/TRIM - L SHAPE - .8"X .8"X 80.2" - CONCERT CHERRY |
| 2B | M09511-81-TA2 | EA | MOLDING/TRIM - L SHAPE - .8"X .8"X 80.2" - WASHED MAPLE |
| 2B | M09511-81-TA3 | EA | MOLDING/TRIM - L SHAPE - .8"X .8"X 80.2" - SIERRA MAPLE |
| 3B | M09515-81-T01 | EA | MOLDING/HARDWOOD STRAIGHT - 74.3" - WASHED MAPLE |
| 3B | M09515-81-T02 | EA | MOLDING/HARDWOOD STRAIGHT - 74.3" - HONEY CHERRY |
| 4B | M09511-42-T77 | EA | MOLDING - TRIM - W/NOTCH - 1.5" X 86.4" - PORTSMOUTH OAK |
| 4B | M09511-42-T78 | EA | MOLDING - TRIM - W/NOTCH - 1.5" X 86.4" - CONCERT CHERRY |
| 4B | M09511-42-T79 | EA | MOLDING - TRIM - W/NOTCH - 1.5" X 86.4" - WASHED MAPLE |
| 4B | M09511-42-T80 | EA | MOLDING - TRIM - W/NOTCH - 1.5" X 86.4" - SIERRA MAPLE |
| 5B | M09515-18-T78 | EA | MOLDING - HARDWOOD-W/NOTCH - 1.4"X 86.2" - CONCERT CHERRY |
| 5B | M09515-18-T79 | EA | MOLDING - HARDWOOD-W/NOTCH - 1.4"X 86.2" - WASHED MAPLE |
| 5B | M09515-18-T80 | EA | MOLDING - HARDWOOD-W/NOTCH - 1.4"X 86.2" - SIERRA MAPLE |
| 6B | M09515-52-TG1 | EA | MOLDING - TRIM/VEE - 1.5" X 73.9" - CONCERT CHERRY |
| 6B | M09515-52-TG2 | EA | MOLDING - TRIM/VEE - 1.5" X 73.9" - WASHED MAPLE |
| 6B | M09515-52-TG3 | EA | MOLDING - TRIM/VEE - 1.5" X 73.9" - HONEY CHERRY |
| 7B | Y00076-32-438 | EA | MOLDING/TRIM - .5" X 1" X 96" - CHERRY (UNSTAINED) |
| 7B | Y00076-22-438 | EA | MOLDING/TRIM - .5" X 1" X 96" - MAPLE (UNSTAINED) |
| 8B | Y00086-72-438 | EA | MOLDING - VINYL WRAP - .7" X 1.6" X 96" - PORTSMOUTH OAK - PORTSMOUTH OAK |
| 8B | Y00086-62-438 | EA | MOLDING - VINYL WRAP - .7" X 1.6" X 96" - CONCERT CHERRY (U90/94/98/A1/A5/B1/C1/C5/D1/D5/E1/E5/F1/F5/G1/G5/H1/H5) |
| 8B | Y00086-D2-438 | EA | MOLDING - VINYL WRAP - .7" X 1.6" X 96" - CONCERT CHERRY (UM1 THRU UM9, UN1 THRU UN9) |
| 8B | Y00086-A2-438 | EA | MOLDING - VINYL WRAP - .7" X 1.6" X 96" - WASHED MAPLE |
| 8B | Y00086-92-438 | EA | MOLDING - VINYL WRAP - .7" X 1.6" X 96" - SIERRA MAPLE - SIERRA MAPLE |

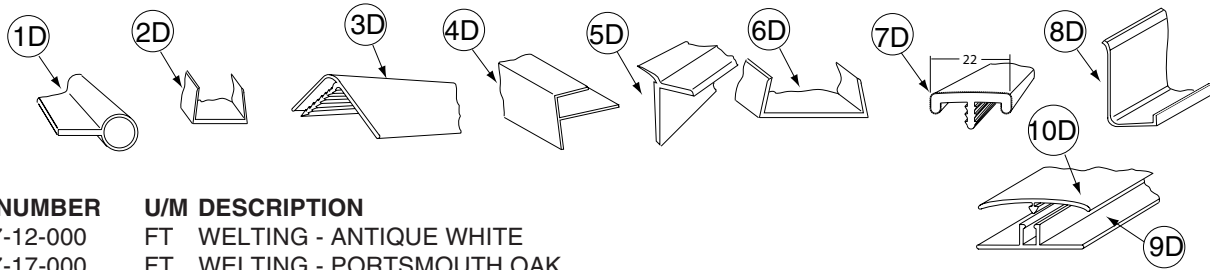
INTERIOR FINISH GROUP (CONTINUED)
MOLDINGS & TRIMS (CONTINUED)

| KEY | PART NUMBER | U/M | DESCRIPTION |
|-----|---------------|-----|---|
| 8B | Y00087-62-438 | EA | MOLDING - 96" - CONCERT CHERRY (U90/94/98/A1/A5/B1/C1/C5/D1/D5/E1/E5/F1/F5/G1/G5/H1/H5) |
| 8B | Y00087-D2-438 | EA | MOLDING - VINYL WRAP - .7" X 2.9" X 96" - CONCERT CHERRY (UM1 THRU UM9, UN1 THRU UN9) |
| 8B | Y00087-A2-438 | EA | MOLDING - VINYL WRAP - .7" X 2.9" X 96" - WASHED MAPLE |
| 8B | Y00087-92-438 | EA | MOLDING - VINYL WRAP - .7" X 2.9" X 96" - SIERRA MAPLE |
| 8B | Y00300-62-438 | EA | MOLDING - 96" - CONCERT CHERRY (U90/94/98/A1/A5/B1/C1/C5/D1/D5/E1/E5/F1/F5/G1/G5/H1/H5) |
| 8B | Y00300-D2-438 | EA | MOLDING - VINYL WRAP - .3" X .6" X 96" - CONCERT CHERRY (UM1 THRU UM9, UN1 THRU UN9) |
| 8B | Y00300-A2-438 | EA | MOLDING - VINYL WRAP - .3" X .6" X 96" - WASHED MAPLE |
| 8B | Y00300-92-438 | EA | MOLDING - VINYL WRAP - .3" X .6" X 96" - SIERRA MAPLE |



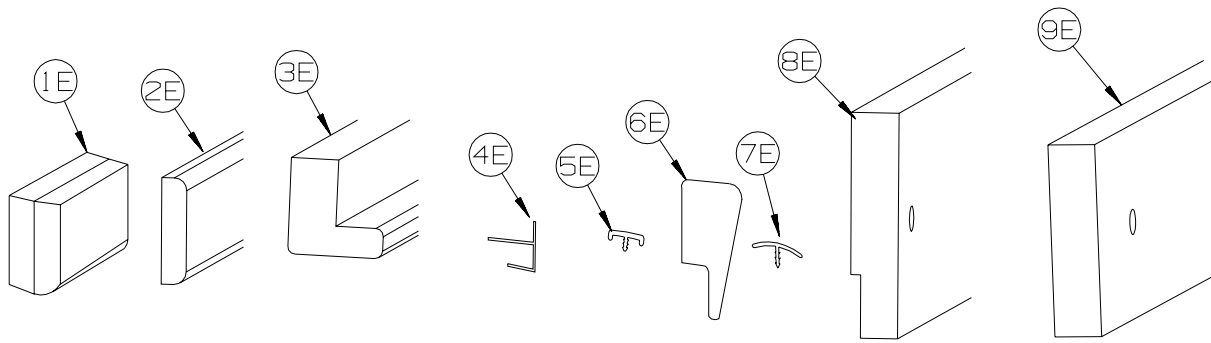
| KEY | PART NUMBER | U/M | DESCRIPTION |
|-----|---------------|-----|---|
| 1C | M09520-19-TD1 | EA | MOLDING - TRIM - W/NOTCH - 1" X 86.3" - CONCERT CHERRY |
| 1C | M09520-19-TD2 | EA | MOLDING - TRIM - W/NOTCH - 1" X 86.3" - WASHED MAPLE |
| 1C | M09520-19-TD3 | EA | MOLDING - TRIM - W/NOTCH - 1" X 86.3" - HONEY CHERRY |
| 1C | M09525-27-UF1 | EA | MOLDING - HARDWOOD - .75" X 1.4" X 32.4" - CONCERT CHERRY |
| 1C | M09525-27-UF2 | EA | MOLDING - HARDWOOD - .75" X 1.4" X 32.4" - WASHED MAPLE |
| 1C | M09525-27-UF3 | EA | MOLDING - HARDWOOD - .75" X 1.4" X 32.4" - SIERRA MAPLE |
| 2C | M09511-46-T77 | EA | MOLDING/TRIM - .5" X 1.5" X 86.5" - PORTSMOUTH OAK |
| 2C | M09511-46-T78 | EA | MOLDING/TRIM - .5" X 1.5" X 86.5" - CONCERT CHERRY |
| 2C | M09511-46-T79 | EA | MOLDING/TRIM - .5" X 1.5" X 86.5" - WASHED MAPLE |
| 2C | M09511-46-T80 | EA | MOLDING/TRIM - .5" X 1.5" X 86.5" - SIERRA MAPLE |
| 3C | Y00223-42-438 | EA | MOLDING - HARDWOOD/OAK - .7" X 1" X 96" |
| 3C | Y00223-32-438 | EA | MOLDING - HARDWOOD/CHERRY - .7" X 1" X 96" |
| 3C | Y00223-22-438 | EA | MOLDING - HARDWOOD/MAPLE - .7" X 1" X 96" |
| 4C | Y00054-62-438 | EA | MOLDING- 96" - CONCERT CHERRY (U90/94/98/A1/A5/B1/C1/C5/D1/D5/E1/E5/F1/F5/G1/G5/H1/H5) |
| 4C | Y00054-D2-438 | EA | MOLDING/VYL WRP-BVLD-.73" X 3.1" X 96" - CONCERT CHERRY (UM1 THRU UM9, UN1 THRU UN9) |
| 4C | Y00054-A2-438 | EA | MOLDING/VINYL WRAP-BEVELED ENDS-.73"X3.1"X96" - WASHED MAPLE |
| 4C | Y00054-92-438 | EA | MOLDING/VINYL WRAP-BEVELED-.73" X 3.1" X 96" - SIERRA MAPLE |
| 4C | Y00258-62-438 | EA | MOLDING/VYL 96" - CONCERT CHERRY (U90/94/98/A1/A5/B1/C1/C5/D1/D5/E1/E5/F1/F5/G1/G5/H1/H5) |
| 4C | Y00258-D2-438 | EA | MOLDING/VINYL WRP-BVLD-.73" X 3.1" X 96" - CONCERT CHERRY (UM1 THRU UM9, UN1 THRU UN9) |
| 4C | Y00258-A2-438 | EA | MOLDING/VINYL WRAP-BEVELED ENDS-.73"X3.1"X96" - WASHED MAPLE |
| 4C | Y00258-92-438 | EA | MOLDING/VINYL WRAP-BEVELED-.73" X 3.1" X 96" - SIERRA MAPLE |
| 5C | Y00259-62-438 | EA | MOLDING/VYL 96" - CONCERT CHERRY (U90/94/98/A1/A5/B1/C1/C5/D1/D5/E1/E5/F1/F5/G1/G5/H1/H5) |
| 5C | Y00259-D2-438 | EA | MOLDING/VINYL WRP-BVLD-.73" X 1.8" X 96" - CONCERT CHERRY (UM1 THRU UM9, UN1 THRU UN9) |
| 5C | Y00259-A2-438 | EA | MOLDING/VINYL WRAP-BEVELED-.73"X1.8"X96" - WASHED MAPLE |
| 5C | Y00259-92-438 | EA | MOLDING/VINYL WRAP-BEVELED-.73"X1.8"X96" - SIERRA MAPLE |
| 6C | Y00152-A2-438 | EA | MOLDING/TRIM - VINYL - .6" X 3.5" X 96" - WASHED MAPLE |
| 6C | Y00152-92-438 | EA | MOLDING/TRIM - VINYL - .6" X 3.5" X 96" - SIERRA MAPLE |

INTERIOR FINISH GROUP (CONTINUED)
MOLDINGS & TRIMS (CONTINUED)



| KEY | PART NUMBER | U/M | DESCRIPTION |
|-----|---------------|-----|---|
| 1D | 009767-12-000 | FT | WELTING - ANTIQUE WHITE |
| 1D | 009767-17-000 | FT | WELTING - PORTSMOUTH OAK |
| 2D | 009778-25-000 | FT | U-CHANNEL - 1" - BEIGE ILLUSION |
| 2D | 009778-26-000 | FT | U-CHANNEL - 1 1/4" - BEIGE ILLUSION |
| 2D | 009778-38-000 | FT | U-CHANNEL - 1" - BONE |
| 2D | 009778-32-000 | FT | U-CHANNEL - 1" - PORTSMOUTH OAK |
| 2D | 009778-34-000 | FT | U-CHANNEL - 1" - CONCERT CHERRY |
| 2D | 009778-27-000 | FT | U-CHANNEL - 1" - WASHED MAPLE |
| 2D | 009778-35-000 | FT | U-CHANNEL - 1" - HONEY CHERRY |
| 2D | 009778-36-000 | FT | U-CHANNEL - 1" - SIERRA MAPLE |
| 3D | 009809-30-000 | EA | MOLDING - CORNER - OUTSIDE - 1" X 84" - BEIGE ILLUSION |
| 3D | 009809-37-000 | EA | MOLDING - CORNER - OUTSIDE - 1" X 84" - BONE |
| 3D | 009809-32-000 | EA | MOLDING - CORNER - OUTSIDE - 1" X 84" - PORTSMOUTH OAK |
| 3D | 009809-33-000 | EA | MOLDING - CORNER - OUTSIDE - 1" X 84" - CONCERT CHERRY |
| 3D | 009809-31-000 | EA | MOLDING - CORNER - OUTSIDE - 1" X 84" - WASHED MAPLE |
| 3D | 009809-34-000 | EA | MOLDING - CORNER - OUTSIDE - 1" X 84" - HONEY CHERRY |
| 3D | 009809-35-000 | EA | MOLDING - CORNER - OUTSIDE - 1" X 84" - SIERRA MAPLE |
| 4D | 009812-31-000 | EA | MOLDING - CORNER - 1/2" W/1/4"CHAN X 84" - BEIGE ILLUSION |
| 4D | 009812-40-000 | EA | MOLDING - CORNER - 1/2" W/1/4"CHAN X 84" - BONE |
| 4D | 009812-35-000 | EA | MOLDING - CORNER - 1/2" W/1/4"CHAN X 84" - PORTSMOUTH OAK |
| 4D | 009812-36-000 | EA | MOLDING - CORNER - 1/2" W/1/4"CHAN X 84" - CONCERT CHERRY |
| 4D | 009812-33-000 | EA | MOLDING - CORNER - 1/2" W/1/4"CHAN X 84" - WASHED MAPLE |
| 4D | 009812-37-000 | EA | MOLDING - CORNER - 1/2" W/1/4"CHAN X 84" - HONEY CHERRY |
| 4D | 009812-38-000 | EA | MOLDING - CORNER - 1/2" W/1/4"CHAN X 84" - SIERRA MAPLE |
| 5D | 022992-11-000 | FT | MOLDING - REVERSE COVE - T-SHAPED - IVORY |
| 5D | 022992-18-000 | FT | MOLDING - REVERSE COVE - T-SHAPED - BONE |
| 5D | 022992-14-000 | FT | MOLDING - REVERSE COVE - T-SHAPED - BRIGHT WHITE |
| 6D | 070504-42-000 | FT | U-CHANNEL - PLASTIC - .13" X 84" - BEIGE ILLUSION |
| 6D | 070504-69-000 | FT | U-CHANNEL - PLASTIC - .13" X 84" - BONE |
| 6D | 070504-43-000 | FT | U-CHANNEL - PLASTIC - .9" X 96" - BEIGE ILLUSION |
| 6D | 070504-70-000 | FT | U-CHANNEL - PLASTIC - .8" X 84" - BONE |
| 6D | 070504-57-000 | FT | U-CHANNEL - PLASTIC - .13" X 84" - PORTSMOUTH OAK |
| 6D | 070504-58-000 | FT | U-CHANNEL - PLASTIC - .9" X 84" - PORTSMOUTH OAK |
| 6D | 070504-60-000 | FT | U-CHANNEL - PLASTIC - .13" X 84" - CONCERT CHERRY |
| 6D | 070504-61-000 | FT | U-CHANNEL - PLASTIC - .9" X 84" - CONCERT CHERRY |
| 6D | 070504-50-000 | FT | U-CHANNEL - PLASTIC - .13" X 96" - WASHED MAPLE |
| 6D | 070504-51-000 | FT | U-CHANNEL - PLASTIC - .9" X 96" - WASHED MAPLE |
| 6D | 070504-62-000 | FT | U-CHANNEL - PLASTIC - 1.65" X 84" - HONEY CHERRY |
| 6D | 070504-63-000 | FT | U-CHANNEL - PLASTIC - .9" X 84" - HONEY CHERRY |
| 6D | 070504-65-000 | FT | U-CHANNEL - PLASTIC - 1.65" X 84" - SIERRA MAPLE |
| 6D | 070504-66-000 | FT | U-CHANNEL - PLASTIC - .9" X 84" - SIERRA MAPLE |
| 7D | 083620-15-000 | FT | MOLDING-T - W/EDGE LIP - 7/8" FACE - BEIGE ILLUSION |
| 7D | 083620-25-000 | FT | MOLDING-T - W/EDGE LIP - 7/8" FACE - BONE |
| 7D | 083620-20-000 | FT | MOLDING-T - W/EDGE LIP - 7/8" FACE - PORTSMOUTH OAK |
| 7D | 083620-21-000 | FT | MOLDING-T - W/EDGE LIP - 7/8" FACE - CONCERT CHERRY |
| 7D | 083620-19-000 | FT | MOLDING-T - W/EDGE LIP - 7/8" FACE - WASHED MAPLE |
| 7D | 083620-24-000 | FT | MOLDING-T - W/EDGE LIP - 7/8" FACE - HONEY CHERRY |
| 7D | 083620-22-000 | FT | MOLDING-T - W/EDGE LIP - 7/8" FACE - SIERRA MAPLE |
| 8D | 085746-04-000 | FT | TRIM-J - CARPET 1.2" X .5" ANGLE - 12' LONG - OFF WHITE |
| 9D | 086229-01-000 | EA | RETAINER - BATTEN - .75" X 92.1" - ANY COLOR |
| 10D | 086229-20-000 | EA | BATTEN - 1" X 96" - BEIGE |

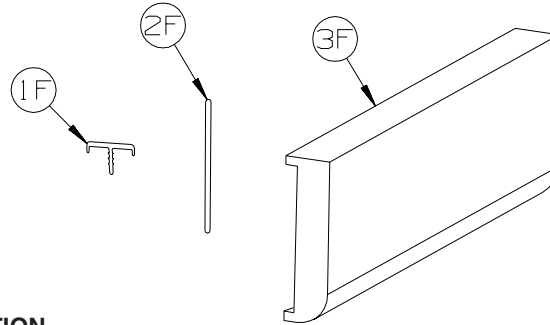
INTERIOR FINISH GROUP (CONTINUED)
MOLDINGS & TRIMS (CONTINUED)



| KEY | PART NUMBER | U/M | DESCRIPTION |
|-----|---------------|-----|---|
| 1E | 100659-30-N75 | EA | MOLDING - TRIM - 8' - PORTSMOUTH OAK |
| 1E | 100659-30-N74 | EA | MOLDING - TRIM - 8' - CONCERT CHERRY |
| 1E | 100659-30-M84 | EA | MOLDING - TRIM - 8' - WASHED MAPLE |
| 1E | 100659-27-RA3 | EA | MOLDING - TRIM - HONEY CHERRY |
| 1E | 100659-31-SA3 | EA | MOLDING - TRIM - SIERRA MAPLE |
| 2E | 100818-01-12A | EA | MOLDING - VINYL WRAPPED - 1.6" X .4" X 84" - PORTSMOUTH OAK |
| 2E | 100818-01-13A | EA | MOLDING - VYL 84" - CONCERT CHERRY (U90/94/98/A1/A5/B1/C1/C5/D1/D5/E1/E5/F1/F5/G1/G5/H1/H5) |
| 2E | 100818-01-23A | EA | MOLDING - VINYL WRPPD - 1.6" X .4" X 84" - CONCERT CHERRY (UM1 THRU UM9, UN1 THRU UN9) |
| 2E | 100818-01-21A | EA | MOLDING - VINYL WRAPPED - 1.6" X .4" X 84" - WASHED MAPLE |
| 2E | 100818-01-14A | EA | MOLDING - VINYL WRAPPED - 1.6" X .4" X 84" - HONEY CHERRY |
| 2E | 100818-01-22A | EA | MOLDING - VINYL WRAPPED - 1.6" X .4" X 84" - SIERRA MAPLE |
| 3E | 100819-01-12A | EA | MOLDING - VINYL WRAPPED-L-SHAPED-1.5"X1.5"X84" - PORTSMOUTH OAK |
| 3E | 100819-01-13A | EA | MOLDING - VYL 84" - CONCERT CHERRY (U90/94/98/A1/A5/B1/C1/C5/D1/D5/E1/E5/F1/F5/G1/G5/H1/H5) |
| 3E | 100819-01-23A | EA | MOLDING - VYL WRPPD-L-SHPD-1.5"X1.5"X84" - CONCERT CHERRY (UM1 THRU UM9, UN1 THRU UN9) |
| 3E | 100819-01-21A | EA | MOLDING - VINYL WRAPPED-L-SHAPED-1.5"X1.5"X84" - WASHED MAPLE |
| 3E | 100819-01-14A | EA | MOLDING - VINYL WRAPPED-L-SHAPED-1.5"X1.5"X84" - HONEY CHERRY |
| 3E | 100819-01-22A | EA | MOLDING - VINYL WRAPPED-L-SHAPED-1.5"X1.5"X84" - SIERRA MAPLE |
| 4E | 103186-01-07A | FT | MOLDING/PLASTIC - 3/8" U-CHANNEL-3/4" FACE -BEIGE ILLUSION |
| 4E | 103186-01-09A | FT | MOLDING/PLASTIC - 3/8" U-CHAN'L-3/4" FACE - PORTSMOUTH OAK |
| 4E | 103186-01-10A | FT | MOLDING/PLASTIC - 3/8" U-CHAN'L-3/4" FACE - CONCERT CHERRY |
| 4E | 103186-01-08A | FT | MOLDING/PLASTIC - 3/8" U-CHANNEL-3/4"FACE-WASHED MAPLE 8' - WASHED MAPLE |
| 4E | 103186-01-11A | FT | MOLDING/PLASTIC - 3/8" U-CHAN'L-3/4" FACE - HONEY CHERRY |
| 4E | 103186-01-12A | FT | MOLDING/PLASTIC - 3/8" U-CHAN'L-3/4" FACE - SIERRA MAPLE |
| 4E | 103186-02-07A | FT | MOLDING/PLASTIC-1" U-CHAN'L-1 3/8" FACE - BEIGE ILLUSION |
| 4E | 103186-02-09A | FT | MOLDING/PLASTIC - 1" U-CHAN'L-1 3/8" FACE - PORTSMOUTH OAK |
| 4E | 103186-02-10A | FT | MOLDING/PLASTIC - 1" U-CHAN'L-1 3/8" FACE - CONCERT CHERRY |
| 4E | 103186-02-08A | FT | MOLDING/PLASTIC - 1" U-CHANNEL-1 3/8"FACE - WASHED MAPLE |
| 4E | 103186-02-11A | FT | MOLDING/PLASTIC - 1" U-CHAN'L-1 3/8" FACE - HONEY CHERRY |
| 4E | 103186-02-12A | FT | MOLDING/PLASTIC - 1" U-CHAN'L-1 3/8" FACE - SIERRA MAPLE |
| 5E | 104676-02-08A | FT | MOLDING-T - W/EDGE LIP - 11/16" FACE - PORTSMOUTH OAK |
| 5E | 104676-02-09A | FT | MOLDING-T - W/EDGE LIP - 11/16" FACE - CONCERT CHERRY |
| 5E | 104676-02-06A | FT | MOLDING-T - W/EDGE LIP - 11/16" FACE - WASHED MAPLE |
| 5E | 104676-02-10A | FT | MOLDING-T - W/EDGE LIP - 11/16" FACE - HONEY CHERRY |
| 5E | 104676-02-12A | FT | MOLDING-T - W/EDGE LIP - 11/16" FACE - SIERRA MAPLE |
| 6E | 105004-01-12A | EA | MOLDING - VINYL WRAPPED - 1" X 96" - PORTSMOUTH OAK |
| 6E | 105004-01-13A | EA | MOLDING - V W 8' - CONCERT CHERRY (U90/94/98/A1/A5/B1/C1/C5/D1/D5/E1/E5/F1/F5/G1/G5/H1/H5) |
| 6E | 105004-01-23A | EA | MOLDING - VINYL WRAPPD 1" X 8' - CONCERT CHERRY (UM1 THRU UM9, UN1 THRU UN9) |
| 6E | 105004-01-21A | EA | MOLDING - VINYL WRAPPED - 1" X 8' - WASHED MAPLE |
| 6E | 105004-01-24A | EA | MOLDING - VINYL WRAPPED - 1" X 8' - HONEY CHERRY |
| 6E | 105004-01-22A | EA | MOLDING - VINYL WRAPPED - 1" X 8' - SIERRA MAPLE |
| 7E | 105709-02-000 | FT | MOLDING-T - W/EDGE LIP 3/4" FACE - BEIGE ILLUSION |
| 8E | 116951-45-R68 | EA | MOLDING - TRIM - 3" X 30.3" - PORTSMOUTH OAK |
| 8E | 116951-45-R69 | EA | MOLDING - TRIM - 3" X 30.3" - CONCERT CHERRY |
| 8E | 116951-45-R76 | EA | MOLDING - TRIM - 3" X 30.3" - WASHED MAPLE |
| 8E | 116951-45-SA3 | EA | MOLDING - TRIM - 3" X 30.3" - SIERRA MAPLE |
| 9E | 116951-37-R68 | EA | MOLDING - TRIM - 3.5" X 38.6" - PORTSMOUTH OAK |
| 9E | 116951-37-R69 | EA | MOLDING - TRIM - 3.5" X 38.6" - CONCERT CHERRY |
| 9E | 116951-37-R76 | EA | MOLDING - TRIM - 3.5" X 38.6" - WASHED MAPLE |
| 9E | 116951-37-SA3 | EA | MOLDING - TRIM - 3.5" X 38.6" - SIERRA MAPLE |
| 9E | 116951-51-SA0 | EA | MOLDING - TRIM - 3.5" X 47.3" - PORTSMOUTH OAK |
| 9E | 116951-51-SA1 | EA | MOLDING - TRIM - 3.5" X 47.3" - CONCERT CHERRY |
| 9E | 116951-51-SA2 | EA | MOLDING - TRIM - 3.5" X 47.3" - WASHED MAPLE |
| 9E | 116951-51-SA3 | EA | MOLDING - TRIM - 3.5" X 47.3" - SIERRA MAPLE |

INTERIOR FINISH GROUP (CONTINUED)
MOLDINGS & TRIMS (CONTINUED)

| KEY | PART NUMBER | U/M | DESCRIPTION |
|-----|---------------|-----|--|
| 9E | 116951-55-TD0 | EA | MOLDING - TRIM - 4.5" X 52.3" - PORTSMOUTH OAK |
| 9E | 116951-55-TD1 | EA | MOLDING - TRIM - 4.5" X 52.3" - CONCERT CHERRY |
| 9E | 116951-55-TD2 | EA | MOLDING - TRIM - 4.5" X 52.3" - WASHED MAPLE |
| 9E | 116951-55-TD3 | EA | MOLDING - TRIM - 4.5" X 52.3" - SIERRA MAPLE |
| 9E | 116951-56-TD0 | EA | MOLDING - TRIM - 4.5" X 52.3" - PORTSMOUTH OAK |
| 9E | 116951-56-TD1 | EA | MOLDING - TRIM - 4.5" X 52.3" - CONCERT CHERRY |
| 9E | 116951-56-TD2 | EA | MOLDING - TRIM - 4.5" X 52.3" - WASHED MAPLE |
| 9E | 116951-56-TD3 | EA | MOLDING - TRIM - 4.5" X 52.3" - SIERRA MAPLE |

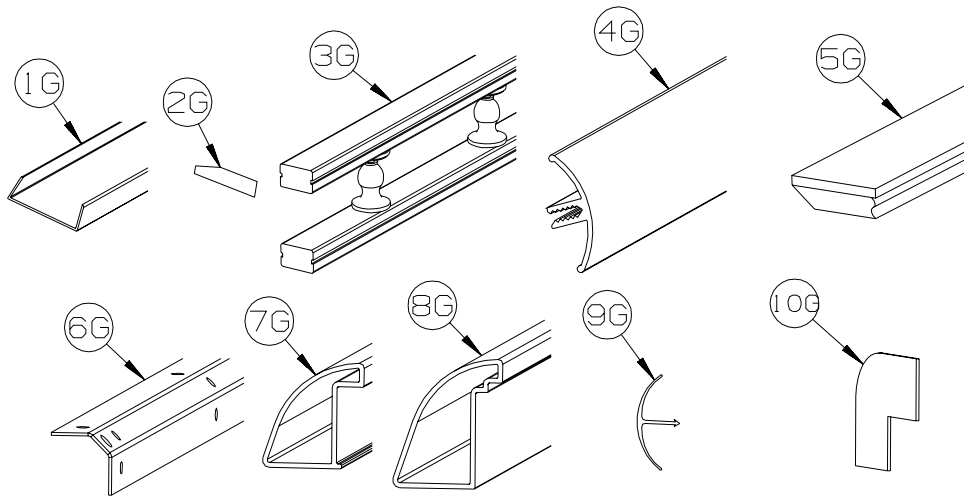


| KEY | PART NUMBER | U/M | DESCRIPTION |
|-----|---------------|-----|---|
| 1F | 119520-01-01A | FT | MOLDING-T - OFFSET W/EDGE LIP - 1.3" FACE - OFF WHITE |
| 1F | 119520-03-03A | FT | MOLDING-T - OFFSET W/EDGE LIP - 1" FACE - WASHED MAPLE |
| 1F | 119520-03-06A | FT | MOLDING-T - OFFSET W/EDGE LIP - 1" FACE - HONEY CHERRY |
| 2F | 127842-01-01A | FT | SEAL - SIGHT SHIELD - 2" BLACK |
| | 137885-A2-438 | EA | LUMBER - VYL .75" - CONCERT CHERRY (U90/94/98/A1/A5/B1/C1/C5/D1/D5/E1/E5/F1/F5/G1/G5/H1/H5) |
| | 160300-A2-438 | EA | LUMBER - VINYL WRAPPED - .7" X .75" X 96" - CONCERT CHERRY (UM1 THRU UM9, UN1 THRU UN9) |
| | 137885-D2-438 | EA | LUMBER - VYL1.5" - CONCERT CHERRY (U90/94/98/A1/A5/B1/C1/C5/D1/D5/E1/E5/F1/F5/G1/G5/H1/H5) |
| | 160300-D2-438 | EA | LUMBER - VINYL WRAPPED - .7" X 1.5" X 96" - CONCERT CHERRY (UM1 THRU UM9, UN1 THRU UN9) |
| | 137885-E2-438 | EA | LUMBER - VYL2" -CONCERT CHERRY (U90/94/98/A1/A5/B1/C1/C5/D1/D5/E1/E5/F1/F5/G1/G5/H1/H5) |
| | 160300-E2-438 | EA | LUMBER - VINYL WRAPPED - .7" X 2" X 96" - CONCERT CHERRY (UM1 THRU UM9, UN1 THRU UN9) |
| | 137885-F2-438 | EA | LUMBER - VYL2.5" - CONCERT CHERRY (U90/94/98/A1/A5/B1/C1/C5/D1/D5/E1/E5/F1/F5/G1/G5/H1/H5) |
| | 160300-F2-438 | EA | LUMBER - VINYL WRAPPED - .7" X 2.5" X 96" - CONCERT CHERRY (UM1 THRU UM9, UN1 THRU UN9) |
| | 137885-G2-438 | EA | LUMBER - VYL3" - CONCERT CHERRY (U90/94/98/A1/A5/B1/C1/C5/D1/D5/E1/E5/F1/F5/G1/G5/H1/H5) |
| | 160300-G2-438 | EA | LUMBER - VINYL WRAPPED - .7" X 3" X 96" - CONCERT CHERRY (UM1 THRU UM9, UN1 THRU UN9) |
| | 137885-H2-438 | EA | LUMBER - VYL3.5" - CONCERT CHERRY (U90/94/98/A1/A5/B1/C1/C5/D1/D5/E1/E5/F1/F5/G1/G5/H1/H5) |
| | 160300-H2-438 | EA | LUMBER - VINYL WRAPPED - .7" X 3.5" X 96" - CONCERT CHERRY (UM1 THRU UM9, UN1 THRU UN9) |
| | 137885-J2-438 | EA | LUMBER - VYL5.5" - CONCERT CHERRY (U90/94/98/A1/A5/B1/C1/C5/D1/D5/E1/E5/F1/F5/G1/G5/H1/H5) |
| | 160300-J2-438 | EA | LUMBER - VINYL WRAPPED - .7" X 5.5" X 96" - CONCERT CHERRY (UM1 THRU UM9, UN1 THRU UN9) |
| | 137885-J2-743 | EA | LUMBER - VYL5.5" - CONCERT CHERRY (U90/94/98/A1/A5/B1/C1/C5/D1/D5/E1/E5/F1/F5/G1/G5/H1/H5) |
| | 160300-J2-743 | EA | LUMBER - VINYL WRAPPED - .7" X 5.5" X 108" - CONCERT CHERRY (UM1 THRU UM9, UN1 THRU UN9) |
| | 137885-K2-438 | EA | LUMBER - VYL3.9" - CONCERT CHERRY (U90/94/98/A1/A5/B1/C1/C5/D1/D5/E1/E5/F1/F5/G1/G5/H1/H5) |
| | 160300-K2-438 | EA | LUMBER - VINYL WRAPPED - .7" X 3.9" X 96" - CONCERT CHERRY (UM1 THRU UM9, UN1 THRU UN9) |
| | 137885-R2-438 | EA | LUMBER - VYL 3" - CONCERT CHERRY (U90/94/98/A1/A5/B1/C1/C5/D1/D5/E1/E5/F1/F5/G1/G5/H1/H5) |
| | 160300-R2-438 | EA | LUMBER - VINYL WRAPPED - .7" X 3" X 96" - CONCERT CHERRY (UM1 THRU UM9, UN1 THRU UN9) |
| 3F | 137887-D2-134 | EA | MOLDING - 1.6" X 84"- CONCERT CHERRY (U90/94/98/A1/A5/B1/C1/C5/D1/D5/E1/E5/F1/F5/G1/G5/H1/H5) |
| 3F | 160301-D2-134 | EA | MOLDING -VINYL WRAPPED - .7" X 1.6" X 84" - CONCERT CHERRY (UM1 THRU UM9, UN1 THRU UN9) |
| 3F | 137887-D2-743 | EA | MLDG - 1.6" X 108" - CONCERT CHERRY (U90/94/98/A1/A5/B1/C1/C5/D1/D5/E1/E5/F1/F5/G1/G5/H1/H5) |
| 3F | 160301-D2-743 | EA | MOLDING - VINYL WRAPPED- .7" X 1.6" X 108" - CONCERT CHERRY (UM1 THRU UM9, UN1 THRU UN9) |
| 3F | 137887-F2-134 | EA | MLDNG - 2.5" X 84" - CONCERT CHERRY (U90/94/98/A1/A5/B1/C1/C5/D1/D5/E1/E5/F1/F5/G1/G5/H1/H5) |
| 3F | 160301-F2-134 | EA | MOLDING - VINYL WRAPPED - .7" X 2.5" X 84" - CONCERT CHERRY (UM1 THRU UM9, UN1 THRU UN9) |
| 3F | 137887-F2-743 | EA | MLDG - 2.5" X 108" - CONCERT CHERRY (U90/94/98/A1/A5/B1/C1/C5/D1/D5/E1/E5/F1/F5/G1/G5/H1/H5) |
| 3F | 160301-F2-743 | EA | MOLDING - VINYL WRPPD - .7" X 2.5" X 108" - CONCERT CHERRY (UM1 THRU UM9, UN1 THRU UN9) |
| 3F | 137887-F2-438 | EA | MLDG - 2.5" X 96" - CONCERT CHERRY (U90/94/98/A1/A5/B1/C1/C5/D1/D5/E1/E5/F1/F5/G1/G5/H1/H5) |
| 3F | 160301-F2-438 | EA | MOLDING - VINYL WRPPD - .7" X 2.5" X 96" - CONCERT CHERRY (UM1 THRU UM9, UN1 THRU UN9) |
| | 137894-A2-438 | EA | LUMBER - VINYL WRAPPED - .7" X .75" X 96" - PORTSMOUTH OAK |
| | 137894-D2-438 | EA | LUMBER - VINYL WRAPPED - .7" X 1.5" X 96" - PORTSMOUTH OAK |
| | 137894-E2-438 | EA | LUMBER - VINYL WRAPPED - .7" X 2" X 96" - PORTSMOUTH OAK |
| | 137894-F2-438 | EA | LUMBER - VINYL WRAPPED - .7" X 2.5" X 96" - PORTSMOUTH OAK |
| | 137894-G2-438 | EA | LUMBER - VINYL WRAPPED - .7" X 3" X 96" - PORTSMOUTH OAK |
| | 137894-H2-438 | EA | LUMBER - VINYL WRAPPED - .7" X 3.5" X 96" - PORTSMOUTH OAK |
| | 137894-J2-438 | EA | LUMBER - VINYL WRAPPED - .7" X 5.5" X 80.2" - PORTSMOUTH OAK |
| | 137894-J2-743 | EA | LUMBER - VINYL WRAPPED - .7" X 5.5" X 96" - PORTSMOUTH OAK |
| | 137894-K2-438 | EA | LUMBER - VINYL WRAPPED - .7" X 3.9" X 96" - PORTSMOUTH OAK |
| | 137894-R2-438 | EA | LUMBER - VINYL WRAPPED - .7" X 3" X 96" - PORTSMOUTH OAK |

INTERIOR FINISH GROUP (CONTINUED)
MOLDINGS & TRIMS (CONTINUED)

| KEY | PART NUMBER | U/M | DESCRIPTION |
|-----|---------------|-----|--|
| 3F | 137895-D2-134 | EA | MOLDING - VINYL WRAPPED - .7" X 1.6" X 84"-PORTSMOUTH OAK |
| 3F | 137895-D2-743 | EA | MOLDING - VINYL WRAPPED - .7" X 1.6" X 108"-PORTSMOUTH OAK |
| 3F | 137895-F2-438 | EA | MOLDING - VINYL WRAPPED - .7" X 2.5" X 96" - PORTSMOUTH OAK |
| 3F | 137895-F2-743 | EA | MOLDING - VINYL WRAPPED - .7" X 2.5" X 108" - PORTSMOUTH OAK |
| | 146419-A2-438 | EA | LUMBER - VINYL WRAPPED - .7" X .75" X 96" - HONEY CHERRY |
| | 146419-D2-438 | EA | LUMBER - VINYL WRAPPED - .7" X 1.5" X 96" - HONEY CHERRY |
| | 146419-E2-438 | EA | LUMBER - VINYL WRAPPED - .7" X 2" X 96" - HONEY CHERRY |
| | 146419-F2-438 | EA | LUMBER - VINYL WRAPPED - .7" X 2.5" X 96" - HONEY CHERRY |
| | 146419-G2-438 | EA | LUMBER - VINYL WRAPPED - .7" X 3" X 96" - HONEY CHERRY |
| | 146419-H2-438 | EA | LUMBER - VINYL WRAPPED - .7" X 3.5" X 96" - HONEY CHERRY |
| | 146419-J2-438 | EA | LUMBER - VINYL WRAPPED - .7" X 5.5" X 96" - HONEY CHERRY |
| | 146419-J2-743 | EA | LUMBER - VINYL WRAPPED - .7" X 5.5" X 108" - HONEY CHERRY |
| | 146419-K2-438 | EA | LUMBER - VINYL WRAPPED - .7" X 3.9" X 96" - HONEY CHERRY |
| | 146419-R2-438 | EA | LUMBER - VINYL WRAPPED - .7" X 3" X 96" - HONEY CHERRY |
| | 146419-S2-438 | EA | LUMBER - VINYL WRAPPED/FULL - .7"X 3.5"X 96"- HONEY CHERRY |
| | 146419-T2-438 | EA | LUMBER - VINYL WRAPPED/FULL - .7"X 5.5"X 96"- HONEY CHERRY |
| 3F | 146425-D2-134 | EA | MOLDING - VINYL WRAPPED - .7" X 1.6" X 83.9" - HONEY CHERRY |
| 3F | 146425-F2-438 | EA | MOLDING - VINYL WRAPPED - .7" X 2.6" X 96" - HONEY CHERRY |
| | 149325-A2-438 | EA | LUMBER - VINYL WRAPPED - .7" X .75" X 96" - WASHED MAPLE |
| | 149325-D2-438 | EA | LUMBER - VINYL WRAPPED - .7" X 1.5" X 96" - WASHED MAPLE |
| | 149325-E2-438 | EA | LUMBER - VINYL WRAPPED - .7" X 2" X 96" - WASHED MAPLE |
| | 149325-F2-438 | EA | LUMBER - VINYL WRAPPED - .7" X 2.5" X 96" - WASHED MAPLE |
| | 149325-G2-438 | EA | LUMBER - VINYL WRAPPED - .7" X 3" X 96" - WASHED MAPLE |
| | 149325-H2-438 | EA | LUMBER - VINYL WRAPPED - .7" X 3.5" X 96" - WASHED MAPLE |
| | 149325-J2-438 | EA | LUMBER - VINYL WRAPPED - .7" X 5.5" X 96" - WASHED MAPLE |
| | 149325-J2-743 | EA | LUMBER - VINYL WRAPPED - .7" X 5.5" X 108" - WASHED MAPLE |
| | 149325-K2-438 | EA | LUMBER - VINYL WRAPPED - .7" X 3.9" X 96" - WASHED MAPLE |
| | 149325-R2-438 | EA | LUMBER - VINYL WRAPPED - .7" X 3" X 96" - WASHED MAPLE |
| 3F | 149326-D2-134 | EA | MOLDING - VINYL WRAPPED - .7" X 1.5" X 83.9" - WASHED MAPLE |
| 3F | 149326-D2-743 | EA | MOLDING - VINYL WRAPPED - .7" X 1.5" X 108" - WASHED MAPLE |
| 3F | 149326-F2-134 | EA | MOLDING - VINYL WRAPPED - .7" X 2.5" X 83.9" - WASHED MAPLE |
| 3F | 149326-F2-438 | EA | MOLDING - VINYL WRAPPED - .7" X 2.5" X 96" - WASHED MAPLE |
| 3F | 149326-F2-743 | EA | MOLDING - VINYL WRAPPED - .7" X 2.5" X 108" - WASHED MAPLE |
| | 149330-A2-438 | EA | LUMBER - VINYL WRAPPED - .7" X .75" X 96" - SIERRA MAPLE |
| | 149330-D2-438 | EA | LUMBER - VINYL WRAPPED - .7" X 1.5" X 96" - SIERRA MAPLE |
| | 149330-E2-438 | EA | LUMBER - VINYL WRAPPED - .7" X 2" X 96" - SIERRA MAPLE |
| | 149330-F2-438 | EA | LUMBER - VINYL WRAPPED - .7" X 2.5" X 96" - SIERRA MAPLE |
| | 149330-G2-438 | EA | LUMBER - VINYL WRAPPED - .7" X 3" X 96" - SIERRA MAPLE |
| | 149330-H2-438 | EA | LUMBER - VINYL WRAPPED - .7" X 3.5" X 96" - SIERRA MAPLE |
| | 149330-J2-438 | EA | LUMBER - VINYL WRAPPED - .7" X 5.5" X 96" - SIERRA MAPLE |
| | 149330-J2-743 | EA | LUMBER - VINYL WRAPPED - .7" X 5.5" X 108" - SIERRA MAPLE |
| | 149330-K2-438 | EA | LUMBER - VINYL WRAPPED - .7" X 3.9" X 96" - SIERRA MAPLE |
| | 149330-R2-438 | EA | LUMBER - VINYL WRAPPED - .7" X 3" X 96" - SIERRA MAPLE |
| 3F | 149331-D2-134 | EA | MOLDING - VINYL WRAPPED - .7" X 1.5" X 83.9" - SIERRA MAPLE |
| 3F | 149331-D2-743 | EA | MOLDING - VINYL WRAP - .7" X 1.5" X 108" - SIERRA MAPLE |
| 3F | 149331-F2-134 | EA | MOLDING - VINYL WRAPPED - .7" X 2.5" X 83.9" - SIERRA MAPLE |
| 3F | 149331-F2-438 | EA | MOLDING - VINYL WRAPPED - .7" X 2.5" X 96" - SIERRA MAPLE |
| 3F | 149331-F2-743 | EA | MOLDING - VINYL WRAPPED - .7" X 2.5" X 108" - SIERRA MAPLE |

INTERIOR FINISH GROUP (CONTINUED)
MOLDINGS & TRIMS (CONTINUED)



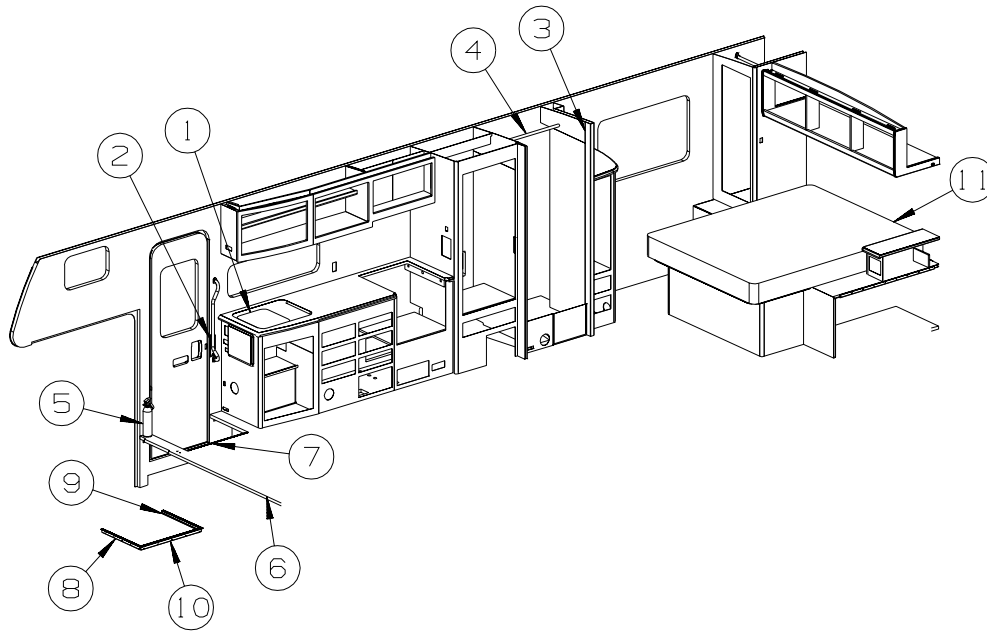
| KEY | PART NUMBER | U/M | DESCRIPTION |
|-----|---------------|-----|---|
| 1G | 141260-01-01A | FT | U-CHANNEL - 1" - VILLAGE OAK |
| 1G | 141260-01-02A | FT | U-CHANNEL - 1" - GRADY BROWN |
| 1G | 141260-02-01A | FT | U-CHANNEL - 1 1/8" - VILLAGE OAK |
| 1G | 141260-02-02A | FT | U-CHANNEL - 1 1/8" - GRADY BROWN |
| 2G | 146306-01-01A | FT | TRANSITION - CARPET/TILE |
| 3G | 150167-01-07A | EA | RAIL - DECORATIVE - 96" W/O REVERSE SIDE GROOVE - PORTSMOUTH OAK |
| 3G | 150167-01-02A | EA | RAIL - DECORATIVE - 96" W/O REVERSE SIDE GROOVE - SALEM CHERRY - CONCERT CHERRY |
| 3G | 150167-01-03A | EA | RAIL - DECORATIVE - 96" W/O REVERSE SIDE GROOVE - WASHED MAPLE |
| 3G | 150167-01-09A | EA | RAIL - DECORATIVE - 96" W/O REVERSE SIDE GROOVE - SIERRA MAPLE |
| 4G | 151653-10-02A | EA | TRIM/RADIUS - CABINET CORNER - 79.6" - DULL METALLIC |
| 4G | 151653-13-02A | EA | TRIM/RADIUS - CABINET CORNER - 79.8" - DULL METALLIC |
| 5G | 151676-26-S46 | EA | MOLDING/TRIM - .75" X 1.6" X 80.2" - PORTSMOUTH OAK |
| 5G | 151676-26-S47 | EA | MOLDING/TRIM - .75" X 1.6" X 80.2" - CONCERT CHERRY |
| 5G | 151676-26-S48 | EA | MOLDING/TRIM - .75" X 1.6" X 80.2" - WASHED MAPLE |
| 5G | 151676-26-SR0 | EA | MOLDING/TRIM - .75" X 1.6" X 80.2" - SIERRA MAPLE |
| 6G | 151861-05-02B | EA | ANGLE - SUPPORT/CORNER - 1.4" X 78.6" - E-COATED |
| 7G | 151893-01-02A | EA | TRIM/RADIUS - CABINET BOTTOM - 72.6" - DULL METALLIC |
| 8G | 152077-01-02A | EA | TRIM/RADIUS - CABINET BOTTOM - 27.7" - DULL METALLIC |
| 9G | 156464-01-01A | FT | MOLDING - CORNER - RADIUS/PLASTIC - 8' - HONEY CHERRY |
| 9G | 156464-01-02A | FT | MOLDING - CORNER - RADIUS/PLASTIC - 8' - WASHED MAPLE |
| 9G | 156464-01-03A | FT | MOLDING - CORNER - RADIUS/PLASTIC - 8' - BONE |
| 10G | 160989-01-06A | FT | CAP - CORNER - RADIUS MOLDING - PLASTIC - WASHED MAPLE |
| 10G | 160989-01-07A | FT | CAP - CORNER - RADIUS MOLDING - PLASTIC - HONEY CHERRY |

INTERIOR FINISH GROUP (CONTINUED)
PANELING & LAMINATES

| KEY | PART NUMBER | U/M | DESCRIPTION |
|------------|--------------------|------------|---|
| | 000885-A7-000 | SF | PARTICLE BOARD - 3/4" X 4' X 8' - HONEY CHERRY - 2 SIDED - HONEY CHERRY |
| | 000885-A8-000 | SF | PARTICLE BOARD - 3/8" X 4' X 8' - HONEY CHERRY - 1 SIDED - HONEY CHERRY |
| | 000885-A9-000 | SF | PARTICLE BOARD - 3/8" X 4' X 8' - HONEY CHERRY - 2 SIDED - HONEY CHERRY |
| | 000885-B4-000 | SF | PARTICLE BOARD - 3/8" X 4' X 8' - WASHED MAPLE - 2 SIDED - WASHED MAPLE |
| | 000885-B5-000 | SF | PARTICLE BOARD - 3/8" X 4' X 8' - WASHED MAPLE - 1 SIDED - WASHED MAPLE |
| | 000885-B6-000 | SF | PARTICLE BOARD - 3/4" X 4' X 8' - WASHED MAPLE - 2 SIDED - WASHED MAPLE |
| | 000885-C3-000 | SF | PARTICLE BOARD - 3/8" X 4' X 8' - WHITE THATCH EMB-1 SIDED |
| | 074497-47-000 | SF | PANELING - HONEY CHERRY - 1/8" X 4' X 8' - HONEY CHERRY |
| | 074497-49-000 | SF | PANELING - WASHED MAPLE - 1/8" X 4' X 8' - WASHED MAPLE |
| | 088272-M7-000 | SF | PANELING - KURTA/CANVAS - 4' X 7.4' (U29, U30) |
| | 088272-L8-000 | SF | PANELING - D'VINCI/ALMOND - 4' X 7' (U31, U32) |
| | 088272-M8-000 | SF | PANELING - WISTERIA/DUNE - 4' X 7.4' (U33, U34) |
| | 088272-M9-000 | SF | PANELING - WHITE THATCHED - 4' X 8' |
| | 074498-A2-000 | SF | LAMINATE - PLASTIC - PHANTOM GRAY - 5' X 8' |
| | 074498-A6-000 | SF | LAMINATE - PLASTIC - HARDROCK MAPLE - 5' X 8' - WASHED MAPLE |
| | 074498-A7-000 | SF | LAMINATE - PLASTIC - GRAND ISLE - 5' X 8' - HONEY CHERRY |
| | 076325-71-000 | FT | MOLDING - EDGE BAND - 1 5/16" X .038" - GRAY |
| | 069733-91-000 | EA | BATT STRIP - WOODGRAINED/WASHED MAPLE - 8' - WASHED MAPLE |
| | 088263-J2-000 | EA | BATT STRIP - DECORATIVE - NEAT/WASHED MAPLE - WASHED MAPLE |
| | 088263-K5-000 | EA | BATT STRIP - DECORATIVE - WHITE THATCHED - 8' |
| | 088263-K3-000 | EA | BATT STRIP - DECORATIVE - KURTA/CANVAS - 8' (U29, U30) |
| | 088263-J0-000 | EA | BATT STRIP - DECORATIVE - D'VINCI ALMOND (U31, U32) |
| | 088263-K4-000 | EA | BATT STRIP - DECORATIVE - WISTERIA/DUNE - 8' (U33, U34) |
| | 085284-J6-000 | FT | BATT TAPE - ADHESIVE BACKED - DECORATIVE - HONEY CHERRY |
| | 085284-K9-000 | FT | BATT TAPE - ADHESIVE BACKED - DECORATIVE-NEAT/WASHED MAPLE - WASHED MAPLE |
| | 085284-J5-000 | FT | BATT TAPE - ADHESIVE BACKED - DECORATIVE-NEAT/WASHED MAPLE - WASHED MAPLE |
| | 085284-K7-000 | FT | BATT TAPE - ADHESIVE BACKED - DECORATIVE - KURTA/CANVAS (U29, U30) |
| | 085284-J3-000 | FT | BATT TAPE - ADHESIVE BACKED - DECORATIVE - D'VINCI ALMOND (U31, U32) |
| | | | FROM: 00-00-00 THRU: 03-27-07 |
| | 085284-K7-000 | FT | BATT TAPE - ADHESIVE BACKED - DECORATIVE - KURTA/CANVAS (U31, U32) |
| | | | FROM: 03-28-07 THRU: 99-99-99 |
| | 085284-K8-000 | FT | BATT TAPE - ADHESIVE BACKED - DECORATIVE - WISTERIA/DUNE (U33, U34) |
| | 057882-06-700 | EA | DOOR - TAMBOUR - 4' X 4'-CHERRY/HONEY/PRE-FINISHED - HONEY CHERRY |
| | 057882-05-700 | EA | DOOR - TAMBOUR - 4' X 4'-MAPLE/HONEY/PRE-FINISHED - WASHED MAPLE |
| | P26866-14-U21 | EA | HANDLE - DOOR/TAMBOUR - 11.6" - HONEY CHERRY |
| | P26866-14-U22 | EA | HANDLE - DOOR/TAMBOUR - 11.6" - WASHED MAPLE |
| | P26866-10-K09 | EA | HANDLE - DOOR/TAMBOUR - 11.6" - MAPLE/WASHED MAPLE - WASHED MAPLE |
| | 126339-01-000 | SF | BOARD - WHEAT - 60" X 72" |

INTERIOR FINISH GROUP (CONTINUED)

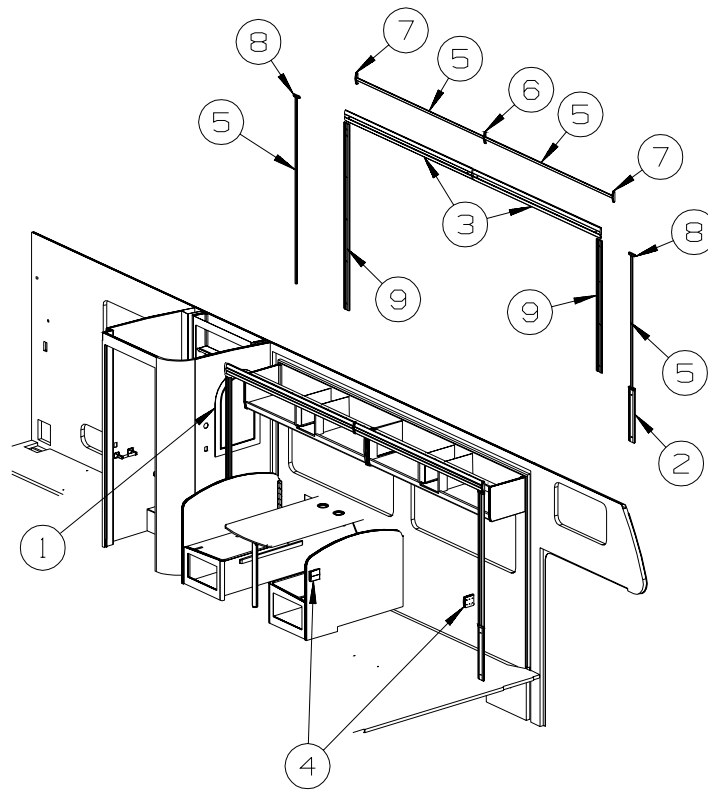
INTERIOR TRIM LAYOUT



| KEY | PART NUMBER | U/M | DESCRIPTION |
|-----|---------------|-----|--|
| 1 | 159542-01-U21 | EA | COVER - SINK - 15.6" X 13.9" - HONEY CHERRY |
| 1 | 159542-01-U22 | EA | COVER - SINK - 15.6" X 13.9" - WASHED MAPLE |
| 2 | 148362-01-01A | EA | COVER - BRACKET/STRIKE - BRIGHT WHITE |
| | | | FROM: 00-00-00 THRU: 07-31-06 |
| 2 | 148362-01-02A | EA | COVER - BRACKET/STRIKE - MEDIUM OAK |
| | | | FROM: 08-01-06 THRU: 99-99-99 |
| 2 | 140151-02-02A | EA | COVER - SCREW - BRIGHT WHITE |
| | | | FROM: 00-00-00 THRU: 07-31-06 |
| 2 | 140151-02-03A | EA | COVER - SCREW - MEDIUM OAK |
| | | | FROM: 08-01-06 THRU: 99-99-99 |
| 3 | 151578-01-02A | EA | DOOR - SHOWER - 36.3" X 61.9" - WHT OPAQUE SCREEN/WHITE |
| 3* | 089318-05-000 | EA | DOOR - SHOWER - HINGED W/CHROME FRAME - 29.8" X 65" - SHOWER DOOR-HINGED, GLASS |
| 4 | 102075-09-02A | EA | ROD - SHOWER CURTAIN - 3/4"OD X 29.5" - SOFT WHITE |
| 4 | 113236-01-01A | EA | BRACKET - CLOTHES - ROD |
| 5 | 094499-03-000 | EA | EXTINGUISHER/FIRE - DRY - 10BC - W/GAUGE/BRACKET |
| 5* | 094499-02-000 | EA | EXTINGUISHER/FIRE - DRY - 10BC - W/GAUGE - CANADIAN |
| 5 | 094499-04-000 | EA | STRAP - FIRE EXTINGUISHER MOUNTING - METAL |
| 6 | 139955-18-03A | EA | TRIM - STEP/ENTRY - 62.3" - TITANIUM - FLOORCOVERING-VINYL |
| 7 | 139955-14-04A | EA | TRIM - STEP/ENTRY - 26.7" - TITANIUM |
| 8 | 139955-15-01A | EA | TRIM - STEP/ENTRY - 21.7" - MILL - FLOORCOVERING-VINYL |
| 9 | 139955-16-01A | EA | TRIM - STEP/ENTRY - 21.7" - MILL - FLOORCOVERING-VINYL |
| 10 | 139955-17-01A | EA | TRIM - STEP/ENTRY - 28" - MILL - FLOORCOVERING-VINYL |
| 11 | 154430-01-000 | EA | MATTRESS - INNERSPRING - 60" X 74.5" |

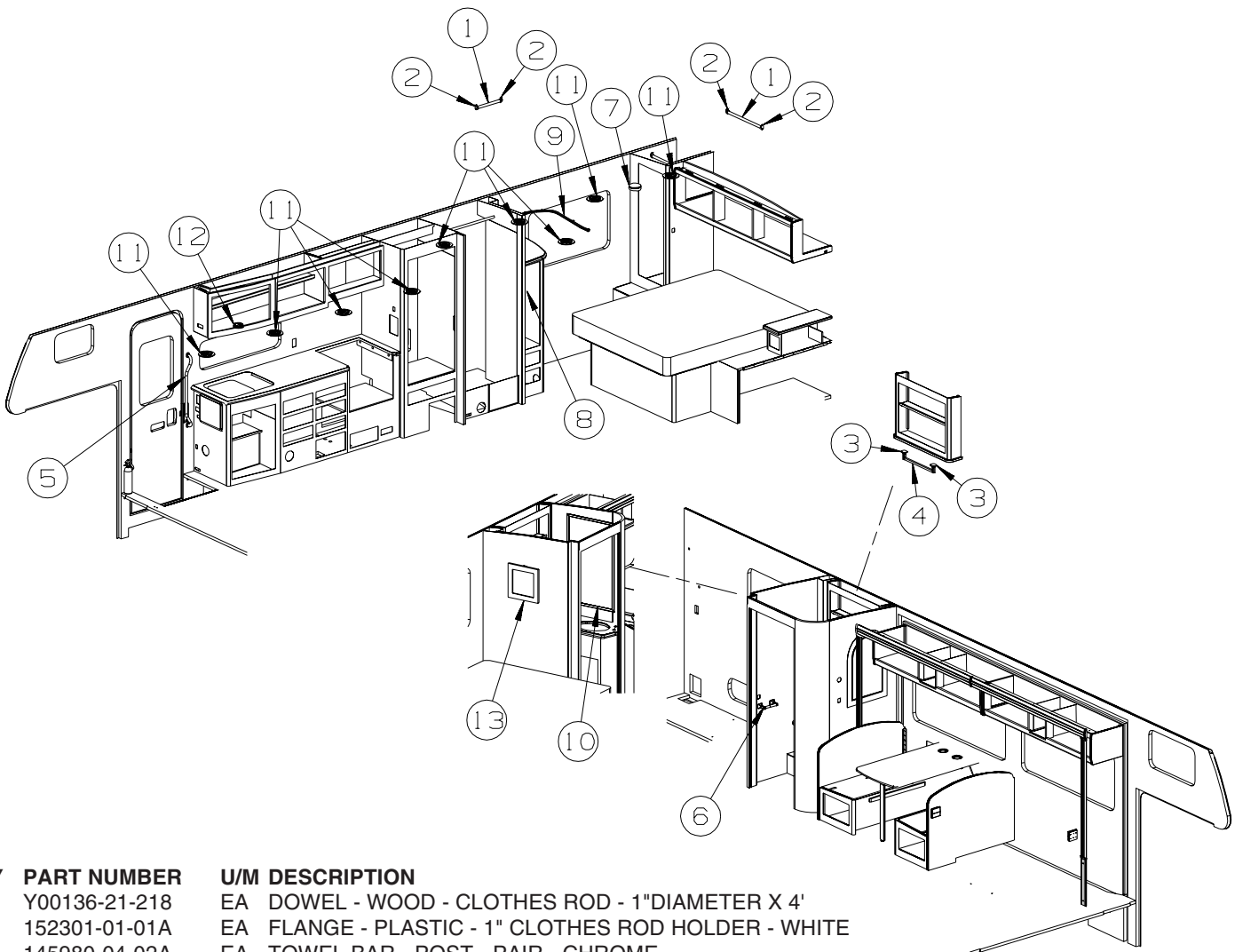
*COMPONENT PARTS LISTED LATER IN THIS GROUP

INTERIOR FINISH GROUP (CONTINUED)
INTERIOR TRIM LAYOUT (CONTINUED)



| KEY | PART NUMBER | U/M | DESCRIPTION |
|-----|---------------|-----|---|
| 1 | 131494-05-01A | EA | MIRROR - ARCHED TOP - 20" X 30" |
| 2 | 153973-02-U21 | EA | MOLDING - CROWN/BLOCK - 3.1" X 20.4" - HONEY CHERRY |
| 2 | 153973-02-U22 | EA | MOLDING - CROWN/BLOCK - 3.1" X 20.4" - WASHED MAPLE |
| 3 | Y00361-82-438 | EA | MOLDING - VINYL/CURVED - 3.9" X 96" - HONEY CHERRY |
| 3 | Y00361-A2-438 | EA | MOLDING - VINYL/CURVED - 3.9" X 96" - WASHED MAPLE |
| 4 | 118718-01-01A | EA | HOLDER/DRINK - COLLAPSIBLE MUG - BLACK PLASTIC |
| 4 | 118718-01-02A | EA | HOLDER/DRINK - COLLAPSIBLE MUG - WHITE PLASTIC |
| 5 | M09520-83-U21 | EA | MOLDING/TRIM - .3" X 1" X 78.9" - HONEY CHERRY |
| 5 | M09520-83-U22 | EA | MOLDING/TRIM - .3" X 1" X 78.9" - WASHED MAPLE |
| 6 | 156636-06-U21 | EA | MOLDING/BLOCK - .8" X 4.3" - HONEY CHERRY |
| 7 | 156636-05-U21 | EA | MOLDING/BLOCK - .8" X 4" - HONEY CHERRY |
| 8 | 156636-04-U21 | EA | MOLDING/BLOCK - .8" X 3.1" - HONEY CHERRY |
| 9 | Y00360-82-438 | EA | MOLDING - VINYL/CURVED - 3" X 96" - HONEY CHERRY |
| 9 | Y00360-A2-438 | EA | MOLDING - VINYL/CURVED - 3" X 96" - WASHED MAPLE |

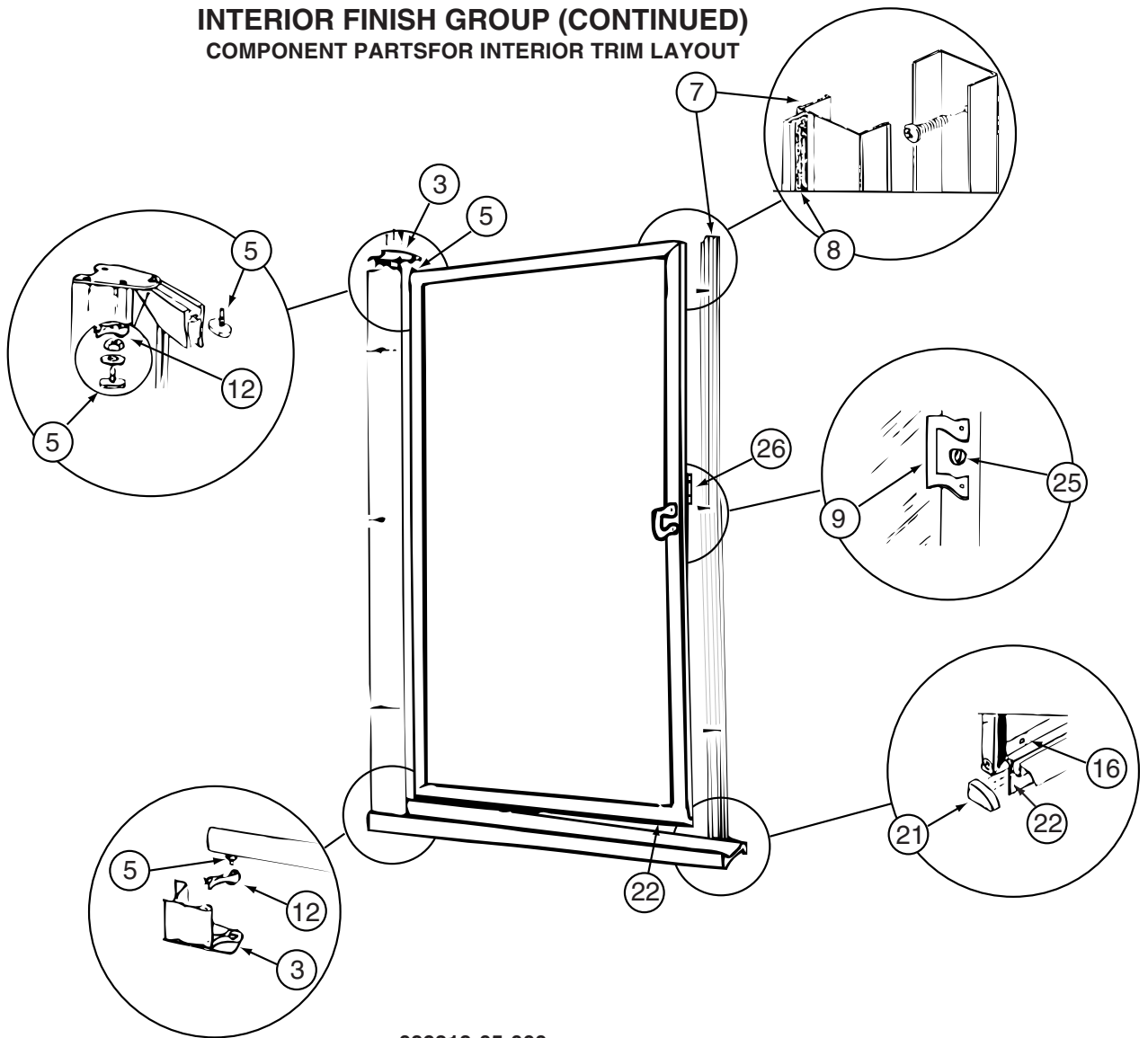
INTERIOR FINISH GROUP (CONTINUED)
INTERIOR TRIM LAYOUT (CONTINUED)



| KEY | PART NUMBER | U/M | DESCRIPTION |
|-----|---------------|-----|---|
| 1 | Y00136-21-218 | EA | DOWEL - WOOD - CLOTHES ROD - 1"DIAMETER X 4' |
| 2 | 152301-01-01A | EA | FLANGE - PLASTIC - 1" CLOTHES ROD HOLDER - WHITE |
| 3 | 145980-04-02A | EA | TOWEL BAR - POST - PAIR - CHROME |
| 4 | 145980-05-02A | EA | TOWEL BAR - 18" - CHROME |
| 5 | 137605-01-01A | EA | HAND RAIL - INTERIOR ENTRY DOOR - BLACK |
| | | | FROM: 00-00-00 THRU: 03-05-06 |
| 5 | 137605-02-01A | EA | HAND RAIL - INTERIOR ENTRY DOOR - BLACK |
| | | | FROM: 03-06-06 THRU: 99-99-99 |
| 6 | 145980-01-02A | EA | HOLDER - TOILET TISSUE - CHROME |
| 7 | 125136-02-000 | EA | DETECTOR/CO - GAS MODEL - 9 VOLT |
| 8* | 131595-01-01A | EA | DOOR/FOLDING-36.9"X 74.9"-4 CEILING BRKTS & STRAIGHT TRACK |
| 9 | 131595-02-01A | EA | TRACK - DOOR - CURVED ENDS - 28.6" |
| 9 | 057534-03-000 | EA | TIEBACK - CLEAR PLASTIC - 7.5" |
| 10 | 140374-14-000 | EA | MIRROR - SAFETY GLASS - 20.8" X 35.4" |
| 11 | 120134-01-02A | EA | REGISTER - W/DAMPER - 4" PIPE/6.4" O.D. FACE - WHITE |
| 12 | 072582-01-000 | EA | DETECTOR - SMOKE - W/9 VOLT BATTERY |
| 12 | 072852-02-000 | EA | DETECTOR - SMOKE - W/9 VOLT BATTERY - CANADIAN |
| | 077956-01-000 | EA | LABEL - WARNING/SMOKE DETECTOR |
| 13 | 131493-05-04A | EA | PICTURE - DECORATIVE - 10" X 10" - ARCHITECTURAL (U29, U30) - INTERIOR UPGRADE PACKAGE |
| | | | FROM: 00-00-00 THRU: 05-28-06 |
| 13 | 131493-10-01A | EA | PICTURE - DECORATIVE - 16" X 16" - MOTIF IV (U29, U30) - INTERIOR UPGRADE PACKAGE |
| | | | FROM: 05-29-06 THRU: 99-99-99 |
| 13 | 131493-05-03A | EA | PICTURE - DECORATIVE - 10" X 10" - SAND DOLLAR (U31, U33) - INTERIOR UPGRADE PACKAGE |
| | | | FROM: 00-00-00 THRU: 05-28-06 |
| 13 | 131493-04-04A | EA | PICTURE - DECORATIVE - 16" X 19" - DAISY (U31, U33) - INTERIOR UPGRADE PACKAGE |
| | | | FROM: 05-29-06 THRU: 99-99-99 |
| 13 | 131493-05-01A | EA | PICTURE - DECORATIVE - 10" X 10" - SCABISOSA (U33, U34) - INTERIOR UPGRADE PACKAGE |
| | | | FROM: 00-00-00 THRU: 05-28-06 |
| 13 | 131493-08-01A | EA | PICTURE - DECORATIVE - 14" X 14" - SCABISOSA (U33, U34) - INTERIOR UPGRADE PACKAGE |
| | | | FROM: 05-29-06 THRU: 99-99-99 |

*COMPONENT PARTS LISTED LATER IN THIS GROUP

INTERIOR FINISH GROUP (CONTINUED)
COMPONENT PARTS FOR INTERIOR TRIM LAYOUT



089318-05-000

| KEY | PART NUMBER | U/M | DESCRIPTION | VENDOR NO. |
|-----|---------------|-----|------------------------------|----------------|
| 2 | 147577-01-700 | EA | STRIKE-JAMB-W/MAGNETIC STRIP | 150B |
| 6 | 089318-01-704 | EA | BOLT-PIVOT, TOP OR BOTTOM | 1428B |
| 9 | 089318-01-706 | EA | PLATE - PIVOT (UPPER/LOWER) | 796 |
| 10 | 089318-01-702 | EA | BUSHING W/ARM, LOWER | 18712A |
| 11 | 131618-01-703 | EA | PIVOT NUT | 1428N |
| 12 | 147577-01-708 | EA | BAR - TOWEL - 17 5/16" | 68B |
| 13 | 147577-01-701 | EA | BRACKET-DOOR PULL/TOWEL BAR | 8141C |
| 14 | 147577-01-702 | EA | BRACKET/DOOR PULL-W/O STUDS | 8149B |
| 15 | 147577-01-704 | EA | DRIP - RAIL - (SWEEP) | 927B |
| 16 | 089318-01-701 | FT | SWEEP-VINYL-1 1/8"W WHITE | C171G 500FT RL |
| 17 | 089318-05-700 | EA | PLUG - DRIP CAP (SET) | DCP2 |
| 18 | 089318-01-707 | EA | LATCH/CATCH-TURN-SAFETY-BLK | 9730N |
| 19 | 147577-01-706 | EA | SCREW - F/TOWEL BAR | 83212B |
| 22 | 147577-01-703 | EA | SCREW - #6X3/8" | 638B |
| 24 | 147577-01-705 | EA | STRIP - MAGNETIC - 66" | 98-41 |

CONTACT WINNEBAGO PART SALES FOR UNLISTED COMPONENT(S)

094499-02-000

| KEY | PART NUMBER | U/M | DESCRIPTION | VENDOR NO |
|-----|---------------|-----|----------------------------|-----------|
| | 094499-01-700 | EA | BRACKET MTG. W/PLAS. STRAP | 294039 |

131595-01-01A, 131595-05-01A, 131595-10-01A

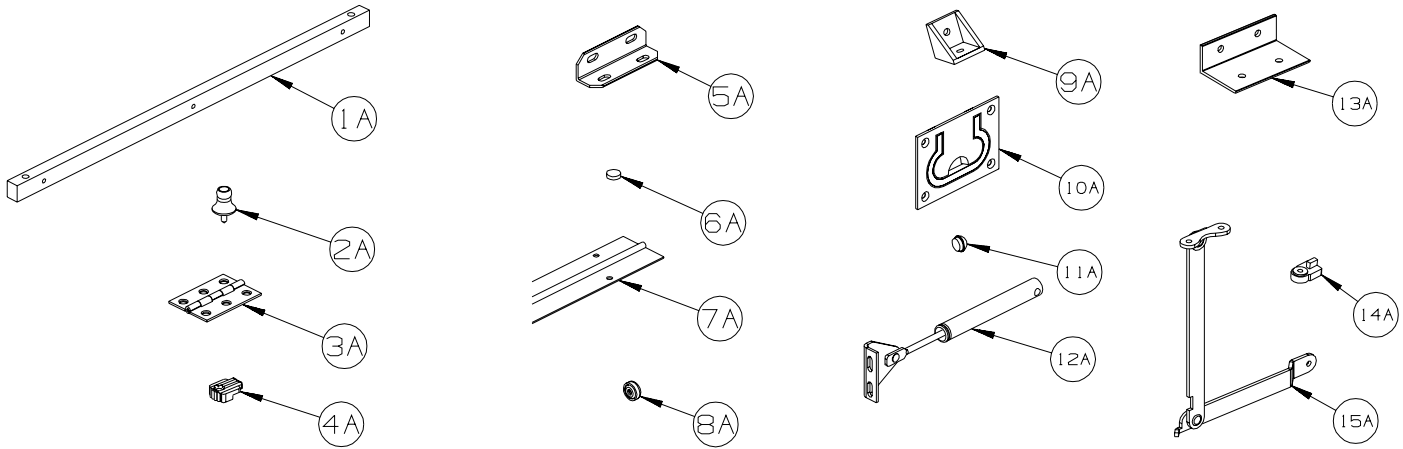
| KEY | PART NUMBER | U/M | DESCRIPTION | VENDOR NO. |
|-----|---------------|-----|----------------------|------------|
| | 117431-01-707 | EA | CATCH/PIN - PLASTIC | |
| | 131595-01-700 | EA | END STOP ONLY | |
| | 131595-01-701 | EA | BRACKET/MOUNTING | 908956 |
| | 131595-01-702 | EA | TRACK/STRAIGHT - 37" | |

INTERIOR FINISH GROUP (CONTINUED)
FLOOR COVERINGS

| KEY | PART NUMBER | U/M | DESCRIPTION |
|------------|--------------------|------------|---|
| | 042720-38-000 | SY | VINYL - FLOOR COVERING - BRIDGEWAY |
| | 075233-01-000 | SY | PAD - CARPET - 3/8" X 6'W ROLL - SOLD BY THE SQUARE YARD |
| | 089275-02-000 | FT | STRIP - 3/4" X 84" BLACK POLYETHYLENE |
| | 093486-01-000 | SY | CARPET - COMPARTMENT - 72" WIDE - DARK GRAY |
| | 152251-05-07A | SY | CARPET - 4 SQUARE YARD INCREMENTS - RAFFIA (U29, U30, U33, U34) |
| | 152251-05-02A | EA | CARPET - 4 SQUARE YARD INCREMENTS - BURLWOOD (U31, U32) |

INTERIOR FINISH GROUP (CONTINUED)

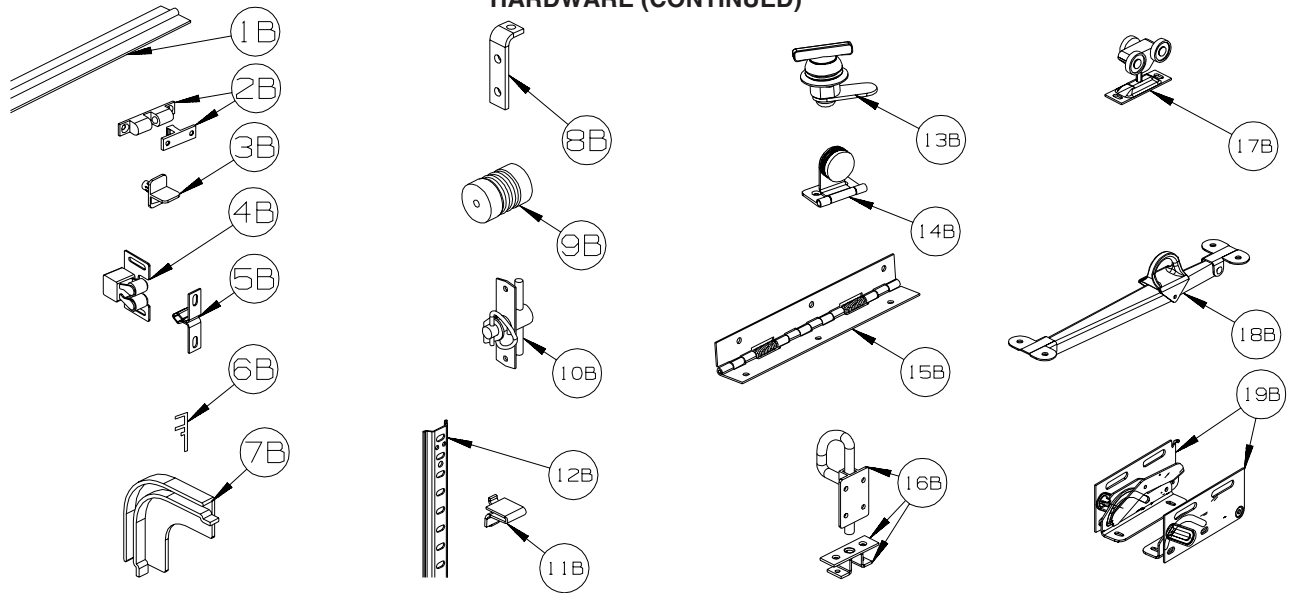
HARDWARE



| KEY | PART NUMBER | U/M | DESCRIPTION |
|-----|---------------|-----|--|
| 1A | P34509-01-N01 | EA | RAIL END - RH/LH - TOWEL RACK - PORTSMOUTH |
| 1A | P34509-01-P14 | EA | RAIL END - RH/LH - TOWEL RACK - CONCERT CHERRY |
| 1A | P34509-01-J70 | EA | RAIL END - RH/LH - TOWEL RACK - WASHED MAPLE |
| 1A | P34509-01-RE0 | EA | RAIL END - RH/LH - TOWEL RACK - HONEY CHERRY |
| 1A | P34509-01-SA3 | EA | RAIL END - RH/LH - TOWEL RACK - SIERRA MAPLE |
| 2A | 009013-01-000 | EA | CATCH - BULLDOG - MALE/FEMALE |
| 3A | 009059-01-000 | EA | HINGE - DOOR - 2" X 1.4" - BRASS |
| 3A | 009059-02-000 | EA | HINGE - DOOR - 2" X 2.7" - BRASS |
| 3A | 009059-03-000 | EA | HINGE - BRASS - 1.75" |
| 3A | 009059-04-000 | EA | HINGE - 2" - ZINC |
| 4A | 009089-01-000 | EA | CLIP - MIRROR |
| 5A | 016604-01-000 | EA | BRACE - ANGLE - 2 1/2" - UNPAINTED METAL |
| 5A | 016604-05-000 | EA | BRACE - ANGLE - 2 1/2" - OFF WHITE METAL |
| 5A | 016604-10-000 | EA | BRACE - SEAT ANGLE - 2.5" - BLACK |
| 6A | 023320-01-000 | EA | PAD - FELT 3/8" DIAMETER |
| 7A | 041389-19-000 | EA | HINGE - PIANO - 1 1/2" X 71.9" - UNPAINTED |
| 7A | 041389-25-000 | EA | HINGE - PIANO - 1 1/2" X 55" - UNPAINTED |
| 7A | 041389-32-000 | EA | HINGE - PIANO - 68" - OFF WHITE |
| 8A | 057671-01-000 | EA | COVER - SCREW - #8 - OFF WHITE |
| 8A | 057671-15-000 | EA | COVER - SCREW - #8 - BRIGHT WHITE |
| 8A | 057671-16-000 | EA | COVER - SCREW - #8 - SOFT WHITE |
| 8A | 057671-18-000 | EA | COVER - SCREW - #8 - OFF WHITE |
| 9A | 065740-01-000 | EA | BRACE - CABINET/CORNER - PLASTIC |
| 10A | 072871-01-000 | EA | PULL - FLUSH - CHROME |
| 11A | 074045-13-000 | EA | PLUG - OAK - 3/8" DOWEL-1/2" HEAD - PORTSMOUTH OAK |
| 11A | 074045-08-000 | EA | PLUG - OAK - 3/8" DOWEL-1/2" HEAD - CONCERT CHERRY |
| 11A | 074045-12-000 | EA | PLUG - OAK - 3/8" DOWEL-1/2" HEAD - WASHED MAPLE |
| 11A | 074045-14-000 | EA | PLUG - OAK - 3/8" DOWEL-1/2" HEAD - HONEY CHERRY |
| 11A | 074045-15-000 | EA | PLUG - OAK - 3/8" DOWEL-1/2" HEAD - SIERRA MAPLE |
| 12A | 074493-02-000 | EA | SUPPORT - PISTON SPRING - CABINET DOOR - 26 LBS |
| 12A | 074493-03-000 | EA | SUPPORT - PISTON SPRING - CABINET DOOR - 12 LBS |
| 12A | 074493-04-000 | EA | SUPPORT - PISTON SPRING - CABINET DOOR - 32LBS |
| 13A | 156732-01-01A | EA | BRACE - ANGLE/COUCH - 2.5" - MILL |
| 13A | 156732-01-02A | EA | BRACE - ANGLE/COUCH - 2.5" - OFF WHITE |
| 13A | 156732-03-01A | EA | BRACE - ANGLE/COUCH - BLACK |
| 14A | 083204-03-000 | EA | BUTTON - RETAINING MIRROR 5/16" TIP |
| 15A | 084412-01-000 | EA | SUPPORT/HINGE KIT (LEFT & RIGHT HINGES) |

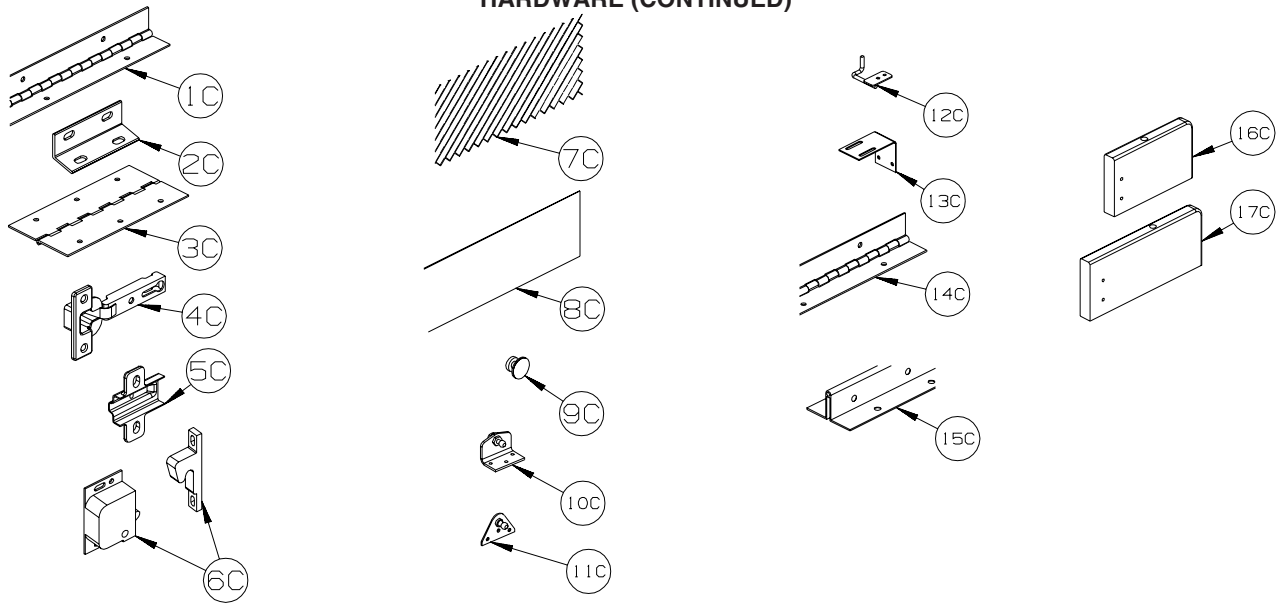
INTERIOR FINISH GROUP (CONTINUED)

HARDWARE (CONTINUED)



| KEY | PART NUMBER | U/M | DESCRIPTION |
|-----|---------------|-----|---|
| 1B | 084413-01-000 | EA | HINGE - 1" X 72" - ALUMINUM - W/HOLES |
| 2B | 084451-01-000 | EA | CATCH & LATCH - 1.7" - BRASS |
| 3B | 092907-01-000 | EA | SUPPORT - SHELF - PIN - 1/4" - CLEAR PLASTIC |
| 4B | 093586-03-000 | EA | CATCH - SPRING ROLLER - .377" |
| 4B | 093586-06-000 | EA | CATCH - SPRING ROLLER - .236" |
| 5B | 093586-04-000 | EA | STRIKE - SPRING STEEL - 1.14" |
| 6B | 093622-01-000 | EA | TRACK - DOOR - TAMBOUR - PLASTIC - 8' LENGTHS |
| 7B | 093623-01-000 | EA | CORNER - TRACK - TAMBOUR DOOR |
| 8B | 096826-01-01A | EA | BRACE-CABINET E-COATED |
| 9B | 097872-04-000 | EA | DOWEL - WOOD - 1" DIAMETER X 1.38" LONG - UNFINISHED |
| 10B | 098196-01-000 | EA | LATCH - 1/4 TURN - T-BAR |
| 11B | 098979-01-000 | EA | CLIP - ADJUSTABLE SHELF |
| 12B | 098980-01-000 | EA | PILASTER - ADJUSTABLE SHELF - 18" |
| 12B | 098980-02-000 | EA | PILASTER - ADJUSTABLE SHELF - 12" |
| 12B | 098980-03-000 | EA | PILASTER - ADJUSTABLE SHELF - 9" |
| 12B | 098980-04-000 | EA | PILASTER - ADJUSTABLE SHELF - 48" |
| 12B | 098980-05-000 | EA | PILASTER - ADJUSTABLE SHELF - 15" |
| 12B | 098980-06-000 | EA | PILASTER - ADJUSTABLE SHELF - 24" |
| 13B | 100710-01-02A | EA | LOCK - GLASS DOOR/TWIST TYPE - NICKEL |
| 14B | 100711-01-02A | EA | HINGE - GLASS DOOR - NICKEL |
| 15B | 102920-01-01A | EA | HINGE - SPRING LOADED - BRASS |
| 15B | 102920-01-02A | EA | HINGE - SPRING LOADED - NICKEL |
| 15B | 129753-01-01A | EA | HINGE - SPRING LOADED - 19" X 19" - BLACK |
| 16B | 103256-01-000 | EA | LATCH COMPLETE (SLIDE) |
| 17B | 103874-01-000 | EA | HANGER - SLIDING DOOR |
| 18B | 104181-01-01A | EA | SUPPORT - LEAF 5.3" EXTENDS TO 7.5" - SAFETY RING - METAL |
| 19B | 108126-01-000 | EA | TRAY HINGE SET (QTY. 2 PER SET) |

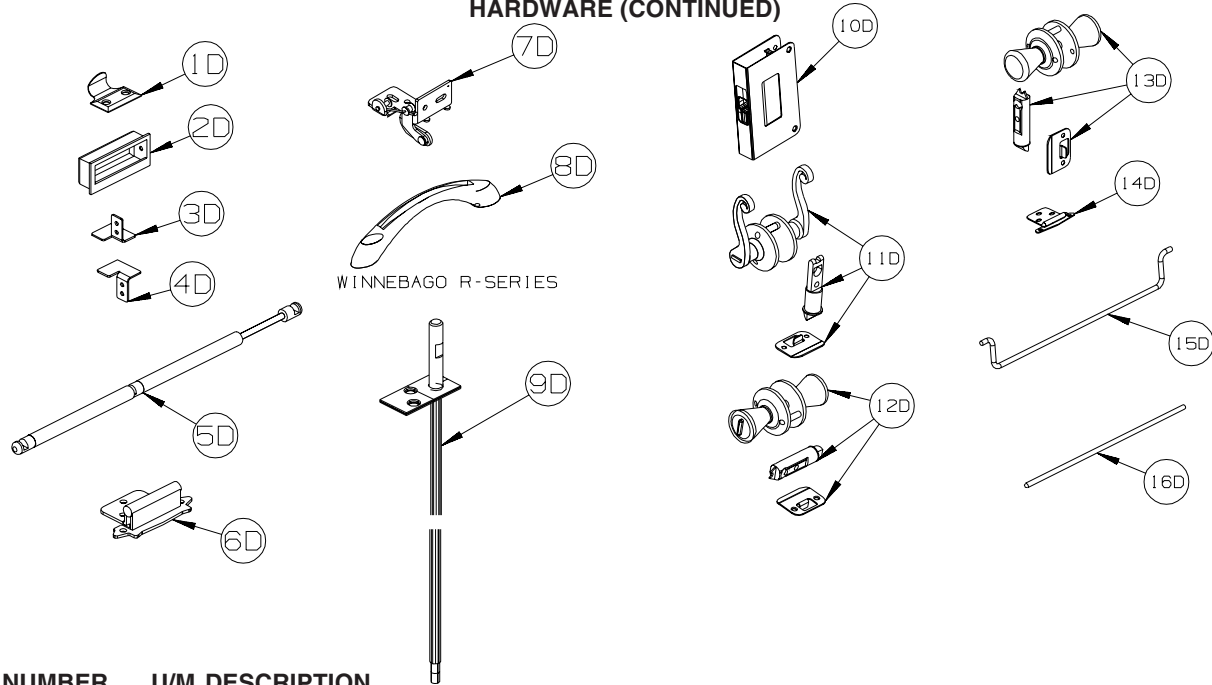
INTERIOR FINISH GROUP (CONTINUED) HARDWARE (CONTINUED)



| KEY | PART NUMBER | U/M | DESCRIPTION |
|-----|---------------|-----|--|
| 1C | 110496-01-01A | EA | HINGE - BRASS - 2" X 32" |
| 1C | 110496-01-02A | EA | HINGE - NICKEL - 2" X 32" |
| 1C | 110496-05-02A | EA | HINGE - NICKEL - 2" X 11.5" |
| 1C | 110496-06-02A | EA | HINGE - NICKEL - 2" X 9.5" |
| 2C | 111866-01-02A | EA | BRACE - SEAT - ANGLE - OFF WHITE |
| 3C | 114278-02-000 | EA | HINGE - CONTINUOUS - 3" WIDE |
| 4C | 114443-02-01A | EA | HINGE - CABINET DOOR - W/O CLIP - SILVER |
| 5C | 114443-03-01A | EA | CLIP - HINGE/CABINET DOOR - SILVER |
| 6C | 117095-01-01A | EA | LATCH - DOOR - GRABBER W/KEEPER - PLASTIC - BLK-5 LB PULL |
| 6C | 117095-02-01A | EA | LATCH - DOOR - GRABBER W/KEEPER - PLASTIC - BLK-10 LB PULL |
| 6C | 117095-03-01A | EA | LATCH - DOOR - GRABBER W/KEEPER - PLASTIC - BLK-15 LB PULL |
| 7C | 118200-01-01A | SF | MESH - PLASTIC 1/2" - 48" X LENGTH = SF - BLACK |
| 8C | 122717-06-01A | FT | PAD - NON-SKID - PSA - 5"W |
| 9C | 125221-01-01A | EA | PULL - MIRROR - W/ROUND HANDLE |
| 10C | 126263-06-02B | EA | BRACKET - GAS SPRING W/INSIDE BALL STUD - E-COATED |
| 11C | 126263-05-02B | EA | BRACKET - GAS SPRING W/BALL STUD - E-COATED |
| 11C | 126263-08-02B | EA | BRACKET - GAS SPRING W/CENTERED BALL STUD - E-COATED |
| 11C | 126263-19-02B | EA | BRACKET - GAS SPRING W/BALL STUD - E-COATED |
| 12C | 130798-01-02B | EA | GUIDE - POCKET DOOR - E-COATED |
| 13C | 132871-02-02B | EA | BRACKET/L-ANGLE W/HOLES - 1.9" X 2.8" - E-COATED |
| 14C | 134099-01-02A | EA | HINGE - PIANO - WRAP AROUND - 15.7" - NICKEL PLATED |
| 15C | 135538-03-02A | EA | HINGE - PIANO - FULL WRAP - 15.7" - CHROME |
| 16C | 137445-02-P46 | EA | STOP - F/SLIDING DOOR - CONCERT CHERRY |
| 16C | 137445-02-P56 | EA | STOP - F/SLIDING DOOR - WASHED MAPLE |
| 16C | 137445-02-S67 | EA | STOP - F/SLIDING DOOR - SIERRA MAPLE |
| 17C | 137445-03-T78 | EA | STOP - F/SLIDING DOOR - CONCERT CHERRY |
| 17C | 137445-03-T79 | EA | STOP - F/SLIDING DOOR - WASHED MAPLE |
| 17C | 137445-03-T80 | EA | STOP - F/SLIDING DOOR - SIERRA MAPLE |

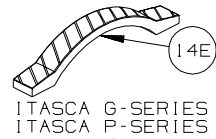
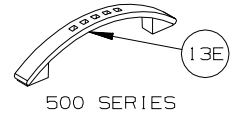
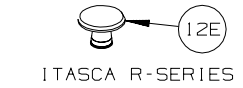
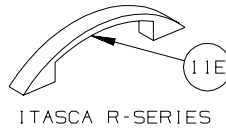
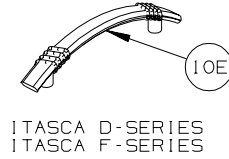
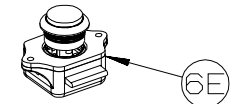
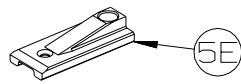
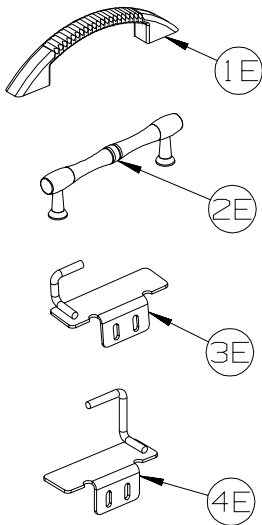
INTERIOR FINISH GROUP (CONTINUED)

HARDWARE (CONTINUED)



| KEY | PART NUMBER | U/M | DESCRIPTION |
|-----|---------------|-----|--|
| 1D | 137463-01-02A | EA | LIFT - HOOK - PEWTER |
| 2D | 139136-01-02A | EA | HANDLE - .75" RECESSED - PEWTER |
| 2D | 139136-02-02A | EA | HANDLE - .35" RECESSED - PEWTER |
| 3D | 139264-01-02B | EA | STOP - DOOR - TAMBOUR/RH HAND - E-COATED |
| 4D | 139264-02-02B | EA | STOP - DOOR - TAMBOUR/LH HAND - E-COATED |
| 5D | 142569-07-000 | EA | SPRING/GAS - 20 LB - 20" EXTENDED/12" COMPRESSED |
| 5D | 142569-15-000 | EA | SPRING/GAS - 120 LB - 20" EXTENDED/12" COMPRESSED |
| 5D | 142569-16-000 | EA | SPRING/GAS - 90 LB - 20" EXTENDED/12" COMPRESSED |
| 5D | 142569-29-000 | EA | SPRING/GAS - 20 LB - 9.9" EXTENDED/5.9" COMPRESSED |
| 6D | 143468-02-03A | EA | HINGE - SELF CLOSING - SATIN NICKEL |
| 7D | 144488-01-02A | EA | HINGE - CABINET - NICKEL |
| 8D | 144917-01-01A | EA | PULL - DRAWER - SATIN NICKEL - TOUR R-SERIES |
| 9D | 145939-03-01A | EA | ROD/LATCH - AISLE DOOR - BRASS |
| | | | FROM: 00-00-00 THRU: 04-16-06 |
| 9D | 145939-05-01A | EA | ROD/LATCH - AISLE DOOR - BRASS - NOT ILLUSTRATED |
| | | | FROM: 04-17-06 THRU: 07-30-06 |
| 9D | 145939-05-02A | EA | ROD/LATCH - AISLE DOOR - NICKEL - NOT ILLUSTRATED |
| | | | FROM: 07-31-06 THRU: 99-99-99 |
| 10D | 145939-04-02A | EA | LATCH/SLIDE - AISLE DOOR(1" THICK DOOR)-NICKEL/BLACK SLIDE |
| 11D | 146064-01-02A | EA | LOCK/PRIVACY (LOCKING) LEVER STYLE - SATIN PEWTER |
| 12D | 146064-05-01A | EA | LOCK/PRIVACY (LOCKING) KNOB STYLE - SATIN NICKEL |
| 13D | 146064-06-01A | EA | LOCK/PASSAGE (NON LOCKING) KNOB STYLE - SATIN NICKEL |
| 14D | 146553-01-01A | EA | HINGE - CABINET DOOR - BURNISHED BRASS |
| 14D | 146553-01-03A | EA | HINGE - CABINET DOOR - SATIN NICKEL |
| 15D | 146801-01-01A | EA | ROD/TOWEL BAR (OFFSET) - BRASS |
| 15D | 146801-01-02A | EA | ROD/TOWEL BAR (OFFSET) - PEWTER |
| 16D | 146840-03-01A | EA | ROD - .25" X 11.7" - BRASS |
| 16D | 146840-03-02A | EA | ROD - .25" X 11.7" - PEWTER |
| 16D | 146840-04-01A | EA | ROD - .25" X 13.1" - BRASS |
| 16D | 146840-04-02A | EA | ROD - .25" X 13.1" - PEWTER |
| 16D | 146840-05-01A | EA | ROD - .25" X 14.8" - BRASS |
| 16D | 146840-05-02A | EA | ROD - .25" X 14.8" - PEWTER |
| 16D | 146840-07-01A | EA | ROD - .25" X 4.2" - BRASS |
| 16D | 146840-07-02A | EA | ROD - .25" X 4.2" - PEWTER |

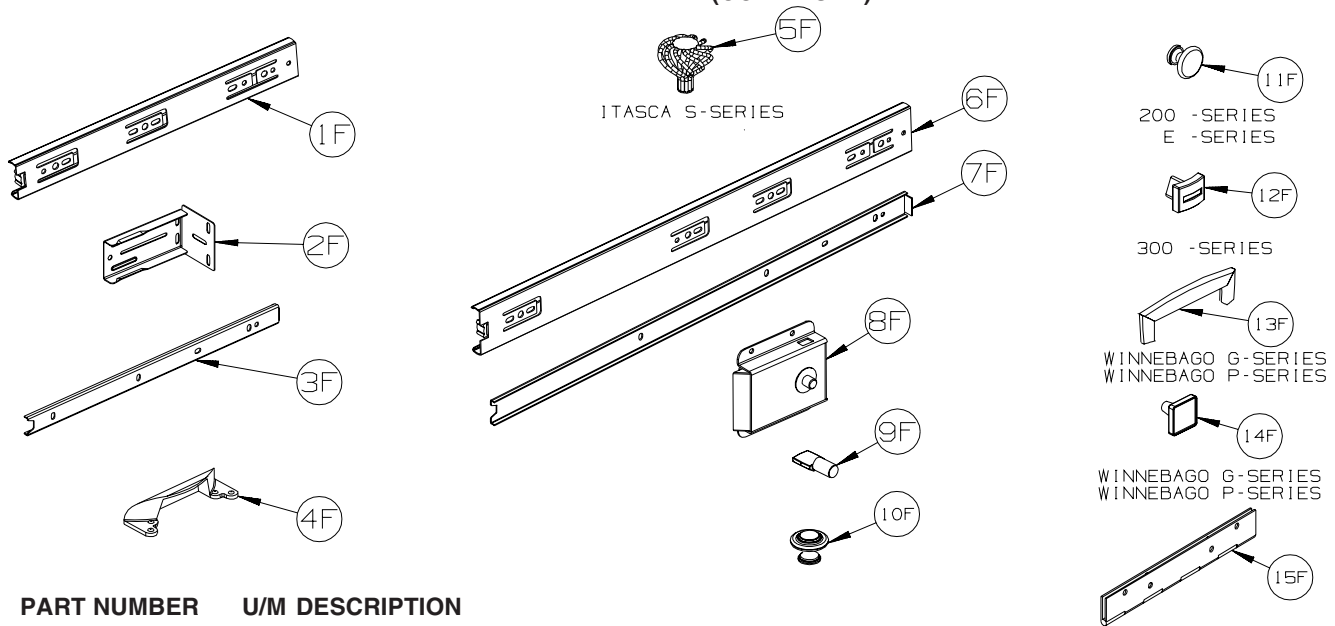
INTERIOR FINISH GROUP (CONTINUED) HARDWARE (CONTINUED)



| KEY | PART NUMBER | U/M | DESCRIPTION |
|-----|---------------|-----|--|
| 1E | 148816-01-02A | EA | PULL - CABINET DOOR - NICKEL - ASPECT, CAMBRIA 700-SERIES |
| 2E | 149090-01-02A | EA | PULL - CABINET DOOR - NICKEL - SIGHTSEER D-SERIES, VOYAGE F-SERIES |
| 3E | 149607-01-02B | EA | GUIDE - F/POCKET DOOR - 1.6" BENT ROD - E-COATED |
| 3E | 149607-03-02B | EA | GUIDE - F/POCKET DOOR - 2.9" BENT ROD - E-COATED |
| 4E | 149607-04-02B | EA | GUIDE - F/POCKET DOOR - E-COATED |
| 5E | 150983-01-01A | EA | STRIKE/BLOCK - WEDGE STYLE - F/SLIDE DOOR - 3" X 1.2" - BLACK |
| 6E | 151380-01-01A | EA | LATCH - CABINET DOOR - PUSH BUTTON - VIEW & NAVION 500-SERIES |
| 7E | 151380-02-01A | EA | STRIKE - CABINET DOOR - VIEW & NAVION 500-SERIES |
| 8E | 151380-03-01A | EA | STRIKE - CABINET DOOR - VIEW & NAVION 500-SERIES |
| 9E | 152080-01-01A | EA | PULL-NICKEL - SIGHTSEER & SUNOVA D-SERIES, VOYAGE & SUNRISE F-SERIES, TOUR R-SERIES |
| 10E | 152302-01-01A | EA | PULL - CABINET DOOR - SATIN NICKEL - SUNOVA D-SERIES, SUNRISE F-SERIES |
| 11E | 152304-01-01A | EA | PULL - CABINET DOOR - BRONZE- ELLIPSE R-SERIES |
| 12E | 152305-01-01A | EA | KNOB - DOOR/DRAWER - BRONZE - ELLIPSE R-SERIES |
| 13E | 152950-01-01A | EA | PULL - DOOR/DRAWER - BRUSHED NICKEL - VIEW & NAVION 500-SERIES |
| 14E | 152951-01-01A | EA | PULL - DOOR/DRAWER - PEWTER - SUNCRUISER G-SERIES, MERIDIAN P-SERIES |
| 15E | 152952-01-01A | EA | PULL - KNOB/DRAWER - PEWTER - SUNCRUISER G-SERIES, MERIDIAN P-SERIES |

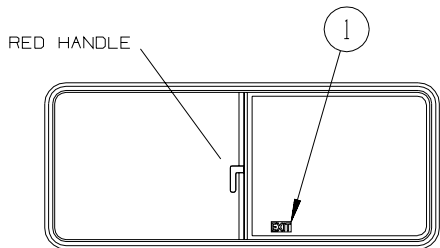
INTERIOR FINISH GROUP (CONTINUED)

HARDWARE (CONTINUED)

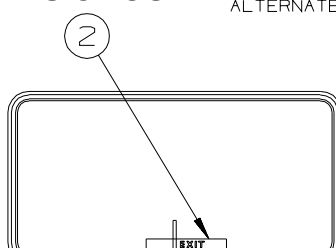


| KEY | PART NUMBER | U/M | DESCRIPTION |
|-----|---------------|-----|--|
| 1F | 153000-01-01A | EA | SLIDE - CABINET MOUNT - 11.8" |
| 1F | 153000-03-01A | EA | SLIDE - CABINET MOUNT - 13.8" |
| 1F | 153000-05-01A | EA | SLIDE - CABINET MOUNT - 15.7" |
| 1F | 153000-07-01A | EA | SLIDE - CABINET MOUNT - 17.7" |
| 1F | 153000-09-01A | EA | SLIDE - CABINET MOUNT - 19.7" |
| 1F | 153000-11-01A | EA | SLIDE - CABINET MOUNT - 21.6" |
| 1F | 153000-14-01A | EA | SLIDE - CABINET MOUNT - 23.6" |
| 1F | 153000-18-01A | EA | SLIDE - CABINET MOUNT - 9.8" |
| 1F | 153000-20-01A | EA | SLIDE - CABINET MOUNT - 25.6" |
| 2F | 153000-13-01A | EA | BACKSOCKET - DRAWER SLIDE |
| 3F | 153000-02-01A | EA | SLIDE - DRAWER MOUNT - 11.8" |
| 3F | 153000-04-01A | EA | SLIDE - DRAWER MOUNT - 13.8" |
| 3F | 153000-06-01A | EA | SLIDE - DRAWER MOUNT - 15.7" |
| 3F | 153000-08-01A | EA | SLIDE - DRAWER MOUNT - 17.7" |
| 3F | 153000-10-01A | EA | SLIDE - DRAWER MOUNT - 19.7" |
| 3F | 153000-12-01A | EA | SLIDE - DRAWER MOUNT - 21.6" |
| 3F | 153000-15-01A | EA | SLIDE - DRAWER MOUNT - 23.4" |
| 3F | 153000-19-01A | EA | SLIDE - DRAWER MOUNT - 9.8" |
| 3F | 153000-21-01A | EA | SLIDE - DRAWER MOUNT - 25.4" |
| 4F | 153308-01-01A | EA | PULL - VANITY STOOL - SATIN NICKEL |
| 5F | 153335-01-02A | EA | PULL - KNOB - DOOR/DRAWER - FLAT BLACK - HORIZON S-SERIES |
| 6F | 153352-01-01A | EA | SLIDE - PANTRY - 19.7" - CABINET MOUNT |
| 6F | 153352-03-01A | EA | SLIDE - EXT ENTERTAINMENT CNTR - 13.8" - CABINET MOUNT |
| 7F | 153352-02-01A | EA | SLIDE - PANTRY - 19.5" - DRAWER MOUNT |
| 7F | 153352-04-01A | EA | SLIDE - EXT ENTERTAINMENT CNTR - 13.6" - DRAWER MOUNT |
| 8F | 153353-01-01A | EA | LATCH - SLIDING/FLUSH - BLACK |
| 9F | 154385-01-02A | EA | PIN - SUPPORT/GLASS DOOR - 1/4" - NICKEL |
| 10F | 155803-01-01A | EA | KNOB CABINET DOOR - WROUGHT IRON |
| 11F | 155925-01-01A | EA | KNOB - DOOR/DRAWER - SATIN NICKEL - ACCESS & IMPULSE 200-SERIES |
| 12F | 156579-01-01A | EA | KNOB - DOOR/DRAWER - PEWTER - OUTLOOK & SPIRIT 300-SERIES |
| 13F | 157246-01-01A | EA | PULL - CABINET DOOR/DRAWER - SATIN NICKEL - ADVENTURER G-SERIES, JOURNEY P-SERIES |
| 14F | 157246-02-01A | EA | KNOB - CABINET DOOR/DRAWER - SATIN NICKEL - ADVENTURER G-SERIES, JOURNEY P-SERIES |
| 15F | 158982-01-04B | EA | HINGE - CONTINUOUS - 2" X 8" - BLACK |
| | 158982-01-01A | EA | HINGE - CONTINUOUS - 2" X 8" - ZINC |

LABELS GROUP

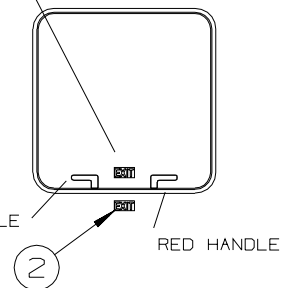


EXIT WINDOW
(SLIDER STYLE)



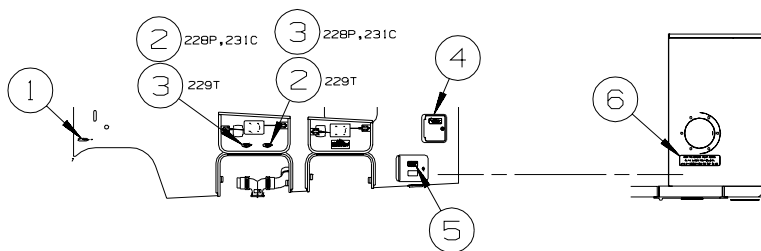
EXIT WINDOW
(POP-OUT STYLE)

ALTERNATE LABEL LOCATION

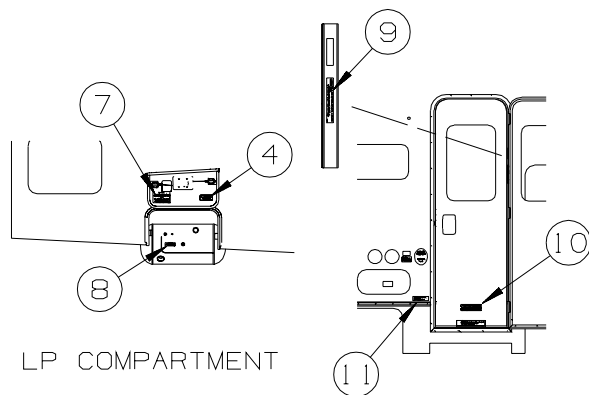


EXIT WINDOW
(HINGE STYLE)

| KEY | PART NUMBER | U/M | DESCRIPTION |
|-----|---------------|-----|----------------------------|
| 1 | 039290-01-000 | EA | LABEL - WARNING - EXIT |
| 2 | 107571-01-000 | EA | LABEL - EXIT/ESCAPE WINDOW |



SERVICE COMPARTMENTS

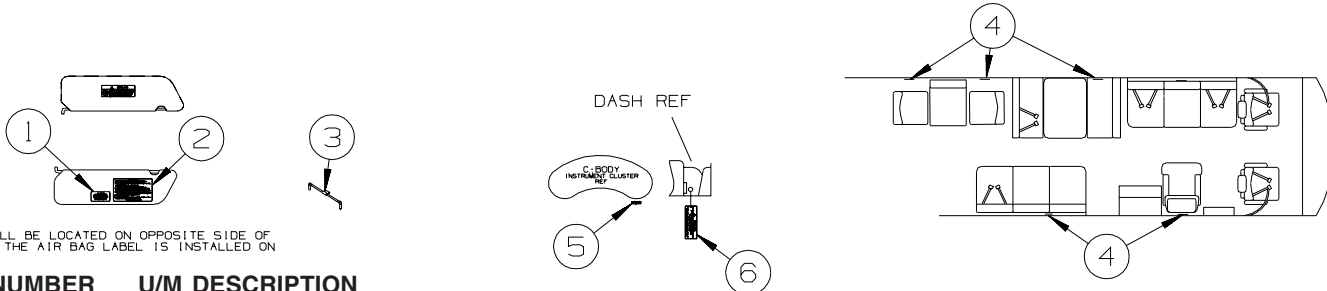


LP COMPARTMENT

ENTRANCE DOOR

| KEY | PART NUMBER | U/M | DESCRIPTION |
|-----|---------------|-----|--|
| 1 | 136360-01-01A | EA | LABEL - AIR BAGS |
| 1 | 136360-02-01A | EA | LABEL - AIR BAGS - BLACK/CLEAR |
| 2 | 152543-03-01A | EA | LABEL - BLACK WASTE |
| 3 | 152541-03-01A | EA | LABEL - GRAY WASTE |
| 4 | 124519-01-01A | EA | LABEL - WARNING/REFUELING - BLACK ON CLEAR |
| 4 | 124519-02-01A | EA | LABEL - WARNING/REFUELING - BLACK ON CLEAR - CANADIAN |
| 5 | 125306-01-01A | EA | LABEL - ELECTRICAL ENTRANCE - 110V 30 AMP - BLACK ON CLEAR |
| 6 | 123562-01-000 | EA | LABEL - SERVICE/UTILITY ACCESS |
| 7 | 124520-01-01A | EA | LABEL - LP GAS ONLY - BLACK ON CLEAR |
| 7 | 023769-01-000 | EA | LABEL - WARNING - LPG - CANADIAN |
| 8 | 079965-01-000 | EA | LABEL - LPG - 80% CAPACITY |
| 9 | 135869-01-01A | EA | LABEL - MERCURY CONTENT - BLACK ON CLEAR |
| 10 | 065748-01-000 | EA | LABEL - WARNING - BATTERY CHARGING - UL |
| 10 | 065748-02-000 | EA | LABEL - WARNING - BATTERY CHARGING - CANADIAN |
| 11 | 099509-01-000 | EA | LABEL - AWNING INSTALLATION |

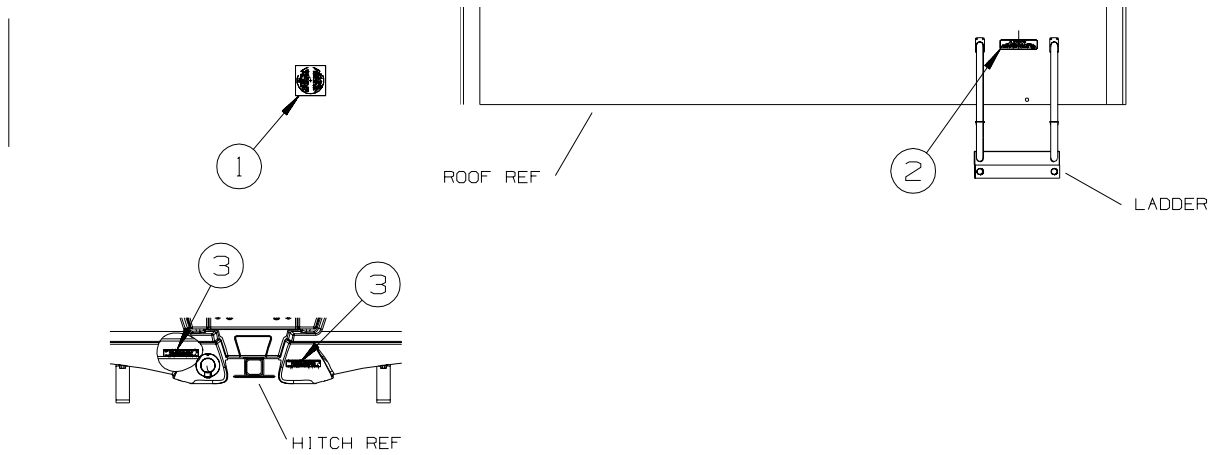
TYPICAL SEAT AND BELT CONFIGURATIONS



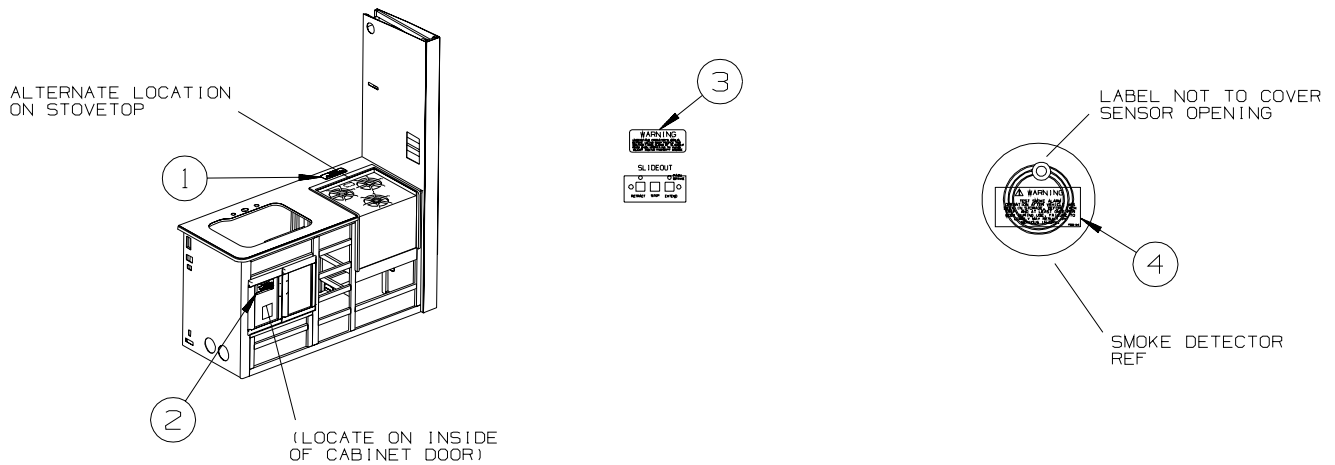
LABELS SHALL BE LOCATED ON OPPOSITE SIDE OF VISOR THAT THE AIR BAG LABEL IS INSTALLED ON

| KEY | PART NUMBER | U/M | DESCRIPTION |
|-----|---------------|-----|--|
| 1 | 099689-01-000 | EA | LABEL - WARNING - CANCER/TOXICITY |
| 2 | 056259-01-000 | EA | LABEL - SAFETY CHECK LIST |
| 3 | 128658-01-000 | EA | LABEL - PROP ROD - ENTRY DOOR |
| 4 | 134538-01-01A | EA | LABEL - OCCUPANCY - NO SEAT BELT - BLACK ON CLEAR - US |
| 4 | 134538-02-01A | EA | LABEL - OCCUPANCY - NO SEAT BELT - BLACK ON CLEAR - CANADIAN |
| 5 | 155692-01-02A | EA | LABEL - ODOMETER - READ IN MILE - WHITE/CLEAR |
| 6 | 126612-01-000 | EA | LABEL - HANG TAG - AIR BAG - DASH |

LABELS GROUP (CONTINUED)



| KEY | PART NUMBER | U/M DESCRIPTION |
|-----|---------------|---|
| 1 | 120431-01-000 | EA LABEL - LOCATION - COAXIAL CABLE/SATELLITE ANTENNA |
| 2 | 128218-01-01A | EA LABEL - WARNING - SLIPPERY ROOF |
| 3 | 129669-01-01A | EA LABEL - HITCH/VEHICLE RATE - 350 - WHITE ON CLEAR |
| 3 | 129669-01-02A | EA LABEL - HITCH/VEHICLE RATE - 350 - BLACK ON CLEAR |



| KEY | PART NUMBER | U/M DESCRIPTION |
|-----|---------------|---|
| 1 | 134539-01-01A | EA LABEL - WARNING - STOVE/HEATING - US - BLACK ON CLEAR |
| 1 | 134540-01-01A | EA LABEL - WARNING - STOVE/HEATING - CSA - BLACK ON CLEAR - CANADIAN |
| 2 | 073998-01-000 | EA LABEL - LPG/ODOR WARNING |
| 3 | 116549-02-000 | EA LABEL - WARNING - SLIDEOUT |
| 4 | 077956-01-000 | EA LABEL - WARNING/SMOKE DETECTOR |

LP GROUP
LP SYSTEM

| KEY | PART NUMBER | U/M | DESCRIPTION |
|------------|--------------------|------------|---|
| | 010329-01-000 | EA | ADAPTER - 1/2"F X 1/2"MPT - BRASS |
| | 010323-01-000 | EA | ADAPTER - 3/8"F X 1/2"MPT - BRASS |
| | 024250-01-000 | EA | ADAPTER - BRASS - 3/8"F X 1/2"FPT |
| | 010326-01-000 | EA | ADAPTER - FLARE - W/CONE GASKET - 3/8"F X 1/2"F |
| | 045703-13-000 | EA | HOSE - LP - 3/8"ID X 120" - 3/8"F SWIVEL X 1/2"F SWIVEL US FROM: 00-00-00 THRU: 06-11-06 |
| | 045703-15-000 | EA | HOSE - LP - 3/8"ID X 142" - 1/2"F SWIVEL X 3/8"F SWIVEL FROM: 06-12-06 THRU: 99-99-99 |
| | 045703-03-000 | EA | HOSE - LP - 3/8"ID X 18" - 3/8"MPT X 1/2"F SWIVEL - US |
| | 045703-12-000 | EA | HOSE - LP - 3/8"ID X 18" - 3/8"MPT X 1/2"F SWIVEL - CANADIAN |
| | 045703-05-000 | EA | HOSE - LP - 3/8"ID X 28" - 3/8"MPT X 1/2"F SWIVEL - US |
| | 045703-06-000 | EA | HOSE - LP - 3/8"ID X 28" - 3/8"MPT X 1/2"F SWIVEL - CANADIAN |
| | 045703-22-000 | EA | HOSE - LP - 3/8"ID X 60" - 1/2"F SWIVEL X 1/2"F SWIVEL US/CSA - 331H |
| | 010589-01-000 | EA | NIPPLE - PIPE - 1/2" X 1 1/2" - BLACK |
| | 010589-03-000 | EA | NIPPLE - PIPE - 1/2" X 2 1/2" - BLACK |
| | 010380-02-000 | EA | NUT - 1/2" FLARE - FORGED - BRASS |
| | 010377-02-000 | EA | NUT - 3/8" FLARE - FORGED - BRASS |
| | 137828-05-02B | EA | PANEL - ROCKGUARD/LP - E-COATED - 325F |
| | 106150-05-000 | EA | REGULATOR - TWO STAGE |
| | 144485-01-000 | EA | COVER - LP REGULATOR |
| * | 144116-04-000 | EA | TANK - LP - 60 LB - 14"D X 29.75"L |
| | 040440-02-000 | EA | TRANSMITTER - DIAL/BOLT-ON - 0-90 OHM 2 TERM(POWER/GROUND) |

***COMPONENT PARTS LISTED LATER IN THIS GROUP**

COMPONENT PARTS FOR LP SYSTEM

144116-04-000

| KEY | PART NUMBER | U/M | DESCRIPTION | VENDOR NO. |
|------------|--------------------|------------|------------------------------|-------------------|
| | 040421-01-712 | EA | VALVE-SERV. W/O VAPOR RELIEF | V20373/V21202 |
| | 040421-01-713 | EA | VALVE-RELIEF 1" W/SPRING 7" | V12560/V21207 |
| | 144116-01-700 | EA | VALVE-OUTAGE(NO STEM REMOVE) | V20058 |
| | 144116-01-701 | EA | VALVE/FILL 80 % W/YELLOW CAP | V13414 |
| | 144116-04-700 | EA | FLOAT/SENDING UNIT W/O DIAL | G11530 |
| | 144116-04-701 | EA | DIAL - TRANSMITER | G12845 |

SEALANTS & FASTENERS GROUP
SEALANTS & ADHESIVES

| KEY | PART NUMBER | U/M | DESCRIPTION |
|------------|--------------------|------------|--|
| | 004001-02-000 | EA | GUN - PLEXUS ADHESIVE - W/O NOZZLE |
| | 004001-05-000 | EA | ADHESIVE - SCOTCH-WELD - 3M DP100 - CLEAR - 50ML |
| | 004011-01-000 | EA | ADHESIVE-3M-4475 TUBE |
| | 010405-02-000 | EA | TAPE - THREAD SEALING - 3/8" |
| | 064075-07-000 | FT | SEAL - BULB - W/WIRED U CHANNEL - .3" X .5" CHANNEL-BLACK |
| | 067788-01-000 | EA | ADHESIVE - SPRAY - 3M - 19.5 OZ AEROSOL CAN |
| | 069640-01-000 | FT | SEALER - RIBBON - 1/4"DIAMETER X 30 FT - BLACK OR GRAY |
| | 069640-02-000 | FT | SEALER - TAPE - 1/8"THICK X 1/2"WIDE X 60 FT - GRAY |
| | 069640-03-000 | FT | SEALER - TAPE - 1/8"THICK X 3/4"WIDE X 60 FT - BLACK |
| | 069640-07-000 | FT | SEALER - TAPE - 3/32"THICK X 2"WIDE X 45 FT - GRAY |
| | 069640-09-000 | FT | SEALER - TAPE - 1/32"THICK X 2 1/2"WIDE X 80 FT - BRT WHT |
| | 069640-10-000 | FT | SEALER - TAPE - 1/32"THICK X 1 1/2"WIDE X 90 FT - BRT WHT |
| | 069640-11-000 | FT | SEALER - TAPE - 3/16"THICK X 3/8"WIDE X 40 FT - BLACK |
| | 069640-13-000 | FT | SEALER - TAPE - 3/32"THICK X 2"WIDE X 45 FT - BLACK |
| | 069640-14-000 | FT | SEALER - TAPE - 1/16"THICK X 1"WIDE X 100 FT - BLACK |
| | 069640-15-000 | FT | SEALER - TAPE - 1/16"THICK X 3/8"WIDE X 100 FT - BRT WHT |
| | 069640-17-000 | FT | SEALER - TAPE - 1/32"THICK X 1"WIDE X 150 FT - GRAY |
| | 069640-18-000 | FT | SEALER - TAPE - 1/8"THICK X 1/2"WIDE X 60 FT - BRT WHT |
| | 069640-19-000 | FT | SEALER - TAPE - 1/8"THICK X 3/4"WIDE X 60 FT - BRT WHT |
| | 069640-20-000 | FT | SEALER - TAPE - 1/8"THICK X 1/2"WIDE X 60 FT - BLACK |
| | 069640-21-000 | FT | SEALER - TAPE - 1/16"THICK X 1/2"WIDE X 100 FT - BRT WHT |
| | 069640-22-000 | FT | SEALER - TAPE - 1/32"THICK X 1/4"WIDE X 200 FT - BRT WHT |
| | 069640-23-000 | FT | SEALER - TAPE - 1/16"THICK X 3/4"WIDE X 100 FT - BRT WHT |
| | 069640-27-000 | FT | SEALER - TAPE - 1/16"THICK X 2 1/4"WIDE X 50 FT - BRT WHT |
| | 069640-28-000 | FT | SEALER - TAPE - 1/32"THICK X 1 7/8"WIDE X 90 FT - GRAY |
| | 069640-30-000 | FT | SEALER - TAPE - 1/32"THICK X 5/8"WIDE X 50 FT - GRAY |
| | 069640-31-000 | FT | SEALER - TAPE - 1/4"THICK X 3/4"WIDE X 15 FT - BLACK |
| | 069640-32-000 | FT | SEALER - TAPE - 1/16"THICK X 3/8"WIDE X 100 FT - BLACK |
| | 069640-33-000 | FT | SEALER - RIBBON - 3/8"DIAMETER X 20 FT - BLACK |
| | 069640-34-000 | FT | SEALER - RIBBON - 1/4"DIAMETER X 30 FT - BRIGHT WHITE |
| | 072889-28-000 | EA | SEALANT/URETHANE-10 OZ TUBE W/NOZZLE-SELF LEVELING-BRT WHT |
| | 076322-01-000 | FT | TAPE-DOUBLE COATED/ADHESIVE BK-.03"THK X .8"W X 216' - WHT |
| | 076322-02-000 | FT | TAPE-DOUBLE COATED/ADHESIVE BK-.05"THK X 1"W X 108' - WHT |
| | 076322-03-000 | FT | TAPE-DOUBLE COATED/ADHESIVE BK-.05"THK X .5"W X 108' - WHT |
| | 076322-05-000 | FT | TAPE-DOUBLE COATED/ADHESIVE BK-.05"THK X .8"W X 108' - WHT |
| | 076322-07-000 | FT | TAPE-DOUBLE COATED/ADHESIVE BK-.05"THK X .5"W X 200' - BLK |
| | 076322-13-000 | FT | TAPE - FOAM/DOUBLE COATED - .020"THK X .75"W - CLEAR |
| | 076322-21-000 | FT | TAPE - FOAM/DOUBLE COATED - .045"THK X .50"W |
| | 076322-22-000 | FT | TAPE - FOAM/DOUBLE COATED - .045"THK X .75"W |
| | 076322-23-000 | FT | TAPE - FOAM/DOUBLE COATED - .045"THK X 1"W |
| | 076322-25-000 | FT | TAPE - FOAM/DOUBLE COATED - .025"THK X .5"W |
| | 086276-01-000 | EA | TAPE - DOUBLE SIDED - 1/2" WIDE X 108' LONG (SOLD BY ROLL) |
| | 088479-01-000 | EA | TAPE - ALUMINUM - 3" |
| | 090340-01-000 | FT | SEAL - FOAM - CLOSED CELL - 1/4" X 1/2" X 50' |
| | 091255-02-000 | FT | SEAL - ADHESIVE BACKED/FOAM - 3/64"THICK X 3/16"W X 1000' |
| | 091255-03-000 | FT | SEAL - ADHESIVE BACKED/FOAM - 1/4" THICK X 1/4"W X 1000' |
| | 094401-01-000 | EA | SEALER - BODY SEAM - FLEXICLEAR |
| | 094401-04-000 | EA | SEALER - BODY SEAM - CLEAR |
| | 094401-05-000 | EA | SEALER - BODY SEAM - 20OZ BLACK |
| | 094401-06-000 | EA | SEALER - BODY SEAM - 12OZ BLACK |
| | 094401-07-000 | EA | SEALER - BODY SEAM - CLEAR |
| | 098408-01-000 | FT | SEAL - SPONGE RUBBER - CLOSED CELL |
| | 099069-01-000 | FT | SEAL - RUBBER - CLOSED SPONGE - .5" WIDE X .12" THICK-BLK |
| | 099418-01-000 | FT | SEAL - D-SECTION/ADHESIVE BACK - ..44" X .44" - BLK RUBBER |
| | 107828-01-000 | EA | SEALANT - SB - 190 EVERSEAL |
| | 112864-01-000 | FT | SEAL - FOAM/BUTYL COVERED - 3/8" X 35' |
| | 112864-02-000 | FT | FOAM - BUTYL COVERED - 5/16" X 44' |
| | 112864-04-000 | FT | FOAM - BUTYL COVERED - 3/8" X 1/8" |
| | 112901-02-000 | EA | ADHESIVE - PLEXUS - MA330 - 50ML - GRAY |
| | 112901-03-000 | EA | ADHESIVE - PLEXUS - MA300 - 50ML - WHITE |
| | 112902-01-000 | EA | NOZZLE - ELEMENT - 3/8" X 24 |
| | 112902-03-000 | EA | MIXER NOZZLE - F/GUN #00400102000 - SCOTCH-WELD & PLEXUS |
| | 112902-04-000 | EA | NOZZLE - ELEMENT - 1/4" X 3.5" |
| | 112902-05-000 | EA | NOZZLE - BAYONET - 3/8" X 18 |

SEALANTS & FASTENERS GROUP (CONTINUED)

SEALANTS & ADHESIVES (CONTINUED)

| KEY | PART NUMBER | U/M | DESCRIPTION |
|-----|---------------|-----|---|
| | 112902-06-000 | EA | NOZZLE - ELEMENT - 1/2" X 32 |
| | 113366-01-000 | EA | ADHESIVE - INSTANT - 1 OZ |
| | 120074-02-03A | EA | SILICONE - TUBE - W/O NOZZLE - LOW ODOR - SMOKEY WHITE |
| | 120534-01-01A | EA | TAPE - SCOTCH - 3M - 1/2" FINE LINE |
| | 123244-01-000 | FT | TAPE - DOUBLE SIDED/FOAM - 5/64" THICK X 3/4" WIDE X 108' |
| | 123816-01-000 | FT | TAPE - DOUBLE SIDED - 1" X .020" X 200' - CLEAR |
| | 123816-02-000 | FT | TAPE - DOUBLE SIDED - 1/2" X .035" X 200' - CLEAR |
| | 123816-03-000 | FT | TAPE - DOUBLE SIDED - 1/2" X .020" X 200' - CLEAR |
| | 123816-04-000 | FT | TAPE - DOUBLE SIDED - 6" X .0035" X 750' - CLEAR |
| | 123816-06-000 | FT | TAPE - DOUBLE SIDED - 3/4" X 3/4" X 200' - CLEAR |
| | 123816-07-000 | FT | TAPE - DOUBLE SIDED - 1 3/4" X 200' - CLEAR |
| | 126427-01-000 | EA | ADHESIVE - ALL PURPOSE - ABS/PVC |
| | 126427-02-000 | EA | PRIMER - CLEANER - FLEX PIPING |
| | 131264-01-11A | EA | SILICONE - TUBE - W/NOZZLE - BEIGE |
| | 131264-01-12A | EA | SILICONE - TUBE - W/NOZZLE - BONE |
| | 131264-01-13A | EA | SILICONE - TUBE - W/NOZZLE - TRANSLUCENT |
| | 131264-02-01A | EA | SILICONE - TUBE - W/NOZZLE - VW GRAY - BATH ONLY |
| | 131264-03-01A | EA | SILICONE - TUBE - W/O NOZZLE - SELF LEVELING - BRIGHT WHITE |
| | 131264-04-01A | EA | SILICONE/SEALANT/ADHESIVE - FAST CURE F/GLASS/VINYL - B/W |
| | 131264-04-02A | EA | SILICONE/SEALANT/ADHESIVE-FAST CURE F/GLASS/VINYL-SOFT WHT |
| | 131264-05-01A | EA | SILICONE/SEALANT - ODORLESS - TUBE - W/NOZZLE - BLACK |
| | 131264-05-02A | EA | SILICONE/SEALANT - ODORLESS - TUBE - W/NOZZLE - CLEAR |
| | 131384-01-000 | EA | ADHESIVE - JET WELD - 10 OZ CARTRIDGE |
| | 132892-07-01A | FT | SEAL - BULB/SINGLE - W/U CHANNEL - .5" X 1" - BLACK |
| | 152038-01-01A | EA | TAPE - PRESERVATION SEAL - 2" X 36YD ROLL - BLACK |
| | 154585-01-01A | FT | SEAL - FOAM TAPE - ADHESIVE BACK - 3/8" X 3/8" - BLACK |
| | 154585-02-01A | FT | SEAL - FOAM TAPE - ADHESIVE BACK - 3/4" X 1/2" - BLACK |
| | 154585-03-01A | FT | SEAL - FOAM TAPE - ADHESIVE 2 SIDED - 1/8" X 3/4" - BLACK |
| | 154585-04-01A | FT | SEAL - FOAM TAPE - ADHESIVE BACK - 5/8" X 1/8" - WHITE |

BOLTS, NUTS AND WASHERS

| KEY | PART NUMBER | U/M | DESCRIPTION |
|-----|---------------|-----|---|
| | 0MD54F-06-000 | EA | NUT - HEX W/SERRATED FLANGE |
| | 000C12-04-08B | EA | BOLT - HEX - 1/4-20 X 1/2 - GRADE #5 - ZINC |
| | 000C12-04-40B | EA | BOLT - HEX - 1/4-20 X 2 1/2 - GRADE #5 ZINC |
| | 000C12-04-20F | EA | BOLT - HEX - 1/4-20 X 1 1/4 - GRADE #5 - STAINLESS STEEL |
| | 000C12-04-12A | EA | BOLT - HEX - 1/4-20 X 3/4 - PLAIN 5 |
| | 000C12-05-16B | EA | BOLT - HEX - 5/16 - 18X1 - GRADE #5 - ZINC |
| | 000C12-05-40B | EA | BOLT - HEX - 5/16"-18 X 2.5" - GRADE #5 - ZINC |
| | 000C12-06-28B | EA | BOLT-HEX-3/8-16X13/4 ZN 5 - 5185-01 |
| | 000C12-08-44B | EA | BOLT - HEX - 1/2-13 X 2 3/4 - GRADE #5 - ZINC |
| | 000C12-08-24B | EA | BOLT - HEX - 1/2-13 X 1 1/2 - GRADE #5 - ZINC |
| | 000C12-08-28B | EA | BOLT - HEX - 1/2-13 X 1 3/4 - GRADE #5 - ZINC |
| | 000C13-07-40B | EA | BOLT - HEX - 7/16-20 X 2 1/2 - GRADE #5 - ZINC |
| | 000C13-07-48B | EA | BOLT - HEX - 7/16-20 X 3 - GRADE #5 - ZINC |
| | 000C13-07-72B | EA | BOLT - HEX - 7/16-20 X 4.5" - GRADE #5 - ZINC |
| | 000C16-07-16B | EA | BOLT - CARRIAGE - ASSIST HANDLE - 7/16-14 X 1 |
| | 000C18-05-40A | EA | BOLT - ELEVATOR - 5/16-18 X 2 1/2 - PL |
| | 000C26-04-18B | EA | BOLT - HEX - SERRATED FLANGE - 1/4-20 X 1 1/8 - ZINC |
| | 000C26-04-14B | EA | BOLT - HEX - SERRATED FLANGE - 1/4-20 X 7/8 - ZINC |
| | 000C26-04-12F | EA | BOLT - HEX - SERRATED FLANGE -1/4-20 X 3/4-STAINLESS STEEL |
| | 000C26-04-10B | EA | BOLT - HEX - SERRATED FLANGE - 1/4-20 X 5/8 - ZINC |
| | 000C26-04-40F | EA | BOLT - HEX - SERRATED FLANGE -1/4-20 X 2.5-STAINLESS STEEL |
| | 000C26-05-12B | EA | BOLT - HEX - SERRATED FLANGE - 5/16-18 X 3/4 - ZINC |
| | 000C26-06-12B | EA | BOLT - HEX - SERRATED FLANGE - 3/8-16 X 3/4 - ZINC |
| | 000C26-06-20B | EA | BOLT - HEX - SERRATED FLANGE - 3/8-16 X 1 1/4 - ZINC |
| | 000C26-06-28B | EA | BOLT - HEX - SERRATED FLANGE - 3/8-16 X 1 3/4 - ZINC |
| | 000C26-06-40B | EA | BOLT - HEX - SERRATED FLANGE - 3/8-16 X 2 1/2 - ZINC |
| | 000C26-08-28B | EA | BOLT - HEX - SERRATED FLANGE - 1/2-13 X 1 3/4 - ZINC |
| | 000C26-08-24B | EA | BOLT - HEX - SERRATED FLANGE - 1/2-13 X 1 1/2 - ZINC |
| | 000C26-08-40B | EA | BOLT - HEX - SERRATED FLANGE - 1/2-13 X 2 1/2-GRADE #5 ZINC |
| | 000C27-08-48B | EA | BOLT-CARR 1/2-13X3.00 GR5 - 97 M-SERIES |
| | 000C27-08-64B | EA | BOLT - CARRIAGE - 1/2-13 X 4 - GRADE 5 |
| | 000D16-07-00B | EA | NUT - HEX - 7/16-14 - ZINC |

SEALANTS & FASTENERS GROUP (CONTINUED)
BOLTS, NUTS AND WASHERS (CONTINUED)

| KEY | PART NUMBER | U/M | DESCRIPTION |
|-----|---------------|-----|--|
| | 000D24-10-00B | EA | NUT - HEX - SELF LOCKING - 10-32 - ZINC |
| | 000D27-05-00B | EA | NUT - HEX LOCK - 5-40 - ZINC |
| | 000D28-10-00B | EA | NUT - HEX - W/NYLON LOCK - 10-32 - ZINC |
| | 000D29-04-00F | EA | NUT - HEX - SELF LOCKING - 1/4 X 20 - STAINLESS STEEL |
| | 000D29-04-00B | EA | NUT - HEX - SELF LOCKING - 1/4 X 20 - ZINC |
| | 000D29-06-00B | EA | NUT - HEX - W/NYLON LOCK - 3/8-16 - ZINC |
| | 000D29-09-00B | EA | NUT - HEX - SELF LOCKING - 9/16-12 - ZINC |
| | 000D34-04-00B | EA | NUT - HEX - LOCKING - 1/4-20 - ZINC |
| | 000D34-06-00B | EA | NUT - HEX - LOCKING - 3/8-16 GRADE C - ZINC |
| | 000D39-04-00B | EA | NUT - HEX - LOCKING W/SERRATED FLANGE - 1/4-20 - ZINC |
| | 000D39-05-00B | EA | NUT - HEX - LOCKING W/SERRATED FLANGE - 5/16-18 - ZINC |
| | 000D39-06-00B | EA | NUT - HEX - LOCKING W/SERRATED FLANGE - 3/8-18 - ZINC |
| | 000D39-06-00D | EA | NUT - HEX - LOCKING W/SERRATED FLANGE - 3/8"-16 BLACK |
| | 000D39-07-00B | EA | NUT - HEX - LOCKING W/SERRATED FLANGE - 7/16-14 - ZINC |
| | 000D39-08-00B | EA | NUT - HEX - LOCKING W/SERRATED FLANGE - 1/2-13 - ZINC |
| | 000D39-09-00B | EA | NUT - HEX - LOCKING W/SERRATED FLANGE - 9/16-12 - ZINC |
| | 000D44-04-00B | EA | NUT - HEX - LOCKING W/SERRATED FLANGE - 1/4-28 - ZINC |
| | 000D44-07-00B | EA | NUT - HEX - LOCKING W/SERRATED FLANGE - 7/16-20 - ZINC |
| | 000D44-08-00B | EA | NUT - HEX - LOCKING W/SERRATED FLANGE - 1/2-20 - ZINC |
| | 000D46-04-00A | EA | NUT - HEX - WELD - 1/4-20 - PLAIN |
| | 000D65-08-00B | EA | NUT - HEX - LOCKING W/SERRATED FLANGE - 8-32 - ZINC |
| | 000D73-08-00C | EA | NUT - HEX FLANGE - 1/2-13 |
| | 000D75-09-00B | EA | NUT - HEX LOCKING - 9/16-12 - ZINC |
| | 000D76-06-00B | EA | NUT - HEX FLANGE - 3/8-16 |
| | 000E11-04-00F | EA | WASHER - LOCKING - 1/4 MED SPLIT - STAINLESS STEEL |
| | 000E11-07-00B | EA | WASHER - LOCKING - 7/16 MED SPLIT - ZINC |
| | 000E11-08-00B | EA | WASHER - LOCKING - 1/2 MED SPLIT - ZINC |
| | 000E13-17-00B | EA | WASHER - FLAT - 3/8 AR - ZINC |
| | 000E13-18-00B | EA | WASHER - FLAT - 3/8 WIDE - ZINC |
| | 000E13-20-00B | EA | WASHER - FLAT - 7/16 WIDE - ZINC |
| | 000E13-22-00B | EA | WASHER - FLAT - 1/2 WIDE - ZINC |
| | 000E13-26-00B | EA | WASHER - FLAT - 5/8 WIDE - ZINC |
| | 000E14-10-00B | EA | WASHER - LOCKING - #10 EXTERNAL TOOTH - ZINC |
| | 000E16-10-00B | EA | WASHER - HARDENED - 5/8 - FLAT - ZINC |
| | 000G45-05-16B | EA | BOLT - LAG - 5/16-9 X 1 - ZINC |
| | 005081-01-000 | EA | NUT - SPEED - C-TYPE - #8 SCREW |
| | 039715-01-000 | EA | NUT-SERT - 1/4" DIAMETER - 20 THREADS |
| | 040921-01-000 | EA | NUT - SPEED - U TYPE - #10-24 - BLACK |
| | 040921-03-000 | EA | NUT - SPEED - U TYPE - #10 |
| | 040921-04-000 | EA | NUT - SPEED - U TYPE - #8-.59" LENGTH X .44" WIDTH |
| | 040921-05-000 | EA | NUT - SPEED - U-TYPE - 8-.67" X .44" WIDE |
| | 040921-11-000 | EA | NUT - SPEED - U-TYPE - 8-.59" LENGTH X .44" WIDTH - BLACK |
| | 041322-01-000 | EA | WASHER - FLANGE - 15/32"ID X 2 3/8"OD - F/SEAT BELT MTG |
| | 044364-02-000 | EA | NUT - SPEED - FLAT - ROUND |
| | 044533-01-000 | EA | WASHER - 1 3/8"OD - FOR BUTTONS - PLASTIC |
| | 051387-06-000 | EA | BOLT - CARRIAGE W/O HOLE - 5/16-18 X 9 1/2 - ZINC |
| | 058716-02-000 | EA | WASHER - FLAT NYLON |
| | 064081-03-000 | EA | NUT - WING 3/8-16 - W/WELD NUT |
| | 077071-01-000 | EA | WASHER - FENDER - 3/16"ID X 1"OD |
| | 087234-01-000 | EA | NUT - JACK - 1/4 X 20 THD - MOLLY |
| | 088787-12-000 | EA | STUD - WELD - 1/4 - 20 X 1.0 LG - MN |
| | 102540-02-000 | EA | SEAL - SCREW |
| | 106956-03-000 | EA | BOLT - HEX TAP - 1/2-13NC X 3 - GRADE 5 - FULL THREAD/ZINC |
| | 106956-10-000 | EA | BOLT - HEX TAP - 9/16-12NC X 3 5/8 -GRD 5-FULL THREAD/ZINC |
| | 106956-11-000 | EA | BOLT - HEX TAP - 1/2-13NC X 2 1/2 - GRD 5-FULL THREAD/ZINC |
| | 106956-13-000 | EA | BOLT - HEX TAP - 1/2-20 X 2 1/2 - GRD 5-FULL THREAD/ZINC |
| | 107397-01-000 | EA | WASHER - FENDER - 3/4"ID X 1"OD |
| | 108067-03-000 | EA | STUD - WELD - 1/4 - 20 X 1/2 CD |
| | 109917-03-000 | EA | WASHER - 1" X .50" |
| | 109917-04-000 | EA | WASHER - 1" X .75" |
| | 128444-01-000 | EA | WASHER - SPRING - CONICAL |
| | 135092-02-01A | EA | BOLT - HEX - SERRATED FLANGE - 1/2-20 X 2 1/2-GRADE 5 ZINC |
| | 135092-05-01A | EA | BOLT - HEX - SERRATED FLANGE - 1/2-20 X 1 - GRADE 5 ZINC |
| | 143399-01-01A | EA | NUT/RETAINING - 3/8" - 24 NFT |

SEALANTS & FASTENERS GROUP (CONTINUED)
BOLTS, NUTS AND WASHERS (CONTINUED)

| KEY | PART NUMBER | U/M | DESCRIPTION |
|-----|---------------|-----|-------------------------------|
| | 144904-01-01A | EA | BOLT - ADJUSTMENT - HEADLAMP |
| | 147284-02-000 | EA | NUT/SELF RETAINING - 5/16"-18 |
| | 148817-01-000 | EA | WASHER/SPUR - LOCKING |

SCREWS

| KEY | PART NUMBER | U/M | DESCRIPTION |
|-----|---------------|-----|---|
| | 0G1208-12-170 | EA | SCREW - 8-18 X 3/4 POH - BRIGHT WHITE |
| | 0G3908-08-170 | EA | SCREW - SF/DR - 8-18 X 1/2 PPH - BRIGHT WHITE |
| | 0G3908-08-410 | EA | SCREW - SF/DR - 8-18 X 1/2 PPH - PARCHMENT |
| | 0G3908-16-170 | EA | SCREW - SF/DR - 8-18 X 1 PPH - BRIGHT WHITE |
| | 0G3908-24-170 | EA | SCREW - SF/DR - 8-18 X 1 1/2 PPH - BRIGHT WHITE |
| | 0G3910-10-330 | EA | SCREW - SF/DR - 20-16 X 5/8 PPH - PUTTY |
| | 0G3910-12-170 | EA | SCREW - SF/DR - 10-16 X 3/4 PPH - BRIGHT WHITE |
| | 0G3910-12-240 | EA | SCREW - SF/DR - 10-16 X .75 PPH - VW LIGHT GRAY |
| | 0G3910-12-380 | EA | SCREW - SF/DR - 10-16 X .75 PPH - CASHMERE |
| | 0G3910-12-370 | EA | SCREW - SF/DR - 10-16 X .75 PPH - RIVERSTONE |
| | 0G3910-24-170 | EA | SCREW - SF/DR - 10-16 X 1 1/2 PPH - BRIGHT WHITE |
| | 0G3910-32-330 | EA | SCREW - SF/DR - 10-16 X 2.00 PPH - PUTTY |
| | 0G5508-08-380 | EA | SCREW - SF/DR - 8-18 X .5 PWH - CASHMERE |
| | 0G5508-08-370 | EA | SCREW - SF/DR - 8-18 X .5 PWH - RIVERSTONE |
| | 0G5508-12-170 | EA | SCREW - SF/DR - 8-18 X 3/4 PWH - BRIGHT WHITE |
| | 0G5508-12-320 | EA | SCREW - SF/DR - 8-18 X 3/4 PWH - GLACIER |
| | 0G5508-12-330 | EA | SCREW - SF/DR - 8-18 X 3/4 PWH - PUTTY |
| | 0G6008-16-170 | EA | SCREW - SF/DR - 8-18 X 1 POH - BRIGHT WHITE |
| | 0G5508-16-250 | EA | SCREW - SF/DR - 8-18 X 1 PWH - VW DARK GRAY |
| | 0G5508-16-330 | EA | SCREW - SF/DR - 8-18 X 1 PWH - PUTTY |
| | 0G5508-16-370 | EA | SCREW - SF/DR - 8-18 X 1 PWH - RIVERSTONE |
| | 0G5508-16-380 | EA | SCREW - SF/DR - 8-18 X 1 PWH - CASHMERE |
| | 0G5508-16-410 | EA | SCREW - SF/DR - 8-18 X 1 PWH - MEDIUM PARCHMENT |
| | 0G6012-32-170 | EA | SCREW - SF/DR - 12-14 X 2 POH - BRIGHT WHITE |
| | 0G6710-08-170 | EA | SCREW - 10-12 X 1/2 PPH - BRIGHT WHITE |
| | 0G6710-12-170 | EA | SCREW - 10-12 X 3/4 PPH - BRIGHT WHITE |
| | 0G6806-16-170 | EA | SCREW - 6-18 X 1 POH - BRIGHT WHITE |
| | 0G6810-24-280 | EA | SCREW - 10-12 X 1 1/2 POH - SOFT WHITE |
| | 000C20-06-24T | EA | SCREW - 3/8-16 X 1 1/2 - FLAT SOCKET |
| | 000C28-05-24D | EA | CAPSCREW/BUTTON HEAD - 5/16-18 X 1 1/2 - #8-BLK PHOSPHATE |
| | 000G11-06-08B | EA | SCREW - 6-20 X 1/2 PPH - ZINC |
| | 000G11-06-10B | EA | SCREW - 6-20 X 5/8 PPH - ZINC |
| | 000G11-06-10J | EA | SCREW - 6-20 X 5/8 PPH - BRASS |
| | 000G11-07-08B | EA | SCREW - 7-19 X 1/2 PPH - ZINC |
| | 000G11-08-06B | EA | SCREW - 8-18 X 3/8 PPH - ZINC |
| | 000G11-08-08T | EA | SCREW - 8-18 X 1/2 PPH - FLUOROCARBON COATING |
| | 000G11-08-12B | EA | SCREW - 8-18 X 3/4 PPH - ZINC |
| | 000G11-08-12P | EA | SCREW - 8-18 X 3/4 PPH - DARK BROWN |
| | 000G11-08-12S | EA | SCREW - 8-18 X 3/4 PPH - OFF WHITE |
| | 000G11-08-12T | EA | SCREW - 8-18 X 3/4 PPH - BLACK MAGNESIUM |
| | 000G11-08-20B | EA | SCREW - 8-18 X 1 1/4 PPH - ZINC |
| | 000G11-08-20G | EA | SCREW - 8-18 X 1 1/4 - ANTIQUE BRASS |
| | 000G11-10-12D | EA | SCREW - 10-16 X 3/4 PPH - BLACK |
| | 000G12-06-08T | EA | SCREW - 6-20 X 1/2 POH - BLACK |
| | 000G12-06-12J | EA | SCREW - 6-20 X .75 POH - BRASS |
| | 000G12-10-16F | EA | SCREW - 10-16 X 1 POH - STAINLESS STEEL |
| | 000G13-05-10B | EA | SCREW - 5-12 X 5/8 PFH - ZINC |
| | 000G13-06-08B | EA | SCREW - 6-20 X 1/2 PFH - ZINC |
| | 000G13-06-08G | EA | SCREW - 6-20 X 1/2 PFH - ANTIQUE BRASS |
| | 000G13-06-10G | EA | SCREW - 6-20 X 5/8 PFH - ANTIQUE BRASS |
| | 000G13-06-16J | EA | SCREW - 6-20 X 1 PFH - BRASS |
| | 000G13-06-169 | EA | SCREW - SF/DR - 6-20 X 1 PFH - SILVER |
| | 000G13-06-24J | EA | SCREW - 6-20 X 1 1/2 PFH - BRASS |
| | 000G13-07-10H | EA | SCREW - 7-19 X 5/8 PFH - BLACK |
| | 000G13-07-12B | EA | SCREW - 7-19 X 3/4 PFH - ZINC |
| | 000G13-08-109 | EA | SCREW - 8-18 X 5/8 PFH |
| | 000G13-08-10B | EA | SCREW - 8-18 X 5/8 PFH - ZINC |
| | 000G13-08-16B | EA | SCREW - 8-18 X 1 PFH - ZINC |

SEALANTS & FASTENERS GROUP (CONTINUED)
SCREWS (CONTINUED)

| KEY | PART NUMBER | U/M | DESCRIPTION |
|-----|---------------|-----|---|
| | 000G13-08-24B | EA | SCREW - 8-18 X 1 1/2 PFH - ZINC |
| | 000G16-04-24B | EA | SCREW - MACHINE - 1/4-20 X 1 1/2 PPH |
| | 000G18-08-12B | EA | SCREW - MACHINE - 8-32 X 3/4 PPH - ZINC |
| | 000G18-08-16B | EA | SCREW - MACHINE - 8-32 X 1 PPH - ZINC |
| | 000G18-08-24B | EA | SCREW - MACHINE - 8-32 X 1 1/2 PPH - ZINC |
| | 000G18-08-22B | EA | SCREW - MACHINE - 8-32 X 1 3/8 PPH - ZINC |
| | 000G19-10-08B | EA | SCREW - MACHINE - 10-32 X 1/2 PPH - ZINC |
| | 000G19-10-10B | EA | SCREW - MACHINE - 10-32 X 5/8 - PPH - ZINC |
| | 000G19-10-12F | EA | SCREW - MACHINE - 10-32 X 3/4 PPH - STAINLESS STEEL |
| | 000G19-10-20B | EA | SCREW - MACHINE - 10-32 X 1 1/2 PPH - ZINC |
| | 000G32-10-06B | EA | SCREW - 10-32 X 3/8 PPH - ZINC |
| | 000G34-05-12B | EA | SCREW - HEX HEAD TAPPING - 5/16 X 3/4 LONG |
| | 000G36-10-12T | EA | SCREW - 10-24X 3/4 PFH TYPE 23 - BLACK |
| | 000G39-06-10T | EA | SCREW - SF/DR - 6-20 X 5/8 PPH - BLACK |
| | 000G39-06-16T | EA | SCREW - SF/DR - 6-20 X 1 PPH - BLACK |
| | 000G39-08-06B | EA | SCREW - SF/DR - 8-18 X 3/8 PPH - ZINC |
| | 000G39-08-08B | EA | SCREW - SF/DR - 8-18 X 1/2 PPH - ZINC |
| | 000G39-08-08S | EA | SCREW - SF/DR - 8-18 X 1/2 PPH - OFF WHITE |
| | 000G39-08-08T | EA | SCREW - SF/DR - 8-18 X 1/2 PPH - BLACK |
| | 000G39-08-12T | EA | SCREW - SF/DR - 8-18 X 3/4 PPH - BLACK |
| | 000G39-08-16B | EA | SCREW - SF/DR - 8-18 X 1 PPH - ZINC |
| | 000G39-08-16T | EA | SCREW - SF/DR - 6-20 X 1 PPH - BLACK |
| | 000G39-08-24B | EA | SCREW - SF/DR - 8-18 X 1 1/2 PPH - ZINC |
| | 000G39-08-24S | EA | SCREW - SF/DR - 8-18 X 1 1/2 - OFF WHITE |
| | 000G39-08-24T | EA | SCREW - SF/DR - 8-18 X 1 1/2 PPH - BLACK |
| | 000G39-08-32B | EA | SCREW - SF/DR - 8-18 X 2 PPH - ZINC |
| | 000G39-10-08B | EA | SCREW - SF/DR - 10-16 X 1/2 PPH - ZINC |
| | 000G39-10-10B | EA | SCREW - SF/DR - 10-16 X 5/8 PPH - ZINC |
| | 000G39-10-12B | EA | SCREW - SF/DR - 10-16 X 3/4 PPH - ZINC |
| | 000G39-10-129 | EA | SCREW - SF/DR - 10-16 X 3/4 PPH - FLUOROCARBON SILVER |
| | 000G39-10-169 | EA | SCREW - SF/DR - 10-16 X 1 PPH - FLUOROCARBON SILVER |
| | 000G39-10-20B | EA | SCREW - SF/DR - 10-16 X 1 1/4 PPH - ZINC |
| | 000G39-10-20T | EA | SCREW - SF/DR - 10-16 X 1 1/4 PPH - BLACK |
| | 000G39-10-24T | EA | SCREW - SF/DR - 10-16 X 1 1/2" PPH - BLACK |
| | 000G39-10-28T | EA | SCREW - SF/DR - 10-16 X 1 3/4" PPH - BLACK |
| | 000G39-10-32B | EA | SCREW - SF/DR - 10-16 X 2 - PPH - ZINC |
| | 000G39-10-48B | EA | SCREW - SF/DR - 10-16 X 3 - PPH - ZINC |
| | 000G39-10-48T | EA | SCREW - SF/DR - 10-16 X 3 PPH - BLACK |
| | 000G42-04-16B | EA | SCREW - SF/DR - 1/4-14 X 1 HWH - ZINC |
| | 000G42-04-24B | EA | SCREW - SF/DR - 1/4-14 X 1 1/2 - ZINC |
| | 000G46-08-24T | EA | SCREW - MACHINE - 8-32 X 1 1/2 PFH - ZINC |
| | 000G52-06-05B | EA | SCREW - MACHINE - 6-32 X 5/16 PTH - ZINC |
| | 000G52-06-06B | EA | SCREW - MACHINE - 6-32 X 3/8 PTH - ZINC |
| | 000G54-04-14B | EA | SCREW - 1/4-20 X 7/8 PTH - TYPE 23 - ZINC PLATED |
| | 000G55-08-12T | EA | SCREW - SF/DR - 8-18 X 3/4 PWH - BLACK |
| | 000G55-08-124 | EA | SCREW - SF/DR - 8-18 X 3/4 PWH - ASH GRAY |
| | 000G55-08-16T | EA | SCREW - SF/DR - 8-18 X 1 PWH - BLACK |
| | 000G56-12-48B | EA | SCREW - WOOD - 12-11 X 3 POH - SPECIAL HARDENED |
| | 000G57-14-64B | EA | SCREW - 14-10 X 4 PFH ZINC |
| | 000G60-08-16E | EA | SCREW - SF/DR - 8-1 X 1 POH - CHROME |
| | 000G60-08-20F | EA | SCREW - SF/DR - 8-19X1.25 POH |
| | 000G60-08-22B | EA | SCREW - SF/DR - 8-18 X 1.38 POH - ZINC |
| | 000G60-10-16J | EA | SCREW - SF/DR - 10-16 X 1 POH - BRIGHT BRASS |
| | 000G60-10-20B | EA | SCREW - SF/DR - 10-16 X 1 1/4 POH - ZINC |
| | 000G60-10-209 | EA | SCREW - SF/DR - 10-16 X 1 1/4 POH - SILVER STALGAARD |
| | 000G60-10-28T | EA | SCREW - SF/DR - 10-16 X 1 3/4 - BLACK |
| | 000G62-06-24I | EA | SCREW - SF/DR - 8-18 X 1.5 PPH - BLACK |
| | 000G62-06-249 | EA | SCREW - SF/DR - 8-18 X 1.5 PPH - SILVER |
| | 000G62-08-24B | EA | SCREW - SF/DR - 8-18 X 1 1/2 PFH |
| | 000G67-08-32B | EA | SCREW - 8-15 X 2 PPH - ZINC |
| | 000G67-10-08B | EA | SCREW - 10-12 X 1/2 PPH - ZINC |
| | 000G67-10-08S | EA | SCREW - 10-12 X 1/2 PPH - OFF WHITE |
| | 000G67-10-10B | EA | SCREW - 10-12 X 5/8 PPH - ZINC - TYPE A |
| | 000G67-10-10S | EA | SCREW - 10-12 X 5/8 PPH - OFF WHITE |

SEALANTS & FASTENERS GROUP (CONTINUED)
SCREWS (CONTINUED)

| KEY | PART NUMBER | U/M | DESCRIPTION |
|-----|---------------|-----|--|
| | 000G67-10-10T | EA | SCREW - 10-12 X 5/8 PPH - BLACK |
| | 000G67-10-10P | EA | SCREW - 10-12 X 5/8 PPH - DARK BROWN |
| | 000G67-10-12P | EA | SCREW - 10-12 X 3/4 PPH - DARK BROWN |
| | 000G67-10-24B | EA | SCREW - 10-12 X 1 1/2 PPH - ZINC |
| | 000G67-10-24S | EA | SCREW - 10-12 X 1 1/2 PPH - OFF WHITE |
| | 000G67-10-32J | EA | SCREW-10-12X2 PPH - BRIGHT BRASS |
| | 000G68-06-10J | EA | SCREW - 6-18 X 5/8 POH - BRASS |
| | 000G68-06-12B | EA | SCREW - 6-18 X 3/4 POH - ZINC & CLEAR |
| | 000G68-06-12J | EA | SCREW - 6-18 X 3/4 POH - BRASS |
| | 000G68-06-12S | EA | SCREW - 6-18 X 3/4 POH |
| | 029130-01-000 | EA | SCREW - SNAP STUD - #8-16 X 5/8" LONG |
| | 029130-03-000 | EA | SCREW - SNAP STUD - #8-16 X 1" LONG |
| | 049465-01-000 | EA | SCREW - 10-16 PTH W/WASHER - DARK BROWN |
| | 049465-03-000 | EA | SCREW - 10-16 X 1 POH W/WASHER - OFF WHITE |
| | 049465-13-000 | EA | SCREW - 10-16 X 1 PTH W/WASHER - ASH GRAY |
| | 049465-17-000 | EA | SCREW - 10-16 X 1 POH W/WASHER - BRIGHT WHITE |
| | 049465-18-000 | EA | SCREW - 10-16 X 1 POH W/WASHER - VW GRAY |
| | 054434-02-000 | EA | SCREW - SF/DR - 10-16 X 2 - ZINC |
| | 054434-03-000 | EA | SCREW - SF/DR - 10-16 X 2 - PWH - ZINC |
| | 075908-01-000 | EA | SCREW - MACHINE - 10-32 X .56 PTH - EXTERNAL TOOTH - ZINC |
| | 076790-01-000 | EA | SCREW - 6-20 X 1 1/4 PPH - BLACK |
| | 076790-05-000 | EA | SCREW - 6-20 X 1/2 PPH - BLACK - THREAD CUTTING/WOOD |
| | 083554-01-000 | EA | SCREW - DRYWALL - 8 X 1 1/4 |
| | 083554-04-000 | EA | SCREW - DRYWALL - 8 X 2 1/2 |
| | 087721-01-000 | EA | SCREW - FLAT HEAD - TAPPING - 1/4" X 1 1/4" LONG - ZINC |
| | 095772-01-000 | EA | SOCKET-SNAP FASTNER1" SF/DR - SELF DRIVER |
| | 097974-01-000 | EA | SCREW - PARTICLE BOARD - 7-9 X 3/4 PPH |
| | 097974-02-000 | EA | SCREW-PART BD 8-9X.75 PFH - BEIGE |
| | 101618-01-000 | EA | SCREW - 1/4-20 X 3/4 HEX - TAPPING - STALGARD TYPE F |
| | 113563-01-01A | EA | SCREW - 8 X 5/8 LONG SHOULDER/WASHER HEAD |
| | 113563-01-02A | EA | SCREW - 8 X 5/8 LONG SHOULDER/WASHER HEAD - BRIGHT WHITE |
| | 118383-01-09A | EA | RETAINER/RECESSED - F/.22" SCREW - GLACIER |
| | 118383-01-12A | EA | RETAINER/RECESSED - F/.22" SCREW - RIVERSTONE |
| | 118383-01-10A | EA | RETAINER/RECESSED - F/.22" SCREW - STORM GRAY |
| | 118383-01-11A | EA | RETAINER/RECESSED - F/.22" SCREW - CASHMERE |
| | 118383-02-10A | EA | RETAINER/RECESSED - F/.27" SCREW - RIVERSTONE |
| | 118383-02-11A | EA | RETAINER/RECESSED - F/.27" SCREW - CASHMERE |
| | 118383-02-13A | EA | RETAINER/RECESSED - F/.27" SCREW - OFF WHITE |
| | 118383-03-09A | EA | RETAINER/RECESSED - F/.32" SCREW - GLACIER |
| | 118383-04-04A | EA | CAP - F/RECESSED RETAINER - BRIGHT WHITE |
| | 118383-04-09A | EA | CAP - F/RECESSED RETAINER - GLACIER |
| | 118383-04-10A | EA | CAP - F/RECESSED RETAINER - RIVERSTONE |
| | 118383-04-11A | EA | CAP - F/RECESSED RETAINER - CASHMERE |
| | 118383-04-12A | EA | CAP - F/RECESSED RETAINER - STORM GRAY |
| | 118383-04-13A | EA | CAP - F/RECESSED RETAINER - OFF WHITE |
| | 134126-01-01A | EA | SCREW/NAIL - HEX HEAD - 3/4" |
| | 140040-01-000 | EA | SCREW - 1/4-20 X 1 - BUTTON HEAD/SOCKET - W/LOCTITE |
| | 149753-01-01A | EA | RETAINER/RECESSED - F/.22" SCREW - BLACK |
| | 149753-01-02A | EA | RETAINER/RECESSED - F/.22" SCREW - BRIGHT WHITE |
| | 149753-02-01A | EA | CAP - F/RECESSED RETAINER - BLACK |
| | 149753-02-02A | EA | CAP - F/RECESSED RETAINER - BRIGHT WHITE |
| | 154938-01-01A | EA | SCREW - SF/DR - 10-16 X 3/4 PPH - W/SELF SEAL - BRIGHT WHITE |
| | 154938-01-02A | EA | SCREW - SF/DR - 10-16 X 3/4 PPH - W/SELF SEAL - BLACK |
| | 154938-02-01A | EA | SCREW - SF/DR - 8-18 X 1 PFH - W/SELF SEAL - BRIGHT WHITE |
| | 154938-02-02A | EA | SCREW - SF/DR - 8-18 X 1 PFH - W/SELF SEAL - BLACK |
| | 154938-02-03A | EA | SCREW - SF/DR - 8-18 X 1 PFH - W/SELF SEAL - SILVER |
| | 154938-03-01A | EA | SCREW - SF/DR - 8-18 X 5/8 PFH - W/SELF SEAL - BRT WHT |
| | 154935-03-02A | EA | SCREW - SF/DR - 8-18 X 5/8 PFH - W/SELF SEAL - BLACK |
| | 154938-04-01A | EA | SCREW - SF/DR - 10-16 X 1" TPH - W/SELF SEAL - BRT WHT |
| | 154938-04-02A | EA | SCREW - SF/DR - 10-16 X 1" TPH - W/SELF SEAL - BLACK |
| | 154938-05-03A | EA | SCREW - SF/DR - 8-18 X 1.25" PFH - W/SELF SEAL - SILVER |

SEALANTS & FASTENERS GROUP (CONTINUED)
CLAMPS, CLIPS, GROMMETS, RIVETS & PLUGS

| KEY | PART NUMBER | U/M | DESCRIPTION |
|-----|---------------|-----|---|
| | 000H16-04-06R | EA | RIVET - POP ALUMINUM - 1/8 X .313 - .375 |
| | 000H16-06-10R | EA | RIVET - POP ALUMINUM - 3/16 X .501 - .625 |
| | 007161-01-000 | EA | CLAMP - HOSE - SPRING TYPE - 1/2" |
| | 008386-01-000 | EA | GROMMET - SNAP - 3/8" DIAMETER - NYLON |
| | 010495-01-000 | EA | CLAMP - CABLE - 9/16"ID - BLACK |
| | 010495-02-000 | EA | CLAMP - CABLE - 3/8"ID - BLACK |
| | 010495-04-000 | EA | CLAMP - CABLE - 11/16"ID - WHITE |
| | 010497-01-000 | EA | CLAMP - CLOSED - 5/8"ID |
| | 010497-02-000 | EA | CLAMP - CLOSED - 1.5"ID |
| | 010497-03-000 | EA | CLAMP - CLOSED - 1"ID - CUSHIONED |
| | 010497-04-000 | EA | CLAMP - CLOSED - 1 5/8"ID |
| | 010497-05-000 | EA | CLAMP - CLOSED - 1/2"ID |
| | 010497-07-000 | EA | CLAMP - CLOSED - 3/8"ID |
| | 010497-09-000 | EA | CLAMP - CLOSED - 5/16"ID |
| | 010497-10-000 | EA | CLAMP - CLOSED - 7/8"ID |
| | 010499-01-000 | EA | CLAMP - CLOSED - 3/8"ID |
| | 016188-03-000 | EA | GROMMET - LP LINE - 3/8"HOLE X 2 1/2"LONG - RUBBER |
| | 016188-04-000 | EA | GROMMET - LP LINE - 1/2"HOLE X 2 1/2"LONG - RUBBER |
| | 016188-05-000 | EA | GROMMET - LP LINE - 3/8"HOLE X 1 1/4"LONG - RUBBER |
| | 016188-06-000 | EA | GROMMET - LP LINE - 3/8"HOLE X 3 1/4"LONG - RUBBER |
| | 016188-07-000 | EA | GROMMET - L/P LINE - 1/2"HOLE X 3 1/4"LONG |
| | 016188-08-000 | EA | GROMMET - LP LINE - 1/2"HOLE X 1 1/4"LONG - RUBBER |
| | 016188-09-000 | EA | GROMMET - LP LINE - .68"HOLE X 1 1/4"LONG - RUBBER |
| | 016188-10-000 | EA | GROMMET - LP GAS - .68" X 2.5" |
| | 023942-01-000 | EA | GROMMET - RUBBER - 2"OD |
| | 041930-11-000 | EA | RIVET - POP ALUMINUM - 1/8 X .188 - .250 - BRIGHT WHITE |
| | 061420-04-000 | EA | PLUG/PLASTIC - 1 1/4" DIAMETER |
| | 061420-05-000 | EA | PLUG/PLASTIC - 1 1/2" DIAMETER |
| | 061420-09-000 | EA | PLUG/PLASTIC - 1.00" DIAMETER |
| | 061420-10-000 | EA | PLUG/PLASTIC - 1 1/2" DIAMETER - BLACK |
| | 061420-12-000 | EA | PLUG/PLASTIC - 1.50" DIAMETER - RED |
| | 061420-13-000 | EA | PLUG/PLASTIC - 3/8" - FLUSH |
| | 061420-14-000 | EA | PLUG/PLASTIC - 7/8" DIAMETER - BLACK |
| | 061420-15-000 | EA | PLUG/PLASTIC - 2" DIAMETER - BLACK |
| | 061420-16-000 | EA | PLUG/PLASTIC - 2 1/8" DIAMETER - BLACK |
| | 062401-01-000 | EA | CLAMP - HOSE - WORMGEAR - .25" - 1" |
| | 062401-02-000 | EA | CLAMP - HOSE - WORMGEAR - 1.56" - 2.5" ID |
| | 062401-03-000 | EA | CLAMP - HOSE - WORMGEAR - .22" - 1" ID |
| | 062401-04-000 | EA | CLAMP - HOSE - WORMGEAR - .69" - 1.25" ID |
| | 062401-05-000 | EA | CLAMP - HOSE - WORMGEAR - 2" - 3" ID |
| | 062401-06-000 | EA | CLAMP - HOSE - WORMGEAR - .22" - .62" ID |
| | 062401-09-000 | EA | CLAMP - HOSE - WORMGEAR - 2.8" - 3.75" ID |
| | 062401-11-000 | EA | CLAMP - HOSE - WORMGEAR - 3.50" - 4.50" ID |
| | 062401-13-000 | EA | CLAMP - HOSE - WORMGEAR |
| | 063729-12-000 | EA | RIVNUT - 5/16 - 18 UNCUT - FLATHEAD - STAINLESS |
| | 071015-01-000 | EA | GROMMET - RUBBER - .5"ID X 1"OD-W/.38" GROOVE - BLACK |
| | 071015-11-000 | EA | GROMMET - RUBBER - 1"ID FITS .12 MATERIAL - BLACK |
| | 071015-13-000 | EA | GROMMET - RUBBER - .62"ID X 1"OD W/.09" GROOVE - BLACK |
| | 071015-22-000 | EA | GROMMET - RUBBER - .62"ID X 1.12"OD W/.19" GROOVE - BLACK |
| | 071015-26-000 | EA | GROMMET - RUBBER - 1.5"ID X 2.1"OD W/.06" GROOVE - BLACK |
| | 071015-29-000 | EA | GROMMET - RUBBER - .3"ID X 1.3"OD W/.12" GROOVE - BLACK |
| | 071015-30-000 | EA | GROMMET - RUBBER - .3"ID X .81"OD W/.12" GROOVE - BLACK |
| | 071015-39-000 | EA | GROMMET - .75 ID FITS .06 MTL |
| | 071015-41-000 | EA | GROMMET - .125 ID FITS .188 MTL |
| | 071015-42-000 | EA | GROMMET - .25 ID FITS .06 MTL |
| | 075148-02-000 | EA | CLAMP - GROUNDING - BRONZE SCREWS |
| | 077955-01-000 | EA | CLIP/J - 3/8" - VINYL COATED |
| | 080734-02-000 | EA | CLIP - WIRE NYLON |
| | 081211-01-000 | EA | PLUG - PLASTIC - .31"DIA - BLACK |
| | 081211-03-000 | EA | PLUG - PLASTIC - .50"DIAMETER - TRUSS HEAD - BLACK |
| | 081211-04-000 | EA | PLUG - PLASTIC - .46"DIAMETER - TRUSS HEAD - BLACK |
| | 083609-01-000 | EA | CLAMP - WIRE - DUAL - EQUAL DIAMETERS - 5/8" |
| | 083610-01-000 | EA | CLAMP - WIRE - DUAL - UNEQUAL DIAMETERS - 3/4" & 1 1/4" |
| | 083610-02-000 | EA | CLAMP - WIRE - DUAL - UNEQUAL DIAMETERS - 3/4" & 2" |

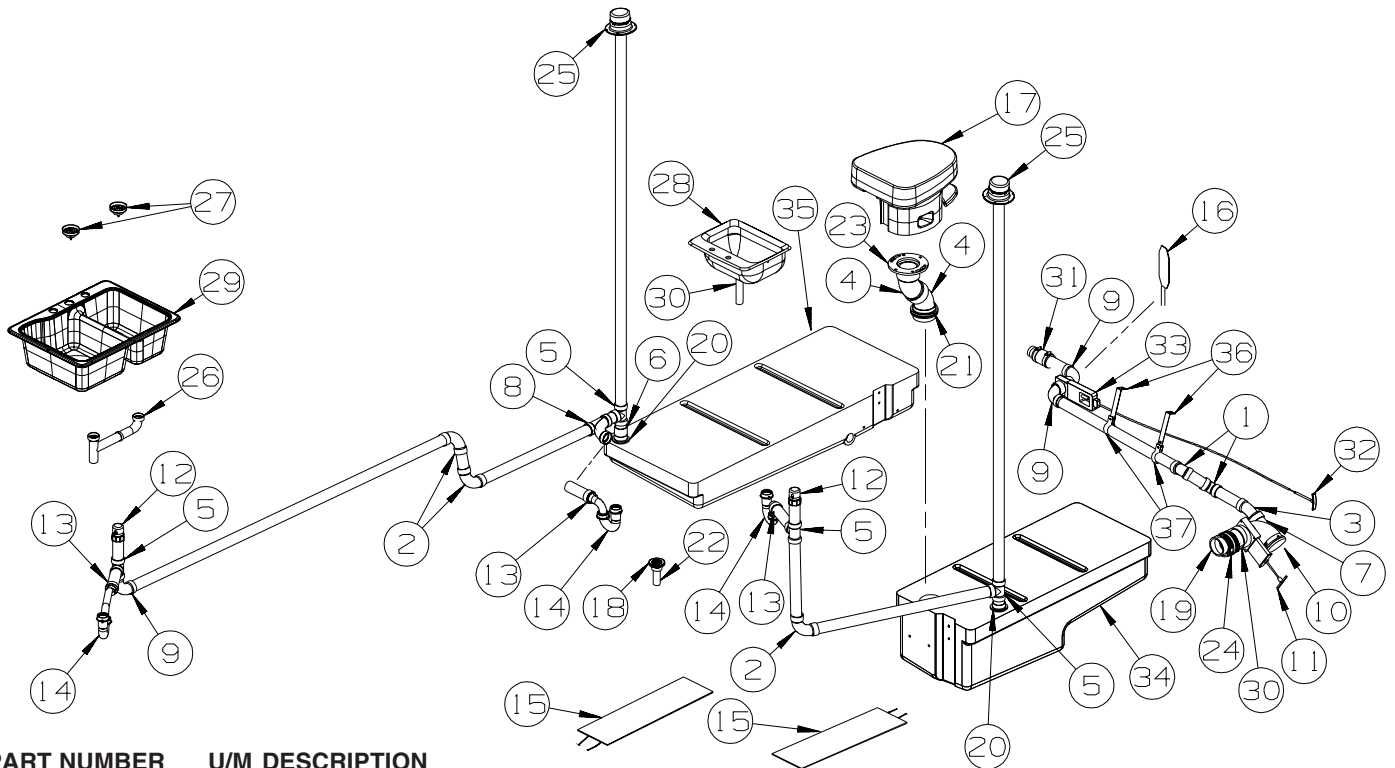
SEALANTS & FASTENERS GROUP (CONTINUED)
CLAMPS, CLIPS, GROMMETS, RIVETS & PLUGS (CONTINUED)

| KEY | PART NUMBER | U/M | DESCRIPTION |
|------------|--------------------|------------|--|
| | 083610-03-000 | EA | CLAMP - WIRE - DUAL - EQUAL DIAMETERS - 2" |
| | 088756-01-000 | EA | GROMMET - WEB - 1 1/8"ID |
| | 089329-02-000 | EA | CLIP - SPRING |
| | 091952-01-000 | EA | CLIP - GRIPPER - 1" - BLACK VINYL COATED |
| | 091952-02-000 | EA | CLIP - GRIPPER - 3/4" - BLACK VINYL COATED |
| | 091952-03-000 | EA | CLIP - GRIPPER - 1/2" - BLACK VINYL COATED |
| | 094362-02-000 | EA | CLIP - XMAS TREE - BINDER HEAD - .9" LONG/ANY COLOR |
| | 094362-05-000 | EA | CLIP - XMAS TREE - ROUND HEAD - 1.4" LONG/ANY COLOR |
| | 113133-02-01A | EA | RIVET - POP - ALUMINUM - 3/16 X .252 - .504 - BLACK |
| | 114208-05-000 | EA | GROMMET - EDGE LINER - FITS 2" |
| | 118626-01-02A | EA | RIVET/POP - ALUMINUM - 3/16 X .08 - .375 |
| | 118626-01-01A | EA | RIVET/POP - ALUMINUM - 3/16 X 1.2"(GRIP RANGE .1"-.4") |
| | 118626-02-01A | EA | RIVET/POP - ALUMINUM - 3/16 X .500 - .750 |
| | 118626-03-01A | EA | RIVET/POP - STAINLESS STEEL - 3/16 X .500 - .750 |
| | 137014-01-02A | EA | GROMMET - CABLE - BROWN |
| | 137014-01-01A | EA | GROMMET - CABLE - ALMOND |
| | 137014-01-03A | EA | GROMMET - CABLE - BLACK |
| | 139118-02-01A | EA | GROMMET - SCREW - PLASTIC |
| | 155498-01-01A | EA | CLAMP - CLOSED - 7/8"ID - VINYL DIP/GALVONIZED - BLACK |

MISCELLANEOUS FASTENERS

| KEY | PART NUMBER | U/M | DESCRIPTION |
|------------|--------------------|------------|---|
| | 008343-01-000 | EA | TIE - WIRE - 6" |
| | 008343-02-000 | EA | TIE - WIRE - 14" |
| | 008343-03-000 | EA | TIE - WIRE - 7 1/2" - BLACK |
| | 029094-04-000 | YD | VELCRO TAPE/LOOP - 1"WIDE - W/ADHESIVE BACK - BLACK |
| | 029096-04-000 | YD | VELCRO TAPE/HOOK - 1"WIDE - BLACK - W/ADHESIVE BACK (PSA) |
| | 048394-02-000 | YD | VELCRO TAPE - HOOK - ADHESIVE BACK - 3/4" WIDE - BEIGE |
| | 085774-01-000 | FT | FASTENER - DUAL LOCK - 1" WIDE - ADHESIVE BACK - BLACK |
| | 085774-02-000 | FT | FASTENER - DUAL HOOK - 1" WIDE - ADHESIVE BACK - BLACK |
| | 088792-02-000 | YD | VELCRO TAPE - LOOP - 3/4" - ADHESIVE BACK - BEIGE |
| | 088792-04-000 | YD | VELCRO TAPE - HOOK - 5/8" - NON-ADHESIVE BACK - WHITE |
| | 088792-05-000 | YD | VELCRO TAPE - LOOP - 5/8" - NON-ADHESIVE BACK - WHITE |
| | 108046-02-000 | EA | CABLE TIE - SCREW MOUNT 15" |

WATER & SEWAGE GROUP DRAINAGE SYSTEM

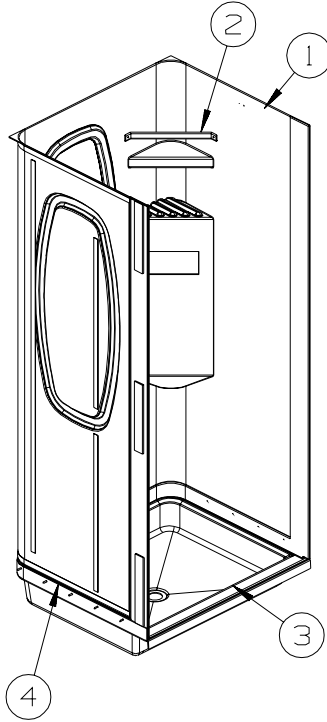


| KEY | PART NUMBER | U/M | DESCRIPTION |
|-----|---------------|-----|--|
| 1 | 010006-01-000 | EA | ELBOW - 45 DEGREE - 1 1/2" HUB X HUB - PLASTIC |
| 2 | 010008-01-000 | EA | ELBOW - 90 DEGREE - 1 1/2" HUB X HUB - PLASTIC |
| 3 | 010051-01-000 | EA | ELBOW - 45 DEGREE - 1 1/2" SPIGOT X HUB - PLASTIC |
| 4 | 010061-01-000 | EA | ELBOW - 45 DEGREE ST - 3" SPIGOT & HUB - PLASTIC |
| 5 | 010071-01-000 | EA | TEE - SANITARY - 1 1/2" HUB X HUB X HUB - PLASTIC |
| 6 | 010115-01-000 | EA | COUPLING - 1 1/2" HUB X HUB - PLASTIC |
| 7 | 010123-01-000 | EA | BUSHING - 2" X 1 1/2" HUB - BLACK PLASTIC |
| 8 | 031365-02-000 | EA | TEE - 1 1/2" EXTRA LONG TURN - PLASTIC |
| 9 | 033761-01-000 | EA | ELBOW - 90 DEGREE - TURN - 1 1/2" HUB X 1 1/2" SPIGOT |
| 10* | 062415-01-000 | EA | CAP - SEWER - 3" DIAMETER |
| 10 | 139513-01-000 | EA | HOSE - SEWER - 3" X 10' - W/ADAPTER |
| | 062416-01-000 | EA | ADAPTER - SEWER HOSE TO 3" PIPE |
| 11 | 072346-01-000 | EA | VALVE - 3" SLIP X 3" BAYONET W/CAP X 2" SOCKET-ABS |
| 12 | 079968-01-000 | EA | VENT - MECHANICAL/TRAP ARM - ANTI-SIPHON-2" X 7.3" PLASTIC |
| 13 | 152146-01-000 | EA | CONNECTOR - 1 1/2" P X 1 1/2" MPT |
| 14 | 107538-02-000 | EA | P-TRAP - PLASTIC - 1 1/2" W/EXTENSION ARM |
| 14 | 011071-01-000 | EA | P-TRAP - 1 1/2" - CSA - PLASTIC - CANADIAN |
| 15 | 133972-01-000 | EA | PAD/HEATER - HOLDING TANK - F/40 GALLON |
| 16 | 133972-03-000 | EA | PAD/ELBOW HEATING - 1.5" DIAMETER |
| 17* | 147421-02-01A | EA | TOILET/AQUA MAGIC 5 (LOW) FOOTFLUSH - W/SPRAY - WHITE |
| 18 | 066440-01-000 | EA | STRAINER - SHOWER DRAIN - W/RUBBER WASHER |
| | 069640-01-000 | FT | SEALER - RIBBON - 1/4" DIAMETER X 30 FT - BLACK OR GRAY |
| | 127440-02-01A | EA | WASHER - RUBBER - 1.8" X .1" |
| 19 | 010129-03-000 | EA | NIPPLE - 3" X 3" TOE - PLASTIC |
| 20 | 061607-01-000 | EA | GROMMET - HOLDING TANK - 1 1/2" NPS |
| 21 | 061607-02-000 | EA | GROMMET - HOLDING TANK - 3" NPS |
| 22 | 011069-02-000 | EA | TAILPIECE - TUB/SHOWER - 1 1/2" X 1 1/4" X 4" - BRASS |
| 22 | 130403-01-000 | EA | NUT - SLIP - W/WINGS 1 1/2" |
| 23 | 063641-01-000 | EA | FLANGE - CLOSET - 4" X 3" |
| 24 | 078406-01-000 | EA | COUPLER - 3" X 3" W/CLAMPS - RUBBER |
| 25 | 083558-03-000 | EA | VENT - W/COVER - F/PLUMBING STACK - OFF WHITE |
| 26 | 011091-02-000 | EA | WASTE - CONTINUOUS - DOUBLE SINK |
| 27 | 092303-01-000 | EA | STRAINER - W/BASKET - GALLEY SINK - 4" OD |
| 28 | 156661-01-01A | EA | SINK - LAVATORY - OVAL - 15" X 12" X 6.5" - GLACIER WHITE |
| 29 | 148870-01-01A | EA | SINK/DOUBLE - LRG/SML BASIN - 25" X 19" X 7" |
| 30 | 106116-01-02A | EA | STRAINER/PLASTIC - STOPPER/TAILPIECE/GASKET & NUT-LAVATORY |
| 31 | 089355-01-000 | EA | COUPLER - RUBBER - 1 1/2" X 1 1/2" |
| 32 | 062421-05-000 | EA | CABLE/ROD - F/DUMP VALVE - W/HANDLE - 48" |

WATER & SEWAGE GROUP (CONTINUED)
DRAINAGE SYSTEM (CONTINUED)

| KEY | PART NUMBER | U/M | DESCRIPTION |
|-----|---------------|-----|---|
| 33 | 062421-03-000 | EA | VALVE/DUMP W/O HANDLE - 1 1/2" X 1 1/2" HUB |
| 34 | 137882-01-700 | EA | TANK - HOLDING - 34 GALLON - W/3" NIPPLE - BLACK WATER |
| | 010129-03-000 | EA | NIPPLE - 3" X 3" TOE - PLASTIC |
| 35 | 127519-01-700 | EA | TANK - HOLDING - 30 GALLON - W/1.5" NIPPLE - GRAY WATER |
| | 109571-02-000 | EA | ADAPTER - 1 1/2" HUB X 1 1/2" MPT |
| | 049032-01-000 | EA | PATCH - SPINWELD - 3/8" - PLASTIC |
| 36 | 140220-04-02B | EA | STRAP - MUD GUARD SUPPORT |
| 37 | 141443-02-02B | EA | HOLDER - RING - 1.9" DIAMETER - METAL |

***COMPONENT PARTS LISTED LATER IN THIS GROUP**



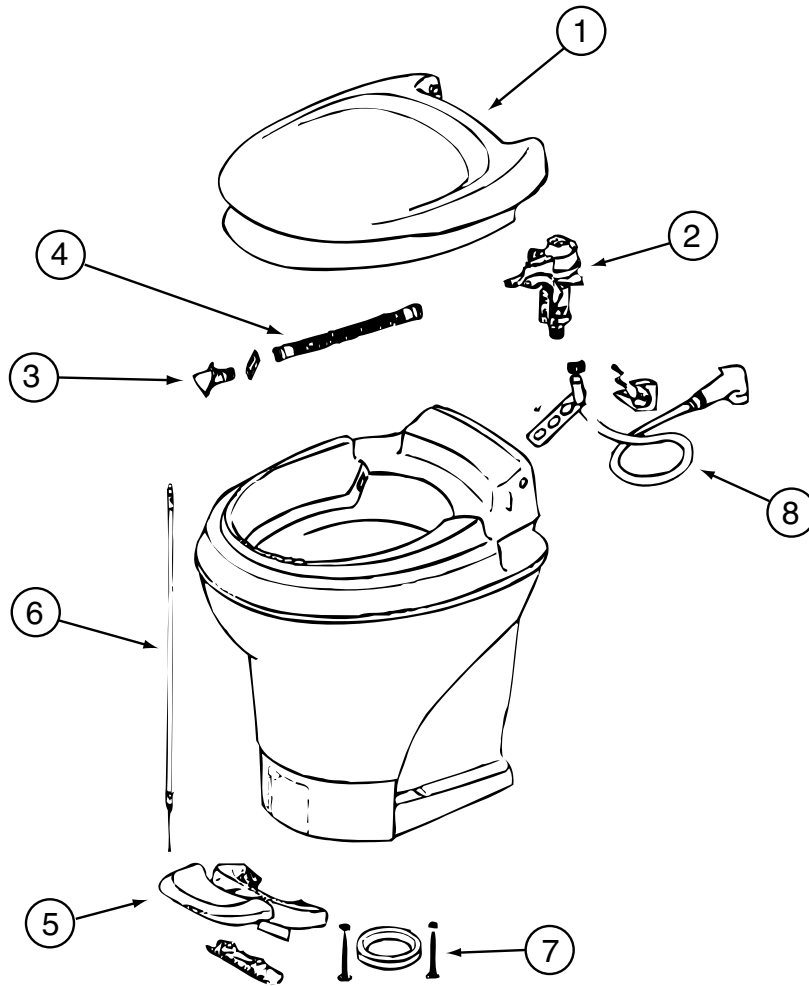
| KEY | PART NUMBER | U/M | DESCRIPTION |
|-----|---------------|-----|---|
| 1 | 147070-03-18A | EA | SURROUND - SHOWER - SOFT WHITE |
| 2 | 113714-02-02A | EA | RETAINER - SHELF/SHOWER - 10.6" - SOFT WHITE |
| 3 | M02630-76-R13 | EA | SHOWER PAN - W/STRAINER |
| 4 | 154585-03-01A | FT | SEAL - FOAM TAPE - ADHESIVE 2 SIDED - 1/8" X 3/4" - BLACK |

WATER & SEWAGE GROUP (CONTINUED)

COMPONENT PARTS FOR DRAINAGE SYSTEM

062415-01-000

| KEY | PART NUMBER | U/M | DESCRIPTION | VENDOR NO. |
|-----|---------------|-----|------------------|-------------|
| | 062415-01-700 | EA | STRING-SEWER CAP | V#SV7 STRAP |

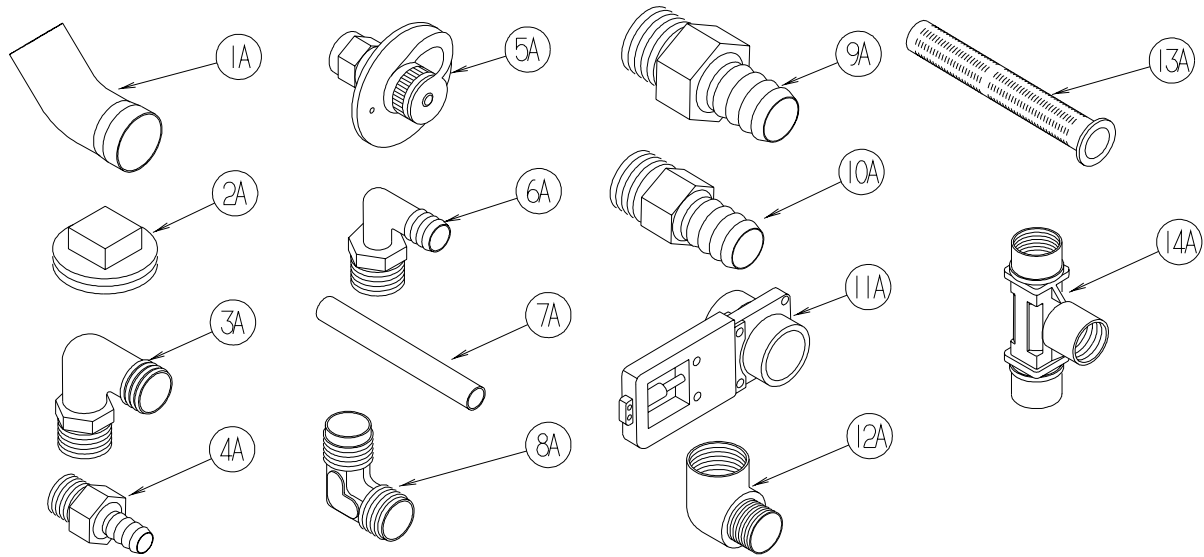


147421-01-01A, 147421-02-01A

| KEY | PART NUMBER | U/M | DESCRIPTION | VENDOR NO. |
|-----|---------------|-----|------------------------------|----------------|
| 1 | 147421-01-700 | EA | SEAT & COVER ASSEMBLY(WHT) | 31703 |
| 2 | 147421-01-701 | EA | WATER MODULE ASSEMBLY | 31705 |
| 3 | 147421-01-702 | EA | NOZZLE ASSEMBLY | 31706 |
| 4 | 147421-01-703 | EA | LINK - WATER MODULE | 31621 |
| 5 | 147421-01-704 | EA | PEDAL - WHITE | 31709 |
| 6 | 147421-01-705 | EA | FOOT CABLE | 31711 |
| 7 | 063740-01-706 | EA | BOLT PACKAGE-FLOOR FLANGE | 12524 THETFORD |
| 8 | 147421-01-708 | EA | HAND SPRAY KIT - WHITE HEAD | 33226 |
| | 147421-01-706 | EA | SEAL - BLADE | 31708 |
| | 147421-01-707 | EA | CAP (UNIVERSAL BOLT) - WHITE | 31713 |

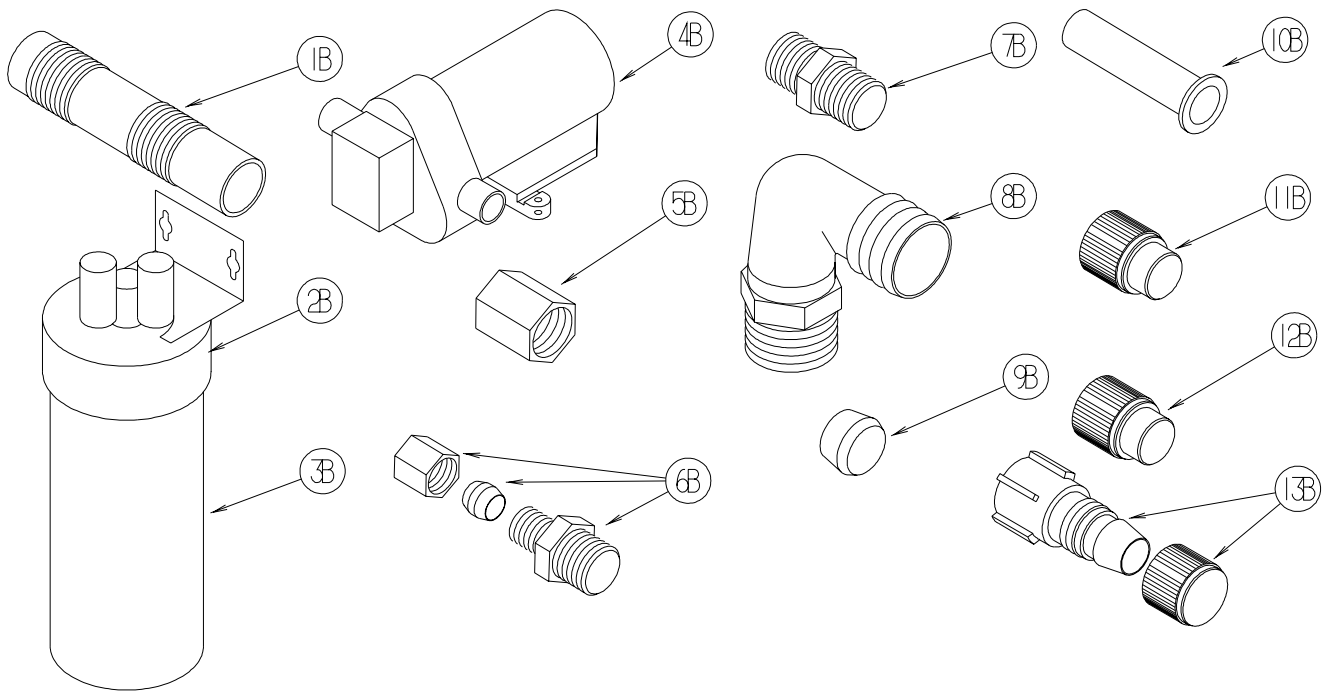
WATER & SEWAGE GROUP (CONTINUED)

WATER SYSTEM



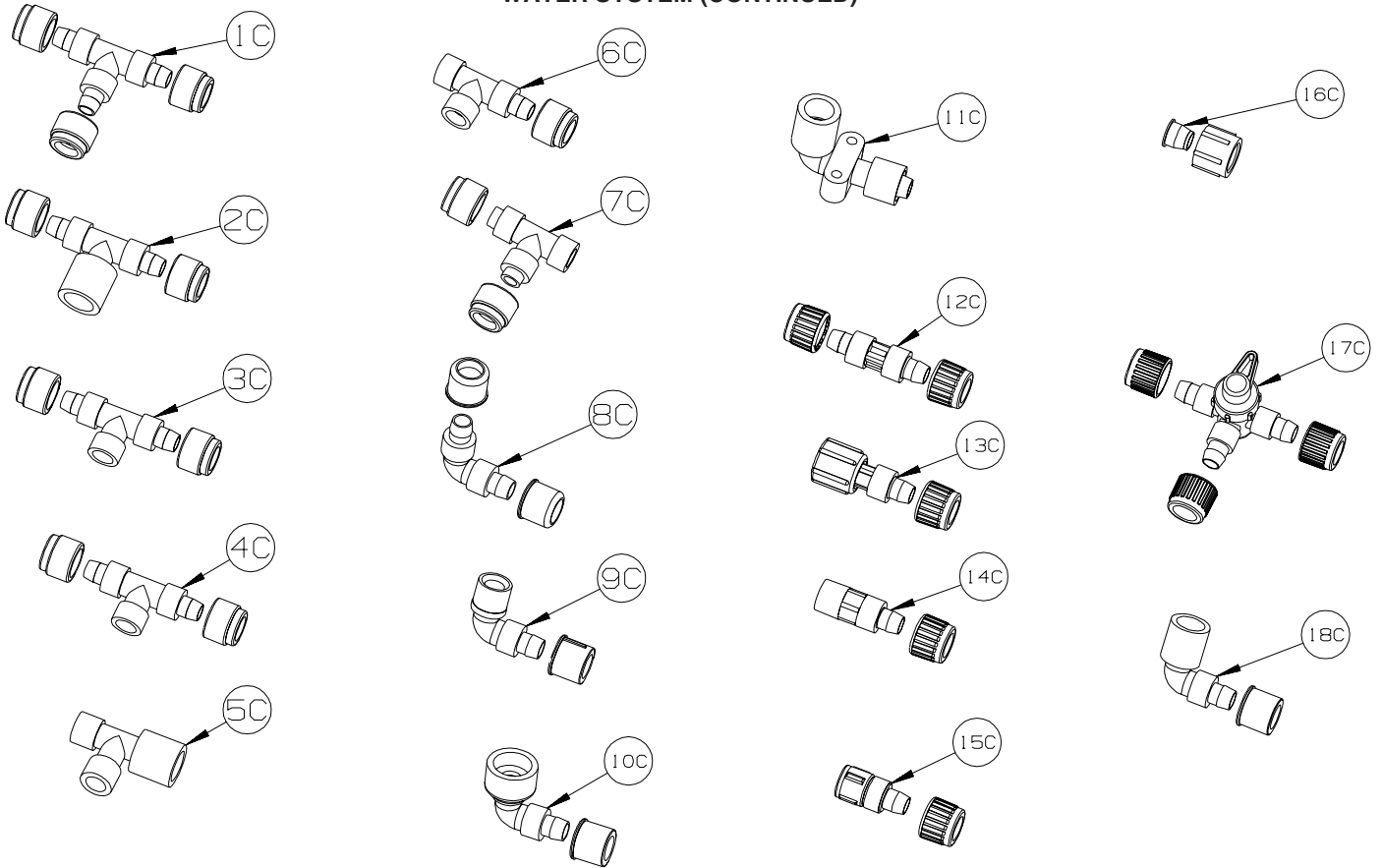
| KEY | PART NUMBER | U/M | DESCRIPTION |
|-----|---------------|-----|---|
| 1A | 010009-01-000 | EA | ELBOW - 90 DEGREE - 1/4 BEND - 1 1/2" PLASTIC |
| 2A | 010166-01-000 | EA | PLUG/THREADED - 1 1/4"MPT - PLASTIC - BLACK - UL |
| 3A | 010219-01-000 | EA | ELBOW - 1 1/4 MPT X 1 1/4 BARB - WATER FILL - PLASTIC |
| 4A | 010224-01-000 | EA | ADAPTER - HOSE TO PIPE - 3/8 MPT X 3/8 BARB - PLASTIC |
| 5A | 010230-06-000 | EA | FILL - CITY WATER - W/CHECK VALVE - MPT - BRUSHED ALUM |
| 6A | 035539-01-000 | EA | ELBOW - 3/8 MPT X 3/8 BARB - PLASTIC |
| 7A | 039800-04-000 | FT | TUBING - POLYBUTYL - 1/4"OD |
| 7A | 074462-02-000 | FT | TUBING - VINYL - 3/8 ID X 20' - CLEAR |
| 7A | 112176-01-000 | FT | TUBING - VINYL - REINFORCED - 1/2" ID |
| 7A | 124188-01-000 | FT | TUBING - PEX - 1/2" ID X 20' - BLUE(COLD) |
| 7A | 124188-02-000 | FT | TUBING - PEX - 1/2" ID X 20' - RED(HOT) |
| 8A | 039808-03-000 | EA | ELBOW - 1/2" MPT X 1/2" MPT - PLASTIC |
| 9A | 044927-01-000 | EA | ADAPTER - HOSE TO PIPE-1 1/4 MPTX1 1/4 BARB-BLACK PLASTIC |
| 10A | 044927-02-000 | EA | ADAPTER - REDUCING - 1" MPT X 1.3" BARB - PLASTIC |
| 11A | 062421-03-000 | EA | VALVE/DUMP W/O HANDLE - 1 1/2" X 1 1/2" HUB |
| | 062421-05-000 | EA | CABLE/ROD - F/DUMP VALVE - W/HANDLE - 48" |
| | 062421-07-000 | EA | CABLE/ROD - F/DUMP VALVE - W/HANDLE - 144" |
| | 062421-08-000 | EA | CABLE/ROD - F/DUMP VALVE - W/HANDLE - 108" |
| 12A | 065318-02-000 | EA | ELBOW - 90 DEGREE - 3/8" MPT TO 3/8" FPT |
| 13A | 077954-02-000 | EA | FILTER - WATER TANK - W/SCREEN IN TANK |
| 14A | 039798-01-000 | EA | TEE - 1/2"MPT X 1/2"MPT X 1/2"MPT - PLASTIC |

WATER & SEWAGE GROUP (CONTINUED)
WATER SYSTEM (CONTINUED)



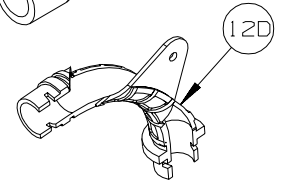
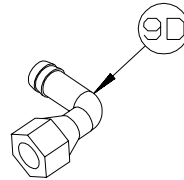
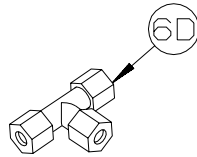
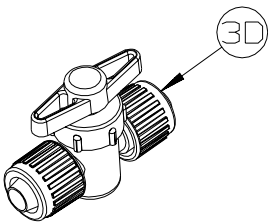
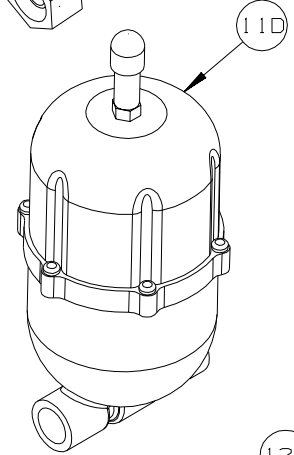
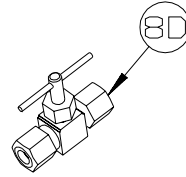
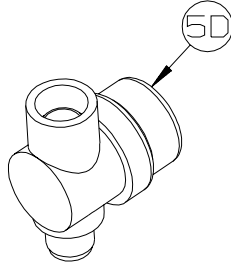
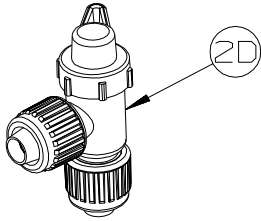
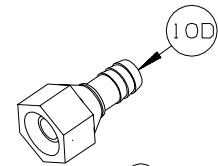
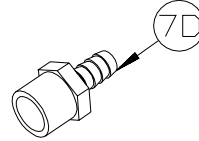
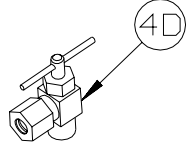
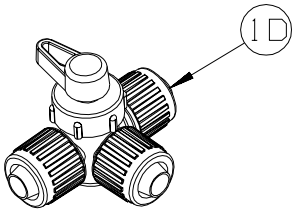
| KEY | PART NUMBER | U/M | DESCRIPTION |
|-----|---------------|-----|---|
| 1B | 079381-01-000 | FT | TUBING - RIBBED FLEXIBLE - WATER FILL - 1.4" ID |
| 2B | 087200-01-000 | EA | FILTER-WATER PURIFICATION, EVERPURE QC2-AC |
| 3B | 087200-02-000 | EA | CARTRIDGE-WATER FILTER,AC - EVERPURE 9601-11 |
| 4B* | 098607-01-000 | EA | PUMP - WATER - W/.5" MPT FITTING - FLOW 2.8 GPM |
| | | | FROM: 00-00-00 THRU: 06-21-06 |
| 4B | 160702-01-000 | EA | PUMP - WATER - 3.0 GPM - W/1/2" MPT |
| | | | FROM: 06-22-06 THRU: 99-99-99 |
| 5B | 101814-01-000 | EA | COUPLING - FEMALE - 1/2" X 1/2" FPT - GRAY |
| 6B | 103798-01-000 | EA | CONNECTOR - 1/4 OD X 3/8 MPT |
| 7B | 110438-02-000 | EA | VALVE - CHECK - BRASS - 1/2 MPT X 1/2 MPT |
| 8B | 111223-02-000 | EA | ELBOW - 1/2" MPT X 3/8" BARB - PLASTIC |
| 8B | 111223-03-000 | EA | ELBOW - 3/4" MPT X 1/2" BARB - PLASTIC |
| 8B | 111223-04-000 | EA | ELBOW - 1/2" MPT X 1/2" BARB - PLASTIC |
| 9B | 111888-01-000 | EA | FERRULE - PLASTIC - .250 ID X .375 OD |
| 10B | 111888-02-000 | EA | INSERT - BRASS - 1/4 COMP |
| 11B | 113697-01-000 | EA | CAP - 3/8"P |
| 12B | 114427-01-000 | EA | CAP - 1/2"P |
| 13B | 114427-02-000 | EA | PLUG - W/COMP NUT - 1/2" PLASTIC PIPE/1/2" FLAIR-IT |

WATER & SEWAGE GROUP (CONTINUED)
WATER SYSTEM (CONTINUED)



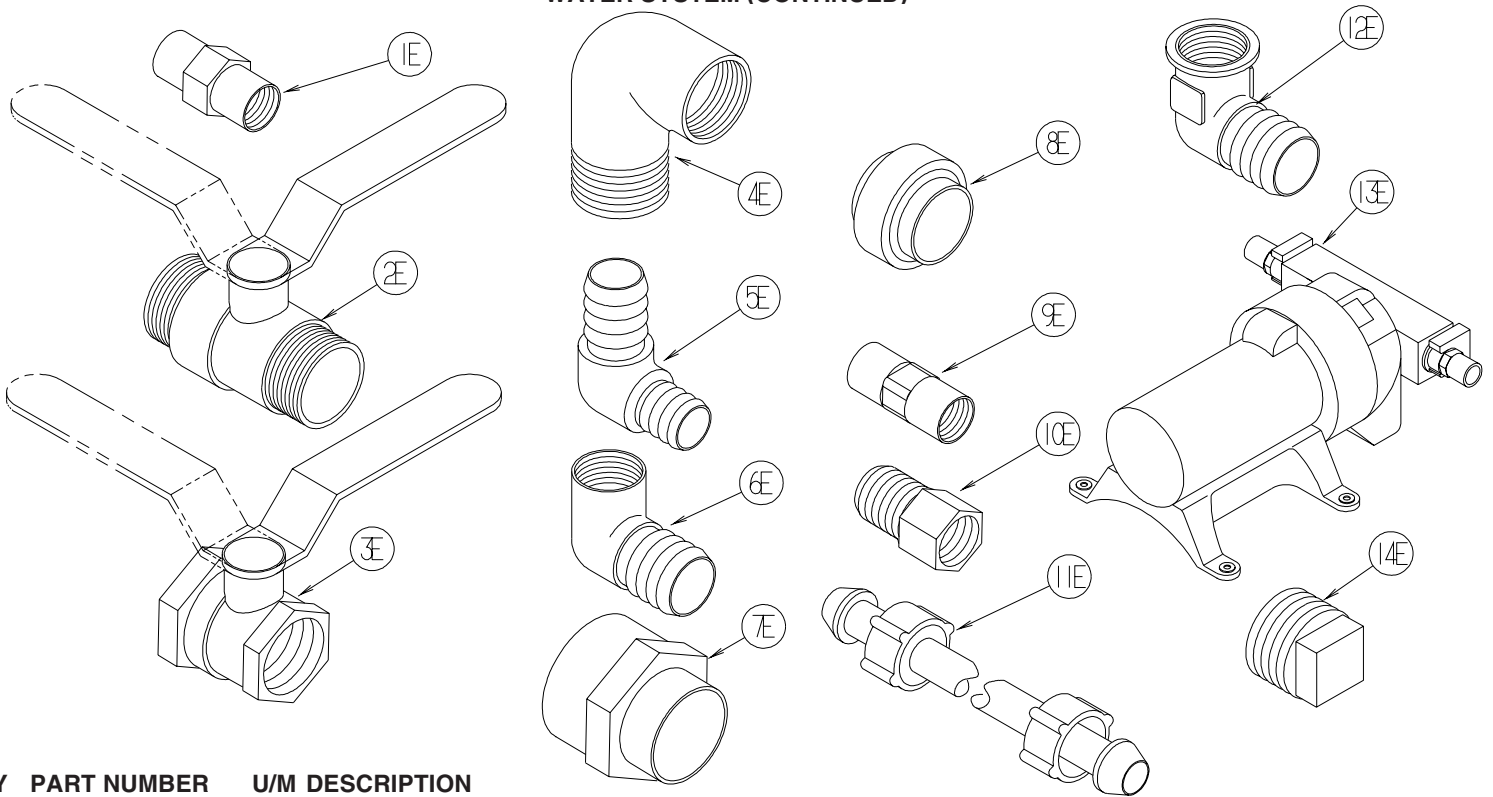
| KEY | PART NUMBER | U/M | DESCRIPTION |
|-----|---------------|-----|---|
| 1C | 114428-01-000 | EA | TEE - 1/2"P X 1/2"P X 1/2"P |
| 2C | 114428-02-000 | EA | TEE - SWIVEL - 1/2"P X 1/2"P X 1/2"FPT |
| 3C | 114428-03-000 | EA | TEE - 1/2"P X 1/2"P X 1/2"MPT |
| 4C | 114428-04-000 | EA | TEE - 1/2"P X 1/2"P X 1/8"FPT |
| 5C | 114428-05-000 | EA | TEE - 1/2" SWIVEL X 1/2" MPT X 1/2" MPT |
| 6C | 114428-06-000 | EA | TEE - 1/2" P X 1/2" MPT X 1/2" MPT |
| 7C | 114428-07-000 | EA | TEE - 1/2" P X 1/2" MPT X 1/2" P |
| 8C | 114429-01-000 | EA | ELBOW - 1/2"P X 1/2"P |
| 9C | 114429-02-000 | EA | ELBOW - 1/2"P X 1/2"MPT |
| 9C | 114429-04-000 | EA | ELBOW - 1/2"P X 3/8"MPT |
| 9C | 114429-05-000 | EA | ELBOW - 1/2"P X 3/4"MPT |
| 9C | 114429-10-000 | EA | ELBOW - SWIVEL - 1/2"MPT X 1/2"FPT |
| 10C | 114429-06-000 | EA | ELBOW - SWIVEL - 1/2"P X 3/4"FPT |
| 10C | 114429-08-000 | EA | ELBOW - SWIVEL - 1/2"P X 1/2"FPT |
| 11C | 114429-09-000 | EA | ELBOW - 1/2"P X 1/2"FPT DROP EAR |
| 12C | 114430-01-000 | EA | ADAPTER - 1/2"P X 1/2"P |
| 13C | 114430-02-000 | EA | ADAPTER - SWIVEL - 1/2"P X 1/2"FPT |
| 13C | 114430-04-000 | EA | ADAPTER - SWIVEL - 1/2"P X 3/8"MPT |
| 14C | 114430-03-000 | EA | ADAPTER - 1/2"P X 1/2"MPT |
| 15C | 114430-06-000 | EA | ADAPTER - 1/2"P X 3/8"FPT |
| 15C | 114430-09-000 | EA | ADAPTER - 1/2"P X 1/2"FPT |
| 16C | 114430-10-000 | EA | ADAPTER - NUT - PIPE CONNECTION - 1/2" |
| 17C | 114431-01-000 | EA | VALVE - 180 DEGREE/CENTER DRAIN - 1/2"P - THREE WAY |
| 18C | 114429-11-000 | EA | ELBOW - 1/2"P X 1/2"FPT |

WATER & SEWAGE GROUP (CONTINUED)
WATER SYSTEM (CONTINUED)



| KEY | PART NUMBER | U/M | DESCRIPTION |
|-----|---------------|-----|--|
| 1D | 114431-02-000 | EA | VALVE - WATER BYPASS - 1/2"P - THREE WAY (WATER HEATER) |
| 2D | 114431-03-000 | EA | VALVE - 90 DEGREE DRAIN - 1/2"P |
| 3D | 114431-04-000 | EA | VALVE - "INLINE SHUT-OFF" - 1/2"P |
| 4D | 114431-05-000 | EA | VALVE - NEEDLE - 1/8" MPT X 1/4" COMPRESSION (ICE MAKER) |
| 5D | 152925-01-01A | EA | FILTER - IN LINE - TWIST ON - 1/2" - BLACK |
| 6D | 118423-01-000 | EA | FITTING - BRASS-TEE - 1/4C X 1/4C X 1/4C |
| 7D | 118809-01-000 | EA | ADAPTER - 1/2" MPT X 3/8" BARB - PLASTIC |
| 7D | 118809-02-000 | EA | ADAPTER - 1/2" MPT X 1/2" BARB - PLASTIC |
| 8D | 120868-01-000 | EA | VALVE - NEEDLE - 1/4" COMPRESSION X 1/4" COMPRESSION |
| 9D | 123150-01-000 | EA | ELBOW - 1/2 FPT X 1/2 BARB - SWIVEL |
| 10D | 123152-01-000 | EA | ADAPTER - 1/2 FPT X 1/2 BARB - SWIVEL |
| 11D | 123243-01-000 | EA | TANK - ACCUMULATOR - 24 OZ |
| | 123317-01-000 | EA | TANK - ACCUMULATOR - 2 GALLON |
| 12D | 124184-01-000 | EA | SUPPORT - WATER LINE - BEND |

WATER & SEWAGE GROUP (CONTINUED)
WATER SYSTEM (CONTINUED)

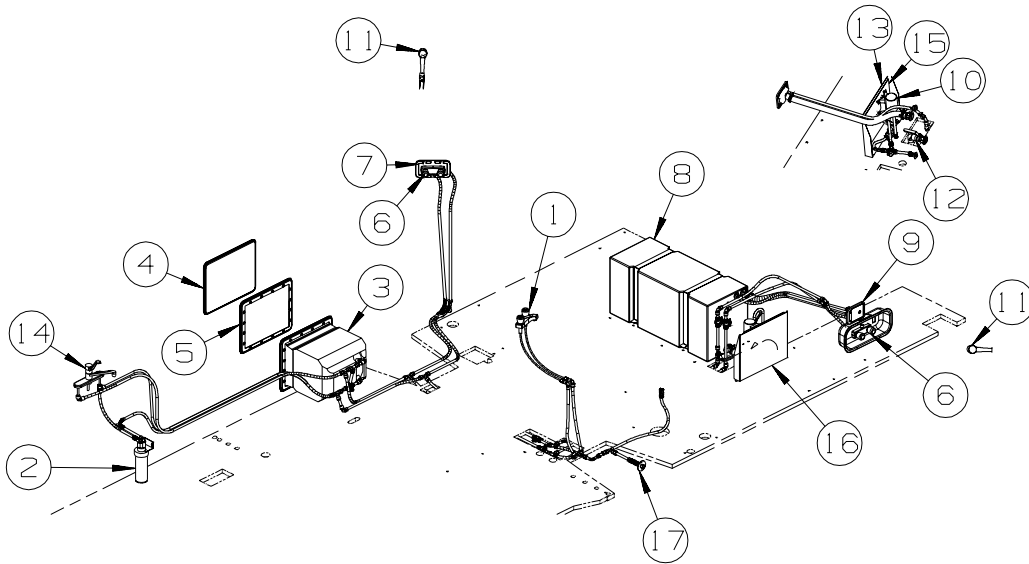


| KEY | PART NUMBER | U/M | DESCRIPTION |
|------|---------------|-----|---|
| 1E | 132148-01-000 | EA | CONNECTOR - 1/2" X 1/2" MPT - BRASS |
| 2E | 132483-01-000 | EA | VALVE/BALL - 1" - THREADED ENDS |
| 3E | 132483-02-000 | EA | VALVE/BALL - 1/2" - BRASS - FPT |
| 4E | 132484-01-000 | EA | ELBOW - 90 DEGREE - 1MPT X 1FPT - PLASTIC |
| 5E | 132781-01-000 | EA | ELBOW - 1.3" BARB X 1.3" BARB - 90 DEGREE - PLASTIC |
| 6E | 132782-01-000 | EA | ELBOW - 1" FPT X 1.3" BARB - 90 DEGREE - PLASTIC |
| 7E | 133835-01-000 | EA | ADAPTER - REDUCING - 1 1/2" X 1 1/4" |
| 8E | 133889-01-000 | EA | UNION - 1 1/2" DOUBLE SLIP - PVC |
| 9E | 135386-01-000 | EA | NIPPLE - 1/2" |
| 10E | 136333-01-000 | EA | ADAPTER - BRASS - 1/2" MPT X 1/2" FPT |
| 11E | 140821-01-000 | EA | TUBE - WATER SUPPLY - 3/8" X 24" |
| 11E | 140821-02-000 | EA | TUBE - WATER SUPPLY - 3/8" X 30" |
| 11E | 140821-03-000 | EA | TUBE - WATER SUPPLY - 3/8" X 36" |
| 11E | 140821-04-000 | EA | TUBE - WATER SUPPLY - 3/8" X 48" |
| 11E | 140821-05-000 | EA | TUBE - WATER SUPPLY - 3/8" X 54" |
| 11E | 140821-06-000 | EA | TUBE - WATER SUPPLY - 3/8" X 60" |
| 11E | 140821-07-000 | EA | TUBE - WATER SUPPLY - 3/8" X 72" |
| 11E | 140821-08-000 | EA | TUBE - WATER SUPPLY - 1/2" X 24" |
| 11E | 140821-09-000 | EA | TUBE - WATER SUPPLY - 1/2" X 36" |
| 11E | 140821-10-000 | EA | TUBE - WATER SUPPLY - 1/2" X 48" |
| 12E | 142812-01-000 | EA | ELBOW - BRASS - 1/2" MPT X 1/2" FPT |
| 13E* | 144215-01-000 | EA | PUMP - WATER - 5.7 GPM - W/1/2" MPT |

FROM: 00-00-00 THRU: 02-05-06

14E 145609-01-000 EA PLUG - BRASS - 1/2" MPT/HEX HEAD
***COMPONENT PARTS LISTED LATER IN THIS GROUP**

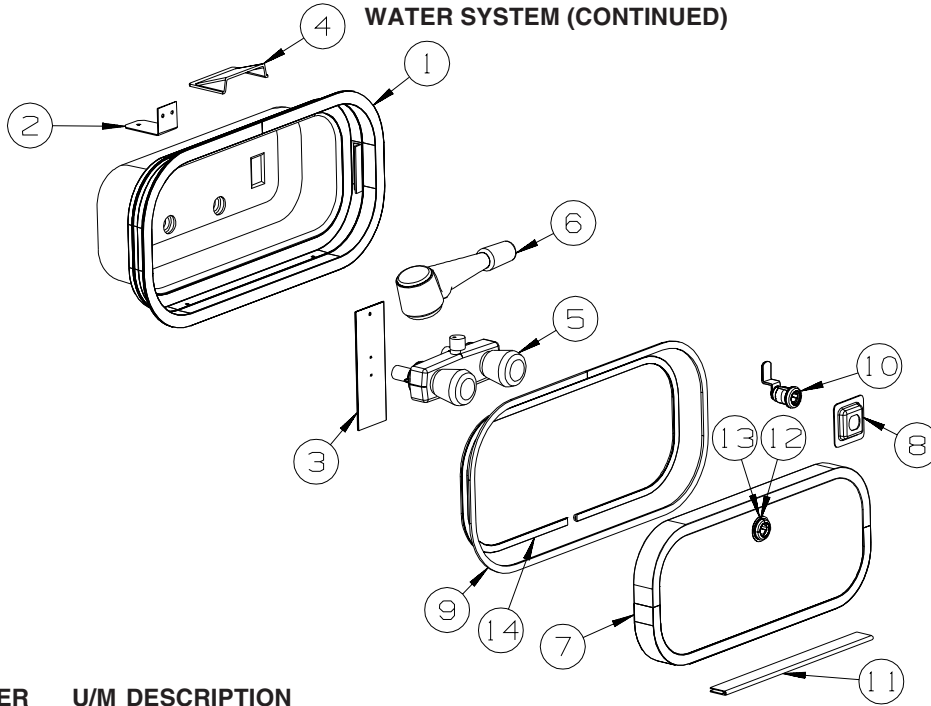
WATER & SEWAGE GROUP (CONTINUED)
WATER SYSTEM (CONTINUED)



| KEY | PART NUMBER | U/M | DESCRIPTION |
|-----|---------------|-----|---|
| 1 | 148886-01-01A | EA | FAUCET - LAVATORY/DUAL CONTROL/4" CENTER - CHROME |
| 1* | 152311-01-01A | EA | FAUCET - LAVATORY - SINGLE CONTROL - CHROME |
| 2 | 087200-01-000 | EA | FILTER - WATER PURIFICATION |
| 2 | 087200-02-000 | EA | CARTRIDGE - WATER FILTER |
| 3* | 051391-03-000 | EA | WATER HEATER G6A-8E ELECTRONIC IGNITION |
| 3* | 145541-02-000 | EA | WATER HEATER-6 GAL-GAS/ELEC/120'-REM IGN-W/HEAT EXC-4E |
| 4 | 052009-06-000 | EA | DOOR - WATER HEATER - BRIGHT WHITE - 18" X 14.6" |
| 5 | 152239-01-01A | EA | FLANGE/MOUNTING/RECESSED - 19.3" X 15.8" - BRIGHT WHITE |
| 6 | 075241-07-000 | EA | FAUCET - SHOWER CONTROL - CHROME |
| 7 | 075606-03-000 | EA | PANEL - FAUCET SHOWER - SOFT WHITE |
| 8 | 156167-02-000 | EA | TANK - WATER - 36 GALLON - W/FITTINGS |
| | 042989-04-000 | EA | FITTING - SPINWELD - 3/8"FPT - PLASTIC |
| | 042989-08-000 | EA | FITTING - SPINWELD - 1"FPT - PLASTIC |
| 9 | 137169-01-01A | EA | WATER FILL/GRAVITY - W/DOOR - W/O LOCK - BRIGHT WHITE |
| | 138290-03-000 | EA | CASE - W/CAM - W/O CYLINDER/KEY |
| | 138289-11-000 | EA | CYLINDER/LOCK - ACCESS DOORS - REDUCED SENSITIVITY (3041) |
| | 138289-12-000 | EA | CYLINDER/LOCK - ACCESS DOORS - REDUCED SENSITIVITY (3042) |
| | 138289-13-000 | EA | CYLINDER/LOCK - ACCESS DOORS - REDUCED SENSITIVITY (3043) |
| | 138289-14-000 | EA | CYLINDER/LOCK - ACCESS DOORS - REDUCED SENSITIVITY (3044) |
| | 138289-15-000 | EA | CYLINDER/LOCK - ACCESS DOORS - REDUCED SENSITIVITY (3045) |
| | 138289-16-000 | EA | CYLINDER/LOCK - ACCESS DOORS - REDUCED SENSITIVITY (3046) |
| | 138289-17-000 | EA | CYLINDER/LOCK - ACCESS DOORS - REDUCED SENSITIVITY (3047) |
| | 138289-18-000 | EA | CYLINDER/LOCK - ACCESS DOORS - REDUCED SENSITIVITY (3048) |
| | 138289-19-000 | EA | CYLINDER/LOCK - ACCESS DOORS - REDUCED SENSITIVITY (3049) |
| | 138289-20-000 | EA | CYLINDER/LOCK - ACCESS DOORS - REDUCED SENSITIVITY (3050) |
| 10* | 098607-01-000 | EA | PUMP - WATER - W/.5" MPT FITTING - FLOW 2.8 GPM - NOT ILLUSTRATED FROM: 00-00-00 THRU: 06-21-06 |
| 10 | 160702-01-000 | EA | PUMP - WATER - 3.0 GPM - W/1/2" MPT FROM: 06-22-06 THRU: 99-99-99 |
| 11 | 131383-01-02A | EA | SHOWER HEAD - W/60" HOSE & BRACKET - WHITE |
| 12 | 132483-01-000 | EA | VALVE/BALL - 1" - THREADED ENDS |
| 13 | 140364-05-01A | EA | FOAM - PAD - .5" X 12" X 15" |
| 14 | 149164-01-01A | EA | FAUCET - GALLEY - SINGLE CONTROL - CHROME |
| 15 | 149477-03-02B | EA | PANEL - WATER PUMP - E-COATED |
| 16 | 156298-02-02B | EA | BRACKET/MOUNTING - WATER PUMP - E-COATED |
| 17 | 010230-06-000 | EA | FILL - CITY WATER - W/CHECK VALVE - MPT - BRUSHED ALUM |

WATER & SEWAGE GROUP (CONTINUED)

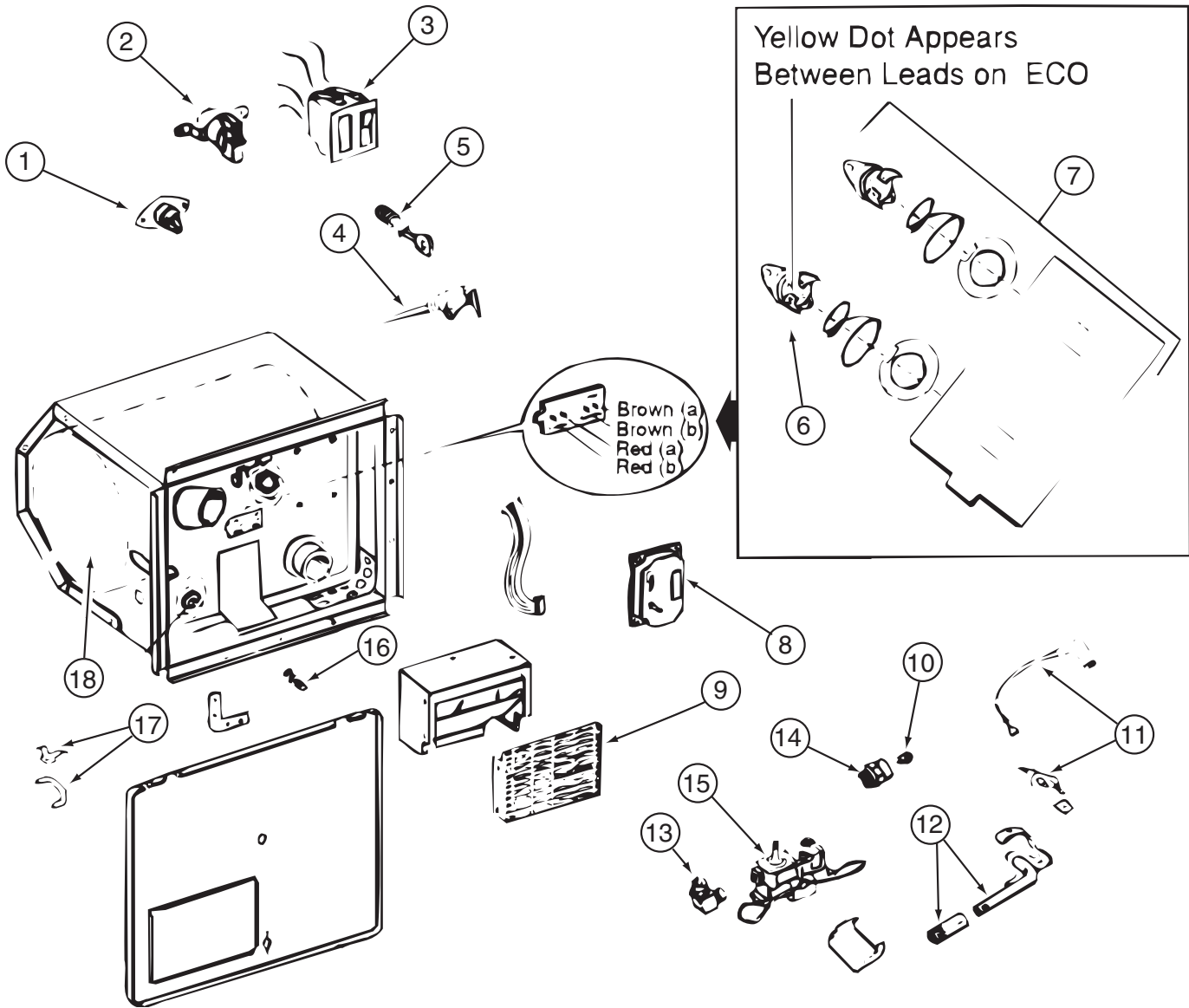
WATER SYSTEM (CONTINUED)



| KEY | PART NUMBER | U/M | DESCRIPTION |
|-----|---------------|-----|--|
| 1 | 106208-01-02A | EA | COMPARTMENT - EXTERIOR SHOWER - BRIGHT WHITE |
| 2 | 131732-01-12B | EA | BRACKET - SQUEEGEE - BRIGHT WHITE |
| 3 | 121577-04-01A | EA | STRAP/PLATE - W/HOLE - 2.25" X 6.5" - BRIGHT WHITE |
| 4 | 054250-09-000 | EA | SUPPORT - DIMMER SWITCH - BRIGHT WHITE |
| 5* | 075241-06-000 | EA | FAUCET/SHOWER -.5"MPT W/1.9" INLET PIPES- EXTERIOR/BRT WHT |
| 6 | 131383-01-02A | EA | SHOWER HEAD - W/60" HOSE & BRACKET - WHITE |
| 7 | 126945-11-T11 | EA | DOOR/STORAGE - W/O HARDWARE - 18" X 8.3" |
| 8 | 097111-02-04A | EA | POCKET - LOCK - REAR DOOR - BLACK |
| 9 | 056795-01-000 | EA | TAPE-SEAL, 1/8~ X 3/8~ WIDE - PRESS ON |
| 10 | 138290-02-000 | EA | CASE - W/CAM - W/O CYLINDER/KEY |
| 11 | 081801-V3-000 | EA | HINGE - DOOR - PIANO - 2" X 96" - BRIGHT WHITE |
| 12 | 139325-01-000 | EA | SPACER - LOCK - 6MM |
| 13 | 139337-01-000 | EA | GASKET - LOCK |
| 14 | 112160-02-000 | FT | SEAL - D SECTION - .2 X .3" - FOAM RUBBER |

***COMPONENT PARTS LISTED LATER IN THIS GROUP**

WATER & SEWAGE GROUP (CONTINUED)
COMPONENT PARTS FOR WATER SYSTEM



051391-03-000

| KEY | PART NUMBER | U/M | DESCRIPTION | VENDOR NO. |
|-----|---------------|-----|-------------------------------|-----------------|
| 3 | 051393-01-701 | EA | SWITCH - REMOTE - W/LIGHT | 91959 |
| 4 | 051391-01-704 | EA | VALVE-RELIEF, 1/2" FITTING | 91604 |
| 4 | 051391-03-701 | EA | VALVE-RELIEF - 3/4" FITTING | 90028 |
| 5 | 051391-01-705 | EA | FASTENER-CAMLOCK | 92609 |
| 6 | 051391-04-701 | EA | THERMOSTAT 12V DC-120 PRESET | 91470 |
| 7 | 051393-01-721 | EA | THERMOSTAT W/ECO, 140 FRT MT | 91447 |
| 9 | 051391-04-707 | EA | KIT-EXHAUST, (FLUE & GASKET) | 90960 |
| 10 | 051391-01-710 | EA | ORIFICE-MAIN BURNER | 92742 |
| 12 | 051391-04-703 | EA | BURNER-MAIN/ELECTRONIC IG | 91638 |
| 13 | 051391-01-714 | EA | FITTING-ELBOW 45,3/8F X 3/8 | MPT 1044 |
| 14 | 051391-03-700 | EA | HOLDER-ORIFICE | 91563 |
| 16 | 051391-01-715 | EA | PLUG-DRAIN, 1 EA = 2 PER PKG | 91857 |
| 17 | 051391-01-700 | EA | HINGE KIT, (PIN & CLIP) | 92568&92559 |
| 18 | 051391-04-706 | EA | TANK-G6A-4E/6E/7E/8E-FRT.MT | 91641 - INNER |
| | 051391-01-717 | EA | GRILLE-WATER HEATER DOOR | 92640 |
| | 051393-01-723 | EA | SWITCH - THERMAL CUTOUT 2/PK | 93866 WAS 93853 |
| | 051393-01-724 | EA | BOARD-CIRCUIT, SPADE TERMINAL | 93865 |
| | 051393-01-725 | EA | ELECTRODE-SGL SPADE CONNECT. | 93868 |
| | 051393-01-726 | EA | VALVE/SOLENOID - W/O BRACKET | 93870 |
| | 111129-01-711 | EA | BRACKET-CORNER, SET OF FOUR | 91928 |

CONTACT WINNEBAGO PARTS SALES FOR UNLISTED COMPONENT(S)

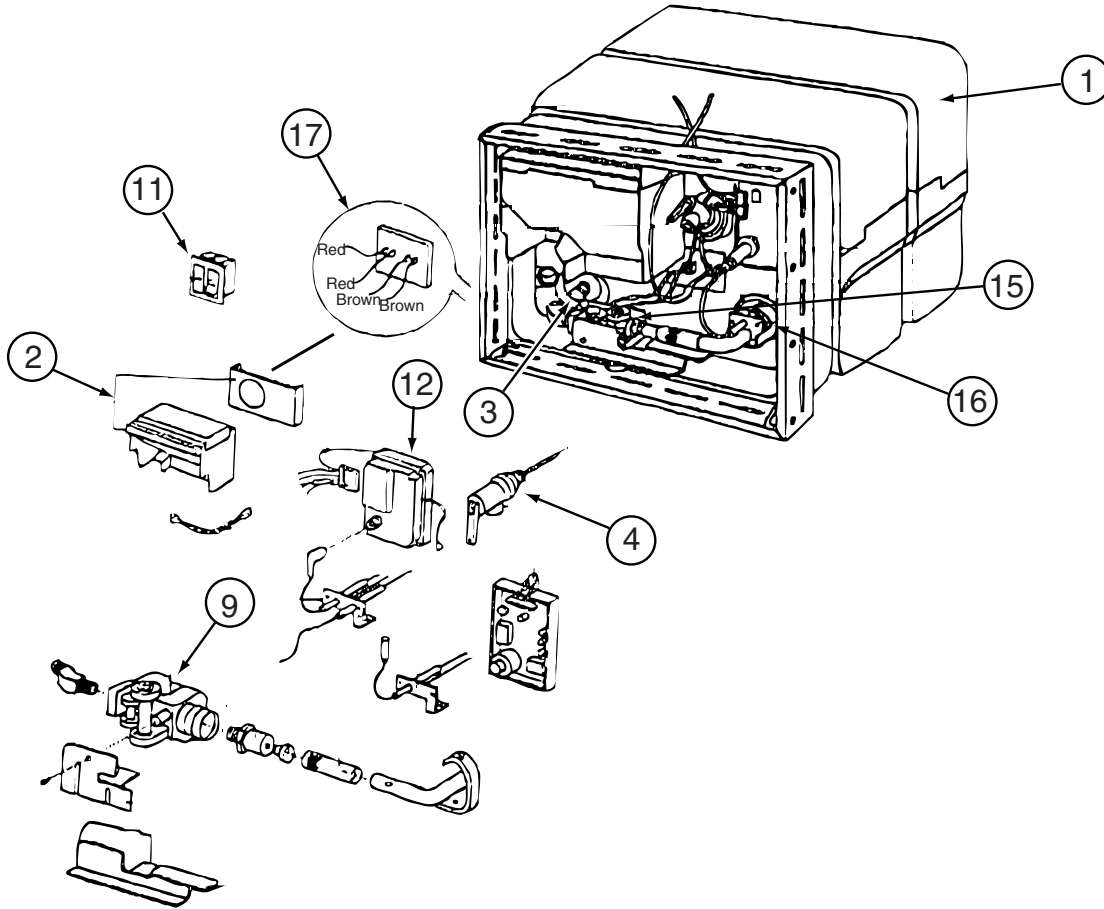
WATER & SEWAGE GROUP (CONTINUED)
COMPONENT PARTS FOR WATER SYSTEM (CONTINUED)

075241-04-000, 075241-05-000, 075241-06-000

| KEY | PART NUMBER | U/M DESCRIPTION | VENDOR NO. |
|-----|---------------|---------------------------|------------|
| | 075240-05-700 | EA CARTRIDGE - WASHERLESS | 9-P42 |

098607-01-000

| KEY | PART NUMBER | U/M DESCRIPTION | VENDOR NO. |
|-----|---------------|---------------------------------|------------|
| | 098607-01-702 | EA DIAPHRAGM/DRIVE ASSEMBLY KIT | 94-238-04 |
| | 098607-01-703 | EA VALVE KIT | 94-232-00 |
| | 098607-01-705 | EA VALVE-CHECK, KIT | 94-237-00 |
| | 098607-01-706 | EA HOUSING, W/SWITCH ONLY | 94-231-20 |
| | 098607-01-707 | EA MOTOR W/BASEPLATE | 11-148-04 |



145541-02-000

| KEY | PART NUMBER | U/M DESCRIPTION | VENDOR NO. |
|-----|---------------|---------------------------------|----------------|
| 1 | 145541-02-700 | EA TANK/SERVICE KIT PCS- 6 GAL | 91053 |
| 2 | 051391-04-707 | EA KIT-EXHAUST, (FLUE & GASKET) | 90960 |
| 3 | 051391-01-715 | EA PLUG-DRAIN, 1 EA = 2 PER PKG | 91857 |
| 4 | 051391-01-704 | EA VALVE-RELIEF, 1/2" FITTING | 91604 |
| 9 | 051393-01-726 | EA VALVE-SOLENOID - W/O BRACKET | 93870 |
| 11 | 051393-01-701 | EA SWITCH - REMOTE - W/LIGHT | 91959 |
| 11 | 145541-01-701 | EA SWITCH - ON/OFF - WHITE | 91859 |
| 12 | 145541-01-702 | EA CIRCUIT BOARD | 91226 |
| 15 | 145541-01-703 | EA SWITCH - THERMAL CUT OFF | 93866 |
| 16 | 051393-01-725 | EA ELECTRODE-SGL SPADE CONNECT. | 93868 |
| 17 | 051393-01-721 | EA THERMOSTAT W/ECO, 140 FRT MT | 91447 |
| | 051391-05-706 | EA ELEMENT-HEATING 1500 WATT | 92249 W/GASKET |
| | 145541-01-704 | EA RELAY | 90061 |
| | 145541-02-701 | EA JUNCTION BOX(PLASTIC) 6 GAL | 91222 |

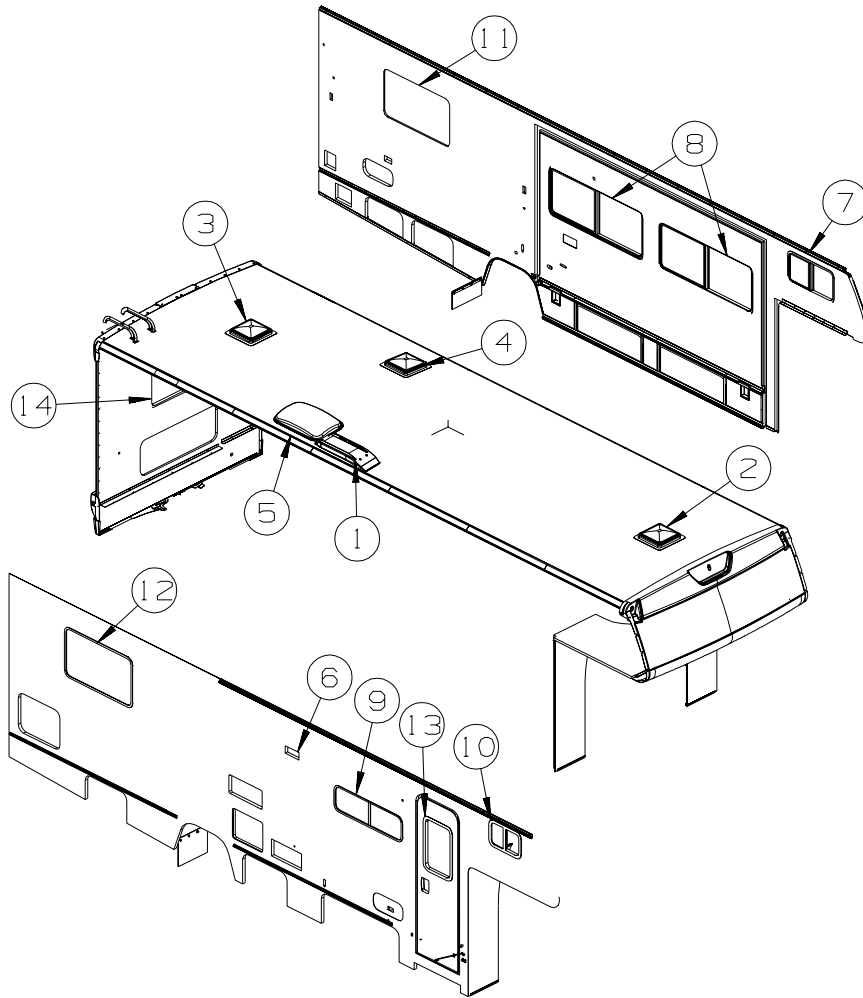
CONTACT WINNEBAGO PARTS SALES FOR UNLISTED COMPONENT(S)

152311-01-01A

| KEY | PART NUMBER | U/M DESCRIPTION | VENDOR NO. |
|-----|---------------|-------------------|----------------|
| | 152311-01-700 | EA KNOB - CONTROL | AF-0908-HANDLE |

WINDOW & VENTS GROUP

WINDOW & VENT LAYOUT



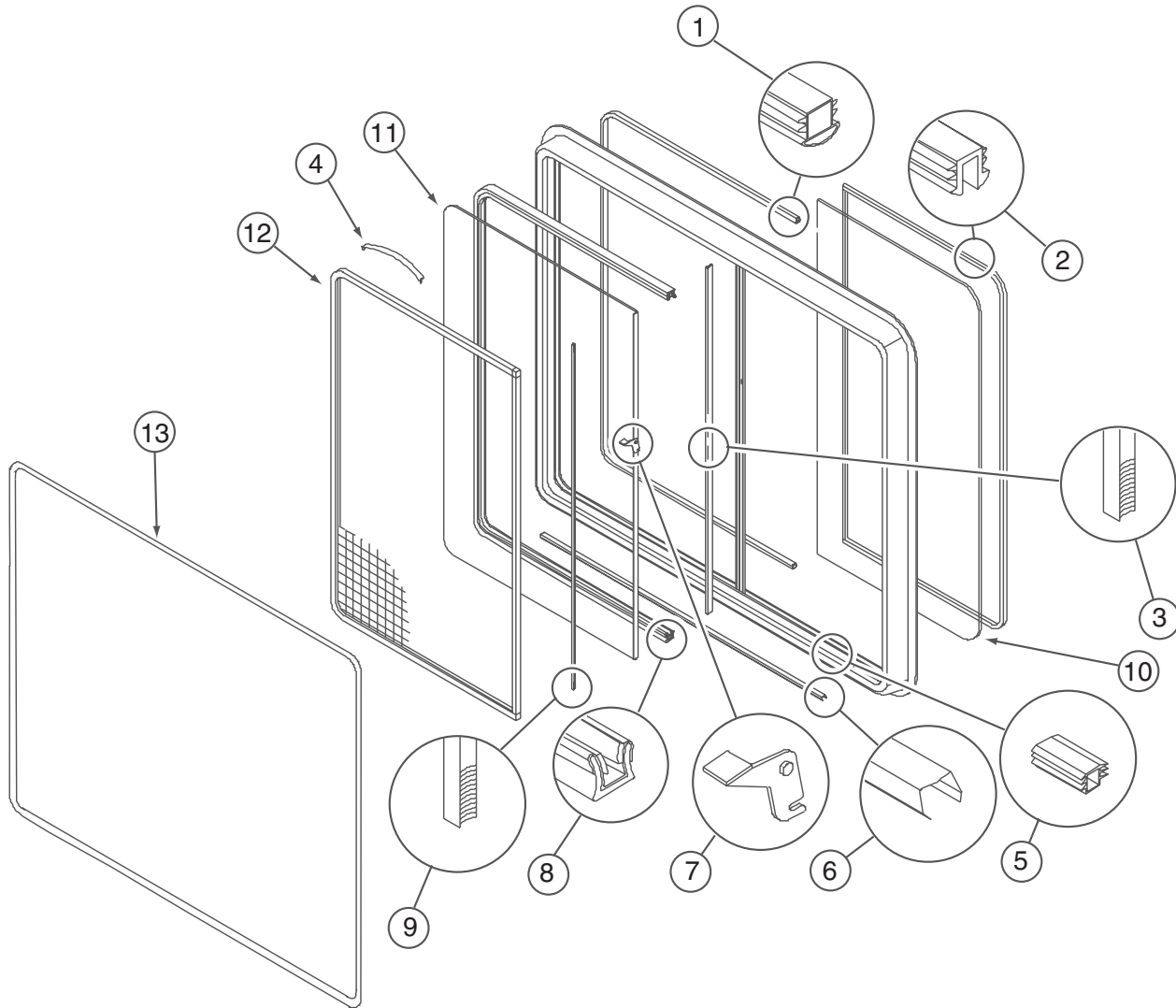
| KEY | PART NUMBER | U/M | DESCRIPTION |
|-----|---------------|-----|--|
| 1 | 149508-01-02A | EA | CAP - ROOF/REFRIGERATOR VENT - WHITE |
| 1 | 149508-02-02A | EA | BASE - ROOF/REFRIGERATOR VENT - BRIGHT WHITE |
| 2 | 122882-07-01A | EA | GARNISH - ROOF VENT - 2.5" TO 4.1" |
| 2* | 122882-01-01A | EA | VENT - ROOF - NONPOWERED - W/O INSIDE GARNISH |
| 2* | 123780-03-01A | EA | FANTASTIC VENT-3"/4"ROOF-W/FAN-W/O THERM/PWR LIFT/WHT CVR - VENT-POWER VENTILATOR |
| | 009440-01-000 | EA | GEAR/ARM - LIFT - ROOF VENT COVER |
| 3 | 122882-07-01A | EA | GARNISH - ROOF VENT - 2.5" TO 4.1" |
| 3* | 122882-01-01A | EA | VENT - ROOF - NONPOWERED - W/O INSIDE GARNISH |
| | 009440-01-000 | EA | GEAR/ARM - LIFT - ROOF VENT COVER |
| 4 | 122882-07-01A | EA | GARNISH - ROOF VENT - 2.5" TO 4.1" |
| 4* | 122882-02-01A | EA | VENT - ROOF - W/FAN - W/O INSIDE GARNISH - UL |
| 4* | 122882-03-01A | EA | VENT - ROOF - W/FAN - W/O INSIDE GARNISH - CSA - CANADIAN |
| | 009440-01-000 | EA | GEAR/ARM - LIFT - ROOF VENT COVER |
| | 048648-01-000 | EA | MOTOR/ROOF VENT - W/RESISTER - 1/8"SHAFT - 12VOLT |
| | 048649-01-000 | EA | FAN BLADE - ROOF VENT - 6 BLADED - 6"RADIUS |
| 5 | 122193-01-02A | EA | PANEL - SKYLITE - INNER - W/LIGHT INDENTATION |
| 5 | 138372-01-02B | EA | TRIM - CORNER - SKYLIGHT - E-COATED |
| 5 | 138379-02-01A | EA | PANEL/SKYLIGHT OTR - RECT/4"H CTR DOME - 18.4"X 29.5"- WHT |
| 6 | 147821-01-01A | EA | VENT - EXHAUST/RANGE HOOD - BRIGHT WHITE |
| 6 | 147821-02-01A | EA | SHROUD - EXHAUST VENT/RANGE HOOD - BRIGHT WHITE |
| 7* | 098647-32-02A | EA | WINDOW - DRVR HORIZ SLIDER W/TRIM - CLEAR- 15.7" X 28.5" |
| 7* | 150648-05-01A | EA | WINDOW-HORIZ SLIDER/FLUSH/THERMO/LH - 16" X 28.7" - BLACK - WINDOWS-COACH-DUAL PANE |
| 8* | 098647-74-01A | EA | WINDOW - DRIVER HORIZ SLIDER W/TRIM - 23.6" X 57.5" |
| 8* | 150648-07-01A | EA | WINDOW-HORIZ SLIDER/FLUSH/THERMO/LH - 23.8" X 57.7" - WINDOWS-COACH-DUAL PANE |
| 9* | 098647-80-01A | EA | WINDOW - PASS HORIZ SLIDER W/TRIM - 12.2"H X 41.2"W-BLACK |
| 9* | 150648-26-01A | EA | WINDOW-HORIZ SLIDER/FLUSH/THERMO/RH - 12.2"X 41.2" - BLACK - WINDOWS-COACH-DUAL PANE |
| 10* | 098647-78-01A | EA | WINDOW - PASS HORIZ SLIDER W/TRIM - 12.5" X 19.9" - BLACK |
| 10* | 150648-31-01A | EA | WINDOW-HORIZ SLIDER/FLUSH/THERMO/RH - 12.3" X 19.7" - BLK - WINDOWS-COACH-DUAL PANE |

WINDOW & VENTS GROUP (CONTINUED)
WINDOW & VENT LAYOUT (CONTINUED)

| KEY | PART NUMBER | U/M | DESCRIPTION |
|------------|--------------------|------------|--|
| 11* | 098647-30-02A | EA | WINDOW - DRVR HORIZ SLIDER W/TRIM - CLEAR - 24.2" X 41" |
| 11* | 150656-03-01A | EA | WINDOW - TIPOUT/FLUSH/THERMO - 24.5" X 41.2" - WINDOWS-COACH-DUAL PANE FROM: 00-00-00 THRU: 10-01-06 |
| 11 | 161452-01-01A | EA | WINDOW - TIPOUT/FLUSH/THERMO - 24.5" X 41.2" - WINDOWS-COACH-DUAL PANE FROM: 10-02-06 THRU: 99-99-99 |
| 12* | 098647-29-02A | EA | WINDOW - PASS HORIZ SLIDER W/TRIM - CLEAR - 24.2" X 41" |
| 12* | 150656-03-01A | EA | WINDOW - TIPOUT/FLUSH/THERMO - 24.5" X 41.2" - WINDOWS-COACH-DUAL PANE FROM: 00-00-00 THRU: 10-01-06 |
| 12 | 161452-01-01A | EA | WINDOW - TIPOUT/FLUSH/THERMO - 24.5" X 41.2" - WINDOWS-COACH-DUAL PANE FROM: 10-02-06 THRU: 99-99-99 |
| 13 | 117054-02-03A | EA | TRIM/RETAINER - INSIDE - 16.9" X 26.2" - BLACK |
| 13 | 117053-04-FB1 | EA | WINDOW - PICTURE/CLEAR - W/O TRIM - 17" X 26.4" |
| | 002181-27-000 | EA | GLASS - PICTURE WINDOW - 25.8"W X 16.4"H - CLEAR |
| | 087561-01-000 | FT | SEAL - GLASS - EXTERIOR - .5" WIDE - VINYL BLACK |
| 13* | 150651-01-01A | EA | WINDOW - STATIONARY/FLUSH/THERMO - 26.3" X 17" - BLACK - WINDOWS-COACH-DUAL PANE |
| 14 | 074816-16-000 | EA | FRAME - WINDOW - INSIDE ESCAPE - BLACK |
| 14 | 078528-07-F15 | EA | WINDOW - ESCAPE W/O INSIDE TRIM - CLEAR - 24.5" X 48.5" |
| | 002282-09-000 | EA | WEATHERSTRIP - WINDOW - .125" X 130.5" - BLACK |
| | 002285-01-000 | FT | FILLER - WEATHERSTRIP - RUBBER - BLACK |
| | 076337-13-000 | EA | GLASS - EGRESS - 45.5" X 21.5" |
| 14* | 150651-03-01A | EA | WINDOW - STATIONARY/FLUSH/ESCAPE/THERMO - 24.7"X 48.7"-BLK - WINDOWS-COACH-DUAL PANE |

***COMPONENT PARTS LISTED LATER IN THIS GROUP**

WINDOW & VENTS GROUP (CONTINUED)
COMPONENT PARTS FOR WINDOW & VENT LAYOUT



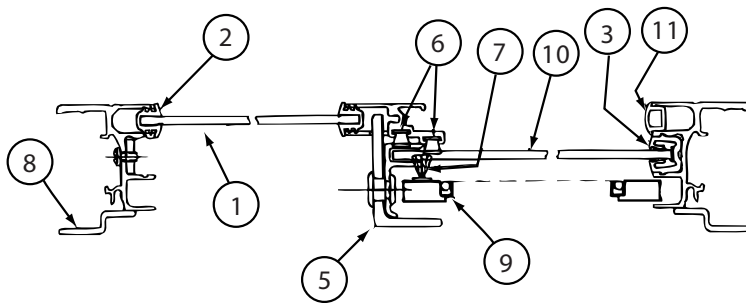
098647-29-02A, 098647-30-02A

| KEY | PART NUMBER | U/M | DESCRIPTION | VENDOR NO. |
|-----|---------------|-----|------------------------------|------------|
| 1 | 098644-01-716 | FT | PLUG - FILLER | 132-014470 |
| 2 | 098644-01-705 | FT | GLAZING - STRIP | 132-010231 |
| 3 | 098644-01-706 | FT | WEATHERSTRIP - GLASS | 171-010668 |
| 4 | 098644-01-713 | EA | CLIP - SCREEN - METAL | 226-016966 |
| 4 | 125582-01-701 | EA | CLIP - SCREEN - PLASTIC | 130-005153 |
| 5 | 098644-01-719 | EA | STOP - SLIDER GLASS | 132-014203 |
| 6 | 098644-01-710 | FT | TRACK - SCREEN SPACER 12' | 132-017135 |
| 7 | 098644-01-700 | EA | LATCH - REPAIR KIT (BLACK) | B801-CK |
| 7 | 098647-54-701 | EA | LATCH - REPAIR KIT (RED) | B081-CK |
| 8 | 098644-01-708 | FT | CHANNEL - RUN PIERCED | 122-016543 |
| 9 | 098644-01-711 | FT | WEATHERSTRIP - SCREEN BLACK | 171-016965 |
| 10 | 098647-29-702 | EA | GLASS - STATIONARY | 096-019295 |
| 11 | 098647-29-703 | EA | GLASS-SLIDING W/SASH & LATCH | H172-C8 |
| 12 | 098647-29-704 | EA | SCREEN ASM - W/SEALS & CLIPS | 410-018864 |
| 13 | 098647-29-705 | EA | RETAINER - TRIM | CH04-66 |
| | 098644-01-717 | FT | SPLINE - SCREEN | 132-004716 |

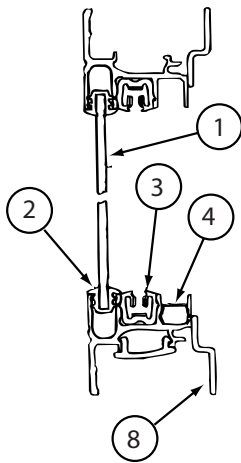
WINDOW & VENTS GROUP (CONTINUED)
COMPONENT PARTS FOR WINDOW & VENT LAYOUT (CONTINUED)

098647-31-02A, 098647-32-02A

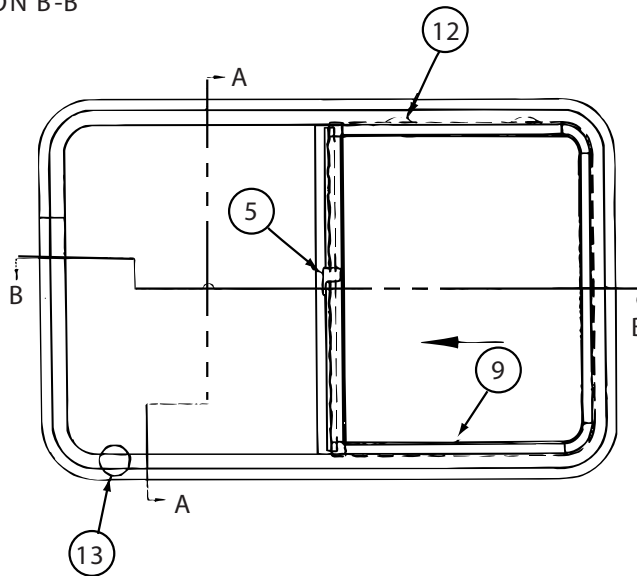
| KEY | PART NUMBER | U/M | DESCRIPTION | VENDOR NO. |
|-----|---------------|-----|------------------------------|------------|
| 1 | 098644-01-716 | FT | PLUG - FILLER | 132-014470 |
| 2 | 098644-01-705 | FT | GLAZING - STRIP | 132-010231 |
| 3 | 098644-01-706 | FT | WEATHERSTRIP - GLASS | 171-010668 |
| 4 | 098644-01-713 | EA | CLIP - SCREEN - METAL | 226-016966 |
| 4 | 125582-01-701 | EA | CLIP - SCREEN - PLASTIC | 130-005153 |
| 5 | 098644-01-719 | EA | STOP - SLIDER GLASS | 132-014203 |
| 6 | 098644-01-710 | FT | TRACK - SCREEN SPACER 12' | 132-017135 |
| 7 | 098644-01-700 | EA | LATCH - REPAIR KIT (BLACK) | B801-CK |
| 7 | 098647-54-701 | EA | LATCH - REPAIR KIT (RED) | B081-CK |
| 8 | 098644-01-708 | FT | CHANNEL - RUN PIERCED | 122-016543 |
| 9 | 098644-01-711 | FT | WEATHERSTRIP - SCREEN BLACK | 171-016965 |
| 10 | 098647-31-702 | EA | GLASS - STATIONARY | 096-019299 |
| 11 | 098647-31-703 | EA | GLASS-SLIDING W/SASH & LATCH | H425-C8 |
| 12 | 098647-31-704 | EA | SCREEN ASM - W/SEALS & CLIPS | 410-019128 |
| 13 | 098647-31-705 | EA | RETAINER - TRIM | CH29-66 |
| | 098644-01-717 | FT | SPLINE - SCREEN | 132-004716 |



CROSS SECTION B-B



CROSS SECTION A-A



098647-74-01A

| KEY | PART NUMBER | U/M | DESCRIPTION | VENDOR NO. |
|-----|---------------|-----|------------------------------|------------|
| 1 | 098647-68-701 | EA | GLASS - STATIONARY | 096-029585 |
| 2 | 098644-01-705 | FT | GLAZING - STRIP | 132-010231 |
| 3 | 098644-01-708 | FT | CHANNEL - RUN PIERCED | 122-016543 |
| 4 | 098644-01-710 | FT | TRACK - SCREEN SPACER 12' | 132-017135 |
| 5 | 098644-01-700 | EA | LATCH - REPAIR KIT (BLACK) | B801-CK |
| 6 | 098644-01-706 | FT | WEATHERSTRIP - GLASS | 171-010668 |
| 7 | 098644-01-711 | FT | WEATHERSTRIP - SCREEN BLACK | 171-016965 |
| 8 | 098647-47-704 | EA | RETAINER - TRIM | H493-66 |
| 9 | 098647-47-702 | EA | SCREEN ASM - W/SEALS & CLIPS | 410-025226 |
| 10 | 098647-74-700 | EA | GLASS SLIDING W/SASH & LATCH | H493C8 |
| 11 | 098644-01-716 | FT | PLUG - FILLER | 132-014470 |
| 12 | 125582-01-701 | EA | CLIP - SCREEN - PLASTIC | 130-005153 |
| 13 | 098644-01-719 | EA | STOP - SLIDER GLASS | 132-014203 |

WINDOW & VENTS GROUP (CONTINUED)
COMPONENT PARTS FOR WINDOW & VENT LAYOUT (CONTINUED)

098647-78-01A, 098647-79-01A

| KEY | PART NUMBER | U/M | DESCRIPTION | VENDOR NO. |
|------------|--------------------|------------|------------------------------|-------------------|
| 1 | 098647-78-700 | EA | GLASS - STATIONARY | 096-036830 |
| 2 | 098644-01-705 | FT | GLAZING - STRIP | 132-010231 |
| 3 | 098644-01-708 | FT | CHANNEL - RUN PIERCED | 122-016543 |
| 4 | 098644-01-710 | FT | TRACK - SCREEN SPACER 12' | 132-017135 |
| 5 | 098644-01-700 | EA | LATCH - REPAIR KIT (BLACK) | B801-CK |
| 6 | 098644-01-706 | FT | WEATHERSTRIP - GLASS | 171-010668 |
| 7 | 098644-01-711 | FT | WEATHERSTRIP - SCREEN BLACK | 171-016965 |
| 8 | 098647-78-701 | EA | RETAINER - TRIM | H996-66 |
| 9 | 098647-78-702 | EA | SCREEN ASM | 410-036304 |
| 10 | 098647-78-703 | EA | GLASS SLIDING W/SASH & LATCH | H996C8 |
| 11 | 098644-01-716 | FT | PLUG - FILLER | 132-014470 |
| 12 | 125582-01-701 | EA | CLIP - SCREEN - PLASTIC | 130-005153 |
| 13 | 098644-01-719 | EA | STOP - SLIDER GLASS | 132-014203 |

098647-80-01A

| KEY | PART NUMBER | U/M | DESCRIPTION | VENDOR NO. |
|------------|--------------------|------------|------------------------------|-------------------|
| 1 | 098647-80-700 | EA | GLASS - STATIONARY | 096-036925 |
| 2 | 098644-01-705 | FT | GLAZING - STRIP | 132-010231 |
| 3 | 098644-01-708 | FT | CHANNEL - RUN PIERCED | 122-016543 |
| 4 | 098644-01-710 | FT | TRACK - SCREEN SPACER 12' | 132-017135 |
| 5 | 098644-01-700 | EA | LATCH - REPAIR KIT (BLACK) | B801-CK |
| 6 | 098644-01-706 | FT | WEATHERSTRIP - GLASS | 171-010668 |
| 7 | 098644-01-711 | FT | WEATHERSTRIP - SCREEN BLACK | 171-016965 |
| 8 | 098647-80-701 | EA | RETAINER - TRIM | H3075-66 |
| 9 | 098647-80-702 | EA | SCREEN ASM | 410-036926 |
| 10 | 098647-80-703 | EA | GLASS SLIDING W/SASH & LATCH | H1077C8 |
| 11 | 098644-01-716 | FT | PLUG - FILLER | 132-014470 |
| 12 | 125582-01-701 | EA | CLIP - SCREEN - PLASTIC | 130-005153 |
| 13 | 098644-01-719 | EA | STOP - SLIDER GLASS | 132-014203 |

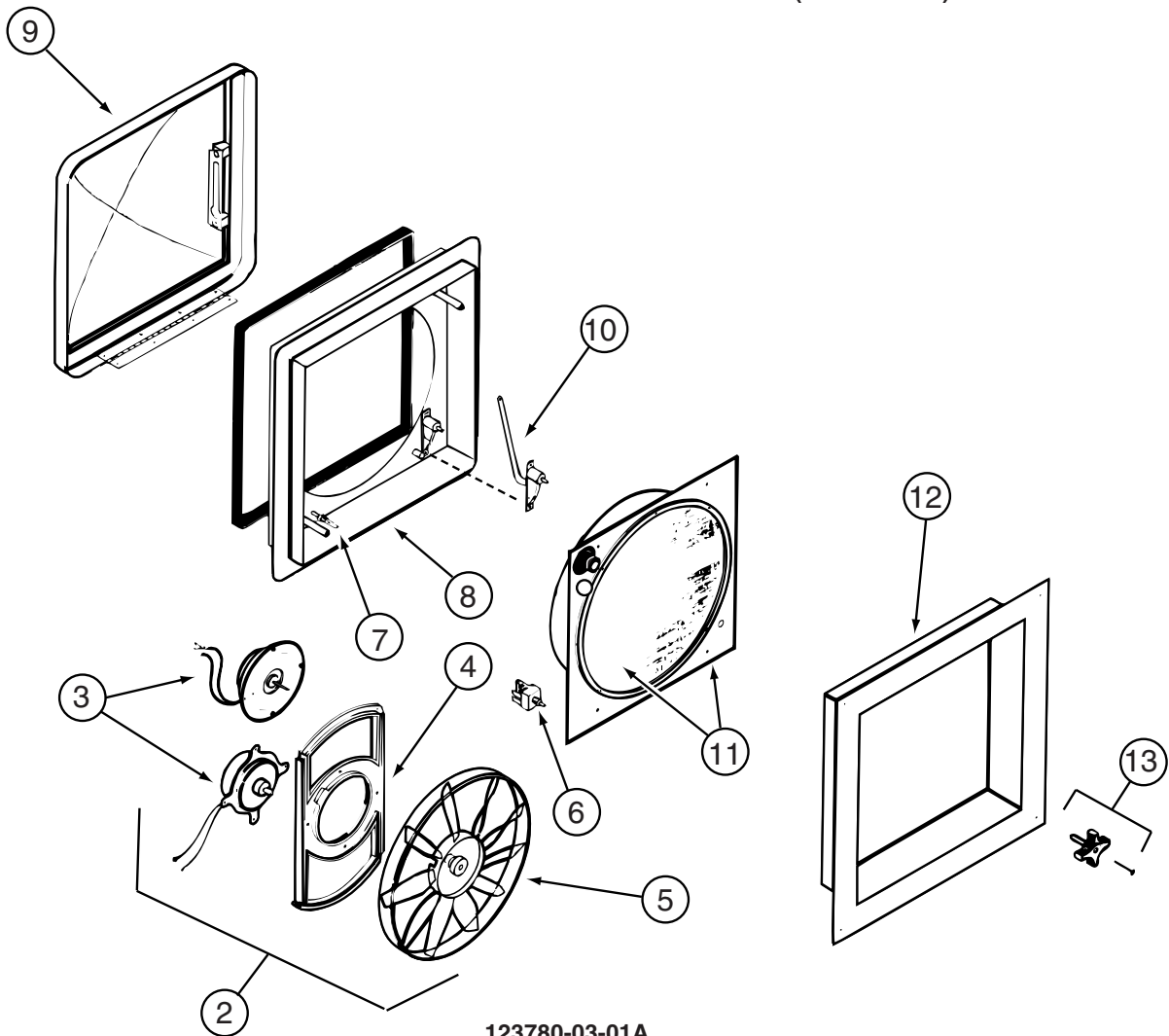
122882-01-01A

| KEY | PART NUMBER | U/M | DESCRIPTION | VENDOR NO. |
|------------|--------------------|------------|------------------------|-------------------|
| | 064470-01-700 | EA | COVER - VENT | J7291 |
| | 064470-01-701 | EA | SLIDE BAR - VENT LID | JRP1291B |
| | 122882-01-700 | EA | HANDLE - CRANK - BLACK | 90128 |
| | 122882-01-701 | EA | SCREEN | JRP-1124-B |
| | 122882-01-702 | EA | HANDLE - CRANK - WHITE | JRP1031B |

122882-02-01A, 122882-03-01A

| KEY | PART NUMBER | U/M | DESCRIPTION | VENDOR NO. |
|------------|--------------------|------------|--------------------------|-------------------|
| | 064470-01-700 | EA | COVER - VENT | J7291 |
| | 064470-01-701 | EA | SLIDE BAR - VENT LID | JRP1291B |
| | 110051-03-700 | EA | SWITCH-BLACK/PUSH BUTTON | 27-0164 |
| | 122882-01-700 | EA | HANDLE - CRANK - BLACK | 90128 |
| | 122882-01-701 | EA | SCREEN | JRP-1124-B |
| | 122882-01-702 | EA | HANDLE - CRANK - WHITE | JRP1031B |

WINDOW & VENTS GROUP (CONTINUED)
COMPONENT PARTS FOR WINDOW & VENT LAYOUT (CONTINUED)

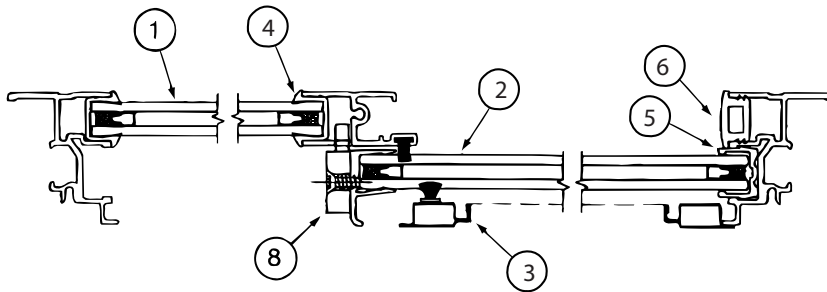


123780-03-01A

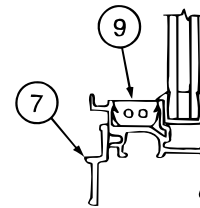
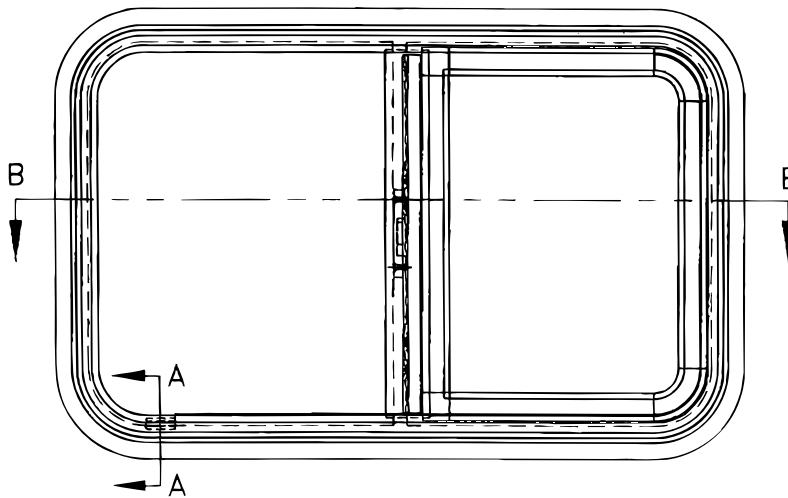
| KEY | PART NUMBER | U/M | DESCRIPTION | VENDOR NO. |
|-----|---------------|-----|------------------------------|------------|
| 2 | 084079-11-700 | EA | MOTOR & FAN BLADE W/BRACKET | K4017-09 |
| 3 | 084079-01-705 | EA | MOTOR/EXT BRKT/FAN BLADE KIT | 1080-00 |
| 4 | 084079-01-711 | EA | MOTOR MOUNT (BOWTIE) | 1015-00 |
| 5 | 084079-01-704 | EA | BLADE-FAN | 1138-00 |
| 6 | 084079-01-709 | EA | SWITCH - MAIN - 3 SPEED | 1031-05 |
| 7 | 084079-01-707 | EA | SWITCH - SAFETY | 1122-05 |
| 8 | 123780-05-700 | EA | BASE/MAIN-BRT WHT W/GASKET | 1010-81 |
| 9 | 123780-01-700 | EA | COVER - VENT W/HINGE & SLIDE | 1020K-81 |
| 10 | 009440-01-000 | EA | GEAR-ARM-ROOF VENT | 705221K38 |
| 11 | 123780-03-701 | EA | SCREEN ASM 78-100MM W/SWITCH | 1030BT-81 |
| 12 | 123780-03-700 | EA | GARNISH - INT. 3"-4" BRT/WHT | 2040-81 |
| 13 | 084079-01-703 | EA | KNOB-LIFT | 1140K-00 |
| | 084079-01-706 | EA | PLUG, 12 VOLT | 1090 |
| | 123780-01-702 | EA | SCREEN INSERT (SCREEN RING) | K1035-81 |

CONTACT WINNEBAGO PART SALES FOR UNLISTED COMPONENT(S)

WINDOW & VENTS GROUP (CONTINUED)
COMPONENT PARTS FOR WINDOW & VENT LAYOUT (CONTINUED)



CROSS SECTION B-B



CROSS SECTION
A-A

150648-04-01A, 150648-05-01A

| KEY | PART NUMBER | U/M | DESCRIPTION | VENDOR NO |
|-----|---------------|-----|------------------------------|------------|
| 1 | 112795-72-700 | EA | GLASS - STATIONARY | 390-028307 |
| 2 | 150648-04-700 | EA | GLASS-SLIDING W/SASH & LATCH | FH3002G8 |
| 3 | 150648-05-700 | EA | SCREEN ASM | 410-031158 |
| 4 | 112795-01-705 | FT | VINYL - GLAZING | 132-027331 |
| 5 | 151069-01-700 | EA | CHANNEL-RUN, SLIDING | 122-030627 |
| 6 | 150648-01-703 | EA | PLUG - FILLER | 132-030308 |
| 7 | 150648-05-701 | EA | RETAINER - TRIM | CH29-67 |
| 8 | 150648-01-700 | EA | LATCH-HORIZONTAL SLIDE-BLK | FH3000-CK |
| 8 | 150648-01-701 | EA | LATCH-HORIZONTAL SLIDE-RED | FH3003-CK |
| 9 | 150648-01-704 | EA | SLIDE STOP | 132-030866 |
| | 150648-05-702 | FT | FIN SEAL-F/LOCKING RAIL-BLK | 171-062348 |

150648-07-01A, 150648-22-01A

| KEY | PART NUMBER | U/M | DESCRIPTION | VENDOR NO |
|-----|---------------|-----|------------------------------|------------|
| 1 | 150648-07-701 | EA | GLASS - STATIONARY | 390-028314 |
| 2 | 150648-07-700 | EA | GLASS-SLIDING W/SASH & LATCH | FH3000G8 |
| 3 | 150648-01-702 | EA | SCREEN ASM | 410-031156 |
| 4 | 112795-01-705 | FT | VINYL - GLAZING | 132-027331 |
| 5 | 151069-01-700 | EA | CHANNEL-RUN, SLIDING | 122-030627 |
| 6 | 150648-01-703 | EA | PLUG - FILLER | 132-030308 |
| 7 | 150648-01-707 | EA | RETAINER - TRIM | H493-67 |
| 8 | 150648-01-700 | EA | LATCH-HORIZONTAL SLIDE-BLK | FH3000-CK |
| 8 | 150648-01-701 | EA | LATCH-HORIZONTAL SLIDE-RED | FH3003-CK |
| 9 | 150648-01-704 | EA | SLIDE STOP | 132-030866 |
| | 150648-05-702 | FT | FIN SEAL-F/LOCKING RAIL-BLK | 171-062348 |

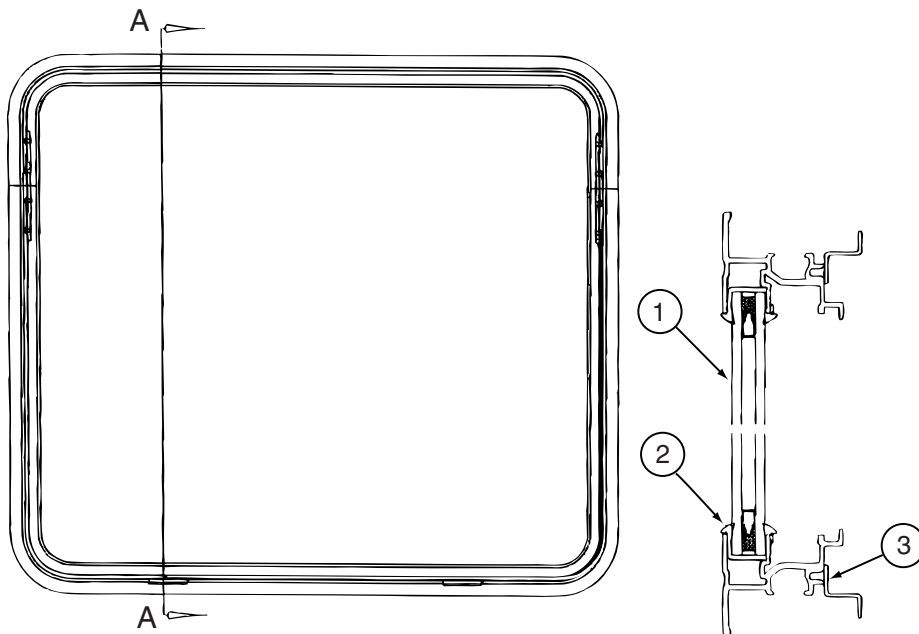
WINDOW & VENTS GROUP (CONTINUED)
COMPONENT PARTS FOR WINDOW & VENT LAYOUT (CONTINUED)

150648-26-01A

| KEY | PART NUMBER | U/M | DESCRIPTION | VENDOR NO |
|-----|---------------|-----|------------------------------|------------|
| 1 | 150648-26-700 | EA | GLASS - STATIONARY | 390-036023 |
| 2 | 150648-26-701 | EA | GLASS-SLIDING W/SASH & LATCH | FH3075G8 |
| 3 | 150648-26-702 | EA | SCREEN ASM | 410-036025 |
| 4 | 112795-01-705 | FT | VINYL - GLAZING | 132-027331 |
| 5 | 151069-01-700 | EA | CHANNEL-RUN, SLIDING | 122-030627 |
| 6 | 150648-01-703 | EA | PLUG - FILLER | 132-030308 |
| 7 | 150648-26-703 | EA | RETAINER - TRIM | H3075-67 |
| 8 | 150648-01-700 | EA | LATCH-HORIZONTAL SLIDE-BLK | FH3000-CK |
| 8 | 150648-01-701 | EA | LATCH-HORIZONTAL SLIDE-RED | FH3003-CK |
| 9 | 150648-01-704 | EA | SLIDE STOP | 132-030866 |
| | 150648-05-702 | FT | FIN SEAL-F/LOCKING RAIL-BLK | 171-062348 |

150648-31-01A, 150648-32-01A

| KEY | PART NUMBER | U/M | DESCRIPTION | VENDOR NO |
|-----|---------------|-----|------------------------------|------------|
| 1 | 150648-31-700 | EA | GLASS - STATIONARY | 390-036848 |
| 2 | 150648-31-701 | EA | GLASS-SLIDING W/PULL & LATCH | FH3093G8 |
| 3 | 150648-31-702 | EA | SCREEN ASM | 410-036850 |
| 4 | 112795-01-705 | FT | VINYL - GLAZING | 132-027331 |
| 5 | 151069-01-700 | FT | CHANNEL-RUN, SLIDING | 122-030627 |
| 6 | 150648-01-703 | FT | PLUG - FILLER | 132-030308 |
| 7 | 150648-31-703 | EA | RETAINER - TRIM | H3093-67 |
| 8 | 150658-01-700 | EA | LATCH-HORIZONTAL SLIDE-BLK | FH3000-CK |
| 8 | 150648-01-701 | EA | LATCH-HORIZONTAL SLIDE-RED | FH3003-CK |
| 9 | 150648-01-704 | EA | SLIDE STOP | 132-030866 |
| | 150648-05-702 | FT | FIN SEAL-F/LOCKING RAIL-BLK | 171-062348 |

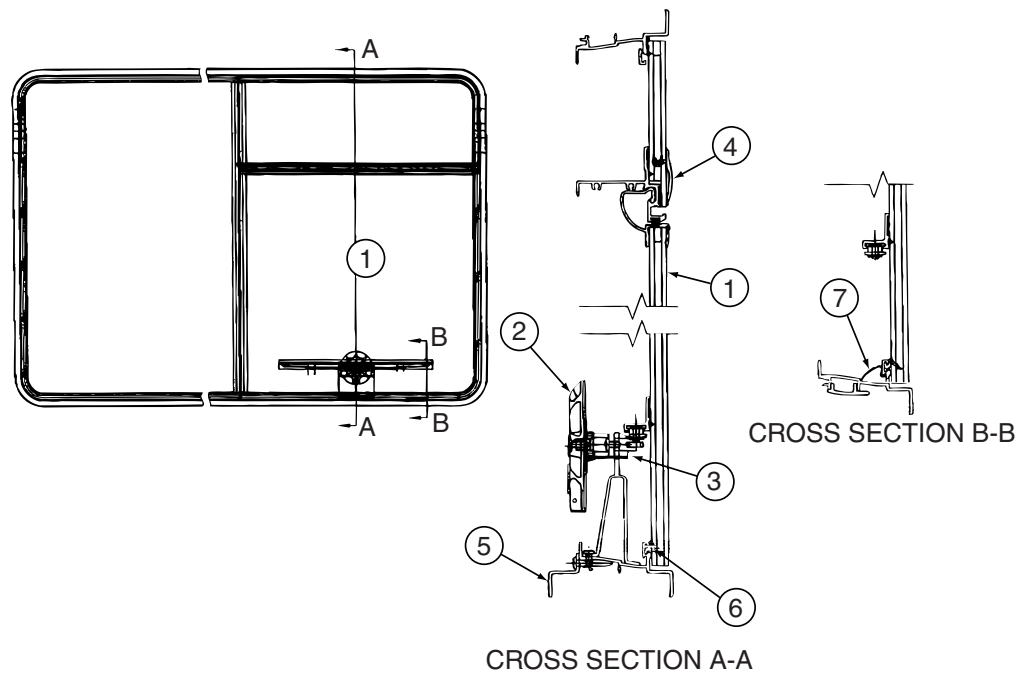


CROSS SECTION A-A

150651-01-01A

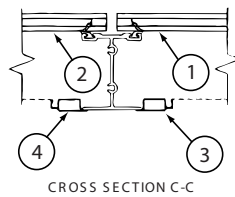
| KEY | PART NUMBER | U/M | DESCRIPTION | VENDOR NO |
|-----|---------------|-----|------------------|------------|
| 1 | 113733-10-700 | EA | GLASS-STATIONARY | 390-028306 |
| 2 | 112795-01-705 | FT | VINYL - GLAZING | 132-027331 |
| 3 | 150651-01-700 | EA | RETAINER - TRIM | H416-67 |

WINDOW & VENTS GROUP (CONTINUED)
COMPONENT PARTS FOR WINDOW & VENT LAYOUT (CONTINUED)

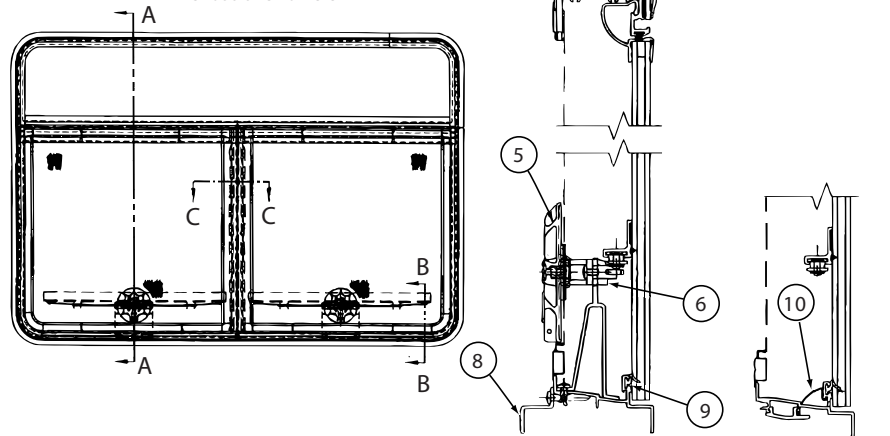


150651-03-01A

| KEY | PART NUMBER | U/M | DESCRIPTION | VENDOR NO |
|-----|---------------|-----|-----------------------------|---------------------|
| 1 | 150651-03-700 | EA | GLASS-TIPOUT-W/HNG/GDE RAIL | DTH3049G8R RH F/INS |
| 2 | 150656-02-702 | EA | HANDLE-DIAL | 410-016081E |
| 3 | 150656-08-701 | EA | OPERATOR - TIPOUT/LARGE | 410-036141 |
| 4 | 150656-08-700 | EA | SEAL/DUAL - WINDOW - 100" | 132-030725 |
| 5 | 150651-03-701 | EA | RETAINER - TRIM | DTH3049-50 |
| 6 | 100322-01-701 | FT | SEAL-VENT | 122-016071 |
| 7 | 150651-03-702 | EA | COVER - DRAIN SLOT | 132-030723 |



CROSS SECTION C-C



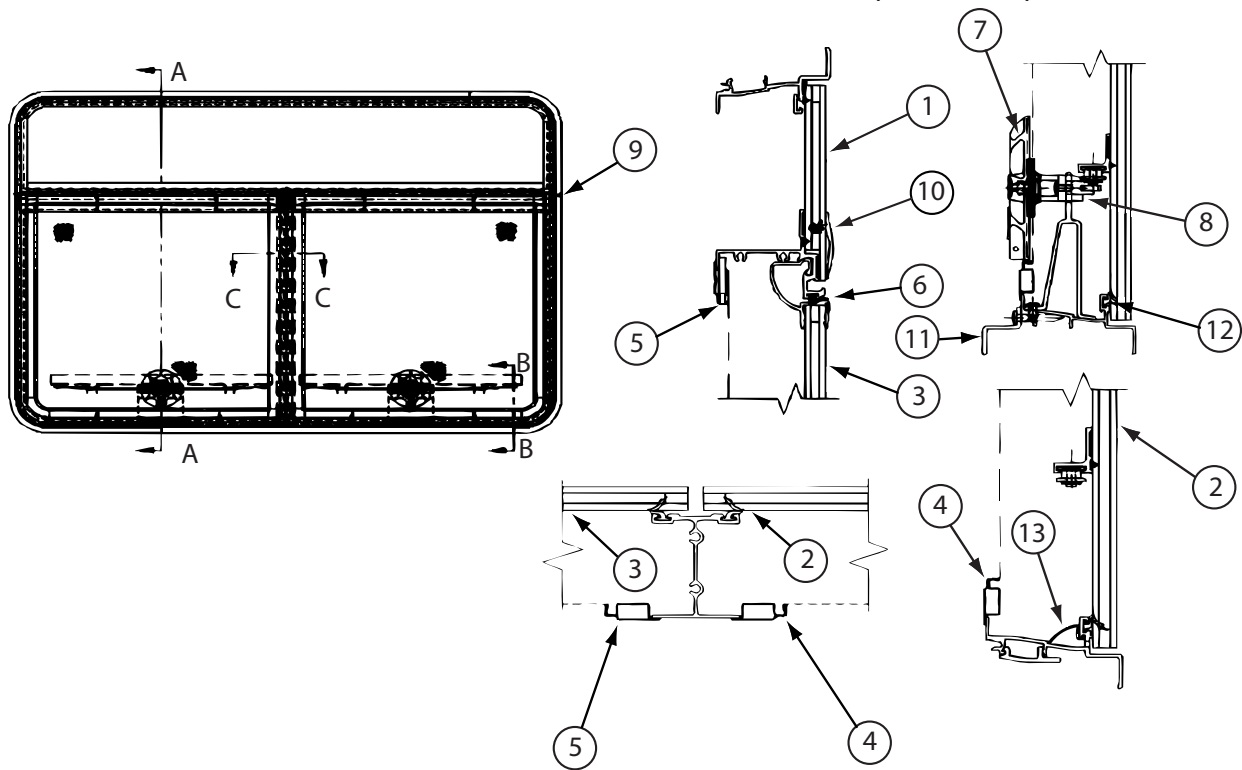
150656-03-01A

| KEY | PART NUMBER | U/M | DESCRIPTION | VENDOR NO |
|-----|---------------|-----|----------------------------|---------------------|
| 1 | 150656-03-700 | EA | GLASS-TIPOUT-RH-W/HNG/RAIL | DTH3023G8R RH F/INS |
| 2 | 150656-03-701 | EA | GLASS-TIPOUT-LH-W/HNG/RAIL | DTH3023G8L LH F/INS |
| 3 | 150656-03-702 | EA | SCREEN ASM - RIGHT | 410-031152 |
| 4 | 150656-03-703 | EA | SCREEN ASM - LEFT | 410-031151 |
| 5 | 150656-02-702 | EA | HANDLE-DIAL | 410-016081E |
| 6 | 150656-08-701 | EA | OPERATOR - TIPOUT/LARGE | 410-036141 |
| 7 | 150656-08-700 | EA | SEAL/DUAL - WINDOW - 100" | 132-030725 |
| 8 | 150656-03-704 | EA | RETAINER - TRIM | DTH3023-56 |
| 9 | 100322-01-701 | FT | SEAL-VENT | 122-016071 |
| 10 | 150651-03-702 | EA | COVER - DRAIN SLOT | 132-030723 |

CROSS SECTION A-A

CROSS SECTION B-B

WINDOW & VENTS GROUP (CONTINUED)
COMPONENT PARTS FOR WINDOW & VENT LAYOUT (CONTINUED)



161452-01-01A

| KEY | PART NUMBER | U/M | DESCRIPTION | VENDOR NO. |
|-----|---------------|-----|-------------------------|------------|
| 4 | 150656-03-702 | EA | SCREEN ASM - RIGHT | 410-031152 |
| 5 | 150656-03-703 | EA | SCREEN ASM - LEFT | 410-031151 |
| 6 | 098644-01-706 | FT | WEATHERSTRIP - GLASS | 171-010668 |
| 7 | 100322-01-718 | EA | HANDLE-DIAL | 410-016081 |
| 8 | 150656-08-701 | EA | OPERATOR - TIPOUT/LARGE | 410-036141 |
| 9 | 161452-01-700 | FT | FELT SEAL | 160-014688 |
| 11 | 150656-03-704 | EA | RETAINER - TRIM | DTH3023-56 |
| 12 | 100322-01-701 | FT | SEAL-VENT | 122-016071 |
| 13 | 150651-03-702 | FT | COVER - DRAIN SLOT | 132-030723 |

CONTACT WINNEBAGO PART SALES FOR UNLISTED COMPONENT(S)