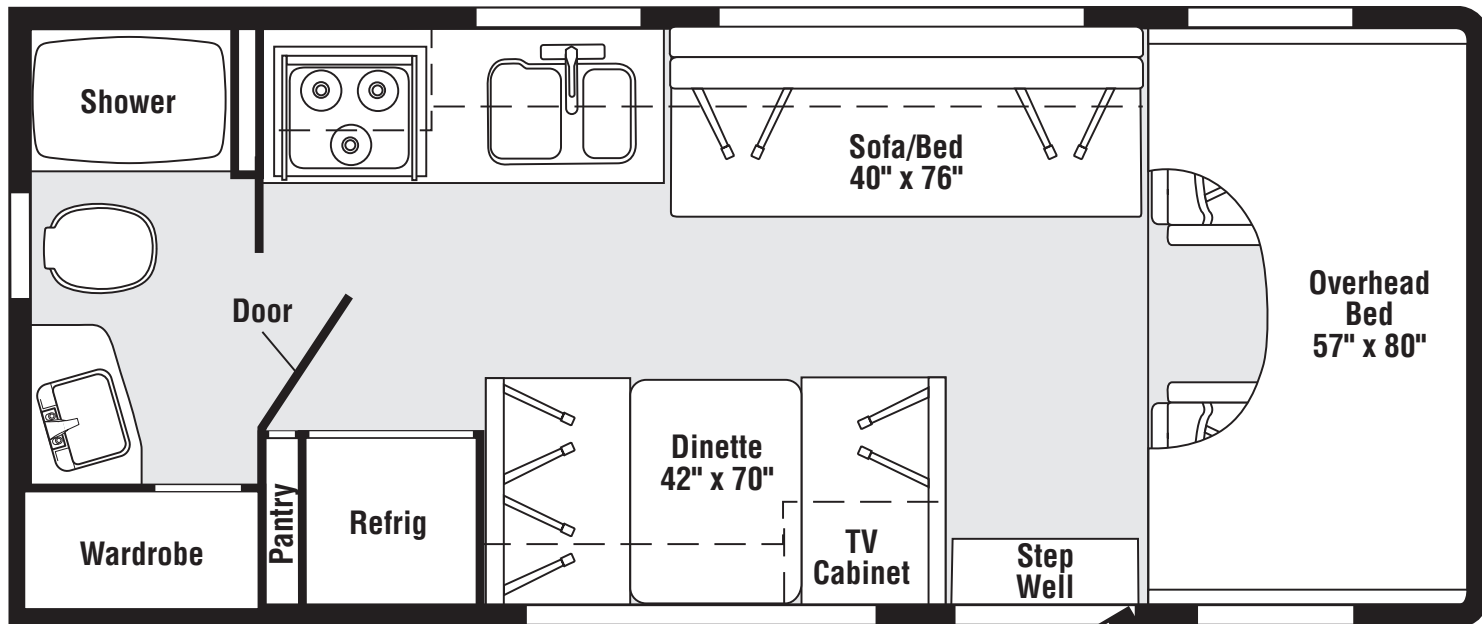


2007
IMPULSE
IF222B
ITASCA 200-SERIES
PORTSMOUTH OAK
U07 TOFFEE
U09 MINERAL
SIERRA MAPLE
U08 TOFFEE
U10 MINERAL



FLOORPLAN

CONTENTS

| | |
|---|-----------|
| FLOORPLAN | 1 |
| ACCESSORIES GROUP | 5 |
| OPERATORS MANUAL | 5 |
| AUDIO VIDEO GROUP | 6 |
| RADIO SYSTEM | 6 |
| REAR MONITOR | 6 |
| COMPONENT PARTS FOR REAR MONITOR | 6 |
| 156930-02-01A | 6 |
| CABINET & APPLIANCE GROUP | 7 |
| CABINET & APPLIANCE LAYOUT | 7 |
| COMPONENT PARTS FOR CABINET & APPLIANCE LAYOUT | 12 |
| 114030-04-01A | 12 |
| 121568-06-01A, 121568-07-01A, 121568-08-01A | 14 |
| 136354-05-01A, 136354-05-02A | 18 |
| 136354-06-01A, 136354-06-02A | 19 |
| 151277-01-01A, 151277-02-01A | 20 |
| 158686-01-01A | 23 |
| CHASSIS GROUP | 24 |
| FRAME | 24 |
| HITCH | 24 |
| REAR BUMPER | 24 |
| FUEL | 25 |
| SPARE TIRE | 26 |
| WHEEL, TIRE, COVERS &/OR LINERS | 27 |
| COMPONENT PARTS FOR WHEEL, TIRE, COVERS &/OR LINERS | 27 |
| 109443-05-000 | 27 |
| BRAKELINE | 27 |
| CURTAIN & CUSHION GROUP | 28 |
| NOTICE | 28 |
| CUSHION LAYOUT | 29 |
| SOFA | 31 |
| WINDOW TREATMENT | 32 |
| HARDWARE | 33 |
| FABRICS | 35 |
| DRIVERS COMPARTMENT GROUP | 36 |
| FRONT INTERIOR | 36 |
| COMPONENT PARTS FOR FRONT INTERIOR | 37 |
| 106025-02-01A | 37 |
| CABINETS | 38 |

CONTENTS (CONTINUED)

| | |
|---|-----------|
| ELECTRICAL GROUP | 39 |
| 110V BODY WIRING | 39 |
| 12V BODY WIRING | 40 |
| EXTERIOR LAMPS | 42 |
| FRONT END | 44 |
| FRONT TV/DVD | 45 |
| SIDE TV/DVD | 46 |
| COMPONENT PARTS FOR WIRING | 48 |
| 076319-23-000 | 48 |
| 076319-25-000 | 48 |
| 086231-10-000 | 48 |
| 097917-01-06A | 49 |
| 120269-07-01A | 49 |
| 133908-09-01A | 49 |
| 134940-06-01A | 49 |
| 134940-07-01A | 50 |
| 137417-01-01A, 137417-03-01A | 50 |
| 137417-02-01A | 50 |
| 137417-05-01A | 50 |
| 137417-06-01A | 50 |
| 149040-02-000 | 50 |
| 149040-03-000 | 50 |
| 150089-01-000 | 50 |
| 153658-01-01A, 153658-01-02A | 50 |
| 157282-01-000 | 50 |
| 157282-02-000 | 50 |
| 158778-01-000 | 50 |
| 158778-02-000 | 50 |
| 158836-01-000 | 50 |
| 159733-01-000 | 50 |
| 160123-01-000 | 50 |
| 160603-01-000 | 51 |
| CIRCUIT BREAKERS, FUSES & RELAYS | 52 |
| CONVERTER, INVERTER, LOAD CENTERS | 52 |
| COMPONENT PARTS FOR CONVERTER, INVERTER, LOAD CENTERS | 52 |
| 083208-07-000 | 52 |
| BOXES & CORDS | 53 |
| WIRE ASSEMBLIES | 53 |
| CONNECTORS & CONDUIT | 54 |
| CHASSIS | 56 |
| COMPONENT PARTS FOR CHASSIS | 57 |
| 086280-01-000 | 57 |
| EXTERIOR BODY GROUP | 58 |
| GRAPHICS & PAINT | 58 |
| PANELS & TRIMS | 59 |
| MIRRORS | 61 |
| COMPONENT PARTS FOR MIRRORS | 61 |
| 133908-01 THRU 133908-08, 133908-10 THRU 133908-13, -01A/-02A/-03A | 61 |
| STRUCTURAL COMPONENTS | 62 |
| AWNINGS | 62 |
| EXTERIOR DOORS & COMPARTMENTS GROUP | 63 |
| DOOR & COMPARTMENT LAYOUT | 63 |
| COMPONENT PARTS FOR DOOR & COMPARTMENT LAYOUT | 64 |
| 084103-08-000 | 64 |
| 094708-05-01A | 65 |
| 138637-03-000, 138637-04-000 | 65 |
| COMPARTMENT DOOR PIECE PARTS | 66 |
| COMPONENT PARTS FOR COMPARTMENT DOOR PIECE PARTS | 67 |
| 110506-A1-000, 110506-A2-000, 110506-26-000, 110506-27-000, 110506-36-000 | 67 |
| 138637-03-000, 138637-04-000 | 67 |
| ENTRY | 68 |
| SCREEN | 69 |
| LATCH - ENTRY | 70 |

CONTENTS (CONTINUED)

| | |
|--|------------|
| GENERATOR GROUP | 71 |
| GAS | 71 |
| HEATING & A/C GROUP | 72 |
| FURNACE | 72 |
| COMPONENT PARTS FOR FURNACE | 73 |
| 139980-01-000 | 73 |
| 139980-02-000 | 75 |
| ROOF | 77 |
| COMPONENT PARTS FOR ROOF | 78 |
| 131185-03-01A | 78 |
| 131188-03-01A | 79 |
| 156860-01-01A | 80 |
| INTERIOR FINISH GROUP | 81 |
| MOLDINGS & TRIMS | 81 |
| PANELING & LAMINATES | 89 |
| INTERIOR TRIM LAYOUT | 90 |
| COMPONENT PARTS FOR INTERIOR TRIM LAYOUT | 91 |
| 094499-02-000 | 91 |
| FLOOR COVERINGS | 91 |
| HARDWARE | 92 |
| LABELS GROUP | 98 |
| LP GROUP | 101 |
| LP SYSTEM | 101 |
| COMPONENT PARTS FOR LP SYSTEM | 101 |
| 144116-04-000 | 101 |
| SEALANTS & FASTENERS GROUP | 102 |
| SEALANTS & ADHESIVES | 102 |
| BOLTS, NUTS AND WASHERS | 103 |
| SCREWS | 105 |
| CLAMPS, CLIPS, GROMMETS, RIVETS & PLUGS | 108 |
| MISCELLANEOUS FASTENERS | 109 |
| WATER & SEWAGE GROUP | 110 |
| DRAINAGE SYSTEM | 110 |
| COMPONENT PARTS FOR DRAINAGE SYSTEM | 111 |
| 062415-01-000 | 111 |
| 096927-01-02A | 111 |
| 147421-04-01A, 147421-05-01A | 112 |
| WATER SYSTEM | 113 |
| COMPONENT PARTS FOR WATER SYSTEM | 119 |
| 051391-03-000 | 119 |
| 098607-01-000 | 120 |
| WINDOW & VENTS GROUP | 121 |
| WINDOW & VENT LAYOUT | 121 |
| COMPONENT PARTS FOR WINDOW & VENT LAYOUT | 122 |
| 098647-27-02A, 098647-28-02A | 122 |
| 098647-29-02A, 098647-30-02A | 123 |
| 098647-31-02A, 098647-32-02A | 123 |
| 098647-38-02A | 123 |
| 098647-49-02A | 124 |
| 098647-67-01A | 125 |
| 098647-68-01A | 125 |
| 098647-72-01A | 125 |
| 098647-74-01A | 126 |
| 122882-01-01A | 126 |
| 122882-02-01A, 122882-03-01A | 127 |
| 151075-02-01A | 127 |

ACCESSORIES GROUP
OPERATORS MANUAL

| KEY | PART NUMBER | U/M | DESCRIPTION |
|------------|--------------------|------------|---|
| | 155404-01-000 | DW | TOP LEVEL-200,2007 |
| | 129079-01-01A | EA | CASE - VINYL/BLACK-EXPANDABLE ACCORDION SIDES-7"WX9"HX14"L FROM: 00-00-00 THRU: 07-09-06 |
| | 129079-04-01A | EA | CASE - VINYL/BLK-EXPANDABLE ACCORDION SIDES-11"WX9"HX14"L FROM: 07-10-06 THRU: 07-30-06 |
| | 159842-01-01A | EA | CASE - VINYL - F/MANUALS - W/SLEEVES - BLACK FROM: 07-31-06 THRU: 99-99-99 |
| | 132000-35-007 | EA | MANUAL/OWNER - IMPULSE - 200 SERIES - 2007 |
| | 158603-07-001 | EA | MANUAL/OWNER - SUPPLEMENT - 200-SERIES - 2007 |

**AUDIO VIDEO GROUP
RADIO SYSTEM**

| KEY | PART NUMBER | U/M | DESCRIPTION |
|-----|---------------|-----|--|
| | 108137-01-000 | EA | PLUG - ANTENNA |
| | 152593-01-000 | EA | BRACKET - RADIO MOUNTING - FORD |
| | 155619-02-000 | EA | RADIO - AM/FM CD-W/O REMOTE/WIRE HARNESS-MAGNADYNE M3200CD |

REAR MONITOR

| KEY | PART NUMBER | U/M | DESCRIPTION |
|-----|---------------|-----|--|
| | 156442-01-01A | EA | COLOR MONITOR/LCD - 5.6" - NO AUDIO - PLAS POD MOUNT - TAN FROM: 00-00-00 THRU: 07-09-06 |
| | 156442-02-01A | EA | COLOR MONITOR/LCD - 5.6" - NO AUDIO-PLAS POD MOUNT-TAN/BLK FROM: 07-10-06 THRU: 99-99-99 |
| | 156930-01-01A | EA | MONITOR/LCD - 5.6" - NO AUDIO - PLASTIC POD MOUNT - TAN - CHEVY FROM: 00-00-00 THRU: 07-09-06 |
| * | 156930-02-01A | EA | MONITOR/LCD - 5.6" - NO AUDIO - PLASTIC POD MOUNT - TAN - CHEVY FROM: 07-10-06 THRU: 99-99-99 |
| | 144677-04-000 | EA | CAMERA - REAR VIEW W/BRACKET - BLACK & WHITE - VBCS150 |
| | 149227-01-02B | EA | BRACKET - CAMERA - E-COATED - ASPECT, CAMBRIA |
| | 149237-01-01A | EA | SHROUD - CAMERA/OUTER - BRIGHT WHITE - ASPECT, CAMBRIA |
| | 149237-01-02A | EA | SHROUD - CAMERA/OUTER - PRIMED - ASPECT, CAMBRIA / DLX GRAPHICS |
| | 154189-04-02A | EA | COVER/TRIM - WIRING - 15.3" - ALMOND - ACCESS, IMPULSE 226A, 228P, 229T, 231C |
| | 154189-06-02A | EA | COVER/TRIM - WIRING - 17.3" - ALMOND - ACCESS, IMPULSE 224V |
| | 160883-01-02B | EA | BRACKET-MONITOR-E-COATED - ACCESS, IMPULSE / OUTLOOK, SPIRIT - FORD FROM: 06-12-06 THRU: 99-99-99 |

*COMPONENT PARTS LISTED LATER IN THIS GROUP

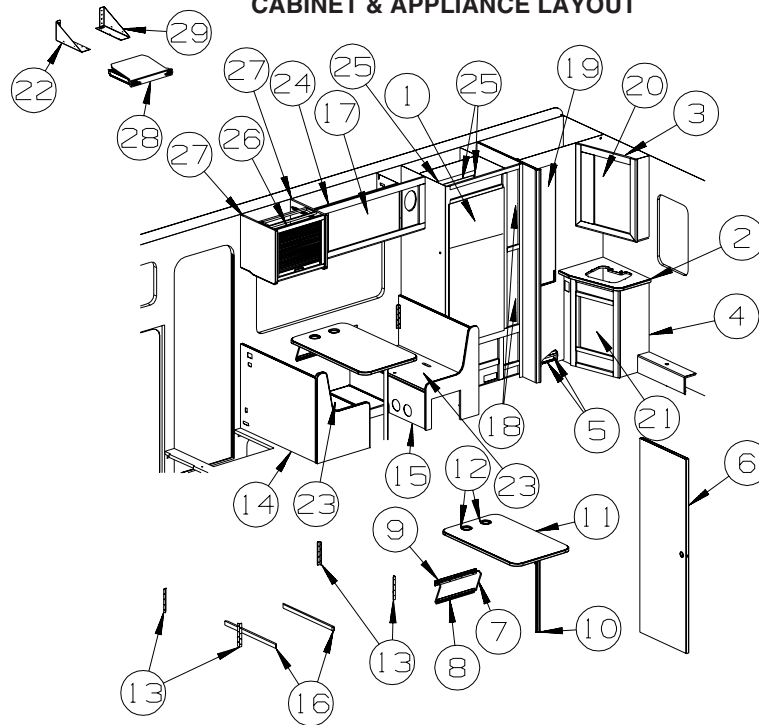
COMPONENT PARTS FOR REAR MONITOR

156930-02-01A

| KEY | PART NUMBER | U/M | DESCRIPTION | VENDOR NO. |
|-----|---------------|-----|----------------------------|------------|
| | 156930-02-700 | EA | SHROUD - REAR VIEW MONITOR | 33200012 |

CABINET & APPLIANCE GROUP

CABINET & APPLIANCE LAYOUT



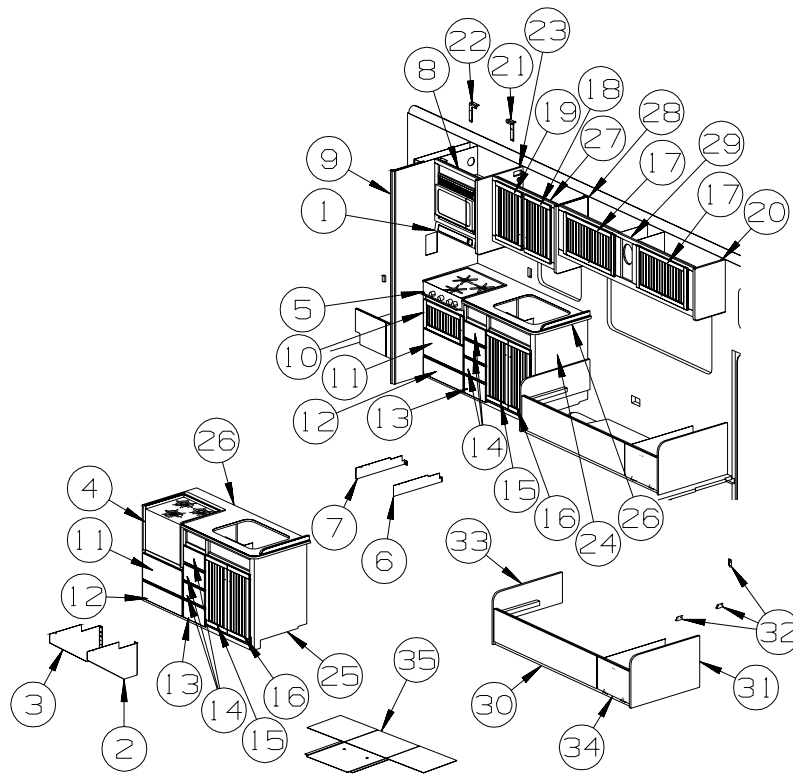
| KEY | PART NUMBER | U/M | DESCRIPTION |
|-----|---------------|-----|--|
| 1* | 121568-07-01A | EA | REFRIGERATOR - SMALL DBL DOOR-LH/2 WAY- 52.8"HX23.5"WX24"D |
| | 054450-01-000 | EA | LEVEL - REFRIGERATOR |
| | 116751-04-01A | EA | TRAY - REFRIGERATOR - BLACK |
| 2 | 133654-63-U01 | EA | COUNTERTOP - LAMINATED - HOUSE ROCK/PORTSMOUTH OAK (U07) |
| 2 | 133654-63-U02 | EA | COUNTERTOP - LAMINATED - HOUSE ROCK/SIERRA MAPLE (U08) |
| 2 | 133654-63-U03 | EA | COUNTERTOP - LAMINATED - CLASSIC ROCK/PORTSMOUTH OAK (U09) |
| 2 | 133654-63-U04 | EA | COUNTERTOP - LAMINATED - CLASSIC ROCK/SIERRA MAPLE (U10) |
| 3 | 160261-01-U01 | EA | CABINET - MEDICINE - W/O DOORS/HARDWARE - PORTSMOUTH OAK |
| 3 | 160261-01-U02 | EA | CABINET - MEDICINE - W/O DOORS/HARDWARE - SIERRA MAPLE |
| 4 | 160208-01-U01 | EA | CABINET - LAVATORY - W/O COUNTERTOP/DOORS/DRAWERS/HDW - PORTSMOUTH OAK |
| 4 | 160208-01-U02 | EA | CABINET - LAVATORY - W/O COUNTERTOP/DOORS/DRAWERS/HDW - SIERRA MAPLE |
| 5 | 152078-25-01A | EA | COVER/PIPE - 29.5" - ALMOND |
| 6 | 144645-A0-U01 | EA | DOOR - BATH - W/O TOWEL RACK/HARDWARE - PORTSMOUTH OAK |
| 6 | 144645-A0-U02 | EA | DOOR - BATH - W/O TOWEL RACK/HARDWARE - SIERRA MAPLE |
| 7 | 024275-16-000 | EA | ROD - TABLE LIFT - W/ARMS 8" & BASE ROD 18.5" - ALMOND |
| 8 | 024281-12-000 | EA | BRACKET/WALL - TABLE LIFT - 17.1" - ALMOND |
| 9 | 140921-02-02A | EA | BRACKET/TABLE SUPPORT - 18.5" - ALMOND |
| 10 | 143798-01-02A | EA | CATCH - FLOOR TO TABLE LEG - ALMOND |
| 11 | 144605-10-U01 | EA | TABLE - DINETTE - 41.6" X 25.1" - W/O HARDWARE (U07) |
| 11 | 144605-10-U02 | EA | TABLE - DINETTE - 41.6" X 25.1" - W/O HARDWARE (U08) |
| 11 | 144605-10-U03 | EA | TABLE - DINETTE - 41.6" X 25.1" - W/O HARDWARE (U09) |
| 11 | 144605-10-U04 | EA | TABLE - DINETTE - 41.6" X 25.1" - W/O HARDWARE (U10) |
| 12 | 064781-06-000 | EA | HOLDER/CUP - TWO STEP - OFF WHITE |
| | | | FROM: 00-00-00 THRU: 04-29-07 |
| 12 | 164128-02-01A | EA | HOLDER/CUP - TWO STEP - COLONIAL WHITE |
| | | | FROM: 04-30-07 THRU: 99-99-99 |
| 13 | 122021-01-02A | EA | ANGLE - W/HOLES - 8.6" LONG - OFF WHITE |
| 14 | 145004-28-U01 | EA | CABINET/DINETTE-LH-W/END CAP/BACK/FACE-W/O SEAT BOARD - PORTSMOUTH OAK |
| 14 | 145004-28-U02 | EA | CABINET/DINETTE-LH-W/END CAP/BACK/FACE-W/O SEAT BOARD - SIERRA MAPLE |
| 14 | 145004-26-U01 | EA | CABINET/DIN-LH-W/END CAP/FACE-W/O SEAT BOARD - PORTSMOUTH OAK - ENTRANCE STEP-ELEC. |
| 14 | 145004-26-U02 | EA | CABINET/DIN-LH-W/END CAP/FACE-W/O SEAT BOARD - SIERRA MAPLE - ENTRANCE STEP-ELEC. |
| 15 | 145004-27-U01 | EA | CABINET/DINETTE-RH-W/END CAP/BACK/FACE-W/O SEAT BOARD - PORTSMOUTH OAK |
| 15 | 145004-27-U02 | EA | CABINET/DINETTE-RH-W/END CAP/BACK/FACE-W/O SEAT BOARD - SIERRA MAPLE |
| 16 | 081295-01-N70 | EA | SUPPORT - BED/DINETTE - 28" LONG - PORTSMOUTH OAK |
| 16 | 081295-01-RE0 | EA | SUPPORT - BED/DINETTE - 28" LONG - SIERRA MAPLE |
| 17 | 157971-C4-U01 | EA | DOOR - HORIZ/BEADED/PENCIL EDGE - 15.5" X 29.5" - W/O HDW - PORTSMOUTH OAK |
| 17 | 157971-C4-U02 | EA | DOOR - HORIZ/BEADED/PENCIL EDGE - 15.5" X 29.5" - W/O HDW - SIERRA MAPLE |
| 18 | 145298-67-U01 | EA | DOOR - SOLID PANEL/PENCIL EDGE - 6.3" X 29.5" - W/O HDW - PORTSMOUTH OAK |
| 18 | 145298-67-U02 | EA | DOOR - SOLID PANEL/PENCIL EDGE - 6.3" X 29.5" - W/O HDW - SIERRA MAPLE |

CABINET & APPLIANCE GROUP (CONTINUED)
CABINET & APPLIANCE LAYOUT (CONTINUED)

| KEY | PART NUMBER | U/M | DESCRIPTION |
|-----|---------------|-----|--|
| 19 | 157972-C7-U01 | EA | DOOR - VERT/BEADED/PENCIL EDGE - 15.5" X 45.4" - W/O HDW - PORTSMOUTH OAK |
| 19 | 157972-C7-U02 | EA | DOOR - VERT/BEADED/PENCIL EDGE - 15.5" X 45.4" - W/O HDW - SIERRA MAPLE |
| 20 | 145576-B7-U01 | EA | DOOR - MIRRORED - 17.5" X 27.9" - W/O HARDWARE - PORTSMOUTH OAK |
| 20 | 145576-B7-U02 | EA | DOOR - MIRRORED - 17.5" X 27.9" - W/O HARDWARE - SIERRA MAPLE |
| | 093606-28-000 | EA | MIRROR - BEVELED EDGE - 17.5" X 27.9" |
| 21 | 157972-D1-U01 | EA | DOOR - VERT/BEADED/PENCIL EDGE - 15.7" X 20.4" - W/O HDW - PORTSMOUTH OAK |
| 21 | 157972-D1-U02 | EA | DOOR - VERT/BEADED/PENCIL EDGE - 15.7" X 20.4" - W/O HDW - SIERRA MAPLE |
| 22 | 122298-03-02B | EA | BRACKET - TV/VCR W/ANGLE - RH HAND - E-COATED |
| 23 | 091261-01-000 | FT | SLIPNOT - ANTISLIP - 1' WIDE X 12' - BLACK |
| | | | FROM: 00-00-00 THRU: 10-22-06 |
| 23 | 096764-02-000 | FT | SLIPNOT - ANTISLIP - 1'WIDE (180' ROLLS) - WHITE |
| | | | FROM: 10-23-06 THRU: 99-99-99 |
| 24 | 160092-01-U07 | EA | CABINET - OVERHEAD/DINETTE - W/O DOORS/HDW |
| 24 | 160092-01-U08 | EA | CABINET - OVERHEAD/DINETTE - W/O DOORS/HDW |
| 24 | 160092-01-U09 | EA | CABINET - OVERHEAD/DINETTE - W/O DOORS/HDW |
| 24 | 160092-01-U10 | EA | CABINET - OVERHEAD/DINETTE - W/O DOORS/HDW |
| 25 | | | REFRIGERATOR CABINET SEALS |
| | 090329-01-000 | FT | SEAL - "T" - REFRIGERATOR CABINET |
| 26 | 159610-05-U01 | EA | CABINET - OVERHEAD/TV - W/TAMBOUR DOOR - PORTSMOUTH OAK |
| | | | FROM: 00-00-00 THRU: 10-14-06 |
| 26 | 161423-02-U01 | EA | CABINET - OVERHEAD/STORAGE - W/O TV SLIDE - W/TAMBOUR DOOR - PORTSMOUTH OAK |
| | | | FROM: 10-15-06 THRU: 11-05-06 |
| 26 | 161423-06-U01 | EA | CABINET - OVERHEAD/STORAGE - W/O TV SLIDE - W/TAMBOUR DOOR - PORTSMOUTH OAK |
| | | | FROM: 11-06-06 THRU: 99-99-99 |
| 26 | 159610-05-U02 | EA | CABINET - OVERHEAD/TV - W/TAMBOUR DOOR - SIERRA MAPLE |
| | | | FROM: 00-00-00 THRU: 10-14-06 |
| 26 | 161423-02-U02 | EA | CABINET - OVERHEAD/STORAGE - W/O TV SLIDE - W/TAMBOUR DOOR - SIERRA MAPLE |
| | | | FROM: 10-15-06 THRU: 11-05-06 |
| 26 | 161423-06-U02 | EA | CABINET - OVERHEAD/STORAGE - W/O TV SLIDE - W/TAMBOUR DOOR - SIERRA MAPLE |
| | | | FROM: 11-06-06 THRU: 99-99-99 |
| 26 | 159610-04-U01 | EA | CABINET - OVERHEAD/TV - W/TAMBOUR DOOR - PORTSMOUTH OAK - TV-13" W/DVD-12V |
| 26 | 159610-04-U02 | EA | CABINET - OVERHEAD/TV - W/TAMBOUR DOOR - SIERRA MAPLE - TV-13" W/DVD-12V |
| 26 | 161423-01-U01 | EA | CABINET - OVERHEAD/TV - W/TAMBOUR DOOR - PORTSMOUTH OAK - TV-14" DC, LCD, & DVD, DC |
| | | | FROM: 00-00-00 THRU: 11-05-06 |
| 26 | 161423-05-U01 | EA | CABINET - OVERHEAD/TV - W/TAMBOUR DOOR - PORTSMOUTH OAK - TV-14" DC, LCD, & DVD, DC |
| | | | FROM: 11-06-06 THRU: 99-99-99 |
| 26 | 161423-01-U02 | EA | CABINET - OVERHEAD/TV - W/TAMBOUR DOOR - SIERRA MAPLE - TV-14" DC, LCD, & DVD, DC |
| | | | FROM: 00-00-00 THRU: 11-05-06 |
| 26 | 161423-05-U02 | EA | CABINET - OVERHEAD/TV - W/TAMBOUR DOOR - SIERRA MAPLE - TV-14" DC, LCD, & DVD, DC |
| | | | FROM: 11-06-06 THRU: 99-99-99 |
| 27 | 140307-62-U01 | EA | END CAP - OVERHEAD CABINET - PORTSMOUTH OAK |
| | | | FROM: 00-00-00 THRU: 10-16-06 |
| 27 | 140307-52-U01 | EA | END CAP - OVERHEAD CABINET - PORTSMOUTH OAK |
| | | | FROM: 10-17-06 THRU: 99-99-99 |
| 27 | 140307-62-U02 | EA | END CAP - OVERHEAD CABINET - SIERRA MAPLE |
| | | | FROM: 00-00-00 THRU: 10-16-06 |
| 27 | 140307-52-U02 | EA | END CAP - OVERHEAD CABINET - SIERRA MAPLE |
| | | | FROM: 10-17-06 THRU: 99-99-99 |
| 27 | 140307-62-U01 | EA | END CAP - OVERHEAD CABINET - PORTSMOUTH OAK - TV-13" W/DVD-12V |
| 27 | 140307-62-U02 | EA | END CAP - OVERHEAD CABINET - SIERRA MAPLE - TV-13" W/DVD-12V |
| 27 | 140307-52-U01 | EA | END CAP - OVERHEAD CABINET - PORTSMOUTH OAK - TV-14" DC, LCD, & DVD, DC |
| 27 | 140307-52-U02 | EA | END CAP - OVERHEAD CABINET - SIERRA MAPLE - TV-14" DC, LCD, & DVD, DC |
| 28 | 159610-18-T11 | EA | SHELF - W/SLIDE AND SWIVEL - PORTSMOUTH OAK - TV-13" W/DVD-12V |
| 28 | 159610-18-TK0 | EA | SHELF - W/SLIDE AND SWIVEL - SIERRA MAPLE - TV-13" W/DVD-12V |
| 28 | 161423-21-U01 | EA | SHELF - W/SLIDE AND SWIVEL - PORTSMOUTH OAK - TV-14" DC, LCD, & DVD, DC |
| 28 | 161423-21-U02 | EA | SHELF - W/SLIDE AND SWIVEL - SIERRA MAPLE - TV-14" DC, LCD, & DVD, DC |
| | 116773-02-000 | EA | SWIVEL/SLIDES-F/TV SHELF-17.9"DX1.6"HX15.3"W - TV-13" W/DVD-12V OR TV-14" DC, LCD, & DVD, DC |
| 29 | 122298-02-02B | EA | BRACKET - TV/VCR W/ANGLE - LH HAND - E-COATED |

*COMPONENT PARTS LISTED LATER IN THIS GROUP

CABINET & APPLIANCE GROUP (CONTINUED)
CABINET & APPLIANCE LAYOUT (CONTINUED)



| KEY | PART NUMBER | U/M | DESCRIPTION |
|-----|---------------|-----|--|
| 1* | 136354-05-01A | EA | HOOD - RANGE - W/LITE/FAN - BLACK TEXTURED - UL |
| 1* | 136354-06-01A | EA | HOOD - RANGE - W/LITE/FAN - BLACK TEXTURED - CSA - CANADIAN |
| 2 | 140176-03-02B | EA | BRACKET/TIEDOWN - STOVE - E-COATED - RANGE 3 BURNER WITH OVEN |
| 3 | 140176-04-02B | EA | BRACKET/TIEDOWN - STOVE - E-COATED - RANGE 3 BURNER WITH OVEN |
| 4* | 151277-01-01A | EA | RANGE-16"-3 BURNER - MERCURY FREE - BLACK DOOR/TEXTURED - RANGE 3 BURNER WITH OVEN |
| 5* | 114030-04-01A | EA | RANGE - 3 BRNR TOP/NEW STYLE KNOBS/GRATES-W/O OVEN-BLK |
| 6 | 142139-15-02B | EA | BRACKET/TIEDOWN - STOVE - E-COATED |
| 7 | 142139-16-02B | EA | BRACKET/TIEDOWN - STOVE - E-COATED |
| 8 | 160302-01-U07 | EA | CABINET - OVERHEAD/MICROWAVE - W/O DOORS/HDW |
| 8 | 160302-01-U08 | EA | CABINET - OVERHEAD/MICROWAVE - W/O DOORS/HDW |
| 8 | 160302-01-U09 | EA | CABINET - OVERHEAD/MICROWAVE - W/O DOORS/HDW |
| 8 | 160302-01-U10 | EA | CABINET - OVERHEAD/MICROWAVE - W/O DOORS/HDW |
| 9 | 105394-02-09A | EA | JAMB - DOOR/MOLDED PLASTIC - 79.8" - PORTSMOUTH OAK |
| 9 | 105394-02-08A | EA | JAMB - DOOR/MOLDED PLASTIC - 79.8" - SIERRA MAPLE |
| 10 | 147084-51-U01 | EA | DOOR - FLAT PANEL/PENCIL EDGE - 21.8" X 10.8" W/O HDW - PORTSMOUTH OAK |
| 10 | 147084-51-U02 | EA | DOOR - FLAT PANEL/PENCIL EDGE - 21.8" X 10.8" W/O HDW - SIERRA MAPLE |
| 11 | 153121-RT-U01 | EA | DRAWER - PENCIL EDGE - 19.8" X 15.7" - W/O SLIDES/HDW - PORTSMOUTH OAK |
| 11 | 153121-RT-U02 | EA | DRAWER - PENCIL EDGE - 19.8" X 15.7" - W/O SLIDES/HDW - SIERRA MAPLE |
| 12 | 153121-RJ-U01 | EA | DRAWER - SQUARE EDGE - 19.8"W X 15.7"D - W/O SLIDES/HDW - PORTSMOUTH OAK |
| 12 | 153121-RJ-U02 | EA | DRAWER - SQUARE EDGE - 19.8"W X 15.7"D - W/O SLIDES/HDW - SIERRA MAPLE |
| 13 | 153121-RU-U01 | EA | DRAWER - PENCIL EDGE - 10" X 15.7" - W/O SLIDES/HDW - PORTSMOUTH OAK |
| 13 | 153121-RU-U02 | EA | DRAWER - PENCIL EDGE - 10" X 15.7" - W/O SLIDES/HDW - SIERRA MAPLE |
| 14 | 153121-PY-U01 | EA | DRAWER - PENCIL EDGE - 10"W X 17.7"D - W/O SLIDES/HDW - PORTSMOUTH OAK |
| 14 | 153121-PY-U02 | EA | DRAWER - PENCIL EDGE - 10"W X 17.7"D - W/O SLIDES/HDW - SIERRA MAPLE |
| 15 | 157972-71-U01 | EA | DOOR - VERT/BEADED/PENCIL EDGE - 12" X 26" - W/O HDW - PORTSMOUTH OAK |
| 15 | 157972-71-U02 | EA | DOOR - VERT/BEADED/PENCIL EDGE - 12" X 26" - W/O HDW - SIERRA MAPLE |
| 16 | 157972-72-U01 | EA | DOOR - VERT/BEADED/PENCIL EDGE - 12" X 26" - W/O HDW - PORTSMOUTH OAK |
| 16 | 157972-72-U02 | EA | DOOR - VERT/BEADED/PENCIL EDGE - 12" X 26" - W/O HDW - SIERRA MAPLE |
| 17 | 157971-D3-U01 | EA | DOOR - HORIZ/BEADED/PENCIL EDGE - 15.7" X 27.9" - W/O HDW - PORTSMOUTH OAK |
| 17 | 157971-D3-U02 | EA | DOOR - HORIZ/BEADED/PENCIL EDGE - 15.7" X 27.9" - W/O HDW - SIERRA MAPLE |
| 18 | 157972-A7-U01 | EA | DOOR - VERT/BEADED/PENCIL EDGE - 14.3" X 21.8" - W/O HDW - PORTSMOUTH OAK |
| 18 | 157972-A7-U02 | EA | DOOR - VERT/BEADED/PENCIL EDGE - 14.3" X 21.8" - W/O HDW - SIERRA MAPLE |
| 19 | 157972-A8-U01 | EA | DOOR - VERT/BEADED/PENCIL EDGE - 14.3" X 21.8" - W/O HDW - PORTSMOUTH OAK |
| 19 | 157972-A8-U02 | EA | DOOR - VERT/BEADED/PENCIL EDGE - 14.3" X 21.8" - W/O HDW - SIERRA MAPLE |
| 20 | 140307-56-U01 | EA | END CAP - OVERHEAD CABINET - PORTSMOUTH OAK |
| 20 | 140307-56-U02 | EA | END CAP - OVERHEAD CABINET - SIERRA MAPLE |

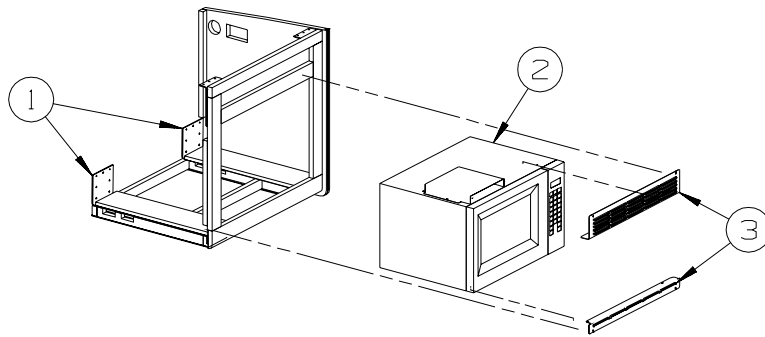
CABINET & APPLIANCE GROUP (CONTINUED)
CABINET & APPLIANCE LAYOUT (CONTINUED)

| KEY | PART NUMBER | U/M | DESCRIPTION |
|-----|---------------|-----|--|
| 21 | 149420-05-02B | EA | BRACE - MICROWAVE - E-COATED |
| 22 | 149420-06-02B | EA | BRACE - MICROWAVE - E-COATED |
| 23 | 140307-66-U01 | EA | END CAP - OVERHEAD CABINET - PORTSMOUTH OAK |
| 23 | 140307-66-U02 | EA | END CAP - OVERHEAD CABINET - SIERRA MAPLE |
| 24 | P60127-01-U01 | EA | CABINET - GALLEY - W/O COUNTERTOP/DOORS/DRAWERS/HDW - PORTSMOUTH OAK |
| 24 | P60127-01-U02 | EA | CABINET - GALLEY - W/O COUNTERTOP/DOORS/DRAWERS/HDW - SIERRA MAPLE |
| 25 | P60127-02-U01 | EA | CABINT-GALLEY-W/O CNTRTP/DR/DRWRS/HDW - PORTSMOUTH OAK - RANGE 3 BURNER WITH OVEN |
| 25 | P60127-02-U02 | EA | CABINET - GALLEY-W/O CNTRTP/DR/DRWRS/HDW - SIERRA MAPLE - RANGE 3 BURNER WITH OVEN |
| 26 | 133653-74-U01 | EA | COUNTERTOP - LAMINATED - HOUSE ROCK/PORTSMOUTH OAK (U07) |
| 26 | 133653-74-U02 | EA | COUNTERTOP - LAMINATED - HOUSE ROCK/SIERRA MAPLE (U08) |
| 26 | 133653-74-U03 | EA | COUNTERTOP - LAMINATED - CLASSIC ROCK/PORTSMOUTH OAK (U09) |
| 26 | 133653-74-U04 | EA | COUNTERTOP - LAMINATED - CLASSIC ROCK/SIERRA MAPLE (U10) |
| 27 | 160407-01-U01 | EA | CABINET - OVERHEAD/GALLEY - W/O DOORS/HDW - PORTSMOUTH OAK |
| 27 | 160407-01-U02 | EA | CABINET - OVERHEAD/GALLEY - W/O DOORS/HDW - SIERRA MAPLE |
| 28 | 140307-54-U01 | EA | END CAP - OVERHEAD CABINET - PORTSMOUTH OAK |
| 28 | 140307-54-U02 | EA | END CAP - OVERHEAD CABINET - SIERRA MAPLE |
| 29 | 160111-01-U07 | EA | CABINET - OVERHEAD/COUCH - W/O DOORS/HDW |
| 29 | 160111-01-U08 | EA | CABINET - OVERHEAD/COUCH - W/O DOORS/HDW |
| 29 | 160111-01-U09 | EA | CABINET - OVERHEAD/COUCH - W/O DOORS/HDW |
| 29 | 160111-01-U10 | EA | CABINET - OVERHEAD/COUCH - W/O DOORS/HDW |
| 30 | M08107-39-U07 | EA | PANEL/FRONT KICK - SOFA/BED - FABRIC COVERED |
| 30 | M08107-39-U08 | EA | PANEL/FRONT KICK - SOFA/BED - FABRIC COVERED |
| 30 | M08107-39-U09 | EA | PANEL/FRONT KICK - SOFA/BED - FABRIC COVERED |
| 30 | M08107-39-U10 | EA | PANEL/FRONT KICK - SOFA/BED - FABRIC COVERED |
| 31 | M08107-40-U07 | EA | PANEL/LEFT END - SOFA/BED - FABRIC COVERED (U07, U08) |
| 31 | M08107-40-U09 | EA | PANEL/LEFT END - SOFA/BED - FABRIC COVERED (U09, U10) |
| 32 | 156732-01-02A | EA | BRACE - ANGLE/COUCH - 2.5" - OFF WHITE |
| 33 | M08107-41-U07 | EA | PANEL/RIGHT END - SOFA/BED - FABRIC COVERED (U07, U08) |
| 33 | M08107-41-U09 | EA | PANEL/RIGHT END - SOFA/BED - FABRIC COVERED (U09, U10) |
| 34 | M08107-43-U07 | EA | PANEL/FRONT KICK - SOFA/BED - FABRIC COVERED |
| 34 | M08107-43-U08 | EA | PANEL/FRONT KICK - SOFA/BED - FABRIC COVERED |
| 34 | M08107-43-U09 | EA | PANEL/FRONT KICK - SOFA/BED - FABRIC COVERED |
| 34 | M08107-43-U10 | EA | PANEL/FRONT KICK - SOFA/BED - FABRIC COVERED |
| 41 | 162694-01-01A | EA | ENCLOSURE - STOVE - 20.7"W X 16.1"H X 18.7"D - RANGE 3 BURNER WITH OVEN |

FROM: 01-02-07 THRU: 99-99-99

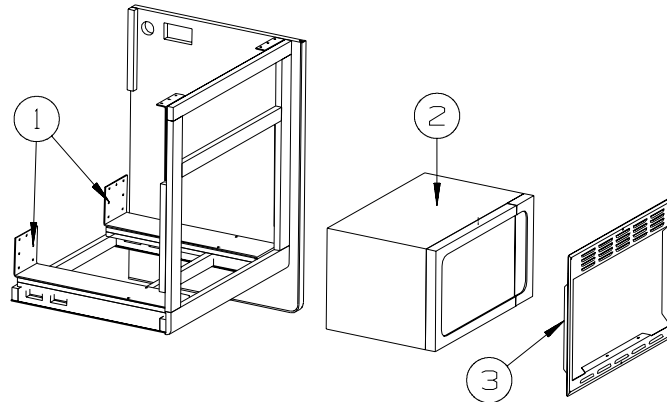
***COMPONENT PARTS LISTED LATER IN THIS GROUP**

CABINET & APPLIANCE GROUP (CONTINUED)
CABINET & APPLIANCE LAYOUT (CONTINUED)



FROM: 00-00-00 THRU: 02-08-06

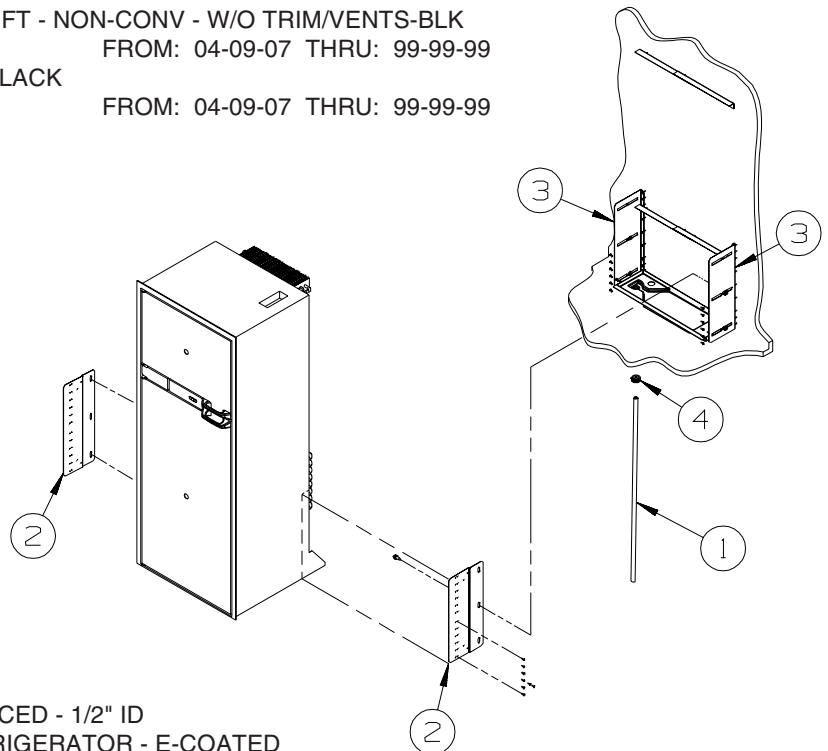
| KEY | PART NUMBER | U/M DESCRIPTION |
|-----|---------------|--|
| 1 | 143759-11-02B | EA BRACKET - MICROWAVE - E-COATED |
| 2 | 153390-01-01A | EA OVEN/MICROWAVE - 1.1 CU FT-NON-CONV-W/O TRIM-BLACK-UL/CSA |
| 3 | 153390-02-01A | EA TRIM KIT W/VENT - MICROWAVE 1.1 CU FT - BLACK - WHIRLPOOL |



FROM: 02-09-06 THRU: 99-99-99

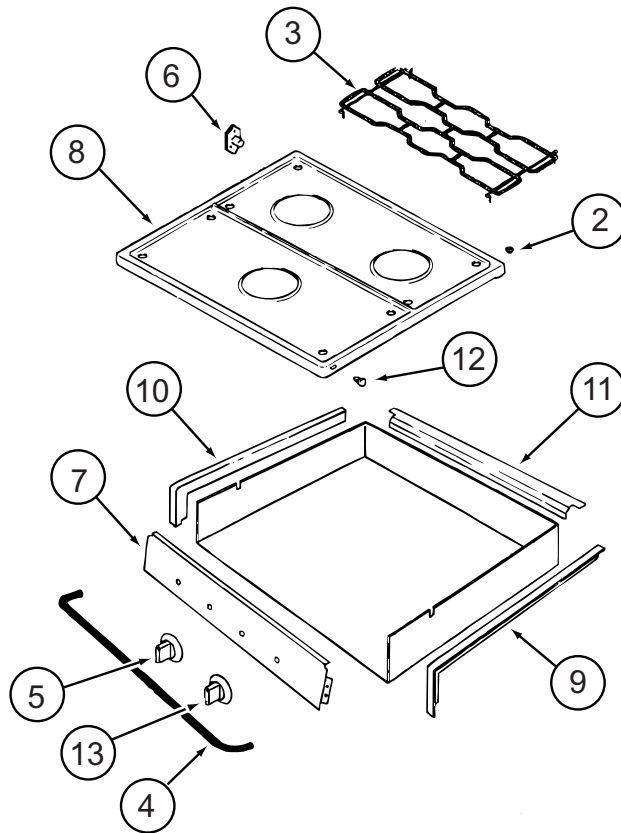
| KEY | PART NUMBER | U/M DESCRIPTION |
|-----|---------------|---|
| 1 | 143759-11-02B | EA BRACKET - MICROWAVE - E-COATED |
| 2* | 158686-01-01A | EA OVEN/MICROWAVE - .9 CU FT - NON-CONV - BLACK FROM: 00-00-00 THRU: 04-08-07 |
| 2 | 158686-02-01A | EA OVEN/MICROWAVE - .9 CU FT - NON-CONV - W/O TRIM/VENTS-BLK FROM: 04-09-07 THRU: 99-99-99 |
| 3 | 164197-01-01A | EA TRIM KIT - MICROWAVE - BLACK FROM: 04-09-07 THRU: 99-99-99 |

***COMPONENT PARTS LISTED LATER IN THIS GROUP**



| KEY | PART NUMBER | U/M DESCRIPTION |
|-----|---------------|--|
| 1 | 112176-01-000 | FT TUBING - VINYL - REINFORCED - 1/2" ID |
| 2 | 150740-01-02B | EA BRACKET/TIEDOWN - REFRIGERATOR - E-COATED |
| 3 | 150740-02-02B | EA BRACKET/TIEDOWN - REFRIGERATOR - E-COATED |
| 4 | 152417-01-01A | EA CLAMP/RATCHET - F/REFRIGERATOR DRIP TRAY HOSE - BLACK |

CABINET & APPLIANCE GROUP (CONTINUED)
COMPONENT PARTS FOR CABINET & APPLIANCE LAYOUT

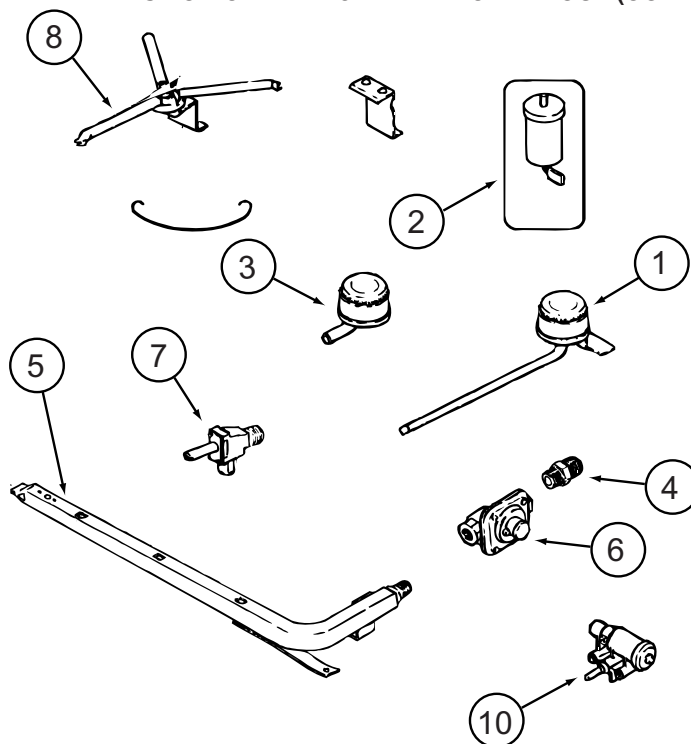


114030-04-01A

| KEY | PART NUMBER | U/M | DESCRIPTION | VENDOR NO. |
|-----|---------------|-----|-----------------------------|------------------|
| 2 | 102020-01-709 | EA | BUMPER-GRATE | 8007P020-60 |
| 3 | 112881-04-702 | EA | GRATE - BLACK | 74007277 |
| 4 | 114030-02-700 | EA | GUARD/FABRIC - TOWEL BAR | 3609F006-70 |
| 5 | 128728-01-701 | EA | KNOB - BURNER - REAR | 74003941 (1 PER) |
| 5 | 128728-01-702 | EA | KNOB - BURNER - FRONT | 74003942 |
| 6 | 128728-01-703 | EA | PIN/T-NUT F/HINGE | 7103P109-60 |
| 7 | 114030-04-700 | EA | PANEL - MANIFOLD - BLACK | 74007325 |
| 8 | 126023-01-728 | EA | TOP - MAIN (BLACK) | 74003323 |
| 9 | 114030-01-704 | EA | TRIM - RIGHT/BLACK TEXTURED | 74002839 |
| 10 | 114030-01-705 | EA | TRIM - LEFT/BLACK TEXTURED | 74002840 |
| 11 | 114030-01-706 | EA | TRIM - REAR/BLACK TEXTURED | 74002841 |
| 12 | 102020-01-724 | EA | BUMPER - MAIN TOP | 8003P008-60 |
| 13 | 128728-01-707 | EA | KNOB - IGNITER | 74003944 |

CONTACT WINNEBAGO PART SALES FOR UNLISTED COMPONENT(S)

CABINET & APPLIANCE GROUP (CONTINUED)
COMPONENT PARTS FOR CABINET & APPLIANCE LAYOUT (CONTINUED)

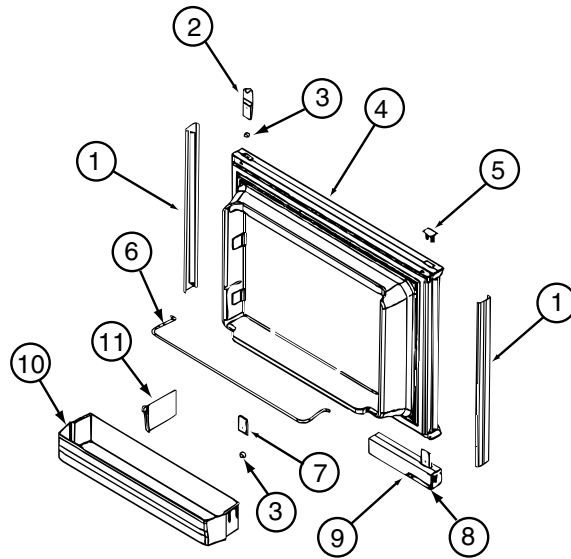


114030-04-01A (CONTINUED)

| KEY | PART NUMBER | U/M | DESCRIPTION | VENDOR NO. |
|-----|---------------|-----|---------------------------------|-------------|
| 1 | 112881-04-700 | EA | BURNER - TOP /LEFT REAR | 74004584 |
| 1 | 126023-01-700 | EA | BURNER - TOP (RT-REAR) 5100 BTU | 74004583 |
| 2 | 112881-04-705 | EA | PUSH RING (ELECTRODE MTG) | 7104P002-60 |
| 2 | 126023-01-711 | EA | ELECTRODE - IGNITER (ONLY) | 7432P077-60 |
| 3 | 112881-04-701 | EA | BURNER - TOP/FRONT | 74004582 |
| 4 | 135065-03-700 | EA | FITTING - HALF UNION | 74004234 |
| 5 | 135065-01-702 | EA | PIPE/MANIFOLD | 74004642 |
| 6 | 126023-02-702 | EA | PIPE - MANIFOLD | 74004360 |
| 7 | 126023-02-705 | EA | VALVE - BURNER - REAR | 74004362 |
| 7 | 126023-02-706 | EA | VALVE - BURNER - FRONT | 74004363 |
| 8 | 126023-01-736 | EA | FLASH TUBE EXTENSION (REAR) | 74003326 |
| 8 | 126023-01-737 | EA | FLASH TUBE EXTENSION (FRONT) | 74003327 |
| 10 | 126023-01-719 | EA | IGNITER HEAD - TOP BURNER | 74002413 |
| | 126023-02-703 | EA | REGULATOR - PRESSURE | 74004235 |

CONTACT WINNEBAGO PART SALES FOR UNLISTED COMPONENT(S)

CABINET & APPLIANCE GROUP (CONTINUED)
COMPONENT PARTS FOR CABINET & APPLIANCE LAYOUT (CONTINUED)

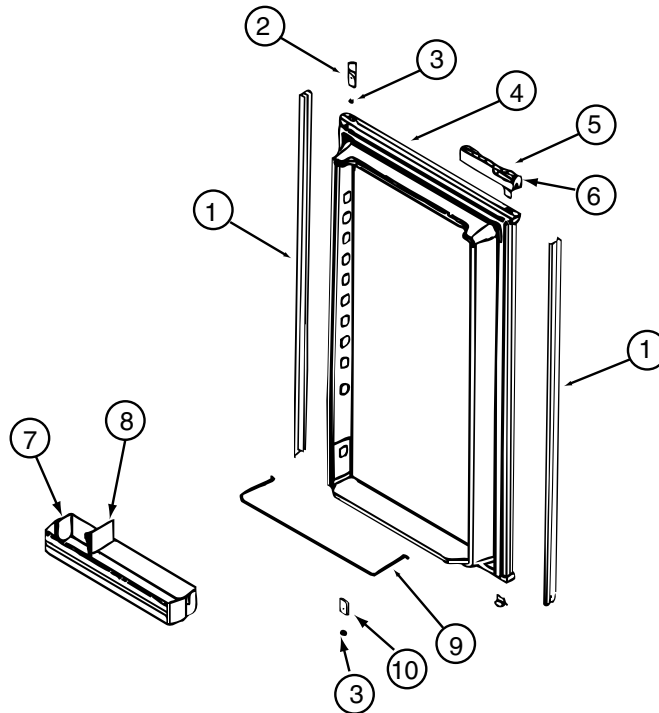


121568-06-01A, 121568-07-01A, 121568-08-01A

| KEY | PART NUMBER | U/M | DESCRIPTION | VENDOR NO. |
|-----|---------------|-----|------------------------------|--------------------|
| 1 | 121568-03-700 | EA | RETAINER-DOOR PNL/WAFFLE/BLK | 619558-WDL-UPPER |
| 2 | 120075-01-701 | EA | HINGE-TOP RH/BOTTOM LH(DOOR) | 618511 |
| 3 | 121568-03-701 | EA | BUSHING - HINGE PIN/GRAY | 619671 |
| 4 | 121568-03-702 | EA | DOOR LINER-UPR/WAFFLED/BLACK | 619627 - SMALL WDL |
| 5 | 120075-01-702 | EA | CAP, (HINGE PLUG) | 618160 |
| 6 | 121568-01-700 | EA | RAIL - DOOR UPPER | 618618 |
| 7 | 120075-01-705 | EA | HINGE-TOP LH/BOTTOM RH(DOOR) | 618510 |
| 8 | 121568-03-705 | EA | STORAGE LATCH - GRAY | 619648 |
| 9 | 121568-03-721 | EA | HANDLE/DOOR UPPER RH SWING | 621465 |
| 9 | 121568-03-722 | EA | HANDLE/DOOR LOWER RH SWING | 621469 |
| 10 | 121568-01-701 | EA | BIN - DOOR WHITE-WAFFLED LNR | 618619 WDL |

CONTACT WINNEBAGO PART SALES FOR UNLISTED COMPONENT(S)

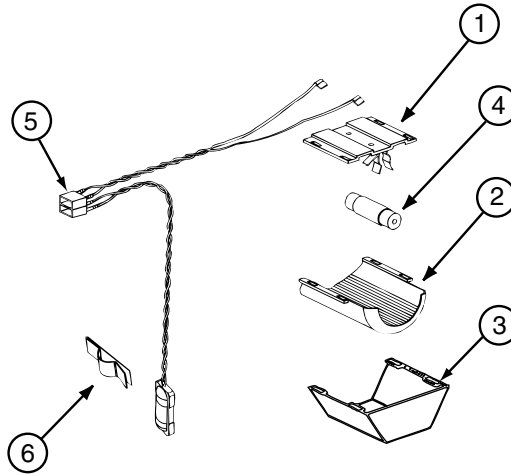
CABINET & APPLIANCE GROUP (CONTINUED)
COMPONENT PARTS FOR CABINET & APPLIANCE LAYOUT (CONTINUED)



121568-06-01A, 121568-07-01A, 121568-08-01A (CONTINUED)

| KEY | PART NUMBER | U/M | DESCRIPTION | VENDOR NO. |
|-----|---------------|-----|------------------------------|------------------|
| 1 | 121568-03-706 | EA | RETAINER-DOOR PNL/WAFFLE/BLK | 619559-WDL-LOWER |
| 2 | 120075-01-701 | EA | HINGE-TOP RH/BOTTOM LH(DOOR) | 618511 |
| 3 | 121568-03-701 | EA | BUSHING - HINGE PIN/GRAY | 619671 |
| 4 | 121568-03-707 | EA | DOOR LINER-LWR/WAFFLED/B/TRM | 619629 |
| 5 | 121568-03-721 | EA | HANDLE/DOOR UPPER RH SWING | 621465 |
| 5 | 121568-03-722 | EA | HANDLE/DOOR LOWER RH SWING | 621469 |
| 6 | 121568-03-705 | EA | STORAGE LATCH - GRAY | 619648 |
| 7 | 121568-01-701 | EA | BIN - DOOR WHITE-WAFFLED LNR | 618619 WDL |
| 9 | 121568-01-704 | EA | RAIL - DOOR LOWER | 618578 |
| 10 | 120075-01-705 | EA | HINGE-TOP LH/BOTTOM RH(DOOR) | 618510 |

CONTACT WINNEBAGO PART SALES FOR UNLISTED COMPONENT(S)

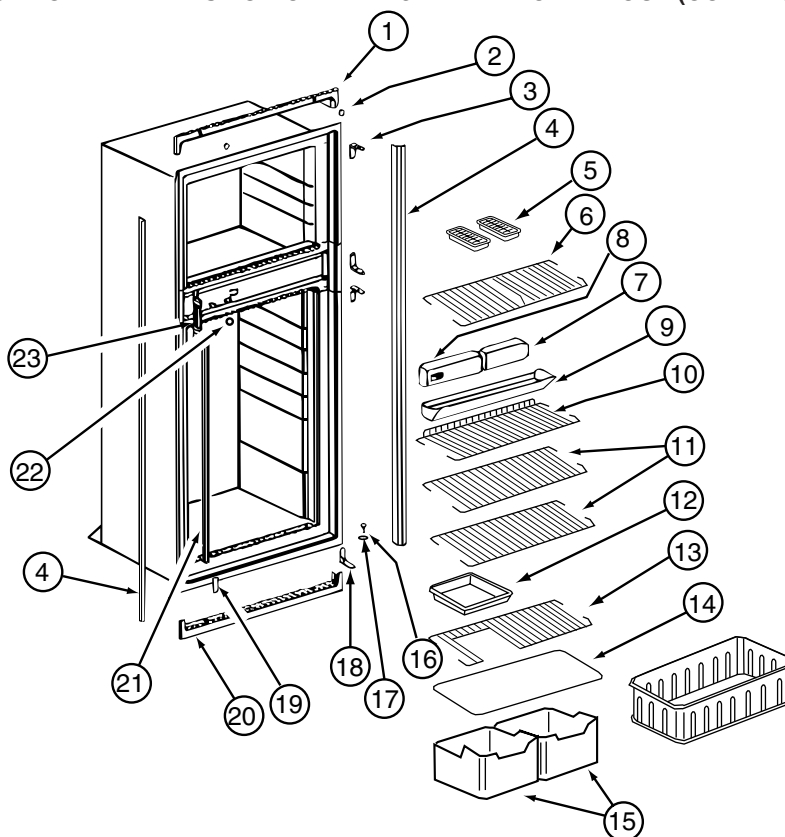


121568-03-01A, 121568-04-01A, 121568-05-01A, 121568-06-01A, 121568-07-01A, 121568-08-01A (CONTINUED)

| KEY | PART NUMBER | U/M | DESCRIPTION | VENDOR NO. |
|-----|---------------|-----|------------------------------|------------|
| 1 | 084880-01-760 | EA | CLIP (THERMISTER) | 61689122 |
| 2 | 120075-01-735 | EA | THERMISTER W/LAMP & WIRE/ASM | 618548 |
| 3 | 084880-03-705 | EA | BRACKET-LIGHT-INTERIOR | 61629722 |
| 4 | 084880-03-706 | EA | BULB-LAMP | 61628922 |
| 6 | 084880-03-707 | EA | COVER-LAMP, LENS | 61627922 |

CONTACT WINNEBAGO PART SALES FOR UNLISTED COMPONENT(S)

CABINET & APPLIANCE GROUP (CONTINUED)
COMPONENT PARTS FOR CABINET & APPLIANCE LAYOUT (CONTINUED)

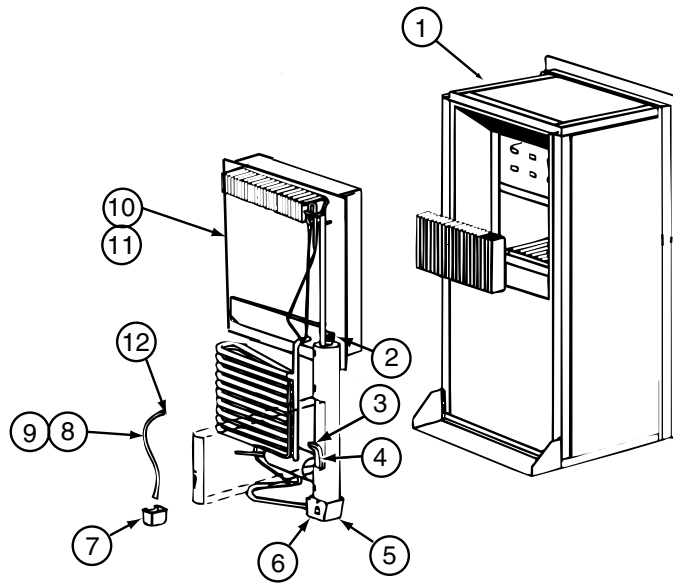


121568-06-01A, 121568-07-01A, 121568-08-01A (CONTINUED)

| KEY | PART NUMBER | U/M | DESCRIPTION | VENDOR NO. |
|-----|---------------|-----|-----------------------------|----------------|
| 1 | 120075-01-713 | EA | TRIM-TOP PIECE | 619687 |
| 2 | 120075-01-714 | EA | PLUG-HOLE (BLACK) | 618170 |
| 3 | 121568-03-710 | EA | HINGE/CABINET-TOP/RH-LWR/LH | 619335 WAFFLED |
| 4 | 121568-03-711 | EA | TRIM - SIDE/BLACK | 622295 |
| 6 | 121568-01-705 | EA | SHELF - WIRE FREEZER | 620250 |
| 7 | 121568-06-700 | EA | FRONT BOX-N611 | 622002 |
| 8 | 121568-06-701 | EA | CONTROL ASSY-OPTICAL/N611 | 621988 |
| 9 | 120075-01-720 | EA | TRAY-DRIP | 623250 |
| 9 | 120075-01-721 | EA | LOUVER-DRIP TRAY | 618176 |
| 11 | 121568-01-708 | EA | SHELF - WIRE | 620273 |
| 13 | 121568-01-707 | EA | SHELF - WIRE - SHORT | 620272 |
| 14 | 120075-01-725 | EA | COVER-CRISPER - 18.5" WIDE | 618158 |
| 15 | 121568-01-709 | EA | CRISPER | 618571 |
| 16 | 120075-01-727 | EA | PIN-HINGE | 618145 |
| 17 | 121568-03-701 | EA | BUSHING - HINGE PIN/GRAY | 619671 |
| 18 | 121568-03-715 | EA | HINGE/CABINET-TOP/LH-LWR/RH | 619336 WAFFLED |
| 19 | 121568-03-716 | EA | COVER - HINGE HOLES | 619301 |
| 20 | 120075-01-729 | EA | TRIM-BOTTOM PIECE | 620958 |
| 21 | 121568-06-702 | EA | CLIP - SHELF | 61536522 |
| 22 | 121568-06-703 | EA | HOLE PLUG - WHITE | 620282 |
| 23 | 120075-01-732 | EA | PLATE-STRIKE | 618167 |

CONTACT WINNEBAGO PART SALES FOR UNLISTED COMPONENT(S)

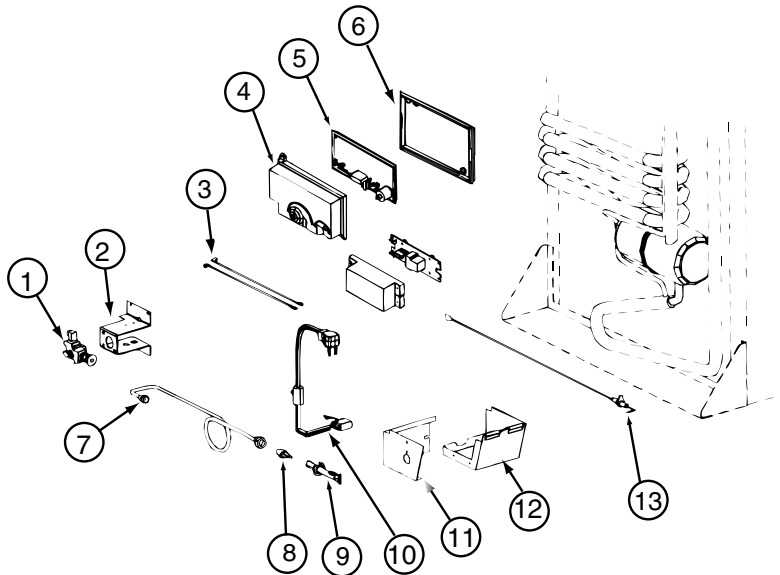
CABINET & APPLIANCE GROUP (CONTINUED)
COMPONENT PARTS FOR CABINET & APPLIANCE LAYOUT (CONTINUED)



121568-06-01A, 121568-07-01A, 121568-08-01A (CONTINUED)

| KEY | PART NUMBER | U/M | DESCRIPTION | VENDOR NO. |
|-----|---------------|-----|----------------------------|------------|
| 4 | 121568-06-704 | EA | HEATER-AC/300W/120VAC | 621702 |
| 10 | 120076-01-704 | EA | COOLING UNIT, SERVICE PACK | 618543 |

CONTACT WINNEBAGO PART SALES FOR UNLISTED COMPONENT(S)



121568-06-01A, 121568-07-01A, 121568-08-01A (CONTINUED)

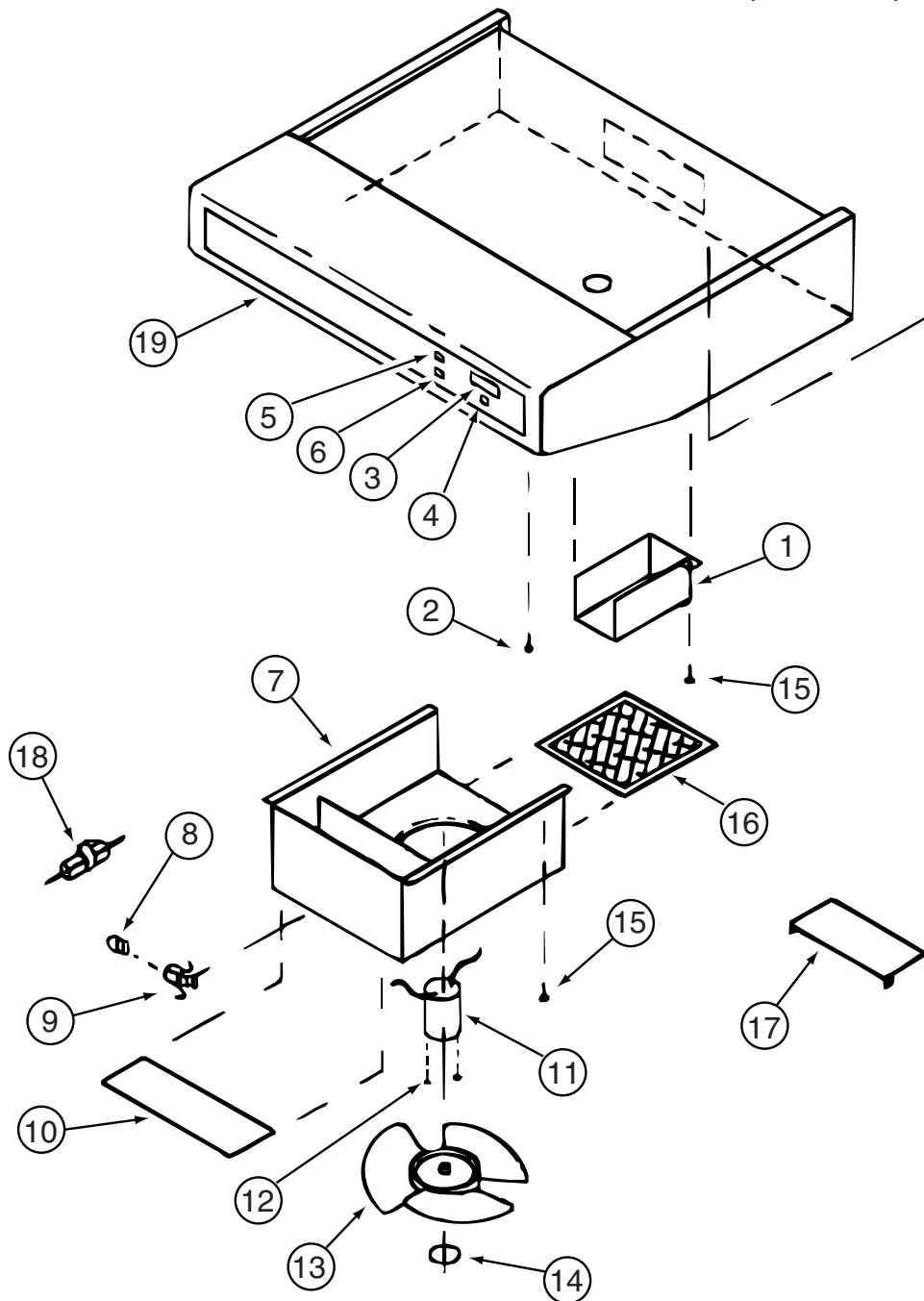
| KEY | PART NUMBER | U/M | DESCRIPTION | VENDOR NO. |
|-----|---------------|-----|-----------------------------|--------------------|
| 1 | 121568-06-705 | EA | GAS VALVE/BRKT ASSY-COMBO | 621439 |
| 1 | 121568-06-706 | EA | GAS VALVE-COMBO/WRENCH FLAT | 621329 |
| 4 | 120075-01-738 | EA | COVER-POWER BOARD | 618185 |
| 5 | 121568-06-707 | EA | BOARD/POWER-N611 | 621991 = 621991001 |
| 6 | 120075-01-740 | EA | BASE - POWER BOARD | 618186 |
| 8 | 121568-06-708 | EA | BURNER/ORFICE-ADAPTER KIT | 621957 |
| 13 | 104137-06-715 | EA | ELECTRODE-SPARK/SENSOR, SGL | 61692222 |
| | 121569-08-704 | EA | TUBE/BURNER - N8/N6 | 624682 |

CONTACT WINNEBAGO PART SALES FOR UNLISTED COMPONENT(S)

121568-05-01A, 121568-07-01A, 121568-08-01A (CONTINUED)

| KEY | PART NUMBER | U/M | DESCRIPTION | VENDOR NO. |
|-----|---------------|-----|---------------------------|------------|
| | 121568-05-700 | EA | FAN 12V KIT DBLE SIDEWALL | 619020 |

CABINET & APPLIANCE GROUP (CONTINUED)
COMPONENT PARTS FOR CABINET & APPLIANCE LAYOUT (CONTINUED)

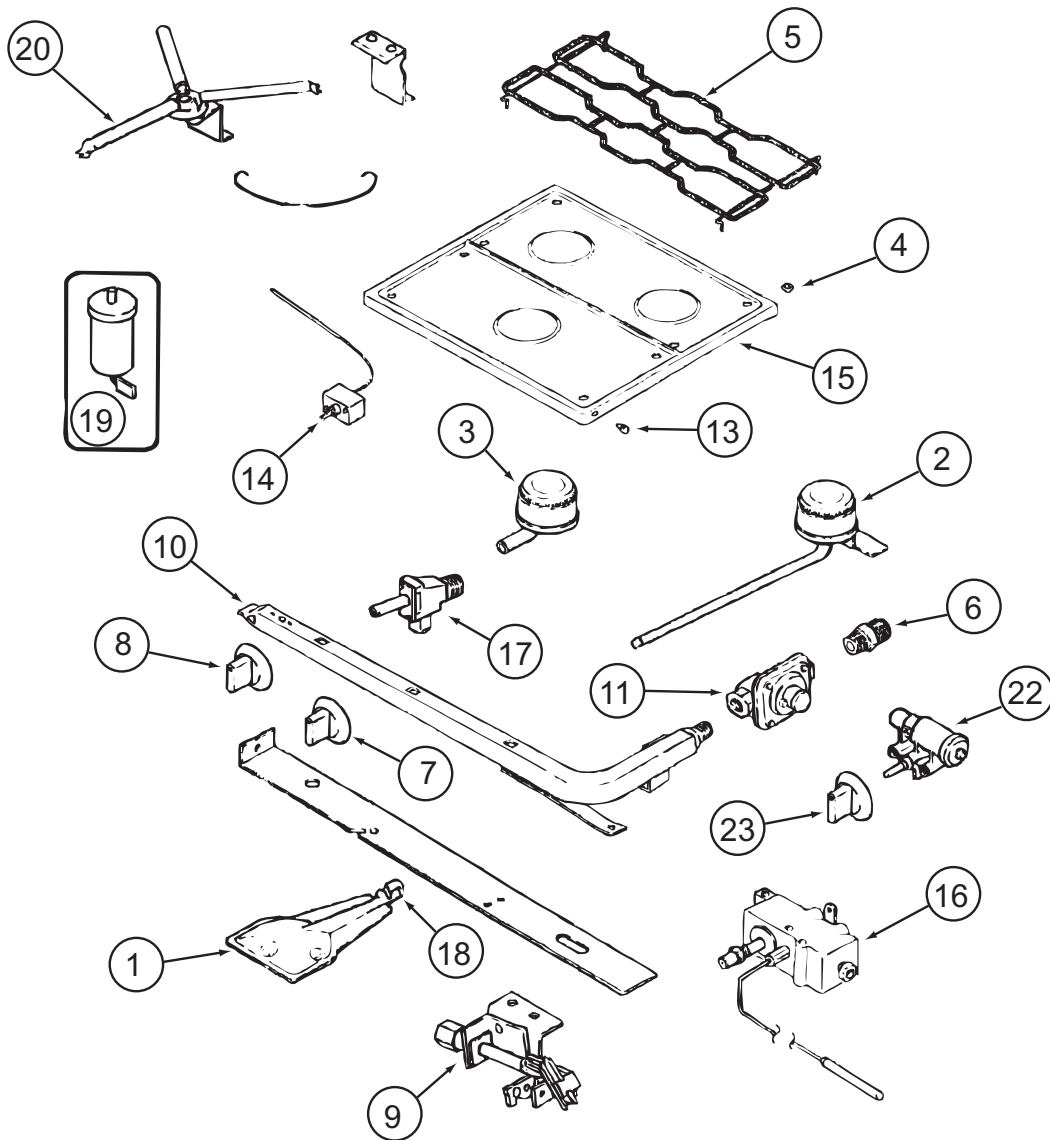


136354-06-01A, 136354-06-02A

| KEY | PART NUMBER | U/M | DESCRIPTION | VENDOR NO. |
|-----|---------------|-----|------------------------------|---------------------|
| 3 | 100258-10-700 | EA | GAUGE-HOUR METER, SCREW ON | L0150-00 WAS 150 |
| 4 | 096983-01-702 | EA | SWITCH - MOM/OFF/MOM/3 TERM | L0112-00 |
| 5 | 096983-01-700 | EA | SWITCH/1 SPEED -ON/OFF- BLK | L0108-00 |
| 8 | 117806-01-000 | EA | BULB-12V NO.912 1.0 AMPS | GENERAL MOTOR HOMES |
| 9 | 092696-01-710 | EA | HOLDER-LAMP | CB0267-02 |
| 10 | 096983-01-708 | EA | LENS-LAMP | CC0179 |
| 11 | 136354-06-700 | EA | MOTOR - FAN (CSA) | VC0535-02 |
| 13 | 136354-05-701 | EA | BLADE-FAN 7" DIA | VD0216-00 |
| 16 | 096983-01-707 | EA | FILTER-MESH | CC0246-00 |
| 17 | 100258-01-701 | EA | DAMPER ASSEMBLY (METAL FLAP) | CA0565-00 |
| 19 | 100258-01-700 | EA | LABEL-HOOD NOSE | CC0428-00 |

CONTACT WINNEBAGO PART SALES FOR UNLISTED COMPONENT(S)

CABINET & APPLIANCE GROUP (CONTINUED)
COMPONENT PARTS FOR CABINET & APPLIANCE LAYOUT (CONTINUED)



151277-01-01A, 151277-02-01A

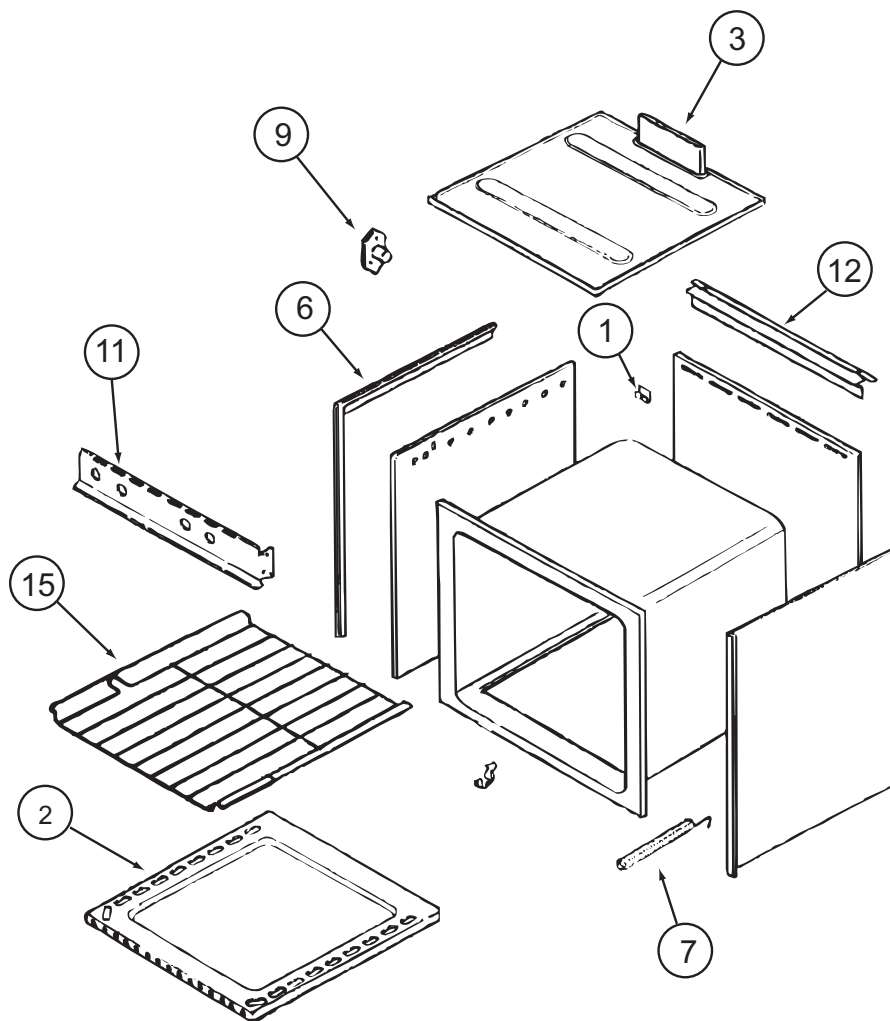
CABINET & APPLIANCE GROUP (CONTINUED)
COMPONENT PARTS FOR CABINET & APPLIANCE LAYOUT (CONTINUED)

151277-01-01A, 151277-02-01A (CONTINUED)

| KEY | PART NUMBER | U/M | DESCRIPTION | VENDOR NO. |
|-----|---------------|-----|--------------------------------|---------------------|
| 1 | 151279-02-700 | EA | BURNER - OVEN - W/SHUTTER | 74009853 |
| 2 | 112881-04-700 | EA | BURNER - TOP/LEFT REAR | 74004584 |
| 2 | 126023-01-700 | EA | BURNER-TOP (RT-REAR) 5100BTU | 74004583 |
| 3 | 112881-04-701 | EA | BURNER - TOP/FRONT | 74004582 |
| 4 | 102020-01-709 | EA | BUMPER-GRATE | 8007P020-60 |
| 5 | 112881-04-702 | EA | GRATE - BLACK | 74007277 |
| 6 | 135065-03-700 | EA | FITTING - HALF UNION | 74004234 |
| 7 | 128728-01-701 | EA | KNOB - BURNER - REAR | 74003941 (1 PER) |
| 7 | 128728-01-702 | EA | KNOB - BURNER - FRONT | 74003942 |
| 8 | 151279-02-701 | EA | KNOB - THERMOSTAT - BLACK | 74009858 |
| 9 | 151279-01-700 | EA | PILOT - BURNER - 16" SERIES | 74009852 |
| 10 | 151279-02-702 | EA | PIPE - MANIFOLD | 74009856 |
| 11 | 112881-03-701 | EA | REGULATOR KIT W/FITTINGS | 12001285 |
| 13 | 102020-01-724 | EA | BUMPER-MAIN TOP | 8003P008-60 |
| 14 | 151279-02-703 | EA | THERMOSTAT | 74009855 |
| 15 | 151277-01-700 | EA | TOP - MAIN (BLACK) | 74007287 |
| 16 | 151279-02-704 | EA | ELBOW BLOCK ASM (VALVE-OVEN) | 74009864 |
| 17 | 151277-01-701 | EA | VALVE/REAR - W/SET SCREW | 12002254 |
| 17 | 151277-01-702 | EA | VALVE/FRONT - W/SET SCREW | 12002246 |
| 19 | 112881-04-705 | EA | PUSH RING (ELECTRODE MTG) | 7104P002-60 |
| 19 | 126023-01-711 | EA | ELECTRODE - IGNITER (ONLY) | 7432P077-60 |
| 20 | 126023-01-736 | EA | FLASH TUBE EXTENSION (REAR) | 74003326 |
| 20 | 126023-01-737 | EA | FLASH TUBE EXTENSION (FRONT) | 74003327 |
| 21 | 112881-04-708 | EA | CLIP-FLASH TUBE | 7112P068-60 |
| 22 | 126023-01-735 | EA | KIT - IGNITOR TOP BRNER & KNOB | 12001296=74002413&4 |
| 23 | 128728-01-707 | EA | KNOB - IGNITOR | 74003944 |
| 26 | 112881-04-709 | EA | SHIELD-SPARK | 3604F211-45 |

CONTACT WINNEBAGO PART SALES FOR UNLISTED COMPONENT(S)

CABINET & APPLIANCE GROUP (CONTINUED)
COMPONENT PARTS FOR CABINET & APPLIANCE LAYOUT (CONTINUED)

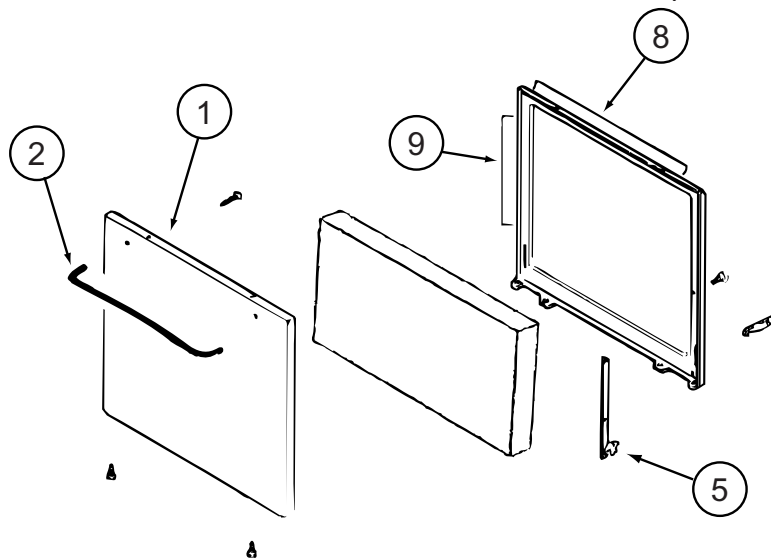


151277-01-01A (CONTINUED)

| KEY | PART NUMBER | U/M | DESCRIPTION | VENDOR NO. |
|------------|--------------------|------------|------------------------------|-------------------|
| 1 | 112881-03-702 | EA | CLIP - MAIN TOP | 74003998 |
| 2 | 126023-01-731 | EA | BOTTOM - OVEN | 2205F016-19 |
| 3 | 126023-01-718 | EA | FLUE BOX ASSEMBLY | 4006W075-80 |
| 6 | 126023-01-713 | EA | TRIM - SIDE (RIGHT) BLACK | 74002827 |
| 6 | 126023-01-714 | EA | TRIM - SIDE (LEFT) BLACK | 74002828 |
| 7 | 135066-03-700 | EA | SPRING - OVEN DOOR | 74001835 |
| 9 | 128728-01-703 | EA | PIN/T-NUT F/HINGE | 7103P109-60 |
| 11 | 112881-04-707 | EA | MANIFOLD - BLACK | 74007296 |
| 12 | 112881-01-721 | EA | DEFLECTOR/FLUE-BLK-SEALED BR | 74002829 |
| 15 | 126023-01-716 | EA | RACK - OVEN | 74003106 |

CONTACT WINNEBAGO PART SALES FOR UNLISTED COMPONENT(S)

CABINET & APPLIANCE GROUP (CONTINUED)
COMPONENT PARTS FOR CABINET & APPLIANCE LAYOUT (CONTINUED)



151277-01-01A (CONTINUED)

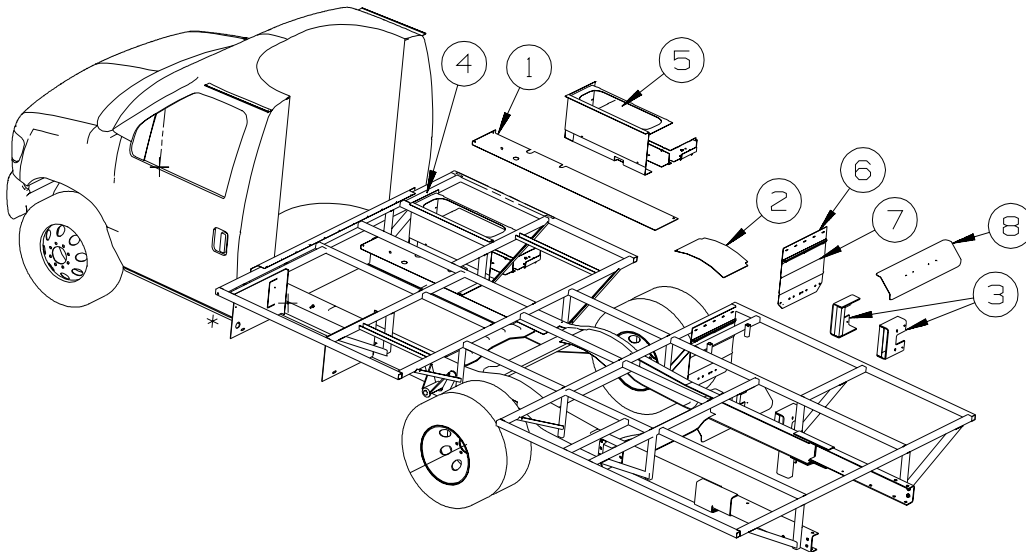
| KEY | PART NUMBER | U/M | DESCRIPTION | VENDOR NO. |
|-----|---------------|-----|------------------------------|-------------|
| 1 | 102022-01-704 | EA | GLASS-OUTER | 7902P261-60 |
| 1 | 112881-01-713 | EA | DOOR/OVEN-TEXT/BLK NO WINDOW | 2401F126-70 |
| 2 | 128727-01-701 | EA | HANDLE - OVEN DOOR | 74003929 |
| 5 | 151277-01-704 | EA | HINGE KIT-OVEN DR/LT | 12400028 |
| 5 | 151277-01-705 | EA | HINGE KIT-OVEN DR/RT | 12400029 |
| 8 | 126023-01-732 | EA | SEAL/OVEN DR TOP | 7212P014-60 |
| 9 | 135066-03-714 | EA | SEAL - OVEN DOOR SIDES | 7212P039-60 |

CONTACT WINNEBAGO PART SALES FOR UNLISTED COMPONENT(S)

158686-01-01A

| KEY | PART NUMBER | U/M | DESCRIPTION | VENDOR NO. |
|-----|---------------|-----|------------------|--------------|
| | 158686-01-700 | EA | PLATE-GLASS | SR11092PLATE |
| | 158686-01-701 | EA | TRIM KIT - 2 PC. | ODY-2-92KIT |

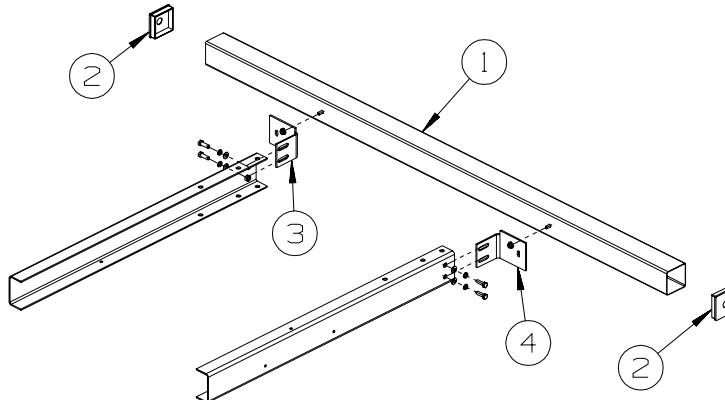
CHASSIS GROUP FRAME



| KEY | PART NUMBER | U/M | DESCRIPTION |
|-----|---------------|-----|---|
| 1 | 127971-02-02B | EA | SHIELD - HEAT - FORD |
| 2 | 158704-01-02B | EA | SHIELD/HEAT - E-COATED |
| 3 | 120867-01-02B | EA | MOUNT - LP TANK - E-COAT |
| 4 | 098408-01-000 | FT | SEAL - SPONGE RUBBER - CLOSED CELL |
| 5 | 135458-04-02B | EA | BOX - ENTRY STEP - E-COATED |
| 5 | 162352-01-02B | EA | BOX - ENTRY STEP - E-COATED |
| | | | FROM: 00-00-00 THRU: 12-03-06 |
| 6 | 157464-02-02B | EA | BRACKET/MOUNTING - MUD GUARD - E-COATED |
| 7 | 136391-02-02B | EA | GUARD/ROCK - STEEL - W/ANGLE - 18"W X 15"H - E-COATED |
| 8 | 150346-02-09B | EA | SHIELD - TAILPIPE - GALVANIZED |
| | | | FROM: 12-04-06 THRU: 99-99-99 |

HITCH

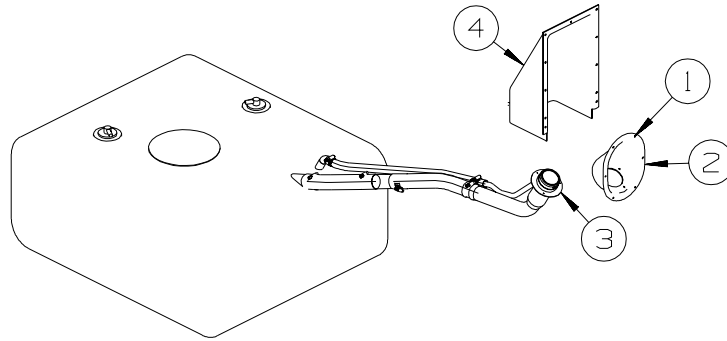
| KEY | PART NUMBER | U/M | DESCRIPTION |
|-----|---------------|-----|---|
| | 154054-02-01A | EA | HITCH RECEIVER - BOLT ON CLASS III - BLACK |
| | 140441-05-02B | EA | PLATE - SKID - E-COATED - 222B, 229T, 231C |



REAR BUMPER

| KEY | PART NUMBER | U/M | DESCRIPTION |
|-----|---------------|-----|--|
| 1 | 103422-05-02A | EA | BUMPER - REAR - SQUARE ALUMINUM - 97.3" - BRIGHT WHITE |
| 2 | 039779-01-000 | EA | CAP - BUMPER - RUBBER - 4" X 4" - BLACK |
| 3 | 138811-01-02B | EA | SUPPORT/ANGLE - REAR BUMPER - E-COATED |
| 4 | 138811-02-02B | EA | SUPPORT/ANGLE - REAR BUMPER - E-COATED |
| | 038327-01-000 | EA | TAPE - ANTI-SLIP - 2" X 60" |

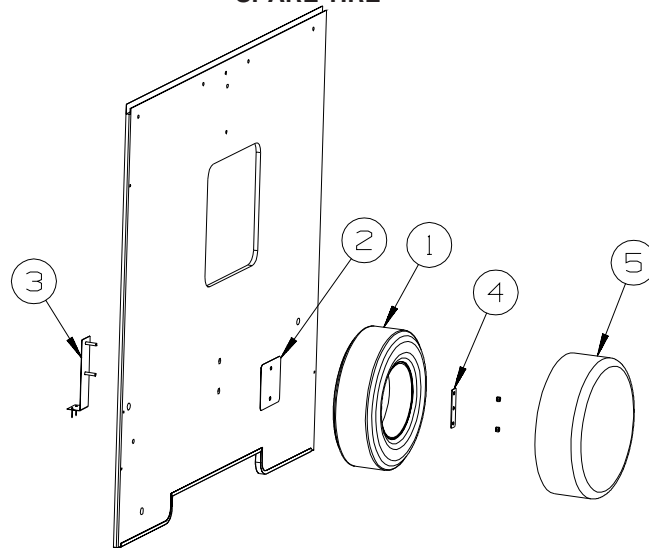
CHASSIS GROUP (CONTINUED)
FUEL



| KEY | PART NUMBER | U/M | DESCRIPTION |
|------------|--------------------|------------|---|
| 1 | 099069-01-000 | FT | SEAL - RUBBER - CLOSED SPONGE - .5" WIDE X .12" THICK-BLK |
| 2 | 127291-02-01A | EA | SHROUD - FUEL FILL - BRIGHT WHITE |
| 3 | 078200-01-000 | EA | GASKET - FUEL FILL - 3.5"OD X 2"ID |
| 4 | 135557-01-01A | EA | SHROUD - FUEL FILL - UPPER - 16" X 8.2" |

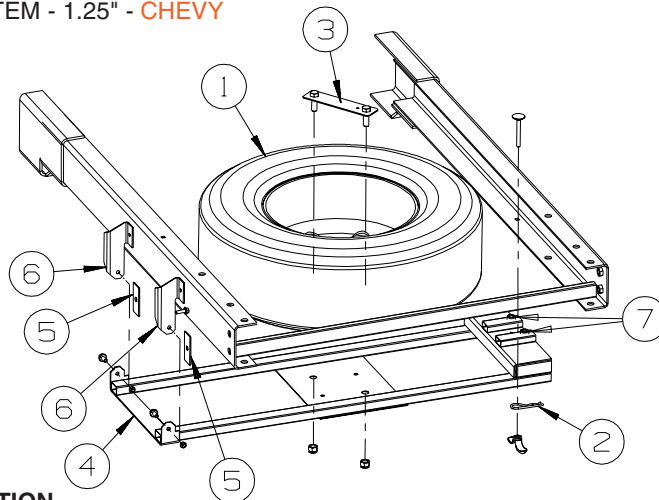
CHASSIS GROUP (CONTINUED)

SPARE TIRE



222B, 224V

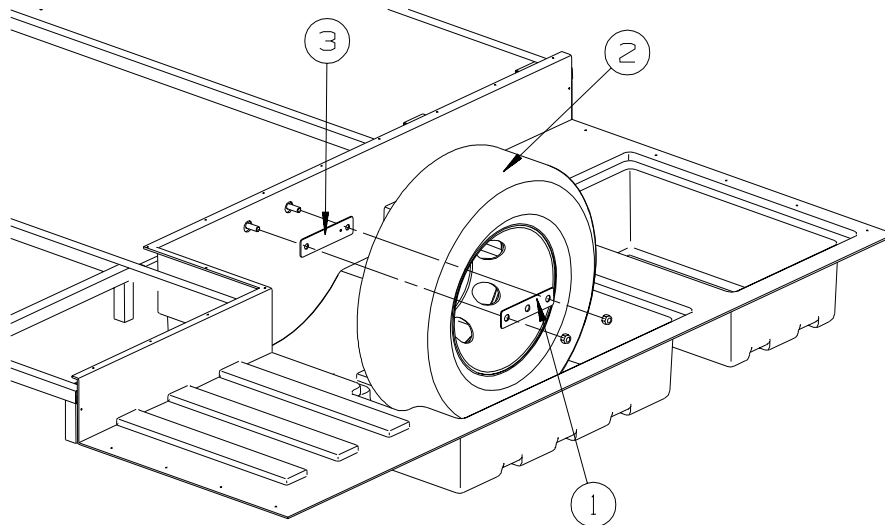
| KEY | PART NUMBER | U/M | DESCRIPTION |
|-----|---------------|-----|--|
| 1 | 083425-14-000 | EA | TIRE - LT225/75R16 LRE - MICHELIN LTX M/S - FORD |
| 1 | 144388-02-000 | EA | TIRE - LT225/75R16 LRE - UNIROYAL LAREDO - CHEVY |
| 1 | 083617-05-000 | EA | WHEEL - STEEL - 6" X 16" - FORD W/6 VENT HOLES |
| 1 | 164137-01-01A | EA | WHEEL - STEEL - 6" X 16" - 4 VENT HOLES/OVAL - FORD W/4 VENT HOLES |
| 1 | 144386-02-000 | EA | WHEEL - STEEL - 6.5" X 16" - 8 BOLT - CHEVY |
| 2 | 105208-01-000 | EA | PLATE - SPARE TIRE |
| 3 | 160058-03-02B | EA | BRACKET - SPARE TIRE - E-COATED |
| 4 | 143547-01-02B | EA | RETAINER - SPARE TIRE - E-COATED |
| 5 | 073322-09-S01 | EA | COVER - TIRE - 30" |
| | 051377-07-000 | EA | VALVE STEM - FORD W/6 VENT HOLES |
| | 051377-09-000 | EA | VALVE STEM - 1.8" - FORD W/4 VENT HOLES |
| | 155645-01-000 | EA | VALVE STEM - 1.25" - CHEVY |



226A

| KEY | PART NUMBER | U/M | DESCRIPTION |
|-----|---------------|-----|--|
| 1 | 083425-14-000 | EA | TIRE - LT225/75R16 LRE - MICHELIN LTX M/S - FORD |
| 1 | 144388-02-000 | EA | TIRE - LT225/75R16 LRE - UNIROYAL LAREDO - CHEVY |
| 1 | 083617-05-000 | EA | WHEEL - STEEL - 6" X 16" - FORD W/6 VENT HOLES |
| 1 | 164137-01-01A | EA | WHEEL - STEEL - 6" X 16" - 4 VENT HOLES/OVAL - FORD W/4 VENT HOLES |
| 1 | 144386-02-000 | EA | WHEEL - STEEL - 6.5" X 16" - 8 BOLT - CHEVY |
| 2 | 034513-01-000 | EA | PIN - HITCH - 3/16" WIRE |
| 3 | 116338-02-02B | EA | BRACKET - SPARE TIRE - E-COATED |
| 4 | 135796-02-02B | EA | CRADLE - SPARE TIRE - E-COATED |
| 5 | 138739-08-02B | EA | PLATE - ANCHOR - E-COATED |
| 6 | 159923-01-02B | EA | BRACKET/HINGE - SPARE TIRE - E-COATED |
| 7 | 069726-02-000 | EA | BUMPER - .88" OD X .40" THICK - BLACK |
| | 051377-07-000 | EA | VALVE STEM - FORD W/6 VENT HOLES |
| | 051377-09-000 | EA | VALVE STEM - 1.8" - FORD W/4 VENT HOLES |
| | 155645-01-000 | EA | VALVE STEM - 1.25" - CHEVY |

CHASSIS GROUP (CONTINUED)
SPARE TIRE (CONTINUED)



**228P, 229T,
231C**

| KEY | PART NUMBER | U/M | DESCRIPTION |
|-----|---------------|-----|--|
| 1 | 143547-01-02B | EA | RETAINER - SPARE TIRE - E-COATED |
| 2 | 083425-14-000 | EA | TIRE - LT225/75R16 LRE - MICHELIN LTX M/S - FORD |
| 2 | 144388-02-000 | EA | TIRE - LT225/75R16 LRE - UNIROYAL LAREDO - CHEVY |
| 2 | 083617-05-000 | EA | WHEEL - STEEL - 6" X 16" - FORD W/6 VENT HOLES |
| 2 | 164137-01-01A | EA | WHEEL - STEEL - 6" X 16" - 4 VENT HOLES/OVAL - FORD W/4 VENT HOLES |
| 2 | 144386-02-000 | EA | WHEEL - STEEL - 6.5" X 16" - 8 BOLT - CHEVY |
| 3 | 116338-01-02B | EA | BRACKET - SPARE TIRE - E-COATED |
| | 051377-07-000 | EA | VALVE STEM - FORD W/6 VENT HOLES |
| | 051377-09-000 | EA | VALVE STEM - 1.8" - FORD W/4 VENT HOLES |
| | 155645-01-000 | EA | VALVE STEM - 1.25" - CHEVY |

WHEEL, TIRE, COVERS &/OR LINERS

| KEY | PART NUMBER | U/M | DESCRIPTION |
|-----|---------------|-----|--|
| | 077030-01-000 | EA | EXTENSION - VALVE STEM - 1.25" - METAL |
| | 077030-10-000 | EA | EXTENSION - VALVE STEM - .50" - METAL |
| * | 109443-05-000 | EA | WHEEL COVER SET - 16" STAINLESS/8 LUG (1 SET=4 COVERS) |
| | 112358-01-000 | EA | WRENCH - LUG - 7/8" - L-SHAPE |

*COMPONENT PARTS LISTED LATER IN THIS GROUP

COMPONENT PARTS FOR WHEEL, TIRE, COVERS &/OR LINERS

109443-05-000

| KEY | PART NUMBER | U/M | DESCRIPTION | VENDOR NO. |
|-----|---------------|-----|------------------------------|------------|
| | 098532-01-700 | EA | COVER-FAKE LUG NUT (PLASTIC) | SHAU-LNC |
| | 109443-05-700 | EA | WHEEL COVER - 16"SS EA=1 | SHFM16-CVR |

BRAKELINE

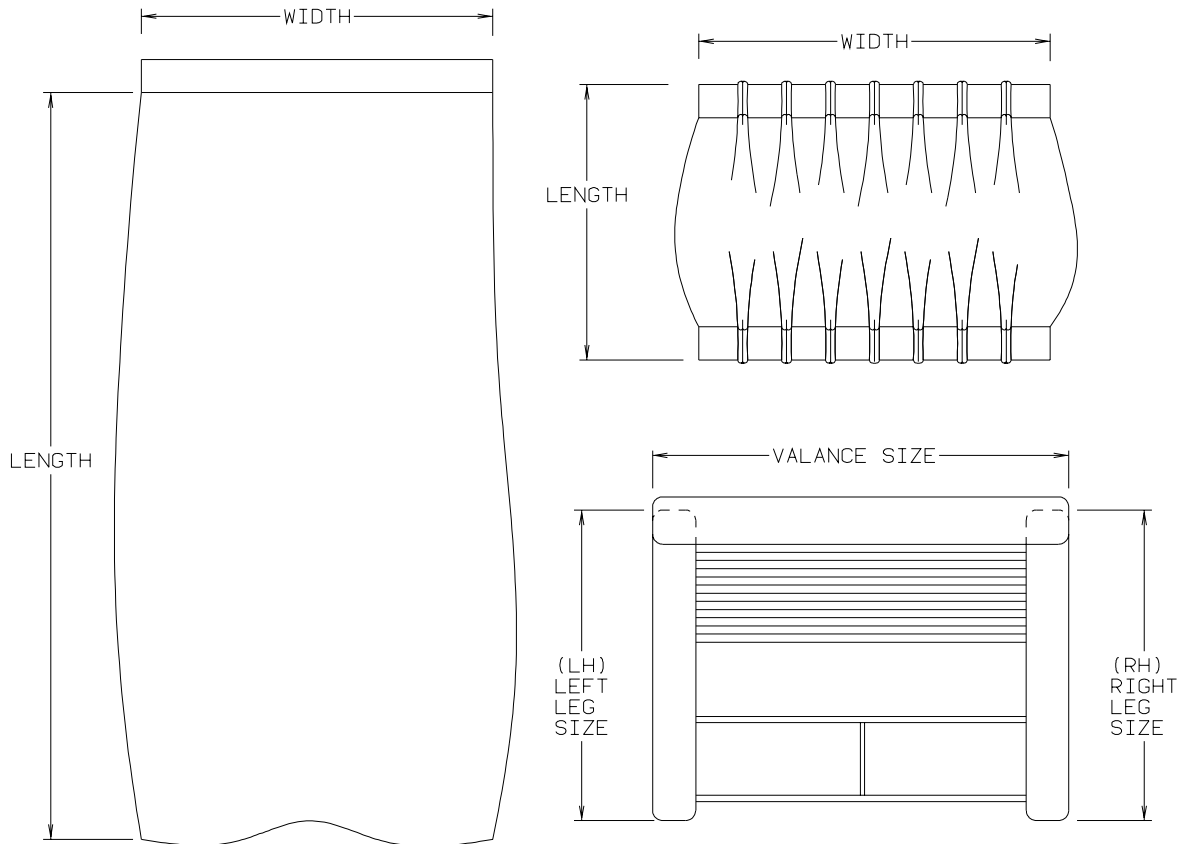
| KEY | PART NUMBER | U/M | DESCRIPTION |
|-----|---------------|-----|--|
| | 088498-01-000 | EA | UNION - INVERTED FLARE - BRASS - 3/16 - FORD CHASSIS |

CURTAIN & CUSHION GROUP

NOTICE

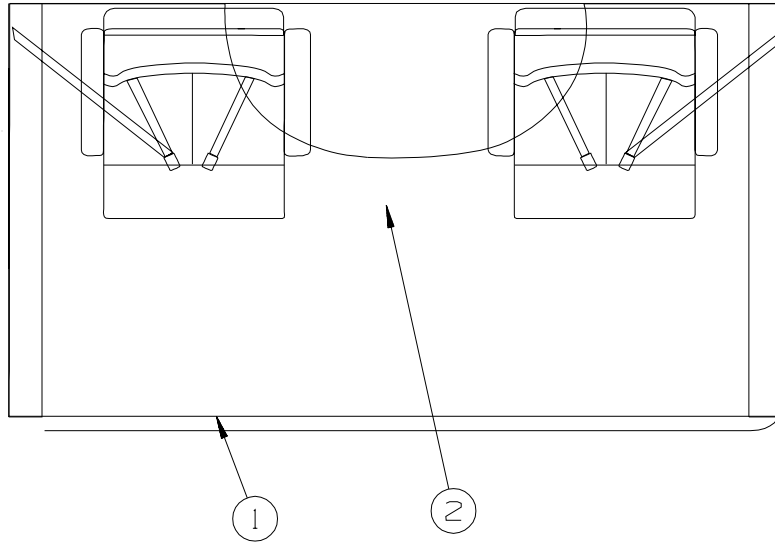
IN ORDER TO ASSIST OUR PARTS SALES DEPT. IN PROVIDING INTERIOR SOFTWARE ITEMS, PLEASE INCLUDE THE SERIAL NUMBER AND THE COLOR CODE NUMBER FROM THE VEHICLE CERTIFICATION LABEL WHEN ORDERING. THIS LABEL IS LOCATED ON THE LEFT SIDEWALL AT THE END OF THE DASH (A-BODY), OR ON THE DRIVER'S DOOR LATCH PLATE (C-BODY).

AN EXAMPLE OF A COLOR CODE NUMBER IS B07, WHICH DESIGNATES AN OVERALL COLOR SCHEME OF A PARTICULAR UNIT. THE COLOR LISTED AFTER THE ITEM DESCRIPTION ON THE MICROFICHE, INDICATES THE OVERALL UNIT COLOR. ORDER THE ITEM YOU DESIRE ACCORDING TO UNIT COLOR CODE. IF ALL COLORS USE THE SAME ITEM NO COLOR CODE WILL BE NOTED.



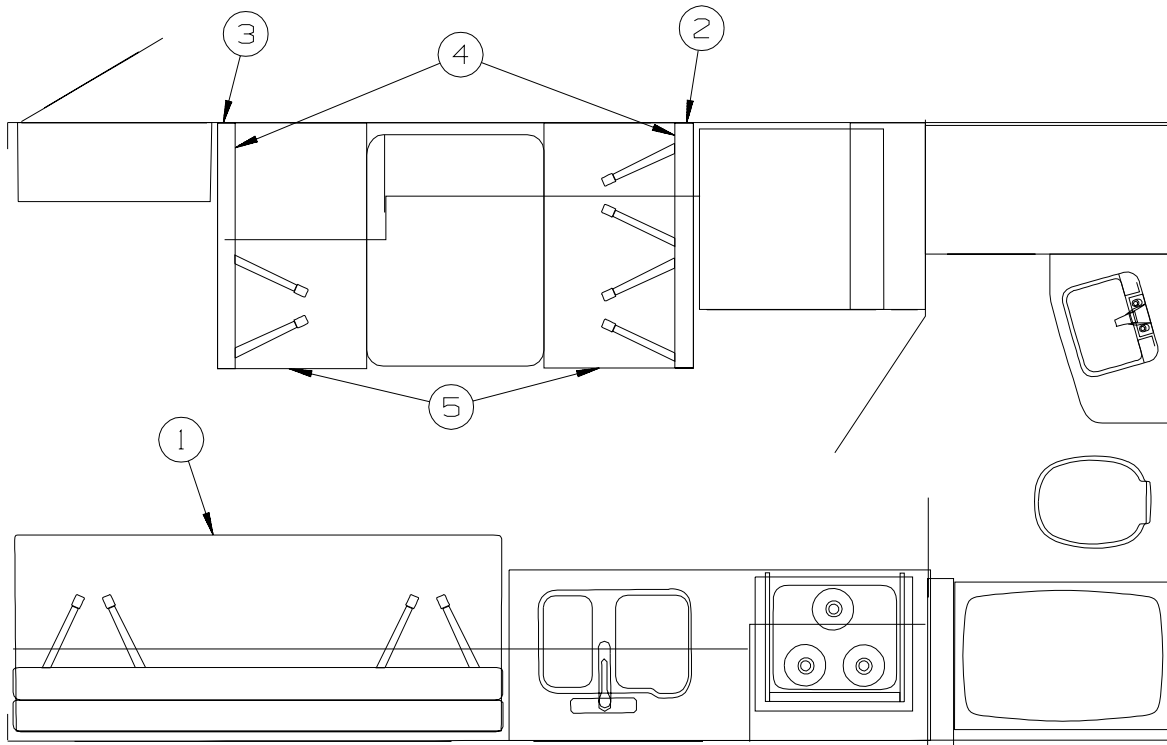
NOTE: USE THIS ILLUSTRATION WHEN DETERMINING LENGTH AND WIDTH MEASUREMENTS FOR CURTAINS. YOU WILL NOTE THE WIDTH MEASUREMENT IS TAKEN ON THE TOP OF THE CURTAIN WITH THE CURTAIN FULLY EXTENDED. THE LENGTH MEASUREMENT IS TAKEN FROM TOP TO BOTTOM. LEFT AND RIGHT WINDOW LEGS ARE DETERMINED WHEN FACING THE WINDOW.

CURTAIN & CUSHION GROUP (CONTINUED)
CUSHION LAYOUT



| KEY | PART NUMBER | U/M | DESCRIPTION |
|-----|---------------|-----|---|
| 1 | 157657-03-U07 | EA | CUSHION - OVERHEAD BUNK/FRONT - 32.5" X 80" X 5" (U07, U08) |
| 1 | 157657-03-U09 | EA | CUSHION - OVERHEAD BUNK/FRONT - 32.5" X 80" X 5" (U09, U10) |
| | 157657-A3-U07 | EA | COVER - CUSHION/OVERHEAD/FRT BUNK -32.5"X80"X5"-DBL ANGLED (U07, U08) |
| | 157657-A3-U09 | EA | COVER - CUSHION/OVERHEAD/FRT BUNK -32.5"X80"X5"-DBL ANGLED (U09, U10) |
| 2 | 157657-04-U07 | EA | CUSHION - OVERHEAD BUNK/REAR - 27" X 80" X 5" (U07, U08) |
| 2 | 157657-04-U09 | EA | CUSHION - OVERHEAD BUNK/REAR - 27" X 80" X 5" (U09, U10) |
| | 157657-A4-U07 | EA | COVER - CUSHION/OVERHEAD BUNK/REAR - 27" X 80" X 5" (U07, U08) |
| | 157657-A4-U09 | EA | COVER - CUSHION/OVERHEAD BUNK/REAR - 27" X 80" X 5" (U09, U10) |

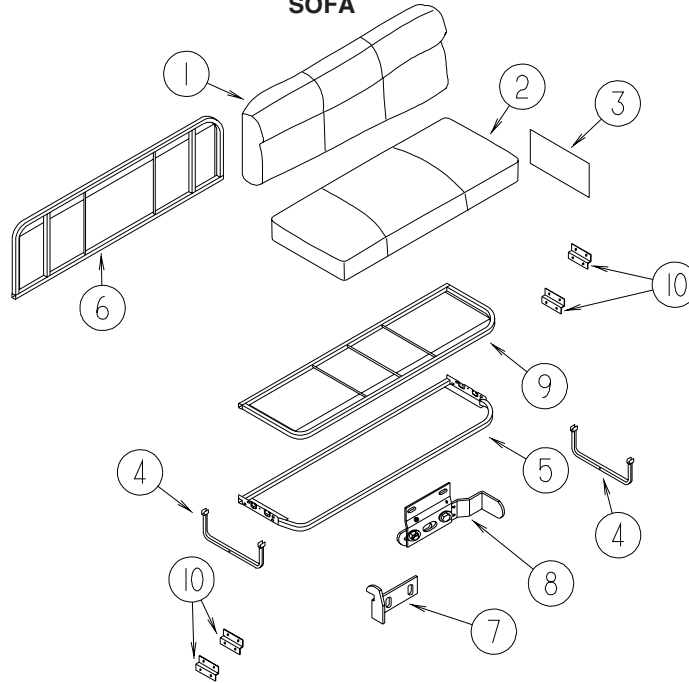
CURTAIN & CUSHION GROUP (CONTINUED)
CUSHION LAYOUT (CONTINUED)



| KEY | PART NUMBER | U/M | DESCRIPTION |
|-----|---------------|-----|---|
| 1 | | | SEE SOFA AREA |
| 2 | 153519-19-U07 | EA | PAD - TOP/RH - F/DINETTE BACK - FABRIC COVERED (U07, U08) |
| 2 | 153519-19-U09 | EA | PAD - TOP/RH - F/DINETTE BACK - FABRIC COVERED (U09, U10) |
| 3 | 153519-20-U07 | EA | PAD - TOP/LH - F/DINETTE BACK - FABRIC COVERED (U07, U08) |
| 3 | 153519-20-U09 | EA | PAD - TOP/LH - F/DINETTE BACK - FABRIC COVERED (U09, U10) |
| 4 | 153670-01-U07 | EA | CUSHION - SEAT BACK - 17.5" X 42" X 5" (U07, U08) |
| 4 | 153670-01-U09 | EA | CUSHION - SEAT BACK - 17.5" X 42" X 5" (U09, U10) |
| | P53670-01-U07 | EA | COVER/BACK - 17.5" X 42" X 5" (U07, U08) |
| | P53670-01-U09 | EA | COVER/BACK - 17.5" X 42" X 5" (U09, U10) |
| 5 | 153671-01-U07 | EA | CUSHION - SEAT - 21" X 42" X 5" (U07, U08) |
| 5 | 153671-01-U09 | EA | CUSHION - SEAT - 21" X 42" X 5" (U09, U10) |
| | 153671-A1-U07 | EA | COVER/CUSHION - SEAT - 21" X 42" X 5" (U07, U08) |
| | 153671-A1-U09 | EA | COVER/CUSHION - SEAT - 21" X 42" X 5" (U09, U10) |
| | 156732-01-02A | EA | BRACE - ANGLE/COUCH - 2.5" - OFF WHITE |

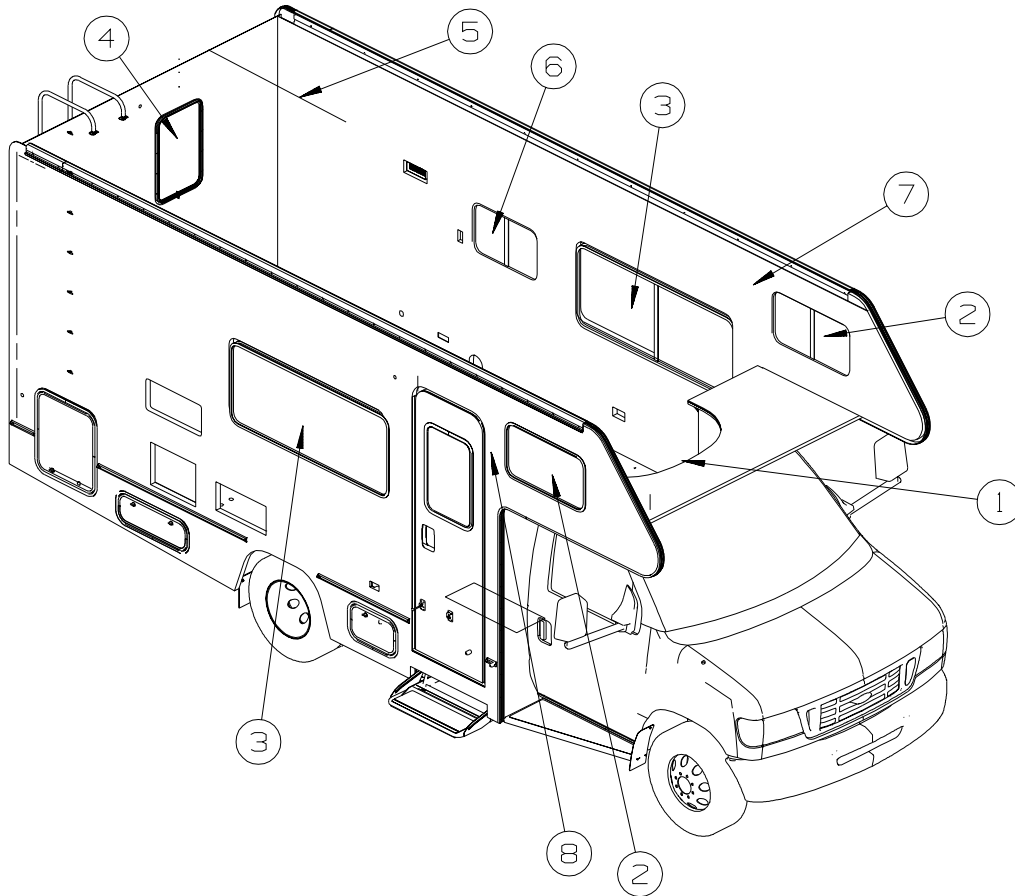
CURTAIN & CUSHION GROUP (CONTINUED)

SOFA



| KEY | PART NUMBER | U/M | DESCRIPTION |
|-----|---------------|-----|--|
| 1 | 149804-01-U07 | EA | BACK - SOFA/BED - 74" (U07, U08) |
| 1 | 149804-01-U09 | EA | BACK - SOFA/BED - 74" (U09, U10) |
| | P49804-01-U07 | EA | COVER - BACK - SOFA/BED - 74" (U07, U08) |
| | P49804-01-U09 | EA | COVER - BACK - SOFA/BED - 74" (U09, U10) |
| 2 | 149812-01-U07 | EA | SEAT - SOFA/BED - 66.5" (U07, U08) |
| 2 | 149812-01-U09 | EA | SEAT - SOFA/BED - 74" (U09, U10) |
| | P49812-01-U07 | EA | COVER - SEAT - SOFA/BED - 74" (U07, U08) |
| | P49812-01-U09 | EA | COVER - SEAT - SOFA/BED - 74" (U09, U10) |
| 3 | NOT USED | | |
| 4 | NOT USED | | |
| 5 | 101085-06-000 | EA | FRAME - BASE - SOFA/BED - 74.75" |
| 6 | 101085-10-000 | EA | FRAME - BACK - SOFA/BED - 74.75" X 16" |
| 7 | NOT USED | | |
| 8 | NOT USED | | |
| 9 | 101085-04-000 | EA | FRAME - SEAT - SOFA/BED - 74.75" |
| 10 | NOT USED | | |
| | 156732-01-02A | EA | BRACE - ANGLE/COUCH - 2.5" - OFF WHITE |

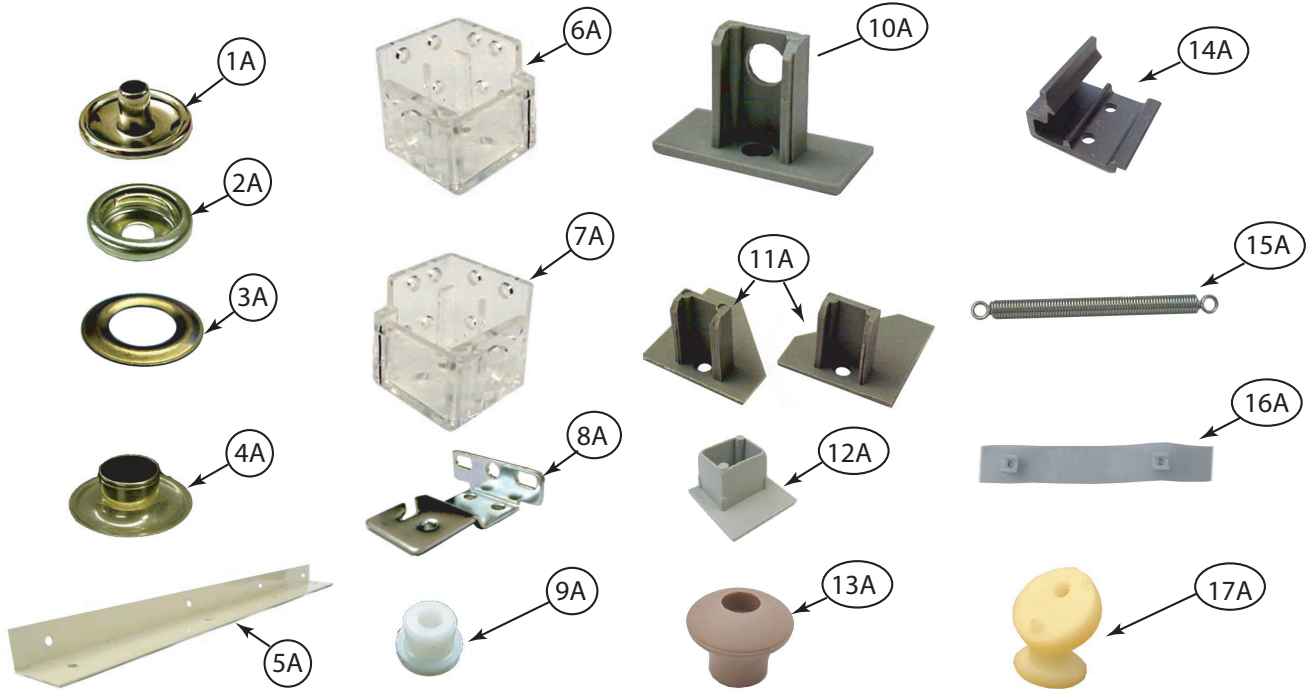
CURTAIN & CUSHION GROUP (CONTINUED)
WINDOW TREATMENT



| KEY | PART NUMBER | U/M | DESCRIPTION |
|-----|---------------|-----|--|
| 1 | 076892-30-U07 | EA | CURTAIN - CAB PRIVACY - 47.5" X 74" (U07, U08) |
| 1 | 076892-30-S96 | EA | CURTAIN - CAB PRIVACY - 47.5" X 74" (U09, U10) |
| 1 | 073260-23-R03 | EA | TIEBACK - 3" X 18" (U07, U08) |
| 1 | 073260-23-S96 | EA | TIEBACK - 3" X 18" (U09, U10) |
| 2 | 161091-07-U07 | EA | CURTAIN - PRIVACY - 19.5" X 35" (U07, U08) |
| 2 | 161091-07-U09 | EA | CURTAIN - PRIVACY - 19.5" X 35" (U09, U10) |
| 3 | 152170-01-U07 | EA | VALANCE - JACOB - 63.5" (U07, U08) |
| 3 | 152170-01-U09 | EA | VALANCE - JACOB - 63.5" (U09, U10) |
| 3 | 152664-73-U07 | EA | LEG - LEFT - 24" (U07, U08) |
| 3 | 152664-73-U09 | EA | LEG - LEFT - 24" (U09, U10) |
| 3 | 152664-74-U07 | EA | LEG - RIGHT - 24" (U07, U08) |
| 3 | 152664-74-U09 | EA | LEG - RIGHT - 24" (U09, U10) |
| 3 | 157506-02-T12 | EA | BLIND - PLEATED - 59" X 26.5" (U07, U08) |
| 3 | 157506-02-TR0 | EA | BLIND - PLEATED - 59" X 26.5" (U09, U10) |
| 4 | 109041-91-01A | EA | BLIND - MINI - 19.5" X 28" (U07, U08) |
| 4 | 109041-91-02A | EA | BLIND - MINI - 19.5" X 28" (U09, U10) |
| 5 | 159815-01-U01 | EA | CURTAIN - SHOWER - 72" X 36" |
| 6 | 109041-57-02A | EA | BLIND - MINI - 26" X 17" (U07, U08) |
| 6 | 109041-57-03A | EA | BLIND - MINI - 26" X 17" (U09, U10) |
| 7 | 101668-40-R03 | EA | CURTAIN - PRIVACY/BUNK/LEFT HAND - 35" X 50" (U07, U08) |
| 7 | 101668-40-S96 | EA | CURTAIN - PRIVACY/BUNK/LEFT HAND - 35" X 50" (U09, U10) |
| 8 | 101668-39-R03 | EA | CURTAIN - PRIVACY/BUNK/RIGHT HAND - 35" X 50" (U07, U08) |
| 8 | 101668-39-S96 | EA | CURTAIN - PRIVACY/BUNK/RIGHT HAND - 35" X 50" (U09, U10) |

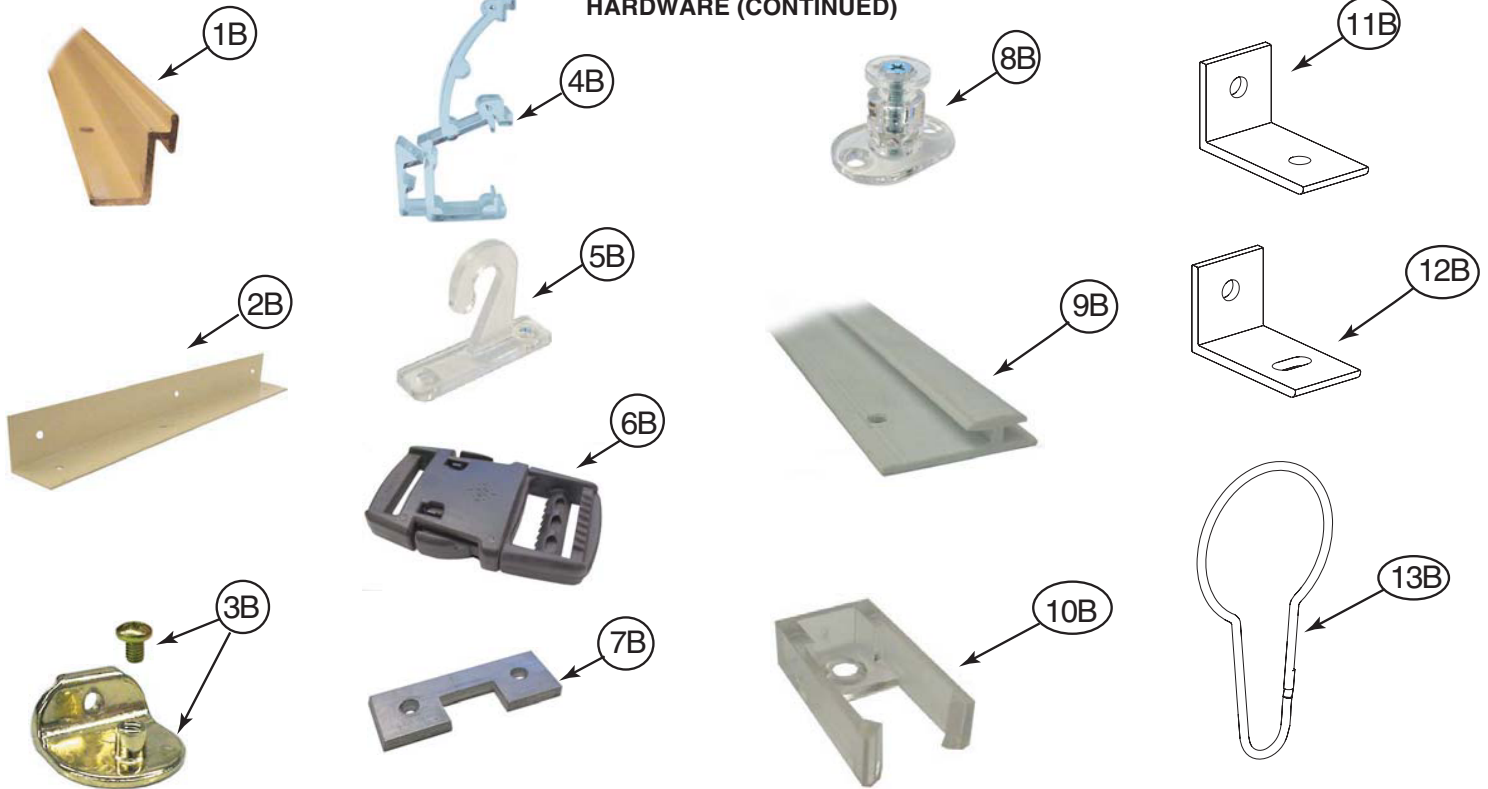
CURTAIN & CUSHION GROUP (CONTINUED)

HARDWARE



| KEY | PART NUMBER | U/M | DESCRIPTION |
|-----|---------------|-----|--|
| 1A | 029155-01-000 | EA | CAP - SNAP - 5/32" OUTSIDE DIAMETER OF PIN |
| 2A | 029156-01-000 | EA | SOCKET - SNAP - 9/16" O.D. |
| 3A | 046867-02-000 | EA | WASHER - HANDY BUTTON #3 |
| 4A | 046867-03-000 | EA | GROMMET - HANDY BUTTON #3 |
| 5A | 075943-10-000 | EA | BRACE - VALANCE - 20" - OFF WHITE |
| 6A | 083170-01-000 | EA | BRACKET/BLIND - LEFT SIDE WHEN FACING WINDOW - CLEAR |
| 7A | 083170-02-000 | EA | BRACKET/BLIND - RIGHT SIDE WHEN FACING WINDOW - CLEAR |
| 8A | 084434-01-000 | EA | BRACKET - MOUNTING - ROLLER SHADE - 1 3/8" |
| 9A | 094896-02-000 | EA | GROMMET - CORD/PLEATED BLIND - NYLON - GRAY |
| 10A | 094907-02-000 | EA | END CAP - PLEATED BLIND/TOP - RH/LH - GRAY PLASTIC |
| 11A | 094907-04-000 | EA | END CAP - PLEATED BLIND/BOTTOM - RH/LH |
| 12A | 094907-09-000 | EA | END CAP/BLIND - CENTER RAIL - RH/LH |
| 13A | 097564-03-000 | EA | HANDLE - KNOB - E-Z LIFT SHADE - TAN |
| | 097593-02-000 | FT | CORD - BLIND - PLEATED - DAWN GRAY |
| | 097593-10-000 | FT | CORD - BLIND - PLEATED - VANILLA |
| 14A | 097565-01-000 | EA | BRACKET - MOUNTING - PLEATED BLIND |
| 15A | 097591-01-000 | EA | SPRING - EXTENSION - PLEATED BLIND |
| 15A | 155748-01-000 | EA | SPRING - EXTENSION - DAY/NIGHTER BLIND |
| 16A | 101031-01-000 | YD | TAPE/GLIDE - 4.25" SPACING |
| 17A | 102555-03-000 | EA | BRACKET - (CLEAT TYPE) - F/BLIND HOLDOWN - MILKY WHITE |

CURTAIN & CUSHION GROUP (CONTINUED)
HARDWARE (CONTINUED)



| KEY | PART NUMBER | U/M | DESCRIPTION |
|-----|---------------|-----|---|
| 1B | 105450-14-01A | EA | TRACK-90"-OW - FRT BUNK PRIVACY OUTLOOK/SPIRIT 300-SERIES, ACCESS/IMPULSE 200-SERIES |
| 2B | 105648-01-02A | EA | BRACE - VALANCE - 14" - OFF WHITE |
| 2B | 105648-02-02A | EA | BRACE - VALANCE - 8.5" - OFF WHITE |
| 3B | 106544-01-000 | EA | PULL - SHADE/BRASS |
| 3B | 106544-01-001 | EA | SCREW - SHADE/BRASS |
| 3B | 106544-02-000 | EA | PULL-SHADE - NICKEL |
| 4B | 109353-04-000 | EA | CLIP - VALANCE SLAT MOUNTING - CLEAR PLASTIC |
| 5B | 109441-01-000 | EA | BRACKET/HOOK - BLIND HOLD DOWN |
| 5B | 109441-02-000 | EA | SPACER/BRACKET - BLIND HOLD DOWN |
| 6B | 129491-01-000 | EA | CATCH - SNAP HOOK - 1" |
| 7B | 130549-01-01A | EA | STOP - CURTAIN TRACK |
| 8B | 141634-01-000 | EA | BRACKET-(BOBBIN TYPE) 7/8"H HOLDUPBASE(OVAL)-2 HOLE-CLEAR |
| 9B | 156172-01-01A | EA | TRACK/WALL - 75" - BONE |
| 9B | 156172-02-01A | EA | TRACK/WALL - 32" - BONE |
| 9B | 156172-03-01A | EA | TRACK/WALL - 21" - BONE |
| 10B | 156172-04-01A | EA | END CAP - WALL TRACK - CLEAR |
| 11B | 154316-01-01A | EA | BRACE/ANGLE - W/HOLE - CASHMERE |
| 12B | 154316-02-01A | EA | BRACE/ANGLE - W/SLOT - CASHMERE |
| 13B | 159702-01-01A | EA | HOOK/RING - CURTAIN/SHOWER - NICKEL |

CURTAIN & CUSHION GROUP (CONTINUED)

FABRICS

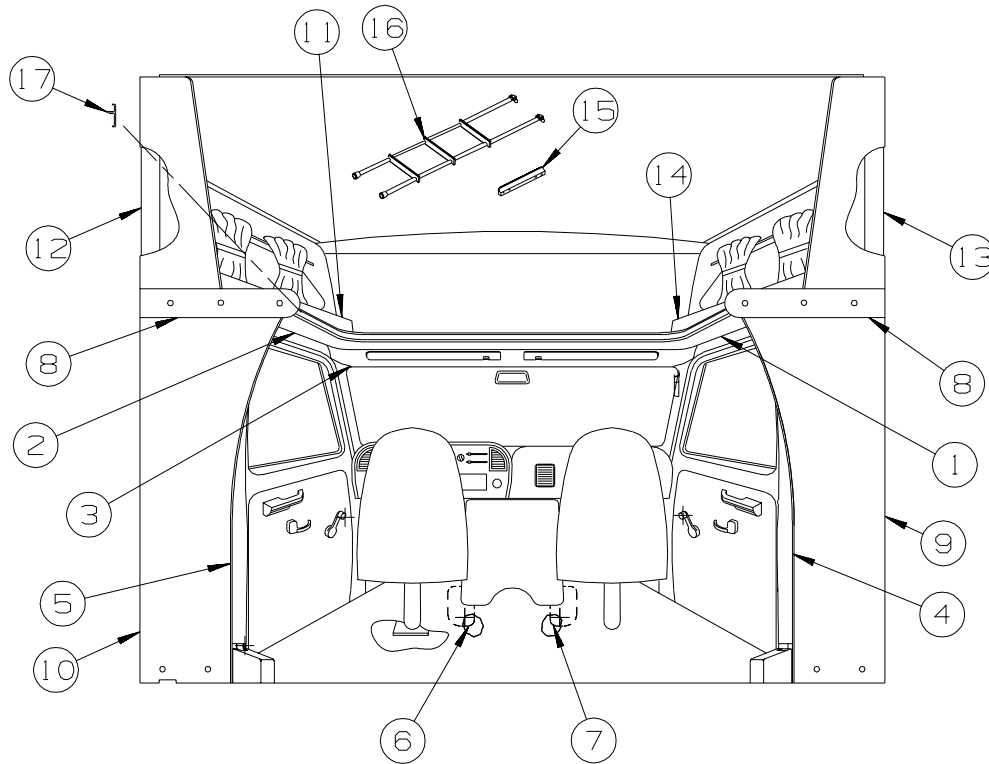
U07, U08

113979-09-01A CARPET - HEADLINER (SY)
113979-10-01A CARPET-HEADLINER,SLDOUT (SY), 21.5 WIDE
137813-U5-000 FABRIC - UPHOLSTERY, BEDSPREAD, MAIN
137813-77-000 FABRIC - DRAPERY, MAIN, UPHLSTRY, BEDSPRD, PATTERN ACCENT A
148797-L2-000 FABRIC - UPHOLSTERY MAIN ONE, MAIN
148797-L3-000 FABRIC - UPHOLSTERY, PLAIN ACCENT
148797-L3-000 FABRIC - UPHOLSTERY ACCENT, PATTERN
148797-L3-000 FABRIC - O/H CABT, DIN/LOUNGE
148797-L3-000 FABRIC - DINETTE WRAP, DINETTES
142523-08-000 VINYL - HEADLINERS/BUNKS
142523-08-000 VINYL - ACCENT TRIMS, CAB AREA

U09, U10

113979-09-01A CARPET - HEADLINER (SY)
113979-10-01A CARPET-HEADLINER,SLDOUT (SY), 21.5 WIDE
137813-U4-000 FABRIC - UPHOLSTERY, BEDSPREAD, MAIN
137813-E4-000 FABRIC - DRAPERY, MAIN, UPHLSTRY, BEDSPRD, PATTERN ACCENT A
148797-L4-000 FABRIC - UPHOLSTERY MAIN ONE, MAIN
148797-L5-000 FABRIC - UPHOLSTERY, PLAIN ACCENT
148797-L5-000 FABRIC - UPHOLSTERY ACCENT, PATTERN
148797-L5-000 FABRIC - O/H CABT, DIN/LOUNGE
148797-L5-000 FABRIC - DINETTE WRAP, DINETTES
142523-08-000 VINYL - HEADLINERS/BUNKS
142523-08-000 VINYL - ACCENT TRIMS, CAB AREA

DRIVERS COMPARTMENT GROUP FRONT INTERIOR

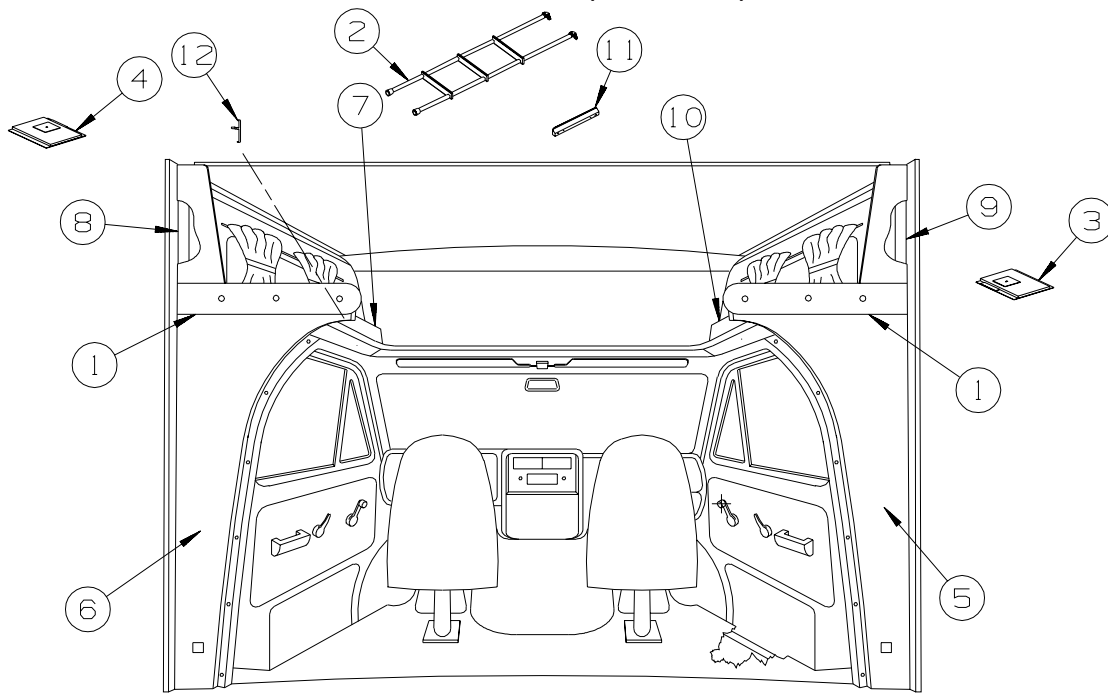


FORD

| KEY | PART NUMBER | U/M | DESCRIPTION |
|-----|---------------|-----|--|
| 1 | 106447-07-U01 | EA | TRIM - CAB DOOR - UPPER/RIGHT HAND |
| 2 | 106447-08-U01 | EA | TRIM - CAB DOOR - UPPER/LEFT HAND |
| 3 | 106448-07-T11 | EA | HEADLINER - W/VINYL |
| 4 | 125031-01-T11 | EA | TRIM - CAB - B-PILLAR - PASSENGER SIDE |
| 5 | 125031-02-T11 | EA | TRIM - CAB - B-PILLAR - DRIVER SIDE |
| 6 | 135426-01-000 | EA | INSULATION-FLOOR,CAB,LH |
| 7 | 135426-02-000 | EA | INSULATION-FLOOR,CAB,RH |
| 8 | 141793-01-U01 | EA | CAP - SLEEPERBOARD (U07, U08) |
| 8 | 141793-01-U03 | EA | CAP - SLEEPERBOARD (U09, U10) |
| 9 | 141803-01-U01 | EA | WINGWALL - INNER/LOWER (U07, U08) - 222B, 224V, 226A |
| 9 | 141803-01-U03 | EA | WINGWALL - INNER/LOWER (U09, U10) - 222B, 224V, 226A |
| 9 | 156957-01-U01 | EA | WINGWALL - INNER/LOWER - PASSENGER (U07, U08) - 228P, 229T, 231C |
| 9 | 156957-01-U03 | EA | WINGWALL - INNER/LOWER - PASSENGER (U09, U10) - 228P, 229T, 231C |
| 10 | 141803-02-U01 | EA | WINGWALL - INNER/LOWER (U07, U08) - 222B, 224V, 226A |
| 10 | 141803-02-U03 | EA | WINGWALL - INNER/LOWER (U09, U10) - 222B, 224V, 226A |
| 10 | 156957-02-U01 | EA | WINGWALL - INNER/LOWER - DRIVER (U07, U08) - 228P, 229T, 231C |
| 10 | 156957-02-U03 | EA | WINGWALL - INNER/LOWER - DRIVER (U09, U10) - 228P, 229T, 231C |
| 11 | 141795-01-U01 | EA | CABINET - HAMPER - W/DOOR - W/O HARDWARE (U07, U08) |
| 11 | 141795-01-U03 | EA | CABINET - HAMPER - W/DOOR - W/O HARDWARE (U09, U10) |
| 12 | 109709-01-01A | EA | BRACKET - WINGWALL - OFF WHITE |
| 13 | 109709-02-01A | EA | BRACKET - WINGWALL - OFF WHITE |
| 14 | 141795-02-U01 | EA | CABINET - HAMPER - W/DOOR - W/O HARDWARE (U07, U08) |
| 14 | 141795-02-U03 | EA | CABINET - HAMPER - W/DOOR - W/O HARDWARE (U09, U10) |
| 15 | 094658-04-T11 | EA | HANDLE - BUNK - 1.1" X 2" X 14.9" - PORTSMOUTH OAK |
| 15 | 094658-04-TK0 | EA | HANDLE - BUNK - 1.1" X 2" X 14.9" - SIERRA MAPLE |
| 16* | 106025-02-01A | EA | LADDER - BUNK - 52" - BLACK |
| | | | FROM: 00-00-00 THRU: 09-03-06 |
| 16 | 106025-05-01A | EA | LADDER - BUNK - 50.1" - BLACK - 222B, 224V, 226A |
| | | | FROM: 09-04-06 THRU: 99-99-99 |
| 16 | 106025-05-01A | EA | LADDER - BUNK - 50.1" - BLACK - 228P, 229T, 231C |
| | | | FROM: 09-04-06 THRU: 03-11-07 |
| 16 | 106025-08-01A | EA | LADDER - BUNK - 51.9" - BLACK - 228P, 229T, 231C |
| | | | FROM: 03-12-07 THRU: 99-99-99 |
| | 162356-01-000 | EA | STRAP/TIEDOWN - LADDER |
| | | | FROM: 10-16-06 THRU: 99-99-99 |
| 17 | 119520-01-01A | FT | MOLDING-T - OFFSET W/EDGE LIP - 1.3" FACE - OFF WHITE |

*COMPONENT PARTS LISTED LATER IN THIS GROUP

DRIVERS COMPARTMENT GROUP (CONTINUED)
FRONT INTERIOR (CONTINUED)



CHEVY

| KEY | PART NUMBER | U/M | DESCRIPTION |
|-----|---------------|-----|--|
| 1 | 141793-01-U01 | EA | CAP - SLEEPERBOARD (U07, U08) |
| 1 | 141793-01-U03 | EA | CAP - SLEEPERBOARD (U09, U10) |
| 2* | 106025-02-01A | EA | LADDER - BUNK - 52" - BLACK |
| | | | FROM: 00-00-00 THRU: 09-03-06 |
| 2 | 106025-05-01A | EA | LADDER - BUNK - 50.1" - BLACK - 222B, 224V, 226A |
| | | | FROM: 09-04-06 THRU: 99-99-99 |
| 2 | 106025-05-01A | EA | LADDER - BUNK - 50.1" - BLACK - 228P, 229T, 231C |
| | | | FROM: 09-04-06 THRU: 03-11-07 |
| 2 | 106025-08-01A | EA | LADDER - BUNK - 51.9" - BLACK - 228P, 229T, 231C |
| | | | FROM: 03-12-07 THRU: 99-99-99 |
| | 162356-01-000 | EA | STRAP/TIEDOWN - LADDER |
| | | | FROM: 10-16-06 THRU: 99-99-99 |
| 3 | 156218-04-U01 | EA | HEADLINER - W/VINYL |
| 4 | 156218-05-U01 | EA | HEADLINER - W/VINYL |
| 5 | 141803-01-U01 | EA | WINGWALL - INNER/LOWER (U07, U08) - 222B, 224V, 226A |
| 5 | 141803-01-U03 | EA | WINGWALL - INNER/LOWER (U09, U10) - 222B, 224V, 226A |
| 5 | 156957-01-U01 | EA | WINGWALL - INNER/LOWER - PASSENGER (U07, U08) - 228P, 229T, 231C |
| 5 | 156957-01-U03 | EA | WINGWALL - INNER/LOWER - PASSENGER (U09, U10) - 228P, 229T, 231C |
| 6 | 141803-02-U01 | EA | WINGWALL - INNER/LOWER (U07, U08) - 222B, 224V, 226A |
| 6 | 141803-02-U03 | EA | WINGWALL - INNER/LOWER (U09, U10) - 222B, 224V, 226A |
| 6 | 156957-02-U01 | EA | WINGWALL - INNER/LOWER - DRIVER (U07, U08) - 228P, 229T, 231C |
| 6 | 156957-02-U03 | EA | WINGWALL - INNER/LOWER - DRIVER (U09, U10) - 228P, 229T, 231C |
| 7 | 141795-01-U01 | EA | CABINET - HAMPER - W/DOOR - W/O HARDWARE (U07, U08) |
| 7 | 141795-01-U03 | EA | CABINET - HAMPER - W/DOOR - W/O HARDWARE (U09, U10) |
| 8 | 109709-01-01A | EA | BRACKET - WINGWALL - OFF WHITE |
| 9 | 109709-02-01A | EA | BRACKET - WINGWALL - OFF WHITE |
| 10 | 141795-02-U01 | EA | CABINET - HAMPER - W/DOOR - W/O HARDWARE (U07, U08) |
| 10 | 141795-02-U03 | EA | CABINET - HAMPER - W/DOOR - W/O HARDWARE (U09, U10) |
| 11 | 094658-04-T11 | EA | HANDLE - BUNK - 1.1" X 2" X 14.9" - PORTSMOUTH OAK |
| 11 | 094658-04-TK0 | EA | HANDLE - BUNK - 1.1" X 2" X 14.9" - SIERRA MAPLE |
| 12 | 119520-01-01A | FT | MOLDING-T - OFFSET W/EDGE LIP - 1.3" FACE - OFF WHITE |

*COMPONENT PARTS LISTED LATER IN THIS GROUP

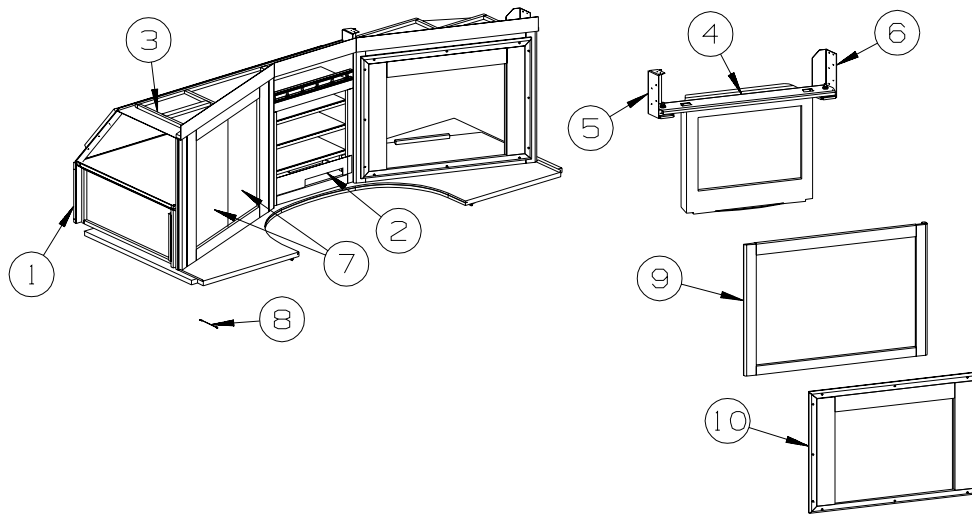
COMPONENT PARTS FOR FRONT INTERIOR

106025-02-01A

| KEY | PART NUMBER | U/M | DESCRIPTION | VENDOR NO. |
|-----|---------------|-----|-----------------------------|------------|
| | 106025-01-700 | EA | BRACKET SET-F/BUNK LADDER | 08-0030-00 |
| | 106025-01-701 | EA | END CAP-F/STEP LADDER RUNGS | |

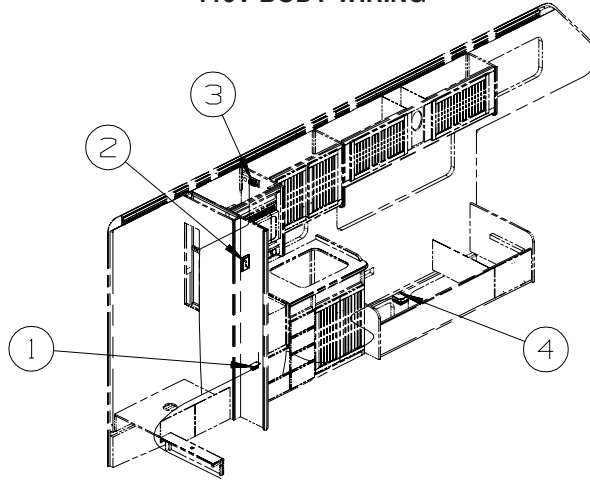
DRIVERS COMPARTMENT GROUP (CONTINUED)

CABINETS

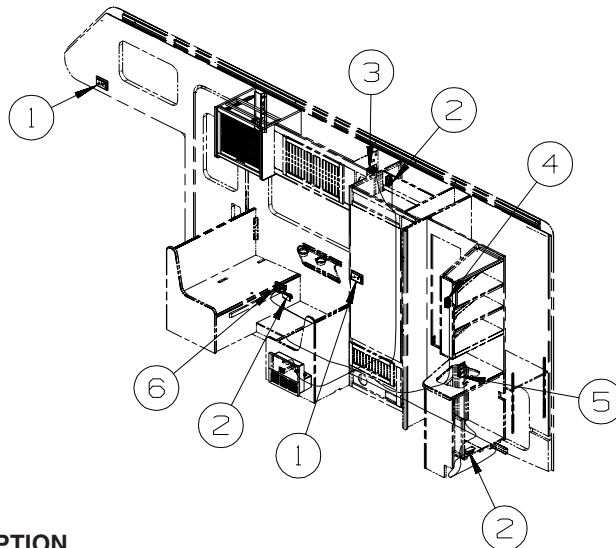


| KEY | PART NUMBER | U/M | DESCRIPTION |
|-----|---------------|-----|---|
| 1 | P56718-01-U01 | EA | CABINET - ENTERTAINMENT CENTER/LEFT HAND - W/O DOORS/HDW - PORTSMOUTH OAK |
| 1 | P56718-01-U02 | EA | CABINET - ENTERTAINMENT CENTER/LEFT HAND - W/O DOORS/HDW - SIERRA MAPLE |
| 2 | 142200-01-T11 | EA | PANEL - VINYL COVERED |
| 3 | 156720-01-U01 | EA | CABINET - ENTERTAINMENT CENTER/TOP - W/O HDW |
| 4 | 157549-01-02B | EA | BRACKET/MOUNTING - TV - E-COATED |
| 5 | 158139-01-02B | EA | BRACKET - TV - E-COATED |
| 6 | 158139-02-02B | EA | BRACKET - TV - E-COATED |
| 7 | 147084-50-U01 | EA | DOOR - FLAT PANEL/PENCIL EDGE - 14.4" X 26.7" W/O HDW - PORTSMOUTH OAK |
| 7 | 147084-50-U02 | EA | DOOR - FLAT PANEL/PENCIL EDGE - 14.4" X 26.7" W/O HDW - SIERRA MAPLE |
| 8 | 076767-04-000 | EA | CABLE - STAINLESS STEEL - 5.9" |
| 9 | 156719-11-U01 | EA | FACE/FRAME - CABINET/FRONT/INNER TRIM - PORTSMOUTH OAK |
| 9 | 156719-11-U02 | EA | FACE/FRAME - CABINET/FRONT/INNER TRIM - SIERRA MAPLE |
| 10 | 156719-14-U01 | EA | FACE/FRAME - CABINET/FRONT/OUTER TRIM - PORTSMOUTH OAK |
| 10 | 156719-14-U02 | EA | FACE/FRAME - CABINET/FRONT/OUTER TRIM - SIERRA MAPLE |

ELECTRICAL GROUP 110V BODY WIRING



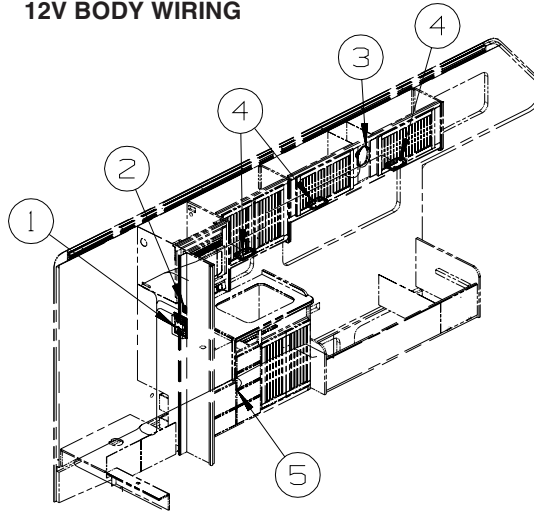
| KEY | PART NUMBER | U/M | DESCRIPTION |
|-----|---------------|-----|--|
| 1 | 058707-02-000 | EA | RECEPTACLE - BLANK - JUNCTION BOX |
| 2 | 133713-01-08A | EA | SPACER/RECEPTACLE - VINYL - PORTSMOUTH OAK |
| 2 | 133713-01-20A | EA | SPACER/RECEPTACLE - VINYL - WHITE |
| 2 | 133713-01-22A | EA | SPACER/RECEPTACLE - VINYL - SIERRA MAPLE |
| 2 | 058708-01-000 | EA | RECEPTACLE - ELECTRIC - DOUBLE - BROWN |
| 2 | 058708-06-000 | EA | RECEPTACLE - DUPLEX - WHITE |
| 3 | 058708-05-000 | EA | RECEPTACLE - ELECTRICAL - SINGLE - BROWN |
| 3 | 058708-07-000 | EA | RECEPTACLE - ELECTRICAL - SINGLE - WHITE |
| 4 | 008289-01-000 | EA | BOX - ELECTRIC/STEEL - 4" X 4" - 1/2" & 3/4" KNOCKOUTS |
| 4 | 008294-01-000 | EA | COVER - ELECTRIC BOX - BLANK/STEEL - 4" X 4" - GRAY |



| KEY | PART NUMBER | U/M | DESCRIPTION |
|-----|---------------|-----|--|
| 1 | 133713-01-08A | EA | SPACER/RECEPTACLE - VINYL - PORTSMOUTH OAK |
| 1 | 133713-01-20A | EA | SPACER/RECEPTACLE - VINYL - WHITE |
| 1 | 133713-01-22A | EA | SPACER/RECEPTACLE - VINYL - SIERRA MAPLE |
| 1 | 058708-01-000 | EA | RECEPTACLE - ELECTRIC - DOUBLE - BROWN |
| 1 | 058708-06-000 | EA | RECEPTACLE - DUPLEX - WHITE |
| 2 | 058707-02-000 | EA | RECEPTACLE - BLANK - JUNCTION BOX |
| 3 | 058708-01-000 | EA | RECEPTACLE - ELECTRIC - DOUBLE - BROWN |
| 3 | 058708-06-000 | EA | RECEPTACLE - DUPLEX - WHITE |
| 4 | 058707-01-000 | EA | RECEPTACLE - ELECTRIC - SINGLE - BROWN |
| 5 | 147446-01-02A | EA | RECEPTACLE - GFCI - 15A 125V - BROWN |
| | | | FROM: 00-00-00 THRU: 12-20-06 |
| 5 | 163319-01-02A | EA | RECEPTACLE - GFCI - 15A 125V - BROWN |
| | | | FROM: 12-21-06 THRU: 99-99-99 |
| 6 | 131826-01-01A | EA | RECEPTACLE - EXTERIOR - W/COVER/GASKET - WHITE |

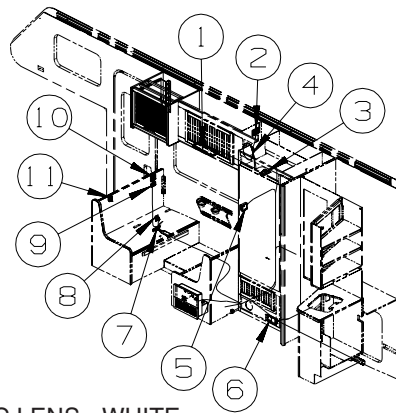
ELECTRICAL GROUP (CONTINUED)

12V BODY WIRING



| KEY | PART NUMBER | U/M | DESCRIPTION |
|-----|---------------|-----|--|
| 1* | 134940-06-01A | EA | PANEL - MONITOR - 2 TANK - W/GENERATOR SWITCH - GEN-4.0KW-ONANGAS-MICROQUIET |
| 1* | 134940-07-01A | EA | PANEL - MONITOR - 2 TANK |
| 2 | 135740-06-01A | EA | SWITCH - ROCKER - ON/OFF - LIGHTED - RED |
| 2 | 135741-01-01A | EA | SWITCH - BASE - SINGLE - BROWN |
| 2 | 135742-01-01A | EA | BEZEL - SWITCH - SINGLE - BROWN |
| 2 | 134563-01-02A | EA | LABEL - SWITCH - HEATER - BLACK/WHITE |
| 3 | 110465-01-000 | EA | SPEAKER KIT,4 5X7 SPEAKERS |
| 4* | 137417-02-01A | EA | LIGHT - DOME - SINGLE - W/SWITCH/OPTIC LENS - WHITE |
| 5 | 139335-01-02B | EA | PLATE - ELECTRICAL - E-COATED |
| 5 | 082134-01-000 | EA | ADAPTER - TV - CABLE TO CABLE |
| 5 | 082136-01-000 | EA | NUT - HEX JAM - 3/8-32 |
| 5 | 087236-01-000 | EA | LABEL - CABLE - INPUT |

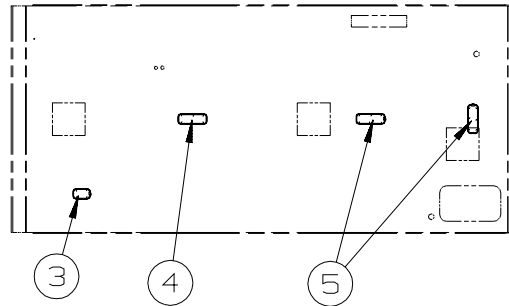
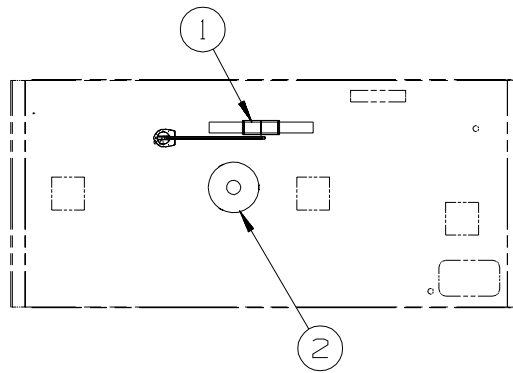
*COMPONENT PARTS LISTED LATER IN THIS GROUP



| KEY | PART NUMBER | U/M | DESCRIPTION |
|-----|---------------|-----|---|
| 1* | 137417-05-01A | EA | LIGHT - DOME - DOUBLE - W/SWITCH/OPTIC LENS - WHITE |
| 2 | 149557-05-01A | EA | PLATE/WALL - DUAL COAXIAL/HORIZONTAL - WHITE |
| 3 | 086777-02-000 | EA | WALLPLATE/TV CABLE W/ANTENNA SWITCH/BOOSTER - 2 TV - BLACK |
| 4 | 110465-01-000 | EA | SPEAKER KIT,4 5X7 SPEAKERS |
| 5 | 115764-01-01A | EA | THERMOSTAT - FURNACE - WHITE |
| 6 | 150138-01-01A | EA | DETECTOR - LP GAS - WHITE |
| 6 | 150138-01-01A | EA | DETECTOR - LP GAS - BROWN |
| 7 | 061424-01-000 | EA | LIGHT - AISLE - 12 VOLT - RECTANGULAR |
| | 036196-01-000 | EA | BULB - 12V - #194 - .27 AMP - BAYONETTE |
| 8 | 098351-07-02A | EA | PLATE/SWITCH - 1 GANG - CHROME - GENERATOR SWITCH |
| 8 | 108357-06-000 | EA | SWITCH - ROCKER - DPDT - MOM/OFF/MOM - 6 TERM - W/O COVER |
| 8 | 108356-11-01A | EA | COVER/ACTUATOR SWITCH - 3 GROOVES - AUX BATT - BLACK |
| 8 | 108355-01-000 | EA | HOUSING - SWITCH |
| 9 | 135740-01-01A | EA | SWITCH - ROCKER - SPST - ON/OFF - BROWN - ENTRANCE STEP-ELEC. |
| 9 | 135741-01-01A | EA | SWITCH - BASE - SINGLE - BROWN - ENTRANCE STEP-ELEC. |
| 9 | 135742-11-02A | EA | BEZEL - SWITCH - STEP - BROWN - ENTRANCE STEP-ELEC. |
| 10 | 135740-01-01A | EA | SWITCH - ROCKER - SPST - ON/OFF - BROWN |
| 10 | 135741-02-01A | EA | SWITCH - BASE - DOUBLE - BROWN |
| 10 | 135742-19-02A | EA | BEZEL - SWITCH - CEILING/PORCH - BROWN |
| 11 | 116995-02-000 | EA | SWITCH/MAGNET - ELECTRIC STEP - BLACK/WHITE - NORMALLY OPEN |

*COMPONENT PARTS LISTED LATER IN THIS GROUP

ELECTRICAL GROUP (CONTINUED)
12V BODY WIRING (CONTINUED)

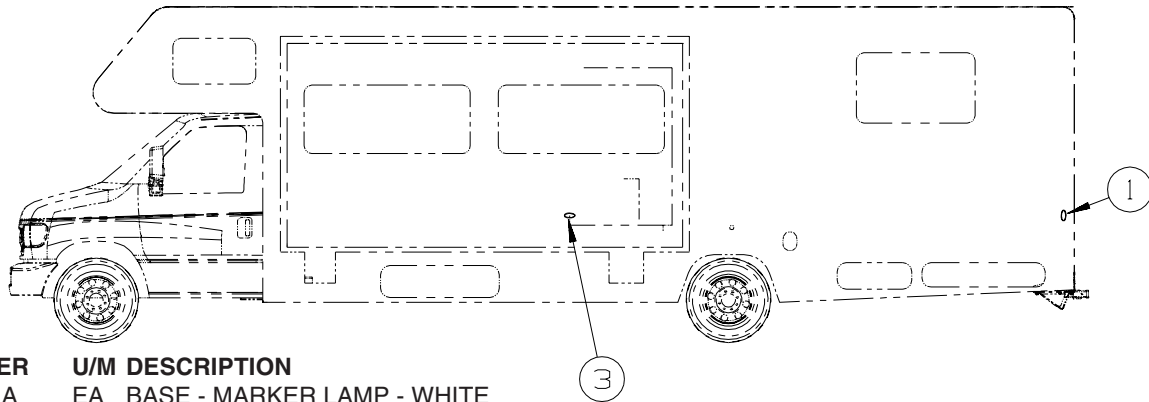
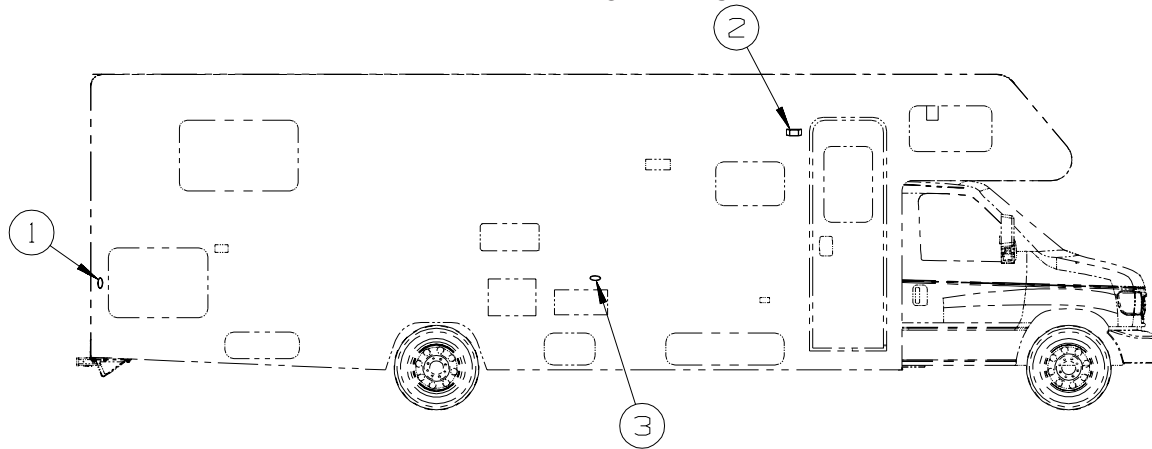


| KEY | PART NUMBER | U/M | DESCRIPTION |
|-----|---------------|-----|---|
| 1* | 076319-23-000 | EA | ANTENNA - TV ROOF MOUNT - 44.5" MAST |
| 1* | 076319-25-000 | EA | KIT - HARDWARE INTERIOR |
| 1 | 069726-02-000 | EA | BUMPER - .88" OD X .40" THICK - BLACK |
| 2 | 132935-01-000 | EA | ANTENNA - TV ROOF MOUNT - ROUND - W/O POWER SUPPLY - TV ANTENNA-OMNIDIRECTIONAL |
| 2 | 146488-01-000 | EA | PLATE - ROOF - CABLE ENTRY - TV ANTENNA-OMNIDIRECTIONAL |
| 3* | 137417-01-01A | EA | LIGHT - DOME - SINGLE - W/SWITCH/FROSTED LENS - WHITE |
| 4* | 137417-06-01A | EA | LIGHT - DOME - DOUBLE - W/O SWITCH - W/FROSTED LENS-WHITE |
| 5 | 137417-04-01A | EA | LIGHT - DOME - DOUBLE - W/SWITCH/FROSTED LENS - WHITE |

***COMPONENT PARTS LISTED LATER IN THIS GROUP**

ELECTRICAL GROUP (CONTINUED)

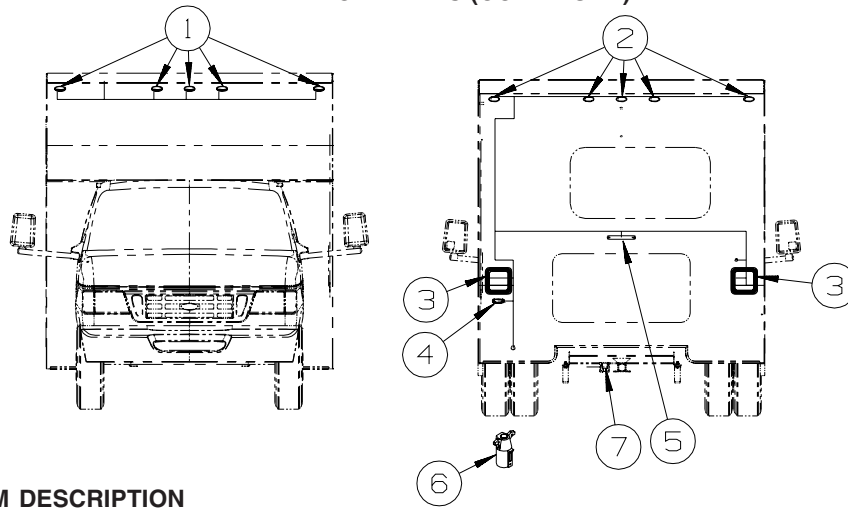
EXTERIOR LAMPS



| KEY | PART NUMBER | U/M | DESCRIPTION | |
|-----|---------------|-----|--|-------------------------------|
| 1 | 147680-01-01A | EA | BASE - MARKER LAMP - WHITE | FROM: 00-00-00 THRU: 03-12-07 |
| 1 | 111102-01-000 | EA | BASE - MARKER LAMP - NOT ILLUSTRATED | FROM: 03-13-07 THRU: 99-99-99 |
| | 036196-01-000 | EA | BULB - 12V - #194 - .27 AMP - BAYONETTE | FROM: 03-13-07 THRU: 99-99-99 |
| 1 | 147680-03-01A | EA | LAMP - MARKER - LENS - RED | FROM: 00-00-00 THRU: 03-12-07 |
| 1 | 111102-03-000 | EA | LENS - RED - MARKER LAMP - NOT ILLUSTRATED | FROM: 03-13-07 THRU: 99-99-99 |
| 2* | 097917-01-06A | EA | LIGHT - PORCH - ENTRY DOOR - BRIGHT WHITE | |
| | 008215-01-000 | EA | BULB - 12 VOLT - #1003 - .94 AMP | |
| 3 | 147680-01-01A | EA | BASE - MARKER LAMP - WHITE - 229T, 231C | FROM: 00-00-00 THRU: 03-12-07 |
| 3 | 111102-01-000 | EA | BASE - MARKER LAMP - 229T, 231C - NOT ILLUSTRATED | FROM: 03-13-07 THRU: 99-99-99 |
| | 036196-01-000 | EA | BULB - 12V - #194 - .27 AMP - BAYONETTE - 229T, 231C | FROM: 03-13-07 THRU: 99-99-99 |
| 3 | 147680-02-01A | EA | LAMP - MARKER - LENS - AMBER - 229T, 231C | FROM: 00-00-00 THRU: 03-12-07 |
| 3 | 111102-02-000 | EA | LENS - AMBER - MARKER LAMP - 229T, 231C - NOT ILLUSTRATED | FROM: 03-13-07 THRU: 99-99-99 |

*COMPONENT PARTS LISTED LATER IN THIS GROUP

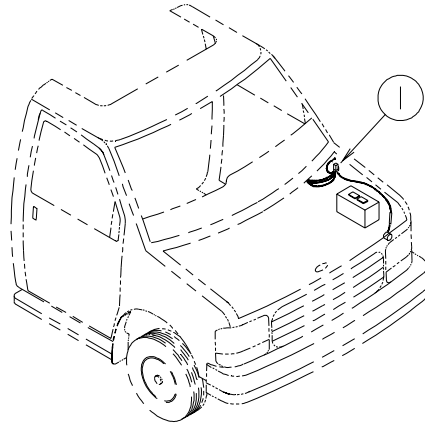
ELECTRICAL GROUP (CONTINUED)
EXTERIOR LAMPS (CONTINUED)



| KEY | PART NUMBER | U/M | DESCRIPTION |
|-----|---------------|-----|--|
| 1 | 147680-01-01A | EA | BASE - MARKER LAMP - WHITE FROM: 00-00-00 THRU: 03-12-07 |
| 1 | 111102-01-000 | EA | BASE - MARKER LAMP - NOT ILLUSTRATED FROM: 03-13-07 THRU: 99-99-99 |
| | 036196-01-000 | EA | BULB - 12V - #194 - .27 AMP - BAYONETTE FROM: 03-13-07 THRU: 99-99-99 |
| 1 | 147680-02-01A | EA | LAMP - MARKER - LENS - AMBER FROM: 00-00-00 THRU: 03-12-07 |
| 1 | 111102-02-000 | EA | LENS - AMBER - MARKER LAMP - NOT ILLUSTRATED FROM: 03-13-07 THRU: 99-99-99 |
| 2 | 147680-01-01A | EA | BASE - MARKER LAMP - WHITE FROM: 00-00-00 THRU: 03-12-07 |
| 2 | 111102-01-000 | EA | BASE - MARKER LAMP - NOT ILLUSTRATED FROM: 03-13-07 THRU: 99-99-99 |
| | 036196-01-000 | EA | BULB - 12V - #194 - .27 AMP - BAYONETTE FROM: 03-13-07 THRU: 99-99-99 |
| 2 | 147680-03-01A | EA | LAMP - MARKER - LENS - RED FROM: 00-00-00 THRU: 03-12-07 |
| 2 | 111102-03-000 | EA | LENS - RED - MARKER LAMP - NOT ILLUSTRATED FROM: 03-13-07 THRU: 99-99-99 |
| 3* | 153658-01-02A | EA | LAMP - STOP/TURN/TAIL/BACK UP - CHROME |
| 4 | 066432-02-000 | EA | LIGHT - LICENSE - BLACK |
| 4 | 066432-03-000 | EA | BRACKET - LICENSE PLATE |
| 5 | 136916-01-000 | EA | LIGHT - BRAKE - CENTER MOUNT - RECTANGLE - 1.3" X 9.8" |
| 6 | 146246-01-000 | EA | CONNECTOR/PLUG - TRAILER - 7 PIN |
| 7 | 157593-01-000 | EA | CONNECTOR - PLUG - TRAILER - 7 SOCKET |

***COMPONENT PARTS LISTED LATER IN THIS GROUP**

ELECTRICAL GROUP (CONTINUED)
FRONT END



| KEY | PART NUMBER | U/M DESCRIPTION |
|------------|--------------------|--|
| 1 | 100138-01-000 | EA MODULE - DAYTIME/RUNNING LIGHT - HAMSAR DRL #H8005B |

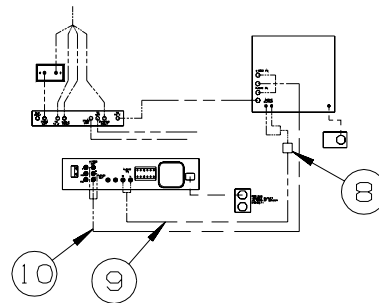
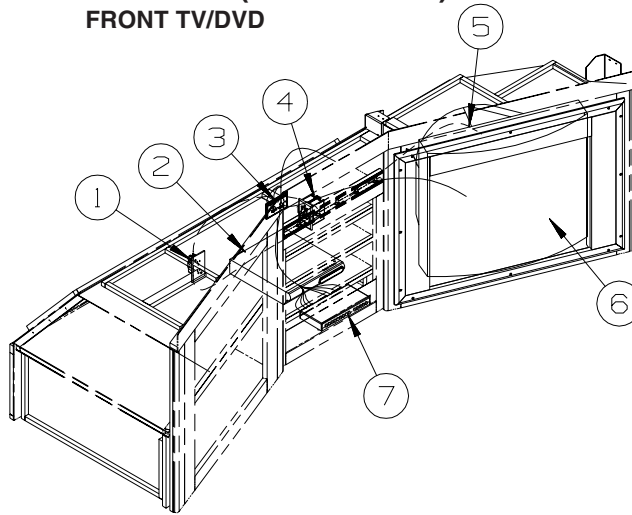


| KEY | PART NUMBER | U/M DESCRIPTION |
|------------|--------------------|---|
| * | 120269-07-01A | EA PANEL - W/ELECTRIC MIRROR/HEAT SWITCH - F/#L28X OPTION - MIRRORS-EXTERIOR W/DEFROST |
| * | 133908-09-01A | EA PANEL - F/ELECTRIC MIRROR ONLY - L28X OPTION - MIRRORS-EXTERIOR W/DEFROST - CHEVY |

***COMPONENT PARTS LISTED LATER IN THIS GROUP**

ELECTRICAL GROUP (CONTINUED)

FRONT TV/DVD

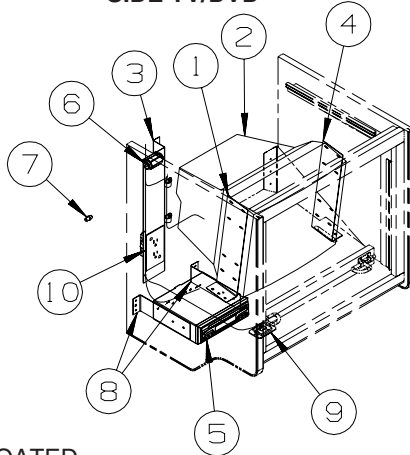


| KEY | PART NUMBER | U/M | DESCRIPTION |
|-----|---------------|-----|---|
| 1 | 058708-01-000 | EA | RECEPTACLE - ELECTRIC - DOUBLE - BROWN |
| 1 | 158542-02-01A | EA | LABEL - RECEPTACLE - ELECTRONICS - WHITE/BLACK - CANADIAN |
| 2* | 150089-01-000 | EA | DVD/VCR - HOME THEATER SYSTEM - RCA RTD300/SP - HOME THEATER SOUND SYSTEM FROM: 00-00-00 THRU: 12-11-05 |
| 2* | 158836-01-000 | EA | DVD - HOME THEATER - W/O SPEAKERS - MEMOREX STS71E-R - HOME THEATER SOUND SYSTEM FROM: 12-12-05 THRU: 99-99-99 |
| 2 | 159771-01-000 | EA | DVD/MP3 PLAYER - PROGRESSIVE SCAN - MEMOREX MVD2022 - DIGITAL VIDEO DISC PLAYER FROM: 00-00-00 THRU: 04-11-07 |
| 2 | 164584-01-000 | EA | DVD/MP3 PLAYER - PROGRESSIVE SCAN - MEMOREX MVD2023 - DIGITAL VIDEO DISC PLAYER FROM: 04-12-07 THRU: 99-99-99 |
| 3 | 149557-05-01A | EA | PLATE/WALL - DUAL COAXIAL/HORIZONTAL - WHITE |
| 4 | 156676-01-000 | EA | CONTROLLER/OUTLET - POWER/TV - AUTO SHUTOFF W/IGNITION |
| 5 | 058707-02-000 | EA | RECEPTACLE - BLANK - JUNCTION BOX |
| 6* | 157282-01-000 | EA | TV - 27" STEREO - W/3 JACKS - RCA 27V412TAO FROM: 00-00-00 THRU: 05-07-06 |
| 6* | 157282-02-000 | EA | TV - 27" STEREO - W/5 JACKS/DIGITAL TUNER - RCA 27V414TAO FROM: 05-08-06 THRU: 99-99-99 |
| 7 | 086757-04-000 | EA | CONTROL CENTER - SWITCH - VCR/TV - 5 INPUTS |
| 8 | 123324-01-000 | EA | FILTER - GROUND LOOP - ISOLATION TRANSFORMER - HOME THEATER SOUND SYSTEM |
| 9 | 117420-02-000 | EA | CABLE - W/MALE RCA ENDS - SHIELDED - 4' - HOME THEATER SOUND SYSTEM |
| 10 | 136860-03-000 | EA | CABLE - RCA - SHIELDED - 3 MALE TO MALE CONNECTORS - 6' - HOME THEATER SOUND SYSTEM |

*COMPONENT PARTS LISTED LATER IN THIS GROUP

ELECTRICAL GROUP (CONTINUED)

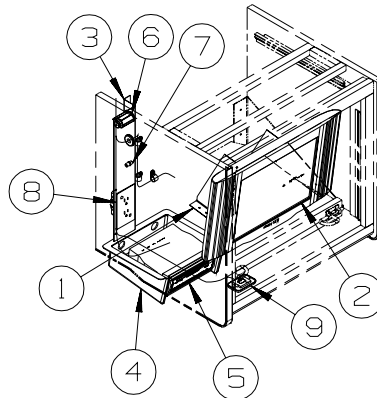
SIDE TV/DVD



TV - 13"
222B, 224V,
226A, 228P,
229T

| KEY | PART NUMBER | U/M | DESCRIPTION |
|-----|---------------|-----|---|
| 1 | 143650-01-02B | EA | BRACKET - TV - E-COATED |
| 2* | 086231-10-000 | EA | TV - 13" COLOR - AUDIOVOX - FLEX VISION/AVT-1498/DC - NOT ILLUSTRATED FROM: 00-00-00 THRU: 05-21-06 |
| 2* | 159733-01-000 | EA | TV - 13" DC - COLOR - KEC 13BNL/3 FROM: 05-22-06 THRU: 99-99-99 |
| 3 | 122469-02-02B | EA | BRACKET - ZEE - W/CUTOUT - E-COATED |
| 3 | 122469-01-02B | EA | BRACKET - ZEE - 13" TV W/DVD-12V |
| 4 | 143676-04-02B | EA | BRACKET - DVD - E-COATED - NOT ILLUSTRATED FROM: 00-00-00 THRU: 03-19-06 |
| 4 | 143650-01-02B | EA | BRACKET - TV - E-COATED FROM: 03-20-06 THRU: 99-99-99 |
| 5* | 158778-02-000 | EA | DVD PLAYER - VERTICAL MOUNT - 12V - JENSEN - DV352VMWIN - NOT ILLUSTRATED FROM: 00-00-00 THRU: 03-19-06 |
| 5* | 158778-01-000 | EA | DVD PLAYER - SLOT-IN - 12V - JENSEN - DV352WIN FROM: 03-20-06 THRU: 99-99-99 |
| 6 | 111414-01-000 | EA | RECEPTACLE/SOCKET - 12 VOLT |
| 7 | 082134-01-000 | EA | ADAPTER - TV - CABLE TO CABLE |
| 8 | 159773-01-02B | EA | BRACKET - DVD - E-COATED FROM: 03-20-06 THRU: 99-99-99 |
| 9 | 135740-01-01A | EA | SWITCH - ROCKER - SPST - ON/OFF - BROWN |
| 9 | 135741-01-01A | EA | SWITCH - BASE - SINGLE - BROWN |
| 9 | 135742-45-02A | EA | BEZEL - SWITCH - TV - BROWN |
| 10 | 058708-01-000 | EA | RECEPTACLE - ELECTRIC - DOUBLE - BROWN |

***COMPONENT PARTS LISTED LATER IN THIS GROUP**

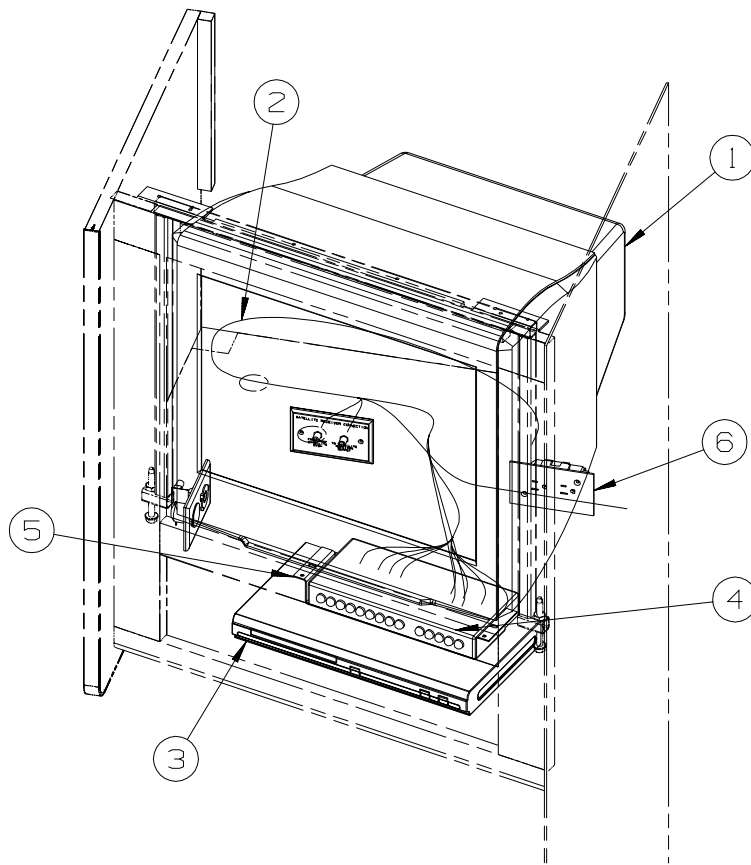


TV - 14"
222B, 224V,
226A, 228P,
229T

| KEY | PART NUMBER | U/M | DESCRIPTION |
|-----|---------------|-----|---|
| 1 | 152308-03-02B | EA | BRACKET/SUPPORT - TV - E-COATED |
| 2* | 160123-01-000 | EA | TV - 14" LCD/STEREO - 12V - PROVIEW HV-145 |
| 3 | 122469-02-02B | EA | BRACKET - ZEE - W/CUTOUT - E-COATED |
| 3 | 122469-01-02B | EA | BRACKET - ZEE - TV-14" DC, LCD, & DVD, DC |
| 4 | 160604-01-000 | EA | SHROUD - RADIO/DVD - BLACK |
| 5* | 160603-01-000 | EA | DVD PLAYER - HORIZONTAL MNT - 12V - BLK - NESA DVD-1002 |
| 6 | 111414-01-000 | EA | RECEPTACLE/SOCKET - 12 VOLT |
| 7 | 082134-01-000 | EA | ADAPTER - TV - CABLE TO CABLE |
| 8 | 058708-01-000 | EA | RECEPTACLE - ELECTRIC - DOUBLE - BROWN |
| 9 | 135740-01-01A | EA | SWITCH - ROCKER - SPST - ON/OFF - BROWN |
| 9 | 135741-01-01A | EA | SWITCH - BASE - SINGLE - BROWN |
| 9 | 135742-45-02A | EA | BEZEL - SWITCH - TV - BROWN |

***COMPONENT PARTS LISTED LATER IN THIS GROUP**

ELECTRICAL GROUP (CONTINUED)
SIDE TV/DVD (CONTINUED)

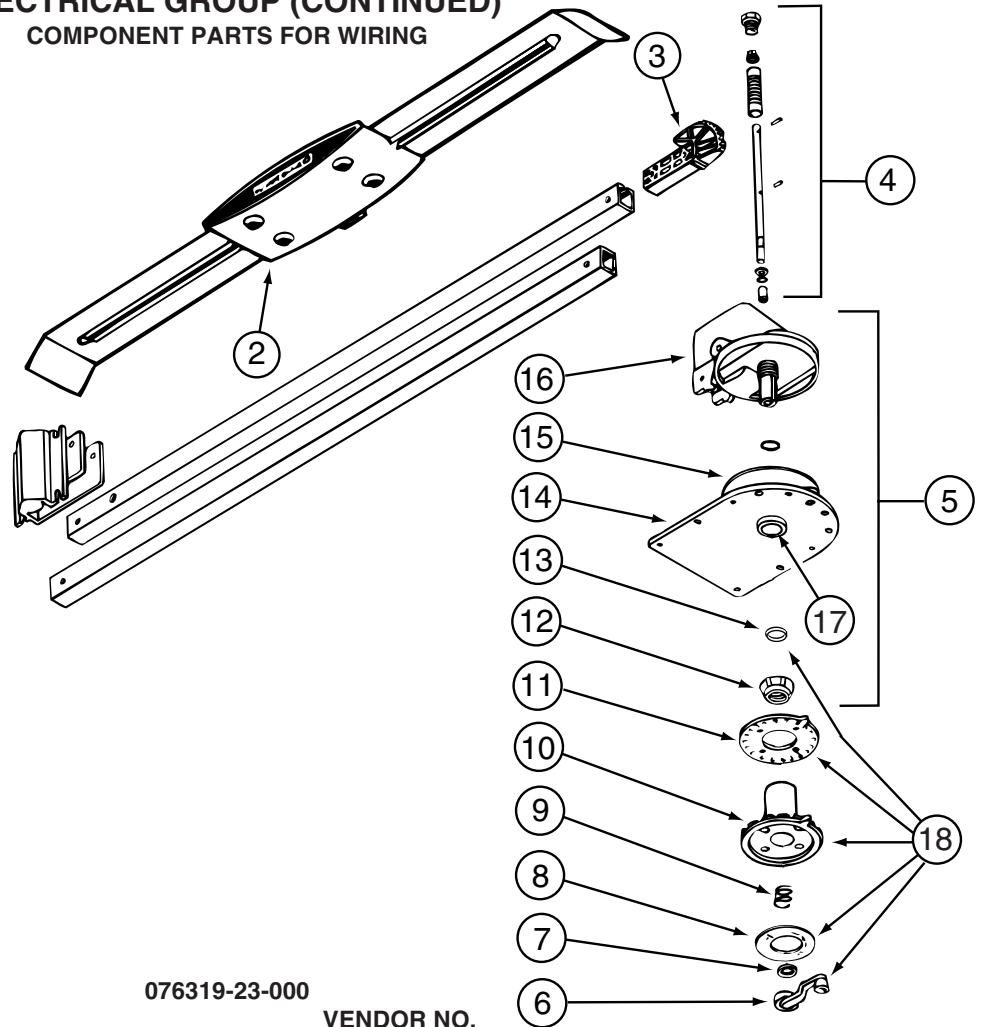


231C

| KEY | PART NUMBER | U/M | DESCRIPTION |
|-----|---------------|-----|---|
| 1* | 149040-02-000 | EA | TV - 20" FLAT SCREEN/STEREO - RCA 20F410T - NOT ILLUSTRATED FROM: 00-00-00 THRU: 05-14-06 |
| 1* | 149040-03-000 | EA | TV - 20" FLAT SCREEN/STEREO - RCA 20F420T FROM: 05-15-06 THRU: 99-99-99 |
| 2 | 136860-01-000 | EA | CABLE - RCA - SHIELDED - 3 MALE TO MALE CONNECTORS - 12' |
| 3 | 159771-01-000 | EA | DVD/MP3 PLAYER - PROGRESSIVE SCAN - MEMOREX MVD2022 FROM: 00-00-00 THRU: 04-11-07 |
| 3 | 164584-01-000 | EA | DVD/MP3 PLAYER - PROGRESSIVE SCAN - MEMOREX MVD2023 - NOT ILLUSTRATED FROM: 04-12-07 THRU: 99-99-99 |
| 4 | 086757-04-000 | EA | CONTROL CENTER - SWITCH - VCR/TV - 5 INPUTS |
| 5 | 118847-02-02B | EA | MOUNT - SWITCH BOX - E-COATED |
| 6 | 058708-01-000 | EA | RECEPTACLE - ELECTRIC - DOUBLE - BROWN |
| | 148247-05-02B | EA | STRAP/TIEDOWN - TV - E-COATED FROM: 00-00-00 THRU: 05-14-06 |

***COMPONENT PARTS LISTED LATER IN THIS GROUP**

ELECTRICAL GROUP (CONTINUED)
COMPONENT PARTS FOR WIRING



076319-23-000

| KEY | PART NUMBER | U/M | DESCRIPTION | VENDOR NO. |
|-----|---------------|-----|--|------------|
| 2 | 076319-01-700 | EA | HEAD-ANTENNA, AMPLIFIED | RVSA U/V |
| 3 | 076319-01-701 | EA | GEAR-ELEVATING, PLASTIC | 2200046 |
| 4 | 076319-01-702 | EA | SHAFT ASM-ELEVATING | RP-4000 |
| 5 | 076319-01-711 | EA | BASE & LIFT ASM | 2762802 |
| 7 | 076319-01-705 | EA | GROMMET-NYLON, 7/8"ID | 3200658 |
| 8 | 076319-01-708 | EA | DECAL-CRANK | 5413002 |
| 9 | 076319-01-707 | EA | SPRING-HANDLE | 2160822 |
| 11 | 076319-01-712 | EA | PLATE - CEILING | 3200608 |
| 12 | 076319-01-715 | EA | NUT (GEAR HOUSING) | 2200047 |
| 14 | 076319-01-713 | EA | PLATE-BASE, STEEL | 3100523 |
| 15 | 076319-01-703 | EA | BEARING-NYLON, 5"OD | 3200656 |
| 16 | 076319-01-714 | EA | HOUSING, ROTATING GEAR | 2200049 |
| 17 | 076319-01-704 | EA | BEARING-NYLON, 1.25"OD | 3200657 |
| 18 | 076319-01-709 | EA | HANDLE-HEAD DIRECTIONAL | 200644 |
| | 076319-01-716 | EA | TUBING, ELEVATING | RP-2900 |
| | | | CONTACT WINNEBAGO PART SALES FOR UNLISTED COMPONENT(S) | |

076319-25-000

| KEY | PART NUMBER | U/M | DESCRIPTION | VENDOR NO. |
|-----|---------------|-----|--|------------|
| 6 | 076319-01-706 | EA | CRANK-W/SET SCREW UNIV/BEIGE | 2750897 |
| 6 | 120233-01-710 | EA | HANDLE-CRANK W/SCREW - WHITE | RP-6795 |
| 8 | 076319-01-708 | EA | DECAL-CRANK | 5413002 |
| 10 | 076319-25-700 | EA | DIRECTIONAL HANDLE(WHITE) | 3200612 |
| 11 | 076319-25-701 | EA | PLATE - CEILING(WHITE) | 3200609 |
| 13 | 120233-01-709 | EA | WASHER-NYLON | RP-2658 |
| | | | CONTACT WINNEBAGO PART SALES FOR UNLISTED COMPONENT(S) | |

086231-10-000

| KEY | PART NUMBER | U/M | DESCRIPTION | VENDOR NO. |
|-----|---------------|-----|------------------------------|------------|
| | 086231-08-700 | EA | REMOTE-UNIVERSAL | 0892325 |
| | 086231-10-700 | EA | ADAPTER WIRE - (CIGARETTE) | 0894000 |
| | 086231-10-701 | EA | CONVERTER/POWER SUP 110/12 V | 0891412 |

ELECTRICAL GROUP (CONTINUED)
COMPONENT PARTS FOR WIRING (CONTINUED)

097917-01-06A

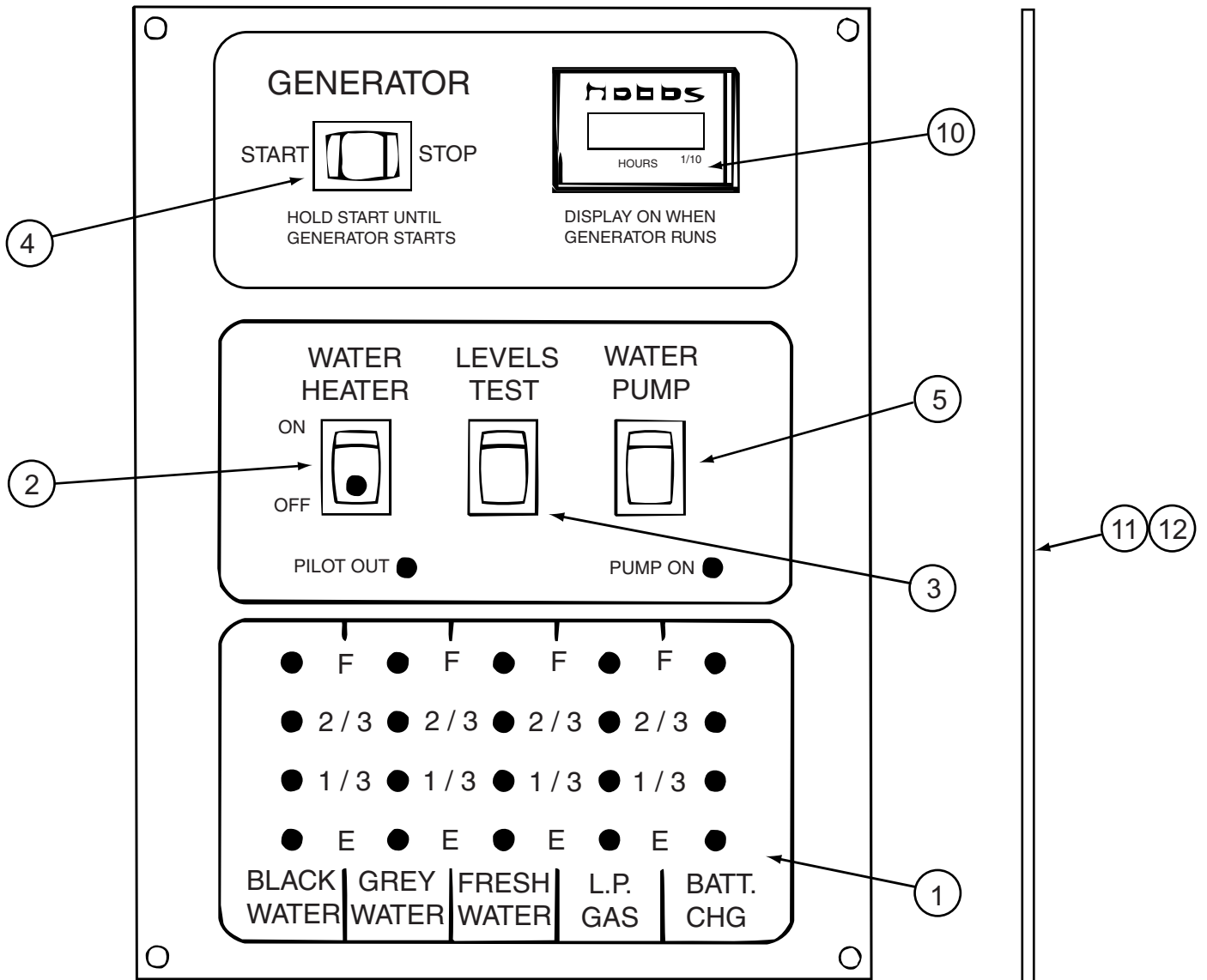
| KEY | PART NUMBER | U/M DESCRIPTION | VENDOR NO. |
|-----|---------------|----------------------|------------|
| | 097917-01-700 | EA LENS-LIGHT, CLEAR | 30-78-021 |

120269-07-01A

| KEY | PART NUMBER | U/M DESCRIPTION | VENDOR NO. |
|-----|---------------|---------------------------|------------|
| | 120269-07-700 | EA SWITCH - REMOTE | 7475720 |
| | 133908-09-700 | EA SWITCH - MIRROR HEATER | 7475150 |

133908-09-01A

| KEY | PART NUMBER | U/M DESCRIPTION | VENDOR NO. |
|-----|---------------|-------------------------|------------|
| | 133908-09-700 | EA SWITCH-MIRROR HEATER | 7475150 |



134940-06-01A

| KEY | PART NUMBER | U/M DESCRIPTION | VENDOR NO. |
|-----|---------------|---------------------------------|------------|
| 1 | 134940-01-702 | EA CHASSIS - SILKSCREENED | CC0558-00 |
| 2 | 134940-01-701 | EA SWITCH-SPST/ON-OFF/BLK W/LGT | L0109 |
| 3 | 096983-01-701 | EA SWITCH - SPST/MOM 2 TERMINAL | L0111-00 |
| 4 | 096983-01-702 | EA SWITCH - MOM/OFF/MOM/3 TERM | L0112-00 |
| 5 | 096983-01-703 | EA SWITCH - ON/ON | L0115-00 |
| 10 | 100258-10-701 | EA GAUGE-HR METER ONLY (LCD) | L0775-00 |
| 11 | 134940-06-700 | EA PC BOARD - SENSOR SYSTEM/RED | L5131-02 |

CONTACT WINNEBAGO PART SALES FOR UNLISTED COMPONENT(S)

ELECTRICAL GROUP (CONTINUED)
COMPONENT PARTS FOR WIRING (CONTINUED)

134940-07-01A

| KEY | PART NUMBER | U/M | DESCRIPTION | VENDOR NO. |
|-----|---------------|-----|------------------------------|------------|
| 1 | 134940-01-702 | EA | CHASSIS - SILKSCREENED | CC0558-00 |
| 2 | 134940-01-701 | EA | SWITCH-SPST/ON-OFF/BLK W/LGT | L0109 |
| 3 | 096983-01-701 | EA | SWITCH - SPST/MOM 2 TERMINAL | L0111-00 |
| 4 | 096983-01-703 | EA | SWITCH - ON/ON | L0115-00 |
| 5 | 134940-02-700 | EA | SWITCH - DUMMY | L0118 |
| 11 | 134940-06-700 | EA | PC BOARD - SENSOR SYSTEM/RED | L5131-02 |

CONTACT WINNEBAGO PART SALES FOR UNLISTED COMPONENT(S)

137417-01-01A, 137417-03-01A

| KEY | PART NUMBER | U/M | DESCRIPTION | VENDOR NO. |
|-----|---------------|-----|-------------------------|------------|
| | 137417-01-700 | EA | LENS - SINGLE (FROSTED) | 810868 |

137417-02-01A

| KEY | PART NUMBER | U/M | DESCRIPTION | VENDOR NO. |
|-----|---------------|-----|---------------------|------------|
| | 137417-02-700 | EA | LENS - SINGLE OPTIC | 810844 |

137417-05-01A

| KEY | PART NUMBER | U/M | DESCRIPTION | VENDOR NO. |
|-----|---------------|-----|---------------------|------------|
| | 137417-05-700 | EA | LENS - DOUBLE OPTIC | 810845 |

137417-06-01A

| KEY | PART NUMBER | U/M | DESCRIPTION | VENDOR NO. |
|-----|---------------|-----|---------------------|------------|
| | 137417-06-700 | EA | LENS - DOUBLE WHITE | 810867 |

149040-02-000

| KEY | PART NUMBER | U/M | DESCRIPTION | VENDOR NO. |
|-----|---------------|-----|-------------|----------------|
| | 149040-02-700 | EA | REMOTE - TV | RCR311TBM1-RCA |

149040-03-000

| KEY | PART NUMBER | U/M | DESCRIPTION | VENDOR NO. |
|-----|---------------|-----|-------------|------------|
| | 149040-03-700 | EA | REMOTE - TV | 265714 |

150089-01-000

| KEY | PART NUMBER | U/M | DESCRIPTION | VENDOR NO. |
|-----|---------------|-----|-------------|------------|
| | 150089-01-700 | EA | REMOTE | 265683 |

153658-01-01A, 153658-01-02A

| KEY | PART NUMBER | U/M | DESCRIPTION | VENDOR NO. |
|-----|---------------|-----|-------------|------------|
| | 153658-01-700 | EA | LENS ONLY | 8511LRC |

157282-01-000

| KEY | PART NUMBER | U/M | DESCRIPTION | VENDOR NO. |
|-----|---------------|-----|-------------|------------|
| | 157282-01-700 | EA | REMOTE - TV | 270372 |

157282-02-000

| KEY | PART NUMBER | U/M | DESCRIPTION | VENDOR NO. |
|-----|---------------|-----|-------------|------------|
| | 157282-02-700 | EA | REMOTE - TV | 271706 |

158778-01-000

| KEY | PART NUMBER | U/M | DESCRIPTION | VENDOR NO. |
|-----|---------------|-----|--------------|------------|
| | 158778-01-700 | EA | REMOTE - DVD | PSVCDV352 |

158778-02-000

| KEY | PART NUMBER | U/M | DESCRIPTION | VENDOR NO. |
|-----|---------------|-----|--------------|------------|
| | 158778-02-700 | EA | REMOTE - DVD | PRC13 |

158836-01-000

| KEY | PART NUMBER | U/M | DESCRIPTION | VENDOR NO. |
|-----|---------------|-----|-------------|------------|
| | 158836-01-700 | EA | REMOTE | STS71WREM |

159733-01-000

| KEY | PART NUMBER | U/M | DESCRIPTION | VENDOR NO. |
|-----|---------------|-----|-------------|------------|
| | 159733-01-700 | EA | REMOTE - TV | RC9799 |

160123-01-000

| KEY | PART NUMBER | U/M | DESCRIPTION | VENDOR NO. |
|-----|---------------|-----|-------------|------------|
| | 160123-01-700 | EA | REMOTE - TV | HV145-REM |

ELECTRICAL GROUP (CONTINUED)
COMPONENT PARTS FOR WIRING (CONTINUED)

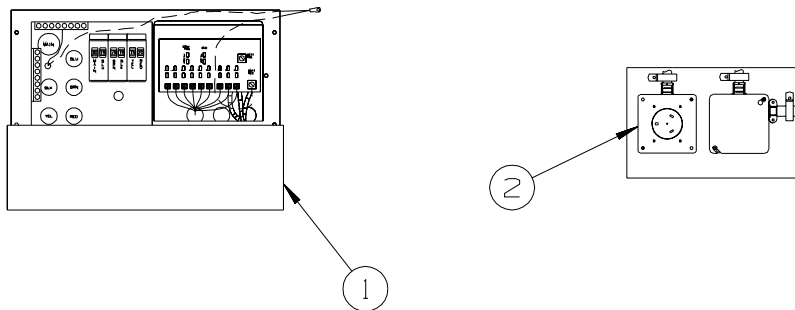
160603-01-000

| KEY | PART NUMBER | U/M | DESCRIPTION | VENDOR NO. |
|------------|--------------------|------------|--------------------|-------------------|
| | 160603-01-700 | EA | REMOTE | DVD-1002-REM |
| | 160603-01-701 | EA | REMOTE SENSOR | DVD-1002-EYE |

ELECTRICAL GROUP (CONTINUED)

CIRCUIT BREAKERS, FUSES & RELAYS

| KEY | PART NUMBER | U/M | DESCRIPTION |
|-----|---------------|-----|--|
| | 008235-01-000 | EA | FUSE - 15 AMP/12VOLT - AUTOMOTIVE |
| | 062901-02-000 | EA | FUSE - 5 AMP - AUTOMOTIVE |
| | 062901-04-000 | EA | FUSE - 10 AMP - AUTOMOTIVE |
| | 062901-05-000 | EA | FUSE - 15 AMP - AUTOMOTIVE |
| | 062901-06-000 | EA | FUSE - 20 AMP - AUTOMOTIVE |
| | 062901-07-000 | EA | FUSE - 25 AMP - AUTOMOTIVE |
| | 062901-08-000 | EA | FUSE - 30 AMP - AUTOMOTIVE |
| | 063910-01-000 | EA | HOUSING - RELAY |
| | 063912-02-000 | EA | RELAY - CANISTER - SPDT |
| | 083209-01-000 | EA | CIRCUIT BREAKER - 15 AMP - 120 VOLT - CANADIAN |
| | 083209-02-000 | EA | CIRCUIT BREAKER - 15/15 AMP - 120 VOLT |
| | 083209-03-000 | EA | CIRCUIT BREAKER - 15/20 AMP - 120 VOLT |
| | 083209-04-000 | EA | CIRCUIT BREAKER - 30 AMP - 120 VOLT |
| | 083209-05-000 | EA | CIRCUIT BREAKER - 20 AMP - 120 VOLT |
| | 083209-06-000 | EA | CIRCUIT BREAKER - 30/15 AMP - 120 VOLT |
| | 083209-07-000 | EA | CIRCUIT BREAKER - 20/20 AMP - 120 VOLT |
| | 083209-10-000 | EA | CIRCUIT BREAKER - 20/30 AMP - 120 VOLT |
| | 083209-11-000 | EA | CIRCUIT BREAKER - 20/15 AMP - 120 VOLT |
| | 092786-03-000 | EA | BUSS BAR - 6.9" LONG |
| | 092786-06-000 | EA | BUSS BAR |
| | 093654-01-000 | EA | CIRCUIT BREAKER - 6 AMP - 12 VOLT - PUSH BUTTON - WHITE |
| | 093654-02-000 | EA | CIRCUIT BREAKER - 15 AMP - 12 VOLT - PUSH BUTTON - WHITE |
| | 093654-03-000 | EA | CIRCUIT BREAKER - 20 AMP - 12 VOLT - PUSH BUTTON - WHITE |
| | 093655-01-000 | EA | CIRCUIT BREAKER - 25 AMP - 12 VOLT - PUSH BUTTON - WHITE |
| | 093655-02-000 | EA | CIRCUIT BREAKER - 30 AMP - 12 VOLT - PUSH BUTTON - WHITE |
| | 093655-03-000 | EA | CIRCUIT BREAKER - 40 AMP - 12 VOLT - PUSH BUTTON - WHITE |
| | 097611-01-000 | EA | CIRCUIT BREAKER - 10 AMP |
| | 100341-01-000 | EA | FUSE HOLDER - IN LINE TYPE |
| | 113482-01-000 | EA | CIRCUIT BREAKER - 55 AMP - MANUAL |
| | 115187-01-000 | EA | FUSE - 300 AMP - NON-DELAY |
| | 115187-02-000 | EA | HOLDER - FUSE |
| | 115187-03-000 | EA | FUSE - 60 AMP - NON-DELAY |
| | 122811-01-000 | EA | CIRCUIT BREAKER - 20/50/50/20 AMP - 250V |
| | 125986-02-000 | EA | FUSE - 5 AMP - AUTO - MINI BLADE |
| | 125986-05-000 | EA | FUSE - 15 AMP - AUTO - MINI BLADE |
| | 141789-01-000 | EA | SPACER - CIRCUIT BREAKER |



CONVERTER, INVERTER, LOAD CENTERS

| KEY | PART NUMBER | U/M | DESCRIPTION |
|-----|---------------|-----|---|
| 1* | 083208-07-000 | EA | CONTROL CENTER - 45 AMP - 120V/12V - W/O BREAKERS |
| 2 | 024924-02-000 | EA | RECEPTACLE - POWER CORD - W/PARTIAL PLATE |

*COMPONENT PARTS LISTED LATER IN THIS GROUP

COMPONENT PARTS FOR CONVERTER, INVERTER, LOAD CENTERS

083208-07-000

| KEY | PART NUMBER | U/M | DESCRIPTION | VENDOR NO. |
|-----|---------------|-----|-----------------------------|------------|
| | 083208-06-701 | EA | CONVERTER ONLY (LOWER UNIT) | 7345R |

ELECTRICAL GROUP (CONTINUED)

BOXES & CORDS

| KEY | PART NUMBER | U/M | DESCRIPTION |
|-----|---------------|-----|--|
| | 008054-01-000 | EA | CORD - POWER - 10/3 WIRE - 30 AMP - 25' |
| | 115832-01-000 | FT | CORD - HEAVY DUTY - 14-2 W/GROUND |
| | 008289-01-000 | EA | BOX - ELECTRIC/STEEL - 4" X 4" - 1/2" & 3/4" KNOCKOUTS |
| | 091910-01-000 | EA | BOX - ELECTRIC - 3.8" X 3.5" X 1.8" - PLASTIC |
| | 091910-02-000 | EA | BOX - ELECTRIC - 2.2" X 3.5" X 1.8" - PLASTIC |
| | 131679-01-000 | EA | BOX/ELECTRIC-WATERPROOF-4" X 4" - W/4 3/4"OUTLETS-UL/CSA |
| | 133070-01-000 | EA | BOX - ELECTRIC/PLASTIC - 3" X 2" X 2.8" - UL |
| | 133070-02-000 | EA | BOX - ELECTRIC/PLASTIC - 3" X 2" X 2.8" - CANADIAN |
| | 008294-01-000 | EA | COVER - ELECTRIC BOX - BLANK/STEEL - 4" X 4" - GRAY |
| | 069238-01-000 | EA | COVER - ELECTRICAL BOX - W/HOLE - 4" X 4" - GRAY |
| | 131680-01-000 | EA | COVER - F/ELECTRIC BOX W/GASKET 4" X 4" - UL/CSA |

WIRE ASSEMBLIES

| KEY | PART NUMBER | U/M | DESCRIPTION |
|-----|---------------|-----|---|
| | 106851-01-000 | EA | WIRE ASSEMBLY - RUNNING LIGHTS - FUSE |
| | 116894-01-000 | EA | WIRE ASSEMBLY - SPEED SENSOR EXTENDED |
| | 120269-08-000 | EA | HARNES/WIRE - F/ELECTRIC MIRRORS |
| | 134551-08-000 | EA | WIRE ASSEMBLY - HEATER/TANKS - 2 PAD -216.2"(LONGEST WIRE) |
| | 134551-09-000 | EA | WIRE ASSEMBLY - HEATER/TANKS - 2 PAD - 114"(LONGEST WIRE) |
| | 134551-12-000 | EA | WIRE ASSEMBLY - HEATER/TANKS - 2 PAD - 78.6"(LONGEST WIRE) |
| | 134551-13-000 | EA | WIRE ASSEMBLY - HEATER/TANKS - 2 PAD - 86.5"(LONGEST WIRE) |
| | 136514-02-000 | EA | CABLE - MONITOR/CAMERA |
| | 145210-01-000 | FT | CABLE - COAXIAL |
| | 151316-03-000 | EA | WIRE ASM - W/NON CONTACT SENSORS - GREY WATER - 43.2" |
| | 151316-06-000 | EA | WIRE ASM - W/NON CONTACT SENSORS - GREY WATER - 78.6" |
| | 151317-01-000 | EA | WIRE ASM-W/NON CONTACT SENSORS-FRESH WATER/BLK TANK-3.9" |
| | 151317-03-000 | EA | WIRE ASM-W/NON CONTACT SENSORS-FRSH WATER/BLK TANK-43.2" |
| | 151317-06-000 | EA | WIRE ASM-W/NON CONTACT SENSORS-FRESH WATER/BLK TANK-78.6" |
| | 153891-01-000 | EA | WIRE ASM-HEATER,RELAY |
| | 155619-04-000 | EA | WIRE ASSEMBLY-RADIO - F/UNITS W/O RADIO POWER SWITCH-FORD |
| | 160123-02-000 | EA | WIRE/CABLE - POWER - PROVIEW WB101-06 - TV-14" DC, LCD, & DVD, DC |

ELECTRICAL GROUP (CONTINUED)
CONNECTORS & CONDUIT

| KEY | PART NUMBER | U/M | DESCRIPTION |
|-----|---------------|-----|--|
| | 007940-01-000 | EA | RECEPTACLE/SLIDE 16 TO 12 AWG - FEMALE END |
| | 007940-02-000 | EA | RECEPTACLE/SLIDE 10 AWG |
| | 007954-01-000 | EA | RECEPTACLE - HOUSING - 6 POSITION |
| | 007956-05-000 | EA | INSULATOR - SHRINK - 1/4"ID X 1 1/2" |
| | 008058-01-000 | EA | ADAPTER - POWER CORD - 30 AMP TO 15 AMP |
| | 008311-01-000 | EA | CONNECTOR - WIRE NUT - INSULATED - RED |
| | 008312-01-000 | EA | CONNECTOR - WIRE NUT - INSULATED - BLUE |
| | 008313-01-000 | EA | CONNECTOR - WIRE NUT - INSULATED - YELLOW |
| | 008314-01-000 | EA | CONNECTOR - WIRE NUT - INSULATED - GRAY |
| | 008328-01-000 | EA | TERMINAL - RING - 12/10 WIRE - #10 STUD FIT |
| | 008331-01-000 | EA | TERMINAL - RING - TONGUE - #4 WIRE - 3/8" STUD - COPPER |
| | 008348-01-000 | EA | TERMINAL - RING - 3/8" STUD 2 GA. WIRE |
| | 008355-01-000 | EA | CONNECTOR - CABLE CLAMPING - 3/4" |
| | 008356-01-000 | EA | CONNECTOR - PLASTIC - 3/8" |
| | 008356-02-000 | EA | CONNECTOR - PLASTIC - 21/32" |
| | 008398-01-000 | EA | CONNECTOR - 1/2" X 90 DEGREE - FLEX CONDUIT - UL & CSA |
| | 035416-04-000 | EA | TERMINAL - RING - #10 STUD FIT - INSULATED BARREL #16/14 |
| | 041953-01-000 | FT | CONDUIT - CONVOLUTE SLIT - .5" ID - POLYETHYLENE |
| | 041953-02-000 | FT | CONDUIT - CONVOLUTE SLIT - .6" ID - POLYETHYLENE |
| | 041953-03-000 | FT | CONDUIT - CONVOLUTE SLIT - 1" ID (CLOTHES ROD COVER) |
| | 041953-06-000 | FT | CONDUIT - CONVOLUTE SLIT - .4" ID - POLYETHYLENE |
| | 041953-07-000 | FT | CONDUIT - CONVOLUTE SLIT - .25" ID - POLYETHYLENE |
| | 041953-08-000 | FT | CONDUIT - CONVOLUTE SLIT - 1.5" ID - POLYETHYLENE |
| | 041953-09-000 | FT | CONDUIT - CONVOLUTE SLIT - .5" ID - NYLON |
| | 041953-10-000 | FT | CONDUIT - CONVOLUTE SLIT - .75" ID - NYLON |
| | 041953-11-000 | FT | CONDUIT - CONVOLUTE SLIT - 1.06" ID - NYLON |
| | 041953-12-000 | FT | CONDUIT - CONVOLUTE SOLID - 1.1" ID - NYLON |
| | 041953-13-000 | FT | CONDUIT - CONVOLUTE SLIT - 1.25" ID |
| | 041953-14-000 | FT | CONDUIT - CONVOLUTE SLIT - 1.5" ID |
| | 041953-15-000 | FT | CONDUIT - CONVOLUTE SLIT - 2" |
| | 041953-16-000 | FT | CONDUIT - CONVOLUTE SLIT - 2" |
| | 047441-01-000 | EA | TERMINAL-BATTERY, HORIZONTAL LUG |
| | 047443-01-000 | EA | TERMINAL - .250 RECEPTACLE FIT - INSULATED - 16/14 AWG |
| | 047443-02-000 | EA | TERMINAL - .250 RECEPTACLE FIT - INSULATED - 12/10 AWG |
| | 047443-05-000 | EA | TERMINAL - .250 RECEPTACLE FIT - 18GA AWG |
| | 058028-01-000 | EA | CONNECTOR - ELECTRICAL PIGTAIL - NYLON - CLEAR |
| | 062036-01-000 | EA | TERMINAL - PACK - CON - 12/10 AWG |
| | 076319-12-000 | EA | CONNECTOR - COAXIAL - ONE PIECE |
| | 077479-01-000 | EA | BOOT - BATTERY TERMINAL - DOUBLE CABLE |
| | 077479-02-000 | EA | BOOT - BATTERY TERMINAL - SINGLE CABLE |
| | 080015-02-000 | EA | RECEPTACLE - FLAG - .185 - 16/14 GAUGE |
| | 080015-03-000 | EA | RECEPTACLE - FLAG - .250 - 14/16 GAUGE |
| | 080015-04-000 | EA | RECEPTACLE - FLAG - .187 - 16/14 GAUGE |
| | 082109-01-000 | EA | HOUSING - CONNECTOR - PACKARD |
| | 082741-01-000 | EA | CONNECTOR BODY - 2 CONNECTOR MALE |
| | 087225-01-000 | FT | SLEEVING - 1/2" - TYPE H |
| | 088473-01-000 | EA | HOUSING - PIN - 12 CAVITY (3 ROWS OF 4) |
| | 088473-02-000 | EA | HOUSING - PIN - 15 CAVITY (3 ROWS OF 5) |
| | 088473-03-000 | EA | HOUSING - PIN - 9 CAVITY (3 ROWS OF 3) |
| | 088473-04-000 | EA | HOUSING - PIN - 8 CAVITY IN-LINE |
| | 088473-06-000 | EA | HOUSING - PIN - 6 CAVITY (2 ROWS OF 3) |
| | 088473-07-000 | EA | HOUSING - PIN - 5 CAVITY - IN-LINE |
| | 088473-08-000 | EA | HOUSING - PIN - 4 CAVITY - IN-LINE |
| | 088473-09-000 | EA | HOUSING - PIN - 3 CAVITY - IN-LINE |
| | 088473-10-000 | EA | HOUSING - PIN - 2 CAVITY - IN-LINE |
| | 088473-12-000 | EA | HOUSING - PIN - 3 CAVITY - BLUE |
| | 088473-13-000 | EA | HOUSING - PIN - 3 CAVITY - GREEN |
| | 088473-14-000 | EA | HOUSING - PIN - 3 CAVITY - RED |
| | 088474-01-000 | EA | HOUSING - SOCKET - 12 CAVITY |
| | 088474-02-000 | EA | HOUSING - SOCKET - 15 CAVITY |
| | 088474-03-000 | EA | HOUSING - SOCKET - 9 CAVITY |
| | 088474-06-000 | EA | HOUSING - SOCKET - 6 CAVITY |
| | 088474-07-000 | EA | HOUSING - SOCKET - 5 CAVITY |
| | 088474-08-000 | EA | HOUSING - SOCKET - 4 CAVITY |

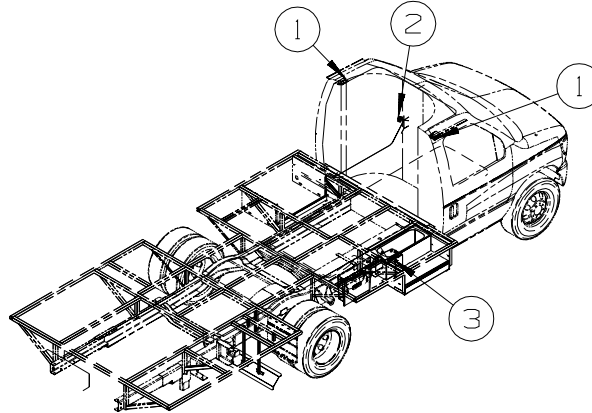
ELECTRICAL GROUP (CONTINUED)
CONNECTORS & CONDUIT (CONTINUED)

| KEY | PART NUMBER | U/M | DESCRIPTION |
|-----|---------------|-----|---|
| | 088474-09-000 | EA | HOUSING - SOCKET - 3 CAVITY |
| | 088474-10-000 | EA | HOUSING - SOCKET - 2 CAVITY |
| | 088475-01-000 | EA | PIN - CONNECTOR - 14-20 AWG |
| | 088475-02-000 | EA | PIN - CONNECTOR - 10-12 AWG |
| | 088476-01-000 | EA | TERMINAL - ELECTRICAL |
| | 088476-02-000 | EA | SOCKET - CONNECTOR - 12-10 GA - PRE-TIN |
| | 098261-01-000 | EA | SOCKET - CONNECTOR - WEATHERPACK - 12 AWG |
| | 098261-02-000 | EA | SOCKET - CONNECTOR - WEATHERPACK - 14-18 AWG |
| | 098262-01-000 | EA | SEAL - CONNECTOR - WEATHERPACK |
| | 098264-01-000 | EA | HOUSING - 2 PIN - WEATHER PACK - MALE W/FEMALE PINS |
| | 098264-02-000 | EA | HOUSING - 2 PIN - WEATHER PACK - FEMALE W/MALE PINS |
| | 098265-02-000 | EA | PIN - CONNECTOR - WEATHER PACK |
| | 102777-02-000 | EA | TERMINAL - RING - #6 STUD - 10 AWG |
| | 103608-01-000 | EA | SOCKET - WEDGE BASE W/LEADS |
| | 104100-01-000 | EA | HOUSING - 1 POSITION - 75 AMPS |
| | 104100-03-000 | EA | TERMINAL - 75 AMP |
| | 106007-02-000 | EA | TERMINAL - FEMALE - 10-12 AWG |
| | 110178-01-000 | EA | HOUSING - WIPER MOTOR |
| | 112823-01-000 | EA | SPLICE - REDUCER - 16-14 TO 18-22 |
| | 113072-02-000 | EA | HOUSING - ELECTRICAL - BACK-UP/TAIL LAMP |
| | 113072-03-000 | EA | HOUSING - ELECTRICAL - STOP/MARKER TAILLAMP |
| | 113073-01-000 | EA | WEDGELOCK - HOUSING - TAIL LAMP |
| | 113074-01-000 | EA | TERMINAL - TAILLAMP |
| | 113135-01-000 | EA | TERMINAL - FEMALE - M/P - 14-16 - F/SEALED TERMINAL |
| | 113308-01-000 | EA | TERMINAL - FEMALE - M/P - 14-16 - 280 |
| | 113308-02-000 | EA | TERMINAL - FEMALE - M/P - 14-18 - 280 |
| | 113468-01-000 | EA | HOUSING - 2 POSITION-FEMALE-USED ON WIPER/WASHER WIRE ASM |
| | 113468-02-000 | EA | HOUSING - 2 POSITION - FEMALE |
| | 115931-02-000 | EA | COVER - CONNECTOR - 50 AMP W/LOCKING RING |
| | 115932-02-000 | EA | CONNECTOR - FEMALE - 50 AMP/240 VOLT |
| | 116811-01-000 | EA | TERMINAL - .110 RECEPTACLE - 16-14 AWG |
| | 118571-01-000 | EA | CONNECTOR - 3-WAY - MALE/SEALED |
| | 118571-02-000 | EA | CONNECTOR - 3-WAY - FEMALE/SEALED |
| | 118571-05-000 | EA | LOCK - SECONDARY - FEMALE |
| | 118571-06-000 | EA | LOCK - SECONDARY - MALE |
| | 118599-02-000 | EA | TERMINAL - MALE - M/P - 280/14-12 |
| | 118820-01-000 | EA | INSULATOR - TERMINAL |
| | 129233-01-000 | EA | HOUSING - 2-POSITION/FEMALE - 280-SERIES |
| | 129233-02-000 | EA | HOUSING - 2-POSITION/FEMALE - 280-SERIES |
| | 129233-03-000 | EA | HOUSING - 2-POSITION/FEMALE - 280-SERIES |
| | 131681-01-000 | EA | CONNECTOR - 3/4" SO CORD - UL/CS |
| | 137207-01-000 | EA | HOUSING - PIN - 2 CAVITY/HIGH AMP |
| | 137208-01-000 | EA | HOUSING - SOCKET - 2 CAVITY/HIGH AMP |
| | 137209-01-000 | EA | PIN - CONNECTOR - 10AWG/HIGH AMP |
| | 137210-01-000 | EA | SOCKET - CONNECTOR - 10 AWG/HIGH AMP |
| | 138996-04-000 | EA | CONNECTOR - LAMP |
| | 142520-01-000 | EA | TERMINAL - FEMALE - MINI-FIT 16 |
| | 142522-01-000 | EA | HOUSING - 4 PIN/MALE - MINI FIT |
| | 142522-02-000 | EA | HOUSING - 6 PIN/MALE - MINI FIT |
| | 142522-03-000 | EA | HOUSING - 8 PIN/MALE - MINI FIT |
| | 142522-04-000 | EA | HOUSING - 10 PIN/MALE - MINI FIT |
| | 142522-05-000 | EA | HOUSING - 12 PIN/MALE - MINI FIT |
| | 142522-06-000 | EA | HOUSING - 14 PIN/MALE - MINI FIT |
| | 142524-01-000 | EA | HOUSING - 4 PIN/FEMALE - WEATHER PACK |
| | 142524-02-000 | EA | HOUSING - 4 PIN/FEMALE - WEATHER PACK |
| | 144283-01-000 | EA | CONNECTOR - 110V - F/USE WITH SOW WIRE - BLUE |
| | 144283-02-000 | EA | CONNECTOR - 110V - F/USE WITH NM ROMEX WIRE - CLEAR |
| | 145171-01-000 | EA | CONNECTOR - COAXIAL |
| | 148335-01-000 | EA | HOUSING - 8-POSITION/MALE - 280-GT SERIES |
| | 148335-02-000 | EA | HOUSING - 4-POSITION/MALE - 280-GT SERIES |
| | 148335-03-000 | EA | HOUSING - 6-POSITION/MALE - 280-GT SERIES |
| | 149683-01-000 | EA | HOUSING - F/5 CAVITY RECEPTACLE - W/SQUARE GUIDE PIN |
| | 149683-02-000 | EA | HOUSING - F/5 CAVITY RECEPTACLE - W/ROUND GUIDE PIN |
| | 149686-01-000 | EA | TERMINAL - .250 RECEPTACLE |

ELECTRICAL GROUP (CONTINUED)

CONNECTORS & CONDUIT (CONTINUED)

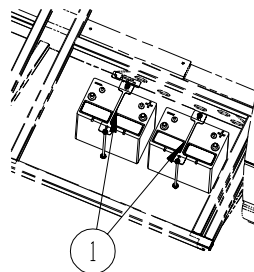
| KEY | PART NUMBER | U/M | DESCRIPTION |
|-----|---------------|-----|---|
| | 149687-01-000 | EA | HOUSING - 2 POSITION/MALE - PACKARD |
| | 149687-02-000 | EA | LOCK - F/2 POSITION HOUSING - PACKARD |
| | 149688-01-000 | EA | TERMINAL - MALE - 16 GAUGE WIRE |
| | 156035-01-000 | EA | HOUSING - 12-POSITION/FEMALE - 280-GT SERIES |
| | 156041-01-000 | EA | TERMINAL - FEMALE - 16-12 - 280-GT SERIES |
| | 156043-01-000 | EA | HOUSING - 2-POSITION/FEMALE - 480-MP SERIES |
| | 156043-02-000 | EA | LOCK - F/2 POSITION HOUSING - 480 SERIES |
| | 156044-01-000 | EA | TERMINAL - FEMALE - 16-12 - 280-GT - F/SEALED HOUSING |
| | 156045-01-000 | EA | HOUSING - 10-POSITION/FEMALE - 280-GT SERIES |
| | 156045-02-000 | EA | HOUSING - 4-POSITION/FEMALE - 280-GT SERIES |
| | 156045-03-000 | EA | HOUSING - 8-POSITION/FEMALE - 280-GT SERIES |
| | 156045-04-000 | EA | HOUSING - 6-POSITION/FEMALE - 280-GT SERIES |
| | 156207-01-000 | EA | HOUSING - 6-POSITION/MALE - 150-GT SERIES |
| | 156208-01-000 | EA | TERMINAL - MALE - 18-16 - 150-GT SERIES |
| | 157590-01-000 | EA | TERMINAL - FEMALE - M/P - 10-12 - 630 |
| | 157592-01-000 | EA | HOUSING - 7-POSITION/FEMAL - M/P |
| | 157592-02-000 | EA | LOCK - SECONDARY - F/7 POSITION HOUSING |
| | 157656-01-01A | EA | CONNECTOR - DASH LIGHT - BLACK |
| | 158357-01-000 | EA | HOUSING - 3 PIN/MALE - MINI FIT |
| | 158373-01-000 | EA | HOUSING - SOCKET - 16 CAVITY - MINI MATE-N-LOCK |
| | 158374-01-000 | EA | SOCKET - 16-20 CAVITY - MINI MATE-N-LOCK |



CHASSIS

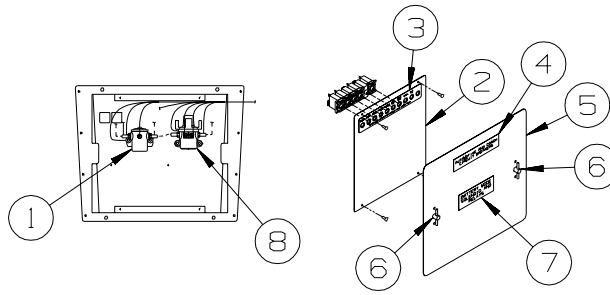
| KEY | PART NUMBER | U/M | DESCRIPTION |
|-----|---------------|-----|--|
| 1* | 086280-01-000 | EA | LIGHT - SURFACE MOUNT - 12 VOLT |
| 2 | 108357-09-000 | EA | SWITCH - ROCKER - SPDT - ON/NONE/MOM - 3 TERM - W/O COVER |
| 2 | 108356-07-01A | EA | COVER/ACTUATOR SWITCH - 2 ROWS DIMPLES - AUX START - BLACK |
| 2 | 108355-01-000 | EA | HOUSING - SWITCH |
| 2 | 144363-07-04B | EA | PLATE - SWITCH - BLACK |
| 3 | 160014-01-02B | EA | TIEDOWN - BATTERY - E-COATED |
| | 136514-02-000 | EA | CABLE - MONITOR/CAMERA |

***COMPONENT PARTS LISTED LATER IN THIS GROUP**



| KEY | PART NUMBER | U/M | DESCRIPTION |
|-----|---------------|-----|--|
| 1 | 160014-01-02B | EA | TIEDOWN - BATTERY - E-COATED - NOT ILLUSTRATED FROM: 00-00-00 THRU: 02-18-07 |
| 1 | 160014-03-02B | EA | TIEDOWN - BATTERY - E-COATED FROM: 02-19-07 THRU: 99-99-99 |

ELECTRICAL GROUP (CONTINUED)
CHASSIS (CONTINUED)



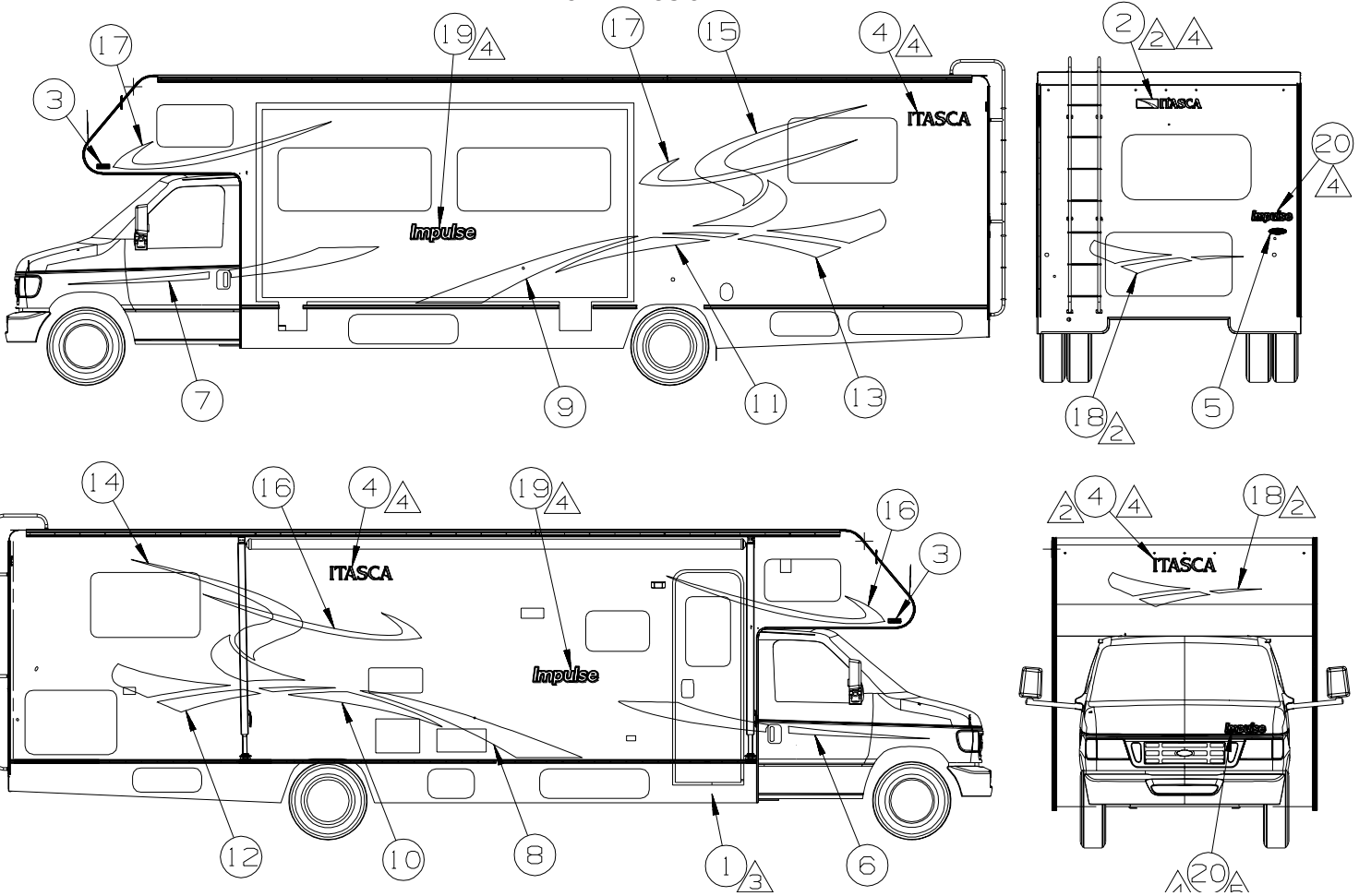
| KEY | PART NUMBER | U/M | DESCRIPTION |
|-----|---------------|-----|--|
| 1 | 008188-01-000 | EA | SOLENOID - 3 POST - BATTERY CHANGE OVER |
| 2 | 139067-10-02B | EA | PLATE - CIRCUIT BREAKER/HOUSE - E-COATED |
| 3 | 093236-38-000 | EA | LABEL - CIRCUIT BREAKER |
| 4 | 098379-01-000 | EA | LABEL - CIRCUIT BREAKER - FRONT BOX |
| 5 | 141273-05-02B | EA | COVER - ELECTRICAL BOX - E-COATED |
| 6 | 098196-01-000 | EA | LATCH - 1/4 TURN - T-BAR |
| 7 | 098379-04-000 | EA | LABEL - ELECTRICAL BOX - SIDE |
| 8 | 086273-01-000 | EA | RELAY - BATTERY DISCONNECT |

COMPONENT PARTS FOR CHASSIS

086280-01-000

| KEY | PART NUMBER | U/M | DESCRIPTION | VENDOR NO. |
|-----|---------------|-----|-------------|------------|
| | 086280-01-700 | EA | BULB,12V | ARP1089 |

EXTERIOR BODY GROUP GRAPHICS & PAINT



| KEY | PART NUMBER | U/M | DESCRIPTION |
|-----|---------------------|-----|---|
| 1 | 109506-01-000 | EA | FILM-URETHANE PROTECTANT |
| 2 | 124806-01-CHT (48A) | EA | DECAL -ITASCA W/ICON - DK GREEN/BRT WHITE |
| 3 | 132664-02-CHT (01A) | EA | DECAL-DOMED WINNEBAGO - CHROME/RED/BLACK |
| 4 | 144587-02-CHT (23A) | EA | DECAL -ITASCA - DK GREEN/BRT WHITE |
| 5 | 151687-02-CHT (01A) | EA | DECAL-DOMED NAMEPLATE ITASCA - CHROME/WHITE/BLACK/TEAL |
| 6 | 156432-01-CHT (01A) | EA | DECAL-SWEEP #1 RH - CHARCOAL MET !! |
| 7 | 156432-02-CHT (01A) | EA | DECAL-SWEEP #1 LH - CHARCOAL MET !! |
| 8 | 156433-01-CHT (01A) | EA | DECAL-SWEEP #2 RH - MOSS GREEN MET |
| 9 | 156433-02-CHT (01A) | EA | DECAL-SWEEP #2 LH - MOSS GREEN MET |
| 10 | 156434-01-CHT (01A) | EA | DECAL-SWEEP #3 RH - BRONZE MET |
| 11 | 156434-02-CHT (01A) | EA | DECAL-SWEEP #3 LH - BRONZE MET |
| 12 | 156435-01-CHT (01A) | EA | DECAL-SWEEP #4 RH - MOSS GREEN/CHARCOAL !! |
| 13 | 156435-02-CHT (01A) | EA | DECAL-SWEEP #4 LH - MOSS GREEN/CHARCOAL !! |
| 14 | 156436-01-CHT (01A) | EA | DECAL-SWEEP #5 RH - LT GOLD MET !! |
| 15 | 156436-02-CHT (01A) | EA | DECAL-SWEEP #5 LH - LT GOLD MET !! |
| 16 | 156437-01-CHT (01A) | EA | DECAL-HOOK RH - DK GREEN |
| 17 | 156437-02-CHT (01A) | EA | DECAL-HOOK LH - DK GREEN |
| 18 | 156438-01-CHT (01A) | EA | DECAL-OVHD - MOSS GREEN/ CHARCOAL MET !! |
| 19 | 156439-01-CHT (01A) | EA | DECAL-IMPULSE LG - BRT WHITE/BLACK/LT GOLD/SILVER/LT CHARCOAL MET !! |
| 20 | 156439-02-CHT (01A) | EA | DECAL-IMPULSE SML - BRT WHITE/BLACK/LT GOLD/SILVER/LT CHARCOAL MET !! |

5. LOCATE DECAL 120 MM LEFT OF HOOD EDGE AND 60 MM UP FROM FRONT EDGE OF HOOD.

4. LOGO IS TO BE ±1 MM ON A HORIZONTAL PLANE (END TO END).

3. FILM TO PROTECT BOTTOM OF DOOR FROM SCUFF MARKS.

2. CENTERED ON UNIT.

1. APPLY PROTECTOR 116424-01-000 TO WATER HEATER DOOR LATCH.

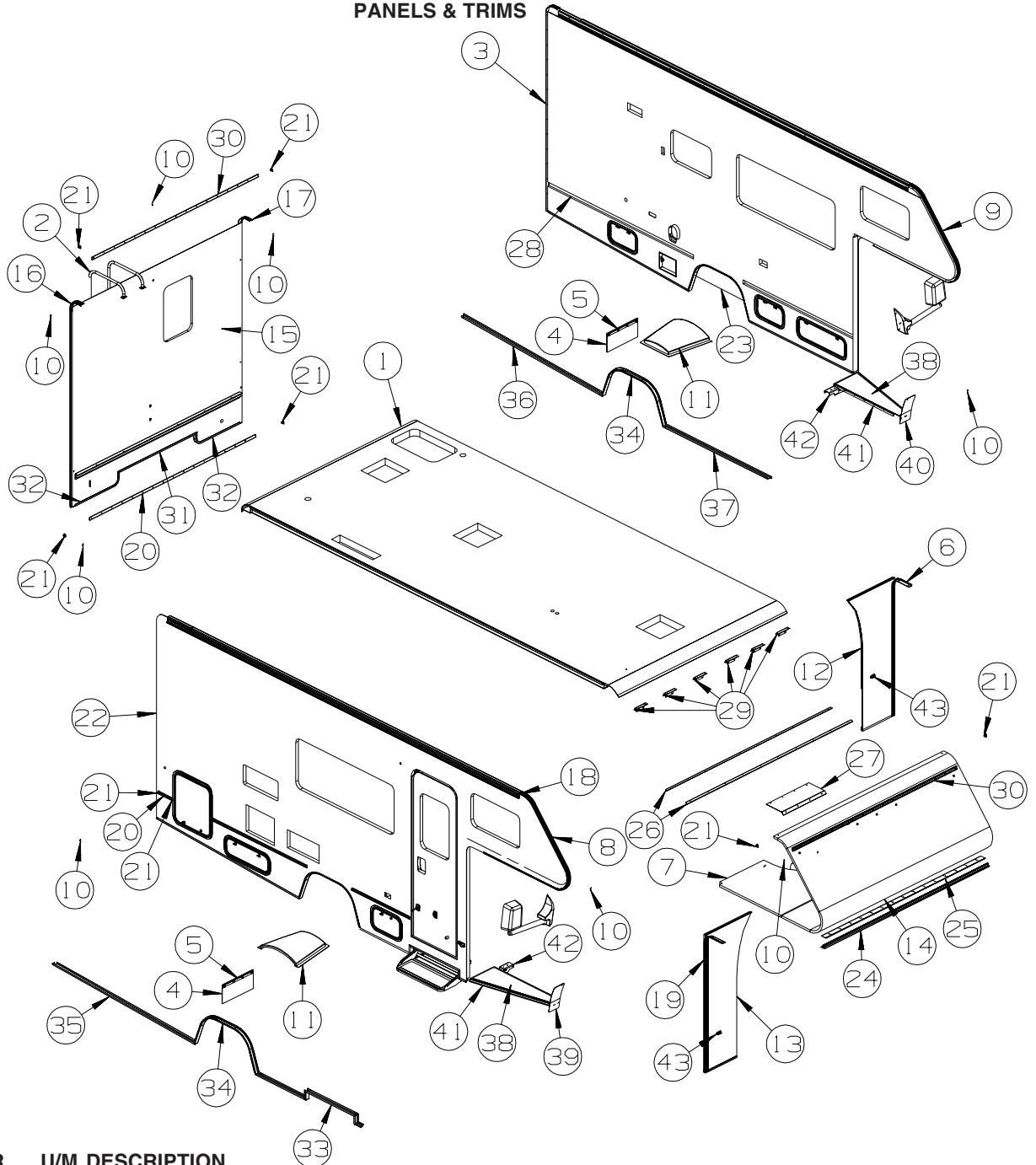
NOTES:

| KEY | PART NUMBER | U/M | DESCRIPTION |
|-----|---------------|-----|------------------------------|
| | 072882-01-000 | GL | PAINT - LOW BAKE - OFF WHITE |

**DUPONT COLOR CODES ARE NOW FOUND IN THE PAINT CODE MANUAL.
YOU CAN FIND THIS MANUAL ON YOUR DEALER INDEX WEBPAGE UNDER SERVICE.**

EXTERIOR BODY GROUP (CONTINUED)

PANELS & TRIMS



| KEY | PART NUMBER | U/M | DESCRIPTION |
|-----|---------------|-----|---|
| 1 | 159791-01-U01 | EA | ROOF - W/O LIGHTS/VENTS - W/WIRING |
| 2 | 129639-05-01A | EA | LADDER - 95.5" - 7 STEP - BRUSHED ALUMINUM |
| 3 | P59790-01-U01 | EA | SIDEWALL - DRIVER - W/O WINDOWS/TRIMS (U07, U08) |
| 3 | P59790-01-U03 | EA | SIDEWALL - DRIVER - W/O WINDOWS/TRIMS (U09, U10) |
| 4 | 017516-05-000 | EA | MUD FLAP - 9"H X 18"W - RUBBER - BLACK |
| 5 | 140922-01-02B | EA | RETAINER - MUD FLAP - 1" X 17.7" - E-COATED/BLACK |
| 6 | 104479-10-02A | EA | TRIM - WINGWALL - DRIVER SIDE - VERTICAL - BRIGHT WHITE |
| 7 | 125129-01-U01 | EA | SLEEPERBOARD |
| 8 | 136826-07-01A | EA | TRIM - CONTOUR - 99.1" - BRIGHT WHITE |
| 9 | 136826-08-01A | EA | TRIM - CONTOUR - 99.1" - BRIGHT WHITE |
| 10 | 105312-01-07A | EA | INSERT - FEATURE STRIP - VINYL - BRIGHT WHITE |
| 11 | 112435-03-000 | EA | WHEELWELL |
| 12 | 159600-02-T11 | EA | WINGWALL |
| 13 | 159600-01-T11 | EA | WINGWALL |
| 14 | P55962-01-U01 | EA | ROOF - FRONT SECTION - W/O LIGHTS/VENTS - W/WIRING |
| 15 | P59787-01-U01 | EA | BACKWALL - W/O WINDOW/TRIMS (U07, U08) |
| 15 | P59787-01-U03 | EA | BACKWALL - W/O WINDOW/TRIMS (U09, U10) |
| 16 | 160807-01-01A | EA | TRIM - CONTOUR - 98.7" - W/O INSERT - BRIGHT WHITE |

EXTERIOR BODY GROUP (CONTINUED)
PANELS & TRIMS (CONTINUED)

| KEY | PART NUMBER | U/M | DESCRIPTION |
|------------|--------------------|------------|--|
| 17 | 160807-02-01A | EA | TRIM - CONTOUR - 98.7" - W/O INSERT - BRIGHT WHITE |
| 18 | 156840-01-01A | EA | RAIL - AWNING - 192" - BRIGHT WHITE |
| 19 | 104479-09-02A | EA | TRIM - WINGWALL - PASSENGER SIDE - VERTICAL - BRIGHT WHITE |
| 20 | 108688-06-03A | EA | STRIP - FEATURE - W/O INSERT/END CAPS - 96.9" - BRIGHT WHT |
| 21 | 108651-01-01A | EA | END CAP - FEATURE STRIP |
| 22 | P59789-01-U01 | EA | SIDEWALL - PASSENGER - W/O WINDOWS/TRIMS (U07, U08) |
| 22 | P59789-01-U03 | EA | SIDEWALL - PASSENGER - W/O WINDOWS/TRIMS (U09, U10) |
| 23 | 121948-02-000 | EA | SHIELD - SIGHT |
| 24 | 100086-03-02A | EA | TRIM - SLEEPER BOARD BRIGHT WHITE - 2" X 96.5" |
| 25 | 100085-05-01A | EA | TRIM/STRAP - SLEEPERBOARD - OFF/WHITE - 92.9" |
| 26 | 141829-01-01A | EA | TRIM - J MOLDING - OFF WHITE - 96" |
| 27 | 156794-01-02B | EA | BRACKET/SUPPORT - 25" - E-COATED |
| 28 | 104692-01-000 | FT | SEAL - ADHESIVE BACKED FOAM - 3/4" THICK X 3/4" WIDE X 25' |
| 29 | 134774-04-02B | EA | BRACKET - CAP ATTACHMENT - E-COATED |
| 30 | 108688-08-03A | EA | STRIP - FEATURE - W/O INSERT/END CAPS - 95.9" - BRIGHT WHT |
| 31 | 103335-02-02A | EA | TRIM - BACKWALL - LOWER/CENTER - 46.3" - BRIGHT WHITE |
| 32 | 156623-03-02A | EA | TRIM - BACKWALL/LOWER - 27" - BRIGHT WHITE |
| 33 | 159668-03-U01 | EA | TRIM ASM-SIDEWALL |
| 34 | 127848-02-01A | EA | TRIM - WHEELWELL - BRIGHT WHITE |
| 35 | 159670-30-01A | EA | TRIM/SIDEWALL - U-CHANNEL - 1.8" X .8" X 83" - BRT WHT |
| 36 | 159670-31-01A | EA | TRIM/SIDEWALL - U-CHANNEL - 1.8" X .8" X 83" - BRT WHT |
| 37 | 159670-25-01A | EA | TRIM/SIDEWALL - U-CHANNEL - 1.8" X .8" X 62" - BRT WHT |
| 38 | 146515-01-01A | EA | MAT - ANTI SLIP - RIGHT HAND - BLACK |
| 38 | 146515-02-01A | EA | MAT - ANTI SLIP - LEFT HAND- BLACK |
| 39 | 146148-03-01A | EA | GUARD - MUD FLAP/RIGHT - BLACK |
| 40 | 146148-04-01A | EA | GUARD - MUD FLAP/LEFT - BLACK |
| 41 | 146148-02-01A | EA | BOARD - RUNNING - LEFT HAND/TAPPERED - BLACK |
| 41 | 146148-01-01A | EA | BOARD - RUNNING - RIGHT HAND/TAPPERED - BLACK |
| 42 | 146180-01-02B | EA | BRACKET - RUNNING BOARD - E-COATED |
| 43 | 016604-01-000 | EA | BRACE - ANGLE - 2 1/2" - UNPAINTED METAL |
| 44 | 135788-04-02B | EA | SUPPORT - VALANCE - E-COATED |

***COMPONENT PARTS LISTED LATER IN THIS GROUP**

EXTERIOR BODY GROUP (CONTINUED)

MIRRORS

| KEY | PART NUMBER | U/M | DESCRIPTION |
|-----|---------------|-----|---|
| * | 133908-10-01A | EA | MIRROR/PASS - 102" C BODY/FORD 4-BOLT MT - BRIGHT WHITE |
| * | 133908-11-01A | EA | MIRROR/DRVR - 102" C BODY/FORD 4-BOLT MT - BRIGHT WHITE |
| * | 133908-12-01A | EA | MIRROR/PASS-102" C BODY/FORD 4 BLT MT-HEAT/REMOTE-B/W - MIRRORS-EXTERIOR W/DEFROST |
| * | 133908-13-01A | EA | MIRROR/DRVR-102" C BODY/FORD 4-BLT MT-HEAT/REMOTE-B/W - MIRRORS-EXTERIOR W/DEFROST |
| * | 133908-05-02A | EA | MIRROR/PASS - 102" WIDE BODY/CHEVY - BRIGHT WHITE - CHEVY |
| * | 133908-06-02A | EA | MIRROR/DRVR - 102" WIDE BODY/CHEVY - BRIGHT WHITE - CHEVY |
| * | 133908-07-02A | EA | MIRROR/PASS - 102" C BODY/CHEVY -HEAT/REMOTE BW - CHEVY, MIRRORS-EXTERIOR W/DEFROST |
| * | 133908-08-02A | EA | MIRROR/DRVR - 102" C BODY/CHEVY-HEAT/REMOTE BW - CHEVY, MIRRORS-EXTERIOR W/DEFROST |

***COMPONENT PARTS LISTED LATER IN THIS GROUP**

COMPONENT PARTS FOR MIRRORS

133908-01 THRU 133908-08, 133908-10 THRU 133908-13, -01A/-02A/-03A

| KEY | PART NUMBER | U/M | DESCRIPTION | VENDOR NO. |
|-----|---------------|-----|------------------------------|------------|
| | 117051-01-700 | EA | MIRROR-CONVEX | 723068-4 |
| | 120269-05-701 | EA | GLASS-HTD/REM RH/LH W/CONVEX | 709411 |
| | 133908-03-700 | EA | CAP - RECT/BLACK-W/O LIGHT | 709557 |
| | 133908-04-700 | EA | CAP-MIRROR/ROUND - W/O LIGHT | 7095470 |

EXTERIOR BODY GROUP (CONTINUED)
STRUCTURAL COMPONENTS

| KEY | PART NUMBER | U/M | DESCRIPTION |
|------------|--------------------|------------|--|
| | 002365-03-006 | EA | U-CHANNEL - EXTRUDED - 1" X 192" - BRIGHT WHITE |
| | 002726-01-001 | EA | GARNISH - U-CHANNEL - 1.38" X 19' - SERRATED |
| | 002766-01-001 | EA | ANGLE - EXTRUDED - 1" X 1 1/2" X 17' |
| | 076054-AC-000 | EA | FIBERGLASS SHEET - 20" X 99.8" - OFF WHITE |
| | 108535-10-01A | SF | FIBERGLASS SHEET - 99" X 500' ROLL - BRIGHT WHITE |
| | 159631-04-01A | EA | FIBERGLASS SHEET - 99.5" X 100.2" - BRIGHT WHITE |
| | | | FROM: 00-00-00 THRU: 01-14-07 |
| | 162931-04-01A | EA | FIBERGLASS SHEET - 99.5" X 100.2" - BRIGHT WHITE |
| | | | FROM: 01-15-07 THRU: 99-99-99 |
| | 159631-06-01A | EA | FIBERGLASS SHEET - 56.4" X 99.8" - BRIGHT WHITE |
| | | | FROM: 00-00-00 THRU: 01-14-07 |
| | 162931-06-01A | EA | FIBERGLASS SHEET - 56.4" X 99.8" - BRIGHT WHITE |
| | | | FROM: 01-15-07 THRU: 99-99-99 |
| | 159631-10-01A | EA | FIBERGLASS SHEET - 31.1" X 68.2" - BRIGHT WHITE |
| | | | FROM: 00-00-00 THRU: 01-14-07 |
| | 162931-10-01A | EA | FIBERGLASS SHEET - 31.1" X 68.2" - BRIGHT WHITE |
| | | | FROM: 01-15-07 THRU: 99-99-99 |
| | 159631-15-01A | EA | FIBERGLASS SHEET - 4" X 93.8" - BRIGHT WHITE |
| | | | FROM: 00-00-00 THRU: 01-14-07 |
| | 162931-15-01A | EA | FIBERGLASS SHEET - 4" X 93.8" - BRIGHT WHITE |
| | | | FROM: 01-15-07 THRU: 99-99-99 |
| | 159631-22-01A | EA | FIBERGLASS SHEET - 102.6" X 346.3" - BRIGHT WHITE |
| | | | FROM: 00-00-00 THRU: 01-14-07 |
| | 162931-22-01A | EA | FIBERGLASS SHEET - 102.6" X 346.3" - BRIGHT WHITE |
| | | | FROM: 01-15-07 THRU: 99-99-99 |
| | 159631-23-01A | EA | FIBERGLASS SHEET - 71.8" X 99.8" - BRIGHT WHITE |
| | | | FROM: 00-00-00 THRU: 01-14-07 |
| | 162931-23-01A | EA | FIBERGLASS SHEET - 71.8" X 99.8" - BRIGHT WHITE |
| | | | FROM: 01-15-07 THRU: 99-99-99 |
| | 089297-01-000 | SF | PLYWOOD - LUAN - OVERLAY GRADE - 4' X 8' |
| | 089297-02-000 | SF | PLYWOOD - LUAN - OVERLAY GRADE - 4' X 9' |
| | 089297-03-000 | SF | PLYWOOD - LUAN - OVERLAY GRADE - 4' X 8.3' |
| | 100619-01-000 | BF | FOAM - EXPANDED POLYSTYRENE - 1.34" X 48" X 96" |
| | 100619-02-000 | BF | FOAM - EXPANDED POLYSTYRENE - 1.5" X 48" X 96" |
| | 100619-04-000 | BF | FOAM - EXPANDED POLYSTYRENE - .5" X 48" X 96" |
| | 100619-05-000 | BF | FOAM - EXPANDED POLYSTYRENE - .75" X 48" X 96"-1.5"DENSITY |
| | 100619-16-000 | BF | FOAM - EXPANDED POLYSTYRENE - .75" X 48" X 96"-2" DENSITY |
| | 100619-27-000 | BF | FOAM - EXPANDED POLYSTYRENE - 3" X 48" X 92.8" |
| | 116942-03-01A | LB | ALUMINUM - .7" X 40" X 158" |

AWNINGS

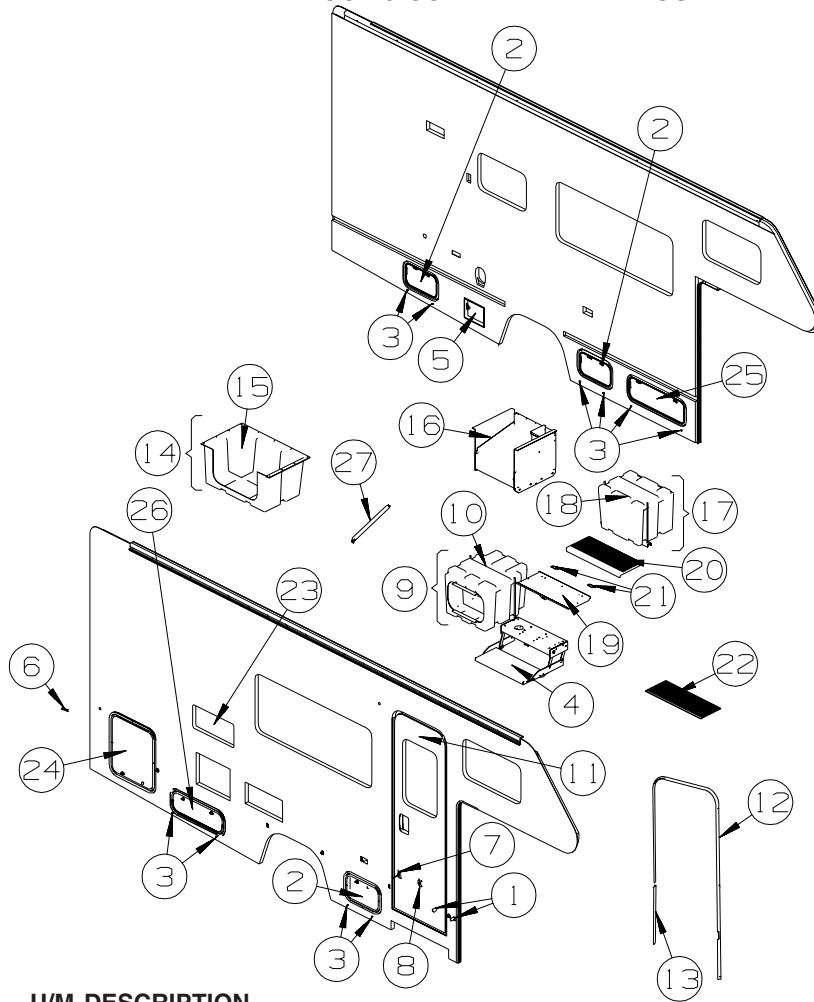
ORDER AWNINGS & REPAIR PARTS FROM DOMETIC. CALL #800-366-3842.

THE DOMETIC AWNING INFORMATION YOU WILL NEED IS LOCATED ON THE MOTOR HOME NEAR THE TOP OF THE AWNING RAIL.

| KEY | PART NUMBER | U/M | DESCRIPTION |
|------------|--------------------|------------|--|
| | 113874-11-01A | EA | SCREW/LAG - AWNING - 1/4" X 1" STAINLESS STEEL |
| | 113874-12-01A | EA | SCREW/LAG - AWNING - 1/4" X 2 3/4" STAINLESS STEEL |
| | 127647-02-01A | EA | ROD/AWNING GUARD - ENTRY DOOR - 12.7" LONG |
| | 127960-01-01A | EA | RETAINER - EYE - 3/8" - STAINLESS STEEL |
| | 137054-01-02A | EA | BRACKET - AWNING - BRIGHT WHITE |
| | | | FROM: 00-00-00 THRU: 12-10-06 |
| | 161739-01-02A | EA | BRACKET - AWNING - BRIGHT WHITE |
| | | | FROM: 12-11-06 THRU: 99-99-99 |

EXTERIOR DOORS & COMPARTMENTS GROUP

DOOR & COMPARTMENT LAYOUT



| KEY | PART NUMBER | U/M | DESCRIPTION |
|----------------------------------|---------------|-----|--|
| 1 | 117046-02-000 | EA | BUMPER - RUBBER/ROUND END - 1.5" |
| 2 | 126946-68-U01 | EA | DOOR/STORAGE - W/O HARDWARE - 17.1" X 10.6" |
| | 056795-01-000 | FT | TAPE-SEAL, 1/8" X 3/8" WIDE - PRESS ON |
| 3 | 153498-01-01A | EA | BUMPER - RUBBER - WHITE |
| 4 | 139748-04-04B | EA | STEP/PULLOUT - W/BRACKETS - BLACK |
| | 102569-04-000 | EA | MAT - ANTI SLIP |
| 4* | 094708-05-01A | EA | STEP - ELECTRIC - SINGLE - BLACK - KWIKEE |
| 5 | 142894-01-01A | EA | DOOR/POWER CORD - W/HATCH - W/LOCK - BRIGHT WHITE |
| 6 | 102768-01-000 | EA | HOLDER - COMPARTMENT/ENTRY DOOR - METAL - MILL FINISH |
| 7 | 104099-01-04A | EA | CATCH - DOOR HOLDER - STRIKE - 3.9" - BRIGHT WHITE |
| 8 | 104099-02-04A | EA | CATCH/RETAINER - DOOR HOLDER - BRIGHT WHITE |
| 9 | 157782-04-U01 | EA | COMPARTMENT - LUGGAGE |
| 10 | 159400-01-01A | EA | COMPARTMENT/LUGGAGE |
| 11 | P32206-09-U01 | EA | DOOR - ENTRY W/SCREEN DOOR - W/O WINDOW/LATCH (U07, U08) |
| 11 | P32206-09-U03 | EA | DOOR - ENTRY W/SCREEN DOOR - W/O WINDOW/LATCH (U09, U10) |
| ENTRY DOOR LOCK CYLINDERS | | | |
| | 138287-11-000 | EA | CYLINDER/LOCK - ENTRY DOOR - MASTER W/3M ICON - (3041) |
| | 138287-12-000 | EA | CYLINDER/LOCK - ENTRY DOOR - MASTER W/3M ICON - (3042) |
| | 138287-13-000 | EA | CYLINDER/LOCK - ENTRY DOOR - MASTER W/3M ICON - (3043) |
| | 138287-14-000 | EA | CYLINDER/LOCK - ENTRY DOOR - MASTER W/3M ICON - (3044) |
| | 138287-15-000 | EA | CYLINDER/LOCK - ENTRY DOOR - MASTER W/3M ICON - (3045) |
| | 138287-16-000 | EA | CYLINDER/LOCK - ENTRY DOOR - MASTER W/3M ICON - (3046) |
| | 138287-17-000 | EA | CYLINDER/LOCK - ENTRY DOOR - MASTER W/3M ICON - (3047) |
| | 138287-18-000 | EA | CYLINDER/LOCK - ENTRY DOOR - MASTER W/3M ICON - (3048) |
| | 138287-19-000 | EA | CYLINDER/LOCK - ENTRY DOOR - MASTER W/3M ICON - (3049) |
| | 138287-20-000 | EA | CYLINDER/LOCK - ENTRY DOOR - MASTER W/3M ICON - (3050) |

EXTERIOR DOORS & COMPARTMENTS GROUP (CONTINUED)
DOOR & COMPARTMENT LAYOUT (CONTINUED)

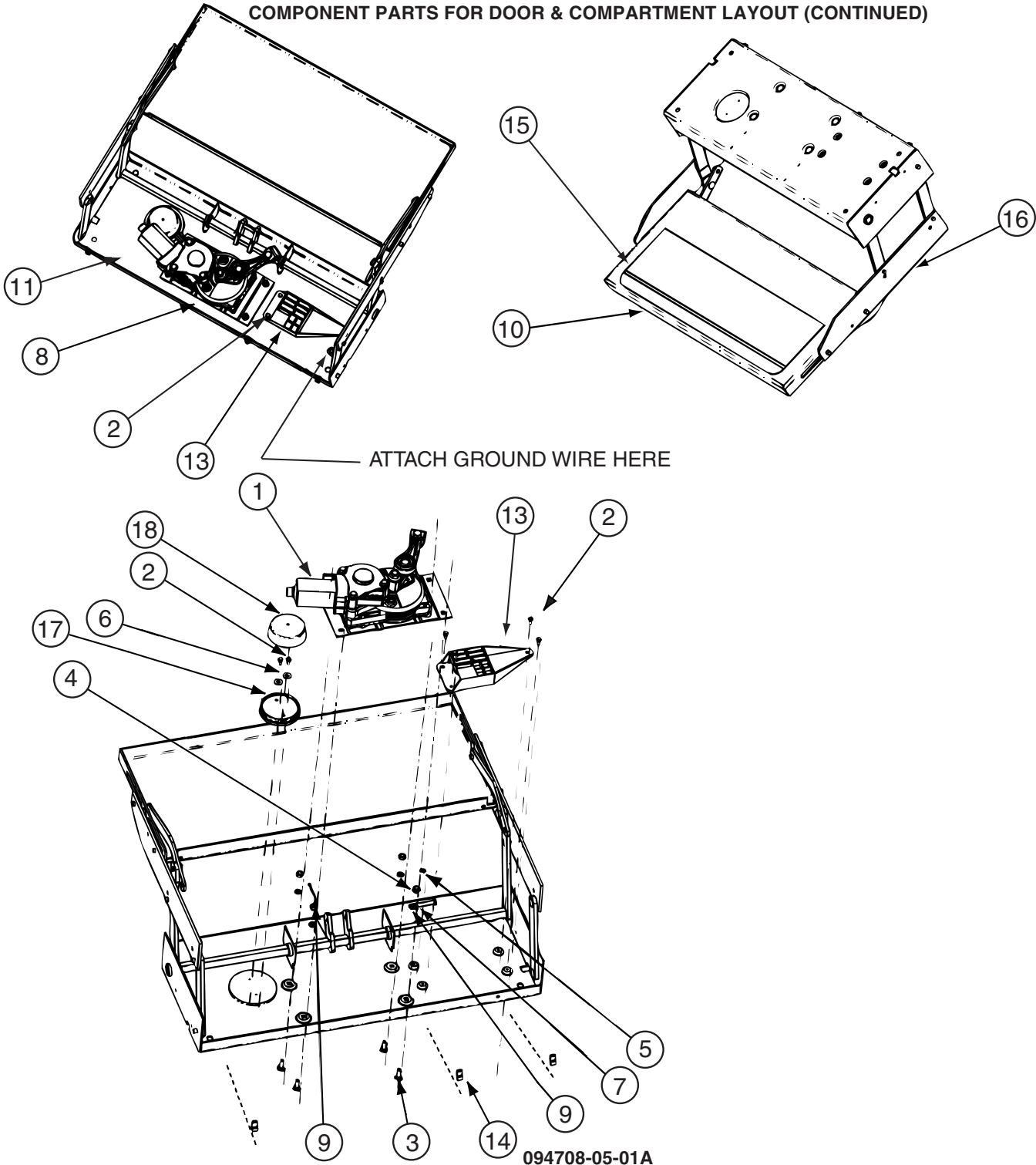
| KEY | PART NUMBER | U/M | DESCRIPTION |
|---------------------------------------|--------------------|------------|--|
| | 138288-11-000 | EA | KEY - REVERSIBLE - #3041 - T/M 16169-02-3041 |
| | 138288-12-000 | EA | KEY - REVERSIBLE - #3042 - T/M 16169-02-3042 |
| | 138288-13-000 | EA | KEY - REVERSIBLE - #3043 - T/M 16169-02-3043 |
| | 138288-14-000 | EA | KEY - REVERSIBLE - #3044 - T/M 16169-02-3044 |
| | 138288-15-000 | EA | KEY - REVERSIBLE - #3045 - T/M 16169-02-3045 |
| | 138288-16-000 | EA | KEY - REVERSIBLE - #3046 - T/M 16169-02-3046 |
| | 138288-17-000 | EA | KEY - REVERSIBLE - #3047 - T/M 16169-02-3047 |
| | 138288-18-000 | EA | KEY - REVERSIBLE - #3048 - T/M 16169-02-3048 |
| | 138288-19-000 | EA | KEY - REVERSIBLE - #3049 - T/M 16169-02-3049 |
| | 138288-20-000 | EA | KEY - REVERSIBLE - #3050 - T/M 16169-02-3050 |
| | 138292-01-000 | EA | SEAL - LOCK CYLINDER |
| VALANCE DOOR LOCK CYLINDERS | | | |
| | 138637-51-000 | EA | KEYS - SET OF TWO |
| | 138637-51-001 | EA | KEYS - SET OF TWO |
| | 138637-51-002 | EA | KEYS - SET OF TWO |
| | 138637-51-003 | EA | KEYS - SET OF TWO |
| | 138637-51-004 | EA | KEYS - SET OF TWO |
| | 138637-51-005 | EA | KEYS - SET OF TWO |
| | 138637-51-006 | EA | KEYS - SET OF TWO |
| | 138637-51-007 | EA | KEYS - SET OF TWO |
| | 138637-51-008 | EA | KEYS - SET OF TWO |
| | 138637-51-009 | EA | KEYS - SET OF TWO |
| WATER FILL DOOR LOCK CYLINDERS | | | |
| * | 138637-03-000 | EA | LOCK ASM. - KEYED - .9" CASE (CYLINDER/CAM/HDWR PKG) |
| | 138637-51-000 | EA | KEYS - SET OF TWO |
| | 138637-51-001 | EA | KEYS - SET OF TWO |
| | 138637-51-002 | EA | KEYS - SET OF TWO |
| | 138637-51-003 | EA | KEYS - SET OF TWO |
| | 138637-51-004 | EA | KEYS - SET OF TWO |
| | 138637-51-005 | EA | KEYS - SET OF TWO |
| | 138637-51-006 | EA | KEYS - SET OF TWO |
| | 138637-51-007 | EA | KEYS - SET OF TWO |
| | 138637-51-008 | EA | KEYS - SET OF TWO |
| | 138637-51-009 | EA | KEYS - SET OF TWO |
| 12 | 139100-02-01A | EA | GARNISH/RADIUS - ENTRY DOOR - BRIGHT WHITE |
| 13 | 139101-02-01A | EA | GARNISH/STRAIGHT - 35.31" - W/O NOTCHES - BRIGHT WHITE |
| 14 | 157782-07-U01 | EA | COMPARTMENT - LUGGAGE |
| 15 | 160113-01-01A | EA | COMPARTMENT - STORAGE |
| 16 | 158188-01-02B | EA | COMPARTMENT - POWER CORD - E-COATED |
| 17 | 157782-05-U01 | EA | COMPARTMENT - LUGGAGE |
| 18 | 160153-01-01A | EA | COMPARTMENT - LUGGAGE |
| 19 | 123330-05-02B | EA | SUPPORT - ENTRY STEP - E-COATED |
| 19 | 116975-01-01A | EA | LATCH - W/O STRIKE - BLACK - NEW STYLE |
| 20 | 147781-01-01A | EA | TREAD/STEP - RUBBER - TAUPE - EXTERIOR ACCESSORY PACKAGE FROM: 08-14-06 THRU: 99-99-99 |
| 21 | 146747-01-02B | EA | BRACKET/CATCH - E-COATED |
| 22 | 133114-03-01A | EA | TREAD - STEP/RUBBER - 27.1" X 10.1" - TAUPE - EXTERIOR ACCESSORY PACKAGE FROM: 08-14-06 THRU: 99-99-99 |
| 23* | 084103-08-000 | EA | DOOR - VENT - REFRIGERATOR - W/O JAMB - BRIGHT WHITE |
| 23 | 084104-08-000 | EA | JAMB - VENT DOOR/REFRIGERATOR - BRIGHT WHITE |
| 24 | 126946-36-R07 | EA | DOOR/STORAGE - W/O HARDWARE - 21.5" X 24.2" |
| | 056795-01-000 | FT | TAPE-SEAL, 1/8" X 3/8" WIDE - PRESS ON |
| 25 | 126946-62-S95 | EA | DOOR/STORAGE - W/O HARDWARE - 28.9" X 10.6" |
| | 056795-01-000 | FT | TAPE-SEAL, 1/8" X 3/8" WIDE - PRESS ON |
| 26 | 126946-71-U01 | EA | DOOR/STORAGE - W/O HARDWARE - 25.6" X 8.9" |
| | 056795-01-000 | FT | TAPE-SEAL, 1/8" X 3/8" WIDE - PRESS ON |
| 27 | 135788-04-02B | EA | SUPPORT - VALANCE - E-COATED FROM: 10-23-06 THRU: 99-99-99 |

*COMPONENT PARTS LISTED LATER IN THIS GROUP

COMPONENT PARTS FOR DOOR & COMPARTMENT LAYOUT
084103-08-000

| KEY | PART NUMBER | U/M | DESCRIPTION | VENDOR NO. |
|------------|--------------------|------------|-----------------------|-------------------|
| | 084104-01-700 | EA | LOCK-MALE, FASTENER | 201-721-010 |
| | 084104-01-701 | EA | LOCK-FEMALE, FASTENER | 201-802-010 |

EXTERIOR DOORS & COMPARTMENTS GROUP (CONTINUED)
COMPONENT PARTS FOR DOOR & COMPARTMENT LAYOUT (CONTINUED)



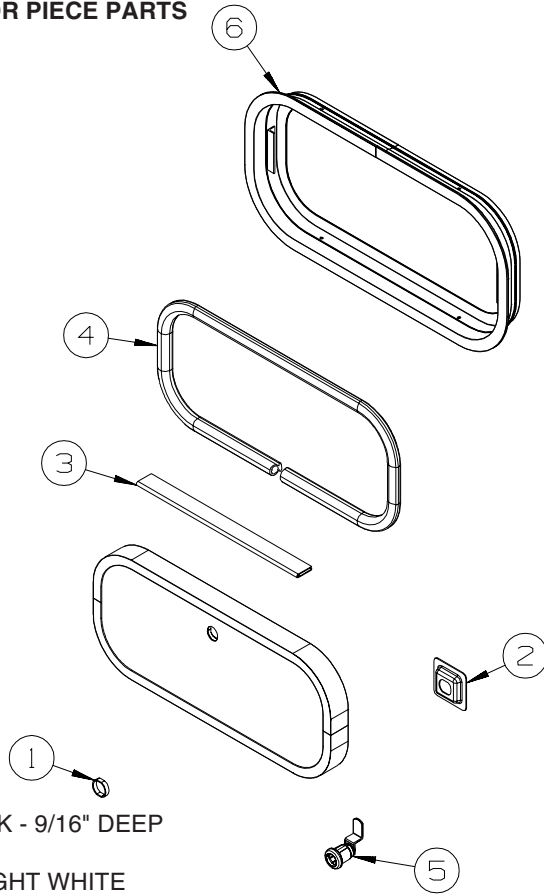
094708-05-01A

| KEY | PART NUMBER | U/M | DESCRIPTION | VENDOR NO. |
|-----|---------------|-----|--|------------|
| | 1 | EA | MOTOR "AM 214" F/IMGL STEPS | 1101428 |
| | 13 | EA | CONTROL UNIT W/OVERRIDE | 909510000 |
| | 15 | EA | TREAD/NON-SKID 6" X 21" BLK | 1915260 |
| | 16 | EA | FRAME W/SGL STEP,28 SERIES | 908028000 |
| | 17 | EA | LIGHT-UNDER STEP | 9004 |
| | 094707-03-701 | EA | PLUG - 4-WAY - PACKARD | 909306 |
| | 094707-04-702 | EA | COTTER PIN - W/CLEVIS PIN | 905205000 |
| | 094707-04-711 | EA | KWIKTEST - W/4-WAY PIGTAIL | 909518000 |
| | 094708-05-700 | EA | GEAR BOX W/LINKAGE-STRAIGHT | 1101426 |
| | | | CONTACT WINNEBAGO PART SALES FOR UNLISTED COMPONENT(S) | |

138637-03-000, 138637-04-000

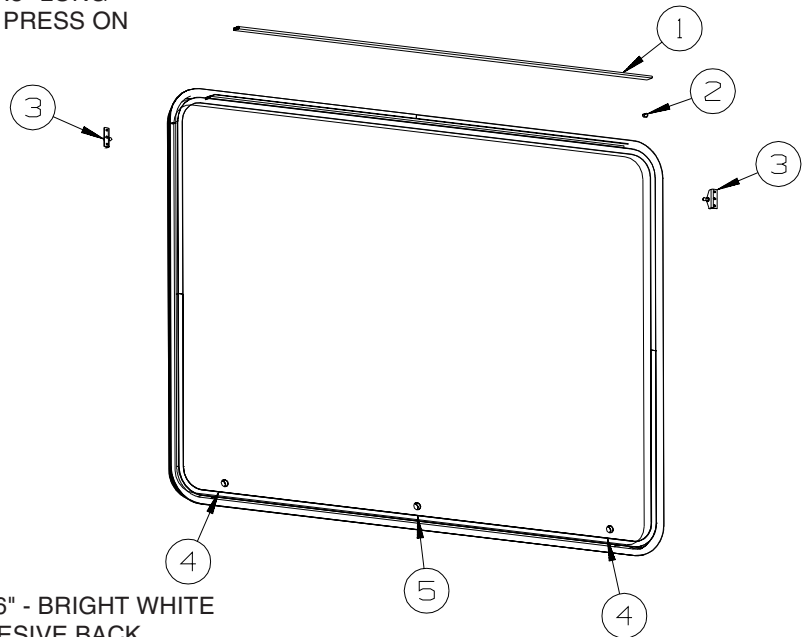
| KEY | PART NUMBER | U/M | DESCRIPTION | VENDOR NO. |
|-----|---------------|-----|-------------|------------|
| | 110506-40-700 | EA | HDWE KIT | 596950AAL |

EXTERIOR DOORS & COMPARTMENTS GROUP (CONTINUED)
COMPARTMENT DOOR PIECE PARTS



| KEY | PART NUMBER | U/M | DESCRIPTION |
|-----|---------------|-----|--|
| 1 | 144734-01-000 | EA | SPACER - COMPARTMENT DOOR LOCK - 9/16" DEEP |
| 2 | NOT USED | | |
| 3 | 081801-V3-000 | EA | HINGE - DOOR - PIANO - 2" X 96" - BRIGHT WHITE |
| 3 | 081801-FN-000 | EA | HINGE - DOOR - PIANO - 2" X 96" - BLACK |
| 4 | 156386-01-01A | FT | SEAL - BULB - .4" X .5" - W/ADHESIVE BACK |
| 5* | 110506-27-000 | EA | LOCK - TWIST - 1.6" |
| | 110506-55-000 | EA | CASE/CYLINDER - TWIST LOCK - W/O CAM - 1.25" - 597312AA1 |
| | 110506-66-000 | EA | CAM - LATCHING - DOG LEG - 1.5" LONG |
| 6 | 056795-01-000 | FT | TAPE-SEAL, 1/8~ X 3/8~ WIDE - PRESS ON |

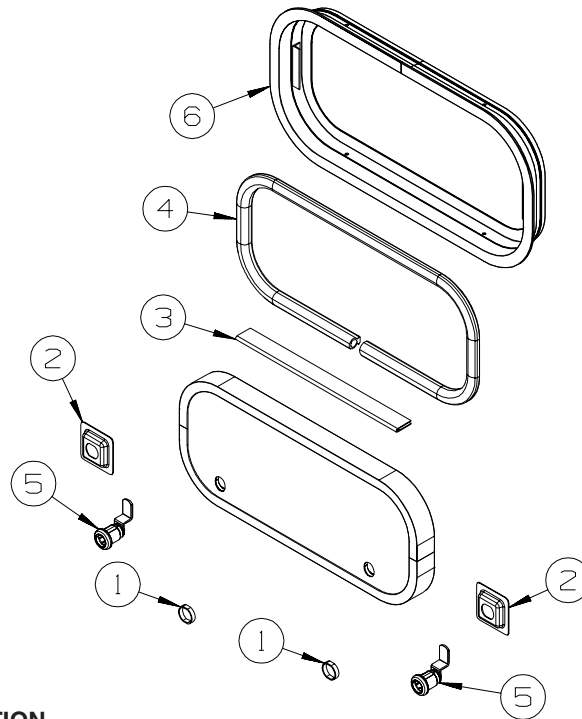
***COMPONENT PARTS LISTED LATER IN THIS GROUP**



| KEY | PART NUMBER | U/M | DESCRIPTION |
|-----|---------------|-----|--|
| 1 | 081801-V3-000 | EA | HINGE - DOOR - PIANO - 2" X 96" - BRIGHT WHITE |
| 2 | 156386-01-01A | FT | SEAL - BULB - .4" X .5" - W/ADHESIVE BACK |
| 3 | 126263-02-02B | EA | BRACKET - GAS SPRING W/BALL STUD - E-COATED |
| 4* | 110506-27-000 | EA | LOCK - TWIST - 1.6" |
| | 110506-55-000 | EA | CASE/CYLINDER - TWIST LOCK - W/O CAM - 1.25" - 597312AA1 |
| | 110506-66-000 | EA | CAM - LATCHING - DOG LEG - 1.5" LONG |
| 4 | 144734-01-000 | EA | SPACER - COMPARTMENT DOOR LOCK - 9/16" DEEP |
| 5 | 131035-01-000 | EA | LOCK/COMPRESSION TYPE - KEYED W/CAM & HARDWARE - W/O KEY |
| | 131035-60-000 | EA | CAM - LOCK - COMPRESSION |

***COMPONENT PARTS LISTED LATER IN THIS GROUP**

EXTERIOR DOORS & COMPARTMENTS GROUP (CONTINUED)
COMPARTMENT DOOR PIECE PARTS (CONTINUED)



| KEY | PART NUMBER | U/M | DESCRIPTION |
|-----|---------------|-----|---|
| 1 | 144734-01-000 | EA | SPACER - COMPARTMENT DOOR LOCK - 9/16" DEEP - TWIST LOCK/STRATTEC LOCKS |
| 1 | 139325-01-000 | EA | SPACER - LOCK - 6MM - TRI/MARK LOCKS |
| | 139337-01-000 | EA | GASKET - LOCK - TRI/MARK LOCKS |
| 2 | 097111-02-04A | EA | POCKET - LOCK - REAR DOOR - BLACK |
| 3 | 081801-V3-000 | EA | HINGE - DOOR - PIANO - 2" X 96" - BRIGHT WHITE |
| 3 | 081801-FN-000 | EA | HINGE - DOOR - PIANO - 2" X 96" - BLACK |
| 4 | 156386-01-01A | FT | SEAL - BULB - .4" X .5" - W/ADHESIVE BACK |
| 5* | 110506-27-000 | EA | LOCK - TWIST - 1.6" - TWIST LOCK |
| | 110506-55-000 | EA | CASE/CYLINDER - TWIST LOCK - W/O CAM - 1.25" - 597312AA1 - TWIST LOCK |
| | 110506-66-000 | EA | CAM - LATCHING - DOG LEG - 1.5" LONG - TWIST LOCK |
| 5* | 138637-04-000 | EA | LOCK ASM. - KEYED - 1.5" CASE (CYLINDER/CAM/HDWR PKG) - KEYED LOCK/ STRATTEC |
| | 144474-01-000 | EA | ADAPTER - LOCK - 180 DEGREE |
| | 138637-63-000 | EA | CAM - LATCHING - DOG LEG - 1 1/2" LONG |
| | 138637-53-000 | EA | CASE/CYLINDER - LOCKING - W/O CAM/KEY - 1.5" |
| | 138637-53-001 | EA | CASE/CYLINDER - LOCKING - W/O CAM/KEY - 1.5" |
| | 138637-53-002 | EA | CASE/CYLINDER - LOCKING - W/O CAM/KEY - 1.5" |
| | 138637-53-003 | EA | CASE/CYLINDER - LOCKING - W/O CAM/KEY - 1.5" |
| | 138637-53-004 | EA | CASE/CYLINDER - LOCKING - W/O CAM/KEY - 1.5" |
| | 138637-53-005 | EA | CASE/CYLINDER - LOCKING - W/O CAM/KEY - 1.5" |
| | 138637-53-006 | EA | CASE/CYLINDER - LOCKING - W/O CAM/KEY - 1.5" |
| | 138637-53-007 | EA | CASE/CYLINDER - LOCKING - W/O CAM/KEY - 1.5" |
| | 138637-53-008 | EA | CASE/CYLINDER - LOCKING - W/O CAM/KEY - 1.5" |
| | 138637-53-009 | EA | CASE/CYLINDER - LOCKING - W/O CAM/KEY - 1.5" |
| 5 | 138290-02-000 | EA | CASE - W/CAM - W/O CYLINDER/KEY - KEYED ALIKE TRIMARK LOCK LISTED IN LAYOUT |
| 6 | 056795-01-000 | FT | TAPE-SEAL, 1/8~ X 3/8~ WIDE - PRESS ON |

***COMPONENT PARTS LISTED LATER IN THIS GROUP**

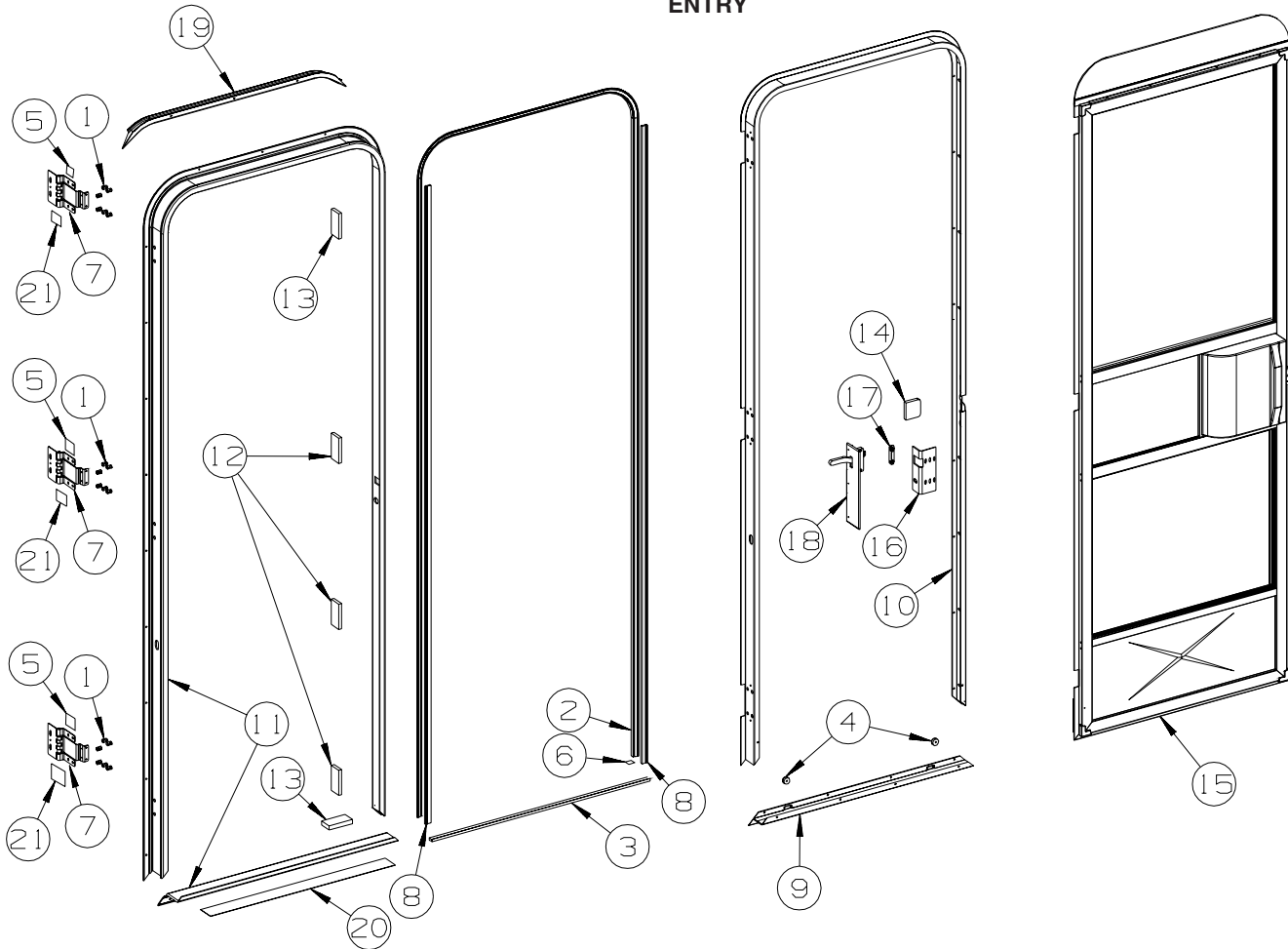
COMPONENT PARTS FOR COMPARTMENT DOOR PIECE PARTS

| KEY | PART NUMBER | U/M | DESCRIPTION | VENDOR NO. |
|-----|-------------|-----|---|------------|
| | | | 110506-A1-000, 110506-A2-000, 110506-26-000, 110506-27-000, 110506-36-000 | |
| | | | | 596950AAL |
| | | | 138637-03-000, 138637-04-000 | |
| | | | | 596950AAL |

| KEY | PART NUMBER | U/M | DESCRIPTION | VENDOR NO. |
|-----|-------------|-----|-------------|------------|
| | | | | 596950AAL |

EXTERIOR DOORS & COMPARTMENTS GROUP (CONTINUED)

ENTRY

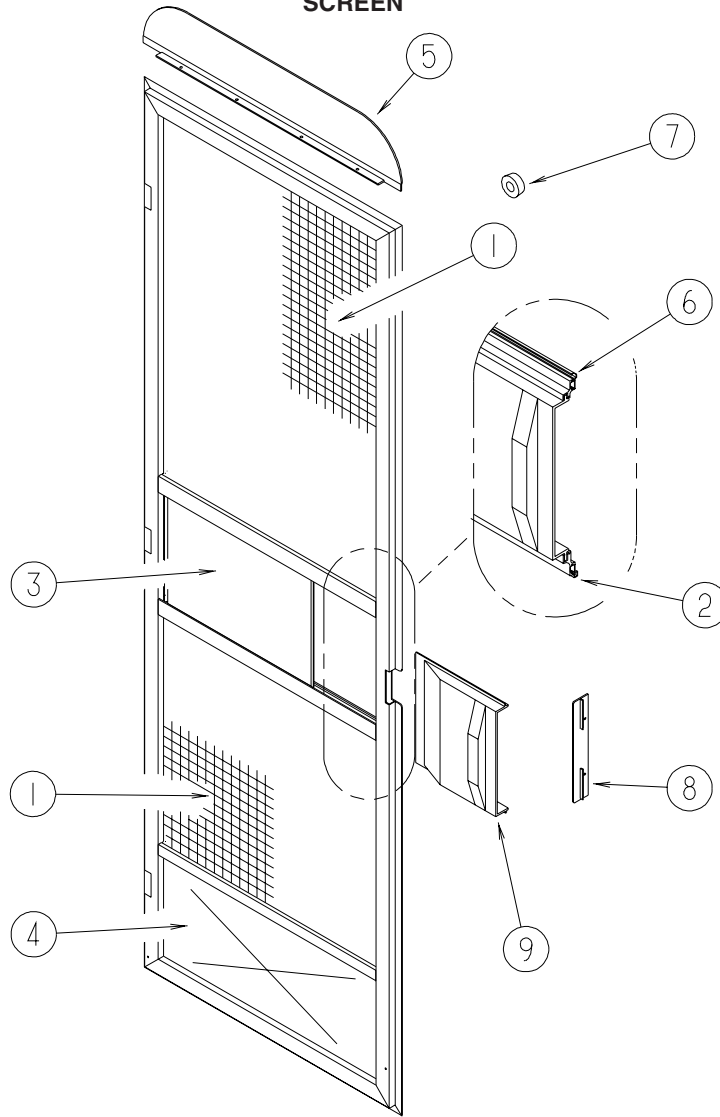


| KEY | PART NUMBER | U/M | DESCRIPTION |
|-----|---------------|-----|--|
| 1 | 039715-01-000 | EA | NUT-SERT - 1/4" DIAMETER - 20 THREADS |
| 2 | 075671-04-000 | FT | SEAL - SPONGE - LAZY T - W/ADHESIVE STRIP - .5" WIDE |
| 3 | 075673-05-000 | FT | SEAL/PILE - .5" HIGH W/ADHESIVE BACK - BLACK |
| 4 | 081914-02-000 | EA | BUMPER - RUBBER - ROUND - 5/16" DIA. X 13/64" THICK |
| 5 | 100128-02-000 | FT | SEAL - FOAM/ADHESIVE BACK - .37" WIDE X .37" THICK X 60' |
| 6 | 104692-01-000 | FT | SEAL - ADHESIVE BACKED FOAM - 3/4" THICK X 3/4" WIDE X 25' |
| 7 | 106719-01-05A | EA | HINGE - ENTRY DOOR - BRIGHT WHITE |
| 8 | 118929-01-01A | FT | SEAL - PILE - PUSH ON |
| 9 | 121893-01-01A | EA | FRAME - ENTRY DOOR/BOTTOM - BRIGHT WHITE |
| 10 | 121894-28-01A | EA | FRAME - ENTRY DOOR - BRIGHT WHITE |
| 11 | 121898-16-01A | EA | JAMB - DOOR/ENTRANCE - BRIGHT WHITE |
| 12 | 125724-01-000 | EA | SHIM - DOOR, ENTRANCE |
| 13 | 125724-02-000 | EA | SHIM - DOOR, ENTRANCE |
| 14 | 130096-05-000 | EA | FOAM - SCREEN DOOR, RETAINER |
| 15 | P32208-04-L07 | EA | DOOR - SCREEN - W/O HARDWARE |
| 16 | 137401-01-03B | EA | BRACKET - DOOR ANGLE - OFF WHITE |
| 17 | 148364-01-12B | EA | STRIKE - SCREEN DOOR - BRIGHT WHITE |
| 18 | 132915-01-01A | EA | LATCH - SCREEN DOOR - BLACK |
| 19 | 139054-01-01A | EA | CAP - DRIP - JAMB MOUNTED - BRIGHT WHITE |
| 20 | 038327-01-000 | EA | TAPE - ANTI-SLIP - 2" X 60' |
| 21 | 154585-01-01A | FT | SEAL - FOAM TAPE - ADHESIVE BACK - 3/8" X 3/8" - BLACK |

FROM: 10-04-06 THRU: 99-99-99

EXTERIOR DOORS & COMPARTMENTS GROUP (CONTINUED)

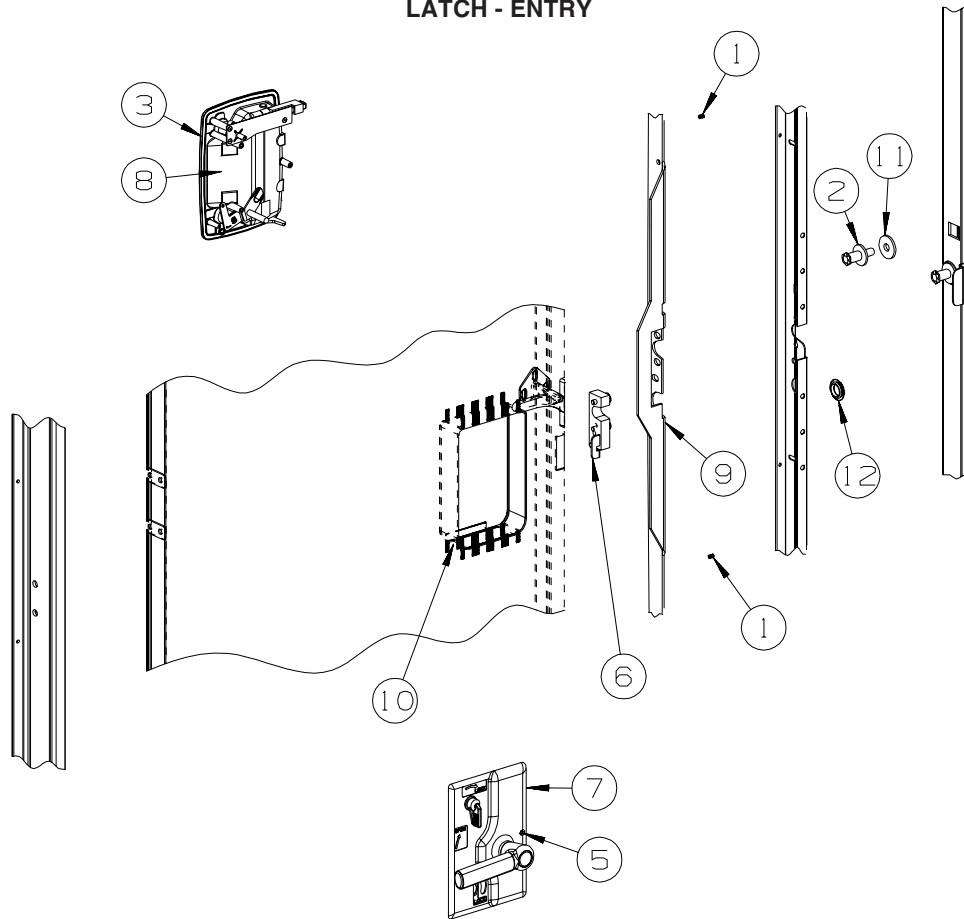
SCREEN



| KEY | PART NUMBER | U/M | DESCRIPTION |
|-----|---------------|-----|--|
| 1 | 002293-02-000 | SF | SCREEN - 26" - CHARCOAL |
| 2 | 002294-01-000 | FT | SPLINE - SCREENING - .13" X .14" |
| 3 | 016454-21-000 | EA | INSERT/CENTER - SCREEN DOOR |
| 4 | 078552-03-000 | EA | KICK PANEL - SCREEN DOOR - LOWER INSERT - UNPAINTED |
| 5 | 078595-01-000 | EA | TOP PLATE - SCREEN DOOR - CURVED TOP - 4.7" X 25.35" |
| 6 | 078777-08-000 | FT | CHANNEL - SLIDER - 4 FOOT INCREMENTS |
| 7 | 120863-09-000 | EA | BUMPER - RUBBER/RADIUS TOP - 3/4" X 3/8" - LT GRAY |
| 8 | 132081-01-01A | EA | STRIKE - SLIDER - SCREEN DOOR - BRIGHT WHITE |
| 9 | 132082-01-01A | EA | SLIDER - SCREEN DOOR - BRIGHT WHITE |

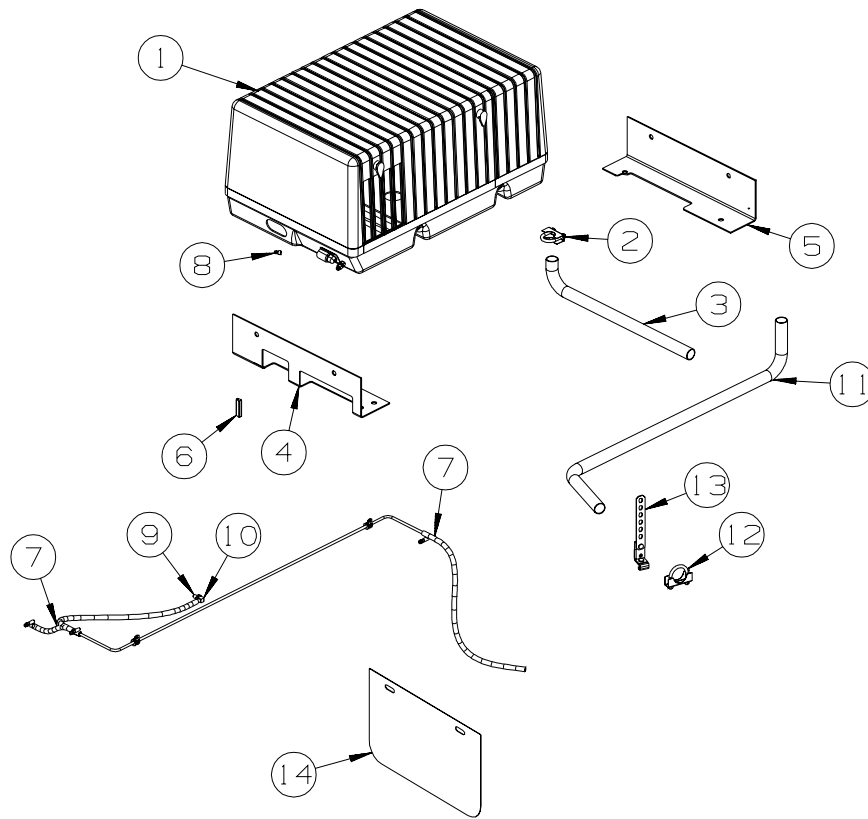
EXTERIOR DOORS & COMPARTMENTS GROUP (CONTINUED)

LATCH - ENTRY



| KEY | PART NUMBER | U/M | DESCRIPTION |
|-----|---------------|-----|--|
| 1 | 072893-04-000 | EA | NUTSERT - 10-32 |
| 2 | 092927-20-000 | EA | STRIKER - BOLT |
| 3 | 112782-04-01A | EA | GASKET |
| 4 | 112782-05-01A | EA | CAP - VINYL - RED |
| 5 | 112782-08-01A | EA | SCREW - MOUNTING/PLATE - ZINC |
| 6 | 112782-22-01A | EA | LATCH - SINGLE ROTOR |
| 7 | 112782-21-01A | EA | LATCH - INTERIOR PLATE |
| | | | FROM: 00-00-00 THRU: 05-28-06 |
| 7 | 112782-27-01A | EA | LATCH - INTERIOR PLATE - WHITE |
| | | | FROM: 05-29-06 THRU: 99-99-99 |
| 8 | 112782-20-01A | EA | LATCH - EXTERIOR - W/O LOCK CYLINDER W/ICON-REVERSIBLE KEY |
| 9 | 132207-01-02B | EA | STIFFENER/DOOR - FORMED - E-COATED |
| 10 | 137230-01-01A | EA | SPACER - NOTCHED, MILL |
| 11 | 147900-01-01A | EA | SPACER - STRIKE BOLT, MILL |
| 12 | 061420-14-000 | EA | PLUG/PLASTIC - 7/8" DIAMETER - BLACK |

GENERATOR GROUP GAS



| KEY | PART NUMBER | U/M | DESCRIPTION |
|-----|---------------|-----|--|
| 1 | 109982-03-000 | EA | GENERATOR - 4.0 MICROLITE - ONAN |
| 2 | 007125-04-000 | EA | CLAMP - MUFFLER - 1.12"DIAMETER |
| 3 | 105958-08-000 | EA | PIPE - EXHAUST/GENERATOR - 1.5" OD X 3.1" X 19.7" - 229T, 231C |
| 4 | 114070-02-02B | EA | SUPPORT - GENERATOR - LEFT |
| 5 | 114071-02-02B | EA | SUPPORT - GENERATOR - RIGHT |
| 6 | 113452-01-000 | FT | SEAL/TRIM - FRONT - VINYL W/WIRE CARRIER - .020 |
| 7 | 128139-03-000 | FT | HOSE - FUEL - LOW PERMEABILITY - 1/4" DIAMETER |
| 8 | 084884-01-000 | EA | PLUG - BRASS - 3/8" |
| 9 | 068382-06-000 | EA | BUSHING - 3/8"MPT X 1/8"FPT - BRASS - CHEVY |
| 10 | 114253-01-000 | EA | ELBOW - 1/4 SINGLE BARB X 1/8 MPT - CHEVY |
| 11 | 143954-02-000 | EA | PIPE/EXHAUST - GENERATOR - 222B, 224V, 226A, 228P |
| 12 | 007125-03-000 | EA | CLAMP - MUFFLER - 1.5"DIAMETER - 222B, 224V, 226A, 228P |
| 13 | 007131-01-000 | EA | HANGER - TAILPIPE - 6 SLOTS - 222B, 224V, 226A, 228P |
| 14 | 149346-04-02B | EA | SHIELD - HEAT EXHAUST - E-COATED - 222B, 224V, 226A |

HEATING & A/C GROUP

FURNACE

| KEY | PART NUMBER | U/M | DESCRIPTION |
|-----|---------------|-----|--|
| | 009198-01-000 | FT | DUCT - HEAT - FLEXIBLE - 4" ID X 25' |
| | 009198-02-000 | FT | DUCT - HEAT - FLEXIBLE - 2" ID X 25' |
| | 009200-01-000 | EA | TAPE - FURNACE - 1 1/2" |
| | 056464-09-000 | EA | REGISTER W/DAMPER - 4" DIAMETER - PLASTIC - BEIGE |
| | 056464-10-000 | EA | REGISTER W/O DAMPER - 4" DIAMETER - PLASTIC - BEIGE |
| | 056464-11-000 | EA | REGISTER W/DAMPER - 4" DIAMETER - PLASTIC - OFF WHITE |
| | 069636-02-000 | EA | CONNECTOR - DUCT - 4" ID |
| | 089367-02-000 | EA | TEE - 4" X 2" X 4" |
| | 093614-01-02A | EA | GRILLE - AIR RETURN - 15.9" X 7.9" - BEIGE |
| | 093614-08-02A | EA | GRILLE - AIR RETURN - 9.8" X 13.9" - BEIGE |
| | 093614-11-01A | EA | GRILLE - AIR RETURN - 13.9" X 7.9" - BEIGE |
| | 098668-23-000 | EA | DOOR - ACCESS - FURNACE - BRIGHT WHITE |
| | 118761-01-000 | EA | REDUCER - 4"-2" - GALVANIZED |
| * | 139980-01-000 | EA | FURNACE - 25000 BTU - SF QUIET - SUBURBAN SF-25 2320J - FURNACE-25,000 BTU |
| * | 139980-02-000 | EA | FURNACE - 30000 BTU - SF QUIET - SUBURBAN SF-30 2321J - FURNACE-30,000 BTU |
| | 157225-01-05A | EA | OUTLET - DEFROSTER - W/SWIVEL - 2" SLEEVE/4"OD -RIVERSTONE |

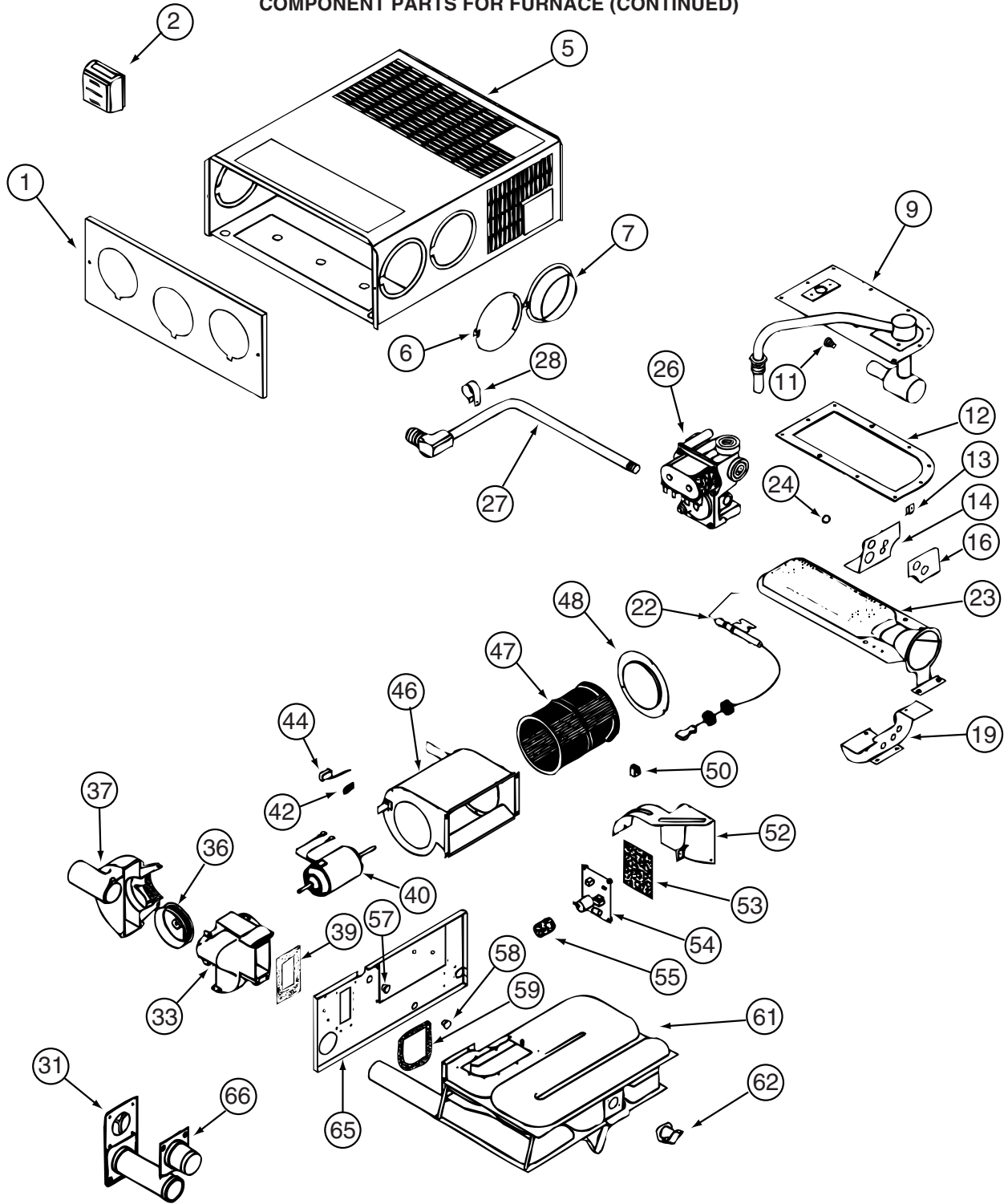
***COMPONENT PARTS LISTED LATER IN THIS GROUP**

HEATING & A/C GROUP (CONTINUED)
COMPONENT PARTS FOR FURNACE (CONTINUED)

139980-01-000 (CONTINUED)

| KEY | PART NUMBER | U/M | DESCRIPTION | VENDOR NO. |
|-----|---------------|-----|--|------------|
| 9 | 139980-01-700 | EA | MANIFOLD ASSEMBLY | 171571 |
| 11 | 090039-01-703 | EA | ORIFICE-MAIN BURNER | 180193 |
| 12 | 098668-22-703 | EA | GASKET - BURNER ACCESS COVER | 070811 |
| 22 | 139980-01-701 | EA | ELECTRODE | 232286 |
| 23 | 098668-01-703 | EA | BURNER ASSEMBLY | 010762 |
| 26 | 098668-01-718 | EA | VALVE-GAS SF S.N.974903079 | 161122 |
| 27 | 139980-01-702 | EA | PIPE ASSEMBLY/GAS INLET | 171574 |
| 31 | 098668-01-707 | EA | TUBE ASSEMBLY, EXHAUST W/CAP | 260231 |
| 33 | 139980-01-703 | EA | HOUSING/COMB. - FRONT/HALF | 390852 |
| 36 | 098668-01-706 | EA | WHEEL-COMBUSTION AIR | 350184 |
| 37 | 139980-01-704 | EA | HOUSING/COMB. - REAR/HALF | 390848 |
| 39 | 139980-01-705 | EA | GASKET/FIREWALL-COMB AIR | 071084 |
| 40 | 139980-01-706 | EA | MOTOR ASSEMBLY W/GASKET | 232682 |
| 42 | 101990-01-714 | EA | GASKET-MICROSWITCH | 230877 |
| 44 | 098668-21-700 | EA | SWITCH-MICRO-W/O FLAG 3 1/4" | 232261 |
| 46 | 139980-01-708 | EA | BLOWER ASSEMBLY - ROOM AIR | 390739BK |
| 47 | 098668-01-711 | EA | WHEEL-BLOWER, ROOM AIR | 350129 |
| 48 | 139980-01-709 | EA | ORFICE RING | 390696 |
| 50 | 139980-01-710 | EA | SWITCH - ON/OFF | 232351 |
| 52 | 139980-01-711 | EA | PANEL ASSEMBLY-MODULE BD | 101663 |
| 53 | 139980-01-712 | EA | INSULATOR - MODULE BD | 070807 |
| 54 | 098668-22-705 | EA | MODULE BD W/RELAY TIME DELAY | 520820 |
| 55 | 139980-01-713 | EA | CAP/INSULATOR-MODULE BD | 070973 |
| 57 | 139980-01-714 | EA | BUSHING - UNIVERSAL | 070362 |
| 58 | 139980-01-715 | EA | BUSHING - STRAIN RELIEF | 231809 |
| 59 | 098668-01-716 | EA | GASKET-FIREWALL,CHAMBER SIDE | 070808 |
| 61 | 139980-01-716 | EA | CHAMBER ASSEMBLY - FINAL | 021149BK |
| 62 | 098668-21-701 | EA | SWITCH - LIMIT | 232504 |
| 66 | 098668-01-713 | EA | TUBE ASSEMBLY, INTAKE | 051248 |
| | 098668-19-700 | EA | DOOR/CABINET ACCESS | 101888 |
| | 139980-02-700 | EA | BLOWER ASM-1/2 HOUSING/OUTER | 390851 |
| | 139980-02-701 | EA | BLOWER ASM-1/2 HOUSING/INNER | 390872 |
| | | | CONTACT WINNEBAGO PART SALES FOR UNLISTED COMPONENT(S) | |

HEATING & A/C GROUP (CONTINUED)
COMPONENT PARTS FOR FURNACE (CONTINUED)



139980-02-000

HEATING & A/C GROUP (CONTINUED)
COMPONENT PARTS FOR FURNACE (CONTINUED)

139980-02-000 (CONTNUED)

| KEY | PART NUMBER | U/M | DESCRIPTION | VENDOR NO. |
|-----|---------------|-----|--|------------|
| 9 | 139980-01-700 | EA | MANIFOLD ASSEMBLY | 171571 |
| 11 | 092300-02-701 | EA | ORIFICE-MAIN BURNER (NT-30BW | 180214 |
| 12 | 098668-22-703 | EA | GASKET - BURNER ACCESS COVER | 070811 |
| 22 | 139980-01-701 | EA | ELECTRODE | 232286 |
| 23 | 098668-02-700 | EA | BURNER ASSEMBLY,SF-30 & SF35 | 010745 |
| 26 | 098668-01-718 | EA | VALVE-GAS SF S.N.974903079 | 161122 |
| 27 | 139980-01-702 | EA | PIPE ASSEMBLY/GAS INLET | 171574 |
| 31 | 098668-01-707 | EA | TUBE ASSEMBLY, EXHAUST W/CAP | 260231 |
| 33 | 139980-01-703 | EA | HOUSING/COMB. - FRONT/HALF | 390852 |
| 36 | 098668-01-706 | EA | WHEEL-COMBUSTION AIR | 350184 |
| 37 | 139980-01-704 | EA | HOUSING/COMB. - REAR/HALF | 390848 |
| 39 | 139980-01-705 | EA | GASKET/FIREWALL-COMB AIR | 071084 |
| 40 | 139980-01-706 | EA | MOTOR ASSEMBLY W/GASKET | 232682 |
| 42 | 101990-01-714 | EA | GASKET-MICROSWITCH | 230877 |
| 44 | 098668-21-700 | EA | SWITCH-MICRO-W/O FLAG 3 1/4" | 232261 |
| 46 | 139980-01-708 | EA | BLOWER ASSEMBLY - ROOM AIR | 390739BK |
| 47 | 098668-01-711 | EA | WHEEL-BLOWER, ROOM AIR | 350129 |
| 48 | 139980-01-709 | EA | ORFICE RING | 390696 |
| 50 | 139980-01-710 | EA | SWITCH - ON/OFF | 232351 |
| 52 | 139980-01-711 | EA | PANEL ASSEMBLY-MODULE BD | 101663 |
| 53 | 139980-01-712 | EA | INSULATOR - MODULE BD | 070807 |
| 54 | 098668-22-705 | EA | MODULE BD W/RELAY TIME DELAY | 520820 |
| 55 | 139980-01-713 | EA | CAP/INSULATOR-MODULE BD | 070973 |
| 57 | 139980-01-714 | EA | BUSHING - UNIVERSAL | 070362 |
| 58 | 139980-01-715 | EA | BUSHING - STRAIN RELIEF | 231809 |
| 59 | 098668-01-716 | EA | GASKET-FIREWALL,CHAMBER SIDE | 070808 |
| 61 | 139980-01-716 | EA | CHAMBER ASSEMBLY - FINAL | 021149BK |
| 62 | 098668-21-701 | EA | SWITCH - LIMIT | 232504 |
| 66 | 098668-01-713 | EA | TUBE ASSEMBLY, INTAKE | 051248 |
| | 139980-02-700 | EA | BLOWER ASM-1/2 HOUSING/OUTER | 390851 |
| | 139980-02-701 | EA | BLOWER ASM-1/2 HOUSING/INNER | 390872 |
| | | | CONTACT WINNEBAGO PART SALES FOR UNLISTED COMPONENT(S) | |

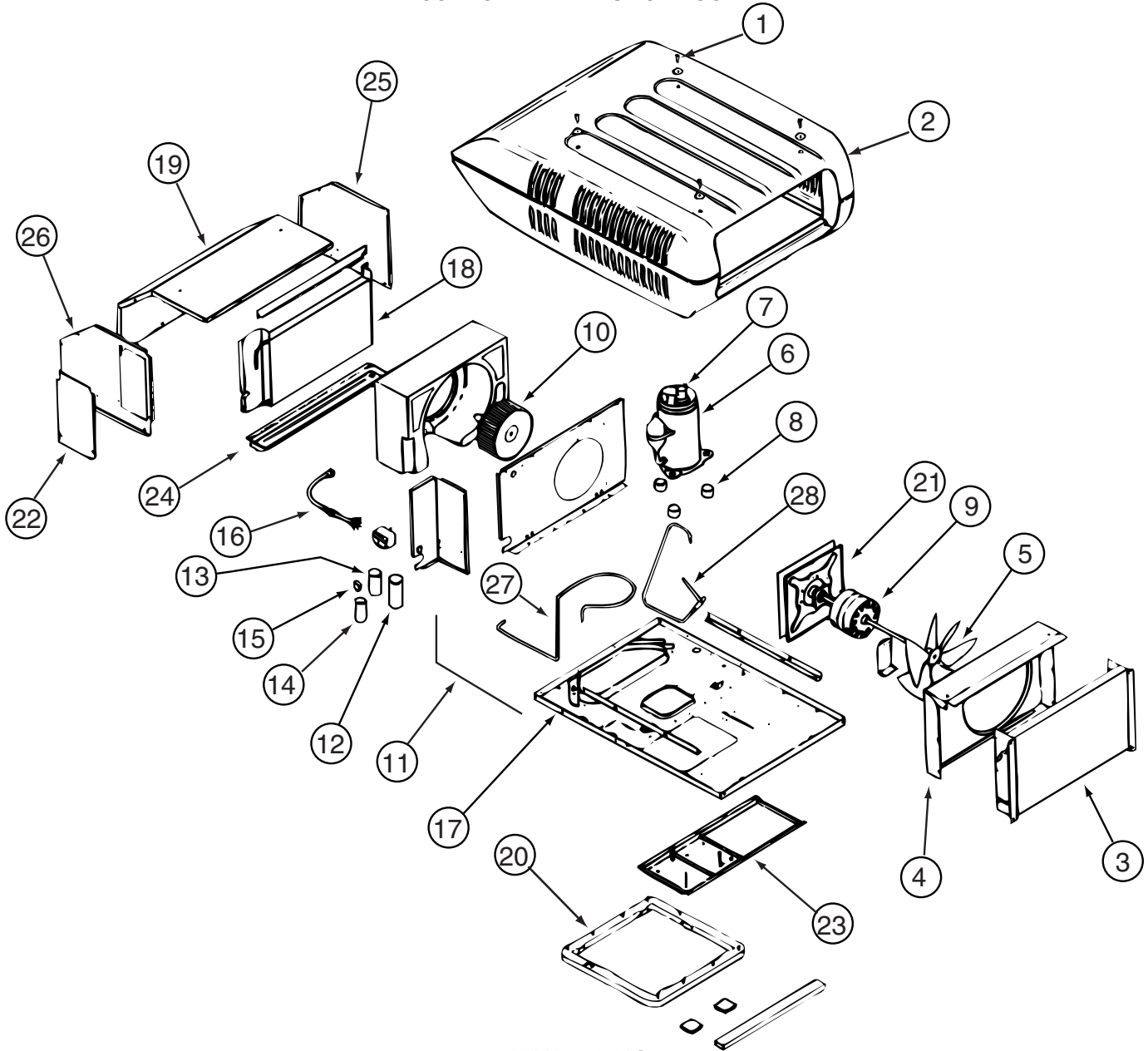
HEATING & A/C GROUP (CONTINUED)
ROOF

| KEY | PART NUMBER | U/M | DESCRIPTION |
|------------|--------------------|------------|---|
| * | 131185-03-01A | EA | A/C - ROOF - 13,500 BTU - MACH 3 WHITE FROM: 00-00-00 THRU: 10-29-06 |
| | 131185-04-01A | EA | A/C ROOF - 13,500 BTU - MACH 3 - 2 PIECE SHROUD STYLE FROM: 10-30-06 THRU: 99-99-99 |
| * | 131188-03-01A | EA | A/C/ROOF - 14,800 BTU/MACH 15 - NEW MODEL #8335B676 - WHT - A/C ROOF AIR 14,800 BTU FROM: 00-00-00 THRU: 10-29-06 |
| | 131188-05-01A | EA | A/C - ROOF - 14,800 BTU-MACH 15 - 2 PEICE SHROUD STYLE-WHT - A/C ROOF AIR 14,800 BTU FROM: 10-30-06 THRU: 99-99-99 |
| * | 156860-01-01A | EA | CEILING ASSEMBLY - A/C DUCTED - W/CONTROLS - WHITE |

***COMPONENT PARTS LISTED LATER IN THIS GROUP**

HEATING & A/C GROUP (CONTINUED)

COMPONENT PARTS FOR ROOF



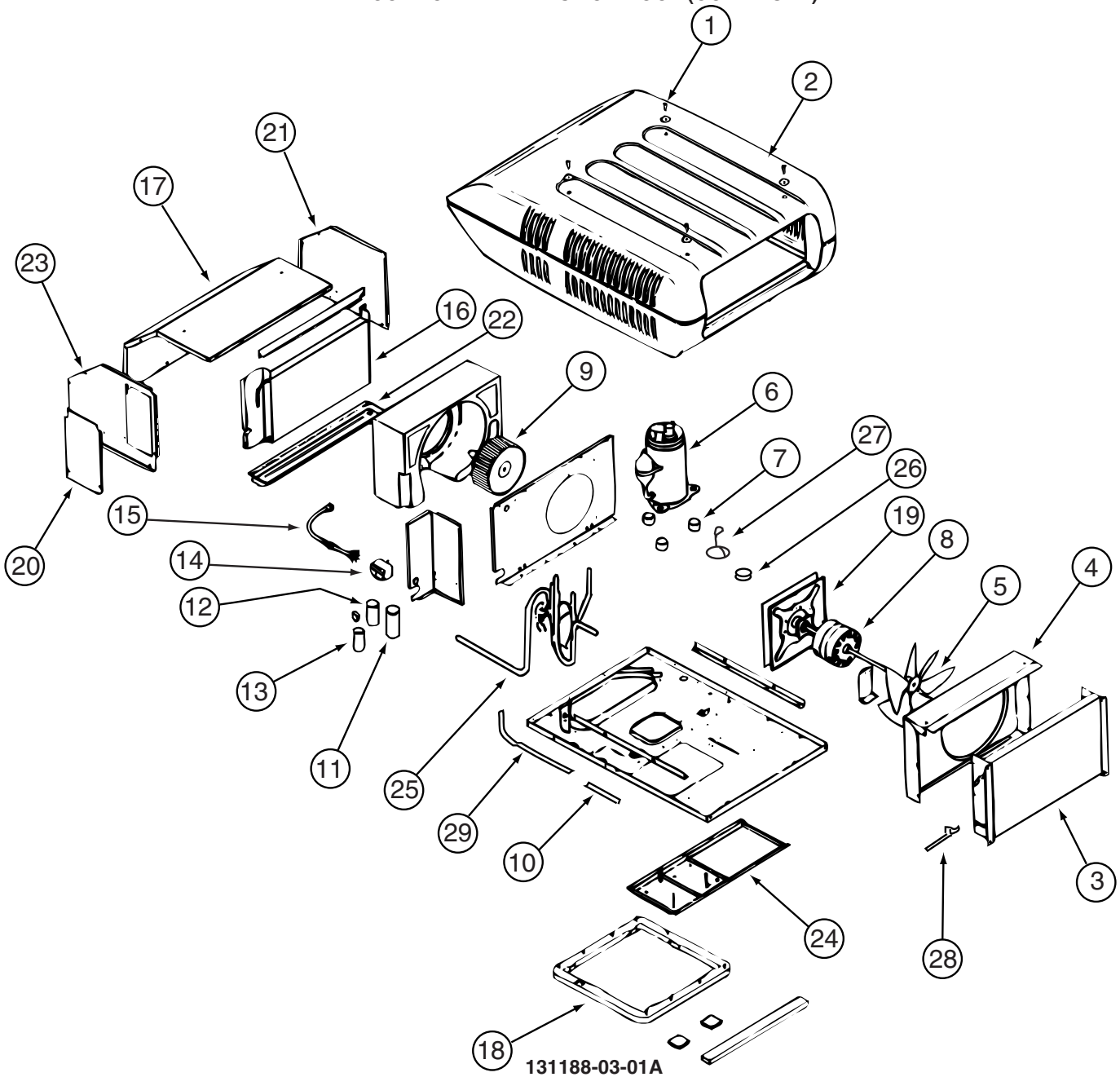
131185-03-01A

| KEY | PART NUMBER | U/M | DESCRIPTION | VENDOR NO. |
|-----|---------------|-----|------------------------------|------------|
| 2 | 131185-03-700 | EA | SHROUD-ROOF AIR W/HAIL GUARD | 8333-4161 |
| 3 | 131185-01-700 | EA | CONDENSER COIL | 1452A1451 |
| 5 | 093763-01-712 | EA | BLADE-FAN-CONDENSER | 6733-3221 |
| 6 | 105620-01-706 | EA | MOUNTING PKG.,COMP., 3 PER | 6759-3081 |
| 6 | 131185-03-701 | EA | COMPRESSOR - (PANASONIC) | 1450A2059 |
| 7 | 131185-03-702 | EA | OVERLOAD | 1450-0141 |
| 9 | 131185-01-701 | EA | MOTOR (115V, 60HZ) | 1468-3069 |
| 10 | 131185-01-702 | EA | BLOWER WHEEL PACKAGE | 1472-1091 |
| 12 | 105620-12-725 | EA | COMPRESSOR RUN CAPACITOR | 1499-5731 |
| 13 | 108889-01-708 | EA | CAPACITOR-FAN, 7.5MFD. 370U | 1499-5461 |
| 15 | 105620-10-704 | EA | START COMPACITOR | 1497-0861 |
| 15 | 105620-10-705 | EA | PTCR (START DEVICE) - W/CAP. | 8333A9021 |
| 18 | 131185-01-703 | EA | EVAPORATOR COIL | 1452A1491 |
| 20 | 037648-01-714 | EA | GASKET PACKAGE | 8332-3301 |
| 21 | 131185-01-704 | EA | MOTOR MOUNT & SEAL KIT | 8333-5151 |
| 27 | 131185-03-704 | EA | LINE - SUCTION | 8333B530 |
| 28 | 131185-03-705 | EA | LINE - DISCHARGE | 8333-131 |
| | 093306-01-701 | EA | DECAL PACKAGE, LEFT & RIGHT | 6798B3591 |
| | 131185-03-703 | EA | PAD/FILLER (COND AIR SEAL) | 8332-3301 |

CONTACT WINNEBAGO PART SALES FOR UNLISTED COMPONENT(S)

HEATING & A/C GROUP (CONTINUED)

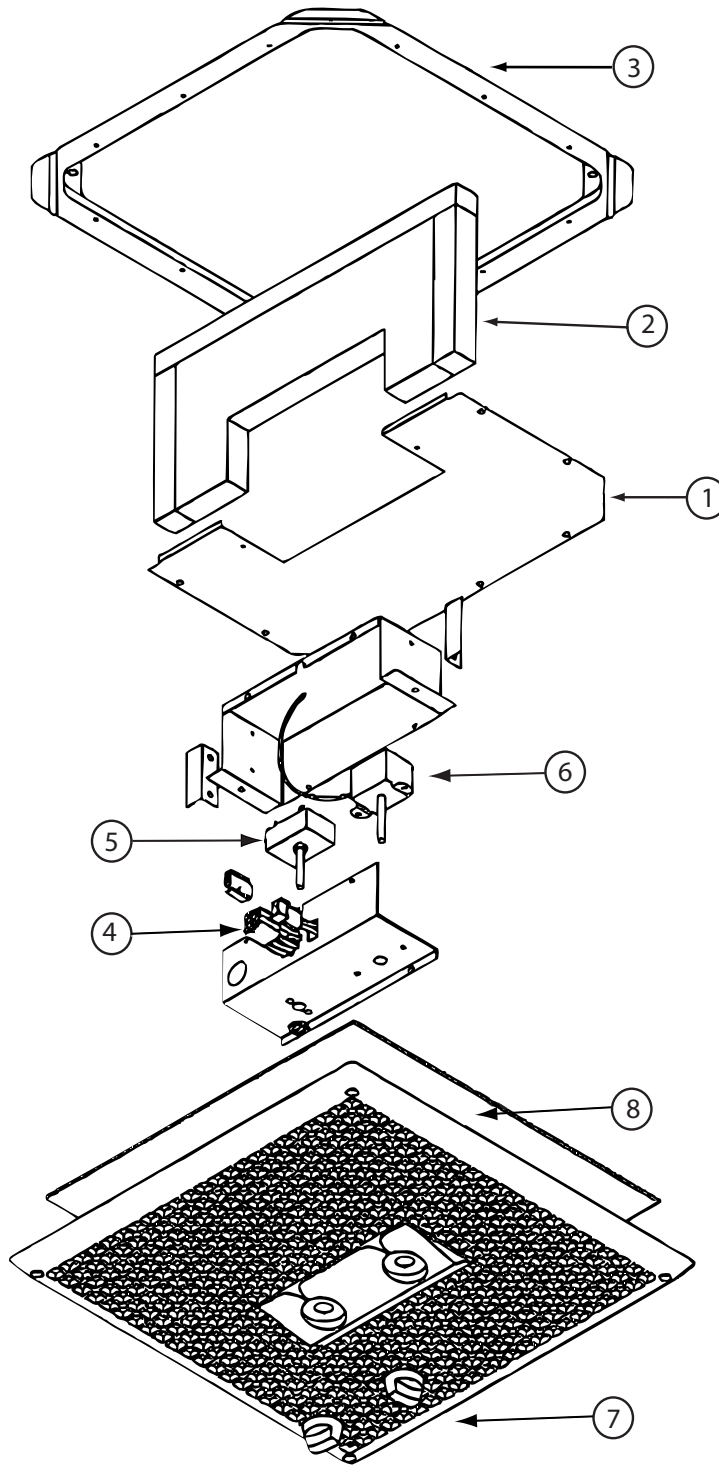
COMPONENT PARTS FOR ROOF (CONTINUED)



| KEY | PART NUMBER | U/M | DESCRIPTION | VENDOR NO. |
|-----|---------------|-----|------------------------------|------------|
| 2 | 131185-03-700 | EA | SHROUD-ROOF AIR W/HAIL GUARD | 8333-4161 |
| 3 | 115219-01-700 | EA | COIL-CONDENSER | 1452A1321 |
| 5 | 093763-01-712 | EA | BLADE-FAN-CONDENSER | 6733-3221 |
| 6 | 131188-01-700 | EA | COMPRESSOR - TECUMSEH | 1450A2609 |
| 7 | 105620-01-706 | EA | MOUNTING PKG.,COMP., 3 PER | 6759-3081 |
| 8 | 131185-01-701 | EA | MOTOR (115V, 60HZ) | 1468-3069 |
| 9 | 131185-01-702 | EA | BLOWER WHEEL PACKAGE | 1472-1091 |
| 11 | 131188-01-701 | EA | RUN CAP. (COMP-40MFD/370V) | 1499-5721 |
| 12 | 108889-01-708 | EA | CAPACITOR-FAN, 7.5MFD. 370U | 1499-5461 |
| 13 | 126859-01-704 | EA | CAPACITOR - START | 1497-0871 |
| 14 | 091225-01-709 | EA | RELAY-START | 1497-4131 |
| 16 | 131186-01-701 | EA | EVAPORATOR COIL | 1452-1521 |
| 18 | 037648-01-714 | EA | GASKET PACKAGE | 8332-3301 |
| 19 | 131185-01-704 | EA | MOTOR MOUNT & SEAL KIT | 8333-5151 |
| | 093306-01-701 | EA | DECAL PACKAGE, LEFT & RIGHT | 6798B3591 |
| | 108889-01-710 | EA | PAD-FILLER, CONDENSER SEAL | 6759B3971 |
| | 131188-01-702 | EA | LINE - SUCTION | 7335A134 |
| | 131188-01-703 | EA | LINE - DISCHARGE | 7335A135 |

CONTACT WINNEBAGO PART SALES FOR UNLISTED COMPONENT(S)

HEATING & A/C GROUP (CONTINUED)
COMPONENT PARTS FOR ROOF (CONTINUED)

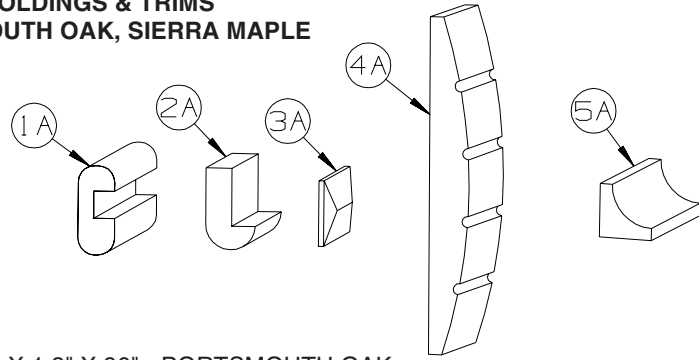


156860-01-01A

| KEY | PART NUMBER | U/M | DESCRIPTION | VENDOR NO. |
|-----|---------------|-----|------------------------------|------------|
| 4 | 156860-01-702 | EA | PLUG ASSEMBLY | 7330-347 |
| 5 | 073742-01-701 | EA | SWITCH - SELECTOR/5 TERMINAL | 6759-3251 |
| 6 | 093307-04-701 | EA | THERMOSTAT(90' IN-60' OUT) | 6703-3401 |
| 7 | 156860-01-700 | EA | GRILLE ASSEMBLY - WHITE | 8330-4081 |
| 8 | 108892-01-703 | EA | FILTER | 6798A3761 |
| | 156860-01-701 | EA | SMALL PARTS PKG-BOLTS/KNOBS | 8330-5941 |

CONTACT WINNEBAGO PART SALES FOR UNLISTED COMPONENT(S)

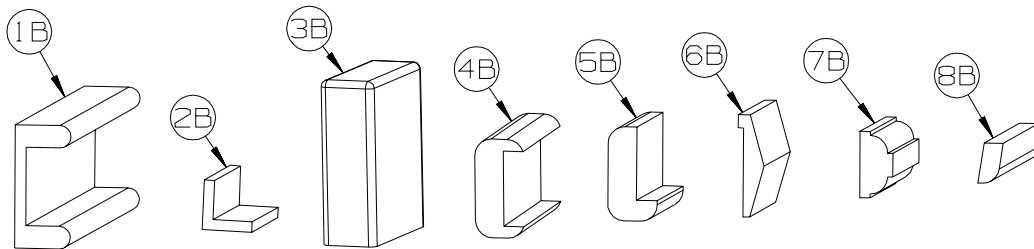
INTERIOR FINISH GROUP
MOLDINGS & TRIMS
PORTSMOUTH OAK, SIERRA MAPLE



| KEY | PART NUMBER | U/M | DESCRIPTION |
|-----|---------------|-----|---|
| 1A | M09412-62-N42 | EA | MOLDING/SHELF EDGE - .6" X 1.3" X 96" - PORTSMOUTH OAK |
| 1A | M09412-62-M52 | EA | MOLDING/SHELF EDGE - .6" X 1.3" X 96" - CHERRY - CONCERT CHERRY |
| 1A | M09412-62-M62 | EA | MOLDING/SHELF EDGE - .6" X 1.3" X 96" - WASHED MAPLE - WASHED MAPLE |
| 1A | M09412-62-RC3 | EA | MOLDING/SHELF EDGE - .6" X 1.3" X 96" - HONEY CHERRY - HONEY CHERRY |
| 1A | M09412-62-SA3 | EA | MOLDING/SHELF EDGE - .6" X 1.3" X 96" - MAPLE - SIERRA MAPLE |
| 2A | M09450-77-PC0 | EA | MOLDING - TRIM/HDWD W/LIP -.4"X3.2"X79.6" - PORTSMOUTH OAK |
| 2A | M09450-77-PC1 | EA | MOLDING - TRIM/HDWD W/LIP -.4"X3.2"X79.6" - CONCERT CHERRY |
| 2A | M09450-77-PC2 | EA | MOLDING - TRIM/HDWD W/LIP -.4"X3.2"X79.6" - WASHED MAPLE |
| 2A | M09450-77-RC3 | EA | MOLDING - TRIM/HDWD W/LIP -.4"X3.2"X79.6" - HONEY CHERRY |
| 2A | M09501-32-TG1 | EA | MOLDING/TRIM - W/NOTCH - .8" X 2.5" X 86.2"-CONCERT CHERRY |
| 2A | M09501-32-TG2 | EA | MOLDING/TRIM - W/NOTCH - .8" X 2.5" X 86.2" - WASHED MAPLE, |
| 2A | M09501-32-TD3 | EA | MOLDING/TRIM - W/NOTCH - .8" X 2.5" X 86.2" - SIERRA MAPLE |
| 2A | M09503-52-T77 | EA | MOLDING/TRIM - .75" X 1.2" X 86.5" - PORTSMOUTH OAK |
| 2A | M09503-52-T78 | EA | MOLDING/TRIM - .75" X 1.2" X 86.5" - CONCERT CHERRY |
| 2A | M09503-52-T79 | EA | MOLDING/TRIM - .75" X 1.2" X 86.5" - WASHED MAPLE |
| 2A | M09503-52-T80 | EA | MOLDING/TRIM - .75" X 1.2" X 86.5" - SIERRA MAPLE |
| 2A | M09511-43-T78 | EA | MOLDING - TRIM - W/NOTCH - .8" X 1.4" X 86.3" - CONCERT CHERRY |
| 2A | M09525-80-UM1 | EA | MOLDING - TRIM - W/NOTCH - .8"X 1.4"X 86.5" - CONCERT CHERRY |
| 2A | M09511-43-T79 | EA | MOLDING - TRIM - W/NOTCH - .8" X 1.4" X 86.3" - WASHED MAPLE |
| 2A | M09525-80-U91 | EA | MOLDING - TRIM - W/NOTCH - .8" X 1.4" X 86.5" - WASHED MAPLE |
| 2A | M09511-43-T80 | EA | MOLDING - TRIM - W/NOTCH - .8" X 1.4" X 86.3" - SIERRA MAPLE |
| 2A | M09525-80-U92 | EA | MOLDING - TRIM - W/NOTCH - .8" X 1.4" X 86.5" - SIERRA MAPLE |
| 2A | M09438-25-RA3 | EA | MOLDING - HARDWOOD-W/NOTCH - 1.4"X 80.2" - HONEY CHERRY |
| 2A | M09515-72-TD1 | EA | MOLDING/TRIM - .8" X 2.2" X 86.1" - CONCERT CHERRY |
| 2A | M09515-72-TD2 | EA | MOLDING/TRIM - .8" X 2.2" X 86.1" - WASHED MAPLE |
| 2A | M09515-72-TD3 | EA | MOLDING/TRIM - .8" X 2.2" X 86.1" - SIERRA MAPLE |
| 3A | M09471-91-R69 | EA | MOLDING - TRIM/VEE - .2" X 1" X 34.4" - CONCERT CHERRY |
| 3A | M09471-91-R76 | EA | MOLDING - TRIM/VEE - .2" X 1" X 34.4" - WASHED MAPLE |
| 3A | M09471-91-SA3 | EA | MOLDING - TRIM/VEE - .2" X 1" X 34.4" - SIERRA MAPLE |
| 3A | M09477-88-S34 | EA | MOLDING - TRIM/VEE - .2" X 1" X 19.9" - WASHED MAPLE |
| 3A | M09477-88-S35 | EA | MOLDING - TRIM/VEE - .2" X 1" X 19.9" - SIERRA MAPLE |
| 3A | M09501-30-SD2 | EA | MOLDING - TRIM/VEE - .2" X 1" X 35.1" - WASHED MAPLE |
| 3A | M09501-30-SD3 | EA | MOLDING - TRIM/VEE - .2" X 1" X 35.1" - HONEY CHERRY |
| 3A | M09501-37-TG1 | EA | MOLDING - TRIM/VEE - .2" X 1" X 19.2" - CONCERT CHERRY |
| 3A | M09501-37-TG2 | EA | MOLDING - TRIM/VEE - .2" X 1" X 19.2" - WASHED MAPLE |
| 3A | M09501-37-TD3 | EA | MOLDING - TRIM/VEE - .2" X 1" X 19.2" - SIERRA MAPLE |
| 3A | M09501-37-TG3 | EA | MOLDING - TRIM/VEE - .2" X 1" X 19.2" - HONEY CHERRY |
| 3A | M09501-63-T78 | EA | MOLDING - TRIM/VEE - .2" X 1" X 15" - CONCERT CHERRY |
| 3A | M09501-63-T79 | EA | MOLDING - TRIM/VEE - .2" X 1" X 15" - WASHED MAPLE |
| 3A | M09501-63-T80 | EA | MOLDING - TRIM/VEE - .2" X 1" X 15" - SIERRA MAPLE |
| 3A | M09503-62-TG1 | EA | MOLDING - TRIM/VEE - .2" X 1" X 26.3" - CONCERT CHERRY |
| 3A | M09503-62-TG2 | EA | MOLDING - TRIM/VEE - .2" X 1" X 26.3" - WASHED MAPLE |
| 3A | M09503-62-TG3 | EA | MOLDING - TRIM/VEE - .2" X 1" X 26.3" - HONEY CHERRY |
| 3A | M09511-90-TG1 | EA | MOLDING - TRIM/VEE - .2" X 1" X 42.1" - CONCERT CHERRY |
| 3A | M09511-90-TG3 | EA | MOLDING - TRIM/VEE - .2" X 1" X 42.1" - HONEY CHERRY |
| 3A | M09511-90-TG2 | EA | MOLDING - TRIM/VEE - .2" X 1" X 42.1" - WASHED MAPLE |
| 3A | M09520-15-TD1 | EA | MOLDING - TRIM/VEE - .2" X 1" X 15.3" - CONCERT CHERRY |
| 3A | M09520-15-TD2 | EA | MOLDING - TRIM/VEE - .2" X 1" X 15.3" - WASHED MAPLE |
| 3A | M09520-15-TD3 | EA | MOLDING - TRIM/VEE - .2" X 1" X 15.3" - SIERRA MAPLE |
| 3A | M09520-96-T59 | EA | MOLDING - TRIM/VEE - .2" X 1" X 32.7" - PORTSMOUTH OAK |
| 3A | M09520-96-T60 | EA | MOLDING - TRIM/VEE - .2" X 1" X 32.7" - CONCERT CHERRY |
| 3A | M09520-96-T61 | EA | MOLDING - TRIM/VEE - .2" X 1" X 32.7" - WASHED MAPLE |
| 3A | M09520-96-TP0 | EA | MOLDING - TRIM/VEE - .2" X 1" X 32.7" - SIERRA MAPLE |

INTERIOR FINISH GROUP (CONTINUED)
MOLDINGS & TRIMS (CONTINUED)

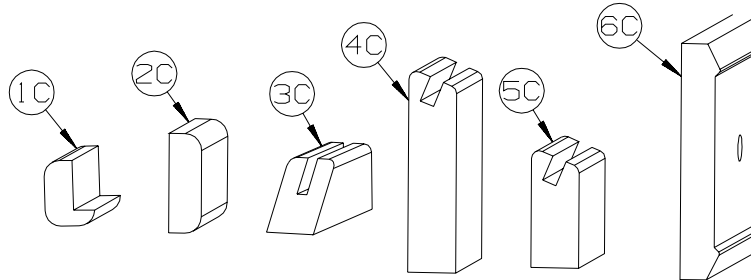
| KEY | PART NUMBER | U/M | DESCRIPTION |
|-----|---------------|-----|--|
| 3A | M09525-96-TA0 | EA | MOLDING - TRIM/VEE - .2" X 1" X 36.2" - PORTSMOUTH OAK |
| 3A | M09525-96-TA1 | EA | MOLDING - TRIM/VEE - .2" X 1" X 36.2" - CONCERT CHERRY |
| 3A | M09525-96-TA2 | EA | MOLDING - TRIM/VEE - .2" X 1" X 36.2" - WASHED MAPLE |
| 3A | M09525-96-TA3 | EA | MOLDING - TRIM/VEE - .2" X 1" X 36.2" - SIERRA MAPLE |
| 3A | M09534-08-T01 | EA | MOLDING - TRIM/VEE - .2" X 1" X 24.5" - SIERRA MAPLE |
| 3A | M09534-08-T02 | EA | MOLDING - TRIM/VEE - .2" X 1" X 24.5" - HONEY CHERRY |
| 3A | M09511-32-T78 | EA | MOLDING - TRIM/VEE - .4" X 1" X 26.8" - CONCERT CHERRY |
| 3A | M09511-32-T79 | EA | MOLDING - TRIM/VEE - .4" X 1" X 26.8" - WASHED MAPLE |
| 3A | M09511-32-T80 | EA | MOLDING - TRIM/VEE - .4" X 1" X 26.8" - SIERRA MAPLE |
| 3A | M09511-86-T78 | EA | MOLDING - TRIM/VEE - .4" X 1" X 28.3" - CONCERT CHERRY |
| 3A | M09511-86-T79 | EA | MOLDING - TRIM/VEE - .4" X 1" X 28.3" - WASHED MAPLE |
| 3A | M09511-86-T80 | EA | MOLDING - TRIM/VEE - .4" X 1" X 28.3" - SIERRA MAPLE |
| 3A | M09477-63-S46 | EA | MOLDING - TRIM/VEE - .4" X 1" X 64.1" - PORTSMOUTH OAK - BATH DOOR TRIM |
| 3A | M09477-63-SR0 | EA | MOLDING - TRIM/VEE - .4" X 1" X 64.1" - SIERRA MAPLE - BATH DOOR TRIM |
| 3A | M09477-64-S46 | EA | MOLDING - TRIM/VEE - .4" X 1" X 14.9" - PORTSMOUTH OAK - BATH DOOR TRIM |
| 3A | M09477-64-SR0 | EA | MOLDING - TRIM/VEE - .4" X 1" X 14.9" - SIERRA MAPLE - BATH DOOR TRIM |
| 4A | M09462-54-R90 | EA | MOLDING - FLUTED, CURVED - .6" X 6" X 82.7" - CONCERT CHERRY |
| 4A | M09462-54-R91 | EA | MOLDING - FLUTED, CURVED - .6" X 6" X 82.7" - WASHED MAPLE |
| 4A | M09462-54-RE3 | EA | MOLDING - FLUTED, CURVED - .6" X 6" X 82.7" - HONEY CHERRY |
| 5A | M09471-79-R38 | EA | MOLDING - TRIM/COVE - .8" X .8" X 95.8" - OAK/PORTS OAK - PORTSMOUTH OAK |
| 5A | M09471-79-R39 | EA | MOLDING - TRIM/COVE - .8" X .8" X 95.8" - CHERRY/CHERRY - CONCERT CHERRY |
| 5A | M09471-79-R46 | EA | MOLDING - TRIM/COVE - .8" X .8" X 95.8" - MAPLE/MAPLE - WASHED MAPLE |
| 5A | M09471-79-RE0 | EA | MOLDING - TRIM/COVE - .8" X .8" X 95.8" - HONEY/CHERRY- HONEY CHERRY |
| 5A | M09471-79-SA3 | EA | MOLDING - TRIM/COVE - .8" X .8" X 95.8" - HONEY/MAPLE - SIERRA MAPLE |



| KEY | PART NUMBER | U/M | DESCRIPTION |
|-----|---------------|-----|---|
| 1B | M09501-84-TG0 | EA | MOLDING/TRIM - CAP/WALL - 2.2" X 85.9" - PORTSMOUTH OAK |
| 1B | M09501-84-TG1 | EA | MOLDING/TRIM - CAP/WALL - 2.2" X 85.9" - CONCERT CHERRY |
| 1B | M09501-84-TG2 | EA | MOLDING/TRIM - CAP/WALL - 2.2" X 85.9" - WASHED MAPLE |
| 1B | M09520-07-TD3 | EA | MOLDING/TRIM - CAP/WALL - 2.2" X 80.5" - SIERRA MAPLE |
| 1B | M09501-84-TG3 | EA | MOLDING/TRIM - CAP/WALL - 2.2" X 85.9" - HONEY CHERRY |
| 2B | M09511-81-TA1 | EA | MOLDING/TRIM - L SHAPE - .8"X .8"X 80.2" - CONCERT CHERRY |
| 2B | M09511-81-TA2 | EA | MOLDING/TRIM - L SHAPE - .8"X .8"X 80.2" - WASHED MAPLE |
| 2B | M09511-81-TA3 | EA | MOLDING/TRIM - L SHAPE - .8"X .8"X 80.2" - SIERRA MAPLE |
| 3B | M09515-81-T01 | EA | MOLDING/HARDWOOD STRAIGHT - 74.3" - WASHED MAPLE |
| 3B | M09515-81-T02 | EA | MOLDING/HARDWOOD STRAIGHT - 74.3" - HONEY CHERRY |
| 4B | M09511-42-T77 | EA | MOLDING - TRIM - W/NOTCH - 1.5" X 86.4" - PORTSMOUTH OAK |
| 4B | M09511-42-T78 | EA | MOLDING - TRIM - W/NOTCH - 1.5" X 86.4" - CONCERT CHERRY |
| 4B | M09511-42-T79 | EA | MOLDING - TRIM - W/NOTCH - 1.5" X 86.4" - WASHED MAPLE |
| 4B | M09511-42-T80 | EA | MOLDING - TRIM - W/NOTCH - 1.5" X 86.4" - SIERRA MAPLE |
| 5B | M09515-18-T78 | EA | MOLDING - HARDWOOD-W/NOTCH - 1.4"X 86.2" - CONCERT CHERRY |
| 5B | M09515-18-T79 | EA | MOLDING - HARDWOOD-W/NOTCH - 1.4"X 86.2" - WASHED MAPLE |
| 5B | M09515-18-T80 | EA | MOLDING - HARDWOOD-W/NOTCH - 1.4"X 86.2" - SIERRA MAPLE |
| 6B | M09515-52-TG1 | EA | MOLDING - TRIM/VEE - 1.5" X 73.9" - CONCERT CHERRY |
| 6B | M09515-52-TG2 | EA | MOLDING - TRIM/VEE - 1.5" X 73.9" - WASHED MAPLE |
| 6B | M09515-52-TG3 | EA | MOLDING - TRIM/VEE - 1.5" X 73.9" - HONEY CHERRY |
| 7B | Y00076-32-438 | EA | MOLDING/TRIM - .5" X 1" X 96" - CHERRY (UNSTAINED) |
| 7B | Y00076-22-438 | EA | MOLDING/TRIM - .5" X 1" X 96" - MAPLE (UNSTAINED) |
| 8B | Y00086-72-438 | EA | MOLDING - VINYL WRAP - .7" X 1.6" X 96" - PORTSMOUTH OAK - PORTSMOUTH OAK |
| 8B | Y00086-62-438 | EA | MOLDING - 96" - CONCERT CHERRY (U90/94/98/A1/A5/B1/C1/C5/D1/D5/E1/E5/F1/F5/G1/G5/H1/H5) |
| 8B | Y00086-D2-438 | EA | MOLDING - VINYL WRAP - .7" X 1.6" X 96" - CONCERT CHERRY (UM1 THRU UM9, UN1 THRU UN9) |
| 8B | Y00086-A2-438 | EA | MOLDING - VINYL WRAP - .7" X 1.6" X 96" - WASHED MAPLE |
| 8B | Y00086-92-438 | EA | MOLDING - VINYL WRAP - .7" X 1.6" X 96" - SIERRA MAPLE - SIERRA MAPLE |

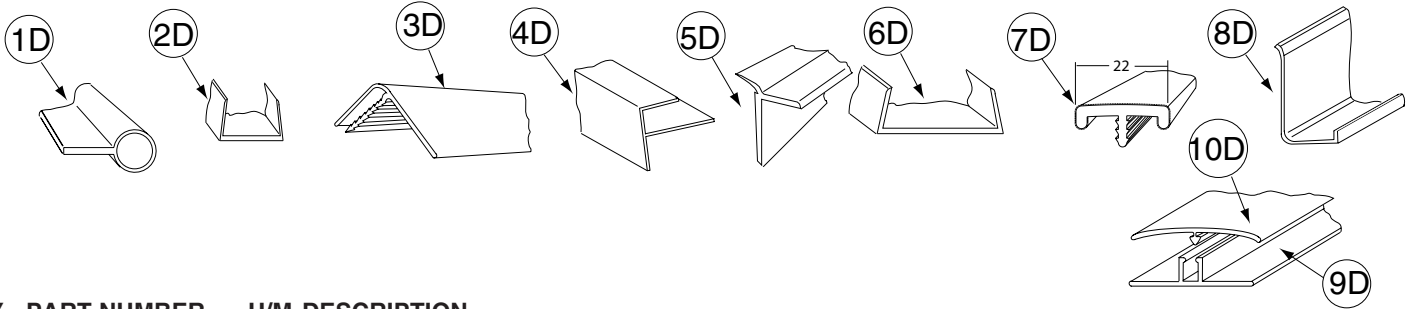
INTERIOR FINISH GROUP (CONTINUED)
MOLDINGS & TRIMS (CONTINUED)

| KEY | PART NUMBER | U/M | DESCRIPTION |
|-----|---------------|-----|---|
| 8B | Y00087-62-438 | EA | MOLDING - 96" - CONCERT CHERRY (U90/94/98/A1/A5/B1/C1/C5/D1/D5/E1/E5/F1/F5/G1/G5/H1/H5) |
| 8B | Y00087-D2-438 | EA | MOLDING - VINYL WRAP - .7" X 2.9" X 96" - CONCERT CHERRY (UM1 THRU UM9, UN1 THRU UN9) |
| 8B | Y00087-A2-438 | EA | MOLDING - VINYL WRAP - .7" X 2.9" X 96" - WASHED MAPLE |
| 8B | Y00087-92-438 | EA | MOLDING - VINYL WRAP - .7" X 2.9" X 96" - SIERRA MAPLE |
| 8B | Y00300-62-438 | EA | MOLDING - 96" - CONCERT CHERRY (U90/94/98/A1/A5/B1/C1/C5/D1/D5/E1/E5/F1/F5/G1/G5/H1/H5) |
| 8B | Y00300-D2-438 | EA | MOLDING - VINYL WRAP - .3" X .6" X 96" - CONCERT CHERRY (UM1 THRU UM9, UN1 THRU UN9) |
| 8B | Y00300-A2-438 | EA | MOLDING - VINYL WRAP - .3" X .6" X 96" - WASHED MAPLE |
| 8B | Y00300-92-438 | EA | MOLDING - VINYL WRAP - .3" X .6" X 96" - SIERRA MAPLE |



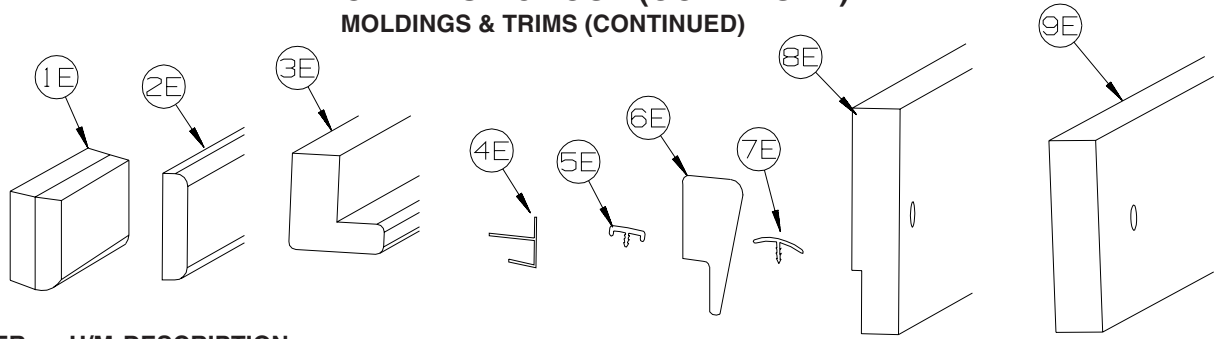
| KEY | PART NUMBER | U/M | DESCRIPTION |
|-----|---------------|-----|---|
| 1C | M09520-19-TD1 | EA | MOLDING - TRIM - W/NOTCH - 1" X 86.3" - CONCERT CHERRY |
| 1C | M09520-19-TD2 | EA | MOLDING - TRIM - W/NOTCH - 1" X 86.3" - WASHED MAPLE |
| 1C | M09520-19-TD3 | EA | MOLDING - TRIM - W/NOTCH - 1" X 86.3" - HONEY CHERRY |
| 1C | M09525-27-UF1 | EA | MOLDING - HARDWOOD - .75" X 1.4" X 32.4" - CONCERT CHERRY |
| 1C | M09525-27-UF2 | EA | MOLDING - HARDWOOD - .75" X 1.4" X 32.4" - WASHED MAPLE |
| 1C | M09525-27-UF3 | EA | MOLDING - HARDWOOD - .75" X 1.4" X 32.4" - SIERRA MAPLE |
| 2C | M09511-46-T77 | EA | MOLDING/TRIM - .5" X 1.5" X 86.5" - PORTSMOUTH OAK |
| 2C | M09511-46-T78 | EA | MOLDING/TRIM - .5" X 1.5" X 86.5" - CONCERT CHERRY |
| 2C | M09511-46-T79 | EA | MOLDING/TRIM - .5" X 1.5" X 86.5" - WASHED MAPLE |
| 2C | M09511-46-T80 | EA | MOLDING/TRIM - .5" X 1.5" X 86.5" - SIERRA MAPLE |
| 3C | Y00223-42-438 | EA | MOLDING - HARDWOOD/OAK - .7" X 1" X 96" |
| 3C | Y00223-32-438 | EA | MOLDING - HARDWOOD/CHERRY - .7" X 1" X 96" |
| 3C | Y00223-22-438 | EA | MOLDING - HARDWOOD/MAPLE - .7" X 1" X 96" |
| 4C | Y00054-62-438 | EA | MOLDING- 96" - CONCERT CHERRY (U90/94/98/A1/A5/B1/C1/C5/D1/D5/E1/E5/F1/F5/G1/G5/H1/H5) |
| 4C | Y00054-D2-438 | EA | MOLDING/VYL WRP-BVLD-.73" X 3.1" X 96" - CONCERT CHERRY (UM1 THRU UM9, UN1 THRU UN9) |
| 4C | Y00054-A2-438 | EA | MOLDING/VINYL WRAP-BEVELED ENDS-.73"X3.1"X96" - WASHED MAPLE |
| 4C | Y00054-92-438 | EA | MOLDING/VINYL WRAP-BEVELED-.73" X 3.1" X 96" - SIERRA MAPLE |
| 4C | Y00258-62-438 | EA | MOLDING/VYL 96" - CONCERT CHERRY (U90/94/98/A1/A5/B1/C1/C5/D1/D5/E1/E5/F1/F5/G1/G5/H1/H5) |
| 4C | Y00258-D2-438 | EA | MOLDING/VINYL WRP-BVLD-.73" X 3.1" X 96" - CONCERT CHERRY (UM1 THRU UM9, UN1 THRU UN9) |
| 4C | Y00258-A2-438 | EA | MOLDING/VINYL WRAP-BEVELED ENDS-.73"X3.1"X96" - WASHED MAPLE |
| 4C | Y00258-92-438 | EA | MOLDING/VINYL WRAP-BEVELED-.73" X 3.1" X 96" - SIERRA MAPLE |
| 5C | Y00259-62-438 | EA | MOLDING/VYL 96" - CONCERT CHERRY (U90/94/98/A1/A5/B1/C1/C5/D1/D5/E1/E5/F1/F5/G1/G5/H1/H5) |
| 5C | Y00259-D2-438 | EA | MOLDING/VINYL WRP-BVLD-.73" X 1.8" X 96" - CONCERT CHERRY (UM1 THRU UM9, UN1 THRU UN9) |
| 5C | Y00259-A2-438 | EA | MOLDING/VINYL WRAP-BEVELED-.73"X1.8"X96" - WASHED MAPLE |
| 5C | Y00259-92-438 | EA | MOLDING/VINYL WRAP-BEVELED-.73"X1.8"X96" - SIERRA MAPLE |
| 6C | Y00152-A2-438 | EA | MOLDING/TRIM - VINYL - .6" X 3.5" X 96" - WASHED MAPLE |
| 6C | Y00152-92-438 | EA | MOLDING/TRIM - VINYL - .6" X 3.5" X 96" - SIERRA MAPLE |

INTERIOR FINISH GROUP (CONTINUED)
MOLDINGS & TRIMS (CONTINUED)



| KEY | PART NUMBER | U/M | DESCRIPTION |
|-----|---------------|-----|---|
| 1D | 009767-12-000 | FT | WELTING - ANTIQUE WHITE |
| 1D | 009767-17-000 | FT | WELTING - PORTSMOUTH OAK |
| 2D | 009778-25-000 | FT | U-CHANNEL - 1" - BEIGE ILLUSION |
| 2D | 009778-26-000 | FT | U-CHANNEL - 1 1/4" - BEIGE ILLUSION |
| 2D | 009778-38-000 | FT | U-CHANNEL - 1" - BONE |
| 2D | 009778-32-000 | FT | U-CHANNEL - 1" - PORTSMOUTH OAK |
| 2D | 009778-34-000 | FT | U-CHANNEL - 1" - CONCERT CHERRY |
| 2D | 009778-27-000 | FT | U-CHANNEL - 1" - WASHED MAPLE |
| 2D | 009778-35-000 | FT | U-CHANNEL - 1" - HONEY CHERRY |
| 2D | 009778-36-000 | FT | U-CHANNEL - 1" - SIERRA MAPLE |
| 3D | 009809-30-000 | EA | MOLDING - CORNER - OUTSIDE - 1" X 84" - BEIGE ILLUSION |
| 3D | 009809-37-000 | EA | MOLDING - CORNER - OUTSIDE - 1" X 84" - BONE |
| 3D | 009809-32-000 | EA | MOLDING - CORNER - OUTSIDE - 1" X 84" - PORTSMOUTH OAK |
| 3D | 009809-33-000 | EA | MOLDING - CORNER - OUTSIDE - 1" X 84" - CONCERT CHERRY |
| 3D | 009809-31-000 | EA | MOLDING - CORNER - OUTSIDE - 1" X 84" - WASHED MAPLE |
| 3D | 009809-34-000 | EA | MOLDING - CORNER - OUTSIDE - 1" X 84" - HONEY CHERRY |
| 3D | 009809-35-000 | EA | MOLDING - CORNER - OUTSIDE - 1" X 84" - SIERRA MAPLE |
| 4D | 009812-31-000 | EA | MOLDING - CORNER - 1/2" W/1/4"CHAN X 84" - BEIGE ILLUSION |
| 4D | 009812-40-000 | EA | MOLDING - CORNER - 1/2" W/1/4"CHAN X 84" - BONE |
| 4D | 009812-35-000 | EA | MOLDING - CORNER - 1/2" W/1/4"CHAN X 84" - PORTSMOUTH OAK |
| 4D | 009812-36-000 | EA | MOLDING - CORNER - 1/2" W/1/4"CHAN X 84" - CONCERT CHERRY |
| 4D | 009812-33-000 | EA | MOLDING - CORNER - 1/2" W/1/4"CHAN X 84" - WASHED MAPLE |
| 4D | 009812-37-000 | EA | MOLDING - CORNER - 1/2" W/1/4"CHAN X 84" - HONEY CHERRY |
| 4D | 009812-38-000 | EA | MOLDING - CORNER - 1/2" W/1/4"CHAN X 84" - SIERRA MAPLE |
| 5D | 022992-11-000 | FT | MOLDING - REVERSE COVE - T-SHAPED - IVORY |
| 5D | 022992-18-000 | FT | MOLDING - REVERSE COVE - T-SHAPED - BONE |
| 5D | 022992-14-000 | FT | MOLDING - REVERSE COVE - T-SHAPED - BRIGHT WHITE |
| 6D | 070504-42-000 | FT | U-CHANNEL - PLASTIC - .13" X 84" - BEIGE ILLUSION |
| 6D | 070504-69-000 | FT | U-CHANNEL - PLASTIC - .13" X 84" - BONE |
| 6D | 070504-43-000 | FT | U-CHANNEL - PLASTIC - .9" X 96" - BEIGE ILLUSION |
| 6D | 070504-70-000 | FT | U-CHANNEL - PLASTIC - .8" X 84" - BONE |
| 6D | 070504-57-000 | FT | U-CHANNEL - PLASTIC - .13" X 84" - PORTSMOUTH OAK |
| 6D | 070504-58-000 | FT | U-CHANNEL - PLASTIC - .9" X 84" - PORTSMOUTH OAK |
| 6D | 070504-60-000 | FT | U-CHANNEL - PLASTIC - .13" X 84" - CONCERT CHERRY |
| 6D | 070504-61-000 | FT | U-CHANNEL - PLASTIC - .9" X 84" - CONCERT CHERRY |
| 6D | 070504-50-000 | FT | U-CHANNEL - PLASTIC - .13" X 96" - WASHED MAPLE |
| 6D | 070504-51-000 | FT | U-CHANNEL - PLASTIC - .9" X 96" - WASHED MAPLE |
| 6D | 070504-62-000 | FT | U-CHANNEL - PLASTIC - 1.65" X 84" - HONEY CHERRY |
| 6D | 070504-63-000 | FT | U-CHANNEL - PLASTIC - .9" X 84" - HONEY CHERRY |
| 6D | 070504-65-000 | FT | U-CHANNEL - PLASTIC - 1.65" X 84" - SIERRA MAPLE |
| 6D | 070504-66-000 | FT | U-CHANNEL - PLASTIC - .9" X 84" - SIERRA MAPLE |
| 7D | 083620-15-000 | FT | MOLDING-T - W/EDGE LIP - 7/8" FACE - BEIGE ILLUSION |
| 7D | 083620-25-000 | FT | MOLDING-T - W/EDGE LIP - 7/8" FACE - BONE |
| 7D | 083620-20-000 | FT | MOLDING-T - W/EDGE LIP - 7/8" FACE - PORTSMOUTH OAK |
| 7D | 083620-21-000 | FT | MOLDING-T - W/EDGE LIP - 7/8" FACE - CONCERT CHERRY |
| 7D | 083620-19-000 | FT | MOLDING-T - W/EDGE LIP - 7/8" FACE - WASHED MAPLE |
| 7D | 083620-24-000 | FT | MOLDING-T - W/EDGE LIP - 7/8" FACE - HONEY CHERRY |
| 7D | 083620-22-000 | FT | MOLDING-T - W/EDGE LIP - 7/8" FACE - SIERRA MAPLE |
| 8D | 085746-04-000 | FT | TRIM-J - CARPET 1.2" X .5" ANGLE - 12' LONG - OFF WHITE |
| 9D | 086229-01-000 | EA | RETAINER - BATTEN - .75" X 92.1" - ANY COLOR |
| 10D | 086229-20-000 | EA | BATTEN - 1" X 96" - BEIGE |

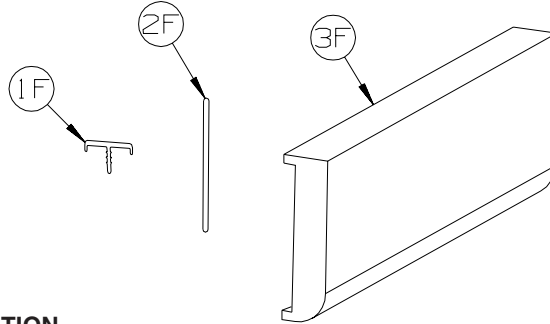
INTERIOR FINISH GROUP (CONTINUED)
MOLDINGS & TRIMS (CONTINUED)



| KEY | PART NUMBER | U/M | DESCRIPTION |
|-----|---------------|-----|---|
| 1E | 100659-30-N75 | EA | MOLDING - TRIM - 8' - PORTSMOUTH OAK |
| 1E | 100659-30-N74 | EA | MOLDING - TRIM - 8' - CONCERT CHERRY |
| 1E | 100659-30-M84 | EA | MOLDING - TRIM - 8' - WASHED MAPLE |
| 1E | 100659-27-RA3 | EA | MOLDING - TRIM - HONEY CHERRY |
| 1E | 100659-31-SA3 | EA | MOLDING - TRIM - SIERRA MAPLE |
| 2E | 100818-01-12A | EA | MOLDING - VINYL WRAPPED - 1.6" X .4" X 84" - PORTSMOUTH OAK |
| 2E | 100818-01-13A | EA | MOLDING - VYL 84" - CONCERT CHERRY (U90/94/98/A1/A5/B1/C1/C5/D1/D5/E1/E5/F1/F5/G1/G5/H1/H5) |
| 2E | 100818-01-23A | EA | MOLDING - VINYL WRPPD - 1.6" X .4" X 84" - CONCERT CHERRY (UM1 THRU UM9, UN1 THRU UN9) |
| 2E | 100818-01-21A | EA | MOLDING - VINYL WRAPPED - 1.6" X .4" X 84" - WASHED MAPLE |
| 2E | 100818-01-14A | EA | MOLDING - VINYL WRAPPED - 1.6" X .4" X 84" - HONEY CHERRY |
| 2E | 100818-01-22A | EA | MOLDING - VINYL WRAPPED - 1.6" X .4" X 84" - SIERRA MAPLE |
| 3E | 100819-01-12A | EA | MOLDING - VINYL WRAPPED-L-SHAPED-1.5"X1.5"X84" - PORTSMOUTH OAK |
| 3E | 100819-01-13A | EA | MOLDING - VYL 84" - CONCERT CHERRY (U90/94/98/A1/A5/B1/C1/C5/D1/D5/E1/E5/F1/F5/G1/G5/H1/H5) |
| 3E | 100819-01-23A | EA | MOLDING - VYL WRPPD-L-SHPD-1.5"X1.5"X84" - CONCERT CHERRY (UM1 THRU UM9, UN1 THRU UN9) |
| 3E | 100819-01-21A | EA | MOLDING - VINYL WRAPPED-L-SHAPED-1.5"X1.5"X84" - WASHED MAPLE |
| 3E | 100819-01-14A | EA | MOLDING - VINYL WRAPPED-L-SHAPED-1.5"X1.5"X84" - HONEY CHERRY |
| 3E | 100819-01-22A | EA | MOLDING - VINYL WRAPPED-L-SHAPED-1.5"X1.5"X84" - SIERRA MAPLE |
| 4E | 103186-01-07A | FT | MOLDING/PLASTIC - 3/8" U-CHANNEL-3/4" FACE -BEIGE ILLUSION |
| 4E | 103186-01-09A | FT | MOLDING/PLASTIC - 3/8" U-CHAN'L-3/4" FACE - PORTSMOUTH OAK |
| 4E | 103186-01-10A | FT | MOLDING/PLASTIC - 3/8" U-CHAN'L-3/4" FACE - CONCERT CHERRY |
| 4E | 103186-01-08A | FT | MOLDING/PLASTIC - 3/8" U-CHANNEL-3/4"FACE-WASHED MAPLE 8' - WASHED MAPLE |
| 4E | 103186-01-11A | FT | MOLDING/PLASTIC - 3/8" U-CHAN'L-3/4" FACE - HONEY CHERRY |
| 4E | 103186-01-12A | FT | MOLDING/PLASTIC - 3/8" U-CHAN'L-3/4" FACE - SIERRA MAPLE |
| 4E | 103186-02-07A | FT | MOLDING/PLASTIC-1" U-CHAN'L-1 3/8" FACE - BEIGE ILLUSION |
| 4E | 103186-02-09A | FT | MOLDING/PLASTIC - 1" U-CHAN'L-1 3/8" FACE - PORTSMOUTH OAK |
| 4E | 103186-02-10A | FT | MOLDING/PLASTIC - 1" U-CHAN'L-1 3/8" FACE - CONCERT CHERRY |
| 4E | 103186-02-08A | FT | MOLDING/PLASTIC - 1" U-CHANNEL-1 3/8"FACE - WASHED MAPLE |
| 4E | 103186-02-11A | FT | MOLDING/PLASTIC - 1" U-CHAN'L-1 3/8" FACE - HONEY CHERRY |
| 4E | 103186-02-12A | FT | MOLDING/PLASTIC - 1" U-CHAN'L-1 3/8" FACE - SIERRA MAPLE |
| 5E | 104676-02-08A | FT | MOLDING-T - W/EDGE LIP - 11/16" FACE - PORTSMOUTH OAK |
| 5E | 104676-02-09A | FT | MOLDING-T - W/EDGE LIP - 11/16" FACE - CONCERT CHERRY |
| 5E | 104676-02-06A | FT | MOLDING-T - W/EDGE LIP - 11/16" FACE - WASHED MAPLE |
| 5E | 104676-02-10A | FT | MOLDING-T - W/EDGE LIP - 11/16" FACE - HONEY CHERRY |
| 5E | 104676-02-12A | FT | MOLDING-T - W/EDGE LIP - 11/16" FACE - SIERRA MAPLE |
| 6E | 105004-01-12A | EA | MOLDING - VINYL WRAPPED - 1" X 96" - PORTSMOUTH OAK |
| 6E | 105004-01-13A | EA | MOLDING - V W 8' - CONCERT CHERRY (U90/94/98/A1/A5/B1/C1/C5/D1/D5/E1/E5/F1/F5/G1/G5/H1/H5) |
| 6E | 105004-01-23A | EA | MOLDING - VINYL WRAPPD 1" X 8' - CONCERT CHERRY (UM1 THRU UM9, UN1 THRU UN9) |
| 6E | 105004-01-21A | EA | MOLDING - VINYL WRAPPED - 1" X 8' - WASHED MAPLE |
| 6E | 105004-01-24A | EA | MOLDING - VINYL WRAPPED - 1" X 8' - HONEY CHERRY |
| 6E | 105004-01-22A | EA | MOLDING - VINYL WRAPPED - 1" X 8' - SIERRA MAPLE |
| 7E | 105709-02-000 | FT | MOLDING-T - W/EDGE LIP 3/4" FACE - BEIGE ILLUSION |
| 8E | 116951-45-R68 | EA | MOLDING - TRIM - 3" X 30.3" - PORTSMOUTH OAK |
| 8E | 116951-45-R69 | EA | MOLDING - TRIM - 3" X 30.3" - CONCERT CHERRY |
| 8E | 116951-45-R76 | EA | MOLDING - TRIM - 3" X 30.3" - WASHED MAPLE |
| 8E | 116951-45-SA3 | EA | MOLDING - TRIM - 3" X 30.3" - SIERRA MAPLE |
| 9E | 116951-37-R68 | EA | MOLDING - TRIM - 3.5" X 38.6" - PORTSMOUTH OAK |
| 9E | 116951-37-R69 | EA | MOLDING - TRIM - 3.5" X 38.6" - CONCERT CHERRY |
| 9E | 116951-37-R76 | EA | MOLDING - TRIM - 3.5" X 38.6" - WASHED MAPLE |
| 9E | 116951-37-SA3 | EA | MOLDING - TRIM - 3.5" X 38.6" - SIERRA MAPLE |
| 9E | 116951-51-SA0 | EA | MOLDING - TRIM - 3.5" X 47.3" - PORTSMOUTH OAK |
| 9E | 116951-51-SA1 | EA | MOLDING - TRIM - 3.5" X 47.3" - CONCERT CHERRY |
| 9E | 116951-51-SA2 | EA | MOLDING - TRIM - 3.5" X 47.3" - WASHED MAPLE |
| 9E | 116951-51-SA3 | EA | MOLDING - TRIM - 3.5" X 47.3" - SIERRA MAPLE |

INTERIOR FINISH GROUP (CONTINUED)
MOLDINGS & TRIMS (CONTINUED)

| KEY | PART NUMBER | U/M | DESCRIPTION |
|-----|---------------|-----|--|
| 9E | 116951-55-TD0 | EA | MOLDING - TRIM - 4.5" X 52.3" - PORTSMOUTH OAK |
| 9E | 116951-55-TD1 | EA | MOLDING - TRIM - 4.5" X 52.3" - CONCERT CHERRY |
| 9E | 116951-55-TD2 | EA | MOLDING - TRIM - 4.5" X 52.3" - WASHED MAPLE |
| 9E | 116951-55-TD3 | EA | MOLDING - TRIM - 4.5" X 52.3" - SIERRA MAPLE |
| 9E | 116951-56-TD0 | EA | MOLDING - TRIM - 4.5" X 52.3" - PORTSMOUTH OAK |
| 9E | 116951-56-TD1 | EA | MOLDING - TRIM - 4.5" X 52.3" - CONCERT CHERRY |
| 9E | 116951-56-TD2 | EA | MOLDING - TRIM - 4.5" X 52.3" - WASHED MAPLE |
| 9E | 116951-56-TD3 | EA | MOLDING - TRIM - 4.5" X 52.3" - SIERRA MAPLE |

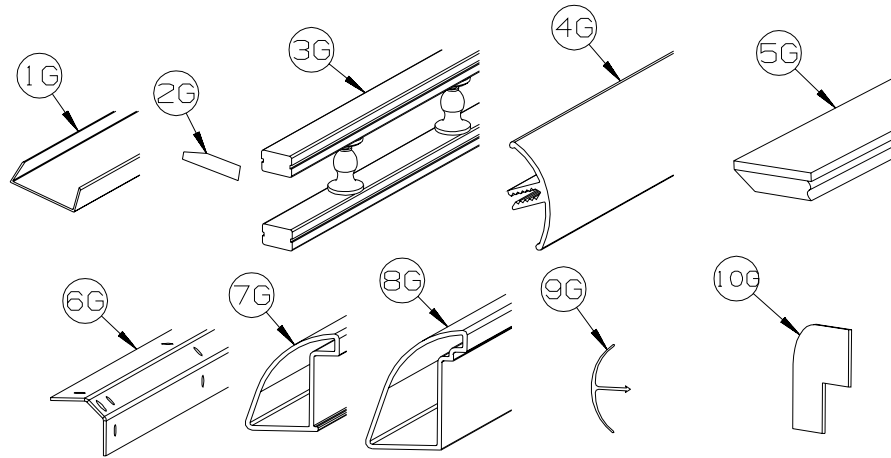


| KEY | PART NUMBER | U/M | DESCRIPTION |
|-----|---------------|-----|---|
| 1F | 119520-01-01A | FT | MOLDING-T - OFFSET W/EDGE LIP - 1.3" FACE - OFF WHITE |
| 1F | 119520-03-03A | FT | MOLDING-T - OFFSET W/EDGE LIP - 1" FACE - WASHED MAPLE |
| 1F | 119520-03-06A | FT | MOLDING-T - OFFSET W/EDGE LIP - 1" FACE - HONEY CHERRY |
| 2F | 127842-01-01A | FT | SEAL - SIGHT SHIELD - 2" BLACK |
| | 137885-A2-438 | EA | LUMBER - VYL .75" - CONCERT CHERRY (U90/94/98/A1/A5/B1/C1/C5/D1/D5/E1/E5/F1/F5/G1/G5/H1/H5) |
| | 160300-A2-438 | EA | LUMBER - VINYL WRAPPED - .7" X .75" X 96" - CONCERT CHERRY (UM1 THRU UM9, UN1 THRU UN9) |
| | 137885-D2-438 | EA | LUMBER - VYL1.5" - CONCERT CHERRY (U90/94/98/A1/A5/B1/C1/C5/D1/D5/E1/E5/F1/F5/G1/G5/H1/H5) |
| | 160300-D2-438 | EA | LUMBER - VINYL WRAPPED - .7" X 1.5" X 96" - CONCERT CHERRY (UM1 THRU UM9, UN1 THRU UN9) |
| | 137885-E2-438 | EA | LUMBER - VYL2" -CONCERT CHERRY (U90/94/98/A1/A5/B1/C1/C5/D1/D5/E1/E5/F1/F5/G1/G5/H1/H5) |
| | 160300-E2-438 | EA | LUMBER - VINYL WRAPPED - .7" X 2" X 96" - CONCERT CHERRY (UM1 THRU UM9, UN1 THRU UN9) |
| | 137885-F2-438 | EA | LUMBER - VYL2.5" - CONCERT CHERRY (U90/94/98/A1/A5/B1/C1/C5/D1/D5/E1/E5/F1/F5/G1/G5/H1/H5) |
| | 160300-F2-438 | EA | LUMBER - VINYL WRAPPED - .7" X 2.5" X 96" - CONCERT CHERRY (UM1 THRU UM9, UN1 THRU UN9) |
| | 137885-G2-438 | EA | LUMBER - VYL3" - CONCERT CHERRY (U90/94/98/A1/A5/B1/C1/C5/D1/D5/E1/E5/F1/F5/G1/G5/H1/H5) |
| | 160300-G2-438 | EA | LUMBER - VINYL WRAPPED - .7" X 3" X 96" - CONCERT CHERRY (UM1 THRU UM9, UN1 THRU UN9) |
| | 137885-H2-438 | EA | LUMBER - VYL3.5" - CONCERT CHERRY (U90/94/98/A1/A5/B1/C1/C5/D1/D5/E1/E5/F1/F5/G1/G5/H1/H5) |
| | 160300-H2-438 | EA | LUMBER - VINYL WRAPPED - .7" X 3.5" X 96" - CONCERT CHERRY (UM1 THRU UM9, UN1 THRU UN9) |
| | 137885-J2-438 | EA | LUMBER - VYL5.5" - CONCERT CHERRY (U90/94/98/A1/A5/B1/C1/C5/D1/D5/E1/E5/F1/F5/G1/G5/H1/H5) |
| | 160300-J2-438 | EA | LUMBER - VINYL WRAPPED - .7" X 5.5" X 96" - CONCERT CHERRY (UM1 THRU UM9, UN1 THRU UN9) |
| | 137885-J2-743 | EA | LUMBER - VYL5.5" - CONCERT CHERRY (U90/94/98/A1/A5/B1/C1/C5/D1/D5/E1/E5/F1/F5/G1/G5/H1/H5) |
| | 160300-J2-743 | EA | LUMBER - VINYL WRAPPED - .7" X 5.5" X 108" - CONCERT CHERRY (UM1 THRU UM9, UN1 THRU UN9) |
| | 137885-K2-438 | EA | LUMBER - VYL3.9" - CONCERT CHERRY (U90/94/98/A1/A5/B1/C1/C5/D1/D5/E1/E5/F1/F5/G1/G5/H1/H5) |
| | 160300-K2-438 | EA | LUMBER - VINYL WRAPPED - .7" X 3.9" X 96" - CONCERT CHERRY (UM1 THRU UM9, UN1 THRU UN9) |
| | 137885-R2-438 | EA | LUMBER - VYL 3" - CONCERT CHERRY (U90/94/98/A1/A5/B1/C1/C5/D1/D5/E1/E5/F1/F5/G1/G5/H1/H5) |
| | 160300-R2-438 | EA | LUMBER - VINYL WRAPPED - .7" X 3" X 96" - CONCERT CHERRY (UM1 THRU UM9, UN1 THRU UN9) |
| 3F | 137887-D2-134 | EA | MOLDING - 1.6" X 84"- CONCERT CHERRY (U90/94/98/A1/A5/B1/C1/C5/D1/D5/E1/E5/F1/F5/G1/G5/H1/H5) |
| 3F | 160301-D2-134 | EA | MOLDING -VINYL WRAPPED - .7" X 1.6" X 84" - CONCERT CHERRY (UM1 THRU UM9, UN1 THRU UN9) |
| 3F | 137887-D2-743 | EA | MLDG - 1.6" X 108" - CONCERT CHERRY (U90/94/98/A1/A5/B1/C1/C5/D1/D5/E1/E5/F1/F5/G1/G5/H1/H5) |
| 3F | 160301-D2-743 | EA | MOLDING - VINYL WRAPPED- .7" X 1.6" X 108" - CONCERT CHERRY (UM1 THRU UM9, UN1 THRU UN9) |
| 3F | 137887-F2-134 | EA | MLDNG - 2.5" X 84" - CONCERT CHERRY (U90/94/98/A1/A5/B1/C1/C5/D1/D5/E1/E5/F1/F5/G1/G5/H1/H5) |
| 3F | 160301-F2-134 | EA | MOLDING - VINYL WRAPPED - .7" X 2.5" X 84" - CONCERT CHERRY (UM1 THRU UM9, UN1 THRU UN9) |
| 3F | 137887-F2-743 | EA | MLDG - 2.5" X 108" - CONCERT CHERRY (U90/94/98/A1/A5/B1/C1/C5/D1/D5/E1/E5/F1/F5/G1/G5/H1/H5) |
| 3F | 160301-F2-743 | EA | MOLDING - VINYL WRPPD - .7" X 2.5" X 108" - CONCERT CHERRY (UM1 THRU UM9, UN1 THRU UN9) |
| 3F | 137887-F2-438 | EA | MLDG - 2.5" X 96" - CONCERT CHERRY (U90/94/98/A1/A5/B1/C1/C5/D1/D5/E1/E5/F1/F5/G1/G5/H1/H5) |
| 3F | 160301-F2-438 | EA | MOLDING - VINYL WRPPD - .7" X 2.5" X 96" - CONCERT CHERRY (UM1 THRU UM9, UN1 THRU UN9) |
| | 137894-A2-438 | EA | LUMBER - VINYL WRAPPED - .7" X .75" X 96" - PORTSMOUTH OAK |
| | 137894-D2-438 | EA | LUMBER - VINYL WRAPPED - .7" X 1.5" X 96" - PORTSMOUTH OAK |
| | 137894-E2-438 | EA | LUMBER - VINYL WRAPPED - .7" X 2" X 96" - PORTSMOUTH OAK |
| | 137894-F2-438 | EA | LUMBER - VINYL WRAPPED - .7" X 2.5" X 96" - PORTSMOUTH OAK |
| | 137894-G2-438 | EA | LUMBER - VINYL WRAPPED - .7" X 3" X 96" - PORTSMOUTH OAK |
| | 137894-H2-438 | EA | LUMBER - VINYL WRAPPED - .7" X 3.5" X 96" - PORTSMOUTH OAK |
| | 137894-J2-438 | EA | LUMBER - VINYL WRAPPED - .7" X 5.5" X 80.2" - PORTSMOUTH OAK |
| | 137894-J2-743 | EA | LUMBER - VINYL WRAPPED - .7" X 5.5" X 96" - PORTSMOUTH OAK |
| | 137894-K2-438 | EA | LUMBER - VINYL WRAPPED - .7" X 3.9" X 96" - PORTSMOUTH OAK |
| | 137894-R2-438 | EA | LUMBER - VINYL WRAPPED - .7" X 3" X 96" - PORTSMOUTH OAK |

INTERIOR FINISH GROUP (CONTINUED)
MOLDINGS & TRIMS (CONTINUED)

| KEY | PART NUMBER | U/M | DESCRIPTION |
|-----|---------------|-----|--|
| 3F | 137895-D2-134 | EA | MOLDING - VINYL WRAPPED - .7" X 1.6" X 84"-PORTSMOUTH OAK |
| 3F | 137895-D2-743 | EA | MOLDING - VINYL WRAPPED - .7" X 1.6" X 108"-PORTSMOUTH OAK |
| 3F | 137895-F2-438 | EA | MOLDING - VINYL WRAPPED - .7" X 2.5" X 96" - PORTSMOUTH OAK |
| 3F | 137895-F2-743 | EA | MOLDING - VINYL WRAPPED - .7" X 2.5" X 108" - PORTSMOUTH OAK |
| | 146419-A2-438 | EA | LUMBER - VINYL WRAPPED - .7" X .75" X 96" - HONEY CHERRY |
| | 146419-D2-438 | EA | LUMBER - VINYL WRAPPED - .7" X 1.5" X 96" - HONEY CHERRY |
| | 146419-E2-438 | EA | LUMBER - VINYL WRAPPED - .7" X 2" X 96" - HONEY CHERRY |
| | 146419-F2-438 | EA | LUMBER - VINYL WRAPPED - .7" X 2.5" X 96" - HONEY CHERRY |
| | 146419-G2-438 | EA | LUMBER - VINYL WRAPPED - .7" X 3" X 96" - HONEY CHERRY |
| | 146419-H2-438 | EA | LUMBER - VINYL WRAPPED - .7" X 3.5" X 96" - HONEY CHERRY |
| | 146419-J2-438 | EA | LUMBER - VINYL WRAPPED - .7" X 5.5" X 96" - HONEY CHERRY |
| | 146419-J2-743 | EA | LUMBER - VINYL WRAPPED - .7" X 5.5" X 108" - HONEY CHERRY |
| | 146419-K2-438 | EA | LUMBER - VINYL WRAPPED - .7" X 3.9" X 96" - HONEY CHERRY |
| | 146419-R2-438 | EA | LUMBER - VINYL WRAPPED - .7" X 3" X 96" - HONEY CHERRY |
| | 146419-S2-438 | EA | LUMBER - VINYL WRAPPED/FULL - .7"X 3.5"X 96"- HONEY CHERRY |
| | 146419-T2-438 | EA | LUMBER - VINYL WRAPPED/FULL - .7"X 5.5"X 96"- HONEY CHERRY |
| 3F | 146425-D2-134 | EA | MOLDING - VINYL WRAPPED - .7" X 1.6" X 83.9" - HONEY CHERRY |
| 3F | 146425-F2-438 | EA | MOLDING - VINYL WRAPPED - .7" X 2.6" X 96" - HONEY CHERRY |
| | 149325-A2-438 | EA | LUMBER - VINYL WRAPPED - .7" X .75" X 96" - WASHED MAPLE |
| | 149325-D2-438 | EA | LUMBER - VINYL WRAPPED - .7" X 1.5" X 96" - WASHED MAPLE |
| | 149325-E2-438 | EA | LUMBER - VINYL WRAPPED - .7" X 2" X 96" - WASHED MAPLE |
| | 149325-F2-438 | EA | LUMBER - VINYL WRAPPED - .7" X 2.5" X 96" - WASHED MAPLE |
| | 149325-G2-438 | EA | LUMBER - VINYL WRAPPED - .7" X 3" X 96" - WASHED MAPLE |
| | 149325-H2-438 | EA | LUMBER - VINYL WRAPPED - .7" X 3.5" X 96" - WASHED MAPLE |
| | 149325-J2-438 | EA | LUMBER - VINYL WRAPPED - .7" X 5.5" X 96" - WASHED MAPLE |
| | 149325-J2-743 | EA | LUMBER - VINYL WRAPPED - .7" X 5.5" X 108" - WASHED MAPLE |
| | 149325-K2-438 | EA | LUMBER - VINYL WRAPPED - .7" X 3.9" X 96" - WASHED MAPLE |
| | 149325-R2-438 | EA | LUMBER - VINYL WRAPPED - .7" X 3" X 96" - WASHED MAPLE |
| 3F | 149326-D2-134 | EA | MOLDING - VINYL WRAPPED - .7" X 1.5" X 83.9" - WASHED MAPLE |
| 3F | 149326-D2-743 | EA | MOLDING - VINYL WRAPPED - .7" X 1.5" X 108" - WASHED MAPLE |
| 3F | 149326-F2-134 | EA | MOLDING - VINYL WRAPPED - .7" X 2.5" X 83.9" - WASHED MAPLE |
| 3F | 149326-F2-438 | EA | MOLDING - VINYL WRAPPED - .7" X 2.5" X 96" - WASHED MAPLE |
| 3F | 149326-F2-743 | EA | MOLDING - VINYL WRAPPED - .7" X 2.5" X 108" - WASHED MAPLE |
| | 149330-A2-438 | EA | LUMBER - VINYL WRAPPED - .7" X .75" X 96" - SIERRA MAPLE |
| | 149330-D2-438 | EA | LUMBER - VINYL WRAPPED - .7" X 1.5" X 96" - SIERRA MAPLE |
| | 149330-E2-438 | EA | LUMBER - VINYL WRAPPED - .7" X 2" X 96" - SIERRA MAPLE |
| | 149330-F2-438 | EA | LUMBER - VINYL WRAPPED - .7" X 2.5" X 96" - SIERRA MAPLE |
| | 149330-G2-438 | EA | LUMBER - VINYL WRAPPED - .7" X 3" X 96" - SIERRA MAPLE |
| | 149330-H2-438 | EA | LUMBER - VINYL WRAPPED - .7" X 3.5" X 96" - SIERRA MAPLE |
| | 149330-J2-438 | EA | LUMBER - VINYL WRAPPED - .7" X 5.5" X 96" - SIERRA MAPLE |
| | 149330-J2-743 | EA | LUMBER - VINYL WRAPPED - .7" X 5.5" X 108" - SIERRA MAPLE |
| | 149330-K2-438 | EA | LUMBER - VINYL WRAPPED - .7" X 3.9" X 96" - SIERRA MAPLE |
| | 149330-R2-438 | EA | LUMBER - VINYL WRAPPED - .7" X 3" X 96" - SIERRA MAPLE |
| 3F | 149331-D2-134 | EA | MOLDING - VINYL WRAPPED - .7" X 1.5" X 83.9" - SIERRA MAPLE |
| 3F | 149331-D2-743 | EA | MOLDING - VINYL WRAP - .7" X 1.5" X 108" - SIERRA MAPLE |
| 3F | 149331-F2-134 | EA | MOLDING - VINYL WRAPPED - .7" X 2.5" X 83.9" - SIERRA MAPLE |
| 3F | 149331-F2-438 | EA | MOLDING - VINYL WRAPPED - .7" X 2.5" X 96" - SIERRA MAPLE |
| 3F | 149331-F2-743 | EA | MOLDING - VINYL WRAPPED - .7" X 2.5" X 108" - SIERRA MAPLE |

INTERIOR FINISH GROUP (CONTINUED)
MOLDINGS & TRIMS (CONTINUED)



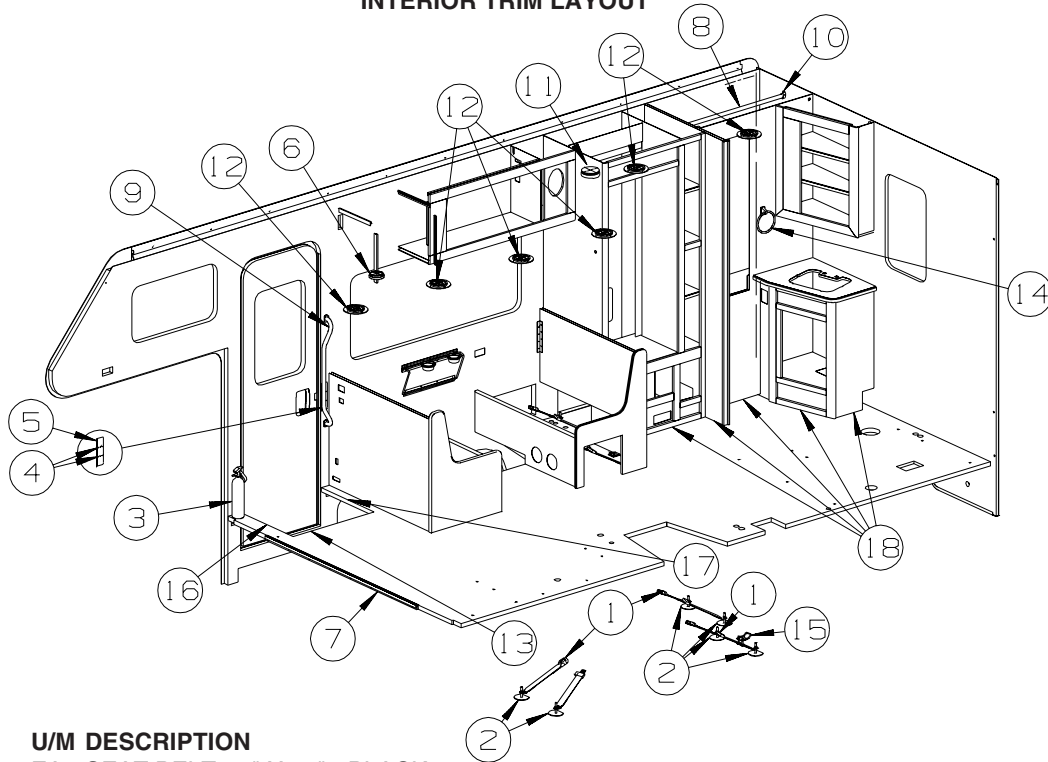
| KEY | PART NUMBER | U/M | DESCRIPTION |
|-----|---------------|-----|---|
| 1G | 141260-01-01A | FT | U-CHANNEL - 1" - VILLAGE OAK |
| 1G | 141260-01-02A | FT | U-CHANNEL - 1" - GRADY BROWN |
| 1G | 141260-02-01A | FT | U-CHANNEL - 1 1/8" - VILLAGE OAK |
| 1G | 141260-02-02A | FT | U-CHANNEL - 1 1/8" - GRADY BROWN |
| 2G | 146306-01-01A | FT | TRANSITION - CARPET/TILE |
| 3G | 150167-01-07A | EA | RAIL - DECORATIVE - 96" W/O REVERSE SIDE GROOVE - PORTSMOUTH OAK |
| 3G | 150167-01-02A | EA | RAIL - DECORATIVE - 96" W/O REVERSE SIDE GROOVE - SALEM CHERRY - CONCERT CHERRY |
| 3G | 150167-01-03A | EA | RAIL - DECORATIVE - 96" W/O REVERSE SIDE GROOVE - WASHED MAPLE |
| 3G | 150167-01-09A | EA | RAIL - DECORATIVE - 96" W/O REVERSE SIDE GROOVE - SIERRA MAPLE |
| 4G | 151653-10-02A | EA | TRIM/RADIUS - CABINET CORNER - 79.6" - DULL METALLIC |
| 4G | 151653-13-02A | EA | TRIM/RADIUS - CABINET CORNER - 79.8" - DULL METALLIC |
| 5G | 151676-26-S46 | EA | MOLDING/TRIM - .75" X 1.6" X 80.2" - PORTSMOUTH OAK |
| 5G | 151676-26-S47 | EA | MOLDING/TRIM - .75" X 1.6" X 80.2" - CONCERT CHERRY |
| 5G | 151676-26-S48 | EA | MOLDING/TRIM - .75" X 1.6" X 80.2" - WASHED MAPLE |
| 5G | 151676-26-SR0 | EA | MOLDING/TRIM - .75" X 1.6" X 80.2" - SIERRA MAPLE |
| 6G | 151861-05-02B | EA | ANGLE - SUPPORT/CORNER - 1.4" X 78.6" - E-COATED |
| 7G | 151893-01-02A | EA | TRIM/RADIUS - CABINET BOTTOM - 72.6" - DULL METALLIC |
| 8G | 152077-01-02A | EA | TRIM/RADIUS - CABINET BOTTOM - 27.7" - DULL METALLIC |
| 9G | 156464-01-01A | FT | MOLDING - CORNER - RADIUS/PLASTIC - 8' - HONEY CHERRY |
| 9G | 156464-01-02A | FT | MOLDING - CORNER - RADIUS/PLASTIC - 8' - WASHED MAPLE |
| 9G | 156464-01-03A | FT | MOLDING - CORNER - RADIUS/PLASTIC - 8' - BONE |
| 10G | 160989-01-06A | FT | CAP - CORNER - RADIUS MOLDING - PLASTIC - WASHED MAPLE |
| 10G | 160989-01-07A | FT | CAP - CORNER - RADIUS MOLDING - PLASTIC - HONEY CHERRY |

INTERIOR FINISH GROUP (CONTINUED)
PANELING & LAMINATES

| KEY | PART NUMBER | U/M | DESCRIPTION |
|-----|---------------|-----|---|
| | P26866-06-N70 | EA | HANDLE - DOOR/TAMBOUR - 18.6" - OAK - PORTSMOUTH OAK |
| | P26866-06-SA3 | EA | HANDLE - DOOR/TAMBOUR - 18.6" - HONEY/MAPLE - SIERRA MAPLE |
| | 000885-C3-000 | SF | PARTICLE BOARD - 3/8" X 4' X 8' - WHITE THATCH EMB-1 SIDED |
| | 000885-92-000 | SF | PARTICLE BOARD - 3/8" X 4' X 8' - PORTSMOUTH OAK - 1 SIDED - PORTSMOUTH OAK |
| | 000885-93-000 | SF | PARTICLE BOARD - 3/8" X 4' X 8' - PORTSMOUTH OAK - 2 SIDED - PORTSMOUTH OAK |
| | 000885-94-000 | SF | PARTICLE BOARD - 1/2" X 4' X 8' - PORTSMOUTH OAK - 2 SIDED - PORTSMOUTH OAK |
| | 000885-95-000 | SF | PARTICLE BOARD - 3/4" X 4' X 8' - PORTSMOUTH OAK - 2 SIDED - PORTSMOUTH OAK |
| | 000885-B0-000 | SF | PARTICLE BOARD - 3/8" X 4' X 8' - SIERRA MAPLE - 2 SIDED - SIERRA MAPLE |
| | 000885-B1-000 | SF | PARTICLE BOARD - 3/8" X 4' X 8' - SIERRA MAPLE - 1 SIDED - SIERRA MAPLE |
| | 000885-B2-000 | SF | PARTICLE BOARD - 3/4" X 4' X 8' - SIERRA MAPLE - 2 SIDED - SIERRA MAPLE |
| | 000885-B3-000 | SF | PARTICLE BOARD - 1/2" X 4' X 8' - SIERRA MAPLE - 2 SIDED - SIERRA MAPLE |
| | 057882-04-000 | SF | TAMBOUR - 48" X 96" SHEET - UNFINISHED - PORTSMOUTH OAK |
| | 057882-05-000 | SF | TAMBOUR - 48" X 96" SHEET - UNFINISHED - SIERRA MAPLE |
| | 069733-87-000 | EA | BATT STRIP - WOODGRAINED/PORTSMOUTH OAK - 8' - PORTSMOUTH OAK |
| | 088263-J1-000 | EA | BATT STRIP - DECORATIVE - SIERRA MAPLE |
| | 088263-K3-000 | EA | BATT STRIP - DECORATIVE - KURTA/CANVAS - 8' (U07, U08) |
| | 088263-K4-000 | EA | BATT STRIP - DECORATIVE - WISTERIA/DUNE - 8' (U09, U10) |
| | 088263-K5-000 | EA | BATT STRIP - DECORATIVE - WHITE THATCHED - 8' |
| | 074497-42-000 | SF | PANELING - PORTSMOUTH OAK - 1/8" X 4' X 8' - PORTSMOUTH OAK |
| | 074497-48-000 | SF | PANELING - SIERRA MAPLE - 1/8" X 4' X 8' - SIERRA MAPLE |
| | 074497-52-000 | SF | PANELING/PAPER WRAPPED - SCULPTURES PA - 1/8" X 48" X 100" |
| | 088272-M7-000 | SF | PANELING - KURTA/CANVAS - 4' X 7.4' (U07, U08) |
| | 088272-M8-000 | SF | PANELING - WISTERIA/DUNE - 4' X 7.4' (U09, U10) |
| | 088272-M9-000 | SF | PANELING - WHITE THATCHED - 4' X 8' |
| | 074498-A2-000 | SF | LAMINATE - PLASTIC - PHANTOM GRAY - 5' X 8' |
| | 074498-B7-000 | SF | LAMINATE - PLASTIC - HOUSE ROCK - 5' X 8' (U07, U08) |
| | 074498-B8-000 | SF | LAMINATE - PLASTIC - CLASSIC ROCK - 5' X 8' (U09, U10) |
| | 076325-39-000 | FT | MOLDING - EDGE BAND - 1 5/16" X .030" - ALMOND |
| | 076325-40-000 | FT | MOLDING - EDGE BAND - .93" X .024" - ALMOND |
| | 076325-71-000 | FT | MOLDING - EDGE BAND - 1 5/16" X .038" - GRAY |
| | 076325-77-000 | FT | MOLDING - EDGE BAND - 1 5/16" X .030" - PORTSMOUTH OAK |
| | 076325-83-000 | FT | MOLDING - EDGE BAND - .93" X .024" - SIERRA MAPLE |
| | 076325-84-000 | FT | MOLDING - EDGE BAND - 1 5/16" X .30" - SIERRA MAPLE |
| | 085284-G8-000 | FT | BATT TAPE - ADHESIVE BACKED/PAPER WRAP - PORTSMOUTH OAK |
| | 085284-J4-000 | FT | BATT TAPE - ADHESIVE BACKED - DECORATIVE - SIERRA MAPLE |
| | 085284-J8-000 | FT | BATT TAPE - ADHESIVE BACKED - DECORATIVE - SCULPTURES |
| | 085284-K7-000 | FT | BATT TAPE - ADHESIVE BACKED - DECORATIVE - KURTA/CANVAS (U07, U08) |
| | 085284-K8-000 | FT | BATT TAPE - ADHESIVE BACKED - DECORATIVE - WISTERIA/DUNE (U09, U10) |
| | 085284-K9-000 | FT | BATT TAPE - ADHESIVE BACKED - DECORATIVE - WHITE THATCHED |

INTERIOR FINISH GROUP (CONTINUED)

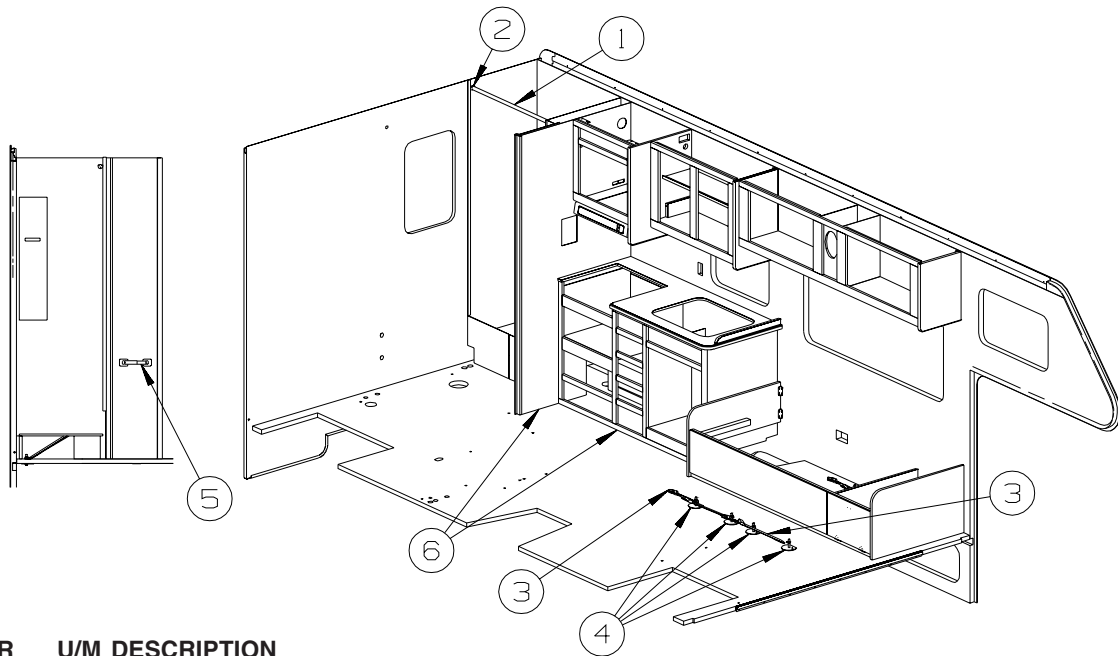
INTERIOR TRIM LAYOUT



| KEY | PART NUMBER | U/M | DESCRIPTION |
|-----|---------------|-----|--|
| 1 | 160167-02-01A | EA | SEAT BELT - 2" X 90" - BLACK |
| 2 | 140221-04-02B | EA | WASHER - SEAT BELT - E-COATED |
| 3 | 094499-03-000 | EA | EXTINGUISHER/FIRE - DRY - 10BC - W/GAUGE/BRACKET |
| 3* | 094499-02-000 | EA | EXTINGUISHER/FIRE - DRY - 10BC - W/GAUGE - CANADIAN |
| 3 | 094499-04-000 | EA | STRAP - FIRE EXTINGUISHER MOUNTING - METAL |
| 4 | 140151-02-03A | EA | COVER - SCREW - MEDIUM OAK |
| 5 | 148362-01-02A | EA | COVER - BRACKET/STRIKE - MEDIUM OAK |
| 6 | 072852-01-000 | EA | DETECTOR - SMOKE - W/9 VOLT BATTERY - US |
| 6 | 072852-02-000 | EA | DETECTOR - SMOKE - W/9 VOLT BATTERY - CANADIAN |
| | 077956-01-000 | EA | LABEL - WARNING/SMOKE DETECTOR |
| 7 | 139955-18-03A | EA | TRIM - STEP/ENTRY - 62.3" - TITANIUM |
| 8 | Y00136-21-218 | EA | DOWEL - WOOD - CLOTHES ROD - 1"DIAMETER X 4' |
| 9 | 137605-01-01A | EA | RAIL - HAND - INTERIOR ENTRY DOOR - BLACK |
| 10 | 152301-01-01A | EA | FLANGE - PLASTIC - 1" CLOTHES ROD HOLDER - WHITE |
| 11 | 125136-02-000 | EA | DETECTOR/CO - GAS MODEL - 9 VOLT |
| 12 | 120134-01-02A | EA | REGISTER - W/DAMPER - 4" PIPE/6.4" O.D. FACE - WHITE |
| 13 | 139955-22-02A | EA | TRIM - STEP/ENTRY - 27.7" - TITANIUM |
| | | | FROM: 00-00-00 THRU: 11-12-06 |
| 13 | 139955-17-01A | EA | TRIM - STEP/ENTRY - 28" - MILL |
| | | | FROM: 11-13-06 THRU: 99-99-99 |
| 14 | 145980-06-03A | EA | TOWEL RING - CHROME |
| 15 | 150697-01-02B | EA | BRACKET - RESTRAINT/CHILD - E-COATED |
| 16 | 139955-15-01A | EA | TRIM - STEP/ENTRY - 21.7" - MILL |
| | | | FROM: 11-13-06 THRU: 99-99-99 |
| 17 | 139955-16-01A | EA | TRIM - STEP/ENTRY - 21.7" - MILL |
| | | | FROM: 11-13-06 THRU: 99-99-99 |
| 18 | M09471-79-R38 | EA | MOLDING - TRIM/COVE - .8" X .8" X 96" - PORTSMOUTH OAK |
| 18 | M09471-79-SA3 | EA | MOLDING - TRIM/COVE - .8" X .8" X 96" - SIERRA MAPLE |

***COMPONENT PARTS LISTED LATER IN THIS GROUP**

INTERIOR FINISH GROUP (CONTINUED)
INTERIOR TRIM LAYOUT (CONTINUED)



| KEY | PART NUMBER | U/M | DESCRIPTION |
|-----|---------------|-----|--|
| 1 | 102075-25-02A | EA | ROD - SHOWER CURTAIN - 1" OD X 33.9" - SOFT WHITE |
| 2 | 113236-01-01A | EA | BRACKET - CLOTHES - ROD |
| 3 | 160167-01-01A | EA | SEAT BELT - 2" X 102" - BLACK |
| 4 | 140221-01-02B | EA | WASHER - SEAT BELT - E-COAT - NOT ILLUSTRATED |
| | | | FROM: 00-00-00 THRU: 01-07-07 |
| 4 | 140221-04-02B | EA | WASHER - SEAT BELT - E-COATED |
| | | | FROM: 01-08-07 THRU: 99-99-99 |
| 5 | 145980-01-02A | EA | HOLDER - TOILET TISSUE - CHROME |
| 6 | M09471-79-R38 | EA | MOLDING - TRIM/COVE - .8" X .8" X 96" - PORTSMOUTH OAK |
| 6 | M09471-79-SA3 | EA | MOLDING - TRIM/COVE - .8" X .8" X 96" - SIERRA MAPLE |

COMPONENT PARTS FOR INTERIOR TRIM LAYOUT

094499-02-000

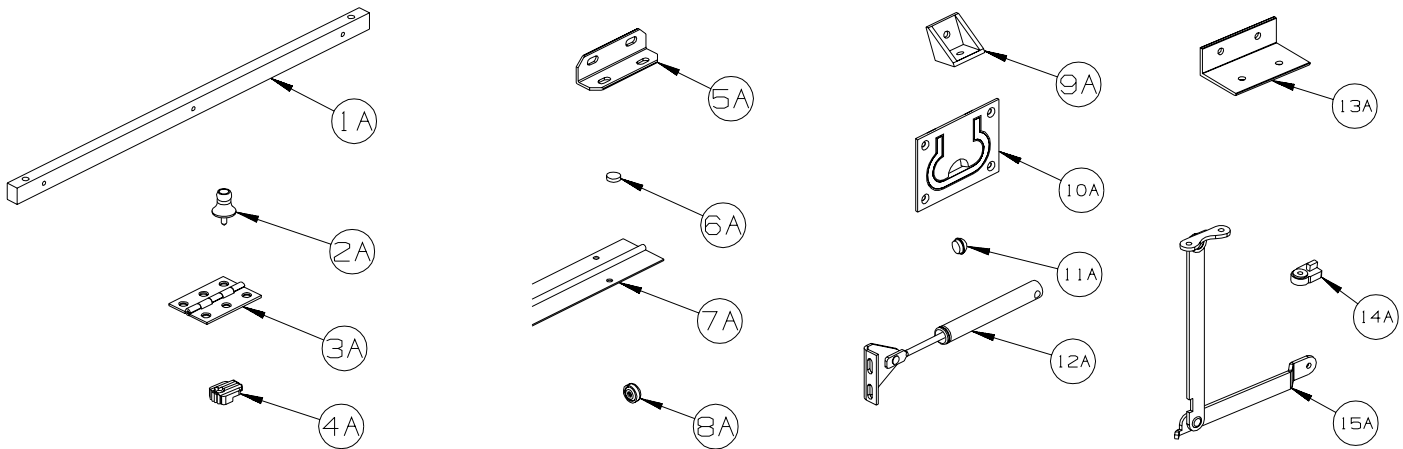
| KEY | PART NUMBER | U/M | DESCRIPTION | VENDOR NO |
|-----|---------------|-----|----------------------------|-----------|
| | 094499-01-700 | EA | BRACKET MTG. W/PLAS. STRAP | 294039 |

FLOOR COVERINGS

| KEY | PART NUMBER | U/M | DESCRIPTION |
|-----|---------------|-----|--|
| | 042720-38-000 | SY | VINYL - FLOOR COVERING - 7.5' WIDE - BRIDGEWAY |
| | 075233-01-000 | SY | PAD - CARPET - 3/8" X 6'W ROLL - SOLD BY THE SQUARE YARD |
| | 093486-01-000 | SY | CARPET - COMPARTMENT - 72" WIDE - DARK GRAY |
| | 152251-05-02A | SY | CARPET - 4 SQUARE YARD INCREMENTS - BURLWOOD (U07, U08) |
| | 152251-05-07A | SY | CARPET - 4 SQUARE YARD INCREMENTS - RAFFIA (U09, U10) |

INTERIOR FINISH GROUP (CONTINUED)

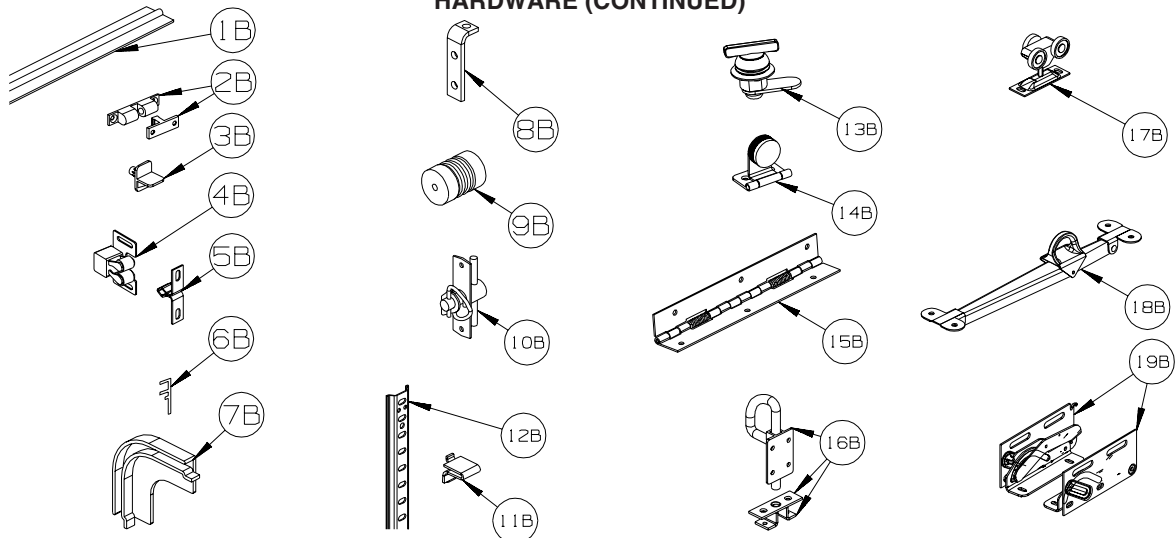
HARDWARE



| KEY | PART NUMBER | U/M | DESCRIPTION |
|-----|---------------|-----|--|
| 1A | P34509-01-N01 | EA | RAIL END - RH/LH - TOWEL RACK - PORTSMOUTH |
| 1A | P34509-01-P14 | EA | RAIL END - RH/LH - TOWEL RACK - CONCERT CHERRY |
| 1A | P34509-01-J70 | EA | RAIL END - RH/LH - TOWEL RACK - WASHED MAPLE |
| 1A | P34509-01-RE0 | EA | RAIL END - RH/LH - TOWEL RACK - HONEY CHERRY |
| 1A | P34509-01-SA3 | EA | RAIL END - RH/LH - TOWEL RACK - SIERRA MAPLE |
| 2A | 009013-01-000 | EA | CATCH - BULLDOG - MALE/FEMALE |
| 3A | 009059-01-000 | EA | HINGE - DOOR - 2" X 1.4" - BRASS |
| 3A | 009059-02-000 | EA | HINGE - DOOR - 2" X 2.7" - BRASS |
| 3A | 009059-03-000 | EA | HINGE - BRASS - 1.75" |
| 3A | 009059-04-000 | EA | HINGE - 2" - ZINC |
| 4A | 009089-01-000 | EA | CLIP - MIRROR |
| 5A | 016604-01-000 | EA | BRACE - ANGLE - 2 1/2" - UNPAINTED METAL |
| 5A | 016604-05-000 | EA | BRACE - ANGLE - 2 1/2" - OFF WHITE METAL |
| 5A | 016604-10-000 | EA | BRACE - SEAT ANGLE - 2.5" - BLACK |
| 6A | 023320-01-000 | EA | PAD - FELT 3/8" DIAMETER |
| 7A | 041389-19-000 | EA | HINGE - PIANO - 1 1/2" X 71.9" - UNPAINTED |
| 7A | 041389-25-000 | EA | HINGE - PIANO - 1 1/2" X 55" - UNPAINTED |
| 7A | 041389-32-000 | EA | HINGE - PIANO - 68" - OFF WHITE |
| 8A | 057671-01-000 | EA | COVER - SCREW - #8 - OFF WHITE |
| 8A | 057671-15-000 | EA | COVER - SCREW - #8 - BRIGHT WHITE |
| 8A | 057671-16-000 | EA | COVER - SCREW - #8 - SOFT WHITE |
| 8A | 057671-18-000 | EA | COVER - SCREW - #8 - OFF WHITE |
| 9A | 065740-01-000 | EA | BRACE - CABINET/CORNER - PLASTIC |
| 10A | 072871-01-000 | EA | PULL - FLUSH - CHROME |
| 11A | 074045-13-000 | EA | PLUG - OAK - 3/8" DOWEL-1/2" HEAD - PORTSMOUTH OAK |
| 11A | 074045-08-000 | EA | PLUG - OAK - 3/8" DOWEL-1/2" HEAD - CONCERT CHERRY |
| 11A | 074045-12-000 | EA | PLUG - OAK - 3/8" DOWEL-1/2" HEAD - WASHED MAPLE |
| 11A | 074045-14-000 | EA | PLUG - OAK - 3/8" DOWEL-1/2" HEAD - HONEY CHERRY |
| 11A | 074045-15-000 | EA | PLUG - OAK - 3/8" DOWEL-1/2" HEAD - SIERRA MAPLE |
| 12A | 074493-02-000 | EA | SUPPORT - PISTON SPRING - CABINET DOOR - 26 LBS |
| 12A | 074493-03-000 | EA | SUPPORT - PISTON SPRING - CABINET DOOR - 12 LBS |
| 12A | 074493-04-000 | EA | SUPPORT - PISTON SPRING - CABINET DOOR - 32LBS |
| 13A | 156732-01-01A | EA | BRACE - ANGLE/COUCH - 2.5" - MILL |
| 13A | 156732-01-02A | EA | BRACE - ANGLE/COUCH - 2.5" - OFF WHITE |
| 13A | 156732-03-01A | EA | BRACE - ANGLE/COUCH - BLACK |
| 14A | 083204-03-000 | EA | BUTTON - RETAINING MIRROR 5/16" TIP |
| 15A | 084412-01-000 | EA | SUPPORT/HINGE KIT (LEFT & RIGHT HINGES) |

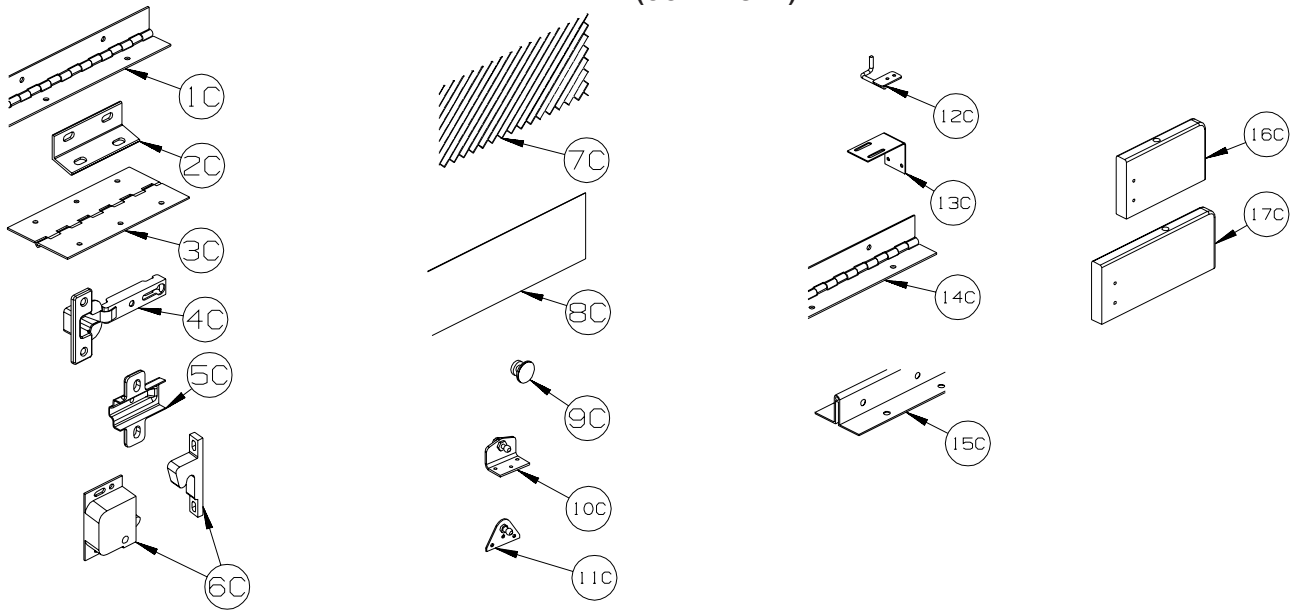
INTERIOR FINISH GROUP (CONTINUED)

HARDWARE (CONTINUED)



| KEY | PART NUMBER | U/M | DESCRIPTION |
|-----|---------------|-----|---|
| 1B | 084413-01-000 | EA | HINGE - 1" X 72" - ALUMINUM - W/HOLES |
| 2B | 084451-01-000 | EA | CATCH & LATCH - 1.7" - BRASS |
| 3B | 092907-01-000 | EA | SUPPORT - SHELF - PIN - 1/4" - CLEAR PLASTIC |
| 4B | 093586-03-000 | EA | CATCH - SPRING ROLLER - .377" |
| 4B | 093586-06-000 | EA | CATCH - SPRING ROLLER - .236" |
| 5B | 093586-04-000 | EA | STRIKE - SPRING STEEL - 1.14" |
| 6B | 093622-01-000 | EA | TRACK - DOOR - TAMBOUR - PLASTIC - 8' LENGTHS |
| 7B | 093623-01-000 | EA | CORNER - TRACK - TAMBOUR DOOR |
| 8B | 096826-01-01A | EA | BRACE-CABINET E-COATED |
| 9B | 097872-04-000 | EA | DOWEL - WOOD - 1" DIAMETER X 1.38" LONG - UNFINISHED |
| 10B | 098196-01-000 | EA | LATCH - 1/4 TURN - T-BAR |
| 11B | 098979-01-000 | EA | CLIP - ADJUSTABLE SHELF |
| 12B | 098980-01-000 | EA | PILASTER - ADJUSTABLE SHELF - 18" |
| 12B | 098980-02-000 | EA | PILASTER - ADJUSTABLE SHELF - 12" |
| 12B | 098980-03-000 | EA | PILASTER - ADJUSTABLE SHELF - 9" |
| 12B | 098980-04-000 | EA | PILASTER - ADJUSTABLE SHELF - 48" |
| 12B | 098980-05-000 | EA | PILASTER - ADJUSTABLE SHELF - 15" |
| 12B | 098980-06-000 | EA | PILASTER - ADJUSTABLE SHELF - 24" |
| 13B | 100710-01-02A | EA | LOCK - GLASS DOOR/TWIST TYPE - NICKEL |
| 14B | 100711-01-02A | EA | HINGE - GLASS DOOR - NICKEL |
| 15B | 102920-01-01A | EA | HINGE - SPRING LOADED - BRASS |
| 15B | 102920-01-02A | EA | HINGE - SPRING LOADED - NICKEL |
| 15B | 129753-01-01A | EA | HINGE - SPRING LOADED - 19" X 19" - BLACK |
| 16B | 103256-01-000 | EA | LATCH COMPLETE (SLIDE) |
| 17B | 103874-01-000 | EA | HANGER - SLIDING DOOR |
| 18B | 104181-01-01A | EA | SUPPORT - LEAF 5.3" EXTENDS TO 7.5" - SAFETY RING - METAL |
| 19B | 108126-01-000 | EA | TRAY HINGE SET (QTY. 2 PER SET) |

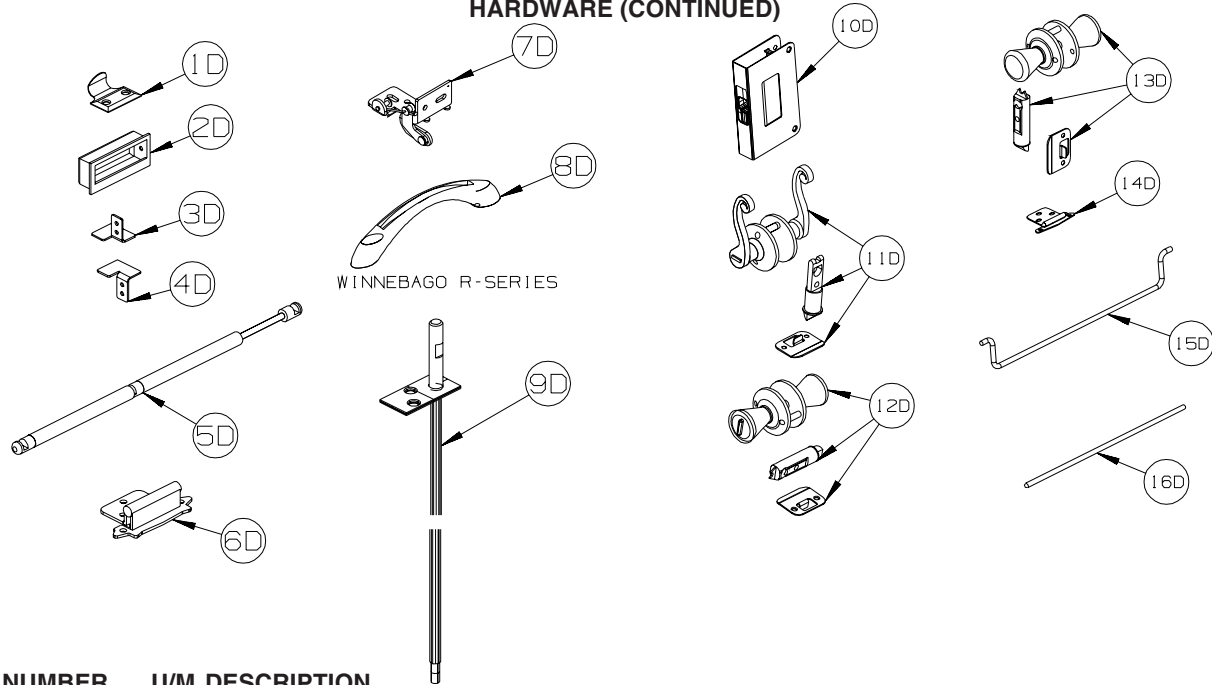
INTERIOR FINISH GROUP (CONTINUED)
HARDWARE (CONTINUED)



| KEY | PART NUMBER | U/M | DESCRIPTION |
|-----|---------------|-----|--|
| 1C | 110496-01-01A | EA | HINGE - BRASS - 2" X 32" |
| 1C | 110496-01-02A | EA | HINGE - NICKEL - 2" X 32" |
| 1C | 110496-05-02A | EA | HINGE - NICKEL - 2" X 11.5" |
| 1C | 110496-06-02A | EA | HINGE - NICKEL - 2" X 9.5" |
| 2C | 111866-01-02A | EA | BRACE - SEAT - ANGLE - OFF WHITE |
| 3C | 114278-02-000 | EA | HINGE - CONTINUOUS - 3" WIDE |
| 4C | 114443-02-01A | EA | HINGE - CABINET DOOR - W/O CLIP - SILVER |
| 5C | 114443-03-01A | EA | CLIP - HINGE/CABINET DOOR - SILVER |
| 6C | 117095-01-01A | EA | LATCH - DOOR - GRABBER W/KEEPER - PLASTIC - BLK-5 LB PULL |
| 6C | 117095-02-01A | EA | LATCH - DOOR - GRABBER W/KEEPER - PLASTIC - BLK-10 LB PULL |
| 6C | 117095-03-01A | EA | LATCH - DOOR - GRABBER W/KEEPER - PLASTIC - BLK-15 LB PULL |
| 7C | 118200-01-01A | SF | MESH - PLASTIC 1/2" - 48" X LENGTH = SF - BLACK |
| 8C | 122717-06-01A | FT | PAD - NON-SKID - PSA - 5"W |
| 9C | 125221-01-01A | EA | PULL - MIRROR - W/ROUND HANDLE |
| 10C | 126263-06-02B | EA | BRACKET - GAS SPRING W/INSIDE BALL STUD - E-COATED |
| 11C | 126263-05-02B | EA | BRACKET - GAS SPRING W/BALL STUD - E-COATED |
| 11C | 126263-08-02B | EA | BRACKET - GAS SPRING W/CENTERED BALL STUD - E-COATED |
| 11C | 126263-19-02B | EA | BRACKET - GAS SPRING W/BALL STUD - E-COATED |
| 12C | 130798-01-02B | EA | GUIDE - POCKET DOOR - E-COATED |
| 13C | 132871-02-02B | EA | BRACKET/L-ANGLE W/HOLES - 1.9" X 2.8" - E-COATED |
| 14C | 134099-01-02A | EA | HINGE - PIANO - WRAP AROUND - 15.7" - NICKEL PLATED |
| 15C | 135538-03-02A | EA | HINGE - PIANO - FULL WRAP - 15.7" - CHROME |
| 16C | 137445-02-P46 | EA | STOP - F/SLIDING DOOR - CONCERT CHERRY |
| 16C | 137445-02-P56 | EA | STOP - F/SLIDING DOOR - WASHED MAPLE |
| 16C | 137445-02-S67 | EA | STOP - F/SLIDING DOOR - SIERRA MAPLE |
| 17C | 137445-03-T78 | EA | STOP - F/SLIDING DOOR - CONCERT CHERRY |
| 17C | 137445-03-T79 | EA | STOP - F/SLIDING DOOR - WASHED MAPLE |
| 17C | 137445-03-T80 | EA | STOP - F/SLIDING DOOR - SIERRA MAPLE |

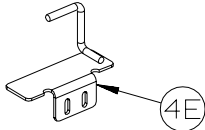
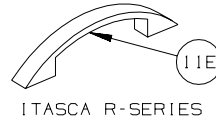
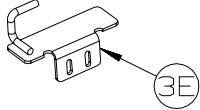
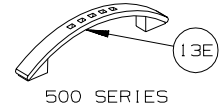
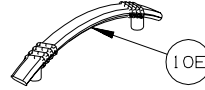
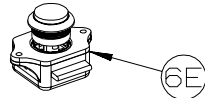
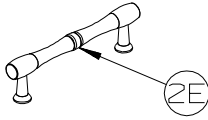
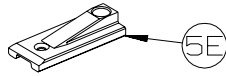
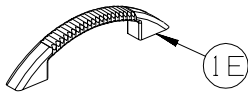
INTERIOR FINISH GROUP (CONTINUED)

HARDWARE (CONTINUED)



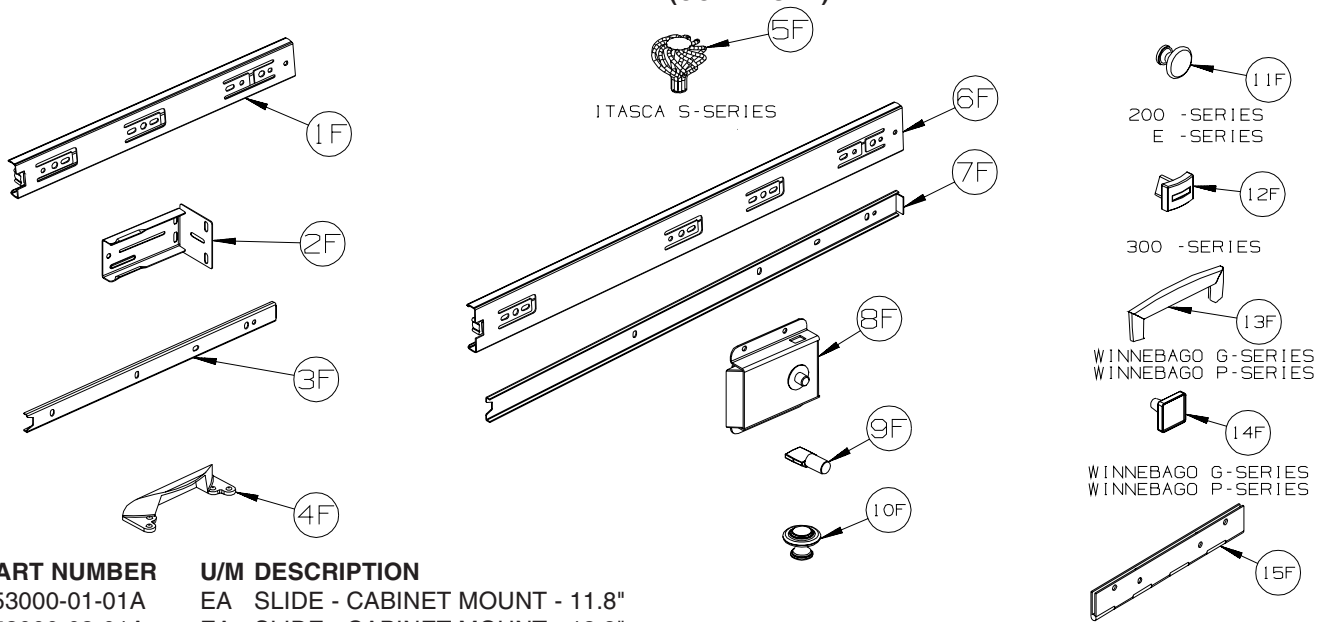
| KEY | PART NUMBER | U/M | DESCRIPTION |
|-----|---------------|-----|--|
| 1D | 137463-01-02A | EA | LIFT - HOOK - PEWTER |
| 2D | 139136-01-02A | EA | HANDLE - .75" RECESSED - PEWTER |
| 2D | 139136-02-02A | EA | HANDLE - .35" RECESSED - PEWTER |
| 3D | 139264-01-02B | EA | STOP - DOOR - TAMBOUR/RH HAND - E-COATED |
| 4D | 139264-02-02B | EA | STOP - DOOR - TAMBOUR/LH HAND - E-COATED |
| 5D | 142569-07-000 | EA | SPRING/GAS - 20 LB - 20" EXTENDED/12" COMPRESSED |
| 5D | 142569-15-000 | EA | SPRING/GAS - 120 LB - 20" EXTENDED/12" COMPRESSED |
| 5D | 142569-16-000 | EA | SPRING/GAS - 90 LB - 20" EXTENDED/12" COMPRESSED |
| 5D | 142569-29-000 | EA | SPRING/GAS - 20 LB - 9.9" EXTENDED/5.9" COMPRESSED |
| 6D | 143468-02-03A | EA | HINGE - SELF CLOSING - SATIN NICKEL |
| 7D | 144488-01-02A | EA | HINGE - CABINET - NICKEL |
| 8D | 144917-01-01A | EA | PULL - DRAWER - SATIN NICKEL - TOUR R-SERIES |
| 9D | 145939-03-01A | EA | ROD/LATCH - AISLE DOOR - BRASS |
| | | | FROM: 00-00-00 THRU: 04-16-06 |
| 9D | 145939-05-01A | EA | ROD/LATCH - AISLE DOOR - BRASS - NOT ILLUSTRATED |
| | | | FROM: 04-17-06 THRU: 07-30-06 |
| 9D | 145939-05-02A | EA | ROD/LATCH - AISLE DOOR - NICKEL - NOT ILLUSTRATED |
| | | | FROM: 07-31-06 THRU: 99-99-99 |
| 10D | 145939-04-02A | EA | LATCH/SLIDE - AISLE DOOR(1" THICK DOOR)-NICKEL/BLACK SLIDE |
| 11D | 146064-01-02A | EA | LOCK/PRIVACY (LOCKING) LEVER STYLE - SATIN PEWTER |
| 12D | 146064-05-01A | EA | LOCK/PRIVACY (LOCKING) KNOB STYLE - SATIN NICKEL |
| 13D | 146064-06-01A | EA | LOCK/PASSAGE (NON LOCKING) KNOB STYLE - SATIN NICKEL |
| 14D | 146553-01-01A | EA | HINGE - CABINET DOOR - BURNISHED BRASS |
| 14D | 146553-01-03A | EA | HINGE - CABINET DOOR - SATIN NICKEL |
| 15D | 146801-01-01A | EA | ROD/TOWEL BAR (OFFSET) - BRASS |
| 15D | 146801-01-02A | EA | ROD/TOWEL BAR (OFFSET) - PEWTER |
| 16D | 146840-03-01A | EA | ROD - .25" X 11.7" - BRASS |
| 16D | 146840-03-02A | EA | ROD - .25" X 11.7" - PEWTER |
| 16D | 146840-04-01A | EA | ROD - .25" X 13.1" - BRASS |
| 16D | 146840-04-02A | EA | ROD - .25" X 13.1" - PEWTER |
| 16D | 146840-05-01A | EA | ROD - .25" X 14.8" - BRASS |
| 16D | 146840-05-02A | EA | ROD - .25" X 14.8" - PEWTER |
| 16D | 146840-07-01A | EA | ROD - .25" X 4.2" - BRASS |
| 16D | 146840-07-02A | EA | ROD - .25" X 4.2" - PEWTER |

INTERIOR FINISH GROUP (CONTINUED) HARDWARE (CONTINUED)



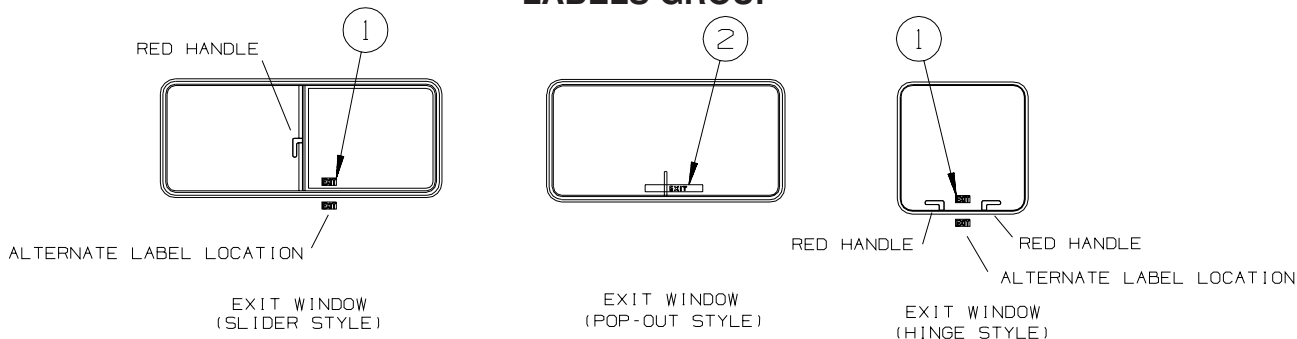
| KEY | PART NUMBER | U/M | DESCRIPTION |
|-----|---------------|-----|--|
| 1E | 148816-01-02A | EA | PULL - CABINET DOOR - NICKEL - ASPECT, CAMBRIA 700-SERIES |
| 2E | 149090-01-02A | EA | PULL - CABINET DOOR - NICKEL - SIGHTSEER D-SERIES, VOYAGE F-SERIES |
| 3E | 149607-01-02B | EA | GUIDE - F/POCKET DOOR - 1.6" BENT ROD - E-COATED |
| 3E | 149607-03-02B | EA | GUIDE - F/POCKET DOOR - 2.9" BENT ROD - E-COATED |
| 4E | 149607-04-02B | EA | GUIDE - F/POCKET DOOR - E-COATED |
| 5E | 150983-01-01A | EA | STRIKE/BLOCK - WEDGE STYLE - F/SLIDE DOOR - 3" X 1.2" - BLACK |
| 6E | 151380-01-01A | EA | LATCH - CABINET DOOR - PUSH BUTTON - VIEW & NAVION 500-SERIES |
| 7E | 151380-02-01A | EA | STRIKE - CABINET DOOR - VIEW & NAVION 500-SERIES |
| 8E | 151380-03-01A | EA | STRIKE - CABINET DOOR - VIEW & NAVION 500-SERIES |
| 9E | 152080-01-01A | EA | PULL-NICKEL - SIGHTSEER & SUNOVA D-SERIES, VOYAGE & SUNRISE F-SERIES, TOUR R-SERIES |
| 10E | 152302-01-01A | EA | PULL - CABINET DOOR - SATIN NICKEL - SUNOVA D-SERIES, SUNRISE F-SERIES |
| 11E | 152304-01-01A | EA | PULL - CABINET DOOR - BRONZE- ELLIPSE R-SERIES |
| 12E | 152305-01-01A | EA | KNOB - DOOR/DRAWER - BRONZE - ELLIPSE R-SERIES |
| 13E | 152950-01-01A | EA | PULL - DOOR/DRAWER - BRUSHED NICKEL - VIEW & NAVION 500-SERIES |
| 14E | 152951-01-01A | EA | PULL - DOOR/DRAWER - PEWTER - SUNCRUISER G-SERIES, MERIDIAN P-SERIES |
| 15E | 152952-01-01A | EA | PULL - KNOB/DRAWER - PEWTER - SUNCRUISER G-SERIES, MERIDIAN P-SERIES |

INTERIOR FINISH GROUP (CONTINUED) HARDWARE (CONTINUED)

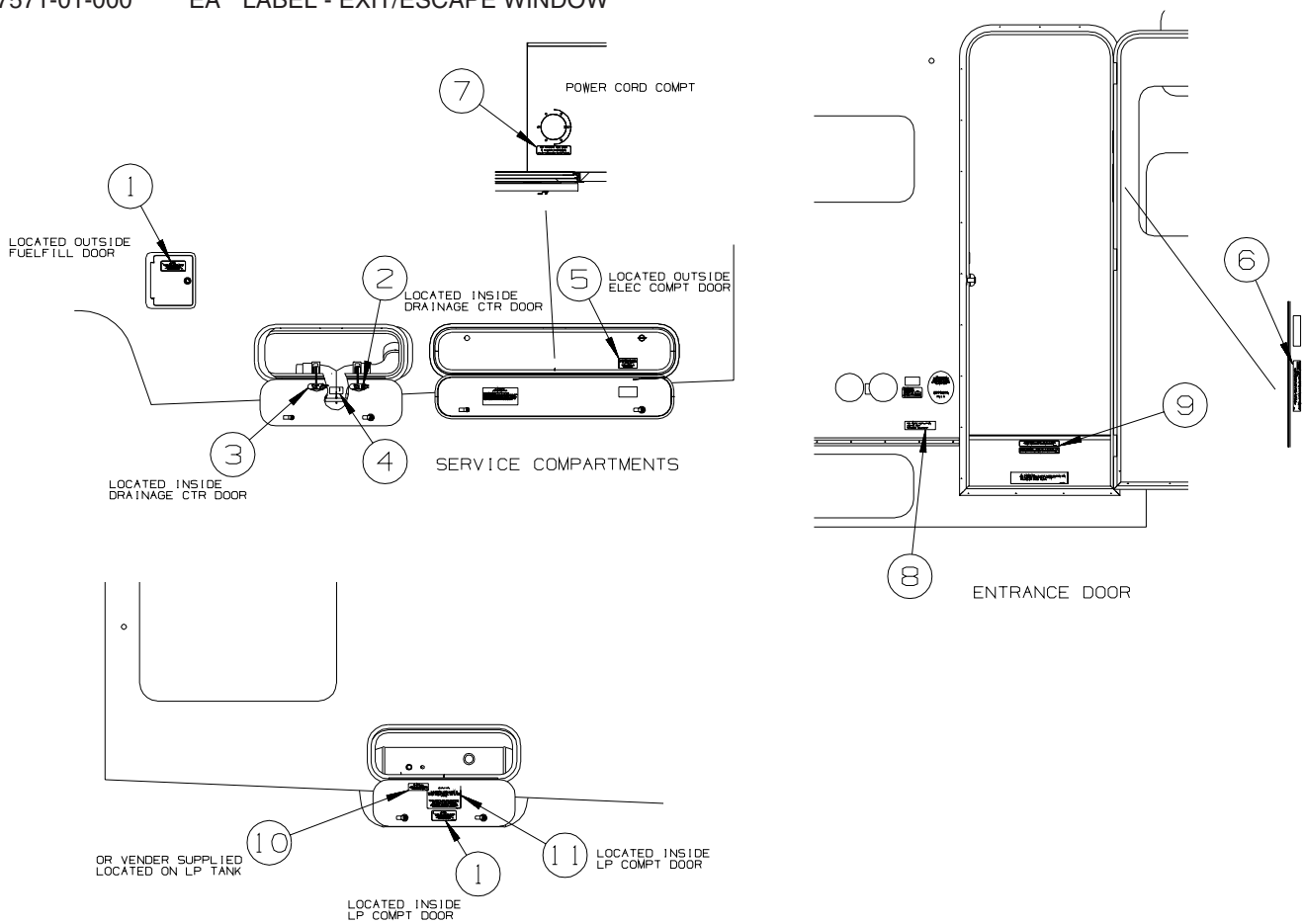


| KEY | PART NUMBER | U/M | DESCRIPTION |
|-----|---------------|-----|--|
| 1F | 153000-01-01A | EA | SLIDE - CABINET MOUNT - 11.8" |
| 1F | 153000-03-01A | EA | SLIDE - CABINET MOUNT - 13.8" |
| 1F | 153000-05-01A | EA | SLIDE - CABINET MOUNT - 15.7" |
| 1F | 153000-07-01A | EA | SLIDE - CABINET MOUNT - 17.7" |
| 1F | 153000-09-01A | EA | SLIDE - CABINET MOUNT - 19.7" |
| 1F | 153000-11-01A | EA | SLIDE - CABINET MOUNT - 21.6" |
| 1F | 153000-14-01A | EA | SLIDE - CABINET MOUNT - 23.6" |
| 1F | 153000-18-01A | EA | SLIDE - CABINET MOUNT - 9.8" |
| 1F | 153000-20-01A | EA | SLIDE - CABINET MOUNT - 25.6" |
| 2F | 153000-13-01A | EA | BACKSOCKET - DRAWER SLIDE |
| 3F | 153000-02-01A | EA | SLIDE - DRAWER MOUNT - 11.8" |
| 3F | 153000-04-01A | EA | SLIDE - DRAWER MOUNT - 13.8" |
| 3F | 153000-06-01A | EA | SLIDE - DRAWER MOUNT - 15.7" |
| 3F | 153000-08-01A | EA | SLIDE - DRAWER MOUNT - 17.7" |
| 3F | 153000-10-01A | EA | SLIDE - DRAWER MOUNT - 19.7" |
| 3F | 153000-12-01A | EA | SLIDE - DRAWER MOUNT - 21.6" |
| 3F | 153000-15-01A | EA | SLIDE - DRAWER MOUNT - 23.4" |
| 3F | 153000-19-01A | EA | SLIDE - DRAWER MOUNT - 9.8" |
| 3F | 153000-21-01A | EA | SLIDE - DRAWER MOUNT - 25.4" |
| 4F | 153308-01-01A | EA | PULL - VANITY STOOL - SATIN NICKEL |
| 5F | 153335-01-02A | EA | PULL - KNOB - DOOR/DRAWER - FLAT BLACK - HORIZON S-SERIES |
| 6F | 153352-01-01A | EA | SLIDE - PANTRY - 19.7" - CABINET MOUNT |
| 6F | 153352-03-01A | EA | SLIDE - EXT ENTERTAINMENT CNTR - 13.8" - CABINET MOUNT |
| 7F | 153352-02-01A | EA | SLIDE - PANTRY - 19.5" - DRAWER MOUNT |
| 7F | 153352-04-01A | EA | SLIDE - EXT ENTERTAINMENT CNTR - 13.6" - DRAWER MOUNT |
| 8F | 153353-01-01A | EA | LATCH - SLIDING/FLUSH - BLACK |
| 9F | 154385-01-02A | EA | PIN - SUPPORT/GLASS DOOR - 1/4" - NICKEL |
| 10F | 155803-01-01A | EA | KNOB CABINET DOOR - WROUGHT IRON |
| 11F | 155925-01-01A | EA | KNOB - DOOR/DRAWER - SATIN NICKEL - ACCESS & IMPULSE 200-SERIES |
| 12F | 156579-01-01A | EA | KNOB - DOOR/DRAWER - PEWTER - OUTLOOK & SPIRIT 300-SERIES |
| 13F | 157246-01-01A | EA | PULL - CABINET DOOR/DRAWER - SATIN NICKEL - ADVENTURER G-SERIES, JOURNEY P-SERIES |
| 14F | 157246-02-01A | EA | KNOB - CABINET DOOR/DRAWER - SATIN NICKEL - ADVENTURER G-SERIES, JOURNEY P-SERIES |
| 15F | 158982-01-04B | EA | HINGE - CONTINUOUS - 2" X 8" - BLACK |
| | 158982-01-01A | EA | HINGE - CONTINUOUS - 2" X 8" - ZINC |

LABELS GROUP

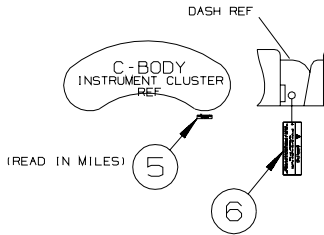
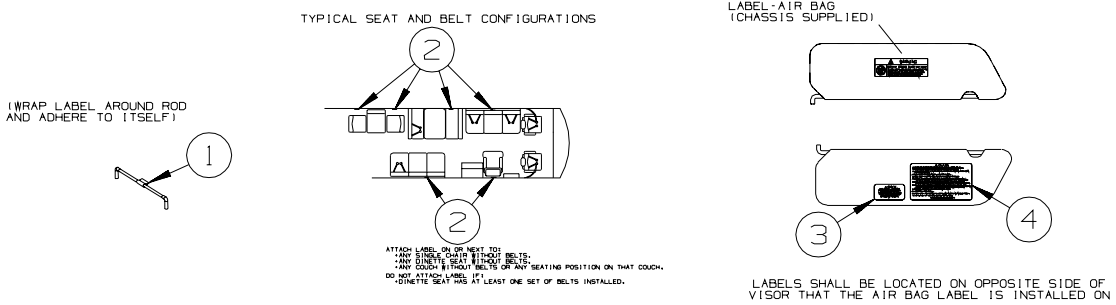


| KEY | PART NUMBER | U/M | DESCRIPTION |
|-----|---------------|-----|----------------------------|
| 1 | 039290-01-000 | EA | LABEL - WARNING - EXIT |
| 2 | 107571-01-000 | EA | LABEL - EXIT/ESCAPE WINDOW |

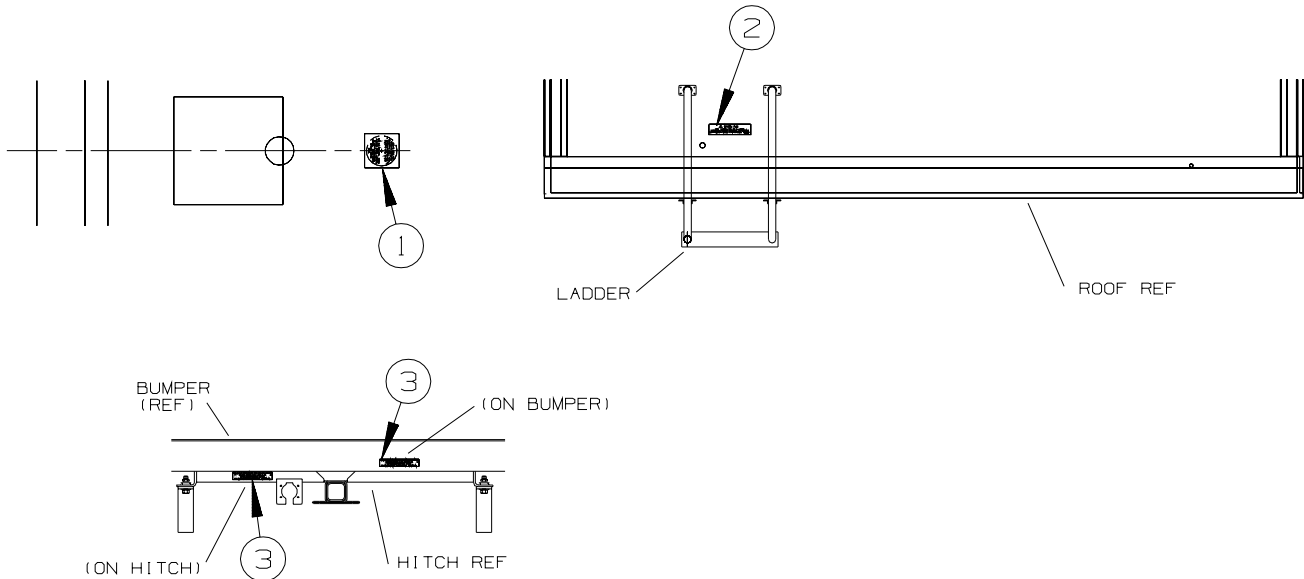


| KEY | PART NUMBER | U/M | DESCRIPTION |
|-----|---------------|-----|--|
| 1 | 124519-01-01A | EA | LABEL - WARNING/REFUELING - BLACK ON CLEAR |
| 1 | 124519-02-01A | EA | LABEL - WARNING/REFUELING - BLACK ON CLEAR - CSA - CANADIAN |
| 2 | 152541-03-01A | EA | LABEL - GRAY WASTE - 222B, 228P, 231C |
| | 152543-03-01A | EA | LABEL - BLACK WASTE - 224V, 226A, 229T |
| 3 | 152543-03-01A | EA | LABEL - BLACK WASTE - 222B, 228P, 231C |
| | 152541-03-01A | EA | LABEL - GRAY WASTE - 224V, 226A, 229T |
| 4 | 144649-01-01A | EA | LABEL - ADJUSTABLE VALVE - WHITE ON CLEAR |
| 5 | 125306-01-01A | EA | LABEL - ELECTRICAL ENTRANCE - 110V 30 AMP - BLACK ON CLEAR |
| 6 | 135869-01-01A | EA | LABEL - MERCURY CONTENT - BLACK ON CLEAR |
| 7 | 123562-01-000 | EA | LABEL - SERVICE/UTILITY ACCESS - 228P, 229T, 231C |
| 8 | 099509-01-000 | EA | LABEL - AWNING INSTALLATION |
| 9 | 065748-01-000 | EA | LABEL - WARNING - BATTERY CHARGING - UL |
| 9 | 065748-02-000 | EA | LABEL - WARNING - BATTERY CHARGING - CSA - CANADIAN |
| 10 | 079965-01-000 | EA | LABEL - LPG - 80% CAPACITY |
| 11 | 124520-01-01A | EA | LABEL - LP GAS ONLY - BLACK ON CLEAR |
| 11 | 023769-01-000 | EA | LABEL - WARNING - LPG - CANADIAN |

LABELS GROUP (CONTINUED)

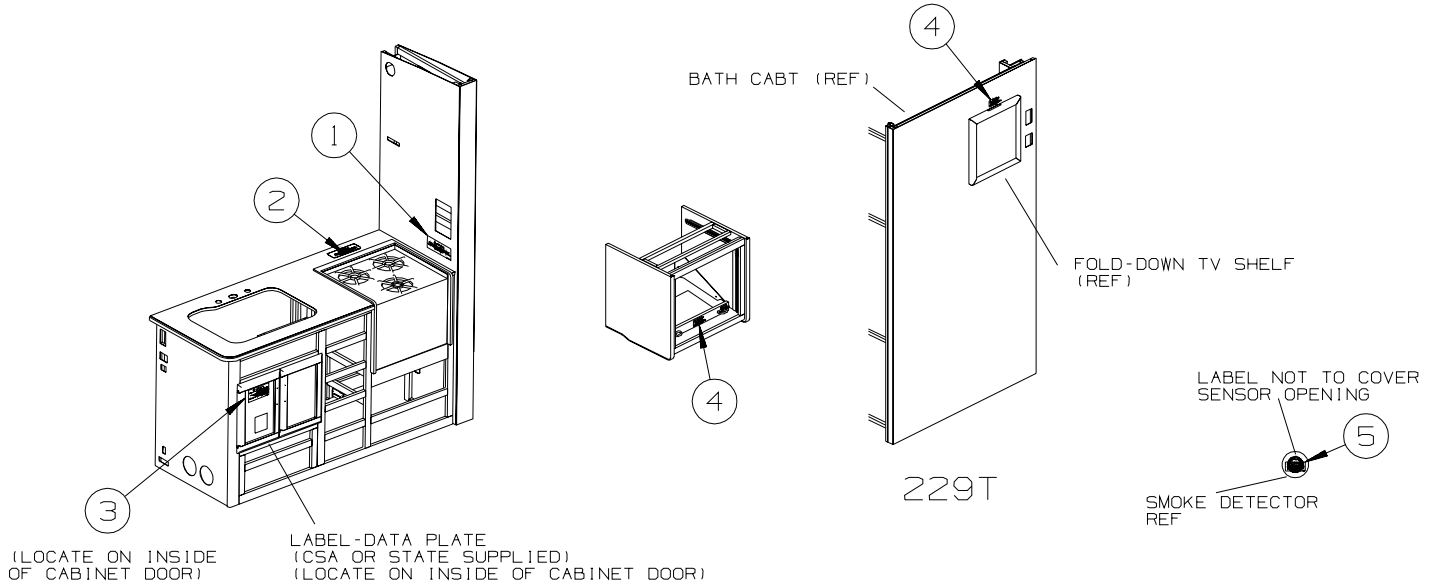


| KEY | PART NUMBER | U/M DESCRIPTION |
|-----|---------------|---|
| 1 | 128658-01-000 | EA LABEL - PROP ROD - ENTRY DOOR |
| 2 | 134538-01-01A | EA LABEL - OCCUPANCY - NO SEAT BELT - BLACK ON CLEAR - US |
| 2 | 134538-02-01A | EA LABEL - OCCUPANCY - NO SEAT BELT - BLACK ON CLEAR - CSA - CANADIAN |
| 3 | 099689-01-000 | EA LABEL - WARNING - CANCER/TOXICITY |
| 4 | 056259-01-000 | EA LABEL - SAFETY CHECK LIST |
| 5 | 155692-01-02A | EA LABEL - ODOMETER - READ IN MILE - WHITE/CLEAR - CANADIAN |
| 6 | 126612-01-000 | EA LABEL - HANG TAG - AIR BAG - DASH |



| KEY | PART NUMBER | U/M DESCRIPTION |
|-----|---------------|---|
| 1 | 120431-01-000 | EA LABEL - LOCATION - COAXIAL CABLE/SATELLITE ANTENNA |
| 2 | 128218-01-01A | EA LABEL - WARNING - SLIPPERY ROOF |
| 3 | 129669-01-02A | EA LABEL - HITCH/VEHICLE RATE - 350 - BLACK ON CLEAR |

LABELS GROUP (CONTINUED)



| KEY | PART NUMBER | U/M | DESCRIPTION |
|-----|---------------|-----|---|
| 1 | 143911-01-01A | EA | LABEL - CURTAIN SECUREMENT - BLACK ON CLEAR - 224V, 226A |
| 2 | 134539-01-01A | EA | LABEL - WARNING - STOVE/HEATING - US - BLACK ON CLEAR |
| 2 | 134540-01-01A | EA | LABEL - WARNING - STOVE/HEATING - CSA - BLACK ON CLEAR - CANADIAN |
| 3 | 073998-01-000 | EA | LABEL - LPG/ODOR WARNING |
| 4 | 079966-01-000 | EA | LABEL - WARNING - STOWED - MOTION |
| 5 | 077956-01-000 | EA | LABEL - WARNING/SMOKE DETECTOR |

LP GROUP
LP SYSTEM

| KEY | PART NUMBER | U/M | DESCRIPTION |
|-----|---------------|-----|--|
| | 010323-01-000 | EA | ADAPTER - 3/8"F X 1/2"MPT - BRASS |
| | 010326-01-000 | EA | ADAPTER - FLARE - W/CONE GASKET - 3/8"F X 1/2"F |
| | 010329-01-000 | EA | ADAPTER - 1/2"F X 1/2"MPT - BRASS |
| | 024250-01-000 | EA | ADAPTER - BRASS - 3/8"F X 1/2"FPT |
| | 057042-01-000 | EA | ADAPTER - CROSS 1/2"PIPE |
| | 010377-02-000 | EA | NUT - 3/8" FLARE - FORGED - BRASS |
| | 010380-02-000 | EA | NUT - 1/2" FLARE - FORGED - BRASS |
| | 010589-01-000 | EA | NIPPLE - PIPE - 1/2" X 1 1/2" - BLACK |
| | 010589-03-000 | EA | NIPPLE - PIPE - 1/2" X 2 1/2" - BLACK |
| | 040440-02-000 | EA | TRANSMITTER - DIAL/BOLT-ON - 0-90 OHM 2 TERM(POWER/GROUND) |
| | 045703-03-000 | EA | HOSE - LP - 3/8"ID X 18" - 3/8"MPT X 1/2"F SWIVEL - US |
| | 045703-05-000 | EA | HOSE - LP - 3/8"ID X 28" - 3/8"MPT X 1/2"F SWIVEL - US |
| | 045703-06-000 | EA | HOSE - LP - 3/8"ID X 28" - 3/8"MPT X 1/2"F SWIVEL - CSA - CANADIAN |
| | 045703-09-000 | EA | HOSE - LP - 3/8"ID X 24" - 3/8"F SWIVEL X3/8"F SWVL US/CSA |
| | 045703-12-000 | EA | HOSE - LP - 3/8"ID X 18" - 3/8"MPT X 1/2"F SWIVEL - CSA - CANADIAN |
| | 065318-02-000 | EA | ELBOW - 90 DEGREE - 3/8" MPT TO 3/8" FPT |
| | 106150-05-000 | EA | REGULATOR - TWO STAGE |
| | 111848-06-02B | EA | SHIELD - HEAT - EXHAUST - E-COATED - 226A, 228P |
| | 160426-01-02B | EA | SHIELD/HEAT - EXHAUST - E-COATED - 231C CHEVY |
| * | 144116-04-000 | EA | TANK - LP - 60 LB - 14"D X 29.75"L |
| | 144485-01-000 | EA | COVER - LP REGULATOR |
| | 159048-01-02B | EA | PANEL/GUARD - LP - E-COATED - 229T |

*COMPONENT PARTS LISTED LATER IN THIS GROUP

COMPONENT PARTS FOR LP SYSTEM

144116-04-000

| KEY | PART NUMBER | U/M | DESCRIPTION | VENDOR NO. |
|-----|---------------|-----|------------------------------|---------------|
| | 040421-01-712 | EA | VALVE-SERV. W/O VAPOR RELIEF | V20373/V21202 |
| | 040421-01-713 | EA | VALVE-RELIEF 1" W/SPRING 7" | V12560/V21207 |
| | 144116-01-700 | EA | VALVE-OUTAGE(NO STEM REMOVE) | V20058 |
| | 144116-01-701 | EA | VALVE/FILL 80 % W/YELLOW CAP | V13414 |
| | 144116-04-700 | EA | FLOAT/SENDING UNIT W/O DIAL | G11530 |
| | 144116-04-701 | EA | DIAL - TRANSMITER | G12845 |

SEALANTS & FASTENERS GROUP
SEALANTS & ADHESIVES

| KEY | PART NUMBER | U/M | DESCRIPTION |
|-----|---------------|-----|--|
| | 004001-02-000 | EA | GUN - PLEXUS ADHESIVE - W/O NOZZLE |
| | 004001-05-000 | EA | ADHESIVE - SCOTCH-WELD - 3M DP100 - CLEAR - 50ML |
| | 004011-01-000 | EA | ADHESIVE-3M-4475 TUBE |
| | 010405-02-000 | EA | TAPE - THREAD SEALING - 3/8" |
| | 064075-07-000 | FT | SEAL - BULB - W/WIRED U CHANNEL - .3" X .5" CHANNEL-BLACK |
| | 067788-01-000 | EA | ADHESIVE - SPRAY - 3M - 19.5 OZ AEROSOL CAN |
| | 069640-01-000 | FT | SEALER - RIBBON - 1/4"DIAMETER X 30 FT - BLACK OR GRAY |
| | 069640-02-000 | FT | SEALER - TAPE - 1/8"THICK X 1/2"WIDE X 60 FT - GRAY |
| | 069640-03-000 | FT | SEALER - TAPE - 1/8"THICK X 3/4"WIDE X 60 FT - BLACK |
| | 069640-07-000 | FT | SEALER - TAPE - 3/32"THICK X 2"WIDE X 45 FT - GRAY |
| | 069640-09-000 | FT | SEALER - TAPE - 1/32"THICK X 2 1/2"WIDE X 80 FT - BRT WHT |
| | 069640-10-000 | FT | SEALER - TAPE - 1/32"THICK X 1 1/2"WIDE X 90 FT - BRT WHT |
| | 069640-11-000 | FT | SEALER - TAPE - 3/16"THICK X 3/8"WIDE X 40 FT - BLACK |
| | 069640-13-000 | FT | SEALER - TAPE - 3/32"THICK X 2"WIDE X 45 FT - BLACK |
| | 069640-14-000 | FT | SEALER - TAPE - 1/16"THICK X 1"WIDE X 100 FT - BLACK |
| | 069640-15-000 | FT | SEALER - TAPE - 1/16"THICK X 3/8"WIDE X 100 FT - BRT WHT |
| | 069640-17-000 | FT | SEALER - TAPE - 1/32"THICK X 1"WIDE X 150 FT - GRAY |
| | 069640-18-000 | FT | SEALER - TAPE - 1/8"THICK X 1/2"WIDE X 60 FT - BRT WHT |
| | 069640-19-000 | FT | SEALER - TAPE - 1/8"THICK X 3/4"WIDE X 60 FT - BRT WHT |
| | 069640-20-000 | FT | SEALER - TAPE - 1/8"THICK X 1/2"WIDE X 60 FT - BLACK |
| | 069640-21-000 | FT | SEALER - TAPE - 1/16"THICK X 1/2"WIDE X 100 FT - BRT WHT |
| | 069640-22-000 | FT | SEALER - TAPE - 1/32"THICK X 1/4"WIDE X 200 FT - BRT WHT |
| | 069640-23-000 | FT | SEALER - TAPE - 1/16"THICK X 3/4"WIDE X 100 FT - BRT WHT |
| | 069640-27-000 | FT | SEALER - TAPE - 1/16"THICK X 2 1/4"WIDE X 50 FT - BRT WHT |
| | 069640-28-000 | FT | SEALER - TAPE - 1/32"THICK X 1 7/8"WIDE X 90 FT - GRAY |
| | 069640-30-000 | FT | SEALER - TAPE - 1/32"THICK X 5/8"WIDE X 50 FT - GRAY |
| | 069640-31-000 | FT | SEALER - TAPE - 1/4"THICK X 3/4"WIDE X 15 FT - BLACK |
| | 069640-32-000 | FT | SEALER - TAPE - 1/16"THICK X 3/8"WIDE X 100 FT - BLACK |
| | 069640-33-000 | FT | SEALER - RIBBON - 3/8"DIAMETER X 20 FT - BLACK |
| | 069640-34-000 | FT | SEALER - RIBBON - 1/4"DIAMETER X 30 FT - BRIGHT WHITE |
| | 072889-28-000 | EA | SEALANT/URETHANE-10 OZ TUBE W/NOZZLE-SELF LEVELING-BRT WHT |
| | 076322-01-000 | FT | TAPE-DOUBLE COATED/ADHESIVE BK-.03"THK X .8"W X 216' - WHT |
| | 076322-02-000 | FT | TAPE-DOUBLE COATED/ADHESIVE BK-.05"THK X 1"W X 108' - WHT |
| | 076322-03-000 | FT | TAPE-DOUBLE COATED/ADHESIVE BK-.05"THK X .5"W X 108' - WHT |
| | 076322-05-000 | FT | TAPE-DOUBLE COATED/ADHESIVE BK-.05"THK X .8"W X 108' - WHT |
| | 076322-07-000 | FT | TAPE-DOUBLE COATED/ADHESIVE BK-.05"THK X .5"W X 200' - BLK |
| | 076322-13-000 | FT | TAPE - FOAM/DOUBLE COATED - .020"THK X .75"W - CLEAR |
| | 076322-21-000 | FT | TAPE - FOAM/DOUBLE COATED - .045"THK X .50"W |
| | 076322-22-000 | FT | TAPE - FOAM/DOUBLE COATED - .045"THK X .75"W |
| | 076322-23-000 | FT | TAPE - FOAM/DOUBLE COATED - .045"THK X 1"W |
| | 076322-25-000 | FT | TAPE - FOAM/DOUBLE COATED - .025"THK X .5"W |
| | 086276-01-000 | EA | TAPE - DOUBLE SIDED - 1/2" WIDE X 108' LONG (SOLD BY ROLL) |
| | 088479-01-000 | EA | TAPE - ALUMINUM - 3" |
| | 090340-01-000 | FT | SEAL - FOAM - CLOSED CELL - 1/4" X 1/2" X 50' |
| | 091255-02-000 | FT | SEAL - ADHESIVE BACKED/FOAM - 3/64"THICK X 3/16"W X 1000' |
| | 091255-03-000 | FT | SEAL - ADHESIVE BACKED/FOAM - 1/4" THICK X 1/4"W X 1000' |
| | 094401-01-000 | EA | SEALER - BODY SEAM - FLEXICLEAR |
| | 094401-04-000 | EA | SEALER - BODY SEAM - CLEAR |
| | 094401-05-000 | EA | SEALER - BODY SEAM - 20OZ BLACK |
| | 094401-06-000 | EA | SEALER - BODY SEAM - 12OZ BLACK |
| | 094401-07-000 | EA | SEALER - BODY SEAM - CLEAR |
| | 098408-01-000 | FT | SEAL - SPONGE RUBBER - CLOSED CELL |
| | 099069-01-000 | FT | SEAL - RUBBER - CLOSED SPONGE - .5" WIDE X .12" THICK-BLK |
| | 099418-01-000 | FT | SEAL - D-SECTION/ADHESIVE BACK - ..44" X .44" - BLK RUBBER |
| | 107828-01-000 | EA | SEALANT - SB - 190 EVERSEAL |
| | 112864-01-000 | FT | SEAL - FOAM/BUTYL COVERED - 3/8" X 35' |
| | 112864-02-000 | FT | FOAM - BUTYL COVERED - 5/16" X 44' |
| | 112864-04-000 | FT | FOAM - BUTYL COVERED - 3/8" X 1/8" |
| | 112901-02-000 | EA | ADHESIVE - PLEXUS - MA330 - 50ML - GRAY |
| | 112901-03-000 | EA | ADHESIVE - PLEXUS - MA300 - 50ML - WHITE |
| | 112902-01-000 | EA | NOZZLE - ELEMENT - 3/8" X 24 |
| | 112902-03-000 | EA | MIXER NOZZLE - F/GUN #00400102000 - SCOTCH-WELD & PLEXUS |
| | 112902-04-000 | EA | NOZZLE - ELEMENT - 1/4" X 3.5" |
| | 112902-05-000 | EA | NOZZLE - BAYONET - 3/8" X 18 |

SEALANTS & FASTENERS GROUP (CONTINUED)

SEALANTS & ADHESIVES (CONTINUED)

| KEY | PART NUMBER | U/M | DESCRIPTION |
|-----|---------------|-----|--|
| | 112902-06-000 | EA | NOZZLE - ELEMENT - 1/2" X 32 |
| | 113366-01-000 | EA | ADHESIVE - INSTANT - 1 OZ |
| | 120074-02-03A | EA | SILICONE - TUBE - W/O NOZZLE - LOW ODOR - SMOKEY WHITE |
| | 120534-01-01A | EA | TAPE - SCOTCH - 3M - 1/2" FINE LINE |
| | 123244-01-000 | FT | TAPE - DOUBLE SIDED/FOAM - 5/64"THICK X 3/4"WIDE X 108' |
| | 123816-01-000 | FT | TAPE - DOUBLE SIDED - 1" X .020" X 200' - CLEAR |
| | 123816-02-000 | FT | TAPE - DOUBLE SIDED - 1/2" X .035" X 200' - CLEAR |
| | 123816-03-000 | FT | TAPE - DOUBLE SIDED - 1/2" X .020" X 200' - CLEAR |
| | 123816-04-000 | FT | TAPE - DOUBLE SIDED - 6" X .0035" X 750' - CLEAR |
| | 123816-06-000 | FT | TAPE - DOUBLE SIDED - 3/4" X 3/4" X 200' - CLEAR |
| | 123816-07-000 | FT | TAPE - DOUBLE SIDED - 1 3/4" X 200' - CLEAR |
| | 126427-01-000 | EA | ADHESIVE - ALL PURPOSE - ABS/PVC |
| | 126427-02-000 | EA | PRIMER - CLEANER - FLEX PIPING |
| | 131264-01-11A | EA | SILICONE - TUBE - W/NOZZLE - BEIGE |
| | 131264-01-12A | EA | SILICONE - TUBE - W/NOZZLE - BONE |
| | 131264-01-13A | EA | SILICONE - TUBE - W/NOZZLE - TRANSLUCENT |
| | 131264-02-01A | EA | SILICONE - TUBE - W/NOZZLE - VW GRAY - BATH ONLY |
| | 131264-03-01A | EA | SILICONE - TUBE - W/O NOZZLE - SELF LEVELING -BRIGHT WHITE |
| | 131264-04-01A | EA | SILICONE/SEALANT/ADHESIVE - FAST CURE F/GLASS/VINYL - B/W |
| | 131264-04-02A | EA | SILICONE/SEALANT/ADHESIVE-FAST CURE F/GLASS/VINYL-SOFT WHT |
| | 131264-05-01A | EA | SILICONE/SEALANT - ODORLESS - TUBE - W/NOZZLE - BLACK |
| | 131264-05-02A | EA | SILICONE/SEALANT - ODORLESS - TUBE - W/NOZZLE - CLEAR |
| | 131384-01-000 | EA | ADHESIVE - JET WELD - 10 OZ CARTRIDGE |
| | 132892-07-01A | FT | SEAL - BULB/SINGLE - W/U CHANNEL - .5" X 1" - BLACK |
| | 152038-01-01A | EA | TAPE - PRESERVATION SEAL - 2" X 36YD ROLL - BLACK |
| | 154585-01-01A | FT | SEAL - FOAM TAPE - ADHESIVE BACK - 3/8" X 3/8" - BLACK |
| | 154585-02-01A | FT | SEAL - FOAM TAPE - ADHESIVE BACK - 3/4" X 1/2" - BLACK |
| | 154585-03-01A | FT | SEAL - FOAM TAPE - ADHESIVE 2 SIDED - 1/8" X 3/4" - BLACK |
| | 154585-04-01A | FT | SEAL - FOAM TAPE - ADHESIVE BACK - 5/8" X 1/8" - WHITE |

BOLTS, NUTS AND WASHERS

| KEY | PART NUMBER | U/M | DESCRIPTION |
|-----|---------------|-----|---|
| | 0MD54F-06-000 | EA | NUT - HEX W/SERATED FLANGE |
| | 000C12-04-08B | EA | BOLT - HEX - 1/4-20 X 1/2 - GRADE #5 - ZINC |
| | 000C12-04-40B | EA | BOLT - HEX - 1/4-20 X 2 1/2 - GRADE #5 ZINC |
| | 000C12-04-20F | EA | BOLT - HEX - 1/4-20 X 1 1/4 - GRADE #5 - STAINLESS STEEL |
| | 000C12-04-12A | EA | BOLT - HEX - 1/4-20 X 3/4 - PLAIN 5 |
| | 000C12-05-16B | EA | BOLT - HEX - 5/16 - 18X1 - GRADE #5 - ZINC |
| | 000C12-05-40B | EA | BOLT - HEX - 5/16"-18 X 2.5" - GRADE #5 - ZINC |
| | 000C12-06-28B | EA | BOLT-HEX-3/8-16X13/4 ZN 5 - 5185-01 |
| | 000C12-08-44B | EA | BOLT - HEX - 1/2-13 X 2 3/4 - GRADE #5 - ZINC |
| | 000C12-08-24B | EA | BOLT - HEX - 1/2-13 X 1 1/2 - GRADE #5 - ZINC |
| | 000C12-08-28B | EA | BOLT - HEX - 1/2-13 X 1 3/4 - GRADE #5 - ZINC |
| | 000C13-07-40B | EA | BOLT - HEX - 7/16-20 X 2 1/2 - GRADE #5 - ZINC |
| | 000C13-07-48B | EA | BOLT - HEX - 7/16-20 X 3 - GRADE #5 - ZINC |
| | 000C13-07-72B | EA | BOLT - HEX - 7/16-20 X 4.5" - GRADE #5 - ZINC |
| | 000C16-07-16B | EA | BOLT - CARRIAGE - ASSIST HANDLE - 7/16-14 X 1 |
| | 000C18-05-40A | EA | BOLT - ELEVATOR - 5/16-18 X 2 1/2 - PL |
| | 000C26-04-18B | EA | BOLT - HEX - SERRATED FLANGE - 1/4-20 X 1 1/8 - ZINC |
| | 000C26-04-14B | EA | BOLT - HEX - SERRATED FLANGE - 1/4-20 X 7/8 - ZINC |
| | 000C26-04-12F | EA | BOLT - HEX - SERRATED FLANGE -1/4-20 X 3/4-STAINLESS STEEL |
| | 000C26-04-10B | EA | BOLT - HEX - SERRATED FLANGE - 1/4-20 X 5/8 - ZINC |
| | 000C26-04-40F | EA | BOLT - HEX - SERRATED FLANGE -1/4-20 X 2.5-STAINLESS STEEL |
| | 000C26-05-12B | EA | BOLT - HEX - SERRATED FLANGE - 5/16-18 X 3/4 - ZINC |
| | 000C26-06-12B | EA | BOLT - HEX - SERRATED FLANGE - 3/8-16 X 3/4 - ZINC |
| | 000C26-06-20B | EA | BOLT - HEX - SERRATED FLANGE - 3/8-16 X 1 1/4 - ZINC |
| | 000C26-06-28B | EA | BOLT - HEX - SERRATED FLANGE - 3/8-16 X 1 3/4 - ZINC |
| | 000C26-06-40B | EA | BOLT - HEX - SERRATED FLANGE - 3/8-16 X 2 1/2 - ZINC |
| | 000C26-08-28B | EA | BOLT - HEX - SERRATED FLANGE - 1/2-13 X 1 3/4 - ZINC |
| | 000C26-08-24B | EA | BOLT - HEX - SERRATED FLANGE - 1/2-13 X 1 1/2 - ZINC |
| | 000C26-08-40B | EA | BOLT - HEX - SERRATED FLANGE - 1/2-13 X 2 1/2-GRADE #5 ZINC |
| | 000C27-08-48B | EA | BOLT-CARR 1/2-13X3.00 GR5 - 97 M-SERIES |
| | 000C27-08-64B | EA | BOLT - CARRIAGE - 1/2-13 X 4 - GRADE 5 |
| | 000D16-07-00B | EA | NUT - HEX - 7/16-14 - ZINC |

SEALANTS & FASTENERS GROUP (CONTINUED)
BOLTS, NUTS AND WASHERS (CONTINUED)

| KEY | PART NUMBER | U/M | DESCRIPTION |
|-----|---------------|-----|--|
| | 000D24-10-00B | EA | NUT - HEX - SELF LOCKING - 10-32 - ZINC |
| | 000D27-05-00B | EA | NUT - HEX LOCK - 5-40 - ZINC |
| | 000D28-10-00B | EA | NUT - HEX - W/NYLON LOCK - 10-32 - ZINC |
| | 000D29-04-00F | EA | NUT - HEX - SELF LOCKING - 1/4 X 20 - STAINLESS STEEL |
| | 000D29-04-00B | EA | NUT - HEX - SELF LOCKING - 1/4 X 20 - ZINC |
| | 000D29-06-00B | EA | NUT - HEX - W/NYLON LOCK - 3/8-16 - ZINC |
| | 000D29-09-00B | EA | NUT - HEX - SELF LOCKING - 9/16-12 - ZINC |
| | 000D34-04-00B | EA | NUT - HEX - LOCKING - 1/4-20 - ZINC |
| | 000D34-06-00B | EA | NUT - HEX - LOCKING - 3/8-16 GRADE C - ZINC |
| | 000D39-04-00B | EA | NUT - HEX - LOCKING W/SERRATED FLANGE - 1/4-20 - ZINC |
| | 000D39-05-00B | EA | NUT - HEX - LOCKING W/SERRATED FLANGE - 5/16-18 - ZINC |
| | 000D39-06-00B | EA | NUT - HEX - LOCKING W/SERRATED FLANGE - 3/8-18 - ZINC |
| | 000D39-06-00D | EA | NUT - HEX - LOCKING W/SERRATED FLANGE - 3/8"-16 BLACK |
| | 000D39-07-00B | EA | NUT - HEX - LOCKING W/SERRATED FLANGE - 7/16-14 - ZINC |
| | 000D39-08-00B | EA | NUT - HEX - LOCKING W/SERRATED FLANGE - 1/2-13 - ZINC |
| | 000D39-09-00B | EA | NUT - HEX - LOCKING W/SERRATED FLANGE - 9/16-12 - ZINC |
| | 000D44-04-00B | EA | NUT - HEX - LOCKING W/SERRATED FLANGE - 1/4-28 - ZINC |
| | 000D44-07-00B | EA | NUT - HEX - LOCKING W/SERRATED FLANGE - 7/16-20 - ZINC |
| | 000D44-08-00B | EA | NUT - HEX - LOCKING W/SERRATED FLANGE - 1/2-20 - ZINC |
| | 000D46-04-00A | EA | NUT - HEX - WELD - 1/4-20 - PLAIN |
| | 000D65-08-00B | EA | NUT - HEX - LOCKING W/SERRATED FLANGE - 8-32 - ZINC |
| | 000D73-08-00C | EA | NUT - HEX FLANGE - 1/2-13 |
| | 000D75-09-00B | EA | NUT - HEX LOCKING - 9/16-12 - ZINC |
| | 000D76-06-00B | EA | NUT - HEX FLANGE - 3/8-16 |
| | 000E11-04-00F | EA | WASHER - LOCKING - 1/4 MED SPLIT - STAINLESS STEEL |
| | 000E11-07-00B | EA | WASHER - LOCKING - 7/16 MED SPLIT - ZINC |
| | 000E11-08-00B | EA | WASHER - LOCKING - 1/2 MED SPLIT - ZINC |
| | 000E13-17-00B | EA | WASHER - FLAT - 3/8 AR - ZINC |
| | 000E13-18-00B | EA | WASHER - FLAT - 3/8 WIDE - ZINC |
| | 000E13-20-00B | EA | WASHER - FLAT - 7/16 WIDE - ZINC |
| | 000E13-22-00B | EA | WASHER - FLAT - 1/2 WIDE - ZINC |
| | 000E13-26-00B | EA | WASHER - FLAT - 5/8 WIDE - ZINC |
| | 000E14-10-00B | EA | WASHER - LOCKING - #10 EXTERNAL TOOTH - ZINC |
| | 000E16-10-00B | EA | WASHER - HARDENED - 5/8 - FLAT - ZINC |
| | 000G45-05-16B | EA | BOLT - LAG - 5/16-9 X 1 - ZINC |
| | 005081-01-000 | EA | NUT - SPEED - C-TYPE - #8 SCREW |
| | 039715-01-000 | EA | NUT-SERT - 1/4" DIAMETER - 20 THREADS |
| | 040921-01-000 | EA | NUT - SPEED - U TYPE - #10-24 - BLACK |
| | 040921-03-000 | EA | NUT - SPEED - U TYPE - #10 |
| | 040921-04-000 | EA | NUT - SPEED - U TYPE - #8-.59" LENGTH X .44" WIDTH |
| | 040921-05-000 | EA | NUT - SPEED - U-TYPE - 8-.67" X .44" WIDE |
| | 040921-11-000 | EA | NUT - SPEED - U-TYPE - 8-.59" LENGTH X .44" WIDTH - BLACK |
| | 041322-01-000 | EA | WASHER - FLANGE - 15/32"ID X 2 3/8"OD - F/SEAT BELT MTG |
| | 044364-02-000 | EA | NUT - SPEED - FLAT - ROUND |
| | 044533-01-000 | EA | WASHER - 1 3/8"OD - FOR BUTTONS - PLASTIC |
| | 051387-06-000 | EA | BOLT - CARRIAGE W/O HOLE - 5/16-18 X 9 1/2 - ZINC |
| | 058716-02-000 | EA | WASHER - FLAT NYLON |
| | 064081-03-000 | EA | NUT - WING 3/8-16 - W/WELD NUT |
| | 077071-01-000 | EA | WASHER - FENDER - 3/16"ID X 1"OD |
| | 087234-01-000 | EA | NUT - JACK - 1/4 X 20 THD - MOLLY |
| | 088787-12-000 | EA | STUD - WELD - 1/4 - 20 X 1.0 LG - MN |
| | 102540-02-000 | EA | SEAL - SCREW |
| | 106956-03-000 | EA | BOLT - HEX TAP - 1/2-13NC X 3 - GRADE 5 - FULL THREAD/ZINC |
| | 106956-10-000 | EA | BOLT - HEX TAP - 9/16-12NC X 3 5/8 -GRD 5-FULL THREAD/ZINC |
| | 106956-11-000 | EA | BOLT - HEX TAP - 1/2-13NC X 2 1/2 - GRD 5-FULL THREAD/ZINC |
| | 106956-13-000 | EA | BOLT - HEX TAP - 1/2-20 X 2 1/2 - GRD 5-FULL THREAD/ZINC |
| | 107397-01-000 | EA | WASHER - FENDER - 3/4"ID X 1"OD |
| | 108067-03-000 | EA | STUD - WELD - 1/4 - 20 X 1/2 CD |
| | 109917-03-000 | EA | WASHER - 1" X .50" |
| | 109917-04-000 | EA | WASHER - 1" X .75" |
| | 128444-01-000 | EA | WASHER - SPRING - CONICAL |
| | 135092-02-01A | EA | BOLT - HEX - SERRATED FLANGE - 1/2-20 X 2 1/2-GRADE 5 ZINC |
| | 135092-05-01A | EA | BOLT - HEX - SERRATED FLANGE - 1/2-20 X 1 - GRADE 5 ZINC |
| | 143399-01-01A | EA | NUT/RETAINING - 3/8"- 24 NFT |

SEALANTS & FASTENERS GROUP (CONTINUED)
BOLTS, NUTS AND WASHERS (CONTINUED)

| KEY | PART NUMBER | U/M | DESCRIPTION |
|-----|---------------|-----|-------------------------------|
| | 144904-01-01A | EA | BOLT - ADJUSTMENT - HEADLAMP |
| | 147284-02-000 | EA | NUT/SELF RETAINING - 5/16"-18 |
| | 148817-01-000 | EA | WASHER/SPUR - LOCKING |

SCREWS

| KEY | PART NUMBER | U/M | DESCRIPTION |
|-----|---------------|-----|---|
| | 0G1208-12-170 | EA | SCREW - 8-18 X 3/4 POH - BRIGHT WHITE |
| | 0G3908-08-170 | EA | SCREW - SF/DR - 8-18 X 1/2 PPH - BRIGHT WHITE |
| | 0G3908-08-410 | EA | SCREW - SF/DR - 8-18 X 1/2 PPH - PARCHMENT |
| | 0G3908-16-170 | EA | SCREW - SF/DR - 8-18 X 1 PPH - BRIGHT WHITE |
| | 0G3908-24-170 | EA | SCREW - SF/DR - 8-18 X 1 1/2 PPH - BRIGHT WHITE |
| | 0G3910-10-330 | EA | SCREW - SF/DR - 20-16 X 5/8 PPH - PUTTY |
| | 0G3910-12-170 | EA | SCREW - SF/DR - 10-16 X 3/4 PPH - BRIGHT WHITE |
| | 0G3910-12-240 | EA | SCREW - SF/DR - 10-16 X .75 PPH - VW LIGHT GRAY |
| | 0G3910-12-380 | EA | SCREW - SF/DR - 10-16 X .75 PPH - CASHMERE |
| | 0G3910-12-370 | EA | SCREW - SF/DR - 10-16 X .75 PPH - RIVERSTONE |
| | 0G3910-24-170 | EA | SCREW - SF/DR - 10-16 X 1 1/2 PPH - BRIGHT WHITE |
| | 0G3910-32-330 | EA | SCREW - SF/DR - 10-16 X 2.00 PPH - PUTTY |
| | 0G5508-08-380 | EA | SCREW - SF/DR - 8-18 X .5 PWH - CASHMERE |
| | 0G5508-08-370 | EA | SCREW - SF/DR - 8-18 X .5 PWH - RIVERSTONE |
| | 0G5508-12-170 | EA | SCREW - SF/DR - 8-18 X 3/4 PWH - BRIGHT WHITE |
| | 0G5508-12-320 | EA | SCREW - SF/DR - 8-18 X 3/4 PWH - GLACIER |
| | 0G5508-12-330 | EA | SCREW - SF/DR - 8-18 X 3/4 PWH - PUTTY |
| | 0G6008-16-170 | EA | SCREW - SF/DR - 8-18 X 1 POH - BRIGHT WHITE |
| | 0G5508-16-250 | EA | SCREW - SF/DR - 8-18 X 1 PWH - VW DARK GRAY |
| | 0G5508-16-330 | EA | SCREW - SF/DR - 8-18 X 1 PWH - PUTTY |
| | 0G5508-16-370 | EA | SCREW - SF/DR - 8-18 X 1 PWH - RIVERSTONE |
| | 0G5508-16-380 | EA | SCREW - SF/DR - 8-18 X 1 PWH - CASHMERE |
| | 0G5508-16-410 | EA | SCREW - SF/DR - 8-18 X 1 PWH - MEDIUM PARCHMENT |
| | 0G6012-32-170 | EA | SCREW - SF/DR - 12-14 X 2 POH - BRIGHT WHITE |
| | 0G6710-08-170 | EA | SCREW - 10-12 X 1/2 PPH - BRIGHT WHITE |
| | 0G6710-12-170 | EA | SCREW - 10-12 X 3/4 PPH - BRIGHT WHITE |
| | 0G6806-16-170 | EA | SCREW - 6-18 X 1 POH - BRIGHT WHITE |
| | 0G6810-24-280 | EA | SCREW - 10-12 X 1 1/2 POH - SOFT WHITE |
| | 000C20-06-24T | EA | SCREW - 3/8-16 X 1 1/2 - FLAT SOCKET |
| | 000C28-05-24D | EA | CAPSCREW/BUTTON HEAD - 5/16-18 X 1 1/2 - #8-BLK PHOSPHATE |
| | 000G11-06-08B | EA | SCREW - 6-20 X 1/2 PPH - ZINC |
| | 000G11-06-10B | EA | SCREW - 6-20 X 5/8 PPH - ZINC |
| | 000G11-06-10J | EA | SCREW - 6-20 X 5/8 PPH - BRASS |
| | 000G11-07-08B | EA | SCREW - 7-19 X 1/2 PPH - ZINC |
| | 000G11-08-06B | EA | SCREW - 8-18 X 3/8 PPH - ZINC |
| | 000G11-08-08T | EA | SCREW - 8-18 X 1/2 PPH - FLUOROCARBON COATING |
| | 000G11-08-12B | EA | SCREW - 8-18 X 3/4 PPH - ZINC |
| | 000G11-08-12P | EA | SCREW - 8-18 X 3/4 PPH - DARK BROWN |
| | 000G11-08-12S | EA | SCREW - 8-18 X 3/4 PPH - OFF WHITE |
| | 000G11-08-12T | EA | SCREW - 8-18 X 3/4 PPH - BLACK MAGNESIUM |
| | 000G11-08-20B | EA | SCREW - 8-18 X 1 1/4 PPH - ZINC |
| | 000G11-08-20G | EA | SCREW - 8-18 X 1 1/4 - ANTIQUE BRASS |
| | 000G11-10-12D | EA | SCREW - 10-16 X 3/4 PPH - BLACK |
| | 000G12-06-08T | EA | SCREW - 6-20 X 1/2 POH - BLACK |
| | 000G12-06-12J | EA | SCREW - 6-20 X .75 POH - BRASS |
| | 000G12-10-16F | EA | SCREW - 10-16 X 1 POH - STAINLESS STEEL |
| | 000G13-05-10B | EA | SCREW - 5-12 X 5/8 PFH - ZINC |
| | 000G13-06-08B | EA | SCREW - 6-20 X 1/2 PFH - ZINC |
| | 000G13-06-08G | EA | SCREW - 6-20 X 1/2 PFH - ANTIQUE BRASS |
| | 000G13-06-10G | EA | SCREW - 6-20 X 5/8 PFH - ANTIQUE BRASS |
| | 000G13-06-16J | EA | SCREW - 6-20 X 1 PFH - BRASS |
| | 000G13-06-169 | EA | SCREW - SF/DR - 6-20 X 1 PFH - SILVER |
| | 000G13-06-24J | EA | SCREW - 6-20 X 1 1/2 PFH - BRASS |
| | 000G13-07-10H | EA | SCREW - 7-19 X 5/8 PFH - BLACK |
| | 000G13-07-12B | EA | SCREW - 7-19 X 3/4 PFH - ZINC |
| | 000G13-08-109 | EA | SCREW - 8-18 X 5/8 PFH |
| | 000G13-08-10B | EA | SCREW - 8-18 X 5/8 PFH - ZINC |
| | 000G13-08-16B | EA | SCREW - 8-18 X 1 PFH - ZINC |

SEALANTS & FASTENERS GROUP (CONTINUED)
SCREWS (CONTINUED)

| KEY | PART NUMBER | U/M | DESCRIPTION |
|------------|--------------------|------------|---|
| | 000G13-08-24B | EA | SCREW - 8-18 X 1 1/2 PFH - ZINC |
| | 000G16-04-24B | EA | SCREW - MACHINE - 1/4-20 X 1 1/2 PPH |
| | 000G18-08-12B | EA | SCREW - MACHINE - 8-32 X 3/4 PPH - ZINC |
| | 000G18-08-16B | EA | SCREW - MACHINE - 8-32 X 1 PPH - ZINC |
| | 000G18-08-24B | EA | SCREW - MACHINE - 8-32 X 1 1/2 PPH - ZINC |
| | 000G18-08-22B | EA | SCREW - MACHINE - 8-32 X 1 3/8 PPH - ZINC |
| | 000G19-10-08B | EA | SCREW - MACHINE - 10-32 X 1/2 PPH - ZINC |
| | 000G19-10-10B | EA | SCREW - MACHINE - 10-32 X 5/8 - PPH - ZINC |
| | 000G19-10-12F | EA | SCREW - MACHINE - 10-32 X 3/4 PPH - STAINLESS STEEL |
| | 000G19-10-20B | EA | SCREW - MACHINE - 10-32 X 1 1/2 PPH - ZINC |
| | 000G32-10-06B | EA | SCREW - 10-32 X 3/8 PPH - ZINC |
| | 000G34-05-12B | EA | SCREW - HEX HEAD TAPPING - 5/16 X 3/4 LONG |
| | 000G36-10-12T | EA | SCREW - 10-24X 3/4 PFH TYPE 23 - BLACK |
| | 000G39-06-10T | EA | SCREW - SF/DR - 6-20 X 5/8 PPH - BLACK |
| | 000G39-06-16T | EA | SCREW - SF/DR - 6-20 X 1 PPH - BLACK |
| | 000G39-08-06B | EA | SCREW - SF/DR - 8-18 X 3/8 PPH - ZINC |
| | 000G39-08-08B | EA | SCREW - SF/DR - 8-18 X 1/2 PPH - ZINC |
| | 000G39-08-08S | EA | SCREW - SF/DR - 8-18 X 1/2 PPH - OFF WHITE |
| | 000G39-08-08T | EA | SCREW - SF/DR - 8-18 X 1/2 PPH - BLACK |
| | 000G39-08-12T | EA | SCREW - SF/DR - 8-18 X 3/4 PPH - BLACK |
| | 000G39-08-16B | EA | SCREW - SF/DR - 8-18 X 1 PPH - ZINC |
| | 000G39-08-16T | EA | SCREW - SF/DR - 6-20 X 1 PPH - BLACK |
| | 000G39-08-24B | EA | SCREW - SF/DR - 8-18 X 1 1/2 PPH - ZINC |
| | 000G39-08-24S | EA | SCREW - SF/DR - 8-18 X 1 1/2 - OFF WHITE |
| | 000G39-08-24T | EA | SCREW - SF/DR - 8-18 X 1 1/2 PPH - BLACK |
| | 000G39-08-32B | EA | SCREW - SF/DR - 8-18 X 2 PPH - ZINC |
| | 000G39-10-08B | EA | SCREW - SF/DR - 10-16 X 1/2 PPH - ZINC |
| | 000G39-10-10B | EA | SCREW - SF/DR - 10-16 X 5/8 PPH - ZINC |
| | 000G39-10-12B | EA | SCREW - SF/DR - 10-16 X 3/4 PPH - ZINC |
| | 000G39-10-129 | EA | SCREW - SF/DR - 10-16 X 3/4 PPH - FLUOROCARBON SILVER |
| | 000G39-10-169 | EA | SCREW - SF/DR - 10-16 X 1 PPH - FLUOROCARBON SILVER |
| | 000G39-10-20B | EA | SCREW - SF/DR - 10-16 X 1 1/4 PPH - ZINC |
| | 000G39-10-20T | EA | SCREW - SF/DR - 10-16 X 1 1/4 PPH - BLACK |
| | 000G39-10-24T | EA | SCREW - SF/DR - 10-16 X 1 1/2" PPH - BLACK |
| | 000G39-10-28T | EA | SCREW - SF/DR - 10-16 X 1 3/4" PPH - BLACK |
| | 000G39-10-32B | EA | SCREW - SF/DR - 10-16 X 2 - PPH - ZINC |
| | 000G39-10-48B | EA | SCREW - SF/DR - 10-16 X 3 - PPH - ZINC |
| | 000G39-10-48T | EA | SCREW - SF/DR - 10-16 X 3 PPH - BLACK |
| | 000G42-04-16B | EA | SCREW - SF/DR - 1/4-14 X 1 HWH - ZINC |
| | 000G42-04-24B | EA | SCREW - SF/DR - 1/4-14 X 1 1/2 - ZINC |
| | 000G46-08-24T | EA | SCREW - MACHINE - 8-32 X 1 1/2 PFH - ZINC |
| | 000G52-06-05B | EA | SCREW - MACHINE - 6-32 X 5/16 PTH - ZINC |
| | 000G52-06-06B | EA | SCREW - MACHINE - 6-32 X 3/8 PTH - ZINC |
| | 000G54-04-14B | EA | SCREW - 1/4-20 X 7/8 PTH - TYPE 23 - ZINC PLATED |
| | 000G55-08-12T | EA | SCREW - SF/DR - 8-18 X 3/4 PWH - BLACK |
| | 000G55-08-124 | EA | SCREW - SF/DR - 8-18 X 3/4 PWH - ASH GRAY |
| | 000G55-08-16T | EA | SCREW - SF/DR - 8-18 X 1 PWH - BLACK |
| | 000G56-12-48B | EA | SCREW - WOOD - 12-11 X 3 POH - SPECIAL HARDENED |
| | 000G57-14-64B | EA | SCREW - 14-10 X 4 PFH ZINC |
| | 000G60-08-16E | EA | SCREW - SF/DR - 8-1 X 1 POH - CHROME |
| | 000G60-08-20F | EA | SCREW - SF/DR - 8-19X1.25 POH |
| | 000G60-08-22B | EA | SCREW - SF/DR - 8-18 X 1.38 POH - ZINC |
| | 000G60-10-16J | EA | SCREW - SF/DR - 10-16 X 1 POH - BRIGHT BRASS |
| | 000G60-10-20B | EA | SCREW - SF/DR - 10-16 X 1 1/4 POH - ZINC |
| | 000G60-10-209 | EA | SCREW - SF/DR - 10-16 X 1 1/4 POH - SILVER STALGAARD |
| | 000G60-10-28T | EA | SCREW - SF/DR - 10-16 X 1 3/4 - BLACK |
| | 000G62-06-24I | EA | SCREW - SF/DR - 8-18 X 1.5 PPH - BLACK |
| | 000G62-06-249 | EA | SCREW - SF/DR - 8-18 X 1.5 PPH - SILVER |
| | 000G62-08-24B | EA | SCREW - SF/DR - 8-18 X 1 1/2 PFH |
| | 000G67-08-32B | EA | SCREW - 8-15 X 2 PPH - ZINC |
| | 000G67-10-08B | EA | SCREW - 10-12 X 1/2 PPH - ZINC |
| | 000G67-10-08S | EA | SCREW - 10-12 X 1/2 PPH - OFF WHITE |
| | 000G67-10-10B | EA | SCREW - 10-12 X 5/8 PPH - ZINC - TYPE A |
| | 000G67-10-10S | EA | SCREW - 10-12 X 5/8 PPH - OFF WHITE |

SEALANTS & FASTENERS GROUP (CONTINUED)
SCREWS (CONTINUED)

| KEY | PART NUMBER | U/M | DESCRIPTION |
|-----|---------------|-----|--|
| | 000G67-10-10T | EA | SCREW - 10-12 X 5/8 PPH - BLACK |
| | 000G67-10-10P | EA | SCREW - 10-12 X 5/8 PPH - DARK BROWN |
| | 000G67-10-12P | EA | SCREW - 10-12 X 3/4 PPH - DARK BROWN |
| | 000G67-10-24B | EA | SCREW - 10-12 X 1 1/2 PPH - ZINC |
| | 000G67-10-24S | EA | SCREW - 10-12 X 1 1/2 PPH - OFF WHITE |
| | 000G67-10-32J | EA | SCREW-10-12X2 PPH - BRIGHT BRASS |
| | 000G68-06-10J | EA | SCREW - 6-18 X 5/8 POH - BRASS |
| | 000G68-06-12B | EA | SCREW - 6-18 X 3/4 POH - ZINC & CLEAR |
| | 000G68-06-12J | EA | SCREW - 6-18 X 3/4 POH - BRASS |
| | 000G68-06-12S | EA | SCREW - 6-18 X 3/4 POH |
| | 029130-01-000 | EA | SCREW - SNAP STUD - #8-16 X 5/8" LONG |
| | 029130-03-000 | EA | SCREW - SNAP STUD - #8-16 X 1" LONG |
| | 049465-01-000 | EA | SCREW - 10-16 PTH W/WASHER - DARK BROWN |
| | 049465-03-000 | EA | SCREW - 10-16 X 1 POH W/WASHER - OFF WHITE |
| | 049465-13-000 | EA | SCREW - 10-16 X 1 PTH W/WASHER - ASH GRAY |
| | 049465-17-000 | EA | SCREW - 10-16 X 1 POH W/WASHER - BRIGHT WHITE |
| | 049465-18-000 | EA | SCREW - 10-16 X 1 POH W/WASHER - VW GRAY |
| | 054434-02-000 | EA | SCREW - SF/DR - 10-16 X 2 - ZINC |
| | 054434-03-000 | EA | SCREW - SF/DR - 10-16 X 2 - PWH - ZINC |
| | 075908-01-000 | EA | SCREW - MACHINE - 10-32 X .56 PTH - EXTERNAL TOOTH - ZINC |
| | 076790-01-000 | EA | SCREW - 6-20 X 1 1/4 PPH - BLACK |
| | 076790-05-000 | EA | SCREW - 6-20 X 1/2 PPH - BLACK - THREAD CUTTING/WOOD |
| | 083554-01-000 | EA | SCREW - DRYWALL - 8 X 1 1/4 |
| | 083554-04-000 | EA | SCREW - DRYWALL - 8 X 2 1/2 |
| | 087721-01-000 | EA | SCREW - FLAT HEAD - TAPPING - 1/4" X 1 1/4" LONG - ZINC |
| | 095772-01-000 | EA | SOCKET-SNAP FASTNER1" SF/DR - SELF DRIVER |
| | 097974-01-000 | EA | SCREW - PARTICLE BOARD - 7-9 X 3/4 PPH |
| | 097974-02-000 | EA | SCREW-PART BD 8-9X.75 PFH - BEIGE |
| | 101618-01-000 | EA | SCREW - 1/4-20 X 3/4 HEX - TAPPING - STALGARD TYPE F |
| | 113563-01-01A | EA | SCREW - 8 X 5/8 LONG SHOULDER/WASHER HEAD |
| | 113563-01-02A | EA | SCREW - 8 X 5/8 LONG SHOULDER/WASHER HEAD - BRIGHT WHITE |
| | 118383-01-09A | EA | RETAINER/RECESSED - F/.22" SCREW - GLACIER |
| | 118383-01-12A | EA | RETAINER/RECESSED - F/.22" SCREW - RIVERSTONE |
| | 118383-01-10A | EA | RETAINER/RECESSED - F/.22" SCREW - STORM GRAY |
| | 118383-01-11A | EA | RETAINER/RECESSED - F/.22" SCREW - CASHMERE |
| | 118383-02-10A | EA | RETAINER/RECESSED - F/.27" SCREW - RIVERSTONE |
| | 118383-02-11A | EA | RETAINER/RECESSED - F/.27" SCREW - CASHMERE |
| | 118383-02-13A | EA | RETAINER/RECESSED - F/.27" SCREW - OFF WHITE |
| | 118383-03-09A | EA | RETAINER/RECESSED - F/.32" SCREW - GLACIER |
| | 118383-04-04A | EA | CAP - F/RECESSED RETAINER - BRIGHT WHITE |
| | 118383-04-09A | EA | CAP - F/RECESSED RETAINER - GLACIER |
| | 118383-04-10A | EA | CAP - F/RECESSED RETAINER - RIVERSTONE |
| | 118383-04-11A | EA | CAP - F/RECESSED RETAINER - CASHMERE |
| | 118383-04-12A | EA | CAP - F/RECESSED RETAINER - STORM GRAY |
| | 118383-04-13A | EA | CAP - F/RECESSED RETAINER - OFF WHITE |
| | 134126-01-01A | EA | SCREW/NAIL - HEX HEAD - 3/4" |
| | 140040-01-000 | EA | SCREW - 1/4-20 X 1 - BUTTON HEAD/SOCKET - W/LOCTITE |
| | 149753-01-01A | EA | RETAINER/RECESSED - F/.22" SCREW - BLACK |
| | 149753-01-02A | EA | RETAINER/RECESSED - F/.22" SCREW - BRIGHT WHITE |
| | 149753-02-01A | EA | CAP - F/RECESSED RETAINER - BLACK |
| | 149753-02-02A | EA | CAP - F/RECESSED RETAINER - BRIGHT WHITE |
| | 154938-01-01A | EA | SCREW - SF/DR - 10-16 X 3/4 PPH - W/SELF SEAL - BRIGHT WHITE |
| | 154938-01-02A | EA | SCREW - SF/DR - 10-16 X 3/4 PPH - W/SELF SEAL - BLACK |
| | 154938-02-01A | EA | SCREW - SF/DR - 8-18 X 1 PFH - W/SELF SEAL - BRIGHT WHITE |
| | 154938-02-02A | EA | SCREW - SF/DR - 8-18 X 1 PFH - W/SELF SEAL - BLACK |
| | 154938-02-03A | EA | SCREW - SF/DR - 8-18 X 1 PFH - W/SELF SEAL - SILVER |
| | 154938-03-01A | EA | SCREW - SF/DR - 8-18 X 5/8 PFH - W/SELF SEAL - BRT WHT |
| | 154935-03-02A | EA | SCREW - SF/DR - 8-18 X 5/8 PFH - W/SELF SEAL - BLACK |
| | 154938-04-01A | EA | SCREW - SF/DR - 10-16 X 1" TPH - W/SELF SEAL - BRT WHT |
| | 154938-04-02A | EA | SCREW - SF/DR - 10-16 X 1" TPH - W/SELF SEAL - BLACK |
| | 154938-05-03A | EA | SCREW - SF/DR - 8-18 X 1.25" PFH - W/SELF SEAL - SILVER |

SEALANTS & FASTENERS GROUP (CONTINUED)
CLAMPS, CLIPS, GROMMETS, RIVETS & PLUGS

| KEY | PART NUMBER | U/M | DESCRIPTION |
|-----|---------------|-----|---|
| | 000H16-04-06R | EA | RIVET - POP ALUMINUM - 1/8 X .313 - .375 |
| | 000H16-06-10R | EA | RIVET - POP ALUMINUM - 3/16 X .501 - .625 |
| | 007161-01-000 | EA | CLAMP - HOSE - SPRING TYPE - 1/2" |
| | 008386-01-000 | EA | GROMMET - SNAP - 3/8" DIAMETER - NYLON |
| | 010495-01-000 | EA | CLAMP - CABLE - 9/16"ID - BLACK |
| | 010495-02-000 | EA | CLAMP - CABLE - 3/8"ID - BLACK |
| | 010495-04-000 | EA | CLAMP - CABLE - 11/16"ID - WHITE |
| | 010497-01-000 | EA | CLAMP - CLOSED - 5/8"ID |
| | 010497-02-000 | EA | CLAMP - CLOSED - 1.5"ID |
| | 010497-03-000 | EA | CLAMP - CLOSED - 1"ID - CUSHIONED |
| | 010497-04-000 | EA | CLAMP - CLOSED - 1 5/8"ID |
| | 010497-05-000 | EA | CLAMP - CLOSED - 1/2"ID |
| | 010497-07-000 | EA | CLAMP - CLOSED - 3/8"ID |
| | 010497-09-000 | EA | CLAMP - CLOSED - 5/16"ID |
| | 010497-10-000 | EA | CLAMP - CLOSED - 7/8"ID |
| | 010499-01-000 | EA | CLAMP - CLOSED - 3/8"ID |
| | 016188-03-000 | EA | GROMMET - LP LINE - 3/8"HOLE X 2 1/2"LONG - RUBBER |
| | 016188-04-000 | EA | GROMMET - LP LINE - 1/2"HOLE X 2 1/2"LONG - RUBBER |
| | 016188-05-000 | EA | GROMMET - LP LINE - 3/8"HOLE X 1 1/4"LONG - RUBBER |
| | 016188-06-000 | EA | GROMMET - LP LINE - 3/8"HOLE X 3 1/4"LONG - RUBBER |
| | 016188-07-000 | EA | GROMMET - L/P LINE - 1/2"HOLE X 3 1/4"LONG |
| | 016188-08-000 | EA | GROMMET - LP LINE - 1/2"HOLE X 1 1/4"LONG - RUBBER |
| | 016188-09-000 | EA | GROMMET - LP LINE - .68"HOLE X 1 1/4"LONG - RUBBER |
| | 016188-10-000 | EA | GROMMET - LP GAS - .68" X 2.5" |
| | 023942-01-000 | EA | GROMMET - RUBBER - 2"OD |
| | 041930-11-000 | EA | RIVET - POP ALUMINUM - 1/8 X .188 - .250 - BRIGHT WHITE |
| | 061420-04-000 | EA | PLUG/PLASTIC - 1 1/4" DIAMETER |
| | 061420-05-000 | EA | PLUG/PLASTIC - 1 1/2" DIAMETER |
| | 061420-09-000 | EA | PLUG/PLASTIC - 1.00" DIAMETER |
| | 061420-10-000 | EA | PLUG/PLASTIC - 1 1/2" DIAMETER - BLACK |
| | 061420-12-000 | EA | PLUG/PLASTIC - 1.50" DIAMETER - RED |
| | 061420-13-000 | EA | PLUG/PLASTIC - 3/8" - FLUSH |
| | 061420-14-000 | EA | PLUG/PLASTIC - 7/8" DIAMETER - BLACK |
| | 061420-15-000 | EA | PLUG/PLASTIC - 2" DIAMETER - BLACK |
| | 061420-16-000 | EA | PLUG/PLASTIC - 2 1/8" DIAMETER - BLACK |
| | 062401-01-000 | EA | CLAMP - HOSE - WORMGEAR - .25" - 1" |
| | 062401-02-000 | EA | CLAMP - HOSE - WORMGEAR - 1.56" - 2.5" ID |
| | 062401-03-000 | EA | CLAMP - HOSE - WORMGEAR - .22" - 1" ID |
| | 062401-04-000 | EA | CLAMP - HOSE - WORMGEAR - .69" - 1.25" ID |
| | 062401-05-000 | EA | CLAMP - HOSE - WORMGEAR - 2" - 3" ID |
| | 062401-06-000 | EA | CLAMP - HOSE - WORMGEAR - .22" - .62" ID |
| | 062401-09-000 | EA | CLAMP - HOSE - WORMGEAR - 2.8" - 3.75" ID |
| | 062401-11-000 | EA | CLAMP - HOSE - WORMGEAR - 3.50" - 4.50" ID |
| | 062401-13-000 | EA | CLAMP - HOSE - WORMGEAR |
| | 063729-12-000 | EA | RIVNUT - 5/16 - 18 UNCUT - FLATHEAD - STAINLESS |
| | 071015-01-000 | EA | GROMMET - RUBBER - .5"ID X 1"OD-W/.38" GROOVE - BLACK |
| | 071015-11-000 | EA | GROMMET - RUBBER - 1"ID FITS .12 MATERIAL - BLACK |
| | 071015-13-000 | EA | GROMMET - RUBBER - .62"ID X 1"OD W/.09" GROOVE - BLACK |
| | 071015-22-000 | EA | GROMMET - RUBBER - .62"ID X 1.12"OD W/.19" GROOVE - BLACK |
| | 071015-26-000 | EA | GROMMET - RUBBER - 1.5"ID X 2.1"OD W/.06" GROOVE - BLACK |
| | 071015-29-000 | EA | GROMMET - RUBBER - .3"ID X 1.3"OD W/.12" GROOVE - BLACK |
| | 071015-30-000 | EA | GROMMET - RUBBER - .3"ID X .81"OD W/.12" GROOVE - BLACK |
| | 071015-39-000 | EA | GROMMET - .75 ID FITS .06 MTL |
| | 071015-41-000 | EA | GROMMET - .125 ID FITS .188 MTL |
| | 071015-42-000 | EA | GROMMET - .25 ID FITS .06 MTL |
| | 075148-02-000 | EA | CLAMP - GROUNDING - BRONZE SCREWS |
| | 077955-01-000 | EA | CLIP/J - 3/8" - VINYL COATED |
| | 080734-02-000 | EA | CLIP - WIRE NYLON |
| | 081211-01-000 | EA | PLUG - PLASTIC - .31"DIA - BLACK |
| | 081211-03-000 | EA | PLUG - PLASTIC - .50"DIAMETER - TRUSS HEAD - BLACK |
| | 081211-04-000 | EA | PLUG - PLASTIC - .46"DIAMETER - TRUSS HEAD - BLACK |
| | 083609-01-000 | EA | CLAMP - WIRE - DUAL - EQUAL DIAMETERS - 5/8" |
| | 083610-01-000 | EA | CLAMP - WIRE - DUAL - UNEQUAL DIAMETERS - 3/4" & 1 1/4" |
| | 083610-02-000 | EA | CLAMP - WIRE - DUAL - UNEQUAL DIAMETERS - 3/4" & 2" |

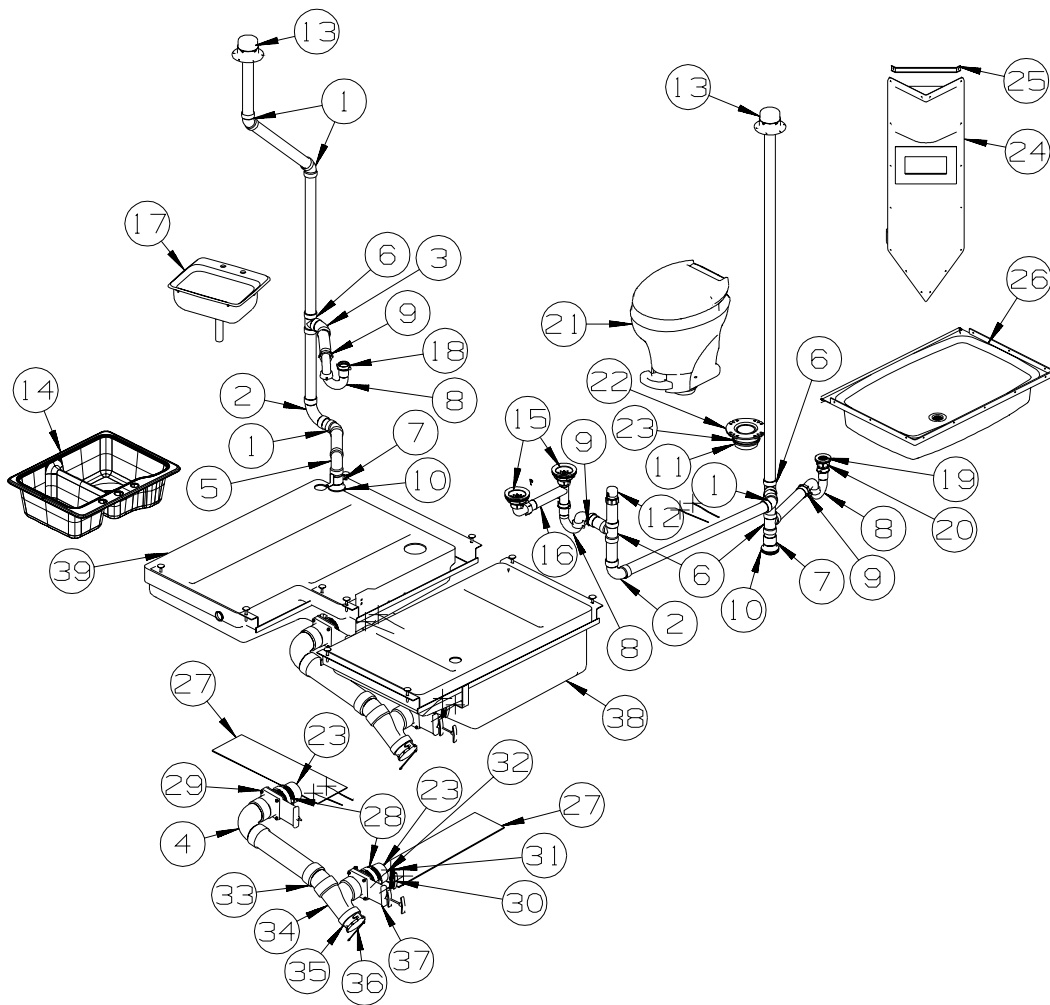
SEALANTS & FASTENERS GROUP (CONTINUED)
CLAMPS, CLIPS, GROMMETS, RIVETS & PLUGS (CONTINUED)

| KEY | PART NUMBER | U/M | DESCRIPTION |
|------------|--------------------|------------|--|
| | 083610-03-000 | EA | CLAMP - WIRE - DUAL - EQUAL DIAMETERS - 2" |
| | 088756-01-000 | EA | GROMMET - WEB - 1 1/8"ID |
| | 089329-02-000 | EA | CLIP - SPRING |
| | 091952-01-000 | EA | CLIP - GRIPPER - 1" - BLACK VINYL COATED |
| | 091952-02-000 | EA | CLIP - GRIPPER - 3/4" - BLACK VINYL COATED |
| | 091952-03-000 | EA | CLIP - GRIPPER - 1/2" - BLACK VINYL COATED |
| | 094362-02-000 | EA | CLIP - XMAS TREE - BINDER HEAD - .9" LONG/ANY COLOR |
| | 094362-05-000 | EA | CLIP - XMAS TREE - ROUND HEAD - 1.4" LONG/ANY COLOR |
| | 113133-02-01A | EA | RIVET - POP - ALUMINUM - 3/16 X .252 - .504 - BLACK |
| | 114208-05-000 | EA | GROMMET - EDGE LINER - FITS 2" |
| | 118626-01-02A | EA | RIVET/POP - ALUMINUM - 3/16 X .08 - .375 |
| | 118626-01-01A | EA | RIVET/POP - ALUMINUM - 3/16 X 1.2"(GRIP RANGE .1"-.4") |
| | 118626-02-01A | EA | RIVET/POP - ALUMINUM - 3/16 X .500 - .750 |
| | 118626-03-01A | EA | RIVET/POP - STAINLESS STEEL - 3/16 X .500 - .750 |
| | 137014-01-02A | EA | GROMMET - CABLE - BROWN |
| | 137014-01-01A | EA | GROMMET - CABLE - ALMOND |
| | 137014-01-03A | EA | GROMMET - CABLE - BLACK |
| | 139118-02-01A | EA | GROMMET - SCREW - PLASTIC |
| | 155498-01-01A | EA | CLAMP - CLOSED - 7/8"ID - VINYL DIP/GALVONIZED - BLACK |

MISCELLANEOUS FASTENERS

| KEY | PART NUMBER | U/M | DESCRIPTION |
|------------|--------------------|------------|---|
| | 008343-01-000 | EA | TIE - WIRE - 6" |
| | 008343-02-000 | EA | TIE - WIRE - 14" |
| | 008343-03-000 | EA | TIE - WIRE - 7 1/2" - BLACK |
| | 029094-04-000 | YD | VELCRO TAPE/LOOP - 1"WIDE - W/ADHESIVE BACK - BLACK |
| | 029096-04-000 | YD | VELCRO TAPE/HOOK - 1"WIDE - BLACK - W/ADHESIVE BACK (PSA) |
| | 048394-02-000 | YD | VELCRO TAPE - HOOK - ADHESIVE BACK - 3/4" WIDE - BEIGE |
| | 085774-01-000 | FT | FASTENER - DUAL LOCK - 1" WIDE - ADHESIVE BACK - BLACK |
| | 085774-02-000 | FT | FASTENER - DUAL HOOK - 1" WIDE - ADHESIVE BACK - BLACK |
| | 088792-02-000 | YD | VELCRO TAPE - LOOP - 3/4" - ADHESIVE BACK - BEIGE |
| | 088792-04-000 | YD | VELCRO TAPE - HOOK - 5/8" - NON-ADHESIVE BACK - WHITE |
| | 088792-05-000 | YD | VELCRO TAPE - LOOP - 5/8" - NON-ADHESIVE BACK - WHITE |
| | 108046-02-000 | EA | CABLE TIE - SCREW MOUNT 15" |

WATER & SEWAGE GROUP DRAINAGE SYSTEM



| KEY | PART NUMBER | U/M | DESCRIPTION |
|-----|---------------|-----|--|
| 1 | 010006-01-000 | EA | ELBOW - 45 DEGREE - 1 1/2" HUB X HUB - PLASTIC |
| 2 | 010008-01-000 | EA | ELBOW - 90 DEGREE - 1 1/2" HUB X HUB - PLASTIC |
| 3 | 010051-01-000 | EA | ELBOW - 45 DEGREE - 1 1/2" SPIGOT X HUB - PLASTIC |
| 4 | 031126-01-000 | EA | ELBOW - 1/4 BEND - 3" X 90" XLT - BLACK PLASTIC |
| 5 | 034250-01-000 | EA | ELBOW - 90 DEGREE - LONG TURN - 1 1/2" HUB X HUB - ABS |
| 6 | 010071-01-000 | EA | TEE - SANITARY - 1 1/2" HUB X HUB X HUB - PLASTIC |
| 7 | 010115-01-000 | EA | COUPLING - 1 1/2" HUB X HUB - PLASTIC |
| 8 | 107538-02-000 | EA | P-TRAP - PLASTIC - 1 1/2" W/EXTENSION ARM |
| 8 | 011071-01-000 | EA | P-TRAP - 1 1/2" - CSA - PLASTIC - CANADIAN |
| 9 | 152146-01-000 | EA | CONNECTOR - 1 1/2" P X 1 1/2" MPT |
| 10 | 061607-01-000 | EA | GROMMET - HOLDING TANK - 1 1/2" NPS |
| 11 | 061607-02-000 | EA | GROMMET - HOLDING TANK - 3" NPS |
| 12 | 079968-01-000 | EA | VENT - MECHANICAL/TRAP ARM - ANTI-SIPHON-2" X 7.3" PLASTIC |
| 13 | 083558-03-000 | EA | VENT - W/COVER - F/PLUMBING STACK - OFF WHITE |
| 14 | 148870-01-01A | EA | SINK/DOUBLE - LRG/SML BASIN - 25" X 19" X 7" |
| 15 | 092303-01-000 | EA | STRAINER - W/BASKET - GALLEY SINK - 4" OD |
| 16 | 011091-02-000 | EA | WASTE - CONTINUOUS - DOUBLE SINK |
| 17* | 096927-01-02A | EA | SINK - LAVATORY - RECTANGULAR - PLASTIC - SOFT WHITE |
| 18 | 106116-01-02A | EA | STRAINER/PLASTIC - STOPPER/TAILPIECE/GASKET & NUT-LAVATORY |
| | 127440-02-01A | EA | WASHER - RUBBER - 1.8" X .1" |
| | 130403-01-000 | EA | NUT - SLIP - W/WINGS 1 1/2" |
| 19 | 066440-01-000 | EA | STRAINER - SHOWER DRAIN - W/RUBBER WASHER |
| | 127440-02-01A | EA | WASHER - RUBBER - 1.8" X .1" |
| 20 | 011069-06-000 | EA | TAILPIECE - 1 1/2" X 1 1/4" X 2 1/2" - BRASS |
| | 130403-01-000 | EA | NUT - SLIP - W/WINGS 1 1/2" |
| 21* | 147421-04-01A | EA | TOILET/AQUA MAGIC 5 (HIGH) HANDFLUSH - W/O SPRAY - WHITE |
| 22 | 148914-01-000 | EA | FLANGE - CLOSET - FPT - 4" X 3" |
| 23 | 010129-03-000 | EA | NIPPLE - 3" X 3" TOE - PLASTIC |
| 24 | 105707-01-02A | EA | CADDY - SHOWER - SOFT WHITE |

WATER & SEWAGE GROUP (CONTINUED)
DRAINAGE SYSTEM (CONTINUED)

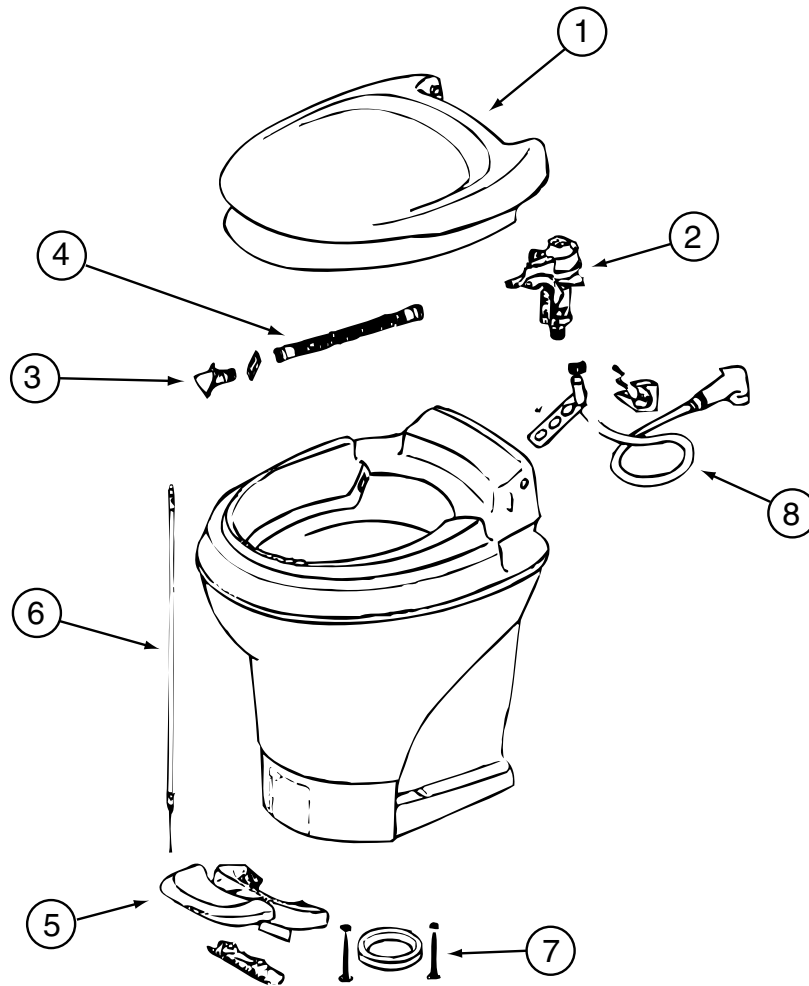
| KEY | PART NUMBER | U/M | DESCRIPTION |
|------------|--------------------|------------|--|
| 25 | 113714-02-02A | EA | RETAINER - SHELF/SHOWER - 10.6" - SOFT WHITE |
| 26 | M02630-22-K04 | EA | SHOWER PAN - W/SPRING LOADED DRAIN PLUNGER |
| 27 | 133972-01-000 | EA | PAD/HEATER - HOLDING TANK - F/40 GALLON - DRAINAGE SYSTEM-HEATED |
| 28 | 078406-01-000 | EA | COUPLER - 3" X 3" W/CLAMPS - RUBBER |
| 29 | 062418-02-000 | EA | VALVE-3",HUBXSPIGOT,W/O HNDL - VALTERRA T40 WINN |
| 30 | 062419-06-000 | EA | HANDLE - T |
| 31 | 062419-05-000 | EA | BRACKET - VALVE - LOCKING |
| 32 | 062419-10-000 | EA | HANDLE - EXTENSION - W/TAPPED END |
| 33 | 010023-01-000 | EA | ELBOW/STREET - PLASTIC |
| 34 | 136664-01-000 | EA | TEE - PLASTIC - 3" |
| 35 | 062417-01-000 | EA | ADAPTER - TERMINATION - 3" |
| 36* | 062415-01-000 | EA | CAP - SEWER - 3" DIAMETER |
| | 139513-01-000 | EA | HOSE - SEWER - 3" X 10' - W/BAYONET TYPE ADAPTER |
| | 062416-01-000 | EA | ADAPTER - SEWER HOSE TO 3" PIPE |
| 37 | 062418-01-000 | EA | VALVE - DUMP - W/HANDLE - 3" - PLASTIC/BLACK |
| 38 | 137501-01-01A | EA | TANK - HOLDING - 37 GALLON - W/3" NIPPLE - W/O FITTINGS |
| | 049032-01-000 | EA | PATCH - SPINWELD - 3/8" - PLASTIC |
| 39 | 143299-01-700 | EA | TANK - HOLDING - 36 GALLON - W/3" NIPPLE - W/O FITTINGS |
| | 049032-01-000 | EA | PATCH - SPINWELD - 3/8" - PLASTIC |

***COMPONENT PARTS LISTED LATER IN THIS GROUP**

COMPONENT PARTS FOR DRAINAGE SYSTEM

| KEY | PART NUMBER | U/M | DESCRIPTION | VENDOR NO. |
|------------|--------------------|------------|--------------------------|-------------------|
| | | | 062415-01-000 | |
| | 062415-01-700 | EA | STRING-SEWER CAP | V#SV7 STRAP |
| | | | 096927-01-02A | |
| KEY | PART NUMBER | U/M | DESCRIPTION | VENDOR NO. |
| | 096927-01-700 | EA | SINK STOPPER | M9801 |
| | 096927-01-701 | EA | TAILPIECE-DRAIN-LAVATORY | M9802 |

WATER & SEWAGE GROUP (CONTINUED)
COMPONENT PARTS FOR DRAINAGE SYSTEM (CONTINUED)



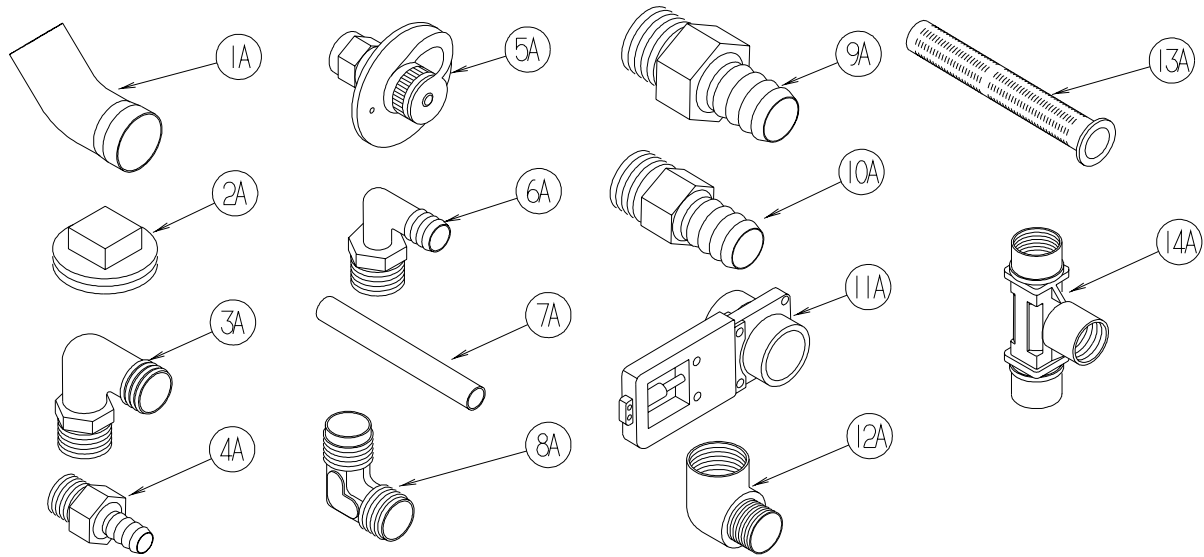
147421-04-01A, 147421-05-01A

| KEY | PART NUMBER | U/M | DESCRIPTION | VENDOR NO. |
|-----|---------------|-----|------------------------------|----------------|
| 1 | 147421-01-700 | EA | SEAT & COVER ASSEMBLY(WHT) | 31703 |
| 2 | 147421-01-701 | EA | WATER MODULE ASSEMBLY | 31705 |
| 3 | 147421-01-702 | EA | NOZZLE ASSEMBLY | 31706 |
| 4 | 147421-01-703 | EA | LINK - WATER MODULE | 31621 |
| 7 | 063740-01-706 | EA | BOLT PACKAGE-FLOOR FLANGE | 12524 THETFORD |
| | 147421-01-706 | EA | SEAL - BLADE | 31708 |
| | 147421-01-707 | EA | CAP (UNIVERSAL BOLT) - WHITE | 31713 |

CONTACT WINNEBAGO PART SALES FOR UNLISTED COMPONENT(S)

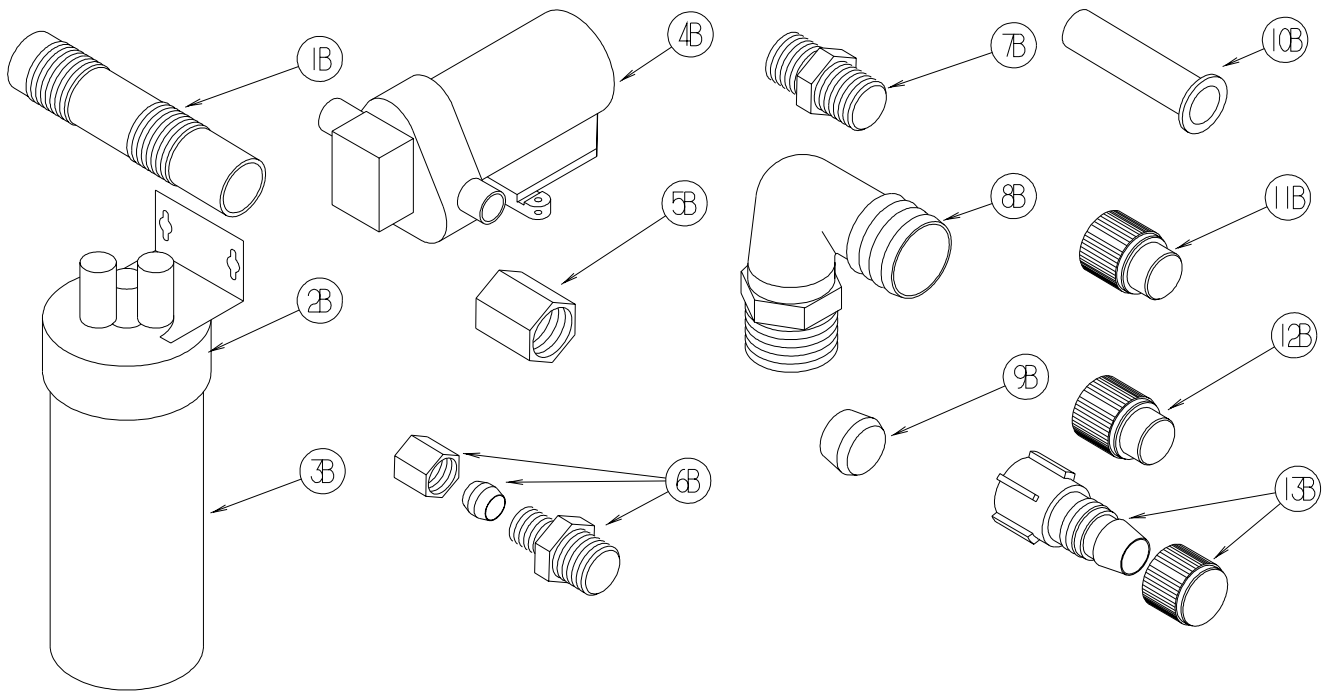
WATER & SEWAGE GROUP (CONTINUED)

WATER SYSTEM



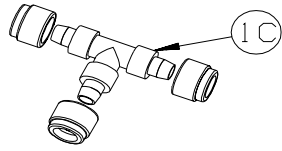
| KEY | PART NUMBER | U/M | DESCRIPTION |
|-----|---------------|-----|---|
| 1A | 010009-01-000 | EA | ELBOW - 90 DEGREE - 1/4 BEND - 1 1/2" PLASTIC |
| 2A | 010166-01-000 | EA | PLUG/THREADED - 1 1/4"MPT - PLASTIC - BLACK - UL |
| 3A | 010219-01-000 | EA | ELBOW - 1 1/4 MPT X 1 1/4 BARB - WATER FILL - PLASTIC |
| 4A | 010224-01-000 | EA | ADAPTER - HOSE TO PIPE - 3/8 MPT X 3/8 BARB - PLASTIC |
| 5A | 010230-06-000 | EA | FILL - CITY WATER - W/CHECK VALVE - MPT - BRUSHED ALUM |
| 6A | 035539-01-000 | EA | ELBOW - 3/8 MPT X 3/8 BARB - PLASTIC |
| 7A | 039800-04-000 | FT | TUBING - POLYBUTYL - 1/4"OD |
| 7A | 074462-02-000 | FT | TUBING - VINYL - 3/8 ID X 20' - CLEAR |
| 7A | 112176-01-000 | FT | TUBING - VINYL - REINFORCED - 1/2" ID |
| 7A | 124188-01-000 | FT | TUBING - PEX - 1/2" ID X 20' - BLUE(COLD) |
| 7A | 124188-02-000 | FT | TUBING - PEX - 1/2" ID X 20' - RED(HOT) |
| 8A | 039808-03-000 | EA | ELBOW - 1/2" MPT X 1/2" MPT - PLASTIC |
| 9A | 044927-01-000 | EA | ADAPTER - HOSE TO PIPE-1 1/4 MPTX1 1/4 BARB-BLACK PLASTIC |
| 10A | 044927-02-000 | EA | ADAPTER - REDUCING - 1" MPT X 1.3" BARB - PLASTIC |
| 11A | 062421-03-000 | EA | VALVE/DUMP W/O HANDLE - 1 1/2" X 1 1/2" HUB |
| | 062421-05-000 | EA | CABLE/ROD - F/DUMP VALVE - W/HANDLE - 48" |
| | 062421-07-000 | EA | CABLE/ROD - F/DUMP VALVE - W/HANDLE - 144" |
| | 062421-08-000 | EA | CABLE/ROD - F/DUMP VALVE - W/HANDLE - 108" |
| 12A | 065318-02-000 | EA | ELBOW - 90 DEGREE - 3/8" MPT TO 3/8" FPT |
| 13A | 077954-02-000 | EA | FILTER - WATER TANK - W/SCREEN IN TANK |
| 14A | 039798-01-000 | EA | TEE - 1/2"MPT X 1/2"MPT X 1/2"MPT - PLASTIC |

WATER & SEWAGE GROUP (CONTINUED)
WATER SYSTEM (CONTINUED)

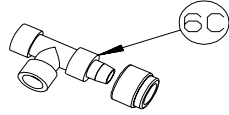


| KEY | PART NUMBER | U/M | DESCRIPTION |
|-----|---------------|-----|---|
| 1B | 079381-01-000 | FT | TUBING - RIBBED FLEXIBLE - WATER FILL - 1.4" ID |
| 2B | 087200-01-000 | EA | FILTER-WATER PURIFCATION, EVERPURE QC2-AC |
| 3B | 087200-02-000 | EA | CARTRIDGE-WATER FILTER,AC - EVERPURE 9601-11 |
| 4B* | 098607-01-000 | EA | PUMP - WATER - W/.5" MPT FITTING - FLOW 2.8 GPM |
| | | | FROM: 00-00-00 THRU: 06-21-06 |
| 4B | 160702-01-000 | EA | PUMP - WATER - 3.0 GPM - W/1/2" MPT |
| | | | FROM: 06-22-06 THRU: 99-99-99 |
| 5B | 101814-01-000 | EA | COUPLING - FEMALE - 1/2" X 1/2" FPT - GRAY |
| 6B | 103798-01-000 | EA | CONNECTOR - 1/4 OD X 3/8 MPT |
| 7B | 110438-02-000 | EA | VALVE - CHECK - BRASS - 1/2 MPT X 1/2 MPT |
| 8B | 111223-02-000 | EA | ELBOW - 1/2" MPT X 3/8" BARB - PLASTIC |
| 8B | 111223-03-000 | EA | ELBOW - 3/4" MPT X 1/2" BARB - PLASTIC |
| 8B | 111223-04-000 | EA | ELBOW - 1/2" MPT X 1/2" BARB - PLASTIC |
| 9B | 111888-01-000 | EA | FERRULE - PLASTIC - .250 ID X .375 OD |
| 10B | 111888-02-000 | EA | INSERT - BRASS - 1/4 COMP |
| 11B | 113697-01-000 | EA | CAP - 3/8"P |
| 12B | 114427-01-000 | EA | CAP - 1/2"P |
| 13B | 114427-02-000 | EA | PLUG - W/COMP NUT - 1/2" PLASTIC PIPE/1/2" FLAIR-IT |

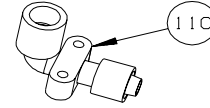
WATER & SEWAGE GROUP (CONTINUED)
WATER SYSTEM (CONTINUED)



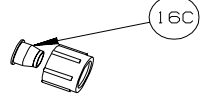
1C



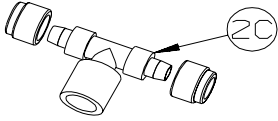
6C



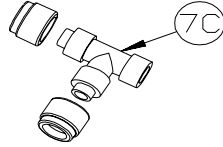
11C



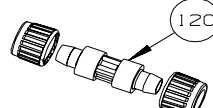
16C



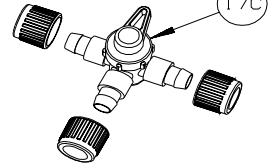
2C



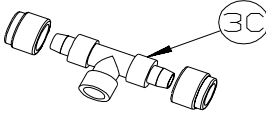
7C



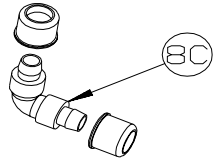
12C



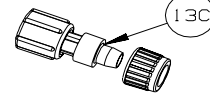
17C



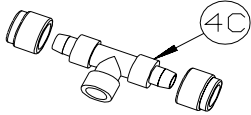
3C



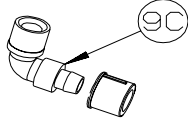
8C



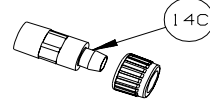
13C



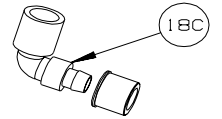
4C



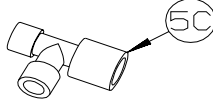
9C



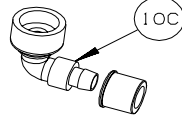
14C



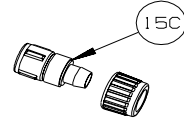
18C



5C



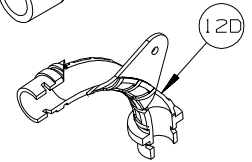
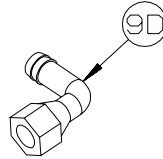
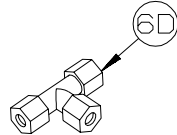
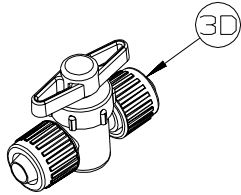
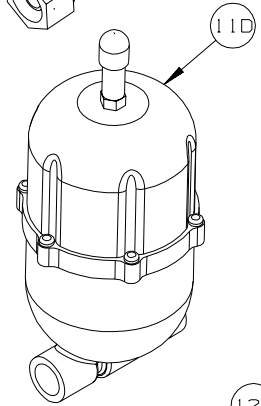
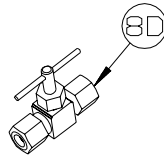
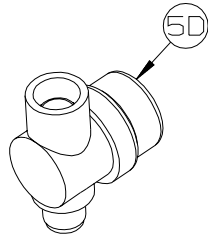
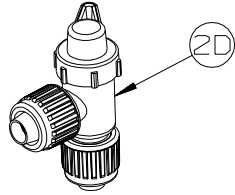
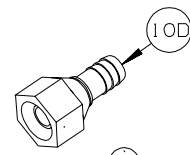
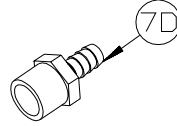
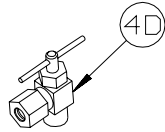
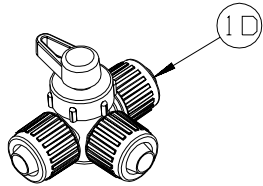
10C



15C

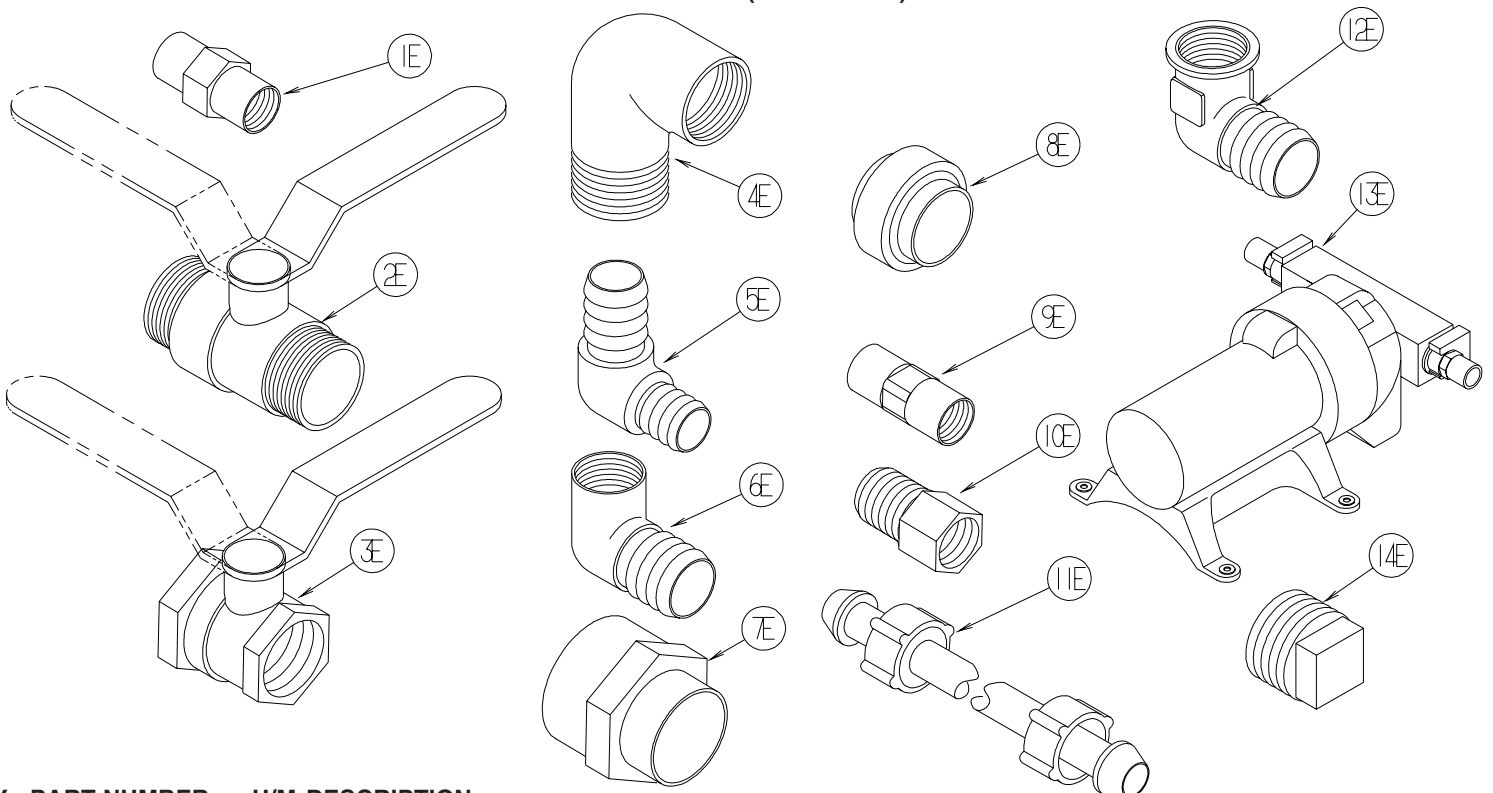
| KEY | PART NUMBER | U/M | DESCRIPTION |
|-----|---------------|-----|---|
| 1C | 114428-01-000 | EA | TEE - 1/2"P X 1/2"P X 1/2"P |
| 2C | 114428-02-000 | EA | TEE - SWIVEL - 1/2"P X 1/2"P X 1/2"FPT |
| 3C | 114428-03-000 | EA | TEE - 1/2"P X 1/2"P X 1/2"MPT |
| 4C | 114428-04-000 | EA | TEE - 1/2"P X 1/2"P X 1/8"FPT |
| 5C | 114428-05-000 | EA | TEE - 1/2" SWIVEL X 1/2" MPT X 1/2" MPT |
| 6C | 114428-06-000 | EA | TEE - 1/2" P X 1/2" MPT X 1/2" MPT |
| 7C | 114428-07-000 | EA | TEE - 1/2" P X 1/2" MPT X 1/2" P |
| 8C | 114429-01-000 | EA | ELBOW - 1/2"P X 1/2"P |
| 9C | 114429-02-000 | EA | ELBOW - 1/2"P X 1/2"MPT |
| 9C | 114429-04-000 | EA | ELBOW - 1/2"P X 3/8"MPT |
| 9C | 114429-05-000 | EA | ELBOW - 1/2"P X 3/4"MPT |
| 9C | 114429-10-000 | EA | ELBOW - SWIVEL - 1/2"MPT X 1/2"FPT |
| 10C | 114429-06-000 | EA | ELBOW - SWIVEL - 1/2"P X 3/4"FPT |
| 10C | 114429-08-000 | EA | ELBOW - SWIVEL - 1/2"P X 1/2"FPT |
| 11C | 114429-09-000 | EA | ELBOW - 1/2"P X 1/2"FPT DROP EAR |
| 12C | 114430-01-000 | EA | ADAPTER - 1/2"P X 1/2"P |
| 13C | 114430-02-000 | EA | ADAPTER - SWIVEL - 1/2"P X 1/2"FPT |
| 13C | 114430-04-000 | EA | ADAPTER - SWIVEL - 1/2"P X 3/8"MPT |
| 14C | 114430-03-000 | EA | ADAPTER - 1/2"P X 1/2"MPT |
| 15C | 114430-06-000 | EA | ADAPTER - 1/2"P X 3/8"FPT |
| 15C | 114430-09-000 | EA | ADAPTER - 1/2"P X 1/2"FPT |
| 16C | 114430-10-000 | EA | ADAPTER - NUT - PIPE CONNECTION - 1/2" |
| 17C | 114431-01-000 | EA | VALVE - 180 DEGREE/CENTER DRAIN - 1/2"P - THREE WAY |
| 18C | 114429-11-000 | EA | ELBOW - 1/2"P X 1/2"FPT |

WATER & SEWAGE GROUP (CONTINUED)
WATER SYSTEM (CONTINUED)



| KEY | PART NUMBER | U/M | DESCRIPTION |
|-----|---------------|-----|--|
| 1D | 114431-02-000 | EA | VALVE - WATER BYPASS - 1/2" P - THREE WAY (WATER HEATER) |
| 2D | 114431-03-000 | EA | VALVE - 90 DEGREE DRAIN - 1/2" P |
| 3D | 114431-04-000 | EA | VALVE - "INLINE SHUT-OFF" - 1/2" P |
| 4D | 114431-05-000 | EA | VALVE - NEEDLE - 1/8" MPT X 1/4" COMPRESSION (ICE MAKER) |
| 5D | 152925-01-01A | EA | FILTER - IN LINE - TWIST ON - 1/2" - BLACK |
| 6D | 118423-01-000 | EA | FITTING - BRASS-TEE - 1/4" X 1/4" X 1/4" |
| 7D | 118809-01-000 | EA | ADAPTER - 1/2" MPT X 3/8" BARB - PLASTIC |
| 7D | 118809-02-000 | EA | ADAPTER - 1/2" MPT X 1/2" BARB - PLASTIC |
| 8D | 120868-01-000 | EA | VALVE - NEEDLE - 1/4" COMPRESSION X 1/4" COMPRESSION |
| 9D | 123150-01-000 | EA | ELBOW - 1/2" FPT X 1/2" BARB - SWIVEL |
| 10D | 123152-01-000 | EA | ADAPTER - 1/2" FPT X 1/2" BARB - SWIVEL |
| 11D | 123243-01-000 | EA | TANK - ACCUMULATOR - 24 OZ |
| 11D | 123317-01-000 | EA | TANK - ACCUMULATOR - 2 GALLON |
| 12D | 124184-01-000 | EA | SUPPORT - WATER LINE - BEND |

WATER & SEWAGE GROUP (CONTINUED)
WATER SYSTEM (CONTINUED)



| KEY | PART NUMBER | U/M | DESCRIPTION |
|------|---------------|-----|---|
| 1E | 132148-01-000 | EA | CONNECTOR - 1/2" X 1/2" MPT - BRASS |
| 2E | 132483-01-000 | EA | VALVE/BALL - 1" - THREADED ENDS |
| 3E | 132483-02-000 | EA | VALVE/BALL - 1/2" - BRASS - FPT |
| 4E | 132484-01-000 | EA | ELBOW - 90 DEGREE - 1 MPT X 1 FPT - PLASTIC |
| 5E | 132781-01-000 | EA | ELBOW - 1.3" BARB X 1.3" BARB - 90 DEGREE - PLASTIC |
| 6E | 132782-01-000 | EA | ELBOW - 1" FPT X 1.3" BARB - 90 DEGREE - PLASTIC |
| 7E | 133835-01-000 | EA | ADAPTER - REDUCING - 1 1/2" X 1 1/4" |
| 8E | 133889-01-000 | EA | UNION - 1 1/2" DOUBLE SLIP - PVC |
| 9E | 135386-01-000 | EA | NIPPLE - 1/2" |
| 10E | 136333-01-000 | EA | ADAPTER - BRASS - 1/2" MPT X 1/2" FPT |
| 11E | 140821-01-000 | EA | TUBE - WATER SUPPLY - 3/8" X 24" |
| 11E | 140821-02-000 | EA | TUBE - WATER SUPPLY - 3/8" X 30" |
| 11E | 140821-03-000 | EA | TUBE - WATER SUPPLY - 3/8" X 36" |
| 11E | 140821-04-000 | EA | TUBE - WATER SUPPLY - 3/8" X 48" |
| 11E | 140821-05-000 | EA | TUBE - WATER SUPPLY - 3/8" X 54" |
| 11E | 140821-06-000 | EA | TUBE - WATER SUPPLY - 3/8" X 60" |
| 11E | 140821-07-000 | EA | TUBE - WATER SUPPLY - 3/8" X 72" |
| 11E | 140821-08-000 | EA | TUBE - WATER SUPPLY - 1/2" X 24" |
| 11E | 140821-09-000 | EA | TUBE - WATER SUPPLY - 1/2" X 36" |
| 11E | 140821-10-000 | EA | TUBE - WATER SUPPLY - 1/2" X 48" |
| 12E | 142812-01-000 | EA | ELBOW - BRASS - 1/2" MPT X 1/2" FPT |
| 13E* | 144215-01-000 | EA | PUMP - WATER - 5.7 GPM - W/1/2" MPT |

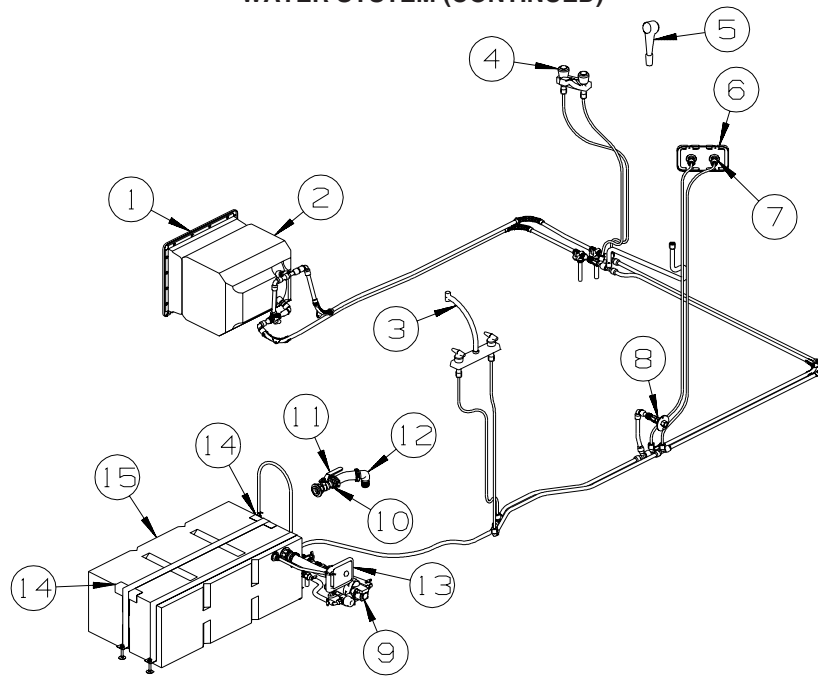
FROM: 00-00-00 THRU: 02-05-06

14E 145609-01-000 EA PLUG - BRASS - 1/2" MPT/HEX HEAD

***COMPONENT PARTS LISTED LATER IN THIS GROUP**

WATER & SEWAGE GROUP (CONTINUED)

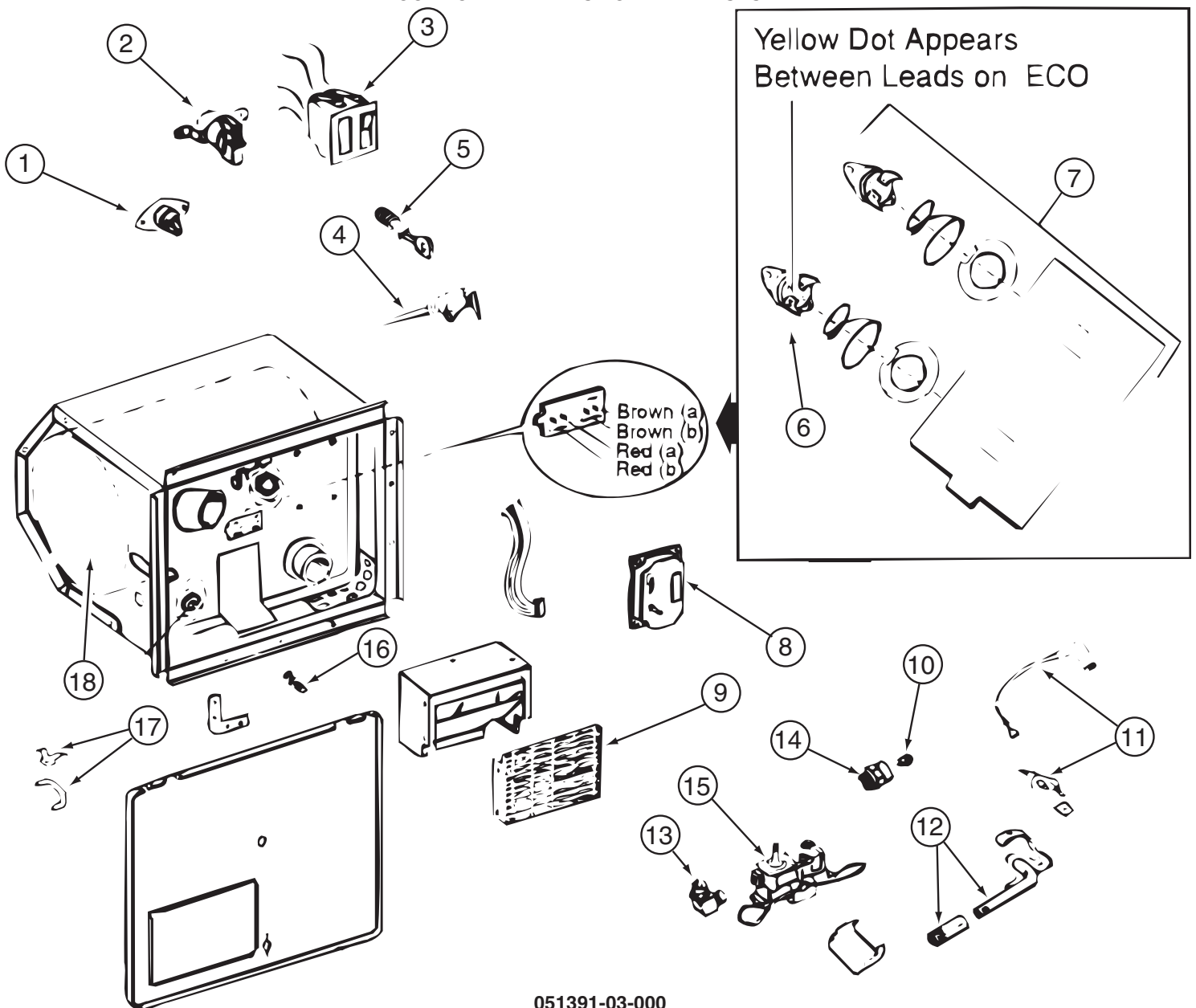
WATER SYSTEM (CONTINUED)



| KEY | PART NUMBER | U/M | DESCRIPTION |
|-----|---------------|-----|---|
| 1 | 052009-06-000 | EA | DOOR - WATER HEATER - BRIGHT WHITE - 18" X 14.6" |
| 2* | 051391-03-000 | EA | WATER HEATER G6A-8E ELECTRONIC IGNITION |
| 3 | 140117-02-01A | EA | FAUCET - GALLEY - DUAL LEVERS - CHROME/CLEAR |
| 4 | 148886-01-01A | EA | FAUCET - LAVATORY/DUAL CONTROL/4" CENTER - CHROME |
| 5 | 131383-01-02A | EA | SHOWER HEAD - W/60" HOSE & BRACKET - WHITE |
| 6 | 075606-03-000 | EA | PANEL - FAUCET SHOWER - SOFT WHITE |
| 7 | 163269-01-02A | EA | FAUCET/SHOWER -.5"MPT W/1.9" INLET PIPES- EXTERIOR/CHROME |
| 8 | 010230-06-000 | EA | FILL - CITY WATER - W/CHECK VALVE - MPT - BRUSHED ALUM |
| 9 | 160702-01-000 | EA | PUMP - WATER - 3.0 GPM - W/1/2" MPT |
| 10 | 044927-02-000 | EA | ADAPTER - REDUCING - 1" MPT X 1.3" BARB - PLASTIC |
| 11 | 132483-01-000 | EA | VALVE/BALL - 1" - THREADED ENDS |
| 12 | 132781-01-000 | EA | ELBOW - 1.3" BARB X 1.3" BARB - 90 DEGREE - PLASTIC |
| 13 | 137169-01-01A | EA | WATER FILL/GRAVITY - W/DOOR - W/O LOCK - BRIGHT WHITE |
| 13 | 137169-02-01A | EA | ADAPTER/LOCK - (WASHER) F/GRAVITY WATERFILL |
| | 138637-62-000 | EA | CAM - LATCHING - DOG LEG - 1" LONG |
| | 138637-52-000 | EA | CASE/CYLINDER - LOCKING - W/O CAM/KEY - .9" |
| | 138637-52-001 | EA | CASE/CYLINDER - LOCKING - W/O CAM/KEY - .9" |
| | 138637-52-002 | EA | CASE/CYLINDER - LOCKING - W/O CAM/KEY - .9" |
| | 138637-52-003 | EA | CASE/CYLINDER - LOCKING - W/O CAM/KEY - .9" |
| | 138637-52-004 | EA | CASE/CYLINDER - LOCKING - W/O CAM/KEY - .9" |
| | 138637-52-005 | EA | CASE/CYLINDER - LOCKING - W/O CAM/KEY - .9" |
| | 138637-52-006 | EA | CASE/CYLINDER - LOCKING - W/O CAM/KEY - .9" |
| | 138637-52-007 | EA | CASE/CYLINDER - LOCKING - W/O CAM/KEY - .9" |
| | 138637-52-008 | EA | CASE/CYLINDER - LOCKING - W/O CAM/KEY - .9" |
| | 138637-52-009 | EA | CASE/CYLINDER - LOCKING - W/O CAM/KEY - .9" |
| | 144474-01-000 | EA | ADAPTER - LOCK - 180 DEGREE |
| 14 | 142053-30-134 | EA | ANGLE-STL,ROOF JOINT,0134 MM - TOP COAT OFF WHITE |
| 15 | 045195-10-000 | EA | TANK - WATER - 27 GALLON - W/FITTINGS - 34.5" X 18" X 12" |
| | 042989-03-000 | EA | FITTING - SPINWELD - 1 1/4"NPT - PLASTIC |
| | 042989-04-000 | EA | FITTING - SPINWELD - 3/8"FPT - PLASTIC |
| | 042989-05-000 | EA | FITTING - SPINWELD - 1/2"FPT - PLASTIC |
| | 042989-08-000 | EA | FITTING - SPINWELD - 1"FPT - PLASTIC |
| | 049032-01-000 | EA | PATCH - SPINWELD - 3/8" - PLASTIC |
| | 077954-02-000 | EA | FILTER - WATER TANK - W/SCREEN IN TANK |

*COMPONENT PARTS LISTED LATER IN THIS GROUP

WATER & SEWAGE GROUP (CONTINUED)
COMPONENT PARTS FOR WATER SYSTEM



051391-03-000

| KEY | PART NUMBER | U/M | DESCRIPTION | VENDOR NO. |
|-----|---------------|-----|-------------------------------|-----------------|
| 3 | 051393-01-701 | EA | SWITCH - REMOTE - W/LIGHT | 91959 |
| 4 | 051391-01-704 | EA | VALVE-RELIEF, 1/2" FITTING | 91604 |
| 4 | 051391-03-701 | EA | VALVE-RELIEF - 3/4" FITTING | 90028 |
| 5 | 051391-01-705 | EA | FASTENER-CAMLOCK | 92609 |
| 6 | 051391-04-701 | EA | THERMOSTAT 12V DC-120 PRESET | 91470 |
| 7 | 051393-01-721 | EA | THERMOSTAT W/ECO, 140 FRT MT | 91447 |
| 9 | 051391-04-707 | EA | KIT-EXHAUST, (FLUE & GASKET) | 90960 |
| 10 | 051391-01-710 | EA | ORIFICE-MAIN BURNER | 92742 |
| 12 | 051391-04-703 | EA | BURNER-MAIN/ELECTRONIC IG | 91638 |
| 13 | 051391-01-714 | EA | FITTING-ELBOW 45,3/8F X 3/8 | MPT 1044 |
| 14 | 051391-03-700 | EA | HOLDER-ORIFICE | 91563 |
| 16 | 051391-01-715 | EA | PLUG-DRAIN, 1 EA = 2 PER PKG | 91857 |
| 17 | 051391-01-700 | EA | HINGE KIT, (PIN & CLIP) | 92568&92559 |
| 18 | 051391-04-706 | EA | TANK-G6A-4E/6E/7E/8E-FRT.MT | 91641 - INNER |
| | 051391-01-717 | EA | GRILLE-WATER HEATER DOOR | 92640 |
| | 051393-01-723 | EA | SWITCH - THERMAL CUTOUT 2/PK | 93866 WAS 93853 |
| | 051393-01-724 | EA | BOARD-CIRCUIT, SPADE TERMINAL | 93865 |
| | 051393-01-725 | EA | ELECTRODE-SGL SPADE CONNECT. | 93868 |
| | 051393-01-726 | EA | VALVE/SOLENOID - W/O BRACKET | 93870 |
| | 111129-01-711 | EA | BRACKET-CORNER, SET OF FOUR | 91928 |

CONTACT WINNEBAGO PARTS SALES FOR UNLISTED COMPONENT(S)

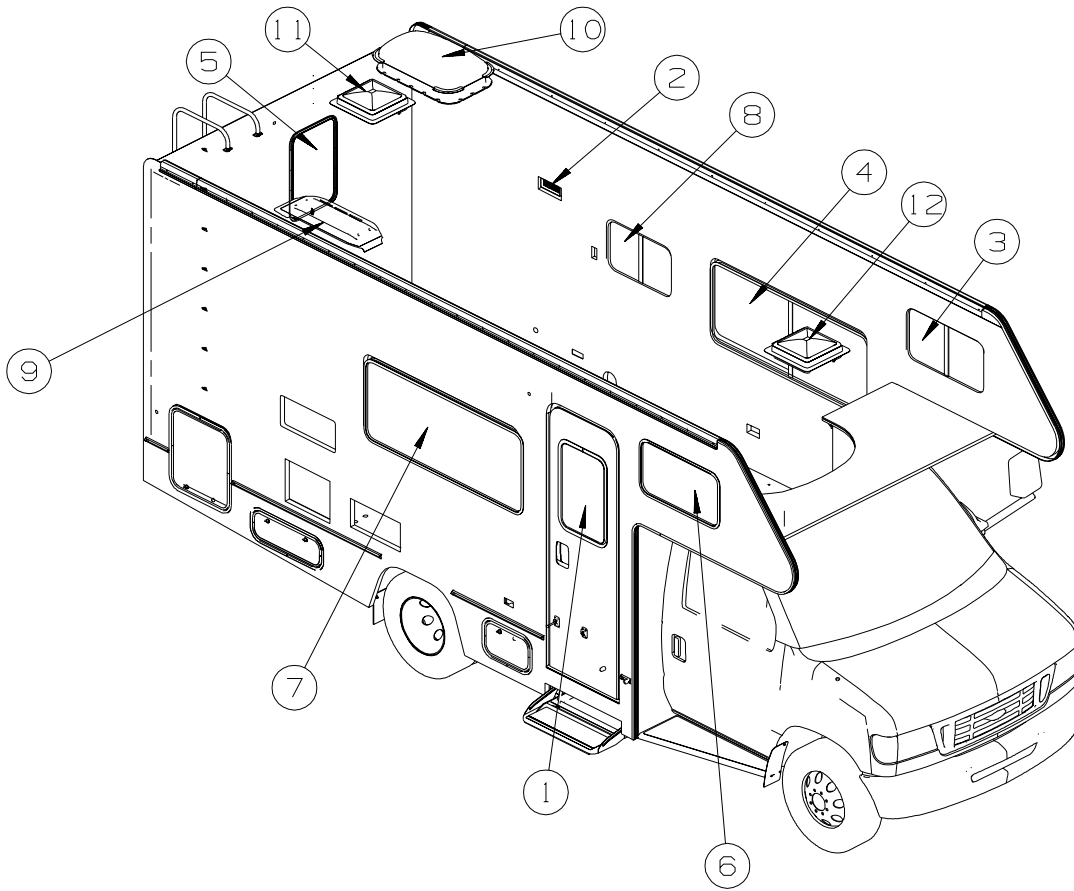
WATER & SEWAGE GROUP (CONTINUED)
COMPONENT PARTS FOR WATER SYSTEM (CONTINUED)

098607-01-000

| KEY | PART NUMBER | U/M | DESCRIPTION | VENDOR NO. |
|------------|--------------------|------------|------------------------------|-------------------|
| | 098607-01-702 | EA | DIAPHRAGM/DRIVE ASSEMBLY KIT | 94-238-04 |
| | 098607-01-703 | EA | VALVE KIT | 94-232-00 |
| | 098607-01-705 | EA | VALVE-CHECK, KIT | 94-237-00 |
| | 098607-01-706 | EA | HOUSING, W/SWITCH ONLY | 94-231-20 |
| | 098607-01-707 | EA | MOTOR W/BASEPLATE | 11-148-04 |

WINDOW & VENTS GROUP

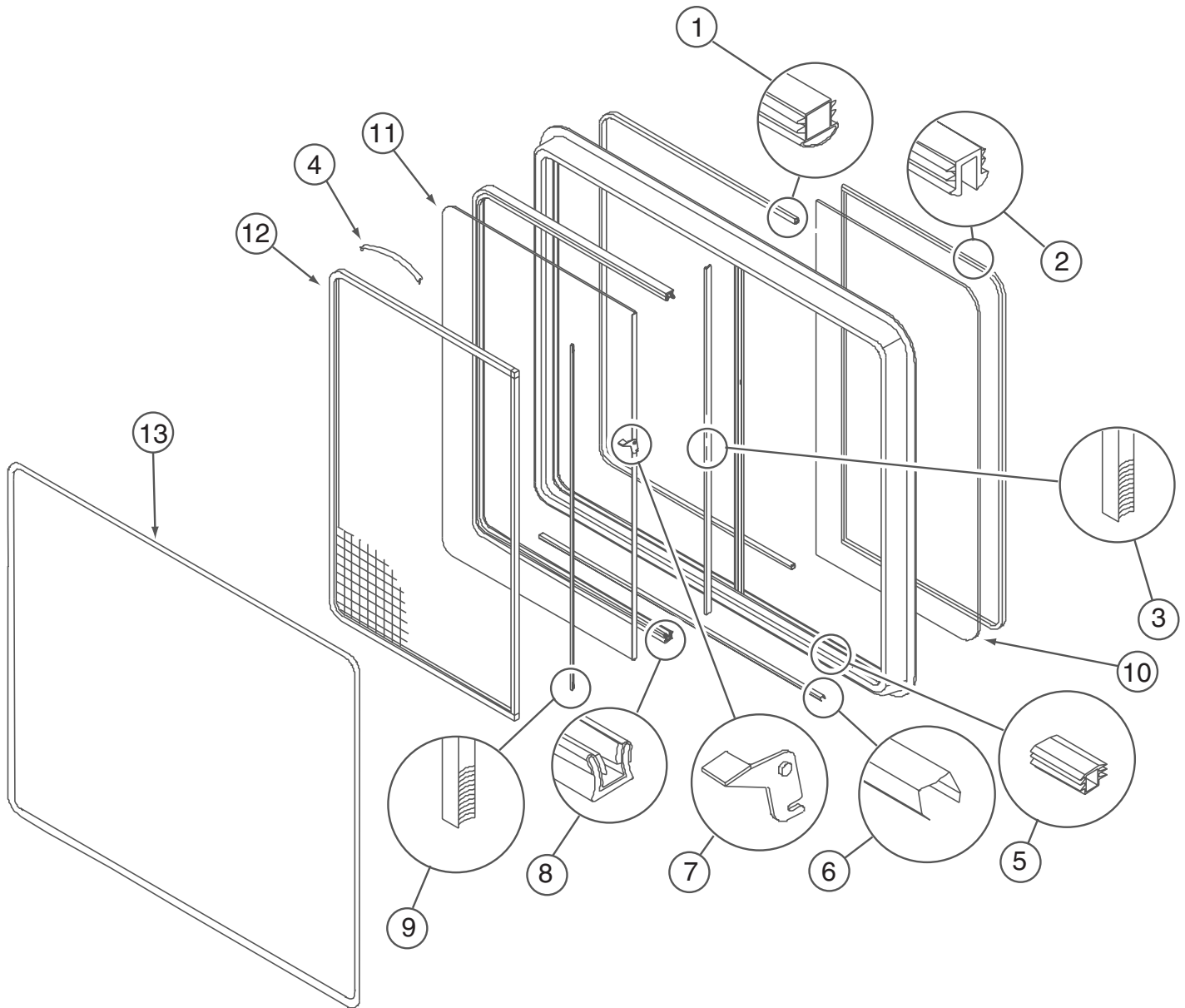
WINDOW & VENT LAYOUT



| KEY | PART NUMBER | U/M | DESCRIPTION |
|-----|---------------|-----|---|
| 1 | 117053-08-S95 | EA | WINDOW - PICTURE/FROSTED - W/O TRIM - 17" X 26.4" |
| | 002181-34-000 | EA | GLASS - PICTURE WINDOW - 25.8"W X 16.4"H - FROSTED |
| | 087561-01-000 | FT | SEAL - GLASS - EXTERIOR - .5" WIDE - VINYL BLACK |
| 1 | 117054-02-03A | EA | TRIM/RETAINER - INSIDE - 16.9" X 26.2" - BLACK |
| 2 | 147821-02-01A | EA | SHROUD - EXHAUST VENT/RANGE HOOD - BRIGHT WHITE |
| 2 | 147821-01-01A | EA | VENT - EXHAUST/RANGE HOOD - BRIGHT WHITE |
| 3* | 098647-32-02A | EA | WINDOW - DRVR HORIZ SLIDER W/TRIM - CLEAR- 15.7" X 28.5" |
| 4* | 098647-68-01A | EA | WINDOW - DRVR HORIZ SLIDER/EGRESS W/TRIM - 57.5" X 23.6" |
| 5 | 117053-04-FB1 | EA | WINDOW - PICTURE/CLEAR - W/O TRIM - 17" X 26.4" |
| | 002181-27-000 | EA | GLASS - PICTURE WINDOW - 25.8"W X 16.4"H - CLEAR |
| | 087561-01-000 | EA | SEAL - GLASS - EXTERIOR - .5" WIDE - VINYL BLACK |
| 5 | 117054-02-03A | EA | TRIM/RETAINER - INSIDE - 16.9" X 26.2" - BLACK |
| 6* | 098647-31-02A | EA | WINDOW - PASS HORIZ SLIDER W/TRIM - CLEAR - 15.7" X 28.5" |
| 7* | 098647-72-01A | EA | WINDOW - PASS HORIZ SLIDER W/TRIM - 23.9" X 57.7" |
| 8* | 098647-67-01A | EA | WINDOW - DRIVER HORIZONTAL SLIDER W/TRIM - 23.7" X 15" |
| 9 | 149508-02-02A | EA | BASE - REFRIGERATOR ROOF VENT - BRIGHT WHITE |
| 9 | 149508-01-02A | EA | CAP - ROOF/REFRIGERATOR VENT - WHITE |
| 10 | 156693-01-01A | EA | PANEL/SKYLIGHT - INNER |
| 10 | 138372-01-02B | EA | TRIM - CORNER - SKYLIGHT - E-COATED |
| 10 | 138379-03-01A | EA | PANEL/SKYLIGHT OTR - RECT/6"H CTR DOME - 18.4"X 29.5"- WHT |
| 11* | 122882-02-01A | EA | VENT - ROOF - W/FAN - W/O INSIDE GARNISH - UL |
| 11* | 122882-03-01A | EA | VENT - ROOF - W/FAN - W/O INSIDE GARNISH - CSA - POWERED VENT - CANADIAN |
| | 009440-01-000 | EA | GEAR/ARM - LIFT - ROOF VENT COVER |
| | 048648-01-000 | EA | MOTOR/ROOF VENT - W/RESISTER - 1/8"SHAFT - 12VOLT |
| | 048649-01-000 | EA | FAN BLADE - ROOF VENT - 6 BLADED - 6"RADIUS |
| 11 | 122882-07-01A | EA | GARNISH - ROOF VENT - 2.5" TO 4.1" |
| 12* | 122882-01-01A | EA | VENT - ROOF - NONPOWERED - W/O INSIDE GARNISH |
| | 009440-01-000 | EA | GEAR/ARM - LIFT - ROOF VENT COVER |
| 12 | 122882-07-01A | EA | GARNISH - ROOF VENT - 2.5" TO 4.1" |

*COMPONENT PARTS LISTED LATER IN THIS GROUP

WINDOW & VENTS GROUP (CONTINUED)
COMPONENT PARTS FOR WINDOW & VENT LAYOUT



098647-27-02A, 098647-28-02A

| KEY | PART NUMBER | U/M | DESCRIPTION | VENDOR NO. |
|-----|---------------|-----|------------------------------|------------|
| 1 | 098644-01-716 | FT | PLUG - FILLER | 132-014470 |
| 2 | 098644-01-705 | FT | GLAZING - STRIP | 132-010231 |
| 3 | 098644-01-706 | FT | WEATHERSTRIP - GLASS | 171-010668 |
| 4 | 098644-01-713 | EA | CLIP - SCREEN - METAL | 226-016966 |
| 4 | 125582-01-701 | EA | CLIP - SCREEN - PLASTIC | 130-005153 |
| 5 | 098644-01-719 | EA | STOP - SLIDER GLASS | 132-014203 |
| 6 | 098644-01-710 | FT | TRACK - SCREEN SPACER 12' | 132-017135 |
| 7 | 098644-01-700 | EA | LATCH - REPAIR KIT (BLACK) | B801-CK |
| 7 | 098647-54-701 | EA | LATCH - REPAIR KIT (RED) | B081-CK |
| 8 | 098644-01-708 | FT | CHANNEL - RUN PIERCED | 122-016543 |
| 9 | 098644-01-711 | FT | WEATHERSTRIP - SCREEN BLACK | 171-016965 |
| 10 | 098647-27-702 | EA | GLASS - STATIONARY | 096-017868 |
| 11 | 098647-27-703 | EA | GLASS-SLIDING W/SASH & LATCH | H287-C8 |
| 12 | 098647-23-704 | EA | SCREEN ASM - W/SEALS & CLIPS | 410-019066 |
| 13 | 098647-27-704 | EA | RETAINER - TRIM | H287-66 |
| | 098644-01-717 | FT | SPLINE - SCREEN | 132-004716 |

WINDOW & VENTS GROUP (CONTINUED)
COMPONENT PARTS FOR WINDOW & VENT LAYOUT (CONTINUED)

098647-29-02A, 098647-30-02A

| KEY | PART NUMBER | U/M | DESCRIPTION | VENDOR NO. |
|------------|--------------------|------------|------------------------------|-------------------|
| 1 | 098644-01-716 | FT | PLUG - FILLER | 132-014470 |
| 2 | 098644-01-705 | FT | GLAZING - STRIP | 132-010231 |
| 3 | 098644-01-706 | FT | WEATHERSTRIP - GLASS | 171-010668 |
| 4 | 098644-01-713 | EA | CLIP - SCREEN - METAL | 226-016966 |
| 4 | 125582-01-701 | EA | CLIP - SCREEN - PLASTIC | 130-005153 |
| 5 | 098644-01-719 | EA | STOP - SLIDER GLASS | 132-014203 |
| 6 | 098644-01-710 | FT | TRACK - SCREEN SPACER 12' | 132-017135 |
| 7 | 098644-01-700 | EA | LATCH - REPAIR KIT (BLACK) | B801-CK |
| 7 | 098647-54-701 | EA | LATCH - REPAIR KIT (RED) | B081-CK |
| 8 | 098644-01-708 | FT | CHANNEL - RUN PIERCED | 122-016543 |
| 9 | 098644-01-711 | FT | WEATHERSTRIP - SCREEN BLACK | 171-016965 |
| 10 | 098647-29-702 | EA | GLASS - STATIONARY | 096-019295 |
| 11 | 098647-29-703 | EA | GLASS-SLIDING W/SASH & LATCH | H172-C8 |
| 12 | 098647-29-704 | EA | SCREEN ASM - W/SEALS & CLIPS | 410-018864 |
| 13 | 098647-29-705 | EA | RETAINER - TRIM | CH04-66 |
| | 098644-01-717 | FT | SPLINE - SCREEN | 132-004716 |

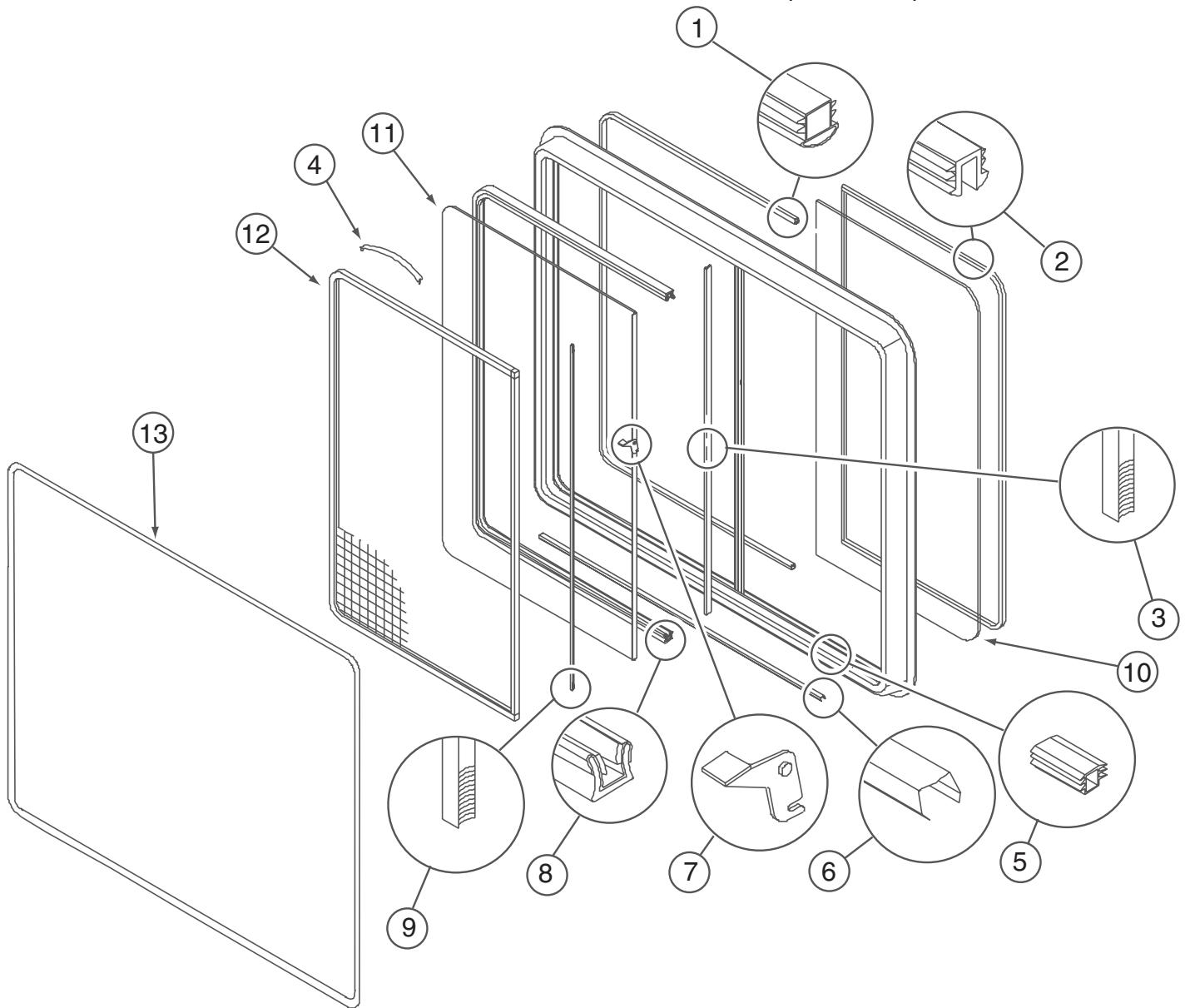
098647-31-02A, 098647-32-02A

| KEY | PART NUMBER | U/M | DESCRIPTION | VENDOR NO. |
|------------|--------------------|------------|------------------------------|-------------------|
| 1 | 098644-01-716 | FT | PLUG - FILLER | 132-014470 |
| 2 | 098644-01-705 | FT | GLAZING - STRIP | 132-010231 |
| 3 | 098644-01-706 | FT | WEATHERSTRIP - GLASS | 171-010668 |
| 4 | 098644-01-713 | EA | CLIP - SCREEN - METAL | 226-016966 |
| 4 | 125582-01-701 | EA | CLIP - SCREEN - PLASTIC | 130-005153 |
| 5 | 098644-01-719 | EA | STOP - SLIDER GLASS | 132-014203 |
| 6 | 098644-01-710 | FT | TRACK - SCREEN SPACER 12' | 132-017135 |
| 7 | 098644-01-700 | EA | LATCH - REPAIR KIT (BLACK) | B801-CK |
| 7 | 098647-54-701 | EA | LATCH - REPAIR KIT (RED) | B081-CK |
| 8 | 098644-01-708 | FT | CHANNEL - RUN PIERCED | 122-016543 |
| 9 | 098644-01-711 | FT | WEATHERSTRIP - SCREEN BLACK | 171-016965 |
| 10 | 098647-31-702 | EA | GLASS - STATIONARY | 096-019299 |
| 11 | 098647-31-703 | EA | GLASS-SLIDING W/SASH & LATCH | H425-C8 |
| 12 | 098647-31-704 | EA | SCREEN ASM - W/SEALS & CLIPS | 410-019128 |
| 13 | 098647-31-705 | EA | RETAINER - TRIM | CH29-66 |
| | 098644-01-717 | FT | SPLINE - SCREEN | 132-004716 |

098647-38-02A

| KEY | PART NUMBER | U/M | DESCRIPTION | VENDOR NO. |
|------------|--------------------|------------|------------------------------|-------------------|
| 1 | 098644-01-716 | FT | PLUG - FILLER | 132-014470 |
| 2 | 098644-01-705 | FT | GLAZING - STRIP | 132-010231 |
| 3 | 098644-01-706 | FT | WEATHERSTRIP - GLASS | 171-010668 |
| 4 | 098644-01-713 | EA | CLIP - SCREEN - METAL | 226-016966 |
| 4 | 125582-01-701 | EA | CLIP - SCREEN - PLASTIC | 130-005153 |
| 5 | 098644-01-719 | EA | STOP - SLIDER GLASS | 132-014203 |
| 6 | 098644-01-710 | FT | TRACK - SCREEN SPACER 12' | 132-017135 |
| 7 | 098644-01-700 | EA | LATCH - REPAIR KIT (BLACK) | B801-CK |
| 7 | 098647-54-701 | EA | LATCH - REPAIR KIT (RED) | B081-CK |
| 8 | 098644-01-708 | FT | CHANNEL - RUN PIERCED | 122-016543 |
| 9 | 098644-01-711 | FT | WEATHERSTRIP - SCREEN BLACK | 171-016965 |
| 10 | 098647 38 702 | EA | GLASS - STATIONARY | 096-017854 |
| 11 | 098647 38 703 | EA | GLASS-SLIDING W/SASH & LATCH | H320-C8 |
| 12 | 098647 38 704 | EA | SCREEN ASM - W/SEALS & CLIPS | 410-019063 |
| 13 | 098647 38 705 | EA | RETAINER - TRIM | H303-66 |
| | 098644-01-717 | FT | SPLINE - SCREEN | 132-004716 |

WINDOW & VENTS GROUP (CONTINUED)
COMPONENT PARTS FOR WINDOW & VENT LAYOUT (CONTINUED)



098647-49-02A

| KEY | PART NUMBER | U/M | DESCRIPTION | VENDOR NO. |
|-----|---------------|-----|------------------------------|------------|
| 1 | 098644-01-716 | FT | PLUG - FILLER | 132-014470 |
| 2 | 098644-01-705 | FT | GLAZING - STRIP | 132-010231 |
| 3 | 098644-01-706 | FT | WEATHERSTRIP - GLASS | 171-010668 |
| 4 | 098644-01-713 | EA | CLIP - SCREEN - METAL | 226-016966 |
| 4 | 125582-01-701 | EA | CLIP - SCREEN - PLASTIC | 130-005153 |
| 5 | 098644-01-719 | EA | STOP - SLIDER GLASS | 132-014203 |
| 6 | 098644-01-710 | FT | TRACK - SCREEN SPACER 12' | 132-017135 |
| 7 | 098644-01-700 | EA | LATCH - REPAIR KIT (BLACK) | B801-CK |
| 7 | 098647-54-701 | EA | LATCH - REPAIR KIT (RED) | B081-CK |
| 8 | 098644-01-708 | FT | CHANNEL - RUN PIERCED | 122-016543 |
| 9 | 098644-01-711 | FT | WEATHERSTRIP - SCREEN BLACK | 171-016965 |
| 10 | 098647-49-700 | EA | GLASS - STATIONARY | 096-012066 |
| 11 | 098647-49-701 | EA | GLASS-SLIDING W/SASH & LATCH | B969-G8 |
| 12 | 112795-56-702 | EA | SCREEN ASM - W/SEALS & CLIPS | 410-019414 |
| 13 | 098647-49-702 | EA | RETAINER - TRIM | H969-66 |
| | 098644-01-717 | FT | SPLINE - SCREEN | 132-004716 |

WINDOW & VENTS GROUP (CONTINUED)
COMPONENT PARTS FOR WINDOW & VENT LAYOUT (CONTINUED)

098647-67-01A

| KEY | PART NUMBER | U/M | DESCRIPTION | VENDOR NO. |
|------------|--------------------|------------|------------------------------|-------------------|
| 1 | 098644-01-716 | FT | PLUG - FILLER | 132-014470 |
| 2 | 098644-01-705 | FT | GLAZING - STRIP | 132-010231 |
| 3 | 098644-01-706 | FT | WEATHERSTRIP - GLASS | 171-010668 |
| 4 | 098644-01-713 | EA | CLIP - SCREEN - METAL | 226-016966 |
| 4 | 125582-01-701 | EA | CLIP - SCREEN - PLASTIC | 130-0 |
| 5 | 098644-01-719 | EA | STOP - SLIDER GLASS | 132-014203 |
| 6 | 098644-01-710 | FT | TRACK - SCREEN SPACER 12' | 132-017135 |
| 7 | 098644-01-700 | EA | LATCH - REPAIR KIT (BLACK) | B801-CK |
| 7 | 098647-54-701 | EA | LATCH - REPAIR KIT (RED) | B081-CK |
| 8 | 098644-01-708 | FT | CHANNEL - RUN PIERCED | 122-016543 |
| 9 | 098644-01-711 | FT | WEATHERSTRIP - SCREEN BLACK | 171-016965 |
| 10 | 098647-49-700 | EA | GLASS - STATIONARY | 096-012066 |
| 11 | 098647-67-700 | EA | GLASS-SLIDING W/SASH & LATCH | B969-G8 |
| 12 | 112795-56-702 | EA | SCREEN ASM - W/SEALS & CLIPS | 410-019414 |
| 13 | 112795-56-704 | EA | RETAINER - TRIM | H969-66 |
| | 098644-01-717 | FT | SPLINE - SCREEN | 132-004716 |

CONTACT WINNEBAGO PART SALES FOR UNLISTED COMPONENTS

098647-68-01A

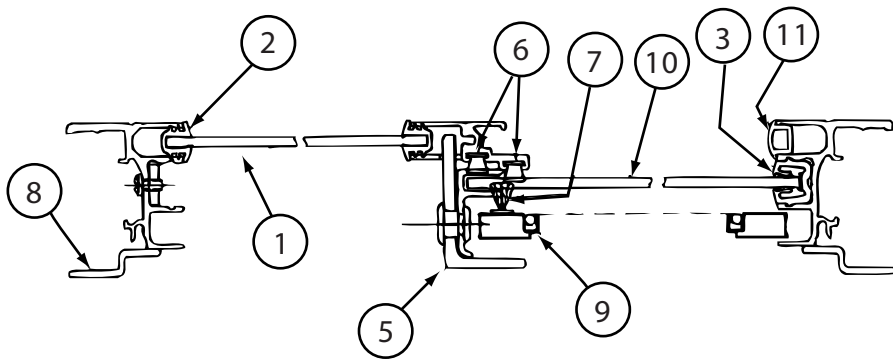
| KEY | PART NUMBER | U/M | DESCRIPTION | VENDOR NO. |
|------------|--------------------|------------|------------------------------|-------------------|
| 1 | 098644-01-716 | FT | PLUG - FILLER | 132-014470 |
| 2 | 098644-01-705 | FT | GLAZING - STRIP | 132-010231 |
| 3 | 098644-01-706 | FT | WEATHERSTRIP - GLASS | 171-010668 |
| 4 | 098644-01-713 | EA | CLIP - SCREEN - METAL | 226-016966 |
| 4 | 125582-01-701 | EA | CLIP - SCREEN - PLASTIC | 130-0 |
| 5 | 098644-01-719 | EA | STOP - SLIDER GLASS | 132-014203 |
| 6 | 098644-01-710 | FT | TRACK - SCREEN SPACER 12' | 132-017135 |
| 7 | 098644-01-700 | EA | LATCH - REPAIR KIT (BLACK) | B801-CK |
| 7 | 098647-54-701 | EA | LATCH - REPAIR KIT (RED) | B081-CK |
| 8 | 098644-01-708 | FT | CHANNEL - RUN PIERCED | 122-016543 |
| 9 | 098644-01-711 | FT | WEATHERSTRIP - SCREEN BLACK | 171-016965 |
| 10 | 098647-68-700 | EA | GLASS - STATIONARY | 096-029585 |
| 11 | 098647-68-701 | EA | GLASS-SLIDING W/SASH & LATCH | |
| 12 | 098647-47-702 | EA | SCREEN ASM - W/SEALS & CLIPS | 410-025226 |
| 13 | 098647-47-704 | EA | RETAINER - TRIM | H493-66 |
| | 098644-01-717 | FT | SPLINE - SCREEN | 132-004716 |

ART NOT YET AVAILABLE

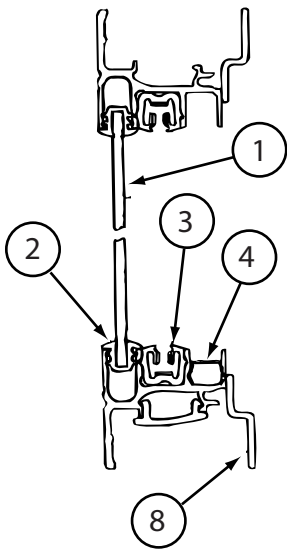
098647-72-01A

| KEY | PART NUMBER | U/M | DESCRIPTION | VENDOR NO. |
|------------|--------------------|------------|------------------------------|-------------------|
| 1 | 098647-74-700 | EA | GLASS - STATIONARY | 106-025224 |
| 2 | 098644-01-705 | FT | GLAZING - STRIP | 132-010231 |
| 3 | 098644-01-708 | FT | CHANNEL - RUN PIERCED | 122-016543 |
| 4 | 098644-01-710 | FT | TRACK - SCREEN SPACER 12' | 132-017135 |
| 5 | 098644-01-700 | EA | LATCH - REPAIR KIT (BLACK) | B801-CK |
| 6 | 098644-01-706 | EA | WEATHERSTRIP - GLASS | 171-010668 |
| 7 | 098644-01-711 | FT | WEATHERSTRIP - SCREEN BLACK | 171-016965 |
| 8 | 098647-74-704 | EA | RETAINER - TRIM | H493-66 |
| 9 | 098647-74-702 | EA | SCREEN ASM - W/SEALS & CLIPS | 410-025226 |
| 10 | 098647-74-701 | EA | GLASS-SLIDING W/SASH & LATCH | H493-G9 |
| 11 | 098644-01-716 | FT | PLUG - FILLER | 132-014470 |
| 12 | 125582-01-701 | EA | CLIP - SCREEN - PLASTIC | 130-005153 |
| 13 | 098644-01-719 | EA | STOP - SLIDER GLASS | 132-014203 |

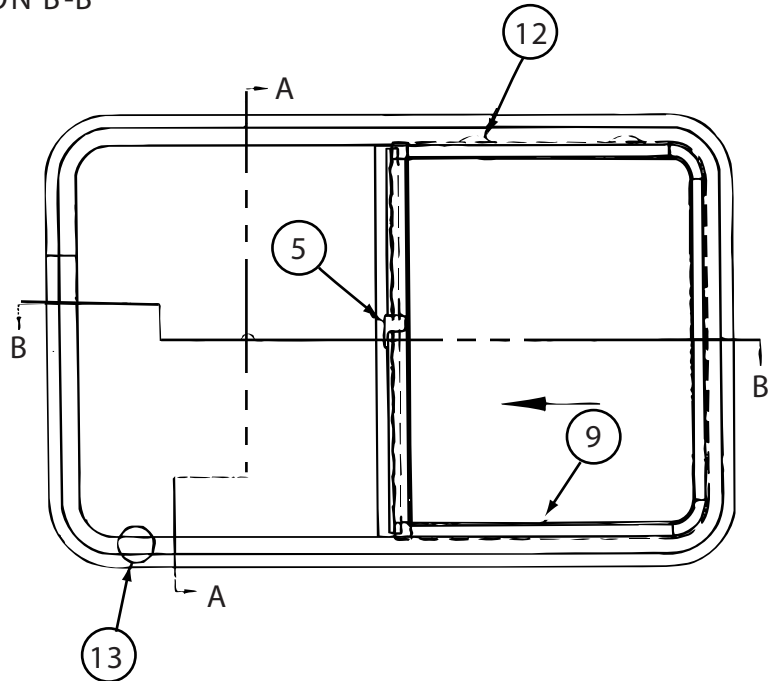
WINDOW & VENTS GROUP (CONTINUED)
COMPONENT PARTS FOR WINDOW & VENT LAYOUT (CONTINUED)



CROSS SECTION B-B



CROSS SECTION A-A



098647-74-01A

| KEY | PART NUMBER | U/M | DESCRIPTION | VENDOR NO. |
|-----|---------------|-----|------------------------------|------------|
| 1 | 098647-68-701 | EA | GLASS - STATIONARY | 096-029585 |
| 2 | 098644-01-705 | FT | GLAZING - STRIP | 132-010231 |
| 3 | 098644-01-708 | FT | CHANNEL - RUN PIERCED | 122-016543 |
| 4 | 098644-01-710 | FT | TRACK - SCREEN SPACER 12' | 132-017135 |
| 5 | 098644-01-700 | EA | LATCH - REPAIR KIT (BLACK) | B801-CK |
| 6 | 098644-01-706 | FT | WEATHERSTRIP - GLASS | 171-010668 |
| 7 | 098644-01-711 | FT | WEATHERSTRIP - SCREEN BLACK | 171-016965 |
| 8 | 098647-47-704 | EA | RETAINER - TRIM | H493-66 |
| 9 | 098647-47-702 | EA | SCREEN ASM - W/SEALS & CLIPS | 410-025226 |
| 10 | 098647-74-700 | EA | GLASS SLIDING W/SASH & LATCH | H493C8 |
| 11 | 098644-01-716 | FT | PLUG - FILLER | 132-014470 |
| 12 | 125582-01-701 | EA | CLIP - SCREEN - PLASTIC | 130-005153 |
| 13 | 098644-01-719 | EA | STOP - SLIDER GLASS | 132-014203 |

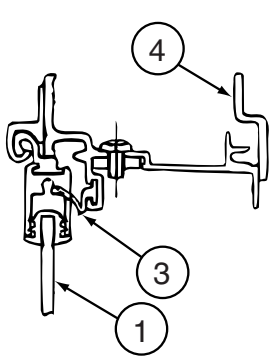
122882-01-01A

| KEY | PART NUMBER | U/M | DESCRIPTION | VENDOR NO. |
|-----|---------------|-----|------------------------|------------|
| | 064470-01-700 | EA | COVER - VENT | J7291 |
| | 064470-01-701 | EA | SLIDE BAR - VENT LID | JRP1291B |
| | 122882-01-700 | EA | HANDLE - CRANK - BLACK | 90128 |
| | 122882-01-701 | EA | SCREEN | JRP-1124-B |
| | 122882-01-702 | EA | HANDLE - CRANK - WHITE | JRP1031B |

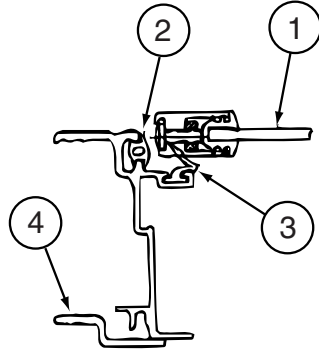
WINDOW & VENTS GROUP (CONTINUED)
COMPONENT PARTS FOR WINDOW & VENT LAYOUT (CONTINUED)

122882-02-01A, 122882-03-01A

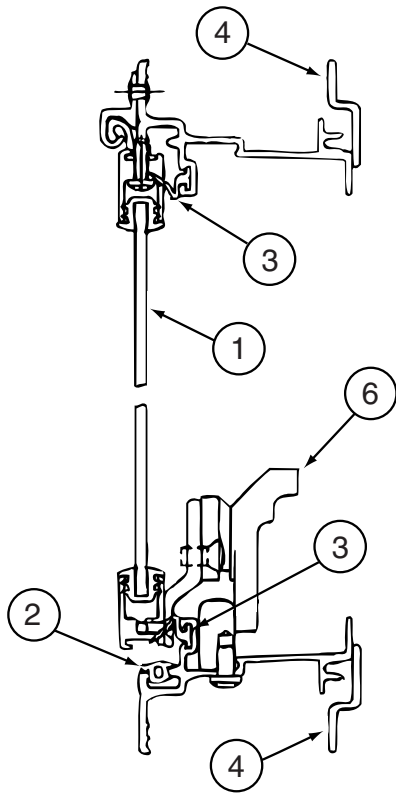
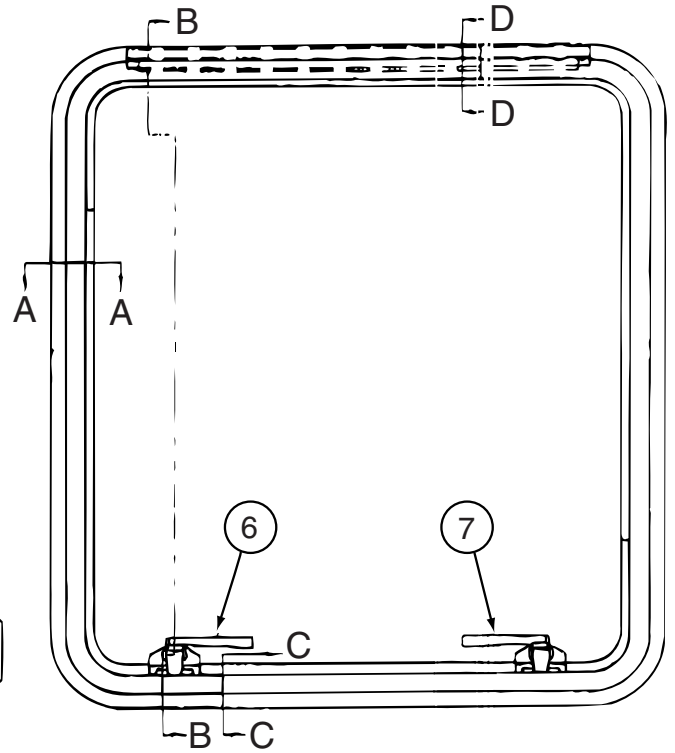
| KEY | PART NUMBER | U/M | DESCRIPTION | VENDOR NO. |
|-----|---------------|-----|--------------------------|------------|
| | 064470-01-700 | EA | COVER - VENT | J7291 |
| | 064470-01-701 | EA | SLIDE BAR - VENT LID | JRP1291B |
| | 110051-03-700 | EA | SWITCH-BLACK/PUSH BUTTON | 27-0164 |
| | 122882-01-700 | EA | HANDLE - CRANK - BLACK | 90128 |
| | 122882-01-701 | EA | SCREEN | JRP-1124-B |
| | 122882-01-702 | EA | HANDLE - CRANK - WHITE | JRP1031B |



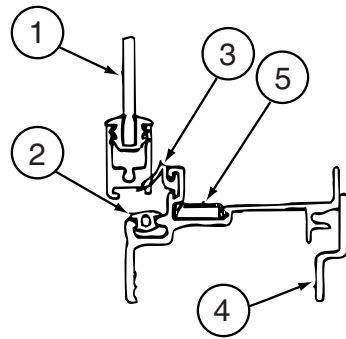
CROSS SECTION D-D



CROSS SECTION A-A



CROSS SECTION B-B



CROSS SECTION C-C

151075-02-01A

| KEY | PART NUMBER | U/M | DESCRIPTION | VENDOR NO |
|-----|---------------|-----|--------------------------|------------|
| 1 | 151075-02-700 | EA | GLASS-STATIONARY-SUB ASM | H955G9 |
| 2 | 116976-01-702 | FT | FILLER PLUG | 132-016065 |
| 3 | 100322-01-701 | FT | SEAL-VENT | 122-016071 |
| 4 | 151075-02-701 | EA | RETAINER - TRIM | H955-53 |
| 5 | 108929-01-706 | EA | COVER - DRAIN SLOT | 132-016064 |
| 6 | 137867-05-707 | EA | LOCK/CAM - LEFT | 182-011294 |
| 7 | 137867-05-706 | EA | LOCK/CAM - RIGHT | 182-011293 |